

PREVOST
COACH MANUFACTURER

PARTS MANUAL

H3-40 & V.I.P. 40

PA1100

10-2022

H3-40 & V.I.P. 40 PARTS MANUAL

General information

A. Vehicle Identification Number (V.I.N.)

Each time spare parts have to be ordered, you must refer to your vehicle identification number serial number. In order to understand the meaning of this number, please refer to the following:

2 P C H 3 3 4 9 5 M 1 0 1 090

H = VEHICLE MODEL
0 = VEHICLE LENGHT
M = MODEL YEAR
090 = SEQUENCE NUMBER

Vehicle Model

This manual covers vehicle model H3-40 coaches and VIP bus shells.

| | |
|----------|------------------|
| H | H3-40 |
| V | V.I.P. Bus shell |

Vehicle Length

| | |
|----------|---------|
| 0 | 40 feet |
|----------|---------|

Model Year

| YEAR | CODE | YEAR | CODE |
|-------------|-------------|-------------|-------------|
| 1990 | L | 1993 | P |
| 1991 | M | 1994 | R |
| 1992 | N | | |

Sequence Number

This number represents the sequence the vehicle has followed on the assembly line. The sequence number is represented by the last three digits.

B. Effectivity

This manual covers information for ALL vehicles from the first H3-40 and VIP40 model to the last.

The heading of each page in this manual refers to an effectivity serial number and in the parts description, you may find additional information on the effectivity of a specific part to a serial number (refer to EFF:).

In the description, you may also remark the expression PRIOR which means that a component is effective to the vehicles manufactured before the specified serial number (refer to PRIOR:).

WARNING: Those vehicles from the sequence number R-379 to R-399 was built before the R-001 to up. Because, we were changing the letter before the reset of the sequence.

PARTS MANUAL

C. Illustrations

An exploded view is conveniently located at the beginning of each section and is meant to assist the user in identifying parts and components.

The illustrations show the typical construction of the different assemblies and , in all cases, may not reproduced the full detail or exact shape of parts shown, however, they represent parts which have same or similar function.

D. General

The information, illustrations and components/system descriptions contained in this manual are correct at time of publication. Prévost Car Inc., however, maintains a policy of continuous improvement of its product without imposing upon itself any obligation to install them on products previously manufactured.

Prévost Car Inc., reserves the right at any time to discontinue or change specifications, designs, features, models or equipment without incurring obligation.

PARTS MANUAL

E. Parts and Service Center

CANADA

| | | | |
|---|---|---|---|
| Canadian Parts Customer Service 2955-A Watt Street Québec, Québec Canada, G1X 3W1 | Toll free phone: 1 (800) 463-8876 Tel.: (418) 654-0174 Fax: (800) 939-0133 Fax: (418) 658-1723 | Service Center British Columbia 11911 No. 5 Road Richmond, British Columbia Canada, V7A 4E9 | Tel.: (604) 940-3306 Fax: (604) 940-3384 |
| Service Center 850 Chemin Olivier Saint-Nicolas, Quebec Canada G7A 2N1 | Toll free phone: 1 866 870-2046 Tel.: (418) 831-2046 Fax: (418) 831-7432 | Service Ontario 8301-A Keele Street Vaughan, Ontario Canada, L4K 1Z6 | Tel.: (905) 738-0881 Fax: (905) 738-0891 |
| Service Center Alberta 292 MacDonald Crescent Fort McMurray, Alberta Canada T9H 4B6 | Tel.: (780) 792-9526 Fax: (780) 743-0983 | | |

UNITED STATES

| | | | |
|--|--|--|--|
| US Parts Customer Service 2250 Point Blvd., Suite 410 Elgin, IL USA, 60123 | Toll free phone 1 800 799-9938 Main office (847) 844-7680 Parts 1 800 621-5519 | Prevost Parts & Service Center 800 South Cartwright Street Goodlettsville, TN USA, 37072 | Toll free phone 1 877 299-8881 Main office (615) 299-8881 Fax: (615) 299-8816 After-Hours (615) 519-1372 Parts Emergency |
| Prevost Parts & Service Center 3384 De Forest Circle Mira Loma, CA USA, 91752 | Toll free phone 1 800 421-9958 Main office (951) 360-2550 Fax: (951) 360-2560 After-Hours (951) 314-0226 Parts Emergency | Prevost Parts & Service Center 201 South Avenue South Plainfield, NJ USA, 07080 | Toll free phone 1 800 223-0830 Main office (908) 222-7211 Fax: (908) 222-7304 Fax parts (908) 222-7305 After-Hours (201) 315-4064 Parts Emergency |
| Prevost Parts & Service Center 6821 Central Avenue, Newark, CA USA, 94560 | Main office (310) 283-1852 After-Hours: (951) 314-0226 Parts Emergency | Prevost Parts & Service Center 15200 Frye Road Fort Worth, TX USA, 76155-2702 | Service/Parts 1 866 773-8678 Main office (817) 685-0250 Fax : (817) 685-0460 After-Hours (817) 271-8653 Parts Emergency |
| Prevost Parts & Service Center 6931 Business Park Blvd North Jacksonville, FL USA, 32256 | Toll free phone 1 800 874-7740 Main office (904) 886-4555 Fax: (904) 886-0092 After-Hours (904) 412-8023 Parts Emergency | Prevost Parts & Service Center 11851 Cutten Road Houston, TX USA, 77066 | Service/Parts 1 877 602-0273 Main office (713) 849-8562 Fax: (281) 315-1571 After-Hours (346) 333-5520 Parts Emergency |
| Prevost Parts & Service Center 1300 Green Forest Court Winter Garden, FL USA, 34787 | Toll free phone 1 866 726-6235 Main office (407) 554-0196 After-Hours: (407) 259-5720 Parts Emergency | Prevost Parts & Service Center 3715 N. Carnation St. Franklin Park, IL USA, 60131 | Main office (847) 778-7475 Fax: (847) 737-2242 After-Hours 1 800 463-7738 Parts Emergency |

PARTS MANUAL

KEY & ABBREVIATIONS

| | | | |
|------------------------|--|------------------------|---|
| (XXXX-XX) | SEE PAGE | N/A | NOT AVAILABLE |
| <> | BETWEEN | NEG. | NEGATIVE |
| ° | DEGREE | N.O. | NORMALLY OPEN |
| # | NUMBER | N.C. | NORMALLY CLOSE |
| ?? | INFORMATION NOT AVAILABLE AT TIME OF PUBLICATION | N.P.N. | NO PARTS NUMBER |
| ABS | ANTILOCK BRAKING SYSTEM | NPT | NATIONAL PIPE THREAD |
| AR | AS REQUIRED | NS | NOT SHOWN |
| ASSY | ASSEMBLY | N.S.P. | NOT SOLD AT PREVOST (SEE MANUFACTURING PART NUMBER AT THE END OF DESCRIPTION LINE) |
| CCW | COUNTERCLOCKWISE | N.S.S. | NOT SOLD SEPARATELY |
| C.E. | COMMUTATOR END | O.D. | OUTSIDE DIAMETER |
| CHR | CHROME | OPT. | OPTION |
| CW | CLOCKWISE | O.S. | OVERSIZE |
| CYL. | CYLINDER | PH | PHILLIPS |
| C/C | CENTER/CENTER | POS. | POSITIVE |
| D.E. | DRIVE END | RR | REAR |
| DIA. | DIAMETER | S.C.C. | SPECIFY COLOR CODE |
| DIFF. | DIFFERENTIAL | SCT | SECTION |
| D.P.D.T. | DOUBLE POLE DOUBLE THROW | S.D. | SPECIFY DIMENSION |
| ECU | ELECTRONIC CONTROL UNIT | S.L. | SPECIFY LENGHT |
| EDU | ELECTRONIC DISTRIBUTOR UNIT | SM | SMALL |
| EFF | EFFECTIVE | S.P.S.T. | SINGLE POLE SINGLE THROW |
| ENG. | ENGINE | S.P.D.T. | SINGLE POLE DOUBLE THROW |
| EXT | EXTERNAL | S.Q. | SPECIFY QUANTITY |
| FR | FRONT | SS | STAINLESS STEEL |
| GND | GROUND | STD | STANDARD |
| HD | HEAD | STO | STOVER |
| HEX | HEXAGONAL | SW | SWIVEL |
| H.P. | HIGH PRESSURE | SWL FITT. | SWIVEL FITTING |
| HVAC | HEATING, VENTILATION & AIR CONDITIONING | TPG | TAPING |
| HYD | HYDRAULIC | TH | THICKNESS |
| I.D. | INSIDE DIAMETER | TRANS. | TRANSMISSION |
| INT | INTERNAL | TXV | THERMAL EXPANSION VALVE |
| JCT | JUNCTION | U.S. | UNDERSIZE |
| LED | LIGHT-EMITTING DIODE | W | WITH |
| L.P. | LOW PRESSURE | W/O | WITHOUT |
| LUGG. | LUGGAGE | WIND. | WINDOW |
| M & F | MALE & FEMALE | ZP | ZINC PLATED |

PARTS MANUAL

MEASUREMENT EQUIVALENTS

Fraction - Inches (dec.) - Millimeter

25.4mm = 1 inch

1mm = .03937 inch

| fraction | decimal | mm | fraction | decimal | mm |
|-----------------|----------------|-----------|-----------------|----------------|-----------|
| 1/64 | 0.0156 | 0.397 | 33/64 | 0.5156 | 13.097 |
| 1/32 | 0.0313 | 0.794 | 17/32 | 0.5313 | 13.494 |
| - | 0.0394 | 1 | 35/64 | 0.5469 | 13.891 |
| 3/64 | 0.0469 | 1.191 | - | 0.5512 | 14 |
| 1/16 | 0.0625 | 1.588 | 9/16 | 0.5625 | 14.288 |
| 5/64 | 0.0781 | 1.984 | 37/64 | 0.5781 | 14.684 |
| - | 0.0787 | 2 | - | 0.5906 | 15 |
| 3/32 | 0.0938 | 2.381 | 19/32 | 0.5938 | 15.081 |
| 7/64 | 0.1093 | 2.778 | 39/64 | 0.6094 | 15.478 |
| - | 0.1181 | 3 | 5/8 | 0.6250 | 15.875 |
| 1/8 | 0.1250 | 3.175 | - | 0.6299 | 16 |
| 9/64 | 0.1406 | 3.572 | 41/64 | 0.6406 | 16.272 |
| 5/32 | 0.1563 | 3.969 | 21/32 | 0.6563 | 16.669 |
| - | 0.1575 | 4 | - | 0.6693 | 17 |
| 11/64 | 0.1719 | 4.366 | 43/64 | 0.6719 | 17.066 |
| 3/16 | 0.1875 | 4.762 | 11/16 | 0.6875 | 17.462 |
| - | 0.1969 | 5 | 45/64 | 0.7031 | 17.859 |
| 13/64 | 0.2031 | 5.159 | - | 0.7087 | 18 |
| 7/32 | 0.2188 | 5.556 | 23/32 | 0.7188 | 18.256 |
| 15/64 | 0.2344 | 5.953 | 47/64 | 0.7344 | 18.653 |
| - | 0.2362 | 6 | - | 0.7480 | 19 |
| 1/4 | 0.2500 | 6.350 | 3/4 | 0.7500 | 19.050 |
| 17/64 | 0.2656 | 6.747 | 49/64 | 0.7656 | 19.447 |
| - | 0.2756 | 7 | 25/32 | 0.7813 | 19.844 |
| 9/32 | 0.2813 | 7.144 | - | 0.7874 | 20 |
| 19/64 | 0.2969 | 7.541 | 51/64 | 0.7969 | 20.241 |
| 5/16 | 0.3125 | 7.938 | 13/16 | 0.8125 | 20.638 |
| - | 0.3150 | 8 | - | 0.8268 | 21 |
| 21/64 | 0.3281 | 8.334 | 53/64 | 0.8281 | 21.034 |
| 11/32 | 0.3438 | 8.731 | 27/32 | 0.8438 | 21.431 |
| - | 0.3543 | 9 | 55/64 | 0.8594 | 21.828 |
| 23/64 | 0.3594 | 9.128 | - | 0.8661 | 22 |
| 3/8 | 0.3750 | 9.525 | 7/8 | 0.8750 | 22.225 |
| 25/64 | 0.3906 | 9.922 | 57/64 | 0.8096 | 22.622 |
| - | 0.3937 | 10 | - | 0.9055 | 23 |
| 13/32 | 0.4063 | 10.319 | 29/32 | 0.9063 | 23.019 |
| 27/64 | 0.4219 | 10.716 | 59/64 | 0.9219 | 23.416 |
| - | 0.4331 | 11 | 15/16 | 0.9375 | 23.812 |
| 7/16 | 0.4375 | 11.112 | - | 0.9449 | 24 |
| 29/64 | 0.4531 | 11.509 | 61/64 | 0.9531 | 24.209 |
| 15/32 | 0.4688 | 11.906 | 31/32 | 0.9688 | 24.606 |
| - | 0.4724 | 12 | - | 0.9843 | 25 |
| 31/64 | 0.4844 | 12.303 | 63/64 | 0.9844 | 25.003 |
| 12 | 0.5000 | 12.700 | 1/1 | 1 | 25.400 |
| - | 0.5118 | 13 | - | - | - |

PARTS MANUAL

TABLE OF CONTENTS

| | |
|----------------------------|----|
| GENERAL | 00 |
| ENGINE | 01 |
| CLUTCH | 02 |
| FUEL | 03 |
| EXHAUST | 04 |
| COOLING | 05 |
| ELECTRICAL | 06 |
| TRANSMISSION | 07 |
| PROPELLER SHAFT | 09 |
| FRONT AXLE | 10 |
| REAR AXLE | 11 |
| BRAKE | 12 |
| WHEEL, HUBS & TIRES | 13 |
| STEERING | 14 |
| SUSPENSION | 16 |
| BODY | 18 |
| HEATING & AIR CONDITIONING | 22 |
| ACCESSORIES | 23 |
| WHEEL CHAIR LIFT | 25 |

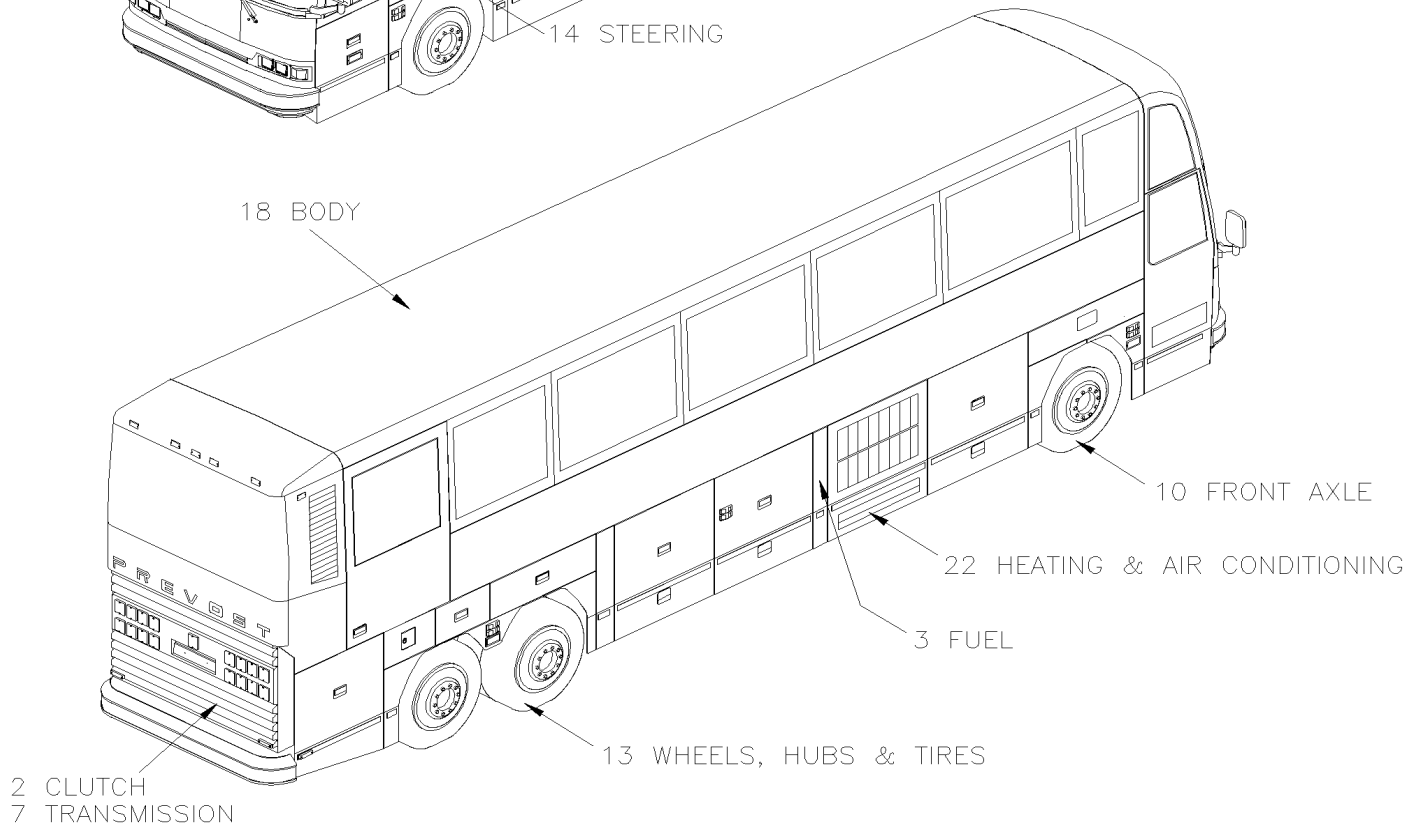
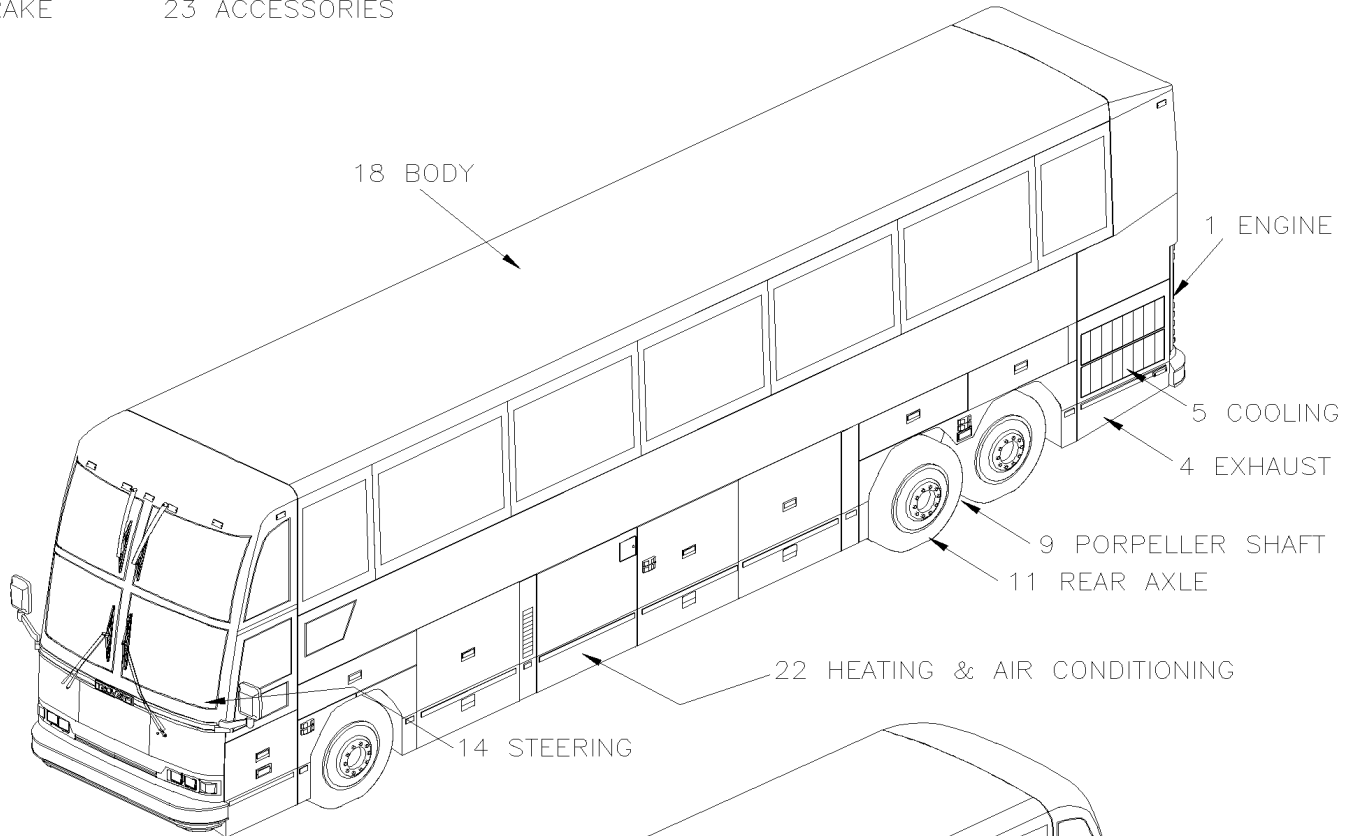
PARTS MANUAL

To have more information about fast moving parts, place an order for the book PA-1105 to your nearest parts order desk.

Thank you!

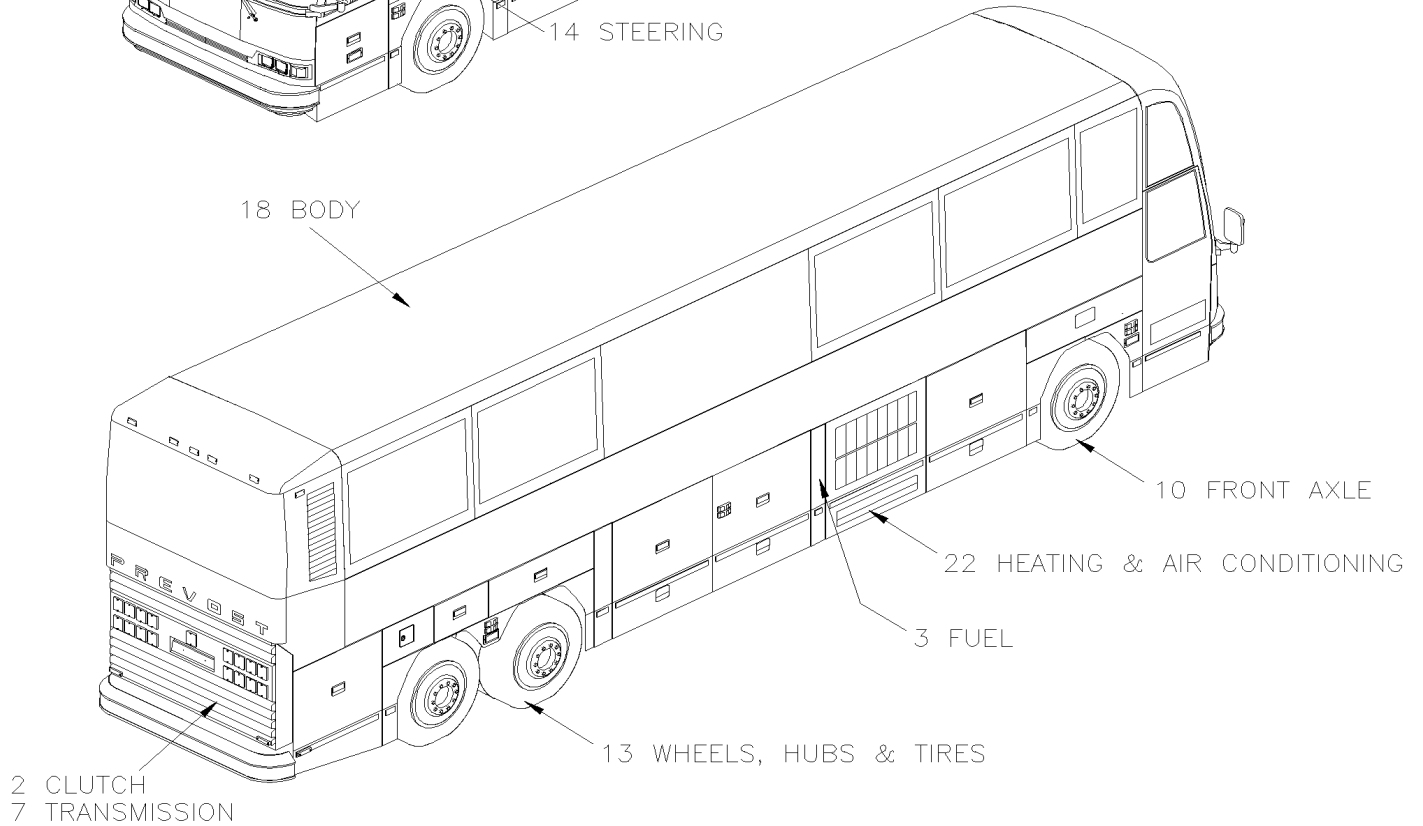
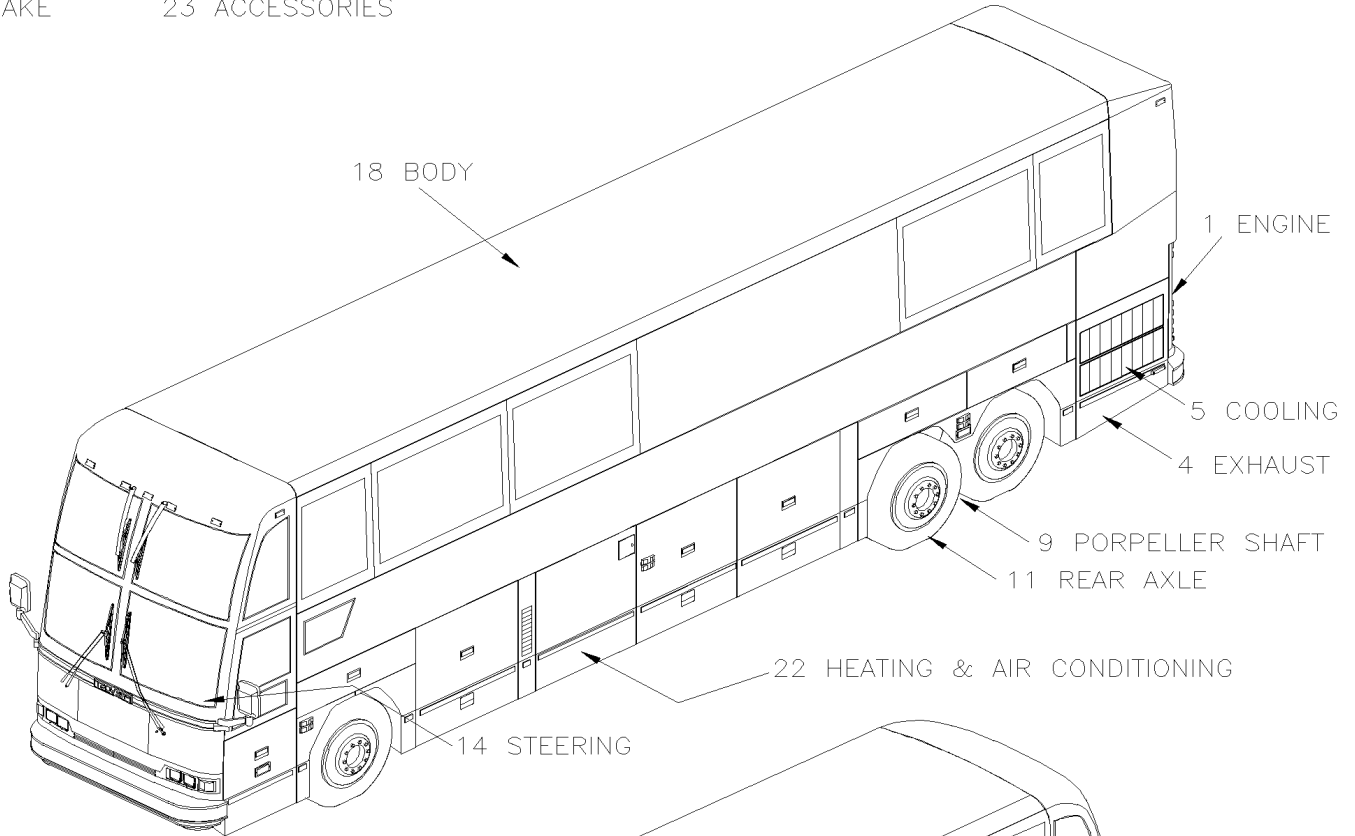
| | | |
|--|--------------|----------------------|
| | Date:10/2022 | PAGE: H3-1989 @ 1993 |
| H3-40 & VIP-40 / 1989 - 1993 / VIN FROM L-029 TO R-079 | | |

- 6 ELECTRICAL
- 12 BRAKE
- 16 SUSPENSION
- 23 ACCESSORIES



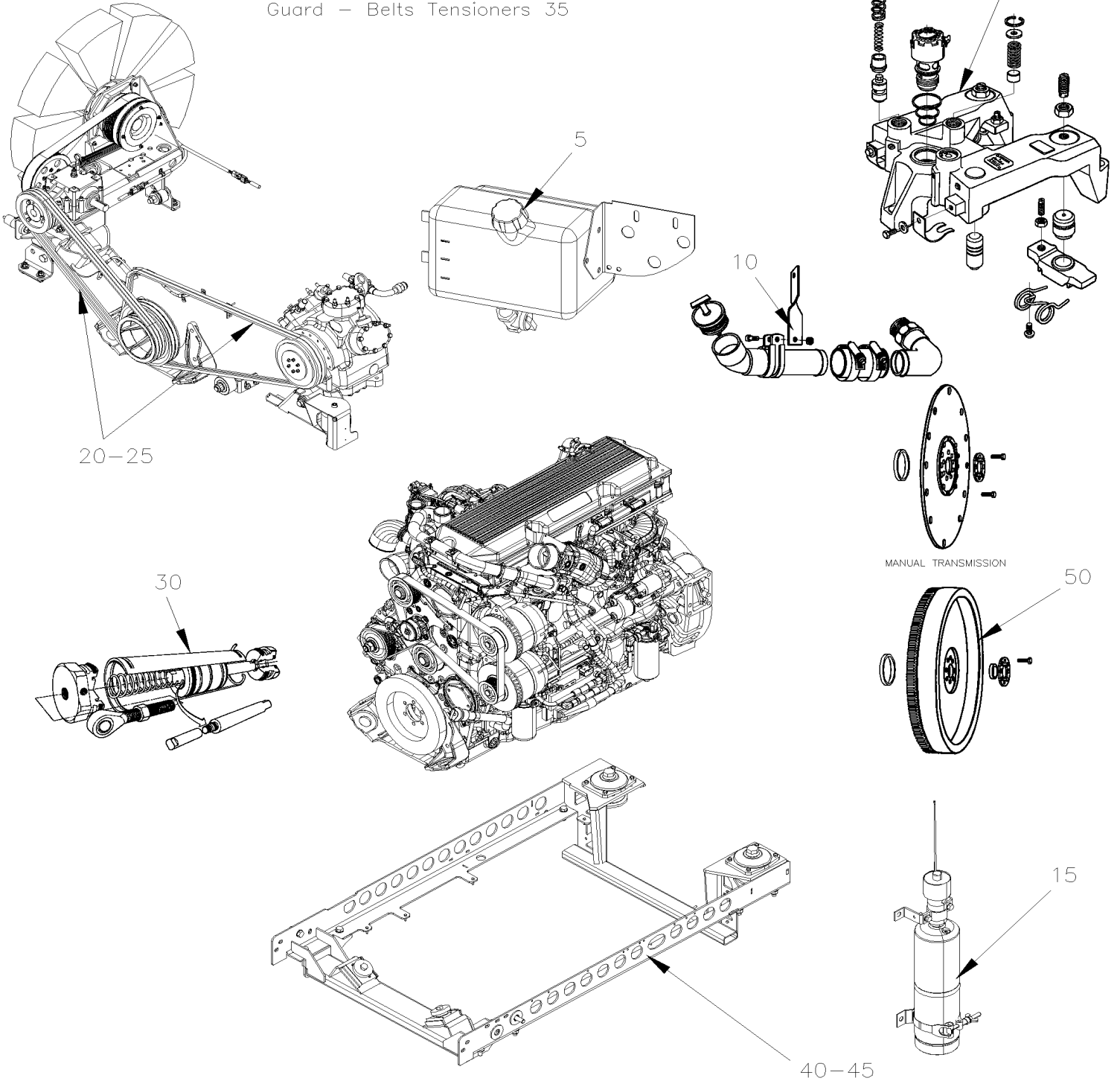
| | | |
|--|--------------|----------------------|
| | Date:10/2022 | PAGE: H3-1989 @ 1993 |
| H3-40 & VIP-40 / 1989 - 1993 / VIN FROM L-029 TO R-079 | | |

- 6 ELECTRICAL
- 12 BRAKE
- 16 SUSPENSION
- 23 ACCESSORIES



| | | |
|--------|--------------|-------|
| | Date:10/2022 | H4-01 |
| ENGINE | | |

Guard - Belts Tensioners 35



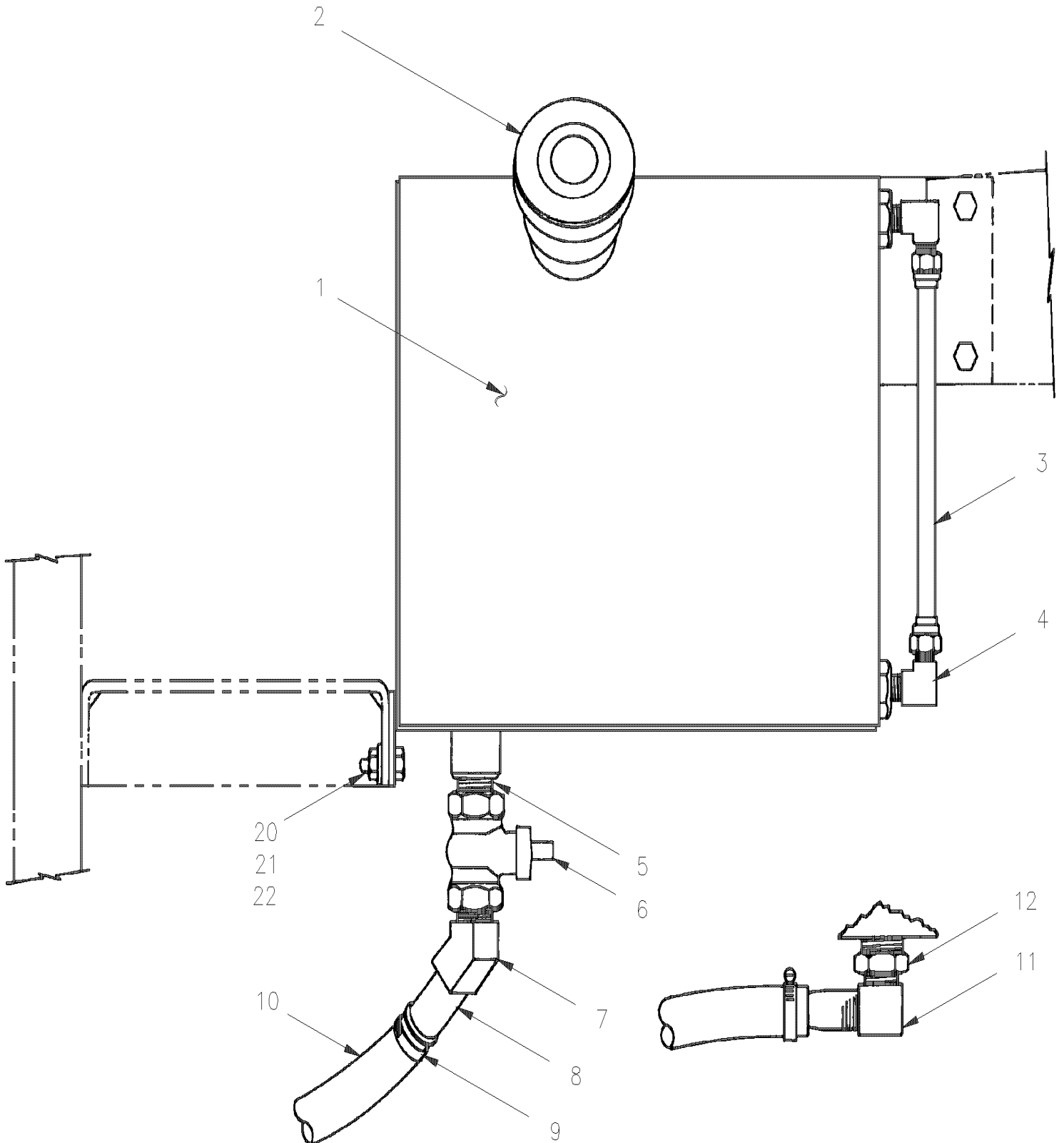
| | | Date:10/2022 | H4-01 | | |
|--------|------------|--|------------------|-----------------------|-----------------------|
| ENGINE | | | | | |
| Item# | Part | Description | H 3 4 0 | V I P 4 0 | N O T E S |
| 5 | H4-0105-00 | ENGINE OIL RESERVE TANK - INSTALLATION From L-031 To P-334 | | | |
| 5 | H4-0105-01 | ENGINE OIL RESERVE TANK - INSTALLATION From P-335 To R-079 | | | |
| 10 | H4-0106-00 | ENGINE OIL FILLER TUBE - WITH DETROIT S-92 From L-031 To R-032 | | | |
| 15 | H4-0116-00 | STARTING AID - INSTALLATION From L-031 To R-079 | | | |
| 20 | H4-0120-00 | DRIVE PULLEY & BELTS - WITH DETROIT S-92 From L-031 To R-032 | | | |
| 20 | H4-0120-01 | DRIVE PULLEY & BELTS - WITH DETROIT S-60 From P-256 To R-079 | | | |
| 25 | H4-0125-00 | BELTS TENSIONERS - WITH DETROIT S-92 From L-031 To R-032 | | | |
| 25 | H4-0125-01 | BELTS TENSIONERS - WITH DETROIT S-60 From P-256 To R-079 | | | |
| 30 | H4-0130-00 | AIR CYLINDER - BELT TENSIONNER - WITH DETROIT S-92 From L-031 To R-032 | | | |
| 35 | H4-0135-00 | GUARD - BELTS TENSIONERS From L-031 To R-079 | | | |
| 40 | H4-0150-00 | ENGINE CRADLE - WITH DETROIT S-92 From L-031 To R-032 | | | |
| 40 | H4-0150-01 | ENGINE CRADLE - WITH DETROIT S-60 From P-256 To R-079 | | | |
| 45 | H4-0155-00 | ENGINE PAN From L-031 To R-079 | | | |
| 45 | H4-0155-10 | ENGINE TRANSMISSION GUARD & AIR SHIELD From L-031 To R-032 | | | |
| 50 | H4-0160-00 | FLYWHEEL - WITH DETROIT S-92 From L-031 To R-032 | | | |
| 55 | H4-0165-00 | JACOB'S - ENGINE BRAKE - WITH DETROIT S-92 From L-031 To R-032 | | | |
| 55 | H4-0165-01 | JACOB'S - ENGINE BRAKE - WITH DETROIT S-60 From P-256 To R-079 | | | |

From L-031 To P-334

Date:10/2022

PAGE:H4-0105-00

ENGINE OIL RESERVE TANK - INSTALLATION



| | | |
|---|--------------|-----------------|
| From L-031 To P-334 | Date:10/2022 | PAGE:H4-0105-00 |
| ENGINE OIL RESERVE TANK - INSTALLATION | | |

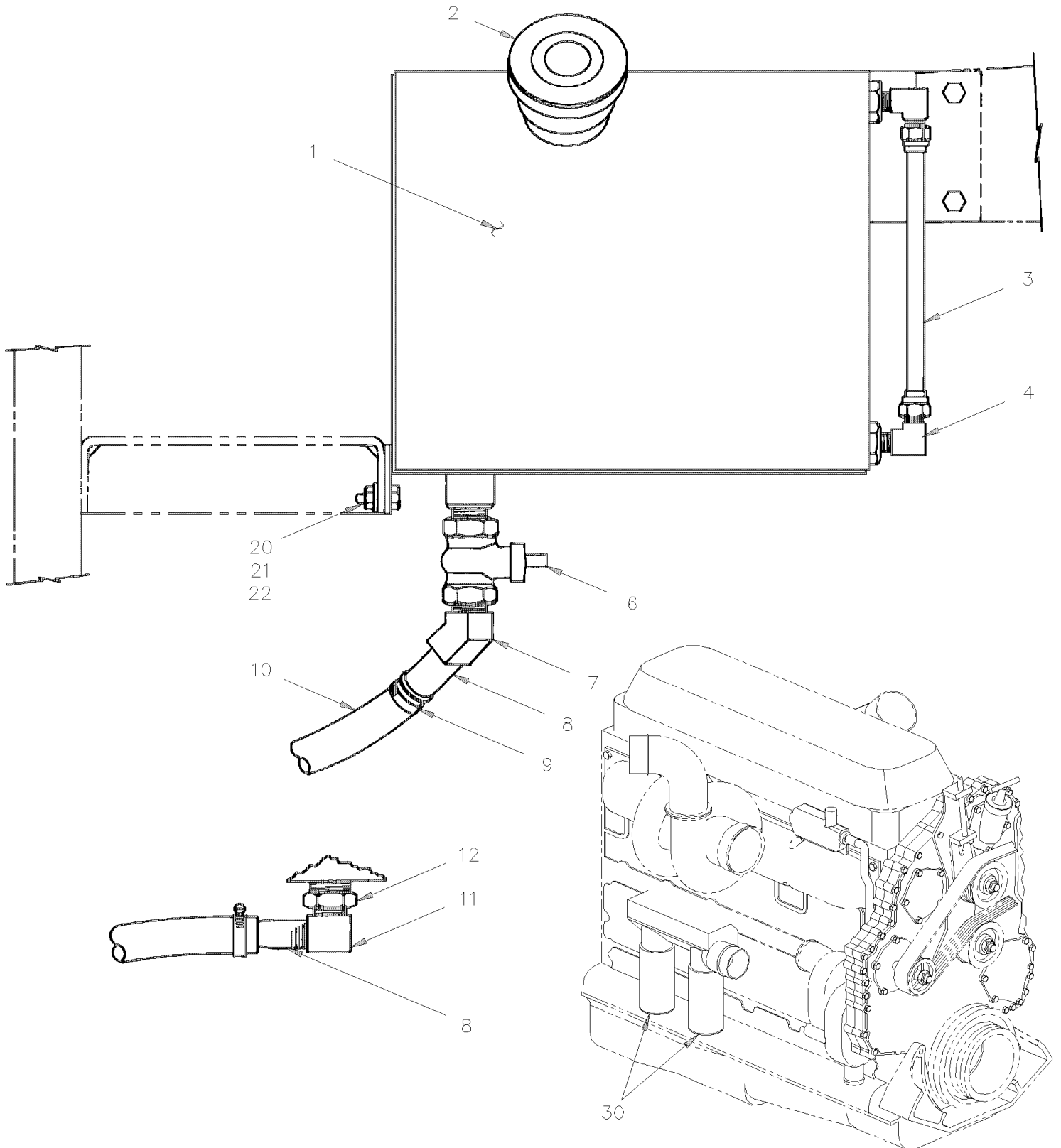
| Item# | Part | Description | H 3 4 0 | V I P 4 0 | N O T E S |
|-------|--------|--|------------------|-----------------------|-----------------------|
| 1 | 180143 | TANK OIL | 1 | 1 | |
| 2 | 680006 | . CAP, VENTED | 1 | 1 | |
| 3 | 503254 | CLEAR TUBE PVC 1/4 | AR | AR | |
| 4 | 501135 | MALE ELBOW 90° / POLY-TITE FITTING / #6x3/8NPT-M BR | 2 | 2 | |
| 4 | 501064 | . SLEEVE / POLY-TITE FITTING / #6 PLAS | 1 | 1 | |
| 5 | 501424 | NIPPLE / PIPE FITTING / 1/2NPT-Mx1/2NPT-Mx1 1/8 BR | 2 | 2 | |
| 6 | 530096 | BALL VALVE 1/2" NPT 1/2 NPT F x 1/2 NPT F | 2 | 2 | |
| NS | 501306 | PLUG SQUARE HEAD / PIPE FITTING / 1/2NPT-M BR | 1 | 1 | |
| 7 | 501528 | STREET ELBOW 45° / PIPE FITTING / 1/2NPT-Mx1/2NPT-F BR | AR | AR | |
| 8 | 501373 | MALE CONNECTOR / HOSE BARB FITTING / #10x1/2NPT-M GALV | 2 | 2 | |
| 9 | 504019 | HOSE CLAMP / 9/16"-1"1/16 SS / HS-10 | 2 | 2 | |
| 10 | 503250 | HOSE / 2556 / #10 X 100' | AR | AR | |
| 11 | 507557 | STREET ELBOW 90° / PIPE FITTING / 1/2NPT-Mx1/2NPT-F BR | 1 | 1 | |
| 12 | 501605 | BUSHING REDUCER / PIPE FITTING / 1NPT-Mx1/2NPT-F STL | 1 | 1 | |
| 20 | 502631 | SCREW CAP HEX M6-1.0x20 G8.8 Z050 | 4 | 4 | |
| 21 | 500440 | WASHER FL .250x.562x.065 Z050 | 4 | 4 | |
| 22 | 502621 | NUT HEX STO M6-1.0 Z050 | 4 | 4 | |
| NS | 510373 | OIL FILTER, CARTRIDGE / PF-911L / ENGINE / W/SERIES 92 | 1 | 1 | |
| 22 | 510446 | OIL FILTER P-940 W/SERIES 60 | 1 | 1 | |
| | | | | | |
| | | | | | |
| | | | | | |

From P-335 To R-079

Date:10/2022

PAGE:H4-0105-01

ENGINE OIL RESERVE TANK - INSTALLATION

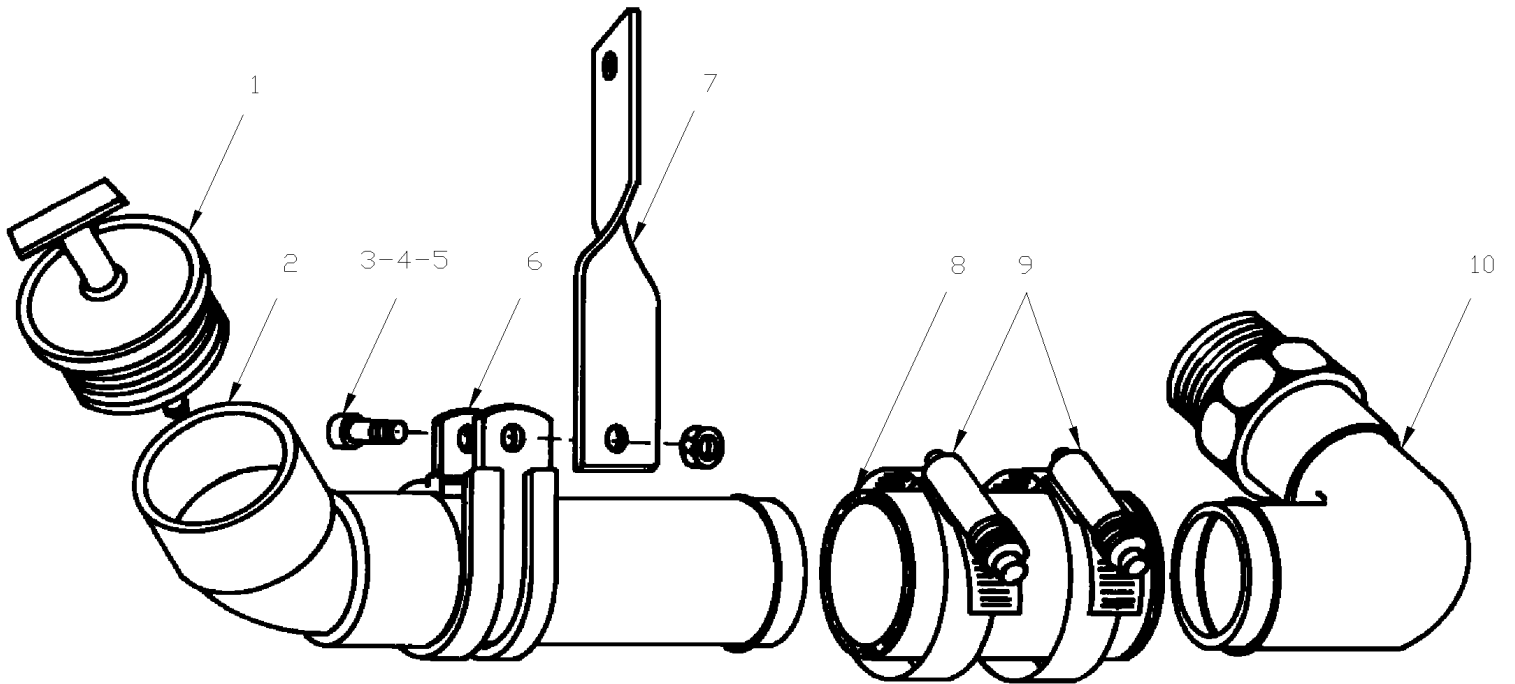


| | | |
|---------------------|--------------|-----------------|
| From P-335 To R-079 | Date:10/2022 | PAGE:H4-0105-01 |
|---------------------|--------------|-----------------|

ENGINE OIL RESERVE TANK - INSTALLATION

| Item# | Part | Description | H 3 4 0 | V I P 4 0 | N O T E S |
|-------|---------|--|------------------|-----------------------|-----------------------|
| 1 | 180180 | TANK ASSY / W/ 3/4" VALVE | 1 | 1 | |
| 2 | 680006 | . CAP, VENTED | 1 | 1 | |
| 3 | 503254 | CLEAR TUBE PVC 1/4 | AR | AR | |
| 4 | 501135 | MALE ELBOW 90° / POLY-TITE FITTING / #6x3/8NPT-M BR | 2 | 2 | |
| NS | 501064 | . SLEEVE / POLY-TITE FITTING / #6 PLAS | 1 | 1 | |
| 6 | 5011045 | VALVE 3/4" | 2 | 2 | |
| NS | 5011053 | PLUG CAP HEX / PIPE FITTING / 3/4NPT-F | 1 | 1 | |
| 7 | 507339 | STREET ELBOW 90° / PIPE FITTING / 3/4NPT-Mx3/4NPT-F BR | 2 | 2 | |
| 8 | 501896 | ADAPTER / COPPER @ PIPE / 3/4Fx3/4NPT-M | 2 | 2 | |
| 9 | 504021 | HOSE CLAMP / 11/16"-1"1/2 SS / HS-16 | 2 | 2 | |
| 10 | 503547 | HOSE / RUBBER #12 / S.L. | AR | AR | |
| 11 | 507339 | STREET ELBOW 90° / PIPE FITTING / 3/4NPT-Mx3/4NPT-F BR | 1 | 1 | A |
| 20 | 502631 | SCREW CAP HEX M6-1.0x20 G8.8 Z050 | 4 | 4 | |
| 21 | 500440 | WASHER FL .250x.562x.065 Z050 | 4 | 4 | |
| 22 | 502621 | NUT HEX STO M6-1.0 Z050 | 4 | 4 | |
| 22 | 402447 | DECAL / ENGINE OIL | 1 | 1 | |
| NS | 403536 | DECAL "OIL SPEC" / ENGLISH & FRANCAIS | 1 | 1 | |
| NS | 011166 | DECAL / V.I.N. | 1 | 1 | |
| NS | 010511 | DECAL "AIR VALVE POSITION ON-OFF" | 1 | 1 | |
| 30 | 510458 | OIL FILTER, CARTRIDGE / PF-2100 / ENGINE / W/SERIES 60 | 1 | 1 | |
| | | | | | |
| | | | | | |
| | | | | | |
| | | A) ON ENGINE | | | |

| | | |
|--|--------------|-----------------|
| From L-031 To R-032 | Date:10/2022 | PAGE:H4-0106-00 |
| ENGINE OIL FILLER TUBE - WITH DETROIT S-92 | | |



| | | |
|---|--------------|-----------------|
| From L-031 To R-032 | Date:10/2022 | PAGE:H4-0106-00 |
| ENGINE OIL FILLER TUBE - WITH DETROIT S-92 | | |

| Item# | Part | Description | H 3 4 0 | V I P 4 0 | N O T E S |
|-------|--------|--|------------------|-----------------------|-----------------------|
| 1 | 510387 | CAP OIL FILLER 1"1/4 O.D. | 1 | 1 | |
| 2 | 011506 | TUBE ASSY FILLER NECK | 1 | 1 | |
| 3 | 500510 | SCREW MA BDG PH #10-32x3/4 SS EMN | 1 | 1 | |
| 4 | 500700 | NUT HEX #10-32 Z050 | 1 | 1 | |
| 5 | 500470 | WASHER LO SPT .193x.334x.047 Z050 | 1 | 1 | |
| 6 | 504457 | CLAMP / 1 3/8" I.D. / STEEL | 1 | 1 | |
| 7 | 011502 | SUPPORT / CLAMP | 1 | 1 | |
| 8 | 503392 | HOSE SILICONE 4PLY 1 3/8" I.D. x 4' | AR | AR | |
| 9 | 504302 | HOSE CLAMP / 1"9/16-2"1/2 SS / E.T. 32 | 2 | 2 | |
| 10 | 011505 | ADAPTOR ASSY | 1 | 1 | |
| | | | | | |
| | | | | | |
| | | | | | |

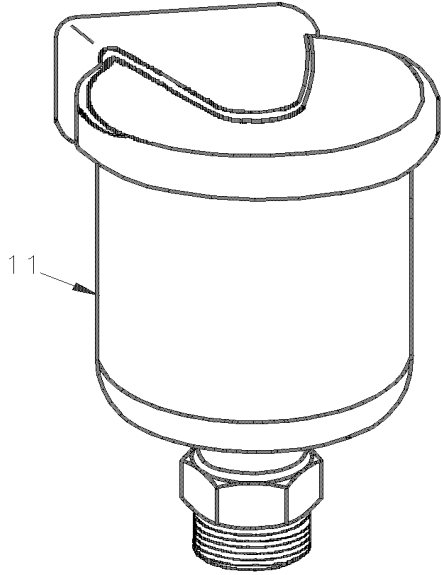
From L-031 To R-079

Date:10/2022

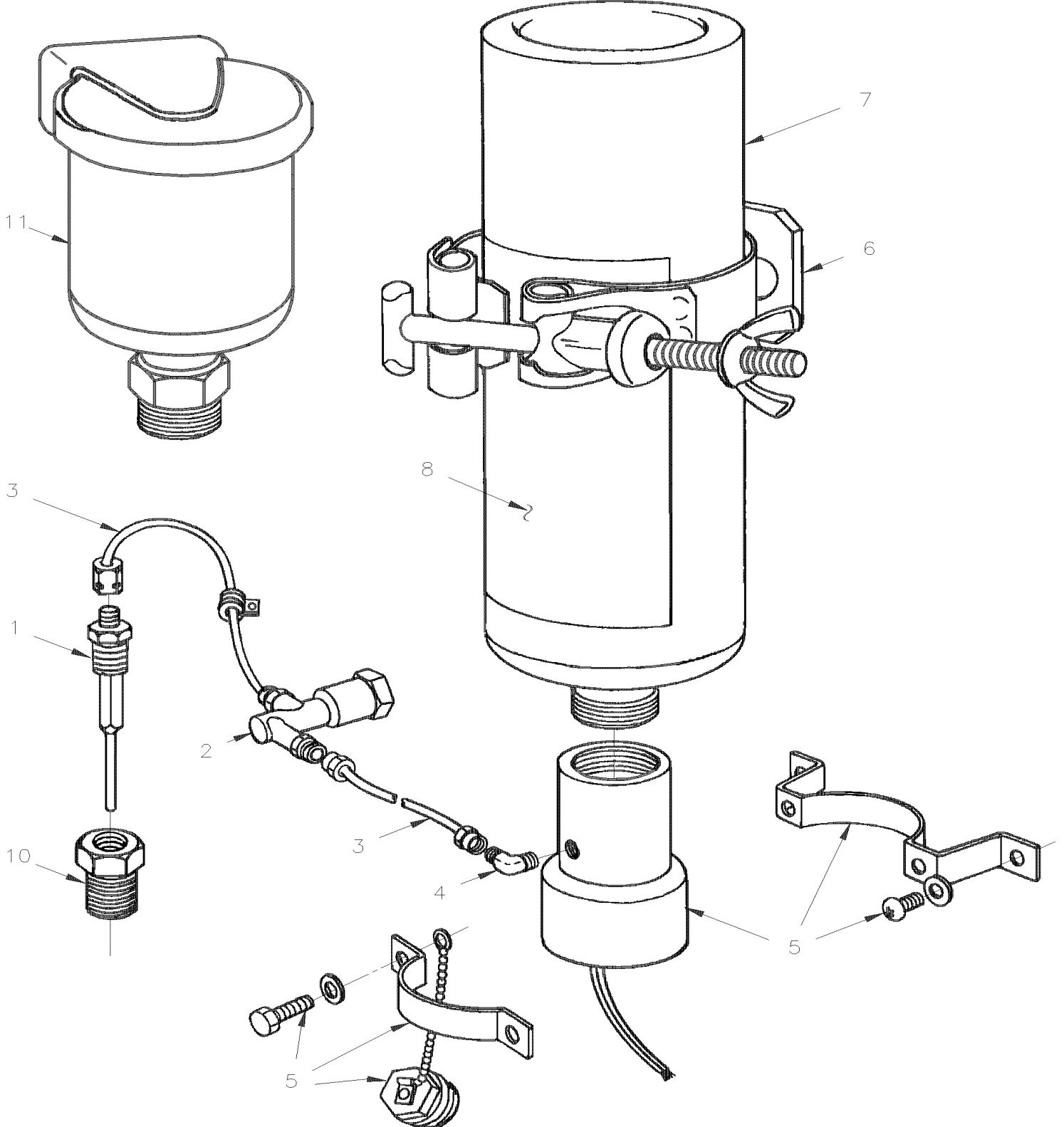
PAGE:H4-0116-00

STARTING AID - INSTALLATION

MANUAL



AUTOMATIC



| | | |
|------------------------------------|--------------|-----------------|
| From L-031 To R-079 | Date:10/2022 | PAGE:H4-0116-00 |
| STARTING AID - INSTALLATION | | |

| Item# | Part | Description | H 3 4 0 | V I P 4 0 | N O T E S |
|-------|--------|---|------------------|-----------------------|-----------------------|
| 1 | 510170 | ATOMIZER | 1 | 1 | |
| 2 | 510169 | THERMACLOZ | 1 | 1 | |
| 4 | 510171 | ELBOW 90° | 1 | 1 | |
| 5 | 011338 | VALVE ASSY W/CONNECTOR | 1 | 1 | |
| 5 | 510167 | . VALVE | 1 | 1 | |
| 6 | 510166 | CLAMP CYLINDER | 1 | 1 | |
| 7 | 510173 | CYLINDER DIESEL STARTING FUEL | 1 | 1 | |
| 8 | 510172 | DECAL | 1 | 1 | |
| NS | 500165 | SCREW CAP HEX 1/4-20x1 G5 Z050 | 2 | 2 | |
| 10 | 501534 | BUSHING REDUCER / PIPE FITTING / 1/2NPT-Mx3/8NPT-F BR | 1 | 1 | |
| NS | 561471 | SWITCH / OFF-M/ON W/LOCK S.P.S.T. | 1 | 1 | |
| NS | 561123 | . BULB / 1 WATT-24VOLTS / SAE# 2741 | 1 | 1 | |
| NS | 061409 | WIRING ASSY / REAR JCT BOX & VALVE | 1 | 1 | |
| NS | 062987 | INSERT / GREEN / ETHER | 1 | 1 | |
| NS | 011064 | SUPPORT / WELDED ON FRAME | 1 | 1 | |
| 11 | 510022 | CUP ETHER | 1 | 1 | |
| | | | | | |
| | | | | | |
| | | | | | |

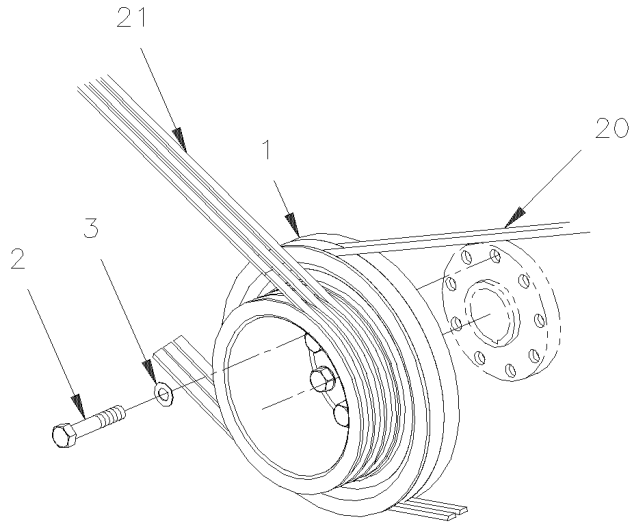
From L-031 To R-032

Date:10/2022

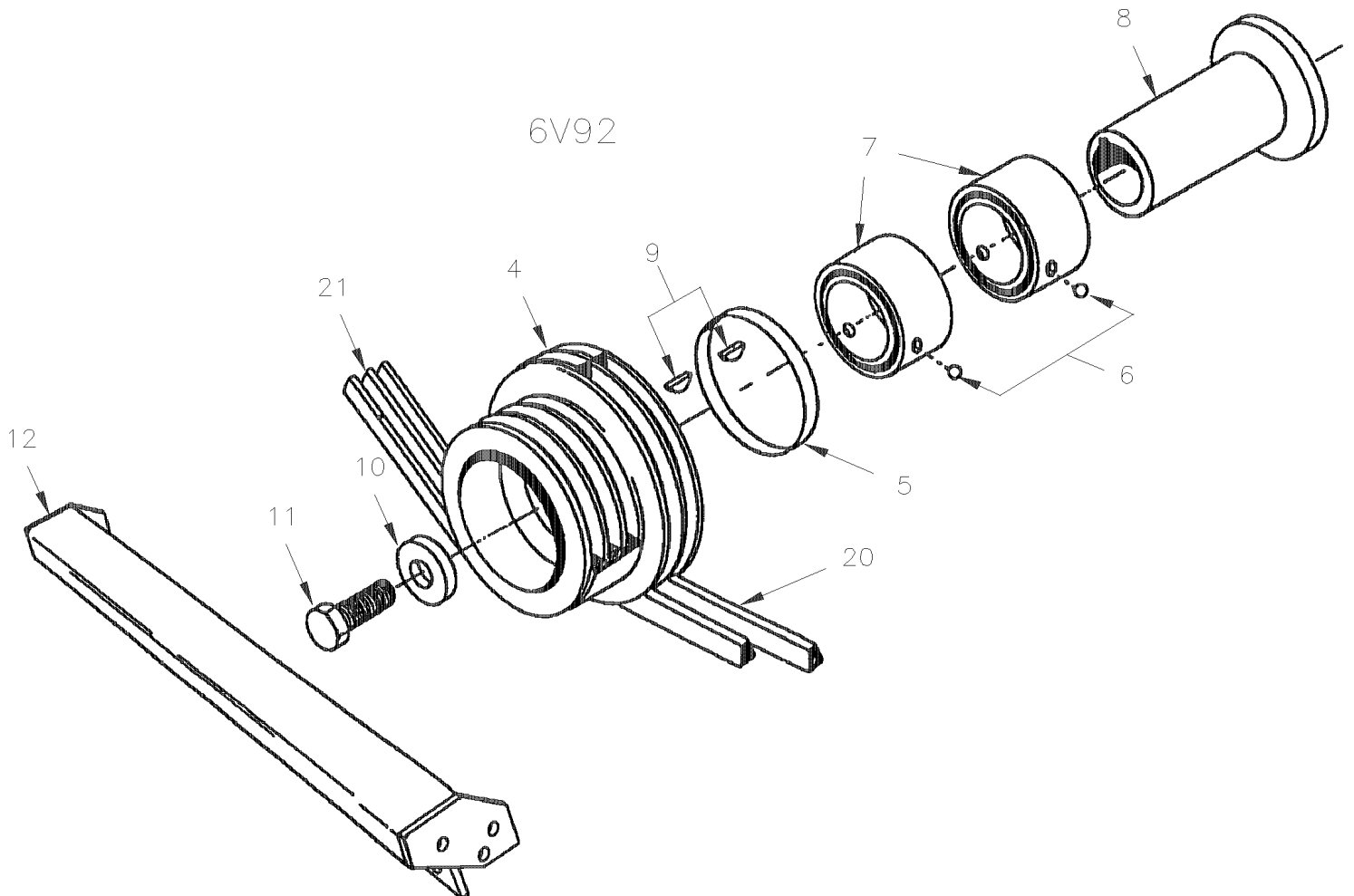
PAGE:H4-0120-00

DRIVE PULLEY & BELTS - WITH DETROIT S-92

8V92



6V92



| | | |
|---|--------------|-----------------|
| From L-031 To R-032 | Date:10/2022 | PAGE:H4-0120-00 |
| DRIVE PULLEY & BELTS - WITH DETROIT S-92 | | |

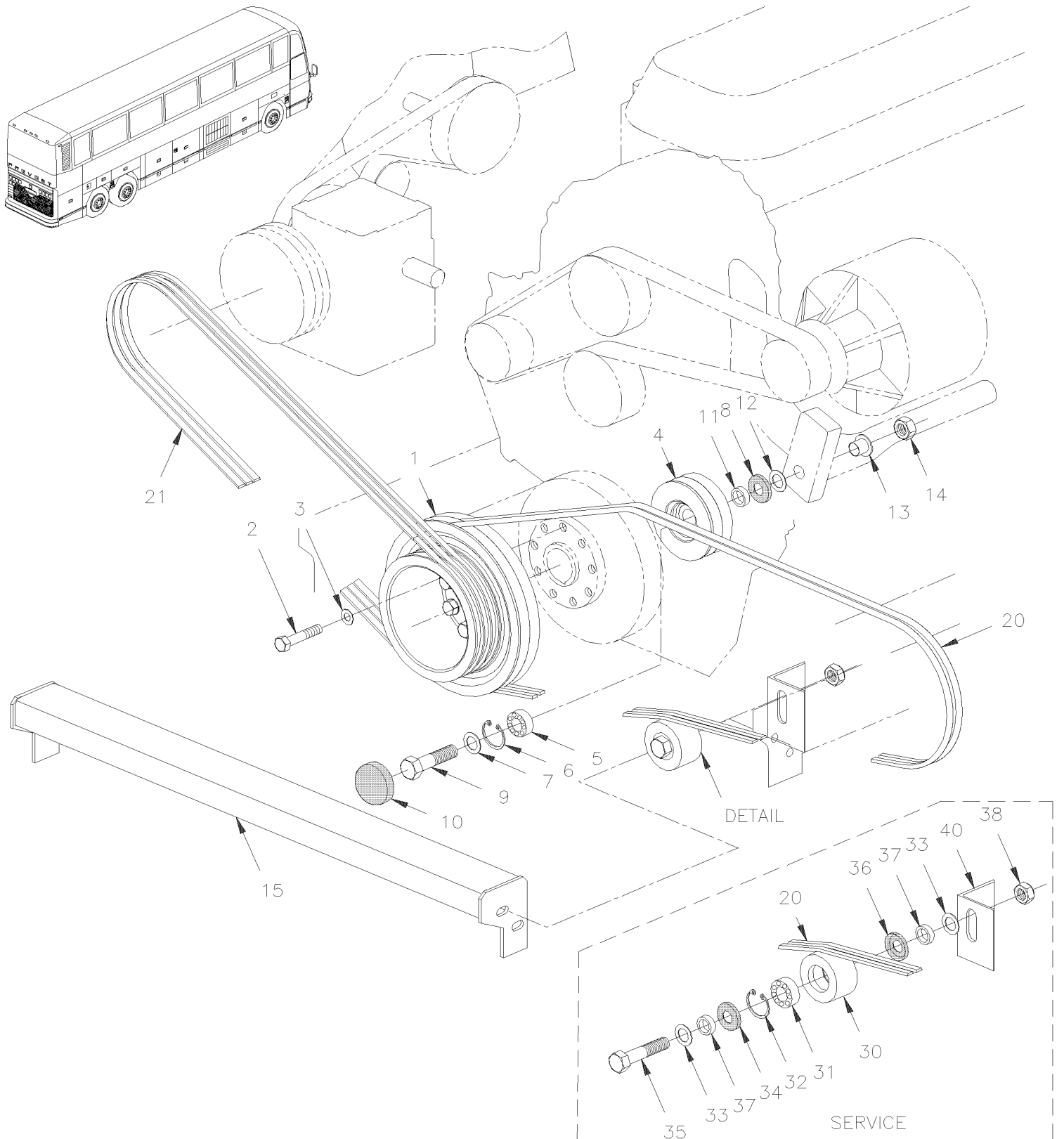
| Item# | Part | Description | H 3 4 0 | V I P 4 0 | N O T E S |
|-------|--------|---------------------------------------|------------------|-----------------------|-----------------------|
| 1 | 010739 | PULLEY, 8V-92 / BOLTED ON HUB | | | |
| 2 | 500761 | SCREW CAP HEX 5/16-18x1 1/2 G8 ZP | 6 | 6 | |
| 3 | 500476 | WASHER LO SPT .317x.586x.078 Z050 | 6 | 6 | |
| NS | 510083 | SPACER, DRIVE PULLEY 2" | 1 | 1 | |
| NS | 510196 | SEAL / CRANK SHAFT FRONT | 1 | 1 | |
| 4 | 010916 | PULLEY ASSY 7.5" & 9.125" | 1 | 1 | |
| NS | 010826 | PULLEY / 3VA x 7.5" + 2VC x 9.125" | 1 | 1 | |
| 4 | 010826 | PULLEY / 3VA x 7.5" + 2VC x 9.125" | 1 | 1 | |
| 5 | 010915 | SPACER | 1 | 1 | |
| 6 | 510263 | STEEL BALL 3/8 | 1 | 1 | |
| 7 | 510378 | INSULATOR | 2 | 2 | |
| 8 | 010096 | HUB, DRIVE PULLEY | AR | AR | |
| NS | 510054 | SPACER, DRIVE PULLEY 2" 9/16 | 1 | 1 | |
| NS | 510196 | SEAL / CRANK SHAFT FRONT | 1 | 1 | |
| 9 | 505133 | KEY, WOODRUFF #E / 3/8" X1 1/4" | 2 | 2 | |
| 10 | 510264 | WASHER, DRIVE PULLEY RETAINING | 1 | 1 | |
| 11 | 510265 | BOLT CRANKSHAFT 1-14 X 2 1/4" | 1 | 1 | |
| 12 | 011404 | PULLEY PROTECTOR / W/O TRAILLER HITCH | 1 | 1 | |
| 12 | 011399 | PULLEY PROTECTOR / W/TRAILLER HITCH | 1 | 1 | |
| 20 | 506321 | V-BELT / CX-96 9212-0343 | 2 | 2 | |
| 20 | 506601 | V-BELT / CX-75 9014-20753 | 1 | 1 | |
| 21 | 506333 | SUPER V-BELT / 3A-92 9092-30923 | 1 | 1 | |
| 21 | 506612 | SUPER V-BELT / 3A-94 9092-309433/A94 | 1 | 1 | |
| | | | | | |
| | | | | | |
| | | | | | |

From P-256 To R-079

Date:10/2022

PAGE:H4-0120-01

DRIVE PULLEY & BELTS - WITH DETROIT S-60



| | | |
|---|--------------|-----------------|
| From P-256 To R-079 | Date:10/2022 | PAGE:H4-0120-01 |
| DRIVE PULLEY & BELTS - WITH DETROIT S-60 | | |

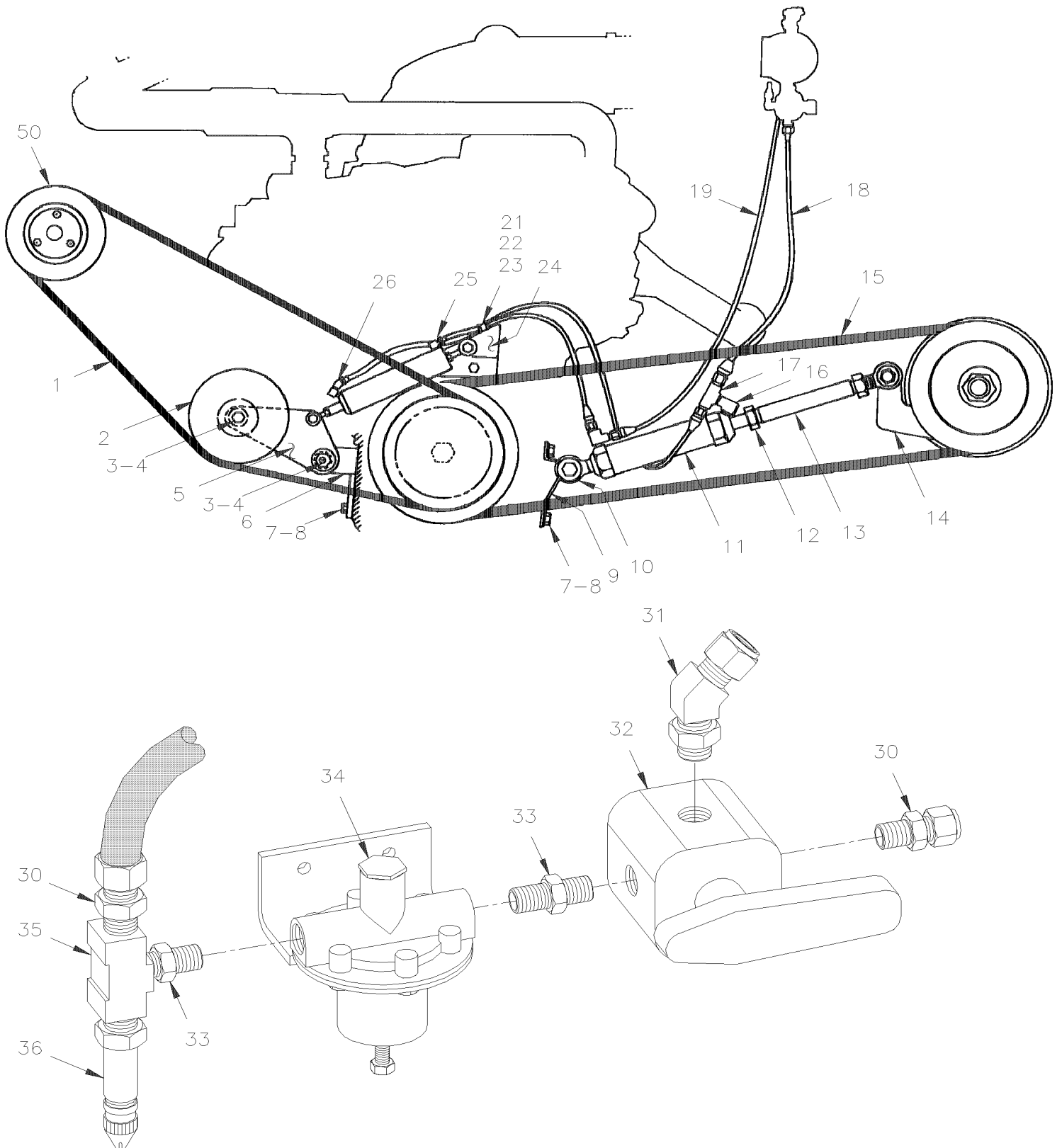
| Item# | Part | Description | H 3 4 0 | V I P 4 0 | N O T E S |
|-------|-------------------|---|------------------|-----------------------|-----------------------|
| 1 | 011584 | PULLEY W/60 (2V X 11" O.D. + 3V X 8" O.D. / BOLTED ON HUB | 1 | 1 | |
| 2 | N.S.P. | BOLT 9/16-18 X 2 1/2" / (8929222) | 9 | 9 | 2 |
| 3 | N.S.P. | WASHER SPECIAL 9/16" / (5133981) | 9 | 9 | 2 |
| 4 | 452250 | PULLEY, 5" O.D. DIA. | 1 | 1 | A |
| 4 | 453078 | PULLEY ASSY W/BEARING & SEAL / 5" O.D. X 2V | 1 | 1 | |
| 4 | 453075 | . PULLEY / 5" O.D. X 2V | 1 | 1 | |
| 5 | 507340 | . BALL BEARING 20 ID x 52 OD x 22.2 W | 1 | 1 | |
| 6 | 504095 | . RING RETAINER / INT 2.00 x 2.12 x .062 | 1 | 1 | |
| 7 | 502558 | WASHER FL 21.0x37.0x3.0 G500 | 1 | 1 | |
| 8 | 507360 | SEAL | 1 | 1 | A |
| 8 | 680500 | GREASE MERITOR / 400GR | 1 | 1 | |
| 9 | 5001124 | SCREW CAP HEX M20-2.5x80 G8.8 ZP | 1 | 1 | |
| 10 | 453076 | CAP, DUST | 1 | 1 | A |
| 11 | 051895 | SPACER 20MM I.D. X 9MM TH | 1 | 1 | A |
| 11 | 052205 | SPACER 20MM I.D. X 12.5MM TH | 1 | 1 | D |
| 12 | 5001205 | WASHER FL .875x1.375x.047 | AR | AR | |
| 13 | 452276 | CENTERING BUSHING, FLANGE | 1 | 1 | |
| 14 | 500809 | NUT HEX STO M20-2.5 N500 | 1 | 1 | |
| 15 | H4-0150-01 | ENGINE CRADLE - WITH DETROIT S-60 | | | |
| 20 | 506664 | V-BELT / BX-97 / SET OF 2 9212-0390 | 2 | 2 | |
| 21 | 506691 | V-BELT / AX-73 9012-2073 | 3 | 3 | |
| 30 | 052010 | PULLEY | 1 | 1 | A |
| 30 | 052208 | PULLEY ASSY W/BEARING & SEAL / 43MM x 78MM | 1 | 1 | |
| 30 | 052207 | . PULLEY BELT TENSIONER / 43MM x 78MM O.D. | 1 | 1 | E |
| 31 | 507340 | . BALL BEARING 20 ID x 52 OD x 22.2 W | 1 | 1 | |
| 32 | 504095 | . RING RETAINER / INT 2.00 x 2.12 x .062 | 1 | 1 | |
| 33 | 5001205 | . WASHER FL .875x1.375x.047 | AR | AR | |
| 34 | 507361 | . SEAL | 1 | 1 | A |
| 35 | 5001124 | SCREW CAP HEX M20-2.5x80 G8.8 ZP | 1 | 1 | |
| 36 | 507360 | SEAL | 1 | 1 | |
| 37 | 051895 | SPACER 20MM I.D. X 9MM TH | 1 | 1 | A |
| 37 | 052205 | SPACER 20MM I.D. X 12.5MM TH | 2 | 2 | A |
| 38 | 500809 | NUT HEX STO M20-2.5 N500 | 1 | 1 | |
| 39 | 507360 | SEAL | 1 | 1 | |
| 40 | 011623 | ANGLE SUPPORT / (WELDED TO ENGINE CRADLE) | 1 | 1 | E |
| | | | | | |
| | | | | | |
| | | A) FOR IMPROVE LIFE BEARING CHANGE PULLEY BY #453078 | | | |
| | | D) FOR IMPROVE BEARING LIFE CHANGES PULLEY FOR #052208 | | | |
| | | E) PRODUCTION | | | |
| | | 2) NOT SOLD BY PREVOST (SEE MANUFACTURING PART NUMBER AT END OF DESCRIPTION LINE) | | | |

From L-031 To R-032

Date:10/2022

PAGE:H4-0125-00

BELTS TENSIONERS - WITH DETROIT S-92



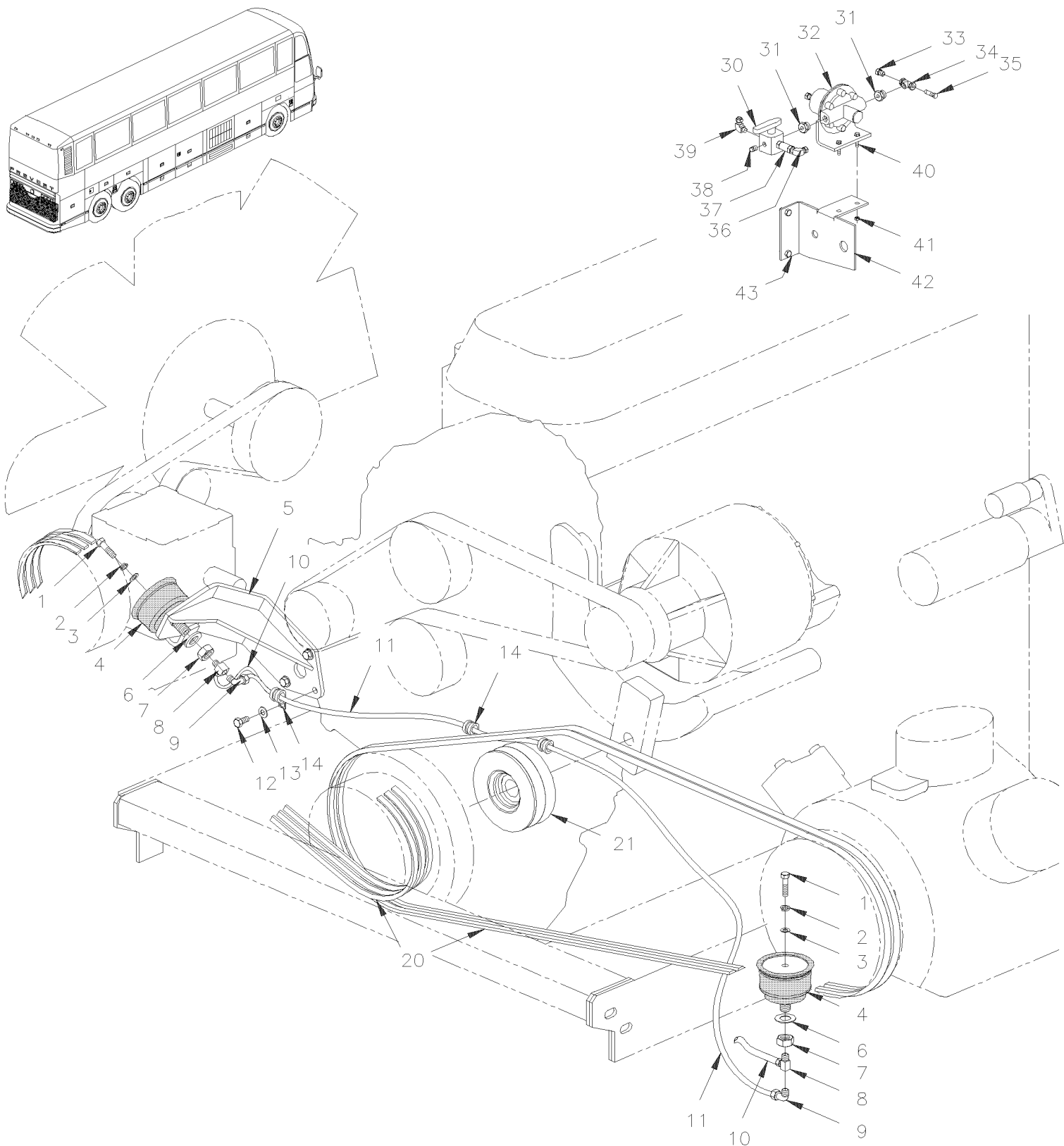
| | | |
|---|--------------|-----------------|
| From L-031 To R-032 | Date:10/2022 | PAGE:H4-0125-00 |
| BELTS TENSIONERS - WITH DETROIT S-92 | | |

| Item# | Part | Description | H 3 4 0 | V I P 4 0 | N O T E S |
|-------|-------------------|--|------------------|-----------------------|-----------------------|
| 1 | 506612 | SUPER V-BELT / 3A-94 9092-309433/A94 | 1 | 1 | |
| 1 | 506333 | SUPER V-BELT / 3A-92 9092-30923 | 1 | 1 | |
| 2 | 510338 | PULLEY, TENSIONER | 1 | 1 | |
| 3 | 500449 | WASHER FL .625x1.500 SS | 2 | 2 | |
| 4 | 500781 | NUT HEX STO M16-2.0 DP | 2 | 2 | |
| 5 | 051663 | ARM, TENSIONNER | 1 | 1 | |
| NS | 507293 | BUSHING NYLINED .625x.750x.750 | 2 | 2 | |
| 6 | 051667 | PIVOT W/8V92 | 1 | 1 | |
| 6 | 051720 | PIVOT W/6V92 | 1 | | |
| 7 | 500202 | SCREW CAP HEX 7/16-14x1 G5 ZP | 8 | 8 | |
| 8 | 500480 | WASHER LO SPT .443x.779x.109 Z050 | 8 | 8 | |
| 9 | 452037 | BRACKET W/8V92 | 1 | 1 | |
| 9 | 372763 | BRACKET W / 8V92T | 1 | | |
| 9 | 451876 | BRACKET W/VARIO-DRIVE | 1 | | |
| 10 | 500093 | SCREW CAP HEX 1/2-20x2 G5 ZP | 1 | 1 | |
| 10 | 500088 | SCREW CAP HEX 1/2-20x1 1/2 G5 ZP | 1 | 1 | |
| 11 | H4-0130-00 | AIR CYLINDER - BELT TENSIONNER - WITH DETROIT S-92 | | | |
| 12 | 500716 | NUT HEX 1/2-20 Z050 | 2 | 2 | |
| 13 | 371326 | EXTENSION 10"3/4 | 1 | 1 | |
| 14 | 371702 | BRACKET / BELT TENSIONER CYLINDER From H-371 | 1 | 1 | |
| 14 | 451930 | BRACKET / BELT TENSIONER CYLINDER W/VARIO | 1 | | |
| 15 | 506321 | V-BELT / CX-96 9212-0343 | 1 | 1 | |
| 15 | 506601 | V-BELT / CX-75 9014-20753 | 1 | | |
| 15 | 950159 | V-BELT / VARIO-DRIVE & A/C COMPRESSOR | AR | AR | |
| 16 | 501331 | STREET ELBOW 90° / PIPE FITTING / 1/8NPT-Mx1/8NPT-F BR | 2 | 2 | |
| 17 | 501024 | MALE BRANCH TEE / SAE 45° FITTING / #4FL-Mx#4FL-Mx1/4NPT-M BR | 1 | 1 | |
| 18 | 031147 | HOSE ASSY TEFLON #4 522MM | 2 | 2 | |
| 18 | 141108 | HOSE ASSY TEFLON #4 427MM | 1 | | B |
| 19 | 051127 | HOSE ASSY TEFLON #4 821MM | 2 | 2 | |
| 19 | 503064 | . HOSE TEFLON #4 / S.L. | AR | AR | |
| 19 | 501892 | . FEMALE CONNECTOR SWIVEL / SAE 45° FITTING / TEFLON / #4FL-Fx#4 STL | AR | AR | |
| 20 | 501049 | MALE RUN TEE / SAE 45° FITTING / #4FL-Mx#4FL-Mx1/8NPT-M BR | | | |
| 21 | 560481 | CLAMP / 5/8" I.D. | AR | AR | |
| 22 | 500388 | SCREW MA RND PH #10-24x1 Z050 | AR | AR | |
| 23 | 500767 | NUT HEX #10-24 Z050 | AR | AR | |
| 24 | 051659 | BRACKET / W/8V92 | 1 | 1 | |
| 24 | 051723 | BRACKET / W/6V92 | 1 | | |
| 25 | 501036 | MALE ELBOW 90° / SAE 45° FITTING / #4FL-Mx1/8NPT-M BR | 1 | 1 | |
| 26 | 501808 | MALE ELBOW 45° / SAE 45° FITTING / #4FL-Mx1/8NPT-M BR | 1 | 1 | |
| 30 | 501026 | MALE CONNECTOR / SAE 45° FITTING / #4FL-Mx1/8NPT-M BR | 1 | 1 | |
| 31 | 501108 | MALE ELBOW 90° / COMPRESSION FITTING / #4x1/8NPT-M BR | 1 | 1 | |
| 32 | 510222 | VALVE, 4 WAYS CONTROL | 1 | 1 | |

| | | |
|---|--------------|-----------------|
| From L-031 To R-032 | Date:10/2022 | PAGE:H4-0125-00 |
| BELTS TENSIONERS - WITH DETROIT S-92 | | |

| Item# | Part | Description | H 3 4 0 | V I P 4 0 | N O T E S |
|-------|-------------------|---|------------------|-----------------------|-----------------------|
| 33 | 501650 | NIPPLE REDUCER HEX / PIPE FITTING / 1/4NPT-Mx1/8NPT-Mx1 3/16 BR | 2 | 2 | |
| 34 | 640938 | AIR PRESSURE REGULATOR | 1 | 1 | |
| 34 | 510231 | . REPAIR KIT / REGULATOR | 1 | 1 | |
| 35 | 501336 | FEMALE UNION TEE / PIPE FITTING / 1/8NPT-Fx1/8NPT-Fx1/8NPT-F BR | 1 | 1 | |
| 36 | 640488 | VALVE, AIR FILL 1/8" NPT | 1 | 1 | |
| . NS | 650164 | . CAP VALVE / CHROME | 1 | 1 | |
| 50 | H4-0520-02 | FAN DRIVE - INSTALLATION FIXED WITH DETROIT S-92 | | | |
| | | | | | |
| | | | | | |
| | | | | | |
| | | B) W/VARIO DRIVE | | | |

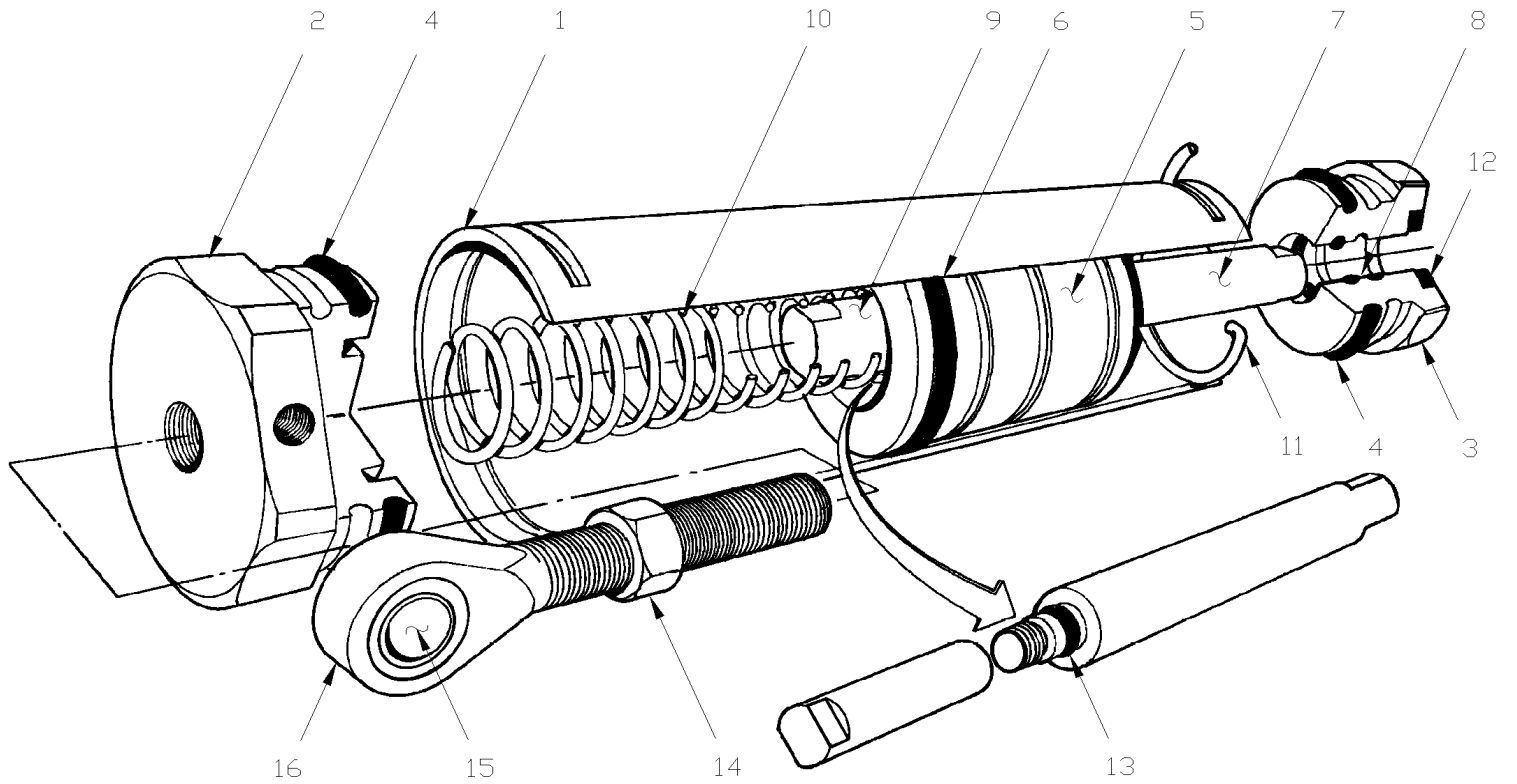
| | | |
|--------------------------------------|--------------|-----------------|
| From P-256 To R-079 | Date:10/2022 | PAGE:H4-0125-01 |
| BELTS TENSIONERS - WITH DETROIT S-60 | | |



| | | |
|---|--------------|-----------------|
| From P-256 To R-079 | Date:10/2022 | PAGE:H4-0125-01 |
| BELTS TENSIONERS - WITH DETROIT S-60 | | |

| Item# | Part | Description | H 3 4 0 | V I P 4 0 | N O T E S |
|-------|-------------------|---|------------------|-----------------------|-----------------------|
| NS | 500179 | SCREW CAP HEX 5/16-18x3/4 G5 Z050 | 2 | 2 | |
| 2 | 500482 | WASHER LO SPT .506x.873x.125 Z050 | 2 | 2 | |
| 3 | 500441 | WASHER FL .312x.734x.065 Z050 | 2 | 2 | |
| 4 | 950208 | BELLOW ASSY / BELT TENSIONER / 3" O.D. | 1 | 1 | |
| . NS | 504695 | . HOSE CLAMP STEPLESS SPRING SS / OETIKER / 2.9-3.3 | 1 | 1 | |
| 5 | 052050 | SUPPORT BELLOW TENTIONER | 1 | 1 | |
| 7 | 500792 | NUT HEX 5/8-11 Z050 | 1 | 1 | |
| 8 | 501707 | ADAPTER TEE / SAE 45° FITTING / #4FL-Mx1/8NPT-Mx1/8NPT-F BR | 1 | 1 | |
| 9 | 640996 | MALE ELBOW 90° / NTA FITTING / #4x1/8NPT-M BR | 2 | 2 | |
| 9 | 641127 | MALE ELBOW 45° / NTA FITTING / #4x1/8NPT-M BR | 2 | 2 | |
| 10 | 503402 | TUBE, NYLON 1/4 O.D. / BLACK S.L. | AR | AR | |
| 11 | 052041 | HOSE ASSY TEFLON #4 1230MM | AR | AR | |
| 12 | 500069 | SCREW CAP HEX M8-1.25x16 G10.9 DP | 3 | 3 | |
| 13 | 500874 | WASHER FL 8.4x17.0x1.6 Z050 | 3 | 3 | |
| 14 | 504601 | CLAMP / 5/16" I.D. x .375 HOLE | 3 | 3 | |
| 20 | H4-0120-01 | DRIVE PULLEY & BELTS - WITH DETROIT S-60 | | | |
| 21 | H4-0120-01 | DRIVE PULLEY & BELTS - WITH DETROIT S-60 | | | |
| 30 | 5011013 | VALVE, 4 WAYS CONTROL | 1 | 1 | |
| NS | 5011113 | . SEAL LOWER | 1 | 1 | |
| NS | 5011114 | . SEAL UPPER | 1 | 1 | |
| NS | 010511 | DECAL "AIR VALVE POSITION ON-OFF" | 1 | 1 | |
| 31 | 501650 | NIPPLE REDUCER HEX / PIPE FITTING / 1/4NPT-Mx1/8NPT-Mx1 3/16 BR | 2 | 2 | |
| 32 | 640938 | AIR PRESSURE REGULATOR | 1 | 1 | |
| 33 | 640987 | MALE CONNECTOR / NTA FITTING / #4x1/8NPT-M BR | 1 | 1 | |
| 34 | 501336 | FEMALE UNION TEE / PIPE FITTING / 1/8NPT-Fx1/8NPT-Fx1/8NPT-F BR | 1 | 1 | |
| 35 | 640488 | VALVE, AIR FILL 1/8" NPT | 1 | 1 | |
| . NS | 650164 | . CAP VALVE / CHROME | 1 | 1 | |
| 36 | 641074 | FEMALE ELBOW 90° / NTA FITTING / #4x1/8NPT-F BR | 1 | 1 | |
| 37 | 530175 | VALVE, CHECK 1/8 NPT | 1 | 1 | |
| 38 | 5011013 | VALVE, 4 WAYS CONTROL | 1 | 1 | |
| 39 | 501331 | STREET ELBOW 90° / PIPE FITTING / 1/8NPT-Mx1/8NPT-F BR | 1 | 1 | |
| 40 | 502631 | SCREW CAP HEX M6-1.0x20 G8.8 Z050 | 2 | 2 | |
| 41 | 502511 | NUT HEX NYRT M6-1.0 Z050 | 2 | 2 | |
| 42 | H4-0665-10 | SWITCHES, LIGHTS, AJAR - UNDER FLOOR | | | |
| 43 | 502663 | SCREW MA BDG PH #10-32x1 SS EMN | 1 | 1 | |
| NS | 502564 | WASHER LO SPT 6.1x11.8x1.6 Z050 | 2 | 2 | |
| | | | | | |
| | | | | | |
| | | | | | |

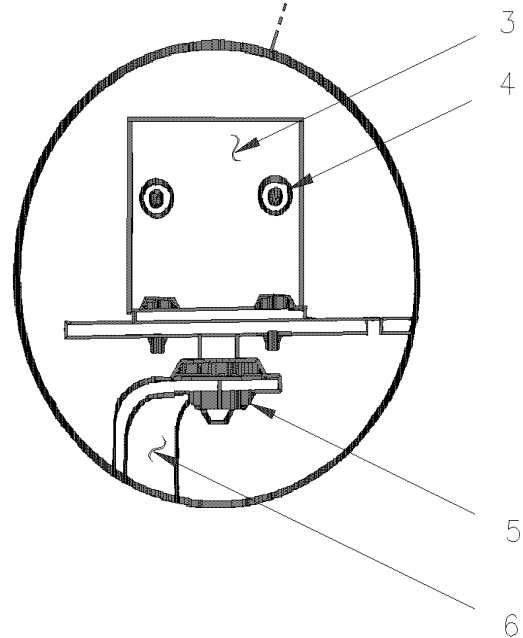
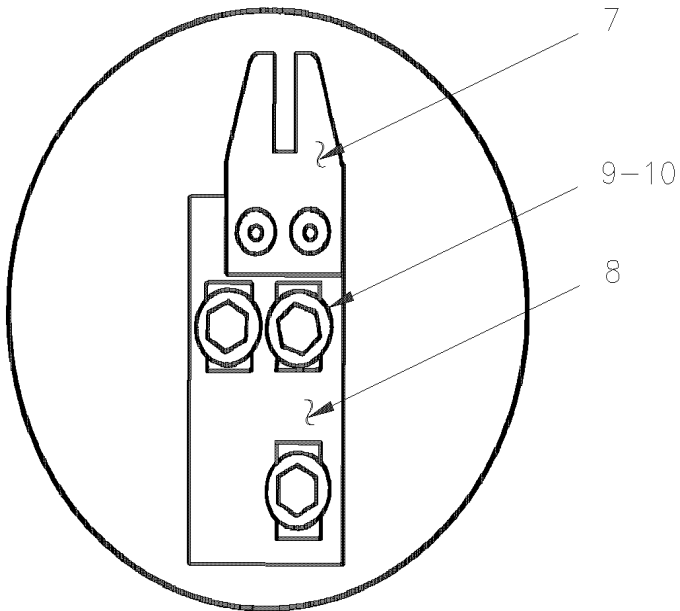
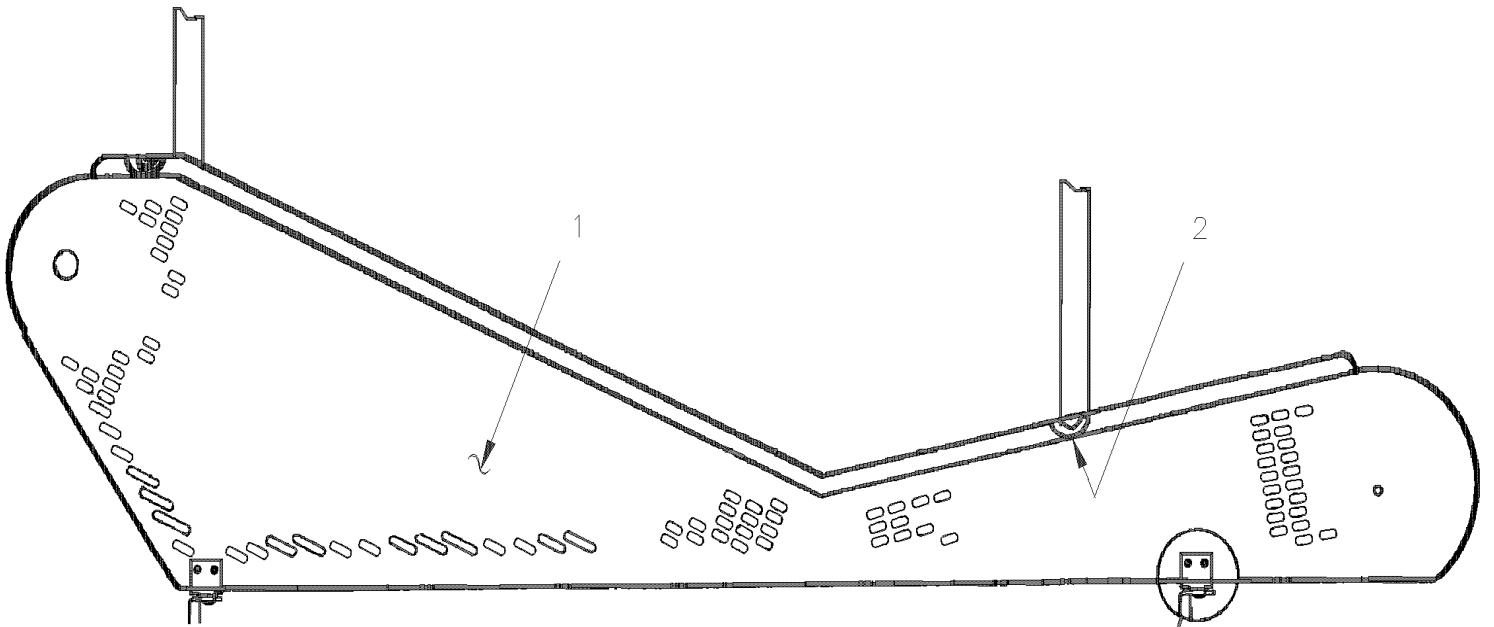
| | | |
|--|--------------|-----------------|
| From L-031 To R-032 | Date:10/2022 | PAGE:H4-0130-00 |
| AIR CYLINDER - BELT TENSIONNER - WITH DETROIT S-92 | | |



| | | |
|---|--------------|-----------------|
| From L-031 To R-032 | Date:10/2022 | PAGE:H4-0130-00 |
| AIR CYLINDER - BELT TENSIONNER - WITH DETROIT S-92 | | |

| Item# | Part | Description | H 3 4 0 | V I P 4 0 | N O T E S |
|-------|---------|--|------------------|-----------------------|-----------------------|
| | 010211 | CYLINDER ASSY / SNAP-RING END MOUNTING TYPE | 2 | 2 | |
| | 019203 | CYLINDER ASSY / W/SCREW END MOUNTING TYPE | 2 | 2 | S |
| 1 | 010194 | . CASING | 1 | 1 | A |
| 2 | 010195 | . CAP, CLOSED / TYPE W/SNAP-RING | 1 | 1 | A |
| 3 | 010196 | . CAP, OPENED / TYPE W/SNAP-RING | 1 | 1 | A |
| 4 | 507178 | . O-RING / CAP | 2 | 2 | A |
| 5 | 010159 | . PISTON 1.812 O.D. X 1"3/4 | 1 | 1 | A |
| 6 | 507243 | . SEAL, U-CUP / PISTON | 1 | 1 | A |
| 7 | 010198 | . ROD, 4 1/2" / PISTON STROKE 2" | 1 | 1 | A |
| 8 | 507195 | . O-RING / PISTON ROD | 1 | 1 | A |
| 9 | 010199 | . ROD, 2 7/8" / PISTON STOP | 1 | 1 | A |
| 10 | 010054 | . SPRING COMPRESSION / 1.160 O.D. x 6.25 x .187 | 1 | 1 | |
| 11 | 010203 | . RING, SNAP | 2 | 2 | A |
| 12 | 507200 | . SEAL / OPENED CAP | 1 | 1 | A |
| 13 | 507212 | . O-RING | 1 | 1 | A |
| 14 | 500716 | NUT HEX 1/2-20 Z050 | 1 | 1 | |
| 15 | 502040 | ROD END MALE 1/2-20 / 1/2 I.D. | 2 | 2 | |
| 16 | 5011007 | . GREASE FITTING / #8-32 | 1 | 1 | |
| NS | 010213 | KIT REPAIR / INCLUDES #4,6,8,11,12,14 / W/SNAP-RING END MOUNTING TYP | 1 | 1 | A |
| NS | 019207 | KIT REPAIR / INCLUDES O-RING & SEAL / W/SCREW END MOUNTING TYPE | 1 | 1 | S |
| | | | | | |
| | | | | | |
| | | | | | |
| | | A) THESE ITEMS ARE USED ONLY WITH AIR CYLINDER #010211 | | | |
| | | S) FOR SERVICE ONLY ON SCREW END TYPE | | | |

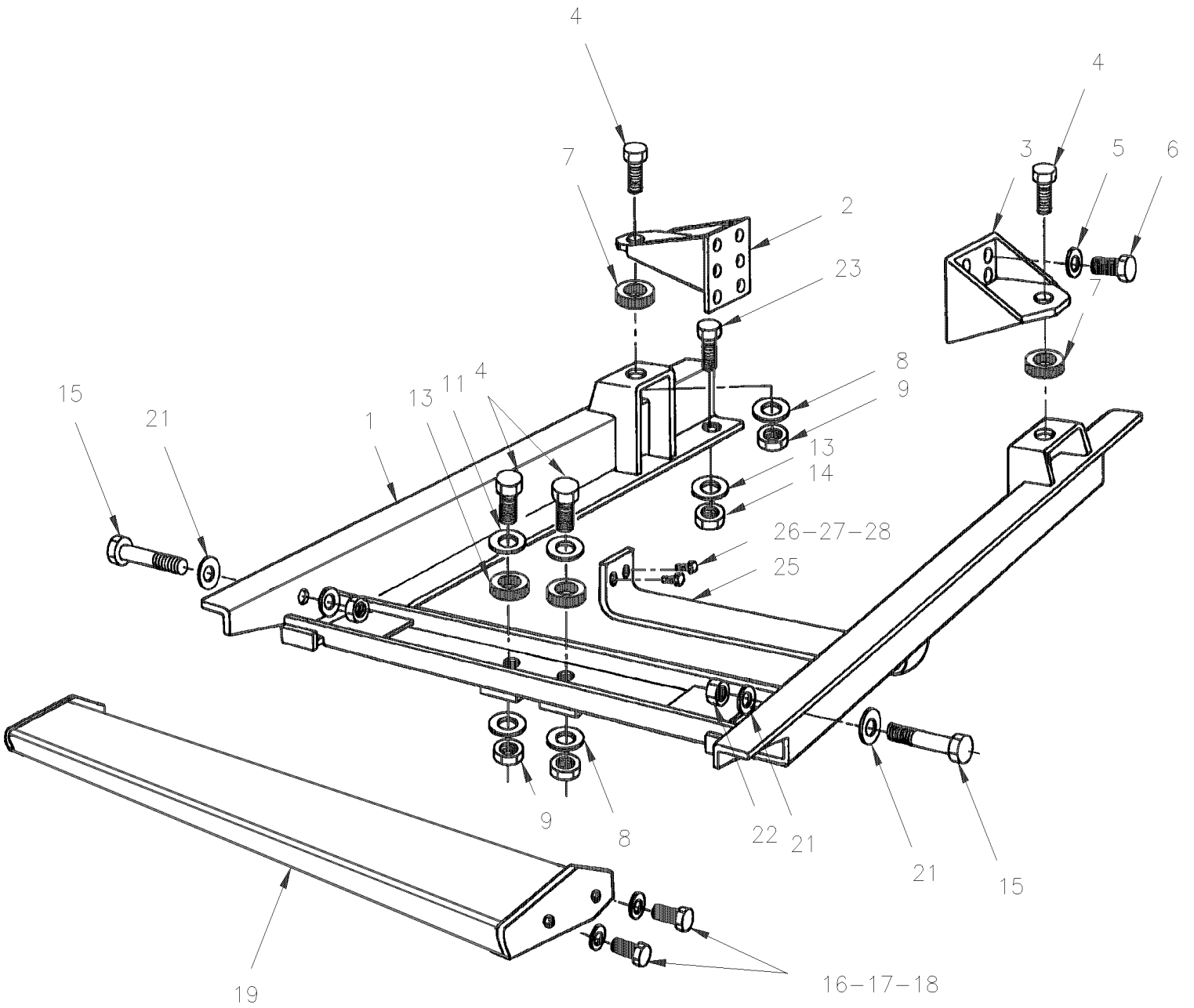
| | | |
|---------------------------------|--------------|-----------------|
| From L-031 To R-079 | Date:10/2022 | PAGE:H4-0135-00 |
| GUARD - BELTS TENSIONERS | | |



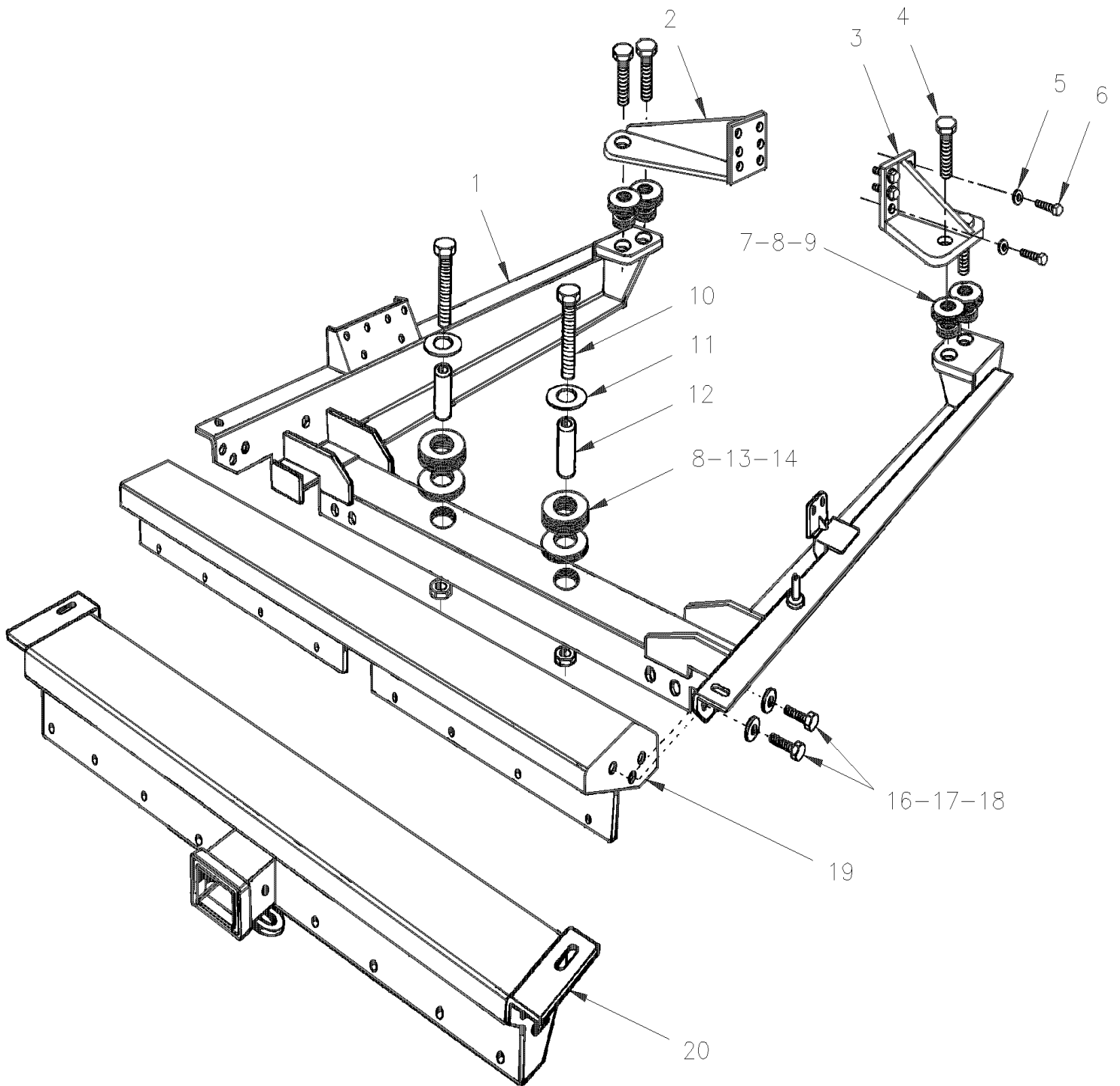
| | | |
|---------------------------------|---------------------|------------------------|
| From L-031 To R-079 | Date:10/2022 | PAGE:H4-0135-00 |
| GUARD - BELTS TENSIONERS | | |

| Item# | Part | Description | H 3 4 0 | V I P 4 0 | N O T E S |
|-------|--------|---|------------------|-----------------------|-----------------------|
| 1 | 011476 | GUARD ASSY To N-183 | 1 | 1 | |
| 1 | 011512 | GUARD ASSY From N-184 To P-315 | 1 | 1 | |
| 1 | 011611 | GUARD ASSY From P-316 | 1 | 1 | |
| 2 | 502813 | NUT WING M8x1.25 BR | 2 | 2 | |
| NS | 211751 | SUPPORT / (WELDED AT POST) To P-323 | 1 | 1 | |
| NS | 212192 | SUPPORT / (WELDED AT POST) From P-324 | 1 | 1 | |
| NS | 502583 | WASHER LO SERR 8.15x22.3x1.0 Z050 | 2 | 2 | A |
| NS | 502820 | WASHER FL .187x1.000x.125 RUB BK | 2 | 2 | |
| 3 | 011479 | ANCHOR / LOWER To N-183 | 2 | 2 | |
| 4 | 504473 | RIVET POP DOME OE 1/8x1/4 SS | 8 | 8 | |
| 5 | 504547 | GROMMET / .375x.500x.125x.375x.812 x.625x.125 | 2 | 2 | |
| 6 | 011478 | SUPPORT / R.H. To N-183 | 1 | | |
| 6 | 011480 | SUPPORT / L.H. To N-183 | 1 | | |
| 6 | 011477 | SUPPORT / L.H. To N-183 | | 1 | |
| 6 | 011472 | SUPPORT / L.H. & R.H. To N-183 | | 2 | |
| 7 | 011515 | SUPPORT / L.H. / AS SHOW / 35MM WIDE From N-184 | 2 | 2 | |
| 7 | 011517 | SUPPORT / L.H. / 46MM WIDE From N-184 | | 1 | |
| 7 | 011511 | SUPPORT / R.H. / 70MM WIDE From N-184 | | 1 | |
| 8 | 011516 | SUPPORT / R.H. & L.H. From N-184 To P-315 | 2 | 2 | |
| 8 | 011604 | SUPPORT / R.H. & L.H. From P-316 | 2 | 2 | |
| 9 | 502622 | SCREW CAP HEX M6-1.0x20 SS BK | 4 | 4 | |
| 10 | 502621 | NUT HEX STO M6-1.0 Z050 | 4 | 4 | |
| NS | 011564 | RETROFIT KIT, BELT TENSIONER GUARD / BUS | 1 | | |
| NS | 011563 | RETROFIT KIT, BELT TENSIONER GUARD / V.I.P. | | 1 | |
| | | | | | |
| | | | | | |
| | | | | | |
| | | A) W/ITEM 4 & 16 | | | |

| | | |
|-----------------------------------|--------------|-----------------|
| From L-031 To R-032 | Date:10/2022 | PAGE:H4-0150-00 |
| ENGINE CRADLE - WITH DETROIT S-92 | | |



| | | |
|-----------------------------------|--------------|-----------------|
| From L-031 To R-032 | Date:10/2022 | PAGE:H4-0150-00 |
| ENGINE CRADLE - WITH DETROIT S-92 | | |



| | | | |
|--|--|--------------|-----------------|
| From L-031 To R-032 | | Date:10/2022 | PAGE:H4-0150-00 |
| ENGINE CRADLE - WITH DETROIT S-92 | | | |

| Item# | Part | Description | H 3 4 0 | V I P 4 0 | N O T E S |
|-------|---------|--|------------------|-----------------------|-----------------------|
| | | 8V92T W/MANUAL TRANSMISSION | | | |
| 1 | 011413P | CRADLE ASSY | 1 | | H |
| 1 | 011491 | CRADLE ASSY | 1 | 1 | I |
| 1 | 011412P | CRADLE ASSY | 1 | | J |
| 1 | 011414P | CRADLE ASSY | 1 | 1 | K |
| 1 | 011490 | CRADLE ASSY W/TRAILER HITCH | | 1 | I |
| 1 | 011489 | CRADLE ASSY W/TRAILER HITCH | 1 | 1 | I |
| 2 | 010978 | SUPPORT REAR L.H. | 1 | | H |
| 2 | 010935 | SUPPORT REAR L.H. | 1 | 1 | I |
| 2 | 010861 | SUPPORT REAR L.H. | 1 | | J |
| 2 | 010848 | SUPPORT REAR L.H. | 1 | 1 | K |
| 3 | 010974 | SUPPORT REAR R.H. | 1 | | H |
| 3 | 010936 | SUPPORT REAR R.H. | 1 | 1 | I |
| 3 | 010862 | SUPPORT REAR R.H. | 1 | | J |
| 3 | 010847 | SUPPORT REAR R.H. | 1 | 1 | K |
| 4 | 500145 | SCREW CAP HEX 3/4-16x3 1/2 G5 Z050 | 4 | 4 | |
| 4 | 500146 | SCREW CAP HEX 3/4-16x4 G5 N500 | 4 | 4 | |
| 5 | 500484 | WASHER LO SPT .635x1.079x.156 Z050 | 12 | 12 | |
| 6 | 500817 | SCREW CAP HEX 5/8-11x1 3/4 G5 Z050 | 12 | 12 | |
| 7 | 510149 | INSULATOR, RUBBER MOUNT / REAR SUPPORT W/8V/92 | 4 | 4 | |
| NS | 510247 | INSULATOR, RUBBER MOUNT / REAR SUPPORT W/6V/92 & 8V/71 | 4 | 4 | |
| 8 | 010415 | WASHER VIBRO / FRONT & REAR ENGINE SUPPORTS | 6 | 6 | |
| 9 | 500735 | NUT HEX STO 3/4-16 ZP | 6 | 6 | |
| 10 | 500134 | SCREW CAP HEX 5/8-18x3 1/2 G5 ZP | 2 | 2 | |
| 11 | 010668 | WSH FLAT / 8V92T FRONT SUPPORT | 2 | 2 | |
| NS | 010797 | WSH FLAT / 6V92T & 8V71 FRONT SUPPORT | 2 | 2 | |
| 12 | 011056 | BUSHING SPACER / TO FIX 8V92T FRONT SUPPORT | 2 | 2 | |
| 13 | 510244 | BUSHING RUBBER / FRONT ENGINE SUPPORT | 2 | 2 | |
| 14 | 500725 | NUT HEX STO 5/8-18 Z050 | 2 | 2 | |
| NS | 500735 | NUT HEX STO 3/4-16 ZP | 4 | 4 | A |
| 15 | 500776 | SCREW CAP HEX M16-2.0x110 G8.8 Z050 | 2 | 2 | |
| 16 | 500088 | SCREW CAP HEX 1/2-20x1 1/2 G5 ZP | 4 | 4 | B |
| 17 | 500446 | WASHER FL .531x1.250x.125 Z050 | 4 | 4 | B |
| 18 | 500718 | NUT HEX STO 1/2-20 Z050 | 4 | 4 | |
| 19 | 011404 | PULLEY PROTECTOR / W/O TRAILLER HITCH | 1 | 1 | |
| 20 | 011399 | PULLEY PROTECTOR / W/TRAILLER HITCH | 1 | 1 | |
| 21 | 500846 | WASHER FL 17.0x50.0x3.0 Z050 | 2 | 2 | |
| 22 | 500781 | NUT HEX STO M16-2.0 DP | 2 | 2 | D |
| 23 | 502544 | SCREW CAP HEX M16-2.0x40 G8.8 Z050 | 4 | 4 | D |
| 25 | 070561 | BAR PROTECTOR (HARDENED) | 1 | 1 | |
| 26 | 500229 | SCREW CAP HEX 5/8-11x2 G5 ZP | 4 | 4 | F |

| | | |
|--|--------------|-----------------|
| From L-031 To R-032 | Date:10/2022 | PAGE:H4-0150-00 |
| ENGINE CRADLE - WITH DETROIT S-92 | | |

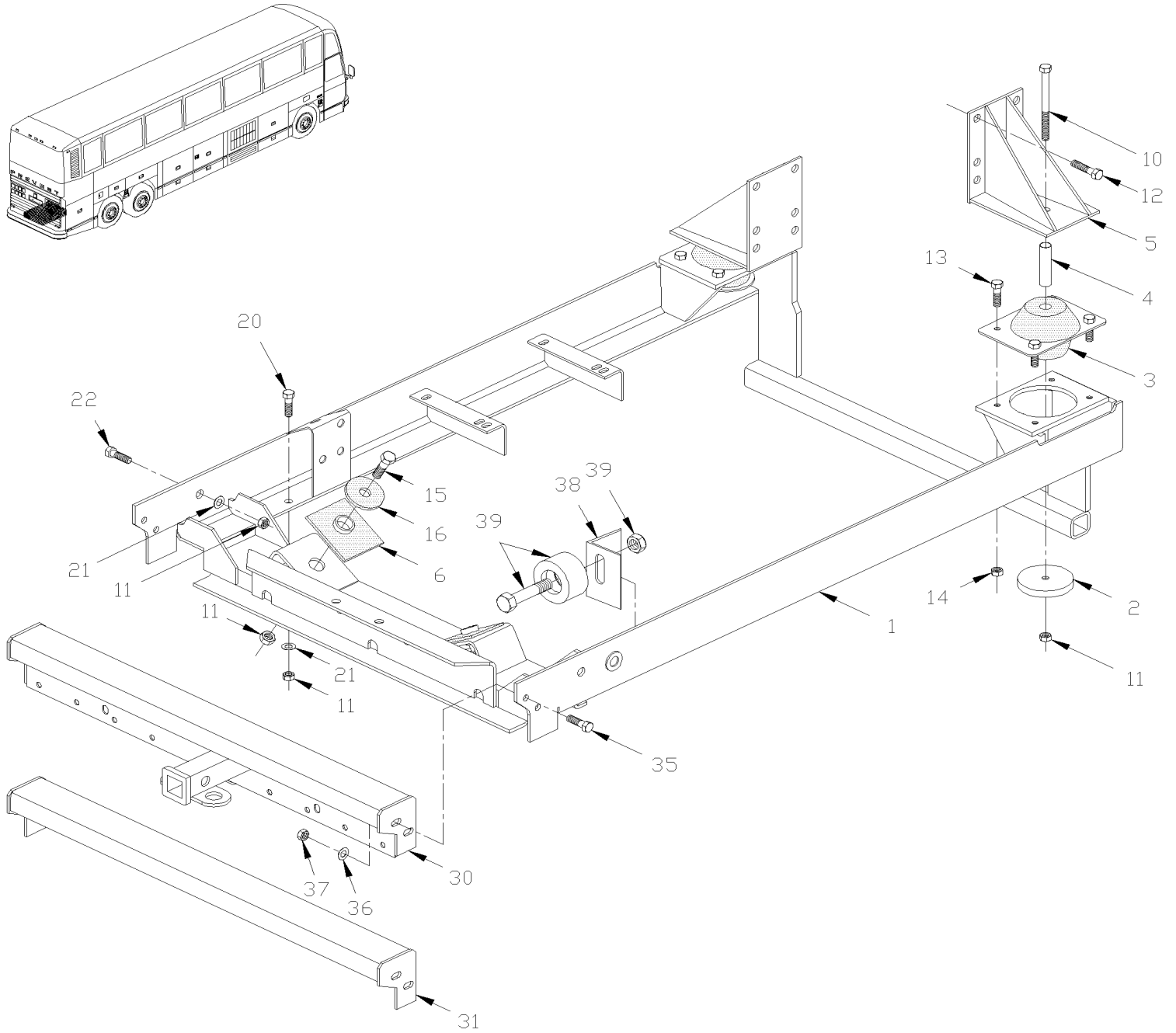
| Item# | Part | Description | H 3 4 0 | V I P 4 0 | N O T E S |
|-------|--------|---|------------------|-----------------------|-----------------------|
| 27 | 070624 | SPACER / TO FIX TRANSMISSION PROTECTION BAR | 4 | 4 | |
| 28 | 500792 | NUT HEX 5/8-11 Z050 | 4 | 4 | F |
| NS | 500484 | WASHER LO SPT .635x1.079x.156 Z050 | 4 | 4 | F |
| | | | | | |
| | | | | | |
| | | A) FRONT & REAR ENGINE SUPPORT | | | |
| | | B) TO FIX PULLEY PROTECTOR | | | |
| | | D) TO FIX CRADLE | | | |
| | | F) TO FIX TRANSMISSION PROTECTION BAR | | | |
| | | H) 8V92T W/MANUAL TRANSMISSION | | | |
| | | I) 8V92T W/AUTOMATIC TRANSMISSION | | | |
| | | J) 6V92T W/MANUAL TRANSMISSION | | | |
| | | K) 6V92T W/AUTOMATIC TRANSMISSION | | | |

From P-256 To R-079

Date:10/2022

PAGE:H4-0150-01

ENGINE CRADLE - WITH DETROIT S-60



| | | |
|--|--------------|-----------------|
| From P-256 To R-079 | Date:10/2022 | PAGE:H4-0150-01 |
| ENGINE CRADLE - WITH DETROIT S-60 | | |

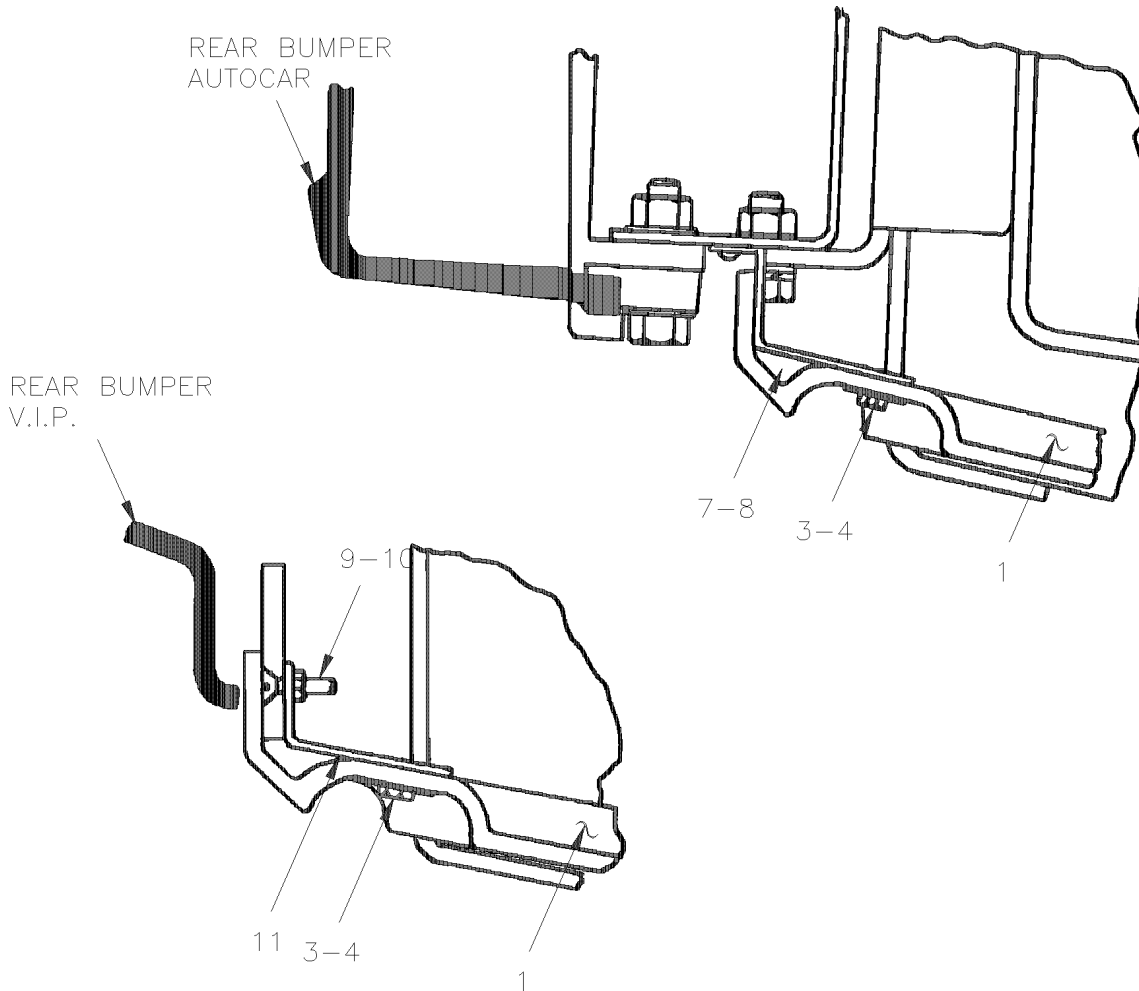
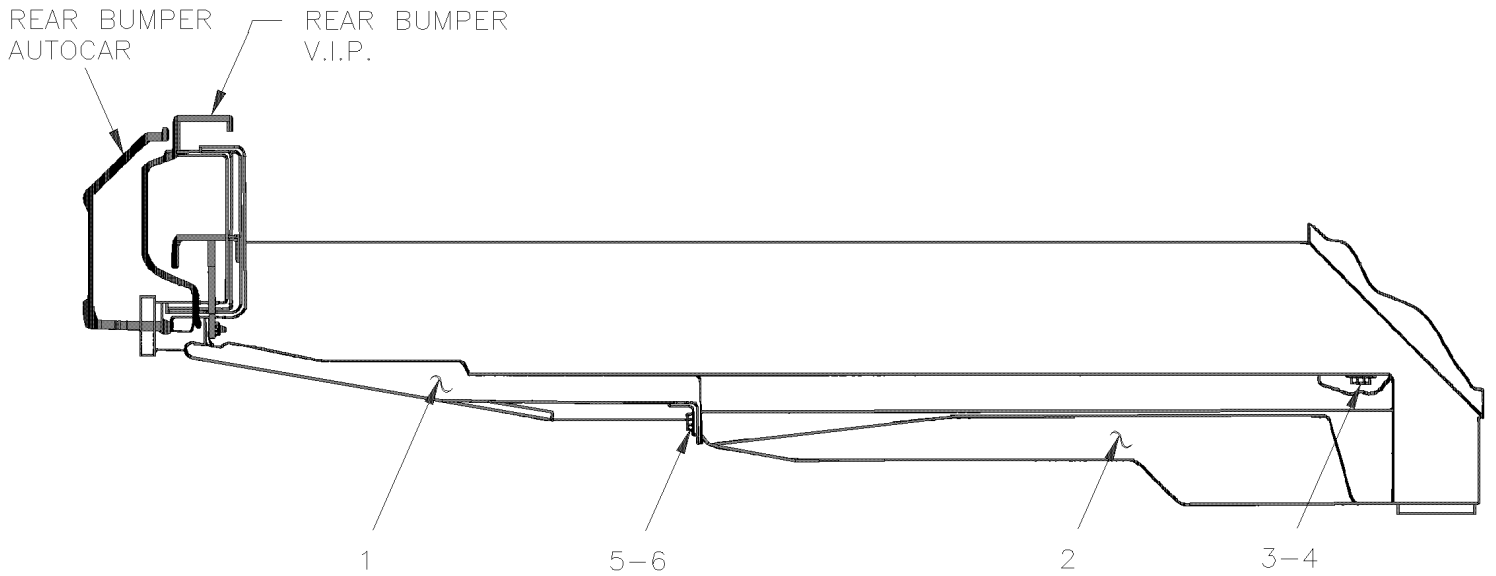
| Item# | Part | Description | H 3 4 0 | V I P 4 0 | N O T E S |
|-------|-------------------|---|------------------|-----------------------|-----------------------|
| 1 | 011717P | CRADLE ASSY | 1 | 1 | |
| 2 | 011662 | WASHER, INSULATOR / R.H. & L.H. | 2 | 2 | |
| 3 | 510456 | INSULATOR, RUBBER | 2 | 2 | |
| 4 | 011629 | SPACER BUSHING | 2 | 2 | |
| 5 | 011586 | SUPPORT, R.H. / W/S-60 | 1 | 1 | |
| 5 | 011585 | SUPPORT, L.H. | 1 | 1 | |
| 6 | 510484 | INSULATOR, RUBBER MOUNT SQUARE | 2 | 2 | |
| 10 | 5001051 | SCREW CAP HEX M16-2.0x160 G8.8 Z050 | 2 | 2 | |
| 11 | 500781 | NUT HEX STO M16-2.0 DP | AR | AR | |
| 12 | 500817 | SCREW CAP HEX 5/8-11x1 3/4 G5 Z050 | 12 | 12 | |
| 13 | 502549 | SCREW CAP HEX M10-1.5x35 G8.8 Z050 | 8 | 8 | |
| 14 | 500680 | NUT HEX STO M10-1.5 Z050 | 8 | 8 | |
| 15 | 502545 | SCREW CAP HEX M16-2.0x80 G8.8 Z050 | 2 | 2 | |
| 16 | 510428 | INSULATOR, RUBBER MOUNT ROUND | 2 | 2 | |
| 20 | 502544 | SCREW CAP HEX M16-2.0x40 G8.8 Z050 | 2 | 2 | |
| 21 | 500846 | WASHER FL 17.0x50.0x3.0 Z050 | 6 | 6 | |
| 22 | 500776 | SCREW CAP HEX M16-2.0x110 G8.8 Z050 | 2 | 2 | |
| 30 | 410576 | PROTECTOR ASSY / W/TRAILER HITCH | | 1 | |
| 31 | 410577 | PROTECTOR ASSY / WITHOUT TRAILER HITCH | 1 | 1 | |
| 35 | 502731 | SCREW CAP HEX M12-1.75x40 G8.8 Z050 | 4 | 4 | |
| 36 | 500446 | WASHER FL .531x1.250x.125 Z050 | 4 | 4 | |
| 37 | 500811 | NUT HEX STO M12-1.75 G500 | 4 | 4 | |
| 38 | 011623 | ANGLE SUPPORT / (WELDED TO ENGINE CRADLE) | 1 | 1 | |
| 39 | H4-0120-01 | DRIVE PULLEY & BELTS - WITH DETROIT S-60 | | | |
| | | FOR RETROFIT A TRAILER HITCH | | | |
| | | YOU REQUIRE NEXT FOLLOWING ITEMS | | | |
| | | | | | |
| NS | 500446 | WASHER FL .531x1.250x.125 Z050 | 4 | 4 | |
| NS | 500781 | NUT HEX STO M16-2.0 DP | 4 | 4 | |
| NS | 500811 | NUT HEX STO M12-1.75 G500 | 4 | 4 | |
| NS | 502731 | SCREW CAP HEX M12-1.75x40 G8.8 Z050 | 4 | 4 | |
| NS | 502744 | NUT HEX STO M8-1.25 Z050 | 4 | 4 | |
| NS | 910006 | NAME PLATE "CERTIFICATION HITCH PLATE" | 1 | 1 | |
| NS | 502627 | SCREW DRV RND #2x1/4 ZP | 2 | 2 | |
| NS | 211484 | SPACER / EACH SIDE OF ENGINE CRADLE | 2 | 2 | A |
| NS | 410575 | ANGLE / TRAILER HITCH SUPPORT | 1 | 1 | A |
| NS | 410626 | DECAL "MAXIMUM HITCH CAPACITY" | 1 | 1 | |
| NS | 410806 | KIT TRAILER HITCH / UPGRADE TO 20000LBS | | 1 | |
| NS | IS-99092A | SEE INSTRUCTION SHEET | | 1 | |
| | | | | | |
| | | | | | |

| | | | |
|---------------------|--|--------------|-----------------|
| From P-256 To R-079 | | Date:10/2022 | PAGE:H4-0150-01 |
|---------------------|--|--------------|-----------------|

ENGINE CRADLE - WITH DETROIT S-60

| Item# | Part | Description | H 3 4 0 | V I P 4 0 | N O T E S |
|-------|------|---|------------------|-----------------------|-----------------------|
| | | | | | |
| | | A) THOSE ITEMS NEED TO BE WELDED AT THE CRADLE ENGINE | | | |

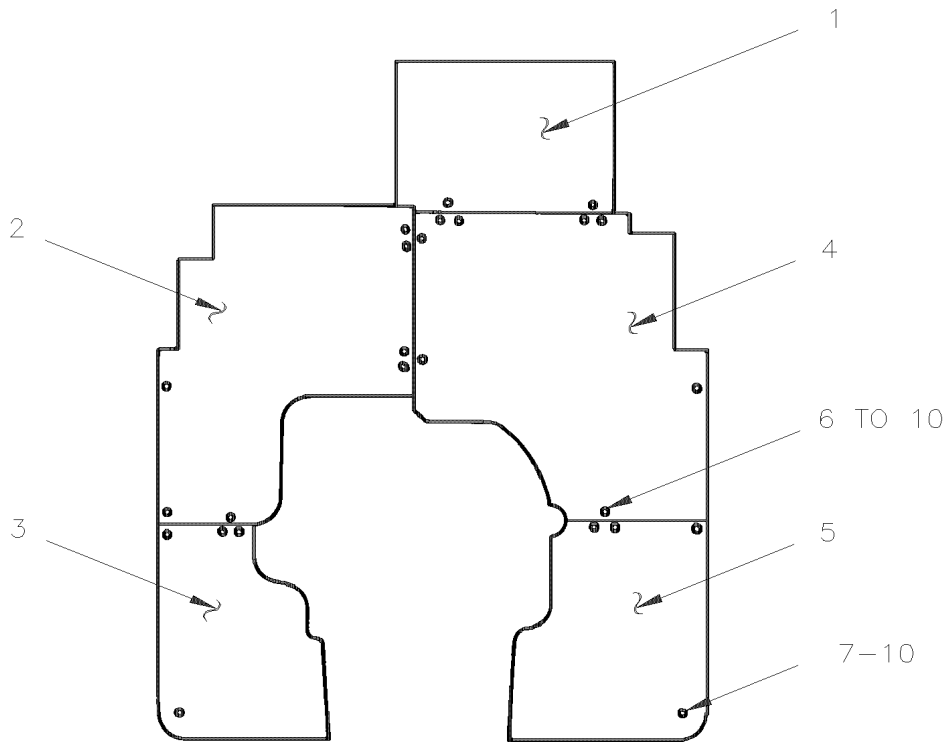
| | | |
|---------------------|--------------|-----------------|
| From L-031 To R-079 | Date:10/2022 | PAGE:H4-0155-00 |
| ENGINE PAN | | |



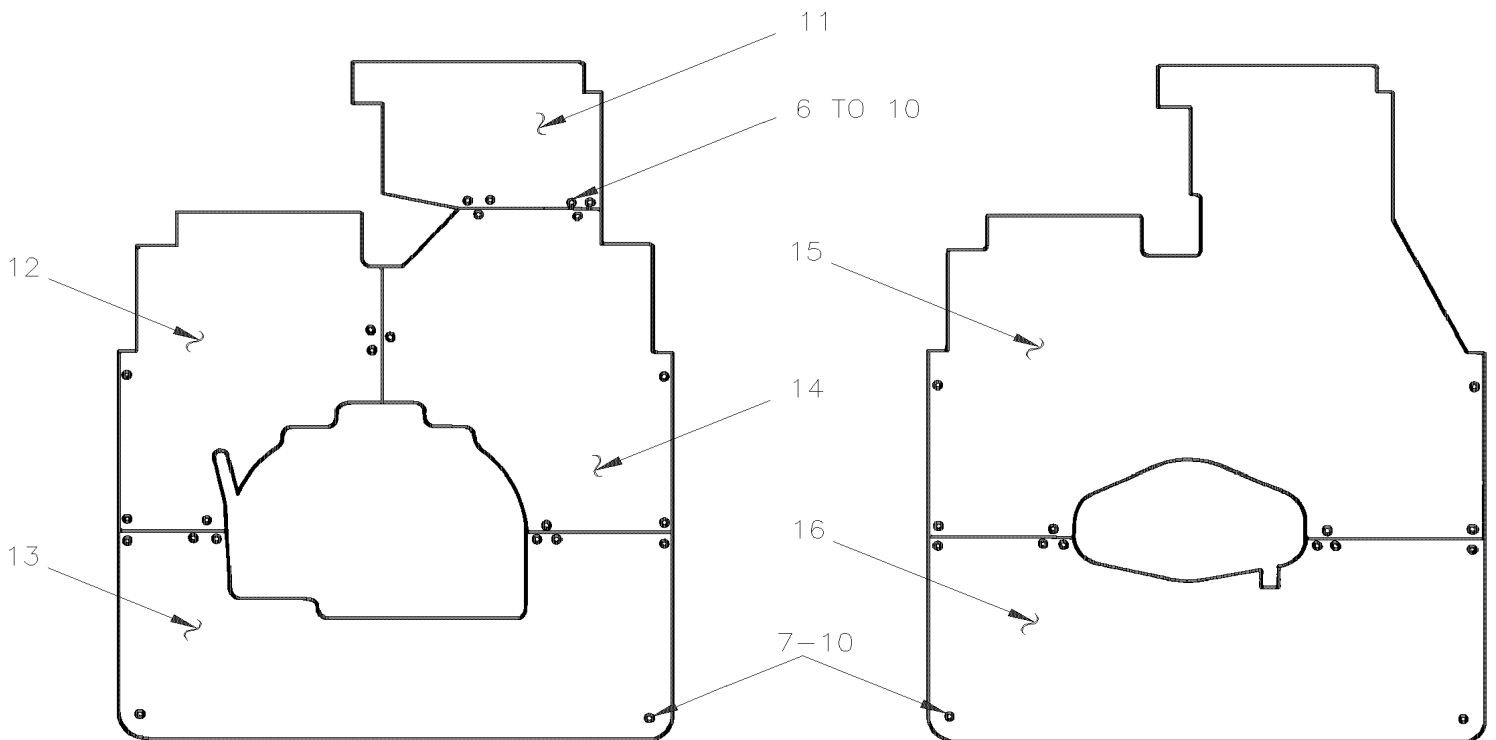
| | | |
|---------------------|--------------|-----------------|
| From L-031 To R-079 | Date:10/2022 | PAGE:H4-0155-00 |
| ENGINE PAN | | |

| Item# | Part | Description | H 3 4 0 | V I P 4 0 | N O T E S |
|-------|--------|--|------------------|-----------------------|-----------------------|
| 1 | 011443 | PAN / REAR / UNDER ENGINE To M-111 | 1 | 1 | |
| 1 | 011533 | PAN / REAR / UNDER ENGINE From M-112 To R-382 | 1 | 1 | |
| 1 | 011628 | PAN / REAR / UNDER ENGINE / W/SERIES 60 From R-383 | 1 | 1 | |
| 2 | 011445 | PAN / UNDER ENGINE / AUTOMATIC TRANSMISSION | 1 | 1 | A |
| NS | 011444 | PAN / UNDER ENGINE / MANUAL TRANSMISSION | 1 | | B |
| 3 | 502810 | SCREW TP CAP HEXW FL M6.3-1.81x30 PHC | 12 | 12 | |
| 4 | 502764 | NUT SPR J #14A .035-.046 | 12 | 12 | C |
| 5 | 011454 | REINFORCEMENT, INTERIOR & EXTERIOR To M-111 | 2 | 2 | |
| 5 | 011531 | REINFORCEMENT, EXTERIOR From M-112 | 1 | 1 | |
| 5 | 011534 | REINFORCEMENT, INTERIOR From M-112 | 1 | 1 | |
| 6 | 504487 | RIVET MGLP PRDG 3/16x7/16 SS | 8 | 8 | |
| 7 | 011457 | SUPPORT / REAR To R-382 | 1 | | |
| 7 | 011630 | SUPPORT / REAR / W/SERIES 60 From R-383 | 1 | | |
| 8 | 504379 | RIVET POP DOME OE 3/16x1/4 SS | 7 | | |
| 9 | 500485 | SCREW MA FL PH #10-32x3/4 SS EMN | | 8 | |
| 10 | 500423 | NUT HEX NYRT #10-32 SS | | 8 | |
| 11 | 011453 | SUPPORT / REAR To R-382 | | 2 | |
| NS | 011425 | PROTECTOR ASSY | | 1 | |
| NS | 011633 | SUPPORT / REAR / W/SERIES 60 From R-383 | | 2 | |
| NS | 500347 | SCREW CAP HEX 5/16-18x1 1/4 SS | | 10 | |
| | | | | | |
| 13 | 011536 | KIT PAN REPLACEMENT / W/AUTOMATIC TRANS | 1 | 1 | |
| 14 | 011535 | KIT PAN REPLACEMENT / W/MANUAL TRANS | 1 | 1 | |
| | | | | | |
| | | | | | |
| | | A) UP TO M-111 IF PAN IS REPLACED USE RETROFIT KIT #011536 | | | |
| | | B) UP TO M-111 IF PAN IS REPLACED USE RETROFIT KIT #011535 | | | |
| | | C) TO FIX ITEM #51 | | | |

| | | |
|---|--------------|-----------------|
| From L-031 To R-032 | Date:10/2022 | PAGE:H4-0155-10 |
| ENGINE TRANSMISSION GUARD & AIR SHIELD | | |



8V92 & 6V92 AUTOMATIC TRANSMISSION



8V92 MANUAL TRANSMISSION

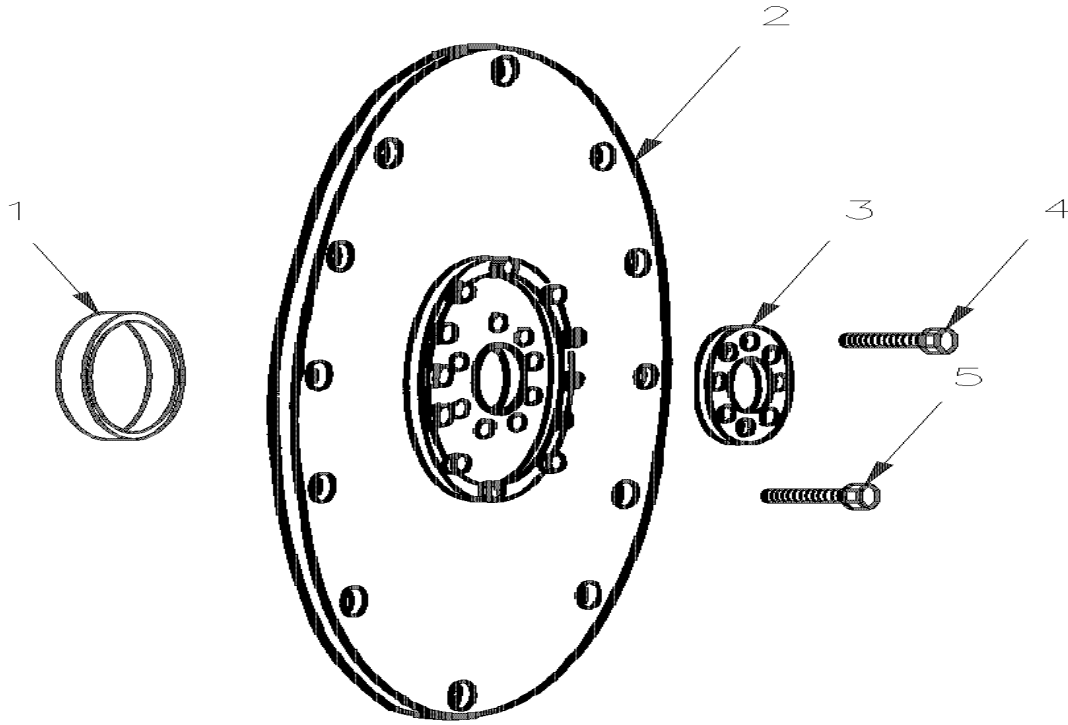
6V92 MANUAL TRANSMISSION

| | | |
|---|--------------|-----------------|
| From L-031 To R-032 | Date:10/2022 | PAGE:H4-0155-10 |
| ENGINE TRANSMISSION GUARD & AIR SHIELD | | |

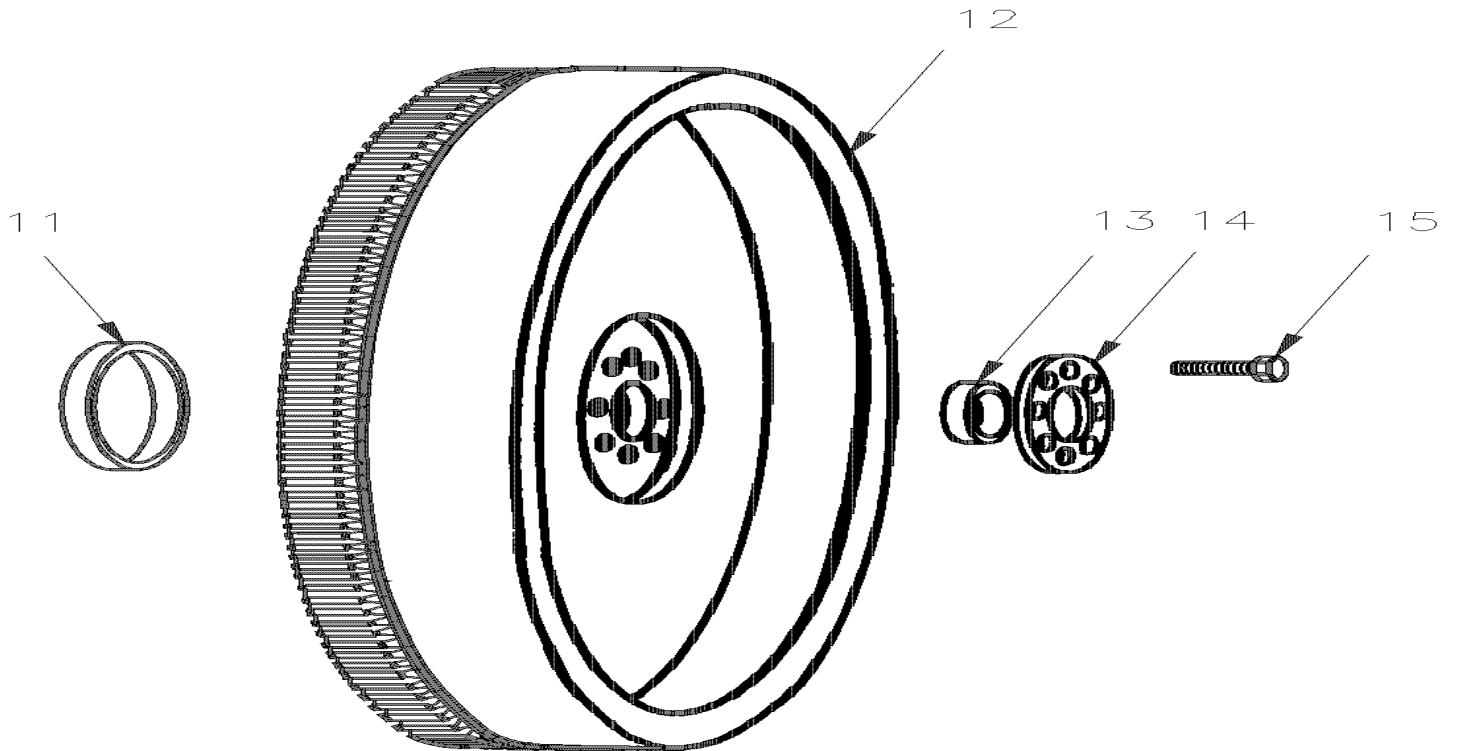
| Item# | Part | Description | H 3 4 0 | V I P 4 0 | N O T E S |
|-------|----------|---|------------------|-----------------------|-----------------------|
| 1 | 011569 | PROTECTOR From N-189 | 1 | 1 | A |
| 2 | 011381 | PROTECTOR, L.H. / UPPER | 1 | 1 | |
| 3 | 011386 | PROTECTOR, L.H. / LOWER | 1 | 1 | |
| 4 | 011387 | PROTECTOR, R.H. / UPPER To N-188 | 1 | 1 | A |
| 4 | 011568 | PROTECTOR, R.H. / UPPER From N-189 | 1 | 1 | |
| 5 | 011382 | PROTECTOR, R.H. / LOWER | 1 | 1 | |
| 6 | 011390 | PLATE FIXING | AR | AR | |
| 7 | 500535 | SCREW TP CAP HEX #14x3/4 Z050 | AR | AR | |
| 8 | 502764 | NUT SPR J #14A .035-.046 | AR | AR | |
| 9 | 504487 | RIVET MGLP PRDG 3/16x7/16 SS | AR | AR | |
| 10 | 502573 | WASHER FL 6.4x12.5x1.6 SS | AR | AR | |
| 11 | 011488 | PROTECTOR | 1 | | |
| 12 | 011380 | PROTECTOR, L.H. / UPPER | 1 | | |
| 13 | 011379 | PROTECTOR, LOWER | 1 | | |
| 14 | 011384 | PROTECTOR, R.H. / UPPER | 1 | | |
| 15 | 011385 | PROTECTOR, UPPER | 1 | | |
| 16 | 011383 | PROTECTOR, LOWER | 1 | | |
| 16 | 011576 | KIT, REPLACEMENT OF ENGINE SPLASH GUARD | AR | AR | |
| . NS | IS-91106 | . SEE INSTRUCTION SHEET | 1 | 1 | |
| 16 | 011577 | KIT, REPLACEMENT OF ENGINE SPLASH GUARD | AR | AR | |
| . NS | IS-91106 | . SEE INSTRUCTION SHEET | 1 | 1 | |
| | | | | | |
| | | | | | |
| | | A) PRIOR N-189 W/AUTOMATIC TRANSMISSION, THIS PROTECTOR WAS MADE OF ONE PIECE, NOW USE KIT 011576 | | | |

| | | |
|------------------------------|--------------|-----------------|
| From L-031 To R-032 | Date:10/2022 | PAGE:H4-0160-00 |
| FLYWHEEL - WITH DETROIT S-92 | | |

AUTOMATIC TRANSMISSION



MANUAL TRANSMISSION



| | | |
|-------------------------------------|--------------|-----------------|
| From L-031 To R-032 | Date:10/2022 | PAGE:H4-0160-00 |
| FLYWHEEL - WITH DETROIT S-92 | | |

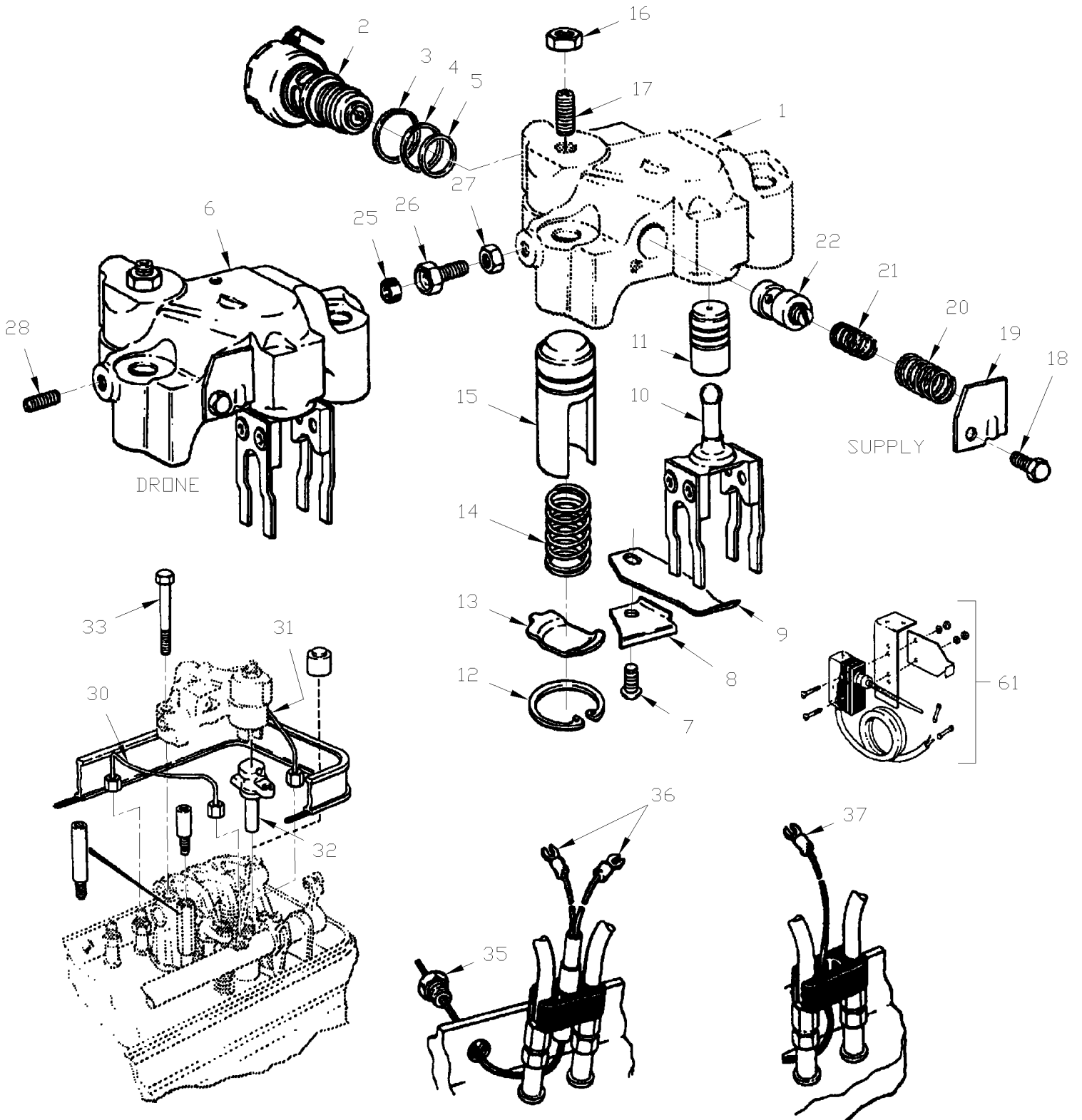
| Item# | Part | Description | H 3 4 0 | V I P 4 0 | N O T E S |
|-------|-----------|--|------------------|-----------------------|-----------------------|
| | | 6V92T & 8V92T W/AUTOMATIC TRANSMISSION | | | |
| 1 | 510286 | SEAL OIL | 1 | 1 | |
| 2 | 571418 | PLATE FLEXIBLE | 1 | 1 | |
| 3 | 510225 | PLATE SCUFF | 1 | 1 | |
| 4 | 510079 | BOLT / TO FIX SCUFF PLATE | 12 | 12 | |
| NS | 295131006 | RING GEAR ADAPTOR ASSY / W/AUTOMATIC TRANS | 1 | 1 | |
| 5 | 571143 | BOLT / FLEXIBLE PLATE | 12 | 12 | |
| | | 6V92T & 8V92T W/MANUAL TRANSMISSION | | | |
| 11 | 510286 | SEAL OIL | 1 | 1 | |
| 12 | 510223 | FLYWHEEL | 1 | 1 | |
| 13 | 507113 | BALL BEARING | 1 | 1 | |
| 14 | 510225 | PLATE SCUFF | 1 | 1 | |
| 15 | 510287 | BOLT / TO FIX SCUFF PLATE | 12 | 12 | |
| | | | | | |
| | | | | | |

From L-031 To R-032

Date:10/2022

PAGE:H4-0165-00

JACOB'S - ENGINE BRAKE - WITH DETROIT S-92



| | | |
|---|--------------|-----------------|
| From L-031 To R-032 | Date:10/2022 | PAGE:H4-0165-00 |
| JACOB'S - ENGINE BRAKE - WITH DETROIT S-92 | | |

| Item# | Part | Description | H 3 4 0 | V I P 4 0 | N O T E S |
|-------|--------|--|------------------|-----------------------|-----------------------|
| | 510365 | KIT JACOB'S BRAKE / 12 VOLTS / 6V92T DDEC | 1 | 1 | B |
| | 510366 | KIT JACOB'S BRAKE / 12 VOLTS / 8V92T DDEC | 1 | 1 | C |
| 1 | N.S.P. | HOUSING / 12 VOLT SUPPLY / DDEC ENGINE (#013592) | 1 | 1 | 2 |
| 2 | 510409 | . VALVE SOLEINOID / 12 VOLTS DDEC ENGINE | 1 | 1 | |
| 3 | 510411 | . SEAL RING / UPPER | 1 | 1 | |
| 4 | 510412 | . SEAL RING / CENTER | 1 | 1 | |
| 5 | 510413 | . SEAL RING / LOWER | 1 | 1 | |
| 6 | N.S.P. | . HOUSING DRONE | 1 | 1 | 2 |
| 7 | N.S.P. | . . SCREW (#001265) | 1 | 1 | 2 |
| 8 | N.S.P. | . . RETAINER SPRING (#003669) | 1 | 1 | 2 |
| 9 | N.S.P. | . . SPRING / MASTER PISTON (#009505) | 1 | 1 | 2 |
| 10 | N.S.P. | . . FORK ASSY / MASTER PISTON (#003337) | 1 | 1 | 2 |
| 11 | N.S.P. | . . PISTON MASTER (#003329) | 1 | 1 | 2 |
| 12 | N.S.P. | . . RING RETAINING (#001023) | 1 | 1 | 2 |
| 13 | N.S.P. | . . RETAINER (#007620) | 1 | 1 | 2 |
| 14 | N.S.P. | . . SPRING (#001288) | 1 | 1 | 2 |
| 15 | N.S.P. | . . PISTON SLAVE (#009442) | 1 | 1 | 2 |
| 16 | N.S.P. | . . NUT (#001026) | 1 | 1 | 2 |
| 17 | N.S.P. | . . SCREW (#001031) | 1 | 1 | 2 |
| 18 | N.S.P. | . . SCREW (#001492) | 1 | 1 | 2 |
| 19 | N.S.P. | . . COVER CONTROL VALVE (#002221) | 1 | 1 | 2 |
| 20 | N.S.P. | . . SPRING CONTROL VALVE (#011434) | 1 | 1 | 2 |
| 21 | N.S.P. | . . SPRING CONTROL VALVE (#007500) | 1 | 1 | 2 |
| 22 | N.S.P. | . . SPOOL ASSY / CONTROL VALVE (#011930) | 1 | 1 | 2 |
| 25 | 510415 | . SEAL RING | 4 | 4 | |
| 26 | 510414 | . CONNECTOR OIL | 4 | 4 | |
| 27 | N.S.P. | . NUT (#001340) | 4 | 4 | 2 |
| 28 | N.S.P. | . SCREW (#001341) | 4 | 4 | 2 |
| 30 | 510419 | . PIPE R.H. FUEL | 2 | 2 | |
| 31 | 510420 | . PIPE L.H. FUEL | 2 | 2 | |
| 32 | N.S.P. | . BRIDGE EXHAUST VALVE (#001322) | 2 | 2 | 2 |
| 33 | N.S.P. | . BOLT OIL SUPPLY (#001340) | 4 | 4 | 2 |
| 35 | 510418 | . BUSHING SEAL | 2 | 2 | |
| 36 | 510417 | . HARNESS | 2 | 2 | |
| 37 | 510416 | . HARNESS | 2 | 2 | |
| 61 | 061736 | SWITCH ASSY To M-061 | 1 | 1 | |
| NS | 063147 | SWITCH ASSY, / JACOB'S & CRUISE CONTROL From M-062 | 1 | 1 | A |
| NS | 561520 | SWITCH / OFF-ON-ON SERIES S.P.D.T. | 1 | 1 | |
| NS | 062991 | INSERT / GREEN / "JACOB" BRAKE | 1 | 1 | |
| 71 | 500380 | SCREW MA RND SLT #5-40x1 BZC | 2 | 2 | |
| 72 | 502649 | WASHER LO EXT .141x.320x.022 Z050 | 2 | 2 | |
| 73 | 500766 | NUT HEX #5-40 ZP | 2 | 2 | |

| | | |
|---|--------------|-----------------|
| From L-031 To R-032 | Date:10/2022 | PAGE:H4-0165-00 |
| JACOB'S - ENGINE BRAKE - WITH DETROIT S-92 | | |

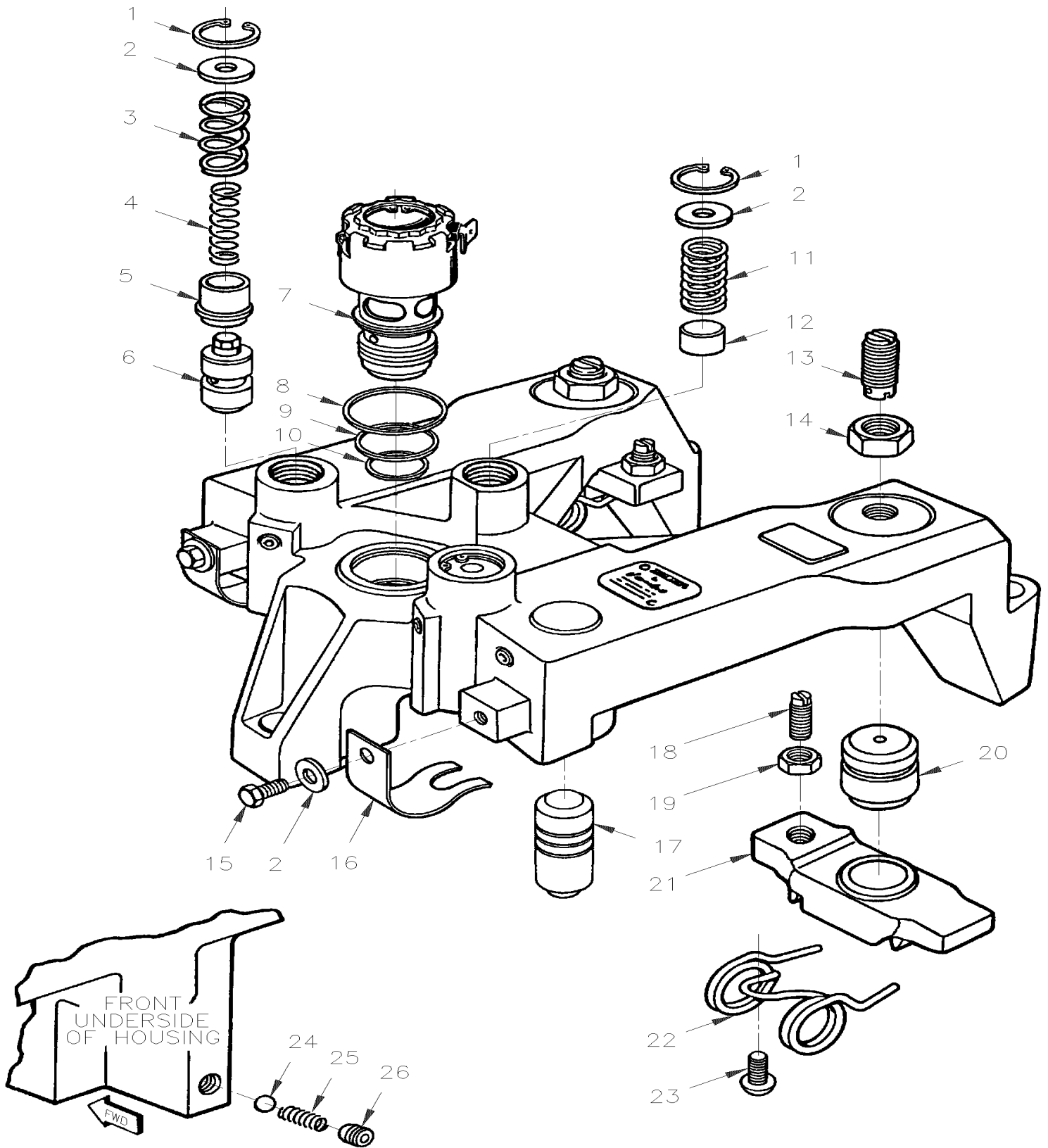
| Item# | Part | Description | H 3 4 0 | V I P 4 0 | N O T E S |
|-------|------|---|------------------|-----------------------|-----------------------|
| | | | | | |
| | | | | | |
| | | A) CLUTCH | | | |
| | | B) ENGINE INCLUDES ITEMS #1,6,24,32,33,35 & 37 | | | |
| | | C) ENGINE INCLUDES ITEMS #1,6,24,32,33,35 & 37 | | | |
| | | 2) NOT SOLD BY PREVOST (SEE MANUFACTURING PART NUMBER AT END OF DESCRIPTION LINE) | | | |

From P-256 To R-079

Date:10/2022

PAGE:H4-0165-01

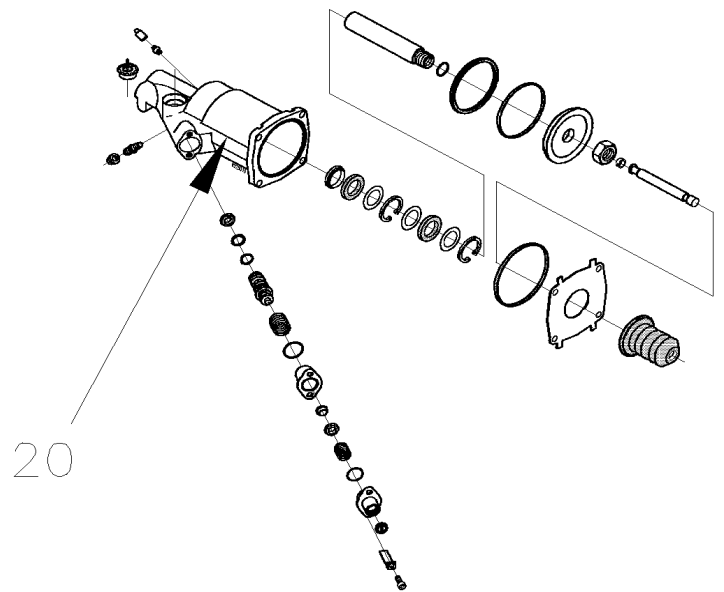
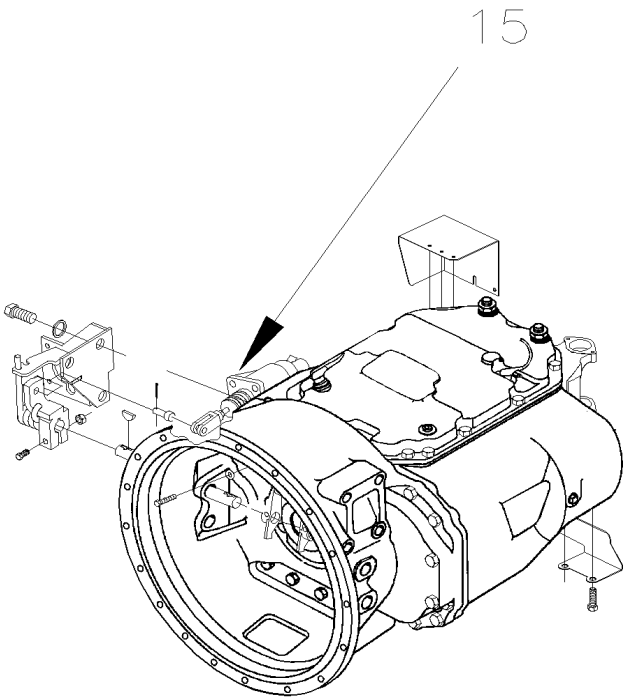
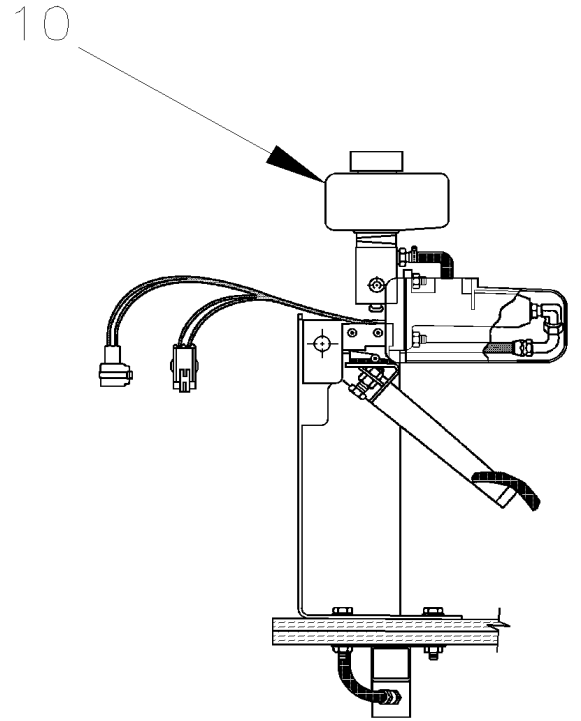
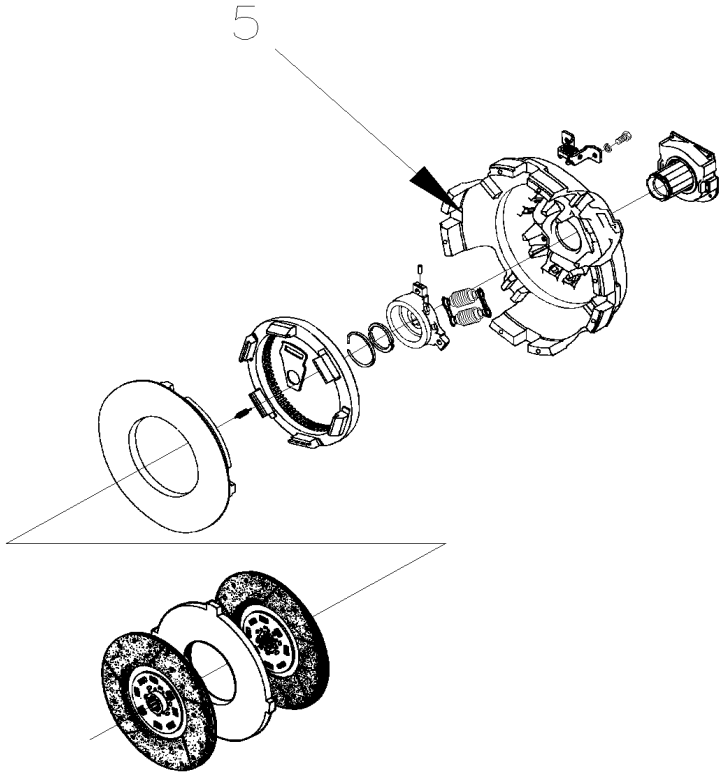
JACOB'S - ENGINE BRAKE - WITH DETROIT S-60



| | | |
|---|--------------|-----------------|
| From P-256 To R-079 | Date:10/2022 | PAGE:H4-0165-01 |
| JACOB'S - ENGINE BRAKE - WITH DETROIT S-60 | | |

| Item# | Part | Description | H 3 4 0 | V I P 4 0 | N O T E S |
|-------|--------|---|------------------|-----------------------|-----------------------|
| | N.S.P. | HOUSING ASSY - 12 VOLTS (#017122) | 3 | 3 | 2 |
| 1 | N.S.P. | . RETAINING RING (#012991) | 3 | 3 | 2 |
| 2 | N.S.P. | . COVER (#016505) | 5 | 5 | 2 |
| 3 | N.S.P. | . STOP SPRING (#001519) | 2 | 2 | 2 |
| 4 | N.S.P. | . SPRING (GREEN) (#001518) | 2 | 2 | 2 |
| 5 | N.S.P. | . COLLAR (#016557) | 2 | 2 | 2 |
| 6 | N.S.P. | . CONTROL VALVE (011930) | 2 | 2 | 2 |
| 7 | N.S.P. | . SOLENOID VALVE (#016440) | 1 | 1 | 2 |
| 8 | 510411 | . SEAL RING / UPPER | 1 | 1 | |
| 9 | 510412 | . SEAL RING / CENTER | 1 | 1 | |
| 10 | 510413 | . SEAL RING / LOWER | 1 | 1 | |
| 11 | N.S.P. | . SPRING (#012990) | 1 | 1 | 2 |
| 12 | N.S.P. | . PISTON - ACCUMULATOR (#012983) | 1 | 1 | 2 |
| 13 | N.S.P. | . RESET SCREW ASSY (#015931) | 2 | 2 | 2 |
| 14 | N.S.P. | . HEX NUT (#011395) | 2 | 2 | 2 |
| 15 | N.S.P. | . SCREW (#001492) | 2 | 2 | 2 |
| 16 | N.S.P. | . FLAT SPRING (#016535) | 2 | 2 | 2 |
| 17 | N.S.P. | . MASTER PISTON (#012981) | 2 | 2 | 2 |
| 18 | N.S.P. | . ADJUSTING SCREW (#011426) | 2 | 2 | 2 |
| 19 | N.S.P. | . HEX NUT (#001026) | 2 | 2 | 2 |
| 20 | N.S.P. | . SLAVE PISTON (#017048) | 2 | 2 | 2 |
| 21 | N.S.P. | . BRIDGE (#016771) | 2 | 2 | 2 |
| 22 | N.S.P. | . TORSION SPRING (#016812) | 2 | 2 | 2 |
| 23 | N.S.P. | . BUTTONHEAD SCREW (#012996) | 2 | 2 | 2 |
| 24 | N.S.P. | . BALL (#001021) | 2 | 2 | 2 |
| 25 | N.S.P. | . BALL CHECK SPRING (#011720) | 1 | 1 | 2 |
| 26 | N.S.P. | . PIPE PLUG (#008888) | 1 | 1 | 2 |
| 26 | N.S.P. | SOLOINOID HARNESS EXTERNAL (#017393) | 1 | 1 | 2 |
| 26 | N.S.P. | SOLOINOID HARNESS INTERNAL (#017392) | 1 | 1 | 2 |
| 26 | N.S.P. | FILLER GAUGE .040 LASH / TO USE W/11.1 LITER (#017277) | AR | AR | 2 |
| 26 | N.S.P. | FILLER GAUGE .020 LASH / TO USE W/12.7 LITER (#017277) | AR | AR | 2 |
| | | | | | |
| | | | | | |
| | | | | | |
| | | 2) NOT SOLD BY PREVOST (SEE MANUFACTURING PART NUMBER AT END OF DESCRIPTION LINE) | | | |

| | | |
|--------|--------------|-------|
| | Date:10/2022 | H4-02 |
| CLUTCH | | |



| | | |
|---------------|--------------|-------|
| | Date:10/2022 | H4-02 |
| CLUTCH | | |

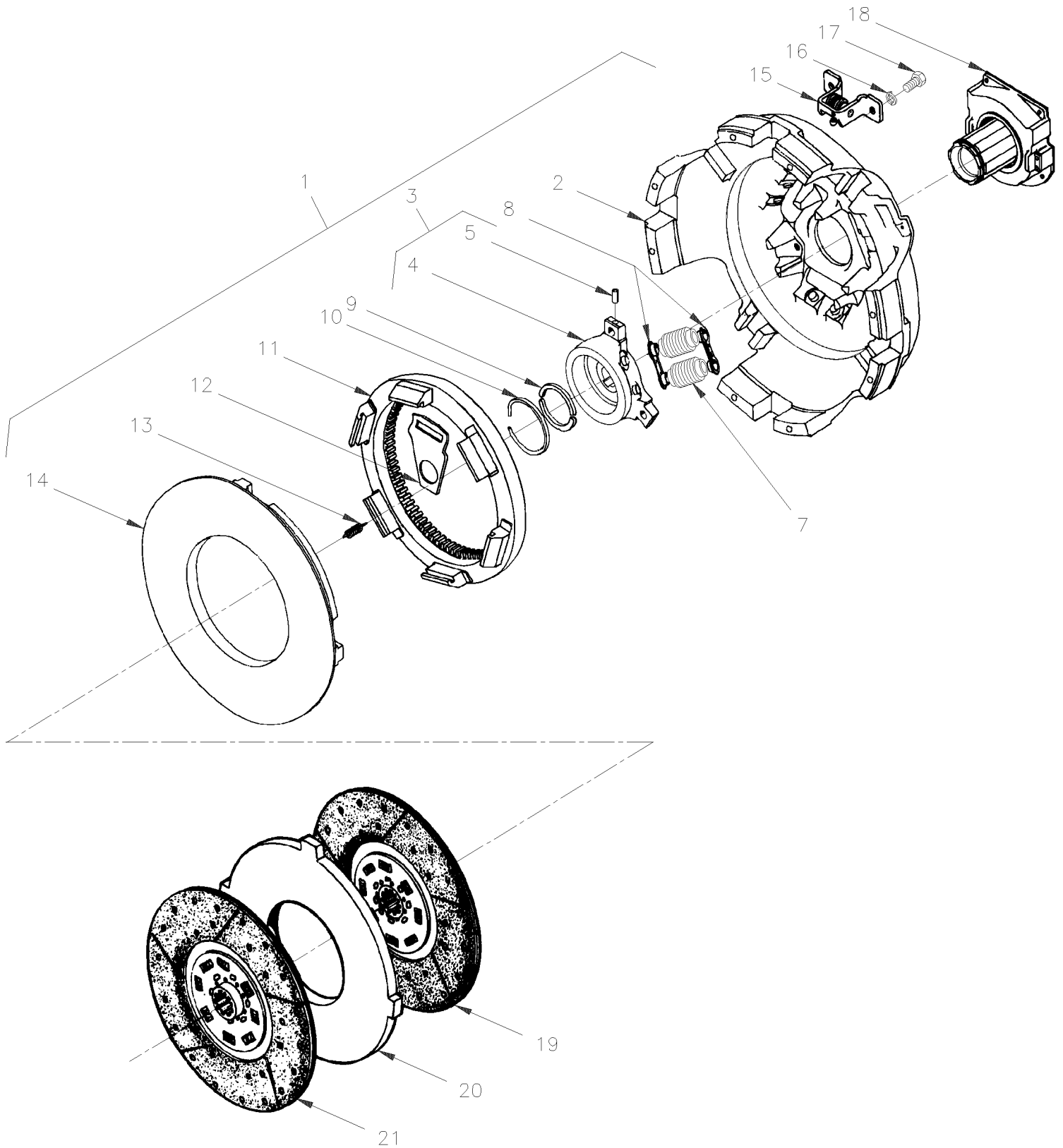
| Item# | Part | Description | H 3 4 0 | V I P 4 0 | N O T E S |
|-------|------------|--|------------------|-----------------------|-----------------------|
| 5 | H4-0205-00 | CLUTCH PRESSURE PLATE ASSY - WITH DETROIT S-92 From L-031 To R-032 | | | |
| 5 | H4-0205-01 | CLUTCH PRESSURE PLATE ASSY - WITH DETROIT S-60 From P-256 To R-079 | | | |
| 10 | H4-0210-10 | CLUTCH PEDAL - HYDRAULIC From L-031 To R-016 | | | |
| 10 | H4-0210-11 | CLUTCH PEDAL - "POWER ASSISTED" From R-384 To R-016 | | | |
| 15 | H4-0215-10 | CLUTCH CONTROL - REAR SECTION - HYDRAULIC From L-031 To R-016 | | | |
| 15 | H4-0215-11 | CLUTCH CONTROL - REAR SECTION - "POWER" From R-384 To R-016 | | | |
| 20 | H4-0220-00 | CLUTCH CYLINDER - "POWER ASSISTED" From R-384 To R-016 | | | |

From L-031 To R-032

Date:10/2022

PAGE:H4-0205-00

CLUTCH PRESSURE PLATE ASSY - WITH DETROIT S-92



| | | |
|---|--------------|-----------------|
| From L-031 To R-032 | Date:10/2022 | PAGE:H4-0205-00 |
| CLUTCH PRESSURE PLATE ASSY - WITH DETROIT S-92 | | |

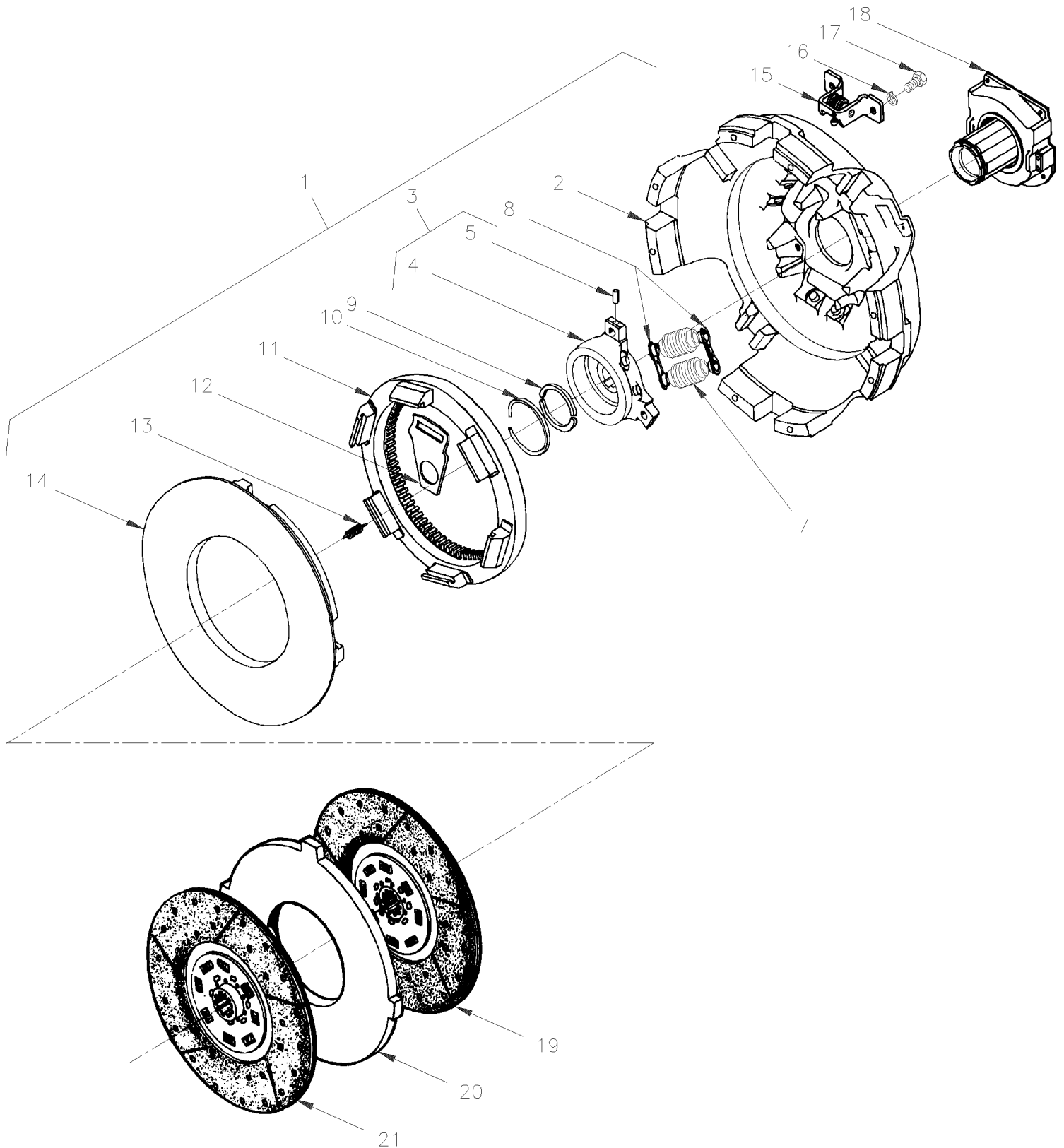
| Item# | Part | Description | H 3 4 0 | V I P 4 0 | N O T E S |
|-------|--------|---|------------------|-----------------------|-----------------------|
| | 520091 | CLUTCH ASSY / W/6V92 To M-144 | 1 | | |
| | 520134 | CLUTCH ASSY / W/6V92 From M-145 | 1 | | |
| | 520116 | CLUTCH ASSY / W/8V92 To M-144 | 1 | | |
| | 520133 | CLUTCH ASSY / W/8V92 From M-145 | 1 | | |
| 1 | 520115 | . COVER ASSY / W/6V92 To M-144 | 1 | | |
| 1 | 520135 | . COVER ASSY / W/6V92 From M-145 | 1 | | |
| 1 | 520117 | . COVER ASSY / W/8V92 To M-144 | 1 | | |
| 1 | 520136 | . COVER ASSY / W/8V92 From M-145 | 1 | | |
| 2 | 520111 | . . RING FLYWHEEL | 1 | | |
| 3 | 520119 | . . CLUCH ASSY / CERAMIC To M-144 | 1 | | |
| 4 | | . . . RETAINER / RELEASE SLEEVE | 1 | | |
| 5 | N.S.S. | . . . SLEEVE SPRING | 1 | | 1 |
| 7 | 520096 | . . SPRING PRESSURE / RED / W/6V92 | 6 | | |
| 8 | 520095 | . . PIVOT SPRING | 6 | | |
| 9 | 520098 | . . RING RELEASE SLEEVE | 2 | | |
| 10 | 520099 | . . RING SNAP | 1 | | |
| 11 | 520113 | . . RING ADJUSTING To M-144 | 1 | | |
| 12 | 520100 | . . LEVER | 6 | | |
| 13 | 520102 | . . SPRING EXTENSION / .700 O.D. x 1.625 x .091 | 4 | | |
| 14 | 520103 | . . PLATE PRESSURE | 1 | | |
| 15 | 520137 | . . ADJUSTER ASSY To M-144 | 1 | | |
| 15 | 520110 | . . ADJUSTER ASSY From M-145 | 1 | | |
| 16 | 520109 | . . WASHER LOCK | 2 | | |
| 17 | 520108 | . . BOLT | 2 | | |
| 18 | 520107 | . . RELEASE BEARING & SLEEVE ASSY | 1 | | |
| 19 | 520106 | . DISC ASSY FRONT DRIVEN | 1 | | |
| 20 | 520105 | . PLATE CENTER | 1 | | |
| 21 | 520104 | . DISC ASSY REAR DRIVEN | 1 | | |
| NS | 520090 | . CLUTCH BRAKE | 1 | | |
| NS | 520168 | CLUTCH BRAKE "QUICK CONNECT" | 1 | | A |
| | | | | | |
| | | | | | |
| | | A) EASY TO CHANGE WITHOUT REMOVE TRANSMISSION | | | |
| | | 1) NOT SOLD SEPARATELY | | | |

From P-256 To R-079

Date:10/2022

PAGE:H4-0205-01

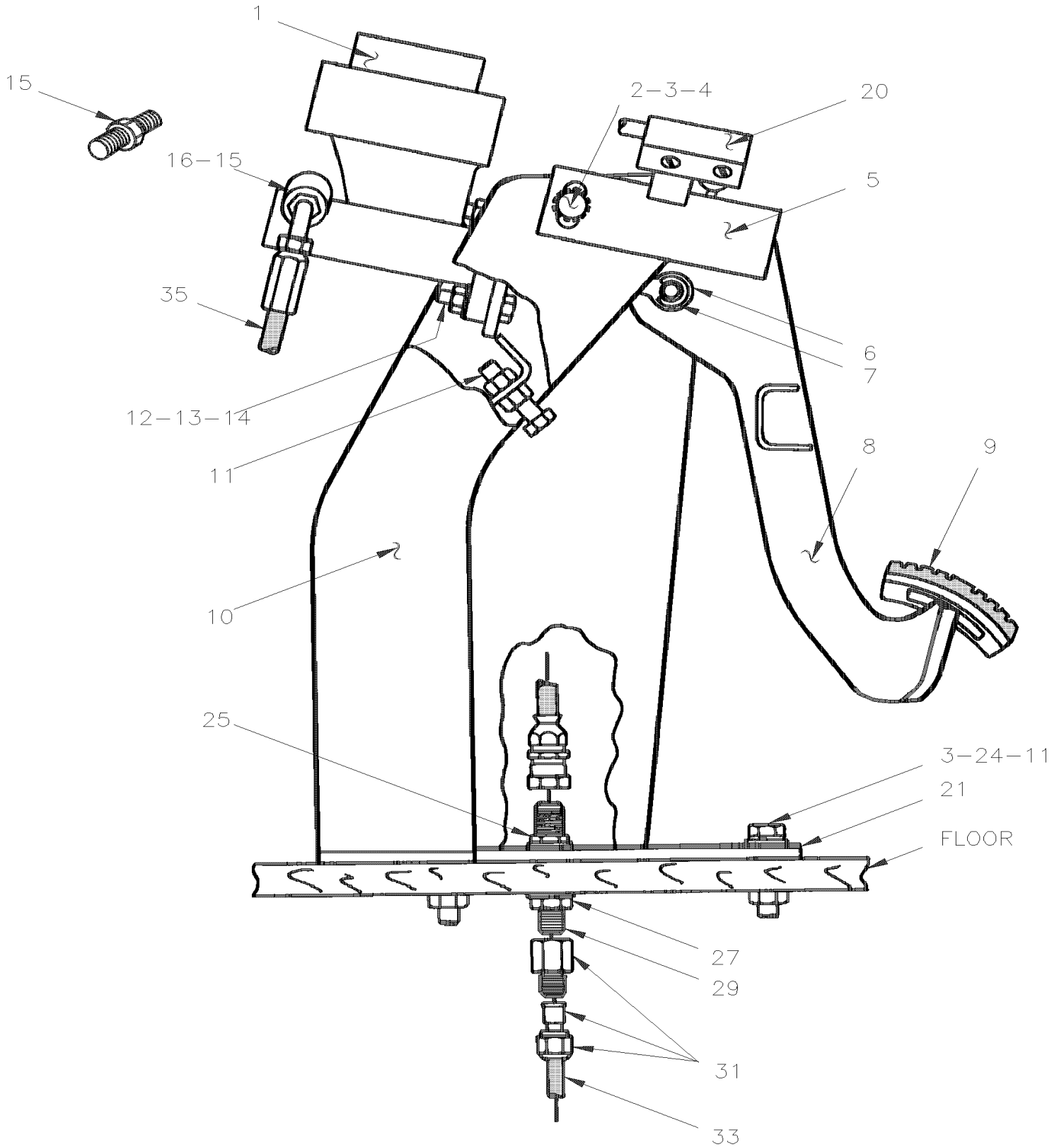
CLUTCH PRESSURE PLATE ASSY - WITH DETROIT S-60



| | | |
|---|--------------|-----------------|
| From P-256 To R-079 | Date:10/2022 | PAGE:H4-0205-01 |
| CLUTCH PRESSURE PLATE ASSY - WITH DETROIT S-60 | | |

| Item# | Part | Description | H 3 4 0 | V I P 4 0 | N O T E S |
|-------|--------|---|------------------|-----------------------|-----------------------|
| | 520147 | CLUTCH ASSY / W/SERIES 60 | 1 | | |
| 1 | 520150 | . COVER ASSY / W/60 | 1 | | |
| 2 | N.S.S. | . . RING FLYWHEEL | 1 | | 1 |
| 3 | N.S.S. | . . RETAINER & SPRING SLEEVE ASSY | 1 | | 1 |
| 4 | N.S.S. | . . . RETAINER / RELEASE SLEEVE | 1 | | 1 |
| 5 | N.S.S. | . . . SLEEVE SPRING | 1 | | 1 |
| 7 | N.S.S. | . . SPRING PRESSURE | 6 | | 1 |
| 8 | N.S.S. | . . PIVOT SPRING | 6 | | 1 |
| 9 | N.S.S. | . . RING RELEASE SLEEVE | 2 | | 1 |
| 10 | N.S.S. | . . RING SNAP | 1 | | 1 |
| 11 | N.S.S. | . . RING ADJUSTING | 1 | | 1 |
| 12 | N.S.S. | . . LEVER | 6 | | 1 |
| 13 | N.S.S. | . . SPRING RETURN | 4 | | 1 |
| 14 | N.S.S. | . . PLATE PRESSURE | 1 | | 1 |
| 15 | 520137 | . . ADJUSTER ASSY | 1 | | |
| 16 | N.S.S. | . . WASHER LOCK | 2 | | 1 |
| 17 | N.S.S. | . . BOLT | 2 | | 1 |
| 18 | 520107 | . . RELEASE BEARING & SLEEVE ASSY | 1 | | |
| 19 | 520151 | . DISC ASSY FRONT DRIVEN / W/60 | 1 | | |
| 20 | 520153 | . PLATE CENTER / W/60 | 1 | | |
| 21 | 520152 | . DISC ASSY REAR DRIVEN / W/60 | 1 | | |
| NS | 520090 | . CLUTCH BRAKE | 1 | | |
| NS | 520168 | CLUTCH BRAKE "QUICK CONNECT" | 1 | | A |
| NS | 510476 | SCREW CAP HEX / FLEX PLATE / 9/16-18 X 1 3/4" | 12 | | |
| | | | | | |
| | | | | | |
| | | A) EASY TO CHANGE WITHOUT REMOVE TRANSMISSION | | | |
| | | 1) NOT SOLD SEPARATELY | | | |

| | | |
|---------------------------------|--------------|-----------------|
| From L-031 To R-016 | Date:10/2022 | PAGE:H4-0210-10 |
| CLUTCH PEDAL - HYDRAULIC | | |



| | | | |
|---------------------|--|--------------|-----------------|
| From L-031 To R-016 | | Date:10/2022 | PAGE:H4-0210-10 |
|---------------------|--|--------------|-----------------|

CLUTCH PEDAL - HYDRAULIC

| Item# | Part | Description | H 3 4 0 | V I P 4 0 | N O T E S |
|-------|---------|---|------------------|-----------------------|-----------------------|
| | 070726P | CLUTCH PEDAL ASSY / LESS MICRO SWITCH To M-147 | 1 | | |
| | 070792P | CLUTCH PEDAL ASSY / LESS MICRO SWITCH From M-148 | 1 | | |
| 1 | 520121 | . CYLINDER MASTER | 1 | | |
| NS | 020392 | . PROTECTOR / ANGLE PLASTIC | 1 | | |
| 2 | 500191 | . SCREW CAP HEX 3/8-16x1 G5 Z050 | AR | | |
| 2 | 502559 | . SCREW CAP HEX M10-1.5x25 G8.8 Z050 | AR | | |
| 3 | 500444 | . WASHER FL .406x.812x.065 Z050 | AR | | |
| 4 | 500265 | . NUT HEX STO 3/8-16 Z050 | AR | | |
| 4 | 500680 | . NUT HEX STO M10-1.5 Z050 | AR | | |
| 5 | 070693 | . SUPPORT ASSY / ADJUSTABLE SWITCH To M-147 | 1 | | |
| 5 | 070784 | . SUPPORT ASSY / ADJUSTABLE SWITCH From M-148 | 1 | | |
| 6 | 520124 | . ROD ASSY / TO FIX PEDAL TO MASTER CYLINDER | 1 | | |
| 7 | 504535 | . RING RETAINER / EXT 9 x 8 x 1.03MM | 1 | | |
| 8 | 520123 | . PEDAL ASSY | 1 | | |
| 8 | 070769 | . PROTECTOR RUBBER / OVER SPRING RETURN | 1 | | |
| 8 | 520125 | . SPRING, TORSION / .950 I.D. X 1.5 x .136 | 1 | | |
| 8 | 502798 | . WASHER FL 17.0x30.0x3.0 BR | 1 | | |
| 8 | 070697 | . RUBBER BUMPER | 1 | | |
| 9 | 520126 | . RUBBER PAD | 1 | | |
| 10 | 070730 | . SUPPORT ASSY | 1 | | |
| 11 | 500072 | . SCREW CAP HEX M10-1.5x45 G10.9 Z050 | 1 | | |
| 11 | 500193 | . SCREW CAP HEX 3/8-16x1 1/2 G5 Z050 | 3 | | |
| 12 | 500182 | . SCREW CAP HEX 5/16-18x1 1/4 G5 PT Z050 | 2 | | |
| 12 | 500544 | . SCREW CAP HEX M8-1.25x30 G8.8 Z050 | 2 | | |
| 13 | 500441 | . WASHER FL .312x.734x.065 Z050 | 2 | | |
| 13 | 500874 | . WASHER FL 8.4x17.0x1.6 Z050 | 2 | | |
| 14 | 500777 | . NUT HEX STO 5/16-18 Z050 | 2 | | |
| 14 | 502744 | . NUT HEX STO M8-1.25 Z050 | 2 | | |
| 15 | 070762 | . ADAPTOR | 1 | | |
| 16 | 507298 | . WASHER FL 12.5x20.0x1.5 COPPER | 1 | | |
| NS | 520127 | KIT REPAIR / MASTER CYLINDER | AR | | |
| 20 | 061736 | SWITCH ASSY To M-061 | 1 | | B |
| 20 | 510294 | . MICRO SWITCH | 1 | | |
| 20 | 561111 | . CONNECTOR / SURE-SEAL / FEMALE HOUSING 3C / ITT CANNON 120-1805-000 | 1 | | |
| 20 | 561023 | . PIN TERMINAL / 18-14 / ITT CANNON 030-2196-001 | 2 | | |
| 20 | 561115 | . CLAMP W/ 3 & 4 / ITT CANNON 029-0262-000 | 1 | | |
| 20 | 063147 | SWITCH ASSY, / JACOB'S & CRUISE CONTROL | 1 | | A |
| 20 | 063141 | . CABLE ASSY | 1 | | |
| 20 | 562206 | . MICRO SWITCH / D.P.S.T. | 1 | | |
| 20 | 504012 | . CABLE TIE / 3/16" X 6"1/2 | 1 | | |
| NS | 062883 | CABLE ASSY / MICRO SWITCH INTERFACE | 1 | | |
| 21 | 070735 | PLATE MOUNTING / CLUTCH PEDAL To M-147 | 1 | | |

| | | |
|---------------------------------|--------------|-----------------|
| From L-031 To R-016 | Date:10/2022 | PAGE:H4-0210-10 |
| CLUTCH PEDAL - HYDRAULIC | | |

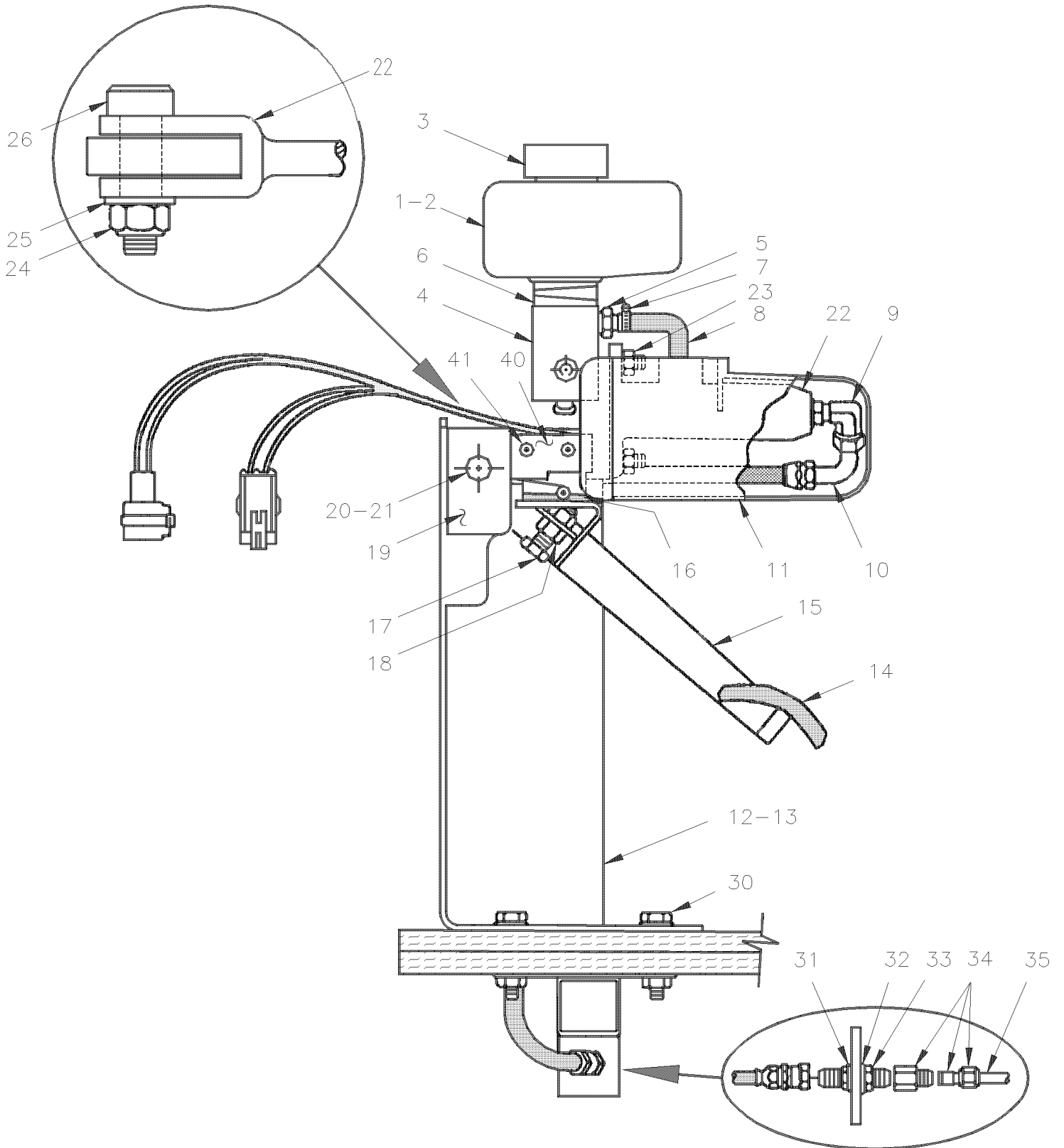
| Item# | Part | Description | H 3 4 0 | V I P 4 0 | N O T E S |
|-------|----------|--|------------------|-----------------------|-----------------------|
| 21 | 070755 | PLATE MOUNTING / CLUTCH PEDAL From M-148 | 1 | | |
| 24 | 500478 | WASHER LO SPT .380x.683x.094 Z050 | 3 | | |
| 25 | 502539 | WASHER FL 15.0x28.0x2.5 ZP | 1 | | |
| 27 | 500520 | WASHER LO INT .576x.985x.045 ZP | 1 | | |
| 29 | 5011005 | BULKHEAD MALE CONNECTOR / JIC 37° FITTING / #6JIC-Mx1/4NPT-M STL | 2 | | |
| 31 | 5011006 | FEMALE CONNECTOR / JIC 37° FITTING / #5JIC-Mx1/4NPT-F STL | 2 | | |
| 33 | 503560 | COPPER TUBE .312" O.D. x .032" x 600" | AR | | |
| 35 | 070759 | HOSE ASSY TEFLON #6 762MM | 1 | | |
| NS | 070758 | HOSE ASSY TEFLON #6 500MM | 1 | | |
| NS | 501595 | . FEMALE CONNECTOR SWIVEL / JIC 37° FITTING / TEFLON / #6JIC-Fx#6 STL | 2 | | |
| NS | 501946 | . FEMALE ELBOW 90° / JIC 37°/SAE45° FITTING / TEFLON / #6JIC-F/FL-Fx#6 STL | 1 | | |
| NS | 503065 | . HOSE TEFLON #6 / S.L. | AR | | |
| NS | 504323 | GROMMET / .375x.500x.062x.281x.687 | AR | | |
| | | FOLLOWING KIT NUMBER ARE TO RETROFIT | | | |
| | | CLUTCH CONTROL WITH | | | |
| | | POWER ASSISTED CYLINDER THAT YOU | | | |
| | | SEE AT PAGE H4-0210-00 & H4-0215-10 | | | |
| 35 | 020426 | KIT RETROFIT, CLUTCH CONTROL POWER-ASSISTED "H" WITH 8V-92 | AR | AR | |
| . NS | IS-92108 | . SEE INSTRUCTION SHEET | 1 | 1 | |
| 35 | 020427 | KIT RETROFIT, CLUTCH CONTROL POWER-ASSISTED "H" WITH 6V-92 | AR | AR | |
| . NS | IS-92108 | . SEE INSTRUCTION SHEET | 1 | 1 | |
| 35 | 020430 | KIT TO CHANGE CLUTCH "JACOB'S" BRAKE SWITCH | AR | AR | |
| | | | | | |
| | | A) JACOBS & CRUISE CONTROL | | | |
| | | B) JACOB | | | |

From R-384 To R-016

Date:10/2022

PAGE:H4-0210-11

CLUTCH PEDAL - "POWER ASSISTED"



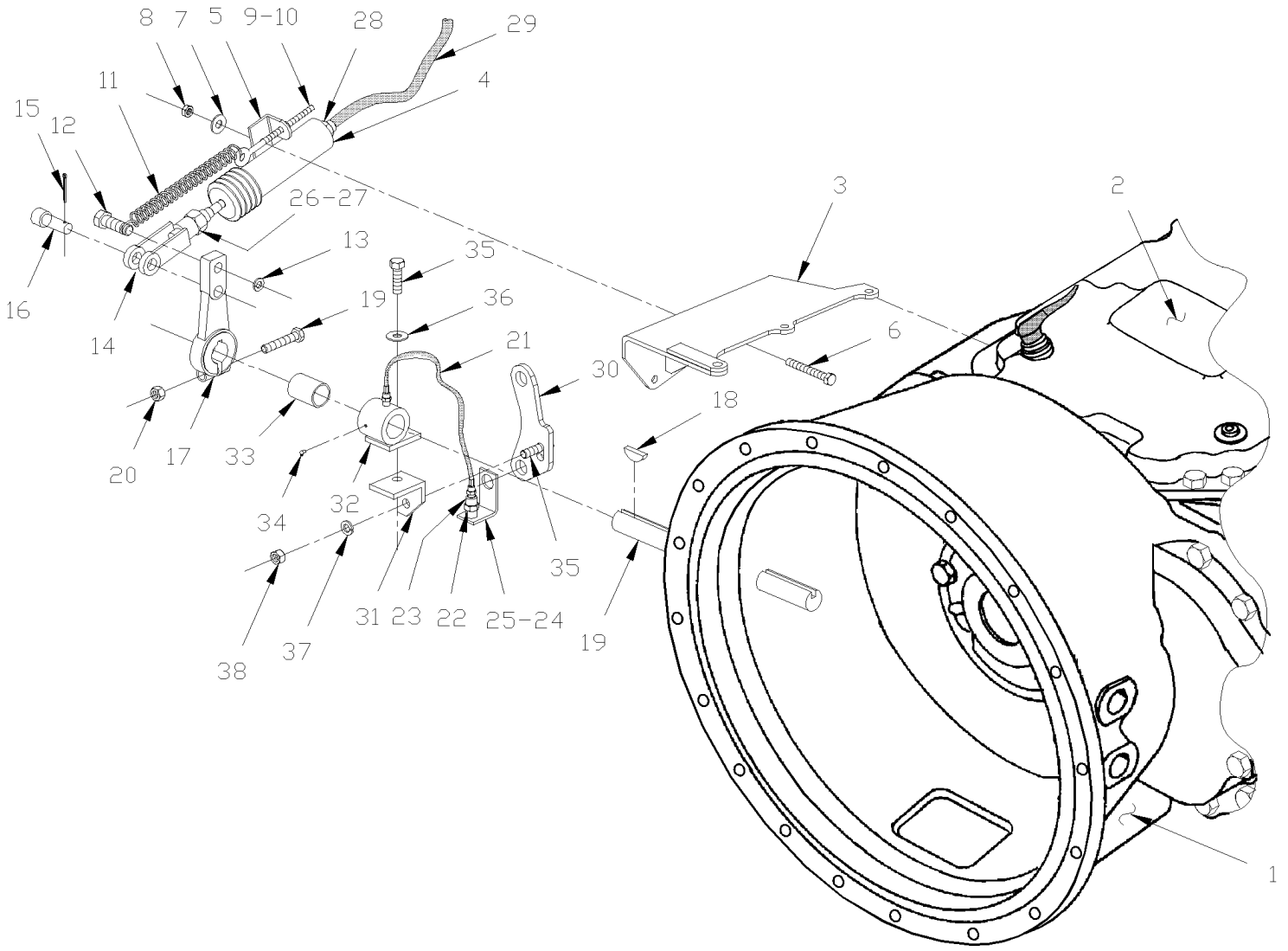
| | | | |
|--|--|--------------|-----------------|
| From R-384 To R-016 | | Date:10/2022 | PAGE:H4-0210-11 |
| CLUTCH PEDAL - "POWER ASSISTED" | | | |

| Item# | Part | Description | H 3 4 0 | V I P 4 0 | N O T E S |
|-------|---------|--|------------------|-----------------------|-----------------------|
| | 020424 | PEDAL ASSY | 1 | | |
| 1 | 020420 | . RESERVOIR ASSY | 1 | | |
| 2 | 520142 | . . RESERVOIR | 1 | | |
| 3 | 520143 | . . CAP | 1 | | |
| NS | 520144 | . . FILTER | 1 | | |
| 4 | 020415 | . . SUPPORT, RESERVOIR | 1 | | |
| NS | 507320 | . . O-RING 1 1/8" I.D. X 1/8" | 1 | | |
| 5 | 5011048 | . . MALE CONNECTOR / HOSE BARB FITTING / #5x1/4NPT-M BR | 1 | | |
| 6 | 520145 | . CLAMP | 1 | | |
| 6 | 502692 | . NUT HEXF STO M8-1.25 Z050 | 1 | | |
| 7 | 504014 | . HOSE CLAMP / 1/4"-5/8" SS / HM-4 | 2 | | |
| 8 | 020416 | . HOSE #6 250MM | 1 | | |
| NS | 503583 | . . HOSE SILICONE 3/8" I.D. x 25' / S.L. | AR | | |
| 9 | 5011046 | . MALE ELBOW 90° / JIC 37° FITTING / #6JIC-Mx#5ORB-M STL | 1 | | |
| 10 | 020423 | . HOSE ASSY TEFLON #6 580MM | 1 | | |
| NS | 503065 | . . HOSE TEFLON #6 / S.L. | AR | | |
| NS | 501595 | . . FEMALE CONNECTOR SWIVEL / JIC 37° FITTING / TEFLON / #6JIC-Fx#6 STL | 1 | | |
| NS | 501946 | . . FEMALE ELBOW 90° / JIC 37°/SAE45° FITTING / TEFLON / #6JIC-F/FL-Fx#6 STL | 1 | | |
| NS | 560479 | . CLAMP / 3/8" I.D. | 1 | | |
| 11 | 020419 | . COVER, PLASTIC | 1 | | |
| NS | 500564 | . SCREW MA RND PH #8-32x3/4 Z050 | 2 | | |
| NS | 504412 | . WASHER RETAINER SNAP CAP #8 | 2 | | |
| NS | 504403 | . SNAP CAP #8 FINISHING BLACK | 2 | | |
| 12 | 020393P | . PEDAL SUB-ASSY | 1 | | |
| 13 | 020394 | . SUPPORT | 1 | | |
| 14 | 520126 | . . RUBBER PAD | 1 | | |
| 15 | 020395 | . . PEDAL, LEVER | 1 | | |
| 16 | 070697 | . . RUBBER BUMPER | 1 | | |
| 17 | 500829 | . . SCREW CAP HEX M10-1.5x40 G8.8 | 1 | | |
| 18 | 500256 | . . NUT HEX M10-1.5 Z050 | 1 | | |
| 19 | 020400 | . . PIVOT ASSY | 1 | | |
| NS | 502790 | . . SCREW CAP HEX M8-1.25x20 G8.8 Z050 | 1 | | |
| 20 | 520141 | . . BEARING, NYLON | 1 | | |
| 21 | 520125 | . . SPRING, TORSION / .950 I.D. X 1.5 x .136 | 1 | | |
| 22 | 520139 | . . CYLINDER | 1 | | |
| 23 | 502589 | . . SCREW CAP HEX M8-1.25x25 G8.8 Z050 | 2 | | |
| NS | 502543 | . . NUT HEX M8-1.25 Z050 | 2 | | |
| NS | 5001003 | . . WASHER LO SPT 8.1x12.7x2.0 Z050 | 2 | | |
| 24 | 500868 | . . NUT HEX NYRT M8-1.25 Z050 | 2 | | |
| 25 | 500874 | . . WASHER FL 8.4x17.0x1.6 Z050 | 2 | | |
| 26 | 5001128 | . . SCREW SHR HEXS 10x20 (M8-1.25 | 1 | | |
| 30 | 500072 | . SCREW CAP HEX M10-1.5x45 G10.9 Z050 | 3 | | |

| | | |
|--|--------------|-----------------|
| From R-384 To R-016 | Date:10/2022 | PAGE:H4-0210-11 |
| CLUTCH PEDAL - "POWER ASSISTED" | | |

| Item# | Part | Description | H 3 4 0 | V I P 4 0 | N O T E S |
|-------|----------|--|------------------|-----------------------|-----------------------|
| NS | 500444 | . WASHER FL .406x.812x.065 Z050 | 3 | | |
| NS | 500478 | . WASHER LO SPT .380x.683x.094 Z050 | 3 | | |
| 31 | 502539 | WASHER FL 15.0x28.0x2.5 ZP | 1 | | |
| 32 | 500520 | WASHER LO INT .576x.985x.045 ZP | 2 | | |
| 33 | 5011005 | BULKHEAD MALE CONNECTOR / JIC 37° FITTING / #6JIC-Mx1/4NPT-M STL | 1 | | |
| 34 | 5011006 | FEMALE CONNECTOR / JIC 37° FITTING / #5JIC-Mx1/4NPT-F STL | 1 | | |
| 35 | 503560 | COPPER TUBE .312" O.D. x .032" x 600" | AR | | |
| 40 | 063147 | SWITCH ASSY, / JACOB'S & CRUISE CONTROL | 1 | | A |
| 41 | 500762 | SCREW MA PAN PH #5-40x1 1/4 ZP | 2 | | B |
| NS | 500766 | NUT HEX #5-40 ZP | 2 | | B |
| NS | 502649 | WASHER LO EXT .141x.320x.022 Z050 | 2 | | B |
| NS | 500437 | WASHER FL .125x.375x.040 Z050 | 2 | | B |
| 50 | 020426 | KIT RETROFIT, CLUTCH CONTROL POWER-ASSISTED "H" WITH 8V-92 | 1 | | |
| . NS | IS-92108 | . SEE INSTRUCTION SHEET | 1 | | |
| 50 | 020427 | KIT RETROFIT, CLUTCH CONTROL POWER-ASSISTED "H" WITH 6V-92 | 1 | | |
| . NS | IS-92108 | . SEE INSTRUCTION SHEET | 1 | | |
| | | | | | |
| | | | | | |
| | | A) JACOBS & CRUISE CONTROL | | | |
| | | B) TO FIX SWITCH | | | |

| | | |
|--|--------------|-----------------|
| From L-031 To R-016 | Date:10/2022 | PAGE:H4-0215-10 |
| CLUTCH CONTROL - REAR SECTION - HYDRAULIC | | |



| | | |
|--|--------------|-----------------|
| From L-031 To R-016 | Date:10/2022 | PAGE:H4-0215-10 |
| CLUTCH CONTROL - REAR SECTION - HYDRAULIC | | |

| Item# | Part | Description | H 3 4 0 | V I P 4 0 | N O T E S |
|-------|---------|--|------------------|-----------------------|-----------------------|
| 1 | 571482 | TRANSMISSION ASSY 6 SPEEDS / MODEL PS130-6B W/CENTER CONTROL | 1 | | |
| 2 | 571483 | SHIFT LEVER ASSY | 1 | | |
| 3 | 070770 | SUPPORT ASSY / CYLINDER | 1 | | |
| 4 | 520122 | CYLINDER ASSY | 1 | | A |
| 4 | 520128 | KIT REPAIR / SLAVE CYLINDER | AR | | |
| 5 | 020380 | SUPPORT / SPRING TENSIONER SCREW | 1 | | |
| 6 | 502797 | SCREW CAP HEX M8-1.25x70 G10.9 G500 | 3 | | |
| 7 | 500874 | WASHER FL 8.4x17.0x1.6 Z050 | 3 | | |
| 8 | 502744 | NUT HEX STO M8-1.25 Z050 | 1 | | |
| 9 | 5001038 | SCREW EYE 1/4-20x4 ZP | 1 | | |
| 10 | 500769 | NUT HEX 1/4-20 Z050 | 2 | | |
| 11 | 502058 | SPRING EXTENSION / .562 O.D. X 5.25 x .081 | 1 | | |
| 11 | 502199 | SPRING EXTENSION / .750 O.D. x 4.5 x .080 | 1 | | |
| 12 | 070691 | SCREW RETAINING / SPRING | 1 | | |
| 13 | 502507 | WASHER LO SPT 8.1x14.8x2.0 Z050 | 1 | | |
| 14 | 640129 | YOKE 5/8-18x1 3/8 C/Lx9/16Wx1/2 | 1 | | |
| 15 | 502102 | PIN, COTTER 1/8 x 1 | 1 | | |
| 16 | 502036 | PIN, CLEVIS 1/2 x 1 5/8 BZC | 1 | | |
| 17 | 070692 | LEVER, CLUTCH SHAFT 71MM C/C To R-383 | 1 | | |
| 18 | 505154 | KEY, WOODRUFF #18 / 1/8" X 1 1/8" | 1 | | |
| 19 | 020377 | CLUTCH SHAFT 1"X 9" 11/16" | 1 | | |
| 20 | 500680 | NUT HEX STO M10-1.5 Z050 | 1 | | |
| 21 | 020307 | HOSE ASSY / #4 14" | 2 | | |
| 22 | 500445 | WASHER FL .437x1.000x.083 Z050 | 2 | | |
| 23 | 501317 | COUPLING / PIPE FITTING / 1/8NPT-Fx1/8NPT-F BR | 2 | | |
| 24 | 501490 | GREASE FITTING / 1/8 NPT | 2 | | |
| 25 | 020304 | SUPPORT / GREASE TUBE | 2 | | |
| 26 | 500723 | NUT HEX 5/8-18 ZP | 1 | | |
| 27 | 020381 | ROD CYLINDER | 1 | | |
| 28 | 070762 | ADAPTOR | 1 | | |
| 28 | 507298 | WASHER FL 12.5x20.0x1.5 COPPER | 1 | | |
| 29 | 070758 | HOSE ASSY TEFLON #6 500MM | 1 | | |
| 30 | 020382 | SUPPORT / TO FIX W/HOUSING TRANSMISSION SCREW | 1 | | |
| 31 | 020386 | ANGLE / TO FIX SUPPORT & BUSHING ASSY | 1 | | |
| 32 | 020388 | BUSHING ASSY | 1 | | |
| 33 | 570075 | BUSHING | 1 | | |
| 34 | 501495 | GREASE FITTING 90° / 1/8 NPT | 1 | | |
| 35 | 502559 | SCREW CAP HEX M10-1.5x25 G8.8 Z050 | 2 | | |
| 36 | 500496 | WASHER FL .437x.750x.054 Z050 | 2 | | |
| 37 | 500822 | WASHER LO SPT 10.2x18.1x2.2 ZP | 2 | | |
| 38 | 500256 | NUT HEX M10-1.5 Z050 | 2 | | |

| | | |
|--|--------------|-----------------|
| From L-031 To R-016 | Date:10/2022 | PAGE:H4-0215-10 |
| CLUTCH CONTROL - REAR SECTION - HYDRAULIC | | |

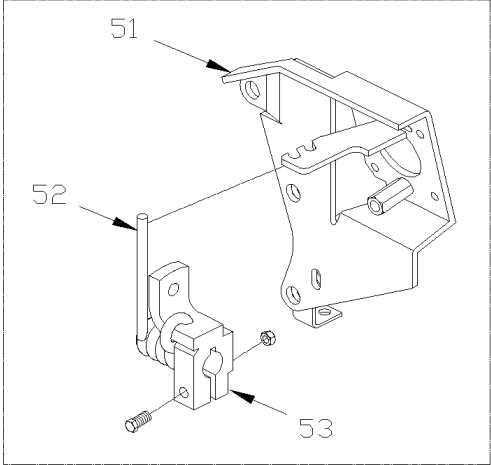
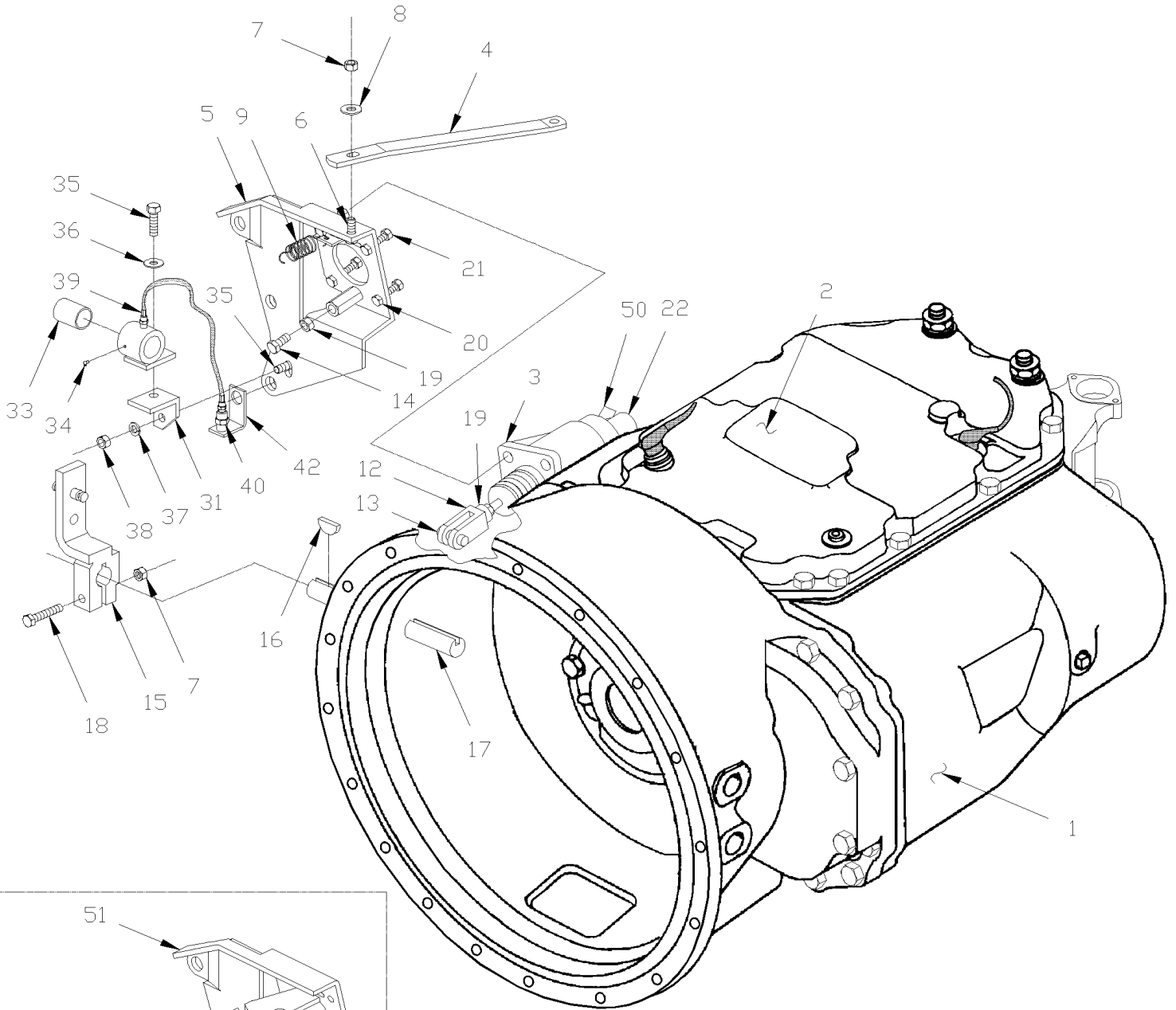
| Item# | Part | Description | H 3 4 0 | V I P 4 0 | N O T E S |
|-------|----------|---|------------------|-----------------------|-----------------------|
| | | FOLLOWING KIT NUMBER ARE TO RETROFIT | | | |
| | | CLUTCH CONTROL WITH | | | |
| | | POWER ASSISTED CYLINDER THAT YOU | | | |
| | | SEE AT PAGE H4-0210-00 & H4-0215-10 | | | |
| 38 | 020426 | KIT RETROFIT, CLUTCH CONTROL POWER-ASSISTED "H" WITH 8V-92 | AR | | |
| . NS | IS-92108 | . SEE INSTRUCTION SHEET | 1 | | |
| 38 | 020427 | KIT RETROFIT, CLUTCH CONTROL POWER-ASSISTED "H" WITH 6V-92 | AR | | |
| . NS | IS-92108 | . SEE INSTRUCTION SHEET | 1 | | |
| 38 | 020430 | KIT TO CHANGE CLUTCH "JACOB'S" BRAKE SWITCH | AR | | |
| | | | | | |
| | | | | | |
| | | A) WHEN REPLACING CYLINDER ASSY, DISCARD NON ADJUSTABLE CLEVIS YOKE & REPLACE W/ITEMS #14,26 & 27 | | | |

From R-384 To R-016

Date:10/2022

PAGE:H4-0215-11

CLUTCH CONTROL - REAR SECTION - "POWER"



PRODUCT IMPROVMENT

From R-384 To R-016 Date:10/2022 PAGE:H4-0215-11

CLUTCH CONTROL - REAR SECTION - "POWER"

| Item# | Part | Description | H 3 4 0 | V I P 4 0 | N O T E S |
|-------|------------|--|------------------|-----------------------|-----------------------|
| 1 | H4-0720-00 | TRANSMISSION MANUAL 6 SPEEDS - PS130-6B | | | |
| 2 | 571483 | SHIFT LEVER ASSY | 1 | | |
| 3 | H4-0220-00 | CLUTCH CYLINDER - "POWER ASSISTED" | | | |
| 4 | 020403 | RENFORT, BRACKET / W/6 SPEEDS | 1 | | |
| 5 | 020402 | SUPPORT ASSY / CYLINDER W/6 SPEEDS | 1 | | A |
| 6 | 502655 | SCREW CAP HEX M10-1.5x25 SS BK | 1 | | |
| NS | 502644 | WASHER FL 10.5x30.0x2.5 Z050 | 1 | | |
| 7 | 500680 | NUT HEX STO M10-1.5 Z050 | 2 | | |
| 9 | 502217 | SPRING EXTENSION / .750 O.D. x 3.25 x .085 | 2 | | A |
| 12 | 020405 | CLEVIS YOKE M10 X 48 C/L X 14 W X 13 O.D. | 1 | | |
| 13 | 502036 | PIN, CLEVIS 1/2 x 1 5/8 BZC | 1 | | |
| 14 | 500829 | SCREW CAP HEX M10-1.5x40 G8.8 | 1 | | |
| 15 | 020433 | LEVER, CLUTCH SHAFT 71MM C/C | 1 | | A |
| 16 | 505154 | KEY, WOODRUFF #18 / 1/8" X 1 1/8" | 1 | | |
| 17 | 020377 | CLUTCH SHAFT 1"X 9" 11/16" | 1 | | |
| 18 | 502680 | SCREW CAP HEX M10-1.5x50 SS | 1 | | |
| 19 | 500256 | NUT HEX M10-1.5 Z050 | 2 | | |
| 20 | 502651 | SCREW CAP HEX M8-1.25x35 G8.8 Z050 | 4 | | |
| NS | 500874 | WASHER FL 8.4x17.0x1.6 Z050 | 8 | | |
| 21 | 500868 | NUT HEX NYRT M8-1.25 Z050 | 6 | | |
| 22 | 5011047 | MALE CONNECTOR / JIC 37° FITTING / #6JIC-MxM14-1.5-M STL | 1 | | |
| . NS | N.P.N. | . O-RING | 1 | | 4 |
| . NS | N.P.N. | . WASHER RET | 1 | | 4 |
| 30 | 020382 | SUPPORT / TO FIX W/HOUSING TRANSMISSION SCREW | 1 | | |
| 31 | 020386 | ANGLE / TO FIX SUPPORT & BUSHING ASSY | 1 | | |
| 32 | 020388 | BUSHING ASSY | 1 | | |
| 33 | 570075 | . BUSHING | 1 | | |
| 34 | 501495 | GREASE FITTING 90° / 1/8 NPT | 1 | | |
| 35 | 502559 | SCREW CAP HEX M10-1.5x25 G8.8 Z050 | 2 | | |
| 36 | 500496 | WASHER FL .437x.750x.054 Z050 | 2 | | |
| 37 | 500822 | WASHER LO SPT 10.2x18.1x2.2 ZP | 2 | | |
| 38 | 500256 | NUT HEX M10-1.5 Z050 | 2 | | |
| 39 | 020307 | HOSE ASSY / #4 14" | 2 | | |
| 40 | 501317 | COUPLING / PIPE FITTING / 1/8NPT-Fx1/8NPT-F BR | 2 | | |
| NS | 500445 | WASHER FL .437x1.000x.083 Z050 | 2 | | |
| 42 | 020304 | SUPPORT / GREASE TUBE | 2 | | |
| 50 | 5011110 | MALE CONNECTOR / JIC 37° FITTING / #6JIC-MxM16-1.5-M STL | 1 | | |
| . NS | 641297 | . O-RING 13.1MM I.D. X 2.6 TH | 1 | | |
| . NS | 641298 | . WASHER FL 17MM I.D x 22MM O.D. x 1.5MM | 1 | | |
| 50 | 5011111 | MALE ELBOW 90° / JIC 37° FITTING / #6JIC-MxM14-1.5-M STL | 1 | | |
| . NS | N.P.N. | . O-RING | 1 | | 4 |
| . NS | N.P.N. | . WASHER RET | 1 | | 4 |

| | | |
|--|--------------|-----------------|
| From R-384 To R-016 | Date:10/2022 | PAGE:H4-0215-11 |
| CLUTCH CONTROL - REAR SECTION - "POWER" | | |

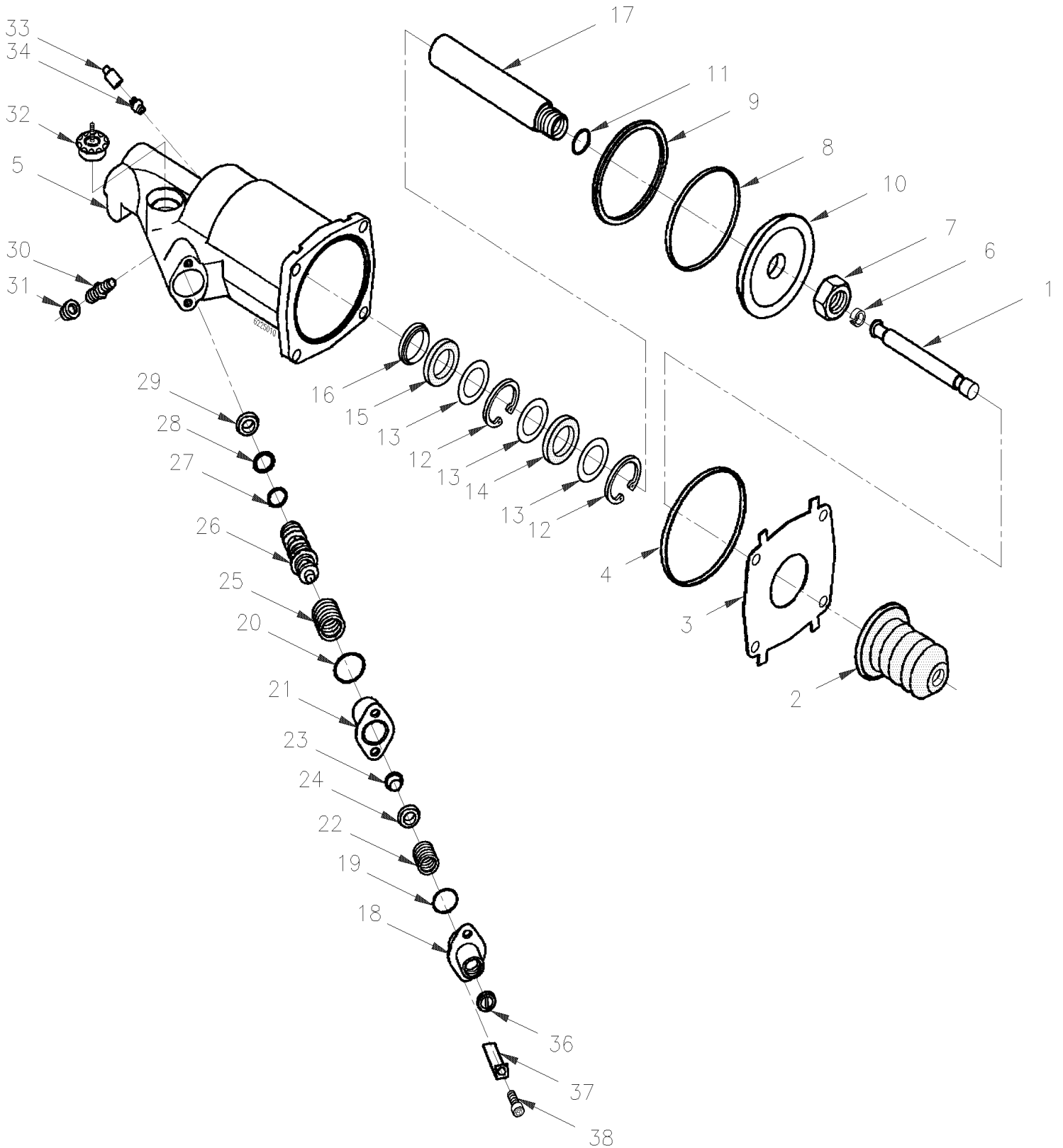
| Item# | Part | Description | H 3 4 0 | V I P 4 0 | N O T E S |
|-------|----------|--|------------------|-----------------------|-----------------------|
| NS | 010619 | HOSE ASSY TEFLON #6 1240MM | 1 | | D |
| 51 | 020448 | SUPPORT ASSY / CYLINDER W/6 SPEEDS | 1 | | |
| 52 | 020439 | SPRING, TORSION / 1.339 I.D. x 2.088 x .281 | 1 | | |
| 53 | 020441 | LEVER ASSY | 1 | | |
| 55 | 020426 | KIT RETROFIT, CLUTCH CONTROL POWER-ASSISTED "H" WITH 8V-92 | AR | | |
| . NS | IS-92108 | . SEE INSTRUCTION SHEET | 1 | | |
| 55 | 020427 | KIT RETROFIT, CLUTCH CONTROL POWER-ASSISTED "H" WITH 6V-92 | AR | | |
| . NS | IS-92108 | . SEE INSTRUCTION SHEET | 1 | | |
| | | | | | |
| | | | | | |
| | | A) FOR PRODUCT IMPROVMENT USE ITEM #51, 52 & 53 | | | |
| | | D) CYLINDER & REGULATOR | | | |
| | | 4) NO PARTS NUMBER | | | |

From R-384 To R-016

Date:10/2022

PAGE:H4-0220-00

CLUTCH CYLINDER - "POWER ASSISTED"



| | | |
|---|--------------|-----------------|
| From R-384 To R-016 | Date:10/2022 | PAGE:H4-0220-00 |
| CLUTCH CYLINDER - "POWER ASSISTED" | | |

| Item# | Part | Description | H 3 4 0 | V I P 4 0 | N O T E S |
|-------|--------|---|------------------|-----------------------|-----------------------|
| | 020422 | CYLINDER ASSY / BLACK PAINTED | 1 | | |
| | 520138 | CYLINDER ASSY | 1 | | |
| 1 | 520157 | PISTON ROD | 1 | | |
| 2 | 520159 | BOOT | 1 | | |
| 3 | 520160 | COVER | 1 | | |
| 4 | N.S.S. | O-RING 93 X 2.62MM | 1 | | 1 |
| 5 | N.S.S. | HOUSING | 1 | | 1 |
| 6 | 520158 | RETAINING RING | 1 | | |
| 8 | N.S.S. | GUIDE | 1 | | 1 |
| 9 | N.S.S. | SEAL | 1 | | 1 |
| 10 | N.S.S. | PISTON | 1 | | 1 |
| 11 | N.S.S. | O-RING | 1 | | 1 |
| 12 | N.S.S. | RETAINING RING | 1 | | 1 |
| 13 | N.S.S. | WASHER | 1 | | 1 |
| 14 | N.S.S. | SEAL (AIR SIDE GREEN) | 1 | | 1 |
| 15 | N.S.S. | SEAL (FLUID SIDE BLUE) | 1 | | 1 |
| 16 | N.S.S. | PLASTIC GUIDE | 1 | | 1 |
| 17 | N.S.S. | PISTON ROD | 1 | | 1 |
| 18 | N.S.S. | SLEEVE | 1 | | 1 |
| 19 | N.S.S. | O-RING 19.1 X 1.6MM | 1 | | 1 |
| 20 | N.S.S. | O-RING 23 X 2MM | 1 | | 1 |
| 21 | N.S.S. | SLEEVE | 1 | | 1 |
| 22 | N.S.S. | SPRING | 1 | | 1 |
| 23 | N.S.S. | VALVE PLUNGER | 1 | | 1 |
| 24 | N.S.S. | PLASTIC GUIDE | 1 | | 1 |
| 25 | N.S.S. | SPRING | 1 | | 1 |
| 26 | N.S.S. | REACTION PISTON | 1 | | 1 |
| 27 | N.S.S. | O-RING 14.3 X 2.4MM | 1 | | 1 |
| 28 | N.S.S. | O-RING 13 X 3MM | 1 | | 1 |
| 29 | N.S.S. | SEAL (BLACK) | 1 | | 1 |
| 30 | N.S.S. | BLEEDER | 1 | | 1 |
| 31 | N.S.S. | DRAINAGE | 1 | | 1 |
| 32 | N.S.S. | EXHAUST VALVE | 1 | | 1 |
| 33 | N.S.S. | PROTECTOR CAP | 1 | | 1 |
| 34 | N.S.S. | DRAINAGE | 1 | | 1 |
| 36 | N.S.S. | FILTER | 1 | | 1 |
| 37 | N.S.S. | TAG IDENTIFICATION | 1 | | 1 |
| 38 | N.S.S. | SCREW | 2 | | 1 |
| NS | 520149 | REPAIR KIT | AR | | A |
| 40 | 520146 | REPAIR KIT | AR | | B |
| NS | 520163 | COUPLER / QUICK DISCONNECT "TEMA" / #2x 1/8NPT-F BR | AR | | |

| | | |
|---------------------|--------------|-----------------|
| From R-384 To R-016 | Date:10/2022 | PAGE:H4-0220-00 |
|---------------------|--------------|-----------------|

CLUTCH CYLINDER - "POWER ASSISTED"

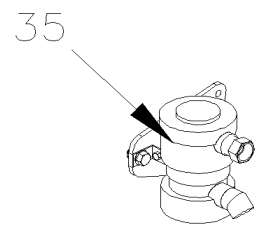
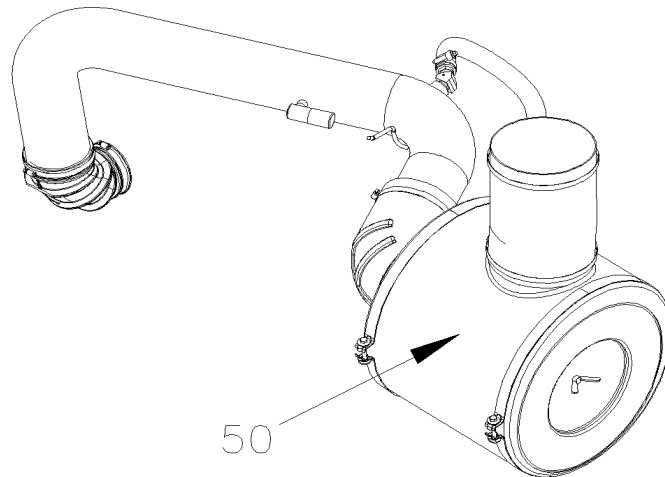
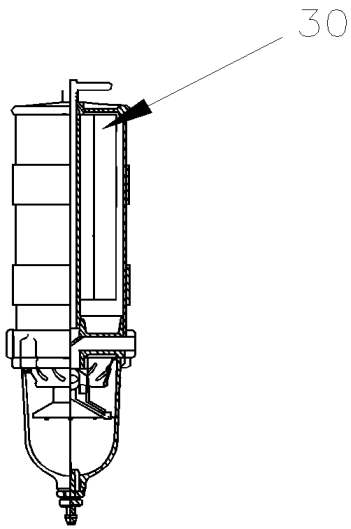
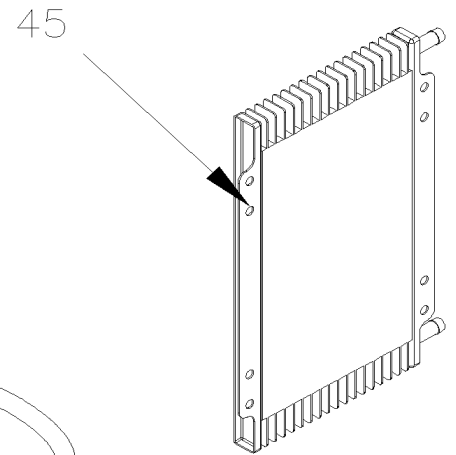
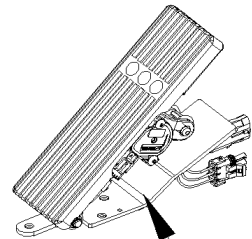
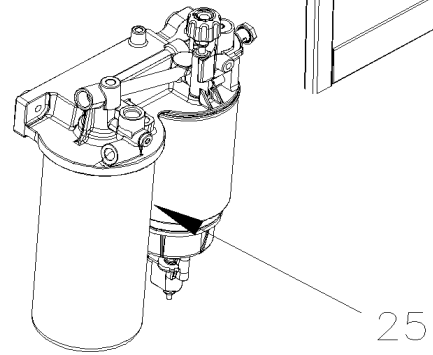
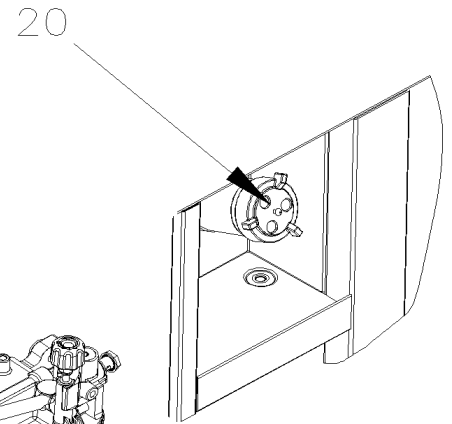
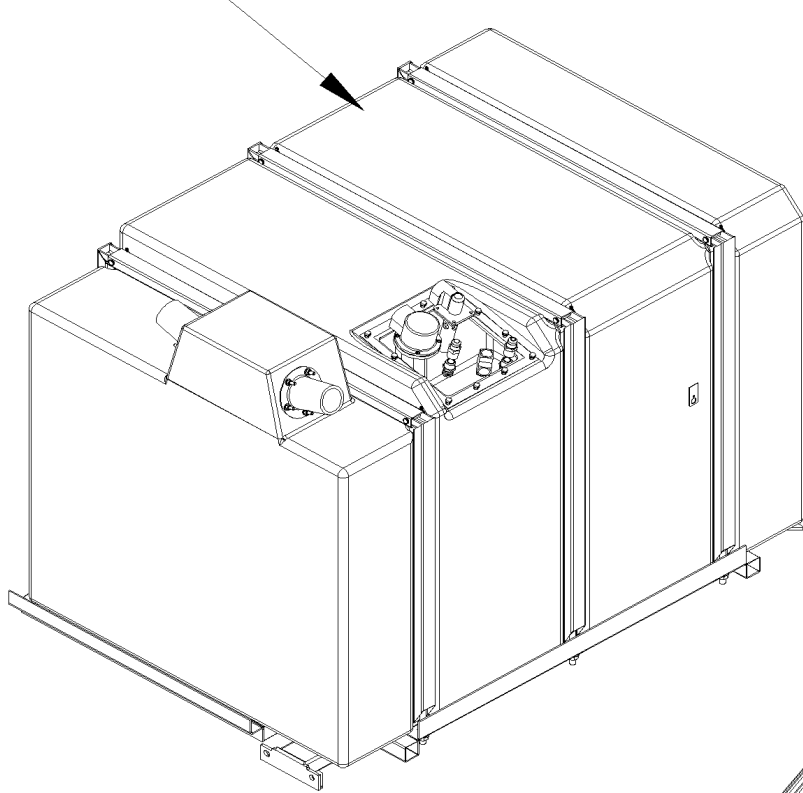
| Item# | Part | Description | H 3 4 0 | V I P 4 0 | N O T E S |
|-------|------|---|------------------|-----------------------|-----------------------|
| | | | | | |
| | | | | | |
| | | A) INCLUDE ITEMS 18,19,20,21,22,23,24,25,26,27,28,29 & 36 | | | |
| | | B) INCLUDE ITEMS 2-4-8-9-14-15-19-20-23-24-27-28-29 & 32 | | | |
| | | 1) NOT SOLD SEPARATELY | | | |

Date:10/2022

H4-03

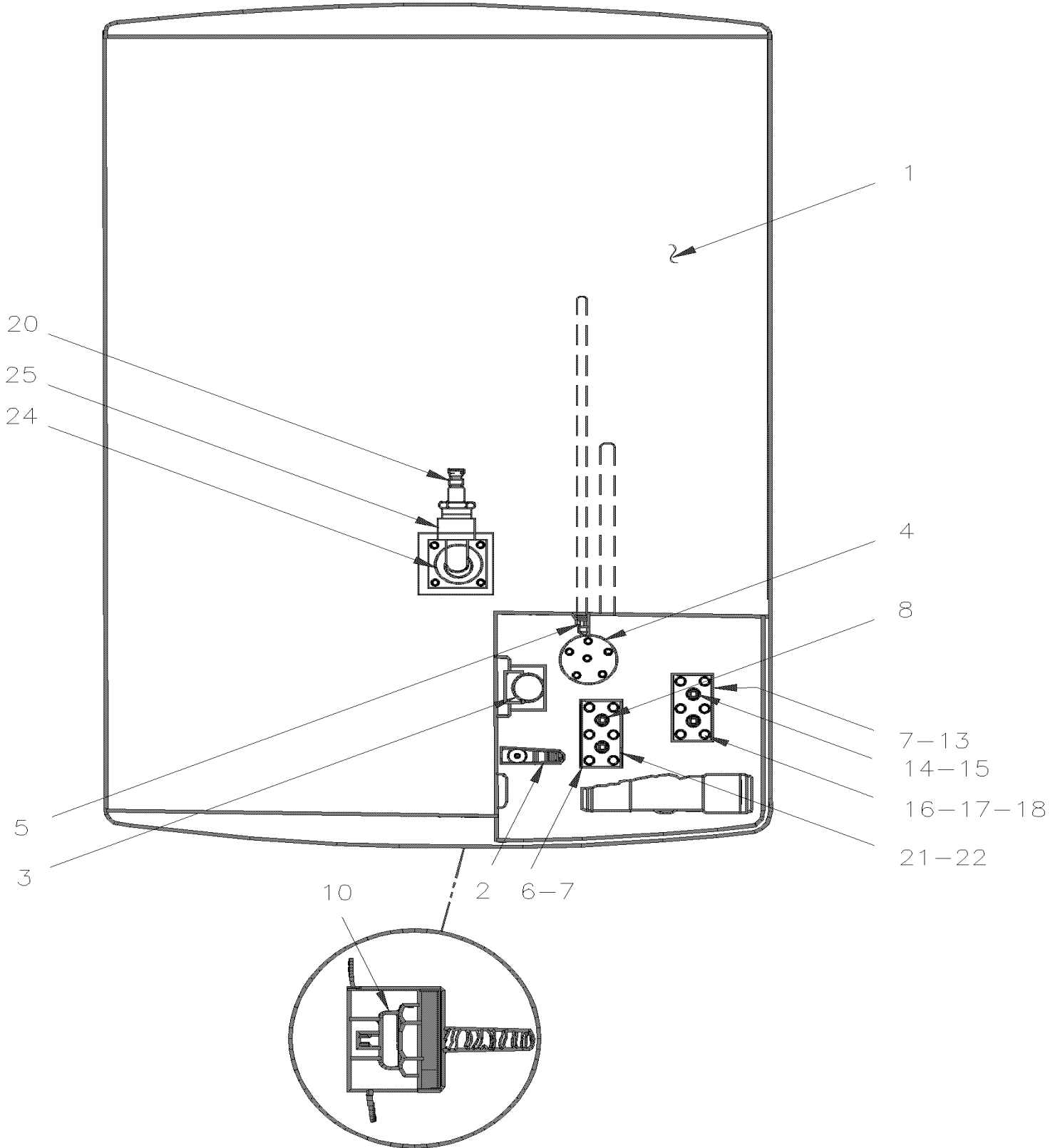
FUEL

5-10 Fuel Hose – Installation 15



| | | Date:10/2022 | H4-03 | | |
|-------|------------|--|------------------|-----------------------|-----------------------|
| FUEL | | | | | |
| Item# | Part | Description | H 3 4 0 | V I P 4 0 | N O T E S |
| 5 | H4-0305-00 | FUEL TANK STAINLESS STEEL 235 GALLONS From L-031 To R-079 | | | |
| 5 | H4-0305-99 | FUEL TANK PLASTIC 230 GALLONS / RETROFIT From L-031 To R-079 | | | |
| 10 | H4-0306-00 | FUEL TANK - INSTALLATION From L-031 To R-079 | | | |
| 15 | H4-0310-00 | FUEL HOSE - INSTALLATION - WITH DETROIT S-92 From L-031 To R-032 | | | |
| 15 | H4-0310-01 | FUEL HOSE - INSTALLATION - WITH DETROIT S-60 From P-256 To R-079 | | | |
| 20 | H4-0310-10 | FUEL FILLING CAP From L-031 To R-079 | | | |
| 25 | H4-0311-00 | FUEL FILTER - PRIMARY & SECONDARY From L-031 To R-079 | | | |
| 25 | H4-0311-01 | FUEL FILTER - PRIMARY & SECONDARY From P-256 To R-079 | | | |
| 30 | H4-0311-10 | FUEL FILTER / WATER SEPARATOR - "RACOR" From L-031 To R-079 | | | |
| 35 | H4-0312-00 | FUEL PUMP - AUXILIARY From P-256 To R-079 | | | |
| 40 | H4-0315-11 | ACCELERATOR PEDAL - ELECTRONIC DDEC II From L-031 To R-079 | | | |
| 45 | H4-0316-99 | FUEL COOLER - INSTALLATION / RETROFIT From L-031 To R-079 | | | |
| 50 | H4-0330-00 | AIR FILTER & INTAKE - INSTALLATION From L-031 To R-079 | | | |

| | | |
|--|--------------|-----------------|
| From L-031 To R-079 | Date:10/2022 | PAGE:H4-0305-00 |
| FUEL TANK STAINLESS STEEL 235 GALLONS | | |



| | | |
|--|--------------|-----------------|
| From L-031 To R-079 | Date:10/2022 | PAGE:H4-0305-00 |
| FUEL TANK STAINLESS STEEL 235 GALLONS | | |

| Item# | Part | Description | H 3 4 0 | V I P 4 0 | N O T E S |
|-------|-----------------|---|------------------|-----------------------|-----------------------|
| | 031676 | FUEL TANK ASSY SS / 235 GALLONS US | 1 | 1 | N |
| 1 | Call order desk | . FUEL TANK SS / 235 GALLONS US | 1 | 1 | PN |
| 3 | 530156 | . VALVE PRESSURE | 1 | 1 | |
| . NS | 531427 | . . GASKET / (SMALL) | 1 | 1 | |
| . NS | 531428 | . . GASKET / (LARGE) | 1 | 1 | |
| 3 | 500273 | . SCREW CAP HEXS #10-24x7/8 ZP | 22 | 22 | |
| 3 | 500593 | . WASHER FL .200x.437x.036 BR | 22 | 22 | |
| 4 | 530204 | . SENSOR, FUEL LEVEL / W/SS STEEL TANK | 1 | 1 | |
| 4 | 030379 | . GASKET, FUEL SENSOR WHITE NITRILE | 1 | 1 | |
| 5 | 030995 | . TUBE ASSY / 18 1/2" / FUEL RETURN | | | |
| 5 | 030861 | . GASKET | 2 | 2 | |
| 6 | 031521 | . TUBE ASSY / PUMP | 1 | 1 | |
| 6 | 031923 | . TUBE ASSY / PUMP From R-033 | 1 | 1 | A |
| 7 | 030977 | . . PLATE | 1 | 1 | |
| 8 | Call order desk | . . TUBE, PROTECTOR | 1 | 1 | P |
| 8 | 031061 | . . ADAPTOR 1/2 X 3/4"-16 | 1 | 1 | |
| 8 | 031881 | . . ADAPTOR From R-033 | 1 | 1 | A |
| 8 | 504019 | . . HOSE CLAMP / 9/16"-1"1/16 SS / HS-10 | 1 | 1 | |
| 8 | Call order desk | . . TUBE | 1 | 1 | P |
| 8 | 501966 | . PLUG HEXS / PIPE FITTING / 1/2NPT-M STL | 1 | 1 | |
| 10 | 530159 | . SENSOR PROBE "LOW-FUEL" | 1 | 1 | |
| 13 | 031616 | . TUBE ASSY / W/AUXILIARY EXIT | 1 | 1 | |
| 14 | Call order desk | . . TUBE ASSY | 1 | 1 | P |
| 15 | 501316 | . . BUSHING REDUCER / PIPE FITTING / 1/2NPT-Mx1/4NPT-F BR | 1 | 1 | |
| 15 | 030977 | . . PLATE | 1 | 1 | |
| 16 | 031061 | . . ADAPTOR 1/2 X 3/4"-16 | 1 | 1 | |
| 17 | N.S.S. | . . TUBE | 1 | 1 | 1 |
| 17 | 504019 | . . HOSE CLAMP / 9/16"-1"1/16 SS / HS-10 | 1 | 1 | |
| 18 | 501053 | . . CAP NUT / SAE 45° FITTING / #8FL-F BR | 1 | 1 | |
| 20 | 030827 | . NIPPLE | 1 | 1 | |
| 21 | 031125 | . TUBE ASSY 3 1/4" / FUEL RETURN / AUXILIARY TANK | 1 | 1 | |
| 22 | 501053 | . CAP NUT / SAE 45° FITTING / #8FL-F BR | 1 | 1 | |
| 24 | 531366 | VALVE ASSY, LEVEL CONTROL From L-061 | 1 | 1 | |
| 25 | 501605 | BUSHING REDUCER / PIPE FITTING / 1NPT-Mx1/2NPT-F STL | 1 | 1 | |
| 25 | 500143 | . SCREW CAP HEXS #10-24x1/2 N500 | 4 | 4 | |
| | | THE NEXT KIT ARE USE ONLY WITH SERIES 60 | | | |
| | | WITH SERIES 92 FUEL COOLER KIT YOU DO NOT | | | |
| | | ENOUGH PLACE TO INSTALL IT WITH FACILITIES | | | |
| | | OVER SHUTTER ON ENGINE RADIATOR | | | |
| NS | 032001P | FUEL TANK ASSY / COMPLETE WITH FLOOR ASSY | AR | AR | |

| | | |
|--|--------------|-----------------|
| From L-031 To R-079 | Date:10/2022 | PAGE:H4-0305-00 |
| FUEL TANK STAINLESS STEEL 235 GALLONS | | |

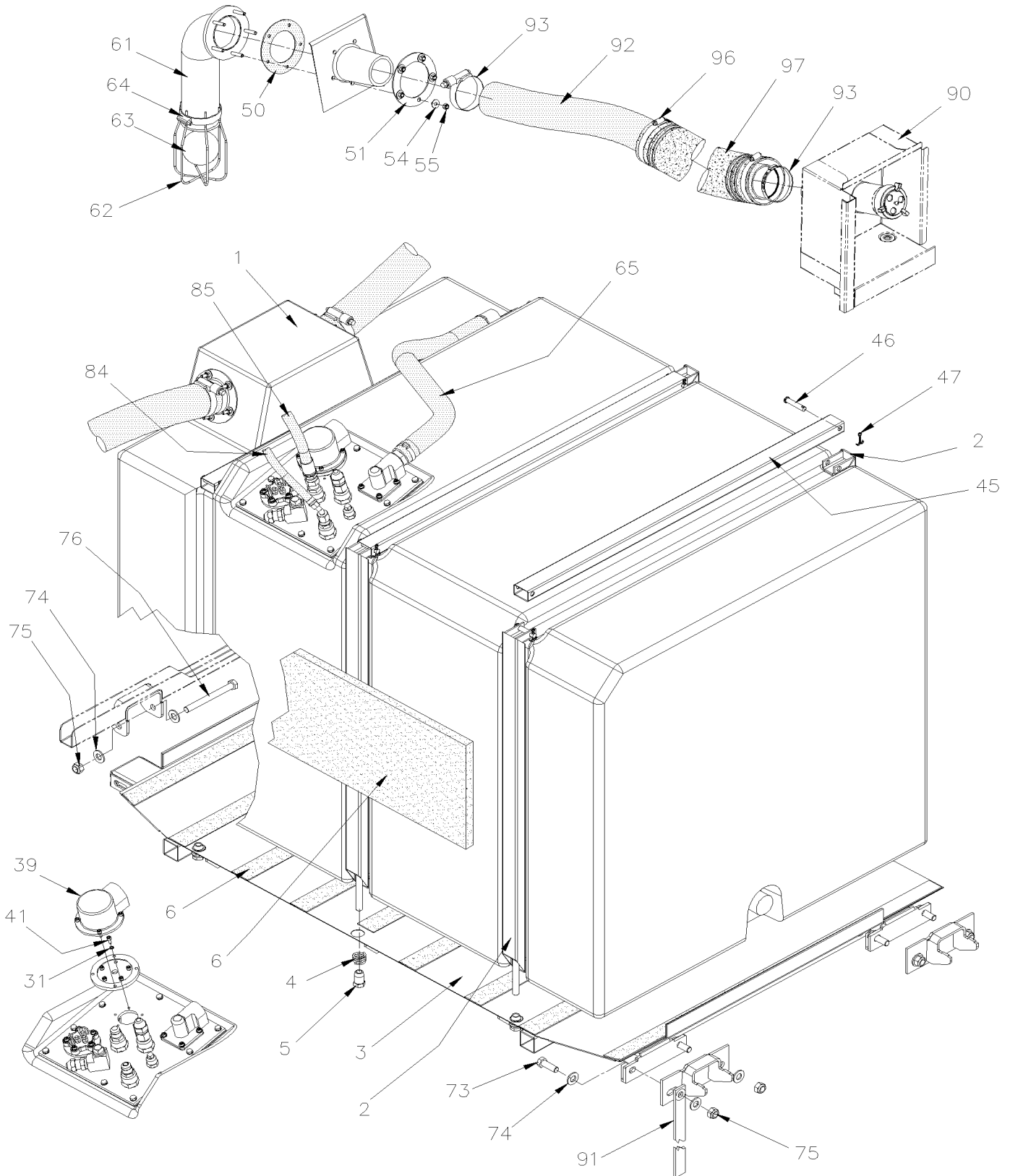
| Item# | Part | Description | H 3 4 0 | V I P 4 0 | N O T E S |
|-------|----------|--|------------------|-----------------------|-----------------------|
| NS | 032044 | FUEL COOLER KIT TO USE WITH PLASTIC TANK | 1 | 1 | |
| . NS | IS-95004 | . SEE INSTRUCTION SHEET | 1 | 1 | |
| NS | 505056 | ANTISTATIC STRAP / UNDER STRUCTURE | 1 | 1 | |
| | | | | | |
| | | | | | |
| | | A) FROM R-033 FOR VIP40 ONLY | | | |
| | | N) FOR REPLACEMENT WITH PLASTIC FUEL TANK YOU REQUIRE 1 # 032001P FUEL TANK ASSY WITH FLOOR AND KIT FOR FUEL COOLER # 032044 | | | |
| | | 1) NOT SOLD SEPARATELY | | | |
| | | P) CALL ORDER DESK FOR SPECIFIC APPLICATION (V.I.N.) | | | |

From L-031 To R-079

Date:10/2022

PAGE:H4-0305-99

FUEL TANK PLASTIC 230 GALLONS / RETROFIT

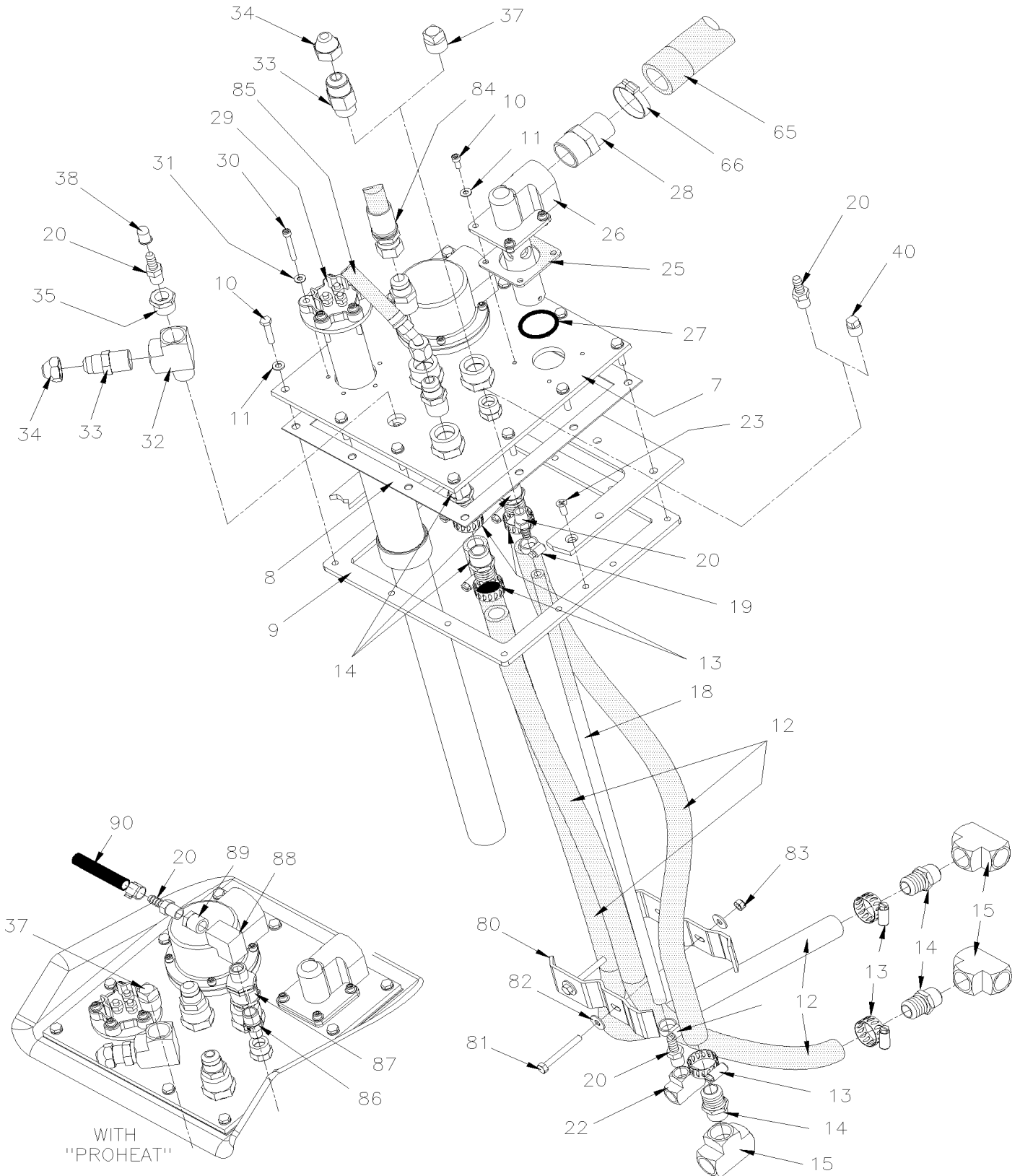


From L-031 To R-079

Date:10/2022

PAGE:H4-0305-99

FUEL TANK PLASTIC 230 GALLONS / RETROFIT



| | | |
|---|--------------|-----------------|
| From L-031 To R-079 | Date:10/2022 | PAGE:H4-0305-99 |
| FUEL TANK PLASTIC 230 GALLONS / RETROFIT | | |

| Item# | Part | Description | H 3 4 0 | V I P 4 0 | N O T E S |
|-------|----------|---|------------------|-----------------------|-----------------------|
| | 032001P | FUEL TANK ASSY / COMPLETE WITH FLOOR ASSY | 1 | 1 | |
| | 032143 | . FUEL TANK ASSY / W/OUT FLOOR & STRAP | 1 | 1 | |
| 1 | 032481 | . . FUEL TANK / 230 GALLONS US | 1 | 1 | |
| NS | 030009 | . . FUEL TANK / SERVICE KIT | 1 | 1 | C |
| . NS | 030007 | . . . FUEL TANK / 222 GALLONS US | 1 | 1 | C |
| . NS | 033959 | . . . MAIN PLATE / RECTANGULAR SHAPE | 1 | 1 | C |
| . NS | 032956 | . . . GASKET / RECTANGULAR SHAPE 250 x 190 MM | 1 | 1 | C |
| . NS | 033962 | . . . INTERIOR FRAME ASSY / RECTANGULAR SHAPE | 1 | 1 | C |
| . NS | 032938 | . . . GASKET | 2 | 2 | C |
| . NS | 5001392 | . . . WASHER FL 6.0x12.0x1.5 COP | 10 | 10 | C |
| . NS | 507356 | . . . O-RING | 1 | 1 | C |
| . NS | 531419 | . . . GASKET, FUEL SENSOR | 1 | 1 | C |
| . NS | 531427 | . . . GASKET / (SMALL) | 1 | 1 | C |
| . NS | 531428 | . . . GASKET / (LARGE) | 1 | 1 | C |
| . NS | 531443 | . . . GASKET / VALVE CONTROL LEVEL | 1 | 1 | C |
| . NS | 5001941 | . . . SCREW CAP HEX M12-1.75x120 G10.9 N500 | 2 | 2 | C |
| . NS | 500806 | . . . SCREW CAP HEX M12-1.75X35 G10.9 G500 | 4 | 4 | C |
| . NS | 500811 | . . . NUT HEX STO M12-1.75 G500 | 6 | 6 | C |
| . NS | 500958 | . . . WASHER FL .531x1.062x.095 SS | 12 | 12 | C |
| . NS | 030082 | . . . SPACER "U" 3.175MM | 4 | 4 | C |
| . NS | 030083 | . . . SPACER "U" 0.953MM | 4 | 4 | C |
| . NS | IS-14076 | . . . SEE INSTRUCTION SHEET | 1 | 1 | C |
| . NS | FI-14076 | . . . VOIR FEUILLE D'INSTRUCTION | 1 | 1 | C |
| 2 | 032188 | . STRAP RETAINER / LONG | 2 | 2 | A |
| 2 | 032445 | . ATTACHMENT ASSY / 871MM | 2 | 2 | |
| 2 | 032180 | . STRAP RETAINER / SHORT | 1 | 1 | A |
| 2 | 032444 | . ATTACHMENT ASSY / 817MM | 1 | 1 | |
| 3 | 032631 | . REMOVABLE FLOOR | 1 | 1 | |
| 3 | 032066 | . REMOVABLE FLOOR | 1 | 1 | |
| NS | 682462 | . ADHESIVE SIKA #252 / BLACK / 310ml CARTRIDGE | AR | AR | |
| 4 | 502210 | . SPRING COMPRESSION / .975 O.D. x 1.250 x .125 | 6 | 6 | |
| 5 | 031930 | . NUT HEX SPECIAL M12-1.75 ST | 6 | 6 | |
| 6 | 506758 | . TAPE RUB ADH1 NEO 1/16"X 1 1/2"X50' | AR | AR | |
| 7 | 032770 | . . MAIN PLATE | 1 | 1 | |
| 8 | 032014 | . . GASKET | 1 | 1 | |
| 9 | 031988 | . . INSIDE FRAME | 1 | 1 | |
| 10 | 502686 | . . SCREW CAP HEX M6-1.0x30 SS BK | 12 | 12 | |
| 11 | 5001392 | . . WASHER FL 6.0x12.0x1.5 COP | 12 | 12 | |
| 12 | 531417 | . . HOSE / 2556 / #10 X 48" | 2 | 2 | |
| 12 | 531454 | . . HOSE / 2556 / #10 X 25 1/2" AUX | AR | AR | |
| 13 | 504019 | . . HOSE CLAMP / 9/16"-1"1/16 SS / HS-10 | 4 | 4 | |
| 14 | 501942 | . . MALE CONNECTOR / PUSH-LOK FITTING / 1/2NPT-Mx#10 BR | 4 | 4 | |

| | | |
|---|--------------|-----------------|
| From L-031 To R-079 | Date:10/2022 | PAGE:H4-0305-99 |
| FUEL TANK PLASTIC 230 GALLONS / RETROFIT | | |

| Item# | Part | Description | H 3 4 0 | V I P 4 0 | N O T E S |
|-------|---------|---|------------------|-----------------------|-----------------------|
| 15 | 501472 | . . FEMALE UNION TEE / PIPE FITTING / 1/2NPT-Fx1/2NPT-Fx1/2NPT-F BR | 2 | 2 | |
| 18 | 531453 | . . HOSE / 2556 / #4 X 25 1/2" | 1 | 1 | |
| 19 | 504014 | . . HOSE CLAMP / 1/4"-5/8" SS / HM-4 | 2 | 2 | |
| 20 | 507602 | . . MALE CONNECTOR / PUSH-LOK FITTING / 1/4NPT-Mx#4 BR | 1 | 1 | |
| NS | 5011064 | . . MALE CONNECTOR / HOSE BARB FITTING / #3x1/4NPT-M BR AUX | AR | AR | |
| 22 | 501618 | . . MALE CONNECTOR / SAE 45° FITTING / #6FL-Mx1/2NPT-M BR | 1 | 1 | |
| 23 | 5001198 | . . SCREW MA FL PH M6-1.0x16 Z050 | 2 | 2 | |
| 25 | 531443 | . . GASKET / VALVE CONTROL LEVEL | 1 | 1 | |
| 26 | 504701 | . . VALVE, FUEL TANK LEVEL CONTROL | 1 | 1 | |
| 26 | 531459 | . . VALVE, FUEL TANK LEVEL CONTROL EMCO | 1 | | B |
| . NS | 530212 | . . . GASKET / VALVE CONTROL LEVEL | 1 | | B |
| 27 | 507356 | . . O-RING | 1 | 1 | |
| 28 | 501205 | . . ADAPTER / COPPER @ PIPE / 1Mx1NPT-M | 1 | 1 | |
| 29 | 531404 | . . SENSOR, FUEL LEVEL / 31¼" / W/PLASTIC TAN | 1 | 1 | |
| 30 | 5011135 | . . SCREW CAP HEXS #10-24x1 1/2 N500 | 5 | 5 | |
| 31 | 500593 | . . WASHER FL .200x.437x.036 BR | 5 | 5 | |
| 32 | 501473 | . . MALE RUN TEE / PIPE FITTING / 1/2NPT-Mx1/2NPT-Fx1/2NPT-F BR | 1 | 1 | |
| 33 | 501616 | . . MALE CONNECTOR / SAE 45° FITTING / #8FL-Mx1/2NPT-M BR | 1 | 1 | |
| 34 | 501337 | . . FEMALE UNION TEE / PIPE FITTING / 1/4NPT-Fx1/4NPT-Fx1/4NPT-F BR | 1 | 1 | |
| 34 | 501053 | . . CAP NUT / SAE 45° FITTING / #8FL-F BR | | 1 | |
| 35 | 501316 | . . BUSHING REDUCER / PIPE FITTING / 1/2NPT-Mx1/4NPT-F BR | 1 | 1 | E |
| 37 | 501306 | . . PLUG SQUARE HEAD / PIPE FITTING / 1/2NPT-M BR | 2 | 2 | |
| 38 | 680733 | . . CAP PROTECTOR (NO-THREADED) | AR | AR | |
| 39 | 530156 | . . VALVE PRESSURE | 1 | 1 | |
| . NS | 531427 | . . . GASKET / (SMALL) | 1 | 1 | |
| . NS | 531428 | . . . GASKET / (LARGE) | 1 | 1 | |
| 40 | 501304 | . . PLUG SQUARE HEAD / PIPE FITTING / 1/4NPT-M BR | 1 | 1 | |
| 41 | 500143 | . . SCREW CAP HEXS #10-24x1/2 N500 | 5 | 5 | |
| 45 | 032443 | . . TRANSVERSAL CROSS BAR / 833.5 MM | 3 | 3 | |
| 46 | 502121 | . . PIN, CLEVIS 3/8 x 1.625 BZC | 6 | 6 | |
| 47 | 502102 | . . PIN, COTTER 1/8 x 1 | 6 | 6 | |
| 50 | 031804 | . . GASKET | 2 | 2 | |
| 50 | 032938 | . . GASKET | 2 | 2 | |
| 51 | 032436 | . . PLATE EXTERIOR | 2 | 2 | |
| 54 | 502511 | . . NUT HEX NYRT M6-1.0 Z050 | 10 | 10 | |
| 55 | 500411 | . . WASHER FL .260x.697x.050 SS | 10 | 10 | |
| 61 | 032437 | . . TUBE BALL RETAINER | 2 | 2 | |
| 61 | 032914 | . . TUBE BALL RETAINER | 2 | 2 | |
| 62 | 032438 | . . BASKET | 2 | 2 | |
| 63 | 032657 | . . BALL 70MM O.D. | 2 | 2 | |
| 63 | 032871 | . . BALL 77MM O.D. | 2 | 2 | S |
| 64 | 504293 | . . HOSE CLAMP / 2"5/16-3"1/4 SS / E.T. 44 | 2 | 2 | |

| | | |
|---|--------------|-----------------|
| From L-031 To R-079 | Date:10/2022 | PAGE:H4-0305-99 |
| FUEL TANK PLASTIC 230 GALLONS / RETROFIT | | |

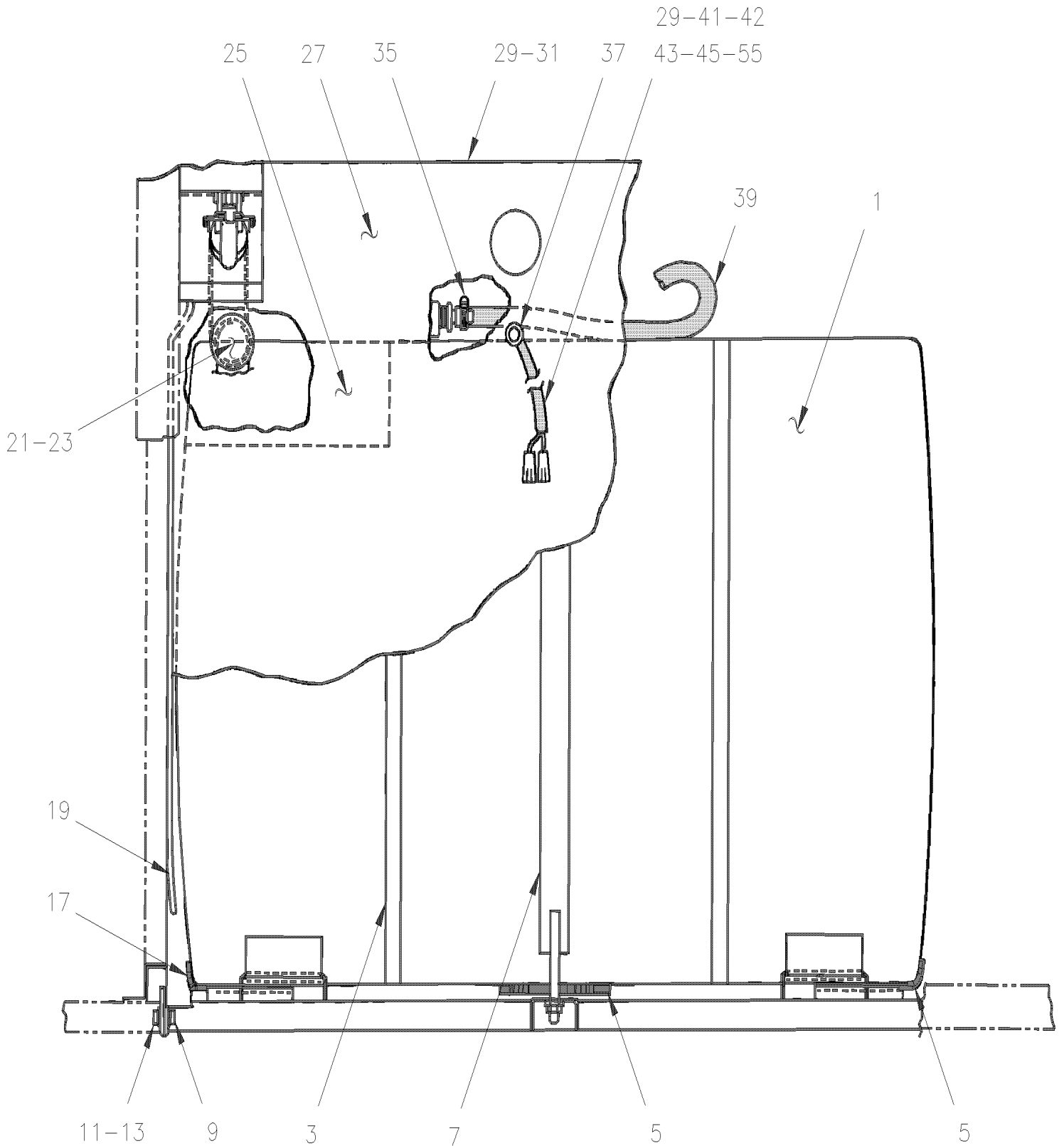
| Item# | Part | Description | H 3 4 0 | V I P 4 0 | N O T E S |
|-------|-------------------|--|------------------|-----------------------|-----------------------|
| 65 | 032415 | . HOSE #16 X 28" LG | 1 | 1 | |
| . NS | 503579 | . HOSE 1" I.D. X 50' / "GREEN STRIPE" | AR | AR | |
| NS | 504637 | . CABLE TIE / 3/16" x 13" | 1 | 1 | |
| 66 | 504021 | . HOSE CLAMP / 11/16"-1"1/2 SS / HS-16 | 1 | 1 | |
| 73 | 500806 | . SCREW CAP HEX M12-1.75X35 G10.9 G500 | 4 | 4 | |
| 74 | 500958 | . WASHER FL .531x1.062x.095 SS | 12 | 12 | |
| 75 | 5001695 | . NUT HEX NYRT M12-1.75 Z050 | 6 | 6 | |
| 76 | 500889 | . SCREW CAP HEX M12-1.75x120 G8.8 G500 | 2 | 2 | |
| 80 | 032779 | . HOLDING PLATE / TO HOLD TUBE | 2 | 2 | |
| 81 | 502656 | . SCREW CAP HEX M6-1.0x50 SS | 2 | 2 | |
| 82 | 500411 | . WASHER FL .260x.697x.050 SS | 4 | 4 | |
| 83 | 5001182 | . NUT HEX NYRT M6-1.0 SS | 2 | 2 | |
| 86 | 501749 | NIPPLE REDUCER HEX / PIPE FITTING / 3/8NPT-Mx1/4NPT-Mx1 13/32 BR | 1 | | |
| 87 | 530042 | CHECK VALVE 3/8 NPT | 1 | | |
| 88 | 509863 | FEMALE ELBOW 90° / PIPE FITTING / 3/8NPT-Fx3/8NPT-F BR | 1 | | |
| 89 | 501314 | BUSHING REDUCER / PIPE FITTING / 3/8NTP-Mx1/4NPT-F BR | 1 | | |
| 90 | H4-1875-00 | FUEL TANK FILLING DOOR | | | |
| 91 | 505056 | ANTISTATIC STRAP / UNDER STRUCTURE | 1 | 1 | |
| 92 | 031852 | HOSE 2 1/2" I.D. x 670MM R.H. | 1 | 1 | |
| 92 | 031587 | HOSE 2 1/2" I.D. x 5843MM R.H. | 1 | 1 | |
| 93 | 504562 | HOSE CLAMP / 2"3/4-3"5/8 / C.T. 350 | 2 | 2 | |
| 93 | 504696 | HOSE CLAMP EAR / 2.968"-3.090" | 2 | 2 | |
| 96 | 504235 | HOSE CLAMP / 3"9/16"-4"1/2 SS / HS-64 | 2 | 2 | |
| 97 | 032568 | HOSE FLEXIBLE 3 1/2" I.D. X 530MM | 1 | 1 | |
| 97 | 032539 | HOSE FLEXIBLE 3 1/2" I.D. X 350MM | 1 | 1 | |
| 97 | 032697 | HOSE FLEXIBLE 3 1/2" I.D. X 626MM | 1 | 1 | |
| | | | | | |
| 100 | 032446 | KIT, RETROFIT FUEL TANK STRAP | 1 | 1 | |
| . NS | IS-00038A | . SEE INSTRUCTION SHEET | 1 | 1 | |
| | | | | | |
| | | | | | |
| | | A) FOR PRODUCT IMPROVEMENT USE KIT # 032446 | | | |
| | | B) WITH "EMCO" WEATON FILLER PIPE | | | |
| | | C) FUEL TANK 032481 IS NO LONGER AVILABLE ORDER FUEL TANK KIT 030009 | | | |
| | | E) W/100000 BTU WATER HEAT. | | | |
| | | S) SERVICE | | | |

From L-031 To R-079

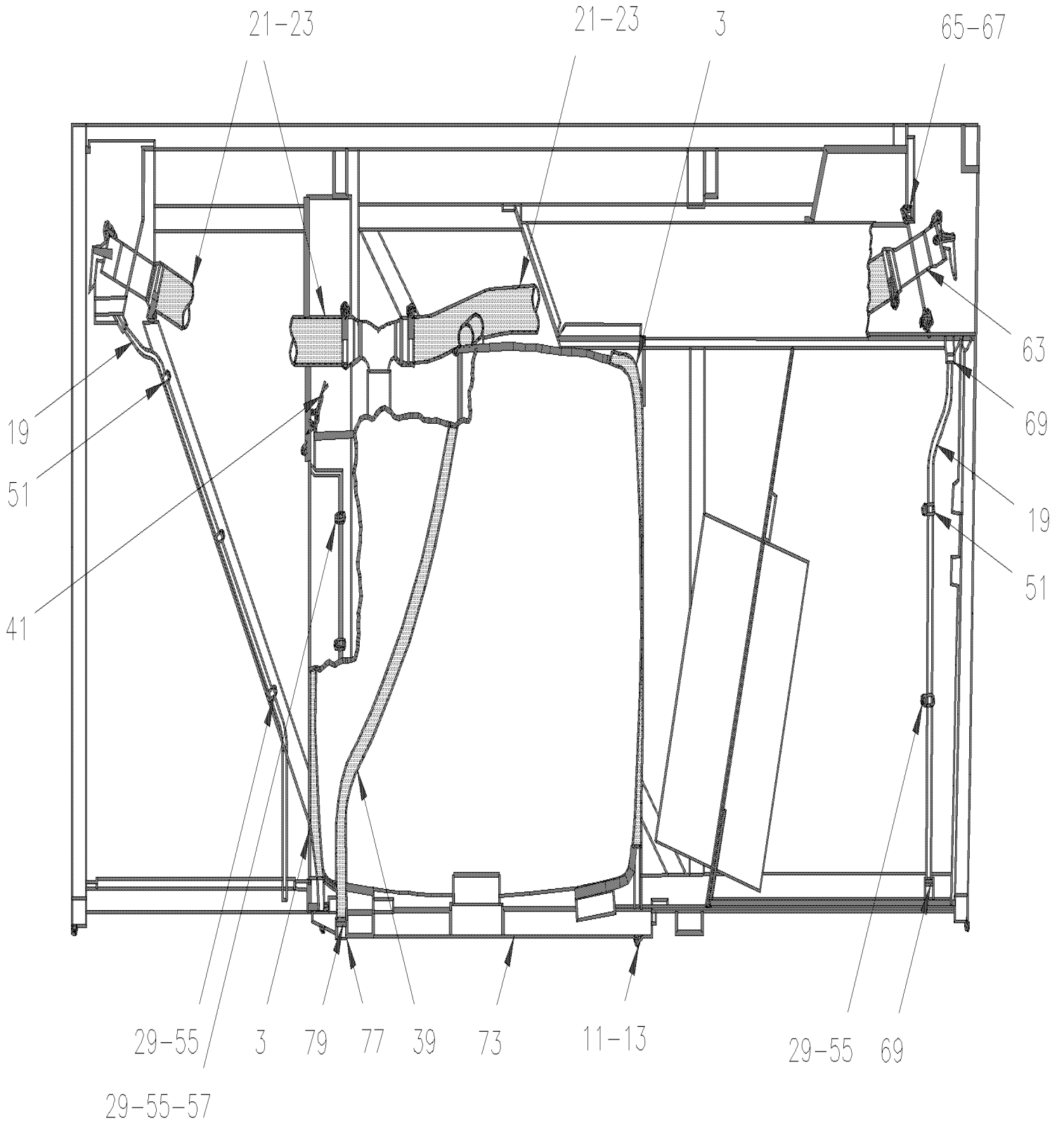
Date:10/2022

PAGE:H4-0306-00

FUEL TANK - INSTALLATION



| | | |
|---------------------------------|--------------|-----------------|
| From L-031 To R-079 | Date:10/2022 | PAGE:H4-0306-00 |
| FUEL TANK - INSTALLATION | | |



| | | |
|---------------------------------|--------------|-----------------|
| From L-031 To R-079 | Date:10/2022 | PAGE:H4-0306-00 |
| FUEL TANK - INSTALLATION | | |

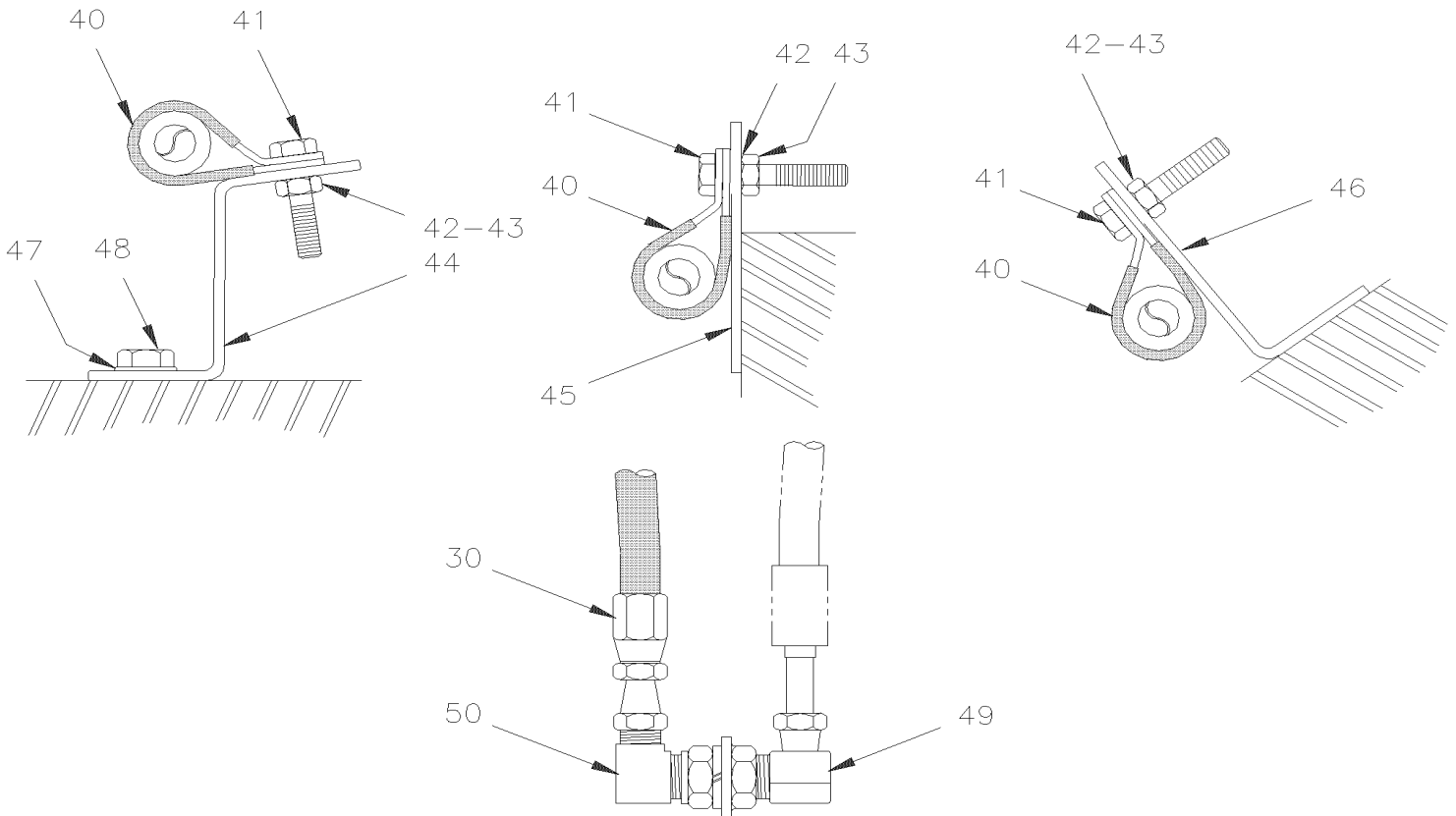
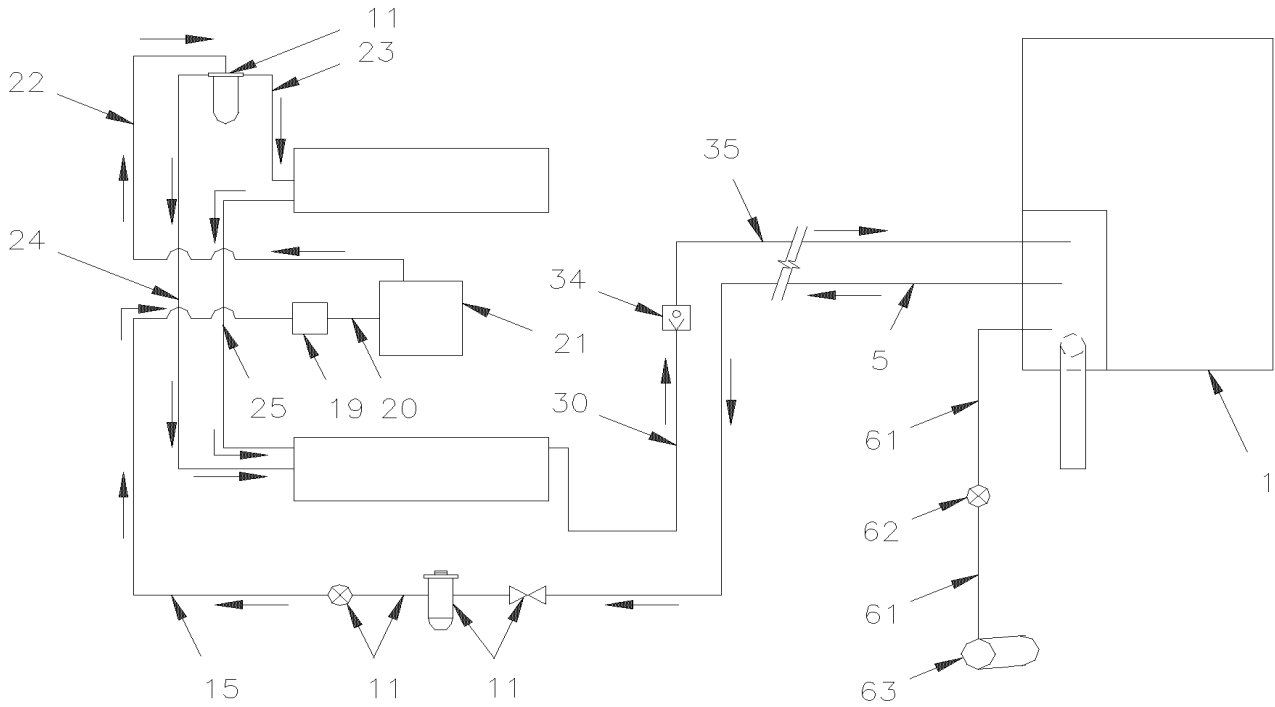
| Item# | Part | Description | H 3 4 0 | V I P 4 0 | N O T E S |
|-------|-------------------|---|------------------|-----------------------|-----------------------|
| 1 | H4-0305-00 | FUEL TANK STAINLESS STEEL 235 GALLONS | | | N |
| 3 | 506007 | TAPE RUB ADH1 CC NEO 3/4" x 1" x 10' / BLACK 1220 | AR | AR | |
| 5 | 031719 | CUSHION, NEOPRENE | 6 | 6 | |
| 7 | 031731 | STRAP, MOUNTING | 1 | 1 | |
| 9 | 500806 | SCREW CAP HEX M12-1.75X35 G10.9 G500 | AR | AR | |
| 11 | 500958 | WASHER FL .531x1.062x.095 SS | AR | AR | |
| 13 | 500811 | NUT HEX STO M12-1.75 G500 | AR | AR | |
| 17 | 031720 | CUSHION, NEOPRENE | 1 | 1 | |
| 19 | 503472 | TUBE, NYLON 3/8 O.D. / GREY S.L. | AR | AR | |
| 21 | 504381 | HOSE CLAMP / 2"3/4-3"5/8 SS / HT-350 | 4 | 4 | |
| 23 | 503475 | HOSE / FUEL / 2 1/2" I.D. / S.L. | AR | AR | |
| 25 | 031725 | ACCESS PANEL | 1 | 1 | |
| 27 | 031724 | ACCESS PANEL | 1 | 1 | |
| 29 | 502557 | NUT HEX NYRT M4-0.7 SS | AR | AR | |
| 31 | 502556 | WASHER FL 4.3x9.0x0.8 SS | AR | AR | |
| 35 | 504021 | HOSE CLAMP / 11/16"-1"1/2 SS / HS-16 | AR | AR | |
| 37 | 504066 | GROMMET / .687x1.000x.062x.375x1.312 | 1 | 1 | |
| 39 | 503547 | HOSE / RUBBER #12 / S.L. | AR | AR | |
| 41 | 062576 | CABLE ASSY / TO FUEL TANK | 1 | 1 | |
| 42 | 560480 | CLAMP / 1/2" I.D. | 3 | 3 | |
| 43 | 500771 | NUT HEX 1/4-20 SS | 1 | 1 | |
| 45 | 502570 | WASHER LO SPT 6.1x11.8x1.6 SS | 1 | 1 | |
| 51 | 560479 | CLAMP / 3/8" I.D. | 5 | 5 | |
| 55 | 502587 | STUD WD WOC M4-0.7x25 SS | AR | AR | |
| 57 | 500479 | WASHER LO INT .448x.789x.040 Z050 | AR | AR | |
| 63 | H4-0310-10 | FUEL FILLING CAP | | | |
| 65 | 502563 | SCREW CAP HEX M6-1.0x12 G8.8 Z050 | 3 | 3 | |
| 67 | 502582 | WASHER LO SERR 6.1x16.2x0.9 Z050 | 3 | 3 | |
| 69 | 640989 | MALE CONNECTOR / NTA FITTING / #6x1/4NPT-M BR | 2 | 2 | |
| 73 | 031718 | FLOOR ASSY, REMOVABLE | 1 | 1 | |
| NS | 031810 | PROTECTOR PANEL / UNDER FUEL TANK FLOOR BLUE BIRD | 1 | 1 | |
| 77 | 500643 | SCREW TP PAN PH #12x3/4 Z050 | 1 | 1 | |
| 79 | 560484 | CLAMP / 1" I.D. | 1 | 1 | |
| | | TO REPLACE STAINLESS STEEL TANK | | | |
| | | WITH PLASTIC TANK,SEE NOTE ON | | | |
| | | PAGE H4-0305-00 | | | |
| | | ON PART NUMBER #032001P | | | |
| | | AND RETROFIT KIT #032044 | | | |
| | | | | | |
| | | | | | |
| | | | | | |
| | | | | | |

| | | |
|---------------------|--------------|-----------------|
| From L-031 To R-079 | Date:10/2022 | PAGE:H4-0306-00 |
|---------------------|--------------|-----------------|

FUEL TANK - INSTALLATION

| Item# | Part | Description | H 3 4 0 | V I P 4 0 | N O T E S |
|-------|------|--|------------------|-----------------------|-----------------------|
| | | N) FOR REPLACEMENT WITH PLASTIC FUEL TANK YOU REQUIRE 1 # 032001P FUEL TANK ASSY WITH FLOOR AND KIT FOR FUEL COOLER # 032044 | | | |

| | | |
|---|--------------|-----------------|
| From L-031 To R-032 | Date:10/2022 | PAGE:H4-0310-00 |
| FUEL HOSE - INSTALLATION - WITH DETROIT S-92 | | |



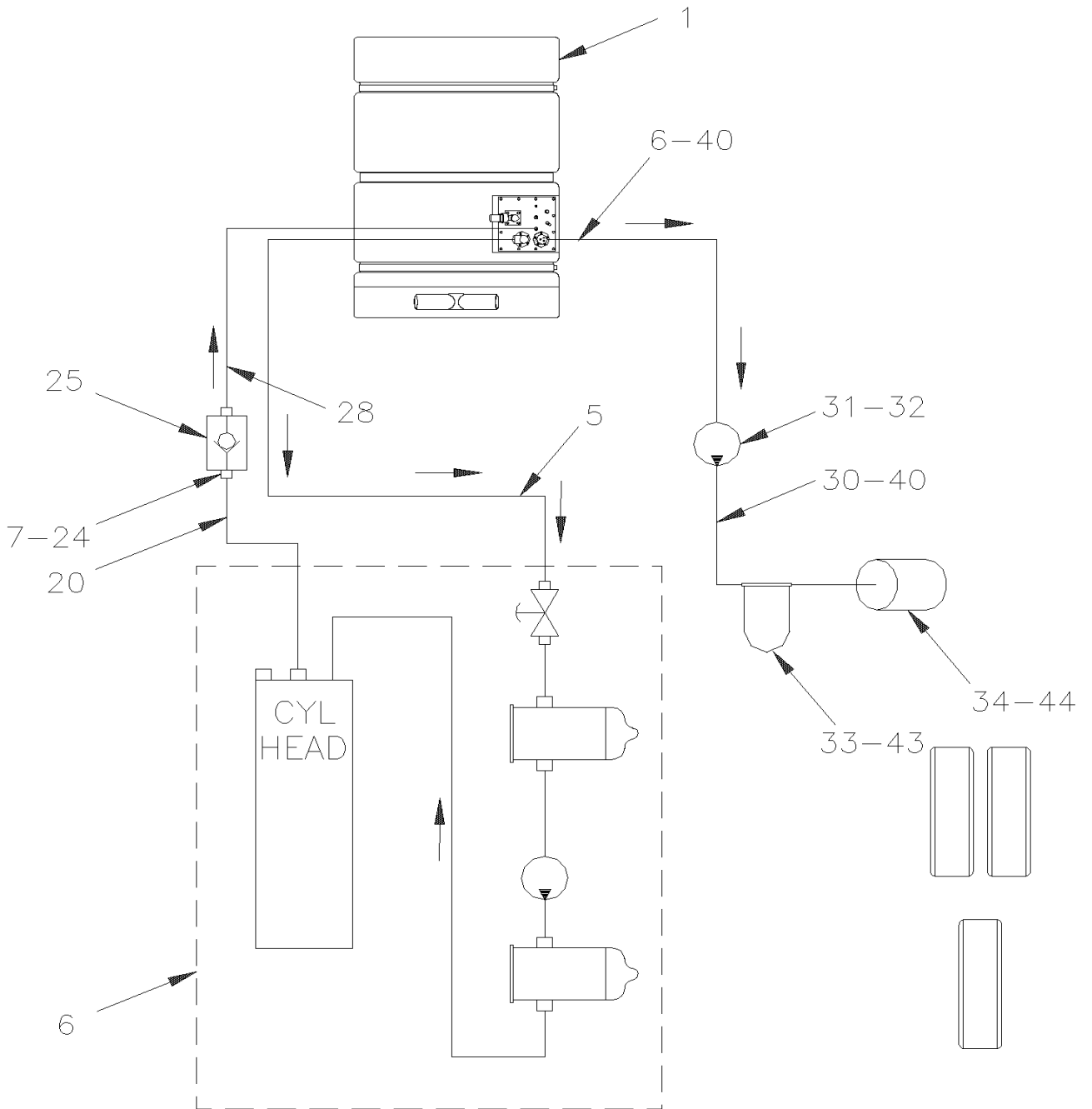
| | | |
|---|--------------|-----------------|
| From L-031 To R-032 | Date:10/2022 | PAGE:H4-0310-00 |
| FUEL HOSE - INSTALLATION - WITH DETROIT S-92 | | |

| Item# | Part | Description | H 3 4 0 | V I P 4 0 | N O T E S |
|-------|-------------------|---|------------------|-----------------------|-----------------------|
| 1 | H4-0305-00 | FUEL TANK STAINLESS STEEL 235 GALLONS | | | N |
| 5 | 031605 | HOSE ASSY / #8 6450MM To L-061 | 1 | 1 | |
| 5 | 031562 | HOSE ASSY / #8 7200MM From L-062 | 1 | 1 | |
| 5 | 503417 | . HOSE #FC-300 HYDRAULIC / #8 S.L. | AR | AR | |
| 5 | 501597 | . FEMALE CONNECTOR SWIVEL / SAE 45° FITTING / #8FL-Fx#8 ZP | 2 | 2 | |
| 11 | H4-0311-00 | FUEL FILTER - PRIMARY & SECONDARY | | | |
| 11 | H4-0311-10 | FUEL FILTER / WATER SEPARATOR - "RACOR" | 1 | 1 | |
| 15 | 031607 | HOSE ASSY / #8 1520MM To L-061 | 1 | 1 | |
| 15 | 160794 | HOSE ASSY / #8 890MM From L-062 | 1 | 1 | |
| 15 | 031766 | HOSE ASSY / #8 1090MM From N-213 | 1 | 1 | A |
| 15 | 503417 | . HOSE #FC-300 HYDRAULIC / #8 S.L. | AR | AR | |
| 15 | 501839 | . FEMALE ELBOW 45° SHORT DROP/ JIC 37° FITTING/ #8JIC-Fx#8 ZP | 2 | 2 | |
| 15 | 501785 | . FEMALE CONNECTOR SWIVEL / JIC 37° FITTING / #8JIC-Fx#8 ZP | 1 | 1 | |
| NS | 501043 | MALE ELBOW 90° / SAE 45° FITTING / #8FL-Mx3/8NPT-M BR | 1 | 1 | |
| 19 | N.S.P. | FUEL PUMP / SUPPLY W/MOTOR | 1 | 1 | 2 |
| 20 | N.S.P. | HOSE / FUEL PUMP & E.C.U. / (23501154) | 1 | 1 | 2 |
| 21 | N.S.P. | E.C.U. / (SUPPLY W/MOTOR) | 1 | 1 | 2 |
| 22 | N.S.P. | HOSE / E.C.U. TO SECONDARY FILTER / (8926140) | 1 | 1 | 2 |
| 23 | N.S.P. | HOSE ASSY / 2ND FILTER TO CYLINDER HEAD L.H./ (2350168) | 1 | 1 | 2 |
| 24 | N.S.P. | HOSE ASSY / 2ND FILTER TO CYLINDER HEAD R.H./ (8926141) | 1 | 1 | 2 |
| 25 | N.S.P. | HOSE ASSY RETURN / CYLINDER HEAD LH TO RH / (SUPPLY W/MOTOR) | 1 | 1 | 2 |
| 30 | 031609 | HOSE ASSY / #6 584MM | 1 | 1 | |
| 30 | 051902 | HOSE ASSY / #6 865MM | 1 | 1 | |
| 30 | 503582 | . HOSE #FC-300 HYDRAULIC / #6 S.L. | AR | AR | |
| 30 | 501836 | . FEMALE CONNECTOR SWIVEL / SAE 45° FITTING / #6FL-Fx#6 STL | 2 | 2 | |
| 34 | 530042 | CHECK VALVE 3/8 NPT | 1 | 1 | |
| NS | 501042 | MALE ELBOW 90° / SAE 45° FITTING / #6FL-Mx3/8NPT-M BR | 1 | 1 | |
| NS | 501319 | COUPLING / PIPE FITTING / 3/8NPT-Fx3/8NPT-F BR | 1 | 1 | |
| 35 | 031602 | HOSE ASSY / #8 6100MM | 1 | 1 | |
| 35 | 503417 | . HOSE #FC-300 HYDRAULIC / #8 S.L. | AR | AR | |
| 35 | 501839 | . FEMALE ELBOW 45° SHORT DROP/ JIC 37° FITTING/ #8JIC-Fx#8 ZP | 1 | 1 | |
| 35 | 501597 | . FEMALE CONNECTOR SWIVEL / SAE 45° FITTING / #8FL-Fx#8 ZP | 1 | 1 | |
| 40 | 560482 | CLAMP / 3/4" I.D. / W/HOLE 3/16" | AR | AR | |
| 41 | 502557 | NUT HEX NYRT M4-0.7 SS | AR | AR | |
| 42 | 502685 | SCREW CAP HEX M4-0.7x20 SS EMN | AR | AR | |
| 43 | 500470 | WASHER LO SPT .193x.334x.047 Z050 | AR | AR | |
| 44 | 010559 | BRACKET | 1 | 1 | |
| 45 | 060525 | SUPPORT HARNESS | 1 | 1 | |
| 46 | 070368 | SUPPORT | 1 | 1 | |
| 47 | 500480 | WASHER LO SPT .443x.779x.109 Z050 | 1 | 1 | |
| 48 | 500202 | SCREW CAP HEX 7/16-14x1 G5 ZP | 1 | 1 | |
| 49 | 501172 | MALE CONNECTOR / INVERTED FLARE FITTING / #6IFL-Fx1/4NPT-M BR | 1 | 1 | |

| | | |
|---|--------------|-----------------|
| From L-031 To R-032 | Date:10/2022 | PAGE:H4-0310-00 |
| FUEL HOSE - INSTALLATION - WITH DETROIT S-92 | | |

| Item# | Part | Description | H 3 4 0 | V I P 4 0 | N O T E S |
|-------|---------------|---|------------------|-----------------------|-----------------------|
| 50 | 501040 | MALE ELBOW 90° / SAE 45° FITTING / #6FL-Mx1/4NPT-M BR | | | |
| | | AUXILIARY WATER HEATER | | | |
| 61 | 870977 | HOSE 3.2MM I.D. 25' / S.L. | AR | AR | |
| NS | 504014 | HOSE CLAMP / 1/4"-5/8" SS / HM-4 | 4 | 4 | |
| 62 | 870973 | PUMP FUEL | 1 | 1 | |
| NS | 870971 | SUPPORT, PUMP | 1 | 1 | |
| NS | 500896 | SCREW TC FL PH #8-32x5/8 Z050 | 2 | 2 | B |
| 63 | 870969 | WATER HEATER - "ESPAR" 40,000 B.T.U. | | | |
| | | | | | |
| | | | | | |
| | | A) UP TO N-212 WE USED SAME HOSE THAN 8V92 | | | |
| | | B) TO FIX SUPPORT FUEL PUMP | | | |
| | | N) FOR A REPLACEMENT WITH A PLASTIC TANK YOU NEED ASM TANK # 032001P AS WELL AS THE FUEL COOLER ASSEMBLY # 032044 | | | |
| | | 2) NOT SOLD BY PREVOST (SEE MANUFACTURING PART NUMBER AT END OF DESCRIPTION LINE) | | | |

| | | |
|---|--------------|-----------------|
| From P-256 To R-079 | Date:10/2022 | PAGE:H4-0310-01 |
| FUEL HOSE - INSTALLATION - WITH DETROIT S-60 | | |



| | | |
|---|--------------|-----------------|
| From P-256 To R-079 | Date:10/2022 | PAGE:H4-0310-01 |
| FUEL HOSE - INSTALLATION - WITH DETROIT S-60 | | |

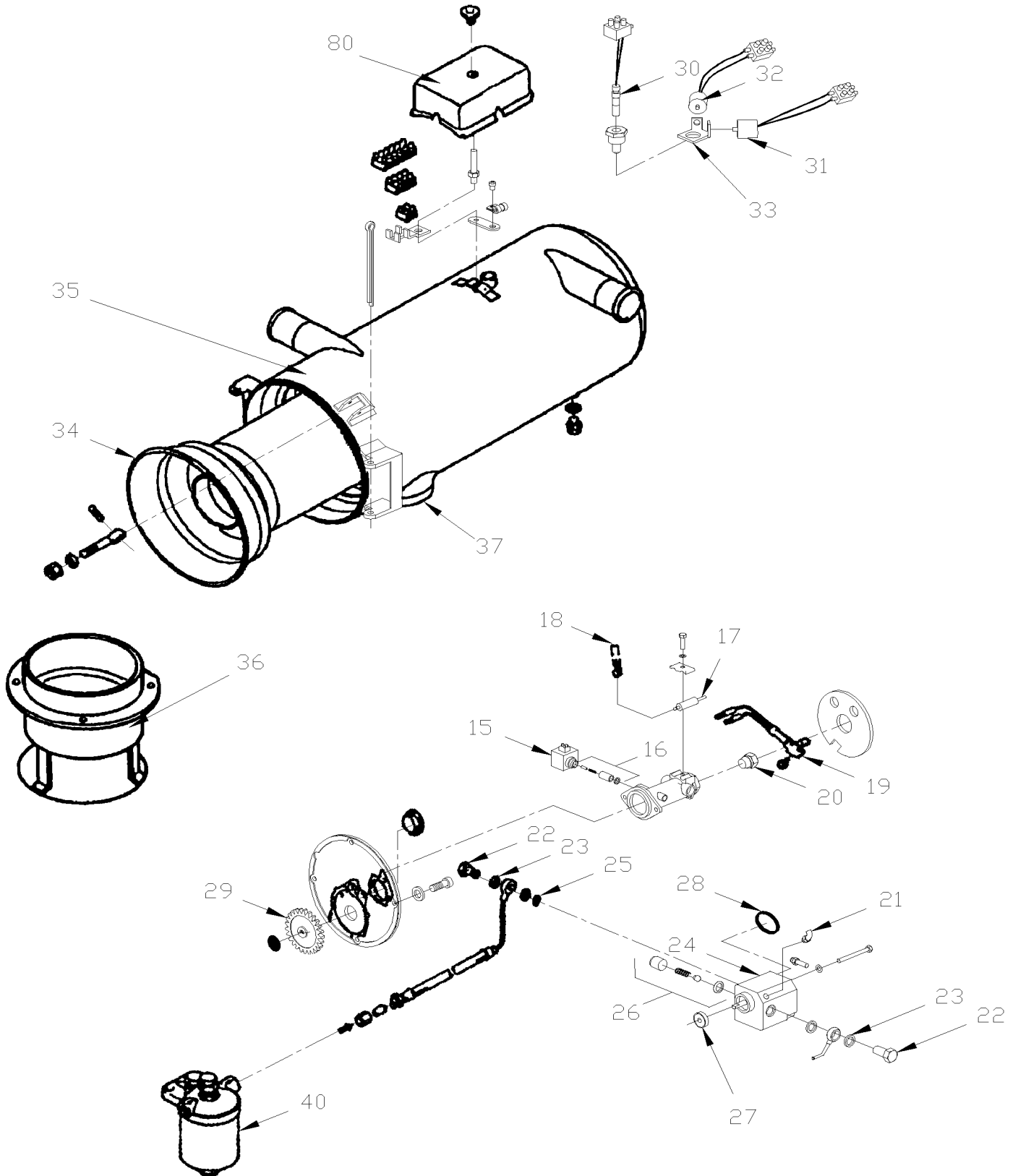
| Item# | Part | Description | H 3 4 0 | V I P 4 0 | N O T E S |
|-------|-------------------|---|------------------|-----------------------|-----------------------|
| 1 | H4-0305-00 | FUEL TANK STAINLESS STEEL 235 GALLONS | | | N |
| 5 | 031914 | HOSE ASSY / #10 6300MM | 1 | 1 | |
| 6 | H4-0311-01 | FUEL FILTER - PRIMARY & SECONDARY | 1 | 1 | |
| 7 | 501032 | MALE CONNECTOR / SAE 45° FITTING / #8FL-Mx3/8NPT-M BR | 2 | 2 | |
| 20 | 160180 | HOSE ASSY / #8 508MM | 1 | 1 | |
| NS | 503417 | . HOSE #FC-300 HYDRAULIC / #8 S.L. | AR | AR | |
| NS | 501594 | . FEMALE ELBOW 90° SHORT DROP/ JIC 37° FITTING/ #8JIC-Fx#8 STL | 1 | 1 | |
| NS | 501785 | . FEMALE CONNECTOR SWIVEL / JIC 37° FITTING / #8JIC-Fx#8 ZP | 1 | 1 | |
| 24 | 501032 | MALE CONNECTOR / SAE 45° FITTING / #8FL-Mx3/8NPT-M BR | 1 | 1 | |
| 25 | 530042 | CHECK VALVE 3/8 NPT | 1 | 1 | |
| 25 | 031927 | SUPPORT, BULKHEAD CONNECTOR | 1 | 1 | |
| NS | 640863 | BULKHEAD COUPLING / PIPE FITTING / 3/8NPT-Fx3/8NPT-F STL | 1 | 1 | |
| 28 | 031912 | HOSE ASSY / #8 5385MM | 1 | 1 | |
| NS | 501597 | . FEMALE CONNECTOR SWIVEL / SAE 45° FITTING / #8FL-Fx#8 ZP | 1 | 1 | |
| NS | 505110 | . COIL PROTECTOR / PLASTIC / #12 | AR | AR | |
| | | FOLLOWING PART ARE USED WITH | | | |
| | | WATER HEATER 40,000 BTU "ESPAR" | | | |
| 30 | 870977 | HOSE 3.2MM I.D. 25' / S.L. | AR | AR | |
| NS | 504014 | HOSE CLAMP / 1/4"-5/8" SS / HM-4 | 4 | 4 | |
| 31 | 870973 | PUMP FUEL | 1 | 1 | |
| 32 | 870971 | SUPPORT, PUMP | 1 | 1 | |
| NS | 870972 | RING, RUBBER | 1 | 1 | |
| NS | 500896 | SCREW TC FL PH #8-32x5/8 Z050 | 2 | 2 | A |
| 34 | 870969 | WATER HEATER - "ESPAR" 40,000 B.T.U. | | | |
| 34 | 871097 | WATER HEATER - "ESPAR" 41,000 B.T.U. | | | |
| | | FOLLOWING PART ARE USED WITH | | | |
| | | WATER HEATER 80,000 BTU "WEBASTO" | | | |
| 40 | 503411 | HOSE / 2556 / #4 X 50' | AR | AR | |
| NS | 504230 | HOSE CLAMP / 3/8"-7/8" SS / HS-6 | 4 | 4 | |
| 43 | 871037 | FILTER, FUEL | 1 | 1 | |
| NS | 871038 | SUPPORT, FILTER FUEL | 1 | 1 | |
| 44 | 871036 | WATER HEATER - "WEBASTO" 80,000 B.T.U. | 1 | 1 | |
| | | A) TO FIX SUPPORT FUEL PUMP | | | |
| | | N) FOR A REPLACEMENT WITH A PLASTIC TANK YOU NEED ASM TANK # 032001P AS WELL AS THE FUEL COOLER ASSEMBLY # 032044 | | | |

From P-256 To R-079

Date:10/2022

PAGE:871036

WATER HEATER - "WEBASTO" 80,000 B.T.U.

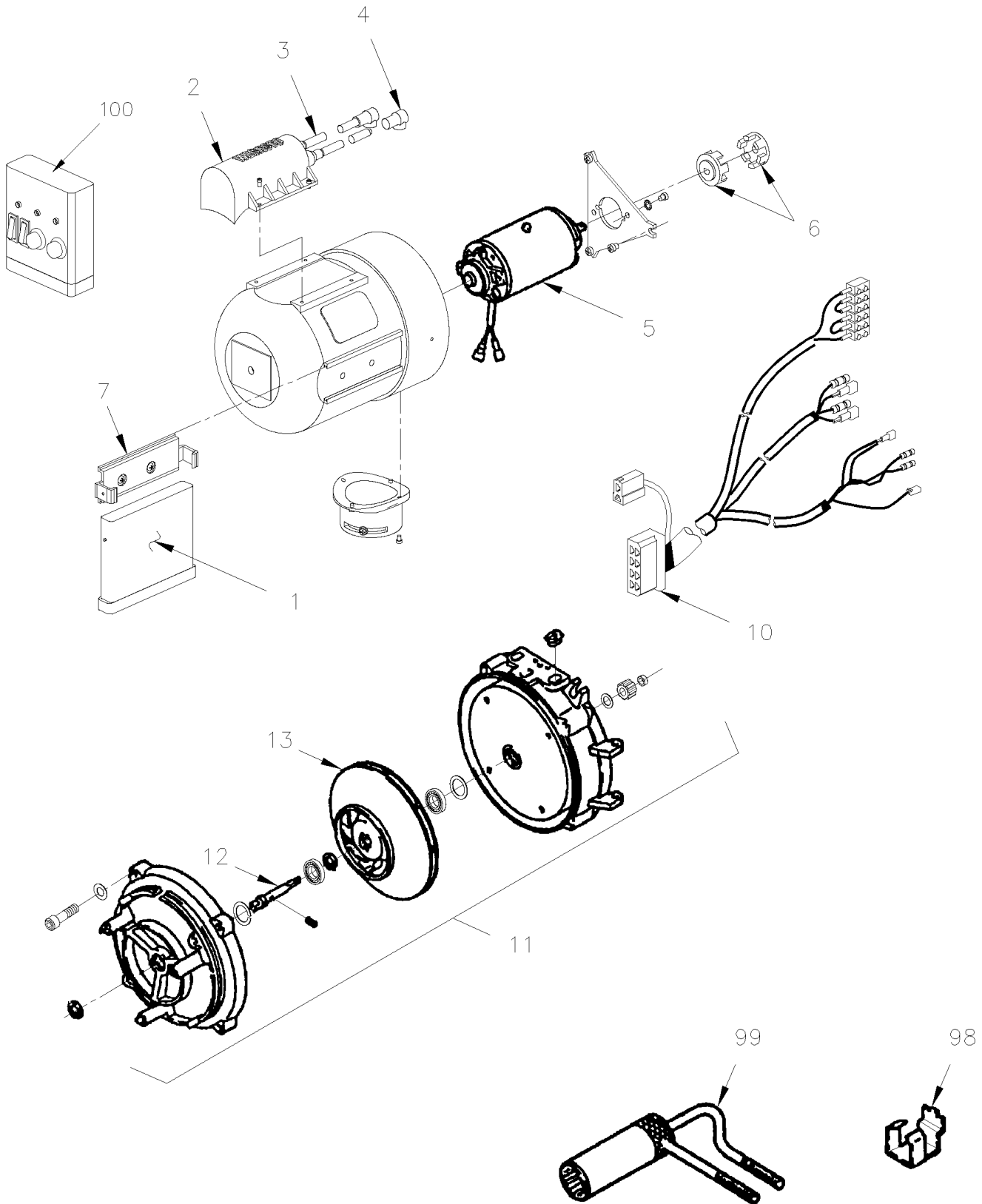


From P-256 To R-079

Date:10/2022

PAGE:871036

WATER HEATER - "WEBASTO" 80,000 B.T.U.



| | | |
|---|--------------|-------------|
| From P-256 To R-079 | Date:10/2022 | PAGE:871036 |
| WATER HEATER - "WEBASTO" 80,000 B.T.U. | | |

| Item# | Part | Description | H 3 4 0 | V I P 4 0 | N O T E S |
|-------|----------|---|------------------|-----------------------|-----------------------|
| | | WATER HEATER - "WEBASTO" 80,000 B.T.U. | 1 | 1 | |
| | N25810 | WATER HEATER - "WEBASTO" 80,000 B.T.U. | | | |
| NS | 871309 | BURNER HEAD ASSY 24V / DBW 2020 | 1 | 1 | |
| 1 | 870909 | . CONTROL UNIT 24V | 1 | 1 | A |
| . NS | 561186 | . . CONNECTOR / FASTIN-FASTON (.250) / RH 6C / AMP 925276-0 | 1 | 1 | A |
| . NS | 561597 | . . CONNECTOR / 56 SERIES / TAB RH 2C / BROWN / PED 2965981 | 1 | 1 | A |
| . NS | 562363 | . . CONNECTOR / FASTIN-FASTON (.250) / RH 8C / AMP 163007 | 1 | 1 | A |
| 2 | 870910 | . COIL, IGNITION | 1 | 1 | |
| 3 | 870911 | . . SOCKET | 2 | 2 | |
| 4 | 870912 | . . CABLE, HIGH TENSION / S.L. | AR | AR | |
| 5 | 870913 | . MOTOR ASSY / 24V | 1 | 1 | |
| 6 | 870939 | . CLUTCH | 2 | 2 | |
| 7 | N8883051 | . CLIP CONTROL UNIT | 1 | 1 | |
| 10 | 870914 | . WIRING HARNESS / W/TERMINAL BLOCK 6 C | 1 | 1 | |
| 11 | 870915 | . KIT, MOUNTING SHAFT | 1 | 1 | |
| 12 | 870916 | . SHAFT | 1 | 1 | |
| 13 | G1017453 | . ROTOR TURBINE | 1 | 1 | |
| 15 | 870917 | . SOLENOID VALVE / 24V | 1 | 1 | |
| 16 | 870919 | . . UNLOADER POWER ASSY | 1 | 1 | |
| 17 | 870920 | . ELECTRODE, IGNITION | 2 | 2 | |
| 18 | 870921 | . PLUG / ELECTRODE | 2 | 2 | |
| 19 | 870922 | . CELL, PHOTOELECTRIC | 1 | 1 | |
| 20 | 870918 | . NOZZLE 0.80GPH | 1 | 1 | |
| 20 | 871316 | NOZZLE 0.35GPH | AR | AR | |
| 20 | 871126 | NOZZLE 0.40GPH | AR | AR | |
| 20 | 192271 | NOZZLE 0.65GPH / PACK OF 12 | AR | AR | |
| 20 | G5007384 | NOZZLE 0.65GPH | AR | AR | |
| 20 | G1017473 | NOZZLE 0.65GPH | AR | AR | |
| 20 | 871291 | NOZZLE 0.85GPH | AR | AR | |
| 21 | 870928 | . PIPE, HIGH PRESSURE | 1 | 1 | |
| 22 | 870929 | . BANJO BOLT / M10-1.0 | 2 | 2 | |
| 23 | 870923 | . BANJO WASHER / M10 | 4 | 4 | |
| 24 | 870930 | . PUMP FUEL | 1 | 1 | |
| 25 | 870924 | . . FILTER | 1 | 1 | |
| 26 | 870925 | . . VALVE, PRESSURE CONTROL | 1 | 1 | |
| 27 | 870926 | . . GASKET | 1 | 1 | |
| 28 | 870927 | . . GASKET, RING | 1 | 1 | |
| 29 | 870931 | . SPUR GEAR | 1 | 1 | |
| 30 | 870932 | . FUSE THERMO 138°C (YELLOW) | 1 | 1 | |
| 31 | 870933 | . RELEASE, THERMO 117°C (GREEN) | 1 | 1 | |
| 32 | 870934 | . CONTROL THERMOSTAT 75°C GREEN & RED | 1 | 1 | |
| 33 | 870935 | . ANGLE BRACKET | 1 | 1 | |

| | | |
|---|--------------|-------------|
| From P-256 To R-079 | Date:10/2022 | PAGE:871036 |
| WATER HEATER - "WEBASTO" 80,000 B.T.U. | | |

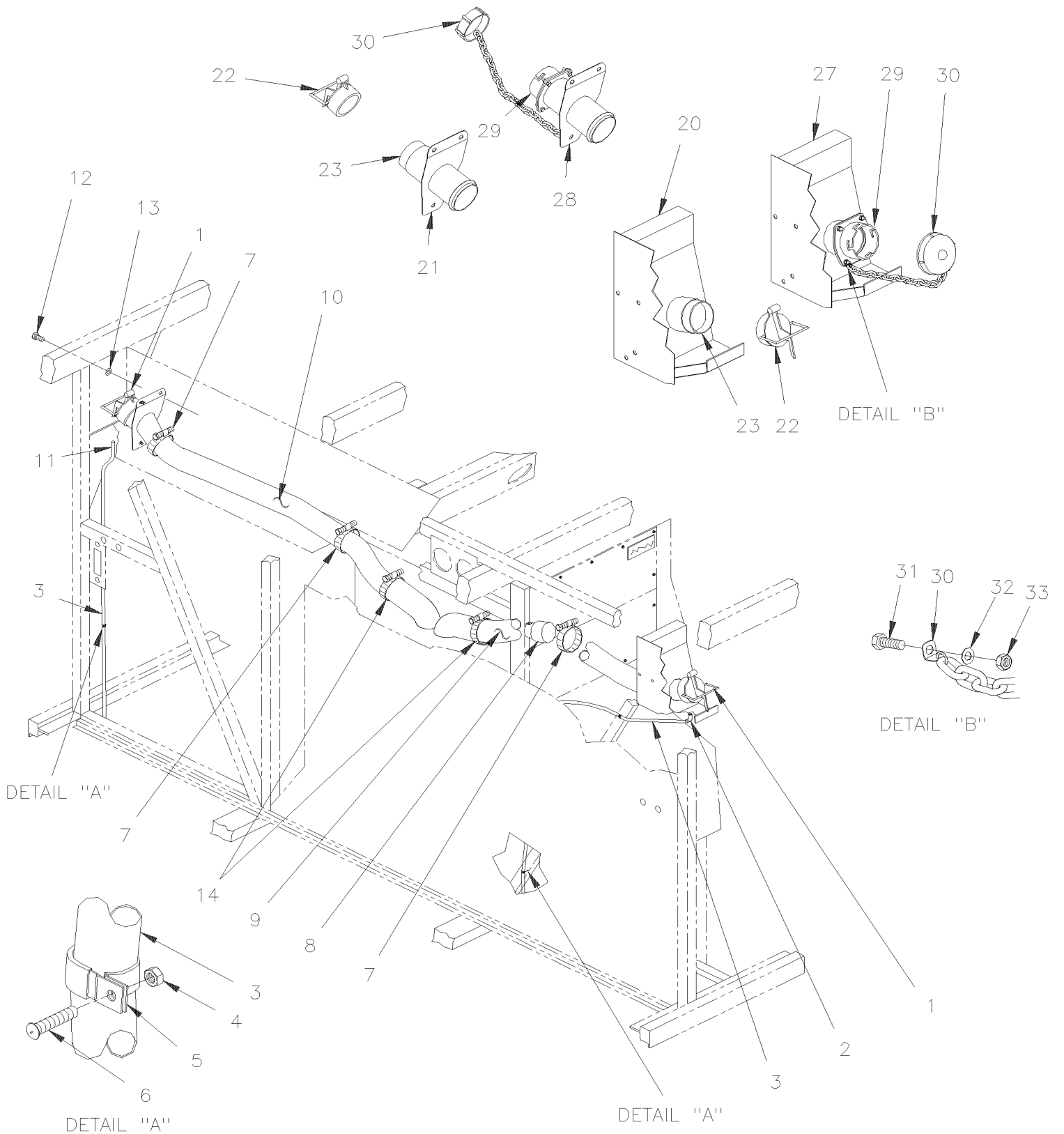
| Item# | Part | Description | H 3 4 0 | V I P 4 0 | N O T E S |
|-------|----------|---|------------------|-----------------------|-----------------------|
| 34 | 871057 | . CHAMBER, COMBUSTION / W/80,000 BTU | 1 | 1 | |
| 35 | 871251 | . HEAT EXCHANGER | 1 | 1 | |
| 36 | 870940 | . PIPE, OUTLET | 1 | 1 | |
| 37 | 871039 | EXHAUST PIPE SS 70MM O.D. X 1000MM | 1 | 1 | |
| | | SEE WATER HEATER - INSTALLATION | | | |
| 80 | N8883102 | CAP | 1 | 1 | |
| 98 | 870937 | GAUGE / IGNITION ELECTRODE | 1 | 1 | |
| 99 | 870938 | BOX WRENCH / HIGH PRESSURE NOZZLE | 1 | 1 | |
| 100 | 871319 | TESTING GEAR TOOL | AR | AR | |
| NS | 871246 | KIT, RETROFIT W/HEATER CONTROL BOX WATERTIGHT | AR | AR | |
| NS | 192273 | KIT NOZZLE W/OVERHEAT FUSE / DBW 2020 | AR | AR | B |
| NS | 065744 | KIT, RETROFIT BOX W/EXTENSION CABLE AND SUPP. | AR | AR | |
| NS | 192274 | KIT, MOTOR 24V W/BEARING, NOZZLE & O.H. FUSE / DBW 2020 | AR | AR | |
| NS | 192269 | KIT, ELECTRICAL REBUILT COMPONENTS 24V / DBW 2020 & DBW 300 | AR | AR | C |
| | | | | | |
| | | | | | |
| | | A) FOR PRODUCT IMPROVMENT USE KIT #871246 FOTR EXTEND WIRE CABLE BETWEEN CONTROL BOX AND WATER HEATER OR USE KIT #065744 FOR FIXED UNIT CONTROL BOX IN WATERPROOF BOX | | | |
| | | B) INCLUDES 2 ITEMS #20 & 30 | | | |
| | | C) INCLUDES ITEMS #1, 2, 3, 4, 10, 17, 19 & MORE | | | |

From L-031 To R-079

Date:10/2022

PAGE:H4-0310-10

FUEL FILLING CAP



| | | |
|-------------------------|--------------|-----------------|
| From L-031 To R-079 | Date:10/2022 | PAGE:H4-0310-10 |
| FUEL FILLING CAP | | |

| Item# | Part | Description | H 3 4 0 | V I P 4 0 | N O T E S |
|-------|--------|--|------------------|-----------------------|-----------------------|
| | | CAP FILLING / SEE DETAIL | | | |
| 2 | 641366 | MALE ELBOW 45° NON-SWIVEL / PUSH-IN FITTING / #6x1/4NPT-M BR | 1 | 1 | |
| 3 | 503404 | TUBE, NYLON 3/8 O.D. / BLACK S.L. | AR | AR | |
| 4 | 502557 | NUT HEX NYRT M4-0.7 SS | 5 | 5 | |
| 5 | 560479 | CLAMP / 3/8" I.D. | AR | AR | |
| 6 | 502587 | STUD WD WOC M4-0.7x25 SS | 5 | 5 | |
| 7 | 504381 | HOSE CLAMP / 2"3/4-3"5/8 SS / HT-350 | 4 | 4 | |
| 8 | 032088 | CHECK VALVE | 2 | 2 | |
| NS | 032089 | . CHECK VALVE, RUBBER | 1 | 1 | |
| NS | 031897 | . ANGLE | 1 | 1 | |
| NS | 504340 | . RIVET POP DOME OE 1/8x3/16 SS | 1 | 1 | |
| NS | 500432 | . SCREW TC PAN PH #8-32x3/4 Z050 | 1 | 1 | |
| 9 | 031852 | HOSE 2 1/2" I.D. x 670MM | 1 | 1 | |
| 9 | 032042 | HOSE 2 1/2" I.D. x 1143MM | 1 | 1 | |
| 9 | 503475 | . HOSE / FUEL / 2 1/2" I.D. / S.L. | AR | AR | |
| 10 | 504562 | HOSE CLAMP / 2"3/4-3"5/8 / C.T. 350 | 2 | 2 | |
| 11 | 641331 | MALE CONNECTOR / PUSH-IN FITTING / #6x1/4NPT-M BR | 2 | 2 | |
| 12 | 502563 | SCREW CAP HEX M6-1.0x12 G8.8 Z050 | AR | AR | |
| 13 | 502582 | WASHER LO SERR 6.1x16.2x0.9 Z050 | AR | AR | |
| 20 | 031556 | FILLING CAP BOX ASSY R.H. / HINGE TYPE CAP To M-061 | 1 | 1 | |
| 20 | 031691 | FILLING CAP BOX ASSY R.H. / HINGE TYPE CAP From M-062 To M-071 | 1 | 1 | |
| 20 | 031722 | FILLING CAP BOX ASSY R.H. / HINGE TYPE CAP From M-072 | 1 | 1 | |
| 21 | 031581 | FILLING CAP ASSY L.H. / HINGE TYPE CAP To M-061 | 1 | 1 | |
| 21 | 031694 | FILLING CAP ASSY L.H. / HINGE TYPE CAP From M-062 To M-071 | 1 | 1 | |
| 21 | 031728 | FILLING CAP ASSY L.H. / HINGE TYPE CAP From M-072 | 1 | 1 | |
| 22 | 530015 | . FUEL FILLING CAP / HINGE TYPE CAP | 1 | 1 | |
| . NS | 531408 | . . SEAL GASKET | 1 | 1 | |
| . NS | 531409 | . . RETAINER RING GASKET | 1 | 1 | |
| . NS | 680446 | . . GLUE ADHESIVE / TO FIX CAP | AR | AR | |
| NS | 531408 | . . SEAL GASKET | 1 | 1 | |
| NS | 531409 | . . RETAINER RING GASKET | 1 | 1 | |
| NS | 680446 | . GLUE ADHESIVE / TO FIX CAP | AR | AR | |
| | | OPTION FUEL FILLING CAP / "EMCO WHEATON" TYPE | | | |
| 27 | 032064 | FILLING CAP BOX ASSY R.H. / "EMCO WHEATON" TYPE | 1 | 1 | |
| 28 | 032062 | FILLING CAP ASSY L.H. / "EMCO WHEATON" TYPE | 1 | 1 | |
| 29 | 531413 | . ADAPTOR | 1 | 1 | |
| 30 | 531412 | . FUEL FILLING CAP / "EMCO WHEATON" TYPE | 1 | 1 | |
| 31 | 502737 | . SCREW CAP HEX M6-1.0x25 SS BK | AR | AR | |
| 32 | 502564 | . WASHER LO SPT 6.1x11.8x1.6 Z050 | AR | AR | |
| 33 | 500609 | . NUT HEX M6-1.0 Z050 | AR | AR | |

| | | |
|---------------------|--------------|-----------------|
| From L-031 To R-079 | Date:10/2022 | PAGE:H4-0310-10 |
|---------------------|--------------|-----------------|

FUEL FILLING CAP

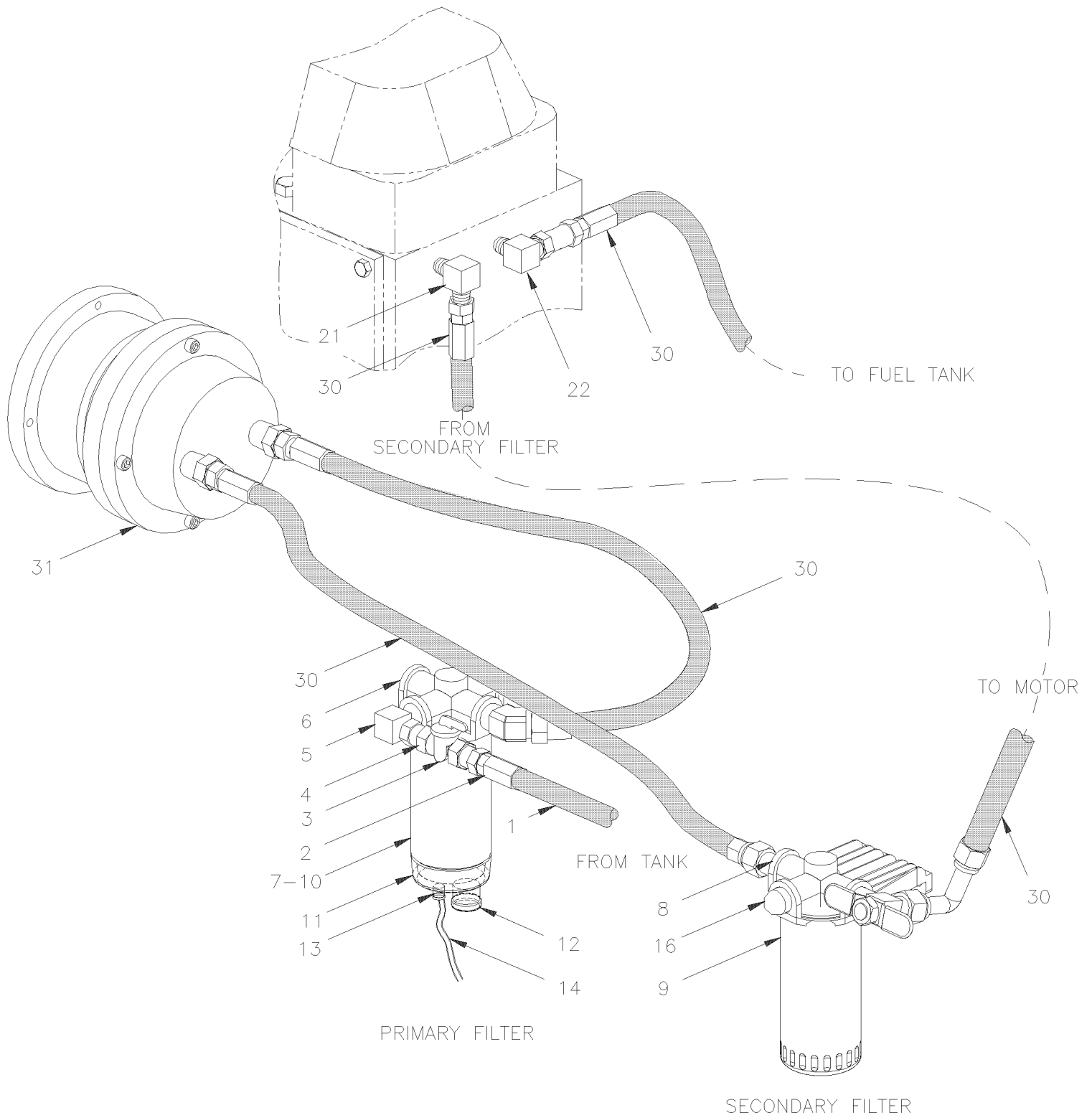
| Item# | Part | Description | H 3 4 0 | V I P 4 0 | N O T E S |
|-------|--------|---|------------------|-----------------------|-----------------------|
| 35 | 031750 | KIT GUIDE FILLER NECK From L-031 To N-205 | 1 | 1 | |
| | | | | | |
| | | | | | |
| | | | | | |

From L-031 To R-079

Date:10/2022

PAGE:H4-0311-00

FUEL FILTER - PRIMARY & SECONDARY



TYPICAL ILLUSTRATION ONLY

| | | | |
|--|--|--------------|-----------------|
| From L-031 To R-079 | | Date:10/2022 | PAGE:H4-0311-00 |
| FUEL FILTER - PRIMARY & SECONDARY | | | |

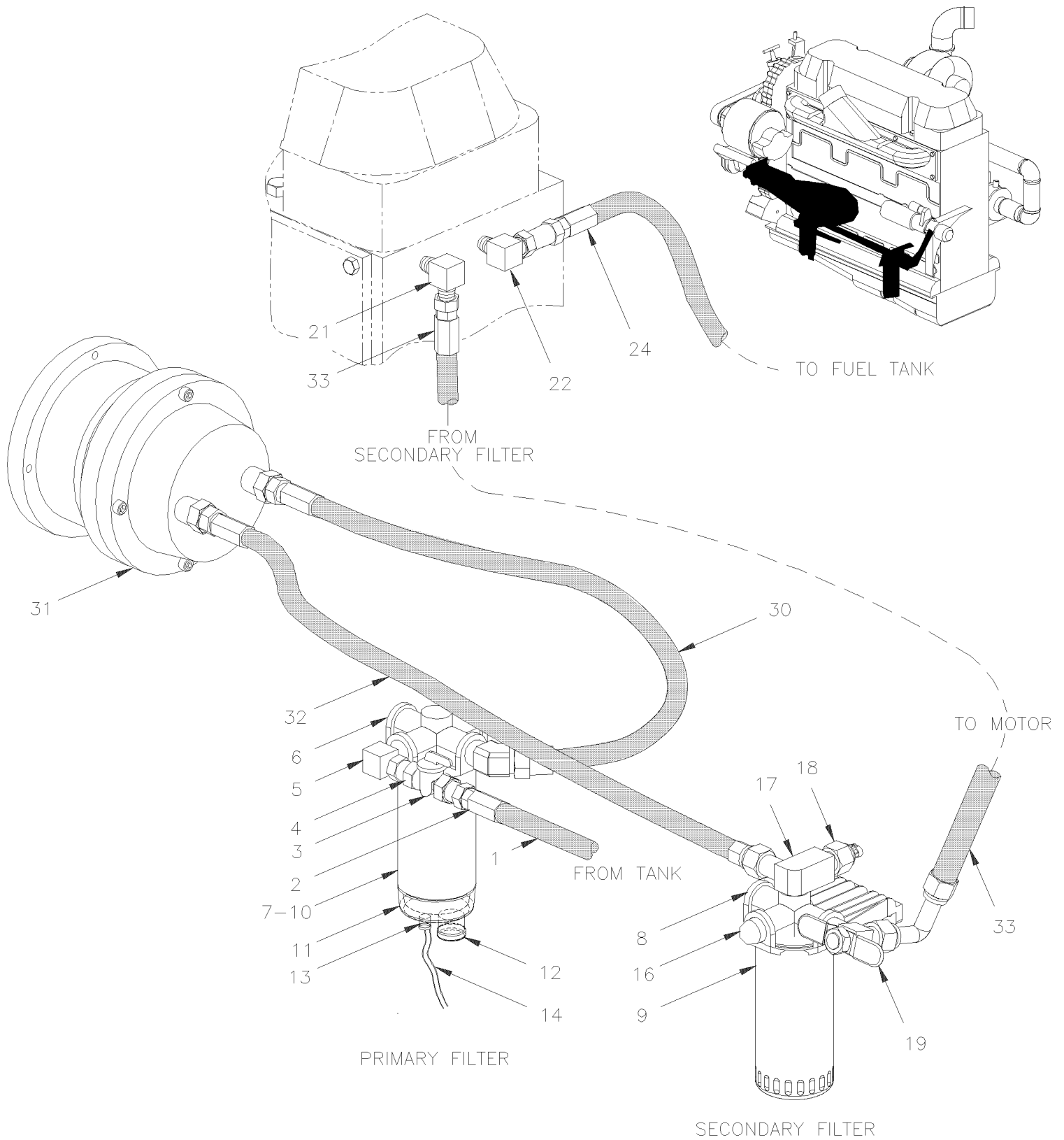
| Item# | Part | Description | H 3 4 0 | V I P 4 0 | N O T E S |
|-------|--------|---|------------------|-----------------------|-----------------------|
| 1 | 031605 | HOSE ASSY / #8 6450MM To L-061 | 1 | 1 | |
| 1 | 031562 | HOSE ASSY / #8 7200MM From L-062 | 1 | 1 | |
| 2 | 501034 | MALE CONNECTOR / SAE 45° FITTING / #10FL-Mx1/2NPT-M BR | 1 | 1 | |
| 3 | 530096 | BALL VALVE 1/2" NPT 1/2 NPT F x 1/2 NPT F | 1 | 1 | |
| 4 | 501322 | NIPPLE HEX / PIPE FITTING / 3/8NPT-Mx3/8NPT-Mx1 13/32 BR | 1 | 1 | |
| NS | 501534 | BUSHING REDUCER / PIPE FITTING / 1/2NPT-Mx3/8NPT-F BR | 1 | 1 | |
| 5 | 501333 | STREET ELBOW 90° / PIPE FITTING / 3/8NPT-Mx3/8NPT-F BR | 1 | 1 | |
| 5 | 501305 | PLUG SQUARE HEAD / PIPE FITTING / 3/8NPT-M BR | AR | AR | |
| 6 | 530052 | FILTER ASSY PRIMARY | 1 | 1 | |
| 6 | 510157 | COVER / W/PRIMARY FILTER | 1 | 1 | |
| 7 | 510137 | FUEL FILTER, CARTRIDGE / T-915 / PRIMARY | 1 | 1 | |
| 8 | 530051 | FILTER ASSY SECONDARY | 1 | 1 | |
| 8 | 510344 | COVER / W/SECONDARY FILTER | 1 | 1 | |
| 9 | 510128 | FUEL FILTER, CARTRIDGE / TP-916 / SECONDARY | 1 | 1 | A |
| 10 | 531390 | CARTRIDGE / W/WATER SEPARATOR FILTER | 1 | 1 | B |
| 11 | 531389 | BOWL PLASTIC | 1 | 1 | |
| 12 | 531397 | DRAIN VALVE & SEAL | 1 | 1 | |
| NS | 531398 | O-RING | 1 | 1 | |
| 13 | 531391 | SENSOR / WATER LEVEL | 1 | 1 | |
| 14 | 063715 | CABLE ASSY / ENGINE ACC. & WATER SEPARATOR | 1 | 1 | |
| NS | 561566 | CONNECTOR / WEATHER PACK / PH 2C / BLACK / PED 12010973 | 1 | 1 | |
| NS | 561565 | CABLE SEAL / GREEN / PED 15324982 | 2 | 2 | |
| NS | 561567 | PIN TERMINAL / 20-18 / PED 12089040 | 2 | 2 | |
| NS | 560483 | CLAMP / 7/8" I.D. | 1 | 1 | |
| 16 | 950249 | SCHRADER VALVE 1/4NPT-M | 1 | 1 | |
| 17 | N.S.P. | ELBOW ADAPTOR FUEL PRESURE / (23505246-247) | 1 | 1 | 2 |
| 18 | N.S.P. | FUEL TEMP SENSOR / (23518092) | 1 | 1 | 2 |
| 19 | N.S.P. | ELBOW BALL VALVE | 1 | 1 | 2 |
| 21 | N.S.P. | ELBOW / (23513205) | 1 | 1 | 2 |
| 22 | N.S.P. | ELBOW / RESTRICTION / (8929725) | 1 | 1 | 2 |
| 24 | 160180 | HOSE ASSY / #8 508MM | 1 | 1 | |
| | | | | | |
| | | | | | |
| | | | | | |
| | | A) THIS CARTRIDGE CAN BE REPLACED BY ITEMS 10TO14 TO HAVE A SMALLER INSTAL. THAN ILLUSTRATED H4-0311-10 | | | |
| | | B) FOR FILTER CARTRIDGE WATER SEPARATOR W/O PROBE SENSOR & PLASTIC BOWL USE 531407 | | | |
| | | 2) NOT SOLD BY PREVOST (SEE MANUFACTURING PART NUMBER AT END OF DESCRIPTION LINE) | | | |

From P-256 To R-079

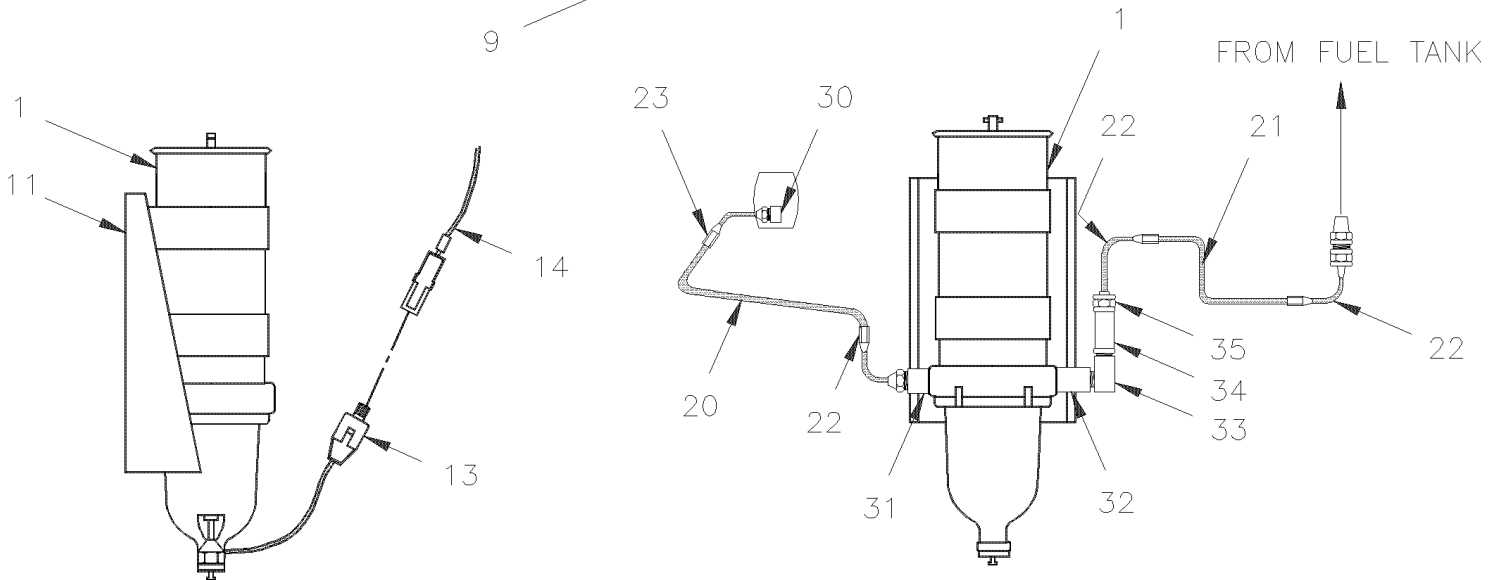
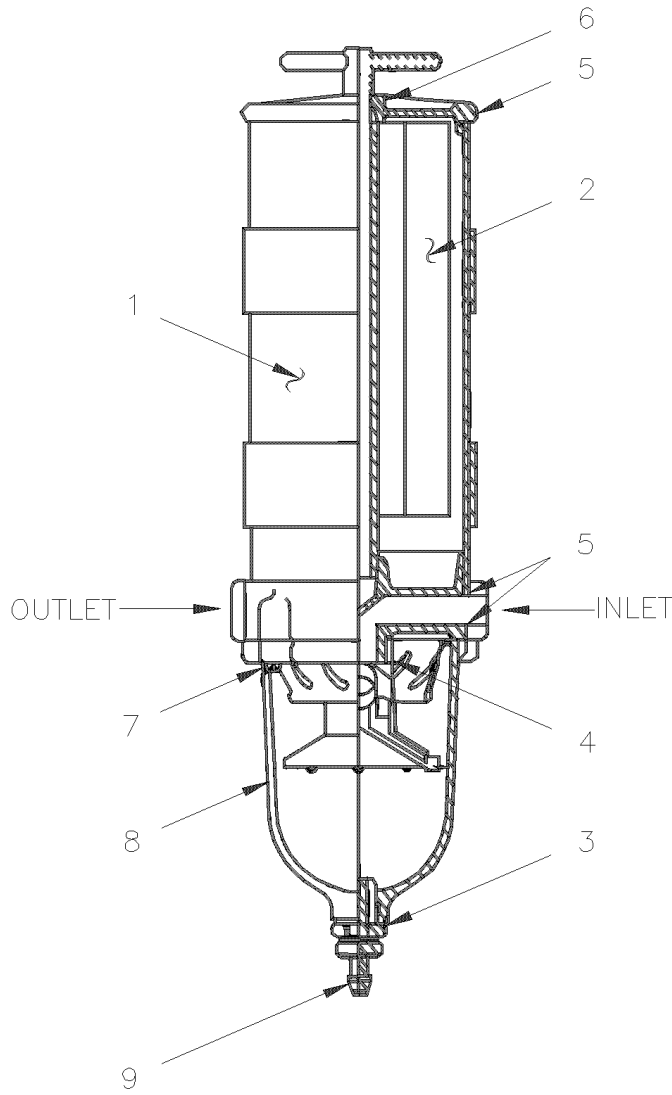
Date:10/2022

PAGE:H4-0311-01

FUEL FILTER - PRIMARY & SECONDARY



| | | |
|--|--------------|-----------------|
| From L-031 To R-079 | Date:10/2022 | PAGE:H4-0311-10 |
| FUEL FILTER / WATER SEPARATOR - "RACOR" | | |

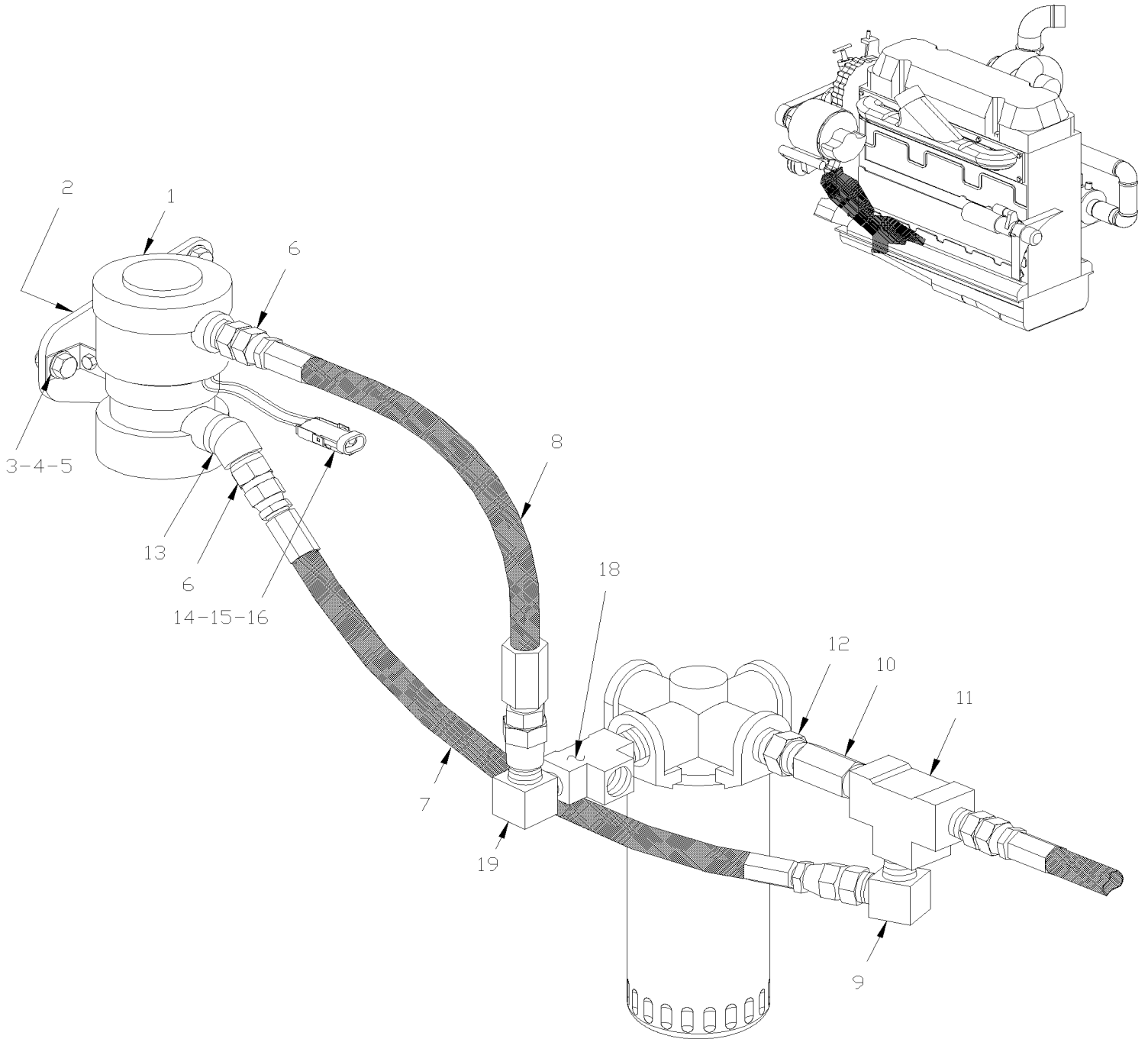


From P-256 To R-079

Date:10/2022

PAGE:H4-0312-00

FUEL PUMP - AUXILIARY



| | | |
|------------------------------|--------------|-----------------|
| From P-256 To R-079 | Date:10/2022 | PAGE:H4-0312-00 |
| FUEL PUMP - AUXILIARY | | |

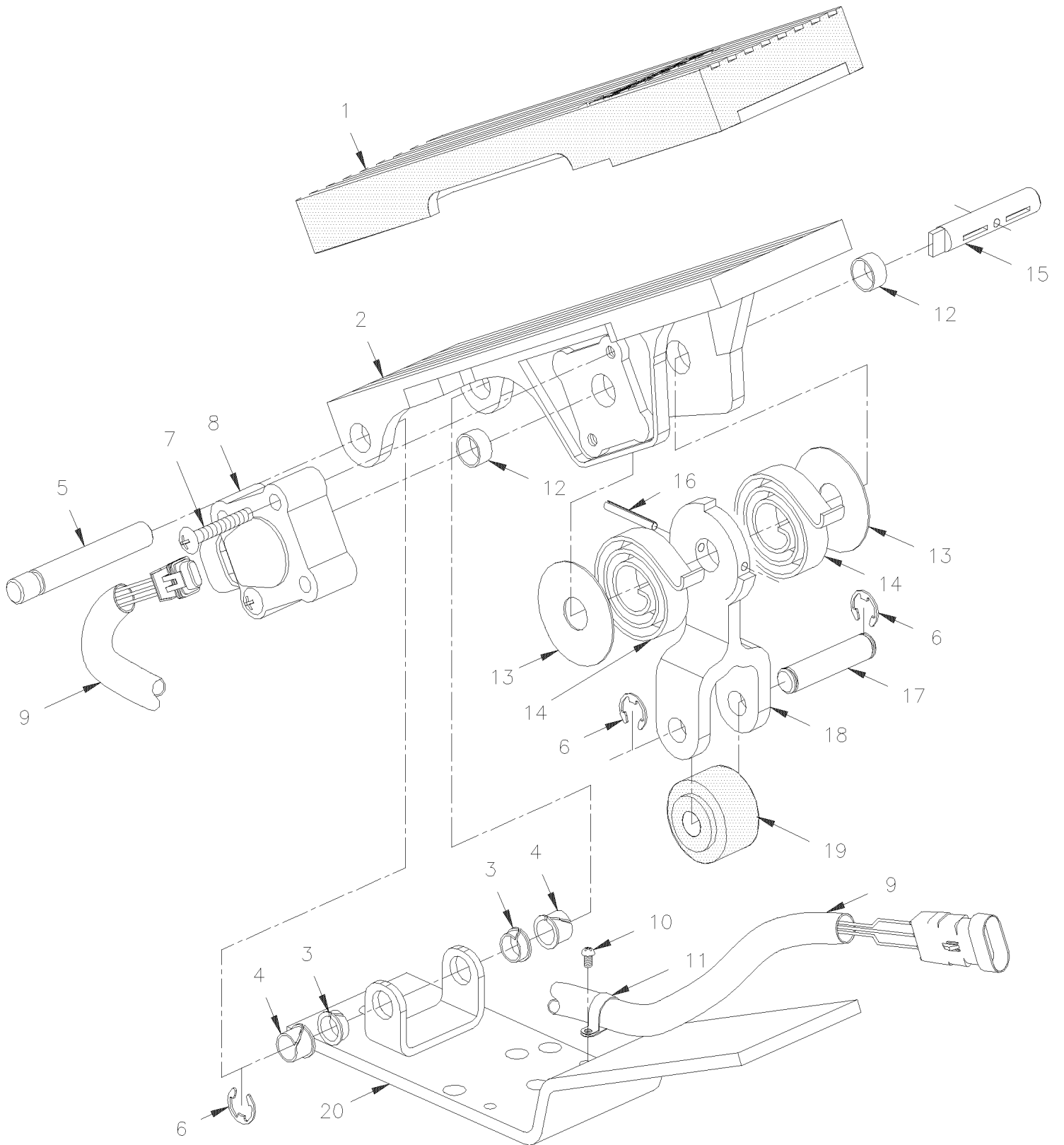
| Item# | Part | Description | H 3 4 0 | V I P 4 0 | N O T E S |
|-------|----------|---|------------------|-----------------------|-----------------------|
| 1 | 531388 | FUEL PUMP ELECTRICAL | 1 | 1 | |
| 2 | 031908 | SUPPORT / W/60 To R-078 | 1 | 1 | |
| 2 | 032020 | SUPPORT From R-079 | 1 | 1 | |
| 2 | 032237 | SUPPORT | AR | AR | |
| 3 | 502790 | SCREW CAP HEX M8-1.25x20 G8.8 Z050 | 2 | 2 | |
| 4 | 500874 | WASHER FL 8.4x17.0x1.6 Z050 | 4 | 4 | |
| 5 | 500868 | NUT HEX NYRT M8-1.25 Z050 | 4 | 4 | |
| 6 | 5011057 | MALE CONNECTOR / JIC 37° FITTING / #8JIC-Mx1/4NPT-M STL | 2 | 2 | |
| 7 | 032003 | HOSE ASSY / #8 238MM | 1 | 1 | |
| 7 | 031864 | HOSE ASSY / #8 1250MM To R-078 | 1 | 1 | |
| 8 | 032021 | HOSE ASSY / #8 212MM | 1 | 1 | |
| 8 | 031863 | HOSE ASSY / #8 1400MM To R-078 | 1 | 1 | |
| 8 | 503417 | . HOSE #FC-300 HYDRAULIC / #8 S.L. | AR | AR | |
| 8 | 501785 | . FEMALE CONNECTOR SWIVEL / JIC 37° FITTING / #8JIC-Fx#8 ZP | 2 | 2 | |
| 9 | 5011061 | MALE ELBOW 90° / JIC 37° FITTING / #8JIC-Mx1/2NPT-M STL | 1 | 1 | |
| 10 | 531405 | CHECK VALVE 1/2 NPT | 1 | 1 | |
| 11 | 501472 | FEMALE UNION TEE / PIPE FITTING / 1/2NPT-Fx1/2NPT-Fx1/2NPT-F BR | 1 | 1 | |
| 12 | 501810 | ADAPTER / PIPE FITTING / 3/8NPT-Mx1/2NPT-F STL | 1 | 1 | |
| 13 | 501329 | STREET ELBOW 45° / PIPE FITTING / 1/4NPT-Mx1/4NPT-F BR | 1 | 1 | |
| 14 | 501566 | MALE ELBOW 45° / COPPER TUBE / 1Mx1M | 1 | 1 | |
| 15 | 561568 | PIN TERMINAL / 16-14 / PED 12089305 | 2 | 2 | |
| 16 | 561565 | CABLE SEAL / GREEN / PED 15324982 | 2 | 2 | |
| 18 | 501699 | MALE RUN TEE / PIPE FITTING / 3/8NPT-Mx3/8NPT-Fx3/8NPT-F BR | 1 | 1 | |
| 19 | 501587 | MALE ELBOW 90° / JIC 37° FITTING / #8JIC-Mx3/8NPT-M STL | 1 | 1 | |
| NS | 032268 | KIT INSTALLATION FUEL PUMP | 1 | 1 | |
| . NS | IS-97114 | . SEE INSTRUCTION SHEET | 1 | 1 | |
| NS | 064824 | KIT SWITCH FUEL PUMP INSTALLATION | 1 | 1 | |
| . NS | IS-97114 | . SEE INSTRUCTION SHEET | 1 | 1 | |
| 22 | 032833 | KIT, RETROFIT AUX FUEL PUMP | 1 | 1 | |
| . NS | IS-08003 | . SEE INSTRUCTION SHEET | 1 | 1 | |
| 23 | 032257 | KIT INSTALLATION FUEL PUMP | 1 | 1 | |
| . NS | IS-97114 | . SEE INSTRUCTION SHEET | | | |
| | | | | | |
| | | | | | |
| | | | | | |

From L-031 To R-079

Date:10/2022

PAGE:H4-0315-11

ACCELERATOR PEDAL - ELECTRONIC DDEC II



| | | |
|---------------------|--------------|-----------------|
| From L-031 To R-079 | Date:10/2022 | PAGE:H4-0315-11 |
|---------------------|--------------|-----------------|

ACCELERATOR PEDAL - ELECTRONIC DDEC II

| Item# | Part | Description | H 3 4 0 | V I P 4 0 | N O T E S |
|-------|-----------------|---|------------------|-----------------------|-----------------------|
| | 530177 | ACCELERATOR PEDAL ASSY | 1 | 1 | E |
| | 531400 | ACCELERATOR PEDAL ASSY / SERVICE ONLY | 1 | 1 | E |
| 1 | 141212 | . THREADLE COVER / W/STEEL BACKING | 1 | 1 | E |
| 1 | 531401 | . THREADLE COVER | 1 | 1 | E |
| NS | Call order desk | . SCREW TC TR PH #10-32x1/2 | 2 | 2 | P |
| 2 | N.S.S. | . THREADLE | 1 | 1 | 1 |
| 3 | N.S.S. | . BUSHING, INNER | 2 | 2 | 1 |
| 4 | 507260 | . BUSHING NYLINER W/SHOULDER .375x.437x.375x.594 | 2 | 2 | |
| 5 | N.S.S. | . PIN THREADLE | 2 | 2 | 1 |
| 6 | N.S.S. | . RING, SNAP 5/16" I.D. | 3 | 3 | 1 |
| 7 | 500427 | . SCREW MA RND PH #10-32x1 1/4 ZP | 2 | 2 | |
| 8 | 531395 | . POTENTIOMETER PEDAL SENSOR 0-5V | 1 | 1 | B |
| 9 | N8887087 | WIRE HARNESS | 1 | 1 | |
| 10 | 500883 | . SCREW TC PAN PH #8-32x3/8 Z050 | 2 | 2 | |
| 11 | N.S.S. | . CLIP | 2 | 2 | 1 |
| 12 | N.S.S. | . BUSHING, GARLOCK | 1 | 1 | 1 |
| 13 | N.S.S. | . THRUST, WASHER-OUTER | 2 | 2 | 1 |
| 13 | N.S.S. | . THRUST, WASHER-INNER | 2 | 2 | 1 |
| 14 | N.S.S. | . SPRING | 2 | 2 | 1 |
| 15 | N.S.S. | . SHAFT SENSOR DRIVE | 1 | 1 | 1 |
| 15 | N.S.P. | . BEARING (#99-R-6) | 1 | 1 | 2 |
| 16 | 505208 | . SPRING, PIN 1/8 X 7/8 | 1 | 1 | |
| 17 | N.S.S. | . ROLLER PIN | 1 | 1 | 1 |
| 18 | N.S.S. | . LEVER, THREADLE | 1 | 1 | 1 |
| 19 | N.S.S. | . ROLLER | 1 | 1 | 1 |
| 20 | 531462 | . BASE PLATE / (includes item #5) | 1 | 1 | |
| NS | 530209 | ACCELERATOR PEDAL ASSY | 1 | 1 | A |
| | | | | | |
| NS | 531393 | KIT REPAIR / LOWER THREADLE PIN | 1 | 1 | C |
| | | | | | |
| 26 | 531394 | KIT REPAIR / ROLLER | 1 | 1 | D |
| | | | | | |
| | | A) W/ OUT ITEMS 3-4-5 & 20 | | | |
| | | B) INCLUDES ITEMS 7-9 & 11 | | | |
| | | C) INCLUDES ITEMS 3, 4, 5, 6 | | | |
| | | D) INCLUDES ITEMS 6-17 & 19 | | | |
| | | E) FOR AN EASIEST IDENTIFICATION MODEL 530177 HAS COVERING RUBBER 9" 1/4 AND MODEL 531400 HAS 9"7/8 | | | |
| | | 1) NOT SOLD SEPARATELY | | | |
| | | 2) NOT SOLD BY PREVOST (SEE MANUFACTURING PART NUMBER AT END OF DESCRIPTION LINE) | | | |

| | | | |
|---------------------|--|--------------|-----------------|
| From L-031 To R-079 | | Date:10/2022 | PAGE:H4-0315-11 |
|---------------------|--|--------------|-----------------|

ACCELERATOR PEDAL - ELECTRONIC DDEC II

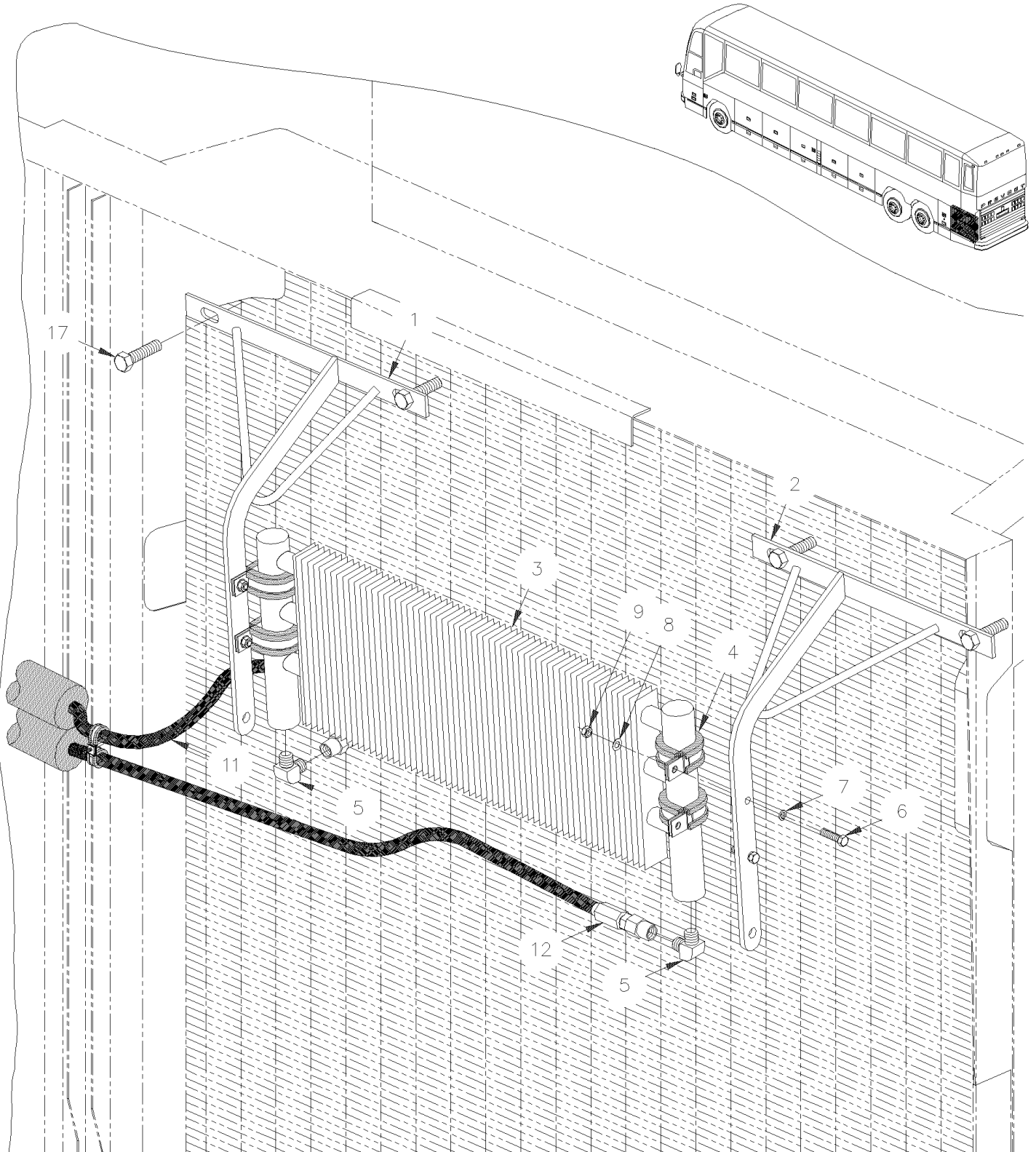
| Item# | Part | Description | H 3 4 0 | V I P 4 0 | N O T E S |
|-------|------|--|------------------|-----------------------|-----------------------|
| | | P) CALL ORDER DESK FOR SPECIFIC APPLICATION (V.I.N.) | | | |

From L-031 To R-079

Date:10/2022

PAGE:H4-0316-99

FUEL COOLER - INSTALLATION / RETROFIT



| | | |
|--|--------------|-----------------|
| From L-031 To R-079 | Date:10/2022 | PAGE:H4-0316-99 |
| FUEL COOLER - INSTALLATION / RETROFIT | | |

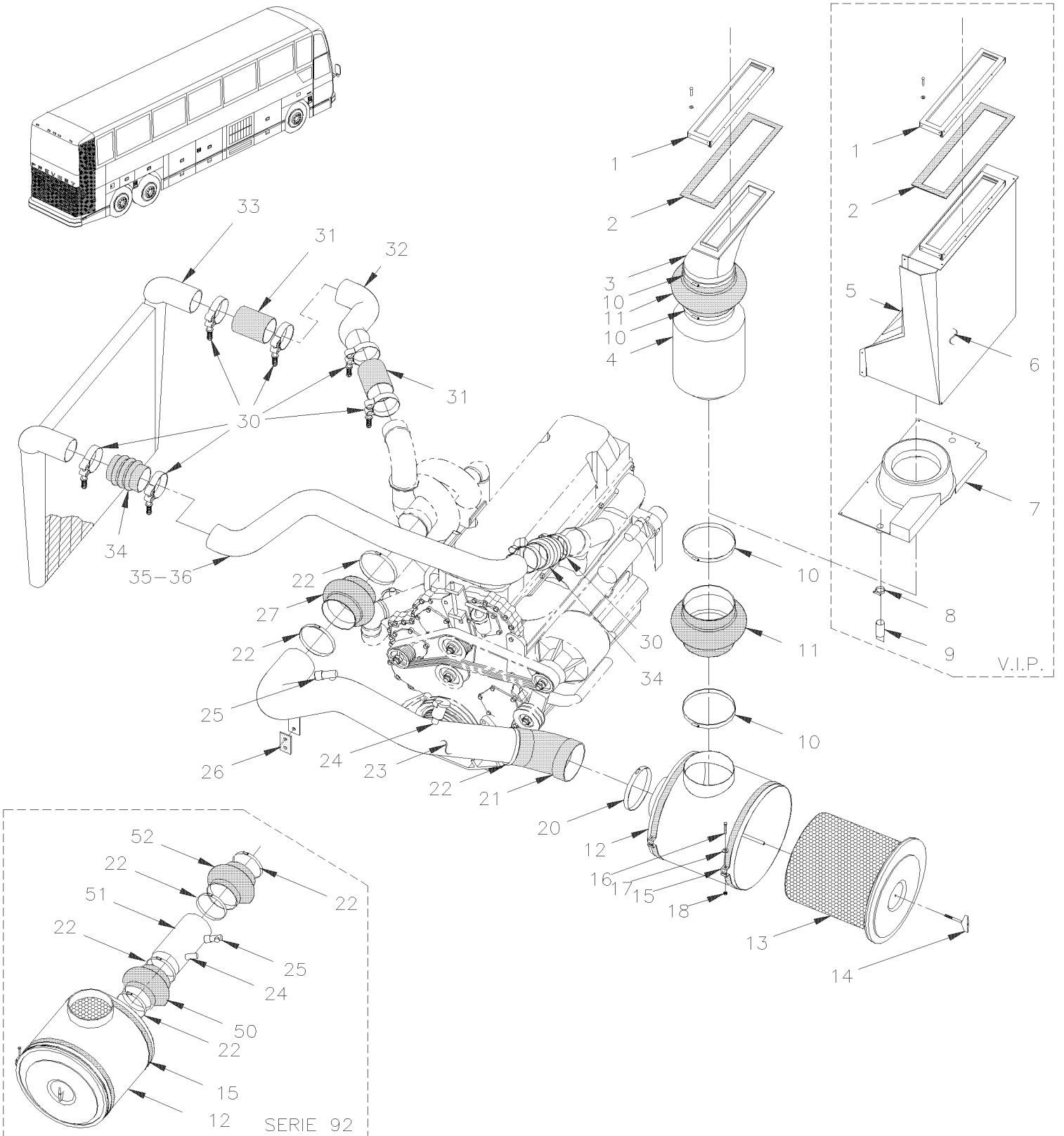
| Item# | Part | Description | H 3 4 0 | V I P 4 0 | N O T E S |
|-------|----------|---|------------------|-----------------------|-----------------------|
| | 032044 | FUEL COOLER KIT TO USE WITH PLASTIC TANK | 1 | 1 | |
| NS | IS-95004 | . SEE INSTRUCTION SHEET | 1 | 1 | |
| | 051925 | COOLER ASSY, FUEL | 1 | 1 | |
| 1 | 051917 | . SUPPORT L.H. | 1 | 1 | |
| 2 | 051918 | . SUPPORT R.H. | 1 | 1 | |
| 3 | 950109 | . COOLER ASSY | 1 | 1 | |
| 4 | 560483 | . CLAMP / 7/8" I.D. | 4 | 4 | |
| 5 | 5011056 | . MALE ELBOW 90° / JIC 37° FITTING / #6JIC-Mx1/2NPT-M STL | 2 | 2 | |
| 6 | 502746 | . SCREW MA PAN PH M5-0.8x20 SS BK | 4 | 4 | |
| 7 | 500240 | . WASHER LO EXT .195x.410x.025 Z050 | 4 | 4 | |
| 8 | 500964 | . WASHER FL .203x.500x.047 Z050 | 4 | 4 | |
| 9 | 502561 | . NUT HEX M5-0.8 Z050 | 4 | 4 | |
| NS | 680098 | . THREAD SEALANT LOCTITE #567 / WHITE / 250ml | AR | AR | |
| 11 | 032037 | HOSE ASSY / #6 2491MM | 1 | 1 | |
| 11 | 501933 | . FEMALE CONNECTOR SWIVEL / JIC 37° FITTING / #6JIC-Fx#6 ZP | 1 | 1 | |
| 11 | 501827 | . MALE ELBOW 90° SWIVEL / INVERTED FLARE / #6IFL-Mx#6 ZP | 1 | 1 | |
| 11 | 503582 | . HOSE #FC-300 HYDRAULIC / #6 S.L. | AR | AR | |
| 12 | 032038 | HOSE ASSY / #6 2071MM | 1 | 1 | |
| 12 | 501933 | . FEMALE CONNECTOR SWIVEL / JIC 37° FITTING / #6JIC-Fx#6 ZP | 1 | 1 | |
| 12 | 501826 | . MALE CONNECTOR SWIVEL / INVERTED FLARE / #6IFL-Mx#6 ZP | 1 | 1 | |
| 12 | 503582 | . HOSE #FC-300 HYDRAULIC / #6 S.L. | AR | AR | |
| NS | 032043 | INSULATING HOSE | AR | AR | |
| NS | 560482 | CLAMP / 3/4" I.D. / W/HOLE 3/16" | AR | AR | |
| NS | 500786 | NUT HEX #10-24 Z050 | AR | AR | |
| NS | 500387 | SCREW MA RND PH #10-24x3/4 Z050 | AR | AR | |
| NS | 500470 | WASHER LO SPT .193x.334x.047 Z050 | AR | AR | |
| | | | | | |
| | | | | | |
| | | | | | |

From L-031 To R-079

Date:10/2022

PAGE:H4-0330-00

AIR FILTER & INTAKE - INSTALLATION



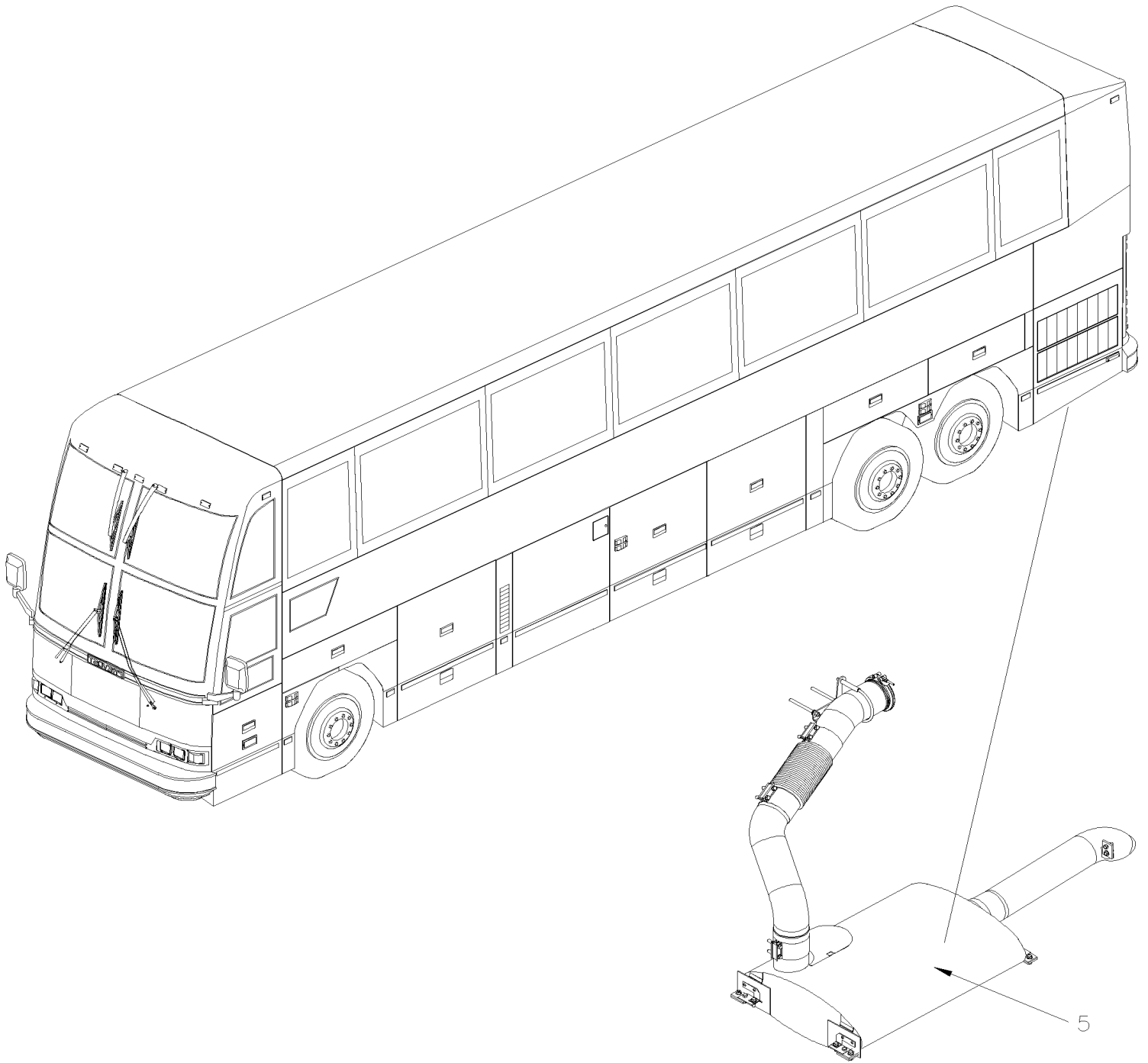
| | | | |
|---|--|--------------|-----------------|
| From L-031 To R-079 | | Date:10/2022 | PAGE:H4-0330-00 |
| AIR FILTER & INTAKE - INSTALLATION | | | |

| Item# | Part | Description | H 3 4 0 | V I P 4 0 | N O T E S |
|-------|--------|--|------------------|-----------------------|-----------------------|
| 1 | 472247 | GASKET / REAR CAR & DUCT | 1 | 1 | |
| 2 | 472246 | FRAME CHANNEL SS / TO FIX GASKET | 1 | 1 | |
| NS | 500989 | WASHER FL .219x.875x.062 Z050 | AR | AR | B |
| NS | 504487 | RIVET MGLP PRDG 3/16x7/16 SS | AR | AR | B |
| 3 | 031535 | DUCT / AIR INTAKE | 1 | 1 | |
| 4 | 530207 | SEPARATOR | 1 | 1 | |
| NS | 531484 | DRAIN BOOT 3" I.D. | 1 | 1 | |
| 5 | 031649 | AIR INTAKE ASSY | | 1 | |
| NS | 031639 | ANGLE SUPPORT AIR FILTER / (FIXED AT TUBE) | | 1 | |
| 6 | 031643 | PANEL BACKWARD / AIR INTAKE | | 1 | |
| NS | 680114 | SEALANT TAPE BUTYL / BLACK / 1/16"x3/4"x50' / 75211E760 | | AR | |
| 7 | 031642 | ADAPTOR | | 1 | |
| NS | 500641 | SCREW TP PAN PH #8x3/4 Z050 | | AR | |
| NS | 502701 | WASHER FL .172x.750x.031 | | AR | |
| 8 | 504021 | HOSE CLAMP / 11/16"-1"1/2 SS / HS-16 | | 1 | |
| 9 | 590109 | DRAIN BOOT 1" I.D. X 5" / AS SHOWN | | 1 | |
| 10 | 504415 | HOSE CLAMP / 7"1/4-9"1/4 SS / HS-152 | 4 | 4 | |
| 11 | 530210 | HOSE FLEXIBLE / 8" O.D. x 125MM | 2 | 2 | |
| 12 | 530206 | FILTER AIR 18" | 1 | 1 | |
| 13 | 530197 | ELEMENT AIR FILTER 18" | 1 | 1 | |
| 14 | 531420 | NUT WING 1/2-13 NY | 1 | 1 | |
| 15 | 031465 | STRAP MOUNTING / W/18" AIR FILTER | 2 | 2 | |
| 16 | 500183 | SCREW CAP HEX 5/16-18x1 1/2 G5 PT Z050 | 2 | 2 | |
| 17 | 500441 | WASHER FL .312x.734x.065 Z050 | 2 | 2 | |
| 18 | 500777 | NUT HEX STO 5/16-18 Z050 | 2 | 2 | |
| 20 | 504229 | HOSE CLAMP / 6"1/2-8"1/2 SS / HS-100 | 1 | 1 | |
| 21 | 530169 | ELBOW 45° DEGRES / REDUCER 7" X 6" | 1 | 1 | |
| 22 | 504324 | HOSE CLAMP / 4"1/2-6"1/2 SS / HS-96 | 3 | 3 | |
| 23 | 031826 | PIPE 5 1/2" O.D. / AIR FILTER & TURBO | 1 | 1 | |
| 24 | 510022 | CUP ETHER | 1 | 1 | |
| 25 | 530161 | GAUGE AIR RESTRICTION 20" H2O 1/8" NPT | 1 | 1 | |
| 26 | 040366 | MUFFLER CONNECTION | 1 | 1 | A |
| 27 | 530102 | REDUCER RUBBER / 5 1/2" X 5" DIA. | 1 | 1 | |
| 30 | 531386 | HOSE CLAMP SPRING LOAD / HEAVY DUTY 4"1/8-4"7/16 | 8 | 8 | |
| 31 | 531396 | HOSE 4" I.D. 6 1/4" | 2 | 2 | |
| 32 | 031828 | PIPE 4" O.D. / AIR COOLER & TURBO | 1 | 1 | |
| 33 | 550655 | AIR COOLER ASSY | 1 | 1 | |
| 33 | 550741 | AIR COOLER ASSY | 1 | 1 | |
| 34 | 531385 | HOSE / W/3 RING / 4" I.D. 6" | 2 | 2 | |
| 35 | 031929 | PIPE 4" O.D. / AIR COOLER & MANIFOLD | 1 | 1 | |
| 36 | 550635 | SWITCH TEMPERATURE AIR SENSOR 150 DEG / 3 WIRES CONNECTORS | 1 | 1 | |
| 40 | 503522 | HOSE FLEXIBLE / AIR DUCT 5" I.D. X 12' LINEN RUBBER | AR | AR | |

| | | |
|---|--------------|-----------------|
| From L-031 To R-079 | Date:10/2022 | PAGE:H4-0330-00 |
| AIR FILTER & INTAKE - INSTALLATION | | |

| Item# | Part | Description | H 3 4 0 | V I P 4 0 | N O T E S |
|-------|---------|---|------------------|-----------------------|-----------------------|
| 41 | 504324 | HOSE CLAMP / 4"1/2-6"1/2 SS / HS-96 | 2 | 2 | |
| | | FOLLOWING ITEMS ARE RELATED WITH | | | |
| | | 6V92 AND 8V92 PIPE INSTALLATION | | | |
| 50 | 530184 | ADAPTOR RUBBER 7" | 1 | 1 | |
| 51 | 031574 | PIPE To N-232 | 1 | 1 | |
| 51 | 031768 | PIPE From N-233 | 1 | 1 | |
| NS | 141480 | HOSE ADAPTOR 1"1/4 / TO FIX AIR COMPRESSOR HOSE To N-230 | 1 | 1 | |
| NS | 5011017 | MALE CONNECTOR / COLLAR FITTING / 3/4NPT-Mx#12 STL From N-231 | 1 | 1 | |
| NS | 503567 | HOSE / PIPE & AIR COMP / 1 1/4" I.D. 18 1/2" To N-230 | 1 | 1 | |
| NS | 141572 | HOSE 3/4" I.D. 20 3/4" From N-231 | 1 | 1 | |
| 52 | 530142 | REDUCER RUBBER 7" X 5"1/2 | 1 | 1 | |
| 53 | 032236 | KIT, RETROFIT AIR INLET SUPPORT From P-256 To R-079 | 1 | 1 | |
| . NS | 032235 | . BRAKET AIR INLET / USE W/031829 From P-256 To R-079 | 1 | 1 | |
| . NS | 040535 | . MUFFLER CONNECTION From P-256 To R-079 | 1 | 1 | |
| . NS | 5001361 | . SCREW CAP HEX M8-1.25x120 G8.8 ZP From P-256 To R-079 | 1 | 1 | |
| . NS | 500544 | . SCREW CAP HEX M8-1.25x30 G8.8 Z050 From P-256 To R-079 | 1 | 1 | |
| . NS | 500874 | . WASHER FL 8.4x17.0x1.6 Z050 From P-256 To R-079 | 2 | 2 | |
| . NS | 502744 | . NUT HEX STO M8-1.25 Z050 From P-256 To R-079 | 2 | 2 | |
| . NS | 504031 | . HOSE CLAMP / 5"-7" SS / HS-104 From P-256 To R-079 | 1 | 1 | |
| | | | | | |
| | | | | | |
| | | A) FOR SUPPORT PIPE YOU REQUIRE ONE KIT #032236 | | | |
| | | B) DUCT TO BODY | | | |

| | | |
|---------|--------------|-------|
| | Date:10/2022 | H4-04 |
| EXHAUST | | |



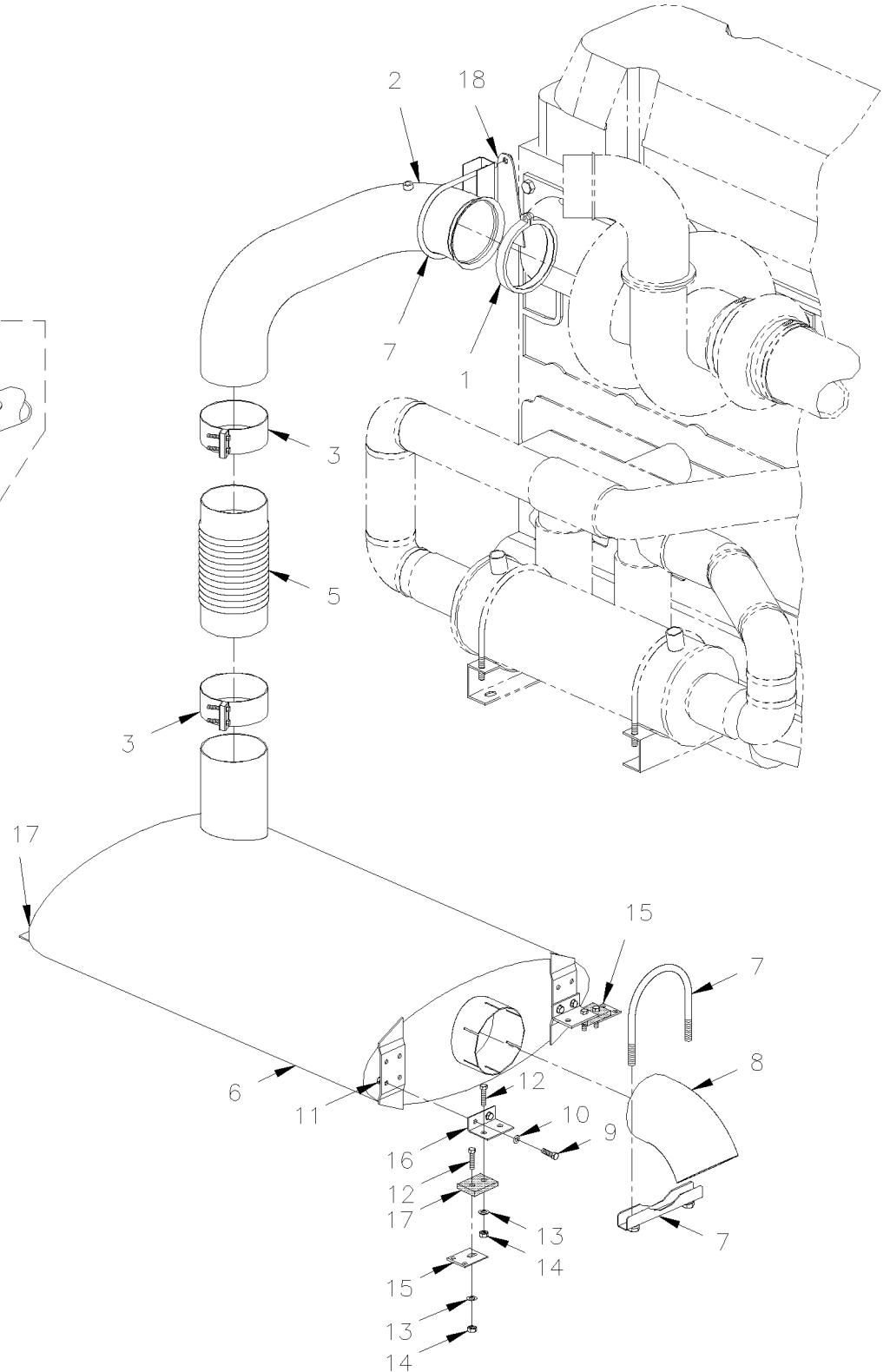
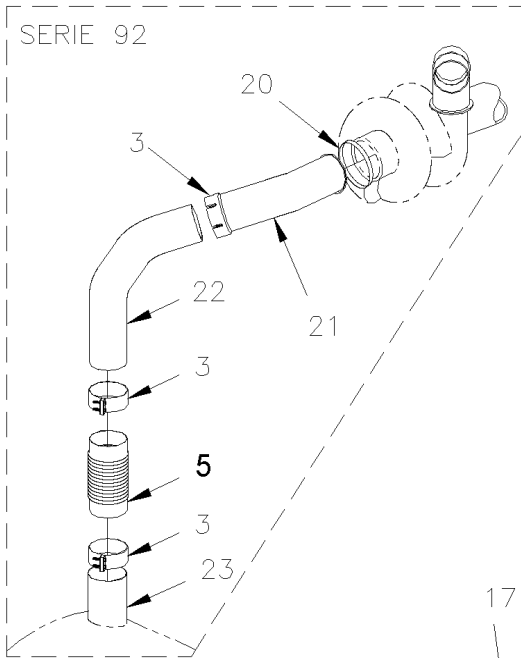
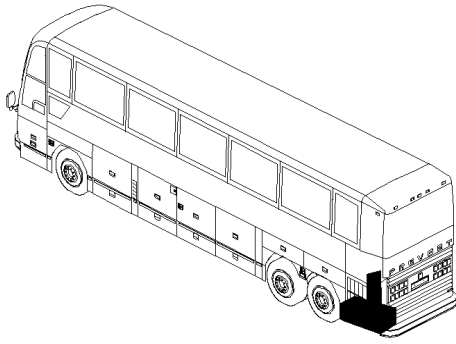
| | | Date:10/2022 | H4-04 | | |
|----------------|------------|--|------------------|-----------------------|-----------------------|
| EXHAUST | | | | | |
| Item# | Part | Description | H 3 4 0 | V I P 4 0 | N O T E S |
| 5 | H4-0405-02 | MUFFLER - INSTALLATION From L-031 To R-079 | | | |

From L-031 To R-079

Date:10/2022

PAGE:H4-0405-02

MUFFLER - INSTALLATION



| | | |
|-------------------------------|--------------|-----------------|
| From L-031 To R-079 | Date:10/2022 | PAGE:H4-0405-02 |
| MUFFLER - INSTALLATION | | |

| Item# | Part | Description | H 3 4 0 | V I P 4 0 | N O T E S |
|-------|----------|---|------------------|-----------------------|-----------------------|
| 1 | 540047 | V-CLAMP / 5.588" I.D. | 1 | 1 | |
| 2 | 040483 | PIPE, EXHAUST / UPPER / W/SERIES 60 From P-256 To R-079 | 1 | 1 | |
| 3 | 540024 | CLAMP BAND SEAL / BUTT JOINT / 5" I.D.x3" | 3 | 3 | |
| 5 | 540031 | BELLOWS - EXHAUST 5" I.D. x 11.87" | 1 | 1 | |
| 6 | 540045 | MUFFLER SERIES 50 & 60 | 1 | 1 | |
| . NS | 503008 | . NUT SPR U M8-1.25 0.6-4.0 | 16 | 16 | |
| 6 | 540053 | MUFFLER SERIES 50 & 60 / STAINLESS | 1 | 1 | |
| 7 | 540018 | U-CLAMP / (GUILLOTINE TYPE) / 5" I.D. | 1 | 1 | |
| 8 | 040467 | PIPE, TAIL | 1 | 1 | |
| 9 | 502790 | SCREW CAP HEX M8-1.25x20 G8.8 Z050 | 10 | 10 | |
| 10 | 502744 | NUT HEX STO M8-1.25 Z050 | 10 | 10 | |
| 11 | 500874 | WASHER FL 8.4x17.0x1.6 Z050 | 10 | 10 | |
| 12 | 502549 | SCREW CAP HEX M10-1.5x35 G8.8 Z050 | 8 | 8 | |
| 13 | 500496 | WASHER FL .437x.750x.054 Z050 | 8 | 8 | |
| 14 | 500680 | NUT HEX STO M10-1.5 Z050 | 8 | 8 | |
| 15 | 211565 | ATTACHMENT PLATE | 2 | 2 | |
| NS | 211569 | ANGLE / (WELDED TO STRUCTURE) | 2 | 2 | |
| 16 | 040465 | SUPPORT ANGLE 30MM x 54MM x 72MM | 4 | 4 | |
| 17 | 040988 | MUFFLER CONNECTION | AR | AR | S |
| 18 | 040517 | SUPPORT, PIPE | 1 | 1 | C |
| | | FOLLOWING ITEMS ARE RELATED WITH | | | |
| | | 6V92 AND 8V92 PIPE INSTALLATION | | | |
| 20 | 540019 | V-CLAMP / 5.280" I.D. To R-032 | 1 | 1 | |
| 21 | 040464 | PIPE, EXHAUST To R-032 | 1 | 1 | |
| 22 | 040463 | PIPE, EXHAUST To N-241 | 1 | 1 | |
| 22 | 040482 | PIPE, EXHAUST From N-242 To R-032 | 1 | 1 | |
| 23 | 540044 | MUFFLER 6&8V92 To M-179 | 1 | 1 | |
| . NS | 503008 | . NUT SPR U M8-1.25 0.6-4.0 To M-179 | 8 | 8 | |
| 23 | 540046 | MUFFLER 6 & 8V92 From M-180 To R-032 | 1 | 1 | |
| . NS | 503008 | . NUT SPR U M8-1.25 0.6-4.0 From M-180 To R-032 | 16 | 16 | |
| NS | 040560 | KIT SUPPORT From P-256 To R-079 | AR | AR | |
| . NS | IS-00142 | . SEE INSTRUCTION SHEET From P-256 To R-079 | 1 | 1 | |
| | | A) PRODUCTION | | | |
| | | B) SERVICE | | | |
| | | C) FOR PRODUCT IMPROVMENT YOUR REQUIRE KIT#040560 | | | |
| | | S) SERVICE | | | |

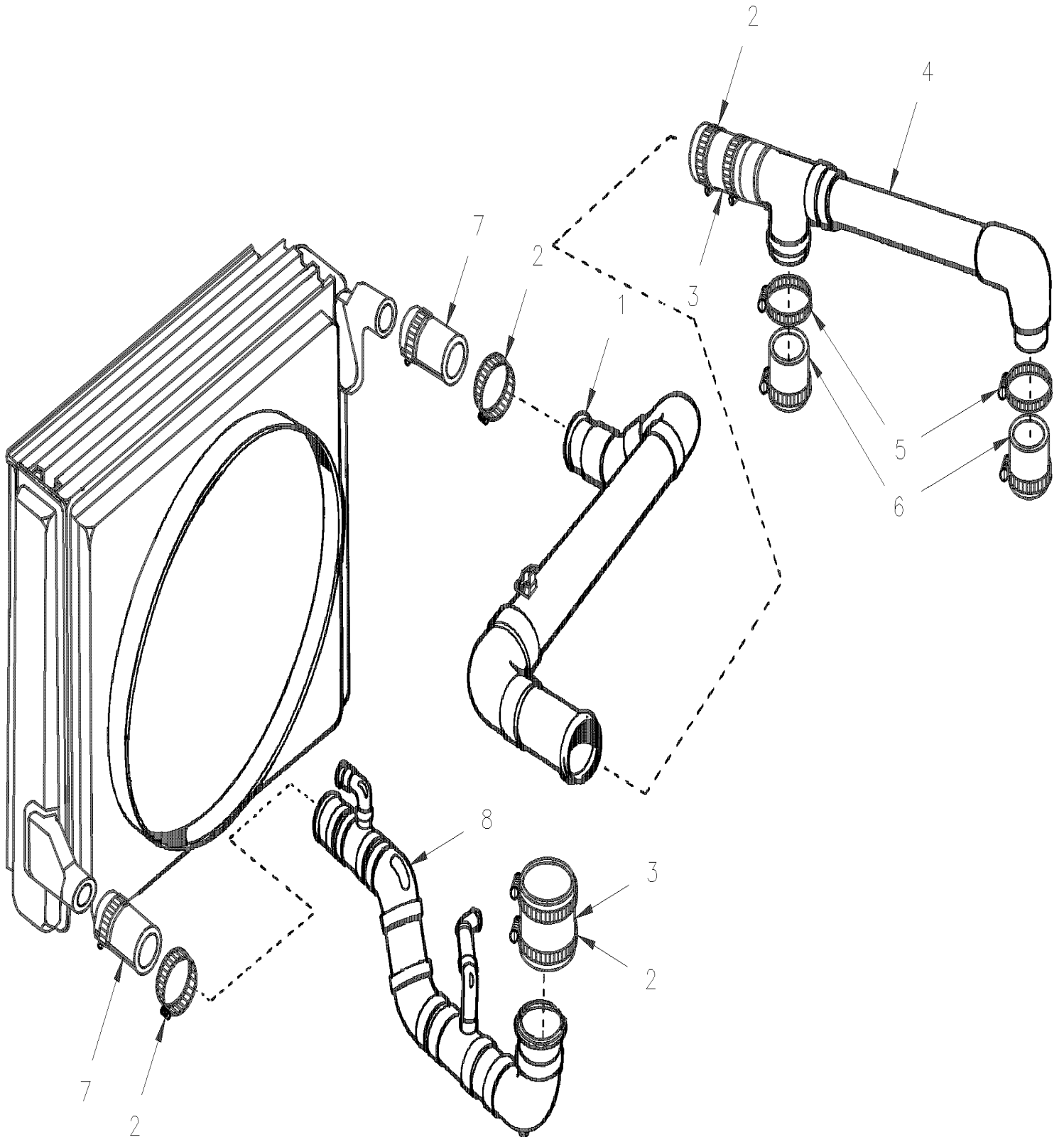
| | | Date:10/2022 | H4-05 | | |
|---------|------------|---|------------------|-----------------------|-----------------------|
| COOLING | | | | | |
| Item# | Part | Description | H 3 4 0 | V I P 4 0 | N O T E S |
| 5 | H4-0500-00 | COOLANT PIPING WITH DETROIT S-92 From L-031 To R-032 | | | |
| 5 | H4-0500-01 | COOLANT PIPING WITH DETROIT S-60 From P-256 To R-079 | | | |
| 10 | H4-0505-01 | RADIATOR - INSTALLATION 36" - BUS From N-192 To R-032 | | | |
| 10 | H4-0505-02 | RADIATOR - INSTALLATION 39" From L-031 To R-032 | | | |
| 10 | H4-0505-03 | RADIATOR ASSY - W/60 DETROIT S-60 From P-256 To R-079 | | | |
| 10 | H4-0505-04 | RADIATOR ASSY - BUS From R-033 To R-079 | | | |
| 10 | H4-0505-05 | RADIATOR ASSY - V.I.P. From R-033 To R-079 | | | |
| 15 | H4-0510-00 | SURGE TANK From L-031 To R-032 | | | |
| 15 | H4-0510-01 | SURGE TANK From P-256 To R-079 | | | |
| 20 | H4-0515-01 | SHUTTER - RADIATOR 36" From N-192 To N-196 | | | |
| 20 | H4-0515-02 | SHUTTER - RADIATOR 39" From L-031 To R-032 | | | |
| 20 | H4-0515-05 | SHUTTERSTAT ELEMENT & LUBRICATOR From L-031 To R-032 | | | |
| 25 | H4-0518-01 | RADIATOR SEALING FRAME - W/36" RADIATOR From N-192 To N-196 | | | |
| 25 | H4-0518-02 | RADIATOR SEALING FRAME - W/39" RADIATOR From N-242 To R-032 | | | |
| 25 | H4-0518-03 | RADIATOR SEALING FRAME From P-256 To R-079 | | | |
| 30 | H4-0520-02 | FAN DRIVE - INSTALLATION FIXED WITH DETROIT S-92 From L-031 To R-032 | | | |
| 30 | H4-0520-03 | FAN DRIVE - INSTALLATION From P-256 To R-079 | | | |
| 30 | H4-0520-99 | FAN DRIVE - INSTALLATION - SHORT / RETROFIT From P-256 To R-079 | | | |
| 35 | H4-0525-00 | GEARBOX "BOSTON GEAR" - #550027 From L-031 To R-014 | | | |
| 35 | H4-0525-01 | GEARBOX "SUPERIOR" - #550641 - W/DETROIT S-60 From P-256 To R-079 | | | |
| 35 | H4-0525-02 | GEARBOX "SUPERIOR" - #051934 - W/DETROIT S-92 From R-015 To R-032 | | | |
| 35 | H4-0525-03 | GEARBOX "SUPERIOR" - #550688 - W/DETROIT S-60 From P-256 To R-079 | | | |
| 35 | H4-0525-99 | GEARBOX "SUPERIOR" / RETROFIT From R-012 To R-079 | | | A |
| 40 | H4-0530-00 | COOLANT FILTER - INSTALLATION - WITH DETROIT S-92 From L-031 To R-032 | | | |
| 40 | H4-0530-01 | COOLANT FILTER - INSTALLATION - WITH DETROIT S-60 From P-256 To R-079 | | | |
| 45 | H4-0540-00 | FAN CLUTCH ASSY - #550634 (FORMER) From P-256 To R-079 | | | |
| 45 | H4-0540-01 | FAN CLUTCH ASSY - #550634 (SERVICE) / SERVICE From P-256 To R-079 | | | A |
| 45 | H4-0540-99 | FAN CLUTCH ASSY - #550839 / RETROFIT From P-256 To R-079 | | | |
| 50 | H4-0560-00 | OIL COOLER - TRANSMISSION DETROIT S-92 From L-031 To R-032 | | | |
| | | | | | |
| | | | | | |
| | | A) SERVICE | | | |

From L-031 To R-032

Date:10/2022

PAGE:H4-0500-00

COOLANT PIPING WITH DETROIT S-92



| | | |
|---|--------------|-----------------|
| From L-031 To R-032 | Date:10/2022 | PAGE:H4-0500-00 |
| COOLANT PIPING WITH DETROIT S-92 | | |

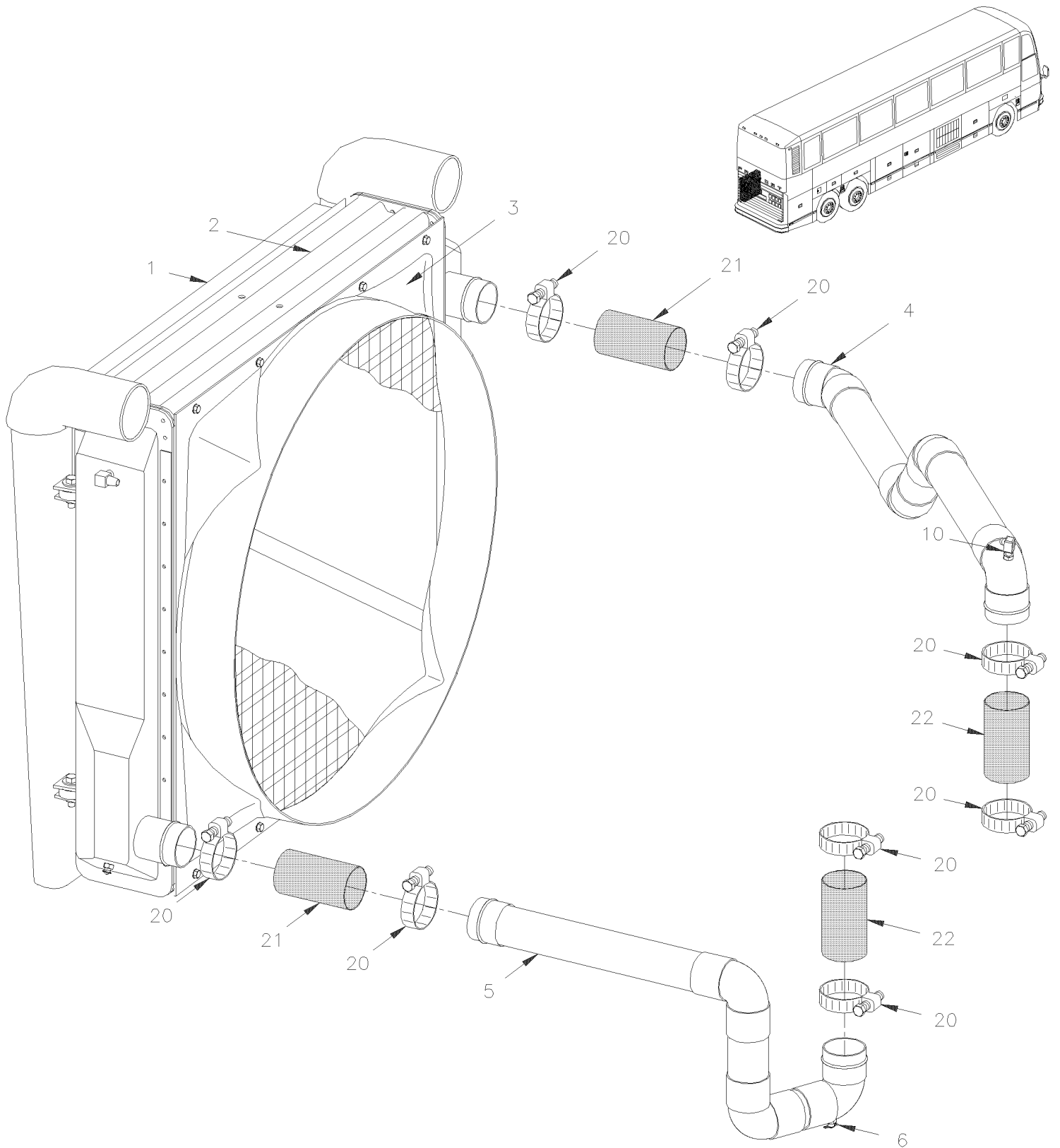
| Item# | Part | Description | H 3 4 0 | V I P 4 0 | N O T E S |
|-------|--------|--|------------------|-----------------------|-----------------------|
| 1 | 051621 | TUBE ASSY / W/8V92 | 1 | 1 | |
| 1 | 051729 | TUBE ASSY / W/6V92 W/39" RADIATOR INSTALLATION | 1 | 1 | |
| 1 | 051762 | TUBE ASSY / W/6V92 W/36" RADIATOR INSTALLATION | 1 | | |
| 2 | 504525 | HOSE CLAMP / 2"3/4-3"5/8 SS / HTM-350L | AR | AR | |
| 3 | 503396 | HOSE SILICONE 3" I.D. x 3' | AR | AR | |
| 4 | 050979 | PIPE ASSY OUTLET / 6V92, 8V92 & 8V71T | 1 | 1 | |
| 5 | 504293 | HOSE CLAMP / 2"5/16-3"1/4 SS / E.T. 44 | AR | AR | |
| 6 | 503394 | HOSE SILICONE 2 1/8" I.D. x 3' | AR | AR | |
| 7 | 503395 | HOSE SILICONE 4PLY 2 3/4" I.D. x 3' | AR | AR | |
| 8 | 051624 | PIPE ASSY LOWER / 8V92 W/39" RADIATOR | 1 | 1 | |
| 8 | 051812 | TUBE ASSY / W/36" RADIATOR INSTALLATION | 1 | | |
| | | | | | |
| | | | | | |
| | | | | | |

From P-256 To R-079

Date:10/2022

PAGE:H4-0500-01

COOLANT PIPING WITH DETROIT S-60



| | | |
|---|--------------|-----------------|
| From P-256 To R-079 | Date:10/2022 | PAGE:H4-0500-01 |
| COOLANT PIPING WITH DETROIT S-60 | | |

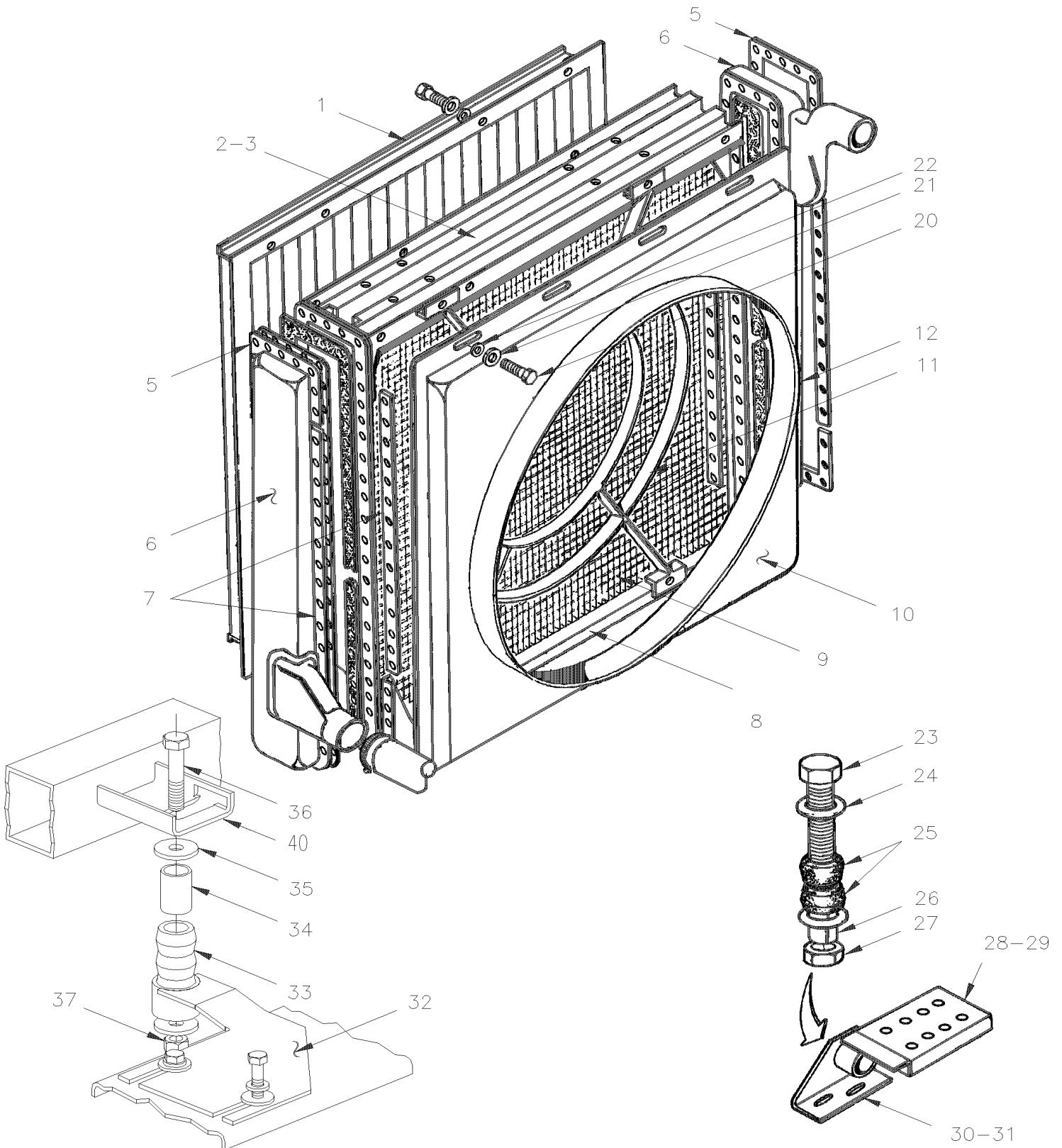
| Item# | Part | Description | H 3 4 0 | V I P 4 0 | N O T E S |
|-------|------------|---|------------------|-----------------------|-----------------------|
| 1 | H4-0330-00 | AIR FILTER & INTAKE - INSTALLATION | | | |
| 2 | H4-0505-03 | RADIATOR ASSY - W/60 DETROIT S-60 | | | |
| 2 | H4-0505-04 | RADIATOR ASSY - BUS | | | |
| 2 | H4-0505-05 | RADIATOR ASSY - V.I.P. | | | |
| 3 | 051837 | SHROUD / W/32" FAN BLADE | 1 | 1 | |
| 4 | 051978 | PIPE / RADIATOR & THERMOSTAT HOUSING | 1 | 1 | |
| 5 | 051853 | PIPE / RADIATOR & ENGINE WATER PUMP | 1 | 1 | |
| 6 | 501129 | EXTERNAL SEAL DRAIN 1/4 NPT | 1 | 1 | |
| 10 | 550640 | SWITCH, THERMOSTATIC WATER SENSOR 92°C/98°C (198°F/208°F) | AR | AR | A |
| 10 | 550714 | SWITCH, THERMOSTATIC WATER SENSOR 85°C/93°C (185°F/199°F) | 1 | 1 | A |
| NS | 562311 | RUBBER DUST SHIELD / BEHR 630018-00 | 1 | 1 | |
| NS | 562310 | CONNECTOR / TH 3C / BEHR 630017-00 | 1 | 1 | |
| NS | 561608 | SOCKET TERMINAL / 18-16 / DEUTSCH 0462-201-16141 | 3 | 3 | |
| 20 | 504562 | HOSE CLAMP / 2"3/4-3"5/8 / C.T. 350 | 8 | 8 | |
| 21 | 051604 | HOSE 2 3/4" I.D. 130MM | 1 | 1 | |
| . NS | 503395 | . HOSE SILICONE 4PLY 2 3/4" I.D. x 3' | AR | AR | |
| 22 | 051873 | HOSE 2 5/8" I.D. 100MM | 2 | 2 | |
| 23 | 051604 | HOSE 2 3/4" I.D. 130MM | 1 | 1 | |
| . NS | 503395 | . HOSE SILICONE 4PLY 2 3/4" I.D. x 3' | AR | AR | |
| NS | 503580 | . HOSE SILICONE 2 5/8" I.D. x 3' | AR | AR | |
| NS | 503395 | . HOSE SILICONE 4PLY 2 3/4" I.D. x 3' | AR | AR | |
| 30 | 500179 | SCREW CAP HEX 5/16-18x3/4 G5 Z050 | AR | AR | B |
| NS | 500476 | WASHER LO SPT .317x.586x.078 Z050 | AR | AR | B |
| | | | | | |
| | | | | | |
| | | A) USE W/DDEC II ONL | | | |
| | | B) TO FIX SHROUD | | | |

From N-192 To R-032

Date:10/2022

PAGE:H4-0505-01

RADIATOR - INSTALLATION 36" - BUS



| | | | |
|--|--|--------------|-----------------|
| From N-192 To R-032 | | Date:10/2022 | PAGE:H4-0505-01 |
| RADIATOR - INSTALLATION 36" - BUS | | | |

| Item# | Part | Description | H 3 4 0 | V I P 4 0 | N O T E S |
|-------|--------|--|------------------|-----------------------|-----------------------|
| 1 | 550292 | SHUTTER ASSY | 1 | | |
| NS | 051734 | CLOSING PLATE From N-240 | 1 | | B |
| NS | 506001 | TAPE RUB ADH1 CC POL 1/8" x 3/4" x 50' / GREY 2520X | AR | | |
| 2 | 550291 | RADIATOR 36" | 1 | | |
| 3 | 051710 | SUPPORT ASSY / TOP | 1 | | |
| 4 | 550562 | GASKET, HALF | 4 | | |
| 5 | 051705 | STRIP 6"1/4 | 8 | | |
| 6 | 550564 | TANK / RADIATOR FRONT & REAR | 2 | | |
| 7 | 051704 | STRIP / EXTERIOR 7" | 4 | | |
| 8 | 051709 | SUPPORT ASSY / BOTTOM | 1 | | |
| 9 | 550563 | CORE 36" | 1 | | |
| NS | 501304 | PLUG SQUARE HEAD / PIPE FITTING / 1/4NPT-M BR | 2 | | |
| 10 | 050651 | SHROUD / W/30" FAN BLADE | 1 | | |
| 10 | 050981 | SHROUD / W/32" FAN BLADE | 1 | | |
| NS | 051283 | ADAPTOR ASSY SHROUD / RADIATOR & SHROUD | 1 | | |
| 11 | 051223 | FAN GUARD ASSY / RADIATOR | 1 | | |
| 11 | 050756 | FAN GUARD | 1 | | |
| 11 | 506025 | RUBBER CHANNEL / 1/18" x 5/16" INT "U" SHAPE / SQUARE C.T.L. | AR | | |
| 12 | 051026 | ATTACHMENT | 2 | | |
| 20 | 500179 | SCREW CAP HEX 5/16-18x3/4 G5 Z050 | 16 | | |
| 21 | 500476 | WASHER LO SPT .317x.586x.078 Z050 | 16 | | |
| 22 | 051359 | WASHER / TO FIX SHROUD UPPER & LOWER | 8 | | |
| 22 | 500441 | WASHER FL .312x.734x.065 Z050 | 16 | | |
| 23 | 500145 | SCREW CAP HEX 3/4-16x3 1/2 G5 Z050 | 2 | | |
| 24 | 500451 | WASHER FL .812x2.000x.148 ZP | 4 | | |
| 25 | 630002 | BUSHING / RUBBER / (TWO PIECES) 1" x 1.005" I.D. | 4 | | |
| 26 | 130379 | SLEEVE 3/4" I.D. X 1" O.D. X 1 11/16" LG | 2 | | |
| 27 | 500733 | NUT HEX 3/4-16 Z050 | 2 | | |
| 28 | 051410 | SUPPORT FRONT / RADIATOR | 1 | | |
| 29 | 051413 | SUPPORT REAR / RADIATOR (AS SHOWN) | 1 | | |
| NS | 500191 | SCREW CAP HEX 3/8-16x1 G5 Z050 | 8 | | |
| NS | 500478 | WASHER LO SPT .380x.683x.094 Z050 | 8 | | |
| 30 | 051611 | BRACKET FRONT (AS SHOWN) | 1 | | |
| 31 | 051613 | BRACKET REAR | 1 | | |
| 32 | 051732 | SUPPORT UPPER / RADIATOR To N-239 | 1 | | A |
| 32 | 051828 | SUPPORT UPPER / RADIATOR From N-240 | 1 | | W |
| 33 | 660253 | BUSHING / RUBBER / (ONE PIECE) 1 1/2" x 5/8" I.D. | 1 | | |
| 34 | 505217 | SPACER 7/16" X 1 1/4" | 1 | | |
| 35 | 500935 | WASHER FL .390x1.500x.083 | 2 | | |
| 36 | 500831 | SCREW CAP HEX 3/8-16x2 G5 ZP | 1 | | |
| 37 | 500265 | NUT HEX STO 3/8-16 Z050 | 1 | | |
| 40 | 212134 | BRACKET UPPER RADIATOR From N-240 | 1 | | A W |

| | | |
|--|--------------|-----------------|
| From N-192 To R-032 | Date:10/2022 | PAGE:H4-0505-01 |
| RADIATOR - INSTALLATION 36" - BUS | | |

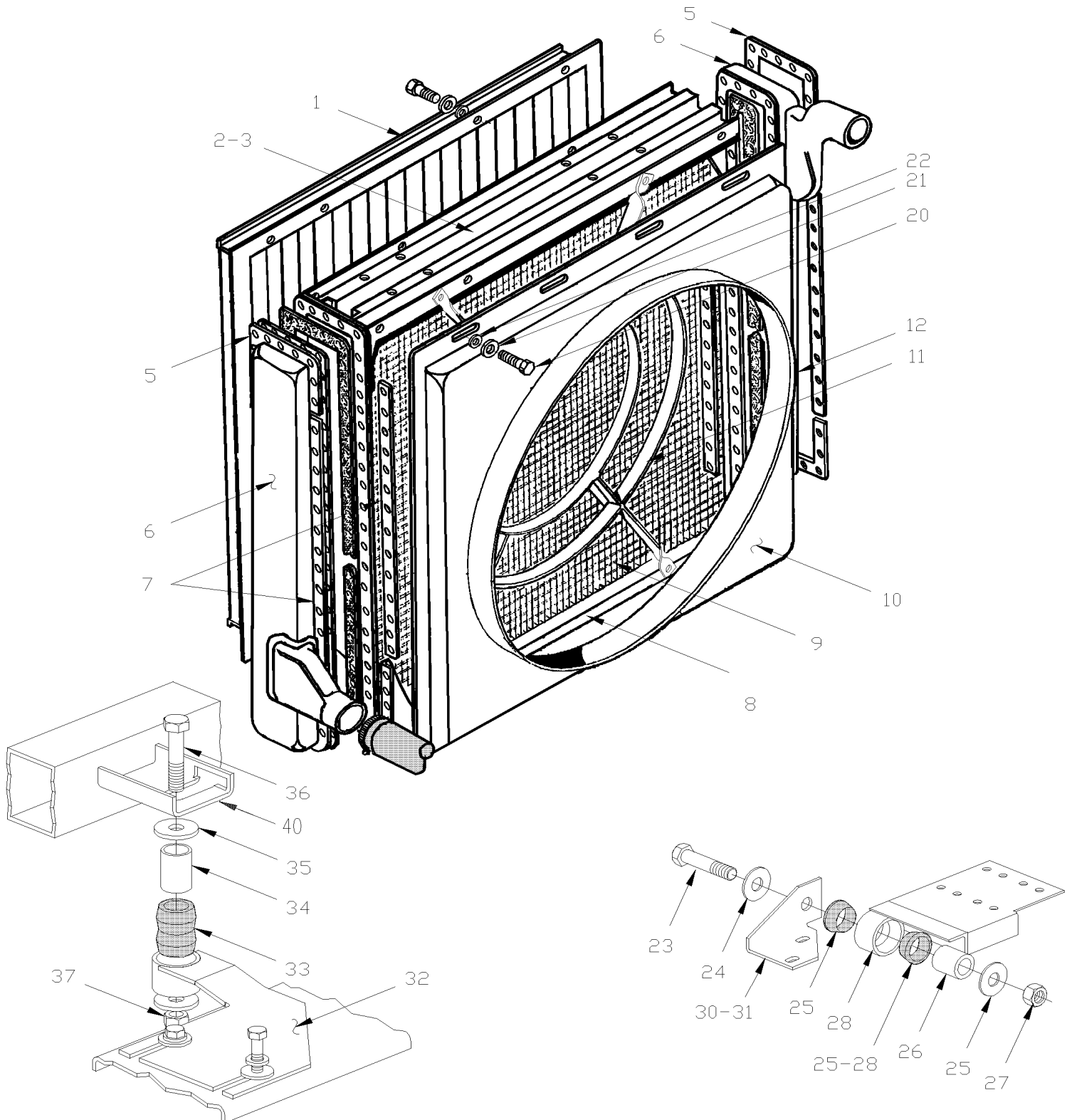
| Item# | Part | Description | H 3 4 0 | V I P 4 0 | N O T E S |
|-------|------|---------------------------|------------------|-----------------------|-----------------------|
| | | | | | |
| | | | | | |
| | | A) SEE WB 93-21 | | | |
| | | B) RADIATOR & SHUTTER 39" | | | |
| | | W) AS REQUIRE BY WB-92-21 | | | |

From L-031 To R-032

Date:10/2022

PAGE:H4-0505-02

RADIATOR - INSTALLATION 39"



| | | |
|------------------------------------|--------------|-----------------|
| From L-031 To R-032 | Date:10/2022 | PAGE:H4-0505-02 |
| RADIATOR - INSTALLATION 39" | | |

| Item# | Part | Description | H 3 4 0 | V I P 4 0 | N O T E S |
|-------|--------|--|------------------|-----------------------|-----------------------|
| 1 | 550619 | SHUTTER ASSY 32"1/2H X 38"1/2 W | | 1 | |
| 1 | 550619 | SHUTTER ASSY 32"1/2H X 38"1/2 W To N-191 | 1 | | |
| 2 | 550609 | RADIATOR 39" | | 1 | |
| 2 | 550609 | RADIATOR 39" To N-191 | 1 | | |
| 3 | 051712 | SUPPORT ASSY TOP | 1 | 1 | |
| 4 | 550562 | GASKET, HALF | 4 | 4 | |
| 5 | 051705 | STRIP 6"1/4 | 8 | 8 | |
| 6 | 550564 | TANK / RADIATOR FRONT & REAR | 2 | 2 | |
| 7 | 051704 | STRIP / EXTERIOR 7" | 4 | 4 | |
| 8 | 051711 | SUPPORT ASSY / BOTTOM | 1 | 1 | |
| 9 | 550610 | CORE 39" | 1 | 1 | |
| NS | 501304 | PLUG SQUARE HEAD / PIPE FITTING / 1/4NPT-M BR | 2 | 2 | |
| 10 | 051512 | SHROUD / W/32" FAN BLADE / W/8V92 To N-228 | 1 | 1 | |
| 10 | 051725 | SHROUD / W/32" FAN BLADE / W/8V92 From N-229 | 1 | 1 | |
| 10 | 051735 | SHROUD / W/30" FAN BLADE / W/6V92 To N-191 | 1 | | |
| 11 | 051525 | FAN GUARD ASSY / RADIATOR | 1 | 1 | |
| NS | 051524 | FAN GUARD | 1 | 1 | |
| NS | 506025 | RUBBER CHANNEL / 1/18" x 5/16" INT "U" SHAPE / SQUARE C.T.L. | AR | AR | |
| 12 | 051026 | ATTACHMENT | 2 | 2 | |
| NS | 506001 | TAPE RUB ADH1 CC POL 1/8" x 3/4" x 50' / GREY 2520X | AR | AR | |
| 20 | 500179 | SCREW CAP HEX 5/16-18x3/4 G5 Z050 | 16 | 16 | |
| 21 | 500476 | WASHER LO SPT .317x.586x.078 Z050 | 16 | 16 | |
| 22 | 500441 | WASHER FL .312x.734x.065 Z050 | 16 | 16 | |
| 23 | 500145 | SCREW CAP HEX 3/4-16x3 1/2 G5 Z050 | 2 | 2 | |
| 24 | 500451 | WASHER FL .812x2.000x.148 ZP | 4 | 4 | |
| 25 | 630002 | BUSHING / RUBBER / (TWO PIECES) 1" x 1.005" I.D. | 4 | 4 | |
| 26 | 130379 | SLEEVE 3/4" I.D. X 1" O.D. X 1 11/16" LG | 2 | 2 | |
| 27 | 500733 | NUT HEX 3/4-16 Z050 | 2 | 2 | |
| 28 | 051410 | SUPPORT FRONT / RADIATOR | 1 | 1 | |
| 29 | 051413 | SUPPORT REAR / RADIATOR (AS SHOWN) | 1 | 1 | |
| NS | 500191 | SCREW CAP HEX 3/8-16x1 G5 Z050 | 8 | 8 | |
| NS | 500478 | WASHER LO SPT .380x.683x.094 Z050 | 8 | 8 | |
| 30 | 051611 | BRACKET FRONT (AS SHOWN) | 1 | 1 | |
| 31 | 051613 | BRACKET REAR | 1 | 1 | |
| NS | 051617 | BRACKET SUPPORT / UPPER RADIATOR To N-239 | 1 | 1 | A |
| 32 | 051828 | SUPPORT UPPER / RADIATOR From N-240 | 1 | 1 | W |
| 33 | 660253 | BUSHING / RUBBER / (ONE PIECE) 1 1/2" x 5/8" I.D. | 1 | 1 | |
| 34 | 505217 | SPACER 7/16" X 1 1/4" | 1 | 1 | |
| 35 | 500935 | WASHER FL .390x1.500x.083 | 1 | 1 | |
| 36 | 500831 | SCREW CAP HEX 3/8-16x2 G5 ZP | 1 | 1 | |
| 37 | 500265 | NUT HEX STO 3/8-16 Z050 | 1 | 1 | |
| 40 | 212134 | BRACKET UPPER RADIATOR From N-240 | 1 | 1 | A W |

| | | |
|---------------------|--------------|-----------------|
| From L-031 To R-032 | Date:10/2022 | PAGE:H4-0505-02 |
|---------------------|--------------|-----------------|

RADIATOR - INSTALLATION 39"

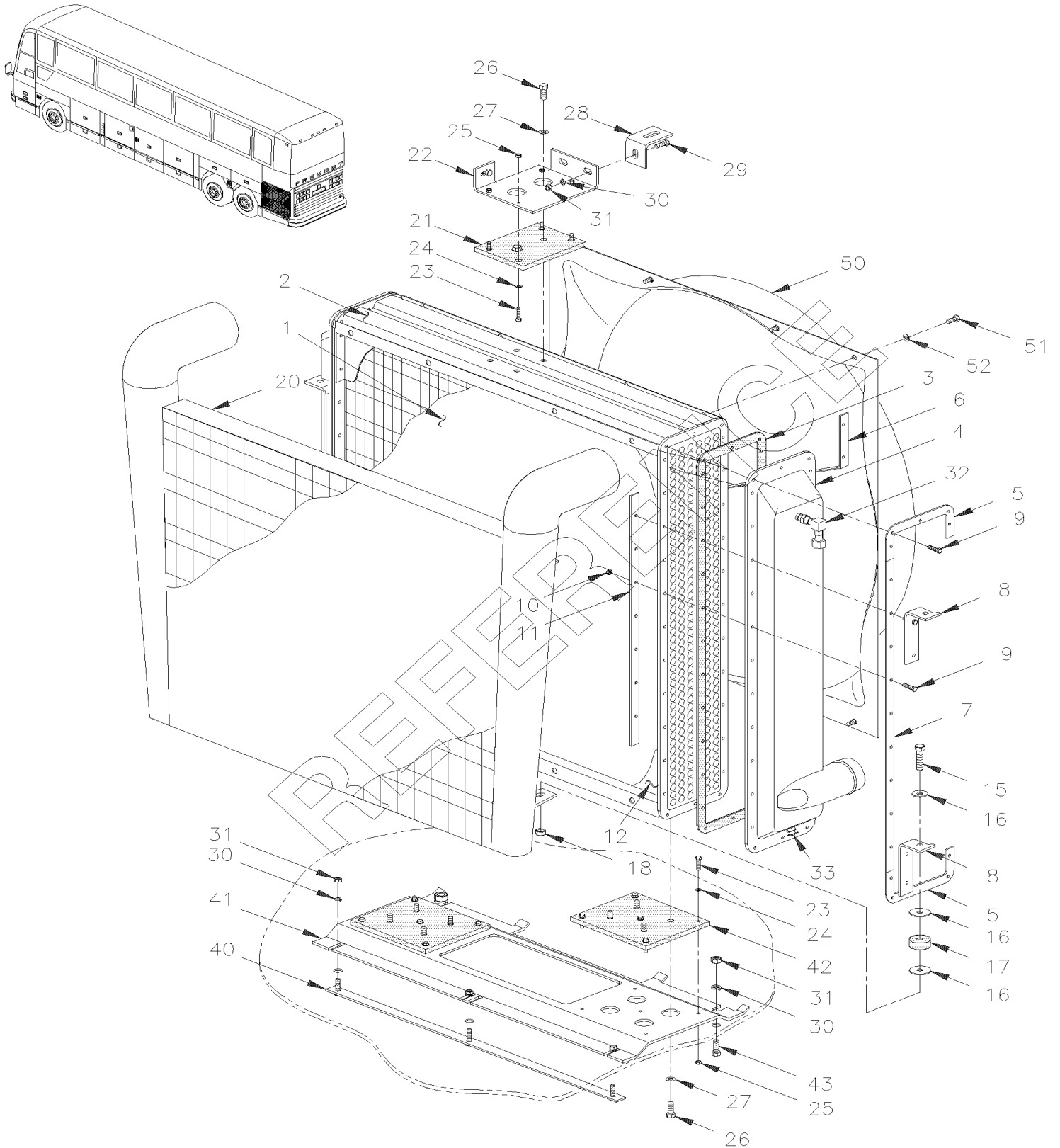
| Item# | Part | Description | H 3 4 0 | V I P 4 0 | N O T E S |
|-------|------|--|------------------|-----------------------|-----------------------|
| | | | | | |
| | | | | | |
| | | A) SEE WARANTY BULETIN WB-021!VOIR BULETIN DE GARANTIE WB 93-21W | | | |
| | | W) AS REQUIRE BY WB-21 | | | |

From P-256 To R-079

Date:10/2022

PAGE:H4-0505-03

RADIATOR ASSY - W/60 DETROIT S-60



| | | | |
|--|--|--------------|-----------------|
| From P-256 To R-079 | | Date:10/2022 | PAGE:H4-0505-03 |
| RADIATOR ASSY - W/60 DETROIT S-60 | | | |

| Item# | Part | Description | H 3 4 0 | V I P 4 0 | N O T E S |
|-------|--------|--|------------------|-----------------------|-----------------------|
| | N.S.A. | RADIATOR ASSY / WATER & AIR COOLER | 1 | 1 | 3 |
| | 550654 | . RADIATOR ASSY / WATER | 1 | 1 | |
| 1 | 550684 | . . CORE | 1 | 1 | |
| 2 | 550678 | . . SUPPORT ASSY TOP & BOTTOM | 1 | 1 | |
| 3 | 550248 | . . GASKET, HALF | 4 | 4 | |
| 4 | 550681 | . . TANK / RADIATOR FRONT & REAR | 2 | 2 | |
| 5 | 550682 | . . U-CLAMP / EXTERIOR 6.25" | 4 | 4 | |
| 6 | 550751 | . . REINFORCEMENT STRIP "Z" SHAPE / FRONT | 1 | 1 | |
| 6 | 550752 | . . REINFORCEMENT STRIP "Z" SHAPE / REAR | 1 | 1 | |
| 7 | 550680 | . . . STRIP / EXTERIOR 25" | 4 | 4 | |
| 8 | N.P.N. | . . ANGLE / TO FIX AIR COOLER | 1 | 1 | 4 |
| 9 | 500029 | . . SCREW CAP HEX 5/16-24x1 1/2 G5 ZP | AR | AR | |
| 10 | 500699 | . . NUT HEX 5/16-24 Z050 | AR | AR | |
| NS | 500826 | . . WASHER LO EXT .320x.610x.034 ZP | AR | AR | |
| 11 | 550679 | . . . STRIP / INTERIOR 28.18" | 4 | 4 | |
| 12 | 550683 | . . . SUPPORT ASSY TOP & BOTTOM | 1 | 1 | |
| 15 | 500831 | SCREW CAP HEX 3/8-16x2 G5 ZP | 4 | 4 | |
| 16 | 500446 | WASHER FL .531x1.250x.125 Z050 | 8 | 8 | |
| 17 | 550685 | BUSHING INSULATOR / RADIATORS | 4 | 4 | |
| 18 | 500265 | NUT HEX STO 3/8-16 Z050 | 4 | 4 | |
| 21 | 051836 | RUBBER PAD / SUPPORT & RADIATOR 242MM x 165MM W/9 HOLES | 3 | 3 | |
| 22 | 051874 | PLATE SUPPORT UPPER RADIATOR | 1 | 1 | |
| 23 | 502737 | SCREW CAP HEX M6-1.0x25 SS BK | 12 | 12 | |
| 24 | 500468 | WASHER FL .281x1.250x.065 Z050 | 15 | 15 | |
| 25 | 502621 | NUT HEX STO M6-1.0 Z050 | 15 | 15 | |
| 26 | 500191 | SCREW CAP HEX 3/8-16x1 G5 Z050 | 15 | 15 | |
| 27 | 500445 | WASHER FL .437x1.000x.083 Z050 | 12 | 12 | |
| 28 | 051844 | ATTACHMENT, ANGLE / STRUCTURE & RADIATOR SUPPORT | 2 | 2 | |
| 29 | 502597 | SCREW CAP HEX M8-1.25x22 G8.8 EMN | 4 | 4 | |
| 30 | 502584 | WASHER LO SERR 8.2x26.3x1.8 Z050 | 4 | 4 | |
| 40 | 051872 | ATTACHMENT STRIP / TO FIX SUPPORT 760MM W/3 STUDS 376/342c/c | 1 | 1 | |
| NS | 051838 | SUPPORT, FAN CLUTCH | 1 | 1 | |
| NS | 500811 | NUT HEX STO M12-1.75 G500 | 2 | 2 | |
| NS | 502543 | NUT HEX M8-1.25 Z050 | 3 | 3 | |
| NS | 502559 | SCREW CAP HEX M10-1.5x25 G8.8 Z050 | 3 | 3 | |
| NS | 502585 | WASHER LO SERR 10.2x26.3x1.4 ZP | 3 | 3 | |
| 41 | 051882 | PLATE SUPPORT LOWER RADIATOR | 1 | 1 | |
| 41 | 500835 | SCREW CAP HEX M12-1.75x70 G8.8 Z050 | 2 | 2 | |
| NS | 500256 | NUT HEX M10-1.5 Z050 | 3 | 3 | |
| 42 | 051836 | RUBBER PAD / SUPPORT & RADIATOR 242MM x 165MM W/9 HOLES | 3 | 3 | |
| 50 | 051837 | SHROUD / W/32" FAN BLADE | 1 | 1 | |
| NS | 506001 | TAPE RUB ADH1 CC POL 1/8" x 3/4" x 50' / GREY 2520X | AR | AR | |

| | | |
|---------------------|--------------|-----------------|
| From P-256 To R-079 | Date:10/2022 | PAGE:H4-0505-03 |
|---------------------|--------------|-----------------|

RADIATOR ASSY - W/60 DETROIT S-60

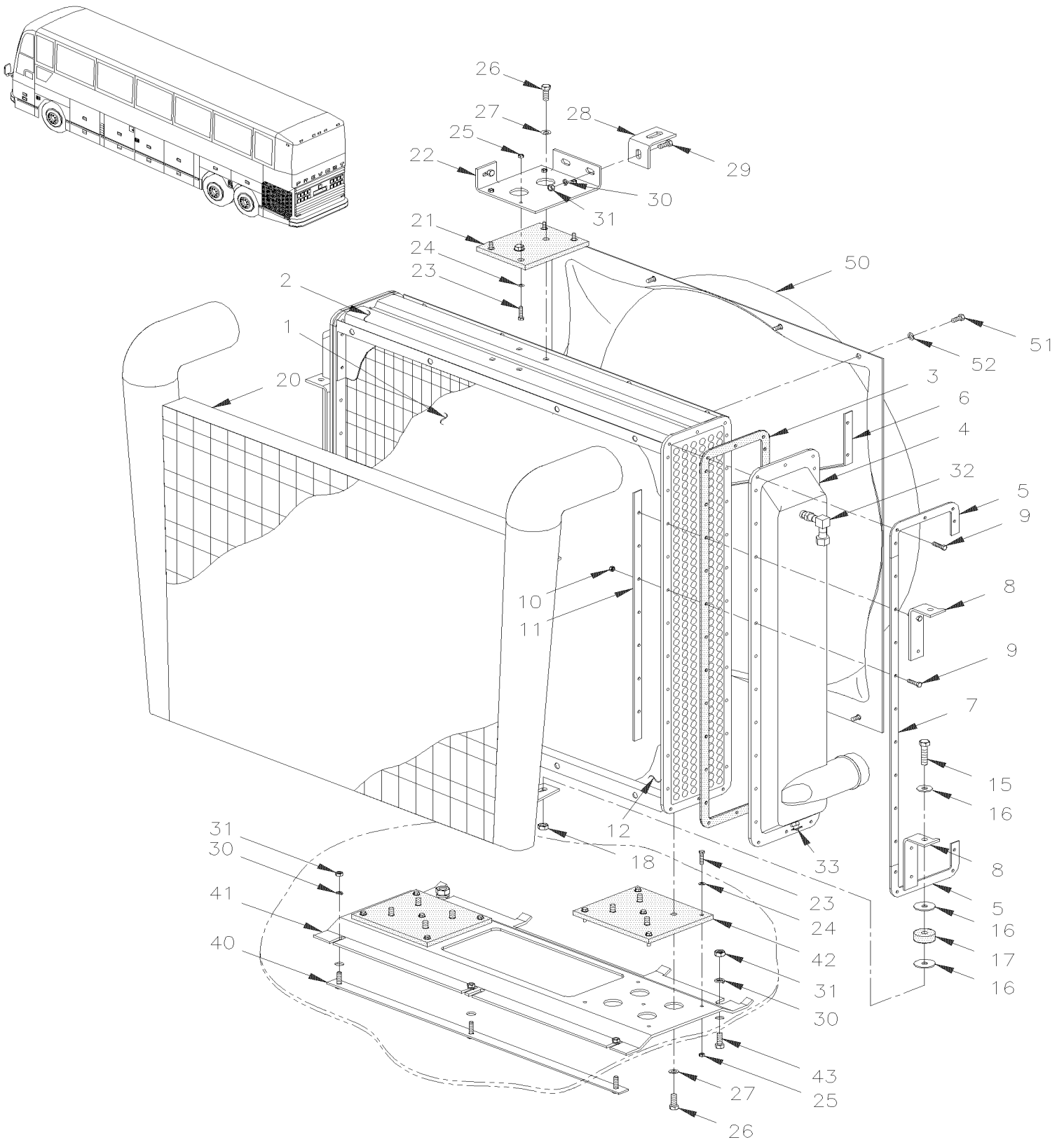
| Item# | Part | Description | H 3 4 0 | V I P 4 0 | N O T E S |
|-------|--------|-----------------------------------|------------------|-----------------------|-----------------------|
| 51 | 500179 | SCREW CAP HEX 5/16-18x3/4 G5 Z050 | 8 | 8 | |
| 52 | 500476 | WASHER LO SPT .317x.586x.078 Z050 | 8 | 8 | |
| | | | | | |
| | | | | | |
| | | 3) NOT SOLD ASSEMBLY | | | |
| | | 4) NO PARTS NUMBER | | | |

From R-033 To R-079

Date:10/2022

PAGE:H4-0505-04

RADIATOR ASSY - BUS



| | | |
|----------------------------|--------------|-----------------|
| From R-033 To R-079 | Date:10/2022 | PAGE:H4-0505-04 |
| RADIATOR ASSY - BUS | | |

| Item# | Part | Description | H 3 4 0 | V I P 4 0 | N O T E S |
|-------|-------------------|--|------------------|-----------------------|-----------------------|
| | N.S.A. | RADIATOR ASSY / WATER & AIR COOLER | 1 | | 3 |
| | 550654 | . RADIATOR ASSY / WATER | 1 | | |
| 1 | 550684 | . . CORE | 1 | | |
| 2 | 550678 | . . SUPPORT ASSY TOP & BOTTOM | 1 | | |
| 3 | 550248 | . . GASKET, HALF | 4 | | |
| 4 | 550681 | . . TANK / RADIATOR FRONT & REAR | 2 | | |
| 5 | 550682 | . . U-CLAMP / EXTERIOR 6.25" | 4 | | |
| 6 | 550751 | . . REINFORCEMENT STRIP "Z" SHAPE / FRONT | 1 | | |
| 6 | 550752 | . . REINFORCEMENT STRIP "Z" SHAPE / REAR | 1 | | |
| 7 | 550680 | . . STRIP / EXTERIOR 25" | 4 | | |
| 8 | N.P.N. | . . ANGLE / TO FIX AIR COOLER | 4 | | 4 |
| 9 | 500029 | . . SCREW CAP HEX 5/16-24x1 1/2 G5 ZP | AR | | |
| 10 | 500699 | . . NUT HEX 5/16-24 Z050 | AR | | |
| NS | 500826 | . . WASHER LO EXT .320x.610x.034 ZP | AR | | |
| 11 | 550679 | . . STRIP / INTERIOR 28.18" | 4 | | |
| 12 | 550683 | . . SUPPORT ASSY TOP & BOTTOM | 1 | | |
| 15 | 500831 | SCREW CAP HEX 3/8-16x2 G5 ZP | 4 | | |
| 16 | 500446 | WASHER FL .531x1.250x.125 Z050 | 8 | | |
| 17 | 550685 | BUSHING INSULATOR / RADIATORS | 4 | | |
| 18 | 500265 | NUT HEX STO 3/8-16 Z050 | 4 | | |
| 20 | H4-0330-00 | AIR FILTER & INTAKE - INSTALLATION | | | |
| 21 | 051836 | RUBBER PAD / SUPPORT & RADIATOR 242MM x 165MM W/9 HOLES | 1 | | |
| 22 | 052014 | PLATE SUPPORT UPPER RADIATOR | 1 | | |
| 23 | 502737 | SCREW CAP HEX M6-1.0x25 SS BK | 4 | | |
| 24 | 500468 | WASHER FL .281x1.250x.065 Z050 | 4 | | |
| 25 | 502621 | NUT HEX STO M6-1.0 Z050 | 4 | | |
| 26 | 500191 | SCREW CAP HEX 3/8-16x1 G5 Z050 | 2 | | |
| 27 | 500445 | WASHER FL .437x1.000x.083 Z050 | 2 | | |
| 28 | 052058 | ATTACHMENT, ANGLE 55.50MM X 72.50 X 50.80MM | 1 | | |
| 29 | 502597 | SCREW CAP HEX M8-1.25x22 G8.8 EMN | 6 | | |
| 30 | 502584 | WASHER LO SERR 8.2x26.3x1.8 Z050 | 6 | | |
| 31 | 502543 | NUT HEX M8-1.25 Z050 | 6 | | |
| 32 | 501332 | STREET ELBOW 90° / PIPE FITTING / 1/4NPT-Mx1/4NPT-F BR | 1 | | |
| NS | 501308 | ADAPTER / PIPE FITTING / 1/4NPT-Fx1/4NPT-M BR | 1 | | |
| NS | 501027 | MALE CONNECTOR / SAE 45° FITTING / #4FL-Mx1/4NPT-M BR | 1 | | |
| 33 | 501129 | EXTERNAL SEAL DRAIN 1/4 NPT | 1 | | |
| 40 | 051872 | ATTACHMENT STRIP / TO FIX SUPPORT 760MM W/3 STUDS 376/342c/c | 1 | | |
| 41 | 052125 | PLATE SUPPORT LOWER RADIATOR | 1 | | |
| 42 | 051836 | RUBBER PAD / SUPPORT & RADIATOR 242MM x 165MM W/9 HOLES | 2 | | |
| 43 | 502780 | SCREW CAP HEX M8-1.25x25 SS BK | 2 | | |
| 50 | 051837 | SHROUD / W/32" FAN BLADE | 1 | | |
| 51 | 500179 | SCREW CAP HEX 5/16-18x3/4 G5 Z050 | 8 | | |

| | | |
|---------------------|--------------|-----------------|
| From R-033 To R-079 | Date:10/2022 | PAGE:H4-0505-04 |
|---------------------|--------------|-----------------|

RADIATOR ASSY - BUS

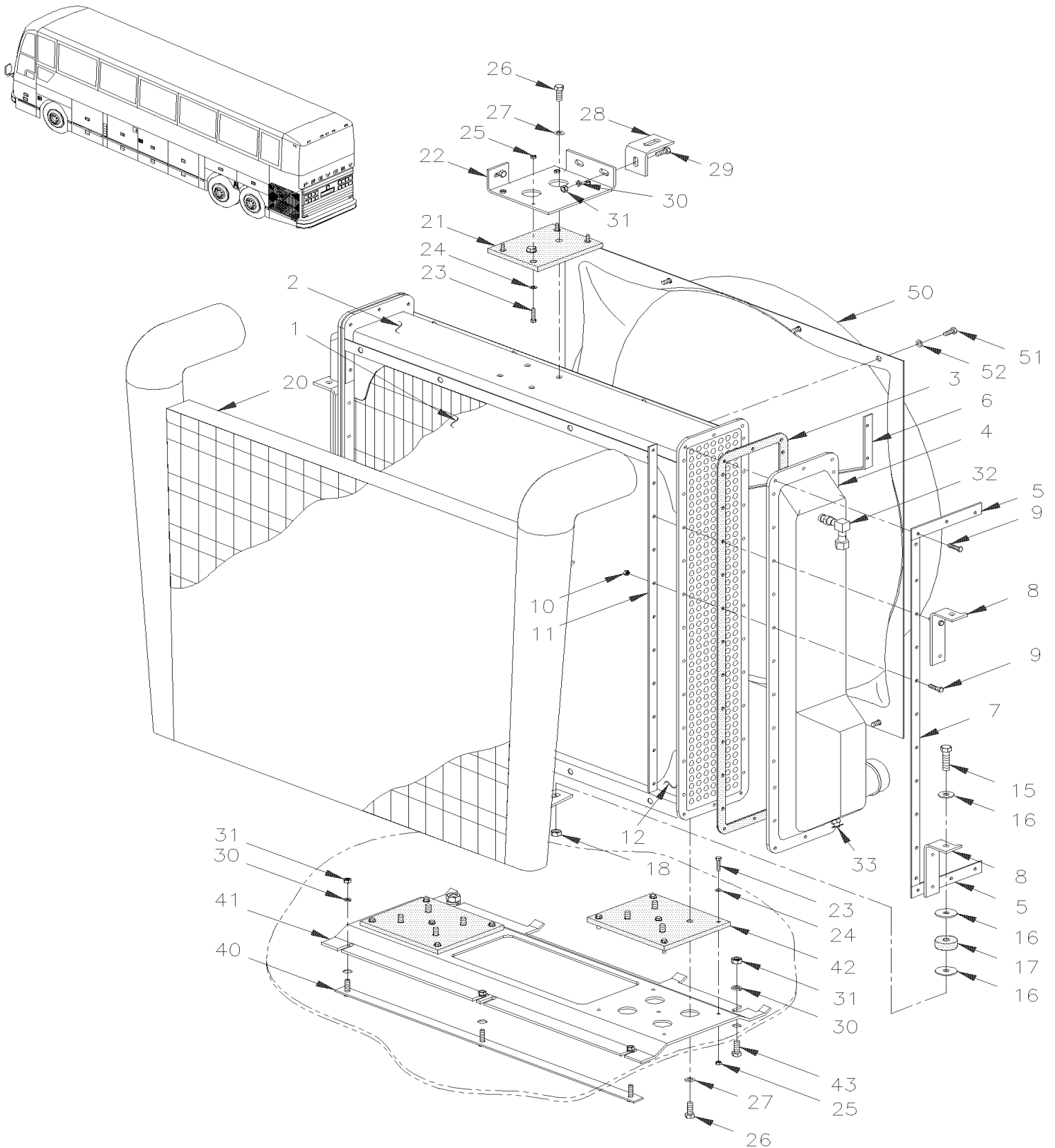
| Item# | Part | Description | H 3 4 0 | V I P 4 0 | N O T E S |
|-------|--------|---|------------------|-----------------------|-----------------------|
| 52 | 500476 | WASHER LO SPT .317x.586x.078 Z050 | 8 | | |
| NS | 506001 | TAPE RUB ADH1 CC POL 1/8" x 3/4" x 50' / GREY 2520X | AR | | |
| | | | | | |
| | | | | | |
| | | 3) NOT SOLD ASSEMBLY | | | |
| | | 4) NO PARTS NUMBER | | | |

From R-033 To R-079

Date:10/2022

PAGE:H4-0505-05

RADIATOR ASSY - V.I.P.



| | | |
|-------------------------------|--------------|-----------------|
| From R-033 To R-079 | Date:10/2022 | PAGE:H4-0505-05 |
| RADIATOR ASSY - V.I.P. | | |

| Item# | Part | Description | H 3 4 0 | V I P 4 0 | N O T E S |
|-------|-------------------|--|------------------|-----------------------|-----------------------|
| | 550700 | RADIATOR ASSY / WATER | | 1 | |
| 1 | 550707 | . CORE | | 1 | |
| 2 | 550701 | . SUPPORT ASSY TOP | | 1 | |
| 3 | 550562 | . GASKET, HALF | | 4 | |
| 4 | 550704 | . TANK / RADIATOR FRONT & REAR | | 2 | |
| 5 | 051704 | . STRIP / EXTERIOR 7" | | 4 | |
| NS | 550705 | . STRIP / INTERIOR 5.44" | | 4 | |
| 6 | 550753 | . REINFORCEMENT STRIP "Z" SHAPE / FRONT | | 1 | |
| 6 | 550754 | . REINFORCEMENT STRIP "Z" SHAPE / REAR | | 1 | |
| 7 | 550702 | . STRIP / EXTERIOR 35.06" | | 1 | |
| 8 | N.P.N. | . ANGLE | | 4 | 4 |
| 9 | 500029 | . SCREW CAP HEX 5/16-24x1 1/2 G5 ZP | | 1 | |
| 10 | 500699 | . NUT HEX 5/16-24 Z050 | | AR | |
| NS | 500826 | . WASHER LO EXT .320x.610x.034 ZP | | AR | |
| 11 | 550703 | . STRIP / INTERIOR 33.44" | | AR | |
| 12 | 550706 | . SUPPORT ASSY BOTTOM | | 4 | |
| 15 | 500831 | SCREW CAP HEX 3/8-16x2 G5 ZP | | 1 | |
| 16 | 500446 | WASHER FL .531x1.250x.125 Z050 | | 4 | |
| 17 | 550685 | BUSHING INSULATOR / RADIATORS | | 8 | |
| 18 | 500265 | NUT HEX STO 3/8-16 Z050 | | 4 | |
| 20 | H4-0330-00 | AIR FILTER & INTAKE - INSTALLATION | | | |
| 21 | 052060 | RUBBER PAD / SUPPORT & RADIATOR 165MM x 127MM W/6 HOLES | | 1 | |
| 22 | 051982 | PLATE SUPPORT UPPER RADIATOR | | 1 | |
| 23 | 502737 | SCREW CAP HEX M6-1.0x25 SS BK | | 1 | |
| 24 | 500468 | WASHER FL .281x1.250x.065 Z050 | | 12 | |
| 25 | 502621 | NUT HEX STO M6-1.0 Z050 | | 15 | |
| 26 | 500191 | SCREW CAP HEX 3/8-16x1 G5 Z050 | | 15 | |
| 27 | 500445 | WASHER FL .437x1.000x.083 Z050 | | 12 | |
| 28 | 051844 | ATTACHMENT, ANGLE / STRUCTURE & RADIATOR SUPPORT | | 15 | |
| 30 | 502584 | WASHER LO SERR 8.2x26.3x1.8 Z050 | | 2 | |
| 31 | 502543 | NUT HEX M8-1.25 Z050 | | AR | |
| 32 | 501332 | STREET ELBOW 90° / PIPE FITTING / 1/4NPT-Mx1/4NPT-F BR | | AR | |
| NS | 501308 | ADAPTER / PIPE FITTING / 1/4NPT-Fx1/4NPT-M BR | | 1 | |
| NS | 501027 | MALE CONNECTOR / SAE 45° FITTING / #4FL-Mx1/4NPT-M BR | | 1 | |
| 33 | 501129 | EXTERNAL SEAL DRAIN 1/4 NPT | | 1 | |
| 40 | 051872 | ATTACHMENT STRIP / TO FIX SUPPORT 760MM W/3 STUDS 376/342c/c | | AR | |
| 41 | 052015 | PLATE SUPPORT LOWER RADIATOR | | 1 | |
| 42 | 051836 | RUBBER PAD / SUPPORT & RADIATOR 242MM x 165MM W/9 HOLES | | 1 | |
| 43 | 502780 | SCREW CAP HEX M8-1.25x25 SS BK | | 1 | |
| 50 | 051837 | SHROUD / W/32" FAN BLADE | | 2 | |
| 51 | 500179 | SCREW CAP HEX 5/16-18x3/4 G5 Z050 | | 1 | |
| 52 | 500476 | WASHER LO SPT .317x.586x.078 Z050 | | 8 | |

| | | |
|---------------------|--------------|-----------------|
| From R-033 To R-079 | Date:10/2022 | PAGE:H4-0505-05 |
|---------------------|--------------|-----------------|

RADIATOR ASSY - V.I.P.

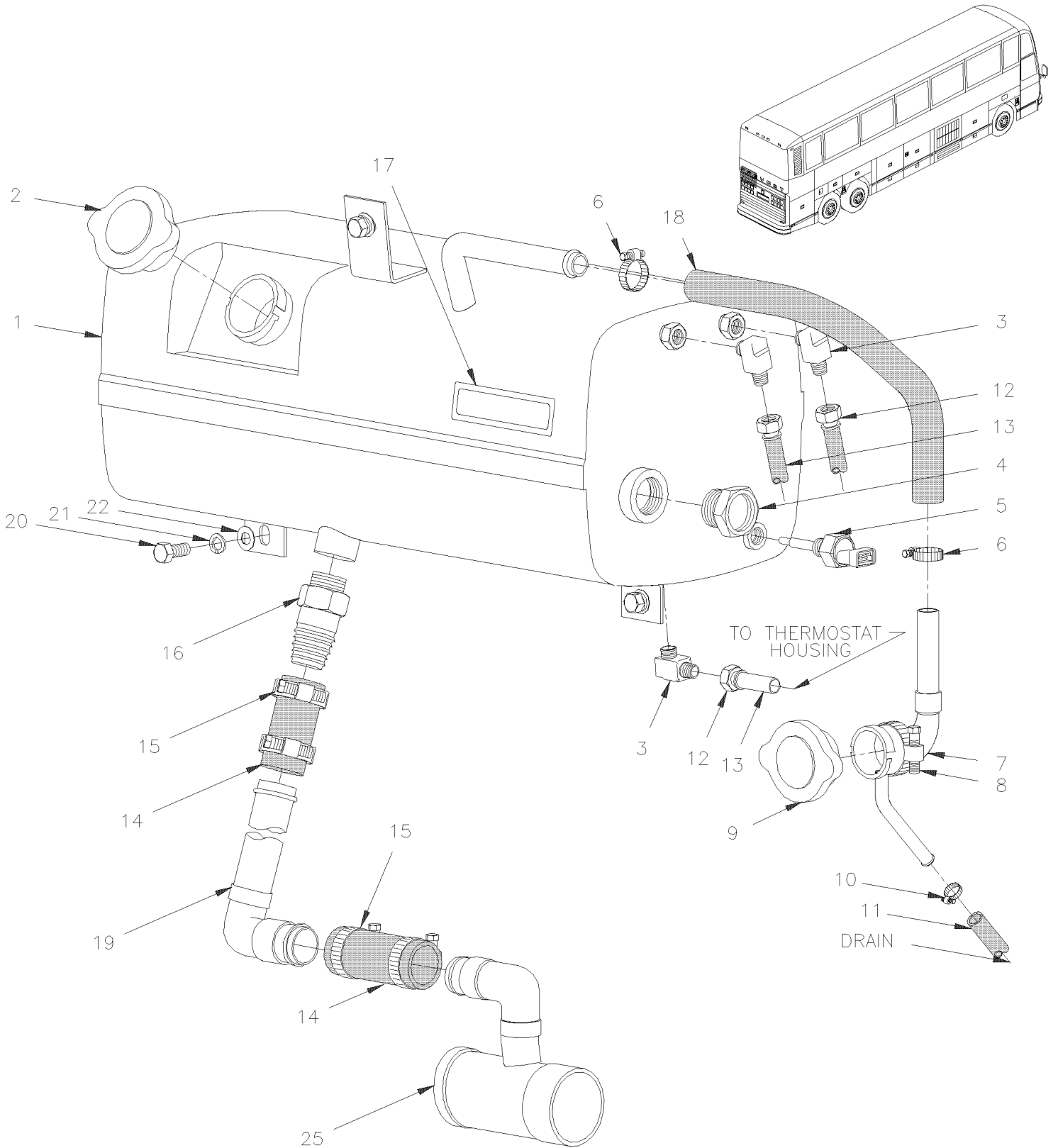
| Item# | Part | Description | H 3 4 0 | V I P 4 0 | N O T E S |
|-------|--------|---|------------------|-----------------------|-----------------------|
| NS | 506001 | TAPE RUB ADH1 CC POL 1/8" x 3/4" x 50' / GREY 2520X | | 8 | |
| | | | | | |
| | | | | | |
| | | 4) NO PARTS NUMBER | | | |

From L-031 To R-032

Date:10/2022

PAGE:H4-0510-00

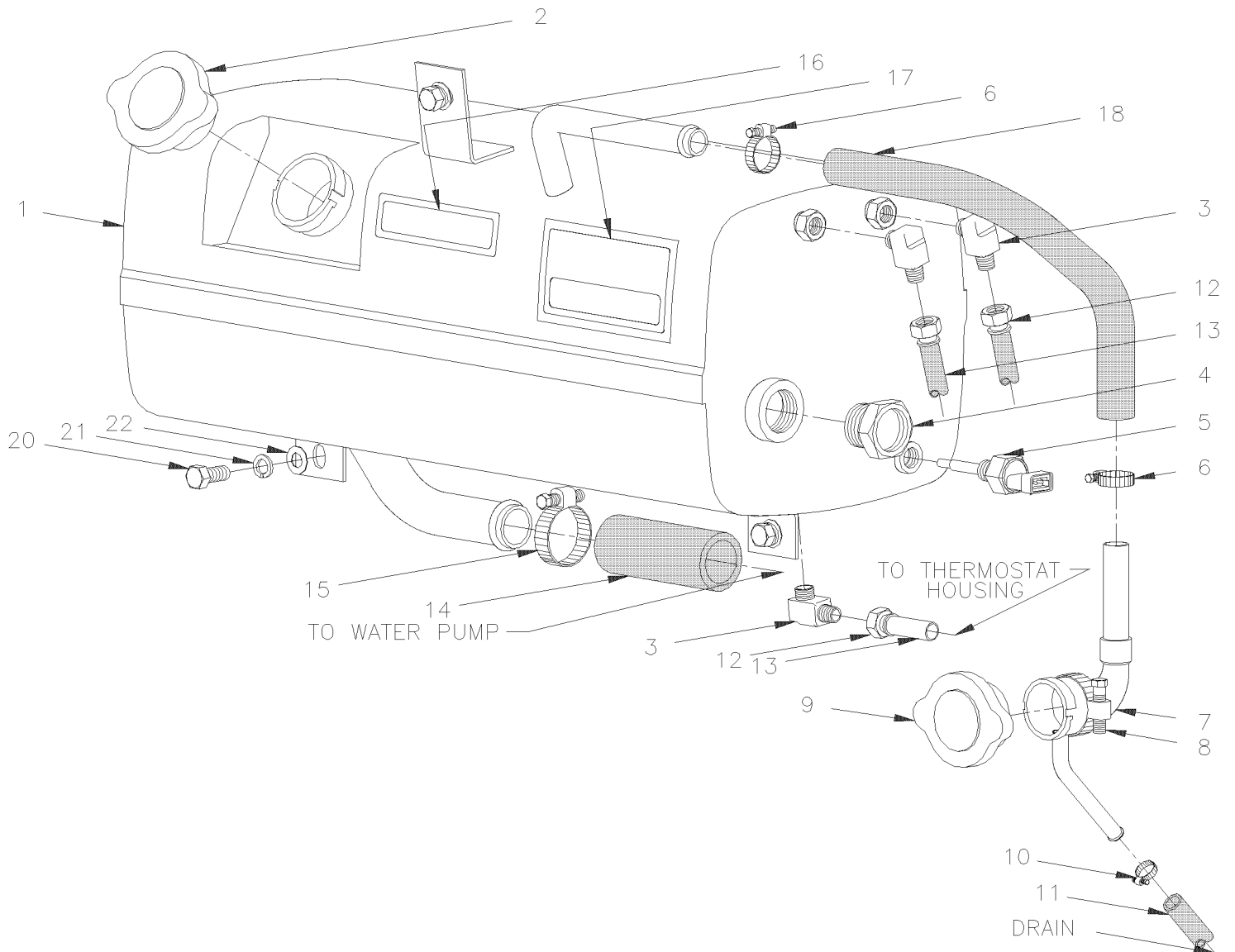
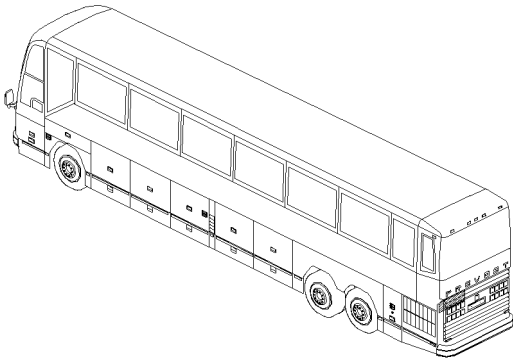
SURGE TANK



| | | |
|---------------------|--------------|-----------------|
| From L-031 To R-032 | Date:10/2022 | PAGE:H4-0510-00 |
| SURGE TANK | | |

| Item# | Part | Description | H 3 4 0 | V I P 4 0 | N O T E S |
|-------|-------------------|--|------------------|-----------------------|-----------------------|
| 1 | 051594 | SURGE TANK ASSY / W/SERIES 92 | 1 | 1 | |
| 2 | 530191 | . CAP FILLER | 1 | 1 | |
| 3 | 501332 | STREET ELBOW 90° / PIPE FITTING / 1/4NPT-Mx1/4NPT-F BR | 3 | 3 | |
| 4 | 550618 | SIGHT GLASS 1" NPT | 1 | 1 | |
| 4 | 21331481 | SIGHT GLASS 1" NPT | 1 | 1 | |
| 5 | 561887 | SENSOR PROBE "LOW LEVEL COOLANT" | 1 | 1 | |
| 6 | 504020 | HOSE CLAMP / 9/16"-1"1/4 SS / HS-12 | 2 | 2 | |
| 7 | 051495 | PIPE ASSY | 1 | 1 | |
| 8 | 504022 | HOSE CLAMP / 3/4"-1"3/4 SS / HS-20 | 1 | 1 | |
| 9 | 550606 | CAP PRESSURE / OVER 14 LBS | 1 | 1 | |
| 10 | 504018 | HOSE CLAMP / 7/16"-1" SS / HS-8 | 1 | 1 | |
| 11 | 503058 | HOSE / AIR BRAKE #6 / S.L. | AR | AR | |
| 12 | 501996 | MALE CONNECTOR SWIVEL / COLLAR FITTING / 1/4NPT-Mx#4 STL | 3 | 3 | |
| 13 | 503411 | HOSE / 2556 / #4 X 50' | AR | AR | |
| 14 | 503579 | HOSE 1" I.D. X 50' / "GREEN STRIPE" | AR | AR | |
| 15 | 504292 | HOSE CLAMP / 1"5/16-2"1/4 SS / E.T. 28 | 4 | 4 | |
| 16 | 051567 | PIPE ASSY | 1 | 1 | |
| 17 | 050682 | DECAL / ANTIFREEZE / ENGLISH & FRANCAIS | 1 | 1 | |
| 17 | 052574 | DECAL / ANTIFREEZE / ENGLISH & SPANISH | 1 | 1 | |
| 18 | 503007 | HOSE 2 PLY / RADIATOR HOSE / 5/8" I.D. / S.L. | AR | AR | |
| 19 | 051579 | PIPE ASSY | 1 | 1 | |
| 20 | 502790 | SCREW CAP HEX M8-1.25x20 G8.8 Z050 | 3 | 3 | |
| 21 | 502507 | WASHER LO SPT 8.1x14.8x2.0 Z050 | 3 | 3 | |
| 22 | 500874 | WASHER FL 8.4x17.0x1.6 Z050 | 3 | 3 | |
| 25 | H4-0500-00 | COOLANT PIPING WITH DETROIT S-92 | | | |
| | | | | | |
| | | | | | |
| | | | | | |

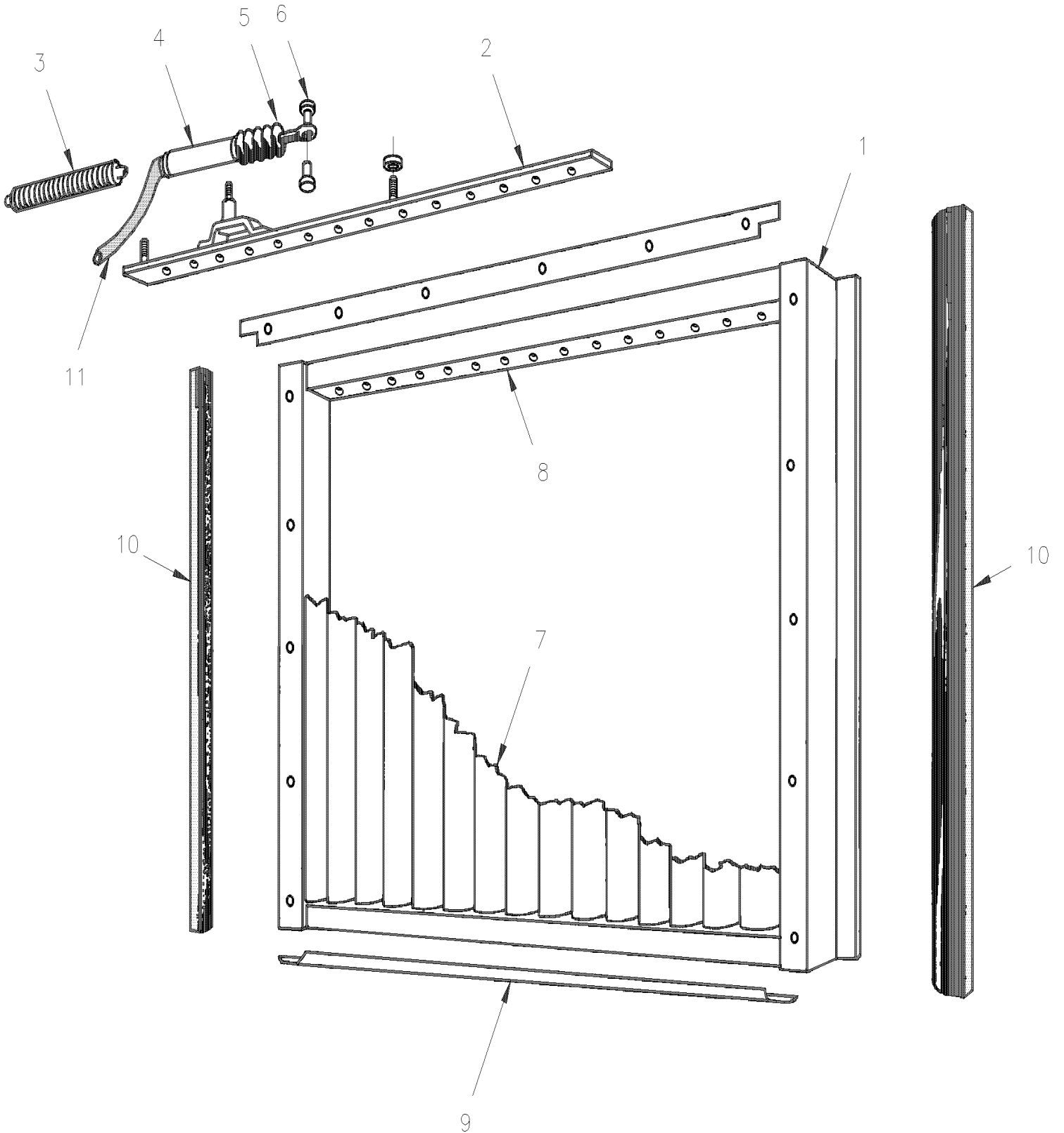
| | | |
|---------------------|--------------|-----------------|
| From P-256 To R-079 | Date:10/2022 | PAGE:H4-0510-01 |
| SURGE TANK | | |



| | | |
|---------------------|--------------|-----------------|
| From P-256 To R-079 | Date:10/2022 | PAGE:H4-0510-01 |
| SURGE TANK | | |

| Item# | Part | Description | H 3 4 0 | V I P 4 0 | N O T E S |
|-------|----------|--|------------------|-----------------------|-----------------------|
| 1 | 051864 | SURGE TANK ASSY | 1 | 1 | |
| 2 | 530191 | . CAP FILLER | 1 | 1 | |
| 3 | 501037 | . MALE ELBOW 90° / SAE 45° FITTING / #4FL-Mx1/4NPT-M BR | 3 | 3 | |
| 4 | 550618 | . SIGHT GLASS 1" NPT | 1 | 1 | |
| 4 | 21331481 | . SIGHT GLASS 1" NPT | 1 | 1 | |
| 5 | 562395 | . SENSOR PROBE "LOW LEVEL COOLANT" / 1/4" NPT | 1 | 1 | |
| 6 | 504019 | HOSE CLAMP / 9/16"-1"1/16 SS / HS-10 | 2 | 2 | |
| 7 | 051495 | PIPE ASSY | 1 | 1 | |
| 8 | 504022 | HOSE CLAMP / 3/4"-1"3/4 SS / HS-20 | 1 | 1 | |
| 9 | 550606 | CAP PRESSURE / OVER 14 LBS | 1 | 1 | |
| 10 | 504018 | HOSE CLAMP / 7/16"-1" SS / HS-8 | 1 | 1 | |
| 11 | 052068 | HOSE / LOWER / #6 1551MM | 1 | 1 | |
| 11 | 503058 | . HOSE / AIR BRAKE #6 / S.L. | AR | AR | |
| 12 | 501347 | . FEMALE CONNECTOR SWIVEL / PUSH-LOK FITTING #4JIC-Fx#4 BR | 2 | 2 | |
| 13 | 503411 | . HOSE / 2556 / #4 X 50' | AR | AR | |
| 14 | 051859 | HOSE 1" I.D. 1420MM | 1 | 1 | |
| 14 | 503579 | . HOSE 1" I.D. X 50' / "GREEN STRIPE" | AR | AR | |
| 14 | 23509196 | HOSE ADAPTOR 45 DEG HOSE & ELBOW 90 | 1 | 1 | |
| NS | 501663 | MALE ELBOW 90° / JIC 37° FITTING / #16JIC-Mx3/4NPT-M STL | 1 | 1 | |
| 16 | 050682 | DECAL / ANTIFREEZE / ENGLISH & FRANCAIS | 1 | 1 | |
| 16 | 052574 | DECAL / ANTIFREEZE / ENGLISH & SPANISH | 1 | 1 | |
| 17 | 050781 | DECAL / COOLANT CAPACITY / 91 LITERS / ENGLISH & FRANCAIS | 1 | 1 | |
| 18 | 051568 | HOSE / UPPER / 5/8" I.D. 318MM | 1 | 1 | |
| 18 | 503007 | . HOSE 2 PLY / RADIATOR HOSE / 5/8" I.D. / S.L. | AR | AR | |
| 20 | 502790 | SCREW CAP HEX M8-1.25x20 G8.8 Z050 | 3 | 3 | |
| 21 | 502507 | WASHER LO SPT 8.1x14.8x2.0 Z050 | 3 | 3 | |
| 22 | 500874 | WASHER FL 8.4x17.0x1.6 Z050 | 3 | 3 | |
| | | | | | |
| | | | | | |
| | | | | | |

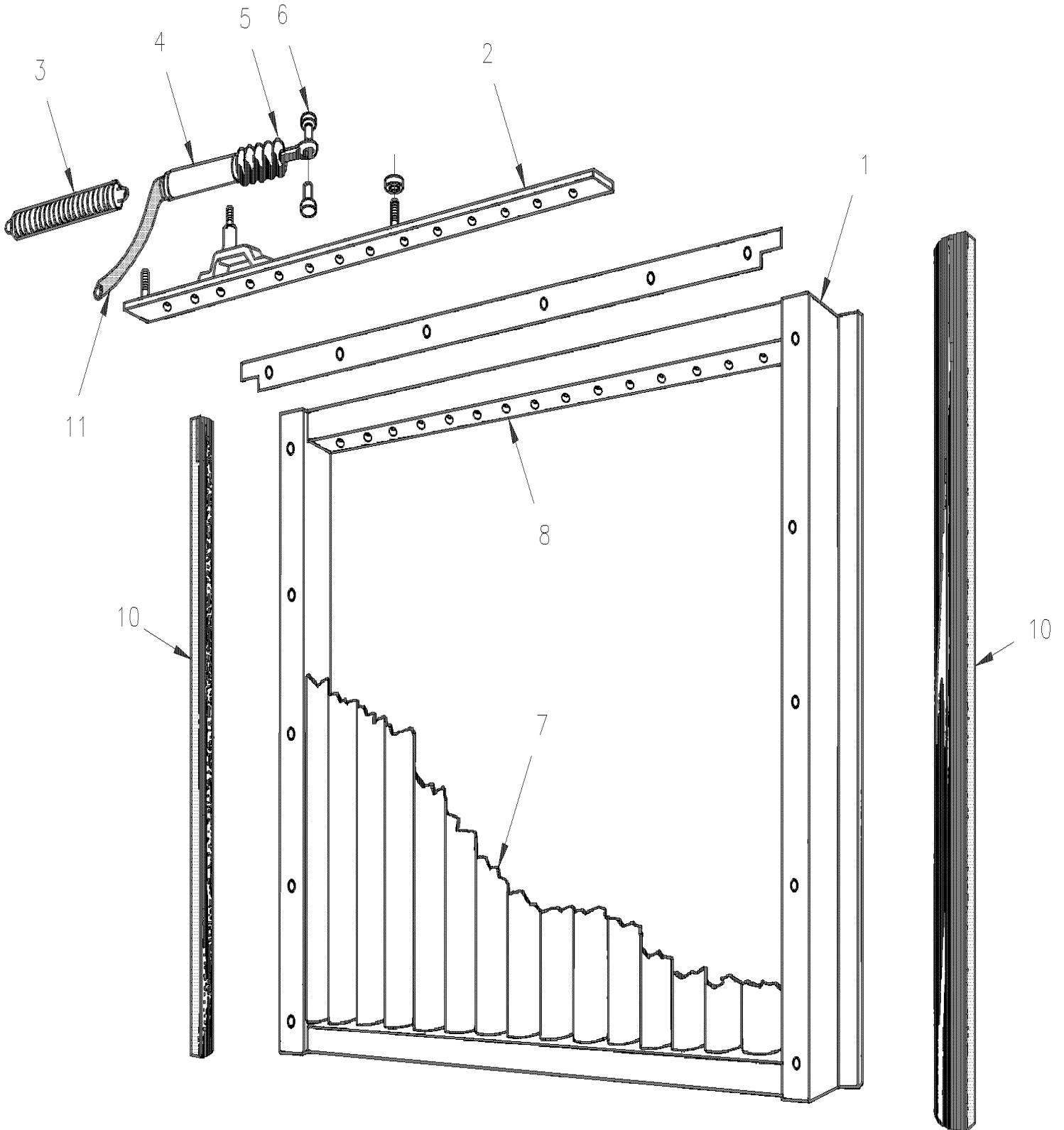
| | | |
|-------------------------------|--------------|-----------------|
| From N-192 To N-196 | Date:10/2022 | PAGE:H4-0515-01 |
| SHUTTER - RADIATOR 36" | | |



| | | |
|-------------------------------|--------------|-----------------|
| From N-192 To N-196 | Date:10/2022 | PAGE:H4-0515-01 |
| SHUTTER - RADIATOR 36" | | |

| Item# | Part | Description | H 3 4 0 | V I P 4 0 | N O T E S |
|-------|--------|--|------------------|-----------------------|-----------------------|
| 1 | 550292 | SHUTTER ASSY | 1 | | |
| 2 | 550583 | . BAR CONTROL UPPER | 1 | | |
| 2 | 550581 | . BAR CONTROL LOWER | 1 | | |
| 3 | 550577 | . SPRING EXTENSION / .350 O.D. x 6.875 x .069 | 2 | | |
| 4 | 550568 | . CYLINDER AIR / SHUTTER / W/4" MOUNT | 1 | | |
| 5 | 550569 | . . BOOT RUBBER | 1 | | |
| 6 | 550179 | . . BUSHING 5/16" I.D. / NYLON | 2 | | |
| 7 | 550582 | . VANE ASSY 30"3/16 | 17 | | |
| 8 | 550179 | . BUSHING 5/16" I.D. / NYLON | 34 | | |
| 9 | 050773 | SUPPORT LOWER / TO FIX RUBBER | 1 | | |
| NS | 050694 | SUPPORT SIDE / TO FIX RUBBER | 2 | | |
| 10 | 506001 | TAPE RUB ADH1 CC POL 1/8" x 3/4" x 50' / GREY 2520X | AR | | |
| 11 | 140658 | HOSE ASSY TEFLON #4 1456MM | 1 | | |
| NS | 141108 | HOSE ASSY TEFLON #4 427MM | 1 | | A |
| NS | 503064 | . HOSE TEFLON #4 / S.L. | AR | | |
| NS | 501892 | . FEMALE CONNECTOR SWIVEL / SAE 45° FITTING / TEFLON / #4FL-Fx#4 STL | 2 | | |
| | | | | | |
| | | | | | |
| | | | | | |
| | | A) SOLENOID & MANIFOLD BLOCK | | | |

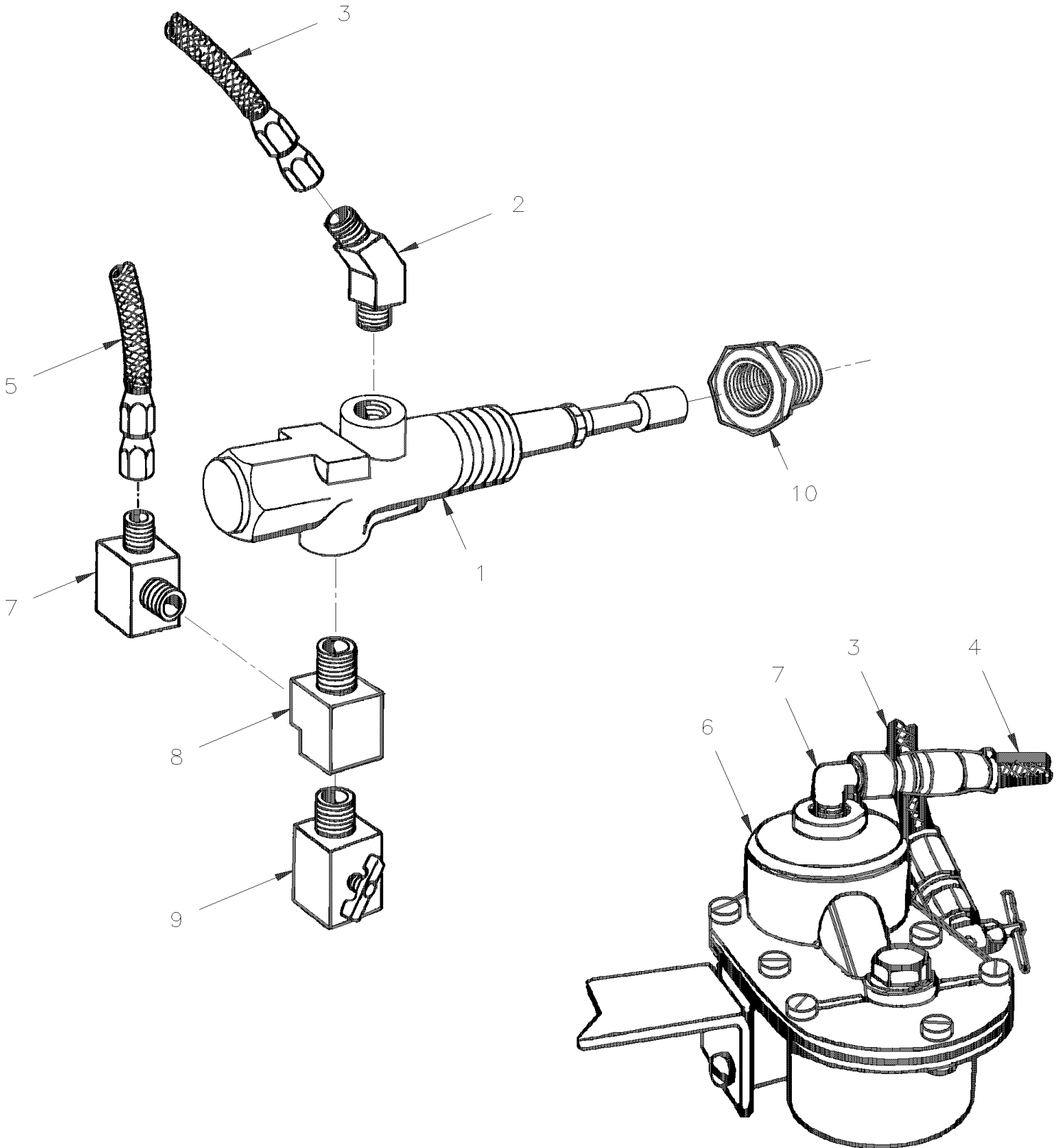
| | | |
|------------------------|--------------|-----------------|
| From L-031 To R-032 | Date:10/2022 | PAGE:H4-0515-02 |
| SHUTTER - RADIATOR 39" | | |



| | | |
|-------------------------------|--------------|-----------------|
| From L-031 To R-032 | Date:10/2022 | PAGE:H4-0515-02 |
| SHUTTER - RADIATOR 39" | | |

| Item# | Part | Description | H 3 4 0 | V I P 4 0 | N O T E S |
|-------|--------|--|------------------|-----------------------|-----------------------|
| 1 | 550619 | SHUTTER ASSY 32"1/2H X 38"1/2 W | | 1 | |
| 2 | N.P.N. | . BAR ASSY CONTROL UPPER | 1 | 1 | 4 |
| 3 | 550577 | . SPRING EXTENSION / .350 O.D. x 6.875 x .069 | 2 | 2 | |
| 4 | 550568 | . CYLINDER AIR / SHUTTER / W/4" MOUNT | 1 | 1 | |
| 5 | 550569 | . . BOOT RUBBER | 1 | 1 | |
| 6 | 550179 | . . BUSHING 5/16" I.D. / NYLON | 2 | 2 | |
| 7 | 550582 | . VANE ASSY 30"3/16 | 19 | 19 | |
| 8 | 550179 | . BUSHING 5/16" I.D. / NYLON | 38 | 38 | |
| 10 | 506001 | TAPE RUB ADH1 CC POL 1/8" x 3/4" x 50' / GREY 2520X | AR | AR | |
| 10 | 051734 | CLOSING PLATE | 2 | | A |
| 11 | 140658 | HOSE ASSY TEFLON #4 1456MM | 1 | 1 | |
| 11 | 503064 | . HOSE TEFLON #4 / S.L. | AR | AR | |
| 11 | 501892 | . FEMALE CONNECTOR SWIVEL / SAE 45° FITTING / TEFLON / #4FL-Fx#4 STL | 2 | 2 | |
| | | | | | |
| | | | | | |
| | | A) RADIATOR & SHUTTER 39" / N-192 & N-196 | | | |
| | | 4) NO PARTS NUMBER | | | |

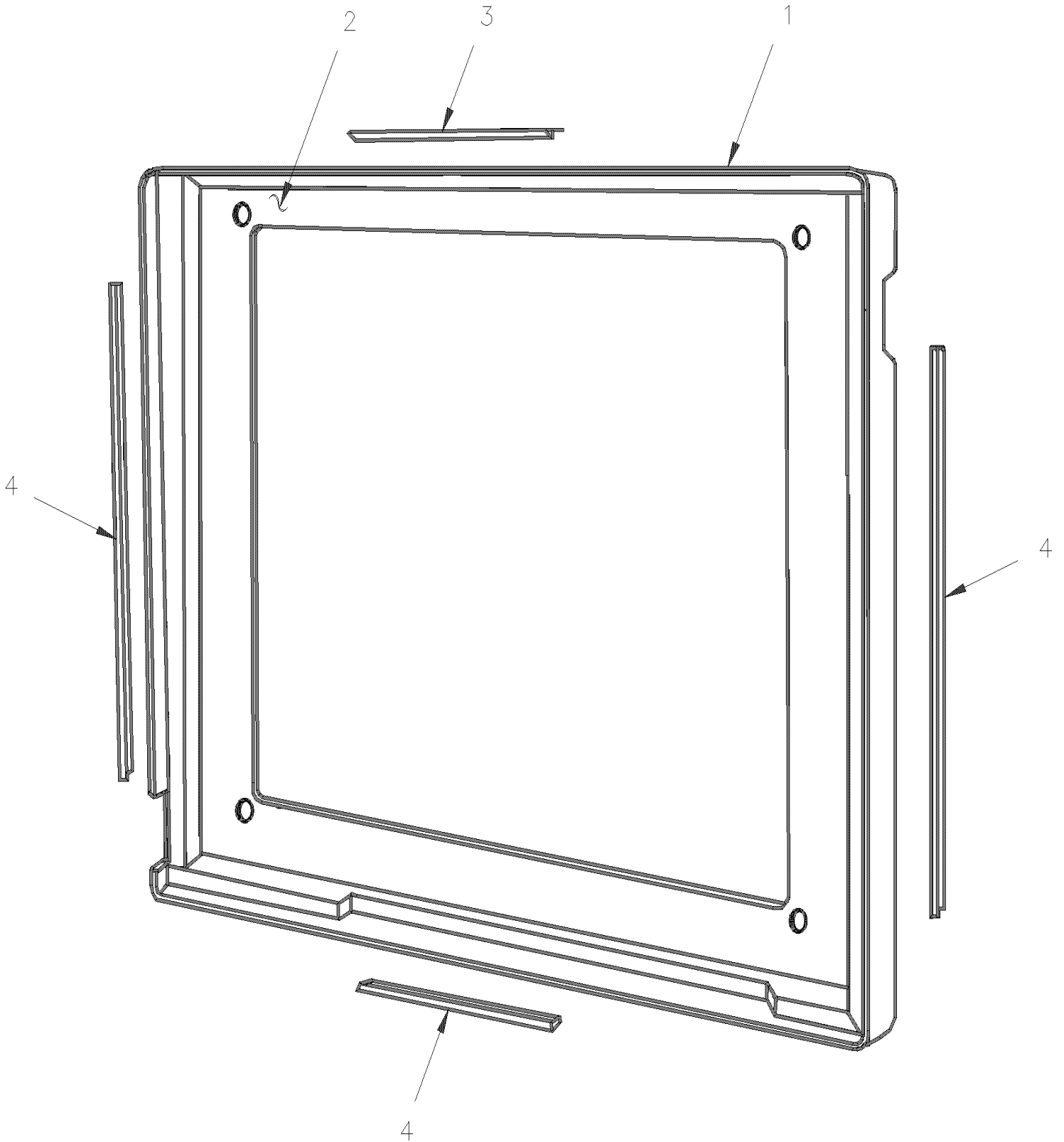
| | | |
|---|--------------|-----------------|
| From L-031 To R-032 | Date:10/2022 | PAGE:H4-0515-05 |
| SHUTTERSTAT ELEMENT & LUBRICATOR | | |



| | | |
|---|--------------|-----------------|
| From L-031 To R-032 | Date:10/2022 | PAGE:H4-0515-05 |
| SHUTTERSTAT ELEMENT & LUBRIFICATOR | | |

| Item# | Part | Description | H 3 4 0 | V I P 4 0 | N O T E S |
|-------|--------|--|------------------|-----------------------|-----------------------|
| 1 | 550023 | VALVE, SHUTTERSTAT 180° / 3/8" NPT x 1/8" NPT | 1 | 1 | |
| 2 | 501808 | MALE ELBOW 45° / SAE 45° FITTING / #4FL-Mx1/8NPT-M BR | 1 | 1 | |
| 3 | 141108 | HOSE ASSY TEFLON #4 427MM | 1 | 1 | A |
| 4 | 051127 | HOSE ASSY TEFLON #4 821MM | 1 | | |
| 4 | 051129 | HOSE ASSY TEFLON #4 668MM | 1 | | |
| 5 | 140658 | HOSE ASSY TEFLON #4 1456MM | 1 | 1 | |
| 5 | 503064 | . HOSE TEFLON #4 / S.L. | AR | AR | |
| 5 | 501892 | . FEMALE CONNECTOR SWIVEL / SAE 45° FITTING / TEFLON / #4FL-Fx#4 STL | 2 | 2 | |
| 6 | 550588 | LUBRICATOR SHUTTERSTAT | 1 | | |
| NS | 550590 | KIT MAINTENANCE AIR FILTER | AR | | |
| NS | 550589 | OIL SHUTTERSTAT FLUID | AR | | |
| 7 | 501036 | MALE ELBOW 90° / SAE 45° FITTING / #4FL-Mx1/8NPT-M BR | 1 | 1 | |
| 8 | 501653 | MALE RUN TEE / PIPE FITTING / 1/8NPT-Mx1/8NPT-Fx1/8NPT-F BR | 1 | 1 | |
| 9 | 501354 | NEEDLE VALVE 1/8 NPT M x 1/8 NPT F | 1 | 1 | |
| 10 | 501605 | BUSHING REDUCER / PIPE FITTING / 1NPT-Mx1/2NPT-F STL | 1 | 1 | |
| | | | | | |
| | | | | | |
| | | | | | |
| | | A) SOLENOID & MANIFOLD BLOCK | | | |

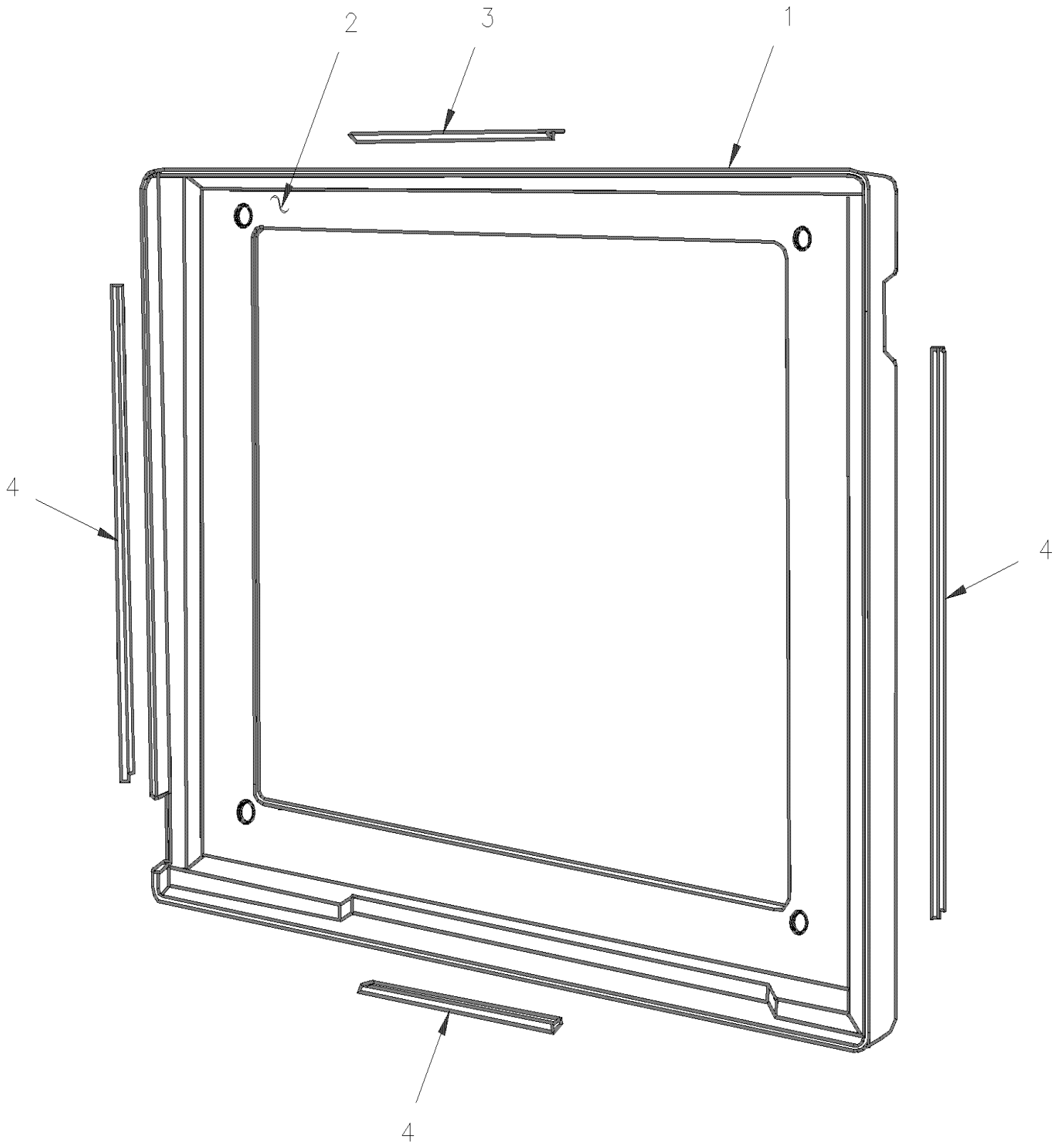
| | | |
|--|--------------|-----------------|
| From N-192 To N-196 | Date:10/2022 | PAGE:H4-0518-01 |
| RADIATOR SEALING FRAME - W/36" RADIATOR | | |



| | | |
|--|--------------|-----------------|
| From N-192 To N-196 | Date:10/2022 | PAGE:H4-0518-01 |
| RADIATOR SEALING FRAME - W/36" RADIATOR | | |

| Item# | Part | Description | H 3 4 0 | V I P 4 0 | N O T E S |
|-------|--------|-----------------------------------|------------------|-----------------------|-----------------------|
| 1 | 051802 | FRAME SEALING | 1 | | |
| 2 | 500845 | SCREW CAP HEX 5/16-18x1/2 G5 Z050 | 8 | | |
| NS | 500874 | WASHER FL 8.4x17.0x1.6 Z050 | 8 | | |
| 3 | 212056 | RETAINER 12" / WELDED TO FRAME | 2 | | |
| 4 | 212055 | RETAINER 32" / WELDED TO FRAME | 2 | | |
| | | | | | |
| | | | | | |
| | | | | | |

| | | |
|--|--------------|-----------------|
| From N-242 To R-032 | Date:10/2022 | PAGE:H4-0518-02 |
| RADIATOR SEALING FRAME - W/39" RADIATOR | | |



| | | |
|--|--------------|-----------------|
| From N-242 To R-032 | Date:10/2022 | PAGE:H4-0518-02 |
| RADIATOR SEALING FRAME - W/39" RADIATOR | | |

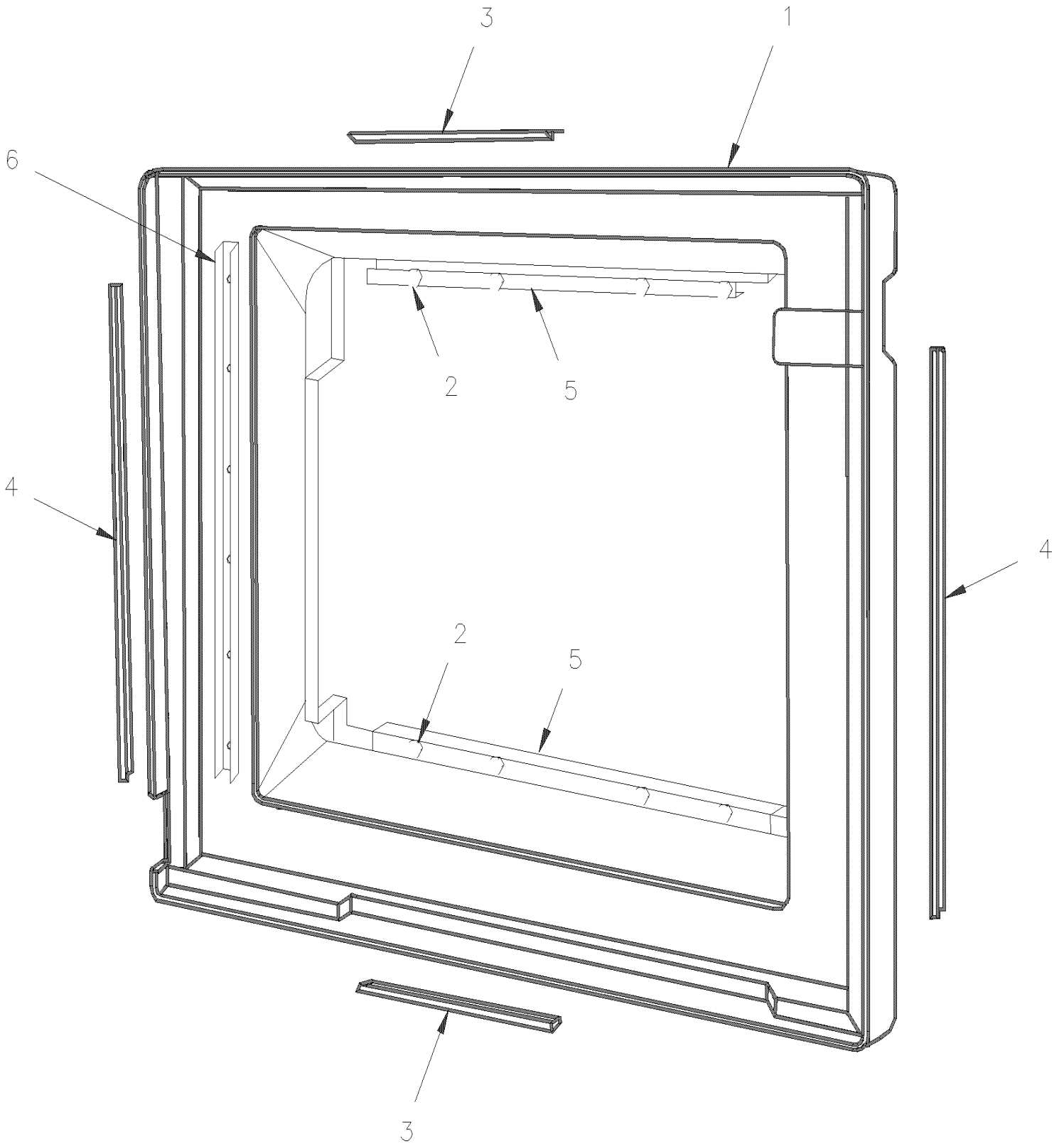
| Item# | Part | Description | H 3 4 0 | V I P 4 0 | N O T E S |
|-------|--------|-----------------------------------|------------------|-----------------------|-----------------------|
| 1 | 051788 | FRAME, SEALING | 1 | 1 | |
| 2 | 500845 | SCREW CAP HEX 5/16-18x1/2 G5 Z050 | 8 | 8 | |
| NS | 500874 | WASHER FL 8.4x17.0x1.6 Z050 | 8 | 8 | |
| 3 | 212056 | RETAINER 12" / WELDED TO FRAME | 2 | 2 | |
| 4 | 212055 | RETAINER 32" / WELDED TO FRAME | 2 | 2 | |
| | | | | | |
| | | | | | |
| | | | | | |

From P-256 To R-079

Date:10/2022

PAGE:H4-0518-03

RADIATOR SEALING FRAME



| | | |
|-------------------------------|--------------|-----------------|
| From P-256 To R-079 | Date:10/2022 | PAGE:H4-0518-03 |
| RADIATOR SEALING FRAME | | |

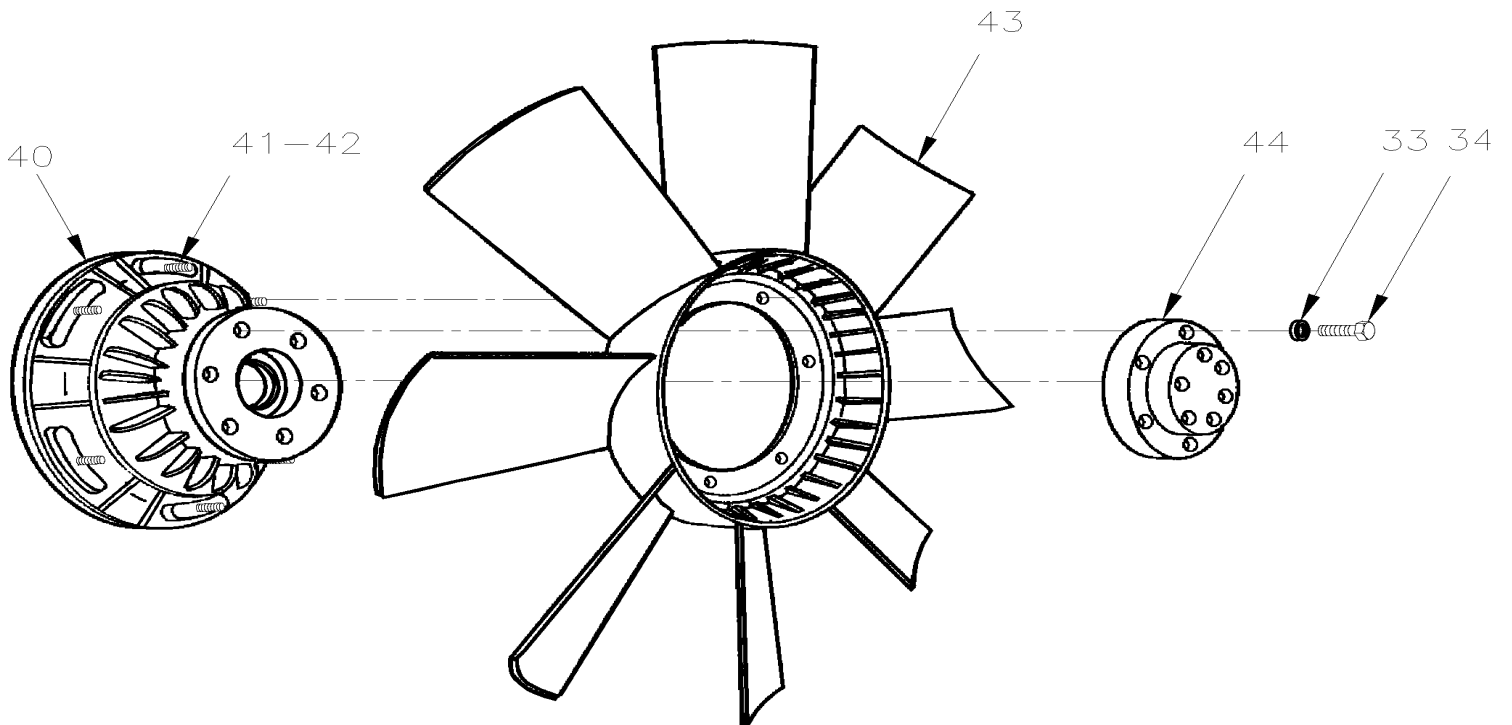
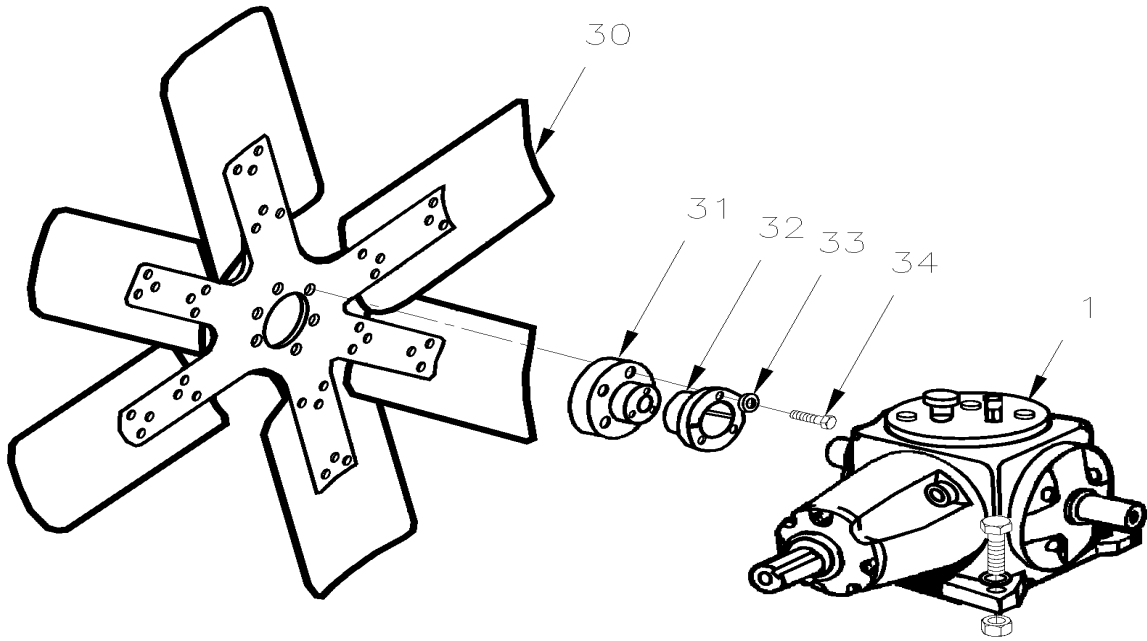
| Item# | Part | Description | H 3 4 0 | V I P 4 0 | N O T E S |
|-------|--------|--|------------------|-----------------------|-----------------------|
| 1 | 051852 | FRAME, SEALING To R-018 | 1 | 1 | |
| 1 | 052007 | FRAME, SEALING From R-019 | 1 | | |
| NS | 506003 | TAPE RUB ADH1 CC POL 3/16" x 3/4" x 40' / GREY 2520X | AR | AR | |
| NS | 506007 | TAPE RUB ADH1 CC NEO 3/4" x 1" x 10' / BLACK 1220 | AR | AR | |
| 2 | 051986 | U CHANEL RETAINER | 1 | 1 | |
| 3 | 504339 | RIVET POP DOME OE 1/8x3/8 SS | 7 | 7 | |
| 4 | 500437 | WASHER FL .125x.375x.040 Z050 | 7 | 7 | |
| 5 | 500845 | SCREW CAP HEX 5/16-18x1/2 G5 Z050 | 8 | 8 | |
| 6 | 500874 | WASHER FL 8.4x17.0x1.6 Z050 | 8 | 8 | |
| 7 | 051985 | ANGLE, RETAINER | 2 | 2 | |
| 10 | 212056 | RETAINER 12" / WELDED TO FRAME | 2 | 2 | |
| 11 | 212055 | RETAINER 32" / WELDED TO FRAME | 2 | 2 | |
| | | | | | |
| | | | | | |
| | | | | | |

From L-031 To R-032

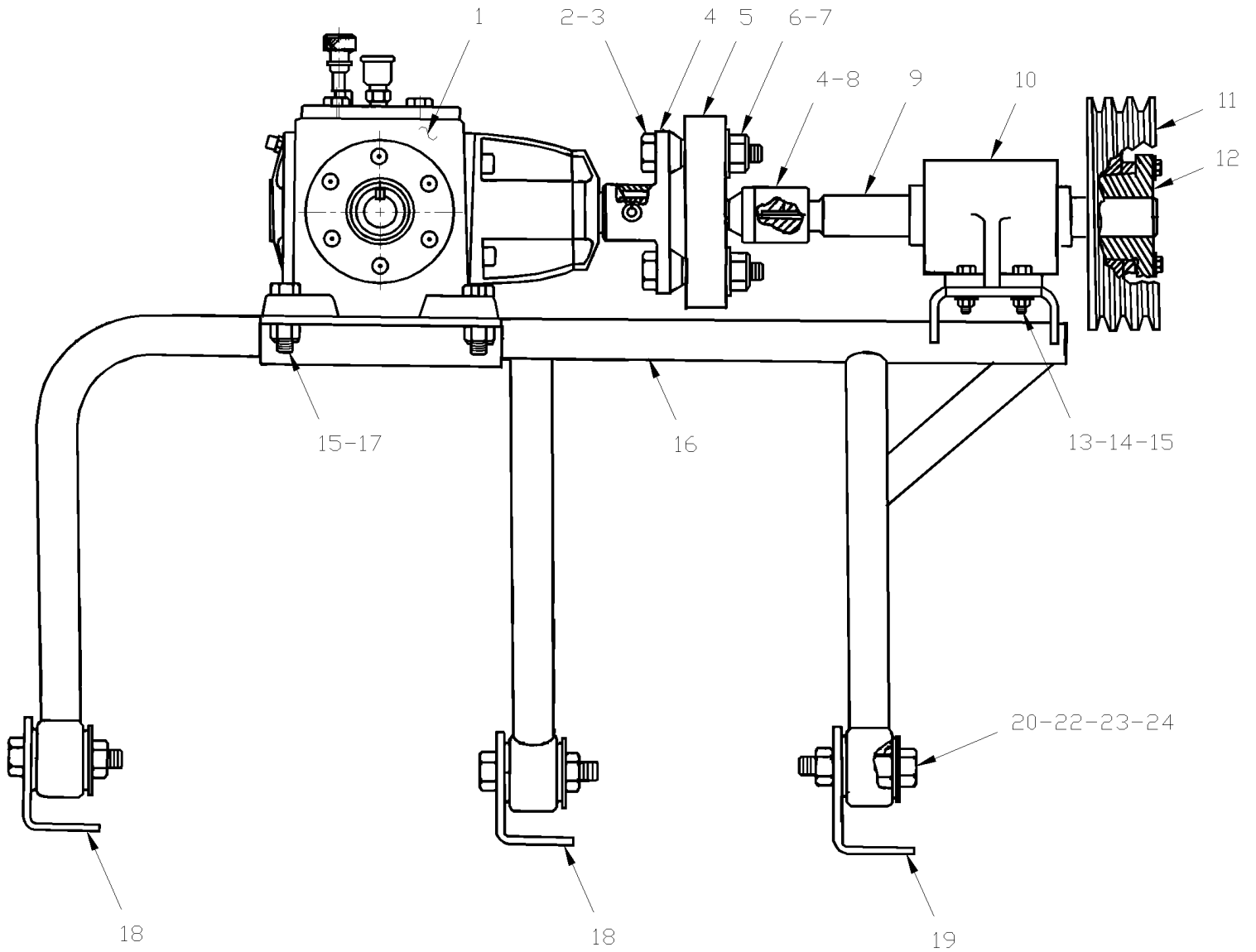
Date:10/2022

PAGE:H4-0520-02

FAN DRIVE - INSTALLATION FIXED WITH DETROIT S-92



| | | |
|--|--------------|-----------------|
| From L-031 To R-032 | Date:10/2022 | PAGE:H4-0520-02 |
| FAN DRIVE - INSTALLATION FIXED WITH DETROIT S-92 | | |



| | | |
|---|--------------|-----------------|
| From L-031 To R-032 | Date:10/2022 | PAGE:H4-0520-02 |
| FAN DRIVE - INSTALLATION FIXED WITH DETROIT S-92 | | |

| Item# | Part | Description | H 3 4 0 | V I P 4 0 | N O T E S |
|-------|------------|--|------------------|-----------------------|-----------------------|
| 1 | H4-0525-00 | GEARBOX "BOSTON GEAR" - #550027 To R-014 | | | |
| 1 | H4-0525-02 | GEARBOX "SUPERIOR" - #051934 - W/DETROIT S-92 From R-015 | | | |
| 1 | H4-0525-99 | GEARBOX "SUPERIOR" / RETROFIT | | | |
| NS | 051914 | SPACER ADAPTOR | 1 | 1 | |
| 2 | 550186 | KEY 1/4" X 1/4" X 1 1/4" | 1 | 1 | |
| 3 | 500912 | SCREW SET HEXS CUP 3/8-16x3/8 | 2 | 2 | |
| 4 | 051745 | FLANGE COUPLING / W/SHAFT 1"O.D. | 2 | 2 | |
| 4 | 052215 | FLANGE COUPLING / W/SHAFT 1 1/4 O.D. | 1 | 1 | |
| 5 | 550272 | COUPLING | 1 | 1 | |
| 6 | 500096 | SCREW CAP HEX 1/2-20x3 G5 Z050 | 4 | 4 | |
| 7 | 500718 | NUT HEX STO 1/2-20 Z050 | 4 | 4 | |
| 8 | 505074 | KEY WOODRUFF | 1 | 1 | |
| 9 | 051634 | SHAFT | 1 | 1 | |
| 10 | 550601 | BLOCK PILLOW | 1 | 1 | |
| 10 | 051693 | . BEARING | 2 | 2 | |
| 11 | 051603 | PULLEY (3V X 7.40 DIA) | 1 | 1 | |
| 12 | 550602 | CONE BUSHING 1 1/4 I.D X 3 O.D. X 4 5/8 O.D. | 1 | 1 | |
| 13 | 500806 | SCREW CAP HEX M12-1.75X35 G10.9 G500 | 4 | 4 | |
| 14 | 500446 | WASHER FL .531x1.250x.125 Z050 | 8 | 8 | |
| 15 | 500811 | NUT HEX STO M12-1.75 G500 | 4 | 4 | |
| 16 | 051635 | SUPPORT ASSY | 1 | 1 | |
| 17 | 502731 | SCREW CAP HEX M12-1.75x40 G8.8 Z050 | 4 | 4 | |
| 18 | 051294 | BRACKET FRONT / 3 1/2" HIGH W 2 3/16" | 2 | 2 | |
| 19 | 051772 | SUPPORT ANGLE / FRONT | 2 | 2 | |
| NS | 051779 | ATTACHMENT PLATE ASSY / TO FIX ANGLE TO FLOOR | 1 | 1 | |
| 20 | 630062 | BUSHING / RUBBER / (ONE PIECE) 2" x 1.005" I.D. | 4 | 4 | |
| 21 | 130379 | SLEEVE 3/4" I.D. X 1" O.D. X 1 11/16" LG | 4 | 4 | |
| 22 | 500145 | SCREW CAP HEX 3/4-16x3 1/2 G5 Z050 | 4 | 4 | |
| 23 | 500451 | WASHER FL .812x2.000x.148 ZP | 8 | 8 | |
| 24 | 500735 | NUT HEX STO 3/4-16 ZP | 4 | 4 | |
| NS | 502594 | SCREW CAP HEX M12-1.75x30 G8.8 Z050 | AR | AR | |
| NS | 500333 | SCREW TP OV PH #6x3/4 BK | AR | AR | |
| NS | 500811 | NUT HEX STO M12-1.75 G500 | AR | AR | |
| 30 | 550627 | FAN ASSY / CW 32" / 9 BLADES PLASTIC | 1 | 1 | |
| 30 | 550573 | FAN ASSY / CCW 30" / 8 BLADES STEEL | 1 | | |
| 30 | 550626 | FAN ASSY / CCW 30" / 7 BLADES PLASTIC | 1 | | |
| 30 | 550576 | FAN ASSY / CCW 32" / 8 BLADES STEEL | 1 | | |
| 30 | 550622 | FAN ASSY / CCW 32" / 7 BLADES PLASTIC | 1 | | |
| 30 | 550627 | FAN ASSY / CW 32" / 9 BLADES PLASTIC From N-188 | | 1 | |
| 31 | 050907 | COUPLING FAN / TO FIX PULLEY | 1 | 1 | |
| 32 | 550594 | CONE BUSHING 1 I.D X 1 1/2 O.D. X 2 5/8 O.D. | 1 | 1 | |
| 33 | 500478 | WASHER LO SPT .380x.683x.094 Z050 | 6 | 6 | |

| | | |
|---|--------------|-----------------|
| From L-031 To R-032 | Date:10/2022 | PAGE:H4-0520-02 |
| FAN DRIVE - INSTALLATION FIXED WITH DETROIT S-92 | | |

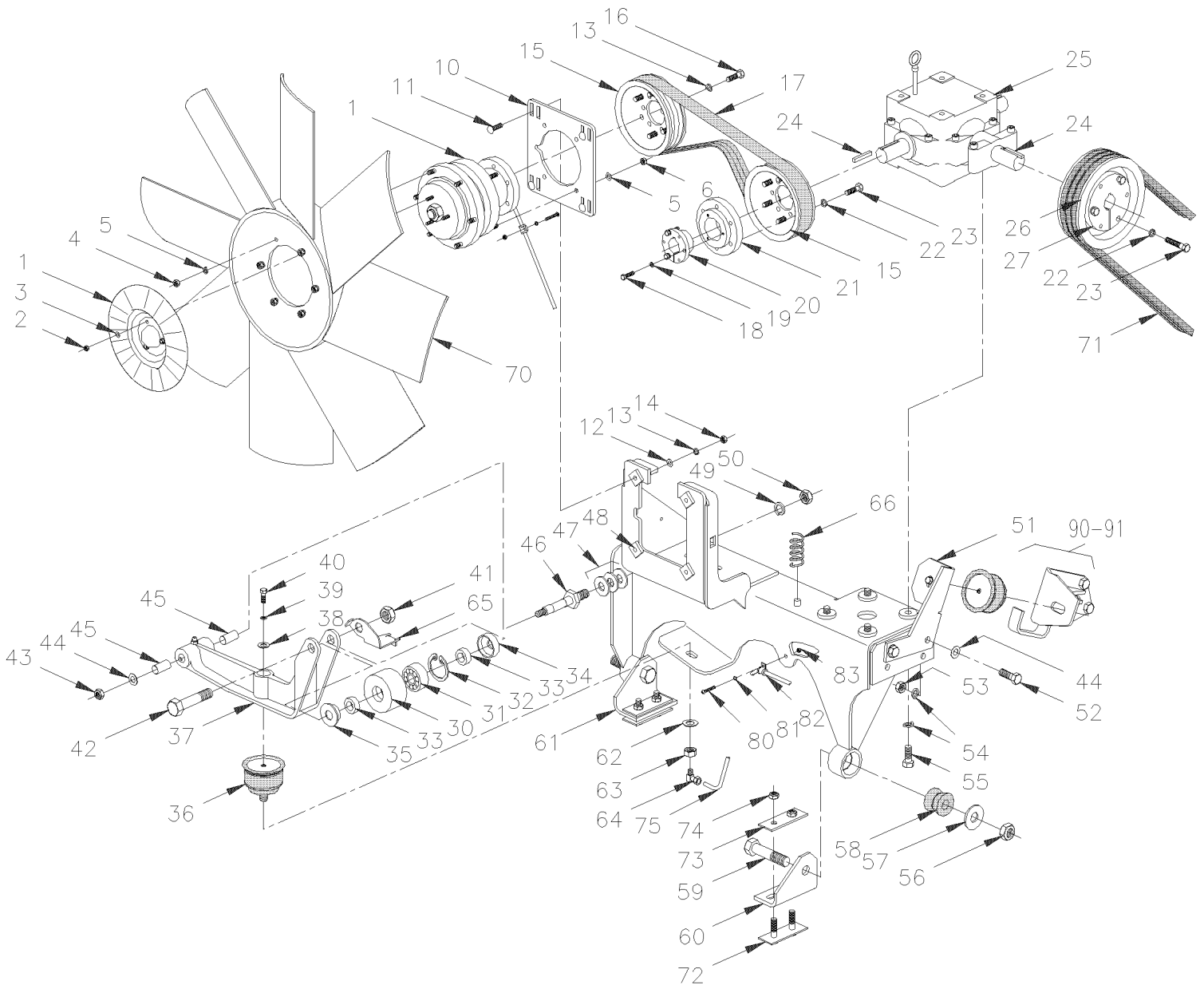
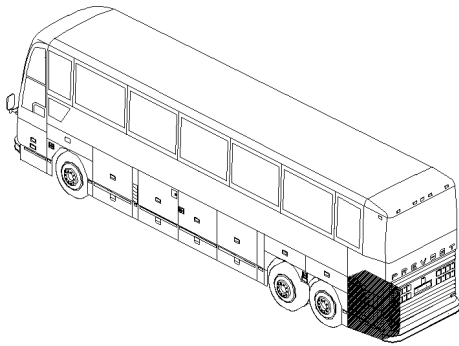
| Item# | Part | Description | H 3 4 0 | V I P 4 0 | N O T E S |
|-------|--------|---|------------------|-----------------------|-----------------------|
| 34 | 500048 | SCREW CAP HEX 3/8-24x1 1/4 G5 ZP | 6 | 6 | |
| 35 | 500705 | NUT HEX 3/8-24 ZP | 1 | 1 | |
| 40 | 500476 | WASHER LO SPT .317x.586x.078 Z050 | 6 | 6 | |
| 40 | 550570 | DRIVE ASSY / W/30" THERMOSTATIC FAN | 1 | | |
| 40 | 550604 | DRIVE ASSY / W/32" THERMOSTATIC FAN | 1 | 1 | |
| 41 | 500778 | NUT HEX 5/16-18 N500 | 6 | 6 | |
| 43 | 550571 | FAN BLADE / PLASTIC CW 30" / THERMOSTATIC | 1 | | |
| 43 | 550605 | FAN BLADE / PLASTIC CW 32" / THERMOSTATIC | 1 | 1 | |
| 44 | 050873 | COUPLING / W/THERMOSTATIC FAN | 1 | 1 | |
| NS | 500705 | NUT HEX 3/8-24 ZP | 6 | 6 | |
| | | | | | |
| | | | | | |
| | | | | | |

From P-256 To R-079

Date:10/2022

PAGE:H4-0520-03

FAN DRIVE - INSTALLATION



| | | | |
|---------------------------------|--|--------------|-----------------|
| From P-256 To R-079 | | Date:10/2022 | PAGE:H4-0520-03 |
| FAN DRIVE - INSTALLATION | | | |

| Item# | Part | Description | H 3 4 0 | V I P 4 0 | N O T E S |
|-------|-------------------|---|------------------|-----------------------|-----------------------|
| | 052006P | FAN DRIVE ASSY | 1 | 1 | |
| 1 | 550634 | . FAN CLUTCH ASSY / | 1 | 1 | |
| 2 | 502511 | . . NUT HEX NYRT M6-1.0 Z050 | 3 | 3 | |
| 3 | 502573 | . . WASHER FL 6.4x12.5x1.6 SS | 3 | 3 | |
| 4 | 502543 | . . NUT HEX M8-1.25 Z050 | 6 | 6 | |
| 5 | 500874 | . . WASHER FL 8.4x17.0x1.6 Z050 | 8 | 8 | |
| 6 | 502744 | . . NUT HEX STO M8-1.25 Z050 | 4 | 4 | |
| 10 | 051898 | . PLATE TRANSITION / FAN CLUTCH & SUPPORT | 1 | 1 | |
| 11 | 5001208 | . SCREW CRG M8-1.25x30 G8.8 Z050 | 4 | 4 | |
| 12 | 500874 | . WASHER FL 8.4x17.0x1.6 Z050 | 8 | 8 | |
| 13 | 5001003 | . WASHER LO SPT 8.1x12.7x2.0 Z050 | 10 | 10 | |
| 14 | 502543 | . NUT HEX M8-1.25 Z050 | 4 | 4 | |
| 15 | 051830 | . PULLEY / W/10RIB X 6.10" DIA | 2 | 2 | |
| 16 | 502528 | . SCREW CAP HEX M8-1.25x20 G8.8 EMN | 6 | 6 | |
| 17 | 506663 | . MULTI V-BELT / 10 RIB 50" 5100495 | 1 | 1 | |
| 18 | 500177 | . SCREW CAP HEX 1/4-20x1 G8 ZP | 3 | 3 | |
| 19 | 500473 | . WASHER LO SPT .262x.489x.062 Z050 | 3 | 3 | |
| 20 | 550690 | . CONE BUSHING 1 1/4 I.D X 1 13/16 O.D. X 2 5 | 1 | 1 | |
| 21 | 050907 | . COUPLING FAN / TO FIX PULLEY | 3 | 3 | |
| 22 | 500478 | . WASHER LO SPT .380x.683x.094 Z050 | 6 | 6 | |
| 23 | 500048 | . SCREW CAP HEX 3/8-24x1 1/4 G5 ZP | 6 | 6 | |
| 24 | 550186 | . KEY 1/4" X 1/4" X 1 1/4" | 2 | 2 | |
| 25 | H4-0525-03 | GEARBOX "SUPERIOR" - #550688 - W/DETROIT S-60 | | | |
| 26 | 051603 | . PULLEY (3V X 7.40 DIA) | 1 | 1 | |
| 27 | 550691 | . CONE BUSHING 1 1/4 I.D X 3 O.D. X 4 5/8 O.D | 1 | 1 | |
| 30 | 052010 | . PULLEY | 1 | 1 | |
| 30 | 052208 | . PULLEY ASSY W/BEARING & SEAL / 43MM x 78MM | 1 | 1 | |
| 30 | 052676 | . PULLEY ASSY W/BEARING & SEAL / 54MM x 75MM | 1 | 1 | E |
| 30 | 052207 | . . PULLEY BELT TENSIONER / 43MM x 78MM O.D. | 1 | 1 | A |
| 30 | 052677 | . . PULLEY / 54MM WIDE x 75MM O.D. | 1 | 1 | E |
| 31 | 507340 | . . BALL BEARING 20 ID x 52 OD x 22.2 W | 1 | 1 | |
| 31 | 510618 | . . BALL BEARING DBL ROW / 30MM x 62MM x 27 W | 1 | 1 | E |
| 32 | 504095 | . . RING RETAINER / INT 2.00 x 2.12 x .062 | 1 | 1 | |
| 32 | 504040 | . . RING RETAINER / INT 2.440 x 1.860 x 0.078 STL BLK | 1 | 1 | E |
| 33 | 052004 | . . SPACER / BEARING & ARM T | 2 | 2 | |
| 33 | 052205 | . . SPACER 20MM I.D. X 12.5MM TH | 2 | 2 | |
| 33 | 052627 | . . BUSHING TRANSFER FAN | 1 | 1 | E |
| 34 | 507361 | . . SEAL | 1 | 1 | |
| 34 | 507371 | . . SEAL | 1 | 1 | E |
| 35 | 507360 | . . SEAL | 1 | 1 | |
| NS | 680500 | . . GREASE MERITOR / 400GR | AR | AR | |
| NS | 680752 | . . GREASE LITHIUM / BLUE | AR | AR | |

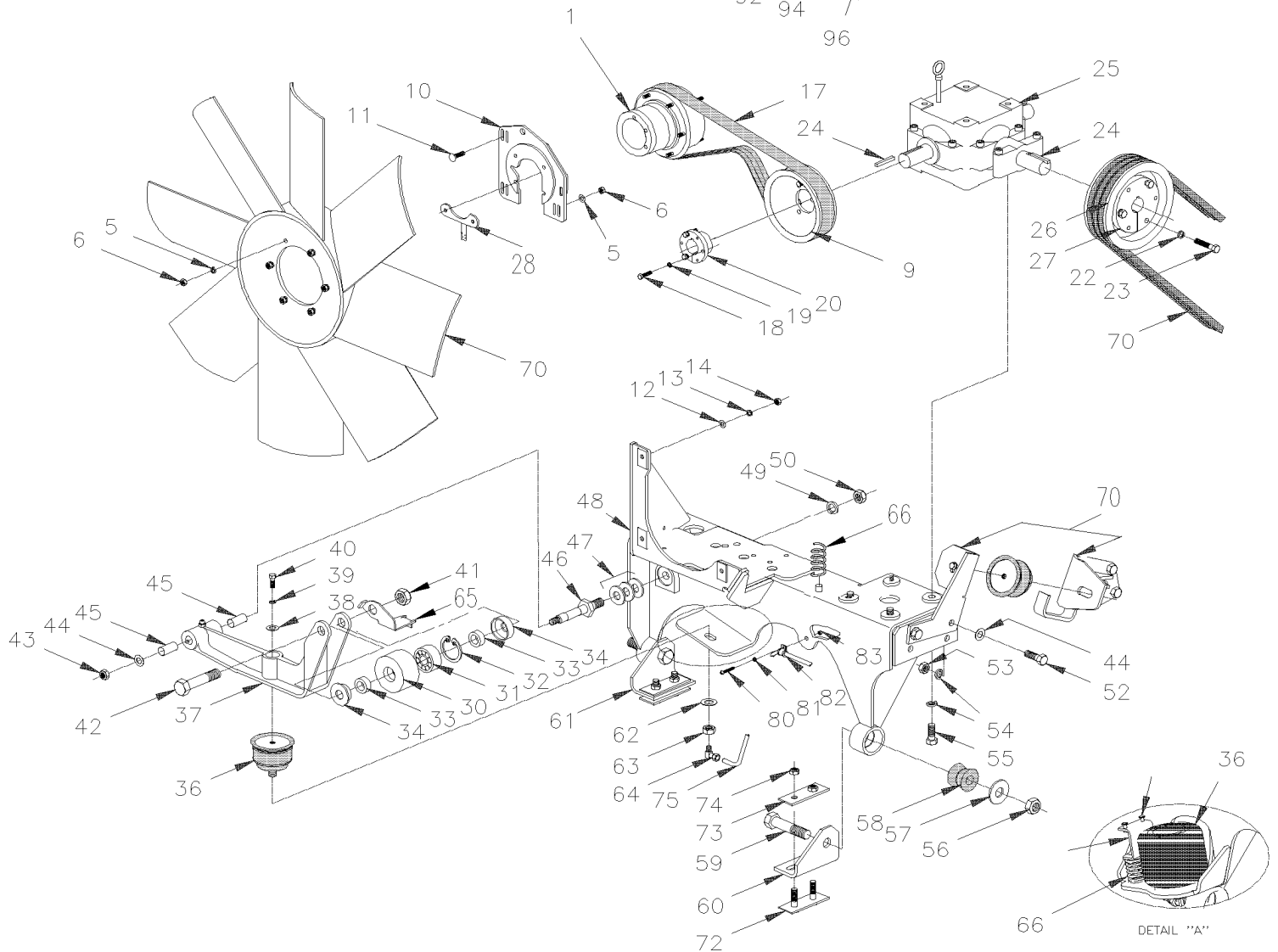
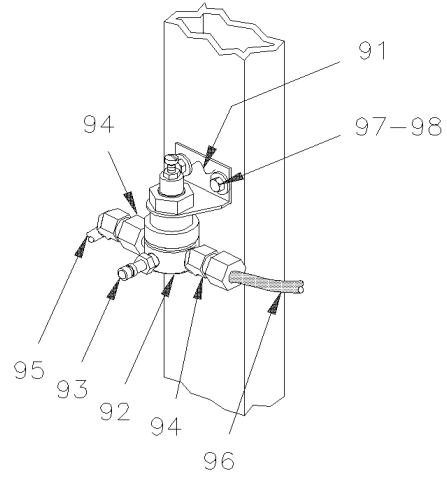
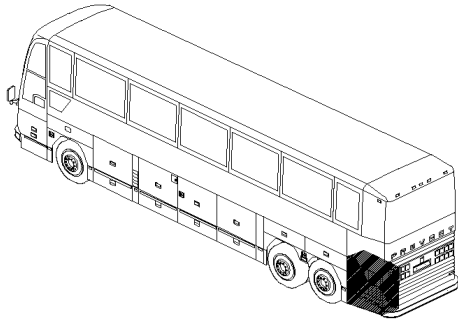
| | | |
|---------------------------------|--------------|-----------------|
| From P-256 To R-079 | Date:10/2022 | PAGE:H4-0520-03 |
| FAN DRIVE - INSTALLATION | | |

| Item# | Part | Description | H 3 4 0 | V I P 4 0 | N O T E S |
|-------|---------|---|------------------|-----------------------|-----------------------|
| 35 | 507371 | . SEAL | 1 | 1 | E |
| 36 | 950208 | . BELLOW ASSY / BELT TENSIONER / 3" O.D. | 2 | 2 | |
| . NS | 504695 | . HOSE CLAMP STEPLESS SPRING SS / OETIKER / 2.9-3.3 | 1 | 1 | |
| 37 | 051991 | . ARM, BELT TENSIONER / IRON USE W 45MM WIDE PULLEY | 1 | 1 | D |
| 37 | 052624 | . ARM, BELT TENSIONER / IRON USE W 54MM WIDE PULLEY | 1 | 1 | |
| 38 | 500985 | . WASHER FL .343x.875x.125 Z050 | 1 | 1 | |
| 39 | 500476 | . WASHER LO SPT .317x.586x.078 Z050 | 1 | 1 | |
| 40 | 5001132 | . SCREW CAP HEX 5/16-18x7/8 G5 Z050 | 1 | 1 | |
| 41 | 500735 | . NUT HEX STO 3/4-16 ZP | 3 | 3 | |
| 41 | 5001252 | . NUT HEX STO M20-2.5 DP | 1 | 1 | E |
| 42 | 500145 | . SCREW CAP HEX 3/4-16x3 1/2 G5 Z050 | 3 | 3 | |
| 42 | 983296 | . SCREW CAP HEX M20-2.5x90 G10.9 ZP | 1 | 1 | C E |
| 43 | 500811 | . NUT HEX STO M12-1.75 G500 | 1 | 1 | |
| 43 | 5001628 | . NUT HEX NYRT M10-1.5 SS | 1 | 1 | C |
| 44 | 500446 | . WASHER FL .531x1.250x.125 Z050 | 1 | 1 | |
| 44 | 500270 | . WASHER FL .406x1.000x.063 SS | 1 | 1 | C |
| 45 | 507293 | . BUSHING NYLINED .625x.750x.750 | 2 | 2 | |
| 46 | 052003 | . PIVOT / TO FIX TENSIONER TO SUPPORT | 1 | 1 | |
| 46 | 052670 | . PIVOT / TO FIX TENSIONER TO SUPPORT | 1 | 1 | C |
| 46 | 501497 | . GREASE FITTING / 1/4-28 | 1 | 1 | |
| 47 | 500449 | . WASHER FL .625x1.500 SS | AR | AR | |
| 48 | 051908 | . SUPPORT FAN CLUTCH & GEAR BOX / SHORT | 1 | 1 | |
| 48 | 052209 | . SUPPORT FAN CLUTCH & GEAR BOX / SHORT | 1 | 1 | B |
| 49 | 500802 | . WASHER LO SPT 16.2x37.4x3.5 Z050 | 1 | 1 | |
| 50 | 502588 | . NUT HEX M16-2.0 ZP | 1 | 1 | |
| 51 | 052066 | . SUPPORT / BELLOW TENSIONNER | 1 | 1 | |
| 54 | 500482 | . WASHER LO SPT .506x.873x.125 Z050 | 6 | 6 | |
| 55 | 500214 | . SCREW CAP HEX 1/2-13x1 1/4 G5 Z050 | 4 | 4 | |
| 57 | 500451 | . WASHER FL .812x2.000x.148 ZP | 2 | 2 | |
| 58 | 630002 | . BUSHING / RUBBER / (TWO PIECES) 1" x 1.005" I.D. | 2 | 2 | |
| NS | 507347 | . SPACER / BUSHING | 2 | 2 | |
| 60 | 051294 | . BRACKET FRONT / 3 1/2" HIGH W 2 3/16" | 1 | 1 | |
| 61 | 052005 | . SUPPORT, ANGLE / REAR | 1 | 1 | |
| 62 | 5001150 | . WASHER FL 17.0x30.0x3.0 N500 | 1 | 1 | |
| 63 | 500792 | . NUT HEX 5/8-11 Z050 | 1 | 1 | |
| 64 | 640996 | . MALE ELBOW 90° / NTA FITTING / #4x1/8NPT-M BR | 1 | 1 | |
| 65 | 052206 | . SPRING ATTACHMENT W/45MM WIDE PULLEY | 1 | 1 | B |
| 66 | 502247 | . SPRING COMPRESSION / 1.250 O.D. x 2.5 x .125 | 1 | 1 | B |
| 70 | 550632 | FAN ASSY / CW 32" / 8 BLADES PLASTIC | 1 | 1 | |
| 70 | 550686 | FAN ASSY / CW 32" / 9 BLADES PLASTIC | AR | AR | |
| 71 | 506691 | V-BELT / AX-73 9012-2073 | 3 | 3 | |
| 72 | 051779 | ATTACHMENT PLATE ASSY / TO FIX ANGLE TO FLOOR | 2 | 2 | |

| | | |
|---------------------------------|--------------|-----------------|
| From P-256 To R-079 | Date:10/2022 | PAGE:H4-0520-03 |
| FAN DRIVE - INSTALLATION | | |

| Item# | Part | Description | H 3 4 0 | V I P 4 0 | N O T E S |
|-------|-------------------|---|------------------|-----------------------|-----------------------|
| 73 | 050706 | SPACER 3/8" TH | AR | AR | |
| 73 | 050705 | SPACER 1/4" TH | AR | AR | |
| 74 | 500714 | NUT HEX STO 7/16-20 Z050 | 4 | 4 | |
| NS | 500666 | NUT SPR FL REC 7/16-20 .69x.91 | 4 | 4 | |
| 80 | 500574 | SCREW MA TR PH #10-24x1 1/4 SS | 1 | 1 | |
| 81 | 500470 | WASHER LO SPT .193x.334x.047 Z050 | 2 | 2 | |
| 82 | 560503 | CLAMP / 1/4" I.D. | 1 | 1 | |
| 83 | 500786 | NUT HEX #10-24 Z050 | 1 | 1 | |
| 90 | 052050 | SUPPORT BELLOW TENTIONER | 1 | 1 | |
| 90 | 059055 | SUPPORT BELLOW TENSIONER From SERVICE | 1 | 1 | |
| 91 | H4-0125-01 | BELTS TENSIONERS - WITH DETROIT S-60 | | | |
| 100 | 052689 | KIT, RETROFIT ARM W/54MM PULLEY | 1 | 1 | |
| | | | | | |
| | | | | | |
| | | A) FOR IMPROVE BEARING LIFE CHANGES PULLEY FOR #052208 | | | |
| | | B) SEE ATTACHED TEXT RELATED TO NOTE B | | | |
| | | C) SERVICE | | | |
| | | D) THIS ARM IT SUPPERSEDED BY # 052689 ARM ASSY WITH PULLEY | | | |
| | | E) THIS PART ARE INCLUDE WITH NEW ARM ASSY #052689 | | | |

| | | |
|---|--------------|-----------------|
| From P-256 To R-079 | Date:10/2022 | PAGE:H4-0520-99 |
| FAN DRIVE - INSTALLATION - SHORT / RETROFIT | | |

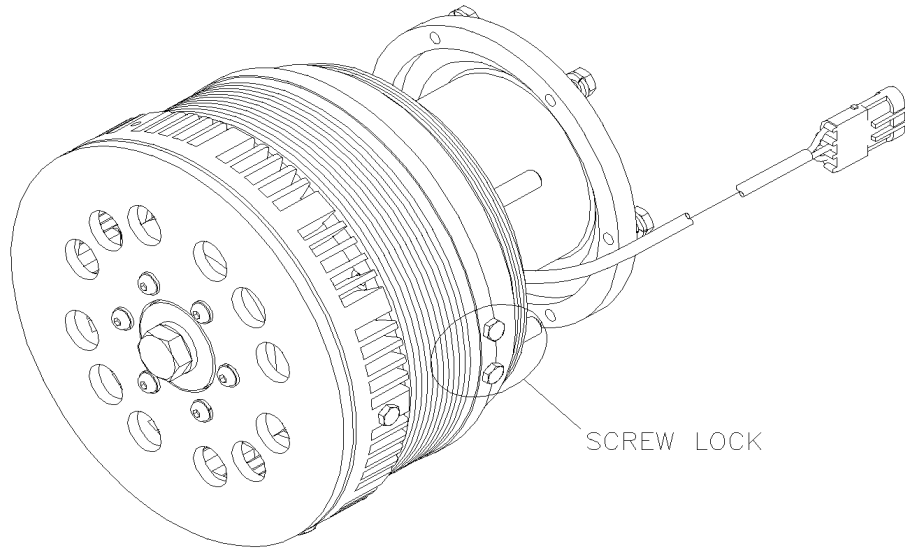


From P-256 To R-079

Date:10/2022

PAGE:H4-0520-99

FAN DRIVE - INSTALLATION - SHORT / RETROFIT



| | | |
|--|--------------|-----------------|
| From P-256 To R-079 | Date:10/2022 | PAGE:H4-0520-99 |
| FAN DRIVE - INSTALLATION - SHORT / RETROFIT | | |

| Item# | Part | Description | H 3 4 0 | V I P 4 0 | N O T E S |
|-------|-------------------|--|------------------|-----------------------|-----------------------|
| NS | 052665 | KIT, UPGRADE ONLY / SMALL TO LARGE FAN CLUTCH | 1 | 1 | |
| . NS | IS-04106A | . SEE INSTRUCTION SHEET | 1 | 1 | |
| | 052674 | FAN DRIVE ASSY W/LARGE FAN CLUTCH 550839 | 1 | 1 | |
| 1 | H4-0540-99 | . FAN CLUTCH ASSY - #550839 / RETROFIT | | | |
| 4 | 502543 | . NUT HEX M8-1.25 Z050 | 6 | 6 | |
| 5 | 502644 | . WASHER FL 10.5x30.0x2.5 Z050 | 8 | 8 | |
| 6 | 5001758 | . NUT HEX STO M10-1.5 N500 | 4 | 4 | |
| 9 | 052584 | . PULLEY / W/12RIB X 8.582" DIA | 1 | 1 | |
| 10 | 052652 | . PLATE TRANSITION / FAN CLUTCH & SUPPORT / W/550839 RETROFIT ONLY | 1 | 1 | |
| 11 | 502891 | . SCREW CRG M8-1.25x40 G8.8 Z050 | 3 | 3 | |
| 12 | 500874 | . WASHER FL 8.4x17.0x1.6 Z050 | 3 | 3 | |
| 13 | 502889 | . WASHER LO SPT 8.1x12.7x2.0 N500 | 3 | 3 | |
| 13 | 955920 | . WASHER LO SPT 6.5x11.5x1.6 ZP | 3 | 3 | |
| 14 | 502543 | . NUT HEX M8-1.25 Z050 | 3 | 3 | |
| 17 | 5060071 | . MULTI V-BELT / 12 RIB 57.48" (1460MM) | 1 | 1 | F |
| 17 | 506060 | . MULTI V-BELT / 12 RIB 58.39" (1483MM) | 1 | 1 | C |
| 18 | 500171 | . SCREW CAP HEX 1/4-20x1 G5 N500 | 3 | 3 | |
| 19 | 955920 | . WASHER LO SPT 6.5x11.5x1.6 ZP | 3 | 3 | |
| 20 | 550879 | . CONE BUSHING 1 1/4 I.D X 1 13/16 O.D. X 2 5 | 1 | 1 | |
| 22 | 500218 | . WASHER LO SPT .380x.683x.098 DP320 | 3 | 3 | |
| 23 | 502906 | . SCREW CAP HEX 3/8-24x1 1/4 G5 N500 | 3 | 3 | |
| 24 | 550186 | . KEY 1/4" X 1/4" X 1 1/4" | 2 | 2 | |
| 25 | H4-0525-99 | . GEARBOX "SUPERIOR" / RETROFIT | | | |
| 26 | 051603 | . PULLEY (3V X 7.40 DIA) | 1 | 1 | |
| 27 | 550878 | . CONE BUSHING 1 1/4 I.D X 3 O.D. X 4 5/8 O.D | 1 | 1 | |
| 28 | 052691 | . PLATE ASSY / W/RETAINER CABLE | 1 | 1 | |
| 30 | 052676 | . PULLEY ASSY W/BEARING & SEAL / 54MM x 75MM | 1 | 1 | |
| 30 | 052677 | . PULLEY / 54MM WIDE x 75MM O.D. | 1 | 1 | |
| 31 | 510618 | . BALL BEARING DBL ROW / 30MM x 62MM x 27 W | 1 | 1 | |
| 32 | 504040 | . RING RETAINER / INT 2.440 x 1.860 x 0.078 STL BLK | 1 | 1 | |
| 33 | 052627 | . BUSHING TRANSFER FAN | 2 | 2 | |
| 34 | 507371 | . SEAL | 2 | 2 | |
| NS | 680752 | . GREASE LITHIUM / BLUE | AR | AR | |
| 36 | 550840 | . BELLOW ASSY / BELT TENSIONER / 4" O.D. | 1 | 1 | |
| 37 | 051991 | . ARM, BELT TENSIONER / IRON USE W 45MM WIDE PULLEY | 1 | 1 | |
| 38 | 500444 | . WASHER FL .406x.812x.065 Z050 | 1 | 1 | |
| 39 | 500478 | . WASHER LO SPT .380x.683x.094 Z050 | 1 | 1 | |
| 40 | 500191 | . SCREW CAP HEX 3/8-16x1 G5 Z050 | 1 | 1 | |
| 41 | 5001252 | . NUT HEX STO M20-2.5 DP | 1 | 1 | |

| | | |
|--|--------------|-----------------|
| From P-256 To R-079 | Date:10/2022 | PAGE:H4-0520-99 |
| FAN DRIVE - INSTALLATION - SHORT / RETROFIT | | |

| Item# | Part | Description | H 3 4 0 | V I P 4 0 | N O T E S |
|-------|-------------------|--|------------------|-----------------------|-----------------------|
| NS | 502558 | . WASHER FL 21.0x37.0x3.0 G500 | 1 | 1 | |
| 42 | 983296 | . SCREW CAP HEX M20-2.5x90 G10.9 ZP | 1 | 1 | |
| 43 | 5001628 | . NUT HEX NYRT M10-1.5 SS | 1 | 1 | |
| 44 | 500446 | . WASHER FL .531x1.250x.125 Z050 | 1 | 1 | |
| 45 | 507293 | . BUSHING NYLINED .625x.750x.750 | 2 | 2 | |
| 46 | 052670 | . PIVOT / TO FIX TENSIONER TO SUPPORT | 1 | 1 | |
| NS | 501497 | . GREASE FITTING / 1/4-28 | 1 | 1 | |
| 47 | 500449 | . WASHER FL .625x1.500 SS | AR | AR | |
| 48 | 052649 | . SUPPORT FAN CLUTCH & GEAR BOX / SHORT / W/550839 RETROFIT ONLY | 1 | 1 | |
| 49 | 500802 | . WASHER LO SPT 16.2x37.4x3.5 Z050 | 1 | 1 | |
| 50 | 502588 | . NUT HEX M16-2.0 ZP | 1 | 1 | |
| 52 | 502875 | . SCREW CAP HEX M12-1.75x40 G8.8 N50 | 2 | 2 | |
| 53 | 500811 | . NUT HEX STO M12-1.75 G500 | 2 | 2 | |
| 54 | 500944 | . WASHER LO SPT .506x.873x.125 N500 | 6 | 6 | |
| NS | 500211 | . WASHER FL .531x1.250x.125 N500 | 6 | 6 | |
| 55 | 500214 | . SCREW CAP HEX 1/2-13x1 1/4 G5 Z050 | 4 | 4 | |
| 56 | 500735 | . NUT HEX STO 3/4-16 ZP | 2 | 2 | |
| 57 | 500451 | . WASHER FL .812x2.000x.148 ZP | 2 | 2 | |
| 58 | 630002 | . BUSHING / RUBBER / (TWO PIECES) 1" x 1.005" I.D. | 2 | 2 | |
| NS | 507347 | . SPACER / BUSHING | 2 | 2 | |
| 59 | 500145 | . SCREW CAP HEX 3/4-16x3 1/2 G5 Z050 | 2 | 2 | |
| 60 | 059053 | . SUPPORT, ANGLE / FRONT | 1 | 1 | |
| 61 | 059051 | . SUPPORT, ANGLE / REAR | 1 | 1 | |
| 62 | 502901 | . WASHER FL .625x1.469x.109 N500 | 1 | 1 | |
| 63 | 502917 | . NUT HEX JAM 3/4-16 G2 N500 | 1 | 1 | |
| 64 | 501036 | . MALE ELBOW 90° / SAE 45° FITTING / #4FL-Mx1/8NPT-M BR | 1 | 1 | |
| 65 | 052655 | SPRING ATTACHMENT | 1 | 1 | |
| 66 | 502247 | SPRING COMPRESSION / 1.250 O.D. x 2.5 x .125 | 1 | 1 | |
| 67 | 504487 | RIVET MGLP PRDG 3/16x7/16 SS | 2 | 2 | |
| 70 | H4-0520-03 | FAN DRIVE - INSTALLATION | | | |
| 72 | 051779 | ATTACHMENT PLATE ASSY / TO FIX ANGLE TO FLOOR | 2 | 2 | |
| 73 | 050706 | SPACER 3/8" TH | AR | AR | |
| 73 | 050705 | SPACER 1/4" TH | AR | AR | |
| 74 | 971072 | NUT HEX M12-1.75 ZG603 | 4 | 4 | |
| NS | 5001568 | NUT PUSH RND M12 ZP | 4 | 4 | |
| 75 | 031054 | HOSE ASSY TEFLON #4 770MM | 1 | 1 | |
| 75 | 052535 | HOSE ASSY TEFLON #4 662MM | 1 | 1 | |
| 80 | 500606 | SCREW MA TR PH #10-24x3/4 SS | 1 | 1 | |
| 81 | 500914 | WASHER LO SPT .193x.334x.047 N500 | 2 | 2 | |
| 82 | 952624 | CLAMP / 1/4" I.D. | 1 | 1 | |
| 83 | 502882 | NUT HEX #10-24 N500 | 1 | 1 | |
| 90 | H4-0125-01 | BELTS TENSIONERS - WITH DETROIT S-60 | | | |

| | | |
|--|--------------|-----------------|
| From P-256 To R-079 | Date:10/2022 | PAGE:H4-0520-99 |
| FAN DRIVE - INSTALLATION - SHORT / RETROFIT | | |

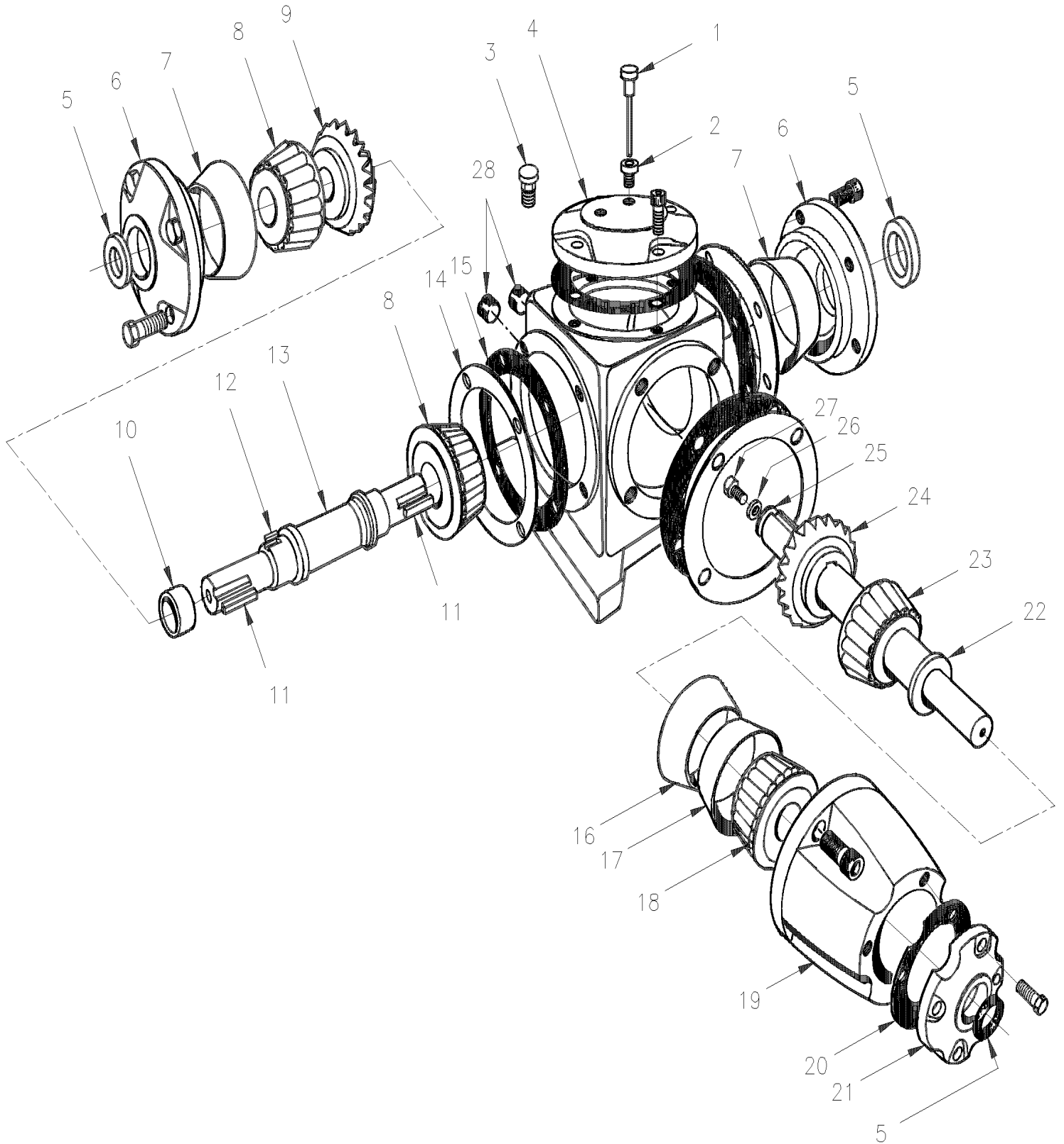
| Item# | Part | Description | H 3 4 0 | V I P 4 0 | N O T E S |
|-------|--------|---|------------------|-----------------------|-----------------------|
| 91 | 142013 | SUPPORT AIR REGULATOR / ANGLE 90DEG STYLE | 1 | 1 | |
| 92 | 641472 | AIR PRESSURE REGULATOR 1/4" NPT / COPPER | 1 | 1 | |
| 93 | 640488 | VALVE, AIR FILL 1/8" NPT | 1 | 1 | |
| . NS | 650164 | . CAP VALVE / CHROME | 1 | 1 | |
| 94 | 501027 | MALE CONNECTOR / SAE 45° FITTING / #4FL-Mx1/4NPT-M BR | 2 | 2 | |
| 95 | 052667 | HOSE ASSY TEFLON #4 1524MM | 1 | 1 | |
| 96 | 052668 | HOSE ASSY TEFLON #4 1524MM | 1 | 1 | |
| NS | 509815 | TIE MOUNT / ATTACHMENT W/TREE MOUNT | 3 | 3 | |
| | | | | | |
| | | | | | |
| | | | | | |
| | | C) USE WITH CURRENT FAN CLUTCH #550966 WITH TAB LOCK SEE IMAGE | | | |
| | | F) USE WITH FORMER FAN CLUTCH #550966 WITH SCREW LOCK SEE IMAGE | | | |

From L-031 To R-014

Date:10/2022

PAGE:H4-0525-00

GEARBOX "BOSTON GEAR" - #550027



| | | | |
|--|--|--------------|-----------------|
| From L-031 To R-014 | | Date:10/2022 | PAGE:H4-0525-00 |
| GEARBOX "BOSTON GEAR" - #550027 | | | |

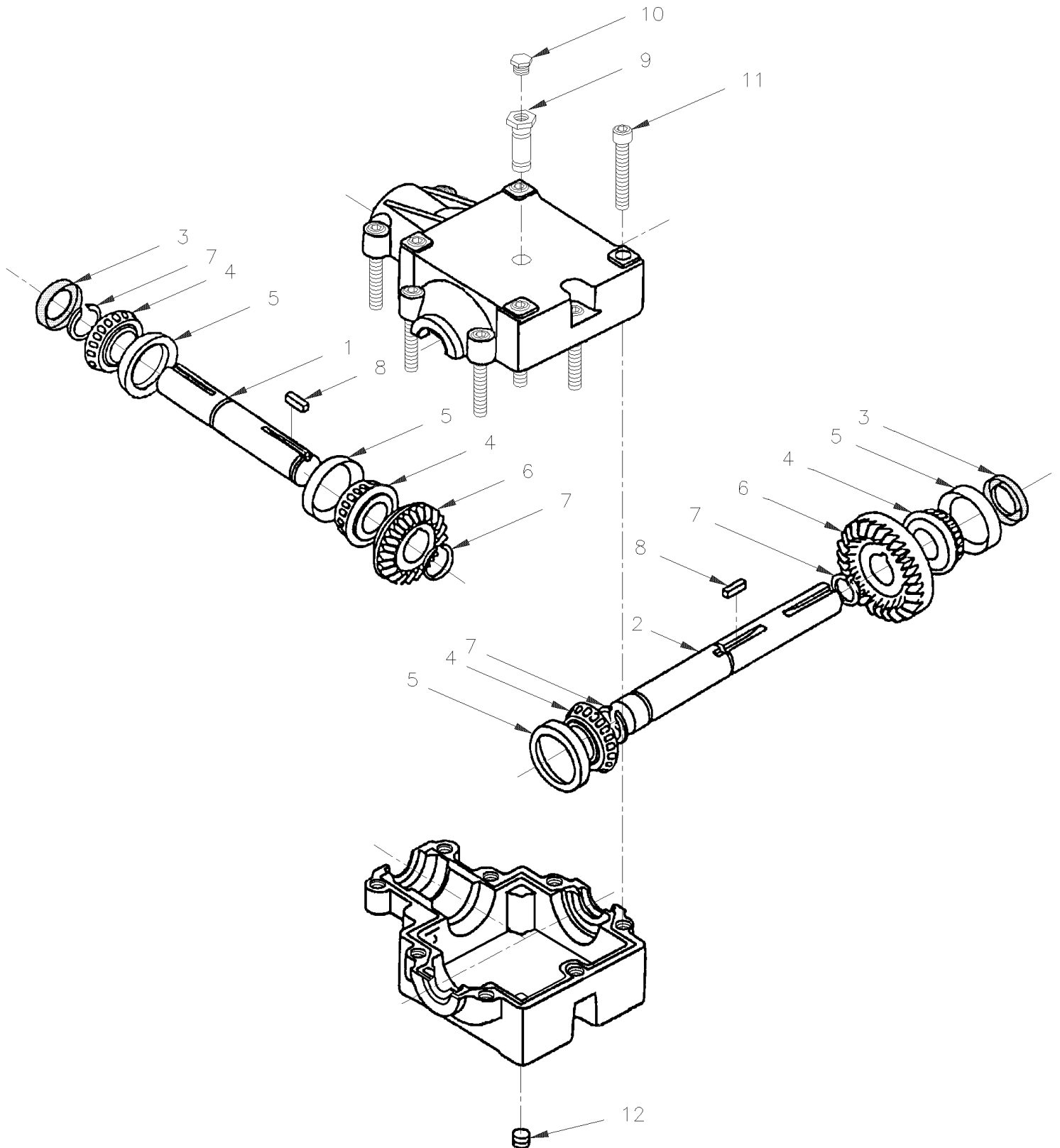
| Item# | Part | Description | H 3 4 0 | V I P 4 0 | N O T E S |
|-------|--------|---|------------------|-----------------------|-----------------------|
| | 051136 | GEARBOX ASSY / CCW OUTPUT SHAFT | 1 | 1 | A |
| | 051143 | GEARBOX ASSY / CW OUTPUT SHAFT W/THERMOSTATIC | 1 | 1 | B |
| 1 | 051140 | . DIPSTICK | 1 | 1 | |
| NS | 507166 | . O-RING 1/4 I.D. X 3/8 O.D. | 1 | 1 | |
| 2 | 051138 | . ADAPTOR / DIPSTICK | 1 | 1 | |
| 3 | 051530 | . BREATHER ASSY | 1 | 1 | |
| NS | 501309 | . ADAPTER / PIPE FITTING / 3/8NPT-Fx3/8NPT-M BR | 1 | 1 | |
| 4 | 051137 | . COVER MODIFIED | 1 | 1 | |
| NS | 550027 | . GEARBOX ASSY / W/O MODIFICATION | 1 | 1 | C |
| 5 | 550202 | . . SEAL 1" I.D. | 3 | 3 | |
| 6 | 550286 | . . RETAINER BEARING / OUTPUT SHAFT | 2 | 2 | |
| 7 | 550281 | . . CUP BEARING / OUTPUT SHAFT | 2 | 2 | |
| 8 | 550282 | . . CONE BEARING / OUTPUT SHAFT | 2 | 2 | |
| 9 | 550181 | . . GEAR / OUTPUT SHAFT | 1 | 1 | |
| 10 | 550279 | . . BUSHING, W/FLANGE | 1 | 1 | |
| 10 | 550280 | . . BUSHING | 1 | 1 | |
| 11 | 550186 | . . KEY 1/4" X 1/4" X 1 1/4" | 3 | 3 | |
| 12 | 550185 | . . KEY SQUARE 5/16" X 29/32" | 2 | 2 | |
| 13 | 550285 | . . SHAFT OUTPUT | 1 | 1 | |
| 14 | 550198 | . . SHIM | AR | AR | |
| 14 | 550199 | . . SHIM | AR | AR | |
| 15 | 550200 | . . GASKET | 4 | 4 | |
| 16 | 550192 | . . CUP BEARING / INNER / INPUT SHAFT | 1 | 1 | |
| 17 | 550194 | . . CUP BEARING / OUTER / INPUT SHAFT | 1 | 1 | |
| 18 | 550195 | . . CONE BEARING / OUTER / INPUT SHAFT | 1 | 1 | |
| 19 | 550188 | . . CARRIER BEARING / INPUT SHAFT | 1 | 1 | |
| 20 | 550201 | . . GASKET | 1 | 1 | |
| 21 | 550190 | . . RETAINER BEARING / INPUT SHAFT | 1 | 1 | |
| 22 | 550183 | . . SHAFT INPUT | 1 | 1 | |
| 23 | 550193 | . . CONE BEARING / INNER / INPUT SHAFT | 1 | 1 | |
| 24 | 550182 | . . GEAR / INPUT SHAFT | 1 | 1 | |
| 25 | 550623 | . . WASHER | 1 | 1 | |
| 26 | 550191 | . . WASHER LOCK | 1 | 1 | |
| 27 | 500023 | . . SCREW CAP HEX 5/16-24x3/4 G5 ZP | 1 | 1 | |
| 28 | 501305 | PLUG SQUARE HEAD / PIPE FITTING / 3/8NPT-M BR | 1 | 1 | |
| | | | | | |
| | | | | | |
| | | | | | |
| | | A) THIS GEAR BOX WOULD BE SUPPERSEDED BY KIT #051934 TO USE WITH STANDARD FAN SEE PAGE H5-0525-02 | | | |
| | | B) THIS GEARBOX WOULD BE SUPERSEDED BY KIT #052261 TO USE WITH THERMOSTATIC FAN SEE PAGE H4-0525-99 | | | |
| | | C) READ NOTE A & B FOR APPLICATION | | | |

From P-256 To R-079

Date:10/2022

PAGE:H4-0525-01

GEARBOX "SUPERIOR" - #550641 - W/DETROIT S-60



| | | |
|--|--------------|-----------------|
| From P-256 To R-079 | Date:10/2022 | PAGE:H4-0525-01 |
| GEARBOX "SUPERIOR" - #550641 - W/DETROIT S-60 | | |

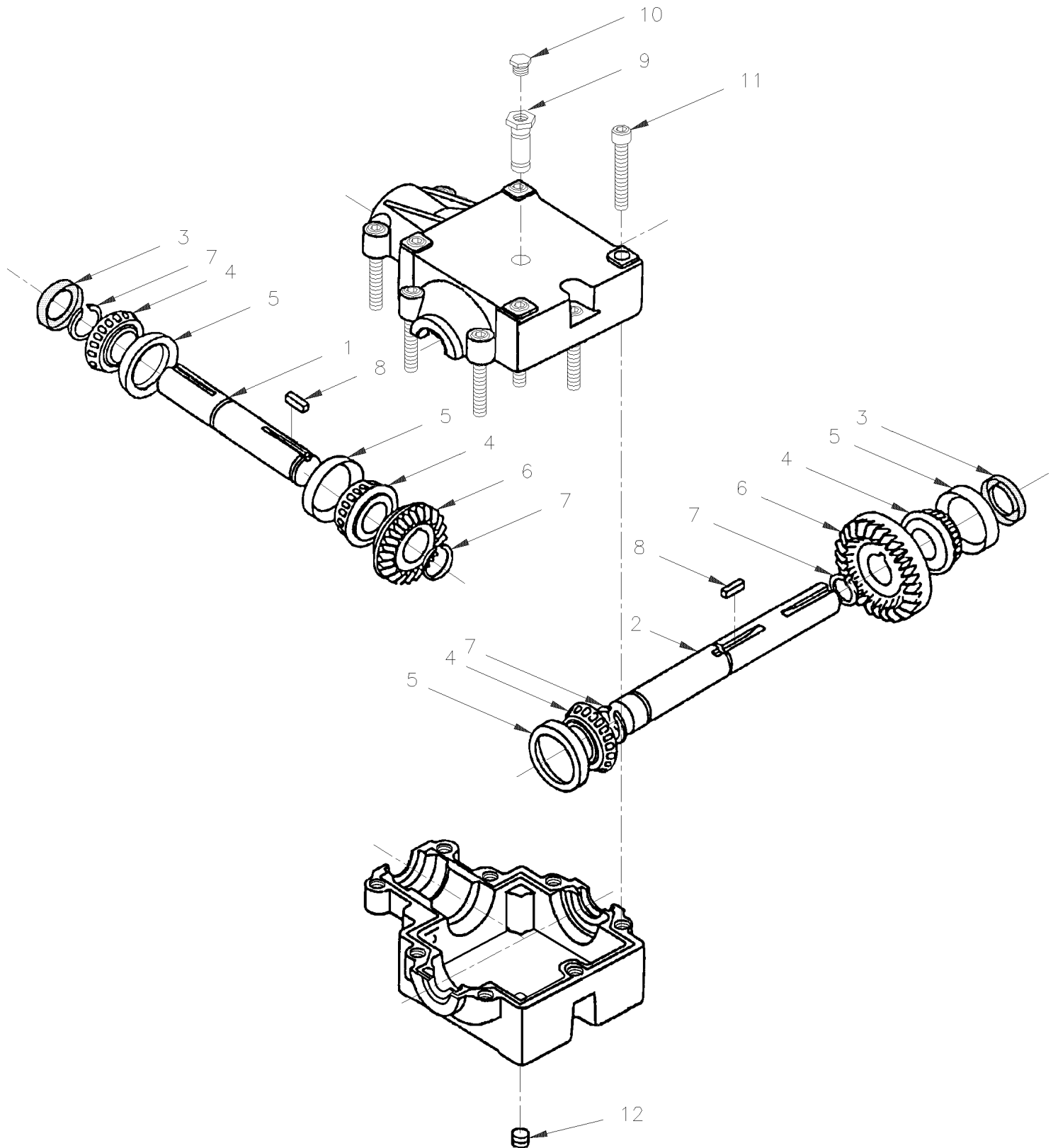
| Item# | Part | Description | H 3 4 0 | V I P 4 0 | N O T E S |
|-------|--------|---|------------------|-----------------------|-----------------------|
| | 550641 | GEARBOX ASSY (CW) / W/1" O.D, SHAFT | 1 | 1 | |
| 1 | 550646 | . PINION SHAFT INPUT 1" O.D. | 1 | 1 | |
| 2 | 550647 | . CROSS SHAFT ASSY / OUTPUT 1" O.D. | 1 | 1 | |
| 3 | 550648 | . SEAL 1" I.D. / (149 X 100 X 25) | 3 | 3 | |
| 4 | 550649 | . CONE BEARING | 4 | 4 | |
| 5 | 550650 | . CUP BEARING | 4 | 4 | |
| 6 | 550651 | . GEAR 19 TEETH | 2 | 2 | |
| 7 | 550652 | . RETAINING RING / GEAR | 2 | 2 | |
| 8 | 550653 | . KEY | 1 | 1 | |
| 9 | 550805 | . TUBE REDUCER ASSY | 1 | 1 | |
| 10 | 610808 | . . FITTING, PRESSURE RELIEF / 5 PSI | 1 | 1 | |
| 11 | 500710 | . SCREW CAP HEXS 3/8-16x1 3/4 ZP | 1 | 1 | |
| NS | 501800 | . PLUG HEXS / PIPE FITTING / 1/4NPT-M STL | 1 | 1 | |
| 12 | 504599 | MAGNETIC DRAIN PLUG 1/4 NPT | 1 | 1 | |
| NS | 180185 | OIL SYNTHETIC SCH 634 (1 LITER) | AR | AR | |
| NS | 682268 | OIL SYNTHETIC SCH 634 (19 LITERS) | AR | AR | |
| | | | | | |
| | | | | | |
| | | | | | |

From R-015 To R-032

Date:10/2022

PAGE:H4-0525-02

GEARBOX "SUPERIOR" - #051934 - W/DETROIT S-92



| | | |
|--|--------------|-----------------|
| From R-015 To R-032 | Date:10/2022 | PAGE:H4-0525-02 |
| GEARBOX "SUPERIOR" - #051934 - W/DETROIT S-92 | | |

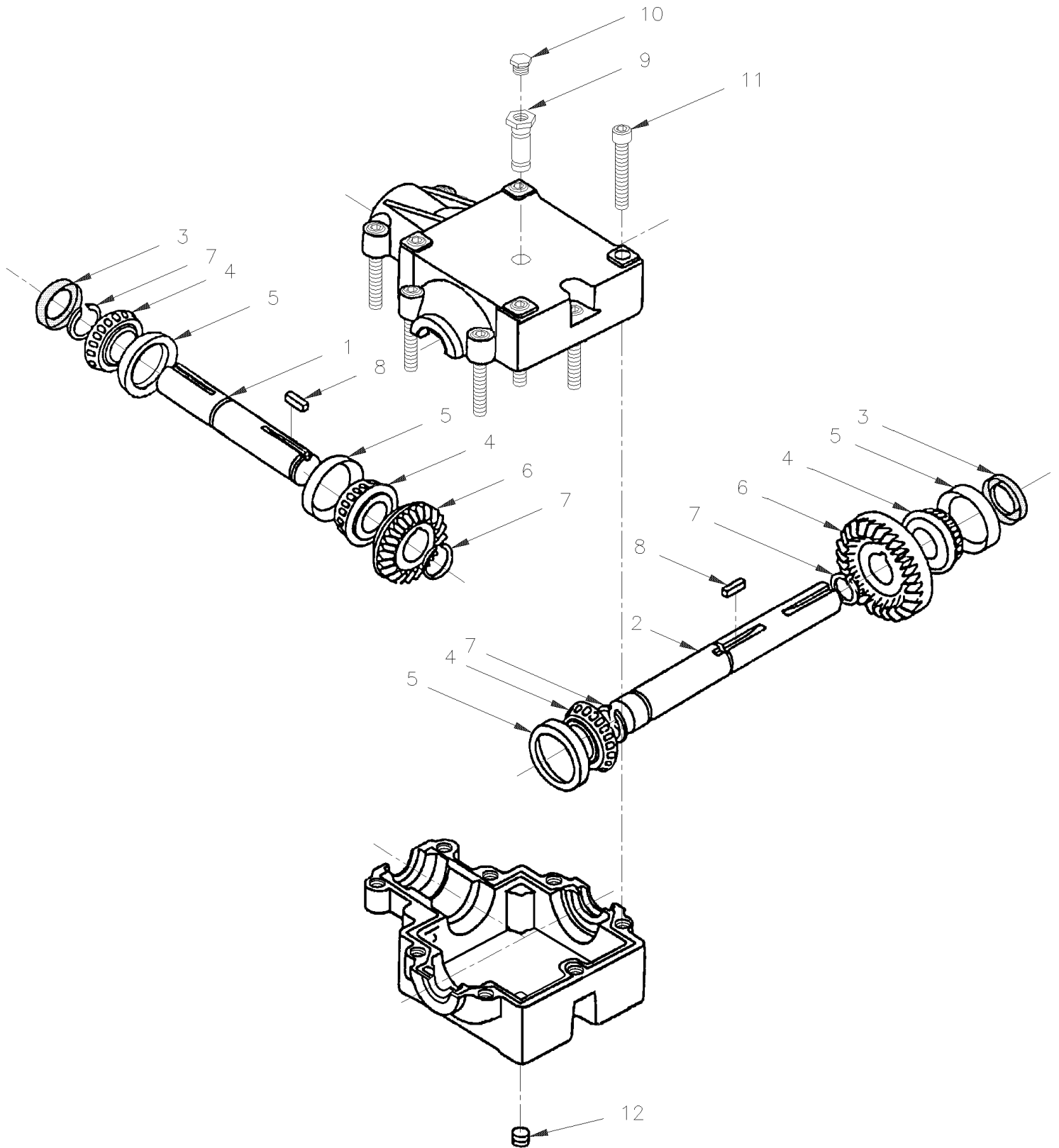
| Item# | Part | Description | H 3 4 0 | V I P 4 0 | N O T E S |
|-------|--------|--|------------------|-----------------------|-----------------------|
| | 051934 | GEARBOX ASSY (CW) / W/1" O.D, SHAFT / 200-9AAF-D0367 | 1 | 1 | A |
| | 550656 | . GEARBOX ASSY (CW) / W/1" O.D, SHAFT | 1 | 1 | A |
| 1 | 550657 | . . PINION SHAFT ASSY / INPUT 1" O.D. | 1 | 1 | |
| 2 | 550647 | . . CROSS SHAFT ASSY / OUTPUT 1" O.D. | 1 | 1 | |
| 3 | 550648 | . . SEAL 1" I.D. / (149 X 100 X 25) | 3 | 3 | |
| 4 | 550649 | . . CONE BEARING | 4 | 4 | |
| 5 | 550650 | . . CUP BEARING | 4 | 4 | |
| 6 | 550651 | . . GEAR 19 TEETH | 2 | 2 | |
| 7 | 550652 | . . RETAINING RING / GEAR | 2 | 2 | |
| 8 | 550653 | . . KEY | 2 | 2 | |
| 9 | 550805 | . . TUBE REDUCER ASSY | 1 | 1 | |
| 10 | N.S.S. | . . . PRESSURE RELIEF VALVE / 5PSI | 1 | 1 | 1 |
| 11 | 500710 | . . SCREW CAP HEXS 3/8-16x1 3/4 ZP | 9 | 9 | |
| NS | 051933 | . DECAL | 1 | 1 | |
| 12 | 504599 | MAGNETIC DRAIN PLUG 1/4 NPT | 1 | 1 | |
| NS | 682268 | OIL SYNTHETIC SCH 634 (19 LITERS) | AR | AR | |
| 12 | 180185 | OIL SYNTHETIC SCH 634 (1 LITER) | AR | AR | |
| | | UP TO R-015 FOR RETROFIT THIS GEARBOX | | | |
| | | YOU REQUIRE THOSE FOLLOWING PARTS | | | |
| NS | 051914 | SPACER ADAPTOR | 1 | 1 | |
| NS | 500192 | SCREW CAP HEX 3/8-16x1 1/4 G5 Z050 | 4 | 4 | |
| NS | 500478 | WASHER LO SPT .380x.683x.094 Z050 | 4 | 4 | |
| NS | 500806 | SCREW CAP HEX M12-1.75X35 G10.9 G500 | 4 | 4 | |
| NS | 500811 | NUT HEX STO M12-1.75 G500 | 4 | 4 | |
| | | | | | |
| | | | | | |
| | | A) FOR PRODUCT IMPROVMENT SEE GEARBOX AT PAGE H4-0525-99 | | | |
| | | 1) NOT SOLD SEPARATELY | | | |

From P-256 To R-079

Date:10/2022

PAGE:H4-0525-03

GEARBOX "SUPERIOR" - #550688 - W/DETROIT S-60



| | | |
|--|--------------|-----------------|
| From P-256 To R-079 | Date:10/2022 | PAGE:H4-0525-03 |
| GEARBOX "SUPERIOR" - #550688 - W/DETROIT S-60 | | |

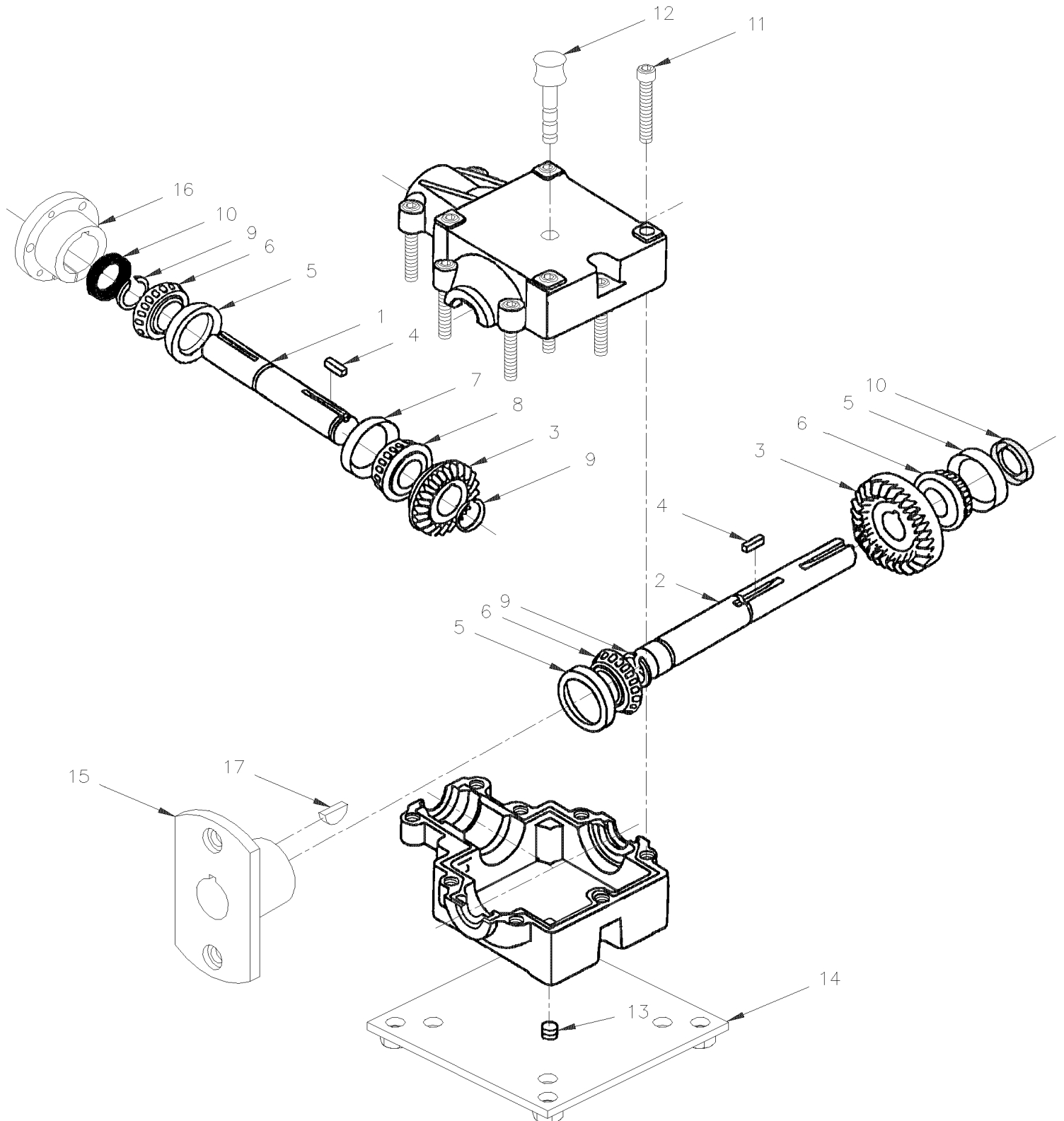
| Item# | Part | Description | H 3 4 0 | V I P 4 0 | N O T E S |
|-------|--------|---|------------------|-----------------------|-----------------------|
| | 550688 | GEARBOX ASSY (CW) | 1 | 1 | |
| 1 | 550693 | . PINION SHAFT ASSY / INPUT | 1 | 1 | |
| 2 | 550694 | . CROSS SHAFT ASSY / OUTPUT | 1 | 1 | |
| 3 | 550695 | . SEAL 1 1/4" I.D. / (200 X 125 X 31) | 3 | 3 | |
| 4 | 550696 | . CONE BEARING | 4 | 4 | |
| 5 | 550697 | . CUP BEARING | 4 | 4 | |
| 6 | N.S.S. | . GEAR / (SOLD ASSY W/SHAFT) | 2 | 2 | 1 |
| 7 | 550698 | . RETAINING RING / GEAR | 2 | 2 | |
| 8 | N.S.S. | . KEY | 2 | 2 | 1 |
| 9 | 550692 | . TUBE REDUCER ASSY W/PRESSURE RELIEF VALVE | 1 | 1 | |
| 10 | N.S.S. | . . PRESSURE RELIEF VALVE / 5 PSI | 1 | 1 | 1 |
| 11 | N.S.P. | . SCREW 3/8-16 X 2 1/4" | 9 | 9 | 2 |
| NS | 051933 | . DECAL | 1 | 1 | |
| 12 | 504599 | MAGNETIC DRAIN PLUG 1/4 NPT | 1 | 1 | |
| NS | 180185 | OIL SYNTHETIC SCH 634 (1 LITER) | AR | AR | |
| NS | 682268 | OIL SYNTHETIC SCH 634 (19 LITERS) | AR | AR | |
| | | | | | |
| | | | | | |
| | | 1) NOT SOLD SEPARATELY | | | |
| | | 2) NOT SOLD BY PREVOST (SEE MANUFACTURING PART NUMBER AT END OF DESCRIPTION LINE) | | | |

From R-012 To R-079

Date:10/2022

PAGE:H4-0525-99

GEARBOX "SUPERIOR" / RETROFIT



| | | | |
|--------------------------------------|--|--------------|-----------------|
| From R-012 To R-079 | | Date:10/2022 | PAGE:H4-0525-99 |
| GEARBOX "SUPERIOR" / RETROFIT | | | |

| Item# | Part | Description | H 3 4 0 | V I P 4 0 | N O T E S |
|-------|----------|---|------------------|-----------------------|-----------------------|
| | | FOLLOWING COMPONENTS ARE USED ONLY IN | | | |
| | | REPLACEMENT OF OLD GEARBOX MODEL "BOSTON" | | | |
| | | ILLUSTRATED AT PAGE H4-0525-00 | | | |
| | 052212 | KIT GEARBOX (CCW) | AR | AR | A |
| . NS | IS-97122 | . SEE INSTRUCTION SHEET | 1 | 1 | A |
| | 052261 | KIT GEARBOX (CW) | AR | AR | B |
| | 550791 | . GEARBOX ASSY (CCW) | 1 | 1 | A D |
| | 550811 | . GEARBOX ASSY (CCW) | 1 | 1 | A C |
| | 550789 | . GEARBOX ASSY (CW) | 1 | 1 | B D |
| | 550810 | . GEARBOX ASSY (CW) | 1 | 1 | B C |
| 1 | 550732 | . . PINION SHAFT ASSY / INPUT 1 1/4" O.D. | 1 | 1 | |
| 2 | 550733 | . . CROSS SHAFT ASSY / OUTPUT 1 1 1/4" O.D. | 1 | 1 | |
| 3 | N.S.S. | . . GEAR / (SOLD ASSY W/SHAFT) | 2 | 2 | 1 |
| 4 | N.S.S. | . . KEY | 2 | 2 | 1 |
| 5 | 550697 | . . CUP BEARING | 3 | 3 | |
| 6 | 550696 | . . CONE BEARING | 3 | 3 | |
| 7 | 550735 | . . CUP BEARING | 1 | 1 | |
| 8 | 550734 | . . CONE BEARING | 1 | 1 | |
| 9 | 550698 | . . RETAINING RING / GEAR | 2 | 2 | |
| 10 | 550695 | . . SEAL 1 1/4" I.D. / (200 X 125 X 31) | 3 | 3 | |
| 11 | N.S.P. | . . SCREW 3/8-16 X 2 1/4" | 9 | 9 | 2 |
| 12 | 550773 | . . DIPSTICK | 1 | 1 | |
| 13 | 504599 | . . MAGNETIC DRAIN PLUG 1/4 NPT | 1 | 1 | |
| 13 | 180217 | OIL SYNTHETIC SCH 630 (1 LITER) | AR | AR | |
| 14 | 052213 | ADAPTOR PLATE | 1 | 1 | |
| 15 | 052215 | FLANGE COUPLING / W/SHAFT 1 1/4 O.D. | 1 | 1 | |
| NS | 500473 | WASHER LO SPT .262x.489x.062 Z050 | 3 | 3 | |
| NS | 500213 | SCREW CAP HEX 1/2-13x1 G5 Z050 | 8 | 8 | |
| NS | 500177 | SCREW CAP HEX 1/4-20x1 G8 ZP | 3 | 3 | |
| NS | 5001099 | WASHER FL .531x1.062x.109 | 2 | 2 | |
| NS | 500482 | WASHER LO SPT .506x.873x.125 Z050 | 8 | 8 | |
| NS | 500718 | NUT HEX STO 1/2-20 Z050 | 2 | 2 | |
| NS | 500096 | SCREW CAP HEX 1/2-20x3 G5 Z050 | 2 | 2 | |
| NS | 500446 | WASHER FL .531x1.250x.125 Z050 | 2 | 2 | |
| NS | 550186 | KEY 1/4" X 1/4" X 1 1/4" | 2 | 2 | |
| NS | 5001167 | SCREW SET HEXS CUP 3/8-16x1/2 | 2 | 2 | |
| 16 | 550690 | CONE BUSHING 1 1/4 I.D X 1 13/16 O.D. X 2 5 | 1 | 1 | |
| 17 | 550186 | KEY 1/4" X 1/4" X 1 1/4" | 2 | 2 | |
| NS | 052387 | KIT, FAN GEARBOX BREATHER | AR | AR | |
| . NS | IS-00049 | . SEE INSTRUCTION SHEET | | | |

| | | |
|---------------------|--------------|-----------------|
| From R-012 To R-079 | Date:10/2022 | PAGE:H4-0525-99 |
|---------------------|--------------|-----------------|

GEARBOX "SUPERIOR" / RETROFIT

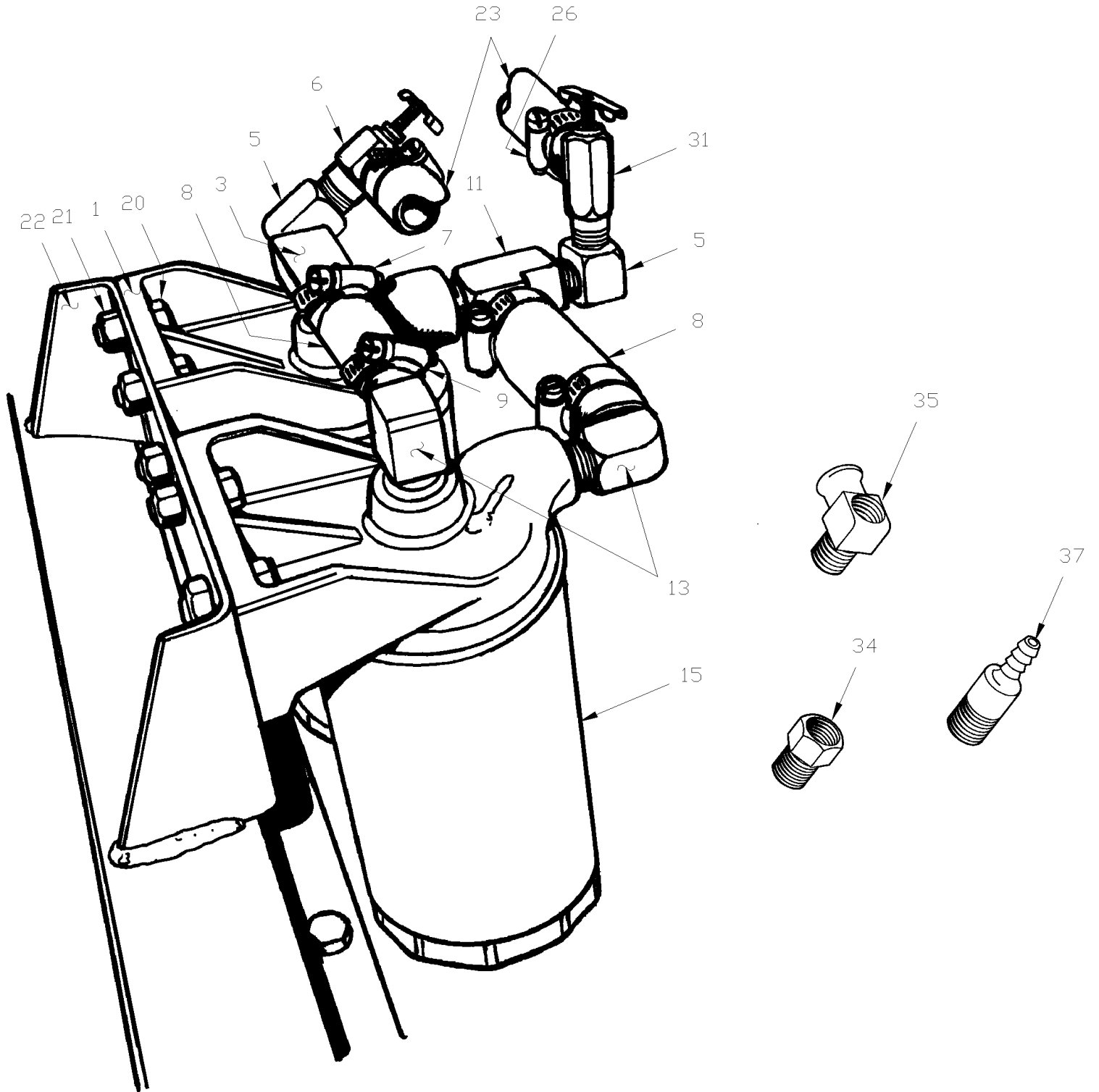
| Item# | Part | Description | H 3 4 0 | V I P 4 0 | N O T E S |
|-------|------|---|------------------|-----------------------|-----------------------|
| | | | | | |
| | | A) TO USE WITH STANDARD FAN | | | |
| | | B) TO USE WITH THERMOSTATIC FAN | | | |
| | | C) THIS CURRENT GEARBOX REQUIRES "BREATHER" KIT #052387 | | | |
| | | D) FORMER | | | |
| | | 1) NOT SOLD SEPARATELY | | | |
| | | 2) NOT SOLD BY PREVOST (SEE MANUFACTURING PART NUMBER AT END OF DESCRIPTION LINE) | | | |

From L-031 To R-032

Date:10/2022

PAGE:H4-0530-00

COOLANT FILTER - INSTALLATION - WITH DETROIT S-92



| | | |
|--|--------------|-----------------|
| From L-031 To R-032 | Date:10/2022 | PAGE:H4-0530-00 |
| COOLANT FILTER - INSTALLATION - WITH DETROIT S-92 | | |

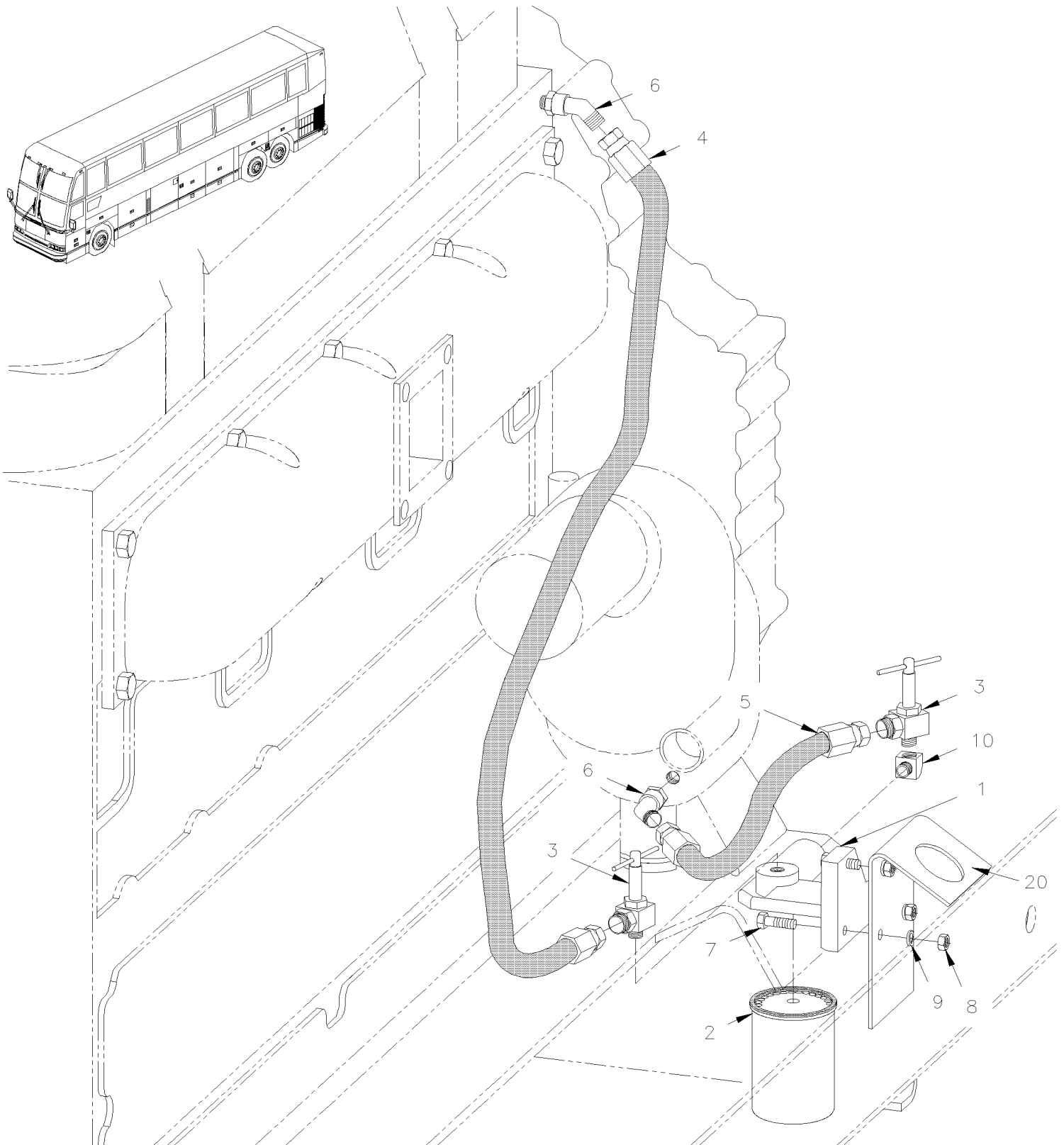
| Item# | Part | Description | H 3 4 0 | V I P 4 0 | N O T E S |
|-------|--------|---|------------------|-----------------------|-----------------------|
| | 051800 | FILTER ASSY COMPLETE | 1 | 1 | |
| 1 | 550002 | . FILTER BODY | 2 | 2 | |
| 3 | 501737 | . MALE BRANCHE TEE / PIPE FITTING / 3/8NPT-Fx3/8NPT-Fx3/8NPT-M BR | 1 | 1 | |
| 5 | 501948 | . STREET ELBOW 90° / PIPE FITTING / 3/8NPT-Mx3/8NPT-F BR | 2 | 2 | |
| 6 | 501532 | . TRUCK VALVE 3/8 NPT x 5/8 HOSE | 1 | 1 | |
| 7 | 501124 | . MALE CONNECTOR / HOSE BARB FITTING / #10x3/8NPT-M BR | 2 | 2 | |
| 8 | 503250 | . HOSE / 2556 / #10 X 100' | AR | AR | |
| 9 | 504019 | . HOSE CLAMP / 9/16"-1"1/16 SS / HS-10 | 4 | 4 | |
| 11 | 501699 | . MALE RUN TEE / PIPE FITTING / 3/8NPT-Mx3/8NPT-Fx3/8NPT-F BR | 1 | 1 | |
| 13 | 501660 | . MALE ELBOW 90° / BEADED HOSE BARB / #10x3/8NPT-M | 2 | 2 | |
| 15 | 550630 | . CARTRIGE "MAINTENANCE" "NALCOOL" 3000 | 2 | 2 | |
| 20 | 500192 | SCREW CAP HEX 3/8-16x1 1/4 G5 Z050 | AR | AR | |
| 21 | 500783 | NUT HEX 3/8-16 Z050 | AR | AR | |
| NS | 500478 | WASHER LO SPT .380x.683x.094 Z050 | AR | AR | |
| 22 | 051300 | SUPPORT ASSY | 1 | 1 | |
| 23 | 503007 | HOSE 2 PLY / RADIATOR HOSE / 5/8" I.D. / S.L. | AR | AR | |
| 26 | 504020 | HOSE CLAMP / 9/16"-1"1/4 SS / HS-12 | 4 | 4 | |
| 31 | 501531 | DRAIN VALVE 3/8 NPT M x 5/8 HOSE | 1 | 1 | |
| 34 | 501462 | BUSHING REDUCER / PIPE FITTING / 3/4NTP-Mx1/2NPT-F BR | AR | AR | |
| 35 | 501373 | MALE CONNECTOR / HOSE BARB FITTING / #10x1/2NPT-M GALV | AR | AR | |
| 37 | 501373 | MALE CONNECTOR / HOSE BARB FITTING / #10x1/2NPT-M GALV | AR | AR | |
| NS | 550628 | CONDITIONER COOLING SYSTEM/ W/O COOLANT FILTER S.Q. | AR | AR | |
| | | | | | |
| | | | | | |
| | | | | | |

From P-256 To R-079

Date:10/2022

PAGE:H4-0530-01

COOLANT FILTER - INSTALLATION - WITH DETROIT S-60



| | | |
|--|--------------|-----------------|
| From P-256 To R-079 | Date:10/2022 | PAGE:H4-0530-01 |
| COOLANT FILTER - INSTALLATION - WITH DETROIT S-60 | | |

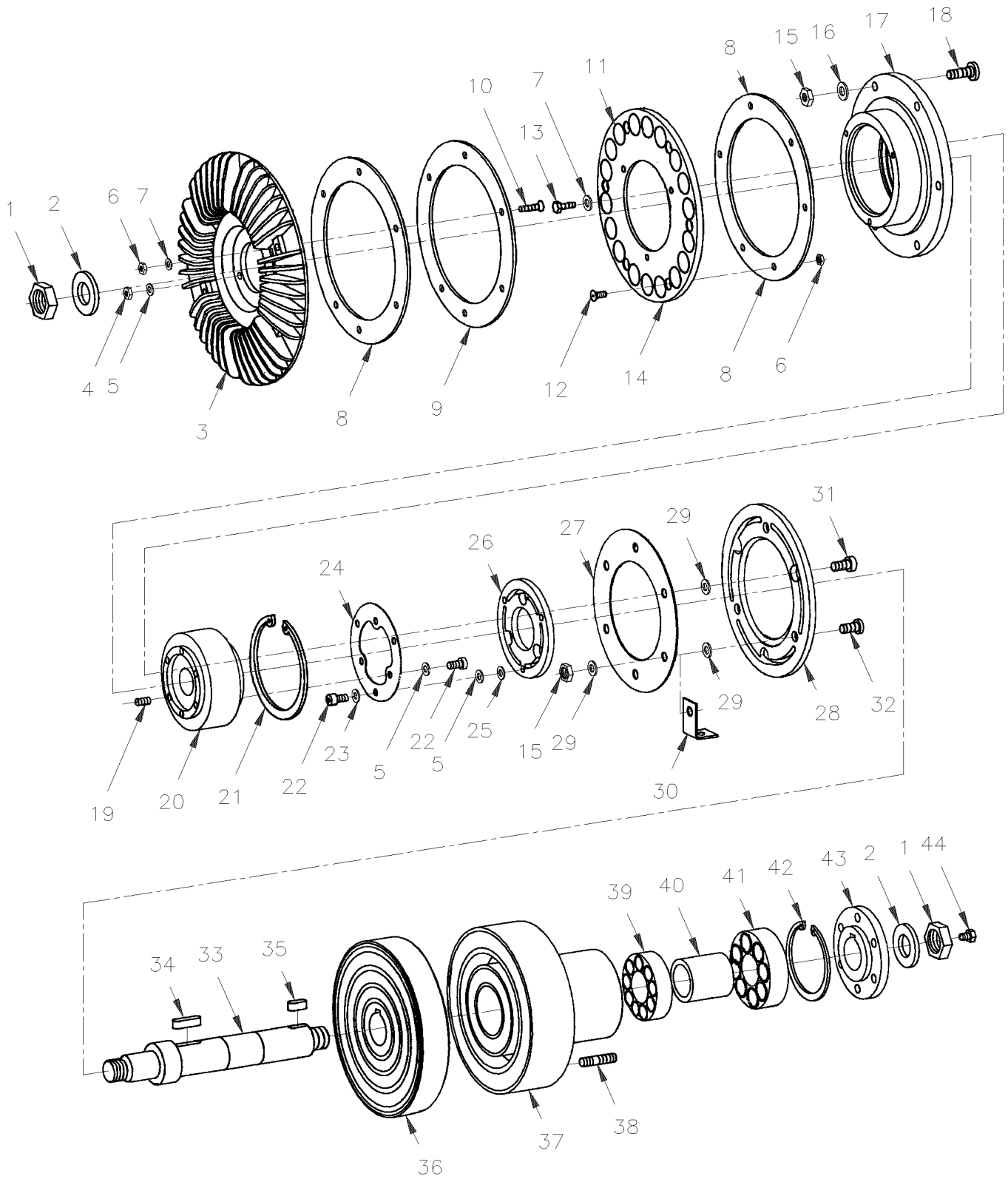
| Item# | Part | Description | H 3 4 0 | V I P 4 0 | N O T E S |
|-------|---------|---|------------------|-----------------------|-----------------------|
| 1 | 550645 | ADAPTOR HEAD, COOLANT FILTER | 1 | 1 | |
| 1 | 550804 | ADAPTOR HEAD, COOLANT FILTER | 1 | 1 | |
| 2 | 550630 | CARTRIGE "MAINTENANCE" "NALCOOL" 3000 | 1 | 1 | |
| 3 | N.S.P. | VALVE, SHUTT-OFF 1/4 X 3/8 NPT (#330) W/HEATER HEAD | 1 | 1 | 2 |
| 4 | 051902 | HOSE ASSY / #6 865MM | 1 | 1 | |
| 5 | 051903 | HOSE ASSY / #6 300MM | 1 | 1 | |
| NS | 503582 | . HOSE #FC-300 HYDRAULIC / #6 S.L. | AR | AR | |
| NS | 501836 | . FEMALE CONNECTOR SWIVEL / SAE 45° FITTING / #6FL-Fx#6 STL | 2 | 2 | |
| 6 | 5011034 | MALE ELBOW 45° / SAE 45° FITTING / #6FL-Mx1/4NPT-M BR | 2 | 2 | |
| 7 | 502589 | SCREW CAP HEX M8-1.25x25 G8.8 Z050 | 3 | 3 | |
| 8 | 502543 | NUT HEX M8-1.25 Z050 | 3 | 3 | |
| 9 | 5001003 | WASHER LO SPT 8.1x12.7x2.0 Z050 | 3 | 3 | |
| 10 | 501333 | STREET ELBOW 90° / PIPE FITTING / 3/8NPT-Mx3/8NPT-F BR | 1 | 1 | |
| 20 | 011632 | SUPPORT / WELD TO CRADLE | 1 | 1 | |
| | | | | | |
| | | | | | |
| | | | | | |
| | | 2) NOT SOLD BY PREVOST (SEE MANUFACTURING PART NUMBER AT END OF DESCRIPTION LINE) | | | |

From P-256 To R-079

Date:10/2022

PAGE:H4-0540-00

FAN CLUTCH ASSY - #550634 (FORMER)



PRODUCTION MODEL

| | | |
|---|--------------|-----------------|
| From P-256 To R-079 | Date:10/2022 | PAGE:H4-0540-00 |
| FAN CLUTCH ASSY - #550634 (FORMER) | | |

| Item# | Part | Description | H 3 4 0 | V I P 4 0 | N O T E S |
|-------|--------|---|------------------|-----------------------|-----------------------|
| | 550634 | FAN CLUTCH ASSY / | 1 | 1 | |
| 1 | 502767 | . NUT HEX JAM M20-1.5 ZP | 2 | 2 | |
| 2 | 502558 | . WASHER FL 21.0x37.0x3.0 G500 | 2 | 2 | |
| 3 | 550658 | . COOLING FAN | 1 | 1 | |
| 4 | 502511 | . NUT HEX NYRT M6-1.0 Z050 | 3 | 3 | |
| 5 | 502573 | . WASHER FL 6.4x12.5x1.6 SS | 9 | 9 | |
| 6 | 502782 | . NUT HEX NYRT M5-0.8 Z050 | 12 | 12 | |
| 7 | N.P.N. | . WASHER, M5 X 0.3 | 9 | 9 | 4 |
| 8 | 550659 | . DISC | 2 | 2 | |
| 9 | 550660 | . EDDY CURRENT DISC | 1 | 1 | |
| 10 | N.P.N. | . SCREW, M5-0.8 X 25MM FLAT HEAD | 6 | 6 | 4 |
| 11 | 550661 | . MAGNET | 18 | 18 | |
| 12 | 502639 | . SCREW MA FL PH M5-0.8X12 ZP | 6 | 6 | |
| 13 | N.P.N. | . SCREW, M5-0.8 X 16MM | 3 | 3 | 4 |
| 14 | 550711 | . MAGNET PLATE SUPPORT | 1 | 1 | |
| 15 | 502543 | . NUT HEX M8-1.25 Z050 | 3 | 3 | A |
| 16 | 500874 | . WASHER FL 8.4x17.0x1.6 Z050 | 6 | 6 | A |
| 17 | 550662 | . FLANGE DRIVEN | 1 | 1 | |
| 18 | 550663 | . STUD M8-1.25 X 26MM | 6 | 6 | |
| 19 | N.P.N. | . SET SCREW , M6-1.0 X 20MM | 3 | 3 | 4 |
| 20 | 550664 | . BEARING ASSY | 1 | 1 | |
| 21 | N.P.N. | . RETAINER RING (90 X 3) | 1 | 1 | 4 |
| 22 | N.P.N. | . SOCKET HEAD CAP SCREW, M6-1.0 X 8MM (50-01025) | 6 | 6 | 4 |
| 23 | N.P.N. | . WASHER | 3 | 3 | 4 |
| 24 | 550665 | . SPRING PLATE | 1 | 1 | |
| 25 | N.P.N. | . WASHER SHIM .05MM | 3 | 3 | 4 |
| 26 | 550666 | . ARMATURE DISC / 1ST SPEED | 1 | 1 | |
| 27 | 550667 | . SPRING PLATE | 1 | 1 | |
| 28 | 550668 | . ARMATURE DISC / 2ND SPEED | 1 | 1 | |
| 29 | N.P.N. | . WASHER | 8 | 8 | 4 |
| 30 | 550713 | . ANGLE | 2 | 2 | |
| 31 | N.P.N. | . SOCKET HEAD CAP SCREW, M8-1.25 X 16MM (50-2755) | 3 | 3 | 4 |
| 32 | 550669 | . STUD M8-1.25 X 19MM | 3 | 3 | |
| 33 | 550670 | . SHAFT | 1 | 1 | |
| 34 | 550671 | . KEY (8 X 7 X 28) | 1 | 1 | |
| 35 | 550672 | . KEY (8 X 7 X 18) | 1 | 1 | |
| 36 | 550673 | . ROTOR | 1 | 1 | |
| 37 | 550674 | . MAGNETIC COIL ASSY | 1 | 1 | |
| 38 | 550675 | . STUD M8-1.25 X 35MM | 4 | 4 | |
| 39 | 507204 | . BALL BEARING | 1 | 1 | |
| 40 | N.P.N. | . SPACER | 1 | 1 | 4 |
| 41 | 507113 | . BALL BEARING | 2 | 2 | |

| | | |
|---|--------------|-----------------|
| From P-256 To R-079 | Date:10/2022 | PAGE:H4-0540-00 |
| FAN CLUTCH ASSY - #550634 (FORMER) | | |

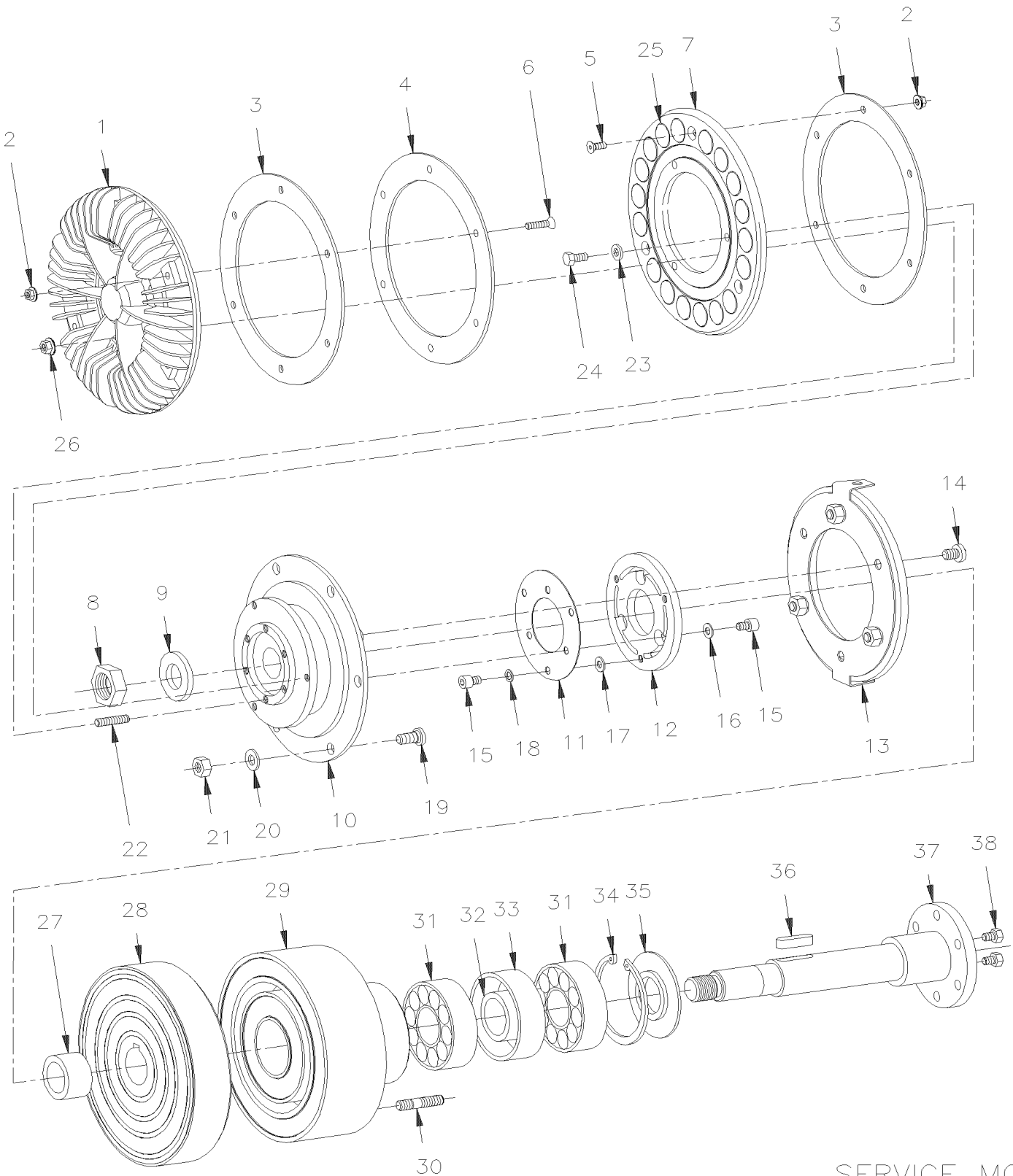
| Item# | Part | Description | H 3 4 0 | V I P 4 0 | N O T E S |
|-------|---------|---|------------------|-----------------------|-----------------------|
| 42 | N.P.N. | . RETAINER RING (72 X 2.5) | 1 | 1 | 4 |
| 43 | 550676 | . FLANGE DRIVE | 1 | 1 | |
| 44 | 5001106 | . SCREW CAP HEX M6-1.0x10 G8.8 Z050 | 2 | 2 | B |
| NS | 561781 | CONNECTOR / WEATHER PACK / PH 3C / BLACK / PED 12010717 | 1 | 1 | |
| NS | 561567 | PIN TERMINAL / 20-18 / PED 12089040 | 3 | 3 | |
| NS | 561565 | CABLE SEAL / GREEN / PED 15324982 | 3 | 3 | |
| | | FOLLOWING ITEMS ARE USED WITH | | | |
| | | MANUAL OPERATING SWITCH ON L.H. CONSOLE | | | |
| NS | 561468 | SWITCH / OFF-ON S.P.S.T. | 1 | 1 | |
| NS | 063021 | INSERT / GREEN / WIPER (UPPER) | 1 | 1 | |
| NS | 561107 | CONNECTOR / TAB HOUSING 8C / SWF 596.289 | 1 | 1 | |
| NS | 561837 | CONNECTOR / TAB HOUSING 2C / SWF 913.328 | 1 | 1 | |
| NS | 561908 | TAB RECEPTACLE TERMINAL / 22-18 / AMP 60295-2 | 1 | 1 | |
| NS | 560673 | WIRE CABLE 16 / BLACK / GXL | 6 | 6 | |
| NS | 561258 | WIRE CABLE 18 / RED / GXL | 1 | 1 | |
| NS | 561700 | SPRING SPADE TERMINAL #8 / 16-14 / AMP 52936 | 2 | 2 | |
| NS | D060869 | WIRING DIAGRAM SPECIAL PAGE 8-SP1 | 1 | 1 | |
| | | | | | |
| | | | | | |
| | | A) TO FIX FAN BLAD | | | |
| | | B) EMERGENCY USE ONLY | | | |
| | | 4) NO PARTS NUMBER | | | |

From P-256 To R-079

Date:10/2022

PAGE:H4-0540-01

FAN CLUTCH ASSY - #550634 (SERVICE) / SERVICE



SERVICE MODEL

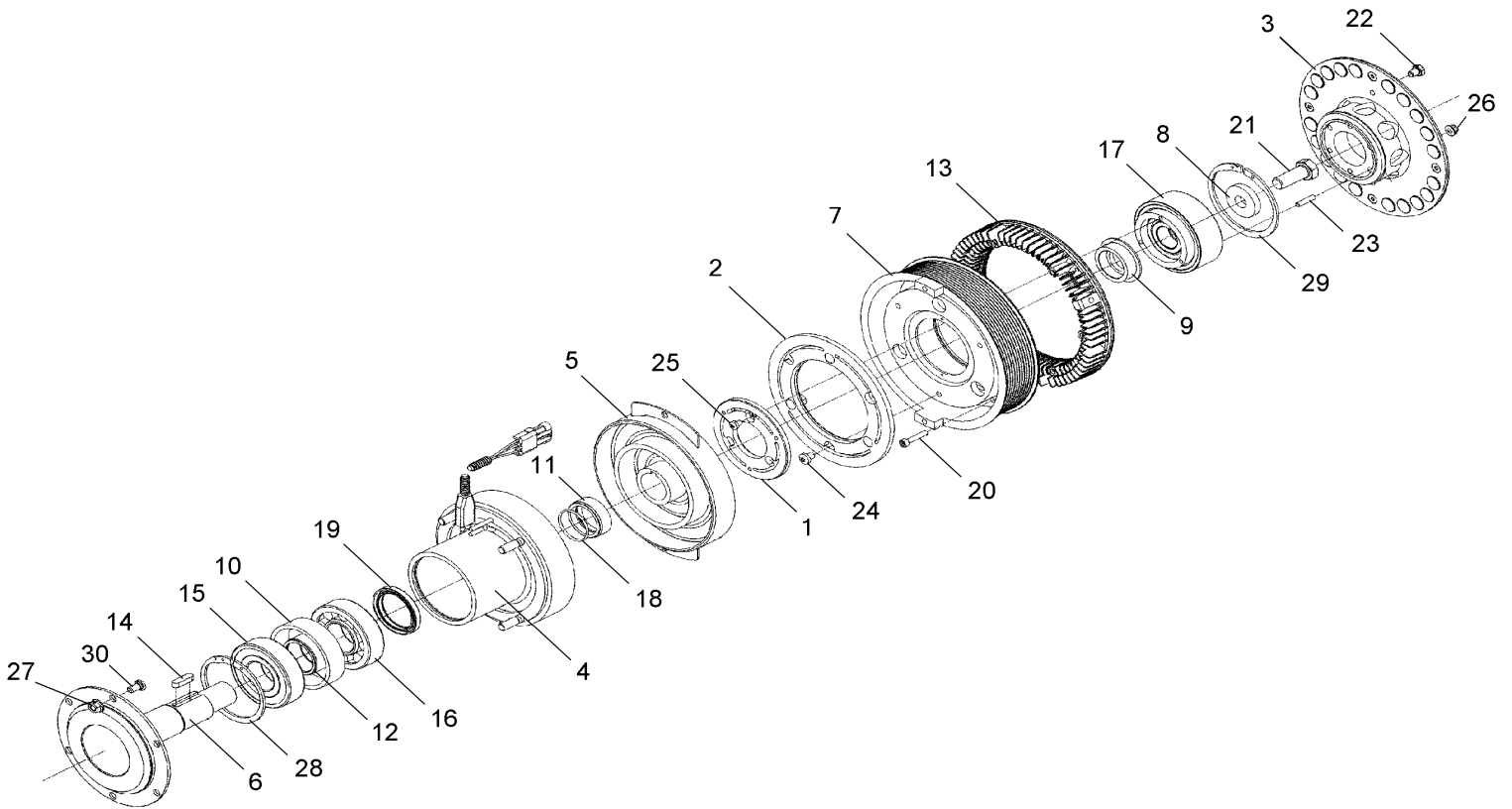
| | | |
|--|--------------|-----------------|
| From P-256 To R-079 | Date:10/2022 | PAGE:H4-0540-01 |
| FAN CLUTCH ASSY - #550634 (SERVICE) / SERVICE | | |

| Item# | Part | Description | H 3 4 0 | V I P 4 0 | N O T E S |
|-------|---------|---|------------------|-----------------------|-----------------------|
| | 550634 | FAN CLUTCH ASSY / | 1 | 1 | |
| 1 | 550778 | . COOLING FAN | 1 | 1 | |
| 2 | 502782 | . NUT HEX NYRT M5-0.8 Z050 | 9 | 9 | |
| 3 | 550659 | . DISC | 2 | 2 | |
| 4 | N.P.N. | . EDDY CURRENT DISC | 1 | 1 | 4 C |
| 5 | 502639 | . SCREW MA FL PH M5-0.8X12 ZP | 3 | 3 | |
| 6 | N.P.N. | . SCREW, M5-0.8 X 25MM FLAT HEAD | 6 | 6 | 4 |
| 7 | 550779 | . MAGNET PLATE SUPPORT | 1 | 1 | |
| 8 | 502767 | . NUT HEX JAM M20-1.5 ZP | 2 | 2 | |
| 9 | 502558 | . WASHER FL 21.0x37.0x3.0 G500 | 2 | 2 | |
| 10 | 550780 | . FLANGE DRIVEN ASSY W/BEARING | 1 | 1 | |
| . NS | 550664 | . . BEARING ASSY | 1 | 1 | |
| 11 | 550781 | . SPRING PLATE | 1 | 1 | |
| 12 | 550782 | . ARMATURE DISC / 1ST SPEED | 1 | 1 | |
| 13 | 550783 | . ARMATURE DISC / 2ND SPEED | 1 | 1 | |
| 13 | 550713 | . . ANGLE | 2 | 2 | |
| 13 | 550667 | . . SPRING PLATE | 1 | 1 | |
| 14 | N.P.N. | . SOCKET HEAD CAP SCREW, M8-1.25 X 16MM (50-2755) | 3 | 3 | 4 |
| 15 | N.P.N. | . SOCKET HEAD CAP SCREW, M6-1.0 X 8MM (50-01025) | 6 | 6 | 4 |
| 16 | N.P.N. | . WASHER SHIM .05MM | 3 | 3 | 4 |
| 17 | N.P.N. | . WASHER | 3 | 3 | 4 |
| 18 | 502564 | . WASHER LO SPT 6.1x11.8x1.6 Z050 | 3 | 3 | |
| 19 | 550669 | . STUD M8-1.25 X 19MM | 6 | 6 | A |
| 20 | 500874 | . WASHER FL 8.4x17.0x1.6 Z050 | 6 | 6 | A |
| 21 | 502744 | . NUT HEX STO M8-1.25 Z050 | 6 | 6 | |
| 22 | N.P.N. | . SET SCREW, M6-1.0 X 20MM | 3 | 3 | 4 |
| 23 | N.P.N. | . WASHER | 3 | 3 | 4 |
| 24 | 5001106 | . SCREW CAP HEX M6-1.0x10 G8.8 Z050 | 3 | 3 | |
| 25 | 550661 | . MAGNET | 18 | 18 | |
| 26 | 502511 | . NUT HEX NYRT M6-1.0 Z050 | 3 | 3 | |
| 27 | N.P.N. | . SPACER | 1 | 1 | 4 |
| 28 | 550784 | . ROTOR | 1 | 1 | |
| 29 | 550785 | . MAGNETIC COIL ASSY | 1 | 1 | |
| 30 | 550675 | . STUD M8-1.25 X 35MM | 4 | 4 | |
| 31 | 507113 | . BALL BEARING | 2 | 2 | |
| 32 | N.P.N. | . SPACER SMALL | 1 | 1 | 4 |
| 33 | N.P.N. | . SPACER LARGE | 1 | 1 | 4 |
| 34 | N.P.N. | . RETAINER RING (72 X 2.5) | 1 | 1 | 4 |
| 35 | N.P.N. | . DEFLECTOR | 1 | 1 | 4 |
| 36 | 550671 | . KEY (8 X 7 X 28) | 1 | 1 | |
| 37 | 550786 | . SHAFT | 1 | 1 | |
| 38 | 5001106 | . SCREW CAP HEX M6-1.0x10 G8.8 Z050 | 2 | 2 | B |

| | | |
|--|--------------|-----------------|
| From P-256 To R-079 | Date:10/2022 | PAGE:H4-0540-01 |
| FAN CLUTCH ASSY - #550634 (SERVICE) / SERVICE | | |

| Item# | Part | Description | H 3 4 0 | V I P 4 0 | N O T E S |
|-------|--------|---|------------------|-----------------------|-----------------------|
| NS | 502744 | NUT HEX STO M8-1.25 Z050 | 4 | 4 | |
| NS | 500874 | WASHER FL 8.4x17.0x1.6 Z050 | 4 | 4 | |
| NS | 561781 | CONNECTOR / WEATHER PACK / PH 3C / BLACK / PED 12010717 | 1 | 1 | |
| NS | 561567 | PIN TERMINAL / 20-18 / PED 12089040 | 3 | 3 | |
| NS | 561565 | CABLE SEAL / GREEN / PED 15324982 | 3 | 3 | |
| | | | | | |
| | | | | | |
| | | A) TO FIX FAN BLAD | | | |
| | | B) EMERGENCY USE ONLY | | | |
| | | C) (INCLUDE WITH ITEM #1) | | | |
| | | 4) NO PARTS NUMBER | | | |

| | | |
|--------------------------------------|--------------|-----------------|
| From P-256 To R-079 | Date:10/2022 | PAGE:H4-0540-99 |
| FAN CLUTCH ASSY - #550839 / RETROFIT | | |



| | | |
|---|--------------|-----------------|
| From P-256 To R-079 | Date:10/2022 | PAGE:H4-0540-99 |
| FAN CLUTCH ASSY - #550839 / RETROFIT | | |

| Item# | Part | Description | H 3 4 0 | V I P 4 0 | N O T E S |
|--------|---------------|--|------------------|-----------------------|-----------------------|
| | | NOTE: USE ONLY WITH SUPPORT #052649 | | | |
| | 550839 | FAN CLUTCH ASSY / | 1 | 1 | |
| . NS | IS-EB0140 A | . SEE INSTRUCTION SHEET | 1 | 1 | |
| 1 | N.S.S. | . ARMATURE DISC | 1 | 1 | 1 |
| 2 | N.S.S. | . ARMATURE DISC | 1 | 1 | 1 |
| 3 | 550882 | . MAGNET RING ASSY | 1 | 1 | |
| 4 | 550883 | . MAGNETIC COIL ASSY | 1 | 1 | |
| 5 | 550884 | . ROTOR | 1 | 1 | |
| 6 | 550885 | . SHAFT | 1 | 1 | |
| 7 | 550890 | . PULLEY ASSY WBEARING & DISC | 1 | 1 | A |
| 8 | 550887 | . WASHER | 1 | 1 | |
| 9 | 550888 | . BUSHING FLANGE | 1 | 1 | |
| 10 | N.P.N. | . SPACER | 1 | 1 | 4 |
| 11 | 550893 | . BUSHING W/GROOVE | 1 | 1 | |
| 12 | N.P.N. | . SPACER | 1 | 1 | 4 |
| 13 | 550889 | . COOLING RING | 1 | 1 | |
| 14 | 550671 | . KEY (8 X 7 X 28) | 1 | 1 | |
| 15 | 550895 | . BALL BEARING | 1 | 1 | |
| 16 | 550894 | . ROLLER BEARING | 1 | 1 | |
| 17 | 550886 | . BEARING ASSY | 1 | 1 | |
| 18 | 550891 | . O-RING 40 X 2.5 | 1 | 1 | |
| 19 | 550892 | . SEAL 50 X 65 X 8 | 1 | 1 | |
| 20 | N.P.N. | . SCREW CAP HEX S.ZP MG X 30 G8.8 | 6 | 6 | 4 |
| 21 | N.P.N. | . SCREW CAP HEX M16 X 40 G10.9 | 1 | 1 | 4 |
| 22 | 500069 | . SCREW CAP HEX M8-1.25x16 G10.9 DP | 2 | 2 | B |
| 23 | N.S.S. | . INSERT | 3 | 3 | 1 |
| 24 | N.S.S. | . INSERT | 3 | 3 | 1 |
| 25 | | . SCREW M6 X 8 | 6 | 6 | |
| 26 | 500680 | . NUT HEX STO M10-1.5 Z050 | 6 | 6 | |
| 27 | N.P.N. | . RETAINER RING (90 X 3) | 1 | 1 | 4 |
| 28 | N.P.N. | . RETAINER RING (100 X 3) | 1 | 1 | 4 |
| 29 | N.S.S. | . SNAP RING | 1 | 1 | 1 |
| 30 | N.P.N. | . INSERT | 1 | 1 | 4 |
| 32 | 550966 | FAN CLUTCH ASSY / ALTERNATIVE PART | 1 | 1 | |
| . NS | 550062 | . LOCKING TABS | 1 | 1 | |
| 32 | 550057 | FAN CLUTCH ASSY / ALTERNATIVE PART / SEE MI16-08 | 1 | 1 | |
| . NS | 550062 | . LOCKING TABS | 1 | 1 | |
| 33 | IS17908 | 550057 FAN CLUTCH FIRST INSTALLATION / WITH LONG FAN DRIVE | 1 | 1 | |
| . NS | 550057 | . FAN CLUTCH ASSY / ALTERNATIVE PART / SEE MI16-08 | 1 | 1 | |
| . . NS | 550062 | . . LOCKING TABS | 1 | 1 | |

| | | |
|---|--------------|-----------------|
| From P-256 To R-079 | Date:10/2022 | PAGE:H4-0540-99 |
| FAN CLUTCH ASSY - #550839 / RETROFIT | | |

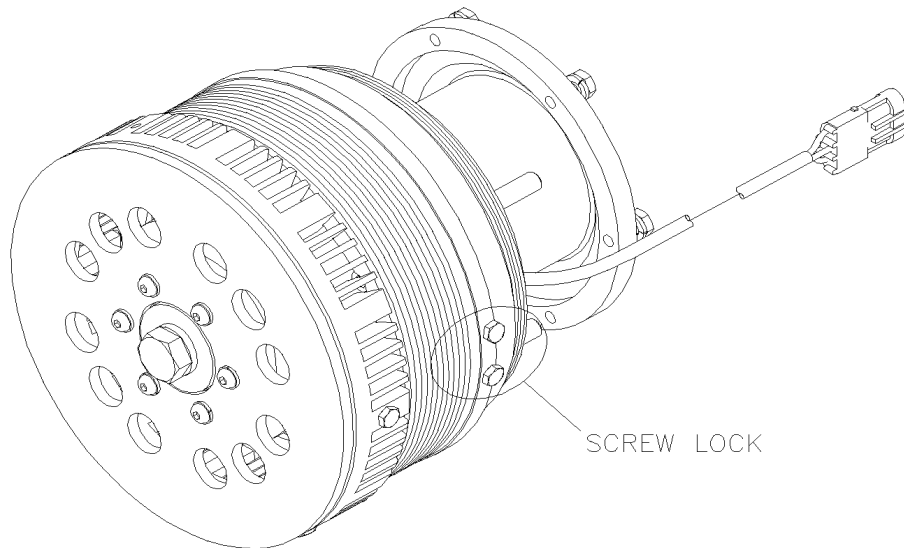
| Item# | Part | Description | H 3 4 0 | V I P 4 0 | N O T E S |
|-------|---------------|---|------------------|-----------------------|-----------------------|
| . NS | 506064 | . MULTI V-BELT / 12 RIB 83 1/2" (2121) | 1 | 1 | |
| . NS | 5001758 | . NUT HEX STO M10-1.5 N500 | 4 | 4 | |
| . NS | 500897 | . WASHER FL .437x1.000x.083 N500 | 4 | 4 | |
| . NS | IS-17908 | . SEE INSTRUCTION SHEET | 1 | 1 | |
| 34 | IS17909 | 550057 FAN CLUTCH FIRST INSTALLATION / WITH SHORT FAN DRIVE | 1 | 1 | |
| . NS | 550057 | . FAN CLUTCH ASSY / ALTERNATIVE PART / SEE MI16-08 | 1 | 1 | |
| . NS | 550062 | . LOCKING TABS | 1 | 1 | |
| . NS | 5002112 | . MULTI V-BELT / 12 RIB 62.40" (1585MM) | 2 | 2 | |
| . NS | 502692 | . NUT HEXF STO M8-1.25 Z050 | 3 | 3 | |
| . NS | 502891 | . SCREW CRG M8-1.25x40 G8.8 Z050 | 3 | 3 | |
| . NS | 500874 | . WASHER FL 8.4x17.0x1.6 Z050 | 3 | 3 | |
| . NS | 502644 | . WASHER FL 10.5x30.0x2.5 Z050 | 4 | 4 | |
| . NS | 5001758 | . NUT HEX STO M10-1.5 N500 | 4 | 4 | |
| . NS | 5001654 | . WASHER FL 6.4x17.0x3.0 SS | 6 | 6 | |
| . NS | 502843 | . SCREW CAP HEX M6-1.0x45 G8.8 N500 | 1 | 1 | |
| . NS | 502621 | . NUT HEX STO M6-1.0 Z050 | 1 | 1 | |
| . NS | IS-17909 | . SEE INSTRUCTION SHEET | 1 | 1 | |
| | | | | | |
| | | | | | |
| | | A) INCLUDES ITEMS #1, 2, 17, 23, 24, 25 & 29 | | | |
| | | B) USE IN EMERGENCY ONLY | | | |
| | | 1) NOT SOLD SEPARATELY | | | |
| | | 4) NO PARTS NUMBER | | | |

From P-256 To R-079

Date:10/2022

PAGE:550966

FAN CLUTCH ASSY / ALTERNATIVE PART



| | | |
|---------------------|--------------|-------------|
| From P-256 To R-079 | Date:10/2022 | PAGE:550966 |
|---------------------|--------------|-------------|

FAN CLUTCH ASSY / ALTERNATIVE PART

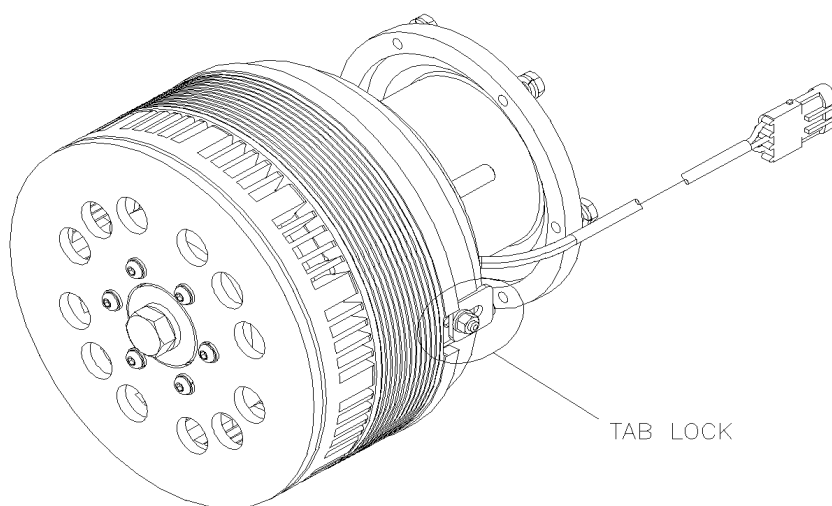
| Item# | Part | Description | H 3 4 0 | V I P 4 0 | N O T E S |
|--------------|-------------|------------------------|----------------------------|----------------------------------|----------------------------------|
| 1 | | FORMER WITH SCREW LOCK | 1 | 1 | |
| | | | | | |
| | | | | | |
| | | | | | |

From P-256 To R-079

Date:10/2022

PAGE:550057

FAN CLUTCH ASSY / ALTERNATIVE PART / SEE MI16-08



| | | |
|---|--------------|-------------|
| From P-256 To R-079 | Date:10/2022 | PAGE:550057 |
| FAN CLUTCH ASSY / ALTERNATIVE PART / SEE MI16-08 | | |

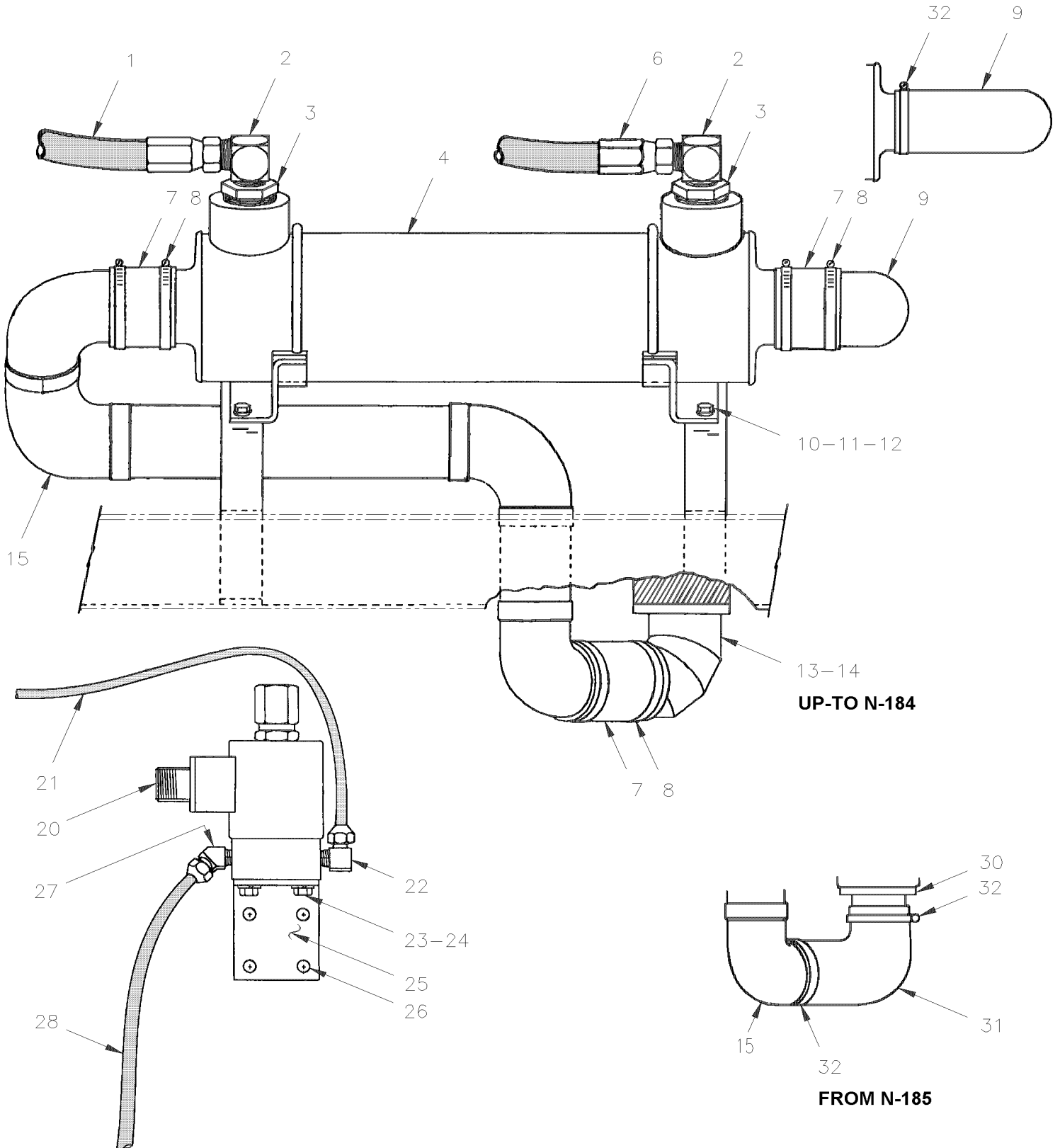
| Item# | Part | Description | H 3 4 0 | V I P 4 0 | N O T E S |
|-------|------|---------------|------------------|-----------------------|-----------------------|
| 2 | | WITH TAB LOCK | 1 | 1 | |
| | | | | | |
| | | | | | |
| | | | | | |

From L-031 To R-032

Date:10/2022

PAGE:H4-0560-00

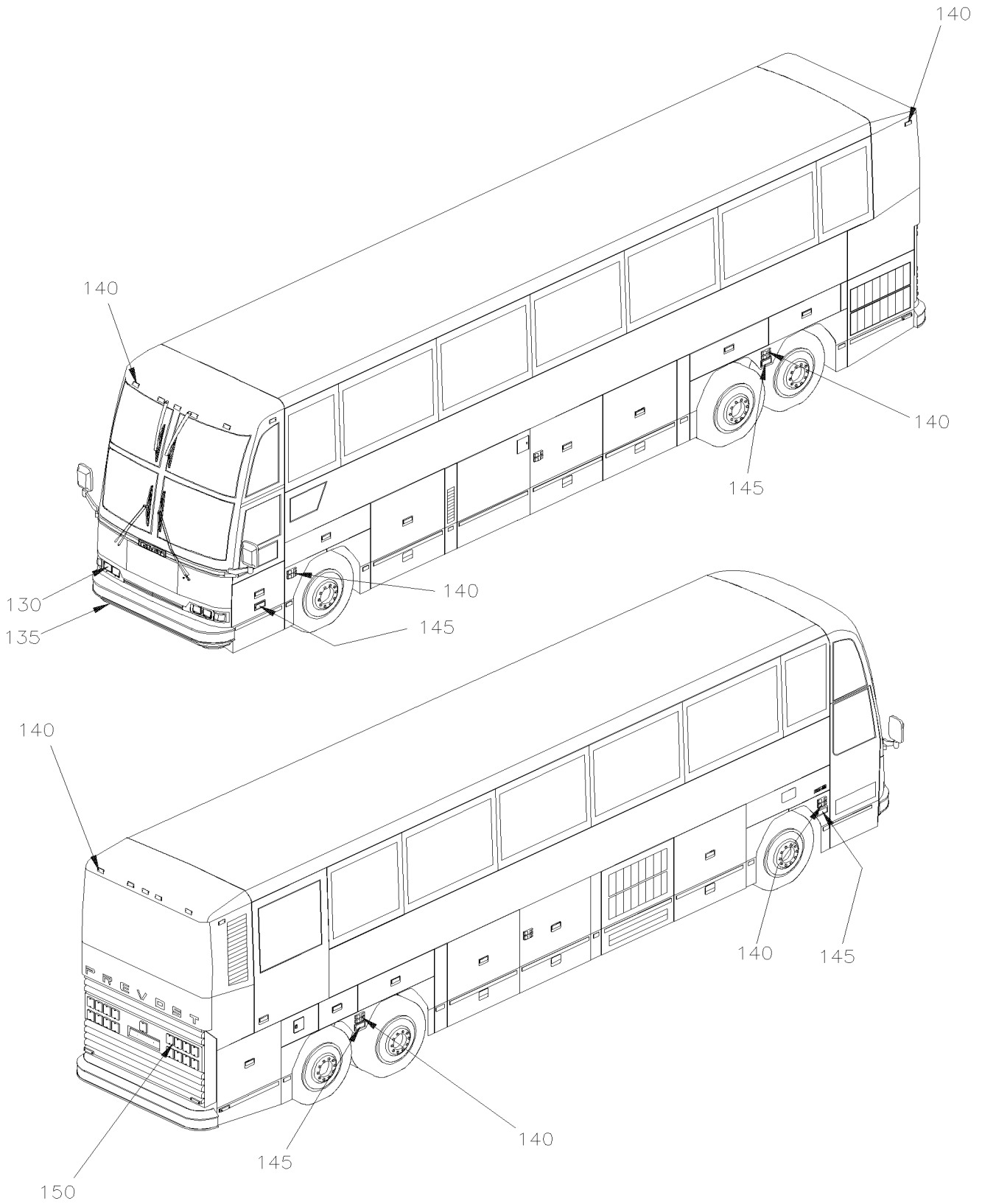
OIL COOLER - TRANSMISSION DETROIT S-92



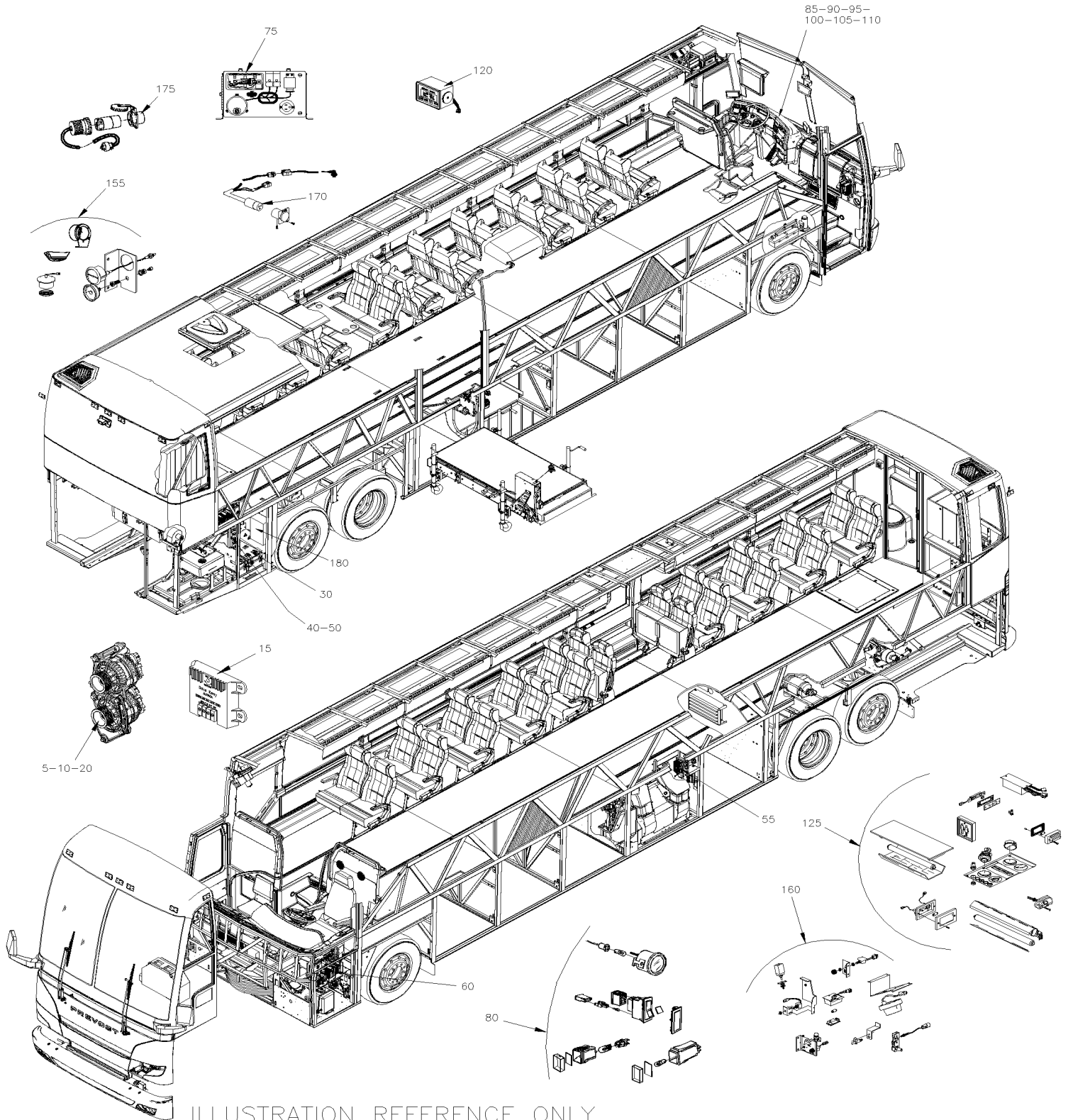
| | | |
|---|--------------|-----------------|
| From L-031 To R-032 | Date:10/2022 | PAGE:H4-0560-00 |
| OIL COOLER - TRANSMISSION DETROIT S-92 | | |

| Item# | Part | Description | H 3 4 0 | V I P 4 0 | N O T E S |
|-------|---------|--|------------------|-----------------------|-----------------------|
| 1 | 051692 | HOSE ASSY / #20 1120MM | 1 | 1 | |
| 1 | 503516 | . HOSE #FC-300 HYDRAULIC / #20 S.L. | AR | AR | |
| 1 | 501343 | . FEMALE CONNECTOR SWIVEL / JIC 37° FITTING / #20JIC-Fx#20 ZP | 2 | 2 | |
| 1 | 501575 | . MALE CONNECTOR / JIC 37° FITTING / #20JIC-Mx#20ORB-M STL VITON | 2 | 2 | |
| 2 | 507501 | MALE ELBOW 90° / JIC 37° FITTING / #20JIC-Mx1 1/4NPT-M STL | 2 | 2 | |
| 3 | 507502 | BUSHING REDUCER / PIPE FITTING / 2NPT-Mx1 1/4NPT-F BR | 2 | 2 | |
| 4 | 550598 | COOLER ASSY | 2 | 2 | |
| 6 | 051688 | HOSE ASSY / #20 1505MM | 1 | 1 | |
| 7 | 503396 | HOSE SILICONE 3" I.D. x 3' | AR | AR | |
| 8 | 504525 | HOSE CLAMP / 2"3/4-3"5/8 SS / HTM-350L | 8 | 8 | |
| 9 | 051675 | PIPE ASSY To N-184 | 1 | 1 | |
| 9 | 503571 | ELBOW 90° X 3" I.D. / SILICONE From N-185 | AR | AR | |
| NS | 051683 | ADAPTOR / HOSE & MOTOR | 1 | 1 | |
| 10 | 502559 | SCREW CAP HEX M10-1.5x25 G8.8 Z050 | 4 | 4 | |
| 11 | 500256 | NUT HEX M10-1.5 Z050 | 4 | 4 | |
| 12 | 500257 | WASHER LO SPT 10.2x18.1x2.2 Z050 | 4 | 4 | |
| 13 | 051680 | ADAPTOR, PIPE To N-184 | 1 | 1 | |
| 14 | 510385 | GASKET | 1 | 1 | |
| 15 | 051681 | PIPE | 1 | 1 | |
| 20 | 560930 | VALVE SOLENOID N.C. 24 VOLTS | 1 | 1 | |
| . NS | 060851 | . CONNECTOR ASSY | 1 | 1 | |
| 21 | 031149 | HOSE ASSY TEFLON #4 351MM | 1 | 1 | |
| 21 | 503064 | . HOSE TEFLON #4 / S.L. | AR | AR | |
| 21 | 5011182 | . FEMALE CONNECTOR SWIVEL / SAE 45° FITTING / #4FL-Fx#4 STL | 2 | 2 | |
| 21 | 5011183 | . SLEEVE / #4 STL | 2 | 2 | |
| 22 | 501036 | MALE ELBOW 90° / SAE 45° FITTING / #4FL-Mx1/8NPT-M BR | 1 | 1 | |
| 23 | 502751 | SCREW CAP HEX #10-32x3/8 Z050 | 2 | 2 | |
| 24 | 500470 | WASHER LO SPT .193x.334x.047 Z050 | 2 | 2 | |
| 25 | 060721 | SUPPORT / SOLENOID VALVE | 1 | 1 | |
| 26 | 500613 | SCREW TP PAN PH #10x1/2 Z050 | AR | AR | |
| 27 | 501808 | MALE ELBOW 45° / SAE 45° FITTING / #4FL-Mx1/8NPT-M BR | 1 | 1 | |
| 28 | 070613 | HOSE ASSY TEFLON #4 2089MM | 1 | 1 | |
| 30 | 051755 | . ADAPTOR From N-185 | 1 | 1 | |
| 31 | 051757 | ELBOW 90° X 3" I.D. / 90MM x 180MM C/C / SILICONE From N-185 | 1 | 1 | |
| 31 | 503571 | . ELBOW 90° X 3" I.D. / SILICONE From N-185 | 1 | 1 | |
| 32 | 504329 | HOSE CLAMP / 3"5/16-4"1/4 SS / E.T. 60 | AR | AR | |
| | | | | | |
| | | | | | |
| | | | | | |

| | | |
|------------|--------------|-------|
| | Date:10/2022 | H4-06 |
| ELECTRICAL | | |



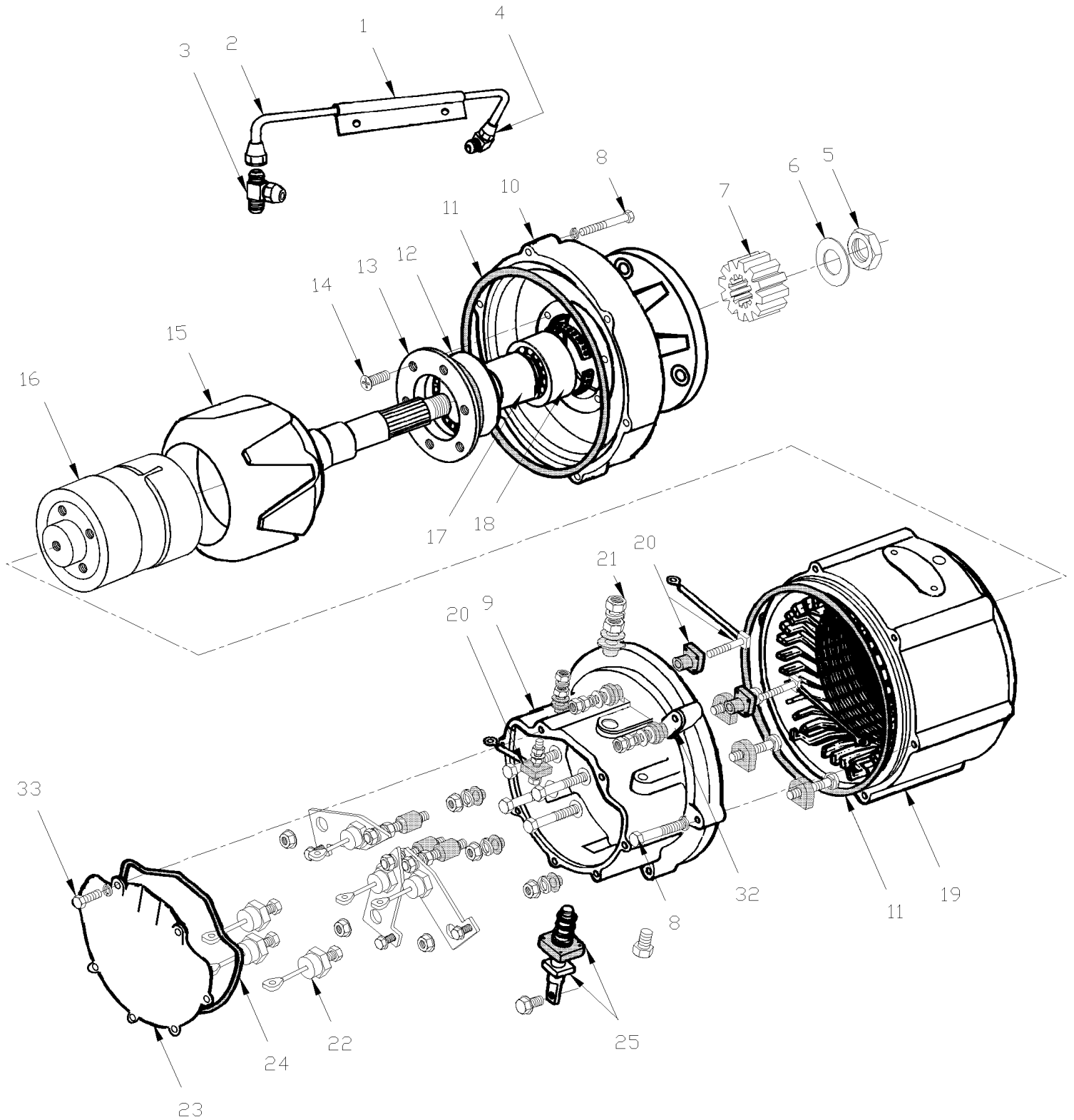
| | | |
|------------|--------------|-------|
| | Date:10/2022 | H4-06 |
| ELECTRICAL | | |



| | | Date:10/2022 | H4-06 | | |
|------------|------------|---|------------------|-----------------------|-----------------------|
| ELECTRICAL | | | | | |
| Item# | Part | Description | H 3 4 0 | V I P 4 0 | N O T E S |
| 5 | H4-0605-02 | ALTERNATOR 24V/270 AMPS / "DELCO" #561723 From L-031 To R-032 | | | |
| 5 | H4-0605-03 | ALTERNATOR 24V/270 AMPS / "DELCO" #562235 From P-256 To R-079 | | | |
| 5 | H4-0605-99 | ALTERNATOR 24V/140 AMPS / "BOSCH" / RETROFIT From P-256 To R-079 | | | A |
| 10 | H4-0610-01 | ALTERNATOR MOUNTING / "DELCO" WITH DETROIT S-92 From L-031 To R-032 | | | |
| 10 | H4-0610-02 | ALTERNATOR MOUNTING / "DELCO" WITH DETROIT S-60 From P-256 To R-079 | | | |
| 10 | H4-0610-03 | ALTERNATOR MOUNTING / "DELCO" WITH DETROIT S-60 From P-256 To R-079 | | | A |
| 15 | H4-0610-10 | VOLTAGE REGULATOR - 24 VOLTS W/270 AMPS From L-031 To R-079 | | | |
| 20 | H4-0610-52 | ALTERNATOR MOUNTING / "DELCO" - 12V/145A / DETROIT S-92 From L-031 To R-032 | | | |
| 20 | H4-0610-53 | ALTERNATOR MOUNTING / "DELCO" - 12V/145A / GEARBOX INSTAL From P-256 To R-079 | | | |
| 20 | H4-0610-54 | ALTERNATOR MOUNTING / "BOSCH" - 24V/140A / GEARBOX INSTAL From P-256 To R-079 | | | |
| 20 | H4-0610-99 | ALTERNATOR MOUNTING / "BOSCH" WITH DETROIT S-60 From P-256 To R-079 | | | A |
| 30 | H4-0615-00 | BATTERIES INSTALLATION From L-031 To R-079 | | | |
| 40 | H4-0616-00 | JUNCTION BOX COMPONENTS, RELAY & BREAKER From L-031 To R-079 | | | |
| 50 | H4-0620-00 | REAR JUNCTION BOX ASSY From L-031 To R-079 | | | |
| 50 | H4-0620-50 | REAR JUNCTION BOX - INSTALLATION From L-031 To R-079 | | | |
| 55 | H4-0621-00 | A/C JUNCTION BOX ASSY From L-031 To R-396 | | | |
| 55 | H4-0621-01 | A/C JUNCTION BOX ASSY From R-397 To R-079 | | | |
| 55 | H4-0621-99 | A/C CONDENSOR MOTOR RELAY From L-031 To R-079 | | | A |
| 60 | H4-0625-00 | FRONT JUNCTION BOX ASSY From L-031 To R-079 | | | |
| 75 | H4-0626-00 | ALARM JUNCTION BOX ASSY From L-031 To P-299 | | | |
| 75 | H4-0626-01 | ALARM JUNCTION BOX ASSY From P-300 To R-079 | | | |
| 80 | H4-0644-00 | DASHBOARD COMPONENTS From L-031 To R-079 | | | |
| 85 | H4-0645-00 | SWITCHES L.H. CONSOLE - BUS From L-031 To R-079 | | | |
| 85 | H4-0645-05 | SWITCHES L.H. CONSOLE - V.I.P. From L-031 To R-079 | | | |
| 90 | H4-0645-10 | L.H. DASHBOARD PANEL From L-031 To R-079 | | | |
| 95 | H4-0645-20 | CENTER DASHBOARD PANEL From L-031 To R-079 | | | |
| 100 | H4-0645-30 | R.H. DASHBOARD PANEL From L-031 To R-079 | | | |
| 105 | H4-0645-40 | L.H. & R.H. LOWER CENTRAL PANEL From L-031 To R-079 | | | |
| 110 | H4-0645-50 | R.H. CONSOLE From L-031 To R-079 | | | |
| 120 | H4-0650-00 | DATA HUB From L-031 To R-079 | | | |
| 125 | H4-0655-00 | INTERIOR LIGHTING From L-031 To R-079 | | | |
| 130 | H4-0660-00 | HEADLAMP & FRONT DIRECTIONAL LAMPS From L-031 To R-079 | | | |
| 135 | H4-0661-00 | FOG LAMP From L-031 To R-079 | | | |
| 140 | H4-0662-00 | CLEARANCE & MARKER LIGHT From L-031 To R-079 | | | |
| 145 | H4-0663-00 | DOCK & CORNERING LIGHT From L-031 To R-079 | | | |
| 150 | H4-0664-00 | REAR EXTERIOR LIGHTS & PLATE HOLDER From L-031 To R-079 | | | |
| 155 | H4-0665-00 | ENGINE COMPARTMENT - ELECTRIC COMPONENTS From L-031 To R-079 | | | |
| 160 | H4-0665-10 | SWITCHES, LIGHTS, AJAR - UNDER FLOOR From L-031 To R-079 | | | |
| 170 | H4-0666-00 | BLOCK HEATER RECEPTACLE From L-031 To R-079 | | | |
| 175 | H4-0670-00 | EXTERIOR 110 VOLTS OUTLET From L-031 To R-079 | | | |
| 180 | H4-0670-10 | BATTERIES CHARGER - INSTALLATION / RETROFIT From L-031 To R-079 | | | B |

| | | Date:10/2022 | H4-06 | | |
|------------|------|--------------|------------------|-----------------------|-----------------------|
| ELECTRICAL | | | | | |
| Item# | Part | Description | H 3 4 0 | V I P 4 0 | N O T E S |
| | | | | | |
| | | | | | |
| | | A) SERVICE | | | |
| | | B) RETROFIT | | | |

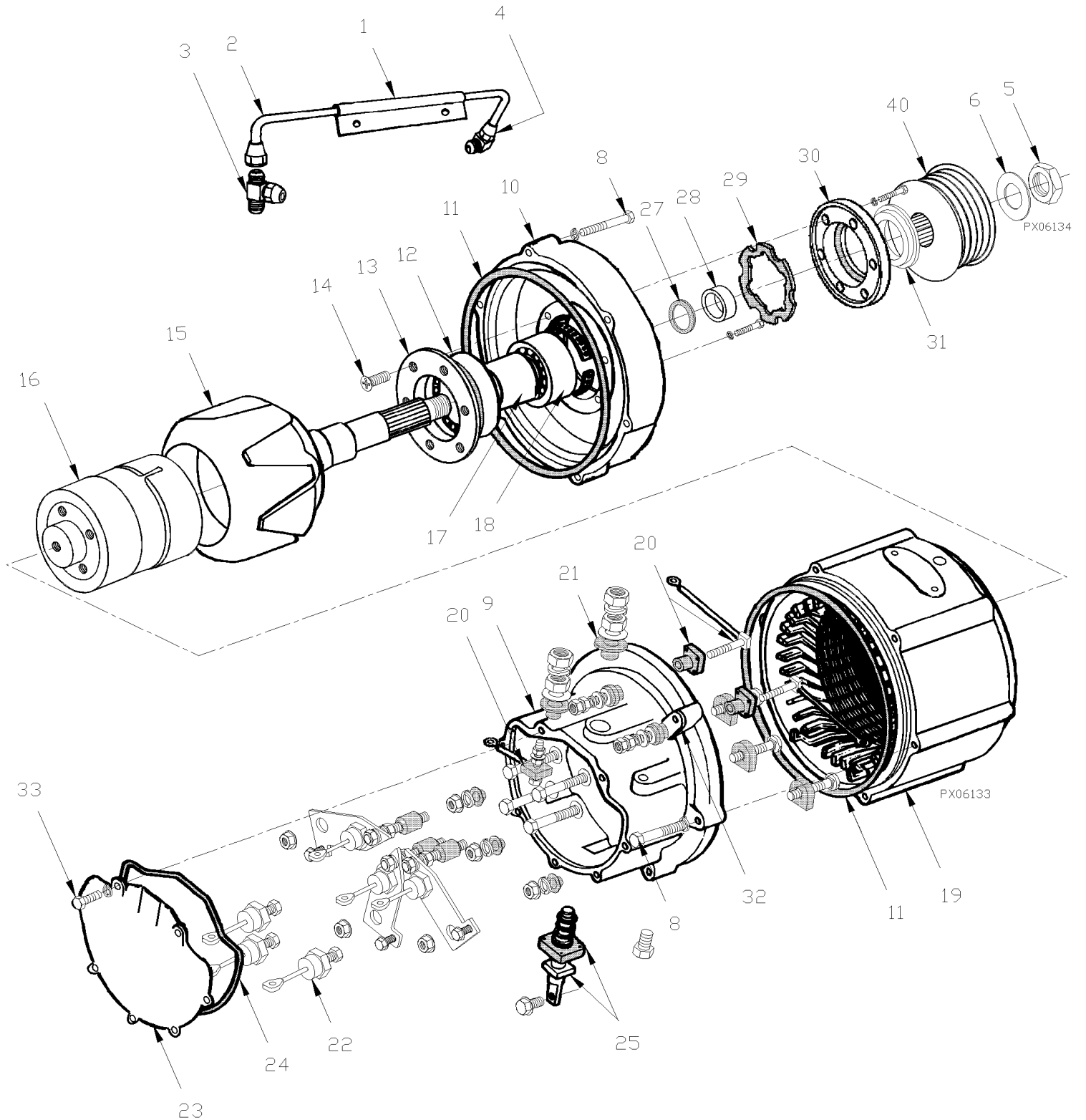
| | | |
|---|--------------|-----------------|
| From L-031 To R-032 | Date:10/2022 | PAGE:H4-0605-02 |
| ALTERNATOR 24V/270 AMPS / "DELCO" #561723 | | |



| | | |
|--|--------------|-----------------|
| From L-031 To R-032 | Date:10/2022 | PAGE:H4-0605-02 |
| ALTERNATOR 24V/270 AMPS / "DELCO" #561723 | | |

| Item# | Part | Description | H 3 4 0 | V I P 4 0 | N O T E S |
|-------|--------|---|------------------|-----------------------|-----------------------|
| | 561723 | ALTERNATOR ASSY 24V/270 AMPS | 1 | 1 | |
| 1 | 561169 | . CLAMP / OIL LINE TUBE | 1 | 1 | |
| 2 | 561598 | . OIL LINE | 1 | 1 | |
| 3 | 561171 | . TEE | 1 | 1 | |
| 4 | 561170 | . ELBOW 90° | 1 | 1 | |
| 5 | 560968 | . NUT | 1 | 1 | |
| 6 | 560973 | . WASHER / PINION | 1 | 1 | |
| 7 | 561702 | . GEAR PINION / 18 TEETH | 1 | 1 | |
| 8 | 500170 | . SCREW CAP HEX 1/4-20x2 G5 PT Z050 | 12 | 12 | |
| NS | 500473 | . WASHER LO SPT .262x.489x.062 Z050 | 12 | 12 | |
| 9 | N.S.P. | . FRAME RECTIFIER END / (10471611) | 1 | 1 | 2 |
| 10 | 562194 | . FRAME D.E. | 1 | 1 | |
| 11 | 562196 | . O-RING | 2 | 2 | |
| 12 | 562186 | . BEARING INNER D.E. | 1 | 1 | |
| 13 | N.S.P. | . RETAINING BEARING | 1 | 1 | 2 |
| 14 | 500371 | . SCREW MA FL PH M4-0.7x8 N500 | 6 | 6 | |
| 15 | 562179 | . ROTOR | 1 | 1 | |
| 16 | 562182 | . FIELD ASSY | 1 | 1 | |
| 17 | 562188 | . SPACER / BEARING | 1 | 1 | |
| 18 | 562184 | . BEARING OUTER D.E. | 1 | 1 | |
| 19 | 562177 | . STATOR ASSY / W/RIGID LEAD | 1 | 1 | |
| 19 | 562693 | . STATOR ASSY / W/FLEX LEAD | 1 | 1 | |
| 20 | 560724 | . STUD TERMINAL FIELD | 2 | 2 | |
| 21 | 560846 | . SLEEVE INSULATOR DC+ STUD | 1 | 1 | |
| 22 | 562193 | . DIODE (NEGATIF) / ALTERNATOR 50 DN | 6 | 6 | |
| 23 | 562466 | . COVER / RECTIFIER END / ALUMINUM DIE CAST | 1 | 1 | |
| 24 | 562467 | . O-RING | 1 | 1 | |
| 24 | 561237 | . GASKET / USE W/STEEL COVER / (FORMER) | 1 | 1 | |
| 25 | 562450 | . STUD TERMINAL DC + | 1 | 1 | |
| 32 | 562386 | . STRAP / FIELD TERMINAL & GROUND | 1 | 1 | |
| 33 | 500163 | . SCREW CAP HEX 1/4-20x3/4 G5 Z050 | 6 | 6 | |
| | | | | | |
| | | | | | |
| | | | | | |
| | | 2) NOT SOLD BY PREVOST (SEE MANUFACTURING PART NUMBER AT END OF DESCRIPTION LINE) | | | |

| | | |
|---|--------------|-----------------|
| From P-256 To R-079 | Date:10/2022 | PAGE:H4-0605-03 |
| ALTERNATOR 24V/270 AMPS / "DELCO" #562235 | | |



| | | |
|--|--------------|-----------------|
| From P-256 To R-079 | Date:10/2022 | PAGE:H4-0605-03 |
| ALTERNATOR 24V/270 AMPS / "DELCO" #562235 | | |

| Item# | Part | Description | H 3 4 0 | V I P 4 0 | N O T E S |
|-------|----------|---|------------------|-----------------------|-----------------------|
| | 562235 | ALTERNATOR ASSY 24V/270 AMPS | 1 | 1 | |
| | 563437 | ALTERNATOR ASSY 24V/270 AMPS | 1 | 1 | |
| 1 | 561169 | . CLAMP / OIL LINE TUBE | 1 | 1 | |
| 2 | 562238 | . OIL LINE TUBE | 1 | 1 | |
| 3 | 561171 | . TEE | 1 | 1 | |
| 4 | 561170 | . ELBOW 90° | 1 | 1 | |
| 5 | 562457 | . NUT, DRIVE END | 1 | 1 | |
| 6 | 560973 | . WASHER / PINION | 1 | 1 | |
| 8 | 500170 | . SCREW CAP HEX 1/4-20x2 G5 PT Z050 | 12 | 12 | |
| NS | 500473 | . WASHER LO SPT .262x.489x.062 Z050 | 12 | 12 | |
| 9 | N8885614 | . FRAME RECTIFIER END | 1 | 1 | |
| 9 | 563440 | . FRAME RECTIFIER END | 1 | 1 | A |
| 10 | 562241 | . FRAME D.E. | 1 | 1 | |
| . NS | 562509 | . OIL SEAL 2.247" O.D. | 1 | 1 | |
| 10 | 10523585 | . FRAME D.E. | 1 | 1 | |
| 11 | 562196 | . O-RING | 2 | 2 | |
| 12 | 562186 | . BEARING INNER D.E. | 1 | 1 | |
| 13 | N8885671 | . RETAINER BEARING (1941060) | 1 | 1 | |
| 14 | 500371 | . SCREW MA FL PH M4-0.7x8 N500 | 6 | 6 | |
| 15 | 562240 | . ROTOR | 1 | 1 | |
| 16 | 562182 | . FIELD ASSY | 1 | 1 | |
| 18 | 562184 | . BEARING OUTER D.E. | 1 | 1 | |
| 19 | 562239 | . STATOR ASSY / W/RIGID LEAD | 1 | 1 | |
| 19 | 562694 | . STATOR ASSY / W/FLEX LEAD | 1 | 1 | |
| 19 | 563438 | . STATOR ASSY / W/FLEX LEAD & INSULATOR | 1 | 1 | A |
| 20 | 560724 | . STUD TERMINAL FIELD | 2 | 2 | |
| 21 | 560846 | . SLEEVE INSULATOR DC+ STUD | 1 | 1 | |
| 22 | 562193 | . DIODE (NEGATIF) / ALTERNATOR 50 DN | 6 | 6 | |
| 23 | 562466 | . COVER / RECTIFIER END / ALUMINUM DIE CAST | 1 | 1 | |
| 24 | 562467 | . O-RING | 1 | 1 | |
| 25 | 562450 | . STUD TERMINAL DC + | 1 | 1 | |
| 27 | 562242 | . O-RING / SPACER COLLAR & BEARING | 1 | 1 | |
| 28 | 562245 | . SPACER COLLAR D.E. | 1 | 1 | |
| 29 | 562243 | . GASKET PLATE DRIVE END | 1 | 1 | |
| 30 | 562244 | . RETAINER BEARING D.E. | 1 | 1 | |
| 31 | 562509 | . OIL SEAL 2.247" O.D. | 1 | 1 | |
| 31 | N8896697 | . OIL SEAL W/FLANGE 30375" O.D. | 1 | 1 | |
| . NS | N8885631 | . O-RING / SPACER COLLAR & BEARING | 1 | 1 | |
| . NS | N8893250 | . SPACER COLLAR D.E. | 1 | 1 | |
| 32 | 562386 | . STRAP / FIELD TERMINAL & GROUND | 1 | 1 | |
| 33 | 500163 | . SCREW CAP HEX 1/4-20x3/4 G5 Z050 | 6 | 6 | |
| 40 | 510439 | PULLEY ALTERNATOR 12 RIB | 1 | 1 | |

| | | |
|---|--------------|-----------------|
| From P-256 To R-079 | Date:10/2022 | PAGE:H4-0605-03 |
| ALTERNATOR 24V/270 AMPS / "DELCO" #562235 | | |

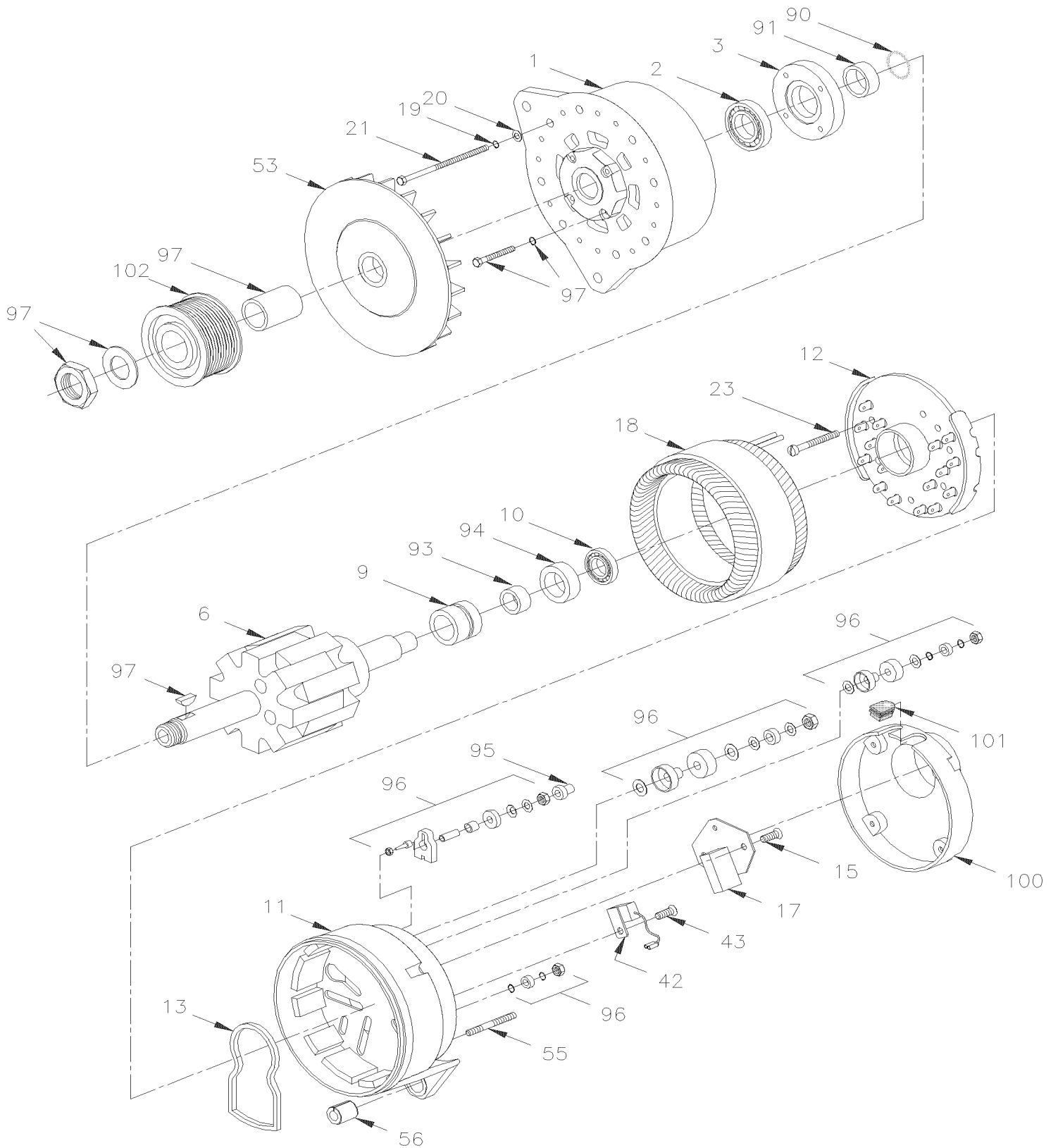
| Item# | Part | Description | H 3 4 0 | V I P 4 0 | N O T E S |
|-------|------|--------------------------|------------------|-----------------------|-----------------------|
| | | | | | |
| | | | | | |
| | | | | | |
| | | A) USE WITH #563437 ONLY | | | |

From P-256 To R-079

Date:10/2022

PAGE:H4-0605-99

ALTERNATOR 24V/140 AMPS / "BOSCH" / RETROFIT



| | | |
|---|--------------|-----------------|
| From P-256 To R-079 | Date:10/2022 | PAGE:H4-0605-99 |
| ALTERNATOR 24V/140 AMPS / "BOSCH" / RETROFIT | | |

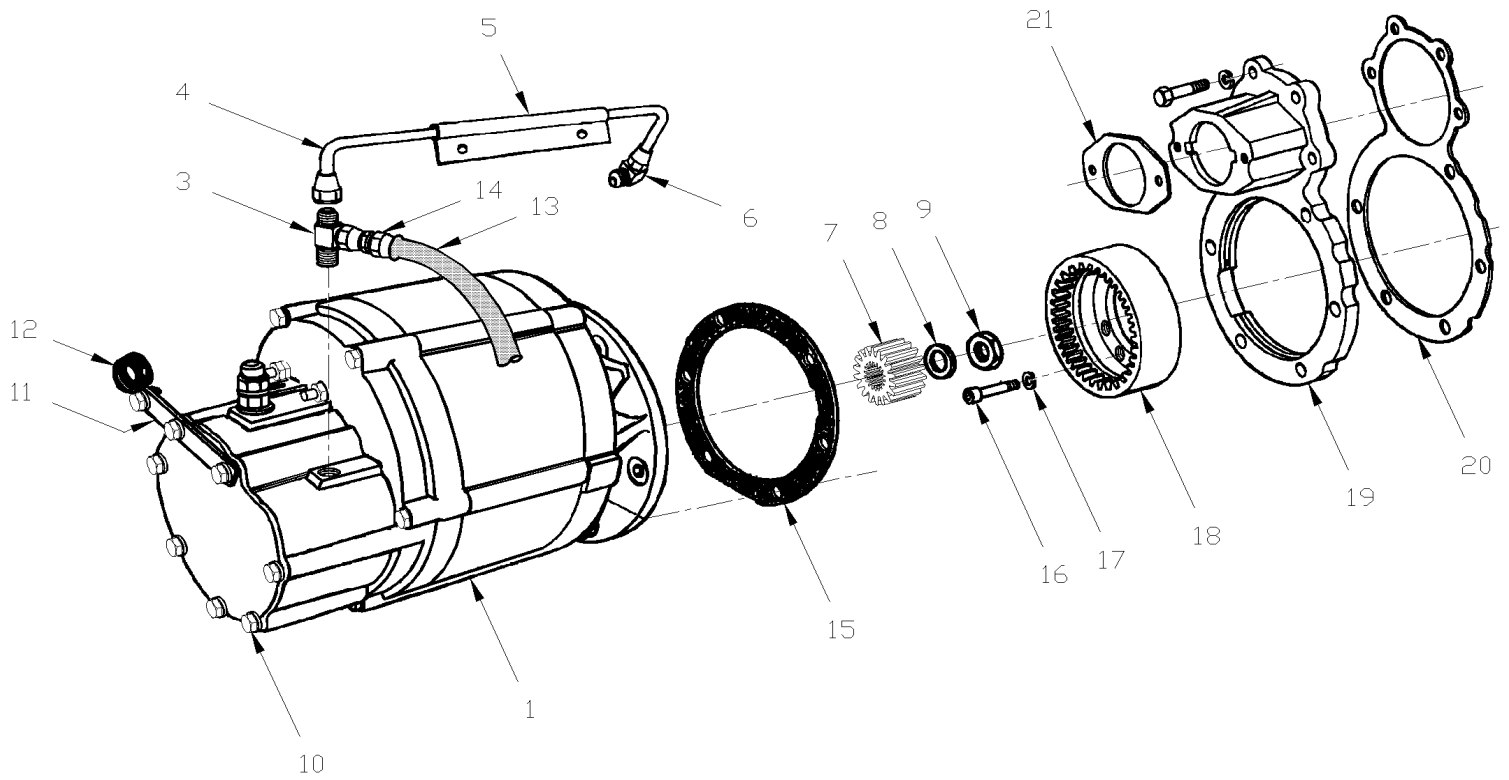
| Item# | Part | Description | H 3 4 0 | V I P 4 0 | N O T E S |
|-------|-------------------|--|------------------|-----------------------|-----------------------|
| | 562752 | ALTERNATOR ASSY 24V/140 AMPS | 2 | 2 | |
| 1 | 562971 | . DRIVE END SHIELD | 1 | 1 | |
| 2 | 562972 | . BALL BEARING | 1 | 1 | |
| 3 | 562973 | . COVER PLATE / (1 120 033 009) | 1 | 1 | |
| 6 | 562974 | . ROTOR / (1 124 037 004) | 1 | 1 | |
| 9 | 562975 | . . COLLECTOR-RING | 1 | 1 | |
| 10 | 562976 | . CYLINDER ROLLER BEARING | 1 | 1 | |
| NS | 684922 | . GREASE "POLYREX" EM / TO USE W/"BOSCH" ALTERNATOR | AR | AR | |
| 11 | 562977 | . COLLECTOR-RING END SHIELD | 1 | 1 | |
| 12 | 562978 | . RECTIFIER PLATE ASSY / (1 127 320 973) | 1 | 1 | |
| 13 | 562979 | . . SEAL | 1 | 1 | |
| 15 | 562980 | . WASHER-AND-SCREW ASSEMBLY | 3 | 3 | |
| 17 | 562981 | . TRANSISTOR REGULATOR | 1 | 1 | |
| 17 | 562982 | . . COMPRESSION SPRING | 2 | 2 | |
| 17 | 562983 | . . BRUSH SET | 2 | 2 | |
| 17 | 562984 | . GASKET | 1 | 1 | |
| 18 | 562985 | . STATOR ASSY | 1 | 1 | |
| 19 | 562986 | . WASHER LOCK SPRING 6MM | 4 | 4 | |
| 20 | 562987 | . PLAIN WASHER | 4 | 4 | |
| 21 | 562988 | . OVAL-HEAD SCREW | 4 | 4 | |
| 23 | 562989 | . WASHER-AND-SCREW ASSEMBLY | 3 | 3 | |
| 42 | 562990 | . SUPPRESSION CAPACITOR | 1 | 1 | |
| 43 | 562991 | . OVAL-HEAD SCREW M6 X 10-5.8 | 1 | 1 | |
| 53 | 562992 | . FAN | 1 | 1 | |
| 55 | 562993 | . STUD M6 X 35-5.6 / (2 912 212 207) | 4 | 4 | |
| 56 | 562994 | . EXPANSION BUSHING / (1 120 300 018) | 1 | 1 | |
| 90 | 562995 | . RETAINER DIN 9045-30 / (2916 600 016) | 1 | 1 | |
| 91 | 562996 | . SUPPORT RING / (1 120 114 002) | 1 | 1 | |
| 93 | 562997 | . SPACER RING | 1 | 1 | |
| 94 | 562998 | . RADIAL SEAL | 1 | 1 | |
| 95 | 562999 | . PROTECTIVE CAP | 1 | 1 | |
| 96 | 563000 | . PARTS SET TERMINAL B+,B-,D+,W / | 1 | 1 | |
| 97 | 563001 | . KIT NUT & WASHER M24-1.5 YC | 1 | 1 | |
| 100 | 562851 | AIR-INTAKE COVER | 1 | 1 | |
| 101 | 563002 | GROMMET / (1 120 312 000) | 1 | 1 | |
| 101 | 504421 | GROMMET / .625x.875x.187x.437x1.125 | 1 | 1 | |
| 102 | H4-0610-54 | ALTERNATOR MOUNTING / "BOSCH" - 24V/140A / GEARBOX INSTAL | | | |
| 103 | H4-0610-99 | ALTERNATOR MOUNTING / "BOSCH" WITH DETROIT S-60 | | | |
| | | | | | |
| | | | | | |
| | | | | | |

From L-031 To R-032

Date:10/2022

PAGE:H4-0610-01

ALTERNATOR MOUNTING / "DELCO" WITH DETROIT S-92



| | | |
|--|--------------|-----------------|
| From L-031 To R-032 | Date:10/2022 | PAGE:H4-0610-01 |
| ALTERNATOR MOUNTING / "DELCO" WITH DETROIT S-92 | | |

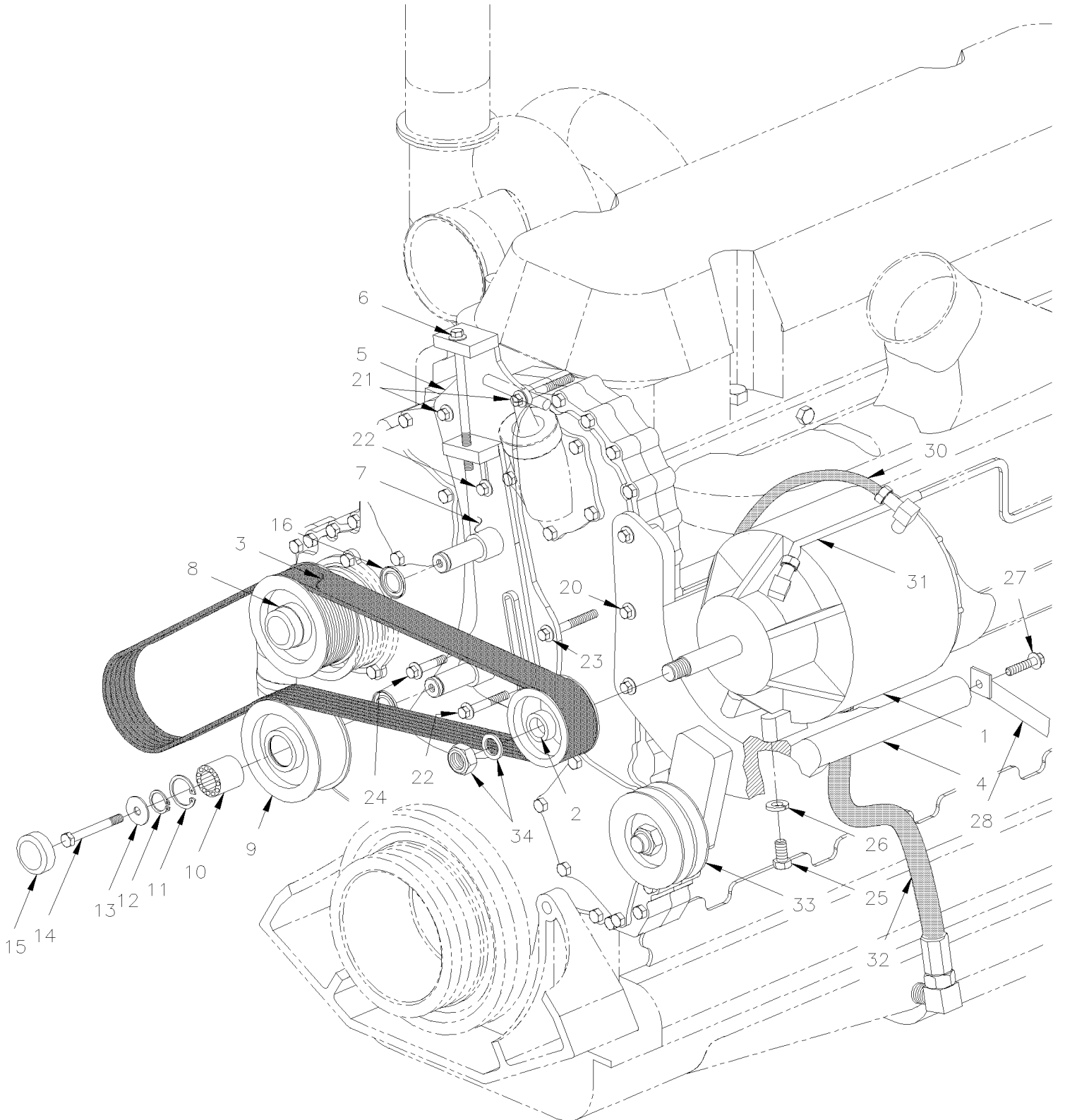
| Item# | Part | Description | H 3 4 0 | V I P 4 0 | N O T E S |
|-------|--------|---|------------------|-----------------------|-----------------------|
| 1 | 561723 | ALTERNATOR ASSY 24V/270 AMPS | 1 | 1 | |
| 3 | 561171 | . TEE | 1 | 1 | |
| 4 | 561598 | . OIL LINE | 1 | 1 | |
| 5 | 561169 | . CLAMP / OIL LINE TUBE | 1 | 1 | |
| 6 | 561170 | . ELBOW 90° | 1 | 1 | |
| 7 | 561702 | . GEAR PINION / 18 TEETH | 1 | 1 | |
| 8 | 560973 | . WASHER / PINION | 1 | 1 | |
| 9 | 560968 | . NUT | 1 | 1 | |
| 10 | 561237 | GASKET / USE W/STEEL COVER / (FORMER) | 1 | 1 | |
| 11 | 060834 | SUPPORT / HARNESS | 1 | 1 | |
| 12 | 560481 | CLAMP / 5/8" I.D. | 1 | 1 | |
| NS | 060838 | CABLE / DC + & STARTER | 1 | 1 | |
| NS | 561859 | . BOOT STUD WIRE COVER / RED | 1 | 1 | |
| 13 | 061215 | HOSE ASSY TEFLON #5 715MM | 1 | 1 | |
| NS | 503492 | . HOSE TEFLON #5 / S.L. | AR | AR | |
| 14 | 501921 | . FEMALE CONNECTOR SWIVEL / SAE 45° FITTING / TEFLON / #5FL-Fx#5 STL | 2 | 2 | |
| NS | 501039 | MALE ELBOW 90° / SAE 45° FITTING / #5FL-Mx1/4NPT-M BR | 1 | 1 | |
| NS | 501329 | STREET ELBOW 45° / PIPE FITTING / 1/4NPT-Mx1/4NPT-F BR | 1 | 1 | |
| 15 | 510308 | GASKET ALTERNATOR | 1 | 1 | |
| 16 | N.S.P. | SOCKET HEX HEAD (#5185793) | 6 | 6 | 2 |
| 17 | N.S.P. | WASHER (#5185794) | 6 | 6 | 2 |
| 18 | 510347 | GEAR INTERNAL / 53 TEETH | 1 | 1 | |
| 19 | N.S.P. | ADAPTOR (23515921) | 1 | 1 | 2 |
| 19 | N.S.P. | STUD 1/2-20 & 3/8-24 (#8928900) | 1 | 1 | 2 |
| 19 | N.S.P. | STUD 1/2-20 (#8928901) | 5 | 5 | 2 |
| 20 | 510340 | GASKET / HOUSING & ALTERNATOR ADAPTOR | 1 | 1 | |
| 21 | 510227 | GASKET / POWER STEERING PUMP | 1 | 1 | |
| | | | | | |
| | | FOLLOWING PARTS ARE REQUIRED FOR EASIER INSTALLATION OF THE ALTERNATOR | | | |
| | | | | | |
| NS | 011451 | ALTERNATOR CLAMP | 1 | 1 | |
| NS | 011452 | SPACER CLAMP | 2 | 2 | |
| NS | 502533 | SCREW CAP HEX M6-1.0x30 G8.8 Z050 | 2 | 2 | |
| NS | 502564 | WASHER LO SPT 6.1x11.8x1.6 Z050 | 2 | 2 | |
| NS | 500609 | NUT HEX M6-1.0 Z050 | 2 | 2 | |
| | | | | | |
| | | | | | |
| | | | | | |
| | | 2) NOT SOLD BY PREVOST (SEE MANUFACTURING PART NUMBER AT END OF DESCRIPTION LINE) | | | |

From P-256 To R-079

Date:10/2022

PAGE:H4-0610-02

ALTERNATOR MOUNTING / "DELCO" WITH DETROIT S-60



| | | |
|--|--------------|-----------------|
| From P-256 To R-079 | Date:10/2022 | PAGE:H4-0610-02 |
| ALTERNATOR MOUNTING / "DELCO" WITH DETROIT S-60 | | |

| Item# | Part | Description | H 3 4 0 | V I P 4 0 | N O T E S |
|-------|--------|---|------------------|-----------------------|-----------------------|
| 1 | 562235 | ALTERNATOR ASSY 24V/270 AMPS | 1 | 1 | |
| 1 | 562355 | ALTERNATOR ASSY 12V/300 AMPS / | 1 | 1 | |
| 2 | 510439 | PULLEY ALTERNATOR 12 RIB | 1 | 1 | |
| 3 | 506669 | MULTI V-BELT / 12 RIB 72" (1830) 23521337 | 1 | 1 | |
| 4 | N.S.P. | SUPPORT ALTERNATOR MOUNTING / (23511742) | 1 | 1 | 2 |
| 4 | N.S.P. | SUPPORT ALTERNATOR MOUNTING / (23518226) | 1 | 1 | 2 A |
| 4 | N.S.P. | SUPPORT ALTERNATOR MOUNTING / (23521128) | 1 | 1 | 2 |
| 4 | N.S.P. | KEY 3/16 X 7/8 WOODRUFF / (120502) | 2 | 2 | 2 |
| 5 | N.S.P. | SUPPORT BELT TENSIONER BRACKET (23515696) | 1 | 1 | 2 |
| 6 | N.S.P. | BOLT FLG M10-1.5 X 170MM / (23511767) | 1 | 1 | 2 |
| 7 | N.S.P. | TENSIONER ASSY / (23515689) | 1 | 1 | 2 |
| 7 | N.S.P. | TENSIONER ASSY / (23518304) | 1 | 1 | 2 A |
| 8 | N.S.P. | . PULLEY IDLER 12G / 3 1/4" O.D. / (23511706) | 1 | 1 | 2 |
| 8 | N.S.P. | . PULLEY IDLER 12G / 3 1/4" O.D. / (23518221) | 1 | 1 | 2 A |
| 9 | N.S.P. | . PULLEY BELT TENSIONER / 5 1/4 O.D. / (23515693) | 1 | 1 | 2 |
| 9 | N.S.P. | . PULLEY BELT TENSIONER / 5 1/4 O.D. / (23511822) | 1 | 1 | 2 A |
| 10 | 510457 | . BEARING DBL ROW | 1 | 1 | |
| 10 | 510618 | . BALL BEARING DBL ROW / 30MM x 62MM x 27 W | 1 | 1 | A |
| 11 | 510441 | . RING RETAINER / INT 2 1/16" | 1 | 1 | |
| 12 | 510442 | . RING RETAINER / EXT .926 x .984 x .042 | 1 | 1 | |
| 13 | N.S.P. | WASHER | 2 | 2 | 2 A |
| 14 | N.S.P. | BOLT M10-1.5 X 45MM G10.9 / (23505062) | 1 | 1 | 2 A |
| 14 | 510627 | BOLT M10-1.5 X 45MM LH G10.9 | 1 | 1 | |
| 15 | N.S.P. | PROTECTOR CAP | 2 | 2 | 2 B |
| 16 | N.S.P. | SEAL / (CR 14960) | 2 | 2 | 2 B |
| 20 | N.S.P. | BOLT FLG M10-1.5 X 45MM / (11513960) | 3 | 3 | 2 |
| 20 | N.S.P. | NUT M10-1.5 FLG / (11506101) | 3 | 3 | 2 |
| 21 | N.S.P. | SCREW CAP HEXF M10-1.5x85 G10.9 PHC | 2 | 2 | 2 |
| 22 | N.S.P. | BOLT FLG M10-1.5 X 25MM / (23511786) | 3 | 3 | 2 |
| 23 | N.S.P. | SCREW CAP HEXF M14-2.0x80 G10.9 PHC | 2 | 2 | 2 |
| 24 | N.S.P. | SCREW CAP HEXF M14-2.0x50 G10.9 PHC | 1 | 1 | 2 |
| 25 | N.S.P. | BOLT 1/2-13 X 2.00" / (00455001) | 2 | 2 | 2 |
| 25 | N.S.P. | BOLT 1/2-13 X 2.25" / (00186631) | 2 | 2 | 2 |
| 26 | N.S.P. | WASHER / (5132715) | 4 | 4 | 2 |
| 27 | N.S.P. | BOLT FLG M12-1.75 X 30MM / TO FIX BRACE / (11509528) | | | 2 |
| 28 | N.S.P. | BRACE ALTERNATOR SUPPORT / (23511743) | | | 2 |
| 28 | N.S.P. | BRACKET ALTERNATOR SUPPORT / ON BLOCK / (23511744) | | | 2 |
| 28 | N.S.P. | BOLT FLG M10-1.5 X 30MM / TO FIX SUPPORT / (11505299) | | | 2 |
| 30 | N.S.P. | HOSE ASSY 21" / #4 ALT VENT TOP OF ALTERNATOR (0513063) | 1 | 1 | 2 |
| 31 | N.S.P. | HOSE ASSY 25.25" / #5 TEFLON OIL SUPPLY / (23504343) | 1 | 1 | 2 |
| 32 | N.S.P. | HOSE ASSY 23.40" / #16 OIL DRAIN / (23511765) | 1 | 1 | 2 |
| 32 | N.S.P. | CONECTOR 1" NPT 1" TUBE/OIL DRAIN/ (09402713) | 1 | 1 | 2 |

| | | |
|--|--------------|-----------------|
| From P-256 To R-079 | Date:10/2022 | PAGE:H4-0610-02 |
| ALTERNATOR MOUNTING / "DELCO" WITH DETROIT S-60 | | |

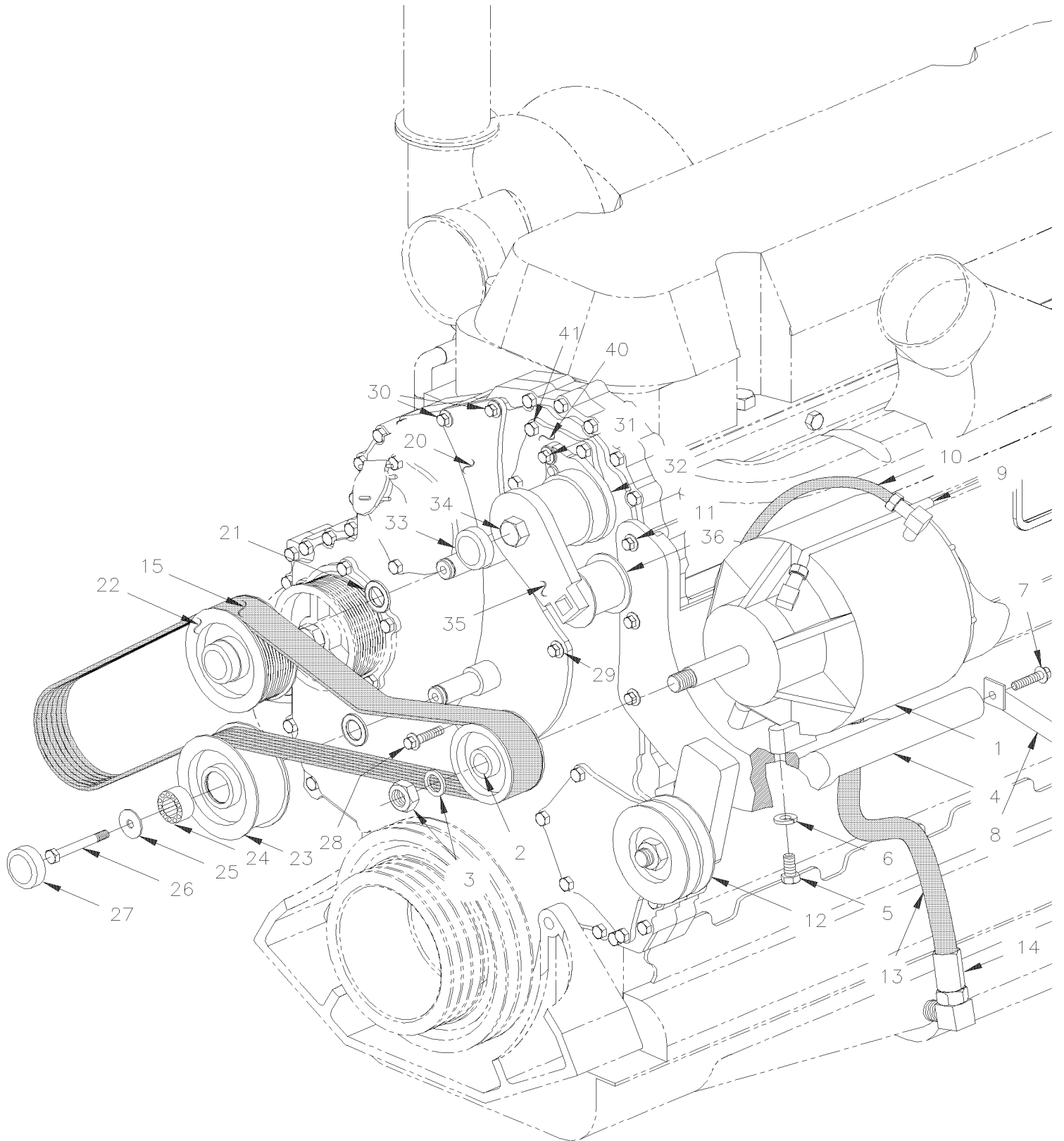
| Item# | Part | Description | H 3 4 0 | V I P 4 0 | N O T E S |
|-------|------------|---|------------------|-----------------------|-----------------------|
| 33 | H4-0125-01 | BELTS TENSIONERS - WITH DETROIT S-60 | | | |
| 34 | H4-0605-03 | ALTERNATOR 24V/270 AMPS / "DELCO" #562235 | | | |
| 34 | N.S.P. | ELBOW 90° 3/4" NPT 1" TUBE / OIL DRAIN / (02492119) | | | 2 |
| NS | 682408 | BELT TENSIONER GAUGE (FOR V-RIBBED, POLY-V OR | AR | AR | |
| | | | | | |
| | | | | | |
| | | A) THIS INSTALLATION ARE EFFECTIVE IN JANUARY 1996 | | | |
| | | B) THIS INSTALLATION ARE EFFECTIVE IN JANUARY 1997 | | | |
| | | 2) NOT SOLD BY PREVOST (SEE MANUFACTURING PART NUMBER AT END OF DESCRIPTION LINE) | | | |

From P-256 To R-079

Date:10/2022

PAGE:H4-0610-03

ALTERNATOR MOUNTING / "DELCO" WITH DETROIT S-60



| | | |
|--|--------------|-----------------|
| From P-256 To R-079 | Date:10/2022 | PAGE:H4-0610-03 |
| ALTERNATOR MOUNTING / "DELCO" WITH DETROIT S-60 | | |

| Item# | Part | Description | H 3 4 0 | V I P 4 0 | N O T E S |
|-------|-------------------|--|------------------|-----------------------|-----------------------|
| 1 | 562235 | ALTERNATOR ASSY 24V/270 AMPS | 1 | 1 | |
| 1 | 562355 | ALTERNATOR ASSY 12V/300 AMPS / | | 1 | |
| 2 | 510439 | PULLEY ALTERNATOR 12 RIB | 1 | 1 | |
| 3 | H4-0605-03 | ALTERNATOR 24V/270 AMPS / "DELCO" #562235 | | | |
| 4 | N.S.P. | SUPPORT ALTERNATOR MOUNTING / (23521128) | 1 | 1 | 2 |
| 4 | N.S.P. | KEY WOODRUFF 3/16" X 7/8" / (120502) | 2 | 2 | 2 |
| 5 | N.S.P. | BOLT 1/2-13 X 2.00" / (00455001) | 2 | 2 | 2 |
| 5 | N.S.P. | BOLT 1/2-13 X 2.25" / (00186631) | 2 | 2 | 2 |
| 6 | N.S.P. | WASHER / (5132715) | 4 | 4 | 2 |
| 7 | N.S.P. | BOLT FLG M12-1.75 X 30MM / TO FIX BRACE / (11509528) | 4 | 4 | 2 |
| 7 | N.S.P. | BRACKET ALTERNATOR SUPPORT / ON BLOCK / (23511744) | 1 | 1 | 2 |
| 7 | N.S.P. | BOLT FLG M10-1.5 X 30MM / TO FIX SUPPORT ON BLOCK (11505299) | 3 | 3 | 2 |
| 8 | N.S.P. | BRACE ALTERNATOR SUPPORT / (23511743) | 1 | 1 | 2 |
| 9 | N.S.P. | HOSE ASSY 25.25" / #5 TEFLON OIL SUPPLY / (23504343) | 1 | 1 | 2 |
| 10 | N.S.P. | HOSE ASSY 21" / #4 ALT VENT TOP OF ALTERNATOR (0513063) | 1 | 1 | 2 |
| 11 | N.S.P. | BOLT FLG 7/16-14 X 5.75 / (23521130) | 2 | 2 | 2 |
| 11 | 510636 | NUT HEXF 7/16-14 ZP | 1 | 1 | |
| 11 | N.S.P. | NUT FLG 7/16-14 / (23521132) | 3 | 3 | 2 |
| 12 | H4-0125-01 | BELTS TENSIONERS - WITH DETROIT S-60 | | | |
| 13 | N.S.P. | HOSE ASSY 23.40" / #16 OIL DRAIN / (23517561) | 1 | 1 | 2 |
| 13 | N.S.P. | CONNECTOR 1" NPT 1" TUBE/OIL DRAIN/ (09402713) | 1 | 1 | 2 |
| 14 | N.S.P. | ELBOW 90° 3/4" NPT 1" TUBE/OIL DRAIN/ (02492119) | 1 | 1 | 2 |
| 15 | 506782 | MULTI V-BELT / 12 RIB 73" (1854) 23521000 | 1 | 1 | |
| 20 | N.S.P. | IDLER PULLEY ASSY / (23520959) | 1 | 1 | 2 |
| 21 | N.S.P. | . SEAL / (CR 14960) / (23521013) | 2 | 2 | 2 |
| 22 | N.S.P. | . PULLEY IDLER 12G / 5 1/4" O.D. / (23520994) | 1 | 1 | 2 |
| 23 | N.S.P. | . PULLEY BELT TENSIONER / 5 1/4 O.D. / (23520999) | 1 | 1 | 2 |
| 24 | N.S.P. | . BALL BEARING DBL ROW / 30MM x 62MM x 27 W | 1 | 1 | 2 |
| 25 | N.S.P. | . WASHER / (23518224) | 2 | 2 | 2 |
| 26 | N.S.P. | . BOLT M10-1.5 X 45MM G10.9 / (23518303) | 2 | 2 | 2 |
| 26 | 510627 | . BOLT M10-1.5 X 45MM LH G10.9 | 1 | 1 | |
| 27 | N.S.P. | . PROTECTOR CAP / (05107293) | 2 | 2 | 2 |
| 28 | 975121 | SCREW CAP HEXF M14-2.0x50 G10.9 PHC | 1 | 1 | |
| 29 | 975124 | SCREW CAP HEXF M14-2.0x80 G10.9 PHC | 2 | 2 | |
| 30 | 975104 | SCREW CAP HEXF M10-1.5x85 G10.9 PHC | 3 | 3 | |
| 31 | N.S.P. | BOLT FLG M10-1.5 X 30MM / (23511786) | 1 | 1 | 2 |
| 32 | 012103 | AUTOMATIC TENSIONER ASSY | 1 | 1 | |
| 32 | N.S.P. | . SPRING | 2 | 2 | 2 |
| 33 | N.S.P. | . PROTECTOR CAP | 1 | 1 | 2 |
| 34 | N.S.P. | . BOLT | 1 | 1 | 2 |
| 35 | N.S.P. | . LEVER | 1 | 1 | 2 |
| 36 | N.S.P. | . PULLEY | 1 | 1 | 2 |

| | | |
|--|--------------|-----------------|
| From P-256 To R-079 | Date:10/2022 | PAGE:H4-0610-03 |
| ALTERNATOR MOUNTING / "DELCO" WITH DETROIT S-60 | | |

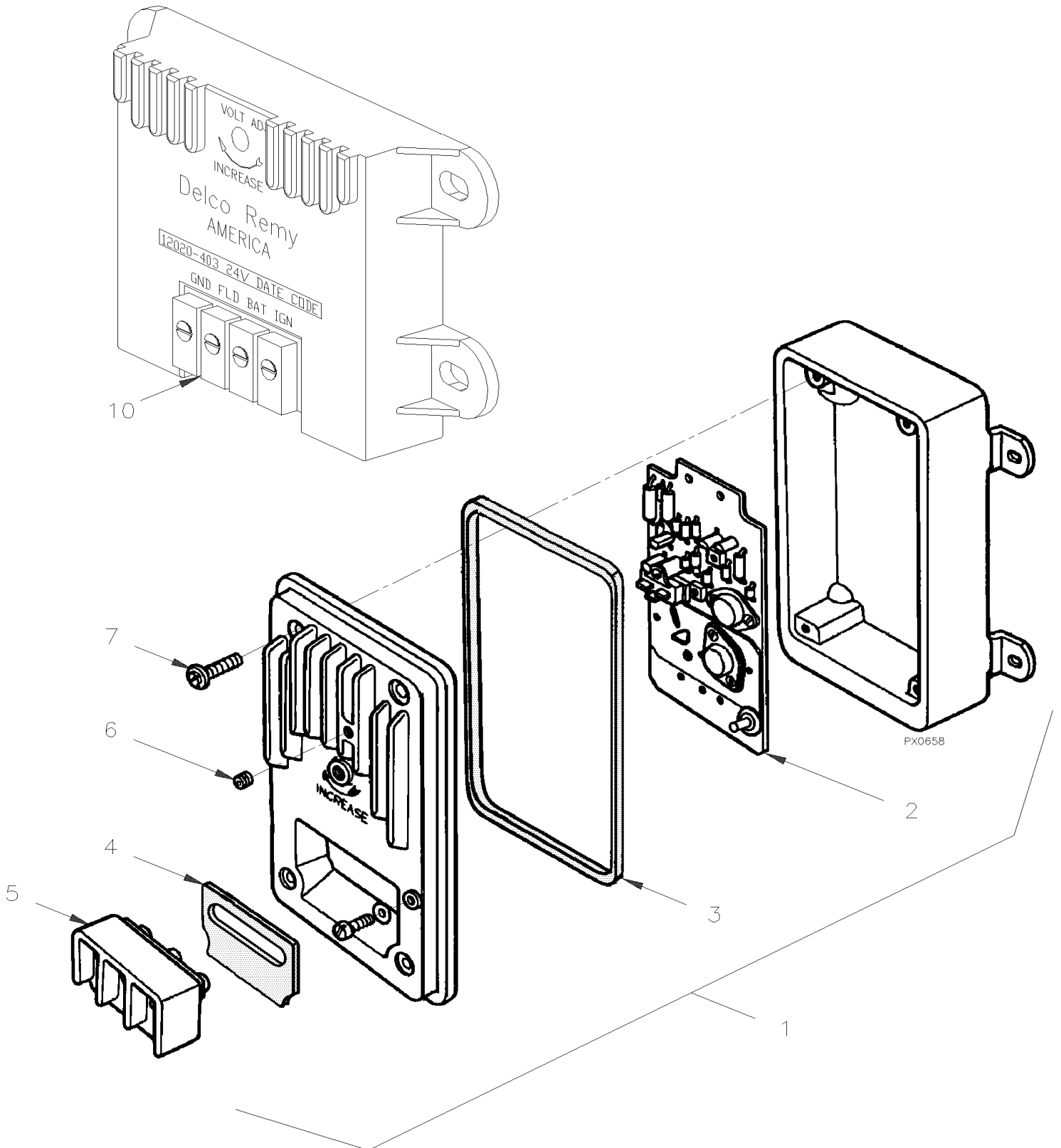
| Item# | Part | Description | H 3 4 0 | V I P 4 0 | N O T E S |
|-------|--------|---|------------------|-----------------------|-----------------------|
| 36 | N.S.P. | . BEARING | 1 | 1 | 2 |
| 36 | N.S.P. | PROTECTOR CAP | 1 | 1 | 2 |
| 40 | 012104 | TENSIONER, MOUNTING PLATE | 1 | 1 | |
| 40 | N.S.P. | O-RING / (8929253) | 1 | 1 | 2 |
| 41 | 510641 | SCREW CAP HEXF M8-1.25x30 G10.9 | 5 | 5 | |
| | | | | | |
| | | | | | |
| | | | | | |
| | | 2) NOT SOLD BY PREVOST (SEE MANUFACTURING PART NUMBER AT END OF DESCRIPTION LINE) | | | |

From L-031 To R-079

Date:10/2022

PAGE:H4-0610-10

VOLTAGE REGULATOR - 24 VOLTS W/270 AMPS



| | | |
|--|--------------|-----------------|
| From L-031 To R-079 | Date:10/2022 | PAGE:H4-0610-10 |
| VOLTAGE REGULATOR - 24 VOLTS W/270 AMPS | | |

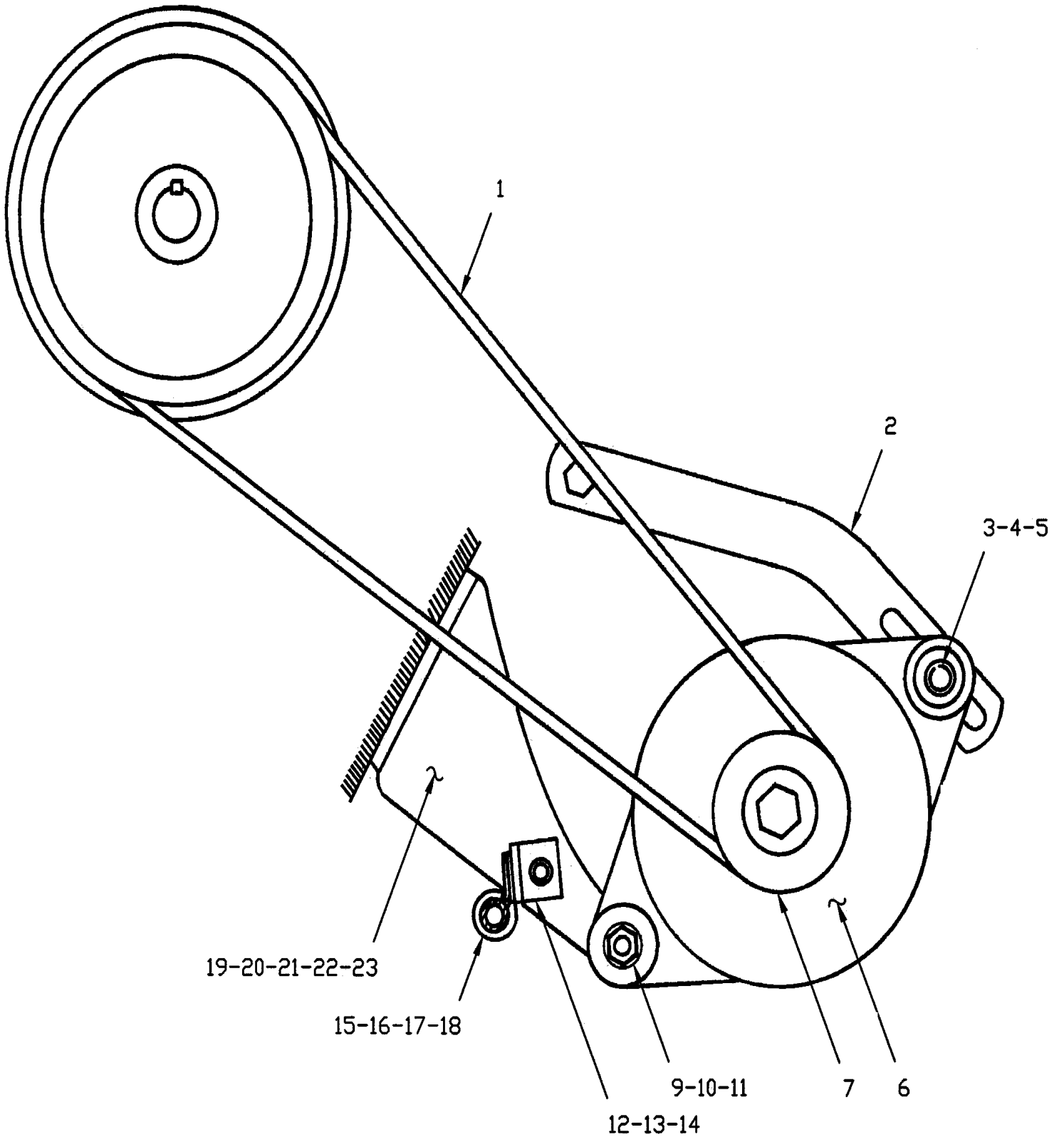
| Item# | Part | Description | H 3 4 0 | V I P 4 0 | N O T E S |
|-------|-----------|---|------------------|-----------------------|-----------------------|
| 1 | 560030 | REGULATOR ASSY 24V / W/3 TERMINALS | 1 | 1 | A |
| 2 | 562269 | . BOARD ASSY 24 VOLTS / W/3 SCREWS | 1 | 1 | |
| 3 | N.S.P. | . COVER GASKET (#1941482) | 1 | 1 | 2 |
| 4 | N.S.P. | . BLOCK GASKET (#1942826) | 1 | 1 | 2 |
| 5 | N.S.P. | . TERMINAL BLOCK (#1892010) | 1 | 1 | 2 |
| NS | 500653 | . SCREW TC PAN PH #8-32x1/4 Z050 | 3 | 3 | |
| NS | 502649 | . WASHER LO EXT .141x.320x.022 Z050 | 3 | 3 | |
| 6 | N.S.P. | . COVER PLUG (#1961573) | 1 | 1 | 2 |
| 7 | N.S.P. | . SCREW (#1941484) | 4 | 4 | 2 |
| NS | 561910 | BOARD ASSY 24 VOLTS / W/3 SCREWS (REPLACEMENT O.E.M.) | AR | AR | |
| 10 | 562775 | REGULATOR ASSY 24V / W/4 SCREWS | 1 | 1 | A |
| NS | 064577 | JUMPER, WIRE | 1 | 1 | |
| NS | 064717 | KIT VOLTAGE REGULATOR | 1 | 1 | |
| . NS | IS-97104B | . SEE INSTRUCTION SHEET | 1 | 1 | |
| | | | | | |
| | | | | | |
| | | | | | |
| | | | | | |
| | | A) THIS PART IS SUPERSEDED BY KIT #064717 | | | |
| | | 2) NOT SOLD BY PREVOST (SEE MANUFACTURING PART NUMBER AT END OF DESCRIPTION LINE) | | | |

From L-031 To R-032

Date:10/2022

PAGE:H4-0610-52

ALTERNATOR MOUNTING / "DELCO" - 12V/145A / DETROIT S-92



| | | |
|--|--------------|-----------------|
| From L-031 To R-032 | Date:10/2022 | PAGE:H4-0610-52 |
| ALTERNATOR MOUNTING / "DELCO" - 12V/145A / DETROIT S-92 | | |

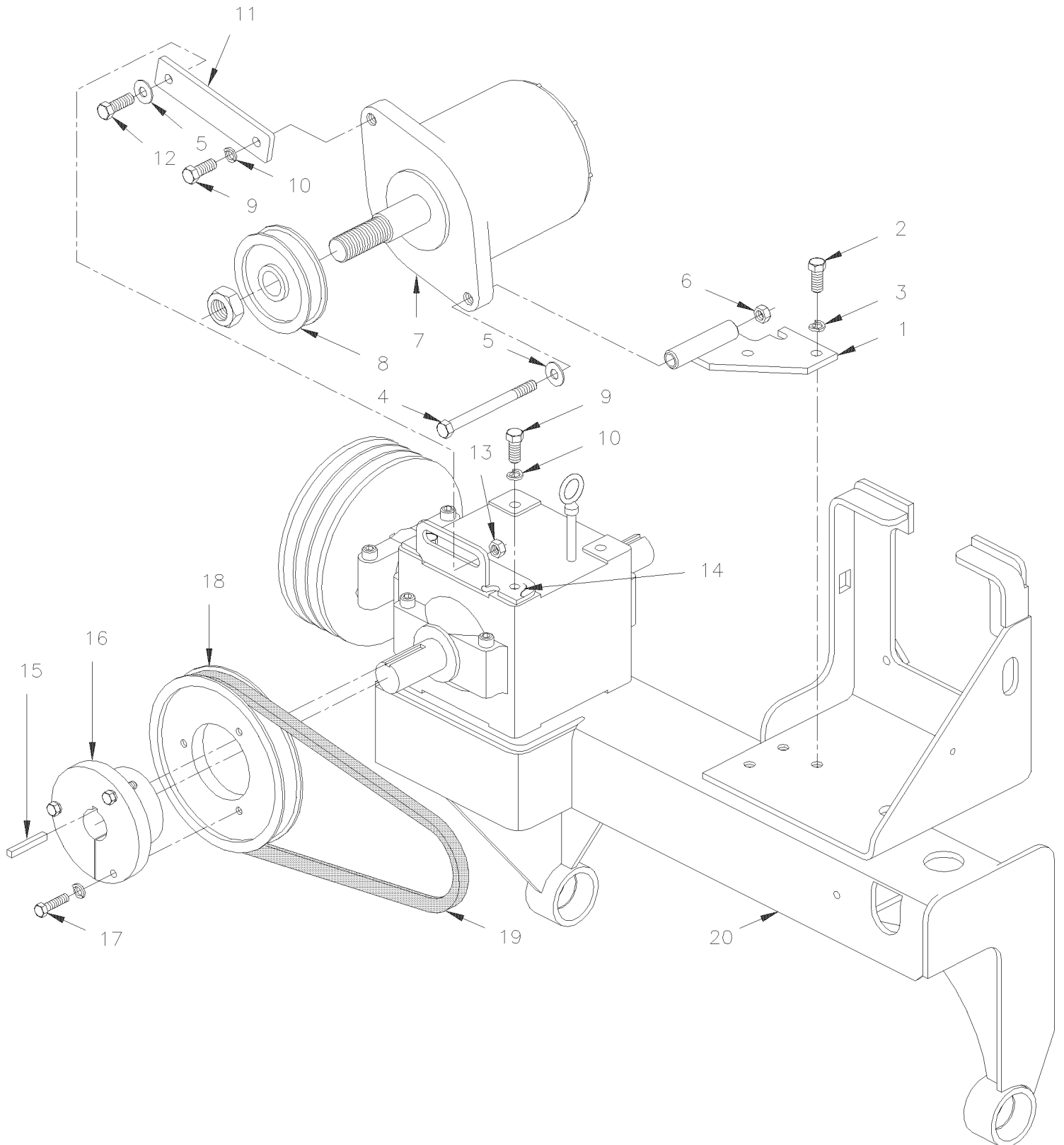
| Item# | Part | Description | H 3 4 0 | V I P 4 0 | N O T E S |
|-------|--------|---|------------------|-----------------------|-----------------------|
| 1 | 506317 | V-BELT / 3V-450 9332-04503 | | 2 | |
| 2 | 510390 | TENSIONER, BELT | | 1 | |
| 3 | 500214 | SCREW CAP HEX 1/2-13x1 1/4 G5 Z050 | | 1 | |
| 4 | 500482 | WASHER LO SPT .506x.873x.125 Z050 | | 1 | |
| 5 | 500446 | WASHER FL .531x1.250x.125 Z050 | | 1 | |
| 6 | 561265 | ALTERNATOR ASSY 12V/145 AMPS / DELCO | | 1 | |
| 7 | 562134 | PULLEY, ALTERNATOR | | 1 | |
| 9 | 500106 | SCREW CAP HEX 1/2-20x6 G5 PT Z050 | | 1 | |
| 10 | 500547 | WASHER FL .484x.750x.031 ZP | | 2 | |
| 11 | 500718 | NUT HEX STO 1/2-20 Z050 | | 1 | |
| 12 | 500191 | SCREW CAP HEX 3/8-16x1 G5 Z050 | | 1 | |
| 13 | 500783 | NUT HEX 3/8-16 Z050 | | 1 | |
| 14 | 500444 | WASHER FL .406x.812x.065 Z050 | | 1 | |
| 15 | 560480 | CLAMP / 1/2" I.D. | | 1 | |
| 16 | 061025 | SUPPORT | | 1 | |
| 17 | 500750 | SCREW MA TR PH M4-0.7x18 Z050 | | 1 | |
| 18 | 502693 | NUT HEX NYRT M4-0.7 | | 1 | |
| 19 | 510388 | SUPPORT / ALTERNATOR | | 1 | |
| 20 | 510389 | STUD / TO SUPPORT ALTERNATOR SUPPORT 3/8-24 | | 2 | |
| 21 | 500705 | NUT HEX 3/8-24 ZP | | 2 | |
| 22 | 500192 | SCREW CAP HEX 3/8-16x1 1/4 G5 Z050 | | 2 | |
| 23 | 500478 | WASHER LO SPT .380x.683x.094 Z050 | | 2 | |
| | | | | | |
| | | | | | |
| | | | | | |

From P-256 To R-079

Date:10/2022

PAGE:H4-0610-53

ALTERNATOR MOUNTING / "DELCO" - 12V/145A / GEARBOX INSTAL



From P-256 To R-079 Date:10/2022 PAGE:H4-0610-53

ALTERNATOR MOUNTING / "DELCO" - 12V/145A / GEARBOX INSTAL

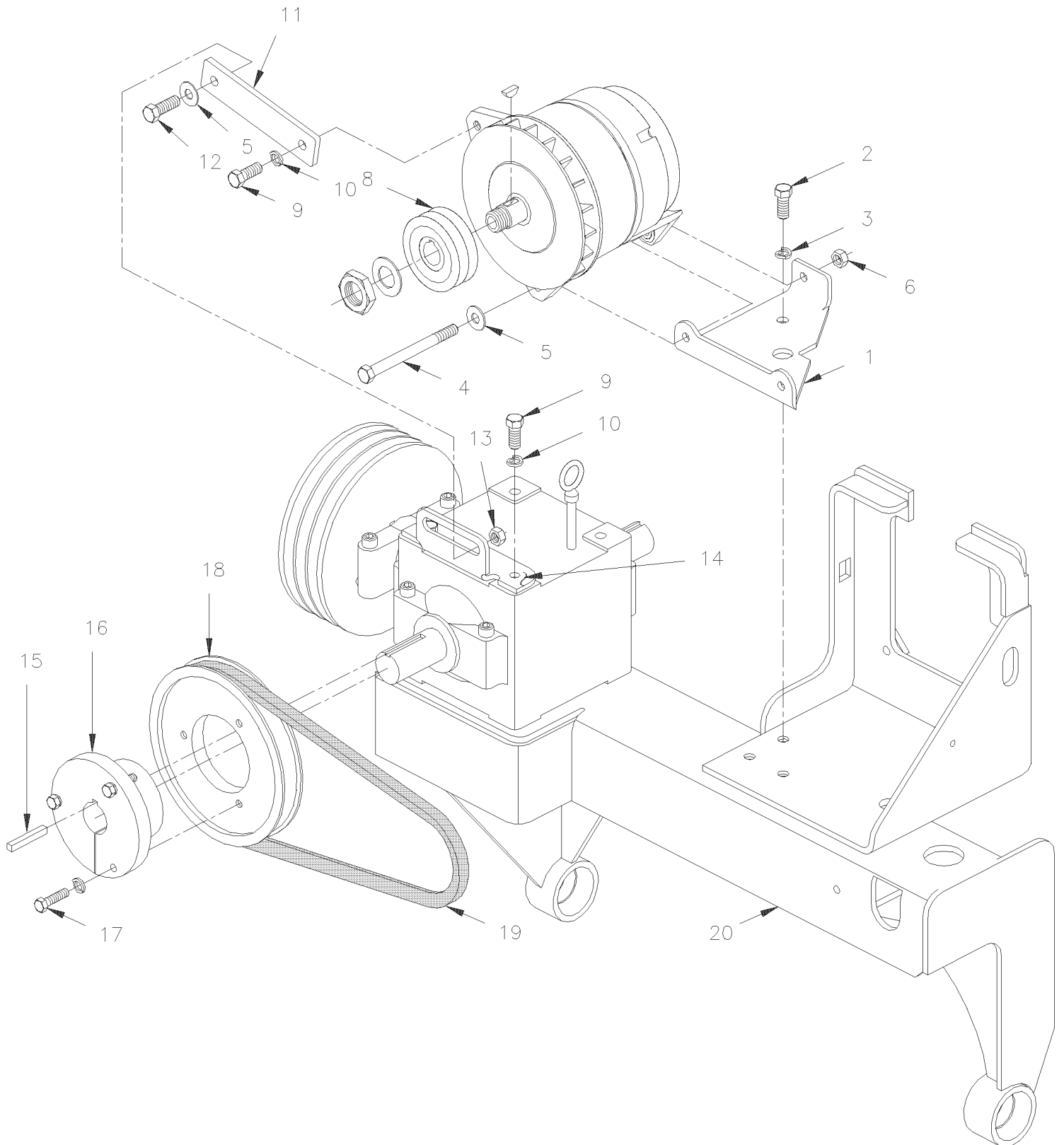
| Item# | Part | Description | H 3 4 0 | V I P 4 0 | N O T E S |
|-------|-------------------|--|------------------|-----------------------|-----------------------|
| 1 | 063777 | PIVOT ASSY / SUPPORT | | 1 | |
| 2 | 502559 | SCREW CAP HEX M10-1.5x25 G8.8 Z050 | | 3 | |
| 3 | 500257 | WASHER LO SPT 10.2x18.1x2.2 Z050 | | 3 | |
| 4 | 500106 | SCREW CAP HEX 1/2-20x6 G5 PT Z050 | | 1 | |
| 5 | 571351 | WASHER, 1/2" I.D. FLAT | | 2 | |
| 6 | 500718 | NUT HEX STO 1/2-20 Z050 | | 1 | |
| 7 | 561265 | ALTERNATOR ASSY 12V/145 AMPS / DELCO | | 1 | |
| 8 | 062418 | PULLEY ALTERNATOR / W/1V x 3 1/4" O.D. | | 1 | |
| 9 | 500213 | SCREW CAP HEX 1/2-13x1 G5 Z050 | | 3 | |
| 10 | 500482 | WASHER LO SPT .506x.873x.125 Z050 | | 3 | |
| 11 | 063779 | TENSIONER 154MM C/C | | 1 | |
| 12 | 500214 | SCREW CAP HEX 1/2-13x1 1/4 G5 Z050 | | 1 | |
| 13 | 500968 | NUT HEX STO 1/2-13 Z050 | | 3 | |
| 14 | 452443 | TENSIONER BRACKET / GEARBOX | | 1 | |
| 15 | 550186 | KEY 1/4" X 1/4" X 1 1/4" | | 1 | |
| 16 | 950230 | CONE BUSHING 1 1/4 I.D X 2 1/8 O.D. X 3 5/16 | | 1 | |
| 17 | 500167 | SCREW CAP HEX 1/4-20x1 1/4 G5 PT Z050 | | 3 | |
| NS | 500473 | WASHER LO SPT .262x.489x.062 Z050 | | 3 | |
| 18 | 950211 | PULLEY DRIVE 7.15 O.D. / SINGLE "V" | | 1 | |
| 19 | 506683 | V-BELT / BX-31 9013-2031 | | 1 | |
| 20 | H4-0520-03 | FAN DRIVE - INSTALLATION | | | |
| | | | | | |
| | | | | | |
| | | | | | |

From P-256 To R-079

Date:10/2022

PAGE:H4-0610-54

ALTERNATOR MOUNTING / "BOSCH" - 24V/140A / GEARBOX INSTAL



From P-256 To R-079 Date:10/2022 PAGE:H4-0610-54

ALTERNATOR MOUNTING / "BOSCH" - 24V/140A / GEARBOX INSTAL

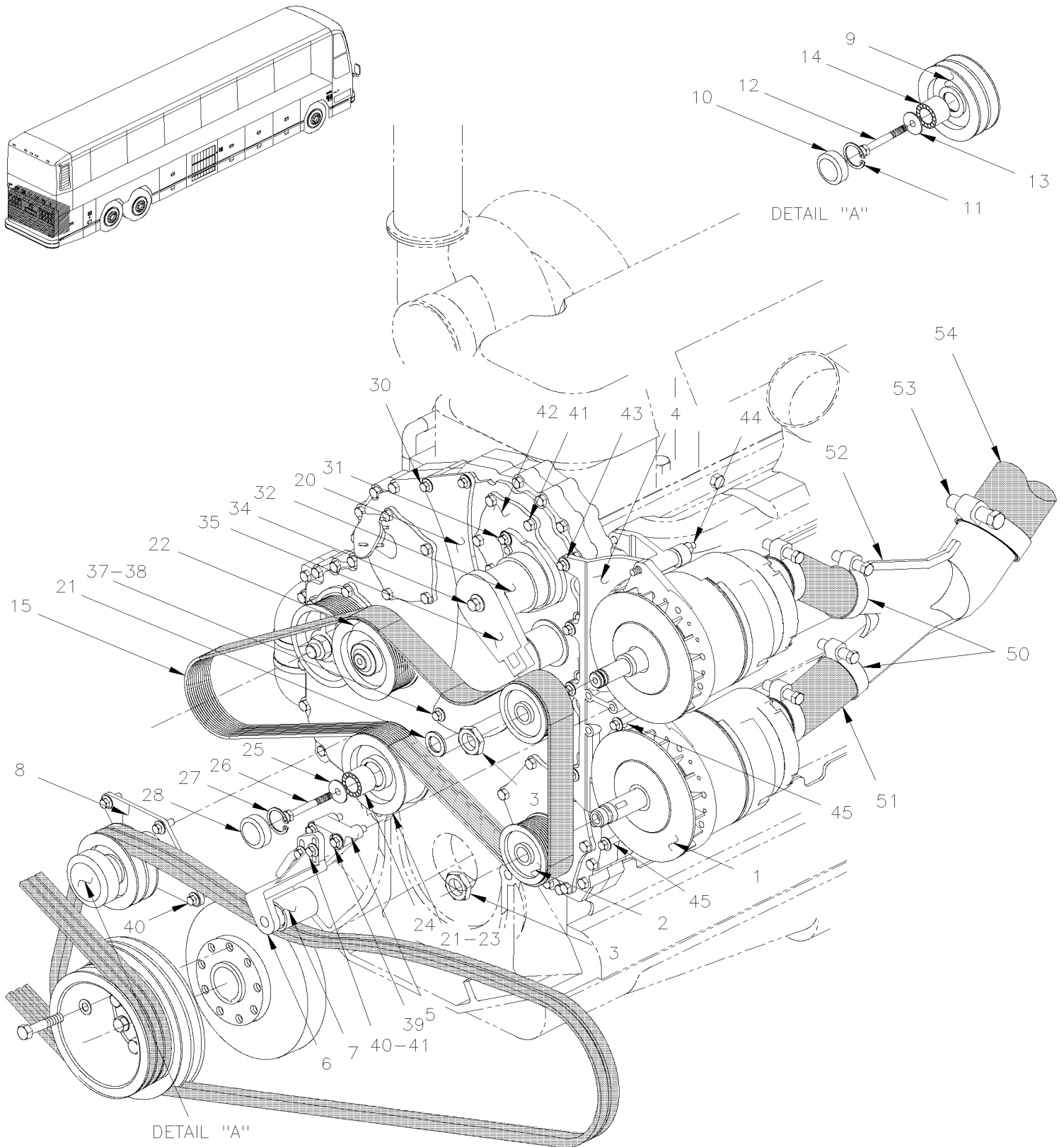
| Item# | Part | Description | H 3 4 0 | V I P 4 0 | N O T E S |
|-------|-------------------|--|------------------|-----------------------|-----------------------|
| 1 | 064537 | SUPPORT ALTERNATOR | 1 | | |
| 2 | 500214 | SCREW CAP HEX 1/2-13x1 1/4 G5 Z050 | 3 | | |
| 3 | 500482 | WASHER LO SPT .506x.873x.125 Z050 | 3 | | |
| 4 | 502731 | SCREW CAP HEX M12-1.75x40 G8.8 Z050 | 3 | | |
| 5 | 500446 | WASHER FL .531x1.250x.125 Z050 | 4 | | |
| 6 | 500811 | NUT HEX STO M12-1.75 G500 | 4 | | |
| 7 | 5001043 | SCREW CAP HEX M12-1.75x50 G8.8 Z050 | 1 | | |
| 9 | 061531 | TENSIONNER | 1 | | |
| 10 | H4-0610-01 | ALTERNATOR MOUNTING / "DELCO" WITH DETROIT S-92 | | | |
| 11 | 064543 | PULLEY ALTERNATOR "BOSCH" / W/ 1Vx 88.9MM O.D. | 1 | | |
| 13 | 500968 | NUT HEX STO 1/2-13 Z050 | 1 | | |
| 15 | 550186 | KEY 1/4" X 1/4" X 1 1/4" | 1 | | |
| 16 | 950230 | CONE BUSHING 1 1/4 I.D X 2 1/8 O.D. X 3 5/16 | 1 | | |
| 17 | 500167 | SCREW CAP HEX 1/4-20x1 1/4 G5 PT Z050 | 3 | | |
| 18 | 950211 | PULLEY DRIVE 7.15 O.D. / SINGLE "V" | 1 | | |
| 19 | 506776 | V-BELT / 5L-350 5L-350 | 1 | | |
| 20 | 562851 | AIR-INTAKE COVER | 1 | | |
| 20 | 504421 | GROMMET / .625x.875x.187x.437x1.125 | 1 | | |
| 21 | 064552 | ADAPTOR | 1 | | |
| 22 | 504024 | HOSE CLAMP / 1"13/16"-2"3/4 SS / HS-36 | 1 | | |
| 23 | 503674 | HOSE FLEXIBLE / AIR DUCT 2 1/2" I.D. X 25' | AR | | |
| 24 | 502570 | WASHER LO SPT 6.1x11.8x1.6 SS | 4 | | |
| 25 | 502565 | NUT HEX M6-1.0 SS | 4 | | |
| 30 | H4-0520-03 | FAN DRIVE - INSTALLATION | | | |
| NS | 064550 | CABLE ASSY | 1 | | |
| NS | 064551 | CABLE ASSY #0 | 1 | | |
| NS | 064553 | CABLE ASSY | 1 | | |
| | | | | | |
| | | | | | |
| | | | | | |

From P-256 To R-079

Date:10/2022

PAGE:H4-0610-99

ALTERNATOR MOUNTING / "BOSCH" WITH DETROIT S-60



| | | |
|--|--------------|-----------------|
| From P-256 To R-079 | Date:10/2022 | PAGE:H4-0610-99 |
| ALTERNATOR MOUNTING / "BOSCH" WITH DETROIT S-60 | | |

| Item# | Part | Description | H 3 4 0 | V I P 4 0 | N O T E S |
|-------|---------|---|------------------|-----------------------|-----------------------|
| 1 | 562752 | ALTERNATOR ASSY 24V/140 AMPS | 2 | | |
| 2 | 065465 | PULLEY ALTERNATOR / "BOSCH" / 12 RIB | 2 | | |
| 3 | 563001 | KIT NUT & WASHER M24-1.5 YC | 1 | | |
| 4 | 510663 | SUPPORT ALTERNATOR MOUNTING | 1 | | |
| 5 | 012064 | ADAPTOR SNUBBER MOUNTING | 1 | | |
| 6 | 012063 | SNUBBER ASSY | 1 | | |
| 6 | N.S.P. | . SUPPORT / (23522973) | 1 | | 2 |
| 7 | N.S.P. | . ROLLER / (23512825) | 1 | | 2 |
| 7 | N.S.P. | . BEARING / (907394) | 1 | | 2 |
| 8 | 012058 | PULLEY ASSY IDLER | 1 | | |
| 8 | N.S.P. | . SUPPORT / (23521658) | 1 | | 2 |
| 9 | N.S.P. | . PULLEY / (23519390) | 1 | | 2 |
| 10 | N.S.P. | . PROTECTOR CAP / (05107293) | 1 | | 2 |
| 10 | 510798 | . PROTECTOR CAP / "PREVOST" | 1 | | B |
| 11 | N.S.P. | . SNAP RING / (23518223) | 1 | | 2 |
| 12 | 5001308 | . SCREW CAP HEXF M10-1.5x40 G10.9 N500 | 1 | | |
| 13 | N.S.P. | . WASHER / (23518224) | 1 | | 2 |
| 13 | N.S.S. | . SEAL / (23520961) | 2 | | 1 |
| 14 | 510618 | . BALL BEARING DBL ROW / 30MM x 62MM x 27 W | 1 | | |
| 15 | 506865 | MULTI V-BELT / 12 RIB 81 1/2" 208585 | 1 | | |
| 15 | 506669 | MULTI V-BELT / 12 RIB 72" (1830) 23521337 | 1 | | A |
| 20 | 012065 | IDLER PULLEY ASSY | 1 | | |
| 21 | N.S.P. | . SEAL / (CR 14960) / (23521013) | 2 | | 2 |
| 22 | N.S.P. | . PULLEY IDLER 12G / 5"1/4 O.D. / (23520994) | 1 | | 2 |
| 23 | N.S.P. | . PULLEY BELT TENSIONER / 5 1/4 O.D. / (23520999) | 2 | | 2 |
| 24 | 510618 | . BALL BEARING DBL ROW / 30MM x 62MM x 27 W | 1 | | |
| 25 | N.S.P. | . WASHER / (23518224) | 1 | | 2 |
| 26 | 5001308 | . SCREW CAP HEXF M10-1.5x40 G10.9 N500 | 2 | | |
| 26 | 510627 | . BOLT M10-1.5 X 45MM LH G10.9 | 1 | | |
| 27 | N.S.P. | . SNAP RING / (23519223) | 1 | | 2 |
| 28 | N.S.P. | . PROTECTOR CAP / 05107293) | 2 | | 2 |
| 28 | 510798 | . PROTECTOR CAP / "PREVOST" | 1 | | B |
| 30 | 975104 | . SCREW CAP HEXF M10-1.5x85 G10.9 PHC | 2 | | |
| 31 | 969445 | . SCREW CAP HEXF M10-1.5x30 G10.9 PHC | 1 | | |
| 32 | 012103 | AUTOMATIC TENSIONER ASSY | 1 | | |
| 32 | N.S.S. | . SPRING | 2 | | 1 |
| 33 | N.S.S. | . PROTECTOR CAP | 1 | | 1 |
| 34 | 975104 | . SCREW CAP HEXF M10-1.5x85 G10.9 PHC | 1 | | |
| 35 | N.S.S. | . LEVER | 1 | | 1 |
| 36 | N.S.S. | . PULLEY | 1 | | 1 |
| 36 | N.S.S. | . BEARING | 1 | | 1 |
| 36 | N.S.S. | . PROTECTOR CAP | 1 | | 1 |

| | | |
|--|--------------|-----------------|
| From P-256 To R-079 | Date:10/2022 | PAGE:H4-0610-99 |
| ALTERNATOR MOUNTING / "BOSCH" WITH DETROIT S-60 | | |

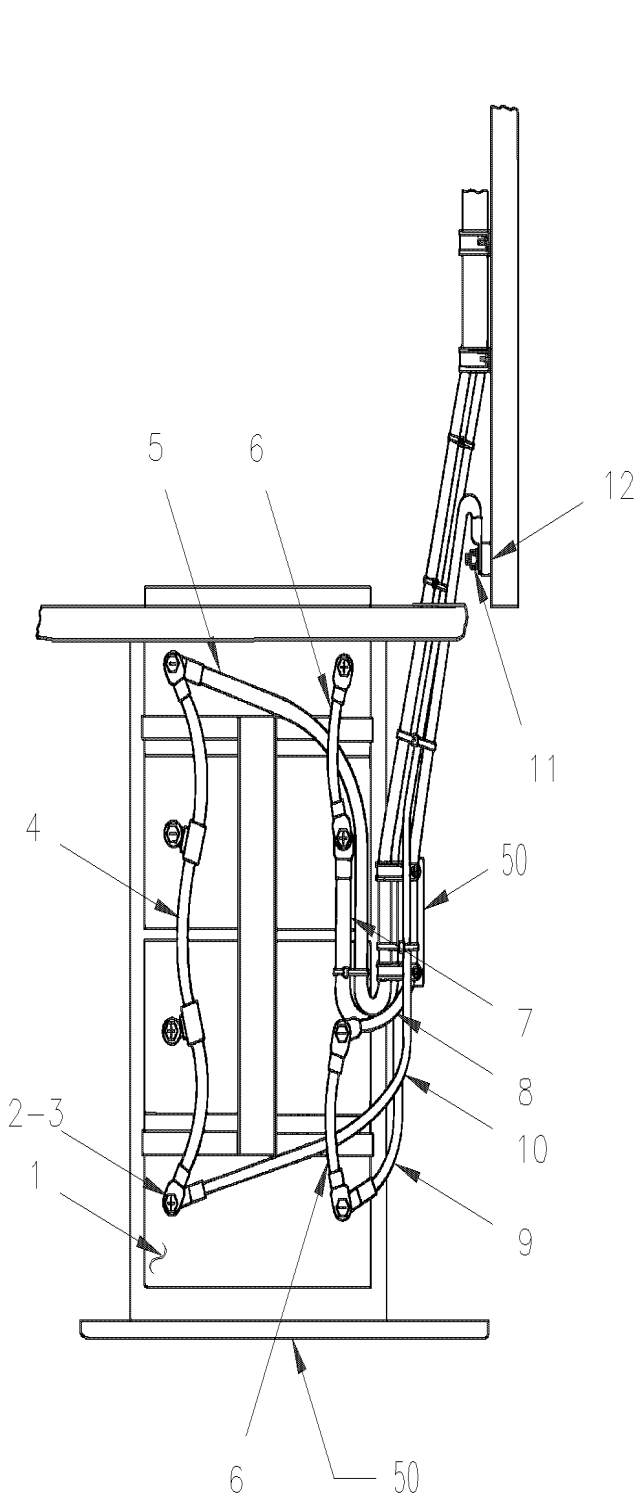
| Item# | Part | Description | H 3 4 0 | V I P 4 0 | N O T E S |
|-------|-----------|---|------------------|-----------------------|-----------------------|
| 37 | 975121 | SCREW CAP HEXF M14-2.0x50 G10.9 PHC | 1 | | |
| 38 | 975124 | SCREW CAP HEXF M14-2.0x80 G10.9 PHC | 1 | | |
| 38 | 510642 | STUD M14-2.0 X 92MM GR 10.9 | 1 | | |
| NS | 510643 | NUT HEXF M14-2.0 ZP | 1 | | |
| 39 | 5001595 | SCREW CAP HEXF M10-1.5x60 G8.8 G500 | 3 | | |
| 40 | 955297 | SCREW CAP HEX M8-1.25x25 G8.8 ZG603 | 3 | | |
| 41 | 510641 | SCREW CAP HEXF M8-1.25x30 G10.9 | 5 | | |
| 42 | 012104 | TENSIONER, MOUNTING PLATE | 1 | | |
| 42 | N.S.P. | O-RING / (8929253) | 1 | | 2 |
| 43 | 510635 | SCREW CAP HEXF 7/16-14x5.50 ZP | 4 | | |
| NS | 510636 | NUT HEXF 7/16-14 ZP | 4 | | |
| 44 | 510639 | BOLT M12-1.5 X 80MM | 1 | | |
| 44 | 5001584 | SCREW CAP HEX M12-1.5x150 G10.9 DP | 1 | | |
| 45 | 510637 | . BOLT M12-1.5 X 50MM | 2 | | |
| NS | 5001585 | WASHER FL 13.5x27x2.46-4.5 DP | 6 | | |
| NS | 975111 | SCREW CAP HEXF M12-1.75x50MM G10.9 PHC | 1 | | |
| 50 | 504025 | HOSE CLAMP / 2"5/16-3"1/4 SS / HS-44 | 4 | | |
| 51 | 064957 | HOSE FLEXIBLE / 2 3/4" I.D. X 200MM | 2 | | |
| 51 | 503686 | . HOSE FLEXIBLE / AIR DUCT 2 3/4" I.D. X 25' / RUBBER | 1 | | |
| 52 | 064834 | ADAPTOR "Y" | 1 | | |
| NS | 065038 | ANGLE SUPPORT 76MM x 20MM | 1 | | |
| 53 | 504235 | HOSE CLAMP / 3"9/16"-4"1/2 SS / HS-64 | 2 | | |
| 54 | 064956 | HOSE FLEXIBLE / 4" I.D. X 1660MM | 1 | | |
| 54 | 503688 | . HOSE FLEXIBLE / AIR DUCT 4" I.D. X 25' / RUBBER | 1 | | |
| NS | 510616 | KIT, FILLER CAP COVER / OIL RELOCATION | AR | | |
| . NS | IS-99053C | . SEE INSTRUCTION SHEET | 1 | | |
| NS | 510666 | KIT, TWIN "BOSCH" ALTERNATOR RETROFIT | AR | | |
| . NS | IS-99053C | . SEE INSTRUCTION SHEET | 1 | | |
| NS | 065515 | KIT, HARNESS TWIN RETROFIT / "H" UP TO V-1778 | AR | | |
| . NS | IS-99053C | . SEE INSTRUCTION SHEET | 1 | | |
| NS | 065245 | KIT, AIR INLET TWIN "BOSCH" ALT. RETRO "H" | AR | | |
| . NS | IS-99053C | . SEE INSTRUCTION SHEET | 1 | | |
| NS | IS-99053C | SEE INSTRUCTION SHEET | | | |
| | | | | | |
| | | | | | |
| | | A) EMERGENCY USE ONLYB)FIT ONLY WITH PULLEY SOLD BY "PREVOST" | | | |
| | | B) FIT ONLY WITH PULLEY SOLD BY "PREVOST" | | | |
| | | 1) NOT SOLD SEPARATELY | | | |
| | | 2) NOT SOLD BY PREVOST (SEE MANUFACTURING PART NUMBER AT END OF DESCRIPTION LINE) | | | |

From L-031 To R-079

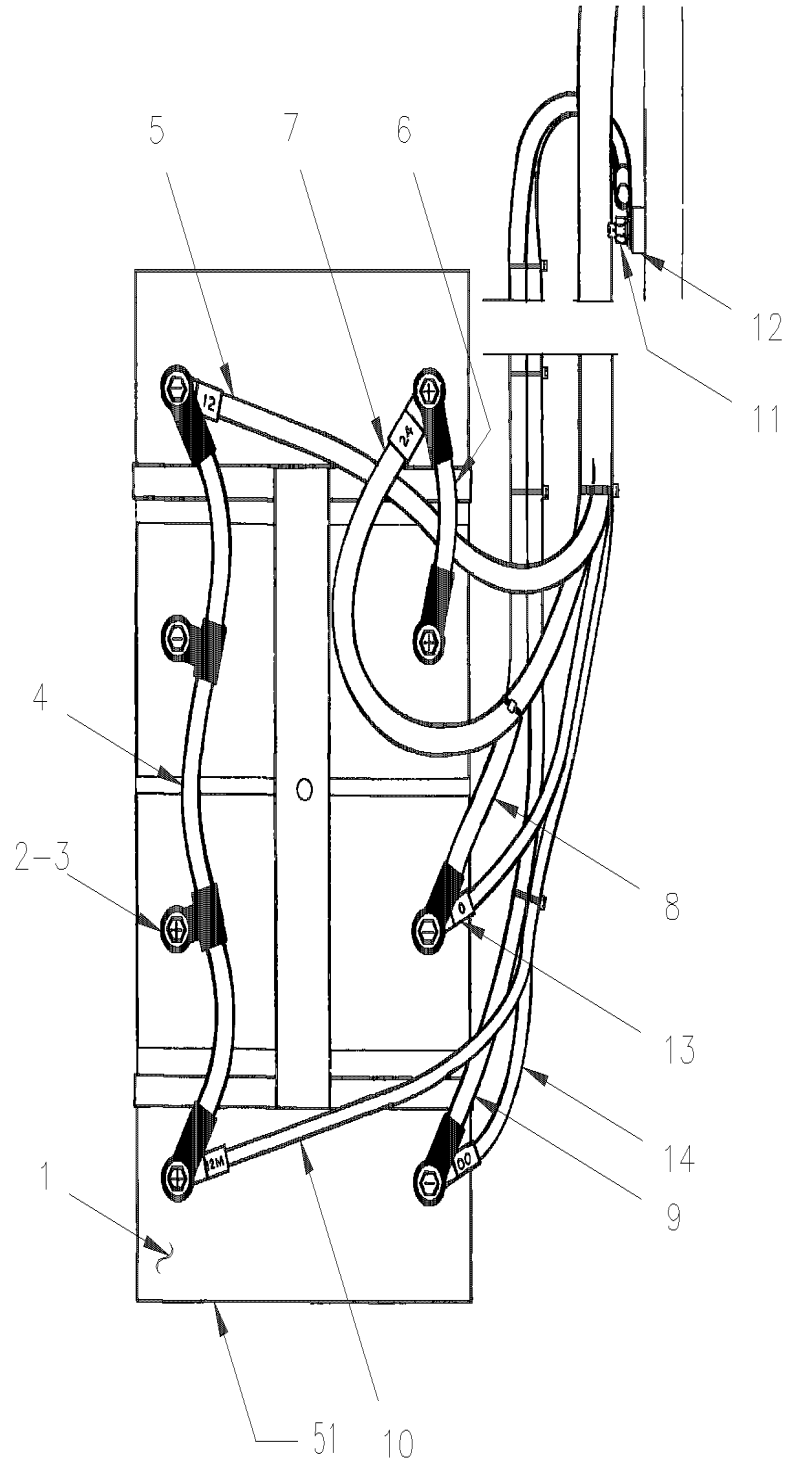
Date:10/2022

PAGE:H4-0615-00

BATTERIES INSTALLATION



EFF-M-144



PRIOR M-144

| | | |
|-------------------------------|--------------|-----------------|
| From L-031 To R-079 | Date:10/2022 | PAGE:H4-0615-00 |
| BATTERIES INSTALLATION | | |

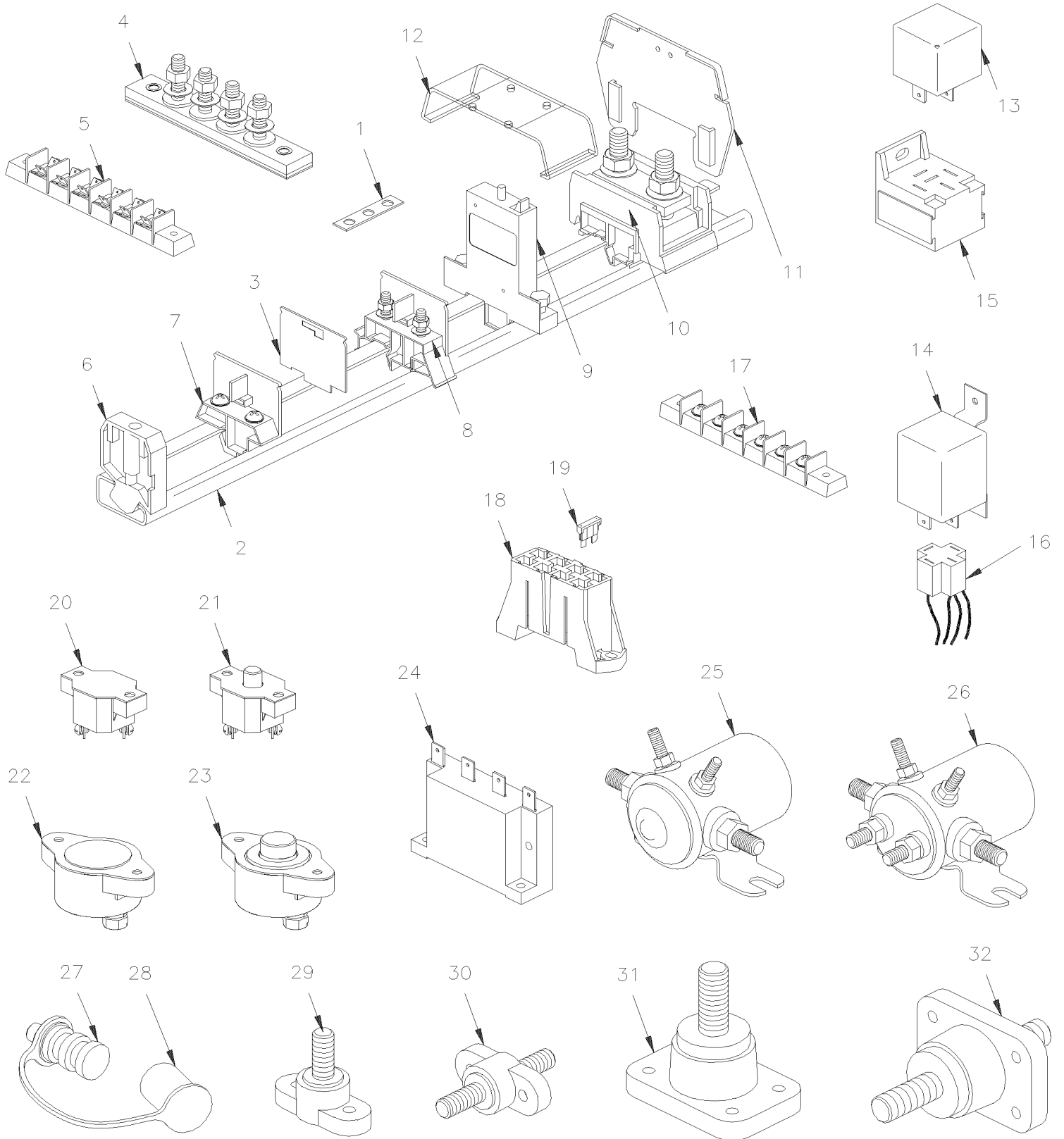
| Item# | Part | Description | H 3 4 0 | V I P 4 0 | N O T E S |
|-------|-------------------|--|------------------|-----------------------|-----------------------|
| 1 | 561232 | BATTERY 12V/625 CCA / GR31 | 4 | 4 | |
| 2 | 500651 | NUT HEX 3/8-24 SS | 8 | 8 | |
| 3 | 502616 | WASHER LO SPT 10.2x18.1x2.2 SS | 8 | 8 | |
| 4 | 062370 | CABLE, BATTERY | 1 | 1 | |
| 5 | 062517 | CABLE / 12 VOLTS BATTERY & 12 VOLTS | 1 | 1 | |
| 6 | 062371 | CABLE ASSY / B + TO B + | 2 | 2 | |
| 7 | 062515 | CABLE / 24 VOLTS BATTERY & 24 VOLTS | 1 | 1 | |
| 8 | 062355 | CABLE ASSY / BATTERY #3 & GROUND | 1 | 1 | |
| 9 | 062141 | CABLE / BATTERY #4 & GROUND | 1 | 1 | |
| 10 | 062451 | CABLE / BATTERY & EQUALIZER JUNCTION BLOCK | 1 | 1 | |
| 11 | 500789 | NUT HEX 1/2-13 Z050 | 1 | 1 | |
| 12 | 380360 | STUD, GROUND (WELDED TO STRUCTURE) 1/2-13 | 1 | 1 | |
| 13 | 062518 | CABLE / BATTERY & BOOSTER BLOCK | 1 | 1 | |
| 14 | 062532 | CABLE / BATTERY & REAR JUNCTION BOX | 1 | 1 | |
| 50 | H4-1876-00 | SLIDING TRAY FOR BATTERY INSTALLATION | | | |
| 51 | H4-1876-01 | SLIDING TRAY FOR BATTERY INSTALLATION | | | |
| | | | | | |
| | | | | | |
| | | | | | |

From L-031 To R-079

Date:10/2022

PAGE:H4-0616-00

JUNCTION BOX COMPONENTS, RELAY & BREAKER



| | | |
|---|--------------|-----------------|
| From L-031 To R-079 | Date:10/2022 | PAGE:H4-0616-00 |
| JUNCTION BOX COMPONENTS, RELAY & BREAKER | | |

| Item# | Part | Description | H 3 4 0 | V I P 4 0 | N O T E S |
|-------|--------|-------------------------------|------------------|-----------------------|-----------------------|
| 1 | 381813 | BUS BAR / W/2 HOLES 25MM | AR | AR | |
| 1 | 381814 | BUS BAR / W/3 HOLES 38MM | AR | AR | |
| 1 | 381815 | BUS BAR / W/4 HOLES 51MM | AR | AR | |
| 1 | 381816 | BUS BAR / W/4 HOLES 64MM | AR | AR | |
| 1 | 381818 | BUS BAR / W/4 HOLES 103MM | AR | AR | |
| 1 | 381817 | BUS BAR / W/6 HOLES 77MM | AR | AR | |
| 1 | 381819 | BUS BAR / W/8 HOLES 103MM | AR | AR | |
| 1 | 381820 | BUS BAR / W/9 HOLES 117MM | AR | AR | |
| 1 | 880027 | BUS BAR / W/10 HOLES 128MM | AR | AR | |
| 2 | 880026 | RAIL SUPPORT / 2 METERS | AR | AR | |
| 2 | 381300 | RAIL SUPPORT / 45MM | AR | AR | |
| 2 | 380927 | RAIL SUPPORT / 72MM | AR | AR | |
| 2 | 380904 | RAIL SUPPORT / 80MM | AR | AR | |
| 2 | 381203 | RAIL SUPPORT / 100MM | AR | AR | |
| 2 | 380905 | RAIL SUPPORT / 150MM | AR | AR | |
| 2 | 381249 | RAIL SUPPORT / 155MM | AR | AR | |
| 2 | 380964 | RAIL SUPPORT / 171MM | AR | AR | |
| 2 | 380839 | RAIL SUPPORT / 180MM | AR | AR | |
| 2 | 380883 | RAIL SUPPORT / 200MM | AR | AR | |
| 2 | 381638 | RAIL SUPPORT / 209MM | AR | AR | |
| 2 | 380885 | RAIL SUPPORT / 225MM | AR | AR | |
| 2 | 380793 | RAIL SUPPORT / 230MM | AR | AR | |
| 2 | 380751 | RAIL SUPPORT / 280MM | AR | AR | |
| 2 | 380756 | RAIL SUPPORT / 290MM | AR | AR | |
| 2 | 380712 | RAIL SUPPORT / 315MM | AR | AR | |
| 2 | 380838 | RAIL SUPPORT / 320MM | AR | AR | |
| 2 | 380937 | RAIL SUPPORT / 324MM | AR | AR | |
| 2 | 380914 | RAIL SUPPORT / 350MM | AR | AR | |
| 2 | 380884 | RAIL SUPPORT / 360MM | AR | AR | |
| 2 | 381124 | RAIL SUPPORT / 460MM | AR | AR | |
| 2 | 381123 | RAIL SUPPORT / 525MM | AR | AR | |
| 2 | 380713 | RAIL SUPPORT / 605MM | AR | AR | |
| 2 | 380752 | RAIL SUPPORT / 1050MM | AR | AR | |
| 3 | 561728 | END CLOSING | AR | AR | |
| 4 | 560112 | JUNCTION BLOCK W/2 STUDS | AR | AR | |
| 4 | 560113 | JUNCTION BLOCK W/4 STUDS | AR | AR | |
| 4 | 562504 | JUNCTION BLOCK W/6 STUDS | AR | AR | |
| 4 | 560291 | JUNCTION BLOCK W/8 STUDS | AR | AR | |
| 4 | 560116 | JUNCTION BLOCK W/10 STUDS | AR | AR | |
| 5 | 562373 | CONNECTOR, MULTIPLE BLADE | AR | AR | |
| 6 | 561729 | STOPPER | AR | AR | |
| NS | 500583 | . SCREW TP PAN PH #6x1/2 Z050 | 1 | 1 | |

| | | |
|---|--------------|-----------------|
| From L-031 To R-079 | Date:10/2022 | PAGE:H4-0616-00 |
| JUNCTION BOX COMPONENTS, RELAY & BREAKER | | |

| Item# | Part | Description | H 3 4 0 | V I P 4 0 | N O T E S |
|-------|--------|---|------------------|-----------------------|-----------------------|
| 7 | 381236 | DUMMY ASSY W/SCREW | AR | AR | |
| NS | 562198 | . BLOCK JUNCTION | 1 | 1 | |
| NS | 500583 | . SCREW TP PAN PH #6x1/2 Z050 | 2 | 2 | |
| NS | 500438 | . WASHER FL .187x.437x.050 Z050 | 2 | 2 | |
| 8 | 561726 | BLOCK JUNCTION | AR | AR | |
| 9 | 561797 | BREAKER 3AMPS / 24V / | AR | AR | |
| 9 | 561790 | BREAKER 6AMPS / 24V / | AR | AR | |
| 9 | 561791 | BREAKER 8AMPS / 24V / | AR | AR | |
| 9 | 561792 | BREAKER 10AMPS / 24V / | AR | AR | |
| 9 | 561793 | BREAKER 15AMPS / 24V / | AR | AR | |
| 9 | 561794 | BREAKER 20AMPS / 24V / | AR | AR | |
| 9 | 561795 | BREAKER 25AMPS / 24V / | AR | AR | |
| NS | 502660 | . SCREW QUARTER TURN | 2 | 2 | |
| 10 | 561727 | SCREW MA PAN PH | AR | AR | |
| NS | 500615 | . NUT HEX M8-1.25 BR | 2 | 2 | |
| 11 | 561731 | COVER SUPPORT | AR | AR | |
| 12 | 561730 | COVER / PROTECTOR / 1 BLOCK | AR | AR | |
| 12 | 561732 | COVER / PROTECTOR / 2 BLOCKS | AR | AR | |
| 12 | 562024 | COVER / PROTECTOR / 3 BLOCKS | AR | AR | |
| | | | | | |
| | | | | | |
| 13 | 561538 | RELAY 12V S.P.D.T. V 415 F11 | AR | AR | |
| 13 | 561706 | RELAY 12V S.P.D.T. W/DIODE / | AR | AR | |
| 13 | 562092 | RELAY 12V S.P.D.T. W/DIODE / | AR | AR | |
| 13 | 561182 | RELAY 24V S.P.S.T. N.O. VF4-11H11 | AR | AR | |
| 13 | 561230 | RELAY 24V S.P.D.T. VF4-15H | AR | AR | |
| 13 | 561557 | RELAY 24V S.P.D.T. N.O. | AR | AR | |
| 13 | 561707 | RELAY 24V S.P.D.T. W/RESISTOR / | AR | AR | |
| 14 | 561928 | RELAY 12V S.P.D.T. / 50 AMPS N.O. VF7-41F | AR | AR | |
| 14 | 561991 | RELAY 24V S.P.S.T. / 70 AMPS N.O. | AR | AR | |
| 15 | 561183 | RELAY BASE / TAB TERMINAL / BOSCH 3334485008 | AR | AR | |
| 16 | 562367 | CONNECTOR / TAB HOUSING 4C / POTTER BRUMFIELD VCF7-1000 | AR | AR | |
| 16 | 561908 | TAB RECEPTACLE TERMINAL / 22-18 / AMP 60295-2 | AR | AR | |
| 16 | 561108 | TAB RECEPTACLE TERMINAL / 18-14 / AMP 42238-2 | AR | AR | |
| 16 | 561181 | TAB RECEPTACLE TERMINAL / 12 / AMP 60508-2 | AR | AR | |
| 16 | 562368 | TAB TERMINAL / 12-8 / AMP 280756-4 | AR | AR | |
| 17 | 562173 | JUNCTION BLOCK W/10 STUDS | AR | AR | |
| 17 | 560116 | JUNCTION BLOCK W/10 STUDS | AR | AR | |
| 17 | 560291 | JUNCTION BLOCK W/8 STUDS | AR | AR | |
| 17 | 562504 | JUNCTION BLOCK W/6 STUDS | AR | AR | |
| 17 | 560113 | JUNCTION BLOCK W/4 STUDS | AR | AR | |
| 17 | 560112 | JUNCTION BLOCK W/2 STUDS | AR | AR | |

| | | |
|---|--------------|-----------------|
| From L-031 To R-079 | Date:10/2022 | PAGE:H4-0616-00 |
| JUNCTION BOX COMPONENTS, RELAY & BREAKER | | |

| Item# | Part | Description | H 3 4 0 | V I P 4 0 | N O T E S |
|-------|-----------|--|------------------|-----------------------|-----------------------|
| 18 | 562621 | FUSE BLOCK W/4 LEDS & WIRES | AR | AR | |
| | NS 381960 | . PROTECTOR COVER FUSE HOLDER 49MM x 62MM "OPTION SPECIAL" | AR | AR | |
| 19 | 562597 | FUSE / ATO 1AMP BLACK | AR | AR | |
| 19 | 562598 | FUSE / ATO 2 AMPS GREY | AR | AR | |
| 19 | 562599 | FUSE / ATO 3 AMPS VIOLET | AR | AR | |
| 19 | 562600 | FUSE / ATO 4 AMPS PINK | AR | AR | |
| 19 | 562259 | FUSE / ATO 5 AMPS AMBER | AR | AR | |
| 19 | 562602 | FUSE / ATO 7.5 AMPS BROWN | AR | AR | |
| 19 | 562407 | FUSE / ATO 10 AMPS RED | AR | AR | |
| 19 | 562604 | FUSE / ATO 15 AMPS BLUE | AR | AR | |
| 19 | 562605 | FUSE / ATO 20 AMPS YELLOW | AR | AR | |
| 19 | 562606 | FUSE / ATO 25 AMPS NATURAL | AR | AR | |
| 19 | 562396 | FUSE / ATO 30 AMPS GREEN | AR | AR | |
| 19 | 562608 | FUSE / ATO 35 AMPS BLUE-GREEN | AR | AR | |
| 19 | 562609 | FUSE / ATC 40 AMPS ORANGE | AR | AR | |
| 20 | 560295 | BREAKER 6AMPS / 24V / | AR | AR | |
| 20 | 560296 | BREAKER 10AMPS / 24V / | AR | AR | |
| 20 | 560297 | BREAKER 20AMPS / 24V / | AR | AR | |
| 21 | 870690 | BREAKER 30AMPS / 24V / | AR | AR | |
| 21 | 870093 | BREAKER 40AMPS / 24V / | AR | AR | |
| 22 | 560794 | BREAKER 90AMPS / 24V / | AR | AR | |
| 22 | 560308 | BREAKER 150AMPS / 24V / | AR | AR | |
| 23 | 560703 | BREAKER 40AMPS / 24V / | AR | AR | |
| 23 | 562686 | BREAKER 40AMPS / 24V / | AR | AR | |
| 23 | 561767 | BREAKER 70AMPS / 24V / | AR | AR | |
| 23 | 562687 | BREAKER 70AMPS / 24V / | AR | AR | |
| 23 | 560298 | BREAKER 90AMPS / 24V / | AR | AR | |
| 23 | 562683 | BREAKER 90AMPS / 24V / | AR | AR | |
| 23 | 560465 | BREAKER 105AMPS / 24V / | AR | AR | |
| 23 | 562685 | BREAKER 105AMPS / 24V / | AR | AR | |
| 23 | 562397 | BREAKER 120AMPS / 24V / | AR | AR | |
| 23 | 562688 | BREAKER 120AMPS / 24V / | AR | AR | |
| 23 | 560299 | BREAKER 150AMPS / 24V / | AR | AR | |
| 23 | 562684 | BREAKER 150AMPS / 24V / | AR | AR | |
| 24 | 560772 | TIME DELAY RELAY | AR | AR | |
| 25 | 560407 | SWITCH MAGNETIC / 24V S.P.S.T. / 50AMPS N.O. | AR | AR | |
| 25 | 561005 | SWITCH MAGNETIC / 24V S.P.S.T. / 200AMPS N.O. | AR | AR | |
| 26 | 561014 | SWITCH MAGNETIC / 24V D.P.S.T. / 200AMPS N.O. | AR | AR | |
| 27 | 561856 | BOOSTER BLOCK, REMOTE / RED | 1 | 1 | |
| 27 | 561857 | BOOSTER BLOCK, REMOTE / BLACK | 1 | 1 | |
| 28 | 562691 | . PROTECTOR CAP / RED | 1 | 1 | |
| 28 | 562692 | . PROTECTOR CAP / BLACK | 1 | 1 | |

| | | |
|---|--------------|-----------------|
| From L-031 To R-079 | Date:10/2022 | PAGE:H4-0616-00 |
| JUNCTION BOX COMPONENTS, RELAY & BREAKER | | |

| Item# | Part | Description | H 3 4 0 | V I P 4 0 | N O T E S |
|-------|--------|---|------------------|-----------------------|-----------------------|
| NS | 381210 | SEPARATOR / FIBERGLASS RED | AR | AR | |
| 29 | 560422 | BLOCK, TERMINAL / 1 STUD 3/8-16 / BLACK | AR | AR | |
| 30 | 561102 | BLOCK, JUNCTION / 2 STUD 3/8-16 / BLACK | AR | AR | |
| 31 | 560177 | BLOCK, TERMINAL / 1 STUD 1/2-13 / BLACK | AR | AR | |
| 32 | 560176 | BLOCK, JUNCTION / 2 STUD 1/2-13 / RED | AR | AR | |
| | | | | | |
| | | | | | |
| | | | | | |

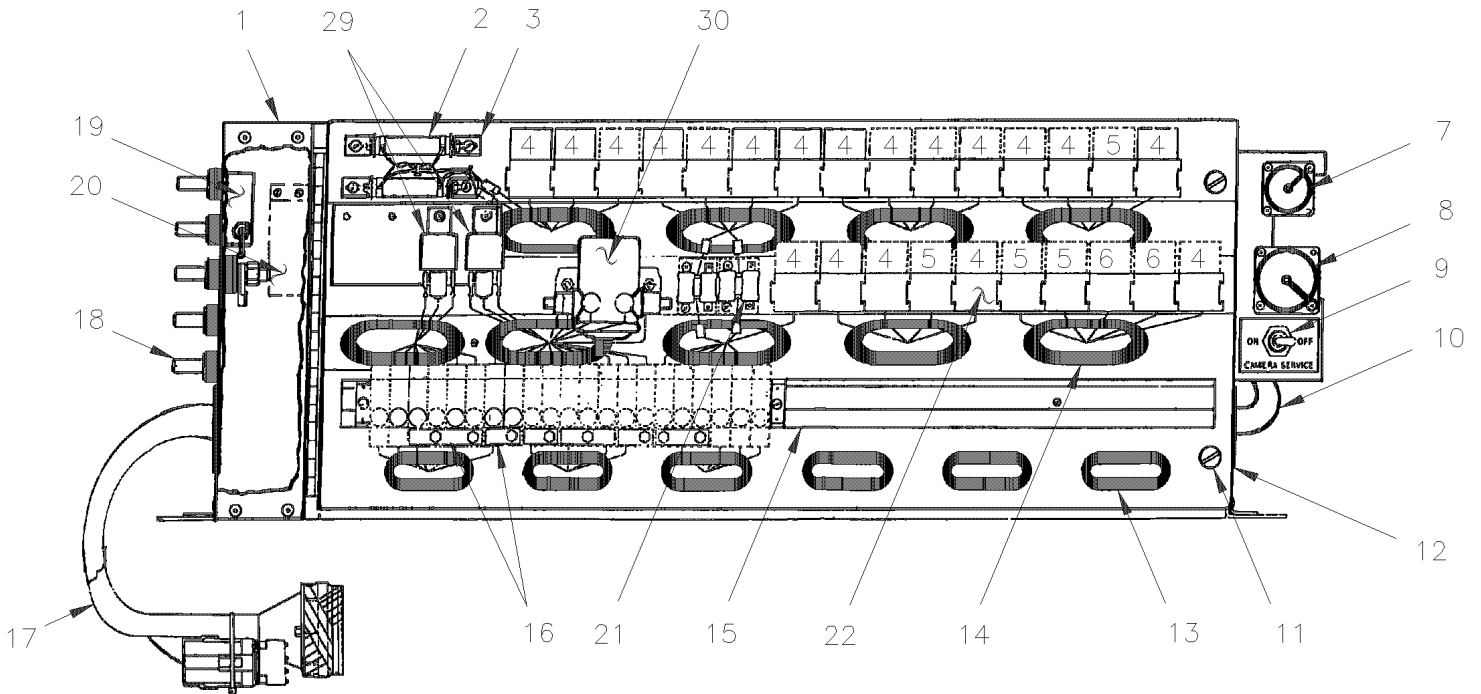
From L-031 To R-079

Date:10/2022

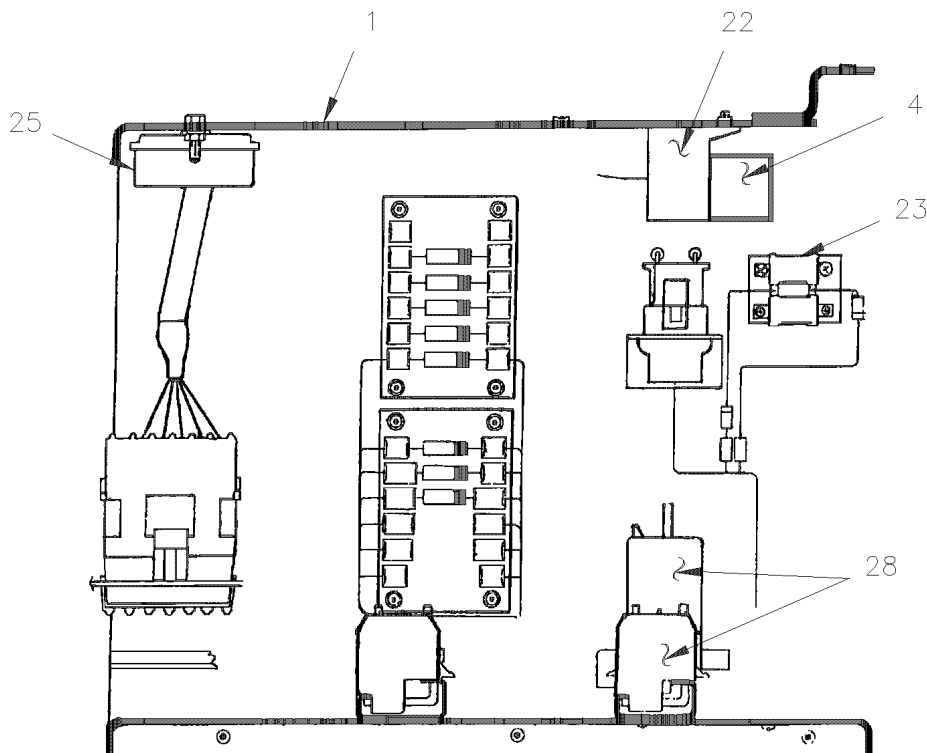
PAGE:H4-0620-00

REAR JUNCTION BOX ASSY

FRONT VIEW



R.H. SIDE VIEW



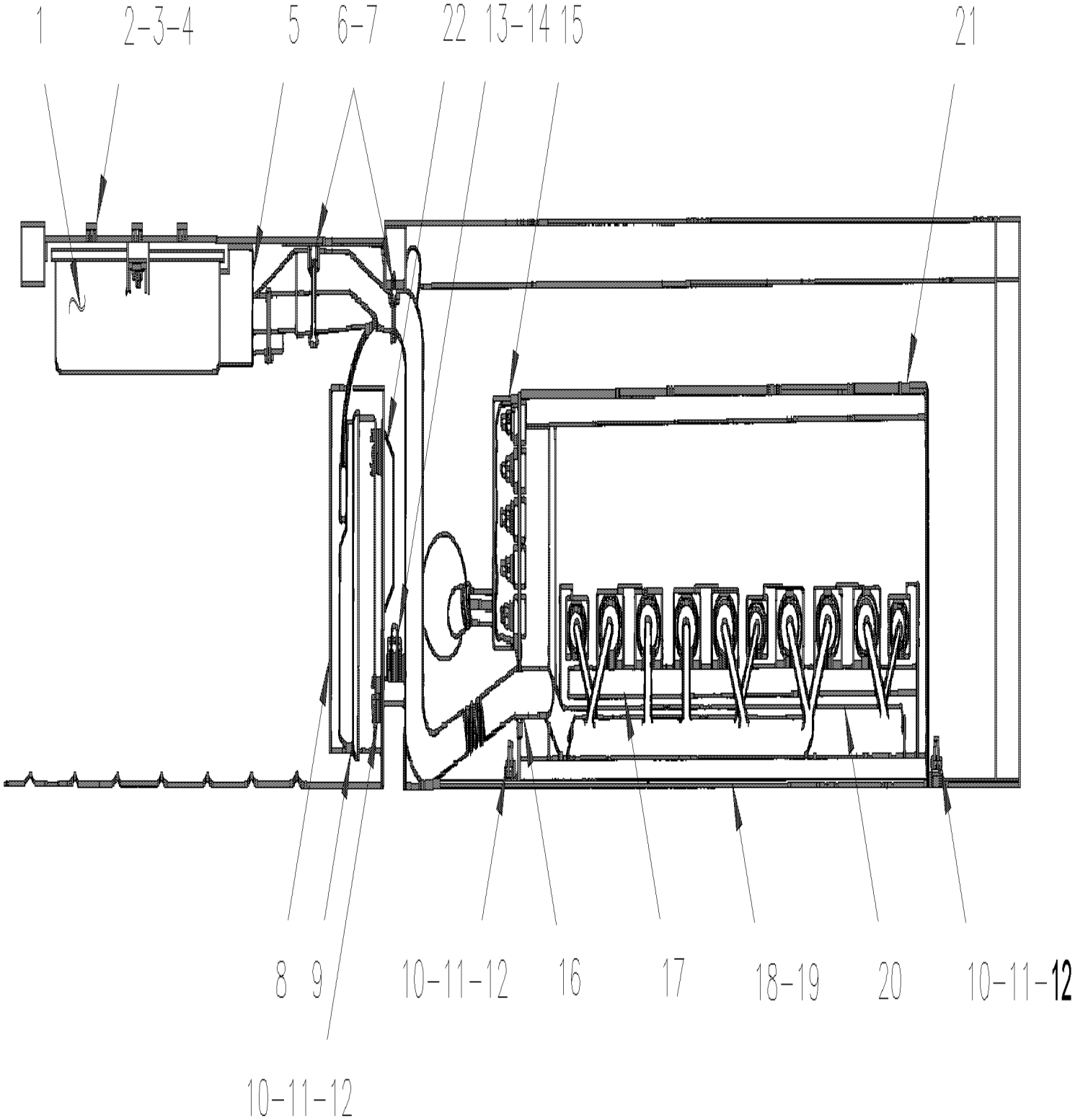
| | | | |
|-------------------------------|--|--------------|-----------------|
| From L-031 To R-079 | | Date:10/2022 | PAGE:H4-0620-00 |
| REAR JUNCTION BOX ASSY | | | |

| Item# | Part | Description | H 3 4 0 | V I P 4 0 | N O T E S |
|--------|-------------------|--|------------------|-----------------------|-----------------------|
| | 381333 | JUNCTION BOX ASSY To N-169 | 1 | | |
| | 381383 | JUNCTION BOX ASSY From N-170 To P-315 | 1 | | |
| | 381489 | JUNCTION BOX ASSY From P-316 | 1 | | |
| | 381332 | JUNCTION BOX ASSY To N-169 | | 1 | |
| | 381384 | JUNCTION BOX ASSY From N-170 To P-315 | | 1 | |
| | 381490 | JUNCTION BOX ASSY From P-316 | | 1 | |
| 1 | 381106 | BOX ASSY | 1 | 1 | |
| NS | 381112 | PANEL ASSY, FRONT / W/HINGE | 1 | 1 | |
| NS | 381103 | PANEL BOTTOM | 1 | 1 | |
| 2 | 060806 | RESISTOR ASSY 0.82 OHM / W/12 VOLT FOG To S-127 | 1 | 1 | |
| . NS | 560823 | . RESISTOR / 0.82 OHM To S-127 | 2 | 2 | |
| . . NS | 562959 | . . SUPPORT, CERAMIC RESISTOR To S-127 | 1 | 1 | |
| 2 | 560823 | . RESISTOR / 0.82 OHM | 2 | 2 | |
| . NS | 562959 | . . SUPPORT, CERAMIC RESISTOR | 1 | 1 | |
| 3 | 500560 | SCREW MA PAN PH M4-0.7x6 Z050 | AR | AR | |
| NS | 500470 | WASHER LO SPT .193x.334x.047 Z050 | AR | AR | |
| 4 | 561707 | RELAY 24V S.P.D.T. W/RESISTOR / | AR | AR | |
| 5 | 561706 | RELAY 12V S.P.D.T. W/DIODE / | AR | AR | |
| 6 | 562092 | RELAY 12V S.P.D.T. W/DIODE / | AR | AR | |
| 7 | 562022 | SEALING CAP (FOR RECEPTACLE ONLY) / CPC / #17 / AMP 207445-1 | | 1 | |
| 8 | 562023 | SEALING CAP (FOR RECEPTACLE ONLY) / CPC / #23 / AMP 207446-1 | | 1 | |
| 9 | 560256 | SWITCH / OFF-ON / S.P.S.T. | 1 | 1 | |
| NS | 062650 | DECAL, TOGGLE SWITCH | 1 | 1 | |
| 10 | 062593 | CABLE ASSY | 1 | 1 | |
| NS | 062594 | CABLE ASSY | 1 | 1 | |
| 11 | 504354 | STUD 5/16 O.D. X 3/8 (DZUS) | 2 | 2 | |
| NS | 504353 | RETAINER, 5/16"DIA. (DZUS) STUD | 2 | 2 | |
| NS | 504365 | SPRING HOOK / DZUS 5/16 | 2 | 2 | |
| NS | 380963 | SUPPORT | 2 | 2 | |
| NS | 502688 | SCREW MA PAN PH M3.5-0.6x10 ZP | AR | AR | |
| 12 | 506338 | RUBBER CHANNEL / 1/16" x 1/4" INT "U" SHAPE / ROUND C.T.L. | AR | AR | |
| 13 | 504059 | GROMMET / 1.250x1.500x.094x.375x1.875 | 6 | 6 | |
| 14 | 504486 | GROMMET / 2.125x2.500x.062x.437x2.875 | 9 | 9 | |
| 15 | H4-0616-00 | JUNCTION BOX COMPONENTS, RELAY & BREAKER | | | |
| 16 | H4-0616-00 | JUNCTION BOX COMPONENTS, RELAY & BREAKER | | | |
| 17 | 062595 | CABLE ASSY | 1 | 1 | |
| 18 | 561102 | BLOCK, JUNCTION / 2 STUD 3/8-16 / BLACK | 5 | 5 | |
| 19 | 381142 | DIODE ASSY / 12AMPS | 1 | 1 | |
| 19 | 560863 | . DIODE / 12AMPS / CATHODE STUD | AR | AR | |
| 20 | 561945 | CONTROL, THROTTLE POSITION / ATEC TRANSMISSION | 1 | 1 | |
| NS | 561577 | CONNECTOR / WEATHER PACK / SH 1C / BLACK / PED 12015791 | 1 | 1 | |
| NS | 561690 | CONNECTOR / WEATHER PACK / SH 2C / BLACK / PED 12015792 | 1 | 1 | |

| | | |
|-------------------------------|--------------|-----------------|
| From L-031 To R-079 | Date:10/2022 | PAGE:H4-0620-00 |
| REAR JUNCTION BOX ASSY | | |

| Item# | Part | Description | H 3 4 0 | V I P 4 0 | N O T E S |
|-------|-------------------|--|------------------|-----------------------|-----------------------|
| NS | 561946 | CONNECTOR / WEATHER PACK / SH 6C / BLACK / PED 12015799 | 1 | 1 | |
| 21 | 061976 | RESISTOR ASSY 1 OHM 10 W | 2 | 2 | |
| 21 | 561537 | . RESISTOR / 1 OHM / 10 W | 2 | 2 | |
| 22 | H4-0616-00 | JUNCTION BOX COMPONENTS, RELAY & BREAKER | | | |
| 23 | 062925 | RESISTOR ASSY 1 OHM 10 W | | 1 | |
| 23 | 561537 | . RESISTOR / 1 OHM / 10 W | | 3 | |
| 24 | 062330 | CONNECTOR ASSY W/RESISTOR | 1 | 1 | |
| 24 | 561897 | . RESISTOR / 4.32K OHMS / 1/4 W | 1 | 1 | |
| 24 | 561898 | . RESISTOR / 10K OHMS / 1/4 W | 1 | 1 | |
| 24 | 561514 | . SOCKET TERMINAL / 20-14 / AMP 350537-3 | 4 | 4 | |
| 25 | 561886 | MODULE / COOLANT LEVEL CONTROL | 1 | 1 | |
| 26 | 562161 | BOARD TERMINAL | 4 | 4 | |
| 27 | 062120 | DIODE ASSY | AR | AR | |
| NS | 381295 | PLATE INSULATING | 2 | 2 | |
| 28 | H4-0616-00 | JUNCTION BOX COMPONENTS, RELAY & BREAKER | | | |
| 29 | 561991 | RELAY 24V S.P.S.T. / 70 AMPS N.O. | 2 | 2 | |
| 30 | 561005 | SWITCH MAGNETIC / 24V S.P.S.T. / 200AMPS N.O. | 1 | 1 | |
| 30 | 381443 | RETROFIT KIT / SOLEINOID SWITCH RELOCATION | | | B |
| 30 | 381444 | RETROFIT KIT / HI-POWER RELAY REPLACEMENT To M-134 | | | C |
| | | | | | |
| | | B) EXCEPT FOR VEHICLE M-134,M-141,M-142,M-143,M-150 TO N-170 | | | |
| | | C) FOR VEHICLE M-134,M-141,M-142,M-143,M-150 TO N-170 | | | |

| | | |
|----------------------------------|--------------|-----------------|
| From L-031 To R-079 | Date:10/2022 | PAGE:H4-0620-50 |
| REAR JUNCTION BOX - INSTALLATION | | |



From L-031 To R-079 Date:10/2022 PAGE:H4-0620-50

REAR JUNCTION BOX - INSTALLATION

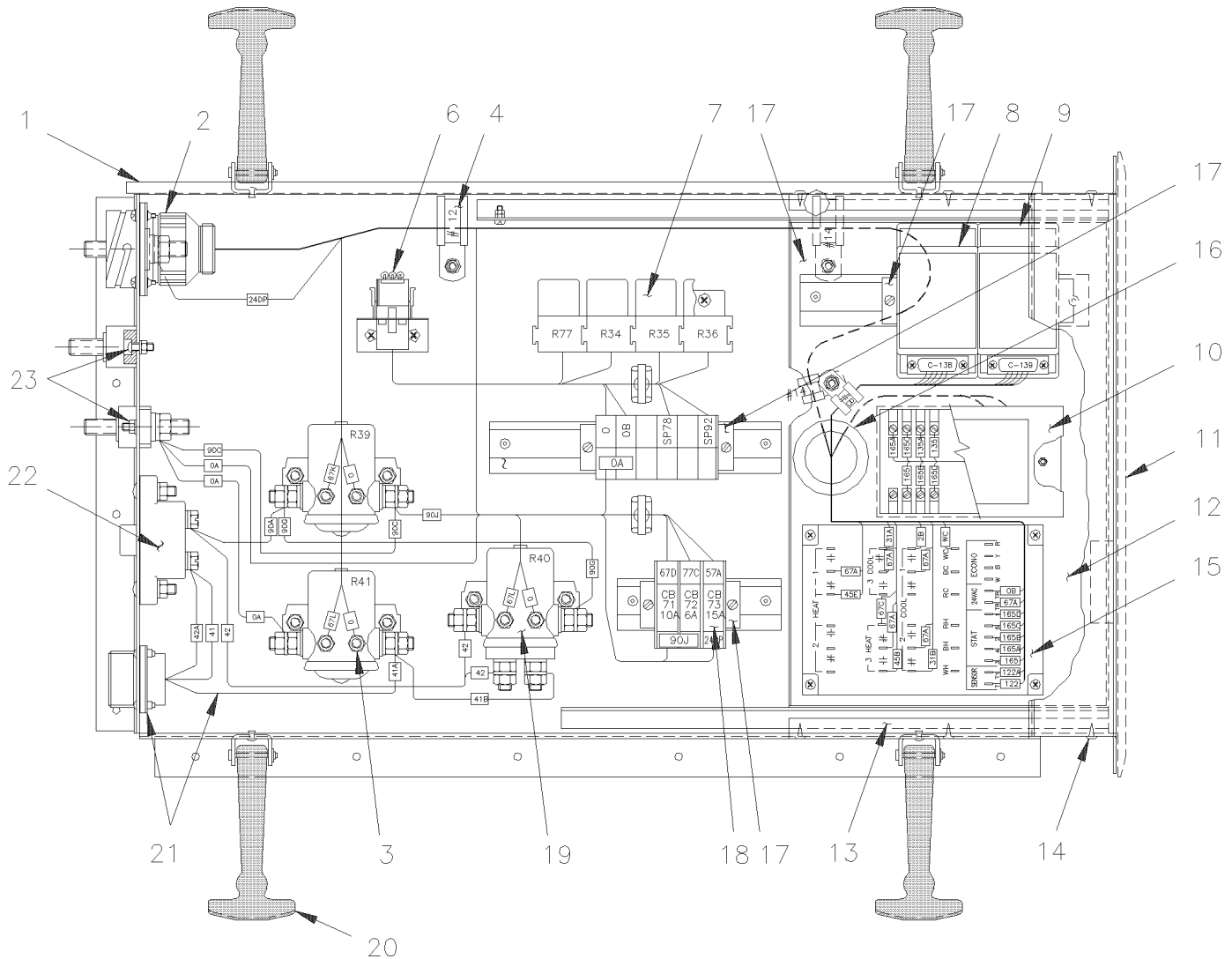
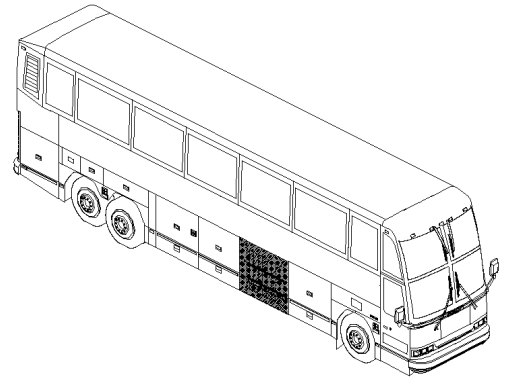
| Item# | Part | Description | H 3 4 0 | V I P 4 0 | N O T E S |
|-------|-------------------|---|------------------|-----------------------|-----------------------|
| 1 | 571494 | CONTROL UNIT, ELECTRONIC To M-072 | 1 | 1 | A |
| 1 | 571514 | CONTROL UNIT, ELECTRONIC From M-073 | 1 | 1 | B |
| 1 | 571495 | CONTROL UNIT, ELECTRONIC | 1 | 1 | C |
| 2 | 502543 | NUT HEX M8-1.25 Z050 | AR | AR | |
| 3 | 500874 | WASHER FL 8.4x17.0x1.6 Z050 | AR | AR | |
| 4 | 502507 | WASHER LO SPT 8.1x14.8x2.0 Z050 | AR | AR | |
| 5 | 381136 | PROTECTOR | 1 | 1 | |
| NS | 500583 | SCREW TP PAN PH #6x1/2 Z050 | AR | AR | |
| NS | 500470 | WASHER LO SPT .193x.334x.047 Z050 | AR | AR | |
| 6 | 504012 | CABLE TIE / 3/16" X 6"1/2 | AR | AR | |
| 7 | 500638 | SCREW TP PAN PH #8x1/2 Z050 | AR | AR | |
| 8 | 381135 | PROTECTOR, REGULATOR | 1 | 1 | |
| 9 | 560030 | REGULATOR ASSY 24V / W/3 TERMINALS | 1 | 1 | D |
| 10 | 500609 | NUT HEX M6-1.0 Z050 | AR | AR | |
| 11 | 502564 | WASHER LO SPT 6.1x11.8x1.6 Z050 | AR | AR | |
| 12 | 500440 | WASHER FL .250x.562x.065 Z050 | AR | AR | |
| 13 | 500789 | NUT HEX 1/2-13 Z050 | AR | AR | |
| 14 | 500482 | WASHER LO SPT .506x.873x.125 Z050 | AR | AR | |
| 15 | 561732 | COVER / PROTECTOR / 2 BLOCKS | 2 | 2 | |
| 16 | 506318 | TAPE DUAL LOCK 1" x 150' / BLACK SJ3541 | AR | AR | |
| 17 | 062654 | DECAL / CONNECTOR IDENTIFICATION To N-169 | 1 | 1 | |
| 17 | 063114 | DECAL / CONNECTOR IDENTIFICATION From N-170 | 1 | 1 | |
| 18 | 062648 | DECAL / BREAKER & RELAY IDENTIFICATION To N-169 | 1 | 1 | |
| 18 | 063108 | DECAL / BREAKER & RELAY IDENTIFICATION From N-170 | 1 | 1 | |
| 19 | 062649 | DECAL / BREAKER IDENTIFICATION To N-169 | 1 | 1 | |
| 19 | 063109 | DECAL / BREAKER IDENTIFICATION From N-170 | 1 | 1 | |
| 20 | 062653 | DECAL / CONNECTOR IDENTIFICATION | 1 | 1 | |
| 21 | H4-0620-00 | REAR JUNCTION BOX ASSY | | | |
| NS | 062689 | DECAL / VOLTAGE | 1 | 1 | |
| NS | 062650 | DECAL, TOGGLE SWITCH | 1 | 1 | |
| 22 | 562058 | MONITOR / BATTERY EQUALIZER | 1 | 1 | |
| NS | 064717 | KIT VOLTAGE REGULATOR | 1 | 1 | |
| NS | IS-97104B | . SEE INSTRUCTION SHEET | 1 | 1 | |
| | | | | | |
| | | | | | |
| | | | | | |
| | | A) FOR ATEC AUTOMATIC TRANSMISSION HT-755 CR (1800 RPM) , FOR CALIBRATION AT 1950 RPM USE KIT 571513 | | | |
| | | B) FOR ATEC AUTOMATIC TRANSMISSION HT-755 CR (1950 RPM) | | | |
| | | C) FOR AUTOMATIC TRANSMISSION HT-748 | | | |
| | | D) THIS PART IS SUPERSEDED BY KIT #064717 | | | |

From L-031 To R-396

Date:10/2022

PAGE:H4-0621-00

A/C JUNCTION BOX ASSY



| | | |
|------------------------------|--------------|-----------------|
| From L-031 To R-396 | Date:10/2022 | PAGE:H4-0621-00 |
| A/C JUNCTION BOX ASSY | | |

| Item# | Part | Description | H 3 4 0 | V I P 4 0 | N O T E S |
|-------|-------------------|---|------------------|-----------------------|-----------------------|
| | 381100P | A/C ELECTRICAL PANEL ASSY | 1 | 1 | |
| 1 | 381099 | BOX ASSY / WELDED | 1 | 1 | |
| NS | 381093 | COVER ASSY | 1 | 1 | |
| NS | 506298 | . RUBBER EXTRUSION CC NEO 3/4" X 5/8" / C.T.L. | AR | AR | |
| NS | 062665 | . DECAL | 1 | 1 | |
| 2 | 062565 | HARNESS ASSY | 1 | 1 | |
| 3 | 561005 | SWITCH MAGNETIC / 24V S.P.S.T. / 200AMPS N.O. | 3 | | |
| 3 | 561005 | SWITCH MAGNETIC / 24V S.P.S.T. / 200AMPS N.O. | | AR | |
| 4 | 560482 | CLAMP / 3/4" I.D. / W/HOLE 3/16" | 1 | 1 | |
| 5 | 502524 | NUT HEX M4-0.7 Z050 | AR | AR | |
| NS | 502636 | WASHER LO SPT 4.1x7.6x0.9 Z050 | AR | AR | |
| 6 | 062684 | DIODE ASSY | 1 | 1 | |
| 6 | 560931 | . DIODE / 3AMPS | 1 | 1 | |
| 6 | 561514 | . SOCKET TERMINAL / 20-14 / AMP 350537-3 | 2 | 2 | |
| 6 | 561515 | . CONNECTOR / UNIVERSAL MATE-N-LOK / SH 6C / AMP 1-480704-0 | 1 | 1 | |
| 7 | 561707 | RELAY 24V S.P.D.T. W/RESISTOR / | | | |
| 8 | 452004 | A/C CONTROL MODULE | 1 | 1 | |
| 8 | 062720 | . CIRCUIT BOARD | 1 | 1 | A |
| 8 | 562080 | . BASE, ANCHOR 45MM / TO FIX CIRCUIT | 1 | 1 | |
| 8 | 562078 | . MEMBER SIDE 22MM / BOX | 2 | 2 | |
| 8 | 381238 | . COVER | 1 | 1 | |
| 8 | 062747 | . DECAL | 1 | 1 | |
| 8 | 562120 | . FUSE / 2 AMPS / 3AG-2 | 1 | 1 | |
| 9 | 452005 | A/C LOGIC MODULE | 1 | 1 | |
| 9 | 062738 | . PRINTED CIRCUIT BOARD ASSY / PRODUCTION | 1 | 1 | |
| 9 | 063344 | . CIRCUIT BOARD | 1 | 1 | A |
| 9 | 562080 | . BASE, ANCHOR 45MM / TO FIX CIRCUIT | 1 | 1 | |
| 9 | 562078 | . MEMBER SIDE 22MM / BOX | 1 | 1 | |
| 9 | 562079 | . MEMBER SIDE 45MM | 1 | 1 | |
| 9 | 381239 | . COVER | 1 | 1 | |
| 9 | 062748 | . DECAL | 1 | 1 | |
| 9 | 562309 | . FUSE / 2 AMPS / 2A | 2 | 2 | |
| 10 | 380877 | ELECTRONIC TRANSMITTER | 1 | 1 | |
| 11 | 381205 | COVER ASSY / DRAWER | 1 | 1 | |
| 12 | 381138 | DRAWER ASSY | 1 | 1 | |
| 13 | 381198 | SLIDING CHANNEL | 2 | 2 | |
| 14 | 500582 | SCREW TP PAN PH #8x3/8 Z050 | 6 | 6 | |
| 15 | 561805 | A/C LOGIC PANEL | 1 | 1 | |
| 16 | 504059 | GROMMET / 1.250x1.500x.094x.375x1.875 | 1 | 1 | |
| 17 | H4-0616-00 | JUNCTION BOX COMPONENTS, RELAY & BREAKER | | | |
| 18 | H4-0616-00 | JUNCTION BOX COMPONENTS, RELAY & BREAKER | | | |
| 19 | 561014 | SWITCH MAGNETIC / 24V D.P.S.T. / 200AMPS N.O. | 1 | 1 | |

| | | |
|------------------------------|--------------|-----------------|
| From L-031 To R-396 | Date:10/2022 | PAGE:H4-0621-00 |
| A/C JUNCTION BOX ASSY | | |

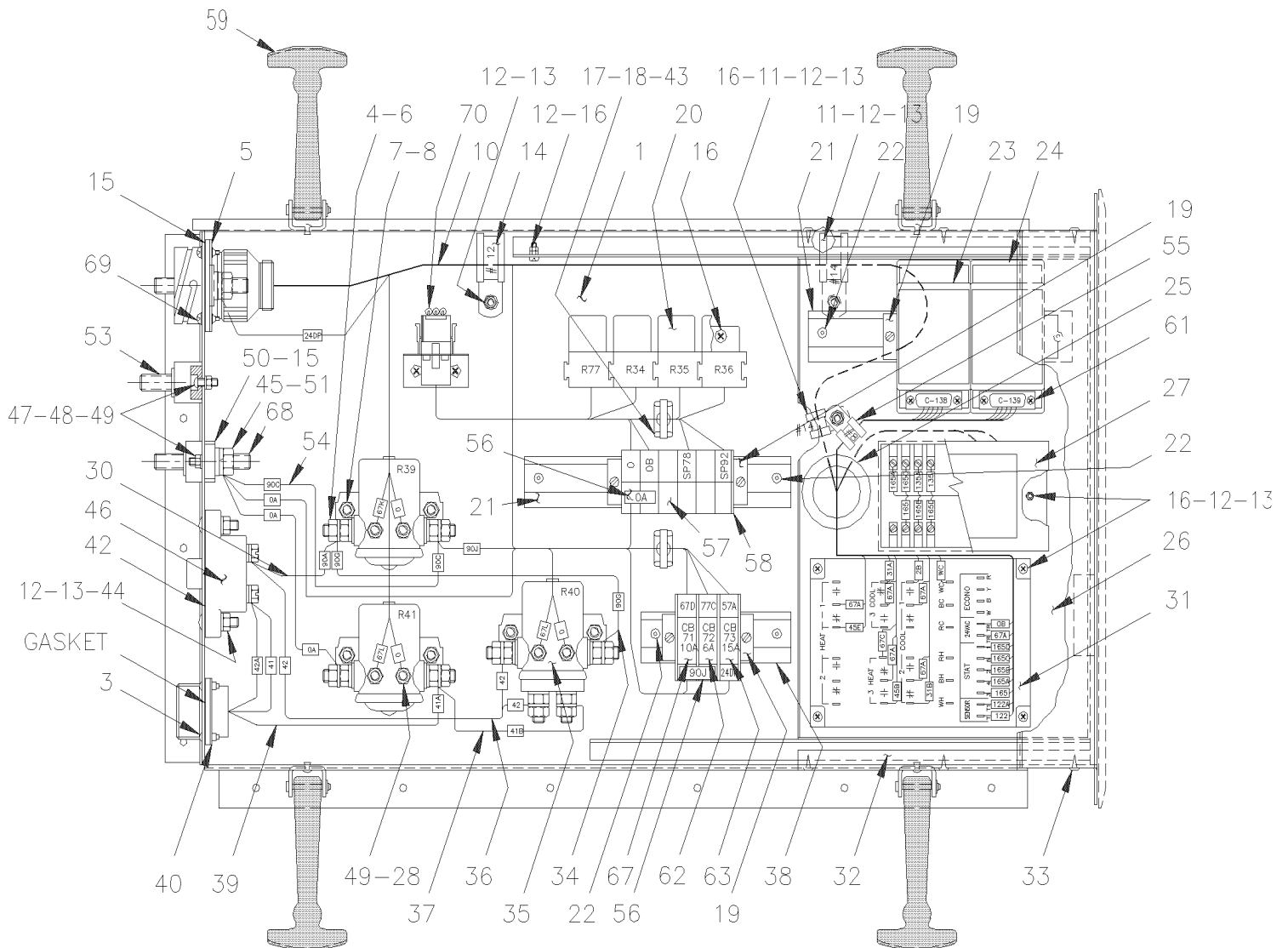
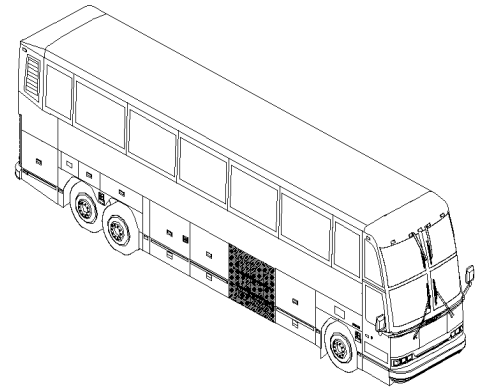
| Item# | Part | Description | H 3 4 0 | V I P 4 0 | N O T E S |
|--------|----------|---|------------------|-----------------------|-----------------------|
| 20 | 504532 | LATCH ASSY RUBBER | 4 | 4 | |
| 21 | 062554 | CABLE ASSY FAN POWER | 1 | 1 | |
| 22 | 560703 | BREAKER 40AMPS / 24V / | 2 | 2 | |
| 23 | 561102 | BLOCK, JUNCTION / 2 STUD 3/8-16 / BLACK | 5 | 5 | |
| NS | 068562 | SERVICE KIT TO REPLACE A/C CONTROL MODULE | 1 | 1 | A |
| . NS | 562809 | . MODULE CONTROL A/C | 1 | 1 | A |
| . . NS | 562599 | . . FUSE / ATO 3 AMPS VIOLET | 1 | 1 | A |
| . NS | 068539 | . HARNESS "Y" | 1 | 1 | A |
| . NS | IS-12008 | . SEE INSTRUCTION SHEET | 1 | 1 | A |
| | | | | | |
| | | | | | |
| | | | | | |
| | | A) USE SERVICE 068562 TO REPLACE A/C MODULE | | | |

From R-397 To R-079

Date:10/2022

PAGE:H4-0621-01

A/C JUNCTION BOX ASSY



| | | |
|------------------------------|--------------|-----------------|
| From R-397 To R-079 | Date:10/2022 | PAGE:H4-0621-01 |
| A/C JUNCTION BOX ASSY | | |

| Item# | Part | Description | H 3 4 0 | V I P 4 0 | N O T E S |
|-------|---------|---|------------------|-----------------------|-----------------------|
| | 381488P | JUNCTION BOX ASSY | 1 | 1 | |
| 1 | 381487 | . JUNCTION BOX (WELDED) | 1 | 1 | |
| 2 | 381093 | . COVER ASSY | 1 | 1 | |
| 3 | 500518 | . SCREW MA BDG PH #4-40x1/2 Z050 | 4 | 4 | |
| 4 | 500476 | . WASHER LO SPT .317x.586x.078 Z050 | 8 | 8 | |
| 5 | 561822 | . NUT, RING #28 / 2" I.D. W/4 6-32 | 1 | 1 | |
| 6 | 500699 | . NUT HEX 5/16-24 Z050 | 8 | 8 | |
| 7 | 502565 | . NUT HEX M6-1.0 SS | 4 | 4 | |
| 8 | 502570 | . WASHER LO SPT 6.1x11.8x1.6 SS | 4 | 4 | |
| 9 | 561005 | . SWITCH MAGNETIC / 24V S.P.S.T. / 200AMPS N.O. | 2 | 2 | |
| 10 | 063309 | . WIRING JUNCTION BOX A/C | 1 | 1 | |
| 11 | 560483 | . CLAMP / 7/8" I.D. | 2 | 2 | |
| 12 | 502524 | . NUT HEX M4-0.7 Z050 | 15 | 15 | |
| 13 | 502636 | . WASHER LO SPT 4.1x7.6x0.9 Z050 | 13 | 13 | |
| 14 | 560482 | . CLAMP / 3/4" I.D. / W/HOLE 3/16" | 1 | 1 | |
| 15 | 680025 | . CAULKING STRIP 3/16" O.D. X 14' | AR | AR | |
| 16 | 500344 | . SCREW MA RND PH M4-0.7x12 Z050 | 11 | 11 | |
| 17 | 504013 | . TIE MOUNT / 1/4" X 1/4" I.D. | 2 | 2 | |
| 18 | 504488 | . RIVET MGLP PRDG 3/16x17/64 SS | 18 | 18 | |
| 19 | 561729 | . STOPPER | 6 | 6 | |
| 20 | 561707 | . RELAY 24V S.P.D.T. W/RESISTOR / | 4 | 4 | |
| 21 | 380839 | . RAIL SUPPORT / 180MM | 2 | 2 | |
| 22 | 504340 | . RIVET POP DOME OE 1/8x3/16 SS | 6 | 6 | |
| 23 | 452004 | . A/C CONTROL MODULE | 1 | 1 | |
| 23 | 062720 | . . CIRCUIT BOARD | 1 | 1 | A |
| 23 | 562080 | . . BASE, ANCHOR 45MM / TO FIX CIRCUIT | 1 | 1 | |
| 23 | 562078 | . . MEMBER SIDE 22MM / BOX | 1 | 1 | |
| 23 | 381238 | . . COVER | 1 | 1 | |
| 23 | 062747 | . . DECAL | 1 | 1 | |
| 23 | 562120 | . . FUSE / 2 AMPS / 3AG-2 | 1 | 1 | |
| 24 | 452005 | . A/C LOGIC MODULE | 1 | 1 | |
| 24 | 062738 | . . PRINTED CIRCUIT BOARD ASSY / PRODUCTION | 1 | 1 | |
| 24 | 063344 | . . CIRCUIT BOARD | 1 | 1 | A |
| 24 | 562080 | . . BASE, ANCHOR 45MM / TO FIX CIRCUIT | 1 | 1 | |
| 24 | 562078 | . . MEMBER SIDE 22MM / BOX | 1 | 1 | |
| 24 | 562079 | . . MEMBER SIDE 45MM | 1 | 1 | |
| 24 | 381239 | . . COVER | 1 | 1 | |
| 24 | 062748 | . . DECAL | 1 | 1 | |
| 24 | 562309 | . . FUSE / 2 AMPS / 2A | 1 | 1 | |
| 25 | 504059 | . GROMMET / 1.250x1.500x.094x.375x1.875 | 1 | 1 | |
| 26 | 381138 | . DRAWER ASSY | 1 | 1 | |
| 27 | 380877 | . ELECTRONIC TRANSMITTER | 1 | 1 | |

| | | |
|------------------------------|--------------|-----------------|
| From R-397 To R-079 | Date:10/2022 | PAGE:H4-0621-01 |
| A/C JUNCTION BOX ASSY | | |

| Item# | Part | Description | H 3 4 0 | V I P 4 0 | N O T E S |
|--------|---------|---|------------------|-----------------------|-----------------------|
| 28 | 500765 | . NUT HEX #10-32 BR | 6 | 6 | |
| 30 | 062557 | . CABLE ASSY #90A | 1 | 1 | |
| 31 | 561805 | . A/C LOGIC PANEL | 1 | 1 | |
| 32 | 381198 | . SLIDING CHANNEL | 2 | 2 | |
| 33 | 500582 | . SCREW TP PAN PH #8x3/8 Z050 | 6 | 6 | |
| 34 | 062560 | . CABLE ASSY #90G | 1 | 1 | |
| 35 | 561014 | . SWITCH MAGNETIC / 24V D.P.S.T. / 200AMPS N.O. | 1 | 1 | |
| 36 | 062558 | . CABLE ASSY #42 | 1 | 1 | |
| 37 | 062561 | . CABLE ASSY #41B | 1 | 1 | |
| 38 | 381203 | . RAIL SUPPORT / 100MM | 1 | 1 | |
| 39 | 062554 | . CABLE ASSY FAN POWER | 1 | 1 | |
| 40 | 562003 | . NUT, RING #22 / xx I.D. W/4 4-40 | 1 | 1 | |
| NS | 063919 | . DECAL (INSIDE COVER) | 1 | 1 | |
| 42 | 381133 | . GASKET / BREAKER & BOX | 2 | 2 | |
| 43 | 504637 | . CABLE TIE / 3/16" x 13" | 2 | 2 | |
| 44 | 502677 | . SCREW MA RND PH M4-0.7x25 SS | 4 | 4 | |
| 45 | 500478 | . WASHER LO SPT .380x.683x.094 Z050 | 3 | 3 | |
| 46 | 560703 | . BREAKER 40AMPS / 24V / | 2 | 2 | |
| 47 | 500386 | . SCREW MA RND PH #10-24x1/2 Z050 | 8 | 8 | |
| 48 | 500786 | . NUT HEX #10-24 Z050 | 8 | 8 | |
| 49 | 500470 | . WASHER LO SPT .193x.334x.047 Z050 | 14 | 14 | |
| 50 | 561102 | . BLOCK, JUNCTION / 2 STUD 3/8-16 / BLACK | 3 | 3 | |
| 51 | 500102 | . NUT HEX 3/8-16 SS | 3 | 3 | |
| 53 | 560422 | . BLOCK, TERMINAL / 1 STUD 3/8-16 / BLACK | 1 | 1 | |
| 54 | 062559 | . CABLE ASSY #90C | 1 | 1 | |
| 55 | 560480 | . CLAMP / 1/2" I.D. | 1 | 1 | |
| 56 | 381813 | . BUS BAR / W/2 HOLES 25MM | 4 | 4 | |
| 57 | 561726 | . BLOCK JUNCTION | 6 | 6 | |
| 58 | 561728 | . END CLOSING | 1 | 1 | |
| 59 | 504532 | . LATCH ASSY RUBBER | 4 | 4 | |
| 61 | 5001053 | . SCREW MA PAN PH #4-40x1/4 ZP | 4 | 4 | |
| 62 | 561790 | . BREAKER 6AMPS / 24V / | 1 | 1 | |
| 63 | 561793 | . BREAKER 15AMPS / 24V / | 1 | 1 | |
| NS | 380911 | . CHANNEL (UNDER THE BOX) | 1 | 1 | |
| NS | 504365 | . SPRING HOOK / DZUS 5/16 | 1 | 1 | |
| 67 | 561792 | . BREAKER 10AMPS / 24V / | 1 | 1 | |
| 68 | 682460 | . RUSTPROOFING PROTECTOR | AR | AR | |
| 69 | 500148 | . SCREW MA RND PH #6-32x1/2 SS | 4 | 4 | |
| 70 | 062588 | . DIODE ASSY / W/3 3AMPS | 1 | 1 | |
| NS | 068562 | SERVICE KIT TO REPLACE A/C CONTROL MODULE | 1 | 1 | A |
| . NS | 562809 | . MODULE CONTROL A/C | 1 | 1 | A |
| . . NS | 562599 | . . FUSE / ATO 3 AMPS VIOLET | 1 | 1 | A |

| | | |
|---------------------|--------------|-----------------|
| From R-397 To R-079 | Date:10/2022 | PAGE:H4-0621-01 |
|---------------------|--------------|-----------------|

A/C JUNCTION BOX ASSY

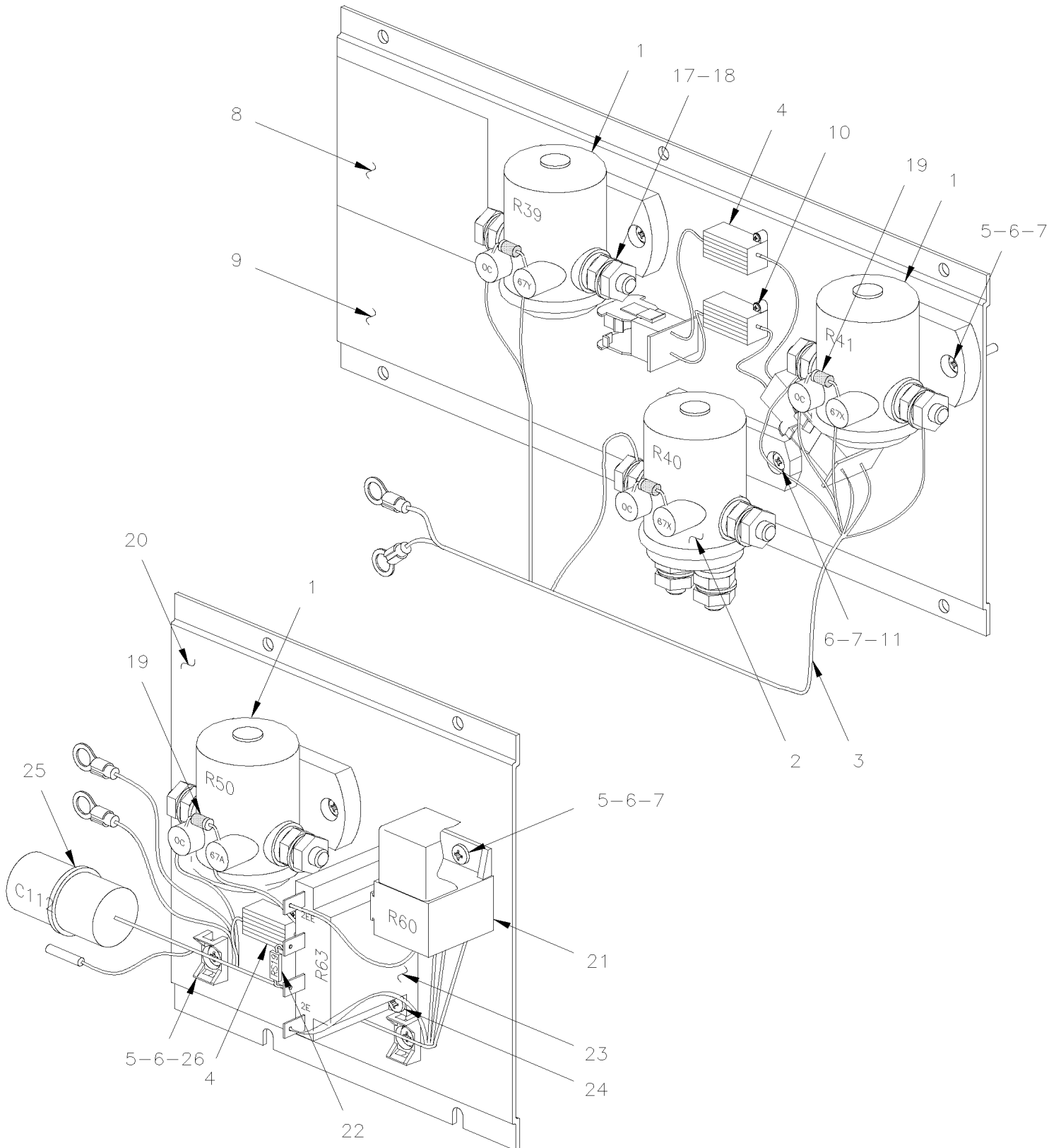
| Item# | Part | Description | H 3 4 0 | V I P 4 0 | N O T E S |
|-------|----------|---|------------------|-----------------------|-----------------------|
| . NS | 068539 | . HARNESS "Y" | 1 | 1 | A |
| . NS | IS-12008 | . SEE INSTRUCTION SHEET | 1 | 1 | A |
| | | | | | |
| | | | | | |
| | | A) USE SERVICE 068562 TO REPLACE A/C MODULE | | | |

From L-031 To R-079

Date:10/2022

PAGE:H4-0621-99

A/C CONDENSOR MOTOR RELAY



| | | |
|----------------------------------|--------------|-----------------|
| From L-031 To R-079 | Date:10/2022 | PAGE:H4-0621-99 |
| A/C CONDENSOR MOTOR RELAY | | |

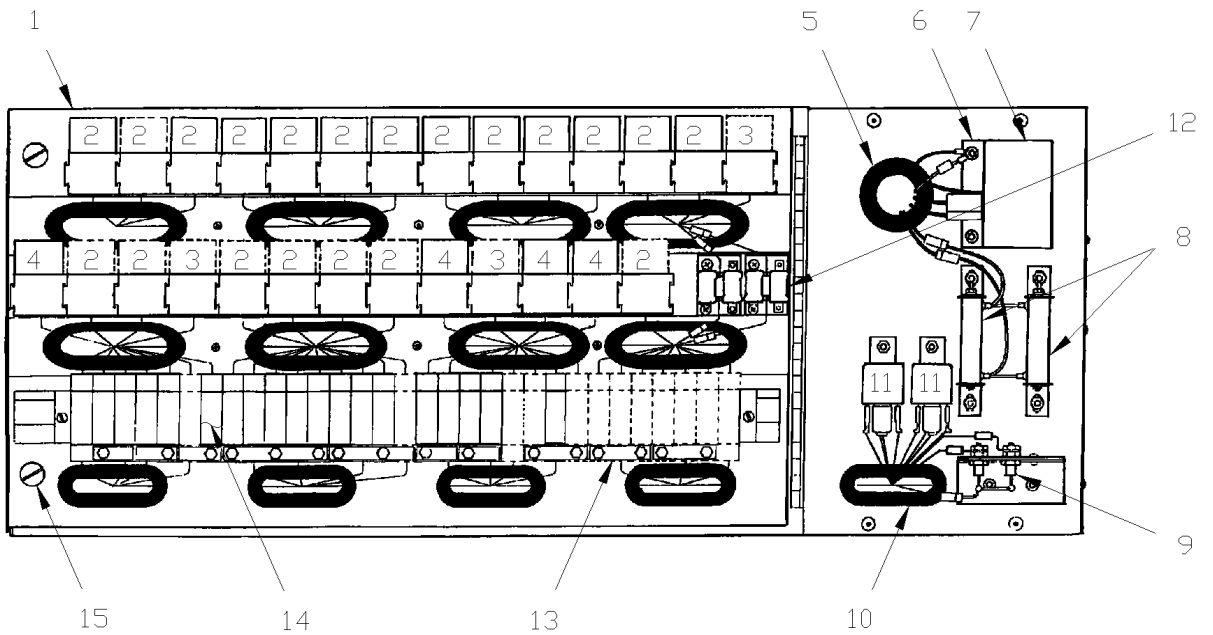
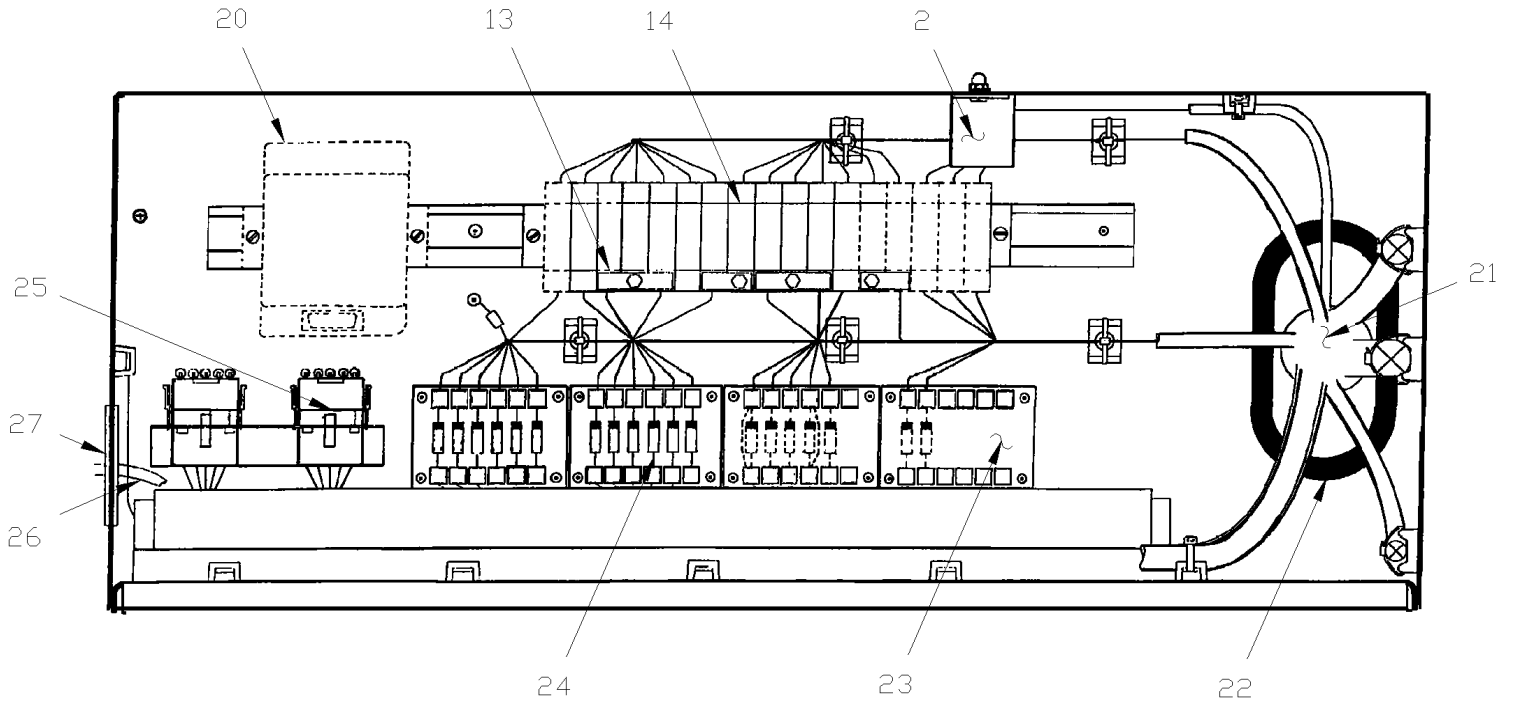
| Item# | Part | Description | H 3 4 0 | V I P 4 0 | N O T E S |
|-------|----------|---|------------------|-----------------------|-----------------------|
| | 065271 | KIT, RETROFIT A/C RELAY RELOCATION | 1 | 1 | A |
| 1 | 561005 | SWITCH MAGNETIC / 24V S.P.S.T. / 200AMPS N.O. | 2 | 2 | |
| 2 | 561014 | SWITCH MAGNETIC / 24V D.P.S.T. / 200AMPS N.O. | 1 | 1 | |
| 3 | 065263 | CABLE ASSY | 1 | 1 | |
| 4 | 064907 | RESISTOR ASSY | 1 | 1 | |
| 5 | 500883 | SCREW TC PAN PH #8-32x3/8 Z050 | 4 | 4 | |
| 6 | 500438 | WASHER FL .187x.437x.050 Z050 | 6 | 6 | |
| 7 | 500470 | WASHER LO SPT .193x.334x.047 Z050 | 16 | 16 | |
| 8 | 065270 | DECAL | 11 | 11 | |
| 9 | 065266 | SUPPORT | 11 | 11 | |
| 10 | 500798 | SCREW TP PAN PH #4-3/8 ZP | 14 | 14 | |
| 11 | 500564 | SCREW MA RND PH #8-32x3/4 Z050 | 12 | 12 | |
| 17 | 500699 | NUT HEX 5/16-24 Z050 | 8 | 8 | |
| 18 | 500476 | WASHER LO SPT .317x.586x.078 Z050 | 8 | 8 | |
| 19 | 060798 | DIODE ASSY | 3 | 3 | |
| NS | 504637 | CABLE TIE / 3/16" x 13" | 30 | 30 | |
| NS | 562668 | RING TERMINAL .3125 / 12-10 / AMP 34966 | 3 | 3 | |
| NS | 562037 | RING TERMINAL .500 / 12-10 / AMP 35135 | 1 | 1 | |
| NS | 065264 | CABLE ASSY | 1 | 1 | |
| NS | 500564 | SCREW MA RND PH #8-32x3/4 Z050 | 6 | 6 | |
| 20 | 382011 | CONTROL PANEL ASSY | 1 | 1 | B |
| 20 | 382010 | . SUPPORT | 1 | 1 | |
| 21 | 561707 | . RELAY 24V S.P.D.T. W/RESISTOR / | 1 | 1 | |
| 22 | 065613 | . RESISTOR ASSY 30K OHMS / 1/4 W | 1 | 1 | |
| 23 | 560772 | . TIME DELAY RELAY | 1 | 1 | |
| 24 | 500583 | . SCREW TP PAN PH #6x1/2 Z050 | 2 | 2 | |
| 25 | 065628 | . CABLE ASSY / EVAPORATOR RELAY | 1 | 1 | |
| 26 | 504013 | . TIE MOUNT / 1/4" X 1/4" I.D. | 2 | 2 | |
| NS | 065087 | CABLE ASSY #130 | 1 | 1 | |
| NS | 065360 | CABLE ASSY #0 | 1 | 1 | |
| NS | 065271 | KIT, RETROFIT A/C RELAY RELOCATION | 1 | 1 | |
| NS | 065548 | KIT, EVAPORATOR MOTOR SPEED CONTROL | 1 | 1 | C |
| . NS | IS-00032 | . SEE INSTRUCTION SHEET | | | C |
| | | | | | |
| | | | | | |
| | | A) INCLUDE ALSS ITEM 1 TO 19 ON PLATE #9 | | | |
| | | B) THIS PLATE ASSY INCLUDE IN KIT #065548 | | | |
| | | C) SEE INSTRUCTION SHEET IS-0032 | | | |

From L-031 To R-079

Date:10/2022

PAGE:H4-0625-00

FRONT JUNCTION BOX ASSY



| | | | |
|--------------------------------|--|--------------|-----------------|
| From L-031 To R-079 | | Date:10/2022 | PAGE:H4-0625-00 |
| FRONT JUNCTION BOX ASSY | | | |

| Item# | Part | Description | H 3 4 0 | V I P 4 0 | N O T E S |
|--------|-------------------|---|------------------|-----------------------|-----------------------|
| | 381367 | JUNCTION BOX ASSY / W/ABS From N-170 To N-197 | 1 | | |
| | 381405 | JUNCTION BOX ASSY / W/ABS From N-198 To P-336 | 1 | | |
| | 381527 | JUNCTION BOX ASSY / W/ABS From P-337 | 1 | | |
| | 381414 | JUNCTION BOX ASSY / W/O ABS To N-197 | 1 | | |
| | 381406 | JUNCTION BOX ASSY / W/O ABS From N-198 To P-336 | 1 | | |
| | 381528 | JUNCTION BOX ASSY / W/O ABS From P-337 | 1 | | |
| | 381358 | JUNCTION BOX ASSY To N-169 | | 1 | |
| | 381370 | JUNCTION BOX ASSY From N-170 To N-197 | | 1 | |
| | 381404 | JUNCTION BOX ASSY From N-198 To P-336 | | 1 | |
| | 381526 | JUNCTION BOX ASSY From P-337 | | 1 | |
| 1 | 381128 | JUNCTION BOX / FRONT | 1 | 1 | |
| 2 | 561707 | RELAY 24V S.P.D.T. W/RESISTOR / | AR | AR | |
| 3 | 561706 | RELAY 12V S.P.D.T. W/DIODE / | AR | AR | |
| 4 | 561538 | RELAY 12V S.P.D.T. V 415 F11 | AR | AR | |
| 5 | 504398 | GROMMET / 1.000x1.375x.062x.437x1.750 | 1 | 1 | |
| 6 | 502524 | NUT HEX M4-0.7 Z050 | AR | AR | |
| 7 | 561956 | FLASHER UNIT 12V | 1 | 1 | |
| 7 | 064158 | FLASHER UNIT 12V ASSY W/CONNECTOR & SUPPORT | 1 | 1 | |
| 8 | 060806 | RESISTOR ASSY 0.82 OHM / W/12 VOLT FOG | 1 | 1 | |
| . NS | 560823 | . RESISTOR / 0.82 OHM | 2 | 2 | |
| . . NS | 562959 | . . SUPPORT, CERAMIC RESISTOR | 1 | 1 | |
| 8 | 560823 | . RESISTOR / 0.82 OHM | 2 | 2 | |
| . NS | 562959 | . . SUPPORT, CERAMIC RESISTOR | 1 | 1 | |
| 9 | 062717 | DIODE ASSY | 1 | 1 | |
| 9 | 560863 | . DIODE / 12AMPS / CATHODE STUD | 2 | 2 | |
| 10 | 504059 | GROMMET / 1.250x1.500x.094x.375x1.875 | 5 | 5 | |
| 11 | 561991 | RELAY 24V S.P.S.T. / 70 AMPS N.O. | 2 | 2 | |
| 12 | 061976 | RESISTOR ASSY 1 OHM 10 W | 2 | 2 | |
| 12 | 561537 | . RESISTOR / 1 OHM / 10 W | 2 | 2 | |
| 13 | H4-0616-00 | JUNCTION BOX COMPONENTS, RELAY & BREAKER | | | |
| 14 | H4-0616-00 | JUNCTION BOX COMPONENTS, RELAY & BREAKER | | | |
| 15 | 504354 | STUD 5/16 O.D. X 3/8 (DZUS) | 2 | 2 | |
| NS | 504353 | RETAINER, 5/16"DIA. (DZUS) STUD | 2 | 2 | |
| 20 | 381250 | SWITCH, PROGRAMMABLE SPEED | 1 | 1 | |
| 20 | 062767 | . BOARD CIRCUIT "SPEED SWITCH" | 1 | 1 | |
| NS | 063191 | CONTROL MODULE / W/HEATING UPPER WINDSHIELD | 1 | 1 | A |
| 21 | 062583 | CABLE ASSY | 1 | 1 | |
| 22 | 506336 | CHANNEL, RUBBER / S.L. | AR | AR | |
| 23 | 562161 | BOARD TERMINAL | 8 | 8 | |
| 24 | 062120 | DIODE ASSY | AR | AR | |
| 24 | 560931 | . DIODE / 3AMPS | | | |
| NS | 062606 | JUMPER | 2 | 2 | |

| | | |
|--------------------------------|--------------|-----------------|
| From L-031 To R-079 | Date:10/2022 | PAGE:H4-0625-00 |
| FRONT JUNCTION BOX ASSY | | |

| Item# | Part | Description | H 3 4 0 | V I P 4 0 | N O T E S |
|-------|--------|--|------------------|-----------------------|-----------------------|
| 25 | 381145 | DIODE ASSY / W/5 3AMPS | 2 | 2 | |
| 25 | 560931 | . DIODE / 3AMPS | 5 | 5 | |
| 26 | 062597 | CABLE ASSY | 1 | 1 | |
| 27 | 504060 | GROMMET / 1.500x2.000x.094x.375x2.375 | 1 | 1 | |
| NS | 062612 | DECAL / FRONT JUNCTION BOX INTERIOR COMPONENTS | 1 | 1 | |
| NS | 062613 | DECAL / BREAKER & RELAY IDENTIFICATION | 1 | 1 | |
| NS | 062618 | DECAL / FRONT JUNCTION BLOCK | 1 | 1 | |
| | | | | | |
| | | | | | |
| | | | | | |
| | | A) SEE NOTE "A" AT PAGE H4-0645-10 | | | |

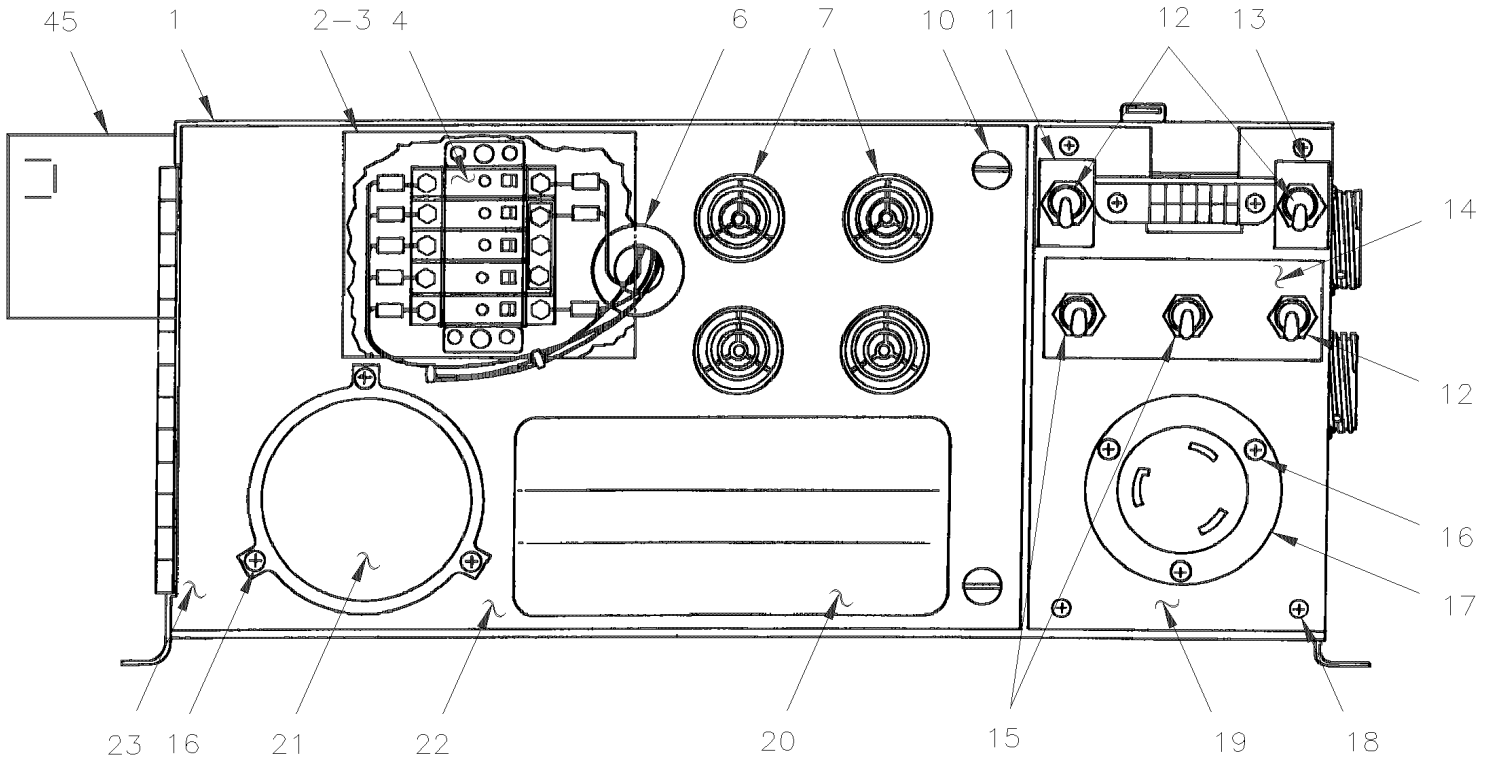
From L-031 To P-299

Date:10/2022

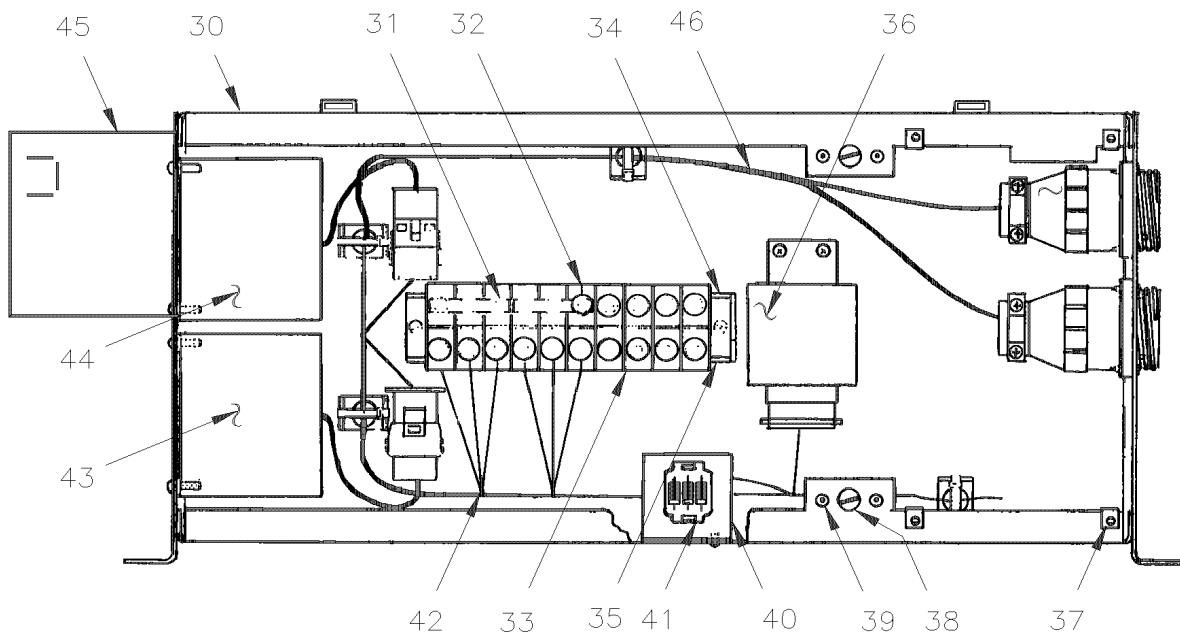
PAGE:H4-0626-00

ALARM JUNCTION BOX ASSY

FRONT SECTION



REAR SECTION



| | | |
|--------------------------------|--------------|-----------------|
| From L-031 To P-299 | Date:10/2022 | PAGE:H4-0626-00 |
| ALARM JUNCTION BOX ASSY | | |

| Item# | Part | Description | H 3 4 0 | V I P 4 0 | N O T E S |
|-------|-------------------|--|------------------|-----------------------|-----------------------|
| 1 | 381336 | ALARM BOX ASSY | 1 | | |
| 1 | 381337 | ALARM BOX ASSY | | 1 | |
| 2 | 381027 | PROTECTOR ASSY | 1 | 1 | |
| 3 | 506338 | . RUBBER CHANNEL / 1/16" x 1/4" INT "U" SHAPE / ROUND C.T.L. | AR | AR | |
| 4 | H4-0616-00 | JUNCTION BOX COMPONENTS, RELAY & BREAKER | | | |
| 6 | 504397 | GROMMET / .750x1.062x.062x.375x1.375 | 1 | | |
| 7 | 561013 | ALARM | 2 | | |
| 7 | 561013 | ALARM | | 1 | |
| 8 | 561963 | SONALERT | 1 | | |
| 9 | 561957 | BUZZER, LAVATORY / UNDER DASHBOARD | 1 | 1 | |
| 10 | 504354 | STUD 5/16 O.D. X 3/8 (DZUS) | 2 | 2 | |
| NS | 504353 | RETAINER, 5/16"DIA. (DZUS) STUD | 2 | 2 | |
| 11 | 061879 | DECAL, "ATEC" | 1 | 1 | |
| 12 | 560256 | SWITCH / OFF-ON / S.P.S.T. | 3 | 3 | |
| 13 | 062645 | DECAL, "DDEC" | 1 | 1 | |
| 14 | 062197 | DECAL, "110 VOLTS" | 1 | 1 | |
| 15 | 560638 | SWITCH / OFF-ON / D.P.S.T. | 2 | 2 | |
| 16 | 500344 | SCREW MA RND PH M4-0.7x12 Z050 | AR | AR | |
| 17 | 561831 | RECEPTACLE / 110 VOLTS 30 AMPS / TWIST LOCK / HUBBELL 2615 | 1 | 1 | |
| 18 | 502610 | SCREW MA BDG PH #6-32x1/4 ZP | 4 | 4 | |
| 19 | 381201 | PANEL, CLOSING | 1 | 1 | |
| 20 | 560367 | CHIME BELL 24V / PASSENGER'S SIGNAL | 1 | | |
| 20 | 561925 | . COVER CHIME | 1 | | |
| NS | 504401 | SNAP-IN PLUG / .875 O.D. (FLUSH HEAD) | | 1 | |
| 21 | 560369 | BELL ALARM / PRODUCTION | 1 | 1 | |
| 22 | 380899 | PANEL, DOOR | 1 | 1 | |
| 30 | 380926 | BOX ASSY, ALARM | 1 | 1 | |
| 31 | H4-0616-00 | JUNCTION BOX COMPONENTS, RELAY & BREAKER | | | |
| 32 | H4-0616-00 | JUNCTION BOX COMPONENTS, RELAY & BREAKER | | | |
| 33 | H4-0616-00 | JUNCTION BOX COMPONENTS, RELAY & BREAKER | | | |
| 34 | H4-0616-00 | JUNCTION BOX COMPONENTS, RELAY & BREAKER | | | |
| 35 | H4-0616-00 | JUNCTION BOX COMPONENTS, RELAY & BREAKER | | | |
| 36 | 800293 | GENERATOR, PULSE / FOR WIPER MOTOR | 1 | 1 | |
| 37 | 500664 | NUT SPR U #6-32 .050-.062 | 8 | 8 | |
| 38 | 504365 | SPRING HOOK / DZUS 5/16 | 2 | 2 | |
| 39 | 504106 | RIVET POP DOME OE 1/8x1/4 AL | 4 | 4 | |
| 40 | 381143 | SUPPORT / FOR 6 PINS CONNECTOR | 1 | 1 | |
| 41 | 062588 | DIODE ASSY / W/3 3AMPS | 1 | 1 | |
| 41 | 560931 | . DIODE / 3AMPS | 3 | 3 | |
| 41 | 561514 | . SOCKET TERMINAL / 20-14 / AMP 350537-3 | 6 | 6 | |
| 42 | 062446 | CABLE ASSY | 1 | 1 | |
| 43 | 561766 | MODULE, CONTROL | 1 | 1 | |

| | | |
|--------------------------------|--------------|-----------------|
| From L-031 To P-299 | Date:10/2022 | PAGE:H4-0626-00 |
| ALARM JUNCTION BOX ASSY | | |

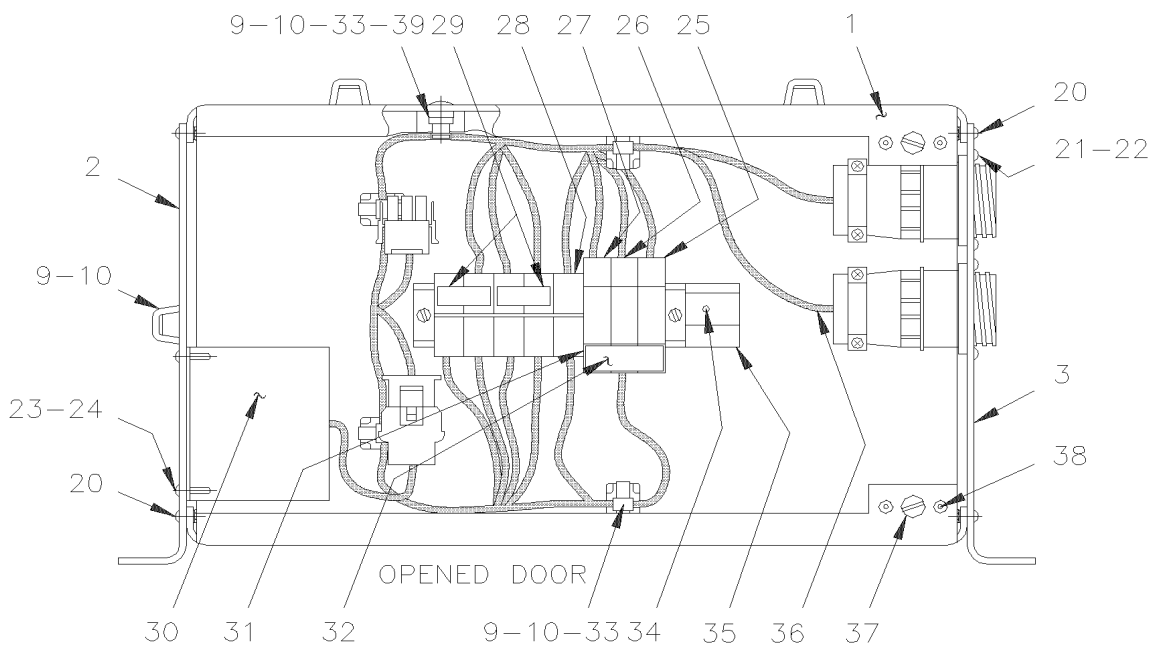
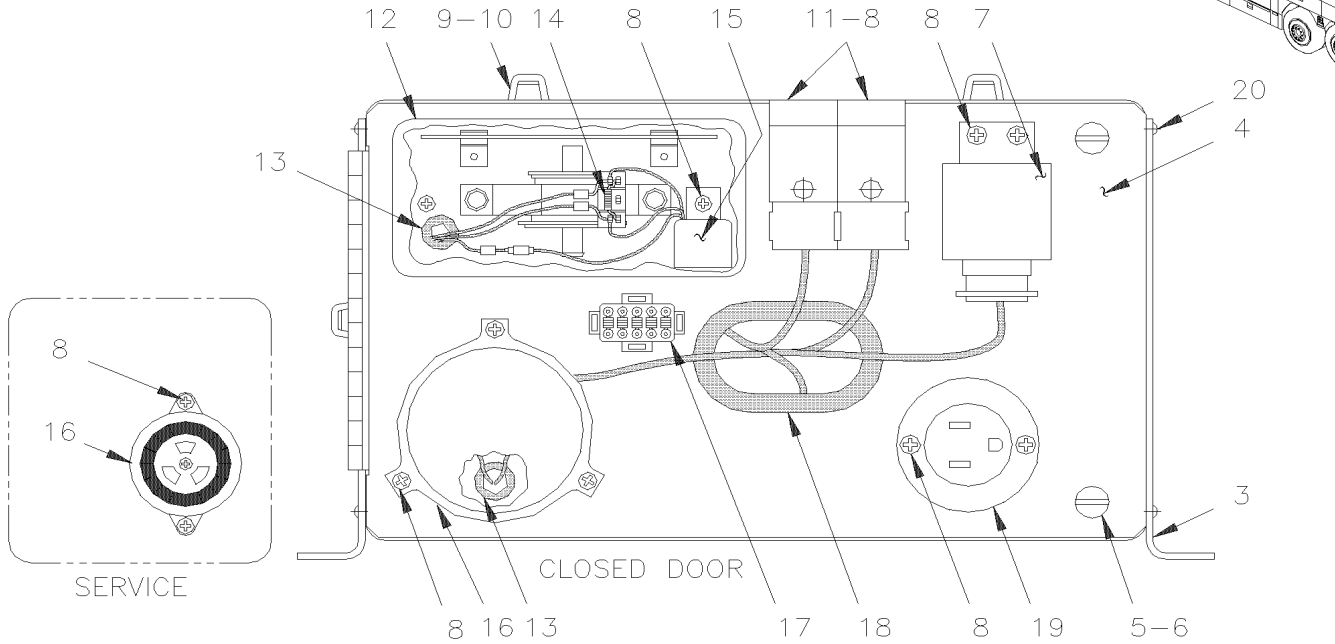
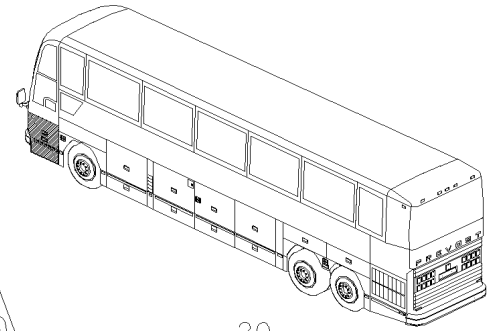
| Item# | Part | Description | H 3 4 0 | V I P 4 0 | N O T E S |
|-------|--------|---|------------------|-----------------------|-----------------------|
| 44 | 561798 | POWER SUPPLY, 5 VOLTS | 1 | | |
| 45 | 561956 | FLASHER UNIT 12V | 1 | 1 | |
| 45 | 064158 | FLASHER UNIT 12V ASSY W/CONNECTOR & SUPPORT | 1 | 1 | |
| | | | | | |
| | | | | | |
| | | | | | |

From P-300 To R-079

Date:10/2022

PAGE:H4-0626-01

ALARM JUNCTION BOX ASSY



| | | | |
|--------------------------------|--|--------------|-----------------|
| From P-300 To R-079 | | Date:10/2022 | PAGE:H4-0626-01 |
| ALARM JUNCTION BOX ASSY | | | |

| Item# | Part | Description | H 3 4 0 | V I P 4 0 | N O T E S |
|-------|--------|--|------------------|-----------------------|-----------------------|
| | 381481 | JUNCTION BOX ASSY | 1 | | |
| | 381480 | JUNCTION BOX ASSY | | 1 | |
| 1 | 381466 | . BOX ASSY | 1 | 1 | |
| 2 | 381467 | . PANEL, LEFT | 1 | 1 | |
| 3 | 381468 | . PANEL, RIGHT | 1 | 1 | |
| 4 | 381469 | . DOOR ASSY | 1 | 1 | |
| 5 | 504353 | . RETAINER, 5/16"DIA. (DZUS) STUD | 2 | 2 | |
| 6 | 504354 | . STUD 5/16 O.D. X 3/8 (DZUS) | 2 | 2 | |
| 7 | 800293 | . GENERATOR, PULSE / FOR WIPER MOTOR | 1 | 1 | |
| 8 | 500344 | . SCREW MA RND PH M4-0.7x12 Z050 | AR | AR | |
| 9 | 504013 | . TIE MOUNT / 1/4" X 1/4" I.D. | 8 | 8 | |
| 10 | 504114 | . RIVET POP DOME OE 3/16x1/4 AL | 8 | 8 | |
| 11 | 562117 | . ALARM BUZZER | 2 | 2 | |
| 12 | 560367 | . CHIME BELL 24V / PASSENGER'S SIGNAL | 1 | 1 | |
| NS | 561925 | . COVER CHIME | 1 | 1 | |
| 13 | 504323 | . GROMMET / .375x.500x.062x.281x.687 | 2 | 2 | |
| 14 | 062121 | . DIODE | 1 | 1 | |
| 15 | 063304 | . MODULE, PULSE | 1 | 1 | |
| 16 | 560369 | . BELL ALARM / PRODUCTION | 1 | 1 | |
| 16 | 064094 | . FIRE & KNEELING / ALARM ASSY / SERVICE | 1 | 1 | |
| 17 | 381145 | . DIODE ASSY / W/5 3AMPS | 1 | 1 | |
| 18 | 504486 | . GROMMET / 2.125x2.500x.062x.437x2.875 | 1 | 1 | |
| 19 | 562298 | . INLET, FLANGED | AR | AR | |
| 20 | 504103 | . RIVET POP DOME OE 1/8x1/8 AL | 15 | 15 | |
| 21 | 500518 | . SCREW MA BDG PH #4-40x1/2 Z050 | 8 | 8 | |
| 22 | 561823 | . NUT, RING #23 / 1.812" I.D. W/4 4-40 | 8 | 8 | |
| 23 | 500664 | . NUT SPR U #6-32 .050-.062 | 4 | 4 | |
| 24 | 500148 | . SCREW MA RND PH #6-32x1/2 SS | 4 | 4 | |
| 25 | 561729 | . STOPPER | 2 | 2 | |
| 26 | 381236 | . DUMMY ASSY W/SCREW | AR | AR | |
| 27 | 561790 | . BREAKER 6AMPS / 24V / | AR | AR | |
| 28 | 561726 | . BLOCK JUNCTION | 5 | 5 | |
| 29 | 381813 | . BUS BAR / W/2 HOLES 25MM | 4 | 4 | |
| 30 | 561766 | . MODULE, CONTROL | 1 | 1 | A |
| 31 | 561728 | . END CLOSING | 1 | 1 | |
| 32 | 381814 | . BUS BAR / W/3 HOLES 38MM | AR | AR | |
| 33 | 504012 | . CABLE TIE / 3/16" X 6"1/2 | 5 | 5 | |
| 34 | 504006 | . RIVET POP CK OE 1/8x5/16 AL | 2 | 2 | |
| 35 | 380905 | . RAIL SUPPORT / 150MM | 1 | 1 | |
| 36 | 063272 | . CABLE ASSY | 1 | 1 | |
| 37 | 504365 | . SPRING HOOK / DZUS 5/16 | 2 | 2 | |
| 38 | 504106 | . RIVET POP DOME OE 1/8x1/4 AL | 4 | 4 | |

| | | |
|--------------------------------|--------------|-----------------|
| From P-300 To R-079 | Date:10/2022 | PAGE:H4-0626-01 |
| ALARM JUNCTION BOX ASSY | | |

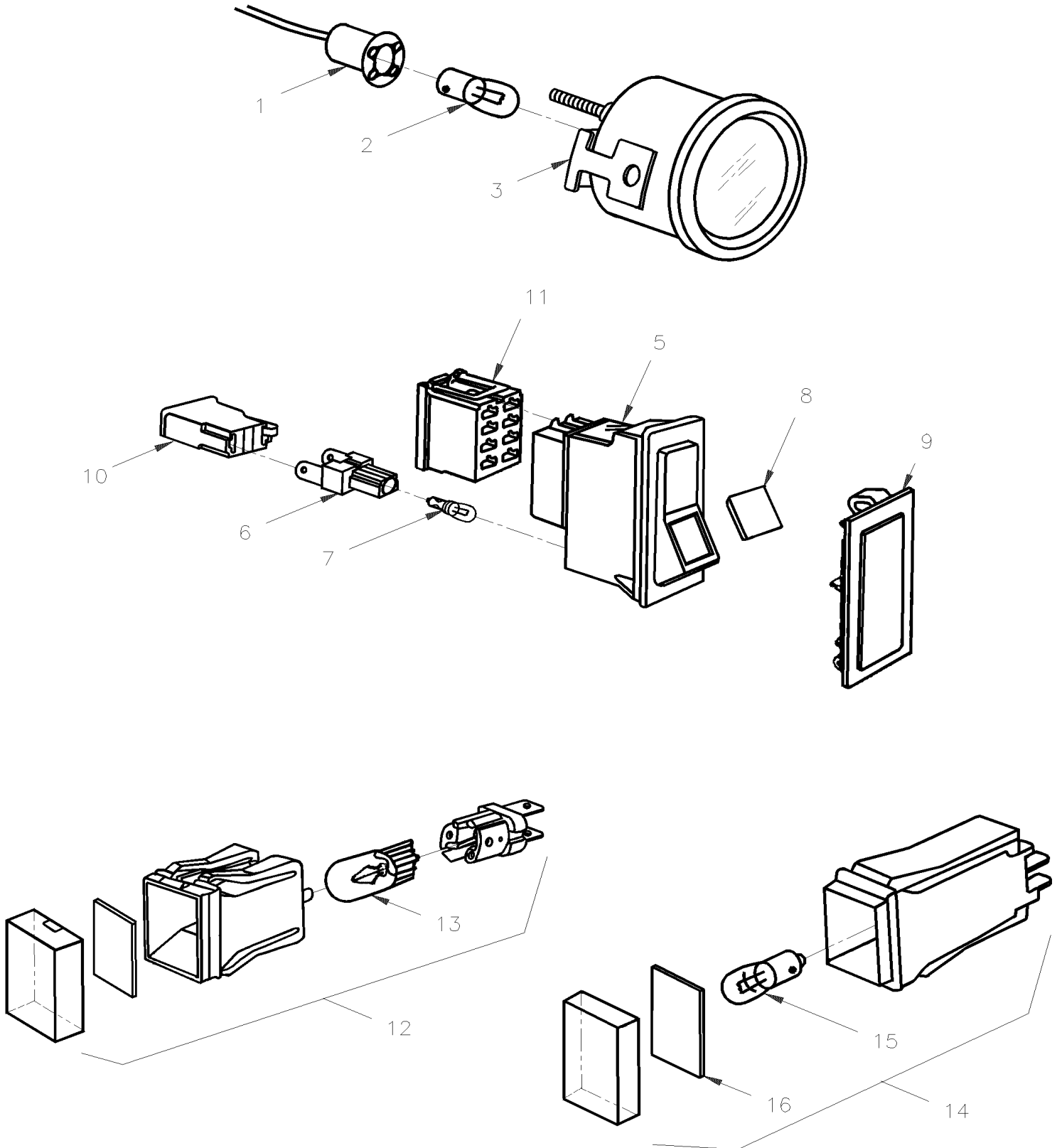
| Item# | Part | Description | H 3 4 0 | V I P 4 0 | N O T E S |
|-------|--------|--|------------------|-----------------------|-----------------------|
| 39 | 502630 | . WASHER FL .156x.375x.049 Z050 | 1 | 1 | |
| NS | 560638 | . SWITCH / OFF-ON / D.P.S.T. | AR | AR | |
| NS | 062198 | . CABLE, JUMP | AR | AR | |
| NS | 062645 | DECAL, "DDEC" | 1 | 1 | |
| NS | 061879 | DECAL, "ATEC" | 1 | 1 | |
| | | | | | |
| | | | | | |
| | | | | | |
| | | A) THIS MODULE CONTROL IS SUPERSEDED BY CABLE 064104 & RHEOSTAT 562489 | | | |

From L-031 To R-079

Date:10/2022

PAGE:H4-0644-00

DASHBOARD COMPONENTS



From L-031 To R-079 Date:10/2022 PAGE:H4-0644-00

DASHBOARD COMPONENTS

| Item# | Part | Description | H 3 4 0 | V I P 4 0 | N O T E S |
|-------|--------|--|------------------|-----------------------|-----------------------|
| 1 | 062264 | SOCKET BULB / PLASTIC WWIRE & CONNECTORS / BA 9s | 1 | 1 | |
| NS | 561518 | . SOCKET BULB / PLASTIC W/WIRE / BA9s | 1 | 1 | |
| NS | 562382 | SOCKET ASSY / W/TURBO BOOST "DACTON" | 1 | 1 | |
| NS | 562383 | SOCKET BULB / METAL W/WIRE / BA9s | 1 | 1 | |
| 2 | 560145 | BULB / 1WATT-24VOLTS / SAE# 1829 | 1 | 1 | |
| 2 | 561006 | BULB / 1WATT-24VOLTS / SAE# 2741MF | | | |
| 2 | 561534 | . RESISTOR / 1.2K OHMS / 1/4 W | 1 | 1 | |
| 2 | 561167 | BULB / 2WATT-24VOLTS / SAE# 3899 | 1 | 1 | A |
| 2 | 562276 | BULB / 2WATT-24VOLTS / SAE# 657 | 1 | 1 | |
| 2 | 560601 | BULB / 2WATT-24VOLTS / SAE# 456 | 1 | 1 | |
| 2 | 561885 | BULB COVER / GREEN W/PYROMETER | 1 | 1 | |
| 3 | 561517 | HARDWARE KIT | AR | AR | |
| NS | 500764 | . NUT HEX #8-32 Z050 | 2 | 2 | |
| 5 | 561468 | SWITCH / OFF-ON S.P.S.T. | AR | AR | |
| 5 | 561470 | SWITCH / OFF-M/ON S.P.S.T. | AR | AR | |
| 5 | 561471 | SWITCH / OFF-M/ON W/LOCK S.P.S.T. | AR | AR | |
| 5 | 561475 | SWITCH / M/ON-OFF-M/ON / S.P.D.T. CH-OVER | AR | AR | |
| 5 | 561472 | SWITCH / ON-ON / D.P.D.T. / CH-OVER | AR | AR | |
| 5 | 561483 | SWITCH / ON-OFF-ON D.P.D.T. | AR | AR | |
| 5 | 561554 | SWITCH / ON-ON / D.P.D.T. / SELECTOR | AR | AR | |
| 5 | 561520 | SWITCH / OFF-ON-ON SERIES S.P.D.T. | AR | AR | |
| 6 | 561892 | . SOCKET ASSY W/BULB 24V 596.710. | 1 | 1 | |
| 7 | 561123 | . . BULB / 1 WATT-24VOLTS / SAE# 2741 | 1 | 1 | |
| 7 | 561184 | BULB / 1.2 WATT-12VOLTS / SAE# 2721 | AR | AR | |
| NS | 562077 | MOUNTING FRAME (FOR 2 SWITCHES) 594.802BH | AR | AR | |
| 8 | 561087 | INSERT / BLACK | AR | AR | |
| 8 | 561461 | INSERT / GREEN | AR | AR | |
| 8 | 561462 | INSERT / RED | AR | AR | |
| 8 | 561487 | INSERT / BLACK | AR | AR | |
| 9 | 561088 | COVER, SWITCH HOLE | AR | AR | |
| 10 | 561837 | CONNECTOR / TAB HOUSING 2C / SWF 913.328 | AR | AR | |
| NS | 561108 | TAB RECEPTACLE TERMINAL / 18-14 / AMP 42238-2 | AR | AR | |
| 11 | 561107 | CONNECTOR / TAB HOUSING 8C / SWF 596.289 | AR | AR | |
| NS | 561108 | TAB RECEPTACLE TERMINAL / 18-14 / AMP 42238-2 | AR | AR | |
| 12 | 562113 | TELLTALE ASSY / 24V SHORT | AR | AR | |
| 12 | 562114 | TELLTALE ASSY / 12V SHORT | AR | AR | |
| 13 | 562049 | . BULB / 2WATT-24VOLTS / SAE# 657 | 1 | 1 | |
| 13 | 562048 | . BULB / 2WATT-12VOLTS / SAE# 861332 | 1 | 1 | |
| 14 | 561089 | TELLTALE ASSY / BLANK | AR | AR | |
| 14 | 561480 | TELLTALE ASSY / 24V LONG | | | |
| 14 | 561588 | TELLTALE ASSY / 12V LONG | | | |
| 15 | 561122 | . BULB / 2WATT-24VOLTS / SAE# 3797 | | | |

| | | |
|---------------------|--------------|-----------------|
| From L-031 To R-079 | Date:10/2022 | PAGE:H4-0644-00 |
|---------------------|--------------|-----------------|

DASHBOARD COMPONENTS

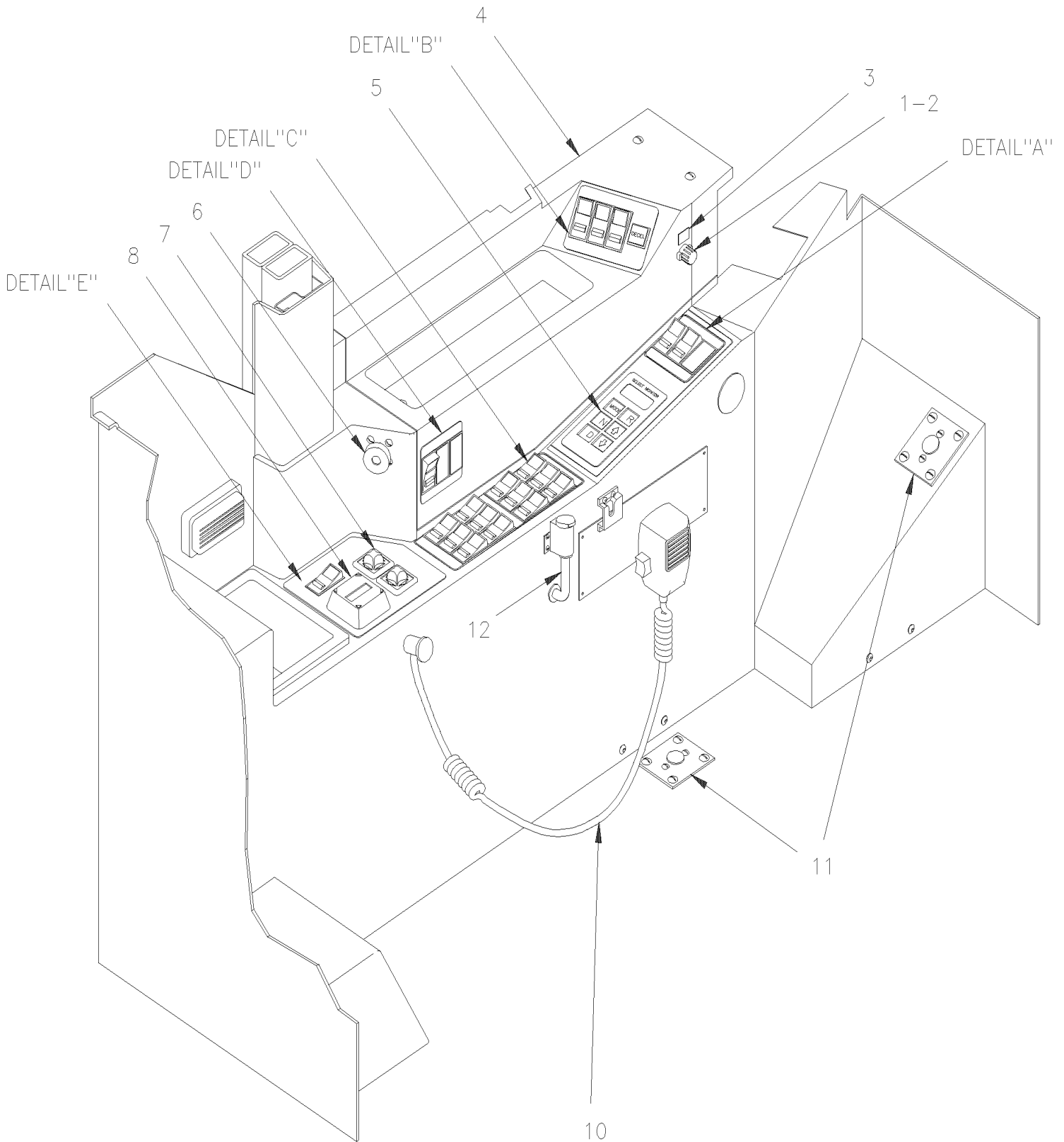
| Item# | Part | Description | H 3 4 0 | V I P 4 0 | N O T E S |
|-------|--------|-------------------------------------|------------------|-----------------------|-----------------------|
| 15 | 561586 | . BULB / 2WATT-12VOLTS / SAE# 3796 | | | |
| 16 | 391020 | INSERT / BLUE / HIGHT BEAM | AR | AR | |
| 16 | 561454 | INSERT / AMBER PLAIN | AR | AR | |
| 16 | 561455 | INSERT / RED PLAIN | AR | AR | |
| 16 | 391300 | INSERT / GREEN PLAIN | AR | AR | |
| | | OTHER INSERTS SEE RESPECTIVE PAGES. | | | |
| | | | | | |
| | | | | | |
| | | A) TACHO "VDO" | | | |

From L-031 To R-079

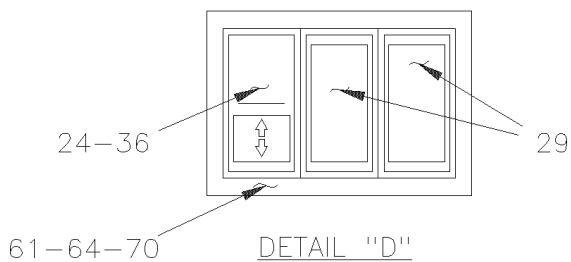
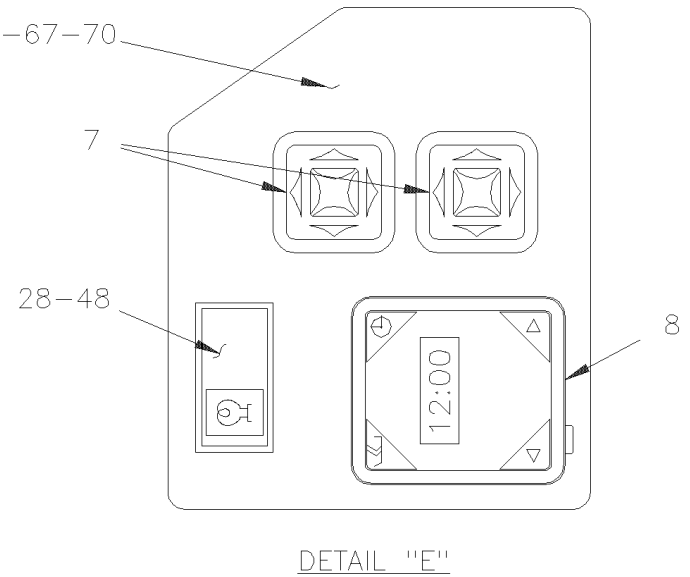
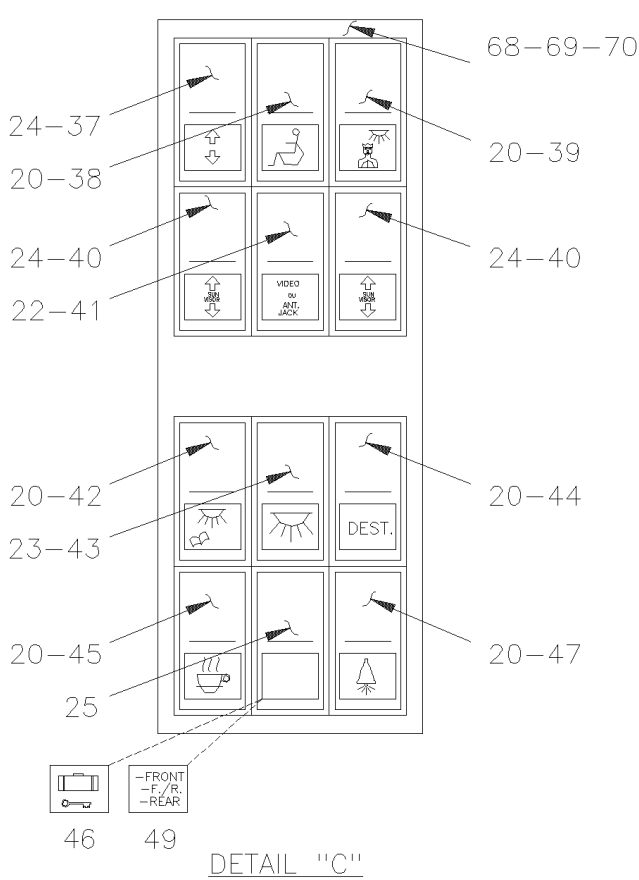
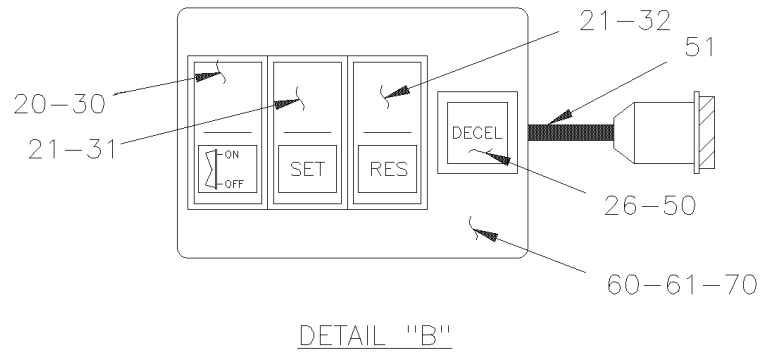
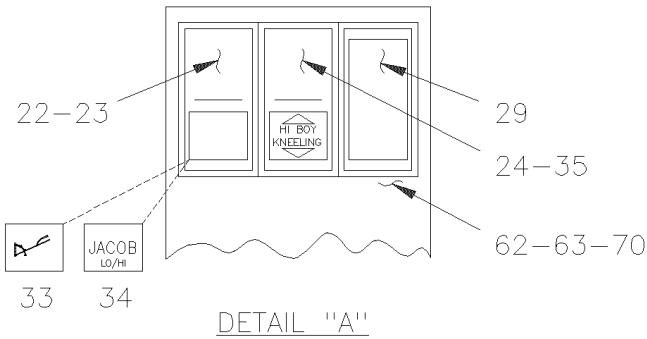
Date:10/2022

PAGE:H4-0645-00

SWITCHES L.H. CONSOLE - BUS



| | | |
|------------------------------------|--------------|-----------------|
| From L-031 To R-079 | Date:10/2022 | PAGE:H4-0645-00 |
| SWITCHES L.H. CONSOLE - BUS | | |



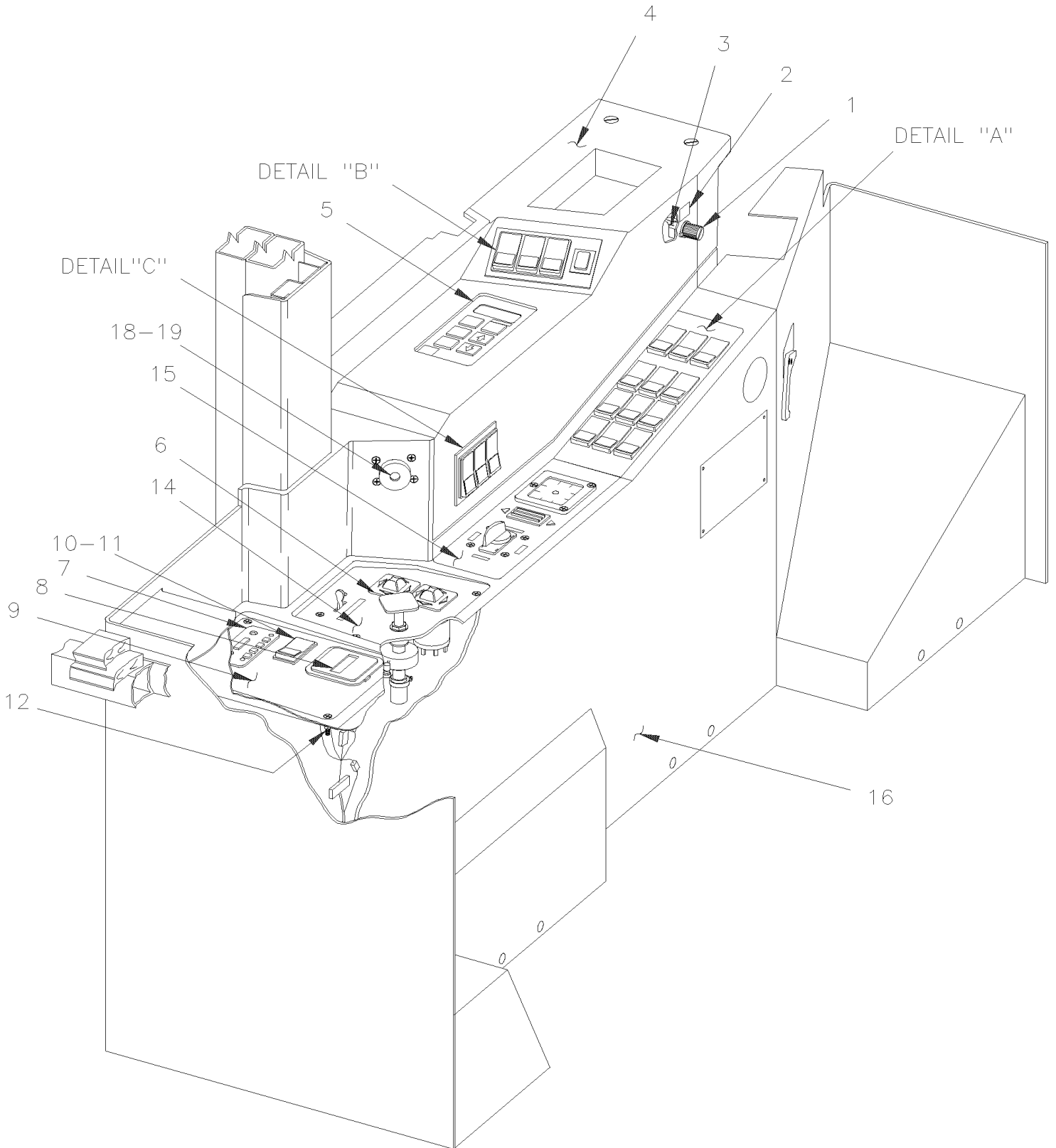
| | | |
|------------------------------------|--------------|-----------------|
| From L-031 To R-079 | Date:10/2022 | PAGE:H4-0645-00 |
| SWITCHES L.H. CONSOLE - BUS | | |

| Item# | Part | Description | H 3 4 0 | V I P 4 0 | N O T E S |
|-------|-------------------|---|------------------|-----------------------|-----------------------|
| 1 | 505423 | KNOB | 1 | | |
| . NS | 502682 | . SCREW SET HEXS CUP #8-32x3/16 | 1 | | |
| 2 | 561622 | RHEOSTAT | 1 | | B |
| 2 | 562489 | RHEOSTAT ASSY / DASH ILLUMINATION | 1 | | |
| . NS | IS-95013 | . SEE INSTRUCTION SHEET | 1 | | |
| 2 | 069136 | KIT, SERVICE/ DIMMER | 1 | | S |
| . NS | 564592 | . DIMMER / CLUSTER | 1 | | S |
| . NS | IS-14900 | . INSTRUCTION SHEET | 1 | | S |
| 3 | 402786 | DECAL / RHEOSTAT | 1 | | |
| 4 | H4-1806-10 | L.H. CONSOLE - BUS | | | |
| 5 | H4-0755-15 | SHIFTER ELECTRONIC - "ATEC" TRANSMISSION | | | |
| NS | 391633 | TRAY / W/MANUAL TRANS ONLY | 1 | | |
| 6 | 562361 | PROTECTIVE CAP / HD10 SERIES / 6C / DEUTSCH HDC16-6-BLACK | 1 | | |
| NS | 562493 | CHAIN / C.T.L. | AR | | |
| NS | 562492 | TYPE A COUPLING | 1 | | |
| NS | 562494 | RING / ATTACHMENT END | 1 | | |
| NS | 561821 | NUT, RING #17 & 20 / 1.500" I.D W/4 4-40 | 1 | | |
| NS | 500518 | SCREW MA BDG PH #4-40x1/2 Z050 | 4 | | |
| 7 | 562075 | SWITCH, MIRROR / SQUARE / W/24V BULB | 2 | | |
| NS | 562262 | . BULB / 0.75WATT-24VOLTS / STS-592.504 | 1 | | |
| NS | 562261 | . BULB / 0.75WATT-24VOLTS / STS-592.502 | 1 | | |
| NS | 561184 | BULB / 1.2 WATT-12VOLTS / SAE# 2721 | 1 | | |
| 8 | 562025 | TIMER ASSY / W/"ESPAR" PREHEATER | 1 | | |
| 8 | 562704 | TIMER ASSY / W/"ESPAR" PREHEATER / SERVICE | 1 | | |
| NS | 063594 | CABLE ASSY W/"ESPAR" | 1 | | |
| 10 | H4-2315-00 | AUDIO SYSTEM | | | |
| 10 | H4-2315-10 | SOUND SYSTEM - INSTALLATION | | | |
| 11 | H4-2310-00 | HORN - INSTALLATION | | | |
| 12 | 064443 | HARNESS 12V | 1 | | |
| 20 | 561468 | SWITCH / OFF-ON S.P.S.T. | 1 | | |
| 21 | 561470 | SWITCH / OFF-M/ON S.P.S.T. | 2 | | |
| 22 | 561472 | SWITCH / ON-ON / D.P.D.T. / CH-OVER | 1 | | |
| 23 | 561520 | SWITCH / OFF-ON-ON SERIES S.P.D.T. | 1 | | |
| 24 | 561613 | SWITCH / M/ON-OFF-M/ON D.P.D.T. | AR | | |
| 25 | 561475 | SWITCH / M/ON-OFF-M/ON / S.P.D.T. CH-OVER | 1 | | |
| 26 | 562257 | SWITCH / M/ON / D.P.S.T. / WITH BULB | 1 | | |
| 29 | 561088 | COVER, SWITCH HOLE | AR | | |
| 30 | 063010 | INSERT / GREEN / CRUISE (CRUISE CONTROL) | 1 | | |
| 31 | 063008 | INSERT / GREEN / SET (CRUISE CONTROL) | 1 | | |
| 32 | 063009 | INSERT / GREEN / RESUME (CRUISE CONTROL) | 1 | | |
| 33 | 063028 | INSERT / GREEN / RETARDER | 1 | | |
| 34 | 062991 | INSERT / GREEN / "JACOB" BRAKE | 1 | | |

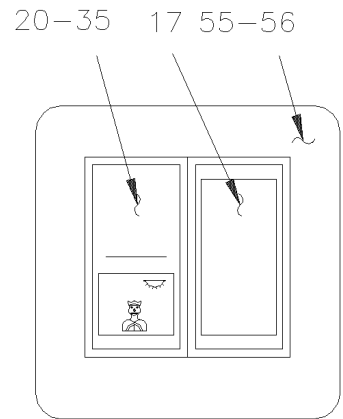
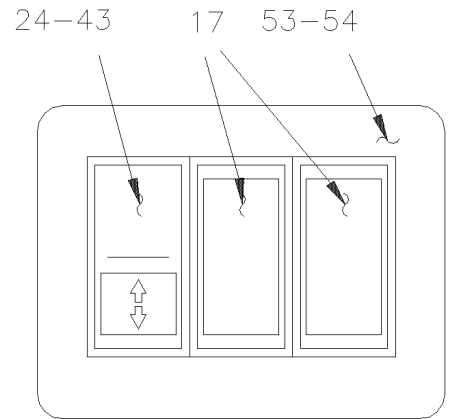
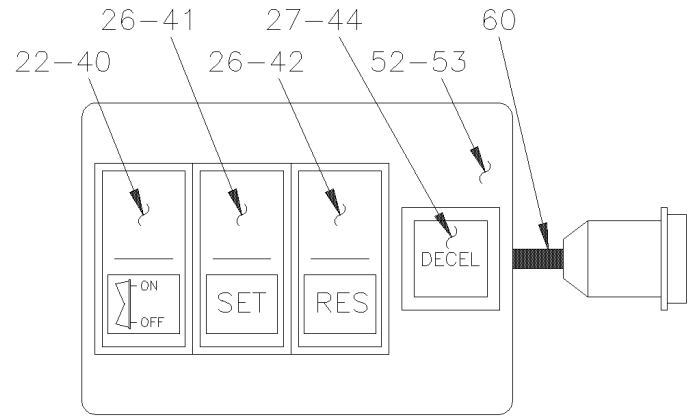
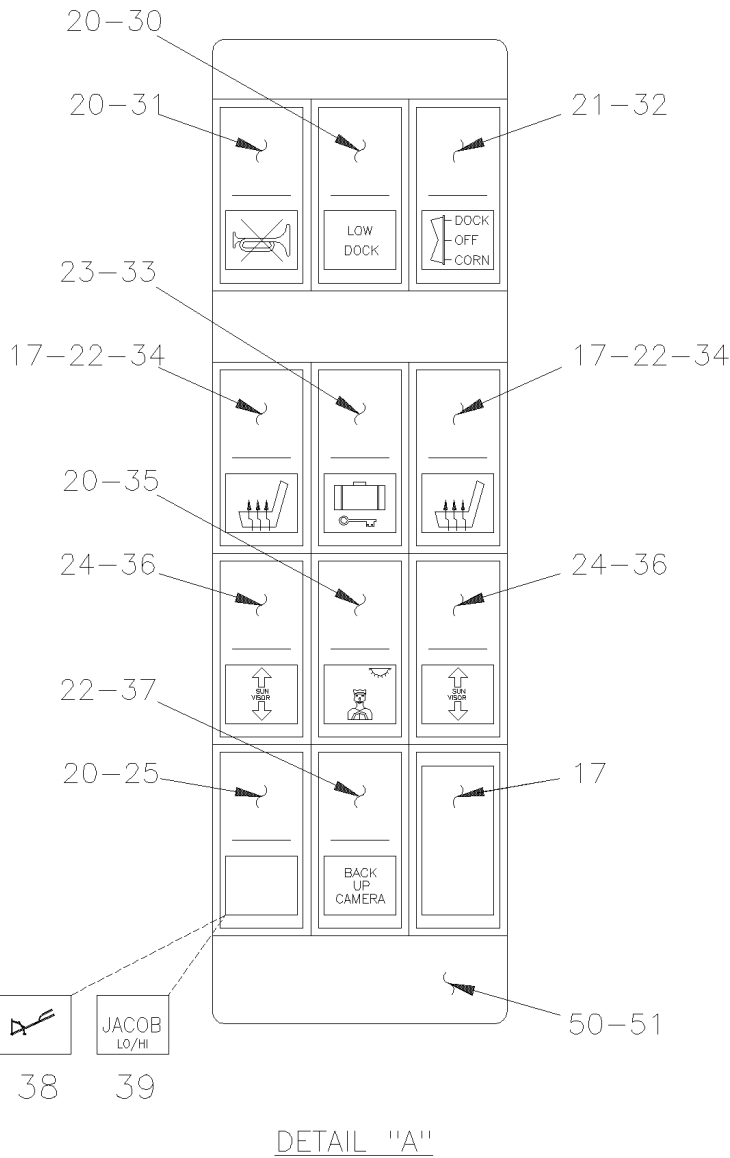
| | | |
|------------------------------------|--------------|-----------------|
| From L-031 To R-079 | Date:10/2022 | PAGE:H4-0645-00 |
| SWITCHES L.H. CONSOLE - BUS | | |

| Item# | Part | Description | H 3 4 0 | V I P 4 0 | N O T E S |
|-------|----------|--|------------------|-----------------------|-----------------------|
| 35 | 062551 | INSERT / HI-BUOY | 1 | | |
| 36 | 063026 | INSERT / GREEN / DRIVER'S WINDOW (UP-DOWN) | 1 | | |
| 38 | 390796 | INSERT / GREEN / PLATEFORM IN ACTION WCL | 1 | | |
| 39 | 062995 | INSERT / GREEN / DRIVER'S LIGHT | 1 | | A |
| 40 | 063017 | INSERT / GREEN / SUN VISOR | 2 | | |
| 41 | 063033 | INSERT / GREEN / VIDEO | 1 | | |
| 42 | 063031 | INSERT / GREEN / READING LAMP | 1 | | |
| 43 | 063024 | INSERT / GREEN / INTERIOR LAMP | 1 | | |
| 44 | 063018 | INSERT / GREEN / DESTINATION SIGN | 2 | | |
| 45 | 062992 | INSERT / GREEN / GALLEY | 1 | | |
| 46 | 063003 | INSERT / GREEN / LUGGAGE DOOR LOCK | 1 | | |
| NS | 561613 | SWITCH / M/ON-OFF-M/ON D.P.D.T. | 1 | | |
| 47 | 062986 | INSERT / GREEN / PASSENGER CHIME | 1 | | A |
| 48 | 063029 | INSERT / GREEN / PREHEATER | 1 | | |
| 49 | 063011 | INSERT / GREEN / FRONT / REAR (SPEAKER) | AR | | |
| 50 | 062082 | INSERT / DECEL | 1 | | |
| 51 | 062334 | CABLE ASSY / CRUISE CONTROL | 1 | | |
| 60 | 391209 | SUPPORT / CRUISE CONTROL | 1 | | |
| 61 | 390971 | LEXAN | 2 | | |
| 62 | 390955 | PLATE MOUNTING / W/"ATEC" TRANSMISSION | 1 | | |
| 62 | 391242 | PLATE MOUNTING / W/MANUAL TRANSMISSION | 1 | | |
| 62 | 391441 | PLATE MOUNTING / W/AUTOMATIC TRANSMISSION HYDRAULIC | 1 | | |
| 63 | 390972 | LEXAN | 1 | | |
| 64 | 391293 | SUPPORT ASSY / SWITCH | 1 | | |
| 66 | 391478 | LEXAN | 1 | | |
| 67 | 391471 | PLATE, MOUNTING To P-366 | 1 | | |
| 67 | 391528 | PLATE, MOUNTING From P-367 | 1 | | |
| 67 | 391629 | PLATE, MOUNTING / "ESPAR" PRE-HEATER | 1 | | |
| 68 | 390973 | LEXAN | 1 | | |
| 69 | 391152 | PLATE MOUNTING SWITCH | 1 | | |
| 70 | 500590 | NUT HEX NYRT M4-0.7 Z050 | AR | | |
| 70 | 500591 | WASHER FL 4.3x9.0x0.8 Z050 | AR | | |
| NS | IS-95013 | SEE INSTRUCTION SHEET | 1 | | |
| | | | | | |
| | | | | | |
| | | | | | |
| | | A) SEE ATTACHED TEXT RELATIVE TO NOTE | | | |
| | | B) THIS RHEOSTAT IS SUPERSEDED BY ITEM #562489 AND CABLE #064104. SEE INSTRUCTION SHEET FOR HELP | | | |
| | | S) SERVICE | | | |

| | | |
|--------------------------------|--------------|-----------------|
| From L-031 To R-079 | Date:10/2022 | PAGE:H4-0645-05 |
| SWITCHES L.H. CONSOLE - V.I.P. | | |



| | | |
|--------------------------------|--------------|-----------------|
| From L-031 To R-079 | Date:10/2022 | PAGE:H4-0645-05 |
| SWITCHES L.H. CONSOLE - V.I.P. | | |



| | | |
|---------------------------------------|--------------|-----------------|
| From L-031 To R-079 | Date:10/2022 | PAGE:H4-0645-05 |
| SWITCHES L.H. CONSOLE - V.I.P. | | |

| Item# | Part | Description | H 3 4 0 | V I P 4 0 | N O T E S |
|-------|-------------------|---|------------------|-----------------------|-----------------------|
| 1 | 505423 | KNOB | | 1 | |
| . NS | 502682 | . SCREW SET HEXS CUP #8-32x3/16 | | 1 | |
| 2 | 402786 | DECAL / RHEOSTAT | | 1 | |
| 3 | 561622 | RHEOSTAT | | 1 | A |
| 3 | 562489 | RHEOSTAT ASSY / DASH ILLUMINATION | | 1 | |
| . NS | IS-95013 | . SEE INSTRUCTION SHEET | | 1 | |
| 3 | 069136 | KIT, SERVICE/ DIMMER | | 1 | |
| . NS | 564592 | . DIMMER / CLUSTER | | 1 | |
| . NS | IS-14900 | . INSTRUCTION SHEET | | 1 | |
| 4 | H4-1806-15 | L.H. CONSOLE - V.I.P. | | | |
| 5 | H4-0755-15 | SHIFTER ELECTRONIC - "ATEC" TRANSMISSION | | | |
| 6 | 562075 | SWITCH, MIRROR / SQUARE / W/24V BULB | | 1 | |
| 6 | 562262 | . BULB / 0.75WATT-24VOLTS / STS-592.504 | | 1 | |
| 6 | 562261 | . BULB / 0.75WATT-24VOLTS / STS-592.502 | | 1 | |
| 6 | 561184 | . BULB / 1.2 WATT-12VOLTS / SAE# 2721 | | 1 | |
| 7 | 871040 | TIMER ASSY / W/"WEBASTO" PREHEATER | | 1 | B |
| 8 | 562025 | TIMER ASSY / W/"ESPAR" PREHEATER | | 1 | |
| 9 | 391481 | CLOSING PLATE | | 1 | |
| NS | 391480 | LEXAN / LEVEL LOW / (AS SHOWN) | | 1 | |
| 10 | 561468 | SWITCH / OFF-ON S.P.S.T. | | 1 | |
| 11 | 063029 | INSERT / GREEN / PREHEATER | | 1 | |
| 12 | 500590 | NUT HEX NYRT M4-0.7 Z050 | | 19 | |
| NS | 500591 | WASHER FL 4.3x9.0x0.8 Z050 | | 19 | |
| 14 | H4-1212-00 | TAG AXLE CONTROL PLATE ASSY | | | |
| 15 | H4-1640-10 | LEVEL-LOW - LEVEL & SWITCHES | | | |
| 16 | H4-1806-15 | L.H. CONSOLE - V.I.P. | | | |
| 17 | 561088 | COVER, SWITCH HOLE | | 4 | |
| 18 | 562361 | PROTECTIVE CAP / HD10 SERIES / 6C / DEUTSCH HDC16-6-BLACK | | 1 | |
| NS | 562493 | CHAIN / C.T.L. | | AR | |
| NS | 562492 | TYPE A COUPLING | | 1 | |
| NS | 562494 | RING / ATTACHMENT END | | 1 | |
| 19 | 561821 | NUT, RING #17 & 20 / 1.500" I.D W/4 4-40 | | 1 | C |
| NS | 500518 | SCREW MA BDG PH #4-40x1/2 Z050 | | 4 | |
| 20 | 561472 | SWITCH / ON-ON / D.P.D.T. / CH-OVER | | 3 | |
| 21 | 561483 | SWITCH / ON-OFF-ON D.P.D.T. | | 1 | |
| 22 | 561468 | SWITCH / OFF-ON S.P.S.T. | | 4 | |
| 24 | 561613 | SWITCH / M/ON-OFF-M/ON D.P.D.T. | | 2 | |
| 25 | 561520 | SWITCH / OFF-ON-ON SERIES S.P.D.T. | | 1 | |
| 26 | 561470 | SWITCH / OFF-M/ON S.P.S.T. | | 2 | |
| 30 | 063035 | INSERT / GREEN / LOW DOCKING | | 1 | |
| 31 | 063001 | INSERT / GREEN / BACK-UP ALARM (CANCEL) | | 1 | |
| 32 | 063002 | INSERT / GREEN / DOCK-OFF-CORN | | 1 | |

| | | |
|---------------------------------------|--------------|-----------------|
| From L-031 To R-079 | Date:10/2022 | PAGE:H4-0645-05 |
| SWITCHES L.H. CONSOLE - V.I.P. | | |

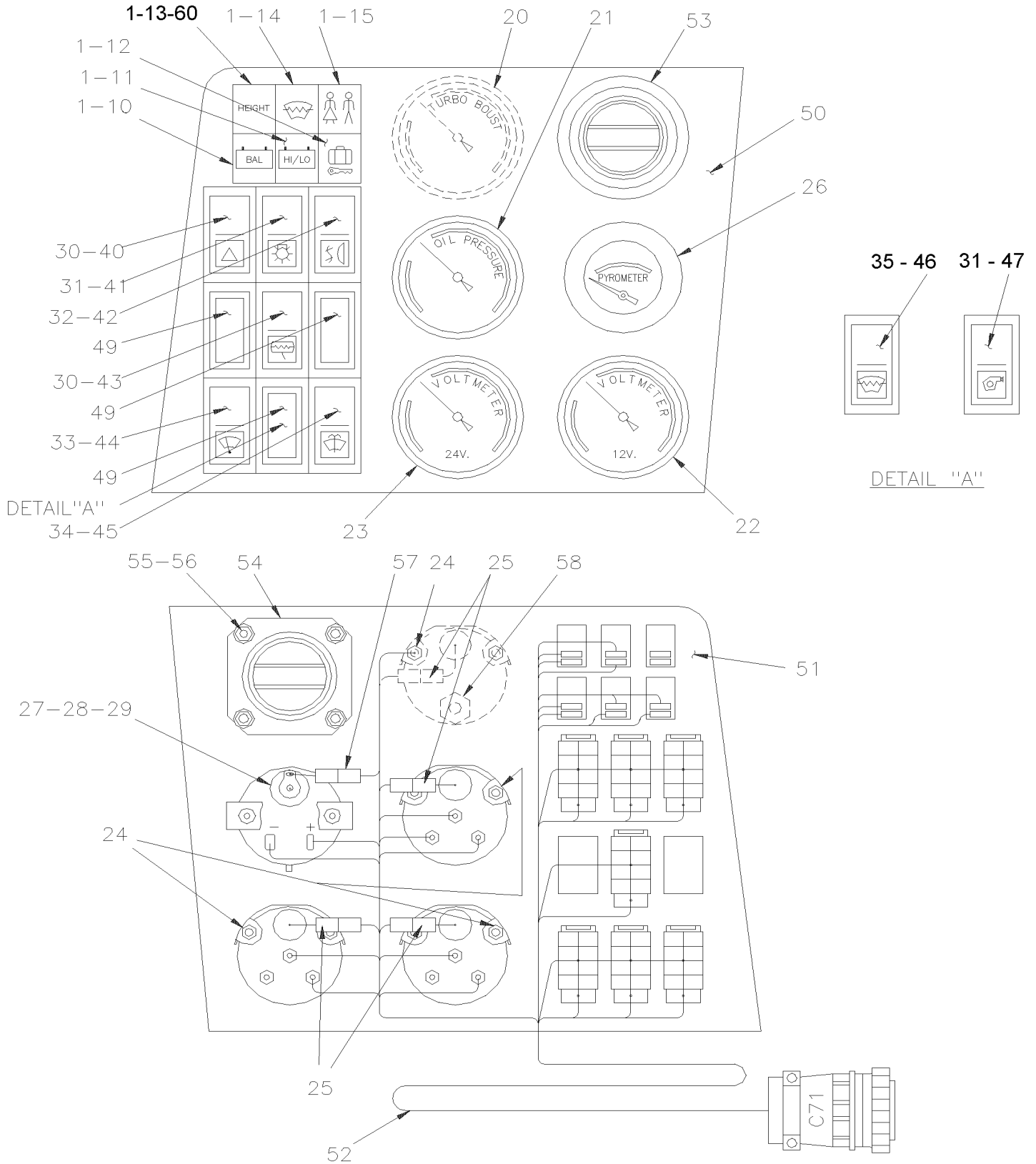
| Item# | Part | Description | H 3 4 0 | V I P 4 0 | N O T E S |
|-------|-------------------|--|------------------|-----------------------|-----------------------|
| 33 | 063003 | INSERT / GREEN / LUGGAGE DOOR LOCK | | 1 | |
| 34 | 062997 | INSERT / GREEN / HEATED SEAT | | 2 | |
| 35 | 062995 | INSERT / GREEN / DRIVER'S LIGHT | | 1 | |
| 36 | 063017 | INSERT / GREEN / SUN VISOR | | 2 | |
| 37 | 063032 | INSERT / GREEN / BACK UP CAMERA | | 1 | |
| 38 | 062991 | INSERT / GREEN / "JACOB" BRAKE | | 1 | |
| 39 | 063028 | INSERT / GREEN / RETARDER | | 1 | |
| 40 | 063010 | INSERT / GREEN / CRUISE (CRUISE CONTROL) | | 1 | |
| 41 | 063008 | INSERT / GREEN / SET (CRUISE CONTROL) | | 1 | |
| 42 | 063009 | INSERT / GREEN / RESUME (CRUISE CONTROL) | | 1 | |
| 44 | 062082 | INSERT / DECEL | | 1 | |
| 50 | 390972 | LEXAN | | 1 | |
| 51 | 391309 | SUPPORT / SWITCH | | 1 | |
| 52 | 391209 | SUPPORT / CRUISE CONTROL | | 1 | |
| 53 | 390971 | LEXAN | | 1 | |
| 54 | 391293 | SUPPORT ASSY / SWITCH | | 1 | |
| 55 | 562077 | MOUNTING FRAME (FOR 2 SWITCHES) 594.802BH | | 1 | |
| 56 | H4-1806-00 | DASHBOARD PANEL | | | |
| 60 | 062334 | CABLE ASSY / CRUISE CONTROL | | 1 | |
| NS | 065526 | KIT, REPLACEMENT WEBASTO TIMER | | 1 | |
| . NS | IS-97154 | . SEE INSTRUCTION SHEET | | 1 | |
| NS | IS-95013 | SEE INSTRUCTION SHEET | | 1 | |
| | | | | | |
| | | | | | |
| | | A) THIS RHEOSTAT IS SUPERSEDED BY ITEM #562489 AND CABLE #064104. SEE INSTRUCTION SHEET FOR HELP | | | |
| | | B) THIS PART IS SUPERSEDED BY KIT #065526 | | | |
| | | C) TO FIX CONNECTOR | | | |

From L-031 To R-079

Date:10/2022

PAGE:H4-0645-10

L.H. DASHBOARD PANEL

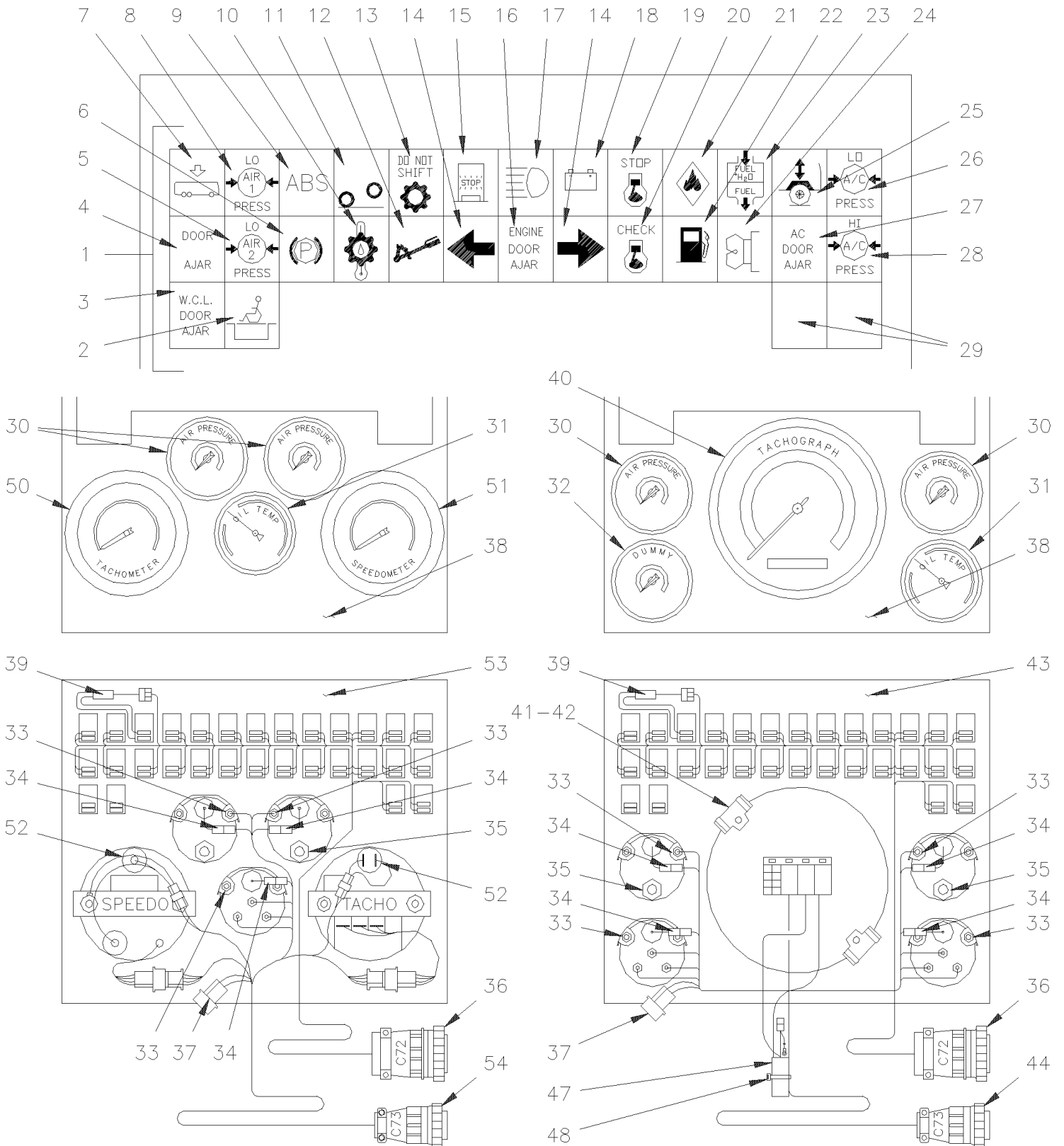


| | | | |
|-----------------------------|--|--------------|-----------------|
| From L-031 To R-079 | | Date:10/2022 | PAGE:H4-0645-10 |
| L.H. DASHBOARD PANEL | | | |

| Item# | Part | Description | H 3 4 0 | V I P 4 0 | N O T E S |
|-------|--------|---|------------------|-----------------------|-----------------------|
| 1 | 562113 | TELLTALE ASSY / 24V SHORT | 6 | 6 | |
| 10 | 391443 | INSERT / YELLOW / BATTERIE BALANCE | 1 | 1 | |
| 11 | 391278 | INSERT / RED / BATTERIE HI-LO | 1 | 1 | |
| NS | 562412 | MONITOR / BATTERY EQUALIZER | 1 | 1 | |
| 12 | 391123 | INSERT / GREEN / LUGGAGE DOOR LOCK | 1 | 1 | |
| 13 | 402750 | DECAL / "HEIGHT" W/O TV ANTENNA | 1 | | |
| 13 | 403354 | DECAL / VEHICLE HEIGHT 12'10" / BUS W/ TV ANTENNA | 1 | | |
| NS | 562364 | RELAY 24V S.P.S.T. / 300 AMPS N.O. // BATTERY DISCONNECT | 1 | 1 | |
| 14 | 391520 | INSERT / GREEN / HEATING WINDSHIELD | 1 | 1 | A |
| NS | 063191 | CONTROL MODULE / W/HEATING UPPER WINDSHIELD | 1 | 1 | A |
| 15 | 391024 | INSERT / AMBER / LAVATORY (OCCUPIED) | 1 | 1 | |
| 20 | 561029 | GAUGE, TURBO BOOST PRESSURE "VDO" To N-150 | 1 | 1 | |
| 20 | 562212 | GAUGE, TURBO BOOST PRESSURE "VDO" From N-151 To N-246 | 1 | 1 | |
| 20 | 562325 | . SOCKET BULB / PLASTIC W/.250 SPADE / BA7s | 1 | 1 | |
| 20 | 562297 | GAUGE, TURBO BOOST PRESSURE "DATCON" From N-247 | 1 | 1 | |
| . NS | 563149 | . SOCKET BULB / PLASTIC W/.250 SPADE / BA9s (DATCON) From N-247 | 1 | 1 | |
| 20 | 563149 | . SOCKET BULB / PLASTIC W/.250 SPADE / BA9s (DATCON) | 1 | 1 | |
| NS | 561167 | BULB / 2WATT-24VOLTS / SAE# 3899 | 1 | 1 | |
| NS | 560145 | BULB / 1WATT-24VOLTS / SAE# 1829 | 1 | 1 | |
| NS | 561843 | GAUGE, DUMMY | | 1 | |
| 21 | 562216 | GAUGE, OIL PRESSURE To N-225 | 1 | 1 | B |
| 21 | 562327 | GAUGE, OIL PRESSURE From N-226 | 1 | 1 | |
| NS | 562409 | SENSOR, OIL PRESSURE W/GAUGE 0-100 | 1 | 1 | |
| 22 | 561591 | GAUGE, VOLTMETER 12VOLT To M-127 | 1 | 1 | |
| 22 | 562211 | GAUGE, VOLTMETER 12VOLT From M-128 | 1 | 1 | |
| 23 | 561590 | GAUGE, VOLTMETER 24VOLT To M-127 | 1 | 1 | |
| 23 | 562210 | GAUGE, VOLTMETER 24VOLT From M-128 | 1 | 1 | |
| 24 | 561517 | HARDWARE KIT | AR | AR | |
| 25 | 062264 | SOCKET BULB / PLASTIC WWIRE & CONNECTORS / BA 9s | AR | AR | |
| NS | 560145 | . BULB / 1WATT-24VOLTS / SAE# 1829 | 1 | 1 | |
| 26 | 561156 | GAUGE, PYROMETER W/SERIES 92 | | 1 | |
| . NS | 562383 | . SOCKET BULB / METAL W/WIRE / BA9s | | 1 | |
| . NS | 560121 | . BULB / 1WATT-12VOLTS / SAE# 53 | | 1 | |
| . NS | 560601 | . BULB / 2WATT-24VOLTS / SAE# 456 | | 1 | |
| . NS | 561157 | . SENSOR, PYROMETER W/ SERIES 92 & 60 | | 2 | |
| 26 | 562289 | GAUGE, PYROMETER W/SERIES 60 | | 1 | |
| . NS | 562431 | . SOCKET BULB / METAL W/WIRE / BA9s | | 1 | |
| . NS | 560601 | . BULB / 2WATT-24VOLTS / SAE# 456 | | 1 | |
| . NS | 561157 | . SENSOR, PYROMETER W/ SERIES 92 & 60 | | 1 | |
| 27 | 562431 | . SOCKET BULB / METAL W/WIRE / BA9s | 1 | 1 | |
| 28 | 560601 | . BULB / 2WATT-24VOLTS / SAE# 456 | 1 | 1 | |
| 29 | 561885 | BULB COVER / GREEN W/PYROMETER | 1 | 1 | |

| | | |
|-----------------------------|--------------|-----------------|
| From L-031 To R-079 | Date:10/2022 | PAGE:H4-0645-10 |
| L.H. DASHBOARD PANEL | | |

| Item# | Part | Description | H 3 4 0 | V I P 4 0 | N O T E S |
|-------|--------|--|------------------|-----------------------|-----------------------|
| 30 | 561468 | SWITCH / OFF-ON S.P.S.T. | 2 | 2 | |
| 31 | 561520 | SWITCH / OFF-ON-ON SERIES S.P.D.T. | 1 | 1 | |
| 32 | 561472 | SWITCH / ON-ON / D.P.D.T. / CH-OVER | 1 | 1 | |
| 33 | 561614 | SWITCH / OFF-ON-ON D.P.D.T / CH-OVER | 1 | 1 | |
| 34 | 561470 | SWITCH / OFF-M/ON S.P.S.T. | 1 | 1 | |
| 35 | 561475 | SWITCH / M/ON-OFF-M/ON / S.P.D.T. CH-OVER | 1 | 1 | |
| 40 | 062993 | INSERT / RED / WARNING LIGHT / HAZARD | 1 | 1 | |
| 41 | 062988 | INSERT / GREEN / GENERAL LIGHT | 1 | 1 | |
| 42 | 063023 | INSERT / GREEN / FOG LAMP | 1 | 1 | |
| 43 | 063030 | INSERT / GREEN / MIRROR HEATER | 1 | 1 | |
| 44 | 063021 | INSERT / GREEN / WIPER (UPPER) | 1 | 1 | |
| 45 | 063022 | INSERT / GREEN / WINDSHIELD WASHER (UPPER) | 1 | 1 | |
| 46 | 063192 | INSERT / GREEN / HEATING WINDSHIELD | 1 | 1 | |
| 47 | 063025 | INSERT / GREEN / UPPER DEFROST | 1 | 1 | |
| 49 | 561088 | COVER, SWITCH HOLE | AR | AR | |
| 50 | 390990 | LEXAN | 1 | 1 | |
| 50 | 391485 | LEXAN 20" X 30 CHARCOALD WITH GRID / CUT TO F | | AR | |
| 51 | 390970 | PLATE / LEFT / W/DOUBLE PYROMETER SERIES 92 | 1 | 1 | |
| NS | 391542 | PLATE / LEFT / W/SMALL PYROMETER SERIES 60 | | 1 | |
| 52 | 062199 | CABLE ASSY / L.H. DASHBOARD PANEL To N-197 | 1 | 1 | |
| 52 | 063185 | CABLE ASSY / L.H. DASHBOARD PANEL From N-198 To P-355 | 1 | 1 | |
| 52 | 063307 | CABLE ASSY / L.H. DASHBOARD PANEL From P-356 | 1 | 1 | |
| 53 | 870899 | LOUVER, ADJUSTABLE | 1 | 1 | |
| 54 | 372390 | ADAPTOR | 1 | 1 | |
| 55 | 500591 | WASHER FL 4.3x9.0x0.8 Z050 | 4 | 4 | |
| 56 | 500590 | NUT HEX NYRT M4-0.7 Z050 | 4 | 4 | |
| 57 | 560900 | CONNECTOR / COM. MATE-N-LOCK / PH 2C / AMP 1-480319-0 | 1 | 1 | |
| 57 | 560901 | PIN TERMINAL / 20-14 / AMP 60620-1 | 2 | 2 | |
| 58 | 641129 | FEMALE CONNECTOR / PUSH-IN FITTING / #2x1/8NPT-F BR | 1 | 1 | |
| NS | 503536 | TUBE, NYLON 1/8 O.D. / BLACK S.L. | AR | AR | |
| 60 | 402750 | DECAL / "HEIGHT" W/O TV ANTENNA | 1 | 1 | |
| 60 | 403354 | DECAL / VEHICLE HEIGHT 12'10" / BUS W/ TV ANTENNA | 1 | 1 | |
| | | | | | |
| | | | | | |
| | | | | | |
| | | | | | |
| | | A) SEE ATTACHED TEXT TO SEE RELATIVE NOTE | | | |
| | | B) UP TO N-225 IF GAUGE IS REPLACED PLEASE REMOVE DIVIDER 561721 AS SHOWN AT PAGE H4-0644-00 | | | |



| | | | |
|-------------------------------|--|--------------|-----------------|
| From L-031 To R-079 | | Date:10/2022 | PAGE:H4-0645-20 |
| CENTER DASHBOARD PANEL | | | |

| Item# | Part | Description | H 3 4 0 | V I P 4 0 | N O T E S |
|-------|--------|---|------------------|-----------------------|-----------------------|
| 1 | 562113 | TELLTALE ASSY / 24V SHORT | 30 | 30 | |
| 2 | 390792 | INSERT / RED / W.C.L. ACTIVITED | 1 | 1 | |
| 3 | 391768 | INSERT / RED / "W.C.L. DOOR AJAR" | 1 | 1 | |
| 4 | 390855 | INSERT / RED / "DOOR AJAR" | 1 | 1 | |
| 5 | 391026 | INSERT / RED / LO AIR #2 | 1 | 1 | |
| 6 | 391027 | INSERT / AMBER / PARKING BRAKE | 1 | 1 | |
| 7 | 390867 | INSERT / AMBER / LOW-BUOY | 1 | 1 | |
| 8 | 391025 | INSERT / RED / LO AIR #1 | 1 | 1 | |
| 9 | 391672 | INSERT / RED / "ABS" | 1 | 1 | |
| 10 | 391670 | INSERT / AMBER / OIL TEMPERATURE W/RETARDER | 1 | 1 | |
| 11 | 391235 | INSERT / AMBER / TAG AXLE | 1 | 1 | |
| 12 | 391032 | INSERT / AMBER / RETARDER OR TELMA | 1 | 1 | |
| 13 | 391607 | INSERT / RED / "DO NOT SHIFT" | 1 | 1 | |
| 14 | 391204 | INSERT / GREEN / DIRECTIONAL FLASHER | 2 | 2 | |
| 15 | 391033 | INSERT / RED / STOP-LIGHT | 1 | 1 | |
| 16 | 391452 | INSERT / RED / "ENGINE DOOR AJAR" | 1 | 1 | |
| 17 | 391020 | INSERT / BLUE / HIGHT BEAM | 1 | 1 | |
| 18 | 391028 | INSERT / RED / GENERATOR | 1 | 1 | |
| 19 | 390889 | INSERT / RED / STOP ENGINE | 1 | 1 | |
| 20 | 390888 | INSERT / AMBER / CHECK ENGINE | 1 | 1 | |
| 21 | 391015 | INSERT / RED / FIRE | 1 | 1 | |
| 22 | 391029 | INSERT / RED / FUEL LEVEL | 1 | 1 | |
| 23 | 391030 | INSERT / AMBER / WATER IN FUEL | 1 | 1 | |
| 24 | 391023 | INSERT / GREEN / AUXILIARY WATER HEATER | 1 | 1 | |
| 25 | 391031 | INSERT / AMBER / KNEELING / HI-BUOY | 1 | 1 | |
| NS | 391277 | INSERT / RED / "LEVEL LOW" | | | |
| 26 | 391021 | INSERT / RED / A/C LO PRESSURE | 1 | 1 | |
| 27 | 391234 | INSERT / RED / "A/C DOOR AJAR" | 1 | 1 | |
| 28 | 391022 | INSERT / RED / A/C HI PRESSURE | 1 | 1 | |
| 29 | 561089 | TELLTALE ASSY / BLANK | 1 | 1 | |
| 30 | 561595 | GAUGE, AIR PRESSURE To M-127 | 2 | 2 | |
| 30 | 562215 | GAUGE, AIR PRESSURE From M-128 | 2 | 2 | |
| 31 | 561593 | GAUGE, OIL TEMPERATURE To M-127 | 1 | 1 | |
| 31 | 562213 | GAUGE, OIL TEMPERATURE From M-128 | 1 | 1 | |
| NS | 561097 | SENSOR, TEMPERATURE / WATER & OIL | 1 | 1 | |
| 32 | 561843 | GAUGE, DUMMY | 1 | 1 | |
| 33 | 561517 | HARDWARE KIT | AR | AR | |
| 34 | 062264 | SOCKET BULB / PLASTIC WWIRE & CONNECTORS / BA 9s | AR | AR | |
| NS | 560145 | . BULB / 1WATT-24VOLTS / SAE# 1829 | 1 | 1 | |
| 35 | 641129 | FEMALE CONNECTOR / PUSH-IN FITTING / #2x1/8NPT-F BR | 2 | 2 | |
| NS | 503536 | TUBE, NYLON 1/8 O.D. / BLACK S.L. | AR | AR | |
| 36 | 062672 | CABLE ASSY / WTACHOGRAPH | 1 | 1 | |

| | | |
|-------------------------------|--------------|-----------------|
| From L-031 To R-079 | Date:10/2022 | PAGE:H4-0645-20 |
| CENTER DASHBOARD PANEL | | |

| Item# | Part | Description | H 3 4 0 | V I P 4 0 | N O T E S |
|-------|-----------------|---|------------------|-----------------------|-----------------------|
| 37 | 063152 | CABLE ASSY / W/LOW BUOY | 1 | 1 | |
| 38 | 390992 | LEXAN | 1 | 1 | |
| 38 | 391485 | LEXAN 20" X 30 CHARCOALD WITH GRID / CUT TO F | | AR | |
| 39 | 062253 | ALARM ASSY / WATER SEPARATOR | 1 | 1 | |
| 40 | 590258 | TACHOGRAPH ASSY / KM/H / W/4 WIRES | 1 | 1 | |
| 40 | 590259 | TACHOGRAPH ASSY / MPH / W/4 WIRES | 1 | 1 | |
| NS | 590236 | . KEY | 1 | 1 | |
| NS | 561006 | . BULB / 1WATT-24VOLTS / SAE# 2741MF | 3 | 3 | |
| NS | 561903 | BULB COVERING / GREEN | 3 | 3 | |
| 41 | 590270 | BRACKET | 2 | 2 | |
| 42 | 590235 | NUT KNURLED | 2 | 2 | |
| NS | 590179 | CHART KM/H | 1 | 1 | |
| NS | 590122 | CHART MPH | 1 | 1 | |
| NS | 590251 | CHART DUMMY PROTECTOR | 1 | 1 | |
| 43 | 391276 | PLATE MOUNTING / TACHOGRAPH | 1 | 1 | |
| 44 | 062672 | CABLE ASSY / W/TACHOGRAPH | 1 | 1 | |
| 47 | 090195 | MODULE ASSY / W/TACHOGRAPH W/4 WIRES | 1 | 1 | |
| 48 | 504637 | CABLE TIE / 3/16" x 13" | 1 | 1 | |
| 50 | 090196 | TACHOMETER "VDO" To L-043 | 1 | 1 | |
| 50 | 090211 | TACHOMETER "VDO" / USE W/DDEC II AND REGULAR From P-277 | 1 | 1 | |
| 51 | Call order desk | SPEEDOMETER HEAD / KM/H To L-043 | 1 | 1 | P |
| 51 | 090199 | SPEEDOMETER HEAD / KMH "VDO" From L-044 | 1 | 1 | |
| 51 | 090216 | SPEEDOMETER HEAD / KPH "VDO" | 1 | 1 | A |
| 51 | Call order desk | SPEEDOMETER HEAD / MPH "DIXSON" To L-043 | 1 | 1 | P |
| 51 | 090198 | SPEEDOMETER HEAD / MPH "VDO" From L-044 | 1 | 1 | |
| 51 | 090215 | SPEEDOMETER HEAD / MPH "VDO" | 1 | 1 | B |
| 52 | 562325 | . SOCKET BULB / PLASTIC W/.250 SPADE / BA7s | 1 | 1 | |
| NS | 561167 | . BULB / 2WATT-24VOLTS / SAE# 3899 | 1 | 1 | |
| NS | 19500385 | . SOCKET BULB / PLASTIC W/.250 SPADE TYPE E | 1 | 1 | |
| NS | 561166 | . BULB / 3WATT-24VOLTS / SAE# 464 | 1 | 1 | |
| 53 | 391275 | PLATE MOUNTING / SMALL GAUGES | 1 | 1 | |
| 54 | 062513 | CABLE ASSY To L-043 | 1 | 1 | |
| 54 | 062671 | CABLE ASSY / W/SMALL GAUGES From L-044 | 1 | 1 | |
| 54 | 063070 | HARNESS ASSY / ALARM | 1 | 1 | |
| | | FOLLOWING ITEM ARE RELATED | | | |
| | | WITH "SILENT 1000" INSTALLATION | | | |
| 54 | 391527 | PLATE MOUNTING | 1 | 1 | |
| NS | 090218 | KIT, RETROFIT SPEEDO "MPH" | AR | AR | |
| . NS | IS-96014B | . SEE INSTRUCTION SHEET | 1 | 1 | |
| NS | 090219 | KIT, RETROFIT SPEEDO "KMH" | AR | AR | |

| | | |
|-------------------------------|--------------|-----------------|
| From L-031 To R-079 | Date:10/2022 | PAGE:H4-0645-20 |
| CENTER DASHBOARD PANEL | | |

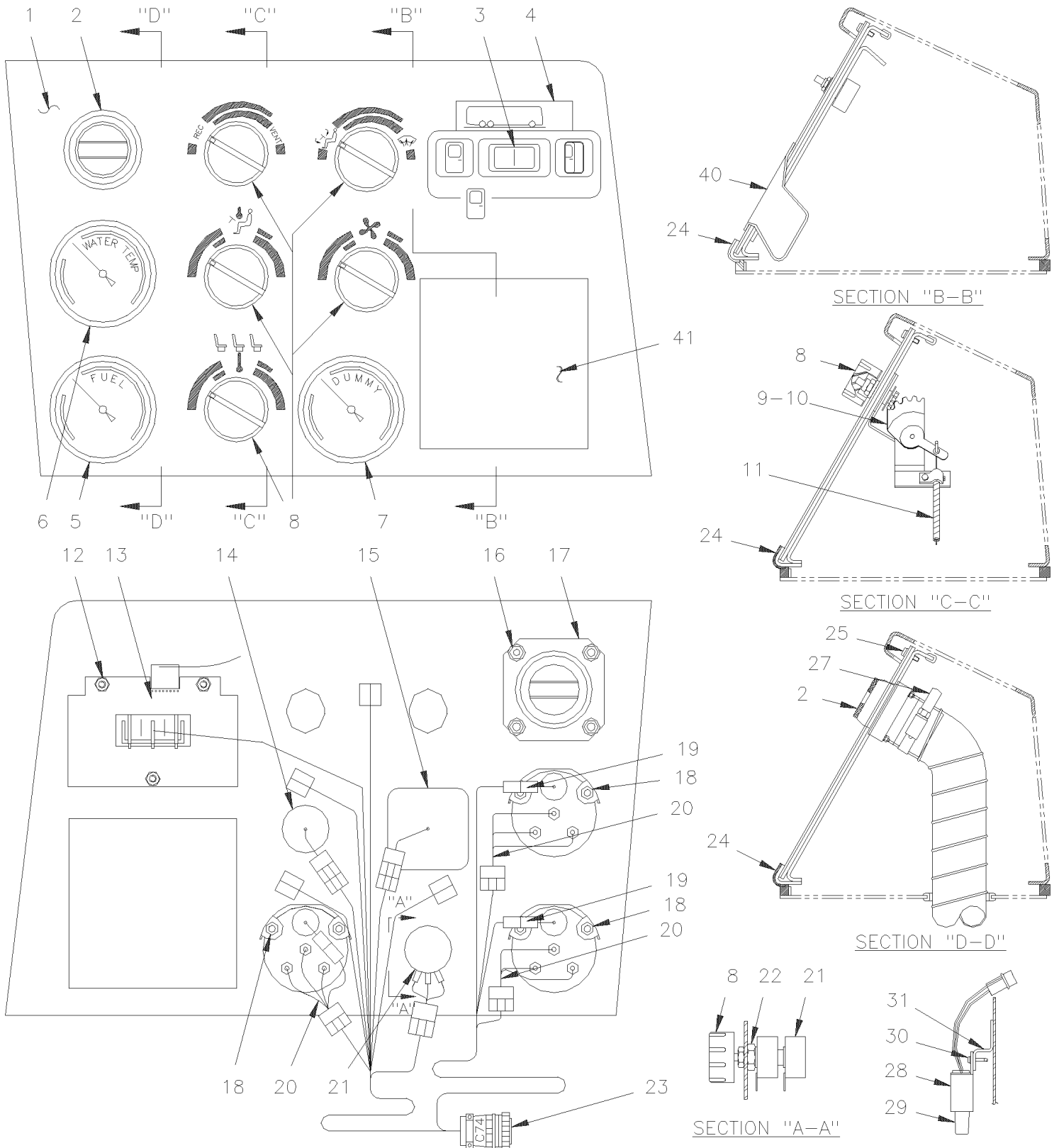
| Item# | Part | Description | H 3 4 0 | V I P 4 0 | N O T E S |
|-------|-----------|--|------------------|-----------------------|-----------------------|
| . NS | IS-96014B | . SEE INSTRUCTION SHEET | 1 | 1 | |
| 57 | 090212 | KIT, RETROFIT TACHOMETER | AR | AR | |
| . NS | IS-91079 | . SEE INSTRUCTION SHEET | 1 | 1 | |
| | | | | | |
| | | | | | |
| | | A) THIS HEAD IS OBSOLETE IT IS SUPERSEDED BY #090219 | | | |
| | | B) THIS HEAD IS OBSOLETE IT IS SUPERSEDED BY #090218 | | | |
| | | P) CALL ORDER DESK FOR SPECIFIC APPLICATION (V.I.N.) | | | |

From L-031 To R-079

Date:10/2022

PAGE:H4-0645-30

R.H. DASHBOARD PANEL



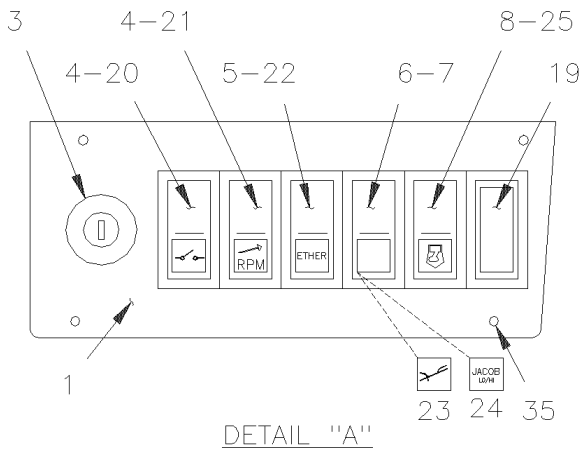
| | | | |
|-----------------------------|--|--------------|-----------------|
| From L-031 To R-079 | | Date:10/2022 | PAGE:H4-0645-30 |
| R.H. DASHBOARD PANEL | | | |

| Item# | Part | Description | H 3 4 0 | V I P 4 0 | N O T E S |
|-------|---------|---|------------------|-----------------------|-----------------------|
| 1 | 390993 | LEXAN / W/PLUG TYPE DOOR To N-196 | 1 | | |
| 1 | 391500 | LEXAN / W/SEDAN DOOR From N-197 | 1 | | |
| 1 | 391226 | LEXAN | | 1 | |
| 1 | 391485 | LEXAN 20" X 30 CHARCOALD WITH GRID / CUT TO F | | AR | |
| 2 | 870899 | LOUVER, ADJUSTABLE | 1 | 1 | |
| 3 | 562111 | SWITCH / ON-OFF-ON/ S.P.D.T./REVERSE POLARITY | 1 | 1 | |
| . NS | 562110 | . SWITCH / ON-OFF-ON/ S.P.D.T./REVERSE POLARITY / TORRIX 102256 | 1 | 1 | |
| 4 | 403830 | DECAL / VEHICLE HEIGHT 12' 10" | 1 | 1 | |
| 4 | 403831 | DECAL / VEHICLE HEIGHT 12' 4" | 1 | 1 | |
| 5 | 562217 | GAUGE, FUEL LEVEL To M-127 | 1 | 1 | |
| 5 | 562209 | GAUGE, FUEL LEVEL From M-128 To N-225 | 1 | 1 | |
| 5 | 562329 | GAUGE, FUEL LEVEL From N-226 To P-366 | 1 | 1 | |
| 5 | 562380 | GAUGE, FUEL LEVEL From P-367 | 1 | 1 | |
| NS | 530204 | SENSOR, FUEL LEVEL / W/SS STEEL TANK | 1 | 1 | |
| NS | 531404 | SENSOR, FUEL LEVEL / 31¼" / W/PLASTIC TAN | 1 | 1 | |
| 6 | 561594 | GAUGE, WATER TEMPERATURE To M-127 | 1 | 1 | A |
| 6 | 562214 | GAUGE, WATER TEMPERATURE From M-128 To N-225 | 1 | 1 | A |
| 6 | 562328 | GAUGE, WATER TEMPERATURE From N-226 | 1 | 1 | |
| 7 | 561843 | GAUGE, DUMMY | 1 | 1 | |
| NS | 561593 | GAUGE, OIL TEMPERATURE To M-127 | AR | AR | |
| NS | 562213 | GAUGE, OIL TEMPERATURE From M-128 | AR | AR | |
| NS | 390627 | DECAL, "DIFFERENTIAL OIL TEMPERATURE" | 1 | 1 | |
| NS | 390626 | DECAL, " ENGINE OIL TEMPERATURE" | 1 | 1 | |
| NS | 561097 | SENSOR, TEMPERATURE / WATER & OIL | 1 | 1 | |
| 8 | 505422 | KNOB | 5 | 5 | |
| . NS | 502683 | . SCREW SET HEXS CUP #8-32x7/16 | 1 | 1 | |
| 9 | 950063 | WIRE CONTROL / S.Q. | 2 | 2 | |
| 10 | 5001044 | . NUT HEX JAM M12-1.0 | 1 | 1 | |
| 11 | 372459 | WIRE ASSY / DEFROSTER | 1 | 1 | |
| 11 | 372460 | WIRE ASSY / FRESH AIR | 1 | 1 | |
| 12 | 502524 | NUT HEX M4-0.7 Z050 | | 1 | |
| 13 | 063183 | CIRCUIT MODULE LOGIC | 1 | 1 | |
| 14 | 870896 | RHEOSTAT / CONTROL | 1 | 1 | |
| 15 | 870902 | DRIVER'S A/C HEATING TEMP. CONTROL | 1 | 1 | |
| . NS | 561552 | . CONNECTOR / UNIVERSAL MATE-N-LOK / PH 6C / AMP 1-480705-0 | 1 | 1 | |
| 15 | 871075 | DRIVER'S A/C HEATING TEMP. CONTROL | 1 | 1 | |
| . NS | M185-11 | . MAINTENANCE INFORMATION | 1 | 1 | |
| . NS | 561552 | . CONNECTOR / UNIVERSAL MATE-N-LOK / PH 6C / AMP 1-480705-0 | 1 | 1 | |
| NS | 870868 | SENSOR MAIN HEATER / TEMPERATURE CONTROL | 1 | 1 | |
| NS | 561134 | . FUSE / 1 AMP / MLD-1 (SLOW BLOW) | 1 | 1 | |
| 16 | 500591 | WASHER FL 4.3x9.0x0.8 Z050 | 4 | 4 | |
| NS | 500590 | NUT HEX NYRT M4-0.7 Z050 | 4 | 4 | |

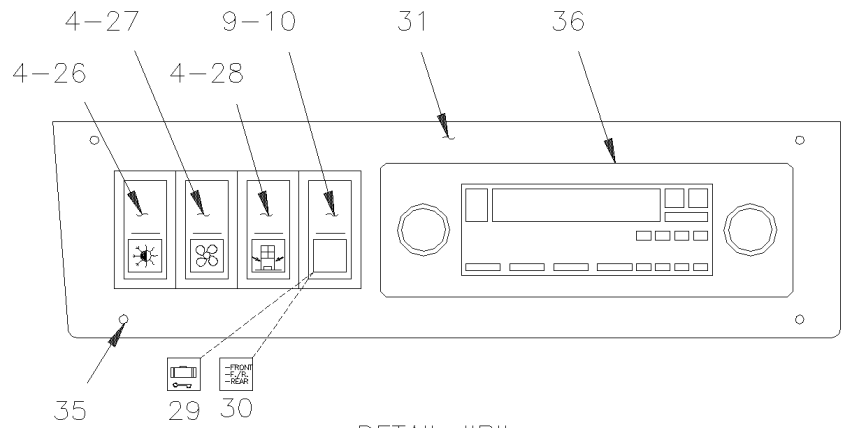
| | | |
|-----------------------------|--------------|-----------------|
| From L-031 To R-079 | Date:10/2022 | PAGE:H4-0645-30 |
| R.H. DASHBOARD PANEL | | |

| Item# | Part | Description | H 3 4 0 | V I P 4 0 | N O T E S |
|-------|-------------------|--|------------------|-----------------------|-----------------------|
| 17 | 372390 | ADAPTOR To T-1645 | 1 | 1 | |
| 18 | 561517 | HARDWARE KIT | AR | AR | |
| 19 | 062264 | SOCKET BULB / PLASTIC WWIRE & CONNECTORS / BA 9s | 1 | 1 | |
| NS | 560145 | . BULB / 1WATT-24VOLTS / SAE# 1829 | 1 | 1 | |
| 20 | 062271 | CABLE ASSY | | 2 | |
| 21 | 062195 | RESISTOR ASSY 20 OHMS 1/2 W | 1 | 1 | |
| NS | 372479 | SENSOR / TEMPERATURE CONTROL | 1 | 1 | |
| 22 | 500938 | NUT HEX THN 3/8-32x3/32 | 1 | 1 | |
| 23 | 062814 | CABLE ASSY To N-195 | 1 | 1 | |
| 23 | 063181 | CABLE ASSY / GAUGE RH PANEL From N-196 | 1 | 1 | |
| NS | 062291 | CABLE ASSY / ITEM #19 & 23 | AR | AR | |
| 24 | 680565 | TAPE, SEAL 1/2 / BLACK / S.L. | AR | AR | |
| 25 | 500883 | SCREW TC PAN PH #8-32x3/8 Z050 | 9 | 9 | |
| 27 | 504023 | HOSE CLAMP / 1"5/16"-2"1/4 SS / HS-28 | 2 | 2 | |
| 27 | 504024 | HOSE CLAMP / 1"13/16"-2"3/4 SS / HS-36 | 2 | 2 | |
| 28 | 330217 | SOCKET ASSY | 5 | 5 | |
| 29 | 560623 | BULB / 3.5WATT-24VOLTS / SAE# 313 | 5 | 5 | |
| 30 | 500650 | SCREW TC PAN PH #6-32x3/8 ZP | 5 | 5 | |
| 31 | 391143 | SUPPORT / BOLTED TO THE PLATE / TO FIX LIGHT | 1 | 1 | |
| 40 | 391228 | TRAY, UTILITY | 1 | 1 | |
| 41 | H4-0650-00 | DATA HUB | | | |
| 42 | 391223P | PLATE MOUNTING / W/UTILITY TRAY To N-191 | 1 | 1 | |
| 42 | 391504 | PLATE MOUNTING / W/UTILITY TRAY From N-192 | 1 | 1 | |
| 42 | 391223P | PLATE MOUNTING / W/UTILITY TRAY To N-191 | | 1 | |
| 42 | 391709 | PLATE MOUNTING / W/PRODRIVER | AR | | |
| | | FOLLOWING ITEMS ARE RELATED | | | |
| | | WITH BACK-UP CAMERA INSTALLATION | | | |
| NS | 505423 | KNOB | 2 | 2 | |
| . NS | 502682 | . SCREW SET HEXS CUP #8-32x3/16 | 1 | 1 | |
| NS | 561864 | RHEOSTAT | 2 | 2 | |
| NS | 490580 | MONITOR | 1 | 1 | |
| NS | 390981 | FRAME / MONITOR | 1 | 1 | |
| NS | 490658 | DECAL / "DEEP OF FIELD" | 1 | 1 | |
| | | | | | |
| | | | | | |
| | | | | | |
| | | A) UP TO N-225 IF GAUGE IS REPLACED PLEASE REMOVE DIVIDER 561721 AS SHOWN AT PAGE H4-0644-00 | | | |

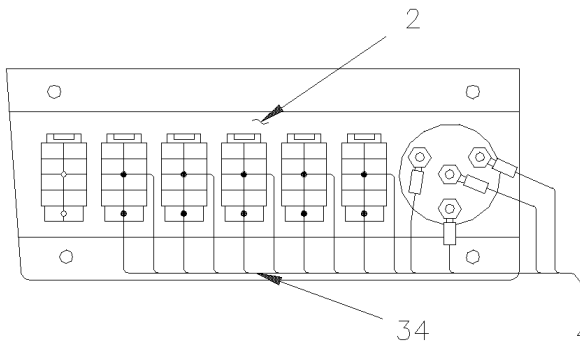
| | | |
|--|--------------|-----------------|
| From L-031 To R-079 | Date:10/2022 | PAGE:H4-0645-40 |
| L.H. & R.H. LOWER CENTRAL PANEL | | |



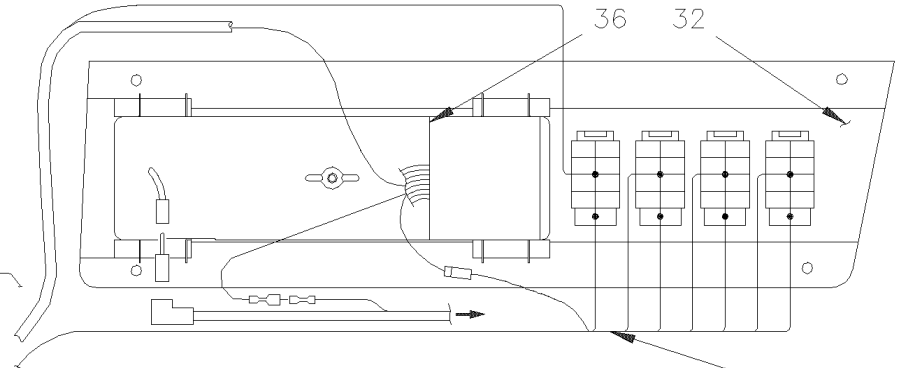
DETAIL "A"



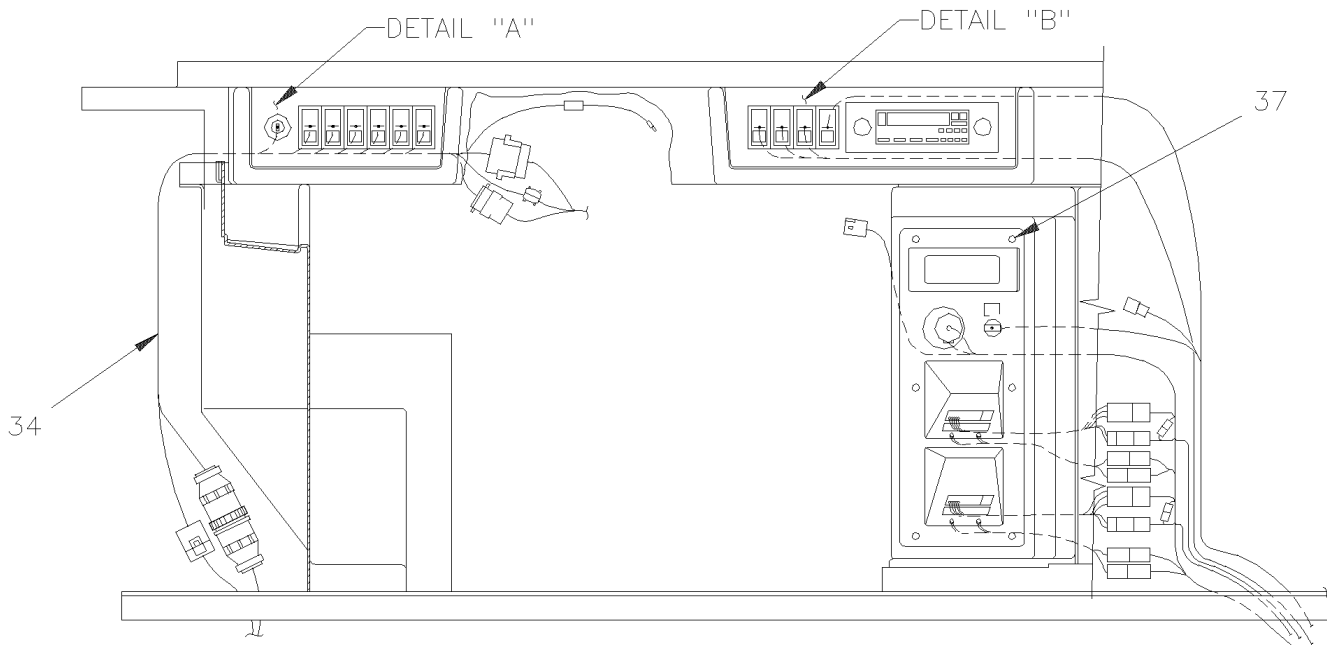
DETAIL "B"



DETAIL "A" CONNECTIONS



DETAIL "B" CONNECTIONS



| | | |
|--|--------------|-----------------|
| From L-031 To R-079 | Date:10/2022 | PAGE:H4-0645-40 |
| L.H. & R.H. LOWER CENTRAL PANEL | | |

| Item# | Part | Description | H 3 4 0 | V I P 4 0 | N O T E S |
|-------|---------|--|------------------|-----------------------|-----------------------|
| 1 | 390997 | LEXAN | 1 | 1 | |
| 2 | 391395 | PLATE, MOUNTING | 1 | 1 | |
| 3 | 562147 | SWITCH, IGNITION / CODE 801 | 1 | 1 | |
| . NS | 780003 | . KEY, IGNITION SWITCH CODE 801 | 1 | 1 | |
| 3 | 562148 | SWITCH, IGNITION / CODE 802 | 1 | 1 | |
| . NS | 780004 | . KEY, IGNITION SWITCH CODE 802 | 1 | 1 | |
| 3 | 562151 | SWITCH, IGNITION / CODE 803 | 1 | 1 | |
| . NS | 780006 | . KEY, IGNITION SWITCH CODE 803 | 1 | 1 | |
| 3 | 562150 | SWITCH, IGNITION / CODE 804 | 1 | 1 | |
| . NS | 780007 | . KEY, IGNITION SWITCH CODE 804 | 1 | 1 | |
| 3 | 562152 | SWITCH, IGNITION / CODE 805 | 1 | 1 | |
| . NS | 780008 | . KEY, IGNITION SWITCH CODE 805 | 1 | 1 | |
| 3 | 562149 | SWITCH, IGNITION / CODE 806 | 1 | 1 | |
| . NS | 780009 | . KEY, IGNITION SWITCH CODE 806 | 1 | 1 | |
| 3 | 562146 | SWITCH, IGNITION / KEYLESS (ACC-OFF-IGN-START) | 1 | 1 | |
| NS | 562296 | KEY / IGNITION BLANCK UN CUT | AR | AR | |
| NS | 681136 | KEY CHAIN / "PREVOST" | AR | AR | |
| 4 | 561468 | SWITCH / OFF-ON S.P.S.T. | 6 | 6 | |
| 5 | 561471 | SWITCH / OFF-M/ON W/LOCK S.P.S.T. | 1 | 1 | |
| 6 | 561472 | SWITCH / ON-ON / D.P.D.T. / CH-OVER | 1 | 1 | |
| 7 | 561520 | SWITCH / OFF-ON-ON SERIES S.P.D.T. | 1 | 1 | |
| 8 | 561470 | SWITCH / OFF-M/ON S.P.S.T. | 1 | 1 | |
| 9 | 561483 | SWITCH / ON-OFF-ON D.P.D.T. | 1 | 1 | |
| 10 | 561554 | SWITCH / ON-ON / D.P.D.T. / SELECTOR | | | |
| NS | 063029 | INSERT / GREEN / PREHEATER | 1 | 1 | |
| 17 | 063012 | INSERT / RED / ENGINE OVERRIDE | 1 | 1 | |
| 19 | 561088 | COVER, SWITCH HOLE | AR | AR | |
| 20 | 063013 | INSERT / GREEN / MASTER SWITCH / CUT OFF | 1 | 1 | |
| 21 | 062994 | INSERT / GREEN / FAST IDLE | 1 | 1 | |
| 22 | 062987 | INSERT / GREEN / ETHER | 1 | 1 | |
| 24 | 062991 | INSERT / GREEN / "JACOB" BRAKE | 1 | 1 | |
| NS | 5001035 | NUT WING M5-0.8 NP | 1 | 1 | |
| 26 | 063015 | INSERT / GREEN / HEAT / A/C | 1 | 1 | |
| 27 | 063027 | INSERT / GREEN / FAN | 1 | 1 | |
| 28 | 063016 | INSERT / GREEN / FRESH AIR DAMPER | 1 | 1 | |
| 29 | 063011 | INSERT / GREEN / FRONT / REAR (SPEAKER) | 1 | 1 | |
| 30 | 062996 | INSERT / GREEN / LOCKING DOOR | | 1 | |
| 31 | 390998 | LEXAN | 1 | 1 | |
| 32 | 391120 | PLATE MOUNTING / W/RADIO | 1 | 1 | |
| 32 | 391248 | PLATE MOUNTING / W/O RADIO | 1 | | |
| 34 | 062202 | CABLE ASSY / SWITCH LH PANEL | 1 | 1 | |
| 35 | 062608 | CABLE ASSY / SWITCH RH PANEL / WITH RADIO | 1 | 1 | |

| | | |
|---------------------|--------------|-----------------|
| From L-031 To R-079 | Date:10/2022 | PAGE:H4-0645-40 |
|---------------------|--------------|-----------------|

L.H. & R.H. LOWER CENTRAL PANEL

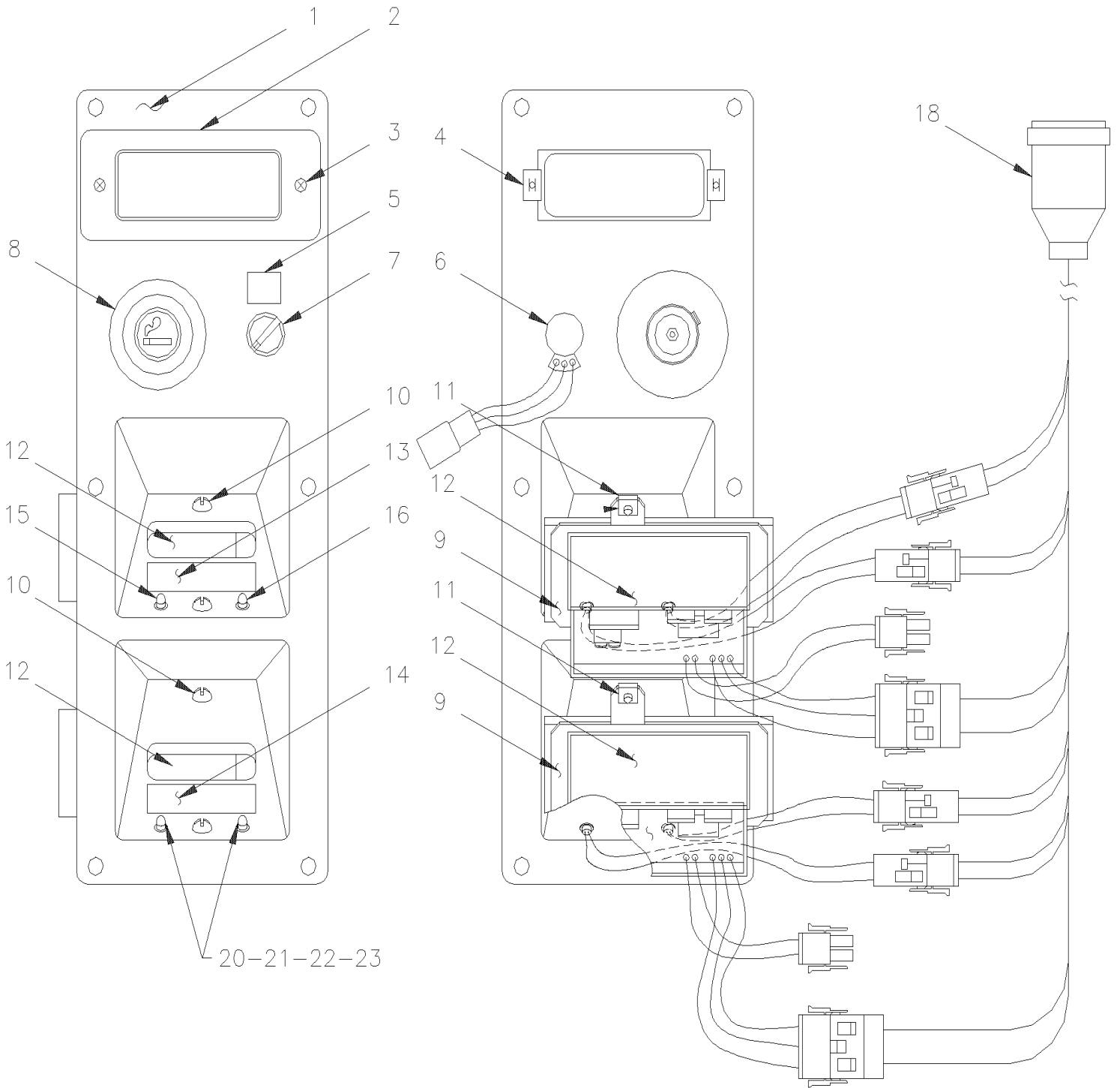
| Item# | Part | Description | H 3 4 0 | V I P 4 0 | N O T E S |
|-------|------------|--|------------------|-----------------------|-----------------------|
| 35 | 062204 | CABLE ASSY / SWITCH RH PANEL / W/OUT RADIO | | | |
| 36 | H4-2315-10 | SOUND SYSTEM - INSTALLATION | | | |
| | | | | | |
| | | | | | |

From L-031 To R-079

Date:10/2022

PAGE:H4-0645-50

R.H. CONSOLE



FRONT VIEW

REAR VIEW

| | | |
|---------------------|--------------|-----------------|
| From L-031 To R-079 | Date:10/2022 | PAGE:H4-0645-50 |
| R.H. CONSOLE | | |

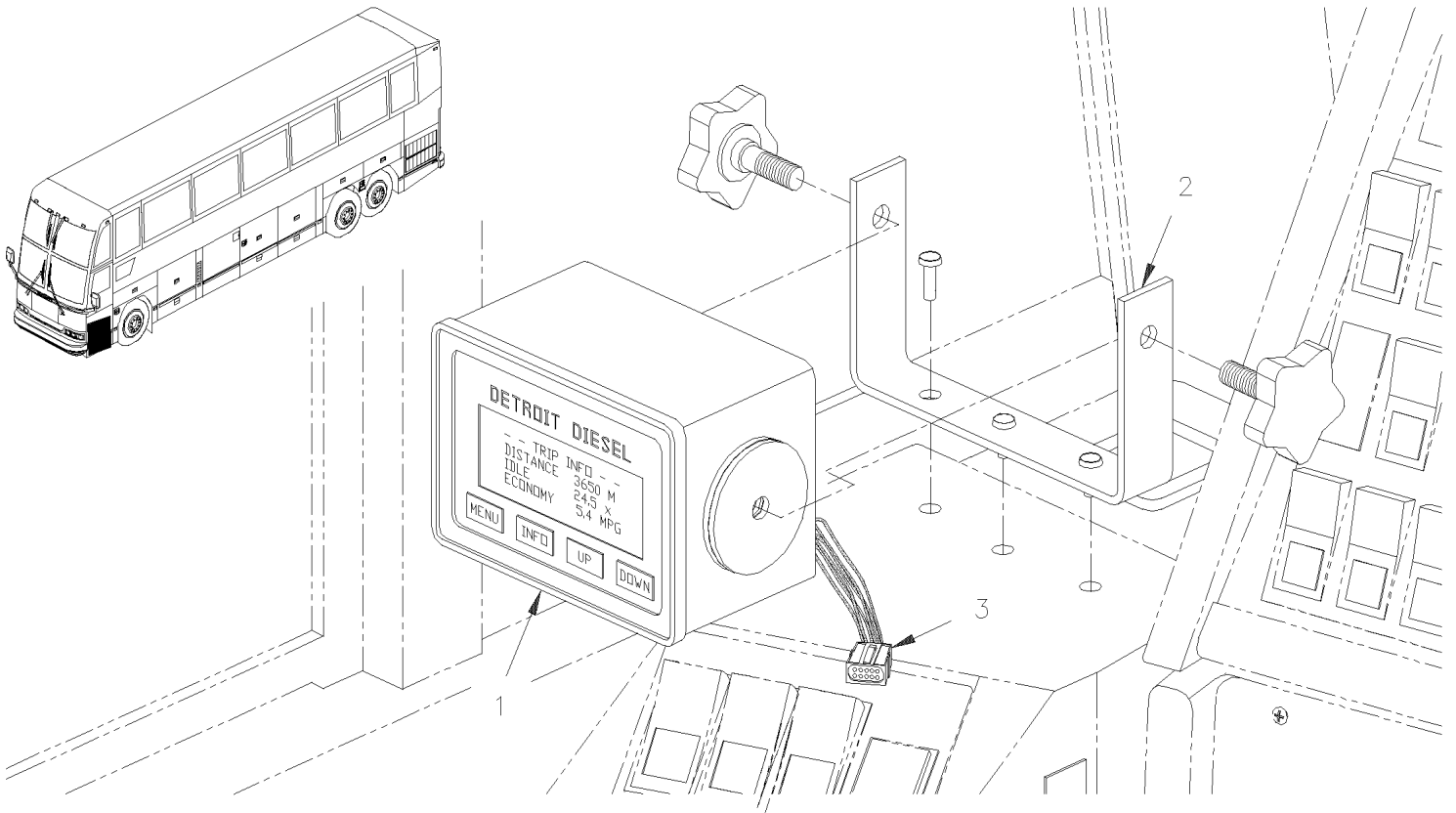
| Item# | Part | Description | H 3 4 0 | V I P 4 0 | N O T E S |
|-------|---------|---|------------------|-----------------------|-----------------------|
| | 391125P | CONSOLE ASSY / R.H. | 1 | 1 | |
| 1 | 390949 | . PANEL, FIBERGLASS | 1 | 1 | |
| 2 | 860434 | . ASHTRAY | 1 | 1 | |
| 3 | 500333 | . SCREW TP OV PH #6x3/4 BK | 2 | 2 | |
| 4 | 500996 | . NUT SPR U #6-32 .135-.150 | 2 | 2 | |
| 5 | 402787 | . DECAL / P/A VOLUME | 1 | 1 | |
| 6 | 505423 | . KNOB | 1 | 1 | |
| . NS | 502682 | . . SCREW SET HEXS CUP #8-32x3/16 | 1 | 1 | |
| 7 | 402373 | . CONTROL VOLUME / P/A | 1 | 1 | |
| 8 | 561491 | . LIGHTER ASSY / 12V | 1 | 1 | |
| 9 | 372450 | . SUPPORT / THERMOMETER | 2 | 2 | |
| 10 | 500814 | . SCREW TP BDG PH #6x3/4 BK | 4 | 4 | |
| 11 | 500664 | . NUT SPR U #6-32 .050-.062 | 4 | 4 | |
| 12 | 372475 | . THERMOMETER ASSY | 2 | 2 | |
| 12 | 870904 | . . THERMOMETER | 1 | 1 | |
| 12 | 561248 | . . . CONNECTOR / UNIVERSAL MATE-N-LOK / PH 2C / AMP 1-480699-0 | 1 | 1 | |
| 12 | 561667 | . . . CONNECTOR / UNIVERSAL MATE-N-LOK / PH 3C / AMP 1-480701-0 | 1 | 1 | |
| 12 | 561516 | . . . CONNECTOR / UNIVERSAL MATE-N-LOK / PH 6C / AMP 1-480705-0 | 5 | 5 | |
| 13 | 391345 | . DECAL, ADHESIVE PLATE / INTERIOR THERMOMETER | 1 | 1 | |
| 14 | 391343 | . DECAL, ADHESIVE PLATE / EXTERIOR THERMOMETER | 1 | 1 | |
| 15 | 330237P | . TELLTALE ASSY / GREEN | 1 | 1 | |
| 15 | 830122 | . . LED GREEN / 24VOLTS / L-41-1302-5100A | 1 | 1 | |
| 16 | 330238P | . TELLTALE ASSY / RED | 1 | 1 | |
| 16 | 830123 | . . LED RED / 24VOLTS / L-41-1301-5100A | 1 | 1 | |
| 18 | 062185 | . CABLE ASSY / RIGHT CONSOLE & TELLTALE / THERMOMETER | 1 | 1 | |
| 20 | 504403 | . SNAP CAP #8 FINISHING BLACK | 2 | 2 | |
| 21 | 504412 | . WASHER RETAINER SNAP CAP #8 | 2 | 2 | |
| 22 | 504105 | . RIVET POP DOME OE 1/8x3/16 AL | 2 | 2 | |
| 23 | 500437 | . WASHER FL .125x.375x.040 Z050 | 1 | 1 | |
| NS | 372479 | SENSOR / TEMPERATURE CONTROL | 1 | 1 | |
| NS | 372767 | SENSOR ASSY INTERIOR TEMP / 1ST LH RETURN | 1 | 1 | |
| | | | | | |
| | | | | | |
| | | | | | |

From L-031 To R-079

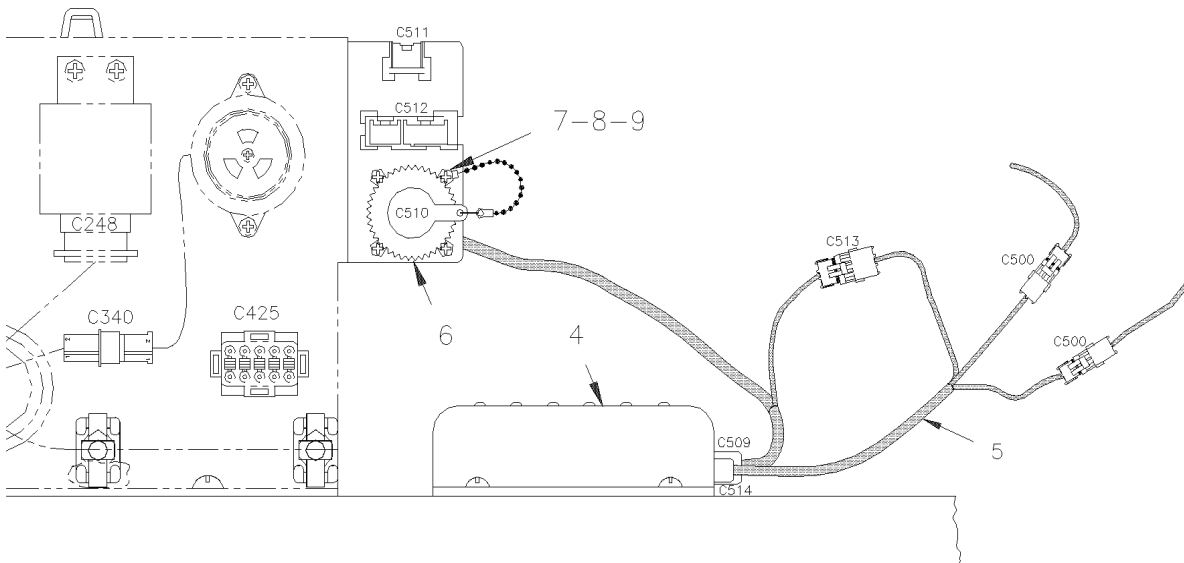
Date:10/2022

PAGE:H4-0650-00

DATA HUB



INSTALLATION OF DATA LOGGER



| | | |
|----------------------------|---------------------|------------------------|
| From L-031 To R-079 | Date:10/2022 | PAGE:H4-0650-00 |
| DATA HUB | | |

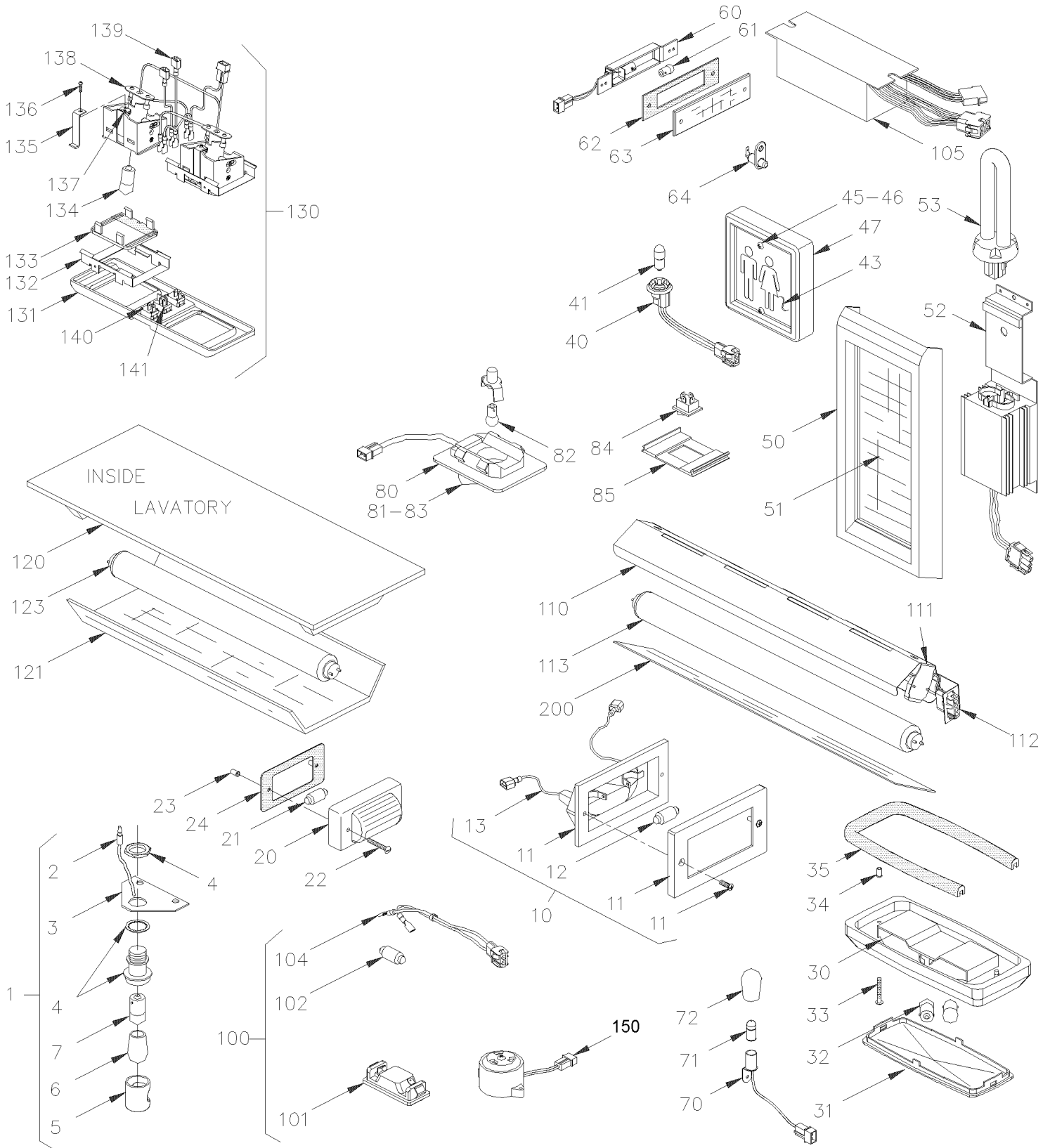
| Item# | Part | Description | H 3 4 0 | V I P 4 0 | N O T E S |
|-------|-----------------|---|------------------|-----------------------|-----------------------|
| 1 | 562415 | PRODRIVER DATA HUB / MODEL FOR BRACKET MOUNTED / (AS SHOWN) | 1 | 1 | |
| NS | 562413 | PRODRIVER DATA HUB / FLUSH MOUNTED | | | |
| 2 | 562414 | BRACKET KIT | AR | AR | |
| NS | Call order desk | PANEL MOUNTING / R.H. OF DASHBOARD / W/PRODRIVER DATA HUB | | | P |
| 3 | 063893 | CABLE ASSY / PRODRIVER POWER | 1 | 1 | |
| NS | 562447 | INSTRUCTION MANUAL "PRO DRIVER" | 1 | 1 | |
| 3 | N.S.P. | INSTALLATION MANUAL FROM DETROIT DIESEL / (07SA0712) | 1 | 1 | 2 |
| NS | 562671 | INSTRUCTION MANUAL "DATA HUB" | 1 | 1 | |
| | | | | | |
| | | FOR AN INSTALLATION OF DATA LOGER | | | |
| | | USE NEXT ITEMS | | | |
| | | | | | |
| 4 | 562459 | DATA LOGGER BOX | AR | AR | |
| 5 | 064032 | CABLE ASSY / W/DATA LOGGER BOX | 1 | 1 | |
| 5 | 064033 | CABLE ASSY / W/O DATA LOGGER BOX | AR | AR | |
| 6 | 381743 | SUPPORT / TO FIX CABLE TO FRONT ALARM BOX | 1 | 1 | |
| 7 | 500437 | WASHER FL .125x.375x.040 Z050 | 4 | 4 | |
| 8 | 500518 | SCREW MA BDG PH #4-40x1/2 Z050 | 4 | 4 | |
| 9 | 502520 | NUT HEX #4-40 Z050 | 4 | 4 | |
| NS | 504103 | RIVET POP DOME OE 1/8x1/8 AL | 3 | 3 | B |
| | | | | | |
| | | | | | |
| | | | | | |
| | | B) TO FIX SUPPORT | | | |
| | | 2) NOT SOLD BY PREVOST (SEE MANUFACTURING PART NUMBER AT END OF DESCRIPTION LINE) | | | |
| | | P) CALL ORDER DESK FOR SPECIFIC APPLICATION (V.I.N.) | | | |

From L-031 To R-079

Date:10/2022

PAGE:H4-0655-00

INTERIOR LIGHTING

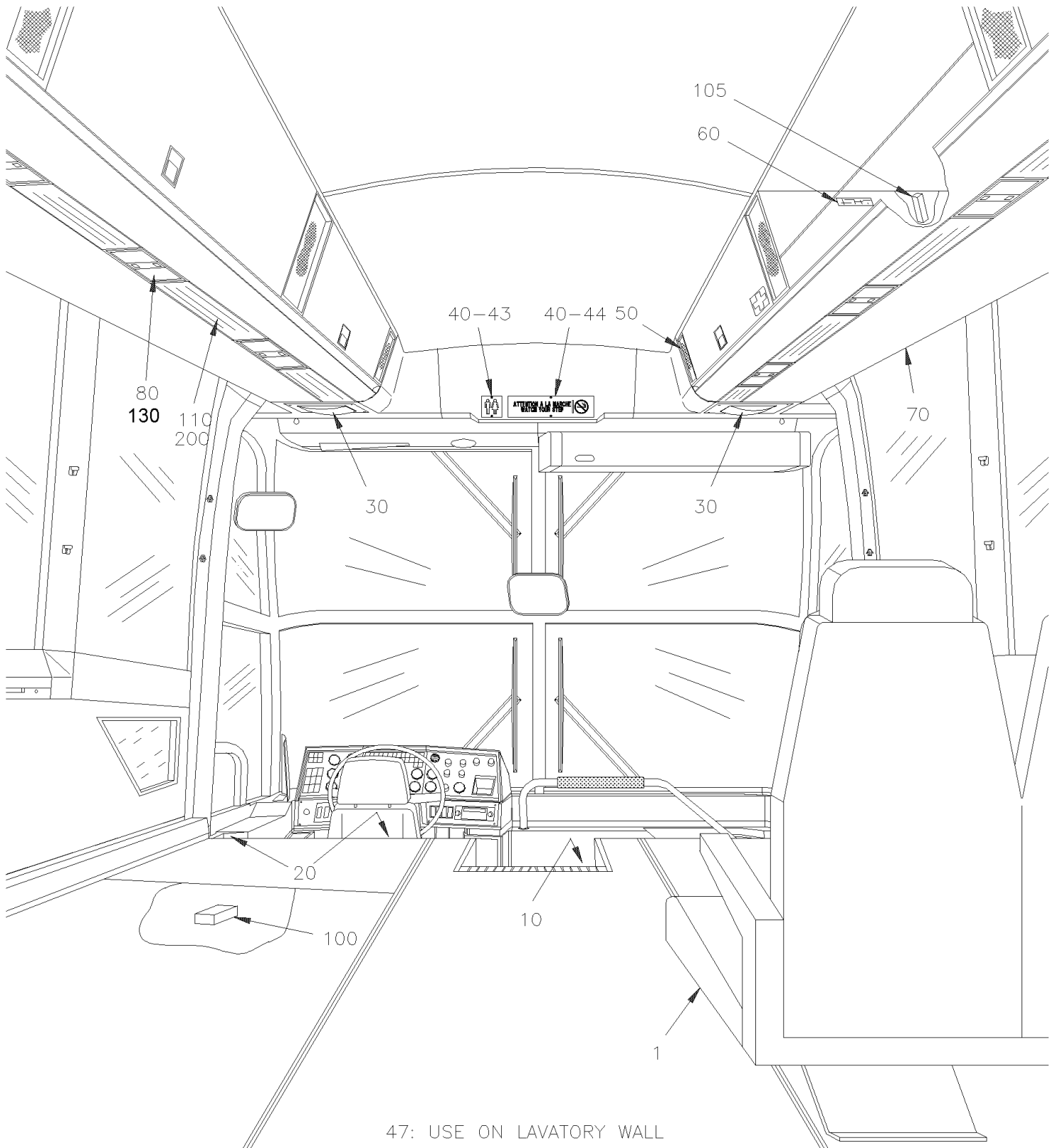


From L-031 To R-079

Date:10/2022

PAGE:H4-0655-00

INTERIOR LIGHTING



| | | |
|--------------------------|--------------|-----------------|
| From L-031 To R-079 | Date:10/2022 | PAGE:H4-0655-00 |
| INTERIOR LIGHTING | | |

| Item# | Part | Description | H 3 4 0 | V I P 4 0 | N O T E S |
|-------|--------|---|------------------|-----------------------|-----------------------|
| | | AISLE LAMP - UNDER PASSENGER'S SEAT | | | |
| 1 | 330146 | LAMP ASSY / UNDER SEAT W/BULB | AR | | |
| 1 | 330367 | LAMP ASSY / UNDER SEAT W/LED | AR | | |
| 2 | 560098 | . TERMINAL SNAP PLUG / 16-14 / INSULATED / AMP 2-324225-1 | 1 | | |
| 3 | 361343 | . SUPPORT | 1 | | |
| 4 | 830096 | . LAMP | 1 | | |
| 5 | 830113 | . . CAP PROTECTOR | 1 | | |
| 6 | 560141 | . BULB / 3WATT-24VOLTS / SAE# 1251 | 1 | | |
| 6 | 563546 | . BULB / 7 LEDS BLUE / UNDER SEAT / #B607-2PB-028W | 1 | | |
| 6 | 564100 | . BULB / 7 LEDS BLUE / UNDER SEAT / #270015 | 1 | | |
| 7 | 560940 | . BULB COVERING / BLUE | 1 | | |
| NS | 061310 | CABLE ASSY / LIGHT & MAIN CABLE | AR | | |
| | | STEPWELL LAMP | | | |
| 10 | 330279 | LAMP ASSY 24V W/BULB | 2 | 2 | |
| . NS | 830142 | . LAMP | 1 | 1 | |
| . NS | 562278 | . BULB / 10WATT-24VOLTS / SAE# 6429 | 1 | 1 | |
| 10 | 830197 | LAMP ASSY 24V LEDS | 2 | 2 | |
| NS | 068140 | CABLE INTERFACE 330279 TO 830197 | AR | AR | |
| 11 | 830142 | . LAMP | 1 | 1 | |
| 12 | 562278 | . BULB / 10WATT-24VOLTS / SAE# 6429 | 1 | 1 | |
| NS | 500148 | SCREW MA RND PH #6-32x1/2 SS | AR | AR | |
| NS | 500422 | NUT SPR U #6-32 .110-.120 SS | AR | AR | |
| 13 | 561904 | TAB TERMINAL INSULATION NYLON / 22-18 / AMP 2-520103-2 | AR | AR | |
| | | GALLEY & WASTE CONTAINER LAMP | | | |
| 20 | 830124 | LAMP ASSY | 1 | | |
| 21 | 562278 | BULB / 10WATT-24VOLTS / SAE# 6429 | 1 | | |
| NS | 562305 | BULB / 5WATT-12VOLTS / SAE# 6413 | AR | | |
| 22 | 500678 | NUT WELL #8-32x.450 | 2 | | |
| 23 | 500580 | SCREW MA RND SLT #8-32x1/2 ZP | 2 | | |
| 24 | 391525 | RUBBER PLATE GASKET | 1 | | |
| | | DRIVER'S LAMP | | | |
| 30 | 830110 | LAMP ASSY | 3 | 3 | |
| 31 | 830125 | . LENS | 1 | 1 | |
| 32 | 561553 | . BULB / 10WATT-24VOLTS / SAE# 5637 | 2 | 2 | |

| | | |
|--------------------------|--------------|-----------------|
| From L-031 To R-079 | Date:10/2022 | PAGE:H4-0655-00 |
| INTERIOR LIGHTING | | |

| Item# | Part | Description | H 3 4 0 | V I P 4 0 | N O T E S |
|-------|-------------------|--|------------------|-----------------------|-----------------------|
| 33 | 500654 | SCREW TC BDG PH #8-32x1/2 Z050 | AR | AR | |
| 34 | 500678 | NUT WELL #8-32x.450 | AR | AR | |
| 35 | 506025 | RUBBER CHANNEL / 1/18" x 5/16" INT "U" SHAPE / SQUARE C.T.L. | AR | AR | |
| | | LAVATORY LAMP "OCCUPIED" | | | |
| 40 | 330231 | SOCKET ASSY To N-240 | 1 | | |
| 40 | 330265 | SOCKET ASSY W/CONNECTOR / W2.1x9.Dd From N-241 | 1 | | |
| . NS | 562295 | . SOCKET BULB / PLASTIC W/WIRE / W2.1x9.5d From N-241 | 1 | | |
| . NS | 561248 | . CONNECTOR / UNIVERSAL MATE-N-LOK / PH 2C / AMP 1-480699-0 From N-241 | 1 | | |
| . NS | 562122 | . PIN TERMINAL / 20-14 / AMP 350547-1 From N-241 | 2 | | |
| 41 | 560144 | BULB / 1.6WATT-24VOLTS / SAE# 1820 To N-240 | 1 | | |
| 41 | 561166 | BULB / 3WATT-24VOLTS / SAE# 464 From N-241 | 1 | | |
| 43 | 403137 | LENS | 1 | | |
| 44 | H4-1832-00 | FRONT FINISHING CAP | | | |
| 45 | 500504 | SCREW TC OV PH #6-32x1/2 BK | 2 | | |
| 46 | 500422 | NUT SPR U #6-32 .110-.120 SS | 2 | | |
| 47 | 330253 | BASE ASSY W/SOCKET & BULB 24V / CHARCOAL | 1 | | |
| | | FRONT PARCEL RACK FLUORESCENT | | | |
| 50 | 311461 | LENS COVER ASSY / TO USE W/CORD | 1 | | |
| 50 | 311462 | LENS COVER ASSY / TO USE W/DOOR | 1 | | |
| 51 | 311460 | . LENS | 1 | | |
| 52 | 330220 | BALLAST ASSY / 24 VOLTS | AR | | |
| 52 | 330332 | BALLAST ASSY / 24 VOLTS | AR | | |
| 53 | 830108 | TUBE / 7WATT / PL7 | AR | | |
| | | PARCEL RACK | | | |
| 60 | 430314 | LAMP ASSY | AR | | |
| 60 | 430313 | . BOX | 1 | | |
| 60 | 561556 | . SOCKET BULB / METAL W/2 WIRES / BA9s / LEECRAFT B22Q2 | 1 | | |
| 60 | 504082 | . SNAP BUSHING / .125x.312x.312 | 1 | | |
| 60 | 560853 | . PIN TERMINAL / 24-18 / AMP 60618-1 | 2 | | |
| 60 | 560900 | . CONNECTOR / COM. MATE-N-LOCK / PH 2C / AMP 1-480319-0 | 1 | | |
| 60 | 504109 | . RIVET POP DOME OE 5/32x3/16 AL | 2 | | |
| 61 | 560144 | BULB / 1.6WATT-24VOLTS / SAE# 1820 | AR | | |
| 62 | 430316 | SEAL | 1 | | |
| 63 | 430312 | LENS | 1 | | |
| NS | 500124 | SCREW TP TR PH #8x1/2 SS | 2 | | |
| 64 | 561563 | SWITCH / S.P.S.T. / N.C. | 1 | | |

| | | |
|--------------------------|--------------|-----------------|
| From L-031 To R-079 | Date:10/2022 | PAGE:H4-0655-00 |
| INTERIOR LIGHTING | | |

| Item# | Part | Description | H 3 4 0 | V I P 4 0 | N O T E S |
|-------|--------|---|------------------|-----------------------|-----------------------|
| NS | 061967 | CABLE ASSY / LIGHT & SWITCH | 1 | | |
| | | EMERGENCY EXIT LAMP - LOCATED | | | |
| | | UPPER OF SIDE WINDOW & RH & LH CONSOLE | | | |
| 70 | 330217 | SOCKET ASSY | AR | | |
| 70 | 330254 | BULB SOCKET ASSY W/TERMINAL / USE IN CONSOLE | AR | AR | |
| 71 | 560601 | BULB / 2WATT-24VOLTS / SAE# 456 | AR | | |
| 71 | | BULB / USE IN CONSOLE | AR | AR | |
| 72 | 560942 | BULB COVERING / BLUE | AR | | |
| NS | 500648 | SCREW TC BDG PH #6-32x1/4 ZP | AR | | |
| NS | 500438 | WASHER FL .187x.437x.050 Z050 | AR | | |
| | | READING LAMP UNDER PARCEL RACK | | | |
| 80 | 330258 | LAMP ASSY | AR | | S |
| 80 | 830130 | . LAMP | 1 | | S |
| 81 | 830132 | . . SWITCH / ON-ON / S.P.S.T. / READING LIGHT | 1 | | |
| 82 | 562033 | . . BULB / 8WATT-24VOLTS / SAE# 941-Q940 | 1 | | |
| 82 | 560900 | . CONNECTOR / COM. MATE-N-LOCK / PH 2C / AMP 1-480319-0 | 1 | | |
| 82 | 560853 | . PIN TERMINAL / 24-18 / AMP 60618-1 | 2 | | |
| 83 | 330266 | DECAL / [GREEN] SWITCH LOCALISATION | 1 | | S |
| NS | 330257 | STOPPER / ON SOME FRONT READING LIGHT FOR SPECIAL | AR | | S |
| 84 | 561564 | SWITCH, HOSTESS & STOP | AR | | |
| 85 | 311082 | SWITCH SUPPORT | AR | | |
| | | BAGGAGE & SERVICE DOOR | | | |
| 100 | 330234 | LAMPE ASSY / BAGGAGE COMPT LAMP | AR | | |
| 100 | 930262 | . LAMP ASSY | 1 | | |
| 101 | 930281 | . . LENS | 1 | | |
| 102 | 560135 | . BULB / 6WATT-24VOLTS / SAE# 623 | 1 | | |
| 104 | 561248 | . CONNECTOR / UNIVERSAL MATE-N-LOK / PH 2C / AMP 1-480699-0 | 1 | | |
| 104 | 561261 | . WIRE CABLE 18 / BLACK / GXL | 1 | | |
| 104 | 504069 | . GROMMET / .281x.375x.062x.250x.562 | 1 | | |
| 104 | 561258 | . WIRE CABLE 18 / RED / GXL | 1 | | |
| 104 | 560488 | . TAB RECEPTACLE TERMINAL / 18-14 / AMP 41274 | 1 | | |
| 104 | 561513 | . PIN TERMINAL / 20-14 / AMP 350538-3 | 1 | | |
| | | FLUORESCENT UNDER PARCEL RACK | | | |
| 105 | 330214 | BALLAST ASSY / 24 VOLTS | AR | | D |

| | | |
|--------------------------|--------------|-----------------|
| From L-031 To R-079 | Date:10/2022 | PAGE:H4-0655-00 |
| INTERIOR LIGHTING | | |

| Item# | Part | Description | H 3 4 0 | V I P 4 0 | N O T E S |
|-------|--------|---|------------------|-----------------------|-----------------------|
| 105 | 330330 | BALLAST ASSY / 24 VOLTS | AR | | |
| 105 | 330215 | BALLAST ASSY / 24 VOLTS | AR | | D |
| 105 | 330331 | BALLAST ASSY / 24 VOLTS | AR | | |
| 110 | 330219 | LAMP ASSY | AR | | |
| 111 | 830101 | SOCKET / BIPIN HOLDER | 2 | | |
| 112 | 562122 | PIN TERMINAL / 20-14 / AMP 350547-1 | 1 | | |
| 113 | 830102 | TUBE / 15WATT / F15T8CW - 18" / G13 MED BIPIN | AR | | |
| | | LAVATORY LAMP | | | |
| 120 | 402663 | LAMP ASSY | 1 | | A |
| 120 | 561708 | LAMP | 1 | | |
| 121 | 830126 | LENS | 1 | | |
| NS | 830127 | BALLAST | 1 | | |
| 123 | 830102 | TUBE / 15WATT / F15T8CW - 18" / G13 MED BIPIN | 1 | | |
| NS | 560900 | CONNECTOR / COM. MATE-N-LOCK / PH 2C / AMP 1-480319-0 | 1 | | |
| NS | 560901 | PIN TERMINAL / 20-14 / AMP 60620-1 | 2 | | |
| NS | 430172 | SOCKET ASSY | AR | | |
| NS | 560123 | BULB / 4WATT-12VOLTS / SAE# 67 | AR | | |
| | | READING LAMP ARE USED ON "SPECIAL" COACH | | | |
| 130 | 330302 | LAMP ASSY | AR | | |
| 131 | 330296 | SUPPORT / PLASTIC | 1 | | |
| 132 | 330297 | HOLDER / SS / SPRING CLIP | 2 | | |
| 133 | N.P.N. | LENS / PAINTED | AR | | 4 |
| 134 | 561553 | BULB / 10WATT-24VOLTS / SAE# 5637 | 2 | | |
| 135 | 330301 | BRACKET 45MM X 10MM | 2 | | |
| 136 | 500583 | SCREW TP PAN PH #6x1/2 Z050 | 2 | | |
| 137 | 500996 | NUT SPR U #6-32 .135-.150 | 2 | | |
| 138 | 830143 | LAMP ASSY | 2 | | |
| 139 | 064169 | CABLE ASSY / READING LAMP | 1 | | |
| 139 | 064190 | CABLE ASSY / HOSTESS LAMP | 1 | | |
| 140 | 562491 | SWITCH / OFF-ON / S.P.S.T. / RED ILLUMINATI | 2 | | |
| 141 | 562490 | SWITCH / OFF-ON / S.P.S.T. / WHITE | 1 | | |
| 150 | 064094 | FIRE & KNEELING / ALARM ASSY / SERVICE | AR | AR | |
| | | SCREEN, FLUORESCENT | | | |
| 200 | 310670 | SCREEN, FLUORESCENT / 3045MM / 120" C.T.L. | AR | | |
| 200 | 310688 | SCREEN, FLUORESCENT / 1 1/4" | AR | | |

| | | |
|--------------------------|--------------|-----------------|
| From L-031 To R-079 | Date:10/2022 | PAGE:H4-0655-00 |
| INTERIOR LIGHTING | | |

| Item# | Part | Description | H 3 4 0 | V I P 4 0 | N O T E S |
|-------|--------|-------------------------------|------------------|-----------------------|-----------------------|
| 200 | 311800 | SCREEN, FLUORESCENT / 2" | AR | | |
| 200 | 311780 | SCREEN, FLUORESCENT / 3" | AR | | |
| 200 | 310696 | SCREEN, FLUORESCENT / 3 3/8" | AR | | |
| 200 | 311463 | SCREEN, FLUORESCENT / 3 7/8" | AR | | |
| 200 | 311300 | SCREEN, FLUORESCENT / 4 3/4" | AR | | |
| 200 | 311298 | SCREEN, FLUORESCENT / 4 7/8" | AR | | |
| 200 | 310814 | SCREEN, FLUORESCENT / 5 1/2" | AR | | |
| 200 | 311442 | SCREEN, FLUORESCENT / 6 1/8" | AR | | |
| 200 | 310705 | SCREEN, FLUORESCENT / 6 5/8" | AR | | |
| 200 | 310819 | SCREEN, FLUORESCENT / 6 3/4" | AR | | |
| 200 | 310695 | SCREEN, FLUORESCENT / 7 3/8" | AR | | |
| 200 | 311110 | SCREEN, FLUORESCENT / 8" | AR | | |
| 200 | 310697 | SCREEN, FLUORESCENT / 8 3/4" | AR | | |
| 200 | 311786 | SCREEN, FLUORESCENT / 9 5/8" | AR | | |
| 200 | 311892 | SCREEN, FLUORESCENT / 9 1/4" | AR | | |
| 200 | 310684 | SCREEN, FLUORESCENT / 10" | AR | | |
| 200 | 310698 | SCREEN, FLUORESCENT / 11 3/8" | AR | | |
| 200 | 311307 | SCREEN, FLUORESCENT / 11 5/8" | AR | | |
| 200 | 310939 | SCREEN, FLUORESCENT / 12" | AR | | |
| 200 | 311292 | SCREEN, FLUORESCENT / 12 3/8" | AR | | |
| 200 | 310699 | SCREEN, FLUORESCENT / 13" | AR | | |
| 200 | 311306 | SCREEN, FLUORESCENT / 13 1/4" | AR | | |
| 200 | 311335 | SCREEN, FLUORESCENT / 13 5/8" | AR | | |
| 200 | 310940 | SCREEN, FLUORESCENT / 13 7/8" | AR | | |
| 200 | 311469 | SCREEN, FLUORESCENT / 14 3/8" | AR | | |
| 200 | 310694 | SCREEN, FLUORESCENT / 15" | AR | | |
| 200 | 311312 | SCREEN, FLUORESCENT / 15 1/4" | AR | | |
| 200 | 310848 | SCREEN, FLUORESCENT / 15 1/2" | AR | | |
| 200 | 311781 | SCREEN, FLUORESCENT / 15 3/4" | AR | | |
| 200 | 311308 | SCREEN, FLUORESCENT / 16 1/8" | AR | | |
| 200 | 311782 | SCREEN, FLUORESCENT / 16 3/8" | AR | | |
| 200 | 311441 | SCREEN, FLUORESCENT / 16 3/4" | AR | | |
| 200 | 311040 | SCREEN, FLUORESCENT / 17 1/2" | AR | | |
| 200 | 311299 | SCREEN, FLUORESCENT / 17 3/4" | AR | | |
| 200 | 310702 | SCREEN, FLUORESCENT / 18 1/8" | AR | | |
| 200 | 311423 | SCREEN, FLUORESCENT / 18 1/4" | AR | | |
| 200 | 311106 | SCREEN, FLUORESCENT / 18 1/2" | AR | | |
| 200 | 311439 | SCREEN, FLUORESCENT / 18 3/4" | AR | | |
| 200 | 311354 | SCREEN, FLUORESCENT / 18 7/8" | AR | | |
| 200 | 311337 | SCREEN, FLUORESCENT / 19" | AR | | |
| 200 | 311168 | SCREEN, FLUORESCENT / 19 1/2" | AR | | |
| 200 | 311109 | SCREEN, FLUORESCENT / 20 1/8" | AR | | |

| | | |
|--------------------------|--------------|-----------------|
| From L-031 To R-079 | Date:10/2022 | PAGE:H4-0655-00 |
| INTERIOR LIGHTING | | |

| Item# | Part | Description | H 3 4 0 | V I P 4 0 | N O T E S |
|-------|--------|-------------------------------|------------------|-----------------------|-----------------------|
| 200 | 311448 | SCREEN, FLUORESCENT / 20 1/4" | AR | | |
| 200 | 311447 | SCREEN, FLUORESCENT / 20 5/8" | AR | | |
| 200 | 311023 | SCREEN, FLUORESCENT / 20 3/4" | AR | | |
| 200 | 311446 | SCREEN, FLUORESCENT / 20 7/8" | AR | | |
| 200 | 311449 | SCREEN, FLUORESCENT / 21 1/8" | AR | | |
| 200 | 311314 | SCREEN, FLUORESCENT / 21 1/4" | AR | | |
| 200 | 310700 | SCREEN, FLUORESCENT / 21 3/8" | AR | | |
| 200 | 310701 | SCREEN, FLUORESCENT / 21 5/8" | AR | | |
| 200 | 310689 | SCREEN, FLUORESCENT / 22" | AR | | |
| 200 | 311290 | SCREEN, FLUORESCENT / 22 1/2" | AR | | |
| 200 | 310693 | SCREEN, FLUORESCENT / 23" | AR | | |
| 200 | 311304 | SCREEN, FLUORESCENT / 22 7/8" | AR | | |
| 200 | 310693 | SCREEN, FLUORESCENT / 23" | AR | | |
| 200 | 311643 | SCREEN, FLUORESCENT / 23 1/4" | AR | | |
| 200 | 311108 | SCREEN, FLUORESCENT / 23 1/2" | AR | | |
| 200 | 311440 | SCREEN, FLUORESCENT / 23 7/8" | AR | | |
| 200 | 310692 | SCREEN, FLUORESCENT / 24" | AR | | |
| 200 | 311783 | SCREEN, FLUORESCENT / 24 1/4" | AR | | |
| 200 | 310813 | SCREEN, FLUORESCENT / 24 1/2" | AR | | |
| 200 | 311444 | SCREEN, FLUORESCENT / 24 5/8" | AR | | |
| 200 | 311338 | SCREEN, FLUORESCENT / 24 3/4" | AR | | |
| 200 | 311445 | SCREEN, FLUORESCENT / 25 1/8" | AR | | |
| 200 | 311467 | SCREEN, FLUORESCENT / 25 1/4" | AR | | |
| 200 | 310685 | SCREEN, FLUORESCENT / 25 1/2" | AR | | |
| 200 | 311156 | SCREEN, FLUORESCENT / 25 3/4" | AR | | |
| 200 | 310686 | SCREEN, FLUORESCENT / 26" | AR | | |
| 200 | 311341 | SCREEN, FLUORESCENT / 26 1/8" | AR | | |
| 200 | 311468 | SCREEN, FLUORESCENT / 26 3/8" | AR | | |
| 200 | 310787 | SCREEN, FLUORESCENT / 26 1/2" | AR | | |
| 200 | 311025 | SCREEN, FLUORESCENT / 27" | AR | | |
| 200 | 311309 | SCREEN, FLUORESCENT / 27 1/4" | AR | | |
| 200 | 311311 | SCREEN, FLUORESCENT / 27 1/2" | AR | | |
| 200 | 311024 | SCREEN, FLUORESCENT / 27 3/4" | AR | | |
| 200 | 310704 | SCREEN, FLUORESCENT / 27 7/8" | AR | | |
| 200 | 310825 | SCREEN, FLUORESCENT / 28 1/8" | AR | | |
| 200 | 311339 | SCREEN, FLUORESCENT / 28 1/2" | AR | | |
| 200 | 310788 | SCREEN, FLUORESCENT / 28 3/4" | AR | | |
| 200 | 310703 | SCREEN, FLUORESCENT / 28 7/8" | AR | | |
| 200 | 310687 | SCREEN, FLUORESCENT / 29 1/4" | AR | | |
| 200 | 311443 | SCREEN, FLUORESCENT / 29 1/2" | AR | | |
| 200 | 311107 | SCREEN, FLUORESCENT / 29 3/4" | AR | | |
| 200 | 310817 | SCREEN, FLUORESCENT / 30 1/4" | AR | | |

| | | |
|--------------------------|--------------|-----------------|
| From L-031 To R-079 | Date:10/2022 | PAGE:H4-0655-00 |
| INTERIOR LIGHTING | | |

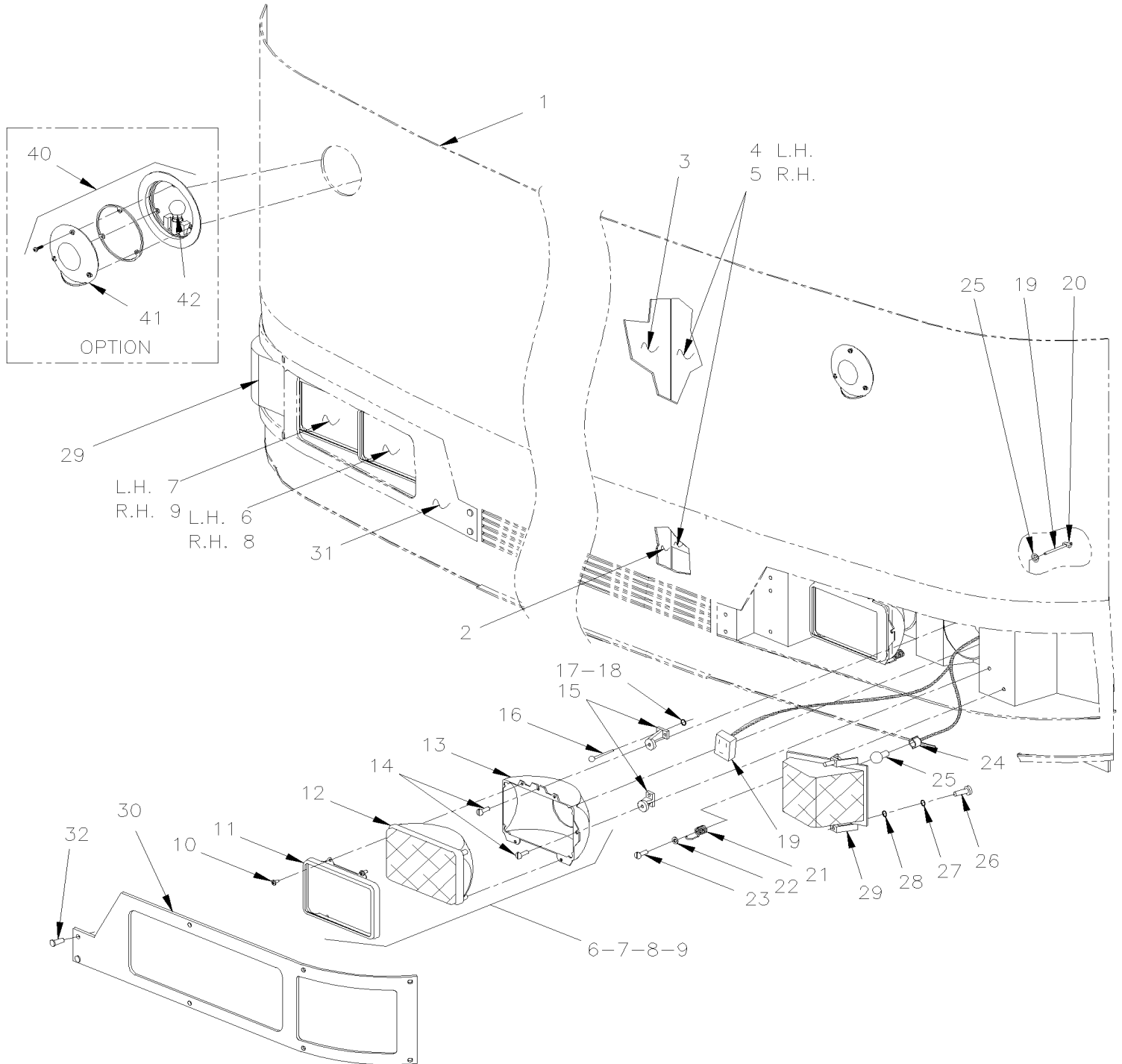
| Item# | Part | Description | H 3 4 0 | V I P 4 0 | N O T E S |
|-------|----------|--|------------------|-----------------------|-----------------------|
| 200 | 311328 | SCREEN, FLUORESCENT / 30 3/4" | AR | | |
| 200 | 311644 | SCREEN, FLUORESCENT / 31" | AR | | |
| 200 | 310818 | SCREEN, FLUORESCENT / 31 3/4" | AR | | |
| 200 | 310826 | SCREEN, FLUORESCENT / 32 1/4" | AR | | |
| 200 | 310816 | SCREEN, FLUORESCENT / 33 1/8" | AR | | |
| 200 | 311989 | SCREEN, FLUORESCENT / 35 1/8" | AR | | |
| 200 | 311327 | SCREEN, FLUORESCENT / 52" | AR | | |
| 200 | 311498 | SCREEN, FLUORESCENT / 59 7/8" | AR | | |
| 200 | 310919 | SCREEN, FLUORESCENT / 108 3/4" | AR | | |
| NS | 064810 | KIT RETRO LAVATORY NIGHT LIGHT | 1 | | |
| . NS | IS-98034 | . SEE INSTRUCTION SHEET | 1 | | |
| | | | | | |
| | | | | | |
| | | A) FOR PRODUCT IMPROVMENT FOR NIGHT LIGHT YOU REQUIRE ONE KIT 064810 | | | |
| | | D) PRODUCTION | | | |
| | | S) FOR SERVICE THIS MODEL IT SUPPERSEDED BY LAMP ASSY # 330302 AS SHOW AT ITEM # 130 | | | |
| | | 4) NO PARTS NUMBER | | | |

From L-031 To R-079

Date:10/2022

PAGE:H4-0660-00

HEADLAMP & FRONT DIRECTIONAL LAMPS



| | | |
|---|--------------|-----------------|
| From L-031 To R-079 | Date:10/2022 | PAGE:H4-0660-00 |
| HEADLAMP & FRONT DIRECTIONAL LAMPS | | |

| Item# | Part | Description | H 3 4 0 | V I P 4 0 | N O T E S |
|-------|---------|---|------------------|-----------------------|-----------------------|
| | 472150P | PANEL ASSY R.H. / W/LIGHT | 1 | 1 | |
| | 472151P | PANEL ASSY L.H. / W/LIGHT | 1 | 1 | |
| 1 | 472559 | . PANEL R.H. | 1 | 1 | |
| 1 | 472560 | . PANEL L.H. | 1 | 1 | |
| 2 | 350449 | . INSULATING PAD | 1 | 1 | |
| 3 | 350448 | . INSULATING PAD | 1 | 1 | |
| 4 | 350102 | . INSULATING PAD | 1 | 1 | |
| 5 | 350102 | . INSULATING PAD | 1 | 1 | |
| NS | 680397 | . CONTACT GLUE / AEROSOL 17oz | 1 | 1 | |
| 6 | 930231 | . HEADLAMP ASSY, L.H. / HIGH BEAM | 1 | 1 | |
| 6 | 930324 | . HEADLAMP ASSY, L.H. / HIGH BEAM | 1 | 1 | |
| 7 | 930232 | . HEADLAMP ASSY, L.H. / LOW BEAM | 1 | 1 | |
| 7 | 930325 | . HEADLAMP ASSY, L.H. / LOW BEAM | 1 | 1 | |
| 8 | 930233 | . HEADLAMP ASSY, R.H. / HIGH BEAM | 1 | 1 | |
| 8 | 930326 | . HEADLAMP ASSY, R.H. / HIGH BEAM | 1 | 1 | |
| 9 | 930234 | . HEADLAMP ASSY, R.H. / LOW BEAM | 1 | 1 | |
| 9 | 930327 | . HEADLAMP ASSY, R.H. / LOW BEAM | 1 | 1 | |
| 10 | N.S.S. | . . SCREW | 4 | 4 | 1 |
| 11 | N.S.S. | . . RING MOUNTING | 1 | 1 | 1 |
| 12 | 561198 | . . SEAL BEAM / HI / 50W-12V / SAE# H4651 | 2 | 2 | |
| 12 | 562690 | . . SEAL BEAM / HI / 50W-12V / SAE# H5051 | 2 | 2 | |
| 12 | 561199 | . . SEAL BEAM / HI-LO / 35/35W-12V / SAE# H4656 | 2 | 2 | |
| 12 | 562689 | . . SEAL BEAM / HI-LO / 40/55W-12V / SAE# H5062 | 2 | 2 | |
| 13 | N.S.S. | . . BACK MOUNTING LAMP | 1 | 1 | 1 |
| 14 | 930218 | . SCREW, ADJUSTING | 8 | 8 | |
| 14 | 680343 | . GREASE CLEAR SPRAY BOTTLE 283GR | 1 | 1 | |
| 15 | 930217 | . BRACKET, MOUNTING / ADJUSTING SCREW | 8 | 8 | |
| 16 | 504339 | . RIVET POP DOME OE 1/8x3/8 SS | 16 | 16 | |
| 16 | 504643 | . RIVET POP DOME OE 1/8x1/2 SS | 16 | 16 | |
| 17 | 500437 | . WASHER FL .125x.375x.040 Z050 | 16 | 16 | |
| 18 | 680532 | . SEALANT SIKA #221 / GREY / 310ml CARTRIDGE | 1 | 1 | |
| 19 | 061115 | . HARNESS ASSY / W/3 TERMINAL | 2 | 2 | |
| 19 | 930220 | . . SOCKET ASSY / SEALBEAM | 1 | 1 | |
| 20 | 561031 | . MALE BLADE TERMINAL / 16-14 / PED 2971962 | 3 | 3 | |
| 21 | 930219 | . SPRING EXTENSION / .510 O.D. x 1.261 x .063 | 4 | 4 | |
| 22 | 500438 | . WASHER FL .187x.437x.050 Z050 | 4 | 4 | |
| 23 | 500630 | . SCREW TP OV PH #10x1 Z050 | 4 | 4 | |
| 24 | 062274 | . SOCKET ASSY | 2 | 2 | |
| 25 | 561899 | . BULB / AMBRE 32/6WATT-12VOLTS / SAE# 1157NA | 2 | 2 | |
| 26 | 502735 | . SCREW MA BDG PH #10-32x1 SS BK | 4 | 4 | |
| 27 | 500470 | . WASHER LO SPT .193x.334x.047 Z050 | 4 | 4 | |
| 28 | 502712 | . WASHER FL .194x.375x.375 NYL | 4 | 4 | |

| | | |
|---|--------------|-----------------|
| From L-031 To R-079 | Date:10/2022 | PAGE:H4-0660-00 |
| HEADLAMP & FRONT DIRECTIONAL LAMPS | | |

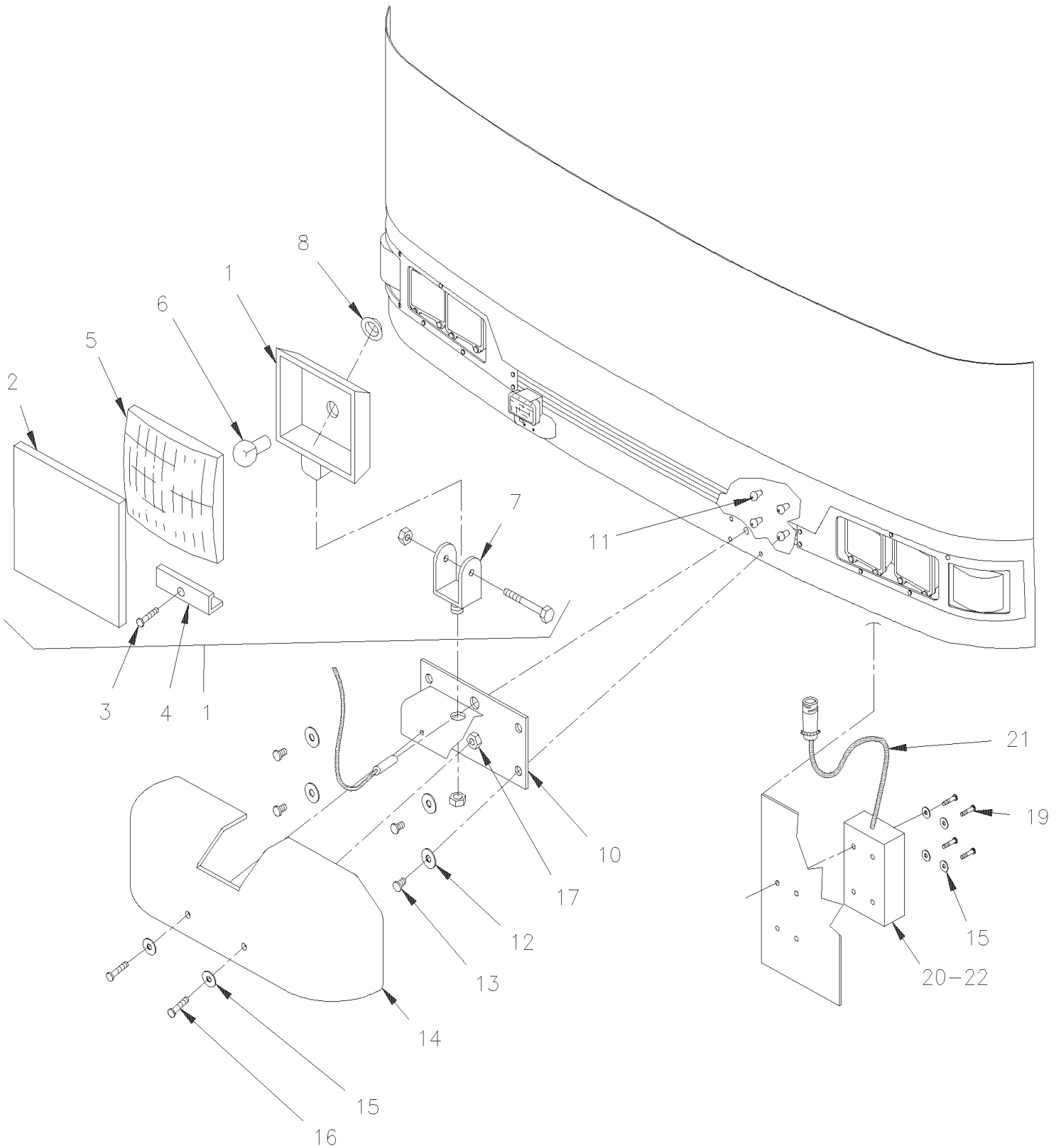
| Item# | Part | Description | H 3 4 0 | V I P 4 0 | N O T E S |
|-------|---------|---|------------------|-----------------------|-----------------------|
| 29 | 930260 | . LAMP ASSY, L.H. | 1 | 1 | |
| 29 | 0912461 | . LAMP ASSY, L.H. | 1 | 1 | |
| 29 | 930261 | . LAMP ASSY, R.H. | 1 | 1 | |
| 29 | 0912462 | . LAMP ASSY, R.H. | 1 | 1 | |
| 30 | 430339 | HEADLAMP BEZEL, L.H. | 1 | 1 | |
| 31 | 430340 | HEADLAMP BEZEL, R.H. | 1 | 1 | |
| 32 | 502761 | SCREW TP BDG PH #10x3/4 SS BK | 20 | 20 | |
| 40 | 430199 | LAMP ASSY FRONT DIRECTIONAL | 2 | | G |
| 40 | 930198 | . LAMP ASSY AMBER 4" | 1 | | G |
| 41 | 930196 | . LENS, AMBER 4" | 1 | | G |
| 42 | 560589 | . BULB / 32WATT-12VOLTS / SAE# 1156 | 1 | | G |
| NS | 561111 | . CONNECTOR / SURE-SEAL / FEMALE HOUSING 3C / ITT CANNON 120-1805-000 | 2 | | G |
| NS | 561024 | . SOCKET TERMINAL / 18-14 / ITT CANNON 031-1267-001 | 2 | | |
| | | | | | |
| | | | | | |
| | | G) "OPTION GREYHOUND" | | | |
| | | 1) NOT SOLD SEPARATELY | | | |

From L-031 To R-079

Date:10/2022

PAGE:H4-0661-00

FOG LAMP



| | | |
|---------------------|--------------|-----------------|
| From L-031 To R-079 | Date:10/2022 | PAGE:H4-0661-00 |
| FOG LAMP | | |

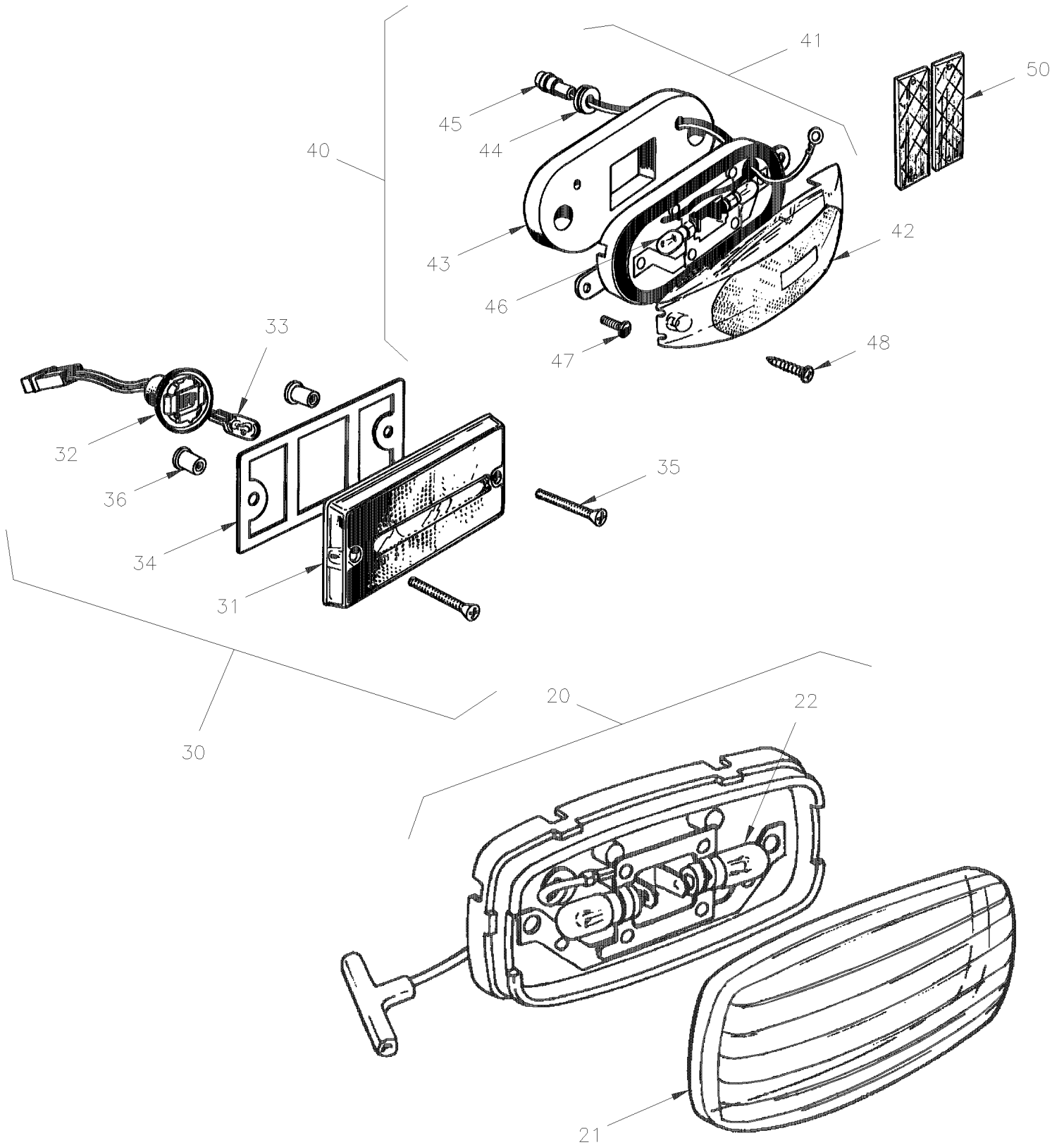
| Item# | Part | Description | H 3 4 0 | V I P 4 0 | N O T E S |
|-------|--------|---|------------------|-----------------------|-----------------------|
| 1 | 430369 | FOG LAMP 12 V / "BOSCH" TOURING 170 / W/CONECTOR "ITT" | 2 | 2 | |
| 1 | 430706 | . FOG LAMP 12 V / "BOSCH" COMPACT 100 / W/CONECTOR "DEUTSCH" | 1 | 1 | |
| 1 | 430327 | . . FOG LAMP 12 V / "BOSCH" TOURING 170 | 1 | 1 | |
| 2 | 930246 | . . . COVER FOG / "BOSH" TOURING | 1 | 1 | |
| 3 | 930243 | . . . SCREW | 1 | 1 | |
| 4 | 930242 | . . . RETAINER | 1 | 1 | |
| 5 | 930241 | . . . LAMP UNIT / FOG | 1 | 1 | |
| 6 | 561882 | . . . BULB / 55WATT-12VOLTS / SAE# H3 / 64151 | 1 | 1 | |
| 7 | 930244 | . . . BRACKET KIT | 1 | 1 | |
| 8 | 561814 | . GROMMET / ITT CANNON 351-1640-000 | 1 | 1 | |
| NS | 561812 | . CONNECTOR / SURE-SEAL / MALE HOUSING 2C / ITT CANNON 120-1807-000 | 1 | 1 | |
| NS | 561023 | . PIN TERMINAL / 18-14 / ITT CANNON 030-2196-001 | 1 | 1 | |
| NS | 561024 | . . SOCKET TERMINAL / 18-14 / ITT CANNON 031-1267-001 | 1 | 1 | |
| 10 | 430337 | SUPPORT ASSY | 2 | 2 | |
| 10 | 430364 | SUPPORT | | 2 | |
| 11 | 502702 | NUT WELL 1/4-20x.630 | 8 | 8 | |
| 12 | 500035 | WASHER LO SPT .317x.586x.078 SS | 8 | 8 | |
| 13 | 500558 | SCREW MA TR PH 1/4-20x1 SS | 8 | 8 | |
| 14 | 430321 | CAP COVER | 2 | 2 | |
| 15 | 500022 | WASHER LO INT .168x.340x.023 Z050 | 8 | 8 | |
| 16 | 500873 | SCREW MA RND PH #8-32x3/4 SS BK | 4 | 4 | |
| 17 | 500678 | NUT WELL #8-32x.450 | 4 | 4 | |
| 19 | 500657 | SCREW TC TR PH #10-24x1/2 Z050 | 4 | 4 | |
| 20 | 380921 | JUNCTION BOX / FOG LAMP To L-065 | 1 | 1 | |
| 20 | 381318 | JUNCTION BOX / FOG LAMP From L-066 | 1 | 1 | |
| 21 | 062256 | CABLE ASSY | 1 | 1 | |
| NS | 380931 | . SUPPORT | 1 | 1 | |
| NS | 061976 | . RESISTOR ASSY 1 OHM 10 W | 2 | 2 | |
| NS | 380923 | . INSULATOR | 2 | 2 | |
| 22 | 680532 | SEALANT SIKA #221 / GREY / 310ml CARTRIDGE | 1 | 1 | |
| | | | | | |
| | | | | | |
| | | | | | |

From L-031 To R-079

Date:10/2022

PAGE:H4-0662-00

CLEARANCE & MARKER LIGHT

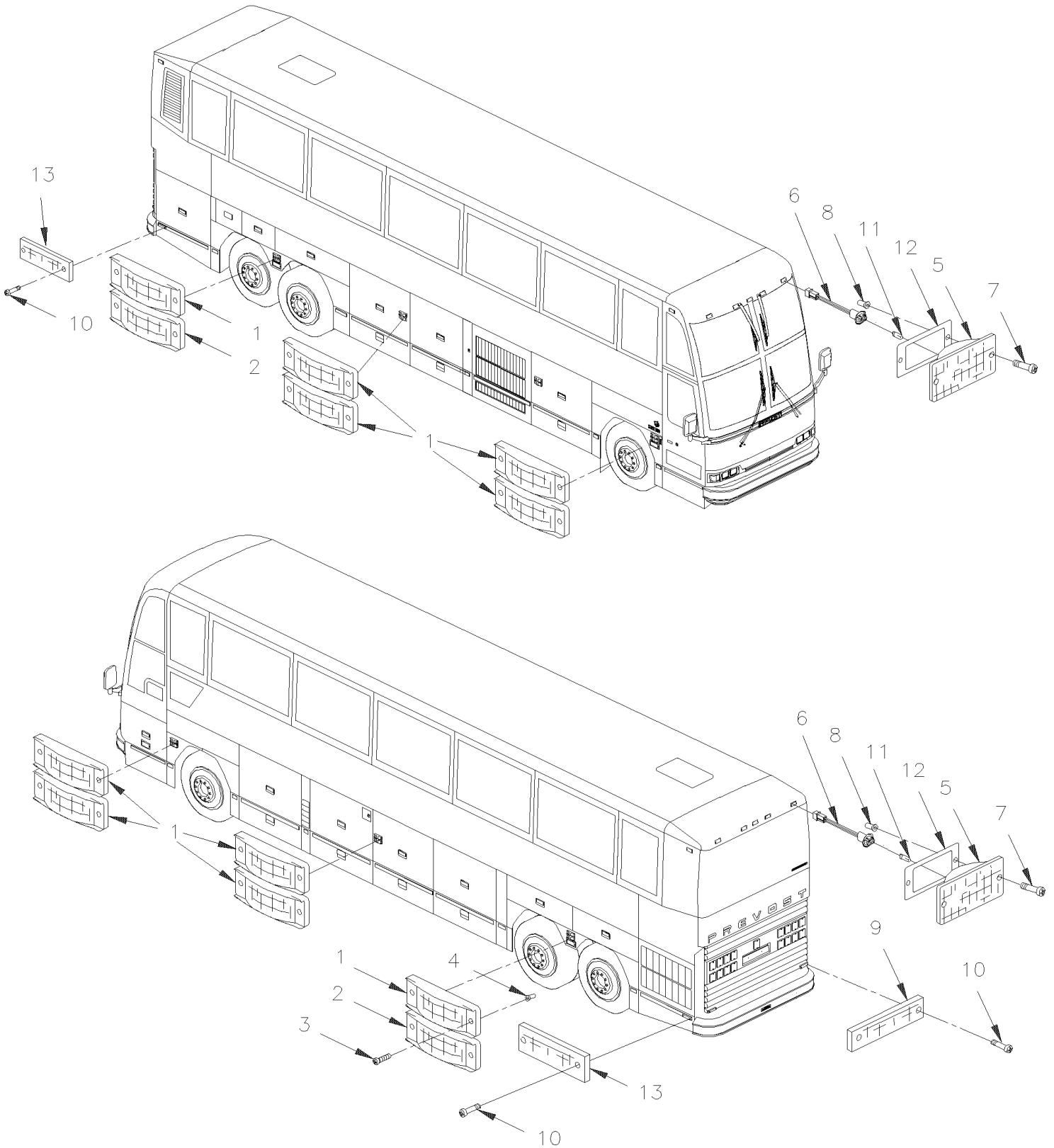


From L-031 To R-079

Date:10/2022

PAGE:H4-0662-00

CLEARANCE & MARKER LIGHT



| | | |
|-------------------------------------|--------------|-----------------|
| From L-031 To R-079 | Date:10/2022 | PAGE:H4-0662-00 |
| CLEARANCE & MARKER LIGHT | | |

| Item# | Part | Description | H 3 4 0 | V I P 4 0 | N O T E S |
|-------|---------|---|------------------|-----------------------|-----------------------|
| 1 | 930301 | SIDE MARKER ASSY / AMBER / SEALED From M-068 | 10 | 10 | |
| 1 | 930341 | SIDE MARKER ASSY / AMBER / W/2 LED | AR | AR | D |
| 2 | 930304 | SIDE MARKER ASSY / RED / SEALED From N-188 | 2 | 2 | |
| 2 | 930340 | SIDE MARKER ASSY / RED / W/2 LED | AR | AR | D |
| 2 | 062939 | CABLE ASSY / HARNESS & SIDE MARKER To P-306 | AR | AR | |
| NS | 562155 | CONNECTOR ASSY SEALED 2C / GROTE 6618-G8 From P-307 | AR | AR | C |
| 3 | 5001096 | SCREW MA RND PH #10-32x1 1/4 SS BK | 24 | 24 | |
| 4 | 502774 | NUT WELL #10-32x.625 | 24 | 24 | |
| 5 | 930306 | LENS / RED From P-308 | 7 | 7 | |
| 5 | 930321 | LENS / RED | 7 | 7 | |
| 5 | 930339 | LAMP ID & CLEAR -LED RED / 6 LEDS | 1 | 1 | D |
| 5 | 930418 | LAMP ID & CLEAR -LED RED / 3 LEDS | | | D |
| 5 | 930307 | LENS / AMBER From P-308 | 7 | 7 | |
| 5 | 930322 | LENS / AMBER | 7 | 7 | |
| 5 | 930338 | LAMP ID & CLEAR -LED AMBER / 6 LEDS | 1 | 1 | D |
| 5 | 930417 | LAMP ID & CLEAR -LED AMBER / 3 LEDS | 1 | 1 | D |
| 6 | 063343 | SOCKET ASSY W/CONNECTOR & BULB / W2.1x9.Dd | 7 | 7 | |
| . NS | 562295 | . SOCKET BULB / PLASTIC W/WIRE / W2.1x9.5d | 1 | 1 | |
| . NS | 562059 | . BULB / 2WATT-12VOLTS / SAE# 194 | 1 | 1 | |
| . NS | 560900 | . CONNECTOR / COM. MATE-N-LOCK / PH 2C / AMP 1-480319-0 | 1 | 1 | |
| . NS | 560901 | . PIN TERMINAL / 20-14 / AMP 60620-1 | 1 | 1 | |
| NS | 562295 | . SOCKET BULB / PLASTIC W/WIRE / W2.1x9.5d | 1 | 1 | |
| NS | 562059 | . BULB / 2WATT-12VOLTS / SAE# 194 | 1 | 1 | |
| NS | 560900 | . CONNECTOR / COM. MATE-N-LOCK / PH 2C / AMP 1-480319-0 | 1 | 1 | |
| NS | 560901 | . PIN TERMINAL / 20-14 / AMP 60620-1 | 2 | 2 | |
| 6 | 062201 | CABLE HARNESS / CLEARANCE LIGHT FRONT From L-031 To N-196 | 1 | 1 | |
| 6 | 063184 | CABLE ASSY / ROOF From N-197 | 1 | 1 | |
| 6 | 062482 | CABLE HARNESS / ENGINE ACC. TO ROOF LIGHT | 1 | 1 | |
| 7 | 5001172 | SCREW MA OV PH M4-0.7x30 SS | 14 | 14 | |
| 8 | 5001055 | NUT WELL M4-0.7x14.5 | 14 | 14 | |
| 9 | 930302 | REFLECTOR RED 40MM x 180MM | 2 | 2 | |
| 10 | 5001087 | SCREW TP BDG PH #10x1/2 SS | 8 | 8 | |
| 11 | 562059 | BULB / 2WATT-12VOLTS / SAE# 194 | AR | AR | |
| 12 | 430438 | SEAL LAMP GREY 1/4" THICK | 14 | 14 | |
| 12 | 930323 | SEAL LAMP BLACK 1/4" THICK | 14 | 14 | |
| 13 | 930302 | REFLECTOR RED 40MM x 180MM | 2 | 2 | |
| | | CLEARANCE LIGHT To L-043 | | | |
| 20 | 430319 | LAMP ASSY, AMBER To L-043 | 7 | 7 | |
| 20 | 430318 | LAMP ASSY, RED To L-043 | 7 | 7 | |
| 21 | 930258 | . LENS, AMBER To L-043 | 1 | 1 | |

| | | |
|-------------------------------------|--------------|-----------------|
| From L-031 To R-079 | Date:10/2022 | PAGE:H4-0662-00 |
| CLEARANCE & MARKER LIGHT | | |

| Item# | Part | Description | H 3 4 0 | V I P 4 0 | N O T E S |
|-------|----------|--|------------------|-----------------------|-----------------------|
| 21 | 930259 | . LENS, RED To L-043 | 1 | 1 | |
| 22 | 562059 | . . BULB / 2WATT-12VOLTS / SAE# 194 To L-043 | 1 | 1 | |
| 22 | 472117 | GASKET To L-043 | 1 | 1 | |
| 22 | 560900 | CONNECTOR / COM. MATE-N-LOCK / PH 2C / AMP 1-480319-0 To L-043 | 1 | 1 | |
| 22 | 560901 | PIN TERMINAL / 20-14 / AMP 60620-1 To L-043 | 2 | 2 | |
| 22 | 560815 | RING TERMINAL #10 / 22-18 / INSULATED / AMP 42037-2 To L-043 | 1 | 1 | |
| | | CLEARANCE LIGHT From L-044 To P-307 | | | |
| 30 | 430362 | LAMP ASSY 12 V / AMBER / W/CONNECTOR From L-044 To P-307 | 7 | 7 | A |
| 30 | 430359 | LAMP ASSY 12 V / RED / W/CONNECTOR From L-044 To P-307 | 7 | 7 | A |
| 31 | 930280 | . LENS / AMBER From L-044 To P-307 | 1 | 1 | |
| 31 | 930279 | . LENS/ RED From L-044 To P-307 | 1 | 1 | |
| 32 | 063343 | . SOCKET ASSY W/CONNECTOR & BULB / W2.1x9.Dd From L-044 To P-307 | 1 | 1 | |
| . NS | 562295 | . . SOCKET BULB / PLASTIC W/WIRE / W2.1x9.5d From L-044 To P-307 | 1 | 1 | |
| . NS | 562059 | . . BULB / 2WATT-12VOLTS / SAE# 194 From L-044 To P-307 | 1 | 1 | |
| . NS | 560900 | . . CONNECTOR / COM. MATE-N-LOCK / PH 2C / AMP 1-480319-0 From L-044 To P-307 | 1 | 1 | |
| . NS | 560901 | . . PIN TERMINAL / 20-14 / AMP 60620-1 From L-044 To P-307 | 1 | 1 | |
| 33 | 562059 | . . BULB / 2WATT-12VOLTS / SAE# 194 From L-044 To P-307 | 1 | 1 | |
| 34 | 430361 | GASKET From L-044 To P-307 | 7 | 7 | |
| | | SIDE MARKER LIGHT From L-031 To M-067 | | | |
| 40 | 430324 | LAMP ASSY, AMBER From L-031 To M-067 | 6 | 6 | B |
| 41 | 930257 | . LAMP, AMBER From L-031 To M-067 | 1 | 1 | |
| 42 | 930277 | . LENS, AMBER From L-031 To M-067 | 1 | 1 | |
| 42 | 930305 | . LENS, RED From L-031 To M-067 | AR | AR | |
| 43 | 472117 | . GASKET From L-031 To M-067 | 1 | 1 | |
| 44 | 504496 | . GROMMET 2 HOLESx.062x.625x.062x.312x.875x.031 x.375 From L-031 To M-067 | 1 | 1 | |
| 45 | 561812 | . CONNECTOR / SURE-SEAL / MALE HOUSING 2C / ITT CANNON 120-1807-000 From L-031 To M-067 | 1 | 1 | |
| NS | 561023 | . PIN TERMINAL / 18-14 / ITT CANNON 030-2196-001 From L-031 To M-067 | 1 | 1 | |
| NS | 561024 | . SOCKET TERMINAL / 18-14 / ITT CANNON 031-1267-001 From L-031 To M-067 | 1 | 1 | |
| 46 | 562059 | BULB / 2WATT-12VOLTS / SAE# 194 From L-031 To M-067 | 2 | 2 | |
| 100 | 473842 | KIT, WATERPROOFING CLEARANCE & MARKER LIGHTS | AR | AR | |
| . NS | IS-98028 | . SEE INSTRUCTION SHEET | 1 | 1 | |
| NS | 430538 | KIT GASKET REPLACEMENT | 1 | 1 | |
| . NS | IS-99113 | . SEE INSTRUCTION SHEET | 1 | 1 | |
| | | A) THOSE LIGHT ARE OBSOLETE, TO REPLACE: 430439, 2X 430437, 063343, 930323, 930321, 930322 & 4X 504431 | | | |
| | | B) CABLE ASSY 062939 IS REQUIRE IF YOU WISHED TO INSTALL SEALED SIDE MARKER ASSY | | | |

| | | | |
|---------------------|--|--------------|-----------------|
| From L-031 To R-079 | | Date:10/2022 | PAGE:H4-0662-00 |
|---------------------|--|--------------|-----------------|

CLEARANCE & MARKER LIGHT

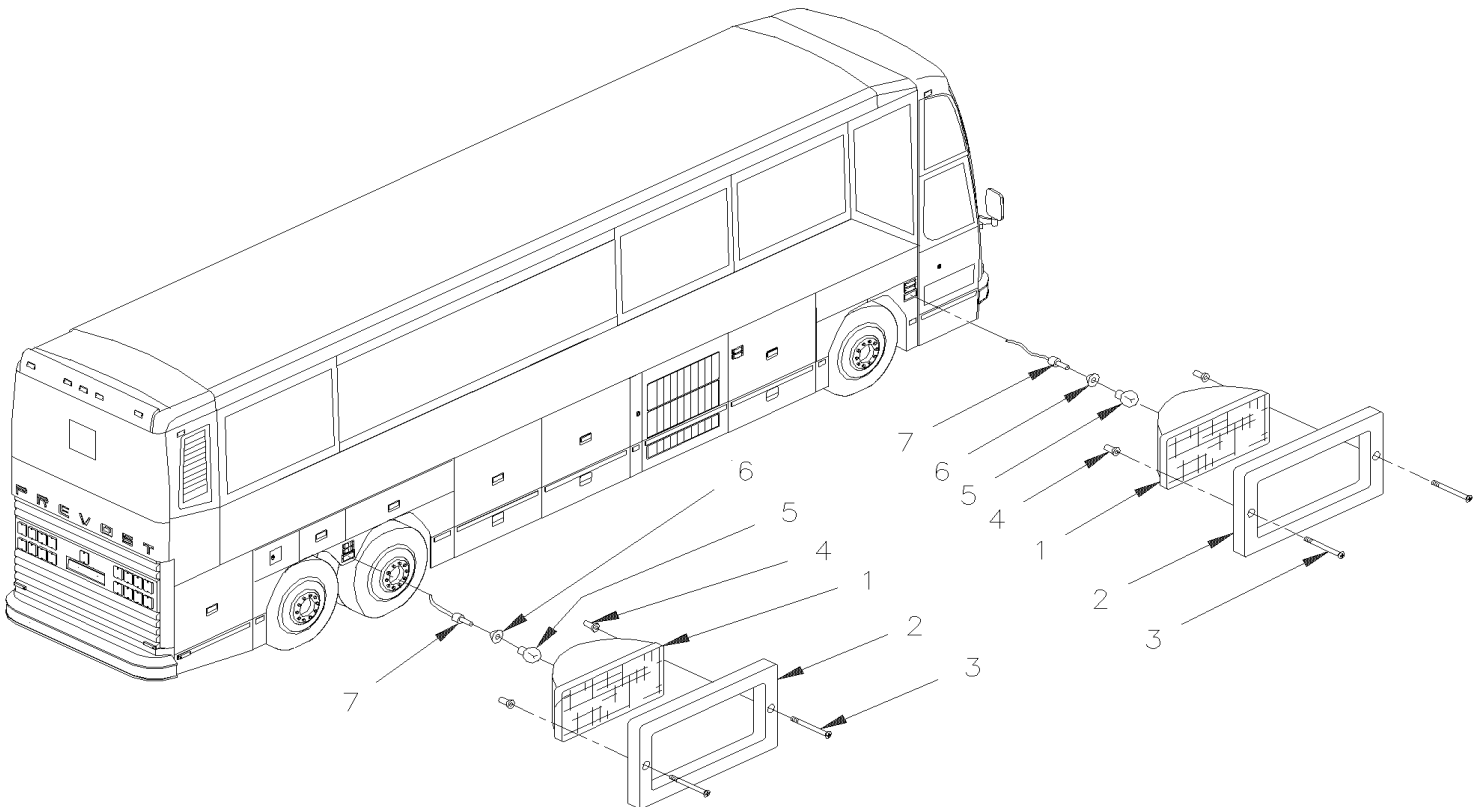
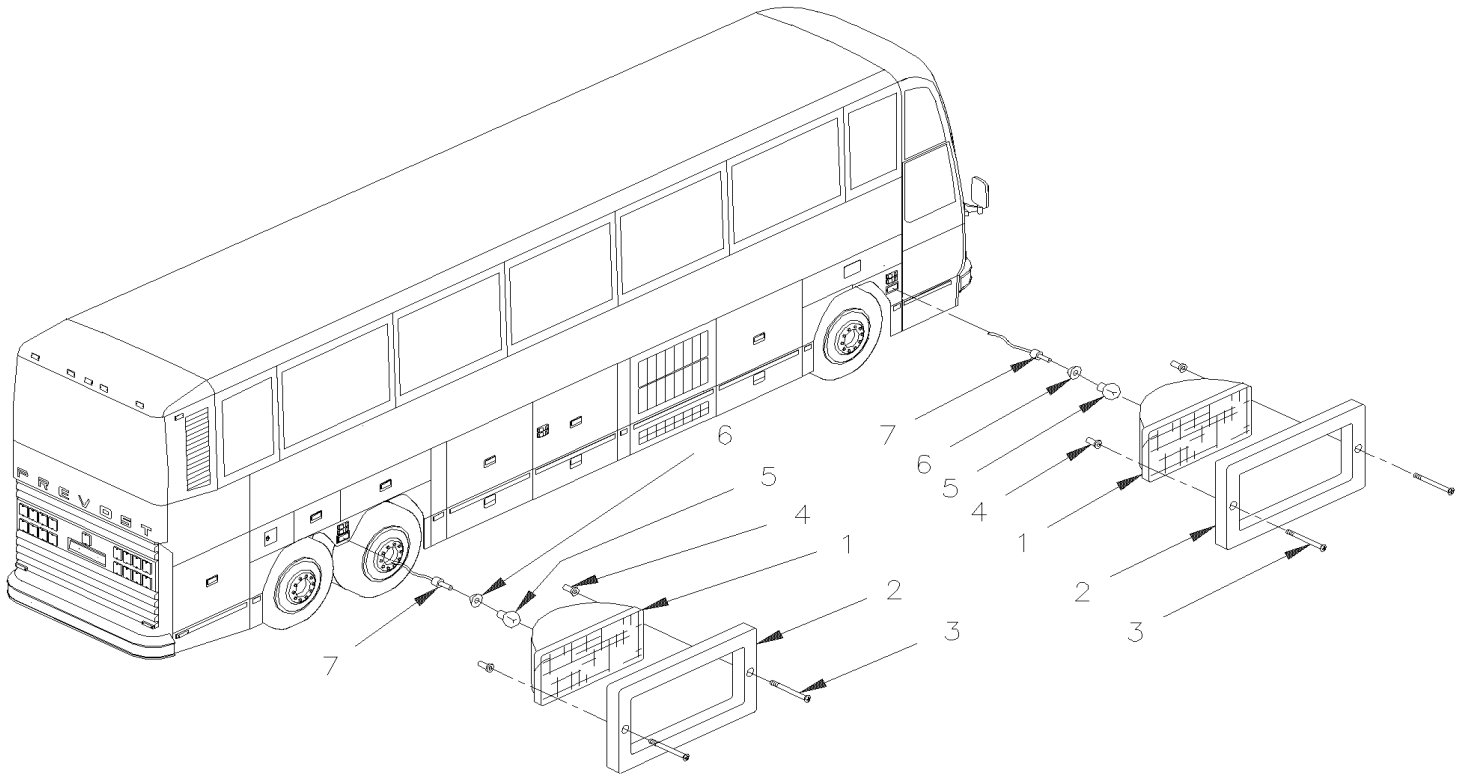
| Item# | Part | Description | H 3 4 0 | V I P 4 0 | N O T E S |
|-------|------|---|------------------|-----------------------|-----------------------|
| | | C) PART OF LAMP HARNESS | | | |
| | | D) SERVICE WITH LEDS AND RESPECT POLARITY | | | |

From L-031 To R-079

Date:10/2022

PAGE:H4-0663-00

DOCK & CORNERING LIGHT



| | | |
|---------------------|--------------|-----------------|
| From L-031 To R-079 | Date:10/2022 | PAGE:H4-0663-00 |
|---------------------|--------------|-----------------|

DOCK & CORNERING LIGHT

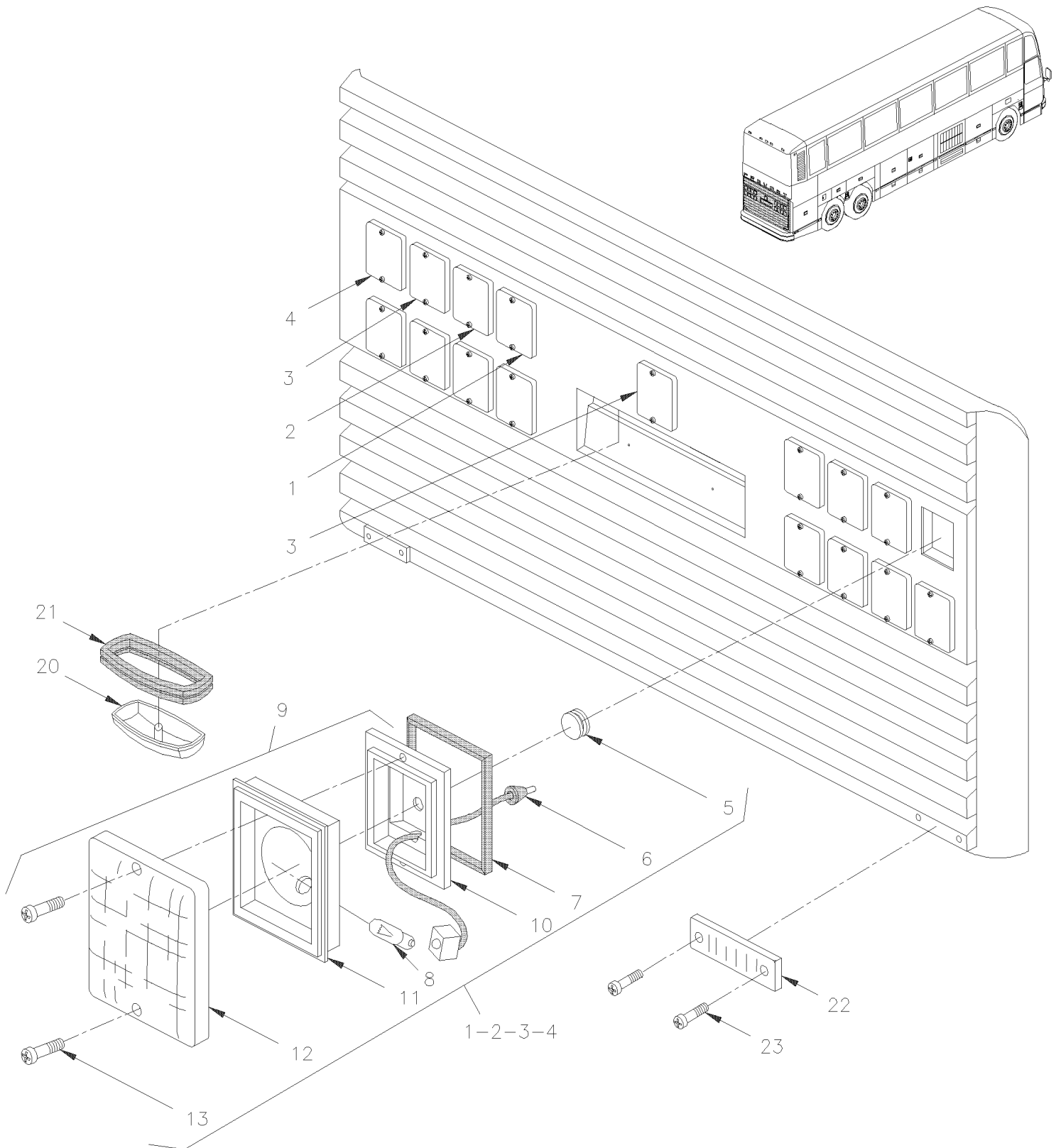
| Item# | Part | Description | H 3 4 0 | V I P 4 0 | N O T E S |
|-------|--------|--|------------------|-----------------------|-----------------------|
| 1 | 930235 | LAMP ASSY | 4 | 4 | |
| 2 | 490424 | BEZEL | 4 | 4 | |
| 3 | 502530 | SCREW MA OV PH M4-0.7x40 SS | 8 | 8 | |
| 4 | 500589 | NUT WELL M4-0.7x13.5 | 8 | 8 | |
| 5 | 561882 | BULB / 55WATT-12VOLTS / SAE# H3 / 64151 | 4 | 4 | |
| 6 | 504062 | GROMMET / .4375x.687x.125x.375x.937 | 4 | 4 | |
| NS | 506225 | TAPE RUB ADH1 CC POL 1/16" x 1/4" x 100' / GREY 2520 | AR | AR | |
| | | | | | |
| | | | | | |
| | | | | | |

From L-031 To R-079

Date:10/2022

PAGE:H4-0664-00

REAR EXTERIOR LIGHTS & PLATE HOLDER



| | | |
|--|--------------|-----------------|
| From L-031 To R-079 | Date:10/2022 | PAGE:H4-0664-00 |
| REAR EXTERIOR LIGHTS & PLATE HOLDER | | |

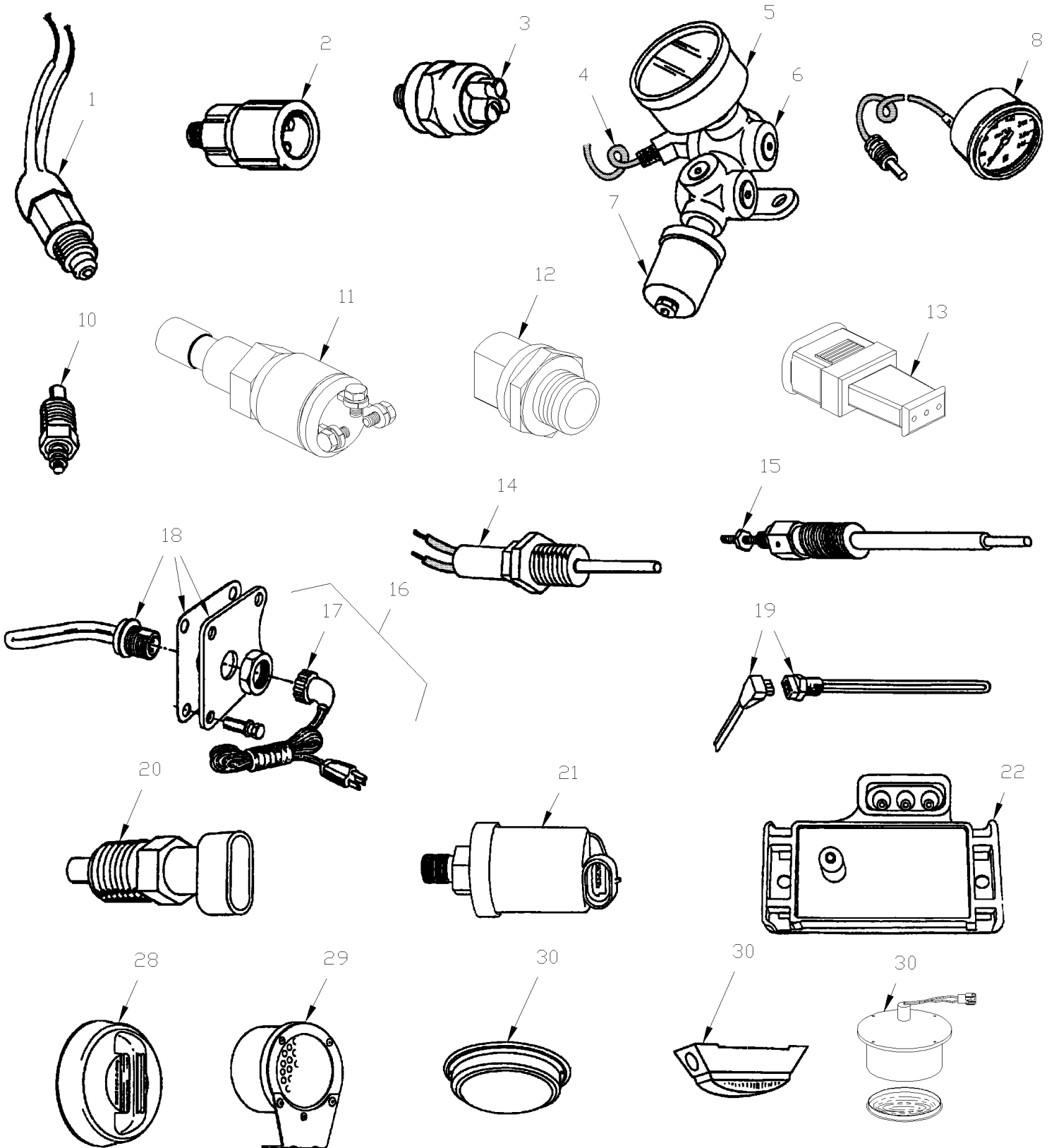
| Item# | Part | Description | H 3 4 0 | V I P 4 0 | N O T E S |
|-------|---------|--|------------------|-----------------------|-----------------------|
| 1 | 430353 | LAMP ASSY, BACK UP / W/CONNECTOR /CLEAR | 4 | 4 | |
| 2 | 430351 | LAMP ASSY, DIRECTIONAL /W/CONNECTOR /AMBER | 4 | 4 | A |
| 3 | 430350 | LAMP ASSY, STOP / W/CONNECTOR / RED | 5 | 5 | B |
| 4 | 430352 | LAMP ASSY, TAIL / W/CONNECTOR / RED | 4 | 4 | B |
| 5 | 504346 | . SNAP-IN PLUG / .500 O.D. | 1 | 1 | |
| 6 | 062602 | . CABLE ASSY | 1 | 1 | |
| 7 | 506465 | . TAPE RUB ADH1 CC NEO 1/8" x 1/4" x 60' / BLACK 1220 | 1 | 1 | |
| 8 | 561880 | . BULB / 21WATT-12VOLTS / SAE# 7506 | 1 | 1 | |
| 8 | 561881 | . BULB / 10WATT-12VOLTS / SAE# 5008 | 1 | 1 | |
| 9 | 561546 | . LAMP ASSY BACK UP | 1 | 1 | |
| 9 | 561547 | . LAMP ASSY STOP | 1 | 1 | B |
| 9 | 561548 | . LAMP ASSY TAIL | 1 | 1 | |
| 9 | 930363 | . LAMP ASSY RED "LED" / TAIL & STOP 12Volt / 20L | AR | AR | |
| 9 | 561549 | . LAMP ASSY DIRECTIONAL | 1 | 1 | A |
| 9 | 930362 | . LAMP ASSY AMBER "LED" / DIRECTIONAL 12Volt / 20L | AR | AR | |
| 10 | 930248 | . . HOUSING, SQUARE LAMP W/STUDS | 1 | 1 | |
| 11 | 930249 | . . REFLECTOR / WHITE | 1 | 1 | |
| 11 | 930250 | . . REFLECTOR / CHROMED | 1 | 1 | |
| 12 | 930251 | . . LENS / AMBER | 1 | 1 | |
| 12 | 930252 | . . LENS / CLEAR | 1 | 1 | |
| 12 | 930253 | . . LENS, SQUARE RED TAIL LAMP | 1 | 1 | |
| 12 | 930254 | . . LENS, SQUARE REAR STOP LAMP | 1 | 1 | |
| 13 | 502664 | . . SCREW TP PAN PH #8x1 SS EMN | 2 | 2 | |
| 20 | 930266 | SEAL BULB / 2WATT - 12VOLTS / TL-15206 | 2 | 2 | |
| NS | 930210 | CONNECTOR ASSY / TRUCK-LITE 94924 | 1 | 1 | C |
| 21 | 930208 | GROMMET RUBBER RETAINER / LICENCE LAMP TL 15700 | 2 | 2 | |
| 21 | 930408 | GROMMET RUBBER RETAINER / LICENCE LAMP TL 150702 SERVICE | 2 | 2 | |
| 22 | 930302 | REFLECTOR RED 40MM x 180MM | 2 | 2 | |
| 23 | 5001087 | SCREW TP BDG PH #10x1/2 SS | 4 | 4 | |
| NS | 930362 | LAMP ASSY AMBER "LED" / DIRECTIONAL 12Volt / 20L | 4 | 4 | |
| NS | 930358 | SEAL LEDS / LEDS - 12VOLTS | 4 | 4 | |
| NS | 065528 | INTERFACE CABLE ASSY / W/LED FLASHER | 4 | 4 | D |
| NS | 065529 | INTERFACE CABLE ASSY / W/LED STOP | 5 | 5 | D |
| NS | 065530 | INTERFACE CABLE ASSY / W/LED TAIL | 4 | 4 | D |
| NS | 930363 | LAMP ASSY RED "LED" / TAIL & STOP 12Volt / 20L | 9 | 9 | D |
| | | | | | |
| | | | | | |
| | | | | | |
| | | | | | |
| | | A) TO REPLACE BY "LED" MODEL ASK FOR #930362 | | | |
| | | B) TO REPLACE BY "LED" MODEL ASK FOR #930363 | | | |
| | | C) PART OF LAMP HARNESS | | | |
| | | D) USE WITH VEHICULE WITH LED RETROFIT | | | |

From L-031 To R-079

Date:10/2022

PAGE:H4-0665-00

ENGINE COMPARTMENT - ELECTRIC COMPONENTS



| | | |
|---------------------|--------------|-----------------|
| From L-031 To R-079 | Date:10/2022 | PAGE:H4-0665-00 |
|---------------------|--------------|-----------------|

ENGINE COMPARTMENT - ELECTRIC COMPONENTS

| Item# | Part | Description | H 3 4 0 | V I P 4 0 | N O T E S |
|-------|----------|---|------------------|-----------------------|-----------------------|
| 1 | 560633 | SWITCH / NEUTRAL N.C. / W/AUTO TRANS | 1 | 1 | |
| 2 | 560639 | SWITCH / BACK-UP N.O. / W/AUTO TRANS | 1 | 1 | |
| NS | 561868 | CONNECTOR ASSY / TO USE W/#560639 | 1 | 1 | |
| 3 | 560632 | SWITCH / BACK-UP N.C. / W/MANUAL TRANSMISSION To R-016 | 1 | | |
| 3 | 561019 | SWITCH / NEUTRAL N.O. / W/MANUAL TRANSMISSION To R-016 | 1 | | |
| 4 | 011464 | HOSE ASSY TEFLON #4 1708MM | 1 | 1 | A |
| 4 | 011617 | HOSE ASSY TEFLON #4 2615MM | 1 | 1 | A |
| 4 | 140658 | HOSE ASSY TEFLON #4 1456MM | 1 | 1 | A |
| 4 | 503064 | . HOSE TEFLON #4 / S.L. | AR | AR | |
| 4 | 501892 | . FEMALE CONNECTOR SWIVEL / SAE 45° FITTING / TEFLON / #4FL-Fx#4 STL | 2 | 2 | |
| 5 | 510182 | GAUGE, OIL PRESSURE / MECHANICAL (FORMER) To R-027 | 1 | | |
| 5 | 510481 | GAUGE, OIL PRESSURE / MECHANICAL (CURRENT) From R-028 | 1 | 1 | |
| 6 | 640055 | MANIFOLD / PIPE FITTING / 7 PORTS 1/4NPT-F STL | 1 | 1 | |
| 7 | 562409 | SENSOR, OIL PRESSURE W/GAUGE 0-100 | 1 | 1 | |
| 8 | 561011 | GAUGE WATER TEMPERATURE / MECHANICAL (FORMER) | 1 | 1 | |
| 8 | 562331 | GAUGE WATER TEMPERATURE / MECHANICAL (CURRENT) | 1 | 1 | |
| 10 | 561097 | SENSOR, TEMPERATURE / WATER & OIL | 1 | 1 | |
| 11 | 550635 | SWITCH TEMPERATURE AIR SENSOR 150 DEG / 3 WIRES CONNECTORS From P-256 | 1 | 1 | |
| 12 | 550640 | SWITCH, THERMOSTATIC WATER SENSOR 92°C/98°C (198°F/208°F) From P-256 | 1 | 1 | |
| 12 | 550714 | SWITCH, THERMOSTATIC WATER SENSOR 85°C/93°C (185°F/199°F) From P-256 | 1 | 1 | |
| 13 | 562311 | RUBBER DUST SHIELD / BEHR 630018-00 From P-256 | 1 | 1 | |
| NS | 562310 | CONNECTOR / TH 3C / BEHR 630017-00 From P-256 | 1 | 1 | |
| NS | 561608 | SOCKET TERMINAL / 18-16 / DEUTSCH 0462-201-16141 From P-256 | 3 | 3 | |
| 14 | 561157 | SENSOR, PYROMETER W/ SERIES 92 & 60 | 2 | 2 | |
| 15 | 561887 | SENSOR PROBE "LOW LEVEL COOLANT" | 1 | 1 | |
| 15 | 562395 | SENSOR PROBE "LOW LEVEL COOLANT" / 1/4" NPT | 1 | 1 | |
| 16 | 560879 | BLOCK HEATER ASSY W/CORD W/SERIES 92 To R-032 | 1 | 1 | |
| 17 | 560411 | . HEATER PLUG ASSY | 1 | 1 | |
| 18 | 561459 | . HEATER ELEMENT | 1 | 1 | |
| NS | 560410 | BLOCK HEATER | 1 | 1 | |
| NS | 561572 | RECEPTACLE ASSY W/CORD | 1 | 1 | |
| 19 | 561587 | HEATER / OIL PAN / W/SERIES 92 To R-032 | AR | AR | |
| 20 | 561990 | SENSOR / WATER TEMPERATURE / (DDEC) W/92 | 1 | 1 | |
| 21 | 561907 | SENSOR / OIL PRESSURE (DDEC) W/92 To R-032 | 1 | 1 | |
| 22 | 561941 | SENSOR / TURBO BOOST (DDEC) W/92 To R-032 | 1 | 1 | |
| 28 | 560069 | DETECTOR / FIRE (FORMER) | 2 | 2 | |
| 28 | 562402 | DETECTOR / FIRE | 2 | 2 | |
| NS | 065323 | KIT, FIRE DETECTOR REPLACEMENT | AR | AR | |
| . NS | IS-99091 | . SEE INSTRUCTION SHEET | 1 | 1 | |
| 29 | 380746 | BACK-UP ALARM ASSY | 1 | 1 | |
| 29 | 561488 | ALARM / "DAP" | 1 | 1 | |
| 29 | 561566 | CONNECTOR / WEATHER PACK / PH 2C / BLACK / PED 12010973 | 1 | 1 | |

| | | |
|---|--------------|-----------------|
| From L-031 To R-079 | Date:10/2022 | PAGE:H4-0665-00 |
| ENGINE COMPARTMENT - ELECTRIC COMPONENTS | | |

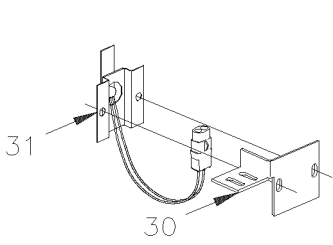
| Item# | Part | Description | H 3 4 0 | V I P 4 0 | N O T E S |
|-------|-------------------|---|------------------|-----------------------|-----------------------|
| 29 | 561568 | PIN TERMINAL / 16-14 / PED 12089305 | 2 | 2 | |
| 29 | 561565 | CABLE SEAL / GREEN / PED 15324982 | 2 | 2 | |
| 29 | 380748 | SUPPORT BACK UP ALARM | 1 | 1 | |
| 29 | 065721 | KIT, BACK-UP ALARM / SERIE "H" | 1 | 1 | |
| . NS | IS-01155 | . SEE INSTRUCTION SHEET | 1 | 1 | |
| 30 | H4-0665-10 | SWITCHES, LIGHTS, AJAR - UNDER FLOOR | | | |
| | | | | | |
| | | | | | |
| | | | | | |
| | | | | | |
| | | A) MANIFOLD & MOTOR | | | |

From L-031 To R-079

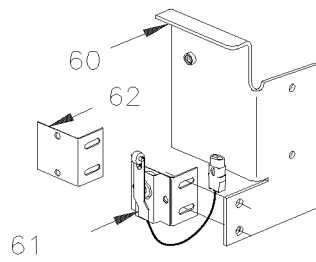
Date:10/2022

PAGE:H4-0665-10

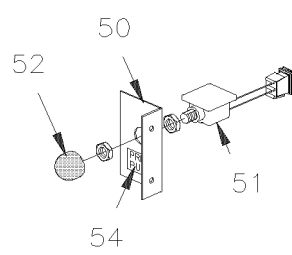
SWITCHES, LIGHTS, AJAR - UNDER FLOOR



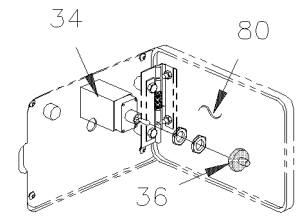
DETAIL "E"



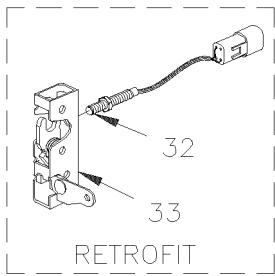
DETAIL "F"



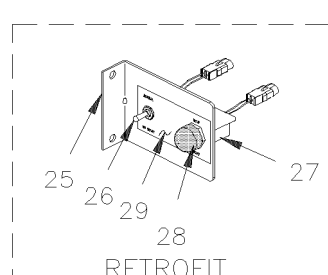
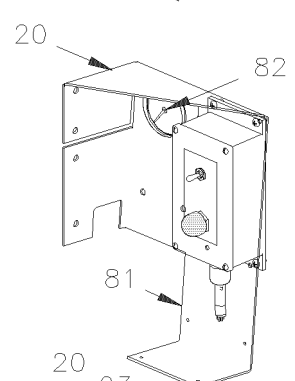
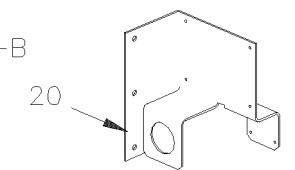
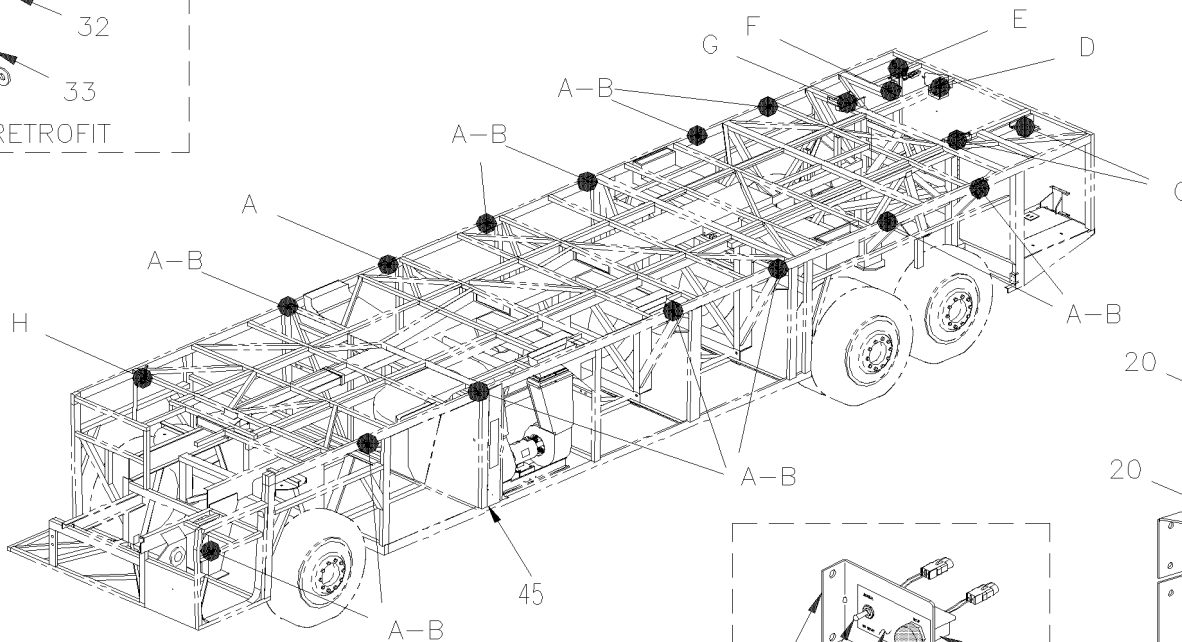
DETAIL "G"



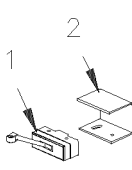
DETAIL "H"



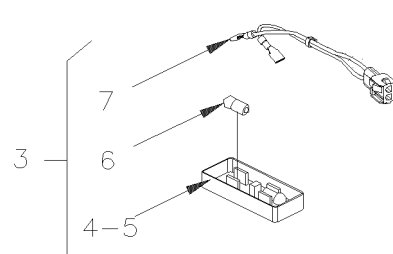
RETROFIT



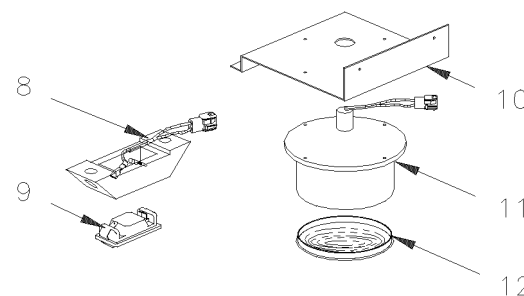
RETROFIT



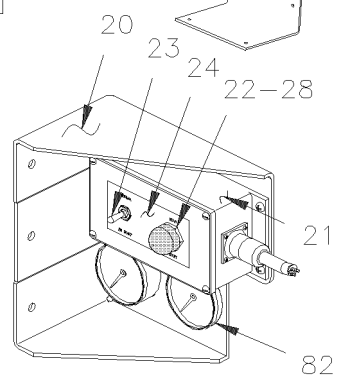
DETAIL "A"



DETAIL "B"



DETAIL "C"



DETAIL "D"

| | | |
|---|--------------|-----------------|
| From L-031 To R-079 | Date:10/2022 | PAGE:H4-0665-10 |
| SWITCHES, LIGHTS, AJAR - UNDER FLOOR | | |

| Item# | Part | Description | H 3 4 0 | V I P 4 0 | N O T E S |
|-------|----------|---|------------------|-----------------------|-----------------------|
| 1 | 561109 | MICRO SWITCH | 1 | 1 | |
| NS | 5001100 | SCREW CAP HEX M3-0.5x30 G8.8 ZP | 2 | 2 | |
| NS | 502579 | NUT HEX M3-0.5 NP | 2 | 2 | |
| NS | 502691 | WASHER LO SPT 3.6x6.7x0.8 Z050 | 2 | 2 | |
| 2 | 062619 | SUPPORT | 1 | 1 | |
| 3 | 330234 | LAMPE ASSY / BAGGAGE COMPT LAMP | AR | AR | |
| 4 | 930262 | . LAMP ASSY | 1 | 1 | |
| 5 | 930281 | . . LENS | 1 | 1 | |
| 6 | 560135 | . BULB / 6WATT-24VOLTS / SAE# 623 | 1 | 1 | |
| 7 | 561248 | CONNECTOR / UNIVERSAL MATE-N-LOK / PH 2C / AMP 1-480699-0 | 1 | 1 | |
| NS | 504069 | . GROMMET / .281x.375x.062x.250x.562 | 1 | 1 | |
| NS | 561513 | . PIN TERMINAL / 20-14 / AMP 350538-3 | 2 | 2 | |
| NS | 560488 | . TAB RECEPTACLE TERMINAL / 18-14 / AMP 41274 | 2 | 2 | |
| 8 | 930278 | SUPPORT LAMP | AR | AR | |
| 9 | 930209 | SEAL BULB / 2WATT - 24VOLTS / TL-15209 | AR | AR | C |
| 9 | N8894686 | SEAL BULB / 2WATT - 24VOLTS / TL-15209 | AR | AR | |
| NS | 065356 | KIT RESISTANCE, LAMP LICENCE PLATE | AR | AR | |
| . NS | IS-00034 | . SEE INSTRUCTION SHEET | 1 | 1 | |
| 10 | 330263 | BRACKET / TO FIX LIGHT | AR | AR | |
| 11 | 330278 | LAMP ASSY W/CONNECTOR | AR | AR | |
| 11 | 830133 | . LAMP ASSY | 1 | 1 | |
| 12 | 830134 | . . LENS | 1 | 1 | |
| NS | 830135 | . . SOCKET BULB / METAL / BA15s | 1 | 1 | |
| NS | 830136 | . . SEAL / LENS & BASE | 1 | 1 | |
| 20 | 381217 | SUPPORT / OIL GAUGE W/SERIES 92 To N-234 | 1 | 1 | |
| 20 | 381449 | SUPPORT / OIL GAUGE W/SERIES 92 From N-235 | 1 | 1 | |
| 20 | 061609 | SUPPORT | 1 | 1 | |
| 21 | 380928P | BOX ASSY W/SWITCH | 1 | 1 | A |
| 21 | 380929 | . BOX ASSY | 1 | 1 | |
| 22 | 560267 | . SWITCH, PUSH BUTTON S.P.S.T. / N.O. | 1 | 1 | |
| . NS | 561891 | . . CAP RUBBER | 1 | 1 | |
| NS | 561891 | . . CAP RUBBER | 1 | 1 | |
| 23 | 560330 | . SWITCH / ON-OFF-ON / D.P.D.T. | 1 | 1 | |
| NS | 560241 | . . RUBBER PROTECTOR, TOGGLE SWITCH | 1 | 1 | |
| 24 | 062255 | . DECAL SWITCH CONTROL | 1 | 1 | |
| NS | 062216 | . CABLE ASSY / REAR START | 1 | 1 | |
| 25 | 064298 | PLATE SWITCH SUPPORT | 1 | 1 | |
| 26 | 064362 | SWITCH ASSY / WATERPROOF | 1 | 1 | |
| 27 | 064555 | SWITCH ASSY | 1 | 1 | |
| 27 | 562484 | . SWITCH S.P.S.T. / N.C. | 1 | 1 | |
| NS | 562486 | . CONNECTOR / DT SERIES / PH 2C / GRAY / DEUTSCH DT04-2P | 1 | 1 | |
| NS | 562286 | . PIN TERMINAL / 18-16 / DEUTSCH 0460-202-16141 | 2 | 2 | |

| | | |
|---|--------------|-----------------|
| From L-031 To R-079 | Date:10/2022 | PAGE:H4-0665-10 |
| SWITCHES, LIGHTS, AJAR - UNDER FLOOR | | |

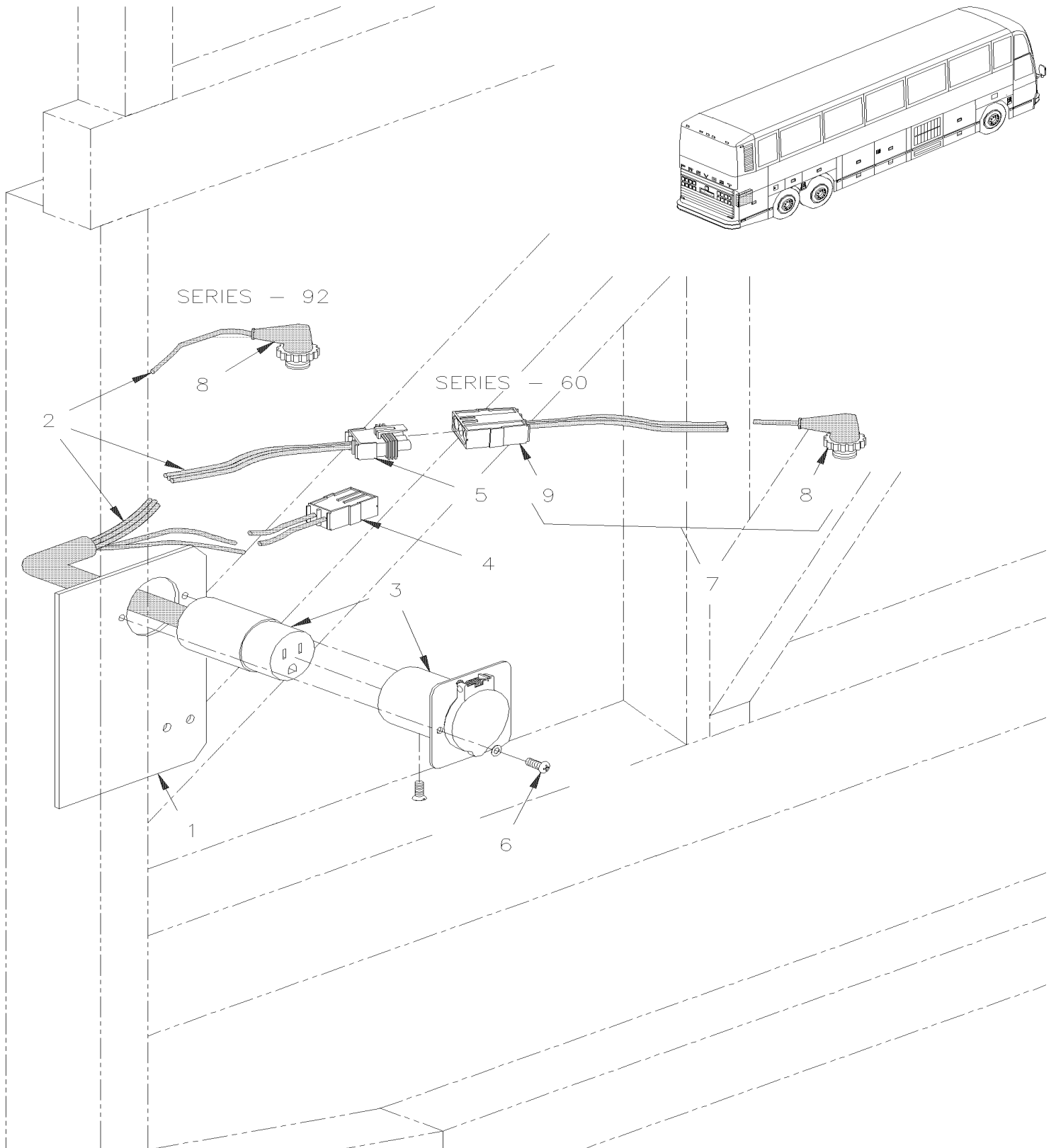
| Item# | Part | Description | H 3 4 0 | V I P 4 0 | N O T E S |
|-------|-------------------|---|------------------|-----------------------|-----------------------|
| NS | 562487 | . SECONDARY LOCK / DT SERIES / PH 2C / DEUTSCH W2P | 1 | 1 | |
| 28 | 561891 | . CAP RUBBER | 1 | 1 | B |
| 29 | 062255 | DECAL SWITCH CONTROL | 1 | 1 | |
| 31 | 062924 | MICRO SWITCH ASSY | 1 | 1 | |
| 32 | 064060 | SWITCH PROXIMITY ASSY | 1 | 1 | |
| 34 | 562253 | SWITCH / M/ON-OFF-M/ON / S.P.S.T. | 1 | 1 | D |
| NS | 065380 | KIT ENTRANCE DOOR SWITCH | 1 | 1 | |
| 36 | 560241 | RUBBER PROTECTOR, TOGGLE SWITCH | 1 | 1 | |
| 45 | 505056 | ANTISTATIC STRAP / UNDER STRUCTURE | 1 | 1 | |
| 50 | 064097 | SUPPORT | 1 | 1 | |
| 51 | 064554 | SWITCH ASSY W/CONECTOR | 1 | 1 | |
| 51 | 562484 | . SWITCH S.P.S.T. / N.C. | 1 | 1 | |
| NS | 561690 | . CONNECTOR / WEATHER PACK / SH 2C / BLACK / PED 12015792 | 1 | 1 | |
| NS | 561565 | . CABLE SEAL / GREEN / PED 15324982 | 2 | 2 | |
| NS | 561578 | . SOCKET TERMINAL / 16-14 / PED 12010182 | 2 | 2 | |
| NS | 064101 | CABLE ASSY / SWITCH & PUMP | 1 | 1 | |
| NS | 064128 | CABLE ASSY / STUD GRD & CONNECTOR C-220 IN REAR JUNCT.BOX | 1 | 1 | |
| 54 | 064099 | DECAL "PRIME PUMP" / ENGLISH | 1 | 1 | |
| 54 | 066049 | DECAL "PRIME PUMP" / ENGLISH & SPANISH | 1 | 1 | |
| 60 | 212543 | SUPPORT | 1 | 1 | |
| 61 | 063215 | MICRO SWITCH ASSY | 1 | 1 | |
| NS | 064090 | MICRO SWITCH ASSY | 1 | 1 | |
| 62 | 064091 | SUPPORT | 1 | 1 | |
| 70 | 212203 | SUPPORT BACK UP ALARM | 1 | 1 | |
| 71 | 212276 | SUPPORT BACK UP ALARM & 110V OUTLET | AR | AR | |
| 74 | 500437 | WASHER FL .125x.375x.040 Z050 | 2 | 2 | |
| 80 | H4-1872-00 | ENTRANCE DOOR OPENING SWITCH | | | |
| 81 | 381448 | REINFORCEMENT, SUPPORT / FOR USE W/381217 | | | |
| NS | 473454 | SUPPORT | 1 | 1 | |
| 82 | 510481 | GAUGE, OIL PRESSURE / MECHANICAL (CURRENT) | 1 | 1 | |
| 82 | 562331 | GAUGE WATER TEMPERATURE / MECHANICAL (CURRENT) | 1 | 1 | |
| | | | | | |
| | | | | | |
| | | A) SEE ATTACHED TEXT TO READ THIS NOTE | | | |
| | | B) PUSH BUTTON | | | |
| | | C) SUPERSEDED BY KIT #065356 | | | |
| | | D) FOR PRODUCT IMPROVMENT ASK FOR KIT #065380 | | | |

From L-031 To R-079

Date:10/2022

PAGE:H4-0666-00

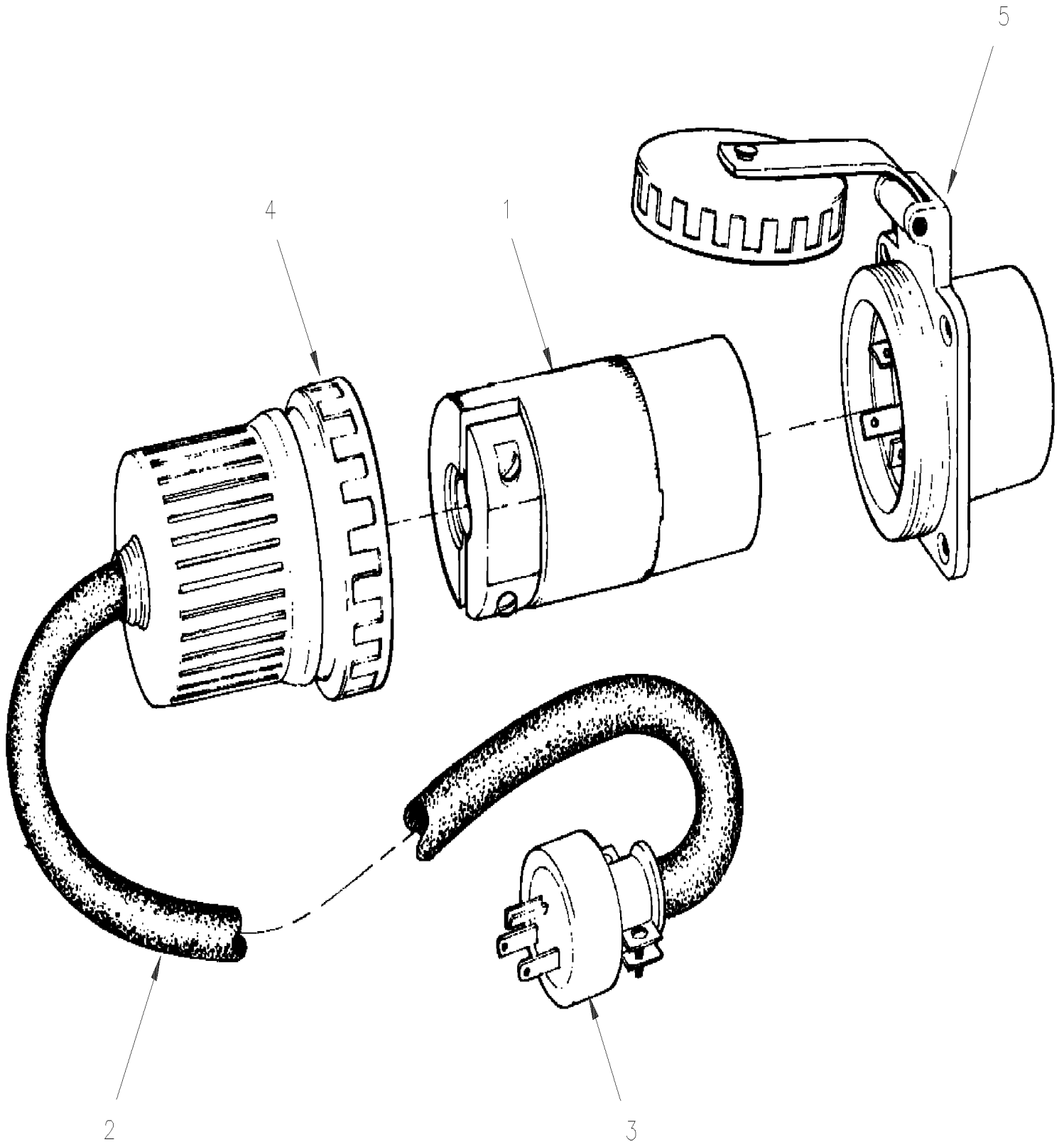
BLOCK HEATER RECEPTACLE



| | | |
|--------------------------------|--------------|-----------------|
| From L-031 To R-079 | Date:10/2022 | PAGE:H4-0666-00 |
| BLOCK HEATER RECEPTACLE | | |

| Item# | Part | Description | H 3 4 0 | V I P 4 0 | N O T E S |
|-------|-----------------|---|------------------|-----------------------|-----------------------|
| 1 | Call order desk | PLATE SUPPORT / RECEPTACLE & DOOR LIGHT SWITCH | | 1 | P |
| 1 | Call order desk | DOOR MOULDED / FIBERGLASS REAR / W/HOLE FOR BLOCK HEATER | 1 | 1 | P |
| 2 | 063296 | . CABLE ASSY / 110V BLOCK HEATER | 1 | 1 | |
| 3 | 561572 | . RECEPTACLE ASSY W/CORD | 1 | 1 | |
| 4 | 561566 | . CONNECTOR / WEATHER PACK / PH 2C / BLACK / PED 12010973 | 1 | 1 | |
| NS | 561786 | . CABLE SEAL / GRAY / PED 15324980 | 2 | 2 | |
| NS | 561568 | . PIN TERMINAL / 16-14 / PED 12089305 | 2 | 2 | |
| 5 | 561782 | . CONNECTOR / WEATHER PACK / SH 3C / BLACK / PED 12015793 | 1 | 1 | |
| NS | 561578 | . SOCKET TERMINAL / 16-14 / PED 12010182 | 3 | 3 | |
| NS | 561783 | . SEAL PLUG CAVITY / GREEN / PED 12010300 | 2 | 2 | |
| 6 | 502677 | SCREW MA RND PH M4-0.7x25 SS | 2 | 2 | |
| NS | 063281 | WASHER, RETAINER / INSIDE OF DOOR | 1 | 1 | |
| 7 | 063295 | CABLE ASSY / 110V BLOCK HEATER ENGINE SECTION | 1 | 1 | |
| 8 | 560411 | . HEATER PLUG ASSY | 1 | 1 | |
| NS | 562028 | . CONVOLUTED TUBING / UNSLIT / BLACK / .350" | AR | AR | |
| 9 | 561781 | . CONNECTOR / WEATHER PACK / PH 3C / BLACK / PED 12010717 | 1 | 1 | |
| NS | 561568 | . PIN TERMINAL / 16-14 / PED 12089305 | 3 | 3 | |
| NS | 561786 | . CABLE SEAL / GRAY / PED 15324980 | 3 | 3 | |
| NS | 560410 | BLOCK HEATER | 1 | 1 | |
| NS | 560879 | BLOCK HEATER ASSY W/CORD W/SERIES 92 | 1 | 1 | |
| | | | | | |
| | | | | | |
| | | | | | |
| | | P) CALL ORDER DESK FOR SPECIFIC APPLICATION (V.I.N.) | | | |

| | | |
|---------------------------|--------------|-----------------|
| From L-031 To R-079 | Date:10/2022 | PAGE:H4-0670-00 |
| EXTERIOR 110 VOLTS OUTLET | | |



| | | |
|----------------------------------|--------------|-----------------|
| From L-031 To R-079 | Date:10/2022 | PAGE:H4-0670-00 |
| EXTERIOR 110 VOLTS OUTLET | | |

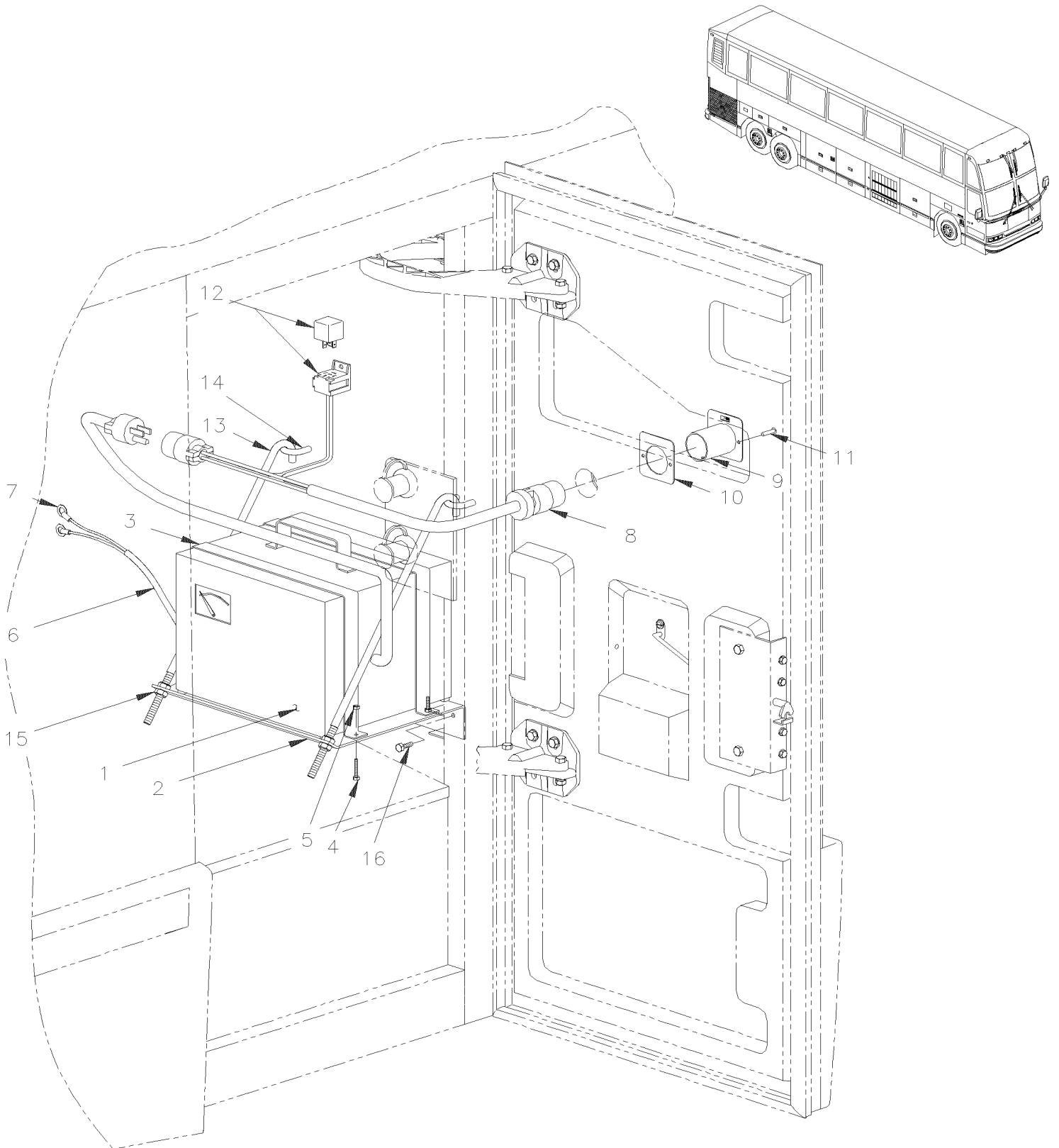
| Item# | Part | Description | H 3 4 0 | V I P 4 0 | N O T E S |
|-------|--------|--|------------------|-----------------------|-----------------------|
| | 061204 | CABLE ASSY / W/30 AMPS / TWIST LOCK | 1 | 1 | |
| 1 | 560690 | . CONNECTOR / 30 AMPS / TWIST LOCK | 1 | 1 | |
| 2 | 561137 | . SPECIAL WIRE CABLE 14 / 3 / SO-3 BLACK | AR | AR | |
| 3 | 560933 | . CONNECTOR / 15 AMPS / HUBBELL 5266-C | 1 | 1 | |
| 4 | 560689 | COVER / W/RETAINING RING | 1 | 1 | |
| 5 | 560691 | RECEPTACLE / 110 VOLTS 30 AMPS / TWIST LOCK / HUBBELL 2615 | 1 | 1 | |
| 5 | 561831 | RECEPTACLE / 110 VOLTS 30 AMPS / TWIST LOCK / HUBBELL 2615 | AR | AR | |
| | | | | | |
| | | | | | |
| | | | | | |

From L-031 To R-079

Date:10/2022

PAGE:H4-0670-10

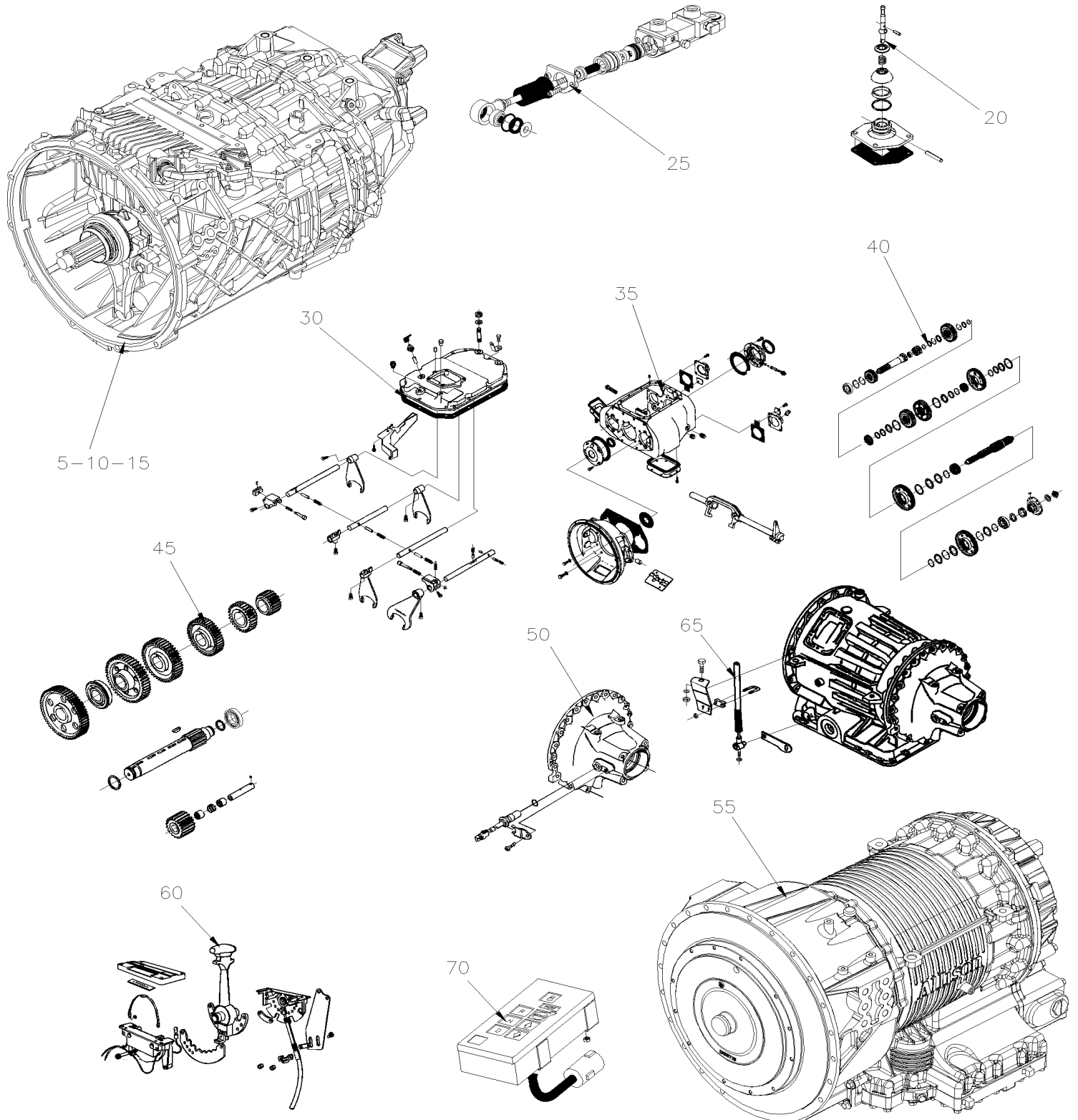
BATTERIES CHARGER - INSTALLATION / RETROFIT



| | | |
|--|--------------|-----------------|
| From L-031 To R-079 | Date:10/2022 | PAGE:H4-0670-10 |
| BATTERIES CHARGER - INSTALLATION / RETROFIT | | |

| Item# | Part | Description | H 3 4 0 | V I P 4 0 | N O T E S |
|-------|--------|--|------------------|-----------------------|-----------------------|
| 1 | 562496 | BATTERY CHARGER 24V | 1 | | |
| 2 | 381682 | PLATE | 1 | | |
| 3 | 381822 | SUPPORT | 2 | | |
| 4 | 500607 | SCREW MA TR PH #10-24x1 SS | 4 | | |
| 5 | 500767 | NUT HEX #10-24 Z050 | 4 | | |
| 6 | 561681 | CONVOLUTED TUBING / SLIT / BLACK & GRAY / .350" | AR | | |
| 7 | 561246 | RING TERMINAL .375 / 12-10 / INSULATED / PED 2962953 | 2 | | |
| 8 | 064496 | WIRING ASSY | 1 | | |
| 9 | 561572 | . RECEPTACLE ASSY W/CORD | 1 | | |
| 10 | 064388 | . FIXATION RING | 1 | | |
| 11 | 502677 | . SCREW MA RND PH M4-0.7x25 SS | 4 | | |
| 12 | 561707 | . RELAY 24V S.P.D.T. W/RESISTOR / | 1 | | |
| 13 | 381681 | HOOK | 2 | | |
| 14 | 171161 | LOOP ATTACHEMENT (WELDED ON FRAME) | 2 | | |
| 15 | 500102 | NUT HEX 3/8-16 SS | 4 | | |
| 16 | 502565 | NUT HEX M6-1.0 SS | 3 | | |
| | | | | | |
| | | | | | |
| | | | | | |

| | | |
|--------------|--------------|-------|
| | Date:10/2022 | H4-07 |
| TRANSMISSION | | |



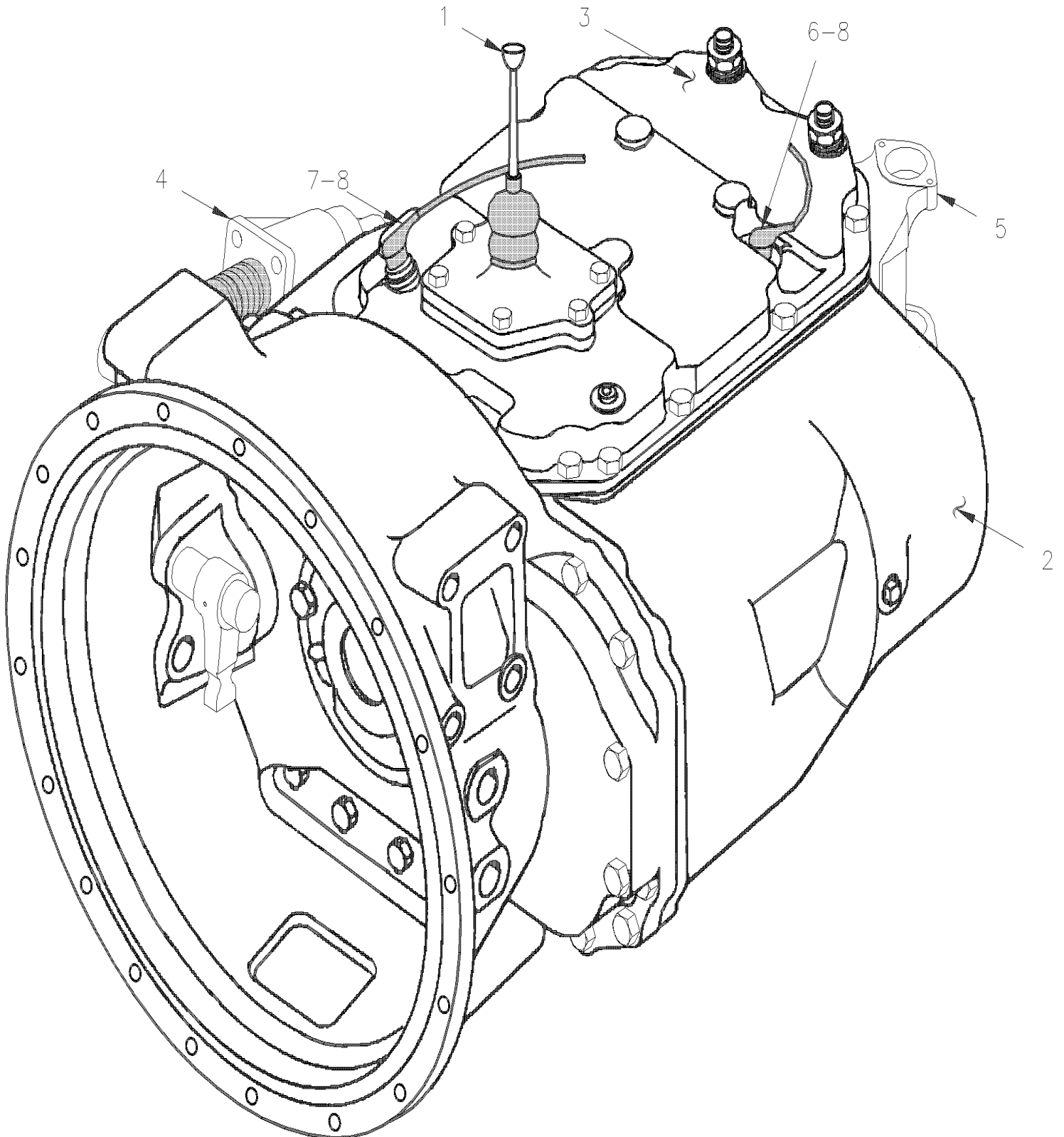
| | | Date:10/2022 | H4-07 | | |
|--------------|------------|---|------------------|-----------------------|-----------------------|
| TRANSMISSION | | | | | |
| Item# | Part | Description | H 3 4 0 | V I P 4 0 | N O T E S |
| 5 | H4-0700-00 | MANUAL TRANSMISSION - INSTALLATION From L-031 To R-016 | | | |
| 5 | H4-0700-99 | MANUAL TRANSMISSION - INSTALLATION / RETROFIT From L-031 To R-016 | | | B |
| 10 | H4-0705-00 | TRANSMISSION CONTROL & RODS From L-031 To R-016 | | | |
| 10 | H4-0705-99 | TRANSMISSION CONTROL - FRONT / RETROFIT From L-031 To R-016 | | | B |
| 15 | H4-0705-10 | SHIFTER MECHANISM - REAR From L-031 To R-016 | | | |
| 20 | H4-0710-01 | SHIFTER LEVER ASSY - REAR - W/CENTER CONTROL From L-031 To R-016 | | | |
| 20 | H4-0710-98 | SHIFTER HYDRAULIC ASSY - REAR / RETROFIT From L-031 To R-016 | | | B |
| 25 | H4-0710-99 | GEAR BOX ACTUATOR / RETROFIT From L-031 To R-016 | | | B |
| 30 | H4-0715-01 | SHIFT COVER 6 SPEEDS - W/PS130-6B From L-031 To R-016 | | | |
| 35 | H4-0720-00 | TRANSMISSION MANUAL 6 SPEEDS - PS130-6B From L-031 To R-016 | | | |
| 40 | H4-0725-00 | GEAR & RELATED PARTS W/6 SPEEDS From L-031 To R-016 | | | |
| 45 | H4-0730-00 | COUNTERSHAFT GROUP W/6 SPEEDS From L-031 To R-016 | | | |
| 50 | H4-0740-00 | SPEEDOMETER ADAPTOR From L-031 To R-079 | | | |
| 50 | H4-0740-05 | SPEEDOMETER ADAPTOR W/SMALL GAUGE From L-031 To R-079 | | | |
| 55 | H4-0750-00 | AUTOMATIC TRANSMISSION - INSTAL - WITH DETROIT S-92 From L-031 To R-032 | | | |
| 55 | H4-0750-01 | AUTOMATIC TRANSMISSION - "ATEC" - WITH DETROIT S-60 From P-256 To R-079 | | | |
| 60 | H4-0755-00 | SHIFTER SELECTOR - AUTO TRANS. HYDRAU. From L-031 To R-079 | | | |
| 65 | H4-0755-10 | SHIFTER MODULATOR - AUTO. TRANS. HYDRAU. From L-031 To R-079 | | | |
| 65 | H4-0755-11 | SOLENOID AIR VALVE - TRANS W/RETARDER From L-031 To R-079 | | | |
| 70 | H4-0755-15 | SHIFTER ELECTRONIC - "ATEC" TRANSMISSION From L-031 To R-079 | | | |
| | | | | | |
| | | | | | |
| | | | | | |
| | | B) RETROFIT | | | |

From L-031 To R-016

Date:10/2022

PAGE:H4-0700-00

MANUAL TRANSMISSION - INSTALLATION



| | | |
|---|--------------|-----------------|
| From L-031 To R-016 | Date:10/2022 | PAGE:H4-0700-00 |
| MANUAL TRANSMISSION - INSTALLATION | | |

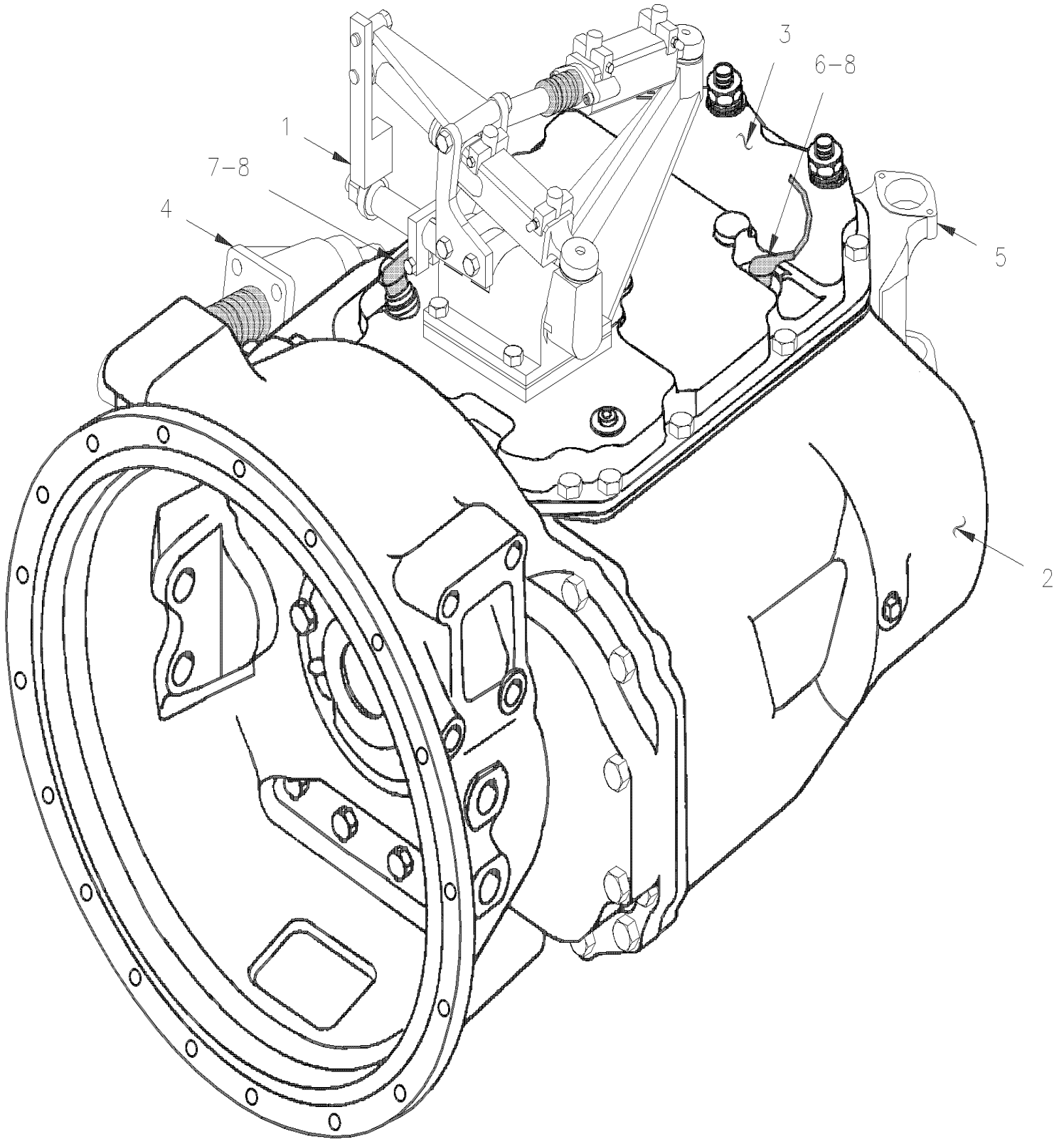
| Item# | Part | Description | H 3 4 0 | V I P 4 0 | N O T E S |
|-------|------------|---|------------------|-----------------------|-----------------------|
| 1 | H4-0710-01 | SHIFTER LEVER ASSY - REAR - W/CENTER CONTROL | | | |
| 2 | 571482 | TRANSMISSION ASSY 6 SPEEDS / MODEL PS130-6B W/CENTER CONTROL | 1 | | |
| 3 | 571306 | SHIFTER COVER HOUSING / 6 SPEEDS / W/CENTER CONTROL | 1 | | |
| 4 | H4-0215-10 | CLUTCH CONTROL - REAR SECTION - HYDRAULIC | | | |
| 4 | H4-0215-11 | CLUTCH CONTROL - REAR SECTION - "POWER" | | | |
| 5 | 571419 | YOKE (1800) FULL ROUND W/MANUAL TRANS (20 SPL) 6 SPEEDS | 1 | | |
| NS | 621494 | . SPEEDY SLEEVE 3.750" I.D. / TO REPAIR OIL LEAK ON YOKE | 1 | | |
| 5 | 580008 | FLANGE YOKE (1700) FULL ROUND W/MAN (20 SPL) 6 SPEEDS | 1 | | |
| NS | 621491 | SPEEDY SLEEVE 3.000" I.D. / TO REPAIR OIL LEAK ON YOKE | AR | | |
| 6 | 561019 | SWITCH / NEUTRAL N.O. / W/MANUAL TRANSMISSION | 1 | | |
| 7 | 560632 | SWITCH / BACK-UP N.C. / W/MANUAL TRANSMISSION | 1 | | |
| 8 | 561012 | PROTECTOR, TRANS. SWITCH | 1 | | |
| | | FOLLOWING ITEMS ARE RELATED | | | |
| | | WITH DIPSTICK TUBES | | | |
| 10 | 501443 | NIPPLE / PIPE FITTING / 3/4NPT-Mx3/4NPT-Mx6 STL | 1 | | |
| 11 | 501413 | FEMALE ELBOW 90° / PIPE FITTING / 3/4NPT-Fx3/4NPT-F CASTIRON | 1 | | |
| 12 | 501462 | BUSHING REDUCER / PIPE FITTING / 3/4NTP-Mx1/2NPT-F BR | 1 | | |
| 13 | 501152 | MALE CONNECTOR / INVERTED FLARE FITTING / #8IFL-Fx1/2NPT-M BR | 1 | | |
| 14 | 510014 | TUBE DIPSTICK | 1 | | |
| 15 | 560480 | CLAMP / 1/2" I.D. | 1 | | |
| 16 | 070319 | TRANS DIPSTICK 39 7/16" / 1001.7MM | 1 | | |
| 17 | 070252 | SUPPORT / OIL GAUGE | 1 | | |
| NS | 560479 | CLAMP / 3/8" I.D. | 1 | | |
| NS | 500574 | SCREW MA TR PH #10-24x1 1/4 SS | 1 | | |
| NS | 500786 | NUT HEX #10-24 Z050 | 1 | | |
| | | | | | |
| | | | | | |
| | | | | | |

From L-031 To R-016

Date:10/2022

PAGE:H4-0700-99

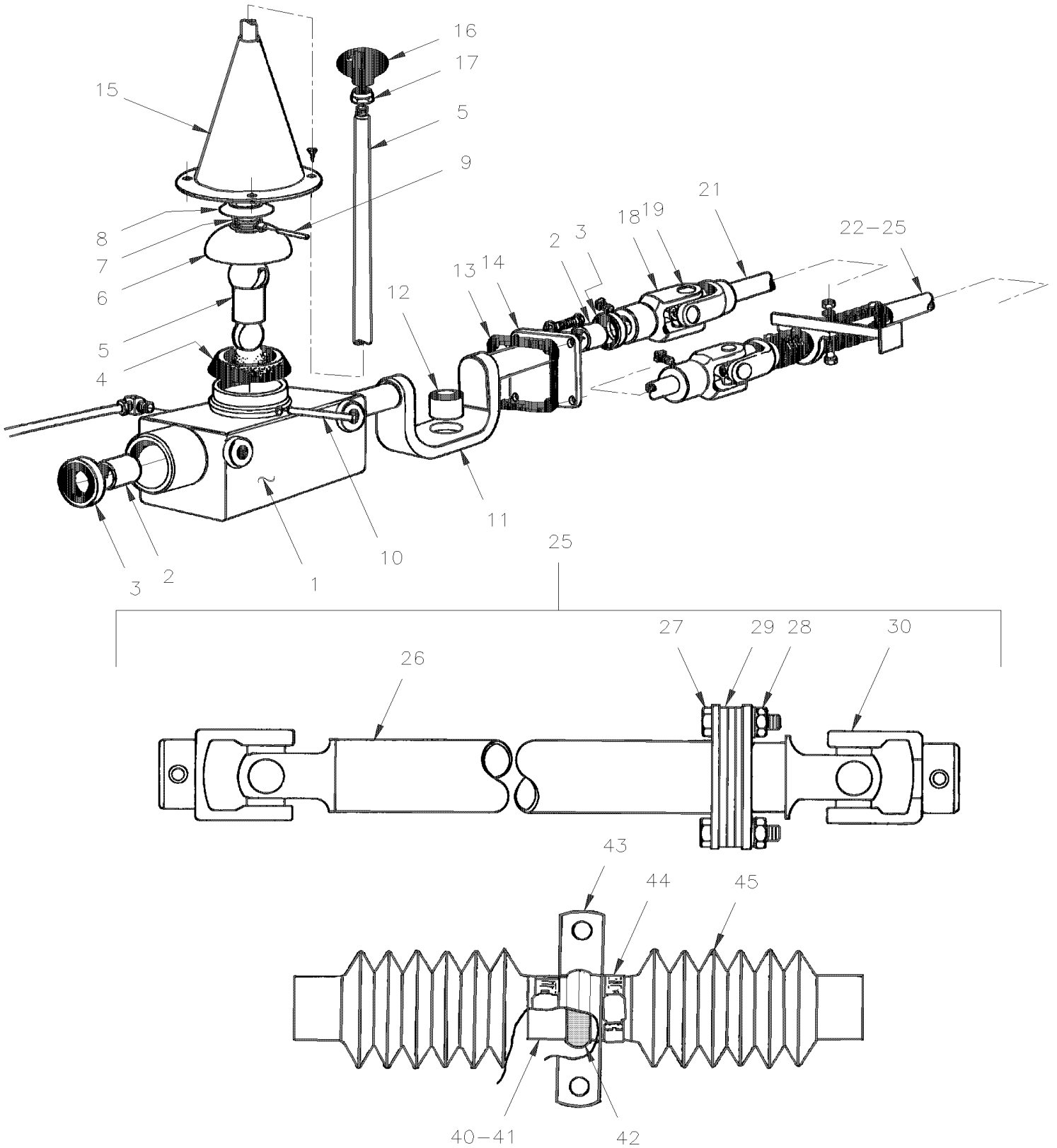
MANUAL TRANSMISSION - INSTALLATION / RETROFIT



| | | |
|--|--------------|-----------------|
| From L-031 To R-016 | Date:10/2022 | PAGE:H4-0700-99 |
| MANUAL TRANSMISSION - INSTALLATION / RETROFIT | | |

| Item# | Part | Description | H 3 4 0 | V I P 4 0 | N O T E S |
|-------|-------------------|--|------------------|-----------------------|-----------------------|
| 1 | H4-0710-98 | SHIFTER HYDRAULIC ASSY - REAR / RETROFIT | 1 | 1 | |
| 2 | 571482 | TRANSMISSION ASSY 6 SPEEDS / MODEL PS130-6B W/CENTER CONTROL | 1 | | |
| 3 | 571306 | SHIFTER COVER HOUSING / 6 SPEEDS / W/CENTER CONTROL | 1 | | |
| 4 | H4-0215-11 | CLUTCH CONTROL - REAR SECTION - "POWER" | 1 | 1 | |
| 5 | 571419 | YOKE (1800) FULL ROUND W/MANUAL TRANS (20 SPL) 6 SPEEDS | 1 | | |
| . NS | 621494 | . SPEEDY SLEEVE 3.750" I.D. / TO REPAIR OIL LEAK ON YOKE | 1 | | |
| 5 | 580008 | FLANGE YOKE (1700) FULL ROUND W/MAN (20 SPL) 6 SPEEDS | 1 | | |
| NS | 621491 | SPEEDY SLEEVE 3.000" I.D. / TO REPAIR OIL LEAK ON YOKE | AR | | |
| 6 | 561019 | SWITCH / NEUTRAL N.O. / W/MANUAL TRANSMISSION | 1 | | |
| 7 | 560632 | SWITCH / BACK-UP N.C. / W/MANUAL TRANSMISSION | 1 | | |
| 8 | 561012 | PROTECTOR, TRANS. SWITCH | 1 | | |
| NS | 071207 | RETROFIT KIT "KONGSBERG" | 1 | | A |
| | | | | | |
| | | | | | |
| | | A) INCLUDE ALL ITEMS SEE PAGE H4-0710-06 & H4-0705-02 | | | |

| | | |
|-----------------------------|--------------|-----------------|
| From L-031 To R-016 | Date:10/2022 | PAGE:H4-0705-00 |
| TRANSMISSION CONTROL & RODS | | |



| | | |
|--|--------------|-----------------|
| From L-031 To R-016 | Date:10/2022 | PAGE:H4-0705-00 |
| TRANSMISSION CONTROL & RODS | | |

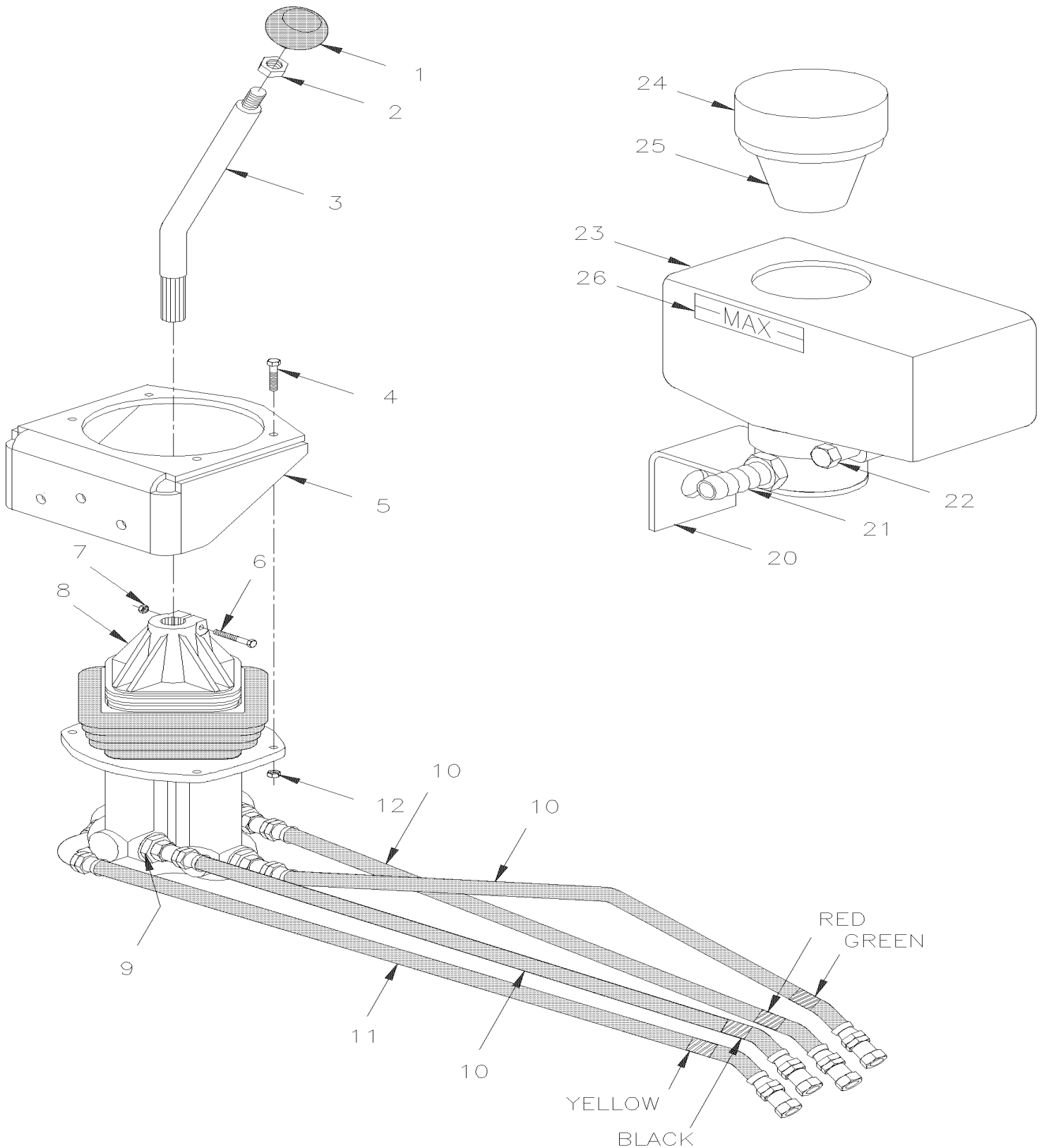
| Item# | Part | Description | H 3 4 0 | V I P 4 0 | N O T E S |
|-------|--------|---|------------------|-----------------------|-----------------------|
| 1 | 070721 | HOUSING ASSY | 1 | | |
| 2 | 570117 | . BUSHING | 2 | | |
| 3 | 570036 | . SEAL, OIL | 2 | | |
| 4 | 571469 | . WASHER COMPRESSION | 1 | | |
| 5 | 070685 | . LEVER SHIFT | 1 | | |
| 7 | 571467 | . SPRING COMPRESSION / 1.154 O.D. x .634 x .120 | 1 | | |
| 8 | 571466 | . COLLAR COMPRESSION | 1 | | |
| NS | 571464 | . BOOT RUBBER | 1 | | |
| 9 | 571465 | . PIN COLLAR | 1 | | |
| 10 | 571471 | . PIN | 1 | | |
| 11 | 571421 | . BRACKET ASSY | 1 | | |
| 12 | 571442 | . . BUSHING | 1 | | |
| 15 | 391364 | BOOT COVERING / BLACK | 1 | | |
| 16 | 070124 | KNOB / 6 SPEEDS | 1 | | |
| 16 | 070929 | KNOB / 7 SPEEDS | 1 | | |
| 18 | 570074 | U-JOINT ASSY 7/8" O.D.SHAFT | 2 | | |
| NS | 660259 | . KIT, CROSS & BEARING 15/16" O.D. X 2 1/4" | AR | | |
| 20 | 570025 | SCREW SET SQ 7/16-20X1/2 | AR | | |
| 21 | 070628 | ROD 1ST SECTION / 565MM | 1 | | |
| 22 | 070629 | ROD 2ND SECTION / 1477MM | 1 | | |
| 23 | 070632 | ROD 3RD SECTION / 3349MM | 1 | | |
| NS | 070634 | ROD, COUPLING / 3RD & 4TH SECTION / 26MM | 1 | | |
| 24 | 070635 | ROD 2ND SECTION / 3025MM | 1 | | |
| 25 | 070805 | ROD 5TH SECTION / 832MM | | | |
| 26 | 070803 | . JOINT ASSY / FRONT | 1 | | |
| 27 | 502549 | . SCREW CAP HEX M10-1.5x35 G8.8 Z050 | 3 | | |
| 28 | 500680 | . NUT HEX STO M10-1.5 Z050 | 3 | | |
| 29 | 070804 | . SHIM | 3 | | |
| 30 | 070801 | . JOINT ASSY / REAR | 1 | | |
| 40 | 070341 | BALL BUSHING ASSY To N-256 | 1 | | |
| 40 | 070823 | BUSHING ASSY From N-257 | 1 | | |
| 41 | 507049 | . COLLAR BUSHING RUBBER To N-256 | 1 | | |
| 41 | 070825 | . COLLAR BUSHING RUBBER From N-257 | 1 | | |
| 42 | 507119 | . BUSHING BALL / (LBAR-25) To N-256 | 1 | | |
| 42 | 507327 | . BUSHING TEFLON 1 I.D. X 1 1/8 O.D. X 1 (GLY.PGZ1616-F) From N-257 | 1 | | |
| 43 | 504054 | WIRE CLAMP / 1"1/4 I.D. | 1 | | |
| 44 | 504022 | HOSE CLAMP / 3/4"-1"3/4 SS / HS-20 | 1 | | |
| 45 | 590002 | BOOT RUBBER | 1 | | |
| | | | | | |
| | | | | | |
| | | | | | |

From L-031 To R-016

Date:10/2022

PAGE:H4-0705-99

TRANSMISSION CONTROL - FRONT / RETROFIT



| | | |
|--|--------------|-----------------|
| From L-031 To R-016 | Date:10/2022 | PAGE:H4-0705-99 |
| TRANSMISSION CONTROL - FRONT / RETROFIT | | |

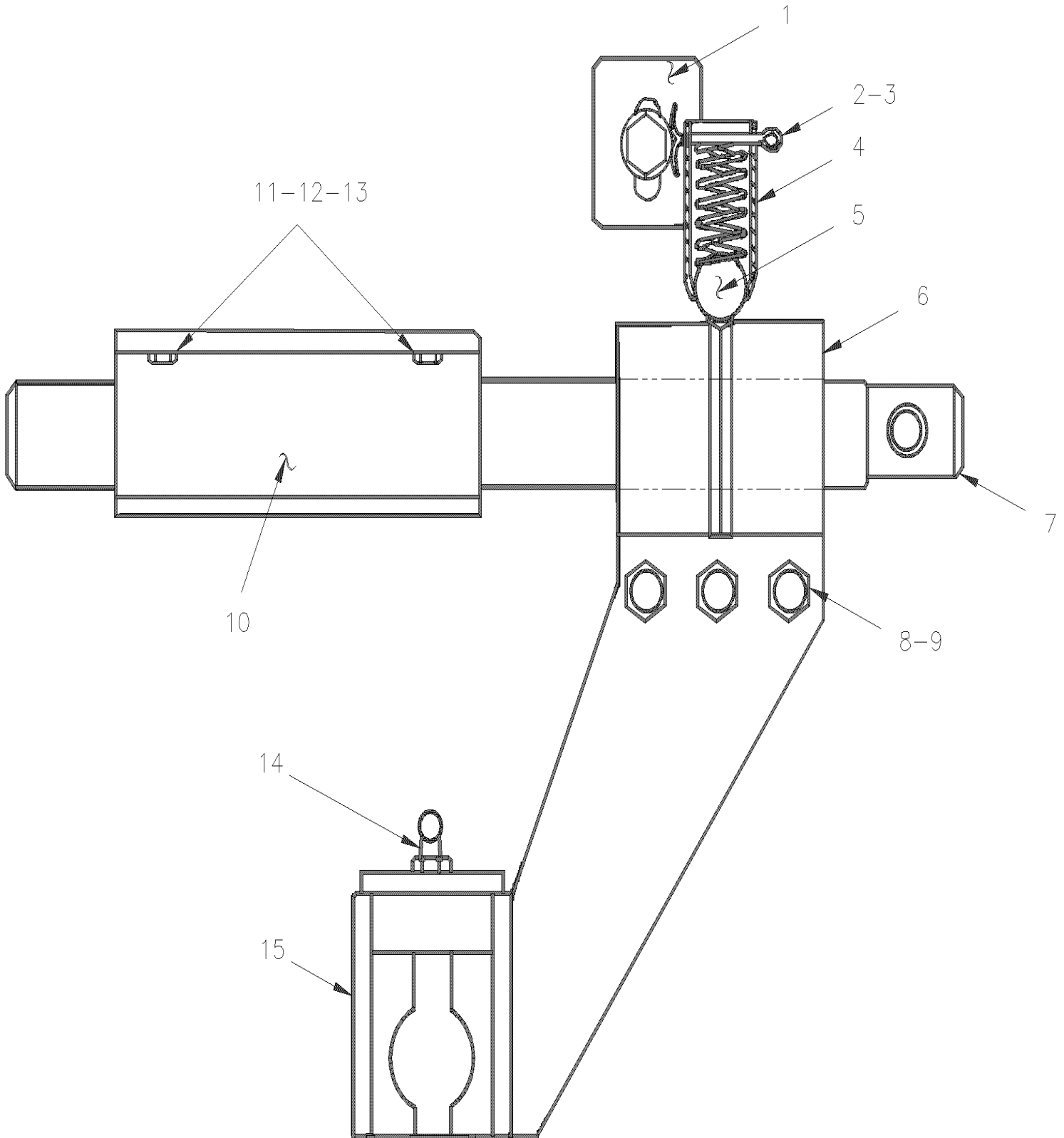
| Item# | Part | Description | H 3 4 0 | V I P 4 0 | N O T E S |
|-------|---------|--|------------------|-----------------------|-----------------------|
| 1 | 070124 | KNOB / 6 SPEEDS | 1 | | |
| 2 | 5001111 | NUT HEX JAM 1/2-13 Z050 | 1 | | |
| 3 | 071040 | SHIFT LEVER | 1 | | |
| 4 | 500744 | SCREW CAP BUT HEXS 7/16-20x1 CP | 1 | | |
| 5 | 071065 | SUPPORT | 4 | | |
| 6 | 502527 | SCREW CAP HEX M8-1.25x50 G8.8 Z050 | 1 | | |
| 7 | 500868 | NUT HEX NYRT M8-1.25 Z050 | 1 | | |
| 8 | 571704 | LEVER, TRANSMISSION CONTROL | 1 | | |
| . NS | 571777 | . KIT, REPAIR SHIFTER SELECTOR | AR | | |
| NS | 571777 | KIT, REPAIR SHIFTER SELECTOR | 1 | | |
| 9 | 5011110 | MALE CONNECTOR / JIC 37° FITTING / #6JIC-MxM16-1.5-M STL | 4 | | |
| . NS | 641297 | . O-RING 13.1MM I.D. X 2.6 TH | 1 | | |
| . NS | 641298 | . WASHER FL 17MM I.D x 22MM O.D. x 1.5MM | 1 | | |
| 10 | 071205 | HOSE ASSY TEFLON #6 1880MM | 3 | | A |
| 11 | 071206 | HOSE ASSY TEFLON #6 1980MM | 1 | | A |
| 12 | 502744 | NUT HEX STO M8-1.25 Z050 | 4 | | |
| 20 | 020447P | RESERVOIR ASSY | 1 | | |
| 20 | 020446 | . SUPPORT ASSY | 1 | | |
| 21 | 5011048 | . MALE CONNECTOR / HOSE BARB FITTING / #5x1/4NPT-M BR | 1 | | |
| 22 | 520145 | . CLAMP | 1 | | |
| 22 | 507320 | . O-RING 1 1/8" I.D. X 1/8" | 1 | | |
| 23 | 520142 | . RESERVOIR | 1 | | |
| 24 | 520143 | . CAP | 1 | | |
| 25 | 520144 | . FILTER | 1 | | |
| 26 | 020437 | . DECAL "MAX" | 1 | | |
| NS | 503047 | . HOSE / RUBBER #6 / S.L. | 1 | | |
| NS | 504014 | . HOSE CLAMP / 1/4"-5/8" SS / HM-4 | 1 | | |
| NS | 391920 | CONSOLE CAP R.H. / NORYL GRAY | 1 | | |
| NS | 391926 | COVER FINISHING / PLASTIC BLACK | 1 | | |
| | | | | | |
| | | | | | |
| | | | | | |
| | | A) INCLUDE WITH KIT #071207 | | | |

From L-031 To R-016

Date:10/2022

PAGE:H4-0705-10

SHIFTER MECHANISM - REAR



| | | |
|---------------------|--------------|-----------------|
| From L-031 To R-016 | Date:10/2022 | PAGE:H4-0705-10 |
|---------------------|--------------|-----------------|

SHIFTER MECHANISM - REAR

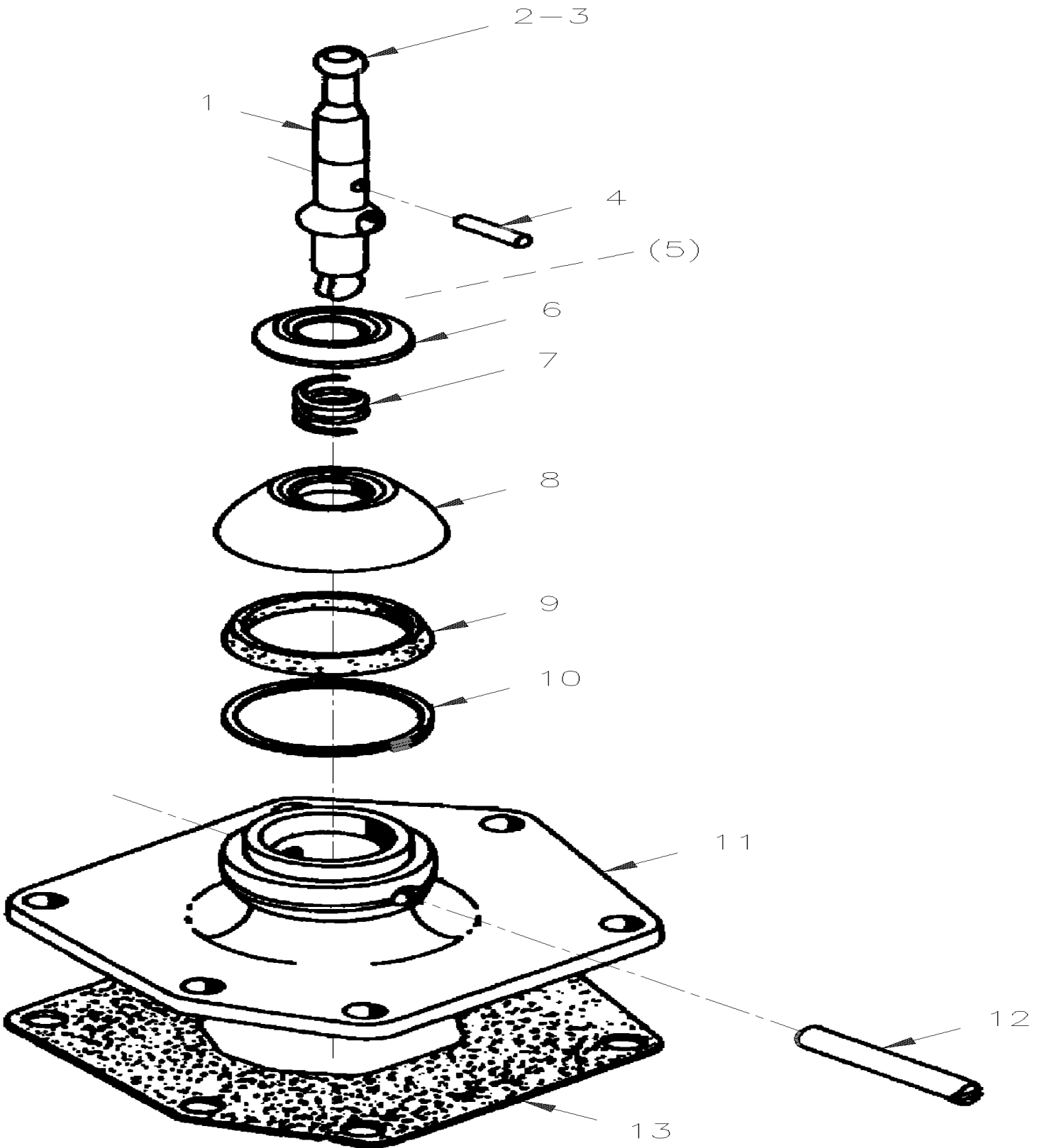
| Item# | Part | Description | H 3 4 0 | V I P 4 0 | N O T E S |
|-------|-------------------|--|------------------|-----------------------|-----------------------|
| 1 | 070651 | BALL ASSY To N-230 | 1 | | |
| 1 | 280489 | . SUPPORT | 1 | | |
| 2 | 502098 | . PIN, COTTER 3/32 x 1 | 1 | | |
| 3 | 500448 | . WASHER FL .625x1.469x.109 ZP | 1 | | |
| 4 | 281370 | . SPRING | 1 | | |
| 5 | 507133 | . STEEL BALL 5/8 | 1 | | |
| 6 | 070644 | LEVER | 1 | | |
| 7 | 070798 | ROD | 1 | | |
| 8 | 502549 | SCREW CAP HEX M10-1.5x35 G8.8 Z050 | 3 | | |
| 9 | 500680 | NUT HEX STO M10-1.5 Z050 | 3 | | |
| 10 | 507311 | BEARING LINEAR To N-256 | 2 | | |
| 10 | 070746 | ATTACHMENT PLATE / TO FIX LINEAR BEARING To N-230 | 2 | | |
| 10 | 070828 | BUSHING ASSY From N-257 | 1 | | |
| NS | 507327 | . BUSHING TEFLON 1 I.D. X 1 1/8 O.D. X 1 (GLY.PGZ1616-F) | 2 | | |
| NS | 550202 | . SEAL 1" I.D. | 2 | | |
| 11 | 502560 | SCREW CAP HEX M5-0.8x45 G8.8 Z050 | 4 | | |
| 11 | 502651 | SCREW CAP HEX M8-1.25x35 G8.8 Z050 | 4 | | |
| 12 | 500964 | WASHER FL .203x.500x.047 Z050 | 4 | | |
| 12 | 502507 | WASHER LO SPT 8.1x14.8x2.0 Z050 | 4 | | |
| 13 | 502707 | NUT HEX STO M5-0.8 Z050 | 4 | | |
| 14 | 507503 | GREASE FITTING / M10-1.00 | 1 | | |
| 15 | 490439 | CUP BALL | 2 | | |
| 16 | H4-0710-01 | SHIFTER LEVER ASSY - REAR - W/CENTER CONTROL | | | |
| | | | | | |
| | | | | | |
| | | | | | |

From L-031 To R-016

Date:10/2022

PAGE:H4-0710-01

SHIFTER LEVER ASSY - REAR - W/CENTER CONTROL



| | | |
|---|--------------|-----------------|
| From L-031 To R-016 | Date:10/2022 | PAGE:H4-0710-01 |
| SHIFTER LEVER ASSY - REAR - W/CENTER CONTROL | | |

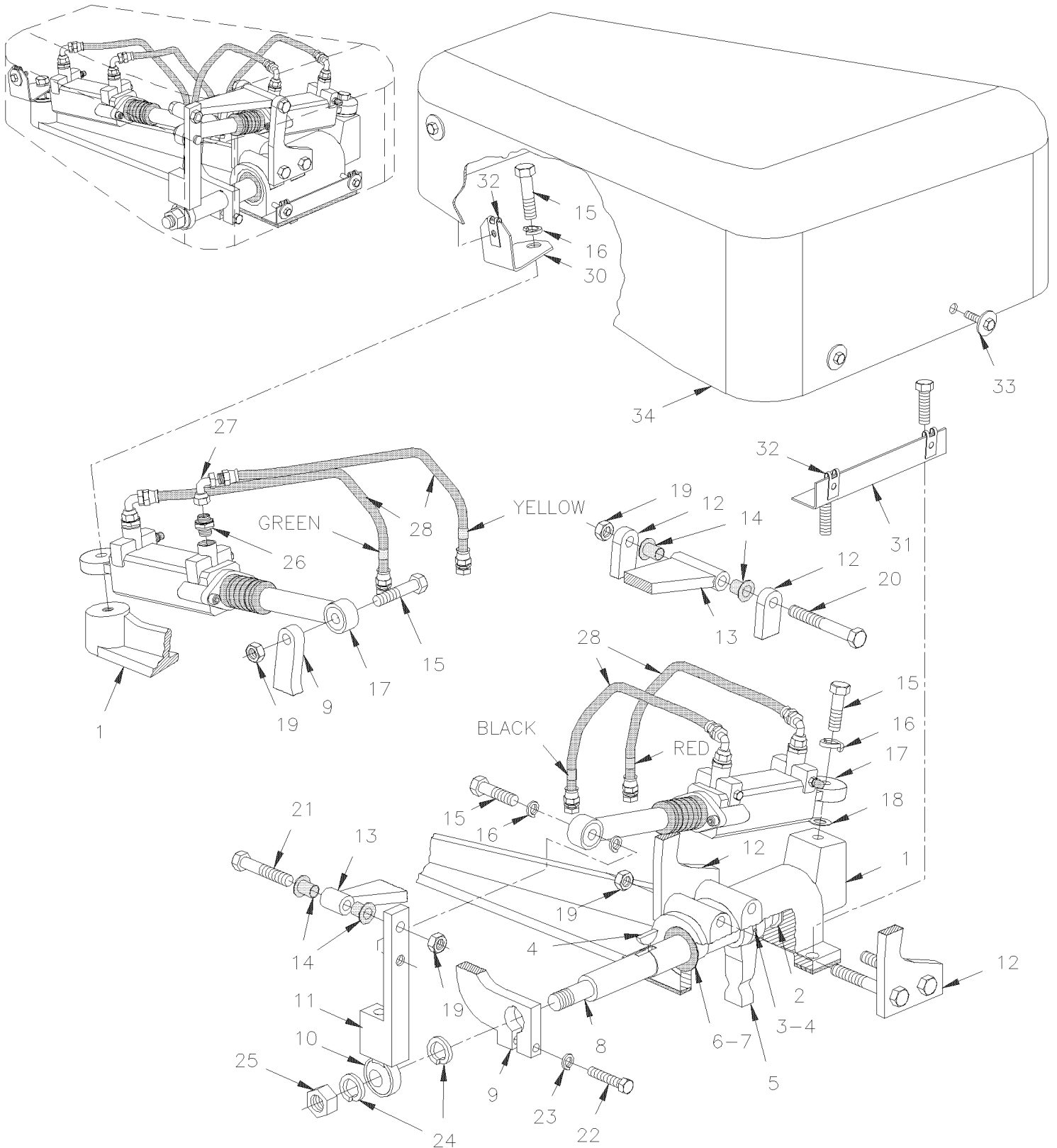
| Item# | Part | Description | H 3 4 0 | V I P 4 0 | N O T E S |
|-------|--------|---|------------------|-----------------------|-----------------------|
| | 571483 | SHIFT LEVER ASSY | 1 | | |
| 1 | 571654 | . LEVER ASSY / W/CENTER CONTROL | 1 | | |
| 2 | N.S.S. | . . KNOB BALL | 1 | | 1 |
| 3 | N.S.S. | . . PIN COLLAR / KNOB | 1 | | 1 |
| 4 | 571465 | . PIN COLLAR | 1 | | |
| 5 | 571464 | . BOOT RUBBER | 1 | | |
| 6 | 571466 | . COLLAR COMPRESSION | 1 | | |
| 7 | 571467 | . SPRING COMPRESSION / 1.154 O.D. x .634 x .120 | 1 | | |
| 8 | 571468 | . CUP COMPRESSION | 1 | | |
| 9 | 571469 | . WASHER COMPRESSION | 1 | | |
| 10 | 571470 | . RING SNAP W/FOWARD CONTROL | 1 | | |
| 11 | N.S.S. | . BASE | 1 | | 1 |
| 12 | 571471 | . PIN | 1 | | |
| 13 | 570893 | GASKET / SHIFTER LEVER W/CENTER CONTROL | 1 | | |
| | | | | | |
| | | | | | |
| | | | | | |
| | | 1) NOT SOLD SEPARATELY | | | |

From L-031 To R-016

Date:10/2022

PAGE:H4-0710-98

SHIFTER HYDRAULIC ASSY - REAR / RETROFIT



| | | |
|---|--------------|-----------------|
| From L-031 To R-016 | Date:10/2022 | PAGE:H4-0710-98 |
| SHIFTER HYDRAULIC ASSY - REAR / RETROFIT | | |

| Item# | Part | Description | H 3 4 0 | V I P 4 0 | N O T E S |
|-------|---------|--|------------------|-----------------------|-----------------------|
| 1 | 071129P | SHIFTER HYDRAULIC ASSY | 1 | | A |
| 2 | 780503 | . BEARING | 1 | | |
| 3 | 5001343 | . SCREW SET HEXS CUP 7/16-20x3/8 | 1 | | |
| 4 | 570424 | . KEY WOODRUFF | 2 | | |
| 5 | 570062 | . FINGER, TRANS. SHIFTING | 1 | | |
| 6 | 507327 | . BUSHING TEFLON 1 I.D. X 1 1/8 O.D. X 1 (GLY.PGZ1616-F) | 1 | | |
| 7 | 550202 | . SEAL 1" I.D. | 1 | | |
| 8 | 071004 | . HYDRAULIC SELECTOR SHAFT | 1 | | |
| 9 | 071005 | . HYDRAULIC SELECTOR GUIDE | 1 | | |
| 10 | 502240 | . ROD END BEARING SS 5/8-18 X 1 5/8 | 1 | | |
| 11 | 071008 | . HYDRAULIC SELECTOR GUIDE | 1 | | |
| 12 | 071055 | . HYDRAULIC SHIFTER GUIDE | 2 | | |
| 13 | 071007 | . HYDRAULIC SELECTOR GUIDE | 1 | | |
| 14 | 502241 | . BEARING FRICTION NYL 10.025 ID | 4 | | |
| 15 | 5001316 | . SCREW CAP HEX M10-1.5x45 SS | 4 | | |
| 16 | 5001004 | . WASHER LO SPT 10.2x16.0x2.5 Z050 | 3 | | |
| 17 | 571705 | . GEAR BOX ACTUATOR CYLINDER | 2 | | |
| 18 | 502644 | . WASHER FL 10.5x30.0x2.5 Z050 | 1 | | |
| 19 | 502617 | . NUT HEX NYRT M10-1.5 Z050 | 5 | | |
| 20 | 5001318 | . SCREW CAP HEX M10-1.5x90 SS | 3 | | |
| 21 | 5001350 | . SCREW CAP HEX M10-1.5x60 SS | 1 | | |
| 22 | 5001319 | . SCREW CAP HEX M8-1.25x40 SS | 1 | | |
| 23 | 500035 | . WASHER LO SPT .317x.586x.078 SS | 1 | | |
| 24 | 500802 | . WASHER LO SPT 16.2x37.4x3.5 Z050 | 1 | | |
| 25 | 502588 | . NUT HEX M16-2.0 ZP | 1 | | |
| 26 | 5011110 | . MALE CONNECTOR / JIC 37° FITTING / #6JIC-MxM16-1.5-M STL | 4 | | |
| . NS | 641297 | . . O-RING 13.1MM I.D. X 2.6 TH | 1 | | |
| . NS | 641298 | . . WASHER FL 17MM I.D x 22MM O.D. x 1.5MM | 1 | | |
| 27 | 501946 | . FEMALE ELBOW 90° / JIC 37°/SAE45° FITTING / TEFLON / #6JIC-F/FL-Fx#6 STL | 4 | | |
| 28 | 071050 | HOSE ASSY TEFLON #6 775MM | 4 | | |
| 30 | 071052 | RETAINER ANGLE | 1 | | |
| 31 | 071053 | RETAINER ANGLE | 1 | | |
| 32 | 504377 | NUT SPR U 1 1/64x1/2x.109-.161 | 3 | | |
| 33 | 502810 | SCREW TP CAP HEXW FL M6.3-1.81x30 PHC | 3 | | |
| 34 | 071054 | COVER / PROTECTOR | 1 | | |
| 35 | 570893 | GASKET / SHIFTER LEVER W/CENTER CONTROL | 1 | | |
| NS | 5011172 | ADAPTER FERULOK @ JIC / #6x#6JIC-M SS | 4 | | |
| NS | 5011173 | UNION / FERULOK FITTING / #6x#6 STL | 4 | | |
| NS | 5011174 | BULKHEAD UNION / FERULOK FITTING / #6x#6 SS | 4 | | |
| NS | 5011175 | UNION ELBOW 90° / FERULOK FITTING / #6x#6 STL | AR | | |
| NS | 503633 | TUBE ROUND STANLESS 304 3/8" O.D. x .035 x 264" | AR | | |
| NS | 504655 | CLAMP SIMPLE ASS / 1 1/2 I.D. | AR | | |

| | | |
|---------------------|--------------|-----------------|
| From L-031 To R-016 | Date:10/2022 | PAGE:H4-0710-98 |
|---------------------|--------------|-----------------|

SHIFTER HYDRAULIC ASSY - REAR / RETROFIT

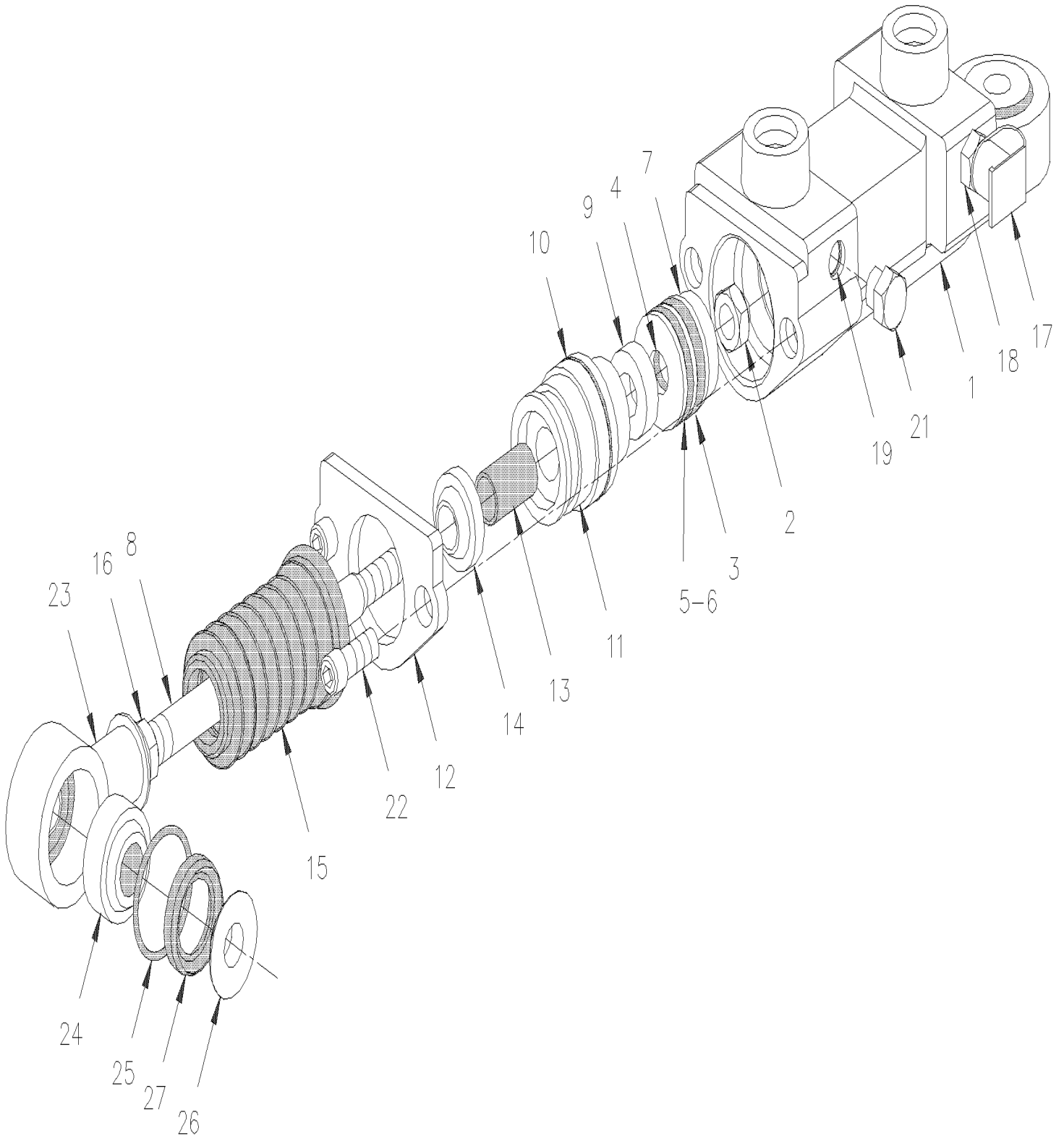
| Item# | Part | Description | H 3 4 0 | V I P 4 0 | N O T E S |
|-------|--------|--|------------------|-----------------------|-----------------------|
| NS | 683276 | GREASE LOW TEMPERATURE 450GR | AR | | |
| | | | | | |
| | | | | | |
| | | A) FOR COMPLETE RETROFIT KIT ASK #071207 | | | |

From L-031 To R-016

Date:10/2022

PAGE:H4-0710-99

GEAR BOX ACTUATOR / RETROFIT



| | | |
|-------------------------------------|--------------|-----------------|
| From L-031 To R-016 | Date:10/2022 | PAGE:H4-0710-99 |
| GEAR BOX ACTUATOR / RETROFIT | | |

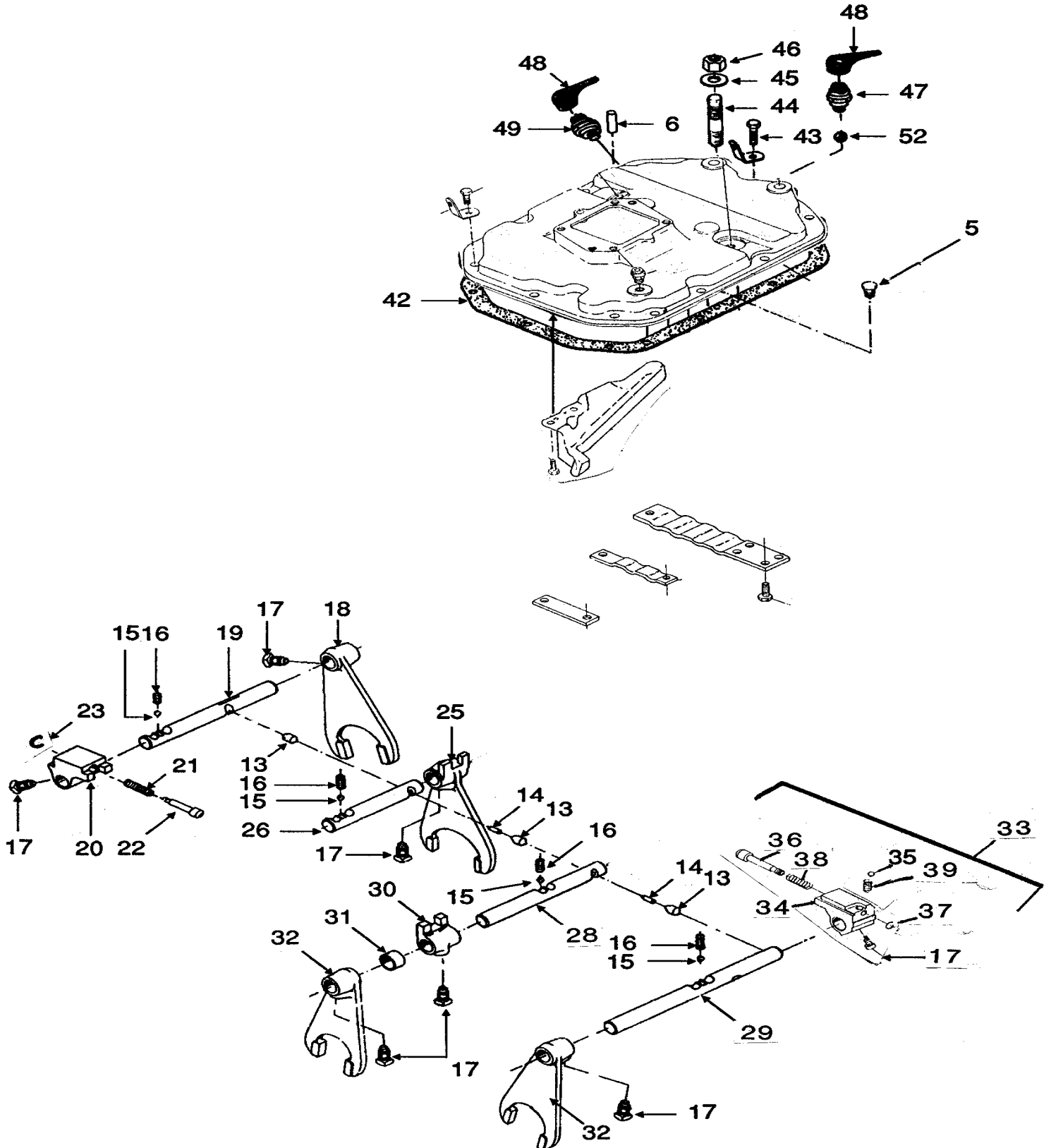
| Item# | Part | Description | H 3 4 0 | V I P 4 0 | N O T E S |
|-------|--------|---|------------------|-----------------------|-----------------------|
| | 571705 | GEAR BOX ACTUATOR CYLINDER | 1 | | |
| 1 | N.P.N. | . HOUSING (626181) | 1 | | 4 |
| 2 | N.P.N. | . LOCK NUT, DIN 980 V M8-8 (624315) | 1 | | 4 |
| 3 | N.P.N. | . GUIDE RING, 4 X 1.5 X 77.5 (624316) | 1 | | 4 |
| 4 | N.P.N. | . O-RING 9.53 X 1.78, EPDM (625716) | 1 | | 4 |
| 5 | N.P.N. | . GLYD RING, 026 (624317) | 1 | | 4 |
| 6 | N.P.N. | . O-RING 17.12X2.62, EPDM (624318) | 1 | | 4 |
| 7 | N.P.N. | . PISTON (625456) | 1 | | 4 |
| 8 | N.P.N. | . PUSH ROD (625455) | 1 | | 4 |
| 9 | N.P.N. | . LIP SEAL 10 X 18 X 6 (624947) | 1 | | 4 |
| 10 | N.P.N. | . O-RING 28.3 X 1.78, EPDM (624943) | 1 | | 4 |
| 11 | N.P.N. | . SEAL CASE (624936) | 1 | | 4 |
| 12 | N.P.N. | . FLANGE (624817) | 1 | | 4 |
| 13 | N.P.N. | . BEARING 10 X 12 X 20 (624944) | 1 | | 4 |
| 14 | N.P.N. | . SCRAPER, 10-20-8-5 (624323) | 1 | | 4 |
| 15 | N.P.N. | . BELLOW (623012) | 1 | | 4 |
| 16 | N.P.N. | . CHECK NUT, DIN 6923-M10-8 (625802) | 1 | | 4 |
| 17 | N.P.N. | . PROTECTION CAP (625390) | 1 | | 4 |
| 18 | 571741 | . ADAPTOR BLEED NIPPLE | 1 | | |
| 19 | N.P.N. | . O-RING 7 X 1, EPDM (624520) | 2 | | 4 |
| 20 | N.P.N. | . SPHERE 3.5 (624945) | 1 | | 4 |
| 21 | N.P.N. | . BLEED PLUG (624927) | 1 | | 4 |
| 22 | N.P.N. | . ALLEN SCREW DIN 912-M6X25-8.8 (624946) | 2 | | 4 |
| 23 | N.P.N. | . BALL JOINT HOLDER (M10) (624621) | 1 | | 4 |
| 24 | N.P.N. | . SPHERICAL BEARING (623013) | 2 | | 4 |
| 25 | N.P.N. | . WIRE COIL (623025) | 4 | | 4 |
| 26 | N.P.N. | . WASHER (623031) | 4 | | 4 |
| 27 | N.P.N. | . SEALING RING (623042) | 4 | | 4 |
| 28 | N.P.N. | . MARKING PLATE (626184) | 1 | | 4 |
| NS | 520163 | . COUPLER / QUICK DISCONNECT "TEMA" / #2x 1/8NPT-F BR | AR | | |
| | | | | | |
| | | | | | |
| | | 4) NO PARTS NUMBER | | | |

From L-031 To R-016

Date:10/2022

PAGE:H4-0715-01

SHIFT COVER 6 SPEEDS - W/PS130-6B



| | | | |
|--|--|--------------|-----------------|
| From L-031 To R-016 | | Date:10/2022 | PAGE:H4-0715-01 |
| SHIFT COVER 6 SPEEDS - W/PS130-6B | | | |

| Item# | Part | Description | H 3 4 0 | V I P 4 0 | N O T E S |
|-------|--------|---|------------------|-----------------------|-----------------------|
| | 571306 | SHIFTER COVER HOUSING / 6 SPEEDS / W/CENTER CONTROL | 1 | | |
| 1 | N.S.A. | SHIFTER HOUSING & OIL THROUGH ASSY | 1 | | 3 |
| 2 | N.S.S. | SHIFTER HOUSING | 1 | | 1 |
| NS | 571578 | RETAINER SHIFT ROD / REAR | 1 | | |
| NS | 571579 | RETAINER SHIFT ROD / CENTER | 1 | | |
| NS | 571580 | RETAINER SHIFT ROD | 1 | | |
| 3 | 571597 | OIL TROUGH | 1 | | |
| NS | 571581 | SCREW CAP HEX 3/8-16 X 1" | 2 | | |
| 4 | 571601 | SCREW CAP HEX 3/8-16 x 3/4" | 7 | | |
| 5 | 571357 | BREATHER | 1 | | |
| 6 | 571358 | PIN LOCK | 1 | | |
| 13 | 571533 | INTERLOCK | 3 | | |
| 14 | 570007 | PIN | 3 | | |
| 15 | 571532 | POPPET / TO USE W/INSIDE SPRING #571600 | 4 | | |
| 16 | 571600 | SPRING POPPET | 4 | | |
| 17 | 571582 | SCREW SET 7/16-20x3/4 | 7 | | |
| 18 | 571364 | FORK / 1ST & REV | 1 | | |
| 19 | 571534 | ROD / 1ST & REV | 1 | | |
| 20 | 571366 | BRACKET / SHIFT ROD / 1ST & REV | 1 | | |
| 21 | 571535 | SPRING / PLUNGER | 1 | | |
| 22 | 571583 | PLUNGER | 1 | | |
| 23 | 570355 | RING LOCK | 1 | | |
| 25 | 570156 | FORK / 2ND & 3RD | 1 | | |
| 26 | 571528 | ROD / 2ND & 3RD | 1 | | |
| 28 | 571529 | ROD / 4TH | 1 | | |
| 29 | 571530 | ROD / 5TH & 6TH | 1 | | |
| 30 | 570350 | BRACKET SHIFT | 1 | | |
| 32 | 570157 | FORK / 5TH & 6TH | 2 | | |
| 33 | 571569 | SHIFT ROD BRACKET ASSY | 1 | | |
| 34 | N.S.S. | BRACKET / SHIFT ROD | 1 | | 1 |
| 35 | 570087 | BALL | 1 | | |
| 36 | 571584 | PLUNGER | 1 | | |
| 37 | 571585 | SNAP, RING | 1 | | |
| 38 | 571586 | SPRING COMPRESSION / .600 O.D. x 2.205 x .065 | 1 | | |
| 39 | 571587 | SPRING COMPRESSION / .353 O.D. x 1. x .057 | 1 | | |
| 42 | 570342 | GASKET | 1 | | |
| NS | 570893 | GASKET / SHIFTER LEVER W/CENTER CONTROL | 1 | | |
| 43 | 571347 | SCREW CAP HEX 3/8-16x1 1/8 | 10 | | |
| 44 | 571150 | STUD 5/8-11 & 5/8-18 X 3 1/2" | 2 | | |
| NS | 571380 | STUD 5/8-11 5/8-18x4 | 2 | | |
| 45 | 571381 | WASHER FL 5/8 | 2 | | |
| 46 | 570383 | NUT 5/8-18 | 2 | | |

| | | |
|--|--------------|-----------------|
| From L-031 To R-016 | Date:10/2022 | PAGE:H4-0715-01 |
| SHIFT COVER 6 SPEEDS - W/PS130-6B | | |

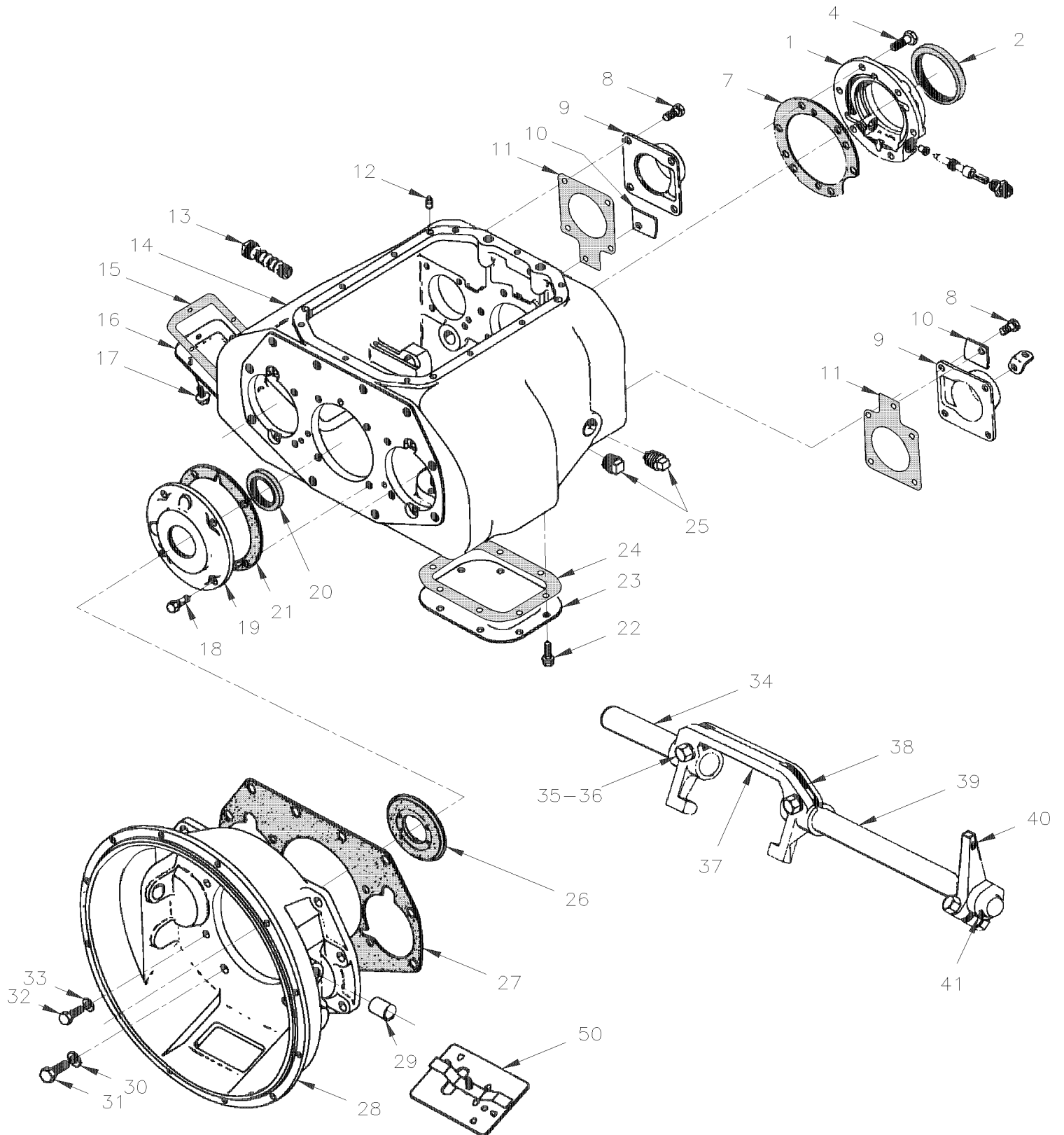
| Item# | Part | Description | H 3 4 0 | V I P 4 0 | N O T E S |
|-------|--------|---|------------------|-----------------------|-----------------------|
| 47 | 561019 | SWITCH / NEUTRAL N.O. / W/MANUAL TRANSMISSION | 1 | | |
| NS | 571599 | SPRING / NEUTRAL SWITCH | 1 | | |
| NS | 571598 | PLUNGER / SWITCH & ROD | 1 | | |
| 48 | 561012 | PROTECTOR, TRANS. SWITCH | 2 | | |
| 49 | 560632 | SWITCH / BACK-UP N.C. / W/MANUAL TRANSMISSION | 1 | | |
| NS | 570374 | PLUNGER / ROD & BACK-UP LIGHT SWITCH | 1 | | |
| 52 | 571422 | BALL / NEUTRAL SWITCH | 1 | | |
| | | | | | |
| | | | | | |
| | | 1) NOT SOLD SEPARATELY | | | |
| | | 3) NOT SOLD ASSEMBLY | | | |

From L-031 To R-016

Date:10/2022

PAGE:H4-0720-00

TRANSMISSION MANUAL 6 SPEEDS - PS130-6B



| | | |
|--|--------------|-----------------|
| From L-031 To R-016 | Date:10/2022 | PAGE:H4-0720-00 |
| TRANSMISSION MANUAL 6 SPEEDS - PS130-6B | | |

| Item# | Part | Description | H 3 4 0 | V I P 4 0 | N O T E S |
|-------|-------------------|--|------------------|-----------------------|-----------------------|
| | 571482 | TRANSMISSION ASSY 6 SPEEDS / MODEL PS130-6B W/CENTER CONTROL | 1 | | |
| 1 | 571497 | BEARING RETAINER ASSY | 1 | | |
| 2 | 570364 | SEAL | 1 | | |
| 4 | 571341 | SCREW CAP HEX 1/2-13x1 1/2 | 4 | | |
| NS | 571611 | SCREW CAP HEX 1/2-13x2 1/2 | 2 | | |
| 7 | 570345 | GASKET | 1 | | |
| 8 | 571339 | SCREW CAP HEXF 3/8-16 x 15/16" | 10 | | |
| 9 | 571338 | RETAINER BEARING | 2 | | |
| 10 | 571337 | COVER IDLER | 2 | | |
| 11 | 571336 | GASKET | 2 | | |
| 12 | 570011 | PIN DOWEL | 2 | | |
| 13 | 570153 | PLUG MAGNETIC | 2 | | |
| 14 | 571333 | CASE ASSY | 1 | | |
| 15 | 570218 | GASKET / P.T.O. W/6 HOLES | 1 | | |
| 16 | 570229 | COVER P.T.O. W/6 HOLES | 1 | | |
| 17 | 571334 | SCREW CAP HEXF 3/8-16 x 3/4" | 6 | | |
| 18 | 571347 | SCREW CAP HEX 3/8-16x1 1/8 | 4 | | |
| 19 | 571345 | BEARING RETAINER ASSY | 1 | | |
| 20 | 571346 | SEAL | 1 | | |
| 21 | 570344 | GASKET | 1 | | |
| 22 | 571335 | SCREW CAP HEX 7/16-14x3/4 | 8 | | |
| 23 | 570296 | COVER P.T.O. W/8 HOLES | 1 | | |
| 24 | 570035 | GASKET P.T.O. W/8 HOLES | 1 | | |
| 25 | 570094 | . PLUG DRAIN & FILL | 2 | | |
| 26 | H4-0205-00 | CLUTCH PRESSURE PLATE ASSY - WITH DETROIT S-92 | | | |
| 27 | 570348 | GASKET | 1 | | |
| 28 | 570197 | CLUTCH HOUSING ASSY | 1 | | |
| 29 | 570075 | . BUSHING | 4 | | |
| 30 | 571349 | WASHER FL 1.125x.625x0.600 | 10 | | |
| 31 | 571348 | SCREW CAP HEX 5/8-11 X 1 3/4 | 10 | | |
| 32 | 571350 | SCREW CAP HEX 1/2-13 X 1 1/4 | 4 | | |
| 33 | 571351 | WASHER, 1/2" I.D. FLAT | 4 | | |
| 34 | 570369 | CLUTCH SHAFT 1" X 5 3/4" | 1 | | |
| 35 | 570199 | SCREW | 2 | | |
| 36 | 570431 | WASHER LOCK | 2 | | |
| 37 | 570172 | YOKE CLUTCH RELEASE | 1 | | |
| 38 | 570030 | KEY WASHER | 2 | | |
| 39 | 020377 | CLUTCH SHAFT 1"X 9" 11/16" | 1 | | |
| 40 | 070692 | LEVER, CLUTCH SHAFT 71MM C/C To R-383 | 1 | | |
| 40 | 020433 | LEVER, CLUTCH SHAFT 71MM C/C From R-384 | 1 | | |
| 41 | 505154 | KEY, WOODRUFF #18 / 1/8" X 1 1/8" | 1 | | |
| 50 | 020280 | COVER ASSY (MODIFIED) | 1 | | |

| | | |
|--|--------------|-----------------|
| From L-031 To R-016 | Date:10/2022 | PAGE:H4-0720-00 |
| TRANSMISSION MANUAL 6 SPEEDS - PS130-6B | | |

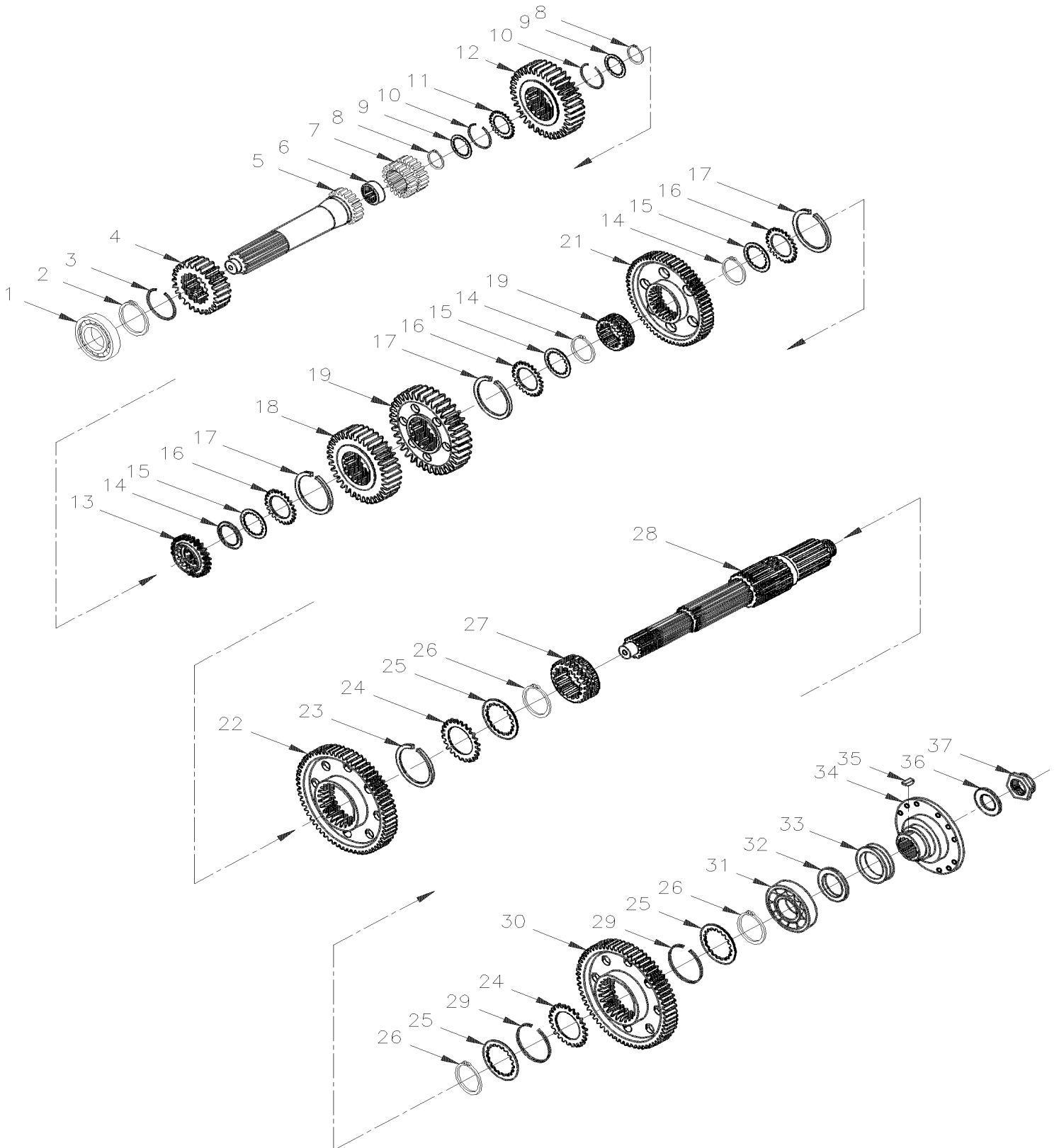
| Item# | Part | Description | H 3 4 0 | V I P 4 0 | N O T E S |
|-------|--------|--|------------------|-----------------------|-----------------------|
| 50 | 500536 | . SCREW TP HEXW SLT #14x1 ZP | 2 | | |
| NS | 570342 | GASKET | 1 | | |
| NS | 570893 | GASKET / SHIFTER LEVER W/CENTER CONTROL | | | |
| 50 | 571377 | KIT GASKET | AR | | A |
| 50 | 571383 | KIT BEARING & SEAL | AR | | B |
| | | A) INCLUDE ITEMS 7,11,15,21,27 & 50 (GASKET) | | | |
| | | B) SEE ATTACHED TEXT TO KNOW THE PARTS INCLUDE IN THIS KIT | | | |

From L-031 To R-016

Date:10/2022

PAGE:H4-0725-00

GEAR & RELATED PARTS W/6 SPEEDS



| | | |
|--|--------------|-----------------|
| From L-031 To R-016 | Date:10/2022 | PAGE:H4-0725-00 |
| GEAR & RELATED PARTS W/6 SPEEDS | | |

| Item# | Part | Description | H 3 4 0 | V I P 4 0 | N O T E S |
|-------|--------|--|------------------|-----------------------|-----------------------|
| 1 | 571308 | BEARING | 1 | | |
| 2 | 571309 | RING SNAP | 1 | | |
| 3 | 570354 | RING SNAP - INT | 1 | | |
| 4 | 571310 | GEAR INPUT / 26T | 1 | | |
| 5 | 571312 | SHAFT INPUT 2" / 10 SPLINES | 1 | | |
| 6 | 571313 | BEARING POCKET | 1 | | |
| 7 | 570367 | COLLAR 5TH-6TH CLUTCH | 1 | | |
| 8 | 571314 | RING SNAP | 2 | | |
| 9 | 570212 | WASHER THRUST / INT 13T | 2 | | |
| 10 | 570354 | RING SNAP - INT | 2 | | |
| 11 | 570209 | WASHER THRUST / EXT 17T | 1 | | |
| 12 | 570169 | GEAR 5TH / 32T | 1 | | |
| 13 | 571315 | COLLAR 4TH / SPEED CLUTCH | 1 | | |
| 14 | 570356 | RING SNAP | 3 | | |
| 15 | 570207 | WASHER THRUST / INT 15T | 3 | | |
| 16 | 571273 | WASHER THRUST / EXT 20T | 3 | | |
| 17 | 570353 | RING SNAP | 3 | | |
| 18 | 570168 | GEAR 4TH / 38T | 1 | | |
| 19 | 570167 | GEAR 3RD / 56T | 1 | | |
| 20 | 571254 | COLLAR / 2ND-3RD | 1 | | |
| 21 | 571316 | GEAR 2ND / 56T | 1 | | |
| 22 | 571256 | GEAR 1ST / 64T | 1 | | |
| 23 | 571257 | RING SNAP - INT | 1 | | |
| 24 | 571317 | WASHER THRUST / EXT 24T | 2 | | |
| 25 | 571318 | WASHER THRUST / INT 18T | 3 | | |
| 26 | 571319 | RING SNAP | 3 | | |
| 27 | 571320 | COLLAR / 1ST-REV. | 1 | | |
| 28 | 571321 | SHAFT MAIN | 1 | | |
| 29 | 571322 | RING SNAP - INT | 2 | | |
| 30 | 571323 | GEAR REV / 64T | 1 | | |
| 31 | 571324 | BEARING REAR | 1 | | |
| 32 | 571325 | SPACER | 2 | | |
| 33 | 571304 | GEAR DRIVE / SPEEDOMETER / W/ELECTRONIC SENDING UNIT | 1 | | |
| 33 | 571479 | SPEEDOMETER DRIVE TOOTH WHEEL | 1 | | |
| 34 | 571327 | COMPANION FLANGE / W/MANUAL TRANS (20 SPL) 6 SPEEDS | 1 | | |
| 35 | 570376 | KEY WOODRUFF | 1 | | |
| 36 | 570211 | WASHER FLAT | 1 | | |
| 37 | 571328 | NUT SELF-LOCKING 1 3/4-16 | 1 | | |
| | | | | | |
| 37 | 571379 | KIT SNAP RING | AR | | A |
| | | | | | |
| 37 | 571383 | KIT BEARING & SEAL | AR | | B |

| | | |
|---------------------|--------------|-----------------|
| From L-031 To R-016 | Date:10/2022 | PAGE:H4-0725-00 |
|---------------------|--------------|-----------------|

GEAR & RELATED PARTS W/6 SPEEDS

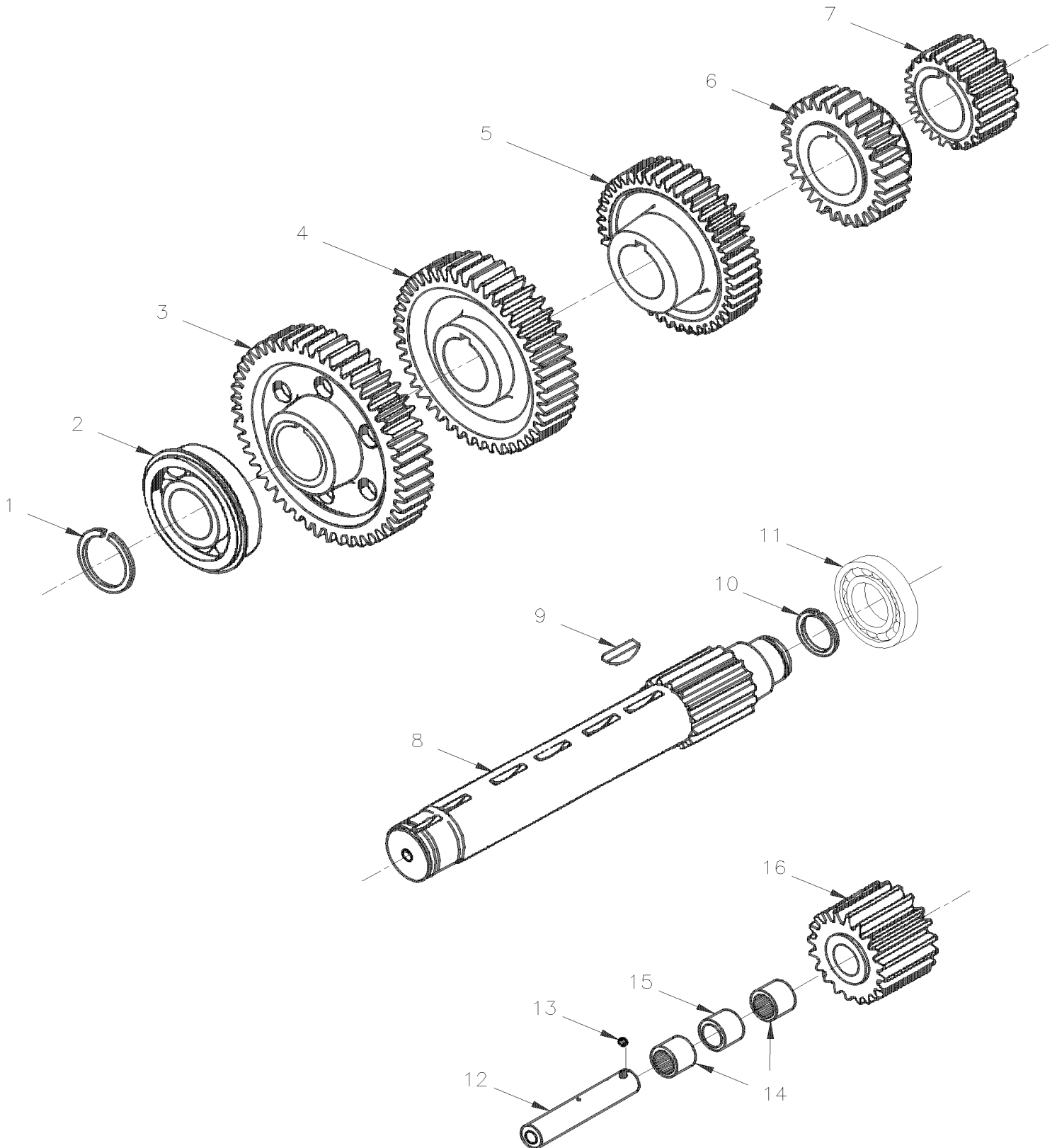
| Item# | Part | Description | H 3 4 0 | V I P 4 0 | N O T E S |
|-------|--------|--|------------------|-----------------------|-----------------------|
| 37 | 571352 | KIT THRUST WASHER | AR | | C |
| | | | | | |
| | | A) INCLUDE ITEMS 2,3,8,10,14,17,23,26 & 29 AND ITEMS 1 & 10 IN PAGE H4-0730-00 | | | |
| | | B) SEE ATTACHED TEXT TO SEE THE LIST OF THE PARTS IN THIS KIT | | | |
| | | C) INCLUDE ITEMS 9,11,15,16,24 & 25 | | | |

From L-031 To R-016

Date:10/2022

PAGE:H4-0730-00

COUNTERSHAFT GROUP W/6 SPEEDS



| | | |
|--------------------------------------|--------------|-----------------|
| From L-031 To R-016 | Date:10/2022 | PAGE:H4-0730-00 |
| COUNTERSHAFT GROUP W/6 SPEEDS | | |

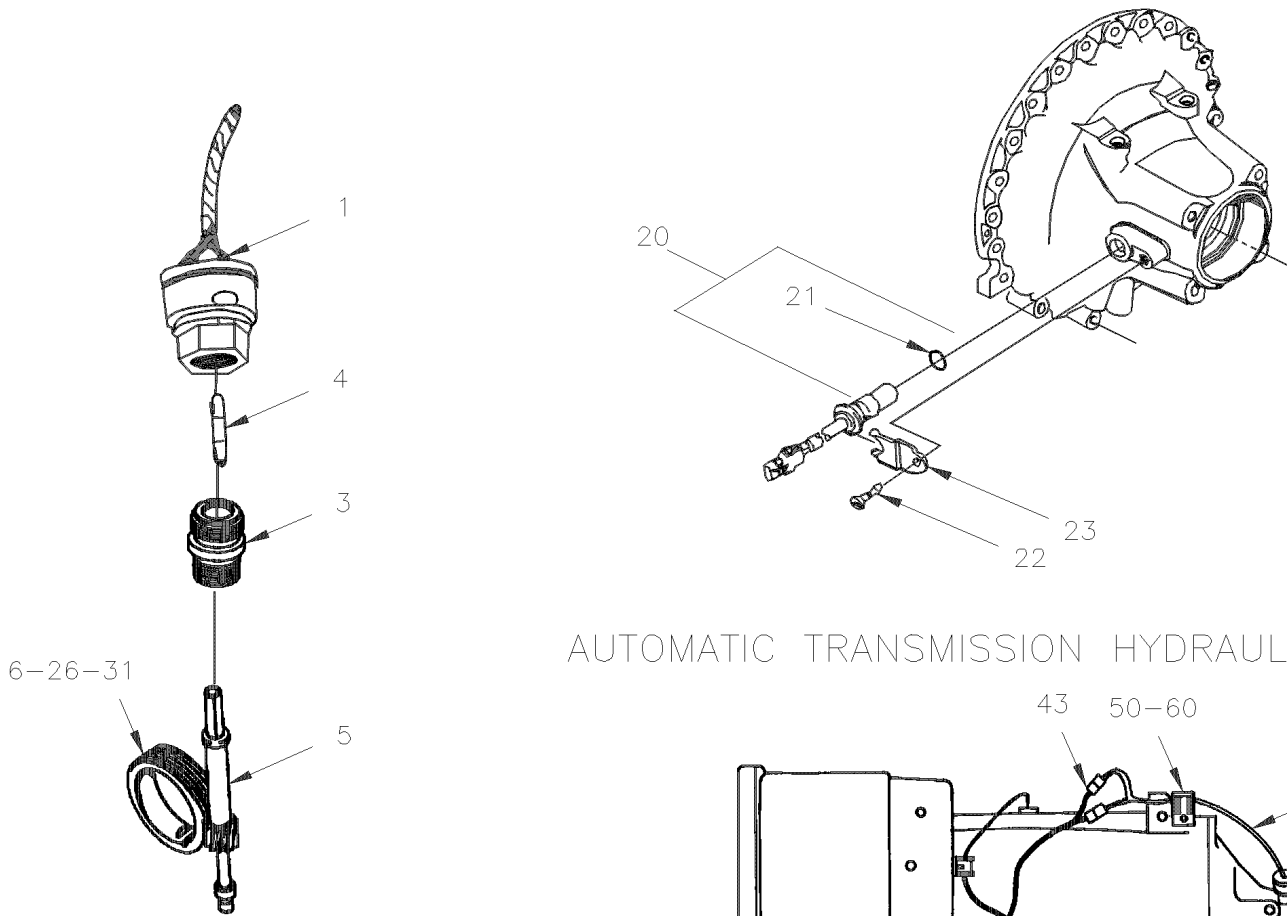
| Item# | Part | Description | H 3 4 0 | V I P 4 0 | N O T E S |
|-------|--------|--|------------------|-----------------------|-----------------------|
| 1 | 571269 | RING SNAP | 2 | | |
| 2 | 570232 | BEARING FRONT | 2 | | |
| 3 | 570069 | GEAR 6TH / 52T | 2 | | |
| 4 | 571266 | GEAR 5TH / 48T | 2 | | |
| 5 | 571267 | GEAR 4TH / 40T | 2 | | |
| 6 | 570417 | GEAR 3TH / 32T | 2 | | |
| 7 | 570416 | GEAR 2TH / 23T | 2 | | |
| 8 | 571329 | COUNTERSHAFT / 15T RIGHT SIDE-SPLINED FOR P.T.O. | 1 | | |
| 8 | 571330 | COUNTERSHAFT / 15T LEFT SIDE-SPLINED FOR PUMP | 1 | | |
| 9 | 570377 | KEY WOODRUFF | 10 | | |
| 10 | 571331 | RING | 2 | | |
| 11 | 571332 | BEARING / REAR | 2 | | |
| 12 | 570154 | SHAFT | 2 | | |
| 13 | 570392 | BALL LOCK 9/32" DIA. | 2 | | |
| 14 | 570250 | BEARING | 4 | | |
| 15 | 570152 | SPACER | 2 | | |
| 16 | 570070 | GEAR | 2 | | |
| NS | 571379 | KIT SNAP RING | AR | | A |
| NS | 571383 | KIT BEARING & SEAL | AR | | B |
| | | | | | |
| | | | | | |
| | | A) INCLUDE ITEMS 1 & 10 AND ITEMS 2,3,8,10,14,17,23,26 & 29 ON PAGE H4-0725-00 | | | |
| | | B) SEE ATTACHED TEXT TO SEE THE LIST OF THE PARTS IN THIS KIT | | | |

From L-031 To R-079

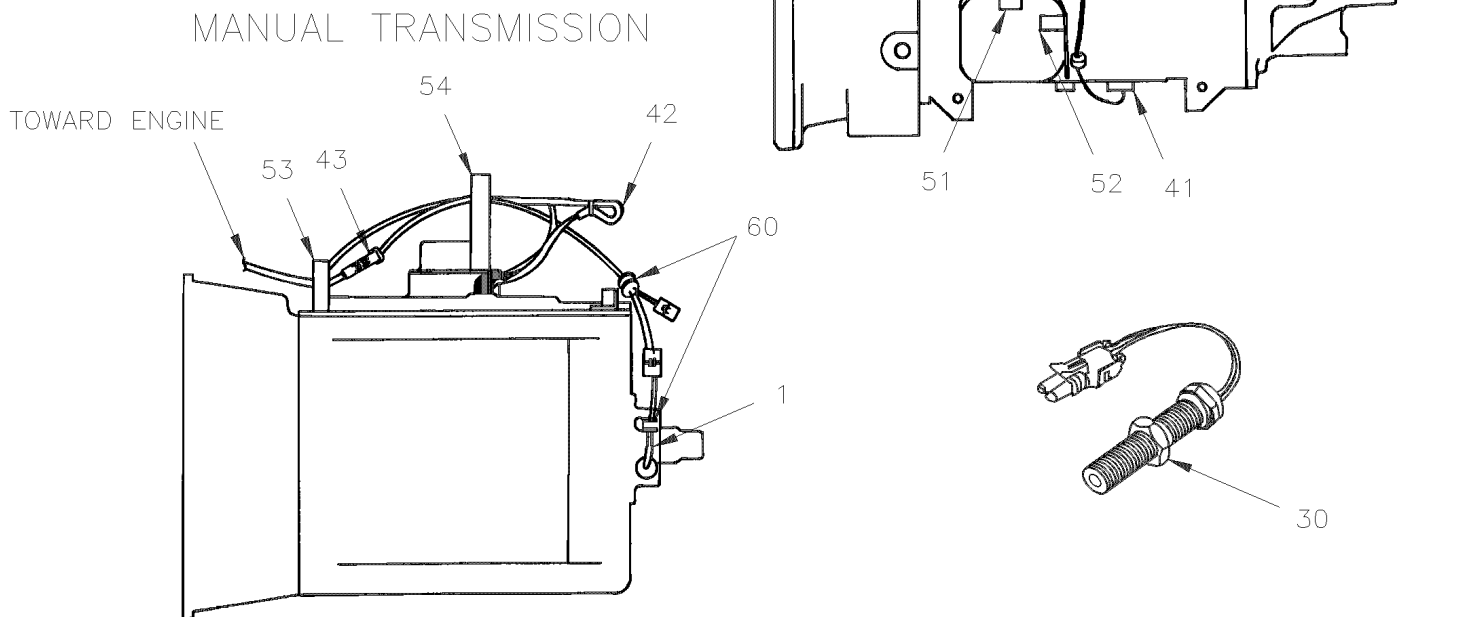
Date:10/2022

PAGE:H4-0740-00

SPEEDOMETER ADAPTOR



AUTOMATIC TRANSMISSION HYDRAULIC ONLY



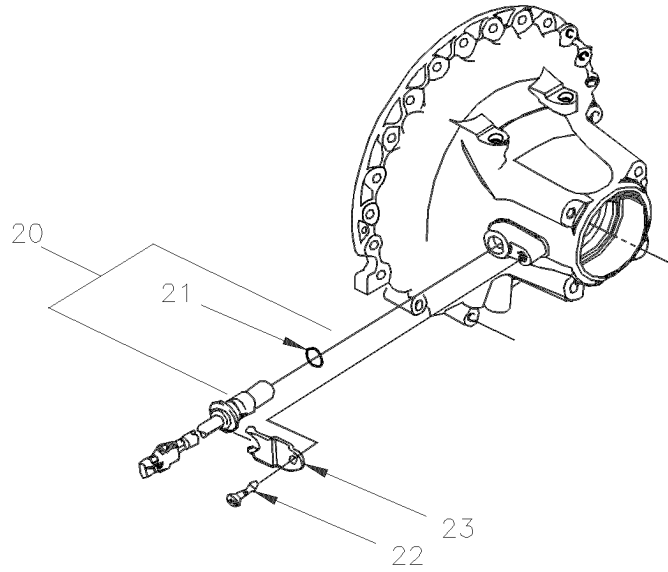
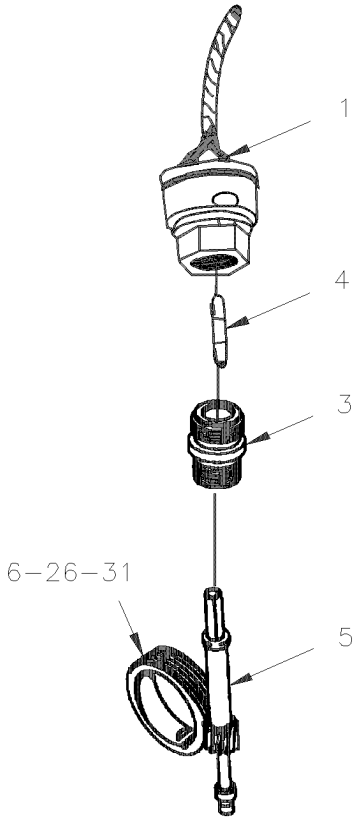
| | | |
|----------------------------|---------------------|------------------------|
| From L-031 To R-079 | Date:10/2022 | PAGE:H4-0740-00 |
| SPEEDOMETER ADAPTOR | | |

| Item# | Part | Description | H 3 4 0 | V I P 4 0 | N O T E S |
|-------|-------------------|---|------------------|-----------------------|-----------------------|
| 1 | 590262 | SENDING UNIT / (8 PULSES) To M-067 | 1 | | |
| 1 | 590264 | SENDING UNIT / (8 PULSES) From M-068 To N-173 | 1 | | |
| 1 | 590272 | SENDING UNIT / (30 PULSES) From N-174 To R-005 | 1 | | |
| 1 | 590276 | SENDING UNIT / (30 PULSES) From R-006 | 1 | | |
| 2 | 590162 | SENSOR | 1 | | A |
| | | TACHOGRAPH - W/HYDRAULIC AUTOMATIC TRANS. | | | |
| 3 | 590094 | SLEEVE | 1 | | |
| 4 | 590261 | KEY To N-173 | 1 | | |
| 4 | 590271 | KEY From N-174 | 1 | | |
| 5 | 590121 | GEAR DRIVEN | | | |
| 6 | N.S.P. | GEAR DRIVE/W/HYDRAULIC AUTO. TRANS. (6835455) | 1 | | 2 |
| | | TACHOGRAPH - WITH AUTOMATIC TRANS. "ATEC" | | | |
| 20 | 561926 | MAGNETIC SENSOR / W/AUTOMATIC TRANS "ATEC" | 1 | 1 | |
| 21 | N.S.P. | O-RING / (23017303) | 1 | 1 | 2 |
| 22 | N.S.P. | BOLT, PATCH LOCK / (23015458) | 1 | 1 | 2 |
| 23 | N.S.P. | RETAINER, SPEED SENSOR / (8627650) | 1 | 1 | 2 |
| 26 | N.S.P. | GEAR SENSOR SPEED / "ATEC" / (23013191) | 1 | | 2 |
| 26 | N.S.P. | GEAR SENSOR SPEED / W/RETARDER / "ATEC" / (23045888) | | 1 | 2 |
| | | TACHOGRAPH - WITH MANUAL TRANSMISSION | | | |
| 30 | 590246 | MAGNETIC SENSOR / W/MANUAL TRANSMISSION | 1 | | |
| 31 | 571479 | SPEEDOMETER DRIVE TOOTH WHEEL | 1 | | |
| 32 | H4-0905-00 | PROPELLER SHAFT | | | |
| 33 | H4-0725-00 | GEAR & RELATED PARTS W/6 SPEEDS | | | |
| 34 | 570211 | WASHER FLAT | 1 | | |
| 35 | 571328 | NUT SELF-LOCKING 1 3/4-16 | 1 | | |
| NS | 062670 | CABLE ASSY W/AUTO TRANS HYDRAULIC To M-067 | 1 | | |
| 40 | 062915 | CABLE ASSY W/AUTO TRANS HYDRAULIC From M-068 To N-173 | 1 | | |
| NS | 063838 | CABLE ASSY / SENSOR & MAIN HARNESS / W/TRANS HYDRAULIC From R-006 | 1 | | |
| 41 | 062375 | CABLE ASSY W/AUTO TRANS HYDRAULIC / NEUTRAL SWITCH & REAR | 1 | | |
| 42 | 062392 | CABLE ASSY W/MAN TRANS / NEUTRAL SWITCH & REAR PANEL | 1 | | |
| 43 | 561115 | CLAMP W/ 3 & 4 / ITT CANNON 029-0262-000 | AR | AR | |
| 52 | 062235 | SUPPORT HARNESS | AR | AR | |
| 53 | 010667 | SUPPORT | AR | | |
| 54 | 060525 | SUPPORT HARNESS | AR | | |
| NS | 070368 | SUPPORT | 2 | 2 | |
| 60 | 560479 | CLAMP / 3/8" I.D. | AR | AR | |

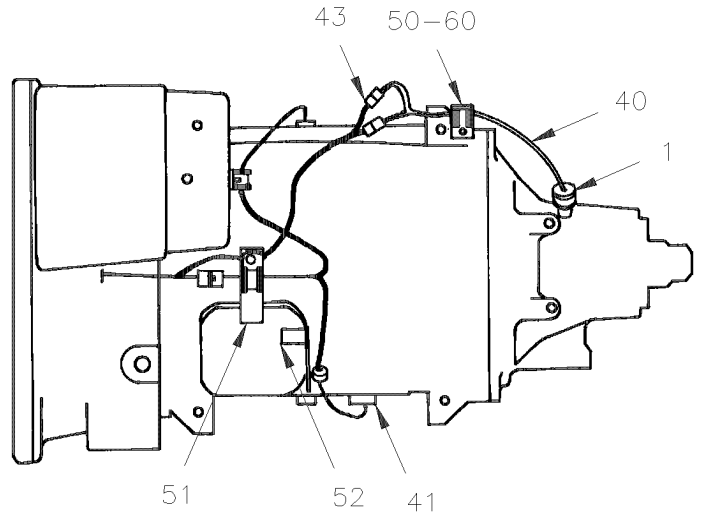
| | | |
|----------------------------|--------------|-----------------|
| From L-031 To R-079 | Date:10/2022 | PAGE:H4-0740-00 |
| SPEEDOMETER ADAPTOR | | |

| Item# | Part | Description | H 3 4 0 | V I P 4 0 | N O T E S |
|-------|--------|---|------------------|-----------------------|-----------------------|
| NS | 500470 | WASHER LO SPT .193x.334x.047 Z050 | AR | AR | |
| NS | 500574 | SCREW MA TR PH #10-24x1 1/4 SS | AR | AR | |
| NS | 500766 | NUT HEX #5-40 ZP | AR | AR | |
| | | | | | |
| | | | | | |
| | | A) USE ON SERIAL NUMBER M-154,156,160,161,162,166,173 & 174 | | | |
| | | 2) NOT SOLD BY PREVOST (SEE MANUFACTURING PART NUMBER AT END OF DESCRIPTION LINE) | | | |

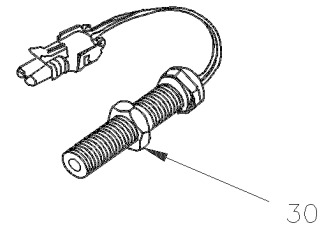
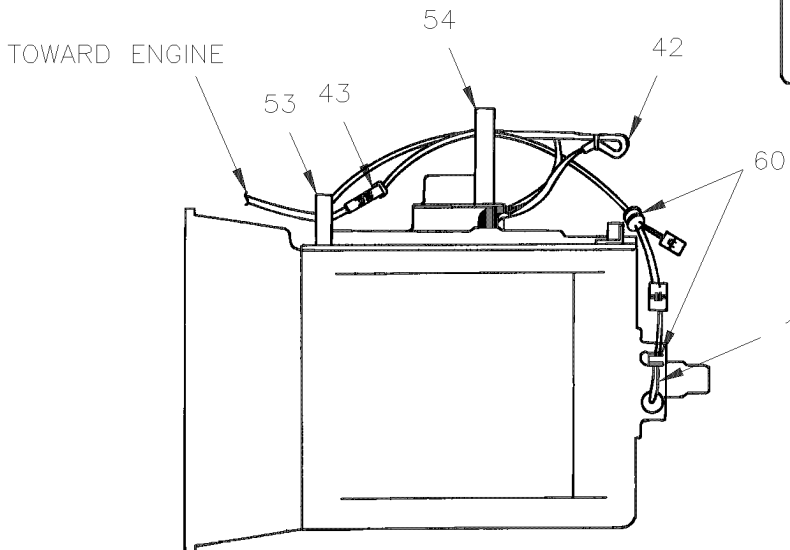
| | | |
|-----------------------------------|--------------|-----------------|
| From L-031 To R-079 | Date:10/2022 | PAGE:H4-0740-05 |
| SPEEDOMETER ADAPTOR W/SMALL GAUGE | | |



AUTOMATIC TRANSMISSION HYDRAULIC ONLY



MANUAL TRANSMISSION



| | | |
|--|--------------|-----------------|
| From L-031 To R-079 | Date:10/2022 | PAGE:H4-0740-05 |
| SPEEDOMETER ADAPTOR W/SMALL GAUGE | | |

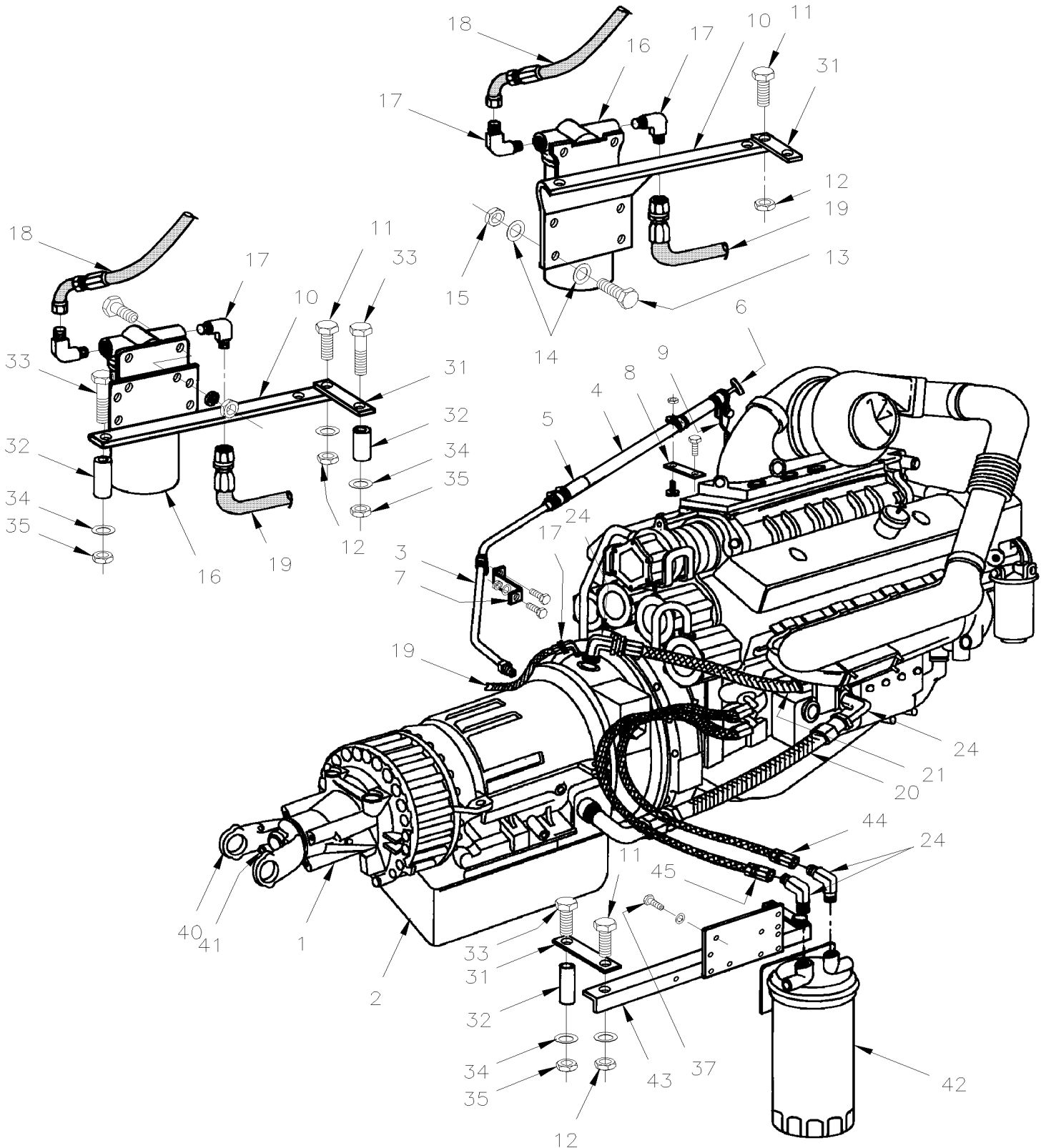
| Item# | Part | Description | H 3 4 0 | V I P 4 0 | N O T E S |
|-------|--------|---|------------------|-----------------------|-----------------------|
| 1 | 590262 | SENDING UNIT / (8 PULSES) To M-067 | 1 | | |
| 1 | 590264 | SENDING UNIT / (8 PULSES) From M-068 To N-173 | 1 | | |
| 1 | 590272 | SENDING UNIT / (30 PULSES) From N-174 To R-005 | 1 | | |
| 1 | 590276 | SENDING UNIT / (30 PULSES) From R-006 | 1 | | |
| | | NEXT ITEMS ARE USED W/HYDRAULIC AUTO. TRANS. | | | |
| 3 | 590094 | SLEEVE | 1 | | |
| 4 | 590261 | KEY To N-173 | 1 | | |
| 4 | 590271 | KEY From N-174 | 1 | | |
| 5 | 590121 | GEAR DRIVEN | 1 | | |
| 6 | N.S.P. | GEAR DRIVE / W/AUTO TRANS HYDRAULIC (6835455) | 1 | 1 | 2 |
| 20 | 561926 | MAGNETIC SENSOR / W/AUTOMATIC TRANS "ATEC" | 1 | 1 | |
| 21 | N.S.P. | . O-RING / (23017303) | 1 | 1 | 2 |
| 22 | N.S.P. | BOLT, PATCH LOCK / (23015458) | 1 | 1 | 2 |
| 23 | N.S.P. | RETAINER, SPEED SENSOR / (8627650) | 1 | 1 | 2 |
| 30 | 590246 | MAGNETIC SENSOR / W/MANUAL TRANSMISSION | 1 | | |
| 31 | 571479 | SPEEDOMETER DRIVE TOOTH WHEEL | 1 | | |
| 40 | 062670 | CABLE ASSY W/AUTO TRANS HYDRAULIC To M-067 | 1 | | |
| NS | 062915 | CABLE ASSY W/AUTO TRANS HYDRAULIC From M-068 To N-173 | 1 | | |
| 40 | 062375 | CABLE ASSY W/AUTO TRANS HYDRAULIC / NEUTRAL SWITCH & REAR | 1 | | |
| 41 | 063838 | CABLE ASSY / SENSOR & MAIN HARNESS / W/TRANS HYDRAULIC From R-006 | 1 | | |
| 42 | 062392 | CABLE ASSY W/MAN TRANS / NEUTRAL SWITCH & REAR PANEL | | | |
| 43 | 561115 | CLAMP W/ 3 & 4 / ITT CANNON 029-0262-000 | AR | | |
| 52 | 062235 | SUPPORT HARNESS | | | |
| 53 | 010667 | SUPPORT | AR | AR | |
| 54 | 060525 | SUPPORT HARNESS | AR | | |
| NS | 070368 | SUPPORT | | | |
| 60 | 560479 | CLAMP / 3/8" I.D. | AR | AR | |
| NS | 500470 | WASHER LO SPT .193x.334x.047 Z050 | AR | AR | |
| NS | 500574 | SCREW MA TR PH #10-24x1 1/4 SS | AR | AR | |
| NS | 500766 | NUT HEX #5-40 ZP | AR | AR | |
| | | 2) NOT SOLD BY PREVOST (SEE MANUFACTURING PART NUMBER AT END OF DESCRIPTION LINE) | | | |

From L-031 To R-032

Date:10/2022

PAGE:H4-0750-00

AUTOMATIC TRANSMISSION - INSTAL - WITH DETROIT S-92



6V92 INSTALLATION ONLY

| | | |
|--|--------------|-----------------|
| From L-031 To R-032 | Date:10/2022 | PAGE:H4-0750-00 |
| AUTOMATIC TRANSMISSION - INSTAL - WITH DETROIT S-92 | | |

| Item# | Part | Description | H 3 4 0 | V I P 4 0 | N O T E S |
|-------|--------|---|------------------|-----------------------|-----------------------|
| 1 | 571476 | TRANSSMISSION HT-748 / W/6V92T To N-167 | 1 | | |
| 1 | 571490 | TRANSSMISSION HT-748 / W/6V92T From N-168 | 1 | | |
| 1 | 571510 | TRANSSMISSION HT-748 / W/8V92T From N-168 | 1 | | |
| 1 | 571478 | TRANSSMISSION HT-755CR / W/6V92T To N-167 | 1 | | |
| 1 | 571491 | TRANSSMISSION HT-755CR / W/6V92T From N-168 | 1 | | |
| 1 | 571454 | TRANSSMISSION HT-755CR / W/8V92T To N-167 | 1 | 1 | |
| 1 | 571489 | TRANSSMISSION HT-755CR From N-168 | 1 | 1 | |
| NS | 571249 | SEAL / REAR OUTPUT SHAFT / W/HYDRAULIC | 1 | 1 | |
| 1 | N.S.P. | SEAL / REAR OUTPUT SHAFT /W/"ATEC"/(23010005) | 1 | 1 | 2 |
| 2 | 571443 | OIL PAN To N-167 | 1 | 1 | |
| 2 | 571523 | OIL PAN From N-168 | 1 | 1 | |
| 3 | 070607 | TUBE DIPSTICK (ONE PIECE) To N-167 | 1 | 1 | A |
| 3 | 070783 | TUBE DIPSTICK / 1ST SECTION From N-168 | 1 | 1 | |
| 4 | 070781 | TUBE DIPSTICK / 2ND SECTION From N-168 | 1 | 1 | |
| 5 | 070779 | HOSE 3/4" I.D. | 1 | 1 | |
| 5 | 503424 | . HOSE SILICONE 4PLY 3/4" I.D. x 3' | AR | AR | |
| NS | 504319 | HOSE CLAMP / 1"-1"1/2 SS / E.T. 16 | 2 | 2 | |
| 6 | 070604 | TRANS DIPSTICK 34 3/4" / .882.65MM To N-167 | 1 | 1 | |
| 6 | 571246 | TRANS DIPSTICK 68" / 1727.2MM From N-168 | 1 | 1 | |
| 8 | 070349 | SUPPORT / 2ND SECTION From N-168 | 1 | 1 | |
| 9 | 070777 | SUPPORT / 2ND SECTION From N-168 | 1 | 1 | |
| NS | 560482 | CLAMP / 3/4" I.D. / W/HOLE 3/16" | 1 | 1 | |
| NS | 560872 | CLAMP / 1"1/16 I.D. | 2 | 2 | |
| NS | 500606 | SCREW MA TR PH #10-24x3/4 SS | 3 | 3 | |
| NS | 500470 | WASHER LO SPT .193x.334x.047 Z050 | 3 | 3 | |
| NS | 500786 | NUT HEX #10-24 Z050 | 3 | 3 | |
| 10 | 070626 | SUPPORT / OIL FILTER / W/AUTO TRANS "ATEC" | 1 | 1 | |
| 11 | 500817 | SCREW CAP HEX 5/8-11x1 3/4 G5 Z050 | 1 | 1 | |
| 12 | 500683 | NUT HEX STO 5/8-11 ZP | 1 | 1 | |
| 13 | 500050 | SCREW CAP HEX 3/8-24x1 1/2G5 ZP | 4 | 4 | |
| 14 | 500478 | WASHER LO SPT .380x.683x.094 Z050 | 4 | 4 | |
| 15 | 500705 | NUT HEX 3/8-24 ZP | 4 | 4 | |
| 16 | 571453 | FILTER TRANSMISSION OIL | 1 | 1 | |
| NS | 571457 | OIL FILTER, CARTRIDGE / HD-223 / TRANS AUTO / W/TRANS HYDRAULIC | 1 | 1 | |
| 17 | 501523 | MALE ELBOW 90° / JIC 37° FITTING / #16JIC-Mx#16ORB-M STL | 5 | 5 | |
| 18 | 010488 | HOSE ASSY / #16 508MM | 1 | | |
| 18 | 070583 | HOSE ASSY / #16 635MM | 1 | 1 | |
| 19 | 011167 | HOSE ASSY / #16 330MM | 1 | | |
| 19 | 070581 | HOSE ASSY / #16 560MM | 1 | 1 | |
| 20 | 070738 | HOSE ASSY / #16 457MM From N-196 | 1 | | |
| 20 | 070346 | HOSE ASSY / #16 762MM | 1 | 1 | |
| 21 | 070358 | HOSE ASSY / #16 495MM | 1 | 1 | |

| | | |
|--|--------------|-----------------|
| From L-031 To R-032 | Date:10/2022 | PAGE:H4-0750-00 |
| AUTOMATIC TRANSMISSION - INSTAL - WITH DETROIT S-92 | | |

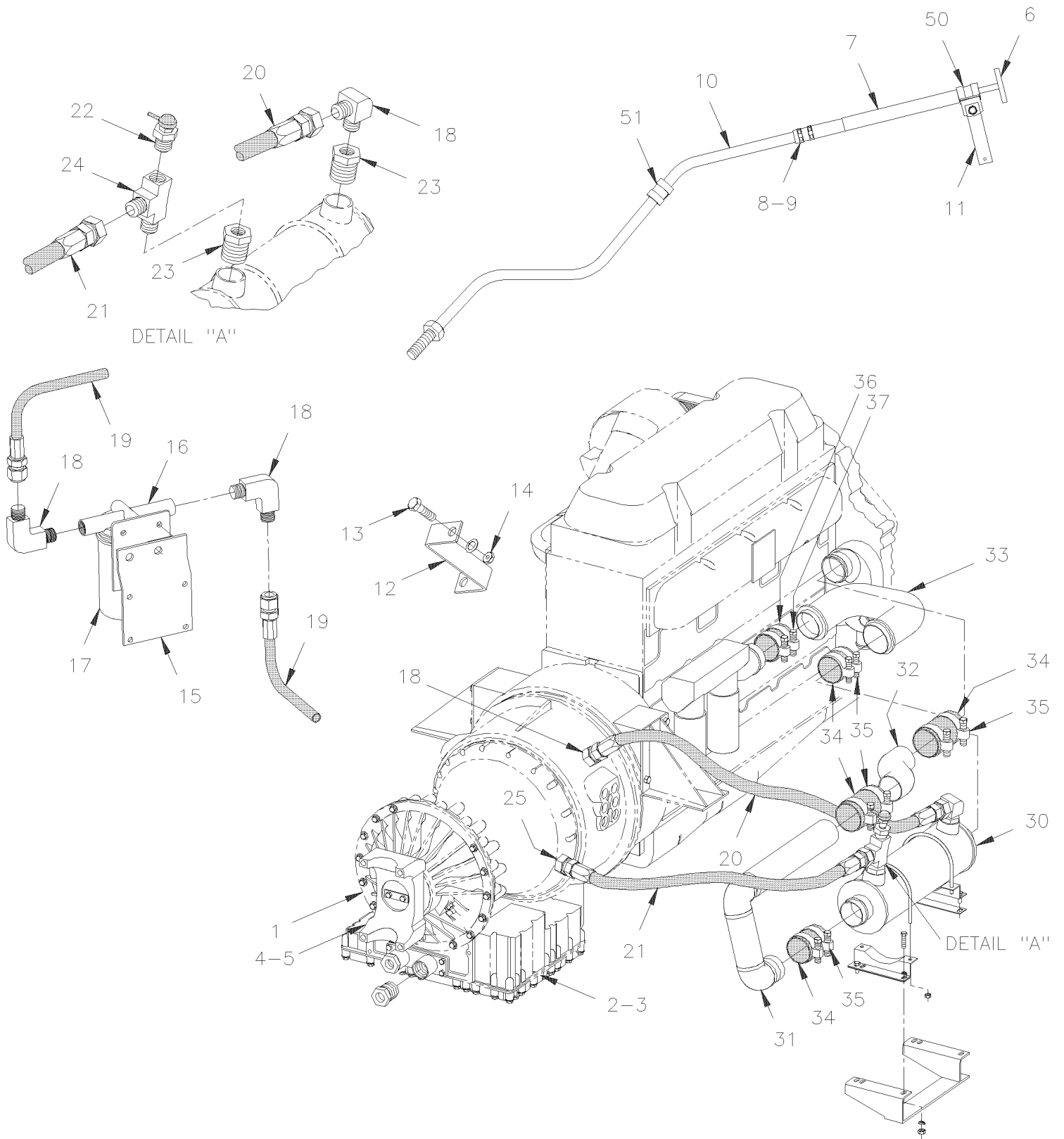
| Item# | Part | Description | H 3 4 0 | V I P 4 0 | N O T E S |
|-------|-------------------|---|------------------|-----------------------|-----------------------|
| 21 | 070740 | HOSE ASSY / #16 343MM From N-196 | 1 | | |
| 24 | 501589 | MALE ELBOW 90° / JIC 37° FITTING / #16JIC-Mx1NPT-M STL | 3 | 3 | |
| 31 | 011095 | PLATE ATTACHMENT / OIL FILTER SUPPORT | AR | | |
| 32 | 070304 | TUBE / OIL FILTER SUPPORT | AR | | |
| 33 | 500141 | SCREW CAP HEX 5/8-18x5 1/2 G5 ZP | AR | | |
| 34 | 500484 | WASHER LO SPT .635x1.079x.156 Z050 | AR | | |
| 35 | 500723 | NUT HEX 5/8-18 ZP | AR | | |
| NS | 500683 | NUT HEX STO 5/8-11 ZP | 1 | 1 | |
| 37 | 500191 | SCREW CAP HEX 3/8-16x1 G5 Z050 | 4 | | |
| 40 | 571214 | YOKE (1700) FULL ROUND (18 SPL) | 1 | | |
| . NS | 621493 | . SPEEDY SLEEVE 3 1/2" I.D. / TO REPAIR OIL LEAK ON YOKE | 1 | | |
| 40 | 571305 | YOKE (1800) FULL ROUND (18 SPL) | 1 | 1 | |
| . NS | 621493 | . SPEEDY SLEEVE 3 1/2" I.D. / TO REPAIR OIL LEAK ON YOKE | 1 | 1 | |
| NS | 621493 | SPEEDY SLEEVE 3 1/2" I.D. / TO REPAIR OIL LEAK ON YOKE | 1 | 1 | C |
| 41 | 571248 | NUT FLANGE | 1 | 1 | |
| 42 | 510373 | OIL FILTER, CARTRIDGE / PF-911L / ENGINE / W/SERIES 92 | 1 | | B |
| 43 | 070301 | SUPPORT / OIL FILTER / W/AUTO TRANS / (ENGINE W/6V92) | 1 | | B |
| 44 | 070680 | HOSE ASSY / #16 914MM | 1 | | B |
| 45 | 010603 | HOSE ASSY / #16 1126MM | 1 | | B |
| 50 | H4-0560-00 | OIL COOLER - TRANSMISSION DETROIT S-92 | | | |
| NS | 683904 | TESTING FOR GLYCOL CONTAMINATION IN TRANSMISSION OIL | | | |
| . NS | IS-99901A | . SEE INSTRUCTION SHEET | 1 | 1 | |
| | | | | | |
| | | | | | |
| | | A) FOR EASY ACCESSIBILITY & FILLING OIL OF TRANSMISSION YOU REQUIRE ITEM 2,3,4,5,6,8 & 9 | | | |
| | | B) WITH 6V92, ENGINE OIL FILTER FIXED ON TRANSMISSION ON LH SIDE, W/SAME SUPPORT THAN TRANS. OIL FILTER | | | |
| | | C) FOR REPAIR SLEEVE YOKE | | | |
| | | 2) NOT SOLD BY PREVOST (SEE MANUFACTURING PART NUMBER AT END OF DESCRIPTION LINE) | | | |

From P-256 To R-079

Date:10/2022

PAGE:H4-0750-01

AUTOMATIC TRANSMISSION - "ATEC" - WITH DETROIT S-60



| | | |
|--|--------------|-----------------|
| From P-256 To R-079 | Date:10/2022 | PAGE:H4-0750-01 |
| AUTOMATIC TRANSMISSION - "ATEC" - WITH DETROIT S-60 | | |

| Item# | Part | Description | H 3 4 0 | V I P 4 0 | N O T E S |
|--------|---------|---|------------------|-----------------------|-----------------------|
| 1 | 571536 | TRANSMISSION ASSY / MODEL HT-746 | 1 | 1 | |
| 2 | 571523 | . OIL PAN | 1 | 1 | |
| 3 | 571444 | . GASKET, OIL PAN | 1 | 1 | |
| 4 | 571550 | SEAL OIL / TRANS HT-746 | 1 | 1 | A |
| 5 | 571570 | YOKE (1810) HALF ROUND / MODIFIED FOR HT-746 (18 SPL) | 1 | 1 | |
| . NS | 571537 | . YOKE (1810) HALF ROUND / W/AUTOMATIC HT-746 (18 SPL) | 1 | 1 | |
| . . NS | 571568 | . . SPEEDY SLEEVE 3.750: I.D. / WITH 571570 | 1 | 1 | |
| . . NS | 571550 | . . SEAL OIL / TRANS HT-746 | 1 | 1 | |
| . NS | 571568 | . SPEEDY SLEEVE 3.750: I.D. / WITH 571570 | 1 | 1 | |
| 6 | 571538 | TRANS DIPSTICK 2134.9MM | 1 | 1 | |
| 7 | 070781 | TUBE DIPSTICK / 2ND SECTION | 1 | 1 | |
| 8 | 070779 | HOSE 3/4" I.D. | 1 | 1 | |
| 8 | 503424 | . HOSE SILICONE 4PLY 3/4" I.D. x 3' | AR | AR | |
| 9 | 504319 | HOSE CLAMP / 1"-1"1/2 SS / E.T. 16 | 2 | 2 | |
| 10 | 070836 | TUBE, DIPSTICK 1ST SECTION | 1 | 1 | |
| 11 | 070838 | SUPPORT 1ST SECTION | 1 | 1 | |
| 12 | 070834 | SUPPORT 2ND SECTION | 1 | 1 | |
| 13 | 500060 | SCREW CAP HEX 3/8-24x4 1/2 G5 ZP | 1 | 1 | |
| 14 | 500705 | NUT HEX 3/8-24 ZP | 1 | 1 | |
| 15 | 070841 | SUPPORT OIL FILTER | 1 | 1 | |
| NS | 500225 | SCREW CAP HEX 5/8-11x1 G5 Z050 | 2 | 2 | |
| NS | 500484 | WASHER LO SPT .635x1.079x.156 Z050 | 2 | 2 | |
| 16 | 571453 | FILTER TRANSMISSION OIL | 1 | 1 | |
| 17 | 571457 | . OIL FILTER, CARTRIDGE / HD-223 / TRANS AUTO / W/TRANS HYDRAULIC | 1 | 1 | |
| NS | 500257 | WASHER LO SPT 10.2x18.1x2.2 Z050 | 4 | 4 | |
| NS | 502549 | SCREW CAP HEX M10-1.5x35 G8.8 Z050 | 4 | 4 | |
| NS | 500256 | NUT HEX M10-1.5 Z050 | 4 | 4 | |
| 18 | 501523 | MALE ELBOW 90° / JIC 37° FITTING / #16JIC-Mx#16ORB-M STL | 5 | 5 | |
| 19 | 070845 | HOSE ASSY / #16 368MM | 2 | 2 | |
| 20 | 070680 | HOSE ASSY / #16 914MM | 1 | 1 | |
| 21 | 070346 | HOSE ASSY / #16 762MM | 1 | 1 | |
| 22 | 561097 | SENSOR, TEMPERATURE / WATER & OIL | 1 | 1 | |
| 23 | 5011084 | BUSHING REDUCER / PIPE FITTING / 2NTP-Mx1NPT-F BR | 2 | 2 | |
| 23 | 501743 | BUSHING REDUCER / PIPE FITTING / 1 1/4NPT-Mx1NPT-F STL | 2 | 2 | |
| 24 | 5011074 | ADAPTER TEE / SAE 45° FITTING / #20FL-Mx1/2NPT-Fx#20ORB-M TO USED W/TEMP SENDER | 1 | 1 | |
| 24 | 5011083 | ADAPTER TEE / SAE 45° FITTING / #16FL-Mx1/2NPT-Fx#16ORB-M TO USED W/TEMP SENDER | 1 | 1 | |
| 25 | 5011035 | MALE ELBOW 90° / JIC 37° FITTING / #16JIC-Mx#16ORB-M STL | 2 | 2 | |
| 30 | 550598 | COOLER ASSY | 1 | 1 | B |
| 30 | 550709 | OIL COOLER W/1 1/4" NPT / (29506669) | 1 | 1 | |
| 31 | 051854 | PIPE ASSY | 1 | 1 | |
| 32 | N.S.P. | PIPE PAINT BLACK / WATER PUMP & COOLER / (230057899) | 1 | 1 | 2 |
| 33 | 051945 | PIPE ASSY | 1 | 1 | |

| | | |
|--|--------------|-----------------|
| From P-256 To R-079 | Date:10/2022 | PAGE:H4-0750-01 |
| AUTOMATIC TRANSMISSION - "ATEC" - WITH DETROIT S-60 | | |

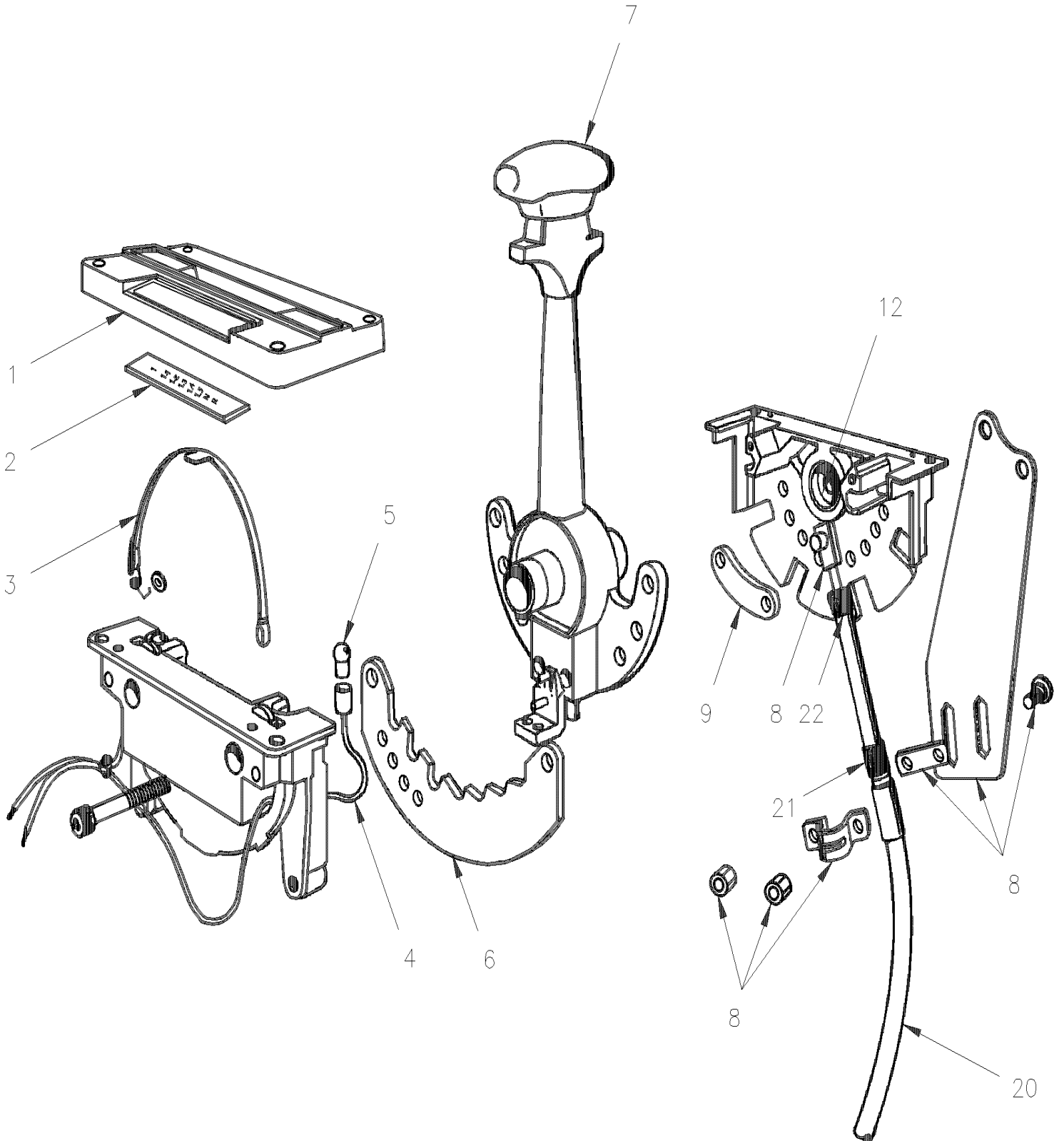
| Item# | Part | Description | H 3 4 0 | V I P 4 0 | N O T E S |
|-------|-----------|---|------------------|-----------------------|-----------------------|
| 34 | 051093 | HOSE 3" I.D. 4" | 1 | 1 | |
| 34 | 503396 | . HOSE SILICONE 3" I.D. x 3' | AR | AR | |
| 35 | 504580 | HOSE CLAMP / 3"1/4-4"1/8 / C.T. 400 | 4 | 4 | |
| 36 | 051094 | HOSE 2 3/4" I.D. 3 1/8" | 1 | 1 | |
| . NS | 503395 | . HOSE SILICONE 4PLY 2 3/4" I.D. x 3' | AR | AR | |
| 36 | 503395 | . HOSE SILICONE 4PLY 2 3/4" I.D. x 3' | AR | AR | |
| 37 | 504562 | HOSE CLAMP / 2"3/4-3"5/8 / C.T. 350 | 6 | 6 | |
| 50 | 560872 | CLAMP / 1"1/16 I.D. | 2 | 2 | |
| 51 | 560482 | CLAMP / 3/4" I.D. / W/HOLE 3/16" | 1 | 1 | |
| 52 | 560912 | CLAMP / 1"1/4 I.D. | 2 | 2 | |
| NS | 502698 | SCREW MA PAN PH M4-0.7x16 SS BK | AR | AR | |
| NS | 502679 | NUT HEX NYRT M4-0.7 ZP | AR | AR | |
| NS | 502690 | WASHER FL 4.3x9.0x0.8 Z050 | AR | AR | |
| 53 | 502559 | SCREW CAP HEX M10-1.5x25 G8.8 Z050 | 4 | 4 | |
| NS | 500256 | NUT HEX M10-1.5 Z050 | 4 | 4 | |
| NS | 500257 | WASHER LO SPT 10.2x18.1x2.2 Z050 | 8 | 8 | |
| 60 | 062470 | CABLE ASSY / TRANS "ATEC" To P-315 | 1 | 1 | |
| 60 | 063293 | CABLE ASSY / TRANS "ATEC" From P-316 | 1 | 1 | |
| NS | 683904 | TESTING FOR GLYCOL CONTAMINATION IN TRANSMISSION OIL | 1 | 1 | |
| . NS | IS-99901A | . SEE INSTRUCTION SHEET | 1 | 1 | |
| | | | | | |
| | | | | | |
| | | | | | |
| | | A) W/HT746 | | | |
| | | B) (STP 3-1179B) | | | |
| | | 2) NOT SOLD BY PREVOST (SEE MANUFACTURING PART NUMBER AT END OF DESCRIPTION LINE) | | | |

From L-031 To R-079

Date:10/2022

PAGE:H4-0755-00

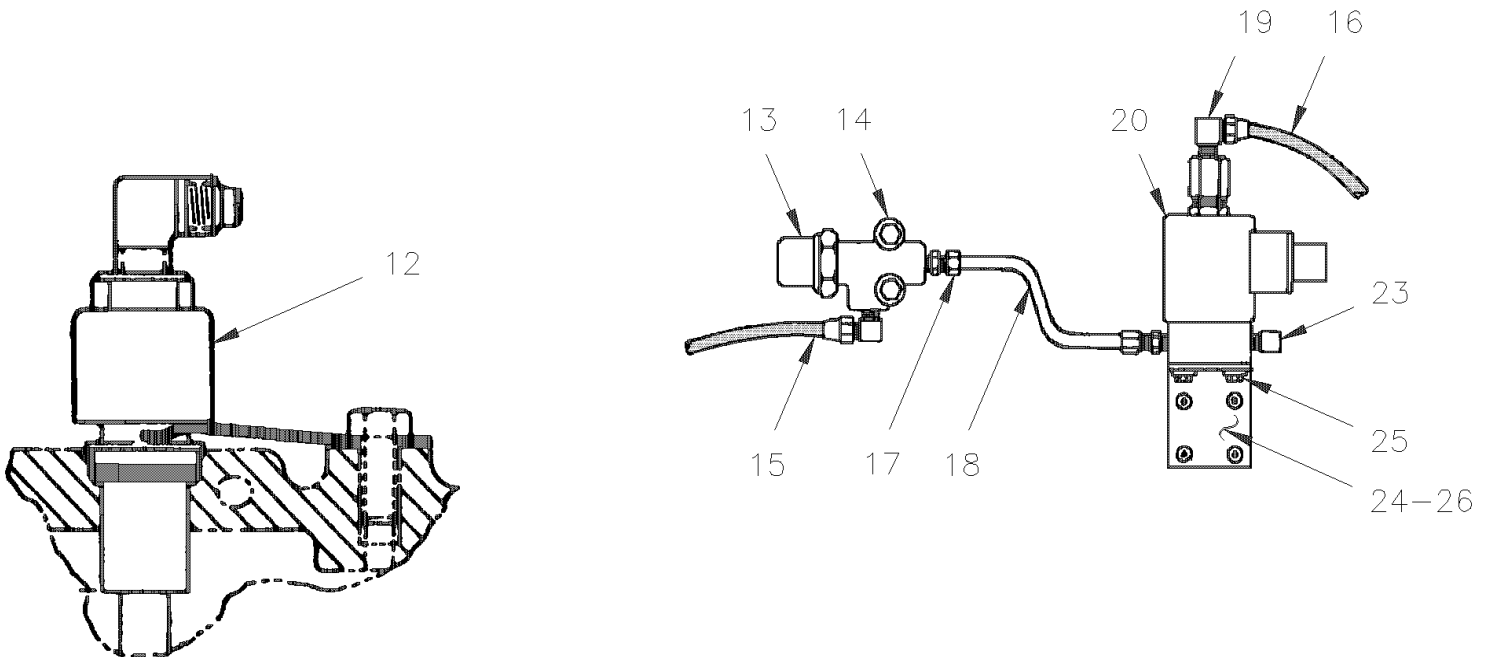
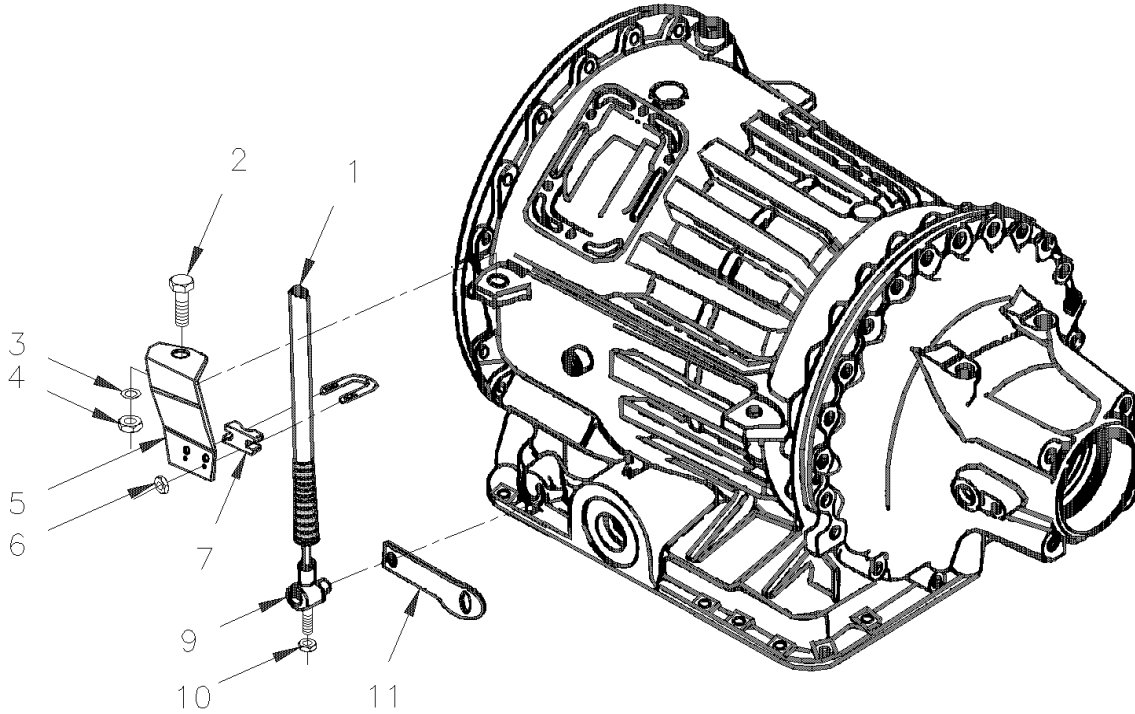
SHIFTER SELECTOR - AUTO TRANS. HYDRAU.



| | | |
|---|--------------|-----------------|
| From L-031 To R-079 | Date:10/2022 | PAGE:H4-0755-00 |
| SHIFTER SELECTOR - AUTO TRANS. HYDRAU. | | |

| Item# | Part | Description | H 3 4 0 | V I P 4 0 | N O T E S |
|-------|--------|--|------------------|-----------------------|-----------------------|
| | 571291 | SHIFTER CONTROL ASSY / 4SPEEDS / L.H. To N-216 | 1 | | A |
| | 571501 | SHIFTER CONTROL ASSY / 4SPEEDS / L.H. From N-217 | 1 | | |
| | 571289 | SHIFTER CONTROL ASSY / 5SPEEDS / L.H. To N-216 | 1 | | A |
| | 571504 | SHIFTER CONTROL ASSY / 5SPEEDS / L.H. From N-217 | 1 | | |
| 1 | 571342 | . COVER | 1 | | |
| 2 | 571385 | . STRIP POSITION / 4 SPEEDS | 1 | | |
| 2 | 571386 | . STRIP POSITION / 5 SPEEDS | 1 | 1 | |
| 3 | 571326 | . INDICATOR STRIP SPRING & CLIP | 1 | | |
| 4 | 571226 | . SOCKET & WIRE ASSY | 1 | | |
| 5 | 560394 | . BULB / 2WATT-24VOLTS / SAE# 3797 | 1 | | |
| 6 | 571344 | . PLATE QUADRANT / 4 SPEEDS | 1 | | |
| 6 | 571384 | . PLATE QUADRANT / 5 SPEEDS | 1 | | |
| 7 | 571343 | . KNOB | 1 | | |
| 8 | 571387 | . KIT CABLE ATTACHMENT | 1 | | |
| 8 | 571507 | . KIT CABLE ATTACHMENT To N-216 | 1 | | |
| 9 | 571416 | . PLATE From N-217 | 1 | | |
| 20 | 571293 | CABLE ASSY 504" To N-216 | 1 | | A |
| 20 | 571506 | CABLE ASSY 504" From N-217 | 1 | | |
| 21 | 530088 | . SEAL / SLEEVE | 2 | | |
| 22 | 530090 | . SEAL / ROD | 2 | | |
| | | | | | |
| | | | | | |
| | | | | | |
| | | A) UP TO N-216 WE USE SERIAL 60 (5/16") TO CHANGE CABLE BY SERIAL 40 (1½") YOU REQUIRE 571509 & 571507 | | | |

| | | |
|--|--------------|-----------------|
| From L-031 To R-079 | Date:10/2022 | PAGE:H4-0755-10 |
| SHIFTER MODULATOR - AUTO. TRANS. HYDRAU. | | |



| | | |
|---|--------------|-----------------|
| From L-031 To R-079 | Date:10/2022 | PAGE:H4-0755-10 |
| SHIFTER MODULATOR - AUTO. TRANS. HYDRAU. | | |

| Item# | Part | Description | H 3 4 0 | V I P 4 0 | N O T E S |
|-------|--------|---|------------------|-----------------------|-----------------------|
| 1 | 571293 | CABLE ASSY 504" To N-216 | 1 | | B |
| NS | 571506 | CABLE ASSY 504" From N-217 | 1 | | |
| NS | 571287 | KIT, CABLE SUPPORT To N-216 | 1 | | B |
| NS | 571505 | KIT, CABLE SUPPORT From N-217 | 1 | | |
| 2 | 500121 | . SCREW CAP HEX 5/8-18x1 1/2 G5 ZP | 1 | | |
| 3 | 500484 | . WASHER LO SPT .635x1.079x.156 Z050 | 1 | | |
| 4 | 500730 | . NUT HEX JAM THN 5/8-18x3/8 ZP | 1 | | |
| 5 | N.S.S. | . SUPPORT CABLE | 1 | | 1 |
| NS | 571509 | . KIT U-BOLT (SERIAL 40 ONLY) | 1 | | |
| 6 | 500690 | . . NUT HEX NYRT 1/4-28 Z050 | 2 | | |
| 7 | N.S.S. | . . SHIM | 1 | | 1 |
| 8 | N.S.S. | . . U-BOLT | 1 | | 1 |
| 9 | 571236 | . TRUNION 5/16-24 To N-216 | 1 | | B |
| 9 | 571508 | . TRUNION 1/4-28 From N-217 | 1 | | |
| 10 | 500265 | . NUT HEX STO 3/8-16 Z050 | 1 | | |
| 11 | 571473 | . LEVER | 1 | | |
| 12 | 571296 | MODULATOR ASSY / W/HYDRAULIC TRANSMISSION & DDEC ENGINE | 1 | | |
| 13 | 530134 | VALVE, PRESSURE REDUCING / RV-1 60 PSI | 1 | | |
| 14 | 500550 | SCREW TP CAP HEXW #14x2 ZP | 2 | | |
| 15 | 140658 | HOSE ASSY TEFLON #4 1456MM | 1 | | C |
| NS | 503064 | . HOSE TEFLON #4 / S.L. | AR | | |
| NS | 501892 | . FEMALE CONNECTOR SWIVEL / SAE 45° FITTING / TEFLON / #4FL-Fx#4 STL | AR | | |
| 15 | 070613 | HOSE ASSY TEFLON #4 2089MM | 1 | | D |
| 16 | 141108 | HOSE ASSY TEFLON #4 427MM | 1 | | A |
| 16 | 051127 | HOSE ASSY TEFLON #4 821MM | 1 | | D |
| 17 | 501094 | MALE CONNECTOR / COMPRESSION FITTING / #4x1/4NPT-M BR | 2 | | |
| 18 | 503188 | COPPER TUBE .250" O.D. x .030" x 600" | AR | | |
| 19 | 501036 | MALE ELBOW 90° / SAE 45° FITTING / #4FL-Mx1/8NPT-M BR | 1 | | |
| 20 | 560324 | VALVE SOLENOID N.O. 12 VOLTS | 1 | | |
| . NS | 060851 | . CONNECTOR ASSY | 1 | | |
| 22 | 503188 | COPPER TUBE .250" O.D. x .030" x 600" | AR | | |
| 23 | 501331 | STREET ELBOW 90° / PIPE FITTING / 1/8NPT-Mx1/8NPT-F BR | 1 | | |
| 24 | 060721 | SUPPORT / SOLENOID VALVE | 1 | | |
| 25 | 502751 | SCREW CAP HEX #10-32x3/8 Z050 | 2 | | |
| NS | 500470 | WASHER LO SPT .193x.334x.047 Z050 | 2 | | |
| 26 | 504487 | RIVET MGLP PRDG 3/16x7/16 SS | 4 | | |
| | | | | | |
| | | | | | |
| | | A) SOLENOID & MANIFOLD BLOCK WITH SERIES 92 | | | |
| | | B) UP TO N-216 WE USE SERIAL 60(5/16") TO REPLACE CABLE BY SERIAL 40 (1/4") YOU REQUIRE 571509 & 571507 | | | |
| | | C) WITH SERIES 92 | | | |

| | | |
|---|--------------|-----------------|
| From L-031 To R-079 | Date:10/2022 | PAGE:H4-0755-10 |
| SHIFTER MODULATOR - AUTO. TRANS. HYDRAU. | | |

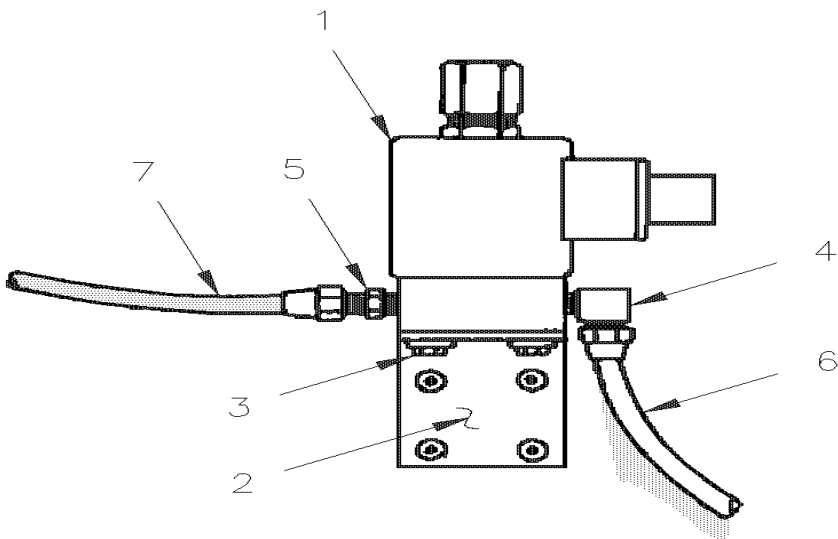
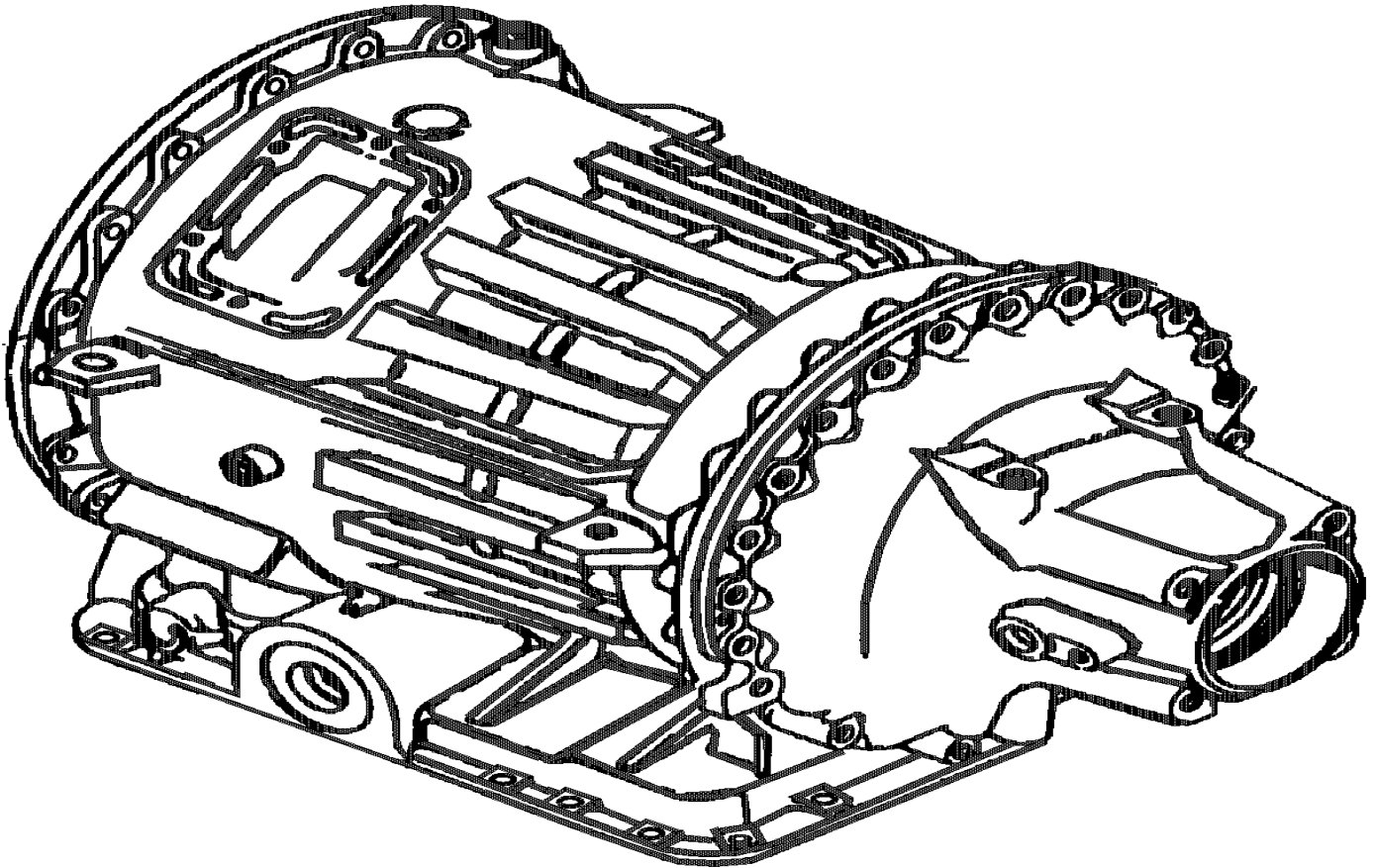
| Item# | Part | Description | H 3 4 0 | V I P 4 0 | N O T E S |
|-------|------|------------------------|------------------|-----------------------|-----------------------|
| | | D) WITH SERIES 60 | | | |
| | | 1) NOT SOLD SEPARATELY | | | |

From L-031 To R-079

Date:10/2022

PAGE:H4-0755-11

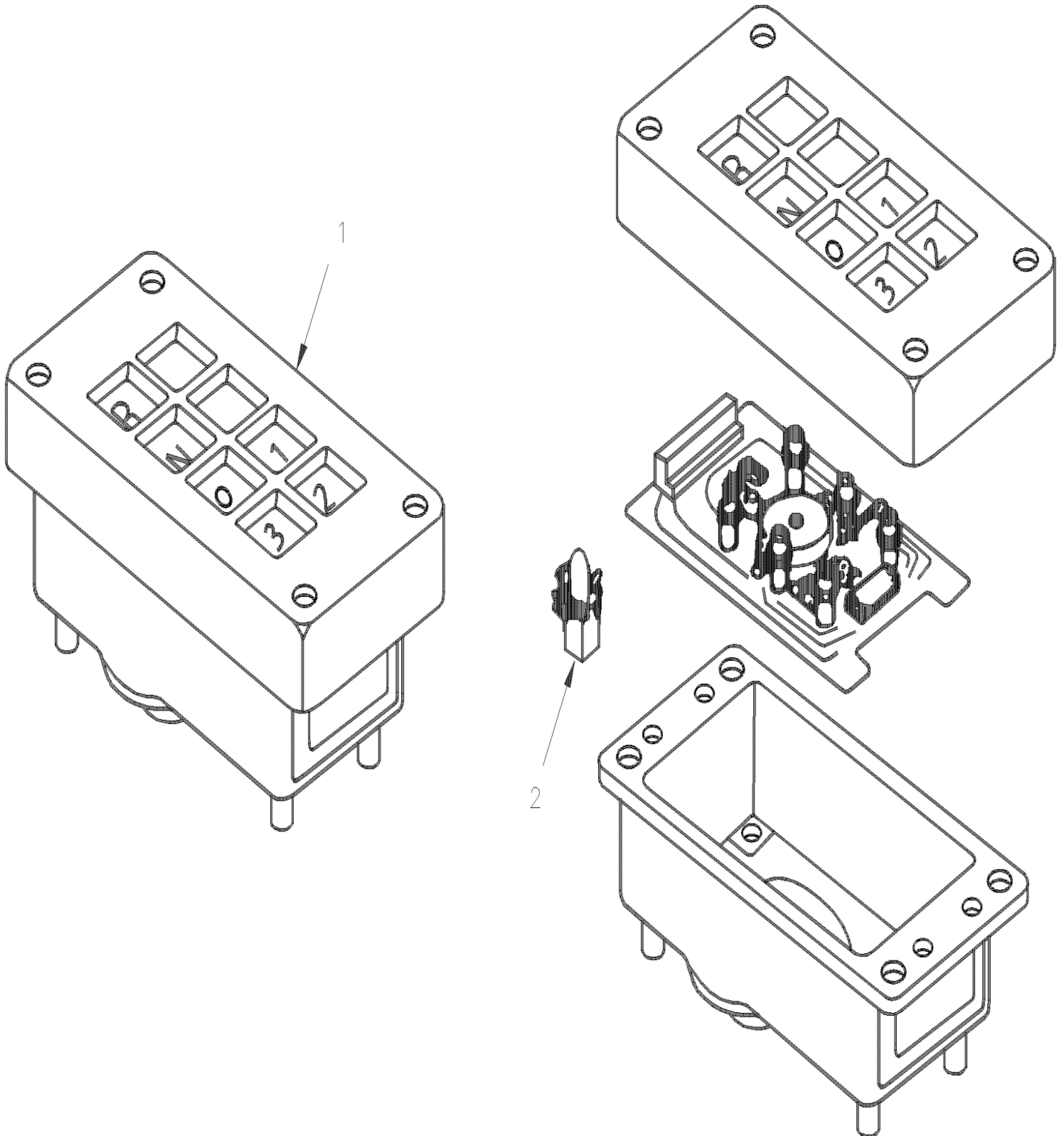
SOLENOID AIR VALVE - TRANS W/RETARDER



| | | |
|--|--------------|-----------------|
| From L-031 To R-079 | Date:10/2022 | PAGE:H4-0755-11 |
| SOLENOID AIR VALVE - TRANS W/RETARDER | | |

| Item# | Part | Description | H 3 4 0 | V I P 4 0 | N O T E S |
|-------|--------|---|------------------|-----------------------|-----------------------|
| 1 | 560930 | VALVE SOLENOID N.C. 24 VOLTS | 1 | 1 | |
| . NS | 060851 | . CONNECTOR ASSY | 1 | 1 | |
| 2 | 060721 | SUPPORT / SOLENOID VALVE | 1 | 1 | |
| 3 | 502571 | WASHER FL SEAL .281x.625x20GA SS | 2 | 2 | |
| 3 | 500470 | WASHER LO SPT .193x.334x.047 Z050 | 2 | 2 | |
| 4 | 501036 | MALE ELBOW 90° / SAE 45° FITTING / #4FL-Mx1/8NPT-M BR | 1 | 1 | |
| 5 | 501026 | MALE CONNECTOR / SAE 45° FITTING / #4FL-Mx1/8NPT-M BR | 1 | 1 | |
| 6 | 031147 | HOSE ASSY TEFLON #4 522MM | 1 | 1 | A |
| 6 | 031149 | HOSE ASSY TEFLON #4 351MM | 1 | 1 | B |
| 7 | 070613 | HOSE ASSY TEFLON #4 2089MM | 1 | 1 | |
| | | | | | |
| | | | | | |
| | | A) WITH SERIES 9 | | | |
| | | B) WITH SERIES 60 | | | |

| | | |
|--|--------------|-----------------|
| From L-031 To R-079 | Date:10/2022 | PAGE:H4-0755-15 |
| SHIFTER ELECTRONIC - "ATEC" TRANSMISSION | | |

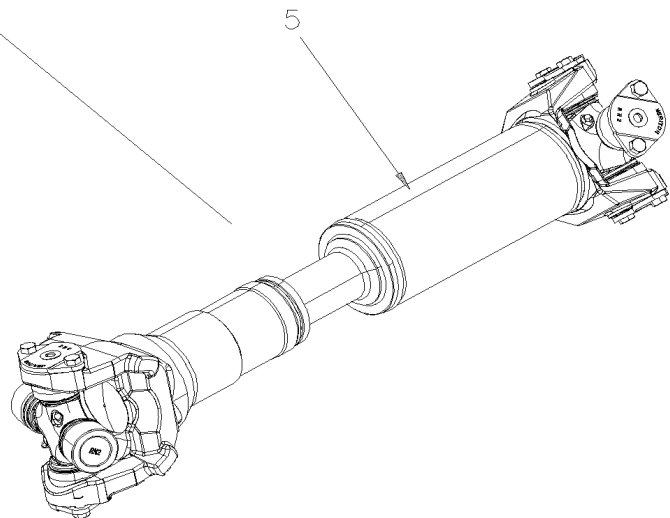
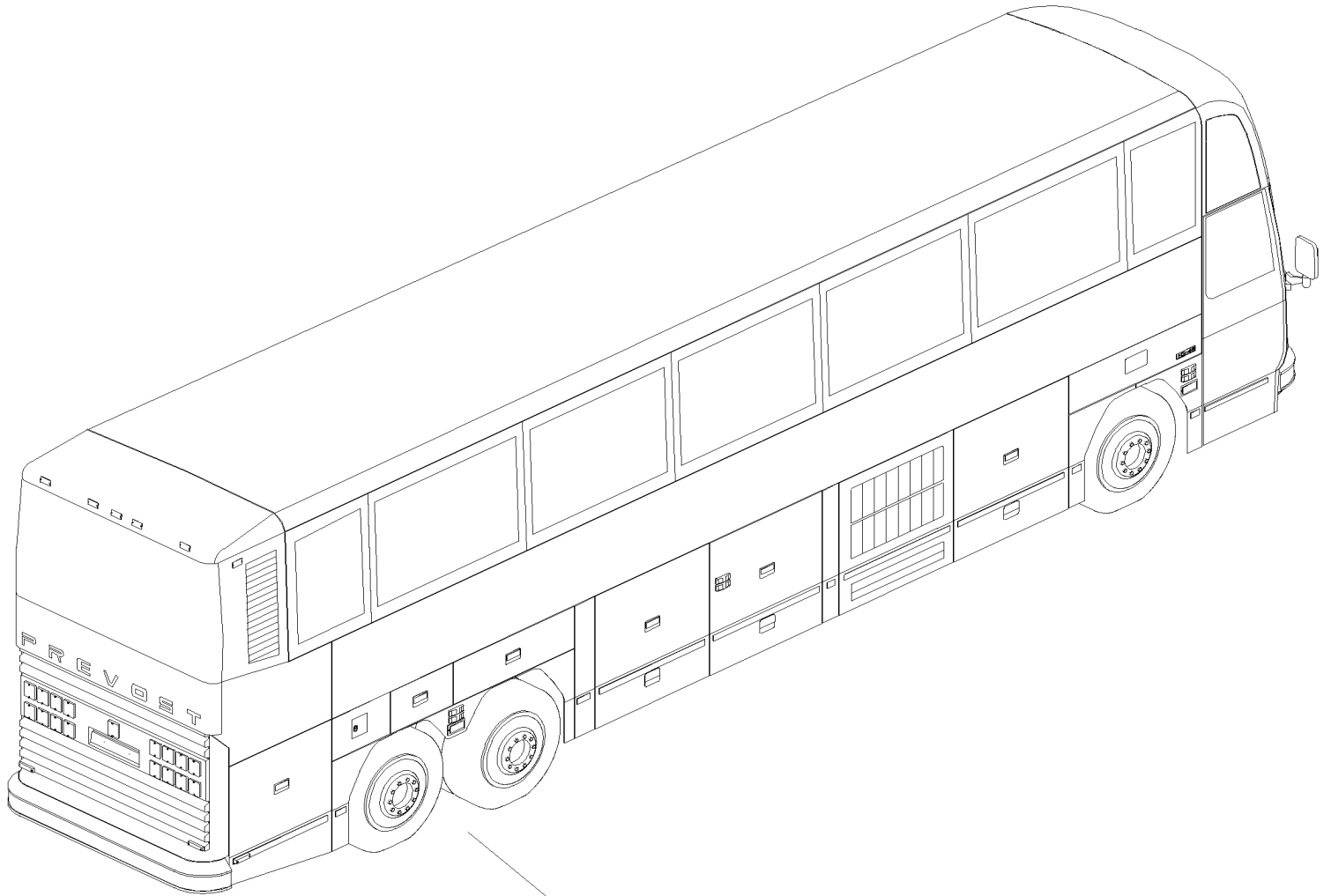


| | | |
|---------------------|--------------|-----------------|
| From L-031 To R-079 | Date:10/2022 | PAGE:H4-0755-15 |
|---------------------|--------------|-----------------|

SHIFTER ELECTRONIC - "ATEC" TRANSMISSION

| Item# | Part | Description | H 3 4 0 | V I P 4 0 | N O T E S |
|-------|--------|---|------------------|-----------------------|-----------------------|
| 1 | 571446 | SELECTOR / W/4 SPEDDS | 1 | 1 | |
| 1 | 571456 | SELECTOR / W/5 SPEEDS | 1 | 1 | |
| 2 | 561930 | . BULB / 0.3WATT-12VOLTS / SAE# 73 | 3 | 3 | |
| 2 | 561184 | . . BULB / 1.2 WATT-12VOLTS / SAE# 2721 | 1 | 1 | |
| | | | | | |
| | | | | | |
| | | | | | |

| | | |
|-----------------|--------------|-------|
| | Date:10/2022 | H4-09 |
| PROPELLER SHAFT | | |



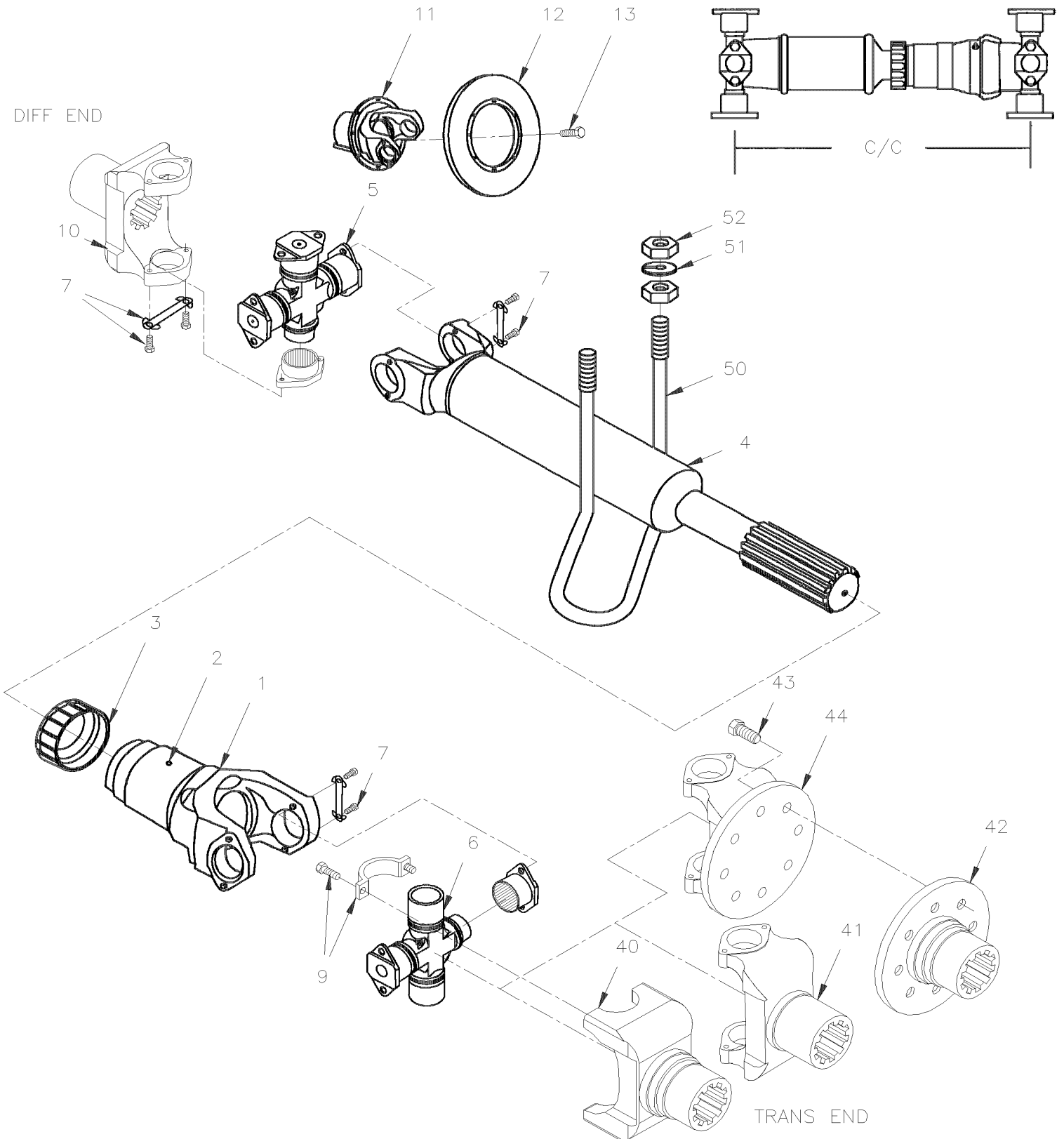
| | | Date:10/2022 | H4-09 | | |
|------------------------|------------|-------------------------------------|------------------|-----------------------|-----------------------|
| PROPELLER SHAFT | | | | | |
| Item# | Part | Description | H 3 4 0 | V I P 4 0 | N O T E S |
| 5 | H4-0905-00 | PROPELLER SHAFT From L-031 To R-079 | | | |

From L-031 To R-079

Date:10/2022

PAGE:H4-0905-00

PROPELLER SHAFT



| | | |
|------------------------|--------------|-----------------|
| From L-031 To R-079 | Date:10/2022 | PAGE:H4-0905-00 |
| PROPELLER SHAFT | | |

| Item# | Part | Description | H 3 4 0 | V I P 4 0 | N O T E S |
|-------|----------|---|------------------|-----------------------|-----------------------|
| | | PROPELLER SHAFT SERIES 1710 USED WITH SERIES 6V92 ENGINE | | | |
| | 580032 | SHAFT ASSY 35 3/4" C/C | 1 | | |
| | 580033 | SHAFT ASSY 24 1/2" C/C | 1 | 1 | |
| | 580034 | SHAFT ASSY 27 3/4" C/C | 1 | 1 | |
| | | PROPELLER SHAFT SERIES 1810 USED WITH SERIES 8V92 ENGINE | | | |
| | 580041 | SHAFT ASSY 27" C/C | 1 | | |
| | 580035 | SHAFT ASSY 16 3/16" C/C | 1 | 1 | |
| | 580047 | SHAFT ASSY 13" C/C | | 1 | |
| | 580059 | SHAFT ASSY 14" C/C W/H755 W/RETARDER | 1 | 1 | |
| | | PROPELLER SHAFT SERIES 1810 USED WITH SERIES 60 ENGINE | | | |
| | 580047 | SHAFT ASSY 13" C/C | 1 | 1 | |
| 1 | 580065 | . SLIP YOKE | 1 | 1 | M |
| . NS | 580078 | . WELSH PLUG / PLASTIC BLUE 3 1/4" O.D. THIN | 1 | 1 | M |
| 1 | 580064 | . SLIP YOKE | 1 | | N |
| . NS | 580079 | . WELSH PLUG / WELDED | 1 | | N |
| 1 | 580066 | . SLIP YOKE | 1 | | O |
| . NS | 580084 | . WELSH PLUG / PLASTIC BLUE 3 1/4" O.D. DEEP | 1 | | O |
| 1 | 580054 | . SLIP YOKE | 1 | 1 | S |
| 2 | 501491 | . GREASE FITTING / 1/8 NPTx3/4" | 1 | 1 | |
| 3 | 580052 | . DUST CAP KIT / W/1800 SERIES | 1 | 1 | |
| 3 | 580046 | . DUST CAP KIT / W/1700 SERIES | 1 | 1 | |
| 4 | N.P.N. | . YOKE SHAFT | 1 | 1 | 4 |
| 4 | 580053 | . YOKE SHAFT/ W/580047 | 1 | 1 | |
| 5 | 580043 | . KIT, CROSS & BEARING / W/1800 FULL ROUND | 1 | 1 | |
| 5 | 580031 | . KIT, CROSS & BEARING / W/1700 FULL ROUND | 2 | 2 | |
| 6 | 580062 | . KIT, CROSS & BEARING / W/1800 HALF ROUND | | | |
| NS | 580067 | . BEARING END (1810) W/QUICK DISCONNECT | 2 | 2 | |
| 7 | 580071 | . SCREW CAP HEX 3/8-24 x 5/8 G8 | 8 | 8 | |
| 9 | 580063 | KIT STRAP & BOLT | 1 | 1 | |
| . NS | N8893184 | . SCREW CB 12POINT (SET OF 4) 1/2-20 x 1" G8 | 4 | 4 | |
| | | NEXT FOLLOWING YOKE ARE PART OF | | | |

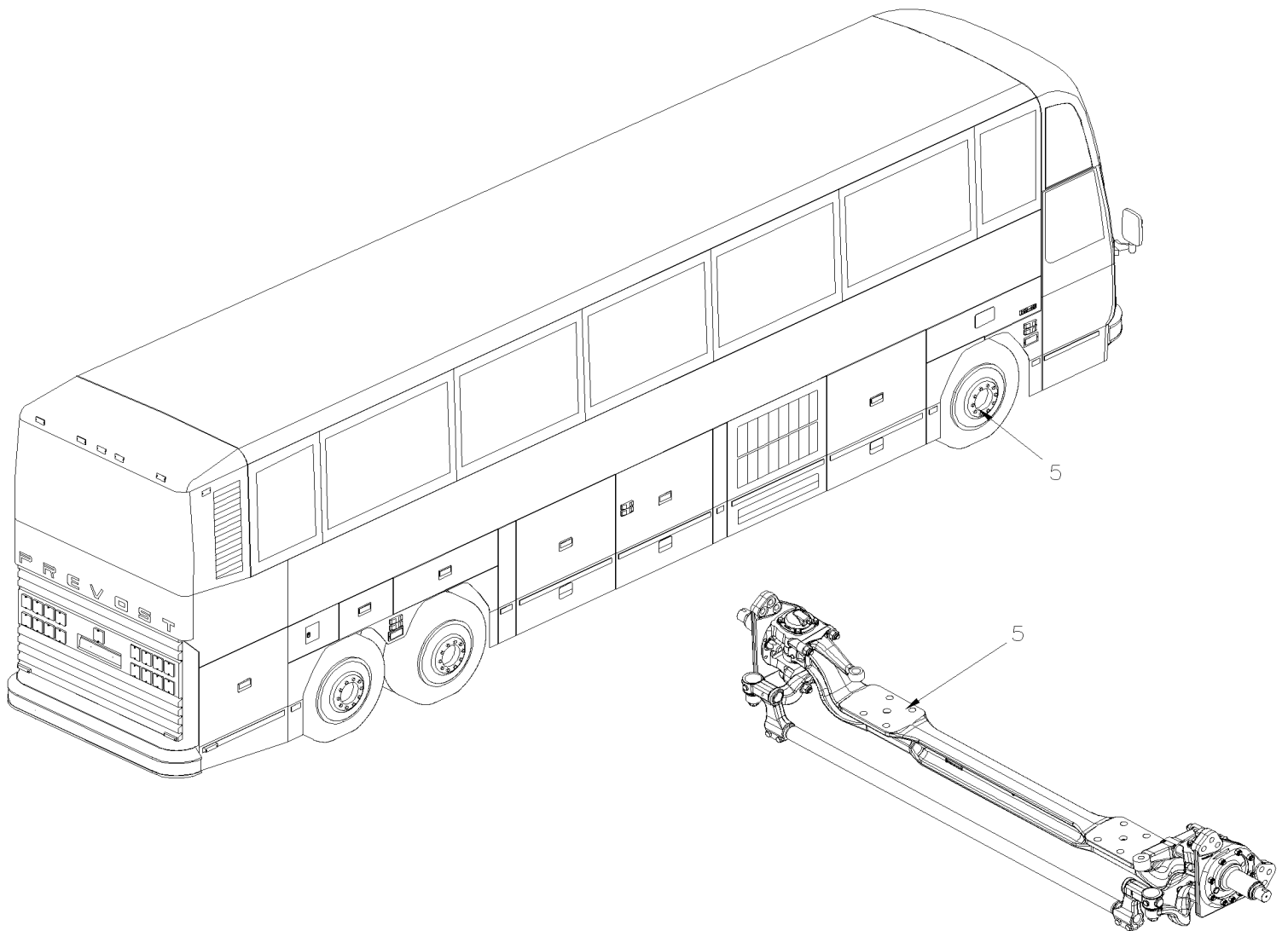
| | | |
|----------------------------|---------------------|------------------------|
| From L-031 To R-079 | Date:10/2022 | PAGE:H4-0905-00 |
| PROPELLER SHAFT | | |

| Item# | Part | Description | H 3 4 0 | V I P 4 0 | N O T E S |
|--------|--------|--|------------------|-----------------------|-----------------------|
| | | REAR AXLE | | | |
| 10 | 621402 | YOKE (1710) FULL ROUND (46 SPL) | 1 | 1 | |
| . NS | 621501 | . DEFLECTOR, OIL | 1 | 1 | |
| . NS | 621492 | . SPEEDY SLEEVE 3.250" I.D. / TO REPAIR OIL LEAK ON YOKE | 1 | 1 | |
| 10 | 621403 | YOKE (1810) FULL ROUND (46 SPL) | 1 | 1 | |
| . NS | 621501 | . DEFLECTOR, OIL | 1 | 1 | |
| . NS | 621492 | . SPEEDY SLEEVE 3.250" I.D. / TO REPAIR OIL LEAK ON YOKE | 1 | 1 | |
| 11 | 621507 | YOKE (1810) FULL ROUND (46 SPL) W/FLYWHEEL ADAPTOR ONE PIECE | 1 | 1 | |
| . NS | 621492 | . SPEEDY SLEEVE 3.250" I.D. / TO REPAIR OIL LEAK ON YOKE | 1 | 1 | |
| 12 | 121242 | FLYWHEEL | 1 | 1 | |
| 13 | 500074 | SCREW CAP HEX 7/16-20x2 G5 Z050 | 8 | 8 | |
| NS | 500714 | NUT HEX STO 7/16-20 Z050 | 8 | 8 | |
| | | NEXT FOLLOWING YOKE ARE PART | | | |
| | | OF TRANSMISSION | | | |
| 40 | 580072 | YOKE (1810) HALF ROUND / W/MANUAL TRANS (20 SPL) 6 SPEEDS | 1 | | |
| . NS | 621494 | . SPEEDY SLEEVE 3.750" I.D. / TO REPAIR OIL LEAK ON YOKE | 1 | | |
| 40 | 571570 | YOKE (1810) HALF ROUND / MODIFIED FOR HT-746 (18 SPL) | 1 | 1 | |
| . NS | 571537 | . YOKE (1810) HALF ROUND / W/AUTOMATIC HT-746 (18 SPL) | 1 | 1 | |
| . . NS | 571568 | . . SPEEDY SLEEVE 3.750: I.D. / WITH 571570 | 1 | 1 | |
| . . NS | 571550 | . . SEAL OIL / TRANS HT-746 | 1 | 1 | |
| . NS | 571568 | . SPEEDY SLEEVE 3.750: I.D. / WITH 571570 | 1 | 1 | |
| 41 | 571214 | YOKE (1700) FULL ROUND (18 SPL) | 1 | 1 | B |
| . NS | 621493 | . SPEEDY SLEEVE 3 1/2" I.D. / TO REPAIR OIL LEAK ON YOKE | 1 | 1 | B |
| 41 | 571305 | YOKE (1800) FULL ROUND (18 SPL) | 1 | 1 | C |
| . NS | 621493 | . SPEEDY SLEEVE 3 1/2" I.D. / TO REPAIR OIL LEAK ON YOKE | 1 | 1 | C |
| 41 | 571419 | YOKE (1800) FULL ROUND W/MANUAL TRANS (20 SPL) 6 SPEEDS | 1 | | |
| . NS | 621494 | . SPEEDY SLEEVE 3.750" I.D. / TO REPAIR OIL LEAK ON YOKE | 1 | | |
| 42 | 571327 | COMPANION FLANGE / W/MANUAL TRANS (20 SPL) 6 SPEEDS | 1 | | F |
| 42 | 580057 | COMPANION FLANGE / W/MANUAL TRANS (20 SPL) 6 SPEEDS | 1 | | G |
| . NS | 621494 | . SPEEDY SLEEVE 3.750" I.D. / TO REPAIR OIL LEAK ON YOKE | 1 | | G |
| 42 | N.P.N. | FLANGE COMPANION / W/HT755 W/RETARDER | 1 | 1 | 4 |
| 43 | 570982 | SCREW CAP HEX 3/8-24x1 1/4 | 8 | | |
| 43 | 571500 | SCREW CAP HEX 7/16-20x1 3/8 | 12 | 12 | |
| NS | 500704 | NUT HEX STO 3/8-24 Z050 | 8 | | |
| 44 | 580058 | FLANGE YOKE (1800) FULL ROUND | | 1 | |
| 50 | 120933 | PROTECTOR GUARD PROPELLER SHAFT 500MM x 140MM | 1 | 1 | |
| 51 | 500488 | WASHER LO SPT .760x1.271x.188 Z050 | 2 | 2 | |
| 52 | 500733 | NUT HEX 3/4-16 Z050 | 2 | 2 | |

| | | |
|------------------------|--------------|-----------------|
| From L-031 To R-079 | Date:10/2022 | PAGE:H4-0905-00 |
| PROPELLER SHAFT | | |

| Item# | Part | Description | H 3 4 0 | V I P 4 0 | N O T E S |
|-------|------|---|------------------|-----------------------|-----------------------|
| | | | | | |
| | | B) FULL ROUND / W/AUTOMATIC TRANSMISSION & 6V92 | | | |
| | | C) FULL ROUND / W/AUTOMATIC TRANSMISSION & 8V92 | | | |
| | | F) WITH 571214 & 571305 | | | |
| | | G) SERIES 1800 W/MANUAL TRANSMISSION (20SPL) | | | |
| | | M) WITH SHAFT ASSY #580035 & 580041 | | | |
| | | N) WITH SHAFT ASSY #580032, 580033 & 580034 | | | |
| | | O) WITH SHAFT ASSY #580059 | | | |
| | | S) WITH SHAFT ASSY #580047 | | | |
| | | 4) NO PARTS NUMBER | | | |

| | | |
|------------|--------------|-------|
| | Date:10/2022 | H4-10 |
| FRONT AXLE | | |



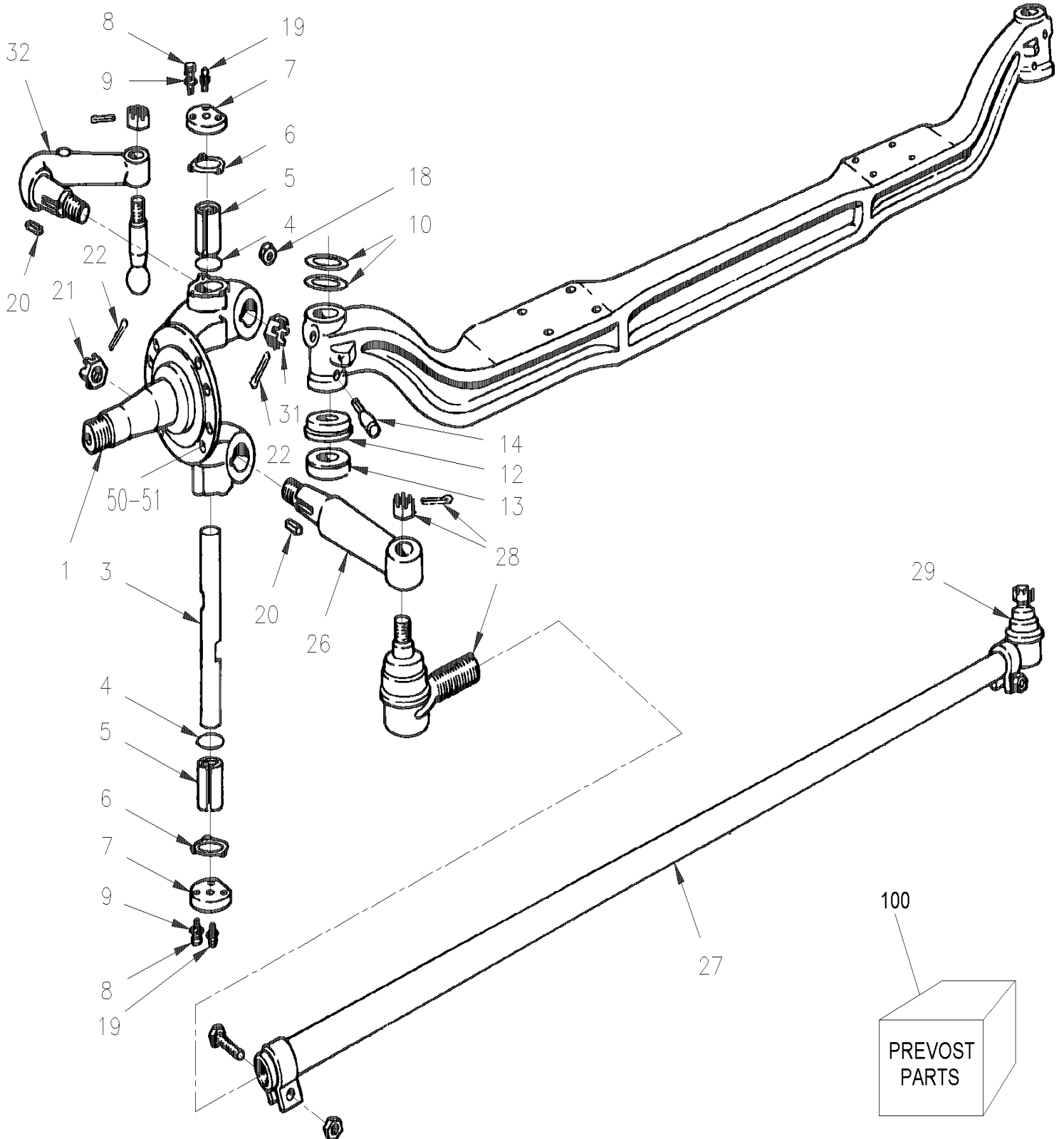
| | | Date:10/2022 | H4-10 | | |
|------------|------------|---|------------------|-----------------------|-----------------------|
| FRONT AXLE | | | | | |
| Item# | Part | Description | H 3 4 0 | V I P 4 0 | N O T E S |
| 5 | H4-1005-02 | FRONT AXLE - I BEAM RIGID MODEL "2FG-952-CAX" From L-031 To R-079 | | | |

From L-031 To R-079

Date:10/2022

PAGE:H4-1005-02

FRONT AXLE - I BEAM RIGID MODEL "2FG-952-CAX"



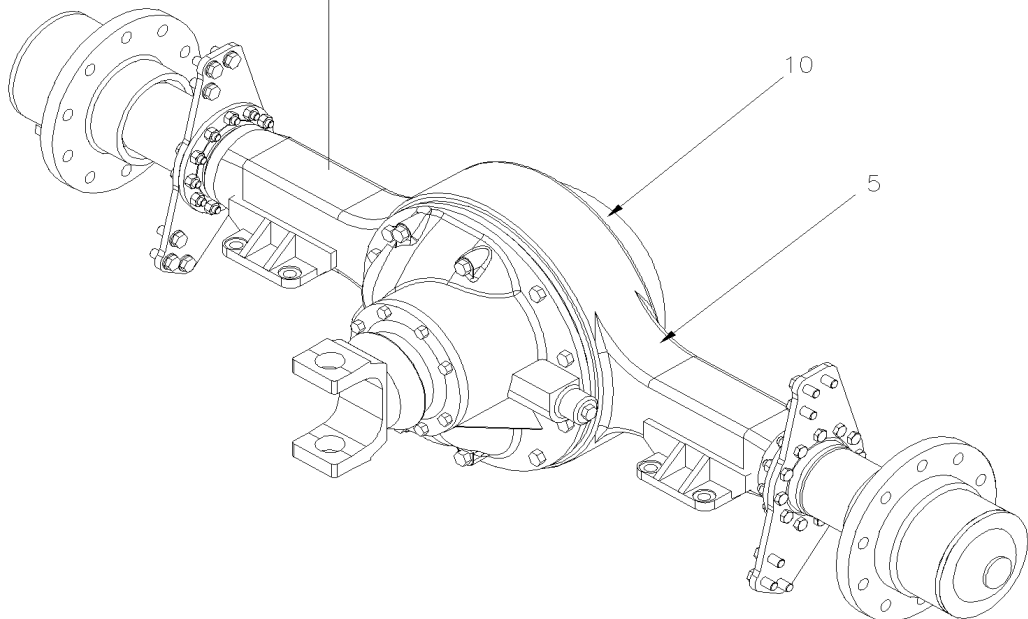
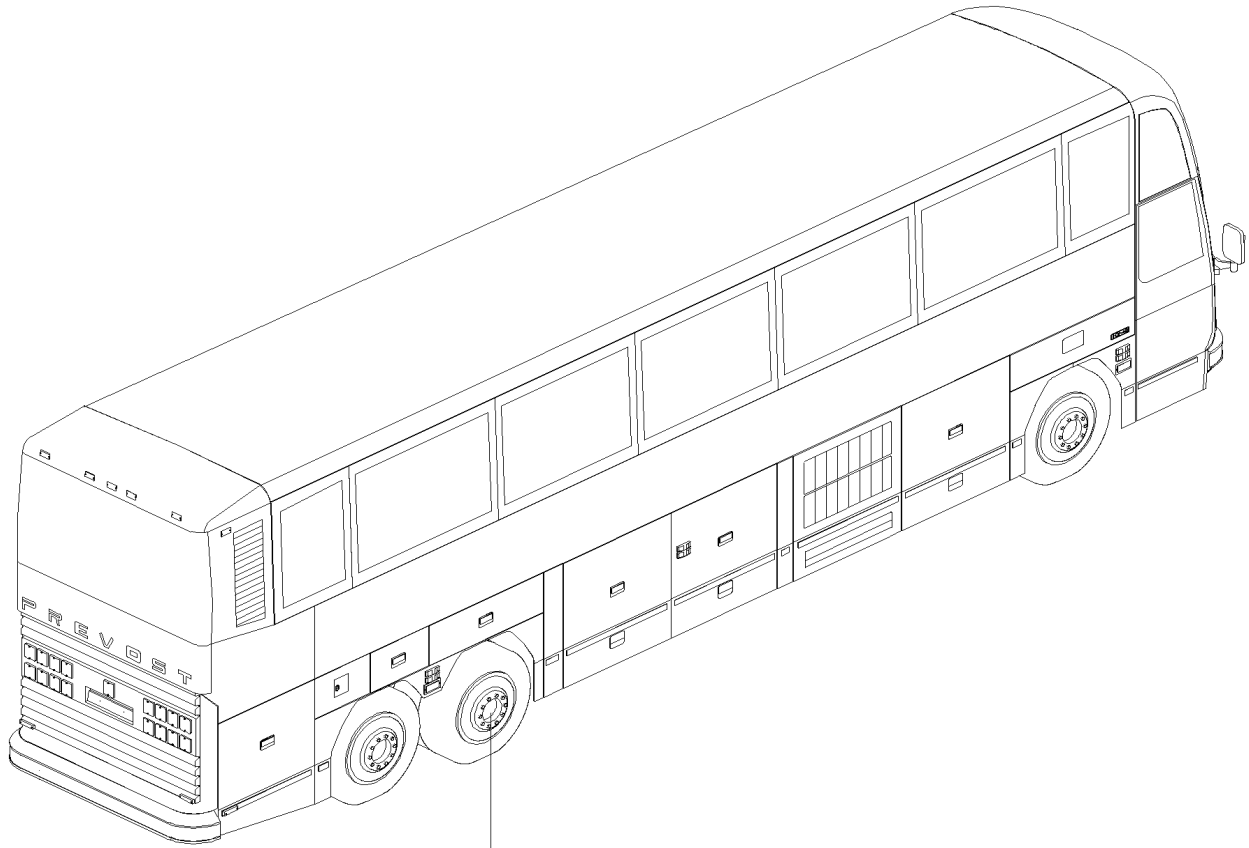
| | | |
|--|--------------|-----------------|
| From L-031 To R-079 | Date:10/2022 | PAGE:H4-1005-02 |
| FRONT AXLE - I BEAM RIGID MODEL "2FG-952-CAX" | | |

| Item# | Part | Description | H 3 4 0 | V I P 4 0 | N O T E S |
|-------|--------|--|------------------|-----------------------|-----------------------|
| | 610900 | AXLE ASSY STUD MOUNT & 24" BOOSTER To N-174 | 1 | 1 | |
| | 610903 | AXLE ASSY STUD MOUNT & 24" BOOSTER W/ABS To N-174 | 1 | 1 | A |
| | 610949 | AXLE ASSY STUD MOUNT & 24" BOOSTER From N-175 To R-033 | 1 | 1 | A |
| | 610948 | AXLE ASSY STUD MOUNT & 24" BOOSTER W/ABS From N-174 To R-033 | 1 | 1 | |
| | 610981 | AXLE ASSY STUD MOUNT & 24" BOOSTER W/ABS From R-034 | 1 | 1 | |
| | 610958 | AXLE ASSY HUB MOUNT & 24" BOOSTER To R-033 | 1 | | |
| | 610957 | AXLE ASSY HUB MOUNT & 24" BOOSTER W/ABS To R-033 | 1 | | |
| | 610979 | AXLE ASSY HUB MOUNT & 24" BOOSTER W/ABS From R-034 | 1 | | |
| | 611136 | CENTER AXLE | 1 | 1 | |
| | 610944 | . DOWEL PIN / CENTER AXLE | 2 | 2 | |
| 1 | 610922 | . KNUCKLE, STEERING / L.H. | 1 | 1 | |
| 1 | 610844 | . KNUCKLE, STEERING / R.H. | 1 | 1 | |
| 3 | N.S.S. | . PIN / STEERING KNUCKLE | 2 | 2 | 1 |
| 4 | N.S.S. | . SEAL / STEERING KNUCKLE PIN | 4 | 4 | 1 |
| 5 | N.S.S. | . BUSHING / STEERING KNUCKLE PIN | 4 | 4 | 1 |
| 6 | N.S.S. | . GASKET / STEERING KNUCKLE PIN CAP | 4 | 4 | 1 |
| 7 | N.S.S. | . CAP / STEERING KNUCKLE PIN | 4 | 4 | 1 |
| 8 | N.S.S. | . BOLT / TO FIX STEERING KNUCKLE PIN CAP | 12 | 12 | 1 |
| 9 | N.S.S. | . WASHER LOCK / TO FIX STEERING KNUCKLE PIN CAP | 12 | 12 | 1 |
| 10 | 610854 | . SHIM .010 / STEERING KNUCKLE PIN | AR | AR | |
| 10 | 610855 | . SHIM .005 / STEERING KNUCKLE PIN | AR | AR | |
| 12 | N.S.S. | . SEAL / THRUST BEARING | 2 | 2 | 1 |
| 13 | N.S.S. | . BEARING, THRUST | 2 | 2 | 1 |
| 14 | N.S.S. | . KEY, DRAW / UPPER | 2 | 2 | 1 |
| 14 | 610795 | . KEY, DRAW LOWER 4" | 2 | 2 | |
| 18 | 610796 | . NUT, KEY DRAW UPPER & LOWER | 4 | 4 | |
| 19 | 501490 | . GREASE FITTING / 1/8 NPT | 2 | 2 | |
| 20 | 610861 | . KEY / CROSS TUBE ARM | 4 | 4 | |
| 21 | 610054 | . NUT 1 1/8-12 SLOTTED PRODUCTION | 2 | 2 | |
| 22 | 610066 | . PIN, COTTER / CROSS TUBE ARM | 4 | 4 | |
| 26 | 610946 | . ARM KNUCKLE / L.H. To N-174 | 1 | 1 | A |
| 26 | 610801 | . ARM KNUCKLE / L.H. From N-175 | 1 | 1 | |
| 26 | 610947 | . ARM KNUCKLE / R.H. To N-174 | 1 | 1 | A |
| 26 | 610802 | . ARM KNUCKLE / R.H. From N-175 | 1 | 1 | |
| 27 | 610780 | . ROD ASSY W/END | 1 | 1 | |
| 28 | 610687 | . TIE ROD END L.H. THREAD 1 1/4-12 | 1 | 1 | |
| 29 | 610686 | . TIE ROD END R.H. THREAD 1 1/4-12 | 1 | 1 | |
| 30 | 621340 | . SCREW, STOP / STEERING KNUCKLE | 2 | 2 | |
| 30 | 621338 | . SHIM 0.010 | 2 | 2 | |
| 30 | 621339 | . NUT JAM STEERING KNUCKLE | 2 | 2 | |
| 31 | 500757 | . NUT HEX SLT 1 1/4-12 ZP | 1 | 1 | |
| 32 | 610921 | . ARM / STEERING To R-033 | 1 | 1 | |

| | | |
|--|--------------|-----------------|
| From L-031 To R-079 | Date:10/2022 | PAGE:H4-1005-02 |
| FRONT AXLE - I BEAM RIGID MODEL "2FG-952-CAX" | | |

| Item# | Part | Description | H 3 4 0 | V I P 4 0 | N O T E S |
|-------|------------|---|------------------|-----------------------|-----------------------|
| 32 | 610978 | . ARM / STEERING From R-034 | 1 | 1 | |
| 50 | H4-1225-02 | BRAKE PARTS - FRONT AXLE - W/MODEL 2FG952CAX | 1 | 1 | |
| 50 | H4-1225-99 | BRAKE PARTS - FRONT AXLE - RETROKIT MODEL 16 1/2 I.D. (RETROFIT) | 1 | 1 | |
| 51 | H4-1300-01 | HUB & ROTOR - FRONT AXLE MODEL 2FG-952CAX | 1 | 1 | |
| 51 | H4-1300-99 | HUB & DRUM - FRONT AXLE - RETROFIT MODEL 16 1/2 I.D. (RETROFIT) | 1 | 1 | |
| 100 | 610799 | KIT REPAIR / KNUCKLE BUSHING // NYLON | 1 | 1 | B |
| 100 | 611240 | KIT REPAIR / KNUCKLE BUSHING // BRASS | 1 | 1 | B |
| | | A) SOME VIP UP TO N-174 CHANGE ARM FOR REVERSE LOWER RADIAL BAR PLEASE CHECK BEFORE ORDER ARM | | | |
| | | B) INCLUDING ITEMS #3,4,5,6,7,8,9,10,12 & 13 | | | |
| | | 1) NOT SOLD SEPARATELY | | | |

| | | |
|-----------|--------------|-------|
| | Date:10/2022 | H4-11 |
| REAR AXLE | | |



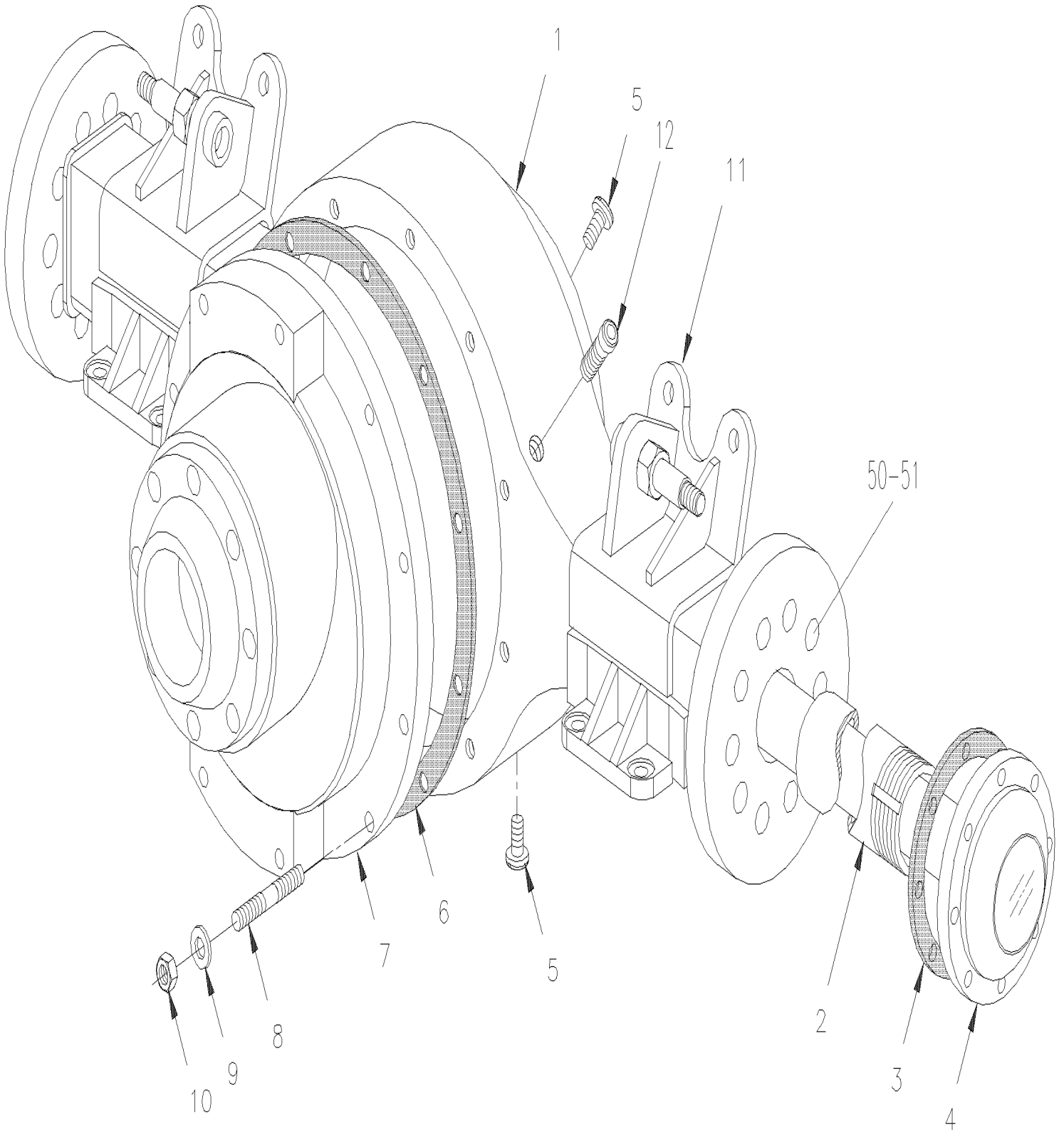
| | | Date:10/2022 | H4-11 | | |
|-----------|------------|--|------------------|-----------------------|-----------------------|
| REAR AXLE | | | | | |
| Item# | Part | Description | H 3 4 0 | V I P 4 0 | N O T E S |
| 5 | H4-1105-01 | REAR AXLE - MODEL RS23160 & DRUM BRAKE W/61143 From L-031 To R-079 | | | |
| 10 | H4-1110-01 | CARRIER ASSY - MODEL #61143 From L-031 To R-079 | | | |

From L-031 To R-079

Date:10/2022

PAGE:H4-1105-01

REAR AXLE - MODEL RS23160 & DRUM BRAKE W/61143



| | | |
|---|--------------|-----------------|
| From L-031 To R-079 | Date:10/2022 | PAGE:H4-1105-01 |
| REAR AXLE - MODEL RS23160 & DRUM BRAKE W/61143 | | |

| Item# | Part | Description | H 3 4 0 | V I P 4 0 | N O T E S |
|-------|-------------------|---|------------------|-----------------------|-----------------------|
| | | AXLE ASSY WITH STUD MOUNTED WHEELS | | | |
| | 621465 | REAR AXLE ASSY / 3.07 RATIO / To R-032 | 1 | 1 | |
| | 621469 | REAR AXLE ASSY / 3.21 RATIO To R-032 | 1 | 1 | |
| | 621496 | REAR AXLE ASSY / 3.21 RATIO / W/ABS IN WHEEL To R-032 | 1 | 1 | |
| | 621498 | REAR AXLE ASSY / 3.42 RATIO To R-032 | 1 | | |
| | 621470 | REAR AXLE ASSY / 3.42 RATIO To R-032 | 1 | 1 | |
| | 621495 | REAR AXLE ASSY / 3.42 RATIO / W/ABS IN WHEEL To R-032 | 1 | 1 | |
| | 621517 | REAR AXLE ASSY / 3.42 RATIO / W/TELMA To R-032 | | 1 | |
| | 621388 | REAR AXLE ASSY / 3.58 RATIO To R-032 | 1 | | |
| | 621395 | REAR AXLE ASSY / 3.58 RATIO To R-032 | 1 | 1 | |
| | 621302 | REAR AXLE ASSY / 3.58 RATIO / W/ABS IN WHEEL To R-032 | 1 | 1 | |
| | 621398 | REAR AXLE ASSY / 3.73 RATIO To R-032 | 1 | | |
| | 621399 | REAR AXLE ASSY / 3.73 RATIO To R-032 | 1 | 1 | |
| | 621486 | REAR AXLE ASSY / 4.10 RATIO From P-256 | 1 | 1 | |
| | 621542 | REAR AXLE ASSY / 4.30 RATIO From P-256 | 1 | 1 | |
| | 621530 | REAR AXLE ASSY / 4.56 RATIO From P-256 | 1 | 1 | |
| | 621528 | REAR AXLE ASSY / 4.56 RATIO / W/ABS IN WHEEL From P-256 | 1 | 1 | |
| | 621529 | REAR AXLE ASSY / 4.88 RATIO From P-256 | 1 | 1 | |
| | 621527 | REAR AXLE ASSY / 4.88 RATIO / W/ABS IN WHEEL From P-256 | 1 | 1 | |
| | | AXLE ASSY WITH HUB MOUNTED WHEELS | | | |
| | 621565 | REAR AXLE ASSY / 2.93 RATIO To R-032 | 1 | | |
| | 621564 | REAR AXLE ASSY / 3.07 RATIO / To R-032 | 1 | | |
| | 621522 | REAR AXLE ASSY / 3.21 RATIO To R-032 | 1 | | |
| | 621500 | REAR AXLE ASSY / 3.42 RATIO / W/ABS IN WHEEL To R-032 | 1 | | |
| | 621389 | REAR AXLE ASSY / 3.58 RATIO To R-032 | 1 | | |
| | 621387 | REAR AXLE ASSY / 3.58 RATIO To R-032 | 1 | | |
| | 621459 | REAR AXLE ASSY / 3.73 RATIO To R-032 | 1 | | |
| | 621532 | REAR AXLE ASSY / 4.56 RATIO From P-256 | 1 | | |
| | 621531 | REAR AXLE ASSY / 4.56 RATIO / W/ABS IN WHEEL From P-256 | 1 | | |
| | 621534 | REAR AXLE ASSY / 4.88 RATIO From P-256 | 1 | | |
| | 621533 | REAR AXLE ASSY / 4.88 RATIO / W/ABS IN WHEEL From P-256 | 1 | | |
| 1 | 621471 | HOUSING | 1 | 1 | |
| 2 | 621127 | . SLEEVE | 2 | 2 | |
| 3 | 620923 | . GASKET / AXLE SHAFT W/10 STUDS | 2 | 2 | |
| 4 | 621411 | SHAFT, AXLE / R.H. / 43.500" | 1 | 1 | |
| 4 | 621410 | SHAFT, AXLE / L.H. / 41.750" | 1 | 1 | |
| 5 | 621142 | PLUG FILLER | 2 | 2 | |
| 6 | 680053 | SILICONE TUBE RTV103 / BLACK / 3 oz | 1 | 1 | |
| 7 | H4-1110-01 | CARRIER ASSY - MODEL #61143 | | | |

| | | |
|---|--------------|-----------------|
| From L-031 To R-079 | Date:10/2022 | PAGE:H4-1105-01 |
| REAR AXLE - MODEL RS23160 & DRUM BRAKE W/61143 | | |

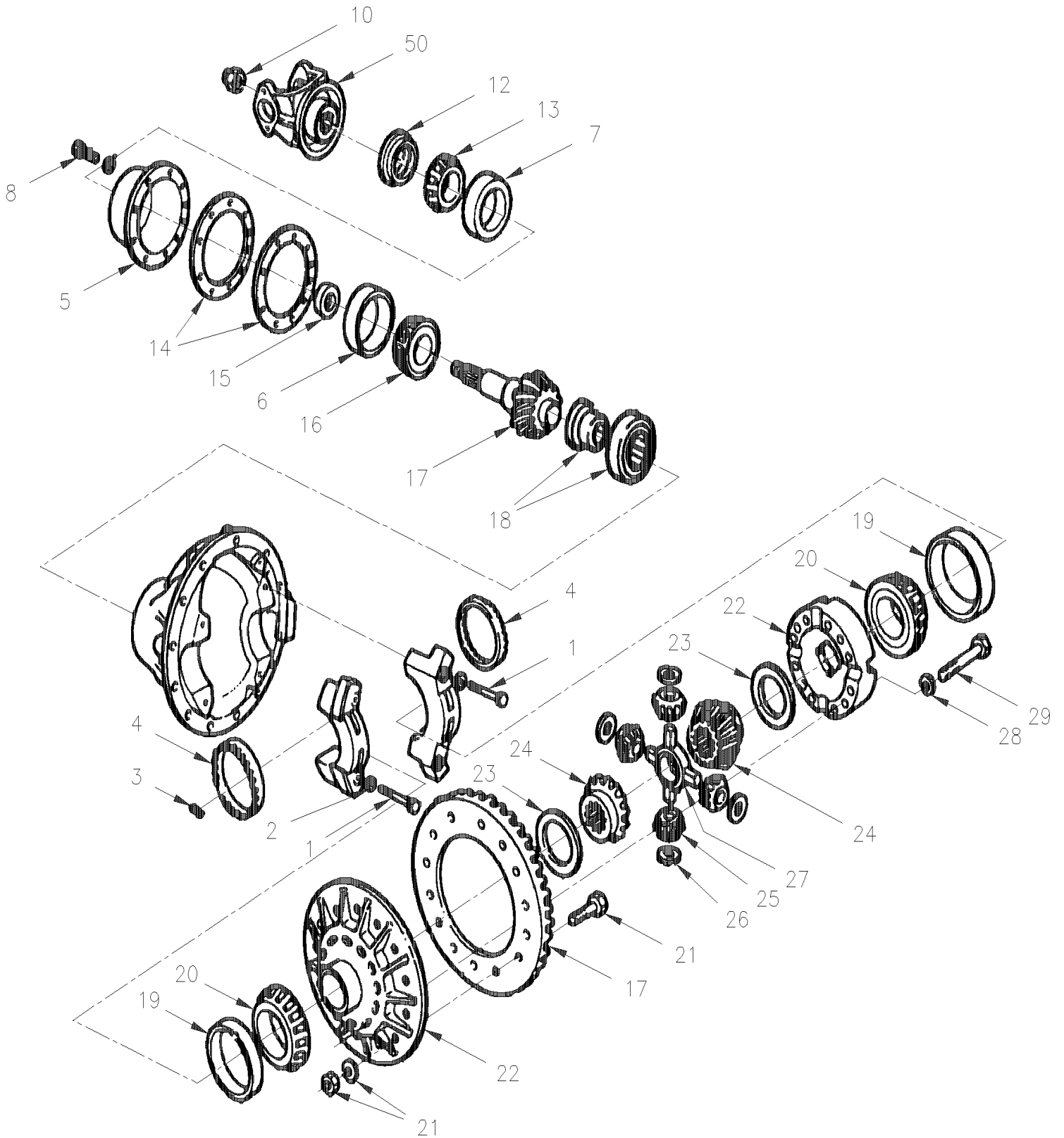
| Item# | Part | Description | H 3 4 0 | V I P 4 0 | N O T E S |
|-------|-------------------|---|------------------|-----------------------|-----------------------|
| 8 | 621183 | STUD 5/8-11x 5/8-18 x 3 3/4" | 4 | 4 | |
| 8 | 620042 | STUD 5/8-11x 5/8-18 x 2 5/8" | 14 | 14 | |
| 9 | 620474 | WASHER HARDENED / 5/8" I.D. | 18 | 18 | |
| 10 | 500742 | NUT HEX STO 7/8-14 ZP | 18 | 18 | |
| 11 | 121371 | SUPPORT R.H. / BRAKE CHAMBER | 1 | 1 | A |
| 11 | 121372 | SUPPORT L.H. / BRAKE CHAMBER | 1 | 1 | A |
| 11 | 121102 | SUPPORT L.H. & R.H. / BRAKE CHAMBER | 2 | 2 | B |
| 12 | 620442 | BREATHER / (CURRENT 1 PIECE) | 1 | 1 | |
| 12 | 621871 | BREATHER AND TUBE | 1 | 1 | S |
| 50 | H4-1235-01 | BRAKE PARTS - DRIVE AXLE "MERITOR" W/DRUMS | | | |
| 51 | H4-1305-00 | HUB & DRUM - DRIVE AXLE | | | |
| | | | | | |
| | | | | | |
| | | A) ASSY WITH REAR AXLE SWAY BAR SEE NOTE B | | | |
| | | B) SEE ATTACHED TEXT TO READ NOTE B | | | |
| | | S) PRODUCT IMPROVEMENT | | | |

From L-031 To R-079

Date:10/2022

PAGE:H4-1110-01

CARRIER ASSY - MODEL #61143



| | | |
|------------------------------------|--------------|-----------------|
| From L-031 To R-079 | Date:10/2022 | PAGE:H4-1110-01 |
| CARRIER ASSY - MODEL #61143 | | |

| Item# | Part | Description | H 3 4 0 | V I P 4 0 | N O T E S |
|-------|--------|---|------------------|-----------------------|-----------------------|
| | 621578 | CARRIER ASSY / 2.93 RATIO To R-032 | 1 | 1 | |
| | 621549 | CARRIER ASSY / 3.07 RATIO To R-032 | 1 | 1 | |
| | 621550 | CARRIER ASSY / 3.21 RATIO To R-032 | 1 | 1 | |
| | 621551 | CARRIER ASSY / 3.42 RATIO To R-032 | 1 | 1 | |
| | 621547 | CARRIER ASSY / 3.58 RATIO To R-032 | 1 | 1 | |
| | 621461 | CARRIER ASSY / 3.58 RATIO W/TELMA To R-032 | | 1 | |
| | 621548 | CARRIER ASSY / 3.73 RATIO To R-032 | 1 | 1 | |
| | 621552 | CARRIER ASSY / 4.10 RATIO From P-256 | 1 | 1 | |
| | 621555 | CARRIER ASSY / 4.30 RATIO From P-256 | 1 | 1 | |
| | 621553 | CARRIER ASSY / 4.56 RATIO From P-256 | 1 | 1 | |
| | 621554 | CARRIER ASSY / 4.89 RATIO From P-256 | 1 | 1 | |
| | N.S.S. | . CASE CARRIER | 1 | 1 | 1 |
| 1 | 621418 | . SCREW, CAP | 4 | 4 | |
| 2 | 621417 | . WASHER | 4 | 4 | |
| 3 | 505128 | . SPRING, PIN 1/4 X 2 | 2 | 2 | |
| 4 | 621479 | . RING, ADJUSTING / W/MODEL 3200-P-1706 | 2 | 2 | |
| 4 | 621454 | . RING, ADJUSTING / W/MODEL 3200-T-1658 | 2 | | A |
| 5 | 621419 | . CASE & CUP ASSY / PINION BEARING | 1 | 1 | |
| 6 | 621420 | . CUP BEARING / INNER BEARING | 1 | 1 | |
| 7 | 621421 | . CUP BEARING / OUTER BEARING | 1 | 1 | |
| 8 | 621439 | . SCREW, CAP | 8 | 8 | |
| 10 | 621418 | . SCREW, CAP | 4 | 4 | |
| 10 | 621445 | . NUT / DRIVE PINION | 1 | 1 | |
| 12 | 621424 | . SEAL, OIL | 1 | 1 | |
| NS | 195671 | SEAL INSTALLER TOOL / CARRIER DRIVE PINION (2731T1) | 1 | 1 | I |
| 13 | 621423 | . CONE BEARING / OUTER | 1 | 1 | |
| 14 | 621438 | . SHIM 0.020 | AR | AR | |
| 14 | 621437 | . SHIM 0.008 | AR | AR | |
| 14 | 621436 | . SHIM 0.005 | AR | AR | |
| 14 | 621435 | . SHIM 0.003 | AR | AR | |
| 15 | 621434 | . SPACER .263 | AR | AR | |
| 15 | 621433 | . SPACER .262 | AR | AR | |
| 15 | 621432 | . SPACER .261 | AR | AR | |
| 15 | 621431 | . SPACER .260 | AR | AR | |
| 15 | 621430 | . SPACER .256 | AR | AR | |
| 15 | 621429 | . SPACER .254 | AR | AR | |
| 15 | 621428 | . SPACER .253 | AR | AR | |
| 15 | 621427 | . SPACER .252 | AR | AR | |
| 15 | 621426 | . SPACER .251 | AR | AR | |
| 15 | 621425 | . SPACER .250 | AR | AR | |
| 16 | 621422 | . CONE BEARING / INNER | 1 | 1 | |

| | | |
|------------------------------------|--------------|-----------------|
| From L-031 To R-079 | Date:10/2022 | PAGE:H4-1110-01 |
| CARRIER ASSY - MODEL #61143 | | |

| Item# | Part | Description | H 3 4 0 | V I P 4 0 | N O T E S |
|-------|--------|--|------------------|-----------------------|-----------------------|
| | | FOLLOWING 4 SET, GEAR DRIVE & PINION ARE | | | |
| | | USED ONLY WITH CARRIER MODEL 3200-T-1658 | | | |
| 16 | 621485 | . SET, GEAR DRIVE & PINION / 3.07 RATIO To R-032 | 1 | 1 | A |
| 16 | 621442 | . SET, GEAR DRIVE & PINION / 3.58 RATIO To R-032 | 1 | 1 | A |
| 16 | 621443 | . SET, GEAR DRIVE & PINION / 3.73 RATIO To R-032 | 1 | 1 | A |
| 16 | 621468 | . SET, GEAR DRIVE & PINION / 4.10 RATIO From P-256 | 1 | | A |
| | | FOLLOWING 10 SET, GEAR DRIVE & PINION ARE | | | |
| | | USED ONLY WITH CARRIER MODEL 3200-P-1706 | | | |
| 17 | 621585 | . SET, GEAR DRIVE & PINION / 2.93 RATIO To R-032 | 1 | 1 | |
| 17 | 621485 | . SET, GEAR DRIVE & PINION / 3.07 RATIO To R-032 | 1 | 1 | |
| 17 | 621474 | . SET, GEAR DRIVE & PINION / 3.21 RATIO To R-032 | 1 | 1 | |
| 17 | 621472 | . SET, GEAR DRIVE & PINION / 3.42 RATIO To R-032 | 1 | 1 | |
| 17 | 621483 | . SET, GEAR DRIVE & PINION / 3.58 RATIO To R-032 | 1 | 1 | |
| 17 | 621484 | . SET, GEAR DRIVE & PINION / 3.73 RATIO To R-032 | 1 | 1 | |
| 17 | 621487 | . SET, GEAR DRIVE & PINION / 4.10 RATIO From P-256 | 1 | 1 | |
| 17 | 621646 | . SET, GEAR DRIVE & PINION / 4.30 RATIO From P-256 | 1 | 1 | |
| 17 | 621538 | . SET, GEAR DRIVE & PINION / 4.56 RATIO From P-256 | 1 | 1 | |
| 17 | 621541 | . SET, GEAR DRIVE & PINION / 4.89 RATIO From P-256 | 1 | 1 | |
| 18 | 621481 | . BEARING SPIGOT / INNER & OUTER / W/3200-P-1706 | 1 | 1 | C |
| NS | 621441 | . BEARING SPIGOT / INNER & OUTER / W/3200-T-1658 | 1 | | A |
| 18 | 621482 | . RING, SNAP / TO FIX SPIGOT BEARING | | | C |
| 19 | 621210 | . CUP BEARING | 2 | 2 | C S |
| 19 | 621456 | . CUP BEARING W/CARRIER 3200-T-1658 | 2 | | A |
| 20 | 621209 | . CONE BEARING | 2 | 2 | C S |
| 20 | 621455 | . CONE BEARING W/CARRIER 3200-T-1658 | 2 | | A |
| 21 | 621444 | . BOLT, NUT & WASHER / (KIT OF 12) | 1 | 1 | |
| | | FOLLOWING 2 CASES ASSY, | | | |
| | | INCLUDED ITEMS #23 TO 29 | | | |
| | | FOR CARRIER MODEL 3200-T-1658 ONLY | | | |
| 21 | 621446 | . CASE ASSY / W/RATIO 3.58, 3.73 To R-032 | 1 | | A |
| 21 | 621473 | . CASE ASSY / W/RATIO 4.10 From P-256 | 1 | | A |
| | | FOLLOWING 3 CASES ASSY, | | | |
| | | DO NOT INCLUDE ITEMS #23 TO 27 | | | |
| | | FOR CARRIER MODEL 3200-P-1706 | | | |
| | | WITH ABS SENSOR MOUNTED ON HUB WHEEL. | | | |

| | | |
|------------------------------------|--------------|-----------------|
| From L-031 To R-079 | Date:10/2022 | PAGE:H4-1110-01 |
| CARRIER ASSY - MODEL #61143 | | |

| Item# | Part | Description | H 3 4 0 | V I P 4 0 | N O T E S |
|-------|--------|---|------------------|-----------------------|-----------------------|
| 22 | 621480 | . CASE ASSY W/RATIO 3.07, 3.21, 3.42& 3.73 To R-032 | | | |
| 22 | 621488 | . CASE ASSY / W/RATIO 3.91, 4.10, 4.30 & 4.56 From P-259 | 1 | 1 | |
| 22 | 621539 | . CASE ASSY / W/RATIO 4.89 From P-256 | 1 | 1 | |
| 23 | 621449 | . WASHER, THRUST / SIDE GEAR | 2 | 2 | |
| 24 | 621450 | . GEAR, SIDE | 4 | 4 | |
| 25 | 621452 | . GEAR, PINION | 4 | 4 | |
| 26 | 621453 | . WASHER, GEAR PINION | 4 | 4 | |
| 27 | 621451 | . SPIDER | 1 | 1 | |
| 28 | 621447 | . WASHER | 12 | 12 | |
| 29 | 621448 | . SCREW, CAP | 12 | 12 | |
| NS | 621653 | KIT, CUP & CONE | 1 | 1 | S |
| 50 | 621403 | YOKE (1810) FULL ROUND (46 SPL) | 1 | 1 | |
| . NS | 621501 | . DEFLECTOR, OIL | 1 | 1 | |
| . NS | 621492 | . SPEEDY SLEEVE 3.250" I.D. / TO REPAIR OIL LEAK ON YOKE | 1 | 1 | |
| 50 | 621402 | YOKE (1710) FULL ROUND (46 SPL) | 1 | | |
| . NS | 621501 | . DEFLECTOR, OIL | 1 | | |
| . NS | 621492 | . SPEEDY SLEEVE 3.250" I.D. / TO REPAIR OIL LEAK ON YOKE | 1 | | |
| 50 | 621501 | . DEFLECTOR, OIL | 1 | 1 | |
| 50 | 621507 | YOKE (1810) FULL ROUND (46 SPL) W/FLYWHEEL ADAPTOR ONE PIECE | 1 | 1 | |
| . NS | 621492 | . SPEEDY SLEEVE 3.250" I.D. / TO REPAIR OIL LEAK ON YOKE | 1 | 1 | |
| 50 | 121242 | FLYWHEEL | 1 | | |
| 50 | 121243 | ADAPTOR / FOR USE W/FLYWHEEL | | | B |
| 50 | 621492 | . SPEEDY SLEEVE 3.250" I.D. / TO REPAIR OIL LEAK ON YOKE | 1 | 1 | |
| | | | | | |
| | | | | | |
| | | A) SEE ATTACHED TEXT ABOUT THIS NOT | | | |
| | | B) (TO BE WELDED & BALANCED) | | | |
| | | C) THIS TOOL INSTALLER ARE USE WITH NEW SEAL STAMPED A1205A2731 | | | |
| | | I) THIS TOOL INSTALLER ARE USE WITH NEW SEAL STAMPED A1205A2731 | | | |
| | | S) ALSO SOLD IN KIT #621653 | | | |
| | | 1) NOT SOLD SEPARATELY | | | |

| | | |
|-------|--------------|-------|
| | Date:10/2022 | H4-12 |
| BRAKE | | |

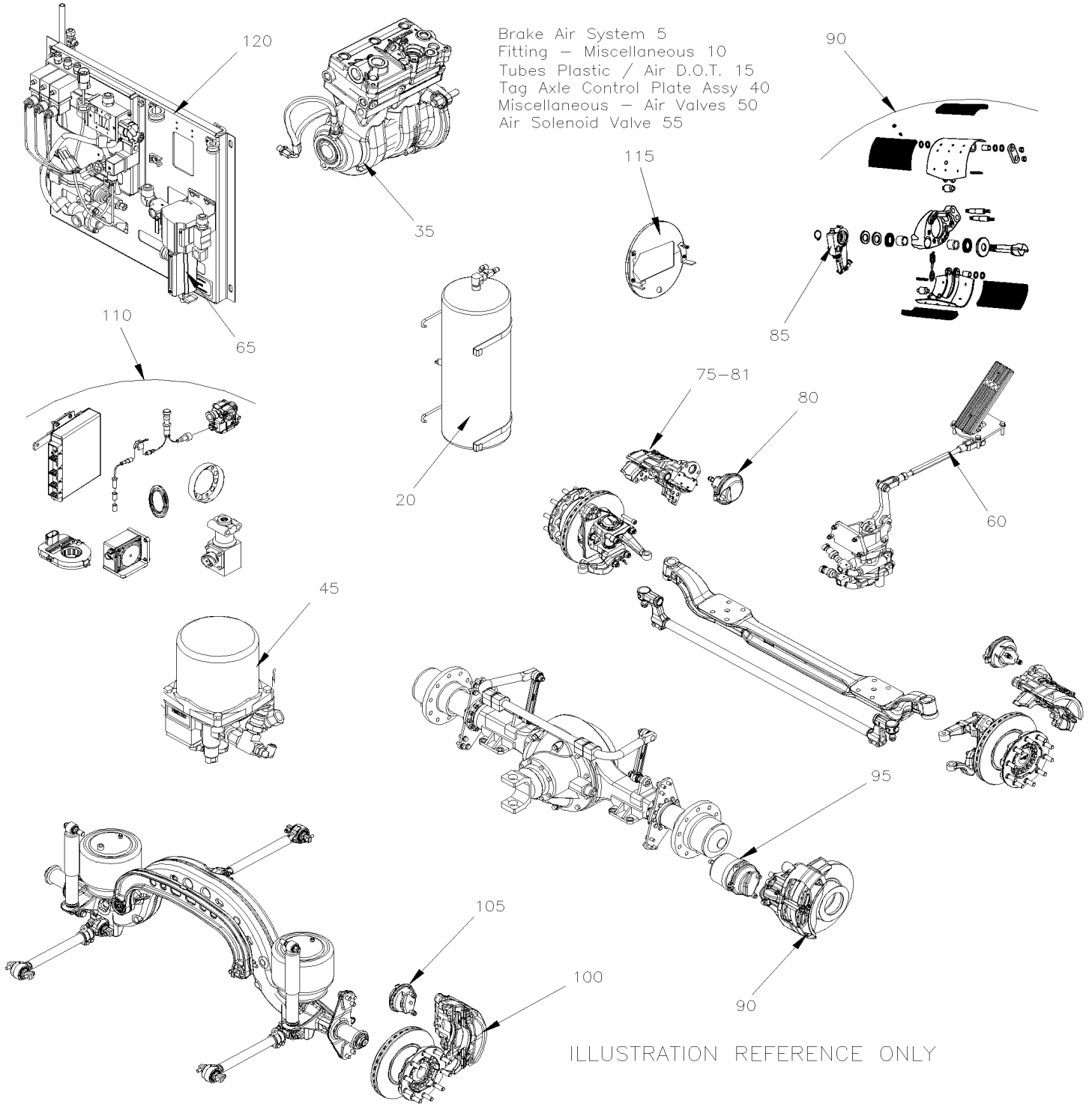


ILLUSTRATION REFERENCE ONLY

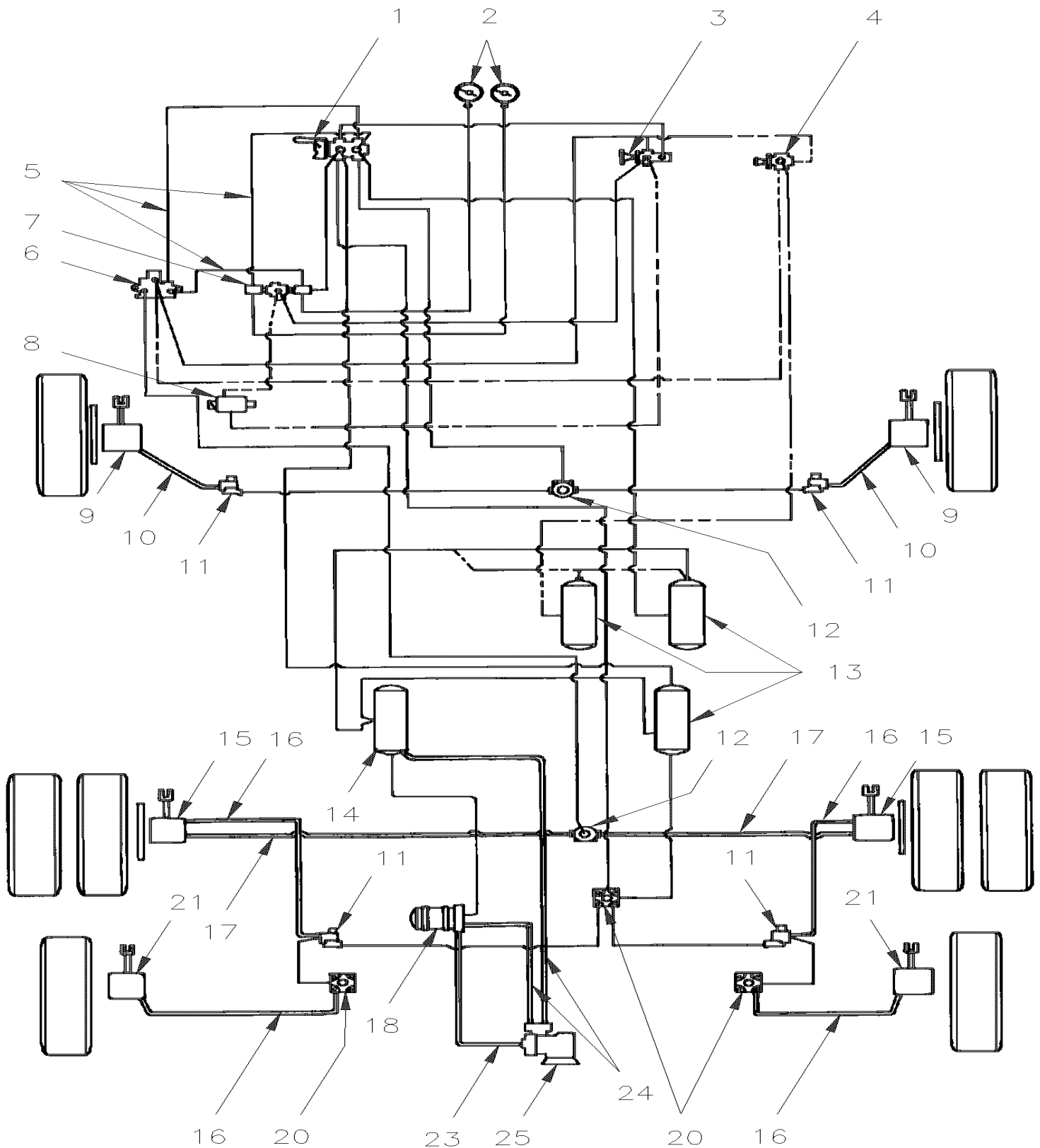
| | | Date:10/2022 | H4-12 | | |
|-------|------------|--|------------------|-----------------------|-----------------------|
| BRAKE | | | | | |
| Item# | Part | Description | H 3 4 0 | V I P 4 0 | N O T E S |
| 5 | H4-1200-00 | BRAKE AIR SYSTEM From L-031 To R-079 | | | |
| 10 | H4-1201-00 | FITTING - MISCELLANEOUS From L-031 To R-079 | | | |
| 15 | H4-1202-00 | TUBES PLASTIC / AIR D.O.T. From L-031 To R-079 | | | |
| 20 | H4-1203-00 | AIR TANK - INSTALLATION From L-031 To R-079 | | | |
| 35 | H4-1205-11 | AIR COMPRESSOR - "TU-FLO 750" - WITH DETROIT S-92 From L-031 To R-032 | | | |
| 35 | H4-1205-12 | AIR COMPRESSOR - "TU-FLO 750" - WITH DETROIT S-60 From P-256 To R-079 | | | |
| 40 | H4-1212-00 | TAG AXLE CONTROL PLATE ASSY From L-031 To R-079 | | | |
| 45 | H4-1215-01 | AIR DRYER - "BENDIX" AD-4 From L-031 To P-315 | | | |
| 45 | H4-1215-02 | AIR DRYER - "BENDIX" AD-9 From P-316 To R-079 | | | |
| 50 | H4-1220-00 | MISCELLANEOUS - AIR VALVES From L-031 To R-079 | | | |
| 55 | H4-1220-05 | AIR SOLENOID VALVE From L-031 To R-079 | | | |
| 60 | H4-1220-10 | BRAKE PEDAL VALVE - "BENDIX" From L-031 To R-079 | | | |
| 65 | H4-1220-15 | AIR FILTER - ACCESSORIES From L-031 To R-079 | | | |
| 65 | H4-1220-16 | AIR FILTER - ACCESSORIES / SERVICE From L-031 To R-079 | | | A |
| 75 | H4-1225-02 | BRAKE PARTS - FRONT AXLE - W/MODEL 2FG952CAX From L-031 To R-079 | | | |
| 80 | H4-1225-10 | BRAKE CHAMBER - FRONT AXLE From L-031 To R-079 | | | |
| 81 | H4-1225-99 | BRAKE PARTS - FRONT AXLE - RETROKIT MODEL 16 1/2 I.D. (RETROFIT) From L-031 To R-079 | | | R |
| 85 | H4-1230-00 | SLACK ADJUSTER AUTOMATIC - "ROCKWELL" From L-031 To R-079 | | | |
| 85 | H4-1230-01 | SLACK ADJUSTER AUTOMATIC - "HALDEX" From L-031 To R-079 | | | |
| 90 | H4-1235-01 | BRAKE PARTS - DRIVE AXLE "MERITOR" W/DRUMS From L-031 To R-079 | | | |
| 95 | H4-1235-10 | BRAKE CHAMBER - DRIVE AXLE "ANCHOR LOCK" From L-031 To R-079 | | | |
| 95 | H4-1235-11 | BRAKE CHAMBER - DRIVE AXLE "M.G.M." / SERVICE From L-031 To R-079 | | | A |
| 100 | H4-1245-01 | BRAKE PARTS - TAG AXLE - W/"MERITOR" ABD 1560 From L-031 To R-079 | | | |
| 105 | H4-1245-10 | BRAKE CHAMBER - TAG AXLE From L-031 To R-079 | | | |
| 110 | H4-1250-00 | ANTI-LOCK BRAKING SYSTEM From L-031 To R-079 | | | |
| 115 | H4-1255-00 | DUST SHIELD - W/BRAKE DRUM From L-031 To R-079 | | | |
| 120 | H4-1260-00 | VALVE SUPPORT ASSY From L-031 To R-079 | | | |
| | | | | | |
| | | | | | |
| | | A) SERVICE | | | |
| | | R) SERVICER | | | |

From L-031 To R-079

Date:10/2022

PAGE:H4-1200-00

BRAKE AIR SYSTEM



| | | |
|-------------------------|--------------|-----------------|
| From L-031 To R-079 | Date:10/2022 | PAGE:H4-1200-00 |
| BRAKE AIR SYSTEM | | |

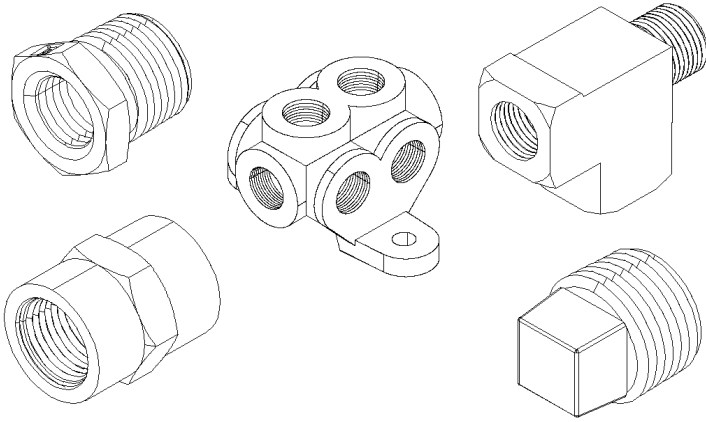
| Item# | Part | Description | H 3 4 0 | V I P 4 0 | N O T E S |
|-------|-------------------|--|------------------|-----------------------|-----------------------|
| 1 | 641122 | BRAKE VALVE ASSY W/BACKET / MODEL E-10 | 1 | 1 | |
| . NS | 2359226 | . BOOT PLUNGER | 1 | 1 | |
| . NS | 2222120 | . MOUNTING BRACKET COUPLING D-1 | 1 | 1 | |
| 2 | 561595 | GAUGE, AIR PRESSURE To M-127 | 2 | 2 | |
| 2 | 562215 | GAUGE, AIR PRESSURE From M-128 | 2 | 2 | |
| 3 | 641185 | VALVE, PARKING BRAKE PP-2 | 1 | 1 | |
| . NS | 641149 | . BUTTON, PARKING BRAKE DIAMOND YELLOW / 1" | 1 | 1 | |
| . NS | 641158 | . REPAIR KIT / PP-2 | 1 | 1 | |
| 4 | 640472 | VALVE, CONTROL / RD-3 | 1 | 1 | |
| . NS | 641154 | . REPAIR KIT / PP-1 & RD-3 | 1 | 1 | |
| 5 | H4-1202-00 | TUBES PLASTIC / AIR D.O.T. | | | |
| 6 | 640870 | VALVE / SPRING BRAKE SR-1 | 1 | 1 | |
| . NS | 640921 | . REPAIR KIT / SR-1 | 1 | 1 | |
| 7 | 641015 | VALVE, DOUBLE CHECK DC-4 | 1 | 1 | |
| 8 | 630135 | VALVE, 3 WAYS, 2 POSITIONS N.O. | 1 | | |
| . NS | 641169 | . SPOOL | 1 | | |
| . NS | 641929 | . COIL 24V | 1 | | |
| 8 | 641057 | VALVE, 5 WAYS, 3 POSITIONS | | 1 | |
| 9 | 640915 | BRAKE CHAMBER ASSY / TYPE 24 | 2 | 2 | |
| 10 | 641301 | HOSE BRAKE #8 841MM (33 1/8) | 2 | 2 | |
| 11 | 641537 | VALVE, "ABS" 24VOLT | 4 | 4 | |
| 12 | 641429 | VALVE, QUICK RELEASE QR-1 / 3/8NPTx3/8NPTx3/8NPT | 1 | 1 | |
| . NS | 640924 | . REPAIR KIT / QR-1 | 1 | 1 | |
| 13 | 140869 | AIR TANK / 1791 IN° / 9 1/2" O.D. X 27" | 3 | 3 | |
| 14 | 140870 | AIR TANK / 1228 IN° / 8" O.D. X 26" | 1 | 1 | |
| 15 | H4-1235-10 | BRAKE CHAMBER - DRIVE AXLE "ANCHOR LOCK" | | | |
| 15 | H4-1235-11 | BRAKE CHAMBER - DRIVE AXLE "M.G.M." / SERVICE | | | |
| 16 | 641305 | HOSE BRAKE #8 718MM (28 1/4") | 4 | 4 | |
| 17 | 641306 | HOSE BRAKE #8 718MM (28 1/4") | 2 | 2 | |
| 18 | H4-1215-01 | AIR DRYER - "BENDIX" AD-4 To P-315 | | | |
| 18 | H4-1215-02 | AIR DRYER - "BENDIX" AD-9 From P-316 | | | |
| 20 | 642067 | VALVE, RELAY R-12 HORIZONTAL PORT | 3 | 3 | |
| 21 | 641038 | BRAKE CHAMBER ASSY / TYPE 16 / W/4" SHAFT | 2 | 2 | |
| 23 | 141432 | HOSE ASSY TEFLON / TO AIR DRYER / #12 2680MM | 1 | 1 | |
| 24 | 141431 | HOSE ASSY TEFLON #4 2675MM | 2 | 2 | |
| 25 | H4-1205-11 | AIR COMPRESSOR - "TU-FLO 750" - WITH DETROIT S-92 | | | |
| 25 | H4-1205-12 | AIR COMPRESSOR - "TU-FLO 750" - WITH DETROIT S-60 | | | |
| | | | | | |
| | | | | | |
| | | | | | |

From L-031 To R-079

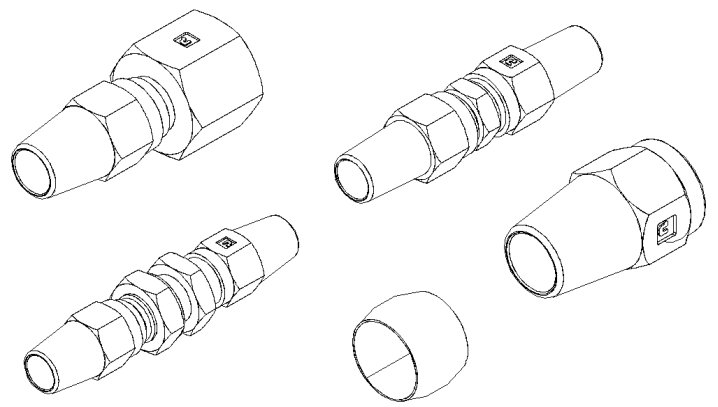
Date:10/2022

PAGE:H4-1201-00

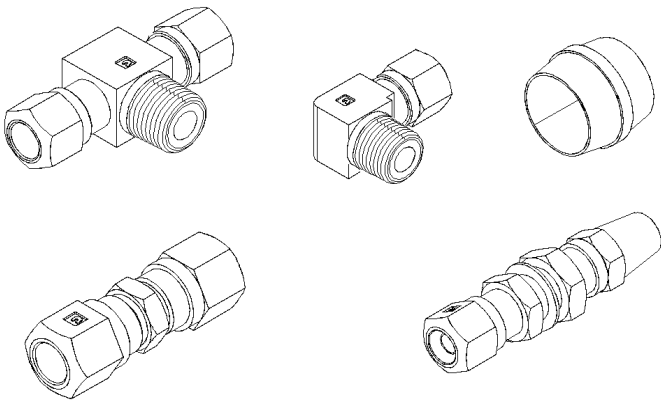
FITTING - MISCELLANEOUS



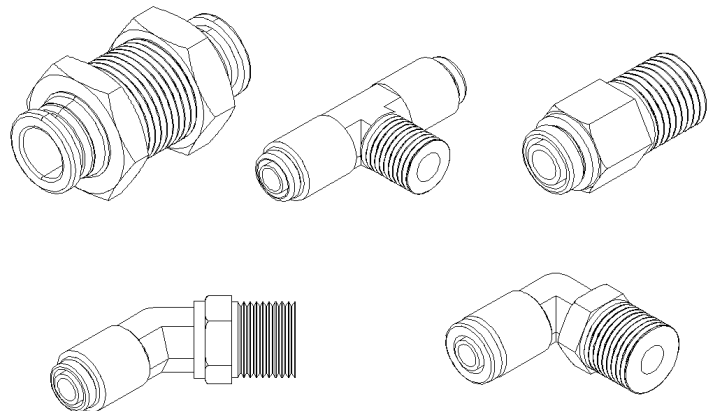
FITTING PIPE "NPT"
1



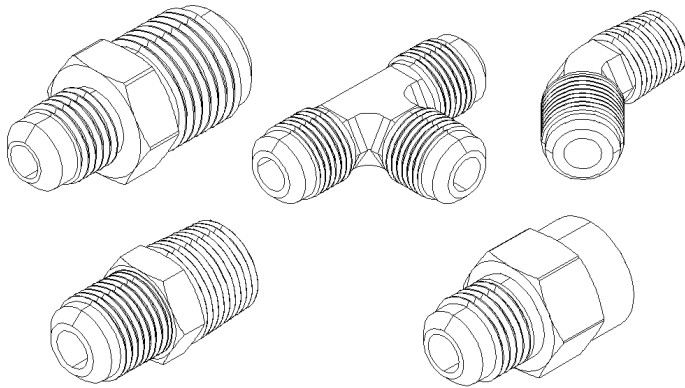
FITTING BRAKE "AB"
2



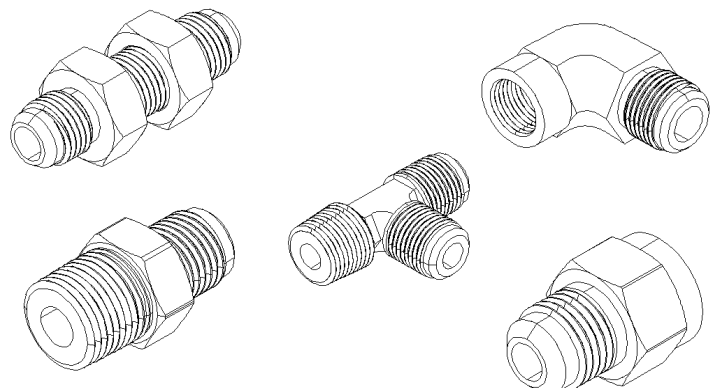
FITTING BRAKE "NTA"
3



FITTING BRAKE "PUSH-IN"
4



FITTING "SAE 45°"
5



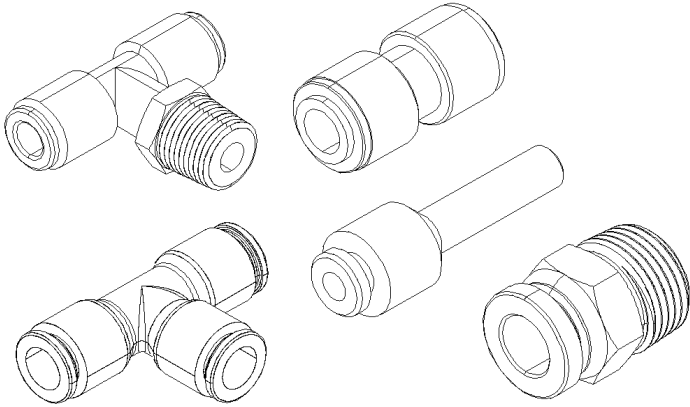
FITTING "JIC 37°"
6

From L-031 To R-079

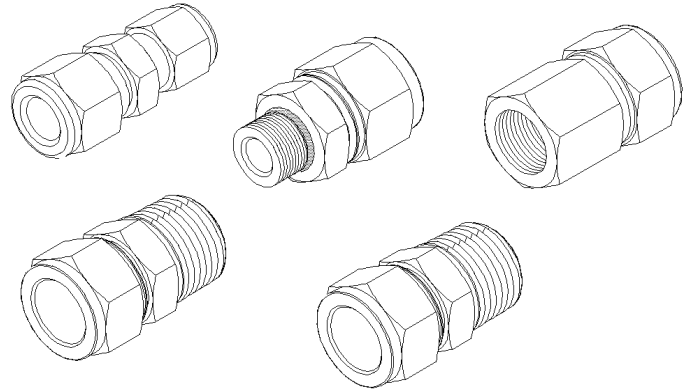
Date:10/2022

PAGE:H4-1201-00

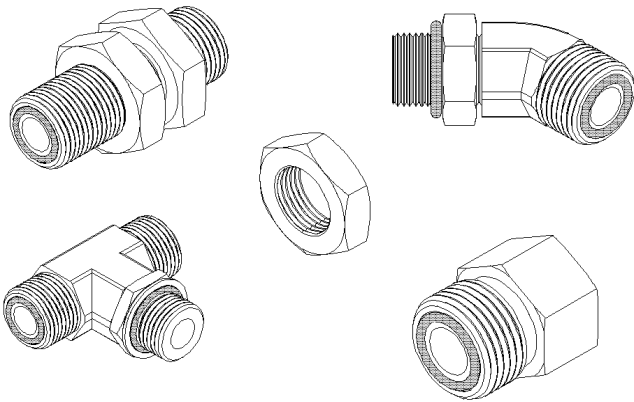
FITTING - MISCELLANEOUS



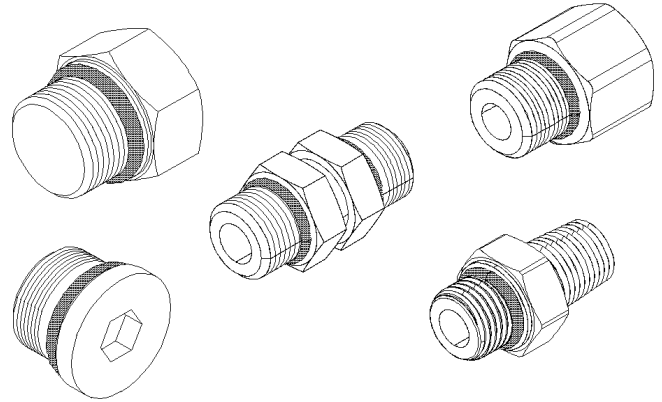
FITTING "PUSH-IN"
7



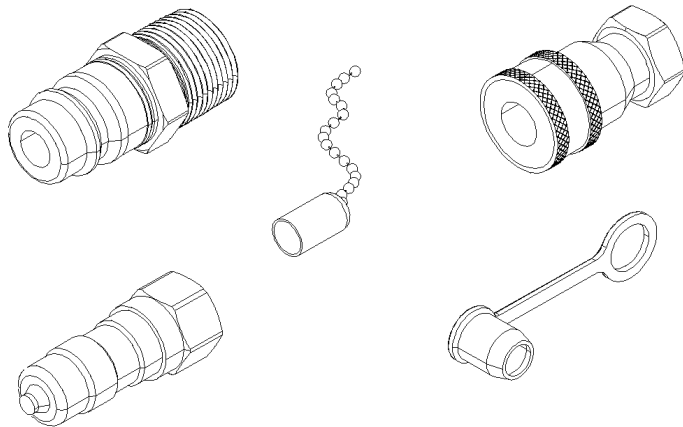
FITTING "A-LOK"
8



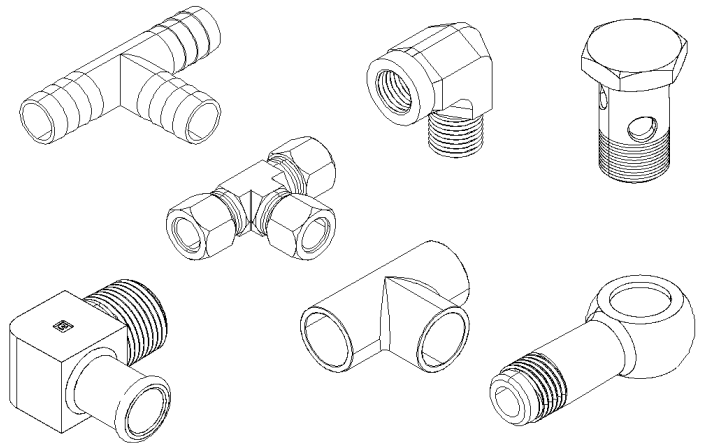
FITTING "ORS"
9



FITTING "ORB"
10



FITTING "QUICK DISCONNECT"
11



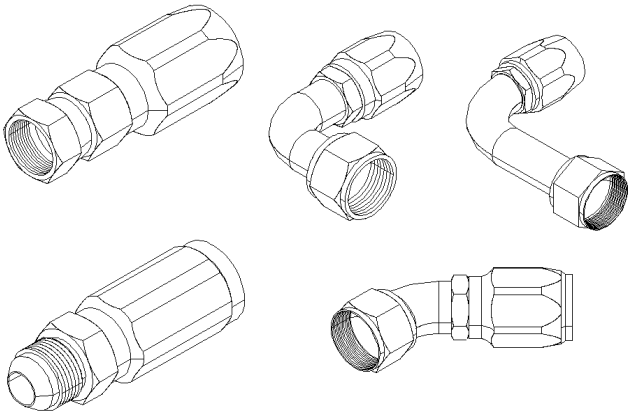
FITTING "MISCELANOUS"
12

From L-031 To R-079

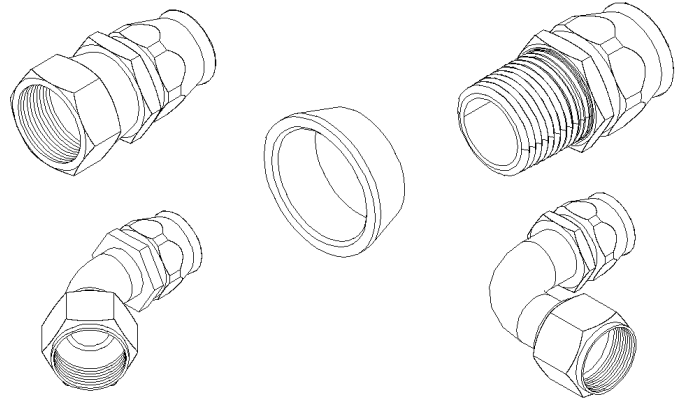
Date:10/2022

PAGE:H4-1201-00

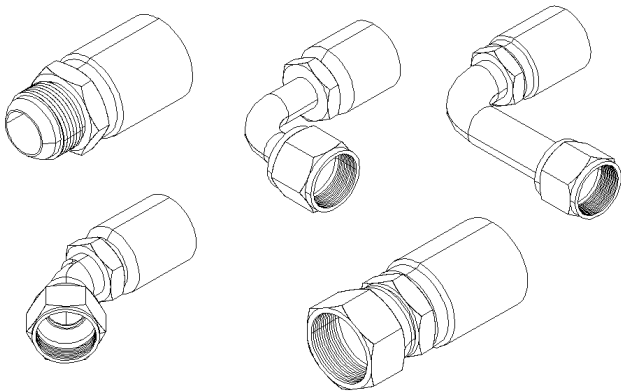
FITTING - MISCELLANEOUS



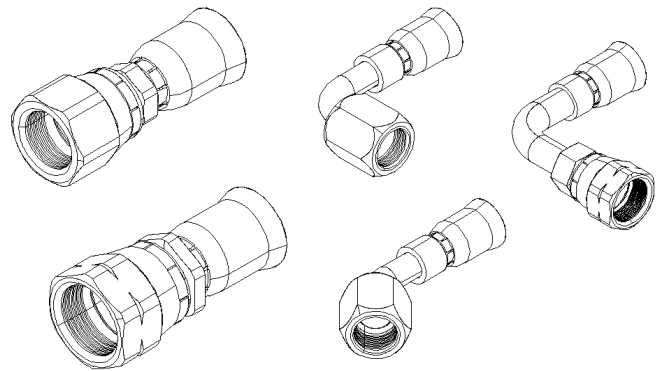
FITTING "HOSE END REUSABLE"
13



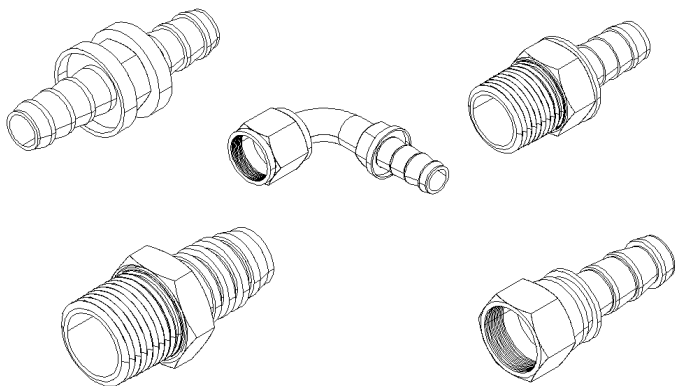
FITTING "HOSE END REUSABLE"
TEFLON
14



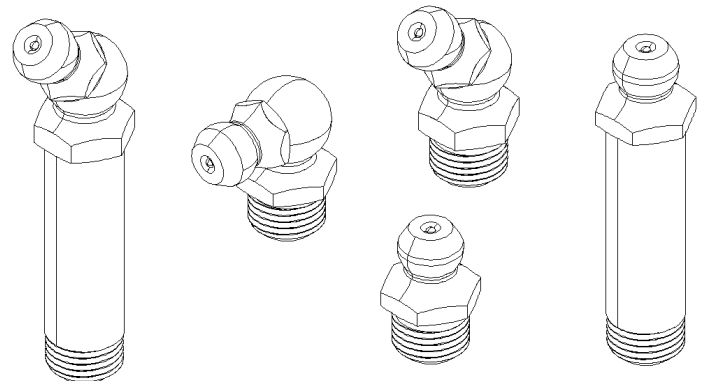
FITTING "HOSE END CRIMP"
15



FITTING "HOSE END CRIMP"
TEFLON
16



FITTING "HOSE END"
"PUSH-LOK & COLLAR"
17



FITTING "GREASE"
30

| | | |
|---------------------|--------------|-----------------|
| From L-031 To R-079 | Date:10/2022 | PAGE:H4-1201-00 |
|---------------------|--------------|-----------------|

FITTING - MISCELLANEOUS

| Item# | Part | Description | H 3 4 0 | V I P 4 0 | N O T E S |
|-------|------------|--|------------------|-----------------------|-----------------------|
| | | BRAKE | | | |
| 1 | FM-00FM-00 | FITTING NPT PIPE - MISCELANOUS | | | |
| 2 | FM-00FM-01 | FITTING BRAKE "AB" - MISCELANOUS (D.O.T.) | | | |
| 3 | FM-00FM-02 | FITTING BRAKE "NTA" - MISCELANOUS (D.O.T.) | | | |
| 4 | FM-00FM-03 | FITTING BRAKE "PUSH-IN" - MISCELANOUS (D.O.T.) | | | |
| | | SAE & JIC | | | |
| 5 | FM-00FM-04 | FITTING "SAE 45°" - MISCELANOUS | | | |
| 6 | FM-00FM-05 | FITTING "JIC 37°" - MISCELANOUS | | | |
| 7 | FM-00FM-06 | FITTING "PUSH-IN" - MISCELANOUS | | | |
| 8 | FM-00FM-07 | FITTING "A-LOK" - MISCELANOUS (SWAGLELOK) | | | |
| | | ORS & ORB | | | |
| 9 | FM-00FM-08 | FITTING "ORS" - MISCELANOUS | | | |
| 10 | FM-00FM-09 | FITTING "ORB" - MISCELANOUS | | | |
| | | QUICK DISCONNECT | | | |
| 11 | FM-00FM-10 | FITTING "QUICK DISCONNECT" - MISCELANOUS | | | |
| 12 | FM-00FM-11 | FITTING "MISCELANOUS" | | | |
| | | HOSE END FITTING | | | |
| 13 | FM-00FM-12 | FITTING "HOSE END REUSABLE" - MISCELANOUS | | | |
| 14 | FM-00FM-13 | FITTING "HOSE END REUSABLE TEFLON" - MISCELANOUS | | | |
| 15 | FM-00FM-14 | FITTING "HOSE END CRIMP" - MISCELANOUS | | | |
| 16 | FM-00FM-15 | FITTING "HOSE END CRIMP TEFLON" - MISCELANOUS | | | |
| 17 | FM-00FM-16 | FITTING "HOSE END" - "PUSH-LOK & COLLAR" | | | |
| 30 | FM-00GF-00 | GREASE FITTING | | | |

From L-031 To R-079

Date:10/2022

PAGE:H4-1202-00

TUBES PLASTIC / AIR D.O.T.

ILLUSTRATION NOT
AVAILABLE AT TIME OF
PRINTING

| | | |
|-----------------------------------|--------------|-----------------|
| From L-031 To R-079 | Date:10/2022 | PAGE:H4-1202-00 |
| TUBES PLASTIC / AIR D.O.T. | | |

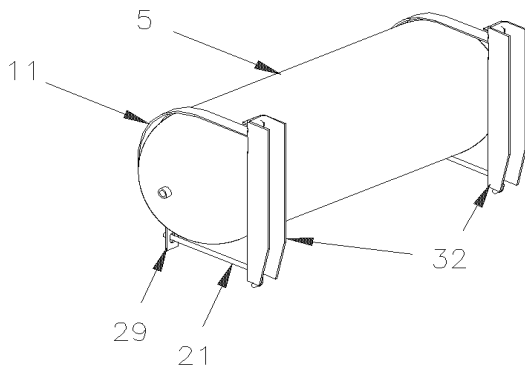
| Item# | Part | Description | H 3 4 0 | V I P 4 0 | N O T E S |
|-------|----------|--|------------------|-----------------------|-----------------------|
| | | | | | |
| | 503747 | TUBE, NYLON 6MM O.D. / BLACK S.L. | | | |
| | 503529 | TUBE, NYLON 8MM O.D. / BLACK S.L. | | | |
| | | | | | |
| | 503563 | TUBE, NYLON 6MM O.D. / WHITE S.L. | | | |
| | | | | | |
| | 503566 | TUBE, NYLON 1/4 O.D. / BLUE S.L. | | | |
| | 503471 | TUBE, NYLON 3/8 O.D. / BLUE S.L. | | | |
| | 503517 | TUBE, NYLON 1/2 O.D. / BLUE S.L. | | | |
| | | | | | |
| | 503536 | TUBE, NYLON 1/8 O.D. / BLACK S.L. | | | |
| | 503402 | TUBE, NYLON 1/4 O.D. / BLACK S.L. | | | |
| | 503404 | TUBE, NYLON 3/8 O.D. / BLACK S.L. | | | |
| | 503488 | TUBE, NYLON 1/2 O.D. / BLACK S.L./ | | | |
| | 503540 | TUBE, NYLON 5/8 O.D. / BLACK S.L. | | | |
| | 503541 | TUBE, NYLON 3/4" O.D. / BLACK S.L | | | |
| | | | | | |
| | 503548 | TUBE, NYLON 1/4 O.D. / YELLOW S.L. | | | |
| | 503470 | TUBE, NYLON 3/8 O.D. / YELLOW S.L. | | | |
| | 503533 | TUBE, NYLON 1/2 O.D. / YELLOW S.L. | | | |
| . NS | 19514092 | . TUBE, NYLON 1/2 O.D. / YELLOW / 100FT ROLL | | | |
| | | | | | |
| | 503466 | TUBE, NYLON 1/4 O.D. / RED S.L. | | | |
| | 503467 | TUBE, NYLON 3/8 O.D. / RED S.L. | | | |
| | 503468 | TUBE, NYLON 1/2 O.D. / RED S.L. | | | |
| | 503469 | TUBE, NYLON 5/8 O.D. / RED S.L. | | | |
| | | | | | |
| | 503464 | TUBE, NYLON 1/4 O.D. / GREEN S.L. | | | |
| | 503463 | TUBE, NYLON 3/8 O.D. / GREEN S.L. | | | |
| | 503406 | TUBE, NYLON 1/2 O.D. / GREEN S.L. | | | |
| | 503408 | TUBE, NYLON 5/8 O.D. / GREEN S.L. | | | |
| | 503465 | TUBE, NYLON 3/4 O.D. / GREEN S.L. | | | |
| | | | | | |
| | 503472 | TUBE, NYLON 3/8 O.D. / GREY S.L. | | | |
| | | | | | |
| | 503638 | TUBE, NYLON 1/2 O.D. / BROWN S.L. | | | |
| | | | | | |
| NS | 683355 | TOOL PLASTIC TUBE CUTTER / PLASTIC | 1 | 1 | |
| NS | 681625 | TOOL PLASTIC TUBE CUTTER / METAL | 1 | 1 | |
| | | | | | |
| | | | | | |

From L-031 To R-079

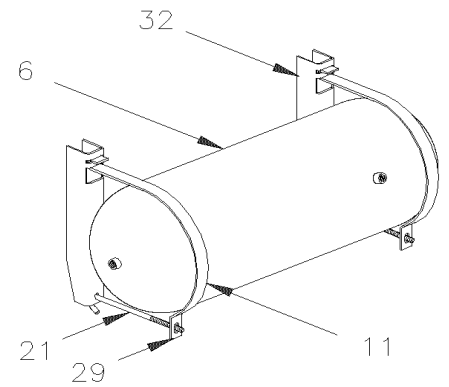
Date:10/2022

PAGE:H4-1203-00

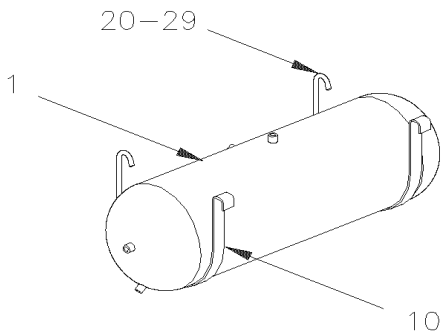
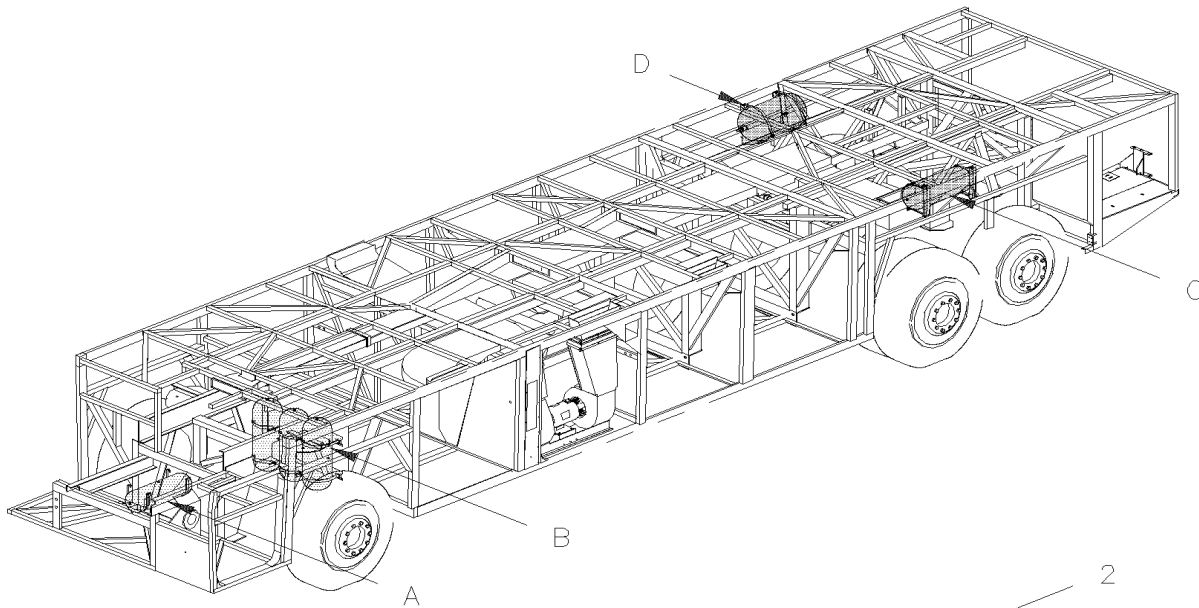
AIR TANK - INSTALLATION



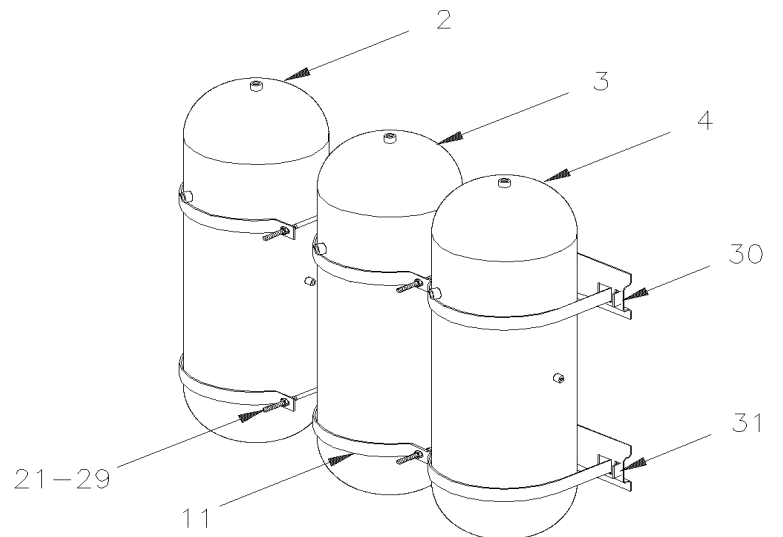
DETAIL "C"



DETAIL "D"



DETAIL "A"



DETAIL "B"

| | | |
|--------------------------------|--------------|-----------------|
| From L-031 To R-079 | Date:10/2022 | PAGE:H4-1203-00 |
| AIR TANK - INSTALLATION | | |

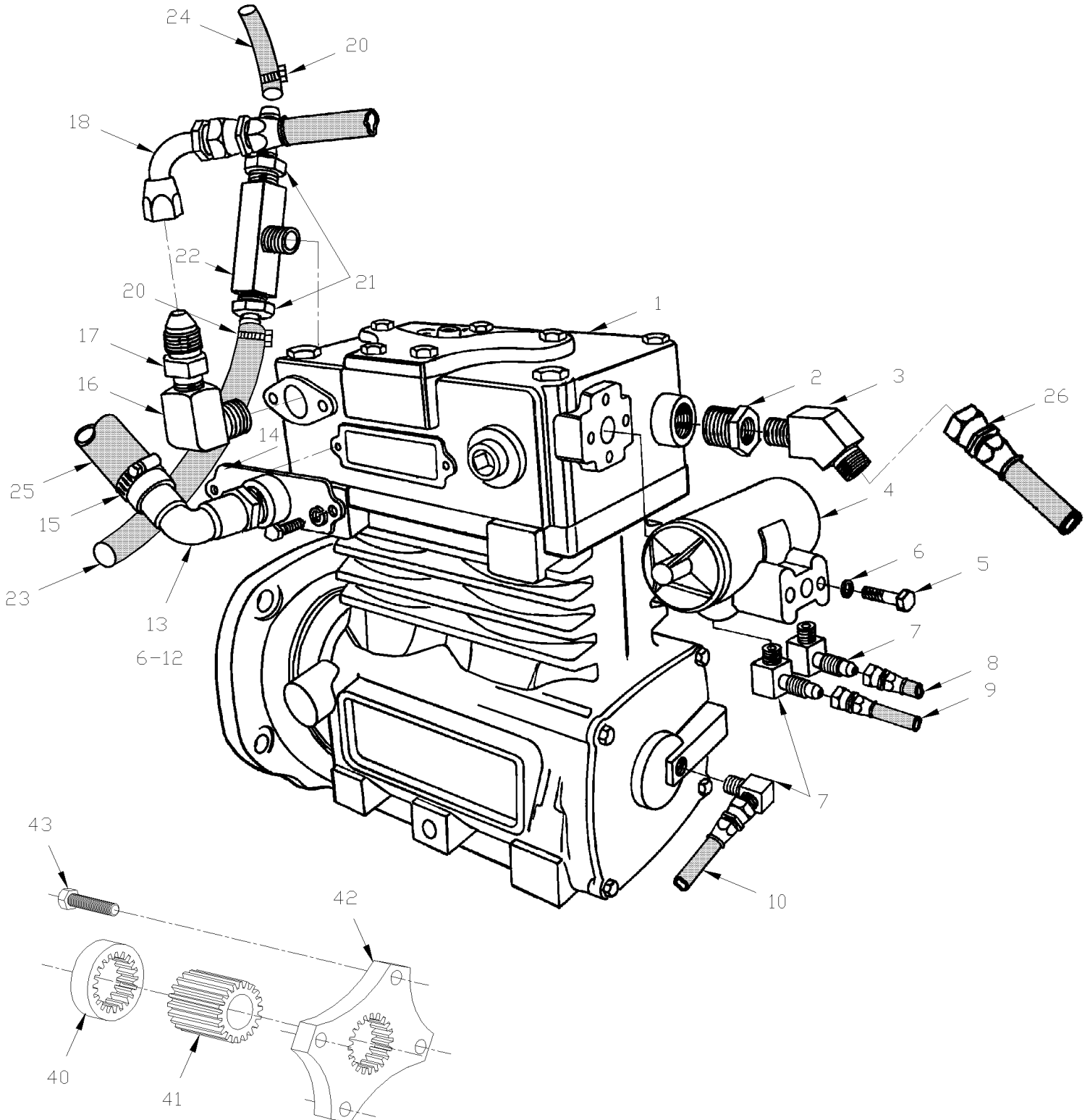
| Item# | Part | Description | H 3 4 0 | V I P 4 0 | N O T E S |
|-------|--------|---|------------------|-----------------------|-----------------------|
| | | ACCESSORIES AIR TANK | | | |
| 1 | 140868 | AIR TANK / W/END LOWER DRAIN 1228 IN° / 8" O.D. X 26" | 1 | 1 | |
| 1 | 640439 | VALVE, PRESSURE PROTECTION / PR-2 75PSI | 1 | 1 | |
| | | KNEELING AIR TANK | | | |
| 2 | 140869 | AIR TANK / 1791 IN° / 9 1/2" O.D. X 27" | AR | AR | |
| | | SECONDARY AIR TANK | | | |
| 3 | 140869 | AIR TANK / 1791 IN° / 9 1/2" O.D. X 27" | 1 | 1 | |
| | | PARKING "OVER RULE" | | | |
| 4 | 140869 | AIR TANK / 1791 IN° / 9 1/2" O.D. X 27" | 1 | 1 | |
| | | WET TANK | | | |
| 5 | 140870 | AIR TANK / 1228 IN° / 8" O.D. X 26" | 1 | 1 | |
| | | PRIMARY AIR TANK | | | |
| 6 | 140869 | AIR TANK / 1791 IN° / 9 1/2" O.D. X 27" | 1 | 1 | |
| 10 | 141407 | STRAP / TO USE W/8" O.D. TANK / "J" SHAPE | 1 | 1 | |
| 11 | 141408 | STRAP / TO USE W/9"1/2 O.D. TANK / "J" SHAPE | 1 | 1 | |
| 20 | 141405 | J-HOOK / 168 MM / M8-1.25 SS | 1 | 1 | |
| 21 | 141409 | J-HOOK / 220 MM / M8-1.25 SS | 1 | 1 | |
| 29 | 500868 | NUT HEX NYRT M8-1.25 Z050 | AR | AR | |
| 30 | 171170 | SUPPORT UPPER / (WELDED TO FRAME) | 1 | 1 | |
| 31 | 171171 | SUPPORT LOWER / (WELDED TO FRAME) | 1 | 1 | |
| 31 | 141463 | PROTECTOR / (LOWER TANK FRONT) | 1 | 1 | |
| 32 | 171255 | SUPPORT / (WELDED TO FRAME) | 2 | 2 | A |
| | | A) THIS PART IS DIFFERENT FROM ILLUSTRATION | | | |

From L-031 To R-032

Date:10/2022

PAGE:H4-1205-11

AIR COMPRESSOR - "TU-FLO 750" - WITH DETROIT S-92



| | | |
|--|--------------|-----------------|
| From L-031 To R-032 | Date:10/2022 | PAGE:H4-1205-11 |
| AIR COMPRESSOR - "TU-FLO 750" - WITH DETROIT S-92 | | |

| Item# | Part | Description | H 3 4 0 | V I P 4 0 | N O T E S |
|-------|---------|--|------------------|-----------------------|-----------------------|
| 1 | 641190 | COMPRESSOR AIR ASSY / TU-FLO 750 | 1 | 1 | |
| 2 | 501534 | BUSHING REDUCER / PIPE FITTING / 1/2NPT-Mx3/8NPT-F BR | 1 | 1 | |
| 3 | 501291 | MALE ELBOW 45° / JIC 37° FITTING / #8JIC-Mx3/8NPT-M STL | 1 | 1 | |
| 4 | 640964 | GOVERNOR, AIR / D-2 / (105/125PSI) | 1 | 1 | |
| . NS | 640965 | . REPAIR KIT / GOVERNOR D-2 | 1 | 1 | |
| . NS | 640638 | . GASKET, AIR GOVERNOR | 1 | 1 | |
| . NS | 500187 | . SCREW CAP HEX 5/16-18x3 G5 Z050 | 2 | 2 | |
| . NS | 500942 | . WASHER LO SPT 8.1x14.8x2.0 N500 | 2 | 2 | |
| NS | 640965 | REPAIR KIT / GOVERNOR D-2 | AR | AR | |
| NS | 640638 | GASKET, AIR GOVERNOR | 1 | 1 | |
| 5 | 500187 | SCREW CAP HEX 5/16-18x3 G5 Z050 | 2 | 2 | |
| 6 | 500476 | WASHER LO SPT .317x.586x.078 Z050 | 4 | 4 | |
| 7 | 501036 | MALE ELBOW 90° / SAE 45° FITTING / #4FL-Mx1/8NPT-M BR | 3 | 3 | |
| 8 | 141431 | HOSE ASSY TEFLON #4 2675MM | 1 | 1 | |
| 9 | 141431 | HOSE ASSY TEFLON #4 2675MM | 1 | 1 | |
| 10 | 141108 | HOSE ASSY TEFLON #4 427MM | 1 | 1 | A |
| 10 | 070451 | HOSE ASSY TEFLON #4 237MM | 1 | 1 | |
| NS | 011464 | HOSE ASSY TEFLON #4 1708MM | 1 | 1 | |
| NS | 140658 | HOSE ASSY TEFLON #4 1456MM | 1 | 1 | |
| NS | 503064 | . HOSE TEFLON #4 / S.L. | AR | AR | |
| NS | 501892 | . FEMALE CONNECTOR SWIVEL / SAE 45° FITTING / TEFLON / #4FL-Fx#4 STL | 2 | 2 | |
| NS | 501021 | UNION TEE / SAE 45° FITTING / #4FL-Mx#4FL-Mx#4FL-M BR | 1 | 1 | |
| NS | 011266 | SUPPORT / HOSE / NEAR OIL GALLERY | 1 | 1 | |
| 12 | 500179 | SCREW CAP HEX 5/16-18x3/4 G5 Z050 | 2 | 2 | |
| 13 | 141481 | ADAPTOR ASSY To N-182 | 1 | 1 | |
| 13 | 141484 | ADAPTOR ASSY From N-183 To N-232 | 1 | 1 | |
| 13 | 5011018 | MALE ELBOW 90° / COLLAR FITTING / 3/4NPT-Mx#12 STL From N-233 | 1 | 1 | |
| NS | 507544 | SWIVEL NUT ELBOW 90° SHORT / JIC 37° FITTING/ #12JIC-Fx#12JIC-Mx1.82 STL | 1 | 1 | |
| 14 | 640945 | ADAPTOR PLATE | 1 | 1 | |
| NS | 640256 | GASKET, ADAPTOR AIR INLET | 1 | 1 | |
| 15 | 504022 | HOSE CLAMP / 3/4"-1"3/4 SS / HS-20 | 2 | 2 | |
| 16 | 507557 | STREET ELBOW 90° / PIPE FITTING / 1/2NPT-Mx1/2NPT-F BR | 1 | 1 | |
| 17 | 501600 | MALE CONNECTOR / JIC 37° FITTING / #12JIC-Mx1/2NPT-M STL | 1 | 1 | |
| 18 | 141432 | HOSE ASSY TEFLON / TO AIR DRYER / #12 2680MM | 1 | 1 | |
| NS | 503376 | . HOSE TEFLON #12 / S.L. | AR | AR | |
| NS | 507582 | . FEMALE CONNECTOR SWIVEL / JIC 37° FITTING / TEFLON / #12JIC-Fx#12 STL | 2 | 2 | |
| 20 | 504319 | HOSE CLAMP / 1"-1"1/2 SS / E.T. 16 | 4 | 4 | |
| 21 | 507605 | MALE CONNECTOR / HOSE BARB FITTING / #12x1/2NPT-M BR | AR | AR | |
| 22 | 507556 | MALE BRANCHE TEE / PIPE FITTING / 1/2NPT-Fx1/2NPT-Fx1/2NPT-M BR | 1 | 1 | |
| 23 | 372748 | HOSE / TO ENGINE BLOCK / 3/4" I.D. 678MM | 1 | 1 | |
| 24 | 372747 | HOSE / TO L.H CYLINDER HEAD / 3/4" I.D. | 1 | 1 | |
| NS | 503523 | . HOSE SILICONE 1PLY 3/4" I.D. x 100' / S.L. | AR | AR | |

| | | |
|--|--------------|-----------------|
| From L-031 To R-032 | Date:10/2022 | PAGE:H4-1205-11 |
| AIR COMPRESSOR - "TU-FLO 750" - WITH DETROIT S-92 | | |

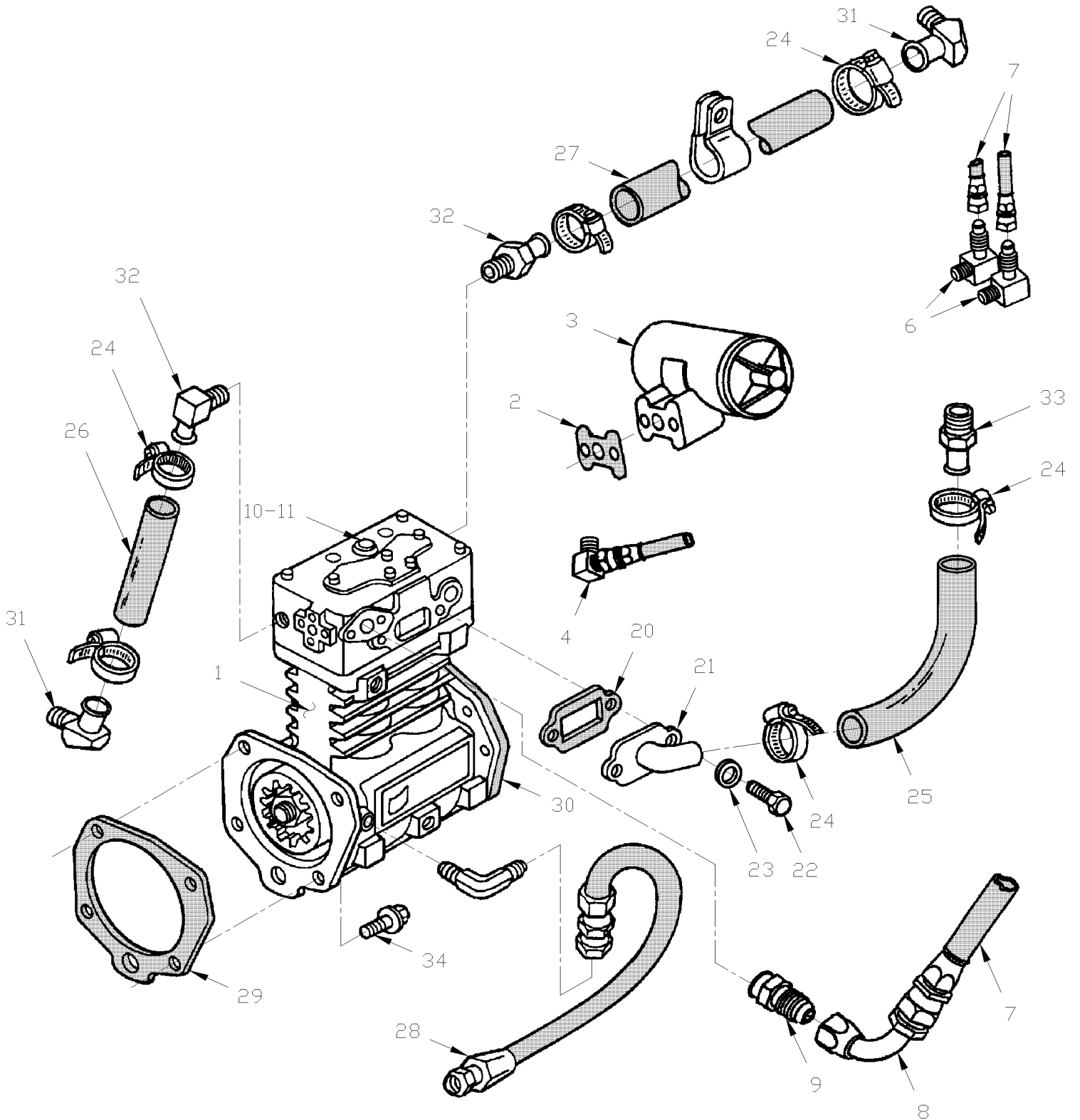
| Item# | Part | Description | H 3 4 0 | V I P 4 0 | N O T E S |
|-------|---------|---|------------------|-----------------------|-----------------------|
| NS | 061133 | SUPPORT / OVER BLOWER TO FIX HOSE WATER COLANT COOLANT | 1 | 1 | |
| 25 | 503562 | HOSE / W/8V92 / 1 1/4" I.D. 30" To N-232 | 1 | 1 | |
| 25 | 503567 | HOSE / PIPE & AIR COMP / 1 1/4" I.D. 18 1/2" To N-232 | 1 | 1 | |
| 25 | 141572 | HOSE 3/4" I.D. 20 3/4" From N-233 | 1 | 1 | |
| 25 | 141573 | HOSE / W/6V92 / 3/4" I.D. 30" From N-233 | 1 | 1 | |
| NS | 503573 | . HOSE / SUCTION / 3/4" I.D. / S.L. | AR | AR | |
| NS | 141480 | HOSE ADAPTOR 1"¼ / TO FIX AIR COMPRESSOR HOSE To N-232 | 1 | 1 | |
| NS | 5011017 | MALE CONNECTOR / COLLAR FITTING / 3/4NPT-Mx#12 STL From N-233 | 1 | 1 | |
| 26 | 051685 | HOSE ASSY / #8 1520 MM | 1 | 1 | |
| NS | 503417 | . HOSE #FC-300 HYDRAULIC / #8 S.L. | AR | AR | |
| NS | 501597 | . FEMALE CONNECTOR SWIVEL / SAE 45° FITTING / #8FL-Fx#8 ZP | 1 | 1 | |
| NS | 505110 | . COIL PROTECTOR / PLASTIC / #12 | AR | AR | |
| 40 | 510061 | HUB | 1 | 1 | |
| 41 | 510088 | COUPLING | 1 | 1 | |
| 42 | 510087 | DISC COUPLING | 1 | 1 | |
| 43 | 510017 | BOLT / TO FIX DISC COUPLING / 3/8-24 x 1 9/16" | 1 | 1 | |
| | | | | | |
| | | | | | |
| | | | | | |
| | | A) TEE NEAR OIL GALLERY ON ENGINE COMPARTMENT | | | |

From P-256 To R-079

Date:10/2022

PAGE:H4-1205-12

AIR COMPRESSOR - "TU-FLO 750" - WITH DETROIT S-60



| | | |
|--|--------------|-----------------|
| From P-256 To R-079 | Date:10/2022 | PAGE:H4-1205-12 |
| AIR COMPRESSOR - "TU-FLO 750" - WITH DETROIT S-60 | | |

| Item# | Part | Description | H 3 4 0 | V I P 4 0 | N O T E S |
|-------|-------------------|--|------------------|-----------------------|-----------------------|
| 1 | 641256 | COMPRESSOR, AIR (SUPPLY W/ENGINE) | 1 | 1 | A |
| NS | 641335 | KIT REPAIR, UNLOADER | 1 | 1 | |
| 2 | 640638 | GASKET, AIR GOVERNOR | 1 | 1 | |
| 3 | 640964 | GOVERNOR, AIR / D-2 / (105/125PSI) | 1 | 1 | |
| . NS | 640965 | . REPAIR KIT / GOVERNOR D-2 | 1 | 1 | |
| . NS | 640638 | . GASKET, AIR GOVERNOR | 1 | 1 | |
| . NS | 500187 | . SCREW CAP HEX 5/16-18x3 G5 Z050 | 2 | 2 | |
| . NS | 500942 | . WASHER LO SPT 8.1x14.8x2.0 N500 | 2 | 2 | |
| NS | 640965 | REPAIR KIT / GOVERNOR D-2 | 1 | 1 | |
| NS | 500187 | SCREW CAP HEX 5/16-18x3 G5 Z050 | 2 | 2 | |
| NS | 500476 | WASHER LO SPT .317x.586x.078 Z050 | 2 | 2 | |
| 4 | 640996 | MALE ELBOW 90° / NTA FITTING / #4x1/8NPT-M BR | 1 | 1 | |
| 6 | 501036 | MALE ELBOW 90° / SAE 45° FITTING / #4FL-Mx1/8NPT-M BR | 2 | 2 | |
| 7 | H4-1215-01 | AIR DRYER - "BENDIX" AD-4 To P-315 | | | |
| 7 | H4-1215-02 | AIR DRYER - "BENDIX" AD-9 From P-316 | | | |
| 8 | 507544 | SWIVEL NUT ELBOW 90° SHORT / JIC 37° FITTING/ #12JIC-Fx#12JIC-Mx1.82 STL | 1 | 1 | |
| 9 | 501600 | MALE CONNECTOR / JIC 37° FITTING / #12JIC-Mx1/2NPT-M STL | 1 | 1 | |
| 10 | 501316 | BUSHING REDUCER / PIPE FITTING / 1/2NPT-Mx1/4NPT-F BR | 1 | 1 | |
| 11 | 501037 | MALE ELBOW 90° / SAE 45° FITTING / #4FL-Mx1/4NPT-M BR | 1 | 1 | |
| | | FOLLOWING ITEMS SUPPLIER WITH ENGINE ASSY | | | |
| | | SEE YOUR DETROIT DIESEL DEALER | | | |
| 20 | 640256 | GASKET, ADAPTOR AIR INLET | 1 | 1 | |
| 21 | N.S.P. | ADAPTOR AIR INLET / (23506346) | 1 | 1 | 2 |
| 22 | 500179 | SCREW CAP HEX 5/16-18x3/4 G5 Z050 | 2 | 2 | |
| 23 | 500476 | WASHER LO SPT .317x.586x.078 Z050 | 2 | 2 | |
| 24 | 504019 | HOSE CLAMP / 9/16"-1"1/16 SS / HS-10 | 6 | 6 | |
| 25 | N.S.P. | HOSE SILICONE 75MM X 18" / (23508340) | 1 | 1 | 2 |
| 26 | N.S.P. | HOSE SILICONE 3/4" X 3.1/2" / (8929764) | 1 | 1 | 2 |
| 27 | N.S.P. | HOSE SILICONE 3/4" X 28" / (23509550) | 1 | 1 | 2 |
| NS | 503523 | HOSE SILICONE 1PLY 3/4" I.D. x 100' / S.L. | AR | AR | |
| 28 | N.S.P. | HOSE ASSY 14 7/8" / OIL FEED FROM GALLERY / (23505202) | 1 | 1 | 2 |
| 28 | N.S.P. | HOSE ASSY TEFLON / OIL TO ALTERNATOR / (23504343) | 1 | 1 | 2 |
| 29 | 510212 | GASKET COMPRESSOR | 1 | 1 | |
| 30 | N.S.P. | GASKET / COMPRESSOR & FUEL PUMP / (23505248) | 1 | 1 | 2 |
| 31 | N.S.P. | ELBOW 45° 3/4" HOSE / (23505202) | 2 | 2 | 2 |
| 32 | N.S.P. | ELBOW 90° 3/4 TUBE 1/2" NPT / (8929749) | 2 | 2 | 2 |
| 33 | N.S.P. | CONNECTOR / (23506345) | 1 | 1 | 2 |
| 34 | N.S.P. | BOLT M12-1.75 X 47MM FLANGE HEAD | 4 | 4 | 2 |

| | | |
|---------------------|--------------|-----------------|
| From P-256 To R-079 | Date:10/2022 | PAGE:H4-1205-12 |
|---------------------|--------------|-----------------|

AIR COMPRESSOR - "TU-FLO 750" - WITH DETROIT S-60

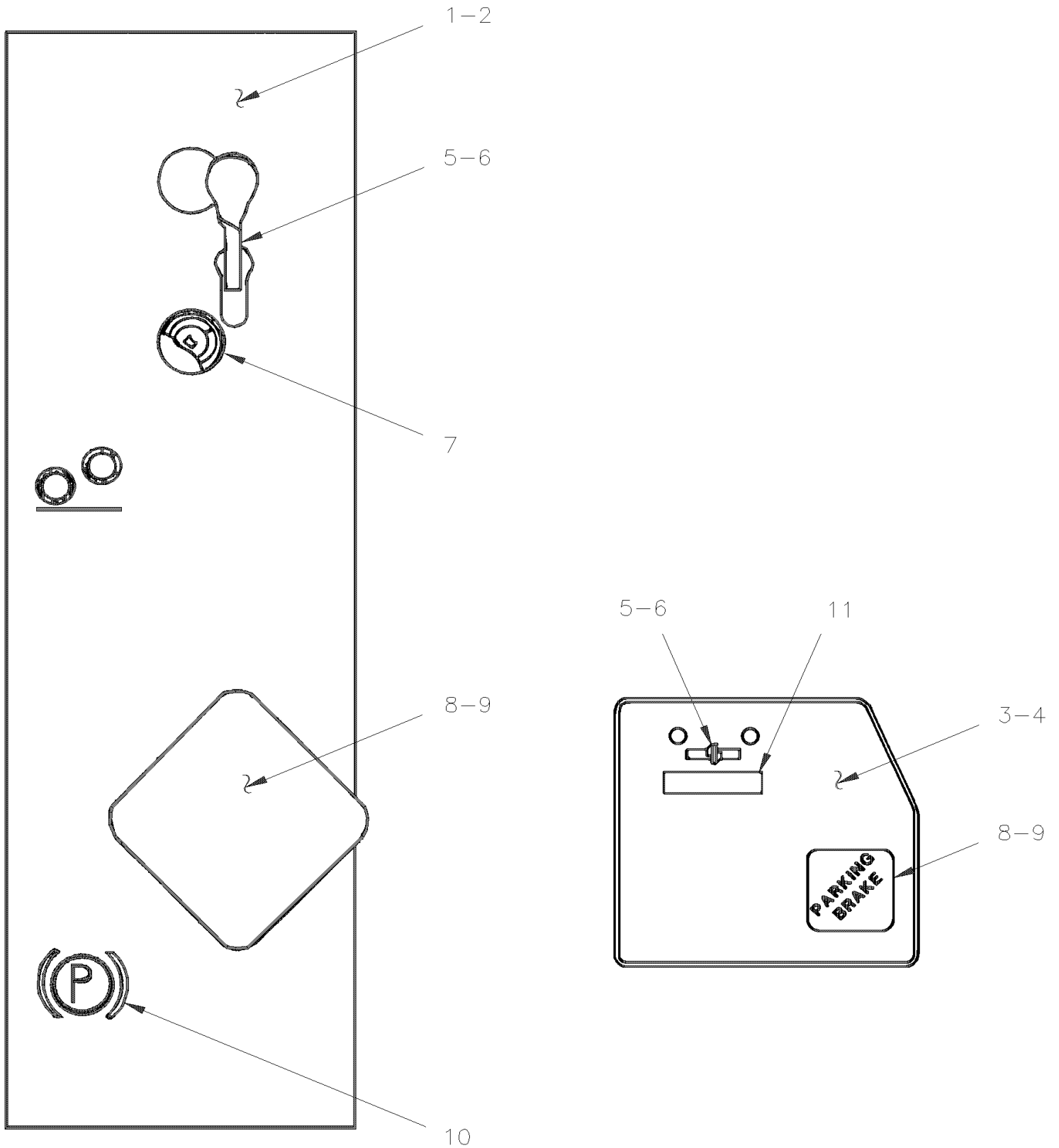
| Item# | Part | Description | H 3 4 0 | V I P 4 0 | N O T E S |
|-------|------|---|------------------|-----------------------|-----------------------|
| | | | | | |
| | | A) (STAMPED "BENDIX" #107051 OR D.D. 23505235) | | | |
| | | 2) NOT SOLD BY PREVOST (SEE MANUFACTURING PART NUMBER AT END OF DESCRIPTION LINE) | | | |

From L-031 To R-079

Date:10/2022

PAGE:H4-1212-00

TAG AXLE CONTROL PLATE ASSY



| | | |
|------------------------------------|--------------|-----------------|
| From L-031 To R-079 | Date:10/2022 | PAGE:H4-1212-00 |
| TAG AXLE CONTROL PLATE ASSY | | |

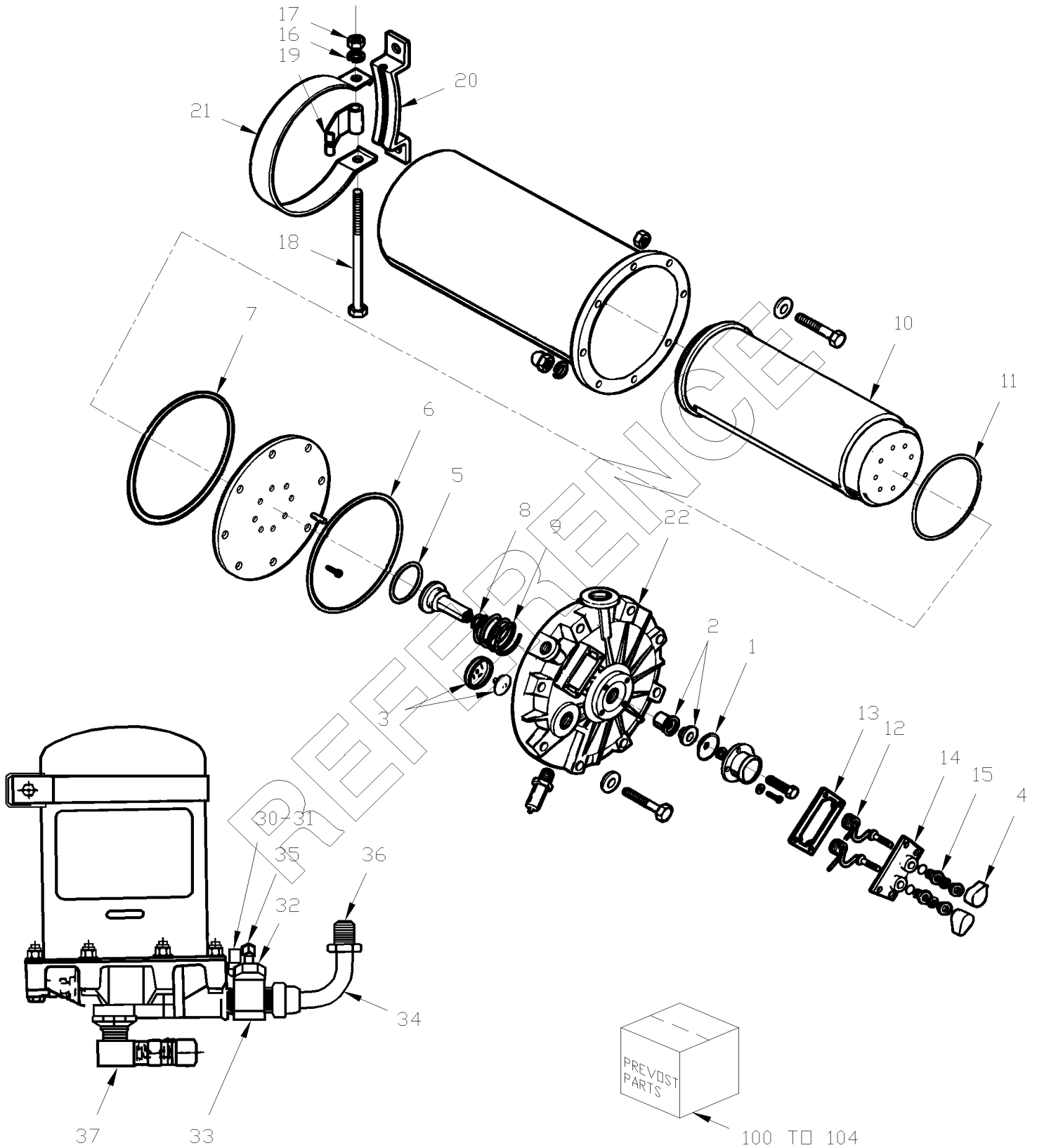
| Item# | Part | Description | H 3 4 0 | V I P 4 0 | N O T E S |
|-------|-----------------|--|------------------|-----------------------|-----------------------|
| 1 | Call order desk | PLATE ASSY / LEXAN To N-181 | | 1 | P |
| 1 | 391307 | . PLATE | | 1 | |
| 1 | 890005 | . FILM | | 1 | |
| 2 | 391311 | . LEXAN To N-181 | | 1 | |
| 3 | 391482 | PLATE ASSY From N-182 To P-367 | | 1 | |
| 3 | 391539 | PLATE ASSY / W/RAMCO MIRROR To P-366 | | 1 | |
| 3 | 391574 | PLATE ASSY / W/RAMCO MIRROR From P-367 | | 1 | |
| 4 | 391478 | LEXAN | | 1 | |
| NS | 500590 | NUT HEX NYRT M4-0.7 Z050 | | AR | |
| NS | 500591 | WASHER FL 4.3x9.0x0.8 Z050 | | AR | |
| 5 | 640136 | VALVE, CONTROL TW-1 | | 1 | |
| . NS | 641156 | . REPAIR KIT / TW-1 | | 1 | |
| 6 | 560816 | PRESSURE SWITCH N.C. 3PSI / 1/8NPT W/2 SCREWS | | 1 | |
| 7 | 504400 | SNAP CAP #10 FINISHING BLACK | | 2 | |
| NS | 504399 | WASHER RETAINER SNAP CAP #10 | | 2 | |
| NS | 500606 | SCREW MA TR PH #10-24x3/4 SS | | 2 | |
| 8 | 641185 | VALVE, PARKING BRAKE PP-2 | | 1 | |
| . NS | 641149 | . BUTTON, PARKING BRAKE DIAMOND YELLOW / 1" | | 1 | |
| . NS | 641158 | . REPAIR KIT / PP-2 | | 1 | |
| 9 | 641149 | . BUTTON, PARKING BRAKE DIAMOND YELLOW / 1" | | 1 | |
| 10 | 330254 | BULB SOCKET ASSY W/TERMINAL / USE IN CONSOLE | | 2 | |
| NS | 500606 | SCREW MA TR PH #10-24x3/4 SS | | 2 | |
| NS | 560623 | BULB / 3.5WATT-24VOLTS / SAE# 313 | | 1 | |
| 11 | 391479 | DECAL / TAG AXLE | | 1 | |
| NS | 502564 | WASHER LO SPT 6.1x11.8x1.6 Z050 | | 2 | |
| NS | 500787 | NUT HEX #10-24 SS | | 2 | |
| NS | 500440 | WASHER FL .250x.562x.065 Z050 | | 2 | |
| | | | | | |
| | | | | | |
| | | | | | |
| | | P) CALL ORDER DESK FOR SPECIFIC APPLICATION (V.I.N.) | | | |

From L-031 To P-315

Date:10/2022

PAGE:H4-1215-01

AIR DRYER - "BENDIX" AD-4



| | | |
|----------------------------------|--------------|-----------------|
| From L-031 To P-315 | Date:10/2022 | PAGE:H4-1215-01 |
| AIR DRYER - "BENDIX" AD-4 | | |

| Item# | Part | Description | H 3 4 0 | V I P 4 0 | N O T E S |
|-------|--------|--|------------------|-----------------------|-----------------------|
| | 641138 | AIR DRYER ASSY AD-4 24 VOLTS | 1 | 1 | |
| 1 | N.S.S. | . EXHAUST DIAPHRAGM | 1 | 1 | 1 |
| 2 | N.S.S. | . PURGE VALVE | 1 | 1 | 1 |
| 3 | N.S.S. | . CHECK VALVE ASSEMBLY | 1 | 1 | 1 |
| 4 | N.S.S. | . BOOT | 1 | 1 | 1 |
| 5 | N.S.S. | . SEALING RING | 1 | 1 | 1 |
| 6 | N.S.S. | . SEALING RING | 1 | 1 | 1 |
| 7 | N.S.S. | . SEALING RING | 1 | 1 | 1 |
| 8 | N.S.S. | . O-RING | 1 | 1 | 1 |
| 9 | N.S.S. | . PISTON RING | 1 | 1 | 1 |
| 10 | 641360 | . DESICANT CARTRIDGE / "BENDIX" AD-4 | 1 | 1 | |
| 11 | N.S.S. | . SEALING RING | 1 | 1 | 1 |
| 12 | N.S.S. | . THERMOSTAT | 1 | 1 | 1 |
| 13 | N.S.S. | . GASKET | 1 | 1 | 1 |
| 14 | 500470 | . WASHER LO SPT .193x.334x.047 Z050 | 4 | 4 | |
| 15 | N.S.S. | . O-RING | 1 | 1 | 1 |
| 16 | 500476 | . WASHER LO SPT .317x.586x.078 Z050 | 2 | 2 | |
| 17 | 500778 | . NUT HEX 5/16-18 N500 | 2 | 2 | |
| 18 | N.S.S. | . BOLT 5/16-18 X 4 1/2 | 2 | 2 | 1 |
| 19 | N.S.S. | . MOUNTING BRACKET HOOK | 1 | 1 | 1 |
| 20 | N.S.S. | . MOUNTING BRACKET | 2 | 2 | 1 |
| 21 | N.S.S. | . MOUNTING BRACKET STRAP | 2 | 2 | 1 |
| 22 | 641359 | . BASE ASSY | 1 | 1 | |
| 30 | 141294 | HOSE ASSY TEFLON #4 4708MM | 1 | 1 | |
| 31 | 141431 | HOSE ASSY TEFLON #4 2675MM | 1 | 1 | |
| 31 | 503064 | . HOSE TEFLON #4 / S.L. | AR | AR | |
| 31 | 501892 | . FEMALE CONNECTOR SWIVEL / SAE 45° FITTING / TEFLON / #4FL-Fx#4 STL | 2 | 2 | |
| 31 | 501036 | MALE ELBOW 90° / SAE 45° FITTING / #4FL-Mx1/8NPT-M BR | 1 | 1 | |
| 32 | 501755 | BUSHING REDUCER / PIPE FITTING / 3/4NTP-Mx1/4NPT-F BR | 1 | 1 | |
| 33 | 507585 | ADAPTER TEE / JIC 37° FITTING / 3/4NPT-Mx#12JIC-Mx3/4NPT-F STL | 1 | 1 | |
| 34 | 507544 | SWIVEL NUT ELBOW 90° SHORT / JIC 37° FITTING/ #12JIC-Fx#12JIC-Mx1.82 STL | 1 | 1 | |
| 35 | 501109 | MALE ELBOW 90° / COMPRESSION FITTING / #4x1/4NPT-M BR | 1 | 1 | |
| 36 | 141432 | HOSE ASSY TEFLON / TO AIR DRYER / #12 2680MM | 1 | 1 | |
| 36 | 503376 | . HOSE TEFLON #12 / S.L. | AR | AR | |
| 36 | 507582 | . FEMALE CONNECTOR SWIVEL / JIC 37° FITTING / TEFLON / #12JIC-Fx#12 STL | 2 | 2 | |
| 37 | 641134 | MALE ELBOW 90° / NTA FITTING / #12x1/2NPT-M BR | 1 | 1 | |
| 37 | 501462 | BUSHING REDUCER / PIPE FITTING / 3/4NTP-Mx1/2NPT-F BR | 1 | 1 | |
| 37 | 507605 | MALE CONNECTOR / HOSE BARB FITTING / #12x1/2NPT-M BR | 1 | 1 | |
| 37 | 501600 | MALE CONNECTOR / JIC 37° FITTING / #12JIC-Mx1/2NPT-M STL | 1 | 1 | |
| 100 | 641311 | KIT END COVER | 1 | 1 | A |
| 101 | 641140 | KIT DRAIN VALVE | 1 | 1 | B |
| 102 | 641139 | KIT DESICCANT CARTRIDGE | 1 | 1 | C |

| | | |
|----------------------------------|--------------|-----------------|
| From L-031 To P-315 | Date:10/2022 | PAGE:H4-1215-01 |
| AIR DRYER - "BENDIX" AD-4 | | |

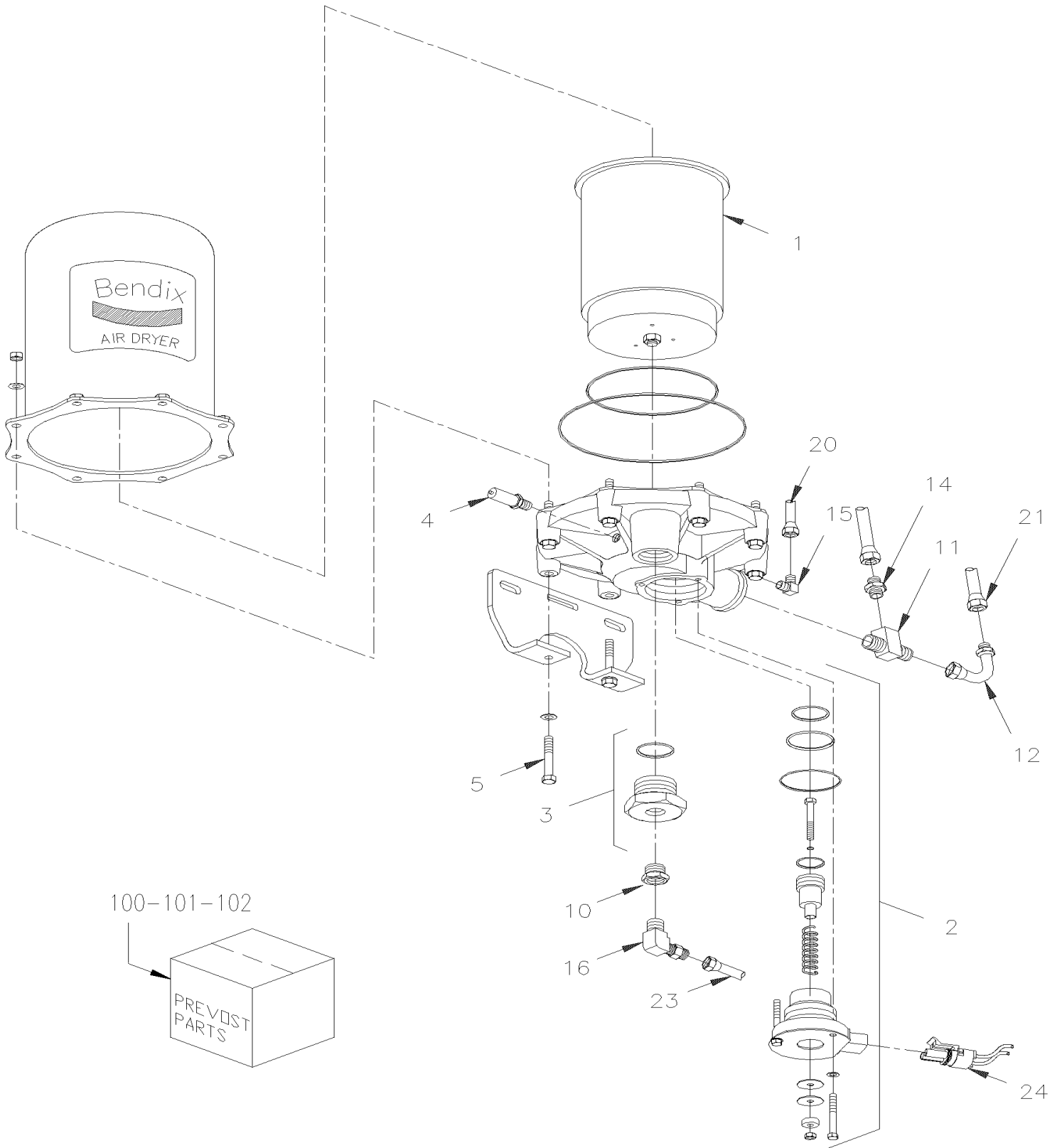
| Item# | Part | Description | H 3 4 0 | V I P 4 0 | N O T E S |
|-------|---------|---|------------------|-----------------------|-----------------------|
| . NS | MI04-12 | . SEE MAINTENANCE INFORMATION | 1 | 1 | C |
| 103 | 641141 | KIT THERMOSTAT | 1 | 1 | D |
| 104 | N.S.P. | KIT MOUNTING BRACKET / (104027) (104027) | 1 | 1 | 2 E |
| | | | | | |
| | | A) INCLUDED ITEM 1 TO 9 | | | |
| | | B) INCLUDED ITEMS 1 & 2 | | | |
| | | C) INCLUDE ITEMS 3 TO 7 & 10,11 | | | |
| | | D) INCLUDED ITEMS 4 & 12 TO 15 | | | |
| | | E) INCLUDED ITEMS 16 TO 21 | | | |
| | | 1) NOT SOLD SEPARATELY | | | |
| | | 2) NOT SOLD BY PREVOST (SEE MANUFACTURING PART NUMBER AT END OF DESCRIPTION LINE) | | | |

From P-316 To R-079

Date:10/2022

PAGE:H4-1215-02

AIR DRYER - "BENDIX" AD-9



| | | |
|----------------------------------|--------------|-----------------|
| From P-316 To R-079 | Date:10/2022 | PAGE:H4-1215-02 |
| AIR DRYER - "BENDIX" AD-9 | | |

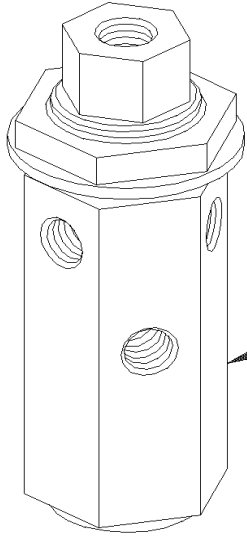
| Item# | Part | Description | H 3 4 0 | V I P 4 0 | N O T E S |
|-------|----------|---|------------------|-----------------------|-----------------------|
| | 641243 | AIR DRYER ASSY AD-9 24 VOLTS | 1 | 1 | |
| 1 | 641244 | . DESICANT CARTRIDGE / "BENDIX" AD-9 | 1 | 1 | |
| . NS | M104-12 | . SEE MAINTENANCE INFORMATION | 1 | 1 | |
| 2 | 641245 | . PURGE VALVE ASSY W/HEATER | 1 | 1 | |
| 3 | 641246 | . CHECK VALVE MAINTENANCE KIT 3/4 NPT | 1 | 1 | |
| 4 | N.S.P. | . SAFETY VALVE (285849) | 1 | 1 | 2 |
| 5 | 5001173 | . SCREW CAP HEX 5/16-18x4 1/2 G8 ZP | 2 | 2 | |
| 10 | 501462 | BUSHING REDUCER / PIPE FITTING / 3/4NTP-Mx1/2NPT-F BR | 2 | 2 | |
| 11 | 501473 | MALE RUN TEE / PIPE FITTING / 1/2NPT-Mx1/2NPT-Fx1/2NPT-F BR | 1 | 1 | |
| 12 | 501316 | BUSHING REDUCER / PIPE FITTING / 1/2NPT-Mx1/4NPT-F BR | 1 | 1 | |
| NS | 641371 | MALE ELBOW 90° NON-SWIVEL / PUSH-IN FITTING / #4x1/4NPT-M BR | 1 | 1 | |
| 14 | 501755 | BUSHING REDUCER / PIPE FITTING / 3/4NTP-Mx1/4NPT-F BR | 1 | 1 | |
| 14 | 501094 | MALE CONNECTOR / COMPRESSION FITTING / #4x1/4NPT-M BR | 1 | 1 | |
| 15 | 501037 | MALE ELBOW 90° / SAE 45° FITTING / #4FL-Mx1/4NPT-M BR | 1 | 1 | |
| 16 | 641134 | MALE ELBOW 90° / NTA FITTING / #12x1/2NPT-M BR | 1 | 1 | |
| 20 | 141308 | HOSE ASSY TEFLON #4 4128MM | 1 | 1 | |
| NS | 141709 | HOSE ASSY TEFLON #4 4407MM | 1 | 1 | |
| 20 | 141584 | HOSE ASSY TEFLON #4 3478MM | 1 | 1 | A |
| NS | 141585 | HOSE ASSY TEFLON #4 2533MM | 1 | 1 | |
| 20 | 141588 | HOSE ASSY TEFLON #4 2878MM | 1 | 1 | |
| 21 | 503402 | TUBE, NYLON 1/4 O.D. / BLACK S.L. | AR | AR | |
| NS | 141589 | HOSE ASSY TEFLON #12 4387MM | 1 | 1 | A |
| NS | 141586 | HOSE ASSY TEFLON /DRYER&COMPRESSOR / #12 3483MM | 1 | 1 | |
| 23 | 503465 | TUBE, NYLON 3/4 O.D. / GREEN S.L. | AR | AR | |
| 24 | 562251 | CONNECTOR / METRI-PACK 280 / SH 2C / PED 12020599 | 1 | 1 | |
| NS | 562287 | SECONDARY LOCK / METRI-PACK 280 / 2C / BLACK / PED 12034446 | 1 | 1 | |
| NS | 562101 | SOCKET TERMINAL / 14-12 / PED 12129493 | 2 | 2 | |
| NS | 562106 | SEAL CONNECTOR / METRI-PACK / 3C / BLACK / PED 12048370 | 2 | 2 | |
| 24 | N8880586 | WIRING HARNESS WITH 1 CONNECTOR | 1 | 1 | S |
| 100 | 641464 | PURGE VALVE ASSY W/HEATER 24V | 1 | 1 | |
| . NS | 109579 | . HEATER ELEMENT 24V -109579 | 1 | 1 | |
| 101 | 109579 | HEATER ELEMENT 24V -109579 | 1 | 1 | |
| 102 | 641358 | KIT REPAIR / PURGE VALVE | 1 | 1 | |
| | | | | | |
| | | | | | |
| | | | | | |
| | | A) COMPRESSOR & DRYER | | | |
| | | S) SERVICE | | | |
| | | 2) NOT SOLD BY PREVOST (SEE MANUFACTURING PART NUMBER AT END OF DESCRIPTION LINE) | | | |

From L-031 To R-079

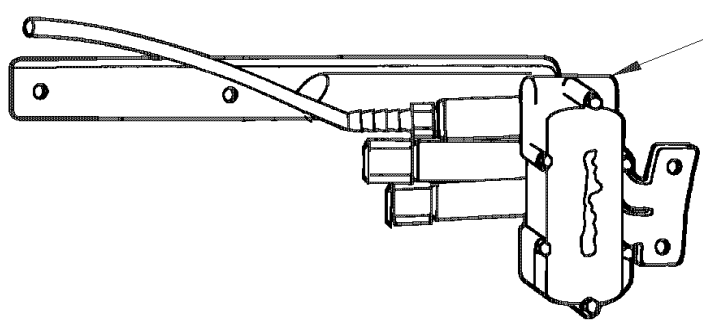
Date:10/2022

PAGE:H4-1220-00

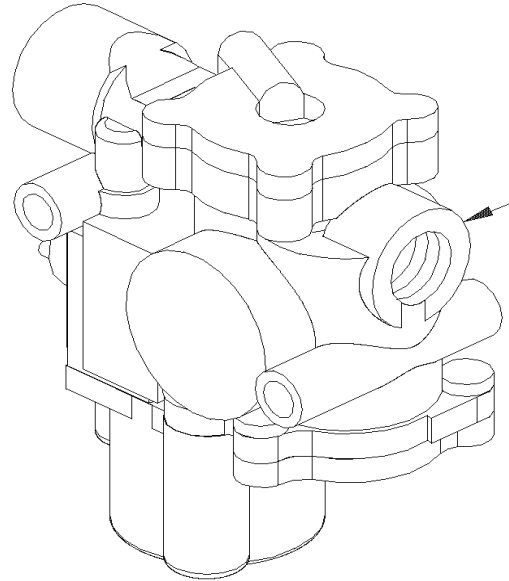
MISCELLANEOUS - AIR VALVES



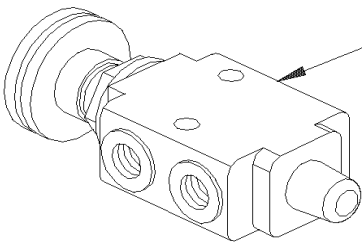
50



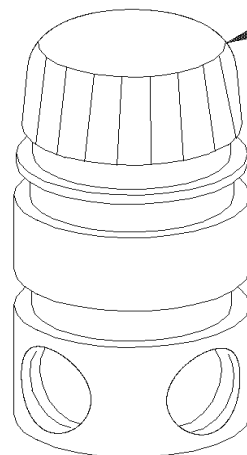
26



51



52



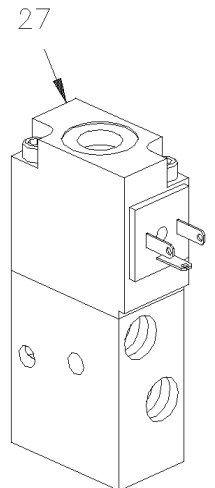
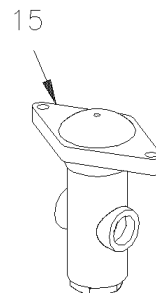
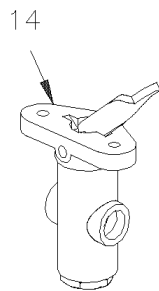
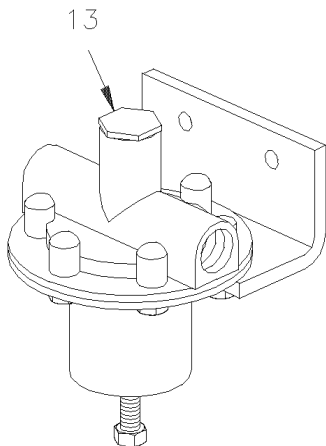
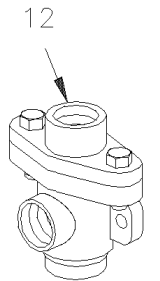
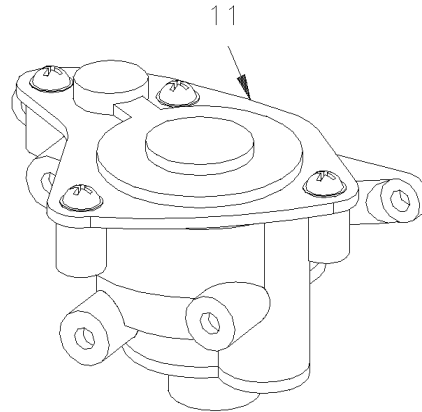
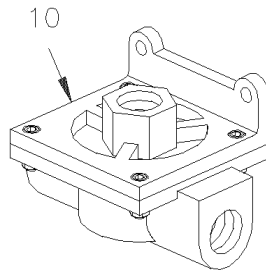
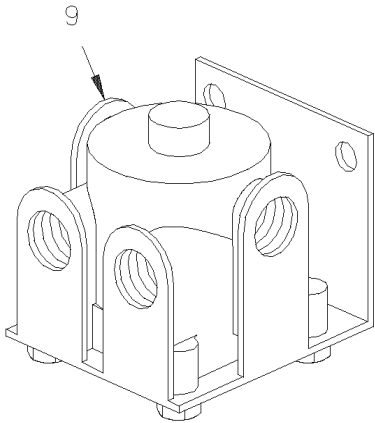
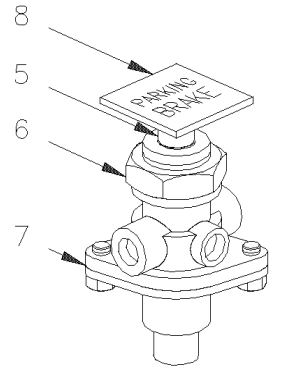
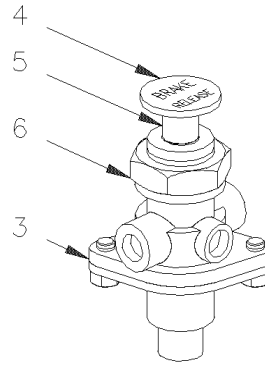
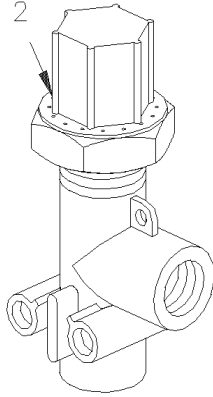
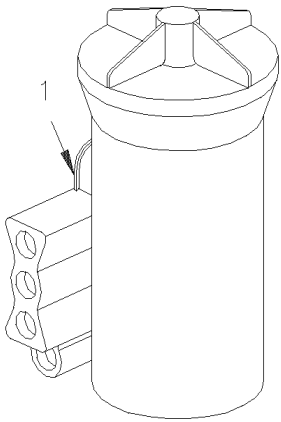
55

From L-031 To R-079

Date:10/2022

PAGE:H4-1220-00

MISCELLANEOUS - AIR VALVES

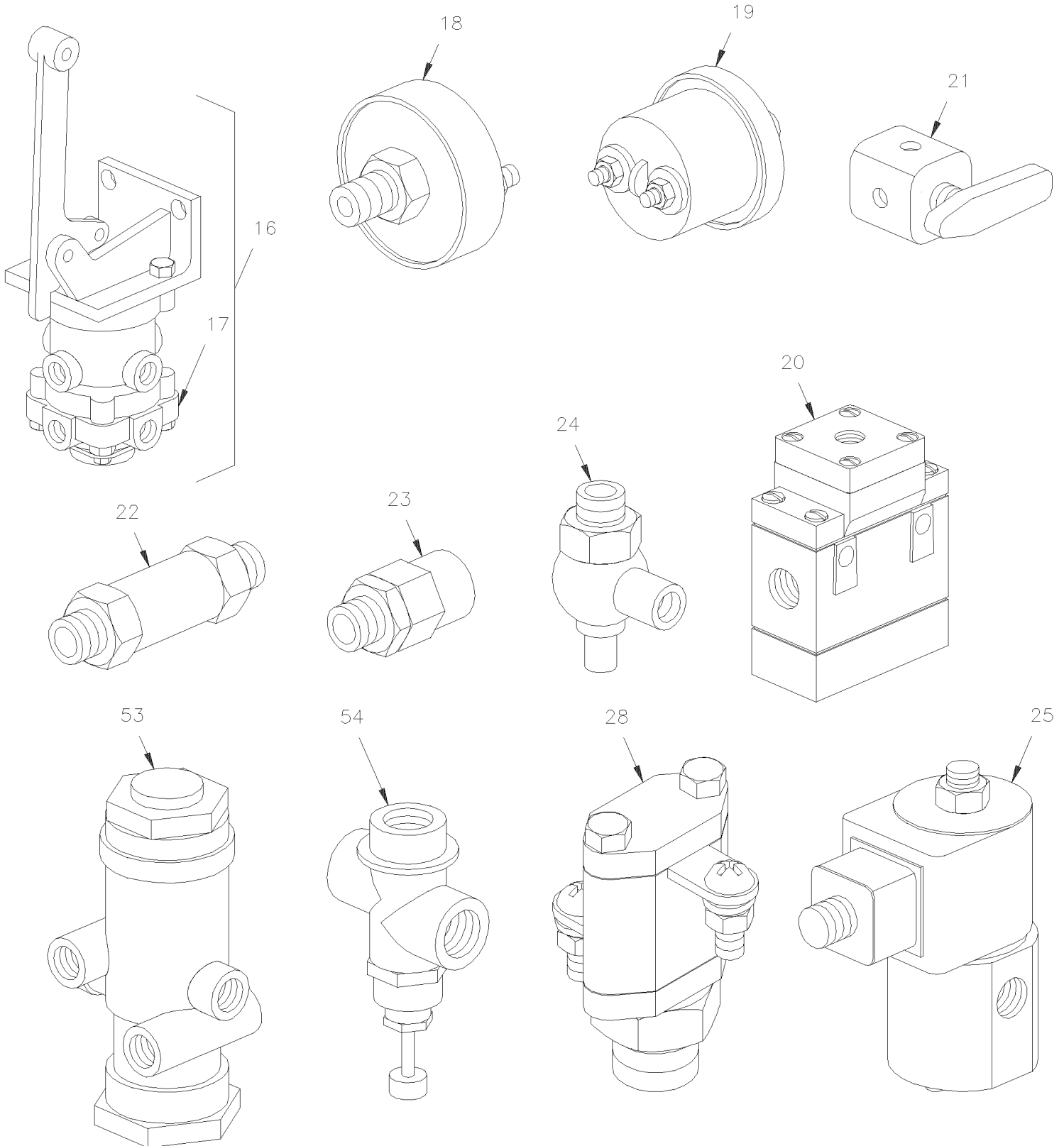


From L-031 To R-079

Date:10/2022

PAGE:H4-1220-00

MISCELLANEOUS - AIR VALVES

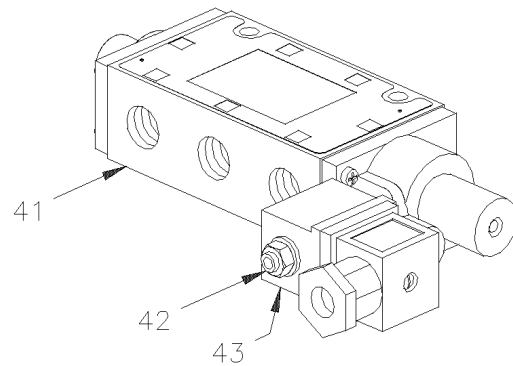
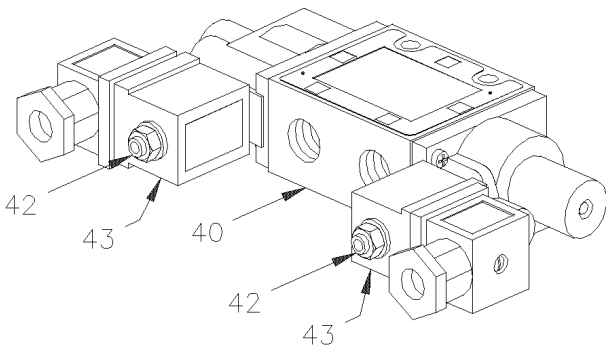
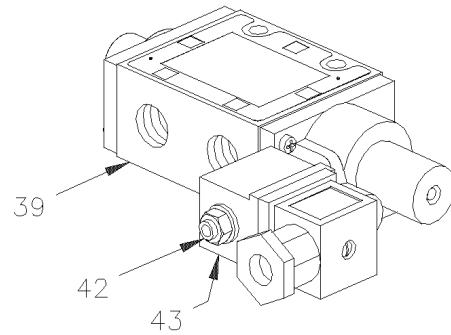
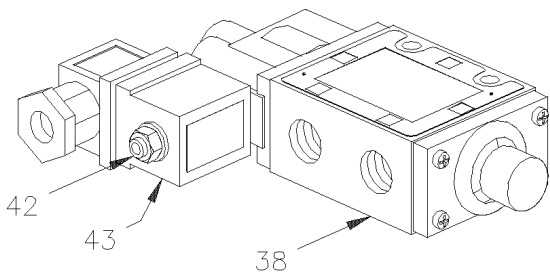
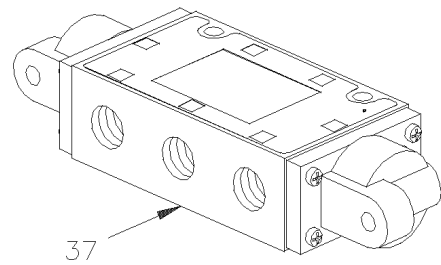
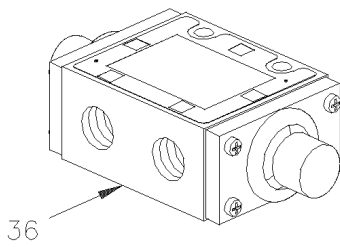
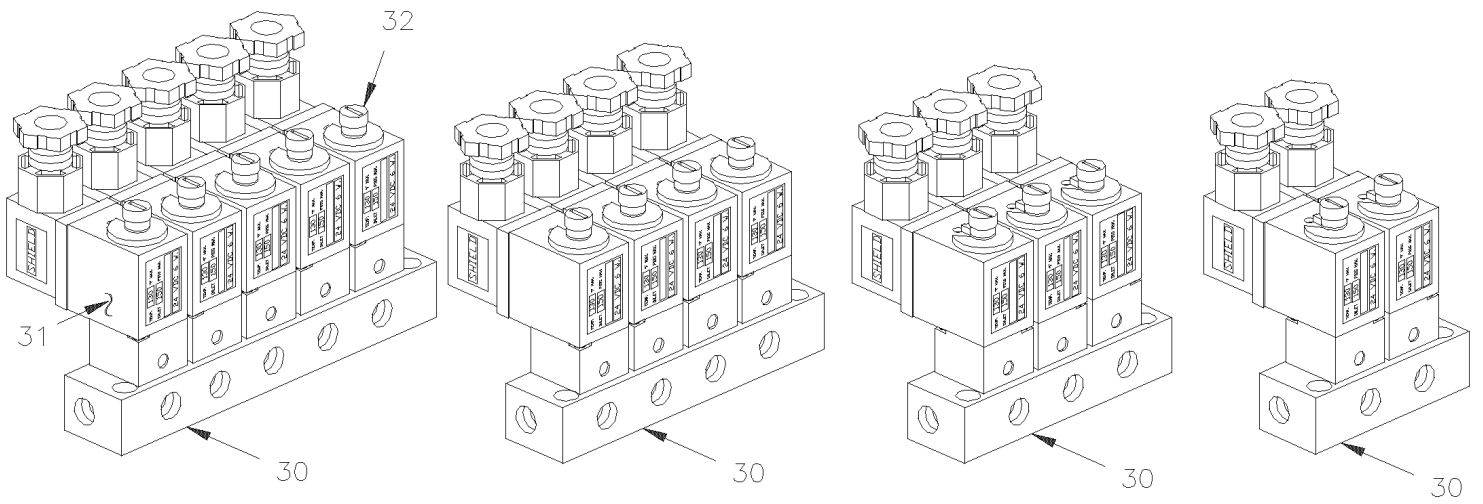


From L-031 To R-079

Date:10/2022

PAGE:H4-1220-00

MISCELLANEOUS - AIR VALVES



| | | |
|-----------------------------------|--------------|-----------------|
| From L-031 To R-079 | Date:10/2022 | PAGE:H4-1220-00 |
| MISCELLANEOUS - AIR VALVES | | |

| Item# | Part | Description | H 3 4 0 | V I P 4 0 | N O T E S |
|-------|---------|---|------------------|-----------------------|-----------------------|
| 1 | 640964 | GOVERNOR, AIR / D-2 / (105/125PSI) | AR | AR | |
| . NS | 640965 | . REPAIR KIT / GOVERNOR D-2 | 1 | 1 | |
| . NS | 640638 | . GASKET, AIR GOVERNOR | 1 | 1 | |
| . NS | 500187 | . SCREW CAP HEX 5/16-18x3 G5 Z050 | 2 | 2 | |
| . NS | 500942 | . WASHER LO SPT 8.1x14.8x2.0 N500 | 2 | 2 | |
| NS | 640965 | REPAIR KIT / GOVERNOR D-2 | AR | AR | |
| 2 | 640439 | VALVE, PRESSURE PROTECTION / PR-2 75PSI | AR | AR | |
| 2 | 530134 | VALVE, PRESSURE REDUCING / RV-1 60 PSI | AR | AR | |
| 3 | 640472 | VALVE, CONTROL / RD-3 | AR | AR | |
| . NS | 641154 | . REPAIR KIT / PP-1 & RD-3 | 1 | 1 | |
| 4 | 641155 | . BUTTON, OVERRULE ROUND BLACK | AR | AR | |
| 5 | 640286 | . PIN ROLLER | 1 | 1 | |
| 6 | 640297 | . NUT | 1 | 1 | |
| NS | 641154 | REPAIR KIT / PP-1 & RD-3 | AR | AR | |
| 7 | 641185 | VALVE, PARKING BRAKE PP-2 | AR | AR | |
| . NS | 641149 | . BUTTON, PARKING BRAKE DIAMOND YELLOW / 1" | 1 | 1 | |
| . NS | 641158 | . REPAIR KIT / PP-2 | 1 | 1 | |
| NS | 641158 | REPAIR KIT / PP-2 | AR | AR | |
| 8 | 641155 | . BUTTON, OVERRULE ROUND BLACK | AR | AR | |
| 9 | 642067 | VALVE, RELAY R-12 HORIZONTAL PORT | AR | AR | |
| 10 | 641014 | VALVE, QUICK RELEASE QR-1 / 3/8NPTx3/8NPTx3/8NPT | AR | AR | |
| . NS | 640924 | . REPAIR KIT / QR-1 | 1 | 1 | |
| NS | 640924 | REPAIR KIT / QR-1 | AR | AR | |
| 11 | 640870 | VALVE / SPRING BRAKE SR-1 | AR | AR | |
| . NS | 640921 | . REPAIR KIT / SR-1 | 1 | 1 | |
| NS | 640921 | REPAIR KIT / SR-1 | AR | AR | |
| 12 | 641015 | VALVE, DOUBLE CHECK DC-4 | AR | AR | |
| 13 | 640938 | AIR PRESSURE REGULATOR | AR | AR | |
| NS | 510231 | REPAIR KIT / REGULATOR | AR | AR | |
| 14 | 640136 | VALVE, CONTROL TW-1 | AR | AR | |
| . NS | 641156 | . REPAIR KIT / TW-1 | 1 | 1 | |
| 15 | 640128 | VALVE HORN HV-3 | AR | AR | |
| 16 | 641122 | BRAKE VALVE ASSY W/BACKET / MODEL E-10 | AR | AR | |
| . NS | 2359226 | . BOOT PLUNGER | 1 | 1 | |
| . NS | 2222120 | . MOUNTING BRACKET COUPLING D-1 | 1 | 1 | |
| 17 | 641197 | . VALVE SUB ASSY / MODEL E-10 | 1 | 1 | |
| NS | 640949 | KIT, REPAIR / BRAKE VALVE E-10 | AR | AR | |
| 18 | 640852 | PRESSURE SWITCH N.O. 4PSI / 1/4NPT W/8-32 / SL-5 BRAKE | AR | AR | |
| 18 | 641462 | PRESSURE SWITCH N.O. 4PSI / 1/4NPT W/10-32 / SL-5 BRAKE | 1 | 1 | |
| 19 | 562052 | PRESSURE SWITCH N.C. 3PSI / 1/4NPT W/2 SCREWS/ BRAKE | AR | AR | |
| 20 | 641357 | VALVE, 3 WAYS, 2 POSITIONS N.C. / W/SPRING | AR | AR | |
| 20 | 641356 | VALVE, 3 WAYS, 2 POSITIONS N.O. / W/SPRING | AR | AR | |

| | | |
|-----------------------------------|--------------|-----------------|
| From L-031 To R-079 | Date:10/2022 | PAGE:H4-1220-00 |
| MISCELLANEOUS - AIR VALVES | | |

| Item# | Part | Description | H 3 4 0 | V I P 4 0 | N O T E S |
|-------|---------|---|------------------|-----------------------|-----------------------|
| 21 | 5011013 | VALVE, 4 WAYS CONTROL | AR | AR | |
| 21 | 641417 | VALVE, 3 WAYS 1/8NPT-Fx1/8NPT-Fx1/8NPT-F BR | AR | AR | |
| . NS | 642014 | . HANDLE / RED | 1 | 1 | |
| 21 | 642161 | VALVE, 3 WAYS 1/8NPT-Fx1/8NPT-Fx1/8NPT-F BR / SERVICE | AR | AR | |
| . NS | 642014 | . HANDLE / RED | 1 | 1 | |
| 22 | 530175 | VALVE, CHECK 1/8 NPT | AR | AR | |
| 23 | 640135 | VALVE, CHECK 1/4 NPT | AR | AR | |
| 24 | 780232 | VALVE, CONTROL / MJV-2 1/8" NPT | AR | AR | |
| 25 | 560324 | VALVE SOLENOID N.O. 12 VOLTS | AR | AR | |
| . NS | 060851 | . CONNECTOR ASSY | 1 | 1 | |
| 25 | 560352 | VALVE SOLENOID N.O. 24 VOLTS | AR | AR | A |
| . NS | 060851 | . CONNECTOR ASSY | 1 | 1 | A |
| 25 | 560930 | VALVE SOLENOID N.C. 24 VOLTS | AR | AR | |
| . NS | 060851 | . CONNECTOR ASSY | 1 | 1 | |
| 25 | 561179 | VALVE SOLENOID N.C. 24 VOLTS | AR | AR | |
| . NS | 060851 | . CONNECTOR ASSY | 1 | 1 | |
| 26 | 630095 | VALVE, HEIGHT CONTROL "NEWAY" | AR | AR | |
| 27 | 641217 | VALVE, 3 WAYS, 2 POSITIONS | 1 | 1 | |
| 27 | 641393 | VALVE, 4 WAYS, 2 POSITIONS 24V SUPPERSEDED BY 288503 | 1 | 1 | |
| 27 | 641394 | VALVE, 3 WAYS, 2 POSITIONS 24V | 1 | 1 | |
| 28 | 641174 | PRESSURE SWITCH N.C. 30PSI / 1/4NPT LP-2 | AR | AR | |
| NS | 640975 | PRESSURE SWITCH N.C. 66PSI / 1/4NPT LP-3 | AR | AR | |
| 30 | 641205 | MANIFOLD VALVE / W/5 SOLENOID | | | |
| . NS | 641928 | . KIT, MANIFOLD REPAIR / N.C. | 5 | 5 | |
| . NS | 641107 | . COIL 24V | 5 | 5 | |
| 30 | 641055 | MANIFOLD VALVE / W/4 SOLENOID | AR | AR | |
| . NS | 641928 | . KIT, MANIFOLD REPAIR / N.C. | 4 | 4 | |
| 30 | 641180 | MANIFOLD VALVE / W/3 SOLENOID | AR | AR | |
| . NS | 641928 | . KIT, MANIFOLD REPAIR / N.C. | 3 | 3 | |
| . NS | 641107 | . COIL 24V | 1 | 1 | |
| 30 | 641130 | MANIFOLD VALVE / W/2 SOLENOID | AR | AR | |
| 30 | 641412 | MANIFOLD VALVE / W/2 SOLENOID | AR | AR | |
| . NS | 641107 | . COIL 24V | 2 | 2 | |
| 31 | 641107 | . COIL 24V | AR | AR | |
| 32 | 641353 | PLUNGER REPAIR KIT / MANIFOLD VALVE (1) | AR | AR | |
| 36 | 641274 | VALVE, 3 WAYS, 2 POSITIONS N.C. | AR | AR | |
| NS | 641169 | . SPOOL | AR | AR | |
| 37 | 641057 | VALVE, 5 WAYS, 3 POSITIONS | | | |
| NS | 641186 | . SPOOL | AR | AR | |
| 38 | 641315 | VALVE, 3 WAYS, 2 POSITIONS N.C. | AR | AR | |
| NS | 641169 | . SPOOL | AR | AR | |
| 39 | 630135 | VALVE, 3 WAYS, 2 POSITIONS N.O. | AR | AR | |

| | | |
|-----------------------------------|--------------|-----------------|
| From L-031 To R-079 | Date:10/2022 | PAGE:H4-1220-00 |
| MISCELLANEOUS - AIR VALVES | | |

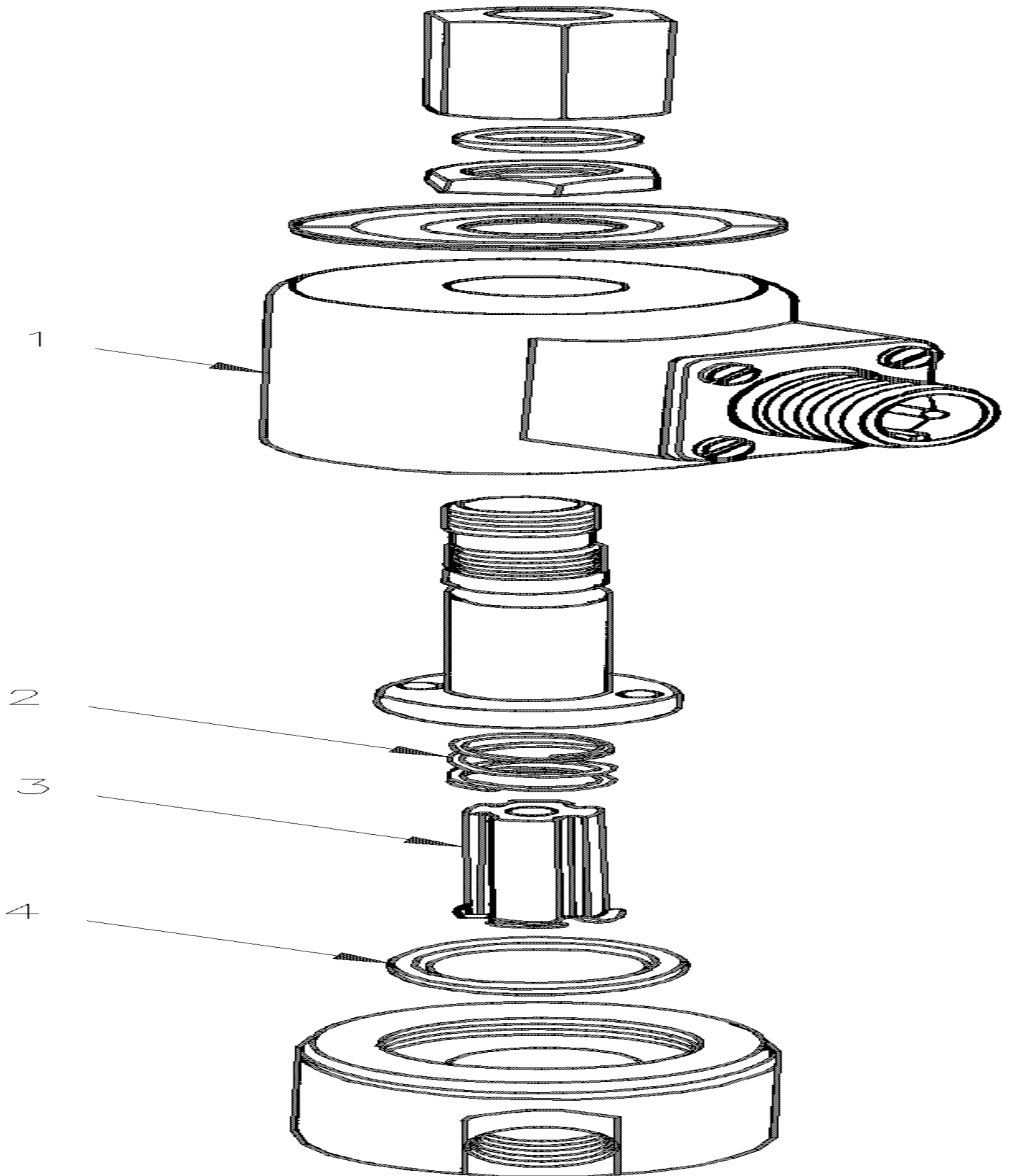
| Item# | Part | Description | H 3 4 0 | V I P 4 0 | N O T E S |
|-------|--------|---|------------------|-----------------------|-----------------------|
| . NS | 641169 | . SPOOL | 1 | 1 | |
| . NS | 641929 | . COIL 24V | 1 | 1 | |
| NS | 641169 | . SPOOL | AR | AR | |
| 40 | 641316 | VALVE, 3 WAYS, 2 POSITIONS / 2 SOLENOID | AR | AR | |
| NS | 641169 | . SPOOL | AR | AR | |
| 41 | 641317 | VALVE, 4 WAYS, 2 POSITIONS | | | |
| NS | 641186 | . SPOOL | AR | AR | |
| 42 | 641145 | . KIT REPAIR / COIL To M-111 | AR | AR | |
| NS | 641144 | . . KIT REPAIR / COIL | AR | AR | |
| 50 | 640442 | VALVE, INVERSION TR-2 | AR | AR | |
| 51 | 641537 | VALVE, "ABS" 24VOLT | AR | AR | |
| 52 | 641445 | VALVE, 3 WAYS, 2 POSITIONS MECHANICAL | AR | AR | |
| . NS | 641992 | . KNOB | 1 | 1 | |
| 53 | 530136 | VALVE, INVERSION TR-3 14-16LBS | AR | AR | |
| 54 | 550023 | VALVE, SHUTTERSTAT 180° / 3/8" NPT x 1/8" NPT | AR | AR | |
| 55 | 641437 | AIR PRESSURE REGULATOR 1/4" NPT / PLASTIC | 1 | 1 | |
| | | | | | |
| | | | | | |
| | | | | | |
| | | A) USE IN "OPTION" ON SEDAN DOOR WITH "ACADEMY" | | | |

From L-031 To R-079

Date:10/2022

PAGE:H4-1220-05

AIR SOLENOID VALVE



| | | |
|---------------------|--------------|-----------------|
| From L-031 To R-079 | Date:10/2022 | PAGE:H4-1220-05 |
|---------------------|--------------|-----------------|

AIR SOLENOID VALVE

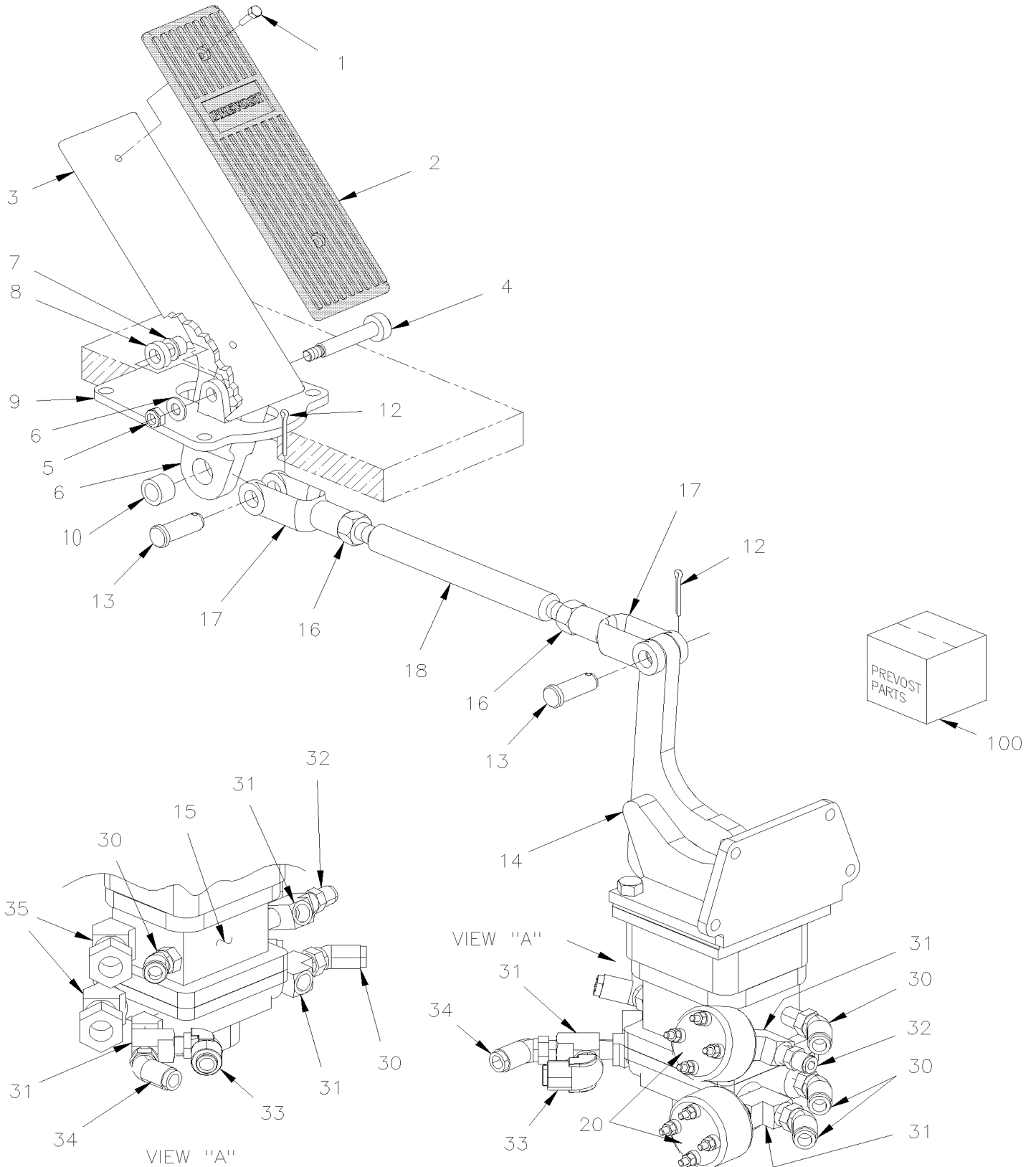
| Item# | Part | Description | H 3 4 0 | V I P 4 0 | N O T E S |
|-------|--------|--|------------------|-----------------------|-----------------------|
| | 560930 | VALVE SOLENOID N.C. 24 VOLTS | 1 | 1 | A |
| . NS | 060851 | . CONNECTOR ASSY | 1 | 1 | A |
| | 560352 | VALVE SOLENOID N.O. 24 VOLTS | 1 | | B |
| . NS | 060851 | . CONNECTOR ASSY | 1 | | B |
| | 560324 | VALVE SOLENOID N.O. 12 VOLTS | 1 | 1 | C |
| . NS | 060851 | . CONNECTOR ASSY | 1 | 1 | C |
| 1 | 560972 | . COIL 24V | 1 | 1 | A |
| 1 | 560836 | . COIL 24V | 1 | | B |
| 2 | 560714 | . SPRING COMPRESSION / .548 O.D. x .5 x .029 | 1 | 1 | A |
| 2 | 560881 | . SPRING COMPRESSION / .540 O.D. x .360 x .029 | 1 | | B |
| 3 | 560969 | . PLUNGER | 1 | 1 | A |
| 3 | 560882 | . PLUNGER | 1 | | B |
| 4 | 560715 | . SEAL | 1 | 1 | A |
| 4 | 560715 | . SEAL | 1 | | B |
| | | | | | |
| | | | | | |
| | | | | | |
| | | A) USE WITH AUTOMATIC TRANSMISSION HT-755 W/RETARDER | | | |
| | | B) USE IN "OPTION" ON SEDAN DOOR WITH "ACADEMY" | | | |
| | | C) TO USE WITH HYDRAULIC TRANSMISSION MODULATOR | | | |

From L-031 To R-079

Date:10/2022

PAGE:H4-1220-10

BRAKE PEDAL VALVE - "BENDIX"



| | | |
|-------------------------------------|--------------|-----------------|
| From L-031 To R-079 | Date:10/2022 | PAGE:H4-1220-10 |
| BRAKE PEDAL VALVE - "BENDIX" | | |

| Item# | Part | Description | H 3 4 0 | V I P 4 0 | N O T E S |
|-------|----------|--|------------------|-----------------------|-----------------------|
| | 141206 | PEDAL ASSY | 1 | 1 | |
| 1 | 500416 | . SCREW MA PAN PH #10-32x1/2 BK | 2 | 2 | |
| 2 | 141212 | . THREADLE COVER / W/STEEL BACKING | 1 | 1 | |
| 3 | 141207 | . PEDAL BRAKE | 1 | 1 | |
| 4 | 502575 | . SCREW SHR HEXS 10x50 (M8-1.25 | 1 | 1 | |
| 5 | 500868 | . NUT HEX NYRT M8-1.25 Z050 | 1 | 1 | |
| 6 | 500874 | . WASHER FL 8.4x17.0x1.6 Z050 | 1 | 1 | |
| 7 | 507297 | . FLANGE BUSHING | 2 | 2 | |
| 8 | 141211 | . SPACER | 1 | 1 | |
| 9 | 141177 | . SUPPORT ASSY / TO FIX BRAKE PEDAL | 1 | 1 | |
| 9 | 141996 | . SUPPORT ASSY / TO FIX BRAKE PEDAL | 1 | 1 | |
| 10 | 507307 | . BUSHING OIL 1/2 I.D. X 3/4 O.D. X 1/2 | 1 | 1 | |
| 12 | 502102 | PIN, COTTER 1/8 x 1 | 1 | 1 | |
| 13 | 502035 | PIN, CLEVIS 1/2 x 1 3/8 Z050 | 1 | 1 | |
| 14 | 641257 | BRAKE VALVE ASSY W/BACKET / MODEL E-15 | 1 | 1 | |
| . NS | 2359226 | . BOOT PLUNGER | 1 | 1 | |
| . NS | 2222120 | . MOUNTING BRACKET COUPLING D-1 | 1 | 1 | |
| 14 | 641439 | BRAKE VALVE ASSY W/BACKET / MODEL E-12 | 1 | 1 | |
| . NS | 2222120 | . MOUNTING BRACKET COUPLING D-1 | 1 | 1 | |
| 14 | 641856 | BRAKE VALVE ASSY W/BACKET / MODEL E-10P | 1 | 1 | |
| . NS | 19507993 | . BOOT PLUNGER | 1 | 1 | |
| . NS | 19510779 | . PLUNGER | 1 | 1 | |
| . NS | 2222120 | . MOUNTING BRACKET COUPLING D-1 | 1 | 1 | |
| 15 | 641925 | . VALVE SUB ASSY / MODEL E-10P | 1 | 1 | |
| 15 | 641440 | . VALVE SUB ASSY / MODEL E-12 | 1 | 1 | |
| 15 | 641403 | . VALVE SUB ASSY / MODEL E-15 | 1 | 1 | |
| 16 | 500716 | NUT HEX 1/2-20 Z050 | 2 | 2 | |
| 17 | 020317 | YOKE 1/2-20x1 15/16 C/Lx9/16Wx1/2 | 2 | 2 | |
| 18 | 141178 | SHAFT THREADED W/R.H. THREAD 260MM | 1 | 1 | |
| 20 | 640852 | PRESSURE SWITCH N.O. 4PSI / 1/4NPT W/8-32 / SL-5 BRAKE | 2 | 2 | |
| 20 | 641462 | PRESSURE SWITCH N.O. 4PSI / 1/4NPT W/10-32 / SL-5 BRAKE | 2 | 2 | |
| 30 | 641367 | MALE ELBOW 45° NON-SWIVEL / PUSH-IN FITTING / #6x3/8NPT-M BR | AR | AR | |
| 31 | 501699 | MALE RUN TEE / PIPE FITTING / 3/8NPT-Mx3/8NPT-Fx3/8NPT-F BR | AR | AR | |
| 32 | 641330 | MALE CONNECTOR / PUSH-IN FITTING / #6x3/8NPT-M BR | AR | AR | |
| 33 | 641375 | MALE ELBOW 90° NON-SWIVEL / PUSH-IN FITTING / #6x3/8NPT-M BR | AR | AR | |
| 34 | 641368 | MALE ELBOW 45° NON-SWIVEL / PUSH-IN FITTING / #8x3/8NPT-M BR | AR | AR | |
| 35 | 641602 | MALE CONNECTOR / PUSH-IN FITTING / #10x3/8NPT-M BR | AR | AR | |
| 36 | 501330 | STREET ELBOW 45° / PIPE FITTING / 3/8NPT-Mx3/8NPT-F BR | AR | AR | |
| 100 | 641404 | REPAIR KIT/ MAJOR/ (MINOR, PISTON & DIAPHRAM) VALVE E-15 | 1 | 1 | |
| 100 | 641442 | REPAIR KIT / MAJOR / (MINOR, PISTON & VALVE E-12 & E-15 | 1 | 1 | |
| 100 | 641405 | REPAIR KIT / MINOR / (O-RING & SEAL) VALVE E-15 | 1 | 1 | |
| 100 | 641441 | REPAIR KIT / MINOR / (O-RING & SEAL) / VALVE E-12 & E-15 | 1 | 1 | |

| | | |
|---------------------|--------------|-----------------|
| From L-031 To R-079 | Date:10/2022 | PAGE:H4-1220-10 |
|---------------------|--------------|-----------------|

BRAKE PEDAL VALVE - "BENDIX"

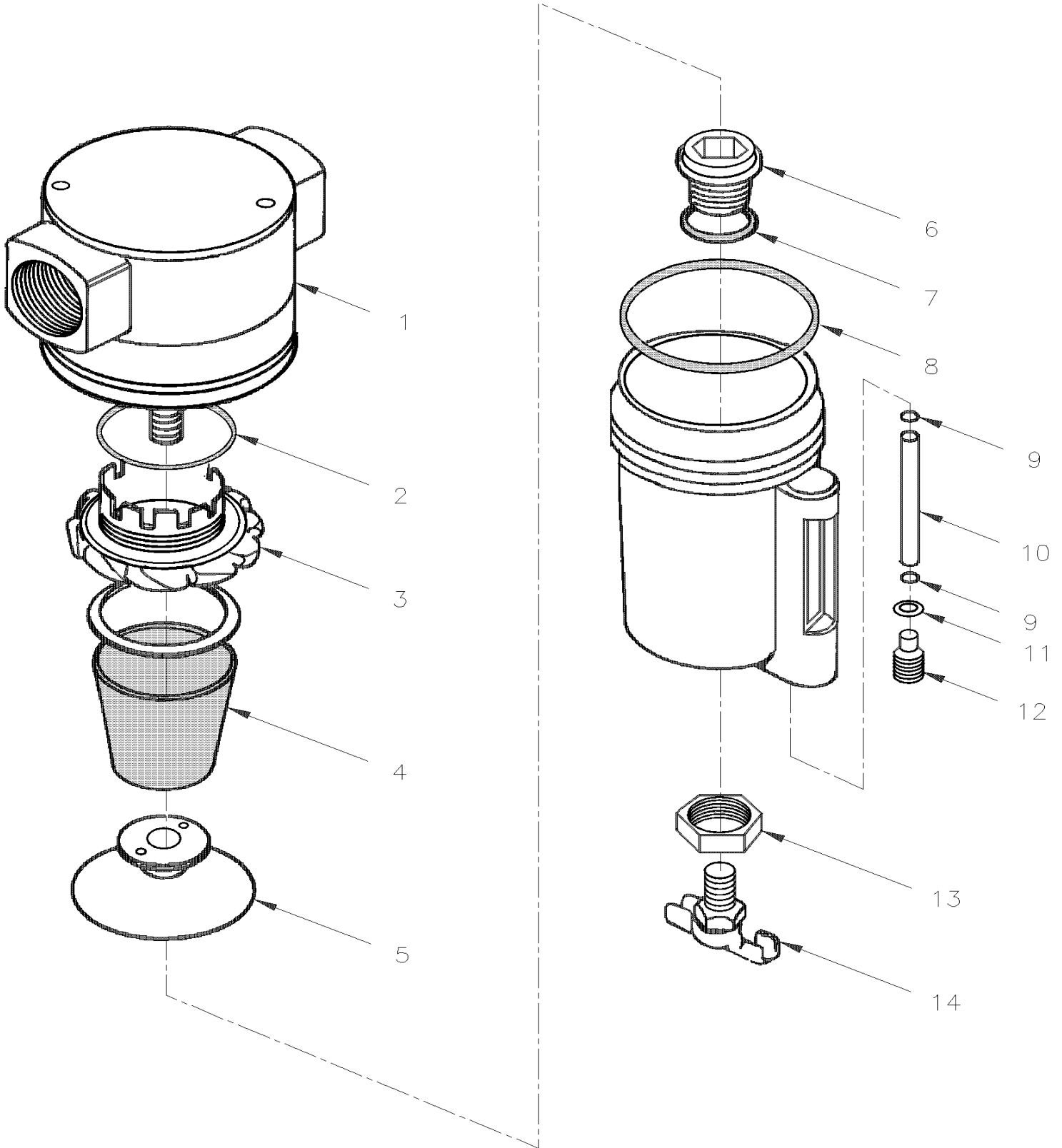
| Item# | Part | Description | H 3 4 0 | V I P 4 0 | N O T E S |
|-------|--------|--------------------------------|------------------|-----------------------|-----------------------|
| 100 | 640949 | KIT, REPAIR / BRAKE VALVE E-10 | 1 | 1 | |
| | | | | | |
| | | | | | |
| | | | | | |

From L-031 To R-079

Date:10/2022

PAGE:H4-1220-15

AIR FILTER - ACCESSORIES



| | | |
|---------------------------------|--------------|-----------------|
| From L-031 To R-079 | Date:10/2022 | PAGE:H4-1220-15 |
| AIR FILTER - ACCESSORIES | | |

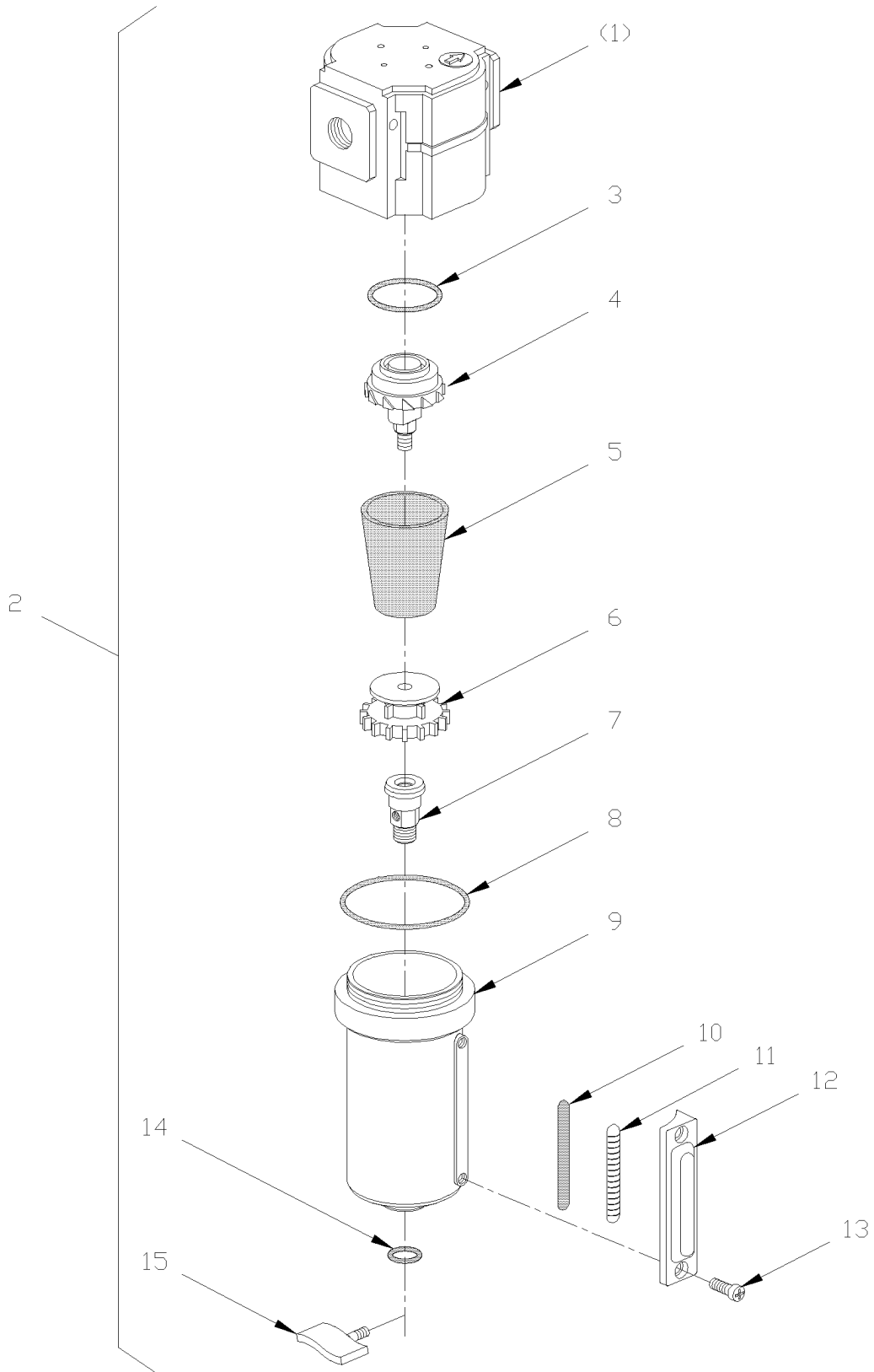
| Item# | Part | Description | H 3 4 0 | V I P 4 0 | N O T E S |
|-------|--------|------------------------------|------------------|-----------------------|-----------------------|
| 1 | 641251 | FILTER ASSY | 1 | 1 | |
| 2 | N.S.S. | . O-RING | 1 | 1 | 1 |
| 3 | N.S.S. | . LOUVER | 1 | 1 | 1 |
| 4 | 641252 | . FILTER, ELEMENT / 5 MICRON | 1 | 1 | |
| 5 | N.S.S. | . BAFFLE | 1 | 1 | 1 |
| 6 | N.S.S. | . INSERT | 1 | 1 | 1 |
| 7 | N.S.S. | . GASKET | 1 | 1 | 1 |
| 8 | 641170 | . O-RING | 1 | 1 | |
| 8 | 641200 | . KIT, SIGHT GLASS | | | |
| 9 | N.S.S. | . . SEAL | 2 | 2 | 1 |
| 10 | N.S.S. | . . GAUGE | 1 | 1 | 1 |
| 11 | N.S.S. | . . O-RING | 1 | 1 | 1 |
| 12 | N.S.S. | . RETAINER | 1 | 1 | 1 |
| 13 | N.S.S. | . NUT | 1 | 1 | 1 |
| 14 | N.S.S. | . COCK, DRAIN | 1 | 1 | 1 |
| NS | 641201 | KIT, O-RING & GASKET | AR | AR | A |
| | | | | | |
| | | | | | |
| | | A) INCLUDE ITEMS #2,7 & 8 | | | |
| | | 1) NOT SOLD SEPARATELY | | | |

From L-031 To R-079

Date:10/2022

PAGE:H4-1220-16

AIR FILTER - ACCESSORIES / SERVICE



| | | |
|---|--------------|-----------------|
| From L-031 To R-079 | Date:10/2022 | PAGE:H4-1220-16 |
| AIR FILTER - ACCESSORIES / SERVICE | | |

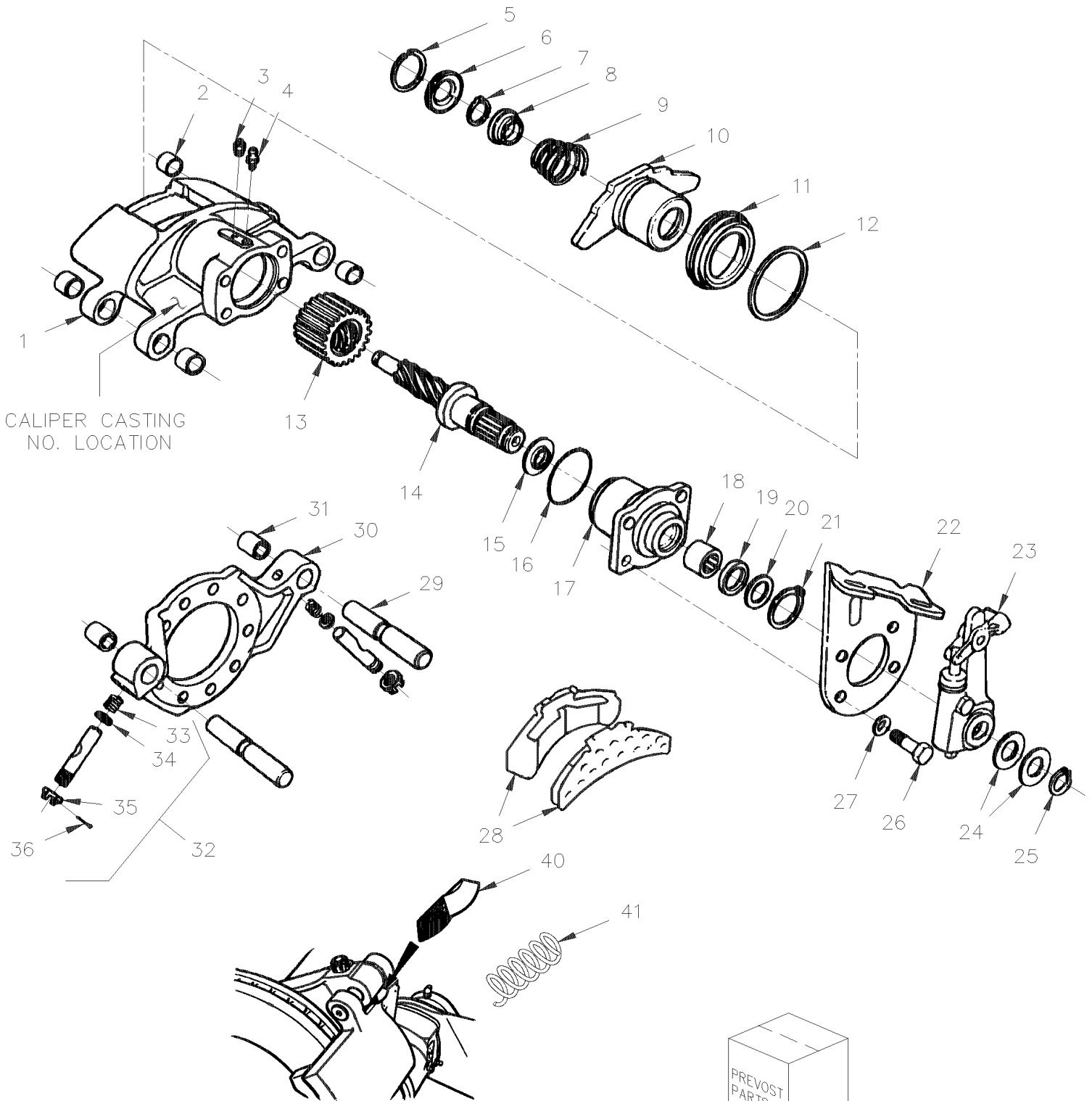
| Item# | Part | Description | H 3 4 0 | V I P 4 0 | N O T E S |
|-------|---------|--------------------------------|------------------|-----------------------|-----------------------|
| 1 | 641339 | SUPPORT / AIR FILTER | 1 | 1 | |
| 2 | 641338 | AIR FILTER ASSY | 1 | 1 | |
| 3 | N.S.S. | . O-RING / UPPER CENTER POST | 1 | 1 | 1 |
| 4 | 641969 | . CENTER POST | 1 | 1 | |
| 5 | 641340 | . FILTER ELEMENT | 1 | 1 | |
| 6 | 641970 | . SCREW BAFFLE | 1 | 1 | |
| 7 | 641971 | . DRAIN VALVE BODY | 1 | 1 | |
| 8 | N.S.S. | . O-RING / UPPER BOWL | 1 | 1 | 1 |
| 9 | N.S.S. | . BOWL METAL | 1 | 1 | 1 |
| 10 | N.S.S. | . INDICATOR FILTER | 1 | 1 | 1 |
| 11 | N.S.S. | . GLASS / INDICATOR | 1 | 1 | 1 |
| 12 | N.S.S. | . RETAINER / GLASS | 1 | 1 | 1 |
| 13 | N.S.S. | . SCREW / TO FIX RETAINER | 2 | 2 | 1 |
| 14 | N.S.S. | . O-RING / LOWER BOWL | 1 | 1 | 1 |
| 15 | 641972 | . DRAIN VALVE | 1 | 1 | |
| 16 | N.S.S. | . NUT RETAINER / DRAIN VALVE | 1 | 1 | 1 |
| NS | 641354 | KIT, O-RING | AR | AR | A |
| NS | 641355 | KIT, LEVEL INDICATOR | AR | AR | B |
| NS | 7770058 | KIT, DRAIN VALVE | AR | AR | C |
| | | | | | |
| | | | | | |
| | | A) INCLUDE ITEMS #3,8 & 14 | | | |
| | | B) INCLUDE ITEMS #8,10,11 & 13 | | | |
| | | C) INCLUDE ITEMS #7, 14 & 15 | | | |
| | | 1) NOT SOLD SEPARATELY | | | |

From L-031 To R-079

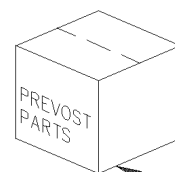
Date:10/2022

PAGE:H4-1225-02

BRAKE PARTS - FRONT AXLE - W/MODEL 2FG952CAX



CALIPER CASTING
NO. LOCATION



100-101-102-103

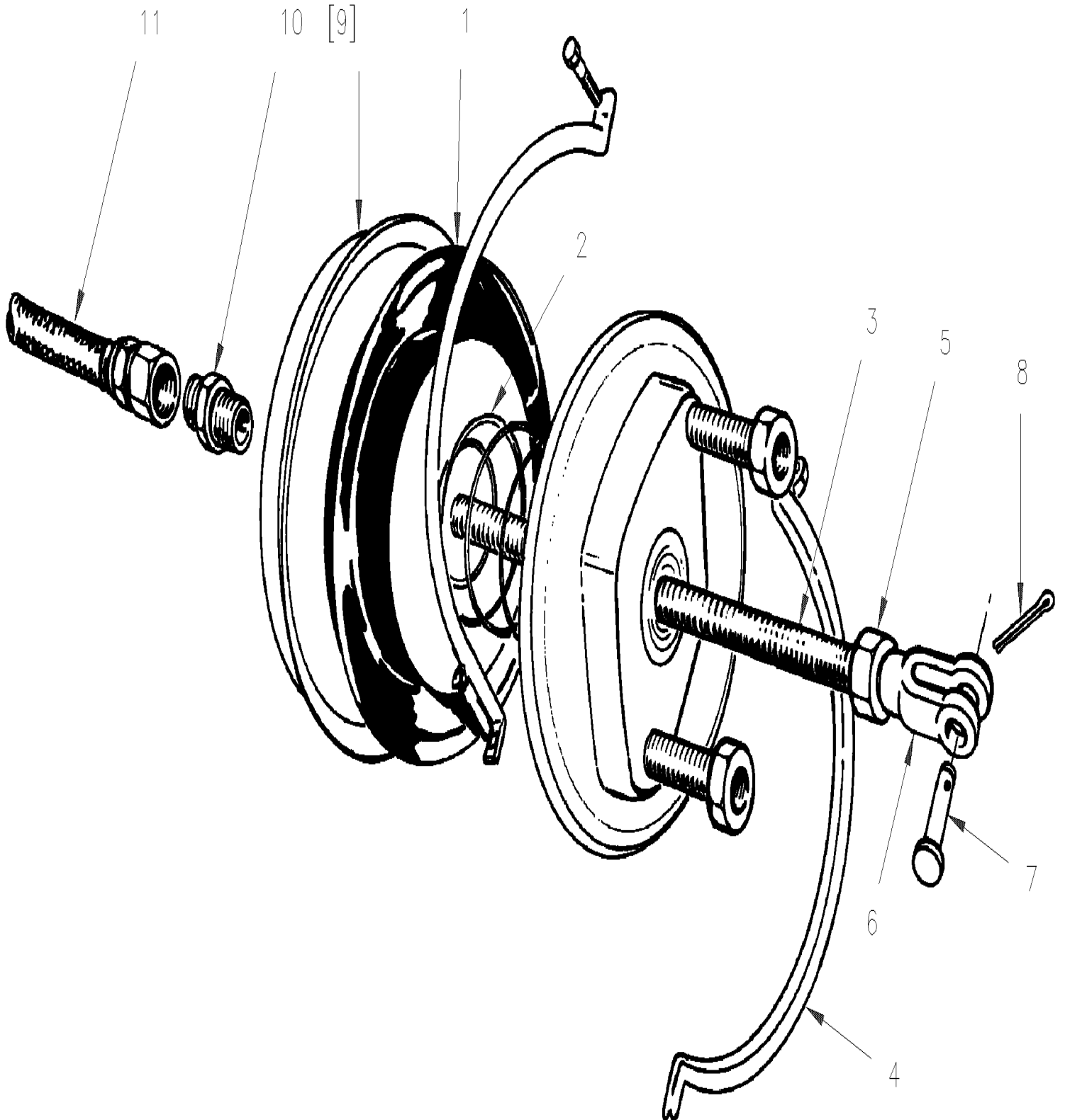
| | | |
|---|--------------|-----------------|
| From L-031 To R-079 | Date:10/2022 | PAGE:H4-1225-02 |
| BRAKE PARTS - FRONT AXLE - W/MODEL 2FG952CAX | | |

| Item# | Part | Description | H 3 4 0 | V I P 4 0 | N O T E S |
|-------|-------------------|--|------------------|-----------------------|-----------------------|
| | N.P.N. | CALIPER ASSY / L.H. To P-332 | 1 | 1 | 4 |
| | N.P.N. | CALIPER ASSY / R.H. To P-332 | 1 | 1 | 4 |
| | N.P.N. | CALIPER ASSY / L.H. From P-333 | 1 | 1 | 4 A |
| | N.P.N. | CALIPER ASSY / R.H. From P-333 | 1 | 1 | 4 A |
| 1 | 621599 | CALIPER / W/SLIDING BUSHING ONLY | 2 | 2 | |
| 2 | 610806 | BUSHING / (SET OF 4) | 4 | 4 | |
| 3 | 610808 | FITTING, PRESSURE RELIEF / 5 PSI | 1 | 1 | |
| 4 | 501493 | GREASE FITTING 45° / 1/8 NPT | 1 | 1 | |
| 5 | 621363 | RING, SNAP | 1 | 1 | |
| 6 | 610816 | SEAL / PISTON END | 1 | 1 | |
| 7 | 610830 | RING, RETAINING | 1 | 1 | |
| 8 | 610831 | BUSHING, INNER | 1 | 1 | |
| 9 | 610813 | SPRING COMPRESSION / 2.470 O.D. x 4.5 x .148 | 1 | 1 | |
| 10 | 621351 | PISTON | 1 | 1 | |
| 11 | 621352 | BOOT | 1 | 1 | |
| 12 | 621353 | SEAL | 1 | 1 | |
| 13 | 610817 | NUT, ACTUATOR / L.H. THREAD | 1 | 1 | |
| 13 | 610818 | NUT, ACTUATOR / R.H. THREAD | 1 | 1 | |
| 14 | 610819 | SHAFT, POWER / L.H. THREAD | 1 | 1 | |
| 14 | 610820 | SHAFT, POWER / R.H. THREAD | 1 | 1 | |
| NS | 680500 | GREASE MERITOR / 400GR | AR | AR | |
| 15 | 610821 | WASHER, POWER SHAFT THRUST | 1 | 1 | |
| 16 | 610822 | O-RING | 1 | 1 | |
| 17 | 610823 | CAP / POWER SHAFT | 1 | 1 | |
| 18 | N.S.S. | BUSHING | 1 | 1 | 1 |
| 19 | 621115 | SEAL / CAMSHAFT | 1 | 1 | |
| 20 | 610826 | WASHER | 1 | 1 | |
| 21 | 610376 | RING, SNAP | 1 | 1 | |
| 22 | 610915 | BRACKET / R.H. / BRAKE CHAMBER To P-332 | 1 | 1 | |
| 22 | 610916 | BRACKET / L.H. / BRAKE CHAMBER To P-332 | 1 | 1 | |
| 22 | 610976 | BRACKET / R.H. / BRAKE CHAMBER From P-333 | 1 | 1 | A |
| 22 | 610977 | BRACKET / L.H. / BRAKE CHAMBER From P-333 | 1 | 1 | A |
| 23 | H4-1230-00 | SLACK ADJUSTER AUTOMATIC - "ROCKWELL" | | | |
| 23 | H4-1230-01 | SLACK ADJUSTER AUTOMATIC - "HALDEX" | | | |
| 24 | 610832 | WASHER | AR | AR | |
| 25 | 610833 | SNAP RING CAM SHAFT & ANCHOR PIN | 1 | 1 | |
| 26 | 610812 | SCREW, HEX. | 4 | 4 | |
| 27 | 610811 | WASHER | 4 | 4 | |
| 28 | 621371 | KIT, LINING | 1 | 1 | |
| 28 | 621855 | KIT, LINING (set of 2) | 1 | 1 | |
| 28 | 641363 | KIT, LINING | AR | AR | D |
| 29 | 621367 | PIN, SLIDING / W/SMALL GROOVE 1/8" (FORMER) | 1 | 1 | |

| | | |
|---|--------------|-----------------|
| From L-031 To R-079 | Date:10/2022 | PAGE:H4-1225-02 |
| BRAKE PARTS - FRONT AXLE - W/MODEL 2FG952CAX | | |

| Item# | Part | Description | H 3 4 0 | V I P 4 0 | N O T E S |
|-------|---------------|---|------------------|-----------------------|-----------------------|
| NS | 507601 | . O-RING 13/16" I.D. X 1/8" / TO USE W/ (FORMER) | 2 | 2 | |
| 29 | 621466 | . PIN SLIDING / W/GROOVE 3/32" | 2 | 2 | |
| NS | 621467 | . O-RING / 47/64" I.D. | 2 | 2 | |
| 30 | 610917 | PLATE TORQUE / R.H. | 1 | 1 | |
| 30 | 611093 | PLATE TORQUE / R.H. | 1 | 1 | |
| 30 | 610918 | PLATE TORQUE / L.H. | 1 | 1 | |
| 30 | 611094 | PLATE TORQUE / L.H. | 1 | 1 | |
| NS | 141568 | SPACER RUBBER / NOISELESS / CALIPER & TORQUE PLATE | 1 | 1 | |
| 31 | 610837 | BUSHING SLIDING PIN | 2 | 2 | |
| 32 | 610838 | KIT, RETAINER PIN / (SET OF 2) | 1 | 1 | |
| 33 | N.S.S. | . SPRING | 2 | 2 | 1 |
| 34 | N.S.S. | . WASHER | 2 | 2 | 1 |
| 35 | N.S.S. | . NUT | 2 | 2 | 1 |
| 36 | N.S.S. | . PIN, COTTER | 2 | 2 | 1 |
| 40 | 141568 | SPACER RUBBER / NOISELESS / CALIPER & TORQUE PLATE | AR | AR | |
| 41 | 621546 | SPRING, COMP. / 1.275 TO 1.675 O.D. x 1.890 x (SET OF 2) | AR | AR | |
| 100 | 610924 | KIT MINOR REPAIR | AR | AR | B |
| 101 | 610925 | KIT MAJOR REPAIR / L.H. | AR | AR | C |
| 102 | 610926 | KIT MAJOR REPAIR / R.H. | AR | AR | C |
| 103 | 611100 | KIT SLIDING PIN / W/O-RING | AR | AR | E |
| 103 | 682928 | INNER BUSHING DRIVE / W/ROCKWELL | 1 | 1 | |
| 103 | 682929 | OUTER BUSHING DRIVER / W/ROCKWELL | 1 | 1 | |
| 103 | 682394 | PLUG CALIBRATOR | AR | AR | |
| . NS | MAINT-ADB1560 | . SEE MAINTENANCE MANUAL | 1 | 1 | |
| 103 | 682396 | BEARING & NUT ASSEMBLY / W/ROCKWELL | AR | AR | |
| . NS | MAINT-ADB1560 | . SEE MAINTENANCE MANUAL | 1 | 1 | |
| 103 | 682399 | SPRING RETAINER ADAPTER / W/ROCKWELL / J-33860 | AR | AR | |
| . NS | MAINT-ADB1560 | . SEE MAINTENANCE MANUAL | 1 | 1 | |
| | | | | | |
| | | A) "WARNING" DISCARD THE SLACK ADJUSTER WHO COME WITH THIS ASSY BECAUSE IT USE ON TAG AXLE ONLY | | | |
| | | B) INCLUDE ITEMS 5,6,7,8,11,12,15,16,19,20,21 & 32 | | | |
| | | C) INCLUDE ITEMS 5,6,7,8,11,12,13,14,15,16,17,19,20,21 & 32 | | | |
| | | D) FOR TRANSIT W/HIGH FRENQUENCY BRAKE APPLICATION / #S2R7017173 | | | |
| | | E) INCLUDE ITEMS 29& 32 | | | |
| | | 1) NOT SOLD SEPARATELY | | | |
| | | 4) NO PARTS NUMBER | | | |

| | | |
|-----------------------------------|--------------|-----------------|
| From L-031 To R-079 | Date:10/2022 | PAGE:H4-1225-10 |
| BRAKE CHAMBER - FRONT AXLE | | |



| | | |
|---------------------|--------------|-----------------|
| From L-031 To R-079 | Date:10/2022 | PAGE:H4-1225-10 |
|---------------------|--------------|-----------------|

BRAKE CHAMBER - FRONT AXLE

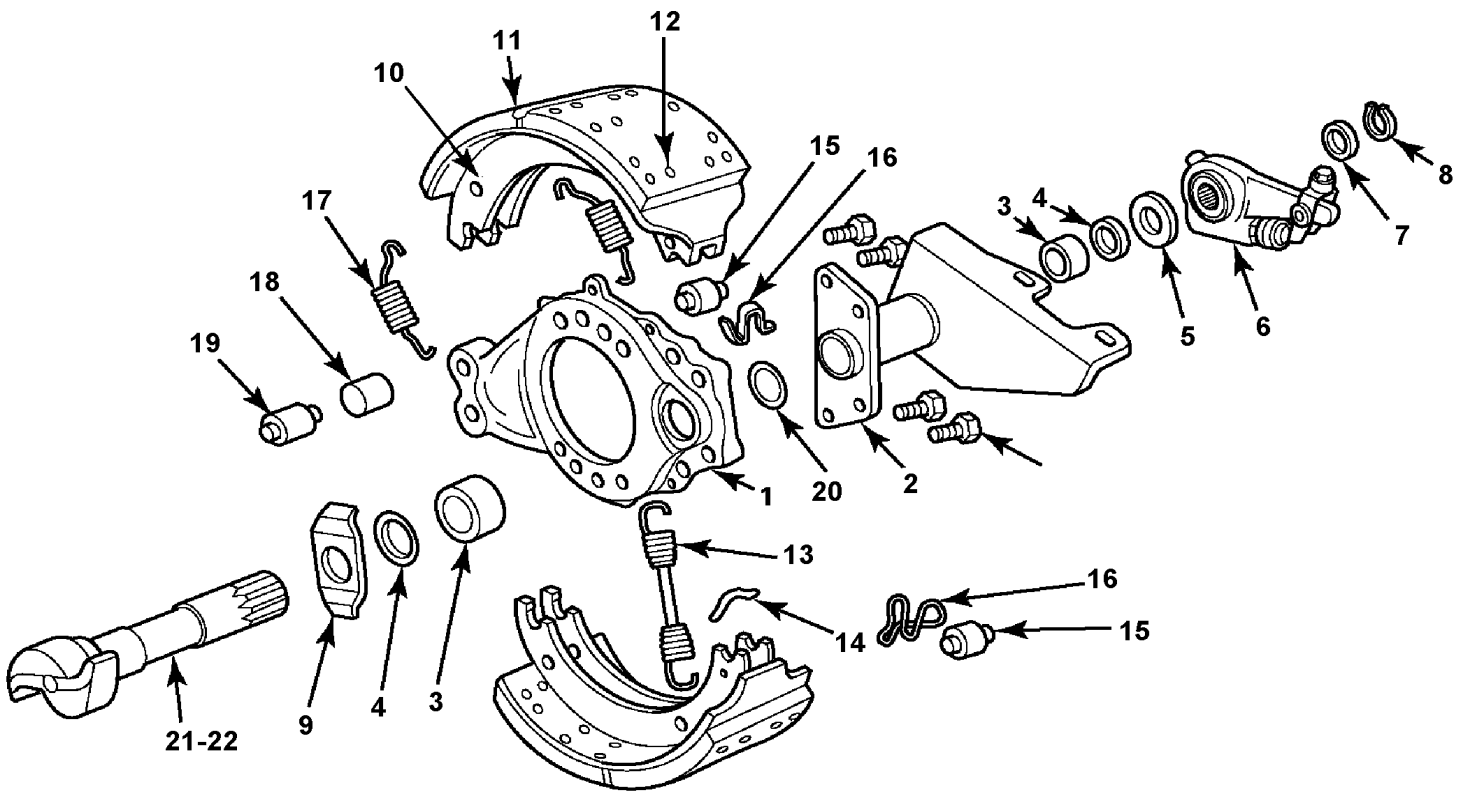
| Item# | Part | Description | H 3 4 0 | V I P 4 0 | N O T E S |
|-------|-------------------|---|------------------|-----------------------|-----------------------|
| | 640915 | BRAKE CHAMBER ASSY / TYPE 24 | 2 | 2 | |
| 1 | 640229 | . DIAPHRAGM / TYPE 24 | 1 | 1 | |
| 2 | 640231 | . SPRING, COMP. | 1 | 1 | |
| 3 | 641255 | . PUSH ROD TYPE 24 | 1 | 1 | |
| 4 | N.S.S. | . RING FLYWHEEL | 1 | 1 | 1 |
| 5 | 500730 | NUT HEX JAM THN 5/8-18x3/8 ZP | 1 | 1 | |
| 6 | H4-1230-00 | SLACK ADJUSTER AUTOMATIC - "ROCKWELL" | | | |
| 7 | H4-1230-00 | . SLACK ADJUSTER AUTOMATIC - "ROCKWELL" | | | |
| 8 | H4-1230-00 | . SLACK ADJUSTER AUTOMATIC - "ROCKWELL" | | | |
| 9 | N.S.S. | RING FLYWHEEL | 1 | 1 | 1 |
| 10 | 501842 | ADAPTER / AIR BRAKE HOSE FITTING / 3/4-20-Mx3/8NPT-M STL | 1 | 1 | A |
| 11 | 141527 | HOSE BRAKE #8 781MM | 1 | 1 | |
| 11 | 503435 | . HOSE / AIR BRAKE #8 / S.L. | AR | AR | |
| 11 | 507563 | . MALE CONNECTOR / AIR BRAKE HOSE FITTING / #8x1/2NPT-M W/SPRING BR | 1 | 1 | |
| 11 | 501843 | . FEMALE CONNECTOR SWIVEL / AIR BRAKE HOSE / #8USFFx#8 STL | 1 | 1 | |
| | | | | | |
| | | | | | |
| | | A) (HOSE BRAKE) | | | |
| | | 1) NOT SOLD SEPARATELY | | | |

From L-031 To R-079

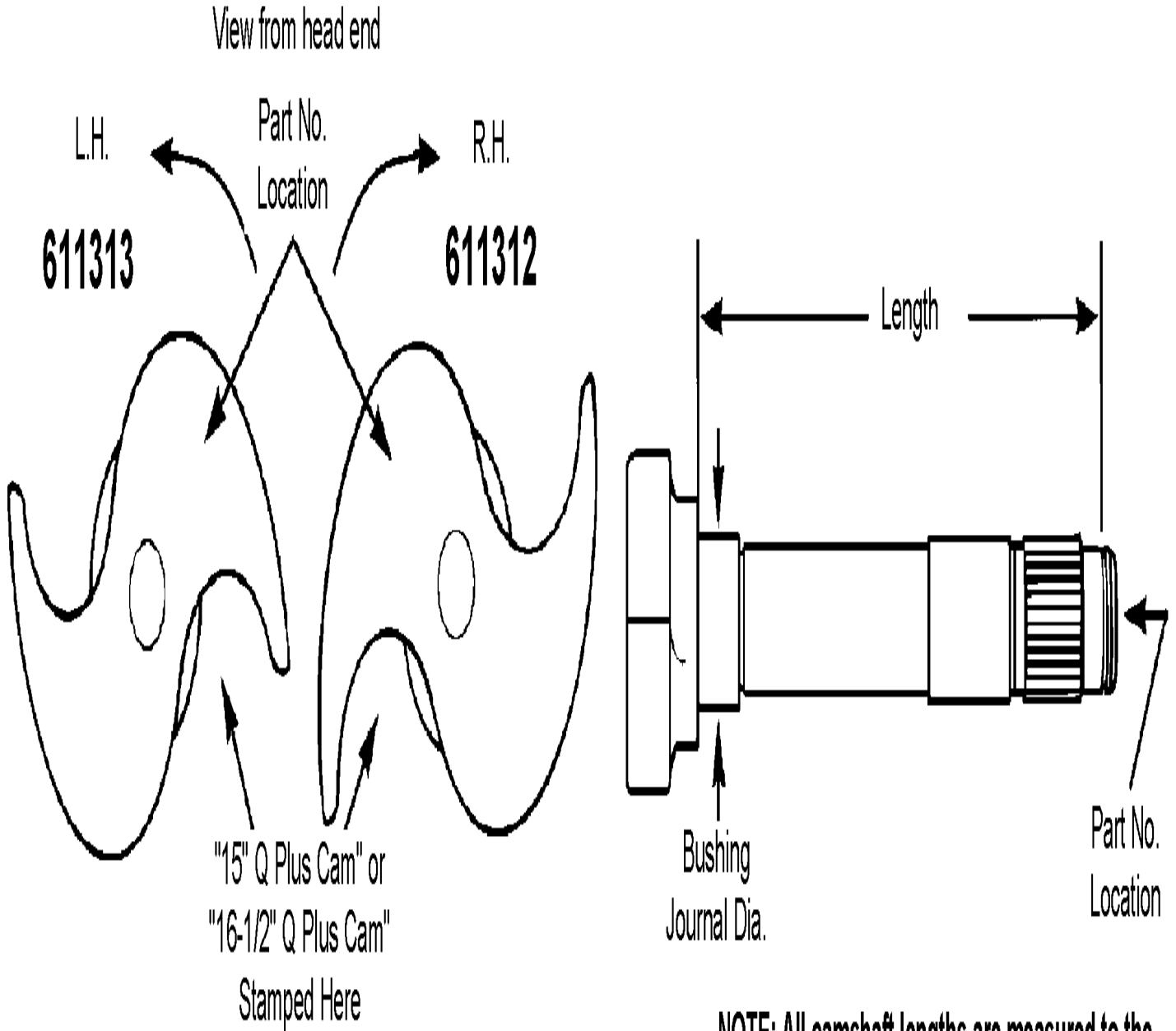
Date:10/2022

PAGE:H4-1225-99

BRAKE PARTS - FRONT AXLE - RETROKIT MODEL 16 1/2 I.D. (RETROFIT)



| | | |
|--|--------------|-----------------|
| From L-031 To R-079 | Date:10/2022 | PAGE:H4-1225-99 |
| BRAKE PARTS - FRONT AXLE - RETROKIT MODEL 16 1/2 I.D. (RETROFIT) | | |



NOTE: LH and RH indicates only the direction of cam rotation;
NOT which side of the vehicle the cam is used on.
(LH = Counterclockwise) (RH = Clockwise)

NOTE: All camshaft lengths are measured to the
beginning of the snap ring groove.

From L-031 To R-079 Date:10/2022 PAGE:H4-1225-99

BRAKE PARTS - FRONT AXLE - RETROKIT MODEL 16 1/2 I.D. (RETROFIT)

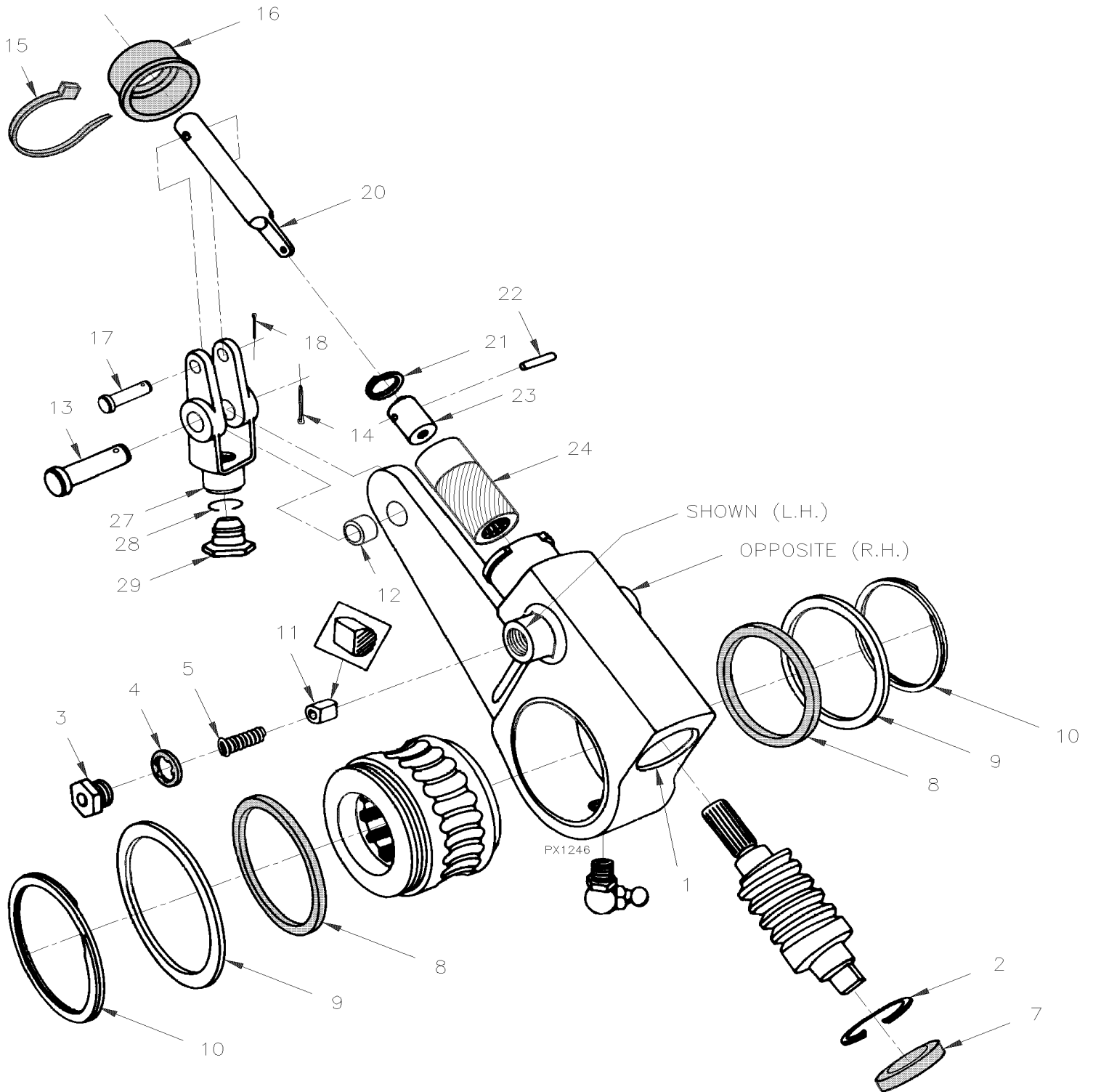
| Item# | Part | Description | H 3 4 0 | V I P 4 0 | N O T E S |
|-------|---------|---|------------------|-----------------------|-----------------------|
| | | IT IS POSSIBLE TO USED SAME INSTALLATION | | | |
| | | ON TAG AXLE | | | |
| | 611336 | BRAKE ASSY | 1 | 1 | A |
| . NS | M103-01 | . SEE MAINTENANCE INFORMATION | 1 | 1 | A |
| 1 | N.P.N. | . CAST SPIDER | 1 | 1 | 4 |
| 2 | 611315 | . BRACKET CAMSHAFT & CHAMBER R.H. | 1 | 1 | |
| 2 | 611316 | . BRACKET CAMSHAFT & CHAMBER L.H. | 1 | 1 | |
| 3 | 611298 | . BUSHING CAM / NYLON | 2 | 2 | |
| 4 | 621115 | . SEAL / CAMSHAFT | 2 | 2 | |
| 5 | 621133 | . WASHER 1 17/32" I.D. X 2 3/8" O.D. X .032 TH | AR | AR | |
| 6 | 641271 | . SLACK ADJUSTER 5.5 X 1"1/2-28 | 2 | 2 | |
| 6 | 641266 | SLACK ADJUSTER L.H. & R.H. AXLE, W/DISC BRA | AR | AR | |
| 6 | 641267 | ANCHOR BRACKET L.H. & R.H. / W/DISC BRAKE | AR | AR | |
| 7 | 611317 | . WASHER FL 1.250x1.875x.093 | 2 | 2 | |
| 8 | 610833 | . SNAP RING CAM SHAFT & ANCHOR PIN | 1 | 1 | |
| 9 | 611318 | . WASHER FL 1.250x1.875x.03 | 2 | 2 | |
| 10 | 611281 | . SHOES 16 1/2" X 6" | 2 | 2 | |
| 11 | 641753 | . LINING SET NON ASBESTOS (8 PCES) STD | 1 | 1 | |
| 11 | 641762 | . LINING SET NON ASBESTOS (8 PCES) X OVERSIZE | 1 | 1 | |
| 11 | 641756 | . LINING SET NON ASBESTOS (8 PCES) XX OVERSIZ | 1 | 1 | |
| 12 | 642065 | . SCREW FH SLOT BR 1/4-20X1 W/NUT & LOCK | AR | AR | |
| 13 | 610298 | . SPRING EXTENSION / 1.125 O.D. x 8.000 | 1 | 1 | |
| 14 | 610139 | . PIN, BRAKE RETURN SPRING | 2 | 2 | |
| 15 | 611286 | . ROLLER | 2 | 2 | |
| 16 | 611285 | . RETAINER ROLLER | 2 | 2 | |
| 17 | 611282 | . SPRING SHORT | 2 | 2 | |
| 18 | 611299 | . BUSHING ANCHOR | 2 | 2 | |
| 19 | 611293 | . ROLLER ANCHOR PIN | 2 | 2 | |
| 20 | 611314 | . O-RING | 1 | 1 | |
| 21 | 611312 | . CAMSHAFT R.H. | 1 | 1 | |
| 22 | 611313 | . CAMSHAFT L.H. | 1 | 1 | |
| 100 | 611324 | KIT, SPRING & ROLLER | AR | AR | B |
| | | | | | |
| | | | | | |
| | | A) THIS KIT USE ONLY WITH AXLE 2FG-952 MODIFIED WITH DRUM | | | |
| | | B) KIT INCLUDE ITEMS #13 To 19 | | | |
| | | 4) NO PARTS NUMBER | | | |

From L-031 To R-079

Date:10/2022

PAGE:H4-1230-00

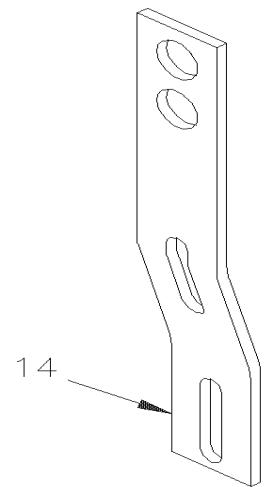
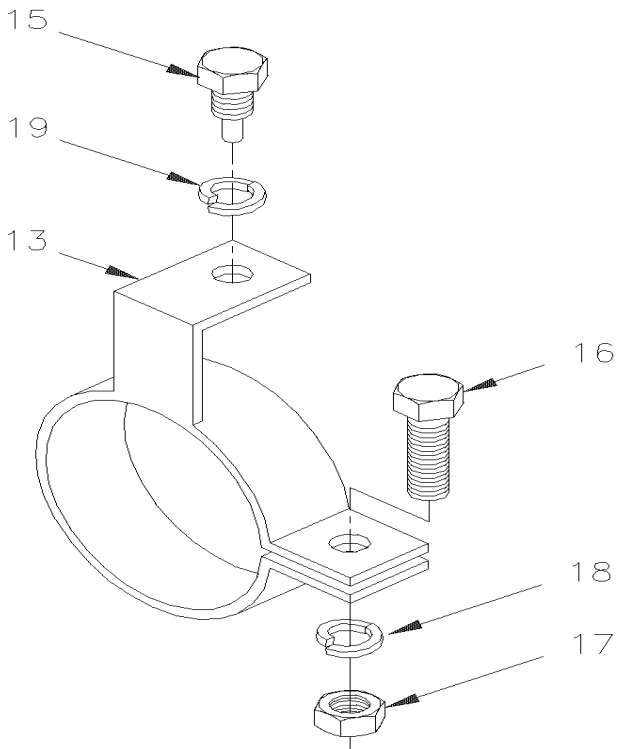
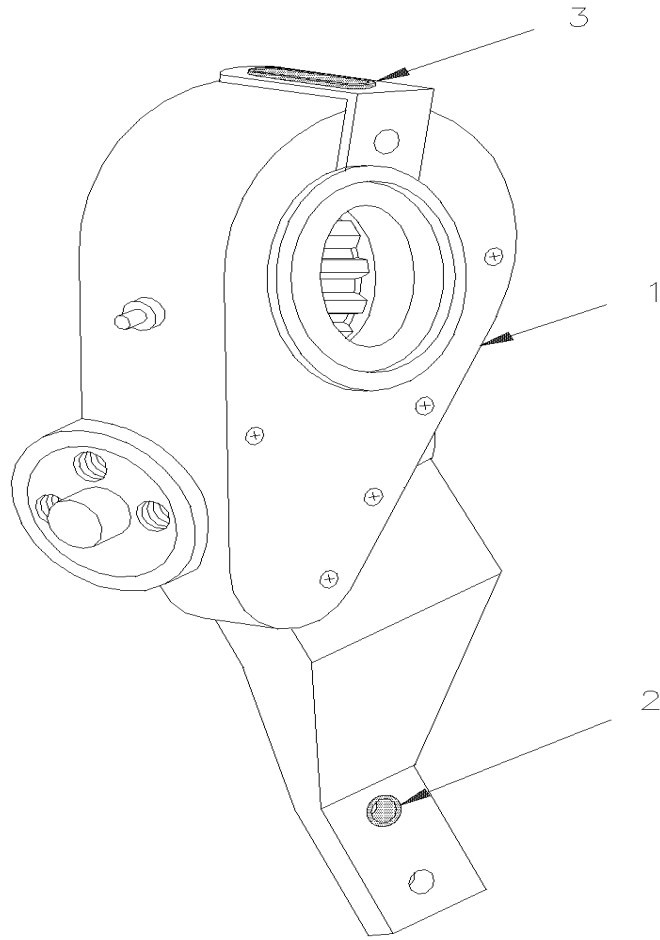
SLACK ADJUSTER AUTOMATIC - "ROCKWELL"



| | | |
|--|--------------|-----------------|
| From L-031 To R-079 | Date:10/2022 | PAGE:H4-1230-00 |
| SLACK ADJUSTER AUTOMATIC - "ROCKWELL" | | |

| Item# | Part | Description | H 3 4 0 | V I P 4 0 | N O T E S |
|-------|--------|--|------------------|-----------------------|-----------------------|
| 1 | 641272 | SLACK ADJUSTER LH 7 X 1"1/2-10 | 1 | 1 | |
| 1 | 641273 | SLACK ADJUSTER RH 7 X 1"1/2-10 | 1 | 1 | |
| 1 | 610880 | SLACK ADJUSTER R.H. 5.5 X 1"1/2-28 | 1 | 1 | |
| 1 | 610881 | SLACK ADJUSTER L.H. 5.5 X 1"1/2-28 | 1 | 1 | |
| 1 | 641314 | SLACK ADJUSTER 5.5 X 1"1/2-28 | 1 | 1 | |
| 1 | 641271 | SLACK ADJUSTER 5.5 X 1"1/2-28 | AR | AR | |
| 2 | 610879 | . RING, RETAINING | 1 | 1 | |
| 3 | 610878 | . SCREW, PRESSURE RELIEF | 1 | 1 | |
| 4 | 610877 | . GASKET | 1 | 1 | |
| 5 | 610876 | . SPRING COMPRESSION / .332 TO .230 O.D. x .740 x .0 | 1 | 1 | |
| 7 | N.S.S. | . SEAL, OIL | 1 | 1 | 1 |
| 8 | N.S.S. | . SEAL | 2 | 2 | 1 |
| 9 | N.S.S. | . WASHER, THRUST | 2 | 2 | 1 |
| 10 | N.S.S. | . RING, RETAINING | 2 | 2 | 1 |
| 11 | 642054 | . PAWL, GUIDE | 1 | 1 | |
| 12 | 641215 | . BUSHING 5/8" O.D. X 1/2" I.D. | 1 | 1 | |
| 13 | 610930 | . PIN, CLEVIS 1/2 x 1 1/2 | 1 | 1 | |
| 14 | N.S.S. | . PIN, COTTER | 1 | 1 | 1 |
| 15 | 504273 | . CABLE TIE / 1/8" X 3"1/2 | 1 | 1 | |
| 16 | 610887 | . BOOT | 1 | 1 | |
| 17 | 610929 | . PIN, CLEVIS 1/4 x 1.119 | 1 | 1 | |
| 18 | N.S.S. | . PIN, COTTER | 1 | 1 | 1 |
| 20 | N.S.S. | . ROD, ACTUATOR | 1 | 1 | 1 |
| 21 | N.S.S. | . RING, RETAINING | 1 | 1 | 1 |
| 22 | N.S.S. | . ROLLER | 1 | 1 | 1 |
| 23 | N.S.S. | . PISTON, ACTUATOR | 1 | 1 | 1 |
| 24 | N.S.S. | . ACTUATOR | 1 | 1 | 1 |
| 27 | 610872 | . YOKE, CLEVIS 5/8-18 | 1 | 1 | |
| 28 | N.S.S. | RING RETENING / (2214-Z-260) | 1 | 1 | 1 |
| 29 | 621521 | COLLAR 5/8-18 | 1 | 1 | |
| 29 | N.S.S. | COLLAR 1/2-20 / (2207-L-12) | 1 | 1 | 1 |
| NS | 610874 | REPAIR KIT | 1 | 1 | A |
| NS | 610873 | REPAIR KIT | 1 | 1 | B |
| | | | | | |
| | | | | | |
| | | A) INCLUDE ITEMS 20,21,22,23 & 24 | | | |
| | | B) INCLUDE ITEM 7,8,9,10,13,15,16,17 & 18 | | | |
| | | 1) NOT SOLD SEPARATELY | | | |

| | | |
|--|--------------|-----------------|
| From L-031 To R-079 | Date:10/2022 | PAGE:H4-1230-01 |
| SLACK ADJUSTER AUTOMATIC - "HALDEX" | | |



| | | |
|--|--------------|-----------------|
| From L-031 To R-079 | Date:10/2022 | PAGE:H4-1230-01 |
| SLACK ADJUSTER AUTOMATIC - "HALDEX" | | |

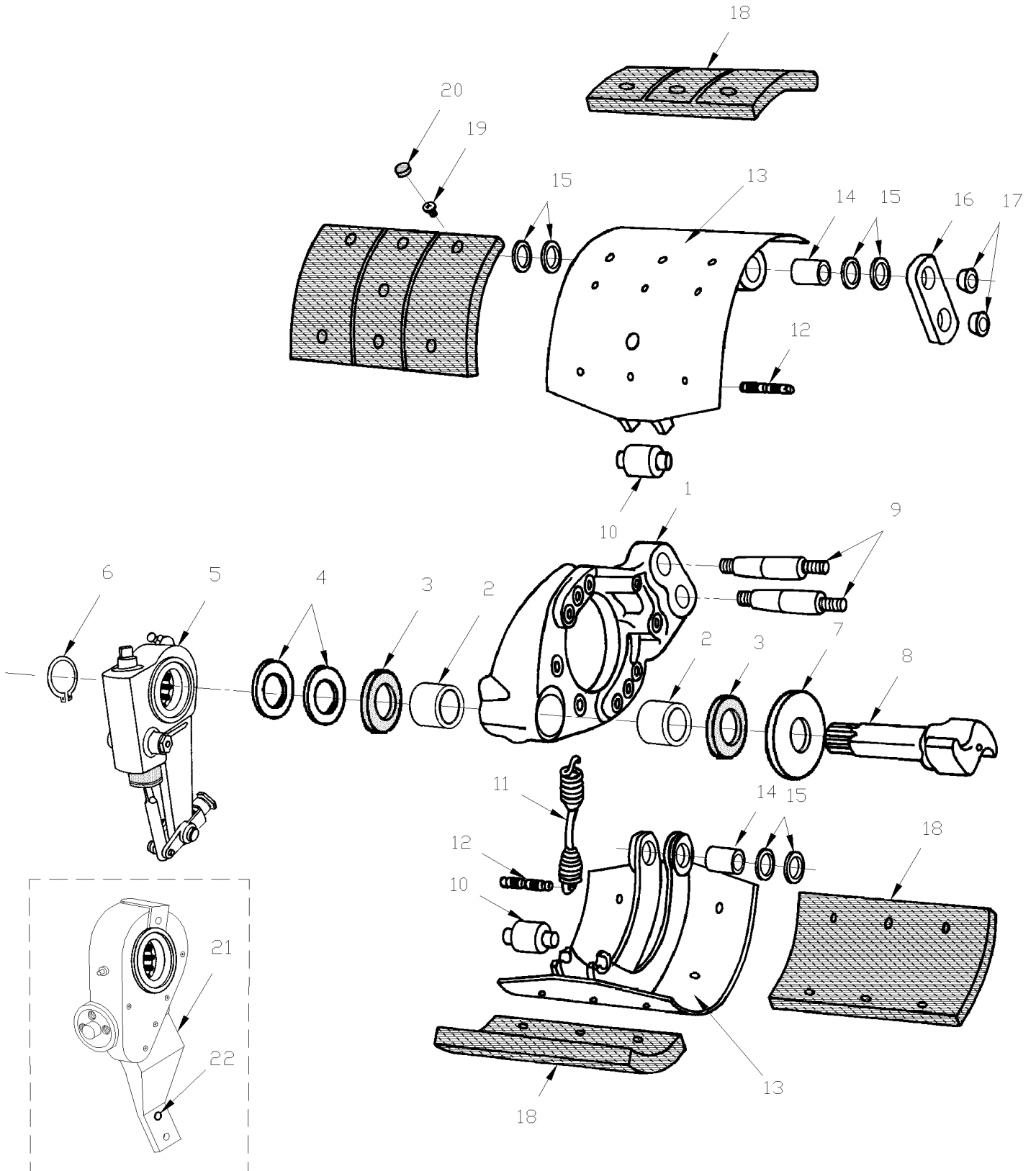
| Item# | Part | Description | H 3 4 0 | V I P 4 0 | N O T E S |
|-------|--------|--|------------------|-----------------------|-----------------------|
| 1 | 621523 | SLACK ADJUSTER L.H. & R.H. W/REAR AXLE 61143 | 1 | 1 | A |
| 1 | 641532 | SLACK ADJUSTER L.H. & R.H. W/REAR AXLE 61143 (SERVICE) | 1 | 1 | A |
| 1 | 641266 | SLACK ADJUSTER L.H. & R.H. AXLE, W/DISC BRA | 1 | 1 | B |
| 2 | 641215 | . BUSHING 5/8" O.D. X 1/2" I.D. | 1 | 1 | |
| 3 | 641334 | . RING / BLACK PLASTIC (W/DISC BRAKE MODEL) | 1 | 1 | |
| 13 | 621524 | ANCHOR BRACKET R.H. / W/REAR AXLE MODEL 61143 | 1 | 1 | A |
| 13 | 621525 | ANCHOR BRACKET L.H. / W/REAR AXLE MODEL 61143 | 1 | 1 | A |
| 14 | 641267 | ANCHOR BRACKET L.H. & R.H. / W/DISC BRAKE | 1 | 1 | B |
| 15 | 640986 | SCREW SPECIAL /TO USE WITH ALL SLACK ADJUST | 1 | 1 | A |
| 16 | 500048 | SCREW CAP HEX 3/8-24x1 1/4 G5 ZP | 1 | 1 | |
| 17 | 500705 | NUT HEX 3/8-24 ZP | 1 | 1 | |
| 18 | 500478 | WASHER LO SPT .380x.683x.094 Z050 | 1 | 1 | |
| 19 | 500480 | WASHER LO SPT .443x.779x.109 Z050 | 1 | 1 | |
| | | | | | |
| | | | | | |
| | | A) WITH DRIVE AXLE | | | |
| | | B) WITH FRONT & TAG AXLE | | | |

From L-031 To R-079

Date:10/2022

PAGE:H4-1235-01

BRAKE PARTS - DRIVE AXLE "MERITOR" W/DRUMS



| | | |
|---|--------------|-----------------|
| From L-031 To R-079 | Date:10/2022 | PAGE:H4-1235-01 |
| BRAKE PARTS - DRIVE AXLE "MERITOR" W/DRUMS | | |

| Item# | Part | Description | H 3 4 0 | V I P 4 0 | N O T E S |
|-------|-------------------|--|------------------|-----------------------|-----------------------|
| 1 | 621412 | SPIDER L.H. / W/BUSHING | 1 | 1 | |
| 1 | 621413 | SPIDER R.H. / W/BUSHING | 1 | 1 | |
| 2 | 610699 | . BUSHING 1 1/2" ID X 1 7/8" OD X 1 1/4" | 2 | 2 | |
| NS | 621107 | SCREW CAP HEX 5/8-11x2 G8 ZP | 8 | 8 | |
| NS | 621057 | WASHER / SPIDER TO AXLE | 16 | 16 | |
| NS | 621731 | WASHER FL .91x1.62x.250 | 16 | 16 | |
| NS | 500725 | NUT HEX STO 5/8-18 Z050 | 16 | 16 | |
| 3 | 610179 | SEAL / CAMSHAFT | 2 | 2 | |
| 4 | 621133 | WASHER 1 17/32" I.D. X 2 3/8" O.D. X .032 TH | 2 | 2 | |
| NS | 610778 | WASHER 1 15/32" I.D. X 2 1/4" O.D. X 1/16" TH | 4 | 4 | |
| 5 | H4-1230-00 | SLACK ADJUSTER AUTOMATIC - "ROCKWELL" | | | |
| NS | 621497 | SLACK ADJUSTER L.H. & R.H. / MANUAL ROCKWELL | 2 | 2 | |
| NS | 621514 | YOKE 5/8-18x1 3/8 C/Lx9/16Wx1/2 | AR | AR | |
| NS | 621515 | PIN, CLEVIS 1/2 x 1.630 | AR | AR | |
| 6 | 610771 | RING RETAINER / EXT 1.375 I.D. x .108" th | 2 | 2 | |
| 7 | 621405 | WASHER CAMHEAD 1 1/2" I.D. | 1 | 1 | |
| 8 | 621406 | CAMSHAFT L.H. | 1 | 1 | |
| 8 | 621407 | CAMSHAFT R.H. | 1 | 1 | |
| 9 | 620853 | PIN ANCHOR | 2 | 2 | |
| NS | 500733 | NUT HEX 3/4-16 Z050 | 2 | 2 | |
| NS | 500737 | NUT HEX 7/8-14 ZP | 2 | 2 | |
| 10 | 620903 | ROLLER / STD | 2 | 2 | |
| 10 | 621512 | ROLLER 1/8" O.S. | AR | AR | |
| 10 | 621513 | ROLLER 1/4" O.S. | AR | AR | |
| 11 | 620875 | SPRING EXTENSION / 1.250 O.D. x 8.500 | 1 | 1 | |
| 12 | 620904 | PIN, RETURN SPRING 27/64 O.D. x 2-5/32" | 1 | 1 | |
| 13 | 620486 | SHOE ASSY 10" WIDE / 14.5" O.D. | 2 | 2 | |
| 14 | 610702 | . BUSHING ANCHOR PIN / 1 1/4" I.D. x 1 1/2" O | 1 | 1 | |
| 15 | 620908 | WASHER / .063 TH | AR | AR | |
| 15 | 620909 | WASHER / .031 TH | AR | AR | |
| 15 | 620910 | WASHER / .094 TH | AR | AR | |
| 15 | 620911 | WASHER / .125 TH | AR | AR | |
| 15 | 620912 | WASHER | AR | AR | |
| 16 | 620851 | STRAP | 1 | 1 | |
| 17 | 620852 | DOWEL 3/4 I.D. | 2 | 2 | |
| 18 | 641086 | LINING SET NON ASBESTOS (8 PCES) STD | 1 | 1 | |
| 18 | 641087 | LINING SET NON ASBESTOS (8 PCES) X OVERSIZE | AR | AR | |
| 18 | 641225 | LINING SET NON ASBESTOS (8 PCES) XX OVERSIZE | AR | AR | |
| 18 | 641226 | LINING SET NON ASBESTOS (8 PCES) XXX OVERSIZE | AR | AR | |
| 19 | 641208 | SCREW MA FL SLT W/NUT & LOCK (100) 3/8-16x1 BR | AR | AR | |
| 19 | 9097 | SCREW MA FL SLT W/NUT & LOCK (100) 3/8-24x1 BR | AR | AR | |
| 20 | 640617 | PLUG, LINING BOLT HOLE | 48 | 48 | |

| | | |
|---|--------------|-----------------|
| From L-031 To R-079 | Date:10/2022 | PAGE:H4-1235-01 |
| BRAKE PARTS - DRIVE AXLE "MERITOR" W/DRUMS | | |

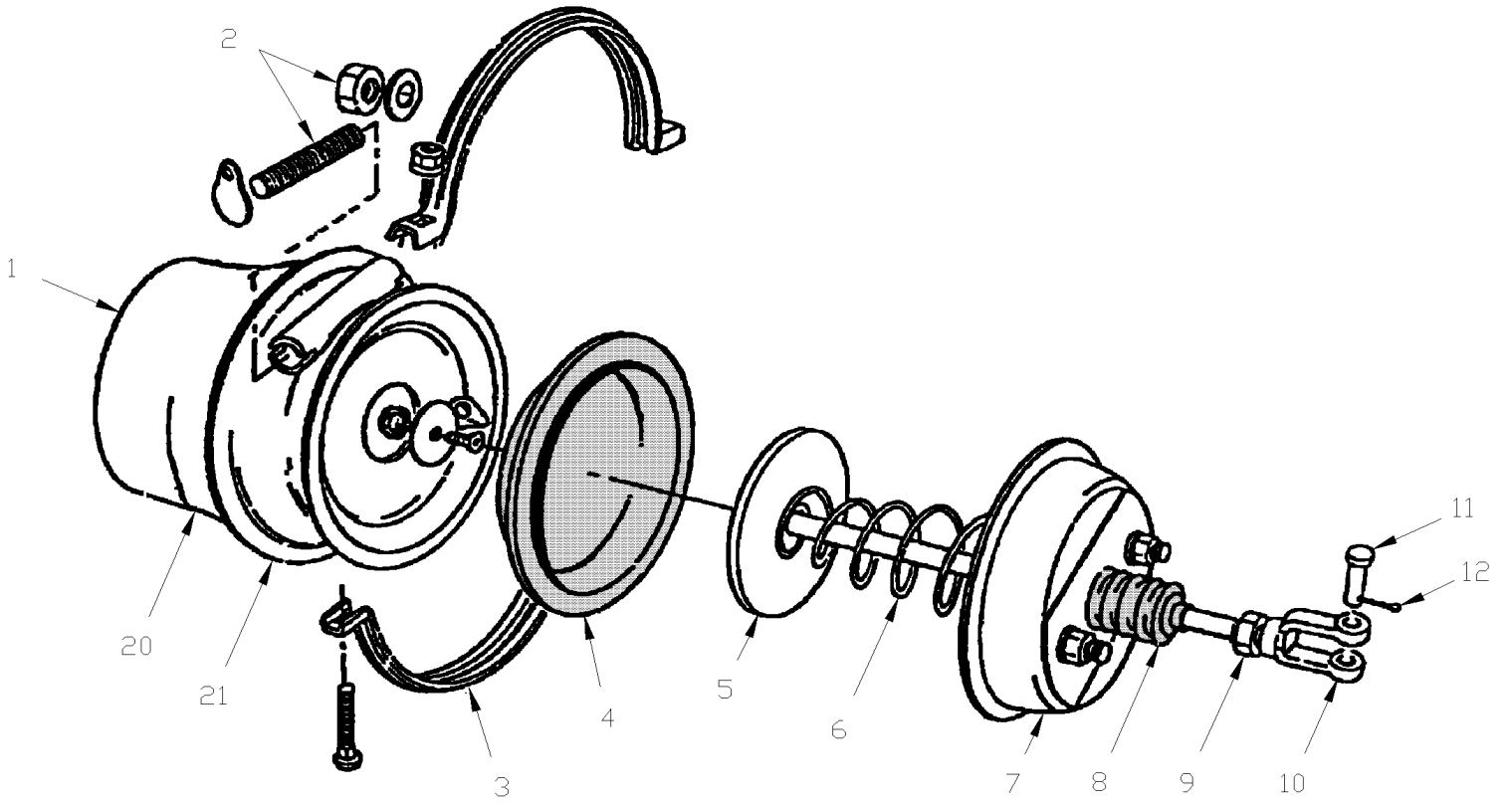
| Item# | Part | Description | H 3 4 0 | V I P 4 0 | N O T E S |
|-------|--------|--|------------------|-----------------------|-----------------------|
| 21 | 621523 | SLACK ADJUSTER L.H. & R.H. W/REAR AXLE 61143 | AR | AR | |
| 21 | 641532 | SLACK ADJUSTER L.H. & R.H. W/REAR AXLE 61143 (SERVICE) | AR | AR | |
| 22 | 641215 | . BUSHING 5/8" O.D. X 1/2" I.D. | 1 | 1 | |
| 23 | 621524 | ANCHOR BRACKET R.H. / W/REAR AXLE MODEL 61143 | 1 | 1 | |
| 23 | 621525 | ANCHOR BRACKET L.H. / W/REAR AXLE MODEL 61143 | 1 | 1 | |
| 24 | 500195 | . SCREW CAP HEX 3/8-16x2 1/2 G5 Z050 | 1 | 1 | |
| 25 | 500496 | . WASHER FL .437x.750x.054 Z050 | 2 | 2 | |
| 26 | 500783 | . NUT HEX 3/8-16 Z050 | 1 | 1 | |
| 27 | 640986 | . SCREW SPECIAL /TO USE WITH ALL SLACK ADJUST | 1 | 1 | |
| | | | | | |
| | | | | | |
| | | | | | |

From L-031 To R-079

Date:10/2022

PAGE:H4-1235-10

BRAKE CHAMBER - DRIVE AXLE "ANCHOR LOCK"



| | | |
|---|--------------|-----------------|
| From L-031 To R-079 | Date:10/2022 | PAGE:H4-1235-10 |
| BRAKE CHAMBER - DRIVE AXLE "ANCHOR LOCK" | | |

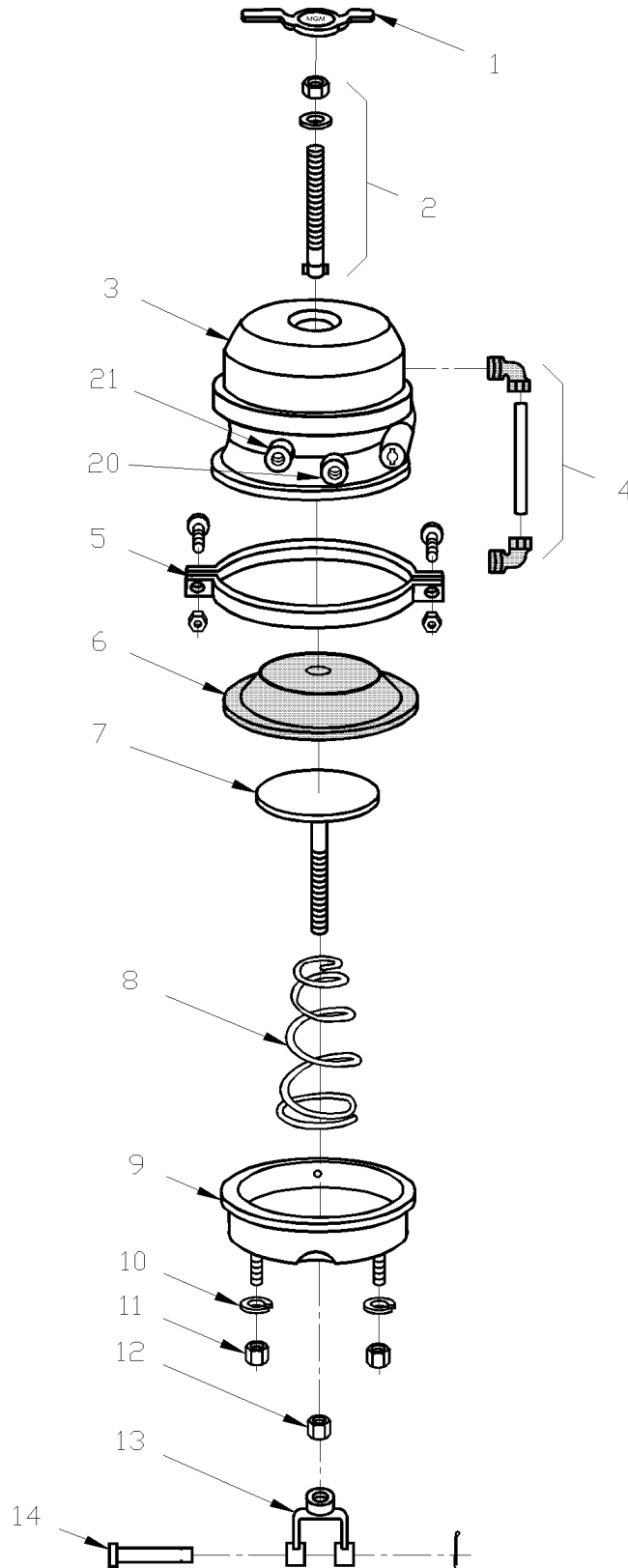
| Item# | Part | Description | H 3 4 0 | V I P 4 0 | N O T E S |
|-------|--------|--|------------------|-----------------------|-----------------------|
| | 641181 | SPRING BRAKE ASSY 30/36 2.5" STROKE | 2 | 2 | |
| 1 | 641290 | . PIGKY BACK UNIT / TYPE 30/36 (SEALED) | 1 | 1 | |
| NS | 641073 | . . PLUG / WEEP HOLE (BLACK) | 3 | 3 | |
| NS | 641291 | . . PLUG / YELLOW 1 1/4" | 1 | 1 | |
| 2 | 640977 | . STUD, RELEASE W/NUTS & WASHERS | 1 | 1 | |
| 3 | N.S.S. | . CLAMP ASS'Y W/BOLTS & NUT TYPE 30 | 1 | 1 | 1 |
| 4 | 640957 | . DIAPHRAGM / TYPE 30 | 1 | 1 | |
| 5 | 640956 | . ROD, PUSH | 1 | 1 | |
| 6 | 640955 | . SPRING, COMP. | 1 | 1 | |
| 7 | 641268 | . HOUSING ASSY / TYPE 36 | 1 | 1 | |
| 8 | 640954 | . DUST BOOT ASSY | 1 | 1 | |
| 9 | 500723 | . NUT HEX 5/8-18 ZP | 1 | 1 | |
| 10 | 640129 | . YOKE 5/8-18x1 3/8 C/Lx9/16Wx1/2 | 1 | 1 | |
| 10 | 621514 | . YOKE 5/8-18x1 3/8 C/Lx9/16Wx1/2 | 1 | 1 | |
| 11 | 621515 | . PIN, CLEVIS 1/2 x 1.630 | 1 | 1 | |
| | | HOSE SERVICE BRAKE | | | |
| 20 | 641303 | HOSE BRAKE #8 914MM (36") | 2 | 2 | |
| NS | 501842 | ADAPTER / AIR BRAKE HOSE FITTING / 3/4-20-Mx3/8NPT-M STL | 1 | 1 | A |
| NS | 501330 | STREET ELBOW 45° / PIPE FITTING / 3/8NPT-Mx3/8NPT-F BR | 1 | 1 | |
| | | HOSE EMERGENCY BRAKE | | | |
| 21 | 503488 | TUBE, NYLON 1/2 O.D. / BLACK S.L./ | AR | AR | B |
| NS | 641010 | MALE ELBOW 45° / NTA FITTING / #8x3/8NPT-M BR | 1 | 1 | |
| NS | 141804 | HOSE BRAKE #8 895MM | 1 | 1 | |
| | | A) (HOSE BRAKE) | | | |
| | | B) BLACK S.L. | | | |
| | | 1) NOT SOLD SEPARATELY | | | |

From L-031 To R-079

Date:10/2022

PAGE:H4-1235-11

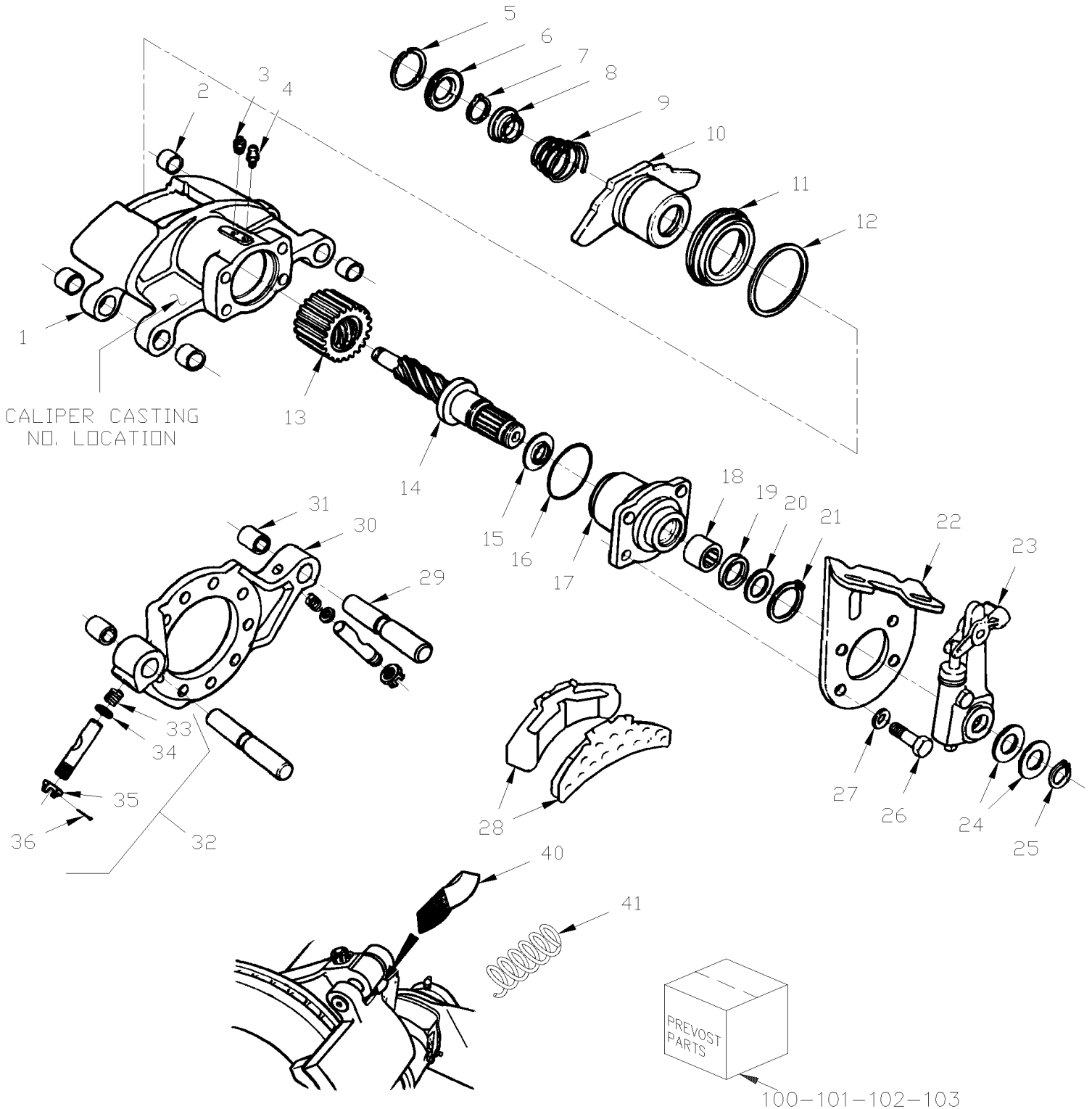
BRAKE CHAMBER - DRIVE AXLE "M.G.M." / SERVICE



| | | |
|--|--------------|-----------------|
| From L-031 To R-079 | Date:10/2022 | PAGE:H4-1235-11 |
| BRAKE CHAMBER - DRIVE AXLE "M.G.M." / SERVICE | | |

| Item# | Part | Description | H 3 4 0 | V I P 4 0 | N O T E S |
|-------|--------|--|------------------|-----------------------|-----------------------|
| | 641364 | SPRING BRAKE ASSY 30/36 2.50" STROKE | 2 | 2 | |
| 1 | 641408 | . WEATHER SEAL PLUG | 1 | 1 | |
| 1 | 641434 | . O-RING | 1 | 1 | |
| 2 | 641407 | . KIT RELEASE BOLT | 1 | 1 | |
| 3 | 641500 | . PIGGY BACK UNIT / TYPE 30/36 | 1 | 1 | |
| 4 | 641406 | . KIT BREATHER TUBE | 1 | 1 | |
| 5 | 640958 | . CLAMP TYPE 30 W/BOLT & NUT | 1 | 1 | |
| 6 | 640957 | . DIAPHRAGM / TYPE 30 | 1 | 1 | |
| 7 | 641409 | . PUSH ROD KIT | 1 | 1 | |
| 8 | 640955 | . SPRING, COMP. | 1 | 1 | |
| 9 | N.S.S. | . NP - CHAMBER ASSY | 1 | 1 | 1 |
| 10 | 500484 | . WASHER LO SPT .635x1.079x.156 Z050 | 2 | 2 | |
| 11 | 500723 | NUT HEX 5/8-18 ZP | 2 | 2 | |
| 12 | 500730 | NUT HEX JAM THN 5/8-18x3/8 ZP | 1 | 1 | |
| 12 | 621514 | YOKE 5/8-18x1 3/8 C/Lx9/16Wx1/2 | 1 | 1 | |
| 12 | 621515 | PIN, CLEVIS 1/2 x 1.630 | 1 | 1 | |
| | | HOSE SERVICE BRAKE | | | |
| 20 | 641303 | HOSE BRAKE #8 914MM (36") | 2 | 2 | |
| NS | 501842 | ADAPTER / AIR BRAKE HOSE FITTING / 3/4-20-Mx3/8NPT-M STL | 1 | 1 | |
| NS | 501330 | STREET ELBOW 45° / PIPE FITTING / 3/8NPT-Mx3/8NPT-F BR | 1 | 1 | |
| | | HOSE EMERGENCY BRAKE | | | |
| 21 | 503488 | TUBE, NYLON 1/2 O.D. / BLACK S.L./ | AR | AR | |
| NS | 141804 | HOSE BRAKE #8 895MM | 1 | 1 | |
| NS | 641010 | MALE ELBOW 45° / NTA FITTING / #8x3/8NPT-M BR | 1 | 1 | |
| | | 1) NOT SOLD SEPARATELY | | | |

| | | |
|---|--------------|-----------------|
| From L-031 To R-079 | Date:10/2022 | PAGE:H4-1245-01 |
| BRAKE PARTS - TAG AXLE - W/"MERITOR" ABD 1560 | | |



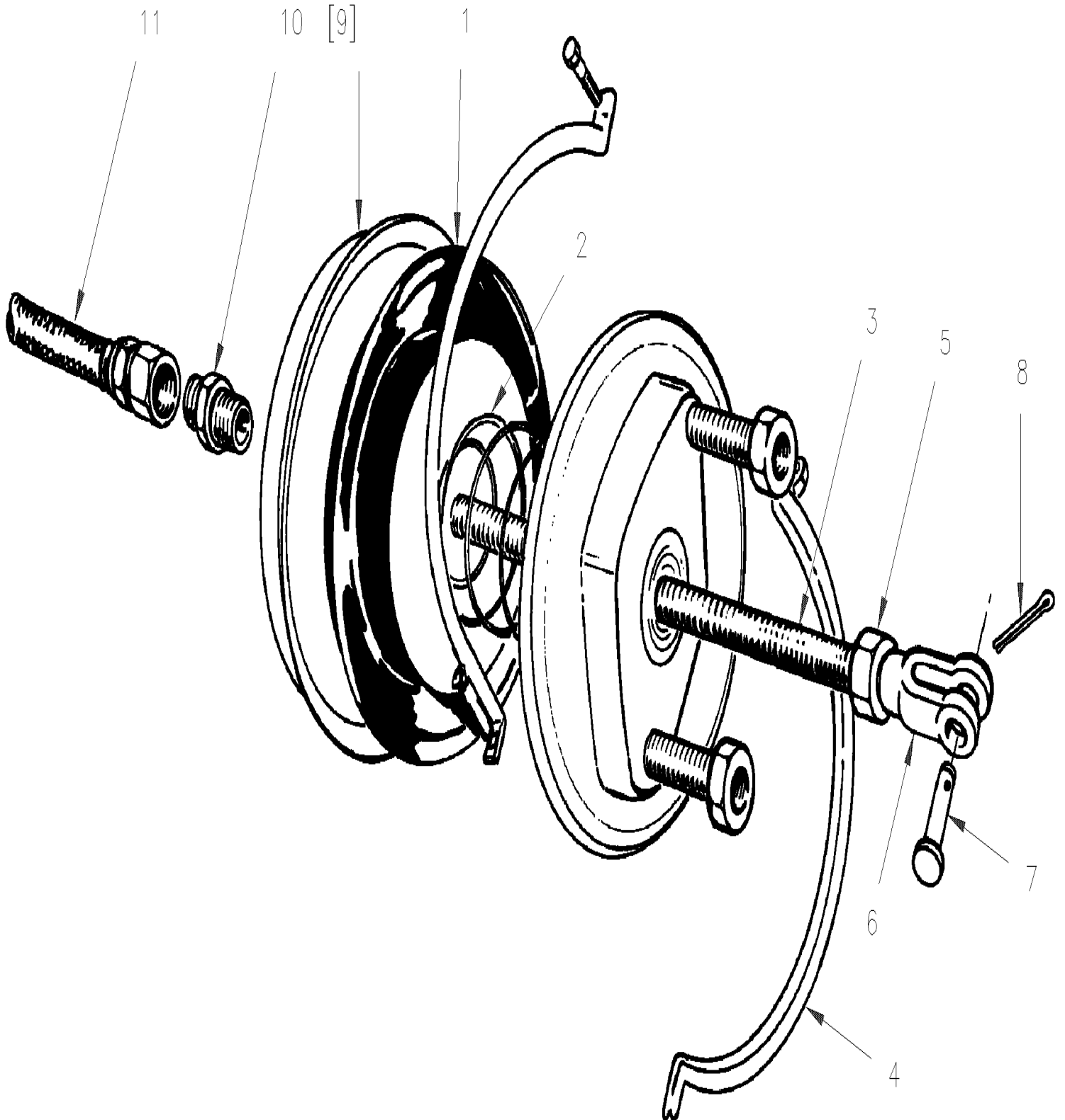
| | | |
|--|--------------|-----------------|
| From L-031 To R-079 | Date:10/2022 | PAGE:H4-1245-01 |
| BRAKE PARTS - TAG AXLE - W/"MERITOR" ABD 1560 | | |

| Item# | Part | Description | H 3 4 0 | V I P 4 0 | N O T E S |
|-------|-------------------|--|------------------|-----------------------|-----------------------|
| | 610907 | CALIPER ASSY / L.H. To P-332 | 1 | 1 | |
| | 610974 | CALIPER ASSY / L.H. From P-333 | 1 | 1 | A |
| | 610906 | CALIPER ASSY / R.H. To P-332 | 1 | 1 | |
| | 610975 | CALIPER ASSY / R.H. From P-333 | 1 | 1 | A |
| 1 | 621599 | CALIPER / W/SLIDING BUSHING ONLY | 1 | 1 | |
| 2 | 610806 | BUSHING / (SET OF 4) | 4 | 4 | |
| 3 | 610808 | FITTING, PRESSURE RELIEF / 5 PSI | 1 | 1 | |
| 4 | 501493 | GREASE FITTING 45° / 1/8 NPT | 1 | 1 | |
| 5 | 621363 | RING, SNAP | 1 | 1 | |
| 6 | 610816 | SEAL / PISTON END | 1 | 1 | |
| 7 | 610830 | RING, RETAINING | 1 | 1 | |
| 8 | 610831 | BUSHING, INNER | 1 | 1 | |
| 9 | 610813 | SPRING COMPRESSION / 2.470 O.D. x 4.5 x .148 | 1 | 1 | |
| 10 | 621351 | PISTON | 1 | 1 | |
| 11 | 621352 | BOOT | 1 | 1 | |
| 12 | 621353 | SEAL | 1 | 1 | |
| 13 | 610818 | NUT, ACTUATOR / R.H. THREAD | 1 | 1 | |
| 14 | 610819 | SHAFT, POWER / L.H. THREAD | 1 | 1 | |
| 14 | 610820 | SHAFT, POWER / R.H. THREAD | 1 | 1 | |
| 14 | 680500 | GREASE MERITOR / 400GR | 1 | 1 | A |
| 15 | 610821 | WASHER, POWER SHAFT THRUST | 1 | 1 | |
| 16 | 610822 | O-RING | 1 | 1 | A |
| 17 | 610823 | CAP / POWER SHAFT | 1 | 1 | |
| 18 | N.S.S. | BUSHING | AR | AR | 1 |
| 19 | 621115 | SEAL / CAMSHAFT | 1 | 1 | |
| 20 | 610826 | WASHER | 1 | 1 | |
| 21 | 610376 | RING, SNAP | 1 | 1 | |
| 22 | 610828 | BRACKET / L.H. / BRAKE CHAMBER To P-332 | 1 | 1 | |
| 22 | 610977 | BRACKET / L.H. / BRAKE CHAMBER From P-333 | 1 | 1 | |
| 22 | 610829 | BRACKET / R.H. / BRAKE CHAMBER To P-332 | 1 | 1 | |
| 22 | 610976 | BRACKET / R.H. / BRAKE CHAMBER From P-333 | 1 | 1 | |
| 23 | H4-1230-00 | SLACK ADJUSTER AUTOMATIC - "ROCKWELL" | | | |
| 23 | H4-1230-01 | SLACK ADJUSTER AUTOMATIC - "HALDEX" | | | |
| 24 | 610832 | WASHER | AR | AR | |
| 25 | 610833 | SNAP RING CAM SHAFT & ANCHOR PIN | 1 | 1 | |
| 26 | 610812 | SCREW, HEX. | 4 | 4 | |
| 27 | 610811 | WASHER | 4 | 4 | |
| 28 | 621371 | KIT, LINING | 1 | 1 | |
| 28 | 621855 | KIT, LINING (set of 2) | 1 | 1 | |
| 28 | 641363 | KIT, LINING | AR | AR | D |
| 29 | 621466 | PIN SLIDING / W/GROOVE 3/32" | 2 | 2 | |
| 29 | 621467 | O-RING / 47/64" I.D. | 2 | 2 | |

| | | |
|--|--------------|-----------------|
| From L-031 To R-079 | Date:10/2022 | PAGE:H4-1245-01 |
| BRAKE PARTS - TAG AXLE - W/"MERITOR" ABD 1560 | | |

| Item# | Part | Description | H 3 4 0 | V I P 4 0 | N O T E S |
|-------|---------------|---|------------------|-----------------------|-----------------------|
| 30 | 610917 | PLATE TORQUE / R.H. | 1 | 1 | |
| 30 | 611093 | PLATE TORQUE / R.H. | 1 | 1 | |
| 30 | 610918 | PLATE TORQUE / L.H. | 1 | 1 | |
| 30 | 611094 | PLATE TORQUE / L.H. | 1 | 1 | |
| 31 | 610837 | BUSHING SLIDING PIN | 2 | 2 | |
| 32 | 610838 | KIT, RETAINER PIN / (SET OF 2) | 1 | 1 | |
| 33 | N.S.S. | SPRING | 2 | 2 | 1 |
| 34 | N.S.S. | WASHER | 2 | 2 | 1 |
| 35 | N.S.S. | NUT | 2 | 2 | 1 |
| 36 | N.S.S. | PIN, COTTER | 2 | 2 | 1 |
| 40 | 141568 | SPACER RUBBER / NOISELESS / CALIPER & TORQUE PLATE | AR | AR | |
| 41 | 621546 | SPRING, COMP. / 1.275 TO 1.675 O.D. x 1.890 x (SET OF 2) | AR | AR | |
| 100 | 610924 | KIT MINOR REPAIR | AR | AR | B |
| 101 | 610925 | KIT MAJOR REPAIR / L.H. | AR | AR | C |
| 102 | 610926 | KIT MAJOR REPAIR / R.H. | AR | AR | C |
| 103 | 611100 | KIT SLIDING PIN / W/O-RING | AR | AR | E |
| 103 | 611169 | KIT SLIDING PIN / W/O O-RING | AR | AR | |
| 103 | 682928 | INNER BUSHING DRIVE / W/ROCKWELL | AR | AR | |
| 103 | 682929 | OUTER BUSHING DRIVER / W/ROCKWELL | AR | AR | |
| 103 | 682394 | PLUG CALIBRATOR | AR | AR | |
| . NS | MAINT-ADB1560 | . SEE MAINTENANCE MANUAL | 1 | 1 | |
| 103 | 682396 | BEARING & NUT ASSEMBLY / W/ROCKWELL | AR | AR | |
| . NS | MAINT-ADB1560 | . SEE MAINTENANCE MANUAL | 1 | 1 | |
| 103 | 682399 | SPRING RETAINER ADAPTER / W/ROCKWELL / J-33860 | AR | AR | |
| . NS | MAINT-ADB1560 | . SEE MAINTENANCE MANUAL | 1 | 1 | |
| | | | | | |
| | | | | | |
| | | | | | |
| | | A) ONLY ANGLE OF BRACKET BRAKE CHANGE FROM P-333 | | | |
| | | B) INCLUDE ITEMS 5,6,7,8,11,12,15,16,19,20,21 & 32 | | | |
| | | C) INCLUDE ITEMS 5,6,7,8,11,12,13,14,15,16,17,19,20,21 & 32 | | | |
| | | D) FOR TRANSIT W/HIGH FREQUENCY BRAKE APPLICATION / #S2R7017173 | | | |
| | | E) INCLUDE ITEMS 29 & 32 | | | |
| | | 1) NOT SOLD SEPARATELY | | | |

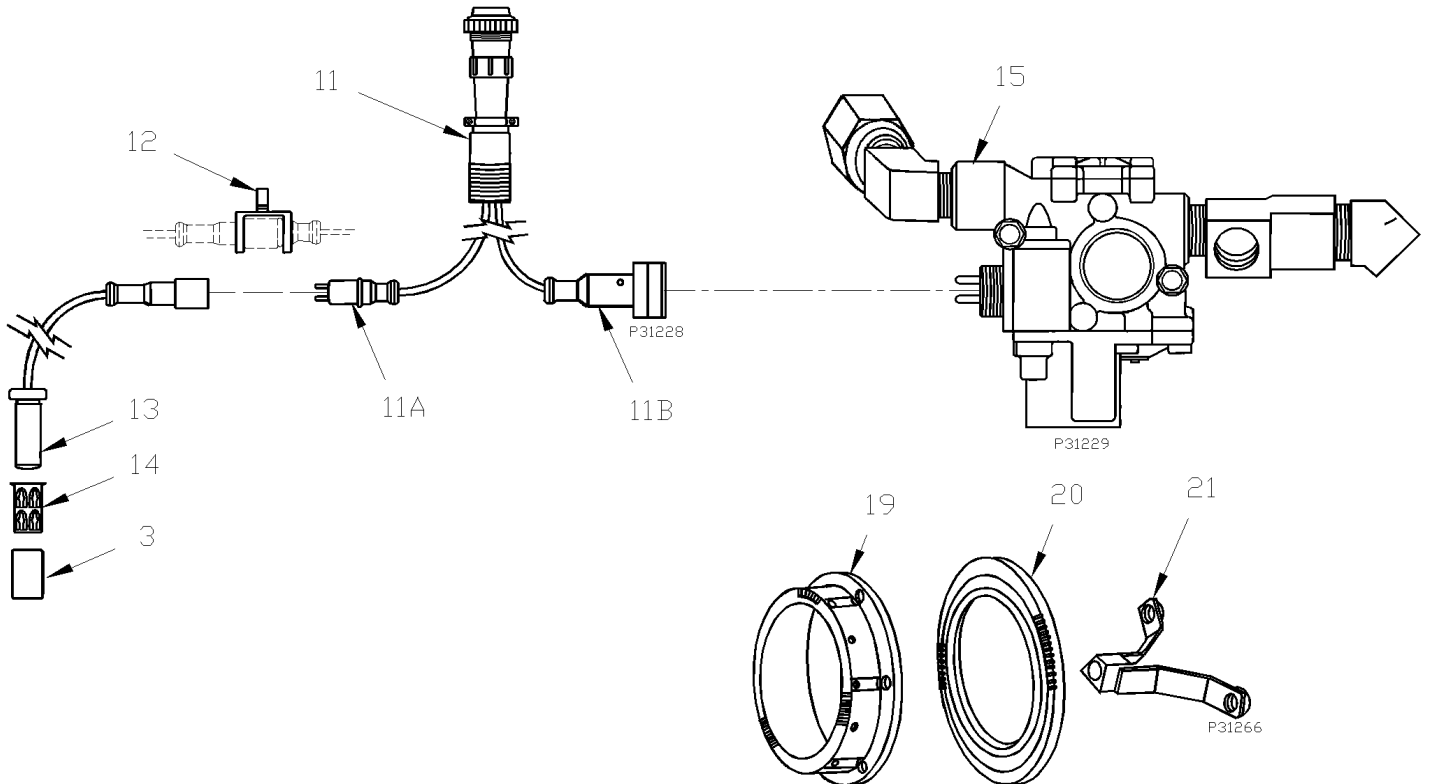
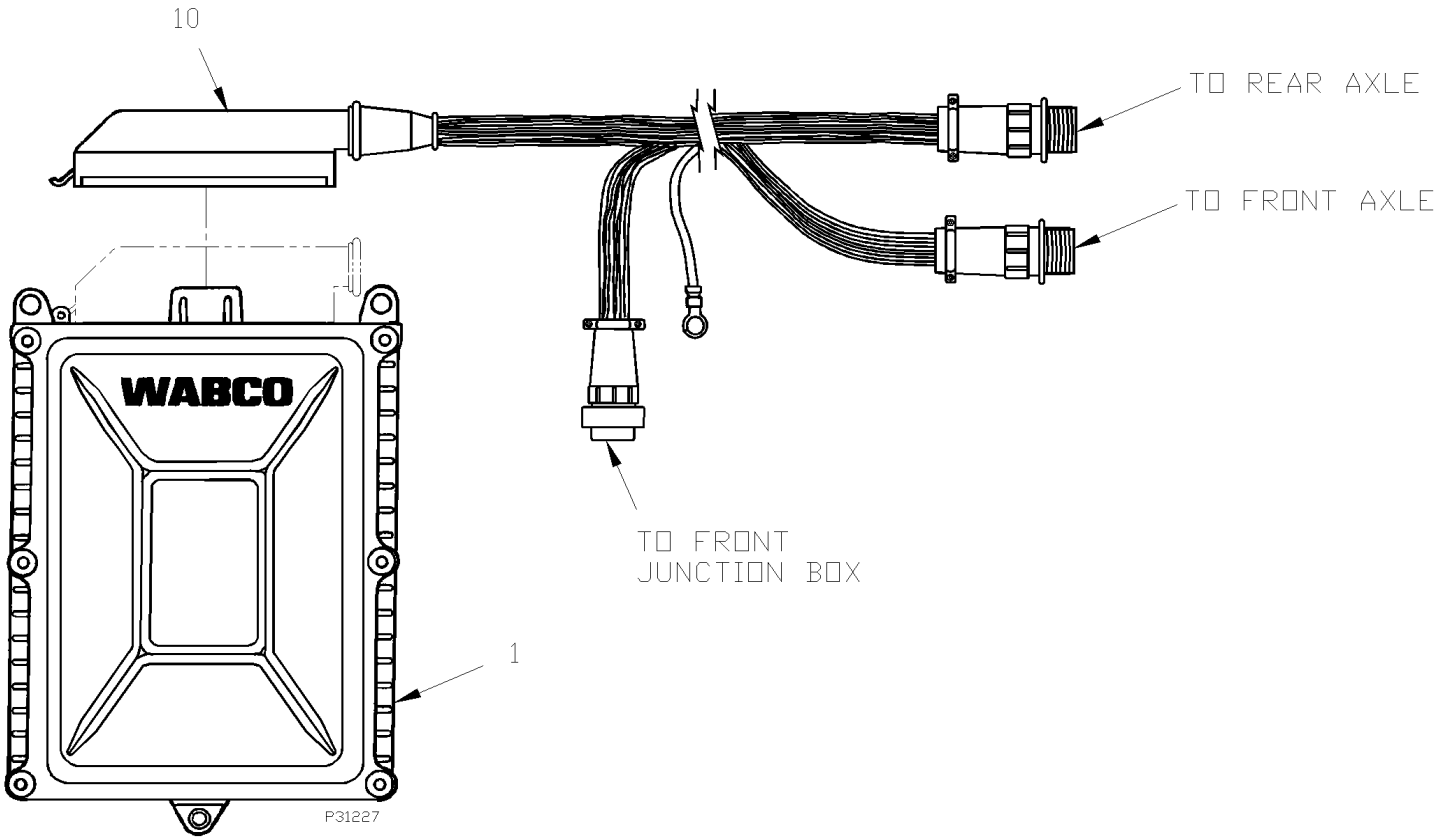
| | | |
|---------------------------------|--------------|-----------------|
| From L-031 To R-079 | Date:10/2022 | PAGE:H4-1245-10 |
| BRAKE CHAMBER - TAG AXLE | | |



| | | |
|---------------------------------|--------------|-----------------|
| From L-031 To R-079 | Date:10/2022 | PAGE:H4-1245-10 |
| BRAKE CHAMBER - TAG AXLE | | |

| Item# | Part | Description | H 3 4 0 | V I P 4 0 | N O T E S |
|-------|-------------------|---|------------------|-----------------------|-----------------------|
| | 641038 | BRAKE CHAMBER ASSY / TYPE 16 / W/4" SHAFT To P-332 | 2 | 2 | |
| | 641193 | BRAKE CHAMBER ASSY / TYPE 16 From P-333 | 2 | 2 | |
| 1 | 641046 | . DIAPHRAGM / TYPE 16 | 1 | 1 | |
| 2 | 641047 | . SPRING COMPRESSION / 2.170 O.D. x 5.85 x .137 | 1 | 1 | |
| 3 | 641044 | . PUSH ROD | 1 | 1 | |
| 4 | 641065 | . CLAMP W/BOLT & NUT / TYPE 16 | 1 | 1 | |
| 5 | 500723 | . NUT HEX 5/8-18 ZP | 1 | 1 | |
| 6 | H4-1230-00 | SLACK ADJUSTER AUTOMATIC - "ROCKWELL" | | | |
| 7 | H4-1230-00 | SLACK ADJUSTER AUTOMATIC - "ROCKWELL" | | | |
| 8 | H4-1230-00 | SLACK ADJUSTER AUTOMATIC - "ROCKWELL" | | | |
| 9 | N.S.S. | COVER / PRESSURE SIDE | 1 | 1 | 1 |
| 10 | 501842 | ADAPTER / AIR BRAKE HOSE FITTING / 3/4-20-Mx3/8NPT-M STL | 1 | 1 | A |
| 11 | 141286 | HOSE BRAKE #8 660MM | 1 | 1 | |
| 11 | 501843 | . FEMALE CONNECTOR SWIVEL / AIR BRAKE HOSE / #8USFFx#8 STL | 1 | 1 | |
| 11 | 503435 | . HOSE / AIR BRAKE #8 / S.L. | AR | AR | |
| 11 | 507563 | . MALE CONNECTOR / AIR BRAKE HOSE FITTING / #8x1/2NPT-M W/SPRING BR | 1 | 1 | |
| | | | | | |
| | | | | | |
| | | | | | |
| | | A) (HOSE BRAKE) | | | |
| | | 1) NOT SOLD SEPARATELY | | | |

| | | |
|--------------------------|--------------|-----------------|
| From L-031 To R-079 | Date:10/2022 | PAGE:H4-1250-00 |
| ANTI-LOCK BRAKING SYSTEM | | |



| | | |
|---------------------|--------------|-----------------|
| From L-031 To R-079 | Date:10/2022 | PAGE:H4-1250-00 |
|---------------------|--------------|-----------------|

ANTI-LOCK BRAKING SYSTEM

| Item# | Part | Description | H 3 4 0 | V I P 4 0 | N O T E S |
|-------|-----------------|---|------------------|-----------------------|-----------------------|
| 1 | 641194 | CONTROL UNIT 24V / ABS 4 CH To R-004 | 1 | 1 | B |
| 1 | 641248 | CONTROL UNIT 24V / ABS 4 CH From R-005 | 1 | 1 | |
| NS | 500609 | NUT HEX M6-1.0 Z050 | 3 | 3 | A |
| NS | 502564 | WASHER LO SPT 6.1x11.8x1.6 Z050 | 3 | 3 | A |
| 3 | 621416 | BUSHING, RUBBER / USE WITH REAR SENSOR | 1 | 1 | |
| 10 | 063537 | CABLE ASSY "ABS" | 1 | 1 | |
| 11 | 062569 | CABLE ASSY / FRONT WHEEL "ABS" | 1 | 1 | |
| 11 | 063739 | CABLE ASSY / REAR WHEEL "ABS" | 1 | 1 | |
| 11 | 641132 | . CONNECTOR / MALE W2 WIRES x 3 METER / WABCO 8945900102 | AR | AR | |
| 11 | 641098 | . CONNECTOR / FEMALE W3 WIRES x 3 METER / WABCO 8946010102 | AR | AR | |
| 12 | 641131 | CONNECTOR / CLAMP TO HOLD 2 CONNECTOR / WABCO 8848304544 | 4 | 4 | |
| 12 | 561115 | CLAMP W/ 3 & 4 / ITT CANNON 029-0262-000 | 4 | 4 | |
| 13 | 641095 | SENSOR ABS (ON FRONT & DRIVE AXLE) | 2 | 2 | |
| 14 | 641096 | CLIP, SPRING / TO FIX SENSOR | 2 | 2 | |
| 15 | 641537 | VALVE, "ABS" 24VOLT | 4 | 4 | B |
| NS | 501528 | STREET ELBOW 45° / PIPE FITTING / 1/2NPT-Mx1/2NPT-F BR | AR | AR | |
| NS | 641089 | MALE ELBOW 45° / NTA FITTING / #8x1/2NPT-M BR | AR | AR | |
| NS | 501473 | MALE RUN TEE / PIPE FITTING / 1/2NPT-Mx1/2NPT-Fx1/2NPT-F BR | AR | AR | |
| 16 | 500188 | SCREW CAP HEX 5/16-18x3 1/2 G5 ZP | AR | AR | |
| 17 | 500476 | WASHER LO SPT .317x.586x.078 Z050 | AR | AR | |
| 18 | 500778 | NUT HEX 5/16-18 N500 | AR | AR | |
| 19 | 621519 | RETAINER / W/ "ABS" | 2 | 2 | |
| 20 | 641101 | TOOTH WHEEL / FRONT AXLE W/DISC "ROCKWELL" | 2 | 2 | |
| 20 | 142503 | TOOTH WHEEL / FRONT AXLE W/DRUM 16 1/2" I.D. From L-031 To RETROFIT | 1 | 1 | |
| 21 | 621518 | BRACKET / ABS SENSOR | 1 | 1 | |
| NS | 562279 | TOOL / BOX CONNECTOR 54 PINS | 1 | 1 | |
| | | | | | |
| | | FOLLOWING ITEMS ARE RELATED WITH INSTALLATION | | | |
| | | OF SWITCH USED W/641248 CONTROL UNIT | | | |
| | | | | | |
| 21 | 381584 | KIT REPLACEMENT ABS CONTROL UNIT | 1 | | |
| NS | IS-93070 | . SEE INSTRUCTION SHEET | 1 | | |
| 21 | 063890 | . DECAL / ANTILOCK BRAKE SYSTEM | 1 | 1 | |
| 21 | 381495 | . SUPPORT / TO FIX TELL TALE & SWITCH | 1 | 1 | |
| 21 | 391672 | . INSERT / RED / "ABS" | 1 | 1 | |
| 21 | 560330 | . SWITCH / ON-OFF-ON / D.P.D.T. | 1 | 1 | |
| 21 | 562113 | . TELLTALE ASSY / 24V SHORT | 1 | 1 | |
| 22 | Call order desk | . WIRE ASSY | 1 | 1 | P |
| | | | | | |
| | | | | | |
| | | | | | |
| | | A) TO FIX UNIT | | | |

| | | |
|---------------------|--------------|-----------------|
| From L-031 To R-079 | Date:10/2022 | PAGE:H4-1250-00 |
|---------------------|--------------|-----------------|

ANTI-LOCK BRAKING SYSTEM

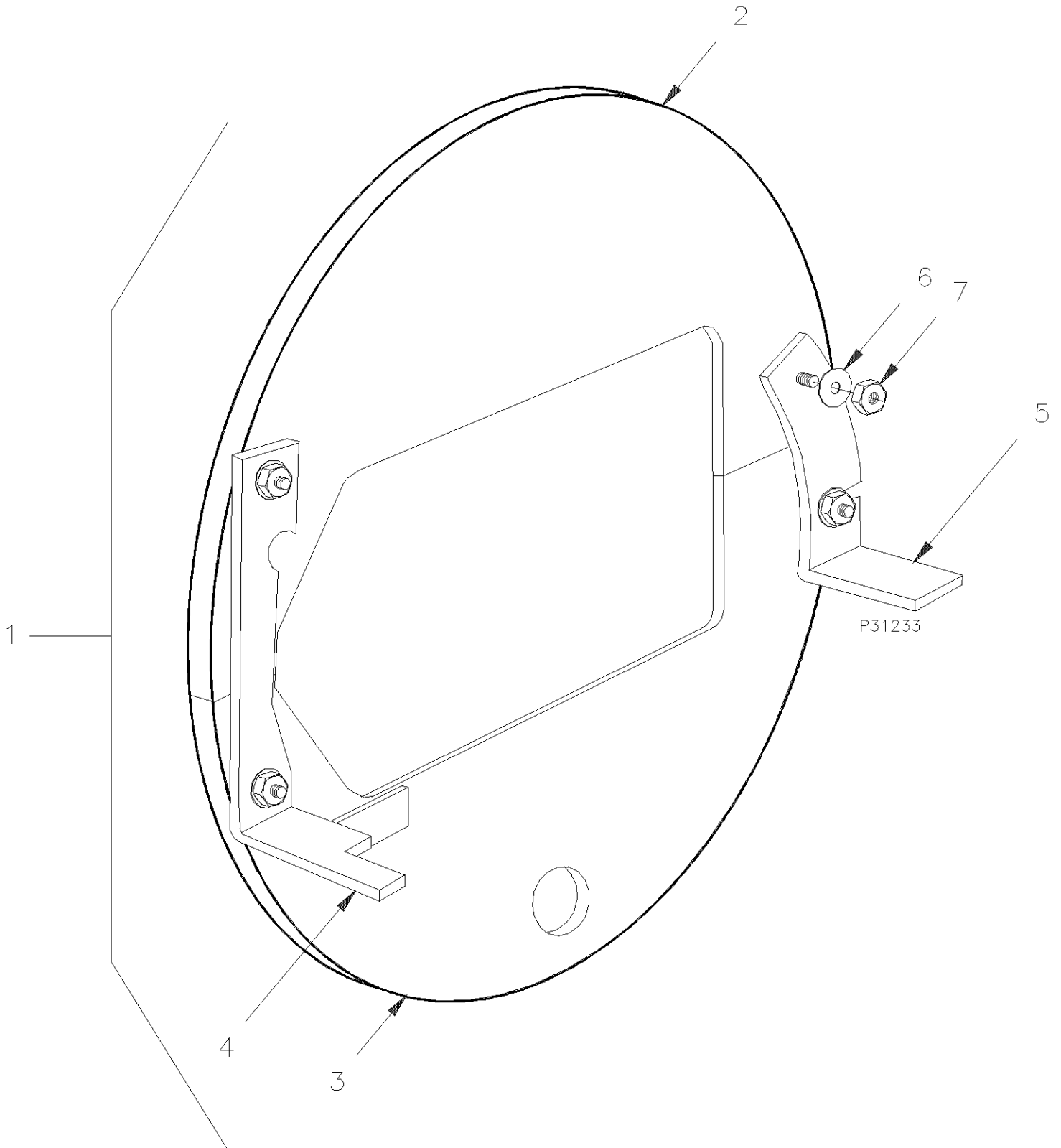
| Item# | Part | Description | H 3 4 0 | V I P 4 0 | N O T E S |
|-------|------|---|------------------|-----------------------|-----------------------|
| | | B) THIS UNIT ARE OBSOLETE USE KIT #381584 FOR REPLACEMENT | | | |
| | | P) CALL ORDER DESK FOR SPECIFIC APPLICATION (V.I.N.) | | | |

From L-031 To R-079

Date:10/2022

PAGE:H4-1255-00

DUST SHIELD - W/BRAKE DRUM



| | | |
|-----------------------------------|--------------|-----------------|
| From L-031 To R-079 | Date:10/2022 | PAGE:H4-1255-00 |
| DUST SHIELD - W/BRAKE DRUM | | |

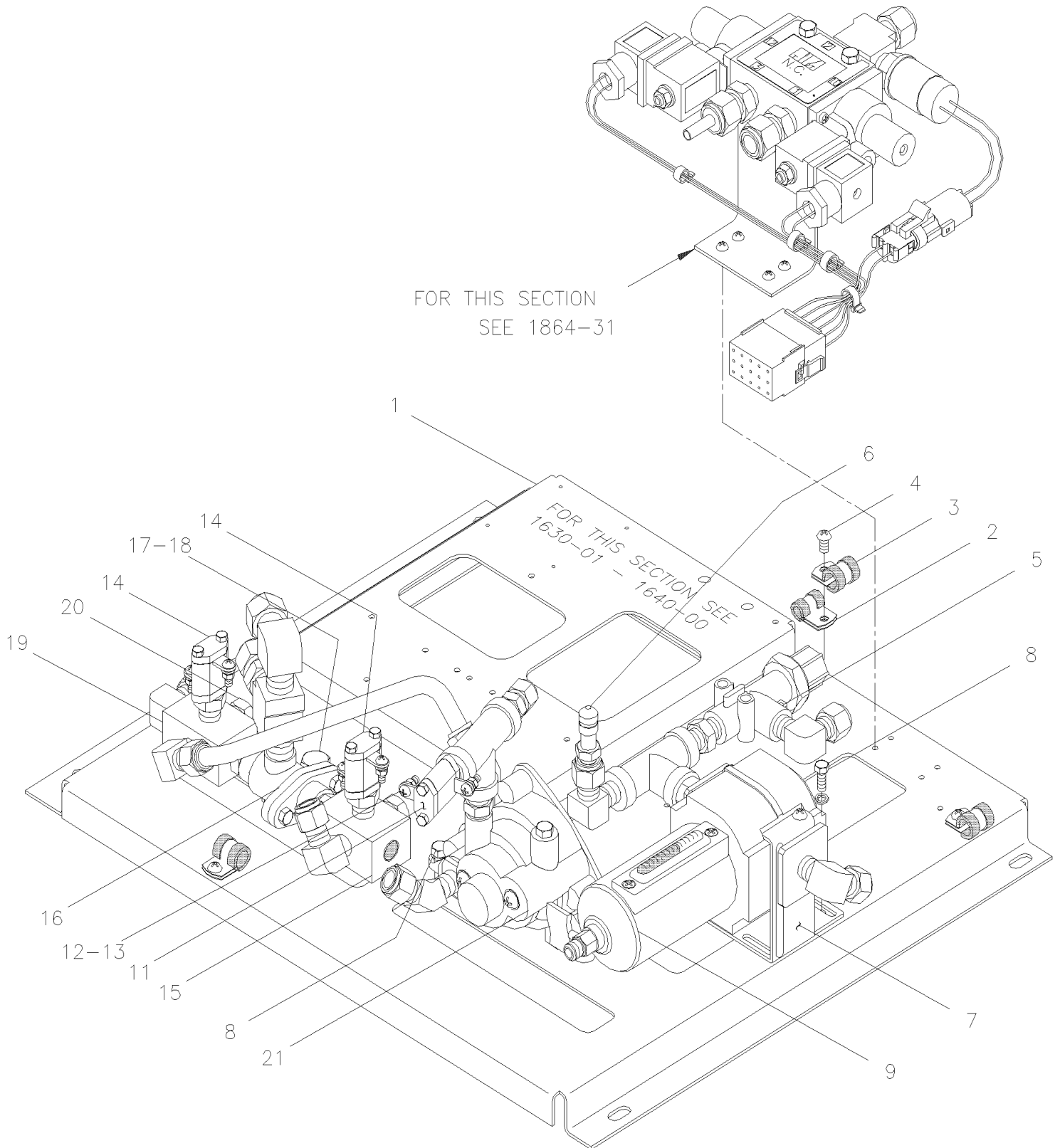
| Item# | Part | Description | H 3 4 0 | V I P 4 0 | N O T E S |
|-------|--------|--|------------------|-----------------------|-----------------------|
| 1 | 120606 | DUST SHIELD ASSY R.H. / DRIVE AXLE | 1 | 1 | |
| 1 | 120605 | DUST SHIELD ASSY L.H. / DRIVE AXLE | 1 | 1 | |
| 2 | 120608 | . SECTION UPPER / R.H. | 1 | 1 | |
| 2 | 120607 | . SECTION UPPER / L.H. | 1 | 1 | |
| 3 | 120610 | . SECTION LOWER / R.H. | 1 | 1 | |
| 3 | 120609 | . SECTION LOWER / L.H. | 1 | 1 | |
| 4 | 120618 | . ANCHOR REAR / R.H. (WELDED ON BEAM) | 1 | 1 | |
| 4 | 120617 | . ANCHOR REAR / L.H. (WELDED ON BEAM) | 1 | 1 | |
| NS | 500441 | WASHER FL .312x.734x.065 Z050 | 4 | 4 | A |
| NS | 500777 | NUT HEX STO 5/16-18 Z050 | 4 | 4 | A |
| 5 | 120620 | . ANCHOR FRONT / R.H. (WELDED ON BEAM) | 1 | 1 | |
| 5 | 120619 | . ANCHOR FRONT / L.H. (WELDED ON BEAM) | 1 | 1 | |
| | | | | | |
| | | | | | |
| | | | | | |
| | | A) TO FIX DUST SHIELD | | | |

From L-031 To R-079

Date:10/2022

PAGE:H4-1260-00

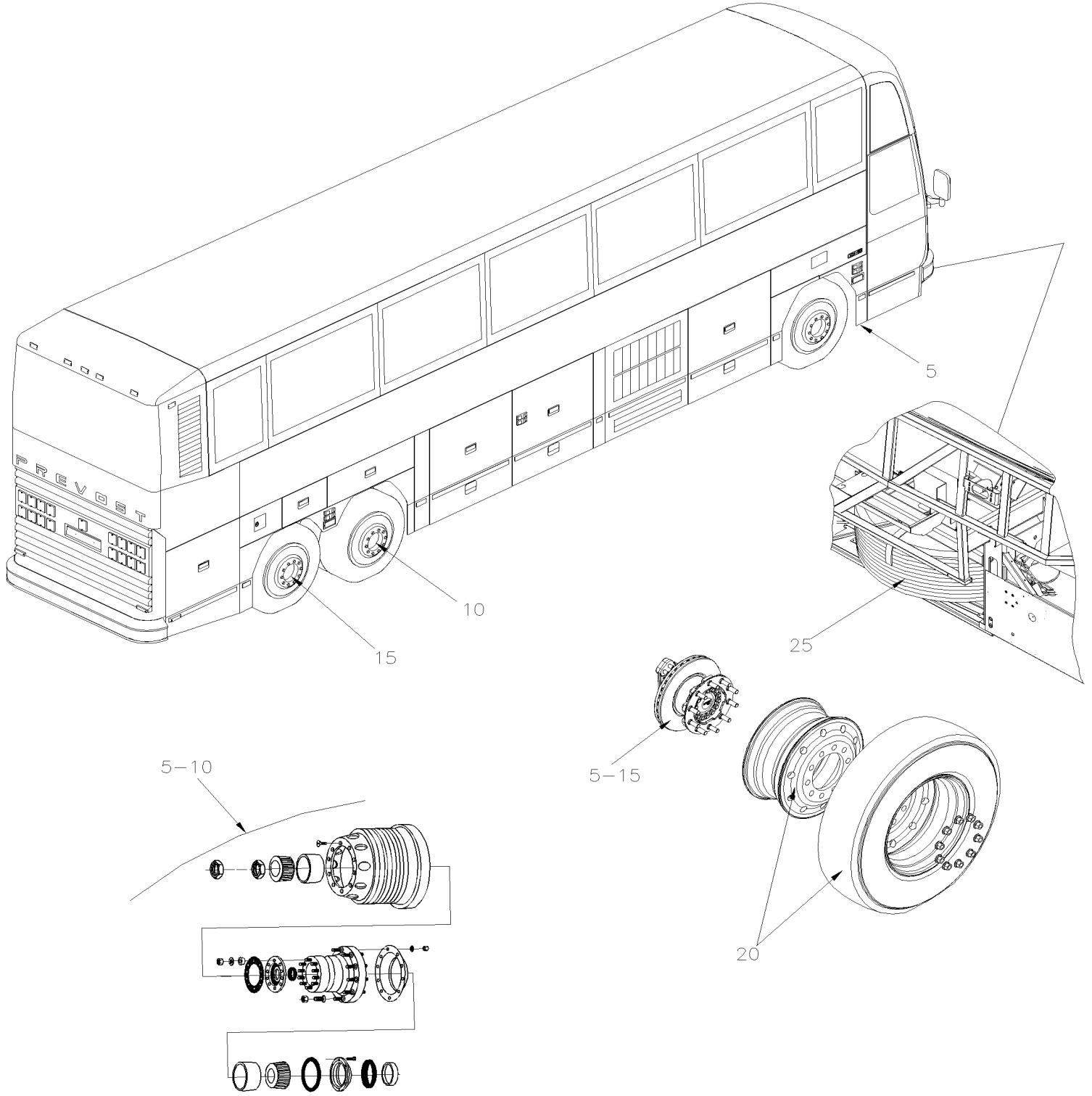
VALVE SUPPORT ASSY



| | | |
|---------------------------|--------------|-----------------|
| From L-031 To R-079 | Date:10/2022 | PAGE:H4-1260-00 |
| VALVE SUPPORT ASSY | | |

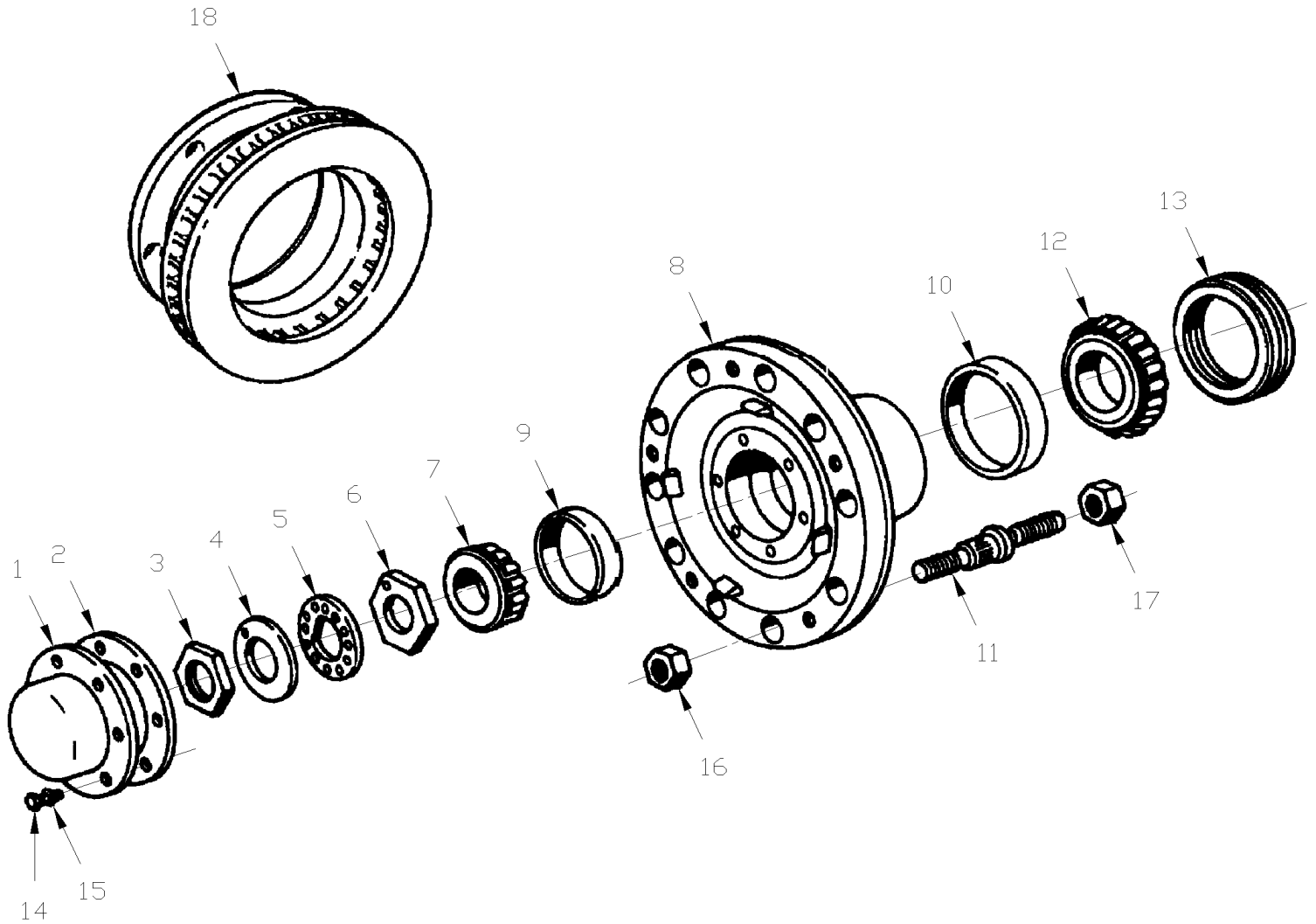
| Item# | Part | Description | H 3 4 0 | V I P 4 0 | N O T E S |
|-------|-------------------|---|------------------|-----------------------|-----------------------|
| | 141398 | VALVE SUPPORT ASSY | 1 | 1 | |
| 1 | 141401 | . SUPPORT | 1 | 1 | |
| 2 | 560503 | . CLAMP / 1/4" I.D. | 1 | 1 | |
| 3 | 560479 | . CLAMP / 3/8" I.D. | 5 | 5 | |
| 4 | 500657 | . SCREW TC TR PH #10-24x1/2 Z050 | 5 | 5 | |
| 5 | 640439 | . VALVE, PRESSURE PROTECTION / PR-2 75PSI | 1 | 1 | |
| 6 | 640488 | . VALVE, AIR FILL 1/8" NPT | 1 | 1 | |
| . NS | 650164 | . . CAP VALVE / CHROME | 1 | 1 | |
| 7 | 141215 | . SUPPORT, FILTER | 1 | 1 | |
| 8 | 502564 | . WASHER LO SPT 6.1x11.8x1.6 Z050 | 4 | 4 | |
| 8 | 502631 | . SCREW CAP HEX M6-1.0x20 G8.8 Z050 | 4 | 4 | |
| 9 | H4-1220-15 | AIR FILTER - ACCESSORIES | | | |
| 9 | H4-1220-16 | AIR FILTER - ACCESSORIES / SERVICE | | | |
| 10 | 140227 | . DECAL / ACC AIR FILTER DRAIN / ENGLISH & FRANCAIS | 1 | 1 | |
| 10 | 142368 | . DECAL / ACC AIR FILTER DRAIN / ENGLISH & SPANISH | 1 | 1 | |
| 11 | 641174 | . PRESSURE SWITCH N.C. 30PSI / 1/4NPT LP-2 | 1 | 1 | |
| 12 | 500654 | . SCREW TC BDG PH #8-32x1/2 Z050 | 6 | 6 | |
| 13 | 500764 | . NUT HEX #8-32 Z050 | 6 | 6 | |
| 14 | 640975 | . PRESSURE SWITCH N.C. 66PSI / 1/4NPT LP-3 | 2 | 2 | |
| 15 | 141180 | . MANIFOLD | 1 | 1 | |
| 16 | 641015 | . VALVE, DOUBLE CHECK DC-4 | 1 | 1 | |
| 17 | 502559 | . SCREW CAP HEX M10-1.5x25 G8.8 Z050 | 1 | 1 | |
| 18 | 500257 | . WASHER LO SPT 10.2x18.1x2.2 Z050 | 1 | 1 | |
| 19 | 141406 | . MANIFOLD | 1 | 1 | |
| 20 | 641126 | . MALE CONNECTOR / PUSH-IN FITTING / #2x1/8NPT-M BR | 2 | 2 | |
| 21 | 640870 | . VALVE / SPRING BRAKE SR-1 | 1 | 1 | |
| . NS | 640921 | . . REPAIR KIT / SR-1 | 1 | 1 | |
| | | FOR ALL FITTING SEE PAGE H4-1201-00 | | | |
| | | | | | |
| | | | | | |
| | | | | | |

| | | |
|----------------------|--------------|-------|
| | Date:10/2022 | H4-13 |
| WHEELS, HUBS & TIRES | | |



| | | Date:10/2022 | H4-13 | | |
|----------------------|------------|---|------------------|-----------------------|-----------------------|
| WHEELS, HUBS & TIRES | | | | | |
| Item# | Part | Description | H 3 4 0 | V I P 4 0 | N O T E S |
| 5 | H4-1300-01 | HUB & ROTOR - FRONT AXLE MODEL 2FG-952CAX From L-031 To R-079 | | | |
| 5 | H4-1300-99 | HUB & DRUM - FRONT AXLE - RETROFIT MODEL 16 1/2 I.D. (RETROFIT) From L-031 To R-079 | | | |
| 10 | H4-1305-00 | HUB & DRUM - DRIVE AXLE From L-031 To R-079 | | | |
| 15 | H4-1310-01 | HUB & ROTOR - TAG AXLE WITH DISC BRAKE MODEL 1560 From L-031 To R-079 | | | |
| 20 | H4-1318-00 | WHEELS & COMPONENTS - BUS MOUNT (STANDARD) From L-031 To R-079 | | | |
| 25 | H4-1325-00 | SPARE WHEEL - INSTALLATION From L-031 To R-079 | | | |

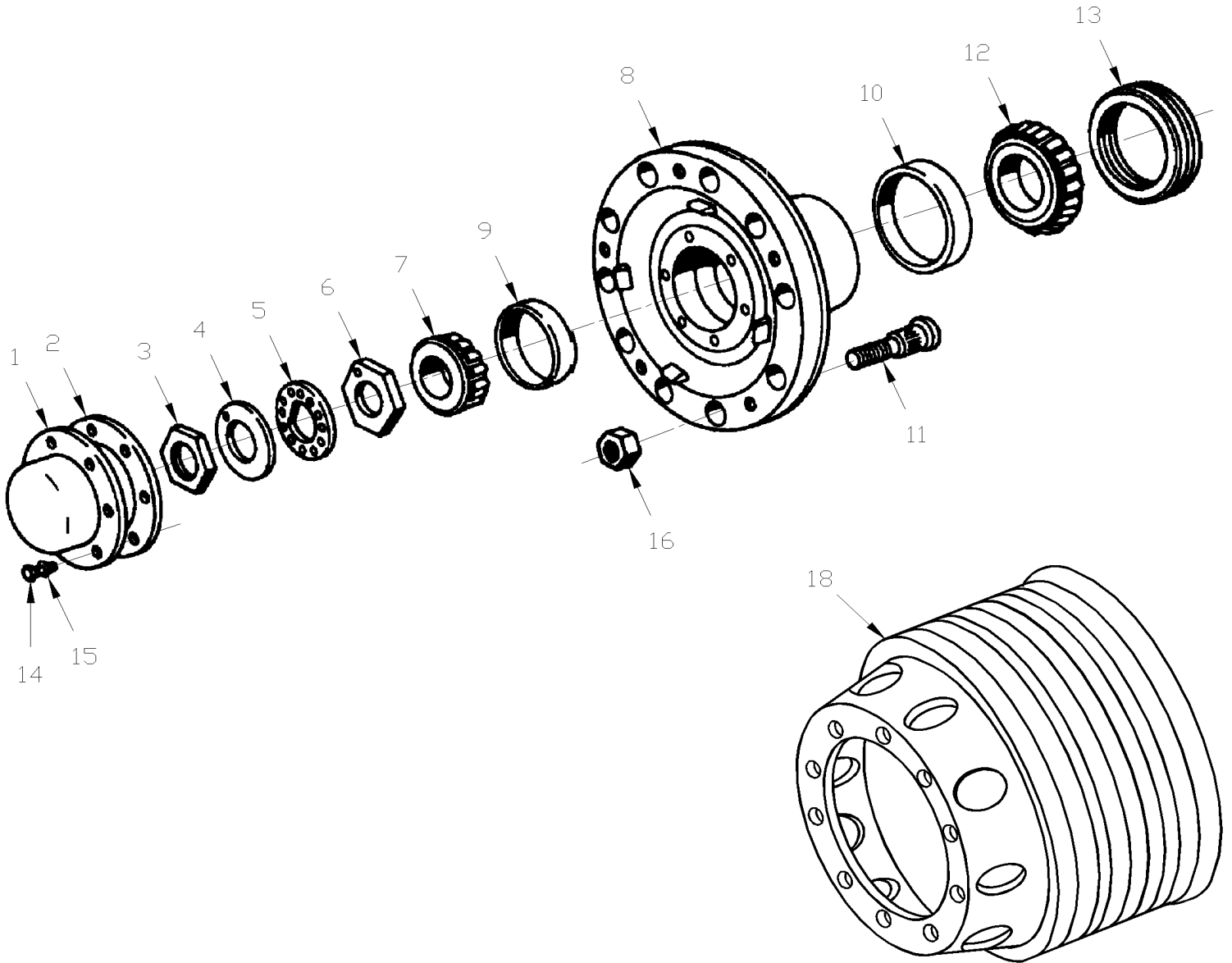
| | | |
|---|--------------|-----------------|
| From L-031 To R-079 | Date:10/2022 | PAGE:H4-1300-01 |
| HUB & ROTOR - FRONT AXLE MODEL 2FG-952CAX | | |



| | | |
|--|--------------|-----------------|
| From L-031 To R-079 | Date:10/2022 | PAGE:H4-1300-01 |
| HUB & ROTOR - FRONT AXLE MODEL 2FG-952CAX | | |

| Item# | Part | Description | H 3 4 0 | V I P 4 0 | N O T E S |
|-------|--------|---|------------------|-----------------------|-----------------------|
| 1 | 610882 | HUB CAP / STEEL / "CR" | 1 | 1 | |
| NS | 610973 | PLUG VENT / GREEN / USE W/STEEL HUB CAP " | 1 | 1 | |
| 1 | 611214 | HUB CAP / PLASTIC "CR" | 1 | 1 | A |
| 1 | 611212 | . PLUG VENT / RED / USE W/PLASTIC HUB CAP "CR | 1 | 1 | A |
| 1 | 611213 | . GASKET | 1 | 1 | A |
| 2 | 610865 | GASKET / HUB CAP | 1 | 1 | |
| 3 | 610205 | NUT JAM / OUTER WHEEL BEARING | 1 | 1 | |
| 4 | 610222 | LOCK PLATE / JAM NUT | 1 | 1 | |
| 5 | 610223 | WASHER LOCK PERFORATED / WHEEL BEARING | 1 | 1 | |
| 6 | 610215 | NUT ADJUSTING / INNER WHEEL BEARING / (HEXAGONAL) | 1 | 1 | |
| 6 | 610986 | NUT INNER | 1 | 1 | |
| . NS | 490840 | . TOOL / NUT WHEEL BEARING ADJUSTMENT | 1 | 1 | |
| 7 | 610071 | CONE BEARING / OUTER WHEEL BEARING | 1 | 1 | |
| 8 | 610920 | HUB WHEEL & CUP ASSY | 1 | 1 | |
| 8 | 611267 | HUB WHEEL & CUP ASSY / W/A.B.S. MACHINED | 1 | 1 | B |
| 9 | 610070 | . CUP BEARING / OUTER WHEEL BEARING | 1 | 1 | |
| 10 | 610149 | . CUP BEARING / INNER WHEEL BEARING | 1 | 1 | |
| 11 | 610867 | STUD / L.H. / W/STUD-MOUNT WHEEL | 10 | 10 | |
| 11 | 610868 | STUD / R.H. / W/STUD-MOUNT WHEEL | 10 | 10 | |
| 11 | 610954 | STUD / R.H. / W/HUB-MOUNT WHEEL 7/8-14 | 10 | 10 | |
| 12 | 610869 | CONE BEARING / INNER WHEEL BEARING | 1 | 1 | |
| 13 | 610870 | SEAL ASSY / WHEEL BEARING | 1 | 1 | |
| 14 | 500179 | SCREW CAP HEX 5/16-18x3/4 G5 Z050 | 6 | 6 | |
| 14 | 500181 | SCREW CAP HEX 5/16-18x1 G5 Z050 | 6 | 6 | A |
| 15 | 500476 | WASHER LO SPT .317x.586x.078 Z050 | 6 | 6 | |
| 16 | 610175 | NUT L.H. 1 1/8-16 / STUD MOUNT WHEEL | 10 | 10 | |
| 16 | 610176 | NUT R.H. 1 1/8-16 / STUD MOUNT WHEEL | 10 | 10 | |
| 16 | 610773 | NUT R.H. / W/HUB-MOUNT WHEEL 7/8-14 | 10 | 10 | |
| 17 | 621378 | NUT HEXF STO 3/4-16 ZP | 10 | 10 | |
| 18 | 611102 | ROTOR VENTED | 2 | 2 | |
| NS | 684647 | SEAL INSTALLER TOOL / FRT & TAG / ADB1560 | 1 | 1 | |
| | | | | | |
| | | | | | |
| | | A) THIS ITEM IS RELATED WITH PLASTIC HUB CAP | | | |
| | | B) THIS HUB IT MACHINED ABS TOOTH WHEEL | | | |

| | | |
|---|--------------|-----------------|
| From L-031 To R-079 | Date:10/2022 | PAGE:H4-1300-99 |
| HUB & DRUM - FRONT AXLE - RETROFIT MODEL 16 1/2 I.D. (RETROFIT) | | |



| | | |
|--|--------------|-----------------|
| From L-031 To R-079 | Date:10/2022 | PAGE:H4-1300-99 |
| HUB & DRUM - FRONT AXLE - RETROFIT MODEL 16 1/2 I.D. (RETROFIT) | | |

| Item# | Part | Description | H 3 4 0 | V I P 4 0 | N O T E S |
|-------|---------|---|------------------|-----------------------|-----------------------|
| | | IT IS POSSIBLE TO USED SAME INSTALLATION | | | |
| | | ON TAG AXLE | | | |
| 1 | 610882 | HUB CAP / STEEL / "CR" | 1 | 1 | |
| NS | 610973 | . PLUG VENT / GREEN / USE W/STEEL HUB CAP " | 1 | 1 | |
| 2 | 610865 | . GASKET / HUB CAP | 1 | 1 | |
| 3 | 610205 | NUT JAM / OUTER WHEEL BEARING | 1 | 1 | |
| 4 | 610222 | LOCK PLATE / JAM NUT | 1 | 1 | |
| 5 | 610223 | WASHER LOCK PERFORATED / WHEEL BEARING | 1 | 1 | |
| 6 | 610215 | NUT ADJUSTING / INNER WHEEL BEARING / (HEXAGONAL) | 1 | 1 | |
| 6 | 610986 | NUT INNER | 1 | 1 | |
| . NS | 490840 | . TOOL / NUT WHEEL BEARING ADJUSTMENT | 1 | 1 | |
| NS | 611337 | . HUB ASSY L.H. STUD MOUNT / W/DRUMS 16.5 I.D. | 1 | 1 | A B |
| . NS | M103-01 | . . SEE MAINTENANCE INFORMATION | 1 | 1 | A B |
| NS | 611338 | . HUB ASSY R.H. STUD MOUNT / W/DRUMS 16.5 I.D. | 1 | 1 | A B |
| . NS | M103-01 | . . SEE MAINTENANCE INFORMATION | 1 | 1 | A B |
| 7 | 610071 | . CONE BEARING / OUTER WHEEL BEARING | 1 | 1 | |
| 8 | 611319 | . HUB & STUD ASSY R.H. / W/STUD-MOUNTED WHEEL | 1 | 1 | |
| 8 | 611320 | . HUB & STUD ASSY L.H. / W/STUD-MOUNTED WHEEL | 1 | 1 | |
| 9 | 610070 | . . CUP BEARING / OUTER WHEEL BEARING | 1 | 1 | |
| 10 | 610149 | . . CUP BEARING / INNER WHEEL BEARING | 1 | 1 | |
| 11 | 611322 | . STUD / R.H. / W/STUD-MOUNT WHEEL | 10 | 10 | H |
| 11 | 611323 | . STUD / L.H. / W/STUD-MOUNT WHEEL | 10 | 10 | H |
| 12 | 610869 | . CONE BEARING / INNER WHEEL BEARING | 1 | 1 | |
| 13 | 610870 | . SEAL ASSY / WHEEL BEARING | 1 | 1 | |
| 13 | 611175 | . SEAL ASSY / WHEEL BEARING / "SCOTT-SEAL PLU | 1 | 1 | |
| 14 | 500179 | SCREW CAP HEX 5/16-18x3/4 G5 Z050 | 6 | 6 | |
| 15 | 500476 | WASHER LO SPT .317x.586x.078 Z050 | 6 | 6 | |
| 16 | 610175 | NUT L.H. 1 1/8-16 / STUD MOUNT WHEEL | 10 | 10 | |
| 16 | 610176 | NUT R.H. 1 1/8-16 / STUD MOUNT WHEEL | 10 | 10 | |
| 18 | 641973 | . DRUM BRAKE W/6" WIDE SHOES / STD / | 1 | 1 | |
| | | FOLLOWING ITEMS ARE RELATED WITH | | | |
| | | OIL CAP HUB IN PLASTIC | | | |
| NS | 611214 | HUB CAP / PLASTIC "CR" | 1 | 1 | |
| NS | 611212 | . PLUG VENT / RED / USE W/PLASTIC HUB CAP "CR | 1 | 1 | |
| NS | 611213 | . GASKET | 1 | 1 | |
| NS | 684647 | SEAL INSTALLER TOOL / FRT & TAG / ADB1560 | 1 | 1 | |

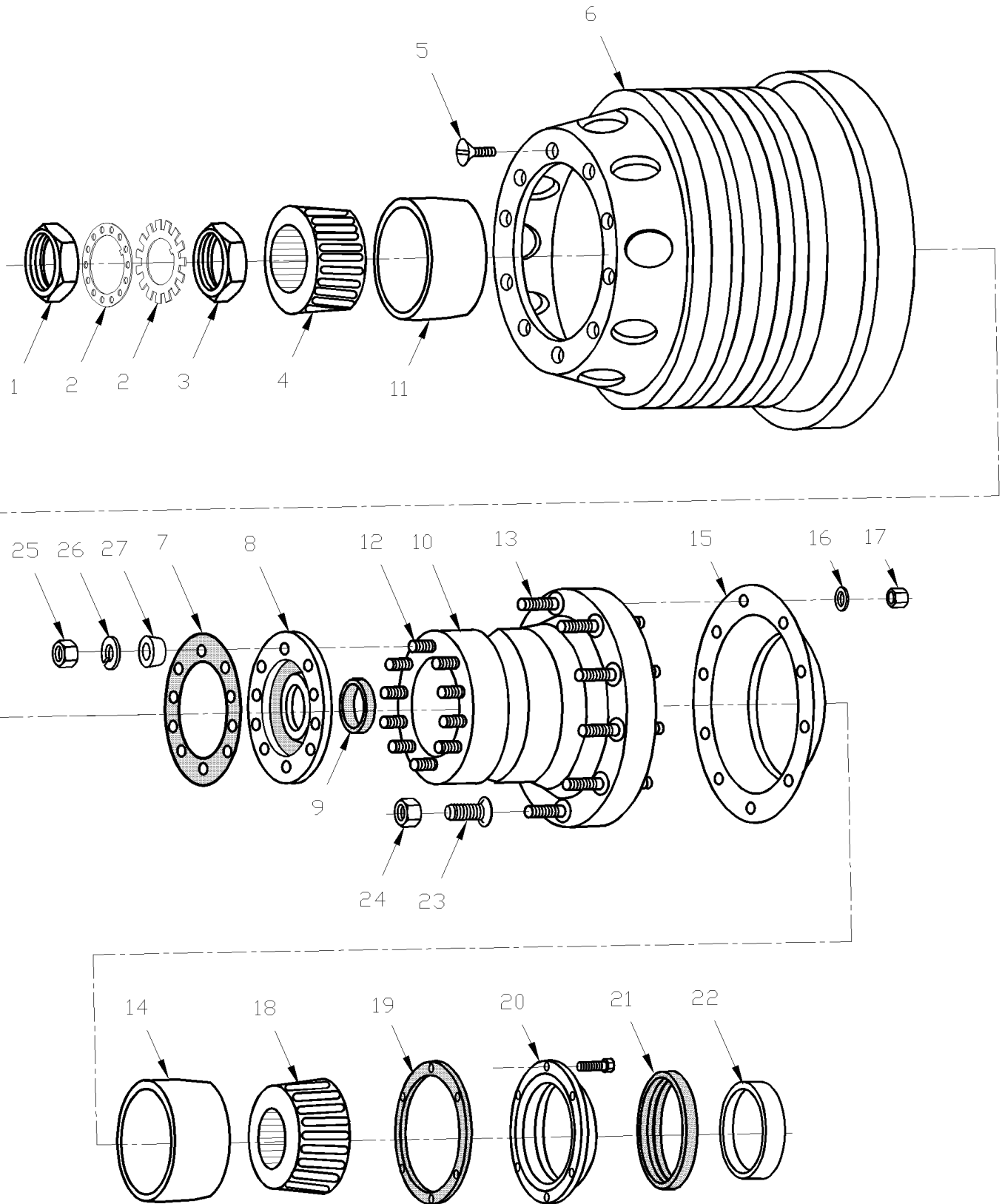
| From L-031 To R-079 | | Date:10/2022 | | PAGE:H4-1300-99 | | |
|---|------|---|------------------|-----------------------|-----------------------|--|
| HUB & DRUM - FRONT AXLE - RETROFIT MODEL 16 1/2 I.D. (RETROFIT) | | | | | | |
| Item# | Part | Description | H 3 4 0 | V I P 4 0 | N O T E S | |
| | | A) THIS KIT USE ONLY WITH AXLE 2FG-952 MODIFIED WITH DRUM | | | | |
| | | B) INCLUDES ITEMS 7 TO 13 AND 18 | | | | |
| | | H) FOR CUSTOMER'S WHO HAVE A PREFERENCE WITH HUB MOUNT STUD IT POSSIBE WITH CHANGE ALLS STUDS FOR PART NUMBER # E-8986 "EUCLID" AND PROCURE LOCALY WITH NUT M22-1.5 | | | | |

From L-031 To R-079

Date:10/2022

PAGE:H4-1305-00

HUB & DRUM - DRIVE AXLE



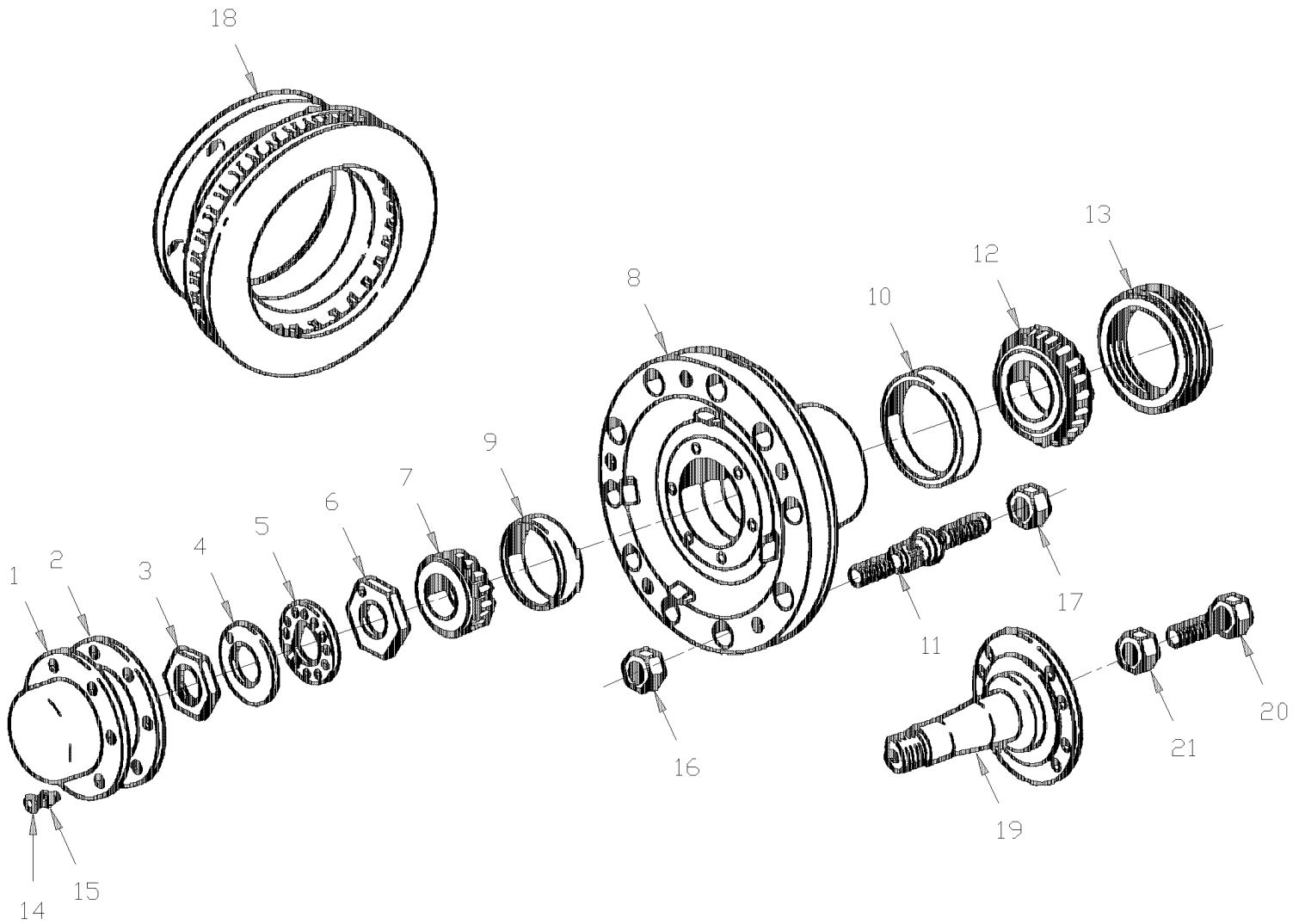
| | | | |
|------------------------------------|--|--------------|-----------------|
| From L-031 To R-079 | | Date:10/2022 | PAGE:H4-1305-00 |
| HUB & DRUM - DRIVE AXLE | | | |

| Item# | Part | Description | H 3 4 0 | V I P 4 0 | N O T E S |
|-------|---------|---|------------------|-----------------------|-----------------------|
| 1 | 620275 | NUT OUTER / WHEEL BEARING | 1 | 1 | |
| 2 | 620452 | WASHER LOCK / (FORMER THICK) | 1 | 1 | |
| 3 | 620279 | NUT INNER / WHEEL BEARING | 1 | 1 | |
| 4 | 620037 | CONE BEARING / OUTER WHEEL BEARING | 1 | 1 | A |
| 5 | 620040 | SCREW MA FL SLT 1/2-13x15/16" | 5 | 5 | |
| 6 | 640939 | DRUM BRAKE W/10" WIDE SHOES / STD / | 2 | 2 | |
| 6 | 641450 | DRUM BRAKE W/10" WIDE SHOES / STD / | AR | AR | |
| 6 | 2014318 | DRUM BRAKE W/10" WIDE SHOES / STD / | 2 | 2 | |
| 6 | 641228 | DRUM BRAKE W/10" WIDE SHOES / UNDER SIZE / | AR | AR | |
| 6 | 641454 | DRUM BRAKE W/10" WIDE SHOES / UNDER SIZE / | AR | AR | |
| 7 | 620923 | GASKET / AXLE SHAFT W/10 STUDS | AR | AR | |
| 8 | 621070 | SEAL ASSY / W/GREACE SEAL ONLY | 1 | 1 | |
| 9 | 620446 | WIPER, SEAL OUTER / 2.687 I.D. x 3.109 O.D. | 1 | 1 | |
| 10 | 621170 | HUB & STUD ASSY W/HUB-MOUNTED WHEEL | 2 | 2 | |
| 10 | 621160 | HUB & STUD ASSY R.H. / W/STUD-MOUNTED WHEEL | 1 | 1 | |
| 10 | 621161 | HUB & STUD ASSY L.H. / W/STUD-MOUNTED WHEEL | 1 | 1 | |
| 11 | 620035 | . CUP BEARING / OUTER WHEEL BEARING | 1 | 1 | |
| 12 | 621096 | . STUD / 9/16-12 x 9/16-18 x 2 1/2" | 10 | 10 | |
| 13 | 621097 | . STUD / L.H. / W/STUD-MOUNT WHEEL | 10 | 10 | |
| 13 | 621098 | . STUD / R.H. / W/STUD-MOUNT WHEEL | 10 | 10 | |
| 13 | 610776 | . STUD / R.H. 7/8-14 / W/HUB-MOUNT WHEEL / W/ 7/8-14 | 10 | 10 | |
| 13 | 621545 | . STUD / R.H. 7/8-14 / W/HUB MOUNT WHEEL / W/ & STEEL | 10 | 10 | |
| 14 | 620093 | . CUP BEARING / INNER WHEEL BEARING | 1 | 1 | |
| 15 | 621463 | SLINGER W/ABS RETAINER OIL SEAL | 1 | 1 | |
| 15 | 621099 | SLINGER | 1 | 1 | |
| 16 | 620477 | WASHER HARD / 7/8" IDX1 7/16" ODX 3/32" TH | 10 | 10 | |
| 17 | 500742 | NUT HEX STO 7/8-14 ZP | 10 | 10 | |
| 18 | 621106 | CONE BEARING / INNER WHEEL BEARING | 1 | 1 | |
| 19 | 620350 | GASKET, INNER DRIVE AXLE | 1 | 1 | |
| 20 | 621518 | BRACKET / ABS SENSOR | 1 | 1 | |
| 20 | 621186 | RETAINER ASSY W/SEAL OIL TYPE | 1 | 1 | |
| NS | 5001102 | SCREW CAP HEXS 5/16-18x3/4 PT NYRT | 6 | 6 | |
| 21 | 621069 | SEAL OIL | 1 | 1 | |
| 21 | 621101 | SEAL GREASE | 1 | 1 | |
| 22 | 621102 | WIPER, SEAL INNER / 3.687 I.D. x 4.875 O.D. | 1 | 1 | |
| 23 | 611192 | NUT R.H. INNER / W/2 ALUMINUM WHEEL | 10 | 10 | |
| 23 | 611191 | NUT L.H. INNER / W/2 ALUMINUM WHEEL | 10 | 10 | |
| 23 | 620250 | NUT R.H. INNER / W/2 STEEL WHEEL | 10 | 10 | |
| 23 | 620251 | NUT L.H. INNER / W/2 STEEL WHEEL | 10 | 10 | |
| 23 | 610961 | NUT R.H. INNER / W/STEEL INSIDE & ALUM. OUTSI | 1 | 1 | |
| 23 | 610962 | NUT L.H. INNER / W/STEEL INSIDE & ALUM. OUTSI | 1 | 1 | |
| 24 | 610176 | NUT R.H. 1 1/8-16 / STUD MOUNT WHEEL | 10 | 10 | |

| | | |
|------------------------------------|--------------|-----------------|
| From L-031 To R-079 | Date:10/2022 | PAGE:H4-1305-00 |
| HUB & DRUM - DRIVE AXLE | | |

| Item# | Part | Description | H 3 4 0 | V I P 4 0 | N O T E S |
|-------|--------|--------------------------------------|------------------|-----------------------|-----------------------|
| 24 | 610175 | NUT L.H. 1 1/8-16 / STUD MOUNT WHEEL | 10 | 10 | |
| 24 | 610774 | NUT R.H. / W/HUB-MOUNT WHEEL 7/8-14 | 10 | 10 | |
| 24 | 610773 | NUT R.H. / W/HUB-MOUNT WHEEL 7/8-14 | 10 | 10 | |
| 25 | 621105 | NUT 9/16-18 | 10 | 10 | |
| 26 | 620925 | WASHER LO EXT .625x1.070x.055 | 4 | 4 | |
| 27 | 620924 | DOWEL 9/16 I.D. | 4 | 4 | |
| NS | 684648 | SEAL INSTALLER TOOL / DRIVE W/DRUM | 1 | 1 | |
| NS | 621654 | KIT, CUP & CONE | AR | AR | |
| | | | | | |
| | | | | | |
| | | | | | |
| | | A) ALSO SOLD IN SET 621654 | | | |

| | | |
|---|--------------|-----------------|
| From L-031 To R-079 | Date:10/2022 | PAGE:H4-1310-01 |
| HUB & ROTOR - TAG AXLE WITH DISC BRAKE MODEL 1560 | | |



| | | |
|--|--------------|-----------------|
| From L-031 To R-079 | Date:10/2022 | PAGE:H4-1310-01 |
| HUB & ROTOR - TAG AXLE WITH DISC BRAKE MODEL 1560 | | |

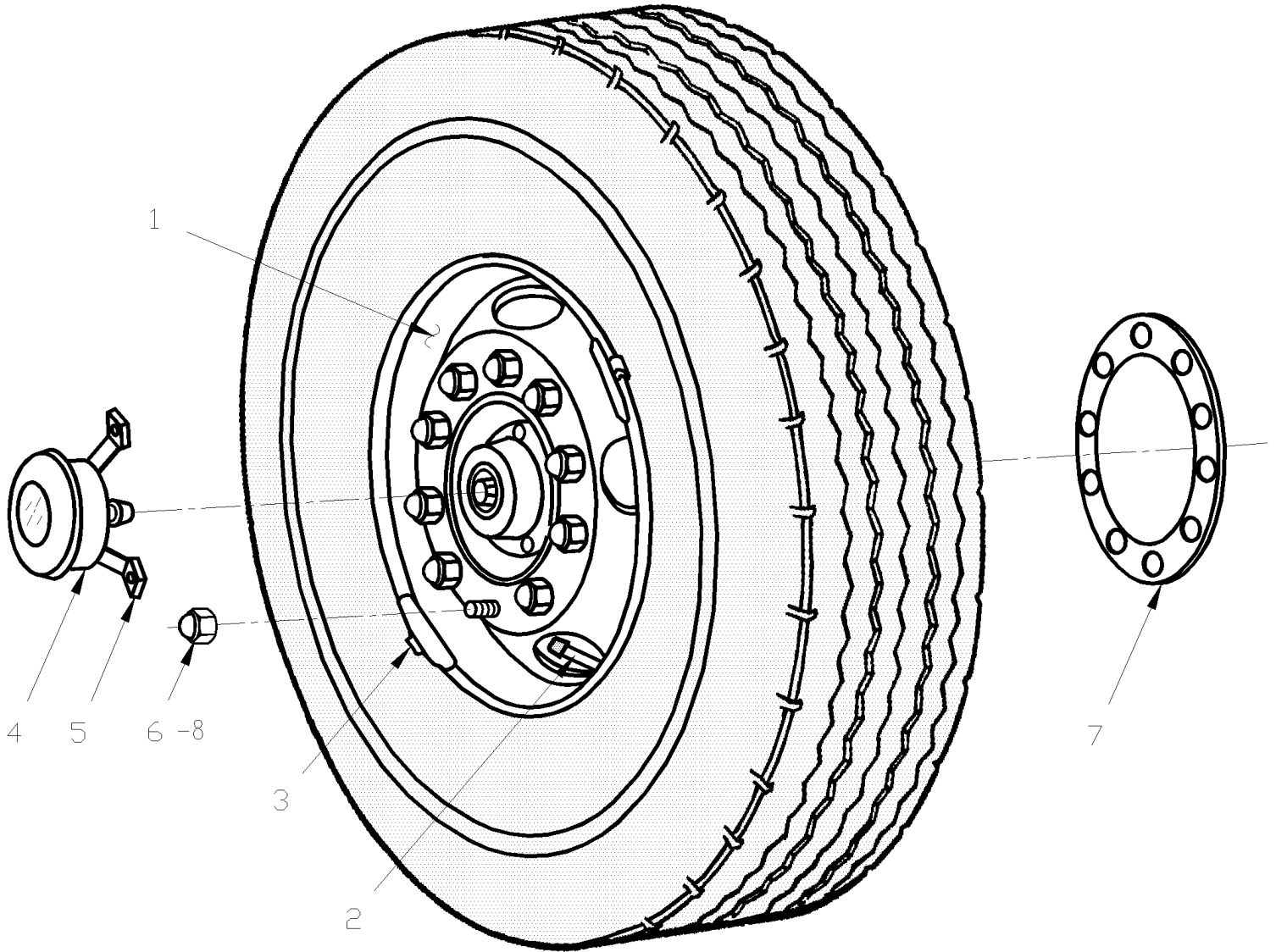
| Item# | Part | Description | H 3 4 0 | V I P 4 0 | N O T E S |
|-------|--------|---|------------------|-----------------------|-----------------------|
| 1 | 610882 | HUB CAP / STEEL / "CR" | 1 | 1 | |
| NS | 610973 | . PLUG VENT / GREEN / USE W/STEEL HUB CAP " | 1 | 1 | |
| 1 | 611214 | HUB CAP / PLASTIC "CR" | 1 | 1 | A |
| 1 | 611212 | . PLUG VENT / RED / USE W/PLASTIC HUB CAP "CR" | 1 | 1 | A |
| 1 | 611213 | . GASKET | 1 | 1 | A |
| 2 | 610865 | GASKET / HUB CAP | 1 | 1 | |
| 3 | 610205 | NUT JAM / OUTER WHEEL BEARING | 1 | 1 | |
| 4 | 610222 | LOCK PLATE / JAM NUT | 1 | 1 | |
| 5 | 610223 | WASHER LOCK PERFORATED / WHEEL BEARING | 1 | 1 | |
| 6 | 610215 | NUT ADJUSTING / INNER WHEEL BEARING / (HEXAGONAL) | 1 | 1 | |
| 6 | 610986 | NUT INNER | 1 | 1 | |
| . NS | 490840 | . TOOL / NUT WHEEL BEARING ADJUSTMENT | 1 | 1 | |
| 7 | 610071 | CONE BEARING / OUTER WHEEL BEARING | 1 | 1 | |
| 8 | 610920 | HUB WHEEL & CUP ASSY | 1 | 1 | |
| 9 | 610070 | . CUP BEARING / OUTER WHEEL BEARING | 1 | 1 | |
| 10 | 610149 | . CUP BEARING / INNER WHEEL BEARING | 1 | 1 | |
| 11 | 610867 | STUD / L.H. / W/STUD-MOUNT WHEEL | 10 | 10 | |
| 11 | 610868 | STUD / R.H. / W/STUD-MOUNT WHEEL | 10 | 10 | |
| 11 | 610954 | STUD / R.H. / W/HUB-MOUNT WHEEL 7/8-14 | 10 | 10 | |
| 12 | 610869 | CONE BEARING / INNER WHEEL BEARING | 1 | 1 | |
| 13 | 610870 | SEAL ASSY / WHEEL BEARING | 1 | 1 | |
| 14 | 500179 | SCREW CAP HEX 5/16-18x3/4 G5 Z050 | 6 | 6 | |
| 14 | 500181 | SCREW CAP HEX 5/16-18x1 G5 Z050 | 6 | 6 | A |
| 15 | 500476 | WASHER LO SPT .317x.586x.078 Z050 | 6 | 6 | |
| 16 | 610175 | NUT L.H. 1 1/8-16 / STUD MOUNT WHEEL | 1 | 1 | |
| 16 | 610176 | NUT R.H. 1 1/8-16 / STUD MOUNT WHEEL | 10 | 10 | |
| 16 | 610773 | NUT R.H. / W/HUB-MOUNT WHEEL 7/8-14 | 10 | 10 | |
| 17 | 621378 | NUT HEXF STO 3/4-16 ZP | AR | AR | |
| 18 | 611102 | ROTOR VENTED | 2 | 2 | |
| 19 | 610896 | SPINDLE / WITH MODEL 1560 DISC BRAKE | 2 | 2 | |
| 20 | 500768 | SCREW CAP HEX M16-2.0x70 G8.8 ZP | 12 | 12 | |
| 21 | 500781 | NUT HEX STO M16-2.0 DP | 12 | 12 | |
| NS | 684647 | SEAL INSTALLER TOOL / FRT & TAG / ADB1560 | 1 | 1 | |
| | | | | | |
| | | | | | |
| | | A) THIS ITEM IS RELATED WITH PLASTIC HUB CAP | | | |

From L-031 To R-079

Date:10/2022

PAGE:H4-1318-00

WHEELS & COMPONENTS - BUS MOUNT (STANDARD)



| | | |
|---|--------------|-----------------|
| From L-031 To R-079 | Date:10/2022 | PAGE:H4-1318-00 |
| WHEELS & COMPONENTS - BUS MOUNT (STANDARD) | | |

| Item# | Part | Description | H 3 4 0 | V I P 4 0 | N O T E S |
|-------|--------|--|------------------|-----------------------|-----------------------|
| | | STEEL WHEELS / STUD MOUNTED | | | |
| 1 | 650162 | WHEEL, STEEL STUD 22.5 X 9.00 / WHITE / 2 HAND HOLE PC | AR | AR | |
| 1 | 650200 | WHEEL, STEEL STUD 22.5 X 9.00 / GREY / 2 HAND HOLE | AR | AR | |
| | | STEEL WHEELS / HUB-MOUNTED | | | |
| 1 | 650179 | WHEEL, STEEL HUB 22.5 X 9.00 / WHITE | AR | AR | |
| 1 | 650213 | WHEEL, STEEL HUB 22.5 X 9.00 / WHITE / POWDER COAT | AR | AR | |
| | | ALUMINIUM WHEELS / STUD-MOUNTED | | | |
| 1 | 650190 | WHEEL, ALU. STUD 22.5 X 9.00 / INSIDE POLISH | AR | AR | |
| 1 | 650191 | WHEEL, ALU. STUD 22.5 X 9.00 / OUTSIDE POLISH | AR | AR | |
| | | ALUMINIUM WHEELS / HUB-MOUNTED | | | |
| 1 | 650185 | WHEEL, ALU. HUB 22.5 X 9.00 / INSIDE POLISH | AR | AR | |
| 1 | 650186 | WHEEL, ALU. HUB 22.5 X 9.00 / OUTSIDE POLISH | AR | AR | |
| | | VALVES - VALVE EXTENTION & HOLDER | | | |
| 2 | 650194 | VALVE / W/ALUMINUM WHEEL / 1.38" LG W/60 deg | AR | AR | |
| NS | 650164 | . CAP VALVE / CHROME | AR | AR | |
| NS | 650151 | . CAP VALVE / STD | AR | AR | |
| NS | 650008 | . SPRING VALVE | AR | AR | |
| NS | 650205 | . SPRING VALVE 21116 | AR | AR | |
| NS | 650201 | EXTENSION VALVE 1 3/8" LG | AR | AR | |
| NS | 650188 | EXTENSION VALVE / 7" LG | AR | AR | |
| NS | 650178 | RUBBER HOLDER / 1.5" O.D. / EXTENSION VALVE | AR | AR | |
| | | WEIGHTS | | | |
| 3 | 650062 | WEIGHT BALANCING / W/STEEL WHEEL / 2 OZ | AR | AR | |
| 3 | 650063 | WEIGHT BALANCING / W/STEEL WHEEL / 3 OZ | AR | AR | |
| 3 | 650064 | WEIGHT BALANCING / W/STEEL WHEEL / 4 OZ | AR | AR | |
| 3 | 650065 | WEIGHT BALANCING / W/STEEL WHEEL / 6 OZ | AR | AR | |
| 3 | 650066 | WEIGHT BALANCING / W/STEEL WHEEL / 8 OZ | AR | AR | |
| 3 | 650067 | WEIGHT BALANCING / W/STEEL WHEEL / 10 OZ | AR | AR | |
| 3 | 650068 | WEIGHT BALANCING / W/STEEL WHEEL / 12 OZ | AR | AR | |
| 3 | 650069 | WEIGHT BALANCING / W/STEEL WHEEL / 14 OZ | AR | AR | |
| 3 | 650070 | WEIGHT BALANCING / W/STEEL WHEEL / 16 OZ | AR | AR | |

| | | |
|---|--------------|-----------------|
| From L-031 To R-079 | Date:10/2022 | PAGE:H4-1318-00 |
| WHEELS & COMPONENTS - BUS MOUNT (STANDARD) | | |

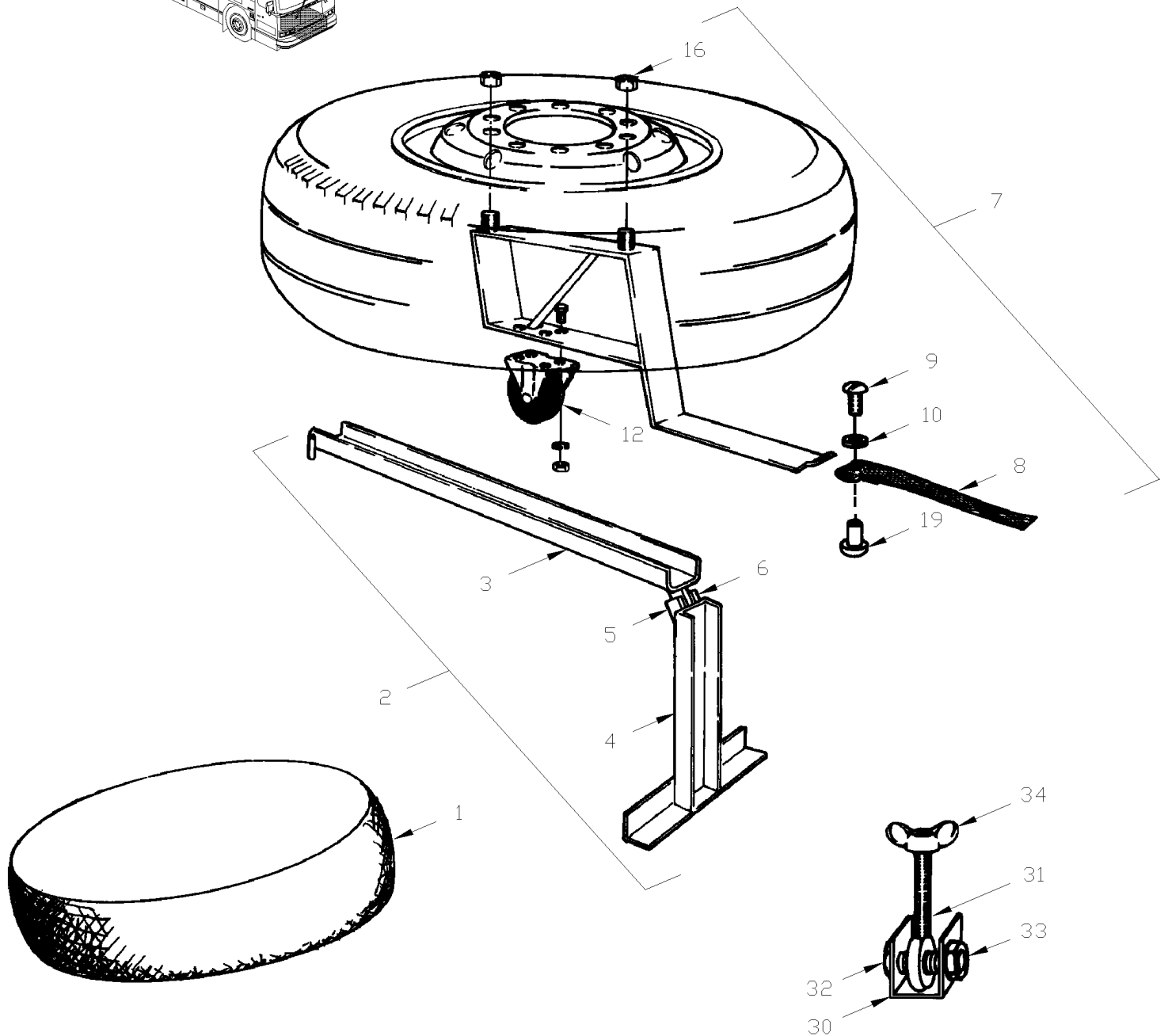
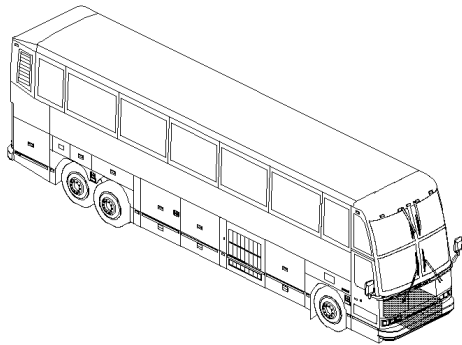
| Item# | Part | Description | H 3 4 0 | V I P 4 0 | N O T E S |
|-------|----------|---|------------------|-----------------------|-----------------------|
| 3 | 650175 | WEIGHT BALANCING / W/ALUMINUM WHEEL / INT. & EXT. / 2 OZ | AR | AR | |
| 3 | 650109 | WEIGHT BALANCING / W/ALUMINUM WHEEL / INT. & EXT. / 3 OZ | AR | AR | |
| 3 | 650110 | WEIGHT BALANCING / W/ALUMINUM WHEEL / EXT. ON 4 OZ | AR | AR | |
| 3 | 650114 | WEIGHT BALANCING / W/ALUMINUM WHEEL / INT. ON 4 OZ | AR | AR | |
| 3 | 650111 | WEIGHT BALANCING / W/ALUMINUM WHEEL / EXT. ON 6 OZ | AR | AR | |
| 3 | 650115 | WEIGHT BALANCING / W/ALUMINUM WHEEL / INT. ON 6 OZ | AR | AR | |
| 3 | 650112 | WEIGHT BALANCING / W/ALUMINUM WHEEL / EXT. ON 8 OZ | AR | AR | |
| 3 | 650116 | WEIGHT BALANCING / W/ALUMINUM WHEEL / INT. ON 8 OZ | AR | AR | |
| 3 | 650192 | WEIGHT BALANCING / W/ALUMINUM WHEEL / W/ADHES 6 OZ | AR | AR | |
| 3 | 650206 | WEIGHT BALANCING / POWDER (12 OZ BAG) | AR | AR | C |
| | | HUBODOMETER | | | |
| 4 | 650002 | HUBODOMETER, COMPLETE 11 X 20 & 12 X 22.5 MPH / STEMCO | AR | AR | |
| 4 | 650117 | HUBODOMETER, COMPLETE 11 X 20 & 12 X 22.5 KM/H / STEMCO | AR | AR | |
| 4 | 590216 | HUBODOMETER, COMPLETE 11 X 20 & 12 X 22.5 KM/H / V.D.O. | AR | AR | |
| 4 | 650174 | HUBODOMETER, COMPLETE / FOR 295/80 KM/H | AR | AR | |
| 5 | 650106 | HUBODOMETER BRACKET / W/10 STUDS AXLE SHAFT | AR | AR | |
| | | OTHERS | | | |
| 6 | 502221 | CAP, PLASTIC CHROME / WHEEL NUT / HUB MOUNT | AR | AR | A |
| 6 | 5001301 | CAP, PLASTIC CHROME / WHEEL NUT / HUB MOUNT | AR | AR | B |
| 6 | 502823 | CAP, PLASTIC CHROME / WHEEL NUT / STUD MOUNT | AR | AR | |
| 6 | 502223 | CAP, PLASTIC WHITE / WHEEL NUT / STUD MOUNT | AR | AR | |
| 7 | 650134 | WHEEL GUARD MYLAR / WHEEL & HUB | AR | AR | |
| 8 | 650224 | HUB CAP PLASTIC CHROME W/NUT / STUD MOUNT | AR | AR | D |
| 8 | 650225 | HUB CAP PLASTIC CHROME W/NUT / STUD MOUNT | AR | AR | E |
| 8 | 621683 | HUB CAP PLASTIC CHROME W/NUT / HUB MOUNT | AR | AR | E |
| NS | MI02-17 | SEE MAINTENANCE INFORMATION | 1 | 1 | |
| NS | MI03-26A | SEE MAINTENANCE INFORMATION | 1 | 1 | |
| | | A) TO USE WITH NUT 3/8" X 1 1/2 THICK (610774) / DRIVE AXLE | | | |
| | | B) TO USE WITH NUT 29/32" X 1 1/2 THICK (610773) / FRONT & TAG AXLE | | | |
| | | C) TO USE WITH POWDER BALANCING | | | |
| | | D) TO USE WITH FRONT & TAG AXLE WHEEL | | | |
| | | E) TO USE WITH DRIVE AXLE WHEEL | | | |

From L-031 To R-079

Date:10/2022

PAGE:H4-1325-00

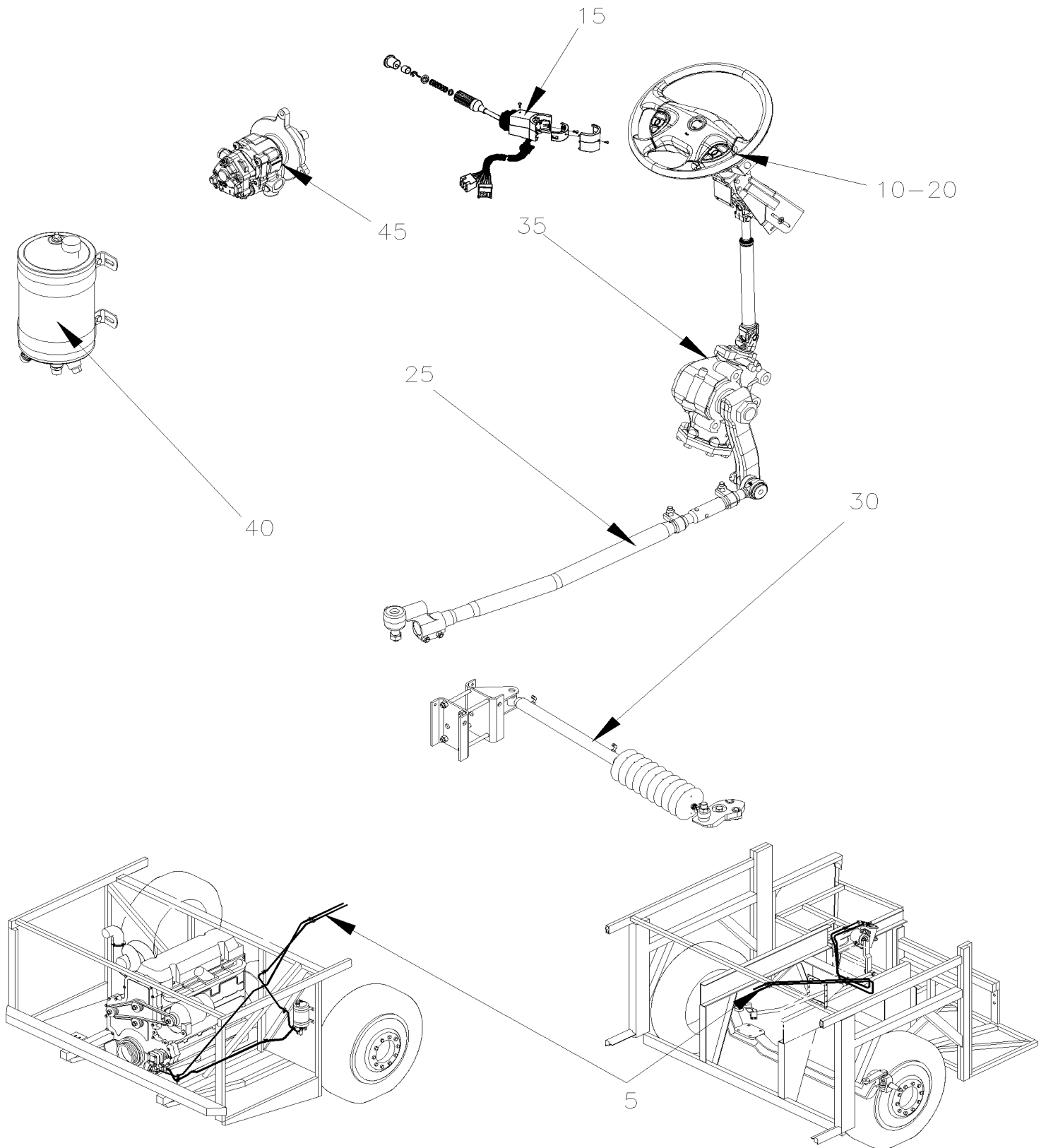
SPARE WHEEL - INSTALLATION



| | | |
|-----------------------------------|--------------|-----------------|
| From L-031 To R-079 | Date:10/2022 | PAGE:H4-1325-00 |
| SPARE WHEEL - INSTALLATION | | |

| Item# | Part | Description | H 3 4 0 | V I P 4 0 | N O T E S |
|-------|---------|--------------------------------------|------------------|-----------------------|-----------------------|
| 1 | 150119 | COVER SPARE WHEEL | 1 | 1 | |
| 2 | 150192 | RAIL ASSY | 1 | 1 | |
| 3 | 150183 | . RAIL | 1 | 1 | |
| 4 | 150182 | . RAIL | 1 | 1 | |
| 5 | 502651 | . SCREW CAP HEX M8-1.25x35 G8.8 Z050 | 1 | 1 | |
| 6 | 502744 | . NUT HEX STO M8-1.25 Z050 | 1 | 1 | |
| 7 | 150189 | SUPPORT ASSY / W/ALUMINUM WHEEL | 1 | 1 | |
| 7 | 150185 | SUPPORT ASSY / W/STEEL WHEEL | 1 | 1 | |
| 8 | 150212 | . STRAP 27" | 1 | 1 | |
| 9 | 504339 | . RIVET POP DOME OE 1/8x3/8 SS | 2 | 2 | B |
| 10 | 5001067 | . WASHER FL .128x.312x.032 SS | 2 | 2 | |
| 12 | 650041 | WHEEL | 1 | 1 | |
| 16 | 610176 | NUT R.H. 1 1/8-16 / STUD MOUNT WHEEL | 2 | 2 | |
| 31 | 5001010 | EYE BOLT M10-1.5x90 CJ | 1 | 1 | |
| 32 | 502686 | SCREW CAP HEX M6-1.0x30 SS BK | 1 | 1 | |
| 33 | 502621 | NUT HEX STO M6-1.0 Z050 | 1 | 1 | |
| 34 | 502794 | NUT WING M10-1.5 ZP | 1 | 1 | |
| | | | | | |
| | | | | | |
| | | | | | |
| | | B) TO FIX STRAP | | | |

| | | |
|----------|--------------|-------|
| | Date:10/2022 | H4-14 |
| STEERING | | |



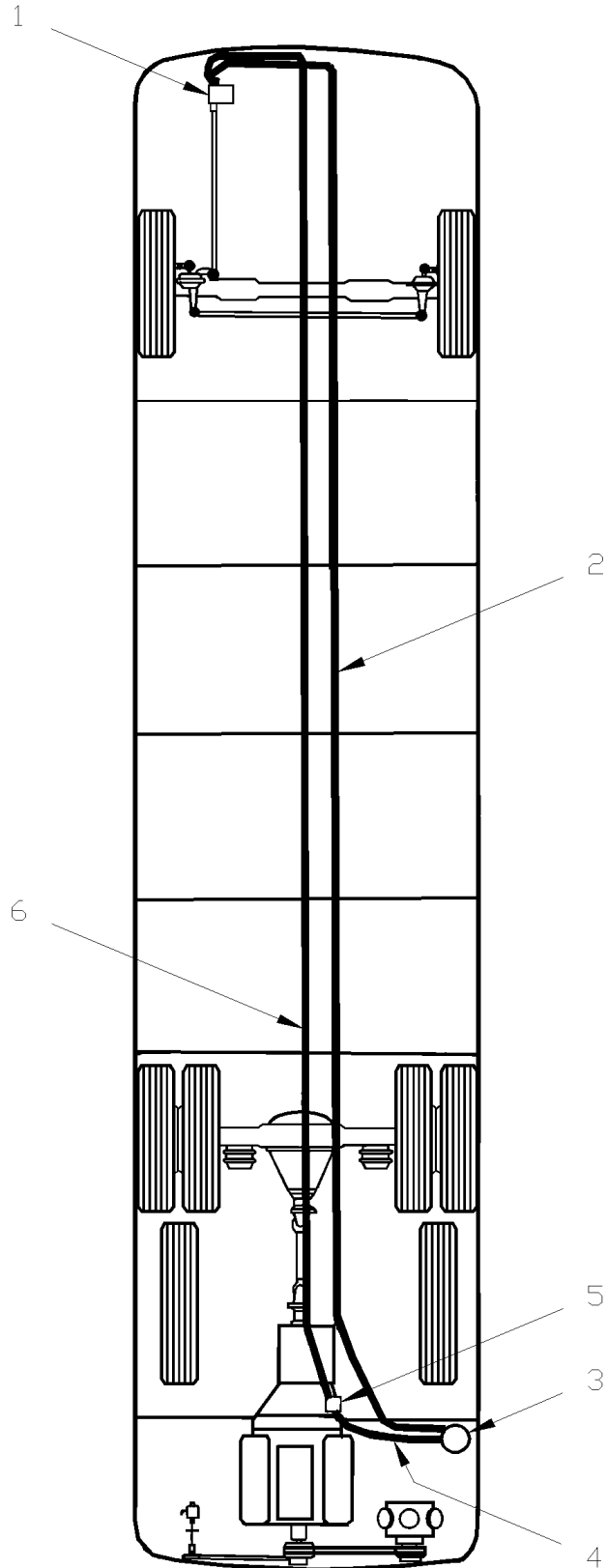
| | | Date:10/2022 | H4-14 | | |
|----------|------------|--|------------------|-----------------------|-----------------------|
| STEERING | | | | | |
| Item# | Part | Description | H 3 4 0 | V I P 4 0 | N O T E S |
| 5 | H4-1400-00 | POWER STEERING HOSE - INSTALLATION WITH DETROIT S-92 From L-031 To R-032 | | | |
| 5 | H4-1400-01 | POWER STEERING HOSE - INSTALLATION WITH DETROIT S-60 From P-256 To R-079 | | | |
| 10 | H4-1405-02 | STEERING WHEEL & COLUMN ASSY From L-031 To R-079 | | | |
| 15 | H4-1406-00 | MULTI-FUNCTION LEVER From L-031 To R-079 | | | |
| 20 | H4-1407-01 | STEERING COLUMN & COVER - INSTALLATION From L-031 To R-079 | | | |
| 25 | H4-1410-00 | STEERING RODS - INSTALLATION From L-031 To R-079 | | | |
| 30 | H4-1412-00 | STEERING DAMPER - INSTAL. W/AXLE 2FG-952-CAX From L-031 To R-079 | | | |
| 35 | H4-1415-00 | STEERING GEARBOX - HFB-70029 From L-031 To R-381 | | | |
| 35 | H4-1415-01 | STEERING GEARBOX - TAS 85040 From R-382 To R-079 | | | |
| 40 | H4-1420-00 | POWER STEERING TANK - 1.75 QT U.S. From L-031 To R-079 | | | |
| 45 | H4-1427-00 | POWER STEERING PUMP - "VICKERS" - WITH DETROIT S-92 From L-031 To R-032 | | | |
| 45 | H4-1427-01 | POWER STEERING PUMP - "VICKERS" - WITH DETROIT S-60 From P-256 To R-079 | | | |
| 45 | H4-1427-02 | POWER STEERING PUMP - "VICKERS" - WITH / SERVICE From L-031 To R-079 | | | |
| 45 | H4-1427-03 | POWER STEERING PUMP - "TRW" / SERVICE From L-031 To R-079 | | | A |
| | | | | | |
| | | | | | |
| | | | | | |
| | | A) SERVICE | | | |

From L-031 To R-032

Date:10/2022

PAGE:H4-1400-00

POWER STEERING HOSE - INSTALLATION WITH DETROIT S-92



| | | |
|---|--------------|-----------------|
| From L-031 To R-032 | Date:10/2022 | PAGE:H4-1400-00 |
| POWER STEERING HOSE - INSTALLATION WITH DETROIT S-92 | | |

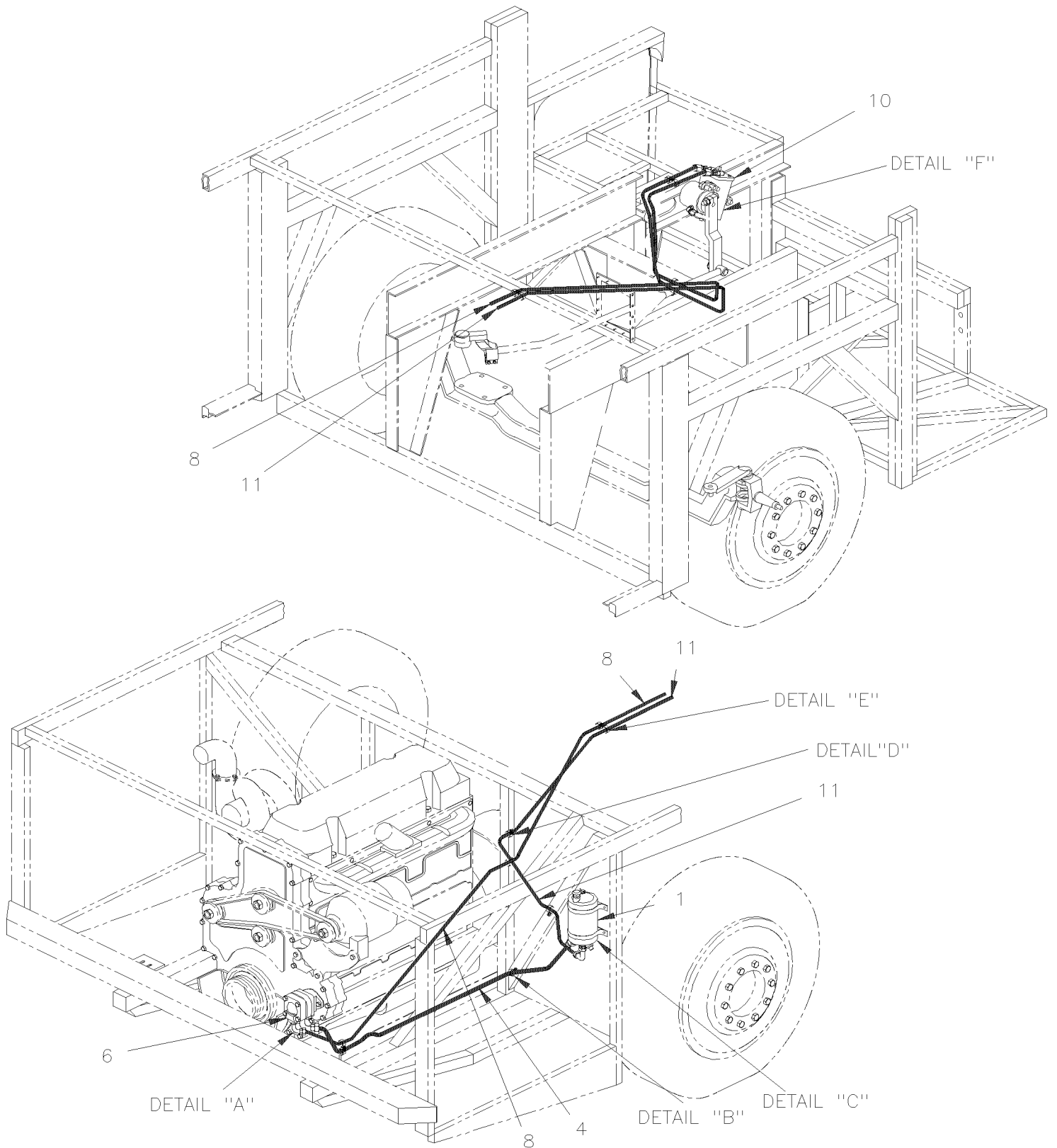
| Item# | Part | Description | H 3 4 0 | V I P 4 0 | N O T E S |
|-------|-------------------|--|------------------|-----------------------|-----------------------|
| 1 | H4-1415-00 | STEERING GEARBOX - HFB-70029 To R-381 | | | |
| 1 | H4-1415-01 | STEERING GEARBOX - TAS 85040 From R-382 | | | |
| NS | 507578 | MALE CONNECTOR / JIC 37° FITTING / #10JIC-Mx#8ORB-M STL | 2 | 2 | |
| 2 | 160828 | HOSE ASSY / STEERING GEAR TO TANK / #10 12610MM | 1 | 1 | |
| 2 | 503063 | . HOSE #FC-300 HYDRAULIC / #10 S.L. | AR | AR | |
| 2 | 501677 | . FEMALE ELBOW 90° SHORT DROP/ JIC 37° FITTING/ #10JIC-Fx#10 STL | 1 | 1 | |
| 2 | 501536 | . FEMALE CONNECTOR SWIVEL / JIC 37° FITTING / #10JIC-Fx#10 ZP | 1 | 1 | |
| 3 | 660525 | TANK ASSY | | | |
| 4 | 160830 | HOSE ASSY / TANK & PUMP / #14 790MM | 1 | 1 | |
| 4 | 503418 | . HOSE #FC-300 HYDRAULIC / #12 S.L. | AR | AR | |
| 4 | 501579 | . FEMALE ELBOW 90° SHORT DROP/ JIC 37° FITTING/ #12JIC-Fx#12 STL | 1 | 1 | |
| 4 | 501545 | . FEMALE CONNECTOR SWIVEL / JIC 37° FITTING / #12JIC-Fx#12 ZP | 1 | 1 | |
| 5 | H4-1427-00 | POWER STEERING PUMP - "VICKERS" - WITH DETROIT S-92 | | | |
| 6 | 160826 | HOSE ASSY / PUMP & GEARBOX / 8 / #10 12005MM | 1 | 1 | |
| 6 | 160866 | HOSE ASSY / PUMP & GEARBOX / 6 / #10 12545MM From N-213 | 1 | 1 | A |
| 6 | 503063 | . HOSE #FC-300 HYDRAULIC / #10 S.L. | AR | AR | |
| 6 | 501677 | . FEMALE ELBOW 90° SHORT DROP/ JIC 37° FITTING/ #10JIC-Fx#10 STL | 1 | 1 | |
| 6 | 501536 | . FEMALE CONNECTOR SWIVEL / JIC 37° FITTING / #10JIC-Fx#10 ZP | 1 | 1 | |
| NS | 506267 | PIPE INSULATING / 1 1/8" I.D. X 1/2" TH. X / APT11812 | AR | AR | |
| NS | 560484 | CLAMP / 1" I.D. | AR | AR | |
| | | | | | |
| | | | | | |
| | | | | | |
| | | A) UP TO N-212 WE USED SAME HOSE THAN 8V92 | | | |

From P-256 To R-079

Date:10/2022

PAGE:H4-1400-01

POWER STEERING HOSE - INSTALLATION WITH DETROIT S-60

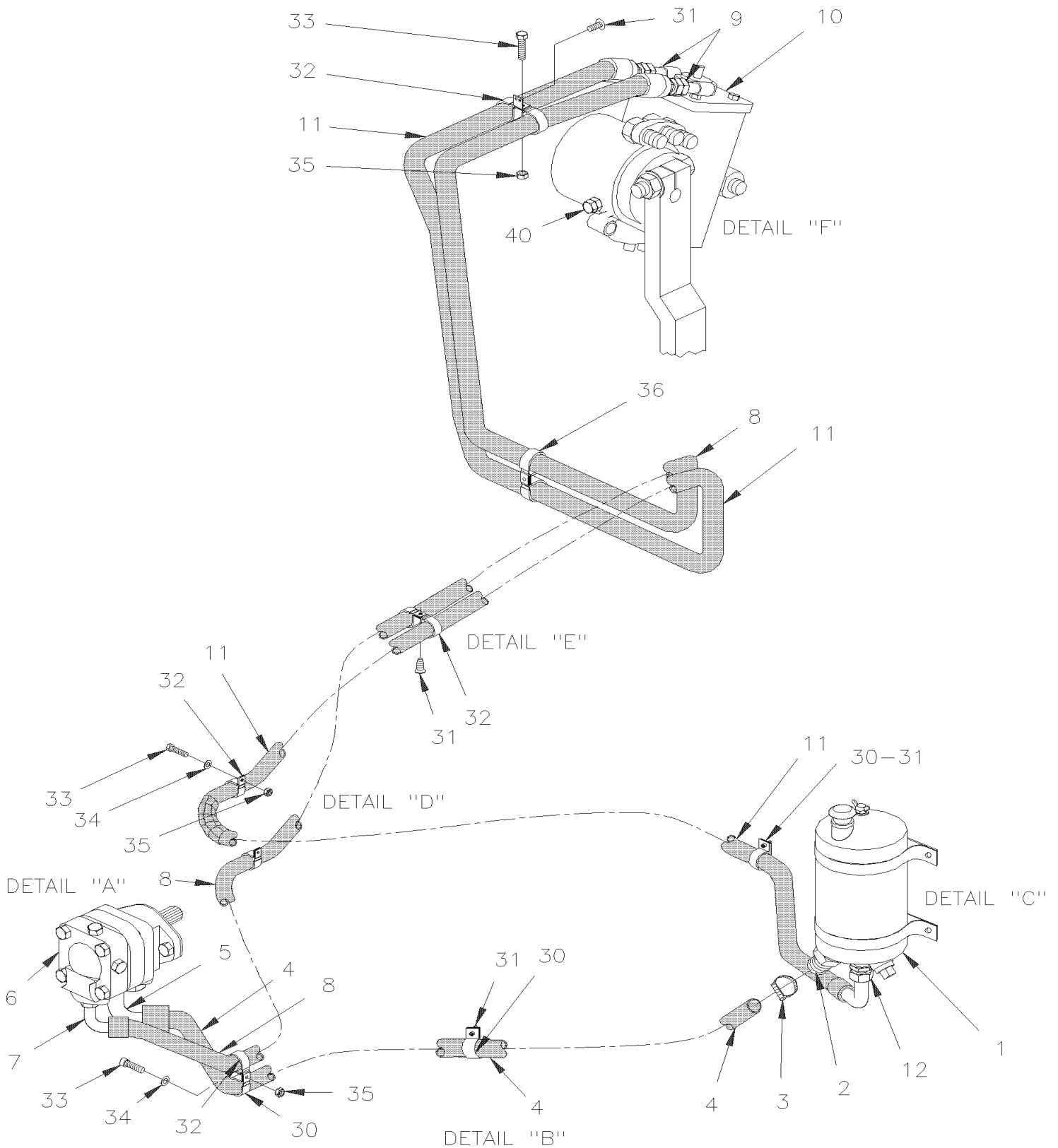


From P-256 To R-079

Date:10/2022

PAGE:H4-1400-01

POWER STEERING HOSE - INSTALLATION WITH DETROIT S-60



| | | |
|---|--------------|-----------------|
| From P-256 To R-079 | Date:10/2022 | PAGE:H4-1400-01 |
| POWER STEERING HOSE - INSTALLATION WITH DETROIT S-60 | | |

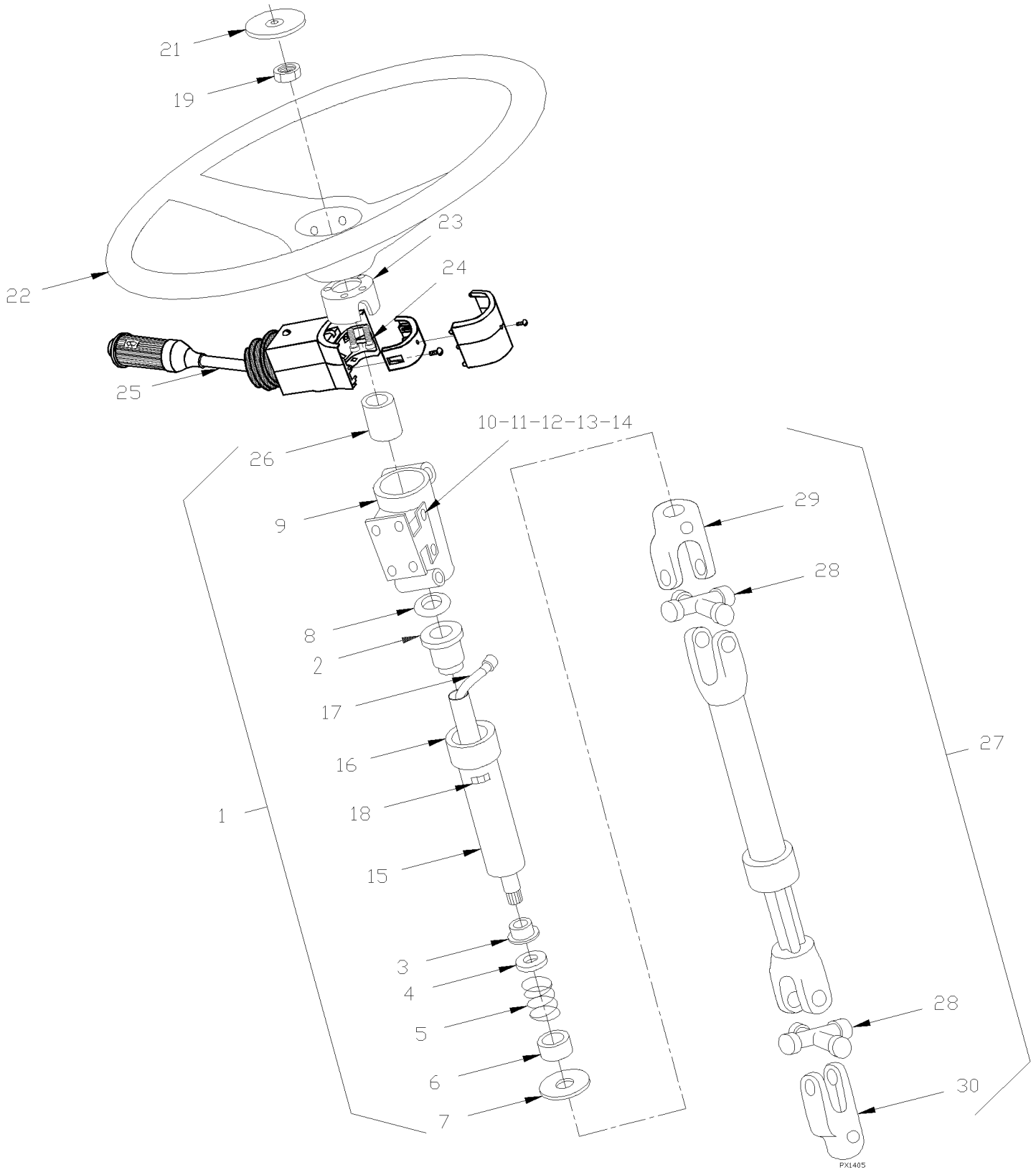
| Item# | Part | Description | H 3 4 0 | V I P 4 0 | N O T E S |
|-------|-------------------|--|------------------|-----------------------|-----------------------|
| 1 | H4-1420-00 | POWER STEERING TANK - 1.75 QT U.S. | | | |
| NS | 501306 | PLUG SQUARE HEAD / PIPE FITTING / 1/2NPT-M BR | 1 | 1 | |
| NS | 501592 | MALE CONNECTOR / JIC 37° FITTING / #10JIC-Mx1/2NPT-M STL | 1 | 1 | |
| 2 | 5011037 | MALE CONNECTOR / PUSH-LOK FITTING / 3/4NPT-Mx#16 STL | 1 | 1 | |
| 3 | 504292 | HOSE CLAMP / 1"5/16-2"1/4 SS / E.T. 28 | AR | AR | |
| 4 | 160949 | HOSE / FEED LINE TO TANK / #16 1778MM | 1 | 1 | |
| 4 | 503577 | . HOSE #16 / S.L. | AR | AR | |
| 5 | 5011036 | MALE ELBOW 90° / COLLAR FITTING / 1NPT-Mx#16 STL | 1 | 1 | |
| 6 | H4-1427-01 | POWER STEERING PUMP - "VICKERS" - WITH DETROIT S-60 | | | |
| 6 | H4-1427-02 | POWER STEERING PUMP - "VICKERS" - WITH / SERVICE | | | |
| 7 | 5011055 | MALE ELBOW 90° / JIC 37° FITTING / #10JIC-Mx#8ORB-M STL | 1 | 1 | |
| 8 | 160883 | HOSE ASSY / PUMP TO STEERING GEAR / #10 13450MM | 1 | 1 | |
| NS | 503063 | . HOSE #FC-300 HYDRAULIC / #10 S.L. | AR | AR | |
| NS | 501536 | . FEMALE CONNECTOR SWIVEL / JIC 37° FITTING / #10JIC-Fx#10 ZP | 2 | 2 | |
| NS | 505110 | . COIL PROTECTOR / PLASTIC / #12 | AR | AR | A |
| 9 | 507578 | MALE CONNECTOR / JIC 37° FITTING / #10JIC-Mx#8ORB-M STL | 2 | 2 | |
| 10 | H4-1415-00 | STEERING GEARBOX - HFB-70029 To R-381 | | | |
| 10 | H4-1415-01 | STEERING GEARBOX - TAS 85040 From R-382 | | | |
| 11 | 160828 | HOSE ASSY / STEERING GEAR TO TANK / #10 12610MM | 1 | 1 | |
| NS | 503063 | . HOSE #FC-300 HYDRAULIC / #10 S.L. | AR | AR | |
| NS | 501536 | . FEMALE CONNECTOR SWIVEL / JIC 37° FITTING / #10JIC-Fx#10 ZP | 1 | 1 | |
| NS | 501677 | . FEMALE ELBOW 90° SHORT DROP/ JIC 37° FITTING/ #10JIC-Fx#10 STL | 1 | 1 | |
| NS | 505110 | . COIL PROTECTOR / PLASTIC / #12 | AR | AR | A |
| 12 | 501592 | MALE CONNECTOR / JIC 37° FITTING / #10JIC-Mx1/2NPT-M STL | 1 | 1 | |
| 30 | 560483 | CLAMP / 7/8" I.D. | AR | AR | |
| 30 | 560871 | CLAMP / 15/16" I.D. | AR | AR | |
| 31 | 500613 | SCREW TP PAN PH #10x1/2 Z050 | AR | AR | |
| 32 | 561569 | CLAMP / 1 3/8 I.D. | AR | AR | |
| 33 | 502550 | SCREW CAP HEX M4-0.7x16 G8.8 Z050 | AR | AR | |
| 34 | 500590 | NUT HEX NYRT M4-0.7 Z050 | AR | AR | |
| 35 | 562036 | CLAMP / 7/8" I.D. X 90° | AR | AR | |
| 36 | 500657 | SCREW TC TR PH #10-24x1/2 Z050 | AR | AR | |
| 40 | 661021 | PLUG / W/O-RING | 2 | 2 | |
| | | | | | |
| | | | | | |
| | | | | | |
| | | A) S.L. | | | |

From L-031 To R-079

Date:10/2022

PAGE:H4-1405-02

STEERING WHEEL & COLUMN ASSY



| | | | |
|---|--|--------------|-----------------|
| From L-031 To R-079 | | Date:10/2022 | PAGE:H4-1405-02 |
| STEERING WHEEL & COLUMN ASSY | | | |

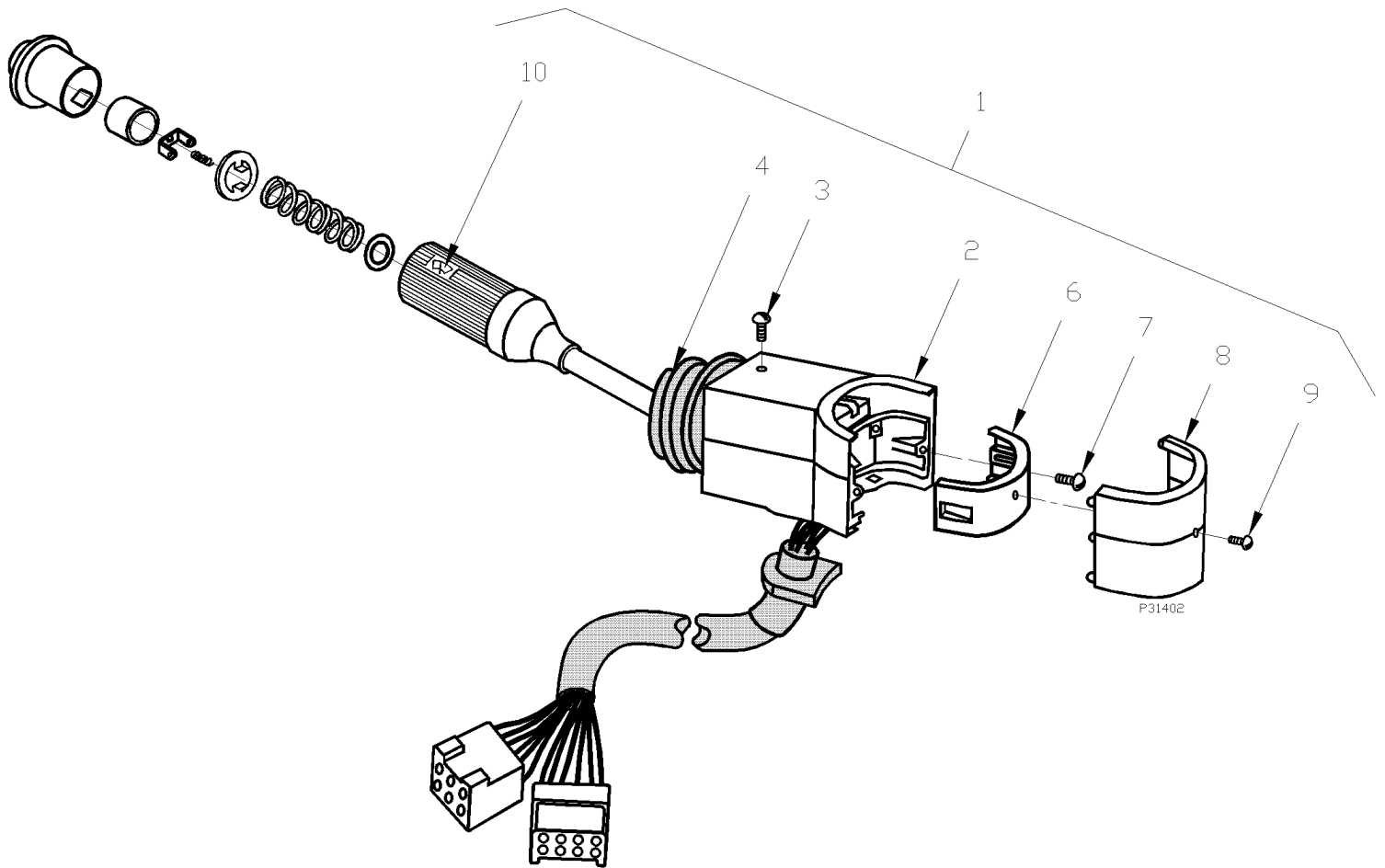
| Item# | Part | Description | H 3 4 0 | V I P 4 0 | N O T E S |
|-------|-------------------|--|------------------|-----------------------|-----------------------|
| 1 | 160731 | STEERING COLUMN ASSY 15" / W/BUS & MTH 86" | 1 | 1 | |
| 2 | 660779 | . BEARING ASSY | 2 | 2 | |
| 3 | 660780 | . SEAT, NYLON | 1 | 1 | |
| 4 | 660758 | . WASHER | 1 | 1 | |
| 5 | 660777 | . SPRING COMPRESSION / 1.344 O.D. x 1.441 x .130 | 1 | 1 | |
| 6 | 660776 | . CAP, DUST | 1 | 1 | |
| 7 | 660778 | . WASHER | 1 | 1 | |
| 8 | 660760 | . SEAT | 1 | 1 | |
| 9 | 160630 | . PLATE / TO FIX STEERING COLUMN | 1 | 1 | |
| 10 | 160652 | . BRACKET / TO FIX COLUMN COVER | 1 | 1 | |
| 11 | 500438 | . WASHER FL .187x.437x.050 Z050 | 4 | 4 | |
| NS | 160944 | . WIRE PROTECTOR / U SHAPE 260MM LG | 1 | 1 | |
| 12 | 500470 | . WASHER LO SPT .193x.334x.047 Z050 | 4 | 4 | |
| 13 | 502500 | . SCREW TC BDG PH #8-32x1/2 CJ | 4 | 4 | |
| 14 | 505406 | . SPRING, PIN 1/4 X 1 1/2 | 1 | 1 | |
| 15 | 160773 | . TUBE, STEERING 10 3/4" / W/MTH 80" & MTH 83" | 1 | 1 | |
| 16 | 160776 | . SHAFT 15" / W/BUS & MTH 86" | 1 | 1 | |
| NS | 660783 | . SLEEVE / CONTACT BRUSH | 1 | 1 | |
| NS | 660784 | . SCREW #8-32x1/4 NYLON | 1 | 1 | |
| 17 | 061963 | . WIRE ASSY / KLAXON | 1 | 1 | |
| NS | 560858 | . . . TAB RECEPTACLE TERMINAL / 16-14 / AMP 5-160431-2 | 1 | 1 | |
| NS | 560381 | . . . PLASTIC TUBING / 3/16" / CLEAR | AR | AR | |
| 18 | 160640 | . BRUSH CONTACT / HORN | 1 | 1 | |
| NS | 064251 | CABLE ASSY / CONTACT & CABLE | 1 | 1 | |
| 19 | 660085 | NUT WHEEL | 1 | 1 | |
| 21 | 660693 | BUTTON UNIT HORN | 1 | 1 | |
| 21 | 160779 | . CREST "PREVOST" / HORN BUTTON | 1 | 1 | |
| 22 | 160561 | STEERING WHEEL ASSY W/CANCELING RING | 1 | 1 | A |
| 23 | 660757 | . RING, TURN SIGNAL CANCEL / BLACK PLASTIC | 1 | 1 | |
| 24 | 500668 | . SCREW MA PAN PH M3.5-0.6x20 Z050 | 1 | 1 | |
| 24 | 502688 | . SCREW MA PAN PH M3.5-0.6x10 ZP | 2 | 2 | |
| 24 | 500650 | . SCREW TC PAN PH #6-32x3/8 ZP | 3 | 3 | B |
| 25 | H4-1406-00 | MULTI-FUNCTION LEVER | | | |
| 26 | 160569 | SPACER 1" I.D. X 1 3/16" O.D. X 1 9/16" | 1 | 1 | |
| 26 | 161141 | SPACER / SERVICE ONLY / 1" I.D. X 1 3/16" O.D. X 32MM | AR | AR | S |
| 27 | 660887 | SHAFT ASSY, LOWER SECTION 15.13" C/C x 24.16" C/C | 1 | 1 | |
| 28 | 660683 | . KIT JOINT / CROSS W/BEARING | 2 | 2 | |
| 29 | 660686 | . YOKE, UPPER / 1" - 36 SPLINES | 1 | 1 | |
| 30 | 660685 | . YOKE, LOWER / 1" - 36 SPLINES | 1 | 1 | |
| NS | 163247 | KIT, STEERING WHEEL REPLACEMENT | 1 | 1 | |
| . NS | IS-01052 | . SEE INSTRUCTION SHEET | 1 | 1 | |
| | | | | | |

| | | |
|---------------------|--------------|-----------------|
| From L-031 To R-079 | Date:10/2022 | PAGE:H4-1405-02 |
|---------------------|--------------|-----------------|

STEERING WHEEL & COLUMN ASSY

| Item# | Part | Description | H 3 4 0 | V I P 4 0 | N O T E S |
|-------|------|---|------------------|-----------------------|-----------------------|
| | | | | | |
| | | | | | |
| | | A) THIS ITEM IS SUPERSEDED BY KIT #163247. SEE INSTRUCTION SHEET IS-01052 | | | |
| | | B) USE WITH #191696 ONLY | | | |
| | | S) A FEW COACH RECEIVE THIS SPACER IN SERVICE WITH STEERING "VOLVO" | | | |

| | | |
|----------------------|--------------|-----------------|
| From L-031 To R-079 | Date:10/2022 | PAGE:H4-1406-00 |
| MULTI-FUNCTION LEVER | | |



| | | |
|---------------------|--------------|-----------------|
| From L-031 To R-079 | Date:10/2022 | PAGE:H4-1406-00 |
|---------------------|--------------|-----------------|

MULTI-FUNCTION LEVER

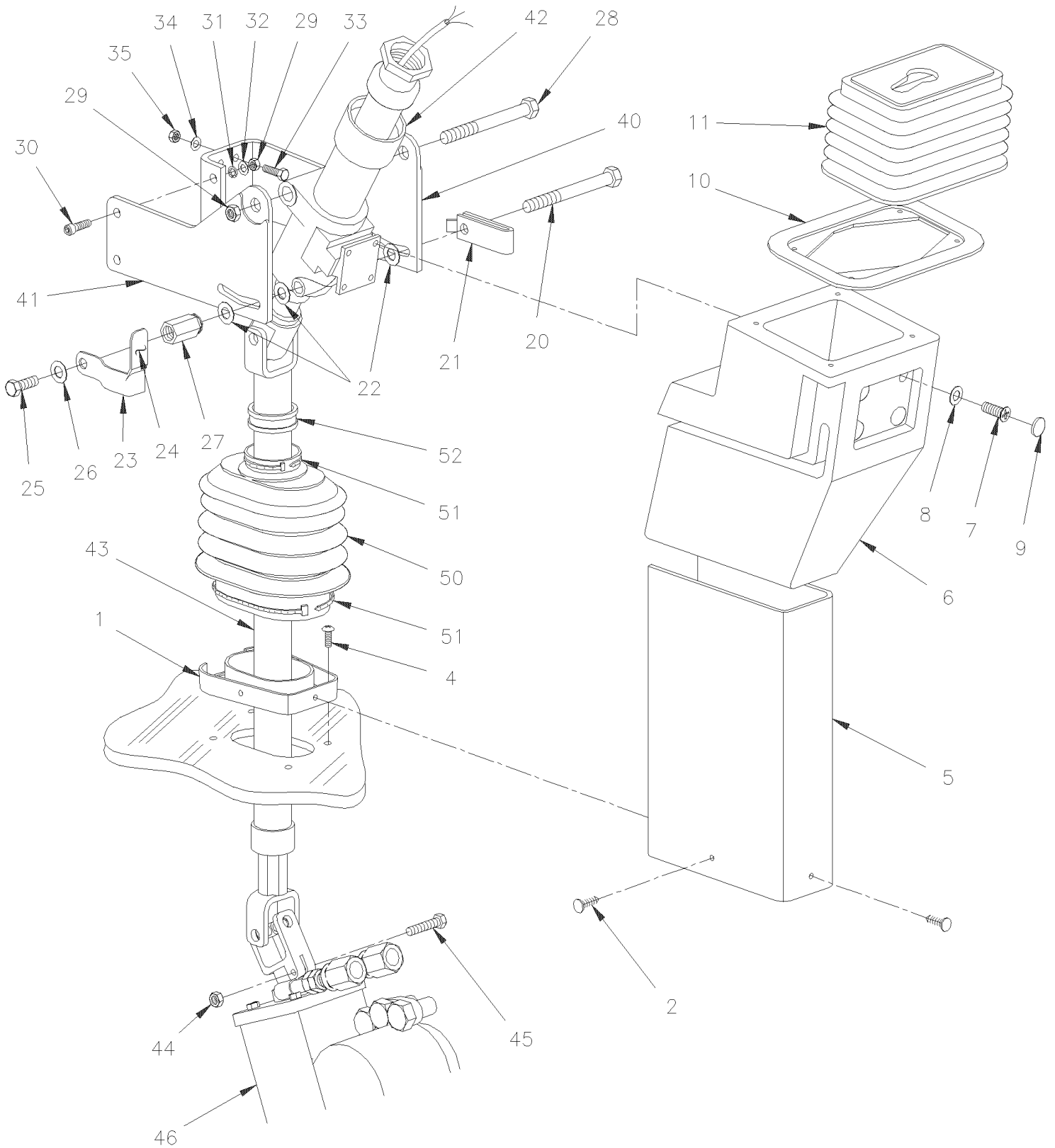
| Item# | Part | Description | H 3 4 0 | V I P 4 0 | N O T E S |
|-------|--------|--------------------------------------|------------------|-----------------------|-----------------------|
| 1 | 660694 | LEVER ASSY / MULTIFONCTINAL | 1 | 1 | |
| 2 | 660766 | . . HOUSING | 1 | 1 | |
| 3 | 660771 | . . SCREW / HOUSING | 1 | 1 | |
| 4 | 660781 | . . CAP PLEATED RUBBER | 1 | 1 | |
| 6 | 660774 | . . CLAMP | 2 | 2 | |
| 7 | 660775 | . . SCREW MA PAN TORX M5-0.8x12 ZP | 1 | 1 | |
| 8 | 660772 | . . CAP / HOUSING CLAMP | 1 | 1 | |
| 9 | 660773 | . . SCREW, TURN SIGNAL SW. HOUSING | 1 | 1 | |
| 10 | 402953 | DECAL / "BLINKERS WINDSHIELD WASHER" | 1 | 1 | |
| | | | | | |
| | | | | | |
| | | | | | |

From L-031 To R-079

Date:10/2022

PAGE:H4-1407-01

STEERING COLUMN & COVER - INSTALLATION



| | | |
|---|--------------|-----------------|
| From L-031 To R-079 | Date:10/2022 | PAGE:H4-1407-01 |
| STEERING COLUMN & COVER - INSTALLATION | | |

| Item# | Part | Description | H 3 4 0 | V I P 4 0 | N O T E S |
|-------|-------------------|--|------------------|-----------------------|-----------------------|
| 1 | 391745 | SUPPORT | 1 | 1 | |
| 2 | 504619 | CLIP CHRISTMAS TREE / BLACK 7/32"O.D.x1/2" HOLE 3/16 | 3 | 3 | |
| 4 | 500638 | SCREW TP PAN PH #8x1/2 Z050 | 7 | 7 | |
| 5 | 390940 | COVER, LOWER SECTION | 1 | 1 | |
| 6 | 391105 | COVER ASSY, CENTRAL SECTION | 1 | 1 | |
| 6 | 390939 | . COVER, CENTRAL SECTION | 1 | 1 | |
| 6 | 500437 | . WASHER FL .125x.375x.040 Z050 | 4 | 4 | |
| 6 | 504003 | . FASTENER RIVET BASE | 4 | 4 | |
| 6 | 504107 | . RIVET POP DOME OE 1/8x5/16 AL | 4 | 4 | |
| NS | 391011 | MOULDING, R.H. / CENTRAL COVER | 1 | 1 | |
| NS | 391010 | MOULDING, L.H. / CENTRAL COVER | 1 | 1 | |
| 7 | 500641 | SCREW TP PAN PH #8x3/4 Z050 | 4 | 4 | |
| NS | 500563 | NUT SPR U #8-32 .094-.125 | 4 | 4 | |
| 8 | 504412 | WASHER RETAINER SNAP CAP #8 | 4 | 4 | |
| 9 | 504403 | SNAP CAP #8 FINISHING BLACK | 4 | 4 | |
| 11 | 391156 | COVER ASSY, RUBBER | 1 | 1 | |
| 20 | 160708 | SCREW / W/L.H. THREAD | 1 | 1 | |
| 21 | 160633 | RETAINER, LOCK PLATE | 1 | 1 | |
| 22 | 500444 | WASHER FL .406x.812x.065 Z050 | 3 | 3 | |
| 23 | 160639 | LEVER ASSY TIGHTENING | 1 | 1 | |
| 24 | 660786 | . HANDLE, PLASTIC | 1 | 1 | |
| 25 | 160709 | SCREW CAP HEX 3/8-16x1 1/4" | 1 | 1 | |
| 26 | 500478 | WASHER LO SPT .380x.683x.094 Z050 | 1 | 1 | |
| 27 | 160636 | NUT TIGHTENING / L.H. | 1 | 1 | |
| 28 | 500885 | SCREW SHR HEXS 3/8x4 {5/16-18 | 1 | 1 | |
| 29 | 500685 | NUT HEX NYRT 5/16-18 SS | 2 | 2 | |
| 30 | 500876 | SCREW SHR HEXS 3/8x3/4 {5/16-18 | 2 | 2 | |
| 31 | 500905 | WASHER SPR WAVE .750x.015 | 2 | 2 | |
| 32 | 500441 | WASHER FL .312x.734x.065 Z050 | 2 | 2 | |
| 33 | 502549 | SCREW CAP HEX M10-1.5x35 G8.8 Z050 | 4 | 4 | |
| 34 | 500445 | WASHER FL .437x1.000x.083 Z050 | 4 | 4 | |
| 35 | 500680 | NUT HEX STO M10-1.5 Z050 | 4 | 4 | |
| 40 | 160726 | SUPPORT, STEERING COLUMN (FIXED ON STRUTURE) | 1 | 1 | |
| 41 | 160728 | SUPPORT, STEERING COLUMN | 1 | 1 | |
| 42 | H4-1405-02 | STEERING WHEEL & COLUMN ASSY | | | |
| 43 | H4-1405-02 | STEERING WHEEL & COLUMN ASSY | | | |
| 44 | 500567 | SCREW CAP HEX 3/8-16x1 3/4 G5 ZP | 2 | 2 | |
| 45 | 500265 | NUT HEX STO 3/8-16 Z050 | 2 | 2 | |
| 46 | H4-1415-00 | STEERING GEARBOX - HFB-70029 | | | |
| 50 | 660981 | BELLOW | 1 | 1 | |
| 51 | 504637 | CABLE TIE / 3/16" x 13" | 2 | 2 | |
| 52 | 391576 | SEAL RING | 1 | 1 | |

| | | | |
|---------------------|--|--------------|-----------------|
| From L-031 To R-079 | | Date:10/2022 | PAGE:H4-1407-01 |
|---------------------|--|--------------|-----------------|

STEERING COLUMN & COVER - INSTALLATION

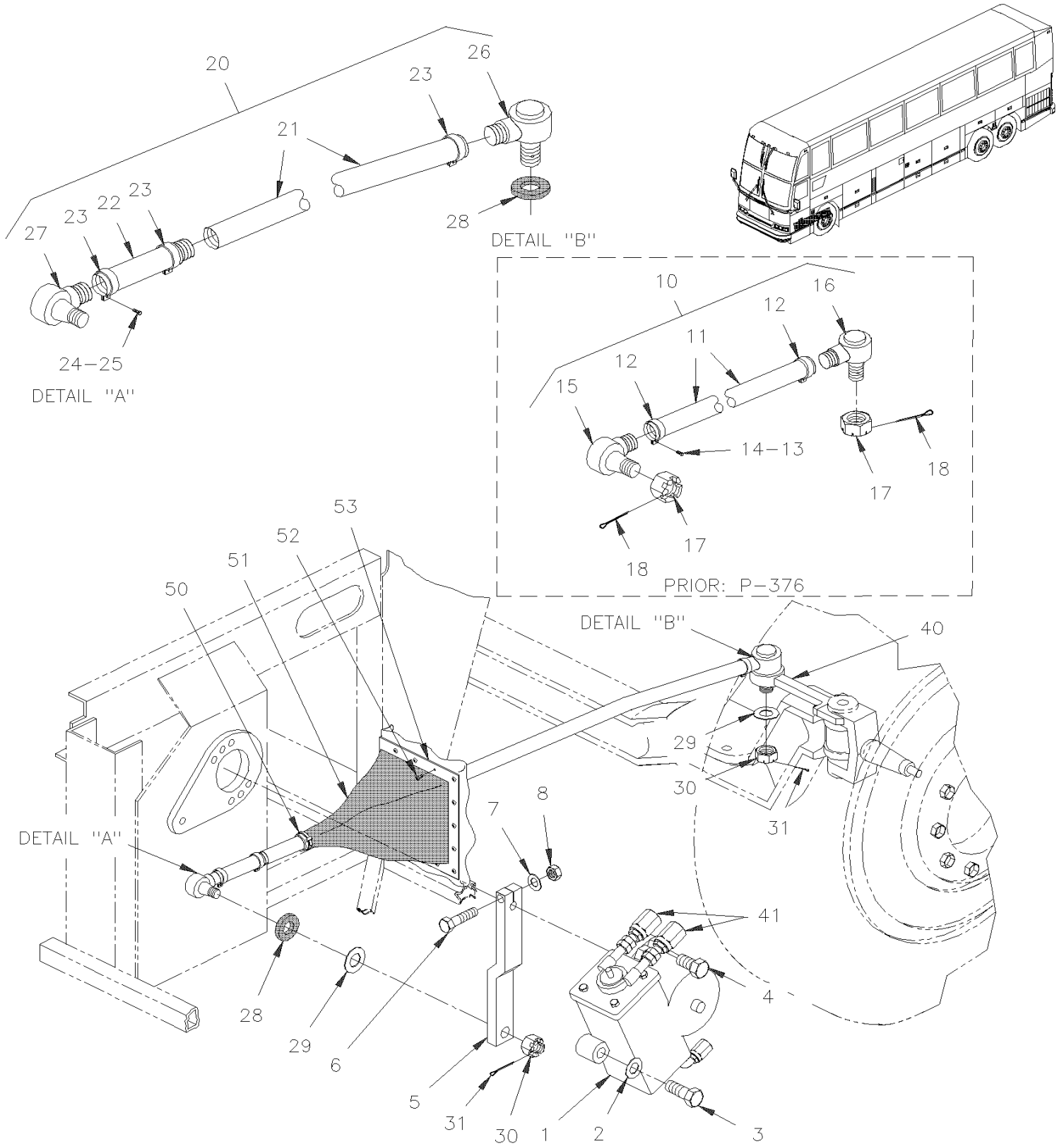
| Item# | Part | Description | H 3 4 0 | V I P 4 0 | N O T E S |
|-------|------|-------------|------------------|-----------------------|-----------------------|
| | | | | | |
| | | | | | |
| | | | | | |

From L-031 To R-079

Date:10/2022

PAGE:H4-1410-00

STEERING RODS - INSTALLATION



| | | |
|-------------------------------------|--------------|-----------------|
| From L-031 To R-079 | Date:10/2022 | PAGE:H4-1410-00 |
| STEERING RODS - INSTALLATION | | |

| Item# | Part | Description | H 3 4 0 | V I P 4 0 | N O T E S |
|-------|------------|--|------------------|-----------------------|-----------------------|
| 1 | H4-1415-00 | STEERING GEARBOX - HFB-70029 To R-381 | | | |
| 1 | H4-1415-01 | STEERING GEARBOX - TAS 85040 From R-382 | | | |
| 2 | 500490 | WASHER LO SPT .887x1.464x.219 ZP | 1 | 1 | |
| 3 | 500154 | SCREW CAP HEX 7/8-14x2 G8 ZP | 1 | 1 | |
| 4 | 5001219 | SCREW CAP HEX 3/4-16x1 3/4 G8 ZP | 6 | 6 | |
| 4 | 500488 | WASHER LO SPT .760x1.271x.188 Z050 | 6 | 6 | |
| 5 | 160901 | ARM, PITMAN 280MM C/C / PAINTED BLACK | 1 | 1 | B |
| . NS | M105-09 | . SEE MAINTENANCE INFORMATION | 1 | 1 | B |
| 6 | 500298 | SCREW CAP HEX 3/4-16x4 1/2 G5 ZP | 1 | 1 | |
| 7 | 500488 | WASHER LO SPT .760x1.271x.188 Z050 | 1 | 1 | |
| 8 | 500733 | NUT HEX 3/4-16 Z050 | 1 | 1 | |
| 10 | 160811 | DRAG LINK ASSY To P-375 | 1 | 1 | A |
| 11 | N.S.S. | . TUBE | 1 | 1 | 1 |
| 12 | 660978 | . COLLAR ASSY / W/BOLT & NUT 1 5/8" I.D. | 2 | 2 | |
| . NS | 500231 | . . SCREW CAP HEX 5/8-11x3 G5 ZP | 1 | 1 | |
| . NS | 500683 | . . NUT HEX STO 5/8-11 ZP | 1 | 1 | |
| 12 | 661133 | . COLLAR ASSY / W/BOLT & NUT & STOPPER 1 5/8" I.D. | 2 | 2 | |
| . NS | 500231 | . . SCREW CAP HEX 5/8-11x3 G5 ZP | 1 | 1 | |
| . NS | 500683 | . . NUT HEX STO 5/8-11 ZP | 1 | 1 | |
| 13 | 500231 | . . SCREW CAP HEX 5/8-11x3 G5 ZP | 1 | 1 | |
| 14 | 500683 | . . NUT HEX STO 5/8-11 ZP | 1 | 1 | |
| 15 | 661002 | . TIE ROD END R.H. THREAD 1 1/4-12 | 1 | 1 | |
| 15 | 610988 | . TIE ROD END R.H. THREAD 1"1/8-12 | 1 | 1 | A |
| 16 | 611089 | . TIE ROD END L.H. THREAD 1 1/4-12 | 1 | 1 | |
| 16 | 610987 | . TIE ROD END L.H. THREAD 1"1/8-12 | 1 | 1 | A |
| 17 | 5001345 | . NUT HEX CSL THN 7/8-14 | 1 | 1 | |
| 18 | 502115 | . PIN, COTTER 3/16 x 2 1/2 | 1 | 1 | |
| 20 | 160935 | DRAG LINK ASSY / 1335MM C/C / W/ONE CURVE From P-376 | 1 | 1 | |
| 21 | 160934P | . ROD / W/1 CURVE // W/ONE CURVE 911MM | 1 | 1 | |
| 22 | 160932 | . TURNBUCKLE 275MM | 1 | 1 | |
| 23 | 660978 | . COLLAR ASSY / W/BOLT & NUT 1 5/8" I.D. | 3 | 3 | |
| . NS | 500231 | . . SCREW CAP HEX 5/8-11x3 G5 ZP | 1 | 1 | |
| . NS | 500683 | . . NUT HEX STO 5/8-11 ZP | 1 | 1 | |
| 24 | 500231 | . . SCREW CAP HEX 5/8-11x3 G5 ZP | 1 | 1 | |
| 25 | 500683 | . . NUT HEX STO 5/8-11 ZP | 1 | 1 | |
| 26 | 611089 | . TIE ROD END L.H. THREAD 1 1/4-12 | 1 | 1 | |
| 27 | 660936 | . TIE ROD END L.H. THREAD 1 1/4-12 | 1 | 1 | |
| 27 | 661150 | . TIE ROD END L.H. THREAD 1 1/4-12 | 1 | 1 | |
| 28 | 660997 | . . RUBBER WASHER SEAL | 1 | 1 | |
| 28 | 661135 | . . RUBBER WASHER SEAL | 1 | 1 | |
| 29 | 660998 | . . WASHER RETAINER STEEL | 1 | 1 | |
| 29 | 161989 | . . WASHER FL 34.9x63.5x16GA SS | 1 | 1 | |

| | | |
|-------------------------------------|--------------|-----------------|
| From L-031 To R-079 | Date:10/2022 | PAGE:H4-1410-00 |
| STEERING RODS - INSTALLATION | | |

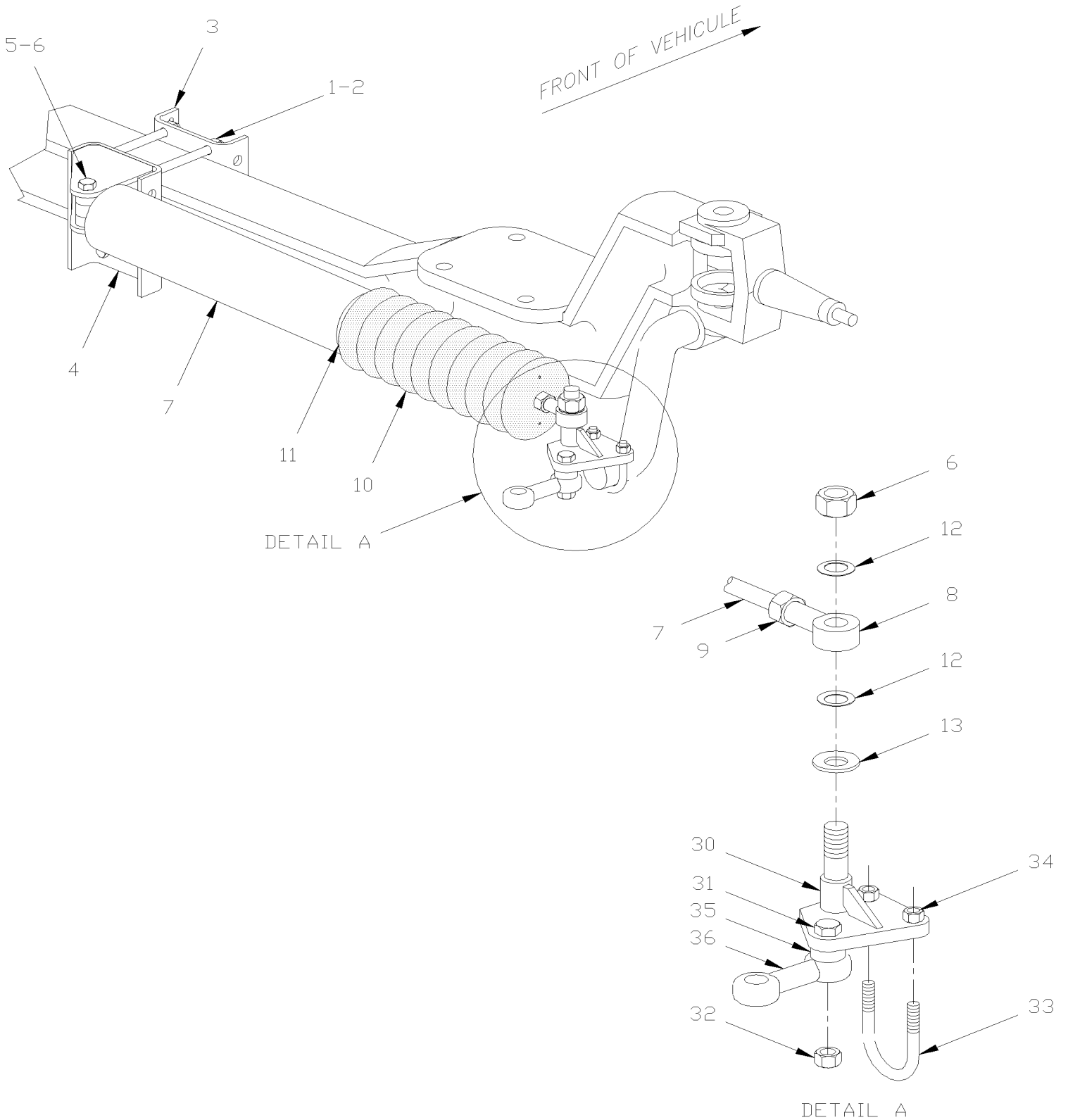
| Item# | Part | Description | H 3 4 0 | V I P 4 0 | N O T E S |
|-------|-------------------|---|------------------|-----------------------|-----------------------|
| 30 | 5001345 | . . NUT HEX CSL THN 7/8-14 | 1 | 1 | |
| 31 | 502115 | . . PIN, COTTER 3/16 x 2 1/2 | 2 | 2 | |
| 40 | H4-1005-02 | FRONT AXLE - I BEAM RIGID MODEL "2FG-952-CAX" | | | |
| 41 | H4-1400-00 | POWER STEERING HOSE - INSTALLATION WITH DETROIT S-92 | | | |
| 41 | H4-1400-01 | POWER STEERING HOSE - INSTALLATION WITH DETROIT S-60 | | | |
| 50 | 504024 | HOSE CLAMP / 1"13/16"-2"3/4 SS / HS-36 | 1 | 1 | |
| 51 | 160156 | SHIELD RUBBER | 1 | 1 | |
| 52 | 160817 | FRAME ASSY | 1 | 1 | |
| NS | 160807 | STRIP METAL / TO FIX RUBBER SHIELD | 1 | 1 | |
| 53 | 500657 | SCREW TC TR PH #10-24x1/2 Z050 | 16 | 16 | |
| | | | | | |
| NS | MI05-09 | SEE MAINTENANCE INFORMATION | 1 | 1 | |
| | | | | | |
| | | | | | |
| | | A) SOME DRAG LINK HAVE 1"1/8-12 THREAD ON END ASSY. THIS MODEL IS OBSOLETE AND SUPERSEDED BY ASSY #160935 | | | |
| | | B) SEE MAINTENANCE INFORMATION MI05-09 | | | |
| | | 1) NOT SOLD SEPARATELY | | | |

From L-031 To R-079

Date:10/2022

PAGE:H4-1412-00

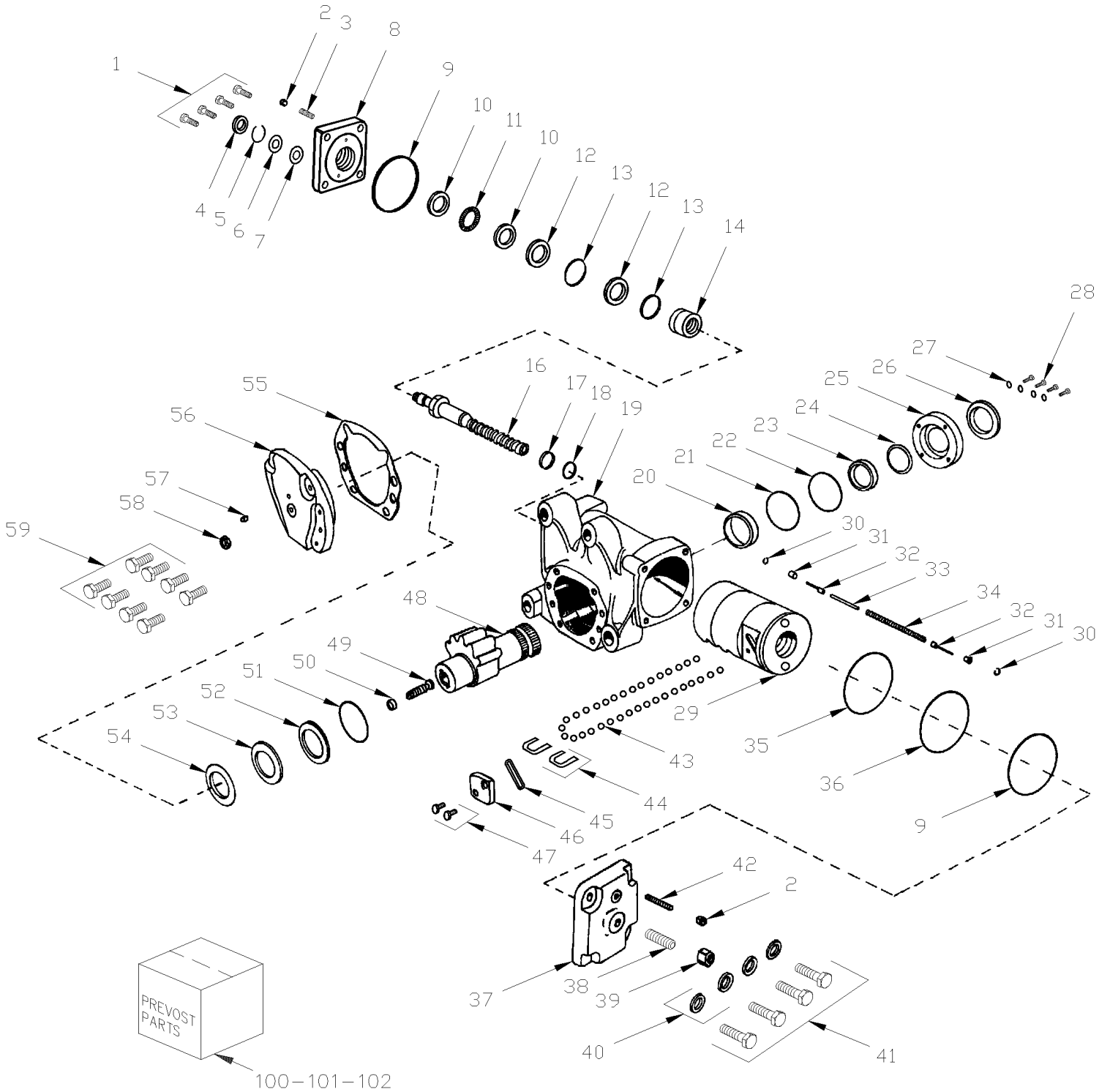
STEERING DAMPER - INSTAL. W/AXLE 2FG-952-CAX



| | | |
|---|--------------|-----------------|
| From L-031 To R-079 | Date:10/2022 | PAGE:H4-1412-00 |
| STEERING DAMPER - INSTAL. W/AXLE 2FG-952-CAX | | |

| Item# | Part | Description | H 3 4 0 | V I P 4 0 | N O T E S |
|-------|-----------|--|------------------|-----------------------|-----------------------|
| 1 | 500687 | SCREW CAP HEX 7/16-20x5 G5 Z050 | 4 | 4 | |
| 2 | 500714 | NUT HEX STO 7/16-20 Z050 | 4 | 4 | |
| NS | 500446 | WASHER FL .531x1.250x.125 Z050 | 4 | 4 | |
| 3 | 160618 | PLATE ATTACHMENT | 1 | 1 | |
| 4 | 160839 | BASE ANCHOR | 1 | 1 | |
| 5 | 500145 | SCREW CAP HEX 3/4-16x3 1/2 G5 Z050 | 1 | 1 | |
| 6 | 500735 | NUT HEX STO 3/4-16 ZP | 2 | 2 | |
| 7 | 160835 | DAMPER SHOCK ASS | 1 | 1 | |
| NS | IS-96052A | SEE INSTRUCTION SHEET | 1 | 1 | |
| 7 | 660979 | DAMPER SHOCK | 1 | 1 | |
| 8 | 660884 | ROD END FEMALE 3/4"-16 / 3/4 I.D. | 1 | 1 | |
| NS | 501497 | GREASE FITTING / 1/4-28 | 1 | 1 | |
| 9 | 500734 | NUT HEX JAM 3/4-16 Z050 | 1 | 1 | |
| 10 | 661007 | BOOT PROTECTOR | 1 | 1 | |
| 11 | 504023 | HOSE CLAMP / 1"5/16-2"1/4 SS / HS-28 | 1 | 1 | |
| 12 | 660980 | COVER ROD END / RUBBER | 2 | 2 | |
| NS | 160837 | DECAL "WARNING" | 1 | 1 | |
| NS | 160836 | DECAL "AVERTISSEMENT..." | 1 | 1 | |
| 13 | 502558 | WASHER FL 21.0x37.0x3.0 G500 | 1 | 1 | |
| 14 | 500451 | WASHER FL .812x2.000x.148 ZP | 1 | 1 | |
| 30 | 160813 | PLATE, PIVOT To N-174 | 1 | 1 | A |
| 30 | 160861 | PLATE, PIVOT From N-175 | 1 | 1 | A |
| 31 | 500096 | SCREW CAP HEX 1/2-20x3 G5 Z050 | 1 | 1 | |
| 32 | 500718 | NUT HEX STO 1/2-20 Z050 | | | |
| 33 | 160623 | U-BOLT To N-174 | 1 | 1 | A |
| 34 | 500704 | NUT HEX STO 3/8-24 Z050 | 2 | 2 | |
| NS | 500445 | WASHER FL .437x1.000x.083 Z050 | 2 | 2 | |
| 35 | 160862 | SPACER WASHER FOR USE ONLY W/PLATE # 160813 To N-174 | 1 | 1 | A |
| 36 | 110506 | ADAPTOR, TAPER / TO FIX IN STEERING ARM HOLE | 1 | 1 | |
| | | | | | |
| | | | | | |
| | | | | | |
| | | | | | |
| | | | | | |
| | | A) SOME V.I.P. UP TO N-174 CHANGE FOR REVERSE LOWER RADIAL BAR, PLEASE CHECK BEFORE ORDERB' FOR PRODUCT IMPROVMENT YOU NEED THOSE PARTS: 2X 660980,1X 160836,1X 160837,1X 661007 & 1X 504023 | | | |

| | | |
|------------------------------|--------------|-----------------|
| From L-031 To R-381 | Date:10/2022 | PAGE:H4-1415-00 |
| STEERING GEARBOX - HFB-70029 | | |



| | | |
|-------------------------------------|--------------|-----------------|
| From L-031 To R-381 | Date:10/2022 | PAGE:H4-1415-00 |
| STEERING GEARBOX - HFB-70029 | | |

| Item# | Part | Description | H 3 4 0 | V I P 4 0 | N O T E S |
|-------|--------|---|------------------|-----------------------|-----------------------|
| | 660785 | GEARBOX ASSY | 1 | 1 | |
| 1 | N.P.N. | . BOLT 9/16-18 X 2 1/8 | 4 | 4 | 4 |
| 2 | 660700 | . NUT JAM / POPPET SCREW | 2 | 2 | |
| 3 | 660847 | . SCREW ADJUSTING 2"1/4 OR 2"1/2 / POPPET | 1 | 1 | |
| 4 | 660701 | . SEAL | 1 | 1 | |
| 5 | 660702 | . RING RETAINING | 1 | 1 | |
| 6 | 660703 | . WASHER | 1 | 1 | |
| 7 | 660704 | . SEAL / INPUT SHAFT (2 PIECES) | 1 | 1 | |
| 8 | 660848 | . HOUSING ASSY / VALVE (3 PIECES) | 1 | 1 | |
| 9 | 660706 | . O-RING | 2 | 2 | |
| 10 | 660707 | . WASHER THRUST | 2 | 2 | |
| 11 | 660708 | . BEARING THRUST | 1 | 1 | |
| 12 | 660719 | . SEAL | 2 | 2 | |
| 12 | 660710 | . RING SEAL | 1 | 1 | |
| 13 | 660720 | . O-RING | 2 | 2 | |
| 13 | N.S.S. | . SEAL RING | 1 | 1 | 1 |
| 13 | N.S.S. | . WORM & RING ASSY | 1 | 1 | 1 |
| 13 | N.S.S. | . INSERT | 1 | 1 | 1 |
| NS | 660849 | . SERVICE VALVE ASSY | 1 | 1 | |
| 14 | N.S.S. | . SHAFT & VALVE ASSY | 1 | 1 | 1 |
| 17 | 660721 | . O-RING | 1 | 1 | |
| 18 | 660722 | . RING SEAL | 1 | 1 | |
| NS | 660850 | . HOUSING ASSY | 1 | 1 | |
| 19 | N.S.S. | . HOUSING | 1 | 1 | 1 |
| 19 | 660735 | . ARM, PITMAN 9" / (PAINTED BLACK) | 1 | 1 | |
| 20 | 660733 | . BEARING | 1 | 1 | |
| 21 | 660734 | . RING RETAINING | 1 | 1 | |
| 22 | N.S.S. | . O-RING / COVER TRUNION | 1 | 1 | 1 |
| 23 | 660738 | . SEAL & ADAPTOR ASSY (2 PIECES) | 1 | 1 | |
| 24 | 660737 | . WASHER BACK-UP | 1 | 1 | |
| NS | 660736 | . COVER ASSY / TRUNNION | 1 | 1 | |
| 25 | N.S.S. | . COVER | 1 | 1 | 1 |
| 25 | N.S.S. | . PIN | 1 | 1 | 1 |
| 26 | 660709 | . SEAL | 1 | 1 | |
| 27 | 660711 | . WASHER | 4 | 4 | |
| 28 | 660712 | . SCREW | 4 | 4 | |
| NS | 660853 | . RACK & BALL SERVICE ASSY | 1 | 1 | |
| 29 | N.S.S. | . RACK PISTON | 1 | 1 | 1 |
| 30 | 660728 | . RING RETAINING | 2 | 2 | |
| 31 | 660727 | . SEAT POPPET | 2 | 2 | |
| 32 | 660726 | . POPPETS | 2 | 2 | |
| 33 | 660725 | . SPACER ROD | 1 | 1 | |

| | | |
|-------------------------------------|--------------|-----------------|
| From L-031 To R-381 | Date:10/2022 | PAGE:H4-1415-00 |
| STEERING GEARBOX - HFB-70029 | | |

| Item# | Part | Description | H 3 4 0 | V I P 4 0 | N O T E S |
|-------|--------|---|------------------|-----------------------|-----------------------|
| 34 | 660724 | . . SPRING, COMP. | 1 | 1 | |
| 35 | 660729 | . . O-RING (BACK UP; RACK PISTON) | 1 | 1 | |
| 36 | 660730 | . . TEFLON SEAL RING (RACK PISTON) | 1 | 1 | |
| 37 | 660854 | . COVER END | 1 | 1 | |
| 38 | 660714 | . SCREW ADJUSTING | 1 | 1 | |
| 39 | 660715 | . NUT JAM | 1 | 1 | |
| 40 | 660716 | . WASHER | 4 | 4 | |
| 41 | 660717 | . SCREW | 4 | 4 | |
| 41 | 660739 | . SHAFT & COVER SERVICE ASSY | 1 | 1 | |
| 42 | 660660 | . SCREW SET SLT FL 3/8-24x1 1/2 BK | 1 | 1 | |
| 42 | N.S.S. | . . INSERT THRUST | 1 | 1 | 1 |
| 43 | 660731 | . . BALL (KIT OF 34) | 1 | 1 | |
| 43 | N.S.S. | . . . BEARING | 1 | 1 | 1 |
| 48 | 660855 | . SHAFT & COVER (48 & 56) | 1 | 1 | |
| 49 | 660741 | . . ADJUSTING SCREW (SECTOR SHAFT) | 1 | 1 | |
| 50 | 660742 | . . RETAINER (ADJUSTING SCREW) | 1 | 1 | |
| 52 | 660746 | . . . SEAL ASSY / SIDE COVER (2 PIECES) | 1 | 1 | |
| 52 | 660747 | . . . RING RETAINING | 1 | 1 | |
| 53 | 660744 | . . . WASHER | 1 | 1 | |
| 54 | 660745 | . . . WASHER BACK UP | 1 | 1 | |
| 55 | 660749 | . . GASKET / SIDE COVER | 1 | 1 | |
| NS | 660743 | . . . SIDE COVER SERVICE ASSY | 1 | 1 | |
| 56 | N.S.S. | . . COVER SIDE | 1 | 1 | 1 |
| 57 | 660748 | . . VENT PLUG (SIDE COVER) | 1 | 1 | |
| 58 | 660751 | . . NUT HEX JAM | 1 | 1 | |
| 59 | 660750 | ARM, PITMAN 270MM C/C | 8 | 8 | |
| 60 | 660856 | BOOT PROTECTOR / SEAT | 1 | 1 | |
| 62 | 660857 | PROTECTOR SEAT | 1 | 1 | |
| 100 | 660752 | KIT COMPLETE SEAL | 1 | 1 | A |
| 101 | 661065 | KIT POPPET VALVE | AR | AR | |
| . A | N.S.S. | . O-RING (BACK-UP) | 1 | 1 | 1 |
| . B | N.S.S. | . POPPET ADJUSTER SEAT & SLEEVE ASSY | 2 | 2 | 1 |
| . C | N.S.S. | . POPPET | 2 | 2 | 1 |
| . D | N.S.S. | . POPPET SPRING | 1 | 1 | 1 |
| . E | N.S.S. | . SPACER ROD | 1 | 1 | 1 |
| . F | N.S.S. | . PUSH TUBE | 1 | 1 | 1 |
| 102 | 661066 | SEAL KIT / SECTOR OUTPUT SHAFT | AR | AR | |
| . A | 660966 | . RETAINER RING | 1 | 1 | |
| . B | N.S.S. | . DIRT SEAL | 1 | 1 | 1 |
| . C | N.S.S. | . DIRT & WATER SEAL (TRUNION) | 1 | 1 | 1 |
| . D | 660970 | . WASHER (SPACER) | 1 | 1 | |

| | | |
|-------------------------------------|--------------|-----------------|
| From L-031 To R-381 | Date:10/2022 | PAGE:H4-1415-00 |
| STEERING GEARBOX - HFB-70029 | | |

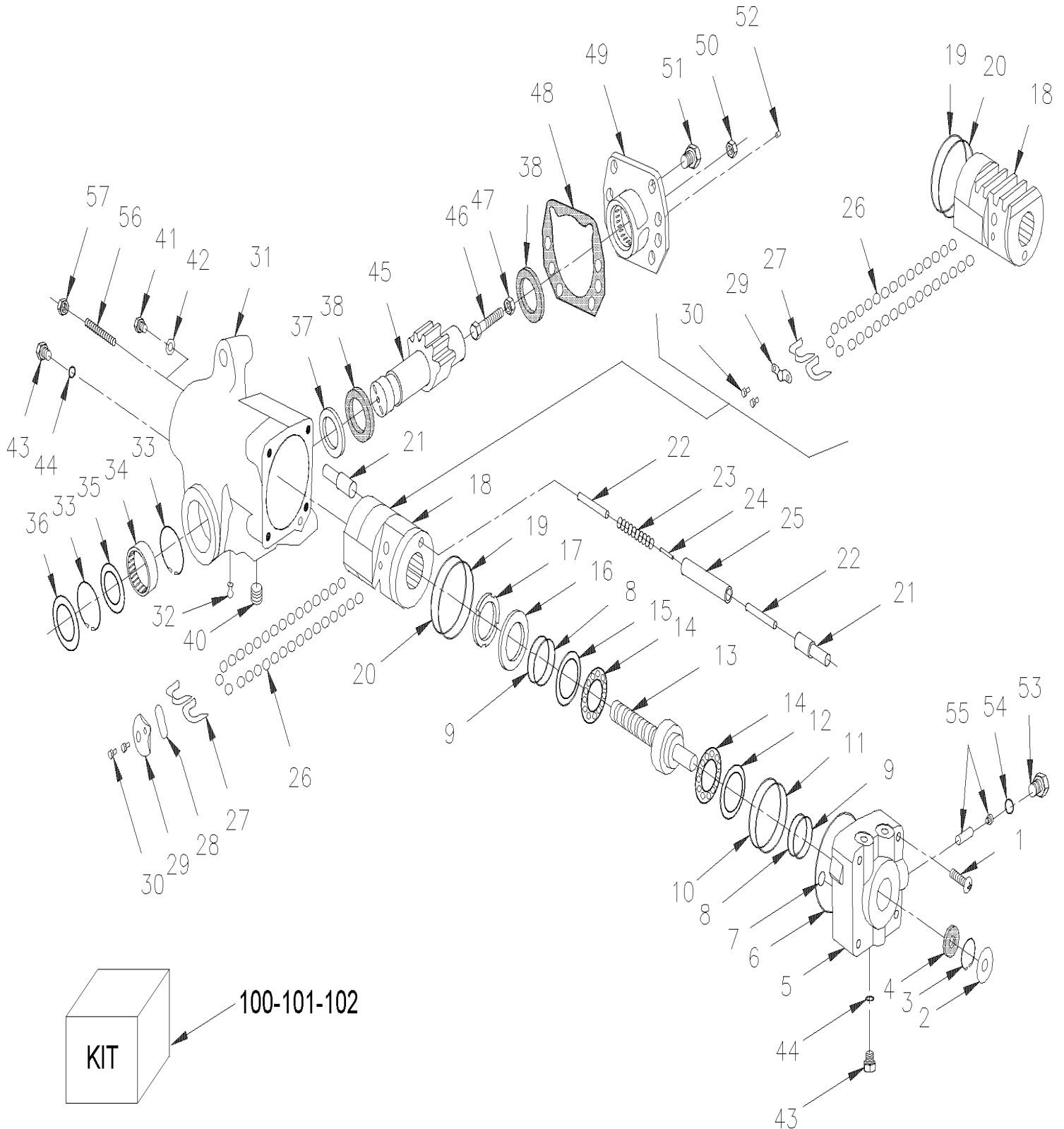
| Item# | Part | Description | H 3 4 0 | V I P 4 0 | N O T E S |
|-------|--------|---|------------------|-----------------------|-----------------------|
| . E | 660968 | . SEAL (OUTPUT) / W/85040 | 1 | 1 | |
| . F | N.S.S. | . GASKET (SIDE COVER) | 1 | 1 | 1 |
| | | | | | |
| | | | | | |
| | | A) INCLUDE ITEMS 2,4,7,9,12,13,17,18,22,23,24,26,35,36,39,52,53,55 & 57 | | | |
| | | 1) NOT SOLD SEPARATELY | | | |
| | | 4) NO PARTS NUMBER | | | |
| | | 1) NOT SOLD SEPARATELY | | | |

From R-382 To R-079

Date:10/2022

PAGE:H4-1415-01

STEERING GEARBOX - TAS 85040



| | | |
|-------------------------------------|--------------|-----------------|
| From R-382 To R-079 | Date:10/2022 | PAGE:H4-1415-01 |
| STEERING GEARBOX - TAS 85040 | | |

| Item# | Part | Description | H 3 4 0 | V I P 4 0 | N O T E S |
|-------|--------|--|------------------|-----------------------|-----------------------|
| | 660927 | GEARBOX STEERING "TRW" | 1 | 1 | |
| 1 | 660946 | . SCREW 9/16-18 SPECIAL TORX | 4 | 4 | |
| 2 | N.S.S. | . DIRT & WATER SEAL | 1 | 1 | 1 |
| 3 | N.S.S. | . RETAINING RING | 1 | 1 | 1 |
| 4 | N.S.S. | . SEAL (INPUT SHAFT) | 1 | 1 | 1 |
| 5 | 660949 | . VALVE HOUSING / W/85040 | 1 | 1 | |
| 6 | N.S.S. | . SEAL RING (VALVE HOUSING) | 1 | 1 | 1 |
| 7 | N.S.S. | . SEAL RING (VALVE HOUSING) | 1 | 1 | 1 |
| 8 | N.S.S. | . SEAL RING | 2 | 2 | 1 |
| 9 | N.S.S. | . O-RING | 2 | 2 | 1 |
| 10 | N.S.S. | . SEAL RING | 1 | 1 | 1 |
| 11 | N.S.S. | . O-RING (VALVE HOUSING) | 1 | 1 | 1 |
| 12 | 660955 | . THRUST WASHER (THICK) | 1 | 1 | |
| 13 | 660956 | . SHAFT & WORM ASSY/ W/85040 | 1 | 1 | |
| 14 | 660957 | . THRUST BEARING | 2 | 2 | |
| 15 | 660958 | . THRUST WASHER (THIN) | 1 | 1 | |
| 16 | 660959 | . BEARING ADJUSTER | 1 | 1 | |
| 17 | N.S.S. | . ADJUSTER LOCKNUT | 1 | 1 | 1 |
| 18 | 660961 | . RACK PISTON | 1 | 1 | |
| 19 | N.S.S. | . TEFLON SEAL RING (RACK PISTON) | 1 | 1 | 1 |
| 20 | N.S.S. | . O-RING (BACK UP; RACK PISTON) | 1 | 1 | 1 |
| 21 | N.S.S. | . POPPET ADJUSTER SEAT & SLEEVE ASSY | 2 | 2 | 1 |
| 22 | N.S.S. | . POPPET | 2 | 2 | 1 |
| 23 | N.S.S. | . POPPET SPRING | 1 | 1 | 1 |
| 24 | 660964 | . SPACER ROD | 1 | 1 | |
| 25 | N.S.S. | . PUSH TUBE | 1 | 1 | 1 |
| 26 | 660731 | . BALL (KIT OF 34) | 34 | 34 | |
| 27 | N.S.S. | . BALL RETURN GUIDE | 2 | 2 | 1 |
| 28 | N.S.S. | . SEAL (CAP) | 2 | 2 | 1 |
| 29 | N.S.S. | . BALL RETURN GUIDE CAP | 1 | 1 | 1 |
| 29 | N.S.S. | . BALL RETURN GUIDE CLIP | 1 | 1 | 1 |
| 30 | N.S.S. | . TORX SCREW (2 CAP) | 2 | 2 | 1 |
| 30 | N.S.S. | . HEX HEAD BOLT (2 CLIP) 5/16-18 X 3/8" | 2 | 2 | 1 |
| 31 | N.S.S. | . HOUSING | 1 | 1 | 1 |
| 32 | N.S.S. | . GREASE FITTING | 1 | 1 | 1 |
| 33 | 660966 | . RETAINER RING | 2 | 2 | |
| 34 | 660967 | . ROLLER BEARING | 1 | 1 | |
| 35 | N.S.S. | . SEAL (OUTPUT) / W/85040 | 1 | 1 | 1 |
| 36 | N.S.S. | . DIRT & WATER SEAL (TRUNION) | 1 | 1 | 1 |
| 37 | 660970 | . WASHER (SPACER) | 1 | 1 | |
| 38 | 660968 | . SEAL (OUTPUT) / W/85040 | 1 | 1 | |
| 43 | 501970 | . MALE CONNECTOR / JIC 37° FITTING / #8JIC-Mx#6ORB-M STL | 2 | 2 | |

| | | |
|-------------------------------------|--------------|-----------------|
| From R-382 To R-079 | Date:10/2022 | PAGE:H4-1415-01 |
| STEERING GEARBOX - TAS 85040 | | |

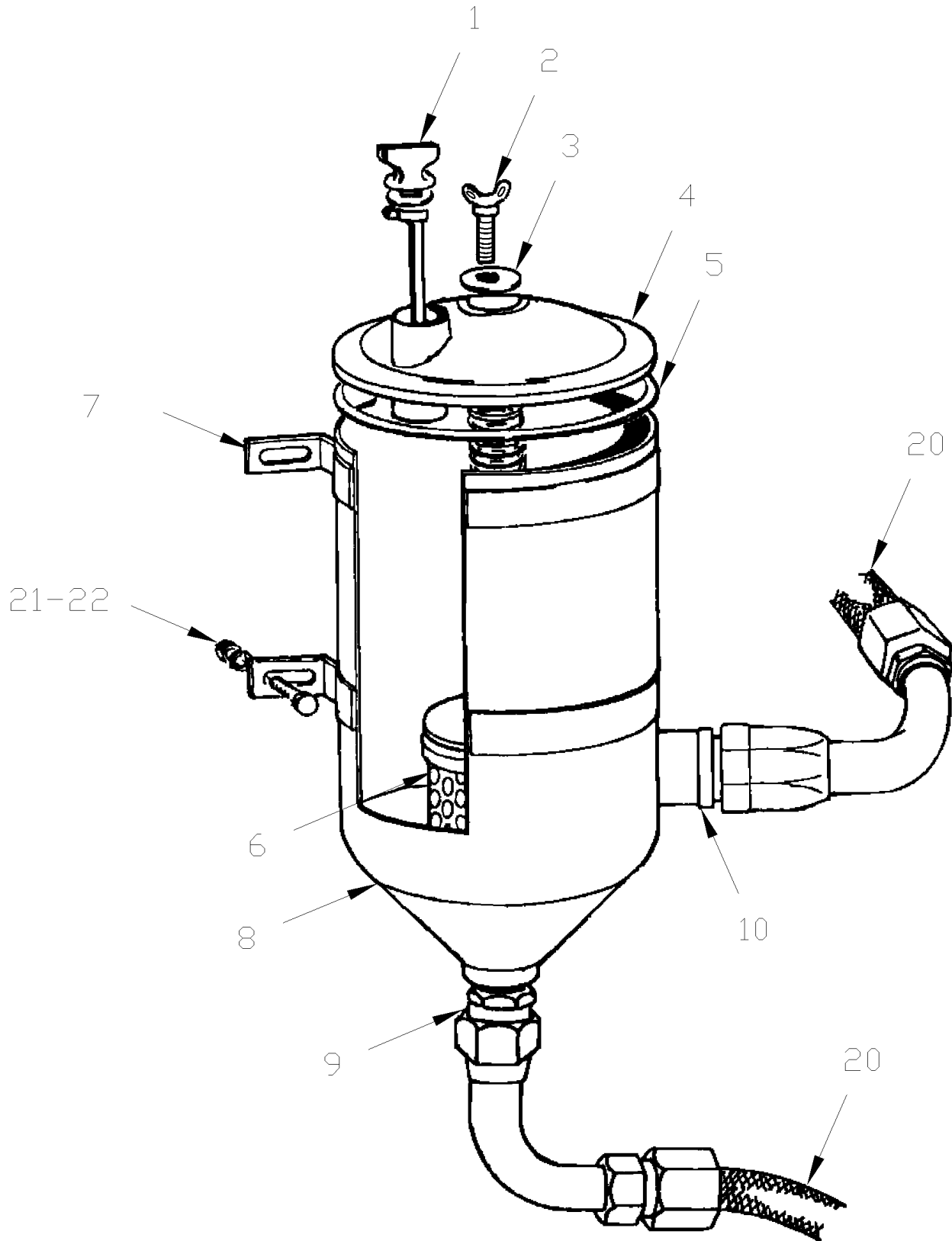
| Item# | Part | Description | H 3 4 0 | V I P 4 0 | N O T E S |
|-------|--------|---|------------------|-----------------------|-----------------------|
| NS | 661021 | . PLUG / W/O-RING | 2 | 2 | |
| 44 | N.S.S. | . O-RING (AUXILIARY PORT PLUG) | 2 | 2 | 1 |
| 45 | 660975 | . SECTOR SHAFT ASSY | 1 | 1 | |
| 46 | 660741 | . . ADJUSTING SCREW (SECTOR SHAFT) | 1 | 1 | |
| 47 | 660742 | . . RETAINER (ADJUSTING SCREW) | 1 | 1 | |
| 48 | N.S.S. | . GASKET | 1 | 1 | 1 |
| 49 | 660973 | . COVER ASSY, W/BEARING & SEAL (8 HOLES) | 1 | 1 | |
| 50 | N.S.S. | . ARM, PITMAN 270MM C/C | 1 | 1 | 1 |
| 51 | 660974 | . BOLT SPECIAL (SIDE COVER) | 8 | 8 | |
| 52 | N.S.S. | . VENT PLUG (SIDE COVER) | 1 | 1 | 1 |
| 55 | N.S.S. | . RELIEF VALVE (2 PARTS) | 1 | 1 | 1 |
| 56 | 660976 | . SERVICE POPPET ADJUSTING SCREW | 1 | 1 | |
| 57 | N.S.S. | . SERVICE SEALING JAM NUT | 1 | 1 | 1 |
| 100 | 661020 | SEAL KIT / MAJOR OVERHAUL | AR | AR | A |
| 101 | 661028 | SEAL KIT / WORM SHAFT INPUT | 1 | 1 | B |
| . A | N.S.S. | . DIRT & WATER SEAL | 1 | 1 | 1B |
| . B | N.S.S. | . RETAINER RING | 1 | 1 | 1B |
| . C | N.S.S. | . SEAL (INPUT SHAFT) | 1 | 1 | 1B |
| 102 | 661066 | SEAL KIT / SECTOR OUTPUT SHAFT | AR | AR | C |
| . A | 660966 | . RETAINER RING | 1 | 1 | C |
| . B | N.S.S. | . DIRT SEAL | 1 | 1 | 1C |
| . C | N.S.S. | . DIRT & WATER SEAL (TRUNION) | 1 | 1 | 1C |
| . D | 660970 | . WASHER (SPACER) | 1 | 1 | C |
| . E | 660968 | . SEAL (OUTPUT) / W/85040 | 1 | 1 | C |
| . F | N.S.S. | . GASKET (SIDE COVER) | 1 | 1 | 1C |
| 103 | 661065 | KIT POPPET VALVE | AR | AR | |
| . A | N.S.S. | . O-RING (BACK-UP) | 1 | 1 | 1 |
| . B | N.S.S. | . POPPET ADJUSTER SEAT & SLEEVE ASSY | 2 | 2 | 1 |
| . C | N.S.S. | . POPPET | 2 | 2 | 1 |
| . D | N.S.S. | . POPPET SPRING | 1 | 1 | 1 |
| . E | N.S.S. | . SPACER ROD | 1 | 1 | 1 |
| . F | N.S.S. | . PUSH TUBE | 1 | 1 | 1 |
| | | | | | |
| | | | | | |
| | | | | | |
| | | A) INCLUDE ITEMS 9,10,11,17,19,20,27,28,29(CLIP),30,35,36,38,44,48 & 52 | | | |
| | | B) INCLUDE ITEMS 2,3 & 4C | | | |
| | | C) INCLUDES ITEMS # 21,22,23,24 & 25 | | | |
| | | 1) NOT SOLD SEPARATELY | | | |
| | | 1) NOT SOLD SEPARATELY | | | |

From L-031 To R-079

Date:10/2022

PAGE:H4-1420-00

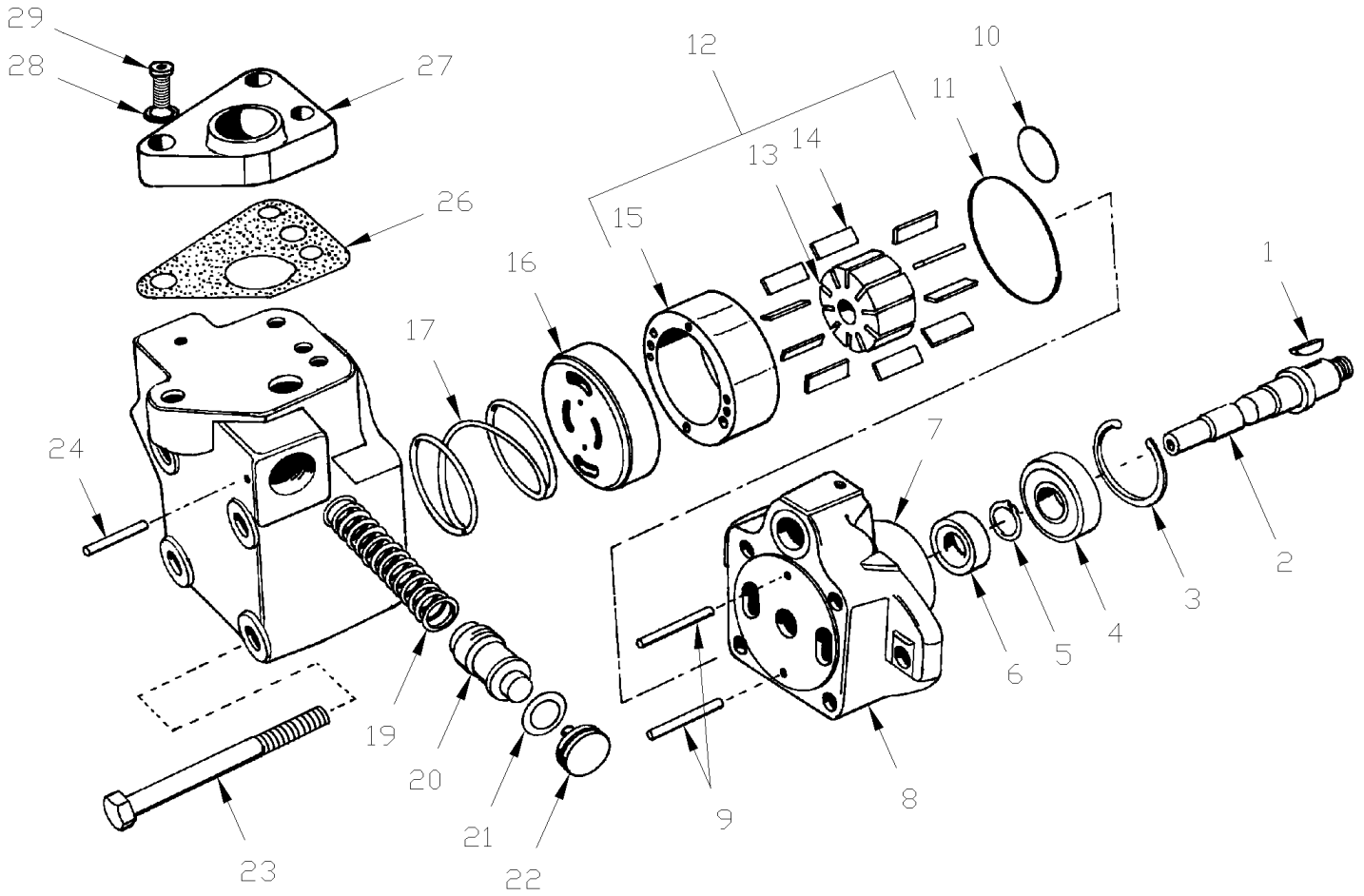
POWER STEERING TANK - 1.75 QT U.S.



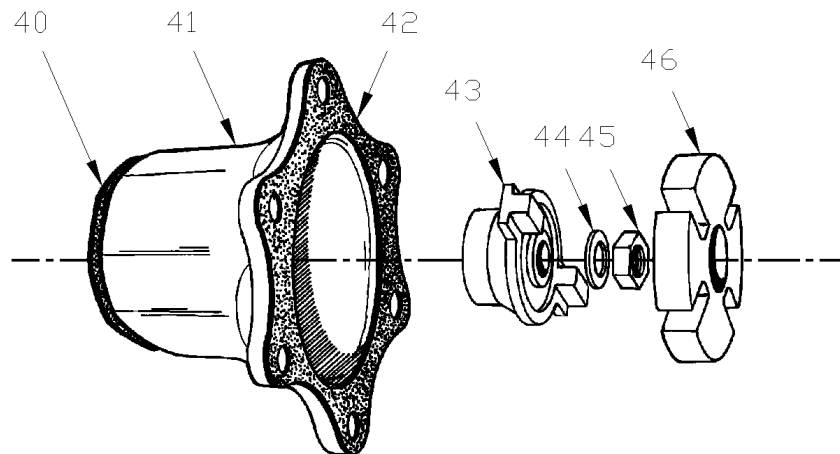
| | | |
|---|--------------|-----------------|
| From L-031 To R-079 | Date:10/2022 | PAGE:H4-1420-00 |
| POWER STEERING TANK - 1.75 QT U.S. | | |

| Item# | Part | Description | H 3 4 0 | V I P 4 0 | N O T E S |
|-------|-------------------|---|------------------|-----------------------|-----------------------|
| | 660525 | TANK ASSY | 1 | 1 | |
| 1 | 660765 | . DIPSTICK | 1 | 1 | |
| 2 | 660764 | . SCREW WI 3/8-16x1 1/2 | 1 | 1 | |
| 3 | 660529 | . GASKET | 1 | 1 | |
| 4 | 660925 | . COVER | 1 | 1 | |
| 5 | 660527 | . GASKET | 1 | 1 | |
| 6 | 660528 | . ELEMENT FILTER | 1 | 1 | |
| 7 | 660920 | . ATTACHMENT SUPPORT | 2 | 2 | |
| 8 | 501306 | PLUG SQUARE HEAD / PIPE FITTING / 1/2NPT-M BR | 1 | 1 | |
| 10 | 5011037 | MALE CONNECTOR / PUSH-LOK FITTING / 3/4NPT-Mx#16 STL | 1 | 1 | |
| 20 | H4-1400-00 | POWER STEERING HOSE - INSTALLATION WITH DETROIT S-92 | | | |
| 20 | H4-1400-01 | POWER STEERING HOSE - INSTALLATION WITH DETROIT S-60 | | | |
| 22 | 500874 | WASHER FL 8.4x17.0x1.6 Z050 | 4 | 4 | |
| 23 | 502744 | NUT HEX STO M8-1.25 Z050 | 4 | 4 | |
| | | | | | |
| | | | | | |
| | | | | | |

| | | |
|---|--------------|-----------------|
| From L-031 To R-032 | Date:10/2022 | PAGE:H4-1427-00 |
| POWER STEERING PUMP - "VICKERS" - WITH DETROIT S-92 | | |



ACCESSORIES DRIVE (Hydraulic pump)



| | | |
|--|--------------|-----------------|
| From L-031 To R-032 | Date:10/2022 | PAGE:H4-1427-00 |
| POWER STEERING PUMP - "VICKERS" - WITH DETROIT S-92 | | |

| Item# | Part | Description | H 3 4 0 | V I P 4 0 | N O T E S |
|-------|--------|--|------------------|-----------------------|-----------------------|
| | 660767 | PUMP POWER STEERING / 1500 PSI To L-055 | 1 | 1 | A |
| | 660917 | PUMP POWER STEERING / 2000 PSI From L-056 | 1 | 1 | B |
| 1 | 660441 | . KEY | 1 | 1 | |
| 2 | 660437 | . SHAFT | 1 | 1 | |
| 3 | 660442 | . RING, RETAINER | 1 | 1 | |
| 4 | 560974 | . BALL BEARING | 1 | 1 | |
| 5 | 660860 | . RING, RETAINER | 1 | 1 | |
| 6 | 660439 | . SEAL, SHAFT | 1 | 1 | |
| 7 | 660436 | . BEARING | 1 | 1 | |
| 8 | N.S.S. | . BODY | 1 | 1 | 1 |
| 9 | 660453 | . PIN To L-055 | 2 | 2 | |
| 9 | 660507 | . PIN From L-056 | 2 | 2 | |
| 10 | 660859 | . O-RING | 1 | 1 | |
| 11 | 660457 | . O-RING | 1 | 1 | |
| 12 | 660513 | . KIT, MAINTENANCE ROTOR | 1 | 1 | |
| 13 | N.S.S. | . ROTOR | 1 | 1 | 1 |
| 14 | 660512 | . VANE | 10 | 10 | |
| 15 | N.S.S. | . RING | 1 | 1 | 1 |
| 16 | 660451 | . PLATE PRESSURE | 1 | 1 | |
| 17 | 660504 | . SPRING COMPRESSION / 1.725 O.D. x 1.262 x .087 | 1 | 1 | |
| 19 | 660447 | . SPRING COMPRESSION / .619 O.D. x 2.590 x .048 | 1 | 1 | |
| 20 | 660616 | . VALVE, CONTROL / 1500 PSI To L-055 | 1 | 1 | |
| 20 | 660918 | . VALVE, CONTROL / 2000 PSI From L-056 | 1 | 1 | |
| 21 | 507169 | . O-RING 1/2 I.D. | 1 | 1 | |
| 22 | 660503 | . PLUG | 1 | 1 | |
| 23 | 500196 | . SCREW CAP HEX 3/8-16x3 G5 ZP | 4 | 4 | |
| 24 | 660446 | . PIN | 1 | 1 | |
| 26 | 660481 | . GASKET | 1 | 1 | |
| 27 | 660483 | . MANIFOLD | 1 | 1 | |
| NS | 501304 | . PLUG SQUARE HEAD / PIPE FITTING / 1/4NPT-M BR | 1 | 1 | |
| 28 | 660534 | . WASHER | 3 | 3 | |
| 29 | 660484 | . SCREW | 3 | 3 | |
| NS | 660274 | KIT REPAIR (INCLUDE #6-10-11-21-26) | AR | AR | |
| 40 | 510227 | GASKET / POWER STEERING PUMP | 1 | 1 | |
| 41 | 510013 | ADAPTOR | 1 | 1 | |
| 42 | 510030 | GASKET | 1 | 1 | |
| 43 | 510228 | HUB DRIVER | 1 | 1 | |
| 44 | 510094 | WASHER FLAT | 1 | 1 | |
| 45 | 500951 | NUT HEX STO 1/2-20 ZP | 1 | 1 | |
| 46 | 510226 | COUPLING | 1 | 1 | |
| NS | 501518 | STREET ELBOW 90° / PIPE FITTING / 3/4NPT-Mx3/4NPT-F BR | 1 | 1 | |
| NS | 501519 | MALE CONNECTOR / JIC 37° FITTING / #12JIC-Mx3/4NPT-M STL | 1 | 1 | |

| | | |
|--|--------------|-----------------|
| From L-031 To R-032 | Date:10/2022 | PAGE:H4-1427-00 |
| POWER STEERING PUMP - "VICKERS" - WITH DETROIT S-92 | | |

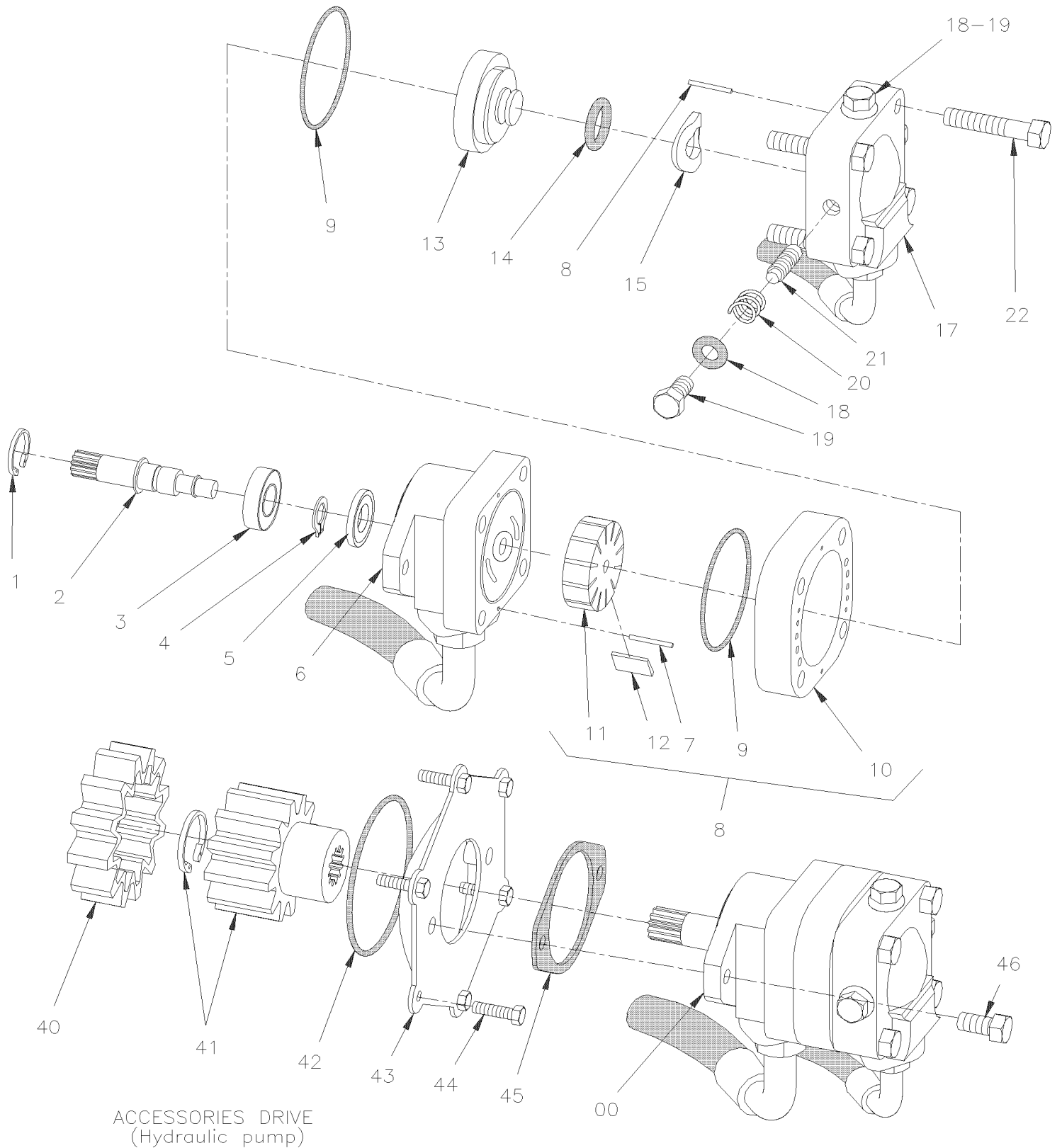
| Item# | Part | Description | H 3 4 0 | V I P 4 0 | N O T E S |
|-------|--------|--|------------------|-----------------------|-----------------------|
| NS | 501593 | MALE CONNECTOR / JIC 37° FITTING / #8JIC-Mx#8ORB-M STL | 1 | 1 | |
| NS | 500192 | SCREW CAP HEX 3/8-16x1 1/4 G5 Z050 | 2 | 2 | |
| NS | 500446 | WASHER FL .531x1.250x.125 Z050 | 1 | 1 | |
| NS | 500478 | WASHER LO SPT .380x.683x.094 Z050 | 2 | 2 | |
| NS | 500951 | NUT HEX STO 1/2-20 ZP | 1 | 1 | |
| | | | | | |
| | | | | | |
| | | A) STAMPED VTM42-50-55-15-MER1-1454 | | | |
| | | B) STAMPED VTM42-50-55-20-MER1-1454 | | | |
| | | 1) NOT SOLD SEPARATELY | | | |

From P-256 To R-079

Date:10/2022

PAGE:H4-1427-01

POWER STEERING PUMP - "VICKERS" - WITH DETROIT S-60



| | | |
|--|--------------|-----------------|
| From P-256 To R-079 | Date:10/2022 | PAGE:H4-1427-01 |
| POWER STEERING PUMP - "VICKERS" - WITH DETROIT S-60 | | |

| Item# | Part | Description | H 3 4 0 | V I P 4 0 | N O T E S |
|-------|-----------|---|------------------|-----------------------|-----------------------|
| | 660926 | PUMP ASSY | 1 | 1 | A |
| 1 | N.S.P. | . RING RETAINING (87541) | 1 | 1 | 2 |
| 2 | N.S.P. | . SHAFT (387481) | 1 | 1 | 2 |
| 3 | 560974 | . BALL BEARING | 1 | 1 | |
| 4 | 950136 | . RING RETAINER | 1 | 1 | |
| 5 | N.S.P. | . SEAL (263585) | 1 | 1 | 2 |
| 6 | N.S.P. | . BODY (352699) | 1 | 1 | 2 |
| 7 | 950127 | . PIN | 2 | 2 | |
| 8 | N.P.N. | . CARTRIDGE KIT | 1 | 1 | 4 |
| 9 | N.S.P. | . O-RING (199823) | 2 | 2 | 2 |
| 10 | N.S.S. | . RING | 1 | 1 | 1 |
| 11 | N.S.S. | . ROTOR | 1 | 1 | 1 |
| 12 | N.S.P. | . VANE KIT (357285) | 1 | 1 | 2 |
| 13 | N.S.P. | . PRESSURE PLATE (577535) | 1 | 1 | 2 |
| 14 | N.S.P. | . O-RING (177441) | 1 | 1 | 2 |
| 15 | N.S.P. | . WAVE WASHER (577512) | 1 | 1 | 2 |
| 16 | 660943 | . PIN | 1 | 1 | |
| 17 | N.S.P. | . COVER (577546-7) | 1 | 1 | 2 |
| 18 | N.S.P. | . O-RING (154129) | 3 | 3 | 2 |
| 19 | 660944 | . PLUG | 3 | 3 | |
| 20 | 660592 | . SPRING, COMP. | 1 | 1 | |
| 21 | 660918 | . VALVE, CONTROL / 2000 PSI | 1 | 1 | |
| 22 | | . SCREW | 4 | 4 | |
| 22 | N.P.N. | REPAIR KIT, SEAL | 1 | 1 | 4 B |
| 40 | 510438 | COUPLING DRIVE | 1 | 1 | |
| 41 | 510437 | SPROCKET ASSY W/SNAP-RING | 1 | 1 | |
| 41 | N.S.P. | . SNAP-RING (92757) | 1 | 1 | 2 |
| 42 | N.S.P. | O-RING / (08929289) | 1 | 1 | 2 |
| 43 | N.S.P. | ADAPTOR, COVER (8929100) | 1 | 1 | 2 |
| 44 | N.S.P. | SCREW, M8-1.25 X 30MM (11514329) / 50-0544 | 5 | 5 | 2 |
| 44 | N.S.P. | SCREW, M8-1.25 X 3MM (11505299) | 1 | 1 | 2 |
| 45 | 510488 | GASKET | 1 | 1 | |
| 46 | N.S.P. | SCREW, M10-1.5 X 30MM / 50-0065 | 2 | 2 | 2 |
| 46 | N.S.P. | GASKET, COPPER | 2 | 2 | 2 |
| | | | | | |
| 50 | 161034 | KIT, PUMP HYDRAULIC | 1 | 1 | |
| . NS | IS-96162A | . SEE INSTRUCTION SHEET | 1 | 1 | |
| | | | | | |
| | | | | | |
| | | A) YOU COULD BE REPLACE THOSE PUMPS FOR A "TRW" PUMP WITH KIT #161034 SEE INSTRUCTION SHEET IS96162 | | | |
| | | B) INCLUDE ITEMS 5-9-14-18 | | | |

| | | |
|---------------------|--------------|-----------------|
| From P-256 To R-079 | Date:10/2022 | PAGE:H4-1427-01 |
|---------------------|--------------|-----------------|

POWER STEERING PUMP - "VICKERS" - WITH DETROIT S-60

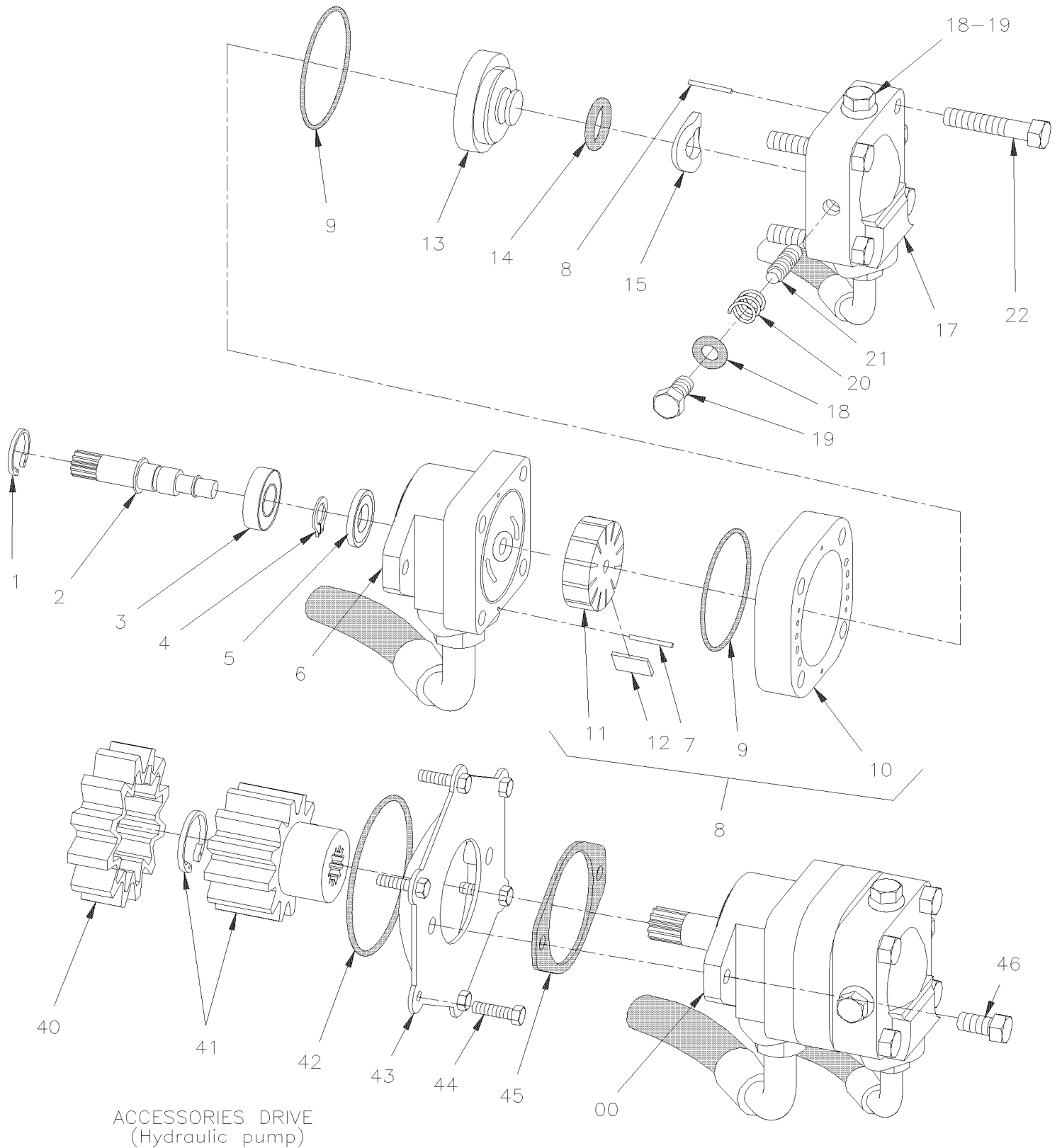
| Item# | Part | Description | H 3 4 0 | V I P 4 0 | N O T E S |
|-------|------|---|------------------|-----------------------|-----------------------|
| | | 1) NOT SOLD SEPARATELY | | | |
| | | 2) NOT SOLD BY PREVOST (SEE MANUFACTURING PART NUMBER AT END OF DESCRIPTION LINE) | | | |
| | | 4) NO PARTS NUMBER | | | |

From L-031 To R-079

Date:10/2022

PAGE:H4-1427-02

POWER STEERING PUMP - "VICKERS" - WITH / SERVICE



| | | |
|---|--------------|-----------------|
| From L-031 To R-079 | Date:10/2022 | PAGE:H4-1427-02 |
| POWER STEERING PUMP - "VICKERS" - WITH / SERVICE | | |

| Item# | Part | Description | H 3 4 0 | V I P 4 0 | N O T E S |
|-------|-----------|---|------------------|-----------------------|-----------------------|
| | 660933 | PUMP ASSY 2000 PSI | 1 | 1 | A |
| | 661006 | PUMP ASSY 2250 PSI | 1 | 1 | A |
| 1 | 660615 | . RING RETAINER | 1 | 1 | |
| 2 | 660637 | . SHAFT | 1 | 1 | |
| 3 | 507308 | . BALL BEARING | 1 | 1 | |
| 4 | 660614 | . RING RETAINER | 1 | 1 | |
| 5 | N.S.P. | . SEAL (279499) | 1 | 1 | 2 |
| 6 | N.S.P. | . BODY (280589) | 1 | 1 | 2 |
| 7 | 660938 | . PIN, | 2 | 2 | |
| 8 | 660939 | . CARTRIDGE KIT | 1 | 1 | |
| 9 | N.S.P. | . O-RING (586589) | 2 | 2 | 2 |
| 10 | N.S.S. | . RING | 1 | 1 | 1 |
| 11 | N.S.S. | . ROTOR | 1 | 1 | 1 |
| 12 | 660940 | . VANE KIT | 1 | 1 | |
| 13 | 660941 | . PRESSURE PLATE | 1 | 1 | |
| 14 | N.S.P. | . O-RING (513408) | 1 | 1 | 2 |
| 15 | 660942 | . WAVE WASHER | 1 | 1 | |
| 16 | 660943 | . PIN | 1 | 1 | |
| 17 | N.S.P. | . COVER (452244) | 1 | 1 | 2 |
| 18 | N.S.P. | . O-RING (396098) | 3 | 3 | 2 |
| 19 | 660944 | . PLUG | 3 | 3 | |
| 20 | 660592 | . SPRING, COMP. | 1 | 1 | |
| 21 | 660918 | . VALVE, CONTROL / 2000 PSI | 1 | 1 | |
| 22 | | . SCREW | 4 | 4 | |
| NS | 660945 | REPAIR KIT, SEAL | 1 | 1 | |
| 40 | 510438 | COUPLING DRIVE | 1 | 1 | |
| 41 | 510437 | SPROCKET ASSY W/SNAP-RING | 1 | 1 | |
| 41 | N.S.P. | . SNAP-RING (92757) | 1 | 1 | 2 |
| 42 | N.S.P. | O-RING / (08929289) | 1 | 1 | 2 |
| 43 | N.S.P. | ADAPTOR, COVER (8929100) | 1 | 1 | 2 |
| 44 | N.S.P. | SCREW, M8-1.25 X 30 MM (11514329) / 50-0544 | 5 | 5 | 2 |
| 44 | N.S.P. | SCREW, M8-1.25 X 3MM (11505299) | 1 | 1 | 2 |
| 45 | 510488 | GASKET | 1 | 1 | |
| 46 | N.S.P. | SCREW, M10-1.5 X 30MM /50-0065 | 2 | 2 | 2 |
| 46 | N.S.P. | GASKET, COPPER | 2 | 2 | 2 |
| | | | | | |
| 50 | 161034 | KIT, PUMP HYDRAULIC | 1 | 1 | |
| . NS | IS-96162A | . SEE INSTRUCTION SHEET | 1 | 1 | |
| | | | | | |
| | | | | | |
| | | A) YOU COULD BE REPLACE THOSE PUMPS FOR A "TRW" PUMP WITH KIT #161034 SEE INSTRUCTION SHEET IS96162 | | | |

| | | |
|---------------------|--------------|-----------------|
| From L-031 To R-079 | Date:10/2022 | PAGE:H4-1427-02 |
|---------------------|--------------|-----------------|

POWER STEERING PUMP - "VICKERS" - WITH / SERVICE

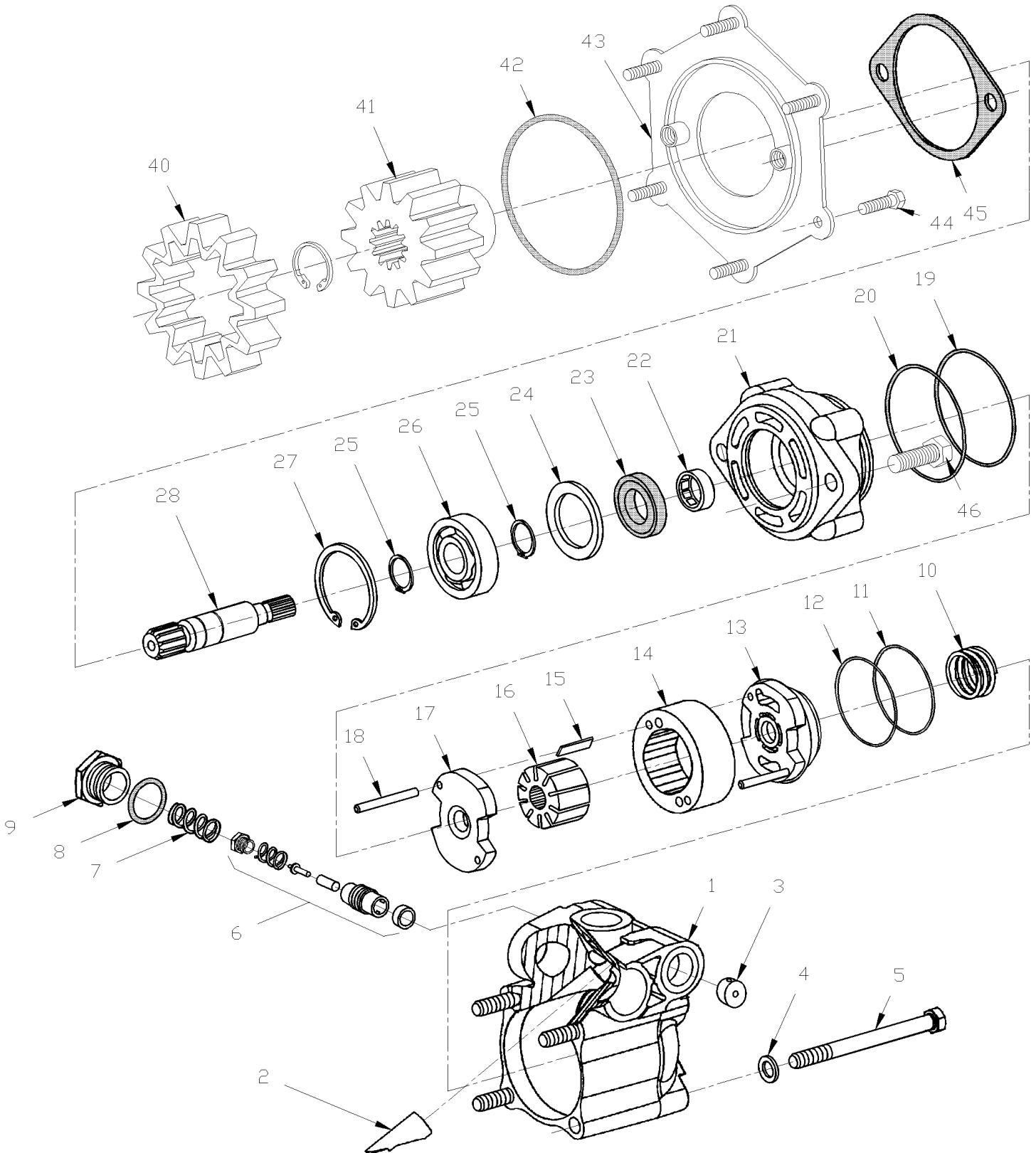
| Item# | Part | Description | H 3 4 0 | V I P 4 0 | N O T E S |
|-------|------|---|------------------|-----------------------|-----------------------|
| | | 1) NOT SOLD SEPARATELY | | | |
| | | 2) NOT SOLD BY PREVOST (SEE MANUFACTURING PART NUMBER AT END OF DESCRIPTION LINE) | | | |

From L-031 To R-079

Date:10/2022

PAGE:H4-1427-03

POWER STEERING PUMP - "TRW" / SERVICE



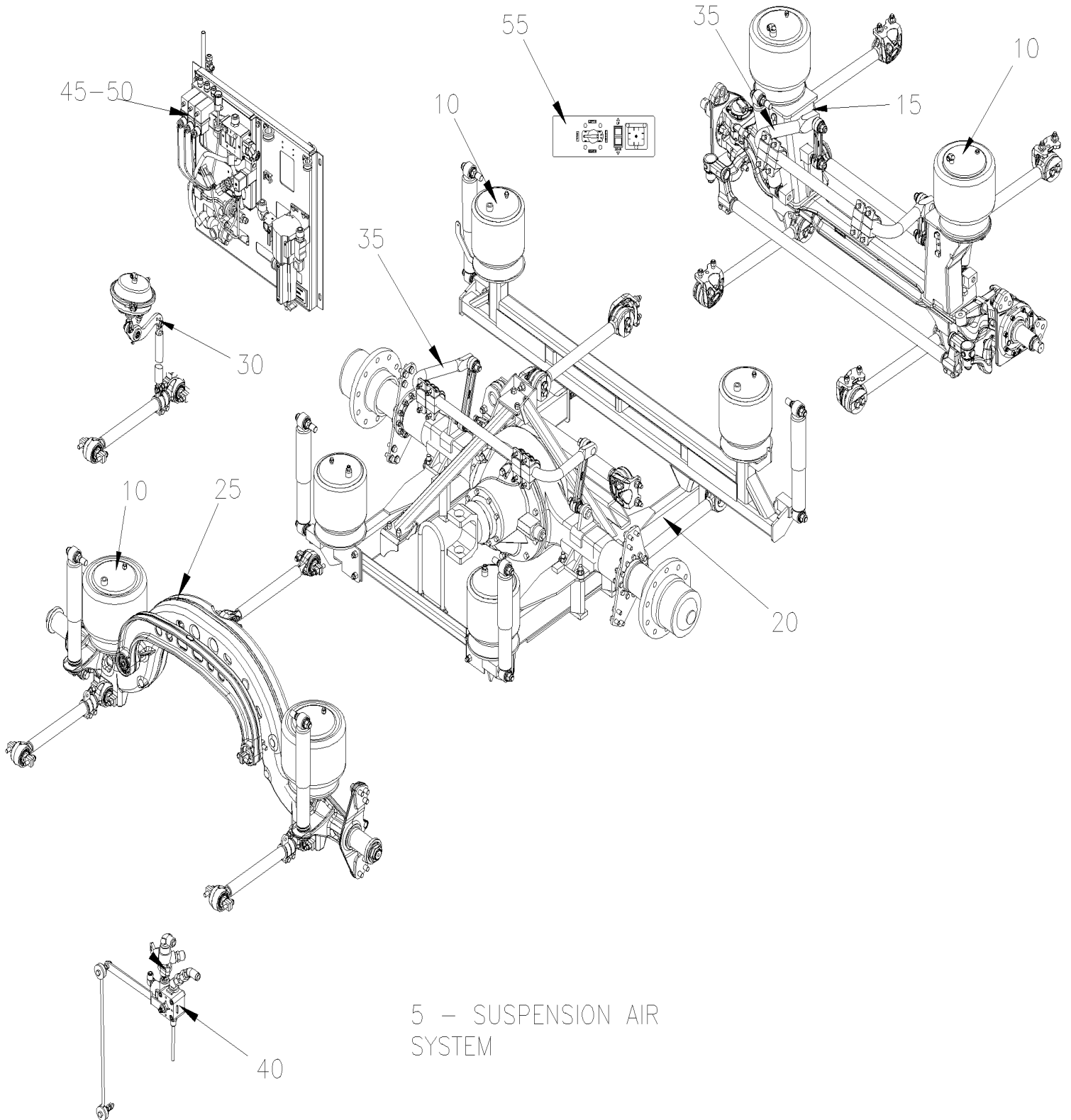
| | | |
|--|--------------|-----------------|
| From L-031 To R-079 | Date:10/2022 | PAGE:H4-1427-03 |
| POWER STEERING PUMP - "TRW" / SERVICE | | |

| Item# | Part | Description | H 3 4 0 | V I P 4 0 | N O T E S |
|-------|-----------|----------------------------------|------------------|-----------------------|-----------------------|
| | 161034 | KIT, PUMP HYDRAULIC | 1 | 1 | |
| . NS | IS-96162A | . SEE INSTRUCTION SHEET | 1 | 1 | |
| | 661009 | . PUMP ASSY | 1 | 1 | |
| 1 | N.S.S. | . . HOUSING | 1 | 1 | 1 |
| 2 | N.S.S. | . . BOOST TUBE | 1 | 1 | 1 |
| 3 | N.S.S. | . . ORIFICE | 1 | 1 | 1 |
| 4 | N.S.S. | . . BOLTS | 1 | 1 | 1 |
| 5 | N.P.N. | . . WASHER | 1 | 1 | 4 |
| 6 | N.S.S. | . . VALVE SPOOL ASSY | 1 | 1 | 1 |
| 6 | N.S.S. | . . SPOOL | 1 | 1 | 1 |
| 6 | N.S.S. | . . SPRING | 1 | 1 | 1 |
| 6 | N.S.S. | . . POPPET | 1 | 1 | 1 |
| 6 | N.S.S. | . . SHIMS | 1 | 1 | 1 |
| 6 | N.S.S. | . . RELIEF VALVE SEAT ASSY | 1 | 1 | 1 |
| 7 | N.S.S. | . . SPRING | 1 | 1 | 1 |
| 8 | N.S.S. | . . O-RING | 1 | 1 | 1 |
| 9 | N.S.S. | . . PLUG | 1 | 1 | 1 |
| 10 | N.S.S. | . . SPRING | 1 | 1 | 1 |
| 11 | N.S.S. | . . O-RING | 1 | 1 | 1 |
| 12 | N.S.S. | . . BACKUP RING | 1 | 1 | 1 |
| 13 | N.S.S. | . . TOP PLATE | 1 | 1 | 1 |
| 14 | N.S.S. | . . CAM RING | 1 | 1 | 1 |
| 15 | N.S.S. | . . VANES | 1 | 1 | 1 |
| 16 | N.S.S. | . . ROTOR | 1 | 1 | 1 |
| 17 | N.S.S. | . . BOTTOM PLATE | 1 | 1 | 1 |
| 18 | N.S.S. | . . LOCATING PINS | 1 | 1 | 1 |
| 19 | N.S.S. | . . O-RING | 1 | 1 | 1 |
| 20 | N.S.S. | . . O-RING | 1 | 1 | 1 |
| 21 | N.S.S. | . . COVER | 1 | 1 | 1 |
| 22 | N.S.S. | . . NEEDLE BEARING | 1 | 1 | 1 |
| 23 | N.S.S. | . . SHAFT SEAL | 1 | 1 | 1 |
| 24 | N.S.S. | . . SPACER | 1 | 1 | 1 |
| 25 | N.S.S. | . . RETAINING RING | 2 | 2 | 1 |
| 26 | N.S.S. | . . BALL BEARING | 1 | 1 | 1 |
| 27 | N.S.S. | . . RETAINING RING | 1 | 1 | 1 |
| 28 | 661011 | . . INPUT SHAFT | 1 | 1 | |
| 40 | 510438 | COUPLING DRIVE | 1 | 1 | |
| 41 | 510437 | SPROCKET ASSY W/SNAP-RING | 1 | 1 | |
| 41 | N.S.P. | SNAP-RING (92757) | 1 | 1 | 2 |
| 42 | N.S.P. | O-RING / (08929289) | 1 | 1 | 2 |
| 43 | N.S.P. | ADAPTOR, COVER (8929100) | 1 | 1 | 2 |
| 44 | N.S.P. | SCREW, M8-1.25 X 30MM (11514329) | 5 | 5 | 2 |

| | | |
|--|--------------|-----------------|
| From L-031 To R-079 | Date:10/2022 | PAGE:H4-1427-03 |
| POWER STEERING PUMP - "TRW" / SERVICE | | |

| Item# | Part | Description | H 3 4 0 | V I P 4 0 | N O T E S |
|-------|---------|---|------------------|-----------------------|-----------------------|
| 44 | N.S.P. | SCREW, M8-1.25 X 3MM (11505299) | 1 | 1 | 2 |
| 45 | 510488 | GASKET | 1 | 1 | |
| 46 | N.S.P. | SCREW, M10-1.5 X 30MM | 2 | 2 | 2 |
| 46 | N.S.P. | GASKET, COPPER | 2 | 2 | 2 |
| NS | 5011147 | . FEMALE CONNECTOR SWIVEL / COLLAR FITTING / #16JIC-Fx#16 STL | 1 | 1 | |
| NS | 5011148 | . MALE ELBOW 90° / JIC 37° FITTING / #16JIC-Mx#12ORB-M STL | 1 | 1 | |
| NS | 5011150 | . MALE ELBOW 45° / JIC 37° FITTING / #10JIC-Mx#8ORB-M STL | 1 | 1 | |
| | | | | | |
| | | | | | |
| | | 1) NOT SOLD SEPARATELY | | | |
| | | 2) NOT SOLD BY PREVOST (SEE MANUFACTURING PART NUMBER AT END OF DESCRIPTION LINE) | | | |
| | | 4) NO PARTS NUMBER | | | |

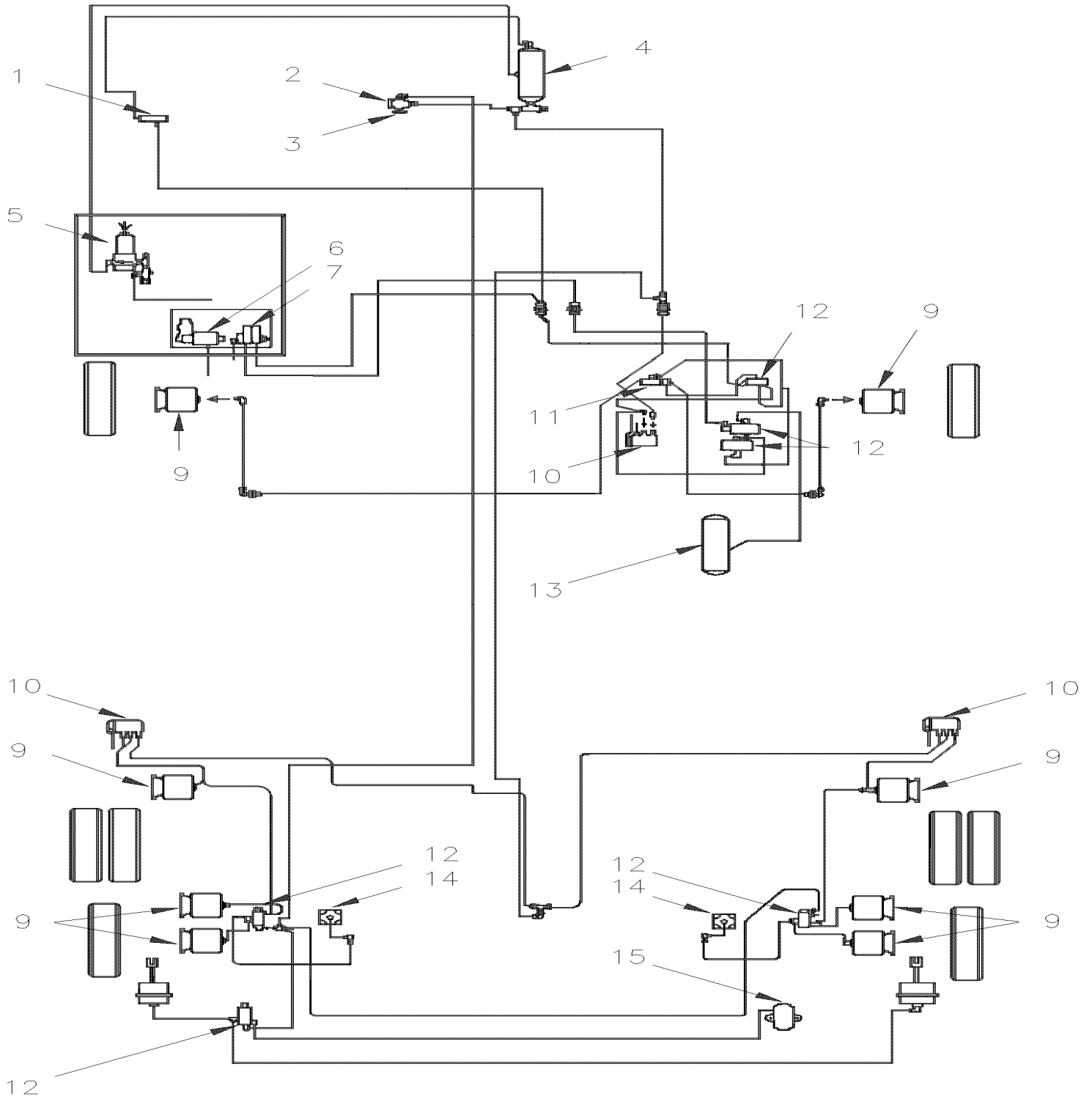
| | | |
|------------|--------------|-------|
| | Date:10/2022 | H4-16 |
| SUSPENSION | | |



| | | Date:10/2022 | H4-16 | | |
|------------|------------|--|------------------|-----------------------|-----------------------|
| SUSPENSION | | | | | |
| Item# | Part | Description | H 3 4 0 | V I P 4 0 | N O T E S |
| 5 | H4-1600-00 | SUSPENSION AIR SYSTEM From L-031 To R-079 | | | |
| 10 | H4-1601-00 | BELLOWS - AIR SUSPENSION From L-031 To N-199 | | | |
| 10 | H4-1601-01 | BELLOWS - AIR SUSPENSION From N-200 To R-079 | | | |
| 15 | H4-1605-00 | FRONT AXLE - INSTALL SUSPENSION From L-031 To R-079 | | | |
| 20 | H4-1610-00 | REAR AXLE - INSTALL SUSPENSION From L-031 To R-079 | | | |
| 25 | H4-1615-01 | TAG AXLE - INSTALL SUSPENSION From L-031 To R-079 | | | |
| 30 | H4-1615-10 | TAG AXLE - LIFTING From L-031 To R-079 | | | |
| 35 | H4-1616-00 | SWAY BAR From L-031 To R-079 | | | |
| 40 | H4-1620-00 | HEIGHT CONTROL VALVE From L-031 To R-079 | | | |
| 45 | H4-1630-00 | FRONT KNEELING - CONTROL PANEL From L-031 To R-079 | | | |
| 50 | H4-1640-00 | LEVEL-LOW - CONTROL PANEL & VALVES From L-031 To R-079 | | | |
| 55 | H4-1640-10 | LEVEL-LOW - LEVEL & SWITCHES From L-031 To R-079 | | | |

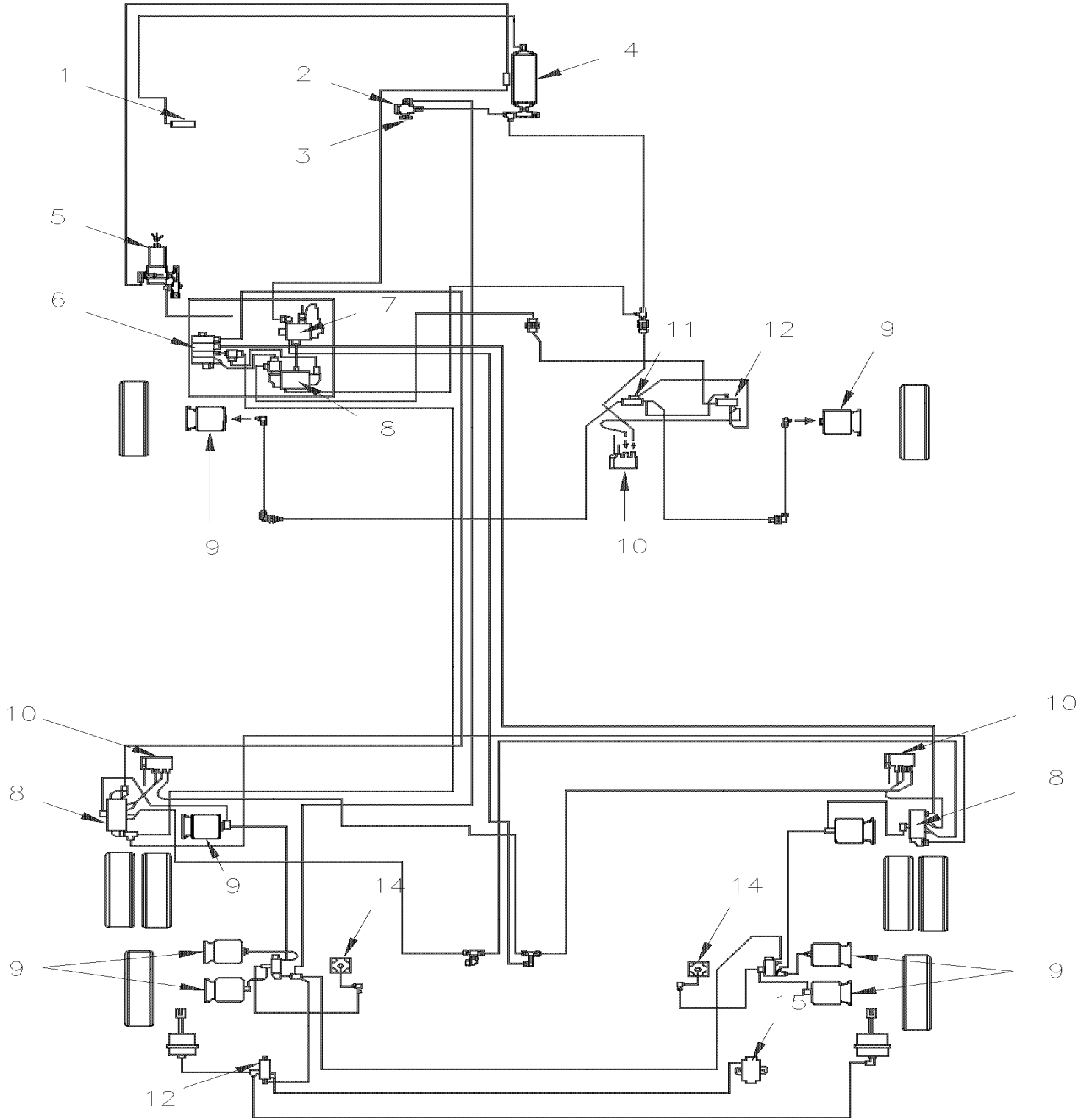
| | | |
|------------------------------|--------------|-----------------|
| From L-031 To R-079 | Date:10/2022 | PAGE:H4-1600-00 |
| SUSPENSION AIR SYSTEM | | |

COACH



| | | |
|------------------------------|--------------|-----------------|
| From L-031 To R-079 | Date:10/2022 | PAGE:H4-1600-00 |
| SUSPENSION AIR SYSTEM | | |

V.I.P.



| | | |
|------------------------------|--------------|-----------------|
| From L-031 To R-079 | Date:10/2022 | PAGE:H4-1600-00 |
| SUSPENSION AIR SYSTEM | | |

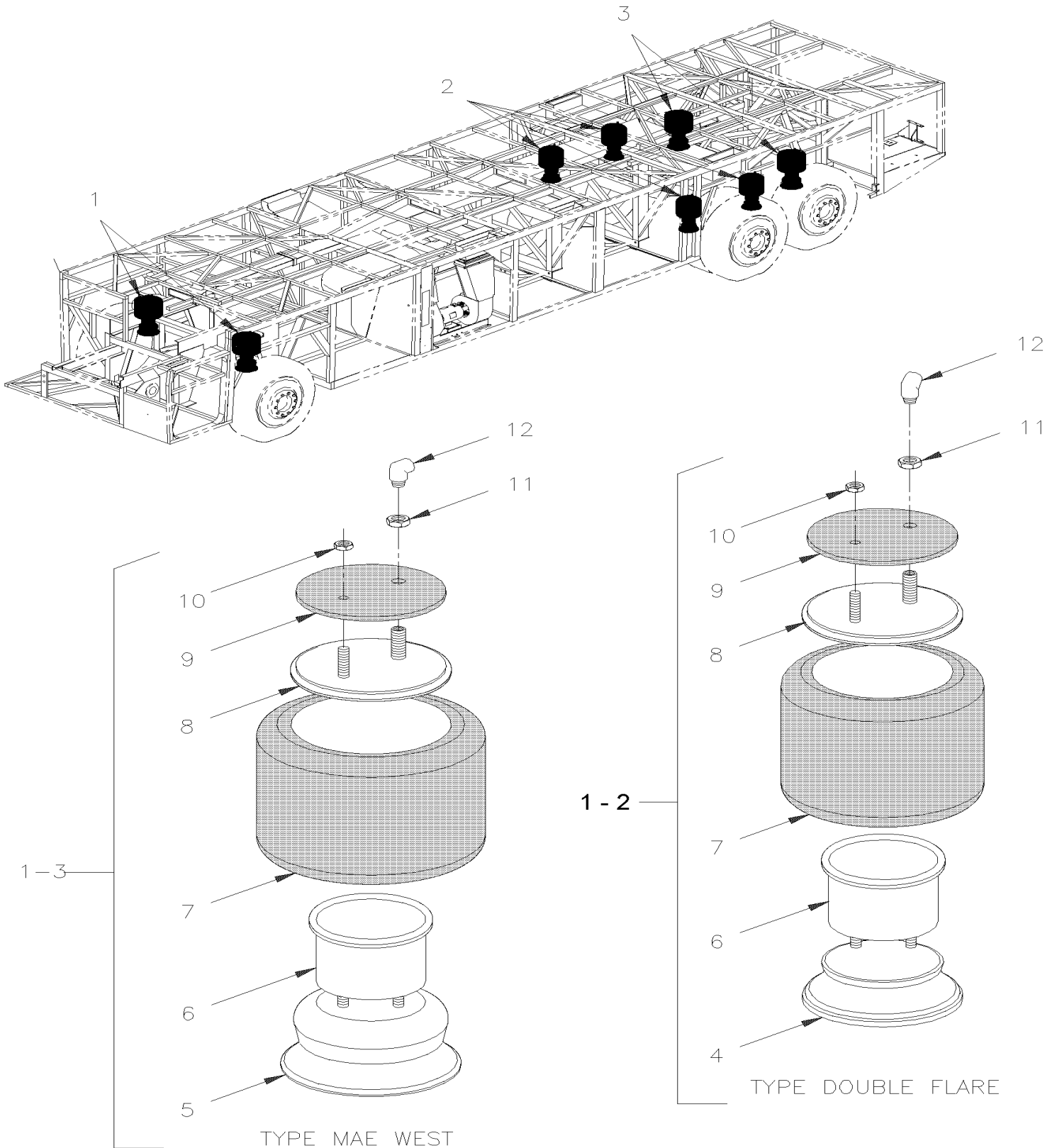
| Item# | Part | Description | H 3 4 0 | V I P 4 0 | N O T E S |
|-------|-------------------|--|------------------|-----------------------|-----------------------|
| 1 | 141190 | MANIFOLD, BLOCK / UNDER DRIVER'S FLOOR | 1 | 1 | |
| 2 | 640136 | VALVE, CONTROL TW-1 | 1 | 1 | |
| . NS | 641156 | . REPAIR KIT / TW-1 | 1 | 1 | |
| 3 | 560816 | PRESSURE SWITCH N.C. 3PSI / 1/8NPT W/2 SCREWS | 1 | 1 | |
| 4 | 140868 | AIR TANK / W/END LOWER DRAIN 1228 IN° / 8" O.D. X 26" | 1 | 1 | |
| 5 | 641135 | FILTER / (FORMER) H4-1220-15 | 1 | 1 | |
| 6 | 641055 | MANIFOLD VALVE / W/4 SOLENOID To M-111 | | 1 | |
| . NS | 641928 | . KIT, MANIFOLD REPAIR / N.C. To M-111 | | 4 | |
| 6 | 641205 | MANIFOLD VALVE / W/5 SOLENOID From M-112 | | 1 | |
| . NS | 641928 | . KIT, MANIFOLD REPAIR / N.C. From M-112 | | 5 | |
| . NS | 641107 | . COIL 24V From M-112 | | 5 | |
| 6 | 640081 | VALVE, 3 WAYS, 2 POSITIONS | 1 | | |
| 7 | 641056 | VALVE, 3 WAYS, 2 POSITIONS To M-111 | | 1 | |
| 7 | 641168 | VALVE, 3 WAYS, 2 POSITIONS From M-112 | | 1 | |
| . NS | 641169 | . SPOOL From M-112 | | 1 | |
| 7 | 641130 | MANIFOLD VALVE / W/2 SOLENOID | 1 | | |
| 8 | 641057 | VALVE, 5 WAYS, 3 POSITIONS | | 3 | |
| 9 | H4-1601-00 | BELLOWS - AIR SUSPENSION | | | |
| 10 | 630095 | VALVE, HEIGHT CONTROL "NEWAY" | 3 | 3 | B |
| NS | 530175 | VALVE, CHECK 1/8 NPT | 3 | 3 | |
| 11 | 641136 | ANCHOR TEE / PIPE FITTING / 3/8NPT-Fx3/8NPT-Fx3/8NPT-F ZP | 1 | 1 | |
| 12 | 641168 | VALVE, 3 WAYS, 2 POSITIONS | 5 | | |
| . NS | 641169 | . SPOOL | 1 | | |
| 12 | 641168 | VALVE, 3 WAYS, 2 POSITIONS | | 4 | |
| . NS | 641169 | . SPOOL | | 1 | |
| 13 | 140869 | AIR TANK / 1791 IN° / 9 1/2" O.D. X 27" | 1 | | A |
| 14 | 642067 | VALVE, RELAY R-12 HORIZONTAL PORT | 2 | 2 | |
| 15 | 640055 | MANIFOLD / PIPE FITTING / 7 PORTS 1/4NPT-F STL | 1 | 1 | |
| NS | 131454 | KIT CONTROL VALVE HEIGHT REAR | AR | AR | |
| . NS | IS-96192B | . SEE INSTRUCTION SHEET | 1 | 1 | |
| NS | 131455 | KIT CONTROL VALVE HEIGHT FRONT | AR | AR | |
| . NS | IS-96192B | . SEE INSTRUCTION SHEET | 1 | 1 | |
| | | | | | |
| | | | | | |
| | | | | | |
| | | | | | |
| | | A) SECONDARY | | | |
| | | B) FOR PRODUCT IMPROVEMENT, ASK KIT #131455(FRONT) & #131454(REAR) | | | |

From L-031 To N-199

Date:10/2022

PAGE:H4-1601-00

BELLOWS - AIR SUSPENSION



| | | |
|---------------------------------|--------------|-----------------|
| From L-031 To N-199 | Date:10/2022 | PAGE:H4-1601-00 |
| BELLOWS - AIR SUSPENSION | | |

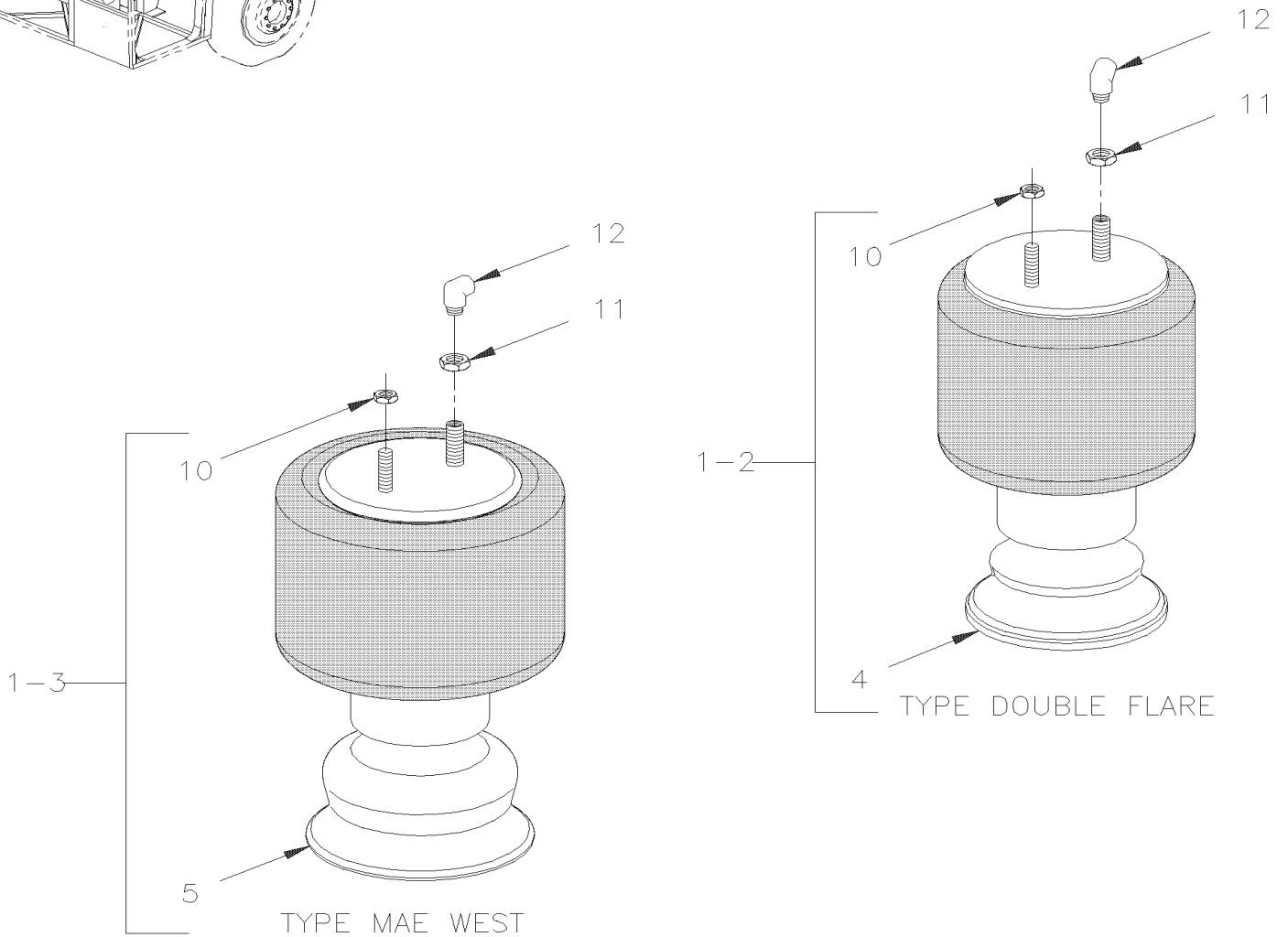
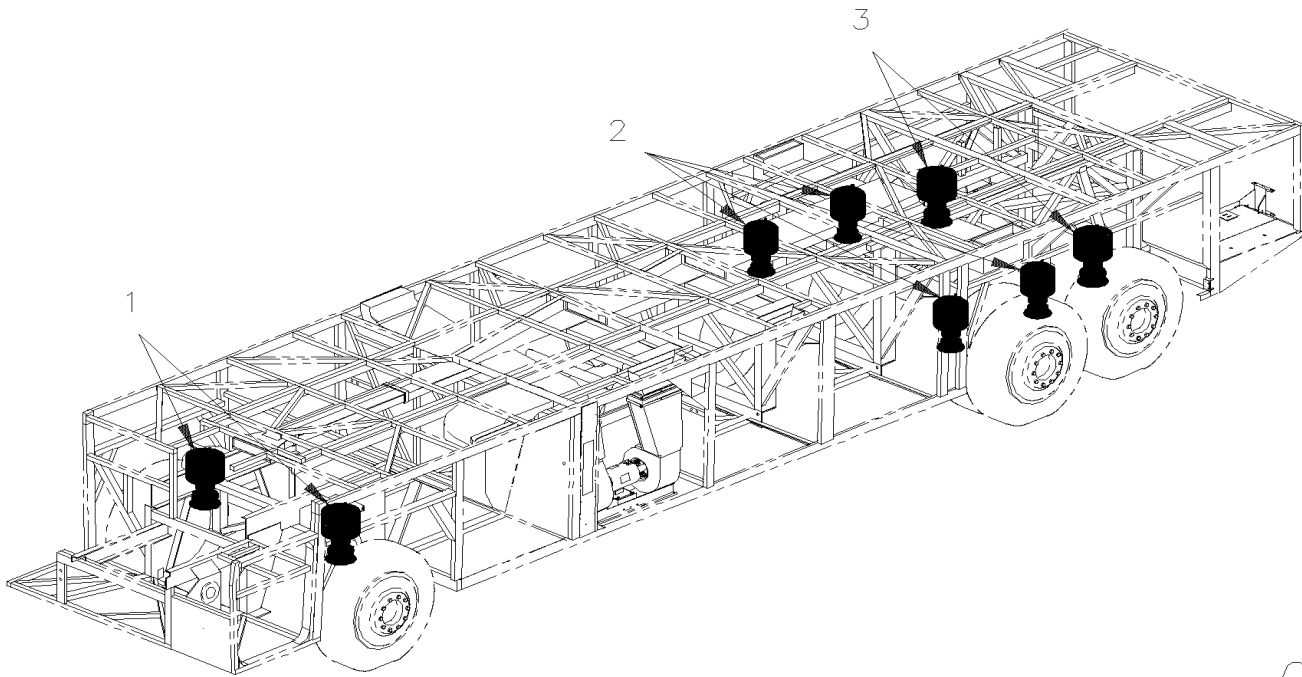
| Item# | Part | Description | H 3 4 0 | V I P 4 0 | N O T E S |
|-------|-------------------|--|------------------|-----------------------|-----------------------|
| 1 | 630079 | BELLOW ASSY / MODEL 1100 D.F. | | 2 | |
| 1 | 630090 | BELLOW ASSY / MODEL 1100 M.W. | 2 | | |
| 2 | 630079 | BELLOW ASSY / MODEL 1100 D.F. | 4 | 4 | |
| 3 | 630090 | BELLOW ASSY / MODEL 1100 M.W. | 2 | 2 | A |
| 4 | 630071 | . PISTON / TYPE DOUBLE FLARE | AR | AR | |
| 5 | 630036 | . PISTON / TYPE MAY WEST | AR | AR | |
| 6 | 630076 | . RETAINER LOWER | AR | AR | |
| 7 | 630072 | . MEMBER, FLEXIBLE / MODEL 1100 | AR | AR | |
| 8 | 630078 | . RETAINER / UPPER W/1/2" NPT | AR | AR | |
| 9 | 130302 | PROTECTOR, RUBBER / W/3/8" NPT | AR | AR | |
| NS | 130990 | PROTECTOR, RUBBER / W/1/2" NPT | AR | AR | |
| 10 | 500717 | NUT HEX NYRT 1/2-20 Z050 | AR | AR | |
| 11 | 500734 | NUT HEX JAM 3/4-16 Z050 | AR | AR | |
| NS | 502831 | NUT HEX THN 1 1/4-12x1/2 | AR | AR | |
| 12 | H4-1201-00 | FITTING - MISCELLANEOUS | | | |
| | | | | | |
| | | | | | |
| | | | | | |
| | | A) IF YOU WISH, YOU CAN USED BELLOWS 630126, ALWAYS REPLACE THEN IN PAIR | | | |

From N-200 To R-079

Date:10/2022

PAGE:H4-1601-01

BELLOWS - AIR SUSPENSION



| | | |
|---------------------|--------------|-----------------|
| From N-200 To R-079 | Date:10/2022 | PAGE:H4-1601-01 |
|---------------------|--------------|-----------------|

BELLOWS - AIR SUSPENSION

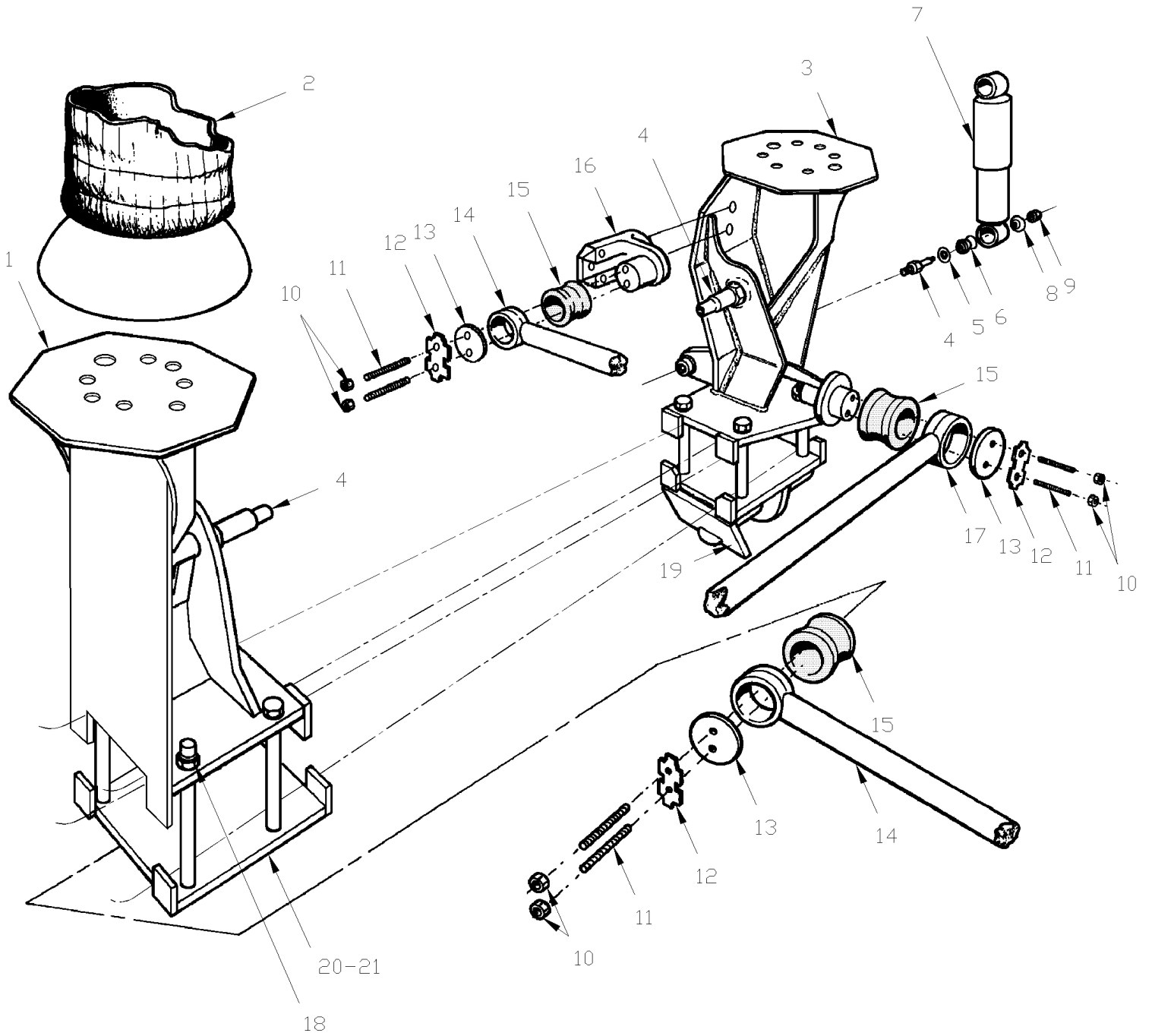
| Item# | Part | Description | H 3 4 0 | V I P 4 0 | N O T E S |
|-------|-------------------|--|------------------|-----------------------|-----------------------|
| 1 | 630093 | BELLOW ASSY / MODEL 1100 D.F. To P-312 | | 2 | |
| 1 | 630094 | BELLOW ASSY / MODEL 1100 M.W. To P-312 | 2 | | |
| 1 | 630106 | . BELLOW ASSY W/O PISTON | 1 | 1 | |
| 1 | 630102 | BELLOW ASSY / MODEL 1100 M.W. From P-313 | 2 | 2 | |
| 1 | 630110 | . BELLOW ASSY W/O PISTON | 1 | 1 | |
| 1 | 630126 | BELLOW ASSY / MODEL 1100 M.W. From R-024 | 2 | 2 | |
| 1 | 630128 | . BELLOW ASSY W/O PISTON | 1 | 1 | |
| 2 | 630093 | BELLOW ASSY / MODEL 1100 D.F. To P-312 | 4 | 4 | |
| 2 | 630105 | BELLOW ASSY / MODEL 1100 D.F. From P-313 | 4 | 4 | |
| 2 | 630109 | BELLOW ASSY W/O PISTON | 1 | 1 | |
| 3 | 630094 | BELLOW ASSY / MODEL 1100 M.W. To P-312 | 2 | 2 | A |
| 3 | 630102 | BELLOW ASSY / MODEL 1100 M.W. From P-313 To R-024 | 2 | 2 | A |
| 3 | 630110 | . BELLOW ASSY W/O PISTON | 1 | 1 | |
| 3 | 630126 | BELLOW ASSY / MODEL 1100 M.W. From R-024 | 2 | 2 | |
| 3 | 630128 | . BELLOW ASSY W/O PISTON | 1 | 1 | |
| 4 | 630071 | . PISTON / TYPE DOUBLE FLARE | 1 | 1 | |
| 5 | 630036 | . PISTON / TYPE MAY WEST | 1 | 1 | |
| 9 | 130302 | PROTECTOR, RUBBER / W/3/8" NPT | 1 | 1 | |
| 9 | 130990 | PROTECTOR, RUBBER / W/1/2" NPT | 1 | 1 | |
| 10 | 500717 | NUT HEX NYRT 1/2-20 Z050 | 1 | 1 | |
| 11 | 500734 | NUT HEX JAM 3/4-16 Z050 | 1 | 1 | |
| 11 | 502831 | NUT HEX THN 1 1/4-12x1/2 | 1 | 1 | |
| 12 | H4-1201-00 | FITTING - MISCELLANEOUS | | | |
| | | | | | |
| | | | | | |
| | | | | | |
| | | A) IF YOU WISH, YOU CAN USED BELLOWS 630126, ALWAYS REPLACE THEN IN PAIR | | | |

From L-031 To R-079

Date:10/2022

PAGE:H4-1605-00

FRONT AXLE - INSTALL SUSPENSION



| | | | |
|---------------------|--|--------------|-----------------|
| From L-031 To R-079 | | Date:10/2022 | PAGE:H4-1605-00 |
|---------------------|--|--------------|-----------------|

FRONT AXLE - INSTALL SUSPENSION

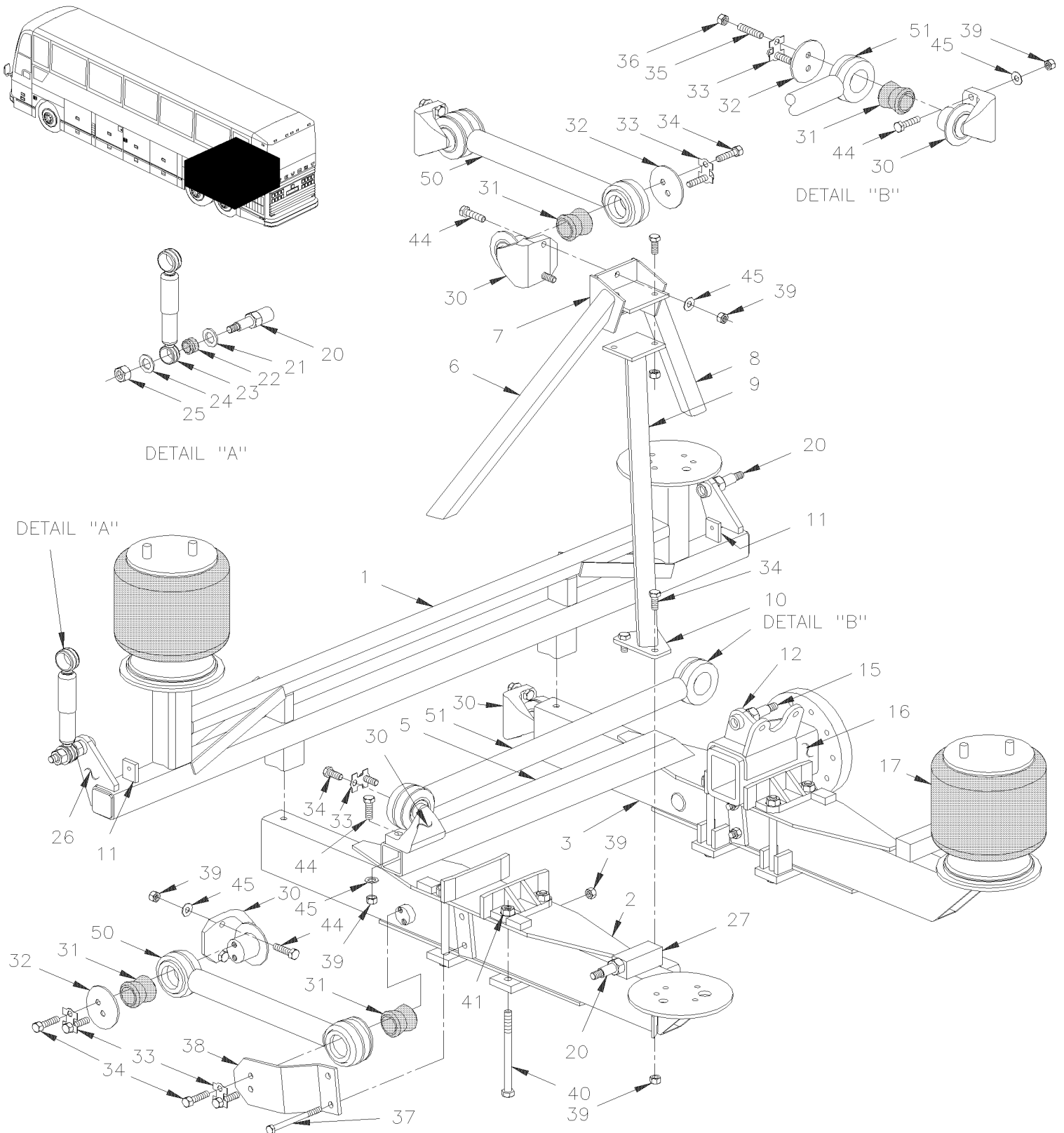
| Item# | Part | Description | H 3 4 0 | V I P 4 0 | N O T E S |
|-------|-------------------|---|------------------|-----------------------|-----------------------|
| 1 | 110481P | SUPPORT, BELLOWS / R.H. | 1 | 1 | |
| 2 | H4-1601-00 | BELLOWS - AIR SUSPENSION To N-199 | | | |
| 2 | H4-1601-01 | BELLOWS - AIR SUSPENSION From N-200 | | | |
| 3 | 110480P | SUPPORT, BELLOWS / L.H. | 1 | 1 | |
| 4 | 130956 | PIN W/TAPER ATTACHMENT 3/4-16 | 4 | 4 | A |
| 4 | 131424 | PIN W/TAPER ATTACHMENT M20-2.5 | 4 | 4 | C |
| 5 | 500833 | WASHER CON 25.5x60.0x2.5 ZP | 6 | 6 | |
| 6 | 630062 | BUSHING / RUBBER / (ONE PIECE) 2" x 1.005" I.D. | 8 | 8 | |
| 7 | 630091 | SHOCK ABSORBER / HARD / BLACK | 2 | 2 | |
| 7 | 630001 | SHOCK ABSORBER / MED / BLUE | 2 | 2 | |
| 8 | 131018 | WASHER | 8 | 8 | |
| 9 | 500735 | NUT HEX STO 3/4-16 ZP | 4 | 4 | B |
| 9 | 500809 | NUT HEX STO M20-2.5 N500 | 4 | 4 | C |
| 10 | 502588 | NUT HEX M16-2.0 ZP | 20 | 20 | |
| 11 | 130963 | STUD M16-2.0x70 | 20 | 20 | |
| 12 | 110340 | TAB LOCK / W/2 HOLES / W/4 TABS / 18MM I.D. X 38MM C/C | 10 | 10 | |
| 13 | 110320 | RETAINER PLATE / STEEL 110MM OD W/16.7 @ 38C/C | 10 | 10 | B |
| 13 | 110681 | RETAINER PLATE / IRON 110MM OD W/16.7 @ 38C/C | 10 | 10 | C |
| 14 | 130615 | ROD ASSY / 26 1/2" C/C (673MM) | 4 | 4 | D |
| 15 | 630021 | RUBBER BUSHING "PREVOST" | 10 | 10 | |
| NS | 192380 | SHIM WASHER / BUSHING RADIUS ROD 2.795x4.330x.0625 SS | AR | AR | W |
| 16 | 131126 | SUPPORT / RADIUS ROD | 7 | 7 | |
| 17 | 120830 | ROD ASSY / 39 3/4" C/C (1010MM) | 1 | 1 | |
| 18 | 110478P | ATTACHMENT / R.H. | 1 | 1 | |
| 19 | 110511P | ATTACHMENT / L.H. | 1 | 1 | |
| 20 | 500819 | SCREW CAP HEX M20-2.5x180 G8.8 ZP | 8 | 8 | |
| 21 | 500809 | NUT HEX STO M20-2.5 N500 | 8 | 8 | B |
| NS | 212022 | KIT, RETROFIT / REVERSE FRONT RADIUS ROD / ON V.I.P. ONLY. | | 1 | |
| | | | | | |
| | | | | | |
| | | A) FOR PRODUCT IMPROVMENT FOR SWAY BAR, SEE NOTE "B" & "C" AT PAGE H4-1616-00 | | | |
| | | B) PRODUCTION | | | |
| | | C) SERVICE | | | |
| | | D) FROM N-174 PREVOST REMOVED ONE UPPER CURB SIDE ROD AND REVERSE POSITION OF THEM ONLY IN V.I.P. FOR CUSTOMERS WHO WANT TO DO IT, ASK KIT #212022 (TO REVERSE RODS). | | | |
| | | W) IF NEED, USE BETWEEN BUSHING ROD SUPPORT | | | |

From L-031 To R-079

Date:10/2022

PAGE:H4-1610-00

REAR AXLE - INSTALL SUSPENSION



| | | |
|---------------------------------------|--------------|-----------------|
| From L-031 To R-079 | Date:10/2022 | PAGE:H4-1610-00 |
| REAR AXLE - INSTALL SUSPENSION | | |

| Item# | Part | Description | H 3 4 0 | V I P 4 0 | N O T E S |
|-------|-------------------|--|------------------|-----------------------|-----------------------|
| 1 | 120987 | FRONT FRAME ASSY To M-125 | 1 | 1 | A |
| 1 | 121150 | FRONT FRAME ASSY (AS SHOWN) From M-126 | 1 | 1 | |
| 2 | 121086 | BEAM ASSY / L.H. To M-125 | 1 | 1 | |
| 2 | 121165 | BEAM ASSY / L.H. From M-126 | 1 | 1 | |
| 3 | 121090 | BEAM ASSY / R.H. To M-125 | 1 | 1 | |
| 3 | 121167 | BEAM ASSY / R.H. From M-126 | 1 | 1 | |
| 4 | 121061 | SUPPORT ASSY / (WELDED) | 1 | 1 | |
| 5 | 121361 | TUBE / (WELDED) UNDER | 1 | 1 | |
| 6 | 121098 | BRACE / FRONT L.H. | 1 | 1 | |
| 7 | 121095 | ATTACHMENT / CENTRAL | 1 | 1 | |
| 8 | 121099 | BRACE / FRONT R.H. | 1 | 1 | |
| 9 | 121105 | BRACE / REAR | 1 | 1 | |
| 10 | 120842 | PLATE SUPPORT | 1 | 1 | |
| 11 | 121125 | ACTUATOR SUPPORT / TO FIX LINK / (WELDED) To M-125 | 2 | 2 | |
| 11 | 121189 | ACTUATOR SUPPORT / TO FIX LINK / (WELDED) From M-126 | 2 | 2 | |
| 11 | 121124 | PLATE REINFORCEMENT / TO FIX ACTUATOR To M-125 | 2 | 2 | |
| 12 | 121102 | SUPPORT L.H. & R.H. / BRAKE CHAMBER | 2 | 2 | B |
| 15 | 131522 | PIN W/TAPER ATTACHMENT M20-2.5 / SWAY-BAR | AR | AR | |
| 16 | H4-1105-01 | REAR AXLE - MODEL RS23160 & DRUM BRAKE W/61143 | | | |
| 17 | H4-1601-01 | BELLOWS - AIR SUSPENSION | | | |
| 20 | 130956 | PIN W/TAPER ATTACHMENT 3/4-16 | 4 | 4 | D |
| 20 | 131424 | PIN W/TAPER ATTACHMENT M20-2.5 | 4 | 4 | E |
| 21 | 5001153 | WASHER CON 25.5x50.0x4.5 ZP | 8 | 8 | |
| 22 | 630062 | BUSHING / RUBBER / (ONE PIECE) 2" x 1.005" I.D. | 8 | 8 | |
| 23 | 630127 | SHOCK ABSORBER / BLACK W/GAZ | AR | AR | |
| 23 | 630134 | SHOCK ABSORBER / WHITE | AR | AR | |
| 24 | 5001152 | WASHER CON 21.0x50.0x4.5 ZP | 8 | 8 | |
| 25 | 500735 | NUT HEX STO 3/4-16 ZP | 4 | 4 | D |
| 25 | 500809 | NUT HEX STO M20-2.5 N500 | 4 | 4 | E |
| 26 | 171363 | RETAINER R.H. / (WELDED) From M-126 | 1 | 1 | |
| 26 | 171365 | RETAINER L.H. / (WELDED) From M-126 | 1 | 1 | |
| 26 | 171032 | SUPPORT 1"-14 / SHOCK ABSORBER / 55MM To M-125 | 2 | 2 | |
| 27 | 121157 | ATTACHMENT PIN 1"-14 / SHOCK ABSORBER / 126MM LONG W/OFFSET CENTER | 2 | 2 | |
| 30 | 131065 | SUPPORT / ROD / W/2 M16-2 HOLES / 95MM C/C // 150MM SHORT | AR | AR | |
| 30 | 121039 | SHIM 20GAGE | AR | AR | |
| 30 | 131068 | SHIM 14GAGE | AR | AR | |
| 30 | 121419 | SHIM "U" 14GA SS 133MM x 62MM x 18 i.d. | AR | AR | |
| 30 | 121418 | SHIM "U" 26 GA SS 133MM x 62MM x 18 i.d. | AR | AR | |
| 30 | 502164 | PIN DOWEL M16 X 40MM | AR | AR | |
| 31 | 630021 | RUBBER BUSHING "PREVOST" | 8 | 8 | |
| NS | 192380 | SHIM WASHER / BUSHING RADIUS ROD 2.795x4.330x.0625 SS | AR | AR | W |
| 32 | 110681 | RETAINER PLATE / IRON 110MM OD W/16.7 @ 38C/C | 6 | 6 | |

| | | |
|---------------------------------------|--------------|-----------------|
| From L-031 To R-079 | Date:10/2022 | PAGE:H4-1610-00 |
| REAR AXLE - INSTALL SUSPENSION | | |

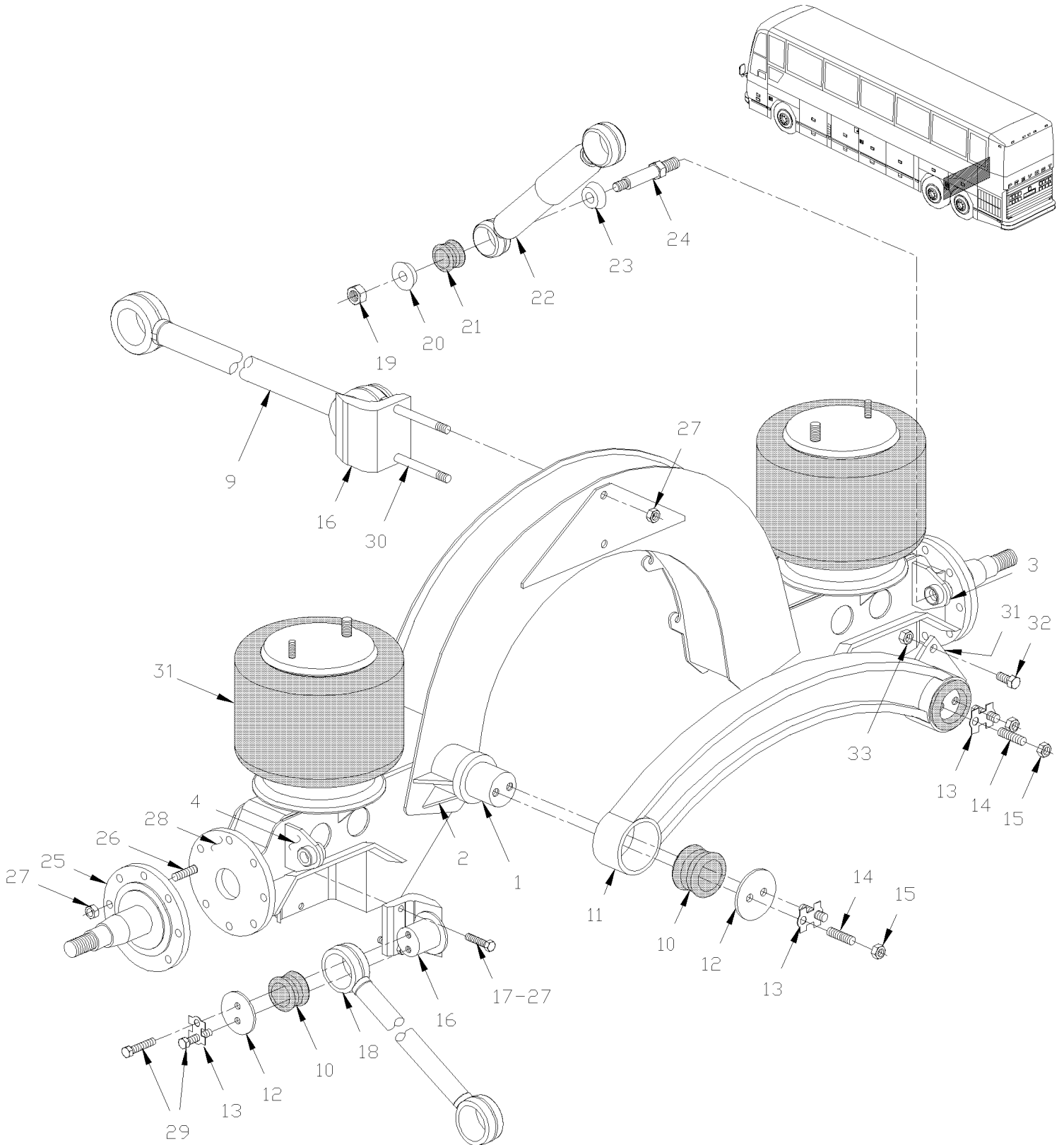
| Item# | Part | Description | H 3 4 0 | V I P 4 0 | N O T E S |
|-------|----------|---|------------------|-----------------------|-----------------------|
| 33 | 110340 | TAB LOCK / W/2 HOLES / W/4 TABS / 18MM I.D. X 38MM C/C | 6 | 6 | |
| 34 | 5001590 | SCREW CAP HEX M16-2.0x40 G10.9 N500 | AR | AR | |
| 35 | 130963 | STUD M16-2.0x70 | 2 | 2 | |
| 36 | 502588 | NUT HEX M16-2.0 ZP | 2 | 2 | |
| 37 | 502766 | SCREW CAP HEX M16-2.0x140 G8.8 Z050 | 4 | 4 | |
| 38 | 121091 | PLATE ATTACHMENT | 2 | 2 | |
| 39 | 500781 | NUT HEX STO M16-2.0 DP | AR | AR | F |
| 40 | 500152 | SCREW CAP HEX 3/4-16x10 G5 ZP | 8 | 8 | |
| 41 | 500251 | NUT HEX NYRT 3/4-16 Z050 | 8 | 8 | |
| 42 | 131420 | ATTACHMENT | 1 | 1 | |
| 43 | 500880 | SCREW CAP HEX 5/8-18x1 3/4 G5 ZP | 2 | 2 | |
| 43 | 500725 | NUT HEX STO 5/8-18 Z050 | 2 | 2 | |
| 44 | 5001369 | SCREW CAP HEX M16-2.0x70 G10.9 DP | 2 | 2 | |
| 45 | 5001046 | WASHER FL .656x1.500x.187 | AR | AR | |
| 50 | 120868 | ROD ASSY / 23 3/8" C/C (593MM) | 3 | 3 | |
| 51 | 110648 | ROD ASSY / 34 13/16" C/C (885MM) | 1 | 1 | |
| NS | 121600 | KIT, REINFORCEMENT FRONT FRAME BELLOW SUPPORT DRIVE AXLE | 1 | 1 | |
| . NS | IS-03138 | . SEE INSTRUCTION SHEET | 1 | 1 | |
| | | | | | |
| | | | | | |
| | | A) FOR PRODUCT IMPROVMENT FOR VIP UP TO M-126 YOU REQUIRE 1 KIT 121151 FOR LARGER BELLOW SUPPORT& SHOCK | | | |
| | | B) SEE ATTACHED TEXT TO READ NOTE B | | | |
| | | D) PRODUCTION | | | |
| | | E) SERVICE | | | |
| | | F) TO FIX SPINDLE | | | |
| | | W) IF NEED, USE BETWEEN BUSHING ROD SUPPORT | | | |

From L-031 To R-079

Date:10/2022

PAGE:H4-1615-01

TAG AXLE - INSTALL SUSPENSION



| | | |
|--------------------------------------|--------------|-----------------|
| From L-031 To R-079 | Date:10/2022 | PAGE:H4-1615-01 |
| TAG AXLE - INSTALL SUSPENSION | | |

| Item# | Part | Description | H 3 4 0 | V I P 4 0 | N O T E S |
|-------|-------------------|---|------------------|-----------------------|-----------------------|
| | 121050P | AXLE ASSY To M-125 | 1 | 1 | |
| NS | 121169P | AXLE ASSY From M-126 | 1 | 1 | |
| 1 | 121056 | . SHAFT / TO FIX LATERAL ROD / W/AXLE #12-1050P, 12 1169P | 1 | 1 | |
| 2 | 121072 | . PLATE REINFORCEMENT (WELDED) | 2 | 2 | |
| 3 | 121110 | . ATTACHMENT R.H. / SHOCK ABSORBER PIN To M-125 | 1 | 1 | |
| NS | 121145 | . ATTACHMENT R.H. / SHOCK ABSORBER PIN From M-126 | 1 | 1 | |
| NS | 121054 | . ATTACHMENT R.H. / SWAY BAR PIN | 1 | 1 | |
| 4 | 121052 | . ATTACHMENT L.H. / SHOCK ABSORBER PIN To M-125 | 1 | 1 | |
| NS | 121147 | . ATTACHMENT L.H. / SHOCK ABSORBER PIN From M-126 | 1 | 1 | |
| NS | 121109 | . ATTACHMENT L.H. / SWAY BAR PIN | 1 | 1 | |
| 9 | 120868 | ROD ASSY / 23 3/8" C/C (593MM) | 1 | 1 | E |
| 9 | 121358 | ROD ASSY W/CHAIN HOOK / 23 3/8" C/C (593MM) | 1 | 1 | F |
| 10 | 630021 | RUBBER BUSHING "PREVOST" | 6 | 6 | |
| NS | 192380 | SHIM WASHER / BUSHING RADIUS ROD 2.795x4.330x.0625 SS | AR | AR | W |
| 11 | 121065 | ROD ASSY / 34 5/8" C/C (880MM) | 1 | 1 | |
| 12 | 110681 | RETAINER PLATE / IRON 110MM OD W/16.7 @ 38C/C | 6 | 6 | |
| 13 | 110340 | TAB LOCK / W/2 HOLES / W/4 TABS / 18MM I.D. X 38MM C/C | 6 | 6 | |
| 14 | 130963 | STUD M16-2.0x70 | 12 | 12 | |
| 15 | 500781 | NUT HEX STO M16-2.0 DP | 18 | 18 | |
| 16 | 131065 | SUPPORT / ROD / W/2 M16-2 HOLES / 95MM C/C // 150MM SHORT | 6 | 6 | |
| 17 | 5001369 | SCREW CAP HEX M16-2.0x70 G10.9 DP | 4 | 4 | |
| NS | 5001046 | WASHER FL .656x1.500x.187 | 8 | 8 | |
| 18 | 120868 | ROD ASSY / 23 3/8" C/C (593MM) To R-032 | 2 | 2 | |
| 18 | 121358 | ROD ASSY W/CHAIN HOOK / 23 3/8" C/C (593MM) From R-033 | 2 | 2 | |
| 19 | 500735 | NUT HEX STO 3/4-16 ZP | 4 | 4 | E |
| 19 | 500809 | NUT HEX STO M20-2.5 N500 | 1 | 1 | F |
| 20 | 5001152 | WASHER CON 21.0x50.0x4.5 ZP | 4 | 4 | |
| 21 | 630062 | BUSHING / RUBBER / (ONE PIECE) 2" x 1.005" I.D. | 4 | 4 | |
| 22 | 630001 | SHOCK ABSORBER / MED / BLUE To R-046 | 2 | 2 | |
| NS | 630127 | SHOCK ABSORBER / BLACK W/GAZ From R-047 | 2 | 2 | |
| NS | 630134 | SHOCK ABSORBER / WHITE | AR | AR | |
| 23 | 5001153 | WASHER CON 25.5x50.0x4.5 ZP | 4 | 4 | |
| 24 | 130956 | PIN W/TAPER ATTACHMENT 3/4-16 | 4 | 4 | E |
| 24 | 131424 | PIN W/TAPER ATTACHMENT M20-2.5 | 4 | 4 | F |
| 25 | 610896 | SPINDLE / WITH MODEL 1560 DISC BRAKE | 2 | 2 | |
| 26 | 500768 | SCREW CAP HEX M16-2.0x70 G8.8 ZP | 12 | 12 | |
| 27 | 500781 | NUT HEX STO M16-2.0 DP | 12 | 12 | |
| 28 | 121203 | SHIM / CAMBER ADJUSTMENT 0.117 DEGRES / SPINDLE & AXLE | AR | AR | C |
| NS | 121240 | SHIM / CAMBER ADJUSTMENT 0.250 DEGRES / SPINDLE & AXLE | AR | AR | C |
| 30 | 5001370 | SCREW CAP HEX M16-2.0x180 G10.9 G500 | 2 | 2 | |
| NS | 502756 | SCREW CAP HEX M16-2.0x200 G8.8 ZP | 2 | 2 | |
| 31 | H4-1601-00 | BELLOWS - AIR SUSPENSION To N-199 | | | |

| | | |
|---------------------|--------------|-----------------|
| From L-031 To R-079 | Date:10/2022 | PAGE:H4-1615-01 |
|---------------------|--------------|-----------------|

TAG AXLE - INSTALL SUSPENSION

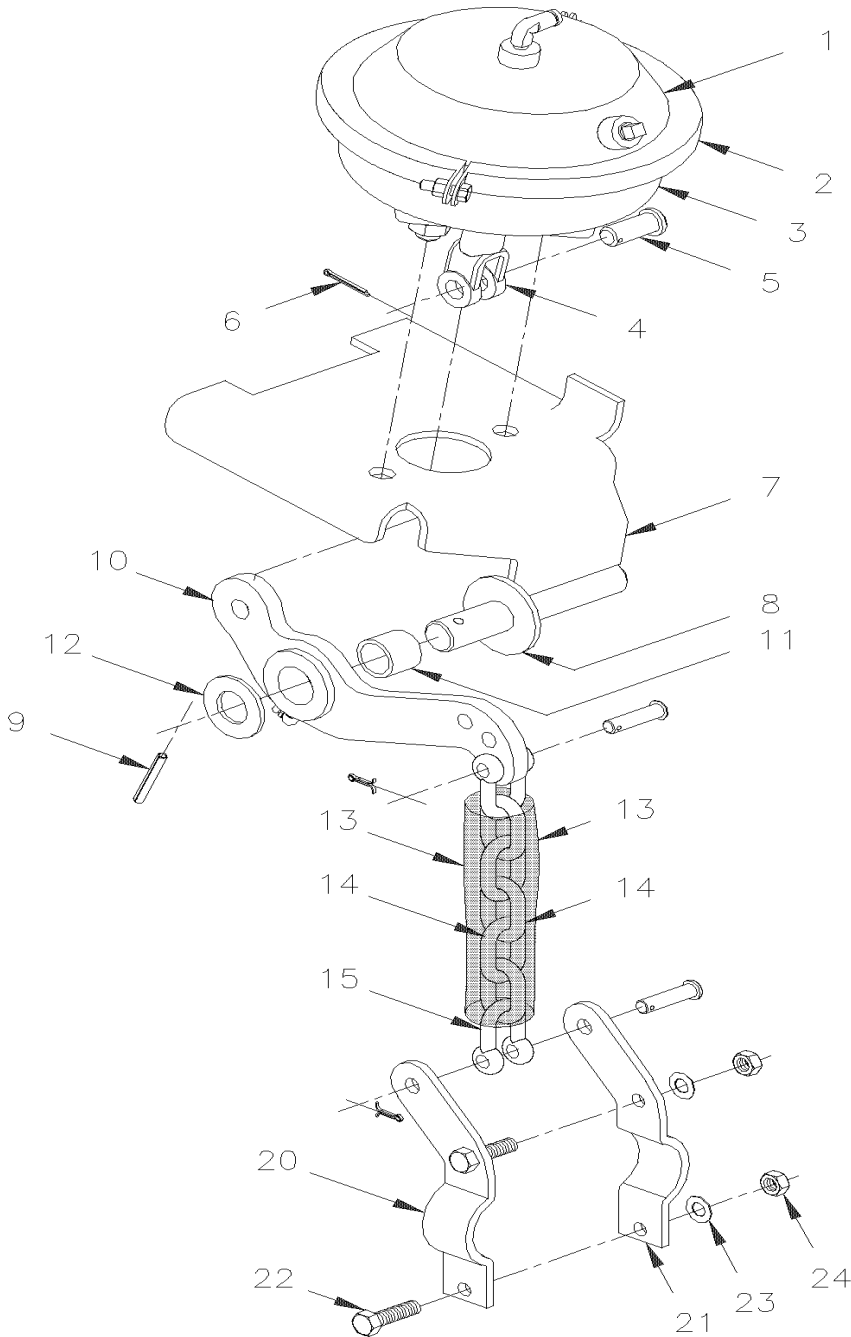
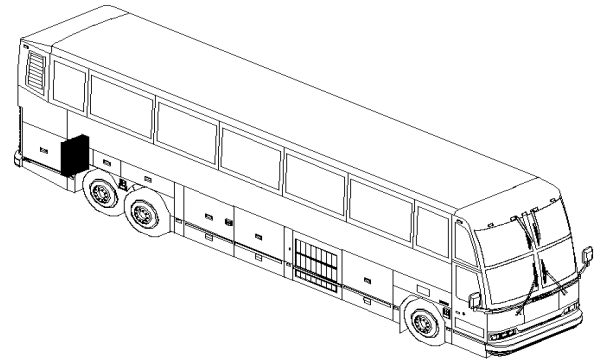
| Item# | Part | Description | H 3 4 0 | V I P 4 0 | N O T E S |
|-------|------------|--|------------------|-----------------------|-----------------------|
| 31 | H4-1601-01 | BELLOWS - AIR SUSPENSION From N-200 | | | |
| 50 | H4-1245-01 | BRAKE PARTS - TAG AXLE - W/"MERITOR" ABD 1560 | | | |
| 50 | H4-1225-99 | BRAKE PARTS - FRONT AXLE - RETROKIT MODEL 16 1/2 I.D. (RETROFIT) | | | |
| 51 | H4-1310-01 | HUB & ROTOR - TAG AXLE WITH DISC BRAKE MODEL 1560 | | | |
| 51 | H4-1300-99 | HUB & DRUM - FRONT AXLE - RETROFIT MODEL 16 1/2 I.D. (RETROFIT) | | | |
| | | | | | |
| | | | | | |
| | | C) BETWEEN SPINDLE & AXLE | | | |
| | | E) PRODUCTION | | | |
| | | F) SERVICE | | | |
| | | W) IF NEED, USE BETWEEN BUSHING ROD SUPPORT | | | |

From L-031 To R-079

Date:10/2022

PAGE:H4-1615-10

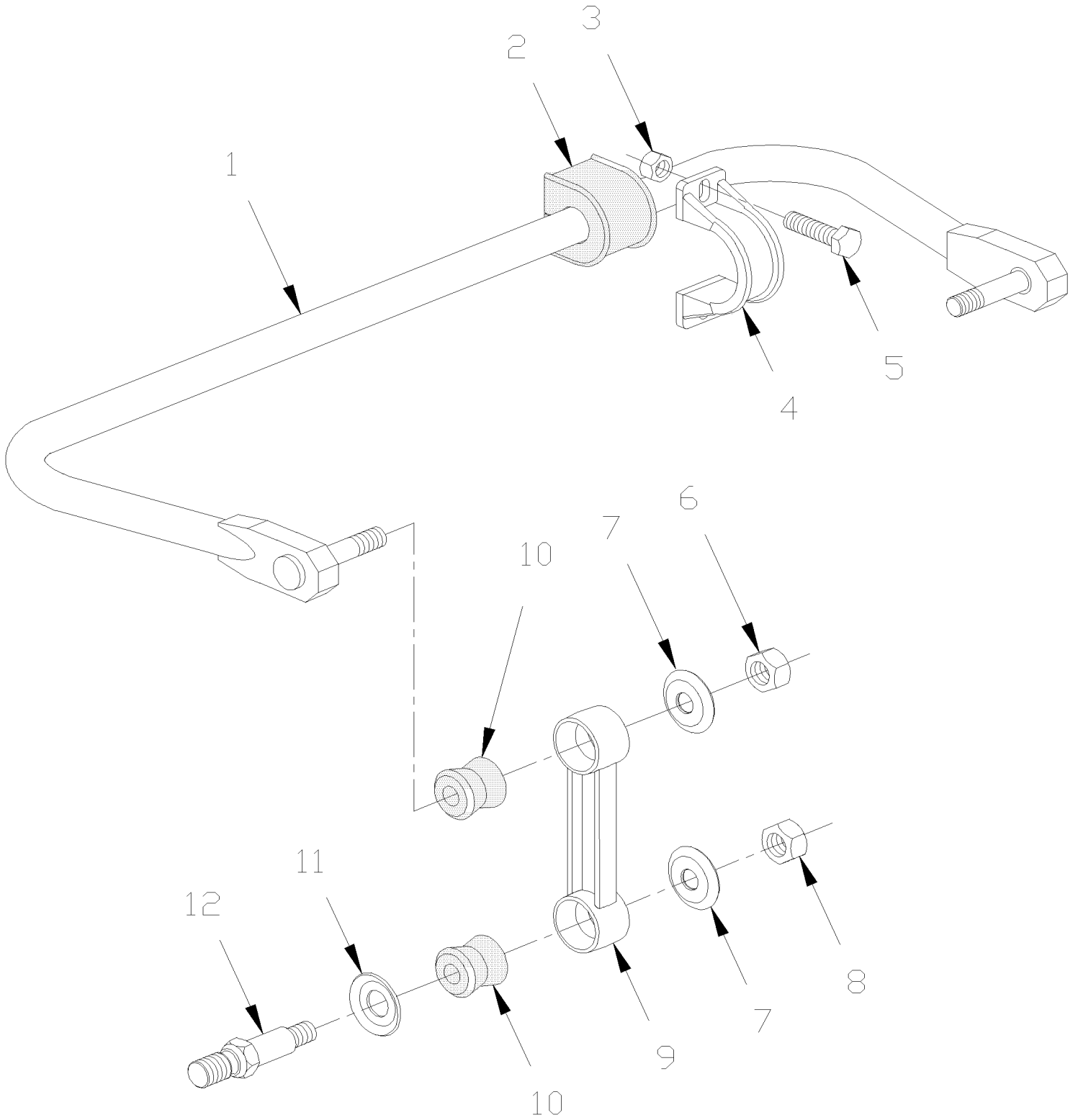
TAG AXLE - LIFTING



| | | |
|---------------------------|--------------|-----------------|
| From L-031 To R-079 | Date:10/2022 | PAGE:H4-1615-10 |
| TAG AXLE - LIFTING | | |

| Item# | Part | Description | H 3 4 0 | V I P 4 0 | N O T E S |
|-------|---------|--|------------------|-----------------------|-----------------------|
| 1 | 640729 | BRAKE CHAMBER ASSY / TYPE 36 | 2 | 2 | |
| 2 | 641067 | . CLAMP TYPE 36 | 1 | 1 | |
| 3 | 640979 | . DIAPHRAGM / TYPE 36 | 1 | 1 | |
| 3 | 641066 | . BOOT RUBBER | 1 | 1 | |
| NS | 641426 | . SHIELD, ROD CENTER HOLE | 1 | 1 | |
| 4 | 640130 | . YOKE 5/8-18x1 3/8 C/Lx9/16Wx5/8 | 1 | 1 | |
| 5 | 502028 | . PIN, CLEVIS 5/8 x 3/4 | 1 | 1 | |
| 6 | 502102 | . PIN, COTTER 1/8 x 1 | 1 | 1 | |
| 7 | 171263 | BRACKET L.H. To N-250 | 1 | 1 | |
| 7 | 171462 | BRACKET L.H. From N-251 | 1 | 1 | |
| 7 | 171262 | BRACKET R.H. To N-250 | 1 | 1 | |
| 7 | 171463 | BRACKET R.H. From N-251 | 1 | 1 | |
| 8 | 120551 | . PIN / WELDED | 1 | 1 | |
| 9 | 505128 | SPRING, PIN 1/4 X 2 | 1 | 1 | A |
| 9 | 502106 | PIN, COTTER 1/4 x 2 | 1 | 1 | B |
| 10 | 130454 | LEVER ASSY | 2 | 2 | |
| 11 | 507055 | . BUSHING OIL 1 1/4 O.D. X 1 I.D. X 1 LG | 1 | 1 | |
| 12 | 500456 | WASHER FL 1.062x2.000x.134 Z050 | 1 | 1 | |
| 13 | 121123 | TUBE COVERING CHAIN 290MM | 1 | 1 | |
| . NS | 5001503 | . TUBE, PVC / CLEAR / 1 1/2" I.D./ S.L. | AR | AR | |
| 14 | 121122 | CHAIN / 340MM To R-032 | 1 | 1 | |
| 14 | 121359 | CHAIN / 360MM From R-033 | 1 | 1 | |
| 15 | 505064 | SHACKLE CHAIN 3/8 | 2 | 2 | |
| 20 | 120860 | RIGHT LEVER CLAMP | 2 | 2 | |
| 21 | 120861 | LEFT LEVER CLAMP | 2 | 2 | |
| 22 | 500192 | SCREW CAP HEX 3/8-16x1 1/4 G5 Z050 | 2 | 2 | |
| 23 | 500478 | WASHER LO SPT .380x.683x.094 Z050 | 2 | 2 | |
| 24 | 500783 | NUT HEX 3/8-16 Z050 | 2 | 2 | |
| | | | | | |
| | | | | | |
| | | | | | |
| | | | | | |
| | | A) FORMER | | | |
| | | B) CURRENT | | | |

| | | |
|---------------------|--------------|-----------------|
| From L-031 To R-079 | Date:10/2022 | PAGE:H4-1616-00 |
| SWAY BAR | | |



| | | |
|----------------------------|---------------------|------------------------|
| From L-031 To R-079 | Date:10/2022 | PAGE:H4-1616-00 |
| SWAY BAR | | |

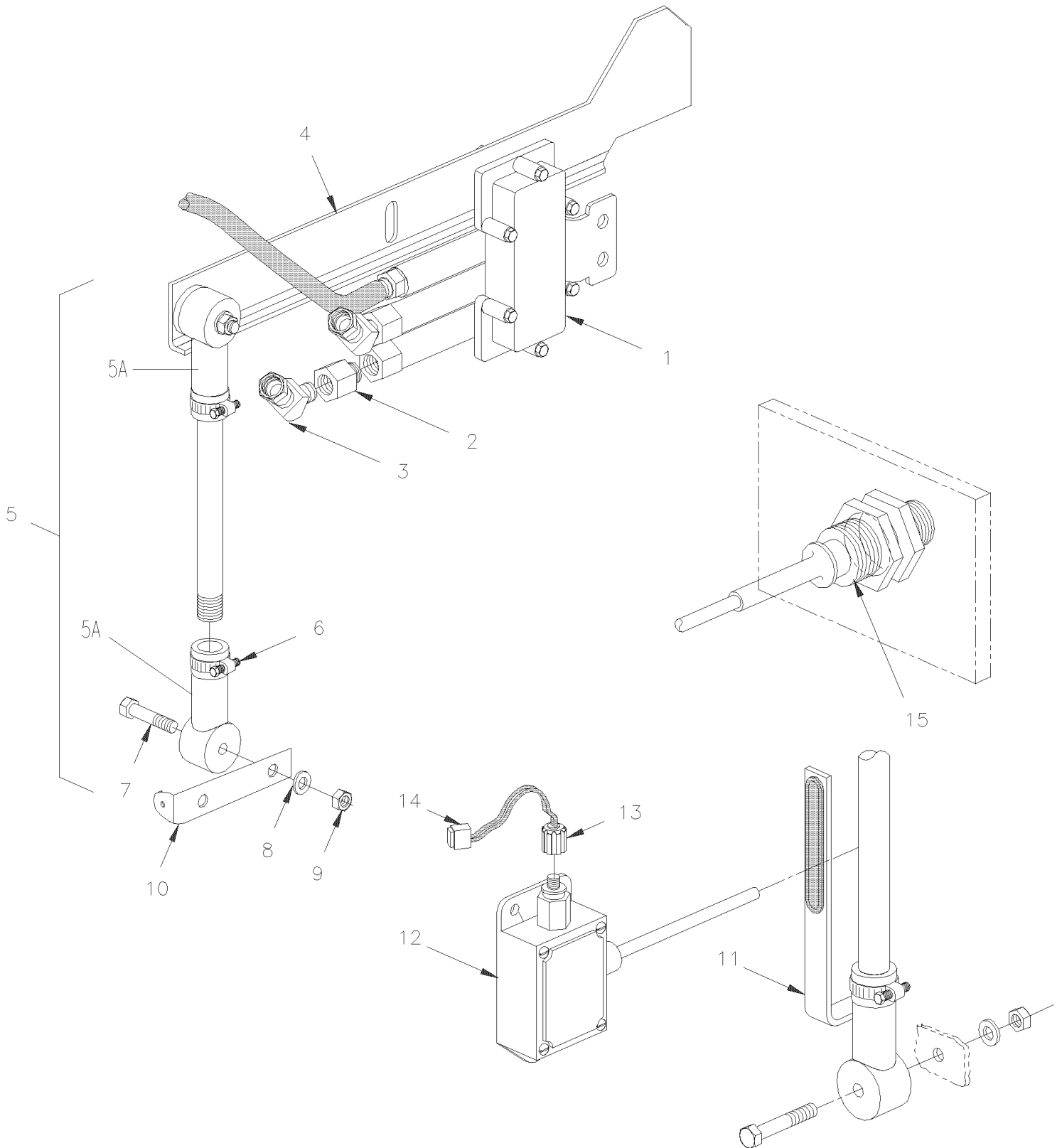
| Item# | Part | Description | H 3 4 0 | V I P 4 0 | N O T E S |
|-------|---------|--|------------------|-----------------------|-----------------------|
| 1 | 130961 | SWAY BAR ASSY / 1 1/2" O.D. X 996MM | 1 | 1 | F |
| 1 | 131019 | SWAY BAR ASSY / 1 1/2" O.D. X 848MM | 1 | 1 | CR |
| NS | 131061 | . STUD | 2 | 2 | A |
| NS | 131520 | . STUD 1 1/4" O.D. | 1 | 1 | B |
| 2 | 130953 | BUSHING / RUBBER / USE WITH SWAY BAR 1 1/2" | 4 | 4 | |
| 3 | 500811 | NUT HEX STO M12-1.75 G500 | 8 | 8 | |
| NS | 500011 | WASHER FL / HARDENED 13.0x24.0x3.0 STL | 4 | 4 | |
| 4 | 130184 | COLLAR / STEEL PLATE / 2x.472" HOLE 4 5/8 C/C | 4 | 4 | A |
| 4 | 630145 | COLLAR / IRON / 2x.472" HOLE 4 5/8 C/C | 4 | 4 | B |
| 5 | 500806 | SCREW CAP HEX M12-1.75X35 G10.9 G500 | 8 | 8 | |
| 6 | 500809 | NUT HEX STO M20-2.5 N500 | 2 | 2 | |
| 8 | 500735 | NUT HEX STO 3/4-16 ZP | 2 | 2 | |
| 9 | 130241 | LINK ASSY / 7" C/C | 2 | 2 | A |
| 9 | 630146 | LINK ASSY / 7" C/C / IRON | 2 | 2 | B |
| 9 | 630148 | LINK ASSY / 10 1/2" C/C / IRON | 2 | 2 | C |
| 10 | 630062 | BUSHING / RUBBER / (ONE PIECE) 2" x 1.005" I.D. | 4 | 4 | |
| 10 | 506678 | BUSHING / POLYURETHANE / (TWO PIECES) RED 1" x 1.005" I.D. | 8 | 8 | |
| 11 | 5001153 | WASHER CON 25.5x50.0x4.5 ZP | 4 | 4 | |
| 12 | 130956 | PIN W/TAPER ATTACHMENT 3/4-16 | 2 | 2 | D |
| 12 | 131424 | PIN W/TAPER ATTACHMENT M20-2.5 | 2 | 2 | D |
| 12 | 131522 | PIN W/TAPER ATTACHMENT M20-2.5 / SWAY-BAR | 2 | 2 | E |
| NS | MI03-12 | SEE MAINTENANCE INFORMATION | 1 | 1 | |
| | | | | | |
| | | | | | |
| | | A) PRODUCTION | | | |
| | | B) SERVICE | | | |
| | | C) SEE NOTE "B" AT PAGE 1610-00 | | | |
| | | D) FOR PRODUCT IMPROVMENT YOU REQUIRE 2 STUDS 131520, 2 PINS 131522 & 4 BUSHING 506678 | | | |
| | | E) THIS PIN IS 3MM SHORTER ON BUSHING SIDE AND BLACK PAINTED FOR EASY IDENTIFICATION | | | |
| | | F) WITH FRONT AXLE | | | |
| | | R) WITH REAR AXLE | | | |

From L-031 To R-079

Date:10/2022

PAGE:H4-1620-00

HEIGHT CONTROL VALVE



| | | |
|-----------------------------|--------------|-----------------|
| From L-031 To R-079 | Date:10/2022 | PAGE:H4-1620-00 |
| HEIGHT CONTROL VALVE | | |

| Item# | Part | Description | H 3 4 0 | V I P 4 0 | N O T E S |
|-------|-------------------|--|------------------|-----------------------|-----------------------|
| 1 | 630085 | VALVE, HEIGHT CONTROL "NEWAY" To M-110 | 3 | 3 | A F |
| 1 | 630095 | VALVE, HEIGHT CONTROL "NEWAY" From M-111 | 3 | 3 | A F |
| 2 | 630087 | . CHECK VALVE To M-110 | 1 | 1 | |
| 2 | 530175 | . VALVE, CHECK 1/8 NPT From M-111 | 1 | 1 | |
| 3 | H4-1201-00 | FITTING - MISCELLANEOUS | | | |
| 4 | N.S.S. | LEVER / SUPPLY W/630085 & 630095 VALVE 200MM LG | 1 | 1 | 1 |
| 4 | 131161 | LEVER / W/REAR VALVE 263.2MM LG To M-170 | 1 | 1 | |
| 4 | 131105 | LEVER 200 MM SS | 1 | 1 | |
| 4 | 131098 | LEVER / W/FRONT W/KNEELING 280.5MM To M-170 | 1 | | D |
| NS | 131168 | LEVER / W/FRONT W/KNEELING 277.7MM From M-171 | 1 | | E |
| 5 | 630086 | LINK ASSY / W/ALL AXLES C.T.L. / (AS SHOWN) 18 1/4" ROD | 3 | 3 | |
| . NS | 630117 | . ROD END / BLACK RUBBER 5/16" I.D. | 2 | 2 | |
| . NS | 630137 | . SCREW SHR CAP HEX 5/16" I.D. x 1/4-20 | 2 | 2 | |
| . NS | 504014 | . HOSE CLAMP / 1/4"-5/8" SS / HM-4 | 2 | 2 | |
| 5 | 630117 | . ROD END / BLACK RUBBER 5/16" I.D. | 1 | 1 | |
| 5 | N.S.S. | . ROD | 1 | 1 | 1 |
| 6 | 504014 | . HOSE CLAMP / 1/4"-5/8" SS / HM-4 | 2 | 2 | |
| 7 | 630137 | . SCREW SHR CAP HEX 5/16" I.D. x 1/4-20 | 2 | 2 | |
| 8 | 500440 | . WASHER FL .250x.562x.065 Z050 | 2 | 2 | |
| 9 | 502716 | . NUT HEX NYRT 1/4-20 | 2 | 2 | |
| 10 | 131066 | ANGLE, ACTUATOR / TO FIX LINK TO AXLE | 1 | 1 | |
| NS | 500415 | SCREW CAP HEX 5/8-18x1 1/4 G5 ZP | 2 | 2 | B |
| NS | 500484 | WASHER LO SPT .635x1.079x.156 Z050 | 2 | 2 | B |
| 11 | 131156 | SUPPORT / PROXYMITY SWITCH / IN RETROFIT KIT ONLY | 1 | 1 | |
| 12 | 131000 | SWITCH ASSY / FRONT KNEELING To M-170 | 1 | | C |
| 12 | 561705 | . SWITCH, KNEELING MICRO SWITCH ASSY | 1 | | |
| 13 | 560434 | . CONNECTOR 1/2" PIPE | 1 | | |
| 14 | 062094 | . CABLE ASSY | 1 | | |
| 15 | 131166 | SWITCH PROXIMITY ASSY 700MM From M-171 | 1 | | |
| 15 | 562130 | . SWITCH PROXIMITY / S.P.S.T. / N.O. /(3 WIRE | 1 | | |
| NS | 171183 | SUPPORT / FRONT HEIGHT CONTROL VALVE (WELDED) To M-170 | 1 | 1 | |
| NS | 171356 | SUPPORT / FRONT HEIGHT CONTROL VALVE (WELDED) From M-171 | 1 | 1 | |
| NS | 171357 | SUPPORT / FRONT KNEELING SWITCH (WELDED) From M-171 | 1 | 1 | |
| 16 | 131154 | PLATE ACTUATOR | 1 | 1 | |
| NS | 131454 | KIT CONTROL VALVE HEIGHT REAR | AR | AR | |
| . NS | IS-96192B | . SEE INSTRUCTION SHEET | 1 | 1 | |
| NS | 131455 | KIT CONTROL VALVE HEIGHT FRONT | AR | AR | |
| . NS | IS-96192B | . SEE INSTRUCTION SHEET | 1 | 1 | |
| | | | | | |
| | | | | | |
| | | | | | |
| | | | | | |

| | | |
|---------------------|--------------|-----------------|
| From L-031 To R-079 | Date:10/2022 | PAGE:H4-1620-00 |
|---------------------|--------------|-----------------|

HEIGHT CONTROL VALVE

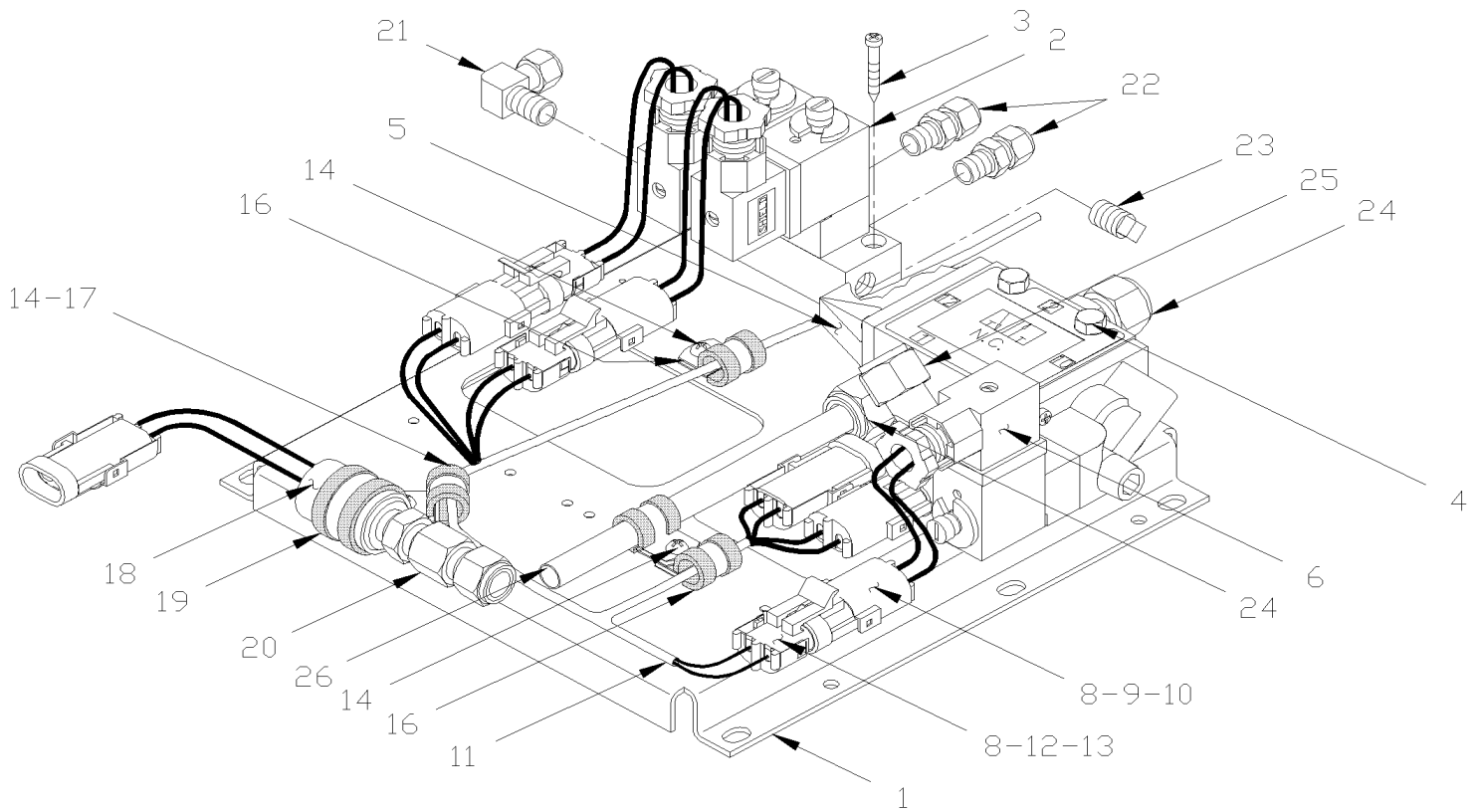
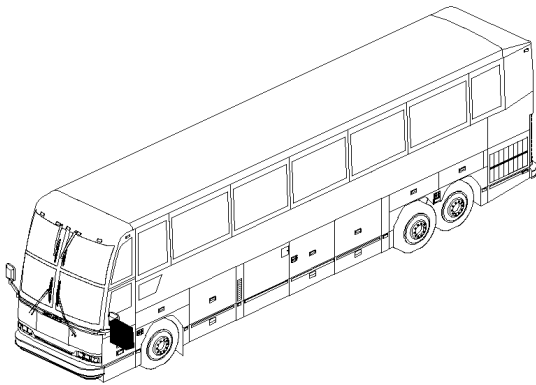
| Item# | Part | Description | H 3 4 0 | V I P 4 0 | N O T E S |
|-------|------|--|------------------|-----------------------|-----------------------|
| | | A) TO LENGTHEN REGULAR VALVE ARM UP TO M-171, ORDER KIT 131163 | | | |
| | | B) TO FIX ACTUATOR | | | |
| | | C) FOR PRODUCT IMPROVMENT USE KIT 131165 | | | |
| | | D) USE WITH ITEM #12 | | | |
| | | E) USE WITH ITEM #15 | | | |
| | | F) FOR PRODUCT IMPROVEMENT, ASK KIT #131455(FRONT) & #131454(REAR) | | | |
| | | 1) NOT SOLD SEPARATELY | | | |

From L-031 To R-079

Date:10/2022

PAGE:H4-1630-00

FRONT KNEELING - CONTROL PANEL



| | | | |
|---------------------------------------|--|--------------|-----------------|
| From L-031 To R-079 | | Date:10/2022 | PAGE:H4-1630-00 |
| FRONT KNEELING - CONTROL PANEL | | | |

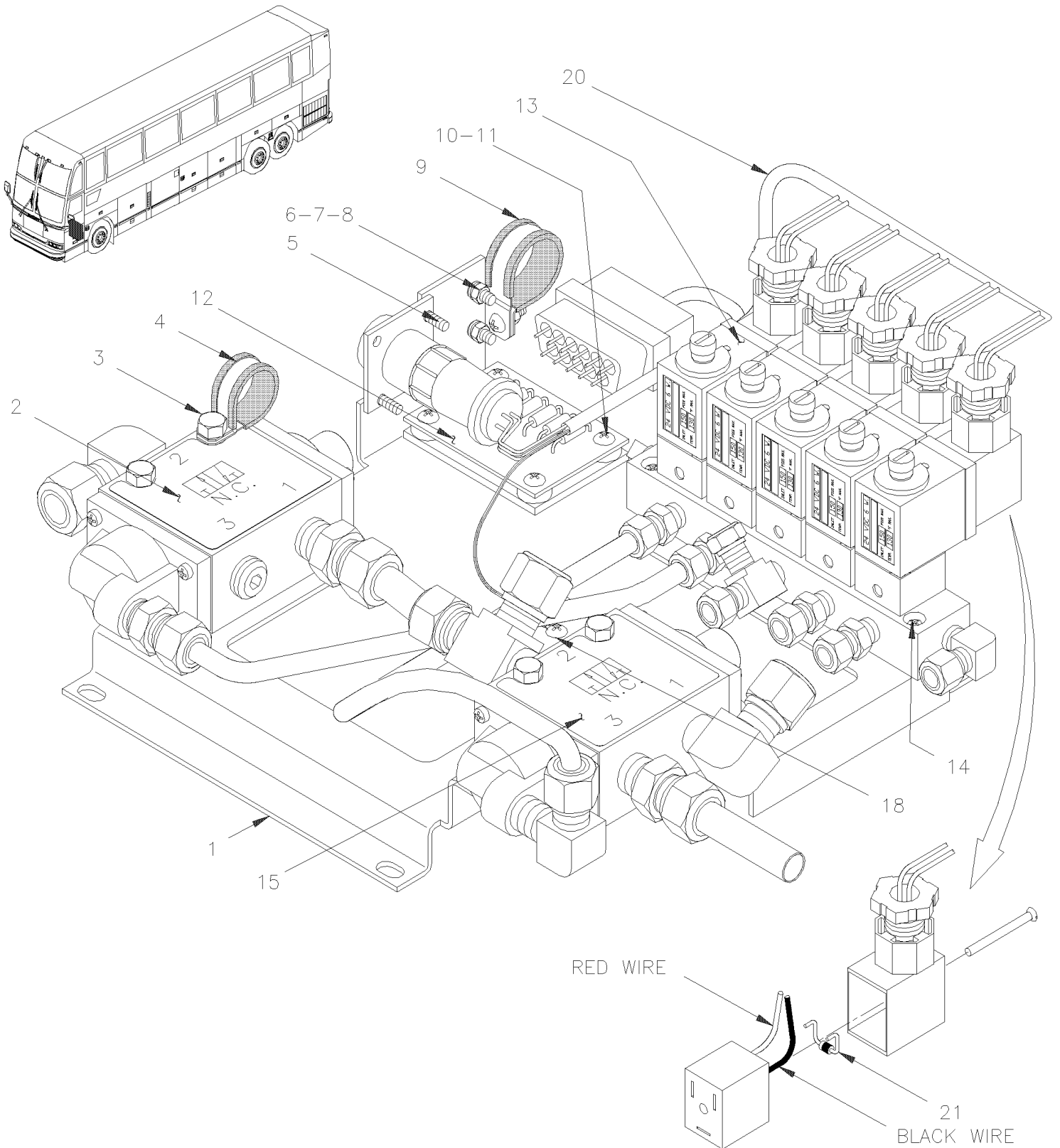
| Item# | Part | Description | H 3 4 0 | V I P 4 0 | N O T E S |
|-------|--------|---|------------------|-----------------------|-----------------------|
| | 131051 | PANEL ASSY To M-170 | 1 | | |
| | 131173 | PANEL ASSY From M-171 | 1 | | |
| 1 | 131052 | . SUPPORT | 1 | | |
| 2 | 641130 | . MANIFOLD VALVE / W/2 SOLENOID | 1 | | |
| 3 | 500495 | . SCREW TP PAN PH #6x1 Z050 | 2 | | |
| 4 | 502793 | . SCREW CAP HEX M6-1.0x45 G8.8 Z050 | 2 | | |
| 5 | 630081 | . VALVE, 3 WAYS, 2 POSITIONS | 1 | | |
| . NS | 641143 | . . SPOOL | 1 | | |
| . NS | 641145 | . . KIT REPAIR / COIL | 1 | | |
| 5 | 641169 | . . SPOOL | 1 | | |
| 6 | 641144 | . . KIT REPAIR / COIL | 1 | | |
| 7 | 062415 | . CABLE ASSY | 1 | | |
| 8 | 561566 | . CONNECTOR / WEATHER PACK / PH 2C / BLACK / PED 12010973 | 1 | | |
| 9 | 561568 | . PIN TERMINAL / 16-14 / PED 12089305 | 2 | | |
| 10 | 561565 | . CABLE SEAL / GREEN / PED 15324982 | 2 | | |
| 11 | 062415 | . CABLE ASSY To M-170 | 1 | | |
| 11 | 063093 | . CABLE ASSY From M-171 | 1 | | |
| 12 | 561690 | . . CONNECTOR / WEATHER PACK / SH 2C / BLACK / PED 12015792 | 2 | | |
| 13 | 561578 | . . SOCKET TERMINAL / 16-14 / PED 12010182 | 2 | | |
| 14 | 500582 | . SCREW TP PAN PH #8x3/8 Z050 | AR | | |
| 15 | 560603 | . BULB / 4WATT-12VOLTS / SAE# 68 | 3 | | |
| 16 | 560479 | . CLAMP / 3/8" I.D. | 1 | | |
| 17 | 502550 | . SCREW CAP HEX M4-0.7x16 G8.8 Z050 | 2 | | |
| | | FOLLOWING ITEMS ARE USED | | | |
| | | ON VEHICLE EQUIPPED | | | |
| | | IN RETROFIT WITH ALARM. | | | |
| | | YOU NEED WIRING DIAGRAM | | | |
| | | D060812 PAGE 24 SP1 AND PNEUMATIC DIAGRAM | | | |
| | | D140198. | | | |
| 18 | 452082 | . PRESSURE SWITCH N.O. 30-15 20SP001AA030C015C | 1 | | |
| 19 | 560483 | . CLAMP / 7/8" I.D. | 1 | | |
| 20 | 641428 | . MALE ELBOW 90° SWIVEL / PUSH-IN FITTING / #8x3/8NPT-M BR | 1 | | |
| 20 | 064094 | . FIRE & KNEELING / ALARM ASSY / SERVICE | 1 | | |
| 20 | 064164 | . WIRING HARNESS, KNEELING ALARM | 1 | | |
| | | | | | |
| | | | | | |
| | | | | | |
| | | | | | |

From L-031 To R-079

Date:10/2022

PAGE:H4-1640-00

LEVEL-LOW - CONTROL PANEL & VALVES



| | | |
|---|--------------|-----------------|
| From L-031 To R-079 | Date:10/2022 | PAGE:H4-1640-00 |
| LEVEL-LOW - CONTROL PANEL & VALVES | | |

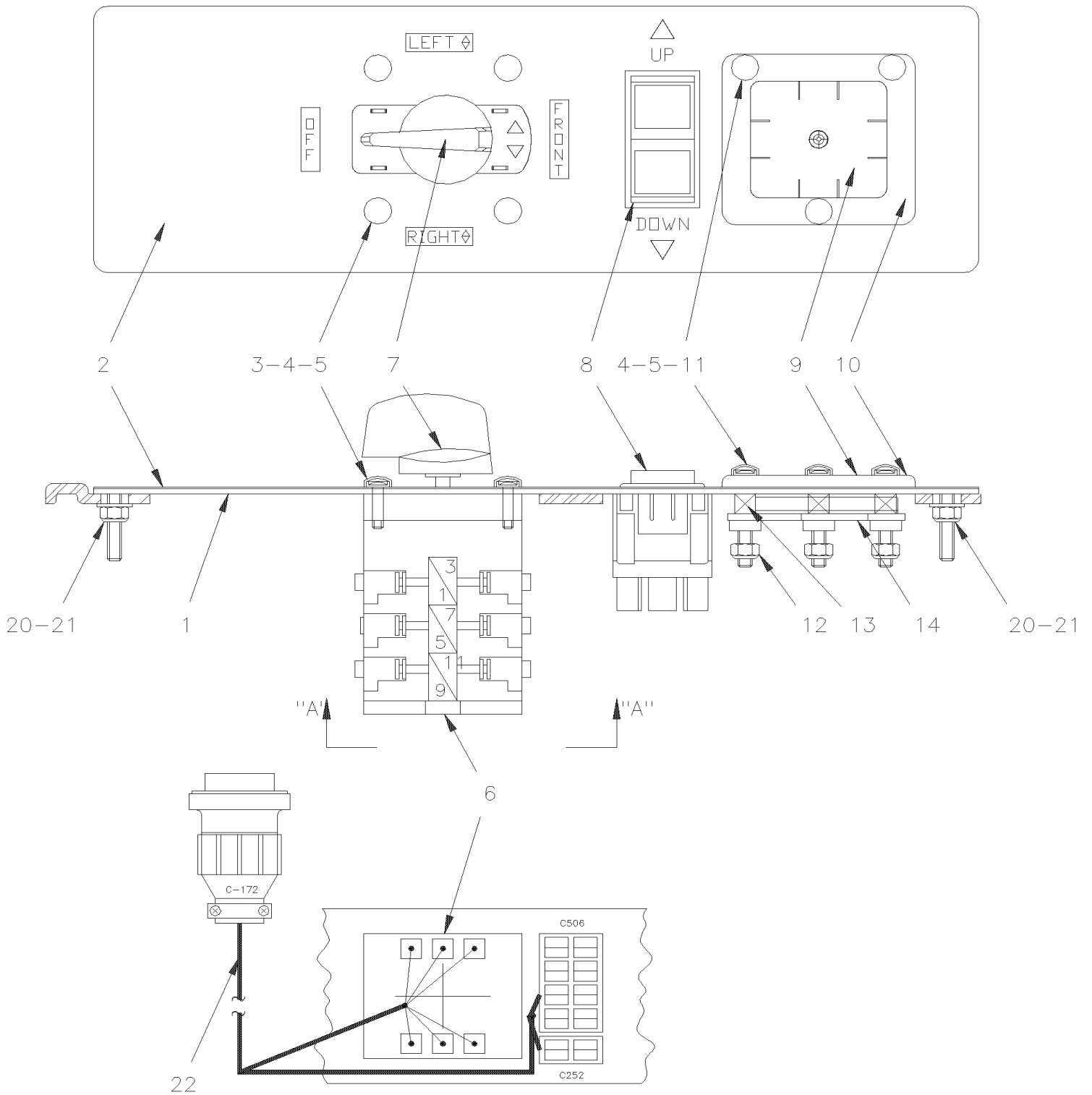
| Item# | Part | Description | H 3 4 0 | V I P 4 0 | N O T E S |
|-------|--------|--|------------------|-----------------------|-----------------------|
| | 131088 | PANEL ASSY To M-111 | | 1 | |
| | 131171 | PANEL ASSY From M-112 | | 1 | |
| 1 | 131084 | . SUPPORT | | 1 | |
| 2 | 641057 | . VALVE, 5 WAYS, 3 POSITIONS To M-111 | | 1 | |
| 2 | 641274 | . VALVE, 3 WAYS, 2 POSITIONS N.C. From M-112 | | 1 | |
| 3 | 502793 | . SCREW CAP HEX M6-1.0x45 G8.8 Z050 | | 4 | |
| 3 | 502573 | . WASHER FL 6.4x12.5x1.6 SS | | 4 | |
| 3 | 502511 | . NUT HEX NYRT M6-1.0 Z050 | | 4 | |
| 4 | 560482 | . CLAMP / 3/4" I.D. / W/HOLE 3/16" | | 1 | |
| 5 | 500576 | . SCREW TC PAN PH #6-32x1/2 Z050 | | 4 | |
| 6 | 500344 | . SCREW MA RND PH M4-0.7x12 Z050 | | 3 | |
| 7 | 502636 | . WASHER LO SPT 4.1x7.6x0.9 Z050 | | 3 | |
| 8 | 502524 | . NUT HEX M4-0.7 Z050 | | 3 | |
| 9 | 562036 | . CLAMP / 7/8" I.D. X 90° | | 1 | |
| 10 | 500641 | . SCREW TP PAN PH #8x3/4 Z050 | | 4 | |
| 11 | 504412 | . WASHER RETAINER SNAP CAP #8 | | 4 | |
| 12 | 061695 | . PRINTED CIRCUIT BOARD ASSY | | 1 | |
| NS | 131104 | . INSULATING BOARD | | 1 | |
| 13 | 641055 | . MANIFOLD VALVE / W/4 SOLENOID To M-111 | | 1 | |
| . NS | 641928 | . . KIT, MANIFOLD REPAIR / N.C. To M-111 | | 4 | |
| 13 | 641205 | . MANIFOLD VALVE / W/5 SOLENOID From M-112 | | 1 | |
| . NS | 641928 | . . KIT, MANIFOLD REPAIR / N.C. From M-112 | | 5 | |
| . NS | 641107 | . . COIL 24V From M-112 | | 5 | |
| 14 | 500495 | . SCREW TP PAN PH #6x1 Z050 | | 2 | |
| 15 | 641056 | . VALVE, 3 WAYS, 2 POSITIONS To M-111 | | 1 | |
| 15 | 641274 | . VALVE, 3 WAYS, 2 POSITIONS N.C. From M-112 | | 1 | |
| 16 | 641145 | . . KIT REPAIR / COIL To M-111 | | 1 | |
| 17 | 641144 | . . . KIT REPAIR / COIL | | 1 | |
| 18 | 500582 | . SCREW TP PAN PH #8x3/8 Z050 | | 1 | |
| 20 | 062640 | . CABLE ASSY / VALVE "LEVEL-LOW" To M-111 | | 1 | |
| 20 | 063080 | . CABLE ASSY / VALVE "LEVEL-LOW" From M-112 | | 1 | |
| 21 | 562353 | . DIODE / 1AMP | | 1 | |
| | | TO ORDER FITTINGS REFER TO PAGE H4-1201-00. | | | |
| | | | | | |
| | | | | | |
| | | | | | |

From L-031 To R-079

Date:10/2022

PAGE:H4-1640-10

LEVEL-LOW - LEVEL & SWITCHES



VIEW "A-A"

| | | |
|---|--------------|-----------------|
| From L-031 To R-079 | Date:10/2022 | PAGE:H4-1640-10 |
| LEVEL-LOW - LEVEL & SWITCHES | | |

| Item# | Part | Description | H 3 4 0 | V I P 4 0 | N O T E S |
|-------|----------|--|------------------|-----------------------|-----------------------|
| 1 | 391399 | PLATE, MOUNTING To N-181 | | 1 | B |
| 1 | 391472 | PLATE, MOUNTING From N-182 To P-366 | | | |
| 1 | 391574 | PLATE ASSY / W/RAMCO MIRROR From P-367 | | 1 | |
| NS | 391481 | CLOSING PLATE From N-182 | | 1 | |
| NS | 390951 | HOLDER MAP From N-182 | | AR | |
| 2 | 391404 | LEXAN / LEVEL LOW To N-181 | | 1 | |
| 2 | 391477 | LEXAN / LEVEL LOW From N-182 | | | |
| 2 | 391480 | LEXAN / LEVEL LOW / (AS SHOWN) From N-182 | | 1 | |
| NS | 330254 | BULB SOCKET ASSY W/TERMINAL / USE IN CONSOLE | | 3 | |
| NS | 560623 | BULB / 3.5WATT-24VOLTS / SAE# 313 | | 3 | |
| NS | 500650 | SCREW TC PAN PH #6-32x3/8 ZP | | | A |
| 4 | 504403 | SNAP CAP #8 FINISHING BLACK | | 3 | |
| 5 | 504412 | WASHER RETAINER SNAP CAP #8 | | 3 | |
| 6 | 561259 | SWITCH / 10 AMPS 4 POSITIONS 90° | | 1 | C |
| 6 | 563086 | SWITCH / 10 AMPS 4 POSITIONS 90° SERVICE | | 1 | |
| 6 | 392317 | PLATE PLASTIC "LEVEL LOW" SERVICE | | 1 | |
| 7 | 561855 | . KNOB | | 1 | |
| 8 | 561260 | SWITCH / M/ON-OFF-M/ON 3 P.D.T. | | 1 | |
| 9 | 630075 | LEVEL 5 WAYS | | 1 | |
| 10 | 391470 | MOULDING / AROUND LEVEL | | 1 | |
| 11 | 502643 | SCREW MA PAN PH #8-32x1 1/4 Z050 | | 3 | |
| 12 | 500670 | NUT HEX NYRT #8-32 Z050 | | 3 | |
| 13 | 502162 | SPRING COMPRESSION / .240 O.D. x .312 x .026 | | 3 | |
| 14 | 390747 | BRACKET / TO FIX LEVEL | | 1 | |
| 20 | 500590 | NUT HEX NYRT M4-0.7 Z050 | | AR | |
| 21 | 500591 | WASHER FL 4.3x9.0x0.8 Z050 | | AR | |
| 22 | 062690 | CABLE ASSY / W/"LEVEL LOW" | | 1 | |
| NS | 562075 | SWITCH, MIRROR / SQUARE / W/24V BULB | | 1 | |
| NS | 562262 | . BULB / 0.75WATT-24VOLTS / STS-592.504 | | 1 | |
| NS | 561184 | . BULB / 1.2 WATT-12VOLTS / SAE# 2721 | | 1 | |
| NS | 065381 | KIT, SWITCH LEVEL LOW SERVICE | | AR | |
| . NS | 391994 | . DECAL "LEVEL LOW" | | 1 | |
| . NS | 392317 | . PLATE PLASTIC "LEVEL LOW" | | 1 | |
| . NS | 561457 | . SPRING SPADE TERMINAL #6 / 22-16 / AMP 52929 | | 7 | |
| . NS | 563086 | . SWITCH / 10 AMPS 4 POSITIONS 90° | | 1 | |
| . NS | D390096 | . DIAGRAM, DASHBOARD, LEFT MODULE, MTH | | 1 | |
| . NS | D390113 | . DIAGRAM, DASHBOARD, LEFT MODULE, VIP MUX | | 1 | |
| . NS | IS-06020 | . INSTRUCTION SHEET | | 1 | |
| . NS | FI-06020 | . FEUILLE D'INSTRUCTION | | 1 | |
| | | | | | |
| | | | | | |
| | | | | | |

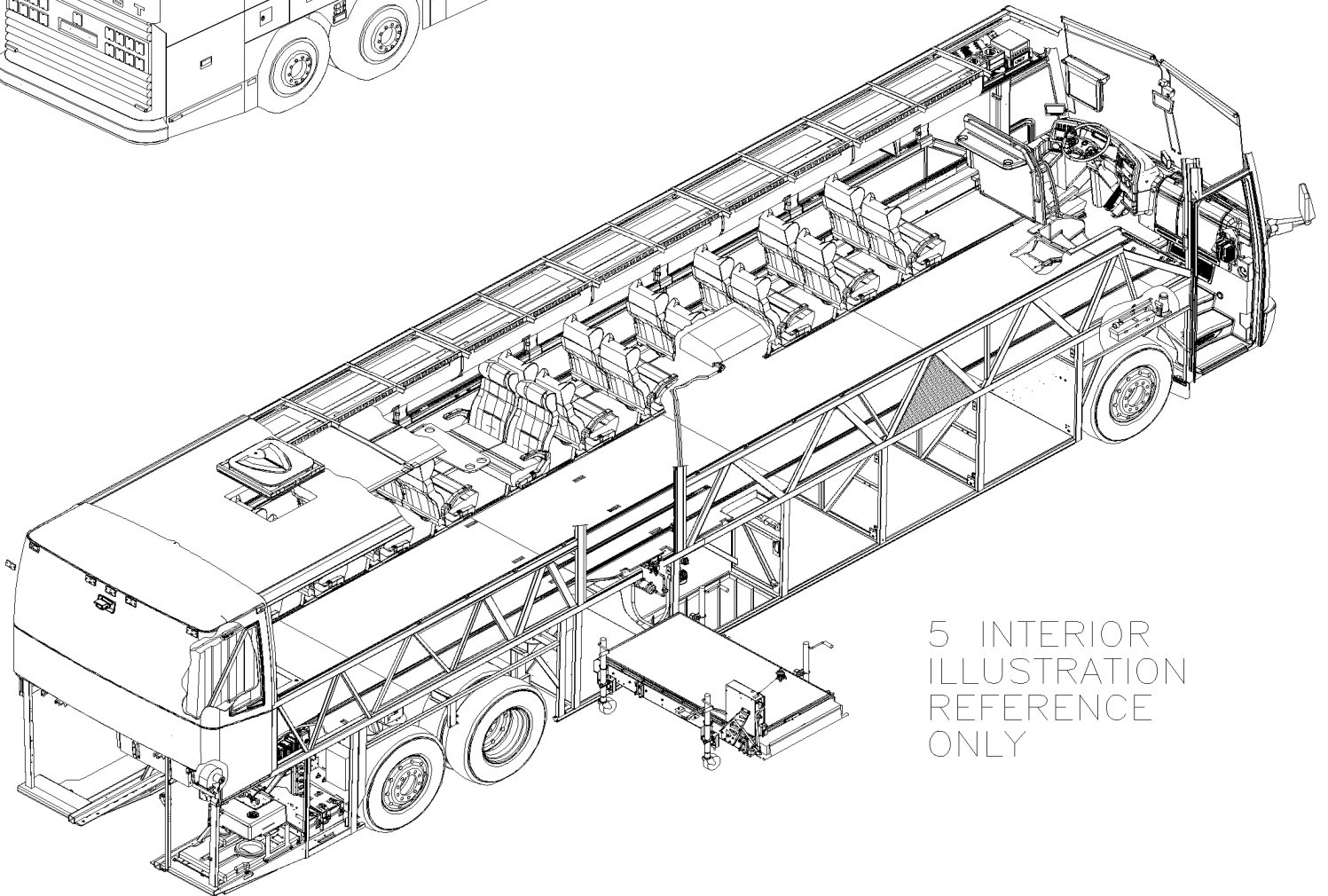
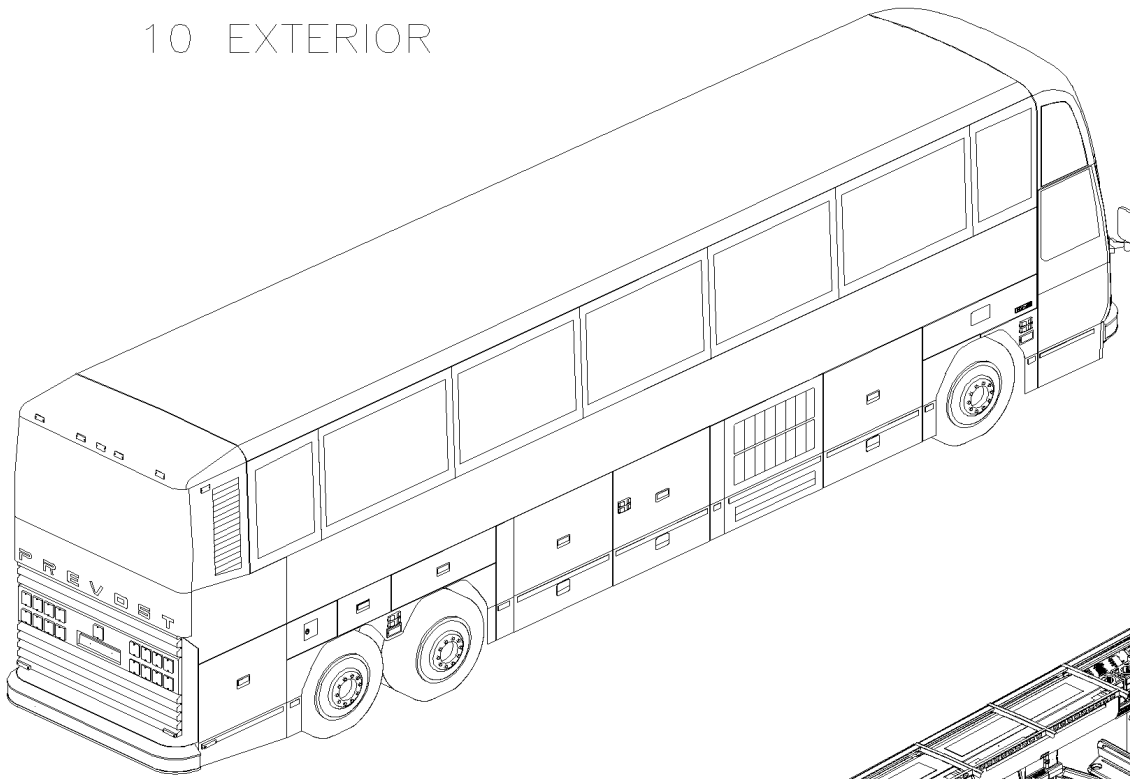
| | | |
|---------------------|--------------|-----------------|
| From L-031 To R-079 | Date:10/2022 | PAGE:H4-1640-10 |
|---------------------|--------------|-----------------|

LEVEL-LOW - LEVEL & SWITCHES

| Item# | Part | Description | H 3 4 0 | V I P 4 0 | N O T E S |
|-------|------|---|------------------|-----------------------|-----------------------|
| | | A) TO FIX BULB SOCKET | | | |
| | | B) UP TO N-181 LEVEL LOW ARE INSTALLED BACKWARD POSITION THAN SHOWN & 207MM X 185MM APPROXIMATIVE | | | |
| | | C) THIS SWITCH IT SUPPERSEDED BY KIT # 065381 | | | |

| | | |
|------|--------------|-------|
| | Date:10/2022 | H4-18 |
| BODY | | |

10 EXTERIOR



5 INTERIOR
ILLUSTRATION
REFERENCE
ONLY

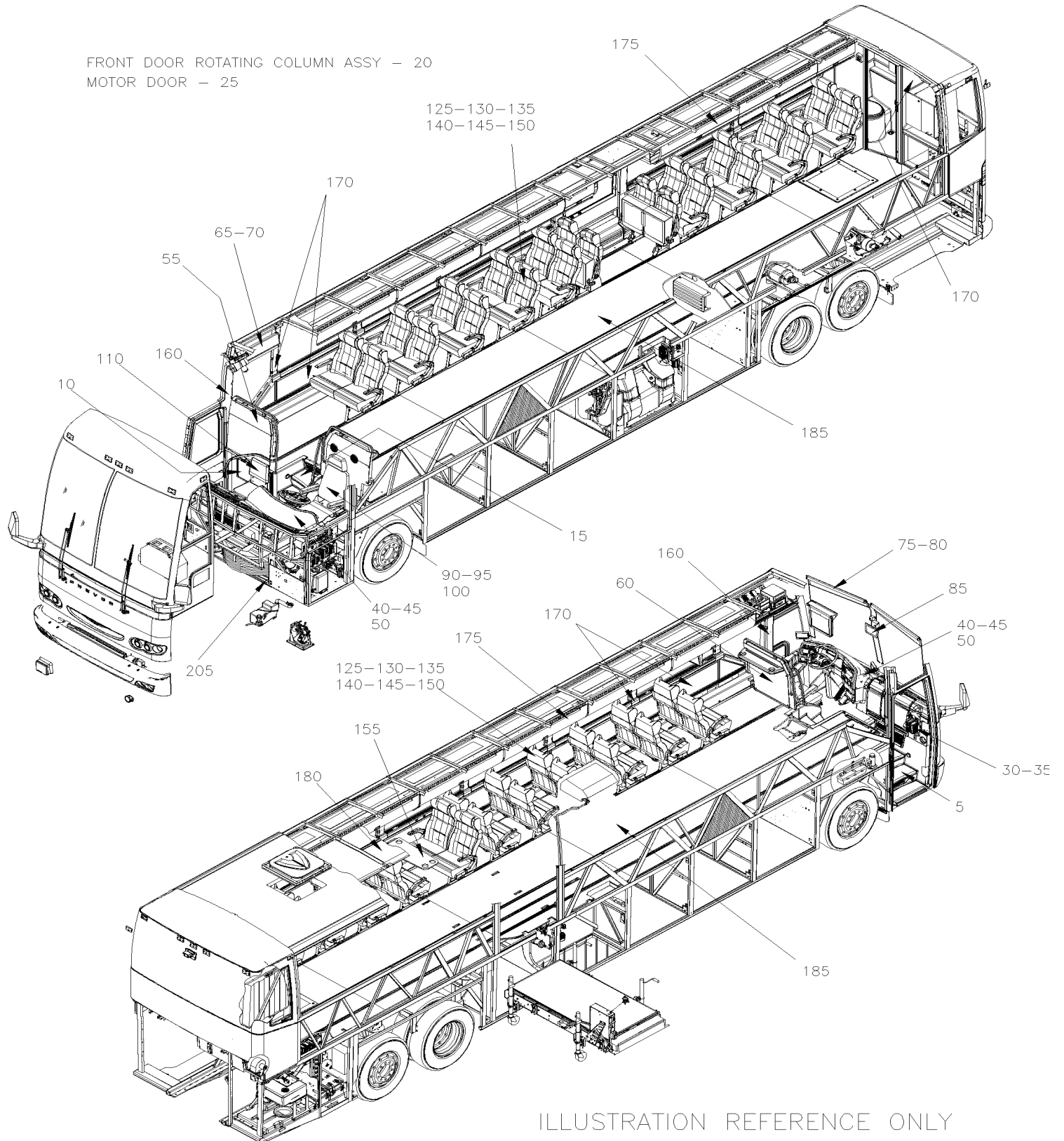
| | | Date:10/2022 | H4-18 | | |
|-------|-----------|-----------------------------------|------------------|-----------------------|-----------------------|
| BODY | | | | | |
| Item# | Part | Description | H 3 4 0 | V I P 4 0 | N O T E S |
| 5 | H4-18-INT | BODY INTERIOR From L-029 To R-079 | | | |
| 10 | H4-18-EXT | BODY EXTERIOR From L-029 To R-079 | | | |

From L-029 To R-079

Date:10/2022

PAGE:H4-18-INT

BODY INTERIOR



| | | | |
|----------------------|--|--------------|----------------|
| From L-029 To R-079 | | Date:10/2022 | PAGE:H4-18-INT |
| BODY INTERIOR | | | |

| Item# | Part | Description | H 3 4 0 | V I P 4 0 | N O T E S |
|-------|------------|---|------------------|-----------------------|-----------------------|
| 5 | H4-1800-00 | FRONT STEPWELL - INSTALLATION From L-031 To R-079 | | | |
| 10 | H4-1800-10 | STEPWELL COMPARTMENT From L-031 To R-079 | | | |
| 15 | H4-1800-25 | FRONT AISLE STEPWELL - INSTALLATION From L-031 To R-079 | | | |
| 20 | H4-1801-00 | FRONT DOOR ROTATING COLUMN ASSY From L-031 To N-196 | | | |
| 25 | H4-1801-10 | MOTOR DOOR From L-031 To N-196 | | | |
| 30 | H4-1801-15 | ENTRANCE DOOR CONTROL From N-197 To R-079 | | | |
| 30 | H4-1801-16 | ENTRANCE DOOR CONTROL / SERVICE From N-197 To R-079 | | | |
| 35 | H4-1801-40 | ENTRANCE DOOR AIR VALVE From L-031 To N-196 | | | |
| 40 | H4-1806-00 | DASHBOARD PANEL From L-031 To R-079 | | | |
| 45 | H4-1806-10 | L.H. CONSOLE - BUS From L-031 To R-079 | | | |
| 45 | H4-1806-15 | L.H. CONSOLE - V.I.P. From L-031 To R-079 | | | |
| 50 | H4-1806-50 | R.H. CONSOLE - W/MANUAL TRANSMISSION From L-031 To R-079 | | | |
| 50 | H4-1806-55 | R.H. CONSOLE - W/AUTOMATIC TRANSMISSION From L-031 To R-079 | | | |
| 55 | H4-1810-00 | MODESTY PANEL R.H. From L-031 To R-079 | | | |
| 60 | H4-1812-00 | MODESTY PANEL L.H. From L-031 To R-079 | | | |
| 65 | H4-1814-01 | DESTINATION SIGN - ELECTRICAL From L-031 To R-079 | | | |
| 70 | H4-1814-05 | DESTINATION SIGN - INSTALLATION From L-031 To R-079 | | | |
| 75 | H4-1816-00 | ROLLER BLIND - DRIVER' S & WINDSHIELD From L-031 To R-079 | | | |
| 80 | H4-1816-10 | SUN SHADE - PASSENGER'S WINDOW From L-031 To R-079 | | | |
| 85 | H4-1820-00 | MIRROR - INTERIOR From L-031 To R-079 | | | |
| 90 | H4-1822-00 | DRIVER'S SEAT ASSY - "ISRI" From L-031 To R-079 | | | |
| 95 | H4-1822-10 | DRIVER'S SEAT - "ISRI" - 6000/515 & 6500/515 From L-031 To R-079 | | | |
| 100 | H4-1822-20 | DRIVER'S SEAT - "ISRI" - 6801/517 & 6801/525 From L-031 To R-079 | | | |
| 110 | H4-1824-00 | HOSTESS SEAT ASSY From L-031 To M-053 | | | |
| 110 | H4-1824-01 | HOSTESS SEAT ASSY From M-054 To R-079 | | | |
| 125 | H4-1827-00 | PASSENGER'S SEAT - "SILHOUETTE" ALUMINUM From L-031 To M-089 | | | |
| 125 | H4-1827-01 | PASSENGER'S SEAT - "SILHOUETTE" CHARCOAL From M-090 To R-079 | | | |
| 125 | H4-1827-02 | PASSENGER'S SEAT - "ULTRA" From R-033 To R-079 | | | |
| 130 | H4-1827-10 | PASSENGER'S SEAT - ROTATING From L-031 To R-079 | | | |
| 135 | H4-1827-50 | ARMREST PASSENGER'S - "ALUMINUM" From L-031 To M-089 | | | |
| 135 | H4-1827-51 | ARMREST PASSENGER'S - "CHARCOAL" From M-090 To R-079 | | | |
| 135 | H4-1827-70 | PASSENGER'S SEAT - "TOURISMO II" - FLIP-UP W/W.C.L. From P-343 To P-364 | | | |
| 140 | H4-1827-99 | ARMREST PASSENGER'S - "RETROFIT" From L-031 To R-079 | | | |
| 145 | H4-1828-00 | PASSENGER'S SEAT - "TOURISMO I" From L-031 To P-323 | | | |
| 150 | H4-1828-01 | PASSENGER'S SEAT - "TOURISMO II" From P-324 To R-079 | | | |
| 155 | H4-1829-00 | ACCESSORIES PASSENGER'S SEAT - "PREVOST" From L-031 To R-079 | | | |
| 160 | H4-1832-00 | FRONT FINISHING CAP From L-031 To R-079 | | | |
| 170 | H4-1833-00 | REAR FINISHING CAP & SIDE WALL From L-031 To R-079 | | | |
| 175 | H4-1836-00 | PARCEL RACKS From L-031 To R-079 | | | |
| 180 | H4-1837-00 | CEILING PANELS & MOULDING From L-031 To R-079 | | | |
| 185 | H4-1838-00 | FLOOR & COVERING - BUS From L-031 To R-079 | | | |
| 185 | H4-1838-10 | FLOOR & REAR WALL - V.I.P. From L-031 To R-079 | | | |

| | | |
|---------------------|--------------|----------------|
| From L-029 To R-079 | Date:10/2022 | PAGE:H4-18-INT |
|---------------------|--------------|----------------|

BODY INTERIOR

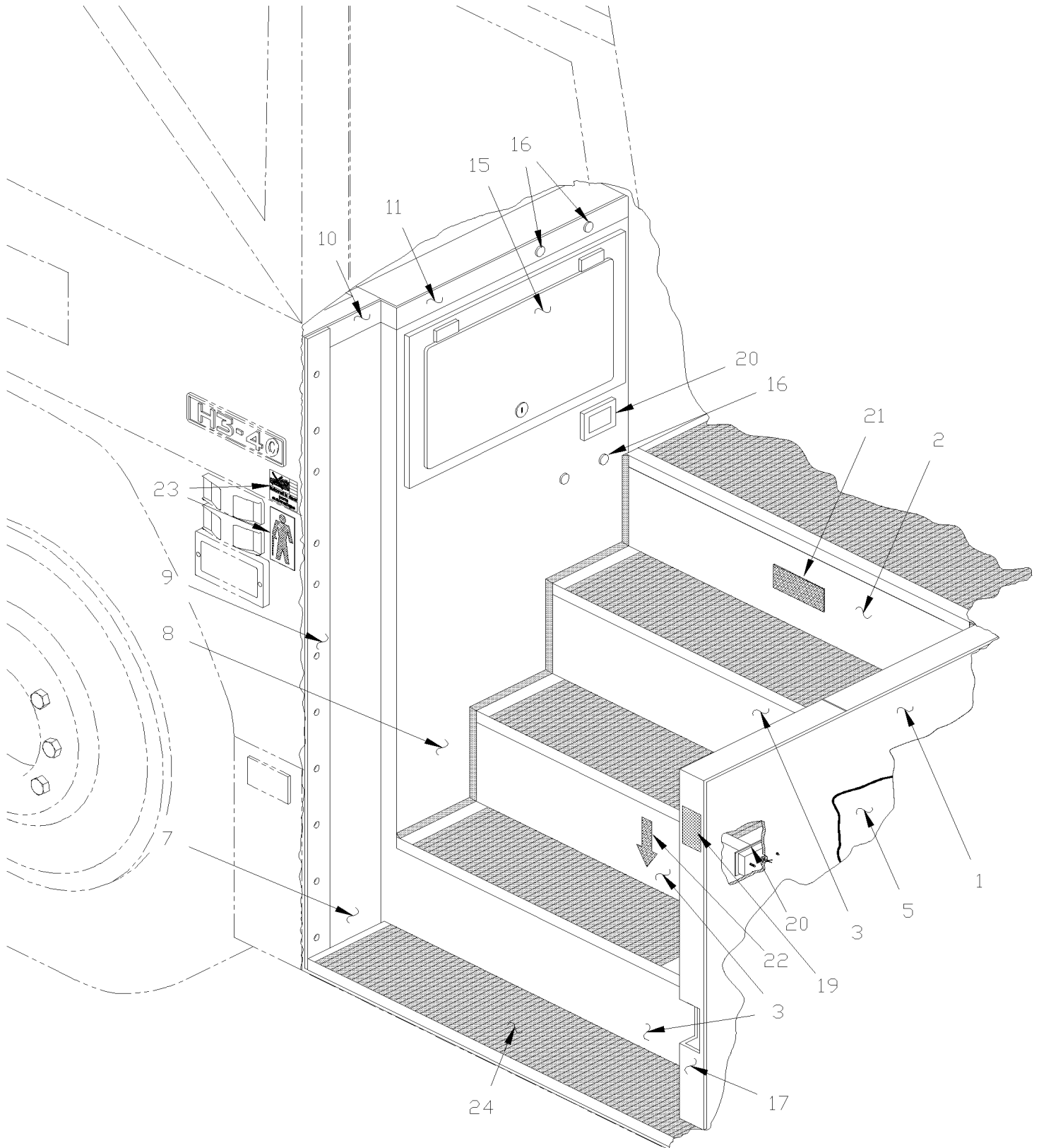
| Item# | Part | Description | H 3 4 0 | V I P 4 0 | N O T E S |
|-------|------------|---|------------------|-----------------------|-----------------------|
| 205 | H4-1840-00 | CLOSING PANEL SPARE COMPARTMENT From L-031 To R-079 | | | |
| | | | | | |
| | | | | | |
| | | A) SERVICE | | | |
| | | B) RETROFIT | | | |

From L-031 To R-079

Date:10/2022

PAGE:H4-1800-00

FRONT STEPWELL - INSTALLATION



| | | | |
|--------------------------------------|--|--------------|-----------------|
| From L-031 To R-079 | | Date:10/2022 | PAGE:H4-1800-00 |
| FRONT STEPWELL - INSTALLATION | | | |

| Item# | Part | Description | H 3 4 0 | V I P 4 0 | N O T E S |
|-------|-------------------|--|------------------|-----------------------|-----------------------|
| 1 | 322396 | STEPWELL / FRONT | 1 | | A |
| 1 | 323865 | STEPWELL / FRONT | 1 | | B |
| 1 | 323506 | STEPWELL / FRONT | | 1 | |
| 1 | 900515 | TAPE ANTISKID ADH / GREY / 1" X 60' | | AR | |
| 2 | 322474 | RISER #4 | 1 | | |
| 3 | 322475 | RISER #1-2-3 | 3 | | |
| 5 | 322472 | PANEL, SS / R.H. SIDE | 1 | | A |
| 5 | 323866 | PANEL, SS / R.H. SIDE | 1 | | B |
| 7 | 322489 | PANEL, SS / L.H. To L-053 | 1 | | A |
| 7 | 323636 | PANEL, SS / L.H. From L-054 | 1 | | A |
| 7 | 323867 | PANEL, SS / L.H. | 1 | | B |
| 8 | 322473 | PANEL, SS / L.H. SIDE | 1 | | |
| 9 | 322477 | SEAL RETAINER / L.H. | 1 | | A |
| NS | 323868 | SEAL RETAINER, REAR UPPER | 1 | | B |
| NS | 500879 | SCREW TP PAN PH #10x1 Z050 | 29 | | |
| 10 | 323303 | MOULDING / FRONT FINISHING FLOOR / 201MM SS | 1 | | |
| 11 | 323304 | MOULDING / FRONT FINISHING FLOOR / 720MM SS | 1 | | |
| NS | 323508 | MOULDING / FRONT FINISHING FLOOR / "Z" SHAPE / 1681MM SS | | 1 | |
| NS | 323507 | MOULDING, "Z" SHAPED / SIDE OF STEPWELL | | 1 | |
| NS | 500619 | SCREW TP FL PH #10x1 1/4 Z050 | AR | AR | |
| 15 | H4-1800-10 | STEPWELL COMPARTMENT | | | |
| 16 | H4-1824-01 | HOSTESS SEAT ASSY | | | |
| 17 | 323753 | MOULDING, VERTICAL / R.H. /W/PLUG TYPE DOOR | 1 | | |
| NS | 322476 | MOULDING, VERTICAL / R.H. /W/PLUG TYPE DOOR To N-207 | 1 | 1 | C |
| NS | 323925 | MOULDING, VERTICAL / R.H. /W/PLUG TYPE DOOR W/LOWER From N-208 | 1 | 1 | D |
| NS | 284038 | MOULDING UPPER 395MM SS | 1 | | B |
| NS | 284037 | MOULDING LOWER 138MM SS | 1 | | B |
| 19 | 330229 | KNEELING LIGHT ASSY To N-207 | 1 | | E |
| 19 | 930267 | . LAMP AMBER To N-207 | 1 | | E |
| 19 | 561166 | . BULB / 3WATT-24VOLTS / SAE# 464 To N-207 | 1 | | E |
| 19 | 500418 | . SCREW MA RND SLT #8-32x1 ZP To N-207 | 2 | | E |
| 19 | 830139 | LAMP ASSY / W/ONE BULB From N-208 | 1 | | |
| 19 | 562278 | BULB / 10WATT-24VOLTS / SAE# 6429 From N-208 | 1 | | |
| 20 | H4-0655-00 | INTERIOR LIGHTING | | | |
| 21 | 130621 | DECAL "KNEELING BUS" | 1 | 1 | |
| 22 | 130623 | DECAL / ARROW SHAPE | 1 | 1 | |
| 23 | H4-1855-00 | EXTERIOR TRIMS & CREST | | | |
| 24 | H4-1838-00 | FLOOR & COVERING - BUS | | | |
| | | | | | |
| | | | | | |
| | | | | | |
| | | | | | |
| | | A) W/PLUG TYPE DOOR | | | |

| | | | |
|---------------------|--|--------------|-----------------|
| From L-031 To R-079 | | Date:10/2022 | PAGE:H4-1800-00 |
|---------------------|--|--------------|-----------------|

FRONT STEPWELL - INSTALLATION

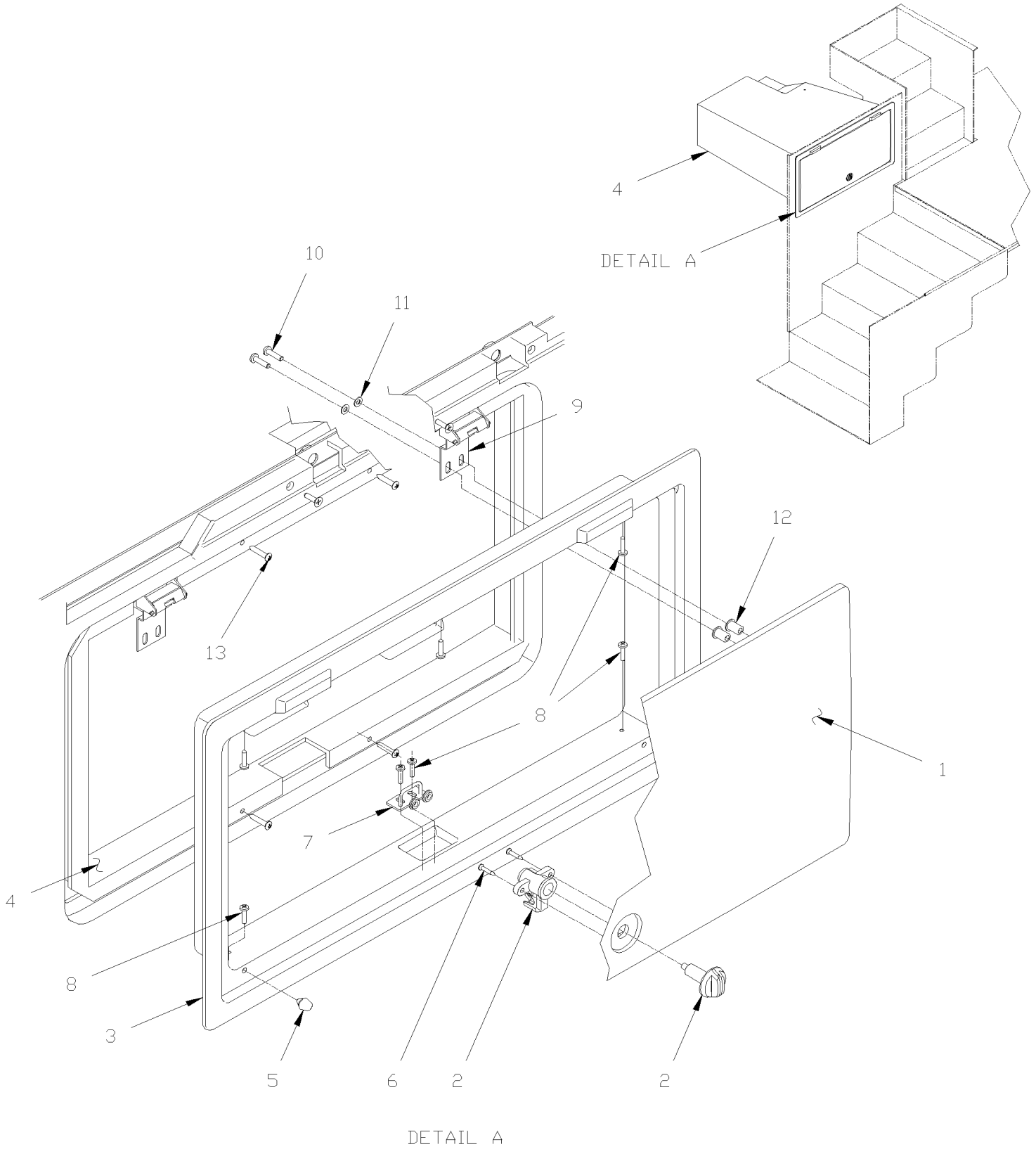
| Item# | Part | Description | H 3 4 0 | V I P 4 0 | N O T E S |
|-------|------|----------------------|------------------|-----------------------|-----------------------|
| | | B) W/SEDAN DOOR | | | |
| | | C) W/FRONT KNEELING | | | |
| | | D) W/LOWER STEPLIGHT | | | |
| | | E) R.H. | | | |

From L-031 To R-079

Date:10/2022

PAGE:H4-1800-10

STEPWELL COMPARTMENT



| | | |
|-----------------------------|--------------|-----------------|
| From L-031 To R-079 | Date:10/2022 | PAGE:H4-1800-10 |
| STEPWELL COMPARTMENT | | |

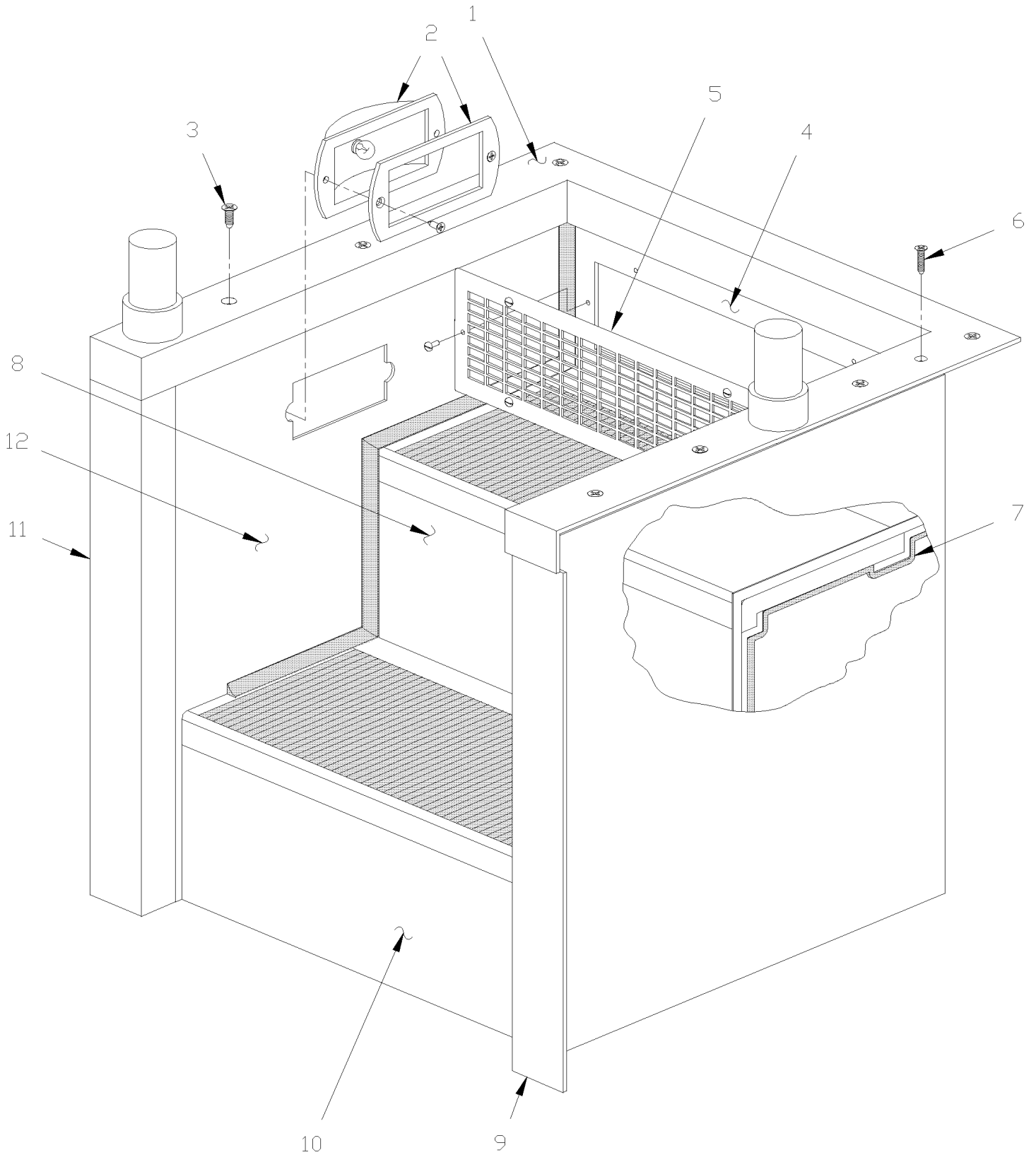
| Item# | Part | Description | H 3 4 0 | V I P 4 0 | N O T E S |
|-------|---------|---|------------------|-----------------------|-----------------------|
| 1 | 322464 | DOOR | 1 | | |
| 2 | 504392 | LATCH | 1 | | |
| 3 | 322466 | FINISHING FRAME | 1 | | |
| 4 | 322465 | BOX INSIDE | 1 | | |
| NS | 323916 | SEPARATOR / FOR LOG BOOK | 1 | | |
| NS | 325745 | CARPET FINISHING | 1 | | |
| NS | 504113 | RIVET POP DOME CLE 3/16x1/4 AL | AR | | |
| 5 | 506499 | BUMPER PLUG / .500ODx.312THx.250HOLEx.093 | 2 | | |
| 6 | 500333 | SCREW TP OV PH #6x3/4 BK | 2 | | |
| 7 | 322490 | CATCH | 1 | | |
| 8 | 5001119 | SCREW TP BDG PH #8x3/4 SS | 7 | | |
| 9 | 322483 | HINGE | 2 | | |
| NS | 500879 | SCREW TP PAN PH #10x1 Z050 | 4 | | |
| 10 | 5001299 | SCREW MA PAN PH #10-32x3/4 SS | 4 | | |
| 11 | 500240 | WASHER LO EXT .195x.410x.025 Z050 | 4 | | |
| 12 | 500519 | NUT WELL #10-32x.518 | 4 | | |
| 13 | 500620 | SCREW TP FL PH #10x1 1/2 Z050 | 17 | | |
| | | | | | |
| | | | | | |
| | | | | | |

From L-031 To R-079

Date:10/2022

PAGE:H4-1800-25

FRONT AISLE STEPWELL - INSTALLATION



| | | |
|--|--------------|-----------------|
| From L-031 To R-079 | Date:10/2022 | PAGE:H4-1800-25 |
| FRONT AISLE STEPWELL - INSTALLATION | | |

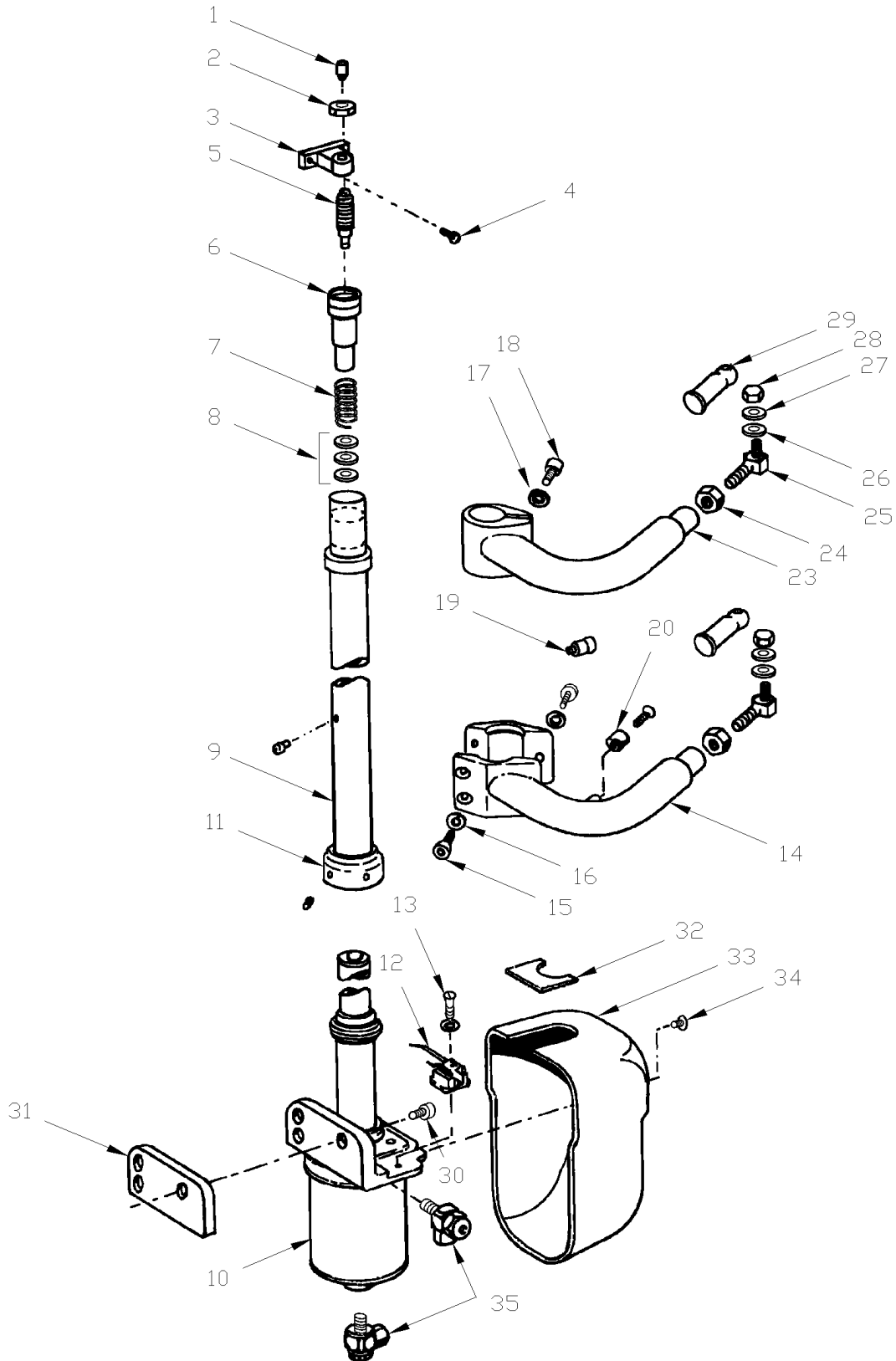
| Item# | Part | Description | H 3 4 0 | V I P 4 0 | N O T E S |
|-------|--------|--|------------------|-----------------------|-----------------------|
| 1 | 322634 | MOULDING, HORIZONTAL / R.H. | 1 | | |
| NS | 500620 | SCREW TP FL PH #10x1 1/2 Z050 | 8 | | |
| 2 | 830117 | LAMP ASSY To N-226 | 1 | | |
| NS | 560135 | BULB / 6WATT-24VOLTS / SAE# 623 To N-226 | 1 | | |
| NS | 830140 | LAMP ASSY From N-227 | 1 | | |
| NS | 562278 | BULB / 10WATT-24VOLTS / SAE# 6429 From N-227 | 1 | | |
| NS | 500148 | SCREW MA RND PH #6-32x1/2 SS | 2 | | A |
| NS | 500422 | NUT SPR U #6-32 .110-.120 SS | 2 | | |
| 3 | 500618 | SCREW TP FL PH #10x1 Z050 | 7 | | |
| 4 | 322599 | RISER, UPPER | 1 | | |
| 5 | 322598 | GRILL AIR / AISLE STEPWELL / RETURN | 1 | 1 | |
| NS | 500148 | SCREW MA RND PH #6-32x1/2 SS | 6 | | B |
| NS | 500996 | NUT SPR U #6-32 .135-.150 | 6 | | B |
| 6 | 500940 | SCREW TP FL PH #10x2 Z050 | 2 | | |
| 7 | 322495 | STEPWELL, AISLE | 1 | | |
| 8 | 322601 | RISER, MIDDLE | 1 | | |
| 9 | 322647 | PANEL, SS / L.H. | 1 | | |
| 10 | 322600 | RISER, LOWER | 1 | | |
| 11 | 322628 | MOULDING, VERTICAL / R.H. | 1 | | |
| 12 | 322625 | PANEL, SS / R.H. | 1 | | |
| | | FOR RUBBER COVERING, SEE PAGE H4-1838-00 | | | |
| | | | | | |
| | | | | | |
| | | A) LIGHT COVER | | | |
| | | B) TO FIX GRILLE | | | |

From L-031 To N-196

Date:10/2022

PAGE:H4-1801-00

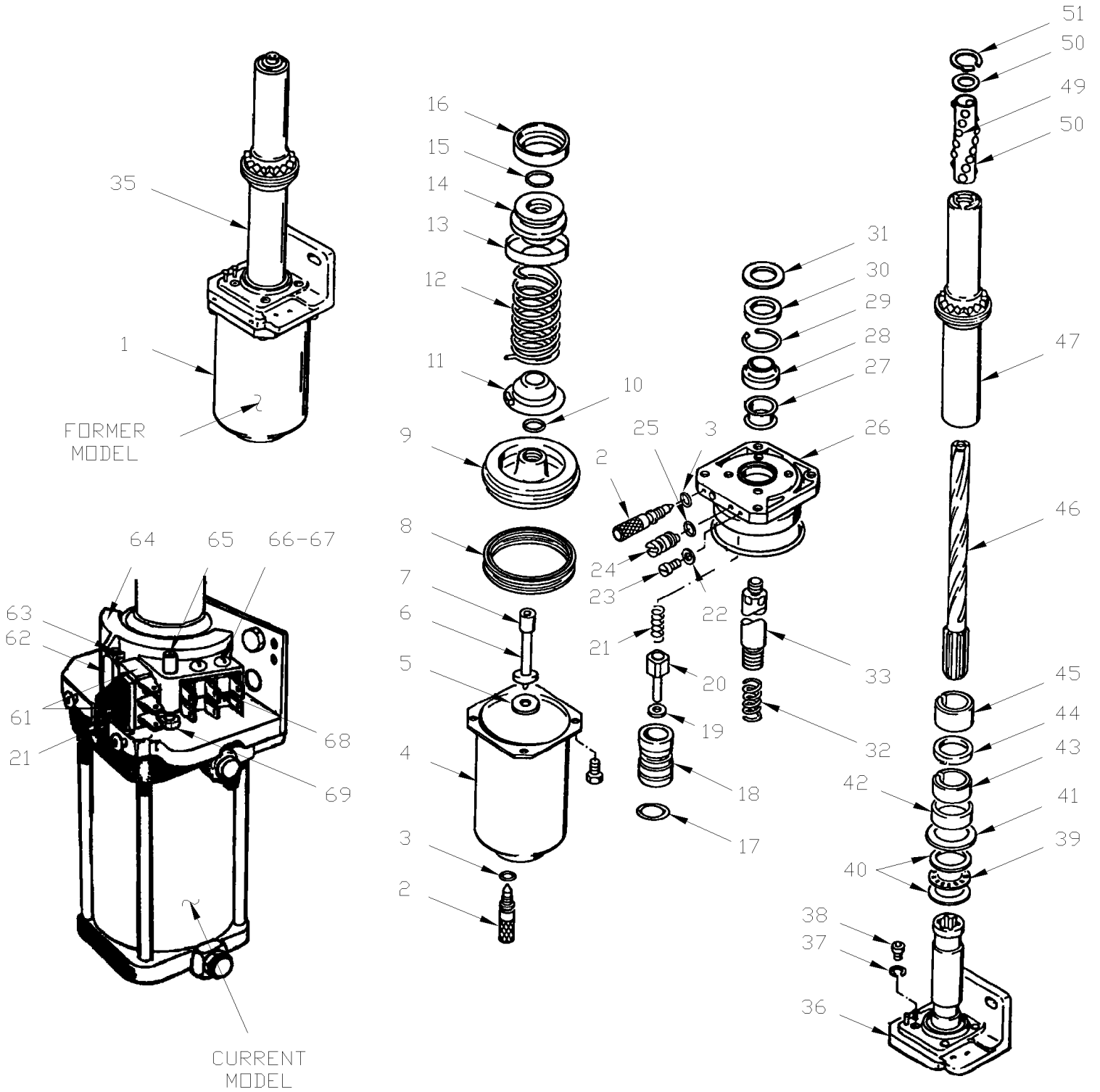
FRONT DOOR ROTATING COLUMN ASSY



| | | |
|--|--------------|-----------------|
| From L-031 To N-196 | Date:10/2022 | PAGE:H4-1801-00 |
| FRONT DOOR ROTATING COLUMN ASSY | | |

| Item# | Part | Description | H 3 4 0 | V I P 4 0 | N O T E S |
|-------|-------------------|---|------------------|-----------------------|-----------------------|
| 1 | 780291 | NUT, CAP | 1 | | |
| 2 | 502767 | NUT HEX JAM M20-1.5 ZP | 1 | | |
| 3 | 282896 | BRACKET, COLUMN / W/SHORT COLUMN FRONT | 1 | | |
| 3 | 283705 | BRACKET, COLUMN / W/LONG COLUMN FRONT | 1 | | |
| 4 | 502635 | SCREW CAP FL HEXS M8-1.25x65 G10.9 ZP | 1 | | |
| 5 | 780292 | BOLT, ADJUSTING | 1 | | |
| 6 | 780295 | BEARING ASSY / UPPER DOOR | 1 | | |
| 7 | 780294 | SPRING COMPRESSION / 1.062 O.D. x 2.375 x .187 | 1 | | |
| 8 | 502644 | WASHER FL 10.5x30.0x2.5 Z050 | 1 | | |
| 8 | 282898 | ROTATING COLUMN ASSY / W/SHORT COLUMN FRONT | 1 | | |
| 8 | 283704 | ROTATING COLUMN ASSY / W/LONG COLUMN FRONT | 1 | | |
| 10 | 780453 | . SPINDLE DRIVE ASSY, L.H. FRONT | 1 | | |
| 11 | 780349 | . SWITCH, RING To L-055 | 1 | | |
| 12 | 780315 | . SWITCH ASSY, L.H. To L-064 | 1 | | |
| 12 | H4-1801-10 | . MOTOR DOOR | | | |
| 13 | 502725 | . SCREW MA OV PH M4-0.7x10 SS EMN | 1 | | |
| 14 | 284072 | . SUPPORT / LOWER ARM FRONT | 1 | | |
| 15 | N.P.N. | . SCREW | 2 | | 4 |
| 16 | N.P.N. | . WASHER | 2 | | 4 |
| 17 | N.P.N. | . WASHER | 2 | | 4 |
| 18 | 500338 | . SCREW CAP HEXS M10-1.5x20 ZP | 2 | | |
| 19 | 780290 | . STOPPER ASSY / SCREW ON FRAME DOOR | 1 | | |
| 20 | 780447 | . RUBBER STOPPER ASSY / DOOR | 1 | | |
| 23 | 284073 | . SUPPORT / UPPER ARM FRONT | 1 | | |
| 24 | 502588 | . NUT HEX M16-2.0 ZP | 2 | | |
| 25 | 780339 | . ROD END MALE / MALE STUD M16-1.5 / 2.0 x 50MM / M10 | 2 | | |
| 26 | 780437 | . WASHER | 2 | | |
| 27 | 500257 | . WASHER LO SPT 10.2x18.1x2.2 Z050 | 2 | | |
| 28 | 500256 | . NUT HEX M10-1.5 Z050 | 2 | | |
| 29 | 780436 | CAP, PROTECTOR | 2 | | |
| 30 | 502549 | SCREW CAP HEX M10-1.5x35 G8.8 Z050 | 3 | | |
| 31 | 282958 | SPACER | 1 | | |
| 32 | 780311 | SEAL, COVER / W/FORMER MODEL OF MOTOR | 1 | | |
| 33 | 780297 | COVER W/FORMER MODEL OF MOTOR FRONT | 1 | | |
| 34 | 502569 | SCREW MA PAN PH M6-1.0x16 BK | 2 | | |
| 35 | 641104 | FITTING, ELBOW | 2 | | |
| | | | | | |
| | | | | | |
| | | | | | |
| | | | | | |
| | | 4) NO PARTS NUMBER | | | |

| | | |
|---------------------|--------------|-----------------|
| From L-031 To N-196 | Date:10/2022 | PAGE:H4-1801-10 |
| MOTOR DOOR | | |



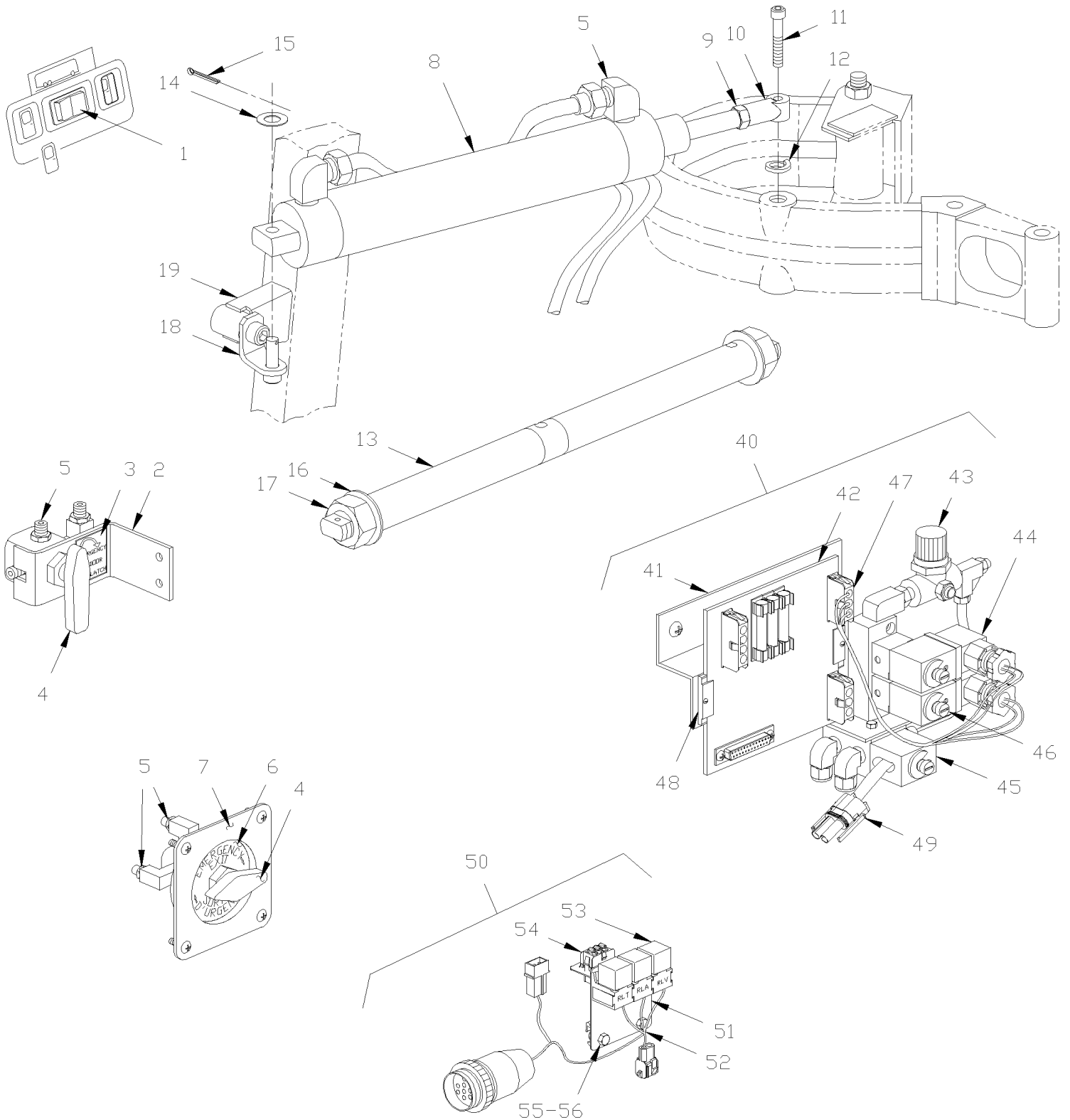
| | | |
|---------------------|--------------|-----------------|
| From L-031 To N-196 | Date:10/2022 | PAGE:H4-1801-10 |
| MOTOR DOOR | | |

| Item# | Part | Description | H 3 4 0 | V I P 4 0 | N O T E S |
|-------|--------|--------------------------------|------------------|-----------------------|-----------------------|
| | 780453 | SPINDLE DRIVE ASSY, L.H. FRONT | 1 | | |
| 1 | 780458 | . UNIT, MOTOR | 1 | | |
| 2 | N.S.S. | . . SCREW, BLEED | 2 | | 1 |
| 3 | N.S.S. | . . O-RING 4 X 1.5 | 2 | | 1 |
| 4 | N.S.S. | . . BODY | 1 | | 1 |
| 5 | N.S.S. | . . GASKET, VENT | 1 | | 1 |
| 6 | N.S.S. | . . ROD, PUSH | 1 | | 1 |
| 7 | N.S.S. | . . GUIDE | 1 | | 1 |
| 8 | N.S.S. | . . GASKET | 1 | | 1 |
| 9 | N.S.S. | . . PISTON | 1 | | 1 |
| 10 | N.S.S. | . . O-RING | 1 | | 1 |
| 11 | N.S.S. | . . GUIDE SPRING | 1 | | 1 |
| 12 | N.S.S. | . . SPRING | 1 | | 1 |
| 13 | N.S.S. | . . RING | 1 | | 1 |
| 14 | N.S.S. | . . GUIDE | 1 | | 1 |
| 15 | N.S.S. | . . O-RING | 1 | | 1 |
| 16 | N.S.S. | . . CUP | 1 | | 1 |
| 17 | N.S.S. | . . O-RING 22.3 X 2.4 | 1 | | 1 |
| 18 | N.S.S. | . . BUSHING | 1 | | 1 |
| 19 | N.S.S. | . . RING SEAL | 1 | | 1 |
| 20 | N.S.S. | . . ROD, PUSH | 1 | | 1 |
| 21 | N.S.S. | . . SPRING | 1 | | 1 |
| 22 | N.S.S. | . . GASKET | 1 | | 1 |
| 23 | N.S.S. | . . SCREW M5 X 8 | 1 | | 1 |
| 24 | N.S.S. | . . ECCENTRIC | 1 | | 1 |
| 25 | N.S.S. | . . O-RING 5.3 X 2.4 | 1 | | 1 |
| 26 | N.S.S. | . . COVER | 1 | | 1 |
| 27 | N.S.S. | . . BUSHING | 1 | | 1 |
| 28 | N.S.S. | . . CAP | 1 | | 1 |
| 29 | N.S.S. | . . RING, SNAP | 1 | | 1 |
| 30 | N.S.S. | . . FELT, RING | 1 | | 1 |
| 31 | N.S.S. | . . RING | 1 | | 1 |
| 32 | N.S.S. | . . SPRING | 1 | | 1 |
| 33 | N.S.S. | . . SHAFT | 1 | | 1 |
| 35 | 780457 | . SHAFT FRONT | 1 | | |
| 36 | N.S.S. | . . BASE | 1 | | 1 |
| 37 | N.S.S. | . . RING, SNAP | 4 | | 1 |
| 38 | N.S.S. | . . SCREW | 4 | | 1 |
| 39 | N.S.S. | . . . BEARING AXK 3040 | 1 | | 1 |
| 40 | N.S.S. | . . . RACE, BEARING AS-3047 | 2 | | 1 |
| 41 | N.S.S. | . . . RING, SEAL | 1 | | 1 |
| 42 | N.S.S. | . . . WASHER, THRUST | 1 | | 1 |

| | | |
|---------------------|--------------|-----------------|
| From L-031 To N-196 | Date:10/2022 | PAGE:H4-1801-10 |
| MOTOR DOOR | | |

| Item# | Part | Description | H 3 4 0 | V I P 4 0 | N O T E S |
|-------|---------|------------------------------------|------------------|-----------------------|-----------------------|
| 43 | N.S.S. | . . . COLLAR, THRUST | 1 | | 1 |
| 44 | N.S.S. | . . . RING, FELT | 1 | | 1 |
| 45 | N.S.S. | . . . COLLAR, THRUST | 1 | | 1 |
| 46 | N.S.S. | . . SPINDLE, DRIVE | 1 | | 1 |
| 47 | N.S.S. | . . CASING, SPINDLE | 1 | | 1 |
| 48 | N.S.S. | . . CAGE BALL | 30 | | 1 |
| 49 | N.S.S. | . . BALL 5/16" | 1 | | 1 |
| 50 | N.S.S. | . . WASHER | 1 | | 1 |
| 51 | N.S.S. | RING, SNAP | 1 | | 1 |
| NS | 780454 | KIT, REPAIR / W/FORMER MODEL ONLY | AR | | |
| NS | 780638 | KIT, REPAIR / W/CURRENT MODEL ONLY | AR | | |
| 60 | 5001033 | SCREW MA FL PH M5-0.8x10 ZP | 1 | | |
| NS | 5001030 | WASHER LO EXTC 5.3x9.8x0.3 BK | 1 | | |
| 61 | 780488 | SWITCH ASSY, REVERSE FRONT | 1 | | |
| 62 | 780486 | CAM | 1 | | |
| 63 | 5001031 | SCREW MA CHE SLT M3-0.5x8 ZP | | | |
| 64 | 780487 | HOLDER SWITCH FRONT | 1 | | |
| 65 | 780489 | GUIDE, BOLT | 1 | | |
| 66 | 5001032 | SCREW MA CHE SLT M3-0.5x30 ZP | 2 | | |
| 67 | 502579 | NUT HEX M3-0.5 NP | 2 | | |
| NS | 5001034 | WASHER SPR BOW 3.2x6.0x0.4 CJ | 2 | | |
| 68 | 780490 | SWITCH - L.H. CONSOLE - BUS | 2 | | |
| 69 | 5001028 | NUT HEX JAM M8-1.25 Z050 | 1 | | |
| | | | | | |
| | | | | | |
| | | | | | |
| | | | | | |
| | | 1) NOT SOLD SEPARATELY | | | |

| | | |
|------------------------------|--------------|-----------------|
| From N-197 To R-079 | Date:10/2022 | PAGE:H4-1801-15 |
| ENTRANCE DOOR CONTROL | | |



| | | | |
|------------------------------|--|--------------|-----------------|
| From N-197 To R-079 | | Date:10/2022 | PAGE:H4-1801-15 |
| ENTRANCE DOOR CONTROL | | | |

| Item# | Part | Description | H 3 4 0 | V I P 4 0 | N O T E S |
|-------|-------------------|---|------------------|-----------------------|-----------------------|
| 1 | 562111 | SWITCH / ON-OFF-ON/ S.P.D.T./REVERSE POLARITY | 1 | | |
| NS | 562110 | SWITCH / ON-OFF-ON/ S.P.D.T./REVERSE POLARITY / TORRIX 102256 | 1 | | |
| 2 | 283982 | SUPPORT EMERGENCY VALVE | 1 | | |
| 3 | 283989 | DECAL "EMERGENCY DOOR VALVE" / IN STEERING COMPARTMENT | 1 | | |
| 4 | 5011013 | VALVE, 4 WAYS CONTROL | 2 | | |
| 5 | H4-1201-00 | FITTING - MISCELLANEOUS | | | |
| 6 | 284057 | DECAL "EMERGENCY EXIT" / ENGLISH & FRANCAIS | 1 | | |
| 6 | 284045 | SUPPORT ANGLE / TO FIX VALVE To P-302 | 1 | | |
| 7 | H4-1806-00 | DASHBOARD PANEL | | | |
| 8 | 780499 | CYLINDER 2" | 1 | | A |
| 8 | 780568 | CYLINDER 2" / SERVICE | 1 | | A |
| 9 | 500716 | NUT HEX 1/2-20 Z050 | 1 | | |
| 10 | 502196 | ROD END FEMALE 1/2-20 / 1/2 I.D. | 1 | | |
| 11 | 5001075 | SCREW CAP BUT HEXS 1/2-13x2 Z050 | 1 | | |
| 12 | 500482 | WASHER LO SPT .506x.873x.125 Z050 | 1 | | |
| 13 | 780498 | CYLINDER PUMP | 1 | | B |
| 14 | 500445 | WASHER FL .437x1.000x.083 Z050 | 1 | | |
| 15 | 502102 | PIN, COTTER 1/8 x 1 | 1 | | |
| 16 | 141574 | WASHER | 2 | | |
| 17 | 5001068 | NUT HEX JAM 1 1/4-12 ZP | 1 | | |
| 18 | 284006 | SUPPORT CYLINDER / W/PIN 7/16" O.D. | 1 | | |
| 18 | 502585 | WASHER LO SERR 10.2x26.3x1.4 ZP | 1 | | |
| 18 | 500256 | NUT HEX M10-1.5 Z050 | 1 | | |
| 19 | 250788 | SUPPORT / (WELDED) | 1 | | |
| NS | 285294 | SUPPORT LOWER (SERVICE) | AR | | C |
| NS | 500923 | SCREW TC CAP HEX 1/4-20x3/4 Z050 | 2 | | C |
| NS | 500473 | WASHER LO SPT .262x.489x.062 Z050 | 2 | | C |
| NS | 780559 | SHOCK DAMPER "ENEDINE" | 1 | | C |
| NS | 285288 | PIVOT STUD 1/2-13 X 49MM LG / (SERVICE) / TO FIX SHOCK | AR | | C |
| NS | 500925 | NUT SPR PO RND 1/4 | 2 | | C |
| 40 | 284553 | ENTRANCE DOOR CONTROL ASSY | 1 | | D |
| 41 | 284001 | SUPPORT / TO FIX CIRCUIT ASSY | 1 | | |
| 42 | 063663 | MODULE CIRCUIT ASSY W/BOX | 1 | | E |
| 42 | 562080 | BASE, ANCHOR 45MM / TO FIX CIRCUIT | 1 | | |
| 42 | 562081 | PLATE, MODULE | 2 | | |
| 42 | 562082 | END, MODULE | 2 | | |
| 42 | 063659 | MODULE CIRCUIT | 1 | | |
| 42 | 562309 | FUSE / 2 AMPS / 2A | 2 | | |
| 43 | 641219 | AIR PRESSURE REGULATOR 1/8" NPT | 1 | | |
| 44 | 641130 | MANIFOLD VALVE / W/2 SOLENOID | 1 | | |
| NS | 640987 | MALE CONNECTOR / NTA FITTING / #4x1/8NPT-M BR | 2 | | |
| NS | 500495 | SCREW TP PAN PH #6x1 Z050 | 2 | | |

| | | | |
|---------------------|--|--------------|-----------------|
| From N-197 To R-079 | | Date:10/2022 | PAGE:H4-1801-15 |
|---------------------|--|--------------|-----------------|

ENTRANCE DOOR CONTROL

| Item# | Part | Description | H 3 4 0 | V I P 4 0 | N O T E S |
|-------|-------------------|---|------------------|-----------------------|-----------------------|
| NS | 501303 | . PLUG SQUARE HEAD / PIPE FITTING / 1/8NPT-M BR | 2 | | |
| NS | 5001074 | . SCREW CAP HEX M4-0.7x30 G8.8 Z050 | 2 | | |
| NS | 502636 | . WASHER LO SPT 4.1x7.6x0.9 Z050 | 2 | | |
| NS | 502524 | . NUT HEX M4-0.7 Z050 | 2 | | |
| 45 | 641393 | . VALVE, 4 WAYS, 2 POSITIONS 24V SUPPERSEDED BY 288503 | 1 | | FL |
| 45 | 641217 | . VALVE, 3 WAYS, 2 POSITIONS | 1 | | H |
| NS | 640996 | . MALE ELBOW 90° / NTA FITTING / #4x1/8NPT-M BR | 1 | | |
| 46 | 641220 | . MALE CONNECTOR / HOSE BARB FITTING / #6x#10-32-M NYL | 2 | | |
| 47 | 561550 | . CONNECTOR / UNIVERSAL MATE-N-LOK / SH 3C / AMP 1-480700-0 | 1 | | |
| NS | 561514 | . SOCKET TERMINAL / 20-14 / AMP 350537-3 | 1 | | |
| 48 | H4-0616-00 | JUNCTION BOX COMPONENTS, RELAY & BREAKER | | | |
| 49 | 561247 | . CONNECTOR / UNIVERSAL MATE-N-LOK / SH 2C / AMP 1-480698-0 | 1 | | |
| NS | 561514 | . SOCKET TERMINAL / 20-14 / AMP 350537-3 | 2 | | |
| 50 | 063926 | . MODULE ASSY W/4 RELAY | 1 | | |
| 51 | 063934 | . SUPPORT / TO FIX RELAY | 1 | | |
| 52 | 063927 | . CABLE ASSY | 1 | | |
| 53 | 561707 | . RELAY 24V S.P.D.T. W/RESISTOR / | 4 | | |
| 54 | 062588 | . DIODE ASSY / W/3 3AMPS | 1 | | |
| 55 | 502563 | . SCREW CAP HEX M6-1.0x12 G8.8 Z050 | 2 | | |
| 56 | 561992 | . NUT, FIXATION | 2 | | |
| NS | 500518 | . SCREW MA BDG PH #4-40x1/2 Z050 | 2 | | I |
| NS | 562313 | . MALE SCREW RETAINER / KIT / AMP 205980-1 | 2 | | |
| NS | 500440 | WASHER FL .250x.562x.065 Z050 | 2 | | |
| NS | 502531 | SCREW CAP HEX M6-1.0x16 G8.8 Z050 | 2 | | |
| NS | 065311 | CABLE HARNESS | 1 | | |
| NS | 285218 | PRESSURE SWITCH N.C. 30-10 20PS001AB030E010E | 1 | | |
| NS | 066262 | KIT, RETROFIT CONTROL MODULE SEDAN DOOR | 1 | | |
| . NS | IS-94091 | . SEE INSTRUCTION SHEET | 1 | | |
| NS | 064268 | KIT, VALVE DOOR CONT. SOLENOID | 1 | | |
| . NS | IS-96024 | . SEE INSTRUCTION SHEET | 1 | | |
| NS | 288503 | KIT, REPLACEMENT AIR VALVE SEDAN VALVE | 1 | | M |
| . NS | IS-05900 | . SEE INSTRUCTION SHEET | 1 | | M |
| NS | 289649 | KIT, REPLACEMENT AIR VALVE SEDAN VALVE AND DAMPER CONTROL | 1 | | M |
| . NS | IS-05900 | . SEE INSTRUCTION SHEET | 1 | | M |
| | | | | | |
| | | | | | |
| | | A) THOSE CYLINDERS ASSY HAVE 438MM C/C PIVOT | | | |
| | | B) THIS CYLINDER IS SUPERSEDED BY KIT #285303 & SEE PAGE H4-1801-16 FOR DETAILS | | | |
| | | C) THOSE PARTS ARE USE IN RETROFIT KIT 285303 FOR VEHICLE FROM N-198 TO R-079 | | | |
| | | D) THIS CONTROL ASSY IT SUPERSEDED BY #285052 CONTROL ASSY, 1X 063511 & 1X 285218 | | | |
| | | E) THIS CIRCUIT IS SUPERSEDED BY KIT #066262 | | | |

| | | |
|---------------------|--------------|-----------------|
| From N-197 To R-079 | Date:10/2022 | PAGE:H4-1801-15 |
|---------------------|--------------|-----------------|

ENTRANCE DOOR CONTROL

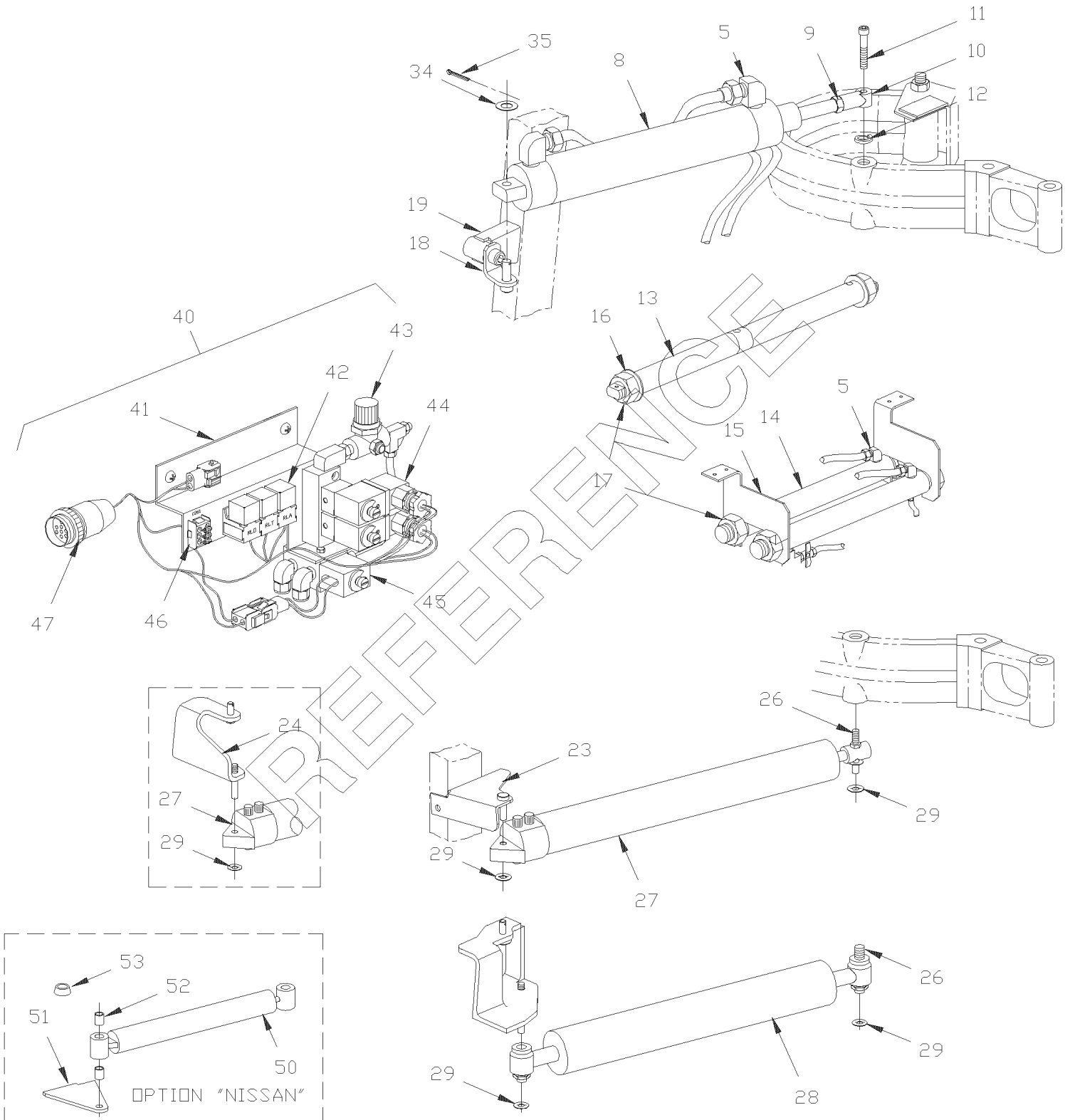
| Item# | Part | Description | H 3 4 0 | V I P 4 0 | N O T E S |
|-------|------|--|------------------|-----------------------|-----------------------|
| | | F) THIS VALVE IS USED WITH DOUBLE ACTION CYLINDER UPPER DOOR SEE ITEM #8 AT PAGE H4-1862-10 & IS 96157-A | | | |
| | | H) THIS ITEM IS SUPERSEDED BY KIT #064268. SEE INSTRUCTION SHEET IS-96024 | | | |
| | | I) TO FIX CONNECTOR | | | |
| | | L) FOR PRODUCT IMPROVEMENT, ASK FOR KIT #288503 AND SEE INSTRUCTION SHEET IS-05900 | | | |
| | | M) WE STRONGLY RECOMMEND THAT YOU UPGRADE YOUR ENTRANCE DOOR LATCH ASSEMBLY (KIT 285467) PRIOR INSTALLING THE NEW NORGREN VALVE (KIT 288503 OR 289649) | | | |

From N-197 To R-079

Date:10/2022

PAGE:H4-1801-16

ENTRANCE DOOR CONTROL / SERVICE



| | | |
|---------------------|--------------|-----------------|
| From N-197 To R-079 | Date:10/2022 | PAGE:H4-1801-16 |
|---------------------|--------------|-----------------|

ENTRANCE DOOR CONTROL / SERVICE

| Item# | Part | Description | H 3 4 0 | V I P 4 0 | N O T E S |
|-------|-------------------|--|------------------|-----------------------|-----------------------|
| | | DUE TO THE FACT THAT NUMEROUS MODIFICATION BY PREVOST CAR AND/OR OTHERS, HAVE BEEN INCORPORETED IN THIS SYSTEM, THIS PAGE IS IN REFERENCE ONLY. | | | |
| 5 | H4-1201-00 | FITTING - MISCELLANEOUS | | | |
| 8 | 780499 | CYLINDER 2" | 1 | | A |
| 8 | 780568 | CYLINDER 2" / SERVICE | 1 | | A |
| 9 | 500716 | NUT HEX 1/2-20 Z050 | 1 | | |
| 10 | 502196 | ROD END FEMALE 1/2-20 / 1/2 I.D. | 1 | | |
| 11 | 5001075 | SCREW CAP BUT HEXS 1/2-13x2 Z050 | 1 | | |
| 12 | 500482 | WASHER LO SPT .506x.873x.125 Z050 | 1 | | |
| 13 | 780498 | CYLINDER PUMP | 1 | | B |
| 14 | 780546 | CYLINDER PUMP | 1 | | B |
| 15 | 285153 | SUPPORT REAR | 1 | | |
| 15 | 285154 | SUPPORT FRONT | 1 | | |
| 16 | 141574 | WASHER | 2 | | |
| 17 | 5001068 | NUT HEX JAM 1 1/4-12 ZP | 1 | | |
| 18 | 284006 | SUPPORT CYLINDER / W/PIN 7/16" O.D. | 1 | | |
| 18 | 502585 | WASHER LO SERR 10.2x26.3x1.4 ZP | 1 | | |
| 18 | 500256 | NUT HEX M10-1.5 Z050 | 1 | | |
| 19 | 250788 | SUPPORT / (WELDED) | 1 | | |
| NS | 285294 | SUPPORT LOWER (SERVICE) | AR | | C |
| NS | 500923 | SCREW TC CAP HEX 1/4-20x3/4 Z050 | 2 | | C |
| NS | 500473 | WASHER LO SPT .262x.489x.062 Z050 | 2 | | C |
| 24 | 213160 | SUPPORT / (WELDED) | 1 | | |
| 25 | 213197 | SUPPORT / (WELDED) | 1 | | |
| 26 | 285288 | PIVOT STUD 1/2-13 X 49MM LG / (SERVICE) / TO FIX SHOCK | AR | | C |
| 27 | 780559 | SHOCK DAMPER "ENEDINE" | 1 | | C |
| 28 | 780565 | SHOCK DAMPER "KONI" | 1 | | |
| 29 | 502601 | NUT SPR PO RND 7/16 | 1 | | |
| 29 | 500925 | NUT SPR PO RND 1/4 | 2 | | |
| 40 | 285052 | SEDAN DOOR MODULE ASSY | 1 | | D |
| 41 | 285041 | . SUPPORT | 1 | | |
| 42 | 561707 | . RELAY 24V S.P.D.T. W/RESISTOR / | 1 | | E |
| 43 | 641219 | . AIR PRESSURE REGULATOR 1/8" NPT | 1 | | |
| 44 | 641130 | . MANIFOLD VALVE / W/2 SOLENOID | 1 | | |
| 45 | 641217 | . VALVE, 3 WAYS, 2 POSITIONS | 1 | | E |
| 45 | 641394 | . VALVE, 3 WAYS, 2 POSITIONS 24V | 1 | | |
| NS | 641393 | . VALVE, 4 WAYS, 2 POSITIONS 24V SUPPERSEEDDED BY 288503 | 1 | | L |
| 46 | 062588 | . DIODE ASSY / W/3 3AMPS | 2 | | |

| | | |
|--|--------------|-----------------|
| From N-197 To R-079 | Date:10/2022 | PAGE:H4-1801-16 |
| ENTRANCE DOOR CONTROL / SERVICE | | |

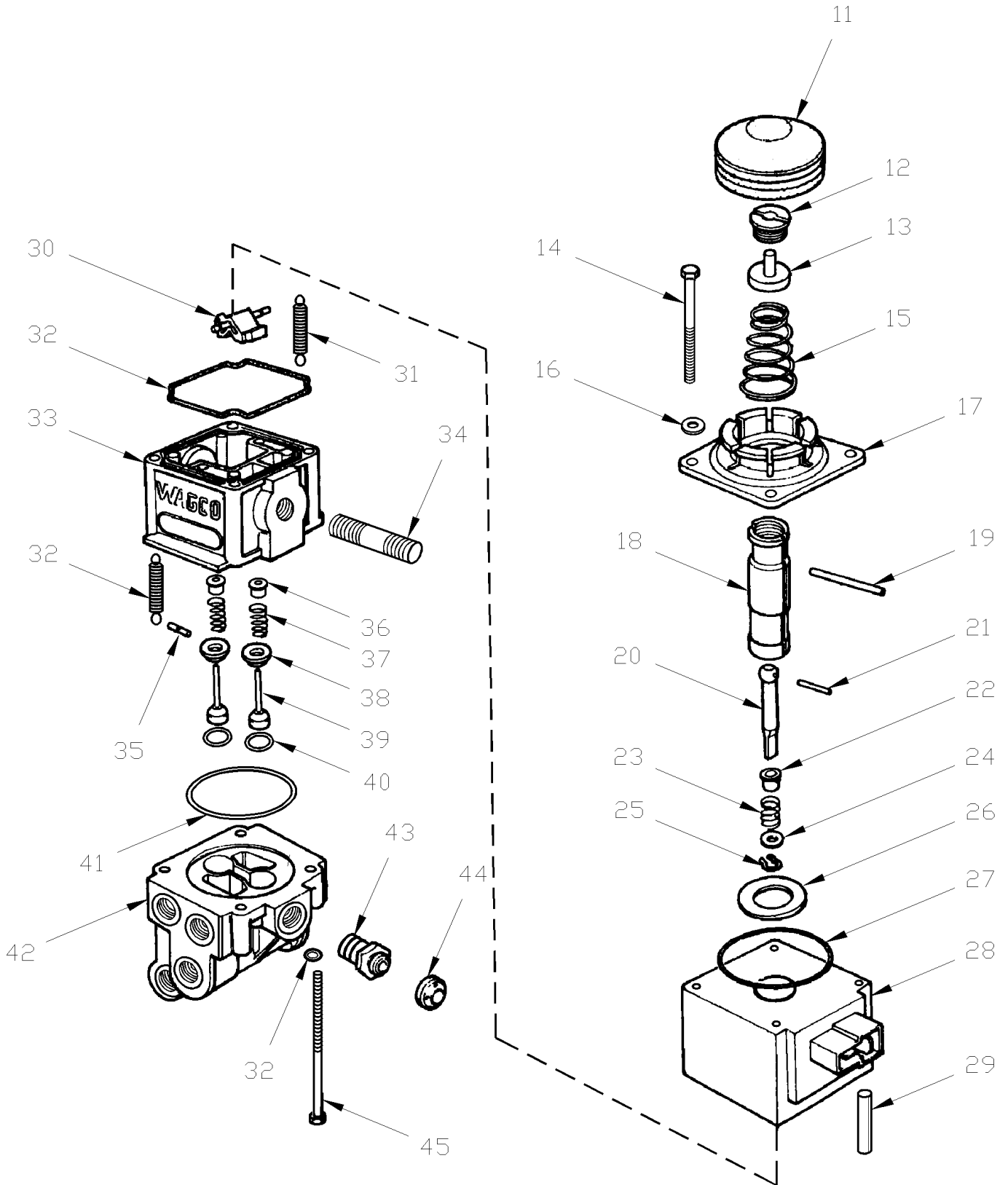
| Item# | Part | Description | H 3 4 0 | V I P 4 0 | N O T E S |
|-------|----------|--|------------------|-----------------------|-----------------------|
| 50 | 780567 | . SHOCK DAMPER "NISSAN" | AR | | |
| 51 | 213317 | . SUPPORT / (WELDED) | AR | | |
| 52 | 285482 | . SPACER 20MM LG X 1/2" O.D. | 1 | | |
| 53 | 285483 | . DOWEL RING | 2 | | |
| NS | 288503 | KIT, REPLACEMENT AIR VALVE SEDAN VALVE | 1 | | M |
| . NS | IS-05900 | . SEE INSTRUCTION SHEET | 1 | | M |
| NS | 289649 | KIT, REPLACEMENT AIR VALVE SEDAN VALVE AND DAMPER CONTROL | 1 | | M |
| . NS | IS-05900 | . SEE INSTRUCTION SHEET | 1 | | M |
| | | | | | |
| | | | | | |
| | | A) THOSE CYLINDERS ASSY HAVE 438MM C/C PIVOT | | | |
| | | B) THOSE CYLINDER ARE SUPERSEDED BY KIT #285303 | | | |
| | | C) THOSE PARTS ARE USE IN RETROFIT KIT 285303 FOR VEHICLE FROM N-198 TO R-079 | | | |
| | | D) THIS MODULE COULD BE REPLACE COMPLETELY BY THE MODULE ASSY 284553 AT PAGE H4-1801-15 & SEE NOTE D | | | |
| | | E) THIS VALVE IS USED WITH DOUBLE ACTION CYLINDER UPPER DOOR SEE ITEM #8 AT PAGE H4-1862-10 & IS 96157-A | | | |
| | | L) FOR PRODUCT IMPROVEMENT, ASK FOR KIT #288503 AND SEE INSTRUCTION SHEET IS-05900 | | | |
| | | M) WE STRONGLY RECOMMEND THAT YOU UPGRADE YOUR ENTRANCE DOOR LATCH ASSEMBLY (KIT 285467) PRIOR INSTALLING THE NEW NORGREN VALVE (KIT 288503 OR 289649) | | | |

From L-031 To N-196

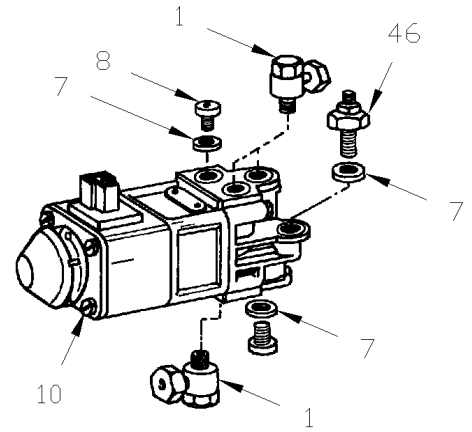
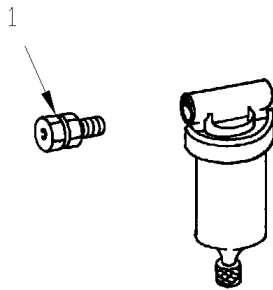
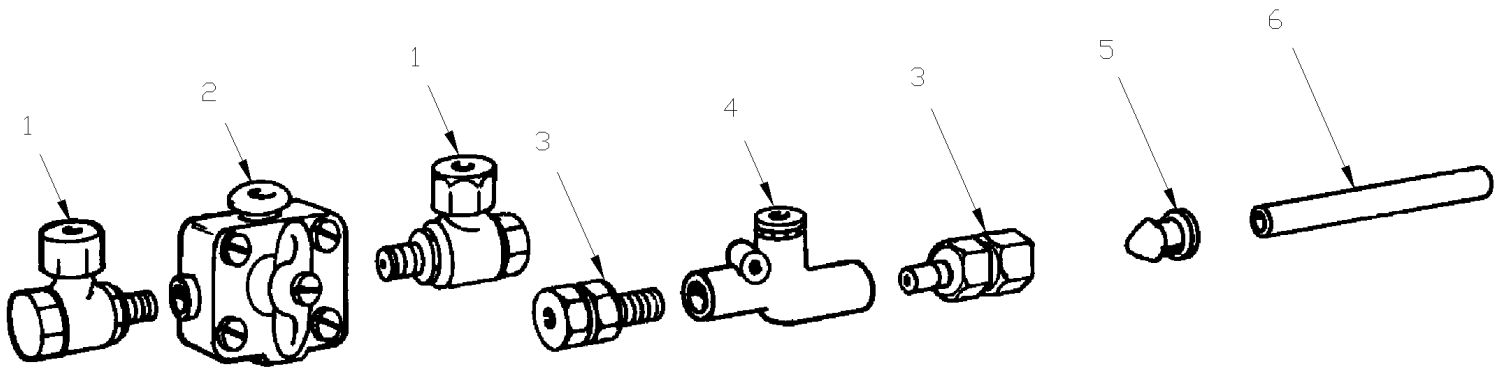
Date:10/2022

PAGE:H4-1801-40

ENTRANCE DOOR AIR VALVE



| | | |
|-------------------------|--------------|-----------------|
| From L-031 To N-196 | Date:10/2022 | PAGE:H4-1801-40 |
| ENTRANCE DOOR AIR VALVE | | |



| | | |
|--------------------------------|--------------|-----------------|
| From L-031 To N-196 | Date:10/2022 | PAGE:H4-1801-40 |
| ENTRANCE DOOR AIR VALVE | | |

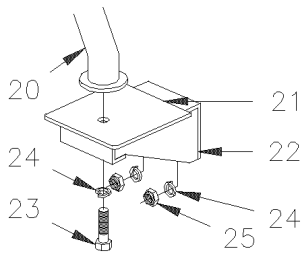
| Item# | Part | Description | H 3 4 0 | V I P 4 0 | N O T E S |
|-------|--------|---|------------------|-----------------------|-----------------------|
| 1 | 641108 | FITTING, SWIVEL M8 x M12MW | AR | | |
| 2 | 641112 | VALVE | 1 | | A |
| 3 | 641109 | FITTING, STRAIGHT M8 x #4 IM | AR | | |
| 4 | 641116 | VALVE, THROTTLE | 1 | | |
| 5 | 641114 | RIVET TUBULAR | AR | | |
| 6 | 503529 | TUBE, NYLON 8MM O.D. / BLACK S.L. | AR | | |
| 7 | 641111 | GASKET | AR | | |
| 8 | 641110 | PLUG M12 X 1.5 / USE WITH REAR VALVE ONLY | AR | | |
| 9 | 641115 | MALE CONNECTOR / PUSH-IN FITTING / 8MMx1/4NPT-M | AR | | |
| 10 | 641113 | SOLENOID, CONTROL VALVE | 1 | | |
| 11 | 641184 | CAP, RUBBER | 1 | | |
| 13 | N.S.S. | SCREW | 4 | | 1 |
| 16 | N.S.S. | WASHER LOCK | 8 | | 1 |
| 17 | N.S.S. | COVER | 1 | | 1 |
| 19 | N.S.S. | PIN | 1 | | 1 |
| 21 | N.S.S. | PIN | 1 | | 1 |
| 23 | N.S.S. | SPRING | 1 | | 1 |
| 24 | N.S.S. | WASHER | 1 | | 1 |
| 25 | N.S.S. | CLIP | 1 | | 1 |
| 26 | N.S.S. | WASHER | 1 | | 1 |
| 27 | N.S.S. | O-RING | 1 | | 1 |
| 28 | N.S.S. | COIL | 1 | | 1 |
| 29 | N.S.S. | DOWEL | 1 | | 1 |
| 30 | N.S.S. | PISTON, LEVER | 1 | | 1 |
| 31 | N.S.S. | SPRING | 2 | | 1 |
| 32 | N.S.S. | GASKET | 1 | | 1 |
| 33 | N.S.S. | BODY | 1 | | 1 |
| 34 | N.S.S. | STUD | 1 | | 1 |
| 35 | N.S.S. | PIN | 1 | | 1 |
| 36 | N.S.S. | SEAL | 2 | | 1 |
| 37 | N.S.S. | SPRING | 2 | | 1 |
| 38 | N.S.S. | SEAL | 2 | | 1 |
| 39 | N.S.S. | PISTON | 2 | | 1 |
| 40 | N.S.S. | O-RING | 2 | | 1 |
| 41 | N.S.S. | GASKET | 1 | | 1 |
| 42 | N.S.S. | BODY, LOWER | 1 | | 1 |
| 43 | N.S.S. | PLUG, PRESSURE RELIEF | 1 | | 1 |
| 44 | N.S.S. | CAP | 4 | | 1 |
| 45 | N.S.S. | SCREW | 4 | | 1 |
| 46 | 561724 | PRESSURE SWITCH N.C. 30PSI / M12-1.5 W/2 BLADES CON | 1 | | |
| NS | 641157 | KIT, REPAIR / INCLUDING ITEMS 11,30,31& 32 | AR | | |
| | | | | | |

| | | |
|---------------------|--------------|-----------------|
| From L-031 To N-196 | Date:10/2022 | PAGE:H4-1801-40 |
|---------------------|--------------|-----------------|

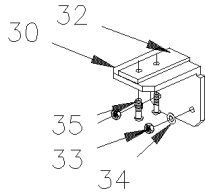
ENTRANCE DOOR AIR VALVE

| Item# | Part | Description | H 3 4 0 | V I P 4 0 | N O T E S |
|-------|------|------------------------|------------------|-----------------------|-----------------------|
| | | | | | |
| | | A) EMERGENCY CONTROL | | | |
| | | 1) NOT SOLD SEPARATELY | | | |

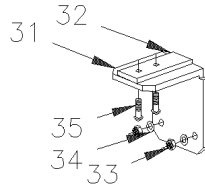
| | | |
|------------------------|--------------|-----------------|
| From L-031 To R-079 | Date:10/2022 | PAGE:H4-1806-00 |
| DASHBOARD PANEL | | |



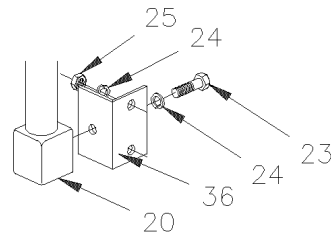
DETAIL "A"



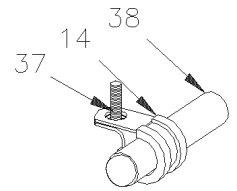
DETAIL "B"



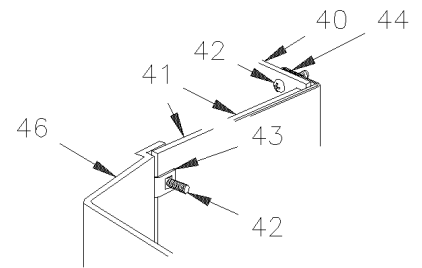
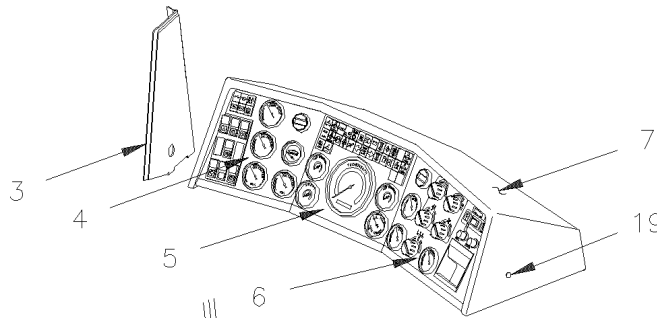
DETAIL "C"



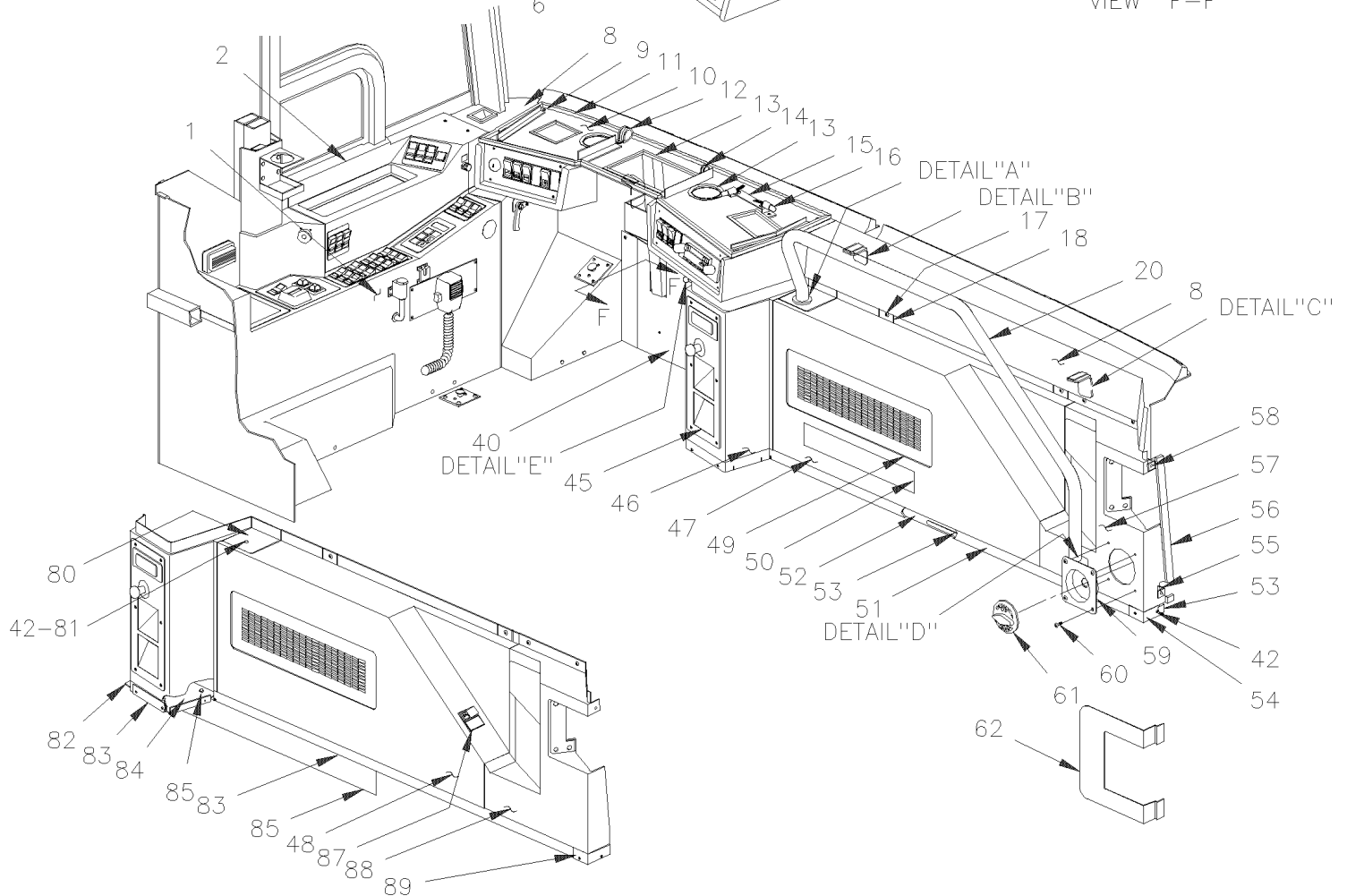
DETAIL "D"



DETAIL "E"



VIEW "F-F"



| | | |
|------------------------|--------------|-----------------|
| From L-031 To R-079 | Date:10/2022 | PAGE:H4-1806-00 |
| DASHBOARD PANEL | | |

| Item# | Part | Description | H 3 4 0 | V I P 4 0 | N O T E S |
|-------|-------------------|--|------------------|-----------------------|-----------------------|
| 1 | 390969 | CONSOLE LOWER L.H. | 1 | | |
| NS | 391340 | CONSOLE LOWER L.H. To N-181 | | 1 | |
| 1 | 391475 | CONSOLE LOWER L.H. From N-182 | | 1 | |
| 2 | 390968 | CONSOLE / REMOVABLE | 1 | | |
| NS | 391272 | CONSOLE / REMOVABLE | | 1 | |
| 3 | 402724 | PANEL GREY | 1 | 1 | |
| NS | 509558 | WEATHERSEAL SNAP-ON 1/8" / SINGLE LIP / WH / C.T.L. | AR | AR | |
| NS | 5001015 | SCREW TP BDG PH #6x1/2 SS BK | 4 | 4 | |
| 4 | H4-0645-10 | L.H. DASHBOARD PANEL | | | |
| 5 | H4-0645-20 | CENTER DASHBOARD PANEL | | | |
| 6 | H4-0645-30 | R.H. DASHBOARD PANEL | | | |
| 7 | 390980 | DASHBOARD CAP / FIBERGLASS | 1 | 1 | |
| 8 | H4-2230-00 | DEFROSTER - INSTALLATION | | | |
| 9 | 500750 | SCREW MA TR PH M4-0.7x18 Z050 | 5 | 5 | |
| NS | 5001055 | NUT WELL M4-0.7x14.5 | 5 | 5 | |
| NS | 390989 | SUPPORT / TO FIX DASHBOARD MOUNTING PLATE To N-182 | 1 | 1 | |
| 10 | 391507 | SUPPORT / TO FIX DASHBOARD MOUNTING PLATE From N-183 | 1 | 1 | |
| 11 | 506502 | RUBBER EXTRUSION CC NEO 3/8" X 3/8" X 50' / C.T.L. | 1 | 1 | |
| 12 | 560872 | CLAMP / 1"1/16 I.D. | 1 | 1 | |
| 13 | 506338 | RUBBER CHANNEL / 1/16" x 1/4" INT "U" SHAPE / ROUND C.T.L. | 2 | 2 | |
| 14 | 560481 | CLAMP / 5/8" I.D. | 1 | 1 | |
| 15 | 391143 | SUPPORT / BOLTED TO THE PLATE / TO FIX LIGHT | 1 | 1 | |
| 16 | H4-0655-00 | INTERIOR LIGHTING | | | |
| 17 | 900531 | LATCH ASSY To N-197 | 2 | 2 | |
| 17 | 504577 | SCREW FST PH #12 17.9x28.2 STL From N-198 | 5 | 5 | |
| NS | 5001076 | WASHER FL RET 4.6x15.4x1.37 NYL BK From N-198 | 5 | 5 | |
| 18 | 504575 | NUT SPR U 31/32x1/2x.213-.265 From N-198 | 5 | 5 | |
| 18 | 391130 | TAPE BLUE | 1 | 1 | |
| 19 | 504400 | SNAP CAP #10 FINISHING BLACK | 2 | 2 | |
| NS | 504399 | WASHER RETAINER SNAP CAP #10 | 2 | 2 | |
| NS | 500659 | SCREW TC PAN PH #10-32x1 Z050 | 2 | 2 | |
| 20 | 390941 | RAMP To M-076 | 1 | | A |
| 20 | 391451 | RAMP From M-077 To N-197 | 1 | | A |
| 20 | 391469 | RAMP From N-198 | 1 | | B |
| 21 | 390950 | COVER BRACKET | 1 | | |
| 22 | 391005 | BRACKET / TO FIX RAMP / UPPER & LOWER | 2 | | |
| 23 | 502549 | SCREW CAP HEX M10-1.5x35 G8.8 Z050 | 2 | | |
| 24 | 500823 | WASHER LO INT 10.5x18.0x0.9 BK | 2 | | |
| 25 | 502617 | NUT HEX NYRT M10-1.5 Z050 | 2 | | |
| 30 | 391054 | BRACKET ANGLE | 1 | 1 | |
| 31 | 391053 | BRACKET ANGLE | 2 | 2 | |
| 32 | 506001 | TAPE RUB ADH1 CC POL 1/8" x 3/4" x 50' / GREY 2520X | AR | AR | |

| | | |
|------------------------|--------------|-----------------|
| From L-031 To R-079 | Date:10/2022 | PAGE:H4-1806-00 |
| DASHBOARD PANEL | | |

| Item# | Part | Description | H 3 4 0 | V I P 4 0 | N O T E S |
|-------|-------------------|---|------------------|-----------------------|-----------------------|
| 33 | 502556 | WASHER FL 4.3x9.0x0.8 SS | AR | AR | |
| 34 | 500590 | NUT HEX NYRT M4-0.7 Z050 | AR | AR | |
| 35 | 500120 | SCREW TP BDG PH #6x1/2 SS | AR | AR | |
| 36 | 250784 | ANGLE SUPPORT / TO FIX RAMP | 1 | | |
| 37 | 500642 | SCREW TP PAN PH #10x3/4 Z050 | 1 | 1 | |
| NS | 500252 | NUT SPR U #10-24 .156-.187 | 1 | 1 | |
| 38 | 870868 | SENSOR MAIN HEATER / TEMPERATURE CONTROL | 1 | 1 | |
| 40 | 391262 | SHEET ASSY / METAL | 1 | 1 | |
| 40 | 391260 | . SHEET, FINISHING | 1 | 1 | |
| 40 | 810034 | . CARPET OZITE / S.L. 12 FT WIDE | AR | AR | B |
| NS | 391066 | BRACKET ANGLE / TO FIX ITEM 40 ON THE FLOOR | 1 | 1 | |
| 41 | 391160 | SHEET ASSY / METAL | 1 | 1 | |
| 41 | 391158 | . SHEET, METAL | 1 | 1 | |
| 41 | 391009 | . CLIP RETAINING | 1 | 1 | |
| 41 | 810034 | . CARPET OZITE / S.L. 12 FT WIDE | AR | AR | B |
| 42 | 5001119 | SCREW TP BDG PH #8x3/4 SS | AR | AR | |
| 43 | 500996 | NUT SPR U #6-32 .135-.150 | AR | AR | |
| 44 | 500664 | NUT SPR U #6-32 .050-.062 | AR | AR | |
| 45 | H4-0645-50 | R.H. CONSOLE | | | |
| 46 | 390948 | CONSOLE FIXE | 1 | 1 | |
| 47 | 391095 | PANEL ASSY REMOVABLE To N-197 | 1 | 1 | |
| 47 | 391512 | PANEL ASSY REMOVABLE From N-198 | 1 | 1 | |
| 48 | 391356 | PANEL ASSY REMOVABLE | 1 | 1 | |
| 48 | 390945 | . PANEL To N-197 | 1 | | |
| NS | 391497 | . PANEL From N-198 | 1 | | |
| NS | 391350 | . PANEL | | 1 | |
| NS | 506339 | . TAPE RUB ADH1 NIT 1/4" x 1" x 35' / BLACK 1220 | AR | AR | |
| 49 | 372476 | . GRILL | 1 | 1 | |
| NS | 500989 | . WASHER FL .219x.875x.062 Z050 | 8 | 8 | |
| NS | 502557 | . NUT HEX NYRT M4-0.7 SS | 8 | 8 | |
| 50 | 402987 | DECAL FEDERAL LAW / FRENCH | 1 | | |
| 50 | 402986 | DECAL FEDERAL LAW / ENGLISH | 1 | | |
| 50 | 403652 | DECAL FEDERAL LAW / POLYNESIEN | 1 | | |
| NS | 402988 | PLATE / TO FIX DECAL | 1 | | |
| NS | 506466 | TAPE RUB ADH1 CC POL 1/16" x 1 1/2" x 100' / GREY 2520 | AR | AR | |
| NS | 504106 | RIVET POP DOME OE 1/8x1/4 AL | 4 | 4 | C |
| NS | 391007 | BRACKET ANGLE / SS/ ON FLOOR To N-199 | 1 | 1 | |
| 51 | 391513 | BRACKET ANGLE / SS / ON FLOOR From N-200 | 1 | 1 | |
| NS | 500120 | SCREW TP BDG PH #6x1/2 SS | AR | AR | D |
| 52 | 506236 | TAPE RUB ADH1 CC POL 1/16" x 1/2" x 100' / GREY 2520 | AR | AR | |
| 53 | 506302 | RUBBER EXTRUSION TRIM SEAL / GRIP .024 / 7/16" HOLLOW BULB C.T.L. | AR | AR | E |
| NS | 506002 | TAPE RUB ADH1 CC POL 3/16" x 1/2" x 40' / GREY 2520 | AR | AR | |

| | | |
|---------------------|--------------|-----------------|
| From L-031 To R-079 | Date:10/2022 | PAGE:H4-1806-00 |
|---------------------|--------------|-----------------|

DASHBOARD PANEL

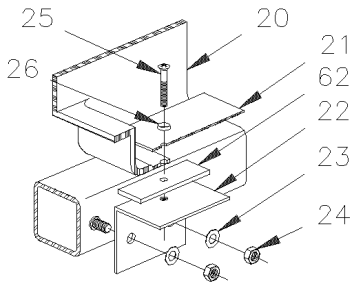
| Item# | Part | Description | H 3 4 0 | V I P 4 0 | N O T E S |
|-------|-------------------|--|------------------|-----------------------|-----------------------|
| 54 | 390947 | MOULDING / ANGLE NORYL | 1 | 1 | |
| 55 | 391126 | BRACKET ANGLE | 2 | 2 | |
| NS | 500814 | SCREW TP BDG PH #6x3/4 BK | AR | AR | |
| 56 | 506005 | TAPE RUB ADH1 CC POL 3/8" x 5/8" x 25' / GREY 2520X | AR | AR | |
| 57 | 391496 | PANEL FIXED / RIGHT From N-198 | 1 | 1 | |
| 58 | 504104 | RIVET POP DOME OE 1/8x1/8 SS | AR | AR | F |
| 59 | 391495 | VALVE COVER To P-310 | 1 | | |
| 59 | 391537 | CAP, PROTECTOR From P-311 | 1 | | |
| 60 | 500409 | SCREW TP PAN PH #8x1/2 BK | 4 | 4 | |
| 61 | H4-1801-15 | ENTRANCE DOOR CONTROL | | | |
| 62 | 323858 | RETAINER, BELLOW/ LOWER HINGE W/SEDAN DOOR From N-198 To P-376 | 1 | | |
| 62 | 323586 | PANEL FINISHING LOWER / HINGE IN STEPWELL From N-254 To P-375 | | 1 | |
| 62 | 324064 | PANEL FINISHING LOWER / HINGE IN STEPWALL From P-376 | | 1 | |
| 80 | 391346 | COVER BRACKET | 1 | 1 | |
| 81 | 504403 | SNAP CAP #8 FINISHING BLACK | 1 | 1 | |
| NS | 504412 | WASHER RETAINER SNAP CAP #8 | 1 | 1 | |
| NS | 500614 | SCREW TP FL PH #6x3/4 Z050 | 1 | 1 | |
| 82 | 391337 | BRACKET ANGLE | 1 | 1 | |
| 83 | 391336 | BRACKET ANGLE / PLATE | 1 | 1 | |
| 84 | 502622 | SCREW CAP HEX M6-1.0x20 SS BK | 2 | 2 | |
| NS | 502573 | WASHER FL 6.4x12.5x1.6 SS | 2 | 2 | |
| 85 | 391338 | BRACKET ANGLE | 1 | 1 | |
| 87 | H4-0645-05 | SWITCHES L.H. CONSOLE - V.I.P. | | | |
| 88 | 391339 | PANEL FIXED / RIGHT | | | |
| | | | | | |
| | | | | | |
| | | | | | |
| | | A) WITH PLUG DOOR | | | |
| | | B) WITH SEDAN DOOR | | | |
| | | C) TO FIX PLATE | | | |
| | | D) TO FIX MOULDING | | | |
| | | E) LOWER / TO FIX ON BRACKET | | | |
| | | F) TO FIX BRACKET | | | |

From L-031 To R-079

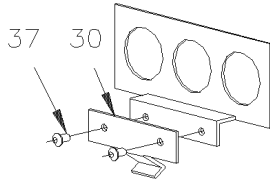
Date:10/2022

PAGE:H4-1806-10

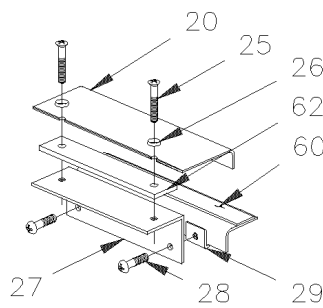
L.H. CONSOLE - BUS



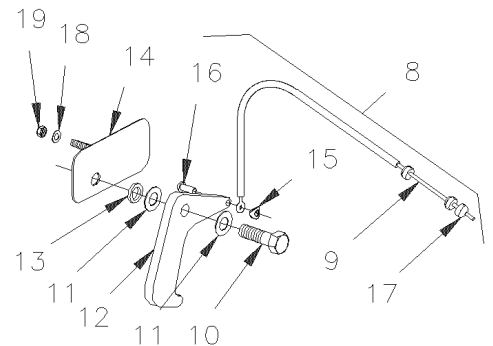
DETAIL "A"



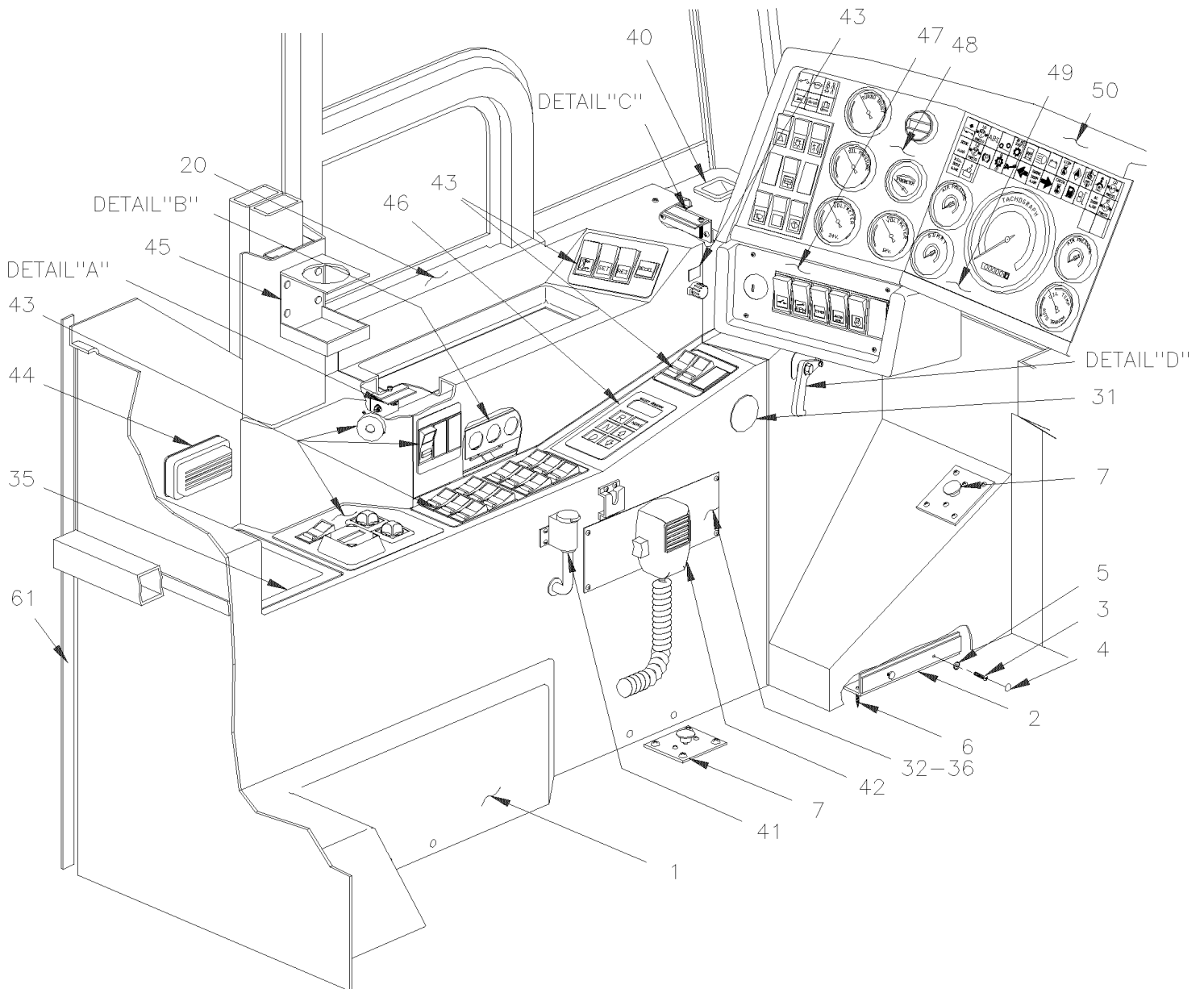
DETAIL "B"



DETAIL "C"



DETAIL "D"



| | | |
|---------------------------|--------------|-----------------|
| From L-031 To R-079 | Date:10/2022 | PAGE:H4-1806-10 |
| L.H. CONSOLE - BUS | | |

| Item# | Part | Description | H 3 4 0 | V I P 4 0 | N O T E S |
|-------|-------------------|---|------------------|-----------------------|-----------------------|
| 1 | 390969 | CONSOLE LOWER L.H. To N-181 | 1 | | |
| 1 | 391474 | CONSOLE LOWER L.H. From N-182 | 1 | | |
| 2 | 391066 | BRACKET ANGLE / TO FIX ITEM 40 ON THE FLOOR | 3 | | |
| 3 | 500862 | SCREW TC PAN PH #6-32x3/4 Z050 | AR | | |
| 4 | 504403 | SNAP CAP #8 FINISHING BLACK | AR | | |
| 5 | 504412 | WASHER RETAINER SNAP CAP #8 | AR | | |
| 6 | 500495 | SCREW TP PAN PH #6x1 Z050 | AR | | |
| 7 | H4-2310-00 | HORN - INSTALLATION | | | |
| 8 | 372504 | LEVER ASSY | 1 | | |
| 9 | 372499 | . WIRE | 1 | | |
| 10 | 500181 | . SCREW CAP HEX 5/16-18x1 G5 Z050 | 1 | | |
| 11 | 504503 | . BUSHING, NYLON 5/16 DIA. | 2 | | |
| 12 | 372501 | . LEVER ASSY | 1 | | |
| 13 | 500441 | . WASHER FL .312x.734x.065 Z050 | 1 | | |
| 14 | 372503 | . SUPPORT ASSY | 1 | | |
| 15 | 500926 | . NUT SPR PO RND 3/16 | 1 | | |
| 16 | 504149 | . RIVET SOL BRAZ 3/16x1/2 AL | 1 | | |
| NS | 502637 | WASHER FL .200x.437x.037 SS | 2 | | |
| 17 | 505078 | STOPPER / W/ AIR DAMPER CONTROL | 1 | | |
| 18 | 502679 | NUT HEX NYRT M4-0.7 ZP | 2 | | A |
| 20 | 390968 | CONSOLE / REMOVABLE | 1 | | |
| 21 | 391136 | PROTECTOR | 1 | | |
| 21 | 810034 | . CARPET OZITE / S.L. 12 FT WIDE | AR | | B |
| 22 | 390974 | BRACKET ANGLE | 1 | | |
| 23 | 502573 | WASHER FL 6.4x12.5x1.6 SS | 2 | | |
| 24 | 500609 | NUT HEX M6-1.0 Z050 | 2 | | |
| 25 | 502521 | SCREW TC OV PH #8-32x1 BK | 3 | | |
| 26 | 502620 | WASHER FN CK .203x.531 BK | 3 | | |
| 27 | 390975 | BRACKET ANGLE | 1 | | |
| 28 | 500642 | SCREW TP PAN PH #10x3/4 Z050 | 2 | | |
| 29 | 500981 | NUT SPR U #10-23/32x5/8 | 2 | | |
| 30 | 391009 | CLIP RETAINING | 1 | | |
| 31 | 400270 | DECAL / CMVSS CANADA TRANSPORT | 1 | | |
| 32 | 403302 | PLATE / V.I.N. | 1 | | |
| 32 | 403692 | PLATE / V.I.N. / W/W.C.L. | 1 | | |
| 35 | 390951 | HOLDER MAP To R-020 | 1 | | |
| 35 | 391627 | HOLDER MAP From R-021 | 1 | | |
| NS | 506071 | TAPE RUB ADH1 CC POL 1/8" x 1/2" x 50' / GREY 2520X | AR | | |
| 37 | 504104 | RIVET POP DOME OE 1/8x1/8 SS | 4 | | |
| 40 | 390944 | DEFLECTOR / AIR | 1 | | |
| NS | 402724 | PANEL GREY | 1 | | C |
| NS | 5001015 | SCREW TP BDG PH #6x1/2 SS BK | 4 | | |

| | | |
|---------------------------|--------------|-----------------|
| From L-031 To R-079 | Date:10/2022 | PAGE:H4-1806-10 |
| L.H. CONSOLE - BUS | | |

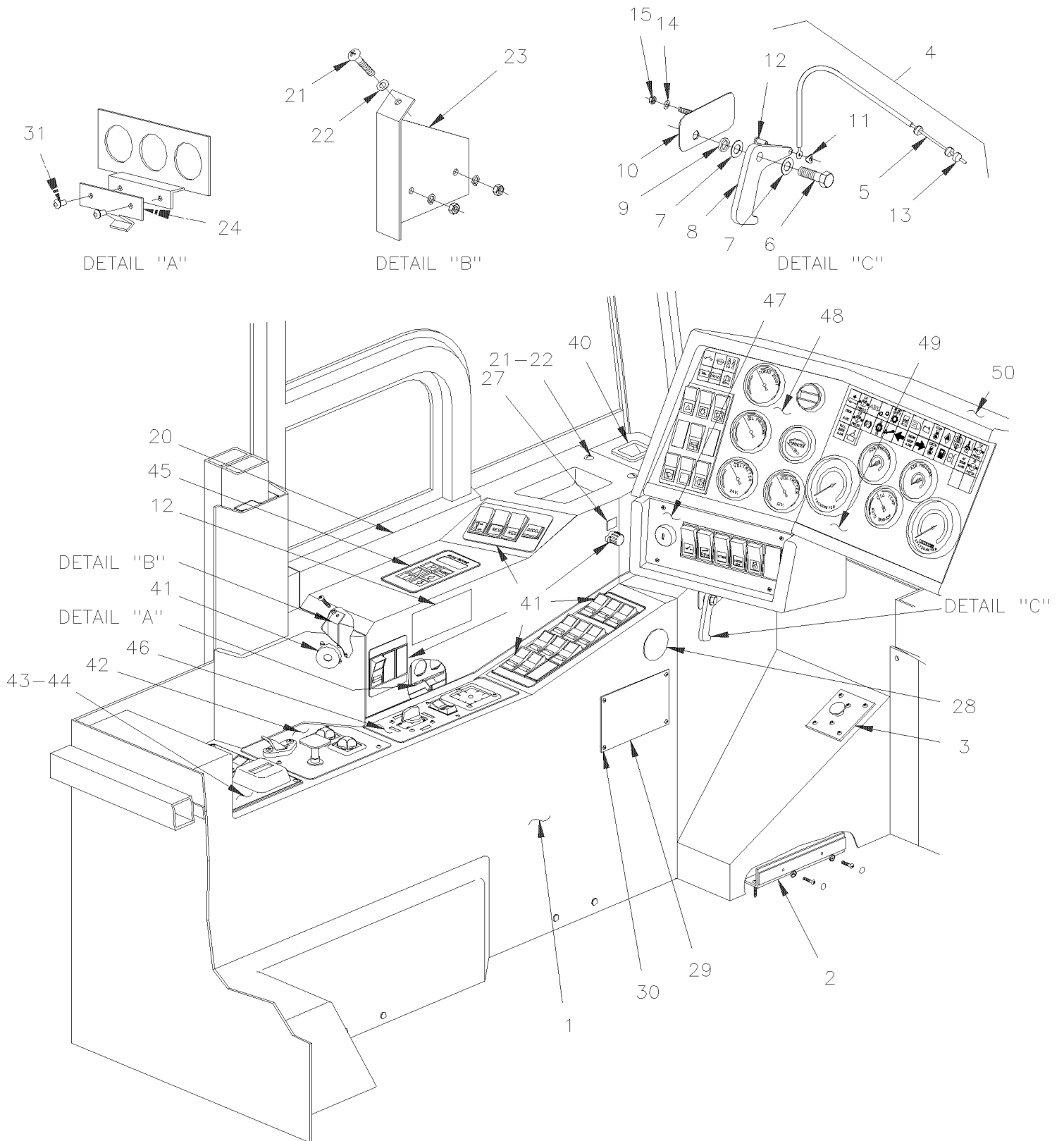
| Item# | Part | Description | H 3 4 0 | V I P 4 0 | N O T E S |
|-------|-------------------|--|------------------|-----------------------|-----------------------|
| NS | 509558 | WEATHERSEAL SNAP-ON 1/8" / SINGLE LIP / WH / C.T.L. | AR | | |
| NS | 506318 | TAPE DUAL LOCK 1" x 150' / BLACK SJ3541 | AR | | D |
| 41 | 064194 | HARNESS 12V | 1 | | |
| 42 | H4-2315-00 | AUDIO SYSTEM | | | |
| 43 | H4-0645-00 | SWITCHES L.H. CONSOLE - BUS | | | |
| 44 | 830124 | LAMP ASSY | 1 | | |
| NS | 391525 | RUBBER PLATE GASKET | 1 | | |
| NS | 562278 | BULB / 10WATT-24VOLTS / SAE# 6429 | 1 | | |
| 45 | 900527 | GLASS HOLDER | 1 | | |
| NS | 900788 | GLASS HOLDER | 1 | | |
| NS | 500862 | SCREW TC PAN PH #6-32x3/4 Z050 | 11 | | |
| NS | 504403 | SNAP CAP #8 FINISHING BLACK | 8 | | |
| NS | 504412 | WASHER RETAINER SNAP CAP #8 | 8 | | |
| 46 | H4-0755-15 | SHIFTER ELECTRONIC - "ATEC" TRANSMISSION | | | |
| NS | 391633 | TRAY / W/MANUAL TRANS ONLY | 1 | | |
| 47 | H4-0645-40 | L.H. & R.H. LOWER CENTRAL PANEL | | | |
| 48 | H4-0645-10 | L.H. DASHBOARD PANEL | | | |
| 49 | H4-0645-20 | CENTER DASHBOARD PANEL | | | |
| 50 | H4-1806-00 | DASHBOARD PANEL | | | |
| 60 | 506236 | TAPE RUB ADH1 CC POL 1/16" x 1/2" x 100' / GREY 2520 | AR | | |
| NS | 561821 | NUT, RING #17 & 20 / 1.500" I.D W/4 4-40 | 1 | | |
| NS | 500518 | SCREW MA BDG PH #4-40x1/2 Z050 | 4 | | |
| 61 | 506264 | TAPE RUB ADH1 URE 3/4" x 1" x 12.5' / GREY 1820X | AR | | |
| 62 | 506001 | TAPE RUB ADH1 CC POL 1/8" x 3/4" x 50' / GREY 2520X | AR | | |
| | | | | | |
| | | | | | |
| | | A) W/AIR DAMPER CONTROL | | | |
| | | B) S.L. | | | |
| | | C) DASH AND WINDOW FOR REFLECTOR | | | |
| | | D) TO FIX PANEL / C.T.L. | | | |

From L-031 To R-079

Date:10/2022

PAGE:H4-1806-15

L.H. CONSOLE - V.I.P.



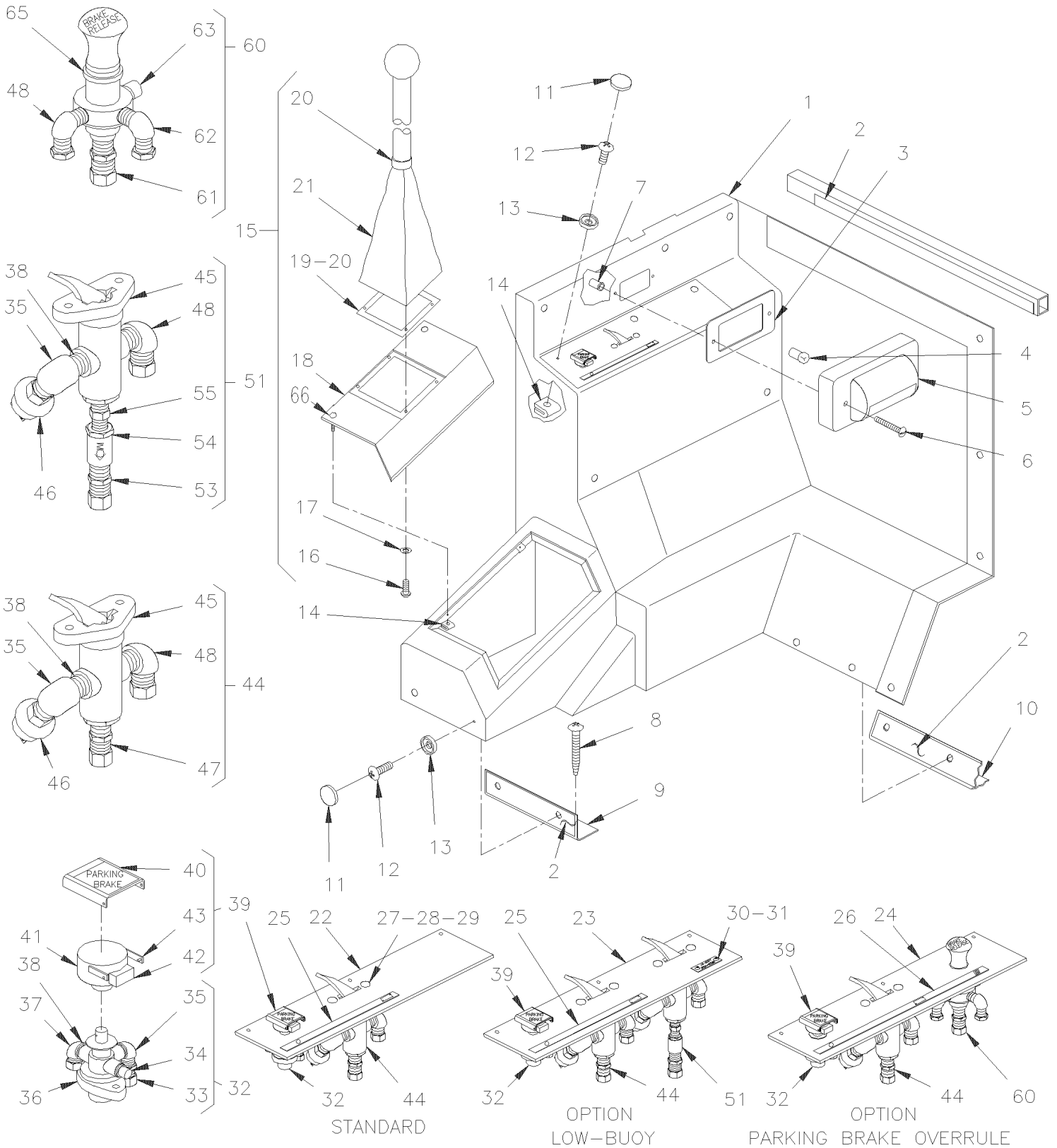
| | | |
|------------------------------|--------------|-----------------|
| From L-031 To R-079 | Date:10/2022 | PAGE:H4-1806-15 |
| L.H. CONSOLE - V.I.P. | | |

| Item# | Part | Description | H 3 4 0 | V I P 4 0 | N O T E S |
|-------|-------------------|---|------------------|-----------------------|-----------------------|
| 1 | 391340 | CONSOLE LOWER L.H. To N-181 | | 1 | |
| 1 | 391475 | CONSOLE LOWER L.H. From N-182 | | 1 | |
| 2 | 391066 | BRACKET ANGLE / TO FIX ITEM 40 ON THE FLOOR | | 2 | |
| NS | 500862 | SCREW TC PAN PH #6-32x3/4 Z050 | | 6 | |
| NS | 500495 | SCREW TP PAN PH #6x1 Z050 | | 9 | |
| 3 | 141454 | PLATE / W/O AIR HORN | | 1 | |
| NS | 500764 | NUT HEX #8-32 Z050 | | 6 | |
| NS | 500470 | WASHER LO SPT .193x.334x.047 Z050 | | 4 | |
| NS | 500873 | SCREW MA RND PH #8-32x3/4 SS BK | | 4 | |
| 4 | 372504 | LEVER ASSY | | 1 | |
| 5 | 372499 | . WIRE | | 1 | |
| 6 | 500181 | . SCREW CAP HEX 5/16-18x1 G5 Z050 | | 1 | |
| 7 | 504503 | . BUSHING, NYLON 5/16 DIA. | | 2 | |
| 8 | 372501 | . LEVER ASSY | | 1 | |
| 9 | 500441 | . WASHER FL .312x.734x.065 Z050 | | 1 | |
| 10 | 372503 | . SUPPORT ASSY | | 1 | |
| 11 | 500926 | . NUT SPR PO RND 3/16 | | 1 | |
| 12 | 504149 | . RIVET SOL BRAZ 3/16x1/2 AL | | 1 | |
| 13 | 505078 | STOPPER / W/ AIR DAMPER CONTROL | | 3 | |
| 14 | 502637 | WASHER FL .200x.437x.037 SS | | 2 | |
| 15 | 502679 | NUT HEX NYRT M4-0.7 ZP | | 2 | |
| 20 | 391272 | CONSOLE / REMOVABLE | | 1 | |
| 21 | 502521 | SCREW TC OV PH #8-32x1 BK | | 3 | |
| 22 | 502620 | WASHER FN CK .203x.531 BK | | 3 | |
| 23 | 391295 | BRACKET / TO FIX CONSOLE | | 1 | |
| 24 | 391009 | CLIP RETAINING | | 1 | |
| 25 | 810034 | CARPET OZITE / S.L. 12 FT WIDE | | AR | A |
| 26 | 391294 | BRACKET ANGLE | | 1 | |
| NS | 500981 | NUT SPR U #10-23/32x5/8 | | 2 | |
| NS | 500642 | SCREW TP PAN PH #10x3/4 Z050 | | 2 | |
| 27 | 402786 | DECAL / RHEOSTAT | | 1 | |
| 28 | 400270 | DECAL / CMVSS CANADA TRANSPORT | | 1 | |
| 29 | 403366 | PLATE / V.I.N. | | 1 | |
| 40 | 390944 | DEFLECTOR / AIR | | 1 | |
| 41 | H4-0645-05 | SWITCHES L.H. CONSOLE - V.I.P. | | | |
| 42 | H4-1212-00 | TAG AXLE CONTROL PLATE ASSY | | | |
| 43 | 391480 | LEXAN / LEVEL LOW / (AS SHOWN) | | 1 | |
| 44 | 391481 | CLOSING PLATE | | 1 | |
| 45 | H4-0755-15 | SHIFTER ELECTRONIC - "ATEC" TRANSMISSION | | | |
| 46 | H4-1640-10 | LEVEL-LOW - LEVEL & SWITCHES | | | |
| 47 | H4-0645-40 | L.H. & R.H. LOWER CENTRAL PANEL | | | |
| 48 | H4-0645-10 | L.H. DASHBOARD PANEL | | | |

| | | |
|-----------------------|--------------|-----------------|
| From L-031 To R-079 | Date:10/2022 | PAGE:H4-1806-15 |
| L.H. CONSOLE - V.I.P. | | |

| Item# | Part | Description | H 3 4 0 | V I P 4 0 | N O T E S |
|-------|------------|------------------------|------------------|-----------------------|-----------------------|
| 49 | H4-0645-20 | CENTER DASHBOARD PANEL | | | |
| 50 | H4-1806-00 | DASHBOARD PANEL | | | |
| | | | | | |
| | | | | | |
| | | A) S.L. | | | |

| | | |
|---|--------------|-----------------|
| From L-029 To R-079 | Date:10/2022 | PAGE:H4-1806-50 |
| R.H. CONSOLE - W/MANUAL TRANSMISSION | | |



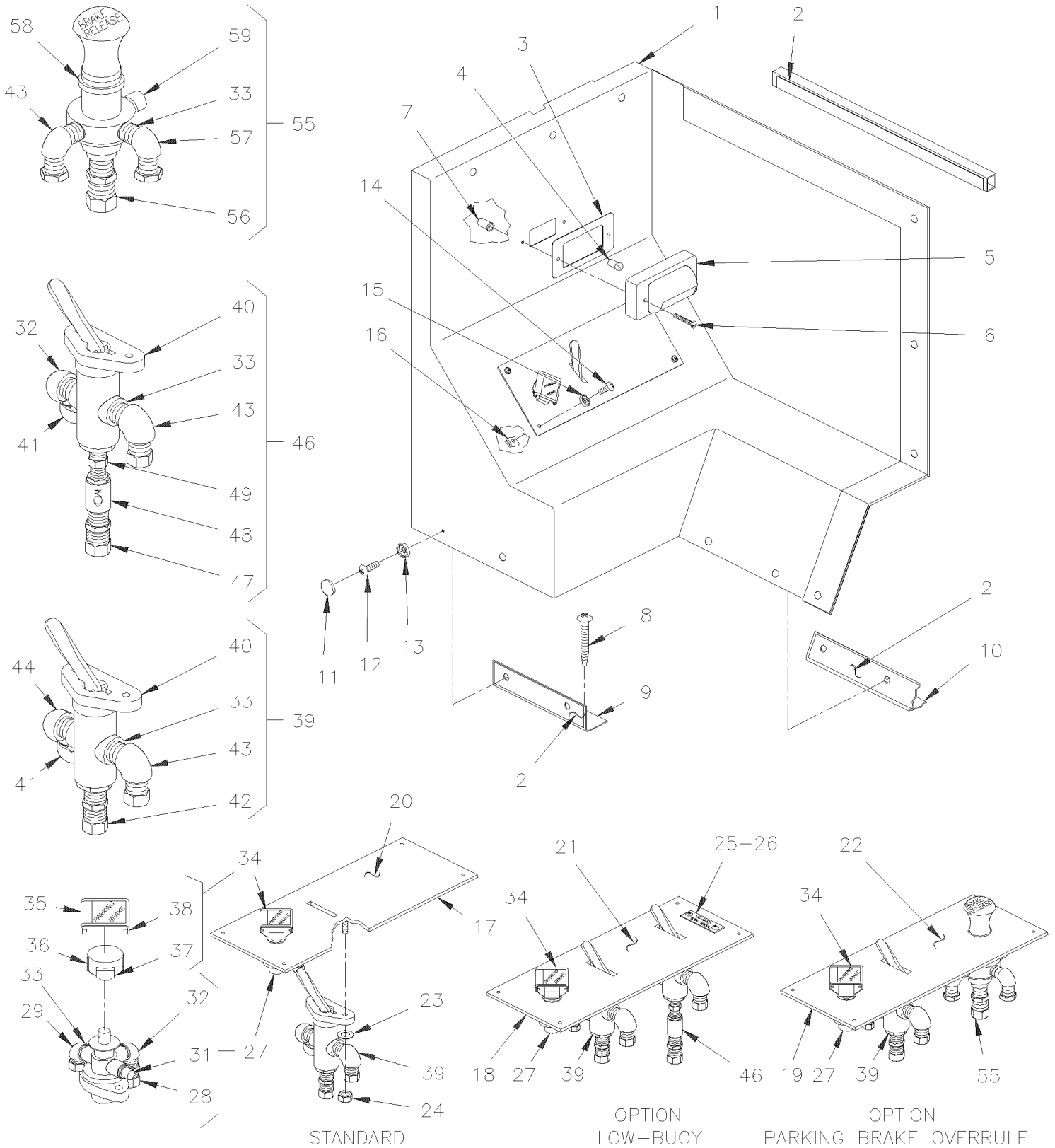
| | | |
|---|--------------|-----------------|
| From L-029 To R-079 | Date:10/2022 | PAGE:H4-1806-50 |
| R.H. CONSOLE - W/MANUAL TRANSMISSION | | |

| Item# | Part | Description | H 3 4 0 | V I P 4 0 | N O T E S |
|-------|--------|--|------------------|-----------------------|-----------------------|
| 1 | 391313 | CONSOLE FIBERGLASS / R.H. | 1 | | |
| 2 | 506001 | TAPE RUB ADH1 CC POL 1/8" x 3/4" x 50' / GREY 2520X | AR | | |
| 3 | 391525 | RUBBER PLATE GASKET | 1 | | |
| 4 | 562411 | BULB / 5WATT-24VOLTS / SAE # 6424 | 1 | | |
| 5 | 830124 | LAMP ASSY | 1 | | |
| 6 | 500580 | SCREW MA RND SLT #8-32x1/2 ZP | AR | | |
| 7 | 500678 | NUT WELL #8-32x.450 | AR | | A |
| 8 | 500495 | SCREW TP PAN PH #6x1 Z050 | AR | | |
| 9 | 391141 | ANGLE / LOWER FRONT | 1 | | |
| 10 | 391067 | ANGLE / LOWER REAR | 1 | | |
| 11 | 504403 | SNAP CAP #8 FINISHING BLACK | AR | | |
| 12 | 500862 | SCREW TC PAN PH #6-32x3/4 Z050 | AR | | |
| 13 | 504412 | WASHER RETAINER SNAP CAP #8 | AR | | |
| 14 | 500996 | NUT SPR U #6-32 .135-.150 | AR | | |
| 15 | 391462 | PANEL ASSY W/BOOT | 1 | | |
| 16 | 500650 | . SCREW TC PAN PH #6-32x3/8 ZP | AR | | |
| 17 | 502649 | . WASHER LO EXT .141x.320x.022 Z050 | AR | | |
| 18 | 391322 | . PANEL FIBERBLASS | 1 | | |
| NS | 391920 | . CONSOLE CAP R.H. / NORYL GRAY | 1 | | B |
| NS | 391926 | . COVER FINISHING / PLASTIC BLACK | 1 | | B |
| 19 | 391365 | . RETAINER RING | 1 | | |
| 20 | 680030 | . ADHESIVE ADCHEM #EC847 / 1 Liter | AR | | |
| 21 | 391364 | . BOOT COVERING / BLACK | 1 | | |
| 22 | 391318 | PANEL, REMOVABLE | 1 | | |
| 23 | 391492 | PANEL, REMOVABLE | 1 | | |
| 24 | 391318 | PANEL, REMOVABLE | 1 | | |
| 25 | 391378 | LEXAN | 1 | | |
| 26 | 391362 | LEXAN | 1 | | |
| 27 | 504400 | SNAP CAP #10 FINISHING BLACK | AR | | |
| 28 | 500572 | SCREW MA TR PH #10-24x1/2 SS BK | AR | | |
| 29 | 504399 | WASHER RETAINER SNAP CAP #10 | AR | | |
| 30 | 390280 | NAME PLATE, LOW-BUOY | 1 | | |
| 31 | 500647 | SCREW TC PAN PH #4-40x1/4 ZP | 2 | | |
| 32 | | PARKING BRAKE VALVE | 1 | | |
| 33 | 641018 | MALE CONNECTOR / NTA FITTING / #6x1/8NPT-M BR | 1 | | |
| 34 | 501304 | PLUG SQUARE HEAD / PIPE FITTING / 1/4NPT-M BR | 1 | | |
| 35 | 501331 | STREET ELBOW 90° / PIPE FITTING / 1/8NPT-Mx1/8NPT-F BR | 1 | | |
| 36 | 641128 | VALVE, CONTROL VALVE PP-1 / 40PSI | 1 | | |
| . NS | 641154 | . REPAIR KIT / PP-1 & RD-3 | 1 | | |
| 37 | 641371 | MALE ELBOW 90° NON-SWIVEL / PUSH-IN FITTING / #4x1/4NPT-M BR | 1 | | |
| 38 | 680098 | THREAD SEALANT LOCTITE #567 / WHITE / 250ml | AR | | |
| 39 | 391727 | PROTECTOR BOX ASSY / OVER PARKING BRAKE VALVE | 1 | | |

| | | |
|---|--------------|-----------------|
| From L-029 To R-079 | Date:10/2022 | PAGE:H4-1806-50 |
| R.H. CONSOLE - W/MANUAL TRANSMISSION | | |

| Item# | Part | Description | H 3 4 0 | V I P 4 0 | N O T E S |
|-------|--------|--|------------------|-----------------------|-----------------------|
| 40 | 391726 | . COVER / CLEAR PLASTIC | 1 | | |
| 41 | 391725 | . BOX | 1 | | |
| 42 | 506035 | . TAPE RUB ADH1 NEO 1/2" x 1" x 15' / BLACK 1220X | AR | | |
| 43 | 505221 | . SPRING, PIN 1/8 X 3/8 | 2 | | |
| 44 | | TAG AXLE CONTROL VALVE | 1 | | |
| 45 | 640136 | VALVE, CONTROL TW-1 | 1 | | |
| . NS | 641156 | . REPAIR KIT / TW-1 | 1 | | |
| NS | 391490 | SPACER / VALVE PLATE | 1 | | |
| 46 | 560816 | PRESSURE SWITCH N.C. 3PSI / 1/8NPT W/2 SCREWS | 1 | | |
| 47 | 641349 | MALE CONNECTOR / PUSH-IN FITTING / #6x1/8NPT-M BR | 1 | | |
| 48 | 641369 | MALE ELBOW 90° NON-SWIVEL / PUSH-IN FITTING / #4x1/8NPT-M BR | 1 | | |
| 51 | | LOW BUOY CONTROL VALVE | 1 | | |
| 53 | 641331 | MALE CONNECTOR / PUSH-IN FITTING / #6x1/4NPT-M BR | 1 | | |
| 54 | 640135 | VALVE, CHECK 1/4 NPT | 1 | | |
| 55 | 501310 | . ADAPTER / PIPE FITTING / 1/4NPT-Fx1/8NPT-M BR | 1 | | |
| 60 | | PARKING BRAKE OVERRULE CONTROL VALVE | 1 | | |
| 61 | 641242 | MALE CONNECTOR / PUSH-IN FITTING / #4x1/8NPT-M BR | 1 | | |
| 62 | 641370 | MALE ELBOW 90° NON-SWIVEL / PUSH-IN FITTING / #6x1/8NPT-M BR | 1 | | |
| 63 | 501303 | PLUG SQUARE HEAD / PIPE FITTING / 1/8NPT-M BR | 1 | | |
| 65 | 640472 | VALVE, CONTROL / RD-3 | 1 | | |
| . NS | 641154 | . REPAIR KIT / PP-1 & RD-3 | 1 | | |
| 65 | 330254 | BULB SOCKET ASSY W/TERMINAL / USE IN CONSOLE | 1 | | C |
| 65 | 560623 | BULB / 3.5WATT-24VOLTS / SAE# 313 | 1 | | C |
| 66 | 500862 | SCREW TC PAN PH #6-32x3/4 Z050 | 3 | 3 | |
| | | | | | |
| | | | | | |
| | | A) TO FIX LAMP | | | |
| | | B) WITH HYDRAULIC SHIFTER | | | |
| | | C) RELATED WITH LIGHT INSIDE OF CONSOLE | | | |

| | | |
|--|--------------|-----------------|
| From L-029 To R-079 | Date:10/2022 | PAGE:H4-1806-55 |
| R.H. CONSOLE - W/AUTOMATIC TRANSMISSION | | |



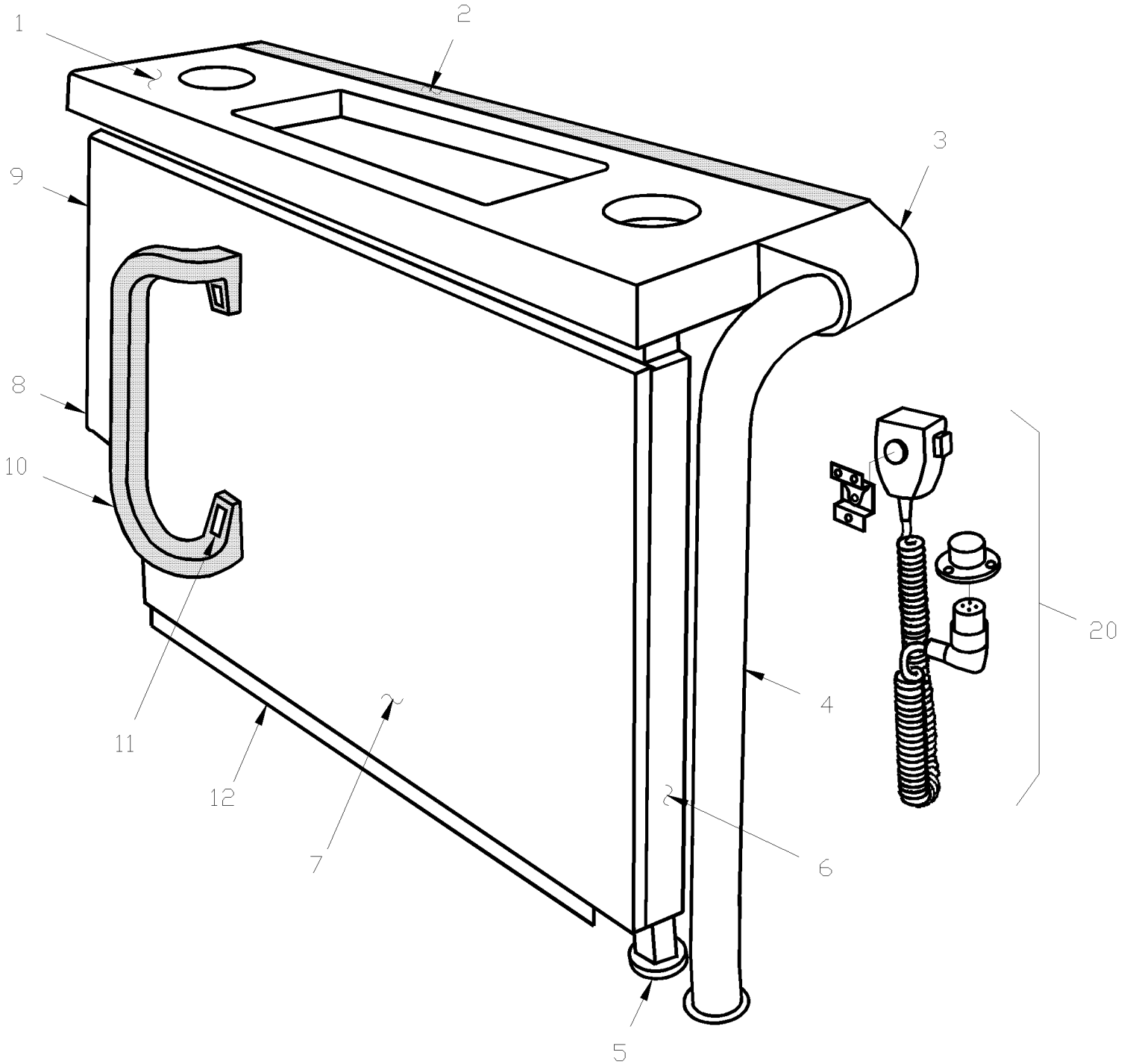
| | | |
|--|--------------|-----------------|
| From L-029 To R-079 | Date:10/2022 | PAGE:H4-1806-55 |
| R.H. CONSOLE - W/AUTOMATIC TRANSMISSION | | |

| Item# | Part | Description | H 3 4 0 | V I P 4 0 | N O T E S |
|-------|--------|--|------------------|-----------------------|-----------------------|
| 1 | 391036 | CONSOLE FIBERGLASS | 1 | | |
| 2 | 506001 | TAPE RUB ADH1 CC POL 1/8" x 3/4" x 50' / GREY 2520X | AR | | |
| 3 | 391525 | RUBBER PLATE GASKET | 1 | | |
| 4 | 562411 | BULB / 5WATT-24VOLTS / SAE # 6424 | 1 | | |
| 5 | 830124 | LAMP ASSY | 1 | | |
| 6 | 500580 | SCREW MA RND SLT #8-32x1/2 ZP | 2 | | |
| 7 | 500678 | NUT WELL #8-32x.450 | 2 | | |
| 8 | 500495 | SCREW TP PAN PH #6x1 Z050 | AR | | |
| 9 | 391141 | ANGLE / LOWER FRONT | 1 | | |
| 10 | 391064 | ANGLE / LOWER REAR | 1 | | |
| 11 | 504403 | SNAP CAP #8 FINISHING BLACK | AR | | |
| 12 | 500862 | SCREW TC PAN PH #6-32x3/4 Z050 | AR | | |
| 13 | 504412 | WASHER RETAINER SNAP CAP #8 | AR | | |
| 14 | 500814 | SCREW TP BDG PH #6x3/4 BK | AR | | |
| 15 | 500345 | WASHER FN CKF .187x.500x.090 BR BK | AR | | |
| 16 | 500996 | NUT SPR U #6-32 .135-.150 | AR | | |
| 17 | 391324 | PLATE / STANDARD | 1 | | |
| 18 | 391487 | PLATE / STANDARD | 1 | | |
| 19 | 391327 | PLATE / W/OVERRULE PARKING BRAKE VALVE | 1 | | |
| 20 | 391331 | LEXAN / W/STD | 1 | | |
| 21 | 391326 | LEXAN / W/STD | 1 | | |
| 22 | 391330 | LEXAN / W/OVERRULE PARKING BRAKE VALVE | 1 | | |
| 23 | 500591 | WASHER FL 4.3x9.0x0.8 Z050 | AR | | |
| 24 | 500590 | NUT HEX NYRT M4-0.7 Z050 | AR | | |
| 25 | 390280 | NAME PLATE, LOW-BUOY | 1 | | |
| 26 | 500647 | SCREW TC PAN PH #4-40x1/4 ZP | 2 | | |
| 27 | | PARKING BRAKE VALVE | 1 | | |
| 28 | 641018 | MALE CONNECTOR / NTA FITTING / #6x1/8NPT-M BR | 1 | | |
| 29 | 641371 | MALE ELBOW 90° NON-SWIVEL / PUSH-IN FITTING / #4x1/4NPT-M BR | 1 | | |
| 30 | 641128 | VALVE, CONTROL VALVE PP-1 / 40PSI | 1 | | |
| . NS | 641154 | . REPAIR KIT / PP-1 & RD-3 | 1 | | |
| 31 | 501304 | PLUG SQUARE HEAD / PIPE FITTING / 1/4NPT-M BR | 1 | | |
| 32 | 501331 | STREET ELBOW 90° / PIPE FITTING / 1/8NPT-Mx1/8NPT-F BR | 1 | | |
| 33 | 680098 | THREAD SEALANT LOCTITE #567 / WHITE / 250ml | AR | | |
| 34 | 391727 | PROTECTOR BOX ASSY / OVER PARKING BRAKE VALVE | 1 | | |
| 35 | 391726 | . COVER / CLEAR PLASTIC | 1 | | |
| 36 | 391725 | . BOX | 1 | | |
| 37 | 506035 | . TAPE RUB ADH1 NEO 1/2" x 1" x 15' / BLACK 1220X | AR | | |
| 38 | 505221 | . SPRING, PIN 1/8 X 3/8 | 1 | | |
| 39 | | TAG AXLE CONTROL VALVE | 1 | | |
| 40 | 640136 | VALVE, CONTROL TW-1 | 1 | | |
| . NS | 641156 | . REPAIR KIT / TW-1 | 1 | | |

| | | |
|--|--------------|-----------------|
| From L-029 To R-079 | Date:10/2022 | PAGE:H4-1806-55 |
| R.H. CONSOLE - W/AUTOMATIC TRANSMISSION | | |

| Item# | Part | Description | H 3 4 0 | V I P 4 0 | N O T E S |
|-------|--------|--|------------------|-----------------------|-----------------------|
| 41 | 560816 | PRESSURE SWITCH N.C. 3PSI / 1/8NPT W/2 SCREWS | 1 | | |
| 42 | 641349 | MALE CONNECTOR / PUSH-IN FITTING / #6x1/8NPT-M BR | 1 | | |
| 43 | 641369 | MALE ELBOW 90° NON-SWIVEL / PUSH-IN FITTING / #4x1/8NPT-M BR | 1 | | |
| 44 | 501331 | STREET ELBOW 90° / PIPE FITTING / 1/8NPT-Mx1/8NPT-F BR | 1 | | |
| 46 | | LOW-BUOY CONTROL VALVE | 1 | | |
| 47 | 641331 | MALE CONNECTOR / PUSH-IN FITTING / #6x1/4NPT-M BR | 1 | | |
| 48 | 640135 | VALVE, CHECK 1/4 NPT | 1 | | |
| 49 | 501310 | ADAPTER / PIPE FITTING / 1/4NPT-Fx1/8NPT-M BR | 1 | | |
| 55 | | PARKING BRAKE OVERRULE CONTROL VALVE | 1 | | |
| 56 | 641242 | MALE CONNECTOR / PUSH-IN FITTING / #4x1/8NPT-M BR | 1 | | |
| 57 | 641370 | MALE ELBOW 90° NON-SWIVEL / PUSH-IN FITTING / #6x1/8NPT-M BR | 1 | | |
| 58 | 640472 | VALVE, CONTROL / RD-3 | 1 | | |
| . NS | 641154 | . REPAIR KIT / PP-1 & RD-3 | 1 | | |
| 59 | 501303 | PLUG SQUARE HEAD / PIPE FITTING / 1/8NPT-M BR | 1 | | |
| NS | 330254 | BULB SOCKET ASSY W/TERMINAL / USE IN CONSOLE | 2 | | A |
| NS | 560623 | BULB / 3.5WATT-24VOLTS / SAE# 313 | 2 | | A |
| | | | | | |
| | | | | | |
| | | | | | |
| | | A) THOSE ITEM ARE RELATED WITH LIGHT INSIDE OF CONSOLE | | | |

| | | |
|---------------------|--------------|-----------------|
| From L-031 To R-079 | Date:10/2022 | PAGE:H4-1810-00 |
| MODESTY PANEL R.H. | | |



| | | |
|----------------------------|---------------------|------------------------|
| From L-031 To R-079 | Date:10/2022 | PAGE:H4-1810-00 |
| MODESTY PANEL R.H. | | |

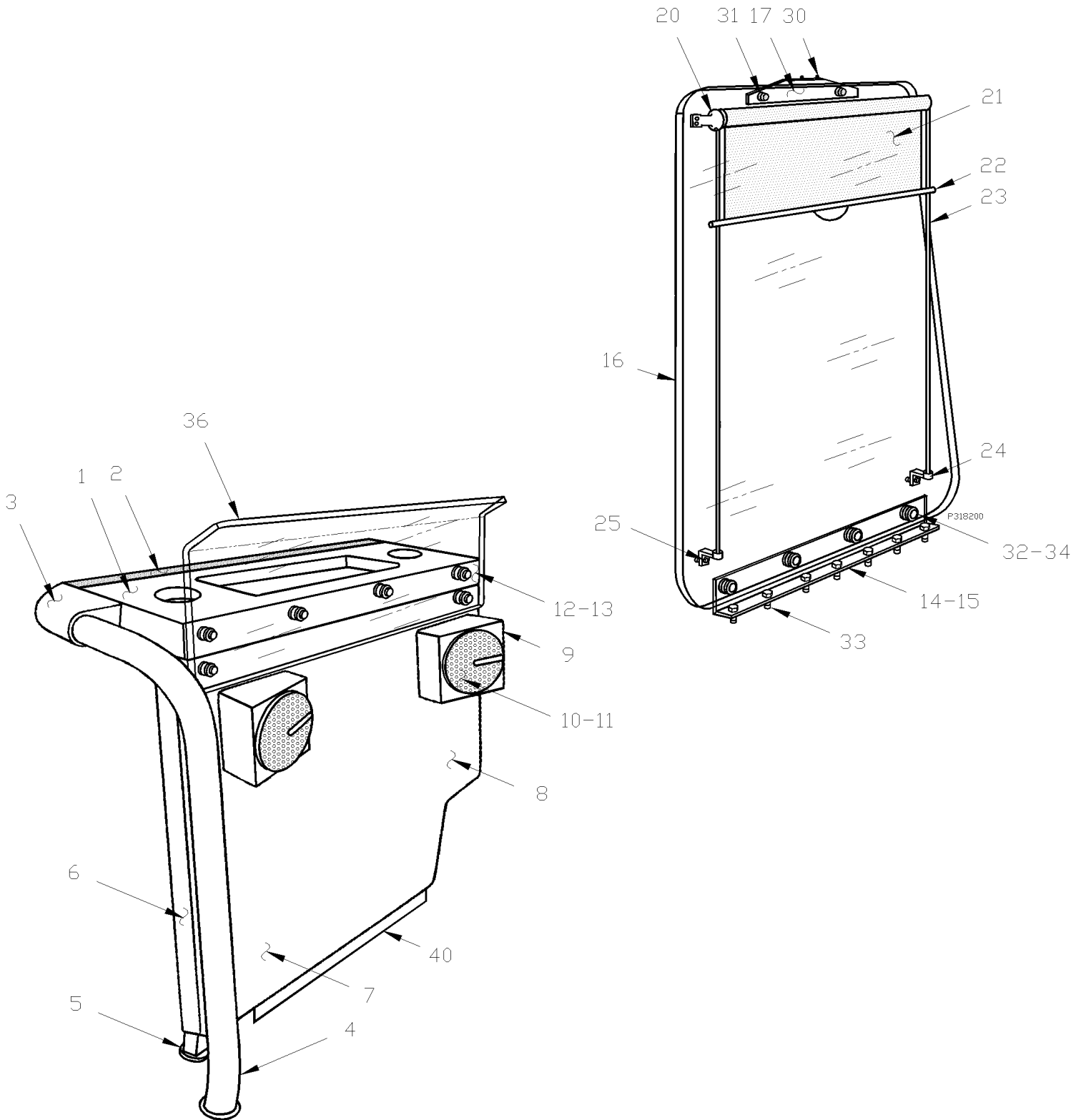
| Item# | Part | Description | H 3 4 0 | V I P 4 0 | N O T E S |
|-------|-------------------|---|------------------|-----------------------|-----------------------|
| 1 | 322461 | TOP To L-049 | 1 | | |
| 1 | 323757 | TOP From L-050 | 1 | | |
| 1 | 322459 | TOP / WASHTRAY To L-049 | 1 | | |
| 1 | 323764 | TOP / WASHTRAY From L-050 | 1 | | |
| NS | 900518 | ASHTRAY | 1 | | |
| 2 | 322458 | MOULDING RUBBER | 1 | | |
| NS | 322574 | SPACER | 4 | | |
| NS | 500440 | WASHER FL .250x.562x.065 Z050 | 4 | | |
| NS | 500536 | SCREW TP HEXW SLT #14x1 ZP | 4 | | |
| 3 | 322729 | SUPPORT To S-106 | 1 | | |
| NS | 322455 | SUPPORT From S-107 | 1 | | |
| NS | 500338 | SCREW CAP HEXS M10-1.5x20 ZP | 4 | | |
| 4 | 322578 | HANDRAIL ASSY To M-076 | 1 | | |
| 4 | 323742 | HANDRAIL ASSY From M-077 | 1 | | |
| NS | 502634 | SCREW SET HEXS CUP M6-1.0x6 | 4 | | |
| 5 | 322603 | STRUCTURE ASSY | 1 | | |
| NS | 5001003 | WASHER LO SPT 8.1x12.7x2.0 Z050 | 6 | | A |
| NS | 500544 | SCREW CAP HEX M8-1.25x30 G8.8 Z050 | 6 | | |
| 6 | 322604 | PANEL INSIDE | 1 | | |
| NS | 500642 | SCREW TP PAN PH #10x3/4 Z050 | 6 | | B |
| 7 | 322605P | PANEL ASSY / SPECIFY COLOR | 1 | | |
| NS | 502632 | NUT TEE M6-1.0 | 1 | | |
| 8 | 323185 | RENFORT / TO FIX ITEM 7 TO DUCT | 1 | | |
| NS | 502622 | SCREW CAP HEX M6-1.0x20 SS BK | 6 | | |
| NS | 502564 | WASHER LO SPT 6.1x11.8x1.6 Z050 | AR | | |
| NS | 500609 | NUT HEX M6-1.0 Z050 | AR | | |
| NS | 502568 | SCREW MA PAN PH M6-1.0x20 EMN | AR | | |
| 9 | 322573 | BRACKET ASSY / TO FIX ITEM #5 TO WALL | 1 | | |
| NS | 502569 | SCREW MA PAN PH M6-1.0x16 BK | 5 | | |
| 10 | 900489 | HANDLE | 1 | | |
| 11 | 900490 | CAP / W/HANDLE | 2 | | |
| NS | 500865 | SCREW TP PAN PH #12x1 1/2 Z050 | 4 | | |
| NS | 502689 | NUT HEX M3.5-0.6 NP | 4 | | |
| 12 | 323902 | PROTECTOR PANEL SS | 1 | | |
| NS | 506493 | TAPE DUAL LOCK 1/2" x 150' / BLACK SJ3541 | AR | | |
| 13 | H4-1812-00 | MODESTY PANEL L.H. | | | |
| 20 | H4-2315-00 | AUDIO SYSTEM | | | |
| | | | | | |
| | | | | | |
| | | | | | |
| | | A) TO FIX ITEM 7# TO FLOOR | | | |
| | | B) TO FIX INSIDE PANEL | | | |

From L-031 To R-079

Date:10/2022

PAGE:H4-1812-00

MODESTY PANEL L.H.



| | | |
|---------------------------|--------------|-----------------|
| From L-031 To R-079 | Date:10/2022 | PAGE:H4-1812-00 |
| MODESTY PANEL L.H. | | |

| Item# | Part | Description | H 3 4 0 | V I P 4 0 | N O T E S |
|-------|-------------------|---|------------------|-----------------------|-----------------------|
| 1 | 322608 | TOP To L-049 | 1 | | |
| 1 | 323756 | TOP From L-050 | 1 | | |
| 1 | 322460 | TOP / WASHTRAY To L-049 | 1 | | |
| 1 | 323765 | TOP / WASHTRAY From L-050 | 1 | | |
| NS | 900518 | ASHTRAY | 1 | | |
| 2 | 322458 | MOULDING RUBBER | 1 | | |
| NS | 500536 | SCREW TP HEXW SLT #14x1 ZP | 4 | | |
| NS | 500440 | WASHER FL .250x.562x.065 Z050 | 4 | | |
| NS | 322574 | SPACER | 4 | | |
| 3 | 322729 | SUPPORT | 1 | | |
| NS | 500338 | SCREW CAP HEXS M10-1.5x20 ZP | 4 | | |
| 4 | 322575 | HANDRAIL ASSY To M-076 | 1 | | |
| 4 | 323741 | HANDRAIL ASSY From M-077 | 1 | | |
| 5 | 322602 | STRUCTURE ASSY | 1 | | |
| 6 | 322607 | PANEL / INSIDE | 1 | | |
| NS | 500642 | SCREW TP PAN PH #10x3/4 Z050 | 6 | | A |
| 7 | Call order desk | PANEL ASSY / SPECIFY COLOR | 1 | | P |
| 9 | 403205 | SUPPORT / DRIVER'S SPEAKER | 2 | | |
| NS | 500540 | SCREW TP CAP HEX 5/16x1/4 ZP | AR | | |
| NS | 500643 | SCREW TP PAN PH #12x3/4 Z050 | AR | | B |
| 10 | H4-2315-00 | AUDIO SYSTEM | | | |
| 11 | H4-2315-00 | AUDIO SYSTEM | | | |
| NS | 502811 | NUT SPR J #8A-B .168-.198 | 4 | | |
| NS | 500360 | SCREW TP FL PH #8x1 1/4 BK | 4 | | |
| 13 | 322573 | BRACKET ASSY / TO FIX ITEM #5 TO WALL | 1 | | |
| 14 | 322592 | BRACKET ANGLE | 1 | | |
| 15 | 322652 | SPACER / 1 & 5 W/LONG PLEXIGLASS | 1 | | |
| 16 | 323874 | PLEXIGLASS / LARGE / TINTED | 1 | | |
| 16 | 322591 | PLEXIGLASS / LARGE / CLEAR | 1 | | |
| 17 | 322590 | BRACKET ANGLE | 1 | | |
| 20 | 900478 | BEARING HOLDER / R.H. / BLACK CASTING | 1 | | |
| NS | 322654 | REINFORCEMENT | 2 | | |
| NS | 502666 | SCREW MA FL PH #6-32x3/4 SS BK | 4 | | |
| NS | 500689 | NUT HEX #6-32 Z050 | 4 | | |
| 21 | 900596 | BLIND ROLLER / CHARCOAL / 600MM | 1 | | |
| 22 | 900597 | . GUIDING PLUG / EACH END OF BLIND | 2 | | |
| 23 | 401898 | ROD, 29" | 2 | | |
| 24 | 900476 | ROD HOLDER 90° / BLACK PLASTIC 30MM C/L | 2 | | |
| 25 | 502612 | SCREW MA RND PH #6-32x1 Z050 | 2 | | |
| NS | 500465 | WASHER FN CKF .278x.729x.119 SS | 4 | | |
| 30 | 500416 | SCREW MA PAN PH #10-32x1/2 BK | 4 | | |
| NS | 500440 | WASHER FL .250x.562x.065 Z050 | AR | | |

| | | |
|---------------------------|--------------|-----------------|
| From L-031 To R-079 | Date:10/2022 | PAGE:H4-1812-00 |
| MODESTY PANEL L.H. | | |

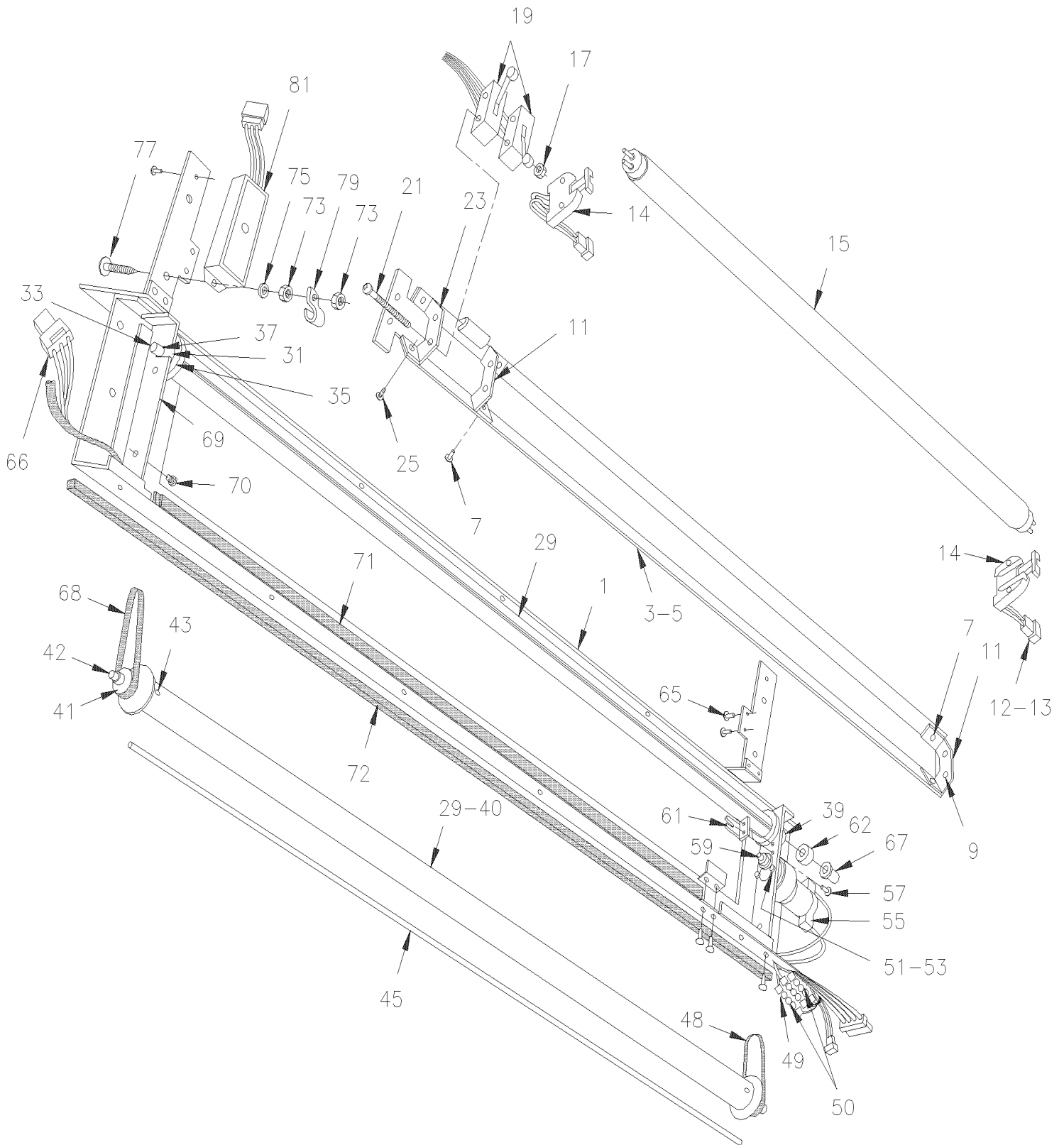
| Item# | Part | Description | H 3 4 0 | V I P 4 0 | N O T E S |
|-------|--------|--|------------------|-----------------------|-----------------------|
| 31 | 900251 | BUSHING, RUBBER | 1 | | |
| NS | 504412 | WASHER RETAINER SNAP CAP #8 | AR | | |
| NS | 504403 | SNAP CAP #8 FINISHING BLACK | AR | | |
| NS | 400380 | SPACER 5/16 O.D. x 17/32" x 18GA | 6 | | |
| 31 | 505539 | SPACER 5/16 O.D. x 17/32" x 18GA | 6 | | |
| NS | 504399 | WASHER RETAINER SNAP CAP #10 | AR | | |
| NS | 504400 | SNAP CAP #10 FINISHING BLACK | 6 | | |
| NS | 500700 | NUT HEX #10-32 Z050 | AR | | |
| NS | 500989 | WASHER FL .219x.875x.062 Z050 | AR | | |
| NS | 502504 | SCREW MA BDG PH #10-32x1 SS | AR | | |
| 32 | 502666 | SCREW MA FL PH #6-32x3/4 SS BK | 4 | | |
| 33 | 500414 | SCREW TP BDG PH #10x3/4 SS | 7 | | |
| NS | 502759 | WASHER FL .218x.875x.062 SS | 1 | | |
| 35 | 502745 | SCREW TP BDG PH #10x1 1/4 ZP | 6 | | |
| 36 | 323172 | PLEXIGLASS / SMALL / CLEAR W/30° ANGLE | 1 | | |
| 36 | 324555 | PLEXIGLASS / SMALL / TINTED W/75° ANGLE | 1 | | |
| 36 | 325228 | PLEXIGLASS / SMALL / TINTED W/30° & 60° ANGLE | 1 | | |
| 40 | 323902 | PROTECTOR PANEL SS | 1 | | |
| NS | 500544 | SCREW CAP HEX M8-1.25x30 G8.8 Z050 | 6 | | |
| NS | 502634 | SCREW SET HEXS CUP M6-1.0x6 | AR | | |
| | | | | | |
| | | | | | |
| | | A) TO FIX INSIDE PANE | | | |
| | | B) TO FIX ITEM 9 TO 7 | | | |
| | | P) CALL ORDER DESK FOR SPECIFIC APPLICATION (V.I.N.) | | | |

From L-031 To R-079

Date:10/2022

PAGE:H4-1814-01

DESTINATION SIGN - ELECTRICAL



| | | |
|--------------------------------------|--------------|-----------------|
| From L-031 To R-079 | Date:10/2022 | PAGE:H4-1814-01 |
| DESTINATION SIGN - ELECTRICAL | | |

| Item# | Part | Description | H 3 4 0 | V I P 4 0 | N O T E S |
|-------|---------|--|------------------|-----------------------|-----------------------|
| | 440241P | DESTINATION SIGN ASSY | 1 | | |
| 1 | 440244 | . FRAME ASSY | 1 | | |
| 3 | 440237 | . SUPPORT ASSY / TO FIX FLUORESCENT TUBE & ACCESSORIES | 1 | | |
| 5 | 440240 | . REFLECTOR | 1 | | |
| 7 | 504114 | . RIVET POP DOME OE 3/16x1/4 AL | 4 | | |
| 9 | 500518 | . SCREW MA BDG PH #4-40x1/2 Z050 | 4 | | |
| 11 | 440227 | . BRACKET / TO FIX BIPIN HOLDER | 2 | | |
| 12 | 560900 | . CONNECTOR / COM. MATE-N-LOCK / PH 2C / AMP 1-480319-0 | 2 | | |
| 13 | 560853 | . PIN TERMINAL / 24-18 / AMP 60618-1 | 4 | | |
| 14 | 830101 | . SOCKET / BIPIN HOLDER | 2 | | |
| 15 | 830120 | . TUBE / 30WATT / F30T8CW4 - 30"/ G13 MED BIPIN | 1 | | |
| 17 | 502717 | . NUT HEX NYRT #6-32 ZP | 4 | | |
| 19 | 561109 | . MICRO SWITCH | 2 | | |
| 21 | 502718 | . SCREW MA PAN PH #6-32x2 ZP | 2 | | |
| 23 | 440236 | . BRACKET / TO FIX MICROSWITCH | 1 | | |
| 25 | 500148 | . SCREW MA RND PH #6-32x1/2 SS | 2 | | |
| NS | 506338 | . RUBBER CHANNEL / 1/16" x 1/4" INT "U" SHAPE / ROUND C.T.L. | AR | | |
| NS | 440238 | . ROLLER ASSY | 1 | | |
| 29 | 440195 | . ROLLER | 1 | | |
| 31 | 940030 | . PULLEY | 1 | | |
| 33 | 440225 | . ROD | 1 | | |
| NS | 440252 | . SPRING EXTENSION / .500 O.D. x 10.562 x .054 | 1 | | |
| NS | 505407 | . SPRING, PIN 1/8 x 1/2 SS | 1 | | |
| 35 | 440255 | . GUIDE ASSY | 1 | | |
| 37 | 500440 | . WASHER FL .250x.562x.065 Z050 | 1 | | |
| 39 | 440254 | . GUIDE ASSY | 1 | | |
| NS | 504006 | . RIVET POP CK OE 1/8x5/16 AL | 2 | | |
| NS | 440239 | . ROLLER ASSY | 1 | | |
| 40 | 440195 | . ROLLER | 1 | | |
| 41 | 940030 | . PULLEY | 2 | | |
| 42 | 440254 | . GUIDE ASSY | 2 | | |
| 43 | 504006 | . RIVET POP CK OE 1/8x5/16 AL | 2 | | |
| 45 | 440213 | . ROD / TO FIX CURTAIN | 2 | | |
| NS | 440250P | . CURTAIN / TO PRINT NAMES / SPECIFIED NAMES | 1 | | A |
| NS | 940023 | . CURTAIN WHITE / S.L. | AR | | |
| 48 | 940033 | . BELT / 80TH | 1 | | |
| 49 | 062807 | . RESISTOR ASSY 82 OHMS 2 W | 1 | | |
| 49 | 562108 | . RESISTOR / 82 OHMS / 2 W | 2 | | |
| 49 | 561539 | . TAB RECEPTACLE TERMINAL INSUL. NYLON / 16 / AMP 3-520141-2 | 2 | | |
| 49 | 561761 | . SHRINK TUBING / .750" - .375" / BLACK / ALPHA FIT-221-3/4-4B | AR | | |
| 50 | 062339 | . DIODE ASSY | 2 | | |
| 50 | 561904 | . TAB TERMINAL INSULATION NYLON / 22-18 / AMP 2-520103-2 | 1 | | |

| | | |
|--------------------------------------|--------------|-----------------|
| From L-031 To R-079 | Date:10/2022 | PAGE:H4-1814-01 |
| DESTINATION SIGN - ELECTRICAL | | |

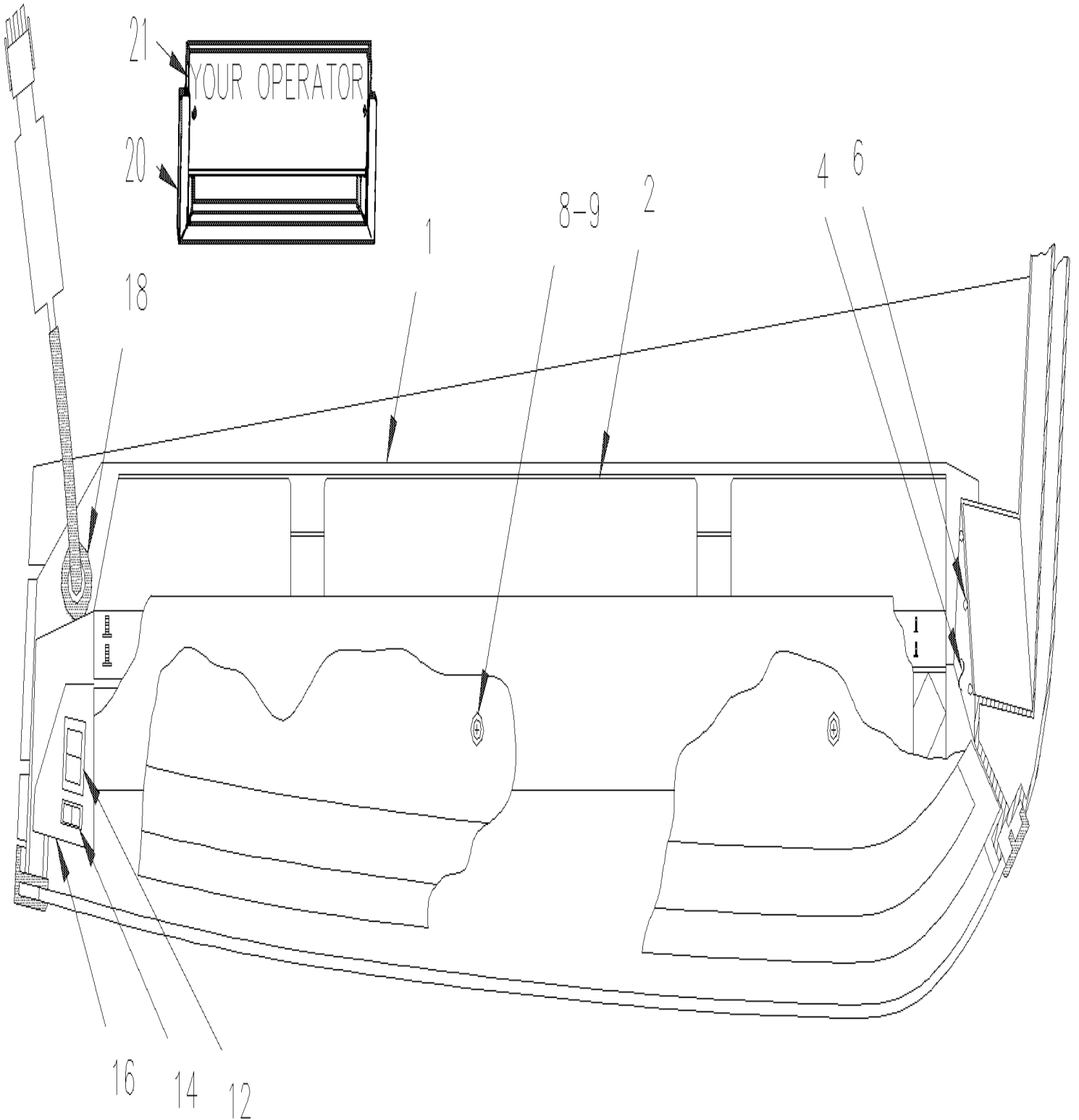
| Item# | Part | Description | H 3 4 0 | V I P 4 0 | N O T E S |
|-------|--------|--|------------------|-----------------------|-----------------------|
| 50 | 560931 | . DIODE / 3AMPS | 1 | | |
| 50 | 561626 | . TAB RECEPTACLE TERMINAL INSUL. NYLON / 22 / AMP 2-520264-4 | 1 | | |
| 50 | 560785 | . SHRINK TUBING / .375" - .187" / BLACK / ALPHA FIT-300-3/8-4B | AR | | |
| 51 | 502724 | . SCREW CAP HEX #10-32x1/4 BZC | 2 | | |
| 53 | 500240 | . WASHER LO EXT .195x.410x.025 Z050 | 2 | | |
| 55 | 940031 | . MOTOR | 1 | | |
| 57 | 504103 | . RIVET POP DOME OE 1/8x1/8 AL | 2 | | |
| 59 | 440249 | . PULLEY MOTOR | 1 | | |
| 61 | 440224 | . BRACKET | 1 | | |
| 62 | 440220 | . SPACER | 1 | | |
| 65 | 504114 | . RIVET POP DOME OE 3/16x1/4 AL | 4 | | |
| 66 | 062810 | . CABLE / FROM DESTINATION SIGN TO HARNESS | 1 | | |
| 67 | 507138 | . BUSHING, NYLINER W/SHOULDER (4-L-4-F) | 4 | | |
| 68 | 940032 | . BELT / 128TH | 1 | | |
| 69 | 440222 | . PLATE | 1 | | |
| 70 | 500417 | . SCREW TP PAN PH #6x3/8 Z050 | 2 | | |
| 71 | 506071 | . TAPE RUB ADH1 CC POL 1/8" x 1/2" x 50' / GREY 2520X | AR | | |
| 72 | 506268 | . TAPE RUB ADH1 URE 3/8" x 1/2" x 25' / GREY 1820 | AR | | |
| 73 | 500786 | . NUT HEX #10-24 Z050 | 3 | | |
| 75 | 500964 | . WASHER FL .203x.500x.047 Z050 | 2 | | |
| 77 | 500387 | . SCREW MA RND PH #10-24x3/4 Z050 | 2 | | |
| 79 | 560479 | . CLAMP / 3/8" I.D. | 1 | | |
| 81 | 330236 | . BALLAST ASSY / 24 VOLTS | 1 | | |
| 81 | 830121 | . BALLAST / 24 VOLTS | 1 | | |
| 81 | 561667 | . CONNECTOR / UNIVERSAL MATE-N-LOK / PH 3C / AMP 1-480701-0 | 1 | | |
| 81 | 561513 | . PIN TERMINAL / 20-14 / AMP 350538-3 | 3 | | |
| 81 | 504273 | . CABLE TIE / 1/8" X 3"1/2 | AR | | |
| | | FOLLOWING PARTS ARE RELATED TO | | | |
| | | ELECTRONIC DESTINATION SIGN INSTALLATION | | | |
| NS | 940034 | DESTINATION SIGN ASSY | | | |
| NS | 440280 | ANGLE RETAINER L.H. | | | |
| NS | 440281 | ANGLE RETAINER R.H. | | | |
| NS | 440277 | SUPPORT / L.H. | | | |
| NS | 440282 | SUPPORT R.H. | | | |
| NS | 440283 | CONTROL BOX (IN PARCEL RACK R.H.) | | | |
| NS | 940037 | CABLE FLAT / CONTROL BOX & SIGN | | | |
| NS | 940035 | . KEYLESS BOARD | | | |
| | | | | | |
| | | | | | |
| | | | | | |

| | | | |
|---------------------|--|--------------|-----------------|
| From L-031 To R-079 | | Date:10/2022 | PAGE:H4-1814-01 |
|---------------------|--|--------------|-----------------|

DESTINATION SIGN - ELECTRICAL

| Item# | Part | Description | H 3 4 0 | V I P 4 0 | N O T E S |
|-------|------|---------------------------------|------------------|-----------------------|-----------------------|
| | | A) NOT INCLUDE IN ASSY #440241P | | | |

| | | |
|---------------------------------|--------------|-----------------|
| From L-031 To R-079 | Date:10/2022 | PAGE:H4-1814-05 |
| DESTINATION SIGN - INSTALLATION | | |



| | | |
|--|--------------|-----------------|
| From L-031 To R-079 | Date:10/2022 | PAGE:H4-1814-05 |
| DESTINATION SIGN - INSTALLATION | | |

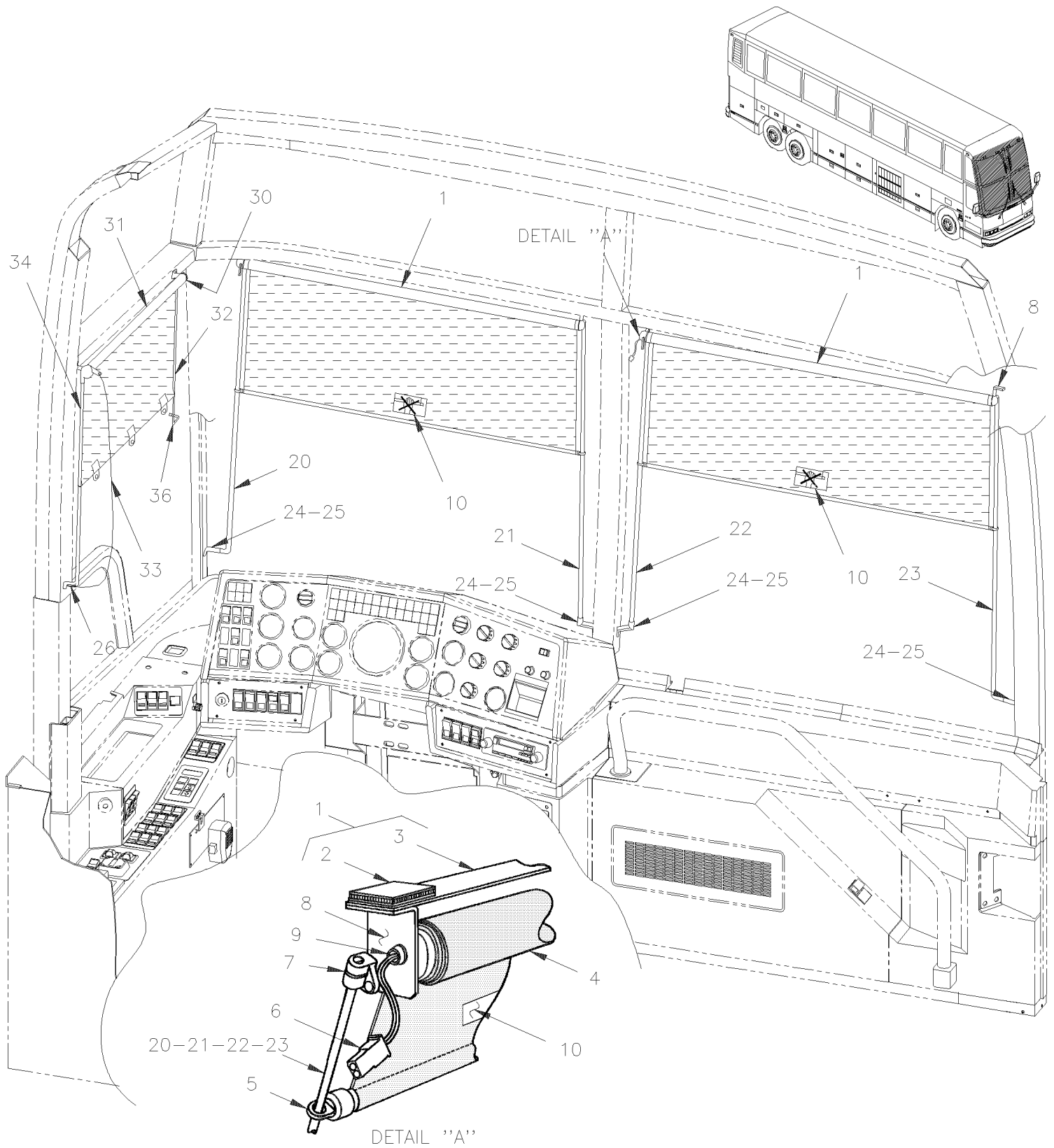
| Item# | Part | Description | H 3 4 0 | V I P 4 0 | N O T E S |
|-------|---------|--|------------------|-----------------------|-----------------------|
| 1 | 440247 | COVER ASSY / W/ELECTRICAL To L-043 | 1 | | |
| 1 | 440274 | COVER ASSY / W/ELECTRICAL From L-044 | 1 | | |
| 1 | 440273 | . COVER | 1 | | |
| 1 | 440248 | . WINDOW / LENS GREEN | 1 | | |
| 1 | 470949 | . SPACER RUBBER 3/4" O.D. / S.Q. | 3 | | |
| 2 | 440241P | DESTINATION SIGN ASSY | 1 | | |
| 4 | 440233 | SUPPORT R.H. / W/ELECTRICAL | 1 | | |
| 6 | 500879 | SCREW TP PAN PH #10x1 Z050 | 6 | | A |
| 8 | 500624 | SCREW TP OV PH #6x1/2 Z050 | 5 | | |
| 9 | 500463 | WASHER FN CKF .187x.500x.090 BR Z050 | 5 | | |
| 12 | 561613 | SWITCH / M/ON-OFF-M/ON D.P.D.T. To L-043 | 1 | | |
| 12 | 561087 | INSERT / BLACK From L-044 | 1 | | |
| 12 | 562111 | SWITCH / ON-OFF-ON/ S.P.D.T./REVERSE POLARITY From L-044 | 1 | | |
| . NS | 562110 | . SWITCH / ON-OFF-ON/ S.P.D.T./REVERSE POLARITY / TORRIX 102256 From L-044 | 1 | | |
| 14 | 062809 | SWITCH ASSY W/CONNERTOR From L-044 | 1 | | |
| 14 | 561476 | . CONNECTOR / (.062) / SH 4C / MOLEX 03-06-1044 | 1 | | |
| 14 | 562109 | . SWITCH / ON-ON / S.P.S.T. | 1 | | |
| 14 | 561748 | . CONTACT HOLE PLUG / VEAM 10-101033-13 | 1 | | |
| 16 | 440234 | BRACKET / L.H. TO FIX SWITCH To L-043 | 1 | | |
| 16 | 440275 | BRACKET / STREET SIDE / TO FIX SWITCH From L-044 | 1 | | |
| 18 | 504264 | GROMMET / .750x1.250x.062x.250x1.625 | 1 | | |
| 18 | 502583 | WASHER LO SERR 8.15x22.3x1.0 Z050 | 4 | | A |
| 18 | 500769 | NUT HEX 1/4-20 Z050 | 4 | | |
| 20 | 400638 | MOULDING / 11" / "U" SHAPE DRIVER'S NAME HO | 1 | | |
| 21 | 400636 | PLATE / STAMPED "NOM DU CONDUCTEUR" | 1 | | |
| 21 | 400637 | PLATE / STAMPED "DRIVER'S NAME" / REAR | 1 | | |
| 21 | 400601 | . PLATE (BLANK) / FOR DRIVER'S NAME / SPECIFY NAME | 1 | | |
| | | | | | |
| | | | | | |
| | | | | | |
| | | A) W/ITEM 4 & 16 | | | |

From L-031 To R-079

Date:10/2022

PAGE:H4-1816-00

ROLLER BLIND - DRIVER'S & WINDSHIELD



| | | |
|--|--------------|-----------------|
| From L-031 To R-079 | Date:10/2022 | PAGE:H4-1816-00 |
| ROLLER BLIND - DRIVER' S & WINDSHIELD | | |

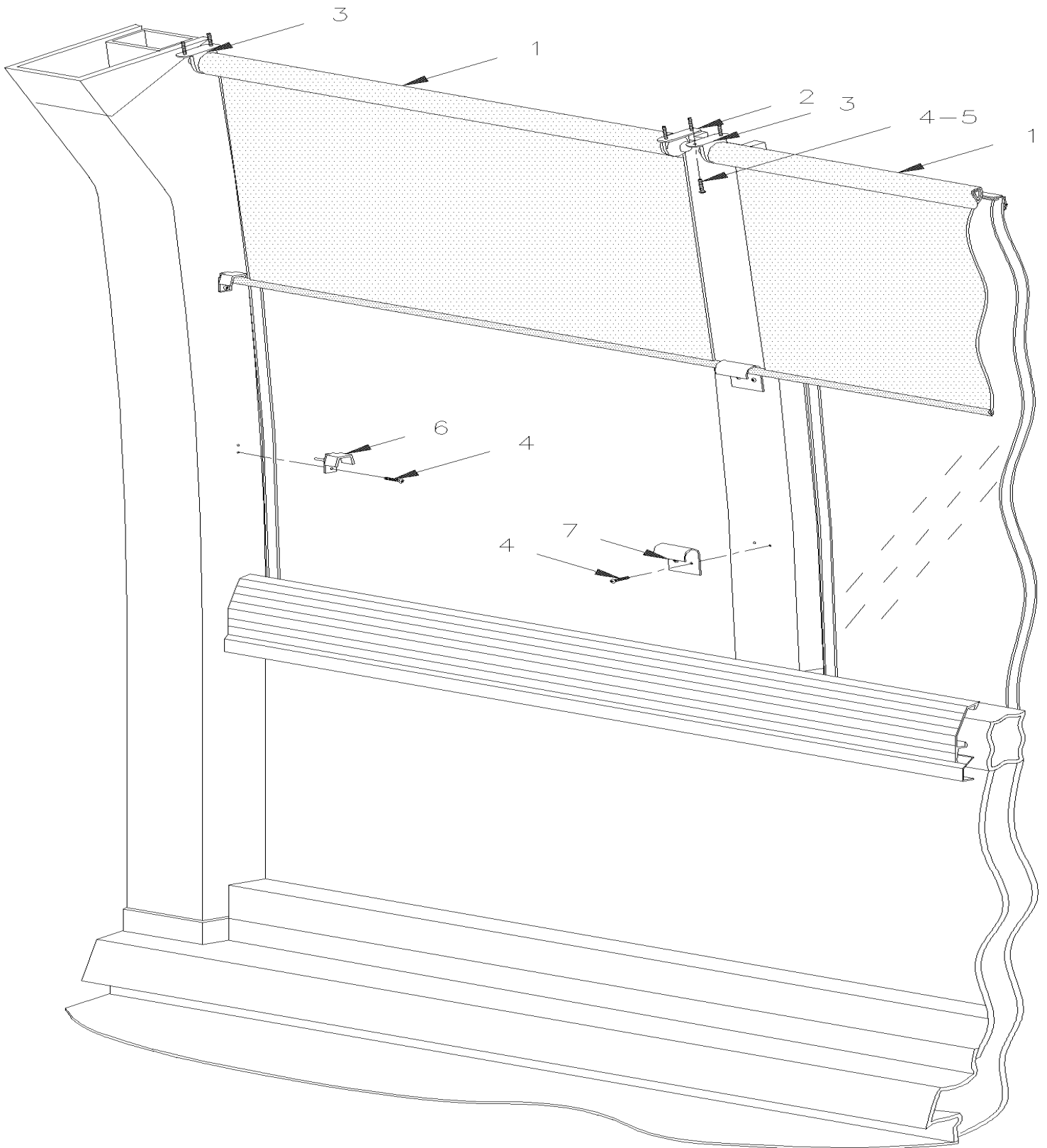
| Item# | Part | Description | H 3 4 0 | V I P 4 0 | N O T E S |
|-------|---------|---|------------------|-----------------------|-----------------------|
| 1 | 402950 | ROLLER BLIND ASSY / ELECTRIC | 2 | 2 | |
| 1 | 901121 | ROLLER BLIND ASSY / ELECTRIC SERVICE | AR | AR | |
| 1 | 408404 | ROLLER BLIND / ELECTRIC / PRODUCT IMPROVMENT | 1 | 1 | |
| NS | 901532 | ROLLER BLIND ASSY / ELECTRIC | 2 | 2 | |
| 2 | 506318 | TAPE DUAL LOCK 1" x 150' / BLACK SJ3541 | AR | AR | |
| 3 | 402948 | BRACKET | 1 | 1 | |
| 4 | 900590 | ROLLER BLIND ELECTRIC | 1 | 1 | |
| 5 | 900597 | GUIDING PLUG / EACH END OF BLIND | 1 | 1 | |
| 6 | 500898 | SCREW CAP HEX 7/16-14x1 3/4 G5 ZP | 1 | 1 | |
| 6 | 560854 | SOCKET TERMINAL / 24-18 / AMP 60617-1 | 2 | 2 | |
| 7 | 900594 | BRACKET KIT ASSY R.H. | 1 | 1 | A |
| 7 | 900554 | BRACKET KIT ASSY L.H. | 1 | 1 | A |
| 7 | 504106 | RIVET POP DOME OE 1/8x1/4 AL | 2 | 2 | |
| 7 | 901048 | KIT BRACKET L.H. & R.H. SERVICE | 1 | 1 | |
| 8 | 402949 | BRACKET / L.H. | 1 | 1 | |
| 8 | 402972 | BRACKET / R.H. | 1 | 1 | |
| 8 | 504105 | RIVET POP DOME OE 1/8x3/16 AL | 4 | 4 | |
| 9 | 507309 | BUSHING NYLINED .312x.375x.078x.500 | 1 | 1 | |
| 9 | 500437 | WASHER FL .125x.375x.040 Z050 | 2 | 2 | |
| 9 | 502564 | WASHER LO SPT 6.1x11.8x1.6 Z050 | 1 | 1 | |
| 10 | 402952 | DECAL | 1 | 1 | |
| NS | 562169 | DIODE / 1AMP | AR | AR | |
| 20 | 402927 | ROD GUIDE / L.H. To N-191 | | | |
| 20 | 403568 | ROD GUIDE / L.H. From N-192 | 1 | 1 | |
| 21 | 402926 | ROD GUIDE / CENTER L.H. To N-191 | 1 | 1 | |
| 21 | 403569 | ROD GUIDE / CENTER L.H. From N-192 | 1 | 1 | |
| 22 | 402846 | ROD GUIDE / CENTER R.H. To N-191 | 1 | 1 | |
| 22 | 403566 | ROD GUIDE / CENTER R.H. From N-192 | 1 | 1 | |
| 22 | 404442 | ROD GUIDE / CENTER R.H. / W/ELECTRONIC DIGITAL | 1 | | |
| 23 | 402847 | ROD GUIDE / R.H. To N-191 | 1 | 1 | |
| 23 | 403567 | ROD GUIDE / R.H. From N-192 | 1 | 1 | |
| 24 | 402848 | BRACKET / W/GUIDE ON DRIVER'S WINDOW To N-191 | 1 | | |
| 24 | 403570 | ROD HOLDER / BLACK / STEEL "L" SHAPE From N-192 | 4 | 4 | |
| 24 | 901263 | ROD HOLDER / BLACK / PLASTIC 50MM SERVICE | 4 | 4 | |
| NS | 5001091 | SCREW TC PAN PH #4-40x1/4 BK | 4 | 4 | |
| 25 | 500409 | SCREW TP PAN PH #8x1/2 BK | AR | AR | |
| 26 | 900478 | BEARING HOLDER / R.H. / BLACK CASTING | 1 | 1 | |
| 31 | 900596 | BLIND ROLLER / CHARCOAL / 600MM | 1 | 1 | |
| 32 | 900597 | GUIDING PLUG / EACH END OF BLIND | 1 | 1 | |
| 33 | 900476 | ROD HOLDER 90° / BLACK PLASTIC 30MM C/L | 2 | 2 | |
| 34 | 402689 | ROD REAR 625MM | 1 | 1 | |
| 35 | 402671 | ROD FRONT 695MMM X 96MM | 1 | 1 | |

| | | |
|---------------------|--------------|-----------------|
| From L-031 To R-079 | Date:10/2022 | PAGE:H4-1816-00 |
|---------------------|--------------|-----------------|

ROLLER BLIND - DRIVER' S & WINDSHIELD

| Item# | Part | Description | H 3 4 0 | V I P 4 0 | N O T E S |
|-------|----------|--|------------------|-----------------------|-----------------------|
| 36 | 500333 | SCREW TP OV PH #6x3/4 BK | 1 | 1 | |
| 100 | 405409 | KIT, ELECTRIC ROLLER BLIND | 1 | 1 | |
| . NS | IS-01043 | . SEE INSTRUCTION SHEET | 1 | 1 | |
| | | | | | |
| | | | | | |
| | | A) THOSE PARTS SOLD ONLY ASSY AND DISCARD OTHERS PARTS | | | |

| | | |
|---------------------------------------|--------------|-----------------|
| From L-031 To R-079 | Date:10/2022 | PAGE:H4-1816-10 |
| SUN SHADE - PASSENGER'S WINDOW | | |



| | | |
|---------------------------------------|--------------|-----------------|
| From L-031 To R-079 | Date:10/2022 | PAGE:H4-1816-10 |
| SUN SHADE - PASSENGER'S WINDOW | | |

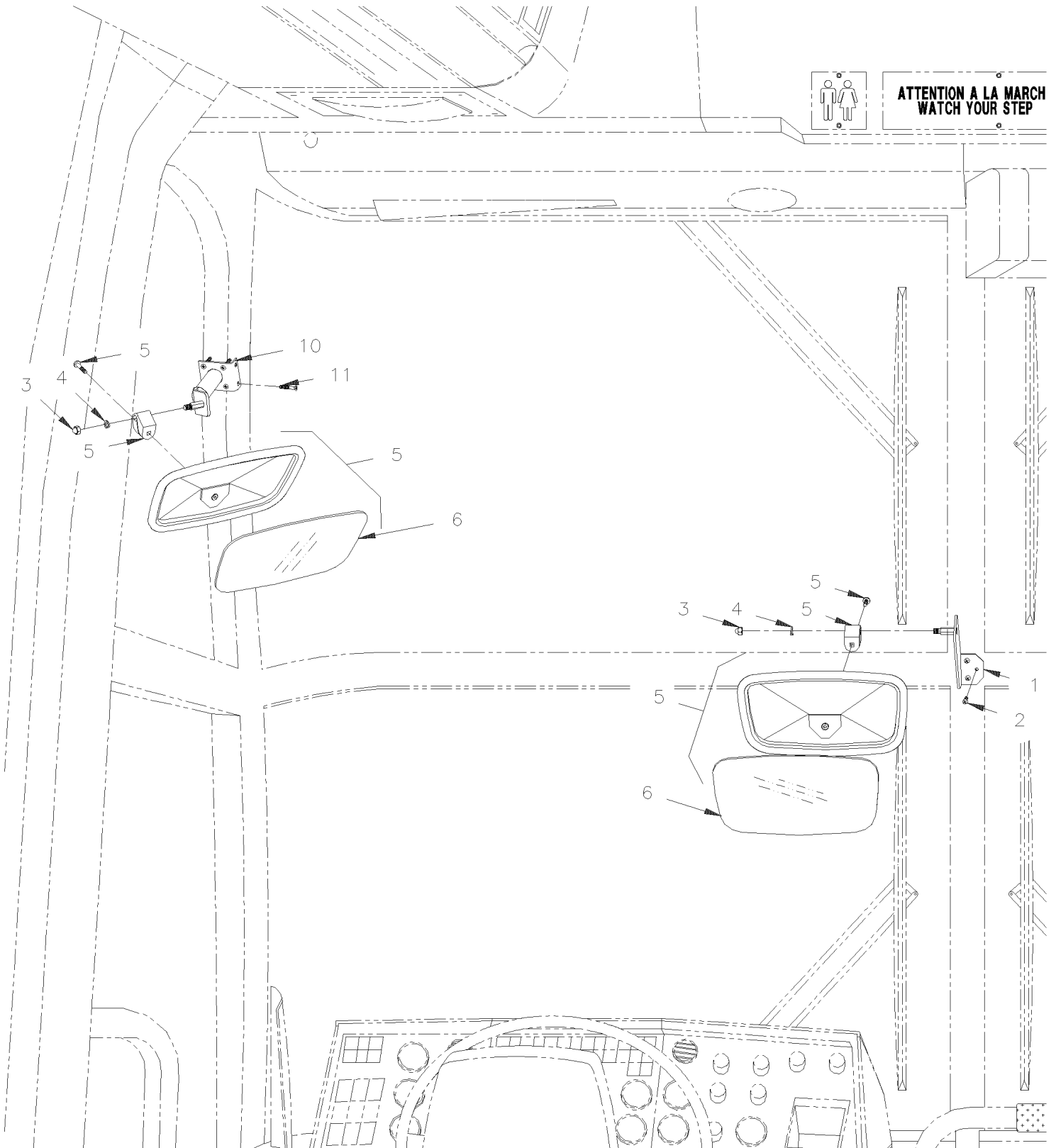
| Item# | Part | Description | H 3 4 0 | V I P 4 0 | N O T E S |
|-------|---------|---|------------------|-----------------------|-----------------------|
| 1 | 900692 | SUN SHADE / 664MM WIDE | 1 | | |
| 1 | 900691 | SUN SHADE / 706MM WIDE | 1 | | |
| 1 | 900562 | SUN SHADE / 842MM WIDE | 2 | | |
| 1 | 900733 | SUN SHADE / W.C.L. DOOR / W/HINGE / 1028MM WIDE | 1 | | |
| 1 | 900706 | SUN SHADE / 1078MM WIDE | 1 | | |
| 1 | 900707 | SUN SHADE / 1120MM WIDE | 1 | | |
| 1 | 900564 | SUN SHADE / 1587MM WIDE | 10 | | |
| 1 | 900564 | SUN SHADE / 1587MM WIDE | | 12 | |
| 1 | 900836 | SUN SHADE / W.C.L. "ST & ST" 1587MM WIDE | 2 | | |
| 2 | 900544 | BRACKET, MALE / BLACK | 14 | | |
| 2 | 900544 | BRACKET, MALE / BLACK | | 16 | |
| 3 | 900545 | BRACKET, FEMALE / BLACK | 14 | | |
| 3 | 900545 | BRACKET, FEMALE / BLACK | | 16 | |
| 4 | 5001145 | SCREW TP BDG PH #6x1 BK | AR | | |
| 4 | 500814 | SCREW TP BDG PH #6x3/4 BK | 112 | | |
| 4 | 500814 | SCREW TP BDG PH #6x3/4 BK | | 124 | |
| 5 | 403686 | SPACER / BRACKET & BRACKET | AR | | |
| 6 | 404055 | HOOK SINGLE / FRONT & REAR POST 14MM | 8 | | |
| NS | 404249 | CABLE ASSY / 24V POWER / 35' | 4 | | |
| 7 | 403363 | HOOK | 24 | | |
| | | | | | |
| | | | | | |
| | | | | | |

From L-031 To R-079

Date:10/2022

PAGE:H4-1820-00

MIRROR - INTERIOR



| | | |
|--------------------------|--------------|-----------------|
| From L-031 To R-079 | Date:10/2022 | PAGE:H4-1820-00 |
| MIRROR - INTERIOR | | |

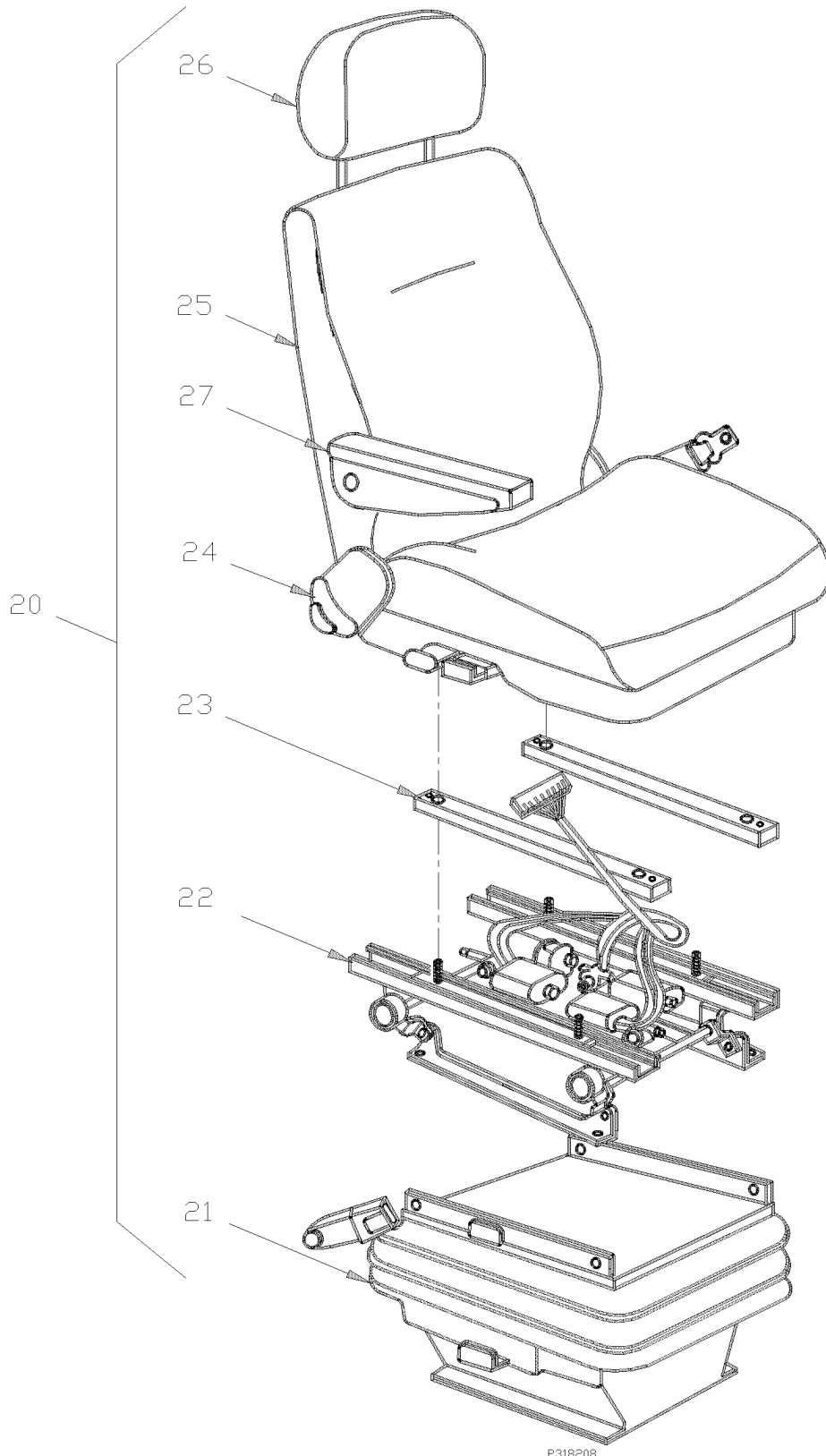
| Item# | Part | Description | H 3 4 0 | V I P 4 0 | N O T E S |
|-------|---------|--|------------------|-----------------------|-----------------------|
| 1 | 403218 | SUPPORT CENTRAL ASSY, MIRROR | 1 | 1 | |
| 2 | 5001090 | SCREW TP PAN PH #10x1 SS BK | 3 | 3 | |
| 3 | 500780 | NUT HEX CAP 5/16-18 Z050 | 1 | 1 | |
| 4 | 500476 | WASHER LO SPT .317x.586x.078 Z050 | 1 | 1 | |
| 5 | 900438 | MIRROR ASSY SAFETY | 2 | 2 | |
| 6 | 900440 | . GLASS / SAFETY | 1 | 1 | |
| 10 | 402634 | MIRROR SUPPORT / L.H. DRIVER'S WINDOW To P-332 | 1 | 1 | |
| 10 | 403679 | MIRROR SUPPORT / L.H. DRIVER'S WINDOW From P-333 | 6 | 6 | |
| 11 | 500353 | SCREW TP FL PH #8x3/4 BK | 6 | 6 | |
| 11 | 990047 | MIRROR CONVEX / CHROME PLATED | 1 | | |
| 11 | 990112 | RETAINER RUBBER / GREY | 1 | | |
| 11 | 990113 | RETAINER RUBBER / BLACK | 1 | | |
| 11 | 990111 | GLASS RECTANGULAR / CONVEX | 1 | | |
| 11 | 5001189 | NUT HEX 5/16-18 SS | 1 | | |
| 11 | 402853 | BUSHING / ALUMINUM BLACK PAINTED To P-332 | 1 | | |
| | | | | | |
| | | | | | |
| | | | | | |

From L-031 To R-079

Date:10/2022

PAGE:H4-1822-00

DRIVER'S SEAT ASSY - "ISRI"

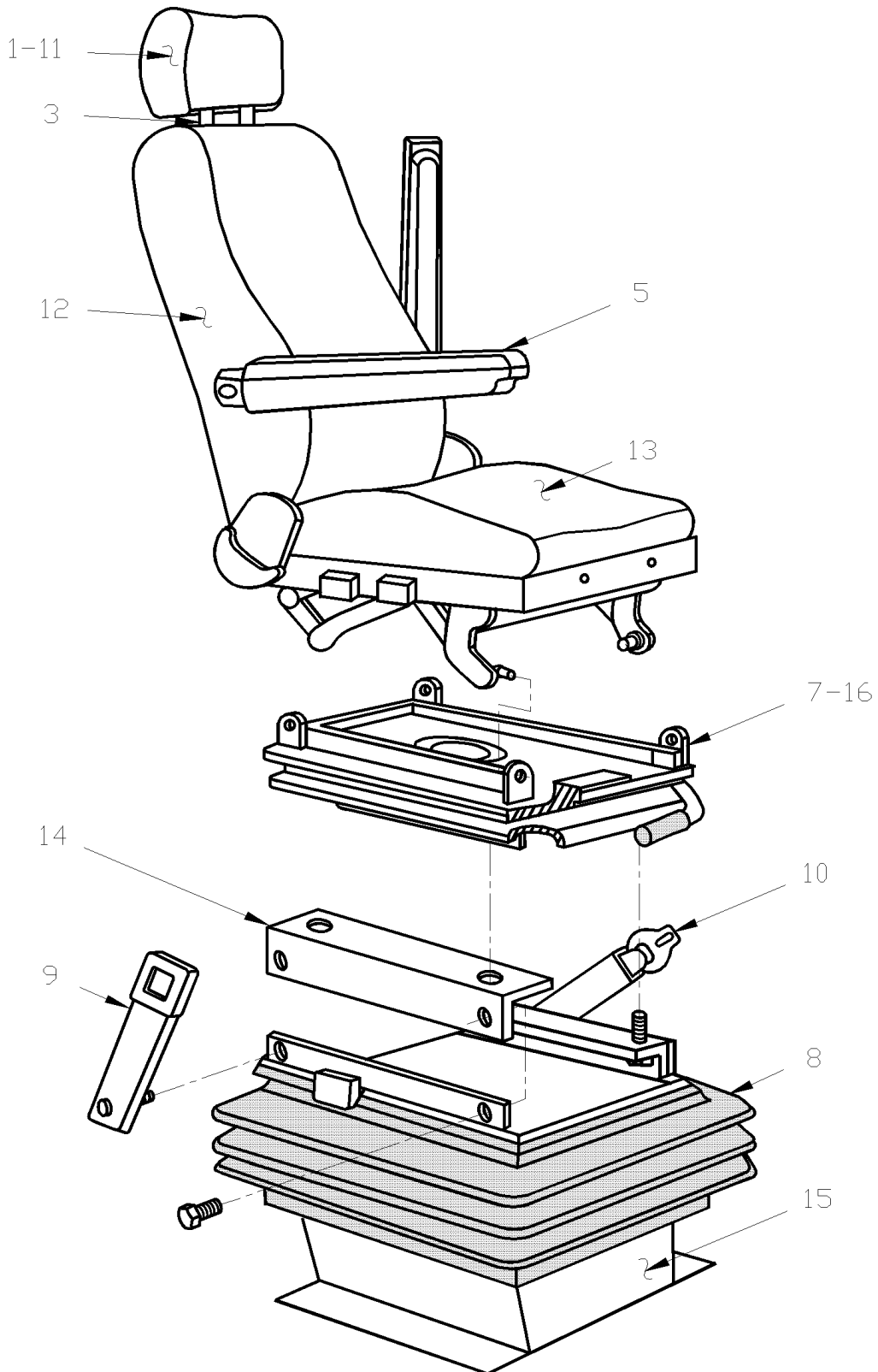


From L-031 To R-079

Date:10/2022

PAGE:H4-1822-00

DRIVER'S SEAT ASSY - "ISRI"



P31841

| | | |
|---------------------|--------------|-----------------|
| From L-031 To R-079 | Date:10/2022 | PAGE:H4-1822-00 |
|---------------------|--------------|-----------------|

DRIVER'S SEAT ASSY - "ISRI"

| Item# | Part | Description | H 3 4 0 | V I P 4 0 | N O T E S |
|-------|------------|---|------------------|-----------------------|-----------------------|
| | | NEXT 5 FOLLOWING SEATS ARE MODEL 6000/515 | | | |
| | | SEE PAGE H4-1822-10 FOR SERVICE PARTS | | | |
| | 362833 | SEAT ASSY MECHANIC / R.H. CONTROL W/COVERING | 1 | | A |
| | 860433 | . DRIVER'S SEAT - "ISRI" - MODEL 6000/515 / MECHANIC / R.H. CONTROL | 1 | 1 | |
| | 362834 | SEAT ASSY MECHANIC / R.H. CONTROL & AIR LUMBAR W/COVERING | 1 | 1 | A |
| | 860449 | . DRIVER'S SEAT - "ISRI" - MODEL 6000/515 / MECHANIC / R.H. CONTROL & AIR LUMBAR | 1 | 1 | |
| | | NEXT 2 FOLLOWING SEATS ARE MODEL 6500/515 | | | |
| | | SEE PAGE H4-1822-10 FOR SERVICE PARTS | | | |
| | 860432 | DRIVER'S SEAT - "ISRI" - MODEL 6000/515 / AIR SUSPENSION / R.H. CONTROL | | | |
| | 362835 | SEAT ASSY AIR SUSPENSION / R.H. CONTROL LUMBAR SUPPORTS W/COVERING | | | A |
| | 860450 | . DRIVER'S SEAT - "ISRI" - MODEL 6000/515 / AIR SUSPENSION / R.H. CONTROL LUMBAR SUPPORTS | | | |
| | | NEXT 3 FOLLOWING SEATS ARE MODEL 6801/517 | | | |
| | | SEE PAGE H4-1822-20 FOR SERVICE PARTS | | | |
| | 860729 | DRIVER'S SEAT - "ISRI" - MODEL 6801/517 / W/O UPHOLSTERY | 1 | 1 | |
| | | NEXT 2 FOLLOWING SEATS ARE MODEL 6801/525 | | | |
| | | SEE PAGE 1822-20 FOR SERVICE PARTS | | | |
| | 860912 | DRIVER'S SEAT - "ISRI" - MODEL 6801/525 / W/O UPHOLSTERY | 1 | 1 | |
| 1 | H4-1822-10 | DRIVER'S SEAT - "ISRI" - 6000/515 & 6500/515 | | | |
| 1 | H4-1822-20 | DRIVER'S SEAT - "ISRI" - 6801/517 & 6801/525 | | | |
| 3 | H4-1822-10 | DRIVER'S SEAT - "ISRI" - 6000/515 & 6500/515 | | | |
| 3 | H4-1822-20 | DRIVER'S SEAT - "ISRI" - 6801/517 & 6801/525 | | | |
| 5 | H4-1822-10 | DRIVER'S SEAT - "ISRI" - 6000/515 & 6500/515 | | | |
| 5 | H4-1822-20 | DRIVER'S SEAT - "ISRI" - 6801/517 & 6801/525 | | | |
| 7 | H4-1822-10 | DRIVER'S SEAT - "ISRI" - 6000/515 & 6500/515 | | | |
| 8 | H4-1822-10 | DRIVER'S SEAT - "ISRI" - 6000/515 & 6500/515 | | | |
| 8 | H4-1822-20 | DRIVER'S SEAT - "ISRI" - 6801/517 & 6801/525 | | | |
| NS | 362188 | . KIT BELT | 1 | 1 | |
| NS | 860553 | . . BELT TETHER / BODY & SUSPENSION / (SET OF 2) | 2 | 2 | |
| 9 | 860607 | . . STIFF BUCKLE IN BOOT | 1 | 1 | |
| NS | 861115 | . . . SLEEVE COVERING | 1 | 1 | |
| 10 | 860977 | . . BELT SEAT | 1 | 1 | |
| 10 | 860136 | . . BELT SEAT | 1 | 1 | |
| NS | 363368 | . BAR ICP / W/SEAT MODEL 6500/ELECTRIC | 1 | 1 | |

| | | |
|------------------------------------|--------------|-----------------|
| From L-031 To R-079 | Date:10/2022 | PAGE:H4-1822-00 |
| DRIVER'S SEAT ASSY - "ISRI" | | |

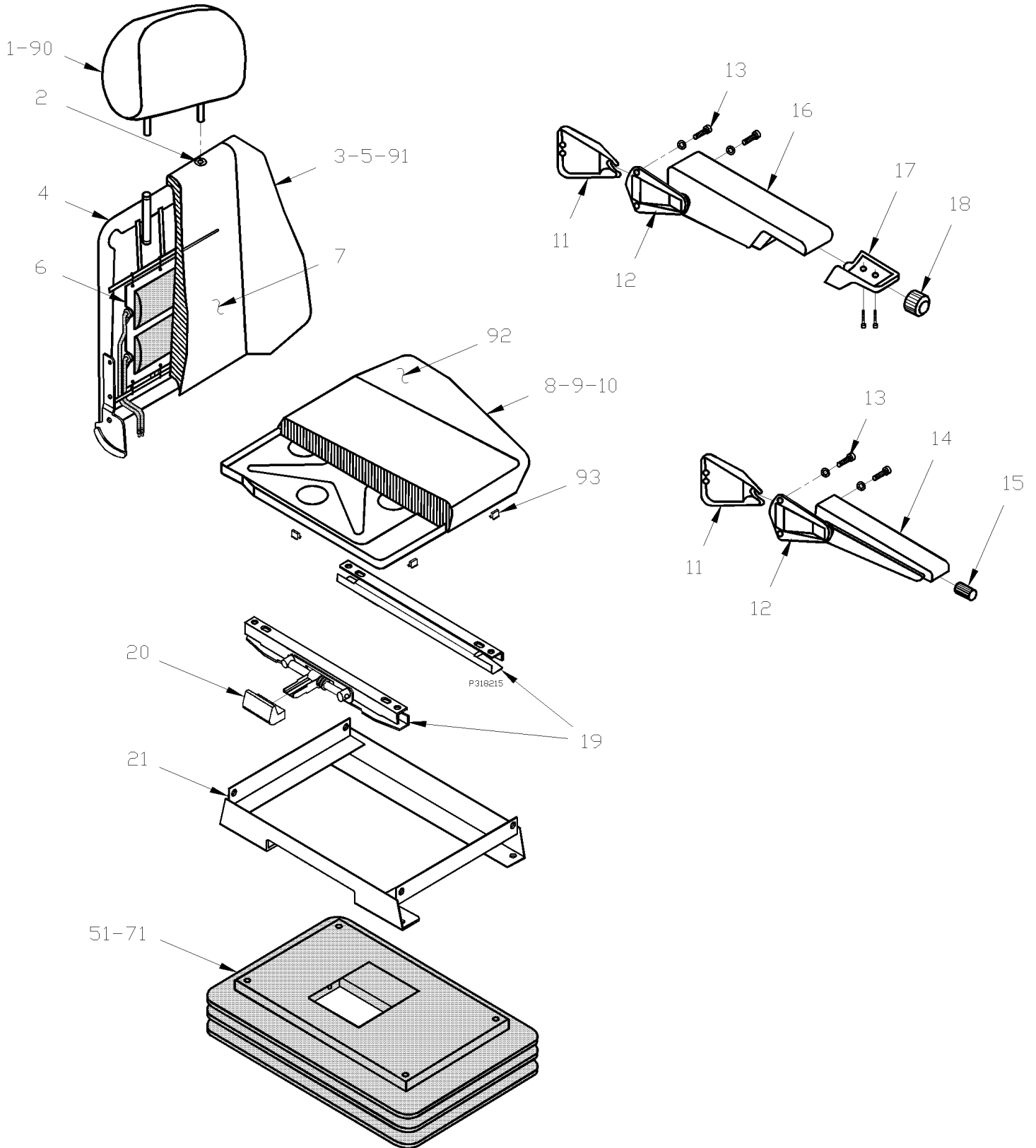
| Item# | Part | Description | H 3 4 0 | V I P 4 0 | N O T E S |
|-------|-------------------|---|------------------|-----------------------|-----------------------|
| NS | 363275 | . BAR ICP / W/SEAT MODEL 6801 / CURBSIDE | | | |
| NS | 361677 | . JOINT / W/AIR SUSPENSION / W/2 HOLES .344 O / 3 1/8" x W/2" C/C | 2 | 2 | |
| 10 | 364155 | . JOINT / W/AIR SUSPENSION / W/2 HOLES .344 O / 4 3/8" x W/3 1/4" C/C SERVICE | 1 | 1 | |
| 11 | H4-1822-10 | DRIVER'S SEAT - "ISRI" - 6000/515 & 6500/515 | | | |
| 11 | H4-1822-20 | DRIVER'S SEAT - "ISRI" - 6801/517 & 6801/525 | | | |
| 12 | H4-1822-10 | DRIVER'S SEAT - "ISRI" - 6000/515 & 6500/515 | | | |
| 12 | H4-1822-20 | DRIVER'S SEAT - "ISRI" - 6801/517 & 6801/525 | | | |
| 13 | H4-1822-10 | DRIVER'S SEAT - "ISRI" - 6000/515 & 6500/515 | | | |
| 13 | H4-1822-20 | DRIVER'S SEAT - "ISRI" - 6801/517 & 6801/525 | | | |
| 14 | 361830 | ADAPTOR R.H. / FOR SWIVEL BASE / W/MODEL 6000 & 6500 ONLY | | 1 | |
| 14 | 361832 | ADAPTOR L.H. / FOR SWIVEL BASE / W/MODEL 6000 & 6500 ONLY | | 1 | |
| 15 | 361800 | BASE DRIVER'S SEAT / W "ISRI" / 76.2MM HEIGHT / 3" | 1 | 1 | |
| 15 | 361710 | BASE DRIVER'S SEAT / W "ISRI" / 101.6MM HEIGHT / 4" | AR | AR | |
| 15 | 361617 | BASE DRIVER'S SEAT / W "ISRI" / 127MM HEIGHT / 5" | AR | AR | |
| 15 | 361996 | BASE DRIVER'S SEAT / 50.8MM HEIGHT / 2" / 50.8MM HEIGHT / 2" | | | |
| 15 | 363125 | BASE DRIVER'S SEAT / W "ISRI" MODEL 6801 / 76.2MM HEIGHT / 3" | 1 | 1 | |
| 15 | 362909 | BASE DRIVER'S SEAT / W "ISRI" "ELECTRIC / 57.1MM HEIGHT / 2 1/4" | | 1 | |
| 15 | 363451 | BASE 1" / W/ELECTRICAL SEAT ONLY | | 1 | |
| NS | 362056 | ANCHOR PLATE ASSY USE W/CURBSIDE SEAT 7/16-14x1" / 32MMx89MM | | 1 | |
| NS | 361633 | SPACER 7/8" / STRUCTURE & BASSE | 4 | 4 | |
| NS | 362549 | SPACER / STRUCTURE & BASE / 27MM | 4 | 4 | |
| NS | 362550 | SPACER 1 5/32" / STRUCTURE & BASE | 4 | 4 | |
| 16 | 860491 | SWIVEL BASE / W/MODEL 6000 & 6500 ONLY | | 1 | |
| | | NEXT FOLLOWING SEAT IS MODEL 6500/515 | | | |
| | | SEE PAGE H4-1822-10 FOR SERVICE PARTS | | | |
| 20 | 860656 | DRIVER'S SEAT - "ISRI" - MODEL 6000/515 / ELECTRIC W/MEMORY / AIR SUSPENSION / R.H. CONTROL & LUMBAR SUPPOR | | | |
| 21 | H4-1822-10 | DRIVER'S SEAT - "ISRI" - 6000/515 & 6500/515 | | | |
| 22 | 860728 | . BASE ELECTRICAL ASSY | | | |
| 23 | 860727 | . TUBE ADAPTOR | | | |
| 24 | 861081 | . FRAME ASSY SEAT / W/O MEMORY ELECTRICAL SEAT | | | |
| NS | 861082 | . FRAME ASSY SEAT / W/MEMORY ELECTRICAL SEAT | | | |
| 25 | H4-1822-10 | DRIVER'S SEAT - "ISRI" - 6000/515 & 6500/515 | | | |
| 26 | H4-1822-10 | DRIVER'S SEAT - "ISRI" - 6000/515 & 6500/515 | | | |
| 27 | H4-1822-10 | DRIVER'S SEAT - "ISRI" - 6000/515 & 6500/515 | | | |
| NS | 062537 | CABLE ASSY, HEATED SEAT | | | |
| NS | 641507 | UNION / PUSH-IN FITTING / #4 x 6MM NP | 1 | 1 | |
| NS | 641092 | UNION TEE / NTA FITTING / #4x#4x#4 BR | 1 | 1 | |

| | | |
|---------------------|--------------|-----------------|
| From L-031 To R-079 | Date:10/2022 | PAGE:H4-1822-00 |
|---------------------|--------------|-----------------|

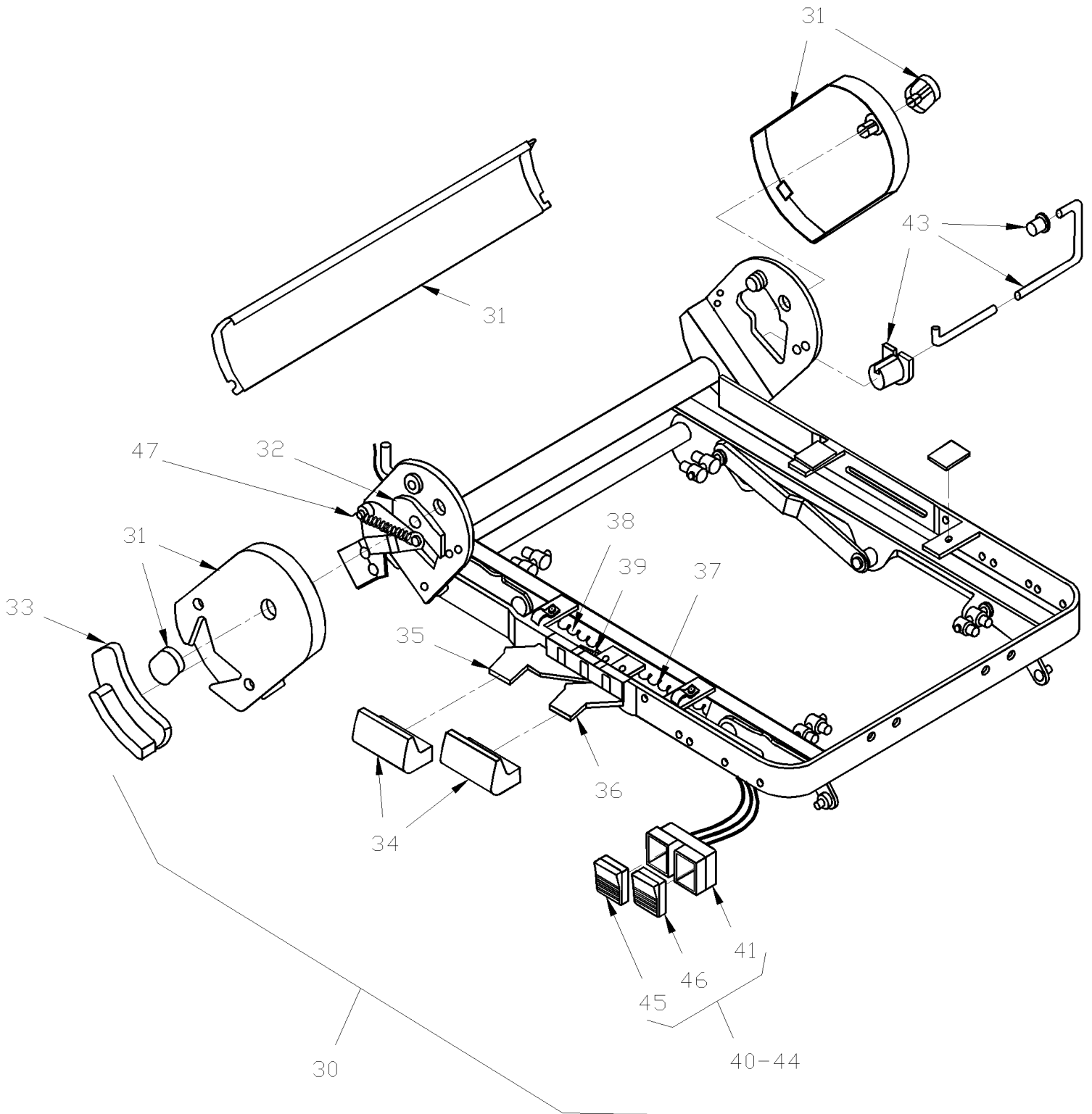
DRIVER'S SEAT ASSY - "ISRI"

| Item# | Part | Description | H 3 4 0 | V I P 4 0 | N O T E S |
|-------|------|---|------------------|-----------------------|-----------------------|
| | | | | | |
| | | A) THOSE SEATS ARE COMPLETELY ASSY W/COVERING, ARMREST, HEADREST HEATING PAD & SAFETY BELT PLEASE SCC | | | |

| | | |
|--|--------------|-----------------|
| From L-031 To R-079 | Date:10/2022 | PAGE:H4-1822-10 |
| DRIVER'S SEAT - "ISRI" - 6000/515 & 6500/515 | | |



| | | |
|--|--------------|-----------------|
| From L-031 To R-079 | Date:10/2022 | PAGE:H4-1822-10 |
| DRIVER'S SEAT - "ISRI" - 6000/515 & 6500/515 | | |

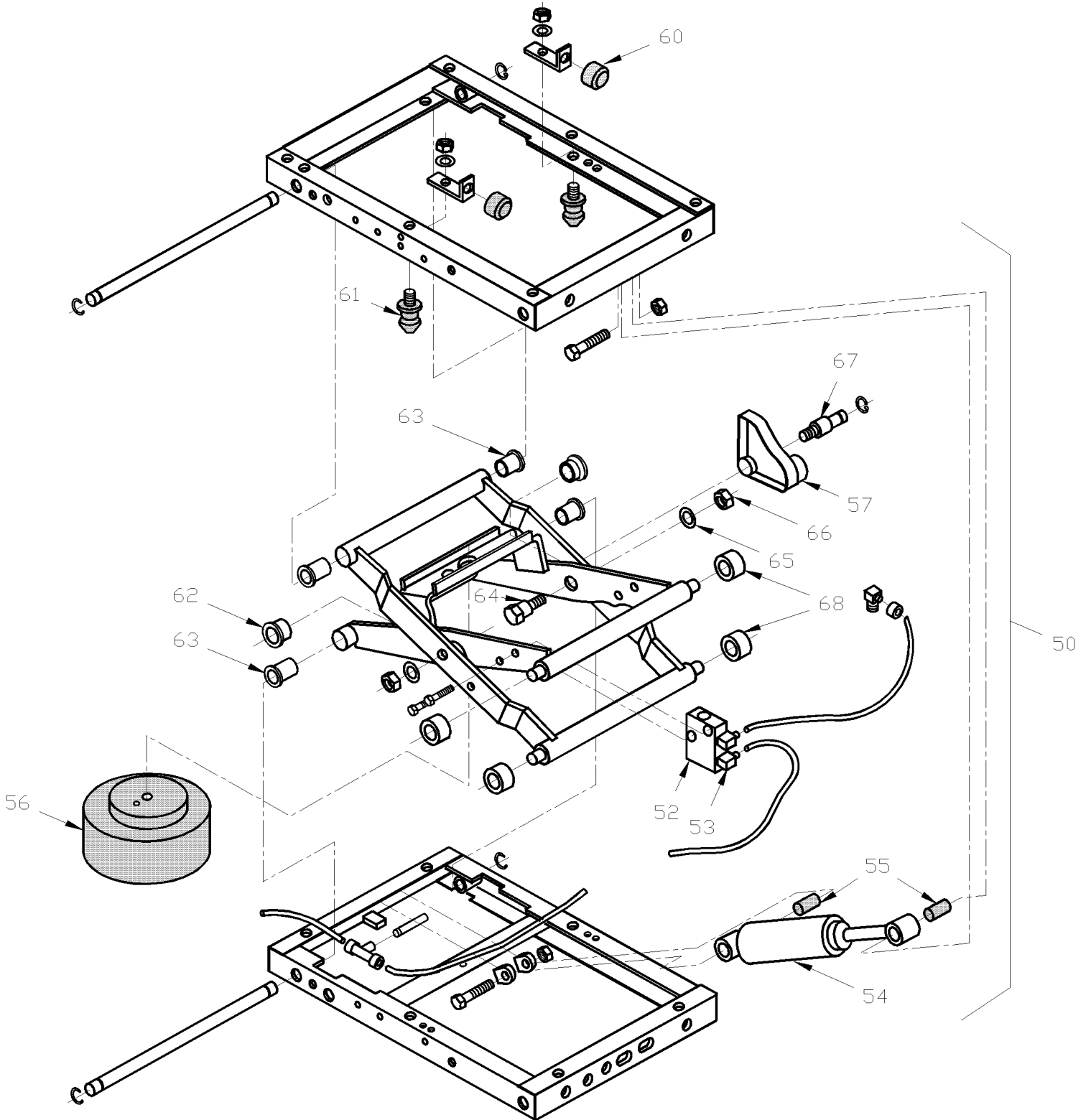


From L-031 To R-079

Date:10/2022

PAGE:H4-1822-10

DRIVER'S SEAT - "ISRI" - 6000/515 & 6500/515

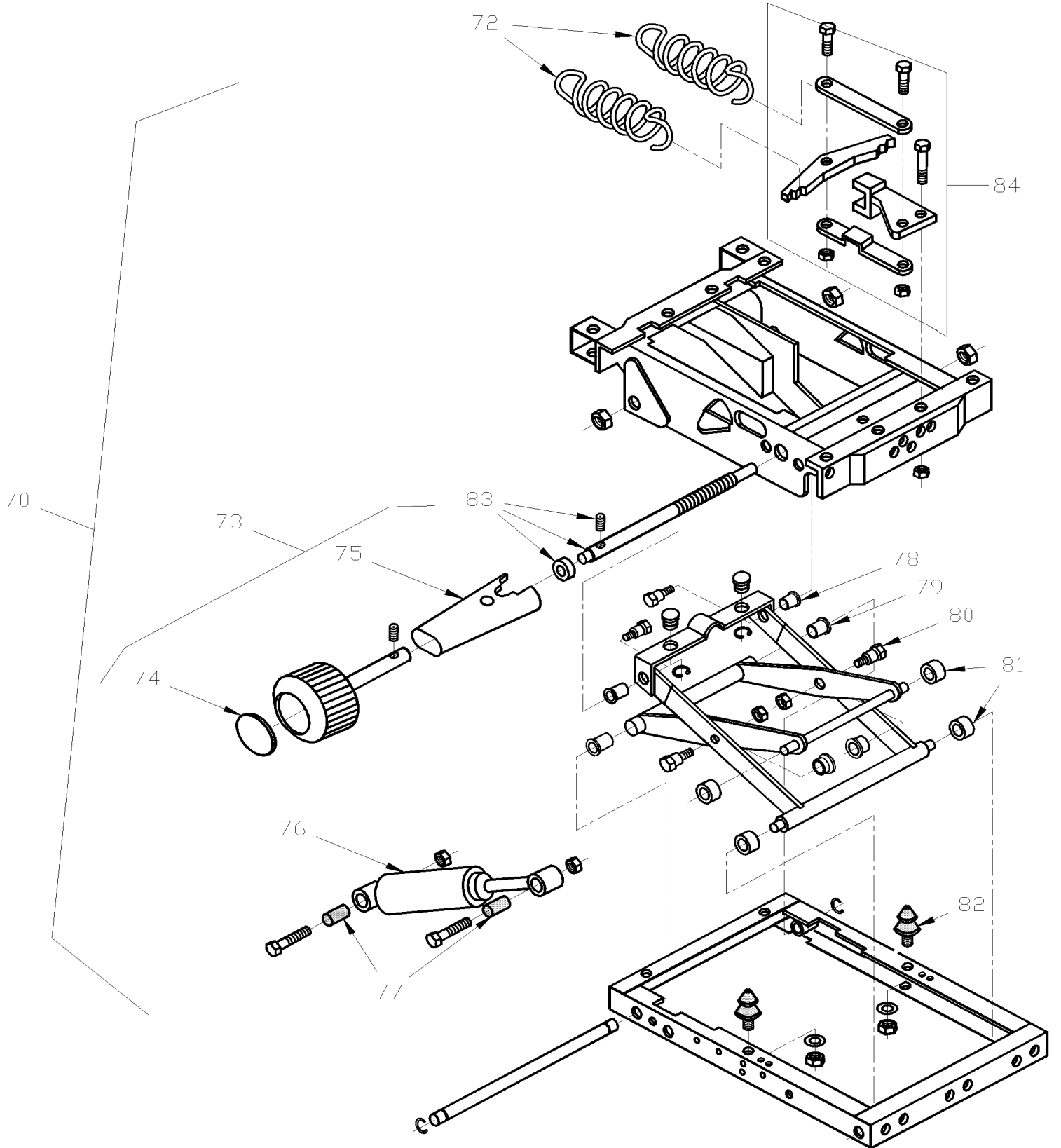


From L-031 To R-079

Date:10/2022

PAGE:H4-1822-10

DRIVER'S SEAT - "ISRI" - 6000/515 & 6500/515



| | | |
|---|--------------|-----------------|
| From L-031 To R-079 | Date:10/2022 | PAGE:H4-1822-10 |
| DRIVER'S SEAT - "ISRI" - 6000/515 & 6500/515 | | |

| Item# | Part | Description | H 3 4 0 | V I P 4 0 | N O T E S |
|-------|--------|---|------------------|-----------------------|-----------------------|
| | | FOR COMPLETE SEAT ASSY, PART NUMBER SEE PAGE H4-1822-00 | | | |
| | | SOME COACH OPERATOR USED SEAT W/L.H. CONTROL | | | |
| 1 | 860441 | HEADREST | 1 | 1 | |
| 2 | 860483 | GROMMET | 2 | 2 | |
| 3 | 860508 | BACKREST ASSY / R.H. CONTROL | 1 | 1 | |
| 4 | 860509 | . FRAME / R.H. CONTROL | 1 | 1 | |
| 4 | 860600 | . FRAME / L.H. CONTROL | | | |
| 5 | 860507 | . FOAM | 1 | 1 | |
| 6 | 860494 | AIR BAG / LOMBAR | 1 | 1 | |
| 7 | 860548 | HEATING PAD / BACK | 1 | 1 | |
| 8 | 860510 | PAN SEAT SUBASSY | 1 | 1 | |
| 9 | 860511 | . FOAM / SEAT | 1 | 1 | |
| 10 | 860547 | HEATING PAD / SEAT | 1 | 1 | |
| 11 | 860532 | COVER | 2 | 2 | |
| 12 | N.S.S. | BRACKET / ARMREST | 1 | 1 | 1 |
| 13 | 500544 | SCREW CAP HEX M8-1.25x30 G8.8 Z050 | 2 | 2 | |
| 14 | 860440 | ARMREST L.H. ADJUSTABLE | 1 | 1 | |
| 14 | 860442 | ARMREST R.H. ADJUSTABLE | 1 | 1 | |
| 15 | 860725 | . KNOB | 1 | 1 | |
| 16 | 860721 | ARMREST ASSY L.H. / W/O COVERING | | | |
| 16 | 860722 | ARMREST ASSY R.H. / W/O COVERING | | | |
| 16 | N.S.S. | COVERING | | | 1 |
| 17 | 860723 | . COVER KIT ARMREST | | | |
| 18 | 860724 | . KNOB | | | |
| 19 | 860517 | SLIDE MASTER / HANDLE & SLAVE / R.H. OR L.H. CONTROL | 1 | 1 | |
| 19 | 861085 | SLIDE MASTER / HANDLE & SLAVE / R.H. CONTROL | 1 | 1 | A |
| 20 | 860514 | . HANDLE R.H. & L.H. | 1 | 1 | |
| 20 | 861086 | . HANDLE R.H. | 1 | 1 | A |
| NS | 861084 | SLIDE SET "C" STYLE / HANDLE & SLAVE / W/SEAT #860852 | 1 | 1 | |
| 21 | 861100 | SPACER STATIC /W/FOLLOWING SEAT NUMBER 860432 433,449,450,543,544,545 & 546 | 1 | 1 | |
| 21 | 861102 | SPACER STATIC | 1 | 1 | |
| 21 | 860516 | SPACER STATIC 2" | AR | AR | |
| 21 | 861103 | SPACER STATIC / W/SEAT #860729 | 1 | | |
| 30 | 860539 | FRAME ASSY SEAT / R.H. CONTROL (AS SHOWN) To S-187 | 1 | 1 | |
| 30 | 861083 | FRAME ASSY SEAT / R.H. CONTROL (AS SHOWN) From S-188 | 1 | 1 | |
| 30 | 860605 | FRAME ASSY SEAT / L.H. CONTROL | | | |
| 30 | 861081 | FRAME ASSY SEAT / W/O MEMORY ELECTRICAL SEAT | | | |
| 30 | 861082 | FRAME ASSY SEAT / W/MEMORY ELECTRICAL SEAT | | | |

| | | |
|---|--------------|-----------------|
| From L-031 To R-079 | Date:10/2022 | PAGE:H4-1822-10 |
| DRIVER'S SEAT - "ISRI" - 6000/515 & 6500/515 | | |

| Item# | Part | Description | H 3 4 0 | V I P 4 0 | N O T E S |
|-------|--------|---|------------------|-----------------------|-----------------------|
| 31 | 860487 | . SIDE PLATE ASSY / KIT FOR R.H. CONTROL (AS SHOWN) | 1 | 1 | |
| 31 | 861090 | . SIDE PLATE ASSY / KIT FOR R.H. CONTROL (AS SHOWN) | 1 | 1 | A |
| 31 | 860590 | . SIDE PLATE ASSY / KIT FOR L.H. CONTROL | 1 | | |
| 32 | 861790 | . TOOTH LEVER / R.H. SIDE (AS SHOWN) | 1 | 1 | |
| 32 | 861789 | . TOOTH LEVER / L.H. SIDE | | | |
| 33 | 860493 | . HANDLE / R.H. CONTROL (AS SHOWN) | 1 | 1 | |
| 33 | 861089 | . HANDLE / R.H. CONTROL (AS SHOWN) | 1 | 1 | |
| 33 | 860589 | . HANDLE / L.H. CONTROL | | | |
| 34 | 860641 | . HANDLE HEIGHT TILT / FRONT & REAR | 2 | 2 | |
| 34 | 861087 | . HANDLE HEIGHT TILT / FRONT | 1 | 1 | A |
| 34 | 861088 | . HANDLE HEIGHT TILT / REAR | 1 | 1 | A |
| 35 | 860587 | . LEVER HEIGHT REAR | 1 | 1 | |
| 36 | 860588 | . LEVER HEIGHT FOWARD | 1 | 1 | |
| 37 | 860690 | . LEVER ADJUSTMENT KEY / R.H. FRONT & L.H. RE | 1 | 1 | |
| 38 | 860689 | . LEVER ADJUSTMENT KEY / R.H. REAR & L.H. FRO | 1 | 1 | |
| 39 | 860513 | . KIT SPRING (2 LARGES & 3 SMALL) | 1 | 1 | |
| 40 | 860495 | VALVE LUMBAR SUPPORTS | 1 | | |
| 41 | 860593 | . BUTTON YELLOW | 2 | | |
| 43 | 861091 | . TORSION BAR KIT | 1 | 1 | |
| 44 | 860888 | KIT VALVE LUMBAR SUPPORTS / W/SEAT W/L.H. CONTROL | | | A |
| NS | 860887 | KIT VALVE LUMBAR SUPPORTS / W/SEAT W/R.H. CONTROL | | | A |
| NS | 861092 | KIT VALVE LOMBAR SUPPORTS | | | A |
| 45 | 861093 | . . BUTTON AIR LOMBAR UPPER SECTION | 1 | 1 | |
| 46 | 861094 | . . BUTTON AIR LOMBAR LOWER SECTION | 1 | 1 | |
| 47 | 862217 | . SPRING | 1 | 1 | |
| 50 | 860518 | SUSPENSION ASSY AIR | 1 | | |
| 51 | 860523 | . COVER | 1 | | |
| 52 | 860719 | . VALVE AIR | 1 | | |
| 53 | 860533 | . ELBOW PLASTIC BLUE | 1 | | |
| NS | 868501 | . NUT BLACK | 1 | 1 | |
| 54 | 860521 | . ABSORBER / 99LBS | 1 | | |
| 54 | 860602 | . ABSORBER / 120LBS | 1 | | |
| 55 | 860586 | . . BUSHING / ABSORBER | 2 | | |
| 56 | 860522 | . BELLOW | 1 | | |
| . NS | 866008 | . . CONNECTOR AIR W/"O-RING" | 1 | | |
| 57 | 860515 | . CAM | 1 | | |
| NS | 860693 | . KIT REPAIR / AIR SUSPENSION | AR | | |
| 60 | N.S.S. | . BUMPER RUBBER | 2 | | 1 |
| 61 | N.S.S. | . BUMPER RUBBER | 2 | | 1 |
| 62 | N.S.S. | . BUSHING SPLIT FLANGE | 2 | | 1 |
| 63 | N.S.S. | . BUSHING FLANGE | 4 | | 1 |
| 64 | N.S.S. | . SCREW | 1 | | 1 |

| | | |
|---|--------------|-----------------|
| From L-031 To R-079 | Date:10/2022 | PAGE:H4-1822-10 |
| DRIVER'S SEAT - "ISRI" - 6000/515 & 6500/515 | | |

| Item# | Part | Description | H 3 4 0 | V I P 4 0 | N O T E S |
|-------|---------|--|------------------|-----------------------|-----------------------|
| 65 | N.S.S. | . . WASHER | 2 | | 1 |
| 66 | N.S.S. | . . NUT | 2 | | 1 |
| 67 | N.S.S. | . . BOLT | 1 | | 1 |
| 68 | N.S.S. | . . ROLLER | 4 | | 1 |
| 70 | 860524 | SUSPENSION ASSY MECHANICAL / L.H. CONTROL | | | |
| 70 | 860685 | SUSPENSION ASSY MECHANICAL / R.H. CONTROL | 1 | 1 | |
| 71 | 860526 | . COVER | 1 | 1 | |
| 72 | 860525 | . SPRING EXTENSION / 1.800 O.D. x 6.75 x .340 FORMER | 2 | 2 | |
| 72 | 862913 | . SPRING EXTENSION / KIT OF 2 1.800 O.D. x 6.75 x .340 SERVICE | 1 | 1 | |
| 73 | 860486 | . HANDWHEEL / L.H. CONTROL | | | |
| 73 | 860658 | . HANDWHEEL / R.H. CONTROL (AS SHOWN) | 1 | 1 | |
| 74 | 860549 | . . CAP PLASTIC | 1 | 1 | |
| 75 | 860594 | . . CAP SHAFT COVER | 1 | 1 | |
| 76 | 860521 | . ABSORBER / 99LBS | 1 | 1 | |
| 76 | 860602 | . ABSORBER / 120LBS | 1 | 1 | |
| 77 | 860586 | . . BUSHING / ABSORBER | 2 | 2 | |
| NS | 860692 | . KIT REPAIR / MECHANICAL SUSPENSION | AR | AR | |
| 78 | N.S.S. | . . BUSHING SPLIT FLANGE | 2 | 2 | 1 |
| 79 | N.S.S. | . . BUSHING FLANGE | 2 | 2 | 1 |
| 80 | N.S.S. | . . BOLT | 2 | 2 | 1 |
| 81 | N.S.S. | . . ROLLER | 4 | 4 | 1 |
| 82 | N.S.S. | . . BUMPER | 2 | 2 | 1 |
| 83 | 860864 | SPINDLE KIT | AR | AR | |
| 84 | 861746 | . KIT WEIGHT ADJUSTMENT | 1 | 1 | |
| 90 | 362201P | COVERING HEADREST ASSY / S.C.C. / DRIVER'S "ISRI" 6000 & 6500 | 1 | 1 | |
| 91 | 362204P | COVERING BACKREST ASSY / S.C.C. / DRIVER'S "ISRI" 6000 & 6500 | 1 | 1 | |
| 92 | 362203P | COVERING SEATREST ASSY / S.C.C. / DRIVER'S "ISRI" 6000 & 6500 | 1 | 1 | |
| 93 | 860527 | CLIP | 8 | 8 | |
| NS | 860484 | SEW STRIP NYLON 10MM | AR | AR | |
| NS | 860485 | SEW STRIP NYLON 15MM | AR | AR | |
| NS | 864709 | TUBE PLASTIC 6MM O.D. CHARCOAL W/RED LINE | AR | AR | |
| NS | 864710 | TUBE PLASTIC 6MM O.D. CHARCOAL W/GREY LINE | AR | AR | |
| NS | 864711 | TUBE PLASTIC 6MM O.D. CHARCOAL | AR | AR | |
| NS | 641507 | UNION / PUSH-IN FITTING / #4 x 6MM NP | 1 | 1 | |
| NS | 641092 | UNION TEE / NTA FITTING / #4x#4x#4 BR | 1 | 1 | |
| NS | 867958 | ADAPTOR | 1 | 1 | |
| NS | 868125 | UNION 4MM/4MM | 1 | 1 | |
| NS | 868128 | UNION 6MM/4MM | 1 | 1 | |
| | | | | | |
| | | | | | |
| | | | | | |
| | | | | | |
| | | A) FOR EASY IDENTIFICATION PICTOGRAM ARE PRINTED ON BUTTON | | | |

| | | |
|---------------------|--------------|-----------------|
| From L-031 To R-079 | Date:10/2022 | PAGE:H4-1822-10 |
|---------------------|--------------|-----------------|

DRIVER'S SEAT - "ISRI" - 6000/515 & 6500/515

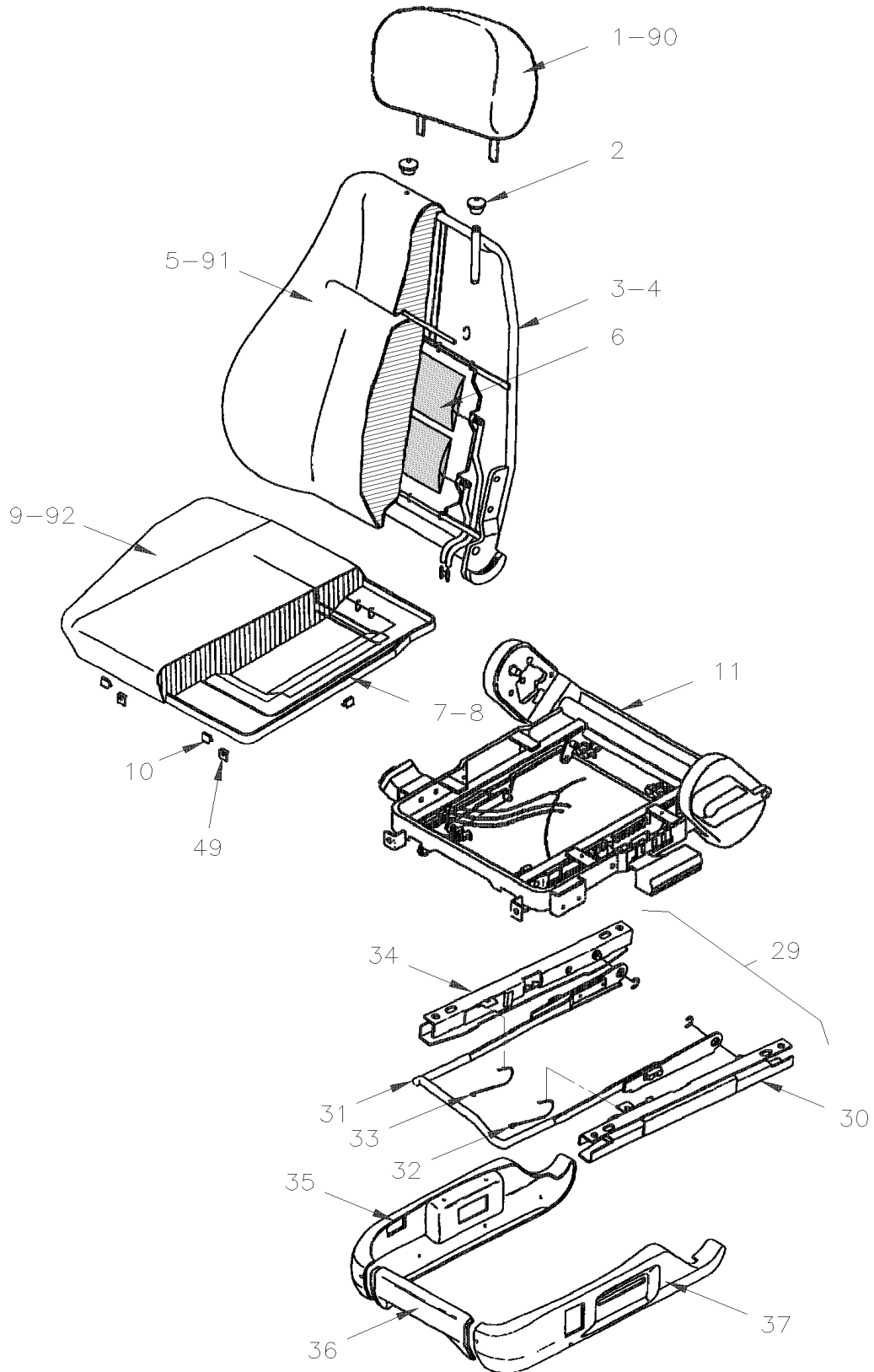
| Item# | Part | Description | H 3 4 0 | V I P 4 0 | N O T E S |
|-------|------|------------------------|------------------|-----------------------|-----------------------|
| | | 1) NOT SOLD SEPARATELY | | | |

From L-031 To R-079

Date:10/2022

PAGE:H4-1822-20

DRIVER'S SEAT - "ISRI" - 6801/517 & 6801/525

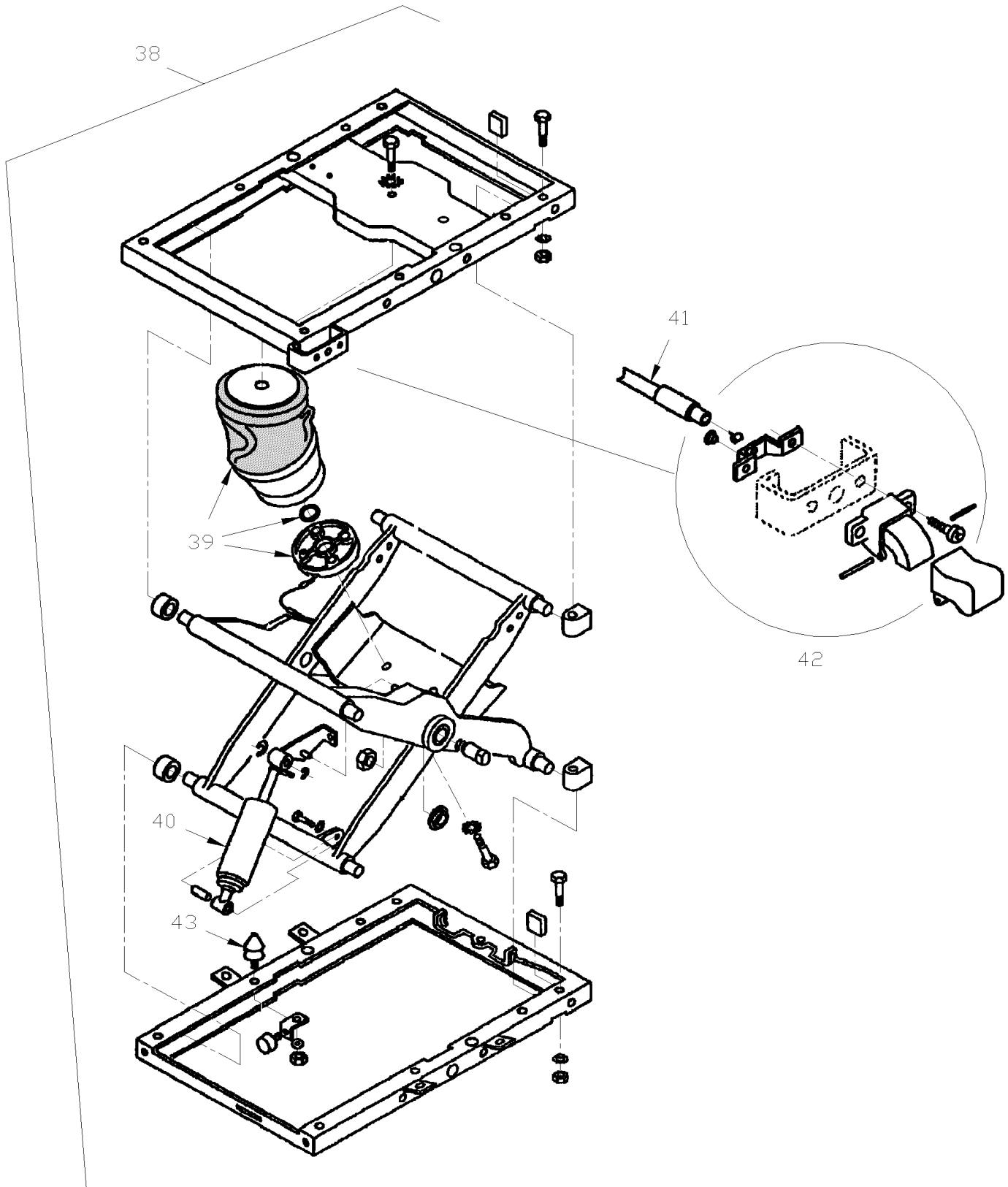


From L-031 To R-079

Date:10/2022

PAGE:H4-1822-20

DRIVER'S SEAT - "ISRI" - 6801/517 & 6801/525

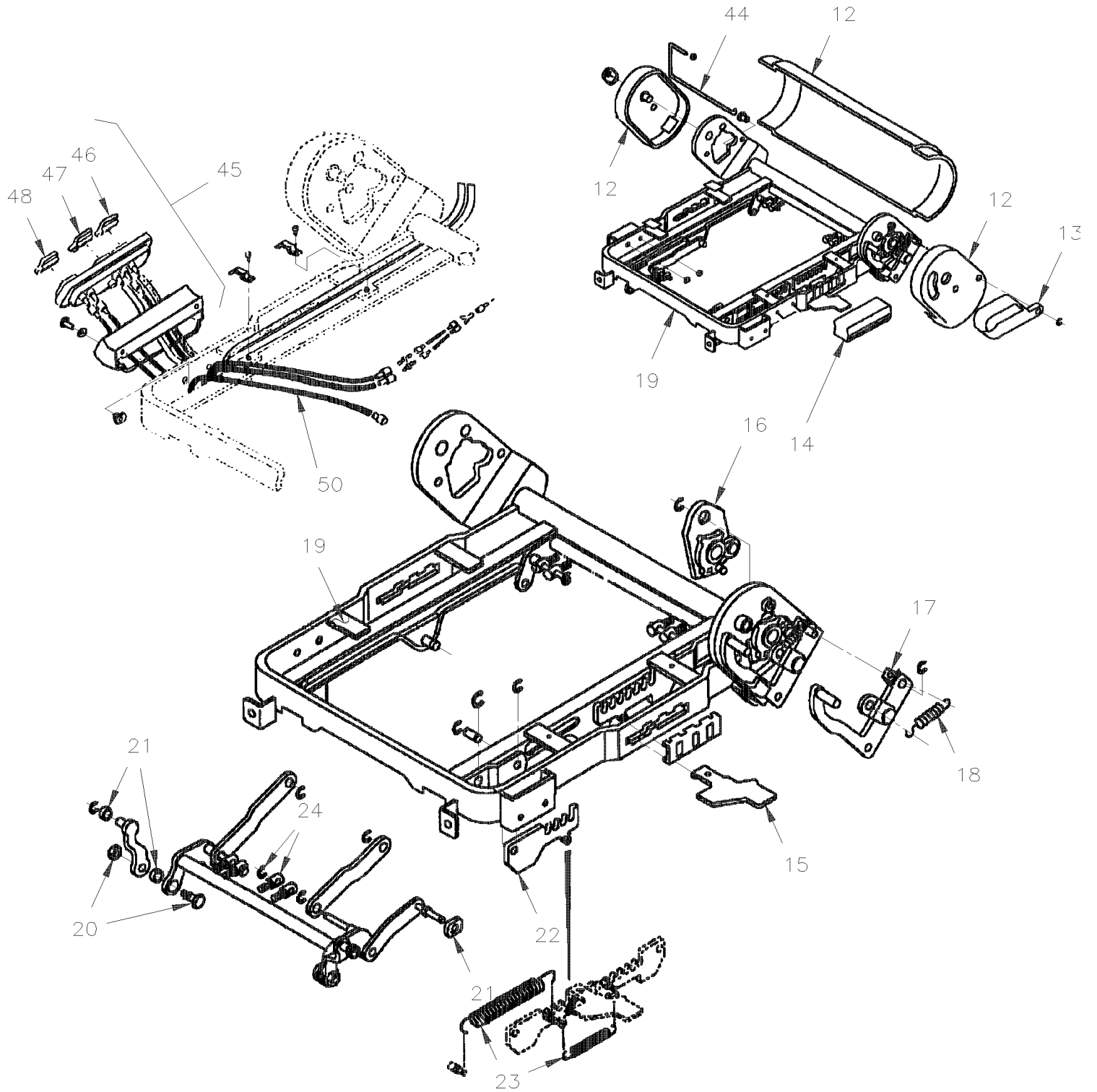


From L-031 To R-079

Date:10/2022

PAGE:H4-1822-20

DRIVER'S SEAT - "ISRI" - 6801/517 & 6801/525



| | | |
|---|--------------|-----------------|
| From L-031 To R-079 | Date:10/2022 | PAGE:H4-1822-20 |
| DRIVER'S SEAT - "ISRI" - 6801/517 & 6801/525 | | |

| Item# | Part | Description | H 3 4 0 | V I P 4 0 | N O T E S |
|-------|--------|--|------------------|-----------------------|-----------------------|
| | | FOR COMPLETE SEAT ASSY, PART NUMBER SEE PAGE H4-1822-00. | | | |
| 1 | 860441 | . HEADREST | 1 | 1 | |
| 2 | 860483 | . GROMMET | 2 | 2 | |
| 3 | 860739 | . BACKREST ASSY | 1 | 1 | |
| 4 | 860740 | . . BACKREST FRAME ASSY | 1 | 1 | |
| 5 | 860741 | . . BACKREST FOAM | 1 | 1 | |
| 5 | 861105 | . . KIT ROD & CLIP / UPHOLSTERY | 1 | 1 | |
| 6 | 860494 | AIR BAG / LOMBAR | 1 | 1 | |
| 7 | 860742 | . SEAT PAN ASSY | 1 | 1 | |
| 8 | 860743 | . . SEAT PAN | 1 | 1 | |
| 9 | 860744 | . . SEAT FOAM | 1 | 1 | |
| 9 | 861104 | . . KIT ROD & CLIP / UPHOLSTERY | 1 | 1 | |
| 10 | 860527 | CLIP | 8 | 8 | |
| 11 | 860745 | . SEAT FRAME ASSY / W/860729 | 1 | 1 | |
| 12 | 860746 | . . SIDE PLATE KIT | 1 | 1 | |
| 13 | 860747 | . . . HANDLE BRACKET | 1 | 1 | |
| 14 | 860748 | . . . HANDLE SLOPE | 1 | 1 | |
| 14 | 860007 | . . . HANDLE SLOPE | 1 | 1 | |
| 15 | 860588 | . . LEVER HEIGHT FOWARD | 1 | 1 | |
| 16 | 861789 | . . TOOTH LEVER / L.H. SIDE | 1 | 1 | |
| 17 | 860750 | . . LEVER BACKREST | 1 | 1 | |
| 18 | 860751 | . . SPRING EXTENSION / .275 O.D. x 1.65 x .047 | 1 | 1 | |
| 19 | 860752 | . . SEAT FRAME | 1 | 1 | |
| 20 | 860754 | . . KIT BUSHING, SHOULDER SCREW, NUT & SNAP RING FOR FRAME SEAT | 1 | 1 | |
| 21 | 860753 | . . . KIT BUSHING ONLY, FOR FRAME SEAT | 1 | 1 | |
| 22 | 860756 | . . PLATE LATCH SLOPE FRONT, FRAME SEAT | 1 | 1 | |
| 23 | 860755 | . . SPRING KIT FOR SLOPE | 1 | 1 | |
| 24 | 860757 | . . SWIVEL BOLTS & CLIPS KIT | 1 | 1 | |
| 25 | 860774 | . . AIR VALVE KIT LUMBAR / (AS SHOWN FORMER) | 1 | 1 | |
| NS | 860775 | . . . VALVE | 1 | 1 | |
| 26 | 860776 | . . . COVER VALVE | 2 | 2 | |
| 26 | 860876 | . AIR VALVE KIT LUMBAR | 1 | 1 | |
| 27 | 860777 | . . PASSENGER'S SEAT AMERICAN SEATING, KIT 50 PAS / MODEL W6693D | 1 | 1 | |
| 28 | 860778 | . . . VALVE | 1 | 1 | |
| 29 | 860758 | . SLIDE, SET | 1 | 1 | |
| 30 | 860759 | . . SLIDE SLAVE | 1 | 1 | |
| 31 | 860763 | . . HANDLE | 1 | 1 | |
| 32 | 860761 | . . SPRING, L.H. / HANDLE RETURN | 1 | 1 | |
| 33 | 860762 | . . SPRING, R.H. / HANDLE RETURN | 1 | 1 | |

| | | |
|---|--------------|-----------------|
| From L-031 To R-079 | Date:10/2022 | PAGE:H4-1822-20 |
| DRIVER'S SEAT - "ISRI" - 6801/517 & 6801/525 | | |

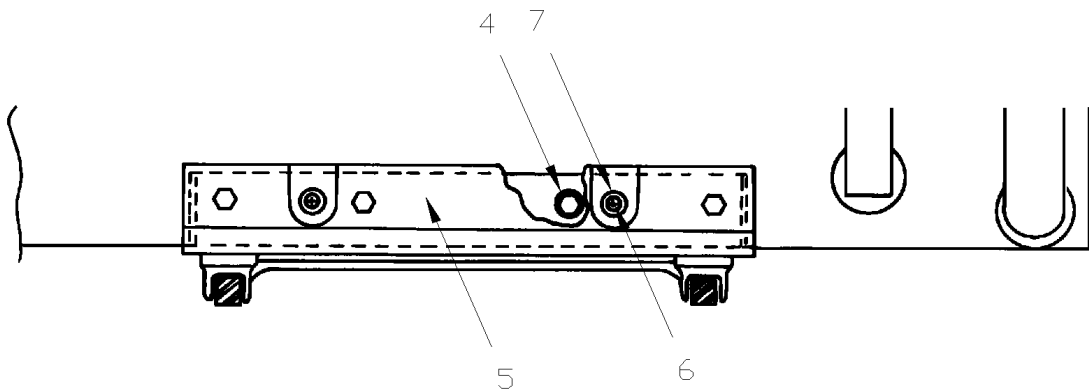
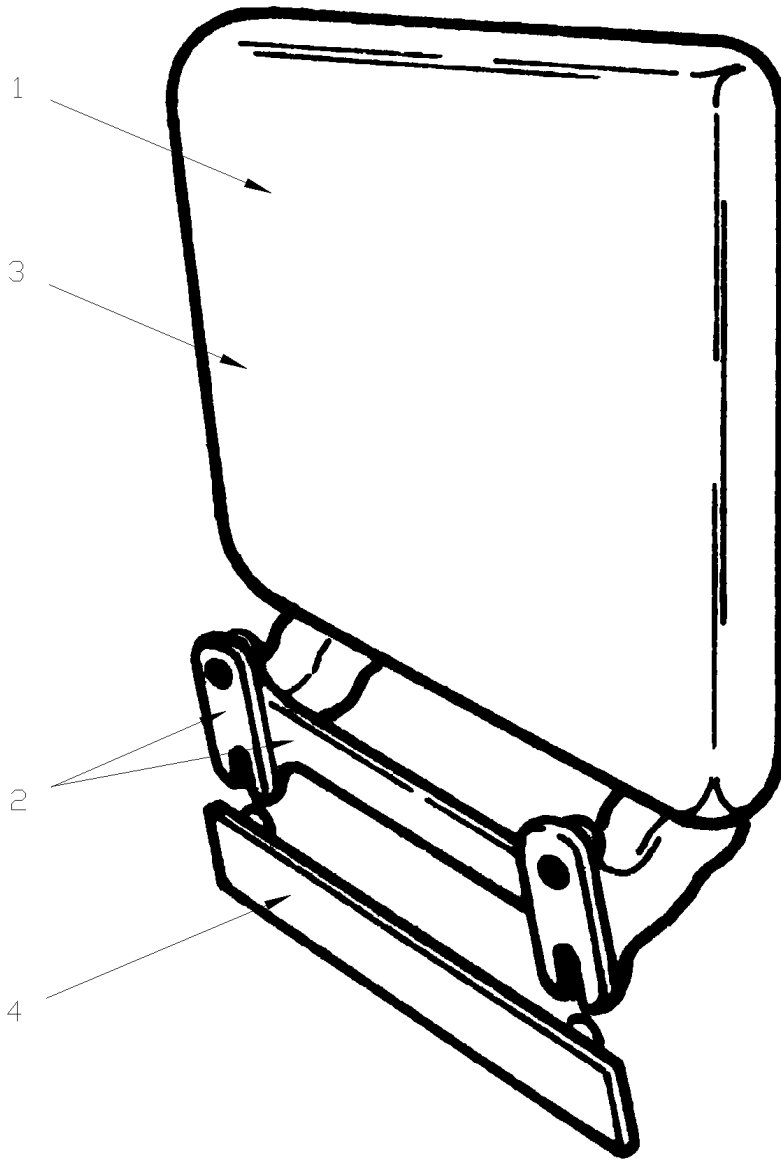
| Item# | Part | Description | H 3 4 0 | V I P 4 0 | N O T E S |
|-------|---------|---|------------------|-----------------------|-----------------------|
| 34 | 860760 | . . SLIDE MASTER | 1 | 1 | |
| NS | 861103 | . SPACER STATIC / W/SEAT #860729 | 1 | | |
| 35 | 860773 | . SHROUD PANEL KIT R.H. / W/860729 ONLY | 1 | 1 | |
| 36 | 860772 | . SHROUD PANEL KIT FRONT / W/860729 ONLY | 1 | 1 | |
| 37 | 860771 | . SHROUD PANEL KIT L.H. / W/860729 ONLY | 1 | 1 | |
| 38 | 860764 | . SUSPENSION ASSY AIR | 1 | 1 | |
| 39 | 860765 | . . AIR SPRING ASSY | 1 | 1 | |
| 40 | 860766 | . . SHOCK ASSY KIT | 1 | 1 | |
| 41 | 860767 | . . SHOCK CABLE KIT | 1 | 1 | |
| 42 | 860768 | . . SHOCK HANDLE KIT | 1 | 1 | |
| 43 | 860769 | . . SHOCK BUMPER KIT | 1 | 1 | |
| NS | 860770 | . . REPAIR KIT / SUSPENSION | 1 | | |
| 44 | 861091 | . TORSION BAR KIT | 1 | 1 | |
| 45 | 861095 | . AIR VALVE KIT LOMBAR & SUSPENSION W/L.H. CONTROL | 1 | 1 | A |
| NS | 861096 | . AIR VALVE KIT LOMBAR & SUSPENSION W/R.H. CONTROL | 1 | 1 | A |
| 46 | 861093 | . . BUTTON AIR LOMBAR UPPER SECTION | 1 | 1 | A |
| 47 | 861094 | . . BUTTON AIR LOMBAR LOWER SECTION | 1 | 1 | A |
| 48 | 861097 | . . BUTTON AIR SUSPENSION | 1 | 1 | A |
| 49 | 862435 | KIT HARDWARE HOLDING SEAT PAN | AR | AR | |
| 50 | 864709 | TUBE PLASTIC 6MM O.D. CHARCOAL W/RED LINE | AR | AR | |
| 50 | 864710 | TUBE PLASTIC 6MM O.D. CHARCOAL W/GREY LINE | AR | AR | |
| 50 | 864711 | TUBE PLASTIC 6MM O.D. CHARCOAL | AR | AR | |
| NS | 641507 | UNION / PUSH-IN FITTING / #4 x 6MM NP | 1 | 1 | |
| NS | 641092 | UNION TEE / NTA FITTING / #4x#4x#4 BR | 1 | 1 | |
| NS | 867958 | ADAPTOR | 1 | 1 | |
| NS | 868125 | UNION 4MM/4MM | 1 | 1 | |
| NS | 868128 | UNION 6MM/4MM | 1 | 1 | |
| 90 | 362201P | COVERING HEADREST ASSY / S.C.C. / DRIVER'S "ISRI" 6000 & 6500 | 1 | 1 | |
| NS | 363151 | FOAM | | | |
| 91 | 363128P | COVERING ASSY, BACKREST / S.C.C. | 1 | 1 | |
| NS | 363152 | FOAM BACKREST | | | |
| NS | 363521 | FOAM BACKREST UPPER SIDE | | | |
| 92 | 363127P | COVERING ASSY, SEATREST / S.C.C. | 1 | 1 | |
| NS | 363150 | FOAM SEAT | | | |
| NS | 363149 | FOAM SEAT FRONT | | | |
| NS | 363522 | FOAM SEAT TOP FRONT SIDE | | | |
| NS | 860484 | SEW STRIP NYLON 10MM | AR | AR | |
| NS | 860485 | SEW STRIP NYLON 15MM | AR | AR | |
| | | | | | |
| | | | | | |
| | | | | | |
| | | | | | |
| | | A) FOR EASY IDENTIFICATION PICTOGRAM ARE PRINTED ON BUTTON | | | |

From L-031 To M-053

Date:10/2022

PAGE:H4-1824-00

HOSTESS SEAT ASSY



| | | |
|--------------------------|--------------|-----------------|
| From L-031 To M-053 | Date:10/2022 | PAGE:H4-1824-00 |
| HOSTESS SEAT ASSY | | |

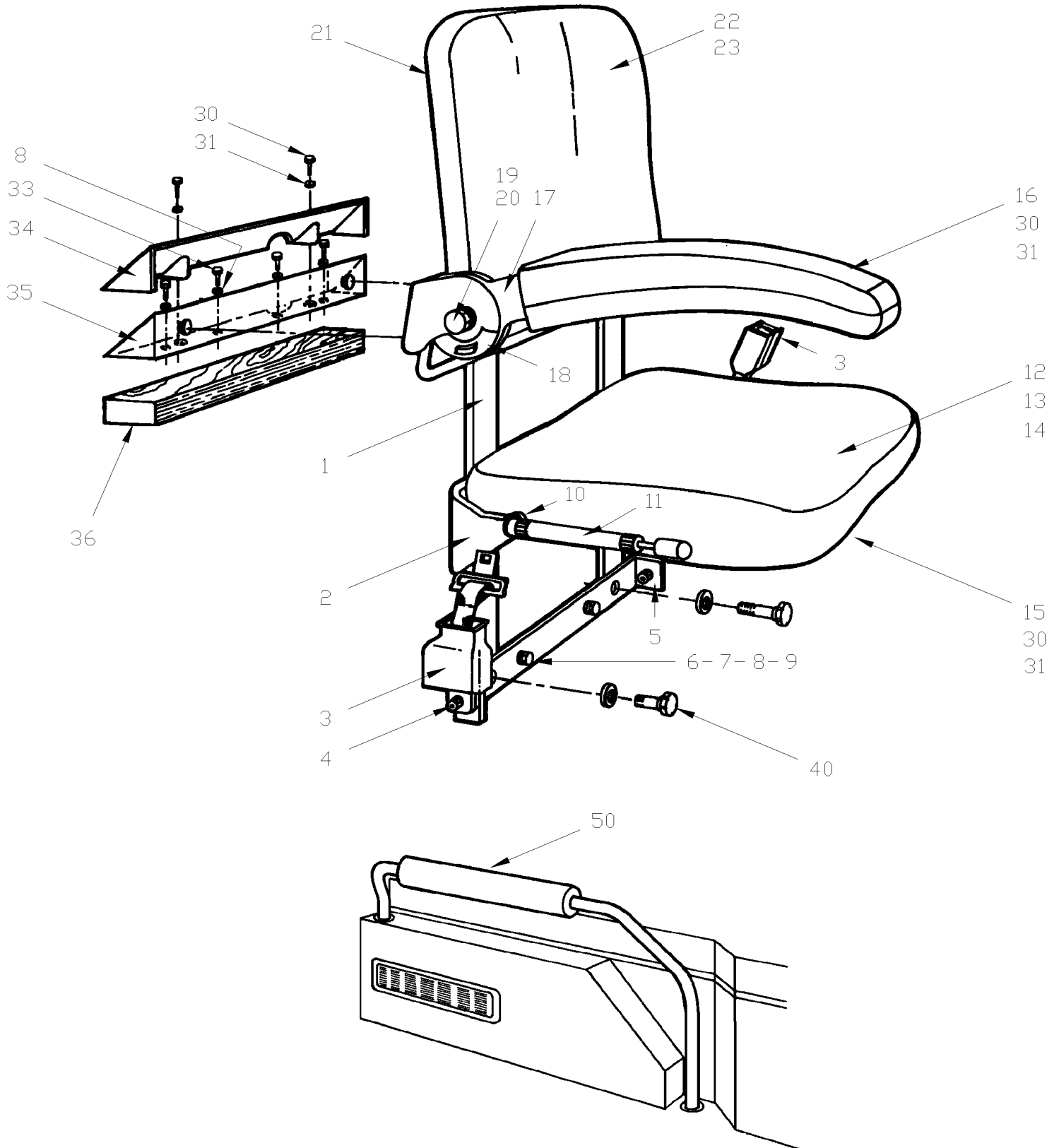
| Item# | Part | Description | H 3 4 0 | V I P 4 0 | N O T E S |
|-------|---------|---|------------------|-----------------------|-----------------------|
| 1 | 360734P | SEAT ASSY / SPECIFY COLOR | 1 | | |
| 1 | 361038 | . FRAME ASSY | 1 | | |
| 1 | 362185 | . FOAM ASSY | 1 | | |
| 1 | 360736 | . . FRAME VENEER | 1 | | |
| 2 | 361995 | . . FRAME IRON / PAINTED | 1 | | |
| 2 | 860330 | . . . FRAME IRON / UNPAINT | 1 | | |
| 2 | 361036 | . . ATTACHMENT | 2 | | |
| 2 | 500366 | . . SCREW MA FL SLT 1/4-20x1 ZP | 2 | | |
| 2 | 500368 | . . SCREW MA FL SLT 1/4-20x1 1/2 Z050 | 2 | | |
| 2 | 500473 | . . WASHER LO SPT .262x.489x.062 Z050 | 4 | | |
| 2 | 500533 | . . SCREW MA OV SLT #10-32x1 1/2 | 6 | | |
| 2 | 500700 | . . NUT HEX #10-32 Z050 | 6 | | |
| 2 | 500440 | . . WASHER FL .250x.562x.065 Z050 | 6 | | |
| 3 | | . LEATHERETTE OR FABRIC / SPECIFY COLOR | AR | | |
| 4 | 362976 | BRACKET ASSY | 1 | | |
| NS | 5001024 | SCREW TC CAP HEXW SLT 1/4-20x2 ZP | 4 | | A |
| NS | 500441 | WASHER FL .312x.734x.065 Z050 | 4 | | A |
| 5 | 362978 | PROTECTOR | 1 | | |
| 6 | 500260 | SCREW TC FL PH #8-32x3/4 BK | 2 | | |
| 7 | 500345 | WASHER FN CKF .187x.500x.090 BR BK | 2 | | |
| | | | | | |
| | | | | | |
| | | | | | |
| | | A) TO FIX BRACKET | | | |

From M-054 To R-079

Date:10/2022

PAGE:H4-1824-01

HOSTESS SEAT ASSY



| | | |
|--------------------------|--------------|-----------------|
| From M-054 To R-079 | Date:10/2022 | PAGE:H4-1824-01 |
| HOSTESS SEAT ASSY | | |

| Item# | Part | Description | H 3 4 0 | V I P 4 0 | N O T E S |
|-------|-----------------|--|------------------|-----------------------|-----------------------|
| | 363042P | HOSTESS SEAT ASSY | 1 | | A |
| 1 | 363043 | FRAME ASSY | 1 | | |
| 2 | 363061 | R.H. SUPPORT ASSY | 1 | | A |
| 2 | 363062 | L.H. SUPPORT ASSY | 2 | | A |
| NS | 507260 | BUSHING NYLINER W/SHOULDER .375x.437x.375x.594 | 4 | | |
| NS | 500565 | SCREW MA RND PH 5/16-18x3/4 SS | 4 | | |
| NS | 500476 | WASHER LO SPT .317x.586x.078 Z050 | 4 | | |
| NS | 500778 | NUT HEX 5/16-18 N500 | 1 | | |
| NS | 363995 | R.H. SUPPORT ASSY | 1 | | |
| NS | 362918 | CUSHION / PLASTIC 46MM O.D. | 1 | | |
| NS | 363992 | CAP TENSIONER 71MM O.D. / ALUMINUM | 1 | | |
| NS | 520169 | SPRING | 1 | | |
| NS | 507260 | BUSHING NYLINER W/SHOULDER .375x.437x.375x.594 | 1 | | |
| NS | 500069 | SCREW CAP HEX M8-1.25x16 G10.9 DP | 2 | | |
| NS | 502744 | NUT HEX STO M8-1.25 Z050 | 2 | | |
| 3 | 860695 | SEAT BELT / KIT | 2 | | |
| 4 | 500191 | SCREW CAP HEX 3/8-16x1 G5 Z050 | 8 | | |
| NS | 500444 | WASHER FL .406x.812x.065 Z050 | 2 | | |
| NS | 500478 | WASHER LO SPT .380x.683x.094 Z050 | 2 | | |
| 5 | 5001060 | NUT HEX CAP 3/8-16 NP | 2 | | |
| 7 | 500440 | WASHER FL .250x.562x.065 Z050 | 8 | | |
| 8 | 500473 | WASHER LO SPT .262x.489x.062 Z050 | 1 | | |
| 10 | 980015 | BALL STUD / W/10 MM X M8-1.25 / 29.18 MM | 1 | | |
| NS | 5001063 | RIVET NUT FL OKS M8-1.25 11.0-1.5 | 1 | | |
| 11 | 980020 | CYLINDER GAZ / 244/164MM C/C / 35LBS | 1 | | |
| NS | 363045P | SEATREST BASE ASSY W/FOAM & COVERING / S.C.C. | 1 | | |
| 12 | 363050 | . SEAT BASE, ASSY | 1 | | |
| 13 | 363040 | . CUSHION FOAM | 1 | | |
| 14 | 363025P | COVERING SEAT REST TOP | 1 | | |
| 15 | 363051P | COVERING ASSY, SEATREST / S.C.C. | 1 | | |
| 16 | 362316 | COVERING ARMREST / LONG | 1 | | |
| 17 | 362939 | ARMREST / LONG | 1 | | |
| 18 | 362877 | SPACER PLASTIC / FRICTION DISK | 2 | | |
| 19 | 500182 | SCREW CAP HEX 5/16-18x1 1/4 G5 PT Z050 | 1 | | |
| 20 | 363067 | SPACER | 1 | | |
| NS | 500441 | WASHER FL .312x.734x.065 Z050 | 6 | | |
| NS | 500777 | NUT HEX STO 5/16-18 Z050 | 1 | | |
| 21 | Call order desk | BACKREST PANEL ASSY W/FOAM & COVERING /S.C. | 1 | | P |
| 21 | 363053 | LOWER BACKREST PANEL | 1 | | |
| NS | 500453 | NUT TEE 1/4-20 | 1 | | |
| NS | 500554 | SCREW MA RND SLT 1/4-20x1/2 SS | 6 | | |
| 22 | 363026P | COVERING ASSY, BACKREST / S.C.C. | 1 | | |

| | | |
|--------------------------|--------------|-----------------|
| From M-054 To R-079 | Date:10/2022 | PAGE:H4-1824-01 |
| HOSTESS SEAT ASSY | | |

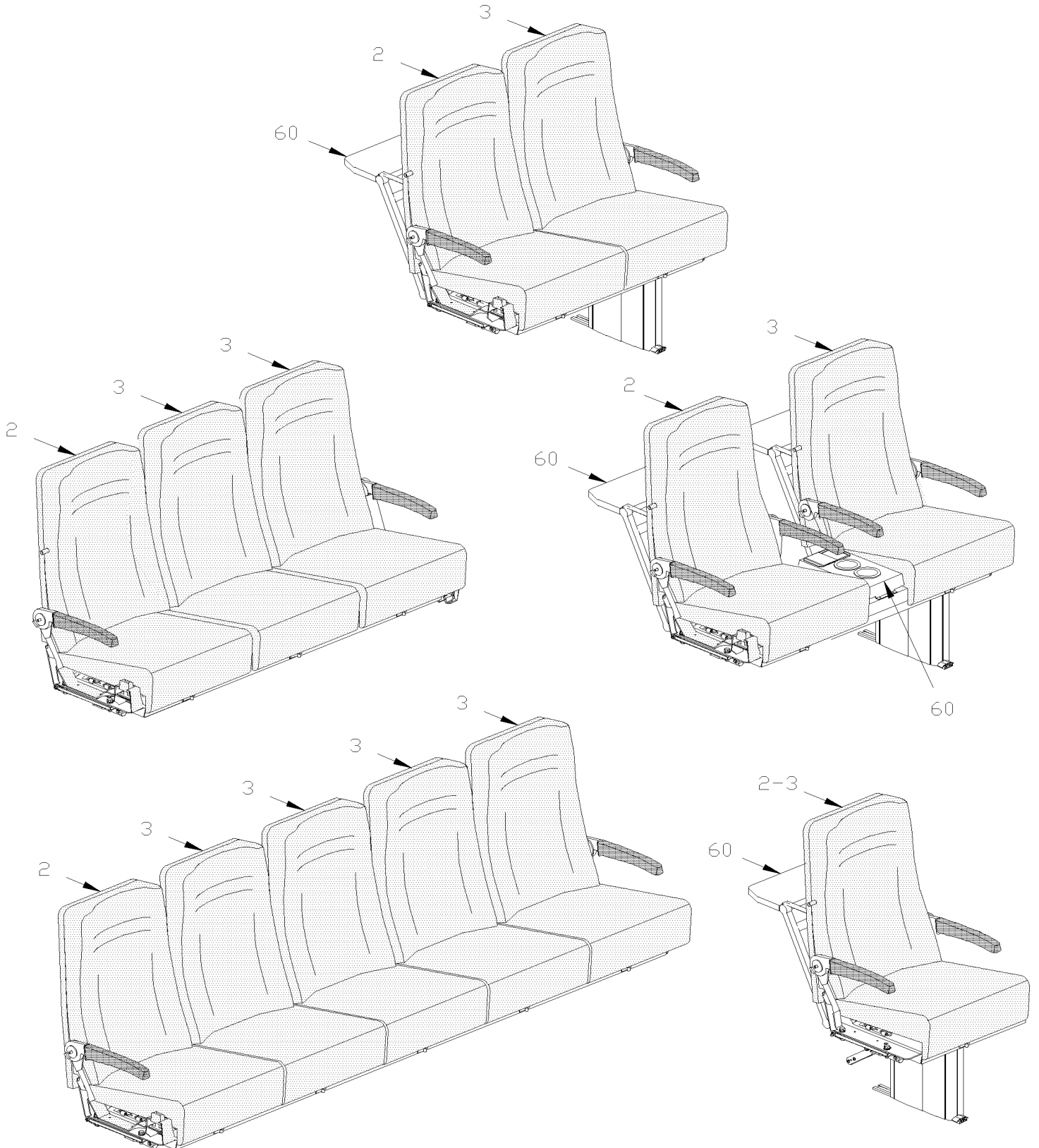
| Item# | Part | Description | H 3 4 0 | V I P 4 0 | N O T E S |
|-------|---------|--|------------------|-----------------------|-----------------------|
| NS | 363041 | BACK REST FOAM | 1 | | |
| 30 | 500345 | WASHER FN CKF .187x.500x.090 BR BK | 5 | | |
| 31 | 500686 | SCREW TP OV PH #6x1/2 BK | 5 | | |
| 33 | 5001024 | SCREW TC CAP HEXW SLT 1/4-20x2 ZP | 4 | | |
| 34 | 363069 | HAND RAIL PROTECTOR ASSY / W/HOSTESS SEAT ONLY | 1 | | |
| 35 | 363063 | BRACKET ASSY | 1 | | |
| 36 | 363072 | SPACER / WOOD 450MM LG | 1 | | |
| 40 | 363070 | SPECIAL BOLT ASSY / TO FIX HOSTESS SEAT / 126MM | 2 | | |
| NS | 500444 | WASHER FL .406x.812x.065 Z050 | 2 | | |
| 40 | 504373 | PLUG BUTTON / 1.000 O.D. / BARE METAL | 2 | | |
| 40 | 504078 | PLUG BUTTON / 1.000 O.D. / NICKEL & BRASS | 2 | | |
| 40 | 363071 | SPECIAL BOLT ASSY / TO FIX HOSTESS SEAT / 72MM | 1 | | |
| 40 | 363546 | HOOK | 1 | | B |
| 40 | 504416 | RIVET POP DOME OE 3/16x5/8 SS | 3 | | B |
| 40 | 363547 | BELT 485MM | 1 | | B |
| 40 | 5001168 | BUMPER RUBBER / .750 OD x .562 TH x .187 HOLE | 2 | | B |
| 50 | 363077 | HAND RAIL PROTECTOR ASSY / W/HOSTESS SEAT ONLY | 1 | | |
| 50 | 363076 | . FOAM | 1 | | |
| | | | | | |
| | | | | | |
| | | | | | |
| | | A) FOR PRODUCT IMPROVEMENT YOU REQUIRE KIT #363997 | | | |
| | | B) THIS ITEMS IT'S FOR FIXING HOSTESS SEAT IN THE BAGGAGE CASE | | | |
| | | P) CALL ORDER DESK FOR SPECIFIC APPLICATION (V.I.N.) | | | |

From L-031 To M-089

Date:10/2022

PAGE:H4-1827-00

PASSENGER'S SEAT - "SILHOUETTE" ALUMINUM

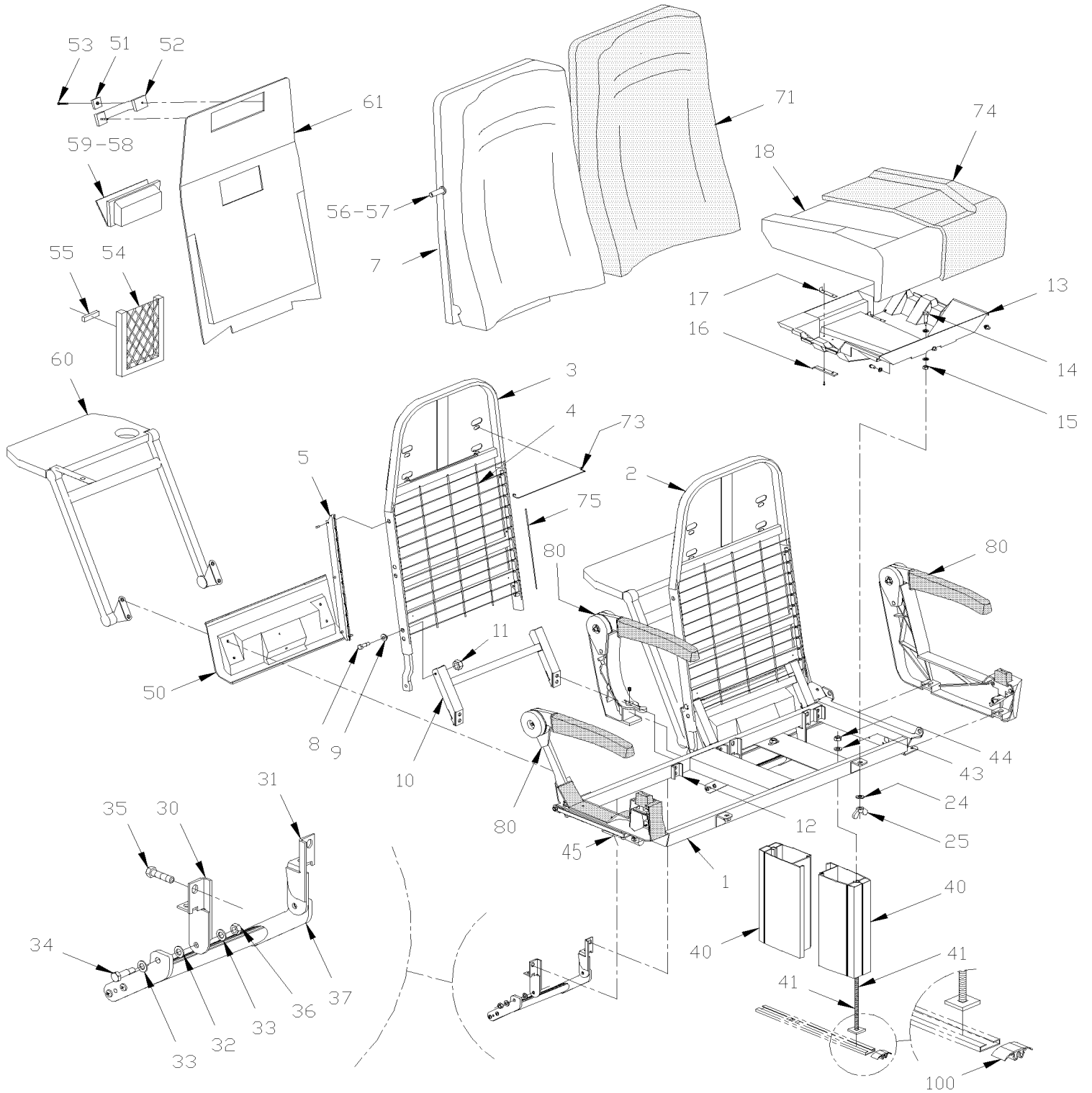


From L-031 To M-089

Date:10/2022

PAGE:H4-1827-00

PASSENGER'S SEAT - "SILHOUETTE" ALUMINUM



| | | |
|---|--------------|-----------------|
| From L-031 To M-089 | Date:10/2022 | PAGE:H4-1827-00 |
| PASSENGER'S SEAT - "SILHOUETTE" ALUMINUM | | |

| Item# | Part | Description | H 3 4 0 | V I P 4 0 | N O T E S |
|-------|---------|---|------------------|-----------------------|-----------------------|
| | 363015 | SEAT ASSY PASSENGERS / R.H. V.I.P. | AR | | |
| | 363016 | SEAT ASSY PASSENGERS / L.H. V.I.P. | AR | | |
| 1 | 362308 | . STRUCTURE L.H. / 2 PASSENGERS | 1 | | |
| 1 | 362309 | . STRUCTURE R.H. / 2 PASSENGERS | 1 | | |
| 1 | 362393 | . STRUCTURE REAR / 3 PASSENGERS | 1 | | |
| 1 | 362530 | . STRUCTURE R.H. / 1 PASSENGER | 1 | | |
| 1 | 362556 | . STRUCTURE L.H. / 1 PASSENGER V.I.P. | 1 | | |
| 1 | 362567 | . STRUCTURE R.H. / 2 PASSENGER V.I.P. | 1 | | |
| 1 | 362629 | . STRUCTURE R.H. / 1 PASSENGER V.I.P. | 1 | | |
| 1 | 362630 | . STRUCTURE L.H. / 2 PASSENGERS V.I.P. | 1 | | |
| 2 | 362451 | . BACKREST ASSY / R.H. (INCLUDE ITEM #7) | 1 | | |
| 2 | 362452 | . BACKREST ASSY / L.H. (INCLUDE ITEM #7) | 1 | | |
| 2 | 362346 | . BACKREST STRUCTURE / R.H. | 1 | | |
| 3 | 362345 | . BACKREST STRUCTURE / L.H. | 1 | | |
| 4 | 362374 | . . LATTICE | 1 | | |
| 5 | 362414 | . . FIXING / LATTICE | 2 | | |
| 7 | 362529P | . FOAM ASSY, BACKREST | 2 | | |
| 7 | 362526 | . . FOAM THICK | 1 | | |
| 7 | 362525 | . . FOAM THIN | 1 | | |
| NS | 361965 | . FOAM / REAR OF UPPER BACKREST | 1 | | |
| 8 | 362493 | . . SCREW SHR CAP HEX 5/16x.715{1/4-20 | 2 | | |
| 9 | 362325 | . . BUSHING NYLON | 2 | | |
| 10 | 362788 | . . SUPPORT | 2 | | |
| 11 | 500770 | . . NUT HEX STO 1/4-20 Z050 | 2 | | |
| 12 | 362475 | . SUPPORT "U" SHAPED | 4 | | |
| NS | 500183 | . SCREW CAP HEX 5/16-18x1 1/2 G5 PT Z050 | 8 | | |
| NS | 500476 | . WASHER LO SPT .317x.586x.078 Z050 | 8 | | |
| 13 | 362464P | . SEATREST ASSY W/HOOK / BOTTOM PLASTIC | 2 | | |
| 14 | 362353 | . . SCREW | 1 | | |
| 15 | 500982 | . . NUT HEX JAM 5/16-18 Z050 | 2 | | |
| 16 | 362779 | . . BRACKET RETAINER / 3" | 2 | | |
| 17 | 322780 | . . MOULDING "J" FORM / 423MM (16 5/8") / A/A | 2 | | |
| 18 | 362528P | . FOAM ASSY, SEATREST / "SILHOUETTE" | 2 | | |
| 18 | 362527 | . . FOAM THICK | 1 | | |
| 18 | 362524 | . . FOAM THIN | 1 | | |
| 24 | 500441 | . WASHER FL .312x.734x.065 Z050 | 2 | | |
| 25 | 500782 | . NUT WING 5/16-18 Z050 | 2 | | |
| 30 | 362380 | . SUPPORT R.H. | 2 | | |
| 31 | 362379 | . SUPPORT L.H. | 2 | | |
| 32 | 502723 | . WASHER FL .386x.750x.050 NYL | 4 | | |
| 33 | 502584 | . WASHER LO SERR 8.2x26.3x1.8 Z050 | 4 | | |
| 34 | 360754 | . SCREW / SOCKET | 4 | | |

| | | |
|---------------------|--------------|-----------------|
| From L-031 To M-089 | Date:10/2022 | PAGE:H4-1827-00 |
|---------------------|--------------|-----------------|

PASSENGER'S SEAT - "SILHOUETTE" ALUMINUM

| Item# | Part | Description | H 3 4 0 | V I P 4 0 | N O T E S |
|-------|-------------------|---|------------------|-----------------------|-----------------------|
| 35 | 502628 | . SCREW CAP BUT HEXS 5/16-18x3/4 CP | 4 | | |
| NS | 502523 | . RIVET NUT FL OKS 5/16-18 .059-.119 | 4 | | A |
| 36 | 500777 | . NUT HEX STO 5/16-18 Z050 | 4 | | |
| 37 | 362411 | . FOOTREST ASSY | 2 | | |
| 40 | 362288 | . PEDESTAL OBLONG / ONE PIECE / 279MM / 10.98" | 2 | | |
| 41 | 361700 | . ROD ASSY 12" / SEAT RETAINER | 2 | | |
| 43 | 500445 | . WASHER FL .437x1.000x.083 Z050 | 4 | | |
| 44 | 500265 | . NUT HEX STO 3/8-16 Z050 | 4 | | |
| 45 | 362355 | . ATTACHMENT NUT / "J" SHAPE TO FIX SEAT TO WALL TRACK WALL TRACK | 2 | | |
| 45 | 364132 | . ATTACHMENT PLATE / "J" SHAPE TO FIX SEAT TO WALL TRACK WALL TRACK | 1 | | |
| . NS | 500829 | . SCREW CAP HEX M10-1.5x40 G8.8 | 2 | | |
| . NS | 500257 | . WASHER LO SPT 10.2x18.1x2.2 Z050 | 2 | | |
| 50 | 362421 | . FINISH LOWER / AISLE | 1 | | |
| 50 | 362424 | . FINISH LOWER / L.H. (WALL SIDE) | 1 | | |
| 50 | 362425 | . FINISH LOWER / R.H. (WALL SIDE) | 1 | | |
| 50 | 362640 | . FINISH LOWER / L.H. (WALL SIDE) | 1 | | |
| 50 | 362641 | . FINISH LOWER / R.H. (WALL SIDE) | 1 | | |
| NS | 362488 | . REINFORCEMENT TAPER (NORYL) | AR | | |
| 51 | 860421 | . HOOK | 1 | | |
| 52 | 860422 | . HANDLE | 1 | | |
| 53 | 500360 | . SCREW TP FL PH #8x1 1/4 BK | 2 | | |
| 54 | 361406 | . MAGAZINE NET / 13" x 8 5/8" | 2 | | |
| 55 | 500353 | . SCREW TP FL PH #8x3/4 BK | 4 | | |
| 56 | 362943 | . STOPPER LONG / WV.I.P. SEAT | 1 | | |
| 56 | 362942 | . STOPPER SHORT / W/STANDARD SEAT | 1 | | |
| 57 | 5001019 | . SCREW TP OV PH #10x2 EMN | 2 | | |
| 58 | 361538 | . REINFORCEMENT / W/ASHTRAY | 1 | | |
| 59 | 860423 | . ASHTRAY | 1 | | |
| NS | 500353 | . SCREW TP FL PH #8x3/4 BK | 2 | | |
| 60 | H4-1829-00 | . ACCESSORIES PASSENGER'S SEAT - "PREVOST" | | | |
| 61 | 362419 | . PANEL BACKREST / HIGH RISE W/O ASHTRAY | 1 | | |
| 61 | 362444 | . PANEL BACKREST / HIGH RISE W/ASHTRAY | 1 | | |
| 61 | 362489 | . PANEL BACKREST / LOW RISE W/O ASHTRAY | 1 | | |
| 61 | 362507 | . PANEL BACKREST / LOW RISE W/ASHTRAY | 1 | | |
| NS | 500345 | . WASHER FN CKF .187x.500x.090 BR BK | AR | | |
| NS | 502665 | . SCREW TP OV PH #6x3/4 SS EMN | AR | | |
| 71 | 362460 | . COVERING BACKREST ASSY / S.C.C. / "SILHOUETTE" | AR | | |
| 73 | 361915 | . SPRING WIRE 9 3/4" X 3/4" / TO FIX COVERI | 2 | | |
| NS | 362716 | . ATTACHMENT / ROUND "W" SHAPE TO FIX COVER | 4 | | |
| 74 | 362462P | . COVERING SEATREST ASSY / S.C.C. / ALL W/NORYL TRAY | AR | | |
| 75 | 362416 | . WIRE 9 1/4" / TO FIX COVERING | 2 | | |
| 80 | H4-1827-50 | . ARMREST PASSENGER'S - "ALUMINUM" | | | |

| | | |
|---|--------------|-----------------|
| From L-031 To M-089 | Date:10/2022 | PAGE:H4-1827-00 |
| PASSENGER'S SEAT - "SILHOUETTE" ALUMINUM | | |

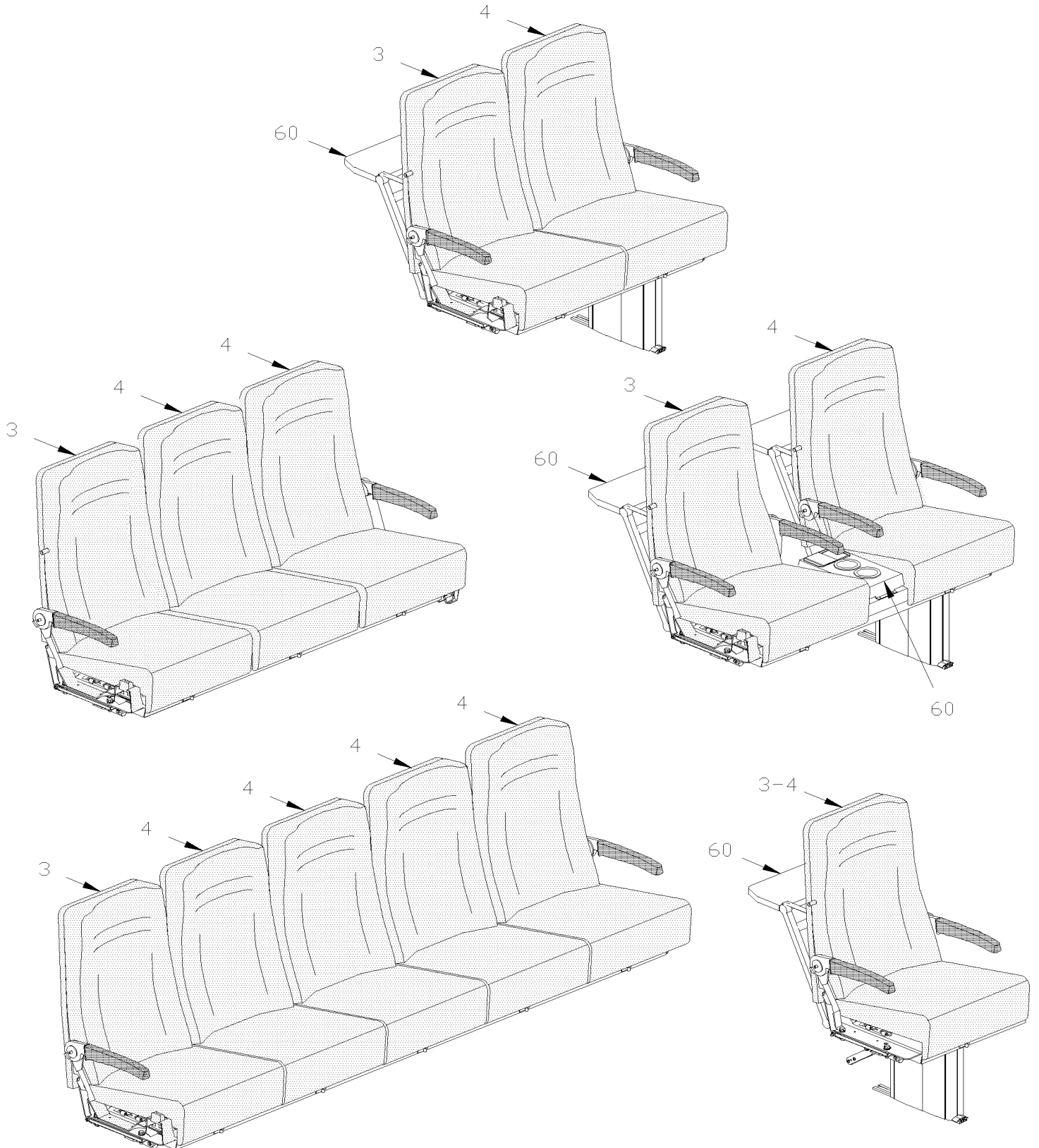
| Item# | Part | Description | H 3 4 0 | V I P 4 0 | N O T E S |
|-------|--------|---|------------------|-----------------------|-----------------------|
| 100 | 323654 | SEAT TRACK COVER 12' / EACH SEAT / W/COVERING FLOOR | AR | | |
| 100 | 323963 | SEAT TRACK COVER 8' / EACH SEAT / W/COVERING FLOOR | AR | | |
| 100 | 361338 | SEAT TRACK COVER 12' / EACH SEAT / W/CARPET FLOOR | AR | | |
| 100 | 323655 | SEAT TRACK COVER | AR | | |
| | | | | | |
| | | | | | |
| | | A) FIX ON STRUCTURE | | | |

From M-090 To R-079

Date:10/2022

PAGE:H4-1827-01

PASSENGER'S SEAT - "SILHOUETTE" CHARCOAL

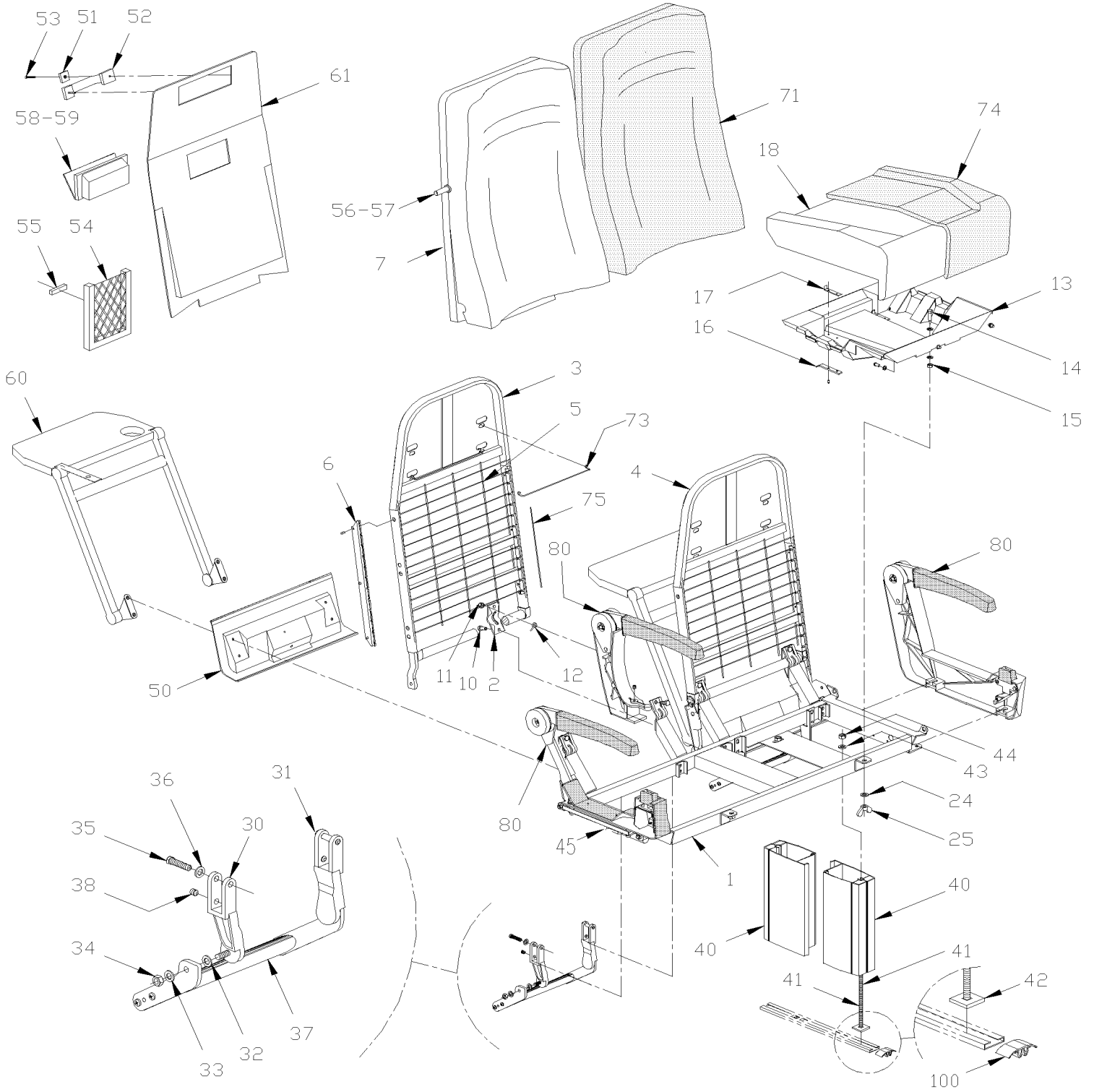


From M-090 To R-079

Date:10/2022

PAGE:H4-1827-01

PASSENGER'S SEAT - "SILHOUETTE" CHARCOAL



| | | |
|---------------------|--------------|-----------------|
| From M-090 To R-079 | Date:10/2022 | PAGE:H4-1827-01 |
|---------------------|--------------|-----------------|

PASSENGER'S SEAT - "SILHOUETTE" CHARCOAL

| Item# | Part | Description | H 3 4 0 | V I P 4 0 | N O T E S |
|-------|---------|--|------------------|-----------------------|-----------------------|
| | 362982 | SEAT ASSY L.H. / 2 PASSENGERS | AR | | |
| | 362983 | SEAT ASSY R.H. / 2 PASSENGERS | AR | | |
| | 362984 | SEAT ASSY ROTATING / "SILHOUETTE" PAINTED CHARCOAL | AR | | |
| | 362985 | SEAT ASSY REAR / 1 PASSENGER | AR | | |
| | 362988 | SEAT ASSY R.H. / 1 PASSENGER V.I.P. | AR | | |
| | 362989 | SEAT ASSY L.H. / 1 PASSENGER V.I.P. | AR | | |
| | 362986 | SEAT ASSY R.H. / 2 PASSENGERS V.I.P. | AR | | |
| | 362987 | SEAT ASSY L.H. / 2 PASSENGERS V.I.P. | AR | | |
| 1 | 362688 | . STRUCTURE ASSY L.H. / 2 PASSENGERS To R-032 | 1 | | |
| 1 | 363315 | . STRUCTURE ASSY L.H. / 2 PASSENGERS From R-033 | 1 | | |
| 1 | 362687 | . STRUCTURE ASSY R.H. / 2 PASSENGERS To R-032 | 1 | | |
| 1 | 363314 | . STRUCTURE ASSY R.H. / 2 PASSENGERS From R-033 | 1 | | |
| 1 | 362695 | . STRUCTURE ASSY / "ROTATING" SEAT To R-032 | 1 | | |
| 1 | 363316 | . STRUCTURE ASSY / "ROTATING" SEAT From R-033 | 1 | | |
| 1 | 362775 | . STRUCTURE ASSY REAR / 1 PASSENGER To R-032 | 1 | | |
| 1 | 363318 | . STRUCTURE ASSY REAR / 1 PASSENGER From R-033 | 1 | | |
| 1 | 362723 | . STRUCTURE ASSY REAR / 3 PASSENGERS From R-033 | 1 | | |
| 1 | 363007 | . STRUCTURE ASSY REAR / 5 PASSENGERS To R-032 | 1 | | |
| 1 | 363323 | . STRUCTURE ASSY REAR / 5 PASSENGERS From R-033 | 1 | | |
| 1 | 362859 | . STRUCTURE ASSY R.H. / 2 PASSENGERS V.I.P. To R-032 | 1 | | |
| 1 | 363320 | . STRUCTURE ASSY R.H. / 2 PASSENGERS V.I.P. From R-033 | 1 | | |
| 1 | 362862 | . STRUCTURE ASSY R.H. / 2 PASSENGERS V.I.P. To R-032 | 1 | | |
| 1 | 363321 | . STRUCTURE ASSY L.H. / 2 PASSENGERS V.I.P. From R-033 | 1 | | |
| 1 | 362855 | . STRUCTURE ASSY R.H. / 1 PASSENGER V.I.P. To R-032 | 1 | | |
| 1 | 363319 | . STRUCTURE ASSY R.H. / 1 PASSENGER V.I.P. From R-033 | 1 | | |
| 1 | 362868 | . STRUCTURE ASSY L.H. / 1 PASSENGER V.I.P. To R-032 | 1 | | |
| 1 | 363322 | . STRUCTURE ASSY L.H. / 1 PASSENGER V.I.P. From R-033 | 1 | | |
| 2 | 362661 | . COLLAR To R-032 | 4 | | |
| 2 | 363246 | . COLLAR From R-033 | 4 | | |
| 3 | 363106 | . BACKREST ASSY R.H. | 1 | | |
| 4 | 363105 | . BACKREST ASSY L.H. | 1 | | |
| 5 | 362853 | . . LATTICE | 1 | | |
| 6 | 362854 | . . ATTACHMENT / LATTICE | 2 | | |
| 7 | 362529P | . FOAM ASSY, BACKREST | 1 | | |
| 7 | 362526 | . . FOAM THICK | 1 | | |
| 7 | 362525 | . . FOAM THIN | 1 | | |
| 10 | 500179 | . SCREW CAP HEX 5/16-18x3/4 G5 Z050 | 4 | | |
| 11 | 5001113 | . NUT HEX JAM NYRT 5/16-18 | 4 | | |
| 12 | 363273 | . SPRING EYE From R-033 | 1 | | |
| 13 | 362464P | . SEATREST ASSY W/HOOK / BOTTOM PLASTIC | 1 | | |
| 14 | 362353 | . . SCREW | 1 | | |
| 15 | 500685 | . . NUT HEX NYRT 5/16-18 SS | 1 | | |

| | | |
|---------------------|--------------|-----------------|
| From M-090 To R-079 | Date:10/2022 | PAGE:H4-1827-01 |
|---------------------|--------------|-----------------|

PASSENGER'S SEAT - "SILHOUETTE" CHARCOAL

| Item# | Part | Description | H 3 4 0 | V I P 4 0 | N O T E S |
|-------|---------|---|------------------|-----------------------|-----------------------|
| 16 | 362779 | . BRACKET RETAINER / 3" | 2 | | |
| 17 | 362781 | . BRACKET RETAINER / 2 1/4" | 2 | | |
| 18 | 362528P | . FOAM ASSY, SEATREST / "SILHOUETTE" | 1 | | |
| 18 | 362527 | . FOAM THICK | 1 | | |
| 18 | 362524 | . FOAM THIN | 1 | | |
| 24 | 500441 | WASHER FL .312x.734x.065 Z050 | 2 | | |
| 25 | 500782 | NUT WING 5/16-18 Z050 | 2 | | |
| 30 | 363437 | . BRACKET L.H. | 1 | | |
| 31 | 363436 | . BRACKET R.H. | 1 | | |
| 32 | 502723 | . WASHER FL .386x.750x.050 NYL | 2 | | |
| 33 | 500441 | . WASHER FL .312x.734x.065 Z050 | 2 | | |
| 34 | 500777 | . NUT HEX STO 5/16-18 Z050 | 2 | | |
| 35 | 500183 | . SCREW CAP HEX 5/16-18x1 1/2 G5 PT Z050 | 2 | | |
| 36 | 500476 | . WASHER LO SPT .317x.586x.078 Z050 | 2 | | |
| 37 | 362928 | . FOOTREST ASSY | 1 | | |
| 38 | 502781 | . SCREW SET HEXS CUP 5/16-18x1/4 | 2 | | |
| 40 | 363517 | . PEDESTAL OBLONG / 279MM / 10.98" To V-6156 | 1 | | |
| 41 | 5001600 | . SCREW CRG 3/8-16x12 G5 Z050 | 2 | | |
| 42 | 363085 | . PLATE ANCHOR / CARRIAGE BOLT INSIDE TRACK / 1 1/4" X 1 1/4" | 2 | | |
| 42 | 500445 | . WASHER FL .437x1.000x.083 Z050 | 2 | | |
| 43 | 500445 | . WASHER FL .437x1.000x.083 Z050 | 2 | | |
| 44 | 500265 | . NUT HEX STO 3/8-16 Z050 | 2 | | |
| 45 | 362355 | . ATTACHMENT NUT / "J" SHAPE TO FIX SEAT TO WALL TRACK WALL TRACK | 2 | | |
| 45 | 364132 | . ATTACHMENT PLATE / "J" SHAPE TO FIX SEAT TO WALL TRACK WALL TRACK | 1 | | |
| . NS | 500829 | . SCREW CAP HEX M10-1.5x40 G8.8 | 2 | | |
| . NS | 500257 | . WASHER LO SPT 10.2x18.1x2.2 Z050 | 2 | | |
| 50 | 362867 | . FINISHING LOWER / R.H. / NORYL | 1 | | |
| 50 | 362866 | . FINISHING LOWER / L.H. / NORYL | 1 | | |
| NS | 500982 | . NUT HEX JAM 5/16-18 Z050 | 2 | | |
| NS | 502777 | . SCREW SET HEXS CUP 5/16-18x1 | 2 | | |
| 51 | 860421 | . HOOK | 1 | | |
| 52 | 860422 | . HANDLE | 1 | | |
| 53 | 500360 | . SCREW TP FL PH #8x1 1/4 BK | 2 | | |
| 54 | 362707 | . MAGAZINE NET 13" x 6 1/2" | 1 | | |
| 54 | 860809 | . MAGAZINE NET 14" x 7 1/4" | 1 | | |
| 55 | 500353 | . SCREW TP FL PH #8x3/4 BK | 4 | | |
| 56 | 362943 | . STOPPER LONG / WV.I.P. SEAT | 1 | | |
| 56 | 362942 | . STOPPER SHORT / W/STANDARD SEAT | 1 | | |
| 57 | 5001019 | . SCREW TP OV PH #10x2 EMN | 2 | | |
| 58 | 361538 | . REINFORCEMENT / W/WASHTRAY | 1 | | |
| 59 | 860423 | . ASHTRAY | 1 | | |
| NS | 500360 | . SCREW TP FL PH #8x1 1/4 BK | 2 | | |

| | | |
|---|--------------|-----------------|
| From M-090 To R-079 | Date:10/2022 | PAGE:H4-1827-01 |
| PASSENGER'S SEAT - "SILHOUETTE" CHARCOAL | | |

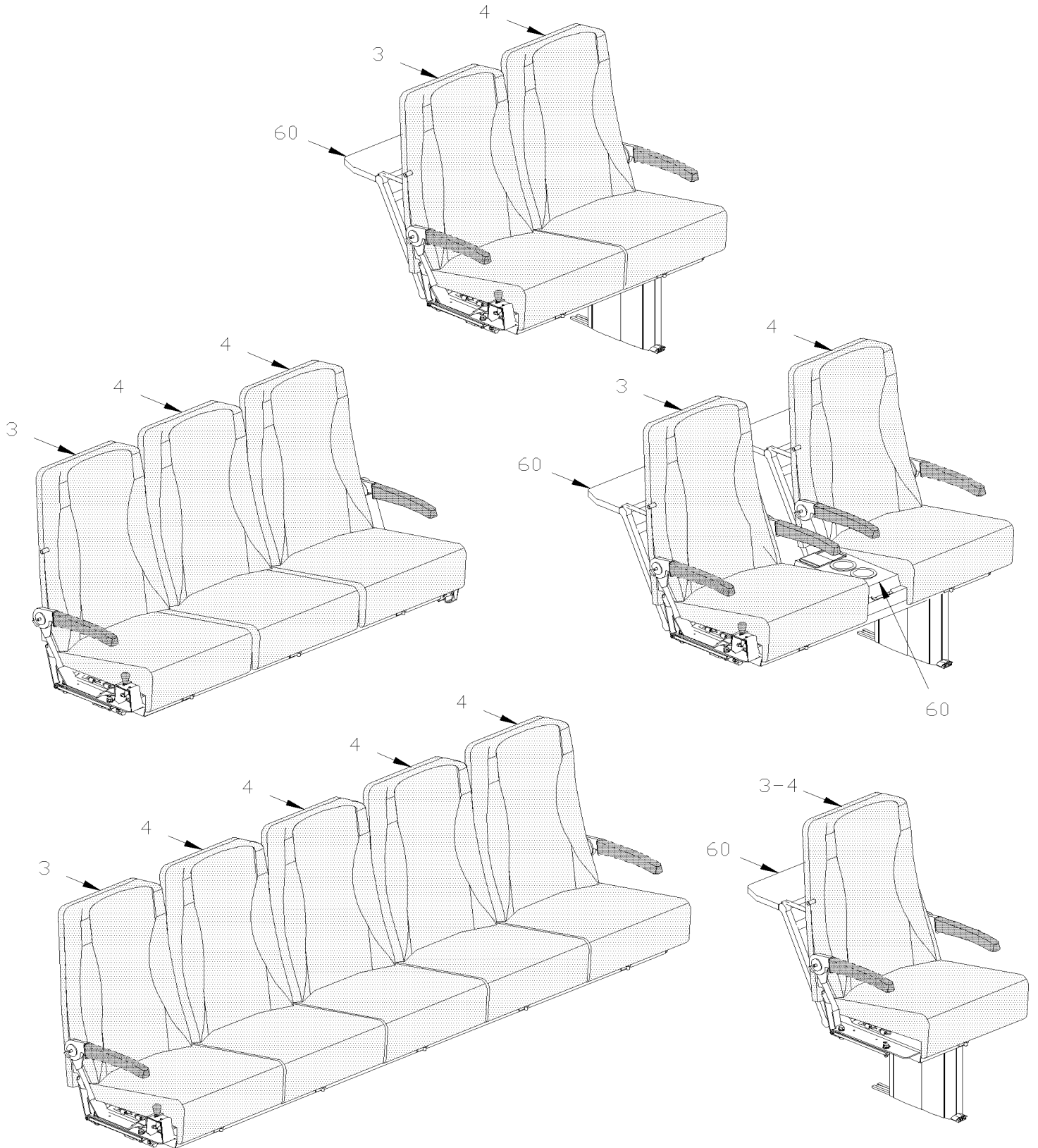
| Item# | Part | Description | H 3 4 0 | V I P 4 0 | N O T E S |
|-------|-------------------|--|------------------|-----------------------|-----------------------|
| NS | 504123 | . RIVET POP DOME OE 3/32x1/8 AL | 1 | | |
| 60 | H4-1829-00 | . ACCESSORIES PASSENGER'S SEAT - "PREVOST" | | | |
| 61 | 362850 | . FINISHING BACKREST / HIGH RISE W/O ASHTRAY NORYL | 1 | | |
| 61 | 362865 | . FINISHING BACKREST / HIGH RISE W/ ASHTRAY / NORYL | 1 | | |
| 61 | 362849 | . FINISHING BACKREST / REGULAR / W/O ASHTRAY NORYL | 1 | | |
| 61 | 362864 | . FINISHING BACKREST / REGULAR / W/ASHTRAY / NORYL | 1 | | |
| 61 | 500333 | . SCREW TP OV PH #6x3/4 BK | AR | | |
| 61 | 500345 | . WASHER FN CKF .187x.500x.090 BR BK | AR | | |
| 71 | 362870P | . COVERING ASSY, BACKREST / S.C.C. | 1 | | |
| 73 | 361915 | . SPRING WIRE 9 3/4" X 3/4" / TO FIX COVERI | 1 | | |
| NS | 362716 | . ATTACHMENT / ROUND "W" SHAPE TO FIX COVER | 4 | | |
| NS | 504474 | . HOG RING | 12 | | |
| 74 | 362462P | . COVERING SEATREST ASSY / S.C.C. / ALL W/NORYL TRAY | 1 | | |
| 75 | 362416 | . WIRE 9 1/4" / TO FIX COVERING | 2 | | |
| 80 | H4-1827-51 | . ARMREST PASSENGER'S - "CHARCOAL" | | | |
| 100 | 323654 | SEAT TRACK COVER 12' / EACH SEAT / W/COVERING FLOOR | AR | | |
| 100 | 323963 | SEAT TRACK COVER 8' / EACH SEAT / W/COVERING FLOOR | AR | | |
| 100 | 361338 | SEAT TRACK COVER 12' / EACH SEAT / W/CARPET FLOOR | AR | | |
| | | | | | |
| | | | | | |
| | | | | | |

From R-033 To R-079

Date:10/2022

PAGE:H4-1827-02

PASSENGER'S SEAT - "ULTRA"

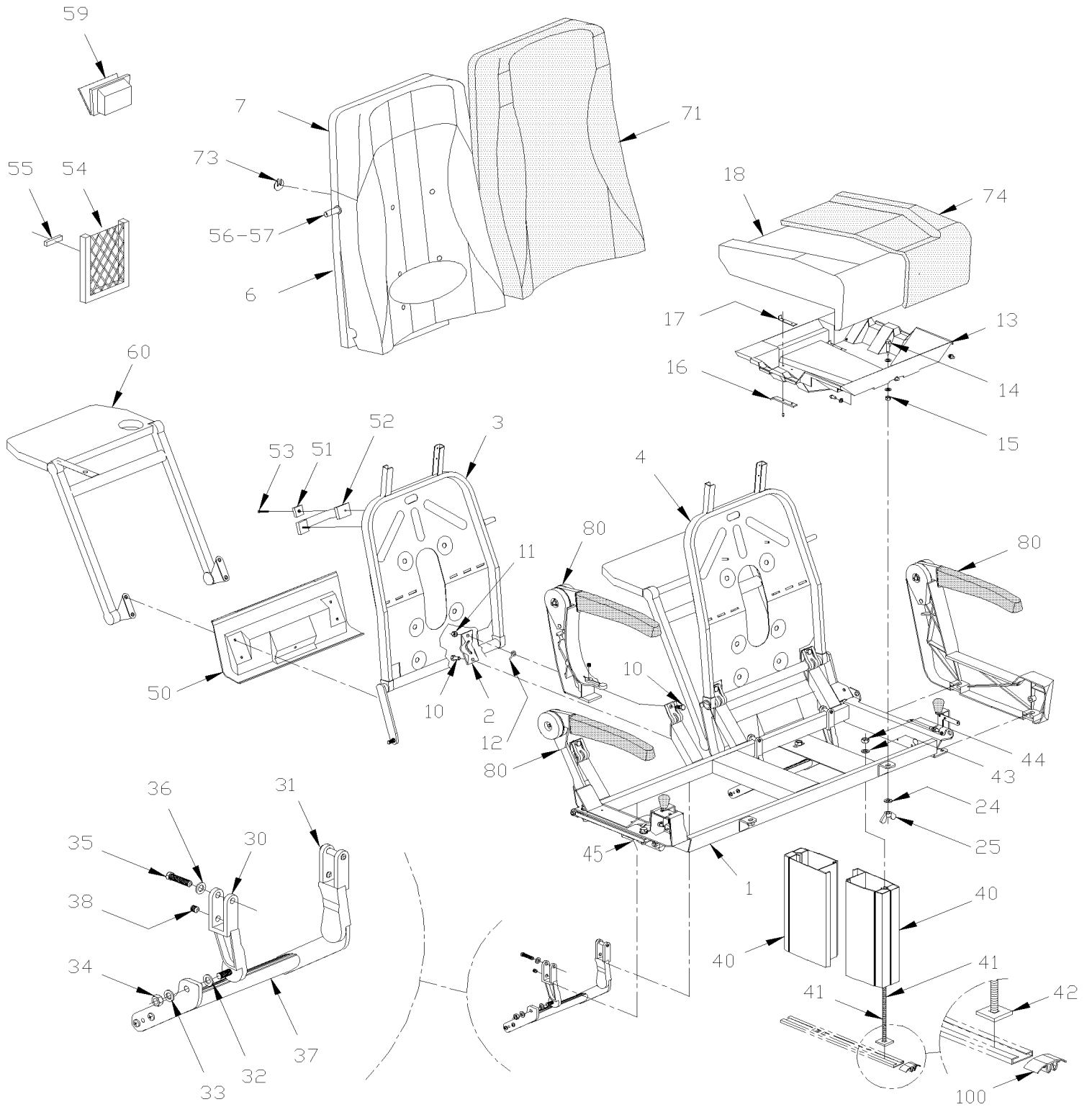


From R-033 To R-079

Date:10/2022

PAGE:H4-1827-02

PASSENGER'S SEAT - "ULTRA"



| | | |
|-----------------------------------|--------------|-----------------|
| From R-033 To R-079 | Date:10/2022 | PAGE:H4-1827-02 |
| PASSENGER'S SEAT - "ULTRA" | | |

| Item# | Part | Description | H 3 4 0 | V I P 4 0 | N O T E S |
|-------|---------|---|------------------|-----------------------|-----------------------|
| | 363401 | SEAT ASSY L.H. / 2 PASSENGERS / 42" HIGH | AR | | |
| | 363404 | SEAT ASSY ROTATING / "ULTRA" PAINTED CHARCOAL | AR | | |
| | 363448 | SEAT ASSY L.H. / 1 PASSENGER V.I.P. / 42" HIGH | AR | | |
| | 363449 | SEAT ASSY R.H. / 1 PASSENGER V.I.P. / 42" HIGH | AR | | |
| | 363446 | SEAT ASSY L.H. / 2 PASSENGERS V.I.P. / 42" HIGH | AR | | |
| | 363447 | SEAT ASSY R.H. / 2 PASSENGERS V.I.P. / 42" HIGH | AR | | |
| 1 | 363315 | . STRUCTURE ASSY L.H. / 2 PASSENGERS | 1 | | |
| 1 | 363314 | . STRUCTURE ASSY R.H. / 2 PASSENGERS | 1 | | |
| 1 | 363316 | . STRUCTURE ASSY / "ROTATING" SEAT | 1 | | |
| 1 | 363317 | . STRUCTURE ASSY REAR / 3 PASSENGERS | 1 | | |
| 1 | 363323 | . STRUCTURE ASSY REAR / 5 PASSENGERS | 1 | | |
| 1 | 363319 | . STRUCTURE ASSY R.H. / 1 PASSENGER V.I.P. | 1 | | |
| 1 | 363322 | . STRUCTURE ASSY L.H. / 1 PASSENGER V.I.P. | 1 | | |
| 1 | 363320 | . STRUCTURE ASSY R.H. / 2 PASSENGERS V.I.P. | 1 | | |
| 1 | 363321 | . STRUCTURE ASSY L.H. / 2 PASSENGERS V.I.P. | 1 | | |
| 2 | 363246 | . COLLAR | 4 | | |
| 3 | 363180 | . BACKREST R.H. | 1 | | |
| 4 | 363181 | . BACKREST L.H. | 1 | | B |
| 6 | 363186 | . FOAM BACKREST THICK | 1 | | |
| 6 | 363252 | . FOAM BACKREST THIN W/42" | 1 | | |
| 6 | 363350 | . FOAM BACKREST THIN W/40" | 1 | | |
| 7 | 363348 | . FOAM ASSY, HEADREST 40" HIGHT / "ULTRA" | 1 | | |
| 7 | 363251 | . FOAM ASSY, HEADREST 42" HIGHT / "ULTRA" | 1 | | |
| NS | 500583 | . SCREW TP PAN PH #6x1/2 Z050 | 4 | | |
| NS | 500240 | . WASHER LO EXT .195x.410x.025 Z050 | 4 | | |
| 10 | 5001336 | . SCREW CAP HEXF SERR 5/16-18x3/4 Z050 | 8 | | |
| 11 | 5001113 | . NUT HEX JAM NYRT 5/16-18 | 8 | | |
| 12 | 363273 | . SPRING EYE | 4 | | |
| 13 | 362464P | . SEATREST ASSY W/HOOK / BOTTOM PLASTIC | 1 | | |
| 14 | 362353 | . SCREW | 1 | | |
| 15 | 500685 | . NUT HEX NYRT 5/16-18 SS | 1 | | |
| 16 | 362779 | . BRACKET RETAINER / 3" | 1 | | |
| 17 | 362781 | . BRACKET RETAINER / 2 1/4" | 1 | | |
| 18 | 362666 | . FOAM ASSY, SEATREST / "TOURISMO & ULTRA" | 1 | | |
| 24 | 500441 | . WASHER FL .312x.734x.065 Z050 | 2 | | |
| 25 | 500782 | . NUT WING 5/16-18 Z050 | 2 | | |
| 30 | 363437 | . BRACKET L.H. | 1 | | |
| 31 | 363436 | . BRACKET R.H. | 1 | | |
| 32 | 502723 | . WASHER FL .386x.750x.050 NYL | 2 | | |
| 33 | 500441 | . WASHER FL .312x.734x.065 Z050 | 2 | | |
| 34 | 500777 | . NUT HEX STO 5/16-18 Z050 | 2 | | |
| 35 | 500183 | . SCREW CAP HEX 5/16-18x1 1/2 G5 PT Z050 | 2 | | |

| | | |
|-----------------------------------|--------------|-----------------|
| From R-033 To R-079 | Date:10/2022 | PAGE:H4-1827-02 |
| PASSENGER'S SEAT - "ULTRA" | | |

| Item# | Part | Description | H 3 4 0 | V I P 4 0 | N O T E S |
|-------|-------------------|--|------------------|-----------------------|-----------------------|
| 36 | 500476 | . WASHER LO SPT .317x.586x.078 Z050 | 2 | | |
| 37 | 362928 | . FOOTREST ASSY | 1 | | |
| 38 | 502781 | . SCREW SET HEXS CUP 5/16-18x1/4 | 2 | | |
| 40 | 363577 | . PEDESTAL SQ END / 279MM / 10.98" / 2 PIECES | 2 | | |
| 41 | 5001600 | . SCREW CRG 3/8-16x12 G5 Z050 | 2 | | |
| 42 | 363085 | . PLATE ANCHOR / CARRIAGE BOLT INSIDE TRACK / 1 1/4" X 1 1/4" | 1 | | |
| 43 | 500445 | . WASHER FL .437x1.000x.083 Z050 | 2 | | |
| 44 | 500265 | . NUT HEX STO 3/8-16 Z050 | 2 | | |
| 45 | 362355 | . ATTACHMENT NUT / "J" SHAPE TO FIX SEAT TO WALL TRACK WALL TRACK | 2 | | |
| 45 | 364132 | . ATTACHMENT PLATE / "J" SHAPE TO FIX SEAT TO WALL TRACK WALL TRACK | 1 | | |
| . NS | 500829 | . . SCREW CAP HEX M10-1.5x40 G8.8 | 2 | | |
| . NS | 500257 | . . WASHER LO SPT 10.2x18.1x2.2 Z050 | 2 | | |
| 50 | 362866 | . FINISHING LOWER / L.H. / NORYL | 1 | | |
| 50 | 362867 | . FINISHING LOWER / R.H. / NORYL | 1 | | |
| 51 | 860421 | . HOOK | 1 | | |
| 52 | 860422 | . HANDLE | 1 | | |
| NS | 505229 | . SPACER 3/8 I.D. X 3/8 LG | 2 | | |
| 53 | 502521 | . SCREW TC OV PH #8-32x1 BK | 2 | | |
| 54 | 362707 | . MAGAZINE NET 13" x 6 1/2" | 1 | | |
| 54 | 860809 | . MAGAZINE NET 14" x 7 1/4" | 1 | | |
| NS | 500353 | . SCREW TP FL PH #8x3/4 BK | 4 | | |
| 55 | 500353 | . SCREW TP FL PH #8x3/4 BK | 4 | | |
| 56 | 362943 | . STOPPER LONG / WV.I.P. SEAT | 1 | | |
| 56 | 362942 | . STOPPER SHORT / W/STANDARD SEAT | 1 | | |
| 57 | 5001019 | . SCREW TP OV PH #10x2 EMN | 1 | | |
| NS | 5001116 | . NUT SPR U #10A .025-.062 | 1 | | |
| 59 | 860625 | . ASHTRAY / METAL | 1 | | |
| NS | 860626 | . SUPPORT ASHTRAY / PLASTIC | 1 | | |
| 60 | H4-1829-00 | . ACCESSORIES PASSENGER'S SEAT - "PREVOST" | | | |
| 71 | Call order desk | . COVERING BACKREST ASSY / S.C.C. W/40" HIGHT / "ULTRA" | 1 | | P |
| 71 | 363254P | . COVERING ASSY, BACKREST / S.C.C. W/42" HIGHT | 1 | | |
| 73 | 362716 | . ATTACHMENT / ROUND "W" SHAPE TO FIX COVER | 8 | | |
| NS | 682259 | . SEALANT TAPE / CLEAR / 1/32"x1 1/2"x65' / 1795 | AR | | |
| 74 | 362462P | . COVERING SEATREST ASSY / S.C.C. / ALL W/NORYL TRAY | 1 | | |
| 80 | H4-1827-51 | . ARMREST PASSENGER'S - "CHARCOAL" | | | |
| 100 | 323654 | SEAT TRACK COVER 12' / EACH SEAT / W/COVERING FLOOR | AR | | |
| 100 | 361338 | SEAT TRACK COVER 12' / EACH SEAT / W/CARPET FLOOR | AR | | |
| 100 | 323963 | SEAT TRACK COVER 8' / EACH SEAT / W/COVERING FLOOR | AR | | |
| | | | | | |
| | | | | | |
| | | | | | |
| | | | | | |
| | | B) QTY OF 2 WITH 3 PASSENGERS REAR SEAT AND QTY OF 4 WITH 5 PASSENGERS REAR SEAT | | | |

| | | | |
|---------------------|--|--------------|-----------------|
| From R-033 To R-079 | | Date:10/2022 | PAGE:H4-1827-02 |
|---------------------|--|--------------|-----------------|

PASSENGER'S SEAT - "ULTRA"

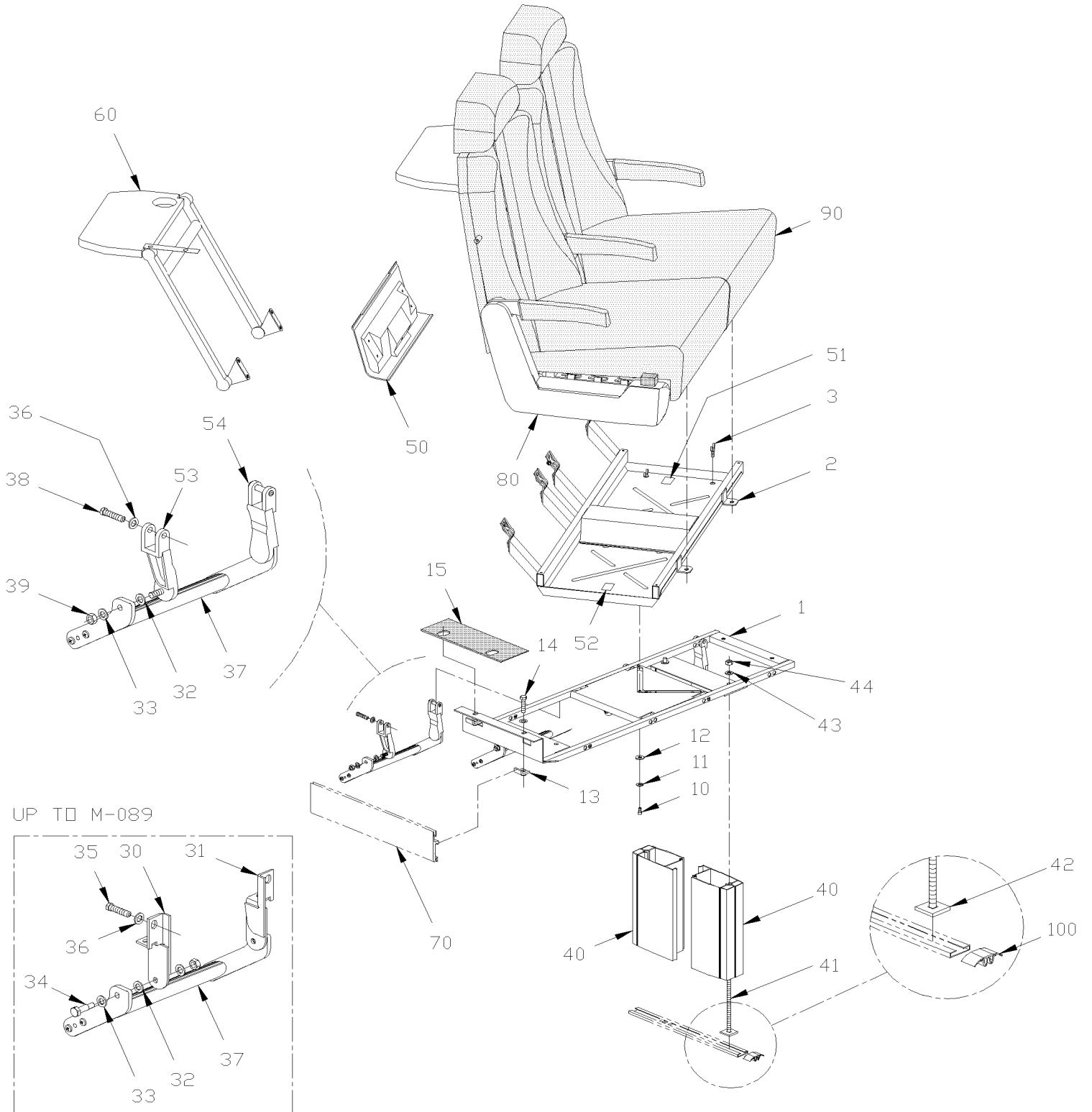
| Item# | Part | Description | H 3 4 0 | V I P 4 0 | N O T E S |
|-------|------|--|------------------|-----------------------|-----------------------|
| | | P) CALL ORDER DESK FOR SPECIFIC APPLICATION (V.I.N.) | | | |

From L-031 To R-079

Date:10/2022

PAGE:H4-1827-10

PASSENGER'S SEAT - ROTATING



| | | |
|------------------------------------|--------------|-----------------|
| From L-031 To R-079 | Date:10/2022 | PAGE:H4-1827-10 |
| PASSENGER'S SEAT - ROTATING | | |

| Item# | Part | Description | H 3 4 0 | V I P 4 0 | N O T E S |
|-------|---------|--|------------------|-----------------------|-----------------------|
| | | THIS PAGE SHOWS ONLY PARTS RELATED | | | |
| | | WITH ROTATING SEAT. ALLS | | | |
| | | OTHERS PARTS ARE ILLUSTRATED IN PAGES | | | |
| | 362811 | SEAT ASSY ROTATING / "SILHOUETTE" PAINTED ALUMINUM To M-089 | AR | | |
| NS | 362984 | SEAT ASSY ROTATING / "SILHOUETTE" PAINTED CHARCOAL From M-090 | AR | | |
| NS | 362816 | SEAT ASSY ROTATING / "TOURISMO" / 42" PAINTED ALUMINUM To M-089 | AR | | |
| | 362992 | SEAT ASSY ROTATING / "TOURISMO" / 42" PAINTED CHARCOAL From M-090 To P-323 | AR | | |
| NS | 363198 | SEAT ASSY ROTATING / "TOURISMO II" / 42" PAINTED CHARCOAL From P-324 | AR | | |
| NS | 363404 | SEAT ASSY ROTATING / "ULTRA" PAINTED CHARCOAL | AR | | |
| 1 | 362340 | MOUNTING BASE ASSY / "ROTATING" SEAT | 1 | | |
| 2 | 362331 | STRUCTURE ASSY / "ROTATING" SEAT To M-089 | 1 | | |
| 2 | 362695 | STRUCTURE ASSY / "ROTATING" SEAT From M-090 To R-032 | 1 | | |
| 2 | 363316 | STRUCTURE ASSY / "ROTATING" SEAT From R-033 | 1 | | |
| 3 | 361734 | SCREW WING | 1 | | |
| 10 | 500162 | SCREW CAP HEX 1/4-20x1/2 G5 Z050 | 1 | | |
| 11 | 500473 | WASHER LO SPT .262x.489x.062 Z050 | 1 | | |
| 12 | 500462 | WASHER FL .343x1.500x.083 SS | 1 | | |
| 13 | 362333 | ATTACHMENT NUT / "L" SHAPE TO FIX SEAT TO WALL TRACK WALL TRACK | 2 | | |
| 14 | 500182 | SCREW CAP HEX 5/16-18x1 1/4 G5 PT Z050 | 2 | | |
| 15 | 362405 | RUBBER PROTECTOR PAD | 1 | | |
| 30 | 362403 | SUPPORT R.H, FOOTREST W/"SILHOUETTE" To M-089 | 2 | | |
| 31 | 362400 | SUPPORT L.H, FOOTREST W/"SILHOUETTE" To M-089 | 2 | | |
| 32 | 502723 | WASHER FL .386x.750x.050 NYL | 4 | | |
| 33 | 502584 | WASHER LO SERR 8.2x26.3x1.8 Z050 | 4 | | |
| 34 | 360754 | SCREW / SOCKET To M-089 | 2 | | |
| 35 | 502628 | SCREW CAP BUT HEXS 5/16-18x3/4 CP To M-089 | 2 | | |
| NS | 502523 | RIVET NUT FL OKS 5/16-18 .059-.119 To M-089 | 2 | | |
| 36 | 500476 | WASHER LO SPT .317x.586x.078 Z050 | 2 | | |
| 37 | 362411 | FOOTREST ASSY To M-089 | 1 | | |
| 37 | 362928 | FOOTREST ASSY From M-090 | 1 | | |
| 38 | 500183 | SCREW CAP HEX 5/16-18x1 1/2 G5 PT Z050 | 2 | | |
| 39 | 500777 | NUT HEX STO 5/16-18 Z050 From M-090 | 2 | | |
| 40 | 362936 | PEDESTAL OBLONG / W/ROTATING SEAT / 224MM / 8 81" | 2 | | |
| 41 | 362406 | ROD ASSY 9 3/4" / SEAT RETAINER To N-223 | 2 | | |
| 41 | 5001078 | SCREW CRG 3/8-16x9 3/4 Z050 From N-224 | 2 | | |
| 42 | 363085 | PLATE ANCHOR / CARRIAGE BOLT INSIDE TRACK / 1 1/4" X 1 1/4" From N-224 | 2 | | |
| 43 | 500265 | NUT HEX STO 3/8-16 Z050 | 2 | | |
| 44 | 362410 | WASHER | 2 | | |
| 50 | 362702 | FINISHING LOWER R.H. | 1 | | |
| 50 | 362701 | FINISHING LOWER L.H. | 1 | | |

| | | |
|---------------------|--------------|-----------------|
| From L-031 To R-079 | Date:10/2022 | PAGE:H4-1827-10 |
|---------------------|--------------|-----------------|

PASSENGER'S SEAT - ROTATING

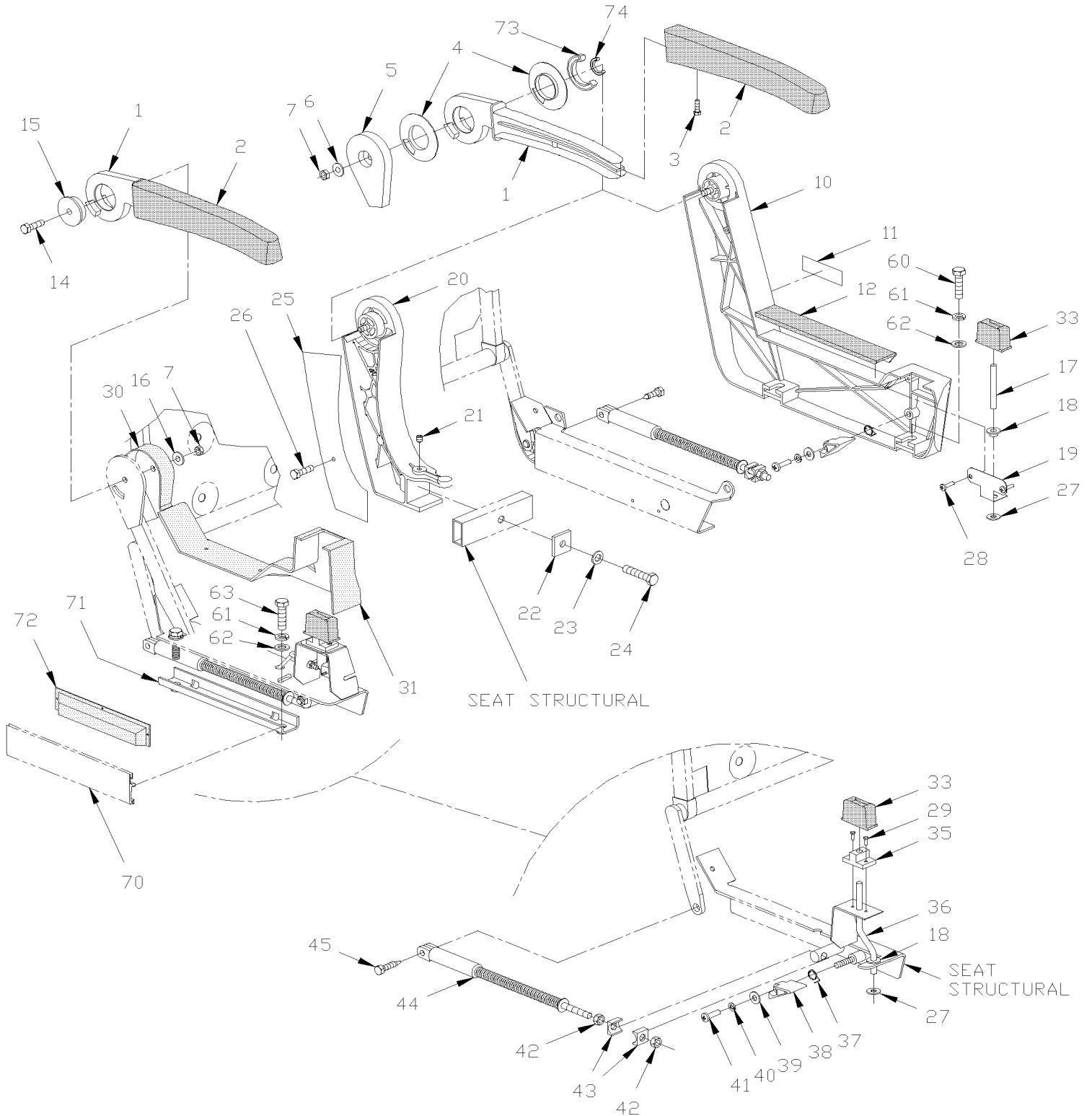
| Item# | Part | Description | H 3 4 0 | V I P 4 0 | N O T E S |
|-------|-------------------|---|------------------|-----------------------|-----------------------|
| 51 | 361752 | DECAL "TO OPERATE.." / FIXED AT SEAT STRUCTURE / ENGLISH & FRANCAIS | 1 | | |
| 52 | 361751 | DECAL "TO OPERATE.." / FIXED AT WINDOW | 1 | | |
| 53 | 363439 | BRACKET L.H. From M-090 | 2 | | |
| 54 | 363438 | BRACKET R.H. From M-090 | 2 | | |
| 60 | H4-1829-00 | ACCESSORIES PASSENGER'S SEAT - "PREVOST" | | | |
| 70 | H4-2221-10 | DUCTING HEATER & A/C | | | |
| 80 | H4-1827-50 | ARMREST PASSENGER'S - "ALUMINUM" To M-089 | | | |
| 80 | H4-1827-51 | ARMREST PASSENGER'S - "CHARCOAL" From M-090 | | | |
| 90 | H4-1827-00 | PASSENGER'S SEAT - "SILHOUETTE" ALUMINUM To M-089 | | | |
| 90 | H4-1827-01 | PASSENGER'S SEAT - "SILHOUETTE" CHARCOAL From M-090 | | | |
| 90 | H4-1827-02 | PASSENGER'S SEAT - "ULTRA" | | | |
| 90 | H4-1828-00 | PASSENGER'S SEAT - "TOURISMO I" To P-323 | | | |
| 90 | H4-1828-01 | PASSENGER'S SEAT - "TOURISMO II" From P-324 | | | |
| 100 | 323654 | SEAT TRACK COVER 12' / EACH SEAT / W/COVERING FLOOR | AR | | |
| 100 | 361338 | SEAT TRACK COVER 12' / EACH SEAT / W/CARPET FLOOR | AR | | |
| 100 | 323963 | SEAT TRACK COVER 8' / EACH SEAT / W/COVERING FLOOR | AR | | |
| | | | | | |
| | | | | | |
| | | | | | |

From L-031 To M-089

Date:10/2022

PAGE:H4-1827-50

ARMREST PASSENGER'S - "ALUMINUM"



| | | |
|---|--------------|-----------------|
| From L-031 To M-089 | Date:10/2022 | PAGE:H4-1827-50 |
| ARMREST PASSENGER'S - "ALUMINUM" | | |

| Item# | Part | Description | H 3 4 0 | V I P 4 0 | N O T E S |
|-------|---------|--|------------------|-----------------------|-----------------------|
| 1 | 362545 | ARMREST R.H. / V.I.P. | 2 | | |
| 1 | 362546 | ARMREST L.H. / V.I.P. | 2 | | |
| 1 | 362637 | ARMREST / LONG | 3 | | |
| 2 | 362316 | COVERING ARMREST / LONG | 1 | | |
| 2 | 362541 | COVERING ARMREST / V.I.P. | 1 | | |
| 3 | 500686 | SCREW TP OV PH #6x1/2 BK | 1 | | |
| NS | 500345 | WASHER FN CKF .187x.500x.090 BR BK | 1 | | |
| 4 | 362307 | . SPACER PLASTIC / FRICTION DISK | 2 | | |
| 5 | 362636 | CLOSING | 1 | | |
| 6 | 502510 | WASHER FL .375x.875x.083 | 1 | | |
| 7 | 500777 | NUT HEX STO 5/16-18 Z050 | 1 | | |
| 10 | 362455P | SIDE CASTING ASSY L.H. / PAINTED GREY ALUMINUM | 1 | | |
| 10 | 362456P | SIDE CASTING ASSY R.H. / PAINTED GREY ALUMINUM | 1 | | |
| 10 | 362638 | . CASTING SIDE / R.H. / GREY ALUMINUM | 1 | | |
| 10 | 362639 | . CASTING SIDE / L.H. / GREY ALUMINUM | 1 | | |
| 11 | 361918 | . DECAL "PREVOST" | 1 | | |
| 12 | 362417 | . COVERING RUBBER / R.H. 240.4MM | 1 | | |
| 12 | 362485 | . COVERING RUBBER / L.H. 240.4MM | 1 | | |
| 14 | 500182 | SCREW CAP HEX 5/16-18x1 1/4 G5 PT Z050 | 1 | | |
| 15 | 362315 | WASHER RETAINING W/FLANGED 40.26MM O.D. X 44.5 MM O.D. | 1 | | |
| 16 | 502510 | WASHER FL .375x.875x.083 | 1 | | |
| 17 | 362388 | . ROD | 1 | | |
| 18 | 362325 | . BUSHING NYLON | 1 | | |
| 19 | 362385 | . PLATE ANGLE | 1 | | |
| 20 | 362706 | SUPPORT / CENTRAL ARMREST | 1 | | |
| 21 | 502781 | SCREW SET HEXS CUP 5/16-18x1/4 | 1 | | |
| 22 | 362711 | PLATE TIGHTENING / SEAT | 1 | | |
| 23 | 500476 | WASHER LO SPT .317x.586x.078 Z050 | 1 | | |
| 24 | 500185 | SCREW CAP HEX 5/16-18x2 1/4 G5 Z050 | 1 | | |
| 25 | 362600 | PLATE / W/V.I.P. CENTRAL SUPPORT / GREY ALUM. To M-089 | 1 | | |
| 26 | 500654 | SCREW TC BDG PH #8-32x1/2 Z050 | 2 | | |
| 27 | 502601 | . NUT SPR PO RND 7/16 | 1 | | |
| 28 | 500611 | . SCREW TC PAN PH #10-24x1/2 Z050 | 2 | | |
| 29 | 500638 | SCREW TP PAN PH #8x1/2 Z050 | 4 | | |
| 30 | 362697 | COVER R.H. / NORYL / WINDOW SIDE | 1 | | |
| 30 | 362712 | COVER L.H. / NORYL / WINDOW SIDE | 1 | | |
| 31 | 362371 | GUARD L.H. / MECHANISM | 1 | | |
| 31 | 362398 | GUARD R.H. / MECHANISM | 1 | | |
| 31 | 362580 | GUARD R.H. / MECHANISM / V.I.P. | 1 | | |
| 31 | 362633 | GUARD L.H. / MECHANISM / V.I.P. | 1 | | |
| 33 | 362318 | . BUTTON ORANGE | 1 | | |
| 35 | 362675 | GUIDE | 1 | | |

| | | |
|---|--------------|-----------------|
| From L-031 To M-089 | Date:10/2022 | PAGE:H4-1827-50 |
| ARMREST PASSENGER'S - "ALUMINUM" | | |

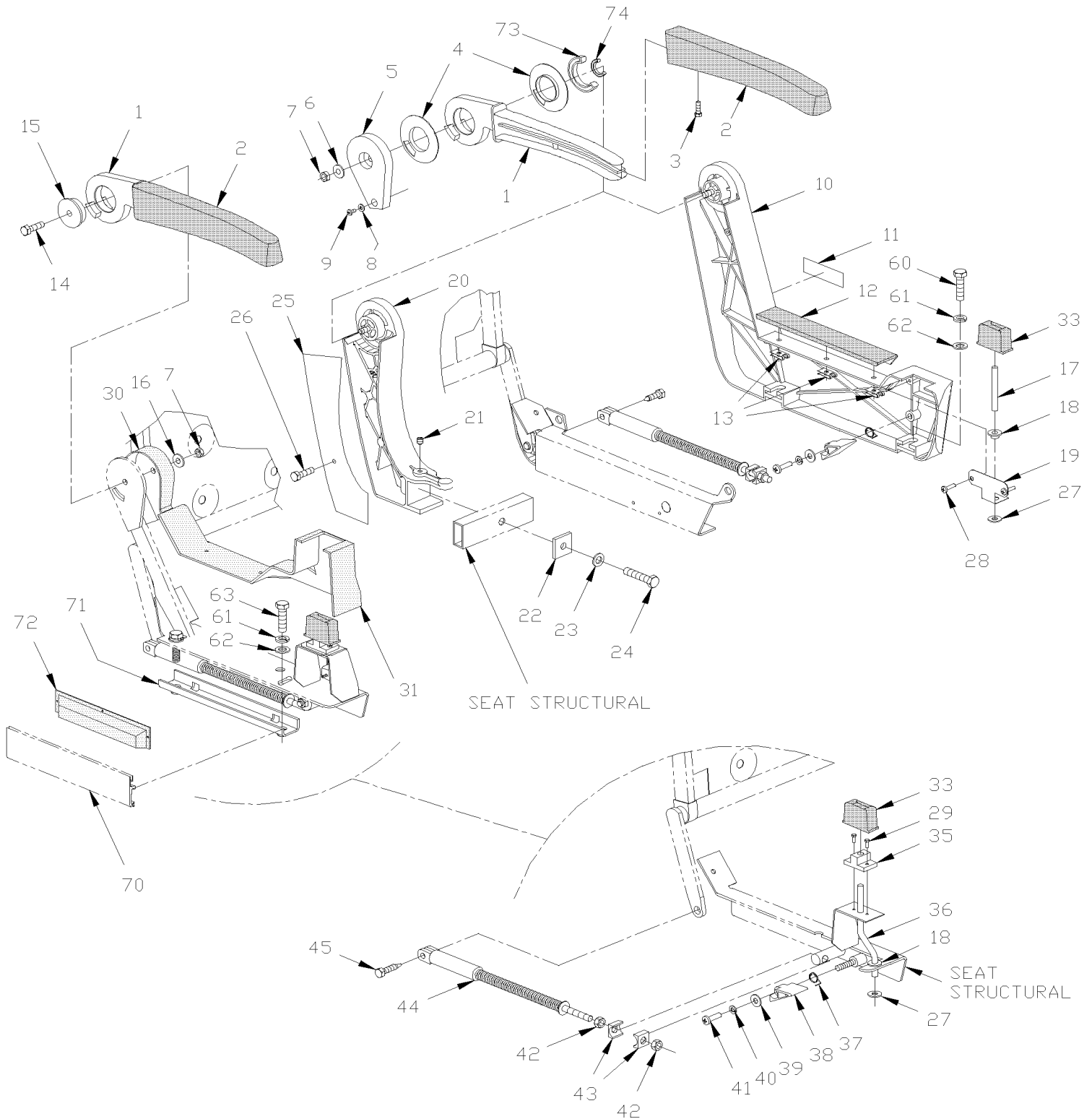
| Item# | Part | Description | H 3 4 0 | V I P 4 0 | N O T E S |
|-------|-------------------|---|------------------|-----------------------|-----------------------|
| 36 | 362395 | ROD LONG | 1 | | |
| 37 | 362357 | . SPRING, TORSION / L.H. / .500 I.D. x .230 x | 1 | | |
| 37 | 362358 | . SPRING, TORSION / R.H. / .500 I.D. x .230 x | 1 | | |
| 38 | 362319 | . LEVER | 1 | | |
| 39 | 500593 | . WASHER FL .200x.437x.036 BR | 1 | | |
| 40 | 500470 | . WASHER LO SPT .193x.334x.047 Z050 | 1 | | |
| 41 | 500386 | . SCREW MA RND PH #10-24x1/2 Z050 | 1 | | |
| 42 | 500956 | NUT HEX JAM 3/8-24 Z050 | 4 | | |
| 42 | 502592 | NUT HEX THN 3/8-24x3/32 Z050 | 2 | | |
| 43 | 362659 | JOINT BALL | 4 | | |
| NS | 500445 | WASHER FL .437x1.000x.083 Z050 | 2 | | A |
| NS | 504061 | GROMMET / .4375x.687x.062x.312x.937 | 2 | | A |
| NS | 362803 | COVER BALL JOINT | 4 | | A |
| 44 | 860592 | CYLINDER | 1 | | |
| 45 | 362354 | SCREW "SPECIAL / TO FIX BACKREST | 1 | | |
| 60 | 500183 | SCREW CAP HEX 5/16-18x1 1/2 G5 PT Z050 | 2 | | |
| 61 | 500476 | WASHER LO SPT .317x.586x.078 Z050 | 2 | | |
| 62 | 502510 | WASHER FL .375x.875x.083 | 2 | | |
| 63 | 500183 | SCREW CAP HEX 5/16-18x1 1/2 G5 PT Z050 | 2 | | |
| 70 | H4-2221-10 | DUCTING HEATER & A/C | | | |
| 71 | 362355 | ATTACHMENT NUT / "J" SHAPE TO FIX SEAT TO WALL TRACK WALL TRACK | 2 | | |
| 71 | 364132 | ATTACHMENT PLATE / "J" SHAPE TO FIX SEAT TO WALL TRACK WALL TRACK | 1 | | |
| . NS | 500829 | . SCREW CAP HEX M10-1.5x40 G8.8 | 2 | | |
| . NS | 500257 | . WASHER LO SPT 10.2x18.1x2.2 Z050 | 2 | | |
| 72 | 362579 | CAP FINISHING / WALL / V.I.P. | 1 | | |
| 73 | 362876 | . SLIDE INSERT PLASTIC / LONG 242 DEG | 1 | | |
| 73 | 362941 | . SLIDE INSERT PLASTIC / LONG 150 DEG | 1 | | C |
| 74 | 362512 | . SPRING COMPRESSION / .312 O.D. x 3.75 x .070 | 1 | | |
| | | | | | |
| | | | | | |
| | | | | | |
| | | | | | |
| | | A) ON SILHOUETTE MODEL ONLY WE USE 2 GROMMETS AND 2 WASHERS | | | |
| | | C) WITH CENTRAL ARMREST ONLY | | | |

From M-090 To R-079

Date:10/2022

PAGE:H4-1827-51

ARMREST PASSENGER'S - "CHARCOAL"



| | | |
|---|--------------|-----------------|
| From M-090 To R-079 | Date:10/2022 | PAGE:H4-1827-51 |
| ARMREST PASSENGER'S - "CHARCOAL" | | |

| Item# | Part | Description | H 3 4 0 | V I P 4 0 | N O T E S |
|-------|---------|---|------------------|-----------------------|-----------------------|
| 1 | 362939 | ARMREST / LONG | 3 | | |
| 1 | 362933 | ARMREST L.H. / V.I.P. | 2 | | |
| 1 | 362934 | ARMREST R.H. / V.I.P. | 2 | | |
| 2 | 362316 | COVERING ARMREST / LONG | 1 | | |
| 2 | 363624 | COVERING ARMREST / LONG | 1 | | |
| 2 | 362541 | COVERING ARMREST / V.I.P. | 1 | | |
| 2 | 363425 | FOAM COVERING ARMREST V.I.P. | AR | | |
| NS | 363638 | ARMREST COVERING "TISSUS" W/STD ARMREST / SPECIFY COLOR | | | |
| NS | 363637 | ARMREST COVERING "TISSUS" W/V.I.P. ARMREST / SPECIFY COLOR | | | |
| 3 | 500686 | SCREW TP OV PH #6x1/2 BK | 1 | | |
| NS | 500345 | WASHER FN CKF .187x.500x.090 BR BK | 1 | | |
| 4 | 362877 | . SPACER PLASTIC / FRICTION DISK | 1 | | |
| 5 | 362913 | CLOSING / GREY CHARCOAL | 2 | | |
| 5 | 362913 | CLOSING / GREY CHARCOAL | 2 | | V |
| 6 | 502510 | WASHER FL .375x.875x.083 | 1 | | |
| 7 | 5001113 | NUT HEX JAM NYRT 5/16-18 | 1 | | |
| 8 | 500658 | SCREW TC PAN PH #10-24x3/4 Z050 | 1 | | |
| 9 | 500470 | WASHER LO SPT .193x.334x.047 Z050 | 1 | | |
| 10 | 363391 | SIDE CASTING ASSY L.H. / PAINTED CHARCOAL | 1 | | |
| 10 | 363392 | SIDE CASTING ASSY R.H. / PAINTED CHARCOAL | 1 | | |
| 10 | 362873 | . SIDE L.H. / CASTING PAINTED CHARCOAL | 1 | | |
| 10 | 363434 | . SIDE L.H. / CASTING PAINTED CHARCOAL / W/ROAD SHOW SYSTEM | 1 | | |
| 10 | 362874 | . SIDE R.H. / CASTING PAINTED CHARCOAL | 1 | | |
| 10 | 363433 | . SIDE R.H. / CASTING PAINTED CHARCOAL / W/ROAD SHOW SYSTEM | 1 | | |
| 11 | 362907 | . DECAL / "PREVOST" | 1 | | |
| 12 | 362871 | . COVERING L.H. | 1 | | |
| 12 | 362971 | . COVERING R.H. | 1 | | |
| 13 | 502776 | . NUT PUSH RND ARC 1/8 | 3 | | |
| 13 | 509814 | . NUT PUSH RND ARC 3/16 | 3 | 3 | |
| 14 | 500182 | SCREW CAP HEX 5/16-18x1 1/4 G5 PT Z050 | 1 | | |
| 15 | 362315 | WASHER RETAINING W/FLANGED 40.26MM O.D. X 44.5 MM O.D. | 1 | | |
| 16 | 500441 | WASHER FL .312x.734x.065 Z050 | 1 | | |
| 17 | 362388 | . ROD | 1 | | |
| 18 | 362325 | . BUSHING NYLON | 1 | | |
| 19 | 362385 | . PLATE ANGLE | 1 | | |
| 20 | 362904 | SUPPORT / CENTRAL ARMREST / PAINTED CHARCOAL | 1 | | |
| 21 | 502781 | SCREW SET HEXS CUP 5/16-18x1/4 | 1 | | |
| 22 | 362711 | PLATE TIGHTENING / SEAT | 1 | | |
| 23 | 500476 | WASHER LO SPT .317x.586x.078 Z050 | 1 | | |
| 24 | 500185 | SCREW CAP HEX 5/16-18x2 1/4 G5 Z050 | 1 | | |
| 25 | 362927 | PLATE / W/V.I.P. CENTRAL SUPPORT / CHARCOAL | 1 | | |
| 26 | 500654 | SCREW TC BDG PH #8-32x1/2 Z050 | 2 | | |

| | | |
|---|--------------|-----------------|
| From M-090 To R-079 | Date:10/2022 | PAGE:H4-1827-51 |
| ARMREST PASSENGER'S - "CHARCOAL" | | |

| Item# | Part | Description | H 3 4 0 | V I P 4 0 | N O T E S |
|-------|-------------------|---|------------------|-----------------------|-----------------------|
| 27 | 502601 | . NUT SPR PO RND 7/16 | 1 | | |
| 28 | 500611 | . SCREW TC PAN PH #10-24x1/2 Z050 | 2 | | |
| 29 | 5001312 | SCREW TP TR PH #8x5/8 Z050 | 1 | | |
| 30 | 362697 | COVER R.H. / NORYL / WINDOW SIDE | 1 | | |
| 30 | 362712 | COVER L.H. / NORYL / WINDOW SIDE | 1 | | |
| 31 | 362371 | GUARD L.H. / MECHANISM | 1 | | |
| 31 | 363427 | GUARD R.H. / MECHANISM / W/ROAD SHOW SYSTEM | 1 | | |
| 31 | 362398 | GUARD R.H. / MECHANISM | 1 | | |
| 31 | 363426 | GUARD L.H. / MECHANISM / W/ROAD SHOW SYSTEM | 1 | | |
| 31 | 362580 | GUARD R.H. / MECHANISM / V.I.P. | 1 | | |
| 31 | 363428 | GUARD L.H. / MECHANISM / V.I.P. W/ROAD SHOW SYSTEM | 1 | | |
| 31 | 362633 | GUARD L.H. / MECHANISM / V.I.P. | 1 | | |
| 31 | 363429 | GUARD R.H. / MECHANISM / V.I.P. W/ROAD SHOW SYSTEM | 1 | | |
| 33 | 362318 | . BUTTON ORANGE | 1 | | |
| 35 | 362675 | GUIDE | 1 | | |
| 36 | 362395 | ROD LONG | 1 | | |
| 37 | 362357 | . SPRING, TORSION / L.H. / .500 I.D. x .230 x | 1 | | |
| 37 | 362358 | . SPRING, TORSION / R.H. / .500 I.D. x .230 x | 1 | | |
| 38 | 362319 | . LEVER | 1 | | |
| 39 | 500593 | . WASHER FL .200x.437x.036 BR | 1 | | |
| 40 | 500470 | . WASHER LO SPT .193x.334x.047 Z050 | 1 | | |
| 41 | 500386 | SCREW MA RND PH #10-24x1/2 Z050 | 1 | | |
| 42 | 500956 | NUT HEX JAM 3/8-24 Z050 | 4 | | |
| 42 | 502592 | NUT HEX THN 3/8-24x3/32 Z050 | 2 | | |
| 43 | 362659 | JOINT BALL | 4 | | |
| NS | 362803 | . COVER BALL JOINT | 2 | | |
| 44 | 860592 | CYLINDER | 1 | | |
| 45 | 362354 | SCREW "SPECIAL / TO FIX BACKREST | 2 | | |
| 60 | 500183 | SCREW CAP HEX 5/16-18x1 1/2 G5 PT Z050 | 2 | | |
| 61 | 500476 | WASHER LO SPT .317x.586x.078 Z050 | 2 | | |
| 62 | 502510 | WASHER FL .375x.875x.083 | 2 | | |
| 63 | 500183 | SCREW CAP HEX 5/16-18x1 1/2 G5 PT Z050 | 2 | | |
| 70 | H4-2221-10 | DUCTING HEATER & A/C | | | |
| 71 | 362355 | ATTACHMENT NUT / "J" SHAPE TO FIX SEAT TO WALL TRACK WALL TRACK | 2 | | |
| 71 | 364132 | ATTACHMENT PLATE / "J" SHAPE TO FIX SEAT TO WALL TRACK WALL TRACK | 1 | | |
| . NS | 500829 | . SCREW CAP HEX M10-1.5x40 G8.8 | 2 | | |
| . NS | 500257 | . WASHER LO SPT 10.2x18.1x2.2 Z050 | 2 | | |
| 72 | 362579 | CAP FINISHING / WALL / V.I.P. | 1 | | |
| 73 | 362941 | SLIDE INSERT PLASTIC / LONG 150 DEG | 3 | | |
| 73 | 363571 | SLIDE INSERT PLASTIC / LONG 125 DEG | 1 | | |
| 73 | 362941 | SLIDE INSERT PLASTIC / LONG 150 DEG | 1 | | V |
| 73 | 362876 | . SLIDE INSERT PLASTIC / LONG 242 DEG | 1 | | |

| | | |
|---|--------------|-----------------|
| From M-090 To R-079 | Date:10/2022 | PAGE:H4-1827-51 |
| ARMREST PASSENGER'S - "CHARCOAL" | | |

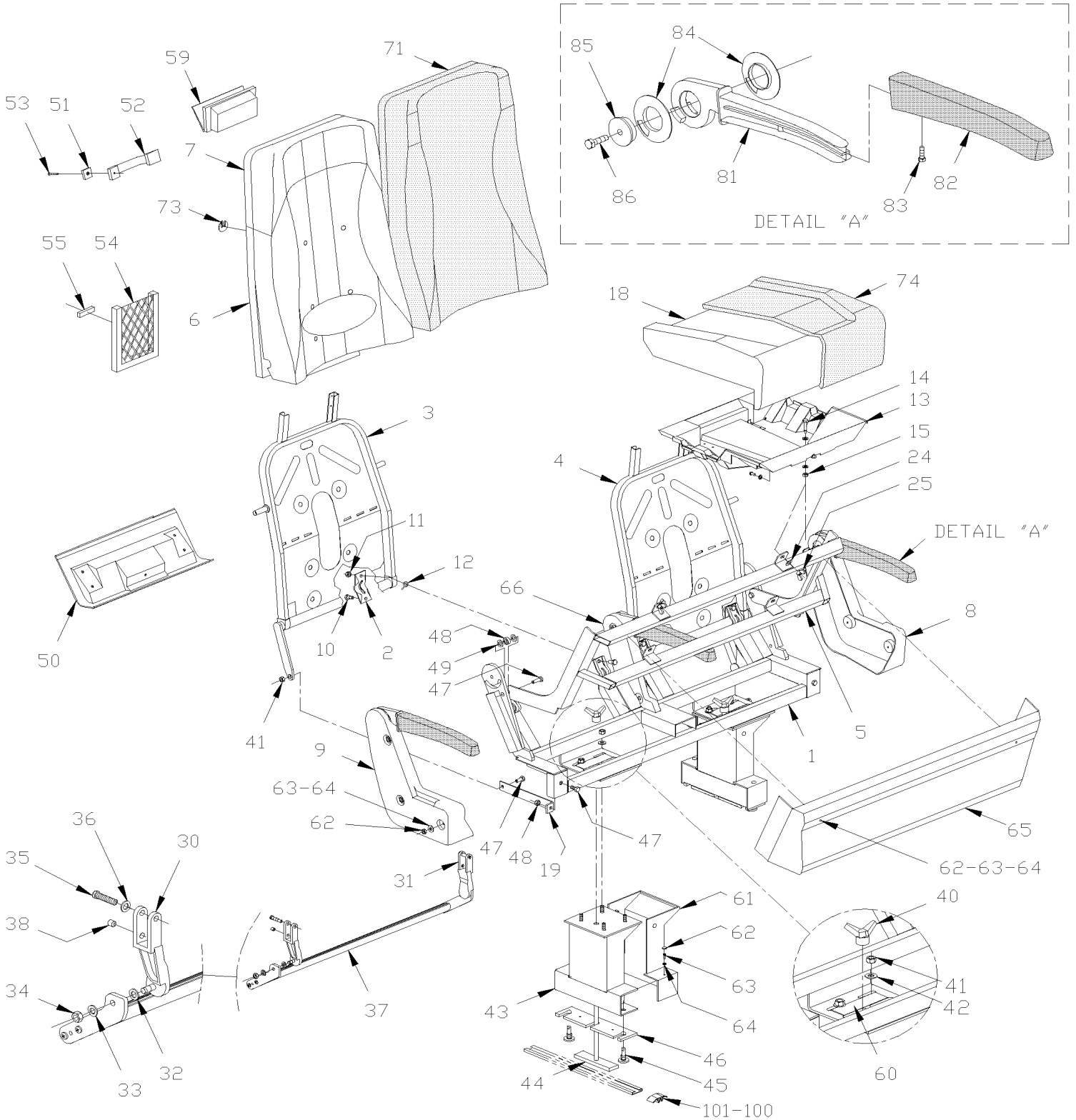
| Item# | Part | Description | H 3 4 0 | V I P 4 0 | N O T E S |
|-------|---------|---|------------------|-----------------------|-----------------------|
| NS | 363570 | . STOPPER SHORT / ALUMINUM | 1 | | A |
| NS | 363569 | . STOPPER LONG / ALUMINUM | 1 | | A |
| 74 | 362512 | . SPRING COMPRESSION / .312 O.D. x 3.75 x .070 | 1 | | |
| NS | 363573 | KIT, REINFORCEMENT ARMREST | AR | | |
| . NS | SB-9617 | . SEE SERVICE BULLETIN | 1 | | |
| | | | | | |
| | | | | | |
| | | A) THOSE PARTS ARE RELATED W/ SB9617 INCLUDE IN KIT #363573, THIS KIT ARE OEM FROM V-1825 TO V-2018 | | | |
| | | V) WITH V.I.P. SEAT ONLY | | | |

From P-343 To P-364

Date:10/2022

PAGE:H4-1827-70

PASSENGER'S SEAT - "TOURISMO II" - FLIP-UP W/W.C.L.



| | | |
|--|--------------|-----------------|
| From P-343 To P-364 | Date:10/2022 | PAGE:H4-1827-70 |
| PASSENGER'S SEAT - "TOURISMO II" - FLIP-UP W/W.C.L. | | |

| Item# | Part | Description | H 3 4 0 | V I P 4 0 | N O T E S |
|-------|-----------------|--|------------------|-----------------------|-----------------------|
| | 363376P | SEAT ASSY "FLIP-UP" ULTRA | 1 | | |
| 1 | 363302 | . MOUNTING BASE ASSY / "FLIP-UP" SEAT | 1 | | |
| 2 | 363246 | . COLLAR | 4 | | |
| 3 | 363180 | . BACKREST R.H. | 1 | | |
| 4 | 363181 | . BACKREST L.H. | 1 | | |
| 5 | 363303 | . SEAT FRAME ASSY / SEATREST "FLIP-UP" SEAT | 1 | | |
| NS | 363538 | . ROD RETAINING SEATREST | 1 | | |
| 6 | 363178P | . FOAM ASSY, BACKREST / "TOURISMO II " | 1 | | |
| 6 | 363186 | . . FOAM BACKREST THICK | 1 | | |
| 6 | 363252 | . . FOAM BACKREST THIN W/42" | 1 | | |
| 6 | 363350 | . . FOAM BACKREST THIN W/40" | 1 | | |
| 7 | 363251 | . FOAM ASSY, HEADREST 42" HIGHT / "ULTRA" | 1 | | |
| NS | 500583 | . SCREW TP PAN PH #6x1/2 Z050 | 4 | | |
| NS | 500240 | . WASHER LO EXT .195x.410x.025 Z050 | 4 | | |
| 8 | 363226 | . COVER R.H. / PLASTIC | 1 | | |
| 9 | 363227 | . COVER L.H. / PLASTIC | 1 | | |
| 10 | 5001336 | . SCREW CAP HEXF SERR 5/16-18x3/4 Z050 | 8 | | |
| 11 | 5001113 | . NUT HEX JAM NYRT 5/16-18 | 8 | | |
| 12 | 363273 | . SPRING EYE | 4 | | |
| 13 | Call order desk | . STRUCTURE ASSY REAR / 5 PASSENGERS | 1 | | P |
| 14 | 362353 | . SCREW | 1 | | |
| 15 | 500685 | . NUT HEX NYRT 5/16-18 SS | 1 | | |
| 18 | 362666 | . FOAM ASSY, SEATREST / "TOURISMO & ULTRA" | 1 | | |
| 19 | 363279 | . FLAT BAR / ANGLE 198MM x 28MM | 2 | | |
| 24 | 500441 | . WASHER FL .312x.734x.065 Z050 | 2 | | |
| 25 | 500782 | . NUT WING 5/16-18 Z050 | 2 | | |
| 30 | 363437 | . BRACKET L.H. | 1 | | |
| 31 | 363436 | . BRACKET R.H. | 1 | | |
| 32 | 502723 | . WASHER FL .386x.750x.050 NYL | 2 | | |
| 33 | 500441 | . WASHER FL .312x.734x.065 Z050 | 2 | | |
| 34 | 500777 | . NUT HEX STO 5/16-18 Z050 | 2 | | |
| 35 | 500183 | . SCREW CAP HEX 5/16-18x1 1/2 G5 PT Z050 | 2 | | |
| 36 | 500476 | . WASHER LO SPT .317x.586x.078 Z050 | 2 | | |
| 37 | 363304 | . FOOTREST ASSY / DOUBLE SEAT W/FLIP-UP SEAT | 1 | | |
| 38 | 502781 | . SCREW SET HEXS CUP 5/16-18x1/4 | 2 | | |
| 40 | 860837 | . HANDLE W/DOUBLE EXCENTRIC | 2 | | |
| NS | 5001212 | . ROD END 3/8-16 x 4 1/2 | 2 | | |
| NS | 5001211 | . NUT HEX CPG 3/8-16x1 3/4 Z050 | 1 | | |
| NS | 500783 | . NUT HEX 3/8-16 Z050 | 2 | | |
| 40 | 860874 | . HANDLE NUT 3/8-16 SERVICE | 2 | | |
| 41 | 500777 | . NUT HEX STO 5/16-18 Z050 | 7 | | |
| 42 | 502510 | . WASHER FL .375x.875x.083 | 1 | | |

| | | |
|--|--------------|-----------------|
| From P-343 To P-364 | Date:10/2022 | PAGE:H4-1827-70 |
| PASSENGER'S SEAT - "TOURISMO II" - FLIP-UP W/W.C.L. | | |

| Item# | Part | Description | H 3 4 0 | V I P 4 0 | N O T E S |
|-------|---------|---|------------------|-----------------------|-----------------------|
| 43 | 363292 | . PEDESTAL | 2 | | |
| 44 | 363278 | . "T" BOLT RETAINER 3/8-16 X 10 5/8" SERVICE | 2 | | |
| 45 | 363280 | . GUIDE 28MM O.D. / M10 - 1.5 | 4 | | |
| 46 | 363281 | . SLIDING TRACK / 60MM x 240MM PLASTIC | 2 | | |
| 47 | 500179 | . SCREW CAP HEX 5/16-18x3/4 G5 Z050 | AR | | |
| 48 | 363460 | . SPACER 10MM I.D. x 19MM O.D. X 8.5MM | 2 | | |
| 49 | 502723 | . WASHER FL .386x.750x.050 NYL | 4 | | |
| 50 | 363311 | . FINISHING LOWER R.H. | 1 | | |
| 50 | 363310 | . FINISHING LOWER L.H. | 1 | | |
| 51 | 860421 | . HOOK | 1 | | |
| 52 | 860422 | . HANDLE | 1 | | |
| NS | 505229 | . SPACER 3/8 I.D. X 3/8 LG | 2 | | |
| 52 | 363424 | . HANDLE REINFORCEMENT SUPPORT | 1 | | |
| 53 | 502521 | . SCREW TC OV PH #8-32x1 BK | 2 | | |
| 54 | 860809 | . MAGAZINE NET 14" x 7 1/4" | 1 | | |
| 55 | 500353 | . SCREW TP FL PH #8x3/4 BK | 4 | | |
| 59 | 861277 | . ASHTRAY / PLASTIC | 1 | | |
| 60 | 404094 | . DECAL "DOIT ÊTRE VERROUIL...." | 2 | | |
| 60 | 404093 | . DECAL "MUST BE LOCKED..." / ENGLISH | 2 | | |
| 60 | 405646 | . DECAL "MUST BE LOCKED..." / ENGLISH & SPANISH | 2 | | |
| 61 | 363296 | . COVER PEDESTAL / PLASTIC | 2 | | |
| 62 | 500686 | . SCREW TP OV PH #6x1/2 BK | AR | | |
| 63 | 504412 | . WASHER RETAINER SNAP CAP #8 | AR | | |
| 64 | 504403 | . SNAP CAP #8 FINISHING BLACK | AR | | |
| 65 | 323228 | . CAP, INTERIOR REAR | 1 | | |
| 66 | 363229 | . COVER CENTER ARMREST / PLASTIC | 1 | | |
| 71 | 363385P | . COVERING ASSY, BACKREST / S.C.C. W/42" HIGHT | 1 | | |
| 73 | 362716 | . ATTACHMENT / ROUND "W" SHAPE TO FIX COVER | 8 | | |
| NS | 682259 | . SEALANT TAPE / CLEAR / 1/32"x1 1/2"x65' / 1795 | AR | | |
| 74 | 362736P | . COVERING SEATREST ASSY / S.C.C. / "SILHOUETTE" | 1 | | |
| 81 | 362939 | . ARMREST / LONG | 3 | | |
| 82 | 363624 | . COVERING ARMREST / LONG | 3 | | |
| 83 | 500686 | . SCREW TP OV PH #6x1/2 BK | 3 | | |
| 84 | 363575 | . SPACER PLASTIC / FRICTION DISK | 6 | | |
| 85 | 363282 | . GUIDE ARMREST | 1 | | |
| 86 | 500182 | . SCREW CAP HEX 5/16-18x1 1/4 G5 PT Z050 | 3 | | |
| 100 | 323654 | SEAT TRACK COVER 12' / EACH SEAT / W/COVERING FLOOR | AR | | |
| 100 | 361338 | SEAT TRACK COVER 12' / EACH SEAT / W/CARPET FLOOR | AR | | |
| 100 | 323963 | SEAT TRACK COVER 8' / EACH SEAT / W/COVERING FLOOR | AR | | |
| 101 | 820027 | HANDLE | 1 | | B |
| 101 | 5001119 | SCREW TP BDG PH #8x3/4 SS | 1 | | B |
| 101 | 502630 | WASHER FL .156x.375x.049 Z050 | 1 | | B |

| | | |
|--|--------------|-----------------|
| From P-343 To P-364 | Date:10/2022 | PAGE:H4-1827-70 |
| PASSENGER'S SEAT - "TOURISMO II" - FLIP-UP W/W.C.L. | | |

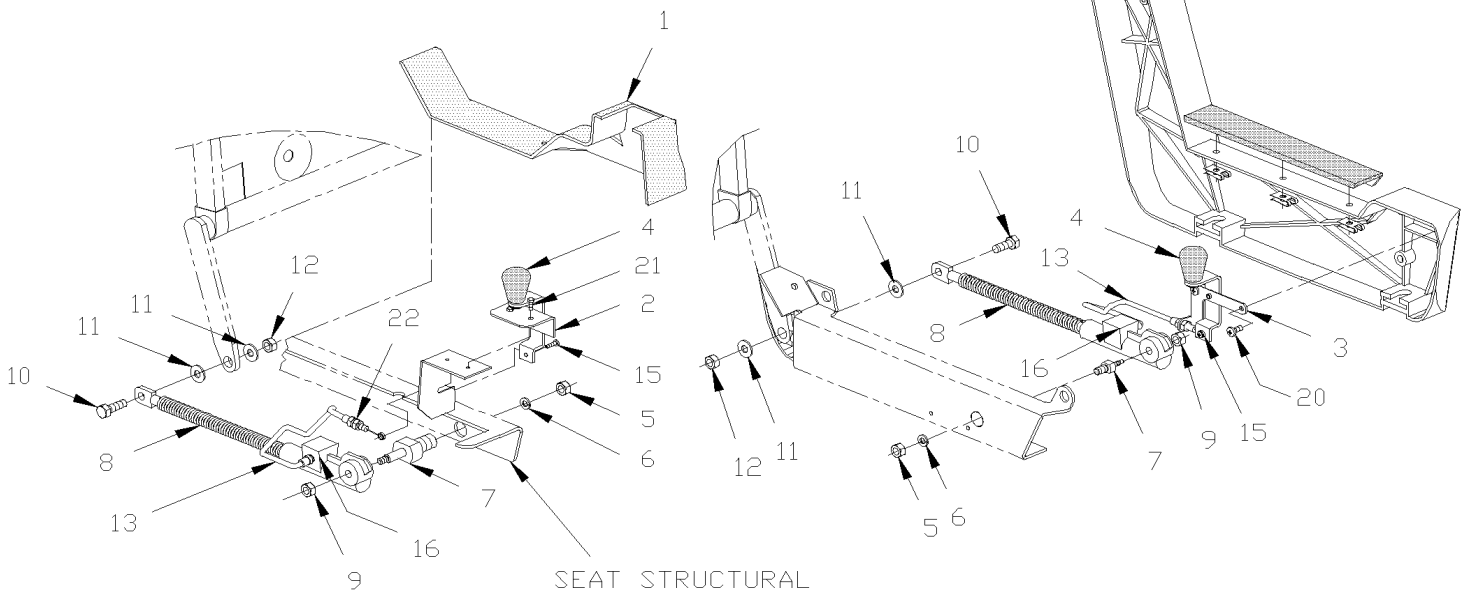
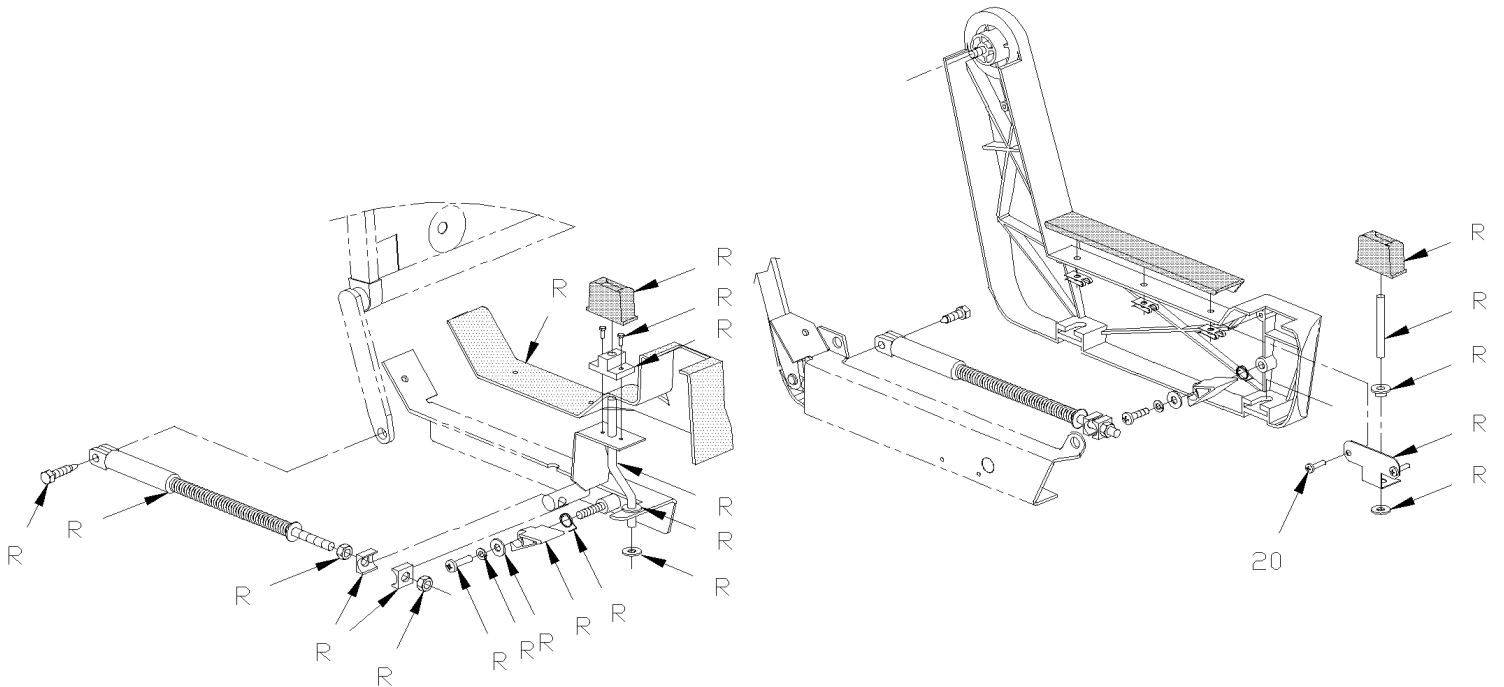
| Item# | Part | Description | H 3 4 0 | V I P 4 0 | N O T E S |
|-------|------|--|------------------|-----------------------|-----------------------|
| | | | | | |
| | | | | | |
| | | B) FIXED ON SEAT TRACK FOR EASIER REMOVABLE | | | |
| | | P) CALL ORDER DESK FOR SPECIFIC APPLICATION (V.I.N.) | | | |

From L-031 To R-079

Date:10/2022

PAGE:H4-1827-99

ARMREST PASSENGER'S - "RETROFIT"



| | | |
|---|--------------|-----------------|
| From L-031 To R-079 | Date:10/2022 | PAGE:H4-1827-99 |
| ARMREST PASSENGER'S - "RETROFIT" | | |

| Item# | Part | Description | H 3 4 0 | V I P 4 0 | N O T E S |
|-------|----------|--------------------------------------|------------------|-----------------------|-----------------------|
| 1 | 363779 | GUARD R.H. / MECHANISM | 1 | | |
| 1 | 363780 | GUARD L.H. / MECHANISM | 1 | | |
| 2 | 363829 | LEVER R.H. / WINDOW SIDE | 1 | | |
| 2 | 363830 | LEVER L.H. / WINDOW SIDE | 1 | | |
| 3 | 363773 | LEVER R.H. / CASTING / RETROFIT ONLY | 1 | | |
| 3 | 363772 | LEVER L.H. / CASTING / RETROFIT ONLY | 1 | | |
| 4 | 861442 | . KNOB | 1 | | |
| NS | 500394 | . SCREW MA TR SLT 1/4-20x1/2 Z050 | 1 | | |
| 5 | 500721 | NUT HEX 9/16-18 ZP | 1 | | |
| 6 | 500483 | WASHER LO SPT .570x.971x.141 ZP | 1 | | |
| 7 | 363778 | CYLINDER PIVOT | 1 | | |
| 8 | 861926 | CYLINDER L.H. | 1 | | |
| 8 | 861927 | CYLINDER R.H. | 1 | | |
| 9 | 500690 | NUT HEX NYRT 1/4-28 Z050 | 1 | | |
| 10 | 500181 | SCREW CAP HEX 5/16-18x1 G5 Z050 | 1 | | |
| 11 | 500476 | WASHER LO SPT .317x.586x.078 Z050 | 1 | | |
| 12 | 500778 | NUT HEX 5/16-18 N500 | 1 | | |
| 13 | 861444 | CABLE ASSY | 1 | | |
| 14 | 500692 | NUT HEX 1/4-28 Z050 | 1 | | |
| 15 | 500557 | SCREW MA PAN PH #8-32x3/8 SS | 1 | | |
| 16 | 861486 | CLIP / WIRE RETAINER | 2 | | |
| 20 | 500611 | SCREW TC PAN PH #10-24x1/2 Z050 | 2 | | |
| 21 | 5001312 | SCREW TP TR PH #8x5/8 Z050 | 1 | | |
| 22 | 500692 | NUT HEX 1/4-28 Z050 | 1 | | |
| NS | 363781 | RETROFIT KIT RH SEAT | 1 | | |
| . NS | IS-98107 | . SEE INSTRUCTION SHEET | 1 | | |
| NS | 363784 | RETROFIT KIT LH SEAT | 1 | | |
| . NS | IS-98107 | . SEE INSTRUCTION SHEET | 1 | | |
| NS | 363786 | RETROFIT KIT ROTATING SEAT | 1 | | |
| . NS | IS-98107 | . SEE INSTRUCTION SHEET | 1 | | |
| NS | 363785 | RETROFIT KIT LOUNGE SEAT | 1 | | |
| . NS | IS-98107 | . SEE INSTRUCTION SHEET | 1 | | |
| NS | 363909 | RETROFIT KIT RH SEAT VIP | 1 | | |
| . NS | IS-98107 | . SEE INSTRUCTION SHEET | 1 | | |
| NS | 363910 | RETROFIT KIT LH SEAT VIP | 1 | | |
| . NS | IS-98107 | . SEE INSTRUCTION SHEET | 1 | | |
| NS | 363911 | RETROFIT KIT RH SEAT VIP SINGLE | 1 | | |
| . NS | IS-98107 | . SEE INSTRUCTION SHEET | 1 | | |
| NS | 363912 | RETROFIT KIT LH SEAT VIP SINGLE | 1 | | |
| . NS | IS-98107 | . SEE INSTRUCTION SHEET | 1 | | |

| | | |
|---------------------|--------------|-----------------|
| From L-031 To R-079 | Date:10/2022 | PAGE:H4-1827-99 |
|---------------------|--------------|-----------------|

ARMREST PASSENGER'S - "RETROFIT"

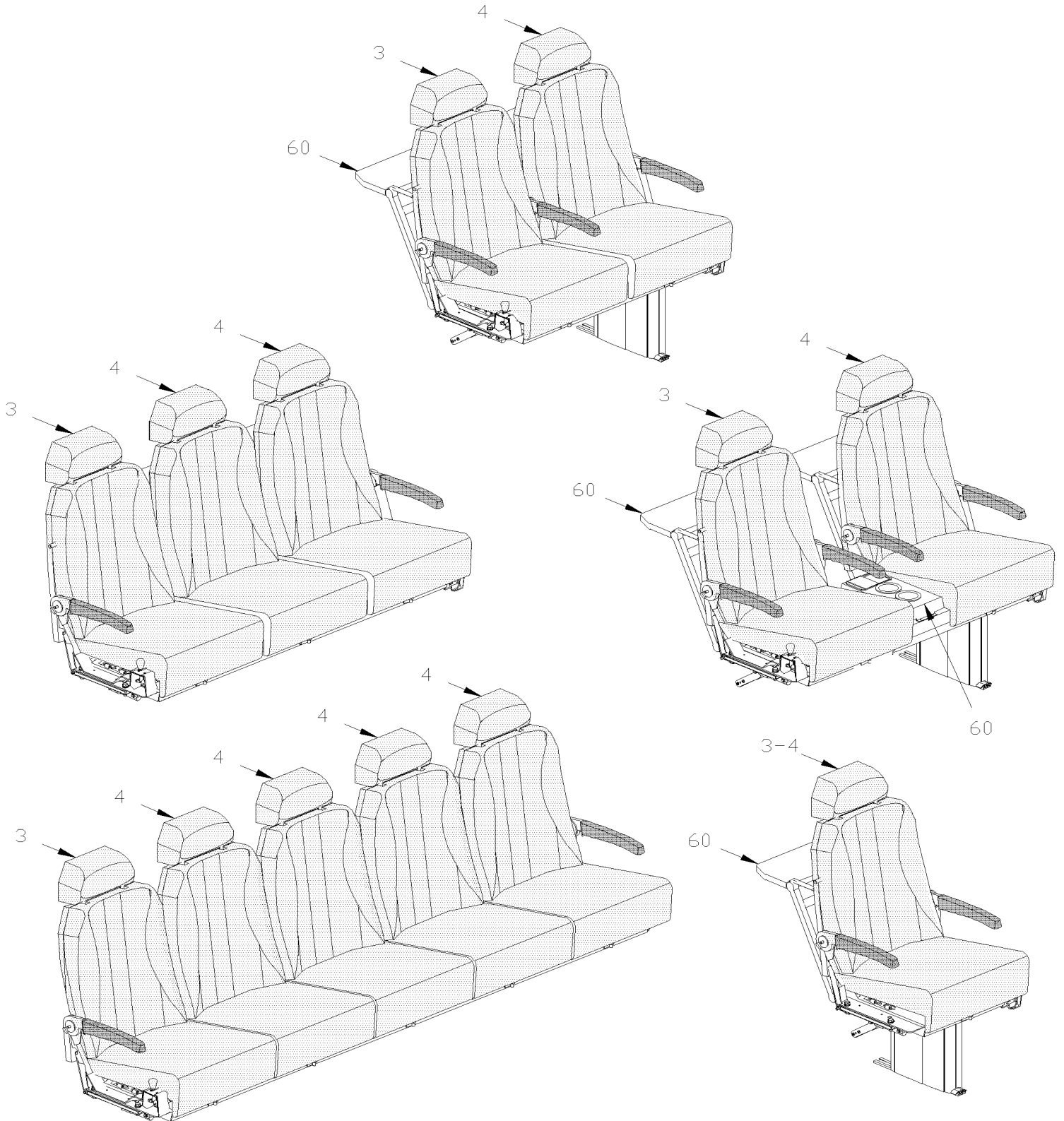
| Item# | Part | Description | H 3 4 0 | V I P 4 0 | N O T E S |
|-------|------|--------------------------|------------------|-----------------------|-----------------------|
| | | ALLS PARTS TO BE REMOVED | | | |
| | | | | | |
| | | | | | |
| | | | | | |

From L-031 To P-323

Date:10/2022

PAGE:H4-1828-00

PASSENGER'S SEAT - "TOURISMO I"

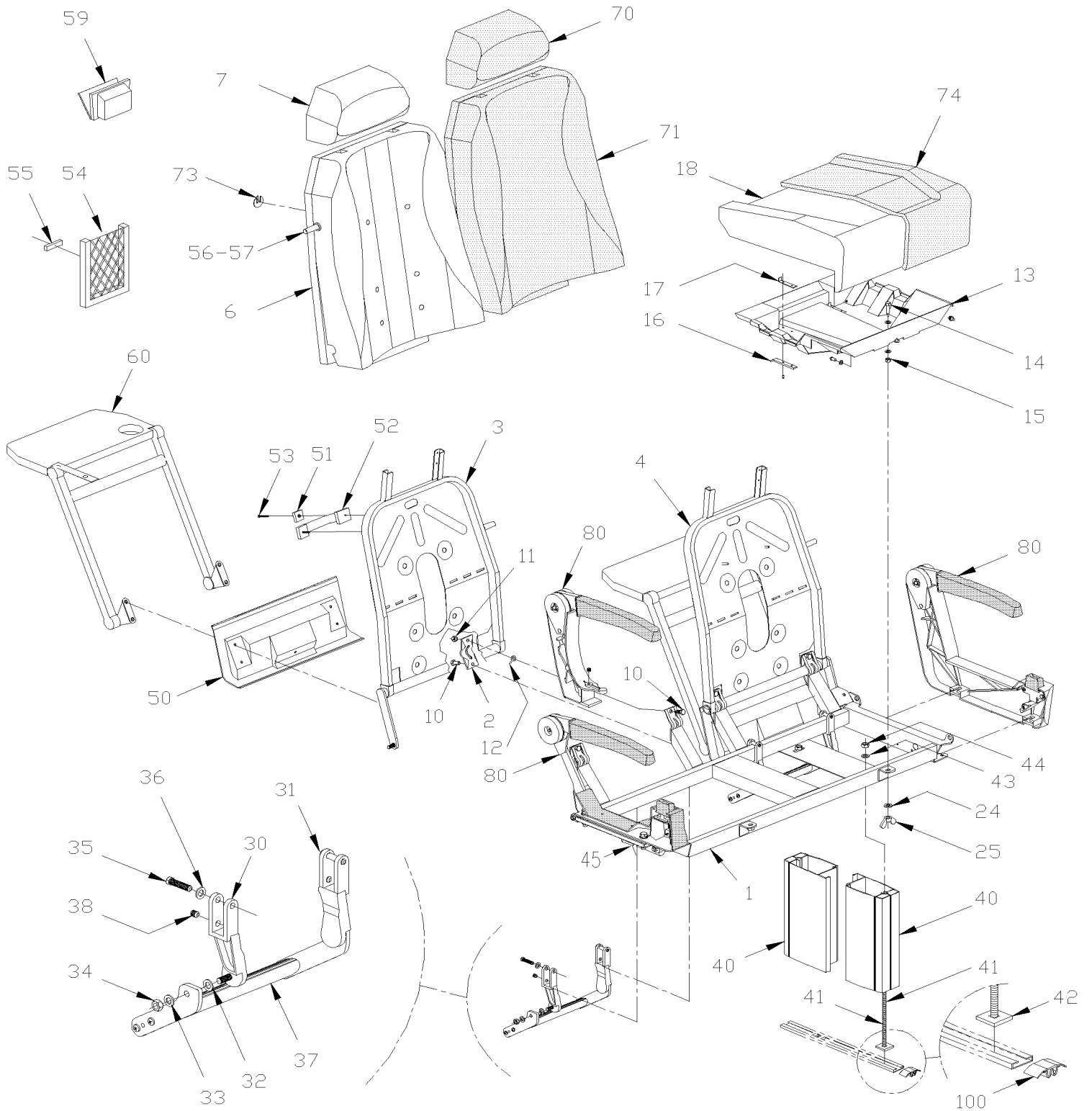


From L-031 To P-323

Date:10/2022

PAGE:H4-1828-00

PASSENGER'S SEAT - "TOURISMO I"



| | | |
|--|--------------|-----------------|
| From L-031 To P-323 | Date:10/2022 | PAGE:H4-1828-00 |
| PASSENGER'S SEAT - "TOURISMO I" | | |

| Item# | Part | Description | H 3 4 0 | V I P 4 0 | N O T E S |
|-------|---------|---|------------------|-----------------------|-----------------------|
| | 362818P | SEAT ASSY R.H. / 2 PASSENGERS / 42" HIGH To M-089 | AR | | A |
| | 362817P | SEAT ASSY L.H. / 2 PASSENGERS / 42" HIGH To M-089 | AR | | A |
| | 362819 | SEAT ASSY REAR / 1 PASSENGER / 42" HIGH To M-089 | AR | | A |
| | 362816 | SEAT ASSY ROTATING / "TOURISMO" / 42" PAINTED ALUMINUM To M-089 | AR | | A |
| | 362990 | SEAT ASSY R.H. / 2 PASSENGERS / 42" HIGH From M-090 | AR | | B |
| | 362991 | SEAT ASSY L.H. / 2 PASSENGERS / 42" HIGH From M-090 | AR | | B |
| | 362992 | SEAT ASSY ROTATING / "TOURISMO" / 42" PAINTED CHARCOAL From M-090 | AR | | B |
| | 362993 | SEAT ASSY REAR / 1 PASSENGER / 42" HIGH From M-090 | AR | | B |
| 1 | 362687 | . STRUCTURE ASSY R.H. / 2 PASSENGERS | 1 | | |
| 1 | 362688 | . STRUCTURE ASSY L.H. / 2 PASSENGERS | 1 | | |
| 1 | 362695 | . STRUCTURE ASSY / "ROTATING" SEAT | 1 | | |
| 1 | 362723 | . STRUCTURE ASSY REAR / 3 PASSENGERS | 1 | | |
| 1 | 362775 | . STRUCTURE ASSY REAR / 1 PASSENGER | 1 | | |
| 1 | 363007 | . STRUCTURE ASSY REAR / 5 PASSENGERS | 1 | | |
| 2 | 362661 | . COLLAR | 4 | | |
| 3 | 362692 | . BACKREST R.H. | 1 | | |
| 4 | 362693 | . BACKREST L.H. | 1 | | |
| 6 | 362662 | . FOAM ASSY, BACKREST / "TOURISMO I " | 1 | | |
| 7 | 362663 | . FOAM ASSY, HEADREST 42" HIGHT / "TOURISMO" | 1 | | |
| 7 | 362753 | . FOAM ASSY, HEADREST 40" HIGHT / "TOURISMO" | 1 | | |
| NS | 500240 | . WASHER LO EXT .195x.410x.025 Z050 | 4 | | |
| NS | 500583 | . SCREW TP PAN PH #6x1/2 Z050 | 4 | | |
| 10 | 500179 | . SCREW CAP HEX 5/16-18x3/4 G5 Z050 | 8 | | |
| 11 | 5001113 | . NUT HEX JAM NYRT 5/16-18 | 8 | | |
| 12 | 363273 | . SPRING EYE | 8 | | |
| 13 | 362464P | . SEATREST ASSY W/HOOK / BOTTOM PLASTIC | 1 | | |
| 14 | 362353 | . SCREW | 1 | | |
| 15 | 500685 | . NUT HEX NYRT 5/16-18 SS | 1 | | |
| 16 | 362779 | . BRACKET RETAINER / 3" | 2 | | |
| 17 | 362781 | . BRACKET RETAINER / 2 1/4" | 2 | | |
| 18 | 362666 | . FOAM ASSY, SEATREST / "TOURISMO & ULTRA" | 1 | | |
| 24 | 500441 | . WASHER FL .312x.734x.065 Z050 | 2 | | |
| 25 | 500782 | . NUT WING 5/16-18 Z050 | 2 | | |
| 30 | 362784 | . SUPPORT L.H. To M-089 | 1 | | |
| 30 | 362932 | . SUPPORT L.H. From M-090 | 1 | | |
| 31 | 362786 | . SUPPORT R.H. To M-089 | 1 | | |
| 31 | 362930 | . SUPPORT R.H. From M-090 | 1 | | |
| 32 | 502723 | . WASHER FL .386x.750x.050 NYL | 2 | | |
| 33 | 500441 | . WASHER FL .312x.734x.065 Z050 | 2 | | |
| 34 | 500777 | . NUT HEX STO 5/16-18 Z050 | 2 | | |
| 35 | 500183 | . SCREW CAP HEX 5/16-18x1 1/2 G5 PT Z050 | 2 | | |
| 36 | 500476 | . WASHER LO SPT .317x.586x.078 Z050 | 2 | | |

| | | | |
|--|--|--------------|-----------------|
| From L-031 To P-323 | | Date:10/2022 | PAGE:H4-1828-00 |
| PASSENGER'S SEAT - "TOURISMO I" | | | |

| Item# | Part | Description | H 3 4 0 | V I P 4 0 | N O T E S |
|-------|-------------------|--|------------------|-----------------------|-----------------------|
| 37 | 362411 | . FOOTREST ASSY To M-089 | 1 | | |
| 37 | 362928 | . FOOTREST ASSY From M-090 | 1 | | |
| 38 | 502781 | . SCREW SET HEXS CUP 5/16-18x1/4 | 2 | | |
| 40 | 362288 | . PEDESTAL OBLONG / ONE PIECE / 279MM / 10.98" To M-089 | 2 | | |
| 40 | 362935 | . PEDESTAL OBLONG / 279MM / 10.98" From M-090 | 2 | | |
| 41 | 361700 | . ROD ASSY 12" / SEAT RETAINER To M-089 | 2 | | |
| 41 | 5001600 | . SCREW CRG 3/8-16x12 G5 Z050 From M-090 | 2 | | |
| 42 | 363085 | . PLATE ANCHOR / CARRIAGE BOLT INSIDE TRACK / 1 1/4" X 1 1/4" From M-090 | 1 | | |
| 43 | 500445 | . WASHER FL .437x1.000x.083 Z050 | 2 | | |
| 44 | 500265 | . NUT HEX STO 3/8-16 Z050 From M-090 | 2 | | |
| 45 | 362355 | . ATTACHMENT NUT / "J" SHAPE TO FIX SEAT TO WALL TRACK WALL TRACK | 2 | | |
| 45 | 364132 | . ATTACHMENT PLATE / "J" SHAPE TO FIX SEAT TO WALL TRACK WALL TRACK | 1 | | |
| . NS | 500829 | . SCREW CAP HEX M10-1.5x40 G8.8 | 2 | | |
| . NS | 500257 | . WASHER LO SPT 10.2x18.1x2.2 Z050 | 2 | | |
| 50 | 362866 | . FINISHING LOWER / L.H. / NORYL | 1 | | |
| 50 | 362867 | . FINISHING LOWER / R.H. / NORYL | 1 | | |
| 51 | 860421 | . HOOK | 1 | | |
| 52 | 860422 | . HANDLE | 1 | | |
| 53 | 502521 | . SCREW TC OV PH #8-32x1 BK | 2 | | |
| 54 | 362707 | . MAGAZINE NET 13" x 6 1/2" | 1 | | |
| 54 | 860251 | . MAGAZINE NET 14" x 8 5/8" | 1 | | |
| 54 | 860809 | . MAGAZINE NET 14" x 7 1/4" | 1 | | |
| 55 | 500353 | . SCREW TP FL PH #8x3/4 BK | 4 | | |
| 56 | 5001019 | . SCREW TP OV PH #10x2 EMN | 1 | | |
| 57 | 362943 | . STOPPER LONG / WV.I.P. SEAT | 1 | | |
| 59 | 860625 | . ASHTRAY / METAL | 1 | | |
| 59 | 502778 | . SCREW TP FL PH #6x2 BK | 2 | | |
| 59 | 860626 | . SUPPORT ASHTRAY / PLASTIC | 1 | | |
| 60 | H4-1829-00 | ACCESSORIES PASSENGER'S SEAT - "PREVOST" | | | |
| 70 | 362746P | . COVERING HEADREST / 42" HIGH / SPECIFY COLO | 1 | | |
| 70 | 362755P | . COVERING HEADREST / 40" HIGH / SPECIFY COLO | 1 | | |
| 71 | 362735P | . COVERING ASSY, BACKREST / S.C.C. | 1 | | |
| 73 | 362716 | . ATTACHMENT / ROUND "W" SHAPE TO FIX COVER | 8 | | |
| 74 | 362737P | . COVERING SEATREST ASSY / S.C.C. ALL OLD W/ PLASTIC FORM | 1 | | |
| 80 | H4-1827-50 | ARMREST PASSENGER'S - "ALUMINUM" To M-089 | | | |
| 80 | H4-1827-51 | ARMREST PASSENGER'S - "CHARCOAL" From M-090 | | | |
| 100 | 325655 | SEAT TRACK COVER 6' / EACH SEAT / W/RUBBER FLOOR | AR | | |
| 100 | 323654 | SEAT TRACK COVER 12' / EACH SEAT / W/COVERING FLOOR | AR | | |
| 100 | 323963 | SEAT TRACK COVER 8' / EACH SEAT / W/COVERING FLOOR | AR | | |
| 100 | 361338 | SEAT TRACK COVER 12' / EACH SEAT / W/CARPET FLOOR | AR | | |
| | | | | | |
| | | | | | |

| | | |
|---------------------|--------------|-----------------|
| From L-031 To P-323 | Date:10/2022 | PAGE:H4-1828-00 |
|---------------------|--------------|-----------------|

PASSENGER'S SEAT - "TOURISMO I"

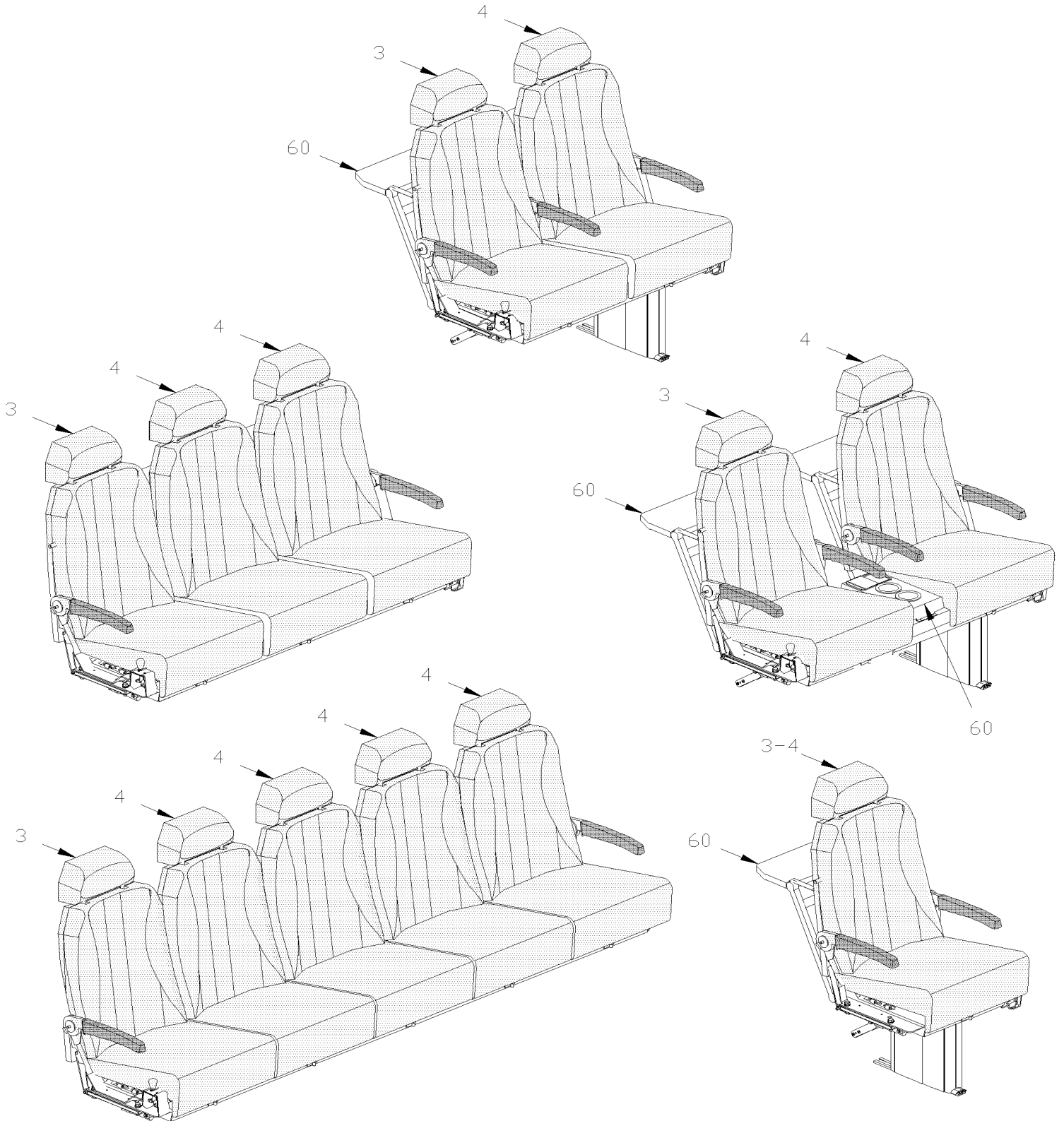
| Item# | Part | Description | H 3 4 0 | V I P 4 0 | N O T E S |
|-------|------|---|------------------|-----------------------|-----------------------|
| | | A) SEATS ARE ASSY WITH SIDE CASTING ARMREST SEAT ONLY PAINTED GREY ALUM | | | |
| | | B) SEATS ARE ASSY WITH SIDE CASTING ARMREST SEAT ONLY PAINTED CHARCOAL | | | |

From P-324 To R-079

Date:10/2022

PAGE:H4-1828-01

PASSENGER'S SEAT - "TOURISMO II"

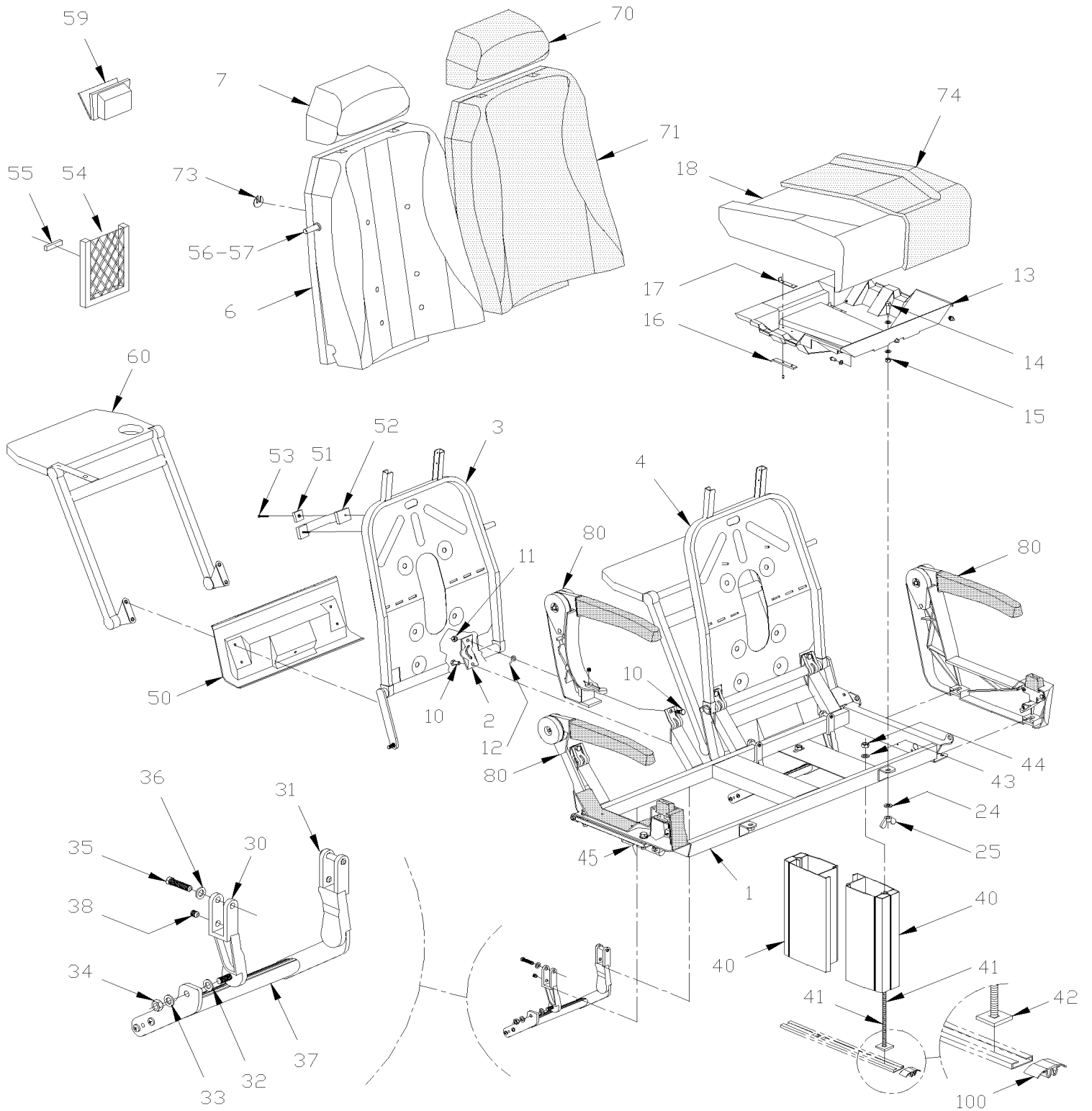


From P-324 To R-079

Date:10/2022

PAGE:H4-1828-01

PASSENGER'S SEAT - "TOURISMO II"



| | | | |
|---|--|--------------|-----------------|
| From P-324 To R-079 | | Date:10/2022 | PAGE:H4-1828-01 |
| PASSENGER'S SEAT - "TOURISMO II" | | | |

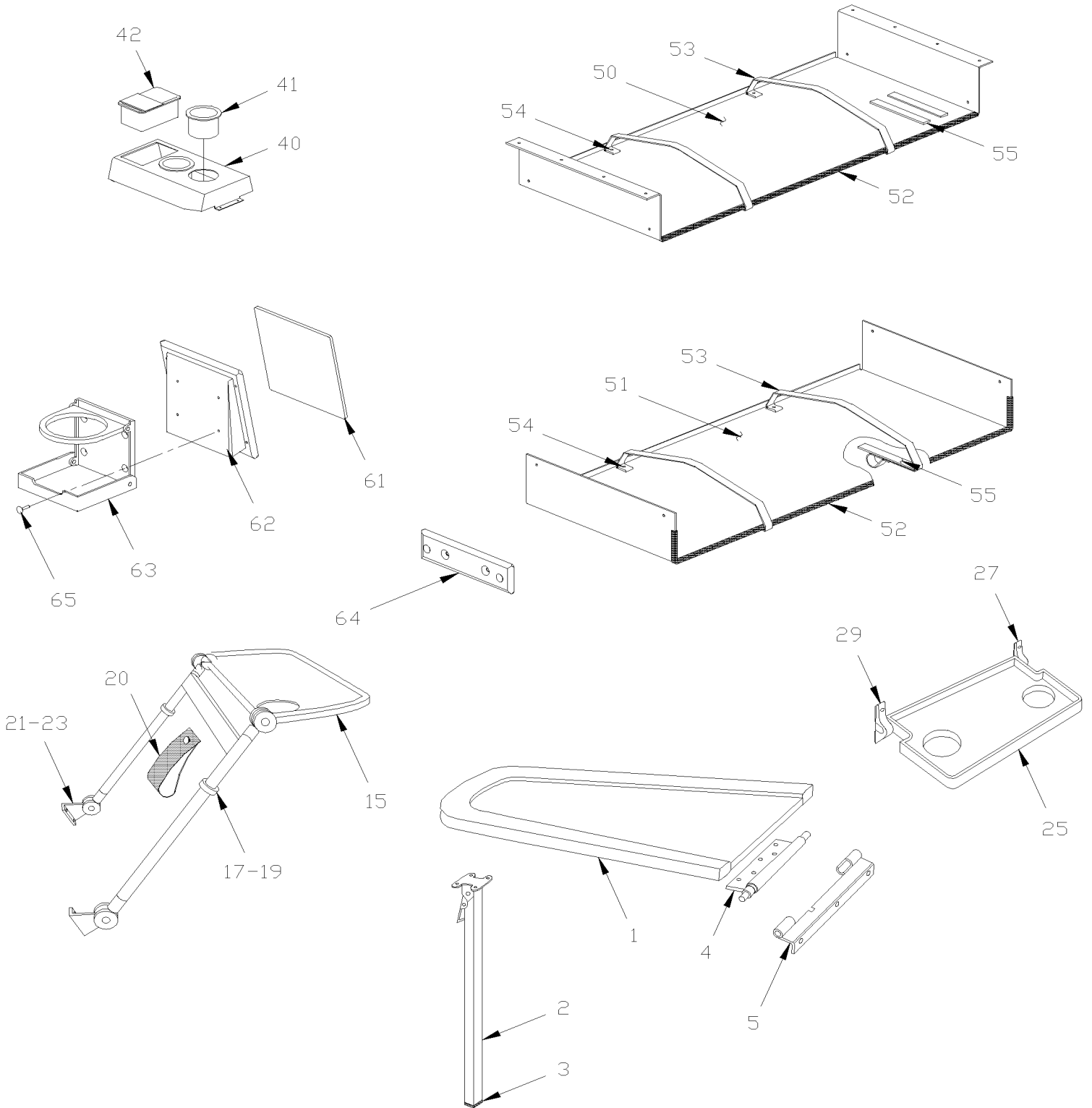
| Item# | Part | Description | H 3 4 0 | V I P 4 0 | N O T E S |
|-------|---------|--|------------------|-----------------------|-----------------------|
| | 363196 | SEAT ASSY R.H. / 2 PASSENGERS / 42" HIGH | AR | | |
| | 363197 | SEAT ASSY L.H. / 2 PASSENGERS / 42" HIGH | AR | | |
| | 363201 | SEAT ASSY REAR / 2 PASSENGERS / 42" HIGH | AR | | |
| | 363202 | SEAT ASSY REAR / 3 PASSENGERS / 42" HIGH | AR | | |
| | 363203 | SEAT ASSY REAR / 5 PASSENGERS / 42" HIGH | AR | | |
| 1 | 362687 | . STRUCTURE ASSY R.H. / 2 PASSENGERS To R-032 | 1 | | |
| 1 | 363314 | . STRUCTURE ASSY R.H. / 2 PASSENGERS From R-033 | 1 | | |
| 1 | 362688 | . STRUCTURE ASSY L.H. / 2 PASSENGERS To R-032 | 1 | | |
| 1 | 363315 | . STRUCTURE ASSY L.H. / 2 PASSENGERS From R-033 | 1 | | |
| 1 | 363417 | . STRUCTURE ASSY REAR / 3 PASSENGERS | 1 | | |
| 1 | 363323 | . STRUCTURE ASSY REAR / 5 PASSENGERS | 1 | | |
| 2 | 362661 | . COLLAR To R-032 | 1 | | |
| 2 | 363246 | . COLLAR From R-033 | 1 | | |
| 3 | 363180 | . BACKREST R.H. | 1 | | |
| 4 | 363181 | . BACKREST L.H. | 1 | | C |
| 6 | 363178P | . FOAM ASSY, BACKREST / "TOURISMO II " | 1 | | |
| 6 | 363186 | . . FOAM BACKREST THICK | 1 | | |
| 6 | 363177 | . . FOAM BACKREST THIN | 1 | | |
| 6 | 363174 | . . FOAM THIN, OBLONG 4" X 13" APPROX | 1 | | |
| 7 | 363156 | . FOAM ASSY, HEADREST 42" HIGHT / "TOURISMO II " | 1 | | |
| 7 | 362753 | . FOAM ASSY, HEADREST 40" HIGHT / "TOURISMO" | 1 | | |
| NS | 5001312 | . SCREW TP TR PH #8x5/8 Z050 | 4 | | |
| 10 | 5001336 | . SCREW CAP HEXF SERR 5/16-18x3/4 Z050 | 4 | | |
| 11 | 5001113 | . NUT HEX JAM NYRT 5/16-18 | 4 | | |
| 12 | 363273 | . SPRING EYE From R-033 | 4 | | |
| 13 | 362464P | . SEATREST ASSY W/HOOK / BOTTOM PLASTIC | 1 | | |
| 14 | 362353 | . . SCREW | 1 | | |
| 15 | 500685 | . . NUT HEX NYRT 5/16-18 SS | 1 | | |
| 16 | 362779 | . . BRACKET RETAINER / 3" | 2 | | |
| 17 | 362780 | . . WASHER FL .137x.250 GA 24 SS | 2 | | |
| 18 | 362666 | . FOAM ASSY, SEATREST / "TOURISMO & ULTRA" | 1 | | |
| 24 | 500826 | . WASHER LO EXT .320x.610x.034 ZP | 1 | | |
| 25 | 500782 | . NUT WING 5/16-18 Z050 | 2 | | |
| 30 | 363437 | . BRACKET L.H. | 1 | | |
| 31 | 363436 | . BRACKET R.H. | 1 | | |
| 32 | 502723 | . WASHER FL .386x.750x.050 NYL | 2 | | |
| 33 | 500441 | . WASHER FL .312x.734x.065 Z050 | 2 | | |
| 34 | 500777 | . NUT HEX STO 5/16-18 Z050 | 2 | | |
| 35 | 5001375 | . SCREW CAP HEX M10-1.5x18 SS | 2 | | |
| 36 | 500476 | . WASHER LO SPT .317x.586x.078 Z050 | 2 | | |
| 37 | 362928 | . FOOTREST ASSY | 1 | | |
| 38 | 502781 | . SCREW SET HEXS CUP 5/16-18x1/4 | 2 | | |

From L-031 To R-079

Date:10/2022

PAGE:H4-1829-00

ACCESSORIES PASSENGER'S SEAT - "PREVOST"



| | | |
|---|--------------|-----------------|
| From L-031 To R-079 | Date:10/2022 | PAGE:H4-1829-00 |
| ACCESSORIES PASSENGER'S SEAT - "PREVOST" | | |

| Item# | Part | Description | H 3 4 0 | V I P 4 0 | N O T E S |
|-------|-----------------|---|------------------|-----------------------|-----------------------|
| 1 | 362215P | TABLE ASSY / "FORMICA" & LEATHERETTE SPECIFY COLOR | 1 | | |
| 1 | Call order desk | TABLE ASSY / "FORMICA" & LEATHERETTE V.I.P. 2 PASSENGER | 1 | | P |
| 1 | Call order desk | TABLE ASSY / "FORMICA" & LEATHERETTE V.I.P. 1 PASSENGER | 1 | | P |
| 1 | 363207 | TABLE ASSY / GREY PLASTIC COVERING W/2 GLASS HOLDER | 1 | | |
| 1 | 363185 | . COVERING W/2 GLASS HOLDER / GREY | 1 | | |
| 2 | 361432 | . LEG (MODIFIED) | 1 | | |
| 2 | 860333 | . . LEG 25 1/8" / 639.8MM | 1 | | |
| 3 | 860718 | . . . GLIDE SQUARE END 1 X 1 X TUBE 13 GA / P | 1 | | |
| 4 | 360255 | . HINGE / TABLE SECTION | 1 | | |
| . A | 360620 | . . ROD LOCK | 1 | | |
| . B | 363604 | . . SPRING COMPRESSION / .500 O.D. x 6.25 x .062 | 1 | | |
| . C | 505221 | . . SPRING, PIN 1/8 X 3/8 | 1 | | |
| NS | 500841 | . SCREW TP PAN PH #14x3/4 Z050 | 9 | | |
| NS | 506006 | . TAPE RUB ADH1 CC POL 3/8" x 1 1/4" x 20' / GREY 2520 | AR | | |
| NS | 360325 | . DECAL "INSTALLATION OF CARD TABLE...." "BILINGUAL" | 1 | | |
| 5 | 361658 | HINGE / WALL SECTION 1 1/8"x1 5/16" ANGLE | 1 | | |
| NS | 360622 | ENVELOPE ASSY TABLE | 1 | | |
| NS | 500136 | SCREW MA OV PH 1/4-20x1 1/2 SS EMN | 3 | | |
| | | UTILITY TABLE | | | |
| 15 | 363035 | TABLE / W/SILHOUETTE SEAT ONLY To M-089 | AR | | |
| NS | 362925 | SPACER ADAPTOR / TRAIANGLE SHAPE To M-089 | 2 | | |
| 15 | 362924 | TABLE / W/"TOURISMO II" & "ULTRA" From M-090 | 1 | | |
| 15 | 363423 | STRAP / 145MM | 1 | | |
| 15 | 363464 | WASHER RETAINER | 1 | | |
| 15 | 500583 | SCREW TP PAN PH #6x1/2 Z050 | 1 | | |
| 17 | 363036 | SPACER | 4 | | |
| NS | 860859 | NYLON BUSHING / LOWER HINGE | 2 | | |
| 19 | 500552 | SCREW TP OV PH #6x3/4 Z050 | 4 | | |
| 20 | 363423 | STRAP / 145MM | 1 | | |
| 20 | 363464 | WASHER RETAINER | 1 | | |
| 20 | 500583 | SCREW TP PAN PH #6x1/2 Z050 | 1 | | |
| 21 | 502526 | SCREW TC BDG PH #12-24x3/4 Z050 | 4 | | |
| 23 | 502646 | WASHER LO INT .129x.280x.021 ZP | 4 | | |
| | | UTILITY SHELF / W/"TOURISMO II" & "ULTRA" | | | |
| 25 | 860657 | SHELF | 1 | | |
| 27 | 860659 | ATTACHMENT | 2 | | |
| NS | 860892 | PIVOT ASSY | 2 | | |
| 29 | 500871 | SCREW TP OV PH #8x1 BK | 4 | | |

| | | |
|---|--------------|-----------------|
| From L-031 To R-079 | Date:10/2022 | PAGE:H4-1829-00 |
| ACCESSORIES PASSENGER'S SEAT - "PREVOST" | | |

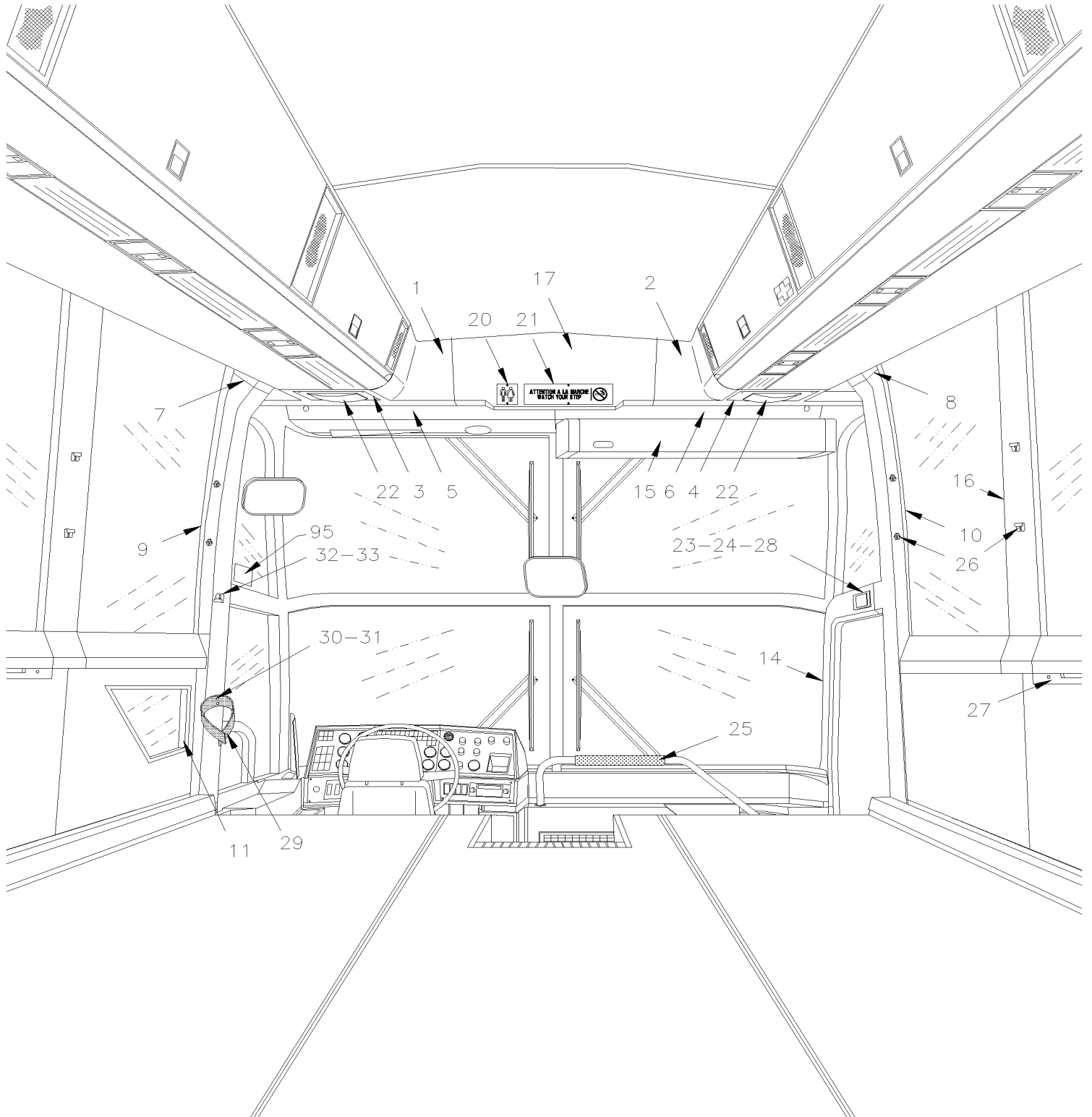
| Item# | Part | Description | H 3 4 0 | V I P 4 0 | N O T E S |
|-------|----------|--|------------------|-----------------------|-----------------------|
| | | V.I.P PASSENGER'S SEAT CENTER CONSOLE | | | |
| 40 | 363519 | CENTER CONSOLE V.I.P./ PLAIN | 1 | | |
| 40 | 363235 | CENTER CONSOLE V.I.P. W/GLASS HOLDER | 1 | | |
| 40 | 362576 | CENTER CONSOLE V.I.P./ W/2 GLASS HOLDER & ASHTRAY | 1 | | |
| 41 | 900675 | GLASS HOLDER, PLASTIC BLACK | 1 | | |
| 42 | 900518 | ASHTRAY | 1 | | |
| NS | 363083 | KIT FOR RETROFIT TABLE / SPACER WALL AND STRUCTURE | AR | | |
| . NS | IS-91077 | . SEE INSTRUCTION SHEET | 1 | | |
| 50 | 364021 | SUPPORT ASSY CARD TABLE UPPER 900MM | 1 | | |
| . NS | 364020 | . SUPPORT UPPER | 1 | | |
| 51 | 364024 | SUPPORT ASSY CARD TABLE LOWER 900MM | 1 | | |
| . NS | 364023 | . SUPPORT LOWER | 1 | | |
| 52 | 506025 | . RUBBER CHANNEL / 1/18" x 5/16" INT "U" SHAPE / SQUARE C.T.L. | AR | | |
| 53 | 364022 | . STRAP RETAINER | 2 | | |
| 54 | 504113 | . RIVET POP DOME CLE 3/16x1/4 AL | 2 | | |
| 55 | 506756 | . VELCRO / LOOP ADHESIF 1" x 75' | AR | | |
| 61 | 363897 | PLATE | AR | | |
| 62 | 363518 | SUPPORT | AR | | |
| 63 | 900527 | GLASS HOLDER | AR | | |
| 63 | 900788 | GLASS HOLDER | AR | | |
| NS | 860642 | GLASS HOLDER / W/"AMAYA" / W/2 HOLES FOR SCREW | 1 | | |
| 64 | 860875 | TRASH BAG, SUPPORT / BLACK FIXED TO WALL | AR | | |
| 64 | 863976 | TRASH BAG, SUPPORT / GREY FIXED TO WALL | AR | | |
| NS | 861107 | TRASH BAG / BOX OF 5000 | AR | | |
| 65 | 502664 | SCREW TP PAN PH #8x1 SS EMN | 4 | | |
| 81 | 402776 | DECAL, | AR | | |
| 82 | 402777 | DECAL / | AR | | |
| 83 | 402759 | DECAL SEAT EVEN-NUMBERED ON AISLE / 1-52 | AR | | |
| 83 | 402933 | DECAL SEAT ODD-NUMBERED ON AISLE / 1-52 | AR | | |
| 84 | 403544 | DECAL SEAT ODD-NUMBERED ON AISLE / 1-52 | AR | | |
| 84 | 403546 | DECAL SEAT EVEN-NUMBERED ON AISLE / 1-52 | AR | | |
| 85 | 403237 | DECAL, "EMERGENCY EXIT" / INSTRUCTION / ENGLISH & FRANCAIS | AR | | |
| 86 | 403236 | DECAL, "EMERGENCY EXIT" / INSTRUCTION / ENGLISH | AR | | |
| | | P) CALL ORDER DESK FOR SPECIFIC APPLICATION (V.I.N.) | | | |

From L-031 To R-079

Date:10/2022

PAGE:H4-1832-00

FRONT FINISHING CAP



| | | |
|----------------------------|--------------|-----------------|
| From L-031 To R-079 | Date:10/2022 | PAGE:H4-1832-00 |
| FRONT FINISHING CAP | | |

| Item# | Part | Description | H 3 4 0 | V I P 4 0 | N O T E S |
|-------|--------|---|------------------|-----------------------|-----------------------|
| 1 | 340717 | PANEL, L.H. / FRONT CAP CEILING | 1 | | |
| 2 | 340749 | PANEL, R.H. / FRONT CAP CEILING | 1 | | |
| 3 | 340718 | COVER, L.H. / FRONT CAP CEILING | 1 | | |
| 4 | 340748 | COVER, R.H. / FRONT CAP CEILING | 1 | | |
| NS | 500563 | NUT SPR U #8-32 .094-.125 | AR | | |
| NS | 504412 | WASHER RETAINER SNAP CAP #8 | AR | | |
| NS | 504403 | SNAP CAP #8 FINISHING BLACK | AR | | |
| 5 | 340716 | PANEL, UPPER WINDSHIELD L.H. | 1 | | |
| 6 | 340715 | PANEL, UPPER WINDSHIELD R.H. | 1 | | |
| NS | 340767 | BRACKET, L.H./ TO FIX ITEM 5 / 1150MM | 1 | | |
| NS | 340766 | BRACKET, R.H. / TO FIX ITEM 6 / 1150MM | 1 | | |
| NS | 340754 | ANGLE ASSY / W/WELD NUT 1/4-20 / TO FIX ITEMS 5-6 | 2 | | |
| NS | 340753 | ANGLE ASSY / W/2 WELD NUT 1/4-20 / TO FIX ITEMS 5-6 | 4 | | |
| NS | 506025 | RUBBER CHANNEL / 1/18" x 5/16" INT "U" SHAPE / SQUARE C.T.L. | AR | | |
| 7 | 324052 | EXTENSION CLOSING, POST CAP / UPPER | 1 | | |
| 8 | 324053 | EXTENSION CLOSING, POST CAP / UPPER | 1 | | |
| 9 | 329051 | FINISHING POST CAP To L-059 | 1 | | |
| 9 | 323842 | FINISHING POST CAP From L-060 | 1 | | |
| 10 | 329052 | CAP FINISHING POST / W/PLUG TYPE DOOR To M-155 | 1 | | D |
| 10 | 323598 | CAP FINISHING POST / W/PLUG TYPE DOOR From M-156 | 1 | | E |
| 10 | 323860 | CAP FINISHING POST / W/SEDAN DOOR | 1 | | |
| 11 | 323602 | MOULDING FINISHING L.H. WINDOW | 1 | | |
| NS | 323521 | ANGLE / TO FIX MOULDING | 1 | | |
| 14 | 329050 | CAP FINISHING / W/SHORT COLUMN | 1 | | |
| 14 | 323599 | CAP FINISHING / W/LONG COLUMN | 1 | | |
| 14 | 323859 | CAP FINISHING | 1 | | |
| 16 | 322646 | CAP FINISHING / POST / RUBBER #2 TO 7 L.H. & R.H. | 12 | | |
| NS | 680093 | SEALANT TAPE BUTYL / GREY / 1/16"x1 1/2"x50' /71079B11760 | AR | | |
| NS | 680532 | SEALANT SIKA #221 / GREY / 310ml CARTRIDGE | AR | | |
| NS | 500641 | SCREW TP PAN PH #8x3/4 Z050 | 1 | | |
| NS | 504403 | SNAP CAP #8 FINISHING BLACK | 1 | | |
| 17 | 340751 | PANEL, FRONT CENTRAL To N-210 | 1 | | |
| 17 | 340848 | PANEL, FRONT CENTRAL From N-211 | 1 | | |
| 17 | 340837 | PANEL, FRONT CENTRAL / W/VIDEO | 1 | | |
| 17 | 340926 | PANEL, FRONT CENTRAL | 1 | | F |
| 20 | 322967 | LENS / "RESTROOM OCCUPIED" | 1 | | |
| 21 | 323206 | LENS / "WATCH YOUR STEP" | 1 | | |
| 21 | 322970 | LENS / "WATCH YOUR STEP" / "ATTENTION A LA MARCHE" / | AR | | |
| 21 | 325440 | LENS / "WATCH ..." ATTENTION..." & "NO- SMOKING" / ENGLISH & FRANCAIS | AR | | C |
| 21 | 325441 | LENS/"WATCH YOUR STEP" & "NO-SMOKING" / ENGLISH | AR | | |
| NS | 330231 | SOCKET ASSY To N-240 | 3 | | |
| NS | 330265 | SOCKET ASSY W/CONNECTOR / W2.1x9.Dd From N-241 | 3 | | |

| | | |
|----------------------------|--------------|-----------------|
| From L-031 To R-079 | Date:10/2022 | PAGE:H4-1832-00 |
| FRONT FINISHING CAP | | |

| Item# | Part | Description | H 3 4 0 | V I P 4 0 | N O T E S |
|-------|-------------------|--|------------------|-----------------------|-----------------------|
| . NS | 562295 | . SOCKET BULB / PLASTIC W/WIRE / W2.1x9.5d From N-241 | 1 | | |
| . NS | 561248 | . CONNECTOR / UNIVERSAL MATE-N-LOK / PH 2C / AMP 1-480699-0 From N-241 | 1 | | |
| . NS | 562122 | . PIN TERMINAL / 20-14 / AMP 350547-1 From N-241 | 2 | | |
| NS | 560144 | BULB / 1.6WATT-24VOLTS / SAE# 1820 To N-240 | 3 | | |
| NS | 561166 | BULB / 3WATT-24VOLTS / SAE# 464 From N-241 | 3 | | |
| NS | 500504 | SCREW TC OV PH #6-32x1/2 BK | 4 | | |
| NS | 500422 | NUT SPR U #6-32 .110-.120 SS | 4 | | |
| 22 | 830110 | LAMP ASSY | 2 | | |
| 23 | 400638 | MOULDING / 11" / "U" SHAPE DRIVER'S NAME HO | 1 | | |
| 24 | 402352 | PLATE FRONT / STAMPED "NAME OF DRIVER & BUS NUMBER" / | 1 | 1 | |
| NS | 400601 | PLATE (BLANK) / FOR DRIVER'S NAME / SPECIFY NAME | 1 | | |
| NS | 400637 | PLATE / STAMPED "DRIVER'S NAME" / REAR | 1 | | |
| NS | 400636 | PLATE / STAMPED "NOM DU CONDUCTEUR" | 1 | | |
| 25 | 363077 | HAND RAIL PROTECTOR ASSY / W/HOSTESS SEAT ONLY | 1 | | A |
| 26 | H4-1816-10 | SUN SHADE - PASSENGER'S WINDOW | | | |
| 27 | H4-1884-00 | SIDE WINDOW - BUS | | | |
| 28 | 323510 | PROTECTOR DOOR MECHANISM To L-059 | 1 | | |
| 28 | 323751 | PROTECTOR DOOR MECHANISM From L-060 | 1 | | |
| NS | 391436 | LEXAN / EMERGENCY | 1 | | |
| NS | 324945 | CAP FINISHING / POST / FRONT OF REAR DOOR | 1 | | B |
| NS | 324746 | CAP FINISHING / POST/ REAR OF REAR DOOR | 1 | | B |
| NS | 324767 | CAP FINISHING / POST/ TOP OF REAR DOOR | 1 | | B |
| 29 | 409112 | JACKET BAND | 1 | | |
| 30 | 5001429 | SCREW MA FL PH M4-0.7x25 BK | 2 | | |
| 31 | 500345 | WASHER FN CKF .187x.500x.090 BR BK | 2 | | |
| 32 | 900297 | HOOK / COAT | 1 | | |
| 33 | 500333 | SCREW TP OV PH #6x3/4 BK | 2 | | |
| NS | IS19921 | BELT CUTTER INSTALLATION IN THE DRIVER AREA | 1 | | |
| . NS | 860584 | . BELT CUTTER | 1 | | |
| . NS | 7770495 | . 3M DUAL LOCK VELCRO | 1 | | |
| . NS | IS-19921 | . SEE INSTRUCTION SHEET | 1 | | |
| . NS | FI-19921 | . VOIR FEUILLE D'INSTRUCTION | 1 | | |
| NS | 340930 | KIT, CEILING REPLACEMENT | 1 | | |
| . NS | IS-96120 | . SEE INSTRUCTION SHEET | 1 | | |
| 95 | 0691001 | DECAL EMISSION WARNING CALIFORNIA ENGLISH | | | G |
| | | | | | |
| | | | | | |
| | | A) W/HOSTESS SEAT ONLY | | | |
| | | B) THIS PART IS RELATED WITH W.C.L. DOOR | | | |
| | | C) W/ "ATTENTION A LA MARCHE & "NON-SMOKING PICTOGRAM | | | |
| | | D) WITH SHORT MOTOR | | | |

| | | |
|---------------------|--------------|-----------------|
| From L-031 To R-079 | Date:10/2022 | PAGE:H4-1832-00 |
|---------------------|--------------|-----------------|

| | | |
|---------------------|--|--|
| FRONT FINISHING CAP | | |
|---------------------|--|--|

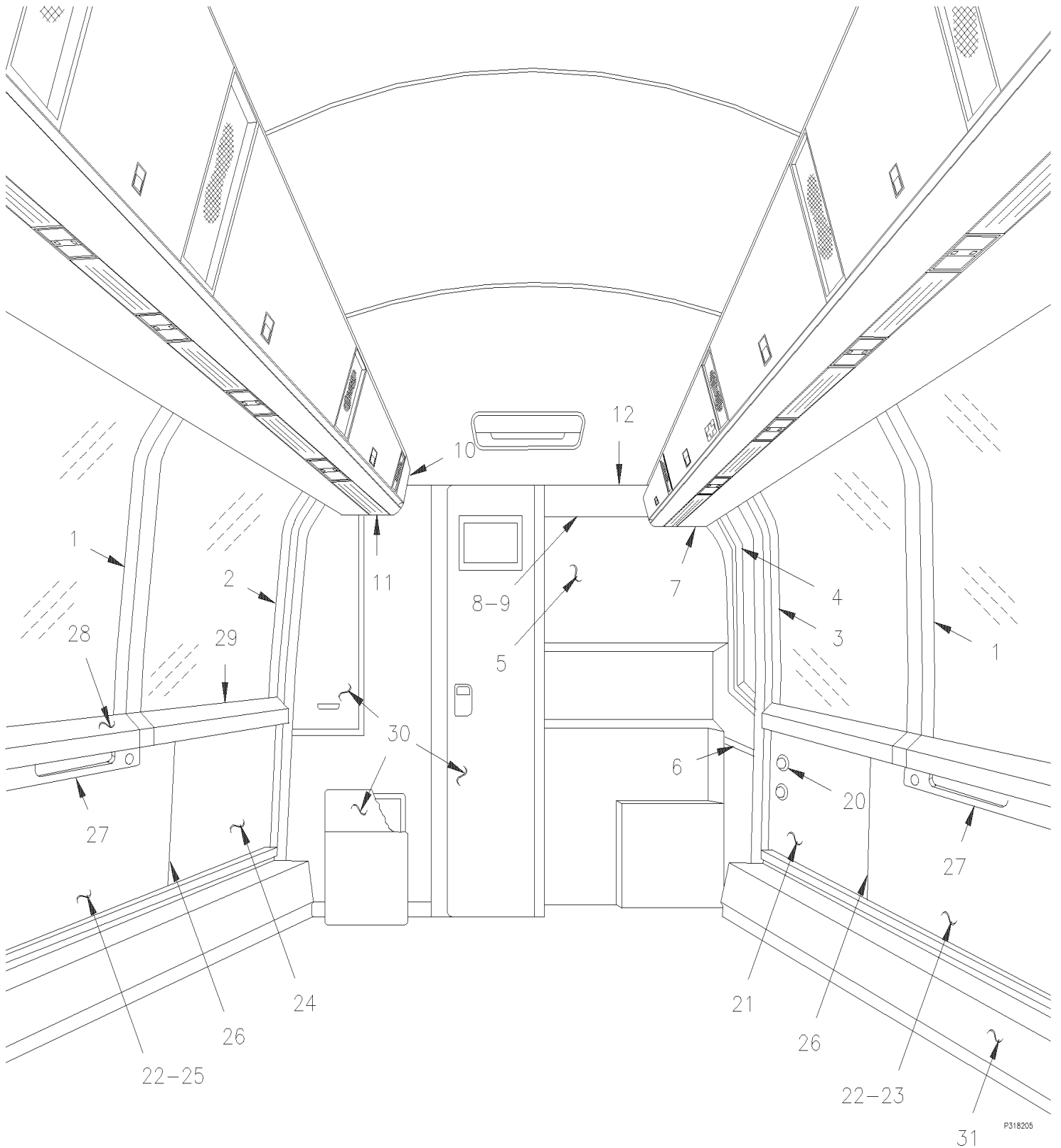
| Item# | Part | Description | H 3 4 0 | V I P 4 0 | N O T E S |
|-------|------|---------------------------------------|------------------|-----------------------|-----------------------|
| | | E) WITH LONG MOTOR | | | |
| | | F) THIS PART IS SUPERSEDED BY #340930 | | | |
| | | G) REGULATIONS OF CALIFORNIA | | | |

From L-031 To R-079

Date:10/2022

PAGE:H4-1833-00

REAR FINISHING CAP & SIDE WALL



| | | |
|---|--------------|-----------------|
| From L-031 To R-079 | Date:10/2022 | PAGE:H4-1833-00 |
| REAR FINISHING CAP & SIDE WALL | | |

| Item# | Part | Description | H 3 4 0 | V I P 4 0 | N O T E S |
|-------|-----------------|--|------------------|-----------------------|-----------------------|
| 1 | 322646 | CAP FINISHING / POST / RUBBER #2 TO 7 L.H. & R.H. | 12 | | |
| NS | 680093 | SEALANT TAPE BUTYL / GREY / 1/16"x1 1/2"x50' /71079B11760 | AR | | |
| NS | 680532 | SEALANT SIKA #221 / GREY / 310ml CARTRIDGE | AR | | |
| 2 | 323423 | CAP FINISHING / POST #8 R.H. | 1 | | |
| NS | 324746 | CAP FINISHING / POST/ REAR OF REAR DOOR | 1 | | A |
| NS | 324766 | CAP FINISHING / POST / FRONT OF REAR DOOR | 1 | | A |
| NS | 324767 | CAP FINISHING / POST/ TOP OF REAR DOOR | 1 | | A |
| 3 | 323248 | CAP FINISHING / POST #8 L.H. | 1 | | |
| 4 | 323229 | COVER, CENTER ARMREST / PLASTIC | 1 | | |
| 5 | Call order desk | CAP REAR / CARPET / SPECIFY COLOR | 1 | | P |
| 5 | 323435P | CAP REAR / FABRIC / SPECIFY COLOR | 1 | | |
| NS | 324060 | . CAP REAR / FIBERGLASS To S-127 | 1 | | |
| NS | 504106 | RIVET POP DOME OE 1/8x1/4 AL | AR | | B |
| 6 | 340836 | MOULDING CAP / GREY PLATINE 1676MM / 66" | 1 | | |
| NS | 340851 | MOULDING RETAINER / 1956MM (77") | 1 | | |
| NS | 500641 | SCREW TP PAN PH #8x3/4 Z050 | AR | | C |
| 7 | Call order desk | FINISHING PANEL ASSY/UNDER PARCEL RACK TISSUS/SPECIFY COLOR To P-252 | 1 | | P |
| 7 | Call order desk | FINISHING PANEL ASSY / UNDER PARCEL RACK LEATHERETTE/SPEC. COL. To P-252 | 1 | | P |
| 7 | 311380 | . PANEL / (ALUMINUM) To P-252 | 1 | | |
| NS | 311560P | CLOSING PANEL ASSY From P-253 | 1 | | |
| NS | Call order desk | CLOSING PANEL ASSY From P-253 | 1 | | P |
| NS | 311550 | . PANEL / (ALUMINUM) From P-253 | 1 | | |
| 11 | Call order desk | FINISHING PANEL ASSY / UNDER PARCEL RACK L.H. TISSUS / SPECIFY COLOR | 1 | | P |
| NS | Call order desk | FINISHING PANEL ASSY / UNDER PARCEL RACK L.H. LEATHERETTE / SPECIFY COL | 1 | | P |
| NS | 311404 | . PANEL ALUMINUM 54MM | 1 | | |
| 12 | 340841 | MOULDING CAP / GREY PLATINE 955MM / 37 5/8" | 1 | | |
| NS | 402542 | MOULDING RETAINER / 908MM (35 3/4") | 1 | | |
| 20 | 870898 | OUTLET AIR ADJUSTABLE | 2 | | |
| NS | 502664 | SCREW TP PAN PH #8x1 SS EMN | 8 | | E |
| | | WARNING BEFORE ORDER FOLLOWING SPECIFY | | | |
| | | COLOR CODE & SERIAL COACH NUMBER | | | |
| | | | | | |
| 21 | Call order desk | PANEL ASSY / CARPET / #9 L.H. | 1 | | P |
| 21 | Call order desk | PANEL ASSY / FABRIC / #9 L.H. | 1 | | P |
| NS | Call order desk | PANEL ASSY / FORMICA / #9 L.H. | 1 | | P |
| 22 | 322921P | PANEL ASSY / CARPET / L.H. & R.H. | 14 | | |
| NS | 322939P | PANEL ASSY / FABRIC / L.H. & R.H. | 14 | | |
| NS | Call order desk | PANEL ASSY / FORMICA / L.H. & R.H. | 14 | | P |
| 23 | Call order desk | PANEL ASSY / CARPET / #1 L.H. | 1 | | P |
| NS | Call order desk | PANEL ASSY / FABRIC / #1 L.H. | 1 | | P |
| NS | Call order desk | PANEL ASSY / FORMICA / #1 L.H. | 1 | | P |

| | | |
|---|--------------|-----------------|
| From L-031 To R-079 | Date:10/2022 | PAGE:H4-1833-00 |
| REAR FINISHING CAP & SIDE WALL | | |

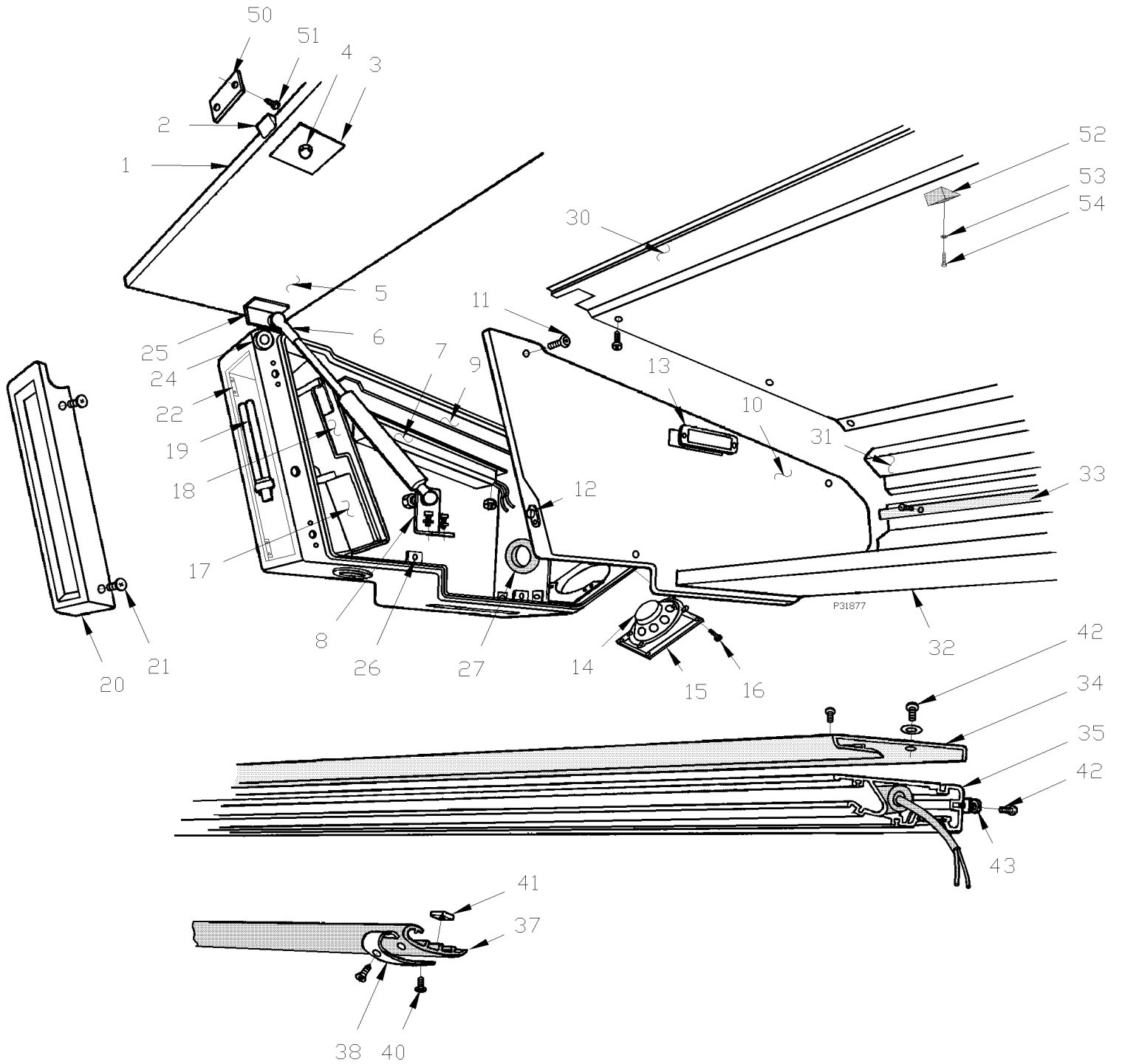
| Item# | Part | Description | H 3 4 0 | V I P 4 0 | N O T E S |
|-------|-------------------|--|------------------|-----------------------|-----------------------|
| 24 | Call order desk | PANEL ASSY / CARPET / #9 R.H. To S-145 | 1 | | P |
| NS | Call order desk | PANEL ASSY / FABRIC / #9 R.H. To S-145 | 1 | | P |
| NS | Call order desk | PANEL ASSY / FORMICA / #9 R.H. To S-145 | 1 | | P |
| 25 | Call order desk | PANEL ASSY / CARPET / #1 R.H. | 1 | | P |
| NS | Call order desk | PANEL ASSY / FABRIC / #1 R.H. | 1 | | P |
| NS | 323444P | PANEL ASSY / FORMICA / #1 R.H. | 1 | | |
| NS | 324428 | CLOSING PANEL | 1 | | |
| 26 | 322870 | MOULDING CAP / SS 409MM (16 1/8") | 17 | | |
| 26 | 322869 | MOULDING RETAINER / 400MM (15 3/4") | 17 | | |
| NS | 509043 | . MOULDING CAP / SS 3658MM (144") | AR | | |
| NS | 509650 | . MOULDING RETAINER / 3658MM (144") | AR | | |
| NS | 5001085 | SCREW TP PAN PH #6x1 1/4 Z050 | AR | | |
| NS | 322871 | WOOD SPACER 1/2" X 32MM X 32MM | AR | | |
| 27 | 292010 | BAR PLASTIC PROTECTION | 6 | | |
| 27 | 292010 | BAR PLASTIC PROTECTION | 8 | | |
| 28 | H4-1884-00 | SIDE WINDOW - BUS | | | |
| 29 | 322835 | GRILLE SPACER 1660MM | 10 | 10 | |
| 29 | 322836 | GRILLE SPACER 904MM | 4 | 4 | |
| 29 | 323485 | GRILLE SPACER 860MM | 1 | 1 | |
| 29 | 324066 | GRILLE SPACER / W/W.C.L. "ST & ST" / 1174MM | 1 | 1 | |
| 30 | H4-2328-00 | LAVATORY WALL - INSTALLATION | | | |
| 31 | H4-2221-10 | DUCTING HEATER & A/C | | | |
| | | | | | |
| | | | | | |
| | | A) WITH W.C.L. DOOR | | | |
| | | B) TO FIX REAR CAP | | | |
| | | C) TO FIX MOULDING | | | |
| | | E) TO FIX OUTLET | | | |
| | | P) CALL ORDER DESK FOR SPECIFIC APPLICATION (V.I.N.) | | | |

From L-031 To R-079

Date:10/2022

PAGE:H4-1836-00

PARCEL RACKS



| | | |
|---------------------|--------------|-----------------|
| From L-031 To R-079 | Date:10/2022 | PAGE:H4-1836-00 |
| PARCEL RACKS | | |

| Item# | Part | Description | H 3 4 0 | V I P 4 0 | N O T E S |
|-------|--------|---|------------------|-----------------------|-----------------------|
| 1 | 311347 | DOOR ASSY / 1534MM | AR | | |
| 1 | 311349 | DOOR, PARCEL RACK / 670MM | AR | | P |
| 1 | 311350 | DOOR, PARCEL RACK / 400MM | AR | | P |
| 1 | 311528 | DOOR, PARCEL RACK / W/LARGE LOCK / 670MM | AR | | P |
| 1 | 311529 | DOOR ASSY / W/LARGE LOCK / 1534MM | AR | | P |
| 1 | 311539 | DOOR ASSY / L.H. REAR / 646MM From P-253 | 1 | | P |
| 1 | 504527 | . BUMPER PLUG / .625ODx.312THx.250HOLEx.125 | 2 | | |
| 2 | 810082 | . HANDLE / W/LOCK / LARGE MODEL | AR | | N |
| 2 | 810085 | . HANDLE / W/LOCK / SMALL MODEL | AR | | D |
| 2 | 810075 | . HANDLE / W/O KEY | AR | | |
| 2 | 810084 | . . KEY / (CH751) | AR | | N |
| NS | 810091 | . . KEY / (H257) | AR | | D |
| 3 | 311072 | . PLATE, ATTACHMENT | 1 | | |
| 4 | 500772 | . NUT HEX CAP 1/4-20 NP | 1 | | B |
| 4 | 500995 | . NUT HEX CAP #10-32 Z050 | 1 | | |
| 4 | 500470 | . WASHER LO SPT .193x.334x.047 Z050 | 1 | | |
| 5 | 311062 | . PIVOT / DOOR | 2 | | |
| 5 | 500374 | . WASHER FL .375x.625x.062 RUB | 2 | | |
| 5 | 311079 | . SPRING | 2 | | |
| 6 | 980020 | CYLINDER GAZ / 244/164MM C/C / 35LBS | AR | | C |
| 6 | 980021 | CYLINDER GAZ / 244/164MM C/C / 20LBS | AR | | |
| NS | 980016 | NUT, CYLINDER RETAINER | AR | | |
| 6 | 502838 | NUT HEX TWAY M8-1.25 N500 | AR | | |
| NS | 500874 | WASHER FL 8.4x17.0x1.6 Z050 | AR | | |
| NS | 502509 | WASHER LO INT 8.4x15.0x0.8 Z050 | AR | | |
| 6 | 502638 | WASHER FL .312x.734x.065 N500 | AR | | |
| NS | 980015 | BALL STUD / W/10 MM X M8-1.25 / 29.18 MM | AR | | |
| 6 | 980027 | BALL STUD / W/10 MM X M8-1.25 / 36.5MM | AR | | |
| 7 | 330215 | BALLAST ASSY / 24 VOLTS | AR | | |
| 7 | 330214 | BALLAST ASSY / 24 VOLTS | AR | | |
| NS | 311070 | SUPPORT "V" SHAPE / UPPER 2 BALLAST | 8 | | |
| NS | 500441 | WASHER FL .312x.734x.065 Z050 | AR | | E |
| NS | 500770 | NUT HEX STO 1/4-20 Z050 | 2 | | E |
| 8 | 311118 | BRACKET / LOWER | AR | | G |
| NS | 500611 | SCREW TC PAN PH #10-24x1/2 Z050 | AR | | |
| NS | 500470 | WASHER LO SPT .193x.334x.047 Z050 | AR | | |
| 9 | 311055 | BOX FIBERGLASS / #2 TO #8 L.H. & #8 R.H. | 8 | | |
| 9 | 311037 | BOX FIBERGLASS / #2 TO #7 R.H. / (AS SHOWN) | 6 | | |
| 9 | 311162 | BOX FIBERGLASS / #1 R.H. | 1 | | |
| 9 | 310988 | BOX FIBERGLASS / #1 L.H. | 1 | | |
| NS | 504118 | RIVET POP DOME OE 3/16x3/8 AL | AR | | |
| NS | 500147 | WASHER FL SQ .187x.625x.063 | AR | | |

| | | |
|---------------------|--------------|-----------------|
| From L-031 To R-079 | Date:10/2022 | PAGE:H4-1836-00 |
| PARCEL RACKS | | |

| Item# | Part | Description | H 3 4 0 | V I P 4 0 | N O T E S |
|-------|-------------------|--|------------------|-----------------------|-----------------------|
| 10 | 310994 | COVER, R.H. / W/DOOR | 1 | | F |
| 10 | 311103 | COVER, R.H. | 1 | | A |
| 10 | 310998 | COVER, L.H. / W/DOOR | 1 | | |
| 10 | 311102 | COVER, L.H. | 1 | | A |
| 11 | 500816 | SCREW TP OV PH #8x1/2 SS410 | AR | | |
| NS | 500464 | WASHER FN CKF .210x.540 SS | AR | | |
| 12 | 561563 | SWITCH / S.P.S.T. / N.C. | 1 | | |
| 13 | 430314 | LAMP ASSY | AR | | |
| 14 | H4-2315-00 | AUDIO SYSTEM | | | |
| NS | 311438 | ATTACHMENT PLATE / TO FIX SPEAKER | 1 | | |
| 15 | H4-2315-00 | AUDIO SYSTEM | | | |
| 16 | 500617 | SCREW TP PAN PH #8x1 Z050 | AR | | |
| 17 | 330220 | BALLAST ASSY / 24 VOLTS | AR | | |
| 18 | 311005 | SUPPORT REAR BALLAST | 1 | | |
| NS | 311003 | SUPPORT LOWER / USE ON L.H. SIDE | 8 | | |
| 19 | 830108 | TUBE / 7WATT / PL7 | AR | | |
| 20 | 311461 | LENS COVER ASSY / TO USE W/CORD | AR | | A |
| 20 | 311462 | LENS COVER ASSY / TO USE W/DOOR | AR | | |
| 20 | 311460 | . LENS | 1 | | |
| 21 | 500124 | SCREW TP TR PH #8x1/2 SS | AR | | |
| 22 | 311076 | ATTACHMENT LOWER / TO FIX ITEM #20 TO 9 | AR | | |
| 24 | 502514 | WASHER SHR .440 ID NYL | AR | | |
| NS | 502623 | WASHER FL .443x.750x.125 NYL | 2 | | |
| NS | 311352 | SPACER / TO USE W/PLATE CATCH IF REQUIRE | AR | | |
| 25 | 311093 | BRACKET / UPPER | AR | | |
| NS | 500470 | WASHER LO SPT .193x.334x.047 Z050 | AR | | |
| NS | 502529 | SCREW MA BDG PH M5-0.8x12 BZC | AR | | |
| 26 | 311075 | ATTACHMENT / TO FIX COVER | AR | | |
| 30 | 311222 | TOP / #1 R.H. / 848MM | 2 | | |
| 30 | 311223 | TOP / #1 L.H. / 848MM | 2 | | |
| 30 | 310990 | TOP / 1650MM #2 TO 6 L.H. & R.H. | 10 | | |
| 31 | 311216 | RAIL SUPPORT / #1 R.H. / 2520MM | 1 | | |
| 31 | 311085 | HOOK / RIVETED TO PARCEL RACK | 4 | | |
| 31 | 311379 | RAIL SUPPORT 795MM | 1 | | G |
| 31 | 311086 | RAIL SUPPORT / #3 R.H. / 2520MM | 1 | | |
| 31 | 311582 | RAIL SUPPORT / #4 R.H. / W/W.C.L. / 2981MM | 1 | | |
| 32 | 311434 | PANEL / #1 R.H. To M-132 | 1 | | |
| 32 | 311514 | PANEL / #1 R.H. From M-133 | 1 | | |
| 32 | 311435 | PANEL / #1 L.H. To M-132 | 1 | | |
| 32 | 311508 | PANEL / #1 L.H. From M-133 | 1 | | |
| 32 | 311357 | PANEL / #6 R.H. To M-132 | 1 | | |
| 32 | 311516 | PANEL / #6 R.H. From M-133 | 1 | | H |

| | | |
|----------------------------|---------------------|------------------------|
| From L-031 To R-079 | Date:10/2022 | PAGE:H4-1836-00 |
| PARCEL RACKS | | |

| Item# | Part | Description | H 3 4 0 | V I P 4 0 | N O T E S |
|-------|-----------------|---|------------------|-----------------------|-----------------------|
| 32 | 311383 | PANEL / #6 L.H. To M-132 | 1 | | |
| 32 | 311510 | PANEL / #6 L.H. From M-133 | 1 | | |
| 32 | 311425 | PANEL / #2 TO 5 L.H. & R.H. | 4 | | |
| NS | 810034 | CARPET OZITE / S.L. 12 FT WIDE | AR | | |
| 33 | 502526 | SCREW TC BDG PH #12-24x3/4 Z050 | AR | | K |
| 34 | 310996 | EXTRUSION PLASTIC / 364" APROX | AR | | |
| 35 | 311236 | RAIL / #1 R.H. & L.H. | 2 | | |
| 35 | 311470 | RAIL / #2 R.H. & L.H. | 2 | | |
| 35 | 311374 | RAIL / #3 R.H. / 585MM | 1 | | |
| 35 | 311375 | RAIL / #3 L.H. / 1206MM | 1 | | |
| 35 | 311122 | COVER ASSY, R.H. / W/LIGHT & DOOR (AS SHOWN) | AR | | |
| NS | 311389 | END CLOSED AT REAR END | 1 | | |
| 36 | 500909 | WASHER FL .805x1.780x.112 SS | AR | | |
| 37 | 311416 | EXTRUSION, RUBBER | AR | | |
| 38 | 311095 | SUPPORT / RAIL / S.L. | AR | | |
| 40 | 500654 | SCREW TC BDG PH #8-32x1/2 Z050 | AR | | |
| 41 | 311082 | SWITCH SUPPORT | AR | | |
| 50 | 311530 | PLATE, CATCH / TO USE W/DOOR, W/LOCK | 1 | | |
| 50 | 311068 | PLATE, CATCH / TO USE W/DOOR, W/O LOCK | 1 | | |
| NS | 311352 | SPACER / TO USE W/PLATE CATCH IF REQUIRE | AR | | |
| 51 | 500650 | SCREW TC PAN PH #6-32x3/8 ZP | AR | | |
| 52 | 292322 | SILENT BLOCK | AR | | |
| 53 | 311559 | CONICAL WASHER / TO FIX BLOCK | 2 | | |
| 54 | 502664 | SCREW TP PAN PH #8x1 SS EMN | 2 | | L |
| 54 | 472583 | PLATE ASSY / TO FIX SILENT BLOCK IN RETROFIT SEE To N-239 | AR | | |
| | | | | | |
| | | TO COMPLETE L.H. PARCEL RACK REAR END, | | | |
| | | USE FOLLOWING PARTS | | | |
| | | | | | |
| NS | 311410 | COVER, L.H. GREY / W/O DOOR | 1 | | |
| NS | 311382 | COVER, L.H. GREY / W/DOOR | 1 | | |
| NS | 311381 | SUPPORT, FRONT / TO FIX COVER | 1 | | |
| NS | 311378 | ANGLE, REAR / TO FIX COVER TO REAR CAP | 1 | | |
| NS | 311377 | ANGLE / "Z" SHAPE / TO FIX PARCEL RACK TO REAR CAP | 1 | | |
| NS | 311376 | ANGLE / TO FIX PARCEL RACK ON ANGLE ABOVE | 1 | | |
| NS | Call order desk | FINISHING PANEL ASSY/UNDER PARCEL RACK TISSUS/SPECIFY COLOR | 1 | | P |
| NS | Call order desk | FINISHING PANEL ASSY / UNDER PARCEL RACK LEATHERETTE/SPEC. COL. | 1 | | P |
| NS | 311380 | . PANEL / (ALUMINUM) | 1 | | M |
| NS | 311398 | FRONT COVER R.H. / NORYL GREY RACK & LAVATORY WALL | 1 | | |
| NS | 311399 | ANGLE / TO FIX FRONT COVER | 1 | | |
| NS | Call order desk | FINISHING PANEL ASSY / UNDER PARCEL RACK L.H. TISSUS / SPECIFY COLOR | 1 | | P |
| NS | Call order desk | FINISHING PANEL ASSY / UNDER PARCEL RACK L.H. LEATHERETTE / SPECIFY COL | 1 | | P |

| | | |
|---------------------|--------------|-----------------|
| From L-031 To R-079 | Date:10/2022 | PAGE:H4-1836-00 |
| PARCEL RACKS | | |

| Item# | Part | Description | H 3 4 0 | V I P 4 0 | N O T E S |
|-------|--------|---|------------------|-----------------------|-----------------------|
| NS | 311404 | . PANEL ALUMINUM 54MM | 1 | | M |
| NS | 506066 | CORD, RUBBER EXTRUSION NEO 7/16" O.D. / C.T.L. | AR | | A |
| NS | 311421 | . CORD, RUBBER 15" | 1 | | A |
| NS | 311155 | . CORD, RUBBER 26" | 1 | | A |
| . NS | 506066 | . . CORD, RUBBER EXTRUSION NEO 7/16" O.D. / C.T.L. | AR | | A |
| NS | 311154 | . CORD, RUBBER 59" | 10 | | A |
| . NS | 506066 | . . CORD, RUBBER EXTRUSION NEO 7/16" O.D. / C.T.L. | AR | | A |
| NS | 504452 | CLAMP "E-Z CLIP" / "TUBE-O" / 7/16" / HC9-7 | AR | | A |
| NS | 502525 | WASHER FL .484x.750x.031 Z050 | AR | | A |
| | | | | | |
| | | | | | |
| | | A) WITH INSTALLATION WITH CORDB□W/HANDLE□WITH LOCK | | | |
| | | B) W/HANDLE WITH LOCK | | | |
| | | C) TO USE W/1534MM DOORS | | | |
| | | D) WITH SMALL MODEL DOOR LOCK | | | |
| | | E) TO FIX BALLAST | | | |
| | | F) AS SHOWN | | | |
| | | G) #3 L.H. | | | |
| | | H) #6 R.H. | | | |
| | | K) TO FIX RIGID RAIL | | | |
| | | L) TO FIX BLOCK | | | |
| | | M) UNFINISHING | | | |
| | | N) WITH LARGE MODEL DOOR LOCK | | | |
| | | P) FOR DOOR REPALCEMENT USE 1 EACH: 980027 (BALL STUD) ,502638 (FL WASHER) & 520838 (NUT) | | | |
| | | P) CALL ORDER DESK FOR SPECIFIC APPLICATION (V.I.N.) | | | |

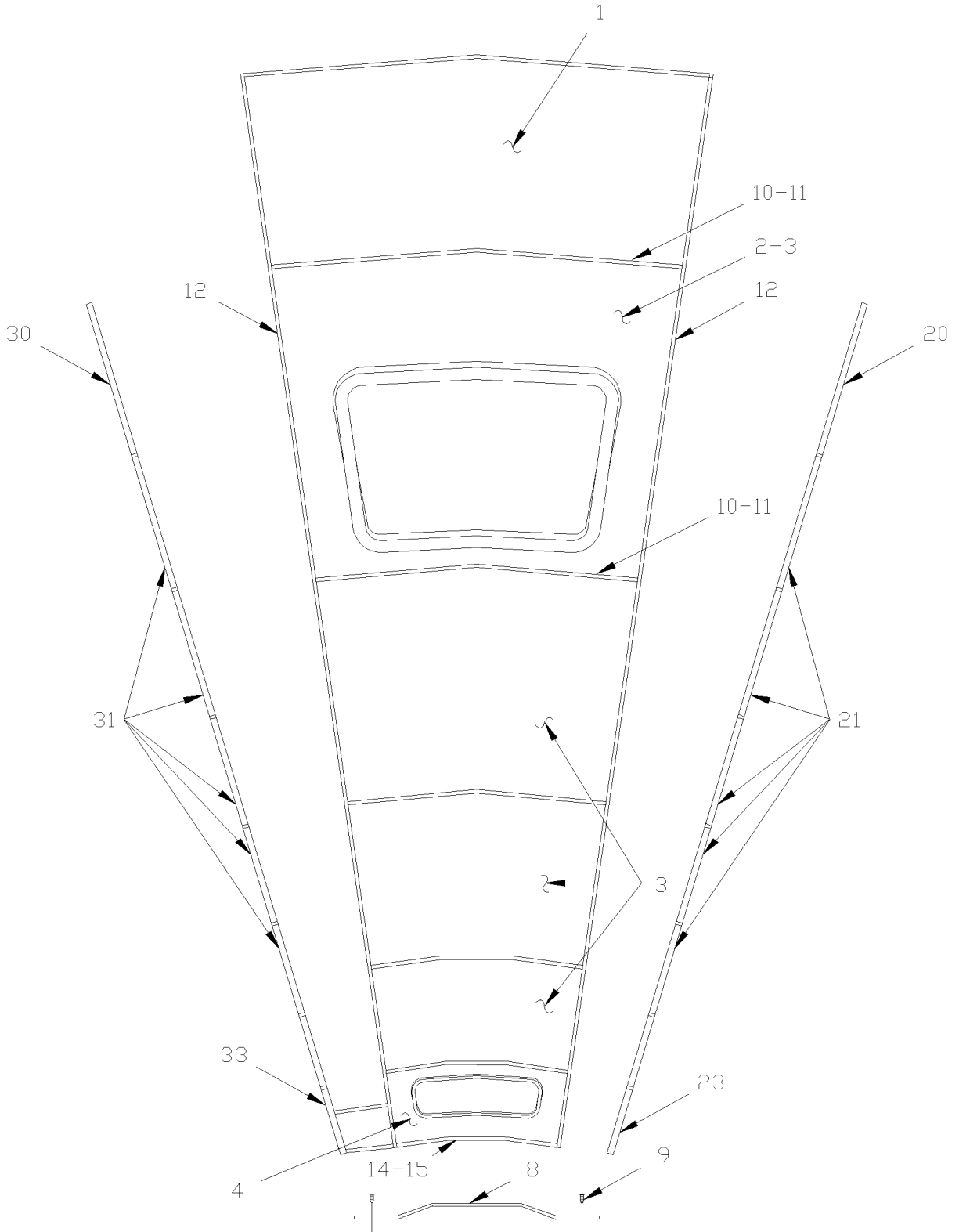
From L-031 To R-079

Date:10/2022

PAGE:H4-1837-00

CEILING PANELS & MOULDING

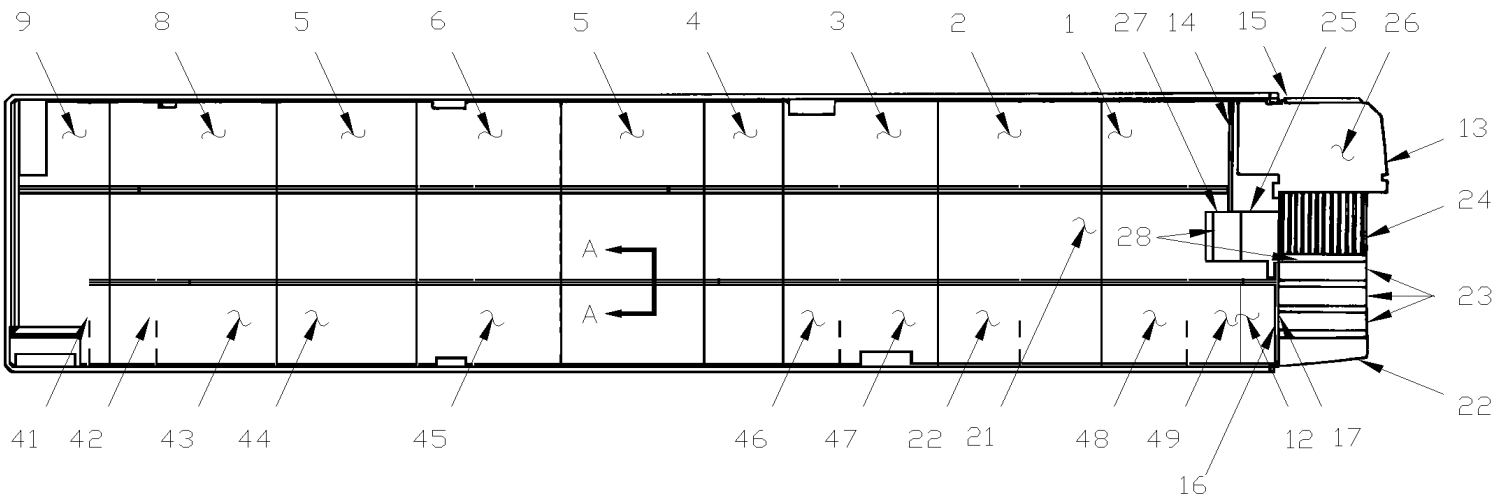
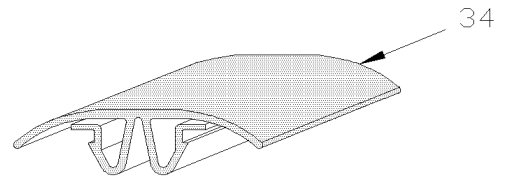
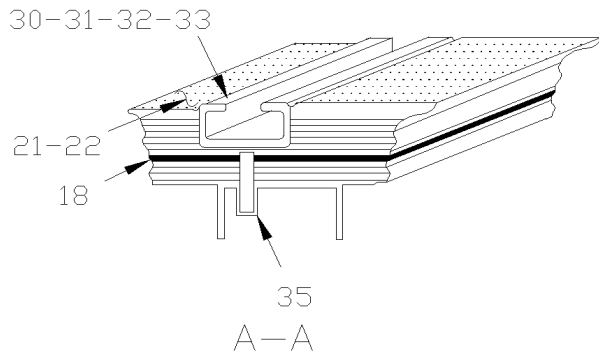
FRONT



| | | |
|--------------------------------------|--------------|-----------------|
| From L-031 To R-079 | Date:10/2022 | PAGE:H4-1837-00 |
| CEILING PANELS & MOULDING | | |

| Item# | Part | Description | H 3 4 0 | V I P 4 0 | N O T E S |
|-------|-----------------|--|------------------|-----------------------|-----------------------|
| 1 | 340720 | PANEL #1 FIBERGLASS CEILING | 1 | | |
| 1 | Call order desk | PANEL #1 CEILING FABRIC / SPECIFY COLOR | 1 | | P |
| 1 | 340796 | . PANEL UNFINISHING | 1 | | |
| 2 | 340721 | PANEL #2 FIBERGLASS / W/EMERGENCY EXIT | AR | | A |
| 2 | Call order desk | PANEL #2 FABRIC / W/EMERGENCY EXIT / SPECIFY COLOR | AR | | PA |
| 2 | 340788 | . PANEL UNFINISHING | 1 | | |
| 3 | 340719 | PANEL #2-3-4-5-6 FIBERGLASS CEILING | 4 | | |
| 3 | 340797P | PANEL # 2-3-4-5-6 FABRIC / SPECIFY COLOR | 4 | | |
| 3 | 340795 | . PANEL INFINISHING | 1 | | |
| 4 | 340826 | PANEL #7 FIBERGLASS | 1 | | |
| 4 | Call order desk | PANEL #7 FABRIC / SPECIFY COLOR | 1 | | P |
| 4 | 340831 | . PANEL, UNFINISHING | 1 | | |
| 8 | 340827 | BRACKET, SS | 1 | | |
| 9 | 504124 | RIVET POP DOME OE 1/8x.280 MNL | 2 | | |
| 10 | 340760 | MOULDING CAP / GREY PLATINE 920MM / 36 1/4" | 7 | | |
| 11 | 402542 | MOULDING RETAINER / 908MM (35 3/4") | 7 | | |
| NS | 500576 | SCREW TC PAN PH #6-32x1/2 Z050 | AR | | B |
| 12 | 311077 | MOULDING / ALUMINIUM 2019MM (79 1/2") | 10 | | |
| NS | 500552 | SCREW TP OV PH #6x3/4 Z050 | AR | | B |
| 20 | 311213 | MOULDING L.H. / #1 921MM LG | 1 | | |
| 21 | 311219 | MOULDING L.H. / #2-3-4-5-6-7 1710MM | 5 | | |
| 23 | 311368 | MOULDING L.H. / #7 96MM LG | 1 | | |
| 30 | 311214 | MOULDING R.H. / #1 921MM LG | 1 | | |
| 31 | 311215 | MOULDING R.H. / #2-3-4-5-6 1710MM | | | |
| 33 | 311369 | MOULDING R.H. / #7 926MM | 1 | | |
| | | | | | |
| | | | | | |
| | | | | | |
| | | A) WE USE SAME PART W/REAR EMERGENCY EXIT | | | |
| | | B) TO FIX MOULDING | | | |
| | | P) CALL ORDER DESK FOR SPECIFIC APPLICATION (V.I.N.) | | | |

| | | |
|------------------------|--------------|-----------------|
| From L-031 To R-079 | Date:10/2022 | PAGE:H4-1838-00 |
| FLOOR & COVERING - BUS | | |



| | | |
|-----------------------------------|--------------|-----------------|
| From L-031 To R-079 | Date:10/2022 | PAGE:H4-1838-00 |
| FLOOR & COVERING - BUS | | |

| Item# | Part | Description | H 3 4 0 | V I P 4 0 | N O T E S |
|-------|-----------------|--|------------------|-----------------------|-----------------------|
| 1 | Call order desk | FLOOR / W/V.I.P. SEAT To N-220 | 1 | | P |
| 1 | Call order desk | FLOOR / W/V.I.P. SEAT From N-221 | 1 | | P |
| NS | Call order desk | FLOOR / W/STD SEAT To N-220 | 1 | | P |
| 1 | Call order desk | FLOOR / W/STD SEAT From N-221 | 1 | | P |
| 2 | Call order desk | FLOOR / W/V.I.P. SEAT To N-220 | 1 | | P |
| 2 | Call order desk | FLOOR / W/V.I.P. SEAT From N-221 | 1 | | P |
| NS | Call order desk | FLOOR / W/STD SEAT To N-220 | 1 | | P |
| 2 | Call order desk | FLOOR / W/STD SEAT From N-221 | 1 | | P |
| 3 | Call order desk | FLOOR / W/STD SEAT To N-220 | 1 | | P |
| NS | Call order desk | FLOOR / W/STD SEAT From N-221 | 1 | | P |
| NS | Call order desk | FLOOR / W/V.I.P. SEAT To N-220 | 1 | | P |
| NS | Call order desk | FLOOR / W/V.I.P. SEAT From N-221 | 1 | | P |
| 4 | Call order desk | FLOOR / W/V.I.P. SEAT To N-220 | 1 | | P |
| 4 | Call order desk | FLOOR / W/V.I.P. SEAT From N-221 | 1 | | P |
| NS | Call order desk | FLOOR / W/STD SEAT To N-220 | 1 | | P |
| 4 | Call order desk | FLOOR / W/STD SEAT From N-221 | 1 | | P |
| 5 | Call order desk | FLOOR / W/V.I.P. SEAT To N-220 | 1 | | P |
| 5 | Call order desk | FLOOR / W/1 V.I.P. PASSENGER STREETSIDE From N-221 | 1 | | P |
| NS | Call order desk | FLOOR / W/STD SEAT To N-220 | 1 | | P |
| 5 | Call order desk | FLOOR / W/STD SEAT From N-221 | 2 | | P |
| 6 | 323273 | FLOOR / W/V.I.P. SEAT To N-220 | 1 | | |
| 6 | 323895P | FLOOR / W/V.I.P. SEAT From N-221 | 1 | | |
| NS | 323625 | FLOOR / W/STD SEAT To N-220 | 1 | | |
| 6 | 323687 | FLOOR / W/STD SEAT From N-221 | 1 | | |
| 8 | Call order desk | FLOOR / W/V.I.P. SEAT To N-220 | 1 | | P |
| 8 | Call order desk | FLOOR / DRIVER'S W/AUTO TRANS From N-221 | 1 | | P |
| NS | Call order desk | FLOOR / W/STD SEAT To N-220 | 1 | | P |
| 8 | Call order desk | FLOOR / W/STD SEAT From N-221 | 1 | | P |
| NS | Call order desk | FLOOR / W/V.I.P. SEAT To N-220 | 1 | | P |
| 9 | Call order desk | FLOOR / W/V.I.P. SEAT From N-221 | 1 | | P |
| NS | Call order desk | FLOOR / W/STD SEAT To N-220 | 1 | | P |
| 9 | Call order desk | FLOOR / W/STD SEAT From N-221 | 1 | | P |
| 12 | Call order desk | FLOOR / W/V.I.P. SEAT To N-220 | 1 | | P |
| 12 | Call order desk | FLOOR / W/V.I.P. SEAT From N-221 | 1 | | P |
| NS | Call order desk | FLOOR / W/STD SEAT To N-220 | 1 | | P |
| 12 | Call order desk | FLOOR / W/V.I.P. SEAT From N-221 | 1 | | P |
| 13 | Call order desk | FLOOR / DRIVER'S W/AUTO TRANS To V-1778 | 1 | | P |
| 13 | Call order desk | FLOOR / DRIVER'S W/MAN TRANS. To R-391 | 1 | | P |
| 13 | 324007 | FLOOR / DRIVER'S W/MAN TRANS From R-392 | 1 | | |
| NS | 508068 | . VENEER PLYWOOD / 1/2" THICK 4' X 8' | AR | | |
| NS | 5001143 | SCREW DR WF TORX #12x2 CP | AR | | |
| 14 | 323791 | MOULDING SS / TO USE W/CARPET COVERING | 1 | | |

| | | |
|-----------------------------------|--------------|-----------------|
| From L-031 To R-079 | Date:10/2022 | PAGE:H4-1838-00 |
| FLOOR & COVERING - BUS | | |

| Item# | Part | Description | H 3 4 0 | V I P 4 0 | N O T E S |
|-------|-----------------|---|------------------|-----------------------|-----------------------|
| NS | 323015 | MOULDING SS / FRONT FINISHING FLOOR | 1 | | |
| NS | 5001120 | SCREW TP FL PH #10x1 1/4 SS410 | 4 | | |
| 15 | 323175 | MOULDING SS / TO FIX CONSOLE | 1 | | |
| 16 | 323304 | MOULDING / FRONT FINISHING FLOOR / 720MM SS | 1 | | |
| 17 | 323303 | MOULDING / FRONT FINISHING FLOOR / 201MM SS | 1 | | |
| 18 | 850027 | INSULATING PAD NOISE ADH2 1/16" x 39" x 48" | AR | | |
| NS | 506617 | COVERING / CODE "E" = 766 | 1 | | |
| 21 | 506619 | COVERING / CODE "A" = 702 | 1 | | |
| 21 | 506650 | COVERING / CODE "E" = 766 | 1 | | |
| 21 | 506676 | COVERING / CODE "L" = 975 | 1 | | |
| NS | Call order desk | CARPET FLOOR COVERING / CENTRAL / SPECIFY | 1 | | P |
| 22 | 506671 | STEP TREAD COVERING / CODE "L" = 975 | 1 | | |
| 22 | 506545 | STEP TREAD COVERING / CODE "D" = 747 | 1 | | |
| 22 | 506544 | STEP TREAD COVERING / CODE "C" = 653 | 1 | | |
| 22 | 506543 | STEP TREAD COVERING / CODE "B" = 777 | 1 | | |
| 22 | 506546 | STEP TREAD COVERING / CODE "E" = 766 | 1 | | |
| 22 | 506542 | STEP TREAD COVERING / CODE "A" = 702 | 1 | | |
| NS | 506618 | COVERING / CODE "E" = 766 | 2 | | |
| NS | 506620 | COVERING / CODE "A" = 702 | 2 | | |
| NS | 506651 | COVERING / CODE "Q" = 788 | 2 | | |
| NS | 506675 | COVERING / CODE "L" = 975 | 2 | | |
| 23 | 506672 | STEP TREAD COVERING / CODE "L" = 975 | 3 | | |
| 23 | 506550 | STEP TREAD COVERING / CODE "D" = 747 | 3 | | |
| 23 | 506549 | STEP TREAD COVERING / CODE "C" = 653 | 3 | | |
| 23 | 506548 | STEP TREAD COVERING / CODE "B" = 777 | 3 | | |
| 23 | 506551 | STEP TREAD COVERING / CODE "E" = 766 | 3 | | |
| 23 | 506547 | STEP TREAD COVERING / CODE "A" = 702 | 3 | | |
| 24 | 506670 | RIB COVERING / CODE "L" = 975 | 1 | | |
| 24 | 506568 | RIB COVERING / CODE "D" = 747 | 1 | | |
| 24 | 506570 | RIB COVERING / CODE "C" = 653 | 1 | | |
| 24 | 506569 | RIB COVERING / CODE "B" = 777 | 1 | | |
| 24 | 506567 | RIB COVERING / CODE "E" = 766 | 1 | | |
| 24 | 506571 | RIB COVERING / CODE "A" = 702 | 1 | | |
| 25 | 506673 | STEP TREAD COVERING / CODE "L" = 975 | 1 | | |
| 25 | 506535 | STEP TREAD COVERING / CODE "D" = 747 | 1 | | |
| 25 | 506534 | STEP TREAD COVERING / CODE "C" = 653 | 1 | | |
| 25 | 506533 | STEP TREAD COVERING / CODE "B" = 777 | 1 | | |
| 25 | 506536 | STEP TREAD COVERING / CODE "E" = 766 | 1 | | |
| 25 | 506532 | STEP TREAD COVERING / CODE "A" = 702 | 1 | | |
| 26 | 506585 | COVERING / CODE "L" = 975 | 1 | | |
| 26 | 506439 | COVERING / CODE "D" = 747 | 1 | | |
| 26 | 506438 | COVERING / CODE "C" = 653 | 1 | | |

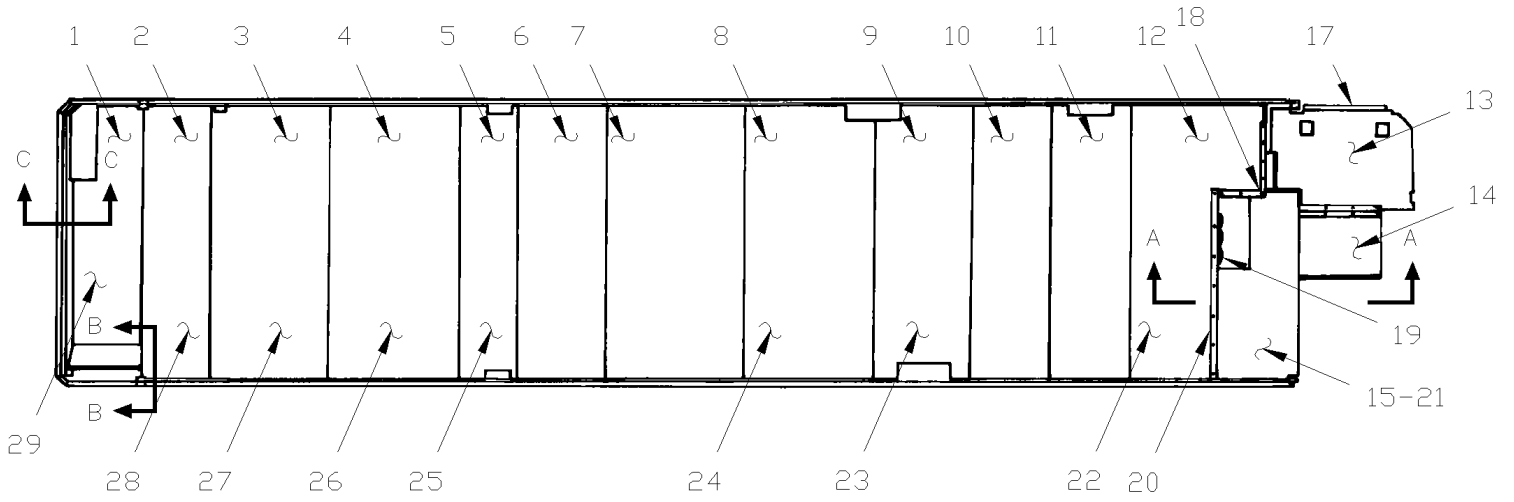
| | | |
|-----------------------------------|--------------|-----------------|
| From L-031 To R-079 | Date:10/2022 | PAGE:H4-1838-00 |
| FLOOR & COVERING - BUS | | |

| Item# | Part | Description | H 3 4 0 | V I P 4 0 | N O T E S |
|-------|---------|--|------------------|-----------------------|-----------------------|
| 26 | 506437 | COVERING / CODE "B" = 777 | 1 | | |
| 26 | 506440 | COVERING / CODE "E" = 766 | 1 | | |
| 26 | 506436 | COVERING / CODE "A" = 702 | 1 | | |
| 27 | 506674 | STEP TREAD COVERING / CODE "L" = 975 | 1 | | |
| 27 | 506530 | STEP TREAD COVERING / CODE "D" = 747 | 1 | | |
| 27 | 506529 | STEP TREAD COVERING / CODE "C" = 653 | 1 | | |
| 27 | 506528 | STEP TREAD COVERING / CODE "B" = 777 | 1 | | |
| 27 | 506531 | STEP TREAD COVERING / CODE "E" = 766 | 1 | | |
| 27 | 506527 | STEP TREAD COVERING / CODE "A" = 702 | 1 | | |
| 28 | 506442 | STEP NOZING 3" X 27" / WHITE | 1 | | |
| 28 | 506441 | STEP NOZING 3" X 19" / WHITE | 1 | | |
| 28 | 506073 | STEP NOZING 3" X 48" / WHITE | 1 | | |
| NS | 680028 | GLUE / 15LITERS | AR | | W |
| NS | 684654 | GLUE CONTACT "SCOTCH-GRIP" / 3M #1357-NEUTRAL 18.9 LITERS | AR | | F |
| NS | 684655 | GLUE CONTACT "SCOTCH-GRIP" / 3M #1357-NEUTRAL 3.8 LITERS | AR | | F |
| 30 | 321416 | SEAT TRACK 234.9MM | 2 | | |
| 31 | 321369 | SEAT TRACK 4572MM | 4 | | |
| 31 | 323635 | SEAT TRACK 980MM | 1 | | |
| 32 | 323279 | SEAT TRACK 1170MM | 1 | | |
| 33 | 323278 | SEAT TRACK 813MM | 1 | | |
| 34 | 323654 | SEAT TRACK COVER 12' / EACH SEAT / W/COVERING FLOOR | AR | | |
| 34 | 323963 | SEAT TRACK COVER 8' / EACH SEAT / W/COVERING FLOOR | AR | | |
| 34 | 361338 | SEAT TRACK COVER 12' / EACH SEAT / W/CARPET FLOOR | AR | | |
| NS | 324791 | MOULDING CARPET PROTECTOR / W/CARPET ON FLOOR / 29MM X 2438MM SS | AR | | |
| 35 | 500310 | SCREW TC FL PH #10-24x1 1/4 SS410 | AR | | |
| 36 | 481667 | PANEL / FRONT & TOP SURGE TANK | 1 | | |
| 37 | 481668 | PANEL INSIDE / | 1 | | |
| 38 | 481670 | PANEL OUTSIDE / | 1 | | |
| 39 | 482156 | PANEL INSIDE | 1 | | |
| 40 | 481665 | PANEL FRONT OF AIR INTAKE | 1 | | |
| 41 | 323287 | STEEL NOISELESS PANEL | 1 | | |
| 42 | 323358 | STEEL NOISELESS PANEL | 1 | | |
| 43 | 323359 | STEEL NOISELESS PANEL | 1 | | |
| 44 | 323360 | STEEL NOISELESS PANEL | 1 | | |
| 45 | 323367 | MOULDING | 1 | | |
| 46 | 323285 | STEEL NOISE PANEL | 1 | | |
| 47 | 323320 | STEEL NOISE PANEL | 1 | | |
| 48 | 323365 | STEEL NOISE PANEL | 1 | | |
| 49 | 323286 | STEEL NOISELESS PANEL | 1 | | |
| 50 | 323285 | STEEL NOISE PANEL | 1 | | |
| 54 | 324232 | STEEL NOISE PANEL | 1 | | |
| NS | 323384P | REAR PANEL ASSY / (2090MM X 762MM) | 1 | | |

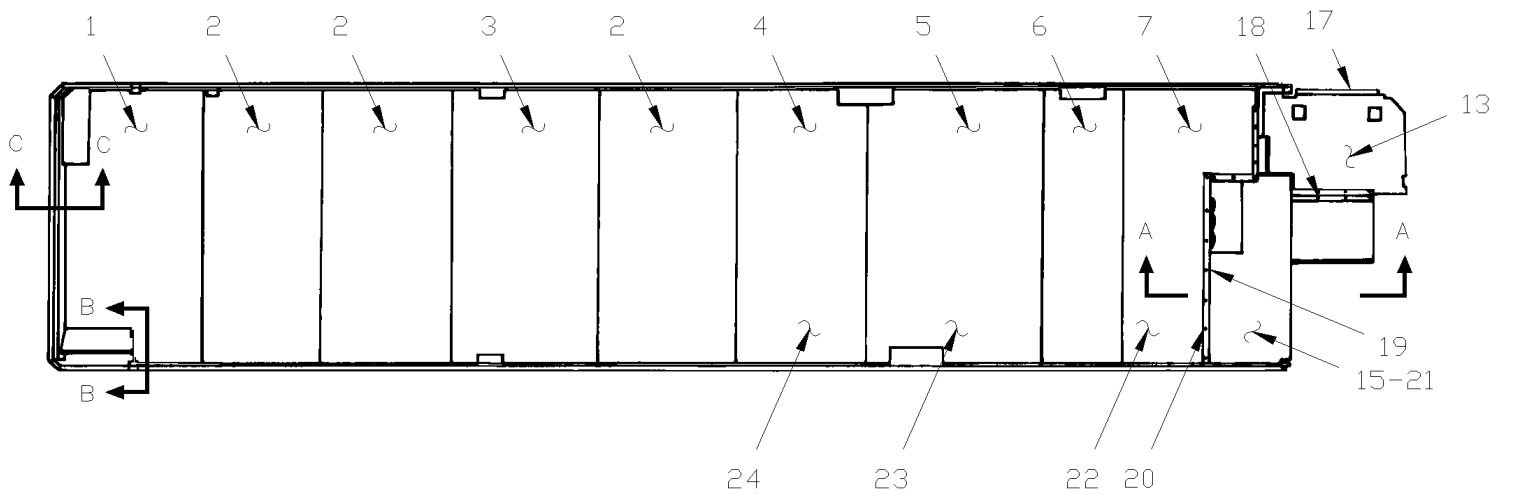
| | | |
|-----------------------------------|--------------|-----------------|
| From L-031 To R-079 | Date:10/2022 | PAGE:H4-1838-00 |
| FLOOR & COVERING - BUS | | |

| Item# | Part | Description | H 3 4 0 | V I P 4 0 | N O T E S |
|-------|-----------------|--|------------------|-----------------------|-----------------------|
| NS | 323289 | REAR CONER ASSY / (515MM X 125MM) | 1 | | |
| NS | Call order desk | REAR UPPER AIR INLET ASSY | 1 | | P |
| NS | Call order desk | REAR LOWER AIR INLET ASSY | 1 | | P |
| NS | 323275 | PANEL ASSY | 1 | | |
| NS | 323277 | PANEL ASSY | 1 | | |
| NS | 323276 | PANEL ASSY | 1 | | |
| | | SPECIFY COLOR WHEN ORDERING RUBBER COVERING | | | |
| | | SEE CODE ON FINAL VEHICLE RECORD. | | | |
| 54 | CODE A | #702 R.C.A. LIGHT BLUE | | | |
| 54 | CODE D | #747 R.C.A. LIGHT BROWN | | | |
| 54 | CODE C | #653 R.C.A. LIGHT GREEN | | | |
| 54 | CODE B | #777 R.C.A. LIGHT CREAM | | | |
| 54 | CODE E | #766 R.C.A. DARK GREY | | | |
| 54 | CODE L | #975 R.C.A. RED | | | |
| 54 | CODE Q | #788 R.C.A. LIGHT GREY | | | |
| | | | | | |
| | | | | | |
| | | F) TO FIX COVERING ON FIBERGLASS | | | |
| | | W) TO FIX COVERING ON WOOD | | | |
| | | P) CALL ORDER DESK FOR SPECIFIC APPLICATION (V.I.N.) | | | |

| | | |
|----------------------------|--------------|-----------------|
| From L-031 To R-079 | Date:10/2022 | PAGE:H4-1838-10 |
| FLOOR & REAR WALL - V.I.P. | | |

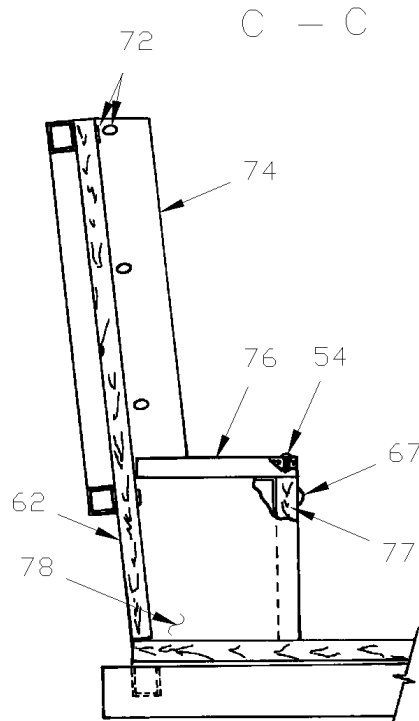
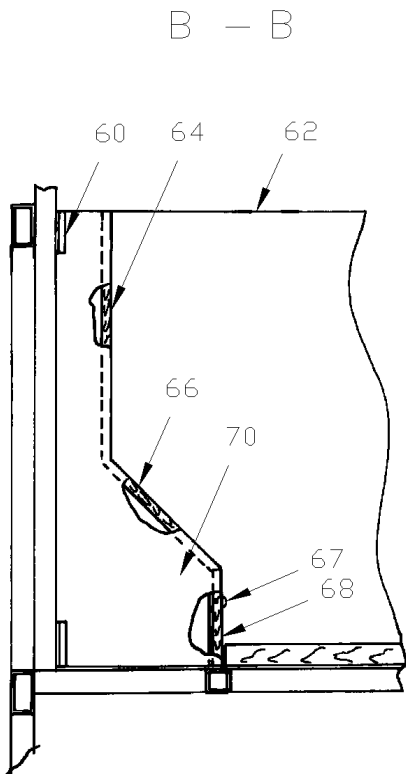
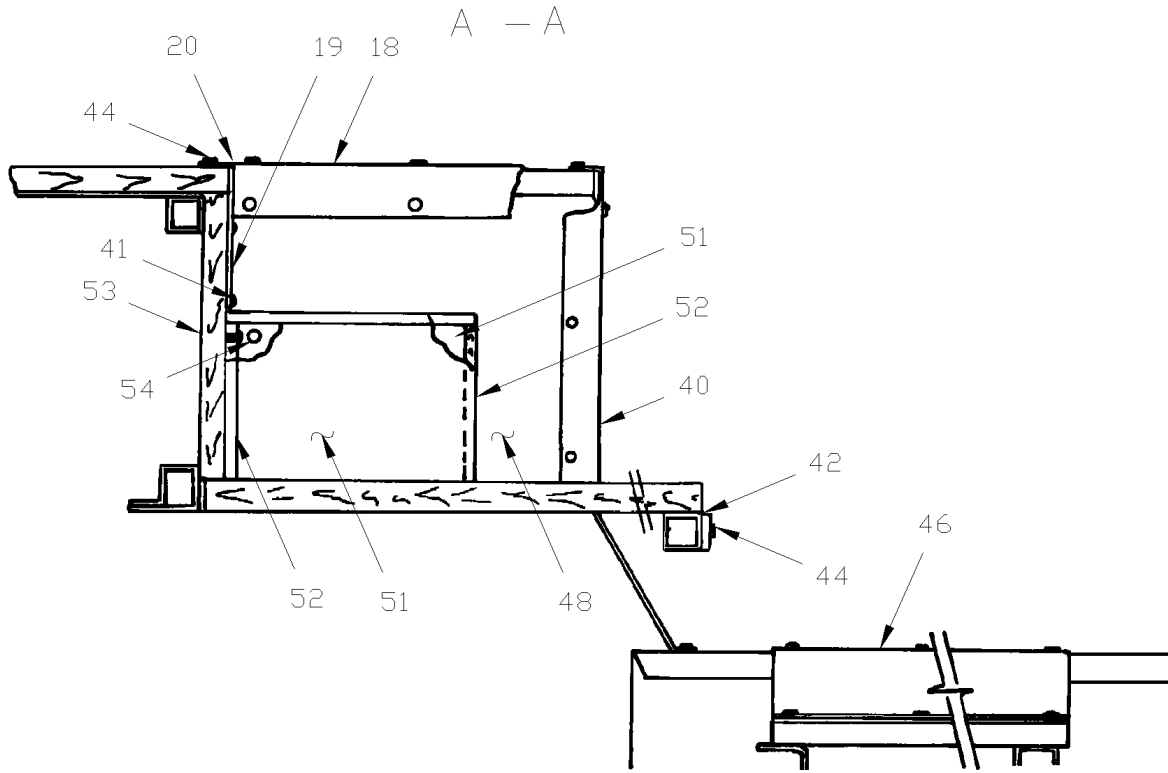


PRIOR N-221



EFF.. N-221

| | | |
|----------------------------|--------------|-----------------|
| From L-031 To R-079 | Date:10/2022 | PAGE:H4-1838-10 |
| FLOOR & REAR WALL - V.I.P. | | |



| | | |
|---------------------------------------|--------------|-----------------|
| From L-031 To R-079 | Date:10/2022 | PAGE:H4-1838-10 |
| FLOOR & REAR WALL - V.I.P. | | |

| Item# | Part | Description | H 3 4 0 | V I P 4 0 | N O T E S |
|-------|-----------------|---|------------------|-----------------------|-----------------------|
| 1 | Call order desk | FLOOR ASSY To N-220 | | 1 | P |
| 1 | Call order desk | FLOOR ASSY From N-221 | | 1 | P |
| 2 | Call order desk | FLOOR ASSY To N-220 | | 1 | P |
| 2 | 323904 | FLOOR ASSY From N-221 | | 1 | |
| 3 | Call order desk | FLOOR ASSY To N-220 | | 1 | P |
| 3 | Call order desk | FLOOR ASSY From N-221 | | 1 | P |
| 4 | Call order desk | FLOOR ASSY To N-220 | | 1 | P |
| 4 | Call order desk | FLOOR ASSY From N-221 | | 1 | P |
| 5 | Call order desk | FLOOR ASSY To N-220 | | 1 | P |
| 5 | Call order desk | FLOOR ASSY From N-221 | | 1 | P |
| 6 | Call order desk | FLOOR ASSY To N-220 | | 1 | P |
| 6 | Call order desk | FLOOR ASSY From N-221 | | 1 | P |
| 7 | 323374 | FLOOR ASSY To N-220 | | 1 | |
| 7 | Call order desk | FLOOR ASSY From N-221 | | 1 | P |
| 10 | Call order desk | FLOOR ASSY To N-220 | | 1 | P |
| 12 | Call order desk | FLOOR ASSY To N-220 | | 1 | P |
| 13 | Call order desk | FLOOR ASSY | | 1 | P |
| 14 | Call order desk | FLOOR ASSY | | 1 | P |
| 15 | Call order desk | FLOOR ASSY | | 1 | P |
| NS | 508068 | . VENEER PLYWOOD / 1/2" THICK 4' X 8' | | AR | |
| NS | 850027 | INSULATING PAD NOISE ADH2 1/16" x 39" x 48" | | AR | |
| NS | 5001143 | SCREW DR WF TORX #12x2 CP | | AR | |
| 17 | 323175 | MOULDING SS / TO FIX CONSOLE | | 1 | |
| NS | 500638 | SCREW TP PAN PH #8x1/2 Z050 | | AR | A |
| 18 | 323371 | MOULDING / FRONT L.H. FLOOR | | 1 | |
| NS | 324537 | MOULDING / SIDE L.H. FLOOR | | 1 | |
| 19 | 322598 | GRILL AIR / AISLE STEPWELL / RETURN | | 1 | |
| 20 | 323370 | MOULDING / STEPS | | 1 | |
| 21 | 323363 | STEEL NOISELESS PANEL | | 1 | |
| 22 | 323362 | STEEL NOISELESS PANEL | | 1 | |
| 23 | 323525 | STEEL NOISELESS PANEL | | 1 | |
| 24 | 323524 | STEEL NOISELESS PANEL | | 1 | |
| 25 | 323361 | STEEL NOISELESS PANEL | | 1 | |
| 26 | 323360 | STEEL NOISELESS PANEL | | 1 | |
| 27 | 323615 | STEEL NOISELESS PANEL | | 1 | |
| 28 | 323358 | STEEL NOISELESS PANEL | | 1 | |
| 29 | 323357 | STEEL NOISELESS PANEL | | 1 | |
| 40 | 324558 | MOULDING / SIDE FLOOR | | 1 | |
| 41 | 500583 | SCREW TP PAN PH #6x1/2 Z050 | | 1 | |
| 42 | 323526 | SPACER | | 1 | |
| 44 | 500434 | SCREW TP FL PH #8x3/4 Z050 | | 1 | |
| 46 | 323367 | MOULDING | | 1 | |

| | | |
|---------------------------------------|--------------|-----------------|
| From L-031 To R-079 | Date:10/2022 | PAGE:H4-1838-10 |
| FLOOR & REAR WALL - V.I.P. | | |

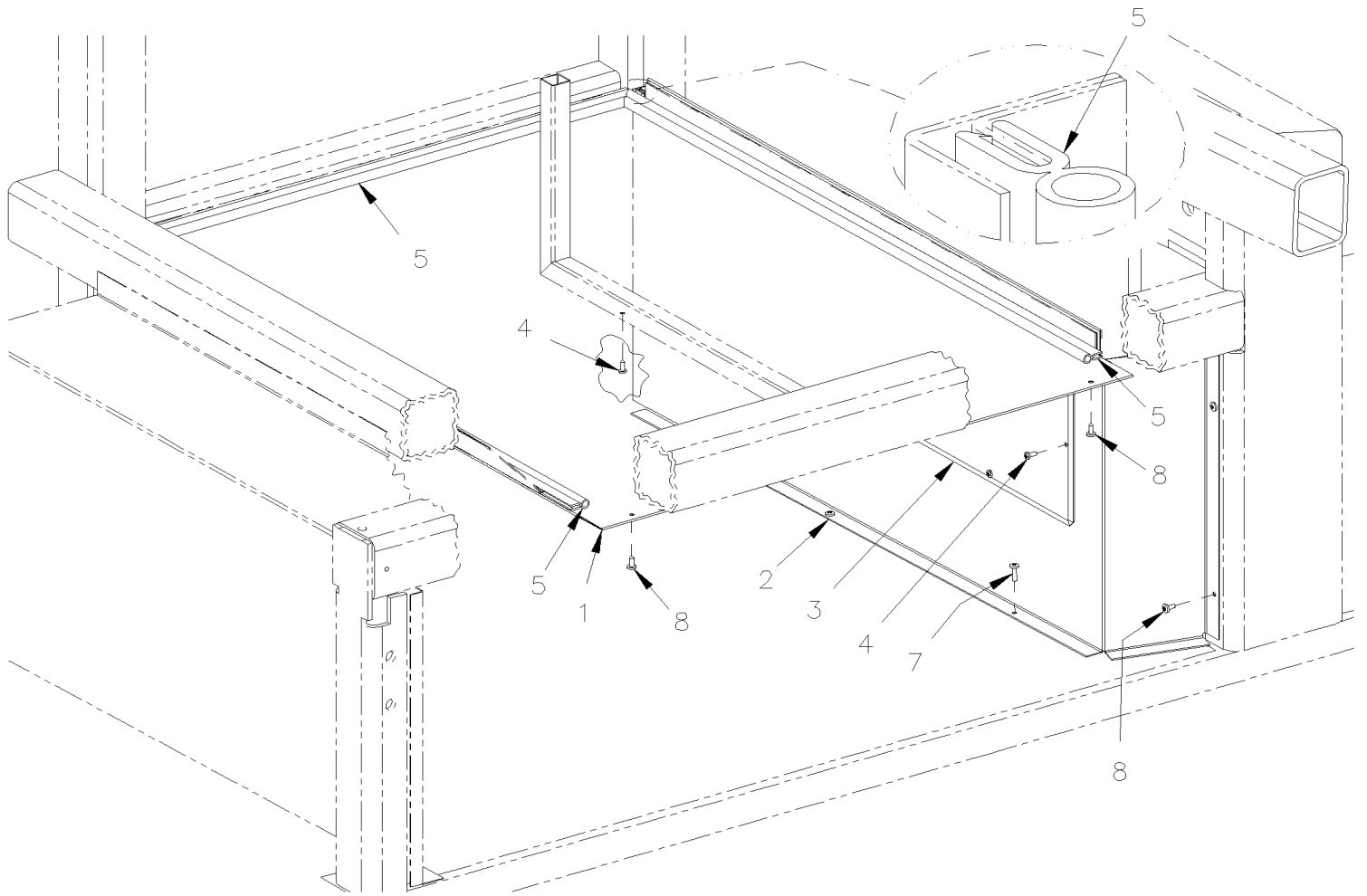
| Item# | Part | Description | H 3 4 0 | V I P 4 0 | N O T E S |
|-------|-----------------|--|------------------|-----------------------|-----------------------|
| 48 | 323355 | PANEL / SIDE FLOOR | | 1 | |
| 50 | 323353 | PANEL / STEPS FLOOR | | 1 | |
| 51 | 323352 | STEPS SIDE / SPLIT LEVEL | | 2 | |
| 52 | 323351 | PANEL / FRONT & REAR | | 2 | |
| 53 | Call order desk | PANEL ASSY / FRONT FLOOR | | 1 | P |
| 54 | 500637 | SCREW TP PAN PH #8x1 1/2 Z050 | | 6 | |
| 62 | Call order desk | PANEL ASSY / BACK WALL | | 1 | P |
| NS | 500508 | SCREW TC PAN PH #10-32x1 1/2 Z050 | | AR | |
| 63 | 325270 | PANEL / BACK WALL | | 1 | |
| 64 | 323350 | PANEL / AIR OUTLET | | 1 | |
| 66 | 323349 | PANEL / AIR OUTLET | | 1 | |
| 67 | 500632 | SCREW TP OV PH #8x1 1/2 Z050 | | AR | |
| 68 | 323474 | PANEL / AIR OUTLET | | 1 | |
| NS | 323588 | BRACKET / TO FIX ITEM 68 | | 3 | |
| 70 | 323473 | PANEL / AIR OUTLET | | 1 | |
| 74 | 323289 | REAR CONER ASSY / (515MM X 125MM) | | 1 | |
| 76 | 323275 | PANEL ASSY | | 1 | |
| 77 | 323276 | PANEL ASSY | | 1 | |
| 78 | 323277 | PANEL ASSY | | 1 | |
| NS | 970260 | STEEL NOISELESS PANEL / 3' X 8' / S.Q. | | AR | |
| NS | 850042 | STEEL NOISELESS PANEL / 4' X 8' / S.Q. | | AR | |
| | | | | | |
| | | | | | |
| | | | | | |
| | | A) TO FIX CONSOLE | | | |
| | | P) CALL ORDER DESK FOR SPECIFIC APPLICATION (V.I.N.) | | | |

From L-031 To R-079

Date:10/2022

PAGE:H4-1840-00

CLOSING PANEL SPARE COMPARTMENT



| | | |
|---------------------|--------------|-----------------|
| From L-031 To R-079 | Date:10/2022 | PAGE:H4-1840-00 |
|---------------------|--------------|-----------------|

CLOSING PANEL SPARE COMPARTMENT

| Item# | Part | Description | H 3 4 0 | V I P 4 0 | N O T E S |
|-------|--------|--|------------------|-----------------------|-----------------------|
| 1 | 350227 | PANEL CLOSING / W/I BEAM SUSPENTION / 1010MM X 797MM From L-031 | | 1 | |
| 2 | 350229 | PANEL ASSY SIDE / W/I BEAM SUSPENTION From L-031 | | 1 | |
| 3 | 350225 | PANEL ACCESS / STEERING BOX From L-031 | | 1 | |
| 4 | 500638 | SCREW TP PAN PH #8x1/2 Z050 From L-031 | | 5 | |
| 5 | 506302 | RUBBER EXTRUSION TRIM SEAL / GRIP .024 / 7/16" HOLLOW BULB C.T.L. From L-031 | | AR | |
| 7 | 500642 | SCREW TP PAN PH #10x3/4 Z050 From L-031 | | 2 | |
| 8 | 500657 | SCREW TC TR PH #10-24x1/2 Z050 From L-031 | | 5 | |
| NS | 350233 | SLIDE ASSY WALL RETAINER From L-031 | | 1 | |
| NS | 350236 | SLIDE ASSY UPPER PANEL RETAINER From L-031 | | 1 | |
| NS | 504272 | RIVET CHY Q BRAZ 3/16x1/8 SS From L-031 | | 9 | |
| | | | | | |
| | | | | | |
| | | | | | |

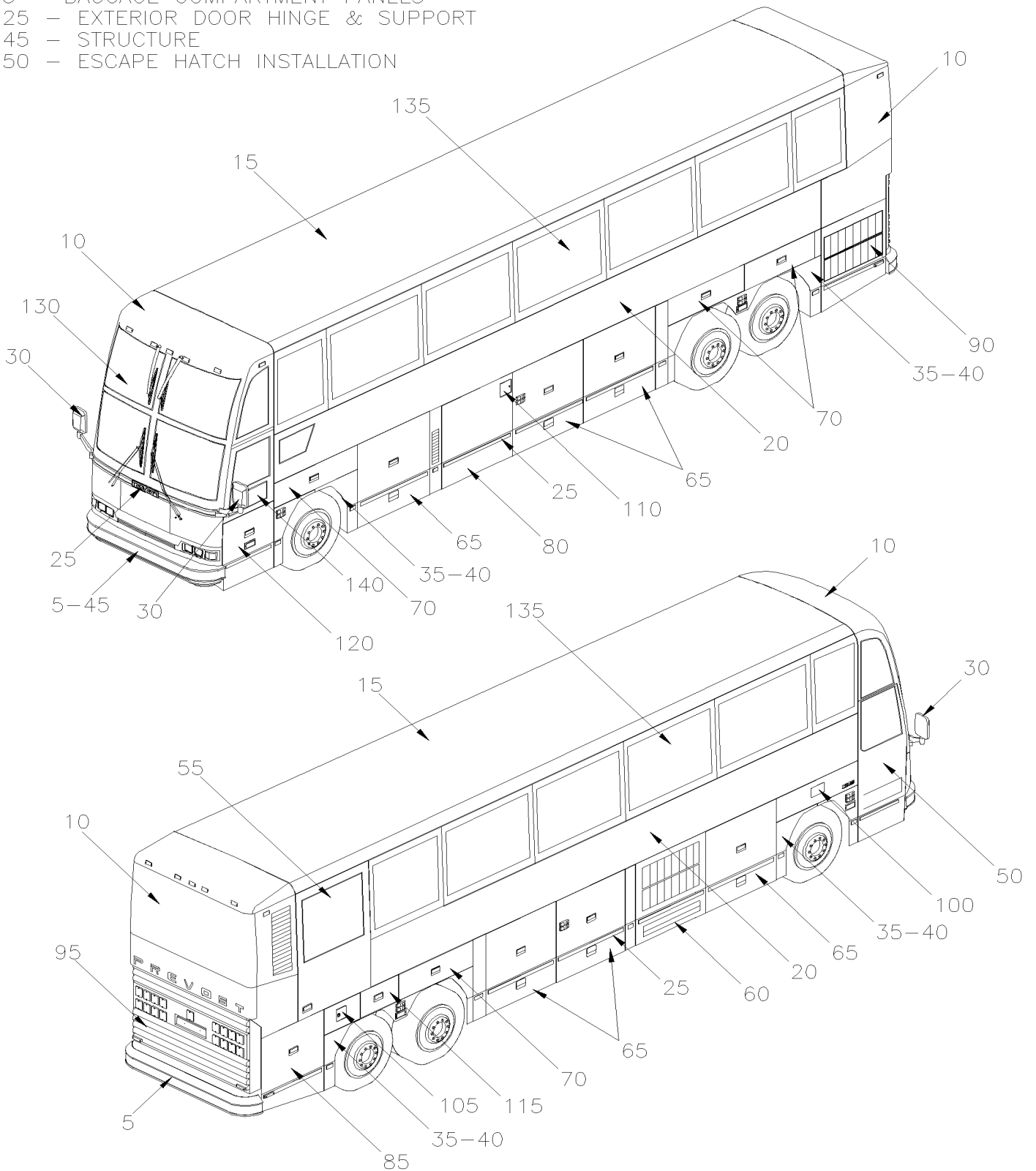
From L-029 To R-079

Date:10/2022

PAGE:H4-18-EXT

BODY EXTERIOR

- 75 – BAGGAGE COMPARTMENT PANELS
- 125 – EXTERIOR DOOR HINGE & SUPPORT
- 145 – STRUCTURE
- 150 – ESCAPE HATCH INSTALLATION



| | | |
|----------------------|--------------|----------------|
| From L-029 To R-079 | Date:10/2022 | PAGE:H4-18-EXT |
| BODY EXTERIOR | | |

| Item# | Part | Description | H 3 4 0 | V I P 4 0 | N O T E S |
|-------|------------|--|------------------|-----------------------|-----------------------|
| 5 | H4-1850-00 | BUMPER FRONT - BUS From L-031 To R-079 | | | |
| 5 | H4-1850-10 | BUMPER REAR - BUS From L-031 To R-079 | | | |
| 5 | H4-1850-15 | BUMPER FRONT - V.I.P. From L-031 To R-079 | | | |
| 5 | H4-1850-20 | BUMPER REAR - V.I.P. From L-031 To R-079 | | | |
| 10 | H4-1851-00 | CAP - FRONT & REAR - INSTALLATION From L-031 To R-079 | | | |
| 10 | H4-1851-10 | FRONT PANEL - INSTALLATION From L-031 To R-079 | | | |
| 15 | H4-1852-00 | ROOF PANELS From L-031 To R-079 | | | |
| 20 | H4-1854-00 | SIDE PANELS - BUS From L-031 To R-079 | | | |
| 20 | H4-1854-50 | SIDE PANELS - V.I.P. From L-031 To R-079 | | | |
| 25 | H4-1855-00 | EXTERIOR TRIMS & CREST From L-031 To R-079 | | | |
| 30 | H4-1856-00 | MIRROR - EXTERIOR - INSTALLATION From L-031 To R-079 | | | |
| 30 | H4-1856-10 | MIRROR "SPARTAN" MANUAL From L-031 To R-079 | | | |
| 30 | H4-1856-15 | MIRROR "SPARTAN" ELECTRICAL From L-031 To R-079 | | | |
| 30 | H4-1856-20 | MIRROR "RAMCO" FLAT GLASS / SILVER PAINTED From P-375 To R-079 | | | |
| 30 | H4-1856-22 | MIRROR "RAMCO" FLAT GLASS / BLACK PAINTED From P-375 To R-079 | | | |
| 30 | H4-1856-23 | MIRROR "RAMCO" FLAT GLASS / CHROME From P-375 To R-079 | | | |
| 30 | H4-1856-30 | MIRROR "RAMCO" 2 GLASSES / SILVER PAINTED From P-375 To R-079 | | | |
| 30 | H4-1856-31 | MIRROR "RAMCO" 2 GLASSES / BRIGHT POLISH From P-375 To R-079 | | | |
| 30 | H4-1856-32 | MIRROR "RAMCO" 2 GLASSES / BLACK PAINTED From P-375 To R-079 | | | |
| 30 | H4-1856-33 | MIRROR "RAMCO" 2 GLASSES / CHROME From P-375 To R-079 | | | |
| 35 | H4-1857-00 | FENDERS From L-031 To R-079 | | | |
| 40 | H4-1859-00 | SPLASH GUARD - FRONT & REAR From L-031 To R-079 | | | |
| 45 | H4-1860-10 | SPARE WHEEL DOOR MECHANISM FRONT BUMPER From L-031 To R-079 | | | |
| 45 | H4-1860-50 | BUMPER DOOR FRONT - V.I.P. From L-031 To R-079 | | | |
| 50 | H4-1862-00 | ENTRANCE DOOR ASSY - PLUG TYPE From L-031 To N-196 | | | |
| 50 | H4-1862-10 | ENTRANCE DOOR ASSY - "SEDAN" From N-197 To R-079 | | | |
| 50 | H4-1862-50 | ENTRANCE DOOR ASSY - V.I.P. From L-031 To R-079 | | | |
| 50 | H4-1862-60 | ENTRANCE DOOR FRAME - INSTALLATION From L-031 To R-079 | | | |
| 55 | H4-1862-70 | ENTRANCE DOOR ASSY - W.C.L. From L-031 To R-079 | | | |
| 60 | H4-1863-00 | CONDENSOR DOOR ASSY From L-031 To R-079 | | | |
| 60 | H4-1863-40 | CONDENSOR DOOR ASSY (SMALL) From L-031 To R-079 | | | |
| 65 | H4-1864-00 | BAGGAGE COMPARTMENT DOOR From L-031 To R-079 | | | |
| 65 | H4-1864-20 | AIR GRILL - BAGGAGE DOOR V.I.P. From L-031 To R-079 | | | |
| 65 | H4-1864-30 | HANDLE LOCK & KEYS - TYPE "PS" From L-031 To R-079 | | | |
| 65 | H4-1864-31 | PNEUMATIC DOOR LOCK CONTROL VALVE From L-031 To R-079 | | | |
| 65 | H4-1864-35 | BAGGAGE COMPARTMENT ELECTRICAL LOCK - V.I.P. From L-031 To R-079 | | | |
| 65 | H4-1864-36 | BAGGAGE COMPARTMENT ELECTRICAL LOCK - V.I.P. / SERVICE From L-031 To R-079 | | | |
| 70 | H4-1864-40 | SMALL BAGGAGE COMPARTMENT ELEC. LOCK - V.I.P. From L-031 To R-079 | | | |
| 70 | H4-1864-50 | SMALL BAGGAGE COMPARTMENT DOOR From L-031 To R-079 | | | |
| 70 | H4-1864-99 | HANDLE LOCK & KEYS - TYPE "NS" / SERVICE From L-031 To R-079 | | | |
| 75 | H4-1865-00 | BAGGAGE COMPARTMENT PANELS From L-031 To R-079 | | | |
| 76 | H4-1865-20 | EVAPORATOR & CONDENSOR WALL INSTALLATION From L-031 To R-079 | | | |

| | | |
|----------------------|--------------|----------------|
| From L-029 To R-079 | Date:10/2022 | PAGE:H4-18-EXT |
| BODY EXTERIOR | | |

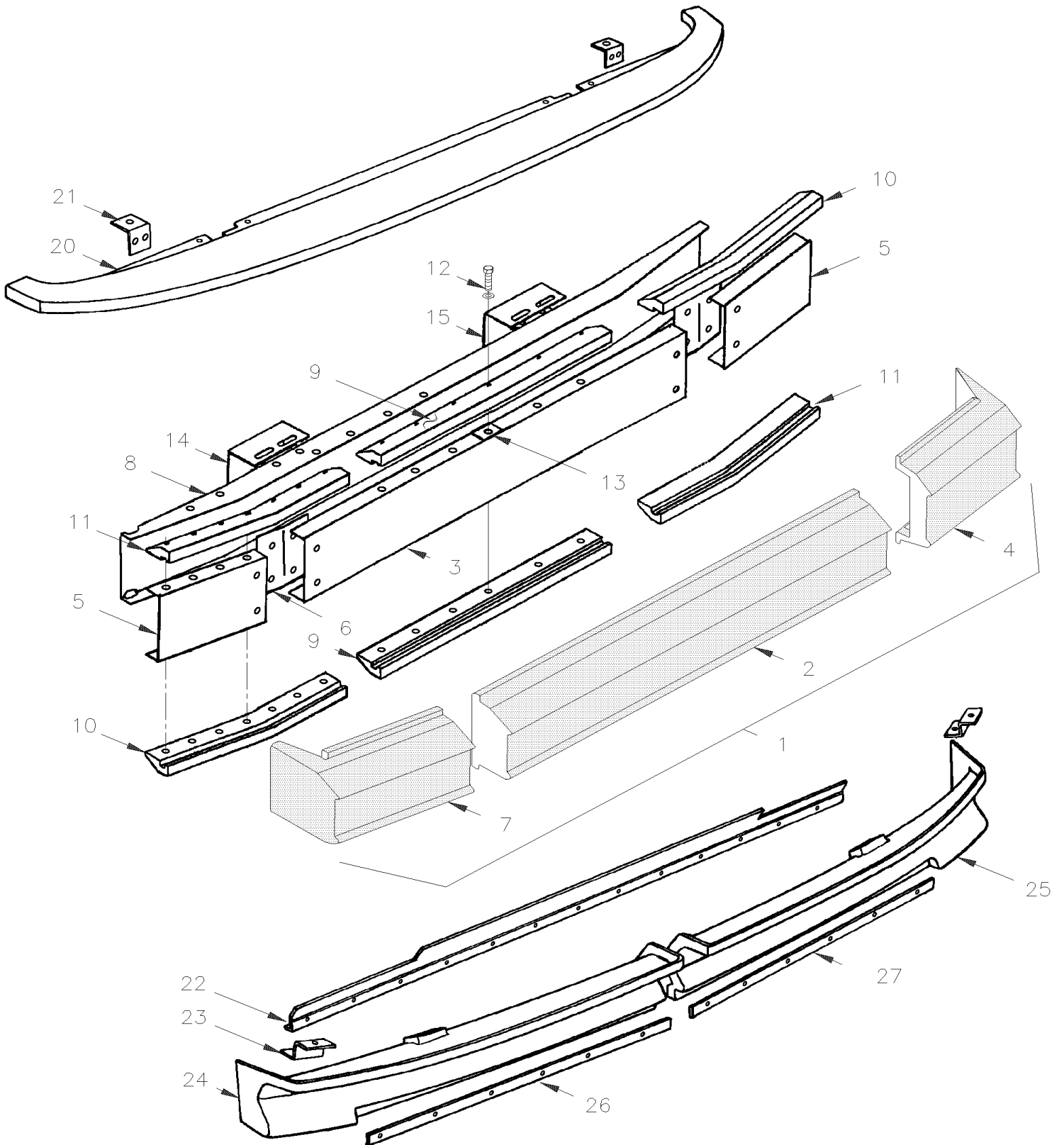
| Item# | Part | Description | H 3 4 0 | V I P 4 0 | N O T E S |
|-------|------------|--|------------------|-----------------------|-----------------------|
| 80 | H4-1866-00 | EVAPORATOR DOOR ASSY From L-031 To R-079 | | | |
| 85 | H4-1868-00 | A/C COMPRESSOR DOOR ASSY From L-031 To R-079 | | | |
| 90 | H4-1869-00 | RADIATOR DOOR ASSY - GRILL From L-031 To N-200 | | | |
| 90 | H4-1869-01 | RADIATOR DOOR ASSY - GRILL From N-201 To R-079 | | | |
| 95 | H4-1870-00 | ENGINE DOOR ASSY From L-031 To R-079 | | | |
| 95 | H4-1870-10 | REAR ENGINE DOOR - INSTALLATION From L-031 To R-079 | | | |
| 100 | H4-1872-00 | ENTRANCE DOOR OPENING SWITCH From L-031 To R-079 | | | |
| 105 | H4-1874-00 | SLIDING TRAY JUNCTION BOX From L-031 To R-079 | | | |
| 105 | H4-1874-10 | SMALL ACCESS DOOR From L-031 To R-079 | | | |
| 110 | H4-1875-00 | FUEL TANK FILLING DOOR From L-031 To R-079 | | | |
| 115 | H4-1876-00 | SLIDING TRAY FOR BATTERY INSTALLATION From L-031 To M-143 | | | |
| 115 | H4-1876-01 | SLIDING TRAY FOR BATTERY INSTALLATION From M-144 To R-079 | | | |
| 120 | H4-1879-00 | FRONT SERVICE DOOR ASSY From L-031 To R-079 | | | |
| 120 | H4-1879-10 | FRONT SERVICE DOOR - INSTALLATION From L-031 To R-079 | | | |
| 125 | H4-1879-90 | EXTERIOR DOOR HINGE AND SUPPORT From L-031 To R-079 | | | |
| 130 | H4-1880-00 | WINDSHIELD & CHANNEL From L-031 To R-079 | | | |
| 135 | H4-1884-00 | SIDE WINDOW - BUS From L-031 To R-079 | | | |
| 135 | H4-1884-50 | SIDE WINDOW ASSY - V.I.P. From L-031 To R-079 | | | |
| 135 | H4-1884-60 | SIDE WINDOW ASSY (AWNING) From L-031 To R-079 | | | |
| 135 | H4-1884-65 | SIDE WINDOW ASSY (SLIDING) "PENINSULA" From L-031 To R-079 | | | |
| 135 | H4-1884-70 | SIDE WINDOW ASSY (SLIDING) "PREVOST" From L-031 To R-079 | | | |
| 140 | H4-1886-00 | POWER WINDOW - ELECTRICAL INSTALLATION From L-031 To R-079 | | | |
| 140 | H4-1886-01 | POWER WINDOW - ELECTRICAL INSTALLATION / SERVICE From L-031 To R-079 | | | |
| 145 | H4-1895-00 | FRONT STRUCTURE From L-031 To R-079 | | | |
| 145 | H4-1895-10 | FRONT LOWER FLOOR STRUCTURE From L-031 To R-079 | | | |
| 145 | H4-1895-20 | ENTRANCE DOOR STRUCTURE From L-031 To R-079 | | | |
| 145 | H4-1895-30 | FRONT END STRUCTURE From L-031 To R-079 | | | |
| 150 | H4-1898-00 | ESCAPE HATCH - INSTALLATION From L-031 To R-079 | | | |
| 151 | H4-1898-99 | ESCAPE HATCH - INSTALLATION / SERVICE From L-031 To R-079 | | | |
| | | | | | |
| | | | | | |
| | | | | | |

From L-031 To R-079

Date:10/2022

PAGE:H4-1850-00

BUMPER FRONT - BUS



| | | |
|---------------------------|--------------|-----------------|
| From L-031 To R-079 | Date:10/2022 | PAGE:H4-1850-00 |
| BUMPER FRONT - BUS | | |

| Item# | Part | Description | H 3 4 0 | V I P 4 0 | N O T E S |
|-------|---------|--|------------------|-----------------------|-----------------------|
| | 410454P | BUMPER ASSY / W/COMPLETE DOOR MECHANISM | | | A |
| 1 | 410431 | . BUMPER ASSY To R-005 | 1 | | |
| 1 | 410587 | . BUMPER ASSY From R-006 | 1 | | |
| 2 | 910010 | . . MODULE CENTER | 1 | | |
| 3 | 910013 | . . PLATE BACK / CENTER | 1 | | |
| 4 | 910011 | . . MODULE END / L.H. To R-005 | 1 | | |
| 4 | 410590 | . . MODULE END / L.H. / (STAMPED 0075) From R-006 | 1 | | |
| 5 | 910016 | . . PLATE BACK / L.H. & R.H. | 2 | | |
| 6 | N.S.S. | . . SPACER | 2 | | 1 |
| 7 | 910012 | . . MODULE END / R.H. To R-005 | 1 | | |
| 7 | 410589 | . . MODULE END / R.H. / (STAMPED 0076) From R-006 | 1 | | |
| 8 | 910007 | . . STRUCTURE BACK-UP | 1 | | |
| 9 | 910014 | . . CLAMP CENTER | 2 | | |
| 10 | 910008 | . . CLAMP END / L.H. TOP& R.H. BOTTOM | 2 | | |
| 11 | 910009 | . . CLAMP END / R.H. TOP& L.H. BOTTOM | 2 | | |
| 12 | 910023 | . . SCREW CAP HEXF 1/2-13x2 1/4 BKC | 38 | | |
| NS | 910025 | . . NUT HEXF 1/2-13 BK / 2 EACH CORNER | 4 | | |
| 13 | 910024 | . . NUT RETAINER SPRING | 42 | | |
| 14 | 410375 | . BRACKET ASSY / R.H. | 1 | | |
| 15 | 410383 | . BRACKET ASSY / L.H. | 1 | | |
| NS | 500483 | . WASHER LO SPT .570x.971x.141 ZP | 12 | | |
| NS | 500547 | . WASHER FL .484x.750x.031 ZP | 42 | | |
| 20 | 410449 | . CAP FINISHING / TOP FIBERGLASS To R-005 | 1 | | |
| 20 | 410602 | . CAP FINISHING / TOP FIBERGLASS From R-006 | 1 | | |
| 21 | 410405 | . ANGLE REAR SUPPORT MOULDING | 2 | | |
| NS | 500948 | . SCREW TC CAP HEX 1/4-20x1 Z050 | 4 | | |
| NS | 502686 | . SCREW CAP HEX M6-1.0x30 SS BK | 12 | | B |
| NS | 410435 | . RETAINER FRONT CAP | 3 | | |
| 22 | 410400 | . SUPPORT SPOILER / LOWER | 1 | | |
| 23 | 410433 | . SUPPORT SPOILER / UPPER | 2 | | |
| NS | 502728 | . SCREW TP BDG PH #14x1 SS EMN | 2 | | |
| 24 | 410404 | . SPOILER R.H. | 1 | | |
| 25 | 410403 | . SPOILER L.H. | 1 | | |
| 26 | 410567 | . CRAMP L.H. & R.H. 370MM / TO FIX SPOILER TO BUMPER | 2 | | |
| 27 | 410568 | . CRAMP CENTER 1520MM / TO FIX SPOILER | 2 | | |
| NS | 500411 | . WASHER FL .260x.697x.050 SS | AR | | |
| NS | 502573 | . WASHER FL 6.4x12.5x1.6 SS | AR | | C |
| NS | 502581 | . NUT HEX M6-1.0 Z050 | AR | | |
| NS | 502726 | . SCREW CAP HEX M6-1.0x30 SS EMN | AR | | |
| NS | 410401 | . CRAMP 930MM / TO FIX SPOILER TO HINGE | 2 | | |
| NS | 502714 | . SCREW TP OV PH #14x1 SS EMN | AR | | |

| | | |
|---------------------------|--------------|-----------------|
| From L-031 To R-079 | Date:10/2022 | PAGE:H4-1850-00 |
| BUMPER FRONT - BUS | | |

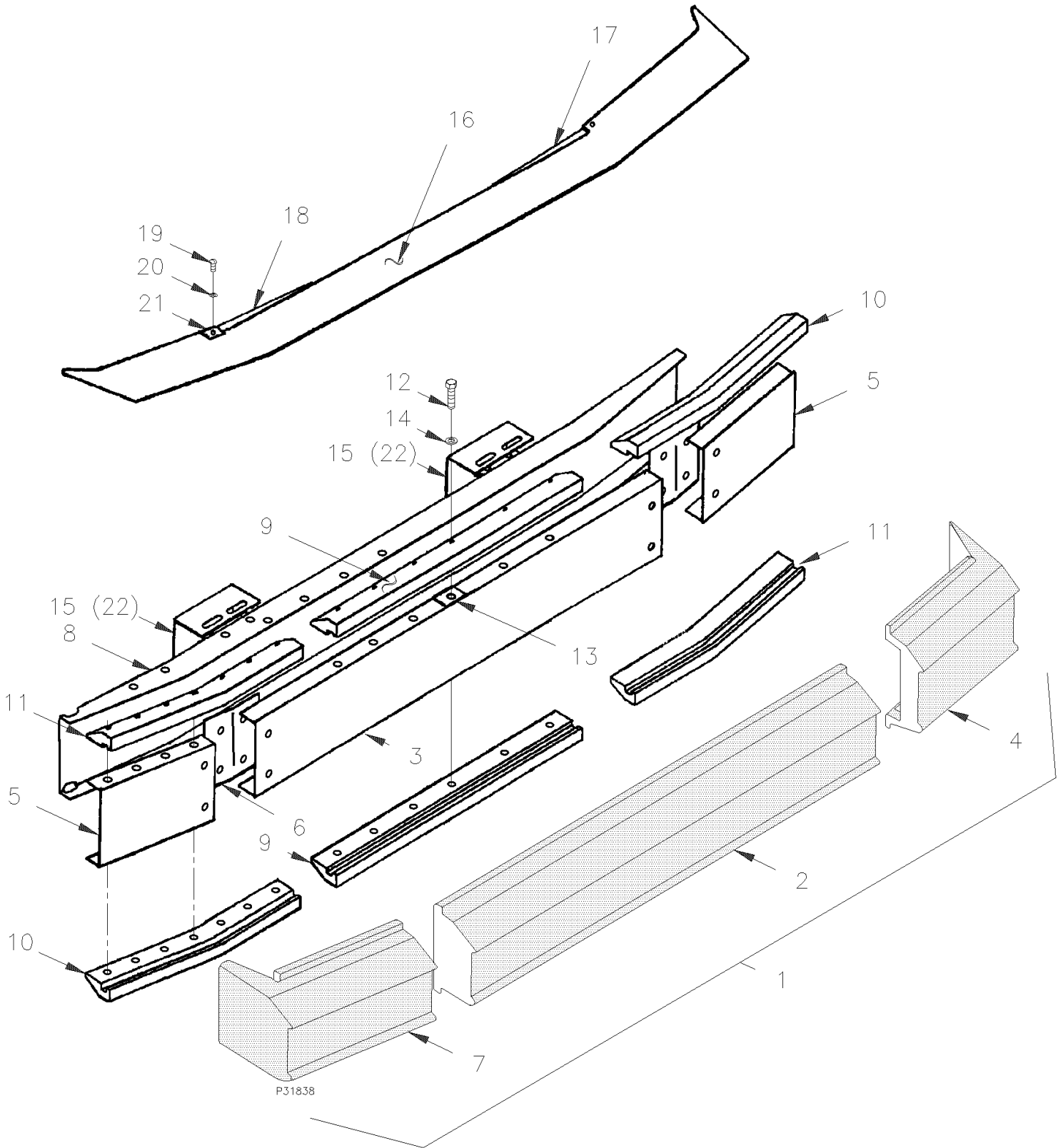
| Item# | Part | Description | H 3 4 0 | V I P 4 0 | N O T E S |
|-------|------|--|------------------|-----------------------|-----------------------|
| | | | | | |
| | | A) INCLUDE ALLS PARTS OF PAGE H4-1860-10 | | | |
| | | B) TO FIX CAP TO ANGLE | | | |
| | | C) TO FIX FINISHING CAP & SPOILER | | | |
| | | 1) NOT SOLD SEPARATELY | | | |

From L-031 To R-079

Date:10/2022

PAGE:H4-1850-10

BUMPER REAR - BUS



| | | |
|--------------------------|--------------|-----------------|
| From L-031 To R-079 | Date:10/2022 | PAGE:H4-1850-10 |
| BUMPER REAR - BUS | | |

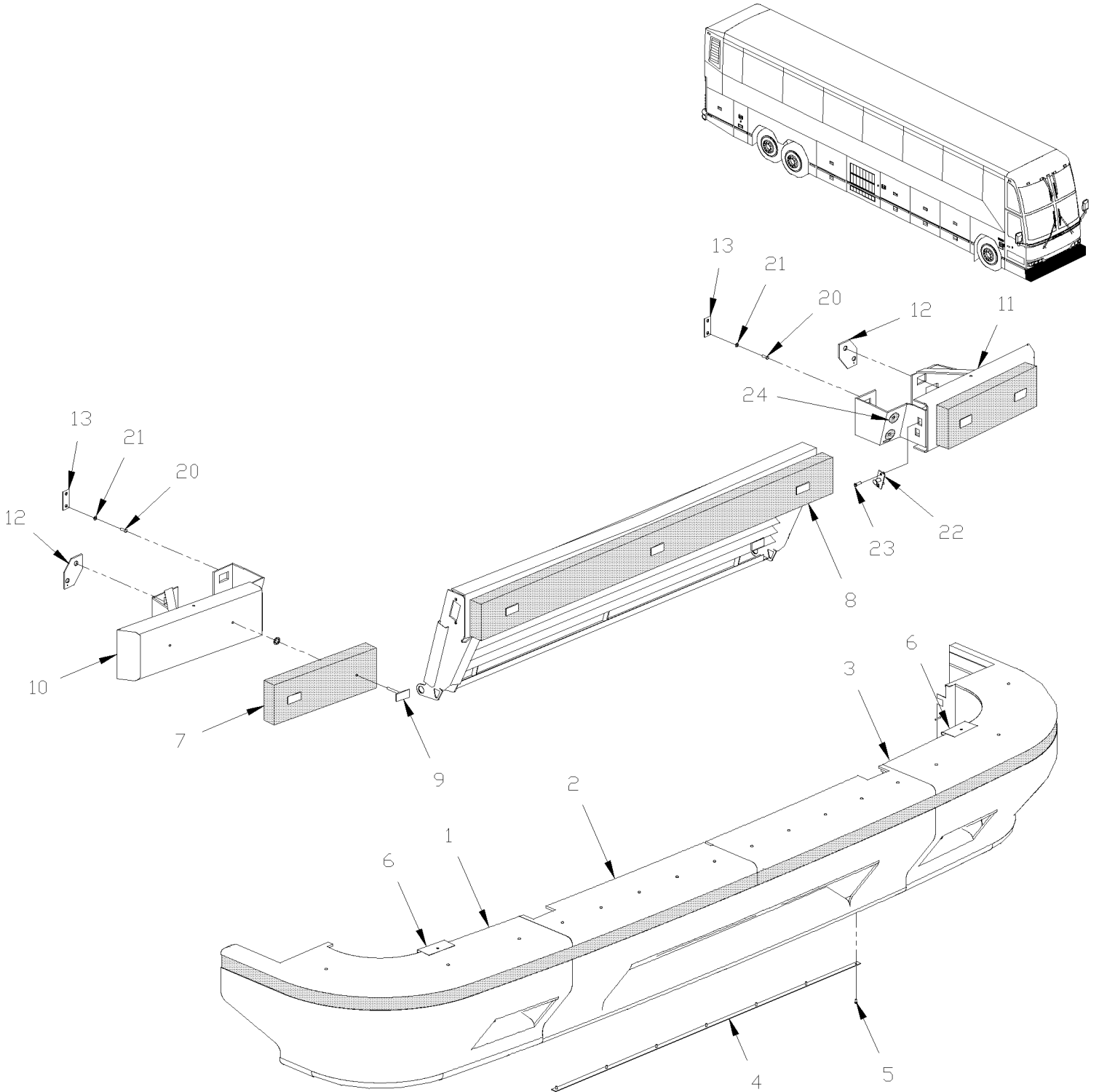
| Item# | Part | Description | H 3 4 0 | V I P 4 0 | N O T E S |
|-------|--------|--|------------------|-----------------------|-----------------------|
| 1 | 410471 | BUMPER ASSY To R-005 | 1 | | |
| 1 | 410588 | BUMPER ASSY From R-006 | 1 | | |
| 1 | 410624 | BUMPER ASSY SERVICE | 1 | | |
| 2 | 910010 | . MODULE CENTER | 1 | | |
| 3 | 910013 | . PLATE BACK / CENTER | 1 | | |
| 4 | 910026 | . MODULE END / R.H. To R-005 | 1 | | |
| 4 | 410592 | . MODULE END / R.H. From R-006 | 1 | | |
| 5 | 910016 | . PLATE BACK / L.H. & R.H. | 2 | | |
| 6 | 910015 | . SPACER PLASTIC | 1 | | |
| 7 | 910027 | . MODULE END / L.H. To R-005 | 1 | | |
| 7 | 410591 | . MODULE END / L.H. From R-006 | 1 | | |
| 8 | 910007 | . STRUCTURE BACK-UP | 1 | | |
| 9 | 910014 | . CLAMP CENTER | 2 | | |
| 10 | 910029 | . CLAMP END / L.H. TOP & R.H. BOTTOM | 2 | | |
| 11 | 910028 | . CLAMP END / R.H. TOP & L.H. BOTTOM | 2 | | |
| 12 | 910023 | . SCREW CAP HEXF 1/2-13x2 1/4 BKC | 38 | | |
| 13 | 910024 | . NUT RETAINER SPRING | 34 | | |
| 13 | 910025 | . NUT HEXF 1/2-13 BK / 2 EACH CORNER | 4 | | |
| 14 | 500547 | . WASHER FL .484x.750x.031 ZP | 42 | | |
| 15 | 910031 | . SUPPORT W/3 BOLTS | 2 | | B |
| 16 | 410523 | PANEL / BLACK PAINTED | 1 | | |
| 16 | 410475 | . PANEL / UNPAINT | 1 | | |
| 17 | 410473 | ATTACHMENT R.H. MOUNTING / REAR BUMPER | 1 | | |
| 18 | 410472 | ATTACHMENT L.H. MOUNTING / REAR BUMPER | 1 | | |
| 19 | 502531 | SCREW CAP HEX M6-1.0x16 G8.8 Z050 | 4 | | |
| 20 | 502573 | WASHER FL 6.4x12.5x1.6 SS | 4 | | |
| 21 | 502738 | NUT SPR U M6-1.0 0.6-4.0 | 4 | | |
| 22 | 212411 | BRACKET BUMPER L.H. & R.H. / (WELDED AT STRUCTURE) | 2 | | |
| NS | 502696 | SCREW CAP HEX 1/2-13x1 1/4 G5 ZP | 12 | | A |
| NS | 500446 | WASHER FL .531x1.250x.125 Z050 | 12 | | A |
| NS | 500482 | WASHER LO SPT .506x.873x.125 Z050 | 12 | | A |
| | | | | | |
| | | | | | |
| | | | | | |
| | | A) BUMPER TO FRAME | | | |
| | | B) REMOVE THOSE PARTS FOR INSTALL TO STRUCTURE | | | |

From L-031 To R-079

Date:10/2022

PAGE:H4-1850-15

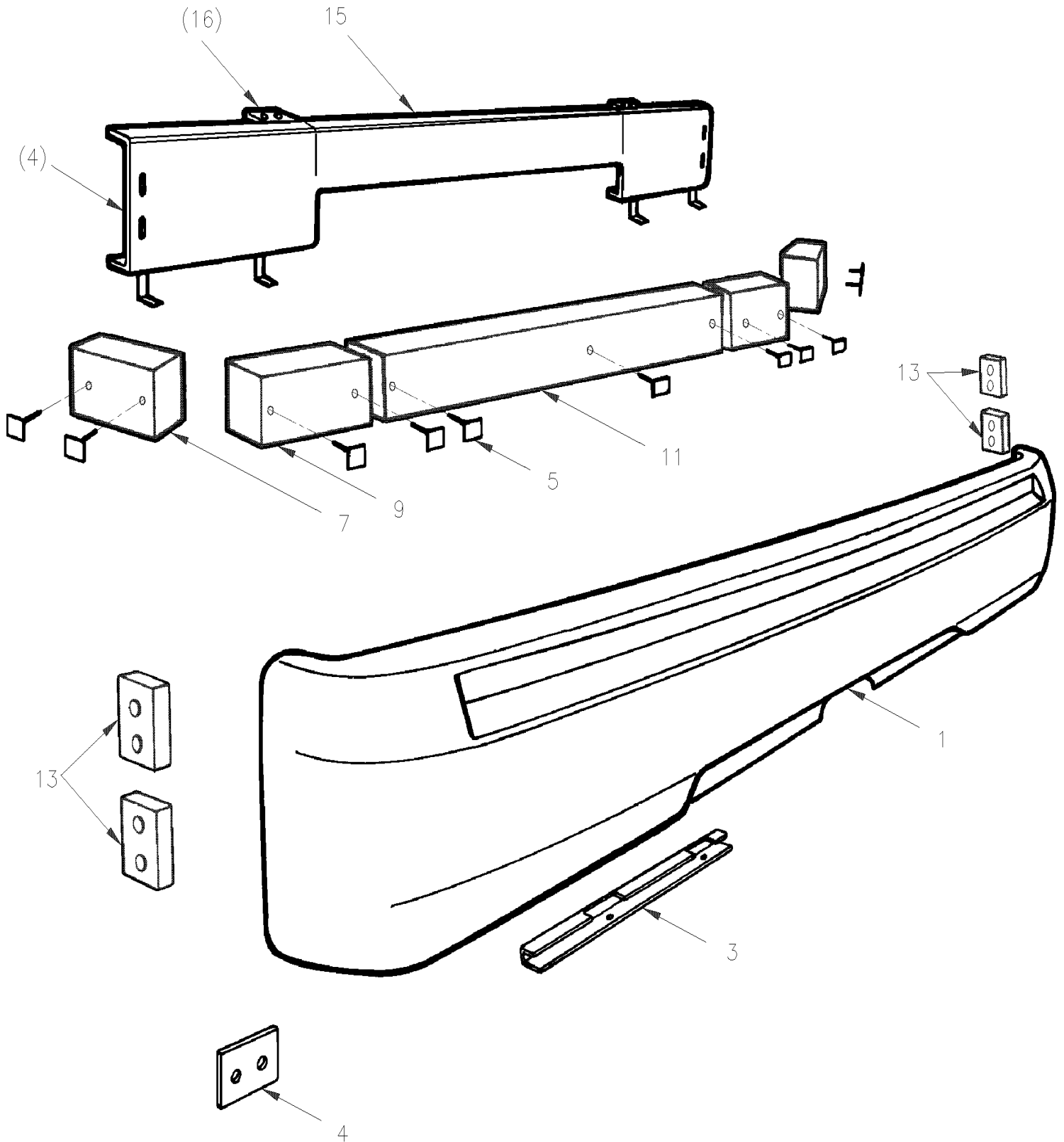
BUMPER FRONT - V.I.P.



| | | |
|------------------------------|--------------|-----------------|
| From L-031 To R-079 | Date:10/2022 | PAGE:H4-1850-15 |
| BUMPER FRONT - V.I.P. | | |

| Item# | Part | Description | H 3 4 0 | V I P 4 0 | N O T E S |
|-------|--------|--|------------------|-----------------------|-----------------------|
| 1 | 410513 | BUMPER / R.H. | | 1 | |
| NS | 410540 | ANGLE 25MM X 40MM X 150MM | | 1 | A |
| 2 | 410514 | BUMPER / CENTER | | 1 | |
| 3 | 410512 | BUMPER / L.H. | | 1 | |
| 4 | 410528 | REINFORCEMENT / LOWER / 15MM X 1246MM SS | | 1 | |
| 5 | 504249 | RIVET CHY Q PRDG 3/16x3/8 SS | | 19 | |
| 6 | 410533 | RETAINER U-SHAPED / TO FIX UPPER SIDE BUMPER | | 2 | |
| NS | 502570 | WASHER LO SPT 6.1x11.8x1.6 SS | | 1 | |
| NS | 502737 | SCREW CAP HEX M6-1.0x25 SS BK | | 2 | |
| 7 | 410531 | CUSHION / L.H. & R.H. | | 2 | |
| 8 | 410529 | CUSHION / CENTER | | 1 | |
| 9 | 505319 | ANCHOR SELF-STICK 2 1/2" GAL | | 8 | |
| NS | 500748 | WASHER INSU G.10x1.125x1.250 Z050 | | 8 | |
| 10 | 410519 | BRACKET / R.H. | | 1 | |
| 11 | 410522 | BRACKET / L.H. | | 1 | |
| 12 | 410521 | PLATE REINFORCEMENT | | 2 | |
| 13 | 410521 | PLATE REINFORCEMENT | | 2 | |
| 20 | 500806 | SCREW CAP HEX M12-1.75X35 G10.9 G500 | | 4 | |
| 21 | 500810 | WASHER LO SPT 12.2x21.1x2.5 Z050 | | 4 | |
| 22 | 780278 | PIN, STRIKER STUD | | 2 | |
| 23 | 502773 | SCREW MA OV PH 1/4-20x1 SS EMN | | 4 | |
| NS | 500440 | WASHER FL .250x.562x.065 Z050 | | 4 | |
| NS | 502716 | NUT HEX NYRT 1/4-20 | | 4 | |
| 24 | 504553 | BUMPER PLUG / 7/8 X 7/16 / R.H. & L.H. | | 4 | |
| | | | | | |
| | | | | | |
| | | A) TO FIX ON HINGE COVER | | | |

| | | |
|-----------------------------|--------------|-----------------|
| From L-031 To R-079 | Date:10/2022 | PAGE:H4-1850-20 |
| BUMPER REAR - V.I.P. | | |



| | | |
|-----------------------------|--------------|-----------------|
| From L-031 To R-079 | Date:10/2022 | PAGE:H4-1850-20 |
| BUMPER REAR - V.I.P. | | |

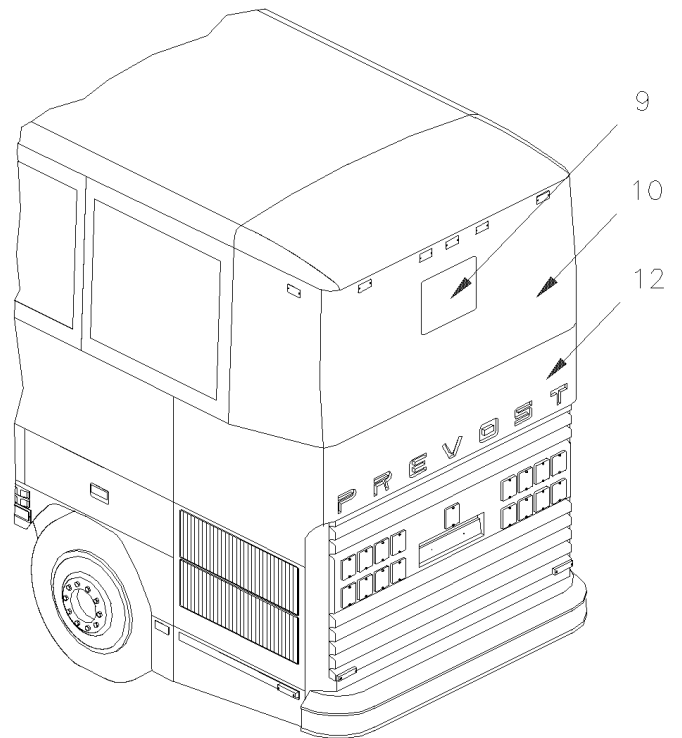
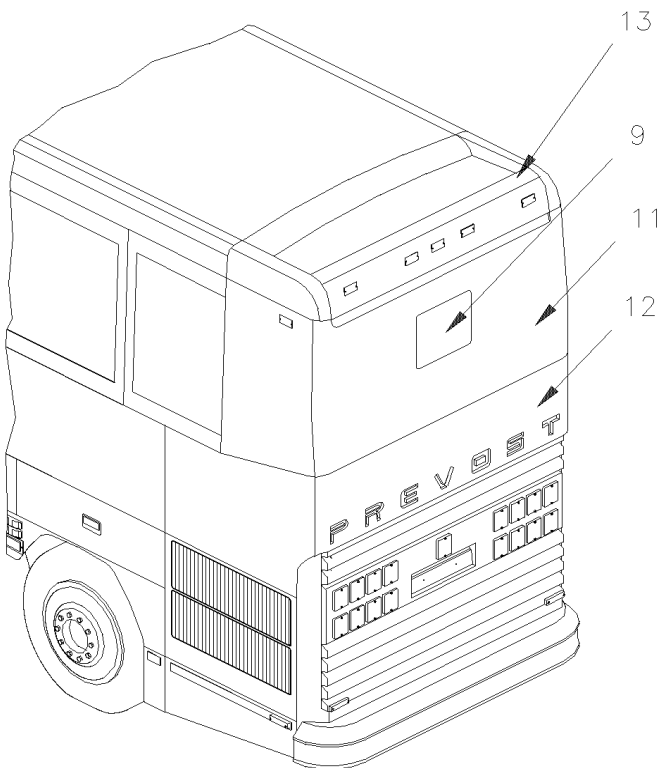
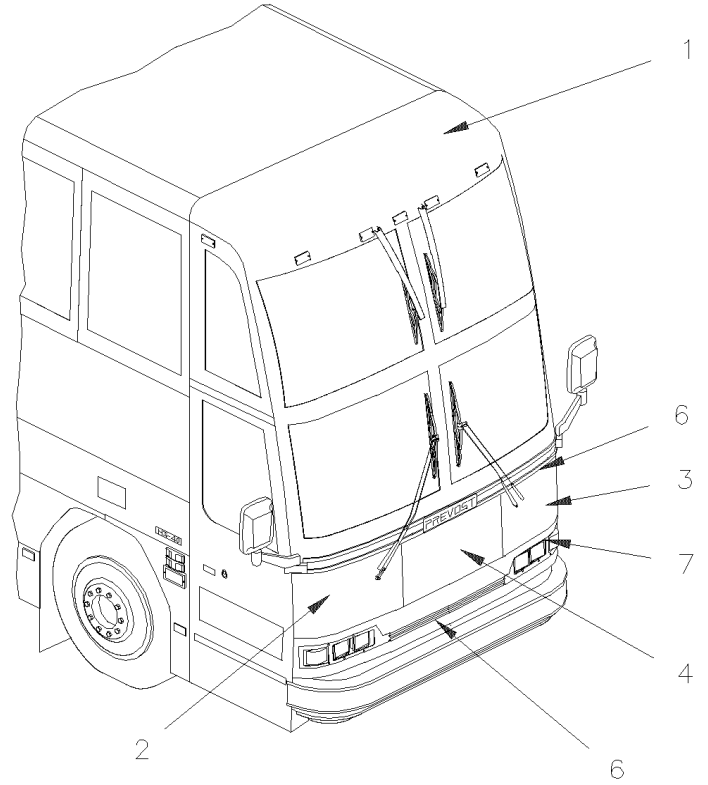
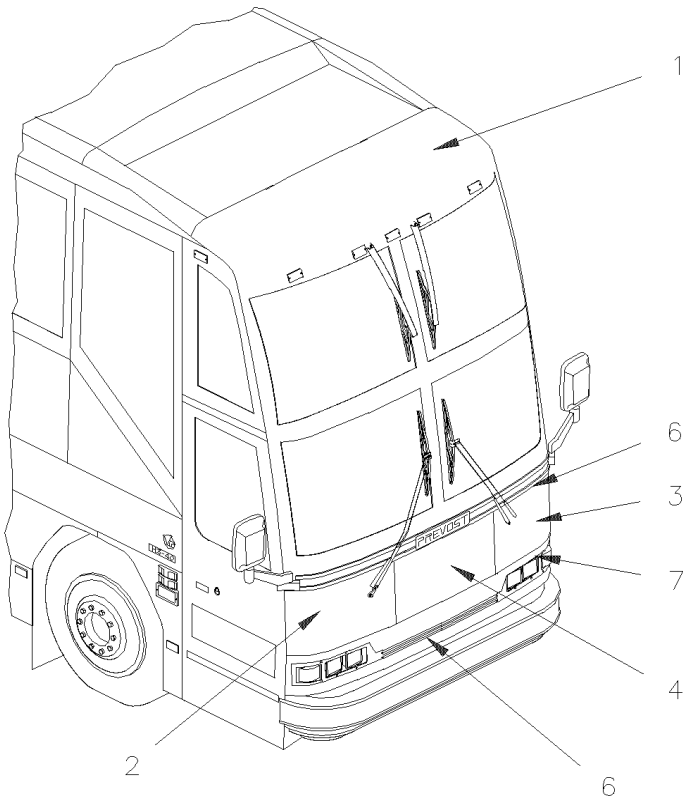
| Item# | Part | Description | H 3 4 0 | V I P 4 0 | N O T E S |
|-------|---------|--|------------------|-----------------------|-----------------------|
| | 410482P | REAR BUMPER ASSY V.I.P. | 1 | 1 | |
| 1 | 410466 | BUMPER | | 1 | |
| NS | 502511 | NUT HEX NYRT M6-1.0 Z050 | | 2 | |
| NS | 500468 | WASHER FL .281x1.250x.065 Z050 | | 2 | |
| 3 | 410510 | BRACKET R.H. | | 1 | |
| 3 | 410547 | BRACKET L.H. | | 1 | |
| NS | 500432 | SCREW TC PAN PH #8-32x3/4 Z050 | | 13 | |
| 4 | 410555 | ATTACHMENT PLATE WASHER | | 2 | |
| 5 | 505319 | ANCHOR SELF-STICK 2 1/2" GAL | | 11 | |
| NS | 500748 | WASHER INSU G.10x1.125x1.250 Z050 | | 11 | A |
| 7 | 410507 | ABSORBER L.H. & R.H. | | 2 | |
| NS | 211603 | BRACKET L.H. & R.H. / (WELDED AT STRUCTURE) | | | |
| NS | 212660 | BRACKET BUMPER R.H. / (WELDED AT STRUCTURE) | | 1 | |
| NS | 212662 | BRACKET BUMPER L.H. / (WELDED AT STRUCTURE) | | 1 | |
| 9 | 410506 | ABSORBER L.H. & R.H. | | 2 | |
| 11 | 410553 | ABSORBER CENTRAL | | 1 | |
| 13 | 506250 | RUBBER BUMPER | | 4 | |
| 15 | 410551 | BEAM BUMPER | | 1 | |
| 16 | 211602 | BRACKET L.H & R.H. BUMPER (WELDED AT STRUCTURE) To M-111 | | 1 | |
| 16 | 211897 | BRACKET L.H & R.H. BUMPER (WELDED AT STRUCTURE) From M-112 | | 1 | |
| NS | 502591 | NUT HEX NYRT M12-1.75 CP | | 8 | |
| NS | 500806 | SCREW CAP HEX M12-1.75X35 G10.9 G500 | | 12 | |
| NS | 500948 | SCREW TC CAP HEX 1/4-20x1 Z050 | | 4 | |
| NS | 500958 | WASHER FL .531x1.062x.095 SS | | 16 | |
| NS | 500411 | WASHER FL .260x.697x.050 SS | | 5 | |
| NS | 500810 | WASHER LO SPT 12.2x21.1x2.5 Z050 | | 4 | |
| | | | | | |
| | | | | | |
| | | | | | |
| | | A) INSULATING RETAINER | | | |

From L-031 To R-079

Date:10/2022

PAGE:H4-1851-00

CAP - FRONT & REAR - INSTALLATION

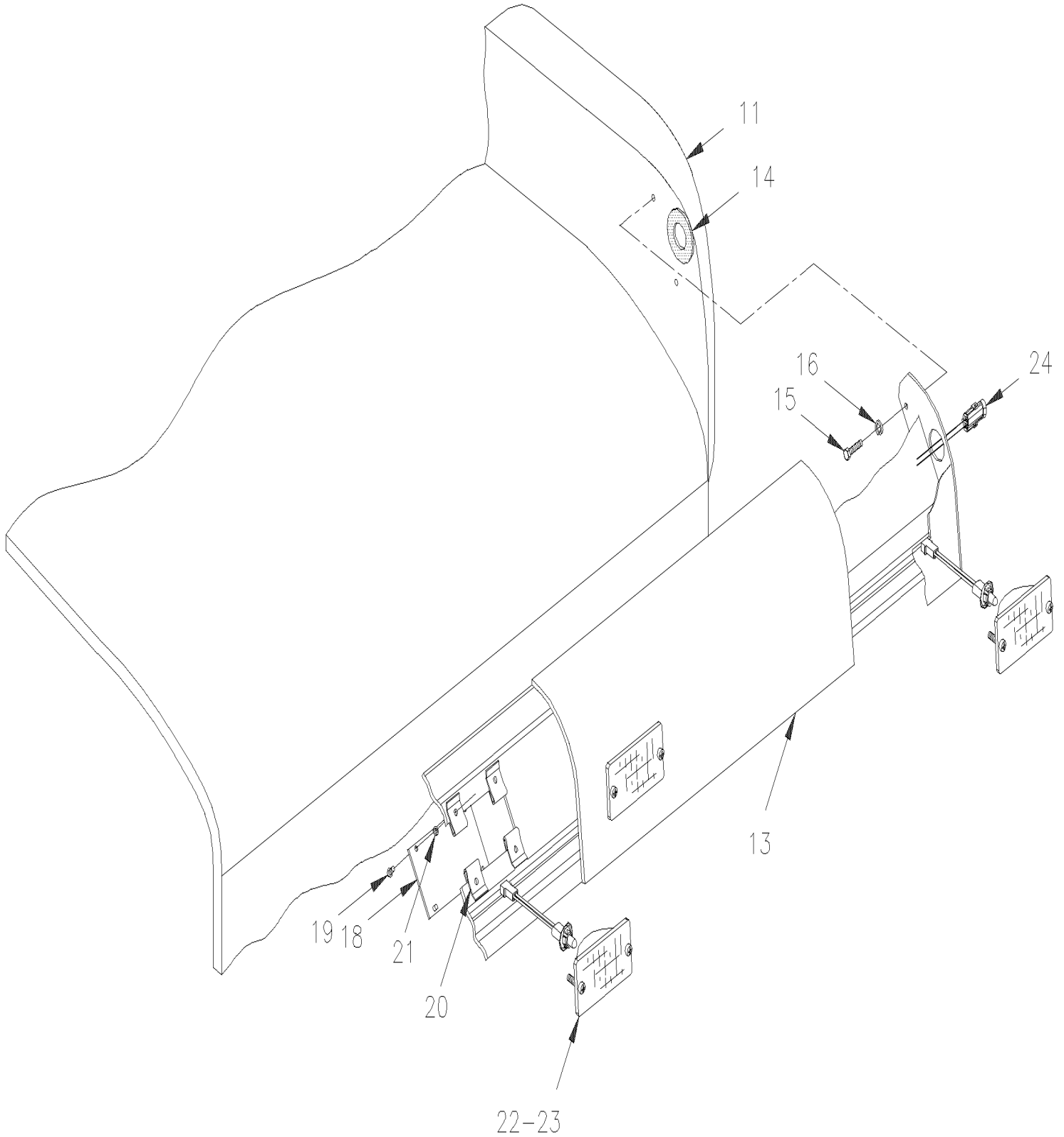


From L-031 To R-079

Date:10/2022

PAGE:H4-1851-00

CAP - FRONT & REAR - INSTALLATION



| | | |
|--|--------------|-----------------|
| From L-031 To R-079 | Date:10/2022 | PAGE:H4-1851-00 |
| CAP - FRONT & REAR - INSTALLATION | | |

| Item# | Part | Description | H 3 4 0 | V I P 4 0 | N O T E S |
|-------|-------------------|---|------------------|-----------------------|-----------------------|
| | | THOSE CAPS ARE USED W/UPPER MIRROR ARM | | | |
| 1 | 472118P | CAP, FRONT ASSY | 1 | 1 | |
| 1 | 473040 | CAP, FRONT ASSY | 1 | 1 | |
| 1 | 472401P | . CAP, FRONT / PAINTED CHARCOAL | 1 | 1 | |
| 1 | 472681 | . . CAP, FRONT / UNPAINT | 1 | 1 | |
| | | THOSE CAP ARE USED W/LOWER MIRROR "RAMCO" | | | |
| 1 | 472746P | CAP, FRONT ASSY | 1 | 1 | |
| 1 | 473039 | CAP, FRONT ASSY | 1 | 1 | |
| 1 | 472744P | . CAP, FRONT / PAINTED CHARCOAL | 1 | 1 | |
| 1 | 472744 | . . CAP, FRONT / UNPAINT | 1 | 1 | |
| 2 | 472150P | PANEL ASSY R.H. / W/LIGHT | 1 | 1 | C |
| 2 | 472559 | . PANEL R.H. | 1 | 1 | |
| NS | 350102 | . INSULATING PAD | 1 | 1 | |
| NS | 350267 | . INSULATING PAD | 1 | 1 | |
| NS | 5001040 | SCREW TC PAN PH #6-32x3/4 SS | 22 | 22 | D |
| 3 | 472151P | PANEL ASSY L.H. / W/LIGHT | 1 | 1 | C |
| 3 | 472560 | . PANEL L.H. | 1 | 1 | |
| NS | 350102 | . INSULATING PAD | 1 | 1 | |
| NS | 5001040 | SCREW TC PAN PH #6-32x3/4 SS | 22 | 22 | D |
| 4 | 472558 | PANEL CENTER / LOWER WINDSHIELD | 1 | 1 | |
| | | FOLLOWING ITEMS MAY BE USED | | | |
| | | WITH VEHICLE INSTEAD OF ITEMS #2,3 & 4 | | | |
| | | WITH FRONT LOWER IN ONE PIECE | | | |
| 5 | 473179P | PANEL ASSY LOWER FACE / W/LIGHT | 1 | 1 | C |
| 5 | 473139 | . PANEL LOWER FACE / FIBERGLASS | 1 | 1 | |
| NS | 5001040 | SCREW TC PAN PH #6-32x3/4 SS | 22 | 22 | D |
| 6 | H4-1851-10 | FRONT PANEL - INSTALLATION | | | |
| 7 | H4-0660-00 | HEADLAMP & FRONT DIRECTIONAL LAMPS | | | |
| 9 | H4-2355-00 | BACK-UP CAMERA - INSTALLATION | | | |
| 10 | 472181 | CAP REAR To P-299 | 1 | | |
| 10 | 472682 | CAP REAR From P-300 | 1 | | |
| 10 | 472182 | CAP REAR W/CAMERA To M-083 | 1 | | |
| 10 | 472490 | CAP REAR W/CAMERA From M-084 To P-299 | 1 | | |
| 10 | 472704 | CAP REAR W/CAMERA From P-300 | 1 | | |

| | | |
|---------------------|--------------|-----------------|
| From L-031 To R-079 | Date:10/2022 | PAGE:H4-1851-00 |
|---------------------|--------------|-----------------|

CAP - FRONT & REAR - INSTALLATION

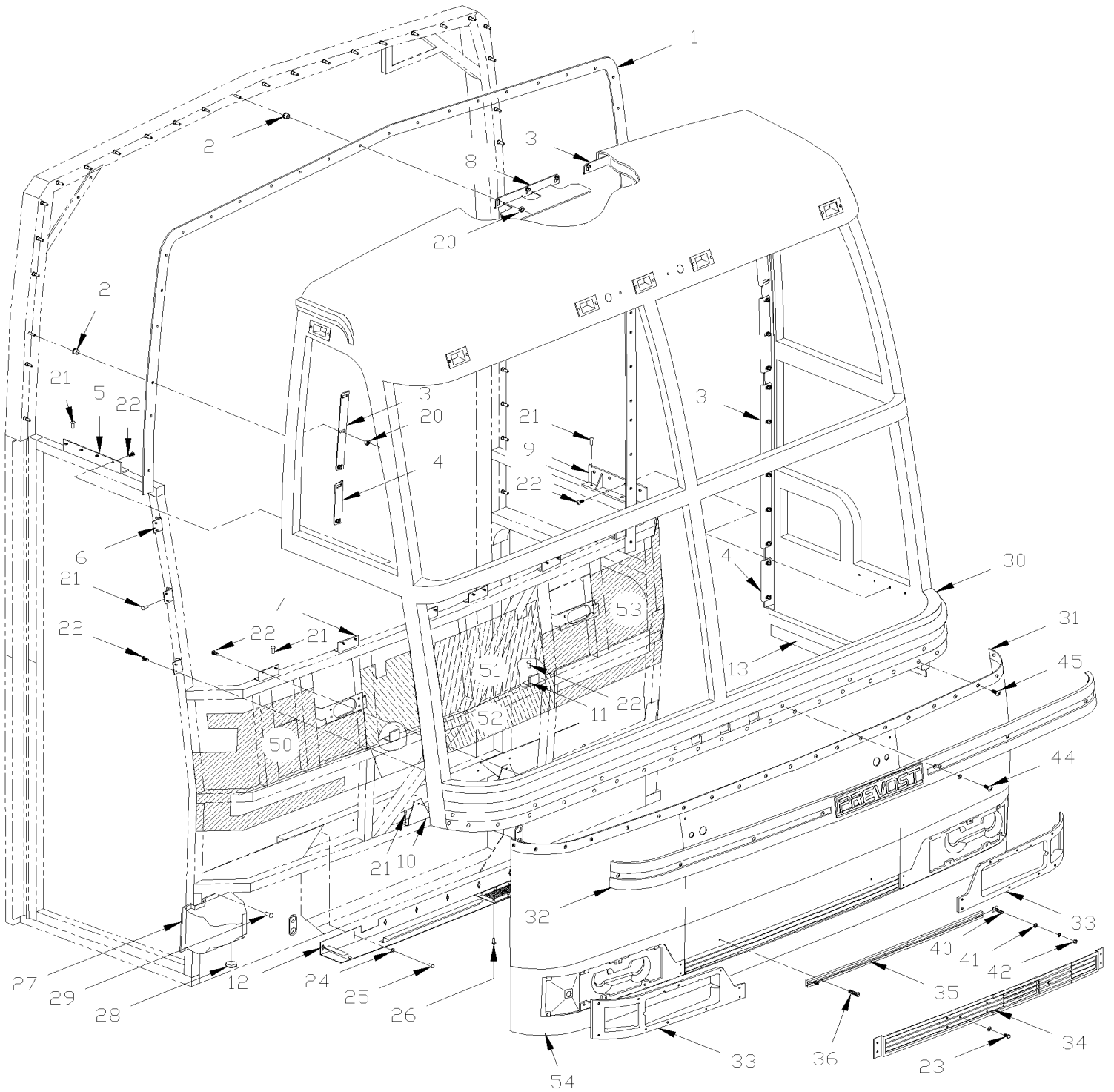
| Item# | Part | Description | H 3 4 0 | V I P 4 0 | N O T E S |
|-------|-------------------|---|------------------|-----------------------|-----------------------|
| 11 | 472250 | CAP REAR W/CAMERA To M-069 | | 1 | |
| 11 | 472489 | CAP REAR W/CAMERA From M-070 To P-364 | | 1 | |
| 11 | 472692 | CAP REAR W/CAMERA From P-365 | | 1 | |
| NS | 472561 | ANGLE RETAINER CENTER / 170MM X 35MM X 45MM | 1 | 1 | |
| NS | 472562 | ANGLE REATAINER EACH SIDE / 35MM X 35MM X 45MM | 2 | 2 | |
| NS | 472220 | MOULDING RETAINER / PLATE CENTER PANEL | 4 | 4 | |
| NS | 472221 | BRACKET ANGLE / TO FIX PANEL TO STRUCTURE | 1 | 1 | |
| NS | 472226 | BRACKET ANGLE / TO FIX PANEL TO STRUCTURE | 1 | 1 | |
| NS | 472398 | RULE END / TO FIX CENTER PANEL 874MM | 2 | 2 | |
| NS | 472397 | RULE CORNER / TO FIX CENTER PANEL 177MM | 2 | 2 | |
| NS | 504248 | RIVET CHY Q PRDG 3/16x1/4 SS | AR | AR | |
| NS | 500414 | SCREW TP BDG PH #10x3/4 SS | AR | AR | |
| NS | 680257 | TAPE ALUMINUM ADH1 .005" x 2" x 300' TRM425-2 | AR | AR | |
| NS | 680307 | SEALER TREMTHANE / UPPER & CENTER PANELS | AR | AR | |
| NS | 680096 | SEALANT BUTYL ALUM / GREY / 310ml CARTRIDGE | AR | AR | |
| NS | 680532 | SEALANT SIKA #221 / GREY / 310ml CARTRIDGE | AR | AR | |
| NS | 680067 | SEALANT TAPE BUTYL / BLACK / 1/8"x3/4"x25' / 75211E760 | 5 | 5 | |
| 12 | 472189 | PANEL LOWER REAR | 1 | 1 | |
| 12 | 472768 | PANEL LOWER REAR / W/W.C.L. "ST & ST" | 1 | | |
| 12 | 472399 | SUPPORT LOWER / TO FIX PANEL TO STRUCTURE | 1 | 1 | |
| 12 | 472258 | SPACER / SIDE PANELS & REAR CAP | 2 | 2 | |
| 13 | 472293 | SPOILER To P-364 | | 1 | |
| 13 | 472693 | SPOILER From P-365 | | 1 | |
| 14 | 472535 | GASKET | | 2 | |
| 15 | 502780 | SCREW CAP HEX M8-1.25x25 SS BK | | AR | |
| 16 | 500035 | WASHER LO SPT .317x.586x.078 SS | | AR | |
| 17 | 502584 | WASHER LO SERR 8.2x26.3x1.8 Z050 | | AR | |
| 18 | 472385 | PLATE | | 2 | |
| NS | 472386 | PLATE / CENTER / 86MM X 730 MM To M-111 | | 1 | |
| 19 | 500148 | SCREW MA RND PH #6-32x1/2 SS | | AR | |
| 20 | 500996 | NUT SPR U #6-32 .135-.150 | | AR | |
| 21 | 506648 | TAPE RUB ADH1 CC POL 1/8" x 1/2"x 50' / GREY 2542 | | AR | |
| 22 | H4-0662-00 | CLEARANCE & MARKER LIGHT | | | |
| 23 | H4-0662-00 | CLEARANCE & MARKER LIGHT | | | |
| 24 | 062692 | CABLE HARNESS, CLEAR. LIGHT REAR IN DEFLECTOR | | 1 | |
| | | | | | |
| | | | | | |
| | | | | | |
| | | | | | |
| | | C) THOSE ASSY INCLUDE ALL ITEMS #1 TO 29 ON PAGE H4-0660-00 | | | |
| | | D) TO FIX PANEL | | | |

From L-031 To R-079

Date:10/2022

PAGE:H4-1851-10

FRONT PANEL - INSTALLATION



| | | |
|-----------------------------------|--------------|-----------------|
| From L-031 To R-079 | Date:10/2022 | PAGE:H4-1851-10 |
| FRONT PANEL - INSTALLATION | | |

| Item# | Part | Description | H 3 4 0 | V I P 4 0 | N O T E S |
|-------|-------------------|--|------------------|-----------------------|-----------------------|
| 1 | 472113 | RUBBER GASKET ASSY | 1 | 1 | |
| 1 | 506501 | . RUB NEO 1/2" x 1 7/16" x 18.5' | AR | AR | |
| 1 | 472767 | . BUSHING SPACER | 12 | 12 | |
| 3 | 472108 | ANGLE RETAINER / REAR / W/3 HOLES | 11 | 11 | |
| 4 | 472109 | ANGLE RETAINER / REAR / W/2 HOLES | 2 | 2 | |
| 5 | 472141 | ANGLE RETAINER / ABOVE FRONT DOOR | 1 | 1 | |
| 6 | 283917 | ANGLE RETAINER & SUPPORT | 3 | 3 | |
| 7 | 472142 | ANGLE RETAINER / BOTTOM OF LOWER WINDSHIELD | 6 | 6 | |
| 8 | 472578 | ANGLE RETAINER & SUPPORT | 1 | 1 | |
| 9 | 472143 | ANGLE RETAINER / BOTTOM OF DRIVER'S WINDOW | 6 | 6 | |
| 10 | 472208 | BRACKET / EACH SIDE AT LOWER / TO FIX ITEM 31 | 2 | 2 | |
| 11 | 472578 | ANGLE RETAINER & SUPPORT | 2 | 2 | C |
| NS | 500310 | SCREW TC FL PH #10-24x1 1/4 SS410 | 4 | 4 | |
| NS | 502582 | WASHER LO SERR 6.1x16.2x0.9 Z050 | 4 | 4 | |
| NS | 506644 | TAPE RUB ADH1 CC NEO 1/8" x 21" x 25" / BLACK 1220SC | AR | AR | |
| 12 | 473151 | PANEL AIR INTAKE | 1 | 1 | |
| 13 | 282711 | SUPPORT / (WELDED) | 1 | 1 | |
| 20 | 502744 | NUT HEX STO M8-1.25 Z050 | 40 | 40 | D |
| 20 | 5001083 | NUT HEXF NYRT 5/16-18 Z050 | 40 | 40 | |
| 21 | 504488 | RIVET MGLP PRDG 3/16x17/64 SS | 28 | 28 | |
| 22 | 500638 | SCREW TP PAN PH #8x1/2 Z050 | 20 | 20 | |
| 23 | 502533 | SCREW CAP HEX M6-1.0x30 G8.8 Z050 | 2 | 2 | |
| NS | 502571 | WASHER FL SEAL .281x.625x20GA SS | 2 | 2 | |
| 24 | 502637 | WASHER FL .200x.437x.037 SS | 18 | 18 | |
| 25 | 504416 | RIVET POP DOME OE 3/16x5/8 SS | 3 | 3 | |
| 26 | 504379 | RIVET POP DOME OE 3/16x1/4 SS | 6 | 6 | |
| NS | 680067 | SEALANT TAPE BUTYL / BLACK / 1/8"x3/4"x25' / 75211E760 | 8 | 8 | |
| NS | 683084 | SEALANT SIKA #221 / GREY / 600 ml SAUSAGE | 3 | 3 | |
| 27 | 410515 | COVER LOWER HINGE / REAR OF BUMPER To N-196 | | 1 | |
| 27 | 410566 | COVER LOWER HINGE / REAR OF BUMPER From N-197 | 1 | 1 | |
| 28 | 504443 | SNAP-IN PLUG / 1.500 O.D. | 1 | 1 | |
| 29 | 504473 | RIVET POP DOME OE 1/8x1/4 SS | 10 | 10 | E |
| 29 | 504464 | RIVET POP CK OE 1/8x3/8 SS | 4 | 4 | |
| NS | 5001067 | WASHER FL .128x.312x.032 SS | 4 | 4 | |
| 30 | H4-1851-00 | CAP - FRONT & REAR - INSTALLATION | | | |
| 31 | H4-1851-00 | CAP - FRONT & REAR - INSTALLATION | | | |
| 32 | 439005 | MOULDING FRONT / LOWER WINDSHIELD / W/UPPER ARM MIRROR MOUNT | 1 | 1 | |
| 32 | 430442 | MOULDING FRONT / LOWER WINDSHIELD / W/2 RAMCO MIRROR MOUNTED | 1 | 1 | |
| 32 | 430434 | MOULDING FRONT / LOWER WINDSHIELD W/1 RAMCO MIRROR MOUNTED | 1 | 1 | A |
| 32 | 430435 | MOULDING FRONT / LOWER WINDSHIELD W/2 RAMCO MIRROR MOUNTED | 1 | 1 | B |
| 34 | 430342 | MOULDING CENTER / BEZEL | 1 | 1 | |
| 35 | 472261 | TRACK / LICENCE PLATE HOLDER 1028MM | 1 | 1 | |

| | | |
|-----------------------------------|--------------|-----------------|
| From L-031 To R-079 | Date:10/2022 | PAGE:H4-1851-10 |
| FRONT PANEL - INSTALLATION | | |

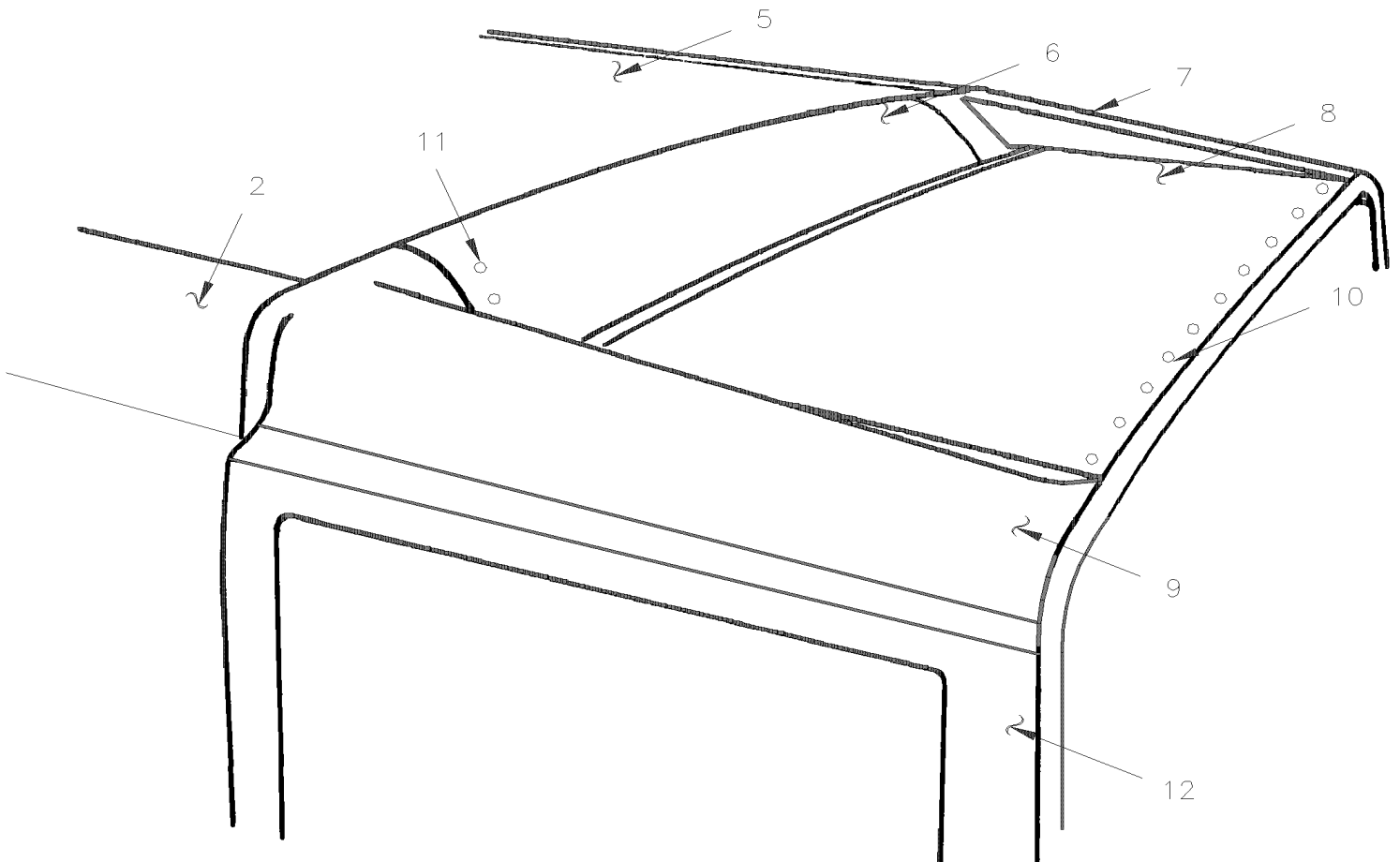
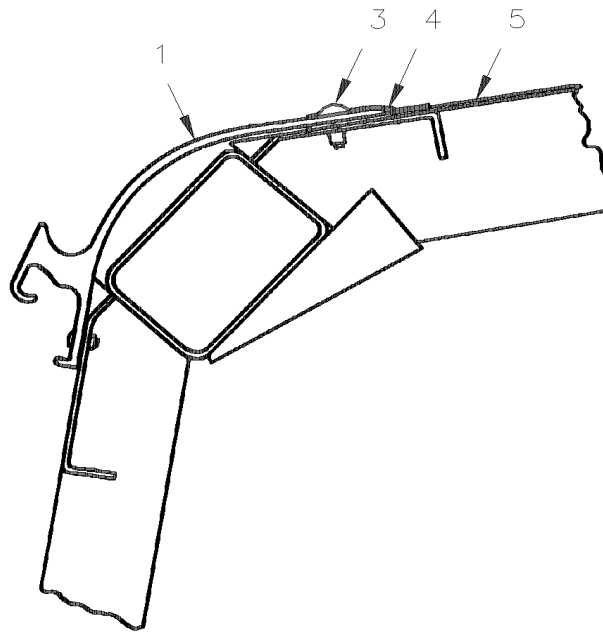
| Item# | Part | Description | H 3 4 0 | V I P 4 0 | N O T E S |
|-------|-------------------|---|------------------|-----------------------|-----------------------|
| 36 | 500873 | SCREW MA RND PH #8-32x3/4 SS BK | 2 | 2 | F |
| 36 | 502666 | SCREW MA FL PH #6-32x3/4 SS BK | 7 | 7 | G |
| NS | 500286 | NUT WELL #6-32 | 7 | 7 | |
| NS | 500678 | NUT WELL #8-32x.450 | 2 | 2 | |
| 40 | 504286 | T SCREW 10-24 X 3/4" / SS / PLATE HOLDER | AR | AR | |
| 41 | 502637 | WASHER FL .200x.437x.037 SS | AR | AR | |
| 41 | 502570 | WASHER LO SPT 6.1x11.8x1.6 SS | AR | AR | |
| 42 | 500787 | NUT HEX #10-24 SS | AR | AR | |
| 44 | 500414 | SCREW TP BDG PH #10x3/4 SS | AR | AR | |
| 44 | 500310 | SCREW TC FL PH #10-24x1 1/4 SS410 | 4 | 4 | |
| 45 | 500524 | SCREW TP PAN PH #12x5/8 SS | 8 | 8 | |
| NS | 502573 | WASHER FL 6.4x12.5x1.6 SS | 8 | 8 | |
| 50 | 350102 | INSULATING PAD | 1 | 1 | |
| 50 | 350267 | INSULATING PAD | 1 | 1 | |
| 51 | 350448 | INSULATING PAD | 1 | 1 | |
| 52 | 350101 | INSULATING PAD | 1 | 1 | |
| 53 | 350102 | INSULATING PAD | 1 | 1 | |
| 54 | H4-1851-00 | CAP - FRONT & REAR - INSTALLATION | | | |
| | | | | | |
| | | | | | |
| | | | | | |
| | | A) THIS MOULDING IT USE WITH "ACADEMY" ON SERIAL NUMBER N-183,N-186,N-187,N-189,N-190 & N-191 | | | |
| | | B) THIS MOULDING IT USE WITH "PROTRAV" ON SERIAL NUMBER N-213,N-216,N-217,N-218 & N-219 | | | |
| | | C) MIDDLE CENTER PANEL | | | |
| | | D) FORMER | | | |
| | | E) TO FIX HINGE COVER | | | |
| | | F) EACH END | | | |
| | | G) CENTER | | | |

From L-031 To R-079

Date:10/2022

PAGE:H4-1852-00

ROOF PANELS



| | | |
|---------------------|--------------|-----------------|
| From L-031 To R-079 | Date:10/2022 | PAGE:H4-1852-00 |
| ROOF PANELS | | |

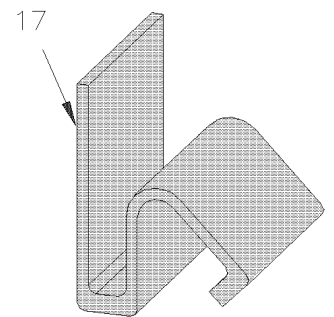
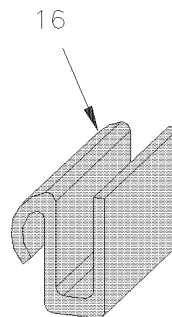
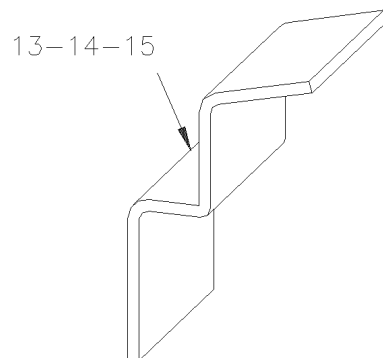
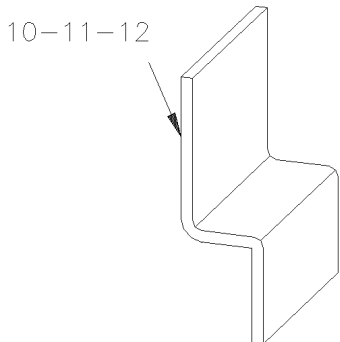
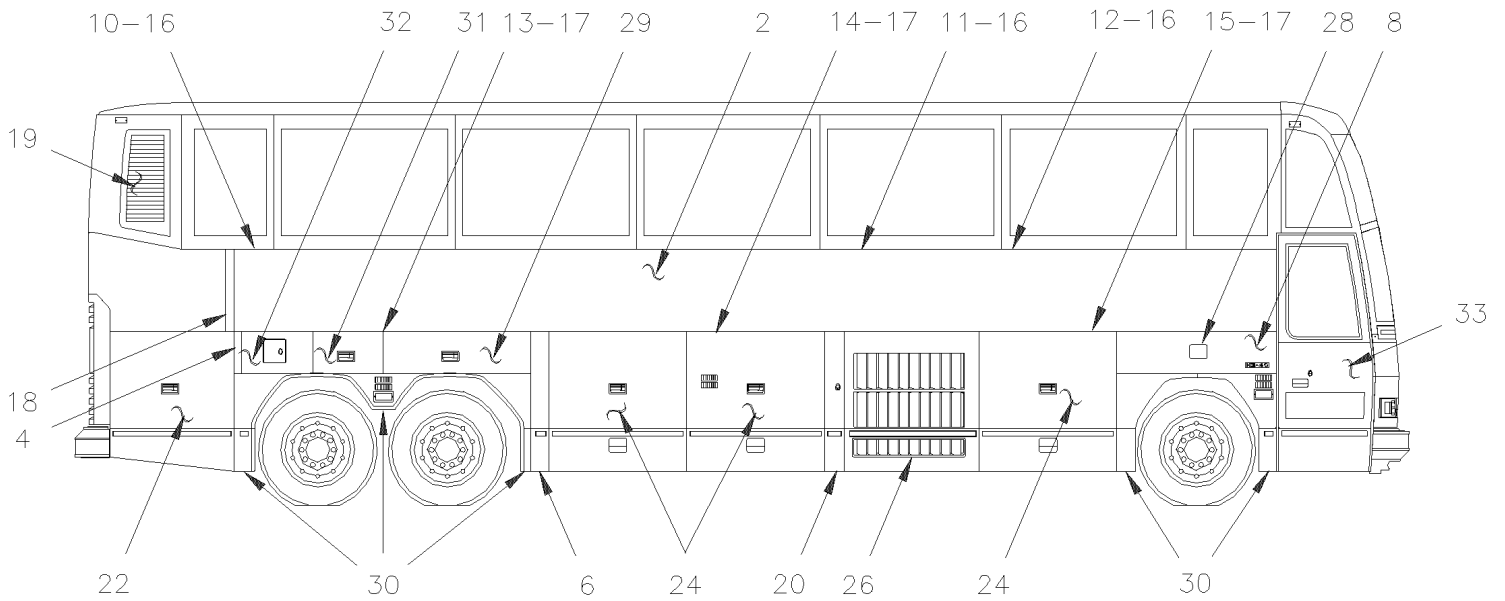
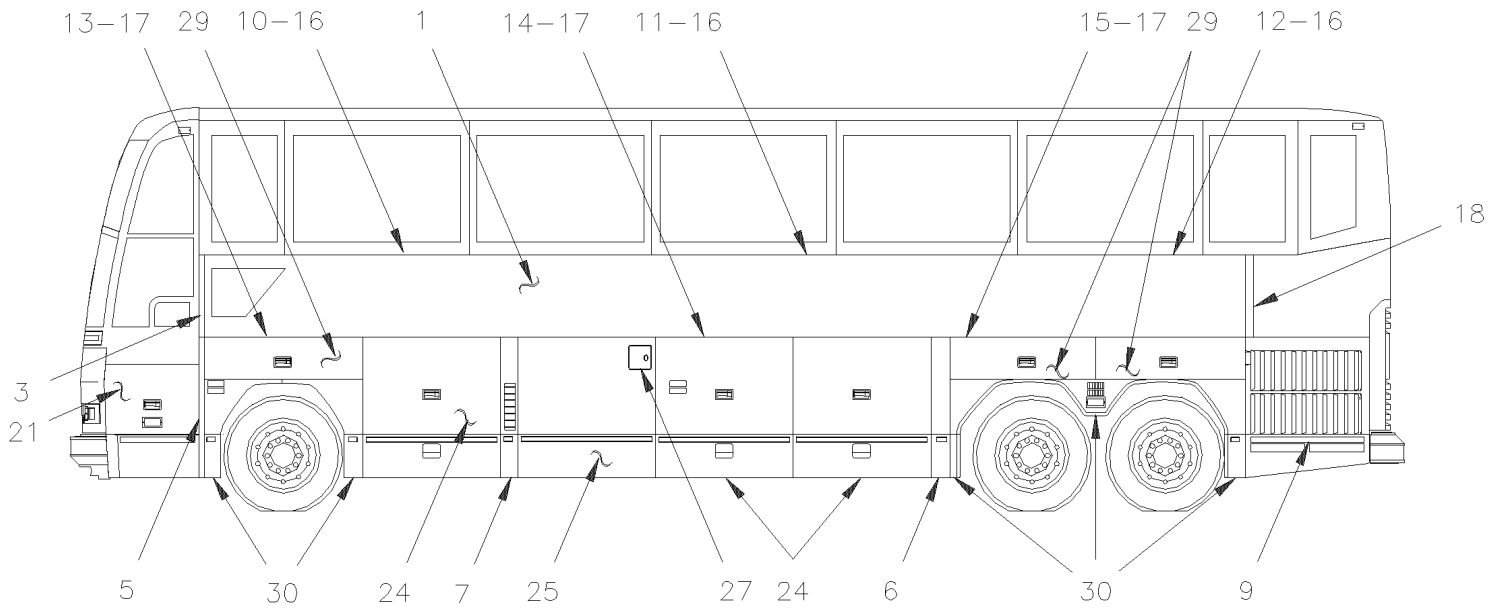
| Item# | Part | Description | H 3 4 0 | V I P 4 0 | N O T E S |
|-------|-------------------|---|------------------|-----------------------|-----------------------|
| 1 | 472242 | EXTRUSION ALUMINUM 10262MM | 2 | | |
| 2 | 292231 | EXTRUSION ALUMINUM 9278MM | | 2 | |
| 3 | 504545 | RIVET CHY MONOLOK PRDG 1/4x3/8 ZP | AR | AR | |
| 3 | 504546 | RIVET CHY MONOLOK PRDG 1/4x5/8 ZP | AR | AR | |
| 4 | 683083 | ADHESIVE SIKA #252 / BLACK / 600 ml SAUSAGE | AR | AR | |
| 5 | 472937P | SHEET, ALUMINUM / ROOF | 1 | 1 | |
| NS | 472940P | SHEET, ALUMINUM / ROOF | | 1 | |
| 6 | 472287 | ROOF TRANSITION / FIBERGLASS To M-157 | | 1 | |
| 6 | 472554 | ROOF TRANSITION / FIBERGLASS From M-158 | | 1 | A |
| 7 | 472285 | FRAME WINDOW L.H. To M-157 | | 1 | |
| 7 | 472573 | FRAME WINDOW L.H. From M-158 | | 1 | |
| 9 | 472286 | FRAME WINDOW R.H. To M-157 | | 1 | |
| 9 | 472574 | FRAME WINDOW R.H. From M-158 | | 1 | |
| 10 | 504459 | RIVET MGLP PRDG 1/4x3/8 SS | | AR | |
| 11 | 500414 | SCREW TP BDG PH #10x3/4 SS | | 4 | |
| 12 | H4-1884-00 | SIDE WINDOW - BUS | | | |
| 12 | H4-1884-50 | SIDE WINDOW ASSY - V.I.P. | | | |
| | | | | | |
| | | | | | |
| | | | | | |
| | | A) THIS ROOF ASSY INCLUDE 7,8 & 9 IN ONE PIECES UPPER SECTION | | | |

From L-031 To R-079

Date:10/2022

PAGE:H4-1854-00

SIDE PANELS - BUS



| | | |
|--------------------------|--------------|-----------------|
| From L-031 To R-079 | Date:10/2022 | PAGE:H4-1854-00 |
| SIDE PANELS - BUS | | |

| Item# | Part | Description | H 3 4 0 | V I P 4 0 | N O T E S |
|-------|-------------------|--|------------------|-----------------------|-----------------------|
| 1 | 472294 | PANEL L.H. To P-329 | 1 | | |
| 1 | 472697 | PANEL L.H. From P-330 | 1 | | |
| 2 | 472206 | PANEL R.H. To P-329 | 1 | | |
| 2 | 472695 | PANEL R.H. From P-330 | 1 | | |
| 2 | 472270 | RAIL ASSY / 24 29/32" / FORWARD CENTRAL DOOR | 1 | | |
| 3 | 472310 | MOULDING TRANSITION / UPPER To M-160 | 1 | | |
| 3 | 472576 | MOULDING TRANSITION / UPPER From M-161 | 1 | | |
| 4 | 283099 | PANEL TRANSITION To P-329 | 1 | | |
| 4 | 284449 | PANEL TRANSITION From P-330 | 1 | | |
| 5 | 472311 | MOULDING TRANSITION / LOWER To M-160 | 1 | | |
| 5 | 472577 | MOULDING TRANSITION / LOWER From M-161 | 1 | | |
| 6 | 282998 | PANEL TRANSITION To P-329 | 2 | | |
| 6 | 284267 | PANEL TRANSITION From P-330 | 2 | | |
| . NS | 284206 | . SUPPORT UPPER From P-330 | 1 | | |
| . NS | 284294 | . SUPPORT LOWER From P-330 | 1 | | |
| 6 | 211451 | SUPPORT LOWER / WELDED | 2 | | |
| 6 | 211308 | SUPPORT UPPER / WELDED To P-329 | 1 | | |
| 6 | 212138 | SUPPORT UPPER / WELDED From P-330 | 1 | | |
| 7 | 282963 | PANEL AIR INTAKE EVAPORATOR | 1 | | |
| NS | 502764 | NUT SPR J #14A .035-.046 | AR | | A |
| NS | 500535 | SCREW TP CAP HEX #14x3/4 Z050 | AR | | A |
| NS | 500468 | WASHER FL .281x1.250x.065 Z050 | AR | | A |
| 8 | 472244 | PANEL | 1 | | |
| NS | 472050 | PLATE SUPPORT 60MM x 31MM W/25° BEND | 3 | | B |
| NS | 504459 | RIVET MGLP PRDG 1/4x3/8 SS | 6 | | |
| NS | 472050 | PLATE SUPPORT 60MM x 31MM W/25° BEND | AR | | |
| 9 | H4-1869-00 | RADIATOR DOOR ASSY - GRILL To N-200 | | | |
| 9 | H4-1869-01 | RADIATOR DOOR ASSY - GRILL From N-201 | | | |
| 10 | 472060 | MOULDING SUPPORT / UPPER L.H. 2438 MM | 2 | | |
| 11 | 472055 | MOULDING SUPPORT 2438 MM | 1 | | |
| 11 | 472328 | MOULDING SUPPORT 2423 MM | 2 | | |
| 12 | 472061 | MOULDING SUPPORT / UPPER R.H. 2438 MM | 2 | | |
| 13 | 472469 | SUPPORT ASSY LOWER / REAR R.H. & FRONT L.H. | 2 | | |
| 14 | 472472 | SUPPORT LOWER CENTER PART / 2423MM | 2 | | |
| 14 | 472464 | SUPPORT LOWER CENTER PART / 2438MM | 2 | | |
| 15 | 472471 | SUPPORT ASSY LOWER / REAR L.H. & FRONT R.H. | 2 | | |
| NS | 504249 | RIVET CHY Q PRDG 3/16x3/8 SS | AR | | C |
| NS | 504250 | RIVET CHY Q PRDG 3/16x1/2 SS | AR | | C |
| NS | 504487 | RIVET MGLP PRDG 3/16x7/16 SS | AR | | D |
| NS | 504610 | RIVET MGLP PRDG 1/4x5/8 SS | AR | | |
| 15 | 504249 | RIVET CHY Q PRDG 3/16x3/8 SS | 1 | | |
| 15 | 504250 | RIVET CHY Q PRDG 3/16x1/2 SS | 1 | | |

| | | |
|--------------------------|--------------|-----------------|
| From L-031 To R-079 | Date:10/2022 | PAGE:H4-1854-00 |
| SIDE PANELS - BUS | | |

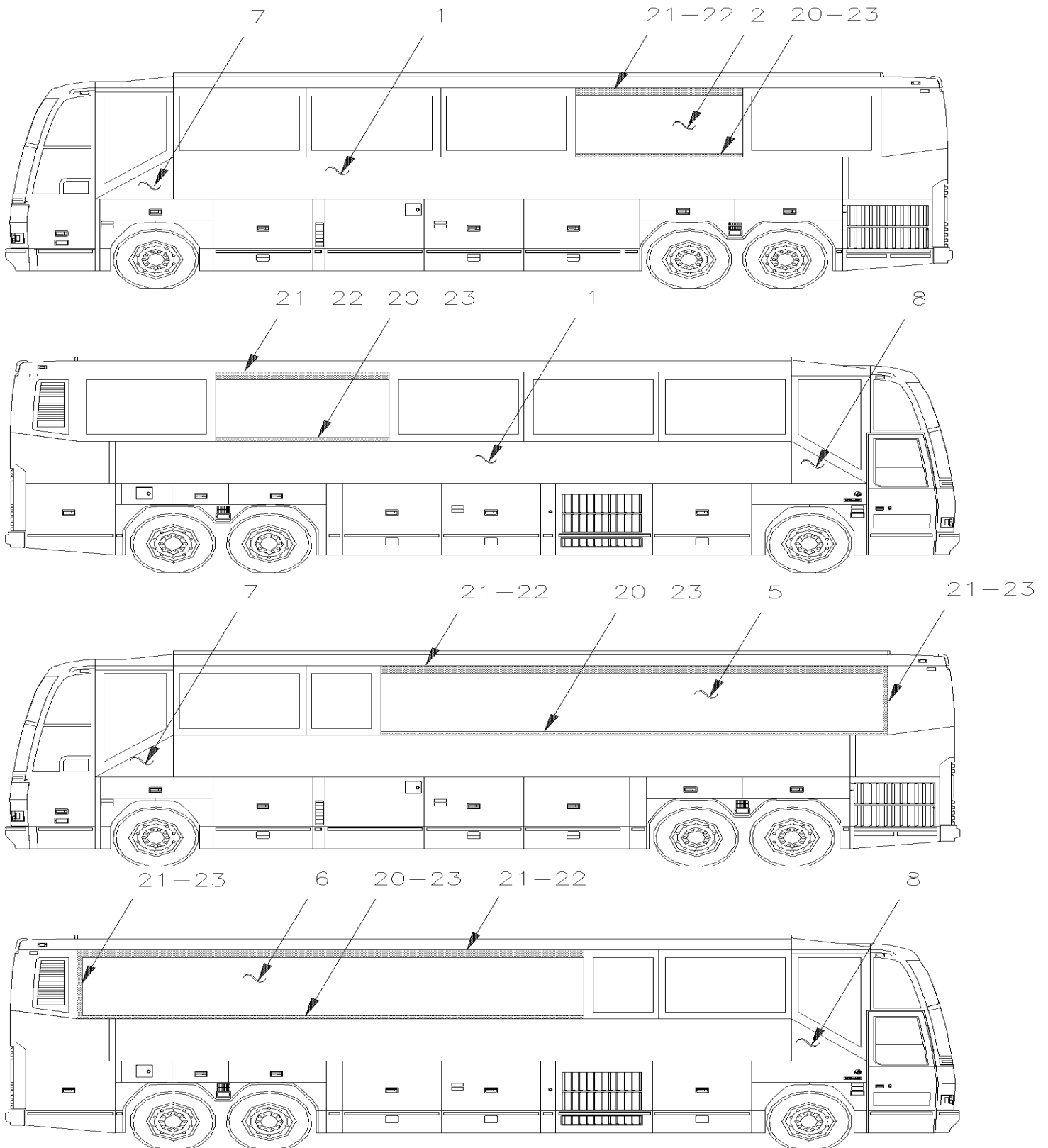
| Item# | Part | Description | H 3 4 0 | V I P 4 0 | N O T E S |
|-------|-------------------|---|------------------|-----------------------|-----------------------|
| 15 | 504487 | RIVET MGLP PRDG 3/16x7/16 SS | 1 | | |
| 15 | 504610 | RIVET MGLP PRDG 1/4x5/8 SS | 1 | | |
| 16 | 472035 | SEAL RUBBER 250' LG S.L. | AR | | |
| 16 | 472580 | SEAL, RUBBER 40' LG | 2 | | |
| 16 | 472035 | SEAL RUBBER 250' LG S.L. | 1 | | |
| 17 | 472453 | RUBBER GASKET 250' LG S.L. | AR | | |
| 17 | 472496 | RUBBER GASKET 40' LG | 2 | | |
| 17 | 470059 | RUBBER GASKET 333' LG S.L. | AR | | |
| 18 | 420197 | MOULDING CAP / BLACK PLASTIC 30MM x 820MM | 1 | | |
| 18 | 420198 | MOULDING RETAINER / 26MM x 820MM | 2 | | |
| NS | 472258 | SPACER / SIDE PANELS & REAR CAP | AR | | |
| 19 | 472228 | GRILLE / AIR INLET | 1 | | |
| . NS | 506769 | . TAPE RUB ADH2 CC POL 1/8" x 1/4" x 60' / BLACK H1CC-N-#14 | ar | | |
| 20 | H4-1863-40 | CONDENSOR DOOR ASSY (SMALL) | | | |
| 21 | H4-1879-00 | FRONT SERVICE DOOR ASSY | | | |
| 22 | H4-1868-00 | A/C COMPRESSOR DOOR ASSY | | | |
| 24 | H4-1864-00 | BAGGAGE COMPARTMENT DOOR | | | |
| 25 | H4-1866-00 | EVAPORATOR DOOR ASSY | | | |
| 26 | H4-1863-00 | CONDENSOR DOOR ASSY | | | |
| 27 | H4-1875-00 | FUEL TANK FILLING DOOR | | | |
| 28 | H4-1872-00 | ENTRANCE DOOR OPENING SWITCH | | | |
| 29 | H4-1864-50 | SMALL BAGGAGE COMPARTMENT DOOR | | | |
| 30 | H4-1857-00 | FENDERS | | | |
| 31 | H4-1876-00 | SLIDING TRAY FOR BATTERY INSTALLATION To M-143 | | | |
| 31 | H4-1876-01 | SLIDING TRAY FOR BATTERY INSTALLATION From M-144 | | | |
| 32 | H4-1874-00 | SLIDING TRAY JUNCTION BOX | | | |
| 32 | H4-1874-10 | SMALL ACCESS DOOR | | | |
| 33 | H4-1862-00 | ENTRANCE DOOR ASSY - PLUG TYPE To N-196 | | | |
| 33 | H4-1862-10 | ENTRANCE DOOR ASSY - "SEDAN" From N-197 | | | |
| | | | | | |
| | | | | | |
| | | A) TO FIX ITEM 6 & 7 | | | |
| | | B) TO FIX PANEL | | | |
| | | C) TO FIX MOULDINGS & PANELS | | | |
| | | D) TO FIX MOULDINGS & PANELS | | | |

From L-031 To R-079

Date:10/2022

PAGE:H4-1854-50

SIDE PANELS - V.I.P.

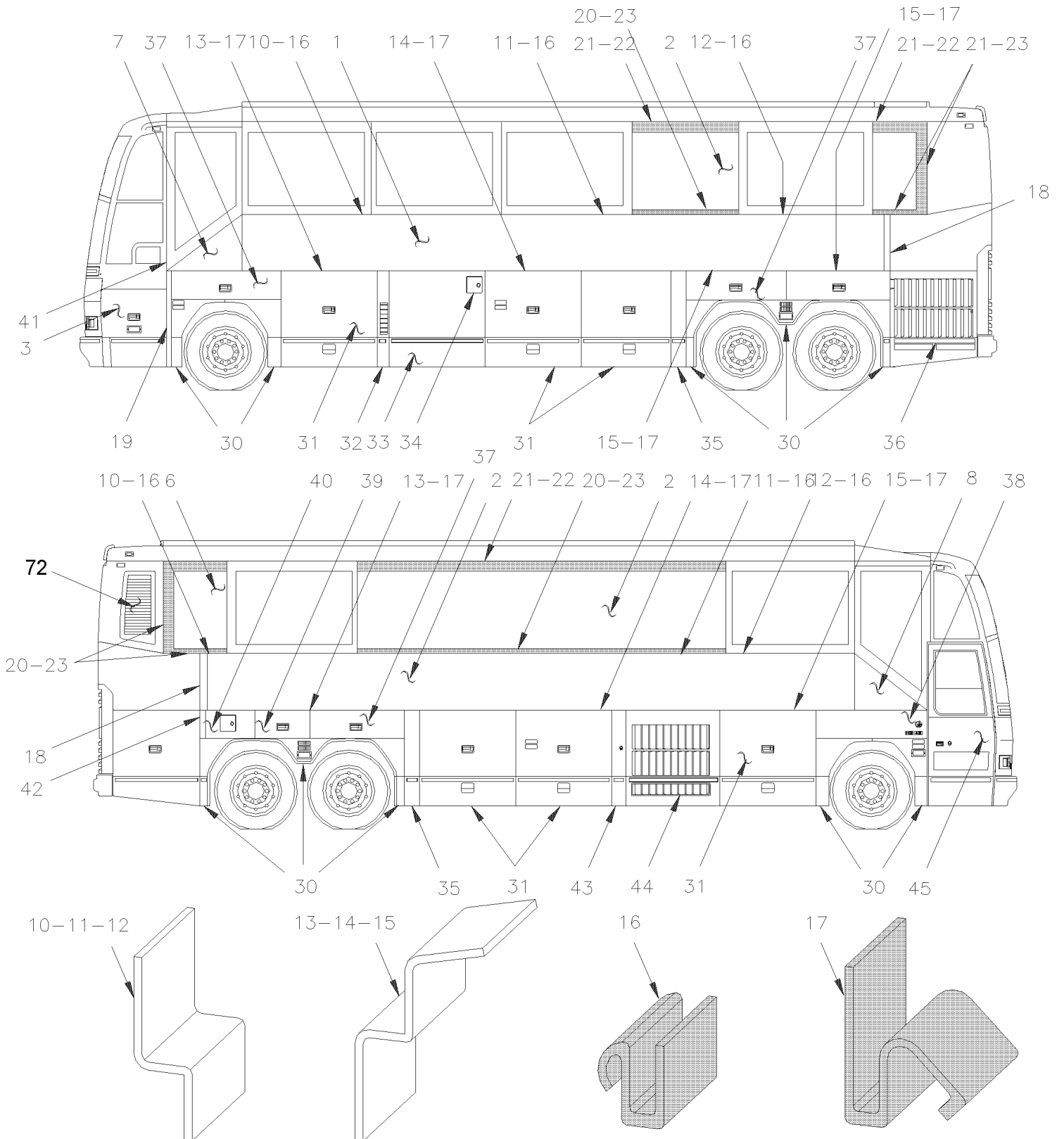


From L-031 To R-079

Date:10/2022

PAGE:H4-1854-50

SIDE PANELS - V.I.P.

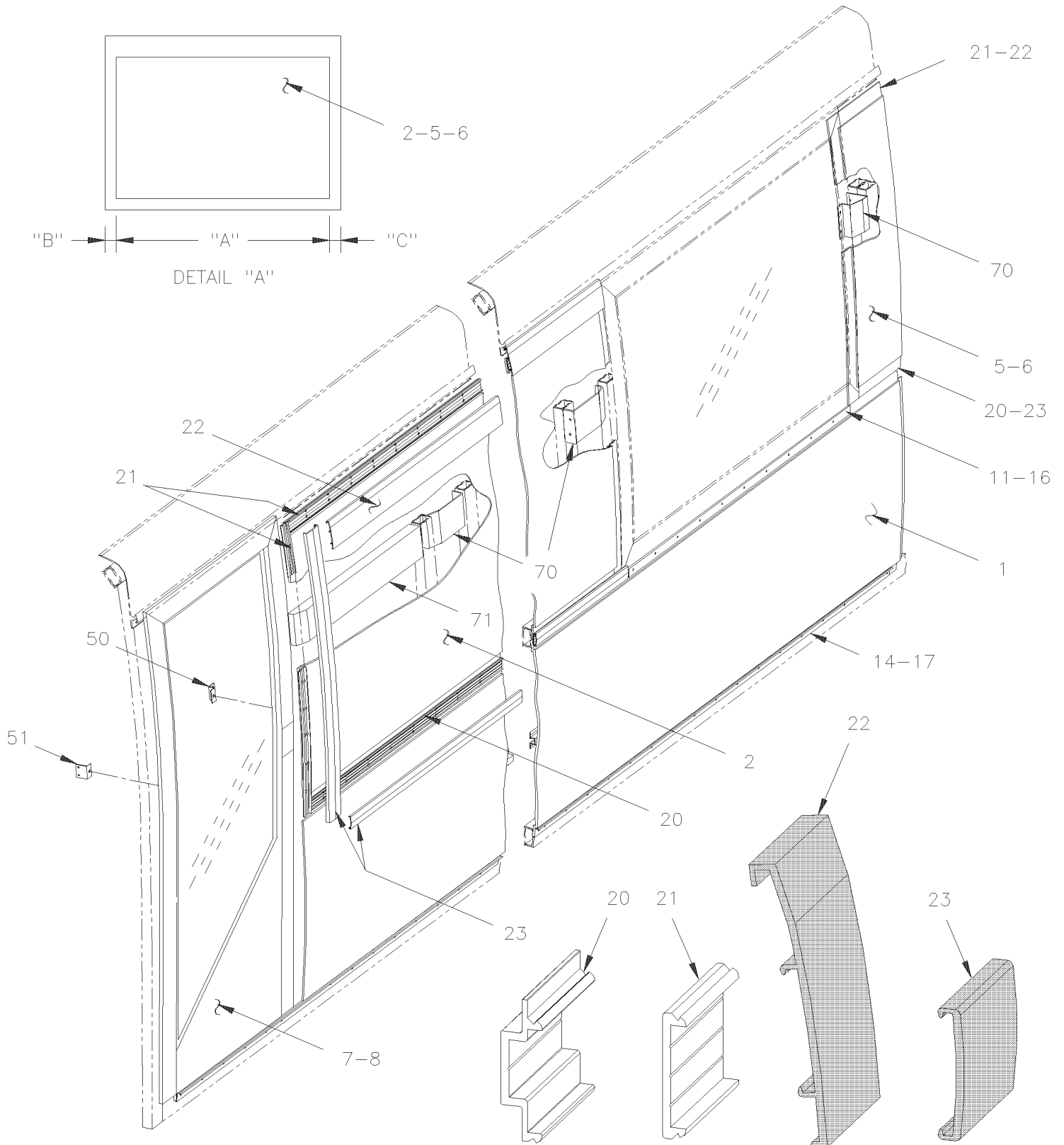


From L-031 To R-079

Date:10/2022

PAGE:H4-1854-50

SIDE PANELS - V.I.P.



| | | |
|-----------------------------|--------------|-----------------|
| From L-031 To R-079 | Date:10/2022 | PAGE:H4-1854-50 |
| SIDE PANELS - V.I.P. | | |

| Item# | Part | Description | H 3 4 0 | V I P 4 0 | N O T E S |
|-------|-------------------|---|------------------|-----------------------|-----------------------|
| 1 | 472288 | PANEL To P-328 | | 2 | |
| 1 | 472696 | PANEL From P-329 | | 2 | |
| | | FOLLOWING PANELS DIMENSIONS | | | |
| | | ARE GIVEN AS PER DETAIL | | | |
| | | FIRE | | | |
| 2 | 472530 | PANEL UPPER / 2211MM, 53MM, 53MM | | 1 | |
| 2 | 472498 | PANEL UPPER / 2929MM, 53MM, 53MM | | 1 | |
| 2 | 472377 | PANEL UPPER / 3229MM, 53MM, 53MM | | 1 | |
| 2 | 472514 | PANEL UPPER / 3535MM, 53MM, 53MM | | 1 | |
| 2 | 472433 | PANEL UPPER / 3871MM, 53MM, 53MM | | 1 | |
| 2 | 472513 | PANEL UPPER / 4171MM, 53MM, 53MM | | 1 | |
| 3 | H4-1879-00 | FRONT SERVICE DOOR ASSY | | | |
| 5 | 472436 | PANEL UPPER / 231MM, 53MM, 30MM | | 1 | |
| 5 | 472658 | PANEL UPPER / 874MM, 53MM, 30MM | | 1 | |
| 5 | 472341 | PANEL UPPER / 2534MM, 53MM, 30MM | | 1 | |
| 5 | 472541 | PANEL UPPER / 4194MM, 53MM, 30MM | | 1 | |
| 5 | 472500 | PANEL UPPER / 5854MM, 53MM, 30MM | | 1 | |
| 5 | 472281 | PANEL UPPER / 7514MM, 53MM, 30MM | | 1 | |
| 5 | 472279 | PANEL UPPER / 9162MM, 53MM, 30MM | | 1 | |
| 6 | 472438 | PANEL UPPER / 231MM, 30MM, 53MM | | 1 | |
| 6 | 472660 | PANEL UPPER / 874MM, 30MM, 53MM | | 1 | |
| 6 | 472540 | PANEL UPPER / 4194MM, 30MM, 53MM | | 1 | |
| 6 | 472499 | PANEL UPPER / 5854MM, 30MM, 53MM | | 1 | |
| 6 | 472280 | PANEL UPPER / 7514MM, 30MM, 53MM | | 1 | |
| 6 | 472278 | PANEL UPPER / 9162MM, 30MM, 53MM | | 1 | |
| 7 | 472285 | FRAME WINDOW L.H. To M-160 | | 1 | |
| 7 | 472573 | FRAME WINDOW L.H. From M-161 | | 1 | |
| 8 | 472286 | FRAME WINDOW R.H. To M-160 | | 1 | |
| 8 | 472574 | FRAME WINDOW R.H. From M-161 | | 1 | |
| NS | 472050 | PLATE SUPPORT 60MM x 31MM W/25° BEND | | AR | |
| 10 | 472060 | MOULDING SUPPORT / UPPER L.H. 2438 MM | | 2 | |
| 11 | 472328 | MOULDING SUPPORT 2423 MM | | 2 | |
| 11 | 472055 | MOULDING SUPPORT 2438 MM | | 2 | |
| 12 | 472061 | MOULDING SUPPORT / UPPER R.H. 2438 MM | | 2 | |
| 13 | 472469 | SUPPORT ASSY LOWER / REAR R.H. & FRONT L.H. | | 2 | |
| 14 | 472464 | SUPPORT LOWER CENTER PART / 2438MM | | 6 | |
| 14 | 472472 | SUPPORT LOWER CENTER PART / 2423MM | | 2 | |
| 15 | 472471 | SUPPORT ASSY LOWER / REAR L.H. & FRONT R.H. | | 2 | |
| NS | 504249 | RIVET CHY Q PRDG 3/16x3/8 SS | | AR | |
| NS | 504250 | RIVET CHY Q PRDG 3/16x1/2 SS | | AR | |

| | | |
|-----------------------------|--------------|-----------------|
| From L-031 To R-079 | Date:10/2022 | PAGE:H4-1854-50 |
| SIDE PANELS - V.I.P. | | |

| Item# | Part | Description | H 3 4 0 | V I P 4 0 | N O T E S |
|-------|-------------------|---|------------------|-----------------------|-----------------------|
| NS | 504487 | RIVET MGLP PRDG 3/16x7/16 SS | | | |
| NS | 504610 | RIVET MGLP PRDG 1/4x5/8 SS | | | |
| NS | 472258 | SPACER / SIDE PANELS & REAR CAP | | AR | |
| 16 | 472035 | SEAL RUBBER 250' LG S.L. | | AR | |
| 16 | 472580 | SEAL, RUBBER 40' LG | | 2 | |
| 17 | 472453 | RUBBER GASKET 250' LG S.L. | | AR | |
| 17 | 472496 | RUBBER GASKET 40' LG | | 2 | |
| 17 | 470059 | RUBBER GASKET 333' LG S.L. | | AR | |
| 18 | 420197 | MOULDING CAP / BLACK PLASTIC 30MM x 820MM | | 2 | |
| 18 | 420198 | MOULDING RETAINER / 26MM x 820MM | | 2 | |
| NS | 472258 | SPACER / SIDE PANELS & REAR CAP | | AR | |
| NS | 504249 | RIVET CHY Q PRDG 3/16x3/8 SS | | AR | E |
| NS | 504250 | RIVET CHY Q PRDG 3/16x1/2 SS | | AR | E |
| NS | 504487 | RIVET MGLP PRDG 3/16x7/16 SS | | AR | F |
| NS | 504610 | RIVET MGLP PRDG 1/4x5/8 SS | | AR | |
| 19 | 472311 | MOULDING TRANSITION / LOWER To M-160 | | 1 | |
| 19 | 472577 | MOULDING TRANSITION / LOWER From M-161 | | 1 | |
| 20 | 420200 | MOULDING RETAINER / 54MM x 9270MM (43MM Grip) | | AR | G |
| 21 | 420202 | MOULDING RETAINER / 48MM x 9270MM (43MM Grip) | | AR | G |
| 22 | 420203 | MOULDING CAP / BLACK 107MM X 9270 | | AR | G |
| 23 | 420201 | MOULDING CAP / BLACK PLASTIC 50MM X 9270MM | | AR | G |
| 30 | H4-1857-00 | FENDERS | | | |
| 31 | H4-1864-00 | BAGGAGE COMPARTMENT DOOR | | | |
| 32 | 282963 | PANEL AIR INTAKE EVAPORATOR | | 1 | |
| NS | 502764 | NUT SPR J #14A .035-.046 | | AR | |
| NS | 500535 | SCREW TP CAP HEX #14x3/4 Z050 | | AR | A |
| NS | 500468 | WASHER FL .281x1.250x.065 Z050 | | AR | A |
| 33 | H4-1866-00 | EVAPORATOR DOOR ASSY | | | |
| 34 | H4-1875-00 | FUEL TANK FILLING DOOR | | | |
| 35 | 282998 | PANEL TRANSITION To P-270 | | 2 | |
| 35 | 284267 | PANEL TRANSITION From P-271 | | 2 | |
| NS | 284206 | SUPPORT UPPER From P-271 | | 1 | |
| NS | 284294 | SUPPORT LOWER From P-271 | | 1 | |
| 35 | 211451 | SUPPORT LOWER / WELDED | | 2 | |
| 35 | 211308 | SUPPORT UPPER / WELDED To P-270 | | 1 | |
| 35 | 212138 | SUPPORT UPPER / WELDED From P-271 | | 1 | |
| 36 | H4-1869-00 | RADIATOR DOOR ASSY - GRILL To N-200 | | | |
| 36 | H4-1869-01 | RADIATOR DOOR ASSY - GRILL From N-201 | | | |
| 37 | H4-1864-50 | SMALL BAGGAGE COMPARTMENT DOOR | | | |
| 38 | 472333 | PANEL L.H. | | 1 | |
| NS | 472050 | PLATE SUPPORT 60MM x 31MM W/25° BEND | | 3 | |
| 39 | H4-1876-00 | SLIDING TRAY FOR BATTERY INSTALLATION To M-143 | | | |

| | | |
|-----------------------------|--------------|-----------------|
| From L-031 To R-079 | Date:10/2022 | PAGE:H4-1854-50 |
| SIDE PANELS - V.I.P. | | |

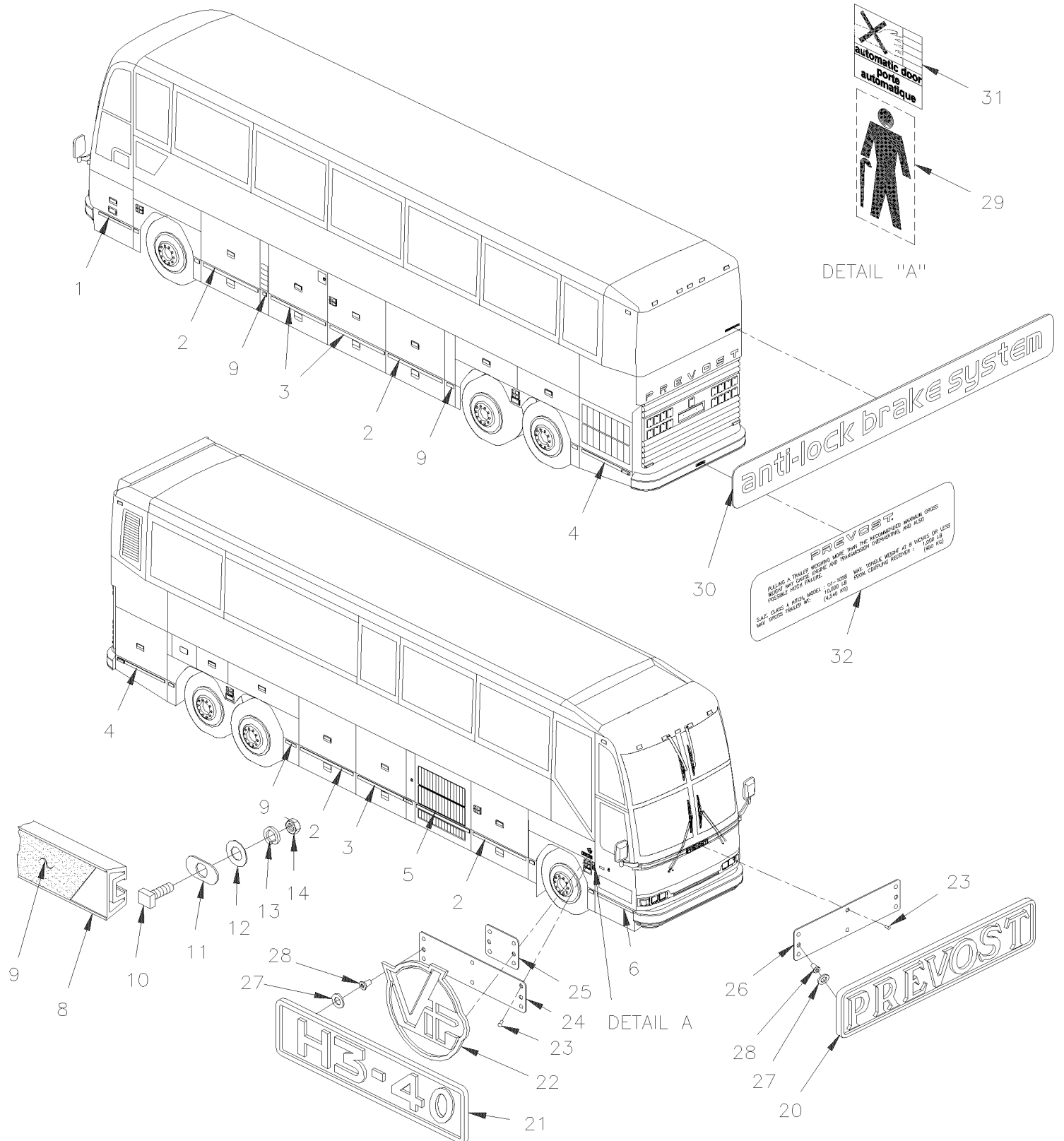
| Item# | Part | Description | H 3 4 0 | V I P 4 0 | N O T E S |
|-------|-------------------|---|------------------|-----------------------|-----------------------|
| 39 | H4-1876-01 | SLIDING TRAY FOR BATTERY INSTALLATION From M-144 | | | |
| 40 | H4-1874-00 | SLIDING TRAY JUNCTION BOX | | | |
| 41 | 472310 | MOULDING TRANSITION / UPPER To M-159 | | 1 | |
| 41 | 472576 | MOULDING TRANSITION / UPPER From M-160 | | 1 | |
| 42 | 283099 | PANEL TRANSITION To P-325 | | 1 | |
| 42 | 284449 | PANEL TRANSITION From P-326 | | 1 | |
| 43 | H4-1863-40 | CONDENSOR DOOR ASSY (SMALL) | | | |
| NS | 682462 | ADHESIVE SIKA #252 / BLACK / 310ml CARTRIDGE | | AR | |
| 44 | H4-1863-00 | CONDENSOR DOOR ASSY | | | |
| 45 | H4-1862-50 | ENTRANCE DOOR ASSY - V.I.P. | | | |
| 50 | 472349 | RETAINER ANGLE / FRONT | | 6 | |
| NS | 504488 | RIVET MGLP PRDG 3/16x17/64 SS | | AR | D |
| 51 | 472350 | RETAINER "Z" SHAPED / REAR | | 6 | |
| NS | 5001202 | SCREW CAP HEX 7/16-20x1 3/4 G5 Z050 | | 16 | |
| NS | 502789 | SCREW MA PAN PH M6-1.0x20 Z050 | | 16 | |
| NS | 502570 | WASHER LO SPT 6.1x11.8x1.6 SS | | 16 | |
| NS | 500411 | WASHER FL .260x.697x.050 SS | | 16 | |
| NS | 502573 | WASHER FL 6.4x12.5x1.6 SS | | 16 | |
| NS | 505193 | SHIM 1/8" THICK | | AR | |
| NS | 505216 | SHIM 1/16" THICK | | AR | |
| 70 | 473485 | REINFORCEMENT / TO FIX AWNING 95MM | | | |
| NS | 472585 | REINFORCEMENT / TO FIX AWNING 235MM | | | |
| NS | 473484 | REINFORCEMENT / TO FIX AWNING 235MM | | | |
| NS | 473486 | REINFORCEMENT / TO FIX AWNING 273MM | | | |
| NS | 473519 | REINFORCEMENT / TO FIX AWNING 283MM | | | |
| NS | 473487 | REINFORCEMENT / TO FIX AWNING 315MM | | | |
| 71 | 472600 | REINFORCEMENT / TO FIX AWNING 864MM | | | |
| 72 | 472228 | GRILLE / AIR INLET | | 1 | |
| NS | 506769 | TAPE RUB ADH2 CC POL 1/8" x 1/4" x 60' / BLACK H1CC-N-#14 | | ar | |
| | | | | | |
| | | A) TO FIX ITEM #32 | | | |
| | | D) TO FIX ITEM #50 | | | |
| | | E) TO FIX MOULDINGS & PANELS | | | |
| | | F) DUCT TO BODY | | | |
| | | G) C.T.L. | | | |

From L-031 To R-079

Date:10/2022

PAGE:H4-1855-00

EXTERIOR TRIMS & CREST



| | | |
|-----------------------------------|--------------|-----------------|
| From L-031 To R-079 | Date:10/2022 | PAGE:H4-1855-00 |
| EXTERIOR TRIMS & CREST | | |

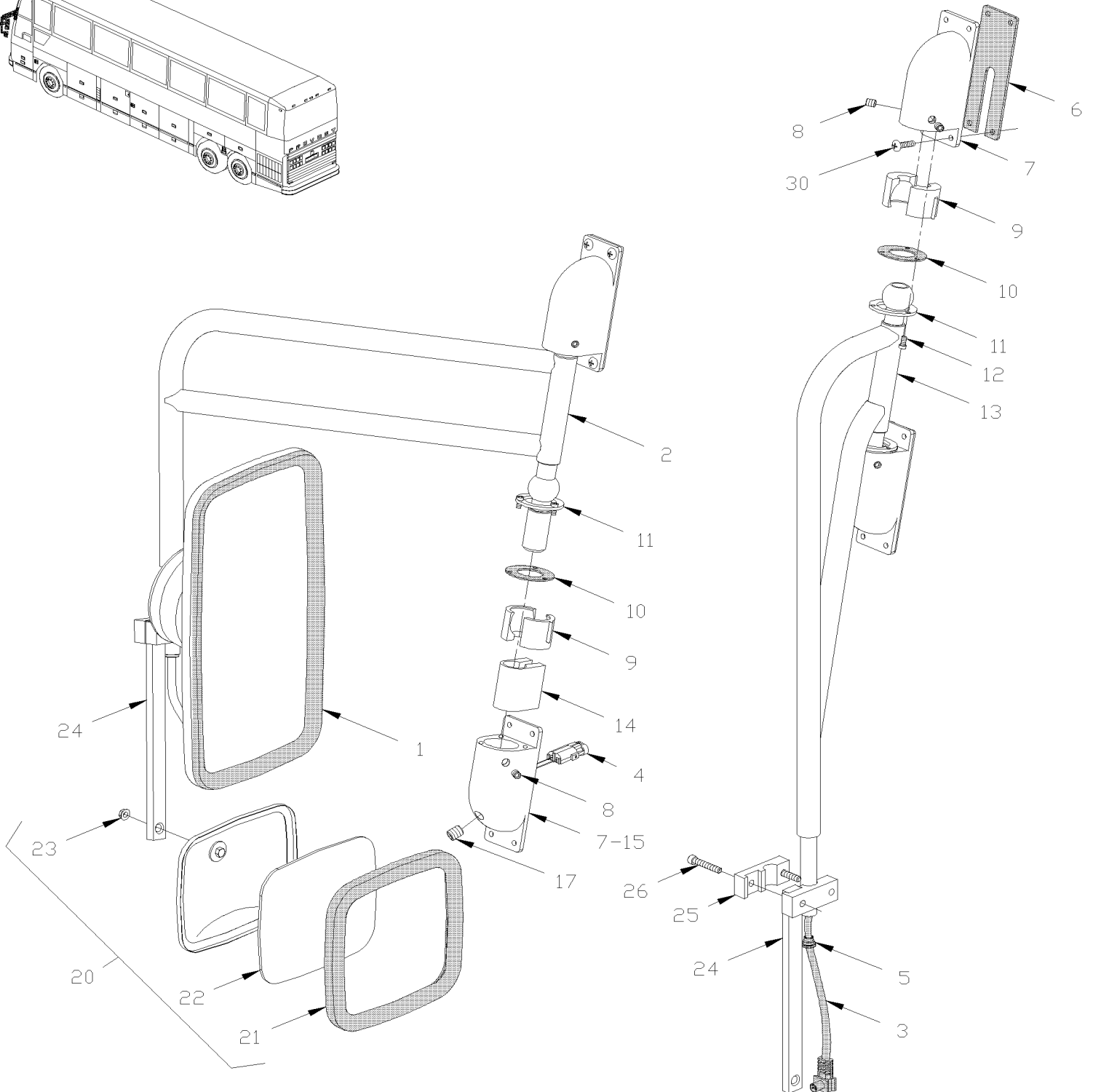
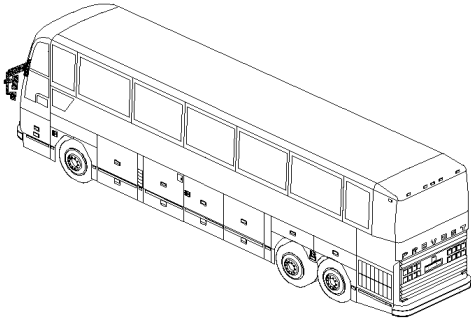
| Item# | Part | Description | H 3 4 0 | V I P 4 0 | N O T E S |
|-------|--------|--|------------------|-----------------------|-----------------------|
| 1 | 282559 | EXTRUSION PROFILE 678MM / THICK EXTRUSION 20MM | 1 | 1 | |
| 2 | 282567 | EXTRUSION PROFILE 1340MM | 4 | 4 | |
| 3 | 282569 | EXTRUSION PROFILE 1182MM | 3 | 3 | |
| 4 | 283081 | EXTRUSION PROFILE 1072MM | 2 | 2 | |
| 5 | 282640 | EXTRUSION PROFILE 1152MM | 1 | 1 | |
| 6 | 282750 | EXTRUSION PROFILE MODIFIED 663MM | 1 | | |
| 6 | 283376 | EXTRUSION PROFILE 773MM | 1 | 1 | |
| 8 | 282434 | EXTRUSION PROFILE 6096MM (RAW MATERIAL) | AR | AR | |
| 9 | 283100 | STRIPE, REFLECTIVE WHITE / 38MM X 15' ROLL | AR | AR | |
| . NS | 780277 | . STRIPE, REFLECTIVE WHITE / 38MM X 150' ROLL | AR | AR | |
| NS | 283100 | . STRIPE, REFLECTIVE WHITE / 38MM X 15' ROLL | AR | AR | |
| . NS | 780277 | . . STRIPE, REFLECTIVE WHITE / 38MM X 150' ROLL | AR | AR | |
| 10 | 502534 | SCREW CAP SQ 5/16-18x1 G2 Z050 | AR | AR | |
| 11 | 283219 | WASHER ,REINFORCEMENT | AR | AR | |
| 12 | 500374 | WASHER FL .375x.625x.062 RUB | AR | AR | |
| 13 | 502583 | WASHER LO SERR 8.15x22.3x1.0 Z050 | AR | AR | |
| 14 | 500701 | NUT HEX 5/16-18 ZP | AR | AR | |
| 20 | 490550 | CREST "PREVOST" | 1 | 1 | |
| 21 | 490551 | CREST "H3-40" | 1 | | |
| 22 | 490553 | CREST "V.I.P." | | 1 | |
| 23 | 500952 | SCREW TP BDG PH #8x1/2 SS | AR | AR | B |
| 24 | 490593 | PLATE MOUNTING | 1 | 1 | |
| 25 | 490594 | PLATE MOUNTING | | 1 | |
| 26 | 490592 | PLATE, MOUNTING | 1 | 1 | |
| 27 | 490601 | GASKET | AR | AR | |
| 28 | 502814 | NUT SPR PO TUB .184-.190 | AR | AR | |
| 29 | 130622 | DECAL "FRONT KNEELING" / BLACK ON CLEAR | 1 | | |
| 29 | 131406 | DECAL "FRONT KNEELING" / BLACK ON WHITE | 1 | | |
| 29 | 131490 | DECAL "FRONT KNEELING" / BLACK ON ALUMINIUM | 1 | | |
| 30 | 141531 | DECAL "ANTI-LOCK SYSTEM" / ON REAR CAP | 1 | 1 | |
| 31 | 284452 | DECAL "AUTOMATIC DOOR" / HAND OFF / WHITE | 1 | | |
| 31 | 284451 | DECAL "AUTOMATIC DOOR" / HAND OFF / BLACK | 1 | | |
| 31 | 285813 | DECAL / "AUTOMATIC DOOR" / HAND OFF / ALU / ENGLISH & FRANCAIS | 1 | | |
| 31 | 282473 | DECAL / "AUTOMATIC DOOR" / HAND OFF / CLEAR / ENGLISH & FRANCAIS | 1 | | |
| 32 | 410626 | DECAL "MAXIMUM HITCH CAPACITY" | | 1 | |
| | | | | | |
| | | | | | |
| | | | | | |
| | | | | | |
| | | B) TO FIX MOUNTING PLATE | | | |

From L-031 To R-079

Date:10/2022

PAGE:H4-1856-00

MIRROR - EXTERIOR - INSTALLATION



| | | |
|---------------------|--------------|-----------------|
| From L-031 To R-079 | Date:10/2022 | PAGE:H4-1856-00 |
|---------------------|--------------|-----------------|

MIRROR - EXTERIOR - INSTALLATION

| Item# | Part | Description | H 3 4 0 | V I P 4 0 | N O T E S |
|-------|------------|---|------------------|-----------------------|-----------------------|
| 1 | H4-1856-15 | MIRROR "SPARTAN" ELECTRICAL | | | |
| 1 | H4-1856-10 | MIRROR "SPARTAN" MANUAL | | | |
| 2 | 490565 | ARM ASSY / W/ELECTRICAL ADJUSTMENT | 2 | | C |
| 2 | 490791 | ARM ASSY / W/ELECTRICAL ADJUSTMENT | 1 | | B |
| 2 | 490607 | ARM ASSY / W/MANUAL ADJUSTMENT | 2 | | C |
| 2 | 490792 | ARM ASSY / W/MANUAL ADJUSTMENT | 1 | | B |
| 2 | 490566 | . ARM | 1 | | C |
| 2 | 490790 | . ARM | 1 | | B |
| 3 | 990158 | . HARNESS / W/ELECTRICAL ADJUSTMENT | 1 | | |
| 3 | 561866 | . HARNESS / W/MANUAL ADJUSTMENT | 1 | | |
| 4 | 562069 | . CONNECTOR / (.062) / SH 6C / MOLEX 03-06-1062 | 1 | | |
| NS | 561478 | . SOCKET TERMINAL / 24-18 / MOLEX 02-06-1103 | 5 | | |
| 5 | 490576 | . CAP / CLOSING TUBE | 1 | | |
| NS | 062711 | CABLE ASSY / MIRROR INSIDE SIDE WINDSHIELD POST INSIDE SIDE WINDSHIELD POST | 2 | | |
| 6 | 490476 | GASKET | 2 | | |
| 7 | 490480 | SUPPORT | 2 | | C |
| 7 | 490480 | SUPPORT | 1 | | B |
| 8 | 502812 | SCREW SET HEXS CUP 3/8-16X3/8 SS | 2 | | |
| 9 | 490439 | CUP BALL | 2 | | |
| 10 | 490440 | GASKET | 1 | | |
| 11 | 490441 | RING RETAINING | 1 | | |
| 12 | 502698 | SCREW MA PAN PH M4-0.7x16 SS BK | 3 | | |
| 14 | 490789 | COLLAR LOWER | 1 | | B |
| 15 | 490788 | SUPPORT LOWER | 1 | | B |
| 17 | 500341 | SCREW SET HEXS CUP M12-1.75x20 | 1 | | B |
| 20 | 490485 | CONVEX MIRROR SQUARE / BLACK PAINTED | 1 | | |
| 20 | 990292 | CONVEX MIRROR LH / TRIANGULAR SHAPE | 1 | | A |
| 20 | 990293 | CONVEX MIRROR RH / TRIANGULAR SHAPE | 1 | | A |
| 20 | 990047 | . MIRROR CONVEX / CHROME PLATED | 1 | | |
| 21 | 990112 | . . RETAINER RUBBER / GREY | 1 | | |
| 21 | 990113 | . . RETAINER RUBBER / BLACK | 1 | | |
| 22 | 990111 | . . GLASS RECTANGULAR / CONVEX | 1 | | |
| 23 | 5001189 | . NUT HEX 5/16-18 SS | 1 | | |
| 24 | 490822 | ARM | 1 | | |
| 25 | 490820 | BRACKET | 2 | | |
| 26 | 502770 | SCREW MA RND PH 1/4-20x1 3/4 SS EMN | 2 | | |
| NS | 5001251 | NUT HEX NYRT 1/4-20 SS | 2 | | |
| 30 | 502703 | SCREW TP FL PH #12x1 SS EMN | 8 | | |
| NS | 502684 | RIVET NUT FL OKS 1/4-20 .119-.179 | 8 | 8 | |
| | | FOLLOWING ITEMS ARE RELATED WITH | | | |
| | | CONVEX MIRROR INSTALLATION PRIOR MAY-1995 | | | |

| | | |
|---|--------------|-----------------|
| From L-031 To R-079 | Date:10/2022 | PAGE:H4-1856-00 |
| MIRROR - EXTERIOR - INSTALLATION | | |

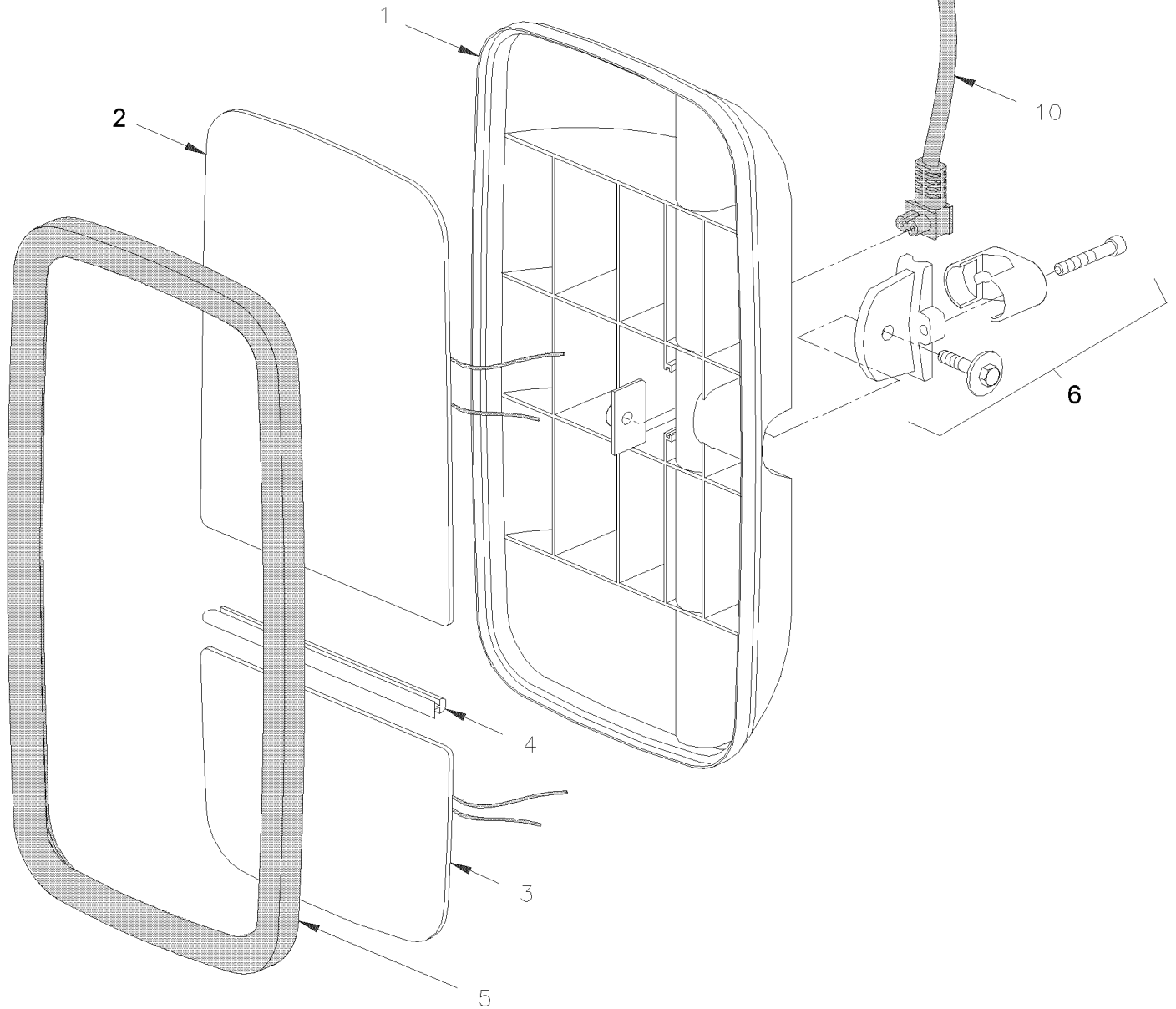
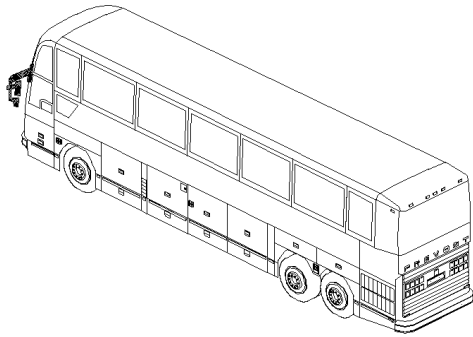
| Item# | Part | Description | H 3 4 0 | V I P 4 0 | N O T E S |
|-------|---------|---|------------------|-----------------------|-----------------------|
| NS | 500411 | WASHER FL .260x.697x.050 SS | 2 | | |
| NS | 490484 | CLAMP / TO FIX EXTENSION ARM TO MIRROR. | 1 | | |
| NS | 990258 | EXTENSION ARM / FOR LOWER CONVEX | 1 | | |
| NS | 402853 | BUSHING / ALUMINUM BLACK PAINTED | 1 | | |
| NS | 500347 | SCREW CAP HEX 5/16-18x1 1/4 SS | 1 | | |
| NS | 500035 | WASHER LO SPT .317x.586x.078 SS | 1 | | |
| NS | 5001189 | NUT HEX 5/16-18 SS | 1 | | |
| NS | 507306 | BUSHING / NYLON ARM & CLAMP | 1 | | |
| | | | | | |
| | | | | | |
| | | A) TO FIX CLAMP & EXTEN. ARM | | | |
| | | B) SERVICE | | | |
| | | C) PRODUCTION | | | |

From L-031 To R-079

Date:10/2022

PAGE:H4-1856-10

MIRROR "SPARTAN" MANUAL



| | | |
|--------------------------------|--------------|-----------------|
| From L-031 To R-079 | Date:10/2022 | PAGE:H4-1856-10 |
| MIRROR "SPARTAN" MANUAL | | |

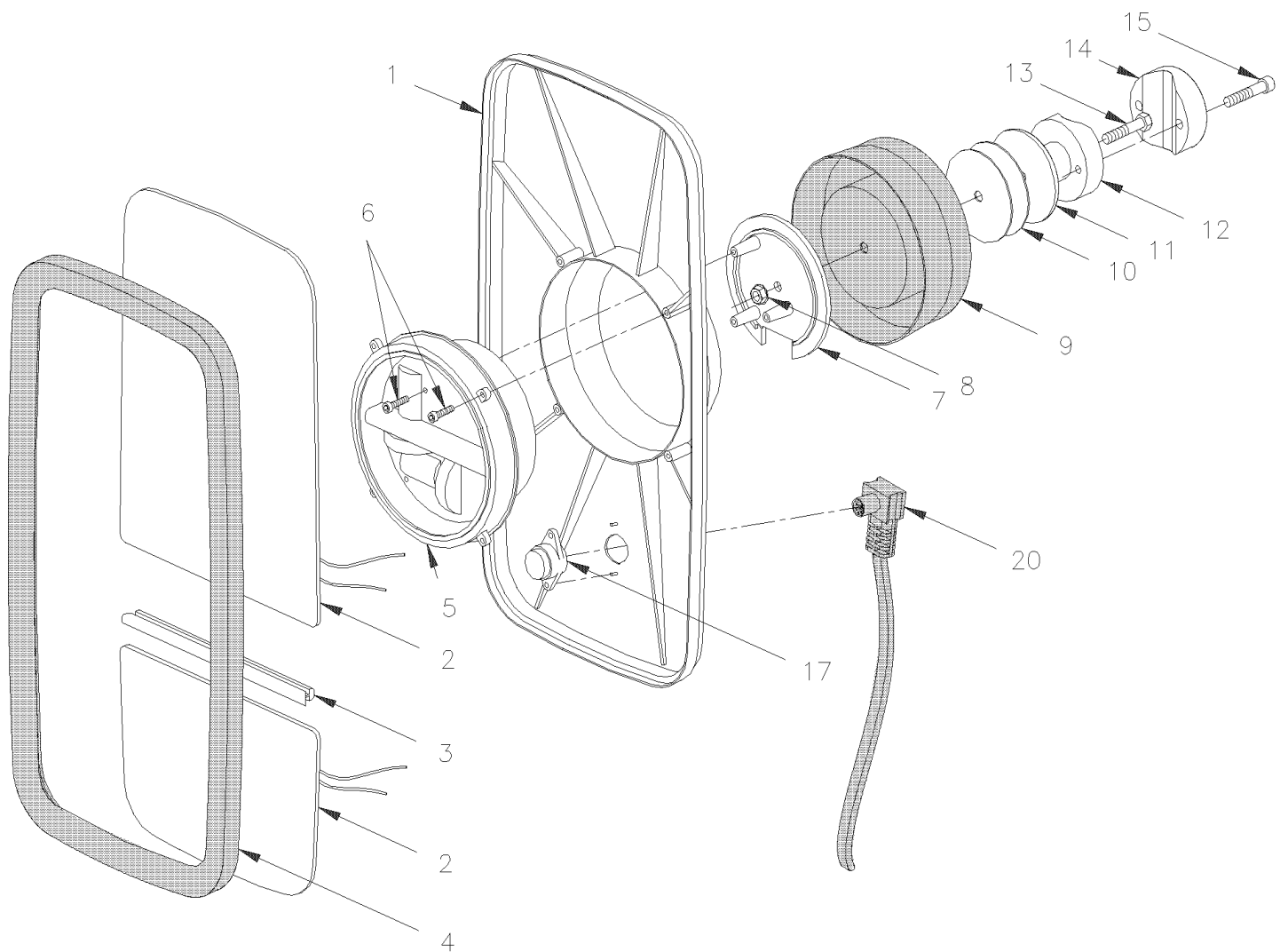
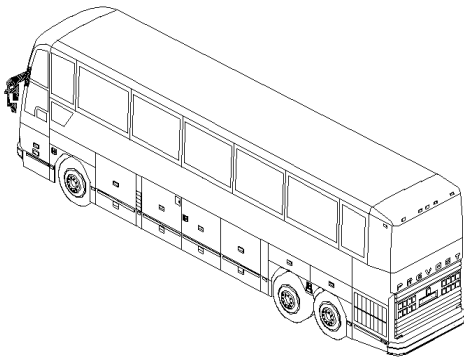
| Item# | Part | Description | H 3 4 0 | V I P 4 0 | N O T E S |
|-------|--------|----------------------------------|------------------|-----------------------|-----------------------|
| | 990166 | HEAD ASSY / R.H. | 1 | 1 | |
| | 990167 | HEAD ASSY / L.H. | 1 | 1 | |
| 1 | 990172 | . HOUSING / L.H. & R.H. | 1 | 1 | |
| 2 | 990168 | . FLAT GLASS ASSY / HEATED 24V | 1 | 1 | |
| 3 | 990169 | . CONVEX GLASS ASSY W/HEATER 24V | 1 | 1 | |
| 4 | 990170 | . BAR, SPACER / BETWEEN GLASS | 1 | 1 | |
| 5 | 990171 | . SEAL RUBBER | 1 | 1 | |
| 6 | 990173 | . BRACKET ASSY | 1 | 1 | |
| 10 | 561866 | HARNESS / W/MANUAL ADJUSTMENT | 1 | 1 | |
| | | | | | |
| | | | | | |
| | | | | | |

From L-031 To R-079

Date:10/2022

PAGE:H4-1856-15

MIRROR "SPARTAN" ELECTRICAL



| | | |
|------------------------------------|--------------|-----------------|
| From L-031 To R-079 | Date:10/2022 | PAGE:H4-1856-15 |
| MIRROR "SPARTAN" ELECTRICAL | | |

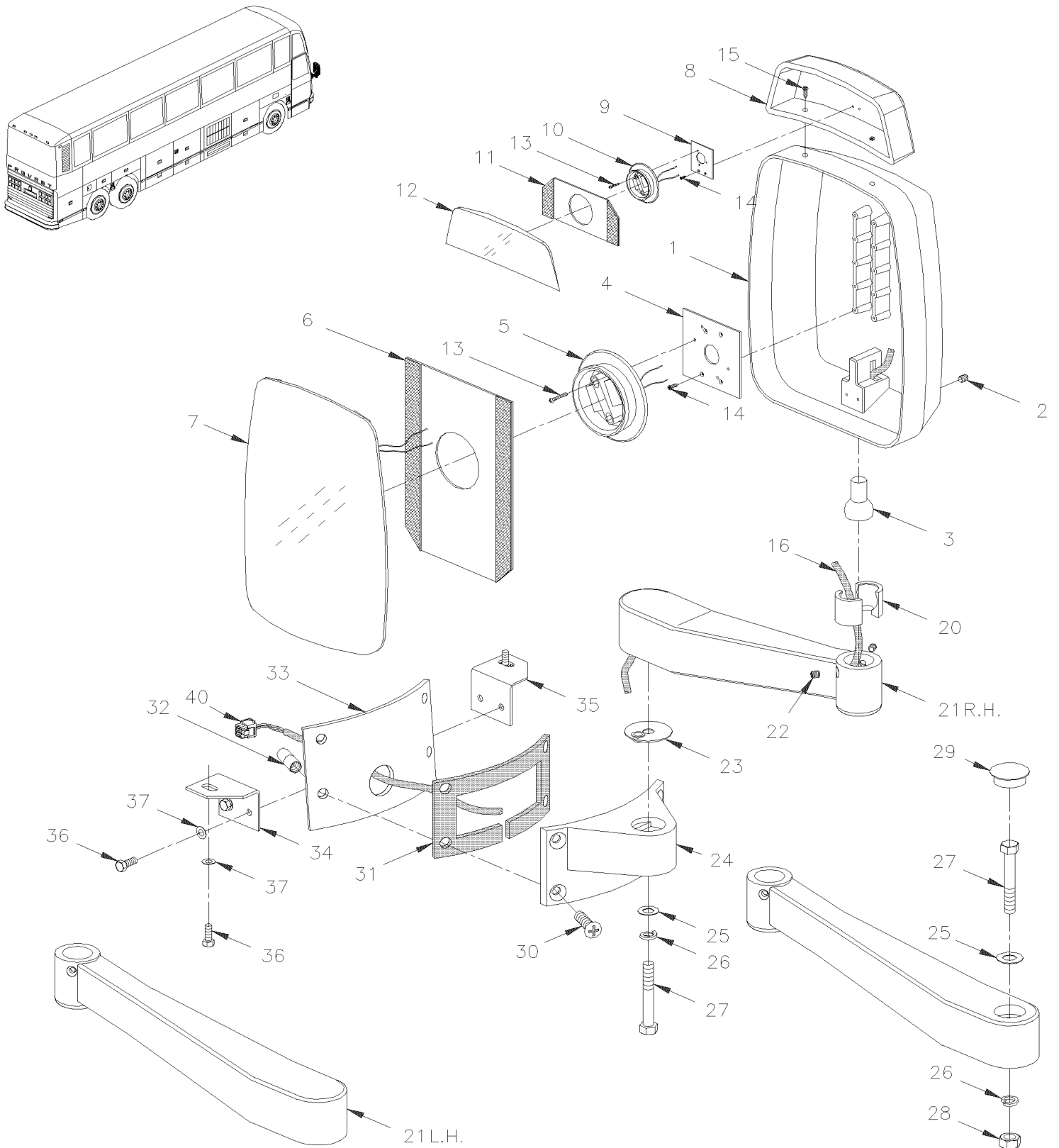
| Item# | Part | Description | H 3 4 0 | V I P 4 0 | N O T E S |
|-------|---------|--|------------------|-----------------------|-----------------------|
| | 990196 | HEAD MIRROR ASSY / W/FLAT GLASS | 2 | 2 | |
| | 990159 | HEAD MIRROR ASSY / W/FLAT & CONVEX GLASSES | 2 | 2 | |
| 1 | 990179 | . HOUSING | 1 | 1 | |
| 2 | 990181 | . FLAT & CONVEX GLASS ASSY / HEATED 24V | 1 | 1 | |
| NS | 990197 | . FLAT GLASS ASSY / HEATED 24V | 1 | 1 | |
| 3 | 990170 | . BAR, SPACER / BETWEEN GLASS | 1 | 1 | |
| 4 | 990174 | . SEAL, RUBBER | 1 | 1 | |
| 4 | 990177 | . MOTOR & GEAR ASSY 24V | 1 | 1 | |
| . NS | 564494 | . . TAB TERMINAL / 20-16 / AMP 63138-1 | 4 | 4 | |
| 5 | 990178 | . . MOTOR ASSY / 24V | 1 | 1 | |
| . NS | 564494 | . . . TAB TERMINAL / 20-16 / AMP 63138-1 | 4 | 4 | |
| 6 | N.P.N. | . . . SCREW | 2 | 2 | 4 |
| 7 | N.P.N. | . . . MOUNTING PLATE MOTOR | 1 | 1 | 4 |
| 8 | 5001082 | . . . NUT HEXF M8-1.25 G500 | 1 | 1 | |
| 9 | N.P.N. | . . . SEALING BOOT | 1 | 1 | 4 |
| 10 | N.P.N. | . . . WASHER SHIM | 2 | 2 | 4 |
| 11 | N.P.N. | . . . WASHER | 1 | 1 | 4 |
| 11 | 990180 | . . KIT, CLAMPING RING | 1 | 1 | |
| 12 | N.P.N. | . . . MOUNTING BRACKET | 1 | 1 | 4 |
| 13 | N.P.N. | . . . SCREW MA CRG M8 X 50 ZP | 1 | 1 | 4 |
| 14 | N.P.N. | . . . MOUNTING BRACKET | 1 | 1 | 4 |
| 15 | N.P.N. | . . . SCREW CAP HEXS M6 X 30 | 2 | 2 | 4 |
| 17 | N.P.N. | . CONNECTOR | 1 | 1 | 4 |
| 20 | 990158 | HARNESS / W/ELECTRICAL ADJUSTMENT | 1 | 1 | |
| | | FOR MANUAL CONVEX MIRROR LOWER | | | |
| | | SEE PAGE H4-1856-00 | | | |
| | | | | | |
| | | | | | |
| | | 4) NO PARTS NUMBER | | | |

From P-375 To R-079

Date:10/2022

PAGE:H4-1856-20

MIRROR "RAMCO" FLAT GLASS / SILVER PAINTED



From P-375 To R-079 Date:10/2022 PAGE:H4-1856-20

MIRROR "RAMCO" FLAT GLASS / SILVER PAINTED

| Item# | Part | Description | H 3 4 0 | V I P 4 0 | N O T E S |
|-------|----------|---|------------------|-----------------------|-----------------------|
| | 990198 | MIRROR ASSY, L.H. & R.H. / MANUAL / W/CONVEX MANUAL OVER | 1 | | A |
| | 990286 | MIRROR ASSY, L.H. / MANUAL / W/CONVEX MANUAL OVER | 1 | | |
| | 990285 | MIRROR ASSY, R.H. / MANUAL / W/CONVEX MANUAL OVER | 1 | | |
| | 990290 | MIRROR ASSY, L.H. / ELECTRIC / W/CONVEX ELEC. OVER | 1 | | |
| | 990289 | MIRROR ASSY, R.H. / ELECTRIC / W/CONVEX ELEC. OVER | 1 | | |
| 1 | 990200 | . HEAD ASSY / MANUAL | 1 | | |
| 2 | 502812 | . . SCREW SET HEXS CUP 3/8-16X3/8 SS | 1 | | |
| 3 | 990186 | . . STUD, BALL | 1 | | |
| 4 | 990272 | . . NOTCHED BACK MOUNTING PLATE (2" X 3") | 1 | | |
| 5 | 990274 | . . MECHANISM MANUAL ASSY, LARGE / 133MM / 5 1/4" O.D. | 1 | | |
| 5 | 990220 | . . MOTOR 12V / LARGE / BLACK & WHITE / 133MM / 5 1/4" O.D. | 1 | 1 | E |
| . NS | 564494 | . . . TAB TERMINAL / 20-16 / AMP 63138-1 | 4 | 4 | E |
| . NS | G5009096 | . . . MOTOR 12V / LARGE / BLACK & WHITE / 133MM / 5 1/4" O.D. | 1 | 1 | E |
| 5 | 990349 | . . MOTOR 12V / MEDIUM / BLACK / 108MM / 4 1/4" O.D. | 1 | | G |
| . NS | 564494 | . . . TAB TERMINAL / 20-16 / AMP 63138-1 | 4 | | G |
| 6 | 990266 | . . VELCRO PLATE / 6" X 7" | 1 | | |
| 7 | 990199 | . . GLASS ASSY W/HEATER 12V | 1 | | |
| 8 | 990203 | . MIRROR ASSY / CONVEX MANUAL | 1 | | |
| 8 | 990271 | . MIRROR ASSY / CONVEX ELECTRIC | 1 | | |
| 10 | 990275 | . . MECHANISM MANUAL ASSY, SMALL / 75MM / 3" O.D. | 1 | | |
| 10 | 990402 | . . MECHANISM MANUAL ASSY, SMALL / 85MM / 3 5/16" O.D. / W/SNAP | 1 | | H |
| 10 | 990219 | . . MOTOR 12V / SMALL / BLACK / 85MM / 3 5/16" O.D. | 1 | | |
| . NS | 564494 | . . . TAB TERMINAL / 20-16 / AMP 63138-1 | 4 | | |
| 11 | 990269 | . . . VELCRO PLATE / 3" X 4" | 1 | | |
| 12 | 990270 | . . GLASS CONVEX ASSY | 1 | | |
| 12 | 990339 | . GLASS CONVEX ASSY W/HEATER 12V | 1 | | H |
| 13 | N.P.N. | . . SCREW TC PAN PH ZP 6-32 X 1"1/8 | 3 | | 4 |
| 14 | 500660 | . . SCREW TC FL PH #6-32x3/8 Z050 | 3 | | |
| 15 | 990530 | . SCREW CAP HEX #10-24x1" SS | 2 | | |
| NS | 500787 | . NUT HEX #10-24 SS | 2 | | |
| 16 | 990282 | . CABLE ASSY W/2 WIRES HEATER ELEMENT | 1 | | |
| 20 | 990187 | . CUP, BALL | 2 | | |
| 21 | 990241 | . ARM, L.H. / 15" | 1 | | B |
| 21 | 990277 | . ARM, L.H. / W/PLUG / 15" | 1 | | |
| 21 | 990240 | . ARM, R.H. / 13" X 7" | 1 | | |
| 21 | 990276 | . ARM, R.H. / W/PLUG / 13" X 7" | 1 | | |
| 22 | 502812 | . SCREW SET HEXS CUP 3/8-16X3/8 SS | 1 | | |
| 23 | 990265 | . WASHER ALUMINUM / 2 " O.D. | 1 | | |
| NS | 504082 | . . SNAP BUSHING / .125x.312x.312 | 1 | | |
| 24 | 990193 | . BRACKET, MOUNTING | 1 | | B |
| 24 | 990242 | . BRACKET, MOUNTING | 1 | | |
| 25 | 500958 | . WASHER FL .531x1.062x.095 SS | 1 | | |

| | | |
|---|--------------|-----------------|
| From P-375 To R-079 | Date:10/2022 | PAGE:H4-1856-20 |
| MIRROR "RAMCO" FLAT GLASS / SILVER PAINTED | | |

| Item# | Part | Description | H 3 4 0 | V I P 4 0 | N O T E S |
|-------|----------------|---|------------------|-----------------------|-----------------------|
| 26 | N.P.N. | . WASHER, LOCK 1/2" SS | 1 | | 4 |
| 27 | 990500 | . SCREW 1/2-13x2 HHCS SS | 1 | | |
| 29 | N.P.N. | . PLUG | 1 | | 4 |
| 30 | 500976 | SCREW MA FL PH 5/16-18x1 1/2 SS | 4 | | |
| NS | 5001095 | SCREW MA FL PH 5/16-18x2 1/2 SS | 4 | | A |
| 31 | 490727 | GASKET ADH / FOAM GREY | 2 | | |
| 31 | 490694 | GASKET ADH / SPACER & BRACKET | 1 | | A |
| 31 | 490695 | GASKET ADH / SPACER & BODY L.H. | 1 | | A |
| NS | 490702 | GASKET ADH / SPACER & BODY R.H. | 1 | | A |
| NS | 490691 | SPACER L.H. | 1 | | A |
| NS | 490701 | SPACER R.H. | 1 | | A |
| NS | 490699 | MIRROR SUPPORT R.H. / (WELDED TO STRUCTURE) | 1 | | A |
| NS | 490710 | MIRROR SUPPORT L.H. / (WELDED TO STRUCTURE) | 1 | | A |
| 32 | 500924 | NUT AN JK 5/16-18 | 4 | | |
| 33 | 490814 | SUPPORT R.H. / BOLTED & ADJUSTABLE W/STRUCTURE | 1 | | C |
| NS | 490725 | SUPPORT R.H. / BOLTED FIX TO STRUCTURE | 1 | | D |
| NS | 490726 | SUPPORT L.H. / BOLTED FIX TO STRUCTURE | 1 | | D |
| NS | 490815 | SUPPORT L.H. / BOLTED & ADJUSTABLE W/STRUCTURE | 1 | | C |
| 34 | 490817 | ANGLE | 2 | | C |
| 35 | 490816 | ANGLE ASSY W/NUT | 2 | | C |
| 36 | 502589 | SCREW CAP HEX M8-1.25x25 G8.8 Z050 | 4 | | D |
| 37 | 502584 | WASHER LO SERR 8.2x26.3x1.8 Z050 | 4 | | C |
| 40 | 561669 | CONNECTOR / UNIVERSAL MATE-N-LOK / SH 9C / AMP 1-480706-0 | 1 | | F |
| NS | 562131 | SOCKET TERMINAL / 20-14 / AMP 350550-1 | 9 | | |
| NS | 062783 | HARNESS, WIRE / TO L.H. MIRROR | 1 | | F |
| NS | 062784 | HARNESS, WIRE / TO R.H. MIRROR | 1 | | F |
| NS | 561670 | CONNECTOR / UNIVERSAL MATE-N-LOK / PH 9C / AMP 1-480707-0 | 1 | | |
| NS | 561671 | PIN TERMINAL / 24-18 / AMP 350690-1 | 9 | | |
| NS | 062781 | HARNESS, WIRE / TO FRONT JUNCTION BOX | 1 | | |
| NS | 062782 | HARNESS, WIRE / TO SWITCH | 1 | | |
| NS | 064904 | KIT SEAL 6 HOLES PIN CONNECTOR | AR | | |
| . NS | IS-98103 | . SEE INSTRUCTION SHEET | 1 | | |
| NS | 064905 | KIT SEAL 9 HOLES PIN CONNECTOR | AR | | |
| . NS | IS-98103 | . SEE INSTRUCTION SHEET | 1 | | |
| NS | MI16-28 | DRIP EDGE ADDITION ON FRONT MIRRORS / PRODUCT IMPROVMENT | 1 | | |
| | | | | | |
| | | | | | |
| | | A) THOSE PARTS ARE USE ON VEHICLE "ACADEMY" W/SERIAL NUMBER N-183,N-186,N-187,N-189,N-190 & N-191 | | | |
| | | B) THIS ARM & BRACKET USE ON BOTH SIDE WITH 990198 ON ACADEMY COACH LISTED ON NOTE A | | | |
| | | C) FOR BEST ADJUSTEMENT OR RETROFIT "RAMCO" MIRROR USE THOSE COMPONENTS | | | |
| | | D) PRODUCTION | | | |

| | | |
|---------------------|--------------|-----------------|
| From P-375 To R-079 | Date:10/2022 | PAGE:H4-1856-20 |
|---------------------|--------------|-----------------|

MIRROR "RAMCO" FLAT GLASS / SILVER PAINTED

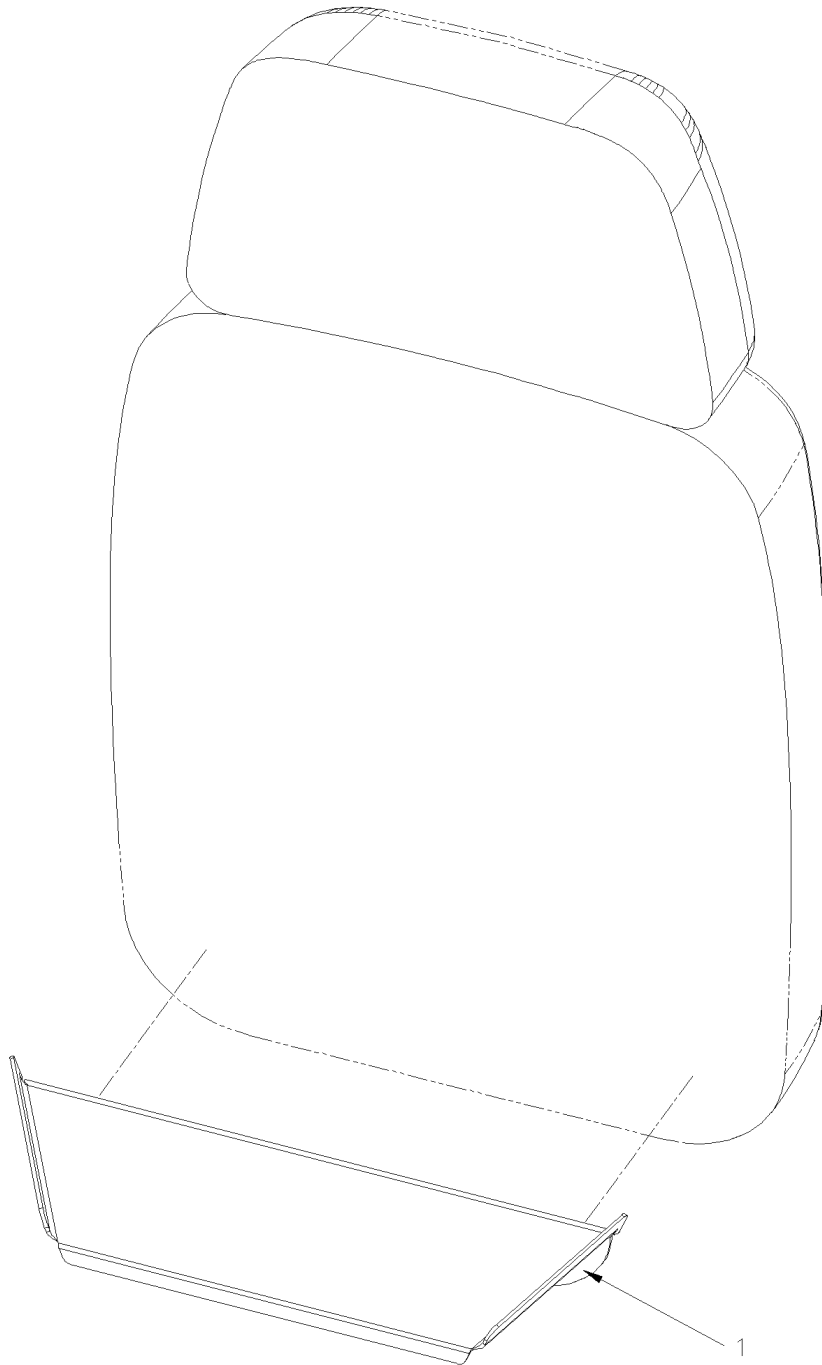
| Item# | Part | Description | H 3 4 0 | V I P 4 0 | N O T E S |
|-------|------|---|------------------|-----------------------|-----------------------|
| | | E) USE WITH SERIE 5000 HEAD | | | |
| | | F) FOR PRODUCT IMPROVMENT USE KIT #064904 OR 064905 | | | |
| | | G) USE WITH SERIE 6000 HEAD | | | |
| | | H) USE WITH "SNAP-IN" ON MOTOR | | | |
| | | 4) NO PARTS NUMBER | | | |

From P-375 To R-079

Date:10/2022

PAGE:MI16-28

DRIP EDGE ADDITION ON FRONT MIRRORS / PRODUCT IMPROVMENT



| | | |
|---------------------|--------------|--------------|
| From P-375 To R-079 | Date:10/2022 | PAGE:MI16-28 |
|---------------------|--------------|--------------|

DRIP EDGE ADDITION ON FRONT MIRRORS / PRODUCT IMPROVMENT

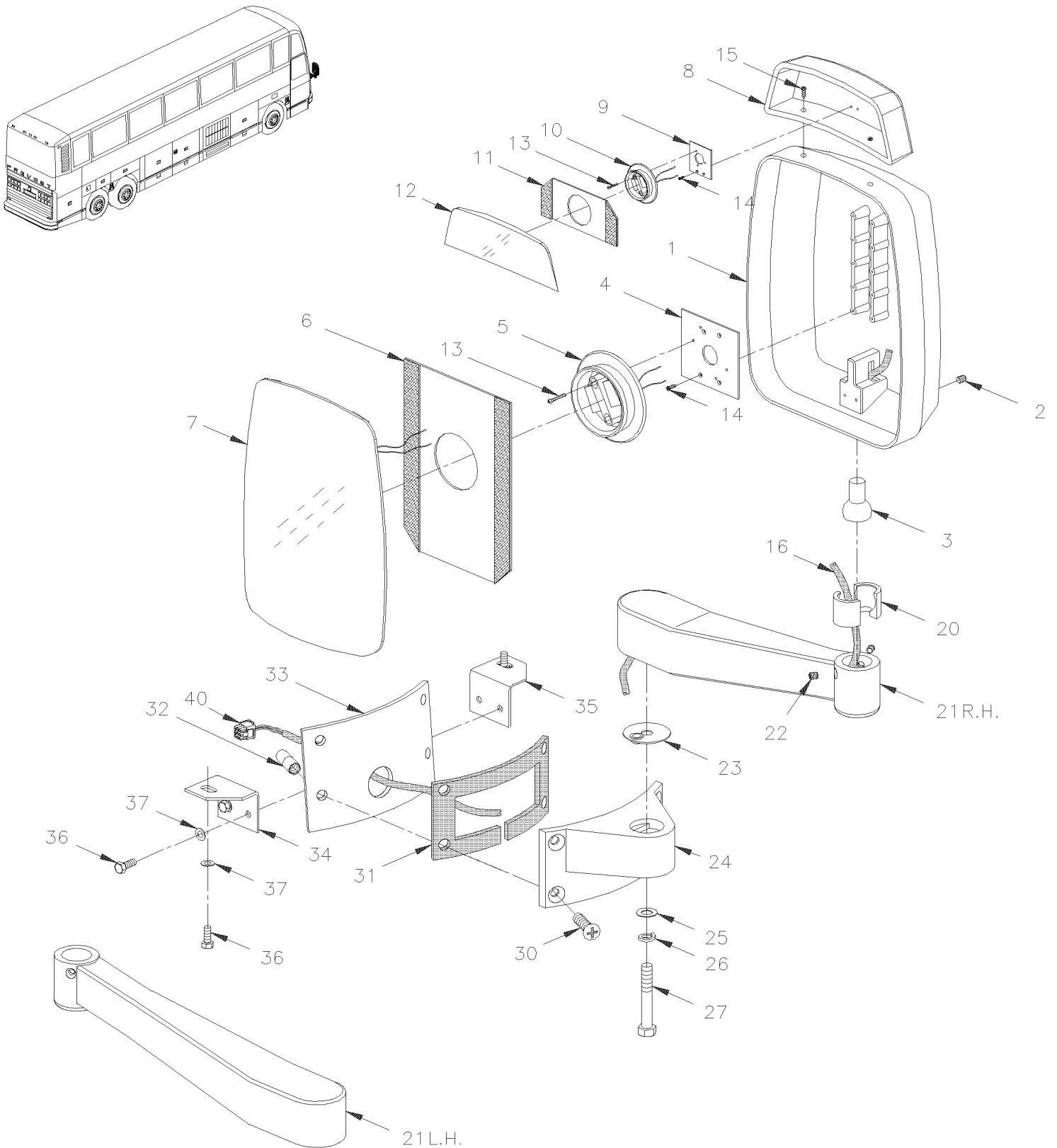
| Item# | Part | Description | H 3 4 0 | V I P 4 0 | N O T E S |
|--------------|-------------|-------------------------------|----------------------------|----------------------------------|----------------------------------|
| 1 | 491507 | MIRROR EXT. DRIP MOLDING ASSY | 2 | 2 | |
| 2 | | MAINTENANCE INFORMATION | 1 | 1 | |
| | | | | | |
| | | | | | |
| | | | | | |

From P-375 To R-079

Date:10/2022

PAGE:H4-1856-22

MIRROR "RAMCO" FLAT GLASS / BLACK PAINTED



| | | |
|---------------------|--------------|-----------------|
| From P-375 To R-079 | Date:10/2022 | PAGE:H4-1856-22 |
|---------------------|--------------|-----------------|

MIRROR "RAMCO" FLAT GLASS / BLACK PAINTED

| Item# | Part | Description | H 3 4 0 | V I P 4 0 | N O T E S |
|-------|----------|---|------------------|-----------------------|-----------------------|
| | 990204 | MIRROR ASSY, L.H. & R.H. ELECTRIC / W/CONVEX MANUAL OVER | 1 | | A |
| | 990221 | MIRROR ASSY, R.H. / ELECTRIC / W/CONVEX MANUAL OVER | 1 | | |
| | 990222 | MIRROR ASSY, L.H. / ELECTRIC / W/CONVEX MANUAL OVER | 1 | | |
| | 990283 | MIRROR ASSY, R.H. / ELECTRIC / W/CONVEX ELEC. OVER | 1 | | |
| | 990284 | MIRROR ASSY, L.H. / ELECTRIC / W/CONVEX ELEC. OVER | 1 | | |
| | 990255 | MIRROR ASSY, R.H. / MANUAL / W/CONVEX MANUAL OVER | 1 | | |
| | 990256 | MIRROR ASSY, L.H. / MANUAL / W/CONVEX MANUAL OVER | 1 | | |
| 1 | 990298 | . HEAD ASSY / ELECTRIC / W/CONVEX MANUAL OVER | 1 | | |
| 1 | 990419 | . HEAD ASSY / ELECTRIC / W/CONVEX ELEC. OVER | 1 | | |
| 1 | 990299 | . HEAD ASSY / MANUAL | 1 | | |
| 2 | 502812 | . . SCREW SET HEXS CUP 3/8-16X3/8 SS | 1 | | |
| 3 | 990186 | . . STUD, BALL | 1 | | |
| 4 | 990272 | . . NOTCHED BACK MOUNTING PLATE (2" X 3") | 1 | | |
| 5 | 990220 | . . MOTOR 12V / LARGE / BLACK & WHITE / 133MM / 5 1/4" O.D. | 1 | | E |
| . NS | 564494 | . . . TAB TERMINAL / 20-16 / AMP 63138-1 | 4 | | E |
| . NS | G5009096 | . . . MOTOR 12V / LARGE / BLACK & WHITE / 133MM / 5 1/4" O.D. | 1 | | E |
| 5 | 990349 | . . MOTOR 12V / MEDIUM / BLACK / 108MM / 4 1/4" O.D. | 1 | | G |
| . NS | 564494 | . . . TAB TERMINAL / 20-16 / AMP 63138-1 | 4 | | G |
| 5 | 990274 | . . MECHANISM MANUAL ASSY, LARGE / 133MM / 5 1/4" O.D. | 1 | | |
| 6 | 990268 | . . . VELCRO PLATE / 8" X 8" | 1 | | |
| 7 | 990199 | . . GLASS ASSY W/HEATER 12V | 1 | | |
| 8 | 990296 | . MIRROR ASSY / CONVEX MANUAL | 1 | | |
| 8 | 990297 | . MIRROR ASSY / CONVEX ELECTRIC | 1 | | |
| 9 | 990295 | . . PLATE, TOP MOTOR MOUNTING | 1 | | |
| 10 | 990275 | . . MECHANISM MANUAL ASSY, SMALL / 75MM / 3" O.D. | 1 | | |
| 10 | 990219 | . . MOTOR 12V / SMALL / BLACK / 85MM / 3 5/16" O.D. | 1 | | |
| . NS | 564494 | . . . TAB TERMINAL / 20-16 / AMP 63138-1 | 4 | | |
| 10 | 990402 | . . MECHANISM MANUAL ASSY, SMALL / 85MM / 3 5/16" O.D. / W/SNAP | 1 | | H |
| 11 | 990269 | . . . VELCRO PLATE / 3" X 4" | 1 | | |
| 12 | 990270 | . . GLASS CONVEX ASSY | 1 | | |
| 12 | 990339 | . GLASS CONVEX ASSY W/HEATER 12V | 1 | | H |
| 13 | N.P.N. | . . SCREW TC PAN PH ZP 6-32 X 1 1/8" | 3 | | 4 |
| 14 | 500660 | . . SCREW TC FL PH #6-32x3/8 Z050 | 3 | | |
| 15 | 990530 | . SCREW CAP HEX #10-24x1" SS | 2 | | |
| NS | 500787 | . NUT HEX #10-24 SS | 2 | | |
| 16 | 990282 | . CABLE ASSY W/2 WIRES HEATER ELEMENT | 1 | | |
| 20 | 990187 | . CUP, BALL | 2 | | |
| 21 | 990212 | . ARM, L.H. / 15" | 1 | | |
| 21 | 990211 | . ARM, R.H. / 13" X 7" | 1 | | |
| 21 | 990279 | . ARM, R.H. / 15" X 5" | 1 | | A |
| 22 | 502812 | . SCREW SET HEXS CUP 3/8-16X3/8 SS | 2 | | |
| 23 | 990265 | . WASHER ALUMINUM / 2 " O.D. | 1 | | |

| | | |
|--|--------------|-----------------|
| From P-375 To R-079 | Date:10/2022 | PAGE:H4-1856-22 |
| MIRROR "RAMCO" FLAT GLASS / BLACK PAINTED | | |

| Item# | Part | Description | H 3 4 0 | V I P 4 0 | N O T E S |
|-------|----------------|---|------------------|-----------------------|-----------------------|
| NS | 504082 | . SNAP BUSHING / .125x.312x.312 | 1 | | |
| 24 | 990213 | . BRACKET, MOUNTING | 1 | | |
| 24 | 990278 | . BRACKET, MOUNTING | 1 | | A |
| 25 | 500958 | . WASHER FL .531x1.062x.095 SS | 1 | | |
| 26 | N.P.N. | . WASHER, LOCK 1/2 SS | 1 | | 4 |
| 27 | 990500 | . SCREW 1/2-13x2 HHCS SS | 1 | | |
| 30 | 500976 | SCREW MA FL PH 5/16-18x1 1/2 SS | 4 | | |
| 30 | 5001095 | SCREW MA FL PH 5/16-18x2 1/2 SS | 8 | | A |
| 31 | 490727 | GASKET ADH / FOAM GREY | 2 | | |
| 31 | 490702 | GASKET ADH / SPACER & BODY R.H. | 2 | | A |
| 31 | 490694 | GASKET ADH / SPACER & BRACKET | 2 | | A |
| NS | 490701 | SPACER R.H. | 1 | | A |
| NS | 490705 | SPACER R.H. MIRROR | 1 | | A |
| 32 | 500924 | NUT AN JK 5/16-18 | 4 | | |
| 33 | 490725 | SUPPORT R.H. / BOLTED FIX TO STRUCTURE | 1 | | C |
| 33 | 490726 | SUPPORT L.H. / BOLTED FIX TO STRUCTURE | 1 | | C |
| 33 | 490814 | SUPPORT R.H. / BOLTED & ADJUSTABLE W/STRUCTURE | 1 | | B |
| 33 | 490815 | SUPPORT L.H. / BOLTED & ADJUSTABLE W/STRUCTURE | 1 | | B |
| 33 | 490699 | MIRROR SUPPORT R.H. / (WELDED TO STRUCTURE) | 1 | | A |
| 33 | 490708 | GLASS | 1 | | A |
| 34 | 490817 | ANGLE | 2 | | B |
| 35 | 490816 | ANGLE ASSY W/NUT | 2 | | B |
| 36 | 502589 | SCREW CAP HEX M8-1.25x25 G8.8 Z050 | 4 | | B |
| 37 | 502584 | WASHER LO SERR 8.2x26.3x1.8 Z050 | 4 | | B |
| 40 | 561669 | CONNECTOR / UNIVERSAL MATE-N-LOK / SH 9C / AMP 1-480706-0 | 1 | | F |
| NS | 562131 | SOCKET TERMINAL / 20-14 / AMP 350550-1 | 9 | | |
| NS | 062783 | HARNESS, WIRE / TO L.H. MIRROR | 2 | | F |
| NS | 062784 | HARNESS, WIRE / TO R.H. MIRROR | 1 | | F |
| NS | 561670 | CONNECTOR / UNIVERSAL MATE-N-LOK / PH 9C / AMP 1-480707-0 | 1 | | |
| NS | 561671 | PIN TERMINAL / 24-18 / AMP 350690-1 | 9 | | |
| NS | 062781 | HARNESS, WIRE / TO FRONT JUNCTION BOX | 1 | | |
| NS | 062782 | HARNESS, WIRE / TO SWITCH | 1 | | |
| NS | 064904 | KIT SEAL 6 HOLES PIN CONNECTOR | AR | | |
| . NS | IS-98103 | . SEE INSTRUCTION SHEET | 1 | | |
| NS | 064905 | KIT SEAL 9 HOLES PIN CONNECTOR | AR | | |
| . NS | IS-98103 | . SEE INSTRUCTION SHEET | 1 | | |
| NS | M116-28 | DRIP EDGE ADDITION ON FRONT MIRRORS / PRODUCT IMPROVMENT | 1 | | |
| | | | | | |
| | | | | | |
| | | | | | |
| | | A) THIS PART IS USE ON VEHICLE "PROTRAV" WITH SERIAL NUMBER N-213,N-216,N-217,N-218 & N-219 | | | |
| | | B) FOR BEST ADJUSTMENT OR RETROFIT "RAMCO" MIRROR USE THOSE COMPONENTS | | | |

| | | |
|--|--------------|-----------------|
| From P-375 To R-079 | Date:10/2022 | PAGE:H4-1856-22 |
| MIRROR "RAMCO" FLAT GLASS / BLACK PAINTED | | |

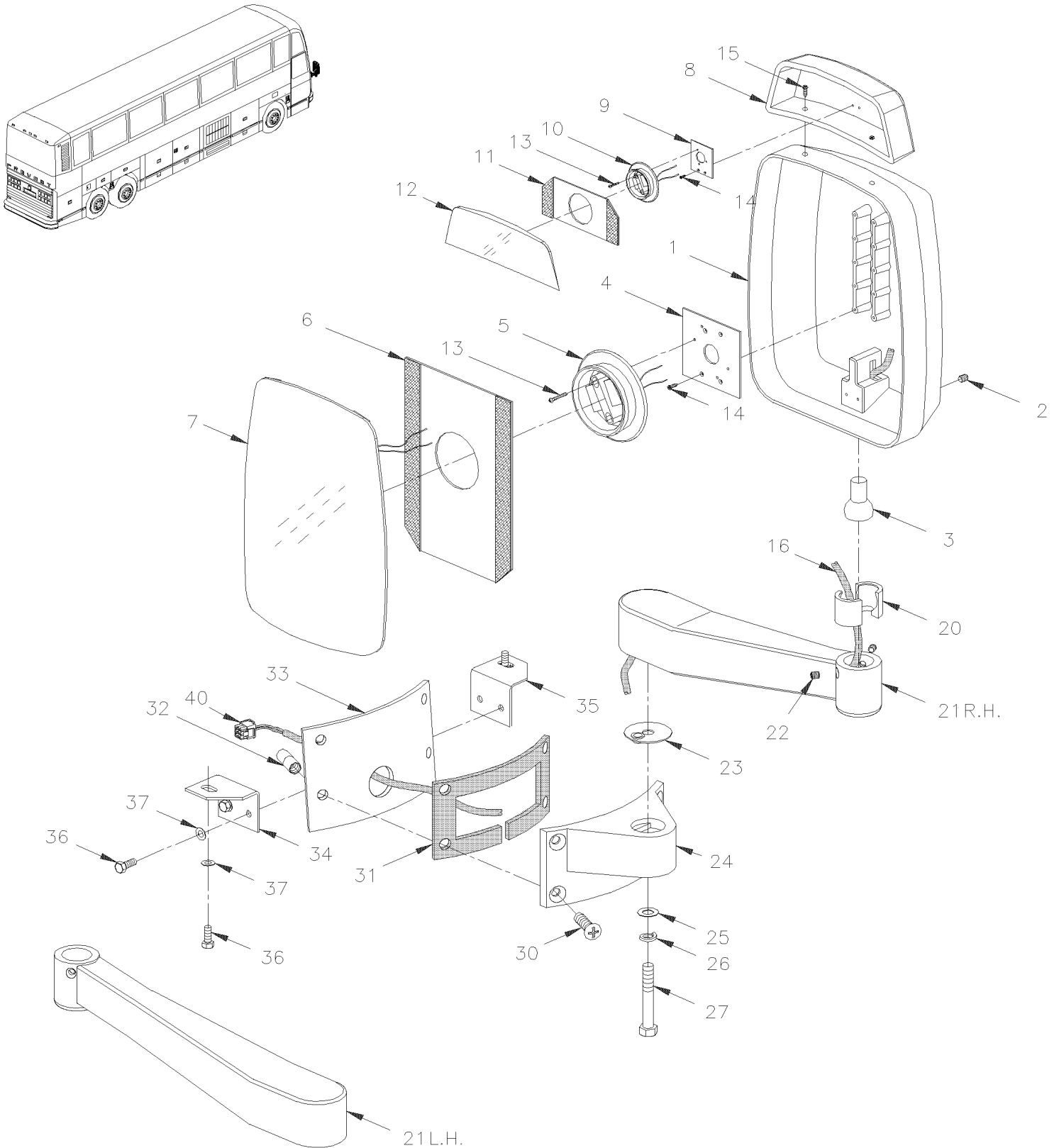
| Item# | Part | Description | H 3 4 0 | V I P 4 0 | N O T E S |
|-------|------|--|------------------|-----------------------|-----------------------|
| | | C) PRODUCTION | | | |
| | | E) USE WITH SERIE 5000 HEAD | | | |
| | | F) FOR PRODUCT IMPROVMENT USE KIT #064904 OR #064905 | | | |
| | | G) USE WITH SERIE 6000 HEAD | | | |
| | | H) USE WITH "SNAP-IN" ON MOTOR | | | |
| | | 4) NO PARTS NUMBER | | | |

From P-375 To R-079

Date:10/2022

PAGE:H4-1856-23

MIRROR "RAMCO" FLAT GLASS / CHROME



| | | |
|---|--------------|-----------------|
| From P-375 To R-079 | Date:10/2022 | PAGE:H4-1856-23 |
| MIRROR "RAMCO" FLAT GLASS / CHROME | | |

| Item# | Part | Description | H 3 4 0 | V I P 4 0 | N O T E S |
|-------|----------|---|------------------|-----------------------|-----------------------|
| | 990261 | MIRROR ASSY, R.H. / ELECTRIC / W/CONVEX / CHROME | | 1 | |
| | 7771798 | MIRROR ASSY, R.H. / ELECTRIC / W/CONVEX ALUMINUM POLISHED | | 1 | |
| | 990262 | MIRROR ASSY, L.H. / ELECTRIC / W/CONVEX / CHROME | | 1 | |
| | 7771799 | MIRROR ASSY, L.H. / ELECTRIC / W/CONVEX / ALUMINUM POLISHED | | 1 | |
| 1 | 990301 | . HEAD ASSY / ELECTRIC | | 1 | |
| 2 | 502812 | . . SCREW SET HEXS CUP 3/8-16X3/8 SS | | 1 | |
| 3 | 990186 | . . STUD, BALL | | 1 | |
| 4 | 990272 | . . NOTCHED BACK MOUNTING PLATE (2" X 3") | | 1 | |
| 5 | 990220 | . . MOTOR 12V / LARGE / BLACK & WHITE / 133MM / 5 1/4" O.D. | | 1 | |
| . NS | 564494 | . . . TAB TERMINAL / 20-16 / AMP 63138-1 | | 4 | |
| . NS | G5009096 | . . . MOTOR 12V / LARGE / BLACK & WHITE / 133MM / 5 1/4" O.D. | | 1 | |
| 6 | 990268 | . . . VELCRO PLATE / 8" X 8" | | 1 | |
| 7 | 990199 | . . GLASS ASSY W/HEATER 12V | | 1 | |
| 8 | 990302 | . MIRROR ASSY / CONVEX ELECTRIC | | 1 | |
| 9 | 990295 | . . PLATE, TOP MOTOR MOUNTING | | 1 | |
| 10 | 990300 | . . MOTOR 12V / SMALL / BLACK / 85MM / 3 5/16" O.D. | | 1 | |
| . NS | 564494 | . . . TAB TERMINAL / 20-16 / AMP 63138-1 | | 4 | |
| 11 | 990269 | . . . VELCRO PLATE / 3" X 4" | | 1 | |
| 12 | 990270 | . . GLASS CONVEX ASSY | | 1 | |
| 12 | 990339 | . . GLASS CONVEX ASSY W/HEATER 12V | | 1 | H |
| 13 | N.P.N. | . . SCREW TC PAN PH ZP 6-32 X 1 1/8" | | 3 | 4 |
| 14 | 500660 | . . SCREW TC FL PH #6-32x3/8 Z050 | | 3 | |
| 15 | 990530 | . SCREW CAP HEX #10-24x1" SS | | 2 | |
| NS | 500787 | . NUT HEX #10-24 SS | | 2 | |
| 16 | 990282 | . CABLE ASSY W/2 WIRES HEATER ELEMENT | | 1 | |
| 20 | 990187 | . CUP, BALL | | 2 | |
| 21 | 990232 | . ARM, L.H. / 13" X 7" | | 1 | |
| 21 | 990231 | . ARM, R.H. / 15" | | 1 | |
| 22 | 502812 | . SCREW SET HEXS CUP 3/8-16X3/8 SS | | 2 | |
| 23 | 990265 | . WASHER ALUMINUM / 2 " O.D. | | 1 | |
| NS | 504082 | . . SNAP BUSHING / .125x.312x.312 | | 1 | |
| 24 | 990233 | . BRACKET, MOUNTING | | 1 | |
| 25 | 500958 | . WASHER FL .531x1.062x.095 SS | | 1 | |
| 26 | N.P.N. | . WASHER, LOCK 1/2 SS | | 1 | 4 |
| 27 | 990500 | . SCREW 1/2-13x2 HHCS SS | | 1 | |
| 30 | 500976 | SCREW MA FL PH 5/16-18x1 1/2 SS | | 4 | |
| 31 | 490727 | GASKET ADH / FOAM GREY | | 2 | |
| 32 | 500924 | NUT AN JK 5/16-18 | | 4 | |
| 33 | 490725 | SUPPORT R.H. / BOLTED FIX TO STRUCTURE | | 1 | B |
| 33 | 490726 | SUPPORT L.H. / BOLTED FIX TO STRUCTURE | | 1 | B |
| 33 | 490814 | SUPPORT R.H. / BOLTED & ADJUSTABLE W/STRUCTURE | | 1 | A |
| 33 | 490815 | SUPPORT L.H. / BOLTED & ADJUSTABLE W/STRUCTURE | | 1 | A |

| | | |
|---|--------------|-----------------|
| From P-375 To R-079 | Date:10/2022 | PAGE:H4-1856-23 |
| MIRROR "RAMCO" FLAT GLASS / CHROME | | |

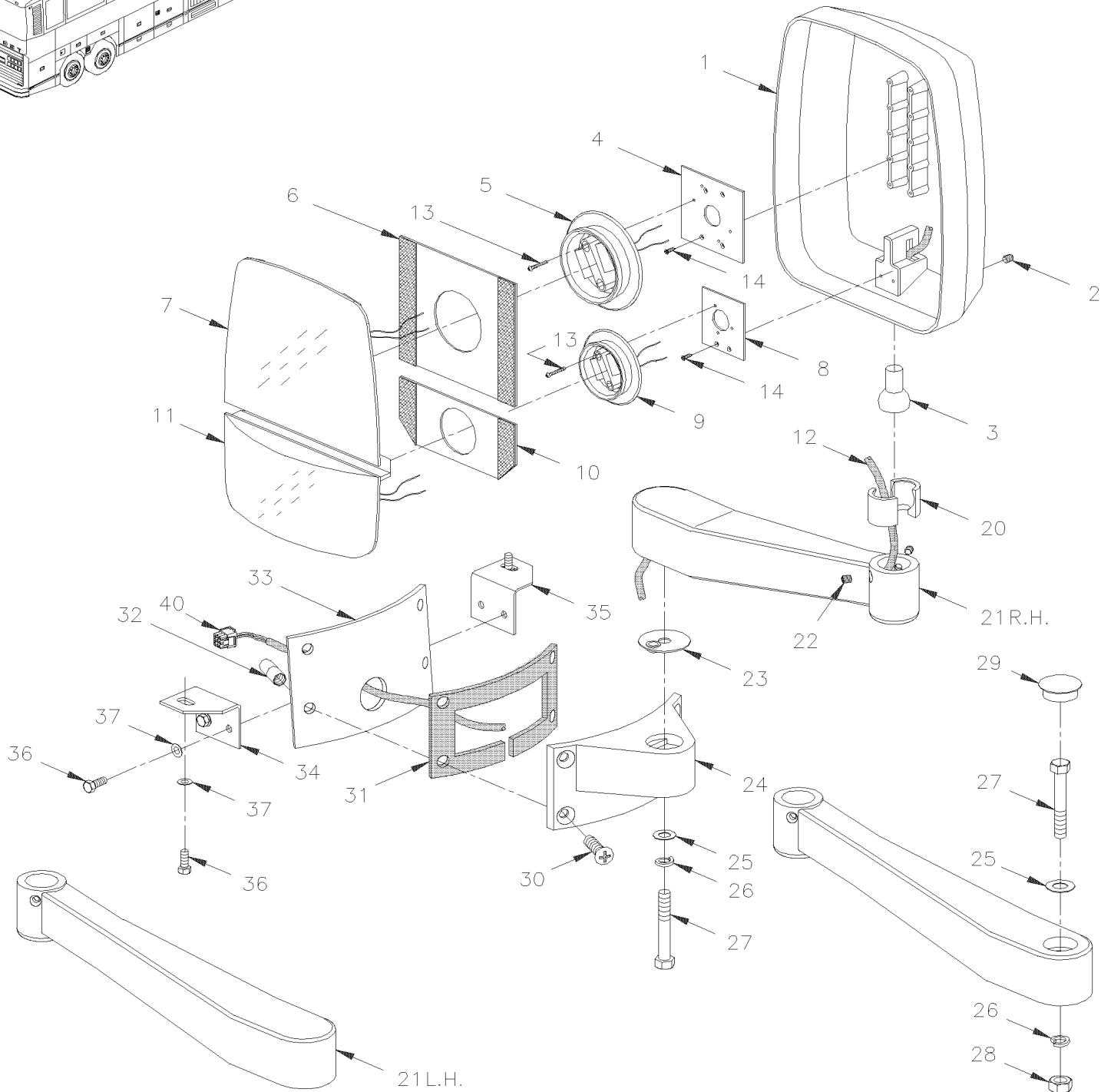
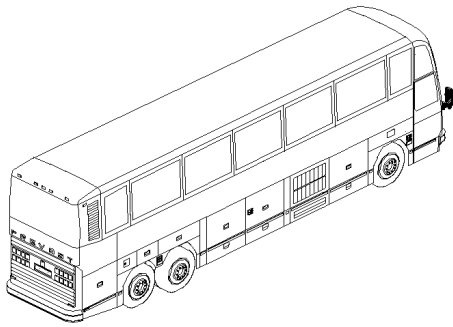
| Item# | Part | Description | H 3 4 0 | V I P 4 0 | N O T E S |
|-------|----------------|--|------------------|-----------------------|-----------------------|
| 34 | 490817 | ANGLE | | 2 | A |
| 35 | 490816 | ANGLE ASSY W/NUT | | 2 | A |
| 36 | 502589 | SCREW CAP HEX M8-1.25x25 G8.8 Z050 | | 1 | A |
| 37 | 502584 | WASHER LO SERR 8.2x26.3x1.8 Z050 | | | A |
| 40 | 561669 | CONNECTOR / UNIVERSAL MATE-N-LOK / SH 9C / AMP 1-480706-0 | | 1 | F |
| NS | 562131 | SOCKET TERMINAL / 20-14 / AMP 350550-1 | | 9 | |
| NS | 062783 | HARNESS, WIRE / TO L.H. MIRROR | | 1 | F |
| NS | 062784 | HARNESS, WIRE / TO R.H. MIRROR | | 1 | F |
| NS | 561670 | CONNECTOR / UNIVERSAL MATE-N-LOK / PH 9C / AMP 1-480707-0 | | 1 | |
| NS | 561671 | PIN TERMINAL / 24-18 / AMP 350690-1 | | 9 | |
| NS | 062781 | HARNESS, WIRE / TO FRONT JUNCTION BOX | | 1 | |
| NS | 062782 | HARNESS, WIRE / TO SWITCH | | 1 | |
| NS | 064904 | KIT SEAL 6 HOLES PIN CONNECTOR | | AR | |
| . NS | IS-98103 | . SEE INSTRUCTION SHEET | | 1 | |
| NS | 064905 | KIT SEAL 9 HOLES PIN CONNECTOR | | AR | |
| . NS | IS-98103 | . SEE INSTRUCTION SHEET | | 1 | |
| NS | MI16-28 | DRIP EDGE ADDITION ON FRONT MIRRORS / PRODUCT IMPROVMENT | | 1 | |
| | | | | | |
| | | | | | |
| | | | | | |
| | | A) FOR BEST ADJUSTMENT OR RETROFIT "RAMCO" MIRROR USE THOSE COMPONENTS | | | |
| | | B) PRODUCTION | | | |
| | | F) FOR PRODUCT IMPROVMENT USE KIT #064904 OR #064905 | | | |
| | | H) USE WITH "SNAP-IN" ON MOTOR | | | |
| | | 4) NO PARTS NUMBER | | | |

From P-375 To R-079

Date:10/2022

PAGE:H4-1856-30

MIRROR "RAMCO" 2 GLASSES / SILVER PAINTED



| | | |
|--|--------------|-----------------|
| From P-375 To R-079 | Date:10/2022 | PAGE:H4-1856-30 |
| MIRROR "RAMCO" 2 GLASSES / SILVER PAINTED | | |

| Item# | Part | Description | H 3 4 0 | V I P 4 0 | N O T E S |
|-------|----------|---|------------------|-----------------------|-----------------------|
| | 990165 | MIRROR ASSY, L.H. / ELECTRIC | 2 | | A |
| | 990217 | MIRROR ASSY, L.H. & R.H. / MANUAL | 2 | | A |
| | 990238 | MIRROR ASSY, R.H. / MANUAL | 1 | | |
| | 990239 | MIRROR ASSY, L.H. / MANUAL | 1 | | |
| | 990263 | MIRROR ASSY, R.H. / MANUAL | 1 | | |
| | 990264 | MIRROR ASSY, L.H. / MANUAL / SERVICE | 1 | | |
| 1 | 990185 | . HEAD ASSY / ELECTRIC | 1 | | |
| 1 | 990246 | . HEAD ASSY / MANUAL | 1 | | |
| 2 | 502812 | . . SCREW SET HEXS CUP 3/8-16X3/8 SS | 2 | | |
| 3 | 990186 | . . STUD, BALL | 1 | | |
| 4 | 990272 | . . NOTCHED BACK MOUNTING PLATE (2" X 3") | 1 | | |
| 5 | 990220 | . . MOTOR 12V / LARGE / BLACK & WHITE / 133MM / 5 1/4" O.D. | 1 | | G |
| . NS | 564494 | . . . TAB TERMINAL / 20-16 / AMP 63138-1 | 4 | | G |
| . NS | G5009096 | . . . MOTOR 12V / LARGE / BLACK & WHITE / 133MM / 5 1/4" O.D. | 1 | | G |
| 5 | 990349 | . . MOTOR 12V / MEDIUM / BLACK / 108MM / 4 1/4" O.D. | 1 | | H |
| . NS | 564494 | . . . TAB TERMINAL / 20-16 / AMP 63138-1 | 4 | | H |
| 5 | 990274 | . . MECHANISM MANUAL ASSY, LARGE / 133MM / 5 1/4" O.D. | 1 | | |
| 6 | 990266 | . . . VELCRO PLATE / 6" X 7" | 1 | | |
| 7 | 990182 | . . FLAT GLASS ASSY W/HEATER 12V | 1 | | |
| 8 | 990273 | . . POWER CONVEX MOTOR BASE PLATE | 1 | | |
| 9 | 990219 | . . MOTOR 12V / SMALL / BLACK / 85MM / 3 5/16" O.D. | 1 | | |
| . NS | 564494 | . . . TAB TERMINAL / 20-16 / AMP 63138-1 | 4 | | |
| 9 | 990275 | . . MECHANISM MANUAL ASSY, SMALL / 75MM / 3" O.D. | 1 | | |
| 9 | 990402 | . . MECHANISM MANUAL ASSY, SMALL / 85MM / 3 5/16" O.D. / W/SNAP | 1 | | J |
| 10 | 990267 | . . . VELCRO PLATE / 3" X 7" | 1 | | |
| 11 | 990183 | . . CONVEX GLASS ASSY W/HEATER 12V | 1 | | |
| 11 | 990338 | . . CONVEX GLASS ASSY W/HEATER 12V | 1 | | J |
| 12 | 990282 | . . CABLE ASSY W/2 WIRES HEATER ELEMENT | 1 | | |
| 13 | N.P.N. | . . SCREW TC PAN PH ZP 6-32 X 3/8 | 3 | | 4 |
| 14 | 500660 | . . SCREW TC FL PH #6-32x3/8 Z050 | 2 | | |
| 20 | 990187 | . CUP, BALL | 2 | | |
| 21 | 990191 | . ARM, R.H. / 15" X 5" | 1 | | A |
| 21 | 990241 | . ARM, L.H. / 15" | 1 | | |
| 21 | 990240 | . ARM, R.H. / 13" X 7" | 1 | | |
| 21 | 990276 | . ARM, R.H. / W/PLUG / 13" X 7" | 1 | | |
| 21 | 990277 | . ARM, L.H. / W/PLUG / 15" | 1 | | |
| 22 | 502812 | . SCREW SET HEXS CUP 3/8-16X3/8 SS | 2 | | |
| 23 | 990265 | . WASHER ALUMINUM / 2 " O.D. | 1 | | |
| NS | 504082 | . . SNAP BUSHING / .125x.312x.312 | 1 | | |
| 24 | 990193 | . BRACKET, MOUNTING | 1 | | A |
| 24 | 990242 | . BRACKET, MOUNTING | 1 | | |
| 25 | N.P.N. | . WASHER, LOCK 1/2" SS | 1 | | 4 |

| | | |
|--|--------------|-----------------|
| From P-375 To R-079 | Date:10/2022 | PAGE:H4-1856-30 |
| MIRROR "RAMCO" 2 GLASSES / SILVER PAINTED | | |

| Item# | Part | Description | H 3 4 0 | V I P 4 0 | N O T E S |
|-------|----------|--|------------------|-----------------------|-----------------------|
| 26 | 500958 | . WASHER FL .531x1.062x.095 SS | 1 | | |
| 27 | 990500 | . SCREW 1/2-13x2 HHCS SS | 1 | | |
| 28 | 502595 | . NUT HEX NYRT 1/2-13 Z050 | 1 | | |
| 29 | N.P.N. | . PLUG | 1 | | 4 |
| 30 | 500976 | SCREW MA FL PH 5/16-18x1 1/2 SS | 4 | | |
| NS | 5001095 | SCREW MA FL PH 5/16-18x2 1/2 SS | 4 | | A |
| 31 | 490727 | GASKET ADH / FOAM GREY | 2 | | |
| NS | 490702 | GASKET ADH / SPACER & BODY R.H. | 1 | | A |
| NS | 490695 | GASKET ADH / SPACER & BODY L.H. | 1 | | A |
| NS | 490694 | GASKET ADH / SPACER & BRACKET | 1 | | A |
| NS | 490691 | SPACER L.H. | 1 | | A |
| NS | 490701 | SPACER R.H. | 1 | | A |
| 32 | 500924 | NUT AN JK 5/16-18 | 4 | | |
| 33 | 490725 | SUPPORT R.H. / BOLTED FIX TO STRUCTURE | 1 | | C |
| 33 | 490726 | SUPPORT L.H. / BOLTED FIX TO STRUCTURE | 1 | | C |
| 33 | 490814 | SUPPORT R.H. / BOLTED & ADJUSTABLE W/STRUCTURE | 1 | | B |
| 33 | 490815 | SUPPORT L.H. / BOLTED & ADJUSTABLE W/STRUCTURE | 1 | | B |
| 33 | 490710 | MIRROR SUPPORT L.H. / (WELDED TO STRUCTURE) | 1 | | A |
| 33 | 490699 | MIRROR SUPPORT R.H. / (WELDED TO STRUCTURE) | 1 | | A |
| 34 | 490817 | ANGLE | 2 | | B |
| 35 | 490816 | ANGLE ASSY W/NUT | 2 | | B |
| 36 | 502589 | SCREW CAP HEX M8-1.25x25 G8.8 Z050 | 4 | | B |
| 37 | 502584 | WASHER LO SERR 8.2x26.3x1.8 Z050 | 4 | | B |
| 40 | 561669 | CONNECTOR / UNIVERSAL MATE-N-LOK / SH 9C / AMP 1-480706-0 | 1 | | |
| NS | 562131 | SOCKET TERMINAL / 20-14 / AMP 350550-1 | 9 | | |
| NS | 062783 | HARNESS, WIRE / TO L.H. MIRROR | 1 | | F |
| NS | 062784 | HARNESS, WIRE / TO R.H. MIRROR | 1 | | F |
| NS | 561670 | CONNECTOR / UNIVERSAL MATE-N-LOK / PH 9C / AMP 1-480707-0 | 1 | | |
| NS | 561671 | PIN TERMINAL / 24-18 / AMP 350690-1 | 9 | | |
| NS | 062781 | HARNESS, WIRE / TO FRONT JUNCTION BOX | 1 | | |
| NS | 062782 | HARNESS, WIRE / TO SWITCH | 1 | | |
| NS | 064904 | KIT SEAL 6 HOLES PIN CONNECTOR | AR | | |
| . NS | IS-98103 | . SEE INSTRUCTION SHEET | 1 | | |
| NS | 064905 | KIT SEAL 9 HOLES PIN CONNECTOR | AR | | |
| . NS | IS-98103 | . SEE INSTRUCTION SHEET | 1 | | |
| | | | | | |
| | | | | | |
| | | A) THIS PART IS USE ON ACADEMY ON SERIAL # N-224,229,230,P-261,262,281,282,283,284,285,286,321,322,323 | | | |
| | | B) FOR A BETTER ADJUSTMENT OR RETROFIT "RAMCO" MIRROR USE THOSE COMPONENTS | | | |
| | | C) PRODUCTION | | | |
| | | F) FOR PRODUCT IMPROVMENT USE KIT #064904 OR #064905 | | | |

| | | |
|---------------------|--------------|-----------------|
| From P-375 To R-079 | Date:10/2022 | PAGE:H4-1856-30 |
|---------------------|--------------|-----------------|

MIRROR "RAMCO" 2 GLASSES / SILVER PAINTED

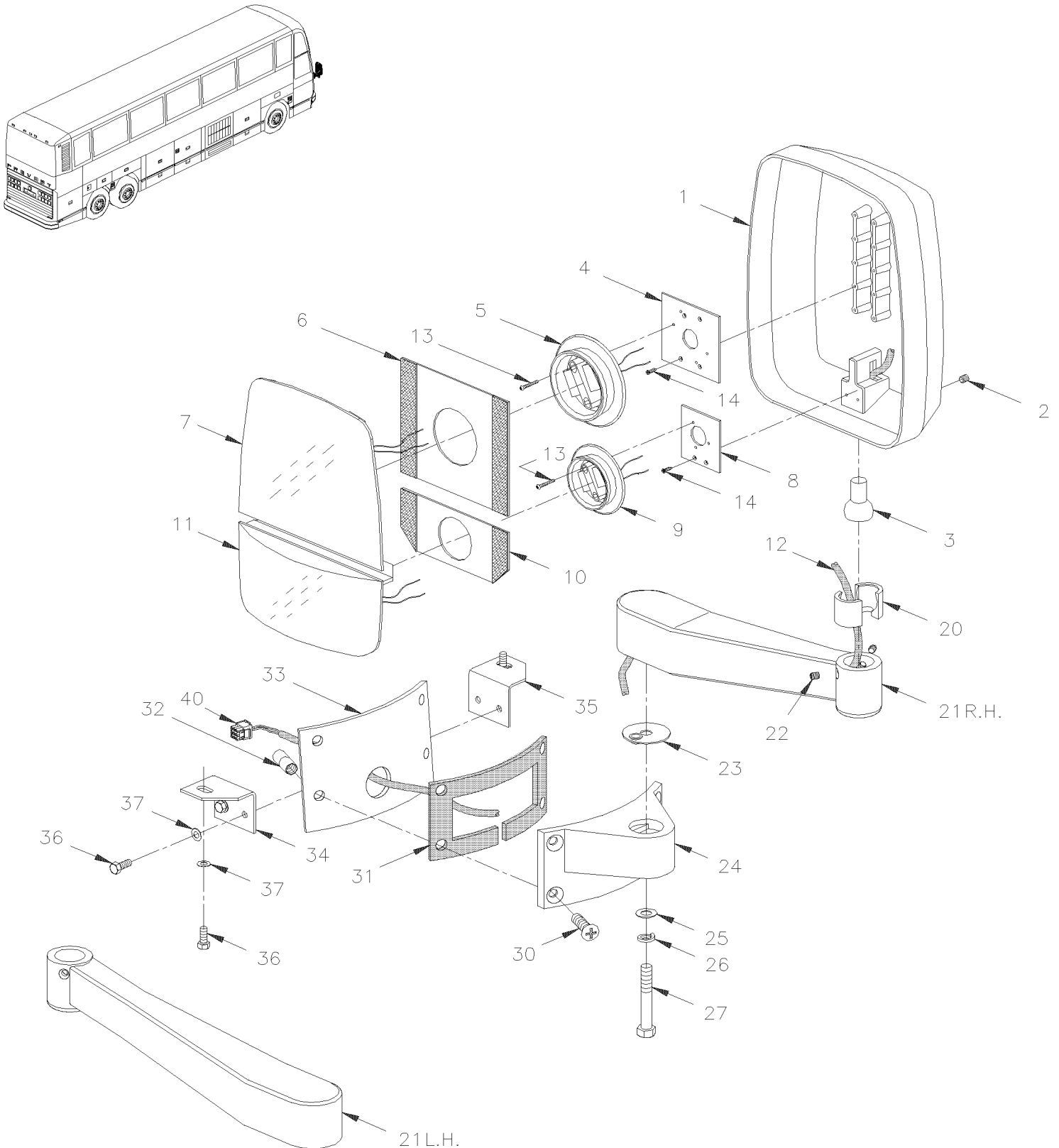
| Item# | Part | Description | H 3 4 0 | V I P 4 0 | N O T E S |
|-------|------|--------------------------------|------------------|-----------------------|-----------------------|
| | | G) USE WITH HEAD SERIE 5000 | | | |
| | | H) USE WITH HEAD SERIE 6000 | | | |
| | | J) USE WITH "SNAP-IN" ON MOTOR | | | |
| | | 4) NO PARTS NUMBER | | | |

From P-375 To R-079

Date:10/2022

PAGE:H4-1856-31

MIRROR "RAMCO" 2 GLASSES / BRIGHT POLISH



| | | |
|---|--------------|-----------------|
| From P-375 To R-079 | Date:10/2022 | PAGE:H4-1856-31 |
| MIRROR "RAMCO" 2 GLASSES / BRIGHT POLISH | | |

| Item# | Part | Description | H 3 4 0 | V I P 4 0 | N O T E S |
|-------|----------|---|------------------|-----------------------|-----------------------|
| | 990208 | MIRROR ASSY, L.H. / ELECTRIC | 1 | | |
| | 990207 | MIRROR ASSY, R.H. / ELECTRIC | 1 | | |
| 1 | 990184 | . HEAD ASSY / ELECTRIC | 1 | | |
| 2 | 502812 | . . SCREW SET HEXS CUP 3/8-16X3/8 SS | 1 | | |
| NS | 990266 | . . VELCRO PLATE / 6" X 7" | 1 | | |
| 3 | 990186 | . . STUD, BALL | 1 | | |
| NS | 990272 | . . NOTCHED BACK MOUNTING PLATE (2" X 3") | 1 | | |
| 3 | N.P.N. | . . SCR TC PAN PH ZP 6-32X1 3/8 | AR | | 4 |
| 4 | 990272 | . . NOTCHED BACK MOUNTING PLATE (2" X 3") | 1 | | |
| 5 | 990220 | . . MOTOR 12V / LARGE / BLACK & WHITE / 133MM / 5 1/4" O.D. | 1 | | G |
| . NS | 564494 | . . . TAB TERMINAL / 20-16 / AMP 63138-1 | 4 | | G |
| . NS | G5009096 | . . . MOTOR 12V / LARGE / BLACK & WHITE / 133MM / 5 1/4" O.D. | 1 | | G |
| 5 | 990349 | . . MOTOR 12V / MEDIUM / BLACK / 108MM / 4 1/4" O.D. | 1 | | H |
| . NS | 564494 | . . . TAB TERMINAL / 20-16 / AMP 63138-1 | 4 | | H |
| 6 | 990266 | . . . VELCRO PLATE / 6" X 7" | 1 | | |
| 7 | 990182 | . . FLAT GLASS ASSY W/HEATER 12V | 1 | | |
| 8 | 990273 | . . POWER CONVEX MOTOR BASE PLATE | 1 | | |
| 9 | 990219 | . . MOTOR 12V / SMALL / BLACK / 85MM / 3 5/16" O.D. | 1 | | |
| . NS | 564494 | . . . TAB TERMINAL / 20-16 / AMP 63138-1 | 4 | | |
| 10 | 990267 | . . . VELCRO PLATE / 3" X 7" | 1 | | |
| 11 | 990183 | . . CONVEX GLASS ASSY W/HEATER 12V | 1 | | |
| 11 | 990338 | . . CONVEX GLASS ASSY W/HEATER 12V | 1 | | J |
| 12 | 990282 | . . CABLE ASSY W/2 WIRES HEATER ELEMENT | 1 | | |
| 13 | N.P.N. | . . SCREW TC PAN PH 6-32 X 1"1/8 | AR | | 4 |
| 14 | 500660 | . . SCREW TC FL PH #6-32x3/8 Z050 | AR | | |
| 20 | 990187 | . CUP, BALL | 1 | | |
| 21 | 990210 | . ARM, L.H. / 15" | 1 | | |
| 21 | 990209 | . ARM, R.H. / 13" X 7" | 1 | | |
| 22 | 502812 | . SCREW SET HEXS CUP 3/8-16X3/8 SS | AR | | |
| 23 | 990265 | . WASHER ALUMINUM / 2 " O.D. | 1 | | |
| 23 | 504082 | . . SNAP BUSHING / .125x.312x.312 | 1 | | |
| 24 | 990214 | . BRACKET, MOUNTING | 1 | | |
| 25 | N.P.N. | . WASHER, LOCK 1/2" SS | 1 | | 4 |
| 26 | 500958 | . WASHER FL .531x1.062x.095 SS | 1 | | |
| 27 | 990500 | . SCREW 1/2-13x2 HHCS SS | 1 | | |
| 31 | 490727 | GASKET ADH / FOAM GREY | 1 | | |
| 32 | 500924 | NUT AN JK 5/16-18 | 4 | | |
| 33 | 490725 | SUPPORT R.H. / BOLTED FIX TO STRUCTURE | 1 | | B |
| 33 | 490726 | SUPPORT L.H. / BOLTED FIX TO STRUCTURE | 1 | | C |
| 33 | 490814 | SUPPORT R.H. / BOLTED & ADJUSTABLE W/STRUCTURE | 1 | | A |
| 33 | 490815 | SUPPORT L.H. / BOLTED & ADJUSTABLE W/STRUCTURE | 1 | | A |
| 34 | 490817 | ANGLE | 2 | | A |

| | | |
|---|--------------|-----------------|
| From P-375 To R-079 | Date:10/2022 | PAGE:H4-1856-31 |
| MIRROR "RAMCO" 2 GLASSES / BRIGHT POLISH | | |

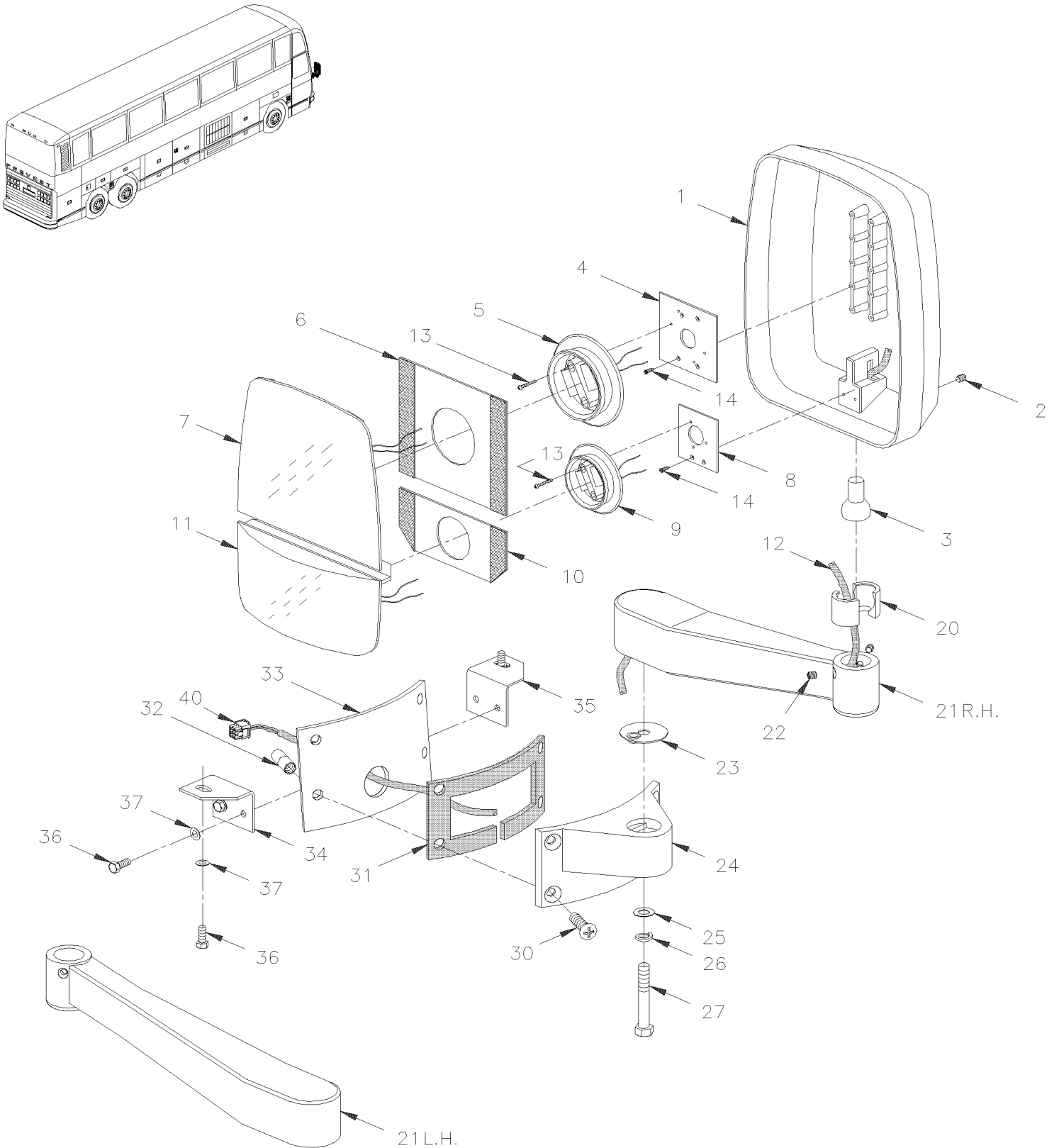
| Item# | Part | Description | H 3 4 0 | V I P 4 0 | N O T E S |
|-------|----------|--|------------------|-----------------------|-----------------------|
| 35 | 490816 | ANGLE ASSY W/NUT | 2 | | A |
| 36 | 502589 | SCREW CAP HEX M8-1.25x25 G8.8 Z050 | 4 | | A |
| 37 | 502584 | WASHER LO SERR 8.2x26.3x1.8 Z050 | 4 | | A |
| 40 | 561669 | CONNECTOR / UNIVERSAL MATE-N-LOK / SH 9C / AMP 1-480706-0 | 1 | | |
| NS | 562131 | SOCKET TERMINAL / 20-14 / AMP 350550-1 | 9 | | |
| NS | 062783 | HARNESS, WIRE / TO L.H. MIRROR | 1 | | F |
| NS | 062784 | HARNESS, WIRE / TO R.H. MIRROR | 1 | | F |
| NS | 561670 | CONNECTOR / UNIVERSAL MATE-N-LOK / PH 9C / AMP 1-480707-0 | 1 | | |
| NS | 561671 | PIN TERMINAL / 24-18 / AMP 350690-1 | 9 | | |
| NS | 062781 | HARNESS, WIRE / TO FRONT JUNCTION BOX | 1 | | |
| NS | 062782 | HARNESS, WIRE / TO SWITCH | 1 | | |
| NS | 064904 | KIT SEAL 6 HOLES PIN CONNECTOR | AR | | |
| . NS | IS-98103 | . SEE INSTRUCTION SHEET | 1 | | |
| NS | 064905 | KIT SEAL 9 HOLES PIN CONNECTOR | AR | | |
| . NS | IS-98103 | . SEE INSTRUCTION SHEET | 1 | | |
| | | | | | |
| | | | | | |
| | | | | | |
| | | A) FOR A BETTER ADJUSTMENT OR RETROFIT "RAMCO" MIRROR USE THOSE COMPONENTS | | | |
| | | B) PRODUCTION | | | |
| | | C) SERVICE | | | |
| | | F) FOR PRODUCT IMPROVMENT USE KIT #064904 OR 064905 | | | |
| | | G) USE WITH HEAD SERIE 5000 | | | |
| | | H) USE WITH HEAD SERIE 6000 | | | |
| | | J) USE WITH "SNAP-IN" ON MOTOR | | | |
| | | 4) NO PARTS NUMBER | | | |

From P-375 To R-079

Date:10/2022

PAGE:H4-1856-32

MIRROR "RAMCO" 2 GLASSES / BLACK PAINTED



| | | |
|---|--------------|-----------------|
| From P-375 To R-079 | Date:10/2022 | PAGE:H4-1856-32 |
| MIRROR "RAMCO" 2 GLASSES / BLACK PAINTED | | |

| Item# | Part | Description | H 3 4 0 | V I P 4 0 | N O T E S |
|-------|----------|---|------------------|-----------------------|-----------------------|
| | 990216 | MIRROR ASSY, R.H. / ELECTRIC | 2 | | A |
| | 990205 | MIRROR ASSY, R.H. / ELECTRIC | 1 | 1 | |
| | 990206 | MIRROR ASSY, L.H. / ELECTRIC | 1 | 1 | |
| | 990243 | MIRROR ASSY, R.H. / MANUAL | 1 | 1 | |
| | 990244 | MIRROR ASSY, L.H. / MANUAL | 1 | 1 | |
| 1 | 990218 | . HEAD ASSY / ELECTRIC | 1 | 1 | |
| 1 | 990245 | . HEAD ASSY / MANUAL | 1 | 1 | |
| 2 | 502812 | . . SCREW SET HEXS CUP 3/8-16X3/8 SS | 1 | 1 | |
| 3 | 990186 | . . STUD, BALL | 1 | 1 | |
| 4 | 990272 | . . NOTCHED BACK MOUNTING PLATE (2" X 3") | 1 | 1 | |
| 5 | 990220 | . . MOTOR 12V / LARGE / BLACK & WHITE / 133MM / 5 1/4" O.D. | 1 | 1 | G |
| . NS | 564494 | . . . TAB TERMINAL / 20-16 / AMP 63138-1 | 4 | 4 | G |
| . NS | G5009096 | . . . MOTOR 12V / LARGE / BLACK & WHITE / 133MM / 5 1/4" O.D. | 1 | 1 | G |
| 5 | 990349 | . . MOTOR 12V / MEDIUM / BLACK / 108MM / 4 1/4" O.D. | 1 | 1 | H |
| . NS | 564494 | . . . TAB TERMINAL / 20-16 / AMP 63138-1 | 4 | 4 | H |
| 5 | 990274 | . . MECHANISM MANUAL ASSY, LARGE / 133MM / 5 1/4" O.D. | 1 | 1 | |
| 6 | 990266 | . . . VELCRO PLATE / 6" X 7" | 1 | 1 | |
| 7 | 990182 | . . FLAT GLASS ASSY W/HEATER 12V | 1 | 1 | |
| 8 | 990273 | . . POWER CONVEX MOTOR BASE PLATE | 1 | 1 | |
| 9 | 990219 | . . MOTOR 12V / SMALL / BLACK / 85MM / 3 5/16" O.D. | 1 | 1 | |
| . NS | 564494 | . . . TAB TERMINAL / 20-16 / AMP 63138-1 | 4 | 4 | |
| 9 | 990275 | . . MECHANISM MANUAL ASSY, SMALL / 75MM / 3" O.D. | 1 | 1 | |
| 9 | 990402 | . . MECHANISM MANUAL ASSY, SMALL / 85MM / 3 5/16" O.D. / W/SNAP | 1 | 1 | J |
| 10 | 990267 | . . . VELCRO PLATE / 3" X 7" | 1 | 1 | |
| 11 | 990183 | . . CONVEX GLASS ASSY W/HEATER 12V | 1 | 1 | |
| 11 | 990338 | . . CONVEX GLASS ASSY W/HEATER 12V | 1 | 1 | J |
| 12 | 990282 | . . CABLE ASSY W/2 WIRES HEATER ELEMENT | 1 | 1 | |
| 13 | N.P.N. | . . SCREW TC PAN PH ZP 6-32 X 1 1/8" | 7 | 7 | 4 |
| 14 | 500660 | . . SCREW TC FL PH #6-32x3/8 Z050 | 2 | 2 | |
| 20 | 990187 | . CUP, BALL | 2 | 2 | |
| 21 | 990212 | . ARM, L.H. / 15" | 1 | 1 | |
| 21 | 990211 | . ARM, R.H. / 13" X 7" | 1 | 1 | |
| 21 | 990279 | . ARM, R.H. / 15" X 5" | 1 | | A |
| 22 | 502812 | . SCREW SET HEXS CUP 3/8-16X3/8 SS | 2 | 2 | |
| 23 | 990265 | . WASHER ALUMINUM / 2 " O.D. | 1 | 1 | |
| NS | 504082 | . . SNAP BUSHING / .125x.312x.312 | 1 | 1 | |
| 24 | 990213 | . BRACKET, MOUNTING | 1 | 1 | |
| 24 | 990278 | . BRACKET, MOUNTING | 1 | | A |
| 25 | N.P.N. | . WASHER, LOCK 1/2" SS | 1 | 1 | 4 |
| 26 | 500958 | . WASHER FL .531x1.062x.095 SS | 1 | 1 | |
| 27 | 990500 | . SCREW 1/2-13x2 HHCS SS | 1 | 1 | |
| 30 | 500976 | . SCREW MA FL PH 5/16-18x1 1/2 SS | 4 | 4 | |

| | | |
|---|--------------|-----------------|
| From P-375 To R-079 | Date:10/2022 | PAGE:H4-1856-32 |
| MIRROR "RAMCO" 2 GLASSES / BLACK PAINTED | | |

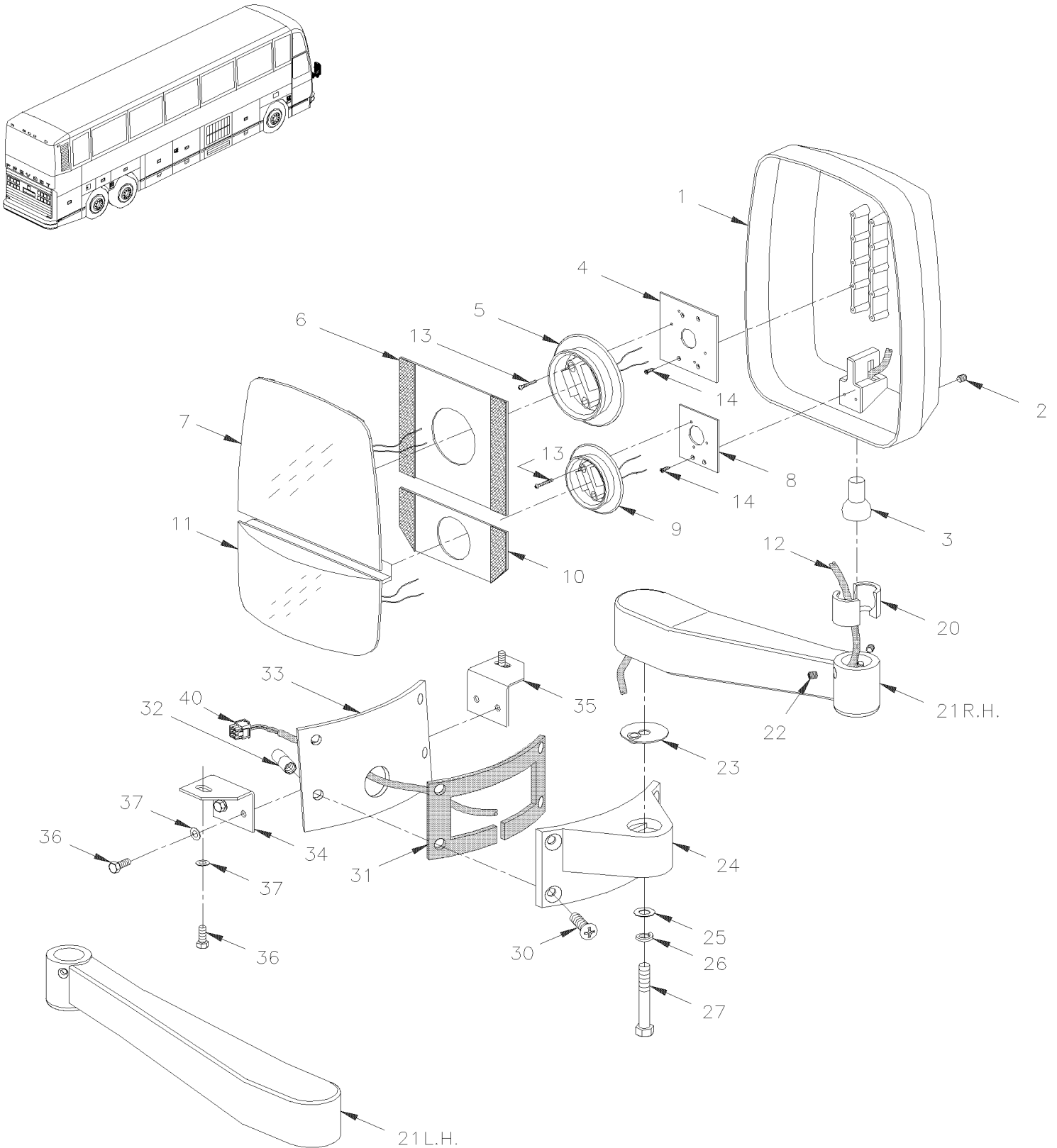
| Item# | Part | Description | H 3 4 0 | V I P 4 0 | N O T E S |
|-------|----------|---|------------------|-----------------------|-----------------------|
| NS | 5001095 | SCREW MA FL PH 5/16-18x2 1/2 SS | 8 | | |
| 31 | 490727 | GASKET ADH / FOAM GREY | 2 | 2 | |
| NS | 490694 | GASKET ADH / SPACER & BRACKET | 1 | | |
| NS | 490691 | SPACER L.H. | 1 | | |
| NS | 490695 | GASKET ADH / SPACER & BODY L.H. | 1 | | |
| NS | 490694 | GASKET ADH / SPACER & BRACKET | 1 | | |
| NS | 490701 | SPACER R.H. | 1 | | |
| 32 | 500924 | NUT AN JK 5/16-18 | 4 | 4 | |
| 33 | 490725 | SUPPORT R.H. / BOLTED FIX TO STRUCTURE | 1 | 1 | C |
| 33 | 490710 | MIRROR SUPPORT L.H. / (WELDED TO STRUCTURE) | 1 | | |
| 33 | 490726 | SUPPORT L.H. / BOLTED FIX TO STRUCTURE | 1 | 1 | C |
| 33 | 490699 | MIRROR SUPPORT R.H. / (WELDED TO STRUCTURE) | 1 | | |
| 33 | 490814 | SUPPORT R.H. / BOLTED & ADJUSTABLE W/STRUCTURE | 1 | 1 | B |
| 33 | 490815 | SUPPORT L.H. / BOLTED & ADJUSTABLE W/STRUCTURE | 1 | 1 | B |
| 34 | 490817 | ANGLE | 2 | 2 | B |
| 35 | 490816 | ANGLE ASSY W/NUT | 2 | 2 | B |
| 36 | 502589 | SCREW CAP HEX M8-1.25x25 G8.8 Z050 | 4 | 4 | B |
| 37 | 502584 | WASHER LO SERR 8.2x26.3x1.8 Z050 | 4 | 4 | B |
| 40 | 561669 | CONNECTOR / UNIVERSAL MATE-N-LOK / SH 9C / AMP 1-480706-0 | 1 | 1 | |
| NS | 562131 | SOCKET TERMINAL / 20-14 / AMP 350550-1 | 9 | 9 | |
| NS | 062783 | HARNESS, WIRE / TO L.H. MIRROR | 2 | 2 | F |
| NS | 062784 | HARNESS, WIRE / TO R.H. MIRROR | 1 | 1 | F |
| NS | 561670 | CONNECTOR / UNIVERSAL MATE-N-LOK / PH 9C / AMP 1-480707-0 | 1 | 1 | |
| NS | 561671 | PIN TERMINAL / 24-18 / AMP 350690-1 | 9 | 9 | |
| NS | 062781 | HARNESS, WIRE / TO FRONT JUNCTION BOX | 1 | 1 | |
| NS | 062782 | HARNESS, WIRE / TO SWITCH | 1 | 1 | |
| NS | 064904 | KIT SEAL 6 HOLES PIN CONNECTOR | AR | AR | |
| . NS | IS-98103 | . SEE INSTRUCTION SHEET | 1 | 1 | |
| NS | 064905 | KIT SEAL 9 HOLES PIN CONNECTOR | AR | AR | |
| . NS | IS-98103 | . SEE INSTRUCTION SHEET | 1 | 1 | |
| | | | | | |
| | | | | | |
| | | A) THIS PARTS IS USE ON BLUE BIRD ON SERIAL # P-300,301,302,303,304,306,307,308,309 & 311 | | | |
| | | B) FOR A BETTER ADJUSTMENT OR RETROFIT "RAMCO" MIRROR USE THOSE COMPONENTS | | | |
| | | C) PRODUCTION | | | |
| | | F) FOR PRODUCT IMPROVMENT USE KIT #064904 OR #064905 | | | |
| | | G) USE WITH HEAD SERIE 5000 | | | |
| | | H) USE WITH HEAD SERIE 6000 | | | |
| | | J) USE WITH "SNAP-IN" ON MOTOR | | | |
| | | 4) NO PARTS NUMBER | | | |

From P-375 To R-079

Date:10/2022

PAGE:H4-1856-33

MIRROR "RAMCO" 2 GLASSES / CHROME



| | | |
|---------------------|--------------|-----------------|
| From P-375 To R-079 | Date:10/2022 | PAGE:H4-1856-33 |
|---------------------|--------------|-----------------|

MIRROR "RAMCO" 2 GLASSES / CHROME

| Item# | Part | Description | H 3 4 0 | V I P 4 0 | N O T E S |
|-------|----------|---|------------------|-----------------------|-----------------------|
| | 990229 | MIRROR ASSY, R.H. / ELECTRIC | | 1 | |
| | 990230 | MIRROR ASSY, L.H. / ELECTRIC | | 1 | |
| 1 | 990237 | . HEAD ASSY / ELECTRIC | | 1 | |
| 2 | 502812 | . . SCREW SET HEXS CUP 3/8-16X3/8 SS | | 1 | |
| 3 | 990186 | . . STUD, BALL | | 1 | |
| 4 | 990272 | . . NOTCHED BACK MOUNTING PLATE (2" X 3") | | 1 | |
| 5 | 990220 | . . MOTOR 12V / LARGE / BLACK & WHITE / 133MM / 5 1/4" O.D. | | 1 | G |
| . NS | 564494 | . . . TAB TERMINAL / 20-16 / AMP 63138-1 | | 4 | G |
| . NS | G5009096 | . . . MOTOR 12V / LARGE / BLACK & WHITE / 133MM / 5 1/4" O.D. | | 1 | G |
| 5 | 990349 | . . MOTOR 12V / MEDIUM / BLACK / 108MM / 4 1/4" O.D. | 1 | 1 | H |
| . NS | 564494 | . . . TAB TERMINAL / 20-16 / AMP 63138-1 | 4 | 4 | H |
| 6 | 990266 | . . . VELCRO PLATE / 6" X 7" | | 1 | |
| 7 | 990182 | . . FLAT GLASS ASSY W/HEATER 12V | | 1 | |
| 8 | 990273 | . . POWER CONVEX MOTOR BASE PLATE | | 1 | |
| 9 | 990219 | . . MOTOR 12V / SMALL / BLACK / 85MM / 3 5/16" O.D. | | 1 | |
| . NS | 564494 | . . . TAB TERMINAL / 20-16 / AMP 63138-1 | | 4 | |
| 10 | 990267 | . . . VELCRO PLATE / 3" X 7" | | 1 | |
| 11 | 990183 | . . CONVEX GLASS ASSY W/HEATER 12V | | 1 | |
| 11 | 990338 | . . CONVEX GLASS ASSY W/HEATER 12V | 1 | 1 | J |
| 12 | 990282 | . . CABLE ASSY W/2 WIRES HEATER ELEMENT | | 1 | |
| 13 | N.S.S. | . . SCREW TC PAN PH ZP 6-32 X 1 1/8" | | 3 | 1 |
| 14 | 500660 | . . SCREW TC FL PH #6-32x3/8 Z050 | | 2 | |
| 20 | 990187 | . CUP, BALL | | 2 | |
| 21 | 990232 | . ARM, L.H. / 13" X 7" | | 1 | |
| 21 | 990231 | . ARM, R.H. / 15" | | 1 | |
| 22 | 502812 | . SCREW SET HEXS CUP 3/8-16X3/8 SS | | 2 | |
| 23 | 990265 | . WASHER ALUMINUM / 2 " O.D. | | 1 | |
| NS | 504082 | . . SNAP BUSHING / .125x.312x.312 | | 1 | |
| 24 | 990233 | . BRACKET, MOUNTING | | 1 | |
| 25 | N.P.N. | . WASHER, LOCK 1/2" SS | | 1 | 4 |
| 26 | 500958 | . WASHER FL .531x1.062x.095 SS | | 1 | |
| 27 | 990500 | . SCREW 1/2-13x2 HHCS SS | | 1 | |
| 30 | 500976 | SCREW MA FL PH 5/16-18x1 1/2 SS | | 4 | |
| 31 | 490727 | GASKET ADH / FOAM GREY | | 1 | |
| 32 | 500924 | NUT AN JK 5/16-18 | | 4 | |
| 33 | 490725 | SUPPORT R.H. / BOLTED FIX TO STRUCTURE | | 1 | B |
| 33 | 490726 | SUPPORT L.H. / BOLTED FIX TO STRUCTURE | | 1 | B |
| 33 | 490814 | SUPPORT R.H. / BOLTED & ADJUSTABLE W/STRUCTURE | | 1 | A |
| 33 | 490815 | SUPPORT L.H. / BOLTED & ADJUSTABLE W/STRUCTURE | | 1 | A |
| 34 | 490817 | ANGLE | | 2 | A |
| 35 | 490816 | ANGLE ASSY W/NUT | | 2 | A |
| 36 | 502589 | SCREW CAP HEX M8-1.25x25 G8.8 Z050 | | 4 | A |

| | | |
|--|--------------|-----------------|
| From P-375 To R-079 | Date:10/2022 | PAGE:H4-1856-33 |
| MIRROR "RAMCO" 2 GLASSES / CHROME | | |

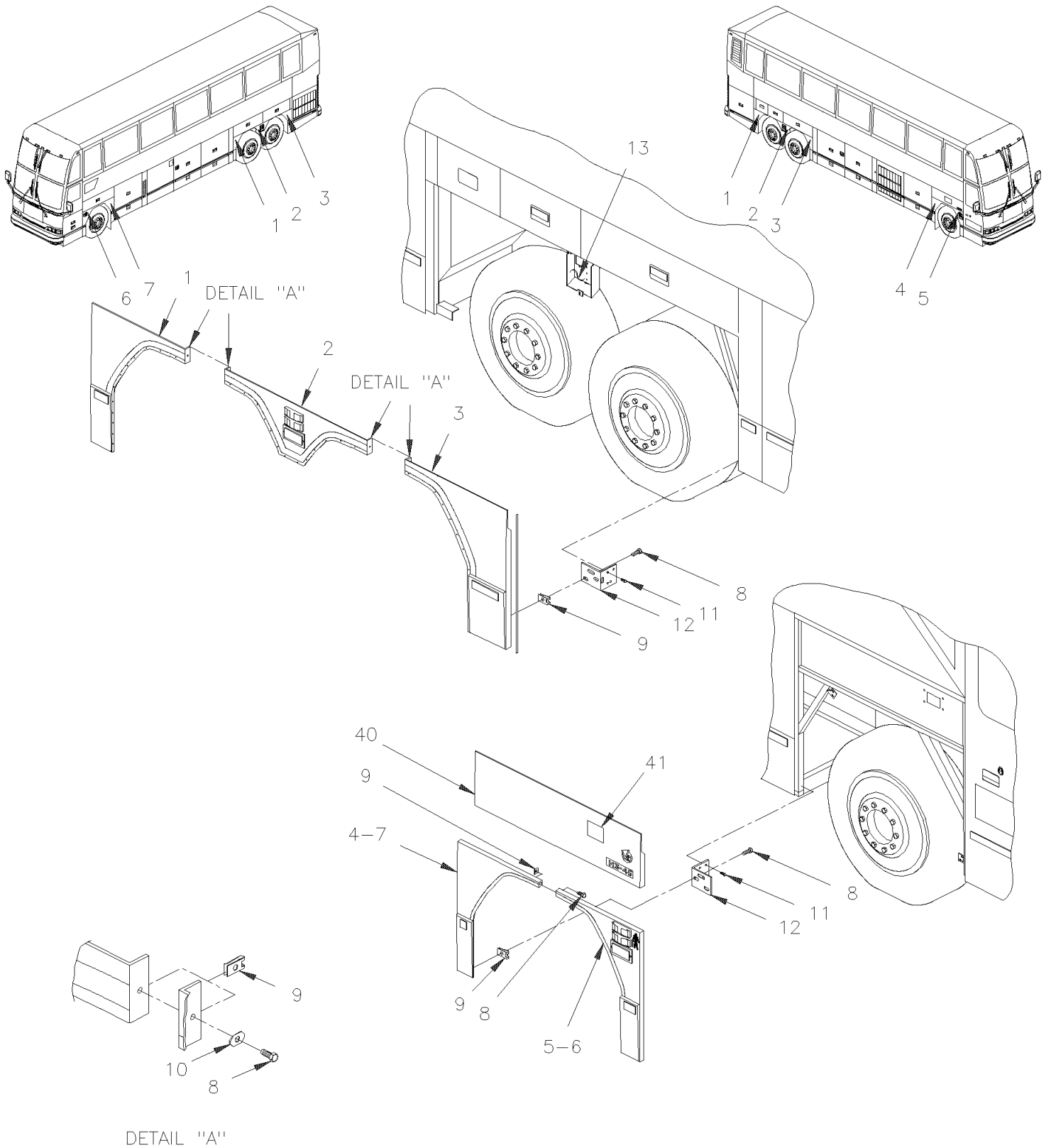
| Item# | Part | Description | H 3 4 0 | V I P 4 0 | N O T E S |
|-------|----------|--|------------------|-----------------------|-----------------------|
| 37 | 502584 | WASHER LO SERR 8.2x26.3x1.8 Z050 | | 4 | A |
| 40 | 561669 | CONNECTOR / UNIVERSAL MATE-N-LOK / SH 9C / AMP 1-480706-0 | | 1 | |
| NS | 562131 | SOCKET TERMINAL / 20-14 / AMP 350550-1 | | 9 | |
| NS | 062783 | HARNESS, WIRE / TO L.H. MIRROR | | 1 | F |
| NS | 062784 | HARNESS, WIRE / TO R.H. MIRROR | | 1 | F |
| NS | 561670 | CONNECTOR / UNIVERSAL MATE-N-LOK / PH 9C / AMP 1-480707-0 | | 1 | |
| NS | 561671 | PIN TERMINAL / 24-18 / AMP 350690-1 | | 9 | |
| NS | 062781 | HARNESS, WIRE / TO FRONT JUNCTION BOX | | 1 | |
| NS | 062782 | HARNESS, WIRE / TO SWITCH | | 1 | |
| NS | 064904 | KIT SEAL 6 HOLES PIN CONNECTOR | | 1 | |
| . NS | IS-98103 | . SEE INSTRUCTION SHEET | | 1 | |
| NS | 064905 | KIT SEAL 9 HOLES PIN CONNECTOR | | 1 | |
| . NS | IS-98103 | . SEE INSTRUCTION SHEET | | 1 | |
| | | | | | |
| | | | | | |
| | | A) FOR A BETTER ADJUSTMENT OR RETROFIT "RAMCO" MIRROR USE THOSE COMPONENTS | | | |
| | | B) PRODUCTION | | | |
| | | F) FOR PRODUCT IMPROVMENT USE KIT #064904 OR 064905 | | | |
| | | G) USE WITH HEAD SERIE 5000 | | | |
| | | H) USE WITH HEAD SERIE 6000 | | | |
| | | J) USE WITH "SNAP-IN" ON MOTOR | | | |
| | | 1) NOT SOLD SEPARATELY | | | |
| | | 4) NO PARTS NUMBER | | | |

From L-031 To R-079

Date:10/2022

PAGE:H4-1857-00

FENDERS



| | | |
|---------------------|--------------|-----------------|
| From L-031 To R-079 | Date:10/2022 | PAGE:H4-1857-00 |
| FENDERS | | |

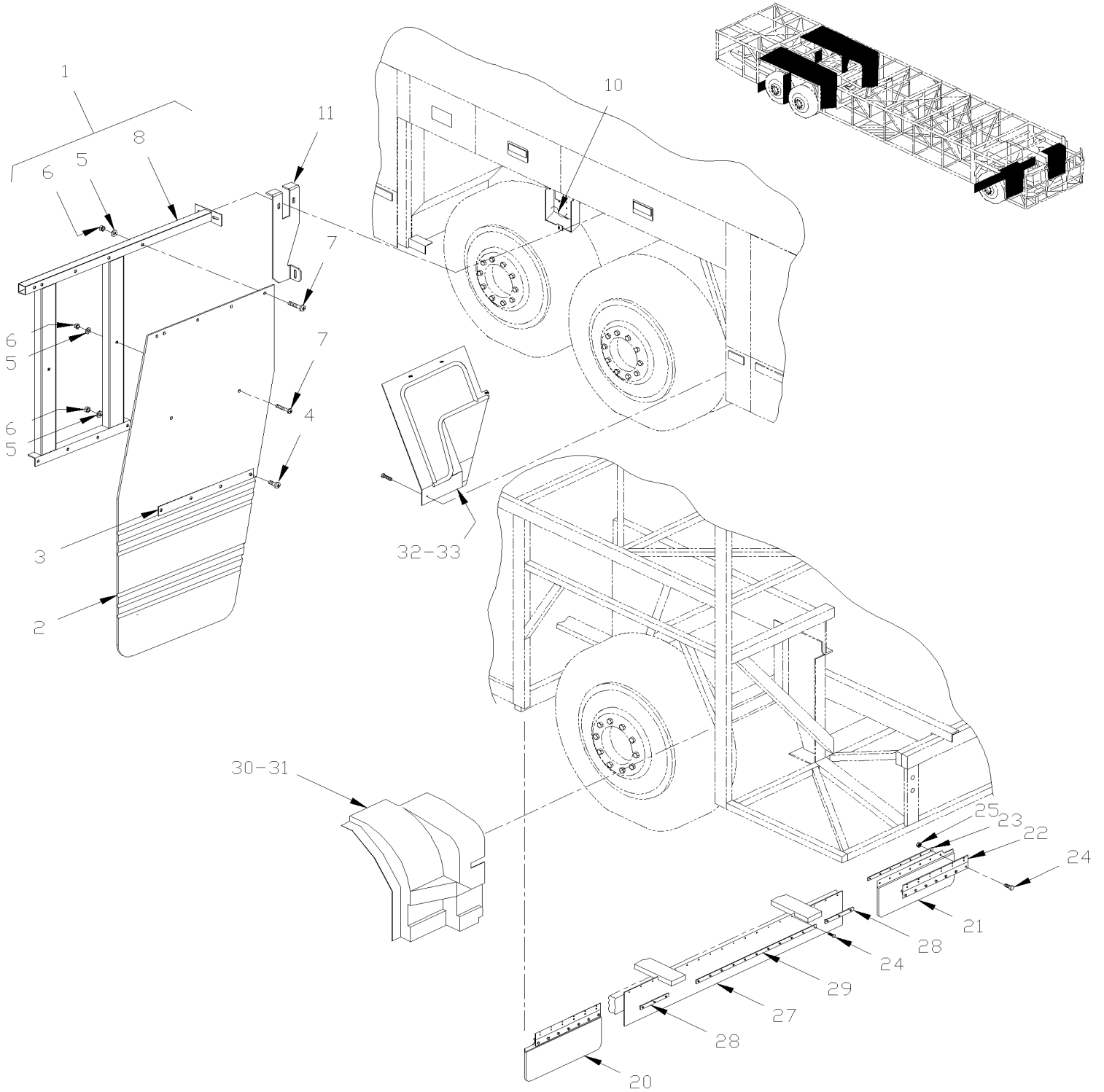
| Item# | Part | Description | H 3 4 0 | V I P 4 0 | N O T E S |
|-------|--------|---|------------------|-----------------------|-----------------------|
| 1 | 472213 | FENDER L.H. / FIBERGLASS To M-132 | 2 | 2 | A |
| 1 | 472579 | FENDER L.H. / FIBERGLASS From M-133 To P-329 | 2 | 2 | B |
| 1 | 472701 | FENDER L.H. / FIBERGLASS From P-330 | 1 | 1 | |
| 2 | 472216 | FENDER / CENTRAL SECTION To P-329 | 2 | 2 | |
| 2 | 472218 | FENDER / CENTRAL SECTION / W/LIGHT To P-329 | 2 | 2 | |
| 2 | 472703 | FENDER / CENTRAL SECTION / W/LIGHT From P-330 | 2 | 2 | |
| 2 | 472710 | FENDER / CENTRAL SECTION From P-330 | 2 | 2 | |
| 2 | 506025 | RUBBER CHANNEL / 1/18" x 5/16" INT "U" SHAPE / SQUARE C.T.L. | AR | AR | |
| 3 | 472230 | FENDER R.H. / FIBERGLASS To M-132 | 2 | 2 | A |
| 3 | 472586 | FENDER R.H. / FIBERGLASS From M-133 To P-329 | 2 | 2 | B |
| 3 | 472702 | FENDER R.H. / FIBERGLASS From P-330 | 2 | 2 | |
| 4 | 472217 | FENDER FIBERGLASS / REAR, FRONT R.H. WHEEL | 1 | 1 | |
| 5 | 472214 | FENDER FIBERGLASS / FRONT, FRONT R.H. WHEEL / W/LIGHT | 1 | 1 | |
| NS | 160622 | DECAL "FRONT KNEELING" (MAN W/CANE) | 1 | | |
| 6 | 472215 | FENDER FIBERGLASS / FRONT, FRONT L.H. WHEEL / W/LIGHT | 1 | 1 | |
| 7 | 472212 | FENDER FIBERGLASS / REAR, FRONT L.H. WHEEL | 1 | 1 | |
| 8 | 500535 | SCREW TP CAP HEX #14x3/4 Z050 | AR | AR | |
| 8 | 500468 | WASHER FL .281x1.250x.065 Z050 | AR | AR | |
| 9 | 502764 | NUT SPR J #14A .035-.046 | AR | AR | |
| 10 | 472231 | PLATE MOUNTING | 4 | 4 | |
| 11 | 504248 | RIVET CHY Q PRDG 3/16x1/4 SS | AR | AR | |
| 12 | 472379 | ANGLE SUPPORT / TO FIX FENDER TO FRAME | 22 | 22 | |
| 12 | 472601 | SUPPORT / TO FIX REAR END FENDER From M-168 | 2 | 2 | |
| 13 | 472237 | SUPPORT & PROTECTOR ASSY / L.H. CENTRAL SECTION FENDER | 1 | 1 | |
| 13 | 472239 | SUPPORT & PROTECTOR ASSY / R.H. CENTRAL SECTION FENDER | 1 | 1 | |
| NS | 502621 | NUT HEX STO M6-1.0 Z050 | AR | AR | C |
| NS | 502656 | SCREW CAP HEX M6-1.0x50 SS | AR | AR | |
| NS | 500535 | SCREW TP CAP HEX #14x3/4 Z050 | AR | AR | D |
| NS | 502764 | NUT SPR J #14A .035-.046 | AR | AR | D |
| | | | | | |
| | | | | | |
| | | A) WARNING FOR A BETTER ADJUSTMENT OF FENDERS IN SERVICE UP TO N-210 USED 472675 FOR LH & 472676 FOR RH | | | |
| | | B) WARNING FOR A BETTER ADJUSTMENT OF FENDERS IN SERVICE FROM N-210 TO P-330 USE 472701 LH & 472702 RH | | | |
| | | C) TO FIX REINFORCMENT TO FRAME | | | |
| | | D) TO FIX FENDER TO REINFORCEMENT | | | |

From L-031 To R-079

Date:10/2022

PAGE:H4-1859-00

SPLASH GUARD - FRONT & REAR



| | | |
|--|--------------|-----------------|
| From L-031 To R-079 | Date:10/2022 | PAGE:H4-1859-00 |
| SPLASH GUARD - FRONT & REAR | | |

| Item# | Part | Description | H 3 4 0 | V I P 4 0 | N O T E S |
|-------|--------|--|------------------|-----------------------|-----------------------|
| | 460285 | SPLASH GUARD / R.H. / DRIVE & TAG / SMALL | 1 | 1 | |
| | 460310 | SPLASH GUARD / R.H. / DRIVE & TAG / LARGE | 1 | | |
| | 460280 | SPLASH GUARD / L.H. / DRIVE & TAG / SMALL | 1 | 1 | |
| | 460311 | SPLASH GUARD / L.H. / DRIVE & TAG / LARGE | 1 | | |
| 1 | 460289 | . SUPPORT R.H. / SMALL | 1 | 1 | |
| NS | 460309 | . SUPPORT R.H. / LARGE | 1 | | |
| NS | 460276 | . SUPPORT L.H. / SMALL | 1 | 1 | |
| NS | 460307 | . SUPPORT L.H. / LARGE | 1 | | |
| 2 | 460283 | . PANEL R.H. / SMALL | 1 | 1 | |
| 2 | 460304 | . PANEL R.H. / LARGE | 1 | | |
| 2 | 460282 | . PANEL L.H. / SMALL | 1 | 1 | |
| 2 | 460302 | . PANEL L.H. / LARGE | 1 | | |
| 3 | 460279 | . PLATE REINFORCEMENT | 1 | 1 | |
| 4 | 500556 | . SCREW MA TR PH 1/4-20x3/4 SS | 4 | 4 | |
| 5 | 500411 | . WASHER FL .260x.697x.050 SS | 10 | 10 | |
| 6 | 500770 | . NUT HEX STO 1/4-20 Z050 | 10 | 10 | |
| 7 | 500610 | . SCREW MA RND PH 1/4x1 3/4 SS | AR | AR | |
| 8 | 460286 | . SUPPORT L.H. & R.H. | 2 | 2 | |
| 9 | 500095 | . SCREW CAP HEX 1/4-20x3/4 SS | 4 | 4 | |
| 10 | 472237 | SUPPORT & PROTECTOR ASSY / L.H. CENTRAL SECTION FENDER | 1 | 1 | |
| 10 | 472239 | SUPPORT & PROTECTOR ASSY / R.H. CENTRAL SECTION FENDER | 1 | 1 | |
| NS | 502621 | NUT HEX STO M6-1.0 Z050 | AR | AR | |
| NS | 502656 | SCREW CAP HEX M6-1.0x50 SS | AR | AR | |
| 11 | 212053 | SUPPORT R.H. | 1 | | A |
| 11 | 212011 | SUPPORT L.H. | 1 | | A |
| 20 | 460293 | SPLASH GUARD ASSY / R.H. FRONT & R.H. TAG | 2 | 2 | |
| 21 | 460291 | SPLASH GUARD ASSY / L.H. FRONT | 1 | 1 | |
| NS | 460295 | SPLASH GUARD ASSY / L.H. TAG | 1 | 1 | |
| NS | 460292 | . SPLASH GUARD / L.H. | 1 | 1 | |
| NS | 460294 | . SPLASH GUARD / R.H. | 1 | 1 | |
| 22 | 460290 | . HINGE | 1 | 1 | |
| 23 | 460274 | . PLATE REINFORCEMENT 434MM | 1 | 1 | |
| 24 | 502622 | . SCREW CAP HEX M6-1.0x20 SS BK | 7 | 7 | |
| 25 | 502621 | . NUT HEX STO M6-1.0 Z050 | 7 | 7 | |
| 27 | 460312 | SPLASH GUARD / CENTER FRONT SPLASH / 1466MM X 247MM | | | |
| 28 | 460313 | STRAP / TO FIX CENTER SPLASH GUARD / 220MM X 20MM | 2 | 2 | |
| 29 | 460314 | STRAP / TO FIX CENTER SPLASH GUARD / 806MM X 20MM | 1 | 1 | |
| 30 | 460229 | SPLASH GUARD / R.H. FRONT | 1 | 1 | |
| 31 | 460270 | SPLASH GUARD / L.H. FRONT | 1 | 1 | |
| NS | 460248 | SUPPORT ANGLE LOWER / FRONT | 6 | 6 | |
| NS | 504487 | RIVET MGLP PRDG 3/16x7/16 SS | 18 | 18 | B |
| 32 | 460272 | SPLASH GUARD / R.H. DRIVE | 1 | 1 | |

| | | |
|--|--------------|-----------------|
| From L-031 To R-079 | Date:10/2022 | PAGE:H4-1859-00 |
| SPLASH GUARD - FRONT & REAR | | |

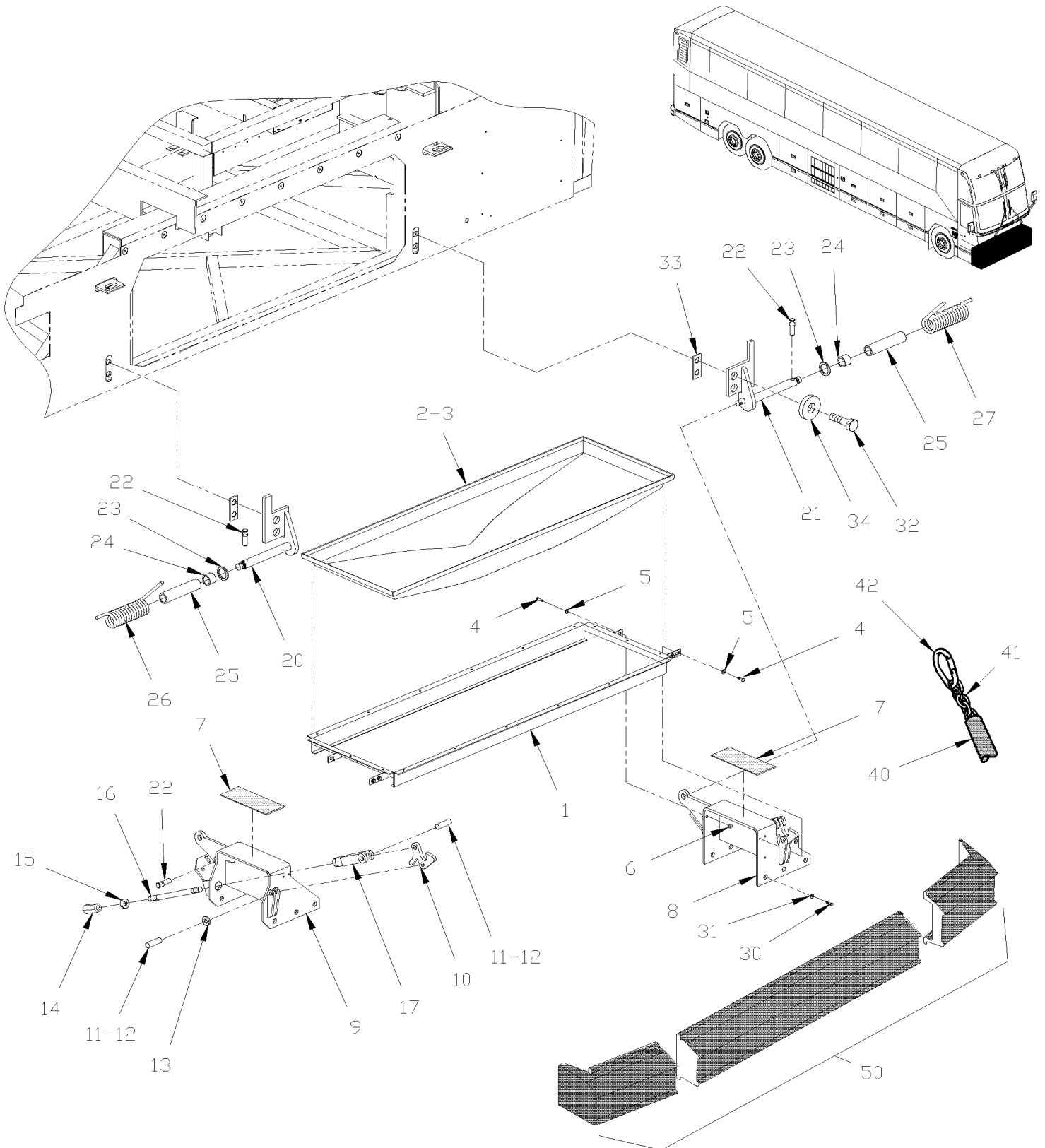
| Item# | Part | Description | H 3 4 0 | V I P 4 0 | N O T E S |
|-------|--------|---|------------------|-----------------------|-----------------------|
| 33 | 460273 | SPLASH GUARD / L.H. DRIVE | 1 | 1 | |
| NS | 500535 | SCREW TP CAP HEX #14x3/4 Z050 | 1 | 1 | C |
| NS | 500468 | WASHER FL .281x1.250x.065 Z050 | 1 | 1 | C |
| | | FOR RETROFIT LARGER MODEL YOU NEED | | | |
| | | 2 TUBES #460306 ONE SUPPORT #212011 | | | |
| | | ONE SUPPORT #212053 AND DIAGRAM D460017 | | | |
| | | | | | |
| | | | | | |
| | | A) WITH LARGE SPLAH GUARD ONL | | | |
| | | B) TO FIX FRONT | | | |
| | | C) TO FIX REAR | | | |

From L-031 To R-079

Date:10/2022

PAGE:H4-1860-10

SPARE WHEEL DOOR MECHANISM FRONT BUMPER



| | | |
|--|--------------|-----------------|
| From L-031 To R-079 | Date:10/2022 | PAGE:H4-1860-10 |
| SPARE WHEEL DOOR MECHANISM FRONT BUMPER | | |

| Item# | Part | Description | H 3 4 0 | V I P 4 0 | N O T E S |
|-------|-------------------|---|------------------|-----------------------|-----------------------|
| | 410454P | BUMPER ASSY / W/COMPLETE DOOR MECHANISM | 1 | | |
| 1 | 410455 | . FRAME ASSY | 1 | | |
| 2 | 410453 | . PANEL CLOSING / SPARE COMPARTMENT / PLASTIC | 1 | | |
| NS | 504488 | . RIVET MGLP PRDG 3/16x17/64 SS | AR | | |
| 3 | 410605 | . RUBBER EXTRUSION SEAL / GRIP .062 X 3140MM | 1 | | A |
| 4 | 502622 | . SCREW CAP HEX M6-1.0x20 SS BK | 8 | | |
| 5 | 500411 | . WASHER FL .260x.697x.050 SS | 6 | | |
| 5 | 502582 | . WASHER LO SERR 6.1x16.2x0.9 Z050 | 6 | | |
| 6 | 500609 | . NUT HEX M6-1.0 Z050 | 6 | | |
| 7 | 410429 | . SPACER RUBBER | 2 | | |
| 8 | 410383 | . BRACKET ASSY / L.H. | 1 | | |
| 9 | 410375 | . BRACKET ASSY / R.H. | 1 | | |
| 10 | 410569 | HOOK | 2 | | |
| 11 | 502027 | . PIN, CLEVIS 1/2 x 1 1/4 BZC | 1 | | |
| 12 | 502111 | . PIN, COTTER 1/8 x 1 1/2 SS | 2 | | |
| 13 | 500958 | . WASHER FL .531x1.062x.095 SS | 2 | | |
| 14 | 410399 | . NUT HEX CPG 5/8-11 X 2 1/8 | 2 | | |
| 15 | 500449 | . WASHER FL .625x1.500 SS | 2 | | |
| 16 | 410397 | . THREADED ROD 229MM | 2 | | |
| 17 | 640129 | . YOKE 5/8-18x1 3/8 C/Lx9/16Wx1/2 | 2 | | |
| NS | 500730 | . NUT HEX JAM THN 5/8-18x3/8 ZP | 2 | | |
| 20 | 410372 | . BRACKET ASSY / R.H. | 1 | | |
| 21 | 410365 | . BRACKET ASSY / L.H. | 1 | | |
| 22 | 505406 | SPRING, PIN 1/4 X 1 1/2 | 2 | | |
| 26 | 410389 | . SPRING, TORSION / R.H. | 1 | | E |
| 27 | 410361 | . SPRING, TORSION / L.H. | 1 | | E |
| 30 | 502696 | . SCREW CAP HEX 1/2-13x1 1/4 G5 ZP | 12 | | |
| 31 | 500482 | . WASHER LO SPT .506x.873x.125 Z050 | 12 | | |
| 32 | 502544 | . SCREW CAP HEX M16-2.0x40 G8.8 Z050 | 4 | | |
| 33 | 410460 | . PLATE 76MM X 30MM | 2 | | |
| 40 | 560388 | . PLASTIC TUBING / 3/4" / CLEAR | AR | | |
| 41 | 650152 | . CHAIN / S.L. | AR | | |
| 42 | 504522 | . HOOK | 3 | | |
| NS | 502548 | . EYE BOLT M10-1.5x50 CJ | 2 | | |
| NS | 500256 | . NUT HEX M10-1.5 Z050 | 4 | | |
| NS | 410464 | HOSE 3/4" I.D. 420MM | 1 | | |
| NS | 410671 | KIT TOOL BUMPER SPRING INSTALLATION | 1 | | |
| . NS | IS-97064 | . SEE INSTRUCTION SHEET | 1 | | |
| 50 | H4-1850-00 | BUMPER FRONT - BUS | | | |
| | | | | | |
| | | | | | |

| | | |
|--|--------------|-----------------|
| From L-031 To R-079 | Date:10/2022 | PAGE:H4-1860-10 |
| SPARE WHEEL DOOR MECHANISM FRONT BUMPER | | |

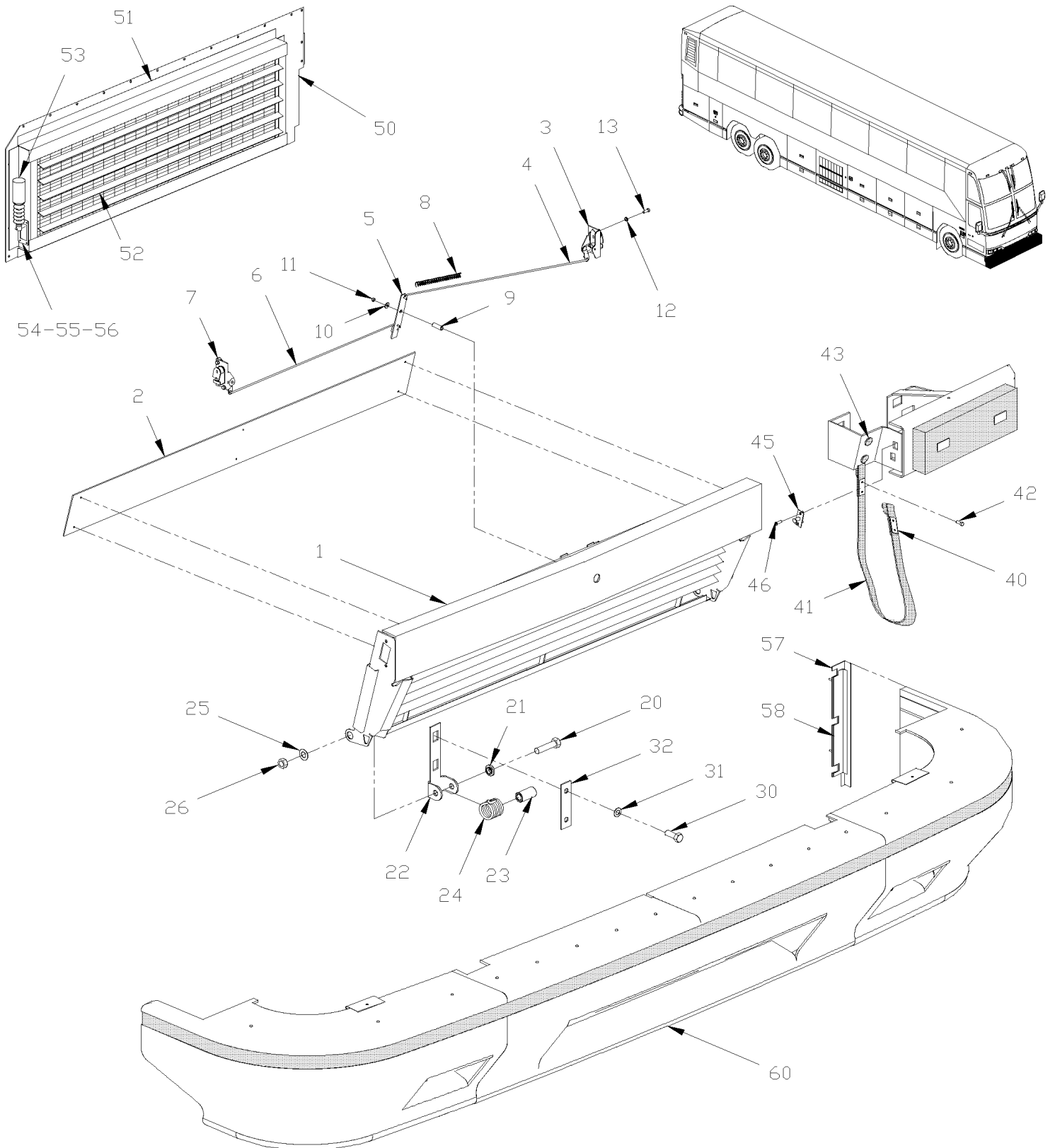
| Item# | Part | Description | H 3 4 0 | V I P 4 0 | N O T E S |
|-------|------|---|------------------|-----------------------|-----------------------|
| | | A) ALSO SOLD IN 20' ON PART #482051 OR 100' ON PART #506410 | | | |
| | | E) TO INSTALL THOSE SPRING YOU NEED TOOL KIT #410671. SEE INSTRUCTION SHEET IS-97064 FOR HELP | | | |

From L-031 To R-079

Date:10/2022

PAGE:H4-1860-50

BUMPER DOOR FRONT - V.I.P.



| | | |
|-----------------------------------|--------------|-----------------|
| From L-031 To R-079 | Date:10/2022 | PAGE:H4-1860-50 |
| BUMPER DOOR FRONT - V.I.P. | | |

| Item# | Part | Description | H 3 4 0 | V I P 4 0 | N O T E S |
|-------|---------|---|------------------|-----------------------|-----------------------|
| 1 | 410530 | BUMPER / CENTER | | 1 | |
| 2 | 410546 | PLATE ANTISKID 145MM X 1340MM AL | | 1 | |
| NS | 410453 | PANEL CLOSING / SPARE COMPARTMENT / PLASTIC | | AR | A |
| 3 | 780282 | LOCK SPAGNOLET L.H. | | 1 | |
| 4 | 410504 | ROD / L.H. | | 1 | |
| 5 | 410490 | HANDLE | | 1 | |
| 6 | 410502 | ROD / R.H. | | 1 | |
| 7 | 780283 | LOCK SPAGNOLET R.H. | | 1 | |
| . NS | 780340 | . CLIP, RETAINER ROD | | 1 | |
| 8 | 502155 | SPRING EXTENSION / .250 O.D. x 2.5 x .024 | | 1 | |
| 9 | 481012 | BUSHING LEVER | | 1 | |
| 10 | 500411 | WASHER FL .260x.697x.050 SS | | 2 | |
| 11 | 502716 | NUT HEX NYRT 1/4-20 | | 1 | |
| 12 | 502570 | WASHER LO SPT 6.1x11.8x1.6 SS | | 2 | |
| 13 | 5001181 | SCREW CAP HEX M6-1.0x12 SS | | 4 | |
| 20 | 5001002 | SCREW SHR HEXS 16x90 {M12-1.75 | | 2 | |
| 21 | 410485 | SHOULDER WASHER | | 4 | |
| 22 | 211664 | HINGE | | 2 | B |
| 23 | 410520 | SPRING SPACER NYLON | | 2 | |
| 24 | 410564 | SPRING, TORSION / 1.25 I.D. x 2.027 x .250 | | 2 | |
| 25 | 500449 | WASHER FL .625x1.500 SS | | 2 | |
| 26 | 502591 | NUT HEX NYRT M12-1.75 CP | | 2 | |
| 40 | 410526 | PLATE STRAP / HOLD DOWN | | 4 | |
| 41 | 410541 | STRAP / HOLD DOWN / 635MM | | 2 | |
| 41 | 505507 | . STRAP NYLON 1" WIDE / S.L. | | AR | |
| 42 | 504379 | RIVET POP DOME OE 3/16x1/4 SS | | 4 | |
| 43 | 504553 | BUMPER PLUG / 7/8 X 7/16 / R.H. & L.H. | | 2 | |
| 45 | 780278 | PIN, STRIKER STUD | | 2 | |
| NS | 410532 | SHIM 11GA 25MM X 60MM | | 2 | |
| 46 | 502773 | SCREW MA OV PH 1/4-20x1 SS EMN | | 4 | |
| NS | 500440 | WASHER FL .250x.562x.065 Z050 | | 4 | |
| NS | 502716 | NUT HEX NYRT 1/4-20 | | 4 | |
| 50 | 410525 | PANEL / W/HOLES | | 1 | |
| 51 | 410501 | ANGLE / TO FIX SHUTTER UPPER | | 1 | |
| NS | 502761 | SCREW TP BDG PH #10x3/4 SS BK | | 13 | |
| NS | 502573 | WASHER FL 6.4x12.5x1.6 SS | | 13 | |
| 52 | 051570 | SHUTTER ASSY | | 1 | |
| . NS | 550568 | . CYLINDER AIR / SHUTTER / W/4" MOUNT | | 1 | |
| . NS | 550569 | . BOOT RUBBER | | 1 | |
| . NS | 550577 | . SPRING EXTENSION / .350 O.D. x 6.875 x .069 | | 1 | |
| . NS | 550179 | . BUSHING 5/16" I.D. / NYLON | | AR | |
| 52 | 550577 | . SPRING EXTENSION / .350 O.D. x 6.875 x .069 | | 1 | |

| | | |
|-----------------------------------|--------------|-----------------|
| From L-031 To R-079 | Date:10/2022 | PAGE:H4-1860-50 |
| BUMPER DOOR FRONT - V.I.P. | | |

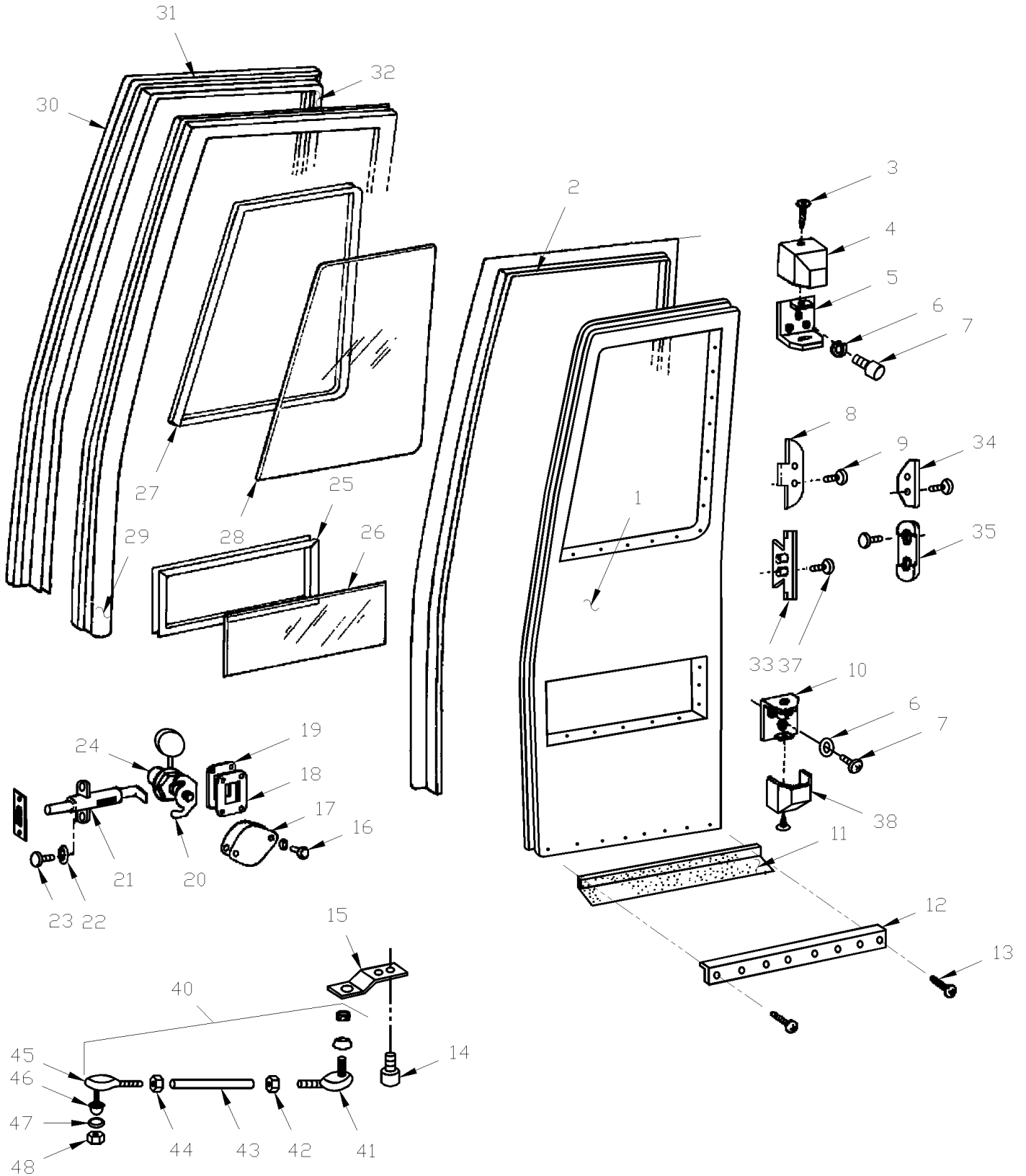
| Item# | Part | Description | H 3 4 0 | V I P 4 0 | N O T E S |
|-------|-------------------|--|------------------|-----------------------|-----------------------|
| 52 | 550568 | . CYLINDER AIR / SHUTTER / W/4" MOUNT | | 1 | |
| 52 | 550569 | . . BOOT RUBBER | | 1 | |
| 52 | 550179 | . BUSHING 5/16" I.D. / NYLON | | AR | |
| 53 | 506227 | TAPE RUB ADH1 CC POL 1/16" x 3/4" x 100' / GREY 2520 | | AR | |
| 54 | 282954 | GASKET | | 1 | |
| 55 | 282953 | PLATE, CLOSING | | 1 | |
| 56 | 504340 | RIVET POP DOME OE 1/8x3/16 SS | | 4 | |
| 57 | 410538 | ATTACHMENT / SIDE OF SERVICE DOOR 390MM | | 1 | |
| 58 | 502557 | . NUT HEX NYRT M4-0.7 SS | | 2 | |
| NS | 502556 | WASHER FL 4.3x9.0x0.8 SS | | 2 | |
| 60 | H4-1850-15 | BUMPER FRONT - V.I.P. | | | |
| | | | | | |
| | | | | | |
| | | A) USED ONLY W/BUS WITH V.I.P. FRONT BUMPER | | | |
| | | B) WELDED TO STRUCTURE | | | |

From L-031 To N-196

Date:10/2022

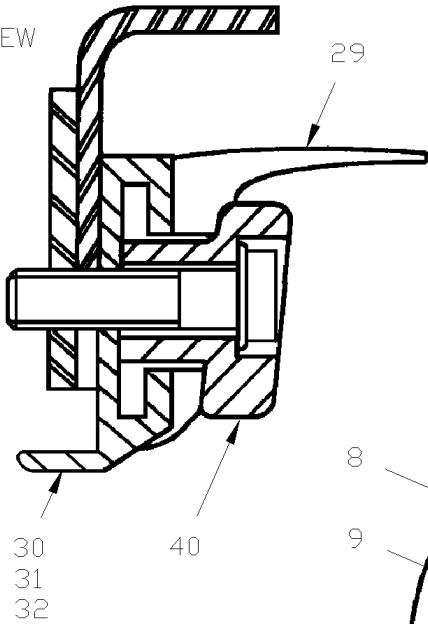
PAGE:H4-1862-00

ENTRANCE DOOR ASSY - PLUG TYPE

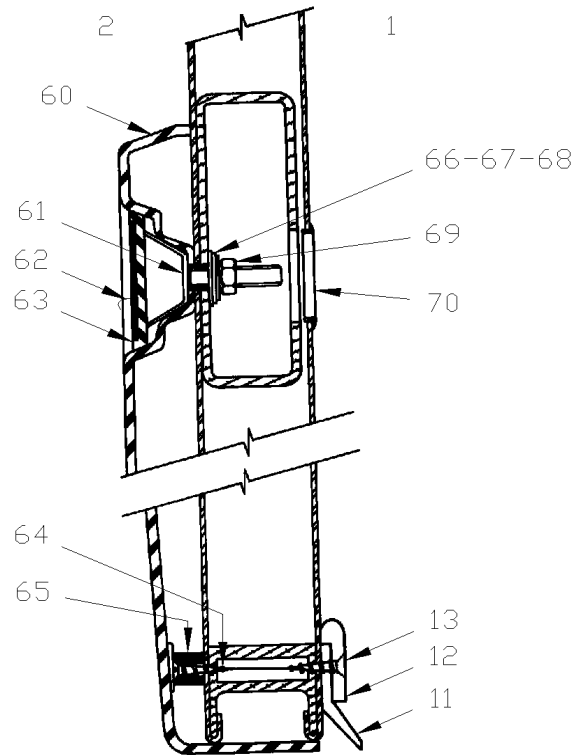
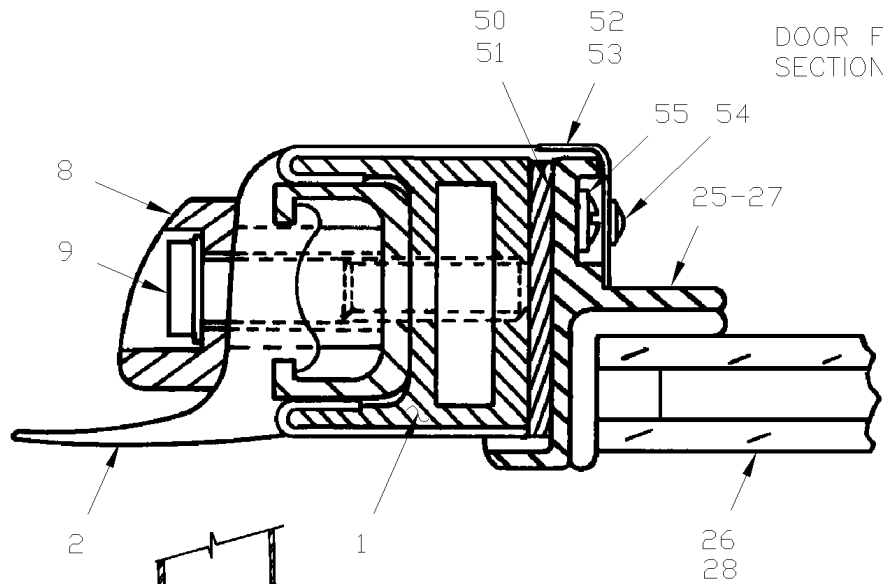


| | | |
|---------------------------------------|--------------|-----------------|
| From L-031 To N-196 | Date:10/2022 | PAGE:H4-1862-00 |
| ENTRANCE DOOR ASSY - PLUG TYPE | | |

BODY FRAME
SECTIONAL VIEW



DOOR FRAME
SECTIONAL VIEW



DOOR LOWER SECTION

| | | |
|---------------------|--------------|-----------------|
| From L-031 To N-196 | Date:10/2022 | PAGE:H4-1862-00 |
|---------------------|--------------|-----------------|

ENTRANCE DOOR ASSY - PLUG TYPE

| Item# | Part | Description | H 3 4 0 | V I P 4 0 | N O T E S |
|-------|--------|--|------------------|-----------------------|-----------------------|
| | 282821 | ENTRANCE DOOR ASSY / W/SHORT COLUMN | 1 | | |
| | 283701 | ENTRANCE DOOR ASSY / W/LONG COLUMN | 1 | | |
| 1 | 780438 | . PROFILE DOOR SEAL RETAINER | 1 | | |
| 2 | 282890 | . SEAL, RUBBER / DOOR SECTION | 1 | | |
| 3 | 502639 | . SCREW MA FL PH M5-0.8X12 ZP | 2 | | |
| 4 | 780289 | . COVER / UPPER BRACKET | 1 | | |
| 5 | 780446 | . BRACKET, UPPER | 1 | | |
| 6 | 500874 | . WASHER FL 8.4x17.0x1.6 Z050 | 4 | | |
| 7 | 500544 | . SCREW CAP HEX M8-1.25x30 G8.8 Z050 | 4 | | |
| 8 | 780314 | . LOCK, CAM / SIDE DOOR | 3 | | |
| 9 | 502743 | . SCREW CAP HEXS M8-1.25x40 G8.8 | 8 | | |
| 9 | 502641 | . WASHER SPR WAVE 8.4x15.0x0.8 CJ | 8 | | |
| 10 | 780445 | . BRACKET | 1 | | |
| 11 | 780313 | . SEAL, LOWER | 1 | | |
| 12 | N.P.N. | . MOULDING, RETAINING / TO FIX RUBBER SEAL | 1 | | 4 |
| 13 | 502639 | . SCREW MA FL PH M5-0.8X12 ZP | AR | | |
| 14 | 502640 | . SCREW CAP HEXS M8-1.25x30 G8.8 | AR | | |
| 15 | 780444 | . BRACKET, TIE ROD | 1 | | |
| 16 | 502725 | . SCREW MA OV PH M4-0.7x10 SS EMN | 2 | | |
| 17 | N.P.N. | . COVER | 2 | | 4 |
| 18 | N.P.N. | . GASKET / W/HANDLE | 2 | | 4 |
| 19 | N.P.N. | . HANDLE | 2 | | 4 |
| 20 | 780346 | . CAM, LOCKING | 2 | | |
| 21 | 502111 | . PIN, COTTER 1/8 x 1 1/2 SS | 2 | | |
| 22 | 502562 | . WASHER LO EXTC 5.3x10x0.3 ZP | 2 | | |
| 23 | 502639 | . SCREW MA FL PH M5-0.8X12 ZP | 2 | | |
| 24 | 780318 | . CAP PROTECTOR CLOSED / BLACK SERIES PS | 2 | | |
| 25 | 291757 | FRAME / LOWER WINDOW | 1 | | |
| 26 | 299057 | GLASS, THERMOS | 1 | | |
| 27 | 291768 | FRAME / UPPER WINDOW | 1 | | |
| 28 | 299055 | GLASS, THERMOS | 1 | | |
| 29 | 282825 | SEAL, RUBBER / BODY SECTION | 1 | | |
| 30 | 282834 | MOULDING, RETAINER SEAL / FRONT DOOR | 1 | | |
| 31 | 282835 | MOULDING, RETAINER SEAL / UPPER DOOR | 1 | | |
| 32 | 282836 | MOULDING RETAINER SEAL / REAR DOOR | 1 | | |
| NS | 504379 | RIVET POP DOME OE 3/16x1/4 SS | AR | | |
| 33 | 780286 | LOCK, WEDGE / FIXED ON FRAME | 3 | | |
| 34 | 780434 | LOCK, CAM / FIXED ON FRAME | 1 | | |
| 35 | 780435 | LOCK, CAM / FIXED ON DOOR | 1 | | |
| 37 | 502640 | SCREW CAP HEXS M8-1.25x30 G8.8 | 8 | | |
| 38 | 780288 | COVER / LOWER BRACKET | 1 | | |
| 40 | 780293 | TIE ROD ASSY / W/SHORT COLUMN FRONT DOOR / 30MM LG | 1 | | |

| | | |
|---------------------------------------|--------------|-----------------|
| From L-031 To N-196 | Date:10/2022 | PAGE:H4-1862-00 |
| ENTRANCE DOOR ASSY - PLUG TYPE | | |

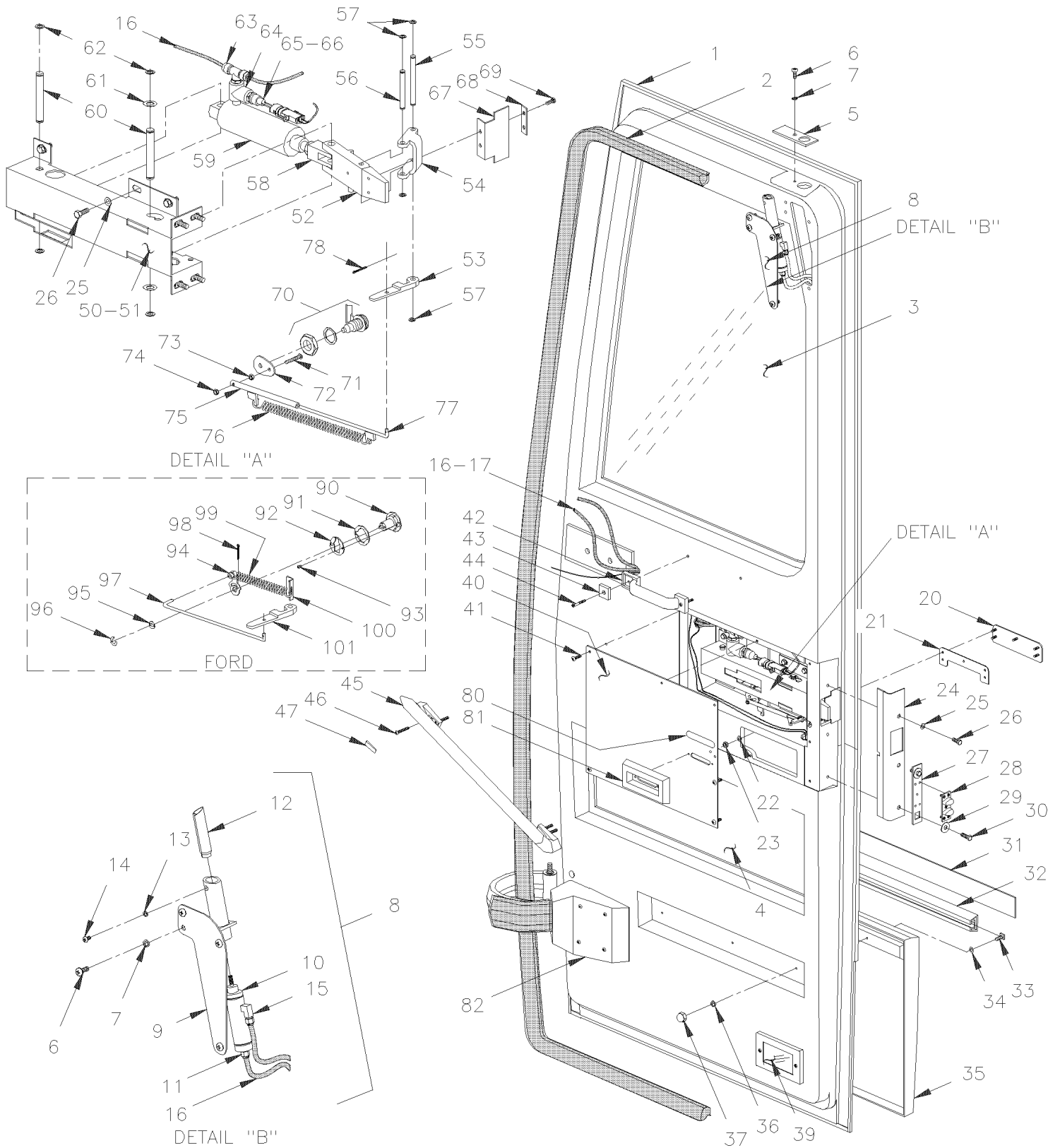
| Item# | Part | Description | H 3 4 0 | V I P 4 0 | N O T E S |
|-------|---------|--|------------------|-----------------------|-----------------------|
| 40 | 780433 | TIE ROD ASSY / W/LONG COLUMN FRONT DOOR / 38.5MM LG | 1 | | |
| 41 | 780342 | . ROD END MALE / MALE STUD M10-1.0 x 65MM / M10-1.5 | 1 | | |
| 42 | 5001006 | . NUT HEX JAM M10-1.0 ZP | 1 | | |
| 43 | N.P.N. | . ROD, THREADED / W/SHORT COLUMN | 1 | | 4 |
| 43 | N.P.N. | . ROD, THREADED / W/LONG COLUMN | 1 | | 4 |
| 44 | 5001005 | . NUT HEX JAM LH M10-1.0 ZP | 1 | | |
| 45 | 780343 | . ROD END MALE / MALE STUD M10-1.0-L.H. x 65MM / M10-1.5 | 1 | | |
| 46 | 780443 | . CAP, PROTECTOR / TIE ROD | 2 | | |
| 47 | 500257 | . WASHER LO SPT 10.2x18.1x2.2 Z050 | 2 | | |
| 48 | 500256 | . NUT HEX M10-1.5 Z050 | 2 | | |
| 49 | 780287 | PLATE, STRIKER | 2 | | |
| NS | 500592 | SCREW TP FL PH #8x1 ZP | 4 | | |
| 50 | 291528 | SPACER / STRUCTURE & WINDOW / FORMICA 29 X 1 3/8" X .100 | 2 | | |
| 51 | 291529 | SPACER / STRUCTURE & WINDOW / FORMICA 29 X 1 3/8" X .042 | 2 | | |
| 52 | 291769 | FRAME, FINISHING / UPPER WINDOW | 1 | | |
| 53 | 291773 | FRAME, FINISHING / LOWER WINDOW | 1 | | |
| 54 | 500814 | SCREW TP BDG PH #6x3/4 BK | 19 | | A |
| 55 | 500641 | SCREW TP PAN PH #8x3/4 Z050 | 30 | | B |
| 60 | 282748 | PROTECTOR PANEL / DP | 1 | | |
| 61 | 282784 | PLATE, RETAINING / PROTECTOR LOWER PANEL | 1 | | |
| 62 | 282750 | EXTRUSION PROFILE MODIFIED 663MM | 1 | | |
| 63 | 283100 | STRIPE, REFLECTIVE WHITE / 38MM X 15' ROLL | AR | | C |
| . NS | 780277 | . STRIPE, REFLECTIVE WHITE / 38MM X 150' ROLL | AR | | C |
| 64 | 500434 | SCREW TP FL PH #8x3/4 Z050 | 4 | | |
| 65 | 282747 | SPACER | 2 | | |
| 66 | 502570 | WASHER LO SPT 6.1x11.8x1.6 SS | 3 | | |
| 67 | 502565 | NUT HEX M6-1.0 SS | 3 | | |
| 67 | 502573 | WASHER FL 6.4x12.5x1.6 SS | 3 | | |
| 68 | 500374 | WASHER FL .375x.625x.062 RUB | 3 | | |
| 70 | 507295 | HOLE PLUG BUTTON / 1.375 O.D. BLACK | 3 | | |
| NS | 780290 | STOPPER ASSY / SCREW ON FRAME DOOR | 1 | | |
| | | | | | |
| | | | | | |
| | | | | | |
| | | A) TO FIX FINISHING FRAMES | | | |
| | | B) TO FIX UPPER & LOWER FRAMES | | | |
| | | C) 150' ROLL | | | |
| | | 4) NO PARTS NUMBER | | | |

From N-197 To R-079

Date:10/2022

PAGE:H4-1862-10

ENTRANCE DOOR ASSY - "SEDAN"



| | | |
|-------------------------------------|--------------|-----------------|
| From N-197 To R-079 | Date:10/2022 | PAGE:H4-1862-10 |
| ENTRANCE DOOR ASSY - "SEDAN" | | |

| Item# | Part | Description | H 3 4 0 | V I P 4 0 | N O T E S |
|-------|---------|---|------------------|-----------------------|-----------------------|
| | 283943P | ENTRANCE DOOR ASSY / SEDAN To P-329 | 1 | | |
| | 284614P | ENTRANCE DOOR ASSY / SEDAN From P-330 | 1 | | A |
| | 285059 | ENTRANCE DOOR ASSY / SEDAN | 1 | | B |
| | 285691 | ENTRANCE DOOR ASSY / SEDAN | 1 | | C |
| | 285682 | ENTRANCE DOOR ASSY / SEDAN | 1 | | C |
| 1 | 285003 | . DOOR MOULDED / FIBERGLASS | 1 | | |
| 1 | 289691 | . DOOR MOULDED / FIBERGLASS W/O WIRE HOLE FOR DOCKING LAMP | 1 | | |
| 1 | 285223 | . DOOR MOULDED / FIBERGLASS / W/"FORD" KEY | 1 | | |
| 1 | 289692 | . DOOR MOULDED / FIBERGLASS / W/"FORD" KEY W/O WIRE HOLE FOR DOCKING LAMP | 1 | | |
| 2 | 285464 | . RUBBER SEAL EXTRUSION 5800MM | AR | | |
| 2 | 280136 | . RUBBER SEAL EXTRUSION 5800MM | 1 | | |
| 2 | 2800115 | . RUBBER SEAL EXTRUSION 5800MM | 1 | | |
| 3 | 299055 | . GLASS, THERMOS | 1 | | |
| 4 | 299057 | . GLASS, THERMOS | 1 | | |
| NS | 681089 | . SEALANT TAPE BUTYL / BLACK / 1/8"x5/16"x15' / 753152760 | AR | | |
| NS | 681091 | . PRIMER SIKA #206 / BLACK / 250ml | AR | | |
| NS | 681092 | . ADHESIVE SIKA #255FC / BLACK / 310ml CARTRIDGE | AR | | |
| 5 | 284048 | . PLATE FINISHING To P-277 | 1 | | |
| 5 | 284450 | . PLATE FINISHING From P-278 | 1 | | |
| 5 | 283931 | SWITCH PROXIMITY ASSY 150MM | 1 | | |
| 6 | 502569 | . SCREW MA PAN PH M6-1.0x16 BK | 1 | | |
| 7 | 500472 | . WASHER LO INT .256x.478x.028 Z050 | 1 | | |
| 8 | 285030 | . LOCK ASSY, UPPER | 1 | | D |
| 8 | 285599 | . LOCK ASSY, UPPER | 1 | | |
| 9 | 283972 | . PLATE, LOCK To R-032 | 1 | | |
| 9 | 284629 | . PLATE, LOCK From R-033 | 1 | | |
| 9 | 285269 | . PLATE, LOCK | 1 | | |
| 10 | 641259 | . CYLINDER, AIR 7/8" SINGLE ACTION | 1 | | D |
| 10 | 641392 | . CYLINDER 7/8" X 1" STROKE / DOUBLE ACTION | 1 | | |
| 11 | 641242 | . MALE CONNECTOR / PUSH-IN FITTING / #4x1/8NPT-M BR | 1 | | |
| 12 | 284819 | . CATCH To S-187 | 1 | | |
| 12 | 285271 | . CATCH From S-188 | 1 | | |
| 12 | 282383 | . CATCH | 1 | | |
| 12 | 683276 | . GREASE LOW TEMPERATURE 450GR | AR | | |
| 13 | 502636 | . WASHER LO SPT 4.1x7.6x0.9 Z050 | 1 | | |
| 14 | 500560 | . SCREW MA PAN PH M4-0.7x6 Z050 | 1 | | |
| 15 | 641369 | . MALE ELBOW 90° NON-SWIVEL / PUSH-IN FITTING / #4x1/8NPT-M BR | 1 | | |
| | | . THE 8 FOLLOWING PARTS ARE LOCATED INSIDE | | | |
| | | . THE DOOR | | | |
| 16 | 503402 | . TUBE, NYLON 1/4 O.D. / BLACK S.L. | AR | | |

| | | | |
|-------------------------------------|--|--------------|-----------------|
| From N-197 To R-079 | | Date:10/2022 | PAGE:H4-1862-10 |
| ENTRANCE DOOR ASSY - "SEDAN" | | | |

| Item# | Part | Description | H 3 4 0 | V I P 4 0 | N O T E S |
|-------|-------------------|---|------------------|-----------------------|-----------------------|
| NS | 504421 | . GROMMET / .625x.875x.187x.437x1.125 | 3 | | |
| NS | 500510 | . SCREW MA BDG PH #10-32x3/4 SS EMN | 1 | | |
| NS | 500519 | . NUT WELL #10-32x.518 | 1 | | |
| NS | 560503 | . CLAMP / 1/4" I.D. | 1 | | |
| 17 | 063468 | . CABLE ASSY / PRESSURE SWITCH & LIGHT | 1 | | |
| NS | 560503 | . CLAMP / 1/4" I.D. | 1 | | |
| 20 | 283956 | . HANDLE ASSY / W/5 STUDS | 1 | | |
| 21 | 283954 | . GASKET / HANDLE & BODY | 1 | | |
| 22 | 502556 | . WASHER FL 4.3x9.0x0.8 SS | 5 | | |
| 23 | 502557 | . NUT HEX NYRT M4-0.7 SS | 5 | | |
| 24 | 284053 | . PLATE, FINISHING | 1 | | |
| 24 | 288944 | . PLATE, FINISHING | 1 | | |
| 25 | 502582 | . WASHER LO SERR 6.1x16.2x0.9 Z050 | 11 | | |
| 26 | 502531 | . SCREW CAP HEX M6-1.0x16 G8.8 Z050 | 11 | | |
| 27 | 283929 | . PLATE / TO FIX DOVETAIL | 1 | | |
| NS | 5001058 | . SCREW MA FL PH M4-0.7x8 Z050 | 3 | | |
| 28 | 780496 | . DOVETAIL, MALE | 1 | | |
| 29 | 502622 | . SCREW CAP HEX M6-1.0x20 SS BK | 2 | | |
| 30 | 502583 | . WASHER LO SERR 8.15x22.3x1.0 Z050 | 4 | | |
| 31 | 283100 | . STRIPE, REFLECTIVE WHITE / 38MM X 15' ROLL | AR | | |
| NS | 780277 | . STRIPE, REFLECTIVE WHITE / 38MM X 150' ROLL | AR | | |
| 32 | 283376 | . EXTRUSION PROFILE 773MM | 1 | | |
| NS | 680025 | . CAULKING STRIP 3/16" O.D. X 14' | AR | | |
| 33 | 502534 | . SCREW CAP SQ 5/16-18x1 G2 Z050 | 4 | | |
| 34 | 283219 | . WASHER ,REINFORCEMENT | 4 | | |
| 35 | 283375 | . PROTECTOR PANEL / DP | | | |
| 35 | 284794 | . PROTECTOR PANEL / WITH GRAVEL GUARD / DP | 1 | | F |
| NS | 681348 | . TAPE RUB ADH2 ACRYLIC .045" x 1" x 108' / VHB4952 | AR | | |
| 37 | 5001189 | . NUT HEX 5/16-18 SS | 4 | | |
| NS | 504573 | . CAP, FINISHING / PLASTIC | 4 | | |
| 39 | H4-0655-00 | INTERIOR LIGHTING | | | |
| 39 | 500862 | . SCREW TC PAN PH #6-32x3/4 Z050 | 2 | | |
| 39 | 500422 | . NUT SPR U #6-32 .110-.120 SS | 2 | | |
| 40 | 283977 | . PLATE, CLOSING | 1 | | |
| 41 | 502761 | . SCREW TP BDG PH #10x3/4 SS BK | 7 | | |
| 42 | 860422 | . HANDLE | 1 | | |
| 43 | 284049 | . PLUG / SQUARE / BLACK | 1 | | |
| 44 | 500360 | . SCREW TP FL PH #8x1 1/4 BK | 2 | | |
| 45 | 900489 | HANDLE | 1 | | |
| 46 | 500619 | SCREW TP FL PH #10x1 1/4 Z050 | 4 | | |
| 47 | 900490 | CAP / W/HANDLE | 2 | 2 | |
| 50 | 285065 | . CATCH ASSY | 1 | | |

| | | |
|-------------------------------------|--------------|-----------------|
| From N-197 To R-079 | Date:10/2022 | PAGE:H4-1862-10 |
| ENTRANCE DOOR ASSY - "SEDAN" | | |

| Item# | Part | Description | H 3 4 0 | V I P 4 0 | N O T E S |
|-------|-------------------|---|------------------|-----------------------|-----------------------|
| 51 | 283974 | . . BASE | 1 | | |
| 52 | 283975 | . . CATCH | 1 | | |
| 53 | 283968 | . . HOOK | 1 | | |
| 54 | 283945 | . . LEVER | 1 | | |
| 55 | 283947 | . . AXE LONG / 69.9MM | 1 | | |
| 56 | 283946 | . . AXE SHORT / 54.4MM | 1 | | |
| 57 | 504402 | . . RING RETAINER / EXT .250 x .210 x .025" | 6 | | |
| 58 | 641216 | . . YOKE | 1 | | |
| . NS | 642225 | . . . CLIP | 2 | | |
| 59 | 641209 | . . CYLINDER 1 3/4" X 3/4" STROKE | 1 | | |
| 60 | 283948 | . . AXE | 2 | | |
| 60 | 500444 | . . WASHER FL .406x.812x.065 Z050 | 2 | | |
| 62 | 504477 | . . RING RETAINER / EXT 14.0 X 13.4 X 1.0MM | 2 | | |
| 63 | 641006 | . . MALE BRANCH TEE / NTA FITTING / #4x#4x1/4NPT-M BR | 1 | | |
| 64 | 501338 | . . MALE RUN TEE / PIPE FITTING / 1/4NPT-Mx1/4NPT-Fx1/4NPT-F BR | 1 | | |
| 65 | 452043 | . . PRESSURE SWITCH N.O. 60-35 20SP001AA060E035E To P-329 | 1 | 1 | |
| 65 | 452081 | . . PRESSURE SWITCH N.O. 30-5 20SP001AA030C005C From P-330 | 1 | 1 | |
| 65 | 950245 | . . PRESSURE SWITCH N.C. 20-30 LO-UNLOAD W/WIRE BLACK | 1 | | |
| 65 | 285218 | . . PRESSURE SWITCH N.C. 30-10 20PS001AB030E010E | 1 | | |
| 65 | 452831 | . . PRESSURE SWITCH N.O. 30-5 20SP001MA030C005C | 1 | | E |
| 66 | 950249 | . . SCHRADER VALVE 1/4NPT-M | 1 | | |
| 67 | 284051 | . . RUBBER, CLOSING | 1 | | |
| 67 | 680066 | . . ADHESIVE / ADBOND #5014 / 23.6ML BOTTLE | AR | | |
| 68 | 284052 | . . PLATE / TO FIX CLOSING RUBBER | 1 | | |
| 69 | 500650 | . . SCREW TC PAN PH #6-32x3/8 ZP | 1 | | |
| 70 | H4-1864-30 | HANDLE LOCK & KEYS - TYPE "PS" | | | |
| 71 | 500418 | . . SCREW MA RND SLT #8-32x1 ZP | 1 | | |
| 72 | 780279 | . . LEVER, LOCK / CYLINDER / PLASTIC BLACK / 7MM SQ HOLE | 1 | | |
| 72 | 288324 | . . LEVER, LOCK / CYLINDER / PLASTIC BLACK / 8MM SQ HOLE | 1 | | J |
| 73 | 500764 | . . NUT HEX #8-32 Z050 | 1 | | |
| 74 | 500670 | . . NUT HEX NYRT #8-32 Z050 | 1 | | |
| 75 | 283962 | . . ROD / LOCK CYLINDER SIDE / 136 MM | 1 | | |
| 76 | 502147 | . . SPRING EXTENSION / .500 O.D. 3.5 x .054 | 1 | | |
| 77 | 283960 | . . ROD "L" SHAPE 173MM | 1 | | |
| 80 | 284055 | . . DECAL / CLOSE - OPEN / ENGLISH | 1 | | |
| 81 | 284056 | CAP, FINISHING | 1 | | |
| 81 | 500686 | SCREW TP OV PH #6x1/2 BK | 2 | | |
| 81 | 500345 | WASHER FN CKF .187x.500x.090 BR BK | 2 | | |
| 82 | H4-1862-60 | ENTRANCE DOOR FRAME - INSTALLATION | | | |
| | | FOLLOWING PARTS ARE RELATED TO "FORD" | | | |
| | | ENTRANCE DOOR CYLINDER LOCK OPTION | | | |

| | | |
|---------------------|--------------|-----------------|
| From N-197 To R-079 | Date:10/2022 | PAGE:H4-1862-10 |
|---------------------|--------------|-----------------|

ENTRANCE DOOR ASSY - "SEDAN"

| Item# | Part | Description | H 3 4 0 | V I P 4 0 | N O T E S |
|-------|-----------|---|------------------|-----------------------|-----------------------|
| 90 | 284561 | CYLINDER LOCK MODIFIED / CODE A | 1 | | |
| 90 | 284841 | CYLINDER LOCK MODIFIED / CODE FA 0368 | 1 | | |
| 90 | 285264 | CYLINDER LOCK / CODE AB / FA 0443 | 1 | | |
| 90 | 285577 | CYLINDER LOCK MODIFIED / CODE FA 0528 | 1 | | |
| 90 | 285545 | CYLINDER LOCK / CODE AG / FA 0625 | 1 | | |
| 90 | 284373 | CYLINDER LOCK / CODE AH / FA 0648 | 1 | | |
| 90 | 285276 | CYLINDER LOCK / CODE AI / FA 0668 | 1 | | |
| 90 | 284935 | CYLINDER LOCK / CODE AO / FA 1116 | 1 | | |
| 90 | 285572 | CYLINDER LOCK / CODE AQ / FA 1316 | 1 | | |
| 90 | 285066 | CYLINDER LOCK / CODE AT / FA 1486 | 1 | | |
| NS | 780217 | KEY CODE / FA 0000 | 1 | | |
| NS | 780238 | KEY BLANK UNCUT | 1 | | |
| NS | 780582 | KEY CODE / FA 0368 | 1 | | |
| NS | 780552 | KEY CODE / FA 0443 | 1 | | |
| NS | 780579 | KEY CODE / FA 0528 | 1 | | |
| NS | 780575 | KEY CODE / FA 0625 | 1 | | |
| NS | 780534 | KEY CODE / FA 0648 | 1 | | |
| NS | 780554 | KEY CODE / FA 0668 | 1 | | |
| NS | 780541 | KEY CODE / FA 1116 | 1 | | |
| NS | 780577 | KEY CODE / FA 1316 | 1 | | |
| NS | 780545 | KEY CODE / FA 1486 | 1 | | |
| 91 | 780237 | SEAL RUBBER 1/32" TH | 1 | | |
| 91 | 2800032 | SEAL RUBBER 1/16" TH | 1 | | |
| 92 | 284361 | WASHER / CYLINDER LOCK RETAINER | 1 | | |
| 93 | 500518 | SCREW MA BDG PH #4-40x1/2 Z050 | 2 | | |
| 94 | 284358 | LEVER ASSY | 1 | | |
| NS | 500438 | WASHER FL .187x.437x.050 Z050 | 2 | | |
| 95 | 283853 | SPACER / WASHER 9/16" O.D. X 1/4" I.D. | 1 | | |
| 96 | 504402 | RING RETAINER / EXT .250 x .210 x .025" | 1 | | |
| 97 | 284363 | ROD / 178MM | 1 | | |
| 98 | 502094 | PIN, COTTER 1/16 x 1/2 SS | 1 | | |
| 99 | 502184 | SPRING EXTENSION / .360 O.D. x 1.25 x .031 | 1 | | |
| 100 | 284362 | SUPPORT / "T" SHAPE | 1 | | |
| 100 | 284940 | SUPPORT | 1 | | |
| 101 | 284852 | HOOK | 1 | | |
| NS | 285467 | KIT, LATCH SUPPORT SEDAN DOOR | AR | | |
| NS | IS-96157A | SEE INSTRUCTION SHEET | 1 | | |
| | | | | | |
| | | | | | |
| | | | | | |
| | | | | | |
| | | A) DOOR ASSY WITH SINGLE ACTION UPPER LOCK, INCLUDING PRESSURE SWITCH AND CABLE #063468 | | | |

| | | | |
|-------------------------------------|--|--------------|-----------------|
| From N-197 To R-079 | | Date:10/2022 | PAGE:H4-1862-10 |
| ENTRANCE DOOR ASSY - "SEDAN" | | | |

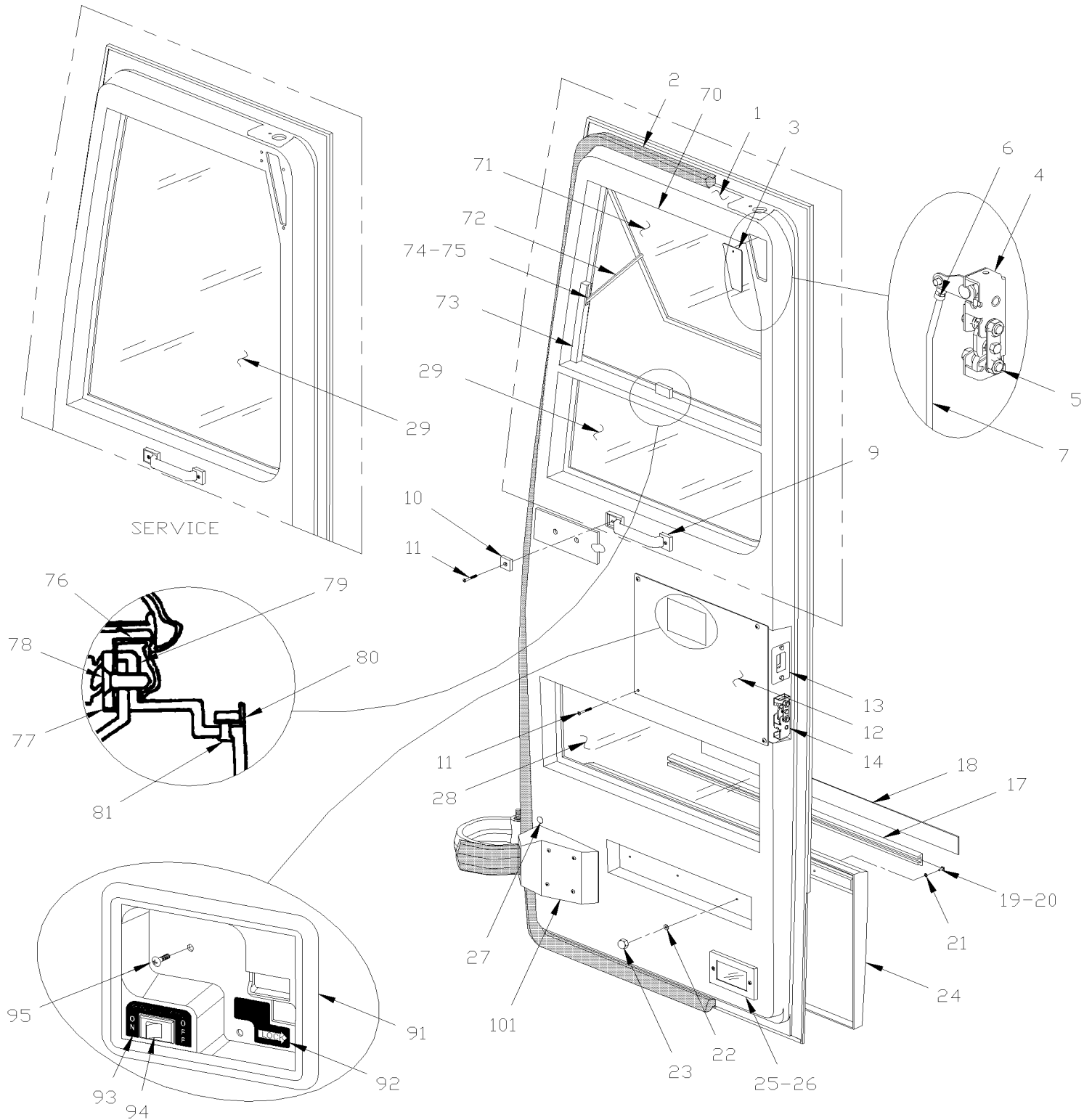
| Item# | Part | Description | H 3 4 0 | V I P 4 0 | N O T E S |
|-------|------|--|------------------|-----------------------|-----------------------|
| | | B) DOOR ASSY WITH SINGLE ACTION UPPER LOCK, INCLUDING CABLE 063951 & WITHOUT PRESSURE SWITCH | | | |
| | | C) DOOR ASSY WITH DOUBLE ACTION UPPER LOCK INCLUDING CABLE 063951 & WITHOUT PRESSURE SWITCH | | | |
| | | D) TO CHANGE TO DOUBLE ACTION CYLINDER ASK FOR KIT #285467 | | | |
| | | E) THIS SWITCH SUPERSEED THE OLD ONE 452081 AND REQUIRE 950249 "SHREADER" VALVE | | | |
| | | F) THIS PROTECTOR IS COATED WITH GRAVEL GUARD AND IS BLACK PAINTED READY TO INSTALL | | | |
| | | J) SEE KIT AT END OF PAGE H3-1864-99 | | | |

From L-031 To R-079

Date:10/2022

PAGE:H4-1862-50

ENTRANCE DOOR ASSY - V.I.P.

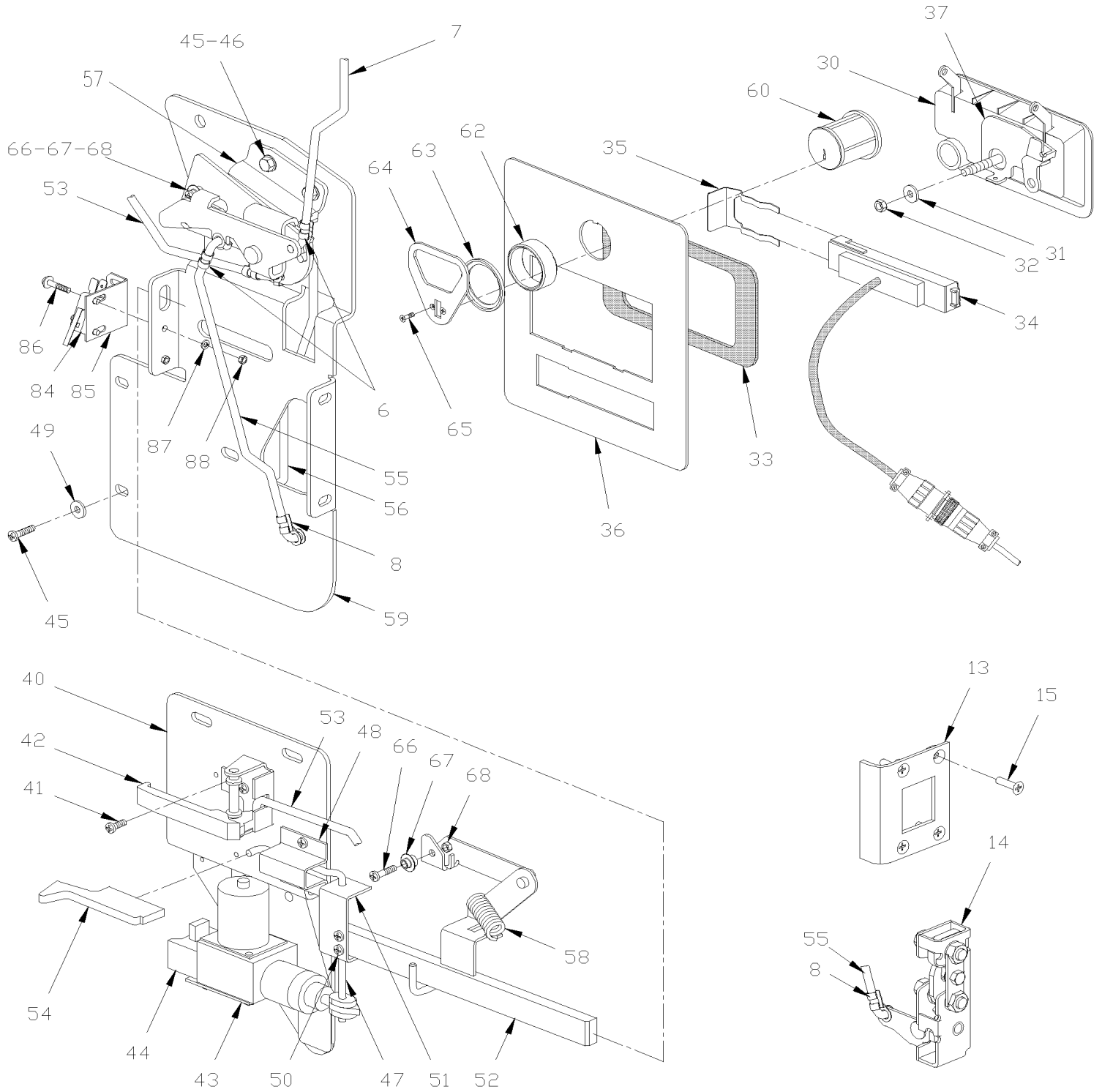


From L-031 To R-079

Date:10/2022

PAGE:H4-1862-50

ENTRANCE DOOR ASSY - V.I.P.



| | | |
|------------------------------------|--------------|-----------------|
| From L-031 To R-079 | Date:10/2022 | PAGE:H4-1862-50 |
| ENTRANCE DOOR ASSY - V.I.P. | | |

| Item# | Part | Description | H 3 4 0 | V I P 4 0 | N O T E S |
|-------|-------------------|--|------------------|-----------------------|-----------------------|
| | 283641P | ENTRANCE DOOR ASSY / V.I.P. | | 1 | A |
| | 286108 | ENTRANCE DOOR ASSY / V.I.P. | | 1 | B |
| 1 | 283437 | . DOOR MOULDED / FIBERGLASS | | 1 | A |
| 1 | 286430 | . DOOR MOULDED / FIBERGLASS | | 1 | B |
| 1 | 289690 | . DOOR MOULDED / FIBERGLASS | | 1 | B |
| 2 | 283336 | . RUBBER SEAL EXTRUSION / ADHESIVE / 120METER / RAW MATERIAL | | 1 | A C |
| 2 | 285464 | . RUBBER SEAL EXTRUSION 5800MM | | 1 | B |
| 2 | 280136 | RUBBER SEAL EXTRUSION 5800MM | | 1 | B |
| 2 | 2800115 | RUBBER SEAL EXTRUSION 5800MM | | 1 | B |
| 3 | 283372 | . PLATE, CLOSING UPPER LOCK | | 1 | |
| NS | 500996 | . NUT SPR U #6-32 .135-.150 | | 1 | |
| 4 | 283492 | . LATCH / R.H. | | 1 | |
| 5 | 502818 | . SCREW CAP HEX M6-1.0x35 G8.8 Z050 | | 6 | |
| NS | 502564 | . WASHER LO SPT 6.1x11.8x1.6 Z050 | | 6 | |
| 6 | 504541 | . CLIP ROD 1/4" R.H. | | 6 | |
| 7 | 283392 | . ROD 7/32" O.D. | | 1 | |
| NS | 500950 | . WASHER FL .187x.625x.094 RUB | | 3 | |
| 8 | 504243 | . CLIP ROD 1/4" L.H. | | 1 | |
| 9 | 860422 | . HANDLE | | 1 | |
| 10 | 294049 | . HOOK | | 1 | |
| 11 | 502761 | . SCREW TP BDG PH #10x3/4 SS BK | | 4 | F |
| 12 | 283366 | . PLATE, CLOSING | | 1 | |
| NS | 506225 | . TAPE RUB ADH1 CC POL 1/16" x 1/4" x 100' / GREY 2520 | | AR | |
| 13 | 283397 | . GUIDE ASSY | | 1 | |
| 14 | 283491 | . LATCH / L.H. | | 1 | |
| 15 | 500654 | . SCREW TC BDG PH #8-32x1/2 Z050 | | 4 | |
| 17 | 283376 | . EXTRUSION PROFILE 773MM | | 1 | |
| 18 | 283100 | . STRIPE, REFLECTIVE WHITE / 38MM X 15' ROLL | | AR | |
| NS | 780277 | . STRIPE, REFLECTIVE WHITE / 38MM X 150' ROLL | | AR | |
| 19 | 502534 | . SCREW CAP SQ 5/16-18x1 G2 Z050 | | 4 | |
| 20 | 283219 | . WASHER ,REINFORCEMENT | | 4 | E |
| 21 | 500374 | . WASHER FL .375x.625x.062 RUB | | 4 | |
| 22 | 502583 | . WASHER LO SERR 8.15x22.3x1.0 Z050 | | 4 | |
| 23 | 500701 | . NUT HEX 5/16-18 ZP | | 4 | |
| 24 | 283375 | . PROTECTOR PANEL / DP | | 1 | |
| NS | 681348 | . TAPE RUB ADH2 ACRYLIC .045" x 1" x 108' / VHB4952 | | AR | |
| 25 | H4-0655-00 | . INTERIOR LIGHTING | | | |
| 26 | 500862 | . SCREW TC PAN PH #6-32x3/4 Z050 | | 3 | |
| NS | 500422 | . NUT SPR U #6-32 .110-.120 SS | | 3 | G |
| 27 | 504433 | . SNAP-IN PLUG / 1.090 O.D. | | 1 | |
| 28 | 299057 | . GLASS, THERMOS | | 1 | |
| 29 | 292106 | . GLASS, THERMOS | | 1 | |

| | | |
|------------------------------------|--------------|-----------------|
| From L-031 To R-079 | Date:10/2022 | PAGE:H4-1862-50 |
| ENTRANCE DOOR ASSY - V.I.P. | | |

| Item# | Part | Description | H 3 4 0 | V I P 4 0 | N O T E S |
|-------|----------------|--|------------------|-----------------------|-----------------------|
| 29 | 293204 | . GLASS, THERMOS | | 1 | B |
| 30 | IS18903 | . ENTRANCE DOOR HANDLE | | 1 | |
| . NS | 780432 | . . HANDLE ASSY | | 1 | |
| . NS | 284058 | . . LEVER | | 1 | |
| . NS | IS-18903 | . . SEE INSTRUCTION SHEET | | 1 | |
| 31 | 500441 | . WASHER FL .312x.734x.065 Z050 | | 1 | |
| 32 | 502819 | . NUT HEX JAM 1/4-20 Z050 | | 1 | |
| 33 | 680307 | . SEALER TREMTHANE / UPPER & CENTER PANELS | | AR | |
| 34 | 062709 | . KEYBOARD ASSY | | 1 | |
| 34 | 065303 | . KEYBOARD ASSY | | 1 | |
| 34 | 065422 | . GASKET ADHESIVE TO FIX 065303 IN SERVICE | | 1 | |
| NS | 504465 | . GROMMET / .375x.500x.250x.500x.750 | | 1 | |
| 35 | 780429 | . CLIP RETAINER | | 1 | |
| 36 | 283363 | . PLATE / HANDLE | | 1 | |
| 37 | 284058 | . LEVER | | 1 | |
| 40 | 283394 | . PLATE, MOUNTING | | 1 | |
| 41 | 500654 | . SCREW TC BDG PH #8-32x1/2 Z050 | | AR | |
| 42 | 780484 | . LEVER, RELEASE | | 1 | |
| 43 | 283385 | . SUPPORT ACTUATOR To R-040 | | 1 | J |
| 43 | 284834 | . SUPPORT ACTUATOR From R-041 | | 1 | |
| 44 | 780428 | . LOCK ACTUATOR / 12V | | 1 | |
| . NS | 562076 | . . CONNECTOR / PACK-CON I / FEMALE HOUSING / 2C / PED 8911772 | | 1 | |
| 44 | 2810382 | . ACTUATOR SERVICE KIT | | 1 | |
| 45 | 502531 | . SCREW CAP HEX M6-1.0x16 G8.8 Z050 | | 15 | |
| 46 | 500472 | . WASHER LO INT .256x.478x.028 Z050 | | 12 | |
| 47 | 283369 | . ROD To R-040 | | 1 | J |
| 47 | 284836 | . ROD From R-041 | | 1 | |
| 48 | 780483 | . CLAMP | | 1 | |
| 49 | 502582 | . WASHER LO SERR 6.1x16.2x0.9 Z050 | | 9 | |
| NS | 500472 | . WASHER LO INT .256x.478x.028 Z050 | | 12 | |
| 50 | 500393 | . SCREW TC PAN PH #10-24x3/8 Z050 | | 2 | |
| 51 | 283364 | . TIE | | 1 | |
| 52 | 283351 | . BAR ASSY, RIVETED To P-309 | | 1 | |
| 52 | 284079 | . ROD 259MM C/C From P-310 | | 1 | |
| 53 | 283387 | . ROD | | 1 | |
| 54 | 284127 | . BUTTON | | 1 | |
| 55 | 283370 | . ROD 245MM C/C To P-309 | | 1 | |
| 55 | 284076 | . ROD 259MM C/C From P-310 | | 1 | |
| 56 | 283371 | . ROD 171MM C/C | | 1 | |
| 57 | 283381 | . SHUTTER, RELEASE To P-309 | | 1 | |
| 57 | 284078 | . SHUTTER, RELEASE ASSY From P-310 | | 1 | |
| 58 | 502156 | . SPRING EXTENSION / .437 O.D. x 2 x .041 | | 1 | |

| | | |
|------------------------------------|---------------------|------------------------|
| From L-031 To R-079 | Date:10/2022 | PAGE:H4-1862-50 |
| ENTRANCE DOOR ASSY - V.I.P. | | |

| Item# | Part | Description | H 3 4 0 | V I P 4 0 | N O T E S |
|-------|--------|---|------------------|-----------------------|-----------------------|
| 59 | 283393 | . PLATE, MOUNTING | | 1 | |
| 60 | 780430 | . CYLINDER LOCK ASSY W/2 KEYS / "CORBIN" | | 1 | S |
| . NS | 780562 | . KEY / "CORBIN" BLANK | | 2 | S |
| 60 | 780803 | . CYLINDER LOCK ASSY W/2 KEYS / "SCHLAGE" SERVICE | | 1 | |
| . NS | 780902 | . KEY / "SCHLAGE" BLANK | | 1 | |
| 61 | 780562 | . KEY / "CORBIN" BLANK | | AR | |
| 62 | 283380 | . SPACER / LOCK & NUT | | 1 | |
| 63 | 780427 | . NUT | | 1 | |
| 64 | 283382 | . LEVER, TRIANGULAR SHAPE To P-309 | | 1 | |
| 64 | 284074 | . LEVER, TRIANGULAR SHAPE / W/"CORBIN" From P-310 | | 1 | |
| 64 | 289030 | . LEVER, TRIANGULAR SHAPE / W/"SCHLAGE" SERVICE | | 1 | |
| 65 | N.S.S. | . SCREW | | 2 | 1 |
| 66 | 502532 | . SCREW MA PAN PH M5-0.8x25 SS EMN To P-309 | | 1 | |
| 66 | 502746 | . SCREW MA PAN PH M5-0.8x20 SS BK From P-310 | | 1 | |
| 67 | 283379 | . STOPPER To P-309 | | 1 | |
| 67 | 284077 | . STOPPER From P-310 | | 1 | |
| 68 | 502782 | . NUT HEX NYRT M5-0.8 Z050 | | 2 | |
| 70 | 292244 | . HINGE, THERMOS GLASS | | 1 | |
| 70 | 504344 | . RIVET POP DOME OE 5/32x3/8 SS | | 5 | |
| 71 | 292117 | . WINDOW ASSY / GLASS | | 1 | A D |
| 71 | 293207 | WINDOW ASSY / GLASS | | 1 | TS |
| 71 | 790450 | . SEAL, RUBBER | | 1 | A |
| 72 | 292118 | . LEVER 247.7 MM LG | | 1 | A |
| 73 | 292119 | . RAIL 62MM | | 1 | A |
| 73 | 292114 | . STOPPER / INSIDE OF RAIL | | 2 | A |
| NS | 500952 | . SCREW TP BDG PH #8x1/2 SS | | 2 | A H |
| NS | 504412 | . WASHER RETAINER SNAP CAP #8 | | 2 | A |
| NS | 504403 | . SNAP CAP #8 FINISHING BLACK | | 2 | A |
| 74 | 292243 | . SLIDER BLOCK / PLASTIC | | 1 | A |
| NS | 502574 | . SCREW SET HEXS CUP M4-0.7x12 SS | | 3 | A E |
| 75 | 292121 | . STOPPER, SCREW | | 1 | A |
| . NS | 504556 | . RING RETAINER / EXT 6.00 x 5.00 x 0.72MM | | 1 | A |
| 76 | 790374 | . LATCH | | 1 | A |
| 77 | 292115 | . STOPPER, WINDOW / RUBBER 16MM X 65MM LG | | 1 | A |
| 78 | 500896 | . SCREW TC FL PH #8-32x5/8 Z050 | | 2 | A |
| 79 | 292116 | . PLATE 12MM X 65MM LG | | 1 | A |
| 80 | 292123 | . SCREEN RETAINING ANGLE / LOWER | | 1 | A |
| 80 | 292124 | . SCREEN RETAINING ANGLE / UPPER | | 1 | A |
| 80 | 292122 | . SCREEN | | 1 | A |
| 81 | 504106 | . RIVET POP DOME OE 1/8x1/4 AL | | 10 | A |
| 81 | 403466 | . DECAL / REMOVE SCREEN | | 1 | A |
| 82 | 506645 | . TAPE RUB ADH1 CC POL 1/8" x 1/2"x 50' / GREY 2542 | | AR | A |

| | | |
|------------------------------------|--------------|-----------------|
| From L-031 To R-079 | Date:10/2022 | PAGE:H4-1862-50 |
| ENTRANCE DOOR ASSY - V.I.P. | | |

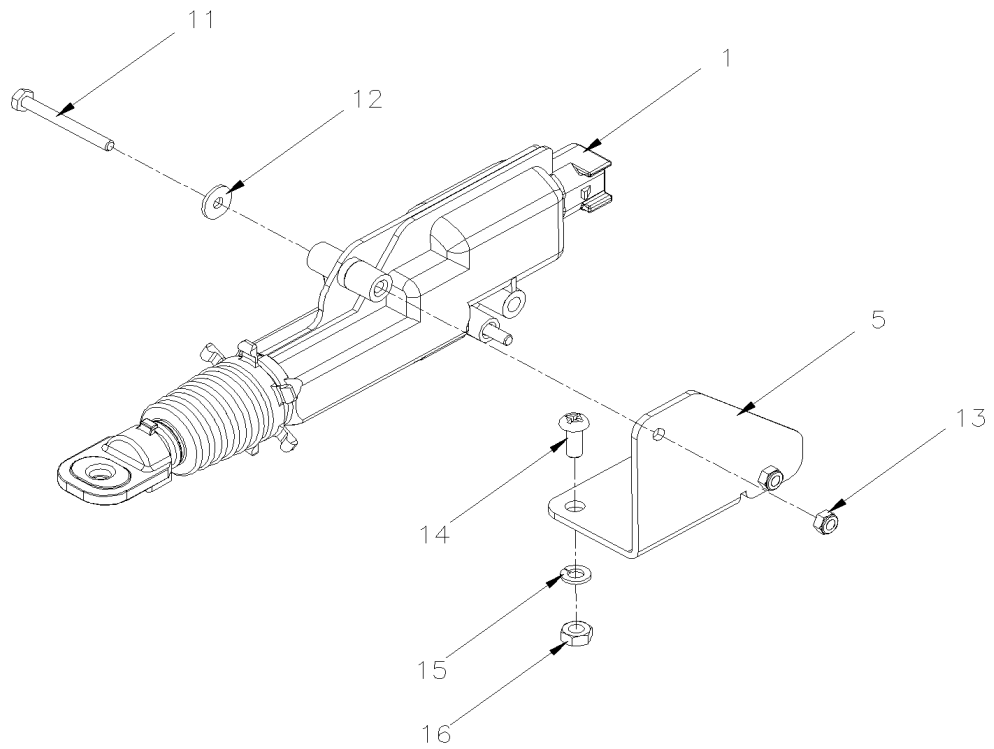
| Item# | Part | Description | H 3 4 0 | V I P 4 0 | N O T E S |
|-------|----------|--|------------------|-----------------------|-----------------------|
| 84 | 561677 | . MICRO SWITCH | | 1 | |
| 85 | 064763 | . SUPPORT | | 1 | |
| 86 | 502577 | . SCREW MA PAN PH M3-0.5x16 ZP | | 2 | |
| 87 | 500467 | . WASHER LO INT .138x.275x.019 Z050 | | 2 | |
| 88 | 502579 | . NUT HEX M3-0.5 NP | | 2 | |
| 91 | 283777 | . BEZEL HANDLE ASSY | | 1 | |
| 91 | 283778 | . . BEZEL | | 1 | |
| 92 | 283769 | . DECAL / "LOCK" | | 1 | |
| 93 | 283768 | . DECAL / "KEYBOARD BYPASS" | | 1 | |
| 94 | 062809 | . . SWITCH ASSY W/CONNERTOR | | 1 | |
| 94 | 562109 | . . . SWITCH / ON-ON / S.P.S.T. | | 1 | |
| 95 | 500409 | . SCREW TP PAN PH #8x1/2 BK | | 2 | |
| 101 | 292917 | KIT, WINDOW DOOR VIP SERVICE | | AR | |
| . NS | IS-97096 | . SEE INSTRUCTION SHEET | | 1 | |
| | | | | | |
| | | | | | |
| | | A) PRODUCTION LINE DOOR | | | |
| | | B) AFTER MARKET SERVICE DOOR | | | |
| | | C) SOLD IN 20' LONG ON #283875 | | | |
| | | D) FOR PRODUCT IMPROVMENT SEE INSTRUCTION SHEET IS-97096 | | | |
| | | E) TO FIX LEVER TO SLIDER | | | |
| | | F) TO FIX PLATEG TO FIX LAMP | | | |
| | | G) TO FIX LAMP | | | |
| | | H) TO FIX ANGLE | | | |
| | | J) PRODUCT IMPROVEMENT USE BRACKET #284834 & ROD #284836 FOR REVERSE UP SIDE DOWN LOCK ACTUATORS | | | |
| | | S) THIS MODEL IT OBSOLETED REPLACE BY 780803 WITH NEW LEVER # 289030 | | | |
| | | TS) TEMPORALY THIS GLASS DO NOT INCLUDE ALUMINUM FRAME PLEASE BE CAREFULL WEN YOU REQUIRE TO CHANGE THERMOS GLASS. | | | |
| | | 1) NOT SOLD SEPARATELY | | | |

From L-031 To R-079

Date:10/2022

PAGE:2810382

ACTUATOR SERVICE KIT



| | | |
|-----------------------------|--------------|--------------|
| From L-031 To R-079 | Date:10/2022 | PAGE:2810382 |
| ACTUATOR SERVICE KIT | | |

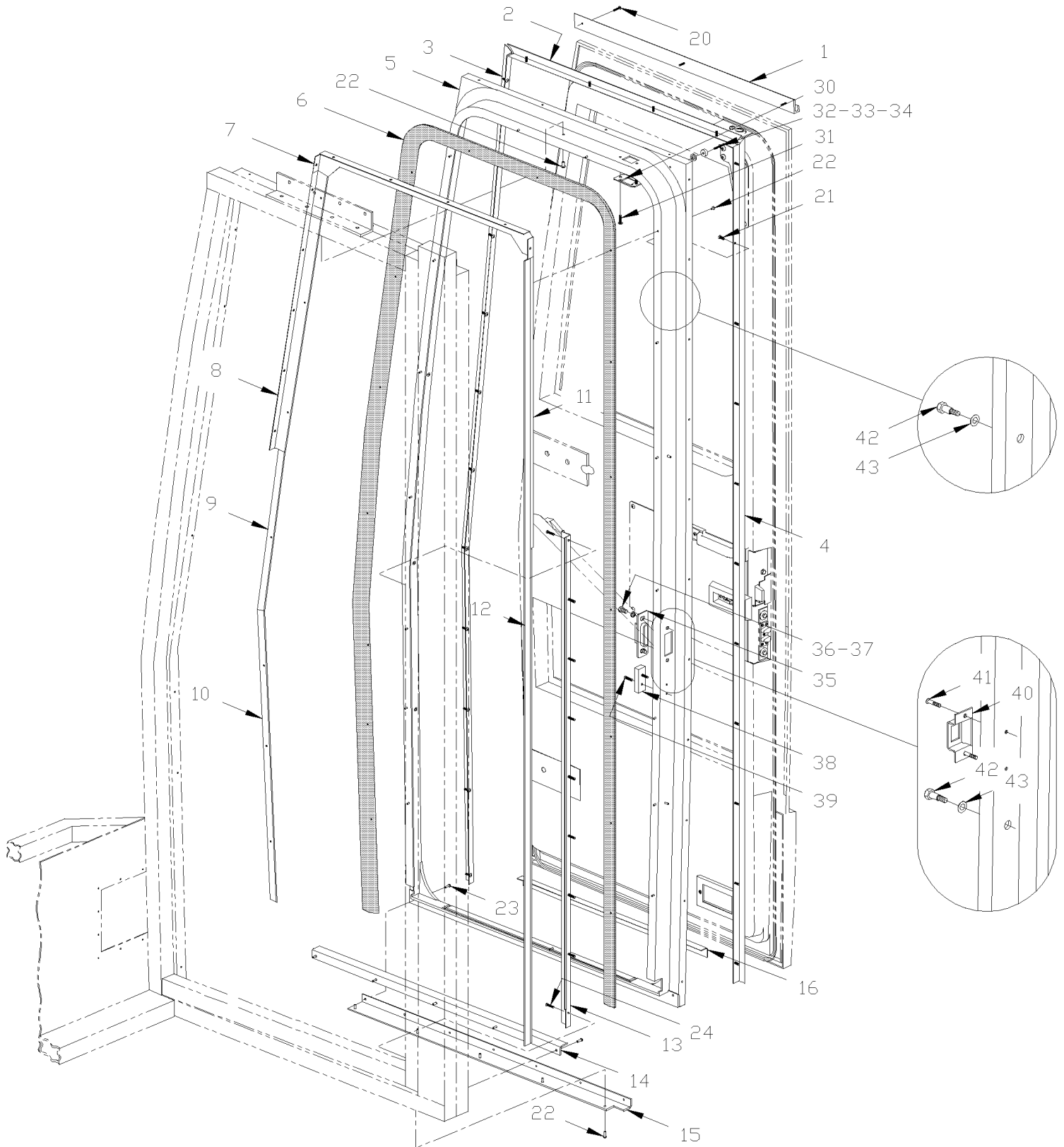
| Item# | Part | Description | H 3 4 0 | V I P 4 0 | N O T E S |
|-------|----------|--|------------------|-----------------------|-----------------------|
| 1 | 2800049 | LOCK ACTUATOR / 12V | 1 | 1 | |
| 1 | 068011 | CABLE INTERFACE DOOR LOCK ACTUATOR (780428 vs 2800049) | 1 | 1 | |
| 5 | 2810380 | SUPPORT | 1 | 1 | |
| 11 | 5001100 | SCREW CAP HEX M3-0.5x30 G8.8 ZP | 2 | 2 | |
| 12 | 500437 | WASHER FL .125x.375x.040 Z050 | 2 | 2 | |
| 13 | 5001408 | NUT HEX STO M3-0.5 ZP | 2 | 2 | |
| 14 | 5001036 | SCREW MA PAN PH M4-0.7x10 Z050 | 2 | 2 | |
| 15 | 502524 | NUT HEX M4-0.7 Z050 | 2 | 2 | |
| 16 | 502636 | WASHER LO SPT 4.1x7.6x0.9 Z050 | 2 | 2 | |
| NS | IS-19092 | SEE INSTRUCTION SHEET | 1 | 1 | |
| NS | FI-19092 | VOIR FEUILLE D'INSTRUCTION | 1 | 1 | |
| | | | | | |
| | | | | | |
| | | | | | |

From L-031 To R-079

Date:10/2022

PAGE:H4-1862-60

ENTRANCE DOOR FRAME - INSTALLATION

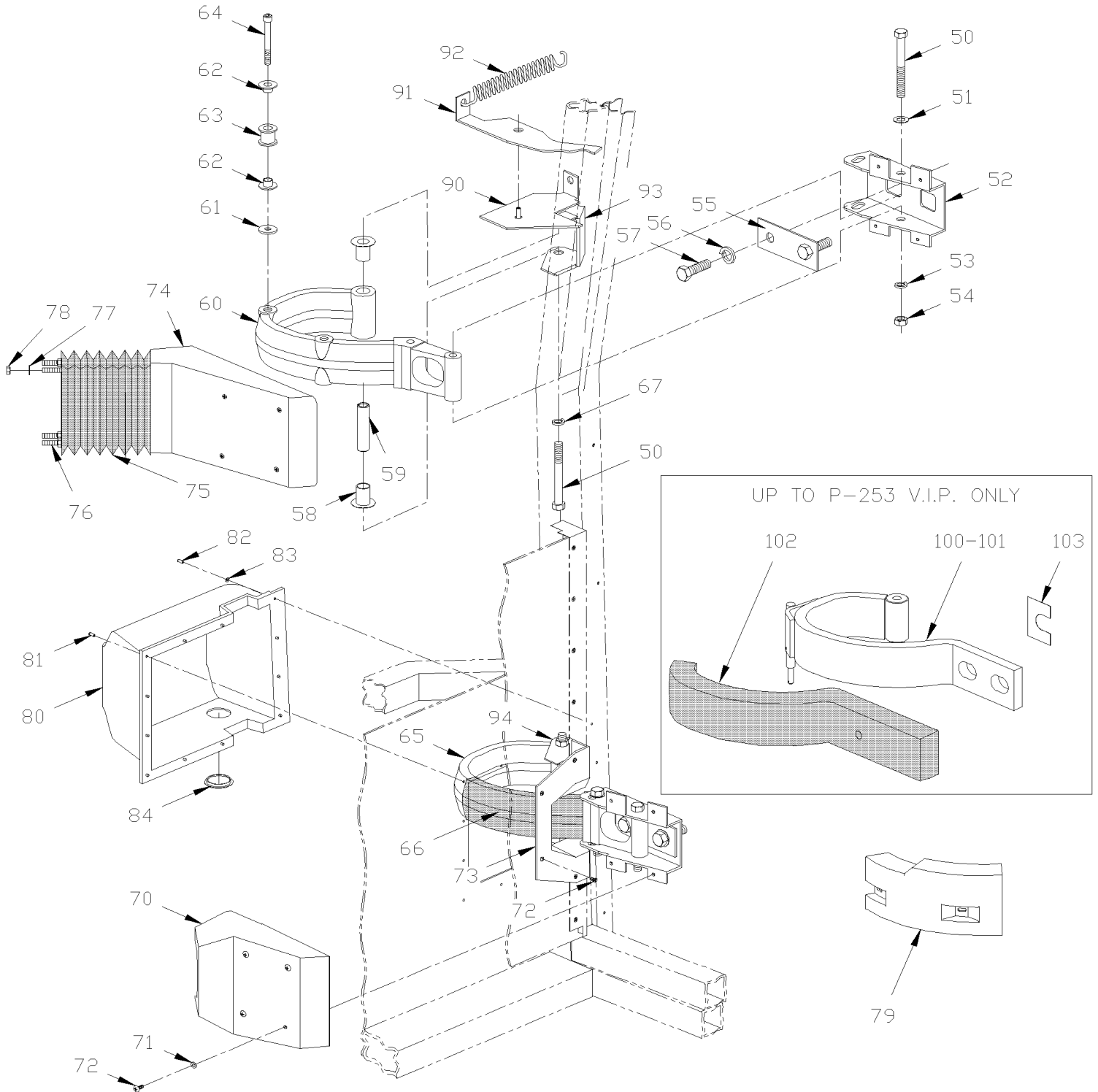


From L-031 To R-079

Date:10/2022

PAGE:H4-1862-60

ENTRANCE DOOR FRAME - INSTALLATION



| | | |
|---|--------------|-----------------|
| From L-031 To R-079 | Date:10/2022 | PAGE:H4-1862-60 |
| ENTRANCE DOOR FRAME - INSTALLATION | | |

| Item# | Part | Description | H 3 4 0 | V I P 4 0 | N O T E S |
|-------|---------|---|------------------|-----------------------|-----------------------|
| 1 | 472251 | DRIP MOULDING | 1 | 1 | A |
| 1 | 285785 | DRIP MOULDING | 1 | 1 | |
| 2 | 283430 | FINISHING MOULDING TOP | 1 | 1 | A |
| 3 | 283431 | FINISHING MOULDING FRONT | 1 | 1 | |
| NS | 5001040 | SCREW TC PAN PH #6-32x3/4 SS | AR | AR | |
| 4 | 283432 | FINISHING MOULDING REAR | 1 | 1 | |
| NS | 504583 | RIVET POP DOME OE 3/16x3/8 AL BK | 16 | 16 | |
| 5 | 283928 | FRAME, MOULDED To P-375 | 1 | 1 | |
| 5 | 284590 | FRAME, MOULDED From P-376 | 1 | 1 | |
| 5 | 283441 | FRAME, MOULDED To P-375 | | 1 | |
| 5 | 284591 | FRAME, MOULDED From P-376 | | 1 | |
| 5 | 285660 | FRAME, MOULDED | | 1 | C |
| 6 | 283229 | SEAL, INTERIOR | 1 | 1 | |
| 6 | 280151 | SEAL, INTERIOR | 1 | 1 | |
| 7 | 283507 | SEAL RETAINER / TOP / 662MM | 1 | 1 | |
| 8 | 283510 | SEAL RETAINER / FRONT UPPER / 758MM | 1 | 1 | |
| 9 | 283779 | SEAL RETAINER / FRONT CENTER / 439MM | 1 | 1 | |
| 10 | 284047 | SEAL RETAINER / FRONT LOWER / 495MM | 1 | 1 | |
| 10 | 283781 | SEAL RETAINER / FRONT LOWER / 808MM | | | |
| 11 | 323868 | SEAL RETAINER, REAR UPPER | 1 | 1 | |
| 12 | 283509 | SEAL RETAINER / REAR / 1993MM | | | |
| 13 | 284112 | SEAL RETAINER / REAR LOWER / 1993MM | 1 | 1 | |
| 14 | 283494 | ANGLE SUPPORT / LOWER INTERIOR / 763MM | 1 | 1 | |
| 15 | 283493 | ANGLE SUPPORT / LOWER EXTERIOR / 825MM | 1 | 1 | |
| 16 | 285666 | ANGLE S/S | 1 | 1 | C |
| 20 | 502611 | SCREW TP FL PH #6x1/2 Z050 | 3 | 3 | |
| NS | 5001040 | SCREW TC PAN PH #6-32x3/4 SS | 26 | 26 | |
| 21 | 504582 | RIVET POP DOME OE 3/16x1/4 SS BK | 20 | 20 | |
| 23 | 504581 | RIVET MGLP PRDG 3/16x7/16 SS BK | 6 | 6 | |
| 24 | 5001119 | SCREW TP BDG PH #8x3/4 SS | AR | AR | |
| 24 | 504339 | RIVET POP DOME OE 1/8x3/8 SS | AR | AR | |
| 30 | 284341 | FINITION PLATE | | | |
| 30 | 284340 | FINITION PLATE | | | |
| 30 | 284808 | FINITION PLATE | 1 | 1 | |
| 31 | 500658 | SCREW TC PAN PH #10-24x3/4 Z050 | 1 | 1 | |
| 32 | 504334 | BUMPER RUBBER / .625 OD x .406 TH x .156 HOLE | 1 | 1 | |
| 33 | 500950 | WASHER FL .187x.625x.094 RUB | AR | AR | |
| 34 | 500814 | SCREW TP BDG PH #6x3/4 BK | 1 | 1 | |
| 35 | 283969 | STRIKING PLATE | 1 | 1 | |
| 36 | 502528 | SCREW CAP HEX M8-1.25x20 G8.8 EMN | 2 | 2 | |
| 37 | 502584 | WASHER LO SERR 8.2x26.3x1.8 Z050 | 2 | 2 | |
| 38 | 780497 | DOVETAIL, FEMALE / FIXED ON STRUCTURE | 1 | 1 | |

| | | |
|---|--------------|-----------------|
| From L-031 To R-079 | Date:10/2022 | PAGE:H4-1862-60 |
| ENTRANCE DOOR FRAME - INSTALLATION | | |

| Item# | Part | Description | H 3 4 0 | V I P 4 0 | N O T E S |
|-------|---------|--|------------------|-----------------------|-----------------------|
| 39 | 500260 | SCREW TC FL PH #8-32x3/4 BK | 2 | 2 | |
| 39 | 500896 | SCREW TC FL PH #8-32x5/8 Z050 | 2 | 2 | |
| 40 | 283368 | STRIKING PLATE | | | |
| 41 | 500642 | SCREW TP PAN PH #10x3/4 Z050 | | | |
| 42 | 780415 | BOLT STRIKER | | | |
| 43 | 283355 | SPACER | | | |
| 50 | 5001016 | SCREW CAP HEX M10-1.5x90 G8.8 Z050 | 2 | 2 | |
| 50 | 502536 | SCREW CAP HEX M10-1.5x100 G8.8 Z050 | | 2 | B |
| 51 | 500445 | WASHER FL .437x1.000x.083 Z050 | 2 | 2 | |
| 52 | 284040 | ATTACHMENT | 2 | 2 | |
| 53 | 502585 | WASHER LO SERR 10.2x26.3x1.4 ZP | 4 | 4 | |
| 54 | 500256 | NUT HEX M10-1.5 Z050 | 4 | 4 | |
| 55 | 283402 | SUPPORT PLATE | 2 | 2 | |
| 56 | 500810 | WASHER LO SPT 12.2x21.1x2.5 Z050 | 4 | 4 | |
| 57 | 502731 | SCREW CAP HEX M12-1.75x40 G8.8 Z050 | 4 | 4 | |
| 58 | 507315 | BEARING FLANGE To P-253 | 2 | 2 | |
| 58 | 507326 | BEARING FLANGE From P-254 | 2 | 2 | |
| 59 | 283350 | SPACER / BEARING FLANGE To P-253 | 2 | 2 | |
| 59 | 284285 | SPACER / BEARING FLANGE From P-254 | 2 | 2 | |
| 60 | 284287 | HINGE UPPER From P-254 | | 1 | |
| 60 | 284036 | HINGE ASSY UPPER To P-253 | 1 | | |
| 60 | 284284 | HINGE UPPER & LOWER From P-254 | 1 | | |
| 61 | 282956 | WASHER | | 1 | |
| 62 | 507301 | BUSHING NYLINER | | 2 | |
| 63 | 283356 | ROLLER To P-253 | | 1 | |
| 63 | 284214 | ROLLER SS 9.5MM I.D.x14.5 O.D. 19Flx17Th From P-254 | | 1 | |
| 65 | 284284 | HINGE UPPER & LOWER From P-254 To P-375 | 1 | 1 | |
| NS | 284569 | HINGE, LOWER From P-376 | 1 | 1 | |
| 66 | 324063 | COVER HINGE LOWER / PLASTIC From P-254 | 1 | 1 | |
| 67 | 500257 | WASHER LO SPT 10.2x18.1x2.2 Z050 | 2 | 2 | |
| 70 | 391499 | CAP COVER LOWER To P-375 | 1 | 1 | |
| 70 | 324065 | CAP COVER LOWER From P-376 | 1 | 1 | |
| 71 | 500950 | WASHER FL .187x.625x.094 RUB | 8 | 8 | |
| 72 | 500409 | SCREW TP PAN PH #8x1/2 BK | 8 | 8 | |
| 73 | 323858 | RETAINER, BELLOW/ LOWER HINGE W/SEDAN DOOR To P-375 | 1 | 1 | |
| 73 | 324064 | PANEL FINISHING LOWER / HINGE IN STEPWALL From P-376 | 1 | 1 | |
| 74 | 391498 | CAP COVER UPPER | 1 | | |
| 75 | 283998 | BELLOWS / RUBBER | 2 | 2 | |
| 76 | 284039 | PLATE BELLOW RETAINER | 2 | 2 | |
| 77 | 500964 | WASHER FL .203x.500x.047 Z050 | 8 | 8 | |
| 78 | 502782 | NUT HEX NYRT M5-0.8 Z050 | 8 | 8 | |
| 79 | 472605 | BELLOW GUIDE To P-375 | 1 | 1 | |

| | | |
|---------------------|--------------|-----------------|
| From L-031 To R-079 | Date:10/2022 | PAGE:H4-1862-60 |
|---------------------|--------------|-----------------|

ENTRANCE DOOR FRAME - INSTALLATION

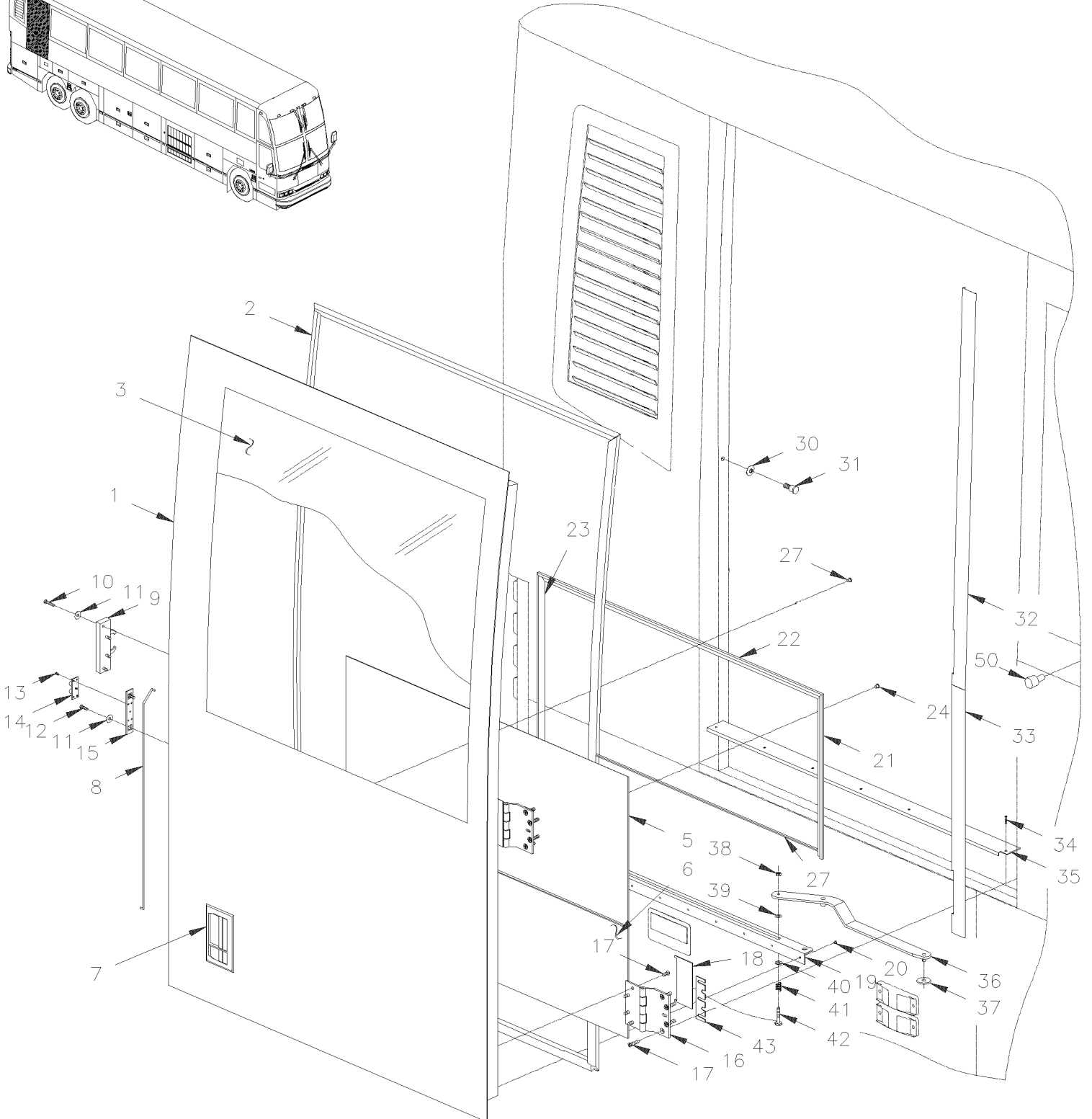
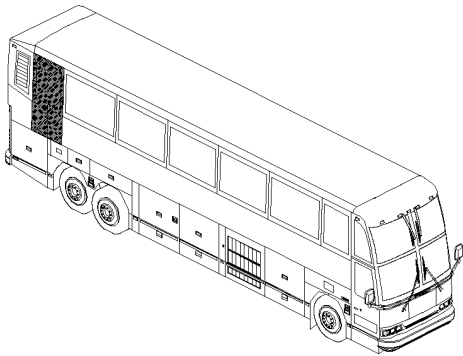
| Item# | Part | Description | H 3 4 0 | V I P 4 0 | N O T E S |
|-------|--------|--|------------------|-----------------------|-----------------------|
| NS | 500395 | SCREW MA RND SLT 1/4-20x1/2 ZP | 1 | 1 | |
| NS | 500964 | WASHER FL .203x.500x.047 Z050 | 1 | 1 | |
| 80 | 410515 | COVER LOWER HINGE / REAR OF BUMPER To N-196 | | 1 | |
| 80 | 410566 | COVER LOWER HINGE / REAR OF BUMPER From N-197 | 1 | 1 | |
| 81 | 504473 | RIVET POP DOME OE 1/8x1/4 SS | 10 | 10 | |
| 82 | 504464 | RIVET POP CK OE 1/8x3/8 SS | 4 | 4 | |
| 84 | 504443 | SNAP-IN PLUG / 1.500 O.D. | 1 | 1 | |
| 90 | 211734 | LEVER AND SUPPORT ASSY (WELDED TO FRAME) To P-253 | | 1 | |
| 90 | 212096 | LEVER AND SUPPORT ASSY (WELDED TO FRAME) From P-254 | | 1 | |
| NS | 504543 | . RIVET SHR FL 3/8x3/16 STL | | 1 | |
| 91 | 212098 | . DOOR STOPPER | | 1 | |
| 92 | 502191 | SPRING EXTENSION / .814 O.D. x 3.975 x .148 | | 1 | |
| 93 | 211984 | HINGE SUPPORT / (WELDED TO STRUCTURE) | 1 | 1 | |
| NS | 283373 | BRACKET / "HAT" SHAPE TO FIX HINGE TO FRAME | | 2 | |
| NS | 211717 | GUSSET To P-253 | | 1 | |
| NS | 211728 | GUSSET REINFORCEMENT To P-253 | | 1 | |
| NS | 211988 | PLATE | 1 | | |
| 94 | 211983 | HINGE SUPPORT / (WELDED TO STRUCTURE) | 1 | 1 | |
| NS | 211756 | SUPPORT / (WELDED AT FRAME) To P-253 | | 1 | |
| NS | 211987 | PLATE / "V" SHAPE 48MM X 57MM 45° | 1 | | |
| NS | 211992 | PLATE | 4 | | |
| 100 | 283354 | HINGE ASSY LOWER To P-253 | | 1 | |
| 101 | 283400 | HINGE ASSY UPPER To P-253 | | 1 | |
| 102 | 323579 | COVER HINGE LOWER To P-253 | | 1 | |
| 103 | 283439 | SPACER / HINGE & DOOR 62MM X 45MM 26G | AR | AR | B |
| 103 | 283784 | SPACER / HINGE & DOOR 62MM X 72MM 26G | AR | AR | B |
| 103 | 283785 | SPACER / HINGE & DOOR 62MM X 124MM 18G | AR | AR | B |
| | | | | | |
| | | | | | |
| | | | | | |
| | | A) HOSE MOULDING ARE SUPERSEDED BY 285785 MOULDING IN 1 PIECE B6 USE W/STEEL WELDED HINGE MODEL UP TO P-254 ON VIP ONLY C-T O BE USE WITH 285660 FOR A BETTER PROTECTION | | | |
| | | B) USE W/STEEL WELDED HINGE MODEL UP TO P-254 ON VIP ONLY | | | |
| | | C) TO BE USE WITH 285660 FOR A BETTER PROTECTION | | | |

From L-031 To R-079

Date:10/2022

PAGE:H4-1862-70

ENTRANCE DOOR ASSY - W.C.L.



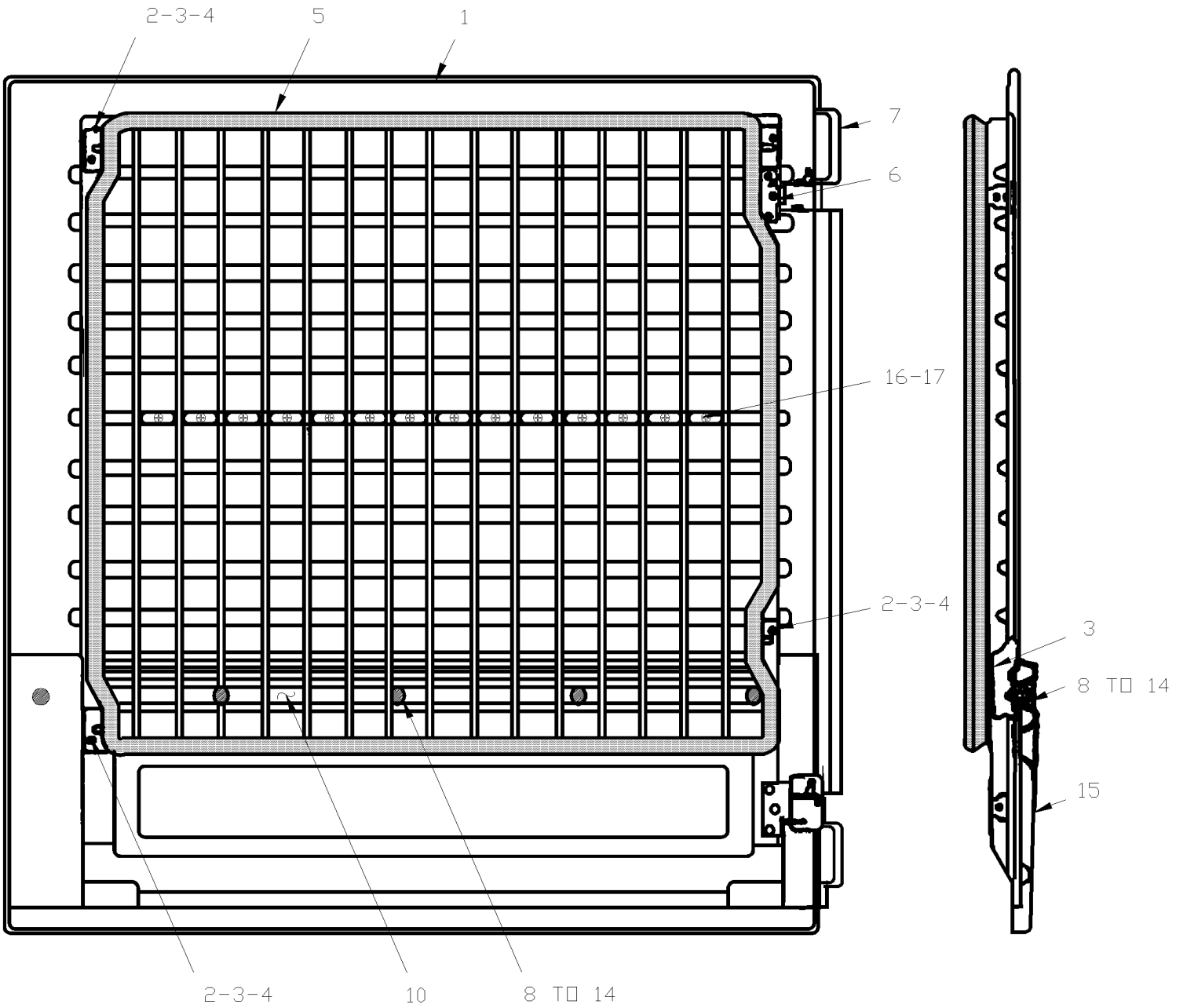
| | | |
|------------------------------------|--------------|-----------------|
| From L-031 To R-079 | Date:10/2022 | PAGE:H4-1862-70 |
| ENTRANCE DOOR ASSY - W.C.L. | | |

| Item# | Part | Description | H 3 4 0 | V I P 4 0 | N O T E S |
|-------|-------------------|---|------------------|-----------------------|-----------------------|
| | 284572P | ENTRANCE DOOR ASSY / W.C.L. | 1 | | |
| 1 | Call order desk | . DOOR (WELDED) | 1 | | P |
| 2 | 282430 | . SEAL, EXTERIOR | 1 | | |
| 3 | 292427 | . GLASS, THERMOS 28% / 1129MM | 1 | | |
| 5 | 284592 | . PANEL ASSY / FABRIC / SPECIFY COLOR | 1 | | |
| 6 | 284693 | . PANEL, LOWER 1215 X 798MM SS | 1 | | |
| 7 | H4-1864-30 | . HANDLE LOCK & KEYS - TYPE "PS" | 1 | 1 | |
| 7 | H4-1864-99 | . HANDLE LOCK & KEYS - TYPE "NS" / SERVICE | 1 | 1 | |
| NS | 502563 | . SCREW CAP HEX M6-1.0x12 G8.8 Z050 | 4 | | |
| 8 | 284611 | . ROD, HANDLE & LATCH | 1 | | |
| 8 | N.P.N. | ROD NEW MODEL NOT AVAILABLE AT PRINTING TIME | 1 | | 4 S |
| 9 | 780187 | . LATCH | 1 | | |
| 10 | 502793 | . SCREW CAP HEX M6-1.0x45 G8.8 Z050 | 4 | | |
| 11 | 502582 | . WASHER LO SERR 6.1x16.2x0.9 Z050 | AR | | |
| NS | 502581 | . NUT HEX M6-1.0 Z050 | AR | | |
| 12 | 500170 | . SCREW CAP HEX 1/4-20x2 G5 PT Z050 | AR | | |
| NS | 500771 | . NUT HEX 1/4-20 SS | AR | | |
| 13 | 5001058 | . SCREW MA FL PH M4-0.7x8 Z050 | AR | | |
| 14 | 780496 | . DOVETAIL, MALE | 1 | | |
| 15 | 283929 | . PLATE / TO FIX DOVETAIL | 1 | | |
| NS | 780497 | . DOVETAIL, FEMALE / FIXED ON STRUCTURE | 1 | | |
| 16 | 780535 | . HINGE 4 1/2" X 4 1/2" SS | 2 | | |
| NS | 282863 | . ANCHOR PLATE / HINGE DOOR 16GA | 1 | | |
| NS | 282864 | . ANCHOR PLATE / HINGE DOOR 11GA | 1 | | |
| NS | 500376 | . WASHER FL .203x.334x.031 NYL | AR | | |
| 17 | 5001037 | . SCREW MA FL PH #12-24x5/8 SS EMN | 1 | | |
| 18 | 285019 | . COVER, HINGE / OUTSIDE | 2 | | |
| 19 | 284703 | . ANGLE, STOPPER ARM | 1 | | |
| 20 | 500952 | . SCREW TP BDG PH #8x1/2 SS | 1 | | |
| 21 | 284690 | . MOULDING "J" FORM / 457MM (18") / F/A | 1 | | |
| 22 | 284688 | . MOULDING "J" FORM / 1215MM (47 13/16") / A/A | 1 | | |
| 23 | 284689 | . MOULDING "J" FORM / 457MM (18") / A/F | 1 | | |
| 24 | 500504 | . SCREW TC OV PH #6-32x1/2 BK | AR | | |
| NS | 500345 | . WASHER FN CKF .187x.500x.090 BR BK | AR | | |
| 26 | 284692 | . MOULDING CAP / SS 1205MM (47 7/16") | 1 | | |
| 26 | 284691 | . MOULDING RETAINER / 1210MM (47 1/4") | 1 | | |
| 27 | 5001015 | . SCREW TP BDG PH #6x1/2 SS BK | AR | | |
| 31 | 780189 | STRIKER & SHIM | 1 | | |
| 36 | Call order desk | ARM ASSY | 1 | | P |
| NS | 500100 | SCREW CAP HEX 3/8-16x1 1/2 SS EMN | 1 | | |
| 37 | 504061 | GROMMET / .4375x.687x.062x.312x.937 | 1 | | |
| 38 | 500265 | NUT HEX STO 3/8-16 Z050 | 1 | | |

| | | |
|------------------------------------|--------------|-----------------|
| From L-031 To R-079 | Date:10/2022 | PAGE:H4-1862-70 |
| ENTRANCE DOOR ASSY - W.C.L. | | |

| Item# | Part | Description | H 3 4 0 | V I P 4 0 | N O T E S |
|-------|--------|---|------------------|-----------------------|-----------------------|
| 40 | 500445 | WASHER FL .437x1.000x.083 Z050 | 1 | | |
| 41 | 502150 | SPRING COMPRESSION / .600 O.D. x 1 x .055 | 1 | | |
| NS | 403696 | DECAL / BRAILLE / EMERGENCY EXIT ONLY / ENGLISH & FRANCAIS | | | |
| NS | 403695 | DECAL / BRAILLE / EMERGENCY EXIT TO YOUR LEFT | | | |
| NS | 403694 | DECAL / BRAILLE / EMERGENCY EXIT TO YOUR RIGHT | | | |
| NS | 403707 | DECAL / BRAILLE / TIRER LA BARRE POUSSER LA FENETRE / FRENCH | | | |
| NS | 403693 | DECAL / BRAILLE / PULL UP BAR PUSH OUT WINDOW / ENGLISH | | | |
| | | | | | |
| | | | | | |
| | | S) THOSE RODS ARE REQUIRE ONLY IF YOU CHANGE FORMER HANDLE MODEL FOR NEW MODEL # 780794 OR 780795 | | | |
| | | 4) NO PARTS NUMBER | | | |
| | | P) CALL ORDER DESK FOR SPECIFIC APPLICATION (V.I.N.) | | | |

| | | |
|---------------------|--------------|-----------------|
| From L-031 To R-079 | Date:10/2022 | PAGE:H4-1863-00 |
| CONDENSOR DOOR ASSY | | |



| | | |
|----------------------------|--------------|-----------------|
| From L-031 To R-079 | Date:10/2022 | PAGE:H4-1863-00 |
| CONDENSOR DOOR ASSY | | |

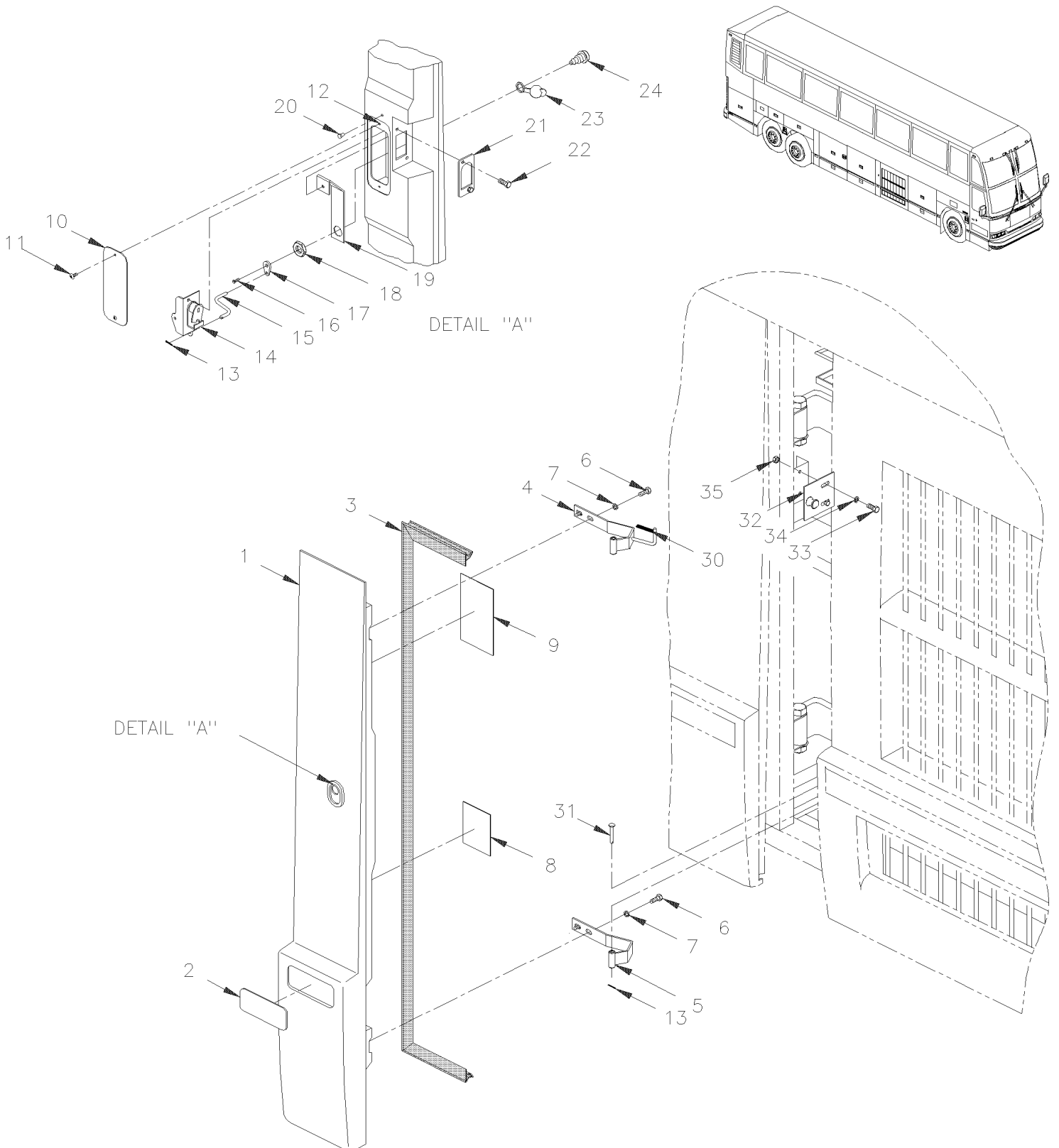
| Item# | Part | Description | H 3 4 0 | V I P 4 0 | N O T E S |
|-------|---------|---|------------------|-----------------------|-----------------------|
| | 283091P | CONDENSOR DOOR ASSY | 1 | 1 | |
| 1 | 282951 | . DOOR MOULDED / FIBERGLASS | 1 | 1 | |
| 2 | 282549 | . PLATE REINFORCEMENT 60MM x 37MM & SLOTTED | 4 | 4 | |
| 3 | 289158 | . PLATE REINFORCEMENT 40MM x 34MM & SLOTTED | 4 | 4 | |
| 4 | 504464 | . RIVET POP CK OE 1/8x3/8 SS | 8 | 8 | |
| 5 | 506410 | . RUBBER EXTRUSION SEAL / GRIP .062 X 100' / RAW MATERIAL | AR | AR | |
| 6 | 282966 | . HINGE SUPPORT/SMALL CONDENSER DOOR H3-1863-40 | 2 | 2 | |
| NS | 504250 | . RIVET CHY Q PRDG 3/16x1/2 SS | 10 | 10 | |
| 7 | 506339 | . TAPE RUB ADH1 NIT 1/4" x 1" x 35' / BLACK 1220 | AR | AR | |
| 8 | 282640 | . EXTRUSION PROFILE 1152MM | 1 | 1 | |
| NS | 680025 | . CAULKING STRIP 3/16" O.D. X 14' | AR | AR | |
| 9 | 283100 | . STRIPE, REFLECTIVE WHITE / 38MM X 15' ROLL | AR | AR | |
| . NS | 780277 | . STRIPE, REFLECTIVE WHITE / 38MM X 150' ROLL | AR | AR | |
| 10 | 282645 | . CHANEL REINFORCEMENT | 1 | 1 | |
| 11 | 502534 | . SCREW CAP SQ 5/16-18x1 G2 Z050 | 5 | 5 | |
| NS | 283219 | . WASHER ,REINFORCEMENT | 5 | 5 | |
| 12 | 5001189 | . NUT HEX 5/16-18 SS | 5 | 5 | |
| 13 | 502583 | . WASHER LO SERR 8.15x22.3x1.0 Z050 | 5 | 5 | |
| 14 | 500374 | . WASHER FL .375x.625x.062 RUB | 5 | 5 | |
| 15 | 283010 | . PROTECTOR PANEL / DP | 1 | 1 | |
| 15 | 284792 | . PROTECTOR PANEL / WITH GRAVEL GUARD / DP | 1 | 1 | A |
| NS | 681348 | . TAPE RUB ADH2 ACRYLIC .045" x 1" x 108' / VHB4952 | AR | AR | |
| NS | 680532 | . SEALANT SIKA #221 / GREY / 310ml CARTRIDGE | AR | AR | |
| 16 | 282641 | . RETAINER / GRILL | 1 | 1 | |
| 17 | 500650 | . SCREW TC PAN PH #6-32x3/8 ZP | 14 | 14 | |
| | | FOLLOWING PARTS ARE RELATED | | | |
| | | WITH DOOR SWITCH | | | |
| NS | 561109 | MICRO SWITCH | 1 | 1 | |
| NS | 062619 | SUPPORT | 1 | 1 | |
| NS | 063982 | CABLE HARNESS | 1 | 1 | |
| | | A) THIS PROTECTOR IS COATED WITH GRAVEL GUARD AND IS BLACK PAINTED READY TO INSTALL | | | |

From L-031 To R-079

Date:10/2022

PAGE:H4-1863-40

CONDENSOR DOOR ASSY (SMALL)



| | | |
|------------------------------------|--------------|-----------------|
| From L-031 To R-079 | Date:10/2022 | PAGE:H4-1863-40 |
| CONDENSOR DOOR ASSY (SMALL) | | |

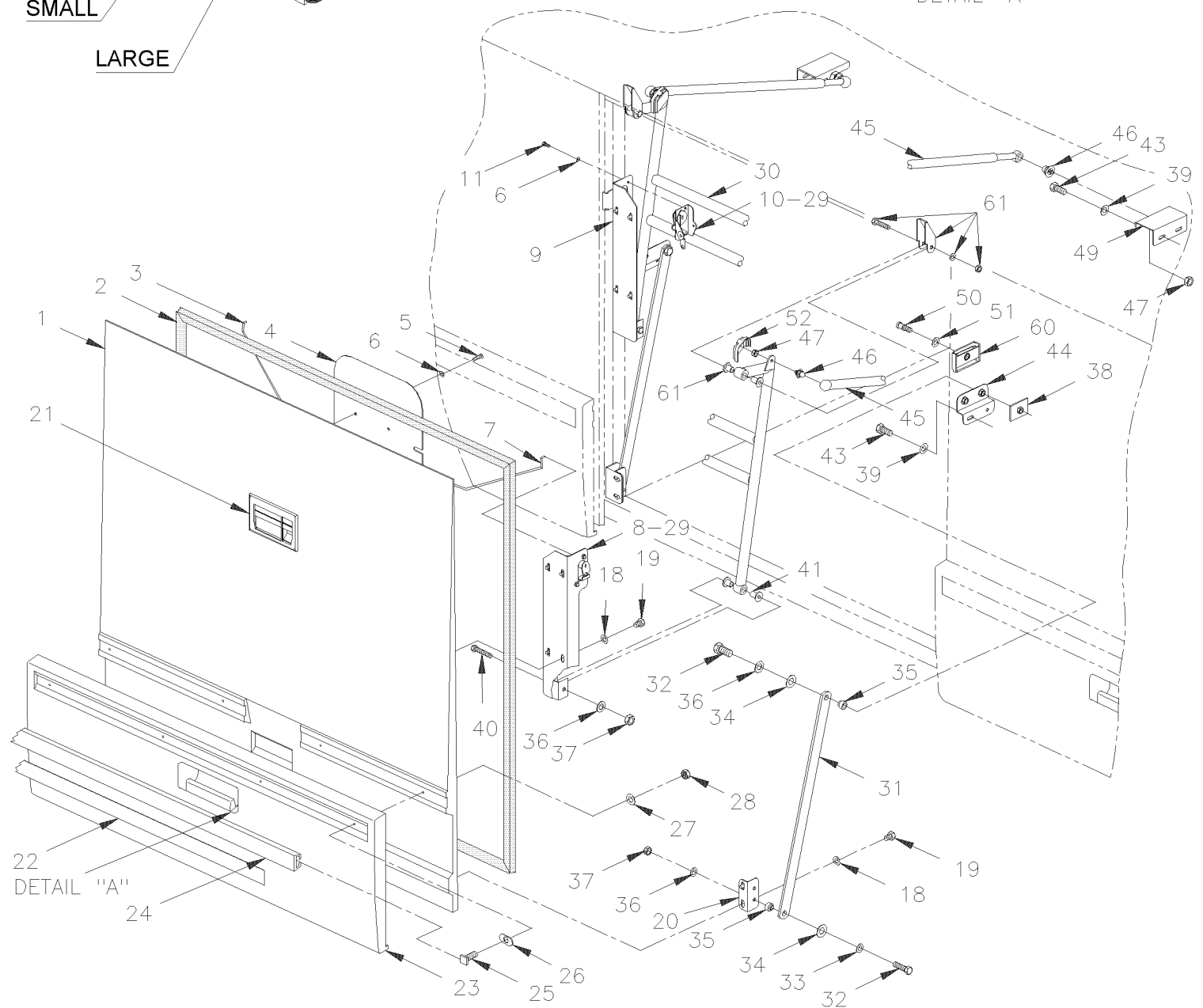
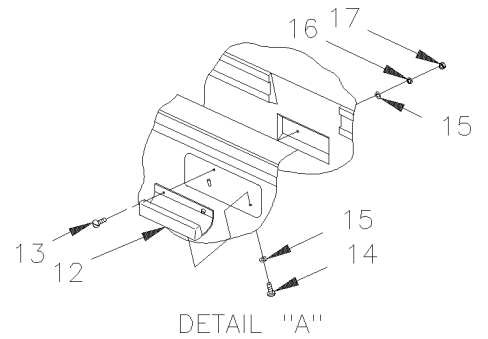
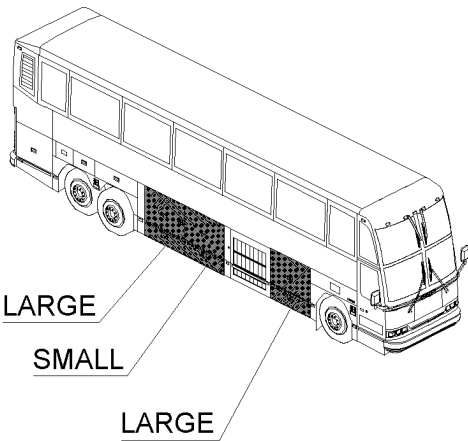
| Item# | Part | Description | H 3 4 0 | V I P 4 0 | N O T E S |
|-------|-------------------|--|------------------|-----------------------|-----------------------|
| | 283083P | CONDENSOR DOOR ASSY / SMALL | 1 | 1 | |
| | 285026P | CONDENSOR DOOR ASSY / SMALL | 1 | 1 | |
| 1 | 282959 | . DOOR MOULDED / FIBERGLASS | 1 | 1 | |
| 1 | 285005 | . DOOR MOULDED / FIBERGLASS | 1 | 1 | |
| 2 | 283100 | . STRIPE, REFLECTIVE WHITE / 38MM X 15' ROLL | AR | AR | |
| . NS | 780277 | . . STRIPE, REFLECTIVE WHITE / 38MM X 150' ROLL | AR | AR | |
| 3 | 480154 | . WEATHERSTRIP RUBBER / ADH / RAW MATERIAL | AR | AR | |
| 3 | 292418 | . RUBBER SEAL EXTRUSION / ADHESIVE / RAW MATERIAL | AR | AR | |
| 4 | 283170 | . HINGE ASSY / UPPER | 1 | 1 | |
| 5 | 283222 | . HINGE / LOWER | 1 | 1 | |
| 6 | 502533 | . SCREW CAP HEX M6-1.0x30 G8.8 Z050 | 4 | 4 | |
| 7 | 502582 | . WASHER LO SERR 6.1x16.2x0.9 Z050 | 4 | 4 | |
| 8 | 283090 | . DECAL / TO OPEN PULL 1+ 3 | 1 | 1 | |
| 9 | 283089 | . DECAL / CAUTION 1-2-3 | 1 | 1 | |
| 10 | 283085 | . CLOSING PLATE 154MM x 60MM | 1 | 1 | |
| 11 | 500510 | . SCREW MA BDG PH #10-32x3/4 SS EMN | 2 | 2 | |
| 12 | 500519 | . NUT WELL #10-32x.518 | 2 | 2 | |
| 13 | 502094 | . PIN, COTTER 1/16 x 1/2 SS | AR | AR | B |
| 14 | 780283 | . LOCK SPAGNOLET R.H. | 1 | 1 | |
| . NS | 780340 | . . CLIP, RETAINER ROD | 1 | 1 | |
| 15 | 283084 | . ROD LEVER | 1 | 1 | |
| 16 | 500560 | . SCREW MA PAN PH M4-0.7x6 Z050 | 1 | 1 | |
| 17 | 780279 | . LEVER, LOCK / CYLINDER / PLASTIC BLACK / 7MM SQ HOLE | 1 | 1 | |
| 17 | 288324 | . LEVER, LOCK / CYLINDER / PLASTIC BLACK / 8MM SQ HOLE | 1 | 1 | J |
| 18 | 500022 | . WASHER LO INT .168x.340x.023 Z050 | 1 | 1 | |
| 19 | 283080 | . FIXATION / LOCK | 1 | 1 | |
| 20 | 504340 | . RIVET POP DOME OE 1/8x3/16 SS | 2 | 2 | |
| 21 | 282649 | . PLATE SUPPORT / W/SPAGNOLET LOCK | 1 | 1 | |
| 22 | 502531 | . SCREW CAP HEX M6-1.0x16 G8.8 Z050 | 2 | 2 | |
| 23 | 780318 | . CAP PROTECTOR CLOSED / BLACK SERIES PS | 1 | 1 | |
| 24 | H4-1864-30 | HANDLE LOCK & KEYS - TYPE "PS" | | | |
| 30 | 282627 | SPRING EXTENSION / .360 O.D x 3. X .058 | 1 | 1 | |
| 31 | 282636 | AXLE HINGE | 2 | 2 | |
| 32 | 282634 | SUPPORT STUD LOCK / TO FIX FRAME | 1 | 1 | |
| 33 | 502790 | SCREW CAP HEX M8-1.25x20 G8.8 Z050 | 2 | 2 | |
| 34 | 502584 | WASHER LO SERR 8.2x26.3x1.8 Z050 | 2 | 2 | |
| 35 | 502543 | NUT HEX M8-1.25 Z050 | 2 | 2 | |
| | | | | | |
| | | | | | |
| | | | | | |
| | | | | | |
| | | B) TO FIX HINGE AXLE!SEE KIT AT END OF PAGE H4-1864-99 | | | |
| | | J) SEE KIT AT END OF PAGE H4-1864-99 | | | |

From L-031 To R-079

Date:10/2022

PAGE:H4-1864-00

BAGGAGE COMPARTMENT DOOR



| | | |
|---------------------------------|--------------|-----------------|
| From L-031 To R-079 | Date:10/2022 | PAGE:H4-1864-00 |
| BAGGAGE COMPARTMENT DOOR | | |

| Item# | Part | Description | H 3 4 0 | V I P 4 0 | N O T E S |
|-------|---------|--|------------------|-----------------------|-----------------------|
| | 283263P | BAGGAGE DOOR ASSY 54" To R-379 | 4 | | |
| | 284477P | BAGGAGE DOOR ASSY 54" From R-380 | 4 | | |
| | 283540P | BAGGAGE DOOR ASSY 54" W/ELEC To R-379 | | 4 | |
| | 284483P | BAGGAGE DOOR ASSY 54" W/ELEC From R-380 | | 4 | |
| | 283264P | BAGGAGE DOOR ASSY 48" To R-379 | 2 | | |
| | 284479P | BAGGAGE DOOR ASSY 48" From R-380 | 2 | | |
| | 283541P | BAGGAGE DOOR ASSY 48" W/ELEC To R-379 | | 2 | |
| | 284484P | BAGGAGE DOOR ASSY 48" W/ELEC From R-380 | | 2 | |
| 1 | 283227 | . DOOR MOULDED / FIBERGLASS / 54" | 1 | | |
| 1 | 283428 | . DOOR MOULDED / FIBERGLASS / 54" | | 1 | |
| 1 | 283228 | . DOOR MOULDED / FIBERGLASS / 48" To R-379 | 1 | | |
| 1 | 283787 | . DOOR MOULDED / FIBERGLASS / 48" From R-380 | 1 | | |
| 1 | 283427 | . DOOR MOULDED / FIBERGLASS / 48" | | 1 | |
| 2 | 283336 | . RUBBER SEAL EXTRUSION / ADHESIVE / 120METER / RAW MATERIAL | AR | AR | B |
| 2 | 285627 | . RUBBER SEAL EXTRUSION / 1352MM X 1115MM | 1 | 1 | D |
| 2 | 287508 | . RUBBER SEAL EXTRUSION / 1352MM X 1115MM | 1 | 1 | D |
| 2 | 288913 | . RUBBER SEAL EXTRUSION / 1352MM X 1115MM | 1 | 1 | D |
| 2 | 2800161 | . RUBBER SEAL EXTRUSION / 1352MM X 1115MM | 1 | 1 | D |
| 2 | 285500 | . RUBBER SEAL EXTRUSION / 1152MM X 1121MM | 1 | 1 | E |
| 2 | 287490 | . RUBBER SEAL EXTRUSION / 1152MM X 1121MM | 1 | 1 | E |
| 2 | 288902 | . RUBBER SEAL EXTRUSION / 1152MM X 1121MM | 1 | 1 | E |
| 2 | 2800122 | . RUBBER SEAL EXTRUSION / 1152MM X 1121MM | 1 | 1 | E |
| 3 | 283246 | . ROD L.H. / W/SMALL DOOR / 576MM To R-379 | 1 | | |
| 3 | 289361 | . ROD L.H. / W/SMALL DOOR / 586MM From SERVICE To R-379 | 1 | | S |
| 3 | 284456 | . ROD L.H. / W/SMALL DOOR / 576MM From R-380 | 1 | | |
| 3 | 289386 | . ROD L.H. / W/SMALL DOOR / 578MM From R-380 To SERVICE | 1 | | S |
| 3 | 283520 | . ROD L.H. / W/SMALL DOOR / 576MM To R-379 | | 1 | |
| 3 | 289388 | . ROD L.H. / W/SMALL DOOR / 582MM From SERVICE To R-379 | | 1 | S |
| 3 | 284457 | . ROD L.H. / W/SMALL DOOR / 576MM From R-380 | | 1 | |
| 3 | 289360 | . ROD L.H. / W/SMALL DOOR / 582MM From R-380 To SERVICE | | 1 | S |
| 3 | 283247 | . ROD L.H. / W/SMALL DOOR / 498MM To R-379 | 1 | | |
| 3 | 289384 | . ROD L.H. / W/SMALL DOOR / 504MM From SERVICE To R-379 | 1 | | S |
| 3 | 284462 | . ROD L.H. / W/SMALL DOOR / W/SMALL DOOR548MM From R-380 | 1 | | |
| 3 | 289363 | . ROD L.H. / W/SMALL DOOR / 536.6MM From R-380 To SERVICE | 1 | | S |
| 3 | 283521 | . ROD L.H. / W/SMALL DOOR / 498MM To R-379 | | 1 | |
| 3 | 289362 | . ROD L.H. / W/SMALL DOOR / 508MM From SERVICE To R-379 | | 1 | S |
| 3 | 284468 | . ROD L.H. / W/SMALL DOOR / 498MM From R-380 | | 1 | |
| 3 | 289358 | . ROD L.H. / W/SMALL DOOR / 504MM From R-380 To SERVICE | | 1 | S |
| 4 | 283250 | . PLATE CLOSING | 1 | | |
| 4 | 283518 | . PLATE CLOSING / 293MM X 318MM | | 1 | |
| NS | 504069 | . GROMMET / .281x.375x.062x.250x.562 | 1 | 1 | |
| NS | 506236 | . TAPE RUB ADH1 CC POL 1/16" x 1/2" x 100' / GREY 2520 | AR | AR | |

| | | |
|---------------------------------|--------------|-----------------|
| From L-031 To R-079 | Date:10/2022 | PAGE:H4-1864-00 |
| BAGGAGE COMPARTMENT DOOR | | |

| Item# | Part | Description | H 3 4 0 | V I P 4 0 | N O T E S |
|-------|-------------------|--|------------------|-----------------------|-----------------------|
| 5 | 502563 | . SCREW CAP HEX M6-1.0x12 G8.8 Z050 | 4 | 4 | |
| 6 | 502582 | . WASHER LO SERR 6.1x16.2x0.9 Z050 | 12 | 12 | |
| 7 | 283249 | . ROD R.H. / W/LARGE DOOR / 626MM To R-379 | 1 | | |
| 7 | 289355 | . ROD R.H. / W/LARGE DOOR / 618.6MM / SERVICE To R-379 | 1 | | S |
| 7 | 284101 | . ROD R.H. / W/LARGE DOOR / 626MM From R-380 | 1 | | |
| 7 | 289387 | . ROD R.H. 614.6MM From R-380 | 1 | | S |
| 7 | 283522 | . ROD R.H. / W/LARGE DOOR / 626MM To R-379 | | 1 | |
| 7 | 289389 | . ROD R.H. 618.6MM / SERVICE To R-379 | | 1 | S |
| 7 | 284455 | . ROD R.H. / W/LARGE DOOR / 626MM From R-380 | | 1 | |
| 7 | 289365 | . ROD R.H. / W/LARGE DOOR / 614.6MM From R-380 | | 1 | S |
| 7 | 283248 | . ROD R.H. / W/SMALL DOOR / 548MM To R-379 | 1 | | |
| 7 | 289385 | . ROD R.H. 696.6MM / SERVICE To R-379 | 1 | | S |
| 7 | 284466 | . ROD R.H. / W/SMALL DOOR / 498MM From R-380 | 1 | | |
| 7 | 289359 | . ROD R.H. 504MM From R-380 | 1 | | S |
| 7 | 283523 | . ROD R.H. / W/SMALL DOOR / 548MM To R-379 | | 1 | |
| 7 | 289352 | . ROD R.H. / W/SMALL DOOR / 540.6MM / SERVICE To R-379 | | 1 | S |
| 7 | 284464 | . ROD R.H. / W/SMALL DOOR / 548MM From R-380 | | 1 | |
| 7 | 289364 | . ROD R.H. / W/SMALL DOOR / 536.6MM / SERVICE From R-380 | | 1 | S |
| 8 | 283244 | . FIXTURE R.H. To R-379 | 1 | 1 | |
| 8 | 284473 | . FIXTURE R.H. From R-380 | 1 | 1 | |
| 9 | 283245 | . FIXTURE L.H. To R-379 | 1 | 1 | |
| 9 | 284475 | . FIXTURE L.H. From R-380 | 1 | 1 | |
| 10 | 282517 | . LOCK / DOOR To R-379 | 1 | 1 | |
| 10 | 780282 | . LOCK SPAGNOLET L.H. From R-380 | 1 | 1 | |
| 10 | 282517 | . LOCK / DOOR To R-379 | 1 | 1 | |
| 10 | 780283 | . LOCK SPAGNOLET R.H. From R-380 | 1 | 1 | |
| . NS | 780340 | . CLIP, RETAINER ROD From R-380 | 1 | 1 | |
| NS | 504456 | . CLIP / RETAINER ROD / WHITE OR RED | 2 | 2 | C |
| 11 | 502531 | . SCREW CAP HEX M6-1.0x16 G8.8 Z050 | 4 | 4 | |
| 12 | 282562 | . HANDLE / DOOR | 1 | 1 | |
| 13 | 502532 | . SCREW MA PAN PH M5-0.8x25 SS EMN | 2 | 2 | |
| 14 | 500641 | . SCREW TP PAN PH #8x3/4 Z050 | 2 | 2 | |
| 15 | 500438 | . WASHER FL .187x.437x.050 Z050 | 8 | 8 | |
| 16 | 500470 | . WASHER LO SPT .193x.334x.047 Z050 | 2 | 2 | |
| 17 | 502580 | . NUT HEX CAP M5-0.8 ZP | 2 | 2 | |
| 18 | 502584 | . WASHER LO SERR 8.2x26.3x1.8 Z050 | 12 | 12 | |
| 19 | 502589 | . SCREW CAP HEX M8-1.25x25 G8.8 Z050 | 12 | 12 | |
| 19 | 502790 | . SCREW CAP HEX M8-1.25x20 G8.8 Z050 | AR | AR | |
| 20 | 283238 | . ATTACHMENT / LOWER L.H. & R.H. | 2 | 2 | |
| 21 | H4-1864-30 | HANDLE LOCK & KEYS - TYPE "PS" | | | |
| 21 | H4-1864-99 | HANDLE LOCK & KEYS - TYPE "NS" / SERVICE | | | |
| 21 | H4-1864-35 | BAGGAGE COMPARTMENT ELECTRICAL LOCK - V.I.P. | | | |

| | | |
|---------------------|--------------|-----------------|
| From L-031 To R-079 | Date:10/2022 | PAGE:H4-1864-00 |
|---------------------|--------------|-----------------|

BAGGAGE COMPARTMENT DOOR

| Item# | Part | Description | H 3 4 0 | V I P 4 0 | N O T E S |
|-------|-------------------|--|------------------|-----------------------|-----------------------|
| 21 | H4-1864-36 | BAGGAGE COMPARTMENT ELECTRICAL LOCK - V.I.P / SERVICE | | | |
| 22 | 283100 | . STRIPE, REFLECTIVE WHITE / 38MM X 15' ROLL | AR | AR | |
| . NS | 780277 | . STRIPE, REFLECTIVE WHITE / 38MM X 150' ROLL | AR | AR | |
| 23 | 282506 | . PROTECTOR PANEL / DP / W/LARGE DOOR | 1 | 1 | |
| 23 | 284790 | . PROTECTOR PANEL / WITH GRAVEL GUARD / DP / W/LARGE DOOR | 1 | 1 | A |
| 23 | 282507 | . PROTECTOR PANEL / DP / W/SMALL DOOR | 1 | 1 | |
| 23 | 284791 | . PROTECTOR PANEL / WITH GRAVEL GUARD / DP / W/SMALL DOOR | 1 | 1 | A |
| 24 | 282567 | . EXTRUSION PROFILE 1340MM | 1 | 1 | |
| 24 | 282569 | . EXTRUSION PROFILE 1182MM | 1 | 1 | |
| NS | 680025 | . CAULKING STRIP 3/16" O.D. X 14' | AR | AR | |
| 25 | 502534 | . SCREW CAP SQ 5/16-18x1 G2 Z050 | 5 | 5 | |
| 26 | 283219 | . WASHER ,REINFORCEMENT | AR | AR | |
| 27 | 502583 | . WASHER LO SERR 8.15x22.3x1.0 Z050 | 5 | 5 | |
| 28 | 5001189 | . NUT HEX 5/16-18 SS | 5 | 5 | |
| NS | 507295 | . HOLE PLUG BUTTON / 1.375 O.D. BLACK | 4 | 4 | |
| 29 | 504454 | . BUMPER RUBBER BOLT / 20MM ODx20MM TH X M6X15MM STUD | 2 | 2 | |
| 30 | 282457 | ARM PANTOGRAPH / W/LARGE DOOR | 4 | 4 | |
| 30 | 282460 | ARM PANTOGRAPH | 1 | 1 | |
| 31 | 283236 | ARM AUXILIARY 638MM C/C | 2 | 2 | |
| 32 | 500544 | SCREW CAP HEX M8-1.25x30 G8.8 Z050 | 4 | 4 | |
| 33 | 5001164 | WASHER FL 8.4x25.0x2.0 Z050 | 4 | 4 | |
| 34 | 507289 | BUSHING NYLINER / AUXILIARY ARM & ATTACHMENT | 4 | 4 | |
| 35 | 282540 | SPACER BUSHING FLANGE / AUX. ARM & SUPPORT | 4 | 4 | |
| 36 | 502583 | WASHER LO SERR 8.15x22.3x1.0 Z050 | 8 | 8 | |
| 37 | 502543 | NUT HEX M8-1.25 Z050 | 6 | 6 | |
| 38 | 282520 | PLATE ASSY W/NUT M8-1.25 36MM x 50MM | 2 | 2 | |
| 39 | 502584 | WASHER LO SERR 8.2x26.3x1.8 Z050 | 8 | 8 | |
| 40 | 502527 | SCREW CAP HEX M8-1.25x50 G8.8 Z050 | 4 | 4 | |
| 41 | 507142 | BUSHING, NYLINER W/SHOULDER (8-L-8-F) | 8 | 8 | |
| NS | 282541 | SPACER TUBE 31MM x 12.7MM x 8.5MM | AR | AR | |
| 43 | 502790 | SCREW CAP HEX M8-1.25x20 G8.8 Z050 | 8 | 8 | |
| 44 | 283241 | SUPPORT / 24MM OFFSET | 6 | | |
| 44 | 283241 | SUPPORT / 24MM OFFSET | | 8 | |
| 44 | 283239 | SUPPORT / 43MM OFFSET | 2 | 2 | |
| 44 | 283235 | SUPPORT / 62MM OFFSET | 4 | | |
| 44 | 283235 | SUPPORT / 62MM OFFSET | | 6 | |
| NS | 283839 | PLATE ADAPTOR / SUPPORT & AUXILIARY ARM | | 12 | |
| 45 | 980014 | CYLINDER GAZ / 669/409MM C/C / 190LBS | 2 | 2 | C |
| 45 | 980024 | CYLINDER GAZ / 669/409MM C/C / 200LBS | 2 | 2 | |
| 45 | 192226 | CYLINDER GAZ / 669/409MM C/C / 200LBS HD | | AR | |
| . NS | 980017 | . CLIP BALL STUD 10MM RETAINER | | 2 | |
| 46 | 980015 | BALL STUD / W/10 MM X M8-1.25 / 29.18 MM | AR | AR | |

| | | |
|---------------------------------|--------------|-----------------|
| From L-031 To R-079 | Date:10/2022 | PAGE:H4-1864-00 |
| BAGGAGE COMPARTMENT DOOR | | |

| Item# | Part | Description | H 3 4 0 | V I P 4 0 | N O T E S |
|-------|-------------------|---|------------------|-----------------------|-----------------------|
| 47 | 502760 | NUT HEX TWAY M8-1.25 Z050 | AR | AR | |
| 48 | 502790 | SCREW CAP HEX M8-1.25x20 G8.8 Z050 | 8 | 8 | |
| 49 | 282532 | ATTACHMENT CYLINDER L.H. To M-048 | AR | AR | |
| 49 | 283841 | ATTACHMENT CYLINDER L.H. From M-049 To R-030 | AR | AR | |
| 49 | 284829 | ATTACHMENT CYLINDER From R-031 | AR | AR | |
| 49 | 282533 | ATTACHMENT CYLINDER R.H. To M-048 | AR | AR | |
| 49 | 283840 | ATTACHMENT CYLINDER L.H. From M-049 To R-030 | AR | AR | |
| 49 | 284828 | ATTACHMENT CYLINDER From R-031 | AR | AR | |
| 50 | 780189 | STRIKER & SHIM To R-379 | 2 | 2 | |
| 50 | 284438 | PIN STRIKER From R-380 | 2 | 2 | |
| 50 | 680025 | CAULKING STRIP 3/16" O.D. X 14' | AR | AR | |
| 51 | 284447 | WASHERS BELLEVILLE From R-380 | 2 | 2 | |
| 52 | 282848 | PROTECTOR L.H. & R.H. | 2 | 2 | |
| 52 | 285040 | PROTECTOR L.H. | 1 | 1 | |
| 52 | 285207 | PROTECTOR R.H. | 1 | 1 | |
| NS | 282849 | PROTECTOR COVER | 2 | 2 | |
| NS | 282916 | SPACER / ITEMS #30 & 52 | 2 | 2 | |
| NS | 500883 | SCREW TC PAN PH #8-32x3/8 Z050 | 2 | 2 | F |
| 60 | 282522 | FLOATING NUT To R-379 | AR | AR | |
| 60 | 282869 | FLOATING NUT ASSY WITH CASE From R-380 | AR | AR | |
| 61 | H4-1879-90 | EXTERIOR DOOR HINGE AND SUPPORT | | | |
| | | FOLLOWING PARTS ARE RELATED WITH | | | |
| | | SAFETY CATCH DOOR "OPTION" | | | |
| NS | 283921 | KIT SAFETY CATCH | AR | AR | |
| NS | 283918 | BUTTON / NYLON | 1 | 1 | |
| NS | 283920 | SUPPORT / (TRIANGULAR SHAPE) | 1 | 1 | |
| NS | 283919 | SUPPORT "L" 105MM X 125MM | 1 | 1 | |
| NS | 500120 | SCREW TP BDG PH #6x1/2 SS | 3 | 3 | |
| NS | 500875 | NUT HEX M12-1.75 SS | 4 | 4 | |
| NS | 500678 | NUT WELL #8-32x.450 | 4 | 4 | |
| NS | D280141 | INSTALLATION DIAGRAM | 1 | 1 | |
| | | A) THIS PROTECTOR IS COATED WITH GRAVEL GUARD ANS IS BLACK PAINTED READY TO INSTALL | | | |
| | | B) SOLD IN 20' LONG ON PART #283875 | | | |
| | | C) THIS PART IS SUPERSEDED BY 980024. SEE INSTRUCTION SHEET IS-95064 TO COMPLETE THE NEW INSTALLATION | | | |
| | | D) THIS SEAL IT FOR SERVICE WITH SMALL DOOR | | | |
| | | E) THIS SEAL IT FOR SERVICE WITH LARGE DOOR | | | |
| | | F) TO FIX PROTECTOR | | | |

| | | |
|---------------------|--------------|-----------------|
| From L-031 To R-079 | Date:10/2022 | PAGE:H4-1864-00 |
|---------------------|--------------|-----------------|

BAGGAGE COMPARTMENT DOOR

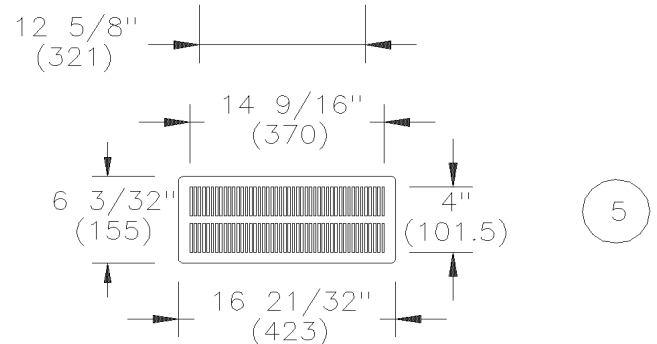
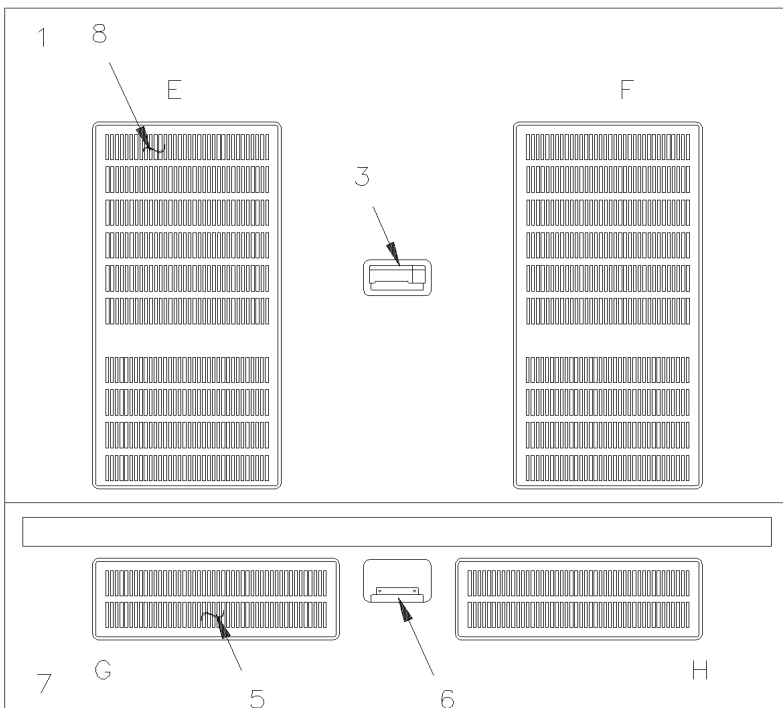
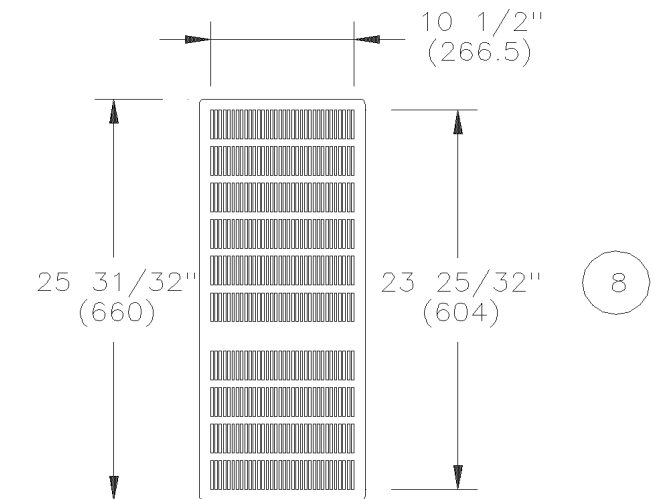
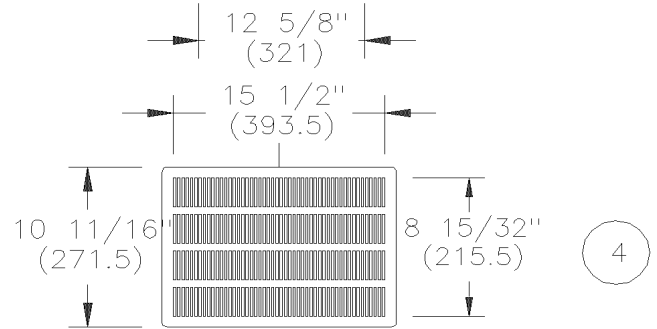
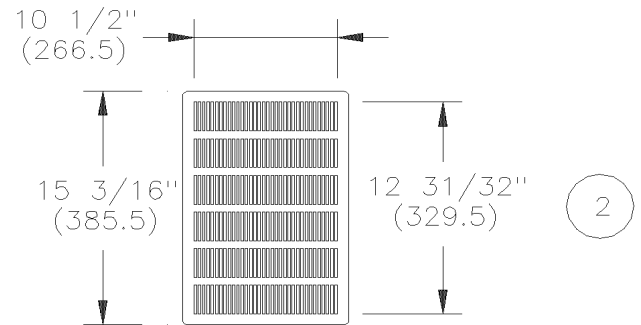
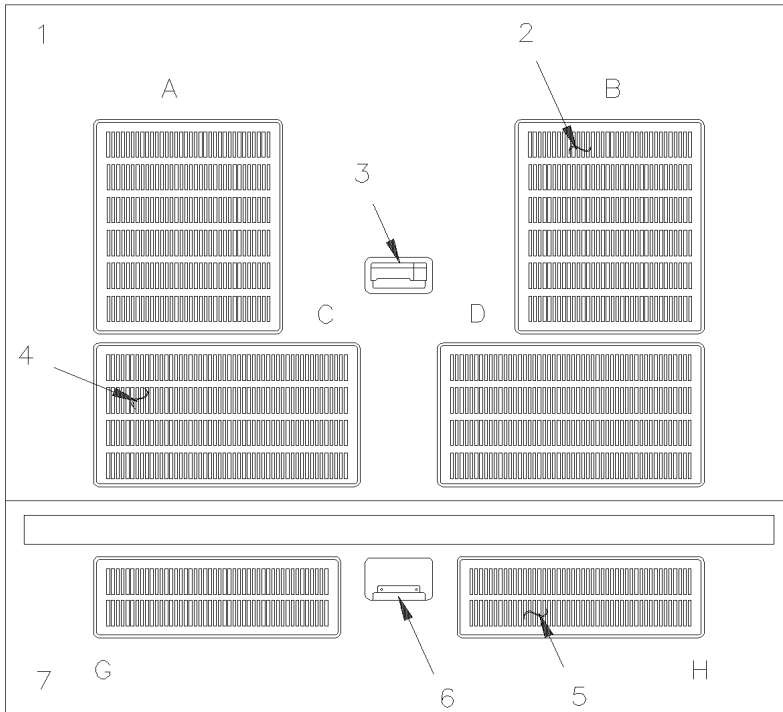
| Item# | Part | Description | H 3 4 0 | V I P 4 0 | N O T E S |
|-------|------|--|------------------|-----------------------|-----------------------|
| | | S) THOSE RODS ARE REQUIRE ONLY IF YOU CHANGE FORMER HANDLE MODEL FOR NEW MODEL # 780794 OR 780795 | | | |

From L-031 To R-079

Date:10/2022

PAGE:H4-1864-20

AIR GRILL - BAGGAGE DOOR V.I.P.



| | | |
|--|--------------|-----------------|
| From L-031 To R-079 | Date:10/2022 | PAGE:H4-1864-20 |
| AIR GRILL - BAGGAGE DOOR V.I.P. | | |

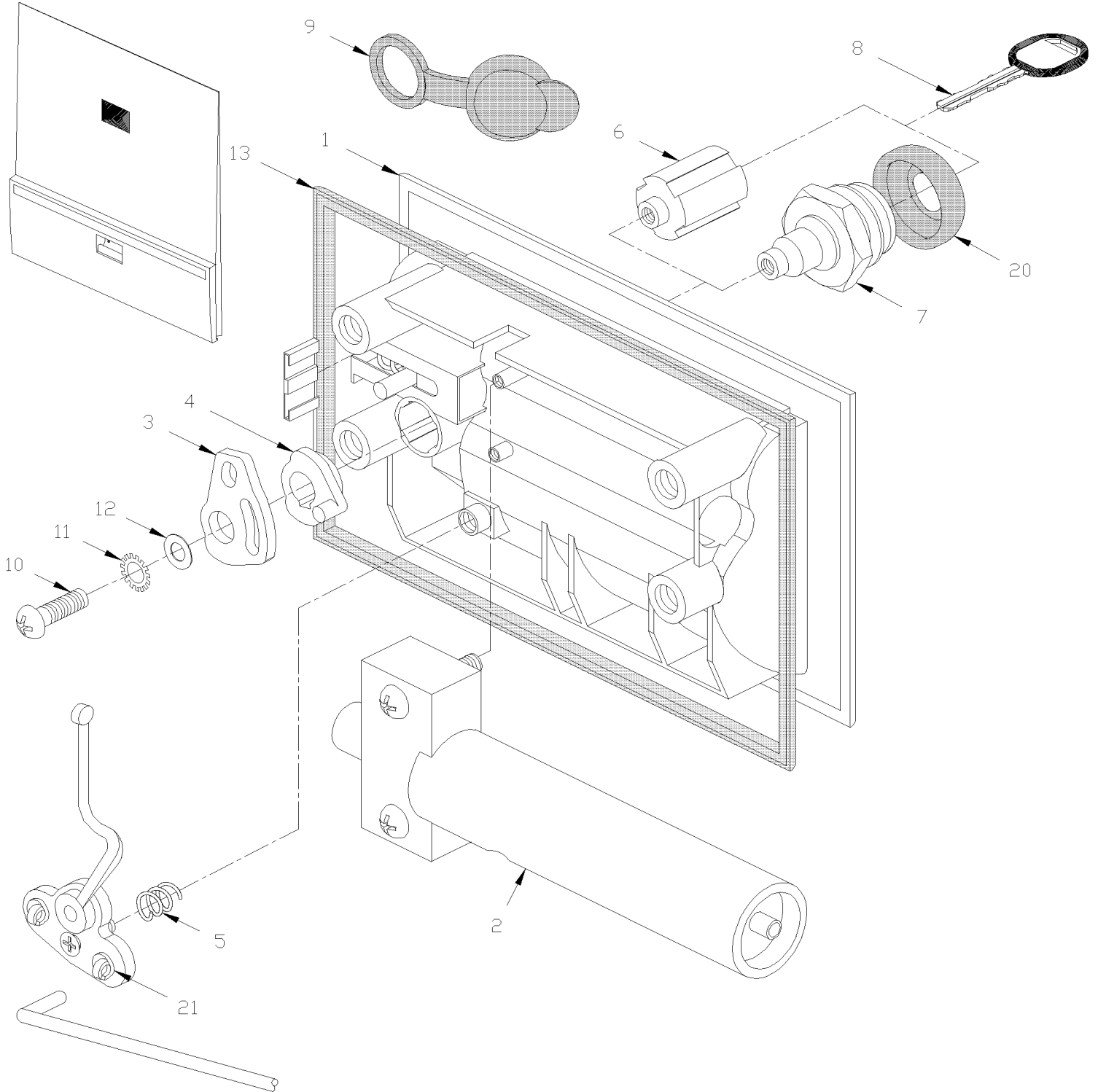
| Item# | Part | Description | H 3 4 0 | V I P 4 0 | N O T E S |
|-------|---------|--------------------------------------|------------------|-----------------------|-----------------------|
| 1 | 283427 | DOOR MOULDED / FIBERGLASS / 48" | | AR | |
| 1 | 283428 | DOOR MOULDED / FIBERGLASS / 54" | | AR | |
| 1 | 284499 | DOOR 48" W/1.62 SQF PERFORATED AREA | | AR | |
| 1 | 284500 | DOOR 48" W/0.32 SQF PERFORATED AREA | | AR | |
| 1 | 284501 | DOOR 48" W/1.04 SQF PERFORATED AREA | | AR | |
| 1 | 284502 | DOOR 48" W/0.98 SQF PERFORATED AREA | | AR | |
| 1 | 284503 | DOOR 48" W/1.33 SQF PERFORATED AREA | | AR | |
| 1 | 284515 | DOOR 54" W/0.42 SQF PERFORATED AREA | | AR | |
| 1 | 284516 | DOOR 54" W/1.32 SQF PERFORATED AREA | | AR | |
| 1 | 284517 | DOOR 54" W/1.34 SQF PERFORATED AREA | | AR | |
| 1 | 284518 | DOOR 54" W/1.96 SQF PERFORATED AREA | | AR | |
| 1 | 284519 | DOOR 54" W/2.24 SQF PERFORATED AREA | | AR | |
| 2 | 283809 | GRILLE / W/OPEN AREA 0.46 SQF | | AR | |
| 2 | 283810 | GRILLE / W/OPEN AREA 0.33 SQF | | AR | |
| NS | 283485 | INSULATING PANEL / W/LARGE DOOR | | 2 | |
| NS | 283488 | INSULATING PANEL / W/SMALL DOOR | | 2 | |
| 4 | 283807 | GRILLE / W/OPEN AREA 0.36 SQF | | AR | |
| 4 | 283808 | GRILLE / W/OPEN AREA 0.45 SQF | | AR | |
| NS | 283486 | INSULATING PANEL / W/LARGE DOOR | | 2 | |
| NS | 283487 | INSULATING PANEL / W/SMALL DOOR | | 2 | |
| 5 | 283543 | GRILLE / W/OPEN AREA 0.16 SQF | | AR | |
| 5 | 283545 | GRILLE / W/OPEN AREA 0.21 SQF | | AR | |
| NS | 283483 | INSULATING PANEL / W/SMALL DOOR | | 2 | |
| NS | 283484 | INSULATING PANEL / W/LARGE DOOR | | 2 | |
| 6 | 282562 | HANDLE / DOOR | | 1 | |
| 7 | 283524 | PROTECTOR W/0.32 SQF PERFORATED AREA | | 1 | |
| 7 | 283525 | PROTECTOR W/0.42 SQF PERFORATED AREA | | 1 | |
| 8 | 283811 | GRILLE / W/OPEN AREA 0.55 SQF | | AR | |
| 8 | 283812 | GRILLE / W/OPEN AREA 0.77 SQF | | AR | |
| NS | 502556 | WASHER FL 4.3x9.0x0.8 SS | | AR | A |
| NS | 502557 | NUT HEX NYRT M4-0.7 SS | | AR | A |
| 9 | 283515 | CLOSING PANEL REAR / W/LARGE DOOR | | 1 | |
| 9 | 283519 | CLOSING PANEL REAR / W/SMALL DOOR | | 1 | |
| NS | 5001055 | NUT WELL M4-0.7x14.5 | | AR | B |
| NS | 502698 | SCREW MA PAN PH M4-0.7x16 SS BK | | AR | B |
| | | | | | |
| | | | | | |
| | | A) TO FIX GRILL | | | |
| | | B) TO FIX REAR CLOSING PANEL | | | |

From L-031 To R-079

Date:10/2022

PAGE:H4-1864-30

HANDLE LOCK & KEYS - TYPE "PS"

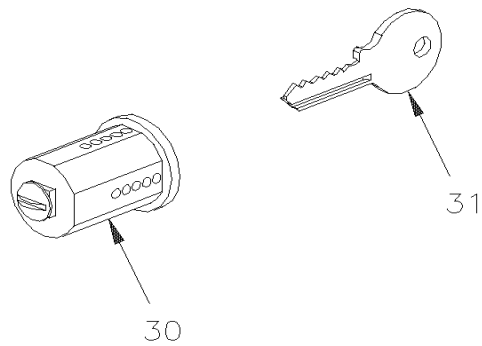
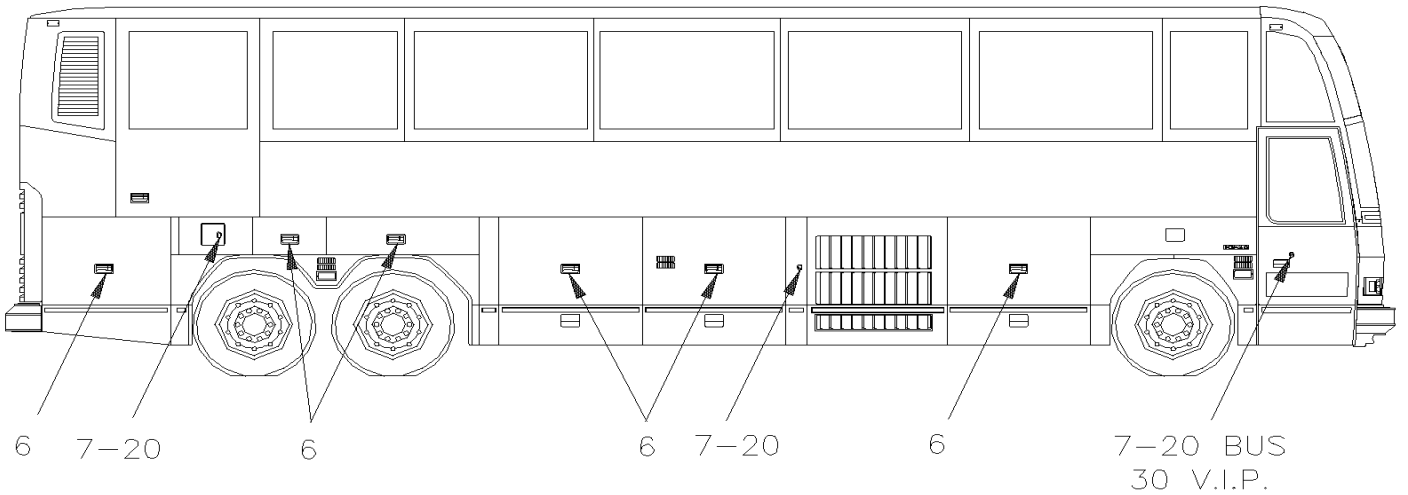
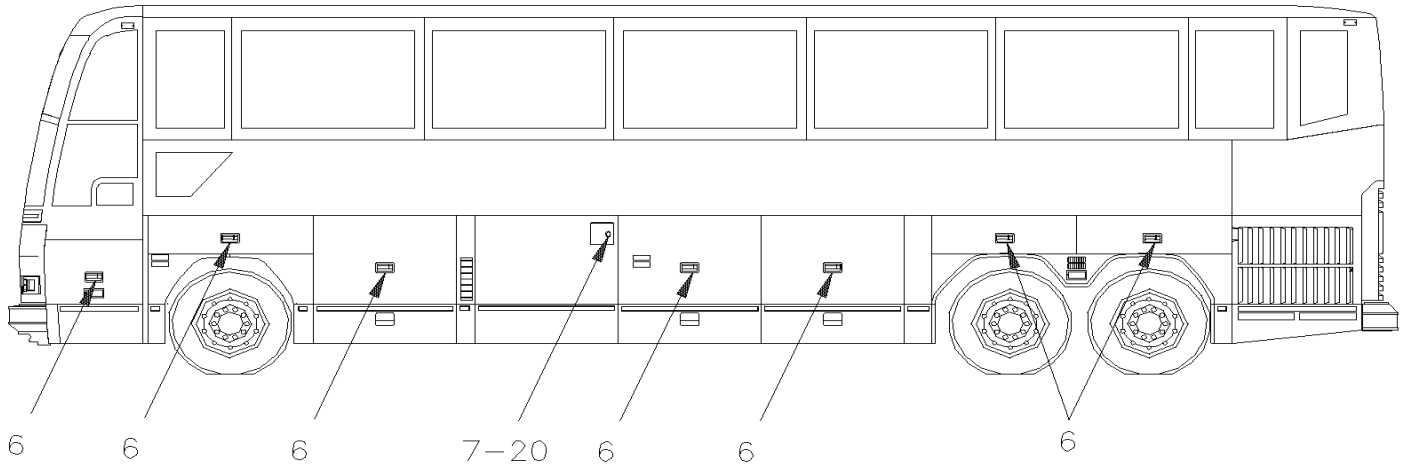


From L-031 To R-079

Date:10/2022

PAGE:H4-1864-30

HANDLE LOCK & KEYS - TYPE "PS"



| | | |
|---|--------------|-----------------|
| From L-031 To R-079 | Date:10/2022 | PAGE:H4-1864-30 |
| HANDLE LOCK & KEYS - TYPE "PS" | | |

| Item# | Part | Description | H 3 4 0 | V I P 4 0 | N O T E S |
|-------|--------|--|------------------|-----------------------|-----------------------|
| 1 | 780350 | HANDLE ASSY / MANUAL TYPE "PS" | AR | AR | |
| 1 | 780351 | HANDLE ASSY / W/AIR CYLINDER TYPE "PS" | AR | AR | |
| 2 | N.S.S. | . AIR CYLINDER | AR | AR | 1 |
| 3 | 780353 | LEVER / W/AIR CYLINDER | AR | AR | |
| 3 | 780354 | LEVER / W/MANUAL OPERATION & ELECTRIC | AR | AR | |
| 4 | 780352 | LEVER | AR | AR | |
| 5 | 780305 | . SPRING COMPRESSION / .700 O.D. x .515 x .055 | 1 | 1 | |
| 6 | 780394 | CYLINDER LOCK / PS175 | AR | AR | |
| 6 | 780393 | CYLINDER LOCK / PS174 | AR | AR | |
| 6 | 780392 | CYLINDER LOCK / PS173 | AR | AR | |
| 6 | 780391 | CYLINDER LOCK / PS172 | AR | AR | |
| 6 | 780390 | CYLINDER LOCK / PS171 | AR | AR | |
| 6 | 780389 | CYLINDER LOCK / PS170 | AR | AR | |
| 6 | 780388 | CYLINDER LOCK / PS169 | AR | AR | |
| 6 | 780387 | CYLINDER LOCK / PS168 | AR | AR | |
| 6 | 780386 | CYLINDER LOCK / PS167 | AR | AR | |
| 6 | 780385 | CYLINDER LOCK / PS166 | AR | AR | |
| 6 | 780384 | CYLINDER LOCK / PS165 | AR | AR | |
| 6 | 780383 | CYLINDER LOCK / PS164 | AR | AR | |
| 6 | 780382 | CYLINDER LOCK / PS163 | AR | AR | |
| 6 | 780381 | CYLINDER LOCK / PS162 | AR | AR | |
| 6 | 780380 | CYLINDER LOCK / PS161 | AR | AR | |
| 6 | 780379 | CYLINDER LOCK / PS160 | AR | AR | |
| 6 | 780378 | CYLINDER LOCK / PS159 | AR | AR | |
| 6 | 780377 | CYLINDER LOCK / PS158 | AR | AR | |
| 6 | 780376 | CYLINDER LOCK / PS157 | AR | AR | |
| 6 | 780375 | CYLINDER LOCK / PS156 | AR | AR | |
| 6 | 780374 | CYLINDER LOCK / PS20 | AR | AR | |
| 6 | 780373 | CYLINDER LOCK / PS19 | AR | AR | |
| 6 | 780372 | CYLINDER LOCK / PS18 | AR | AR | |
| 6 | 780371 | CYLINDER LOCK / PS17 | AR | AR | |
| 6 | 780370 | CYLINDER LOCK / PS16 | AR | AR | |
| 6 | 780369 | CYLINDER LOCK / PS15 | AR | AR | |
| 6 | 780368 | CYLINDER LOCK / PS14 | AR | AR | |
| 6 | 780367 | CYLINDER LOCK / PS13 | AR | AR | |
| 6 | 780366 | CYLINDER LOCK / PS12 | AR | AR | |
| 6 | 780365 | CYLINDER LOCK / PS11 | AR | AR | |
| 6 | 780364 | CYLINDER LOCK / PS10 | AR | AR | |
| 6 | 780363 | CYLINDER LOCK / PS9 | AR | AR | |
| 6 | 780362 | CYLINDER LOCK / PS8 | AR | AR | |
| 6 | 780361 | CYLINDER LOCK / PS7 | AR | AR | |
| 6 | 780360 | CYLINDER LOCK / PS6 | AR | AR | |

| | | |
|---|--------------|-----------------|
| From L-031 To R-079 | Date:10/2022 | PAGE:H4-1864-30 |
| HANDLE LOCK & KEYS - TYPE "PS" | | |

| Item# | Part | Description | H 3 4 0 | V I P 4 0 | N O T E S |
|-------|--------|-----------------------|------------------|-----------------------|-----------------------|
| 6 | 780359 | CYLINDER LOCK / PS5 | AR | AR | |
| 6 | 780358 | CYLINDER LOCK / PS4 | AR | AR | |
| 6 | 780357 | CYLINDER LOCK / PS3 | AR | AR | |
| 6 | 780356 | CYLINDER LOCK / PS2 | AR | AR | |
| 6 | 780355 | CYLINDER LOCK / PS1 | AR | AR | |
| 7 | 780414 | CYLINDER LOCK / PS175 | AR | AR | |
| 7 | 780413 | CYLINDER LOCK / PS174 | AR | AR | |
| 7 | 780412 | CYLINDER LOCK / PS173 | AR | AR | |
| 7 | 780411 | CYLINDER LOCK / PS172 | AR | AR | |
| 7 | 780410 | CYLINDER LOCK / PS171 | AR | AR | |
| 7 | 780409 | CYLINDER LOCK / PS170 | AR | AR | |
| 7 | 780408 | CYLINDER LOCK / PS169 | AR | AR | |
| 7 | 780407 | CYLINDER LOCK / PS168 | AR | AR | |
| 7 | 780406 | CYLINDER LOCK / PS167 | AR | AR | |
| 7 | 780405 | CYLINDER LOCK / PS166 | AR | AR | |
| 7 | 780404 | CYLINDER LOCK / PS165 | AR | AR | |
| 7 | 780403 | CYLINDER LOCK / PS164 | AR | AR | |
| 7 | 780402 | CYLINDER LOCK / PS163 | AR | AR | |
| 7 | 780401 | CYLINDER LOCK / PS162 | AR | AR | |
| 7 | 780400 | CYLINDER LOCK / PS161 | AR | AR | |
| 7 | 780399 | CYLINDER LOCK / PS160 | AR | AR | |
| 7 | 780398 | CYLINDER LOCK / PS159 | AR | AR | |
| 7 | 780397 | CYLINDER LOCK / PS158 | AR | AR | |
| 7 | 780396 | CYLINDER LOCK / PS157 | AR | AR | |
| 7 | 780395 | CYLINDER LOCK / PS156 | AR | AR | |
| 7 | 780274 | CYLINDER LOCK / PS20 | AR | AR | |
| 7 | 780273 | CYLINDER LOCK / PS19 | AR | AR | |
| 7 | 780267 | CYLINDER LOCK / PS18 | AR | AR | |
| 7 | 780266 | CYLINDER LOCK / PS17 | AR | AR | |
| 7 | 780265 | CYLINDER LOCK / PS16 | AR | AR | |
| 7 | 780264 | CYLINDER LOCK / PS15 | AR | AR | |
| 7 | 780263 | CYLINDER LOCK / PS14 | AR | AR | |
| 7 | 780262 | CYLINDER LOCK / PS13 | AR | AR | |
| 7 | 780261 | CYLINDER LOCK / PS12 | AR | AR | |
| 7 | 780260 | CYLINDER LOCK / PS11 | AR | AR | |
| 7 | 780259 | CYLINDER LOCK / PS10 | AR | AR | |
| 7 | 780258 | CYLINDER LOCK / PS9 | AR | AR | |
| 7 | 780257 | CYLINDER LOCK / PS8 | AR | AR | |
| 7 | 780256 | CYLINDER LOCK / PS7 | AR | AR | |
| 7 | 780255 | CYLINDER LOCK / PS6 | AR | AR | |
| 7 | 780272 | CYLINDER LOCK / PS5 | AR | AR | |
| 7 | 780271 | CYLINDER LOCK / PS4 | AR | AR | |

| | | |
|---|--------------|-----------------|
| From L-031 To R-079 | Date:10/2022 | PAGE:H4-1864-30 |
| HANDLE LOCK & KEYS - TYPE "PS" | | |

| Item# | Part | Description | H 3 4 0 | V I P 4 0 | N O T E S |
|-------|--------|-----------------------|------------------|-----------------------|-----------------------|
| 7 | 780270 | CYLINDER LOCK / PS3 | AR | AR | |
| 7 | 780269 | CYLINDER LOCK / PS2 | AR | AR | |
| 7 | 780268 | CYLINDER LOCK / PS1 | AR | AR | |
| NS | 681136 | KEY CHAIN / "PREVOST" | AR | AR | |
| 8 | 780528 | KEY, UNCUT / PS SERIE | AR | AR | |
| 8 | 780480 | KEY / PS175 | AR | AR | |
| 8 | 780479 | KEY / PS174 | AR | AR | |
| 8 | 780478 | KEY / PS173 | AR | AR | |
| 8 | 780477 | KEY / PS172 | AR | AR | |
| 8 | 780476 | KEY / PS171 | AR | AR | |
| 8 | 780475 | KEY / PS170 | AR | AR | |
| 8 | 780474 | KEY / PS169 | AR | AR | |
| 8 | 780473 | KEY / PS168 | AR | AR | |
| 8 | 780472 | KEY / PS167 | AR | AR | |
| 8 | 780471 | KEY / PS166 | AR | AR | |
| 8 | 780470 | KEY / PS165 | AR | AR | |
| 8 | 780469 | KEY / PS164 | AR | AR | |
| 8 | 780468 | KEY / PS163 | AR | AR | |
| 8 | 780467 | KEY / PS162 | AR | AR | |
| 8 | 780466 | KEY / PS161 | AR | AR | |
| 8 | 780465 | KEY / PS160 | AR | AR | |
| 8 | 780464 | KEY / PS159 | AR | AR | |
| 8 | 780463 | KEY / PS158 | AR | AR | |
| 8 | 780462 | KEY / PS157 | AR | AR | |
| 8 | 780461 | KEY / PS156 | AR | AR | |
| 8 | 780338 | KEY / PS20 | AR | AR | |
| 8 | 780337 | KEY / PS19 | AR | AR | |
| 8 | 780331 | KEY / PS18 | AR | AR | |
| 8 | 780330 | KEY / PS17 | AR | AR | |
| 8 | 780329 | KEY / PS16 | AR | AR | |
| 8 | 780328 | KEY / PS15 | AR | AR | |
| 8 | 780327 | KEY / PS14 | AR | AR | |
| 8 | 780326 | KEY / PS13 | AR | AR | |
| 8 | 780325 | KEY / PS12 | AR | AR | |
| 8 | 780324 | KEY / PS11 | AR | AR | |
| 8 | 780323 | KEY / PS10 | AR | AR | |
| 8 | 780322 | KEY / PS9 | AR | AR | |
| 8 | 780321 | KEY / PS8 | AR | AR | |
| 8 | 780320 | KEY / PS7 | AR | AR | |
| 8 | 780319 | KEY / PS6 | AR | AR | |
| 8 | 780336 | KEY / PS5 | AR | AR | |
| 8 | 780335 | KEY / PS4 | AR | AR | |

| | | |
|---|--------------|-----------------|
| From L-031 To R-079 | Date:10/2022 | PAGE:H4-1864-30 |
| HANDLE LOCK & KEYS - TYPE "PS" | | |

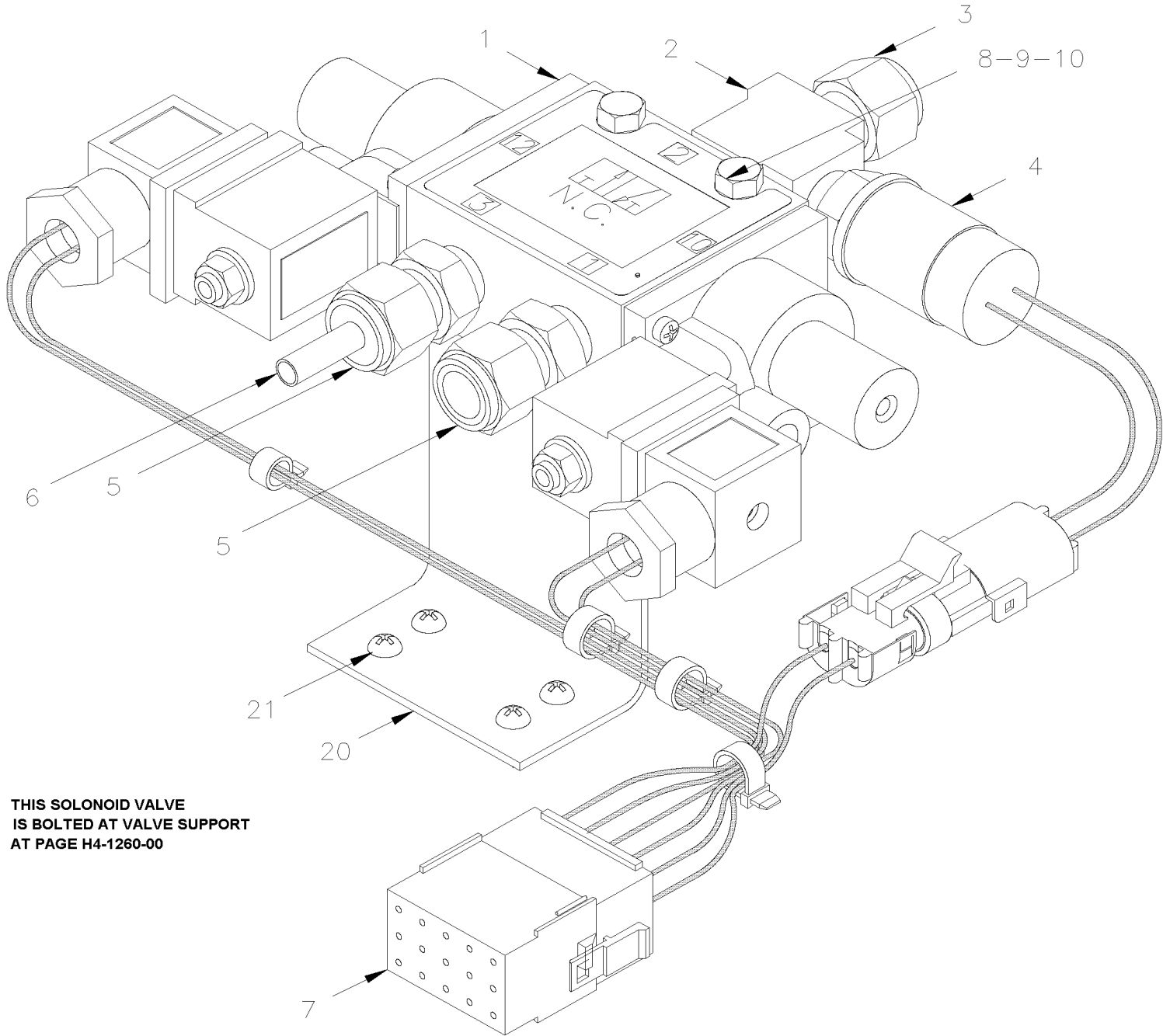
| Item# | Part | Description | H 3 4 0 | V I P 4 0 | N O T E S |
|-------|--------|---|------------------|-----------------------|-----------------------|
| 8 | 780334 | KEY / PS3 | AR | AR | |
| 8 | 780333 | KEY / PS2 | AR | AR | |
| 8 | 780332 | KEY / PS1 | AR | AR | |
| 9 | 780318 | CAP PROTECTOR CLOSED / BLACK SERIES PS | AR | AR | |
| 10 | 500560 | SCREW MA PAN PH M4-0.7x6 Z050 | 1 | 1 | A |
| 11 | 500022 | WASHER LO INT .168x.340x.023 Z050 | 1 | 1 | |
| 12 | 500591 | WASHER FL 4.3x9.0x0.8 Z050 | 1 | 1 | |
| 13 | 780303 | GASKET | 1 | 1 | |
| 20 | 283971 | CAP PROTECTOR OPEN / BLACK | 1 | 1 | |
| 21 | 780340 | CLIP, RETAINER ROD | 1 | 1 | |
| 21 | 504456 | CLIP / RETAINER ROD / WHITE OR RED | 1 | 1 | |
| 30 | 780430 | CYLINDER LOCK ASSY W/2 KEYS / "CORBIN" | | 1 | SS |
| . NS | 780562 | . KEY / "CORBIN" BLANK | | 2 | SS |
| 30 | 780803 | CYLINDER LOCK ASSY W/2 KEYS / "SCHLAGE" SERVICE | | 1 | |
| . NS | 780902 | . KEY / "SCHLAGE" BLANK | | 1 | |
| 31 | 780562 | KEY / "CORBIN" BLANK | | 1 | |
| | | | | | |
| | | | | | |
| | | | | | |
| | | A) TO FIX LEVER ITEM #3 | | | |
| | | SS) THIS MODEL IT OBSOLETED REPLACE BY 780803 WITH NEW LEVER # 289030 | | | |
| | | 1) NOT SOLD SEPARATELY | | | |

From L-031 To R-079

Date:10/2022

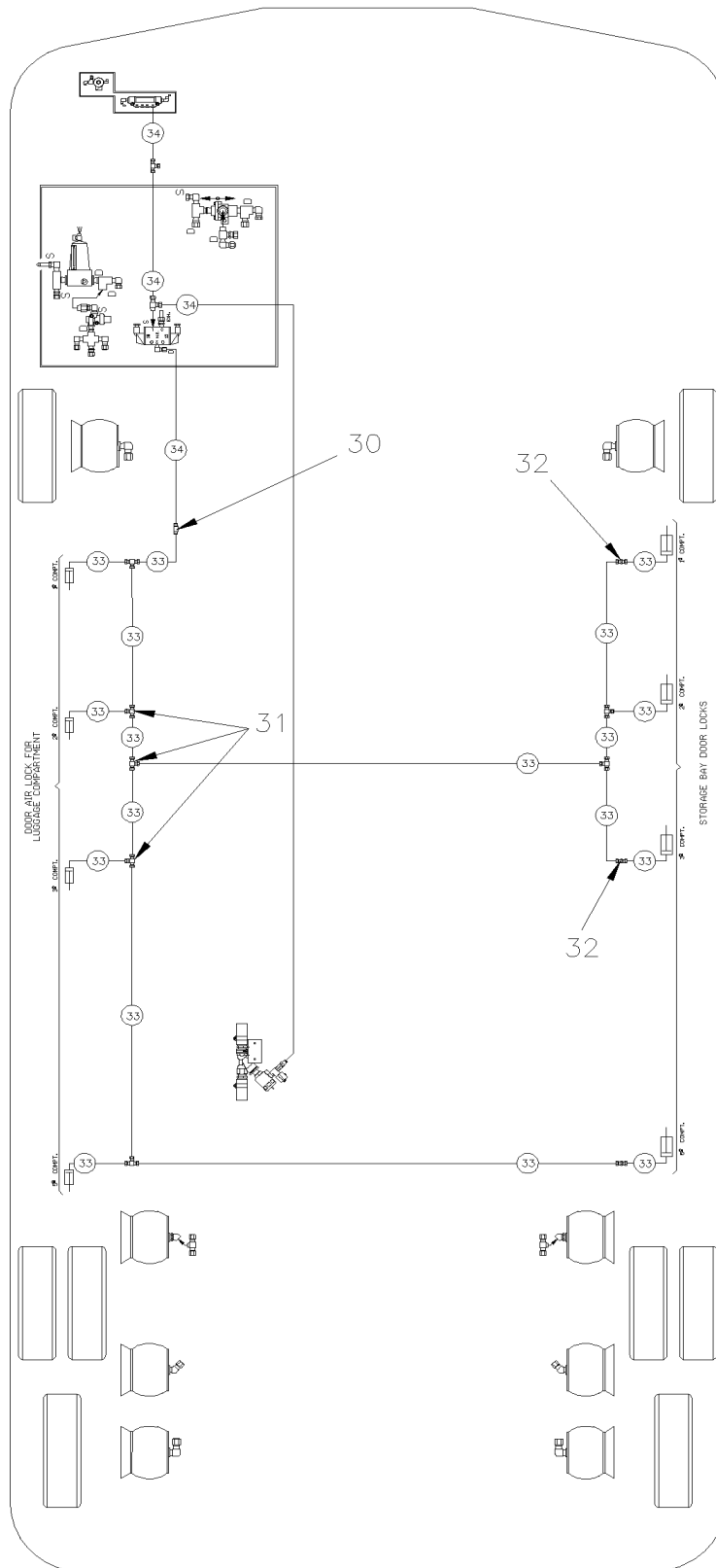
PAGE:H4-1864-31

PNEUMATIC DOOR LOCK CONTROL VALVE



**THIS SOLONOID VALVE
IS BOLTED AT VALVE SUPPORT
AT PAGE H4-1260-00**

PNEUMATIC DOOR LOCK CONTROL VALVE



| | | |
|--|--------------|-----------------|
| From L-031 To R-079 | Date:10/2022 | PAGE:H4-1864-31 |
| PNEUMATIC DOOR LOCK CONTROL VALVE | | |

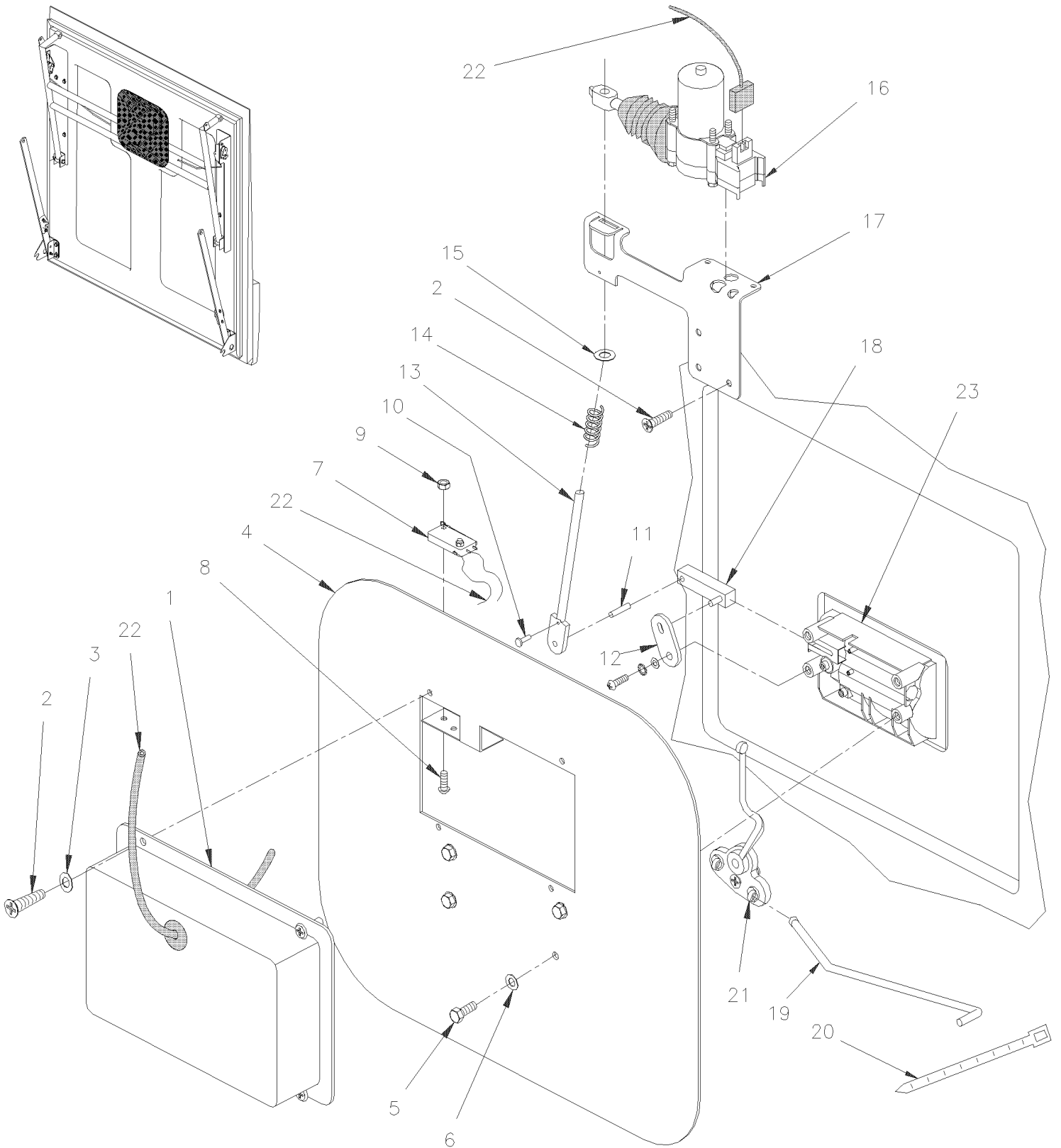
| Item# | Part | Description | H 3 4 0 | V I P 4 0 | N O T E S |
|-------|-------------------|---|------------------|-----------------------|-----------------------|
| | 285573 | VALVE DOOR LOCK ASSY W/FITTING & CABLE | 1 | | |
| 1 | 641316 | . VALVE, 3 WAYS, 2 POSITIONS / 2 SOLOINOID | 1 | | |
| 1 | 562353 | . DIODE / 1AMP | 1 | | |
| 2 | 501338 | . MALE RUN TEE / PIPE FITTING / 1/4NPT-Mx1/4NPT-Fx1/4NPT-F BR | 1 | | |
| 3 | 640997 | . MALE ELBOW 90° / NTA FITTING / #4x1/4NPT-M BR | 1 | | |
| 4 | 452043 | . PRESSURE SWITCH N.O. 60-35 20SP001AA060E035E | 1 | | |
| 5 | 641332 | . MALE CONNECTOR / PUSH-IN FITTING / #4x1/4NPT-M BR | 2 | | |
| 6 | 503402 | . TUBE, NYLON 1/4 O.D. / BLACK S.L. | AR | | |
| 7 | 062416 | . CABLE ASSY | 1 | | |
| 8 | 502793 | SCREW CAP HEX M6-1.0x45 G8.8 Z050 | 2 | | |
| 9 | 502511 | NUT HEX NYRT M6-1.0 Z050 | 2 | | |
| 10 | 502573 | WASHER FL 6.4x12.5x1.6 SS | 2 | | |
| 20 | 283505 | SUPPORT "Z" SHAPE / TO FIX CONTROL VALVE | 1 | | |
| 21 | 500952 | SCREW TP BDG PH #8x1/2 SS | 4 | | A |
| NS | 504062 | GROMMET / .4375x.687x.125x.375x.937 | 1 | | |
| 30 | 641507 | UNION / PUSH-IN FITTING / #4 x 6MM NP | AR | | |
| 31 | 641188 | UNION TEE / PUSH-IN FITTING / 6MM x 6MM x 6MM PLAS | 7 | | |
| 32 | 641203 | UNION / PUSH-IN FITTING / 6MM x 6MM PLAS | AR | | |
| 33 | 503747 | TUBE, NYLON 6MM O.D. / BLACK S.L. | AR | | |
| 34 | 503402 | TUBE, NYLON 1/4 O.D. / BLACK S.L. | AR | | |
| 40 | H4-1260-00 | VALVE SUPPORT ASSY | | | |
| | | | | | |
| | | | | | |
| | | A) TO FIX Z SHAPPED SUPPORT | | | |

From L-031 To R-079

Date:10/2022

PAGE:H4-1864-35

BAGGAGE COMPARTMENT ELECTRICAL LOCK - V.I.P.



| | | |
|---|--------------|-----------------|
| From L-031 To R-079 | Date:10/2022 | PAGE:H4-1864-35 |
| BAGGAGE COMPARTMENT ELECTRICAL LOCK - V.I.P. | | |

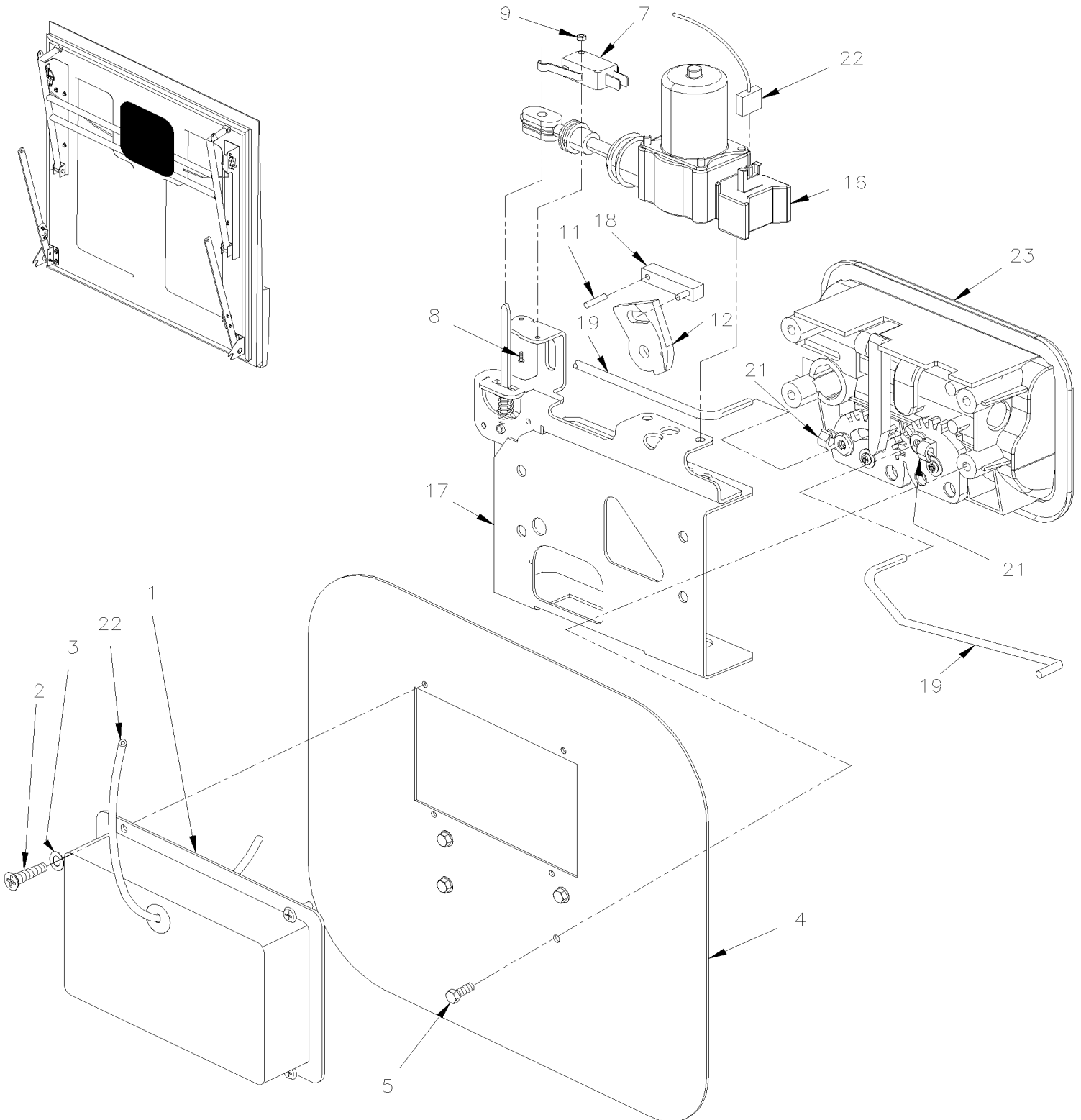
| Item# | Part | Description | H 3 4 0 | V I P 4 0 | N O T E S |
|-------|-------------------|--|------------------|-----------------------|-----------------------|
| 1 | 283516 | COVER | | 1 | |
| 2 | 500263 | SCREW TP PAN PH #8x3/8 BK | | 7 | |
| 3 | 500438 | WASHER FL .187x.437x.050 Z050 | | 4 | |
| 4 | 283823 | PLATE CLOSING / 293MM X 318MM | | 1 | |
| 5 | 502563 | SCREW CAP HEX M6-1.0x12 G8.8 Z050 | | 10 | |
| 6 | 502582 | WASHER LO SERR 6.1x16.2x0.9 Z050 | | 10 | |
| 7 | 562096 | MICRO SWITCH | | 1 | |
| 8 | 502577 | SCREW MA PAN PH M3-0.5x16 ZP | | 2 | |
| 9 | 502579 | NUT HEX M3-0.5 NP | | 2 | |
| 10 | 504542 | RIVET SHR FL 9/32x3/32 STL | | 1 | A |
| 11 | 505420 | SPRING, PIN M4.5 x 20 | | 2 | |
| 12 | 283511 | LEVER To N-235 | | 1 | B |
| 12 | 284413 | LEVER / W/MANUAL OPERATION & ELECTRIC / 7MM SQ HOLE From N-236 | | 1 | |
| 13 | 283514 | LEVER | | 1 | |
| 14 | 502151 | SPRING COMPRESSION / .300 O.D. x 1 x .032 | | 1 | |
| 15 | 500440 | WASHER FL .250x.562x.065 Z050 | | 1 | |
| 16 | 780428 | LOCK ACTUATOR / 12V | | 1 | |
| NS | 562076 | . CONNECTOR / PACK-CON I / FEMALE HOUSING / 2C / PED 8911772 | | 1 | |
| 16 | 2810382 | ACTUATOR SERVICE KIT | | 1 | |
| 17 | 283517 | SUPPORT ACTUATOR | | 1 | |
| 18 | 283513 | GUIDE | | 1 | |
| 19 | H4-1864-00 | BAGGAGE COMPARTMENT DOOR | | | |
| 19 | H4-1864-99 | HANDLE LOCK & KEYS - TYPE "NS" / SERVICE | | | |
| 20 | 504273 | CABLE TIE / 1/8" X 3"1/2 | | 1 | |
| 21 | 780340 | CLIP, RETAINER ROD | | 2 | |
| 22 | 062768 | CABLE HARNESS ASSY | | 1 | |
| 23 | H4-1864-30 | HANDLE LOCK & KEYS - TYPE "PS" | | | |
| 23 | H4-1864-99 | HANDLE LOCK & KEYS - TYPE "NS" / SERVICE | | | |
| | | | | | |
| | | | | | |
| | | | | | |
| | | A) FLAT 9/32" X 3/32" | | | |
| | | B) IF YOU REPLACE HANDLE ASSY YOU REQUIRE A NEW LEVER 284413 AND 1 SCREW 5001036 FOR VEHICLE UP TO N-235 | | | |

From L-031 To R-079

Date:10/2022

PAGE:H4-1864-36

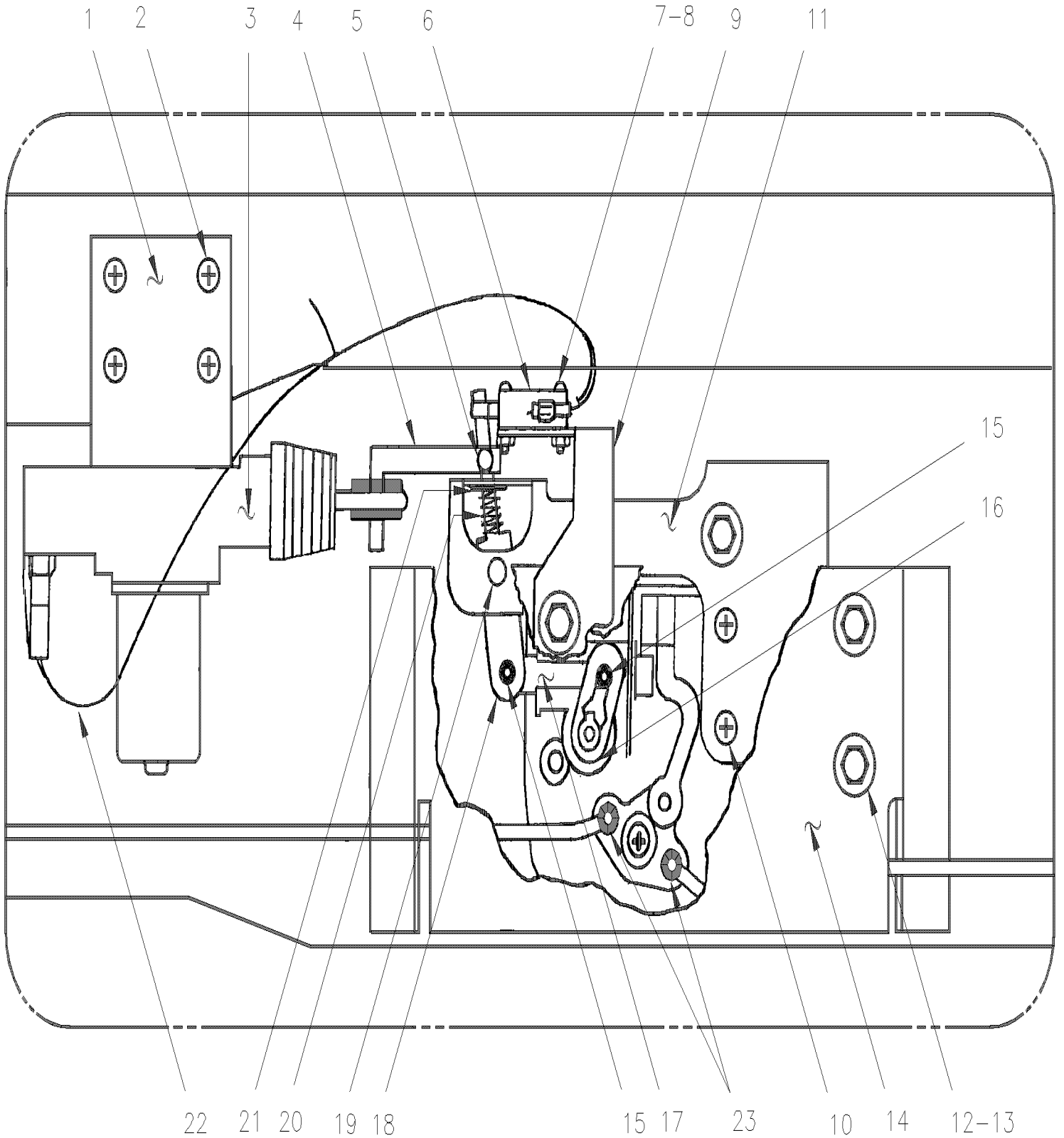
BAGGAGE COMPARTMENT ELECTRICAL LOCK - V.I.P / SERVICE



| | | |
|--|--------------|-----------------|
| From L-031 To R-079 | Date:10/2022 | PAGE:H4-1864-36 |
| BAGGAGE COMPARTMENT ELECTRICAL LOCK - V.I.P / SERVICE | | |

| Item# | Part | Description | H 3 4 0 | V I P 4 0 | N O T E S |
|-------|-------------------|--|------------------|-----------------------|-----------------------|
| 1 | 283516 | COVER | | 1 | |
| 2 | 500883 | SCREW TC PAN PH #8-32x3/8 Z050 | | 4 | |
| 3 | 500438 | WASHER FL .187x.437x.050 Z050 | | 4 | |
| 4 | 289341 | PLATE CLOSING / 289MM X 314MM | | 1 | |
| 4 | 506071 | TAPE RUB ADH1 CC POL 1/8" x 1/2" x 50' / GREY 2520X | | AR | |
| 5 | 5001630 | SCREW TP BUTF TORX M6x20 SS | | 4 | |
| 7 | 562096 | MICRO SWITCH | | 1 | |
| 8 | 502577 | SCREW MA PAN PH M3-0.5x16 ZP | | 2 | |
| 9 | 502579 | NUT HEX M3-0.5 NP | | 2 | |
| 11 | 505420 | SPRING, PIN M4.5 x 20 | | 2 | |
| 12 | 288539 | LEVER / W/MANUAL OPERATION & ELECTRIC | | 1 | |
| 16 | 780428 | LOCK ACTUATOR / 12V | | 1 | |
| . NS | 562076 | . CONNECTOR / PACK-CON I / FEMALE HOUSING / 2C / PED 8911772 | | 1 | |
| 16 | 2810382 | ACTUATOR SERVICE KIT | | 1 | |
| 17 | 289339 | SUPPORT HANDLE ASSY W/LEVER / W/ELECTRICAL LOCK | | 1 | |
| 18 | 283513 | GUIDE | | 1 | |
| 19 | | FOR RODS SEE RESPECTIVE PAGES FOR APPLICATION | | 1 | |
| 21 | 780340 | CLIP, RETAINER ROD | | 1 | |
| 22 | 062768 | CABLE HARNESS ASSY | | 1 | |
| 23 | H4-1864-99 | HANDLE LOCK & KEYS - TYPE "NS" / SERVICE | | | |
| | | | | | |
| | | | | | |
| | | | | | |

| | | |
|---|--------------|-----------------|
| From L-031 To R-079 | Date:10/2022 | PAGE:H4-1864-40 |
| SMALL BAGGAGE COMPARTMENT ELEC. LOCK - V.I.P. | | |



| | | |
|--|--------------|-----------------|
| From L-031 To R-079 | Date:10/2022 | PAGE:H4-1864-40 |
| SMALL BAGGAGE COMPARTMENT ELEC. LOCK - V.I.P. | | |

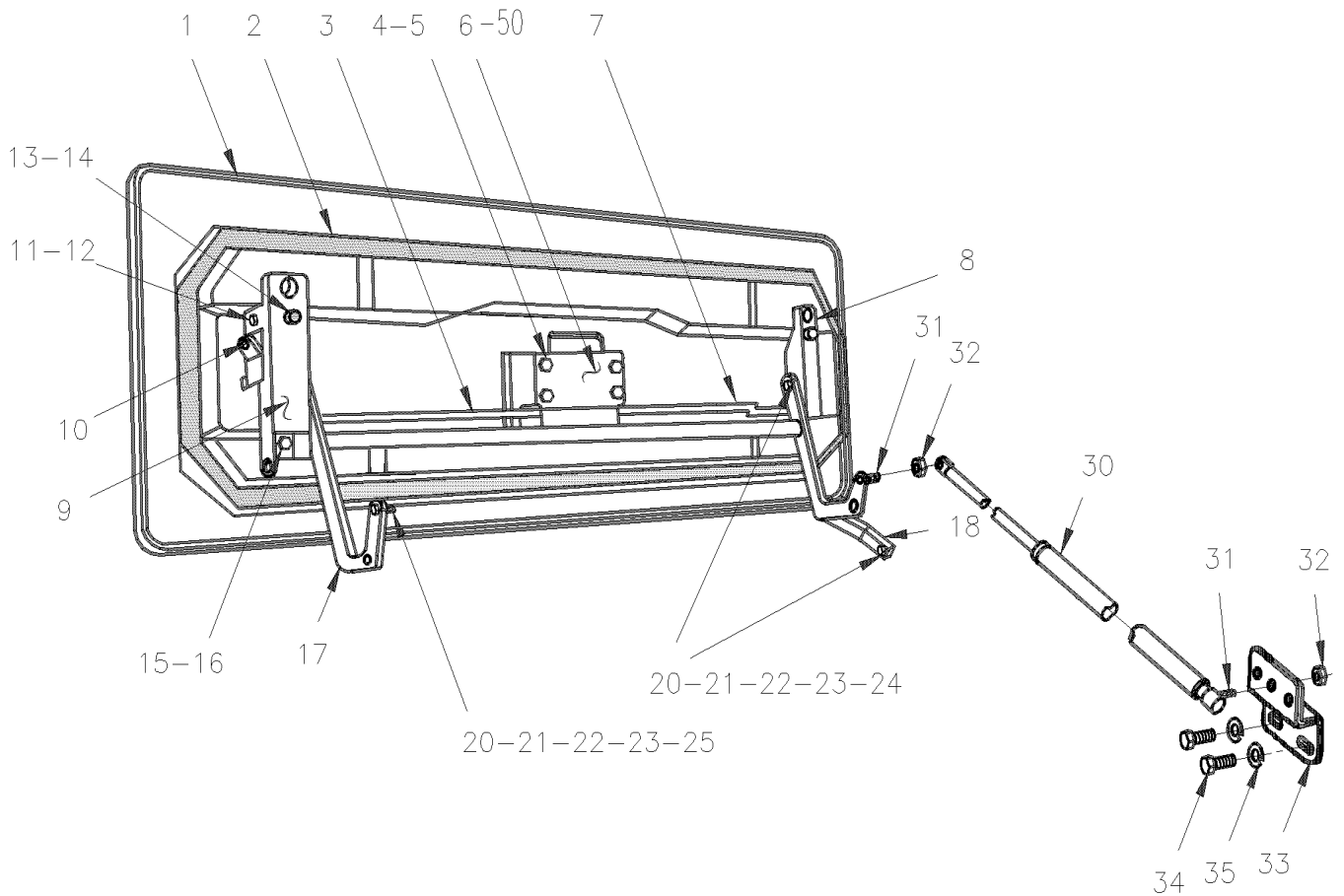
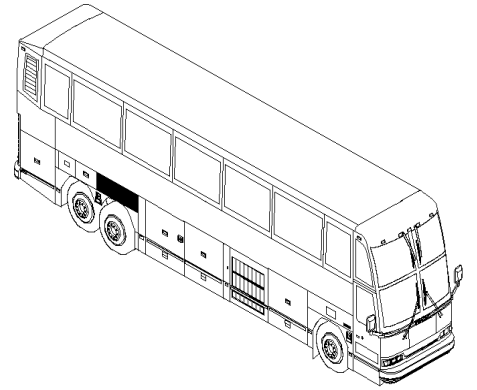
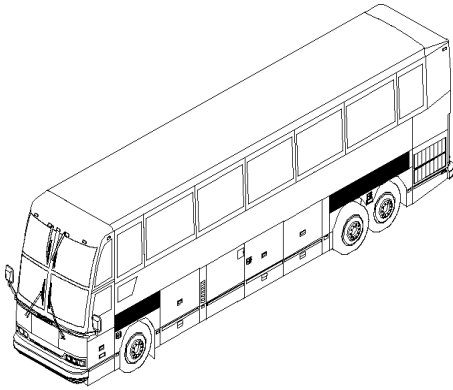
| Item# | Part | Description | H 3 4 0 | V I P 4 0 | N O T E S |
|-------|----------------|---|------------------|-----------------------|-----------------------|
| 1 | 283646 | SUPPORT ACTUATOR | | 1 | |
| 2 | 500414 | SCREW TP BDG PH #10x3/4 SS | | 4 | |
| 3 | 780428 | LOCK ACTUATOR / 12V | | 1 | |
| . NS | 562076 | . CONNECTOR / PACK-CON I / FEMALE HOUSING / 2C / PED 8911772 | | 1 | |
| 3 | 2810382 | ACTUATOR SERVICE KIT | | 1 | |
| 4 | 283644 | TRANSFERT | | 1 | |
| 5 | 504549 | RIVET SHR FL 5/32x.142 STL | | 1 | |
| 6 | 562096 | MICRO SWITCH | | 1 | |
| 7 | 502577 | SCREW MA PAN PH M3-0.5x16 ZP | | 2 | |
| 8 | 502579 | NUT HEX M3-0.5 NP | | 2 | |
| 9 | 283643 | SUPPORT | | 1 | |
| 10 | 500263 | SCREW TP PAN PH #8x3/8 BK | | 3 | |
| 11 | 283517 | SUPPORT ACTUATOR | | 1 | |
| 12 | 502563 | SCREW CAP HEX M6-1.0x12 G8.8 Z050 | | 4 | |
| 13 | 502582 | WASHER LO SERR 6.1x16.2x0.9 Z050 | | 8 | |
| 14 | 283647 | SUPPORT / ELECTRIC LOCK | | 1 | |
| 15 | 505420 | SPRING, PIN M4.5 x 20 | | 2 | |
| 16 | 283511 | LEVER To N-235 | | 1 | |
| 16 | 284413 | LEVER / W/MANUAL OPERATION & ELECTRIC / 7MM SQ HOLE From N-236 | | 1 | |
| 17 | 283513 | GUIDE | | 1 | |
| NS | 283512 | SPACER / GUIDE & CYLINDER LOCK To N-235 | | 1 | |
| 18 | 283645 | LEVER | | 1 | |
| 19 | 504542 | RIVET SHR FL 9/32x3/32 STL | | 1 | A |
| 20 | 502151 | SPRING COMPRESSION / .300 O.D. x 1 x .032 | | 1 | |
| 21 | 500440 | WASHER FL .250x.562x.065 Z050 | | 1 | |
| 22 | 062779 | CABLE HARNESS ASSY | | 1 | |
| 23 | 780340 | CLIP, RETAINER ROD | | 2 | |
| | | | | | |
| | | | | | |
| | | | | | |
| | | A) IF YOU REPLACE THIS HANDLE FROM L-031 TO N-235 YOU REQUIRE A NEW LEVER #284413 & ONE 5001036 | | | |

From L-031 To R-079

Date:10/2022

PAGE:H4-1864-50

SMALL BAGGAGE COMPARTMENT DOOR



| | | |
|---------------------------------------|--------------|-----------------|
| From L-031 To R-079 | Date:10/2022 | PAGE:H4-1864-50 |
| SMALL BAGGAGE COMPARTMENT DOOR | | |

| Item# | Part | Description | H 3 4 0 | V I P 4 0 | N O T E S |
|-------|---------|--|------------------|-----------------------|-----------------------|
| | 283140P | FRONT JUNCTION DOOR ASSY 1432MM | 1 | 1 | |
| | 283141P | BAGGAGE DOOR ASSY 1432MM | 1 | 1 | |
| | 283148P | BAGGAGE DOOR ASSY 1194MM | 1 | 1 | |
| | 283649P | BAGGAGE DOOR ASSY W/ELEC LOCK 1432MM | | 1 | |
| 1 | 282974 | . DOOR MOULDED / FIBERGLASS / 1432MM | 1 | 1 | |
| 1 | 283303 | . DOOR MOULDED / FIBERGLASS / 1194MM | 1 | 1 | |
| 2 | 283336 | . RUBBER SEAL EXTRUSION / ADHESIVE / 120METER / RAW MATERIAL | AR | AR | A |
| 3 | 283301 | . ROD L.H. 530.5MM | 1 | 1 | |
| 3 | 289366 | . ROD L.H. 540MM / SERVICE | 1 | 1 | S |
| 3 | 283302 | . ROD L.H. / W/SMALL DOOR / 411.5MM | 1 | 1 | |
| 3 | 289371 | . ROD L.H. / W/SMALL DOOR / 421.5MM / SERVICE | 1 | 1 | S |
| 4 | 502563 | . SCREW CAP HEX M6-1.0x12 G8.8 Z050 | 4 | 4 | |
| 5 | 502582 | . WASHER LO SERR 6.1x16.2x0.9 Z050 | 4 | 4 | |
| 6 | 283297 | . SUPPORT HANDLE | 1 | | |
| 6 | 283647 | . SUPPORT / ELECTRIC LOCK | | 1 | |
| 7 | 283298 | . ROD R.H. / W/JCT DOOR / W/JCT DOOR397.5MM | 1 | 1 | |
| 7 | 289351 | . ROD R.H. / W/JCT DOOR / W/JCT DOOR390MM / SERVICE | 1 | 1 | S |
| 7 | 283299 | . ROD R.H. / W/SMALL DOOR / W/SMALL DOOR461.5MM | 1 | 1 | |
| 7 | 289354 | . ROD R.H. / W/SMALL DOOR / W/SMALL DOOR 454.1MM / SERVICE | 1 | 1 | S |
| 7 | 283300 | . ROD R.H. / W/LARGE DOOR / 580.5MM | 1 | 1 | |
| 7 | 289353 | . ROD R.H. / W/LARGE DOOR / 573.1MM / SERVICE | 1 | 1 | S |
| 8 | 283321 | . ATTACHMENT / R.H. To N-220 | 1 | 1 | B |
| 9 | 283320 | . ATTACHMENT / L.H. To N-220 | 1 | 1 | B |
| 9 | 284089 | . ATTACHMENT ASSY / 1130MM CENTER LINE / W/SMALL REAR DOOR / From N-221 | 1 | 1 | |
| NS | 284091 | . ATTACHMENT ASSY / 892MM CENTER LINE / W/LARGE FRONT DOOR / From N-221 | 1 | 1 | |
| 9 | 284093 | . ATTACHMENT ASSY / 947MM CENTER LINE / W/FRONT JCT DOOR W/FRONT JCT DOOR From N-221 | 1 | 1 | |
| 10 | 780282 | . LOCK SPAGNOLET L.H. | 1 | 1 | |
| NS | 780283 | . LOCK SPAGNOLET R.H. | 1 | 1 | |
| . NS | 780340 | . CLIP, RETAINER ROD | 1 | 1 | |
| 11 | 502531 | . SCREW CAP HEX M6-1.0x16 G8.8 Z050 | 4 | 4 | |
| 12 | 502582 | . WASHER LO SERR 6.1x16.2x0.9 Z050 | 8 | 8 | |
| 13 | 504334 | . BUMPER RUBBER / .625 OD x .406 TH x .156 HOLE | 2 | 2 | |
| 14 | 504339 | . RIVET POP DOME OE 1/8x3/8 SS | 2 | 2 | |
| 15 | 502755 | . SCREW CAP HEXS M8-1.25x20 PT Z050 | 4 | 4 | |
| 16 | 502583 | . WASHER LO SERR 8.15x22.3x1.0 Z050 | 4 | 4 | |
| 17 | 284010 | ARM PANTOGRAPH / W/SMALL REAR DOOR / 836MM | 1 | 1 | |
| 17 | 284012 | ARM PANTOGRAPH / W/LARGE REAR DOOR / 1074MM | 1 | 1 | |
| 17 | 284014 | ARM PANTOGRAPH / 891MM | 1 | 1 | |
| 18 | 282753 | ARM AUXILIARY | 1 | 1 | |
| 20 | 502625 | SCREW SHR HEXS 5/16x3/8 {1/4-20 | 6 | 6 | |
| 21 | 507301 | BUSHING NYLINER | 6 | 6 | |
| 22 | 502582 | WASHER LO SERR 6.1x16.2x0.9 Z050 | 10 | 10 | |

| | | |
|---------------------------------------|--------------|-----------------|
| From L-031 To R-079 | Date:10/2022 | PAGE:H4-1864-50 |
| SMALL BAGGAGE COMPARTMENT DOOR | | |

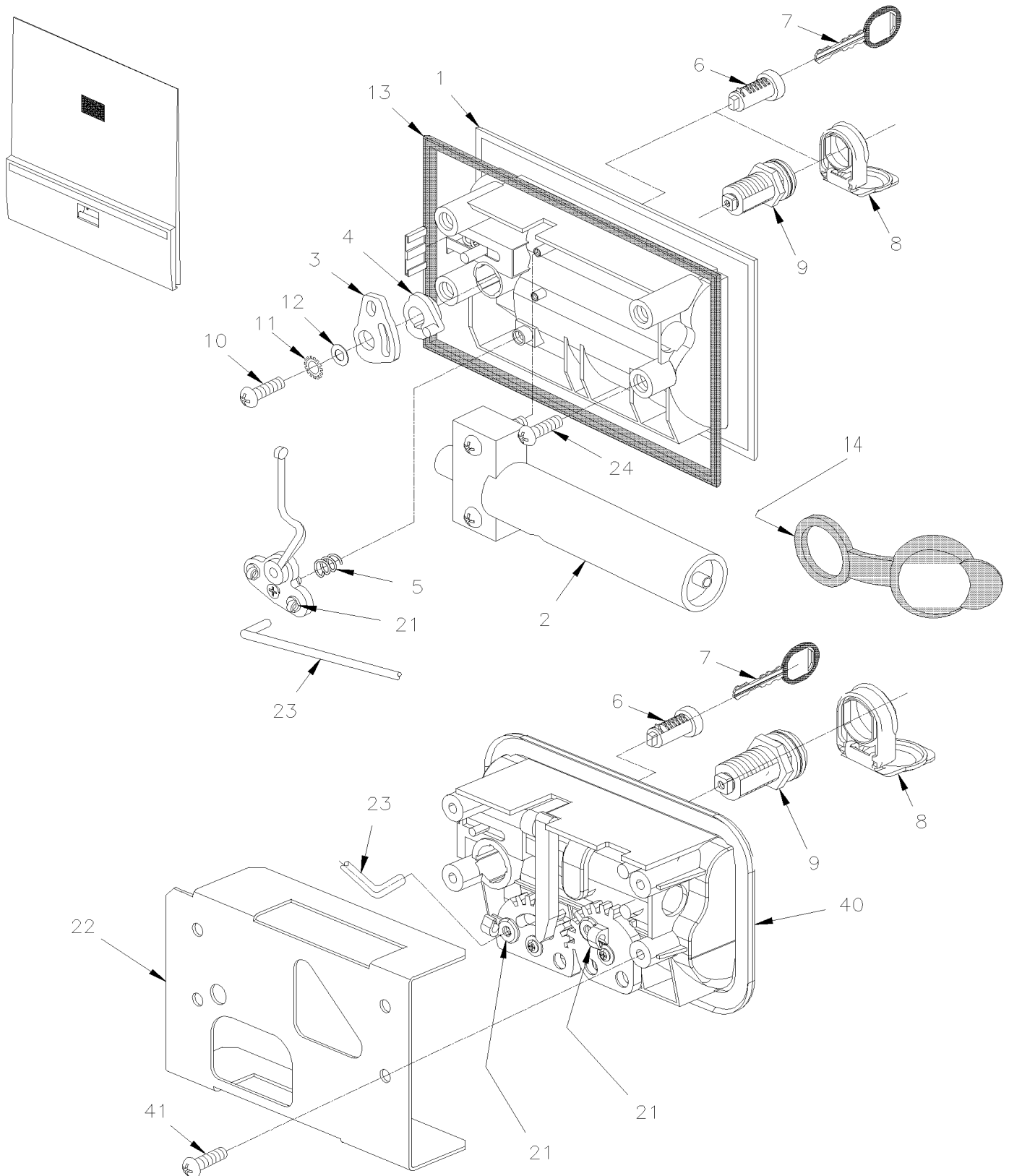
| Item# | Part | Description | H 3 4 0 | V I P 4 0 | N O T E S |
|-------|-------------------|--|------------------|-----------------------|-----------------------|
| 23 | 500769 | NUT HEX 1/4-20 Z050 | 6 | 6 | |
| 24 | 282956 | WASHER | 4 | 4 | |
| 25 | 500440 | WASHER FL .250x.562x.065 Z050 | 2 | 2 | |
| 30 | 980014 | CYLINDER GAZ / 669/409MM C/C / 190LBS | 1 | 1 | C |
| 31 | 980015 | BALL STUD / W/10 MM X M8-1.25 / 29.18 MM | 2 | 2 | |
| 32 | 502760 | NUT HEX TWAY M8-1.25 Z050 | 2 | 2 | |
| 33 | 282755 | BRACKET / CYLINDER | 1 | 1 | |
| 34 | 500069 | SCREW CAP HEX M8-1.25x16 G10.9 DP | 2 | 2 | |
| 35 | 502584 | WASHER LO SERR 8.2x26.3x1.8 Z050 | 2 | 2 | |
| | | FOLLOWING PARTS ARE RELATED TO | | | |
| | | DOOR LIGHT SWITCH INSTALLATION | | | |
| NS | 500762 | SCREW MA PAN PH #5-40x1 1/4 ZP | 2 | 2 | |
| NS | 500766 | NUT HEX #5-40 ZP | 2 | 2 | |
| NS | 502646 | WASHER LO INT .129x.280x.021 ZP | 2 | 2 | |
| NS | 561109 | MICRO SWITCH | 1 | 1 | |
| 35 | | BLOCK SPACER / W/SWITCH LEVER | 1 | | |
| NS | 560261 | SWITCH / S.P.S.T. / N.C. | 1 | | |
| 50 | H4-1864-30 | HANDLE LOCK & KEYS - TYPE "PS" | | | |
| 50 | H4-1864-99 | HANDLE LOCK & KEYS - TYPE "NS" / SERVICE | | | |
| 60 | IS-95064 | SEE INSTRUCTION SHEET | 1 | 1 | |
| | | A) SOLD IN 20' LG ON PART NUMBER 283875 | | | |
| | | B) TO CHANGE TO ASSEMBLY MEASURE DISTANCE BETWEEN ATTACHEMENT ON OLDER MODEL | | | |
| | | C) FOR SERVICE, ORDER PART 980024 AND SEE INSTRUCTION SHEET IS-95064 TO COMPLETE THE NEW INSTALLATIONS | | | |
| | | S) THOSE RODS ARE REQUIRES ONLY IF YOU CHANGE FORMER HANDLE WITH NEW 780794 OR 780795 | | | |

From L-031 To R-079

Date:10/2022

PAGE:H4-1864-99

HANDLE LOCK & KEYS - TYPE "NS" / SERVICE

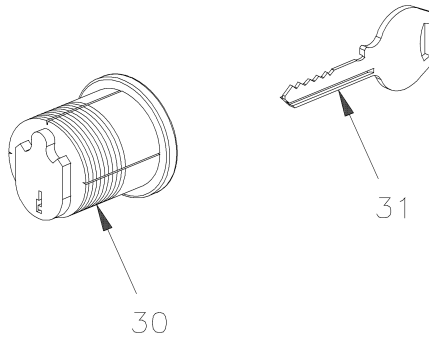
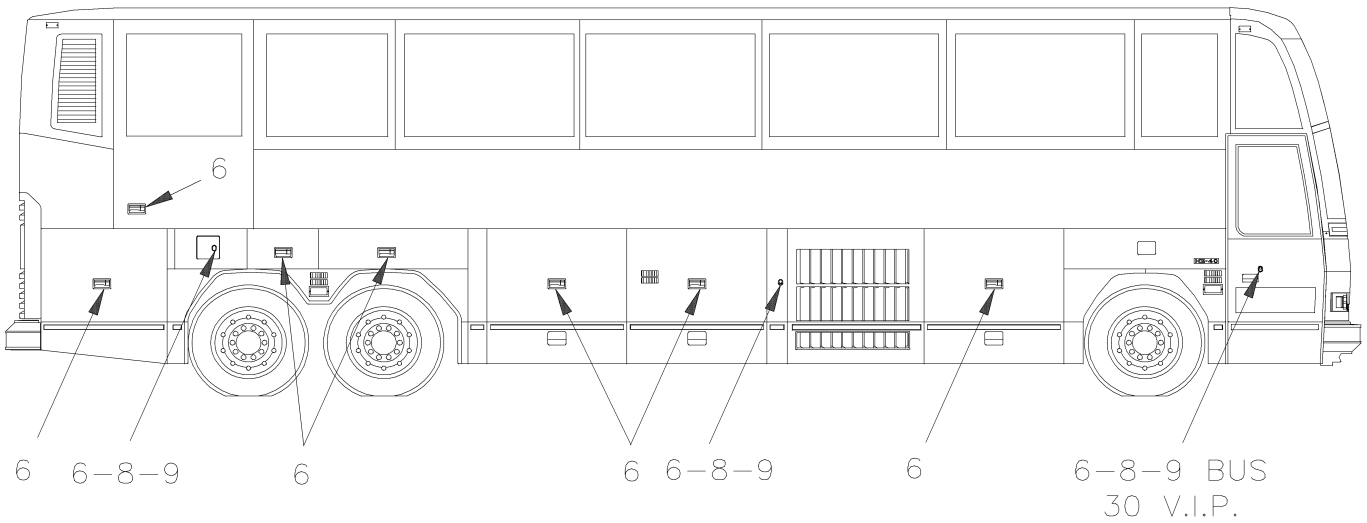
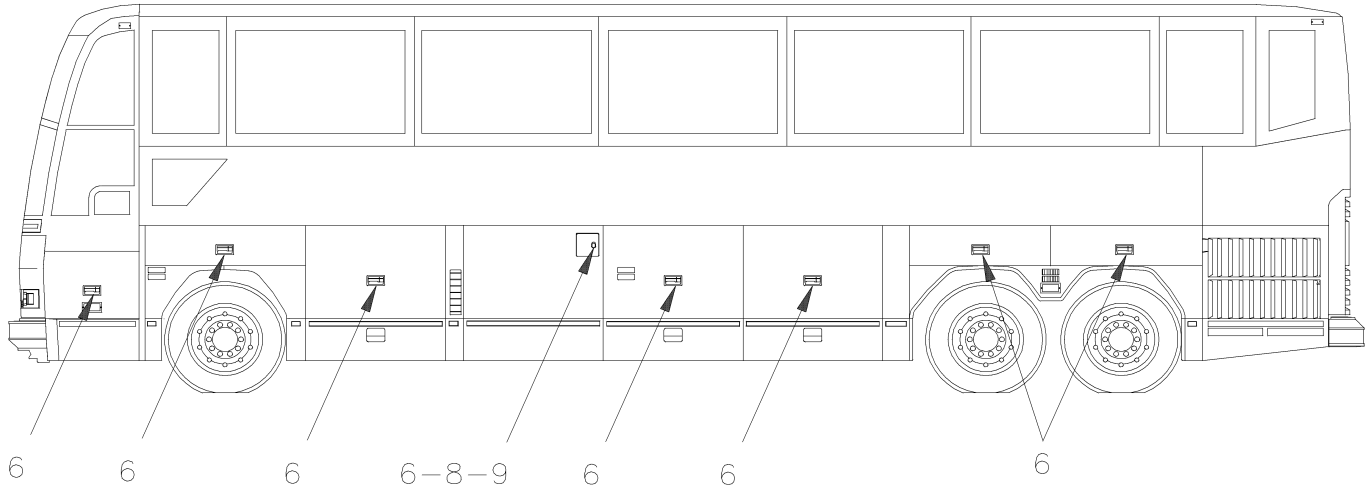


From L-031 To R-079

Date:10/2022

PAGE:H4-1864-99

HANDLE LOCK & KEYS - TYPE "NS" / SERVICE



| | | |
|---|--------------|-----------------|
| From L-031 To R-079 | Date:10/2022 | PAGE:H4-1864-99 |
| HANDLE LOCK & KEYS - TYPE "NS" / SERVICE | | |

| Item# | Part | Description | H 3 4 0 | V I P 4 0 | N O T E S |
|-------|--------|---|------------------|-----------------------|-----------------------|
| | | "WARNING" - "WARNING" -"WARNING" - "WARNING" | | | |
| | | IF YOU INSTALL NEW HANDLE | | | |
| | | #780794 OR 780795 | | | |
| | | IN REPLACEMENT OF FORMER ONE | | | |
| | | YOU REQUIRE NEW RODS BETWEEN HANDLE & LOCK | | | |
| | | FOR PROPER USE INSTALLATION | | | |
| | | SEE RESPECTIVES PAGE FOR | | | |
| | | PARTS NUMBERS OF RODS | | | |
| 1 | 780711 | HANDLE ASSY / MANUAL TYPE "NS" | AR | AR | A |
| . NS | 780340 | . CLIP, RETAINER ROD | 2 | 2 | A |
| 1 | 780712 | HANDLE ASSY / W/AIR CYLINDER TYPE "NS" | AR | | |
| . NS | 780340 | . CLIP, RETAINER ROD | 2 | | |
| 2 | N.S.S. | . AIR CYLINDER | AR | AR | 1 |
| 3 | 780353 | LEVER / W/AIR CYLINDER | AR | AR | D |
| 3 | 780354 | LEVER / W/MANUAL OPERATION & ELECTRIC | | AR | |
| 3 | 288539 | LEVER / W/MANUAL OPERATION & ELECTRIC / SERVICE | | AR | S |
| 4 | 780352 | LEVER | AR | AR | D |
| 5 | 780305 | . SPRING COMPRESSION / .700 O.D. x .515 x .055 | 1 | 1 | D |
| 6 | 780691 | CYLINDER LOCK / NS 8888 | AR | AR | |
| . NS | 780660 | . KEY / NS 8888 | 1 | 1 | |
| 6 | 780692 | CYLINDER LOCK / NS 8701 | AR | AR | |
| . NS | 780661 | . KEY / NS 8701 | 1 | 1 | |
| 6 | 780693 | CYLINDER LOCK / NS 8702 | AR | AR | |
| . NS | 780662 | . KEY / NS 8702 | 1 | 1 | |
| 6 | 780694 | CYLINDER LOCK / NS 8703 | AR | AR | |
| . NS | 780662 | . KEY / NS 8702 | 1 | 1 | |
| 6 | 780695 | CYLINDER LOCK / NS 8704 | AR | AR | |
| . NS | 780664 | . KEY / NS 8704 | 1 | 1 | |
| 6 | 780696 | CYLINDER LOCK / NS 8705 | AR | AR | |
| . NS | 780665 | . KEY / NS 8705 | 1 | 1 | |
| 6 | 780697 | CYLINDER LOCK / NS 8707 | AR | AR | |
| . NS | 780667 | . KEY / NS 8707 | 1 | 1 | |
| 6 | 780698 | CYLINDER LOCK / NS 8708 | AR | AR | |
| . NS | 780668 | . KEY / NS 8708 | 1 | 1 | |
| 6 | 780699 | CYLINDER LOCK / NS 8709 | AR | AR | |
| . NS | 780669 | . KEY / NS 8709 | 1 | 1 | |
| 6 | 780700 | CYLINDER LOCK / NS 8710 | AR | AR | |
| . NS | 780670 | . KEY / NS 8710 | 1 | 1 | |
| 6 | 780701 | CYLINDER LOCK / NS 8711 | AR | AR | |
| . NS | 780671 | . KEY / NS 8711 | 1 | 1 | |

| | | |
|---|--------------|-----------------|
| From L-031 To R-079 | Date:10/2022 | PAGE:H4-1864-99 |
| HANDLE LOCK & KEYS - TYPE "NS" / SERVICE | | |

| Item# | Part | Description | H 3 4 0 | V I P 4 0 | N O T E S |
|-------|--------|-------------------------|------------------|-----------------------|-----------------------|
| 6 | 780702 | CYLINDER LOCK / NS 8712 | AR | AR | |
| . NS | 780672 | . KEY / NS 8712 | 1 | 1 | |
| 6 | 780703 | CYLINDER LOCK / NS 8713 | AR | AR | |
| . NS | 780673 | . KEY / NS 8713 | 1 | 1 | |
| 6 | 780704 | CYLINDER LOCK / NS 8714 | AR | AR | |
| . NS | 780674 | . KEY / NS 8714 | 1 | 1 | |
| 6 | 780705 | CYLINDER LOCK / NS 8715 | AR | AR | |
| . NS | 780675 | . KEY / NS 8715 | 1 | 1 | |
| 6 | 780706 | CYLINDER LOCK / NS 8716 | AR | AR | |
| . NS | 780676 | . KEY / NS 8716 | 1 | 1 | |
| 6 | 780707 | CYLINDER LOCK / NS 8717 | AR | AR | |
| . NS | 780677 | . KEY / NS 8717 | 1 | 1 | |
| 6 | 780708 | CYLINDER LOCK / NS 8718 | AR | AR | |
| . NS | 780678 | . KEY / NS 8718 | 1 | 1 | |
| 6 | 780709 | CYLINDER LOCK / NS 8719 | AR | AR | |
| . NS | 780679 | . KEY / NS 8719 | 1 | 1 | |
| 6 | 780710 | CYLINDER LOCK / NS 8720 | AR | AR | |
| . NS | 780680 | . KEY / NS 8720 | 1 | 1 | |
| 6 | 780666 | CYLINDER LOCK / NS 8721 | AR | AR | |
| . NS | 780681 | . KEY / NS 8721 | 1 | 1 | |
| 6 | 780726 | CYLINDER LOCK / NS 8722 | AR | AR | |
| . NS | 780682 | . KEY / NS 8722 | 1 | 1 | |
| 6 | 780727 | CYLINDER LOCK / NS 8723 | AR | AR | |
| . NS | 780683 | . KEY / NS 8723 | 1 | 1 | |
| 6 | 780728 | CYLINDER LOCK / NS 8724 | AR | AR | |
| . NS | 780684 | . KEY / NS 8724 | 1 | 1 | |
| 6 | 780729 | CYLINDER LOCK / NS 8725 | AR | AR | |
| . NS | 780685 | . KEY / NS 8725 | 1 | 1 | |
| 6 | 780730 | CYLINDER LOCK / NS 8726 | AR | AR | |
| . NS | 780686 | . KEY / NS 8726 | 1 | 1 | |
| 6 | 780731 | CYLINDER LOCK / NS 8727 | AR | AR | |
| . NS | 780687 | . KEY / NS 8727 | 1 | 1 | |
| 6 | 780732 | CYLINDER LOCK / NS 8728 | AR | AR | |
| . NS | 780688 | . KEY / NS 8728 | 1 | 1 | |
| 6 | 780733 | CYLINDER LOCK / NS 8729 | AR | AR | |
| . NS | 780689 | . KEY / NS 8729 | 1 | 1 | |
| 6 | 780734 | CYLINDER LOCK / NS 8730 | AR | AR | |
| . NS | 780690 | . KEY / NS 8730 | 1 | 1 | |
| 6 | 780735 | CYLINDER LOCK / NS 8731 | AR | AR | |
| . NS | 780716 | . KEY / NS 8731 | 1 | 1 | |
| 6 | 780736 | CYLINDER LOCK / NS 8732 | AR | AR | |
| . NS | 780717 | . KEY / NS 8732 | 1 | 1 | |

| | | |
|---|--------------|-----------------|
| From L-031 To R-079 | Date:10/2022 | PAGE:H4-1864-99 |
| HANDLE LOCK & KEYS - TYPE "NS" / SERVICE | | |

| Item# | Part | Description | H 3 4 0 | V I P 4 0 | N O T E S |
|-------|--------|---------------------------------|------------------|-----------------------|-----------------------|
| 6 | 780737 | CYLINDER LOCK / NS 8733 | AR | AR | |
| . NS | 780718 | . KEY / NS 8733 | 1 | 1 | |
| 6 | 780738 | CYLINDER LOCK / NS 8734 | AR | AR | |
| . NS | 780719 | . KEY / NS 8734 | 1 | 1 | |
| 6 | 780739 | CYLINDER LOCK / NS 8735 | AR | AR | |
| . NS | 780720 | . KEY / NS 8735 | 1 | 1 | |
| 6 | 780740 | CYLINDER LOCK / NS 8736 | AR | AR | |
| . NS | 780721 | . KEY / NS 8736 | 1 | 1 | |
| 6 | 780741 | CYLINDER LOCK / NS 8737 | AR | AR | |
| . NS | 780722 | . KEY / NS 8737 | 1 | 1 | |
| 6 | 780742 | CYLINDER LOCK / NS 8738 | AR | AR | |
| . NS | 780723 | . KEY / NS 8738 | 1 | 1 | |
| 6 | 780743 | CYLINDER LOCK / NS 8739 | AR | AR | |
| . NS | 780724 | . KEY / NS 8739 | 1 | 1 | |
| 6 | 780744 | CYLINDER LOCK / NS 8740 | AR | AR | |
| . NS | 780725 | . KEY / NS 8740 | 1 | 1 | |
| 7 | 780780 | KEY, UNCUT / NS SERIE NS SERIES | AR | AR | |
| 7 | 780660 | KEY / NS 8888 | AR | AR | |
| 7 | 780661 | KEY / NS 8701 | AR | AR | |
| 7 | 780662 | KEY / NS 8702 | AR | AR | |
| 7 | 780663 | KEY / NS 8703 | AR | AR | |
| 7 | 780664 | KEY / NS 8704 | AR | AR | |
| 7 | 780665 | KEY / NS 8705 | AR | AR | |
| 7 | 780667 | KEY / NS 8707 | AR | AR | |
| 7 | 780668 | KEY / NS 8708 | AR | AR | |
| 7 | 780669 | KEY / NS 8709 | AR | AR | |
| 7 | 780670 | KEY / NS 8710 | AR | AR | |
| 7 | 780671 | KEY / NS 8711 | AR | AR | |
| 7 | 780672 | KEY / NS 8712 | AR | AR | |
| 7 | 780673 | KEY / NS 8713 | AR | AR | |
| 7 | 780674 | KEY / NS 8714 | AR | AR | |
| 7 | 780675 | KEY / NS 8715 | AR | AR | |
| 7 | 780676 | KEY / NS 8716 | AR | AR | |
| 7 | 780677 | KEY / NS 8717 | AR | AR | |
| 7 | 780678 | KEY / NS 8718 | AR | AR | |
| 7 | 780679 | KEY / NS 8719 | AR | AR | |
| 7 | 780680 | KEY / NS 8720 | AR | AR | |
| 7 | 780681 | KEY / NS 8721 | AR | AR | |
| 7 | 780682 | KEY / NS 8722 | AR | AR | |
| 7 | 780683 | KEY / NS 8723 | AR | AR | |
| 7 | 780684 | KEY / NS 8724 | AR | AR | |
| 7 | 780685 | KEY / NS 8725 | AR | AR | |

| | | |
|---|--------------|-----------------|
| From L-031 To R-079 | Date:10/2022 | PAGE:H4-1864-99 |
| HANDLE LOCK & KEYS - TYPE "NS" / SERVICE | | |

| Item# | Part | Description | H 3 4 0 | V I P 4 0 | N O T E S |
|-------|-----------|---|------------------|-----------------------|-----------------------|
| 7 | 780686 | KEY / NS 8726 | AR | AR | |
| 7 | 780687 | KEY / NS 8727 | AR | AR | |
| 7 | 780688 | KEY / NS 8728 | AR | AR | |
| 7 | 780689 | KEY / NS 8729 | AR | AR | |
| 7 | 780690 | KEY / NS 8730 | AR | AR | |
| 7 | 780716 | KEY / NS 8731 | AR | AR | |
| 7 | 780717 | KEY / NS 8732 | AR | AR | |
| 7 | 780718 | KEY / NS 8733 | AR | AR | |
| 7 | 780719 | KEY / NS 8734 | AR | AR | |
| 7 | 780720 | KEY / NS 8735 | AR | AR | |
| 7 | 780721 | KEY / NS 8736 | AR | AR | |
| 7 | 780722 | KEY / NS 8737 | AR | AR | |
| 7 | 780723 | KEY / NS 8738 | AR | AR | |
| 7 | 780724 | KEY / NS 8739 | AR | AR | |
| 7 | 780725 | KEY / NS 8740 | AR | AR | |
| 8 | 288543 | CAP PROTECTOR | 1 | 1 | |
| 9 | 780745 | CYLINDER LOCK BODY | AR | AR | |
| 10 | 500560 | SCREW MA PAN PH M4-0.7x6 Z050 | 1 | 1 | C |
| 11 | 500022 | WASHER LO INT .168x.340x.023 Z050 | 1 | 1 | |
| 12 | 500591 | WASHER FL 4.3x9.0x0.8 Z050 | 1 | 1 | |
| 13 | 780303 | GASKET | 1 | 1 | |
| 14 | 780802 | CAP PROTECTOR CLOSED / BLACK SERIES NS | AR | AR | |
| 21 | 780340 | CLIP, RETAINER ROD | 1 | 1 | |
| 21 | 504456 | CLIP / RETAINER ROD / WHITE OR RED | 1 | 1 | |
| 22 | 286110 | SUPPORT, HANDLE | AR | AR | D |
| 22 | 289340 | SUPPORT, HANDLE | AR | AR | B |
| 23 | | SEE RESPECTIVES PAGES FOR APPLICATION | 1 | 1 | |
| 24 | 502563 | SCREW CAP HEX M6-1.0x12 G8.8 Z050 | 4 | 4 | D |
| 30 | 780430 | CYLINDER LOCK ASSY W/2 KEYS / "CORBIN" | | 1 | SS |
| . NS | 780562 | . KEY / "CORBIN" BLANK | | 2 | SS |
| 30 | 780803 | CYLINDER LOCK ASSY W/2 KEYS / "SCHLAGE" SERVICE | | 1 | |
| . NS | 780902 | . KEY / "SCHLAGE" BLANK | | 1 | |
| 31 | 780562 | KEY / "CORBIN" BLANK | | 1 | |
| 40 | 780795 | HANDLE ASSY / W/AIR CYLINDER TYPE "NS" | AR | | |
| . NS | 780800 | . CYLINDER AIR | 1 | | |
| . NS | 780340 | . CLIP, RETAINER ROD | 2 | | |
| 40 | 780794 | HANDLE ASSY / MANUAL TYPE "NS" | AR | AR | A |
| . NS | 780340 | . CLIP, RETAINER ROD | 2 | 2 | A |
| NS | 780303 | . GASKET | 1 | 1 | |
| 41 | 5001630 | SCREW TP BUTF TORX M6x20 SS | 4 | 4 | B |
| NS | 288545 | KIT, ADAPTOR ENTRANCE DOOR / MODIFICATION "NS" CYLINDER K | 1 | | |
| . NS | IS-03064A | . SEE INSTRUCTION SHEET | 1 | | |

| | | |
|---|--------------|-----------------|
| From L-031 To R-079 | Date:10/2022 | PAGE:H4-1864-99 |
| HANDLE LOCK & KEYS - TYPE "NS" / SERVICE | | |

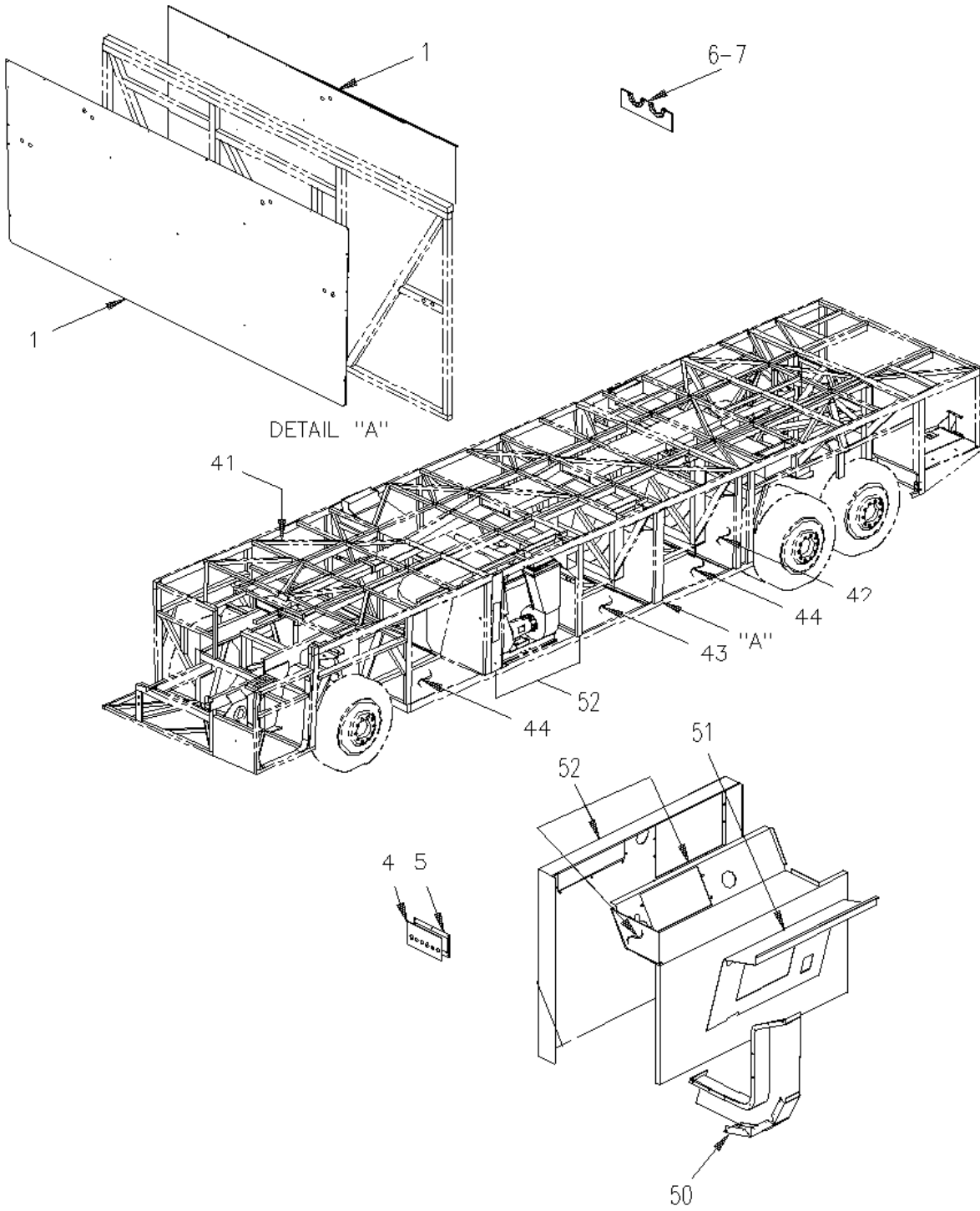
| Item# | Part | Description | H 3 4 0 | V I P 4 0 | N O T E S |
|-------|-----------|---|------------------|-----------------------|-----------------------|
| NS | 288546 | KIT, ADAPTOR ELECTRIC BAGGAGE DOOR / MODIFICATION "NS" CYLINDER K | | 10 | |
| . NS | IS-03064A | . SEE INSTRUCTION SHEET | | 1 | |
| NS | 288547 | KIT, ADAPTOR MAN & AIR BAGGAGE DOOR / MODIFICATION "NS" CYLINDER K | 10 | | |
| . NS | IS-03064A | . SEE INSTRUCTION SHEET | 1 | | |
| 50 | 288548 | KIT, ADAPTOR SMALL LH FUEL DOOR / MODIFICATION "NS" CYLINDER K | 2 | 2 | |
| . NS | IS-03064A | . SEE INSTRUCTION SHEET | 1 | 1 | |
| | | | | | |
| | | | | | |
| | | A) MANUAL OR ELECTRIC | | | |
| | | B) USE WITH HANDLE # 780794 & 780795 ONLY | | | |
| | | C) TO FIX LEVER ITEM #3 | | | |
| | | D) USE WITH HANDLE # 780711 & 780712 ONLY | | | |
| | | S) USE ONLY IN SERVICE WITH "RETROFIT HANDLE KIT" | | | |
| | | SS) THIS MODEL IT OBSOLETED REPLACE BY 780803 WITH NEW LEVER # 289030 | | | |
| | | 1) NOT SOLD SEPARATELY | | | |

From L-031 To R-079

Date:10/2022

PAGE:H4-1865-00

BAGGAGE COMPARTMENT PANELS



| | | |
|---------------------|--------------|-----------------|
| From L-031 To R-079 | Date:10/2022 | PAGE:H4-1865-00 |
|---------------------|--------------|-----------------|

BAGGAGE COMPARTMENT PANELS

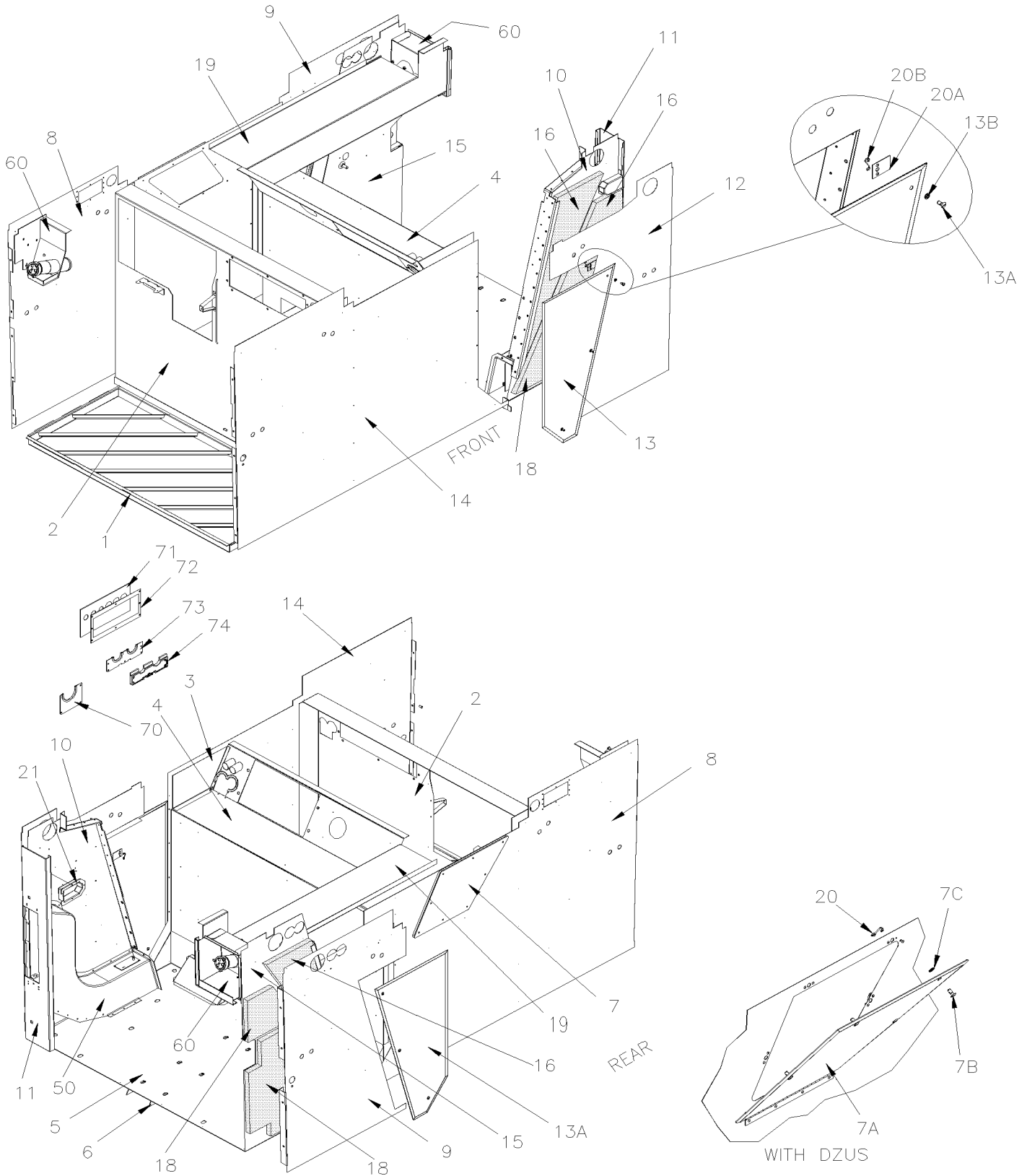
| Item# | Part | Description | H 3 4 0 | V I P 4 0 | N O T E S |
|-------|-------------------|--|------------------|-----------------------|-----------------------|
| 1 | 482054 | PANEL / REAR OF WALL 2463MM x 1075MM | AR | AR | AS |
| 1 | 481558 | PANEL / FRONT OF WALL 2454MM x 1178MM | AR | AR | |
| 4 | 481714 | RUBBER CLOSING AROUND 6 TUBES 130MM x 250MM | 1 | 1 | |
| 5 | 481764 | PLATE HOLDING RUBBER 130MM x 250MM | 1 | 1 | |
| 6 | 373155 | CLOSING / PIPE TUNNEL SS 51MM x 181MM | 1 | 1 | |
| 7 | 506337 | RUBBER CHANNEL / 3/32" x 11/32" INT "U" SHAPE / ROUND C.T.L. | AR | AR | |
| 7 | 506338 | RUBBER CHANNEL / 1/16" x 1/4" INT "U" SHAPE / ROUND C.T.L. | AR | AR | |
| | | THE NEXT 4 ALUMINIUM PANELS ARE USED FOR | | | |
| | | BAGGAGE FINISHING WALLS | | | |
| | | FOR ANY POSITIONS | | | |
| 41 | 211230 | PANEL / FRONT BAGGAGE COMPARTMENT | 1 | 1 | |
| 42 | 211341 | PANEL / REAR BAGGAGE COMPARTMENT | 1 | 1 | |
| 43 | 481500 | PANEL / FLOOR 1181MM WIDE | 1 | 1 | |
| 43 | 482533 | PANEL / FLOOR 1181MM WIDE / FIBERGLASS | 1 | 1 | |
| . NS | IS-96037 | . SEE INSTRUCTION SHEET | 1 | 1 | |
| 44 | 481476 | PANEL / FLOOR 1356MM WIDE | 2 | 2 | |
| 44 | 482540 | PANEL / FLOOR 1356MM WIDE / FIBERGLASS | 2 | 2 | |
| . NS | IS-96037 | . SEE INSTRUCTION SHEET | 1 | 1 | |
| NS | 504461 | PIN HUCKBOLT 6.55 SS | AR | AR | |
| NS | 504479 | RIVET COLLAR HUCK 6.5DIA SS | AR | AR | |
| NS | 850027 | INSULATING PAD NOISE ADH2 1/16" x 39" x 48" | AR | AR | |
| NS | 810034 | CARPET OZITE / S.L. 12 FT WIDE | AR | AR | D |
| NS | 481776 | MOULDING "J" FORM / 2510MM (98 13/16") / A/A | 2 | 2 | |
| NS | 481777 | MOULDING "J" FORM / 823MM (32 3/8") / A/A | 4 | 4 | |
| 50 | H4-2215-00 | EVAPORATOR & DAMPER CONTROL COMPONENTS | | | |
| 51 | H4-2220-00 | UNDER FLOOR AIR DUCTING | | | |
| 52 | H4-1865-20 | EVAPORATOR & CONDENSOR WALL INSTALLATION | | | |
| | | AS) AS SHOWN | | | |
| | | D) S.Q. | | | |

From L-031 To R-079

Date:10/2022

PAGE:H4-1865-20

EVAPORATOR & CONDENSOR WALL INSTALLATION



| | | |
|---|--------------|-----------------|
| From L-031 To R-079 | Date:10/2022 | PAGE:H4-1865-20 |
| EVAPORATOR & CONDENSOR WALL INSTALLATION | | |

| Item# | Part | Description | H 3 4 0 | V I P 4 0 | N O T E S |
|-------|---------|---|------------------|-----------------------|-----------------------|
| 1 | 211191P | DEFLECTOR FLOOR LOUVER ASSY / WELDED 1341MM x 607MM | 1 | 1 | |
| 2 | 451914 | WALL PANEL / COND & FUEL COMPARTMENT | 1 | 1 | |
| 2 | 452572 | WALL PANEL / COND & FUEL COMPARTMENT | 1 | 1 | |
| 3 | 451884 | CLOSING PANEL / FRONT SIDE | 1 | 1 | |
| 4 | 451893 | WALL PANEL / EVAP, & FUEL COMPARTMENT | 1 | 1 | |
| 4 | 452563 | WALL PANEL / EVAP, & FUEL COMPARTMENT | 1 | 1 | |
| 5 | 451889 | FLOOR PANEL / EVAPORATOR | 1 | 1 | |
| 6 | 211240 | ANGLE SUPPORT 708MM | 1 | 1 | |
| 6 | 211239 | ANGLE SUPPORT 708MM | 1 | 1 | |
| 7 | 482355 | ACCESS PANEL | 1 | 1 | |
| 7A | 484271 | ACCESS PANEL / W/"DZUS" FASTENER | AR | AR | |
| . A | 483663 | . ACCESS PANEL / W/"DZUS" FASTENER | 1 | 1 | |
| . B | 504363 | . STUD 5/16 O.D. X 7/16 (DZUS) | 4 | 4 | |
| . C | 504353 | . RETAINER, 5/16"DIA. (DZUS) STUD | 4 | 4 | |
| . NS | 506268 | . TAPE RUB ADH1 URE 3/8" x 1/2" x 25' / GREY 1820 | AR | AR | |
| 8 | 481722 | PANEL / FUEL & COND BACKWARD | 1 | 1 | |
| 8 | 482199 | PANEL / FUEL & COND BACKWARD | 1 | 1 | |
| 8 | 214789 | PANEL / FUEL & COND BACKWARD / W/"DZUS" FASTENER | AR | AR | |
| 9 | 481705 | PANEL / EVAPORATOR BACKWARD | 1 | 1 | |
| 10 | 451892 | PANEL / INTERIOR / FRONT EVAPORATOR | 1 | 1 | |
| 11 | 451887 | EXTERIOR PANEL ASSY / W/SCREEN | 1 | 1 | |
| . NS | 451883 | . SCREEN | 1 | 1 | |
| 12 | 481672 | PANEL / EVAPORATOR FORWARD | 1 | 1 | |
| 13 | 481719 | DOOR ASSY FORWARD | 1 | 1 | |
| . A | 504363 | . STUD 5/16 O.D. X 7/16 (DZUS) | 3 | 3 | |
| . B | 504353 | . RETAINER, 5/16"DIA. (DZUS) STUD | 3 | 3 | |
| 13 | 482646 | DOOR ASSY FORWARD | 1 | 1 | |
| . A | 504363 | . STUD 5/16 O.D. X 7/16 (DZUS) | 3 | 3 | |
| . B | 504353 | . RETAINER, 5/16"DIA. (DZUS) STUD | 3 | 3 | |
| 13A | 481656 | DOOR ASSY BACKWARD | 1 | 1 | |
| . A | 504363 | . STUD 5/16 O.D. X 7/16 (DZUS) | 3 | 3 | |
| . B | 504353 | . RETAINER, 5/16"DIA. (DZUS) STUD | 3 | 3 | |
| 13A | 482645 | DOOR ASSY BACKWARD | 1 | 1 | |
| . A | 504363 | . STUD 5/16 O.D. X 7/16 (DZUS) | 3 | 3 | |
| . B | 504353 | . RETAINER, 5/16"DIA. (DZUS) STUD | 3 | 3 | |
| 14 | 481673 | PANEL / FUEL & COND FORWARD | 1 | 1 | |
| 15 | 451890 | PANEL / INTERIOR / REAR EVAPORATOR | 1 | 1 | |
| 16 | 452030 | INSULATING / UPPER SECTION | 2 | 2 | |
| 18 | 452029 | INSULATING / LOWER SECTION | 2 | 2 | |
| 19 | 451976 | DUCT ASSY / FOR FUEL HOSE | 1 | 1 | |
| 20 | 481717 | PLATE ASSY / TO CLOSE DOOR W/"DZUS" | 1 | 1 | |

| | | |
|---|--------------|-----------------|
| From L-031 To R-079 | Date:10/2022 | PAGE:H4-1865-20 |
| EVAPORATOR & CONDENSOR WALL INSTALLATION | | |

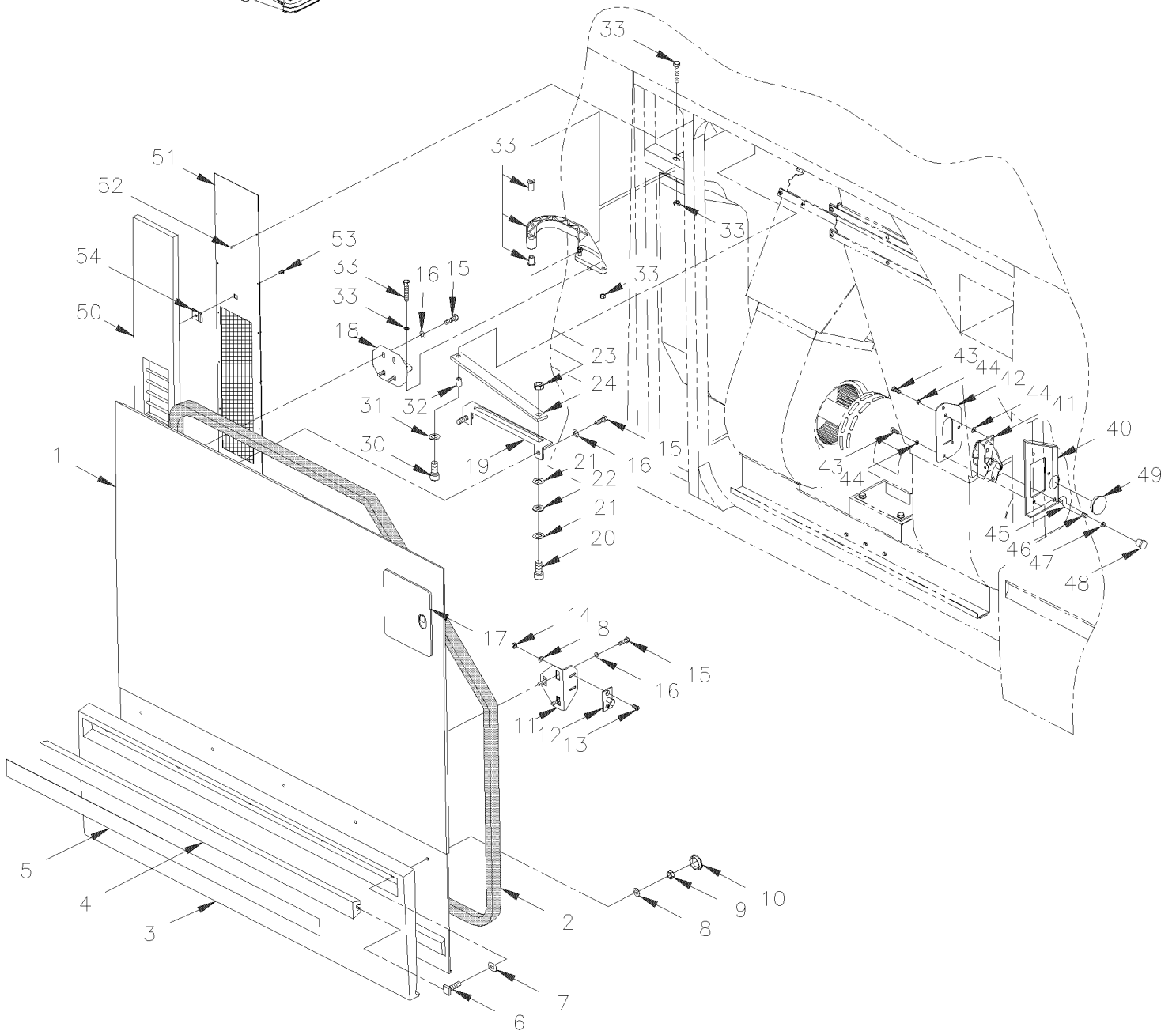
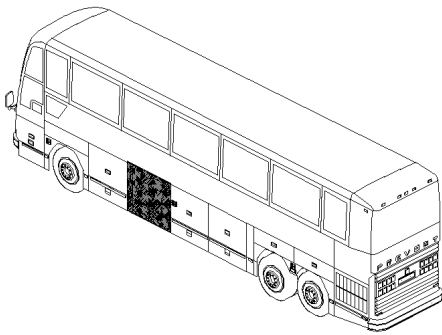
| Item# | Part | Description | H 3 4 0 | V I P 4 0 | N O T E S |
|-------|-------------------|---|------------------|-----------------------|-----------------------|
| . A | 481718 | . PLATE | 1 | 1 | |
| . B | 504365 | . SPRING HOOK / DZUS 5/16 | 1 | 1 | |
| 21 | 452041 | BOX PLASTIC / HINGE CLEARANCE | 2 | 2 | |
| | | | | | |
| 50 | H4-2215-00 | EVAPORATOR & DAMPER CONTROL COMPONENTS | | | |
| 60 | H4-0310-10 | FUEL FILLING CAP | | | |
| | | | | | |
| 71 | 481714 | RUBBER CLOSING AROUND 6 TUBES 130MM x 250MM | 1 | 1 | |
| 72 | 481764 | PLATE HOLDING RUBBER 130MM x 250MM | 1 | 1 | |
| 73 | 373155 | CLOSING / PIPE TUNNEL SS 51MM x 181MM | 2 | 2 | |
| 73 | 453145 | CLOSING / PIPE TUNNEL SS 55.0MM x 181MM | 1 | 1 | |
| 74 | 454248 | CLOSING / PIPE TUNNEL PLASTIC / RH 57.2MM x 181MM | 1 | 1 | |
| 74 | 457424 | CLOSING / PIPE TUNNEL PLASTIC / RH 57.2MM x 181MM | 1 | 1 | |
| 74 | 454249 | CLOSING / PIPE TUNNEL PLASTIC / LH 57.2MM x 181MM | 1 | 1 | |
| 74 | 457425 | CLOSING / PIPE TUNNEL PLASTIC / LH 57.2MM x 181MM | 1 | 1 | |
| 75 | 590284 | DRAIN BOOT 1" I.D. X 5" / FLAT | 3 | 3 | |
| NS | 504021 | HOSE CLAMP / 11/16"-1"1/2 SS / HS-16 | 3 | 3 | |
| | | | | | |
| | | | | | |
| | | | | | |

From L-031 To R-079

Date:10/2022

PAGE:H4-1866-00

EVAPORATOR DOOR ASSY



| | | |
|-----------------------------|--------------|-----------------|
| From L-031 To R-079 | Date:10/2022 | PAGE:H4-1866-00 |
| EVAPORATOR DOOR ASSY | | |

| Item# | Part | Description | H 3 4 0 | V I P 4 0 | N O T E S |
|-------|-------------------|--|------------------|-----------------------|-----------------------|
| | 283050P | EVAPORATOR DOOR ASSY | 1 | 1 | |
| 1 | 283216 | . DOOR MOULDED / FIBERGLASS | 1 | 1 | |
| 2 | 283336 | . RUBBER SEAL EXTRUSION / ADHESIVE / 120METER / RAW MATERIAL | AR | AR | A |
| 2 | 285539 | . RUBBER SEAL EXTRUSION / EVAPORATOR DOOR / 4390MM | 1 | 1 | |
| NS | 680066 | . ADHESIVE / ADBOND #5014 / 23.6ML BOTTLE | AR | AR | |
| 3 | 283215 | . PROTECTOR PANEL / DP | 1 | 1 | |
| 3 | 284796 | . PROTECTOR PANEL / WITH GRAVEL GUARD / DP | 1 | 1 | B |
| NS | 681348 | . TAPE RUB ADH2 ACRYLIC .045" x 1" x 108' / VHB4952 | AR | AR | |
| NS | 682462 | . ADHESIVE SIKA #252 / BLACK / 310ml CARTRIDGE | AR | AR | |
| 4 | 282569 | . EXTRUSION PROFILE 1182MM | 1 | 1 | |
| 4 | 680025 | . CAULKING STRIP 3/16" O.D. X 14' | AR | AR | |
| 5 | 283100 | . STRIPE, REFLECTIVE WHITE / 38MM X 15' ROLL | AR | AR | |
| NS | 780277 | . STRIPE, REFLECTIVE WHITE / 38MM X 150' ROLL | AR | AR | |
| 6 | 502534 | . SCREW CAP SQ 5/16-18x1 G2 Z050 | 5 | 5 | |
| 7 | 283219 | . WASHER ,REINFORCEMENT | 5 | 5 | |
| 8 | 502583 | . WASHER LO SERR 8.15x22.3x1.0 Z050 | AR | AR | |
| 9 | 500698 | . NUT HEX 5/16-18 BR | 5 | 5 | |
| 10 | 507295 | . HOLE PLUG BUTTON / 1.375 O.D. BLACK | 2 | 2 | |
| 11 | 282990 | . ANGLE / STRIKER PIN SUPPORT | 1 | 1 | |
| 12 | 780278 | . PIN, STRIKER STUD | 1 | 1 | |
| 13 | 500316 | . SCREW MA FL PH 1/4-28x3/4 SS | 2 | 2 | |
| 14 | 500692 | . NUT HEX 1/4-28 Z050 | 2 | 2 | |
| 15 | 502790 | . SCREW CAP HEX M8-1.25x20 G8.8 Z050 | AR | AR | |
| 16 | 502584 | . WASHER LO SERR 8.2x26.3x1.8 Z050 | AR | AR | |
| 19 | 283776 | . GUIDE RETAINING ARM | 1 | 1 | |
| 20 | 502625 | . SCREW SHR HEXS 5/16x3/8 {1/4-20 | 1 | 1 | |
| 21 | 500270 | . WASHER FL .406x1.000x.063 SS | 2 | 2 | |
| 22 | 502768 | . WASHER FL RUB .312x.625x.125 NEO | 1 | 1 | |
| 23 | 502819 | . NUT HEX JAM 1/4-20 Z050 | 1 | 1 | |
| 24 | 283774 | . ARM RETAINING | 1 | 1 | |
| 30 | 500347 | SCREW CAP HEX 5/16-18x1 1/4 SS To P-339 | 1 | 1 | |
| 30 | 502780 | SCREW CAP HEX M8-1.25x25 SS BK From P-340 | 1 | 1 | |
| NS | 502523 | RIVET NUT FL OKS 5/16-18 .059-.119 | 1 | 1 | |
| 31 | 502583 | WASHER LO SERR 8.15x22.3x1.0 Z050 | 1 | 1 | |
| 32 | 283770 | SPACER / TO FIX RETAINING ARM | 1 | 1 | |
| 33 | H4-1879-90 | EXTERIOR DOOR HINGE AND SUPPORT | | | |
| 40 | 282988 | PLATE HOLDER / WELDED TO STRUCTURE | 1 | 1 | |
| 41 | 780282 | LOCK SPAGNOLET L.H. | 1 | 1 | F |
| 41 | 780587 | LOCK SPAGNOLET L.H. / W/G-FITTING | 1 | 1 | |
| NS | 507607 | . GREASE FITTING / M6-1.00 | 1 | 1 | |
| 42 | 282989 | PLATE ADAPTOR | 1 | 1 | |
| NS | 285765 | PLATE ADAPTOR | 1 | 1 | |

| | | |
|-----------------------------|--------------|-----------------|
| From L-031 To R-079 | Date:10/2022 | PAGE:H4-1866-00 |
| EVAPORATOR DOOR ASSY | | |

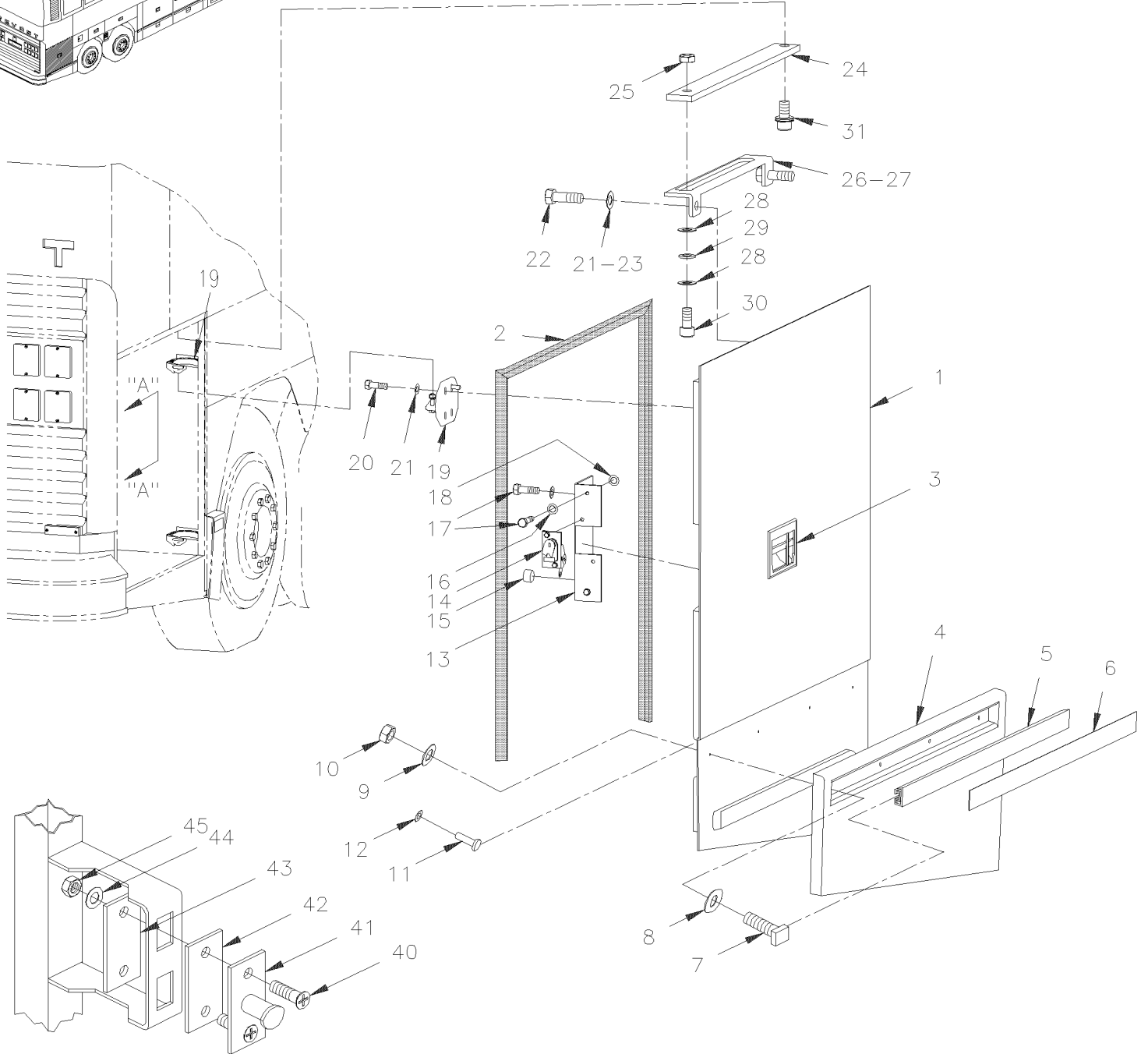
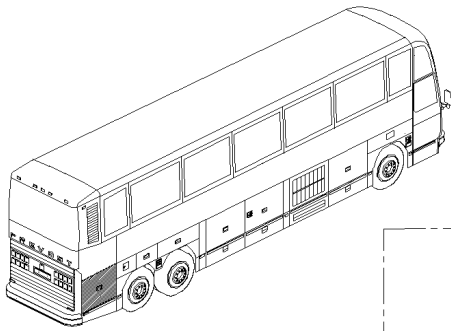
| Item# | Part | Description | H 3 4 0 | V I P 4 0 | N O T E S |
|-------|----------|---|------------------|-----------------------|-----------------------|
| 43 | 502563 | SCREW CAP HEX M6-1.0x12 G8.8 Z050 | 5 | 5 | |
| 44 | 502564 | WASHER LO SPT 6.1x11.8x1.6 Z050 | 5 | 5 | |
| 45 | 282984 | ROD OPENING 52MM | 1 | 1 | |
| 46 | 504083 | SNAP BUSHING / .250x.468.406 | 1 | 1 | |
| 47 | 500764 | NUT HEX #8-32 Z050 | 1 | 1 | |
| 48 | 505504 | KNOB, PULL / 8-32 | 1 | 1 | |
| 50 | 282963 | PANEL AIR INTAKE EVAPORATOR | 1 | 1 | |
| 51 | 451887 | EXTERIOR PANEL ASSY / W/SCREEN | 1 | 1 | |
| . NS | 451883 | . SCREEN | 1 | 1 | |
| 52 | 504248 | RIVET CHY Q PRDG 3/16x1/4 SS | AR | AR | |
| 53 | 500535 | SCREW TP CAP HEX #14x3/4 Z050 | AR | AR | |
| 54 | 502764 | NUT SPR J #14A .035-.046 | AR | AR | |
| NS | 285833 | KIT SERVICE DOOR LOCK | 1 | 1 | |
| . NS | IS-97037 | . SEE INSTRUCTION SHEET | 1 | 1 | |
| | | | | | |
| | | | | | |
| | | | | | |
| | | A) SOLD IN 20' LONG ON PART NUMBER 283875 | | | |
| | | B) THIS PROTECTOR IS COATED WITH GRAVEL GUARD ANS IS BLACK PAINTED READY TO INSTALL | | | |
| | | F) PRODUCT IMPROVMENT, ASK KIT #285833 | | | |

From L-031 To R-079

Date:10/2022

PAGE:H4-1868-00

A/C COMPRESSOR DOOR ASSY



VIEW "A-A"

| | | |
|---------------------------------|--------------|-----------------|
| From L-031 To R-079 | Date:10/2022 | PAGE:H4-1868-00 |
| A/C COMPRESSOR DOOR ASSY | | |

| Item# | Part | Description | H 3 4 0 | V I P 4 0 | N O T E S |
|-------|-------------------|--|------------------|-----------------------|-----------------------|
| | 283821P | COMPRESSOR DOOR ASSY / W/LOCK | | 1 | |
| | 283076P | COMPRESSOR DOOR ASSY | 1 | | |
| 1 | 282943 | . DOOR MOULDED / FIBERGLASS To M-170 | 1 | 1 | |
| 1 | 283822 | . COMPRESSOR DOOR / FIBERGLASS NEW From M-171 | 1 | 1 | |
| 2 | 283336 | . RUBBER SEAL EXTRUSION / ADHESIVE / 120METER / RAW MATERIAL | 1 | 1 | A |
| 2 | 287240 | . RUBBER SEAL EXTRUSION 1035MM X 840MM / SERVICE | 1 | 1 | |
| 3 | H4-1864-30 | . HANDLE LOCK & KEYS - TYPE "PS" | | | |
| 3 | H4-1864-99 | . HANDLE LOCK & KEYS - TYPE "NS" / SERVICE | | | |
| NS | 282692 | . PLATE CLOSING / 232MM X 332MM To M-170 | 1 | 1 | |
| NS | 283518 | . PLATE CLOSING / 293MM X 318MM From M-171 | | 1 | |
| NS | 283823 | . PLATE CLOSING / 293MM X 318MM From M-171 | 1 | | |
| 4 | 283009 | . PROTECTOR PANEL / DP | 1 | 1 | |
| 4 | 284789 | . PROTECTOR PANEL / WITH GRAVEL GUARD / DP | 1 | 1 | |
| 5 | 283081 | . EXTRUSION PROFILE 1072MM | 1 | 1 | |
| 6 | 283100 | . STRIPE, REFLECTIVE WHITE / 38MM X 15' ROLL | AR | AR | |
| . NS | 780277 | . . STRIPE, REFLECTIVE WHITE / 38MM X 150' ROLL | AR | AR | |
| 7 | 502534 | . SCREW CAP SQ 5/16-18x1 G2 Z050 | 4 | 4 | |
| 8 | 283219 | . WASHER ,REINFORCEMENT | 4 | 4 | |
| 9 | 502583 | . WASHER LO SERR 8.15x22.3x1.0 Z050 | 4 | 4 | E |
| 10 | 500698 | . NUT HEX 5/16-18 BR | 4 | 4 | |
| 11 | 504108 | . RIVET POP DOME OE 1/8x1/2 AL | AR | AR | F |
| 12 | 500437 | . WASHER FL .125x.375x.040 Z050 | AR | AR | F |
| 13 | 282666 | . SUPPORT LOCK | 1 | 1 | |
| NS | 285764 | . SUPPORT LOCK / UPPER | 1 | 1 | |
| 14 | 780283 | . LOCK SPAGNOLET R.H. | 1 | 1 | |
| . NS | 780340 | . . CLIP, RETAINER ROD | 1 | 1 | |
| NS | 780588 | . LOCK SPAGNOLET R.H. / W/G-FITTING | 1 | 1 | |
| . NS | 780340 | . . CLIP, RETAINER ROD | 1 | 1 | |
| . NS | 507607 | . . GREASE FITTING / M6-1.00 | 1 | 1 | |
| NS | 283277 | . ROD / HANDLE & LATCH / 465MM | 1 | 1 | |
| 14 | 289369 | . ROD / HANDLE & LATCH / 454.6MM | 1 | 1 | S |
| 16 | 502582 | . WASHER LO SERR 6.1x16.2x0.9 Z050 | 10 | 10 | |
| 17 | 502563 | . SCREW CAP HEX M6-1.0x12 G8.8 Z050 | 10 | 10 | |
| 19 | H4-1879-90 | EXTERIOR DOOR HINGE AND SUPPORT | | | |
| 20 | 502790 | . SCREW CAP HEX M8-1.25x20 G8.8 Z050 | 4 | 4 | |
| 21 | 502584 | . WASHER LO SERR 8.2x26.3x1.8 Z050 | 4 | 4 | |
| 22 | 502780 | . SCREW CAP HEX M8-1.25x25 SS BK | 4 | 4 | |
| 24 | 283772 | ARM RETAINING | 1 | 1 | |
| 25 | 502819 | NUT HEX JAM 1/4-20 Z050 | 1 | 1 | |
| 26 | 283771 | GUIDE RETAINING ARM | 1 | 1 | |
| 27 | 284640 | STRAP-HOLDER / W/W.C.L. | 1 | | |
| NS | 284439 | PLATE, STRAP RETAINING / OBLONG 16.5MM x 25.4MM W/2 HOLES | 1 | | |

| | | |
|---------------------------------|--------------|-----------------|
| From L-031 To R-079 | Date:10/2022 | PAGE:H4-1868-00 |
| A/C COMPRESSOR DOOR ASSY | | |

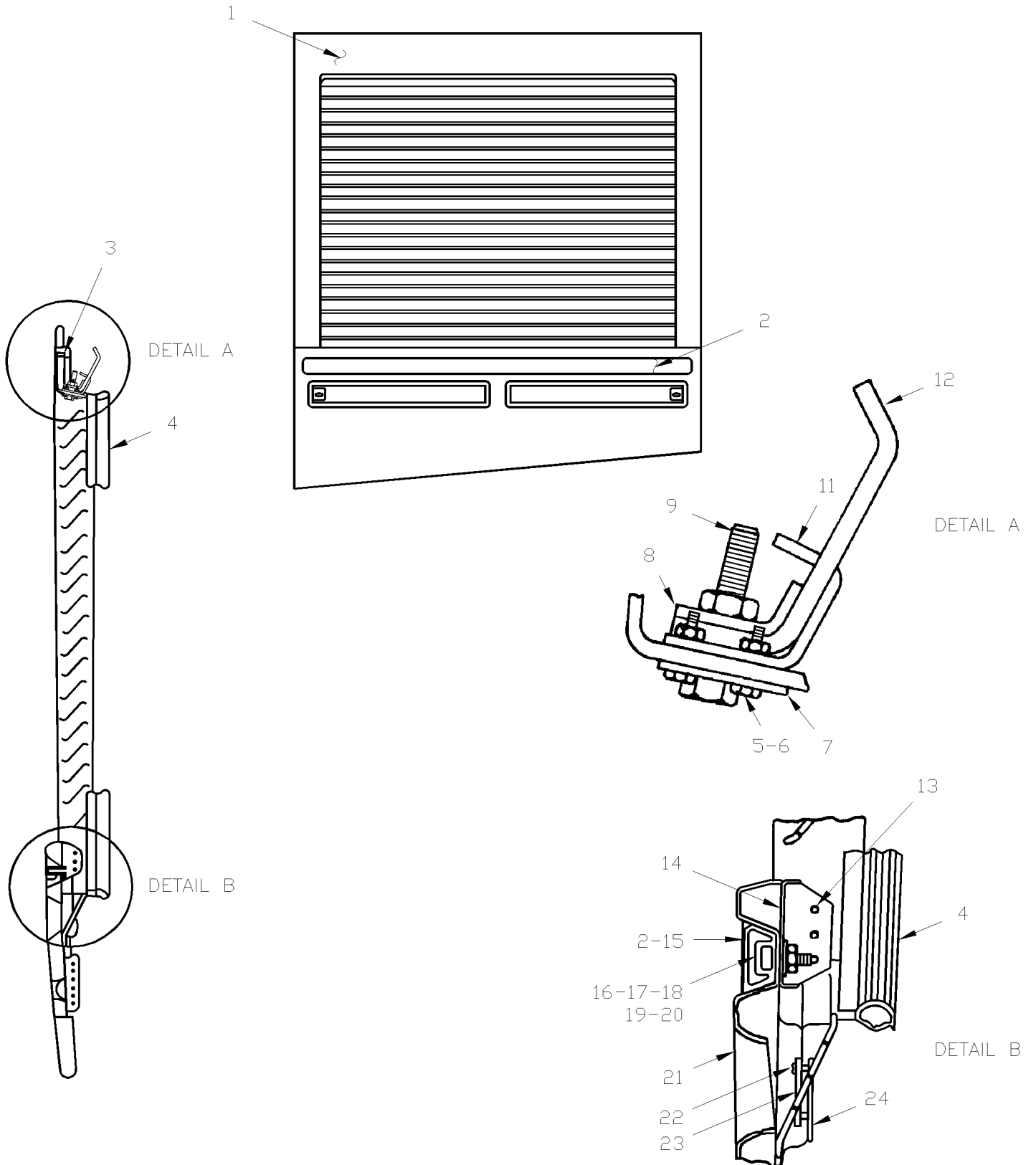
| Item# | Part | Description | H 3 4 0 | V I P 4 0 | N O T E S |
|-------|---------|--|------------------|-----------------------|-----------------------|
| NS | 5001161 | WASHER LO SPT 8.1x14.8x2.0 SS-304 | 1 | 1 | G |
| NS | 504379 | RIVET POP DOME OE 3/16x1/4 SS | 2 | 2 | H |
| NS | 505507 | STRAP NYLON 1" WIDE / S.L. | 1 | 1 | |
| 28 | 500441 | WASHER FL .312x.734x.065 Z050 | 1 | 1 | |
| 30 | 502625 | SCREW SHR HEXS 5/16x3/8 (1/4-20 | 1 | 1 | |
| 31 | 500347 | SCREW CAP HEX 5/16-18x1 1/4 SS | 1 | 1 | I |
| NS | 283770 | SPACER / TO FIX RETAINING ARM | 1 | 1 | |
| NS | 502523 | RIVET NUT FL OKS 5/16-18 .059-.119 | 1 | 1 | |
| NS | 502583 | WASHER LO SERR 8.15x22.3x1.0 Z050 | 1 | 1 | |
| 40 | 500316 | SCREW MA FL PH 1/4-28x3/4 SS | 2 | 2 | J |
| 41 | 780278 | PIN, STRIKER STUD | 1 | 1 | |
| 42 | 283046 | STRIKER SHIM / W/SLOT / 60MM X 25MM | AR | AR | |
| 43 | 283326 | STRIKER PLATE, MOUNTING / 60MM X 25MM | 1 | 1 | |
| 44 | 502582 | WASHER LO SERR 6.1x16.2x0.9 Z050 | 2 | 2 | |
| 45 | 500692 | NUT HEX 1/4-28 Z050 | 2 | 2 | |
| | | | | | |
| | | | | | |
| | | A) SOLD IN 20' LONG ON PART #283875 | | | |
| | | E) TO FIX RETAINING ARM | | | |
| | | F) TO FIX RUBBER SEAL | | | |
| | | G) WITH W.C.L | | | |
| | | H) TO FIX RETAINER STRAP | | | |
| | | I) TO FIX CLAMP & EXTEN. ARM | | | |
| | | J) TO FIX STRIKER PIN | | | |
| | | S) THIS ROD ARE REQUIRE ONLY IF YOU CHANGE FORMER HANDLE 780350 FOR NEW MODEL 780794 | | | |

From L-031 To N-200

Date:10/2022

PAGE:H4-1869-00

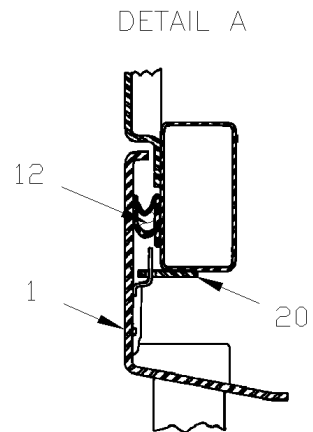
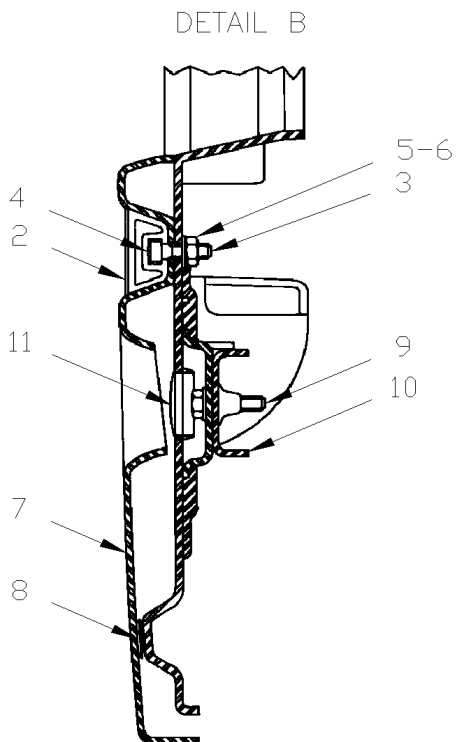
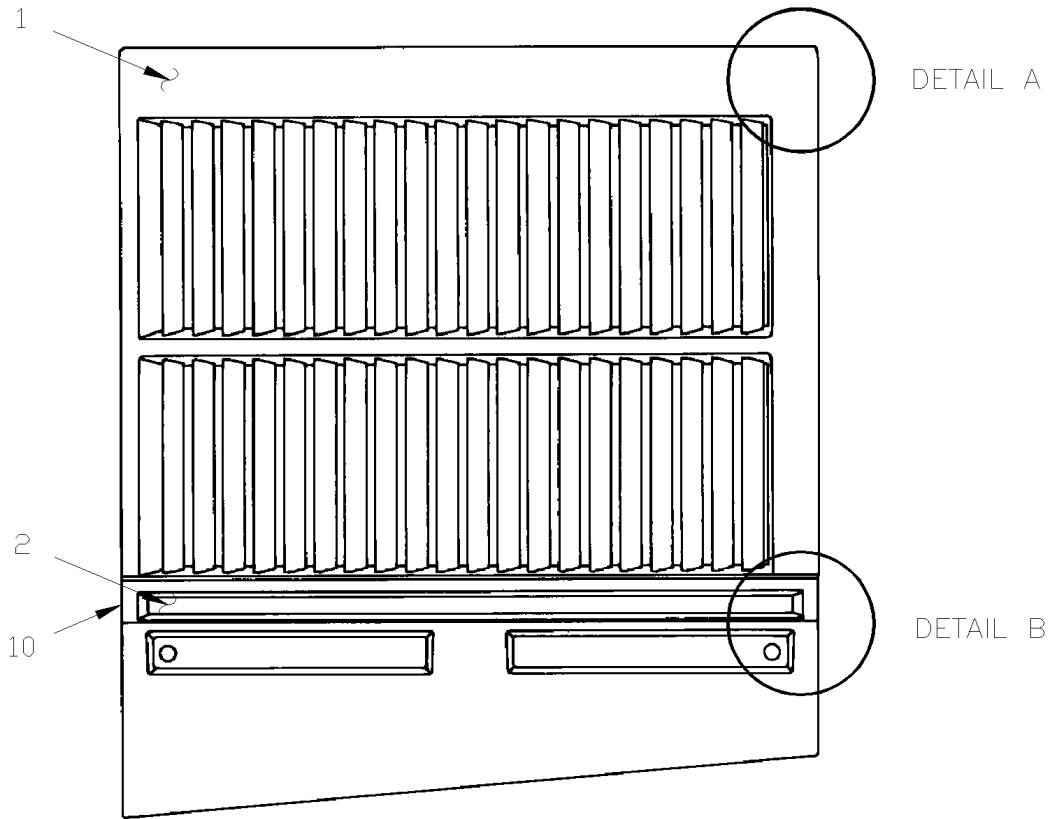
RADIATOR DOOR ASSY - GRILL



| | | |
|-----------------------------------|--------------|-----------------|
| From L-031 To N-200 | Date:10/2022 | PAGE:H4-1869-00 |
| RADIATOR DOOR ASSY - GRILL | | |

| Item# | Part | Description | H 3 4 0 | V I P 4 0 | N O T E S |
|-------|---------|---|------------------|-----------------------|-----------------------|
| | 283151P | RADIATOR DOOR ASSY | 1 | 1 | |
| 1 | 282939 | . DOOR MOULDED / FIBERGLASS | 1 | 1 | |
| . NS | 288096 | . . LOUVER ROD 37 1/4" | 1 | 1 | |
| 2 | 283100 | . STRIPE, REFLECTIVE WHITE / 38MM X 15' ROLL | AR | AR | |
| . NS | 780277 | . . STRIPE, REFLECTIVE WHITE / 38MM X 150' ROLL | AR | AR | |
| 3 | 480154 | . WEATHERSTRIP RUBBER / ADH / RAW MATERIAL | AR | AR | |
| 4 | 506410 | . RUBBER EXTRUSION SEAL / GRIP .062 X 100' / RAW MATERIAL | AR | AR | A |
| 5 | 502698 | . SCREW MA PAN PH M4-0.7x16 SS BK | 8 | 8 | |
| 6 | 502557 | . NUT HEX NYRT M4-0.7 SS | 8 | 8 | |
| 7 | 283391 | . PLATE SUPPORT | 2 | 2 | |
| 8 | 283410 | . PLATE TIGHTENING | 2 | 2 | |
| 9 | 500544 | . SCREW CAP HEX M8-1.25x30 G8.8 Z050 | 2 | 2 | |
| 11 | 283495 | . PLATE CONTACT | 2 | 2 | |
| 12 | 283497 | . ATTACHMENT MOVABLE | 2 | 2 | |
| 13 | 504488 | . RIVET MGLP PRDG 3/16x17/64 SS | 6 | 6 | |
| 14 | 283160 | . BEAM | 1 | 1 | |
| 15 | 283081 | . EXTRUSION PROFILE 1072MM | | | |
| 16 | 502534 | . SCREW CAP SQ 5/16-18x1 G2 Z050 | 4 | 4 | |
| 17 | 500701 | . NUT HEX 5/16-18 ZP | 4 | 4 | |
| 18 | 500374 | . WASHER FL .375x.625x.062 RUB | 4 | 4 | |
| 19 | 502583 | . WASHER LO SERR 8.15x22.3x1.0 Z050 | 4 | 4 | |
| 20 | 283219 | . WASHER ,REINFORCEMENT | 4 | 4 | |
| 21 | 283156 | . PROTECTOR PANEL / DP | 1 | 1 | |
| 21 | 284797 | . PROTECTOR PANEL / WITH GRAVEL GUARD / DP | 1 | 1 | B |
| 22 | 504464 | . RIVET POP CK OE 1/8x3/8 SS | 4 | 4 | |
| 23 | 282549 | . PLATE REINFORCEMENT 60MM x 37MM & SLOTTED | 2 | 2 | |
| 24 | 289158 | . PLATE REINFORCEMENT 40MM x 34MM & SLOTTED | 2 | 2 | |
| NS | 283166 | BRACKET MOUNTING / LOWER / DOOR & FRAME | 2 | 2 | |
| NS | 283168 | ANGLE / BRACKET & FRAME | 2 | 2 | |
| NS | 502528 | SCREW CAP HEX M8-1.25x20 G8.8 EMN | 4 | 4 | |
| NS | 502583 | WASHER LO SERR 8.15x22.3x1.0 Z050 | 6 | 6 | |
| NS | 502780 | SCREW CAP HEX M8-1.25x25 SS BK | 4 | 4 | |
| | | | | | |
| | | | | | |
| | | | | | |
| | | A) RUBBER SEAL SOLD IN 20' LONG ON PART NUMBER 482051 | | | |
| | | B) THIS PROTECTOR IS COATED WITH GRAVEL GUARD ANS IS BLACK PAINTED READY TO INSTALL | | | |

| | | |
|----------------------------|--------------|-----------------|
| From N-201 To R-079 | Date:10/2022 | PAGE:H4-1869-01 |
| RADIATOR DOOR ASSY - GRILL | | |



| | | |
|-----------------------------------|--------------|-----------------|
| From N-201 To R-079 | Date:10/2022 | PAGE:H4-1869-01 |
| RADIATOR DOOR ASSY - GRILL | | |

| Item# | Part | Description | H 3 4 0 | V I P 4 0 | N O T E S |
|-------|---------|---|------------------|-----------------------|-----------------------|
| | 284110P | RADIATOR DOOR ASSY | 1 | 1 | |
| 1 | 284107 | . DOOR MOULDED / FIBERGLASS | 1 | 1 | |
| . NS | 288096 | . . LOUVER ROD 37 1/4" | AR | AR | |
| 2 | 283081 | . EXTRUSION PROFILE 1072MM | 1 | 1 | |
| 2 | 283100 | . STRIPE, REFLECTIVE WHITE / 38MM X 15' ROLL | AR | AR | |
| . NS | 780277 | . . STRIPE, REFLECTIVE WHITE / 38MM X 150' ROLL | AR | AR | |
| 3 | 502534 | . SCREW CAP SQ 5/16-18x1 G2 Z050 | 4 | 4 | |
| 4 | 283219 | . WASHER ,REINFORCEMENT | 4 | 4 | |
| 5 | 500374 | . WASHER FL .375x.625x.062 RUB | 4 | 4 | |
| 6 | 500701 | . NUT HEX 5/16-18 ZP | 4 | 4 | |
| 7 | 283156 | . PROTECTOR PANEL / DP | 1 | 1 | |
| 7 | 284797 | . PROTECTOR PANEL / WITH GRAVEL GUARD / DP | 1 | 1 | A |
| 8 | 681348 | . TAPE RUB ADH2 ACRYLIC .045" x 1" x 108' / VHB4952 | AR | AR | B |
| 9 | 502780 | . SCREW CAP HEX M8-1.25x25 SS BK | 2 | 2 | |
| 10 | 283166 | . BRACKET MOUNTING / LOWER / DOOR & FRAME | 2 | 2 | |
| 10 | 502528 | . SCREW CAP HEX M8-1.25x20 G8.8 EMN | 2 | 2 | |
| 10 | 502583 | . WASHER LO SERR 8.15x22.3x1.0 Z050 | 4 | 4 | C |
| 11 | 507295 | . HOLE PLUG BUTTON / 1.375 O.D. BLACK | 2 | 2 | |
| 12 | 284113 | . SEAL | 1 | 1 | |
| 20 | 212052 | EYELET | 2 | 2 | D |
| NS | 212055 | RETAINER 32" / WELDED TO FRAME | 2 | 2 | |
| NS | 212056 | RETAINER 12" / WELDED TO FRAME | 2 | 2 | |
| | | | | | |
| | | | | | |
| | | | | | |
| | | A) THIS PROTECTOR IS COATED WITH GRAVEL GUARD AND IS BLACK PAINTED READY TO INSTALL | | | |
| | | B) DOOR & PROTECTOR PANEL S.Q. | | | |
| | | C) W/ITEM 4 & 16 | | | |
| | | D) WELDED AT UPPER STRUCTURE | | | |

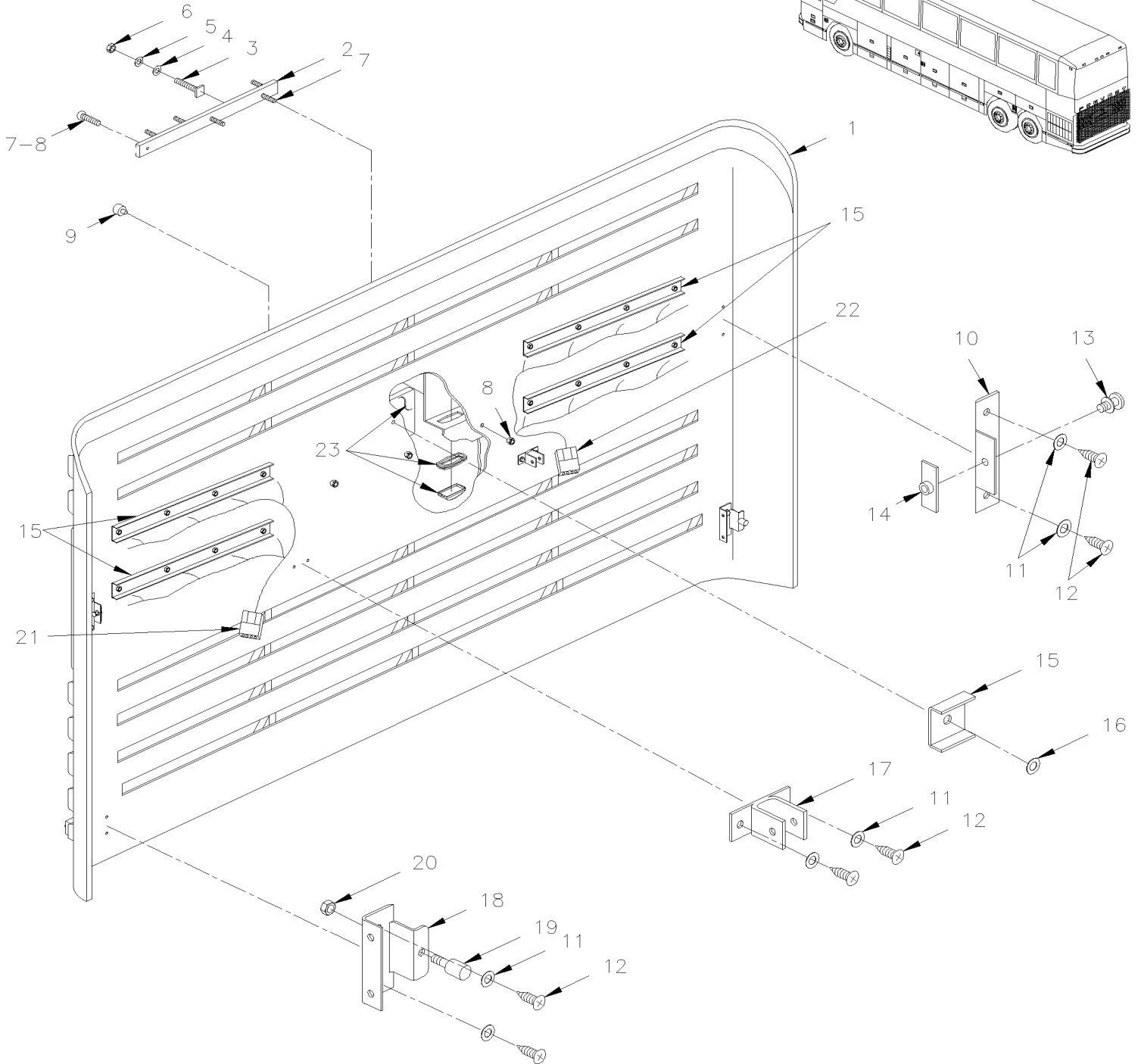
From L-031 To R-079

Date:10/2022

PAGE:H4-1870-00

ENGINE DOOR ASSY

BACK VIEW



| | | |
|-------------------------|--------------|-----------------|
| From L-031 To R-079 | Date:10/2022 | PAGE:H4-1870-00 |
| ENGINE DOOR ASSY | | |

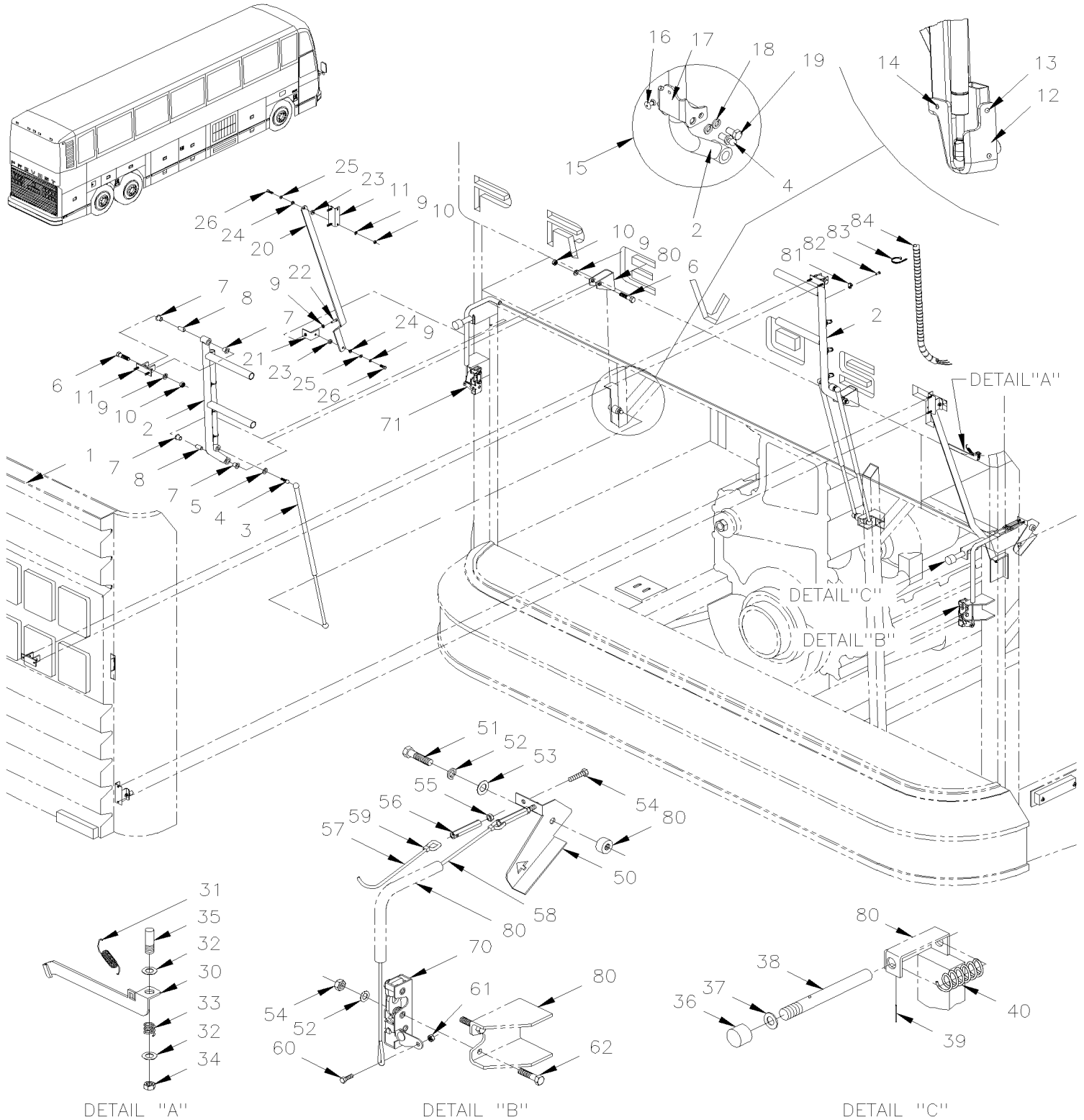
| Item# | Part | Description | H 3 4 0 | V I P 4 0 | N O T E S |
|-------|-------------------|--|------------------|-----------------------|-----------------------|
| | 283071P | ENGINE DOOR ASSY | 1 | 1 | |
| 1 | 282967 | . DOOR MOULDED / FIBERGLASS | 1 | | A |
| 1 | 284423 | . DOOR MOULDED / FIBERGLASS | 1 | 1 | |
| 2 | 283030 | . TRACK / LICENCE PLATE HOLDER 680MM | 1 | 1 | |
| 2 | 281343 | TRACK / LICENCE PLATE HOLDER 680 MM | 1 | 1 | |
| 3 | 504286 | . T SCREW 10-24 X 3/4" / SS / PLATE HOLDER | 4 | 4 | |
| 4 | 502637 | . WASHER FL .200x.437x.037 SS | 4 | 4 | |
| 5 | 502570 | . WASHER LO SPT 6.1x11.8x1.6 SS | 4 | 4 | |
| 6 | 500787 | . NUT HEX #10-24 SS | 4 | 4 | |
| 7 | 502666 | . SCREW MA FL PH #6-32x3/4 SS BK | 3 | 3 | |
| 8 | 500286 | . NUT WELL #6-32 | 3 | 3 | |
| 9 | 504498 | . BUMPER PLUG / .406ODx.218THx.250HOLEx.125 | 2 | 2 | |
| 10 | 283029 | . BRACKET ASSY | 2 | 2 | |
| 11 | 502584 | . WASHER LO SERR 8.2x26.3x1.8 Z050 | 12 | 12 | |
| 12 | 502790 | . SCREW CAP HEX M8-1.25x20 G8.8 Z050 | 12 | 12 | |
| 13 | 780415 | . BOLT STRIKER | 2 | 2 | |
| 14 | 283330 | . NUT SPECIAL / TO FIX STRIKER | 2 | 2 | |
| 15 | 283329 | . PLATE To T-1680 | 4 | 4 | |
| 16 | 502582 | . WASHER LO SERR 6.1x16.2x0.9 Z050 | 34 | 34 | |
| 17 | 283024 | . BRACKET / TO FIX PANTHOGRAPH | 2 | 2 | |
| 18 | 283032 | . BRACKET / STOPPER To T-1611 | 2 | 2 | |
| 18 | 285274 | . BRACKET / STOPPER From T-1612 | 2 | 2 | |
| 19 | 504454 | . BUMPER RUBBER BOLT / 20MM ODx20MM TH X M6X15MM STUD | 2 | 2 | |
| 20 | 502565 | . NUT HEX M6-1.0 SS | 2 | 2 | |
| 21 | 062592 | . CABLE ASSY To N-211 | 1 | 1 | |
| 21 | 063209 | . CABLE ASSY R.H. LAMP / REAR ENGINE DOOR From N-212 | 1 | 1 | |
| 22 | 062599 | . CABLE ASSY To N-211 | 1 | 1 | |
| 22 | 063210 | . CABLE ASSY L.H. LAMP / REAR ENGINE DOOR From N-212 | 1 | 1 | |
| NS | 506277 | . TAPE RUB ADH1 CC POL 1/2" x 3/4" x 15' / GREY 2520X | AR | AR | |
| NS | 680415 | . TAPE ADHESIVE 3" WIDE BLUE | AR | AR | |
| NS | 065528 | INTERFACE CABLE ASSY / W/LED FLASHER | 4 | 4 | B |
| NS | 065529 | INTERFACE CABLE ASSY / W/LED STOP | 5 | 5 | B |
| NS | 065530 | INTERFACE CABLE ASSY / W/LED TAIL | 4 | 4 | B |
| 23 | H4-0664-00 | . REAR EXTERIOR LIGHTS & PLATE HOLDER | | | |
| | | | | | |
| | | | | | |
| | | A) THOSE DOORS HAVE HOLE FOR BLOCK HEATER CONNECTOR H4-0660-00 | | | |
| | | B) USE WITH VEHICULE WITH LED RETROFIT | | | |

From L-031 To R-079

Date:10/2022

PAGE:H4-1870-10

REAR ENGINE DOOR - INSTALLATION



| | | |
|--|--------------|-----------------|
| From L-031 To R-079 | Date:10/2022 | PAGE:H4-1870-10 |
| REAR ENGINE DOOR - INSTALLATION | | |

| Item# | Part | Description | H 3 4 0 | V I P 4 0 | N O T E S |
|-------|-------------------|---|------------------|-----------------------|-----------------------|
| 1 | H4-1870-00 | ENGINE DOOR ASSY | | | |
| 2 | 283035 | PANTOGRAPH LEVER | 1 | 1 | |
| 3 | 980024 | CYLINDER GAZ / 669/409MM C/C / 200LBS | 3 | 3 | |
| 3 | 192226 | CYLINDER GAZ / 669/409MM C/C / 200LBS HD | | AR | |
| . NS | 980017 | . CLIP BALL STUD 10MM RETAINER | | 2 | |
| NS | 283023 | CYLINDER MOUNTING PLATE | 3 | 3 | |
| 4 | 980015 | BALL STUD / W/10 MM X M8-1.25 / 29.18 MM | 6 | 6 | |
| 5 | 980016 | NUT, CYLINDER RETAINER | 2 | 2 | |
| NS | 502760 | NUT HEX TWAY M8-1.25 Z050 | 2 | 2 | |
| 6 | 502527 | SCREW CAP HEX M8-1.25x50 G8.8 Z050 | 4 | 4 | |
| 7 | 507142 | BUSHING, NYLINER W/SHOULDER (8-L-8-F) | 8 | 8 | |
| 8 | 282541 | SPACER TUBE 31MM x 12.7MM x 8.5MM | 4 | 4 | |
| 9 | 502583 | WASHER LO SERR 8.15x22.3x1.0 Z050 | AR | AR | |
| 10 | 502543 | NUT HEX M8-1.25 Z050 | AR | AR | |
| 11 | H4-1870-00 | ENGINE DOOR ASSY | | | |
| 12 | 491130 | CYLINDER PROTECTOR / PLASTIC | 1 | 1 | |
| 13 | 504717 | RIVET POP DOME OE 1/8x1/4 SS | 1 | 1 | |
| 14 | 504339 | RIVET POP DOME OE 1/8x3/8 SS | 1 | 1 | |
| 15 | 289949 | KIT RETROFIT ENGINE DOOR CYLINDER PRESSURE INCREASE ADAPTOR | AR | AR | KS |
| 16 | 504747 | . RIVET HKL MMS 3/16x3/8 SS | 1 | 1 | |
| 17 | 289951 | . CYLINDER ADAPTOR ENGINE DOOR SERIE "H" / "U" SHAPE | 1 | 1 | |
| 18 | 5001161 | . WASHER LO SPT 8.1x14.8x2.0 SS-304 | 2 | 2 | |
| 19 | 5001527 | . SCREW CAP HEX M8-1.25x16 SS BK | 2 | 2 | |
| 20 | 283033 | ARM STABILIZER / 30MM OFFSET | 2 | 2 | |
| 21 | 283346 | ANGLE SUPPORT / ARM STABILISATOR ON L.H. POST | 1 | 1 | |
| 22 | 502790 | SCREW CAP HEX M8-1.25x20 G8.8 Z050 | 2 | 2 | A |
| 23 | 282540 | SPACER BUSHING FLANGE / AUX. ARM & SUPPORT | 4 | 4 | B |
| 24 | 507289 | BUSHING NYLINER / AUXILIARY ARM & ATTACHMENT | 4 | 4 | |
| 25 | 500444 | WASHER FL .406x.812x.065 Z050 | 4 | 4 | |
| 26 | 502651 | SCREW CAP HEX M8-1.25x35 G8.8 Z050 | 4 | 4 | |
| 30 | 283328 | HOOK SAFETY LOCK | 1 | 1 | |
| 31 | 502184 | SPRING EXTENSION / .360 O.D. x 1.25 x .031 | 1 | 1 | |
| 32 | 500441 | WASHER FL .312x.734x.065 Z050 | 2 | 2 | C |
| 33 | 480705 | SPRING COMPRESSION / .600 O.D. x 1 x .055 CROMAT | 1 | 1 | |
| 34 | 5001189 | NUT HEX 5/16-18 SS | 1 | 1 | |
| 35 | 481287 | SPACER | 1 | 1 | |
| 36 | 504454 | BUMPER RUBBER BOLT / 20MM ODx20MM TH X M6X15MM STUD | 2 | 2 | |
| 37 | 500411 | WASHER FL .260x.697x.050 SS | 4 | 4 | |
| 38 | 283014 | STOPPER 120MM | 2 | 2 | |
| 39 | 505513 | SPRING, PIN M3 x 24 SS | 2 | 2 | |
| 40 | 502181 | SPRING COMPRESSION / .720 O.D. x 3 x .067 | 2 | 2 | |
| 50 | 283037 | LEVER | 1 | 1 | |

| | | |
|--|--------------|-----------------|
| From L-031 To R-079 | Date:10/2022 | PAGE:H4-1870-10 |
| REAR ENGINE DOOR - INSTALLATION | | |

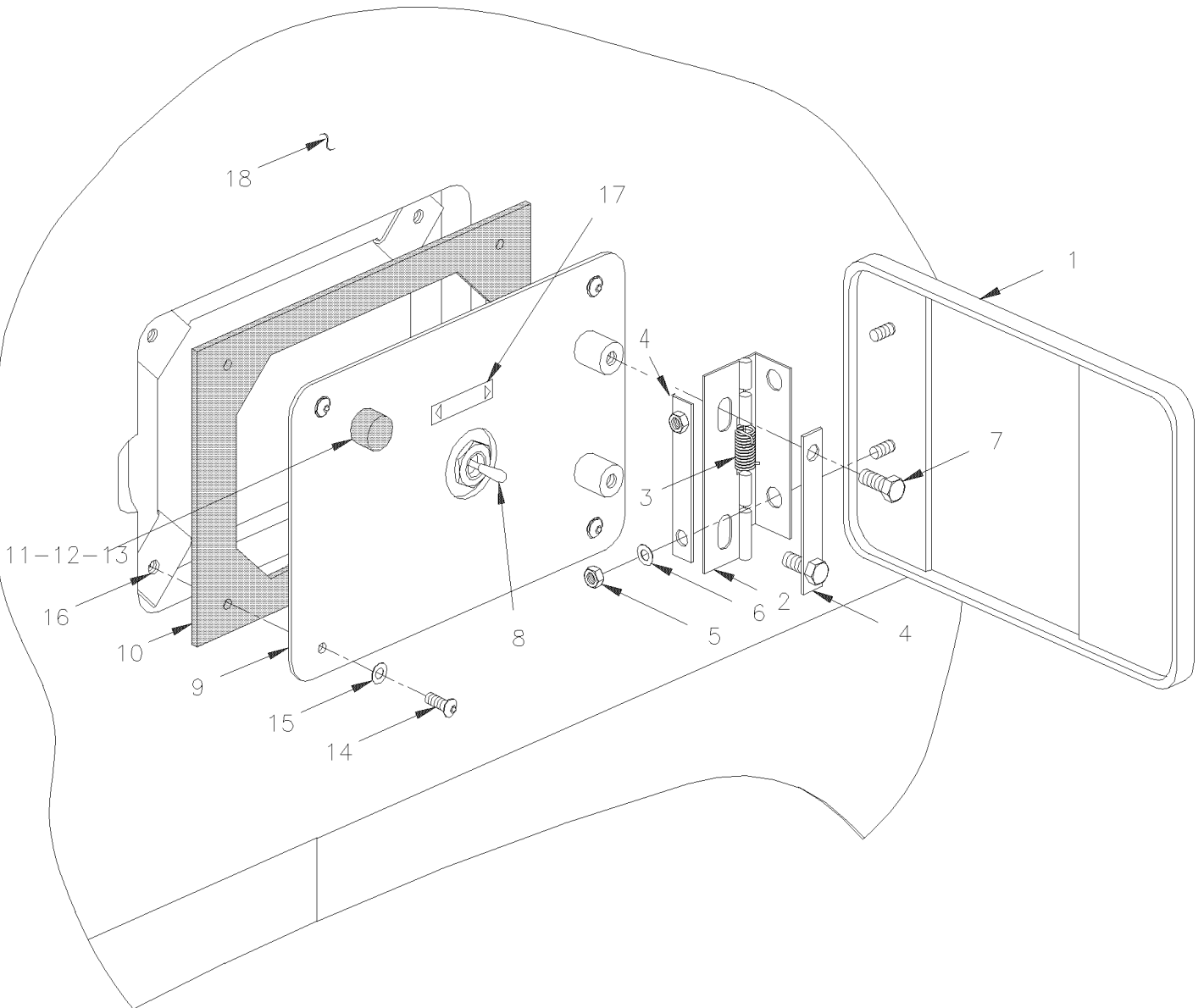
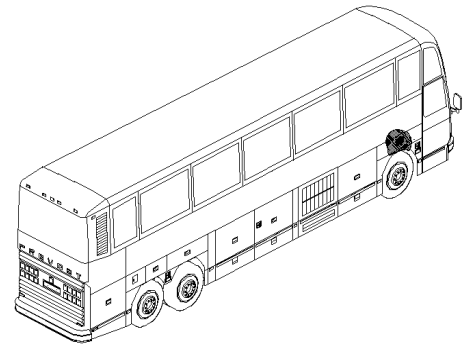
| Item# | Part | Description | H 3 4 0 | V I P 4 0 | N O T E S |
|-------|--------|---|------------------|-----------------------|-----------------------|
| 51 | 502563 | SCREW CAP HEX M6-1.0x12 G8.8 Z050 | 1 | 1 | |
| 52 | 502582 | WASHER LO SERR 6.1x16.2x0.9 Z050 | AR | AR | D |
| 53 | 500468 | WASHER FL .281x1.250x.065 Z050 | 1 | 1 | |
| 54 | 502686 | SCREW CAP HEX M6-1.0x30 SS BK | 2 | 2 | |
| 55 | 502581 | NUT HEX M6-1.0 Z050 | 2 | 2 | |
| 56 | 283015 | TENSIONER | 2 | 2 | |
| 57 | 283045 | CABLE 1/16 DIA / 2970MM | 1 | 1 | |
| 58 | 283069 | CABLE 1/16 DIA. / 565MM LG | 1 | 1 | |
| 59 | 780341 | SLEEVE / TO HOLDING CABLE 1/16OD SS | 2 | 2 | |
| 60 | 502550 | SCREW CAP HEX M4-0.7x16 G8.8 Z050 | 2 | 2 | E |
| 61 | 502557 | NUT HEX NYRT M4-0.7 SS | 2 | 2 | |
| 62 | 502533 | SCREW CAP HEX M6-1.0x30 G8.8 Z050 | 2 | 2 | |
| 63 | 502581 | NUT HEX M6-1.0 Z050 | 2 | 2 | |
| 70 | 283492 | LATCH / R.H. | 1 | 1 | |
| 70 | 285202 | LATCH / R.H. | 1 | 1 | |
| 71 | 283491 | LATCH / L.H. | 1 | 1 | |
| | | PART OF REAR STRUCTURE / | | | |
| 81 | 504531 | TIE MOUNT / 3/16" #10 SCREW / TA1S8-C | 50433 | 50433 | |
| 82 | 504106 | RIVET POP DOME OE 1/8x1/4 AL | AR | AR | |
| 83 | 504637 | CABLE TIE / 3/16" x 13" | AR | AR | |
| | | | | | |
| | | | | | |
| | | A) TO FIX ANGLE SUPPORT TO POST | | | |
| | | B) BUSHING FLANGEC W/ITEM #30 | | | |
| | | C) W/ITEM #30 | | | |
| | | D) TO FIX LATCH | | | |
| | | E) TO FIX CABLE TO LATCH | | | |
| | | KS) THIS KIT IT USE TO MOVE CYLINDER FOR INCREASE THE POWER AT DOOR CYLINDER FOR DOOR WHO HAVE MORE WEIGHT WITH ADD ACCESSORIES BY CONVERTERS | | | |

From L-031 To R-079

Date:10/2022

PAGE:H4-1872-00

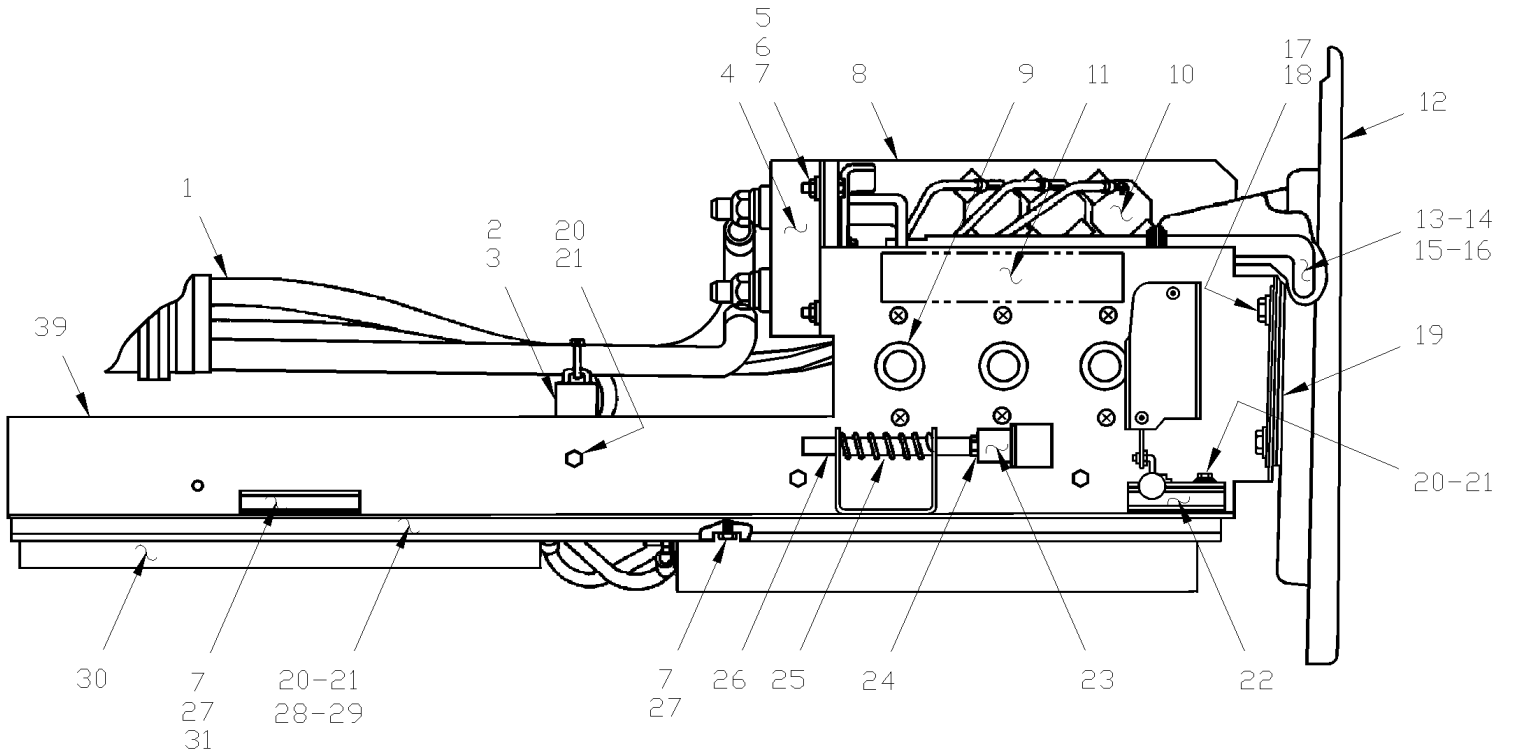
ENTRANCE DOOR OPENING SWITCH



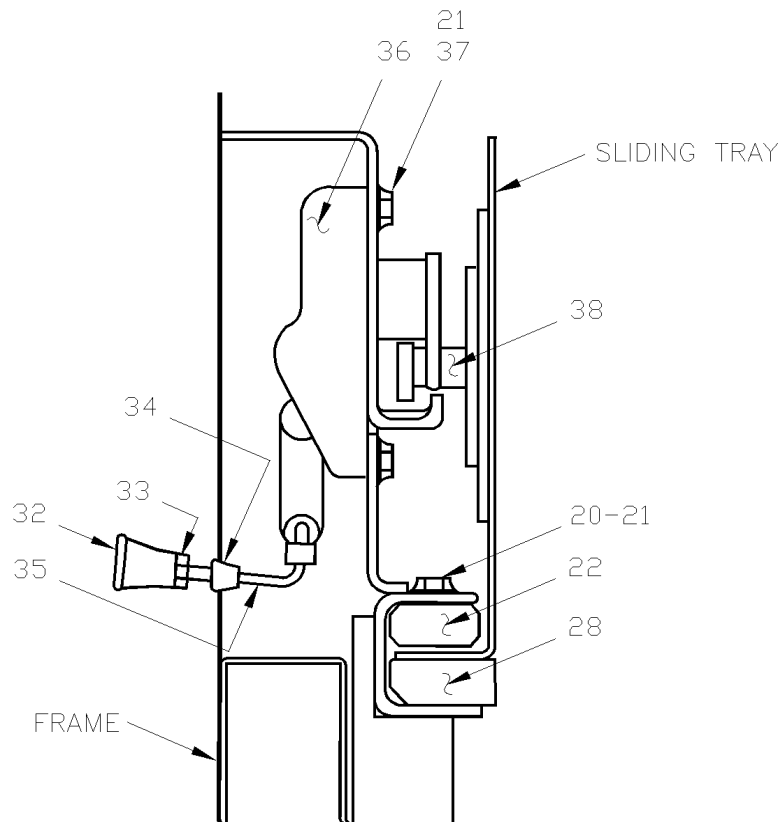
| | | | |
|-------------------------------------|--|--------------|-----------------|
| From L-031 To R-079 | | Date:10/2022 | PAGE:H4-1872-00 |
| ENTRANCE DOOR OPENING SWITCH | | | |

| Item# | Part | Description | H 3 4 0 | V I P 4 0 | N O T E S |
|-------|-------------------|---|------------------|-----------------------|-----------------------|
| 1 | 282563 | PANEL DOOR | 1 | | |
| 2 | 283460 | HINGE ASSY | 1 | | |
| 3 | 283465 | . SPRING, TORSION / .185 I.D. x .744 x .048 | 1 | | |
| 4 | 283461 | ATTACHMENT / FOR SPRING | 2 | | |
| 5 | 502707 | NUT HEX STO M5-0.8 Z050 | 2 | | |
| 6 | 500964 | WASHER FL .203x.500x.047 Z050 | 2 | | |
| 7 | 5001106 | SCREW CAP HEX M6-1.0x10 G8.8 Z050 | 2 | | |
| 8 | 562253 | SWITCH / M/ON-OFF-M/ON / S.P.S.T. | 1 | | B |
| NS | 065380 | KIT ENTRANCE DOOR SWITCH | 1 | | |
| 9 | 284035 | PLATE ASSY | 1 | | |
| 9 | 283926 | PLATE ASSY / W/PLUG TYPE DOOR | 1 | | A |
| NS | 641113 | SOLENOID, CONTROL VALVE | 1 | | A |
| 10 | 283925 | GASKET / PLATE & DOOR | 1 | | |
| 11 | 504454 | BUMPER RUBBER BOLT / 20MM ODx20MM TH X M6X15MM STUD | 1 | | |
| 12 | 507166 | O-RING 1/4 I.D. X 3/8 O.D. | 1 | | |
| 13 | 502565 | NUT HEX M6-1.0 SS | 1 | | |
| NS | 502570 | WASHER LO SPT 6.1x11.8x1.6 SS | 1 | | |
| 14 | 502706 | SCREW TP PAN PH #14x1 SS | 4 | | |
| 15 | 502571 | WASHER FL SEAL .281x.625x20GA SS | 4 | | |
| 16 | 502764 | NUT SPR J #14A .035-.046 | 4 | | |
| NS | 284081 | PLATE RETAINING | 1 | | |
| 17 | 284050 | DECAL / W/2 RED ARROWS | 1 | | |
| 18 | H4-1854-00 | SIDE PANELS - BUS | | | |
| NS | 641113 | SOLENOID, CONTROL VALVE | 1 | | |
| NS | 284060 | GASKET / W/PLUG TYPE DOOR / VALVE & PLATE | 1 | | A |
| | | | | | |
| | | | | | |
| | | | | | |
| | | A) THIS ITEM IS RELATED WITH "PLUGTYPE" DOOR INSTALLATION UP TO N-197 | | | |
| | | B) FOR PRODUCT IMPROVMENT ASK FOT KIT #065380 | | | |

| | | |
|----------------------------------|--------------|-----------------|
| From L-029 To R-079 | Date:10/2022 | PAGE:H4-1874-00 |
| SLIDING TRAY JUNCTION BOX | | |



LOCK MECHANISM



| | | |
|----------------------------------|--------------|-----------------|
| From L-029 To R-079 | Date:10/2022 | PAGE:H4-1874-00 |
| SLIDING TRAY JUNCTION BOX | | |

| Item# | Part | Description | H 3 4 0 | V I P 4 0 | N O T E S |
|-------|--------|---|------------------|-----------------------|-----------------------|
| 1 | 062149 | CABLE ASSY #0 | 1 | 1 | |
| 2 | 504013 | TIE MOUNT / 1/4" X 1/4" I.D. | 6 | 6 | |
| 3 | 504272 | RIVET CHY Q BRAZ 3/16x1/8 SS | 6 | 6 | |
| 4 | 381066 | SWITCH ASSY | 1 | 1 | |
| 4 | 560270 | . SWITCH, DISCONNECT 24VOLTS | 1 | 1 | |
| 4 | 380516 | . PLATE, SUPPORT | 1 | 1 | |
| 5 | 500095 | SCREW CAP HEX 1/4-20x3/4 SS | 4 | 4 | |
| 6 | 500770 | NUT HEX STO 1/4-20 Z050 | 4 | 4 | B |
| 7 | 502573 | WASHER FL 6.4x12.5x1.6 SS | AR | AR | B |
| 7 | 561541 | SWITCH, 12 V. POWER DISCONNECT | 1 | 1 | |
| 8 | 381045 | TRAY WELDED | 1 | 1 | |
| 9 | 561767 | BREAKER 70AMPS / 24V / | AR | AR | |
| NS | 560299 | BREAKER 150AMPS / 24V / | AR | AR | |
| NS | 560298 | BREAKER 90AMPS / 24V / | AR | AR | |
| NS | 500388 | SCREW MA RND PH #10-24x1 Z050 | 12 | 12 | C |
| NS | 500786 | NUT HEX #10-24 Z050 | 12 | 12 | C |
| NS | 500470 | WASHER LO SPT .193x.334x.047 Z050 | 12 | 12 | C |
| 10 | 870690 | BREAKER 30AMPS / 24V / | 3 | 3 | |
| NS | 500588 | SCREW CAP HEX M4-0.7x20 G8.8 Z050 | 6 | 6 | |
| NS | 502636 | WASHER LO SPT 4.1x7.6x0.9 Z050 | 6 | 6 | D |
| NS | 502556 | WASHER FL 4.3x9.0x0.8 SS | 6 | 6 | D |
| NS | 502524 | NUT HEX M4-0.7 Z050 | 6 | 6 | D |
| 11 | 062657 | DECAL | 1 | 1 | |
| 11 | 062658 | DECAL | 1 | 1 | |
| 12 | 282996 | PANEL / JUNCTION BOX | 1 | 1 | |
| 13 | 381041 | HANDLE, SWITCH DISCONNECT 24 VOLTS | 1 | 1 | |
| 14 | 504062 | GROMMET / .4375x.687x.125x.375x.937 | 2 | 2 | |
| 15 | 500958 | WASHER FL .531x1.062x.095 SS | 1 | 1 | |
| 16 | 502110 | PIN, COTTER 1/8 x 1 1/4 | 1 | 1 | |
| 17 | 502528 | SCREW CAP HEX M8-1.25x20 G8.8 EMN | 4 | 4 | |
| 18 | 500035 | WASHER LO SPT .317x.586x.078 SS | 4 | 4 | |
| 19 | 381150 | PLATE, SHIM | AR | AR | |
| 20 | 502622 | SCREW CAP HEX M6-1.0x20 SS BK | AR | AR | |
| 21 | 502570 | WASHER LO SPT 6.1x11.8x1.6 SS | AR | AR | |
| 22 | 381046 | BLOCK, STOPPER | 2 | 2 | |
| 23 | 504454 | BUMPER RUBBER BOLT / 20MM ODx20MM TH X M6X15MM STUD | 1 | 1 | |
| 24 | 500609 | NUT HEX M6-1.0 Z050 | 1 | 1 | |
| 25 | 570162 | SPRING COMPRESSION / .607 O.D. x 2. x .091 | 1 | 1 | |
| NS | 505421 | SPRING, PIN M3 x 18 | 1 | 1 | |
| 26 | 381188 | ROD, STOPPER | 1 | 1 | |
| 27 | 502621 | NUT HEX STO M6-1.0 Z050 | AR | AR | |
| 28 | 381050 | SLIDE, TRAY | 2 | 2 | |

| | | |
|----------------------------------|--------------|-----------------|
| From L-029 To R-079 | Date:10/2022 | PAGE:H4-1874-00 |
| SLIDING TRAY JUNCTION BOX | | |

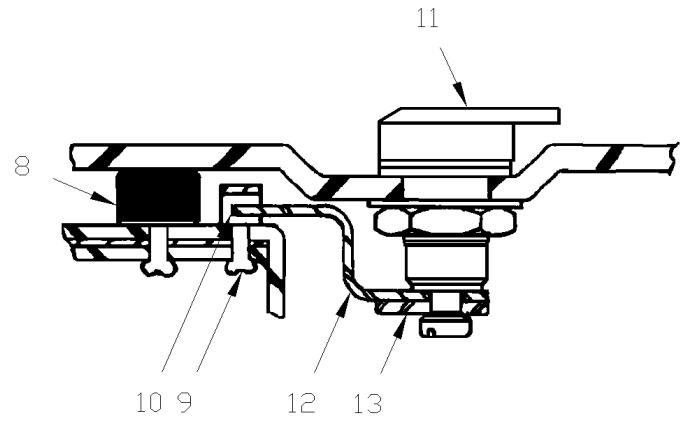
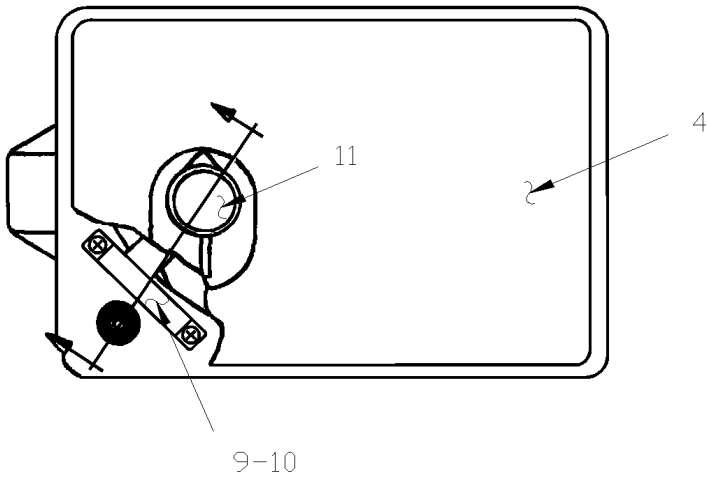
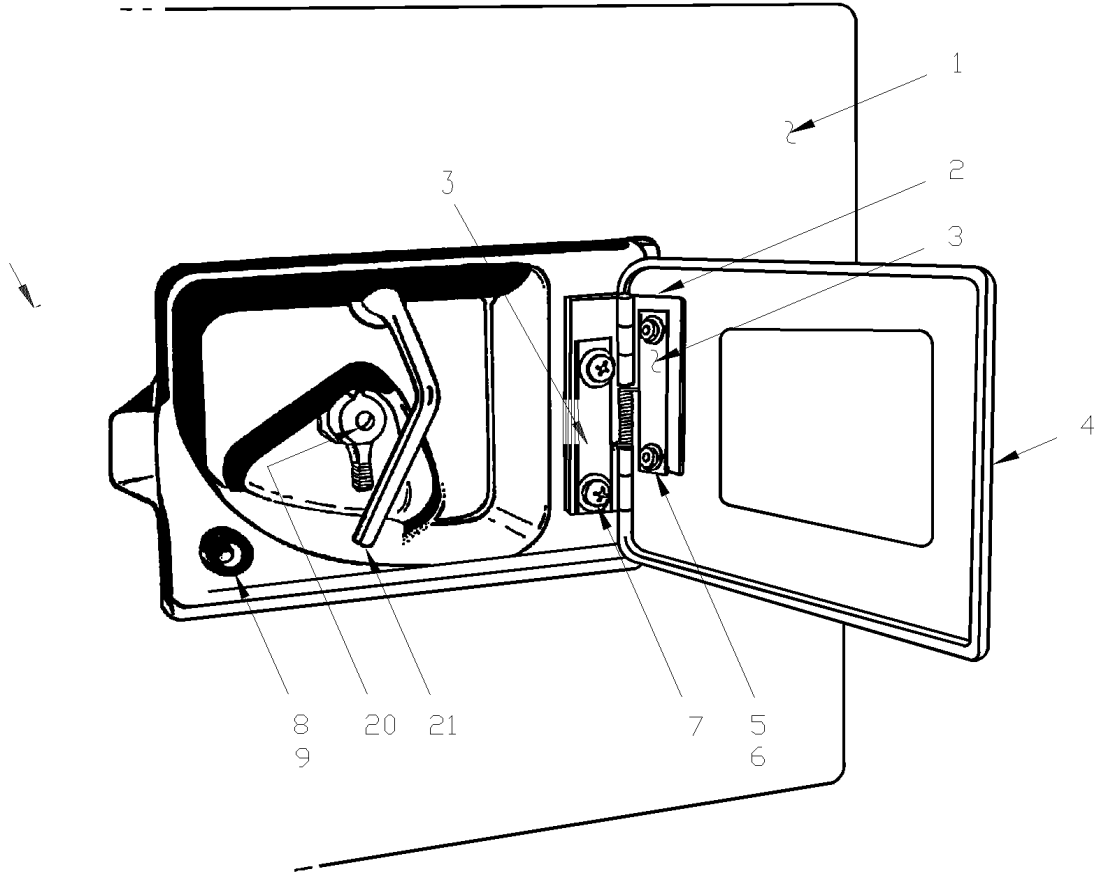
| Item# | Part | Description | H 3 4 0 | V I P 4 0 | N O T E S |
|-------|-----------|---|------------------|-----------------------|-----------------------|
| 29 | 381437 | SUPPORT ASSY / BATTERY EQUALIZER | 2 | 2 | |
| 30 | 561016 | EQUALIZER "VANNER" 50 AMPS | 2 | 2 | E |
| 31 | 380847 | BLOCK, STOPPER | 2 | 2 | |
| 32 | 505504 | KNOB, PULL / 8-32 | 1 | 1 | |
| 33 | 500764 | NUT HEX #8-32 Z050 | 1 | 1 | |
| 34 | 504083 | SNAP BUSHING / .250x.468.406 | 1 | 1 | |
| 35 | 282984 | ROD OPENING 52MM | 1 | 1 | |
| 36 | 780283 | LOCK SPAGNOLET R.H. | 1 | 1 | |
| . NS | 780340 | . CLIP, RETAINER ROD | 1 | 1 | |
| 37 | 502563 | SCREW CAP HEX M6-1.0x12 G8.8 Z050 | 2 | 2 | |
| 38 | 780278 | PIN, STRIKER STUD | 1 | 1 | |
| NS | 381060 | PLATE, SHIM / TO FIX STRIKER PIN | 1 | 1 | |
| NS | 500316 | SCREW MA FL PH 1/4-28x3/4 SS | 2 | 2 | |
| NS | 500692 | NUT HEX 1/4-28 Z050 | 2 | 2 | |
| NS | 502570 | WASHER LO SPT 6.1x11.8x1.6 SS | 2 | 2 | |
| 39 | 381476 | DOOR ASSY | 1 | 1 | A |
| 40 | 780340 | CLIP, RETAINER ROD | 1 | 1 | |
| NS | 065121 | KIT EQUALIZER 60AMPS | 1 | 1 | |
| . NS | IS-99016C | . SEE INSTRUCTION SHEET | 1 | 1 | |
| | | | | | |
| | | | | | |
| | | | | | |
| | | A) PRIOR N-170 USE KIT 381439 | | | |
| | | B) TO FIX SWITCH | | | |
| | | C) TO FIX BREAKER 9# | | | |
| | | D) TO FIX BREAKER #10 | | | |
| | | E) THIS PART IS SUPERSEDED BY KIT #065121. SEE INSTRUCTION SHEET IS-99016C FOR HELP | | | |

From L-031 To R-079

Date:10/2022

PAGE:H4-1874-10

SMALL ACCESS DOOR



| | | |
|--------------------------|--------------|-----------------|
| From L-031 To R-079 | Date:10/2022 | PAGE:H4-1874-10 |
| SMALL ACCESS DOOR | | |

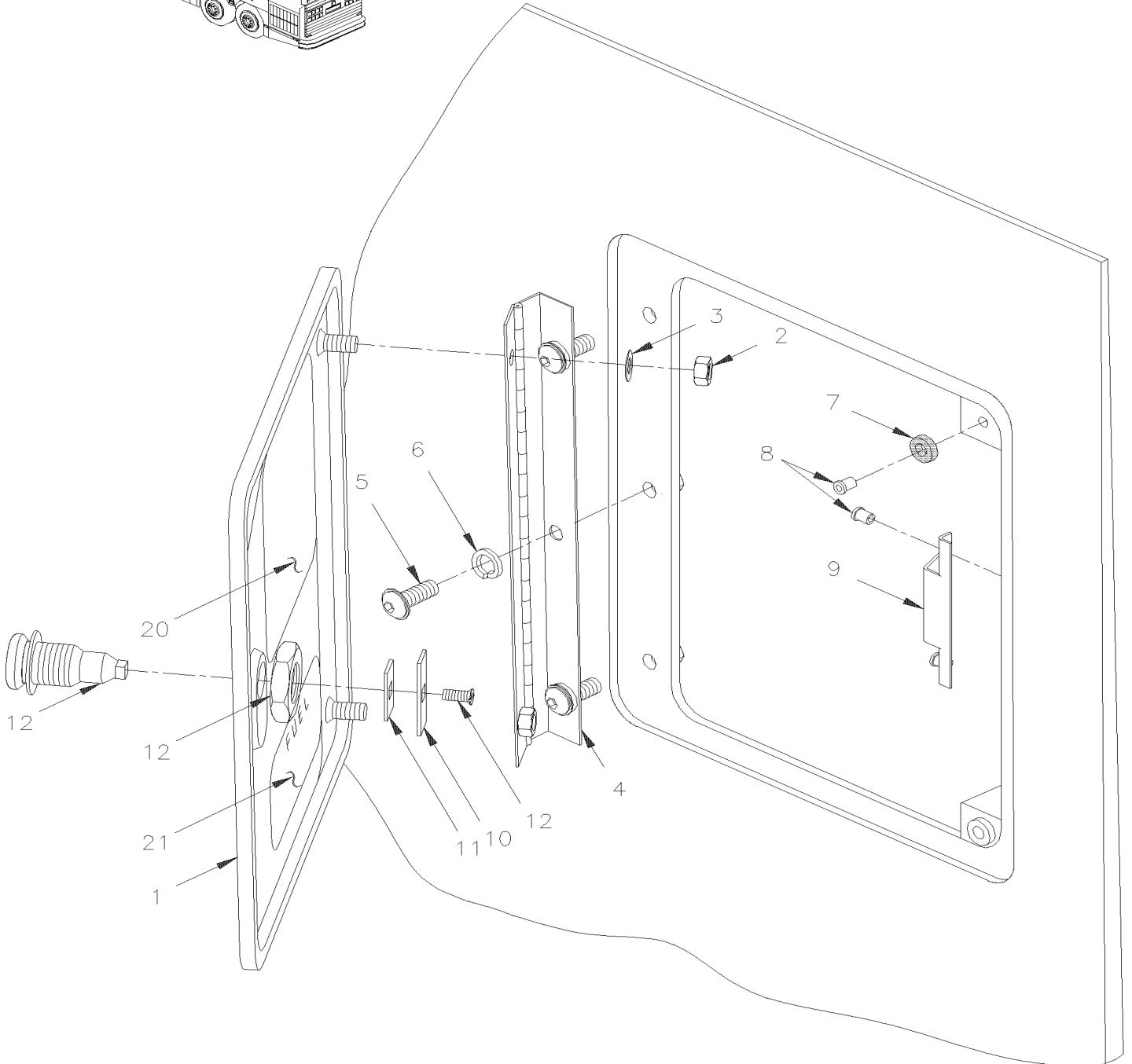
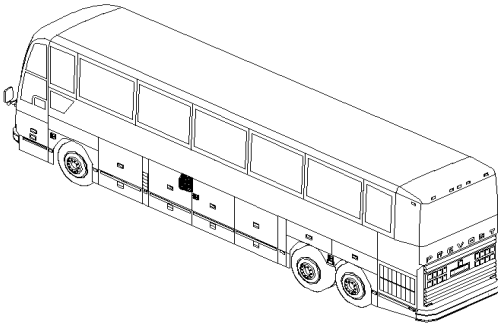
| Item# | Part | Description | H 3 4 0 | V I P 4 0 | N O T E S |
|-------|-------------------|---|------------------|-----------------------|-----------------------|
| 1 | 282993 | PANEL / JUNCTION DRAWER | 1 | 1 | |
| 2 | 283460 | HINGE ASSY | 1 | 1 | |
| 2 | 283465 | . SPRING, TORSION / .185 I.D. x .744 x .048 | 1 | 1 | |
| 3 | 283461 | ATTACHMENT / FOR SPRING | 2 | 2 | |
| 4 | 282563 | PANEL DOOR | 1 | | |
| 4 | 283440 | PANEL DOOR / W/LOCK | | 1 | |
| 5 | 502707 | NUT HEX STO M5-0.8 Z050 | 2 | 2 | |
| 6 | 500964 | WASHER FL .203x.500x.047 Z050 | 2 | 2 | |
| 7 | 502569 | SCREW MA PAN PH M6-1.0x16 BK | 2 | 2 | |
| 8 | 504334 | BUMPER RUBBER / .625 OD x .406 TH x .156 HOLE | 1 | 1 | |
| 9 | 504473 | RIVET POP DOME OE 1/8x1/4 SS | 1 | 1 | |
| NS | 500157 | WASHER FL .125x.375x.032 SS | 1 | 1 | |
| 10 | 283464 | LOCK, STOP / W/LOCK | 1 | 1 | |
| 11 | H4-1864-30 | HANDLE LOCK & KEYS - TYPE "PS" | | | |
| 12 | 283462 | ARM, LOCK | 1 | 1 | |
| 13 | 283463 | SPACER | 1 | 1 | |
| NS | 062729 | DECAL / SWITCH 12VOLTS & 24 VOLTS | | 1 | |
| NS | 062656 | DECAL / SWITCH 12VOLTS & 24 VOLTS | 1 | | |
| 20 | 561541 | SWITCH, 12 V. POWER DISCONNECT | 1 | 1 | |
| 21 | 381041 | HANDLE, SWITCH DISCONNECT 24 VOLTS | 1 | 1 | |
| NS | 560270 | SWITCH, DISCONNECT 24VOLTS | 1 | 1 | |
| NS | 504062 | GROMMET / .4375x.687x.125x.375x.937 | 1 | 1 | |
| | | | | | |
| | | | | | |
| | | | | | |

From L-031 To R-079

Date:10/2022

PAGE:H4-1875-00

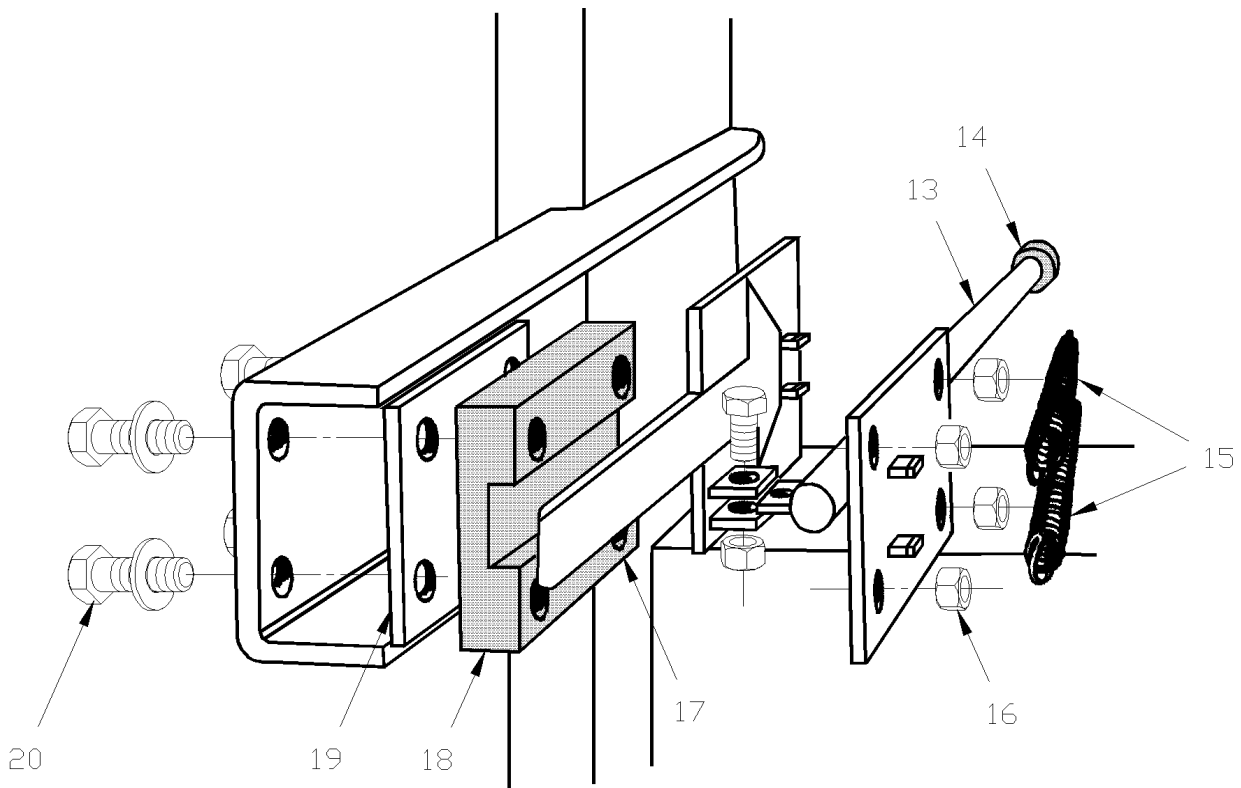
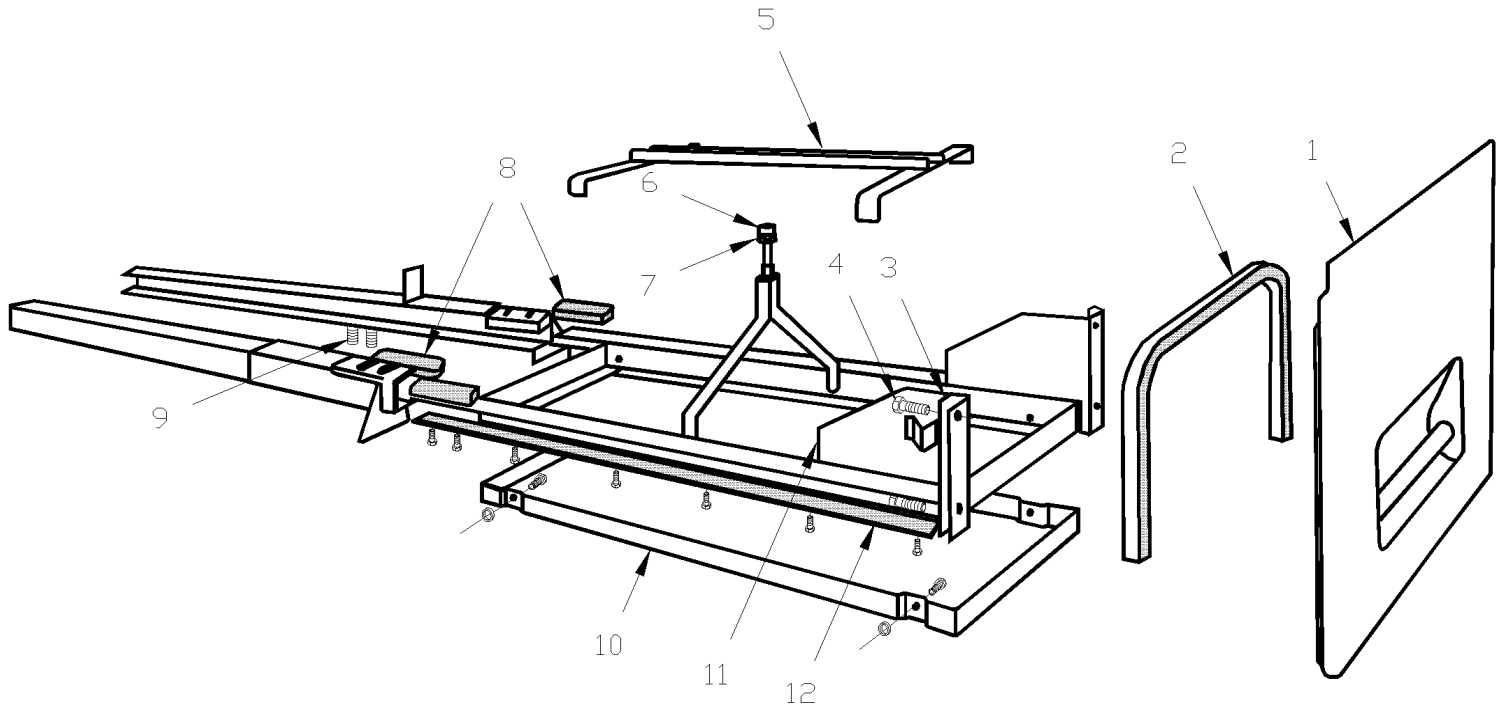
FUEL TANK FILLING DOOR



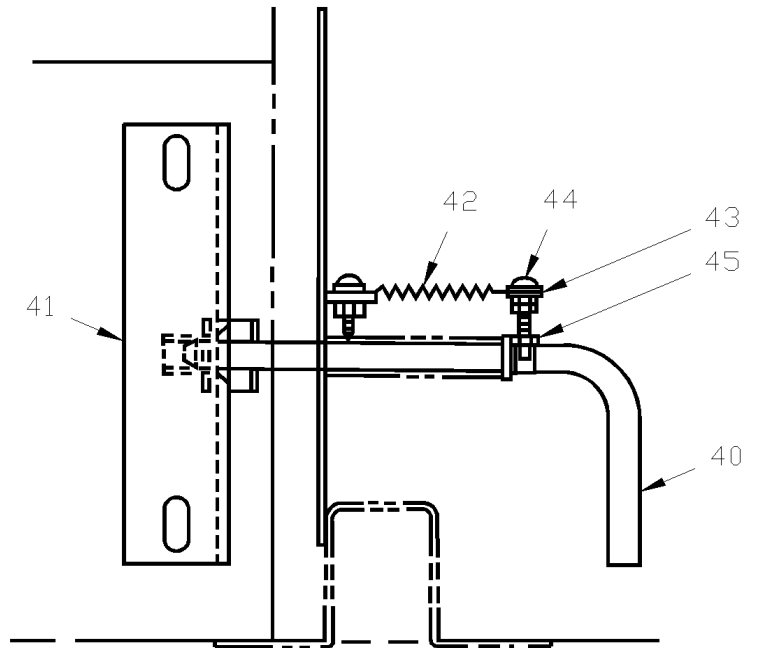
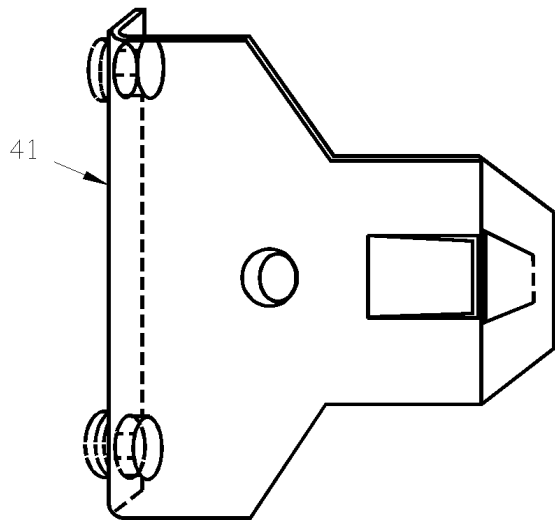
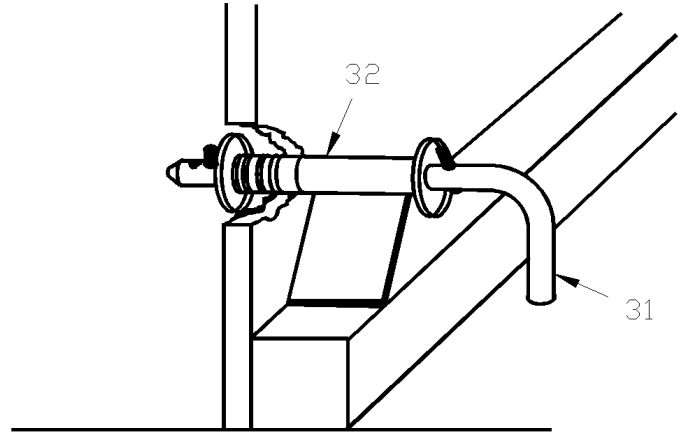
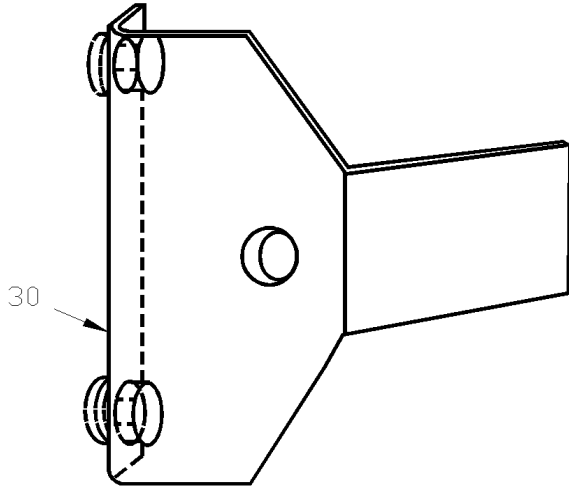
| | | |
|-------------------------------|--------------|-----------------|
| From L-031 To R-079 | Date:10/2022 | PAGE:H4-1875-00 |
| FUEL TANK FILLING DOOR | | |

| Item# | Part | Description | H 3 4 0 | V I P 4 0 | N O T E S |
|-------|-------------------|---|------------------|-----------------------|-----------------------|
| 1 | 283214 | FUEL DOOR / LH FIXED AT EVAPORATOR DOOR | 1 | 1 | |
| 2 | 502707 | NUT HEX STO M5-0.8 Z050 | 2 | 2 | |
| 3 | 500964 | WASHER FL .203x.500x.047 Z050 | 2 | 2 | |
| 4 | 282610 | HINGE / FUEL DOOR | 1 | 1 | |
| 5 | 502569 | SCREW MA PAN PH M6-1.0x16 BK | 3 | 3 | |
| 6 | 502582 | WASHER LO SERR 6.1x16.2x0.9 Z050 | 3 | 3 | |
| 7 | 504334 | BUMPER RUBBER / .625 OD x .406 TH x .156 HOLE | 2 | 2 | |
| 8 | 504339 | RIVET POP DOME OE 1/8x3/8 SS | 4 | 4 | |
| 9 | 790279 | SPRING, CATCH | 1 | 1 | |
| 10 | 282613 | PLATE, LOCK / 7MM SQ HOLE | 1 | 1 | |
| 11 | 282612 | SPACER / 7MM SQ X 17MM O.D X 16GA | 1 | 1 | |
| 11 | 288806 | SPACER / 8MM SQ X 17MM O.D X 16GA / SERVICE | 1 | 1 | |
| 12 | H4-1864-30 | HANDLE LOCK & KEYS - TYPE "PS" | | | |
| 12 | H4-1864-99 | HANDLE LOCK & KEYS - TYPE "NS" / SERVICE | | | |
| 20 | 403315 | DECAL / "TANK CAPACITY" ENGLISH 235 U.S. GALLONS | AR | AR | |
| 21 | 402789 | DECAL / "CARBURANT" DIESEL #1 | AR | AR | |
| NS | 402788 | DECAL / FUEL RECOMMENDED # 1 OR # 2 AC.. / ENGLISH & FRANCAIS | AR | AR | |
| 21 | 405636 | DECAL / FUEL RECOMMENDED # 1 OR # 2 AC.. / ENGLISH & SPANISH | AR | AR | |
| | | | | | |
| | | | | | |
| | | | | | |

| | | |
|---------------------------------------|--------------|-----------------|
| From L-031 To M-143 | Date:10/2022 | PAGE:H4-1876-00 |
| SLIDING TRAY FOR BATTERY INSTALLATION | | |



| | | |
|--|--------------|-----------------|
| From L-031 To M-143 | Date:10/2022 | PAGE:H4-1876-00 |
| SLIDING TRAY FOR BATTERY INSTALLATION | | |



| | | |
|---------------------|--------------|-----------------|
| From L-031 To M-143 | Date:10/2022 | PAGE:H4-1876-00 |
|---------------------|--------------|-----------------|

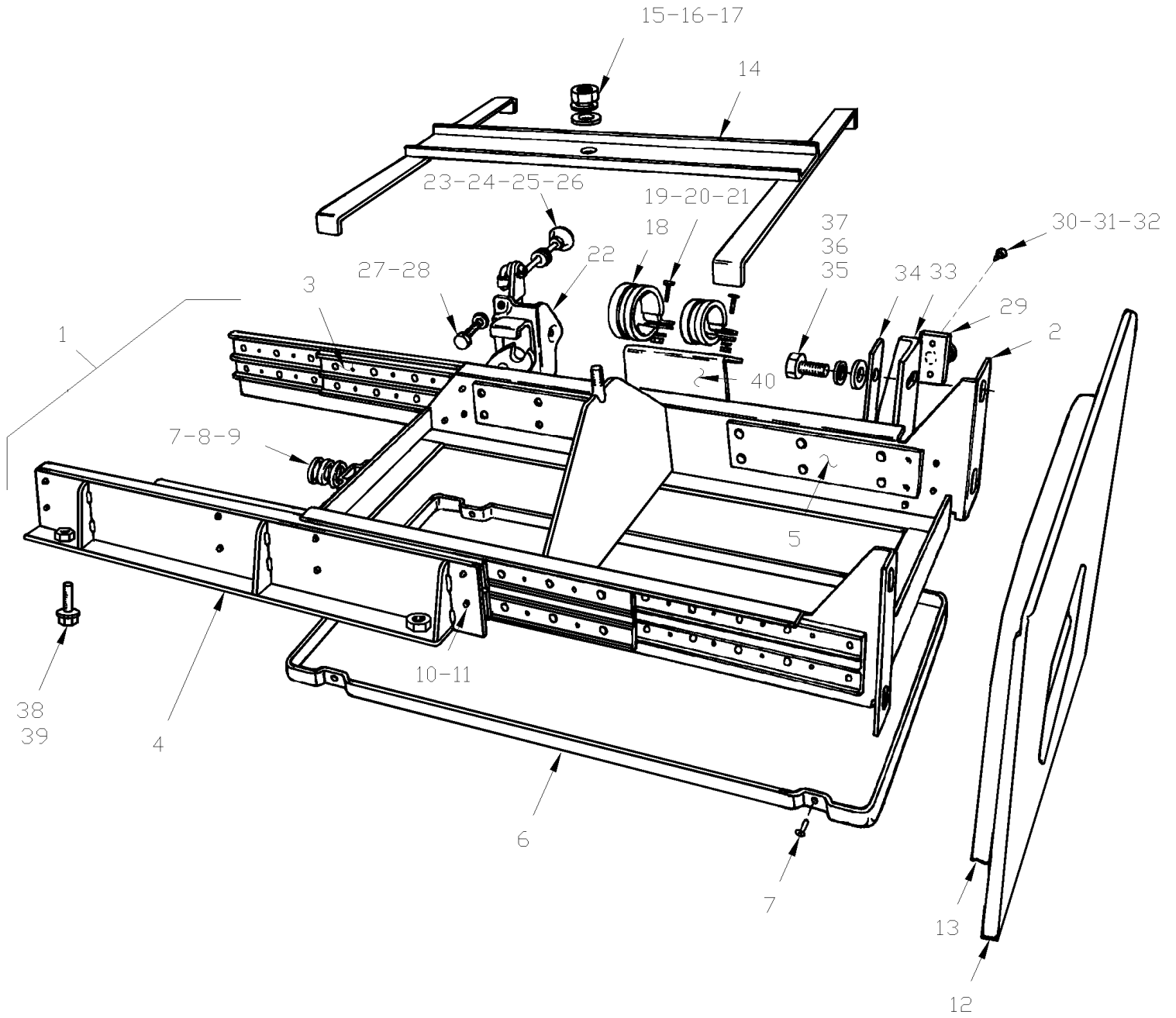
SLIDING TRAY FOR BATTERY INSTALLATION

| Item# | Part | Description | H 3 4 0 | V I P 4 0 | N O T E S |
|-------|--------|--|------------------|-----------------------|-----------------------|
| 1 | 282740 | DOOR MOULDED / FIBERGLASS / BATTERY COMPARTEMENT | 1 | 1 | |
| 2 | 282430 | SEAL, EXTERIOR | AR | AR | |
| 3 | 380816 | REINFORCEMENT / DOOR | 2 | 2 | |
| 4 | 502790 | SCREW CAP HEX M8-1.25x20 G8.8 Z050 | 4 | 4 | |
| NS | 502507 | WASHER LO SPT 8.1x14.8x2.0 Z050 | 4 | 4 | |
| 5 | 380812 | SUPPORT, UPPER / BATTERY | 1 | 1 | |
| 6 | 500875 | NUT HEX M12-1.75 SS | 1 | 1 | |
| 7 | 500482 | WASHER LO SPT .506x.873x.125 Z050 | 1 | 1 | |
| NS | 500958 | WASHER FL .531x1.062x.095 SS | 1 | 1 | |
| 8 | 380847 | BLOCK, STOPPER | 4 | 4 | |
| 9 | 380820 | BOLT, STOPPER | 2 | 2 | |
| 10 | 380852 | PAN, DRIP | 1 | 1 | |
| 11 | 381036 | BASE ASSY / SLIDING TRAY | 1 | 1 | |
| 12 | 380823 | SLIDE | 2 | 2 | |
| NS | 502621 | NUT HEX STO M6-1.0 Z050 | 16 | 16 | |
| NS | 502573 | WASHER FL 6.4x12.5x1.6 SS | 16 | 16 | |
| 13 | 380830 | ROD, HANDLE | 1 | 1 | |
| 14 | 504061 | GROMMET / .4375x.687x.062x.312x.937 | 1 | 1 | |
| 15 | 502159 | SPRING EXTENSION / .312 O.D. x 1.375 x .031 | 2 | 2 | |
| NS | 502567 | NUT HEX M10-1.5 SS | 2 | 2 | |
| NS | 502680 | SCREW CAP HEX M10-1.5x50 SS | 1 | 1 | |
| 16 | 500868 | NUT HEX NYRT M8-1.25 Z050 | 4 | 4 | |
| 17 | 380835 | PLATE | 1 | 1 | |
| 18 | 380815 | SLIDE, NYLON | 2 | 2 | |
| 19 | 380817 | SPACER | 2 | 2 | |
| 20 | 500544 | SCREW CAP HEX M8-1.25x30 G8.8 Z050 | 4 | 4 | |
| NS | 503528 | HOSE, DRAIN / #4 x 50' / S.L. | 1 | 1 | |
| NS | 504230 | HOSE CLAMP / 3/8"-7/8" SS / HS-6 | 1 | 1 | |
| NS | 560480 | CLAMP / 1/2" I.D. | 1 | 1 | |
| NS | 502557 | NUT HEX NYRT M4-0.7 SS | 1 | 1 | |
| NS | 502556 | WASHER FL 4.3x9.0x0.8 SS | 1 | 1 | |
| | | FOLLOWING PARTS ARE USED ONLY | | | |
| | | ON THE V.I.N.: L-030, L-031, L-044 AND | | | |
| | | M-049 TO M-067 | | | |
| 30 | 381286 | CATCH ASSY / (TRIANGULAR FORM) | 1 | 1 | |
| 31 | 381290 | HANDLE | 1 | 1 | |
| 32 | 502190 | SPRING COMPRESSION / .687 O.D. x .843 x .054 | 1 | 1 | |
| | | VEHICLE UP TO M-144 ON WHICH CATCH RETROFIT | | | |
| | | KIT HAVE BEEN INSTALLED REQUIRE | | | |

| | | |
|--|--------------|-----------------|
| From L-031 To M-143 | Date:10/2022 | PAGE:H4-1876-00 |
| SLIDING TRAY FOR BATTERY INSTALLATION | | |

| Item# | Part | Description | H 3 4 0 | V I P 4 0 | N O T E S |
|-------|--------|---|------------------|-----------------------|-----------------------|
| | | THE FOLLOWING PARTS | | | |
| 32 | 381431 | KIT RETROFIT SAFETY CATCH | 1 | 1 | |
| 40 | 381428 | . HANDLE | 1 | 1 | |
| 41 | 381429 | . CATCH ASSY / TO FIX ON DOOR PANEL | 1 | 1 | |
| 42 | 502156 | . SPRING EXTENSION / .437 O.D. x 2 x .041 | 1 | 1 | |
| 43 | 500022 | . WASHER LO INT .168x.340x.023 Z050 | 1 | 1 | |
| 44 | 500418 | . SCREW MA RND SLT #8-32x1 ZP | 2 | 2 | |
| 45 | 500444 | . WASHER FL .406x.812x.065 Z050 | 4 | 4 | |
| 45 | 502701 | . WASHER FL .172x.750x.031 | 1 | 1 | |
| | | | | | |
| | | | | | |
| | | | | | |

| | | |
|--|--------------|-----------------|
| From M-144 To R-079 | Date:10/2022 | PAGE:H4-1876-01 |
| SLIDING TRAY FOR BATTERY INSTALLATION | | |



| | | |
|--|--------------|-----------------|
| From M-144 To R-079 | Date:10/2022 | PAGE:H4-1876-01 |
| SLIDING TRAY FOR BATTERY INSTALLATION | | |

| Item# | Part | Description | H 3 4 0 | V I P 4 0 | N O T E S |
|-------|---------|---|------------------|-----------------------|-----------------------|
| 1 | 381304 | SLIDING TRAY ASSY To N-194 | 1 | 1 | |
| 1 | 381446 | SLIDING TRAY ASSY From N-195 | 1 | 1 | |
| 2 | 381303 | . FRAME, WELDED To N-194 | 1 | 1 | |
| 2 | 381447 | . FRAME, WELDED From N-195 | 1 | 1 | |
| 3 | 880034 | . SLIDE, TRAY | 2 | 2 | |
| 4 | 381329 | . SUPPORT ASSY / L.H. SLIDE | 1 | 1 | |
| 4 | 381310 | . SUPPORT ASSY / R.H. SLIDE | 1 | 1 | |
| 5 | 381399 | . PLATE, PROTECTOR | 4 | 4 | |
| 5 | 504473 | . RIVET POP DOME OE 1/8x1/4 SS | AR | AR | |
| 6 | 381305 | . PAN, DRIP | 1 | 1 | |
| 7 | 504379 | . RIVET POP DOME OE 3/16x1/4 SS | AR | AR | |
| 8 | 660396 | . SPRING, STOPPER To N-194 | 1 | 1 | |
| 8 | 502194 | . SPRING COMPRESSION / .937 O.D. x 1.250 x .0109 From N-195 | 1 | 1 | |
| 9 | 381314 | . RETAINING PLATE | 1 | 1 | |
| 10 | 5001036 | . SCREW MA PAN PH M4-0.7x10 Z050 | AR | AR | |
| 11 | 502679 | . NUT HEX NYRT M4-0.7 ZP | AR | AR | |
| 12 | 282740 | DOOR MOULDED / FIBERGLASS / BATTERY COMPARTEMENT | 1 | 1 | |
| 13 | 283875 | RUBBER SEAL EXTRUSION / ADHESIVE / 20' / RAW MATERIAL SERVICE | AR | AR | |
| 13 | 504473 | RIVET POP DOME OE 1/8x1/4 SS | 2 | 2 | |
| 14 | 380812 | SUPPORT, UPPER / BATTERY | 1 | 1 | |
| 15 | 500875 | NUT HEX M12-1.75 SS | 1 | 1 | |
| 16 | 500482 | WASHER LO SPT .506x.873x.125 Z050 | 1 | 1 | |
| 17 | 500958 | WASHER FL .531x1.062x.095 SS | 1 | 1 | |
| 18 | 504468 | HOSE CLAMP / 6"1/4-7"1/8 / C.T. 700 | 2 | 2 | |
| 19 | 502698 | SCREW MA PAN PH M4-0.7x16 SS BK | 2 | 2 | |
| 20 | 502557 | NUT HEX NYRT M4-0.7 SS | 2 | 2 | |
| 21 | 502556 | WASHER FL 4.3x9.0x0.8 SS | 2 | 2 | |
| 22 | 780283 | LOCK SPAGNOLET R.H. | 1 | 1 | |
| . NS | 780340 | . CLIP, RETAINER ROD | 1 | 1 | |
| 22 | 780340 | . CLIP, RETAINER ROD | 1 | 1 | |
| 23 | 381316 | ROD, LOCK | 1 | 1 | |
| 24 | 505504 | KNOB, PULL / 8-32 | 1 | 1 | |
| 25 | 500764 | NUT HEX #8-32 Z050 | 1 | 1 | |
| 26 | 504083 | SNAP BUSHING / .250x.468.406 | 1 | 1 | |
| 27 | 502563 | SCREW CAP HEX M6-1.0x12 G8.8 Z050 | 2 | 2 | |
| 28 | 502570 | WASHER LO SPT 6.1x11.8x1.6 SS | 2 | 2 | |
| 29 | 780278 | PIN, STRIKER STUD | 1 | 1 | |
| 29 | 283326 | STRIKER PLATE, MOUNTING / 60MM X 25MM | 1 | 1 | |
| 29 | 283046 | STRIKER SHIM / W/SLOT / 60MM X 25MM | AR | AR | |
| 30 | 500316 | SCREW MA FL PH 1/4-28x3/4 SS | 2 | 2 | |
| 31 | 500692 | NUT HEX 1/4-28 Z050 | 2 | 2 | |
| 32 | 502582 | WASHER LO SERR 6.1x16.2x0.9 Z050 | 2 | 2 | |

| | | |
|--|--------------|-----------------|
| From M-144 To R-079 | Date:10/2022 | PAGE:H4-1876-01 |
| SLIDING TRAY FOR BATTERY INSTALLATION | | |

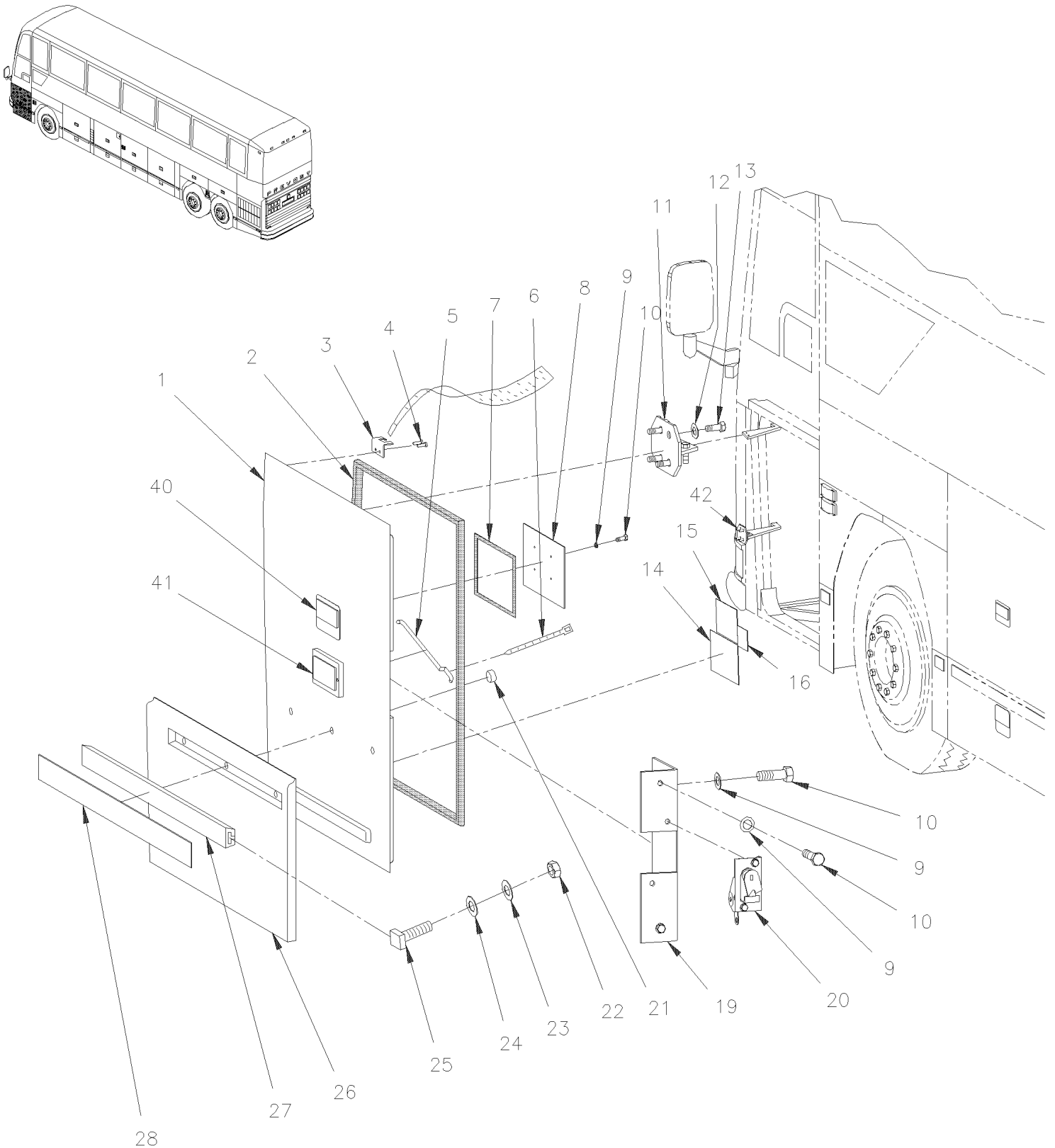
| Item# | Part | Description | H 3 4 0 | V I P 4 0 | N O T E S |
|-------|--------|---------------------------------------|------------------|-----------------------|-----------------------|
| 33 | 381315 | SUPPORT / STRIKE PIN | 1 | 1 | |
| 34 | 380816 | REINFORCEMENT / DOOR | AR | AR | |
| 35 | 502790 | SCREW CAP HEX M8-1.25x20 G8.8 Z050 | 4 | 4 | |
| 36 | 502507 | WASHER LO SPT 8.1x14.8x2.0 Z050 | 4 | 4 | |
| 37 | 500874 | WASHER FL 8.4x17.0x1.6 Z050 | 4 | 4 | |
| 38 | 502719 | SCREW CAP HEX M10-1.5x20 SS EMN | 4 | 4 | |
| 39 | 502585 | WASHER LO SERR 10.2x26.3x1.4 ZP | 4 | 4 | |
| NS | 503528 | HOSE, DRAIN / #4 x 50' / S.L. | AR | AR | |
| NS | 560480 | CLAMP / 1/2" I.D. | AR | AR | |
| | | | | | |
| | | FOLLOWING PARTS ARE REQUIRED | | | |
| | | TO PROTECT WIRE | | | |
| | | | | | |
| NS | 381454 | KIT RETROFIT PROTECTION WIRE To N-194 | 1 | 1 | |
| NS | 381442 | . SUPPORT | 1 | 1 | |
| NS | 212013 | . PROTECTOR | 1 | 1 | |
| NS | 381452 | . SUPPORT WIRE | 1 | 1 | |
| NS | 381460 | . WEATHERSEAL SNAP-ON 1/8" / 4" | 1 | 1 | |
| | | | | | |
| | | | | | |
| | | | | | |

From L-031 To R-079

Date:10/2022

PAGE:H4-1879-00

FRONT SERVICE DOOR ASSY



| | | |
|--------------------------------|--------------|-----------------|
| From L-031 To R-079 | Date:10/2022 | PAGE:H4-1879-00 |
| FRONT SERVICE DOOR ASSY | | |

| Item# | Part | Description | H 3 4 0 | V I P 4 0 | N O T E S |
|-------|-------------------|--|------------------|-----------------------|-----------------------|
| | 283816P | FRONT SERVICE DOOR ASSY | 1 | 1 | |
| 1 | 283813 | . DOOR MOULDED / FIBERGLASS | 1 | 1 | |
| 2 | 283336 | . RUBBER SEAL EXTRUSION / ADHESIVE / 120METER / RAW MATERIAL | 1 | 1 | B |
| 3 | 284440 | . SUPPORT | 1 | 1 | |
| 4 | 504249 | . RIVET CHY Q PRDG 3/16x3/8 SS | 2 | 2 | |
| 5 | 283261 | . ROD / HANDLE & LATCH / 294MM | 1 | 1 | |
| 5 | 289331 | . ROD / HANDLE & LATCH / 296.8MM | 1 | 1 | S |
| 6 | 504273 | . CABLE TIE / 1/8" X 3"1/2 | 1 | 1 | |
| 7 | 506236 | . TAPE RUB ADH1 CC POL 1/16" x 1/2" x 100' / GREY 2520 | 1 | 1 | |
| 8 | 283823 | . PLATE CLOSING / 293MM X 318MM | 1 | 1 | |
| 9 | 502582 | . WASHER LO SERR 6.1x16.2x0.9 Z050 | 1 | 1 | |
| 10 | 502531 | . SCREW CAP HEX M6-1.0x16 G8.8 Z050 | 10 | 10 | |
| 11 | 284097 | . PLATE ASSY / TO FIX DOOR | 2 | 2 | |
| 12 | 502584 | . WASHER LO SERR 8.2x26.3x1.8 Z050 | 8 | 8 | |
| 13 | 502790 | . SCREW CAP HEX M8-1.25x20 G8.8 Z050 | 8 | 8 | |
| 14 | 160295 | . DECAL / "IT FORBIDDEN TO STOCK ANYTING IN TH. / ENGLISH & FRANCAIS | 1 | 1 | |
| 14 | 161191 | . DECAL / "IT FORBIDDEN TO STOCK ANYTING IN TH. / ENGLISH & SPANISH | 1 | 1 | |
| 15 | 063711 | . DECAL / "WELDING..." / W/SERIES 60 & "WORLD TRANSMISSION / ENGLISH | 1 | 1 | |
| 16 | 141064 | . DECAL / COLOR CODE / PNEUMATIC SYSTEM / ENGLISH & FRANCAIS | 1 | 1 | |
| 16 | 142370 | . DECAL / COLOR CODE / PNEUMATIC SYSTEM / ENGLISH & SPANISH | 1 | 1 | |
| NS | 062279 | . DECAL POWER JUNCTION BOX | 1 | 1 | |
| NS | 562334 | . DECAL DIAGNOSTIC CODES FOR "DDEC" II ONLY | 1 | 1 | |
| 19 | 282666 | . SUPPORT LOCK | 1 | 1 | |
| 20 | 780283 | . LOCK SPAGNOLET R.H. | 1 | 1 | F |
| . NS | 780340 | . CLIP, RETAINER ROD | 1 | 1 | F |
| 21 | 507295 | . HOLE PLUG BUTTON / 1.375 O.D. BLACK | 3 | 3 | |
| 22 | 500698 | . NUT HEX 5/16-18 BR | 3 | 3 | |
| 23 | 502583 | . WASHER LO SERR 8.15x22.3x1.0 Z050 | 3 | 3 | |
| 24 | 283219 | . WASHER ,REINFORCEMENT | 3 | 3 | |
| 25 | 502534 | . SCREW CAP SQ 5/16-18x1 G2 Z050 | 3 | 3 | |
| 26 | 282664 | . PROTECTOR PANEL / DP | 1 | 1 | |
| 26 | 284795 | . PROTECTOR PANEL / WITH GRAVEL GUARD / DP | 1 | 1 | A |
| NS | 681348 | . TAPE RUB ADH2 ACRYLIC .045" x 1" x 108' / VHB4952 | AR | AR | C |
| 27 | 282559 | . EXTRUSION PROFILE 678MM / THICK EXTRUSION 20MM | 1 | 1 | |
| 28 | 283100 | . STRIPE, REFLECTIVE WHITE / 38MM X 15' ROLL | AR | AR | |
| . NS | 780277 | . . STRIPE, REFLECTIVE WHITE / 38MM X 150' ROLL | AR | AR | |
| 40 | H4-1864-30 | HANDLE LOCK & KEYS - TYPE "PS" | | | |
| 40 | H4-1864-99 | HANDLE LOCK & KEYS - TYPE "NS" / SERVICE | | | |
| 41 | H4-0663-00 | DOCK & CORNERING LIGHT | | | |
| 42 | H4-1879-90 | EXTERIOR DOOR HINGE AND SUPPORT | | | |
| NS | 285832 | KIT SERVICE DOOR LOCK | 1 | 1 | |
| . NS | IS-97037 | . SEE INSTRUCTION SHEET | 1 | 1 | |

| | | |
|--------------------------------|--------------|-----------------|
| From L-031 To R-079 | Date:10/2022 | PAGE:H4-1879-00 |
| FRONT SERVICE DOOR ASSY | | |

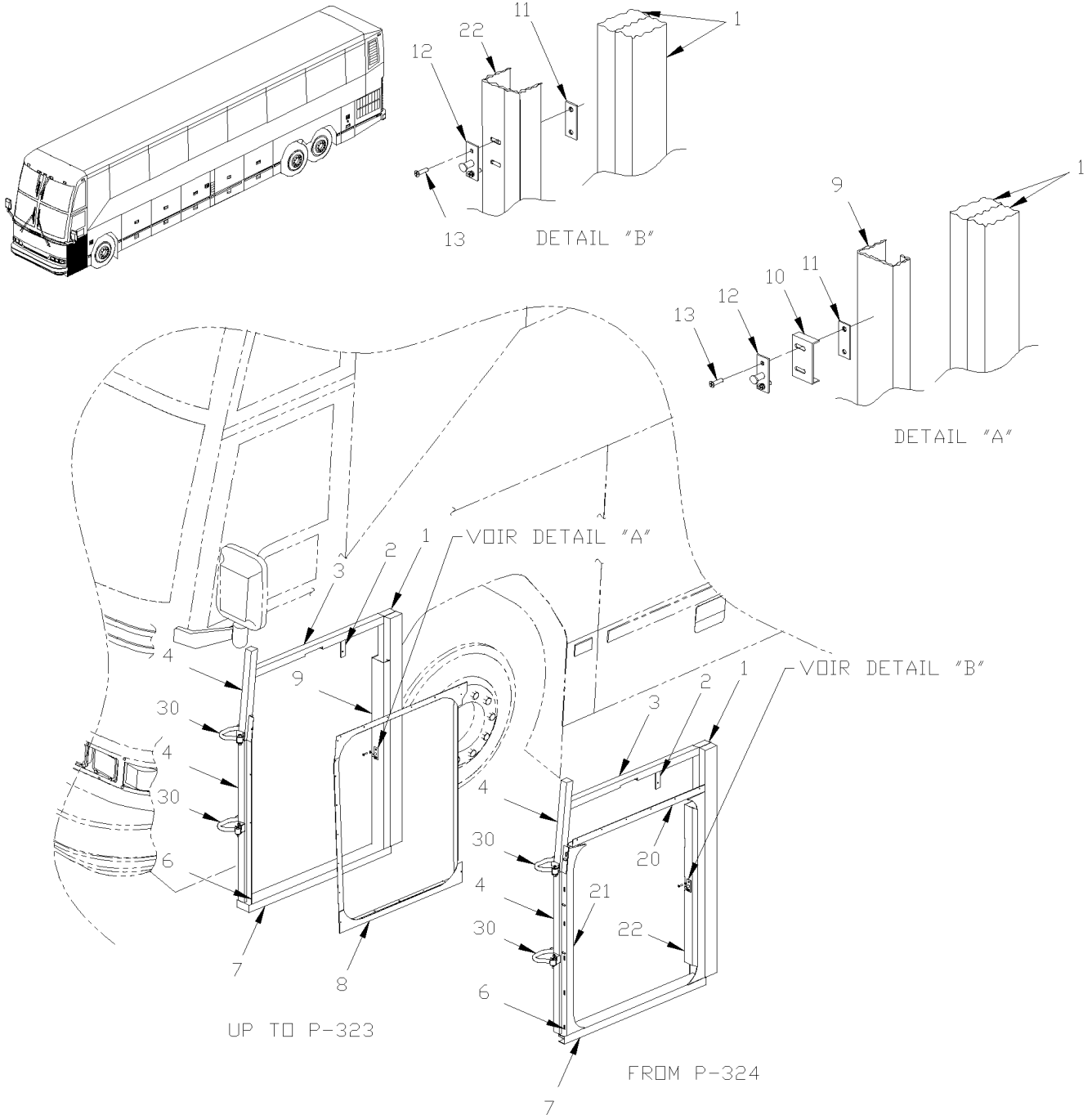
| Item# | Part | Description | H 3 4 0 | V I P 4 0 | N O T E S |
|-------|------|--|------------------|-----------------------|-----------------------|
| | | | | | |
| | | | | | |
| | | A) THIS PROTECTOR IS COATED WITH GRAVEL GUARD AND IS BLACK PAINTED READY TO INSTALL | | | |
| | | B) SOLD IN 20' LONG ON PART #283875 | | | |
| | | C) DOOR & PROTECTOR PANEL S.Q. | | | |
| | | F) PRODUCT IMPROVMENT, ASK KIT #285832 | | | |
| | | S) THIS ROD ARE REQUIRE ONLY IF YOU CHANGE FORMER HANDLE 780350 FOR NEW MODEL 780794 | | | |

From L-031 To R-079

Date:10/2022

PAGE:H4-1879-10

FRONT SERVICE DOOR - INSTALLATION



| | | |
|--|--------------|-----------------|
| From L-031 To R-079 | Date:10/2022 | PAGE:H4-1879-10 |
| FRONT SERVICE DOOR - INSTALLATION | | |

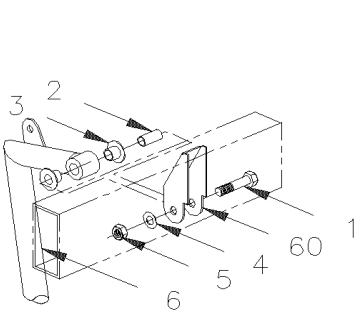
| Item# | Part | Description | H 3 4 0 | V I P 4 0 | N O T E S |
|-------|-------------------|--|------------------|-----------------------|-----------------------|
| 1 | 210936 | TUBE 1156MM | 2 | 2 | |
| 2 | 211976 | ANGLE / TO FIX DRIVER'S WINDOW MOTOR | 1 | 1 | |
| 3 | 211977 | TUBE | 1 | 1 | |
| 4 | 250723 | TUBE FRONT SERVICE DOOR | 1 | 1 | |
| 6 | 282877 | ANGLE / FRAME & FRONT POST To M-090 | 1 | 1 | A |
| 6 | 212208 | ANGLE SUPPORT From P-324 | 1 | 1 | B |
| NS | 504104 | RIVET POP DOME OE 1/8x1/8 SS To P-323 | AR | AR | |
| 7 | 210930 | TUBE 900MM | 1 | 1 | |
| 8 | 282702 | FRAME ASSY / DOOR To M-090 | 1 | 1 | A |
| 8 | 283820 | FRAME ASSY / DOOR From M-091 To P-323 | 1 | 1 | B |
| 9 | 210940 | ANGLE POST REAR To P-323 | 1 | 1 | |
| 10 | 283226 | SUPPORT | 1 | 1 | |
| 11 | 283638 | PLATE TIE To P-323 | 1 | 1 | |
| 11 | 284217 | PLATE TIE From P-324 | 1 | 1 | |
| 12 | 780278 | PIN, STRIKER STUD | 1 | 1 | |
| 13 | 500541 | SCREW MA FL PH 1/4-20x1/2 SS BK | 2 | 2 | |
| 20 | 212207 | ANGLE "J" FORM TOP From P-324 | 1 | 1 | B |
| 21 | 212204 | ANGLE POST FRONT From P-324 | 1 | 1 | B |
| 22 | 212205 | ANGLE POST REAR From P-324 | 1 | 1 | B |
| 30 | H4-1879-00 | FRONT SERVICE DOOR ASSY | | | |
| NS | 506264 | TAPE RUB ADH1 URE 3/4" x 1" x 12.5' / GREY 1820X | AR | AR | |
| | | | | | |
| | | | | | |
| | | | | | |
| | | A) RIVETED TO STRUCTURE | | | |
| | | B) WELDED TO STRUCTURE | | | |

From L-031 To R-079

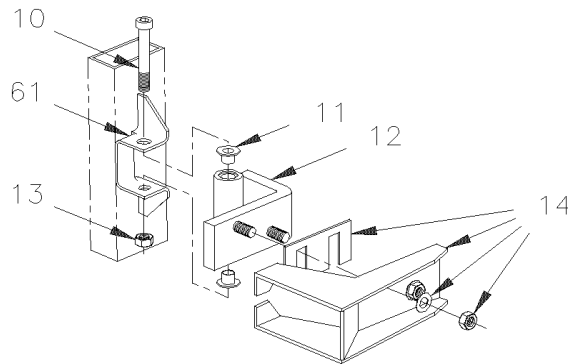
Date:10/2022

PAGE:H4-1879-90

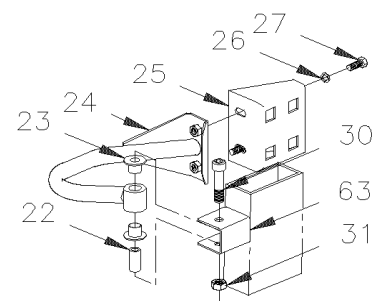
EXTERIOR DOOR HINGE AND SUPPORT



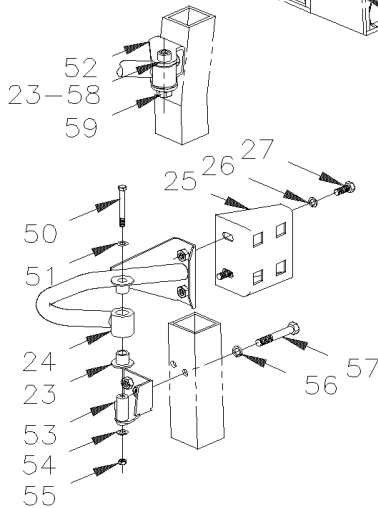
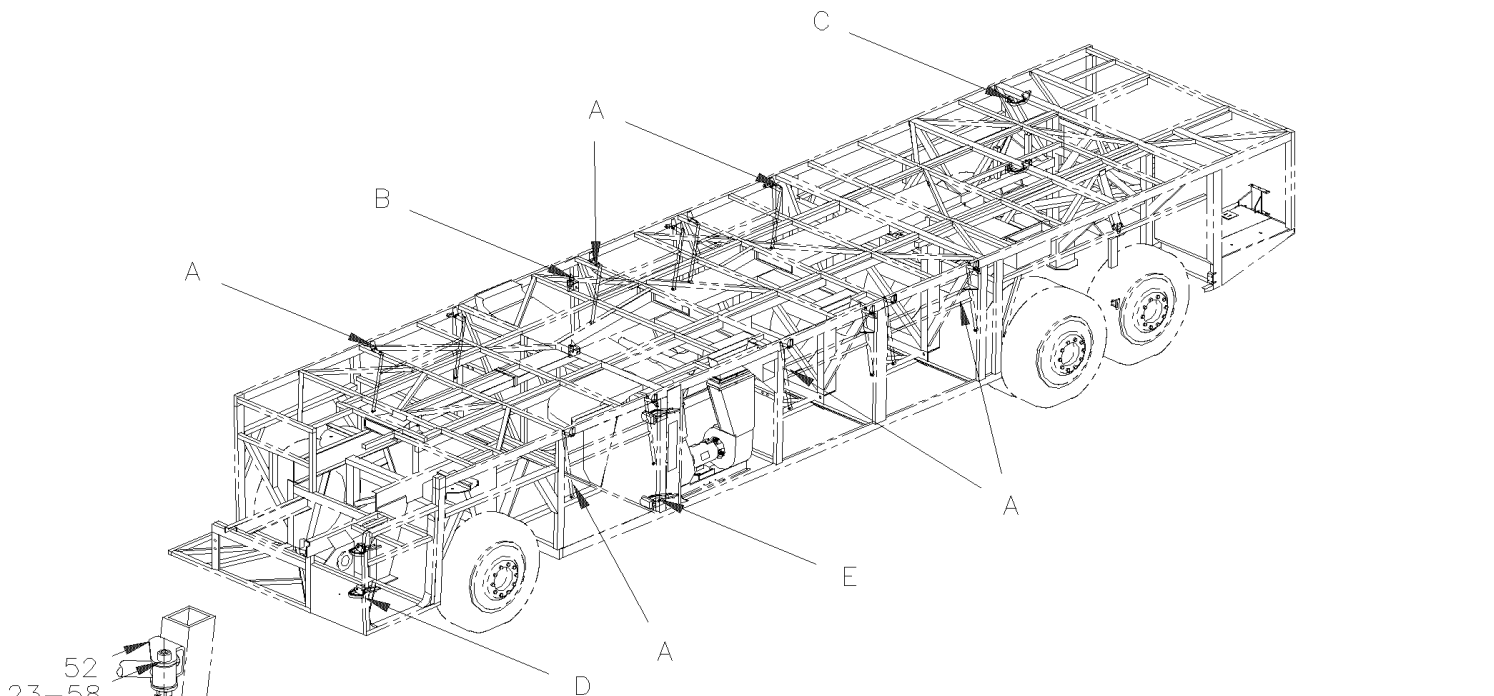
DETAIL "A"



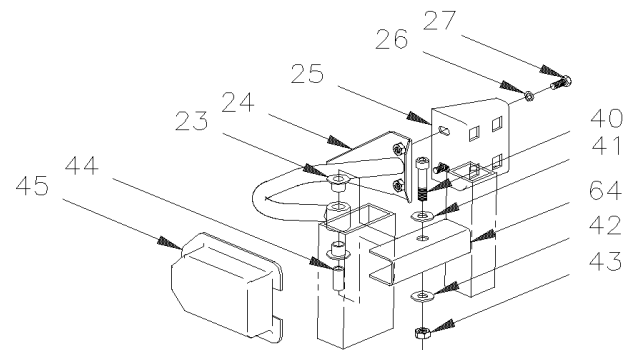
DETAIL "B"



DETAIL "C"



DETAIL "D"



DETAIL "E"

| | | | |
|--|--|--------------|-----------------|
| From L-031 To R-079 | | Date:10/2022 | PAGE:H4-1879-90 |
| EXTERIOR DOOR HINGE AND SUPPORT | | | |

| Item# | Part | Description | H 3 4 0 | V I P 4 0 | N O T E S |
|-------|---------|---------------------------------------|------------------|-----------------------|-----------------------|
| 1 | 502527 | SCREW CAP HEX M8-1.25x50 G8.8 Z050 | 1 | 1 | |
| 2 | 282541 | SPACER TUBE 31MM x 12.7MM x 8.5MM | 1 | 1 | |
| 3 | 507142 | BUSHING, NYLINER W/SHOULDER (8-L-8-F) | 2 | 2 | A |
| 4 | 502583 | WASHER LO SERR 8.15x22.3x1.0 Z050 | 1 | 1 | |
| 5 | 502543 | NUT HEX M8-1.25 Z050 | 1 | 1 | |
| 6 | 282460 | ARM PANTOGRAPH | 6 | | |
| 6 | 282460 | ARM PANTOGRAPH | | 8 | |
| 10 | 502596 | SCREW SHR HEXS 5/8x2 1/4 {1/2-13 Z050 | 1 | 1 | |
| 11 | 507299 | BUSHING NYLINER | 2 | 2 | |
| 12 | 283001 | HINGE / CONDENSER DOOR | 2 | 2 | |
| 13 | 502595 | NUT HEX NYRT 1/2-13 Z050 | 1 | 1 | |
| 20 | 500829 | SCREW CAP HEX M10-1.5x40 G8.8 | 2 | 2 | |
| 21 | 502543 | NUT HEX M8-1.25 Z050 | 2 | 2 | |
| 22 | 212101 | SPACER / HINGE & SCREW / STEEL | 2 | 2 | |
| 23 | 507142 | BUSHING, NYLINER W/SHOULDER (8-L-8-F) | AR | AR | |
| 24 | 282670 | HINGE / UPPER & LOWER To P-339 | 1 | 1 | |
| 24 | 284098 | HINGE / UPPER & LOWER From P-340 | 1 | 1 | |
| 25 | 282714 | PLATE HINGE SUPPORT To P-339 | 1 | 1 | |
| 25 | 284097 | PLATE ASSY / TO FIX DOOR From P-340 | AR | AR | |
| 26 | 502584 | WASHER LO SERR 8.2x26.3x1.8 Z050 | AR | AR | |
| 27 | 502790 | SCREW CAP HEX M8-1.25x20 G8.8 Z050 | AR | AR | |
| 28 | 284932 | PLATE | 2 | 2 | |
| NS | 504307 | RIVET POP DOME OE 1/8x1/4 STL | 8 | 8 | |
| 29 | 284933 | RUBBER SEAL | 2 | 2 | |
| NS | 680042 | GLUE LOCTITE 430 BOTTLE 1OZ | AR | AR | |
| 30 | 500072 | SCREW CAP HEX M10-1.5x45 G10.9 Z050 | 4 | 4 | |
| 31 | 502617 | NUT HEX NYRT M10-1.5 Z050 | AR | AR | |
| 40 | 500094 | SCREW CAP HEX 1/2-20x2 1/2 G5 ZP | 2 | 2 | |
| NS | 502527 | SCREW CAP HEX M8-1.25x50 G8.8 Z050 | 1 | 1 | C |
| 41 | 5001164 | WASHER FL 8.4x25.0x2.0 Z050 | 1 | 1 | C |
| 42 | 502583 | WASHER LO SERR 8.15x22.3x1.0 Z050 | 1 | 1 | C |
| 43 | 500718 | NUT HEX STO 1/2-20 Z050 | 1 | 1 | |
| NS | 502543 | NUT HEX M8-1.25 Z050 | 1 | 1 | C |
| 44 | 212101 | SPACER / HINGE & SCREW / STEEL | 2 | 2 | |
| NS | 285315 | SPACER / BUSHING / 28MM / SS | 2 | 2 | |
| 45 | 452041 | BOX PLASTIC / HINGE CLEARANCE | 2 | 2 | |
| 48 | 502782 | NUT HEX NYRT M5-0.8 Z050 | 1 | 1 | |
| 50 | 502560 | SCREW CAP HEX M5-0.8x45 G8.8 Z050 | 1 | 1 | |
| 51 | 500989 | WASHER FL .219x.875x.062 Z050 | 1 | 1 | |
| 52 | 282674 | BRACKET / UPPER HINGE | 1 | 1 | |
| 53 | 282970 | BRACKET / LOWER HINGE | 1 | 1 | |
| 54 | 500964 | WASHER FL .203x.500x.047 Z050 | 1 | 1 | |

| | | |
|--|--------------|-----------------|
| From L-031 To R-079 | Date:10/2022 | PAGE:H4-1879-90 |
| EXTERIOR DOOR HINGE AND SUPPORT | | |

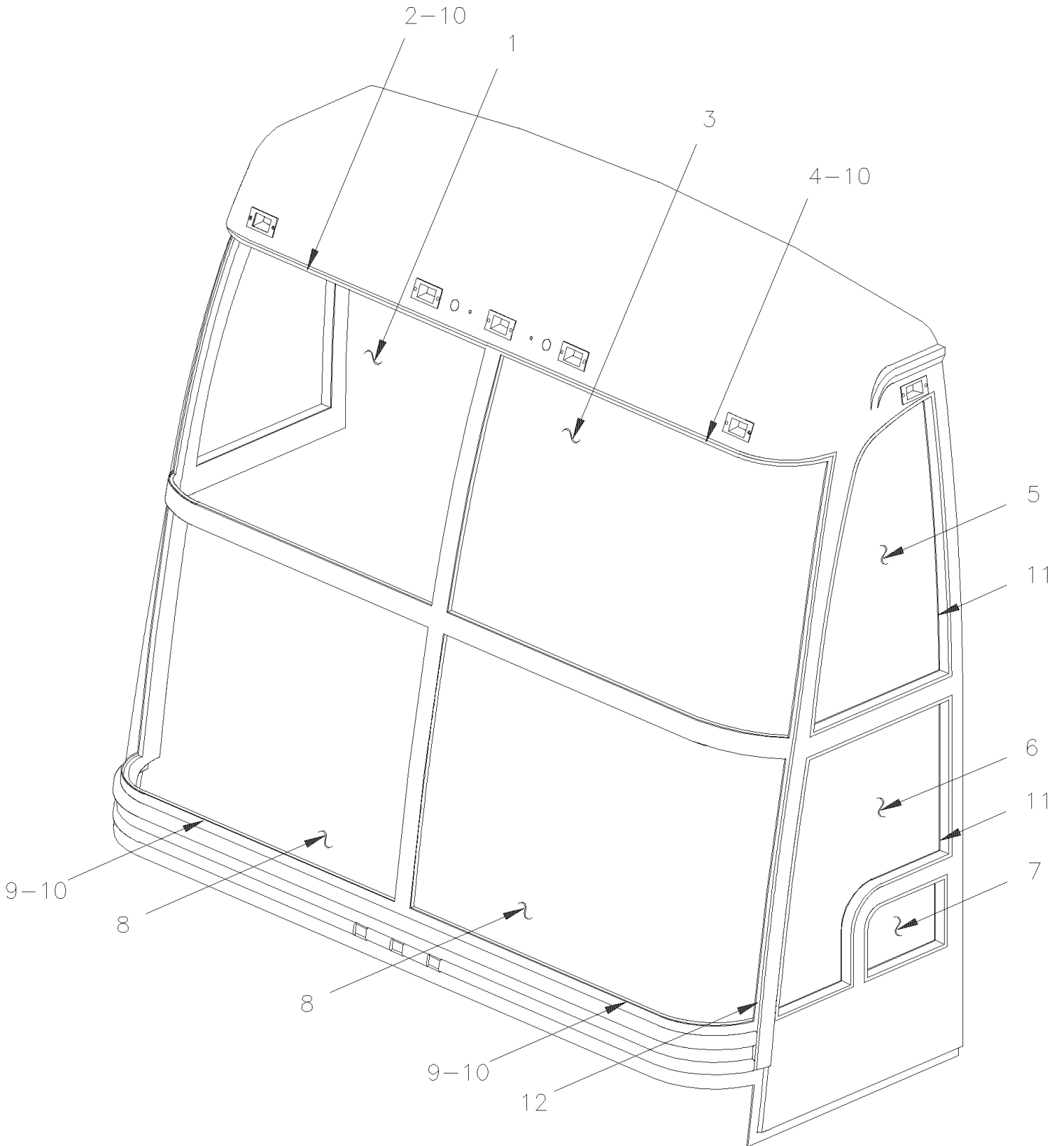
| Item# | Part | Description | H 3 4 0 | V I P 4 0 | N O T E S |
|-------|--------|------------------------------------|------------------|-----------------------|-----------------------|
| 55 | 502782 | NUT HEX NYRT M5-0.8 Z050 | 1 | 1 | |
| 56 | 502509 | WASHER LO INT 8.4x15.0x0.8 Z050 | 4 | 4 | |
| 57 | 502527 | SCREW CAP HEX M8-1.25x50 G8.8 Z050 | 4 | 4 | |
| 58 | 283345 | SCREW, SHOULDER 3/8-16 | 1 | 1 | |
| NS | 502585 | WASHER LO SERR 10.2x26.3x1.4 ZP | 1 | 1 | |
| 59 | 500783 | NUT HEX 3/8-16 Z050 | 1 | 1 | |
| 60 | 282432 | SUPPORT / (WELDED) | 14 | | |
| 60 | 282432 | SUPPORT / (WELDED) | | 16 | |
| 61 | 282491 | SUPPORT (WELDED) | 2 | 2 | |
| 62 | 212461 | SUPPORT / (WELDED) | 2 | 2 | |
| 63 | 212435 | SUPPORT / (WELDED) | 4 | 4 | |
| 64 | 282991 | SUPPORT / (WELDED) | 2 | 2 | |
| | | | | | |
| | | | | | |
| | | A) TO FIX PANTOGRAPH ARM | | | |
| | | C) SERVICE | | | |

From L-031 To R-079

Date:10/2022

PAGE:H4-1880-00

WINDSHIELD & CHANNEL



| | | |
|---------------------------------|--------------|-----------------|
| From L-031 To R-079 | Date:10/2022 | PAGE:H4-1880-00 |
| WINDSHIELD & CHANNEL | | |

| Item# | Part | Description | H 3 4 0 | V I P 4 0 | N O T E S |
|-------|---------|---|------------------|-----------------------|-----------------------|
| 1 | 300272 | WINDSHIELD UPPER R.H. / HEATING | 1 | 1 | |
| . NS | 309013 | . CHANNEL LOCKING / S.L. ROLL 400' | 14FT | 14FT | |
| 1 | 309011 | WINDSHIELD UPPER R.H. | 1 | 1 | |
| . NS | 309013 | . CHANNEL LOCKING / S.L. ROLL 400' | 14 | 14 | |
| 2 | 309024 | CHANNEL UPPER R.H. | 1 | 1 | |
| . NS | 309013 | . CHANNEL LOCKING / S.L. ROLL 400' | 14 | 14 | |
| 3 | 300273 | WINDSHIELD UPPER L.H. / HEATING | 1 | 1 | |
| . NS | 309013 | . CHANNEL LOCKING / S.L. ROLL 400' | 14FT | 14FT | |
| 3 | 309012 | WINDSHIELD UPPER L.H. | 1 | 1 | |
| . NS | 309013 | . CHANNEL LOCKING / S.L. ROLL 400' | 14 | 14 | |
| 4 | 309025 | CHANNEL UPPER FRONT L.H. | 1 | 1 | |
| . NS | 309013 | . CHANNEL LOCKING / S.L. ROLL 400' | 14 | 14 | |
| 5 | 291829 | GLASS UPPER R.H. | 1 | 1 | A |
| 5 | 292804 | GLASS UPPER R.H. | 1 | 1 | B |
| 5 | 293093 | GLASS UPPER R.H. THERMOS | 1 | 1 | B |
| 5 | 291830 | GLASS UPPER L.H. | 1 | 1 | A |
| 5 | 292805 | GLASS UPPER L.H. | 1 | 1 | B |
| 5 | 293092 | GLASS UPPER L.H. THERMOS | 1 | 1 | B |
| 5 | 292828 | LEXAN UPPER L.H. | 1 | 1 | |
| 5 | 292829 | LEXAN UPPER R.H. | 1 | 1 | |
| NS | 506962 | RUB POL 1/4 X 7/16 X 1 LG | AR | AR | |
| 6 | 299063 | GLASS DRIVER'S WINDOW | 1 | 1 | |
| NS | 5060013 | TAPE RUB ADH2 CC POL 1/8" x 1/8" x 100' / BLACK I1C-N-A | AR | AR | |
| 7 | 299045 | GLASS / DRIVER'S WINDOW | 1 | 1 | |
| 8 | 309010 | WINDSHIELD LOWER | 2 | 2 | |
| . NS | 309013 | . CHANNEL LOCKING / S.L. ROLL 400' | 15 | 15 | |
| 9 | 309023 | CHANNEL LOWER L.H. & R.H. | 2 | 2 | |
| . NS | 309013 | . CHANNEL LOCKING / S.L. ROLL 400' | 15 | 15 | |
| 10 | 309013 | CHANNEL LOCKING / S.L. ROLL 400' | AR | AR | |
| 10 | 300267 | . CHANNEL ROLL 50' | AR | AR | |
| 10 | 300270 | . CHANNEL ROLL 15' | AR | AR | |
| NS | 680565 | TAPE, SEAL 1/2 / BLACK / S.L. | AR | AR | |
| 11 | 681092 | ADHESIVE SIKA #255FC / BLACK / 310ml CARTRIDGE | AR | AR | |
| NS | 681091 | PRIMER SIKA #206 / BLACK / 250ml | AR | AR | |
| 12 | 420230 | AIR DEFLECTOR / RUBBER CHANNEL & CAP | | | |
| | | FOLLOWING PARTS ARE RELATED WITH | | | |
| | | SPECIAL TOOL FOR | | | |
| | | WINDSHIELD CHANNEL INSTALLATION. | | | |
| NS | 292285 | HANDLE ASSY (TO FIX FRONT GLASS CHANNEL) | 1 | 1 | |
| NS | 292286 | . HANDLE | 1 | 1 | |

| | | |
|---------------------|--------------|-----------------|
| From L-031 To R-079 | Date:10/2022 | PAGE:H4-1880-00 |
|---------------------|--------------|-----------------|

WINDSHIELD & CHANNEL

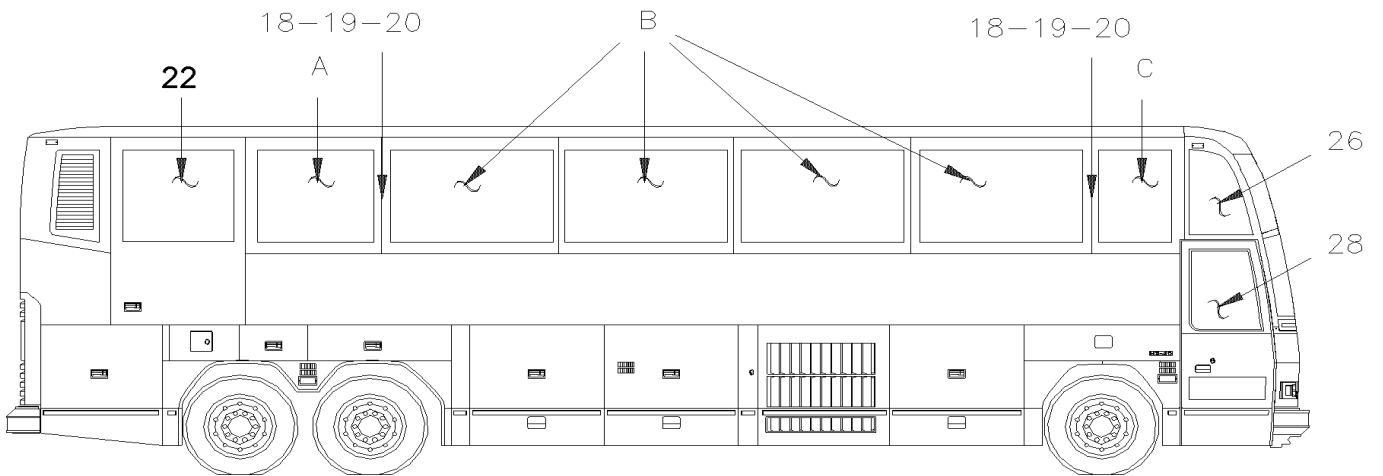
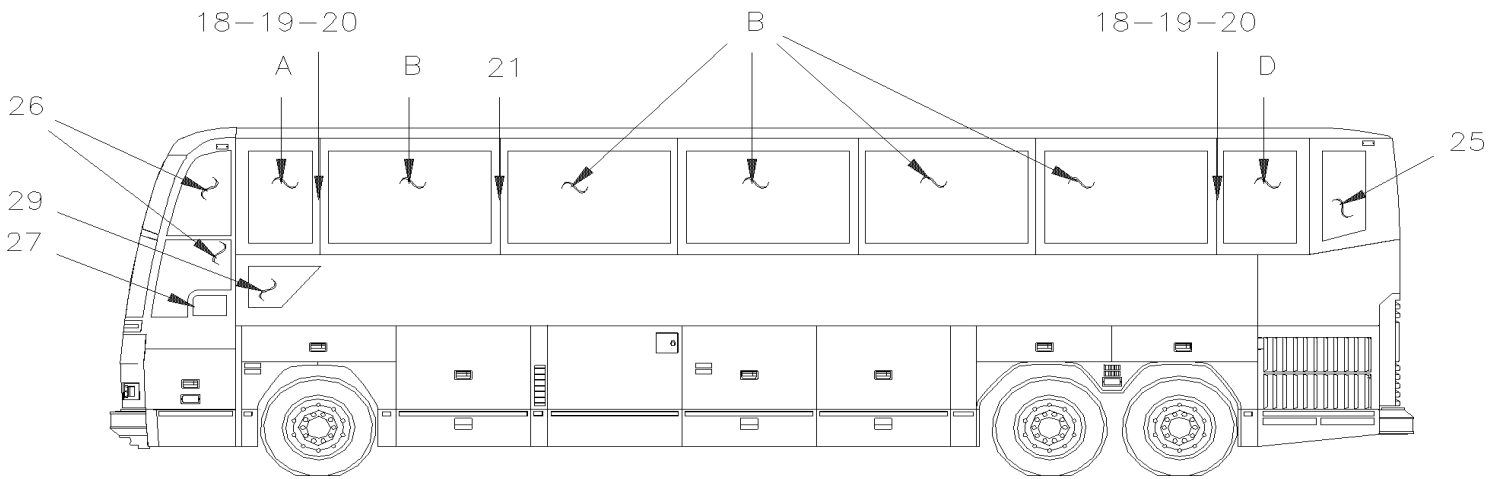
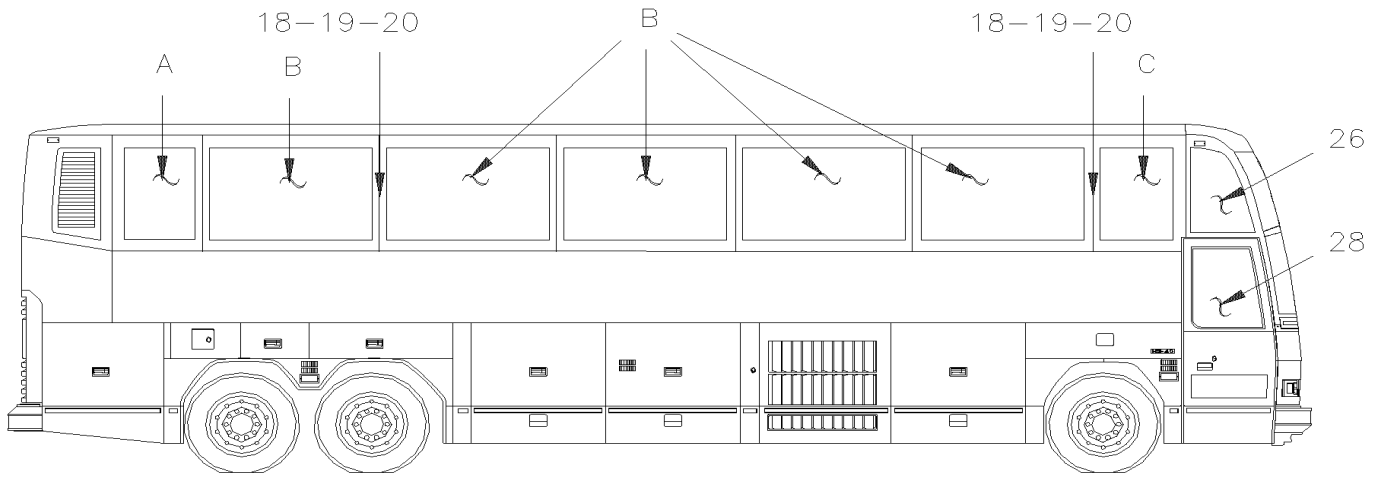
| Item# | Part | Description | H 3 4 0 | V I P 4 0 | N O T E S |
|-------|--------|----------------------------------|------------------|-----------------------|-----------------------|
| NS | 292287 | . GUIDE ROD | 1 | 1 | |
| NS | 292111 | . END TIP | 1 | 1 | |
| NS | 500303 | . SCREW SET HEXS CUP #10-24x3/16 | 1 | 1 | |
| | | | | | |
| | | | | | |
| | | A) PRODUCTION | | | |
| | | B) SERVICE | | | |

From L-031 To R-079

Date:10/2022

PAGE:H4-1884-00

SIDE WINDOW - BUS



H3-40 WITH W.C.L. ST & ST

| | | |
|--------------------------|--------------|-----------------|
| From L-031 To R-079 | Date:10/2022 | PAGE:H4-1884-00 |
| SIDE WINDOW - BUS | | |

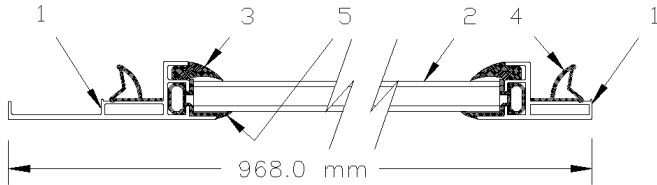
| Item# | Part | Description | H 3 4 0 | V I P 4 0 | N O T E S |
|-------|--------------------|---|------------------|-----------------------|-----------------------|
| 18 | 291823 | RETAINER 1120 MM | 12 | | |
| 18 | 292351 | RETAINER / W/CB ANTENNA / 440 MM | 1 | | |
| 18 | 292354 | RETAINER / W/CB ANTENNA / 580 MM | 1 | | |
| 19 | 291928 | STRIP RUBBER 1205MM | 12 | | |
| 19 | 292352 | STRIP RUBBER / W/CB ANTENNA / 647 MM | 1 | | |
| 19 | 292353 | STRIP RUBBER / W/CB ANTENNA / 513MM | 1 | | |
| NS | 291828 | HOOK / LOWER RETAINER RUBBER | AR | | |
| NS | 504107 | RIVET POP DOME OE 1/8x5/16 AL | AR | | |
| 20 | 292411 | MOULDING 1182MM X 26MM | 12 | | B |
| 20 | 292624 | MOULDING 1182MM X 18MM | 12 | | A |
| 21 | 292413 | MOULDING / W/CB ANTENNA 500MM X 26MM | 1 | | B |
| 21 | 292412 | MOULDING / W/CB ANTENNA 640MM X 26MM | 1 | | B |
| 21 | 292618 | MOULDING / W/CB ANTENNA 500MM X 18MM | 1 | | A |
| 21 | 292621 | MOULDING / W/CB ANTENNA 640MM X 18MM | 1 | | A |
| 21 | 681348 | TAPE RUB ADH2 ACRYLIC .045" x 1" x 108' / VHB4952 | AR | | |
| 22 | H4-1862-70 | ENTRANCE DOOR ASSY - W.C.L. | | | |
| 25 | 291947 | GLASS, THERMOS 28% | 1 | | |
| 26 | H4-1880-00 | WINDSHIELD & CHANNEL | | | |
| 27 | H4-1886-00 | POWER WINDOW - ELECTRICAL INSTALLATION | | | |
| 28 | H4-1862-10 | ENTRANCE DOOR ASSY - "SEDAN" From N-197 | | | |
| 29 | 291955 | GLASS, THERMOS 28% | 1 | | |
| A | H4-1884-00A | POSITION "A" From L-031 | | | |
| B | H4-1884-00B | POSITION "B" From L-031 | | | |
| C | H4-1884-00C | POSITION "C" From L-031 | | | |
| D | H4-1884-00D | POSITION "D" From L-031 | | | |
| | | | | | |
| | | | | | |
| | | | | | |
| | | | | | |
| | | A) SERVICE | | | |
| | | B) PRODUCTION | | | |

From L-031 To R-079

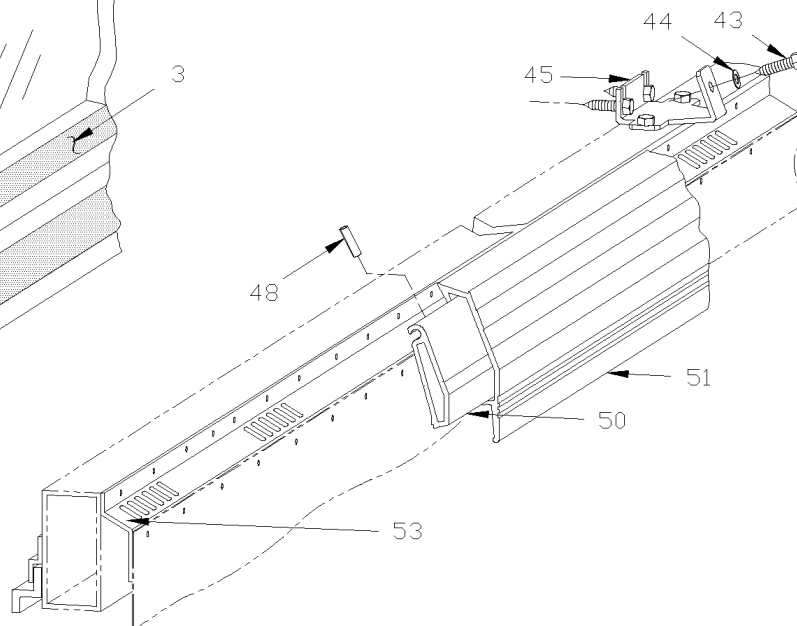
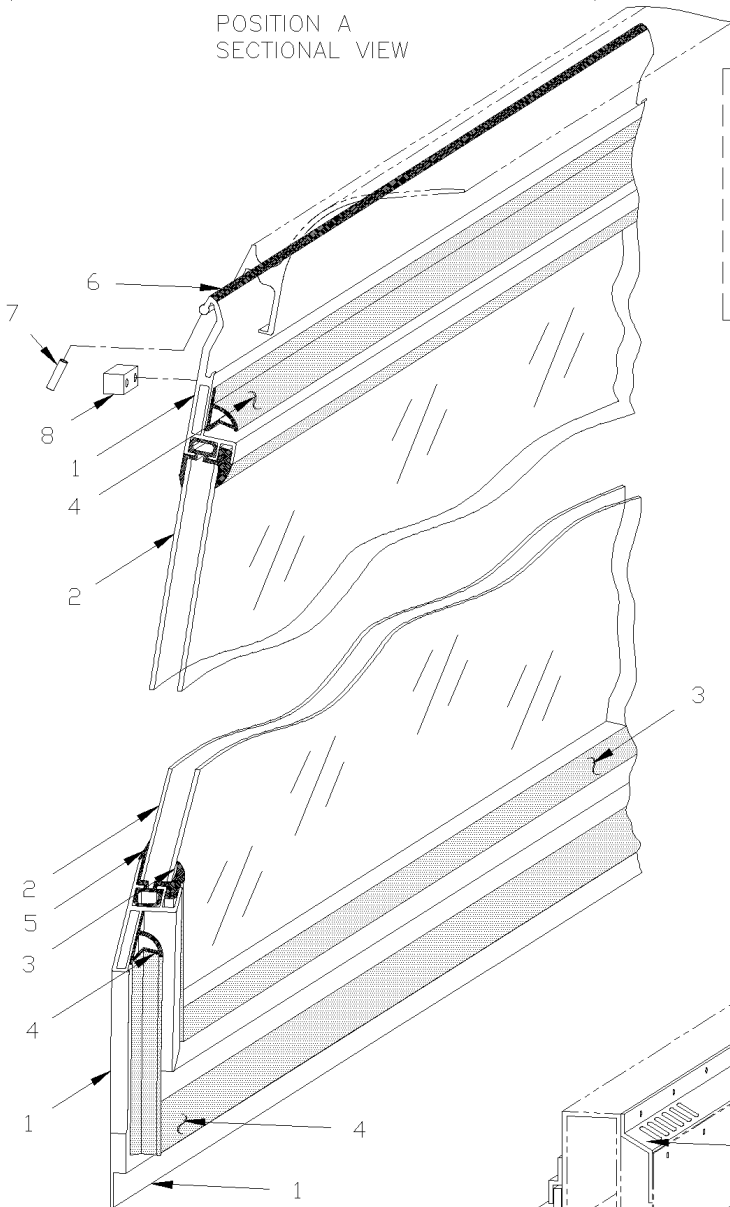
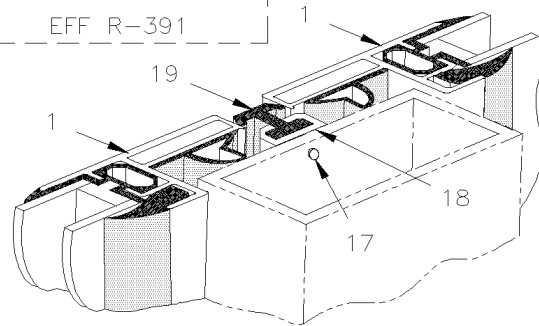
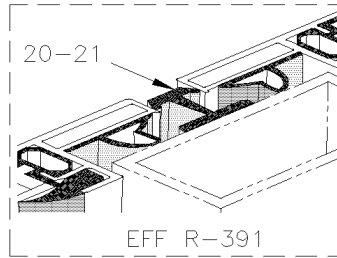
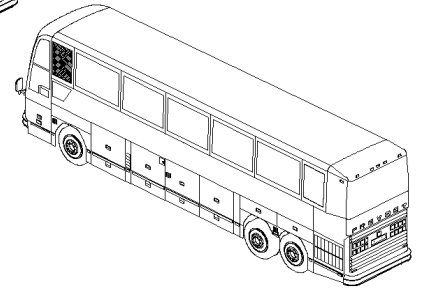
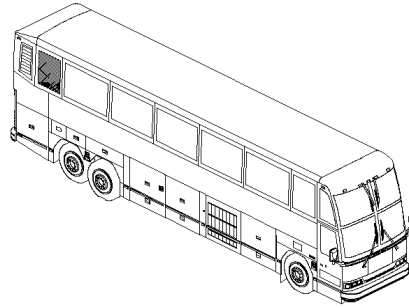
Date:10/2022

PAGE:H4-1884-00A

POSITION "A"



POSITION A
SECTIONAL VIEW



| | | |
|---------------------|--------------|------------------|
| From L-031 To R-079 | Date:10/2022 | PAGE:H4-1884-00A |
| POSITION "A" | | |

| Item# | Part | Description | H 3 4 0 | V I P 4 0 | N O T E S |
|-------|-------------------|--|------------------|-----------------------|-----------------------|
| | 292034P | WINDOW ASSY, SINGLE 28% / 814MM | 2 | | |
| | 291801P | WINDOW ASSY, THERMOS 28% / 814MM | 2 | | |
| 1 | 291810 | . FRAME / 968 MM | 1 | | |
| 2 | 299042 | . GLASS, THERMOS 28% / 814MM | 1 | | |
| 2 | 292041 | . GLASS, SINGLE 28% / 814MM | 1 | | |
| 3 | 292264 | . LOCKING STRIP 1005MM X 854MM / W/THERMOS | 1 | | |
| 3 | 292263 | . RUBBER INTERIOR / W/SINGLE | 1 | | |
| 4 | 292288 | . WINDOW SEAL / 1091MM X 904MM | 1 | | |
| 5 | 292339 | . EXTERIOR GLASS SEAL 997MM / VERTICAL | 2 | | |
| 5 | 292338 | . EXTERIOR GLASS SEAL 829MM / HORIZONTAL | 2 | | |
| 6 | 682481 | LOW FRICTION TAPE (HOCKEY) | AR | | |
| 7 | 505421 | SPRING, PIN M3 x 18 | AR | | |
| 8 | 291777 | STOPPER BLOCK WINDOW | 2 | | |
| 8 | 292344 | STOPPER BLOCK WINDOW | 2 | | |
| 17 | 500896 | SCREW TC FL PH #8-32x5/8 Z050 | 4 | | |
| 18 | 291823 | RETAINER 1120 MM | 12 | | |
| 19 | 291928 | STRIP RUBBER 1205MM | 12 | | |
| 19 | 291828 | HOOK / LOWER RETAINER RUBBER | AR | | |
| 19 | 504107 | RIVET POP DOME OE 1/8x5/16 AL | AR | | |
| 20 | 292411 | MOULDING 1182MM X 26MM | 12 | | A |
| 20 | 292624 | MOULDING 1182MM X 18MM | 12 | | B |
| 21 | 681348 | TAPE RUB ADH2 ACRYLIC .045" x 1" x 108' / VHB4952 | AR | | |
| 43 | 500923 | SCREW TC CAP HEX 1/4-20x3/4 Z050 | AR | | |
| 44 | 500473 | WASHER LO SPT .262x.489x.062 Z050 | AR | | |
| 45 | 292052 | SUPPORT "U" SHAPE | 2 | | |
| 45 | 292350 | SUPPORT "U" SHAPE / TO FIX HANDLE & WINDOW TO STRUCTURE | 2 | | |
| 48 | 505421 | SPRING, PIN M3 x 18 | AR | | |
| 50 | 291889 | SUPPORT HANDLE / 812MM | 4 | | |
| NS | 504572 | BUMPER RUBBER BOLT / .625 ODx.296TH x 8-32X.25 STUD | | | |
| NS | 5011016 | WASHER FL .177x.500x.109 AL GAL | 2 | | |
| 51 | 292420 | HANDLE / 833MM | AR | | |
| 53 | H4-1833-00 | REAR FINISHING CAP & SIDE WALL | | | |
| NS | 402759 | DECAL SEAT EVEN-NUMBERED ON AISLE / 1-52 | AR | | |
| NS | 402933 | DECAL SEAT ODD-NUMBERED ON AISLE / 1-52 | AR | | |
| NS | 403544 | DECAL SEAT ODD-NUMBERED ON AISLE / 1-52 | AR | | |
| NS | 403357 | DECAL, "NO SMOKING" / S.Q. | AR | | |
| NS | 403546 | DECAL SEAT EVEN-NUMBERED ON AISLE / 1-52 | AR | | |
| NS | 402776 | DECAL, | AR | | |
| NS | 402777 | DECAL / | AR | | |
| NS | 403236 | DECAL, "EMERGENCY EXIT" / INSTRUCTION / ENGLISH | AR | | |
| NS | 403237 | DECAL, "EMERGENCY EXIT" / INSTRUCTION / ENGLISH & FRANCAIS | AR | | |

| | | |
|---------------------|--------------|------------------|
| From L-031 To R-079 | Date:10/2022 | PAGE:H4-1884-00A |
|---------------------|--------------|------------------|

POSITION "A"

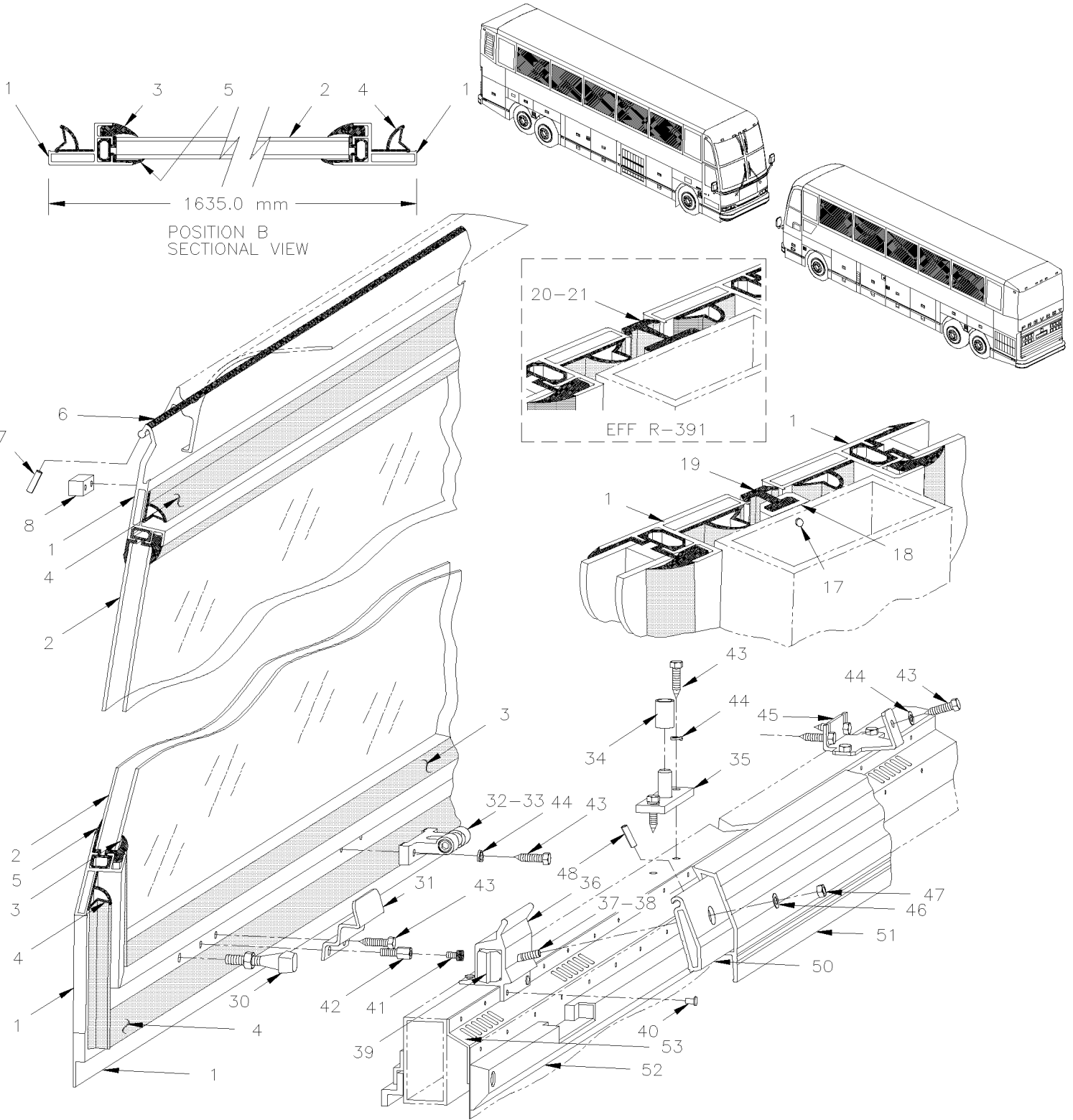
| Item# | Part | Description | H 3 4 0 | V I P 4 0 | N O T E S |
|-------|--------|--|------------------|-----------------------|-----------------------|
| NS | 403239 | DECAL, "GRAPHIC" INSTRUCTION CLOSING WINDOW / S.Q. | AR | | |
| | | | | | |
| | | A) PRODUCTION | | | |
| | | B) SERVICE | | | |

From L-031 To R-079

Date:10/2022

PAGE:H4-1884-00B

POSITION "B"



| | | |
|---------------------|--------------|------------------|
| From L-031 To R-079 | Date:10/2022 | PAGE:H4-1884-00B |
| POSITION "B" | | |

| Item# | Part | Description | H 3 4 0 | V I P 4 0 | N O T E S |
|-------|---------|---|------------------|-----------------------|-----------------------|
| | 291778P | WINDOW ASSY, THERMOS 28% | 10 | | |
| | 292029P | WINDOW ASSY, SINGLE 28% | 10 | | |
| 1 | 291805 | . FRAME | 1 | | |
| 1 | 292801 | . FRAME | 1 | | B |
| 2 | 299041 | . GLASS, THERMOS 28% / 1531MM | 1 | | |
| 2 | 292040 | . GLASS, SINGLE 28% / 1531MM | 1 | | |
| 3 | 292262 | . LOCKING STRIP 1005MM X 1551MM / W/THERMOS | 1 | | |
| 3 | 292261 | . LOCKING STRIP 1005MM X 1551MM / W/SINGLE | 1 | | |
| 4 | 292279 | . WINDOW SEAL / 1091MM X 1622MM | 1 | | |
| 5 | 292339 | . EXTERIOR GLASS SEAL 997MM / VERTICAL | 2 | | |
| 5 | 292340 | . EXTERIOR GLASS SEAL 1553MM / HORIZONTAL | 2 | | |
| 6 | 682481 | LOW FRICTION TAPE (HOCKEY) | AR | | |
| 7 | 505421 | SPRING, PIN M3 x 18 | AR | | |
| 8 | 291777 | STOPPER BLOCK WINDOW | 2 | | |
| 8 | 292344 | STOPPER BLOCK WINDOW | 2 | | |
| 17 | 500896 | SCREW TC FL PH #8-32x5/8 Z050 | 4 | | |
| 18 | 291823 | RETAINER 1120 MM | 12 | | |
| 18 | 292351 | RETAINER / W/CB ANTENNA / 440 MM | 1 | | |
| 18 | 292354 | RETAINER / W/CB ANTENNA / 580 MM | 1 | | |
| 19 | 291928 | STRIP RUBBER 1205MM | 12 | | |
| 19 | 292352 | STRIP RUBBER / W/CB ANTENNA / 647 MM | 1 | | |
| 19 | 292353 | STRIP RUBBER / W/CB ANTENNA / 513MM | 1 | | |
| 19 | 291828 | HOOK / LOWER RETAINER RUBBER | AR | | |
| 19 | 504107 | RIVET POP DOME OE 1/8x5/16 AL | AR | | |
| 20 | 292411 | MOULDING 1182MM X 26MM | 12 | | A |
| 20 | 292624 | MOULDING 1182MM X 18MM | 12 | | B |
| 21 | 292413 | MOULDING / W/CB ANTENNA 500MM X 26MM | 1 | | A |
| 21 | 292412 | MOULDING / W/CB ANTENNA 640MM X 26MM | 1 | | A |
| 21 | 292618 | MOULDING / W/CB ANTENNA 500MM X 18MM | 1 | | B |
| 21 | 292621 | MOULDING / W/CB ANTENNA 640MM X 18MM | 1 | | B |
| 21 | 681348 | TAPE RUB ADH2 ACRYLIC .045" x 1" x 108' / VHB4952 | AR | | |
| 30 | 291781 | BOLT LOCKING | 2 | | |
| 30 | 502710 | NUT HEX THN M8-1.5x4.5 ZP | 2 | | |
| 31 | 292012 | HANDLE WINDOW | 2 | | |
| 32 | 292047 | BRACKET ASSY CENTERING | 1 | | |
| 32 | 292021 | BRACKET CENTERING | 1 | | |
| 33 | 507314 | PLUNGER BALL M12 X 1.75 | 1 | | |
| 34 | 504586 | WASHER FL SPACER .450x.625x.875 NYL | 1 | | |
| 35 | 292048 | PIN, CENTERING | 1 | | |
| 35 | 292410 | PIN, CENTERING | 1 | | |
| 36 | 291838 | LATCH ASSY / L.H. ASSY SHOWN | 1 | | |
| 36 | 291837 | LATCH ASSY / R.H. ASSY | 1 | | |

| | | |
|---------------------|--------------|------------------|
| From L-031 To R-079 | Date:10/2022 | PAGE:H4-1884-00B |
| POSITION "B" | | |

| Item# | Part | Description | H 3 4 0 | V I P 4 0 | N O T E S |
|-------|-------------------|--|------------------|-----------------------|-----------------------|
| 36 | 291782 | . SUPPORT / R.H. | 1 | | |
| 36 | 291789 | . SUPPORT / L.H. | 1 | | |
| 37 | 291797 | . ROD LOCKING | 1 | | |
| 38 | 505415 | . SPRING, PIN M2.5 X 36 | 1 | | |
| 39 | 291795 | . LATCH / L.H. | 1 | | |
| 39 | 291796 | . LATCH / R.H. | 1 | | |
| 39 | 291940 | . SPRING COMPRESSION / .511 O.D. x 30 MM x .040 | 1 | | |
| 40 | 504256 | RIVET POP CK OE 3/16x1/4 AL | AR | | |
| 41 | 504498 | BUMPER PLUG / .406ODx.218THx.250HOLEx.125 To N-210 | 2 | | |
| 41 | 504572 | BUMPER RUBBER BOLT / .625 ODx.296TH x 8-32X.25 STUD From N-211 | 2 | | |
| 42 | 292324 | SUPPORT / TO FIX RUBBER BUMPER To N-210 | 2 | | |
| 42 | 292349 | ADAPTOR STUD 1/4-20 Male x 8-32 Female From N-211 | 2 | | |
| 43 | 500923 | SCREW TC CAP HEX 1/4-20x3/4 Z050 | AR | | |
| 44 | 500473 | WASHER LO SPT .262x.489x.062 Z050 | AR | | |
| 45 | 292052 | SUPPORT "U" SHAPE | 2 | | |
| 45 | 292350 | SUPPORT "U" SHAPE / TO FIX HANDLE & WINDOW TO STRUCTURE | 2 | | |
| 46 | 5001114 | WASHER FL .260x.687x.060 NYL | 2 | | |
| 47 | 502511 | NUT HEX NYRT M6-1.0 Z050 | 2 | | |
| 48 | 505421 | SPRING, PIN M3 x 18 | AR | | |
| 50 | 291887 | SUPPORT HANDLE / 1531MM | 10 | | |
| NS | 504572 | BUMPER RUBBER BOLT / .625 ODx.296TH x 8-32X.25 STUD | | | |
| NS | 5011016 | WASHER FL .177x.500x.109 AL GAL | 2 | | |
| 51 | 292356 | HANDLE / 1550MM | 10 | | |
| 52 | 292010 | BAR PLASTIC PROTECTION | 6 | | |
| NS | 500345 | WASHER FN CKF .187x.500x.090 BR BK | 8 | | |
| NS | 500686 | SCREW TP OV PH #6x1/2 BK | 8 | | |
| 53 | H4-1833-00 | REAR FINISHING CAP & SIDE WALL | | | |
| | | | | | |
| NS | 402759 | DECAL SEAT EVEN-NUMBERED ON AISLE / 1-52 | AR | | |
| NS | 402933 | DECAL SEAT ODD-NUMBERED ON AISLE / 1-52 | AR | | |
| NS | 403544 | DECAL SEAT ODD-NUMBERED ON AISLE / 1-52 | AR | | |
| NS | 403357 | DECAL, "NO SMOKING" / S.Q. | AR | | |
| NS | 403546 | DECAL SEAT EVEN-NUMBERED ON AISLE / 1-52 | AR | | |
| NS | 402776 | DECAL, | AR | | |
| NS | 402777 | DECAL / | AR | | |
| NS | 403236 | DECAL, "EMERGENCY EXIT" / INSTRUCTION / ENGLISH | AR | | |
| NS | 403237 | DECAL, "EMERGENCY EXIT" / INSTRUCTION / ENGLISH & FRANCAIS | AR | | |
| NS | 403239 | DECAL, "GRAPHIC" INSTRUCTION CLOSING WINDOW / S.Q. | AR | | |
| | | | | | |
| | | | | | |
| | | | | | |
| | | A) PRODUCTION | | | |

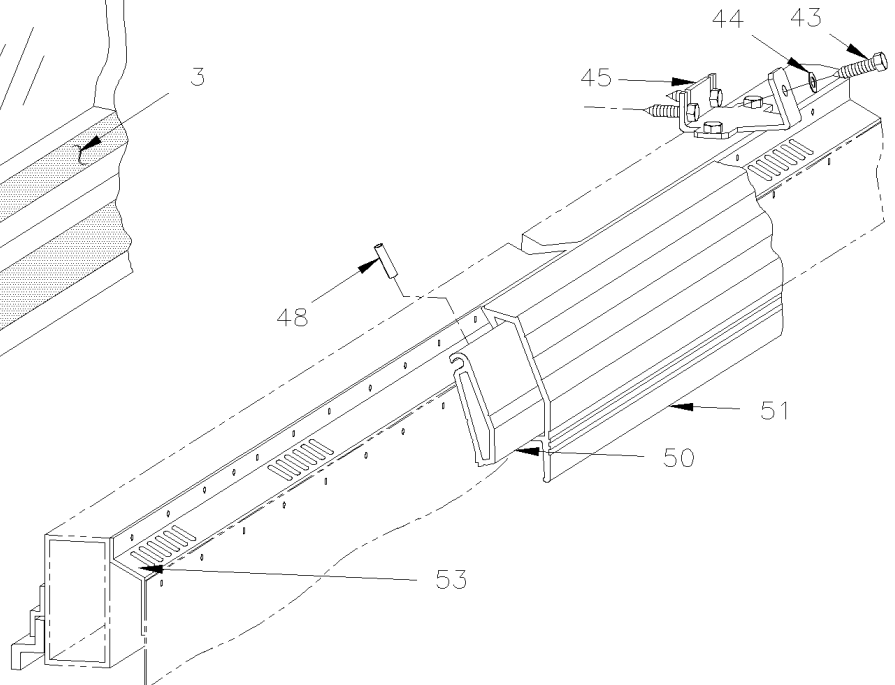
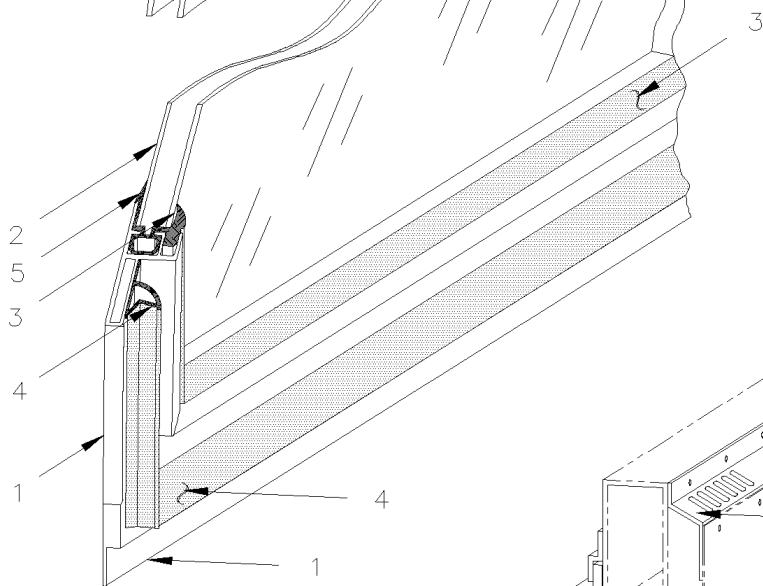
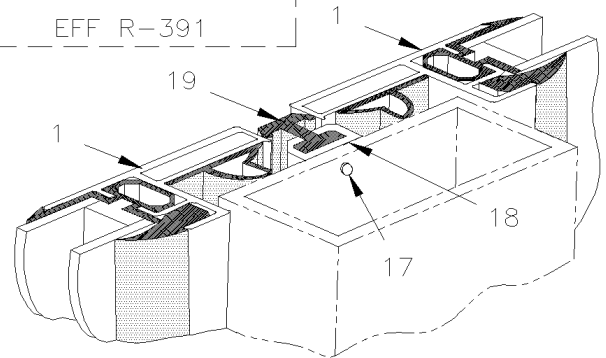
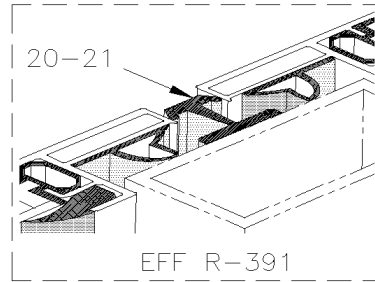
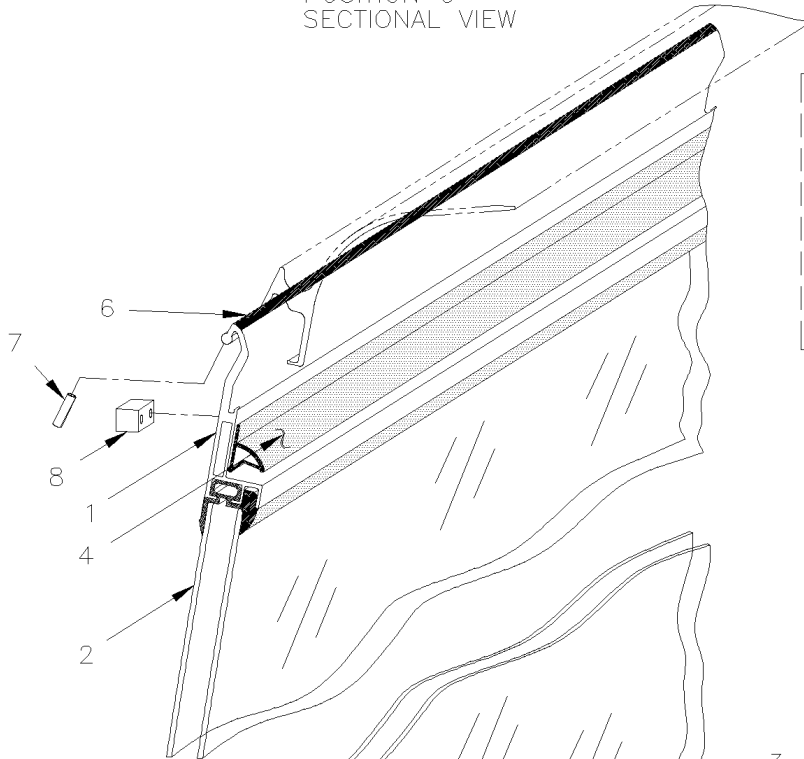
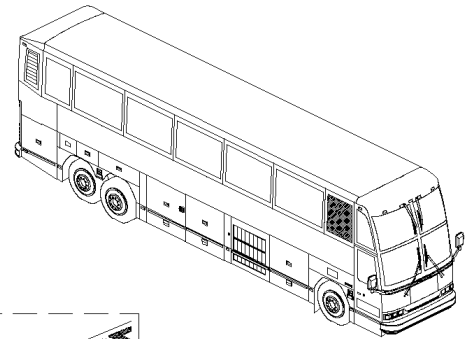
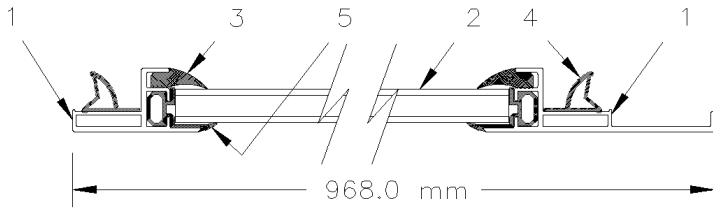
| From L-031 To R-079 | | Date:10/2022 | PAGE:H4-1884-00B | | |
|---------------------|------|--------------|------------------|-----------------------|-----------------------|
| POSITION "B" | | | | | |
| Item# | Part | Description | H 3 4 0 | V I P 4 0 | N O T E S |
| | | B) SERVICE | | | |

From L-031 To R-079

Date:10/2022

PAGE:H4-1884-00C

POSITION "C"



| | | |
|---------------------|--------------|------------------|
| From L-031 To R-079 | Date:10/2022 | PAGE:H4-1884-00C |
| POSITION "C" | | |

| Item# | Part | Description | H 3 4 0 | V I P 4 0 | N O T E S |
|-------|-------------------|--|------------------|-----------------------|-----------------------|
| | 291800P | WINDOW ASSY, THERMOS 28% / 814MM | 1 | | |
| | 292033P | WINDOW ASSY, SINGLE 28% / 814MM | 1 | | |
| 1 | 291809 | . FRAME | 1 | | |
| 2 | 299042 | . GLASS, THERMOS 28% / 814MM | 1 | | |
| 2 | 292041 | . GLASS, SINGLE 28% / 814MM | 1 | | |
| 3 | 292264 | . LOCKING STRIP 1005MM X 854MM / W/THERMOS | 1 | | |
| 3 | 292263 | . RUBBER INTERIOR / W/SINGLE | 1 | | |
| 4 | 292288 | . WINDOW SEAL / 1091MM X 904MM | 1 | | |
| 5 | 292339 | . EXTERIOR GLASS SEAL 997MM / VERTICAL | 2 | | |
| 5 | 292338 | . EXTERIOR GLASS SEAL 829MM / HORIZONTAL | 2 | | |
| 6 | 682481 | LOW FRICTION TAPE (HOCKEY) | AR | | |
| 7 | 505421 | SPRING, PIN M3 x 18 | AR | | |
| 8 | 291777 | STOPPER BLOCK WINDOW | 2 | | |
| 8 | 292344 | STOPPER BLOCK WINDOW | 2 | | |
| 17 | 500896 | SCREW TC FL PH #8-32x5/8 Z050 | 4 | | |
| 18 | 291823 | RETAINER 1120 MM | 12 | | |
| 19 | 291928 | STRIP RUBBER 1205MM | 12 | | |
| 19 | 291828 | HOOK / LOWER RETAINER RUBBER | AR | | |
| 19 | 504107 | RIVET POP DOME OE 1/8x5/16 AL | AR | | |
| 20 | 292411 | MOULDING 1182MM X 26MM | 12 | | A |
| 20 | 292624 | MOULDING 1182MM X 18MM | 12 | | B |
| 21 | 681348 | TAPE RUB ADH2 ACRYLIC .045" x 1" x 108' / VHB4952 | AR | | |
| 43 | 500923 | SCREW TC CAP HEX 1/4-20x3/4 Z050 | AR | | |
| 44 | 500473 | WASHER LO SPT .262x.489x.062 Z050 | AR | | |
| 45 | 292052 | SUPPORT "U" SHAPE | 2 | | |
| 45 | 292350 | SUPPORT "U" SHAPE / TO FIX HANDLE & WINDOW TO STRUCTURE | 2 | | |
| 48 | 505421 | SPRING, PIN M3 x 18 | AR | | |
| 50 | 291889 | SUPPORT HANDLE / 812MM | 4 | | |
| NS | 504572 | BUMPER RUBBER BOLT / .625 ODx.296TH x 8-32X.25 STUD | | | |
| NS | 5011016 | WASHER FL .177x.500x.109 AL GAL | 2 | | |
| 51 | 292420 | HANDLE / 833MM | AR | | |
| 53 | H4-1833-00 | REAR FINISHING CAP & SIDE WALL | | | |
| NS | 402759 | DECAL SEAT EVEN-NUMBERED ON AISLE / 1-52 | AR | | |
| NS | 402933 | DECAL SEAT ODD-NUMBERED ON AISLE / 1-52 | AR | | |
| NS | 403544 | DECAL SEAT ODD-NUMBERED ON AISLE / 1-52 | AR | | |
| NS | 403357 | DECAL, "NO SMOKING" / S.Q. | AR | | |
| NS | 403546 | DECAL SEAT EVEN-NUMBERED ON AISLE / 1-52 | AR | | |
| NS | 402776 | DECAL, | AR | | |
| NS | 402777 | DECAL / | AR | | |
| NS | 403236 | DECAL, "EMERGENCY EXIT" / INSTRUCTION / ENGLISH | AR | | |
| NS | 403237 | DECAL, "EMERGENCY EXIT" / INSTRUCTION / ENGLISH & FRANCAIS | AR | | |

| | | |
|---------------------|--------------|------------------|
| From L-031 To R-079 | Date:10/2022 | PAGE:H4-1884-00C |
|---------------------|--------------|------------------|

POSITION "C"

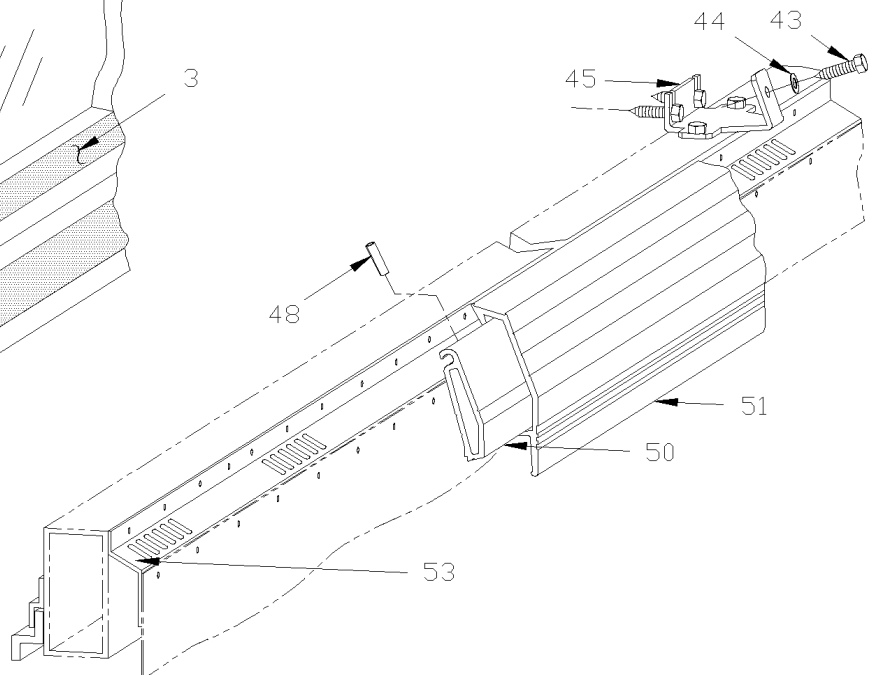
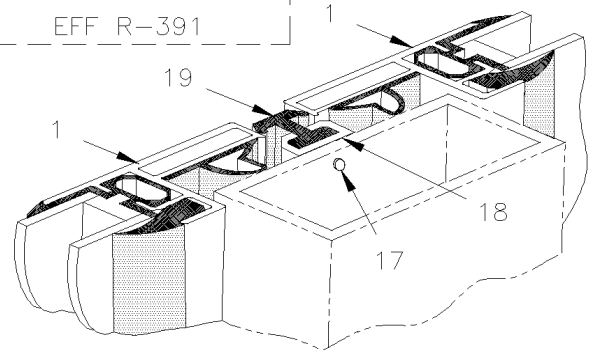
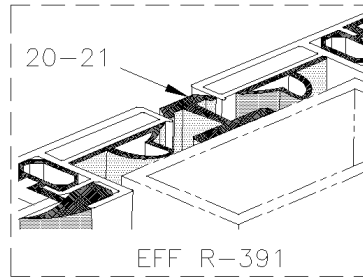
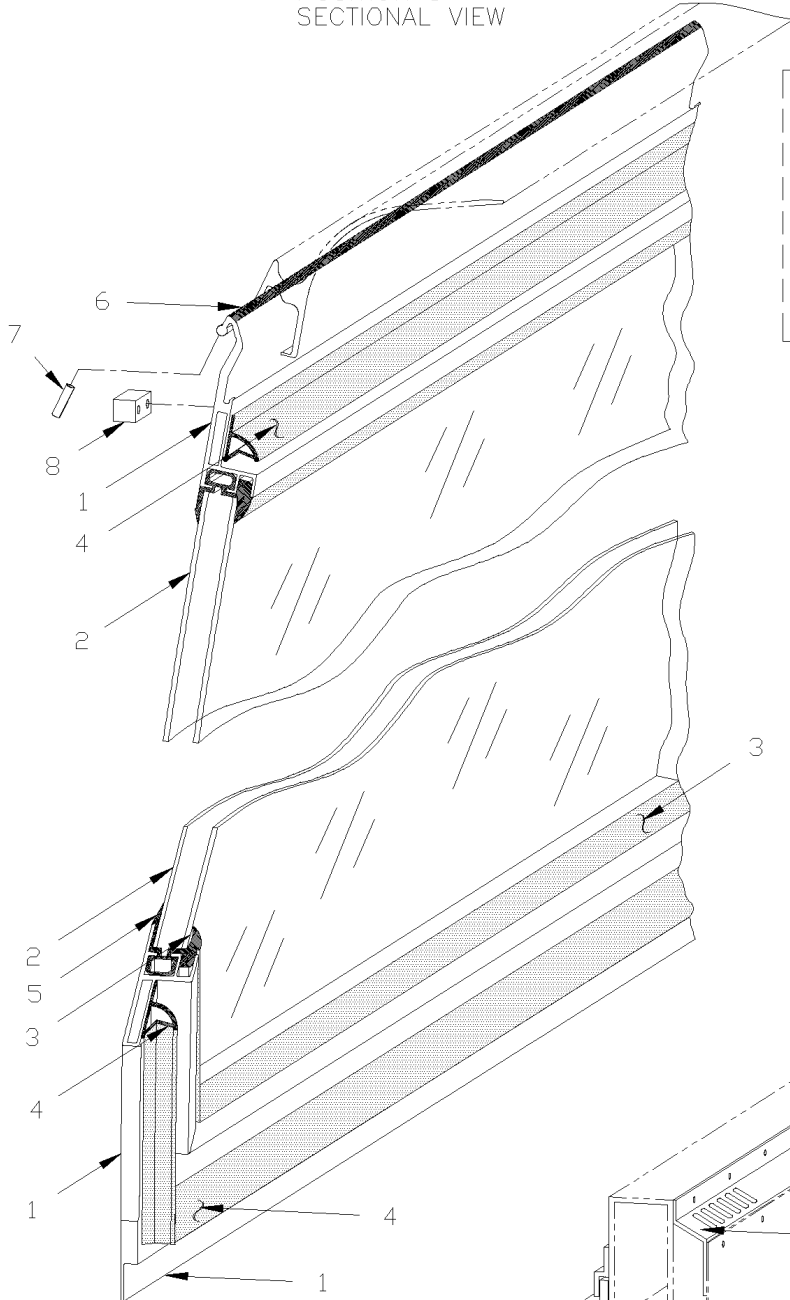
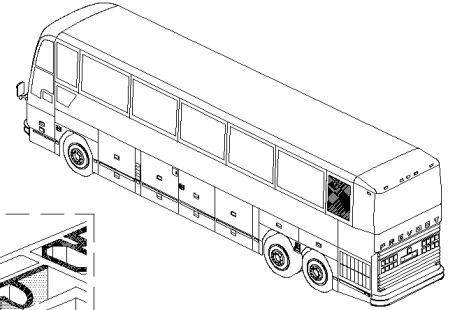
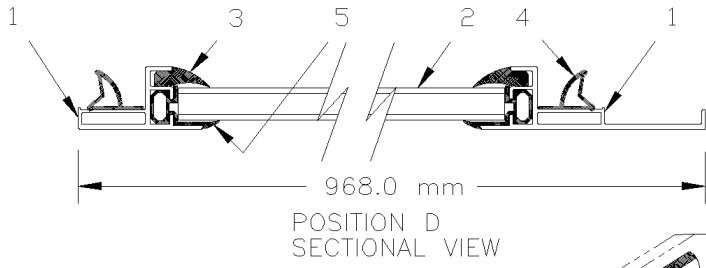
| Item# | Part | Description | H 3 4 0 | V I P 4 0 | N O T E S |
|-------|--------|--|------------------|-----------------------|-----------------------|
| NS | 403239 | DECAL, "GRAPHIC" INSTRUCTION CLOSING WINDOW / S.Q. | AR | | |
| | | | | | |
| | | | | | |
| | | A) PRODUCTION | | | |
| | | B) SERVICE | | | |

From L-031 To R-079

Date:10/2022

PAGE:H4-1884-00D

POSITION "D"



| | | |
|---------------------|--------------|------------------|
| From L-031 To R-079 | Date:10/2022 | PAGE:H4-1884-00D |
| POSITION "D" | | |

| Item# | Part | Description | H 3 4 0 | V I P 4 0 | N O T E S |
|-------|-------------------|--|------------------|-----------------------|-----------------------|
| | 292015P | WINDOW ASSY, THERMOS 28% W/GLASS / 814MM | 1 | | |
| | 292038P | WINDOW ASSY, SINGLE 28% / 814MM | 1 | | |
| 1 | 292014 | . FRAME / 968 MM | 1 | | |
| 2 | 299042 | . GLASS, THERMOS 28% / 814MM | 1 | | |
| 2 | 292041 | . GLASS, SINGLE 28% / 814MM | 1 | | |
| 3 | 292264 | . LOCKING STRIP 1005MM X 854MM / W/THERMOS | 1 | | |
| 3 | 292263 | . RUBBER INTERIOR / W/SINGLE | 1 | | |
| 4 | 292288 | . WINDOW SEAL / 1091MM X 904MM | 1 | | |
| 5 | 292339 | . EXTERIOR GLASS SEAL 997MM / VERTICAL | 2 | | |
| 5 | 292338 | . EXTERIOR GLASS SEAL 829MM / HORIZONTAL | 2 | | |
| 6 | 682481 | LOW FRICTION TAPE (HOCKEY) | AR | | |
| 7 | 505421 | SPRING, PIN M3 x 18 | AR | | |
| 8 | 291777 | STOPPER BLOCK WINDOW | 2 | | |
| 8 | 292344 | STOPPER BLOCK WINDOW | 2 | | |
| 17 | 500896 | SCREW TC FL PH #8-32x5/8 Z050 | 4 | | |
| 18 | 291823 | RETAINER 1120 MM | 12 | | |
| 19 | 291928 | STRIP RUBBER 1205MM | 12 | | |
| 19 | 291828 | HOOK / LOWER RETAINER RUBBER | AR | | |
| 19 | 504107 | RIVET POP DOME OE 1/8x5/16 AL | AR | | |
| 20 | 292411 | MOULDING 1182MM X 26MM | 12 | | A |
| 20 | 292624 | MOULDING 1182MM X 18MM | 12 | | B |
| 21 | 681348 | TAPE RUB ADH2 ACRYLIC .045" x 1" x 108' / VHB4952 | AR | | |
| 43 | 500923 | SCREW TC CAP HEX 1/4-20x3/4 Z050 | AR | | |
| 44 | 500473 | WASHER LO SPT .262x.489x.062 Z050 | AR | | |
| 45 | 292052 | SUPPORT "U" SHAPE | 2 | | |
| 45 | 292350 | SUPPORT "U" SHAPE / TO FIX HANDLE & WINDOW TO STRUCTURE | 2 | | |
| 50 | 291889 | SUPPORT HANDLE / 812MM | 4 | | |
| NS | 504572 | BUMPER RUBBER BOLT / .625 ODx.296TH x 8-32X.25 STUD | | | |
| NS | 5011016 | WASHER FL .177x.500x.109 AL GAL | 2 | | |
| 51 | 292420 | HANDLE / 833MM | AR | | |
| 53 | H4-1833-00 | REAR FINISHING CAP & SIDE WALL | | | |
| | | | | | |
| NS | 402759 | DECAL SEAT EVEN-NUMBERED ON AISLE / 1-52 | AR | | |
| NS | 402933 | DECAL SEAT ODD-NUMBERED ON AISLE / 1-52 | AR | | |
| NS | 403544 | DECAL SEAT ODD-NUMBERED ON AISLE / 1-52 | AR | | |
| NS | 403357 | DECAL, "NO SMOKING" / S.Q. | AR | | |
| NS | 403546 | DECAL SEAT EVEN-NUMBERED ON AISLE / 1-52 | AR | | |
| NS | 402776 | DECAL, | AR | | |
| NS | 402777 | DECAL / | AR | | |
| NS | 403236 | DECAL, "EMERGENCY EXIT" / INSTRUCTION / ENGLISH | AR | | |
| NS | 403237 | DECAL, "EMERGENCY EXIT" / INSTRUCTION / ENGLISH & FRANCAIS | AR | | |
| NS | 403239 | DECAL, "GRAPHIC" INSTRUCTION CLOSING WINDOW / S.Q. | AR | | |

| | | |
|---------------------|--------------|------------------|
| From L-031 To R-079 | Date:10/2022 | PAGE:H4-1884-00D |
|---------------------|--------------|------------------|

POSITION "D"

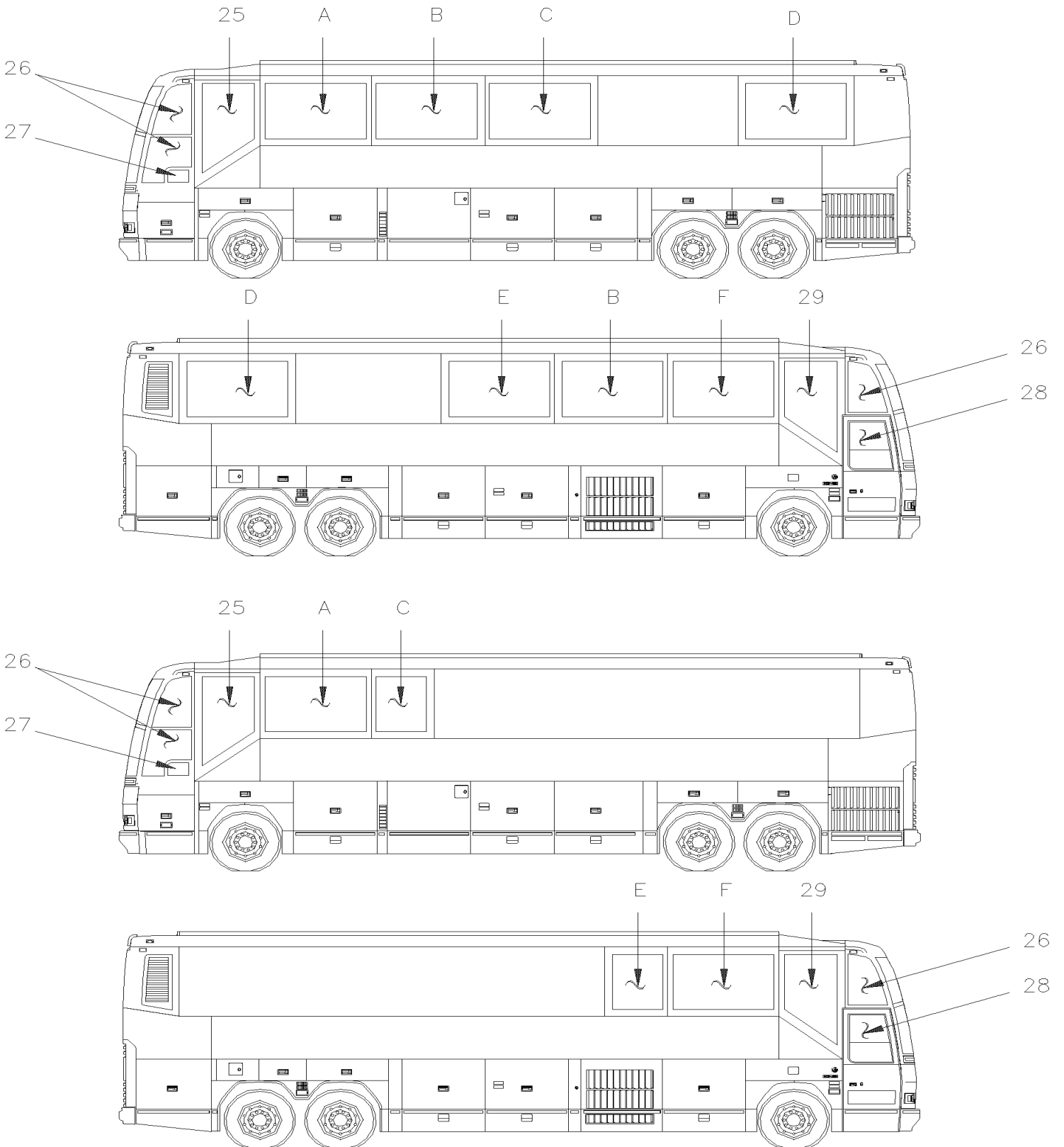
| Item# | Part | Description | H 3 4 0 | V I P 4 0 | N O T E S |
|-------|------|---------------|------------------|-----------------------|-----------------------|
| | | | | | |
| | | | | | |
| | | A) PRODUCTION | | | |
| | | B) SERVICE | | | |

From L-031 To R-079

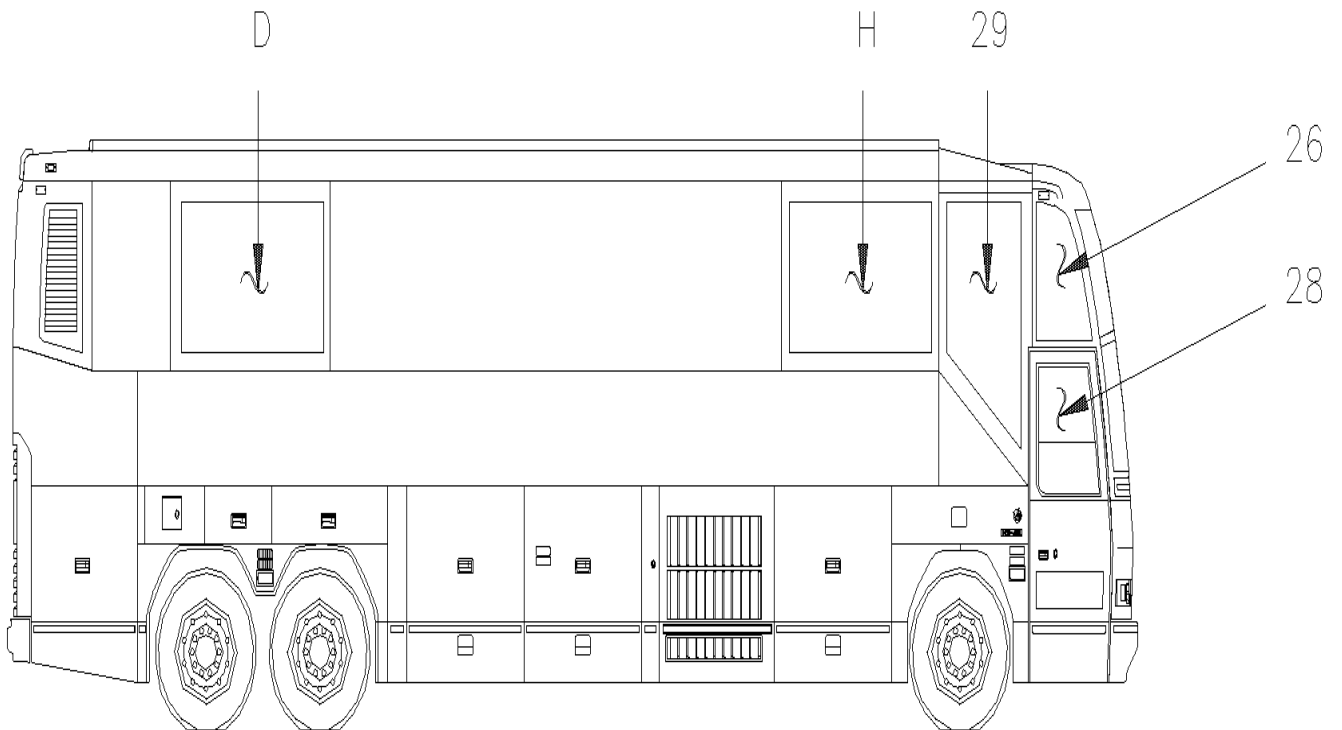
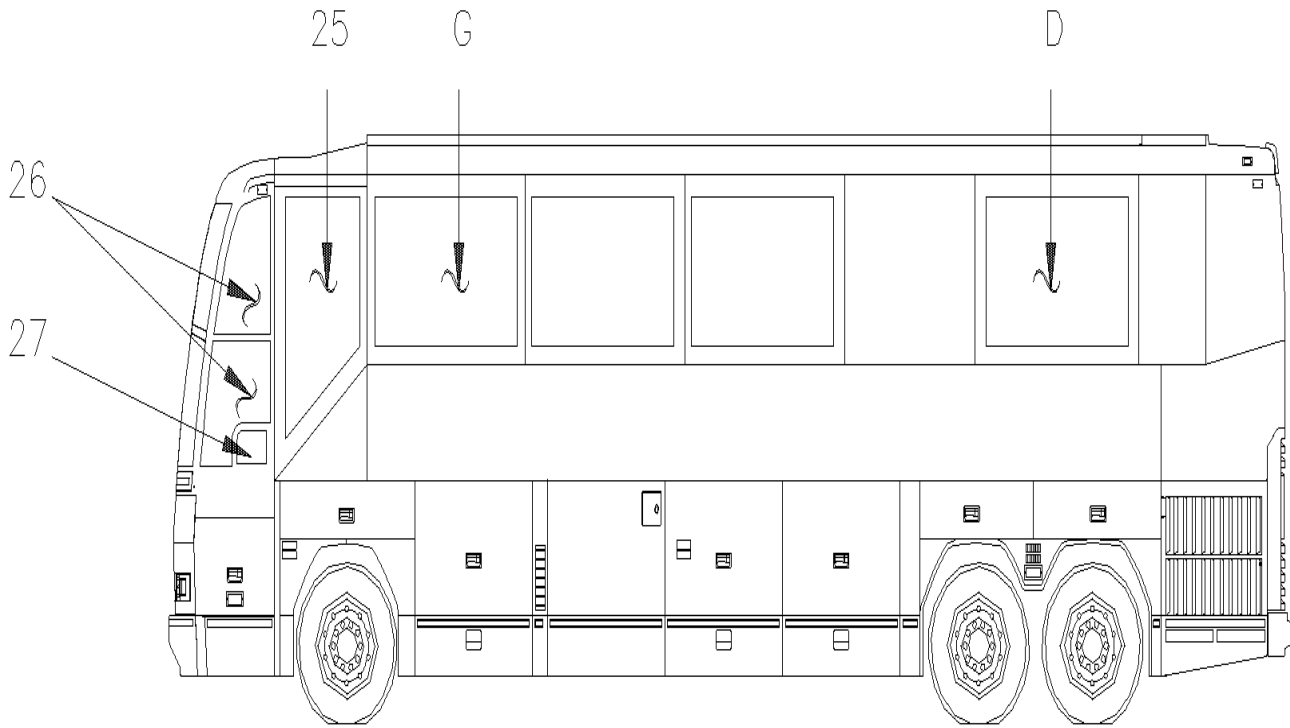
Date:10/2022

PAGE:H4-1884-50

SIDE WINDOW ASSY - V.I.P.



| | | |
|---------------------------|--------------|-----------------|
| From L-031 To R-079 | Date:10/2022 | PAGE:H4-1884-50 |
| SIDE WINDOW ASSY - V.I.P. | | |



| | | |
|----------------------------------|--------------|-----------------|
| From L-031 To R-079 | Date:10/2022 | PAGE:H4-1884-50 |
| SIDE WINDOW ASSY - V.I.P. | | |

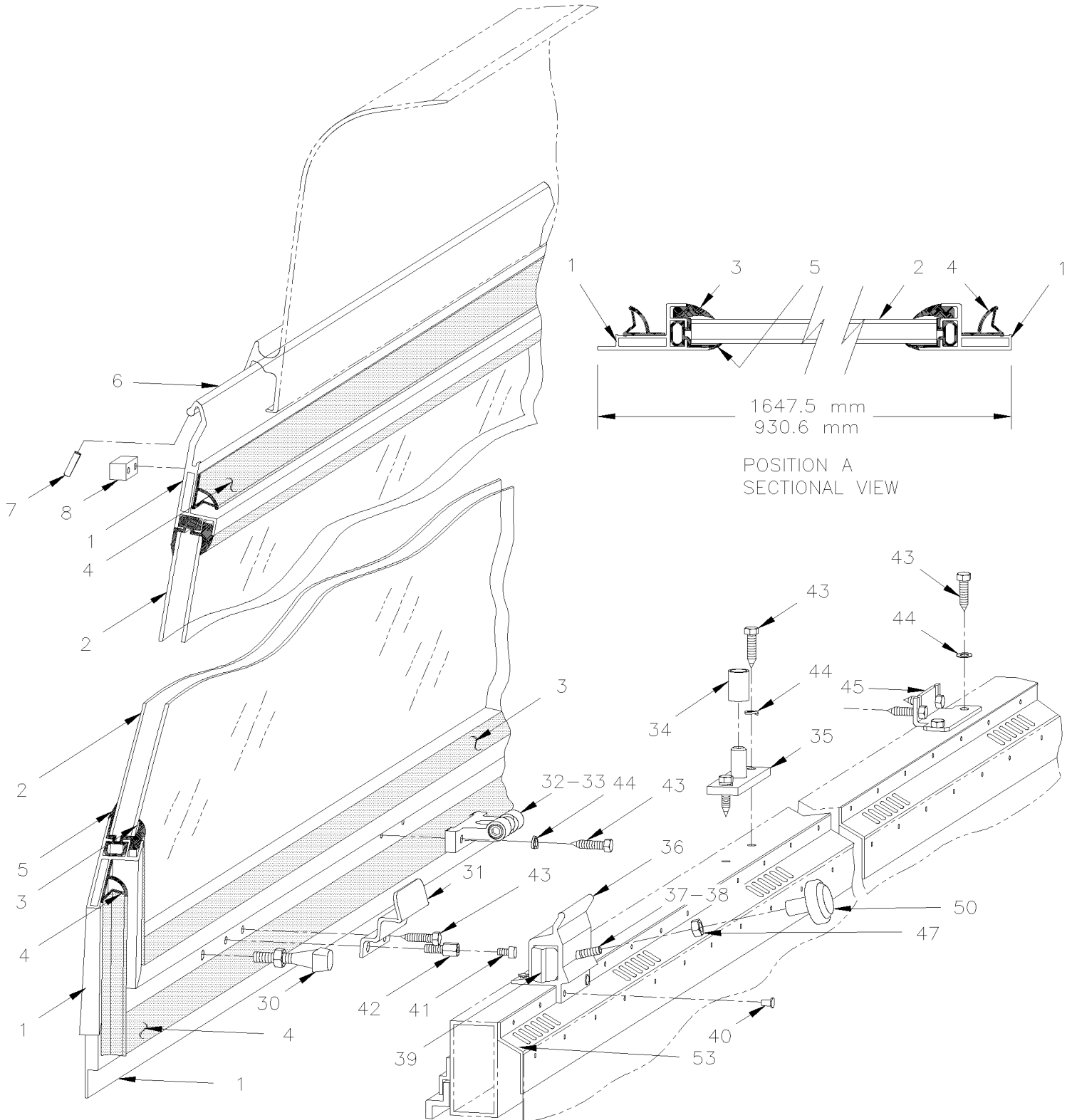
| Item# | Part | Description | H 3 4 0 | V I P 4 0 | N O T E S |
|-------|-------------|--|------------------|-----------------------|-----------------------|
| 25 | 291977 | GLASS THERMOS L.H. | | 1 | |
| 26 | H4-1880-00 | WINDSHIELD & CHANNEL | | | |
| 27 | H4-1886-00 | POWER WINDOW - ELECTRICAL INSTALLATION | | | |
| 28 | H4-1862-50 | ENTRANCE DOOR ASSY - V.I.P. | | | |
| 29 | 291976 | GLASS THERMOS R.H. | | 1 | |
| 30 | 292624 | MOULDING 1182MM X 18MM | | 1 | A |
| A | H4-1884-50A | POSITION "A" From L-031 | | | |
| B | H4-1884-50B | POSITION "B" From L-031 | | | |
| C | H4-1884-50C | POSITION "C" From L-031 | | | |
| D | H4-1884-50D | POSITION "D" From L-031 | | | |
| E | H4-1884-50E | POSITION "E" From L-031 | | | |
| F | H4-1884-50F | POSITION "F" From L-031 | | | |
| G | H4-1884-50G | POSITION "G" From L-031 | | | |
| H | H4-1884-50H | POSITION "H" From L-031 | | | |
| | | | | | |
| | | | | | |
| | | | | | |
| | | A) BETWEEN WINDOWS | | | |

From L-031 To R-079

Date:10/2022

PAGE:H4-1884-50A

POSITION "A"



| | | |
|---------------------|--------------|------------------|
| From L-031 To R-079 | Date:10/2022 | PAGE:H4-1884-50A |
| POSITION "A" | | |

| Item# | Part | Description | H 3 4 0 | V I P 4 0 | N O T E S |
|-------|---------|--|------------------|-----------------------|-----------------------|
| | 291779P | WINDOW ASSY, THERMOS / W/GLASS 1531MM | | AR | |
| | 292084P | WINDOW ASSY THERMOS / W/GLASS 814MM | | AR | |
| 1 | 291806 | . FRAME / 1647.5 MM | | 1 | |
| 1 | 292069 | . FRAME / 930.6 MM | | 1 | |
| 2 | 299041 | . GLASS, THERMOS 28% / 1531MM | | 1 | |
| 2 | 299042 | . GLASS, THERMOS 28% / 814MM | | 1 | |
| 3 | 292262 | . LOCKING STRIP 1005MM X 1551MM / W/THERMOS | | 1 | |
| 3 | 292264 | . LOCKING STRIP 1005MM X 854MM / W/THERMOS | | 1 | |
| 4 | 292279 | . WINDOW SEAL / 1091MM X 1622MM | | 1 | |
| 4 | 292288 | . WINDOW SEAL / 1091MM X 904MM | | 1 | |
| 5 | 292339 | . EXTERIOR GLASS SEAL 997MM / VERTICAL | | 2 | |
| 5 | 292340 | . EXTERIOR GLASS SEAL 1553MM / HORIZONTAL | | 2 | |
| 5 | 292338 | . EXTERIOR GLASS SEAL 829MM / HORIZONTAL | | 2 | |
| 6 | 682481 | LOW FRICTION TAPE (HOCKEY) | | AR | |
| 7 | 505421 | SPRING, PIN M3 x 18 | | AR | |
| 8 | 291777 | STOPPER BLOCK WINDOW To N-205 | | 2 | |
| 8 | 292344 | STOPPER BLOCK WINDOW From N-206 | | 2 | |
| NS | 500260 | SCREW TC FL PH #8-32x3/4 BK | | 4 | |
| 30 | 291781 | BOLT LOCKING | | 2 | |
| 30 | 502710 | NUT HEX THN M8-1.5x4.5 ZP | | 2 | |
| 31 | 292012 | HANDLE WINDOW | | 2 | |
| 32 | 292047 | BRACKET ASSY CENTERING | | 1 | |
| 32 | 292021 | BRACKET CENTERING | | 1 | |
| 33 | 507314 | PLUNGER BALL M12 X 1.75 | | 1 | |
| 34 | 504586 | WASHER FL SPACER .450x.625x.875 NYL | | 1 | |
| 35 | 292048 | PIN, CENTERING To P-310 | | 1 | |
| 35 | 292410 | PIN, CENTERING From P-311 | | 1 | |
| 36 | 291838 | LATCH ASSY / L.H. ASSY SHOWN | | 1 | |
| 36 | 291837 | LATCH ASSY / R.H. ASSY | | 1 | |
| 36 | 291782 | . SUPPORT / R.H. | | 1 | |
| 36 | 291789 | . SUPPORT / L.H. | | 1 | |
| 37 | 291797 | . ROD LOCKING | | 1 | |
| 38 | 505415 | . SPRING, PIN M2.5 X 36 | | 1 | |
| 39 | 291795 | . LATCH / L.H. | | 1 | |
| 39 | 291796 | . LATCH / R.H. | | 1 | |
| 39 | 291940 | . SPRING COMPRESSION / .511 O.D. x 30 MM x .040 | | 1 | |
| 40 | 504256 | RIVET POP CK OE 3/16x1/4 AL | | AR | |
| 41 | 504498 | BUMPER PLUG / .406ODx.218THx.250HOLEx.125 To N-210 | | 2 | |
| 41 | 504572 | BUMPER RUBBER BOLT / .625 ODx.296TH x 8-32X.25 STUD From N-211 | | 2 | |
| 42 | 292324 | SUPPORT / TO FIX RUBBER BUMPER To N-210 | | 2 | |
| 42 | 292349 | ADAPTOR STUD 1/4-20 Male x 8-32 Female From N-211 | | 2 | |
| 43 | 500923 | SCREW TC CAP HEX 1/4-20x3/4 Z050 | | AR | |

| | | |
|---------------------|--------------|------------------|
| From L-031 To R-079 | Date:10/2022 | PAGE:H4-1884-50A |
| POSITION "A" | | |

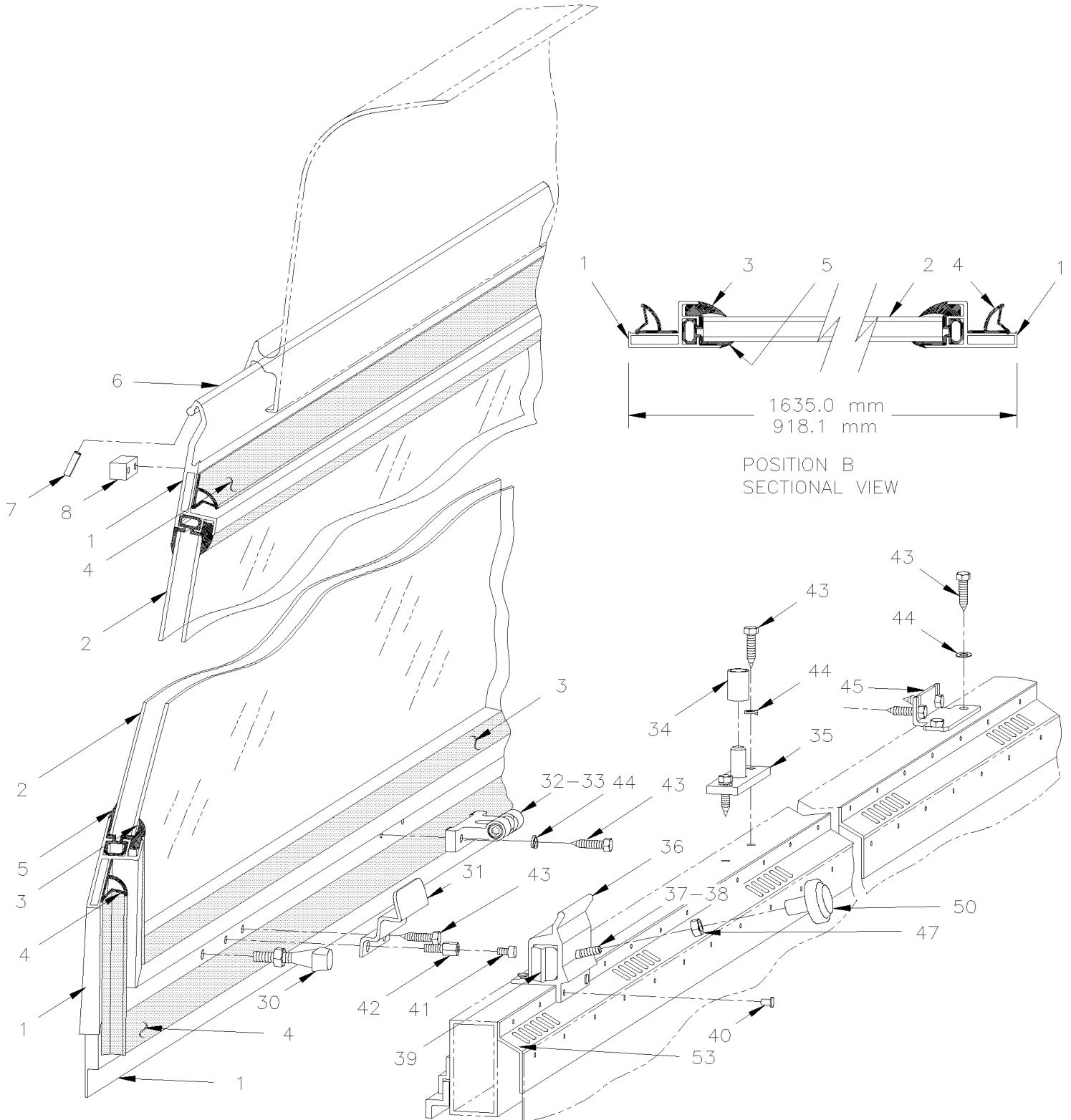
| Item# | Part | Description | H 3 4 0 | V I P 4 0 | N O T E S |
|-------|--------|--------------------------------------|------------------|-----------------------|-----------------------|
| 44 | 500473 | WASHER LO SPT .262x.489x.062 Z050 | | AR | |
| 45 | 292053 | SUPPORT / TO FIX WINDOW TO STRUCTURE | | 2 | |
| 47 | 502511 | NUT HEX NYRT M6-1.0 Z050 | | 2 | |
| 50 | 292054 | BUTTON, RELEASE / BLACK | | AR | |
| 50 | 292046 | BUTTON, RELEASE / RED | | AR | |
| 53 | 322835 | GRILLE SPACER 1660MM | | 10 | |
| | | | | | |
| | | | | | |
| | | | | | |

From L-031 To R-079

Date:10/2022

PAGE:H4-1884-50B

POSITION "B"



| | | |
|---------------------|--------------|------------------|
| From L-031 To R-079 | Date:10/2022 | PAGE:H4-1884-50B |
| POSITION "B" | | |

| Item# | Part | Description | H 3 4 0 | V I P 4 0 | N O T E S |
|-------|---------|--|------------------|-----------------------|-----------------------|
| | 291778P | WINDOW ASSY, THERMOS 28% | | AR | |
| | 292082P | WINDOW ASSY, THERMOS 28% W/GLASS / 814MM | | 1 | |
| 1 | 291805 | . FRAME | | 1 | |
| 1 | 292068 | . FRAME | | 1 | |
| 2 | 299041 | . GLASS, THERMOS 28% / 1531MM | | 1 | |
| 2 | 299042 | . GLASS, THERMOS 28% / 814MM | | 1 | |
| 3 | 292262 | . LOCKING STRIP 1005MM X 1551MM / W/THERMOS | | 1 | |
| 3 | 292264 | . LOCKING STRIP 1005MM X 854MM / W/THERMOS | | 1 | |
| 4 | 292279 | . WINDOW SEAL / 1091MM X 1622MM | | 1 | |
| 4 | 292288 | . WINDOW SEAL / 1091MM X 904MM | | 1 | |
| 5 | 292339 | . EXTERIOR GLASS SEAL 997MM / VERTICAL | | 2 | |
| 5 | 292340 | . EXTERIOR GLASS SEAL 1553MM / HORIZONTAL | | 2 | |
| 5 | 292338 | . EXTERIOR GLASS SEAL 829MM / HORIZONTAL | | 2 | |
| 6 | 682481 | LOW FRICTION TAPE (HOCKEY) | | AR | |
| 7 | 505421 | SPRING, PIN M3 x 18 | | AR | |
| 8 | 291777 | STOPPER BLOCK WINDOW To N-205 | | 2 | |
| 8 | 292344 | STOPPER BLOCK WINDOW From N-206 | | 2 | |
| NS | 500260 | SCREW TC FL PH #8-32x3/4 BK | | 4 | |
| 30 | 291781 | BOLT LOCKING | | 2 | |
| 30 | 502710 | NUT HEX THN M8-1.5x4.5 ZP | | 2 | |
| 31 | 292012 | HANDLE WINDOW | | 2 | |
| 32 | 292047 | BRACKET ASSY CENTERING | | 1 | |
| 32 | 292021 | BRACKET CENTERING | | 1 | |
| 33 | 507314 | PLUNGER BALL M12 X 1.75 | | 1 | |
| 34 | 504586 | WASHER FL SPACER .450x.625x.875 NYL | | 1 | |
| 35 | 292048 | PIN, CENTERING To P-310 | | 1 | |
| 35 | 292410 | PIN, CENTERING From P-311 | | 1 | |
| 36 | 291838 | LATCH ASSY / L.H. ASSY SHOWN | | 1 | |
| 36 | 291837 | LATCH ASSY / R.H. ASSY | | 1 | |
| 36 | 291782 | . SUPPORT / R.H. | | 1 | |
| 36 | 291789 | . SUPPORT / L.H. | | 1 | |
| 37 | 291797 | . ROD LOCKING | | 1 | |
| 38 | 505415 | . SPRING, PIN M2.5 X 36 | | 1 | |
| 39 | 291795 | . LATCH / L.H. | | 1 | |
| 39 | 291796 | . LATCH / R.H. | | 1 | |
| 39 | 291940 | . SPRING COMPRESSION / .511 O.D. x 30 MM x .040 | | 1 | |
| 40 | 504256 | RIVET POP CK OE 3/16x1/4 AL | | AR | |
| 41 | 504498 | BUMPER PLUG / .406ODx.218THx.250HOLEx.125 To N-210 | | 2 | |
| 41 | 504572 | BUMPER RUBBER BOLT / .625 ODx.296TH x 8-32X.25 STUD From N-211 | | 2 | |
| 42 | 292324 | SUPPORT / TO FIX RUBBER BUMPER To N-210 | | 2 | |
| 42 | 292349 | ADAPTOR STUD 1/4-20 Male x 8-32 Female From N-211 | | 2 | |
| 43 | 500923 | SCREW TC CAP HEX 1/4-20x3/4 Z050 | | AR | |

| | | |
|---------------------|--------------|------------------|
| From L-031 To R-079 | Date:10/2022 | PAGE:H4-1884-50B |
| POSITION "B" | | |

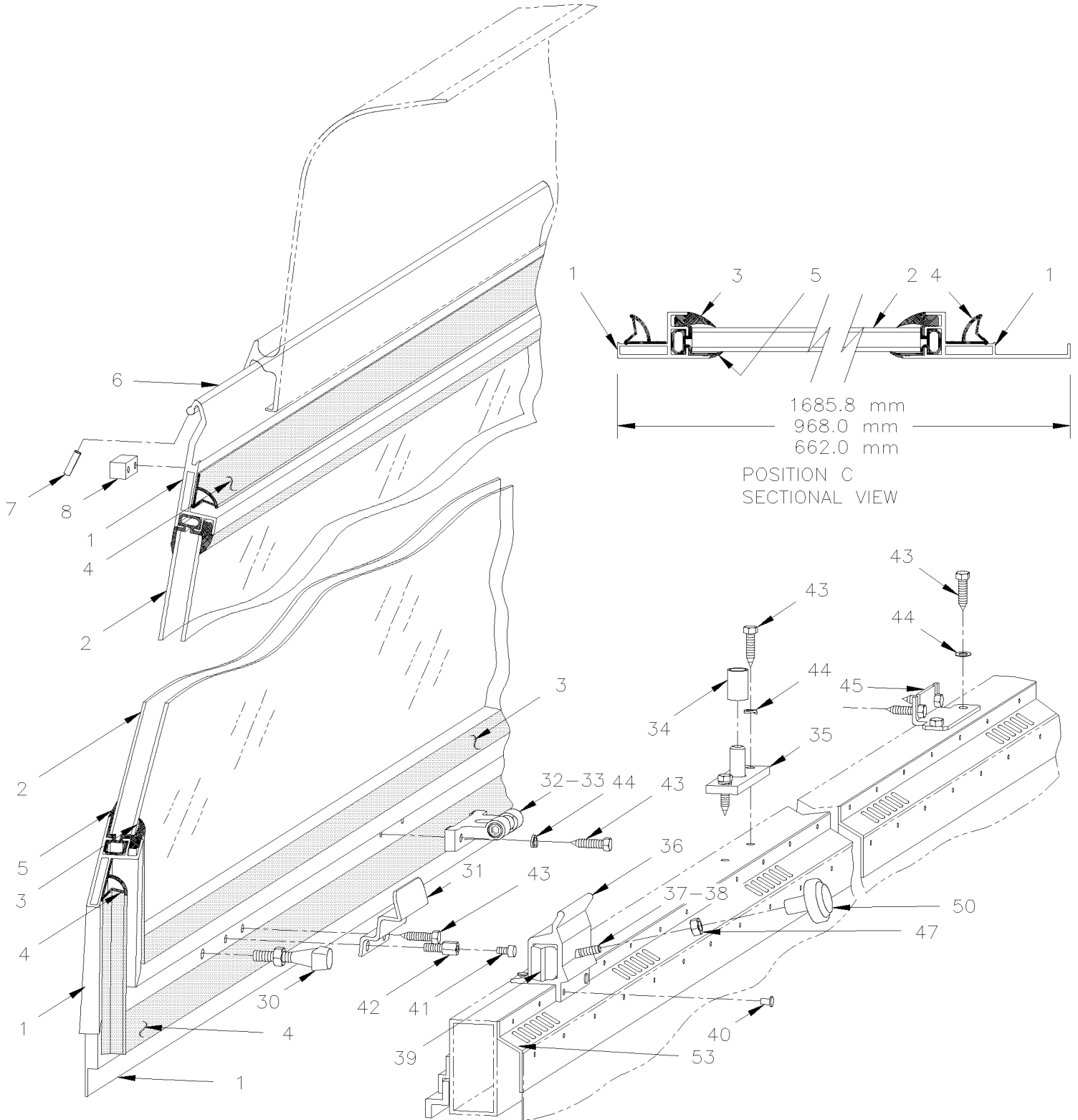
| Item# | Part | Description | H 3 4 0 | V I P 4 0 | N O T E S |
|-------|--------|--------------------------------------|------------------|-----------------------|-----------------------|
| 44 | 500473 | WASHER LO SPT .262x.489x.062 Z050 | | AR | |
| 45 | 292053 | SUPPORT / TO FIX WINDOW TO STRUCTURE | | 2 | |
| 47 | 502511 | NUT HEX NYRT M6-1.0 Z050 | | 2 | |
| 50 | 292054 | BUTTON, RELEASE / BLACK | | AR | |
| 50 | 292046 | BUTTON, RELEASE / RED | | AR | |
| 53 | 322835 | GRILLE SPACER 1660MM | | 10 | |
| | | | | | |
| | | | | | |
| | | | | | |

From L-031 To R-079

Date:10/2022

PAGE:H4-1884-50C

POSITION "C"



| | | |
|---------------------|--------------|------------------|
| From L-031 To R-079 | Date:10/2022 | PAGE:H4-1884-50C |
| POSITION "C" | | |

| Item# | Part | Description | H 3 4 0 | V I P 4 0 | N O T E S |
|-------|---------|---|------------------|-----------------------|-----------------------|
| | 291999P | WINDOW ASSY, THERMOS 28% W/GLASS / 1531MM | | AR | |
| | 292015P | WINDOW ASSY, THERMOS 28% W/GLASS / 814MM | | AR | |
| | 291780P | WINDOW ASSY, THERMOS 28% W/GLASS / 508MM | | AR | |
| 1 | 291995 | . FRAME / 1685.8 MM | | 1 | |
| 1 | 292014 | . FRAME / 968 MM | | 1 | |
| 1 | 291808 | . FRAME / 662 MM | | 1 | |
| 2 | 299041 | . GLASS, THERMOS 28% / 1531MM | | 1 | |
| 2 | 299042 | . GLASS, THERMOS 28% / 814MM | | 1 | |
| 2 | 299043 | . GLASS, THERMOS 28% / 508MM | | 1 | |
| 3 | 292262 | . LOCKING STRIP 1005MM X 1551MM / W/THERMOS | | 1 | |
| 3 | 292264 | . LOCKING STRIP 1005MM X 854MM / W/THERMOS | | 1 | |
| 3 | 292265 | . LOCKING STRIP 1005MM X 703MM / W/THERMOS | | 1 | |
| 4 | 292279 | . WINDOW SEAL / 1091MM X 1622MM | | 1 | |
| 4 | 292288 | . WINDOW SEAL / 1091MM X 904MM | | 1 | |
| 4 | 292289 | . WINDOW SEAL / 1091MM X 598MM | | 1 | |
| 5 | 292339 | . EXTERIOR GLASS SEAL 997MM / VERTICAL | | 2 | |
| 5 | 292340 | . EXTERIOR GLASS SEAL 1553MM / HORIZONTAL | | 2 | |
| 5 | 292338 | . EXTERIOR GLASS SEAL 829MM / HORIZONTAL | | 1 | |
| 5 | 292337 | . EXTERIOR GLASS SEAL 520MM / HORIZONTAL | | 1 | |
| 6 | 682481 | LOW FRICTION TAPE (HOCKEY) | | AR | |
| 7 | 505421 | SPRING, PIN M3 x 18 | | AR | |
| 8 | 291777 | STOPPER BLOCK WINDOW To N-205 | | 2 | |
| 8 | 292344 | STOPPER BLOCK WINDOW From N-206 | | 2 | |
| NS | 500260 | SCREW TC FL PH #8-32x3/4 BK | | 4 | |
| 30 | 291781 | BOLT LOCKING | | 2 | |
| 30 | 502710 | NUT HEX THN M8-1.5x4.5 ZP | | 2 | |
| 31 | 292012 | HANDLE WINDOW | | 2 | |
| 32 | 292047 | BRACKET ASSY CENTERING | | 1 | |
| 32 | 292021 | BRACKET CENTERING | | 1 | |
| 33 | 507314 | PLUNGER BALL M12 X 1.75 | | 1 | |
| 34 | 504586 | WASHER FL SPACER .450x.625x.875 NYL From P-311 | | 1 | |
| 35 | 292048 | PIN, CENTERING To P-310 | | 1 | |
| 35 | 292410 | PIN, CENTERING From P-311 | | 1 | |
| 36 | 291838 | LATCH ASSY / L.H. ASSY SHOWN | | 1 | |
| 36 | 291837 | LATCH ASSY / R.H. ASSY | | 1 | |
| 36 | 291782 | . SUPPORT / R.H. | | 1 | |
| 36 | 291789 | . SUPPORT / L.H. | | 1 | |
| 37 | 291797 | . ROD LOCKING | | 1 | |
| 38 | 505415 | . SPRING, PIN M2.5 X 36 | | 1 | |
| 39 | 291795 | . LATCH / L.H. | | 1 | |
| 39 | 291796 | . LATCH / R.H. | | 1 | |
| 39 | 291940 | . SPRING COMPRESSION / .511 O.D. x 30 MM x .040 | | 1 | |

| | | |
|---------------------|--------------|------------------|
| From L-031 To R-079 | Date:10/2022 | PAGE:H4-1884-50C |
| POSITION "C" | | |

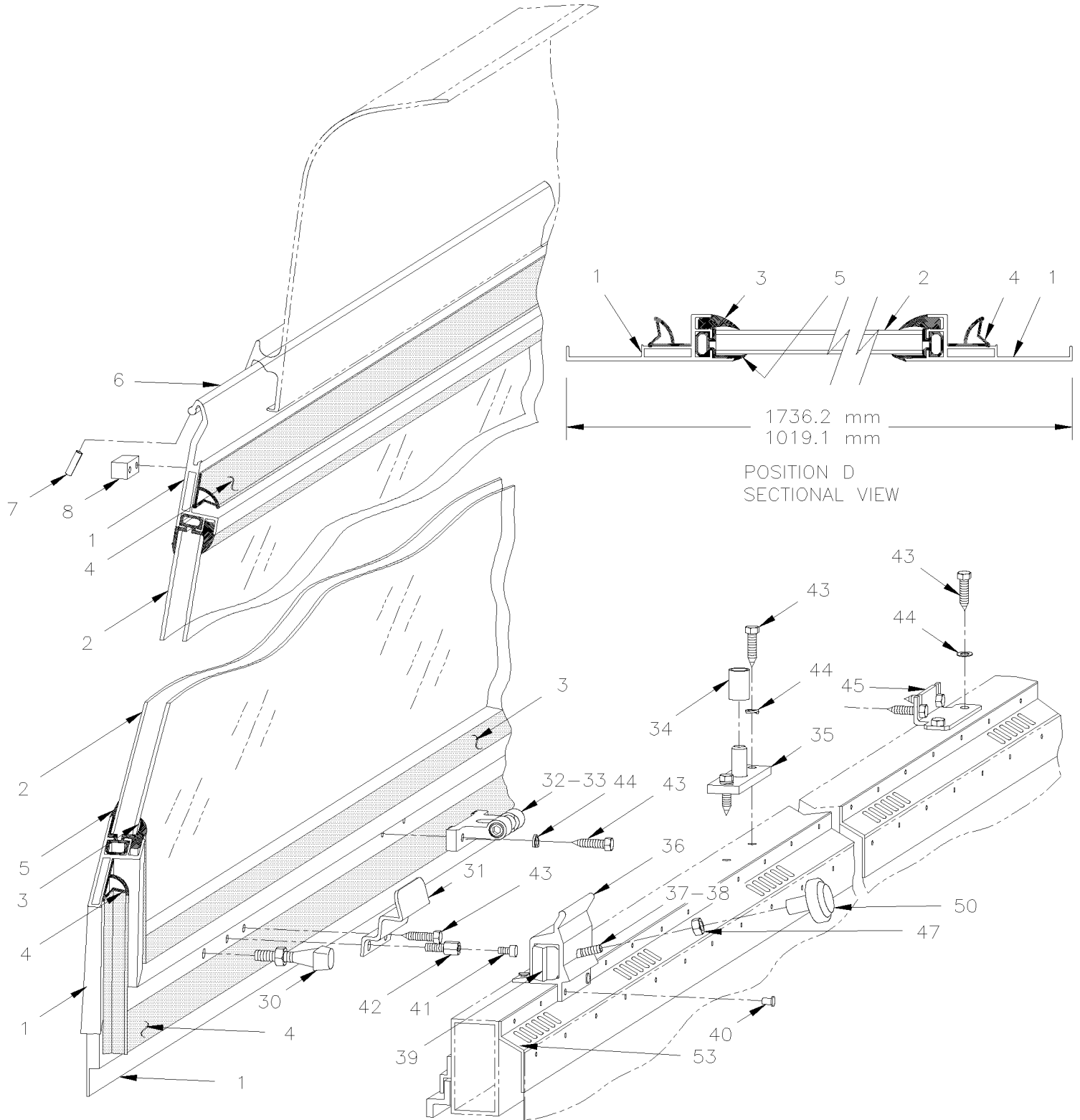
| Item# | Part | Description | H 3 4 0 | V I P 4 0 | N O T E S |
|-------|--------|--|------------------|-----------------------|-----------------------|
| 40 | 504256 | RIVET POP CK OE 3/16x1/4 AL | | AR | |
| 41 | 504498 | BUMPER PLUG / .406ODx.218THx.250HOLEx.125 To N-210 | | 2 | |
| 41 | 504572 | BUMPER RUBBER BOLT / .625 ODx.296TH x 8-32X.25 STUD From N-211 | | 2 | |
| 42 | 292324 | SUPPORT / TO FIX RUBBER BUMPER To N-210 | | 2 | |
| 42 | 292349 | ADAPTOR STUD 1/4-20 Male x 8-32 Female From N-211 | | 2 | |
| 43 | 500923 | SCREW TC CAP HEX 1/4-20x3/4 Z050 | | AR | |
| 44 | 500473 | WASHER LO SPT .262x.489x.062 Z050 | | AR | |
| 45 | 292053 | SUPPORT / TO FIX WINDOW TO STRUCTURE | | 2 | |
| 47 | 502511 | NUT HEX NYRT M6-1.0 Z050 | | 2 | |
| 50 | 292054 | BUTTON, RELEASE / BLACK | | AR | |
| 50 | 292046 | BUTTON, RELEASE / RED | | AR | |
| 53 | 322835 | GRILLE SPACER 1660MM | | 10 | |
| | | | | | |
| | | | | | |
| | | | | | |

From L-031 To R-079

Date:10/2022

PAGE:H4-1884-50D

POSITION "D"



| | | |
|---------------------|--------------|------------------|
| From L-031 To R-079 | Date:10/2022 | PAGE:H4-1884-50D |
| POSITION "D" | | |

| Item# | Part | Description | H 3 4 0 | V I P 4 0 | N O T E S |
|-------|---------|--|------------------|-----------------------|-----------------------|
| | 292018P | WINDOW ASSY THERMOS / W/GLASS 1531MM | | AR | |
| | 292073P | WINDOW ASSY THERMOS / W/GLASS 814MM | | AR | |
| 1 | 292016 | . FRAME / 662 MM | | 1 | |
| 1 | 292071 | . FRAME / 1019.1 MM | | 1 | |
| 2 | 299041 | . GLASS, THERMOS 28% / 1531MM | | 1 | |
| 2 | 299042 | . GLASS, THERMOS 28% / 814MM | | 1 | |
| 3 | 292262 | . LOCKING STRIP 1005MM X 1551MM / W/THERMOS | | 1 | |
| 3 | 292264 | . LOCKING STRIP 1005MM X 854MM / W/THERMOS | | 1 | |
| 4 | 292279 | . WINDOW SEAL / 1091MM X 1622MM | | 1 | |
| 4 | 292288 | . WINDOW SEAL / 1091MM X 904MM | | 1 | |
| 5 | 292339 | . EXTERIOR GLASS SEAL 997MM / VERTICAL | | 2 | |
| 5 | 292340 | . EXTERIOR GLASS SEAL 1553MM / HORIZONTAL | | 2 | |
| 5 | 292338 | . EXTERIOR GLASS SEAL 829MM / HORIZONTAL | | 1 | |
| 6 | 682481 | LOW FRICTION TAPE (HOCKEY) | | AR | |
| 7 | 505421 | SPRING, PIN M3 x 18 | | AR | |
| 8 | 291777 | STOPPER BLOCK WINDOW To N-205 | | 2 | |
| 8 | 292344 | STOPPER BLOCK WINDOW From N-206 | | 2 | |
| NS | 500260 | SCREW TC FL PH #8-32x3/4 BK | | 4 | |
| 30 | 291781 | BOLT LOCKING | | 2 | |
| 30 | 502710 | NUT HEX THN M8-1.5x4.5 ZP | | 2 | |
| 31 | 292012 | HANDLE WINDOW | | 2 | |
| 32 | 292047 | BRACKET ASSY CENTERING | | 1 | |
| 32 | 292021 | BRACKET CENTERING | | 1 | |
| 33 | 507314 | PLUNGER BALL M12 X 1.75 | | 1 | |
| 34 | 504586 | WASHER FL SPACER .450x.625x.875 NYL From P-311 | | 1 | |
| 35 | 292410 | PIN, CENTERING To P-310 | | 1 | |
| 35 | 292048 | PIN, CENTERING From P-311 | | 1 | |
| 36 | 291838 | LATCH ASSY / L.H. ASSY SHOWN | | 1 | |
| 36 | 291837 | LATCH ASSY / R.H. ASSY | | 1 | |
| 36 | 291782 | . SUPPORT / R.H. | | 1 | |
| 36 | 291789 | . SUPPORT / L.H. | | 1 | |
| 37 | 291797 | . ROD LOCKING | | 1 | |
| 38 | 505415 | . SPRING, PIN M2.5 X 36 | | 1 | |
| 39 | 291795 | . LATCH / L.H. | | 1 | |
| 39 | 291796 | . LATCH / R.H. | | 1 | |
| 39 | 291940 | . SPRING COMPRESSION / .511 O.D. x 30 MM x .040 | | 1 | |
| 40 | 504256 | RIVET POP CK OE 3/16x1/4 AL | | AR | |
| 41 | 504498 | BUMPER PLUG / .406ODx.218THx.250HOLEx.125 To N-210 | | 2 | |
| 41 | 504572 | BUMPER RUBBER BOLT / .625 ODx.296TH x 8-32X.25 STUD From N-211 | | 2 | |
| 42 | 292324 | SUPPORT / TO FIX RUBBER BUMPER To N-210 | | 2 | |
| 42 | 292349 | ADAPTOR STUD 1/4-20 Male x 8-32 Female From N-211 | | 2 | |
| 43 | 500923 | SCREW TC CAP HEX 1/4-20x3/4 Z050 | | AR | |

| | | |
|---------------------|--------------|------------------|
| From L-031 To R-079 | Date:10/2022 | PAGE:H4-1884-50D |
| POSITION "D" | | |

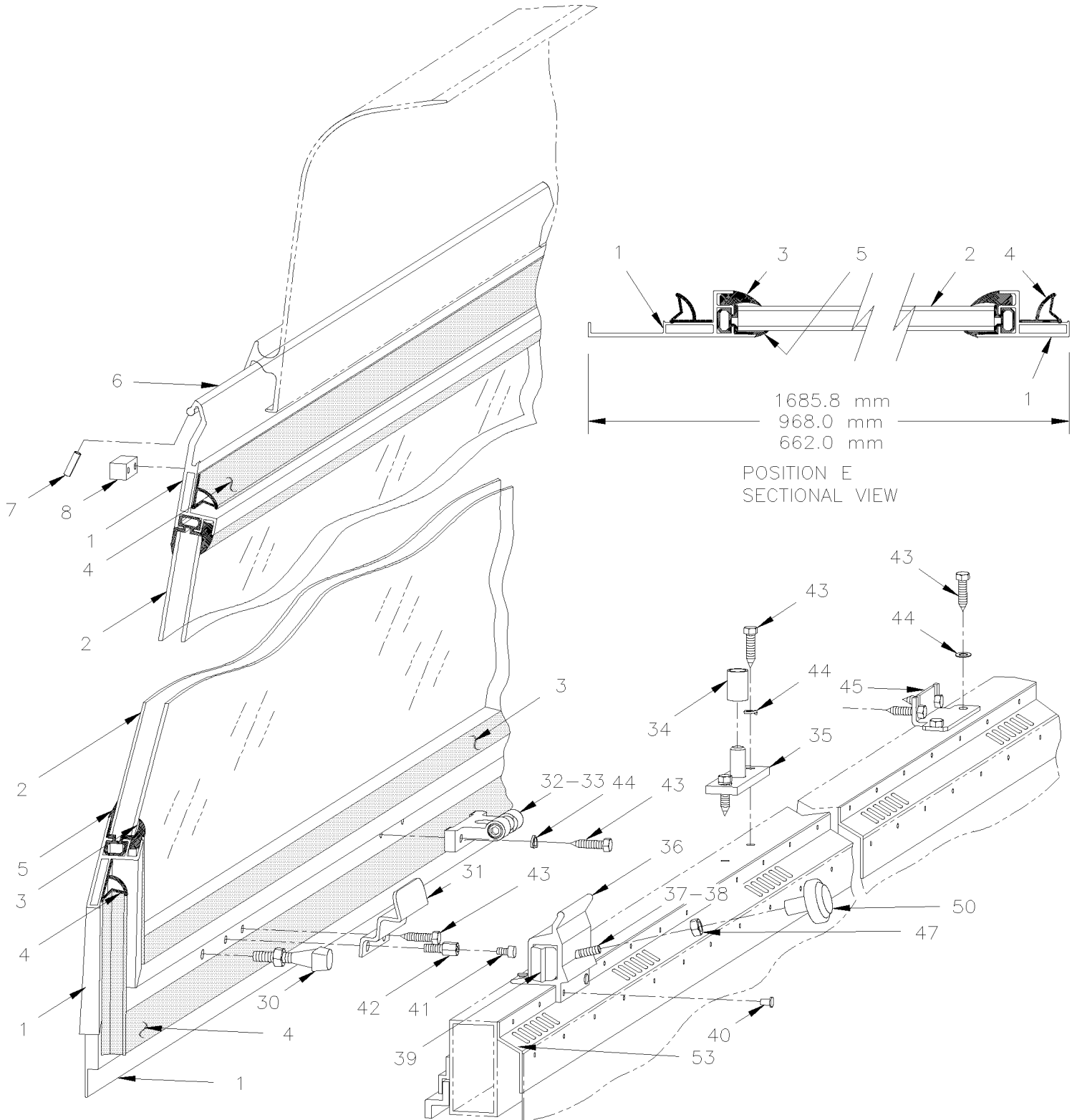
| Item# | Part | Description | H 3 4 0 | V I P 4 0 | N O T E S |
|-------|--------|--------------------------------------|------------------|-----------------------|-----------------------|
| 44 | 500473 | WASHER LO SPT .262x.489x.062 Z050 | | AR | |
| 45 | 292053 | SUPPORT / TO FIX WINDOW TO STRUCTURE | | 2 | |
| 47 | 502511 | NUT HEX NYRT M6-1.0 Z050 | | 2 | |
| 50 | 292054 | BUTTON, RELEASE / BLACK | | AR | |
| 50 | 292046 | BUTTON, RELEASE / RED | | AR | |
| 53 | 322835 | GRILLE SPACER 1660MM | | 10 | |
| | | | | | |
| | | | | | |
| | | | | | |

From L-031 To R-079

Date:10/2022

PAGE:H4-1884-50E

POSITION "E"



| | | |
|---------------------|--------------|------------------|
| From L-031 To R-079 | Date:10/2022 | PAGE:H4-1884-50E |
| POSITION "E" | | |

| Item# | Part | Description | H 3 4 0 | V I P 4 0 | N O T E S |
|-------|---------|---|------------------|-----------------------|-----------------------|
| | 291996P | WINDOW ASSY, THERMOS 28% W/GLASS / 1531MM | | AR | |
| | 291801P | WINDOW ASSY, THERMOS 28% / 814MM | | AR | |
| | 292258P | WINDOW ASSY, THERMOS 28% / 508MM | | AR | |
| 1 | 291994 | . FRAME / 1685.8 MM | | 1 | |
| 1 | 291810 | . FRAME / 968 MM | | 1 | |
| 1 | 292259 | . FRAME / 662 MM | | 1 | |
| 2 | 299041 | . GLASS, THERMOS 28% / 1531MM | | 1 | |
| 2 | 299042 | . GLASS, THERMOS 28% / 814MM | | 1 | |
| 2 | 299043 | . GLASS, THERMOS 28% / 508MM | | 1 | |
| 3 | 292262 | . LOCKING STRIP 1005MM X 1551MM / W/THERMOS | | 1 | |
| 3 | 292264 | . LOCKING STRIP 1005MM X 854MM / W/THERMOS | | 1 | |
| 3 | 292265 | . LOCKING STRIP 1005MM X 703MM / W/THERMOS | | 1 | |
| 4 | 292279 | . WINDOW SEAL / 1091MM X 1622MM | | 1 | |
| 4 | 292288 | . WINDOW SEAL / 1091MM X 904MM | | 1 | |
| 4 | 292289 | . WINDOW SEAL / 1091MM X 598MM | | 1 | |
| 5 | 292339 | . EXTERIOR GLASS SEAL 997MM / VERTICAL | | 2 | |
| 5 | 292340 | . EXTERIOR GLASS SEAL 1553MM / HORIZONTAL | | 2 | |
| 5 | 292338 | . EXTERIOR GLASS SEAL 829MM / HORIZONTAL | | 1 | |
| 5 | 292337 | . EXTERIOR GLASS SEAL 520MM / HORIZONTAL | | 1 | |
| 6 | 682481 | LOW FRICTION TAPE (HOCKEY) | | AR | |
| 7 | 505421 | SPRING, PIN M3 x 18 | | AR | |
| 8 | 291777 | STOPPER BLOCK WINDOW To N-205 | | 2 | |
| 8 | 292344 | STOPPER BLOCK WINDOW From N-206 | | 2 | |
| NS | 500260 | SCREW TC FL PH #8-32x3/4 BK | | 4 | |
| 30 | 291781 | BOLT LOCKING | | 2 | |
| 30 | 502710 | NUT HEX THN M8-1.5x4.5 ZP | | 2 | |
| 31 | 292012 | HANDLE WINDOW | | 2 | |
| 32 | 292047 | BRACKET ASSY CENTERING | | 1 | |
| 32 | 292021 | BRACKET CENTERING | | 1 | |
| 33 | 507314 | PLUNGER BALL M12 X 1.75 | | 1 | |
| 34 | 504586 | WASHER FL SPACER .450x.625x.875 NYL From P-311 | | 1 | |
| 35 | 292048 | PIN, CENTERING To P-310 | | 1 | |
| 35 | 292410 | PIN, CENTERING From P-311 | | 1 | |
| 36 | 291838 | LATCH ASSY / L.H. ASSY SHOWN | | 1 | |
| 36 | 291837 | LATCH ASSY / R.H. ASSY | | 1 | |
| 36 | 291782 | . SUPPORT / R.H. | | 1 | |
| 36 | 291789 | . SUPPORT / L.H. | | 1 | |
| 37 | 291797 | . ROD LOCKING | | 1 | |
| 38 | 505415 | . SPRING, PIN M2.5 X 36 | | 1 | |
| 39 | 291795 | . LATCH / L.H. | | 1 | |
| 39 | 291796 | . LATCH / R.H. | | 1 | |
| 39 | 291940 | . SPRING COMPRESSION / .511 O.D. x 30 MM x .040 | | 1 | |

| | | |
|---------------------|--------------|------------------|
| From L-031 To R-079 | Date:10/2022 | PAGE:H4-1884-50E |
| POSITION "E" | | |

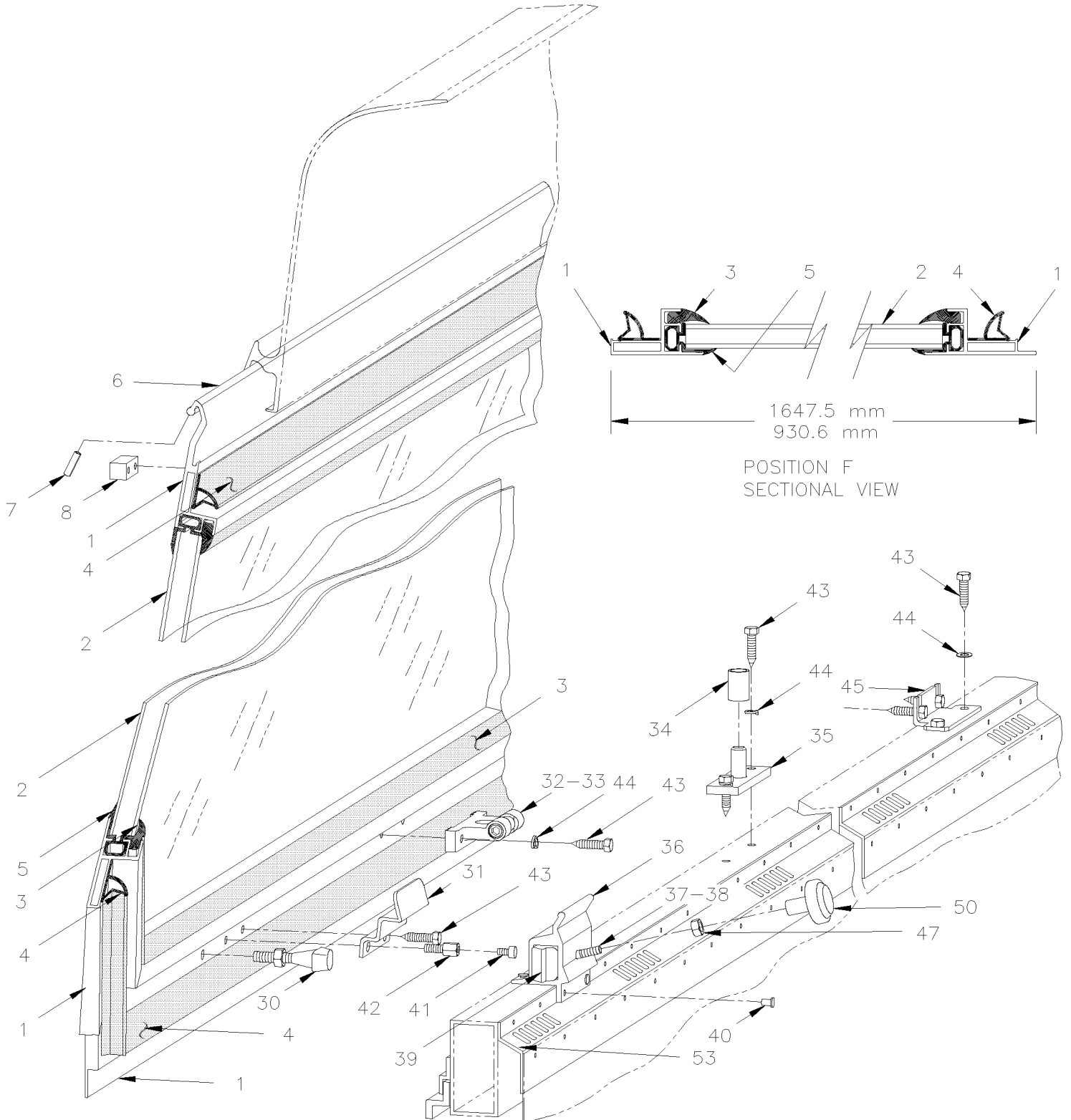
| Item# | Part | Description | H 3 4 0 | V I P 4 0 | N O T E S |
|-------|--------|--|------------------|-----------------------|-----------------------|
| 40 | 504256 | RIVET POP CK OE 3/16x1/4 AL | | AR | |
| 41 | 504498 | BUMPER PLUG / .406ODx.218THx.250HOLEx.125 To N-210 | | 2 | |
| 41 | 504572 | BUMPER RUBBER BOLT / .625 ODx.296TH x 8-32X.25 STUD From N-211 | | 2 | |
| 42 | 292324 | SUPPORT / TO FIX RUBBER BUMPER To N-210 | | 2 | |
| 42 | 292349 | ADAPTOR STUD 1/4-20 Male x 8-32 Female From N-211 | | 2 | |
| 43 | 500923 | SCREW TC CAP HEX 1/4-20x3/4 Z050 | | AR | |
| 44 | 500473 | WASHER LO SPT .262x.489x.062 Z050 | | AR | |
| 45 | 292053 | SUPPORT / TO FIX WINDOW TO STRUCTURE | | 2 | |
| 47 | 502511 | NUT HEX NYRT M6-1.0 Z050 | | 2 | |
| 50 | 292054 | BUTTON, RELEASE / BLACK | | AR | |
| 50 | 292046 | BUTTON, RELEASE / RED | | AR | |
| 53 | 322835 | GRILLE SPACER 1660MM | | 10 | |
| | | | | | |
| | | | | | |
| | | | | | |

From L-031 To R-079

Date:10/2022

PAGE:H4-1884-50F

POSITION "F"



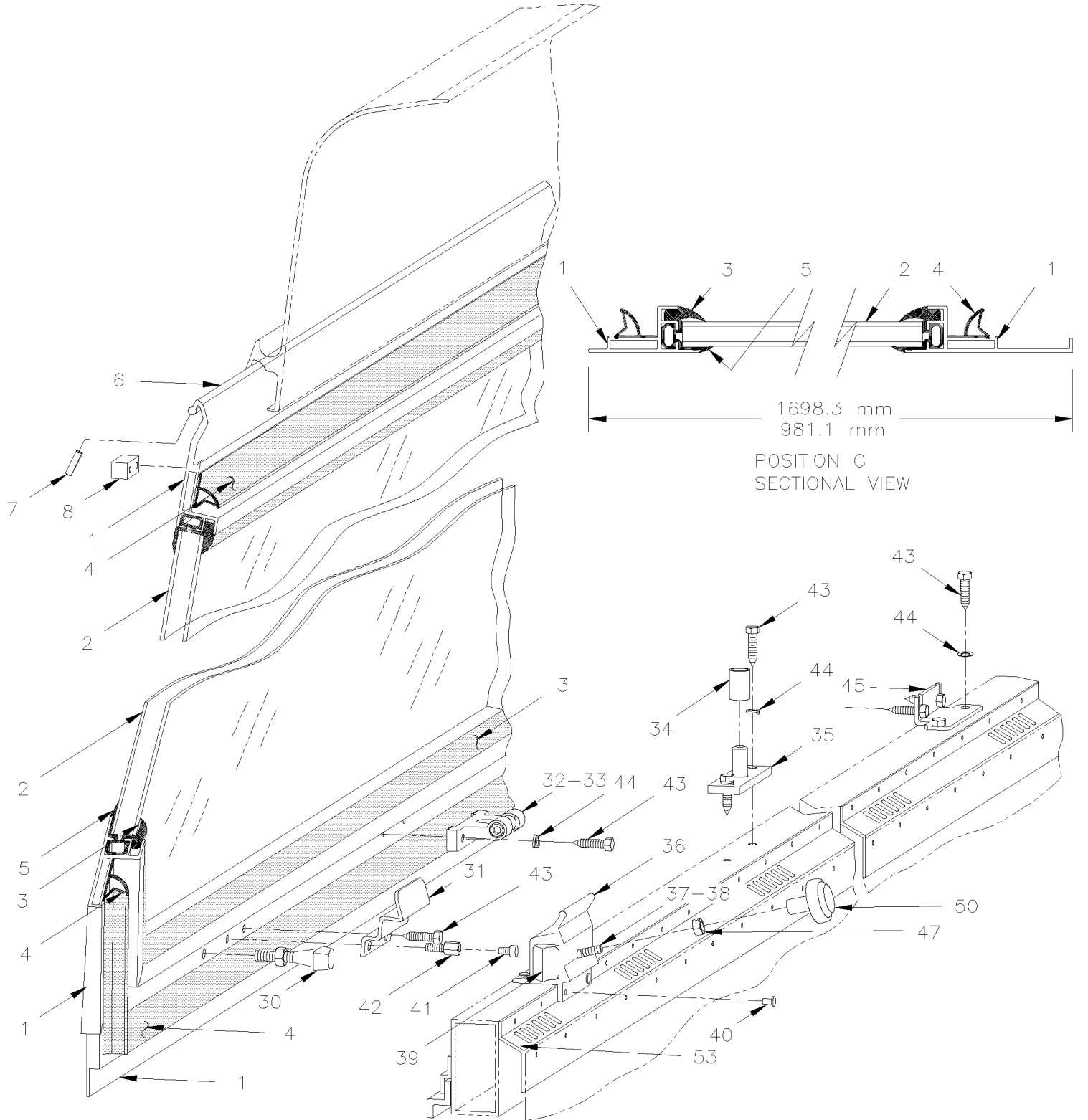
| | | |
|----------------------------|---------------------|-------------------------|
| From L-031 To R-079 | Date:10/2022 | PAGE:H4-1884-50F |
| POSITION "F" | | |

| Item# | Part | Description | H 3 4 0 | V I P 4 0 | N O T E S |
|-------|---------|--|------------------|-----------------------|-----------------------|
| | 291812P | WINDOW ASSY, THERMOS / W/GLASS 1531MM | | AR | |
| | 292086P | WINDOW ASSY, THERMOS / W/GLASS 814MM | | AR | |
| 1 | 291811 | . FRAME / 1647.5 MM | | 1 | |
| 1 | 292070 | . FRAME / 930 MM | | 1 | |
| 2 | 299041 | . GLASS, THERMOS 28% / 1531MM | | 1 | |
| 2 | 299042 | . GLASS, THERMOS 28% / 814MM | | 1 | |
| 3 | 292262 | . LOCKING STRIP 1005MM X 1551MM / W/THERMOS | | 1 | |
| 3 | 292264 | . LOCKING STRIP 1005MM X 854MM / W/THERMOS | | 1 | |
| 4 | 292279 | . WINDOW SEAL / 1091MM X 1622MM | | 1 | |
| 4 | 292288 | . WINDOW SEAL / 1091MM X 904MM | | 1 | |
| 5 | 292339 | . EXTERIOR GLASS SEAL 997MM / VERTICAL | | 2 | |
| 5 | 292340 | . EXTERIOR GLASS SEAL 1553MM / HORIZONTAL | | 2 | |
| 5 | 292338 | . EXTERIOR GLASS SEAL 829MM / HORIZONTAL | | 2 | |
| 6 | 682481 | LOW FRICTION TAPE (HOCKEY) | | AR | |
| 7 | 505421 | SPRING, PIN M3 x 18 | | AR | |
| 8 | 291777 | STOPPER BLOCK WINDOW To N-205 | | 2 | |
| 8 | 292344 | STOPPER BLOCK WINDOW From N-206 | | 2 | |
| NS | 500260 | SCREW TC FL PH #8-32x3/4 BK | | 4 | |
| 30 | 291781 | BOLT LOCKING | | 2 | |
| 30 | 502710 | NUT HEX THN M8-1.5x4.5 ZP | | 2 | |
| 31 | 292012 | HANDLE WINDOW | | 2 | |
| 32 | 292047 | BRACKET ASSY CENTERING | | 1 | |
| 32 | 292021 | BRACKET CENTERING | | 1 | |
| 33 | 507314 | PLUNGER BALL M12 X 1.75 | | 1 | |
| 34 | 504586 | WASHER FL SPACER .450x.625x.875 NYL From P-311 | | 1 | |
| 35 | 292048 | PIN, CENTERING To P-310 | | 1 | |
| 35 | 292410 | PIN, CENTERING From P-311 | | 1 | |
| 36 | 291838 | LATCH ASSY / L.H. ASSY SHOWN | | 1 | |
| 36 | 291837 | LATCH ASSY / R.H. ASSY | | 1 | |
| 36 | 291782 | . SUPPORT / R.H. | | 1 | |
| 36 | 291789 | . SUPPORT / L.H. | | 1 | |
| 37 | 291797 | . ROD LOCKING | | 1 | |
| 38 | 505415 | . SPRING, PIN M2.5 X 36 | | 1 | |
| 39 | 291795 | . LATCH / L.H. | | 1 | |
| 39 | 291796 | . LATCH / R.H. | | 1 | |
| 39 | 291940 | . SPRING COMPRESSION / .511 O.D. x 30 MM x .040 | | 1 | |
| 40 | 504256 | RIVET POP CK OE 3/16x1/4 AL | | AR | |
| 41 | 504498 | BUMPER PLUG / .406ODx.218THx.250HOLEx.125 To N-210 | | 2 | |
| 41 | 504572 | BUMPER RUBBER BOLT / .625 ODx.296TH x 8-32X.25 STUD From N-211 | | 2 | |
| 42 | 292324 | SUPPORT / TO FIX RUBBER BUMPER To N-210 | | 2 | |
| 42 | 292349 | ADAPTOR STUD 1/4-20 Male x 8-32 Female From N-211 | | 2 | |
| 43 | 500923 | SCREW TC CAP HEX 1/4-20x3/4 Z050 | | AR | |

| | | |
|---------------------|--------------|------------------|
| From L-031 To R-079 | Date:10/2022 | PAGE:H4-1884-50F |
| POSITION "F" | | |

| Item# | Part | Description | H 3 4 0 | V I P 4 0 | N O T E S |
|-------|--------|--------------------------------------|------------------|-----------------------|-----------------------|
| 44 | 500473 | WASHER LO SPT .262x.489x.062 Z050 | | AR | |
| 45 | 292053 | SUPPORT / TO FIX WINDOW TO STRUCTURE | | 2 | |
| 47 | 502511 | NUT HEX NYRT M6-1.0 Z050 | | 2 | |
| 50 | 292054 | BUTTON, RELEASE / BLACK | | AR | |
| 50 | 292046 | BUTTON, RELEASE / RED | | AR | |
| 53 | 322835 | GRILLE SPACER 1660MM | | 10 | |
| | | | | | |
| | | | | | |
| | | | | | |

| | | |
|---------------------|--------------|------------------|
| From L-031 To R-079 | Date:10/2022 | PAGE:H4-1884-50G |
| POSITION "G" | | |



| | | |
|---------------------|--------------|------------------|
| From L-031 To R-079 | Date:10/2022 | PAGE:H4-1884-50G |
| POSITION "G" | | |

| Item# | Part | Description | H 3 4 0 | V I P 4 0 | N O T E S |
|-------|---------|--|------------------|-----------------------|-----------------------|
| | 292076P | WINDOW ASSY, THERMOS / W/GLASS 1531MM | | AR | |
| | 292081P | WINDOW ASSY, THERMOS / W/GLASS 814MM | | AR | |
| 1 | 292064 | . FRAME / 930.6MM | | 1 | |
| 1 | 292067 | . FRAME / 930.6MM | | 1 | |
| 2 | 299041 | . GLASS, THERMOS 28% / 1531MM | | 1 | |
| 2 | 299042 | . GLASS, THERMOS 28% / 814MM | | 1 | |
| 3 | 292262 | . LOCKING STRIP 1005MM X 1551MM / W/THERMOS | | 1 | |
| 3 | 292264 | . LOCKING STRIP 1005MM X 854MM / W/THERMOS | | 1 | |
| 4 | 292279 | . WINDOW SEAL / 1091MM X 1622MM | | 1 | |
| 4 | 292288 | . WINDOW SEAL / 1091MM X 904MM | | 1 | |
| 5 | 292339 | . EXTERIOR GLASS SEAL 997MM / VERTICAL | | 2 | |
| 5 | 292340 | . EXTERIOR GLASS SEAL 1553MM / HORIZONTAL | | 2 | |
| 5 | 292338 | . EXTERIOR GLASS SEAL 829MM / HORIZONTAL | | 1 | |
| 6 | 682481 | LOW FRICTION TAPE (HOCKEY) | | AR | |
| 7 | 505421 | SPRING, PIN M3 x 18 | | AR | |
| 8 | 291777 | STOPPER BLOCK WINDOW To N-205 | | 2 | |
| 8 | 292344 | STOPPER BLOCK WINDOW From N-206 | | 2 | |
| NS | 500260 | SCREW TC FL PH #8-32x3/4 BK | | 2 | |
| 30 | 291781 | BOLT LOCKING | | 2 | |
| 30 | 502710 | NUT HEX THN M8-1.5x4.5 ZP | | 2 | |
| 31 | 292012 | HANDLE WINDOW | | 2 | |
| 32 | 292047 | BRACKET ASSY CENTERING | | 1 | |
| 32 | 292021 | BRACKET CENTERING | | 1 | |
| 33 | 507314 | PLUNGER BALL M12 X 1.75 | | 1 | |
| 34 | 504586 | WASHER FL SPACER .450x.625x.875 NYL | | 1 | |
| 35 | 292048 | PIN, CENTERING To P-310 | | 1 | |
| 35 | 292410 | PIN, CENTERING From P-311 | | 1 | |
| 36 | 291838 | LATCH ASSY / L.H. ASSY SHOWN | | 1 | |
| 36 | 291837 | LATCH ASSY / R.H. ASSY | | 1 | |
| 36 | 291782 | . SUPPORT / R.H. | | 1 | |
| 36 | 291789 | . SUPPORT / L.H. | | 1 | |
| 37 | 291797 | . ROD LOCKING | | 1 | |
| 38 | 505415 | . SPRING, PIN M2.5 X 36 | | 1 | |
| 39 | 291795 | . LATCH / L.H. | | 1 | |
| 39 | 291796 | . LATCH / R.H. | | 1 | |
| 39 | 291940 | . SPRING COMPRESSION / .511 O.D. x 30 MM x .040 | | 1 | |
| 40 | 504256 | RIVET POP CK OE 3/16x1/4 AL | | AR | |
| 41 | 504498 | BUMPER PLUG / .406ODx.218THx.250HOLEx.125 To N-210 | | 2 | |
| 41 | 504572 | BUMPER RUBBER BOLT / .625 ODx.296TH x 8-32X.25 STUD From N-211 | | 2 | |
| 42 | 292324 | SUPPORT / TO FIX RUBBER BUMPER To N-210 | | 2 | |
| 42 | 292349 | ADAPTOR STUD 1/4-20 Male x 8-32 Female From N-211 | | 2 | |
| 43 | 500923 | SCREW TC CAP HEX 1/4-20x3/4 Z050 | | AR | |

| | | |
|---------------------|--------------|------------------|
| From L-031 To R-079 | Date:10/2022 | PAGE:H4-1884-50G |
|---------------------|--------------|------------------|

POSITION "G"

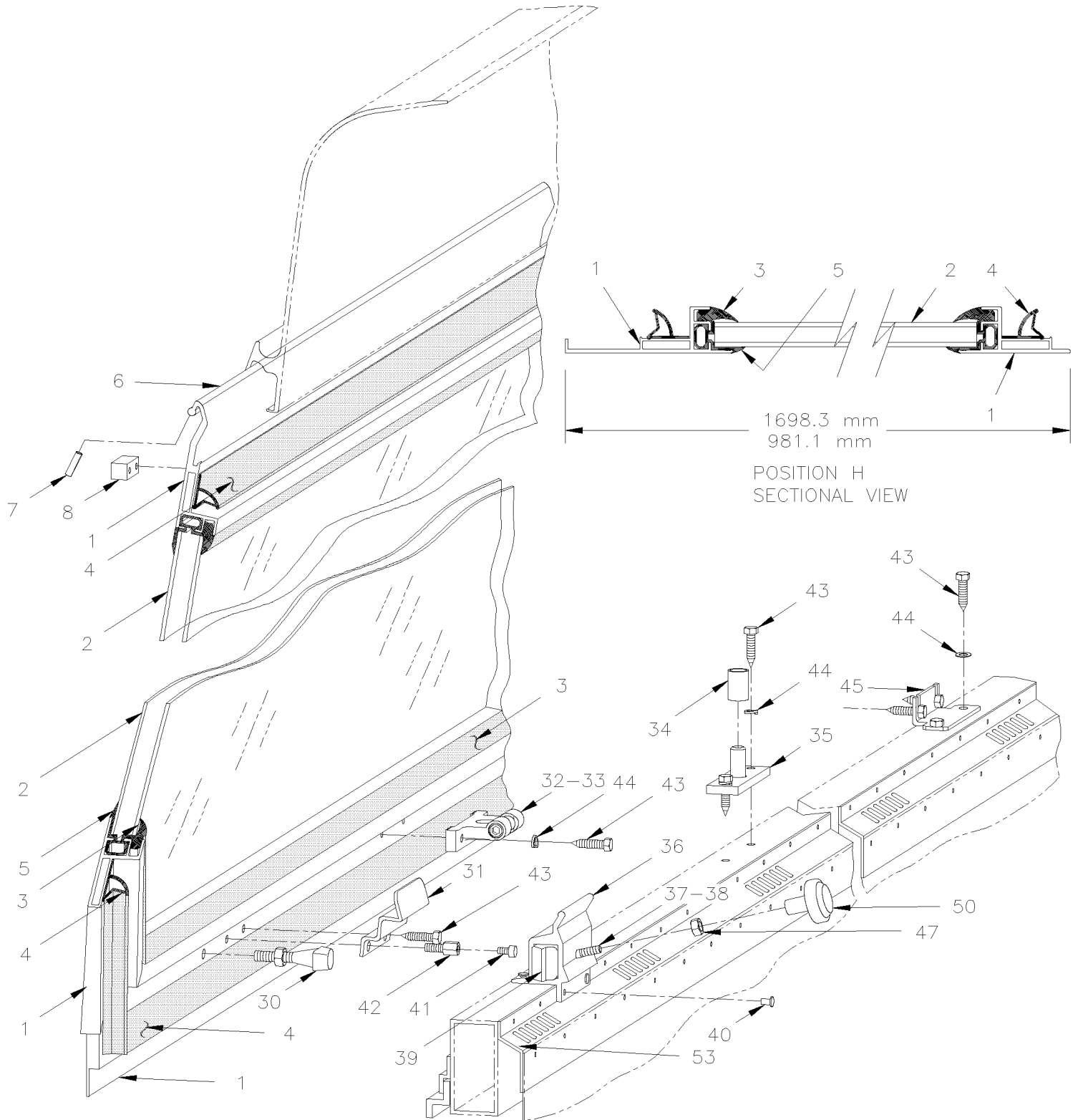
| Item# | Part | Description | H 3 4 0 | V I P 4 0 | N O T E S |
|-------|--------|--------------------------------------|------------------|-----------------------|-----------------------|
| 44 | 500473 | WASHER LO SPT .262x.489x.062 Z050 | | AR | |
| 45 | 292053 | SUPPORT / TO FIX WINDOW TO STRUCTURE | | 2 | |
| 47 | 502511 | NUT HEX NYRT M6-1.0 Z050 | | 2 | |
| 50 | 292054 | BUTTON, RELEASE / BLACK | | AR | |
| 50 | 292046 | BUTTON, RELEASE / RED | | AR | |
| 53 | 322835 | GRILLE SPACER 1660MM | | 10 | |
| | | | | | |
| | | | | | |
| | | | | | |

From L-031 To R-079

Date:10/2022

PAGE:H4-1884-50H

POSITION "H"



| | | |
|---------------------|--------------|------------------|
| From L-031 To R-079 | Date:10/2022 | PAGE:H4-1884-50H |
| POSITION "H" | | |

| Item# | Part | Description | H 3 4 0 | V I P 4 0 | N O T E S |
|-------|---------|--|------------------|-----------------------|-----------------------|
| | 292077P | WINDOW ASSY, THERMOS / W/GLASS / 1531MM | | AR | |
| | 292079P | WINDOW ASSY, THERMOS / W/GLASS / 814MM | | AR | |
| 1 | 292065 | . FRAME / 1698.3 MM | | 1 | |
| 1 | 292066 | . FRAME / 930.6MM | | 1 | |
| 2 | 299041 | . GLASS, THERMOS 28% / 1531MM | | 1 | |
| 2 | 299042 | . GLASS, THERMOS 28% / 814MM | | 1 | |
| 3 | 292262 | . LOCKING STRIP 1005MM X 1551MM / W/THERMOS | | 1 | |
| 3 | 292264 | . LOCKING STRIP 1005MM X 854MM / W/THERMOS | | 1 | |
| 4 | 292279 | . WINDOW SEAL / 1091MM X 1622MM | | 1 | |
| 4 | 292288 | . WINDOW SEAL / 1091MM X 904MM | | 1 | |
| 5 | 292339 | . EXTERIOR GLASS SEAL 997MM / VERTICAL | | 2 | |
| 5 | 292340 | . EXTERIOR GLASS SEAL 1553MM / HORIZONTAL | | 2 | |
| 5 | 292338 | . EXTERIOR GLASS SEAL 829MM / HORIZONTAL | | 1 | |
| 6 | 682481 | LOW FRICTION TAPE (HOCKEY) | | AR | |
| 7 | 505421 | SPRING, PIN M3 x 18 | | AR | |
| 8 | 291777 | STOPPER BLOCK WINDOW To N-205 | | 2 | |
| 8 | 292344 | STOPPER BLOCK WINDOW From N-206 | | 2 | |
| NS | 500260 | SCREW TC FL PH #8-32x3/4 BK | | 2 | |
| 30 | 291781 | BOLT LOCKING | | 2 | |
| 30 | 502710 | NUT HEX THN M8-1.5x4.5 ZP | | 2 | |
| 31 | 292012 | HANDLE WINDOW | | 2 | |
| 32 | 292047 | BRACKET ASSY CENTERING | | 1 | |
| 32 | 292021 | BRACKET CENTERING | | 1 | |
| 33 | 507314 | PLUNGER BALL M12 X 1.75 | | 1 | |
| 34 | 504586 | WASHER FL SPACER .450x.625x.875 NYL From P-311 | | 1 | |
| 35 | 292048 | PIN, CENTERING To P-310 | | 1 | |
| 35 | 292410 | PIN, CENTERING From P-311 | | 1 | |
| 36 | 291838 | LATCH ASSY / L.H. ASSY SHOWN | | 1 | |
| 36 | 291837 | LATCH ASSY / R.H. ASSY | | 1 | |
| 36 | 291782 | SUPPORT / R.H. | | 1 | |
| 36 | 291789 | SUPPORT / L.H. | | 1 | |
| 37 | 291797 | ROD LOCKING | | 1 | |
| 38 | 505415 | SPRING, PIN M2.5 X 36 | | 1 | |
| 39 | 291795 | LATCH / L.H. | | 1 | |
| 39 | 291796 | LATCH / R.H. | | 1 | |
| 39 | 291940 | SPRING COMPRESSION / .511 O.D. x 30 MM x .040 | | 1 | |
| 40 | 504256 | RIVET POP CK OE 3/16x1/4 AL | | AR | |
| 41 | 504498 | BUMPER PLUG / .406ODx.218THx.250HOLEx.125 To N-210 | | 2 | |
| 41 | 504572 | BUMPER RUBBER BOLT / .625 ODx.296TH x 8-32X.25 STUD From N-211 | | 2 | |
| 42 | 292324 | SUPPORT / TO FIX RUBBER BUMPER To N-210 | | 2 | |
| 42 | 292349 | ADAPTOR STUD 1/4-20 Male x 8-32 Female From N-211 | | 2 | |
| 43 | 500923 | SCREW TC CAP HEX 1/4-20x3/4 Z050 | | AR | |

| | | |
|---------------------|--------------|------------------|
| From L-031 To R-079 | Date:10/2022 | PAGE:H4-1884-50H |
| POSITION "H" | | |

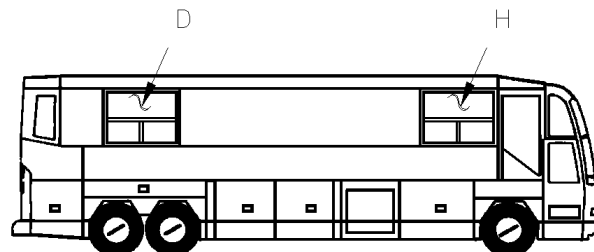
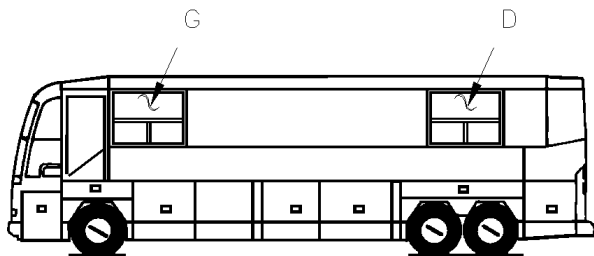
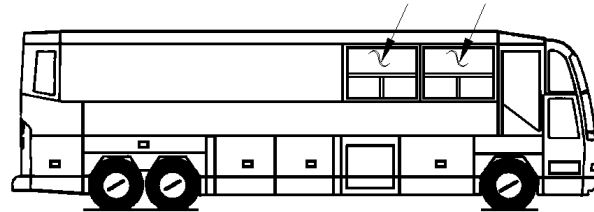
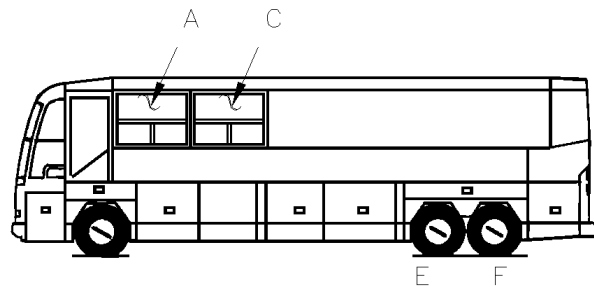
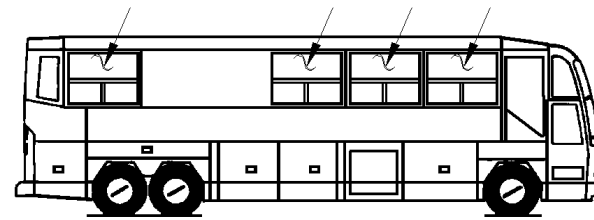
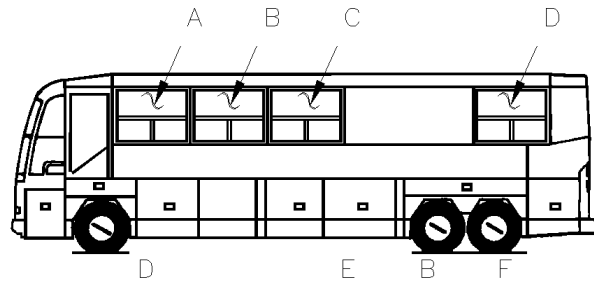
| Item# | Part | Description | H 3 4 0 | V I P 4 0 | N O T E S |
|-------|--------|--------------------------------------|------------------|-----------------------|-----------------------|
| 44 | 500473 | WASHER LO SPT .262x.489x.062 Z050 | | AR | |
| 45 | 292053 | SUPPORT / TO FIX WINDOW TO STRUCTURE | | 2 | |
| 47 | 502511 | NUT HEX NYRT M6-1.0 Z050 | | 2 | |
| 50 | 292054 | BUTTON, RELEASE / BLACK | | AR | |
| 50 | 292046 | BUTTON, RELEASE / RED | | AR | |
| 53 | 322835 | GRILLE SPACER 1660MM | | 10 | |
| | | | | | |
| | | | | | |
| | | | | | |

From L-031 To R-079

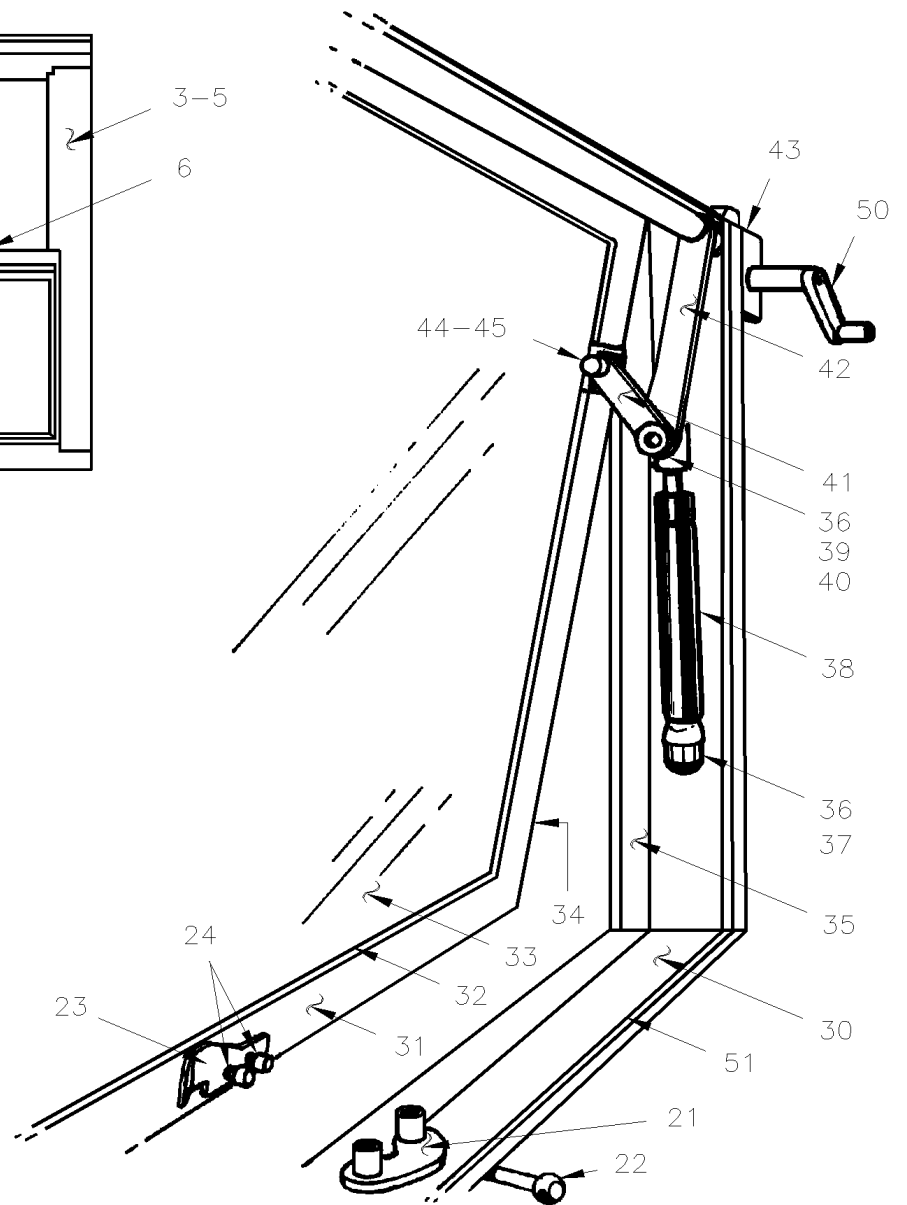
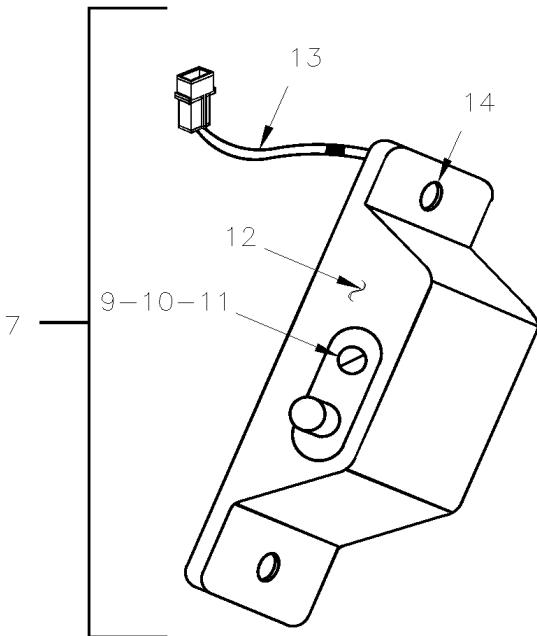
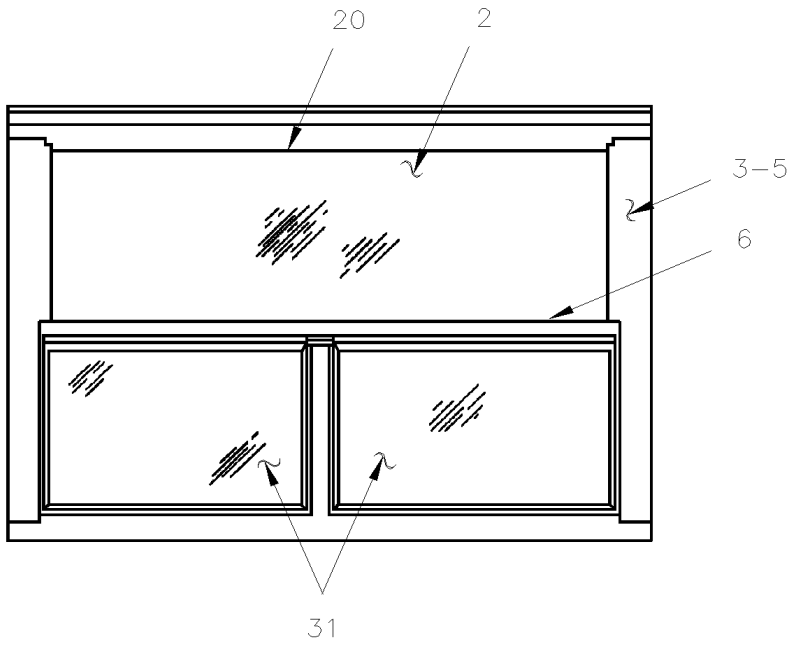
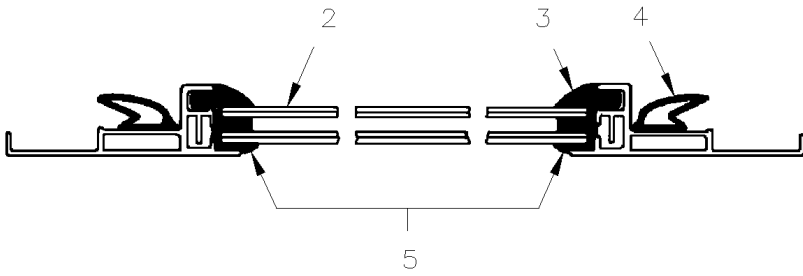
Date:10/2022

PAGE:H4-1884-60

SIDE WINDOW ASSY (AWNING)



| | | |
|---------------------------|--------------|-----------------|
| From L-031 To R-079 | Date:10/2022 | PAGE:H4-1884-60 |
| SIDE WINDOW ASSY (AWNING) | | |



| | | |
|----------------------------------|--------------|-----------------|
| From L-031 To R-079 | Date:10/2022 | PAGE:H4-1884-60 |
| SIDE WINDOW ASSY (AWNING) | | |

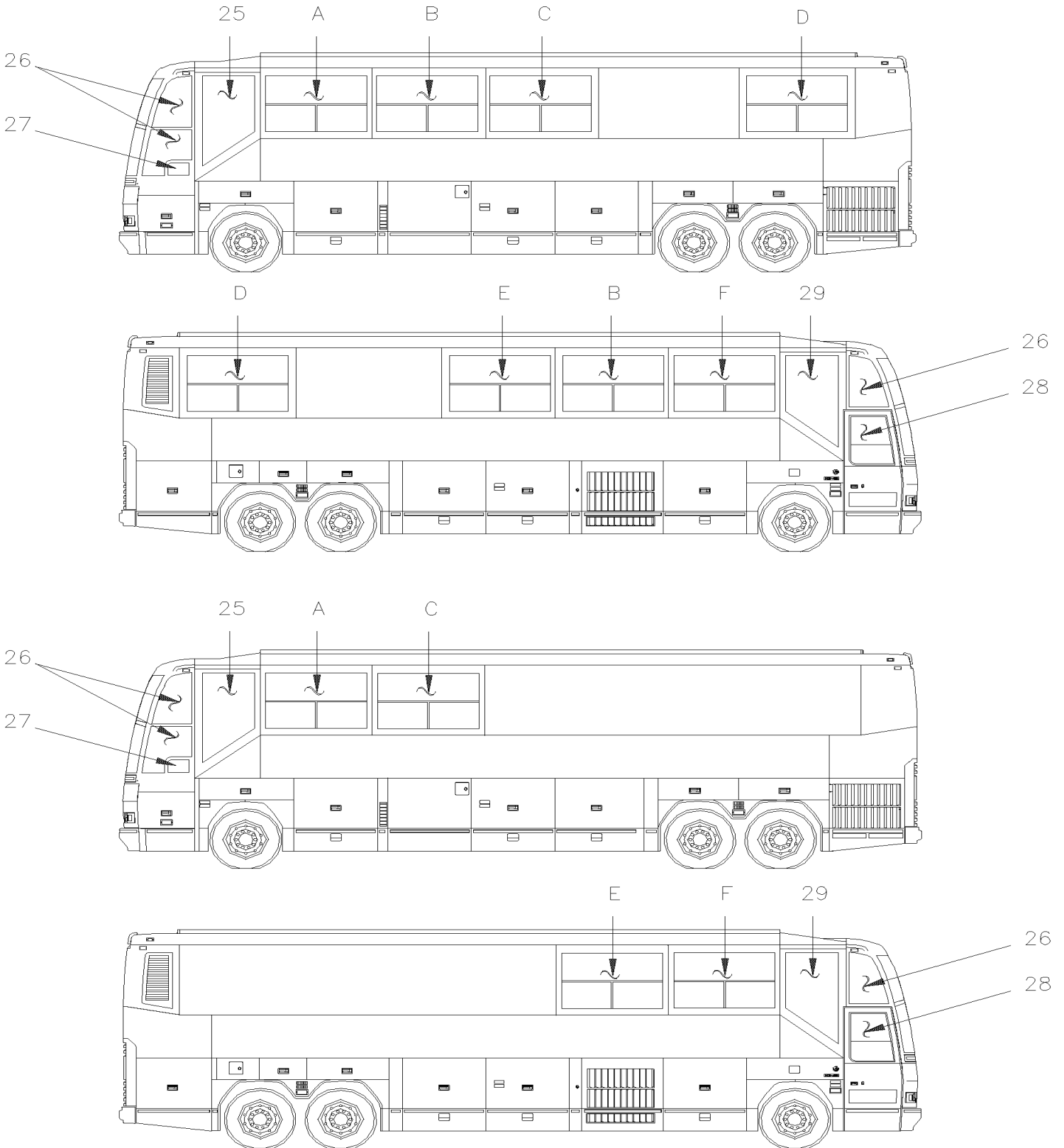
| Item# | Part | Description | H 3 4 0 | V I P 4 0 | N O T E S |
|-------|---------|--|------------------|-----------------------|-----------------------|
| | | SIDE WINDOW ASSY (AWNING) | | | A |
| 2 | 292126 | . GLASS, THERMOS UPPER | | 1 | |
| 3 | 292266 | . SEAL, INTERIOR | | 1 | |
| 4 | 292279 | . WINDOW SEAL / 1091MM X 1622MM | | 1 | |
| 5 | 292336 | . EXTERIOR GLASS SEAL 493MM / VERTICAL | | 1 | |
| 6 | 292340 | . EXTERIOR GLASS SEAL 1553MM / HORIZONTAL | | 2 | |
| 6 | 680065 | . TAPE COMPOUND / BLACK / 1/32" X 1" X 33' / L163-2400 | | AR | |
| 7 | 292180 | . SWITCH ASSY | | 1 | |
| 8 | 561563 | . SWITCH / S.P.S.T. / N.C. | | 1 | |
| 9 | 502519 | . SCREW MA FL SLT #4-40x5/8 Z050 | | 1 | |
| 10 | 502520 | . NUT HEX #4-40 Z050 | | 2 | |
| 11 | 500467 | . WASHER LO INT .138x.275x.019 Z050 | | 2 | |
| 12 | 282144 | . CYLINDER LOCK / CODE 65 | | 1 | |
| 13 | 062935 | . CABLE ASSY | | 1 | |
| 14 | 500357 | . SCREW MA FL SLT #10-24x1 1/4 ZP | | 2 | |
| 14 | 502620 | . WASHER FN CK .203x.531 BK | | 2 | |
| | | . AWNING WINDOW SUBASSY | | | |
| 21 | 292156 | . LOCK BRACKET | | 1 | |
| 21 | 507142 | . BUSHING, NYLINER W/SHOULDER (8-L-8-F) | | 1 | |
| 22 | 292242 | . HANDLE, BLACK / LOCK | | AR | |
| 22 | 292241 | . HANDLE, RED / LOCK | | AR | |
| 22 | 292248 | . PLASTIC SPACER | | 2 | |
| 23 | 292154 | . HOOK / LOCK | | 1 | |
| 23 | 292159 | . PLATE, SHIM / LOCK HOOK | | 1 | |
| 24 | 5001025 | . SCREW CAP HEXS M6-1.0x12 G8.8 | | 2 | |
| 30 | 292142 | . FRAME ASSY, INTERIOR / R.H. OPENING WINDO | | 1 | |
| 30 | 292143 | . FRAME ASSY, INTERIOR / L.H. OPENING WINDO | | 1 | |
| 31 | 292141 | . OPENING WINDOW ASSY / W/FRAME R.H. & L.H. | | 2 | |
| 32 | N.S.S. | . . . FRAME | | 1 | 1 |
| 33 | 292131 | . . . GLASS | | 1 | |
| 34 | 292132 | . STRIP, WEATHER / TO FRAME | | 2 | |
| 35 | 292135 | . RUBBER / FRAME | | 1 | |
| 36 | 980015 | . BALL STUD / W/10 MM X M8-1.25 / 29.18 MM | | 2 | |
| 37 | 980016 | . NUT, CYLINDER RETAINER | | 1 | |
| 37 | 502507 | . WASHER LO SPT 8.1x14.8x2.0 Z050 | | 1 | |
| 38 | 980021 | . CYLINDER GAZ / 244/164MM C/C / 20LBS | | 1 | |
| 39 | 292150 | . NUT, SPECIAL | | 2 | |
| 40 | 500587 | . SCREW SET HEXS CUP M4-0.7x6 | | 2 | |
| 41 | 292148 | . ARM, LOWER | | 2 | |
| 42 | 292151 | . ARM ASSY, OPENING / R.H. | | 1 | |
| 42 | 282152 | . CYLINDER LOCK / CODE 73 | | 1 | |
| 42 | 507317 | . NYLINER / OPENING ARM ASSY | | 2 | |

| | | |
|---------------------|--------------|-----------------|
| From L-031 To R-079 | Date:10/2022 | PAGE:H4-1884-60 |
|---------------------|--------------|-----------------|

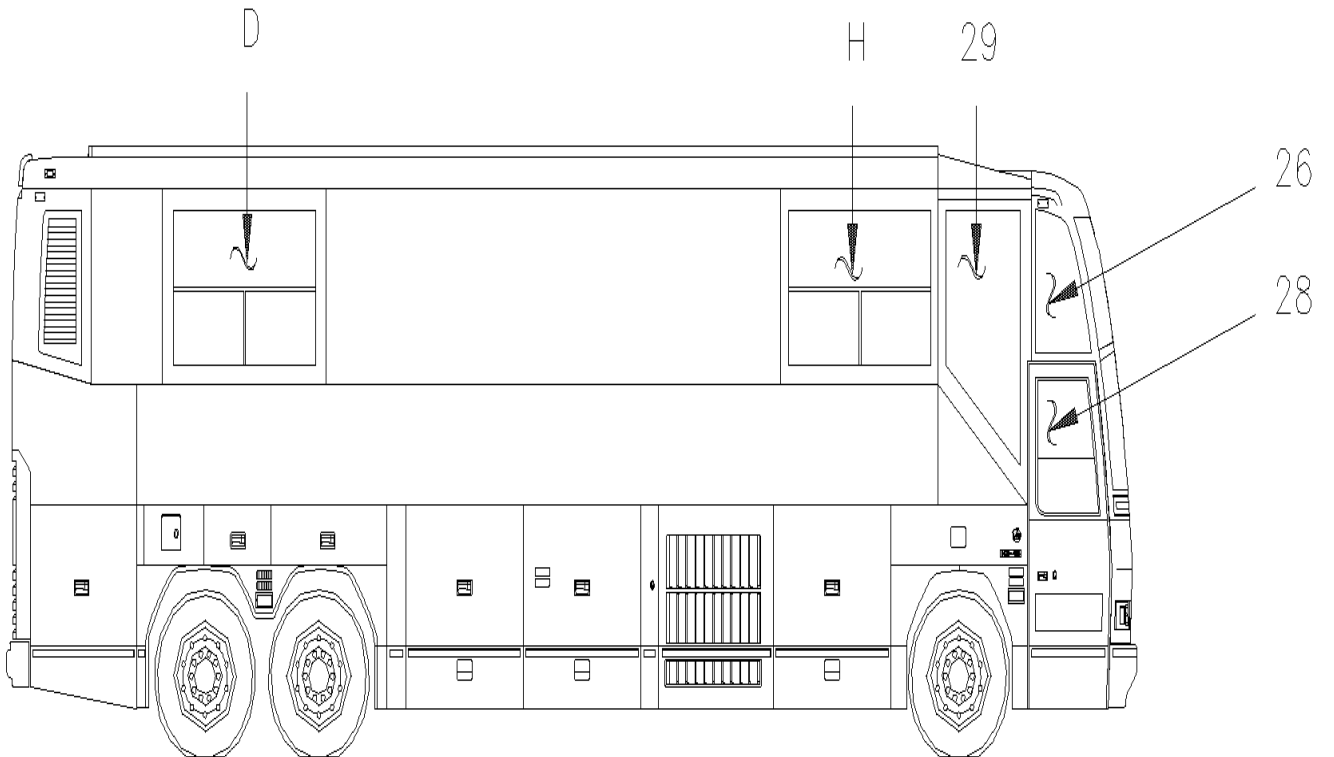
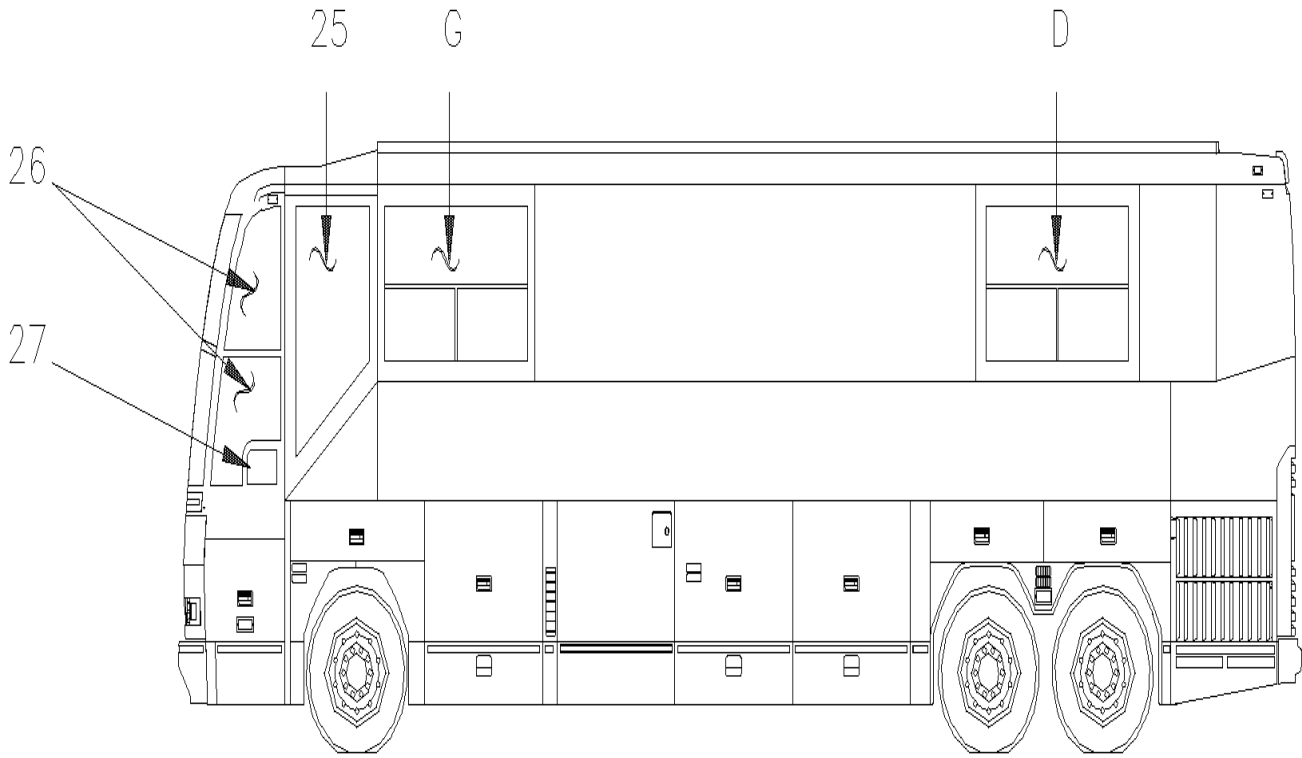
SIDE WINDOW ASSY (AWNING)

| Item# | Part | Description | H 3 4 0 | V I P 4 0 | N O T E S |
|-------|------|-----------------------------------|------------------|-----------------------|-----------------------|
| | | B) RELATED TO WINDOW INSTALLATION | | | |
| | | 1) NOT SOLD SEPARATELY | | | |

| | | |
|---|--------------|-----------------|
| From L-031 To R-079 | Date:10/2022 | PAGE:H4-1884-65 |
| SIDE WINDOW ASSY (SLIDING) "PENINSULA" | | |



| | | |
|---|--------------|-----------------|
| From L-031 To R-079 | Date:10/2022 | PAGE:H4-1884-65 |
| SIDE WINDOW ASSY (SLIDING) "PENINSULA" | | |



| | | |
|---|--------------|-----------------|
| From L-031 To R-079 | Date:10/2022 | PAGE:H4-1884-65 |
| SIDE WINDOW ASSY (SLIDING) "PENINSULA" | | |

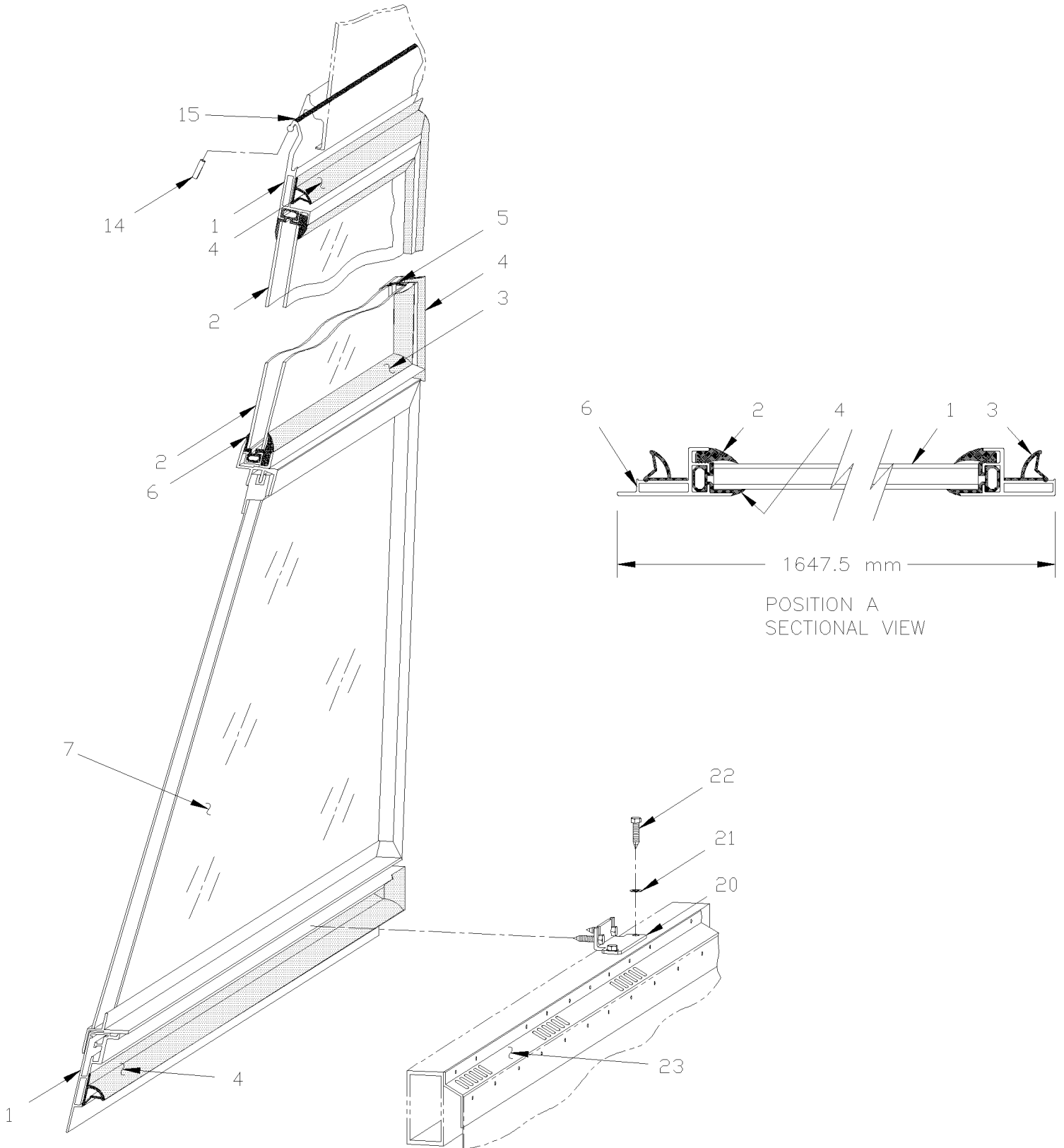
| Item# | Part | Description | H 3 4 0 | V I P 4 0 | N O T E S |
|-------|-------------|--|------------------|-----------------------|-----------------------|
| 25 | 291977 | GLASS THERMOS L.H. | | 1 | |
| 26 | H4-1880-00 | WINDSHIELD & CHANNEL | | | |
| 27 | H4-1886-00 | POWER WINDOW - ELECTRICAL INSTALLATION | | | |
| 28 | H4-1862-50 | ENTRANCE DOOR ASSY - V.I.P. | | | |
| 29 | 291976 | GLASS THERMOS R.H. | | 1 | |
| A | H4-1884-65A | POSITION "A" From L-031 | | | |
| B | H4-1884-65B | POSITION "B" From L-031 | | | |
| C | H4-1884-65C | POSITION "C" From L-031 | | | |
| D | H4-1884-65D | POSITION "D" From L-031 | | | |
| E | H4-1884-65E | POSITION "E" From L-031 | | | |
| F | H4-1884-65F | POSITION "F" From L-031 | | | |
| G | H4-1884-65G | POSITION "G" From L-031 | | | |
| H | H4-1884-65H | POSITION "H" From L-031 | | | |
| | | | | | |
| | | | | | |
| | | | | | |

From L-031 To R-079

Date:10/2022

PAGE:H4-1884-65A

POSITION "A"



| | | |
|---------------------|--------------|------------------|
| From L-031 To R-079 | Date:10/2022 | PAGE:H4-1884-65A |
| POSITION "A" | | |

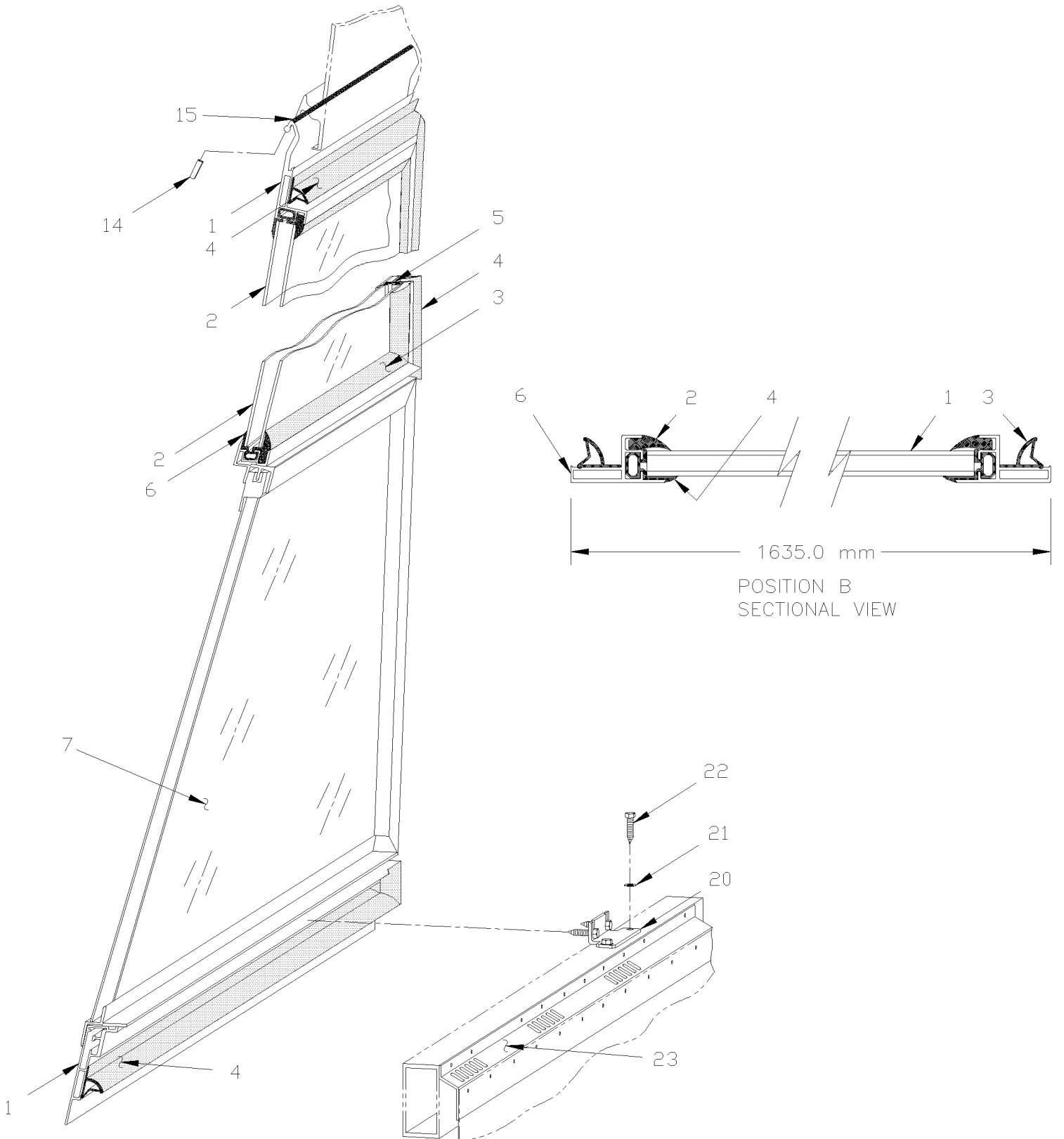
| Item# | Part | Description | H 3 4 0 | V I P 4 0 | N O T E S |
|-------|--------|--|------------------|-----------------------|-----------------------|
| | 292331 | WINDOW ASSY | | AR | |
| 1 | 292298 | . FRAME | | 1 | |
| 2 | 292126 | . GLASS, THERMOS UPPER | | 1 | |
| 2 | 680115 | . SEALANT TAPE BUTYL / BLACK / 1/16"x1/2"x50' / 71010W1760 | | AR | |
| 3 | 292266 | . SEAL, INTERIOR | | 1 | |
| 4 | 292279 | . WINDOW SEAL / 1091MM X 1622MM | | 1 | |
| 5 | 292336 | . EXTERIOR GLASS SEAL 493MM / VERTICAL | | 2 | |
| 6 | 292340 | . EXTERIOR GLASS SEAL 1553MM / HORIZONTAL | | 2 | |
| 7 | N.P.N. | WINDOWS PENINSULA - SEE YOUR CONVERTER DEALER | | | 4 |
| NS | 292320 | PANEL, LOWER | | 1 | A |
| NS | 500638 | SCREW TP PAN PH #8x1/2 Z050 | | 14 | A |
| 20 | 292053 | SUPPORT / TO FIX WINDOW TO STRUCTURE | | 2 | |
| 21 | 500923 | SCREW TC CAP HEX 1/4-20x3/4 Z050 | | 4 | |
| 22 | 500441 | WASHER FL .312x.734x.065 Z050 | | 4 | |
| 23 | 322835 | GRILLE SPACER 1660MM | | 10 | |
| | | | | | |
| | | | | | |
| | | | | | |
| | | A) THOSE PARTS ARE FIXED ON WINDOW FOR FACTORY DELIVERED PURPOSE ONLY. | | | |
| | | 4) NO PARTS NUMBER | | | |

From L-031 To R-079

Date:10/2022

PAGE:H4-1884-65B

POSITION "B"



| | | |
|----------------------------|---------------------|-------------------------|
| From L-031 To R-079 | Date:10/2022 | PAGE:H4-1884-65B |
| POSITION "B" | | |

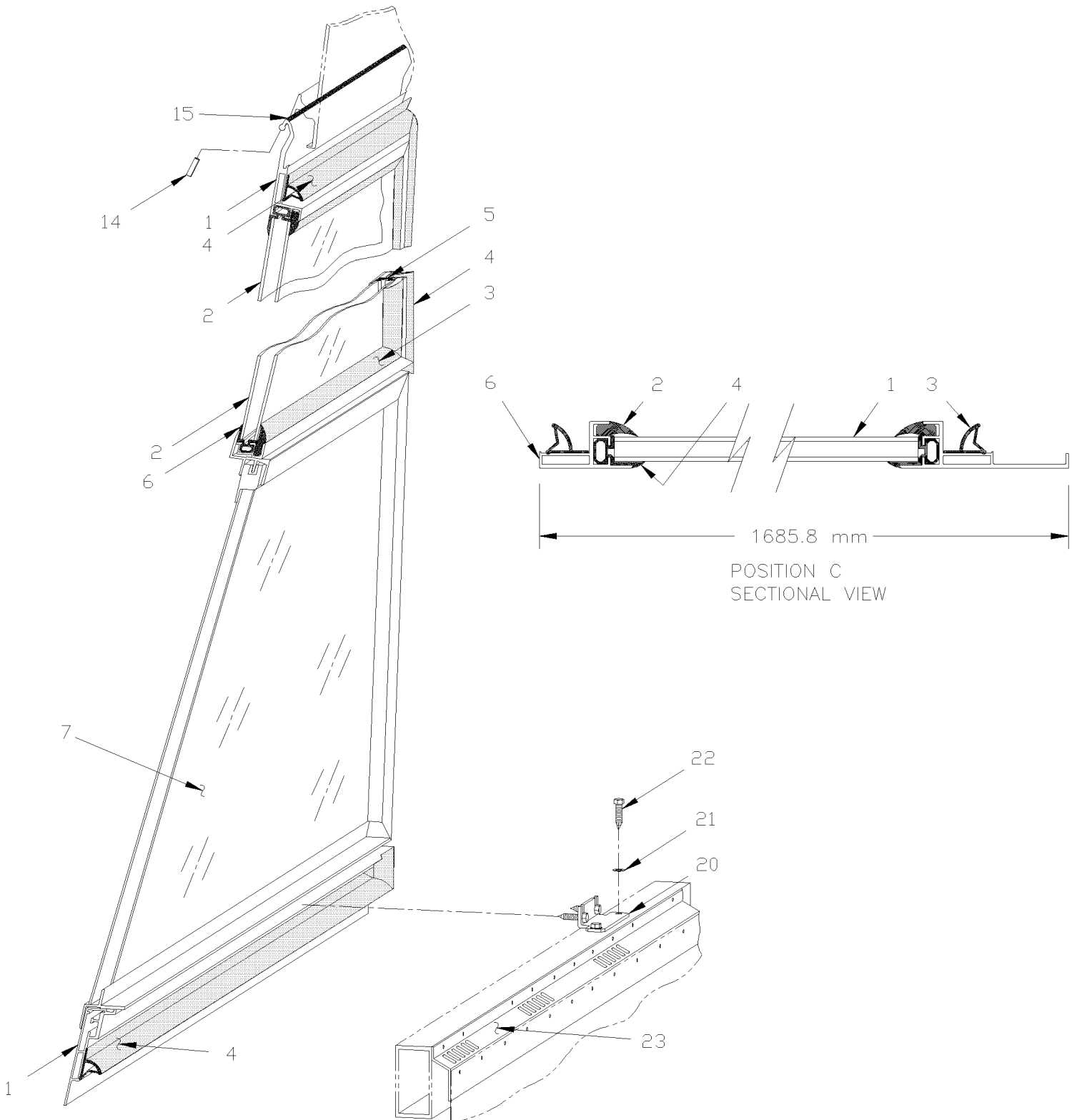
| Item# | Part | Description | H 3 4 0 | V I P 4 0 | N O T E S |
|-------|--------|--|------------------|-----------------------|-----------------------|
| | 292328 | WINDOW ASSY | | AR | |
| 1 | 292295 | . FRAME | | 1 | |
| 2 | 292126 | . GLASS, THERMOS UPPER | | 1 | |
| 2 | 680115 | . SEALANT TAPE BUTYL / BLACK / 1/16"x1/2"x50' / 71010W1760 | | AR | |
| 3 | 292266 | . SEAL, INTERIOR | | 1 | |
| 4 | 292279 | . WINDOW SEAL / 1091MM X 1622MM | | 1 | |
| 5 | 292336 | . EXTERIOR GLASS SEAL 493MM / VERTICAL | | 2 | |
| 6 | 292340 | . EXTERIOR GLASS SEAL 1553MM / HORIZONTAL | | 2 | |
| 7 | N.P.N. | WINDOWS PENINSULA - SEE YOUR CONVERTER DEALER | | | 4 |
| NS | 292320 | PANEL, LOWER | | 1 | A |
| NS | 500638 | SCREW TP PAN PH #8x1/2 Z050 | | 14 | A |
| 20 | 292053 | SUPPORT / TO FIX WINDOW TO STRUCTURE | | 2 | |
| 21 | 500923 | SCREW TC CAP HEX 1/4-20x3/4 Z050 | | 4 | |
| 22 | 500441 | WASHER FL .312x.734x.065 Z050 | | 4 | |
| 23 | 322835 | GRILLE SPACER 1660MM | | 10 | |
| | | | | | |
| | | | | | |
| | | | | | |
| | | A) THOSE PARTS ARE FIXED ON WINDOW FOR FACTORY DELIVERED PURPOSE ONLY. | | | |
| | | 4) NO PARTS NUMBER | | | |

From L-031 To R-079

Date:10/2022

PAGE:H4-1884-65C

POSITION "C"



| | | |
|---------------------|--------------|------------------|
| From L-031 To R-079 | Date:10/2022 | PAGE:H4-1884-65C |
| POSITION "C" | | |

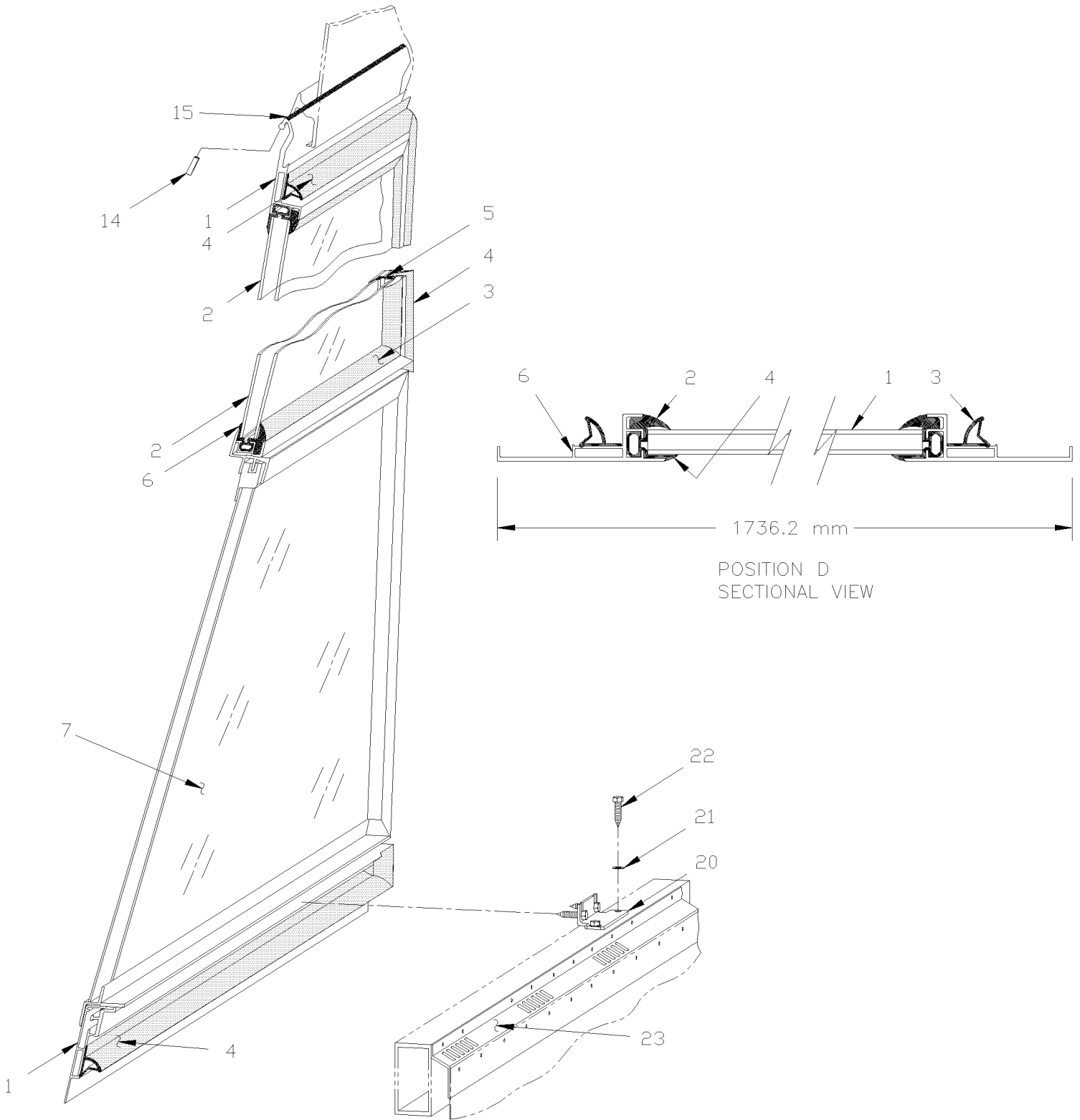
| Item# | Part | Description | H 3 4 0 | V I P 4 0 | N O T E S |
|-------|--------|--|------------------|-----------------------|-----------------------|
| | 292332 | WINDOW ASSY | | AR | |
| 1 | 292321 | . FRAME | | 1 | |
| 2 | 292126 | . GLASS, THERMOS UPPER | | 1 | |
| 2 | 680115 | . SEALANT TAPE BUTYL / BLACK / 1/16"x1/2"x50' / 71010W1760 | | AR | |
| 3 | 292266 | . SEAL, INTERIOR | | 1 | |
| 4 | 292279 | . WINDOW SEAL / 1091MM X 1622MM | | 1 | |
| 5 | 292336 | . EXTERIOR GLASS SEAL 493MM / VERTICAL | | 2 | |
| 6 | 292340 | . EXTERIOR GLASS SEAL 1553MM / HORIZONTAL | | 2 | |
| 7 | N.P.N. | WINDOWS PENINSULA - SEE YOUR CONVERTER DEALER | | | 4 |
| NS | 292320 | PANEL, LOWER | | 1 | A |
| NS | 500638 | SCREW TP PAN PH #8x1/2 Z050 | | 14 | A |
| 20 | 292053 | SUPPORT / TO FIX WINDOW TO STRUCTURE | | 2 | |
| 21 | 500923 | SCREW TC CAP HEX 1/4-20x3/4 Z050 | | 4 | |
| 22 | 500441 | WASHER FL .312x.734x.065 Z050 | | 4 | |
| 23 | 322835 | GRILLE SPACER 1660MM | | 10 | |
| | | | | | |
| | | | | | |
| | | | | | |
| | | A) THOSE PARTS ARE FIXED ON WINDOW FOR FACTORY DELIVERED PURPOSE ONLY. | | | |
| | | 4) NO PARTS NUMBER | | | |

From L-031 To R-079

Date:10/2022

PAGE:H4-1884-65D

POSITION "D"



| | | |
|---------------------|--------------|------------------|
| From L-031 To R-079 | Date:10/2022 | PAGE:H4-1884-65D |
| POSITION "D" | | |

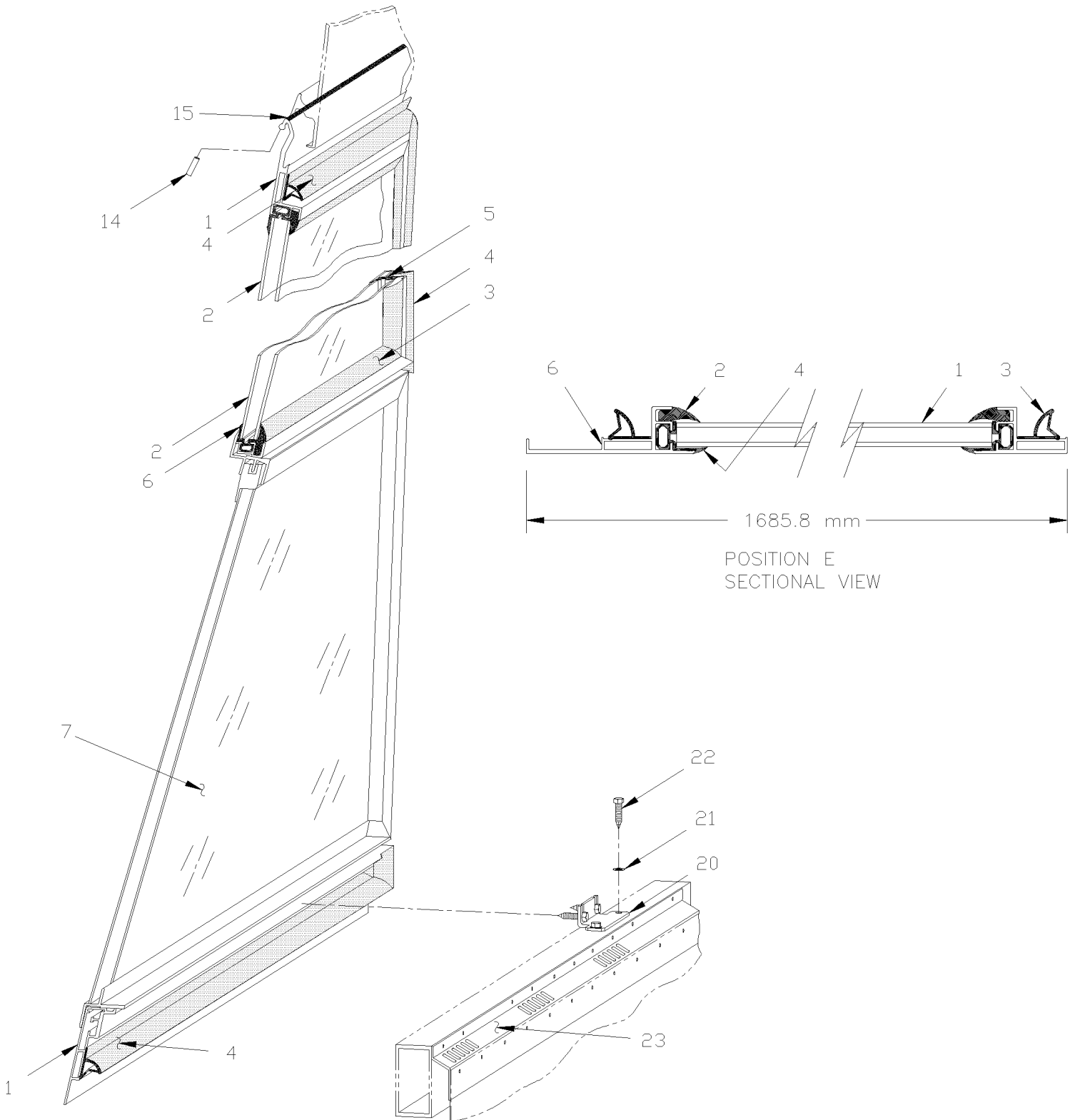
| Item# | Part | Description | H 3 4 0 | V I P 4 0 | N O T E S |
|-------|--------|--|------------------|-----------------------|-----------------------|
| | 292330 | WINDOW ASSY | | AR | |
| 1 | 292297 | . FRAME | | 1 | |
| 2 | 292126 | . GLASS, THERMOS UPPER | | 1 | |
| 2 | 680115 | . SEALANT TAPE BUTYL / BLACK / 1/16"x1/2"x50' / 71010W1760 | | AR | |
| 3 | 292266 | . SEAL, INTERIOR | | 1 | |
| 4 | 292279 | . WINDOW SEAL / 1091MM X 1622MM | | 1 | |
| 5 | 292336 | . EXTERIOR GLASS SEAL 493MM / VERTICAL | | 2 | |
| 6 | 292340 | . EXTERIOR GLASS SEAL 1553MM / HORIZONTAL | | 2 | |
| 7 | N.P.N. | WINDOWS PENINSULA - SEE YOUR CONVERTER DEALER | | | 4 |
| NS | 292320 | PANEL, LOWER | | 1 | A |
| NS | 500638 | SCREW TP PAN PH #8x1/2 Z050 | | 14 | A |
| 20 | 292053 | SUPPORT / TO FIX WINDOW TO STRUCTURE | | 2 | |
| 21 | 500923 | SCREW TC CAP HEX 1/4-20x3/4 Z050 | | 4 | |
| 22 | 500441 | WASHER FL .312x.734x.065 Z050 | | 4 | |
| 23 | 322835 | GRILLE SPACER 1660MM | | 10 | |
| | | | | | |
| | | | | | |
| | | | | | |
| | | A) THOSE PARTS ARE FIXED ON WINDOW FOR FACTORY DELIVERED PURPOSE ONLY. | | | |
| | | 4) NO PARTS NUMBER | | | |

From L-031 To R-079

Date:10/2022

PAGE:H4-1884-65E

POSITION "E"



| | | |
|---------------------|--------------|------------------|
| From L-031 To R-079 | Date:10/2022 | PAGE:H4-1884-65E |
| POSITION "E" | | |

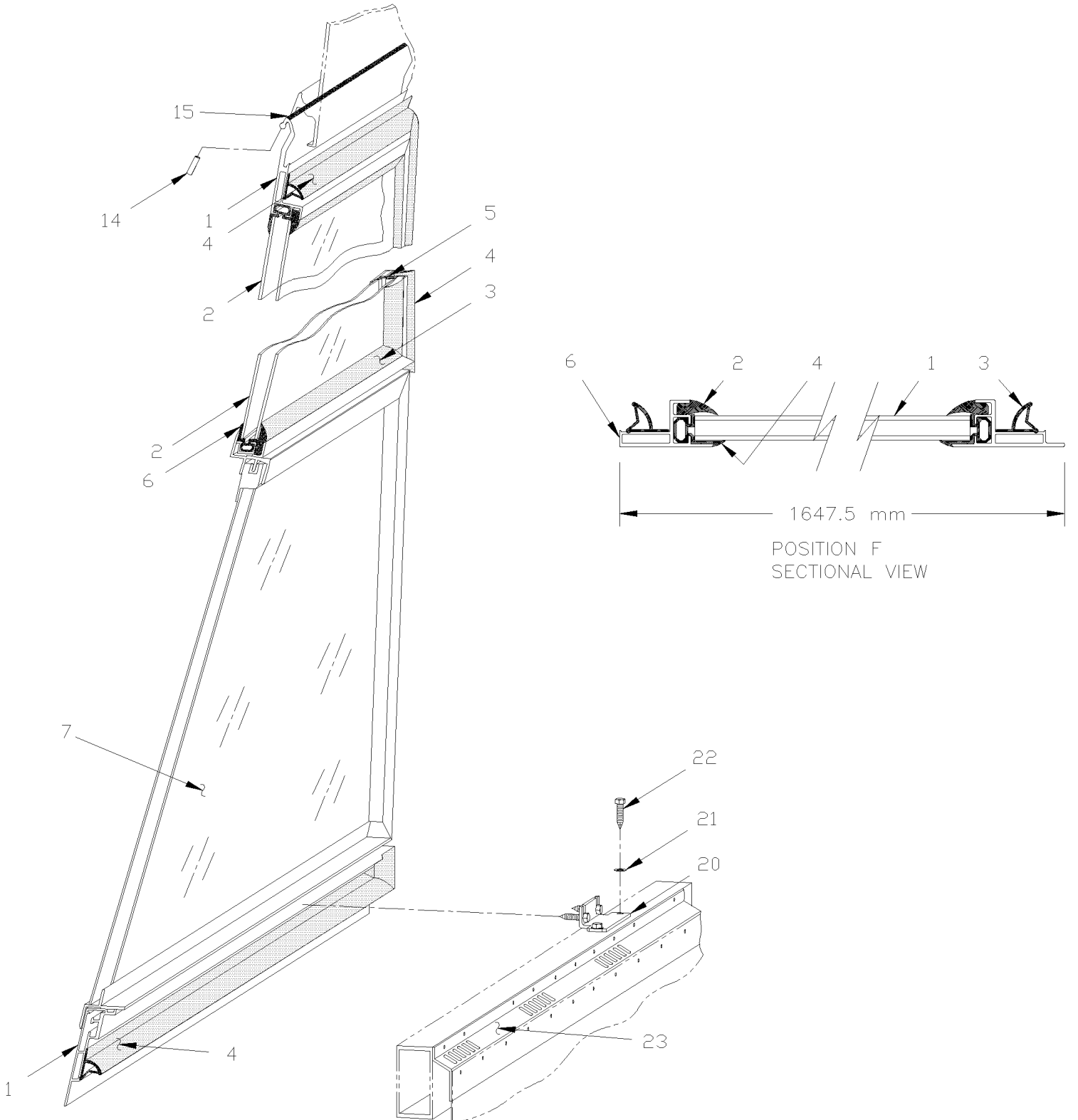
| Item# | Part | Description | H 3 4 0 | V I P 4 0 | N O T E S |
|-------|--------|--|------------------|-----------------------|-----------------------|
| | 292329 | WINDOW ASSY | | AR | |
| 1 | 292296 | . FRAME | | 1 | |
| 2 | 292126 | . GLASS, THERMOS UPPER | | 1 | |
| 2 | 680115 | . SEALANT TAPE BUTYL / BLACK / 1/16"x1/2"x50' / 71010W1760 | | AR | |
| 3 | 292266 | . SEAL, INTERIOR | | 1 | |
| 4 | 292279 | . WINDOW SEAL / 1091MM X 1622MM | | 1 | |
| 5 | 292336 | . EXTERIOR GLASS SEAL 493MM / VERTICAL | | 2 | |
| 6 | 292340 | . EXTERIOR GLASS SEAL 1553MM / HORIZONTAL | | 2 | |
| 7 | N.P.N. | WINDOWS PENINSULA - SEE YOUR CONVERTER DEALER | | | 4 |
| NS | 292320 | PANEL, LOWER | | 1 | A |
| NS | 500638 | SCREW TP PAN PH #8x1/2 Z050 | | 14 | A |
| 20 | 292053 | SUPPORT / TO FIX WINDOW TO STRUCTURE | | 2 | |
| 21 | 500923 | SCREW TC CAP HEX 1/4-20x3/4 Z050 | | 4 | |
| 22 | 500441 | WASHER FL .312x.734x.065 Z050 | | 4 | |
| 23 | 322835 | GRILLE SPACER 1660MM | | 10 | |
| | | | | | |
| | | | | | |
| | | | | | |
| | | A) THOSE PARTS ARE FIXED ON WINDOW FOR FACTORY DELIVERED PURPOSE ONLY. | | | |
| | | 4) NO PARTS NUMBER | | | |

From L-031 To R-079

Date:10/2022

PAGE:H4-1884-65F

POSITION "F"



| | | |
|---------------------|--------------|------------------|
| From L-031 To R-079 | Date:10/2022 | PAGE:H4-1884-65F |
| POSITION "F" | | |

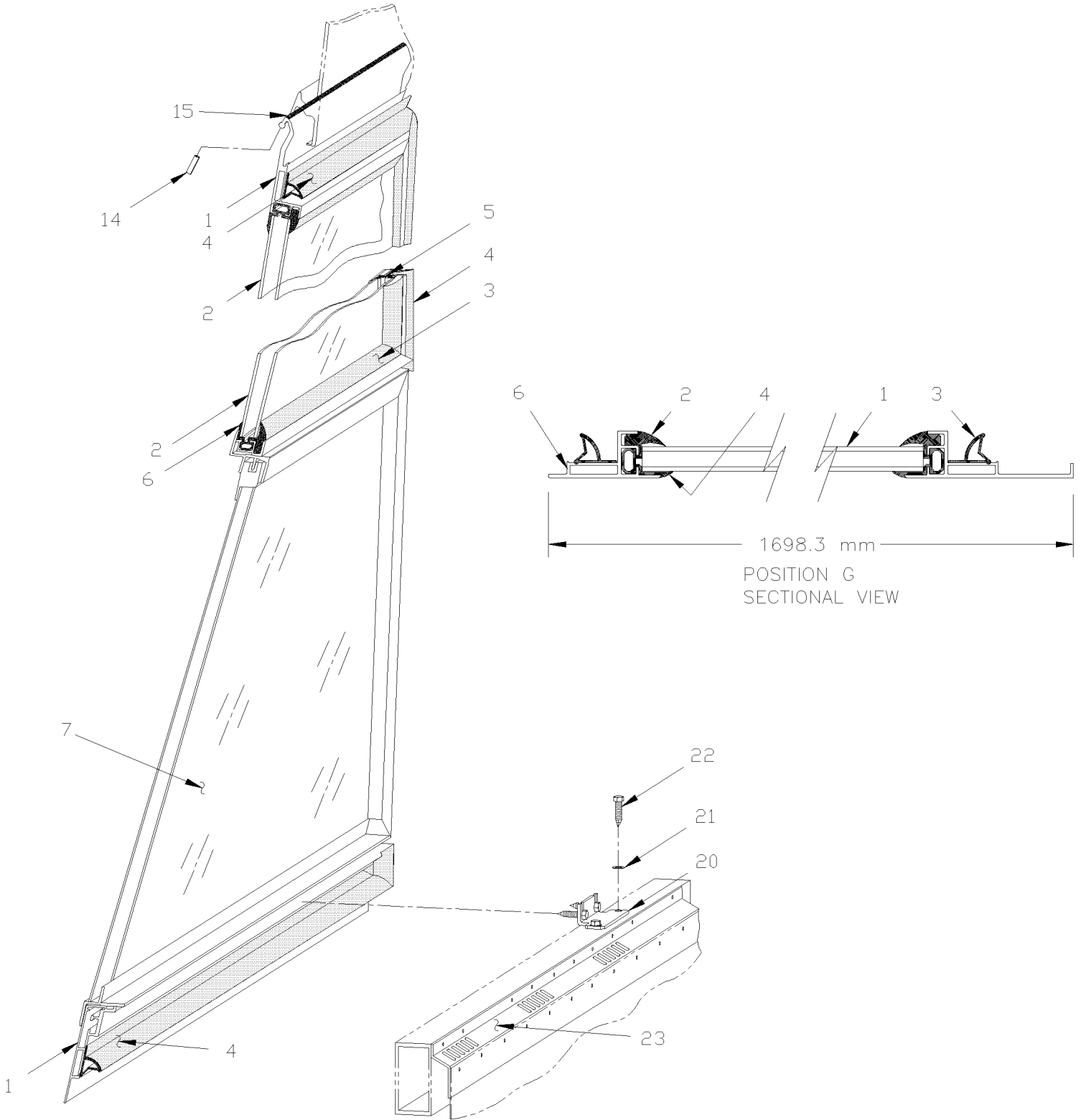
| Item# | Part | Description | H 3 4 0 | V I P 4 0 | N O T E S |
|-------|--------|--|------------------|-----------------------|-----------------------|
| | 292327 | WINDOW ASSY | | AR | |
| 1 | 292294 | . FRAME | | 1 | |
| 2 | 292126 | . GLASS, THERMOS UPPER | | 1 | |
| 2 | 680115 | . SEALANT TAPE BUTYL / BLACK / 1/16"x1/2"x50' / 71010W1760 | | AR | |
| 3 | 292266 | . SEAL, INTERIOR | | 1 | |
| 4 | 292279 | . WINDOW SEAL / 1091MM X 1622MM | | 1 | |
| 5 | 292336 | . EXTERIOR GLASS SEAL 493MM / VERTICAL | | 2 | |
| 6 | 292340 | . EXTERIOR GLASS SEAL 1553MM / HORIZONTAL | | 2 | |
| 7 | N.P.N. | WINDOWS PENINSULA - SEE YOUR CONVERTER DEALER | | | 4 |
| NS | 292320 | PANEL, LOWER | | 1 | A |
| NS | 500638 | SCREW TP PAN PH #8x1/2 Z050 | | 14 | A |
| 20 | 292053 | SUPPORT / TO FIX WINDOW TO STRUCTURE | | 2 | |
| 21 | 500923 | SCREW TC CAP HEX 1/4-20x3/4 Z050 | | 4 | |
| 22 | 500441 | WASHER FL .312x.734x.065 Z050 | | 4 | |
| 23 | 322835 | GRILLE SPACER 1660MM | | 10 | |
| | | | | | |
| | | | | | |
| | | | | | |
| | | A) THOSE PARTS ARE FIXED ON WINDOW FOR FACTORY DELIVERED PURPOSE ONLY. | | | |
| | | 4) NO PARTS NUMBER | | | |

From L-031 To R-079

Date:10/2022

PAGE:H4-1884-65G

POSITION "G"



| | | |
|---------------------|--------------|------------------|
| From L-031 To R-079 | Date:10/2022 | PAGE:H4-1884-65G |
| POSITION "G" | | |

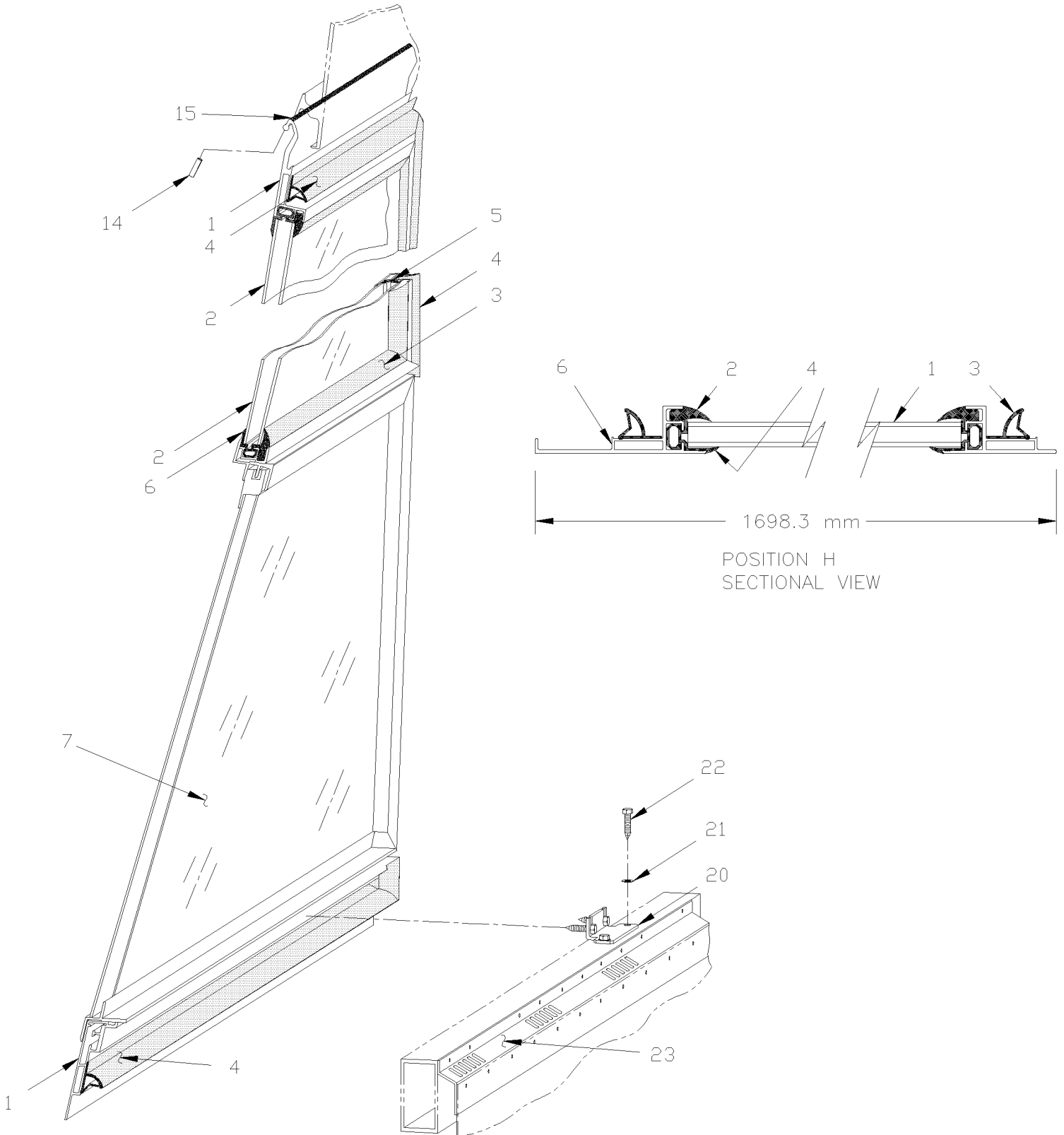
| Item# | Part | Description | H 3 4 0 | V I P 4 0 | N O T E S |
|-------|--------|--|------------------|-----------------------|-----------------------|
| | 292334 | WINDOW ASSY | | AR | |
| 1 | 292301 | . FRAME | | 1 | |
| 2 | 292126 | . GLASS, THERMOS UPPER | | 1 | |
| 2 | 680115 | . SEALANT TAPE BUTYL / BLACK / 1/16"x1/2"x50' / 71010W1760 | | AR | |
| 3 | 292266 | . SEAL, INTERIOR | | 1 | |
| 4 | 292279 | . WINDOW SEAL / 1091MM X 1622MM | | 1 | |
| 5 | 292336 | . EXTERIOR GLASS SEAL 493MM / VERTICAL | | 2 | |
| 6 | 292340 | . EXTERIOR GLASS SEAL 1553MM / HORIZONTAL | | 2 | |
| 7 | N.P.N. | WINDOWS PENINSULA - SEE YOUR CONVERTER DEALER | | | 4 |
| NS | 292320 | PANEL, LOWER | | 1 | A |
| NS | 500638 | SCREW TP PAN PH #8x1/2 Z050 | | 14 | A |
| 20 | 292053 | SUPPORT / TO FIX WINDOW TO STRUCTURE | | 2 | |
| 21 | 500923 | SCREW TC CAP HEX 1/4-20x3/4 Z050 | | 4 | |
| 22 | 500441 | WASHER FL .312x.734x.065 Z050 | | 4 | |
| 23 | 322835 | GRILLE SPACER 1660MM | | 10 | |
| | | | | | |
| | | | | | |
| | | | | | |
| | | A) THOSE PARTS ARE FIXED ON WINDOW FOR FACTORY DELIVERED PURPOSE ONLY. | | | |
| | | 4) NO PARTS NUMBER | | | |

From L-031 To R-079

Date:10/2022

PAGE:H4-1884-65H

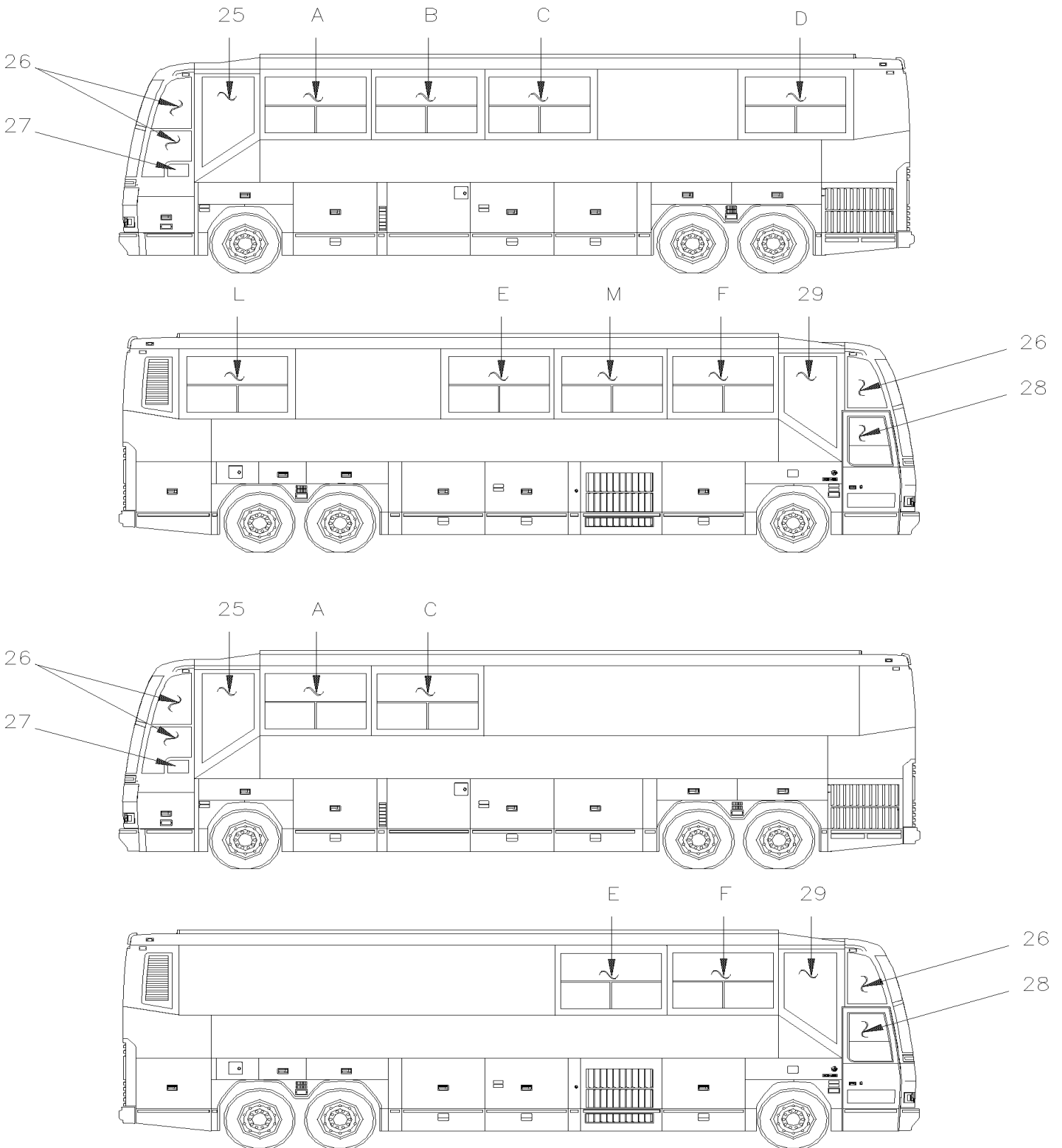
POSITION "H"



| | | |
|---------------------|--------------|------------------|
| From L-031 To R-079 | Date:10/2022 | PAGE:H4-1884-65H |
| POSITION "H" | | |

| Item# | Part | Description | H 3 4 0 | V I P 4 0 | N O T E S |
|-------|--------|--|------------------|-----------------------|-----------------------|
| | 292333 | WINDOW ASSY | | AR | |
| 1 | 292300 | . FRAME | | 1 | |
| 2 | 292126 | . GLASS, THERMOS UPPER | | 1 | |
| 2 | 680115 | . SEALANT TAPE BUTYL / BLACK / 1/16"x1/2"x50' / 71010W1760 | | AR | |
| 3 | 292266 | . SEAL, INTERIOR | | 1 | |
| 4 | 292279 | . WINDOW SEAL / 1091MM X 1622MM | | 1 | |
| 5 | 292336 | . EXTERIOR GLASS SEAL 493MM / VERTICAL | | 2 | |
| 6 | 292340 | . EXTERIOR GLASS SEAL 1553MM / HORIZONTAL | | 2 | |
| 7 | N.P.N. | WINDOWS PENINSULA - SEE YOUR CONVERTER DEALER | | | 4 |
| NS | 292320 | PANEL, LOWER | | 1 | A |
| NS | 500638 | SCREW TP PAN PH #8x1/2 Z050 | | 14 | A |
| 20 | 292053 | SUPPORT / TO FIX WINDOW TO STRUCTURE | | 2 | |
| 21 | 500923 | SCREW TC CAP HEX 1/4-20x3/4 Z050 | | 4 | |
| 22 | 500441 | WASHER FL .312x.734x.065 Z050 | | 4 | |
| 23 | 322835 | GRILLE SPACER 1660MM | | 10 | |
| | | | | | |
| | | | | | |
| | | | | | |
| | | A) THOSE PARTS ARE FIXED ON WINDOW FOR FACTORY DELIVERED PURPOSE ONLY. | | | |
| | | 4) NO PARTS NUMBER | | | |

| | | |
|--------------------------------------|--------------|-----------------|
| From L-031 To R-079 | Date:10/2022 | PAGE:H4-1884-70 |
| SIDE WINDOW ASSY (SLIDING) "PREVOST" | | |

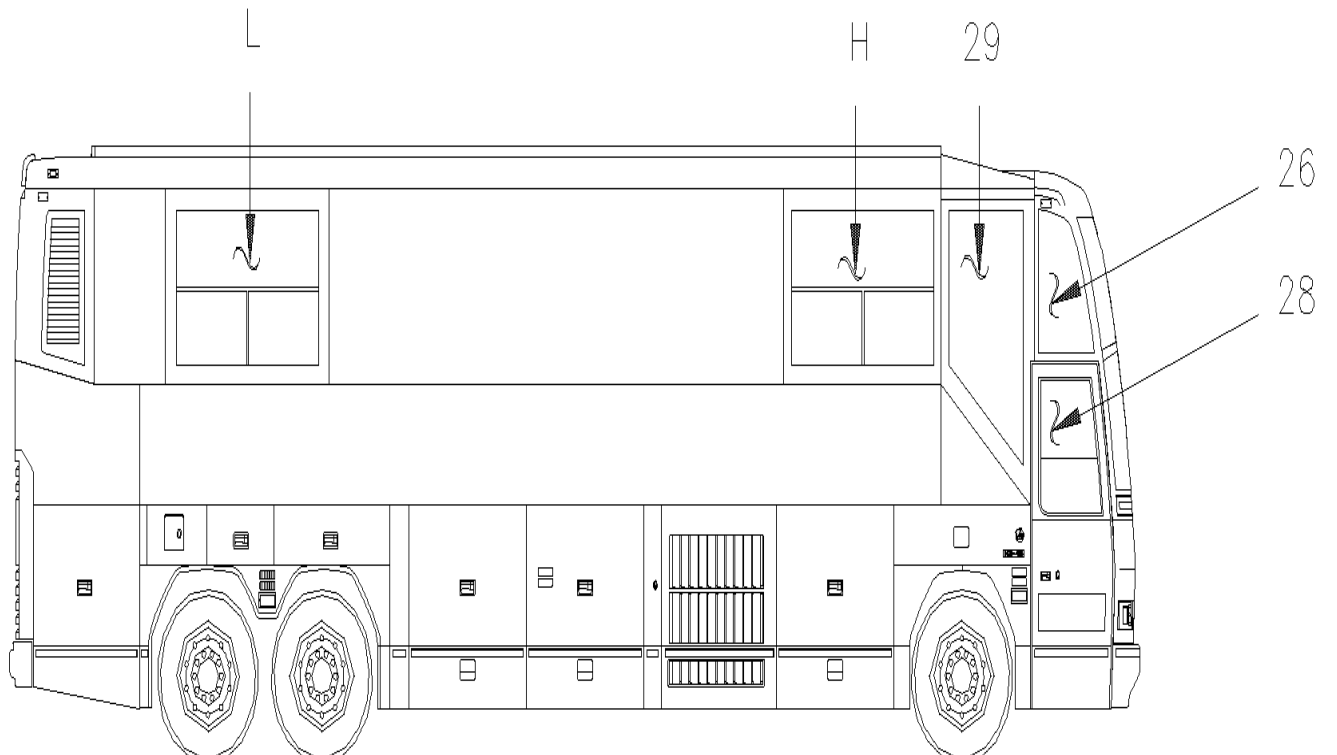
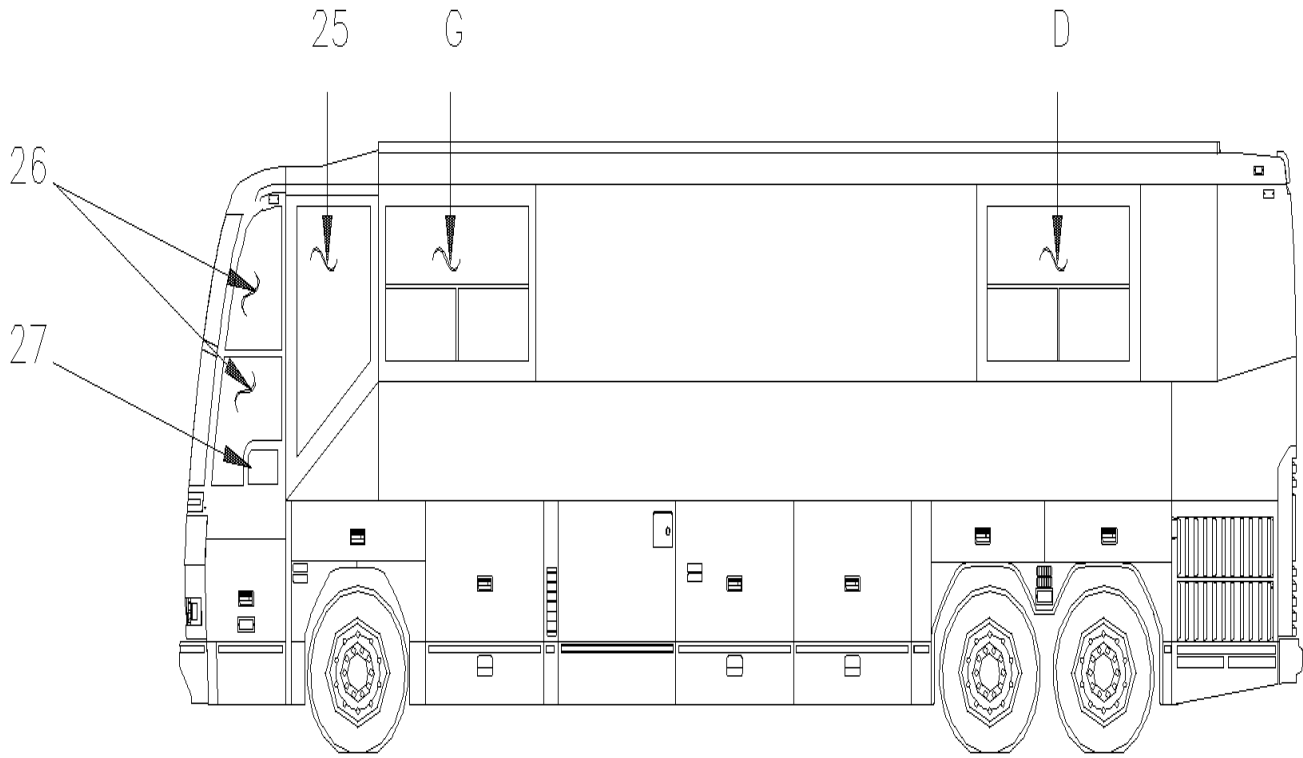


From L-031 To R-079

Date:10/2022

PAGE:H4-1884-70

SIDE WINDOW ASSY (SLIDING) "PREVOST"



| | | |
|---|--------------|-----------------|
| From L-031 To R-079 | Date:10/2022 | PAGE:H4-1884-70 |
| SIDE WINDOW ASSY (SLIDING) "PREVOST" | | |

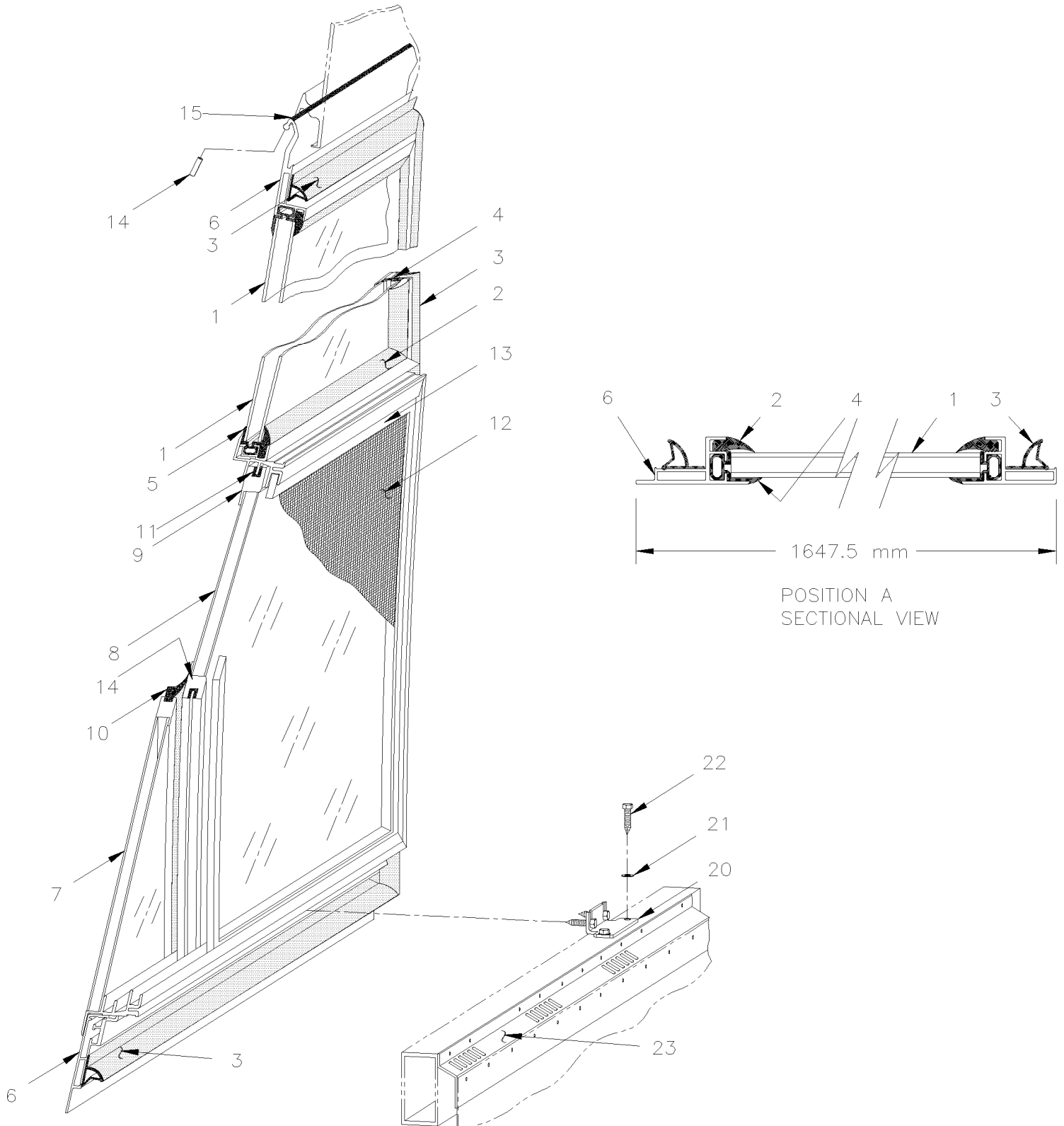
| Item# | Part | Description | H 3 4 0 | V I P 4 0 | N O T E S |
|-------|-------------|--|------------------|-----------------------|-----------------------|
| 25 | 291977 | GLASS THERMOS L.H. | | 1 | |
| 26 | H4-1880-00 | WINDSHIELD & CHANNEL | | | |
| 27 | H4-1886-00 | POWER WINDOW - ELECTRICAL INSTALLATION | | | |
| 28 | H4-1862-50 | ENTRANCE DOOR ASSY - V.I.P. | | | |
| 29 | 291976 | GLASS THERMOS R.H. | | 1 | |
| 30 | 292624 | MOULDING 1182MM X 18MM | | AR | A |
| A | H4-1884-70A | POSITION "A" From L-031 | | | |
| B | H4-1884-70B | POSITION "B" From L-031 | | | |
| C | H4-1884-70C | POSITION "C" From L-031 | | | |
| D | H4-1884-70D | POSITION "D" From L-031 | | | |
| E | H4-1884-70E | POSITION "E" From L-031 | | | |
| F | H4-1884-70F | POSITION "F" From L-031 | | | |
| G | H4-1884-70G | POSITION "G" From L-031 | | | |
| H | H4-1884-70H | POSITION "H" From L-031 | | | |
| L | H4-1884-70L | POSITION "L" From L-031 | | | |
| M | H4-1884-70M | POSITION "M" From L-031 | | | |
| | | | | | |
| | | | | | |
| | | | | | |
| | | A) BETWEEN WINDOWS | | | |

From L-031 To R-079

Date:10/2022

PAGE:H4-1884-70A

POSITION "A"



| | | |
|---------------------|--------------|------------------|
| From L-031 To R-079 | Date:10/2022 | PAGE:H4-1884-70A |
| POSITION "A" | | |

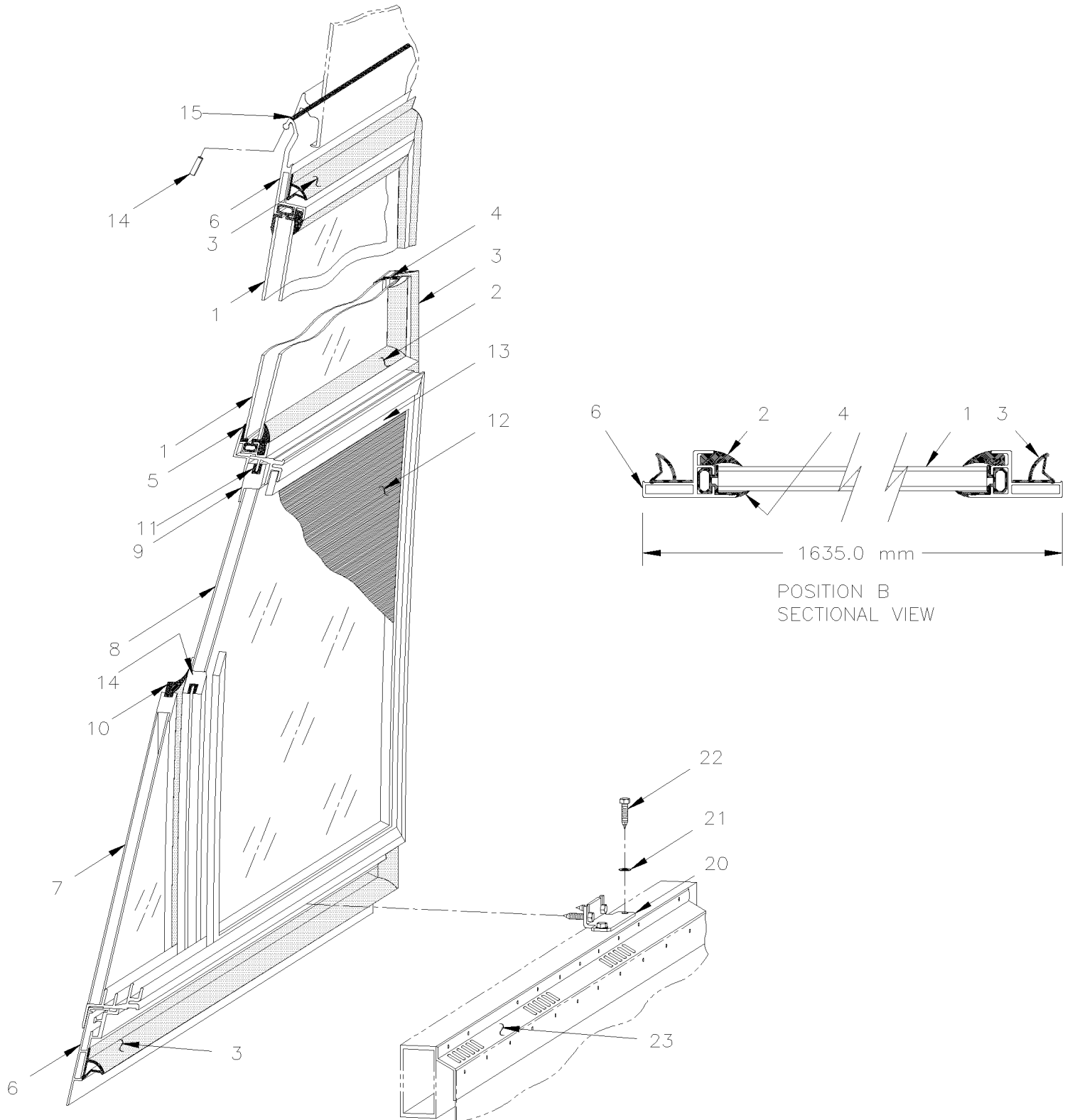
| Item# | Part | Description | H 3 4 0 | V I P 4 0 | N O T E S |
|-------|---------|--|------------------|-----------------------|-----------------------|
| | 292374P | WINDOW ASSY | | 1 | |
| 1 | 292126 | . GLASS, THERMOS UPPER | | 1 | |
| 1 | 680115 | . SEALANT TAPE BUTYL / BLACK / 1/16"x1/2"x50' / 71010W1760 | | AR | |
| 2 | 292266 | . SEAL, INTERIOR | | 1 | |
| 3 | 292279 | . WINDOW SEAL / 1091MM X 1622MM | | 1 | |
| 4 | 292336 | . EXTERIOR GLASS SEAL 493MM / VERTICAL | | 2 | |
| 5 | 292340 | . EXTERIOR GLASS SEAL 1553MM / HORIZONTAL | | 2 | |
| 6 | 292369 | . WINDOW SUBASSY | | 1 | |
| 7 | 790410 | . . GLASS FIXED | | 1 | |
| 8 | 790409 | . . GLASS, SLIDING | | 1 | |
| . NS | 790464 | . . . KNOB | | 1 | |
| 9 | 681092 | . . ADHESIVE SIKA #255FC / BLACK / 310ml CARTRIDGE | | AR | |
| 10 | 790329 | . . RUBBER FLAP SEAL | | 1 | |
| 11 | 790365 | . . SEAT, SLIDING | | 1 | |
| 12 | 790411 | . . SCREEN | | 1 | |
| 13 | 790321 | . . . CLIP, RETAINER / PLASTIC | | 2 | |
| 14 | 790424 | . . SEAL, SCHLEGEL VERTICAL | | AR | |
| 15 | 506071 | . TAPE RUB ADH1 CC POL 1/8" x 1/2" x 50' / GREY 2520X | | AR | |
| 20 | 292053 | SUPPORT / TO FIX WINDOW TO STRUCTURE | | 2 | |
| 21 | 500923 | SCREW TC CAP HEX 1/4-20x3/4 Z050 | | 4 | |
| 22 | 500441 | WASHER FL .312x.734x.065 Z050 | | 1 | |
| 23 | 322835 | GRILLE SPACER 1660MM | | 10 | |
| | | | | | |
| | | | | | |
| | | | | | |

From L-031 To R-079

Date:10/2022

PAGE:H4-1884-70B

POSITION "B"



| | | |
|---------------------|--------------|------------------|
| From L-031 To R-079 | Date:10/2022 | PAGE:H4-1884-70B |
| POSITION "B" | | |

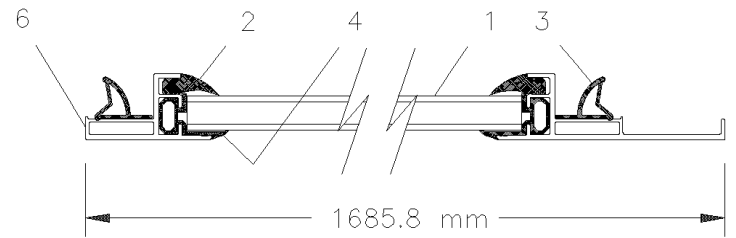
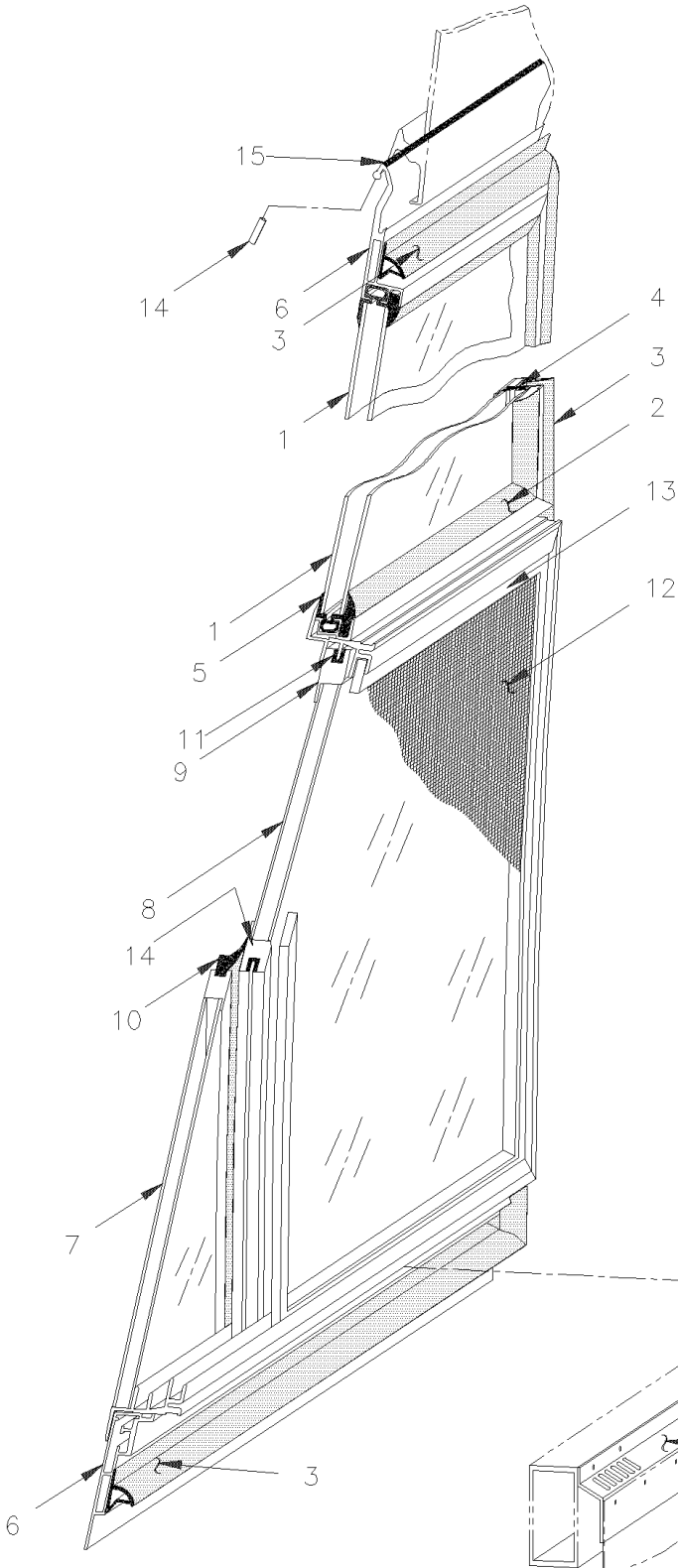
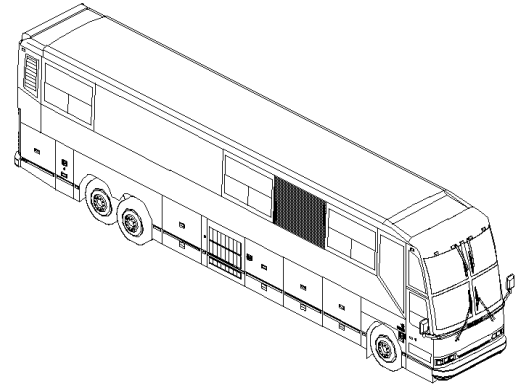
| Item# | Part | Description | H 3 4 0 | V I P 4 0 | N O T E S |
|-------|---------|--|------------------|-----------------------|-----------------------|
| | 292377P | WINDOW ASSY | | 1 | |
| 1 | 292126 | . GLASS, THERMOS UPPER | | 1 | |
| 1 | 680115 | . SEALANT TAPE BUTYL / BLACK / 1/16"x1/2"x50' / 71010W1760 | | AR | |
| 2 | 292266 | . SEAL, INTERIOR | | 1 | |
| 3 | 292279 | . WINDOW SEAL / 1091MM X 1622MM | | 1 | |
| 4 | 292336 | . EXTERIOR GLASS SEAL 493MM / VERTICAL | | 2 | |
| 5 | 292340 | . EXTERIOR GLASS SEAL 1553MM / HORIZONTAL | | 2 | |
| 6 | 292372 | . WINDOW SUBASSY | | 1 | |
| 7 | 790410 | . . GLASS FIXED | | 1 | |
| 8 | 790409 | . . GLASS, SLIDING | | 1 | |
| . NS | 790464 | . . . KNOB | | 1 | |
| 9 | 681092 | . . ADHESIVE SIKA #255FC / BLACK / 310ml CARTRIDGE | | AR | |
| 10 | 790329 | . . RUBBER FLAP SEAL | | 1 | |
| 11 | 790365 | . . SEAT, SLIDING | | 1 | |
| 12 | 790411 | . . SCREEN | | 1 | |
| 13 | 790321 | . . . CLIP, RETAINER / PLASTIC | | 2 | |
| 14 | 790424 | . . SEAL, SCHLEGEL VERTICAL | | AR | |
| 15 | 506071 | . TAPE RUB ADH1 CC POL 1/8" x 1/2" x 50' / GREY 2520X | | AR | |
| 20 | 292053 | SUPPORT / TO FIX WINDOW TO STRUCTURE | | 2 | |
| 21 | 500923 | SCREW TC CAP HEX 1/4-20x3/4 Z050 | | 4 | |
| 22 | 500441 | WASHER FL .312x.734x.065 Z050 | | 1 | |
| 23 | 322835 | GRILLE SPACER 1660MM | | 10 | |
| | | | | | |
| | | | | | |
| | | | | | |

From L-031 To R-079

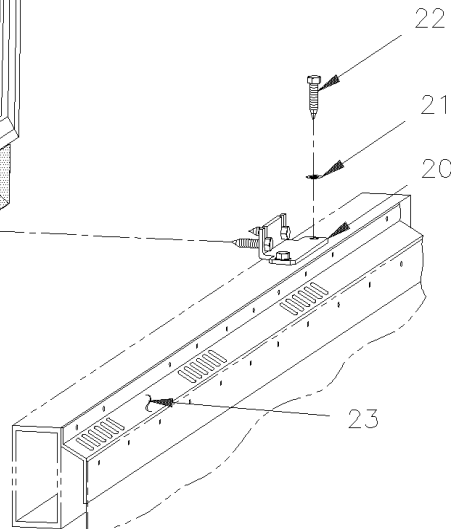
Date:10/2022

PAGE:H4-1884-70C

POSITION "C"



POSITION C
SECTIONAL VIEW



| | | |
|---------------------|--------------|------------------|
| From L-031 To R-079 | Date:10/2022 | PAGE:H4-1884-70C |
| POSITION "C" | | |

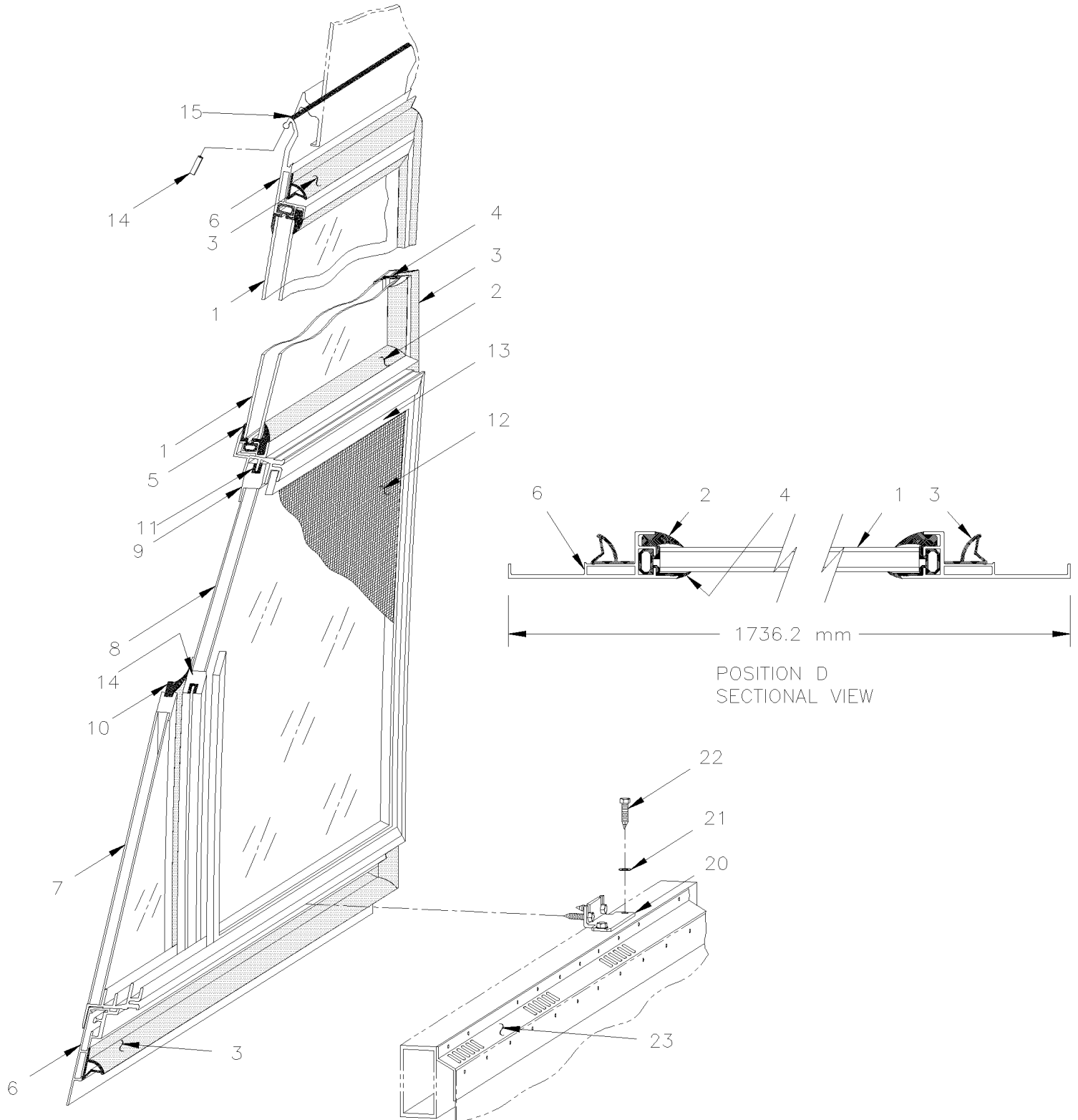
| Item# | Part | Description | H 3 4 0 | V I P 4 0 | N O T E S |
|-------|---------|--|------------------|-----------------------|-----------------------|
| | 292375P | WINDOW ASSY | | 1 | |
| 1 | 292126 | . GLASS, THERMOS UPPER | | 1 | |
| 1 | 680115 | . SEALANT TAPE BUTYL / BLACK / 1/16"x1/2"x50' / 71010W1760 | | AR | |
| 2 | 292266 | . SEAL, INTERIOR | | 1 | |
| 3 | 292279 | . WINDOW SEAL / 1091MM X 1622MM | | 1 | |
| 4 | 292336 | . EXTERIOR GLASS SEAL 493MM / VERTICAL | | 2 | |
| 5 | 292340 | . EXTERIOR GLASS SEAL 1553MM / HORIZONTAL | | 2 | |
| 6 | 292370 | . WINDOW SUBASSY | | 1 | |
| 7 | 790410 | . . GLASS FIXED | | 1 | |
| 8 | 790409 | . . GLASS, SLIDING | | 1 | |
| . NS | 790464 | . . . KNOB | | 1 | |
| 9 | 681092 | . . ADHESIVE SIKA #255FC / BLACK / 310ml CARTRIDGE | | AR | |
| 10 | 790329 | . . RUBBER FLAP SEAL | | 1 | |
| 11 | 790365 | . . SEAT, SLIDING | | 1 | |
| 12 | 790411 | . . SCREEN | | 1 | |
| 13 | 790321 | . . . CLIP, RETAINER / PLASTIC | | 2 | |
| 14 | 790424 | . . SEAL, SCHLEGEL VERTICAL | | AR | |
| 15 | 506071 | . TAPE RUB ADH1 CC POL 1/8" x 1/2" x 50' / GREY 2520X | | AR | |
| 20 | 292053 | SUPPORT / TO FIX WINDOW TO STRUCTURE | | 2 | |
| 21 | 500923 | SCREW TC CAP HEX 1/4-20x3/4 Z050 | | 4 | |
| 22 | 500441 | WASHER FL .312x.734x.065 Z050 | | 1 | |
| 23 | 322835 | GRILLE SPACER 1660MM | | 10 | |
| | | | | | |
| | | | | | |
| | | | | | |

From L-031 To R-079

Date:10/2022

PAGE:H4-1884-70D

POSITION "D"



| | | |
|---------------------|--------------|------------------|
| From L-031 To R-079 | Date:10/2022 | PAGE:H4-1884-70D |
| POSITION "D" | | |

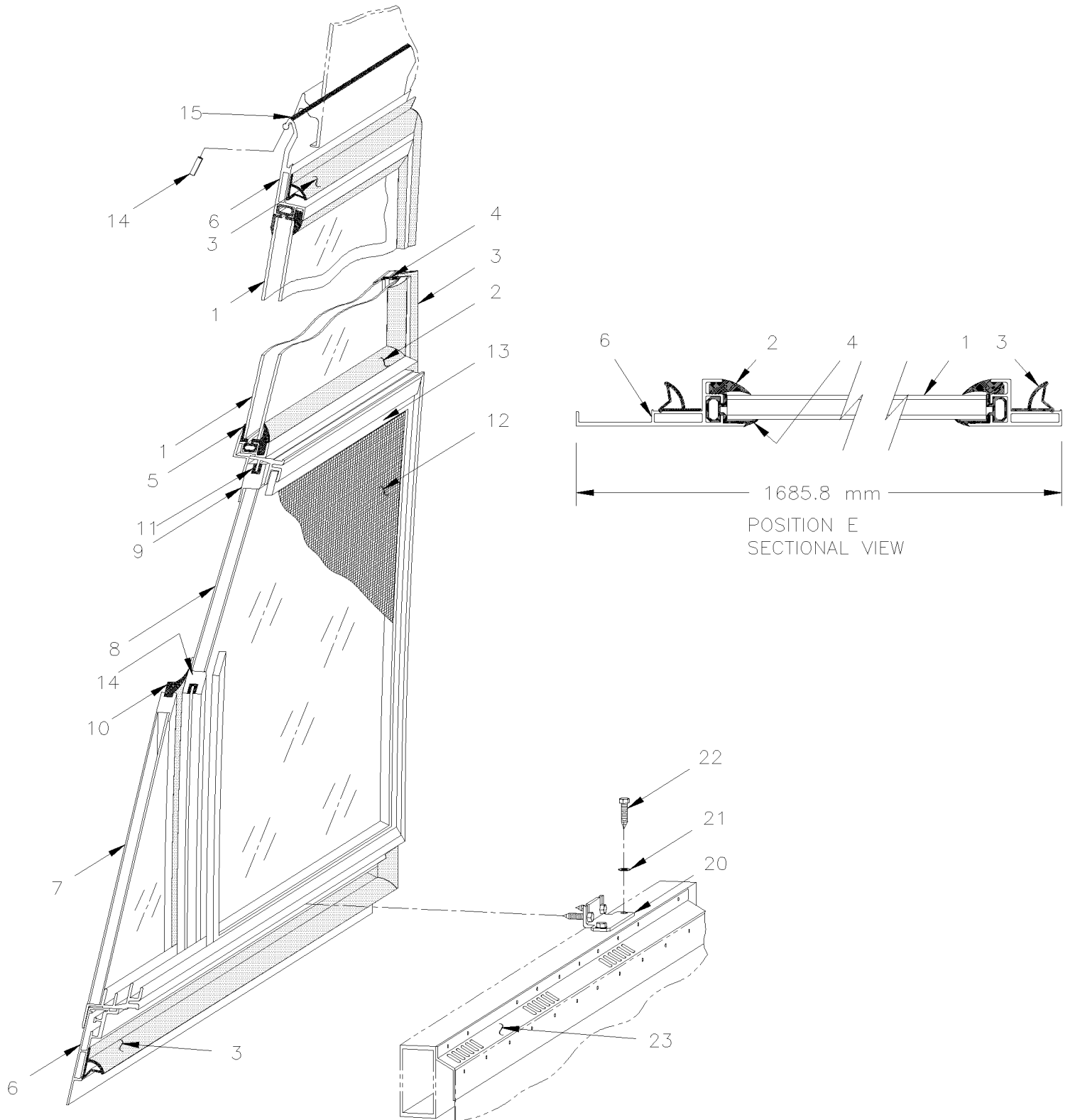
| Item# | Part | Description | H 3 4 0 | V I P 4 0 | N O T E S |
|-------|---------|--|------------------|-----------------------|-----------------------|
| | 292378P | WINDOW ASSY | | 1 | |
| 1 | 292126 | . GLASS, THERMOS UPPER | | 1 | |
| 1 | 680115 | . SEALANT TAPE BUTYL / BLACK / 1/16"x1/2"x50' / 71010W1760 | | AR | |
| 2 | 292266 | . SEAL, INTERIOR | | 1 | |
| 3 | 292279 | . WINDOW SEAL / 1091MM X 1622MM | | 1 | |
| 4 | 292336 | . EXTERIOR GLASS SEAL 493MM / VERTICAL | | 2 | |
| 5 | 292340 | . EXTERIOR GLASS SEAL 1553MM / HORIZONTAL | | 2 | |
| 6 | 292373 | . WINDOW SUBASSY | | 1 | |
| 7 | 790410 | . . GLASS FIXED | | 1 | |
| 8 | 790409 | . . GLASS, SLIDING | | 1 | |
| . NS | 790464 | . . . KNOB | | 1 | |
| 9 | 681092 | . . ADHESIVE SIKA #255FC / BLACK / 310ml CARTRIDGE | | AR | |
| 10 | 790329 | . . RUBBER FLAP SEAL | | 1 | |
| 11 | 790365 | . . SEAT, SLIDING | | 1 | |
| 12 | 790411 | . . SCREEN | | 1 | |
| 13 | 790321 | . . . CLIP, RETAINER / PLASTIC | | 2 | |
| 14 | 790424 | . . SEAL, SCHLEGEL VERTICAL | | AR | |
| 15 | 506071 | . TAPE RUB ADH1 CC POL 1/8" x 1/2" x 50' / GREY 2520X | | AR | |
| 20 | 292053 | SUPPORT / TO FIX WINDOW TO STRUCTURE | | 2 | |
| 21 | 500923 | SCREW TC CAP HEX 1/4-20x3/4 Z050 | | 4 | |
| 22 | 500441 | WASHER FL .312x.734x.065 Z050 | | 1 | |
| 23 | 322835 | GRILLE SPACER 1660MM | | 10 | |
| | | | | | |
| | | | | | |
| | | | | | |

From L-031 To R-079

Date:10/2022

PAGE:H4-1884-70E

POSITION "E"



| | | |
|---------------------|--------------|------------------|
| From L-031 To R-079 | Date:10/2022 | PAGE:H4-1884-70E |
| POSITION "E" | | |

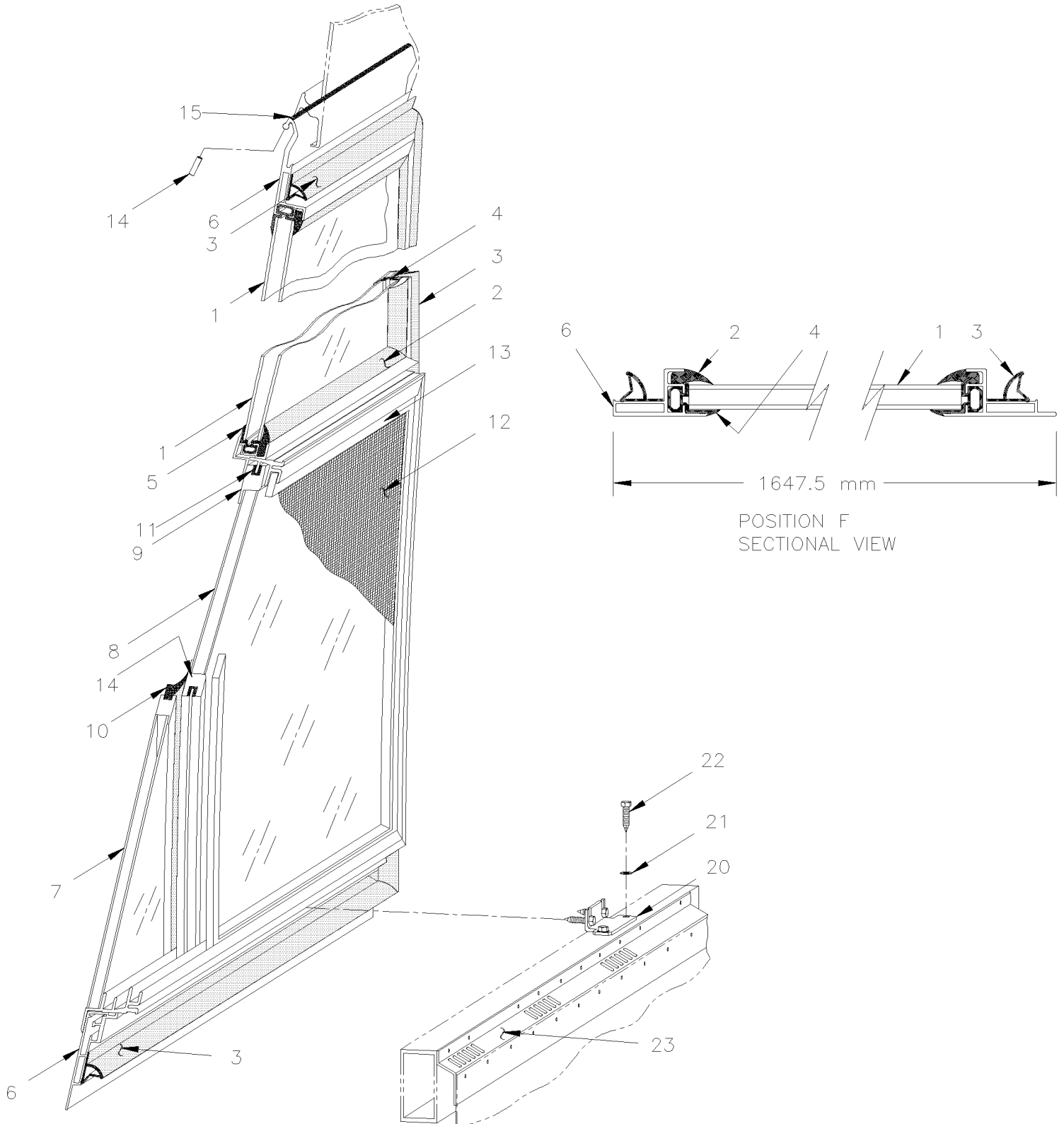
| Item# | Part | Description | H 3 4 0 | V I P 4 0 | N O T E S |
|-------|---------|--|------------------|-----------------------|-----------------------|
| | 292381P | WINDOW ASSY | | 1 | |
| 1 | 292126 | . GLASS, THERMOS UPPER | | 1 | |
| 1 | 680115 | . SEALANT TAPE BUTYL / BLACK / 1/16"x1/2"x50' / 71010W1760 | | AR | |
| 2 | 292266 | . SEAL, INTERIOR | | 1 | |
| 3 | 292279 | . WINDOW SEAL / 1091MM X 1622MM | | 1 | |
| 4 | 292336 | . EXTERIOR GLASS SEAL 493MM / VERTICAL | | 2 | |
| 5 | 292340 | . EXTERIOR GLASS SEAL 1553MM / HORIZONTAL | | 2 | |
| 6 | 292366 | . WINDOW SUBASSY | | 1 | |
| 7 | 790410 | . . GLASS FIXED | | 1 | |
| 8 | 790409 | . . GLASS, SLIDING | | 1 | |
| . NS | 790464 | . . . KNOB | | 1 | |
| 9 | 681092 | . . ADHESIVE SIKA #255FC / BLACK / 310ml CARTRIDGE | | AR | |
| 10 | 790329 | . . RUBBER FLAP SEAL | | 1 | |
| 11 | 790365 | . . SEAT, SLIDING | | 1 | |
| 12 | 790411 | . . SCREEN | | 1 | |
| 13 | 790321 | . . . CLIP, RETAINER / PLASTIC | | 2 | |
| 14 | 790424 | . . SEAL, SCHLEGEL VERTICAL | | AR | |
| 15 | 506071 | . TAPE RUB ADH1 CC POL 1/8" x 1/2" x 50' / GREY 2520X | | AR | |
| 20 | 292053 | SUPPORT / TO FIX WINDOW TO STRUCTURE | | 2 | |
| 21 | 500923 | SCREW TC CAP HEX 1/4-20x3/4 Z050 | | 4 | |
| 22 | 500441 | WASHER FL .312x.734x.065 Z050 | | 1 | |
| 23 | 322835 | GRILLE SPACER 1660MM | | 10 | |
| | | | | | |
| | | | | | |
| | | | | | |

From L-031 To R-079

Date:10/2022

PAGE:H4-1884-70F

POSITION "F"



| | | |
|---------------------|--------------|------------------|
| From L-031 To R-079 | Date:10/2022 | PAGE:H4-1884-70F |
| POSITION "F" | | |

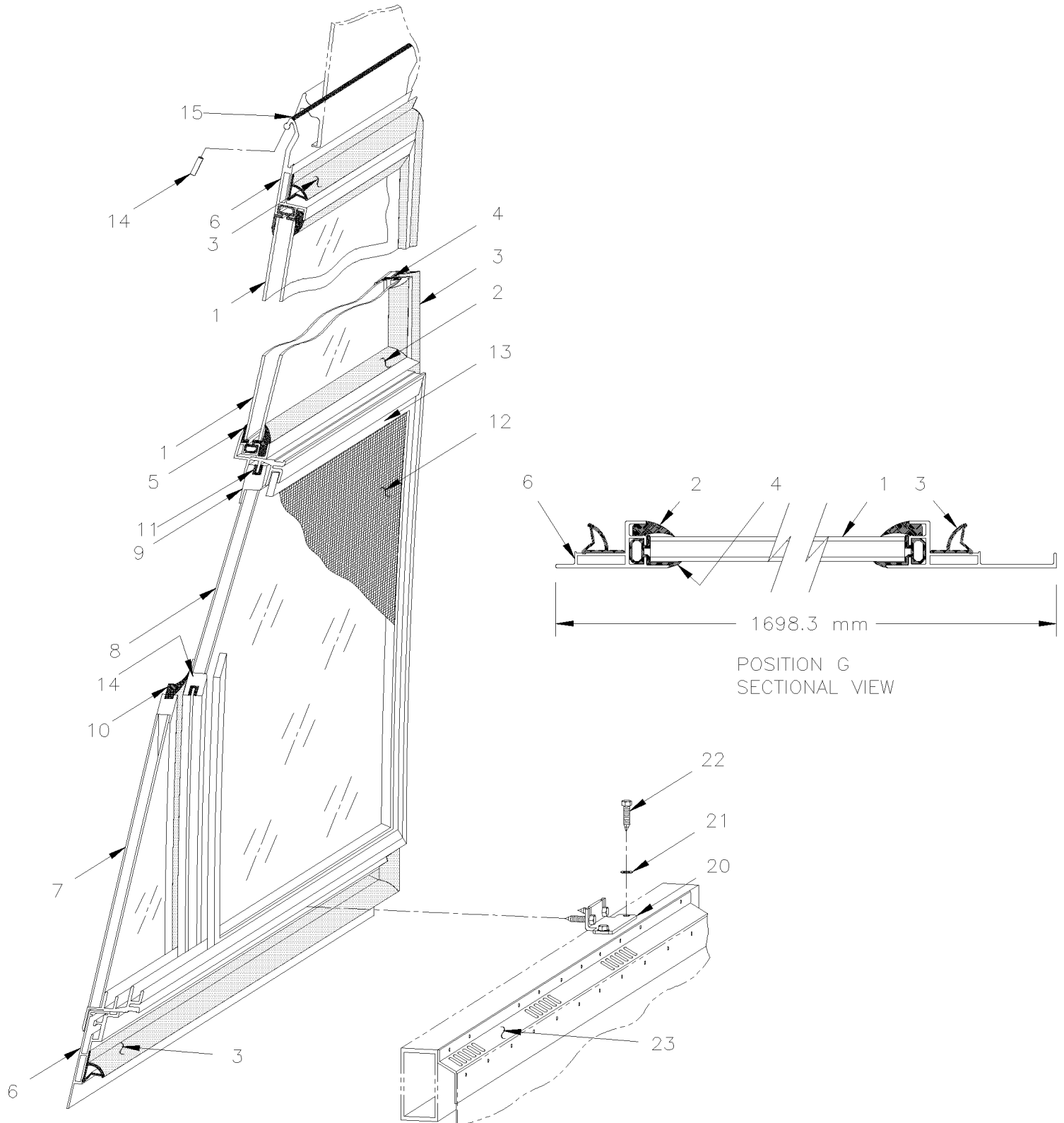
| Item# | Part | Description | H 3 4 0 | V I P 4 0 | N O T E S |
|-------|---------|--|------------------|-----------------------|-----------------------|
| | 292379P | WINDOW ASSY | | 1 | |
| 1 | 292126 | . GLASS, THERMOS UPPER | | 1 | |
| 1 | 680115 | . SEALANT TAPE BUTYL / BLACK / 1/16"x1/2"x50' / 71010W1760 | | AR | |
| 2 | 292266 | . SEAL, INTERIOR | | 1 | |
| 3 | 292279 | . WINDOW SEAL / 1091MM X 1622MM | | 1 | |
| 4 | 292336 | . EXTERIOR GLASS SEAL 493MM / VERTICAL | | 2 | |
| 5 | 292340 | . EXTERIOR GLASS SEAL 1553MM / HORIZONTAL | | 2 | |
| 6 | 292364 | . WINDOW SUBASSY | | 1 | |
| 7 | 790410 | . . GLASS FIXED | | 1 | |
| 8 | 790409 | . . GLASS, SLIDING | | 1 | |
| . NS | 790464 | . . . KNOB | | 1 | |
| 9 | 681092 | . . ADHESIVE SIKA #255FC / BLACK / 310ml CARTRIDGE | | AR | |
| 10 | 790329 | . . RUBBER FLAP SEAL | | 1 | |
| 11 | 790365 | . . SEAT, SLIDING | | 1 | |
| 12 | 790411 | . . SCREEN | | 1 | |
| 13 | 790321 | . . . CLIP, RETAINER / PLASTIC | | 2 | |
| 14 | 790424 | . . SEAL, SCHLEGEL VERTICAL | | AR | |
| 15 | 506071 | . TAPE RUB ADH1 CC POL 1/8" x 1/2" x 50' / GREY 2520X | | AR | |
| 20 | 292053 | SUPPORT / TO FIX WINDOW TO STRUCTURE | | 2 | |
| 21 | 500923 | SCREW TC CAP HEX 1/4-20x3/4 Z050 | | 4 | |
| 22 | 500441 | WASHER FL .312x.734x.065 Z050 | | 1 | |
| 23 | 322835 | GRILLE SPACER 1660MM | | 10 | |
| | | | | | |
| | | | | | |
| | | | | | |

From L-031 To R-079

Date:10/2022

PAGE:H4-1884-70G

POSITION "G"



| | | |
|---------------------|--------------|------------------|
| From L-031 To R-079 | Date:10/2022 | PAGE:H4-1884-70G |
| POSITION "G" | | |

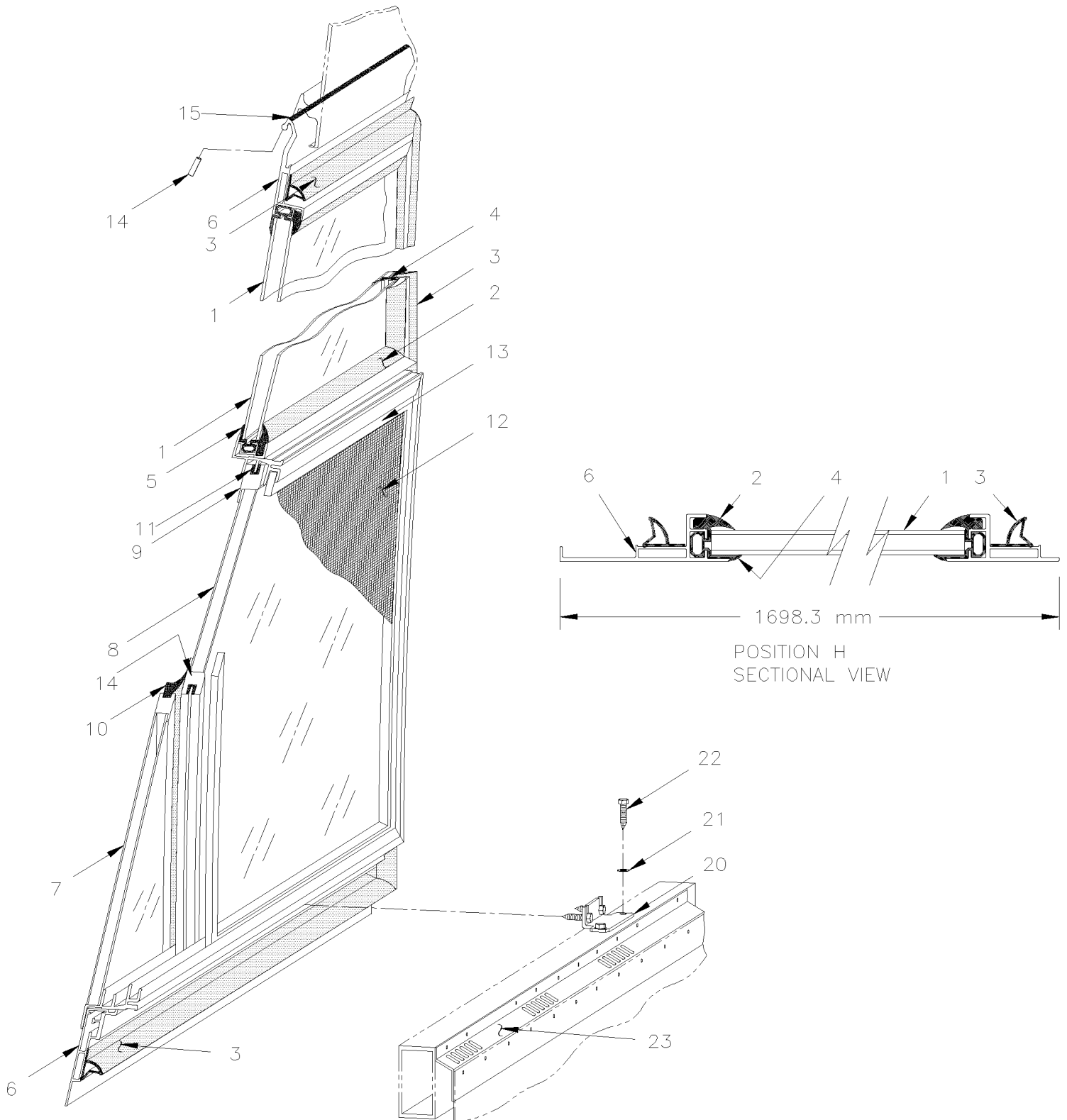
| Item# | Part | Description | H 3 4 0 | V I P 4 0 | N O T E S |
|-------|---------|--|------------------|-----------------------|-----------------------|
| | 292376P | WINDOW ASSY | | 1 | |
| 1 | 292126 | . GLASS, THERMOS UPPER | | 1 | |
| 1 | 680115 | . SEALANT TAPE BUTYL / BLACK / 1/16"x1/2"x50' / 71010W1760 | | AR | |
| 2 | 292266 | . SEAL, INTERIOR | | 1 | |
| 3 | 292279 | . WINDOW SEAL / 1091MM X 1622MM | | 1 | |
| 4 | 292336 | . EXTERIOR GLASS SEAL 493MM / VERTICAL | | 2 | |
| 5 | 292340 | . EXTERIOR GLASS SEAL 1553MM / HORIZONTAL | | 2 | |
| 6 | 292371 | . WINDOW SUBASSY | | 1 | |
| 7 | 790410 | . . GLASS FIXED | | 1 | |
| 8 | 790409 | . . GLASS, SLIDING | | 1 | |
| . NS | 790464 | . . . KNOB | | 1 | |
| 9 | 681092 | . . ADHESIVE SIKA #255FC / BLACK / 310ml CARTRIDGE | | AR | |
| 10 | 790329 | . . RUBBER FLAP SEAL | | 1 | |
| 11 | 790365 | . . SEAT, SLIDING | | 1 | |
| 12 | 790411 | . . SCREEN | | 1 | |
| 13 | 790321 | . . . CLIP, RETAINER / PLASTIC | | 2 | |
| 14 | 790424 | . . SEAL, SCHLEGEL VERTICAL | | AR | |
| 15 | 506071 | . TAPE RUB ADH1 CC POL 1/8" x 1/2" x 50' / GREY 2520X | | AR | |
| 20 | 292053 | SUPPORT / TO FIX WINDOW TO STRUCTURE | | 2 | |
| 21 | 500923 | SCREW TC CAP HEX 1/4-20x3/4 Z050 | | 4 | |
| 22 | 500441 | WASHER FL .312x.734x.065 Z050 | | 1 | |
| 23 | 322835 | GRILLE SPACER 1660MM | | 10 | |
| | | | | | |
| | | | | | |
| | | | | | |

From L-031 To R-079

Date:10/2022

PAGE:H4-1884-70H

POSITION "H"



| | | |
|---------------------|--------------|------------------|
| From L-031 To R-079 | Date:10/2022 | PAGE:H4-1884-70H |
| POSITION "H" | | |

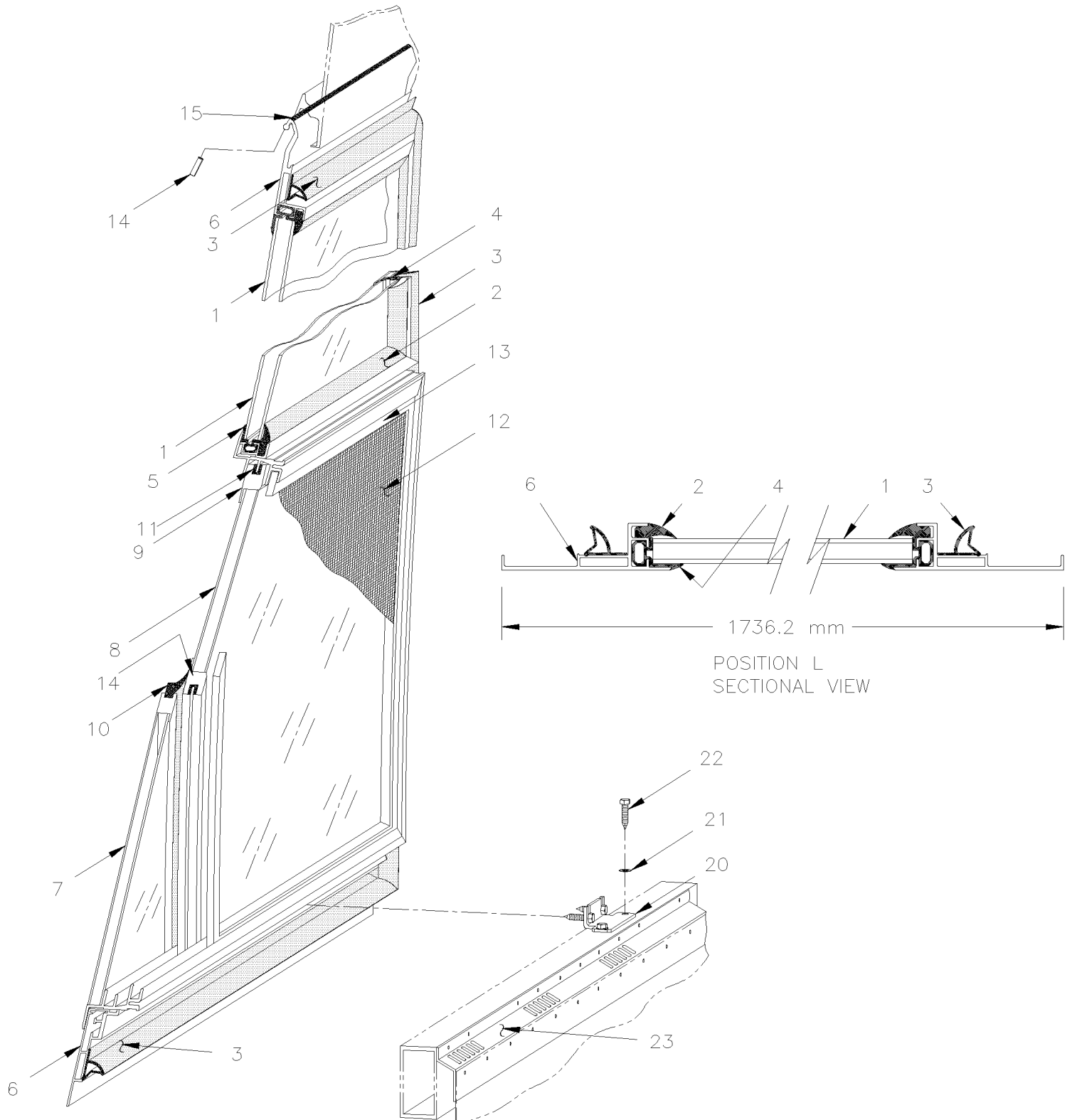
| Item# | Part | Description | H 3 4 0 | V I P 4 0 | N O T E S |
|-------|---------|--|------------------|-----------------------|-----------------------|
| | 292383P | WINDOW ASSY | | 1 | |
| 1 | 292126 | . GLASS, THERMOS UPPER | | 1 | |
| 1 | 680115 | . SEALANT TAPE BUTYL / BLACK / 1/16"x1/2"x50' / 71010W1760 | | AR | |
| 2 | 292266 | . SEAL, INTERIOR | | 1 | |
| 3 | 292279 | . WINDOW SEAL / 1091MM X 1622MM | | 1 | |
| 4 | 292336 | . EXTERIOR GLASS SEAL 493MM / VERTICAL | | 2 | |
| 5 | 292340 | . EXTERIOR GLASS SEAL 1553MM / HORIZONTAL | | 2 | |
| 6 | 292368 | . WINDOW SUBASSY | | 1 | |
| 7 | 790410 | . . GLASS FIXED | | 1 | |
| 8 | 790409 | . . GLASS, SLIDING | | 1 | |
| . NS | 790464 | . . . KNOB | | 1 | |
| 9 | 681092 | . . ADHESIVE SIKA #255FC / BLACK / 310ml CARTRIDGE | | AR | |
| 10 | 790329 | . . RUBBER FLAP SEAL | | 1 | |
| 11 | 790365 | . . SEAT, SLIDING | | 1 | |
| 12 | 790411 | . . SCREEN | | 1 | |
| 13 | 790321 | . . . CLIP, RETAINER / PLASTIC | | 2 | |
| 14 | 790424 | . . SEAL, SCHLEGEL VERTICAL | | AR | |
| 15 | 506071 | . TAPE RUB ADH1 CC POL 1/8" x 1/2" x 50' / GREY 2520X | | AR | |
| 20 | 292053 | SUPPORT / TO FIX WINDOW TO STRUCTURE | | 2 | |
| 21 | 500923 | SCREW TC CAP HEX 1/4-20x3/4 Z050 | | 4 | |
| 22 | 500441 | WASHER FL .312x.734x.065 Z050 | | 1 | |
| 23 | 322835 | GRILLE SPACER 1660MM | | 10 | |
| | | | | | |
| | | | | | |
| | | | | | |

From L-031 To R-079

Date:10/2022

PAGE:H4-1884-70L

POSITION "L"



| | | |
|---------------------|--------------|------------------|
| From L-031 To R-079 | Date:10/2022 | PAGE:H4-1884-70L |
| POSITION "L" | | |

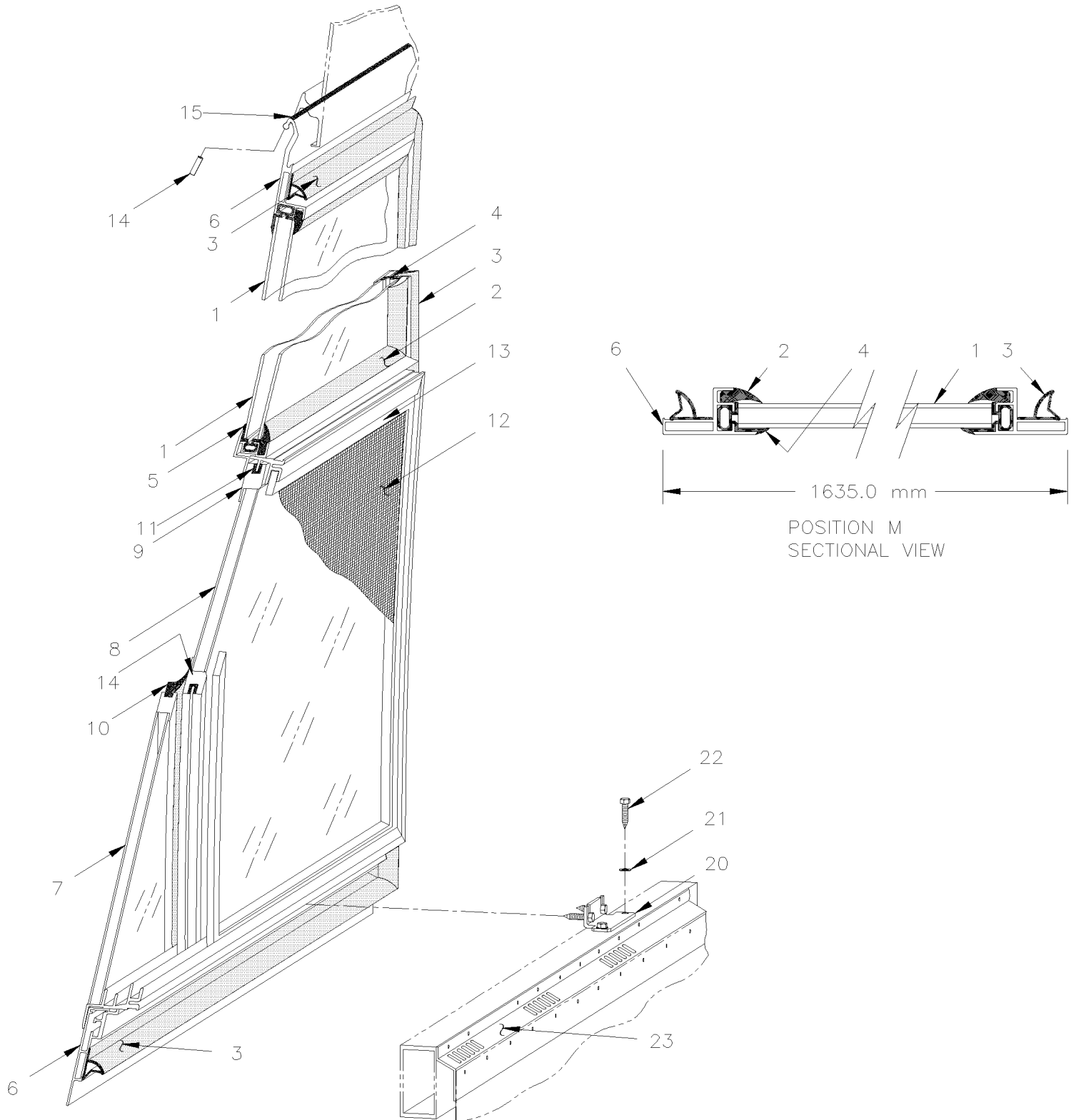
| Item# | Part | Description | H 3 4 0 | V I P 4 0 | N O T E S |
|-------|---------|--|------------------|-----------------------|-----------------------|
| | 292382P | WINDOW ASSY | | 1 | |
| 1 | 292126 | . GLASS, THERMOS UPPER | | 1 | |
| 1 | 680115 | . SEALANT TAPE BUTYL / BLACK / 1/16"x1/2"x50' / 71010W1760 | | AR | |
| 2 | 292266 | . SEAL, INTERIOR | | 1 | |
| 3 | 292279 | . WINDOW SEAL / 1091MM X 1622MM | | 1 | |
| 4 | 292336 | . EXTERIOR GLASS SEAL 493MM / VERTICAL | | 2 | |
| 5 | 292340 | . EXTERIOR GLASS SEAL 1553MM / HORIZONTAL | | 2 | |
| 6 | 292367 | . WINDOW SUBASSY | | 1 | |
| 7 | 790410 | . . GLASS FIXED | | 1 | |
| 8 | 790409 | . . GLASS, SLIDING | | 1 | |
| . NS | 790464 | . . . KNOB | | 1 | |
| 9 | 681092 | . . ADHESIVE SIKA #255FC / BLACK / 310ml CARTRIDGE | | AR | |
| 10 | 790329 | . . RUBBER FLAP SEAL | | 1 | |
| 11 | 790365 | . . SEAT, SLIDING | | 1 | |
| 12 | 790411 | . . SCREEN | | 1 | |
| 13 | 790321 | . . . CLIP, RETAINER / PLASTIC | | 2 | |
| 14 | 790424 | . . SEAL, SCHLEGEL VERTICAL | | AR | |
| 15 | 506071 | . TAPE RUB ADH1 CC POL 1/8" x 1/2" x 50' / GREY 2520X | | AR | |
| 20 | 292053 | SUPPORT / TO FIX WINDOW TO STRUCTURE | | 2 | |
| 21 | 500923 | SCREW TC CAP HEX 1/4-20x3/4 Z050 | | 4 | |
| 22 | 500441 | WASHER FL .312x.734x.065 Z050 | | 1 | |
| 23 | 322835 | GRILLE SPACER 1660MM | | 10 | |
| | | | | | |
| | | | | | |
| | | | | | |

From L-031 To R-079

Date:10/2022

PAGE:H4-1884-70M

POSITION "M"



| | | |
|---------------------|--------------|------------------|
| From L-031 To R-079 | Date:10/2022 | PAGE:H4-1884-70M |
| POSITION "M" | | |

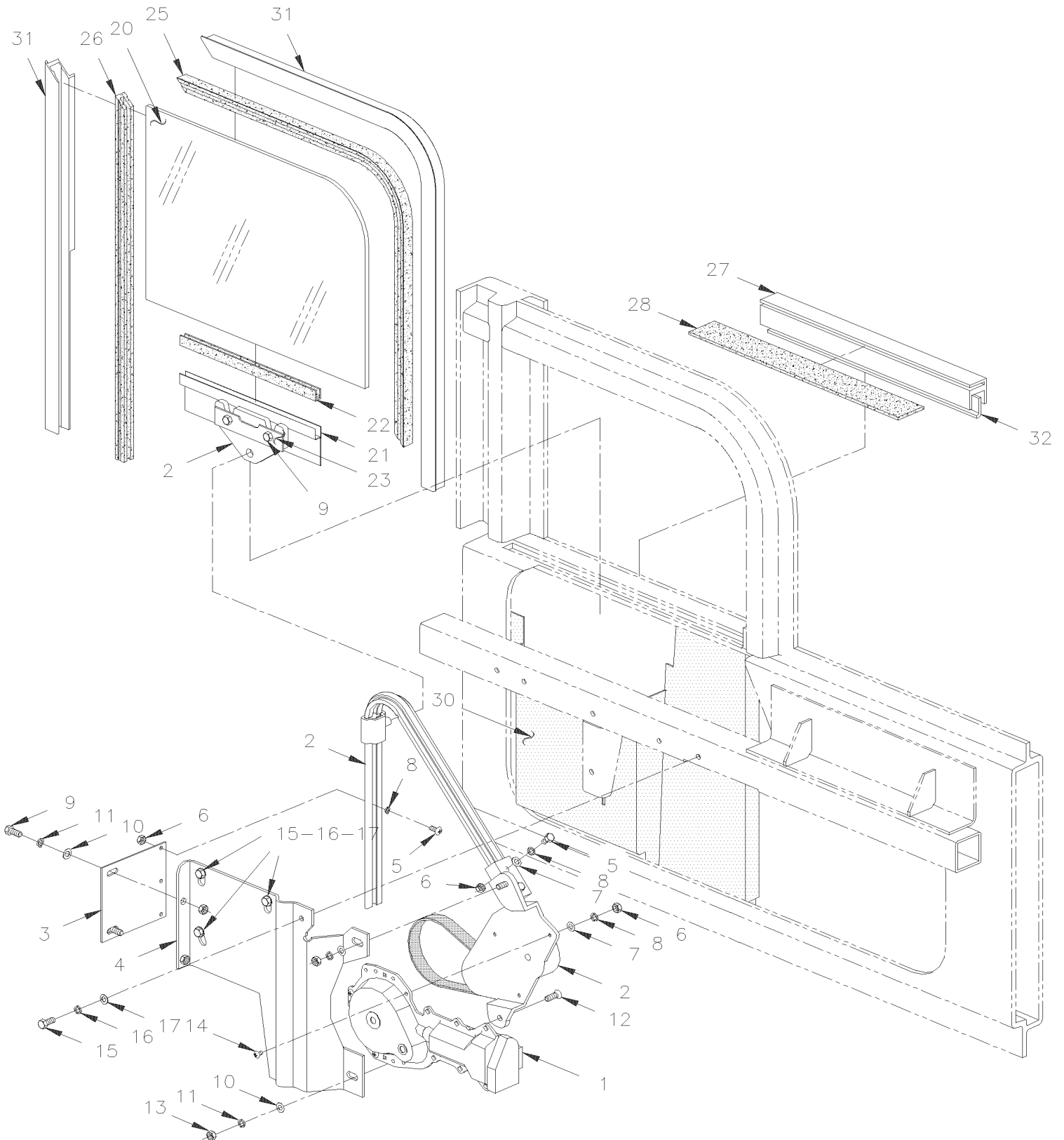
| Item# | Part | Description | H 3 4 0 | V I P 4 0 | N O T E S |
|-------|---------|--|------------------|-----------------------|-----------------------|
| | 292380P | WINDOW ASSY | | 1 | |
| 1 | 292126 | . GLASS, THERMOS UPPER | | 1 | |
| 1 | 680115 | . SEALANT TAPE BUTYL / BLACK / 1/16"x1/2"x50' / 71010W1760 | | AR | |
| 2 | 292266 | . SEAL, INTERIOR | | 1 | |
| 3 | 292279 | . WINDOW SEAL / 1091MM X 1622MM | | 1 | |
| 4 | 292336 | . EXTERIOR GLASS SEAL 493MM / VERTICAL | | 2 | |
| 5 | 292340 | . EXTERIOR GLASS SEAL 1553MM / HORIZONTAL | | 2 | |
| 6 | 292365 | . WINDOW SUBASSY | | 1 | |
| 7 | 790410 | . . GLASS FIXED | | 1 | |
| 8 | 790409 | . . GLASS, SLIDING | | 1 | |
| . NS | 790464 | . . . KNOB | | 1 | |
| 9 | 681092 | . . ADHESIVE SIKA #255FC / BLACK / 310ml CARTRIDGE | | AR | |
| 10 | 790329 | . . RUBBER FLAP SEAL | | 1 | |
| 11 | 790365 | . . SEAT, SLIDING | | 1 | |
| 12 | 790411 | . . SCREEN | | 1 | |
| 13 | 790321 | . . . CLIP, RETAINER / PLASTIC | | 2 | |
| 14 | 790424 | . . SEAL, SCHLEGEL VERTICAL | | AR | |
| 15 | 506071 | . TAPE RUB ADH1 CC POL 1/8" x 1/2" x 50' / GREY 2520X | | AR | |
| 20 | 292053 | SUPPORT / TO FIX WINDOW TO STRUCTURE | | 2 | |
| 21 | 500923 | SCREW TC CAP HEX 1/4-20x3/4 Z050 | | 4 | |
| 22 | 500441 | WASHER FL .312x.734x.065 Z050 | | 1 | |
| 23 | 322835 | GRILLE SPACER 1660MM | | 10 | |
| | | | | | |
| | | | | | |
| | | | | | |

From L-031 To R-079

Date:10/2022

PAGE:H4-1886-00

POWER WINDOW - ELECTRICAL INSTALLATION



| | | |
|---|---------------------|------------------------|
| From L-031 To R-079 | Date:10/2022 | PAGE:H4-1886-00 |
| POWER WINDOW - ELECTRICAL INSTALLATION | | |

| Item# | Part | Description | H 3 4 0 | V I P 4 0 | N O T E S |
|-------|-------------------|---|------------------|-----------------------|-----------------------|
| | 291949 | REGULATOR & MOTOR ASSY / MODIFIED | 1 | 1 | B |
| 1 | 790336 | . MOTOR ASSY / 12V / WINDOW R | 1 | 1 | B |
| 1 | 197925 | . MOTOR ASSY / 12V / WINDOW R | 1 | 1 | |
| 2 | 291745 | . REGULATOR ASSY / MODIFIED | 1 | 1 | B |
| 2 | 790337 | . . REGULATOR ASSY / NON MODIFIED | 1 | 1 | BA |
| 3 | 291744 | . SUPPORT | 1 | 1 | |
| NS | 680025 | . CAULKING STRIP 3/16" O.D. X 14' | AR | AR | |
| 4 | 292276 | . SUPPORT | 1 | 1 | |
| 5 | 502688 | SCREW MA PAN PH M3.5-0.6x10 ZP | 5 | 5 | |
| 6 | 502689 | NUT HEX M3.5-0.6 NP | 5 | 5 | |
| 7 | 502690 | WASHER FL 4.3x9.0x0.8 Z050 | 5 | 5 | |
| 8 | 502691 | WASHER LO SPT 3.6x6.7x0.8 Z050 | 5 | 5 | |
| 9 | 502531 | SCREW CAP HEX M6-1.0x16 G8.8 Z050 | 5 | 5 | |
| 10 | 500440 | WASHER FL .250x.562x.065 Z050 | 8 | 8 | |
| 11 | 502582 | WASHER LO SERR 6.1x16.2x0.9 Z050 | 8 | 8 | |
| 12 | 500442 | SCREW MA OV PH 1/4-20x3/4 ZP | 2 | 2 | |
| 13 | 500769 | NUT HEX 1/4-20 Z050 | 2 | 2 | |
| 14 | 500668 | SCREW MA PAN PH M3.5-0.6x20 Z050 | 3 | 3 | |
| 15 | 500923 | SCREW TC CAP HEX 1/4-20x3/4 Z050 | 3 | 3 | |
| 16 | 502583 | WASHER LO SERR 8.15x22.3x1.0 Z050 | 3 | 3 | |
| 17 | 500473 | WASHER LO SPT .262x.489x.062 Z050 | 3 | 3 | |
| 20 | 299045 | GLASS / DRIVER'S WINDOW | 1 | 1 | |
| 21 | 299049 | SUPPORT ASSY | 1 | 1 | |
| 22 | 681092 | ADHESIVE SIKA #255FC / BLACK / 310ml CARTRIDGE | AR | AR | |
| 22 | 681091 | PRIMER SIKA #206 / BLACK / 250ml | AR | AR | |
| 23 | 299048 | PLATE, ANCHOR | 1 | 1 | |
| 24 | 500609 | NUT HEX M6-1.0 Z050 | 4 | 4 | |
| 25 | 291854 | FELT SLIDING 610MM | 1 | 1 | |
| 26 | 291855 | FELT SLIDING 375MM | 1 | 1 | |
| NS | 680044 | SEALANT TAPE BUTYL / GREY / 1/8"x1/2"x25' / 71017F1760 | AR | AR | |
| 27 | 299050 | ALUMINIUM EXTRUSION, DRIVER WINDOW / TO FIX FELT LOWER SEAL | AR | AR | |
| 28 | 292277 | FLAP SEAL / W/FLOCKING 25MM x 312MM | 1 | 1 | |
| 30 | 292326 | PROTECTOR, WATER / WHITE PLASTIC | 1 | 1 | |
| NS | 506322 | TAPE RUB ADH2 POL .045" x 1" x 223' / WHITE 4085 | AR | AR | |
| 31 | 292798 | ALUMINIUM EXTRUSION / TO FIX SIDE & TOP FELT | 1 | 1 | |
| NS | 681092 | ADHESIVE SIKA #255FC / BLACK / 310ml CARTRIDGE | AR | AR | |
| NS | 681091 | PRIMER SIKA #206 / BLACK / 250ml | AR | AR | |
| 32 | H4-1851-00 | CAP - FRONT & REAR - INSTALLATION | | | |
| 50 | 293872 | KIT, RETROFIT ELECTRICAL DRIVER'S WINDOW / SERIES "H" | 1 | 1 | |
| . NS | IS-05010 | . SEE INSTRUCTION SHEET | 1 | 1 | |
| | | | | | |
| | | | | | |

| | | |
|---------------------|--------------|-----------------|
| From L-031 To R-079 | Date:10/2022 | PAGE:H4-1886-00 |
|---------------------|--------------|-----------------|

POWER WINDOW - ELECTRICAL INSTALLATION

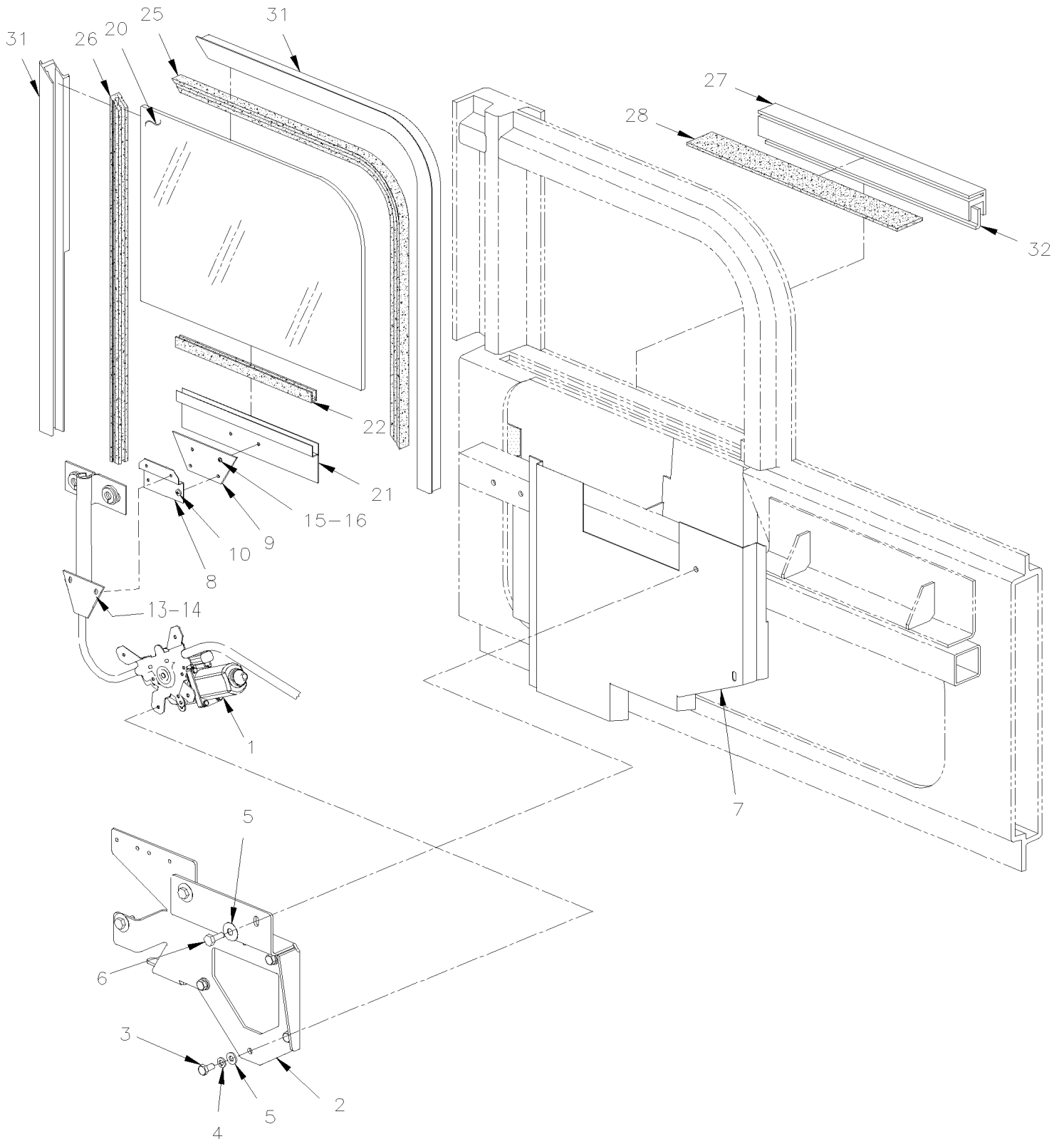
| Item# | Part | Description | H 3 4 0 | V I P 4 0 | N O T E S |
|-------|------|---|------------------|-----------------------|-----------------------|
| | | | | | |
| | | A) ONLY SOLD ASSY WITH MOTOR | | | |
| | | B) THIS COMPONENT ARE SUPPERSEDED BY # 293872 | | | |

From L-031 To R-079

Date:10/2022

PAGE:H4-1886-01

POWER WINDOW - ELECTRICAL INSTALLATION / SERVICE



| | | |
|---|--------------|-----------------|
| From L-031 To R-079 | Date:10/2022 | PAGE:H4-1886-01 |
| POWER WINDOW - ELECTRICAL INSTALLATION / SERVICE | | |

| Item# | Part | Description | H 3 4 0 | V I P 4 0 | N O T E S |
|-------|-------------------|---|------------------|-----------------------|-----------------------|
| | | "WARNING" "WARNING" "WARNING" | | | |
| | | BEFORE INSTALL THIS MOTOR ASSY 293855P | | | |
| | | FOR THE FIRST TIME YOU REQUIRE COMPLETE KIT | | | |
| | | # 293872 TO SUPPERSEEEDED OLD MODEL | | | |
| | 293855P | MOTOR ASSY W/SUPPORT | 1 | 1 | |
| 1 | 790501 | . MOTOR & REGULATOR ASSY / SERIES "H" | 1 | 1 | |
| 2 | 293846 | . SUPPORT ASSY | 1 | 1 | |
| 3 | 502772 | . SCREW CAP HEX 1/4-20x1/2 G5 N500 | 4 | 4 | |
| 4 | 500440 | . WASHER FL .250x.562x.065 Z050 | 5 | 5 | |
| 5 | 500270 | . WASHER FL .406x1.000x.063 SS | 4 | 4 | |
| 6 | 502557 | . NUT HEX NYRT M4-0.7 SS | 3 | 3 | |
| 7 | 293867 | . PROTECTOR, WATER / WHITE PLASTIC | 1 | 1 | |
| NS | 293902 | ADAPTOR TRANSITION ASSY | 1 | 1 | |
| 8 | 293899 | . SUPPORT "Z" SHAPE | 1 | 1 | |
| 9 | 293898 | . SUPPORT TRANSITION PLASTIC BLACK | 1 | 1 | |
| 10 | 5001198 | SCREW MA FL PH M6-1.0x16 Z050 | 2 | 2 | |
| NS | 5001182 | NUT HEX NYRT M6-1.0 SS | 2 | 2 | |
| 13 | 502772 | SCREW CAP HEX 1/4-20x1/2 G5 N500 | 2 | 2 | |
| 14 | 502570 | WASHER LO SPT 6.1x11.8x1.6 SS | 2 | 2 | |
| NS | 500440 | WASHER FL .250x.562x.065 Z050 | 2 | 2 | |
| 15 | 5001633 | SCREW MA FL PH M6-1.0x12 Z050 | 2 | 2 | |
| 16 | 680066 | ADHESIVE / ADBOND #5014 / 23.6ML BOTTLE | AR | AR | |
| 20 | 291948 | GLASS ASSY | 1 | 1 | |
| 20 | 299045 | . GLASS / DRIVER'S WINDOW | 1 | 1 | |
| 21 | 299049 | . SUPPORT ASSY | 1 | 1 | |
| 22 | 681092 | . ADHESIVE SIKA #255FC / BLACK / 310ml CARTRIDGE | AR | AR | |
| 22 | 681091 | . PRIMER SIKA #206 / BLACK / 250ml | AR | AR | |
| 25 | 291854 | FELT SLIDING 610MM | 1 | 1 | |
| 26 | 291855 | FELT SLIDING 375MM | 1 | 1 | |
| 26 | 680044 | SEALANT TAPE BUTYL / GREY / 1/8"x1/2"x25' / 71017F1760 | AR | AR | |
| 27 | 299050 | ALUMINIUM EXTRUSION, DRIVER WINDOW / TO FIX FELT LOWER SEAL | 1 | 1 | |
| 28 | 292277 | FLAP SEAL / W/FLOCKING 25MM x 312MM | 1 | 1 | |
| 30 | 293867 | PROTECTOR, WATER / WHITE PLASTIC | 1 | 1 | |
| 30 | 680088 | SEALANT BUTYL 692 12X203 / BLACK / 310ml CARTRIDGE | AR | AR | |
| 31 | 292798 | ALUMINIUM EXTRUSION / TO FIX SIDE & TOP FELT | 1 | 1 | |
| 31 | 506769 | TAPE RUB ADH2 CC POL 1/8" x 1/4" x 60' / BLACK H1CC-N-#14 | AR | AR | |
| 32 | H4-1851-00 | CAP - FRONT & REAR - INSTALLATION | | | |
| 33 | 293872 | KIT, RETROFIT ELECTRICAL DRIVER'S WINDOW / SERIES "H" | 1 | 1 | |
| . NS | IS-05010 | . SEE INSTRUCTION SHEET | 1 | 1 | |
| | | | | | |
| | | | | | |

| | | | |
|---------------------|--|--------------|-----------------|
| From L-031 To R-079 | | Date:10/2022 | PAGE:H4-1886-01 |
|---------------------|--|--------------|-----------------|

POWER WINDOW - ELECTRICAL INSTALLATION / SERVICE

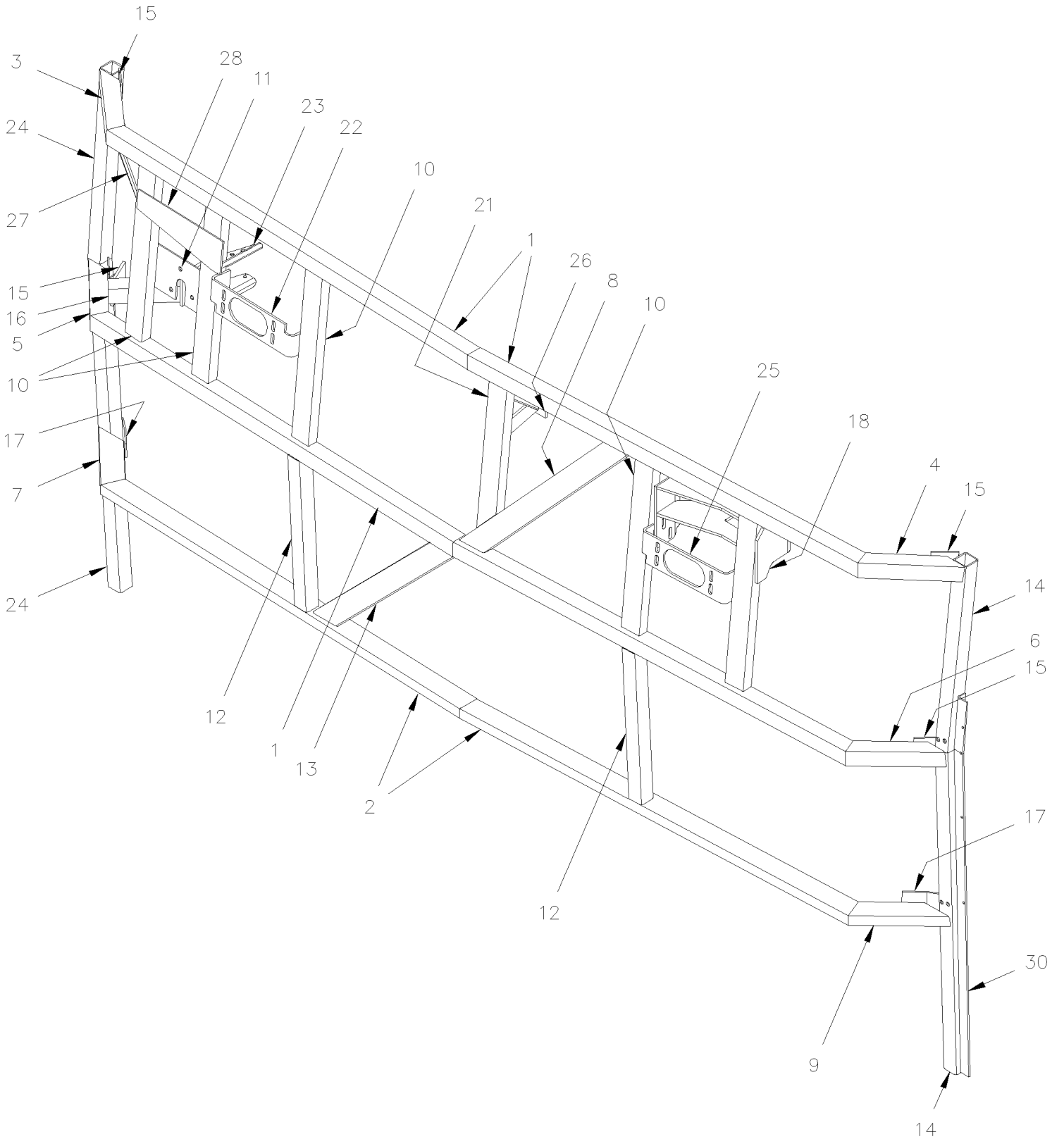
| Item# | Part | Description | H 3 4 0 | V I P 4 0 | N O T E S |
|-------|------|-------------|------------------|-----------------------|-----------------------|
| | | | | | |

From L-031 To R-079

Date:10/2022

PAGE:H4-1895-00

FRONT STRUCTURE



| | | |
|------------------------|--------------|-----------------|
| From L-031 To R-079 | Date:10/2022 | PAGE:H4-1895-00 |
| FRONT STRUCTURE | | |

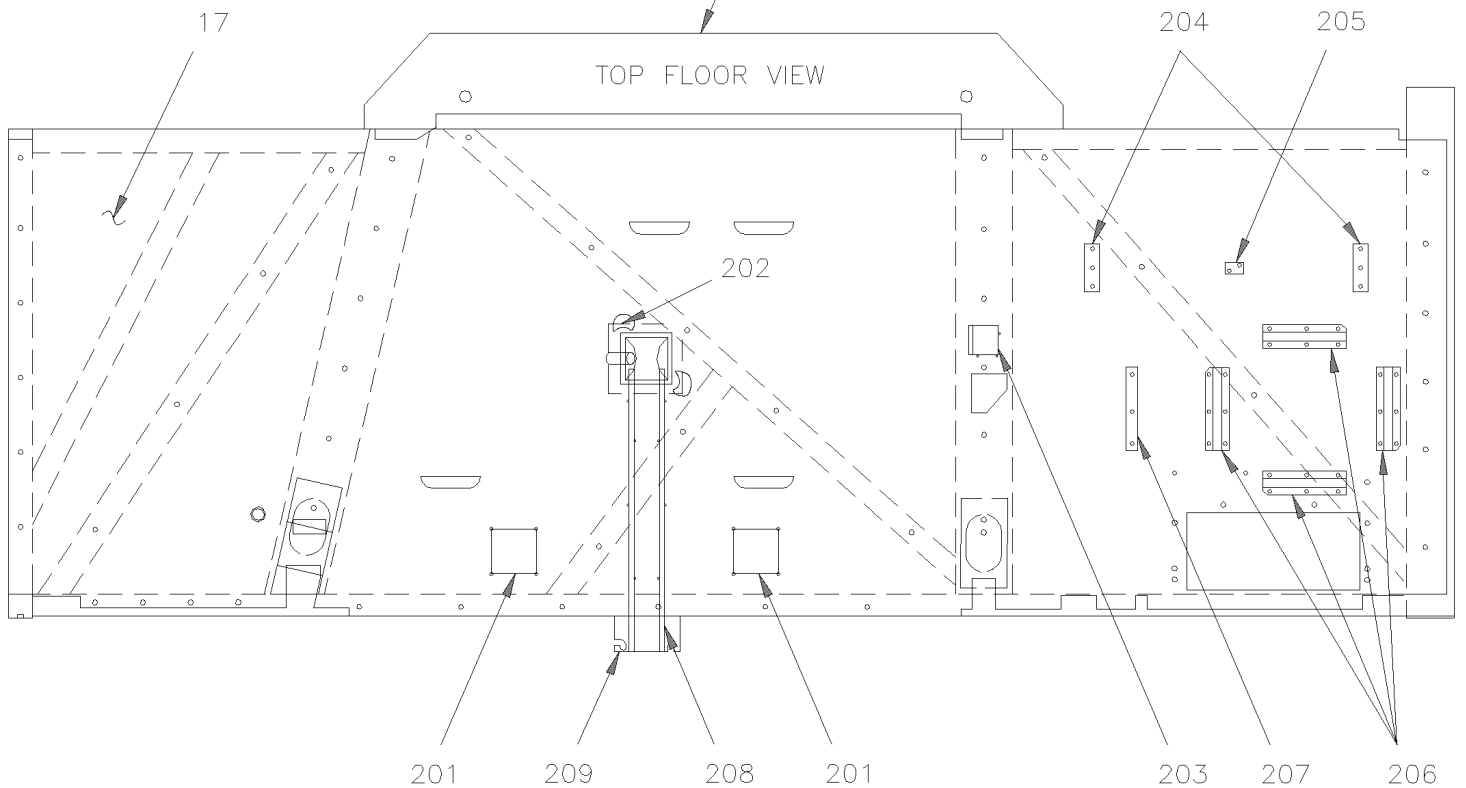
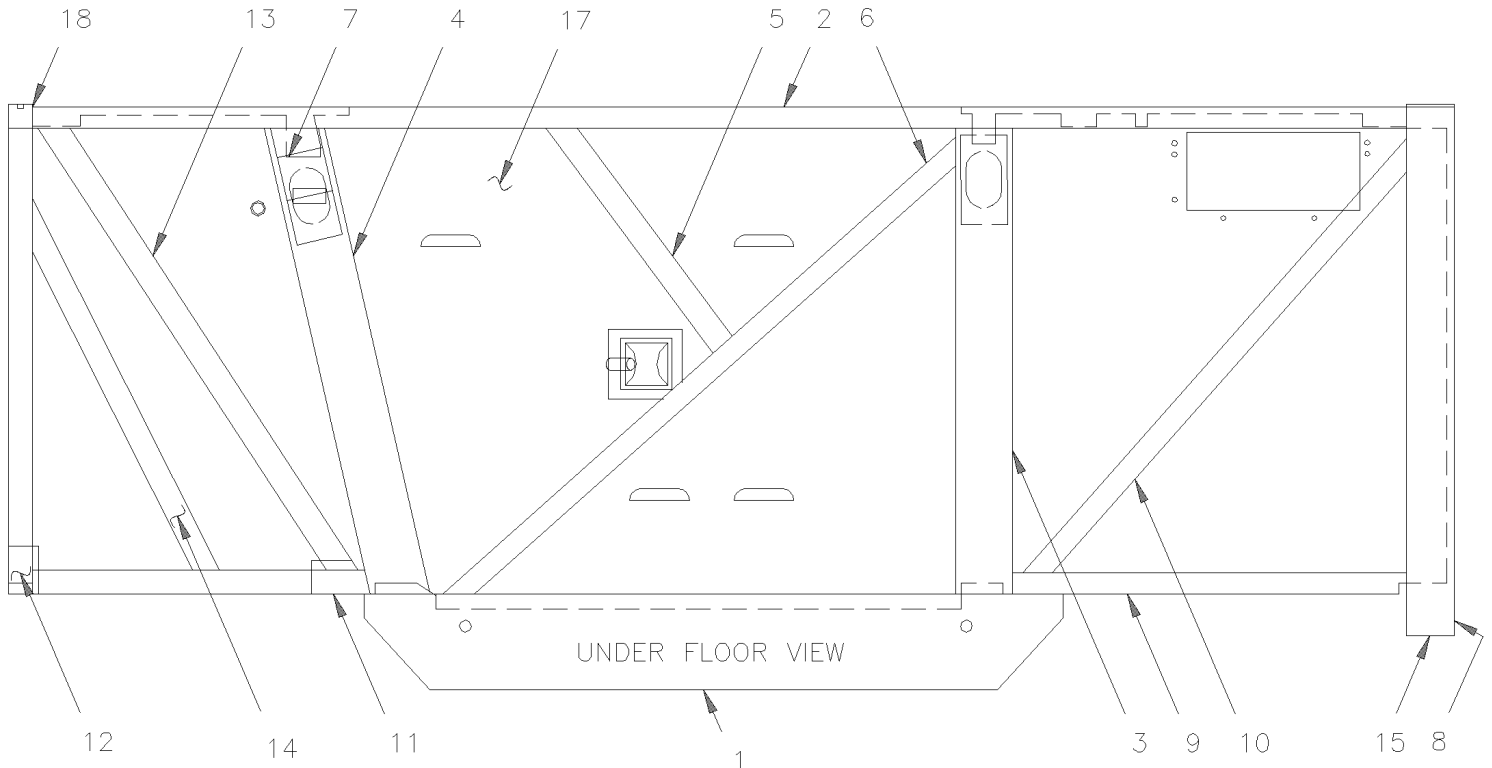
| Item# | Part | Description | H 3 4 0 | V I P 4 0 | N O T E S |
|-------|-------------------|---|------------------|-----------------------|-----------------------|
| | 250877 | FRONT STRUCTURE ASSY | 1 | | |
| | 250878 | FRONT STRUCTURE ASSY | | 1 | |
| 1 | 250653 | . TUBE | 2 | 2 | |
| 2 | 250654 | . TUBE | 2 | 2 | |
| 3 | 250655 | . TUBE To P-366 | 1 | 1 | |
| 3 | 250796 | . TUBE From P-367 | 1 | 1 | |
| 4 | 250656 | . TUBE | 1 | 1 | |
| 5 | 250657 | . TUBE | 1 | 1 | |
| 6 | 250658 | . TUBE | 1 | 1 | |
| 7 | 250719 | . TUBE | 1 | 1 | |
| 8 | 250660 | . TUBE | 1 | 1 | |
| 9 | 250848 | . TUBE | 1 | 1 | |
| 9 | 250718 | . TUBE | 2 | 2 | |
| 10 | 250698 | . TUBE | 5 | 5 | |
| 11 | 285322 | . SUPPORT | 1 | 1 | |
| 12 | 250664 | . TUBE | 4 | 4 | |
| 13 | 250665 | . TUBE | 1 | 1 | |
| 14 | 250723 | . TUBE FRONT SERVICE DOOR | 1 | 1 | |
| 15 | 250697 | . RENFORCMENT | 4 | 4 | |
| 16 | 250773 | . DASH SUPPORT To N-196 | 1 | | A |
| 16 | 250781 | . SUPPORT ASSY, HANDRAIL / UPPER From N-197 | 1 | | A |
| 17 | 250720 | . REINFORCEMENT | 2 | 2 | |
| 18 | 160732 | . STEERING COLUMN SUPPORT | 1 | 1 | |
| NS | 502737 | . SCREW CAP HEX M6-1.0x25 SS BK | 4 | 4 | |
| 20 | 250773 | . DASH SUPPORT | 1 | 1 | |
| 21 | 250856 | . SUPPORT ASSY | 1 | 1 | |
| 22 | 250741 | . SUPPORT, WIPER PIVOT R.H. / (WELDED AT STRUCTURE) | 1 | 1 | |
| 23 | 250788 | . SUPPORT / (WELDED) | 1 | 1 | |
| 23 | H4-1801-15 | . ENTRANCE DOOR CONTROL | | | |
| 23 | H4-1801-16 | . ENTRANCE DOOR CONTROL / SERVICE | | | |
| 24 | 250739 | . TUBE FRONT ENTRANCE DOOR | 1 | 1 | |
| 25 | 250742 | . SUPPORT, WIPER PIVOT L.H. / (WELDED AT STRUCTURE) | 1 | 1 | |
| 26 | 250780 | . SUPPORT ASSY, HANDRAIL / LOWER | 1 | 1 | A |
| 27 | 211729 | . TUBE | 1 | 1 | |
| 28 | 250791 | . REINFORCEMENT | 1 | 1 | |
| 30 | H4-1879-10 | FRONT SERVICE DOOR - INSTALLATION | | | |
| | | | | | |
| | | | | | |
| | | | | | |
| | | A) TO FIX HANDRAIL | | | |

From L-031 To R-079

Date:10/2022

PAGE:H4-1895-10

FRONT LOWER FLOOR STRUCTURE



| | | | |
|---------------------|--|--------------|-----------------|
| From L-031 To R-079 | | Date:10/2022 | PAGE:H4-1895-10 |
|---------------------|--|--------------|-----------------|

FRONT LOWER FLOOR STRUCTURE

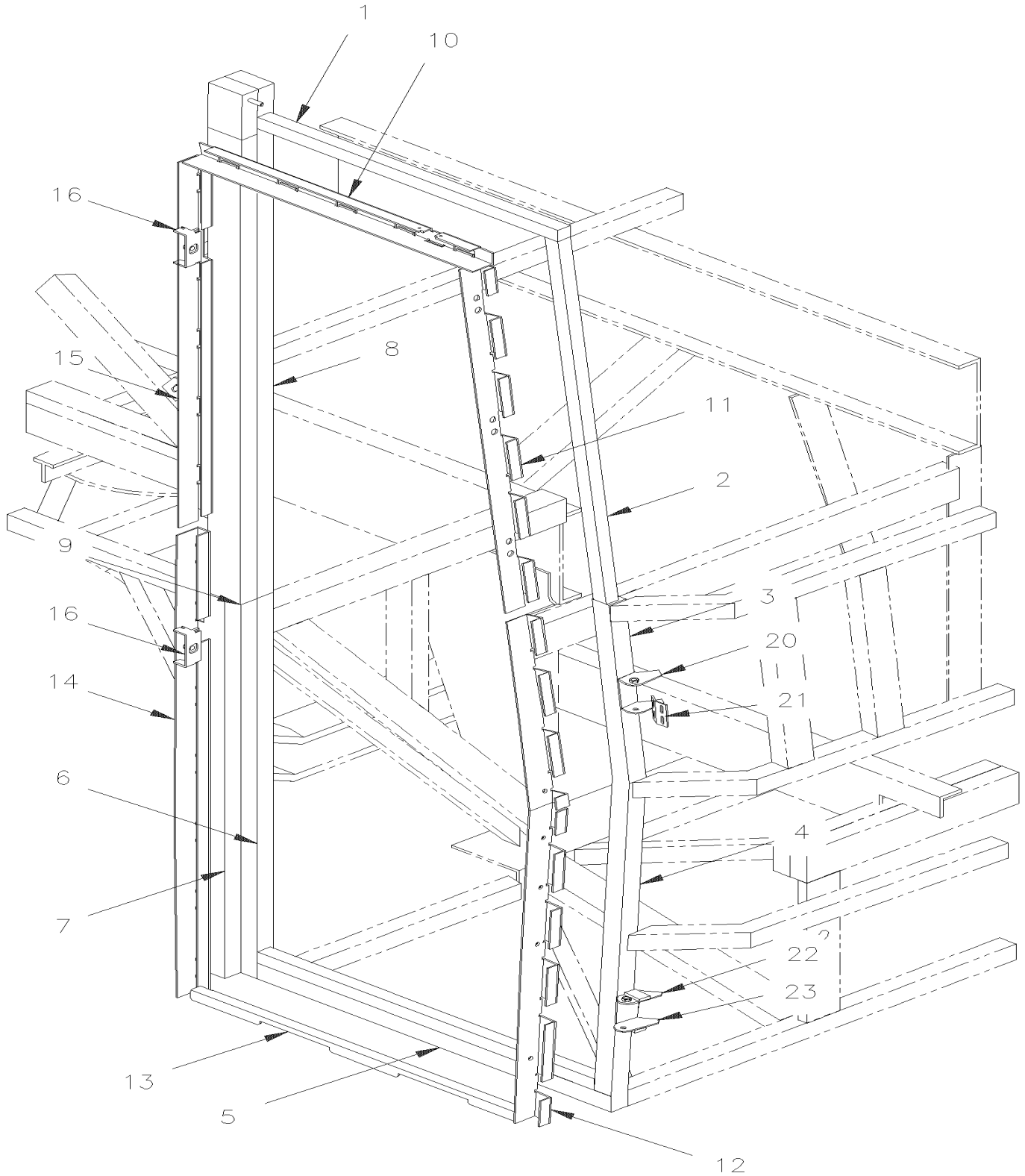
| Item# | Part | Description | H 3 4 0 | V I P 4 0 | N O T E S |
|-------|------|---|------------------|-----------------------|-----------------------|
| | | B) INCLUDE ITEMS #203 TO 207 | | | |
| | | C) ONE PIECE PANEL | | | |
| | | D) USE ONLY IN SERVICE WITH STRUCTURE FLOOR W/PANELE PRODUCTION | | | |
| | | E) PRODUCTION | | | |
| | | P) CALL ORDER DESK FOR SPECIFIC APPLICATION (V.I.N.) | | | |

From L-031 To R-079

Date:10/2022

PAGE:H4-1895-20

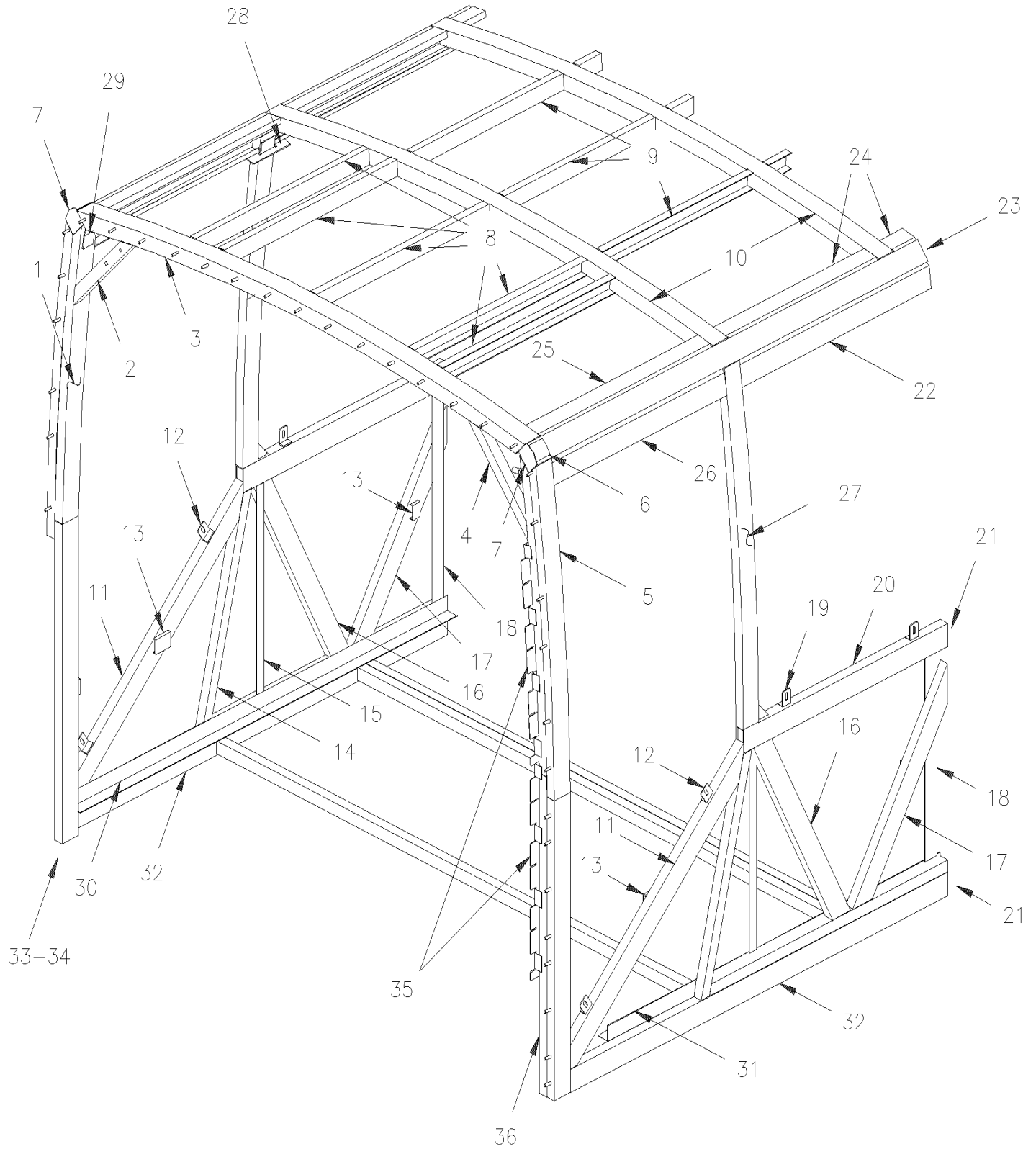
ENTRANCE DOOR STRUCTURE



| | | |
|--------------------------------|--------------|-----------------|
| From L-031 To R-079 | Date:10/2022 | PAGE:H4-1895-20 |
| ENTRANCE DOOR STRUCTURE | | |

| Item# | Part | Description | H 3 4 0 | V I P 4 0 | N O T E S |
|-------|---------|---|------------------|-----------------------|-----------------------|
| 1 | 250763 | TUBE 649MM | 1 | 1 | |
| 1 | 250669 | TUBE 653MM To N-196 | 1 | | A |
| NS | 211771 | PLATE / TO FIX ROTATING COLUMB 80MM x 38MM To N-196 | 1 | | A |
| 2 | 250762 | TUBE 860MM | 1 | 1 | |
| 3 | 250874 | TUBE | 1 | 1 | |
| 4 | 250875 | TUBE | 1 | 1 | |
| 5 | 210768 | TUBE | 1 | 1 | |
| 6 | 210835 | TUBE | 1 | 1 | |
| 7 | 210832 | TUBE | 1 | 1 | |
| 8 | 270595P | FRONT POST ASSY R.H. | 1 | 1 | |
| 9 | 231465 | JOINT BUTT 33MM X 33MM / (WELDED) | 1 | 1 | |
| 9 | 231466 | JOINT BUTT 33MM X 68MM / (WELDED) | 1 | 1 | |
| 10 | 282576 | FRAME SUPPORT To N-196 | 1 | | A |
| 10 | 211970 | FRAME SUPPORT From N-197 | 1 | | |
| 10 | 211723 | FRAME SUPPORT | | 1 | |
| 11 | 282575 | FRAME SUPPORT To N-196 | 1 | | A |
| 11 | 211724 | FRAME SUPPORT To M-140 | 1 | 1 | |
| 11 | 211964 | FRAME SUPPORT From M-141 | 1 | 1 | |
| 12 | 211725 | FRAME SUPPORT | 1 | 1 | |
| 13 | 210708 | TUBE | 1 | 1 | |
| 14 | 282571 | FRAME SUPPORT To N-196 | 1 | | A |
| 14 | 211971 | FRAME SUPPORT From N-197 | 1 | | |
| 14 | 211726 | FRAME SUPPORT | | 1 | |
| NS | 211485 | SPACER 19MM x 25MM To N-196 | 10 | | A |
| 15 | 211722 | FRAME SUPPORT | 1 | 1 | |
| 16 | 211757 | CATCH SUPPORT | | 2 | |
| 20 | 211984 | HINGE SUPPORT / (WELDED TO STRUCTURE) | 1 | 1 | |
| NS | 211734 | LEVER AND SUPPORT ASSY (WELDED TO FRAME) To P-253 | | 1 | |
| NS | 212096 | LEVER AND SUPPORT ASSY (WELDED TO FRAME) From P-254 | | 1 | |
| 21 | 211988 | PLATE | 1 | 1 | |
| 22 | 211992 | PLATE | 4 | 4 | |
| 23 | 211983 | HINGE SUPPORT / (WELDED TO STRUCTURE) | 1 | 1 | |
| | | | | | |
| | | | | | |
| | | | | | |
| | | | | | |
| | | A) WITH PLUG TYPE DOOR | | | |

| | | |
|----------------------------|--------------|-----------------|
| From L-031 To R-079 | Date:10/2022 | PAGE:H4-1895-30 |
| FRONT END STRUCTURE | | |

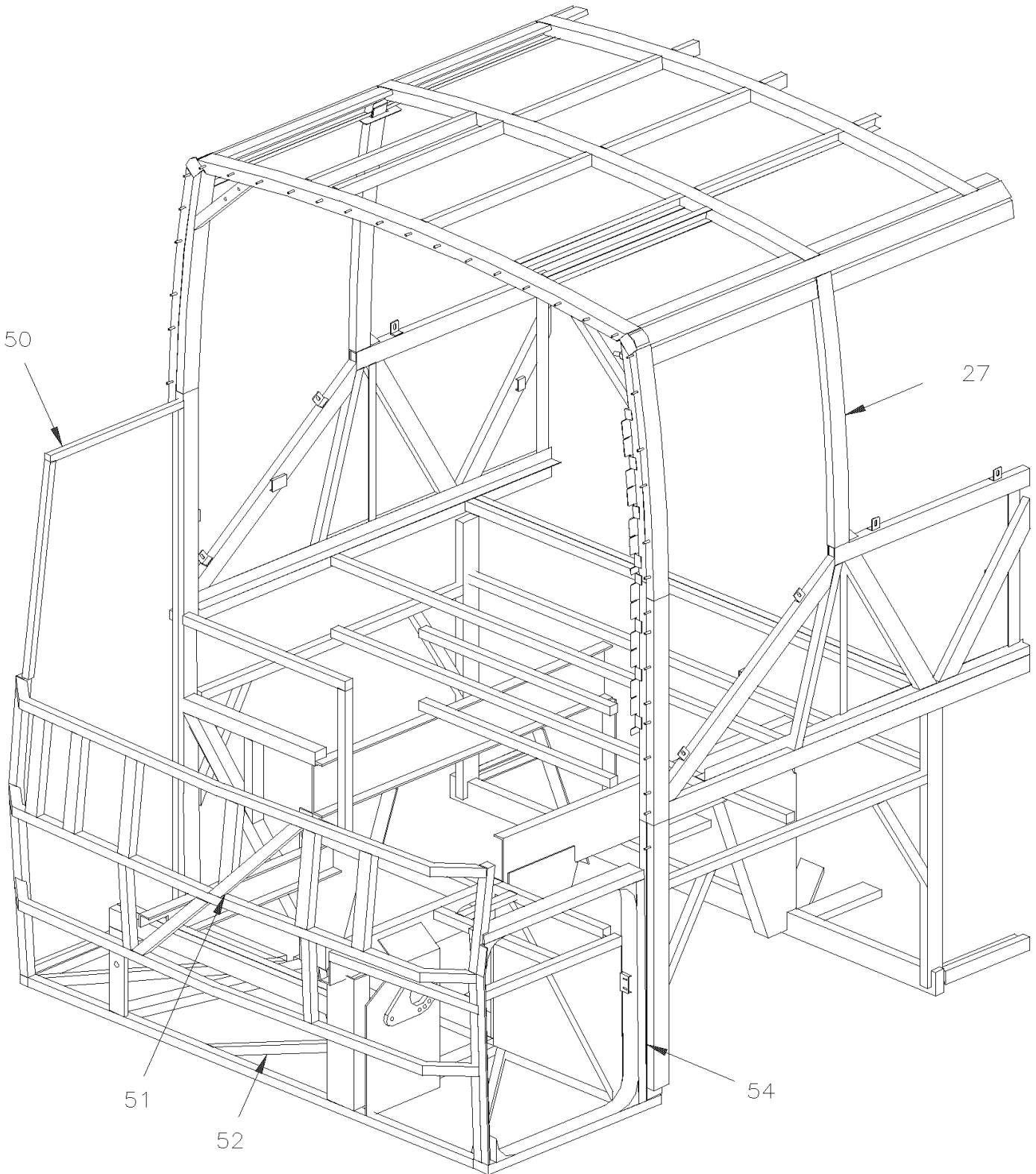


From L-031 To R-079

Date:10/2022

PAGE:H4-1895-30

FRONT END STRUCTURE



| | | |
|----------------------------|--------------|-----------------|
| From L-031 To R-079 | Date:10/2022 | PAGE:H4-1895-30 |
| FRONT END STRUCTURE | | |

| Item# | Part | Description | H 3 4 0 | V I P 4 0 | N O T E S |
|-------|---------|-----------------------------------|------------------|-----------------------|-----------------------|
| 1 | 270595P | FRONT POST ASSY R.H. | 1 | 1 | |
| 1 | 5001300 | STUD WD WOC 5/16-18x1 1/4 SS | AR | AR | |
| 2 | 160799 | REINFORCEMENT | 2 | 2 | |
| 3 | 270566P | ROOF ARCH ASSY | 1 | 1 | |
| 3 | 5001300 | STUD WD WOC 5/16-18x1 1/4 SS | AR | AR | |
| 4 | 160760 | REINFORCEMENT | | | |
| NS | 270659 | SUPPORT AMPLIFICATOR | 1 | | |
| NS | 270657 | SUPPORT AMPLIFICATOR | 1 | | |
| 5 | 270596P | FRONT POST ASSY L.H. | 1 | 1 | |
| 5 | 5001300 | STUD WD WOC 5/16-18x1 1/4 SS | AR | AR | |
| 6 | 271104 | PLATE (CURVED) | 6 | 6 | |
| 7 | 270541 | CLOSING PLATE | 2 | 2 | |
| NS | 270922 | CORNER FORM | 2 | | |
| 8 | 270521 | FORM / BETWEN ARCH | 6 | | |
| NS | 270583 | REINFORCEMENT L.H. | 1 | | |
| NS | 270584 | REINFORCEMENT R.H. | 1 | | |
| 9 | 270520 | FORM / BETWEN ARCH | AR | AR | |
| 10 | 270564 | ARCH | AR | AR | |
| 11 | 230753 | TUBE | 1 | 1 | |
| 12 | 293062 | ANGLE / (WELDED) | 1 | 1 | |
| 13 | 231469 | SUPPORT SINGLE | 1 | 1 | |
| 14 | 230640 | TUBE | 1 | 1 | |
| 15 | 230648 | SUPPORT | 1 | 1 | |
| 16 | 230723 | TUBE | 1 | 1 | |
| 17 | 230722 | TUBE | 1 | 1 | |
| 18 | 230730 | TUBE | 1 | 1 | |
| 19 | 292931 | ANGLE / (WELDED) | 1 | 1 | |
| 20 | 231015 | TUBE | 1 | 1 | |
| 20 | 230882 | TUBE | 1 | 1 | |
| 21 | 231019 | JOINT BUTT 15MM X 68MM / (WELDED) | 1 | 1 | |
| 22 | 270582 | CORNER FORM | 10 | | |
| 23 | 270919 | TUBE | 1 | | |
| 23 | 270921 | TUBE | | 1 | |
| 24 | 270558 | CORNER PANEL | 1 | 1 | |
| 25 | 270559 | CORNER FORM | 2 | | |
| 25 | 270621 | CORNER PANEL | | 2 | |
| 26 | 270547 | PLATE | 2 | | |
| 26 | 270629 | SUPPORT | | 2 | |
| 27 | 270556 | POST / BETWEN WINDOW / 1129MM | AR | AR | |
| 28 | 270525 | SUPPORT PARCEL RACK | AR | | |
| NS | 270516 | CORNER REINFORCEMENT | AR | AR | |
| 29 | 270591 | REINFORCEMENT | 2 | 2 | |

| | | |
|----------------------------|--------------|-----------------|
| From L-031 To R-079 | Date:10/2022 | PAGE:H4-1895-30 |
| FRONT END STRUCTURE | | |

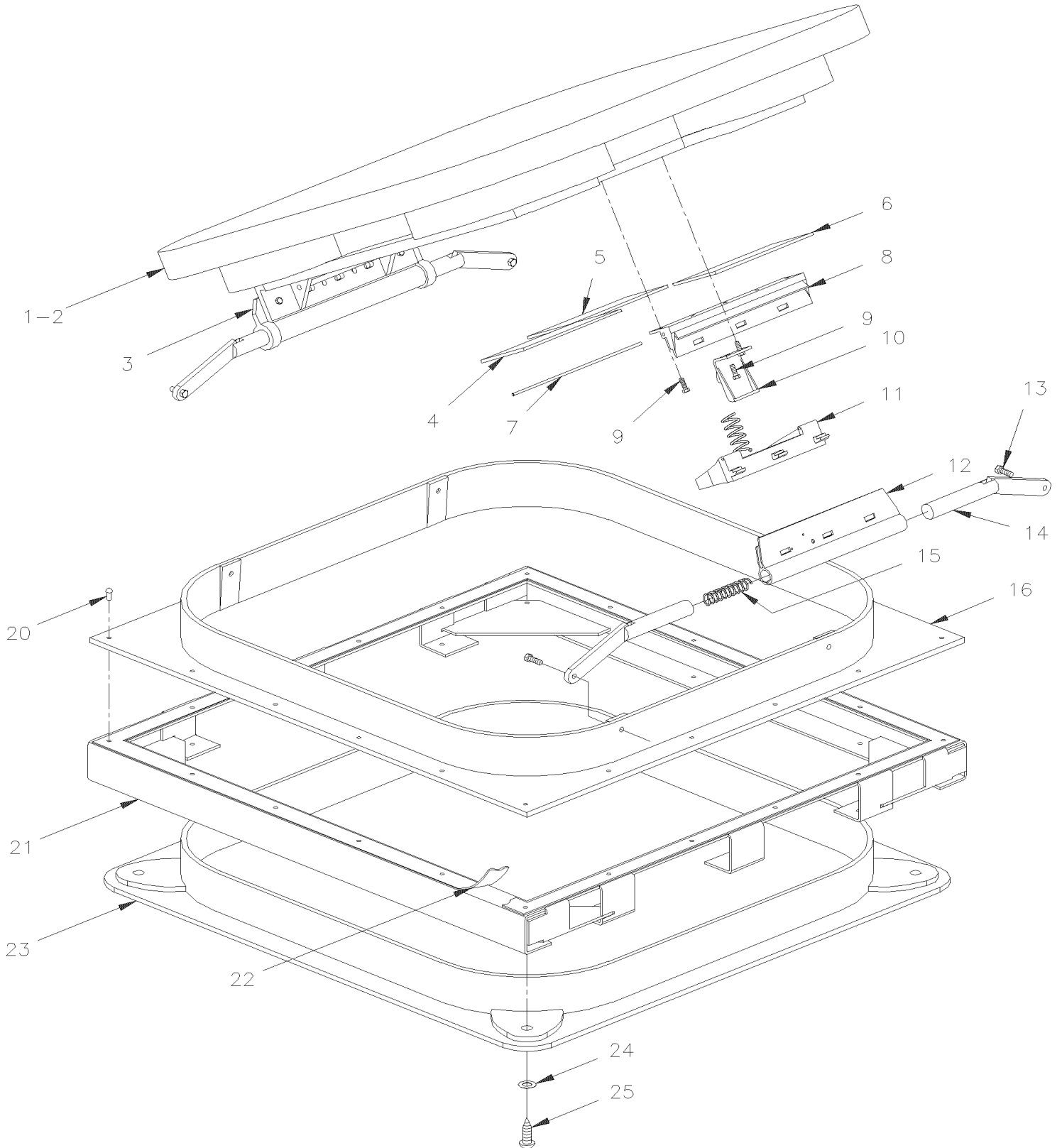
| Item# | Part | Description | H 3 4 0 | V I P 4 0 | N O T E S |
|-------|-------------------|--|------------------|-----------------------|-----------------------|
| 29 | 270526 | SUPPORT | 2 | 2 | |
| 30 | 211272 | ANGLE | 1 | | |
| 31 | 211275 | ANGLE | 1 | | |
| 32 | 231163 | TUBE | 1 | 1 | |
| 33 | 231465 | JOINT BUTT 33MM X 33MM / (WELDED) | 1 | 1 | |
| 34 | 231466 | JOINT BUTT 33MM X 68MM / (WELDED) | 1 | 1 | |
| 35 | 270828 | SUPPORT | 2 | 2 | |
| 36 | 270837 | ANGLE | 1 | 1 | |
| 50 | H4-1895-20 | ENTRANCE DOOR STRUCTURE | | | |
| 51 | H4-1895-00 | FRONT STRUCTURE | | | |
| 52 | H4-1895-10 | FRONT LOWER FLOOR STRUCTURE | | | |
| 54 | H4-1879-10 | FRONT SERVICE DOOR - INSTALLATION | | | |
| | | | | | |
| | | | | | |
| | | | | | |

From L-031 To R-079

Date:10/2022

PAGE:H4-1898-00

ESCAPE HATCH - INSTALLATION



| | | |
|------------------------------------|--------------|-----------------|
| From L-031 To R-079 | Date:10/2022 | PAGE:H4-1898-00 |
| ESCAPE HATCH - INSTALLATION | | |

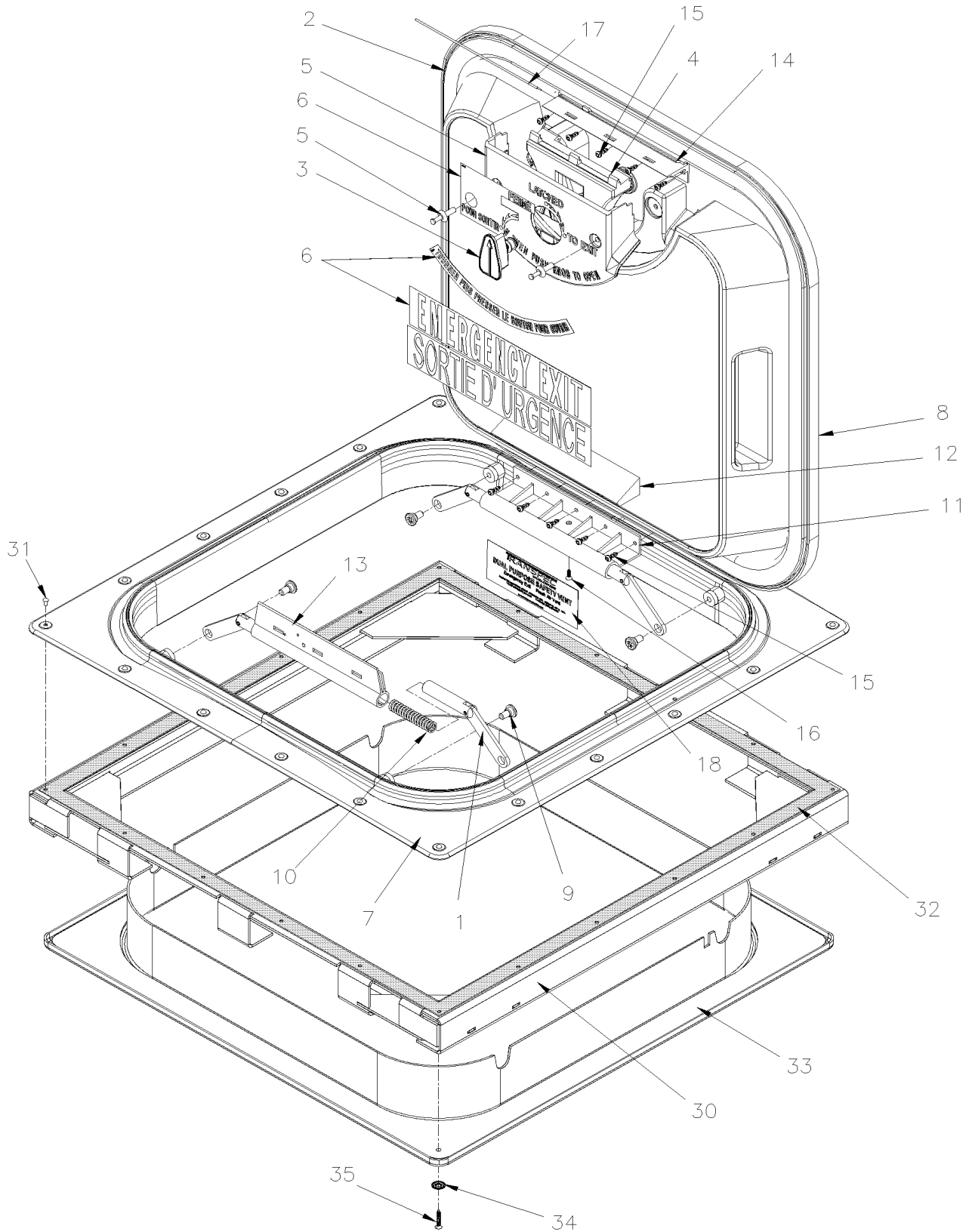
| Item# | Part | Description | H 3 4 0 | V I P 4 0 | N O T E S |
|-------|--------|---|------------------|-----------------------|-----------------------|
| 1 | 950209 | HATCH ASSY / 23" X 23" GREY | 1 | 1 | |
| 1 | 950291 | HATCH ASSY / 23" X 23" GREY | 1 | 1 | |
| 2 | 950069 | . SEAL, GASKET KIT | 1 | 1 | |
| 3 | N.S.S. | . HINGE | 1 | 1 | 1 |
| 4 | 291263 | . DECAL / "EMERGENCY..." / ENGLISH & FRANCAIS | 1 | 1 | |
| 5 | 403696 | . DECAL / BRAILLE / EMERGENCY EXIT ONLY / ENGLISH & FRANCAIS | 1 | 1 | |
| 5 | 403651 | . DECAL, "EMEREGENCY... JAPAN" | 1 | 1 | |
| 5 | 291265 | . DECAL, "INSTRUCTION... FRENCH..." | 1 | 1 | |
| 6 | 291264 | . DECAL, "SORTIE D'URGENCE..." | 1 | 1 | |
| 7 | 950046 | . DECAL "EMERGENCY..." | 1 | 1 | |
| 8 | 790373 | . BASE, RELEASE / GREY | 1 | 1 | |
| 9 | N.S.P. | . SCREW | AR | AR | 2 |
| 10 | 790236 | . TAB, BLACK | 1 | 1 | |
| 11 | 790371 | . HANDLE, RELEASE W/SPRING / GREY | 1 | 1 | |
| 12 | 790375 | . HINGE, RELEASE / GREY | 1 | 1 | |
| 13 | 790372 | . SCREW SHR HEXS 7/16x3/16 {5/16-18 | 4 | 4 | |
| 14 | 790436 | . LINK & LEVER ASSY | 4 | 4 | |
| 15 | 790435 | . SPRING COMPRESSION / .549 O.D. x 2.590 | 4 | 4 | |
| 15 | 790449 | . SPRING COMPRESSION / .549 O.D. x 2.590 x .078 | 4 | 4 | |
| 16 | 950205 | . FRAME ASSY, EXTERIOR FIBERGLASS / 23" X 23" GREY | 1 | 1 | |
| NS | 680532 | SEALANT SIKA #221 / GREY / 310ml CARTRIDGE | 1 | 1 | |
| 20 | 504546 | RIVET CHY MONOLOK PRDG 1/4x5/8 ZP | AR | AR | |
| 21 | 292398 | FRAME ASSY, MOUNTING 23" X 23" | 1 | 1 | |
| 22 | 680093 | SEALANT TAPE BUTYL / GREY / 1/16"x1 1/2"x50' /71079B11760 | AR | AR | |
| 23 | 291720 | MOULDING, INTERIOR 23" X 23" GREY | 1 | 1 | |
| 24 | 504399 | WASHER RETAINER SNAP CAP #10 | 4 | 4 | |
| 25 | 500641 | SCREW TP PAN PH #8x3/4 Z050 | 4 | 4 | |
| NS | 504400 | SNAP CAP #10 FINISHING BLACK | 4 | 4 | |
| | | | | | |
| | | | | | |
| | | | | | |
| | | | | | |
| | | 1) NOT SOLD SEPARATELY | | | |
| | | 2) NOT SOLD BY PREVOST (SEE MANUFACTURING PART NUMBER AT END OF DESCRIPTION LINE) | | | |

From L-031 To R-079

Date:10/2022

PAGE:H4-1898-99

ESCAPE HATCH - INSTALLATION / SERVICE



From L-031 To R-079 Date:10/2022 PAGE:H4-1898-99

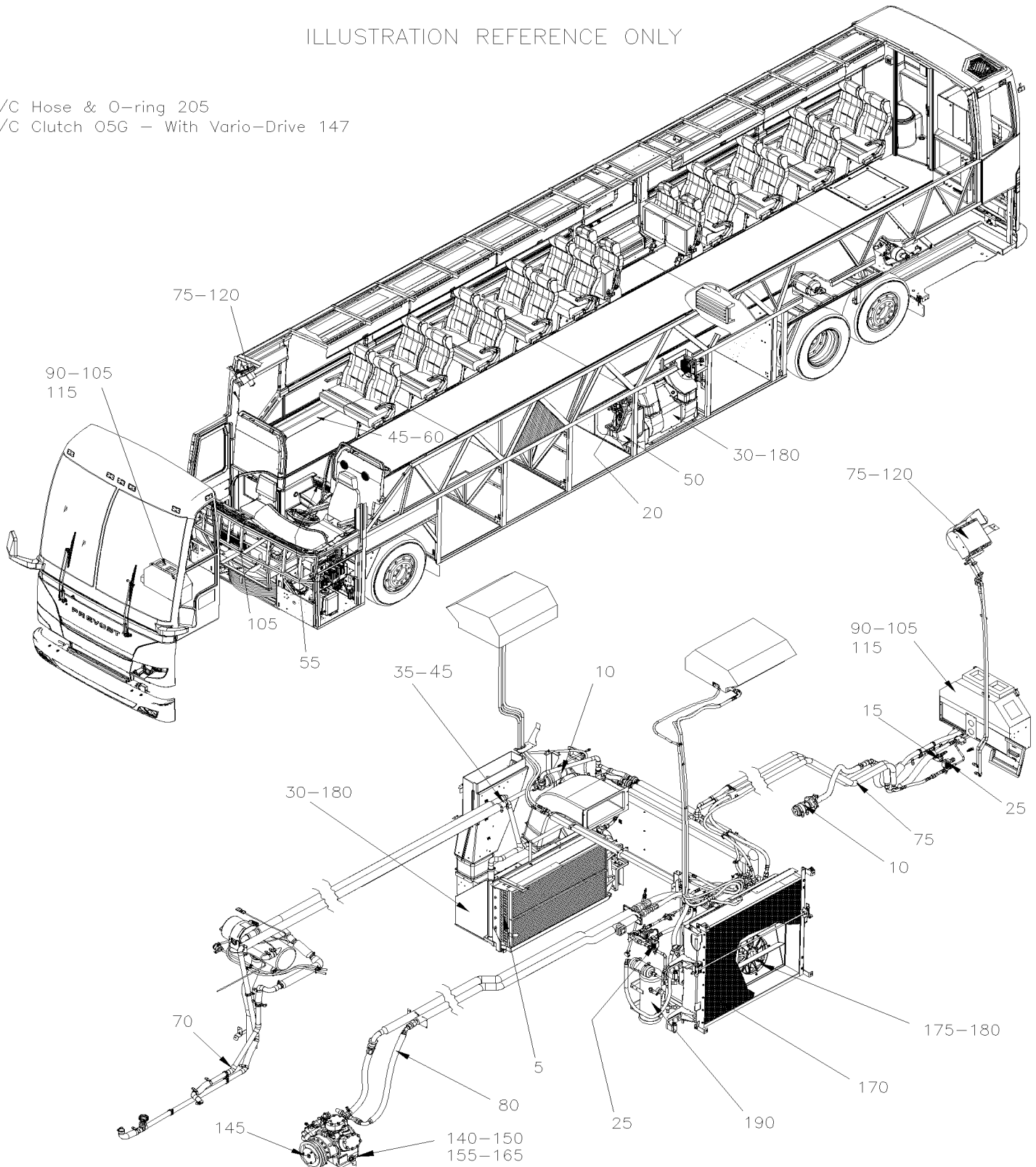
ESCAPE HATCH - INSTALLATION / SERVICE

| Item# | Part | Description | H 3 4 0 | V I P 4 0 | N O T E S |
|-------|----------|---|------------------|-----------------------|-----------------------|
| | 950396 | HATCH ASSY / 23" X 23" GREY / LOW PROFILE GREY / ENG & FRENCH | 1 | 1 | |
| 1 | 790436 | . LINK & LEVER ASSY | 4 | 4 | |
| 2 | 950069 | . SEAL, GASKET KIT | 1 | 1 | |
| 3 | 790663 | . RELEASE KNOB W/SCREW / RED | 1 | 1 | |
| 4 | 790664 | . RELEASE HANDLE ASSY GREY | 1 | 1 | |
| 4 | 790371 | . HANDLE, RELEASE W/SPRING / GREY | 1 | 1 | |
| 5 | 790662 | . RELEASE HINGE SHIELD ASSY GREY | 1 | 1 | |
| 6 | 950690 | . DECAL KIT INSTRUCTION / ENGLISH & FRANCAIS | 1 | 1 | |
| NS | 950229 | . DECAL KIT INSTRUCTION / ENGLISH & FRANCAIS | 1 | 1 | |
| NS | 403651 | . DECAL, "EMERGEGENCY... JAPAN" | AR | AR | |
| NS | 405775 | . DECAL / BRAILLE / EMERGENCY EXIT ONLY / ENGLISH & FRANCAIS | AR | AR | |
| 7 | 950205 | . FRAME ASSY, EXTERIOR FIBERGLASS / 23" X 23" GREY | 1 | 1 | |
| 8 | 950464 | . COVER ASSY / LOW PROFILE / GREY ENGLISH & FRENCH | 1 | 1 | A |
| 9 | 790372 | . SCREW SHR HEXS 7/16x3/16 {5/16-18 | 4 | 4 | |
| 9 | 950449 | . SCREW CAP BUT TORX 5/16-18x3/4 BK G8 | 4 | 4 | |
| 9 | 950450 | . SPACER BUSHING 5/16I.D.x 7/16O.D.x 3/16TH | 4 | 4 | |
| 10 | 790449 | . SPRING COMPRESSION / .549 O.D. x 2.590 x .078 | 4 | 4 | |
| 11 | | . HINGE COVER SECTION | 1 | 1 | |
| 12 | N8891498 | . HINGE COVER GREY | 1 | 1 | |
| 13 | 790375 | . HINGE, RELEASE / GREY | 1 | 1 | |
| 14 | 6982866 | . HANDLE BASE | 1 | 1 | |
| 15 | N8880007 | . SPECIAL TORX SCREW #10 x 1/2 SS | 10 | 10 | |
| 16 | 7775130 | . SCREW FL PH #8 x 1/2 SS | 1 | 1 | |
| 17 | 950693 | . HINGE PIN SS | 1 | 1 | |
| 18 | N8891500 | DECAL PURPOSE SAFETY VENT | 1 | 1 | |
| | | | | | |
| 30 | 292398 | FRAME ASSY, MOUNTING 23" X 23" | 1 | 1 | |
| NS | 680532 | SEALANT SIKA #221 / GREY / 310ml CARTRIDGE | 1 | 1 | |
| 31 | 504546 | RIVET CHY MONOLOK PRDG 1/4x5/8 ZP | 20 | 20 | |
| 32 | 680093 | SEALANT TAPE BUTYL / GREY / 1/16"x1 1/2"x50' /71079B11760 | AR | AR | |
| 33 | 291720 | MOULDING, INTERIOR 23" X 23" GREY | 1 | 1 | |
| 34 | 500464 | WASHER FN CKF .210x.540 SS | 4 | 4 | |
| 35 | 500629 | SCREW TP OV PH #8x1 Z050 | 4 | 4 | |
| | | | | | |
| | | | | | |
| | | A) INCLUDED ITEMS 2-3-4-5-6-8-11-12-15-16-17 | | | |

| | | |
|----------------------------|--------------|-------|
| | Date:10/2022 | H4-22 |
| HEATING & AIR CONDITIONING | | |

ILLUSTRATION REFERENCE ONLY

A/C Hose & O-ring 205
A/C Clutch 05G - With Vario-Drive 147



| | | |
|---------------------------------------|--------------|-------|
| | Date:10/2022 | H4-22 |
| HEATING & AIR CONDITIONING | | |

| Item# | Part | Description | H 3 4 0 | V I P 4 0 | N O T E S |
|-------|------------|--|------------------|-----------------------|-----------------------|
| 5 | H4-2205-00 | HEATER & EVAPORATOR COIL & FILTER ASSY From L-031 To R-079 | | | |
| 10 | H4-2206-00 | WATER PUMP #870871 From L-031 To R-012 | | | |
| 10 | H4-2206-02 | WATER PUMP #871052 & #871204 From R-013 To R-079 | | | |
| 10 | H4-2206-99 | WATER PUMP #871342 SEALLESS / RETROFIT From L-031 To R-079 | | | |
| 15 | H4-2207-00 | WATER VALVE - W/MAIN HEATER & A/C From L-031 To R-396 | | | |
| 15 | H4-2207-01 | WATER VALVE "VERSADRIVE" From R-397 To R-079 | | | |
| 15 | H4-2207-02 | WATER VALVE "VERSADRIVE" / SERVICE From L-031 To R-079 | | | |
| 15 | H4-2207-10 | WATER VALVE - DRIVER'S From L-031 To M-109 | | | |
| 15 | H4-2207-11 | WATER VALVE - DRIVER'S From M-110 To R-079 | | | |
| 15 | H4-2207-20 | WATER VALVE - BYPASS W/WATER HEATER From R-397 To R-079 | | | |
| 20 | H4-2208-00 | A/C EXPANSION VALVE From L-031 To R-079 | | | |
| 25 | H4-2208-10 | REFRIGERANT SOLENOID VALVE From L-031 To R-079 | | | |
| 30 | H4-2210-00 | HEATER & EVAPORATOR BLOWER - INSTALLATION From L-031 To R-079 | | | |
| 35 | H4-2210-10 | WATER HEATER PUMP & FILTER - INSTALLATION From L-031 To R-079 | | | |
| 45 | H4-2210-50 | AIR MAIN SENSOR From L-031 To R-079 | | | |
| 50 | H4-2215-00 | EVAPORATOR & DAMPER CONTROL COMPONENTS From L-031 To R-079 | | | |
| 55 | H4-2220-00 | UNDER FLOOR AIR DUCTING From L-031 To R-079 | | | |
| 60 | H4-2221-10 | DUCTING HEATER & A/C From L-031 To R-079 | | | |
| 70 | H4-2222-00 | HEATER LINE REAR SECTION - WITH DETROIT S-92 From L-031 To R-032 | | | |
| 70 | H4-2222-01 | HEATER LINE REAR SECTION - WITH DETROIT S-60 From P-256 To R-079 | | | |
| 75 | H4-2222-10 | A/C & HEATING LINE FRONT SECTION From L-031 To R-079 | | | |
| 80 | H4-2222-15 | A/C LINE REAR SECTION W/05G From L-031 To R-079 | | | |
| 90 | H4-2225-02 | DRIVER'S HEATER & DEFROSTER ASSY From L-031 To M-140 | | | |
| 90 | H4-2225-03 | DRIVER'S HEATER & DEFROSTER ASSY From M-141 To R-079 | | | |
| 105 | H4-2230-00 | DEFROSTER - INSTALLATION From L-031 To R-079 | | | |
| 115 | H4-2240-00 | BLOWER & MOTOR ASSY - "AURORA" From L-031 To R-079 | | | |
| 115 | 870844 | BLOWER & MOTOR ASSY - "M.C.C." "CW" / FAN END From M-141 To R-079 | | | |
| 120 | H4-2240-10 | UPPER WINDSHIELD FAN - INSTALLATION From L-031 To R-079 | | | |
| 140 | H4-2245-00 | A/C COMPRESSOR 05G - INSTALLATION - WITH DETROIT S-92 From L-031 To R-032 | | | |
| 140 | H4-2245-01 | A/C COMPRESSOR 05G - INSTALLATION - WITH DETROIT S-60 From P-256 To R-079 | | | |
| 140 | H4-2245-12 | A/C COMPRESSOR "SPECIAL" From L-031 To R-079 | | | |
| 145 | H4-2246-01 | A/C CLUTCH 05G - HOUSING MOUNTED From L-031 To R-079 | | | |
| 147 | H4-2247-00 | A/C CLUTCH 05G - W/VARIO-DRIVE From L-031 To R-079 | | | |
| 150 | H4-2250-00 | A/C COMPRESSOR ASSY 05G - THREE PORT From L-031 To R-079 | | | |
| 150 | H4-2250-01 | A/C COMPRESSOR ASSY 05G - TWIN PORT / SERVICE From L-031 To R-079 | | | |
| 155 | H4-2250-15 | A/C ELECTRIC UNLOADER - W/05G COMPRESSOR From L-031 To R-079 | | | |
| 165 | H4-2251-00 | GASKET - 05G A/C COMPRESSOR From L-031 To R-079 | | | |
| 170 | H4-2255-00 | CONDENSOR - INSTALLATION From L-031 To R-079 | | | |
| 175 | H4-2260-00 | CONDENSOR FAN - INSTALLATION From L-031 To R-079 | | | |
| 180 | H4-2265-01 | MOTOR - EVAPORATOR - "PREVOST" - T-19 From L-031 To R-079 | | | |
| 180 | H4-2265-47 | MOTOR - EVAPORATOR BRUSHLESS From L-031 To R-079 | | | A |
| 180 | H4-2265-48 | MOTOR - EVAPORATOR - "PREVOST" - T-17 - 2 SPEEDS / SERVICE From L-031 To R-079 | | | A |

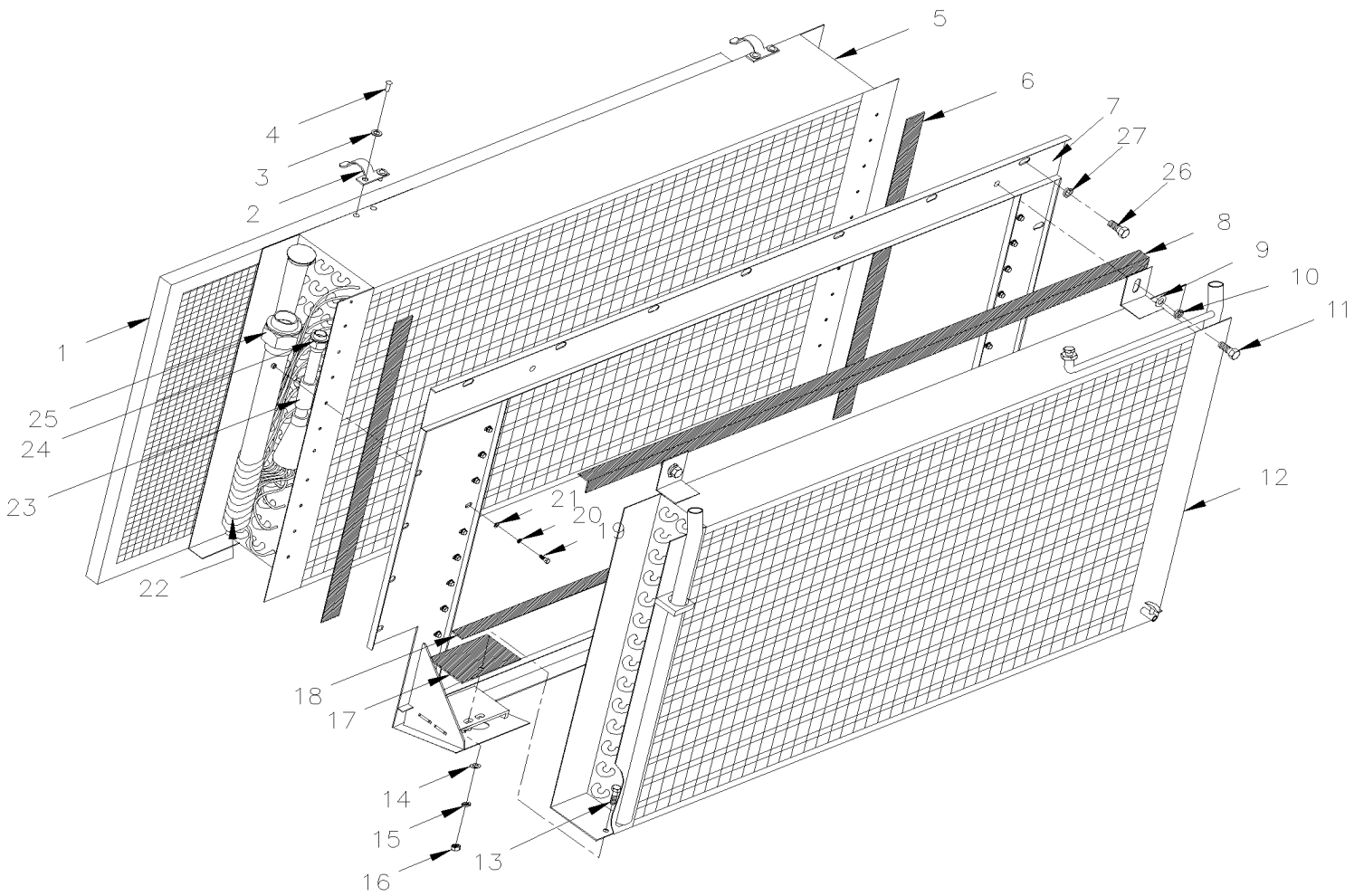
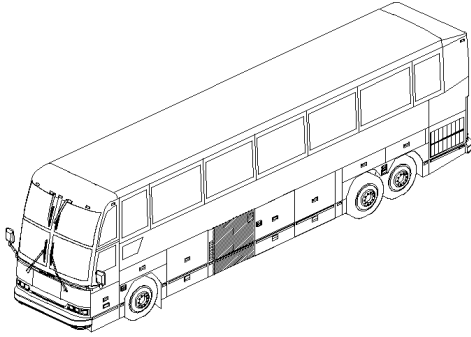
| | | Date:10/2022 | H4-22 | | |
|----------------------------|------------|---|------------------|-----------------------|-----------------------|
| HEATING & AIR CONDITIONING | | | | | |
| Item# | Part | Description | H 3 4 0 | V I P 4 0 | N O T E S |
| 180 | H4-2265-49 | MOTOR - EVAPORATOR - "PREVOST" - T-17 / SERVICE From L-031 To R-079 | | | A |
| 180 | H4-2265-50 | MOTOR - CONDENSOR - "PREVOST" - TAP-12 From L-031 To R-079 | | | |
| 180 | H4-2265-98 | MOTOR - CONDENSOR - "PREVOST" - T114 / SERVICE From L-031 To R-079 | | | A |
| 180 | H4-2265-99 | MOTOR - CONDENSOR - "PREVOST" - T11G / SERVICE From L-031 To R-079 | | | A |
| 190 | H4-2270-00 | RECEIVER TANK & FILTER DRYER From L-031 To R-079 | | | |
| 205 | H4-2299-00 | A/C HOSE & O-RING - W/ R-12 / R-22 & R-134A From L-031 To R-079 | | | |
| | | | | | |
| | | | | | |
| | | | | | |
| | | A) SERVICE | | | |

From L-031 To R-079

Date:10/2022

PAGE:H4-2205-00

HEATER & EVAPORATOR COIL & FILTER ASSY



| | | |
|---|--------------|-----------------|
| From L-031 To R-079 | Date:10/2022 | PAGE:H4-2205-00 |
| HEATER & EVAPORATOR COIL & FILTER ASSY | | |

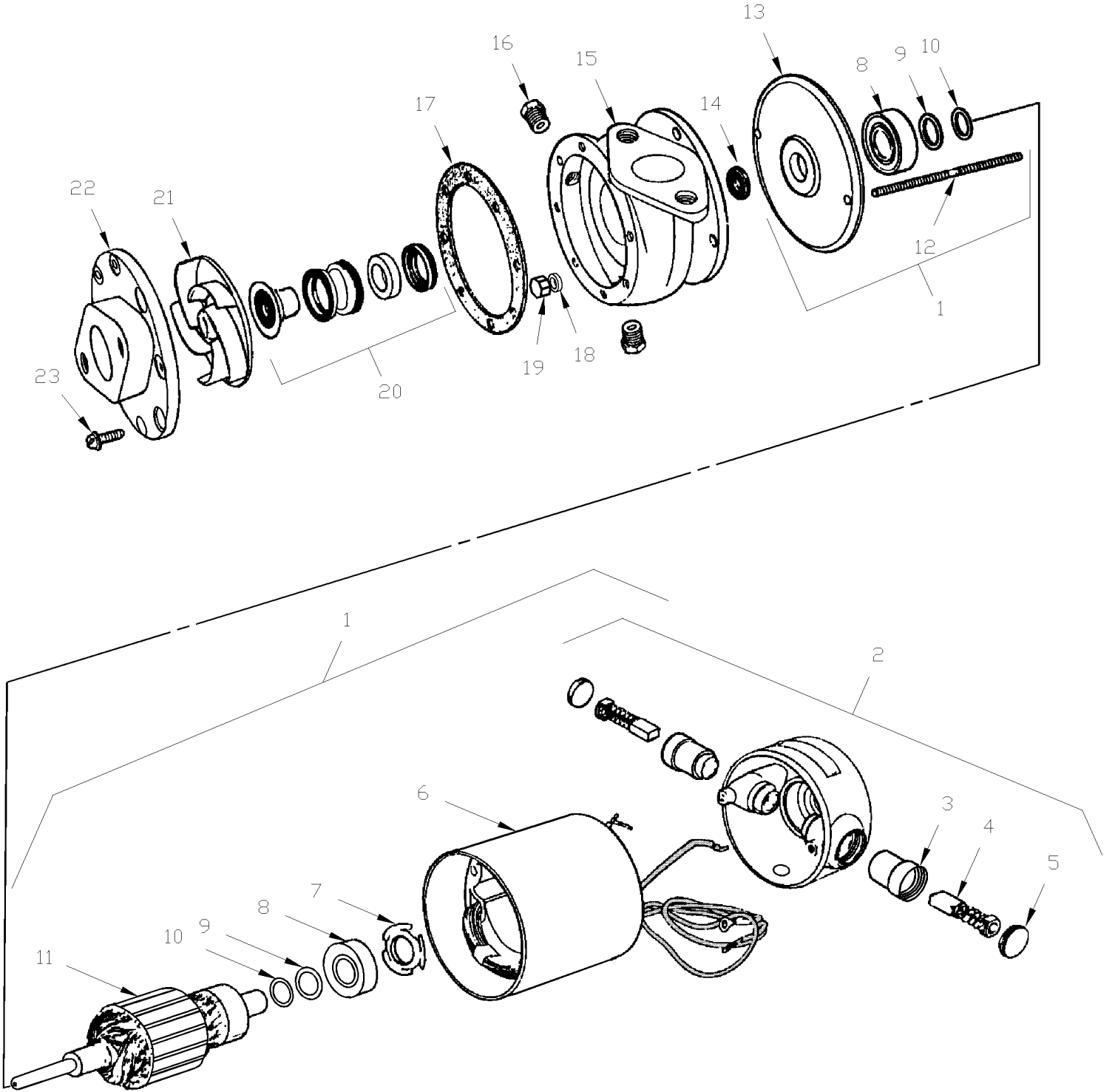
| Item# | Part | Description | H 3 4 0 | V I P 4 0 | N O T E S |
|-------|--------|--|------------------|-----------------------|-----------------------|
| 1 | 870961 | FILTER 1" x 20 3/8" x 43 1/2" | 1 | 1 | |
| 2 | 391009 | CLIP RETAINING | 2 | 2 | |
| 3 | 500437 | WASHER FL .125x.375x.040 Z050 | 4 | 4 | |
| 4 | 504104 | RIVET POP DOME OE 1/8x1/8 SS | 4 | 4 | |
| 5 | 950145 | COIL EVAPORATOR | 1 | 1 | |
| 6 | 506277 | TAPE RUB ADH1 CC POL 1/2" x 3/4" x 15' / GREY 2520X | AR | AR | |
| 7 | 451757 | SUPPORT ASSY | 1 | 1 | |
| 8 | 506337 | RUBBER CHANNEL / 3/32" x 11/32" INT "U" SHAPE / ROUND C.T.L. | AR | AR | |
| 9 | 500444 | WASHER FL .406x.812x.065 Z050 | 2 | 2 | |
| 10 | 500478 | WASHER LO SPT .380x.683x.094 Z050 | 2 | 2 | |
| 11 | 500044 | SCREW CAP HEX 3/8-24x3/4 G5 Z050 | 2 | 2 | |
| 12 | 870943 | HEATER COIL ASSY | 1 | 1 | |
| NS | 370355 | DECAL "DRAIN..." / ENGLISH & FRANCAIS | 1 | 1 | |
| NS | 374062 | DECAL "DRAIN..." / ENGLISH & SPANISH | 1 | 1 | |
| 13 | 500181 | SCREW CAP HEX 5/16-18x1 G5 Z050 | 2 | 2 | |
| 14 | 500441 | WASHER FL .312x.734x.065 Z050 | 2 | 2 | |
| 15 | 500476 | WASHER LO SPT .317x.586x.078 Z050 | 2 | 2 | |
| 16 | 500778 | NUT HEX 5/16-18 N500 | 2 | 2 | |
| 17 | 371735 | RUBBER 4 3/4" X 2 7/8" X 3/16" THICK | 2 | 2 | |
| 18 | 372543 | SEAL RUBBER 19MM X 1065MM | 1 | 1 | |
| 19 | 500386 | SCREW MA RND PH #10-24x1/2 Z050 | 20 | 20 | B |
| 20 | 500470 | WASHER LO SPT .193x.334x.047 Z050 | 20 | 20 | |
| 21 | 500964 | WASHER FL .203x.500x.047 Z050 | 20 | 20 | |
| 22 | 680091 | TAPE INSULATING / 1/8" x 2" x 30' / BLACK PT-1 | AR | AR | |
| 24 | 372630 | HOSE ASSY / W/R-12 / #10 645MM | 1 | 1 | C |
| 24 | 452458 | HOSE ASSY TEFLON / W/R-22 / #10 654MM | 1 | | C |
| 24 | 373276 | HOSE ASSY / W/R-134a / #10 645MM | 1 | 1 | A |
| 25 | 372628 | HOSE ASSY / W/R-12 / #20 650MM | 1 | 1 | D |
| 25 | 950224 | HOSE ASSY / W/R-22 / #20 758MM / SS BELLOW | 1 | | D |
| 25 | 373270 | HOSE ASSY / W/R-134a / #20 650MM | 1 | 1 | A |
| NS | 507169 | O-RING 1/2 I.D. | 1 | 1 | |
| NS | 507280 | O-RING / ORS FITTING / #12 NEO | 1 | 1 | |
| NS | 507346 | O-RING / ORS FITTING / #24 NEO | 1 | 1 | |
| 26 | 502513 | SCREW TP CAP HEX 5/16x1 Z050 | 15 | 15 | |
| 26 | 500837 | NUT SPR U 1/4-20 .064-.125 | 15 | 15 | |
| 27 | 502583 | WASHER LO SERR 8.15x22.3x1.0 Z050 | 15 | 15 | |
| | | | | | |
| | | | | | |
| | | | | | |
| | | A) WE DID NOT PRODUCED H3-40 WITH R-134A PARTS ARE USED ONLY WITH RETROFIT KIT, CALL PARTS FOR INFO. | | | |
| | | B) TO FIX EVAPORATOR | | | |
| | | C) EXPENSION VALVE & TUBE | | | |

| | | |
|---------------------|--------------|-----------------|
| From L-031 To R-079 | Date:10/2022 | PAGE:H4-2205-00 |
|---------------------|--------------|-----------------|

| | | | | | |
|--|--|--|--|--|--|
| HEATER & EVAPORATOR COIL & FILTER ASSY | | | | | |
|--|--|--|--|--|--|

| Item# | Part | Description | H 3 4 0 | V I P 4 0 | N O T E S |
|-------|------|-------------------------|------------------|-----------------------|-----------------------|
| | | D) SUCTION & EVAPORATOR | | | |

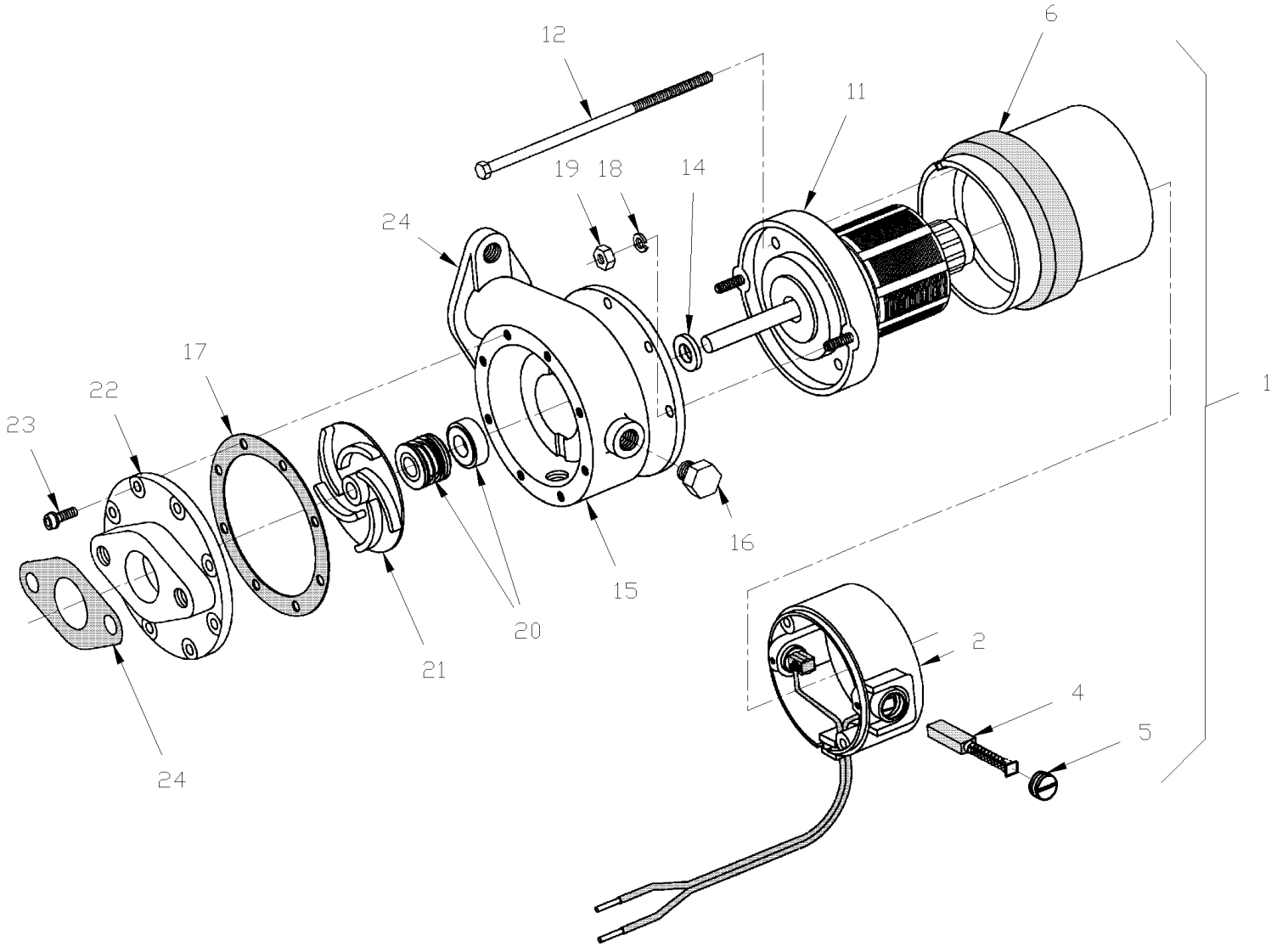
| | | |
|---------------------|--------------|-----------------|
| From L-031 To R-012 | Date:10/2022 | PAGE:H4-2206-00 |
| WATER PUMP #870871 | | |



| | | |
|---------------------------|--------------|-----------------|
| From L-031 To R-012 | Date:10/2022 | PAGE:H4-2206-00 |
| WATER PUMP #870871 | | |

| Item# | Part | Description | H 3 4 0 | V I P 4 0 | N O T E S |
|-------|--------|--|------------------|-----------------------|-----------------------|
| | 870871 | WATER PUMP ASSY / 24V / (22023) | 1 | 1 | R |
| 1 | 870467 | . MOTOR ASSY / 24V | 1 | 1 | |
| 2 | N.S.P. | . . HEAD ASSY (#22948) | 1 | 1 | 2 |
| 3 | N.S.P. | . . . BRUSH HOLDER (#2909) | 2 | 2 | 2 |
| 4 | 870438 | . . . BRUSH | 2 | 2 | |
| 5 | 870889 | . . . CAP BRUSH 3/4" (CURRENT) | 2 | 2 | |
| 6 | N.S.P. | . . STATER ASSY (#25888) | 1 | 1 | 2 |
| 7 | 560732 | . . WASHER THRUST | 1 | 1 | |
| 8 | 560731 | . . BEARING | 2 | 2 | |
| 9 | 560733 | . . SPACER | 2 | 2 | |
| 10 | N.S.S. | . . RING SNAP | 2 | 2 | 1 |
| 11 | N.S.P. | . . ARMATURE ASSY (#26036) | 1 | 1 | 2 |
| 12 | N.S.P. | . . STUD CASE #10-32 (#21608) | 2 | 2 | 2 |
| 13 | N.S.P. | . . COVER (#21607) | 1 | 1 | 2 |
| 14 | 870440 | . SLINGER | 1 | 1 | |
| 15 | N.S.P. | . CARRIER / PUMP (#21586) | 1 | 1 | 2 |
| 16 | 501303 | . PLUG SQUARE HEAD / PIPE FITTING / 1/8NPT-M BR | 2 | 2 | |
| 17 | 870439 | . GASKET / CARRIER | 1 | 1 | |
| 18 | 500470 | . WASHER LO SPT .193x.334x.047 Z050 | 2 | 2 | |
| 19 | 500700 | . NUT HEX #10-32 Z050 | 2 | 2 | |
| 20 | 870437 | . KIT SEAL | 1 | 1 | |
| 21 | 870436 | . IMPELLER | 1 | 1 | |
| 22 | N.S.P. | . FLANGE ADAPTOR (#21634) | 1 | 1 | 2 |
| 23 | N.S.P. | . SCREW #8-32 X 1/2 / BRASS | 8 | 8 | 2 |
| NS | 561566 | CONNECTOR / WEATHER PACK / PH 2C / BLACK / PED 12010973 | 1 | 1 | |
| NS | 561568 | PIN TERMINAL / 16-14 / PED 12089305 | 2 | 2 | |
| NS | 561786 | CABLE SEAL / GRAY / PED 15324980 | 2 | 2 | |
| NS | 870441 | GASKET PUMP INLET & OUTLET | 2 | 2 | |
| | | | | | |
| | | | | | |
| | | R) THOSE PUMP MAY BE SUPPERSEEDDED BY KIT #374027 WITH "SEALLESS PUMP" SEE PAGE H4-2206-99 | | | |
| | | 1) NOT SOLD SEPARATELY | | | |
| | | 2) NOT SOLD BY PREVOST (SEE MANUFACTURING PART NUMBER AT END OF DESCRIPTION LINE) | | | |

| | | |
|------------------------------|--------------|-----------------|
| From R-013 To R-079 | Date:10/2022 | PAGE:H4-2206-02 |
| WATER PUMP #871052 & #871204 | | |



| | | |
|---|--------------|-----------------|
| From R-013 To R-079 | Date:10/2022 | PAGE:H4-2206-02 |
| WATER PUMP #871052 & #871204 | | |

| Item# | Part | Description | H 3 4 0 | V I P 4 0 | N O T E S |
|-------|--------|--|------------------|-----------------------|-----------------------|
| | 871052 | WATER PUMP ASSY / 24V / (28689) | 1 | 1 | AR |
| | 871204 | WATER PUMP ASSY / 24V / (31726) | 1 | 1 | BR |
| 1 | N.S.P. | . MOTOR ASSY (28538) | 1 | 1 | 2 |
| 2 | N.S.P. | . . HEAD ASSY (28884) | 1 | 1 | 2 |
| 2 | N.S.S. | . . . BRUSH HOLDER | 2 | 2 | 1 |
| 4 | 871062 | . BRUSH | 2 | 2 | |
| 5 | 871063 | . . CAP BRUSH | 2 | 2 | |
| 6 | N.S.P. | . . STATOR ASSY (28883) | 1 | 1 | 2 |
| 11 | N.S.P. | . . ARMATURE ADAPTOR ASSY (28882) | 1 | 1 | 2 |
| 11 | N.S.S. | . BEARING | 2 | 2 | 1 |
| 12 | N.S.S. | . . STUD CASE #10-32 X 5" | 2 | 2 | 1 |
| 14 | 870440 | . SLINGER | 1 | 1 | |
| 15 | N.S.P. | . CARRIER / PUMP (21586) | 1 | 1 | 2 |
| 16 | 501303 | . PLUG SQUARE HEAD / PIPE FITTING / 1/8NPT-M BR | 2 | 2 | |
| 17 | 870439 | . GASKET / CARRIER | 1 | 1 | C |
| 17 | 871205 | . GASKET / CARRIER | AR | AR | D |
| 18 | 500470 | . WASHER LO SPT .193x.334x.047 Z050 | 2 | 2 | |
| 19 | 500700 | . NUT HEX #10-32 Z050 | 2 | 2 | |
| 20 | 870437 | . KIT SEAL | 1 | 1 | C |
| 20 | 871310 | . KIT SEAL | AR | AR | D |
| 21 | 870436 | . IMPELLER | 1 | 1 | |
| 22 | N.S.P. | . FLANGE ADAPTOR (21634) | 1 | 1 | 2 |
| 23 | N.S.P. | . SCREW #8-32 X 1/2 / BRASS | 8 | 8 | 2 |
| 24 | 870441 | GASKET PUMP INLET & OUTLET | 2 | 2 | |
| 24 | 871207 | QUAD RING | AR | AR | D |
| | | | | | |
| | | | | | |
| | | A) PRODUCTION | | | |
| | | B) SEVICE | | | |
| | | C) USE ONLY WITH PUMP #871052 | | | |
| | | D) USE ONLY WITH PUMP #871204 | | | |
| | | R) THOSE PUMP MAY BE SUPPERSEDED BY KIT #374027 WITH "SEALLESS PUMP" SEE PAGE H4-2206-99 | | | |
| | | 1) NOT SOLD SEPARATELY | | | |
| | | 2) NOT SOLD BY PREVOST (SEE MANUFACTURING PART NUMBER AT END OF DESCRIPTION LINE) | | | |

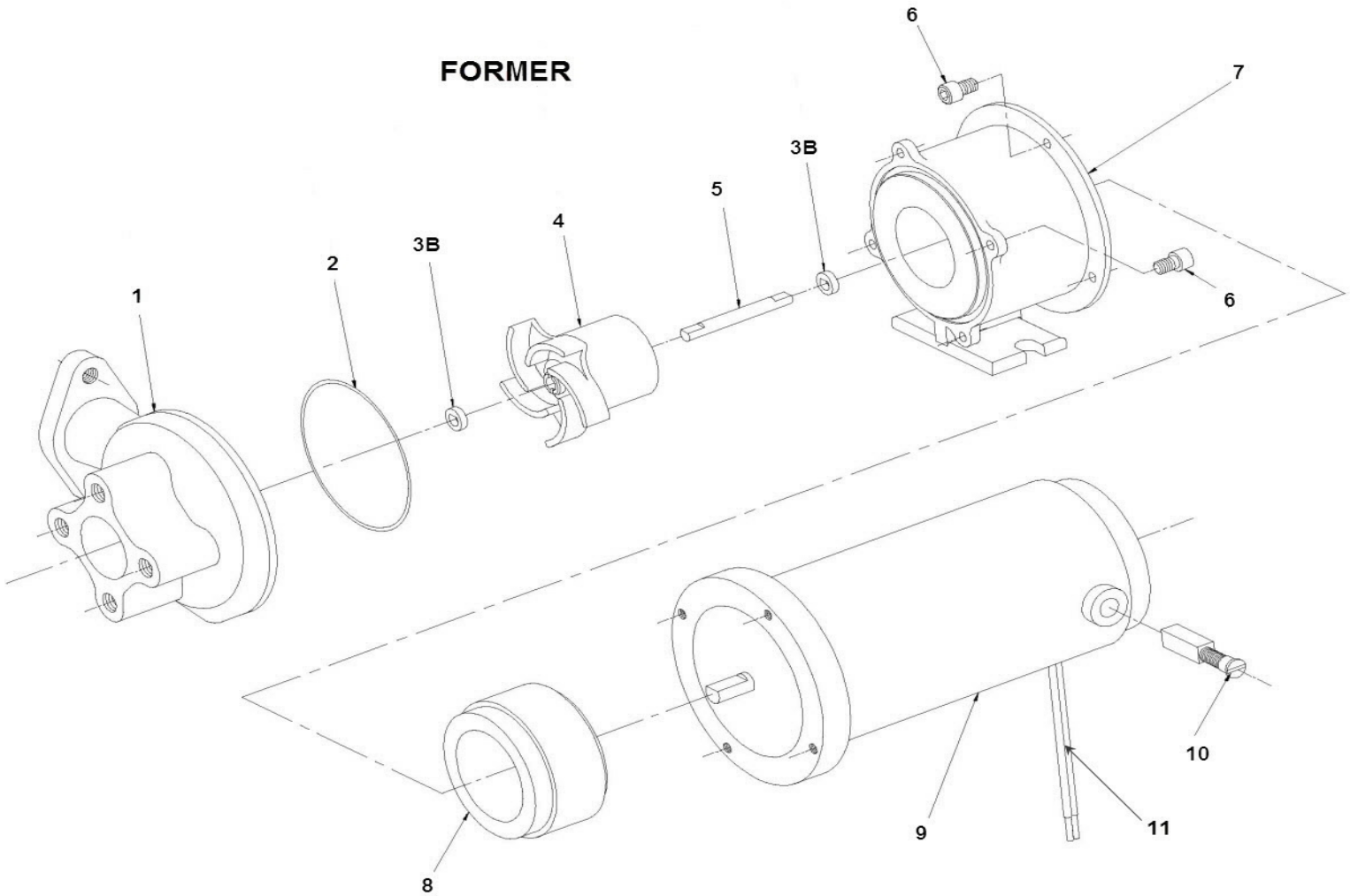
From L-031 To R-079

Date:10/2022

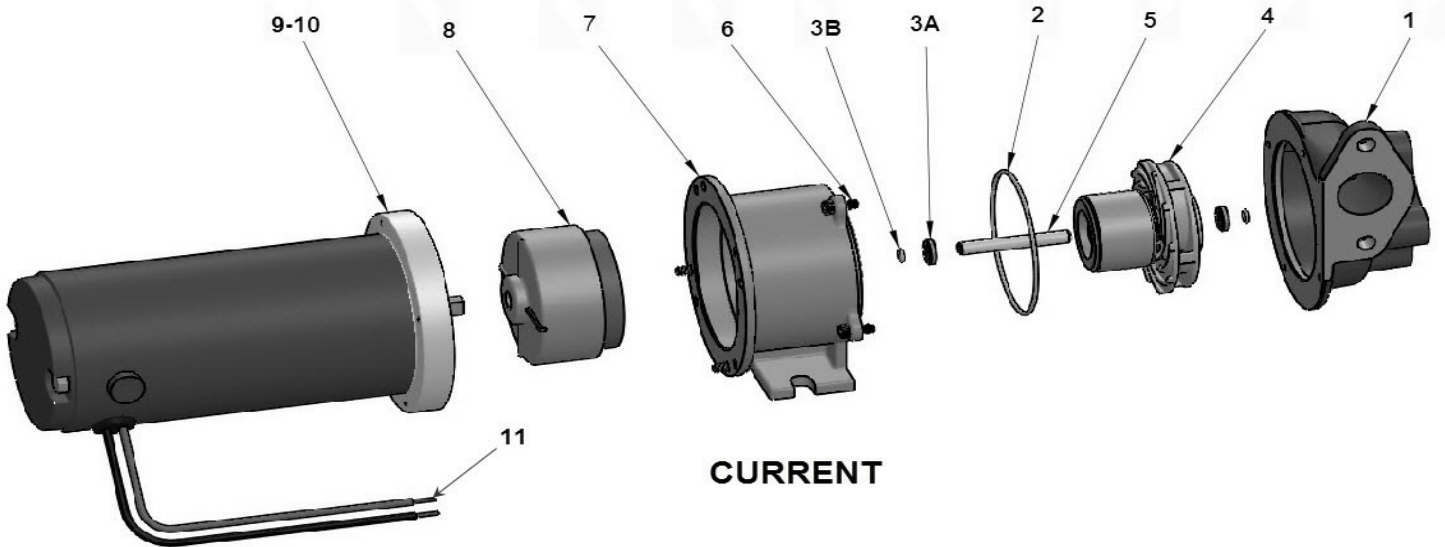
PAGE:H4-2206-99

WATER PUMP #871342 SEALLESS / RETROFIT

FORMER



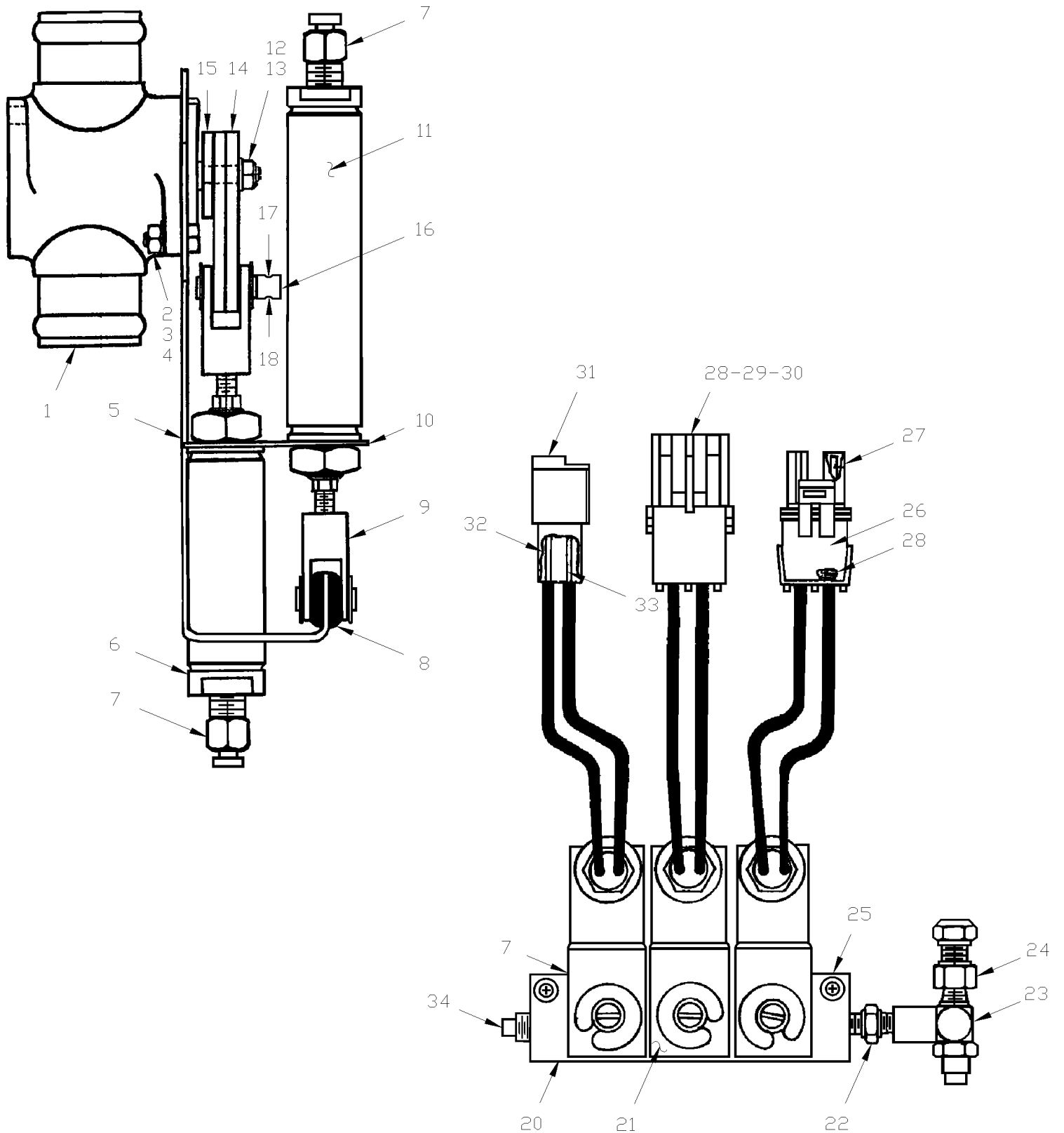
CURRENT



| | | |
|---|--------------|-----------------|
| From L-031 To R-079 | Date:10/2022 | PAGE:H4-2206-99 |
| WATER PUMP #871342 SEALLESS / RETROFIT | | |

| Item# | Part | Description | H 3 4 0 | V I P 4 0 | N O T E S |
|-------|-----------------|--|------------------|-----------------------|-----------------------|
| | 374032 | PUMP WATER ASSY WITH CONNECTOR / SEALLESS MODEL | 1 | 1 | |
| | 871414 | . WATER PUMP ASSY / 24V / SEALLESS / "MP PUMPS" | 1 | 1 | A |
| | 871342 | . WATER PUMP ASSY / 24V / SEALLESS / "MP PUMPS" | 1 | 1 | |
| 1 | N.S.S. | . HOUSING | 1 | 1 | 1 |
| 2 | 871236 | . O-RING | 1 | 1 | |
| 3A | 870138 | . O-RING | 2 | 2 | C |
| 3B | 871239 | . WASHER SS | 2 | 2 | F |
| 3B | Call order desk | . WASHER THRUST | 2 | 2 | PC |
| 4 | 871240 | . ROTOR ASSY | 1 | 1 | F |
| 4 | 870117 | . ROTOR ASSY | 1 | 1 | C |
| 5 | 871241 | . SHAFT SS | 1 | 1 | F |
| 5 | Call order desk | . SHAFT SS | 1 | 1 | PC |
| 6 | G1094056 | . SCREW CAP HEXS 8-32x3/8 | 8 | 8 | |
| 7 | G1094057 | . ADAPTOR | 1 | 1 | |
| 8 | 871242 | . DRIVE MAGNET | 1 | 1 | |
| 9 | 871322 | . MOTOR ASSY 24V | 1 | 1 | |
| 10 | 871323 | . BRUSH | 2 | 2 | |
| 11 | 561566 | . CONNECTOR / WEATHER PACK / PH 2C / BLACK / PED 12010973 | 1 | 1 | |
| NS | 561568 | . PIN TERMINAL / 16-14 / PED 12089305 | 2 | 2 | |
| NS | 561786 | . CABLE SEAL / GRAY / PED 15324980 | 2 | 2 | |
| | | | | | |
| NS | 374027 | KIT, RETROFIT SEALLESS WATER PUMP | 1 | 1 | |
| | | | | | |
| | | | | | |
| | | A) THIS PUMP IS PACKAGING INDIVIDUALLY WITHOUT ELECTRICAL CONNECTORS | | | |
| | | C) CURRENT | | | |
| | | F) FORMER | | | |
| | | 1) NOT SOLD SEPARATELY | | | |
| | | P) CALL ORDER DESK FOR SPECIFIC APPLICATION (V.I.N.) | | | |

| | | |
|-----------------------------------|--------------|-----------------|
| From L-031 To R-396 | Date:10/2022 | PAGE:H4-2207-00 |
| WATER VALVE - W/MAIN HEATER & A/C | | |



| | | |
|--|--------------|-----------------|
| From L-031 To R-396 | Date:10/2022 | PAGE:H4-2207-00 |
| WATER VALVE - W/MAIN HEATER & A/C | | |

| Item# | Part | Description | H 3 4 0 | V I P 4 0 | N O T E S |
|-------|-----------|---|------------------|-----------------------|-----------------------|
| | 372587 | WATER VALVE ASSY | 1 | 1 | B |
| 1 | 870964 | . VALVE | 1 | 1 | B |
| 1 | 871055 | . O-RING 30.3MM I.D. / LARGE | 1 | 1 | |
| 1 | 871056 | . O-RING / SMALL 15.44MM O.D. X 10.2MM I.D. | 1 | 1 | |
| 2 | 500160 | . SCREW CAP HEX #10-24x1/2 Z050 | 2 | 2 | |
| 3 | 500786 | . NUT HEX #10-24 Z050 | 2 | 2 | |
| 4 | 500470 | . WASHER LO SPT .193x.334x.047 Z050 | 2 | 2 | |
| 5 | 372579 | . SUPPORT To N-233 | 1 | 1 | |
| 5 | 372933 | . SUPPORT From N-234 | 1 | 1 | A |
| 6 | 641178 | . CYLINDER | 1 | 1 | |
| 7 | 641126 | . MALE CONNECTOR / PUSH-IN FITTING / #2x1/8NPT-M BR | 5 | 5 | |
| 8 | 504529 | . GROMMET / .250x.375x.062x.281x.625 | 1 | 1 | |
| 9 | 641176 | . YOKE (INCLUDING PIN & SNAP RING) | 2 | 2 | |
| 10 | 372578 | . SUPPORT | 1 | 1 | |
| 11 | 641177 | . CYLINDER | 1 | 1 | |
| 12 | 502782 | . NUT HEX NYRT M5-0.8 Z050 | 1 | 1 | |
| 13 | 502637 | . WASHER FL .200x.437x.037 SS | 1 | 1 | |
| 14 | 372724 | . LEVER | 2 | 2 | |
| 15 | 372725 | . SPACER | 1 | 1 | |
| 16 | 372934 | . PIN, CLEVIS | 1 | 1 | A |
| 17 | 372935 | . SPRING EXTENSION / .500 O.D. x 1.875 x .054 | 1 | 1 | A |
| 18 | 372936 | . SPRING EXTENSION / .500 O.D. x 2.25 x .054 | 1 | 1 | A |
| NS | 372669 | SOLENOID VALVE ASSY | 1 | 1 | |
| 20 | 641180 | MANIFOLD VALVE / W/3 SOLENOID | 1 | 1 | |
| . NS | 641928 | . KIT, MANIFOLD REPAIR / N.C. | 3 | 3 | |
| . NS | 641107 | . COIL 24V | 1 | 1 | |
| 21 | 641107 | . COIL 24V | 3 | 3 | |
| 22 | 501312 | BUSHING REDUCER / PIPE FITTING / 1/4NTP-Mx1/8NPT-F BR | 1 | 1 | |
| 23 | 780233 | VALVE, CONTROL / FCP2 | 1 | 1 | |
| 24 | 641013 | FEMALE CONNECTOR / NTA FITTING / #4x1/8NPT-F BR | 1 | 1 | |
| 25 | 500495 | SCREW TP PAN PH #6x1 Z050 | 2 | 2 | |
| 26 | 561690 | CONNECTOR / WEATHER PACK / SH 2C / BLACK / PED 12015792 | 2 | 2 | |
| 27 | 561578 | SOCKET TERMINAL / 16-14 / PED 12010182 | 2 | 2 | |
| 28 | 561565 | CABLE SEAL / GREEN / PED 15324982 | 4 | 4 | |
| 29 | 561566 | CONNECTOR / WEATHER PACK / PH 2C / BLACK / PED 12010973 | 1 | 1 | |
| 30 | 561568 | PIN TERMINAL / 16-14 / PED 12089305 | 2 | 2 | |
| 31 | 561813 | CONNECTOR / SURE-SEAL / FEMALE HOUSING 2C / ITT CANNON 120-1804-000 | 1 | 1 | |
| 32 | 561024 | SOCKET TERMINAL / 18-14 / ITT CANNON 031-1267-001 | 1 | 1 | |
| 33 | 561023 | PIN TERMINAL / 18-14 / ITT CANNON 030-2196-001 | 1 | 1 | |
| 34 | 501303 | PLUG SQUARE HEAD / PIPE FITTING / 1/8NPT-M BR | 1 | 1 | |
| NS | 373849 | KIT, REPLACEMENT FOR HONEYWELL VALVE To R-396 | | | W |
| . NS | IS-00063A | . SEE INSTRUCTION SHEET To R-396 | | | W |

| | | |
|--|--------------|-----------------|
| From L-031 To R-396 | Date:10/2022 | PAGE:H4-2207-00 |
| WATER VALVE - W/MAIN HEATER & A/C | | |

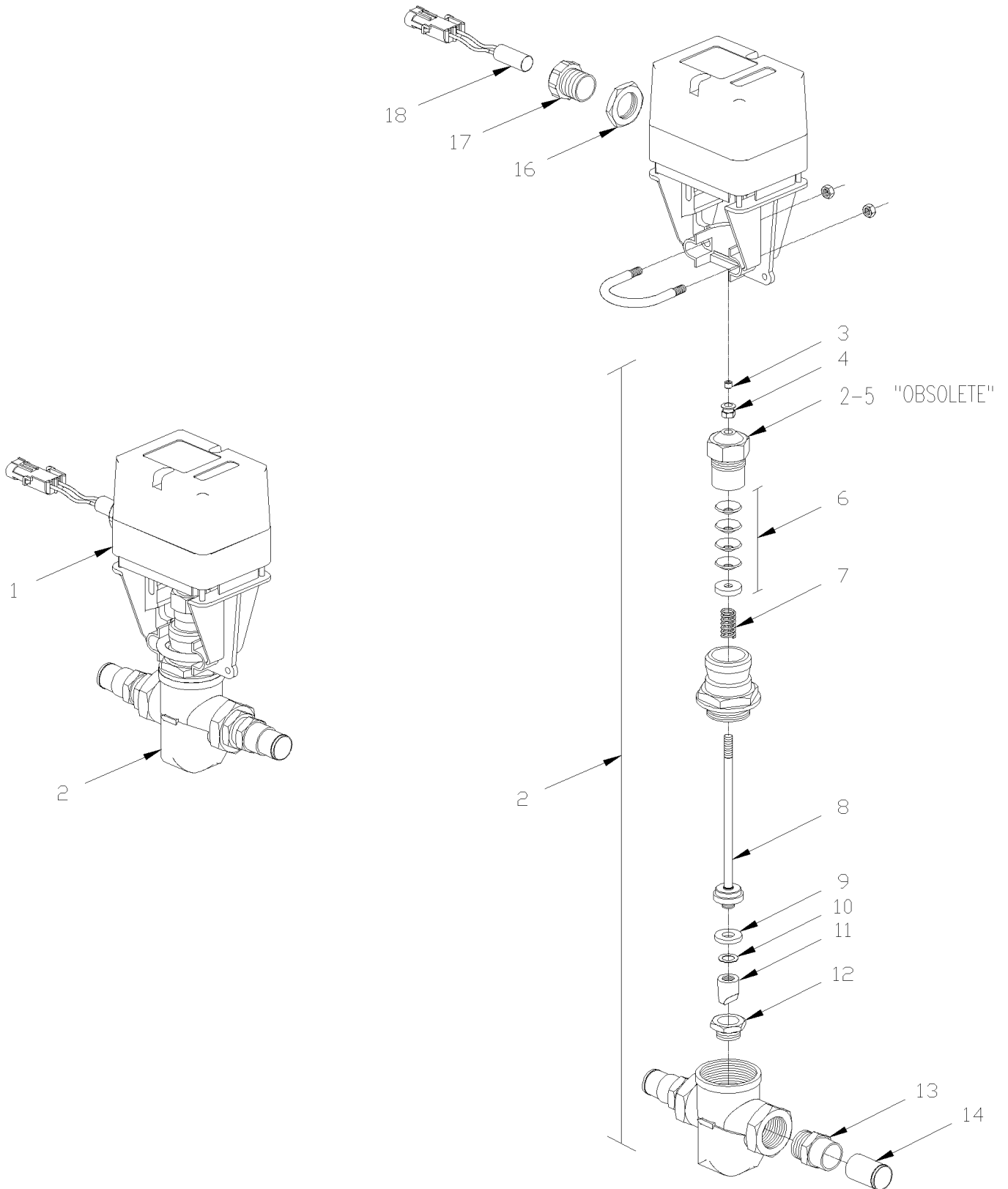
| Item# | Part | Description | H 3 4 0 | V I P 4 0 | N O T E S |
|-------|------|---|------------------|-----------------------|-----------------------|
| | | | | | |
| | | | | | |
| | | A) USED THOSE PARTS TO IMPROVE VALVE OPERATION | | | |
| | | B) FOR PRODUCT IMPROVEMENT THIS VALVE ARE SUPPERSEDED BY KIT #373849 | | | |
| | | W) "WARNING BEFORE INSTALL SEE CABLE DRAWING # 065552 WITH REVISION #CD51808" | | | |

From R-397 To R-079

Date:10/2022

PAGE:H4-2207-01

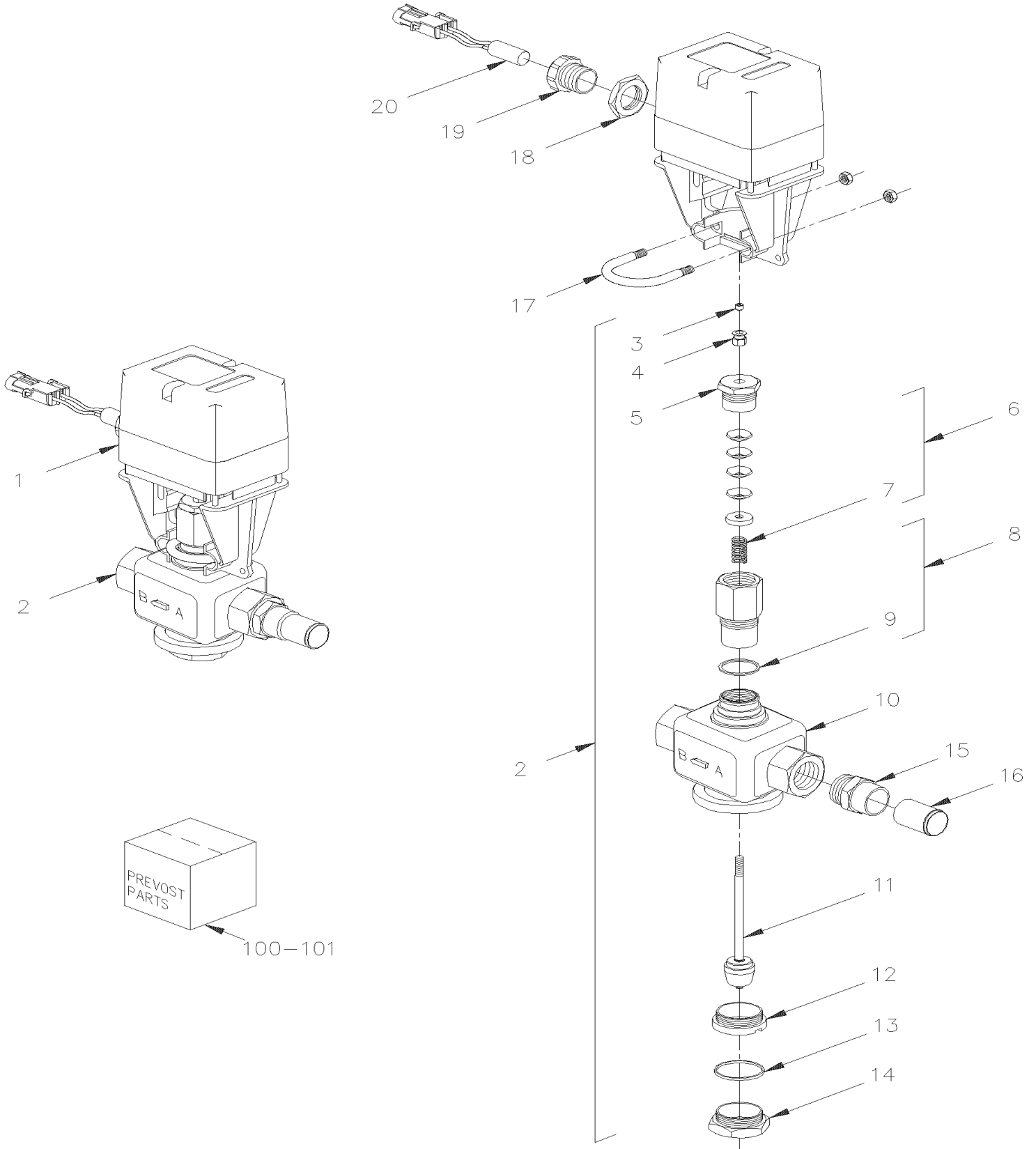
WATER VALVE "VERSADRIVE"



| | | |
|---------------------------------|--------------|-----------------|
| From R-397 To R-079 | Date:10/2022 | PAGE:H4-2207-01 |
| WATER VALVE "VERSADRIVE" | | |

| Item# | Part | Description | H 3 4 0 | V I P 4 0 | N O T E S |
|-------|--------|---|------------------|-----------------------|-----------------------|
| | 372937 | VALVE ASSY W/FITTING | 1 | 1 | |
| 1 | 641238 | . VALVE ACTUATOR 0-10 VOLTS | 1 | 1 | |
| 2 | 641239 | . VALVE BODY ASSY 3/4" NPT | 1 | 1 | |
| 3 | 500870 | . . SCREW SET HEXS CUP 1/4-28x3/16 | 1 | 1 | |
| 4 | N.S.P. | . . BUTTON (14004623-001) | 1 | 1 | 2 |
| 5 | 641260 | . . PACKING NUT | 1 | 1 | |
| 6 | 641348 | . . KIT PACKING NUT | 1 | 1 | |
| 7 | N.S.P. | . . . SPRING | 1 | 1 | 2 |
| 8 | N.S.P. | . . STERN & DISC HOLDER ASSY (311094A) | 1 | 1 | 2 |
| 9 | 641263 | . . WASHER SPR WAVE .375x.594 | 1 | 1 | |
| 10 | 641262 | . . DISC SPRING | 1 | 1 | |
| 11 | 641264 | . . PLUG | 1 | 1 | |
| 12 | 641265 | . . SEAT | 1 | 1 | |
| 13 | 501794 | . ADAPTER / COPPER @ PIPE / 1Mx3/4NPT-M | 2 | 2 | |
| 14 | 372544 | . PIPE OUTLET | 2 | 2 | |
| 15 | 372939 | . SUPPORT WATER VALVE "Z" SHAPE | 1 | 1 | |
| 16 | 560433 | . NUT LOCK 1/2" PIPE | 1 | 1 | |
| 17 | 560434 | . CONNECTOR 1/2" PIPE | 1 | 1 | |
| 18 | 063332 | . CABLE ASSY | 1 | 1 | |
| 18 | 641261 | . . KIT MASTER REPAIR PACKING | 1 | 1 | |
| | | | | | |
| | | | | | |
| | | | | | |
| | | 2) NOT SOLD BY PREVOST (SEE MANUFACTURING PART NUMBER AT END OF DESCRIPTION LINE) | | | |

| | | |
|------------------------------------|--------------|-----------------|
| From L-031 To R-079 | Date:10/2022 | PAGE:H4-2207-02 |
| WATER VALVE "VERSADRIVE" / SERVICE | | |



| | | |
|---|--------------|-----------------|
| From L-031 To R-079 | Date:10/2022 | PAGE:H4-2207-02 |
| WATER VALVE "VERSADRIVE" / SERVICE | | |

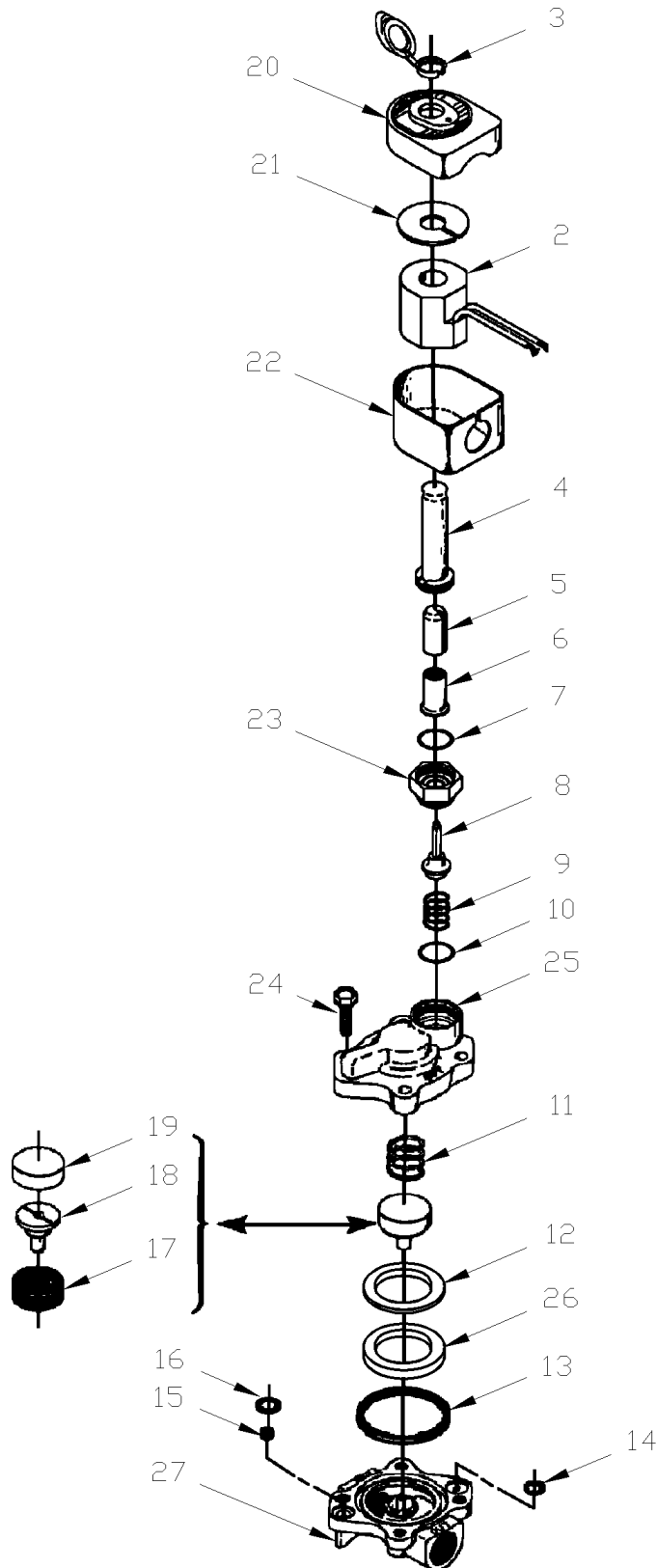
| Item# | Part | Description | H 3 4 0 | V I P 4 0 | N O T E S |
|-------|----------|---|------------------|-----------------------|-----------------------|
| | 373729 | VALVE ASSY W/FITTING | 1 | 1 | |
| 1 | 871184 | . VALVE ACTUATOR 0-10 VOLTS | 1 | 1 | |
| 2 | 871183 | . VALVE BODY ASSY 3/4" NPT | 1 | 1 | |
| 3 | 500870 | . . SCREW SET HEXS CUP 1/4-28x3/16 | 1 | 1 | |
| 4 | N.P.N. | . . BUTTON | 1 | 1 | 4 |
| 5 | N.P.N. | . . PACKING NUT | 1 | 1 | 4 |
| 6 | N.P.N. | . . SEAL | 1 | 1 | 4 |
| 7 | N.P.N. | . . . SPRING | 1 | 1 | 4 |
| 8 | N.P.N. | . . PACKING CARTRIDGE | 1 | 1 | 4 |
| 9 | N.P.N. | . . . RING SEAL | 1 | 1 | 4 |
| 10 | N.P.N. | . . BODY | 1 | 1 | 4 |
| 11 | N.P.N. | . . PLUG SEAL | 1 | 1 | 4 |
| 12 | N.P.N. | . . SEAT RING | 1 | 1 | 4 |
| 13 | N.P.N. | . . RING NUT | 1 | 1 | 4 |
| 14 | N.P.N. | . . BOTTOM NUT | 1 | 1 | 4 |
| 15 | 501794 | . ADAPTER / COPPER @ PIPE / 1Mx3/4NPT-M | 2 | 2 | |
| 16 | 372544 | . PIPE OUTLET | 2 | 2 | |
| 17 | N.P.N. | . U-BOLT | 1 | 1 | 4 |
| NS | 372939 | . SUPPORT WATER VALVE "Z" SHAPE | 1 | 1 | |
| 18 | 560433 | . NUT LOCK 1/2" PIPE | 1 | 1 | |
| 19 | 560434 | . CONNECTOR 1/2" PIPE | 1 | 1 | |
| 20 | 063332 | . CABLE ASSY | 1 | 1 | |
| 100 | 871187 | . . PACKING NUT INCLUDE ITEM 6 + 7 | 1 | 1 | |
| 101 | 871188 | . . KIT MASTER REPAIR PACKING ITEM 8 + 9 | 1 | 1 | |
| 102 | 374835 | REPLACEMENT OF THE HOT WATER VALVE EQUIPPED WITH ACTUATOR #871184 | 1 | 1 | |
| . NS | 373898 | . WATER VALVE ASSY / 24V | 1 | 1 | |
| . NS | 503402 | . TUBE, NYLON 1/4 O.D. / BLACK S.L. | 25FT | 25FT | |
| . NS | 563204 | . CONNECTOR / SOCKET HOUSING ASSY 4C / BURKET 303148 | 1 | 1 | |
| . NS | IS-14905 | . SEE INSTRUCTION SHEET | 1 | 1 | |
| | | | | | |
| | | | | | |
| | | 4) NO PARTS NUMBER | | | |

From L-031 To M-109

Date:10/2022

PAGE:H4-2207-10

WATER VALVE - DRIVER'S



| | | |
|-------------------------------|--------------|-----------------|
| From L-031 To M-109 | Date:10/2022 | PAGE:H4-2207-10 |
| WATER VALVE - DRIVER'S | | |

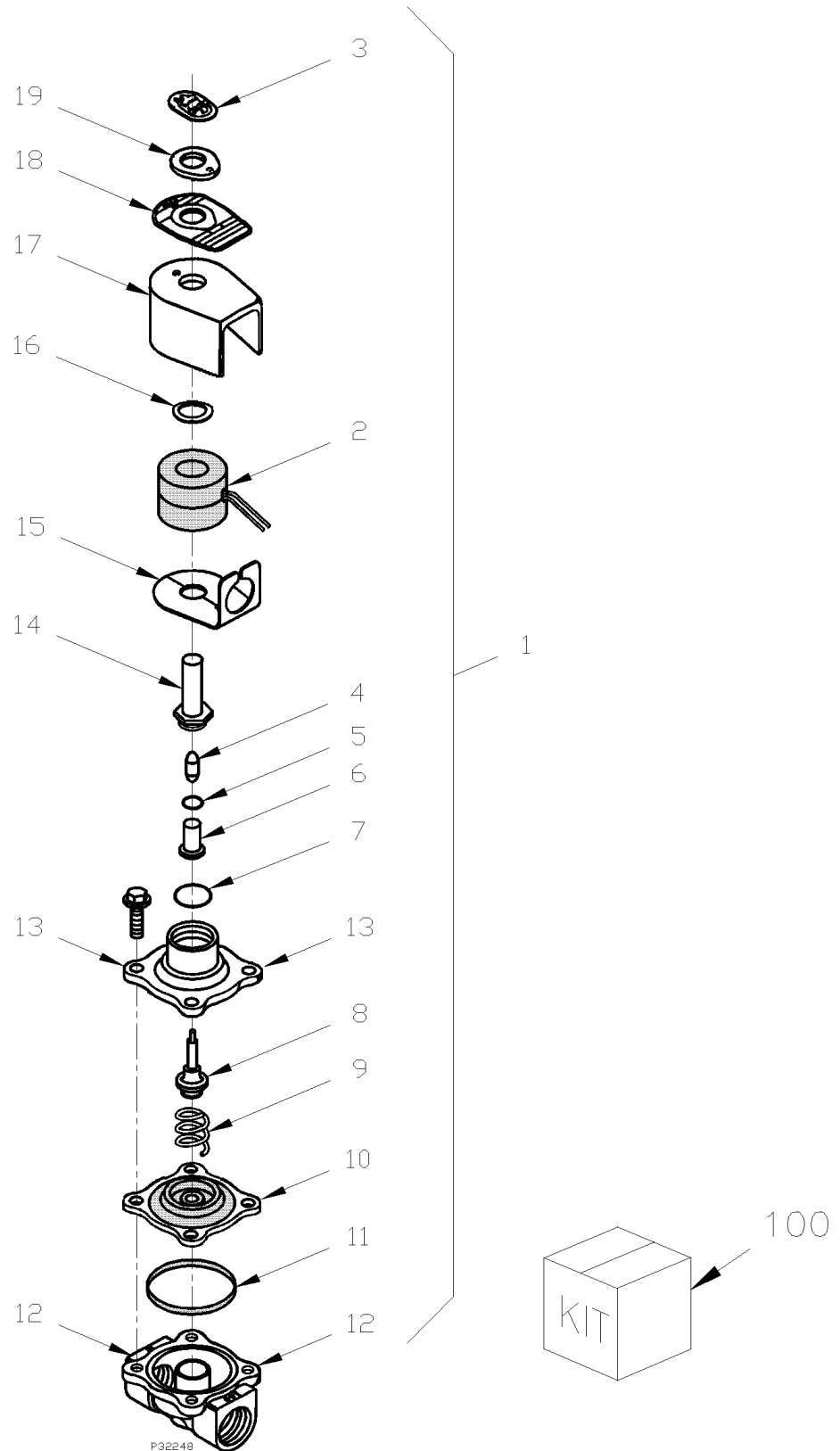
| Item# | Part | Description | H 3 4 0 | V I P 4 0 | N O T E S |
|-------|--------|---|------------------|-----------------------|-----------------------|
| 1 | 870982 | VALVE WATER / 24 V UNDER DRIVER'S FLOOR | | | |
| 2 | 871013 | . COIL 24V | | | |
| 2 | 871014 | . KIT REPAIR | | | |
| 3 | N.S.S. | . . RETAINING CAP | | | 1 |
| 4 | N.S.S. | . . SOLENOID BASE | | | 1 |
| 5 | N.S.S. | . . CORE | | | 1 |
| 6 | N.S.S. | . . PLUGNUT ASSY | | | 1 |
| 7 | N.S.S. | . . GASKET | | | 1 |
| 8 | N.S.S. | . . DISC HOLDER ASSY | | | 1 |
| 9 | N.S.S. | . . SPRING | | | 1 |
| 10 | N.S.S. | . . GASKET | | | 1 |
| 11 | N.S.S. | . . SPRING | | | 1 |
| 12 | N.S.S. | . . LIP SEAL | | | 1 |
| 13 | N.S.S. | . . GASKET | | | 1 |
| 14 | N.S.S. | . . GASKET | | | 1 |
| 15 | N.S.S. | . . FLOW CONTROL | | | 1 |
| 16 | N.S.S. | . . GASKET | | | 1 |
| 17 | N.S.S. | . . DISC | | | 1 |
| 18 | N.S.S. | . . SNUBBER | | | 1 |
| 19 | N.S.S. | . . PISTON | | | 1 |
| 20 | N.S.S. | . COVER | | | 1 |
| 21 | N.S.S. | . FLUX WASHER | | | 1 |
| 22 | N.S.S. | . HOUSING | | | 1 |
| 23 | N.S.S. | . ADAPTER | | | 1 |
| 24 | N.S.S. | . SCREW | | | 1 |
| 25 | N.S.S. | . VALVE BONNET | | | 1 |
| 26 | N.S.S. | . SUPPORT | | | 1 |
| 27 | N.S.S. | . VALVE BODY | | | 1 |
| | | | | | |
| | | | | | |
| | | 1) NOT SOLD SEPARATELY | | | |

From M-110 To R-079

Date:10/2022

PAGE:H4-2207-11

WATER VALVE - DRIVER'S



| | | |
|-------------------------------|--------------|-----------------|
| From M-110 To R-079 | Date:10/2022 | PAGE:H4-2207-11 |
| WATER VALVE - DRIVER'S | | |

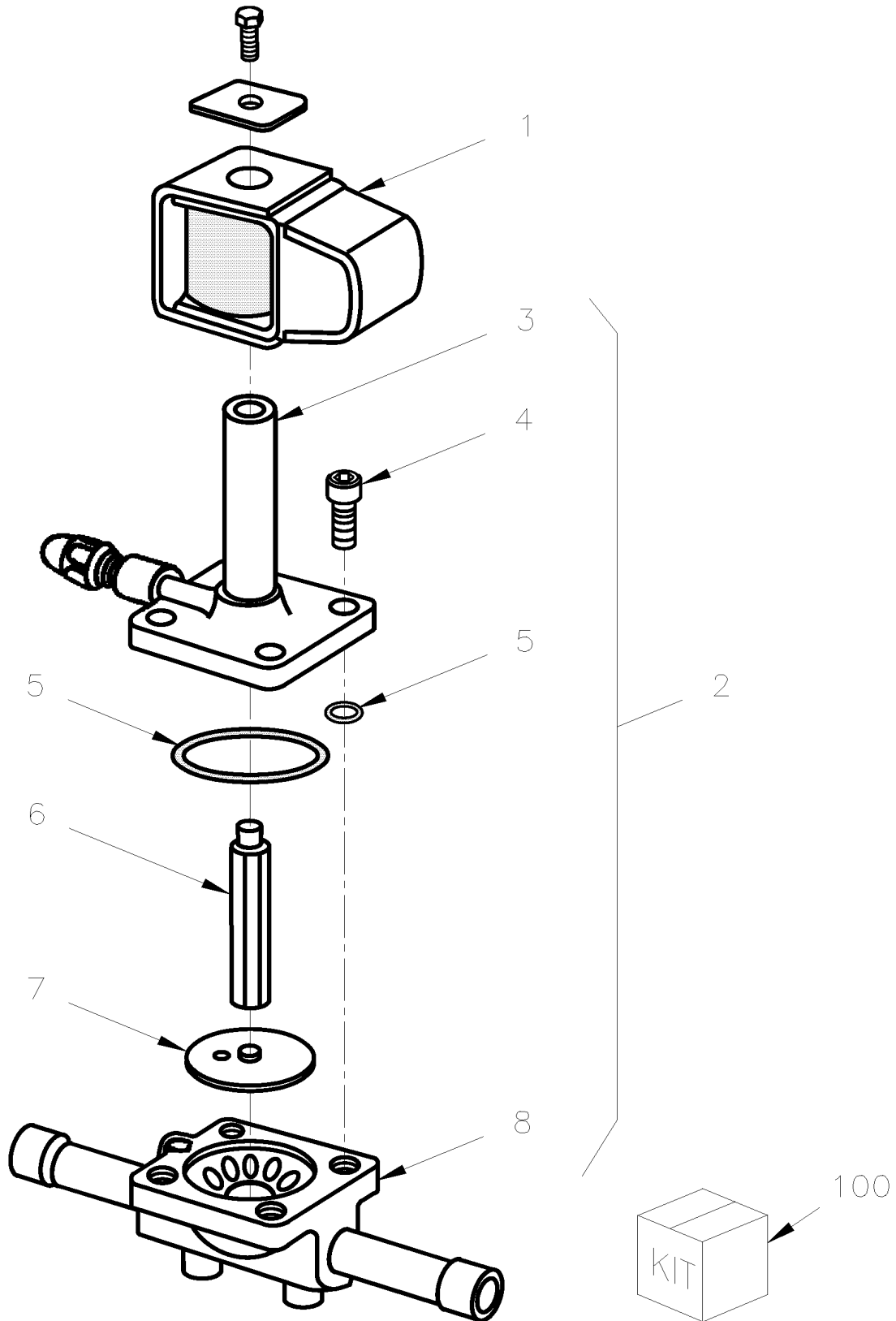
| Item# | Part | Description | H 3 4 0 | V I P 4 0 | N O T E S |
|-------|--------|-------------------------|------------------|-----------------------|-----------------------|
| 1 | 870812 | VALVE WATER ASSY / 24 V | 1 | 1 | |
| 2 | 870960 | COIL 24V | 1 | 1 | |
| 3 | N.S.S. | RETAINING CLIP | 1 | 1 | 1 |
| 4 | N.S.S. | CORE | 1 | 1 | 1 |
| 5 | N.S.S. | PLUGNUT GASKET | 1 | 1 | 1 |
| 6 | N.S.S. | PLUGNUT ASSY | 1 | 1 | 1 |
| 7 | N.S.S. | GASKET | 1 | 1 | 1 |
| 8 | N.S.S. | DISC HOLDER | 1 | 1 | 1 |
| 9 | N.S.S. | SPRING | 1 | 1 | 1 |
| 10 | N.S.S. | DIAPHRAGM | 1 | 1 | 1 |
| 11 | N.S.S. | GASKET | 1 | 1 | 1 |
| 12 | N.S.S. | BODY | 1 | 1 | 1 |
| 13 | N.S.S. | VALVE BONNET | 1 | 1 | 1 |
| 14 | N.S.S. | SOLENOID BASE | 1 | 1 | 1 |
| 15 | N.S.S. | HOUSING | 1 | 1 | 1 |
| 16 | N.S.S. | SPRING WASHER | 1 | 1 | 1 |
| 17 | N.S.S. | COVER | 1 | 1 | 1 |
| 18 | N.S.S. | NAMEPLATE | 1 | 1 | 1 |
| 19 | N.S.S. | SPACER | 1 | 1 | 1 |
| 100 | 870872 | KIT REPAIR | AR | AR | |
| | | | | | |
| | | | | | |
| | | | | | |
| | | 1) NOT SOLD SEPARATELY | | | |

From R-397 To R-079

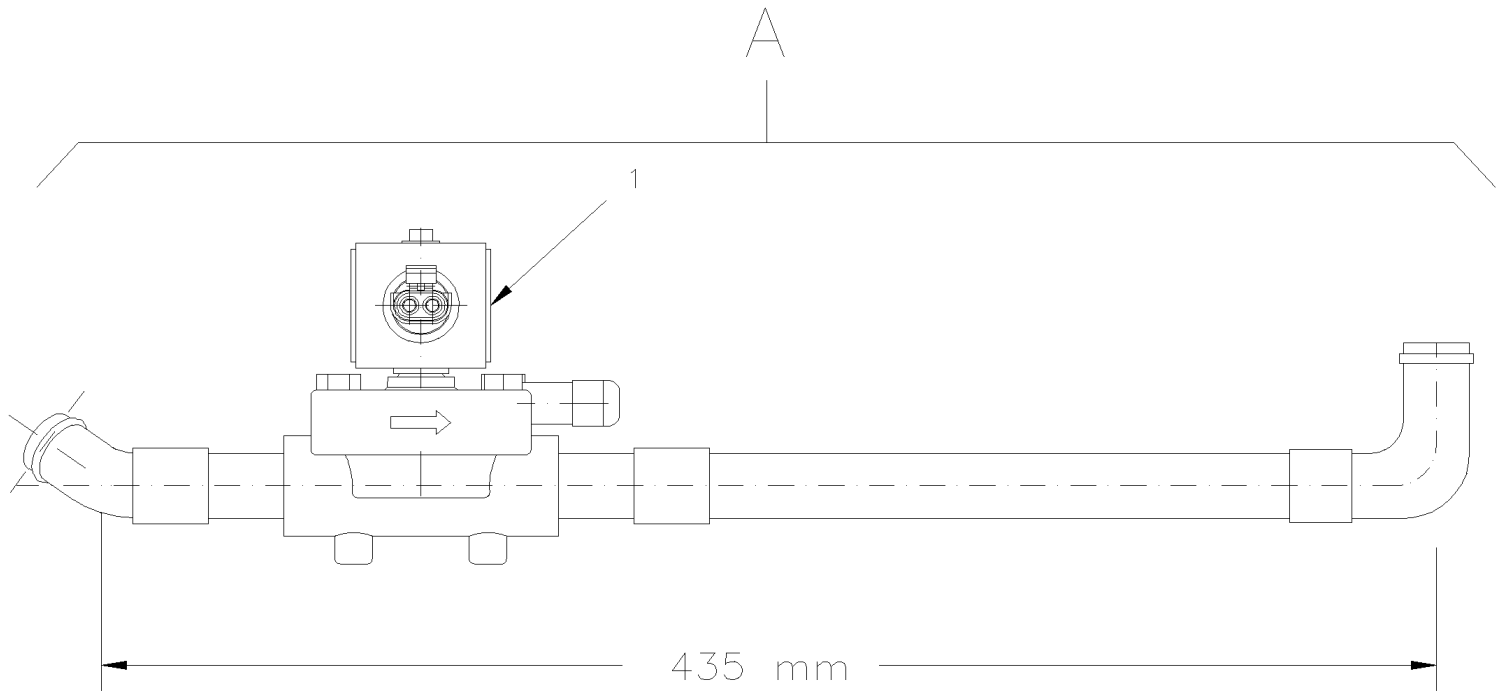
Date:10/2022

PAGE:H4-2207-20

WATER VALVE - BYPASS W/WATER HEATER



| | | |
|--|--------------|-----------------|
| From R-397 To R-079 | Date:10/2022 | PAGE:H4-2207-20 |
| WATER VALVE - BYPASS W/WATER HEATER | | |



| | | |
|--|--------------|-----------------|
| From R-397 To R-079 | Date:10/2022 | PAGE:H4-2207-20 |
| WATER VALVE - BYPASS W/WATER HEATER | | |

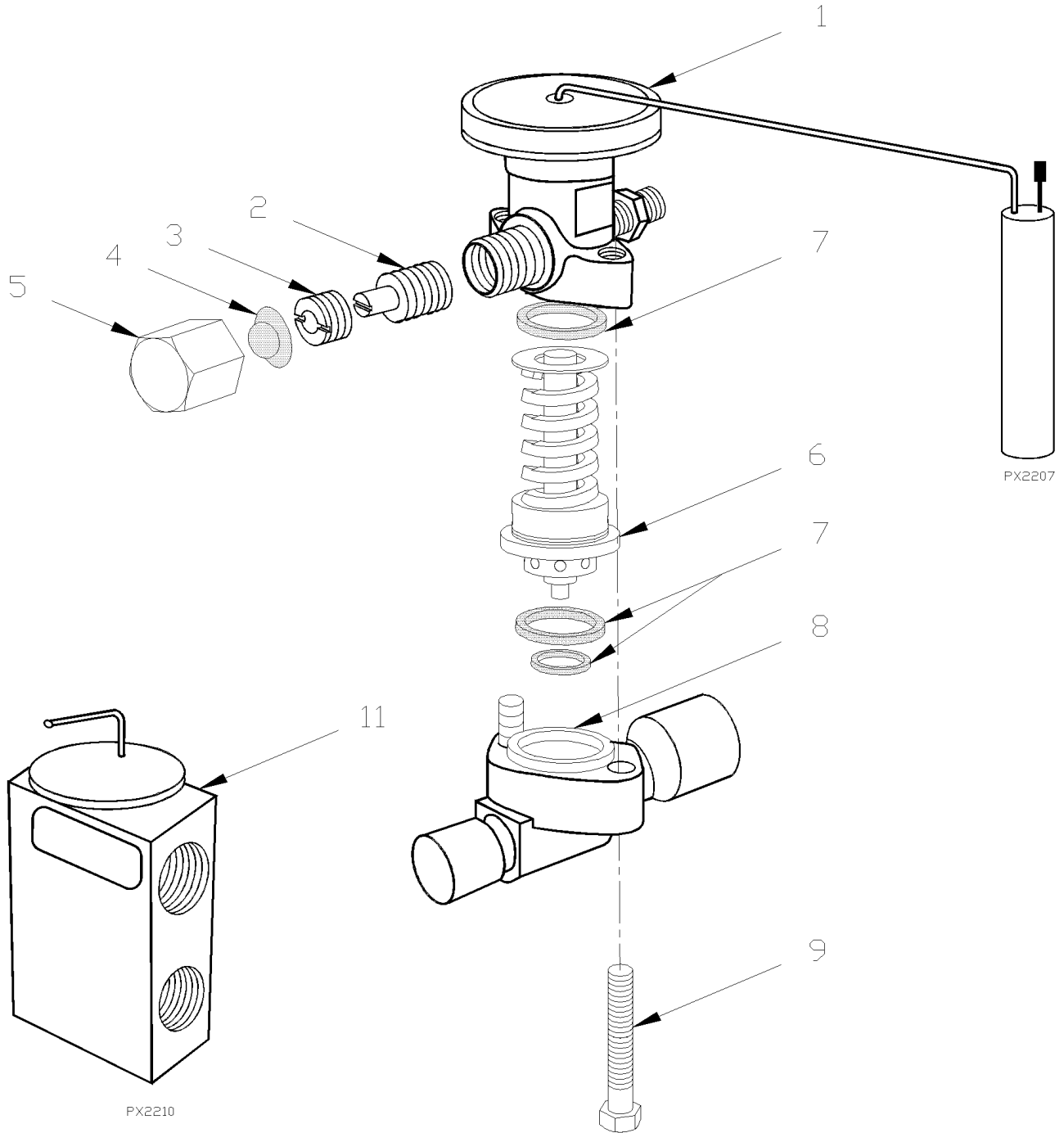
| Item# | Part | Description | H 3 4 0 | V I P 4 0 | N O T E S |
|-------|--------|---|------------------|-----------------------|-----------------------|
| 1 | 950055 | . COIL 24V | 1 | 1 | F |
| 1 | 950953 | . COIL 24V / SERVICE | 1 | 1 | C |
| NS | 561690 | . CONNECTOR / WEATHER PACK / SH 2C / BLACK / PED 12015792 | 1 | 1 | |
| NS | 561689 | . SOCKET TERMINAL / 20-18 / PED 12089188 | 2 | 2 | |
| NS | 561565 | . CABLE SEAL / GREEN / PED 15324982 | 2 | 2 | |
| 2 | 870886 | . VALVE WATER BYPASS | 1 | 1 | S |
| 2 | 950952 | . VALVE WATER BYPASS / SERVICE | 1 | 1 | |
| 3 | N.S.S. | . . BONNET & ENCLOSING TUBE ASSY | 1 | 1 | 1 |
| 4 | 500238 | . . SCREW CAP HEXS 1/4-20x3/4 ZP | 4 | 4 | |
| 5 | N.S.S. | . . O-RING | 1 | 1 | 1 |
| 6 | N.S.S. | . . PLUNGER ASSY | 1 | 1 | 1 |
| 7 | N.S.S. | . . DIAPHRAGM ASSY | 1 | 1 | 1 |
| 8 | N.S.S. | . . BODY | 1 | 1 | 1 |
| NS | 503198 | . COPPER TUBE .875" O.D. x .045" x 240" | AR | AR | |
| NS | 372813 | . ELBOW | 1 | 1 | |
| NS | 373301 | . ELBOW | 1 | 1 | |
| 100 | 870980 | KIT REPAIR | AR | AR | F A |
| A | 372961 | WATER BY-PASS VALVE ASSY / W/TUBE & CONNECTOR | 1 | 1 | |
| | | | | | |
| | | | | | |
| | | A) INCLUDE ITEMS #5, 6 & 7 | | | |
| | | C) USE OMLY WITH SERVICE VALVE # 950952 | | | |
| | | F) USED ONLY WITH FORMER VALVE 870886 | | | |
| | | S) THIS VALVE IT SUPPERSEDED BY # 950952 WITH COIL 950953 | | | |
| | | 1) NOT SOLD SEPARATELY | | | |

From L-031 To R-079

Date:10/2022

PAGE:H4-2208-00

A/C EXPANSION VALVE



| | | |
|----------------------------|--------------|-----------------|
| From L-031 To R-079 | Date:10/2022 | PAGE:H4-2208-00 |
| A/C EXPANSION VALVE | | |

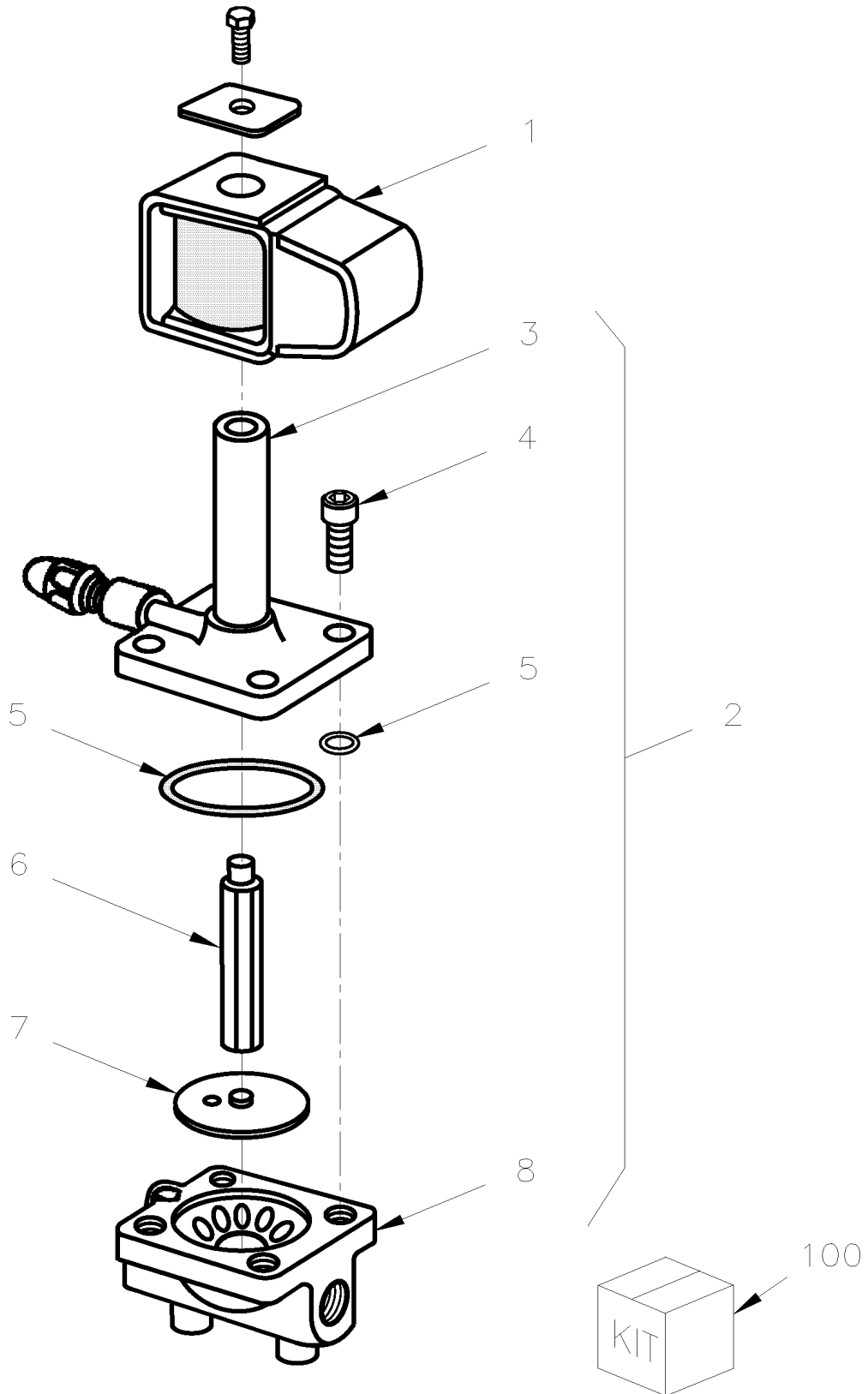
| Item# | Part | Description | H 3 4 0 | V I P 4 0 | N O T E S |
|-------|--------|--|------------------|-----------------------|-----------------------|
| | 870881 | VALVE, EXPANSION 7 1/2 TON / R-12 | 1 | 1 | A |
| | 950292 | VALVE, EXPANSION 10 TONS | 1 | 1 | B |
| | 950074 | VALVE, EXPANSION 2 TON | 1 | 1 | D |
| | 950237 | VALVE, EXPANSION 7 1/2 TON / R-134A | | | C |
| 1 | 870587 | . ELEMENT POWER R-12 | 1 | 1 | A |
| 1 | 950222 | . ELEMENT POWER R-22 | 1 | 1 | B |
| 1 | 950241 | . ELEMENT POWER R134A | | | C |
| 2 | 870622 | . ADJUSTING STEM & PACKING ASSY | 1 | 1 | |
| 3 | 870621 | . NUT PACKING | 1 | 1 | |
| 4 | N.S.S. | . SEAL | 1 | 1 | 1 |
| 5 | 870619 | . NUT CAP | 1 | 1 | |
| 6 | 870883 | . CAGE ASSY & SPRING / B8B | 1 | 1 | A |
| NS | 950242 | . CAGE ASSY & SPRING / B7B | 1 | 1 | B |
| NS | 950258 | . CAGE ASSY & SPRING / B3B | 1 | 1 | D |
| NS | 950242 | . CAGE ASSY & SPRING / B7B | | | C |
| 7 | 870709 | . SET GASKET | 1 | 1 | |
| NS | 870809 | . SET GASKET | | | C |
| 8 | 870687 | . FLANGE BODY | 1 | 1 | B |
| 9 | 500054 | . SCREW CAP HEX 3/8-24x2 1/2 G5 ZP | 2 | 2 | |
| | | | | | |
| 11 | 950058 | VALVE, EXPANSION / DRIVER'S W/R-12 | 1 | 1 | A |
| NS | 950221 | VALVE, EXPANSION / DRIVER'S W/R134A | 1 | 1 | C |
| NS | 507279 | O-RING / ORS FITTING / #8 NEO | 2 | 2 | |
| | | | | | |
| | | WE DID NOT PRODUCED H3-40 WITH R-134A. | | | |
| | | PARTS ARE USED WITH RETROFIT KIT, | | | |
| | | FOR MORE INFORMATION CALL SERVICE PARTS. | | | |
| | | | | | |
| | | | | | |
| | | A) FOR MAIN EVAPORATOR WITH FREON R-12 | | | |
| | | B) FOR MAIN EVAPORATOR WITH FREON R-22 | | | |
| | | C) FOR MAIN EVAPORATOR WITH FREON R-134 | | | |
| | | D) FOR DRIVER'S EVAPORATOR WITH FREON R-22 | | | |
| | | 1) NOT SOLD SEPARATELY | | | |

From L-031 To R-079

Date:10/2022

PAGE:H4-2208-10

REFRIGERANT SOLENOID VALVE



| | | |
|-----------------------------------|--------------|-----------------|
| From L-031 To R-079 | Date:10/2022 | PAGE:H4-2208-10 |
| REFRIGERANT SOLENOID VALVE | | |

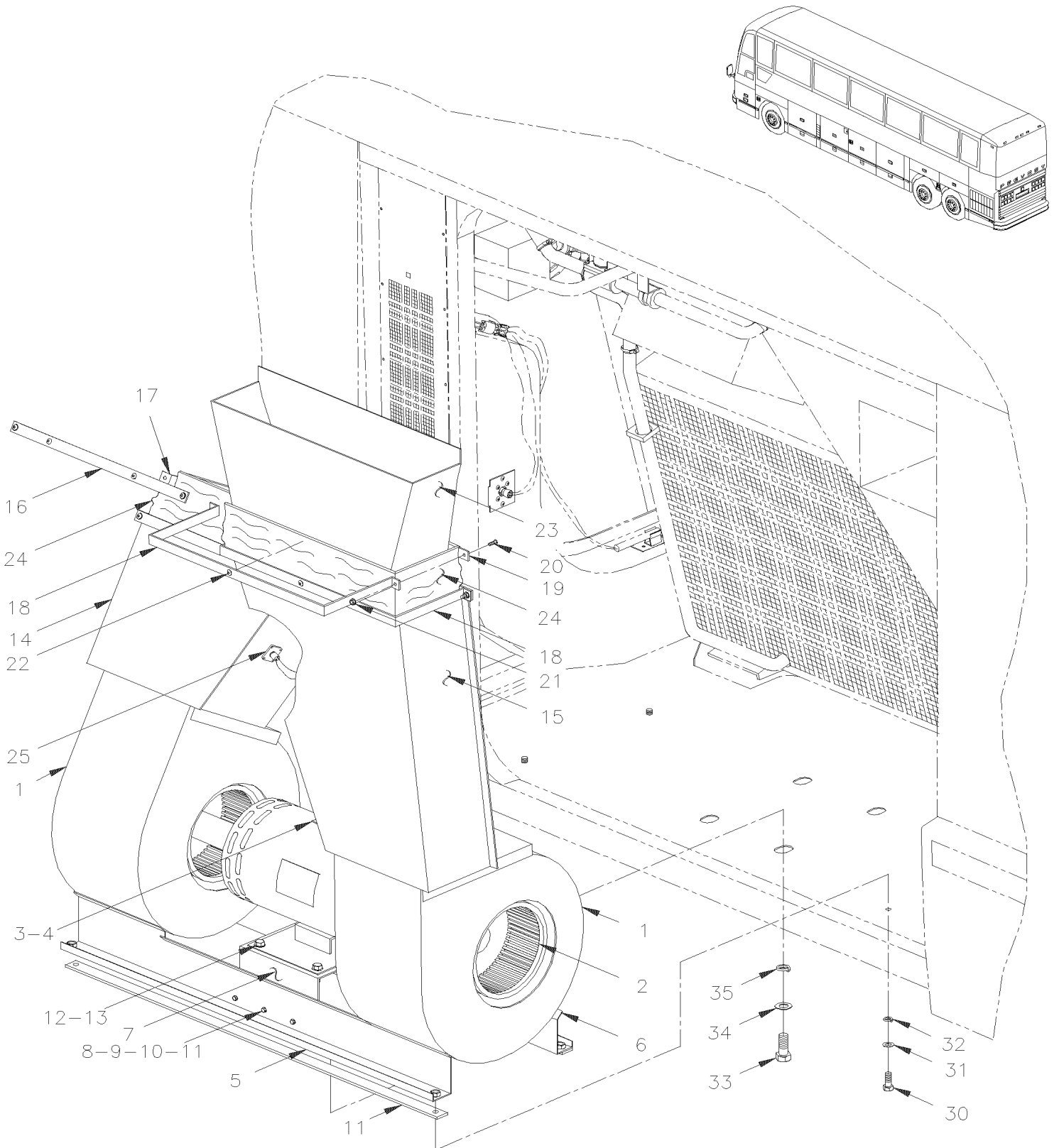
| Item# | Part | Description | H 3 4 0 | V I P 4 0 | N O T E S |
|-------|--------|--|------------------|-----------------------|-----------------------|
| | 372679 | VALVE ASSY / REFRIGERANT SOLENOID | 1 | 1 | |
| NS | 560434 | . CONNECTOR 1/2" PIPE | 1 | 1 | |
| NS | 561030 | . CONNECTOR / 56 SERIES / MALE BLADE HOUS 2C / BLACK / PED 2977763 | 1 | 1 | |
| NS | 561031 | . MALE BLADE TERMINAL / 16-14 / PED 2971962 | 1 | 1 | |
| NS | 500160 | . SCREW CAP HEX #10-24x1/2 Z050 | 2 | 2 | |
| 1 | 950055 | . COIL 24V / PRODUCTION | 1 | 1 | F |
| 1 | 950953 | . COIL 24V / SERVICE OCT 2006 | 1 | 1 | G |
| 2 | 950054 | . VALVE REFRIGERANT SOLENOID / 3/8" NPT | 1 | 1 | S |
| 2 | 958212 | . VALVE REFRIGERANT SOLENOID / 1/2" NPT | 1 | 1 | |
| 2 | 501534 | . BUSHING REDUCER / PIPE FITTING / 1/2NPT-Mx3/8NPT-F BR | 2 | 2 | |
| 3 | N.S.S. | . . BONNET & ENCLOSING TUBE ASSY | 1 | 1 | 1 |
| 4 | 500238 | . . SCREW CAP HEXS 1/4-20x3/4 ZP | 4 | 4 | |
| 5 | N.S.S. | . . O-RING | 1 | 1 | 1 |
| 6 | N.S.S. | . . PLUNGER ASSY | 1 | 1 | 1 |
| 7 | N.S.S. | . . DIAPRAGM ASSY | 1 | 1 | 1 |
| 8 | N.S.S. | . . BODY | 1 | 1 | 1 |
| 100 | 950056 | KIT REPAIR / PRODUCTION | AR | AR | F |
| | | | | | |
| | | | | | |
| | | F) USED ONLY WITH FORMER VALVE 950054 | | | |
| | | G) USED ONLY WITH VALVE 958212 | | | |
| | | S) THIS VALVE IS NO LONGER AVAILABLE USE 958212 WITH 950953 & 2X501534 | | | |
| | | 1) NOT SOLD SEPARATELY | | | |

From L-031 To R-079

Date:10/2022

PAGE:H4-2210-00

HEATER & EVAPORATOR BLOWER - INSTALLATION



| | | |
|--|--------------|-----------------|
| From L-031 To R-079 | Date:10/2022 | PAGE:H4-2210-00 |
| HEATER & EVAPORATOR BLOWER - INSTALLATION | | |

| Item# | Part | Description | H 3 4 0 | V I P 4 0 | N O T E S |
|-------|-------------------|--|------------------|-----------------------|-----------------------|
| | 451820P | MOTOR & BLOWER ASSY | 1 | 1 | |
| 1 | 870955 | . HOUSING ASSY | 1 | 1 | |
| 1 | 871306 | . HOUSING ASSY W/BLOWER WHEEL | 1 | 1 | |
| 1 | 871308 | . HOUSING ASSY, GALVANISED | 1 | 1 | |
| 2 | 870956 | . BLOWER WHEEL | 1 | 1 | |
| NS | 500524 | . SCREW TP PAN PH #12x5/8 SS | 12 | 12 | B |
| 3 | 452085 | . KEY 3/16 X 82 MM | 2 | 2 | |
| 4 | H4-2265-01 | MOTOR - EVAPORATOR - "PREVOST" - T-19 | | | |
| 4 | H4-2265-49 | MOTOR - EVAPORATOR - "PREVOST" - T-17 / SERVICE | | | |
| 4 | H4-2265-48 | MOTOR - EVAPORATOR - "PREVOST" - T-17 - 2 SPEEDS / SERVICE | | | |
| 5 | 452208 | . SUPPORT FRONT | 1 | 1 | |
| 6 | 452209 | . SUPPORT REAR | 1 | 1 | |
| 7 | 452207 | . BASE SUB ASSY | 1 | 1 | A |
| 7 | 452894 | . BASE SUB ASSY | 1 | 1 | |
| NS | 500296 | . NUT WD FLRET 3/8-24 | 4 | 4 | |
| NS | 500297 | . NUT WD FLRET 5/16-24 | AR | AR | |
| 8 | 500977 | . SCREW CAP HEX #10-24x5/8 ZP | 6 | 6 | |
| 9 | 500767 | . NUT HEX #10-24 Z050 | 6 | 6 | |
| 10 | 500438 | . WASHER FL .187x.437x.050 Z050 | 6 | 6 | |
| 11 | 506071 | . TAPE RUB ADH1 CC POL 1/8" x 1/2" x 50' / GREY 2520X | AR | AR | C |
| NS | 506227 | . TAPE RUB ADH1 CC POL 1/16" x 3/4" x 100' / GREY 2520 | AR | AR | |
| 12 | 500046 | . SCREW CAP HEX 3/8-24x1 G5 Z050 | 4 | 4 | |
| 12 | 500025 | . SCREW CAP HEX 5/16-24x1 G5 ZP | 4 | 4 | A |
| 13 | 500478 | . WASHER LO SPT .380x.683x.094 Z050 | 4 | 4 | D |
| NS | 5001184 | . SCREW TP PAN PH #12x1/2 SS | 20 | 20 | |
| NS | 451124 | . SHIM 3/8" TH. | AR | AR | |
| NS | 451172 | . SHIM .074" TH. | AR | AR | |
| NS | 451173 | . SHIM 1/8" TH. | AR | AR | |
| 14 | 451742 | . DUCT ASSY L.H. To P-315 | 1 | 1 | |
| 14 | 452506 | . DUCT ASSY L.H. From P-316 | 1 | 1 | |
| 15 | 451749 | . DUCT ASSY R.H. To P-315 | 1 | 1 | |
| 15 | 452247 | . DUCT ASSY R.H. From P-316 | 1 | 1 | |
| 16 | 452053 | RETAINER STRAP / 320MM X 12MM SS To P-315 | 1 | 1 | |
| 16 | 452594 | RETAINER STRAP / W/SLIDE-OUT / 380MM X 25MM SS From P-316 | 2 | 2 | |
| 17 | 452059 | RETAINER ASSY / "Z" SHAPE / REAR / 320MM SS To P-315 | 1 | 1 | |
| 17 | 452060 | RETAINER ASSY / "Z" SHAPE / SIDE / 160MM SS To P-315 | 2 | 2 | |
| 17 | 452593 | RETAINER STRAP / "U" SHAPE / W/SLIDE-OUT / 343MM X 192MM SS From P-316 | 2 | 2 | |
| 18 | 452058 | RETAINER ASSY / "Z" SHAPE / SIDE / 145MM SS To P-315 | 2 | 2 | |
| 18 | 452061 | RETAINER ASSY / "Z" SHAPE / REAR / 348MM SS To P-315 | 2 | 2 | |
| 18 | 452728P | RETAINER STRAP / "U" SHAPE 388MM X 139MM SS From P-316 | 2 | 2 | |
| 19 | 452052 | RETAINER STRAP / 348MM X 12MM SS To P-315 | 1 | 1 | |
| 19 | 452729P | RETAINER STRAP / 425MM X 25MM SS From P-316 | 2 | 2 | |

| | | |
|--|--------------|-----------------|
| From L-031 To R-079 | Date:10/2022 | PAGE:H4-2210-00 |
| HEATER & EVAPORATOR BLOWER - INSTALLATION | | |

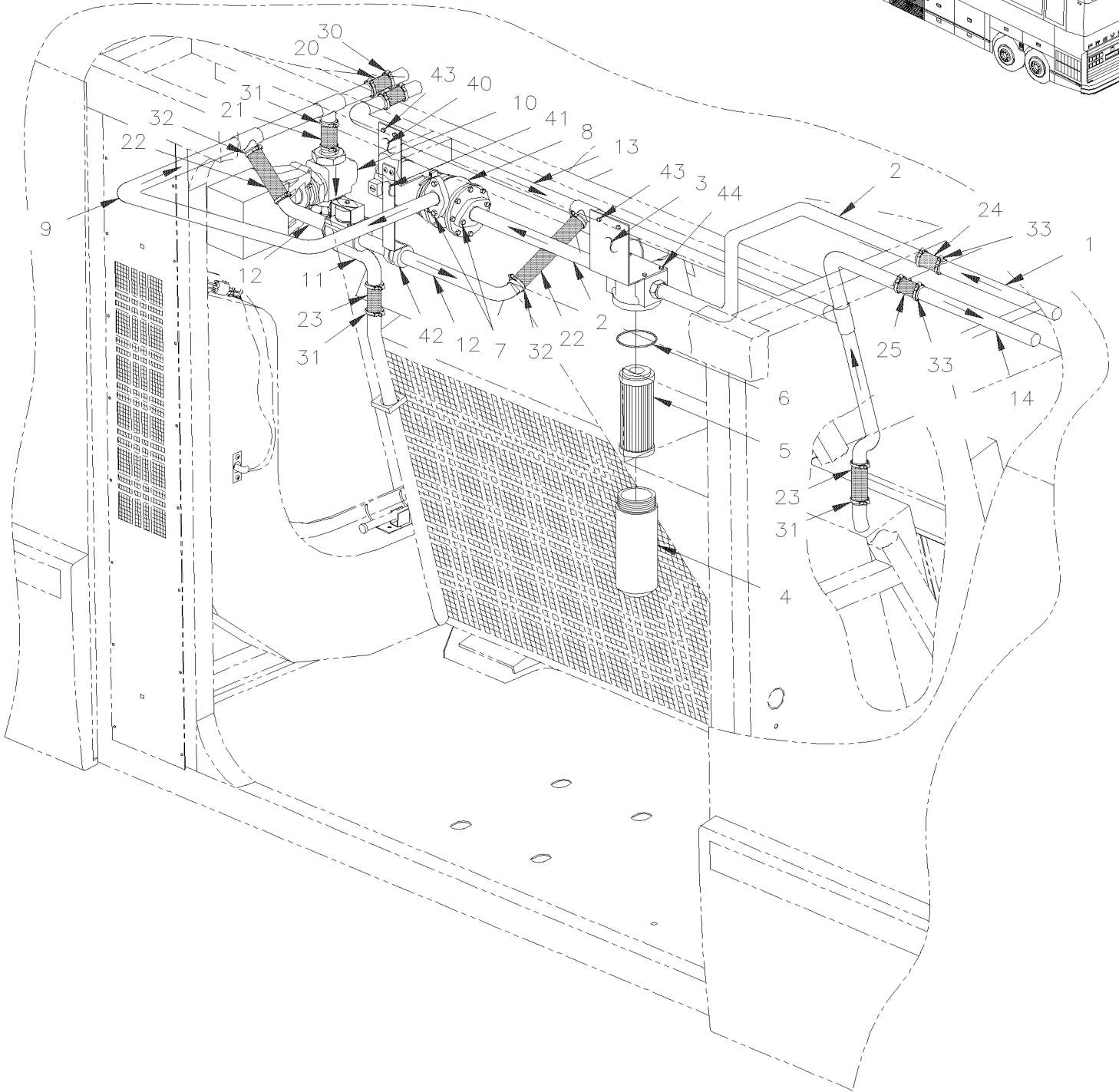
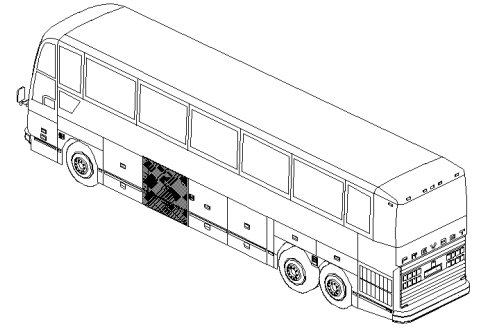
| Item# | Part | Description | H 3 4 0 | V I P 4 0 | N O T E S |
|-------|-------------------|--|------------------|-----------------------|-----------------------|
| 20 | 502708 | SCREW CAP HEX M5-0.8x35 SS | 6 | 6 | |
| 21 | 502782 | NUT HEX NYRT M5-0.8 Z050 | 6 | 6 | |
| 22 | 502526 | SCREW TC BDG PH #12-24x3/4 Z050 | 18 | 18 | |
| NS | 500964 | WASHER FL .203x.500x.047 Z050 | 18 | 18 | |
| 23 | 372949 | DUCT, AIR INLET L.H. | | | |
| 23 | 453002 | DUCT, AIR INLET L.H. | 1 | 1 | |
| NS | 372711 | ANGLE SUPPORT | 2 | 2 | |
| 24 | 452056 | DUCT LEATHERETTE 140MM X 1100MM To P-315 | 2 | 2 | |
| 24 | 452248 | DUCT LEATHERETTE 127MM X 1100MM From P-316 | 2 | 2 | |
| 25 | H4-2210-50 | AIR MAIN SENSOR | | | |
| 30 | 500025 | SCREW CAP HEX 5/16-24x1 G5 ZP | 4 | 4 | |
| 32 | 500985 | WASHER FL .343x.875x.125 Z050 | 4 | 4 | |
| 33 | 500046 | SCREW CAP HEX 3/8-24x1 G5 Z050 | 4 | 4 | |
| 35 | 500445 | WASHER FL .437x1.000x.083 Z050 | 4 | 4 | |
| NS | 453088 | KIT INSULATION EVAP. MOTOR | | | |
| . NS | IS-96010 | . SEE INSTRUCTION SHEET | | | |
| | | | | | |
| | | | | | |
| | | A) FOR PRODUCT IMPROVMENT FOR BEARING LIFE ORDER KIT #453088 | | | |
| | | B) TO FIX HOUSING TO SUPPORT | | | |
| | | C) BASE & SUPPORT / C.T.L. | | | |
| | | D) PRODUCTION | | | |

From L-031 To R-079

Date:10/2022

PAGE:H4-2210-10

WATER HEATER PUMP & FILTER - INSTALLATION



| | | |
|--|--------------|-----------------|
| From L-031 To R-079 | Date:10/2022 | PAGE:H4-2210-10 |
| WATER HEATER PUMP & FILTER - INSTALLATION | | |

| Item# | Part | Description | H 3 4 0 | V I P 4 0 | N O T E S |
|-------|-------------------|---|------------------|-----------------------|-----------------------|
| 1 | 372648 | PIPE ASSY / WATER FILTER & BALL VALVE | 1 | 1 | |
| 2 | 372870 | FILTER ASSY W/TUBE From M-137 | 1 | 1 | |
| NS | 372666 | FILTER ASSY W/TUBE To M-136 | 1 | 1 | A |
| 3 | 372863 | . SUPPORT / WATER FILTER | 1 | 1 | |
| NS | 871028 | . FILTER "PARKER" ASSY | 1 | 1 | |
| NS | 372659 | . SUPPORT / WATER FILTER To M-136 | 1 | 1 | A |
| NS | 870834 | . FILTER "PUROLATOR" To M-136 | 1 | 1 | A |
| 4 | 871043 | . . BOWL | 1 | 1 | |
| 5 | 871029 | . . CARTRIDGE | 1 | 1 | |
| NS | 870835 | . . CARTRIDGE To M-136 | 1 | 1 | A |
| 6 | 871044 | . . SEAL BOWL | 1 | 1 | |
| NS | 870841 | . . GASKET To M-136 | 1 | 1 | A |
| 7 | 870441 | GASKET PUMP INLET & OUTLET | 2 | 2 | |
| NS | 680527 | SEALANT 473ml | AR | AR | |
| NS | 500305 | SCREW CAP HEX 3/8-16x7/8 G5 Z050 | 4 | 4 | |
| NS | 500478 | WASHER LO SPT .380x.683x.094 Z050 | 4 | 4 | |
| 9 | 372667 | PIPE ASSY / WATER PUMP & WATER VALVE W/92 | 1 | 1 | |
| NS | 372942 | PIPE ASSY / WATER PUMP & WATER VALVE | 1 | 1 | |
| 10 | H4-2207-00 | WATER VALVE - W/MAIN HEATER & A/C To R-396 | | | |
| 10 | H4-2207-01 | WATER VALVE "VERSADRIVE" From R-397 | | | |
| 11 | 372676 | PIPE ASSY / WATER VALVE & HEATER CORE / | 1 | 1 | |
| NS | 372941 | PIPE ASSY / WATER VALVE & HEATER CORE / | 1 | 1 | |
| 12 | H4-2207-20 | WATER VALVE - BYPASS W/WATER HEATER | | | |
| 13 | 372668 | PIPE ASSY / RETURN LINE | 1 | 1 | |
| 13 | 373228 | PIPE ASSY / RETURN LINE / W/O BYPASS VALVE | | 1 | |
| 14 | 372651 | PIPE ASSY / RETURN LINE TO ENGINE | 1 | 1 | |
| 14 | 372959 | PIPE ASSY / RETURN LINE TO ENGINE | 1 | 1 | |
| 20 | 372632 | HOSE 7/8" I.D. X 1848MM | 2 | 2 | |
| 21 | 050937 | HOSE / W/O BYPASS VALVE / 1 1/8" I.D. X 3" | 2 | 2 | |
| 21 | 402376 | HOSE / W/BYPASS VALVE / 1 3/8" I.D. X 2 1/4" | 2 | 2 | |
| 22 | 373307 | PIPE ASSY / WATER PUMP OUTLET | 2 | 2 | |
| 23 | 371217 | HOSE 1 1/8" I.D. X 4" | 2 | 2 | |
| 24 | 051386 | HOSE 5 3/8" X 1 3/8" I.D. 5 3/8" X 1 3/8" I.D. | 1 | 1 | |
| 25 | 371535 | HOSE 1 3/8" I.D. X 127MM | 1 | 1 | |
| 30 | 504646 | HOSE CLAMP / 11/16"-1"1/4 / C.T. 9412 | 4 | 4 | |
| 31 | 504291 | HOSE CLAMP / 1"1/8-1"3/4 SS / E.T. 20 | 8 | 8 | |
| 32 | 504020 | HOSE CLAMP / 9/16"-1"1/4 SS / HS-12 | 4 | 4 | |
| 33 | 504657 | HOSE CLAMP / 1"1/16-2" C.T. 9424 | 4 | 4 | |
| 40 | 372658 | SUPPORT WATER PUMP | 1 | 1 | |
| NS | 504235 | HOSE CLAMP / 3"9/16"-4"1/2 SS / HS-64 | 2 | 2 | |
| 41 | 452727 | SUPPORT / BY-PASS VALVE | 1 | | |
| 42 | 560483 | CLAMP / 7/8" I.D. | 1 | 1 | |

| | | |
|--|--------------|-----------------|
| From L-031 To R-079 | Date:10/2022 | PAGE:H4-2210-10 |
| WATER HEATER PUMP & FILTER - INSTALLATION | | |

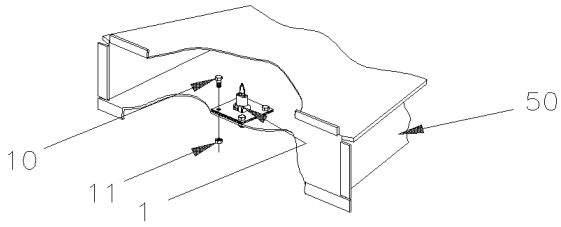
| Item# | Part | Description | H 3 4 0 | V I P 4 0 | N O T E S |
|-------|--------|---|------------------|-----------------------|-----------------------|
| NS | 500657 | SCREW TC TR PH #10-24x1/2 Z050 | 3 | 3 | |
| 43 | 500365 | SCREW TP CAP HEX #12x1 Z050 | 4 | 4 | |
| 44 | 500162 | SCREW CAP HEX 1/4-20x1/2 G5 Z050 | 4 | 4 | |
| NS | 500473 | WASHER LO SPT .262x.489x.062 Z050 | 4 | 4 | |
| | | | | | |
| | | | | | |
| | | A) THIS PART IS RELATED WITH WATER FILTER UP TO M-136, NOW THIS FILTER IS SUPERSEDED BY ASSY 372870 | | | |

From L-031 To R-079

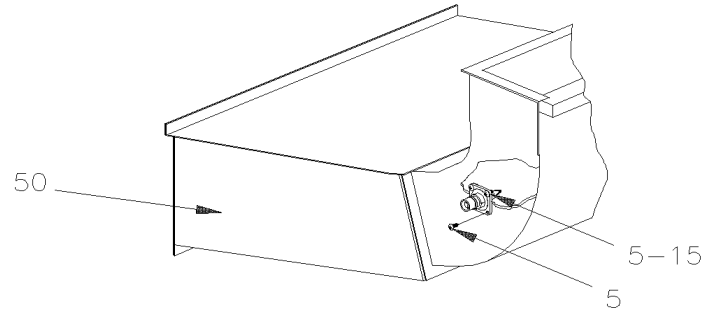
Date:10/2022

PAGE:H4-2210-50

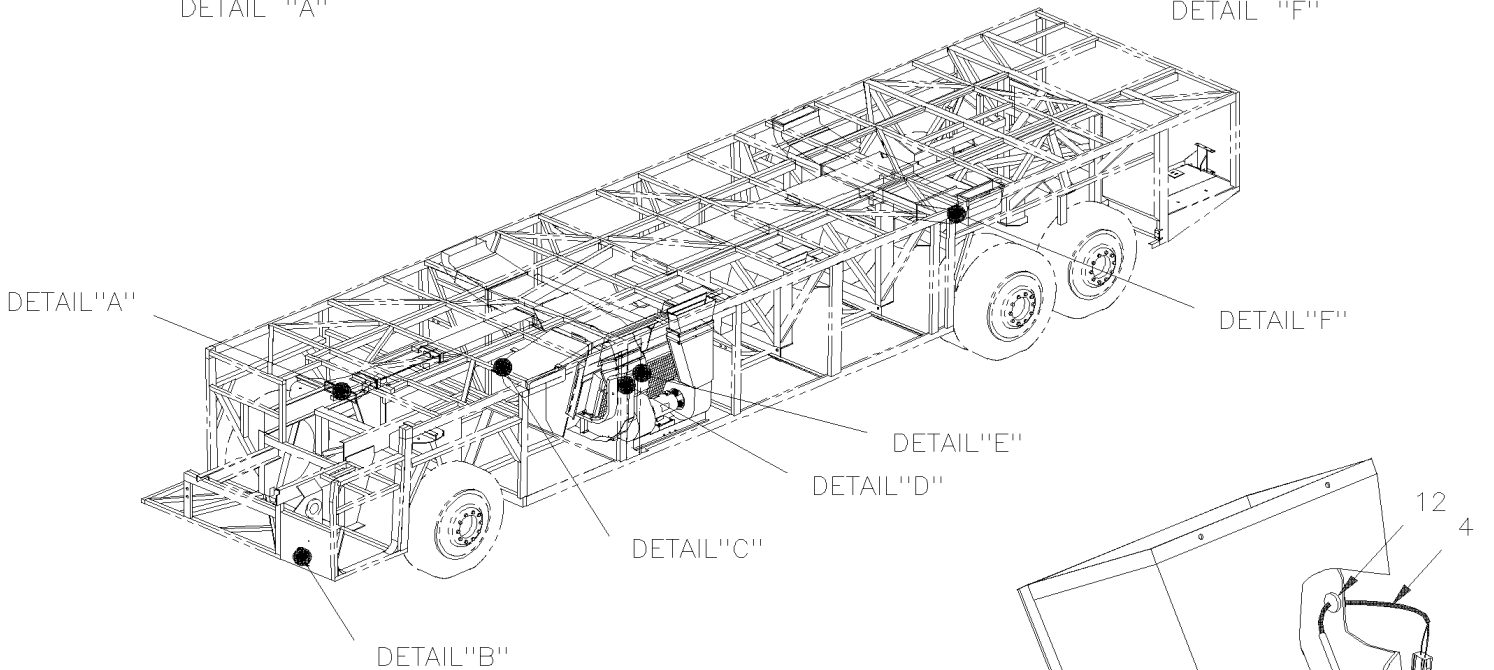
AIR MAIN SENSOR



DETAIL "A"



DETAIL "F"



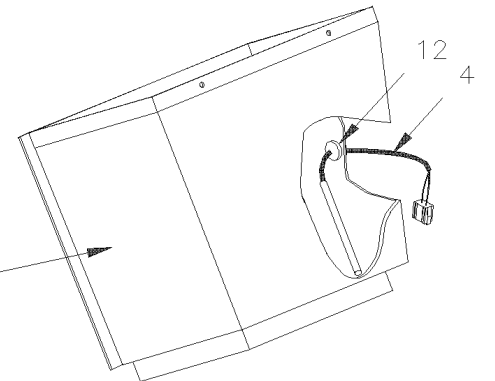
DETAIL "E"

DETAIL "D"

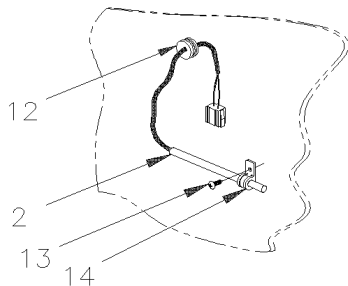
DETAIL "C"

DETAIL "B"

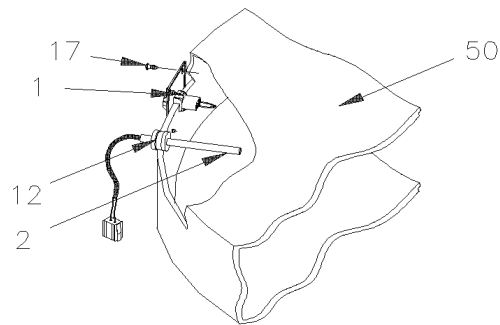
51



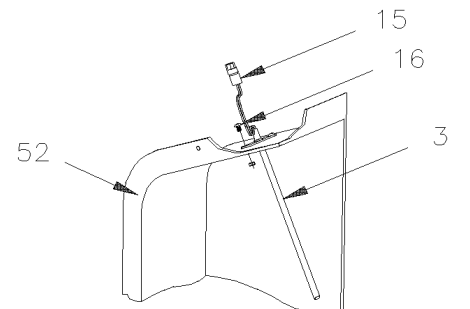
DETAIL "E"



DETAIL "B"



DETAIL "C"



DETAIL "D"

| | | |
|------------------------|--------------|-----------------|
| From L-031 To R-079 | Date:10/2022 | PAGE:H4-2210-50 |
| AIR MAIN SENSOR | | |

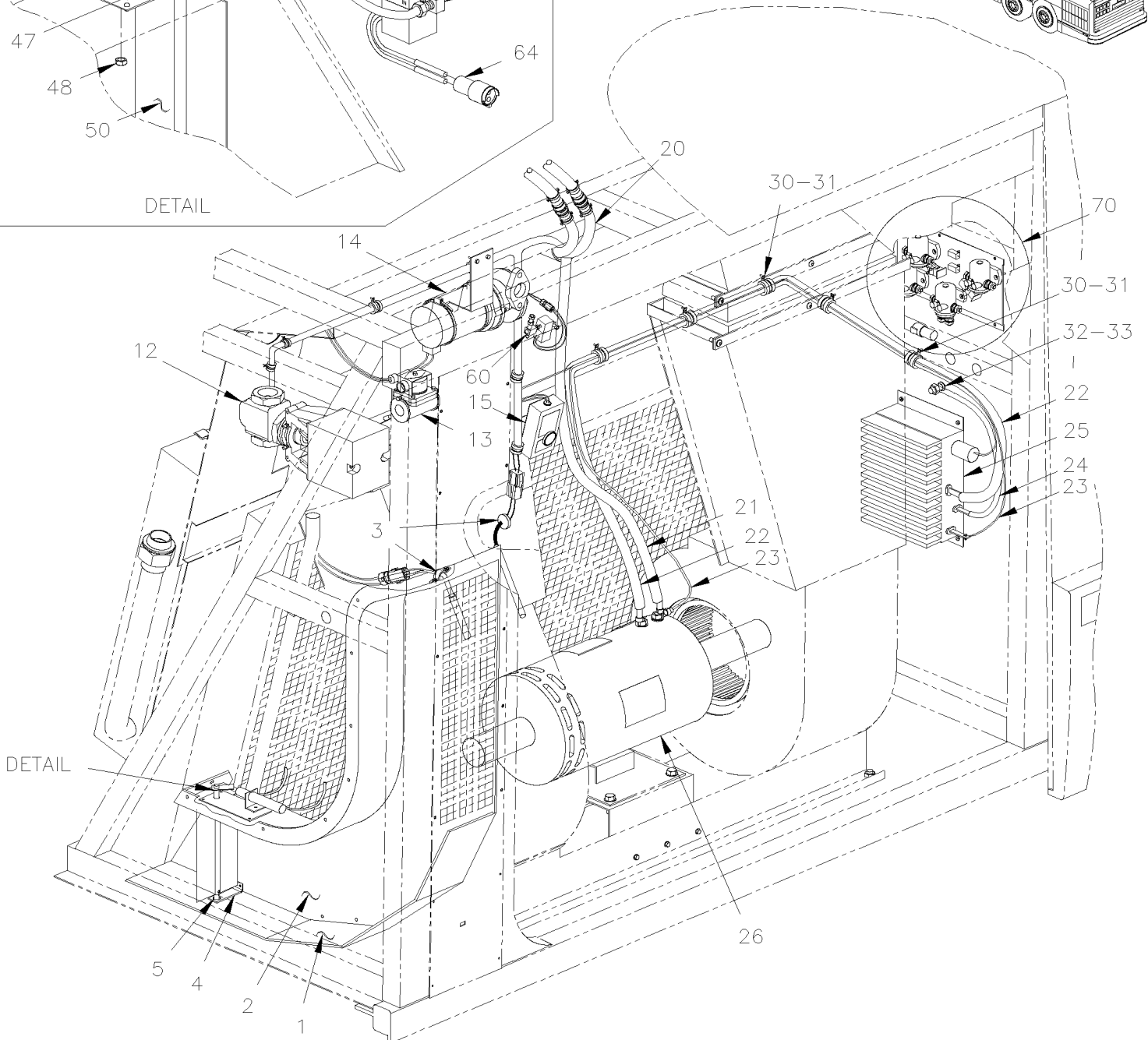
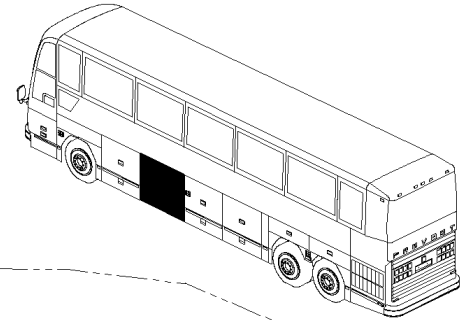
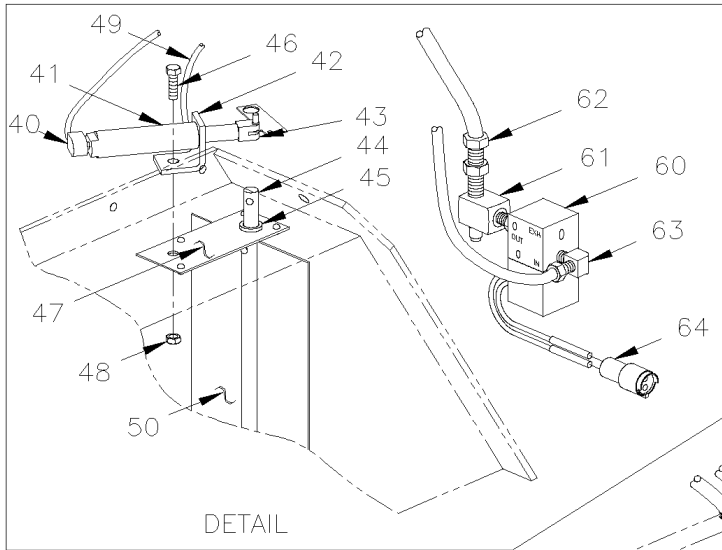
| Item# | Part | Description | H 3 4 0 | V I P 4 0 | N O T E S |
|-------|-------------------|--|------------------|-----------------------|-----------------------|
| 1 | 061961 | THERMISTOR ASSY W/CONNECTOR | 7 | 7 | |
| NS | 680091 | TAPE INSULATING / 1/8" x 2" x 30' / BLACK PT-1 | AR | AR | |
| 2 | 372479 | SENSOR / TEMPERATURE CONTROL | 2 | 2 | A |
| 3 | 451699 | SENSOR ASSY / FRESH AIR | 1 | 1 | C |
| 4 | 451640 | THERMISTOR ASSY | 1 | 1 | |
| 5 | 063740 | SENSOR ASSY | 1 | 1 | |
| NS | 562144 | MOUNTING PLATE / ITT CANNON 066-8516-000 | 1 | 1 | |
| 10 | 5001297 | SCREW CAP HEX M4-0.7x20 SS | 4 | 4 | |
| 11 | 500589 | NUT WELL M4-0.7x13.5 | 4 | 4 | |
| 12 | 504323 | GROMMET / .375x.500x.062x.281x.687 | 2 | 2 | |
| 13 | 500952 | SCREW TP BDG PH #8x1/2 SS | 1 | 1 | |
| 14 | 560479 | CLAMP / 3/8" I.D. | 1 | 1 | |
| 15 | 561815 | CLAMP W/ 2 / ITT CANNON 029-0263-000 | 1 | 1 | |
| 16 | 504248 | RIVET CHY Q PRDG 3/16x1/4 SS | 2 | 2 | |
| NS | 500438 | WASHER FL .187x.437x.050 Z050 | 2 | 2 | |
| 17 | 500657 | SCREW TC TR PH #10-24x1/2 Z050 | 4 | 4 | |
| 50 | H4-2220-00 | UNDER FLOOR AIR DUCTING | | | |
| 51 | H4-2210-00 | HEATER & EVAPORATOR BLOWER - INSTALLATION | | | |
| 52 | H4-2215-00 | EVAPORATOR & DAMPER CONTROL COMPONENTS | | | |
| NS | 064321 | RESISTOR ASSY 3.32K OHMS / 1/4 W | 1 | 1 | |
| . NS | IS-96070 | . SEE INSTRUCTION SHEET | 1 | 1 | |
| | | | | | |
| | | | | | |
| | | | | | |
| | | | | | |
| | | A) USE WITH CONSOLE THERMOMETER AT PAGE H4-0645-50 | | | |
| | | C) SEE KIT #064321 (IS-96070) | | | |

From L-031 To R-079

Date:10/2022

PAGE:H4-2215-00

EVAPORATOR & DAMPER CONTROL COMPONENTS



| | | |
|---|--------------|-----------------|
| From L-031 To R-079 | Date:10/2022 | PAGE:H4-2215-00 |
| EVAPORATOR & DAMPER CONTROL COMPONENTS | | |

| Item# | Part | Description | H 3 4 0 | V I P 4 0 | N O T E S |
|-------|-------------------|---|------------------|-----------------------|-----------------------|
| 1 | 451895 | PANEL / BOTTOM / INTAKE DUCT | 1 | 1 | |
| 2 | 372571 | FIBERGLASS DUCT | 1 | 1 | |
| 3 | H4-2210-50 | AIR MAIN SENSOR | | | |
| 4 | 452027 | SUPPORT / LOWER SHAFT & BEARING | 1 | 1 | |
| 5 | 504449 | HOLE PLUG BUTTON / .500 O.D. BLACK | 1 | 1 | |
| 7 | 452967 | DAMPER | 1 | 1 | |
| 12 | H4-2207-01 | WATER VALVE "VERSADRIVE" | | | |
| 13 | H4-2207-20 | WATER VALVE - BYPASS WWATER HEATER | | | |
| 14 | H4-2206-00 | WATER PUMP #870871 | | | |
| 15 | 561803 | HUMIDISTAT | 1 | 1 | |
| 15 | 562620 | HUMIDISTAT | 1 | 1 | |
| NS | 452941 | SUPPORT ADAPTOR FOR NEW HUMIDISTAT TO VEHICLE | | | |
| NS | 560952 | SPRING, TORSION / .896 O.D. x .248 x .020 | 4 | 4 | |
| 20 | 062575 | CABLE HARNESS / A/C JCT BOX & EVAP COMP | 1 | 1 | |
| 21 | 062578 | CABLE / SPEED CONTROL & MOTOR #0A | 1 | 1 | |
| 22 | 062577 | CABLE / MOTOR & A/C JUNCTION BOX #90H | 1 | 1 | |
| 23 | 062580 | CABLE / SPEED CONTROL & MOTOR #166B | 1 | 1 | |
| 24 | 062706 | CABLE / GROUND & SPEED CONTROL #0 | 1 | 1 | |
| 25 | 870967 | CONTROL SPEED | 1 | 1 | A |
| 25 | 871086 | CONTROL SPEED | 1 | 1 | |
| 26 | H4-2265-01 | MOTOR - EVAPORATOR - "PREVOST" - T-19 | | | |
| 30 | 500638 | SCREW TP PAN PH #8x1/2 Z050 | AR | AR | B |
| 31 | 560479 | CLAMP / 3/8" I.D. | AR | AR | |
| 31 | 560480 | CLAMP / 1/2" I.D. | AR | AR | |
| 31 | 561569 | CLAMP / 1 3/8 I.D. | AR | AR | |
| 32 | 500998 | NUT HEX 1/2-13 BR | 1 | 1 | |
| NS | 500857 | WASHER LO INT .512x.900x.045 Z050 | 1 | 1 | |
| 33 | 380360 | STUD, GROUND (WELDED TO STRUCTURE) 1/2-13 | 1 | 1 | |
| NS | 451952 | DAMPER ASSY / FRESH AIR | 1 | 1 | |
| 40 | 642167 | . MALE ELBOW 90° SWIVEL / PUSH-IN FITTING / #2x10-32 BR | 2 | 2 | |
| 41 | 950080 | . CYLINDER, AIR 5/16" SINGLE ACTION | 1 | 1 | |
| 41 | 950200 | . CYLINDER DOUBLE-ACTION From M-088 | 1 | 1 | |
| 42 | 451340 | . SUPPORT / CYLINDER To M-087 | 1 | 1 | |
| 42 | 452203 | . SUPPORT / CYLINDER From M-088 | | | |
| 43 | 950081 | . YOKE To M-087 | 1 | 1 | |
| 43 | 950202 | . YOKE From M-088 | 1 | 1 | |
| NS | 507166 | . O-RING 1/4 I.D. X 3/8 O.D. | 1 | 1 | |
| 44 | 451965 | . SHAFT To M-087 | 1 | 1 | |
| 44 | 452202 | . SHAFT From M-088 | 1 | 1 | |
| 45 | 507309 | . BUSHING NYLINED .312x.375x.078x.500 | 1 | 1 | |
| 46 | 500977 | . SCREW CAP HEX #10-24x5/8 ZP | 1 | 1 | |
| NS | 507135 | . BUSHING, NYLINER | 1 | 1 | |

| | | |
|---|--------------|-----------------|
| From L-031 To R-079 | Date:10/2022 | PAGE:H4-2215-00 |
| EVAPORATOR & DAMPER CONTROL COMPONENTS | | |

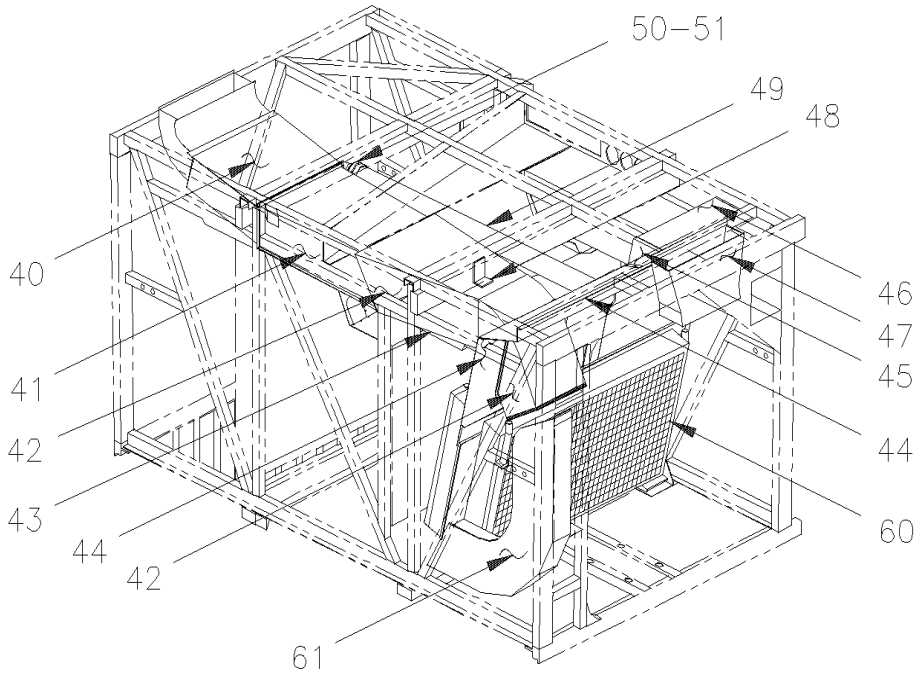
| Item# | Part | Description | H 3 4 0 | V I P 4 0 | N O T E S |
|-------|-------------------|---|------------------|-----------------------|-----------------------|
| 47 | 451886 | . PLATE FIXTURE | AR | AR | |
| 48 | 500767 | . NUT HEX #10-24 Z050 | 1 | 1 | |
| NS | 502189 | SPRING EXTENSION / .375 O.D. x 2.5 x .031 | 1 | 1 | |
| 49 | 503536 | TUBE, NYLON 1/8 O.D. / BLACK S.L. | AR | AR | |
| 50 | 451917 | DAMPER | 1 | 1 | |
| 60 | 641217 | VALVE, 3 WAYS, 2 POSITIONS | 1 | 1 | S |
| 60 | 641394 | VALVE, 3 WAYS, 2 POSITIONS 24V | 1 | 1 | S |
| 61 | 780233 | VALVE, CONTROL / FCP2 | 1 | 1 | |
| NS | 501320 | NIPPLE HEX / PIPE FITTING / 1/8NPT-Mx1/8NPT-Mx31/32 BR | 1 | 1 | |
| 62 | 641129 | FEMALE CONNECTOR / PUSH-IN FITTING / #2x1/8NPT-F BR | 1 | 1 | |
| 63 | 640996 | MALE ELBOW 90° / NTA FITTING / #4x1/8NPT-M BR | 1 | 1 | |
| 64 | 561813 | CONNECTOR / SURE-SEAL / FEMALE HOUSING 2C / ITT CANNON 120-1804-000 | 1 | 1 | |
| NS | 561023 | PIN TERMINAL / 18-14 / ITT CANNON 030-2196-001 | 1 | 1 | |
| NS | 561024 | SOCKET TERMINAL / 18-14 / ITT CANNON 031-1267-001 | 1 | 1 | |
| NS | 501815 | BULKHEAD UNION / JIC 37° FITTING / #8JIC-Mx#8JIC-M STL | 1 | 1 | |
| 70 | H4-0621-99 | A/C CONDENSOR MOTOR RELAY | | | |
| 100 | 064370P | KIT, SPEED CONTROL | AR | AR | |
| . NS | IS-96101 | . SEE INSTRUCTION SHEET | 1 | 1 | |
| 101 | 289649 | KIT, REPLACEMENT AIR VALVE SEDAN VALVE AND DAMPER CONTROL | AR | AR | |
| . NS | IS-05900 | . SEE INSTRUCTION SHEET | 1 | 1 | |
| | | | | | |
| | | | | | |
| | | A) FOR SERVICE YOU REQUIRE ONE #064370P KIT SPEED CONTROL | | | |
| | | B) TO FIX CLAMP | | | |
| | | S) SERVICE SEE KIT # 289649 FOR SERVICE WITH INSTRUCTION SHEET IS-05900 | | | |

From L-031 To R-079

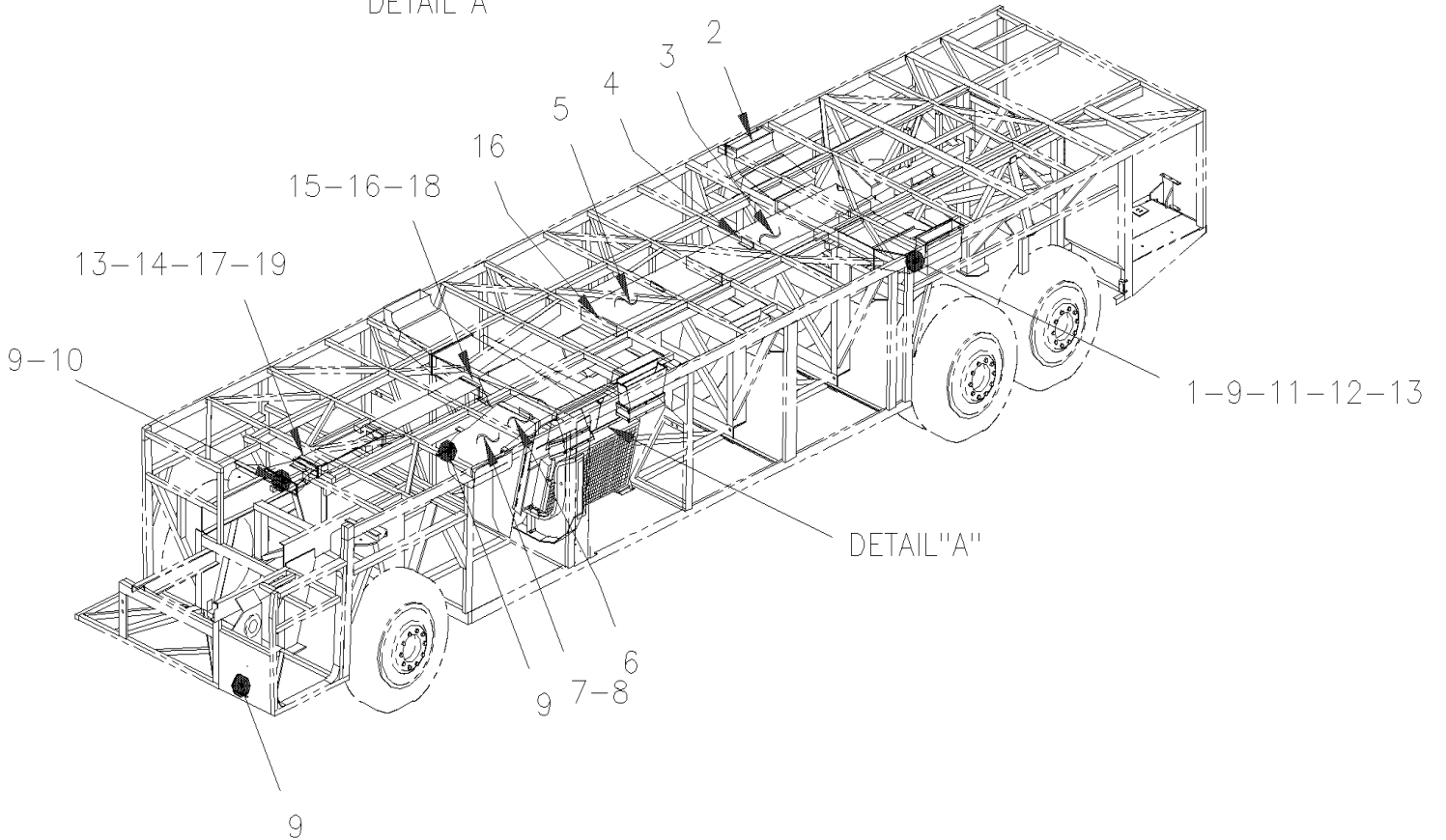
Date:10/2022

PAGE:H4-2220-00

UNDER FLOOR AIR DUCTING



DETAIL "A"



| | | |
|--------------------------------|--------------|-----------------|
| From L-031 To R-079 | Date:10/2022 | PAGE:H4-2220-00 |
| UNDER FLOOR AIR DUCTING | | |

| Item# | Part | Description | H 3 4 0 | V I P 4 0 | N O T E S |
|-------|-------------------|--|------------------|-----------------------|-----------------------|
| 1 | 451916 | DUCT LEFT | 1 | 1 | |
| 2 | 451908 | DUCT RIGHT | 1 | 1 | |
| 3 | 451794 | DUCT | 1 | 1 | |
| 4 | 451832 | ANGULAR BRACKET | 3 | 3 | |
| 5 | 451798 | CENTER REAR DUCT ASSY | 1 | 1 | |
| 6 | 451791 | DUCT ASSY | 1 | 1 | |
| 7 | 451319 | FRONT DUCT ASSY | 1 | 1 | |
| 8 | 451834 | BRACKET / TO FIX DUCT To M-102 | 1 | 1 | |
| 8 | 451837 | BRACKET / TO FIX DUCT From M-103 | 1 | 1 | |
| 8 | 452223 | SPACER / TO FIX DUCT From M-103 | 1 | 1 | |
| 9 | H4-2210-50 | AIR MAIN SENSOR | | | |
| 10 | 451783 | FRONT OUTFLOW DUCT | 1 | 1 | |
| 11 | 500657 | SCREW TC TR PH #10-24x1/2 Z050 | AR | AR | |
| 12 | 680096 | SEALANT BUTYL ALUM / GREY / 310ml CARTRIDGE | AR | AR | |
| 13 | 504114 | RIVET POP DOME OE 3/16x1/4 AL | AR | AR | |
| 14 | 506227 | TAPE RUB ADH1 CC POL 1/16" x 3/4" x 100' / GREY 2520 | AR | AR | |
| 15 | 451835 | ANGULAR BRACKET | 2 | 2 | |
| 16 | 506002 | TAPE RUB ADH1 CC POL 3/16" x 1/2" x 40' / GREY 2520 | AR | AR | |
| 17 | 506236 | TAPE RUB ADH1 CC POL 1/16" x 1/2" x 100' / GREY 2520 | AR | AR | |
| 18 | 451801 | DUCT SUPPORT | 1 | 1 | |
| NS | 500659 | SCREW TC PAN PH #10-32x1 Z050 | 4 | 4 | |
| 19 | 452010 | SUPPORT | 1 | | |
| 19 | 452010 | SUPPORT | | 2 | |
| 40 | 451948 | AIR DUCT COMPT CONDENSOR ASSY | 1 | | |
| 40 | 451995 | AIR DUCT COMPT CONDENSOR ASSY | | 1 | |
| 41 | 451950 | AIR DUCT CENTRAL ASSY | 1 | 1 | |
| 42 | 451951 | AIR DUCT LEFT ASSY | 1 | 1 | |
| 43 | 451934 | FRONT INSULATING | 1 | 1 | |
| 43 | 451762 | CENTER INSULATING | 1 | 1 | |
| 43 | 452899 | REAR INSULATING | 1 | 1 | |
| 44 | 452063 | EVAPORATOR PANEL | 1 | 1 | |
| 45 | 451937 | PLATE CLOSING / UPPER / ITEM 44 & 46 | 1 | 1 | |
| 46 | 452064 | EVAPORATOR PANEL | 1 | 1 | |
| 46 | 506236 | TAPE RUB ADH1 CC POL 1/16" x 1/2" x 100' / GREY 2520 | AR | AR | |
| 46 | 500165 | SCREW CAP HEX 1/4-20x1 G5 Z050 | 4 | 4 | |
| 46 | 506001 | TAPE RUB ADH1 CC POL 1/8" x 3/4" x 50' / GREY 2520X | AR | AR | |
| 46 | 506338 | RUBBER CHANNEL / 1/16" x 1/4" INT "U" SHAPE / ROUND C.T.L. | AR | AR | |
| 47 | 372949 | DUCT, AIR INLET L.H. | | 1 | |
| 47 | 453002 | DUCT, AIR INLET L.H. | 1 | | |
| 47 | 372711 | ANGLE SUPPORT | | 2 | |
| 48 | 451932 | SUPPORT | 1 | 1 | |
| 48 | 500613 | SCREW TP PAN PH #10x1/2 Z050 | AR | AR | |

| | | |
|--------------------------------|--------------|-----------------|
| From L-031 To R-079 | Date:10/2022 | PAGE:H4-2220-00 |
| UNDER FLOOR AIR DUCTING | | |

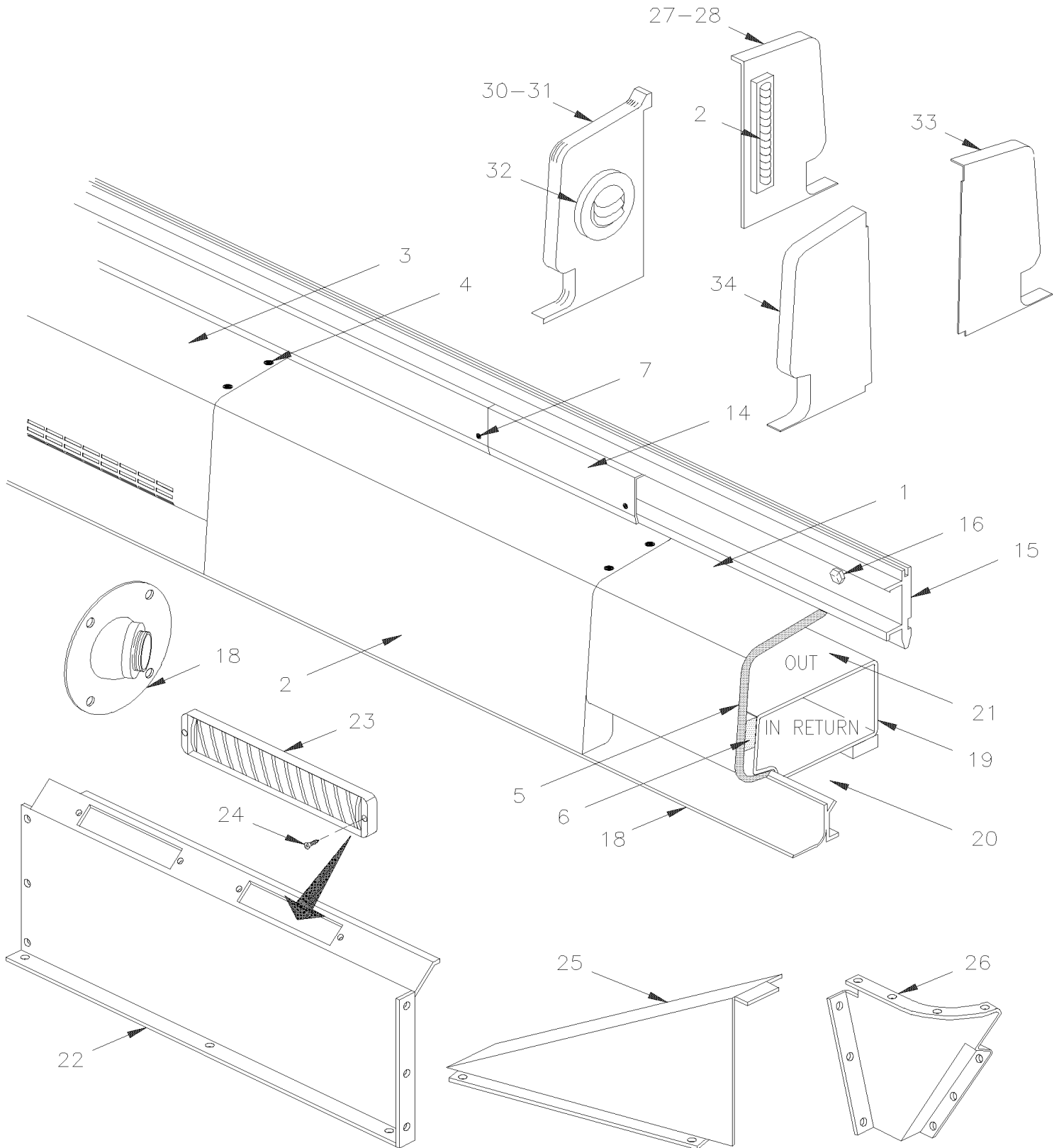
| Item# | Part | Description | H 3 4 0 | V I P 4 0 | N O T E S |
|-------|-------------------|---|------------------|-----------------------|-----------------------|
| 49 | 451954 | TUBE PVC / 3" X 1440MM | 1 | 1 | |
| 50 | 504441 | CUFF END BELLOW / 3 1/2" I.D. x 3 1/2" x 5 5/8" | 1 | 1 | |
| 51 | 504026 | HOSE CLAMP / 2"13/16-3"3/4 SS / HS-52 | 1 | 1 | |
| 60 | H4-2205-00 | HEATER & EVAPORATOR COIL & FILTER ASSY | | | |
| 61 | H4-2215-00 | EVAPORATOR & DAMPER CONTROL COMPONENTS | | | |
| | | | | | |
| | | | | | |
| | | | | | |

From L-031 To R-079

Date:10/2022

PAGE:H4-2221-10

DUCTING HEATER & A/C



| | | |
|---------------------------------|--------------|-----------------|
| From L-031 To R-079 | Date:10/2022 | PAGE:H4-2221-10 |
| DUCTING HEATER & A/C | | |

| Item# | Part | Description | H 3 4 0 | V I P 4 0 | N O T E S |
|-------|--------|--|------------------|-----------------------|-----------------------|
| 1 | 372857 | DUCT, AIR #1 / L.H. (690 MM) From M-116 | | 1 | |
| 1 | 323422 | DUCT, AIR #2 / L.H. (1359 MM) | 1 | | |
| 1 | 372608 | DUCT, AIR 2438 MM | | 3 | |
| 1 | 322694 | DUCT, AIR #4 / L.H. (1100 MM) | 1 | | |
| 1 | 372610 | DUCT, AIR W/HOLE 2438MM | | 2 | |
| 1 | 323421 | DUCT, AIR #5 / L.H. (1545 MM) | 1 | | |
| 1 | 372609 | DUCT, AIR 1923 MM | | 2 | |
| 1 | 323411 | DUCT, AIR 1717MM | 1 | | |
| 1 | 322696 | DUCT, AIR 1520MM | 1 | | |
| 1 | 323413 | DUCT, AIR #2 / R.H. (1546MM) | 1 | | |
| 1 | 322700 | DUCT / #4 L.H. 1750MM | 1 | | |
| 1 | 323415 | DUCT, AIR 1379 MM | 1 | | |
| 1 | 323414 | DUCT, AIR W/HOLE 1809MM | 1 | | |
| 2 | 329045 | DUCT, AIR 548 MM / TRANSITION | 2 | | |
| 3 | 323410 | DUCT, AIR #1 / L.H. W/HOLE (1892 MM) | 1 | | |
| 3 | 372611 | DUCT, AIR W/HOLE 2438MM | | 1 | |
| 3 | 322698 | DUCT, AIR W/HOLE 1800MM | 1 | | |
| 3 | 322699 | DUCT, AIR W/HOLE 1800MM | 1 | | |
| NS | 451966 | DEFLECTOR / OUTPUT EVAPORATOR DUCT L.H. | 1 | | |
| NS | 451968 | DEFLECTOR / OUTPUT EVAPORATOR DUCT R.H. | 1 | | |
| NS | 372729 | DEFLECTOR / OUTPUT EVAPORATOR DUCT L.H. | | 1 | |
| NS | 372696 | DEFLECTOR / OUTPUT EVAPORATOR DUCT R.H. | | 1 | |
| 4 | 500583 | SCREW TP PAN PH #6x1/2 Z050 | AR | | A |
| 4 | 323416 | SUPPORT / "Y" SHAPED | 6 | | |
| NS | 323416 | SUPPORT / "Y" SHAPED | | 14 | |
| 5 | 506025 | RUBBER CHANNEL / 1/18" x 5/16" INT "U" SHAPE / SQUARE C.T.L. | AR | | |
| 6 | 506268 | TAPE RUB ADH1 URE 3/8" x 1/2" x 25' / GREY 1820 | AR | AR | |
| 7 | 500417 | SCREW TP PAN PH #6x3/8 Z050 | AR | | B |
| 14 | 323390 | PROTECTOR, CABLE W/1 HOLE AT 770MM RH / 2438 | 1 | | |
| 14 | 323391 | PROTECTOR, CABLE W/2 HOLES AT 356MM LH & 162MM RH / 2438 | 1 | | |
| 14 | 323393 | PROTECTOR, CABLE W/1 HOLE AT 344MM RH / 2438 | 1 | | |
| 14 | 323392 | PROTECTOR, CABLE W/2 HOLES AT 432MM LH & 306MM RH / 2438 | 1 | | |
| 14 | 323646 | PROTECTOR, CABLE 327MM | 1 | | |
| 14 | 323394 | PROTECTOR, CABLE / R.H. / #5 / (345 MM) | 2 | | |
| 14 | 322956 | PROTECTOR, CABLE 2438 MM | 4 | | |
| 15 | 323187 | RAIL, #1 / L.H. & R.H. To N-223 | 2 | | |
| 15 | 323944 | RAIL, #1 / L.H. & R.H. From N-224 | 2 | | |
| 15 | 323188 | RAIL, #2 / L.H. & R.H. To N-223 | 2 | | |
| 15 | 323945 | RAIL, #2 / L.H. & R.H. From N-224 | 2 | | |
| 15 | 323189 | RAIL, #3 / L.H. & R.H. To N-223 | 2 | | |
| 15 | 323946 | RAIL, #3 / L.H. & R.H. From N-224 | 2 | | |
| 15 | 323190 | RAIL, #4 / L.H. & R.H. To N-223 | 2 | | |

| | | |
|---------------------------------|--------------|-----------------|
| From L-031 To R-079 | Date:10/2022 | PAGE:H4-2221-10 |
| DUCTING HEATER & A/C | | |

| Item# | Part | Description | H 3 4 0 | V I P 4 0 | N O T E S |
|-------|--------|---|------------------|-----------------------|-----------------------|
| 15 | 323947 | RAIL, W/W.C.L. "RICON" From N-224 | 2 | | |
| 15 | 323191 | RAIL, #5 / L.H. & R.H. To N-223 | 2 | | |
| 15 | 323948 | RAIL, #5 / L.H. & R.H. From N-224 | 2 | | |
| 15 | 323186 | RAIL, #6 / L.H. & R.H. To N-223 | 1 | | |
| 15 | 323943 | RAIL, #6 / L.H. & R.H. From N-224 | 1 | | |
| 15 | 323644 | RAIL, #5 To N-223 | 2 | | |
| 15 | 323949 | RAIL, #5 From N-224 | 2 | | |
| NS | 372600 | "T" SUPPORT, AIR DUCT 2204MM | | 2 | |
| NS | 372583 | "T" SUPPORT, AIR DUCT 70 7/8" | | 2 | |
| NS | 372602 | "T" SUPPORT, AIR DUCT 3849MM | | 2 | |
| NS | 372601 | "T" SUPPORT, AIR DUCT 1308MM | | 2 | |
| 16 | 500517 | SCREW TC CAP HEXW 5/16-18x3/4 Z050 | AR | | C |
| 16 | 500642 | SCREW TP PAN PH #10x3/4 Z050 | | 30 | D |
| 17 | 323417 | RAIL, LOWER #1 / L.H. (1867MM) | 1 | | |
| 17 | 322733 | RAIL, LOWER #2 / L.H. (1363MM) | 1 | | |
| 17 | 322703 | RAIL, LOWER #3 / L.H. (2596MM) | 1 | | |
| 17 | 322704 | RAIL, LOWER #4 / L.H. (3504MM) | 1 | | |
| 17 | 322701 | RAIL, LOWER #1 / R.H. (1663MM) | 1 | | |
| 17 | 323419 | RAIL, LOWER #2 / R.H. (1383MM) | 1 | | |
| 17 | 323420 | RAIL, LOWER #3 / R.H. (3082MM) | 1 | | |
| 17 | 323418 | RAIL, LOWER #4 / R.H. (3590MM) | 1 | | |
| 18 | 870899 | LOUVER, ADJUSTABLE | 2 | | |
| NS | 502664 | SCREW TP PAN PH #8x1 SS EMN | 4 | | E |
| 19 | 451474 | DUCT, AIR RETURN (1143 MM) | 3 | | |
| NS | 372689 | DUCT, AIR RETURN (1143 MM) | | 3 | |
| NS | 459165 | ANGLE / TO FIX RETURN DUCT TO FLOOR | 6 | 6 | |
| NS | 500642 | SCREW TP PAN PH #10x3/4 Z050 | AR | AR | F |
| 20 | 323426 | PANEL, PROTECTOR / FLOOR (120 X 58MM) | 1 | | |
| 20 | 323427 | PANEL, PROTECTOR / FLOOR (120 X 634MM) | 1 | | |
| 20 | 323428 | PANEL, PROTECTOR / FLOOR (120 X 307MM) | 2 | | |
| 20 | 323429 | PANEL, PROTECTOR / FLOOR (120 X 641MM) | 2 | | |
| 20 | 372686 | PANEL, PROTECTOR / FLOOR (114 X 471MM) | | 2 | |
| 20 | 372717 | PANEL, PROTECTOR / FLOOR / R.H. (114 X 408) | | 1 | |
| 20 | 372718 | PANEL, PROTECTOR / FLOOR / R.H. (114 X 534) | | 1 | |
| NS | 500505 | SCREW WO PAN PH #10x1 Z050 | AR | AR | |
| 21 | 372684 | DEFLECTOR / R.H. & L.H. TOP (115 X 2438 MM) | | 2 | |
| NS | 451475 | DEFLECTOR / L.H. /END OF RETURN DUCT) | 1 | | |
| NS | 451476 | DEFLECTOR / R.H. /END OF RETURN DUCT) | 2 | | |
| NS | 323412 | DEFLECTOR, ANGLE / REAR L.H. SIDE / TOP OF RETURN | 1 | | |
| NS | 323424 | DEFLECTOR, ANGLE / REAR R.H. SIDE / TOP OF RETURN | 1 | | |
| NS | 372719 | DEFLECTOR / END OF RETURN DUCT (113 X 192 MM) | | 1 | |
| NS | 372685 | DEFLECTOR / END OF RETURN DUCT (113 X 126 MM) | | 1 | |

| | | |
|---------------------------------|--------------|-----------------|
| From L-031 To R-079 | Date:10/2022 | PAGE:H4-2221-10 |
| DUCTING HEATER & A/C | | |

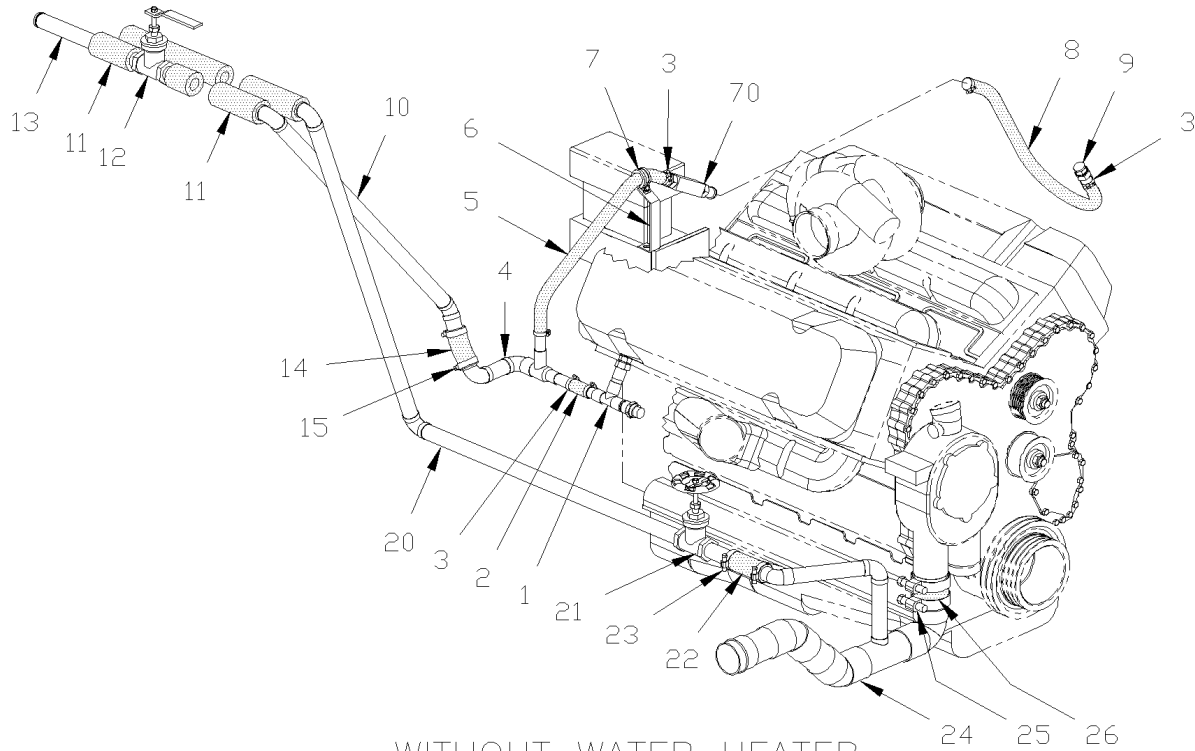
| Item# | Part | Description | H 3 4 0 | V I P 4 0 | N O T E S |
|-------|--------|--|------------------|-----------------------|-----------------------|
| 22 | 372842 | DUCT, AIR / R.H. FRONT LOWER From M-116 | | 1 | |
| 23 | 871027 | DIFFUSOR From M-116 | | 2 | |
| 24 | 502611 | SCREW TP FL PH #6x1/2 Z050 From M-116 | | 1 | |
| 25 | 372858 | CAP CLOSING DEFLECTOR From M-116 | | 1 | |
| 26 | 372821 | DEFLECTOR / UNDER FLOOR | | 1 | |
| 27 | 451972 | CAP CLOSING ASSY / R.H. FRONT | | | |
| 28 | 372591 | . CAP CLOSING / R.H. FRONT | 1 | | |
| 29 | 870887 | . DEFLECTOR, AIR | 1 | | |
| NS | 500260 | SCREW TC FL PH #8-32x3/4 BK | 2 | | |
| 30 | 459172 | CAP CLOSING ASSY / L.H. FRONT | 1 | | |
| 31 | 379082 | . CAP CLOSING / L.H. FRONT DUCT | 1 | | |
| 32 | 870901 | . LOUVER, ADJUSTABLE / ROUND 3" O.D. | 1 | | |
| 33 | 372569 | CAP CLOSING / L.H. REAR | 1 | | |
| NS | 372603 | CAP CLOSING ALUMINIUM / L.H. FRONT | | 1 | |
| NS | 372604 | CAP CLOSING ALUMINIUM / R.H. FRONT To M-115 | | 1 | |
| NS | 371715 | CAP R.H. / FRONT | | 1 | |
| NS | 371716 | CAP L.H. / FRONT | | 1 | |
| 34 | 324754 | CAP CLOSING / REAR W/W.C.L. / (HINGE SIDE OF DOOR) | 1 | | |
| | | | | | |
| | | A) TO FIX DUCT | | | |
| | | B) TO FIX PROTECTOR | | | |
| | | C) TO FIX PROTECTOR | | | |
| | | D) TO FIX SUPPORT | | | |
| | | E) TO FIX DIFFUSOR | | | |
| | | F) TO FIX ANGLE TO FLOOR | | | |

From L-031 To R-032

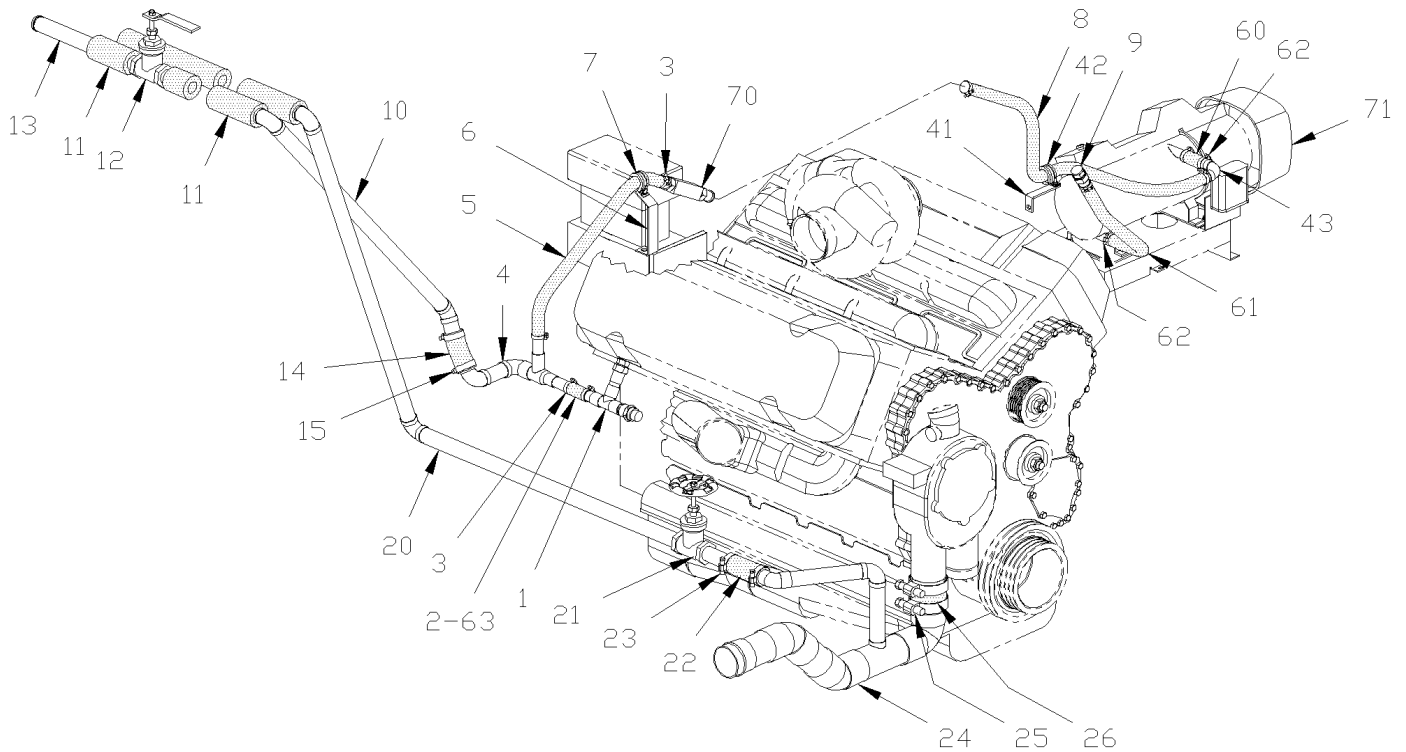
Date:10/2022

PAGE:H4-2222-00

HEATER LINE REAR SECTION - WITH DETROIT S-92



WITHOUT WATER HEATER



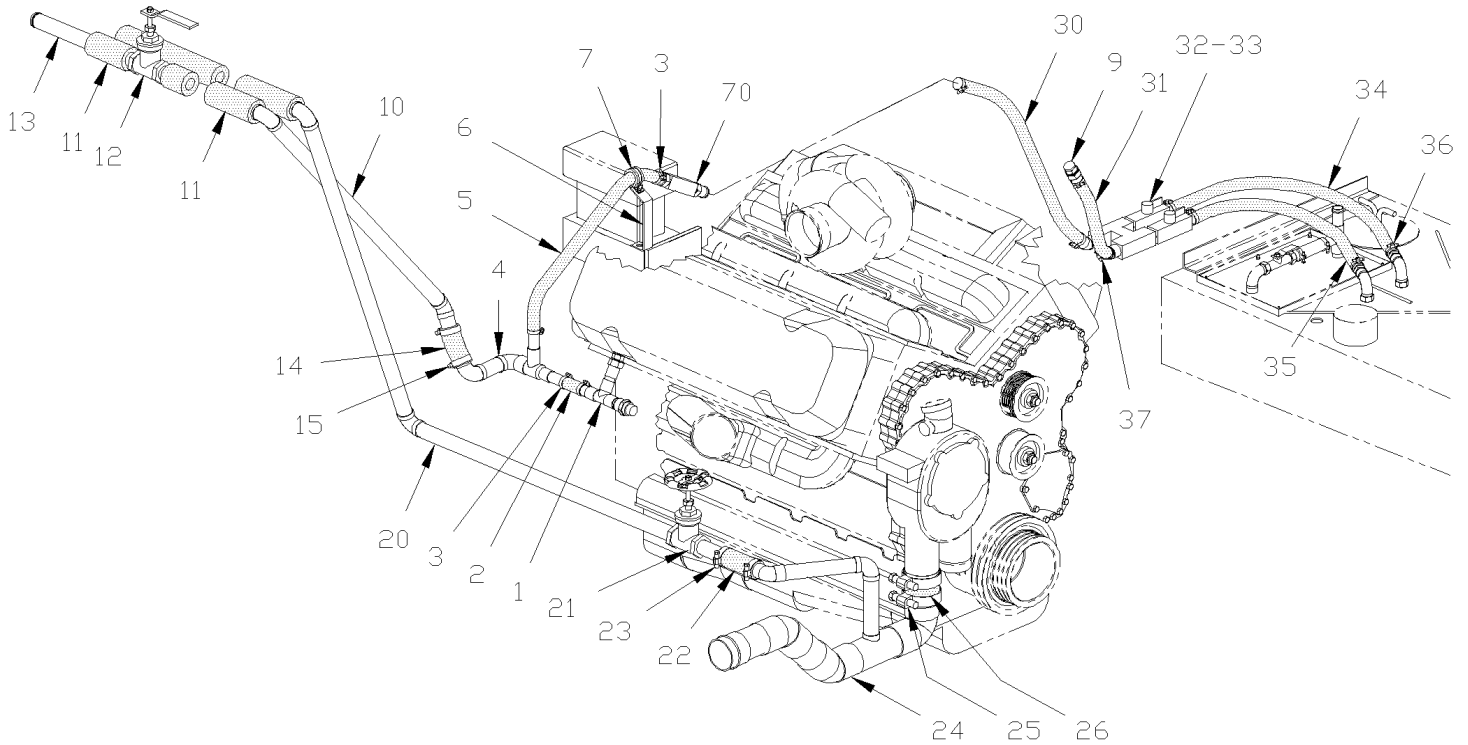
WITH WATER HEATER

From L-031 To R-032

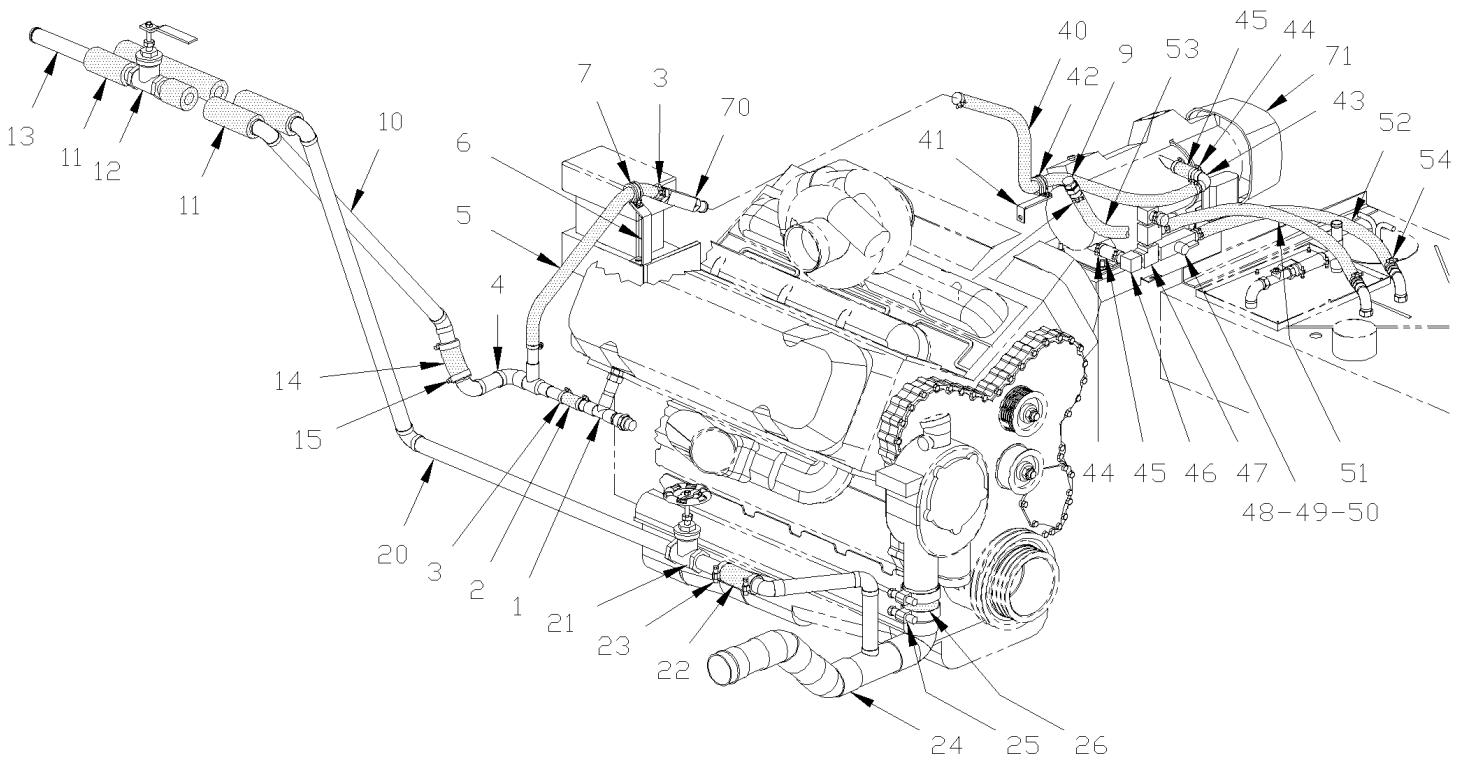
Date:10/2022

PAGE:H4-2222-00

HEATER LINE REAR SECTION - WITH DETROIT S-92



WITH WASTE TANK HEATER



WITH WATER & WASTE TANK HEATER

| | | |
|---|--------------|-----------------|
| From L-031 To R-032 | Date:10/2022 | PAGE:H4-2222-00 |
| HEATER LINE REAR SECTION - WITH DETROIT S-92 | | |

| Item# | Part | Description | H 3 4 0 | V I P 4 0 | N O T E S |
|-------|-------------------|--|------------------|-----------------------|-----------------------|
| 1 | 372189 | PIPE ASSY / 6V92 & 8V92 | 1 | 1 | |
| NS | 501517 | . PLUG SQUARE HEAD / PIPE FITTING / 3/4NPT-M BR | 1 | 1 | |
| 2 | 371554 | HOSE 7/8" I.D. X 7.5" | 1 | 1 | |
| 3 | 504020 | HOSE CLAMP / 9/16"-1"1/4 SS / HS-12 | AR | AR | |
| 4 | 372746 | PIPE ASSY HOT WATER "T" SHAPE | 1 | 1 | |
| NS | 061027 | SUPPORT 2"1/2 LG | 1 | 1 | |
| 5 | 372747 | HOSE / TO L.H CYLINDER HEAD / 3/4" I.D. | 1 | 1 | |
| 6 | 061027 | SUPPORT 2"1/2 LG | 1 | 1 | |
| 7 | 061133 | SUPPORT / OVER BLOWER TO FIX HOSE WATER COLANT COOLANT | 1 | 1 | |
| 8 | 372748 | HOSE / TO ENGINE BLOCK / 3/4" I.D. 678MM | 1 | 1 | |
| 9 | 507605 | MALE CONNECTOR / HOSE BARB FITTING / #12x1/2NPT-M BR | 1 | 1 | |
| 10 | 372654 | PIPE ASSY / BALL VALVE & ENGINE W/92 | 1 | 1 | |
| 11 | 506242 | PIPE INSULATING / 1 3/8" I.D. X 1/2" TH. X 72 / APT13812 | AR | AR | |
| 12 | 870966 | BALL VALVE 1" NPT-F | 1 | 1 | A |
| 12 | 871419 | BALL VALVE 1" NPT-F / SERVICE | 1 | 1 | |
| 13 | 372648 | PIPE ASSY / WATER FILTER & BALL VALVE | 1 | 1 | |
| 14 | 371858 | HOSE 1 3/8" I.D. 7" | 1 | 1 | |
| 15 | 504560 | HOSE CLAMP / 1"1/4-2"1/8 / C.T. 200 | 2 | 2 | |
| 20 | 372651 | PIPE ASSY / RETURN LINE TO ENGINE | 1 | 1 | |
| 21 | 501861 | . GATE VALVE 1 1/4" (WELDED) | 1 | 1 | |
| 22 | 051386 | HOSE 5 3/8" X 1 3/8" I.D. 5 3/8" X 1 3/8" I.D. | 1 | 1 | |
| 23 | 504560 | HOSE CLAMP / 1"1/4-2"1/8 / C.T. 200 | 2 | 2 | |
| 24 | H4-0500-00 | COOLANT PIPING WITH DETROIT S-92 | | | |
| 25 | 050668 | HOSE 2 3/4" I.D. 3 1/8" | 1 | 1 | |
| 26 | 504525 | HOSE CLAMP / 2"3/4-3"5/8 SS / HTM-350L | 2 | 2 | |
| 30 | 372750 | HOSE 3/4" I.D. | 1 | | |
| 31 | 372751 | HOSE 3/4" I.D. | 1 | | |
| 32 | 403617 | CONNECTOR FITTING ASSY | 1 | | |
| 33 | 530096 | . BALL VALVE 1/2" NPT 1/2 NPT F x 1/2 NPT F | 1 | | |
| NS | 403634 | ANGLE SUPPORT 152MM | 1 | | |
| NS | 500607 | SCREW MA TR PH #10-24x1 SS | 3 | | |
| NS | 500787 | NUT HEX #10-24 SS | 3 | | |
| NS | 500972 | WASHER FL .200x.437x.037 SS | 3 | | |
| NS | 560483 | CLAMP / 7/8" I.D. | 2 | | |
| 34 | 403636 | HOSE 5/8" I.D. 550MM | 1 | | |
| 35 | 403190 | HOSE 5/8" I.D. 500MM | 1 | | |
| 36 | 504020 | HOSE CLAMP / 9/16"-1"1/4 SS / HS-12 | 4 | | |
| 37 | 504319 | HOSE CLAMP / 1"-1"1/2 SS / E.T. 16 | 4 | | |
| 40 | 372759 | HOSE 3/4" I.D. | 1 | | |
| 41 | 070368 | SUPPORT | 1 | | |
| 42 | 560483 | CLAMP / 7/8" I.D. | 1 | | |
| NS | 502530 | SCREW MA OV PH M4-0.7x40 SS | 1 | | |

| | | |
|---|--------------|-----------------|
| From L-031 To R-032 | Date:10/2022 | PAGE:H4-2222-00 |
| HEATER LINE REAR SECTION - WITH DETROIT S-92 | | |

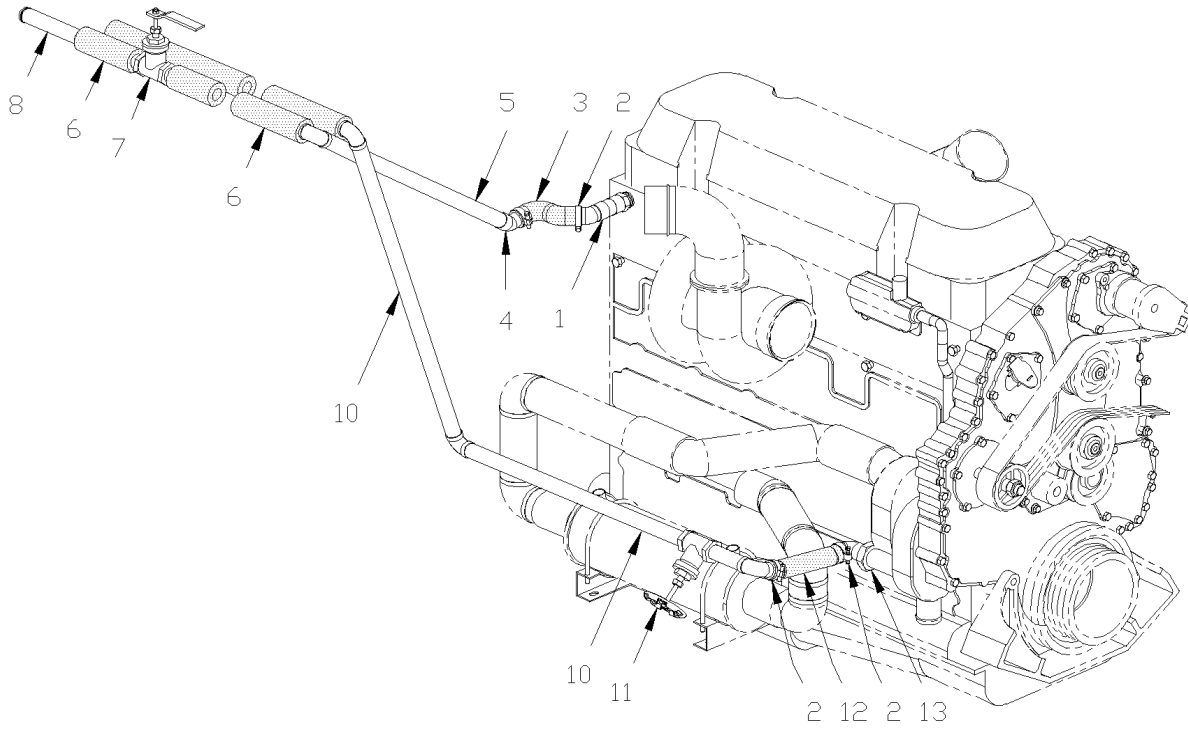
| Item# | Part | Description | H 3 4 0 | V I P 4 0 | N O T E S |
|-------|-------------------|---|------------------|-----------------------|-----------------------|
| NS | 502636 | WASHER LO SPT 4.1x7.6x0.9 Z050 | 1 | | |
| NS | 502524 | NUT HEX M4-0.7 Z050 | 1 | | |
| 43 | 372856 | PIPE ELBOW | 1 | | |
| 44 | 504319 | HOSE CLAMP / 1"-1"1/2 SS / E.T. 16 | 4 | | |
| 45 | 403641 | HOSE 3/4" I.D. 53MM | 2 | | |
| 46 | 5011038 | MALE ELBOW 90° / BEADED HOSE BARB / #12x1/2NPT-M | 2 | | |
| 47 | 501473 | MALE RUN TEE / PIPE FITTING / 1/2NPT-Mx1/2NPT-Fx1/2NPT-F BR | 2 | | |
| 48 | 530096 | BALL VALVE 1/2" NPT 1/2 NPT F x 1/2 NPT F | 1 | | |
| 49 | 501373 | MALE CONNECTOR / HOSE BARB FITTING / #10x1/2NPT-M GALV | 2 | | |
| 50 | 403635 | ANGLE SUPPORT 36MM X 75MM | 1 | | |
| NS | 500163 | SCREW CAP HEX 1/4-20x3/4 G5 Z050 | 1 | | |
| NS | 500441 | WASHER FL .312x.734x.065 Z050 | 1 | | |
| NS | 500473 | WASHER LO SPT .262x.489x.062 Z050 | 1 | | |
| NS | 502716 | NUT HEX NYRT 1/4-20 | 1 | | |
| 51 | 403642 | HOSE 5/8" I.D. 390MM | 1 | | |
| 52 | 403643 | HOSE 5/8" I.D. 750MM | 1 | | |
| 53 | 372700 | HOSE 3/4" I.D. 460MM | 1 | | |
| 54 | 504020 | HOSE CLAMP / 9/16"-1"1/4 SS / HS-12 | 8 | | |
| 60 | 372683 | HOSE 3/4" I.D. 4" | 1 | | |
| 61 | 372758 | HOSE 3/4" I.D. 19" | 1 | | |
| 62 | 504020 | HOSE CLAMP / 9/16"-1"1/4 SS / HS-12 | 4 | | |
| 63 | 452026 | RESTRICTION / ALU. WASHER 6MM x 22MM O.D. W/10MM HOLE | 1 | | |
| 70 | H4-1205-11 | AIR COMPRESSOR - "TU-FLO 750" - WITH DETROIT S-92 | | | |
| 71 | 870969 | WATER HEATER - "ESPAR" 40,000 B.T.U. | | | |
| | | | | | |
| | | | | | |
| | | | | | |
| | | A) LOCATED IN BAGGAGE COMPARTEMENT, OVER REAR WHEELHOUSE | | | |

From P-256 To R-079

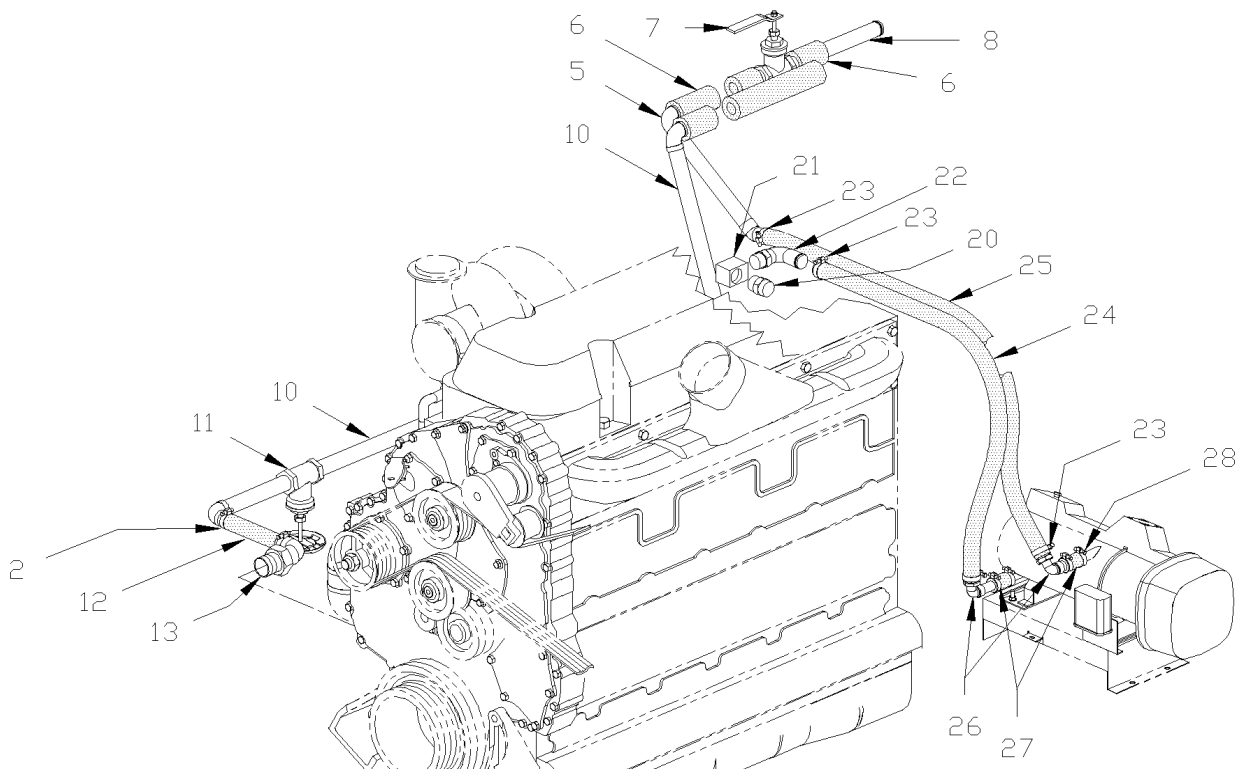
Date:10/2022

PAGE:H4-2222-01

HEATER LINE REAR SECTION - WITH DETROIT S-60



WITHOUT WATER HEATER



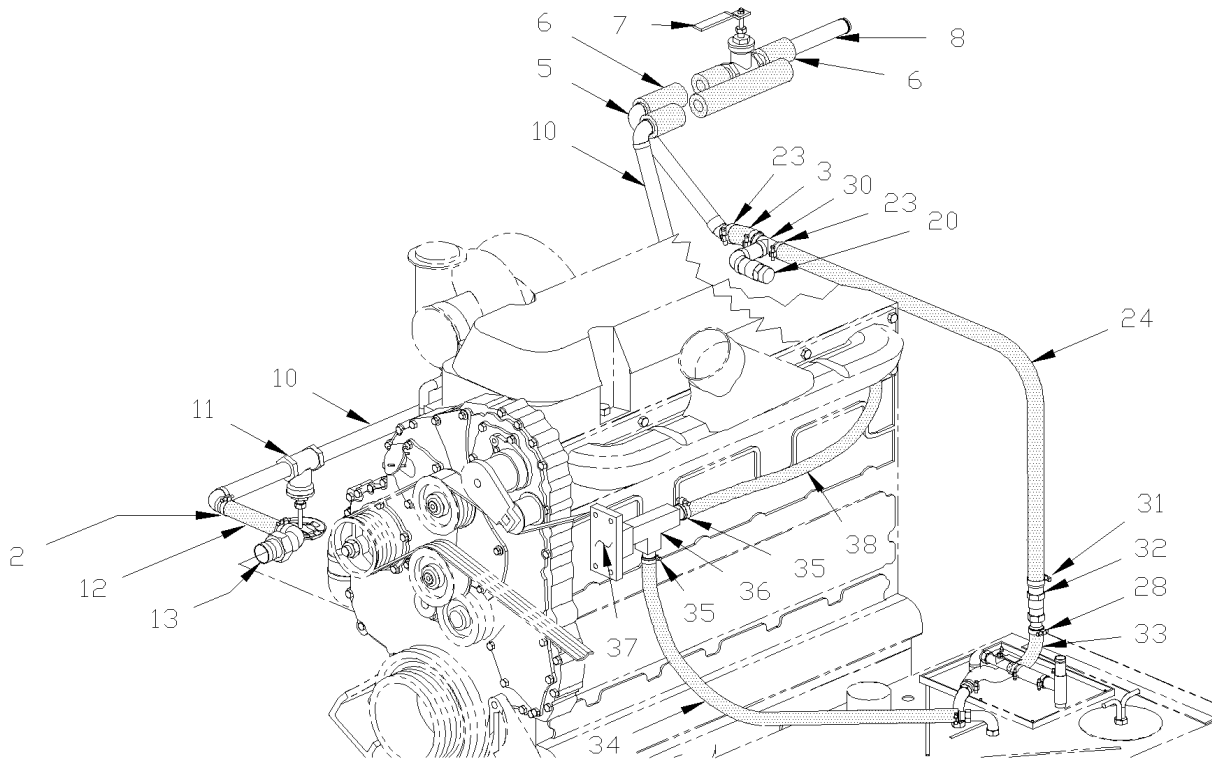
WITH WATER HEATER

From P-256 To R-079

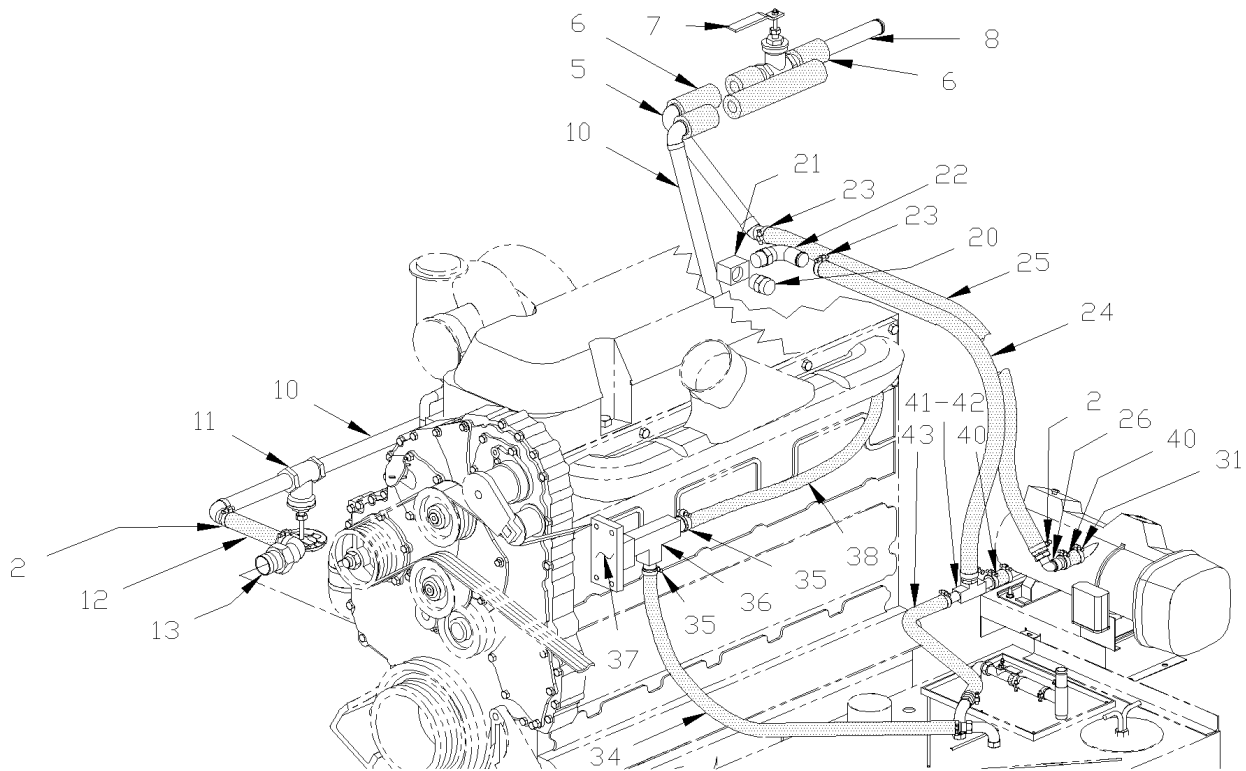
Date:10/2022

PAGE:H4-2222-01

HEATER LINE REAR SECTION - WITH DETROIT S-60



WITH WASTE TANK HEATER



WITH WATER & WASTE TANK HEATER

| | | |
|---|--------------|-----------------|
| From P-256 To R-079 | Date:10/2022 | PAGE:H4-2222-01 |
| HEATER LINE REAR SECTION - WITH DETROIT S-60 | | |

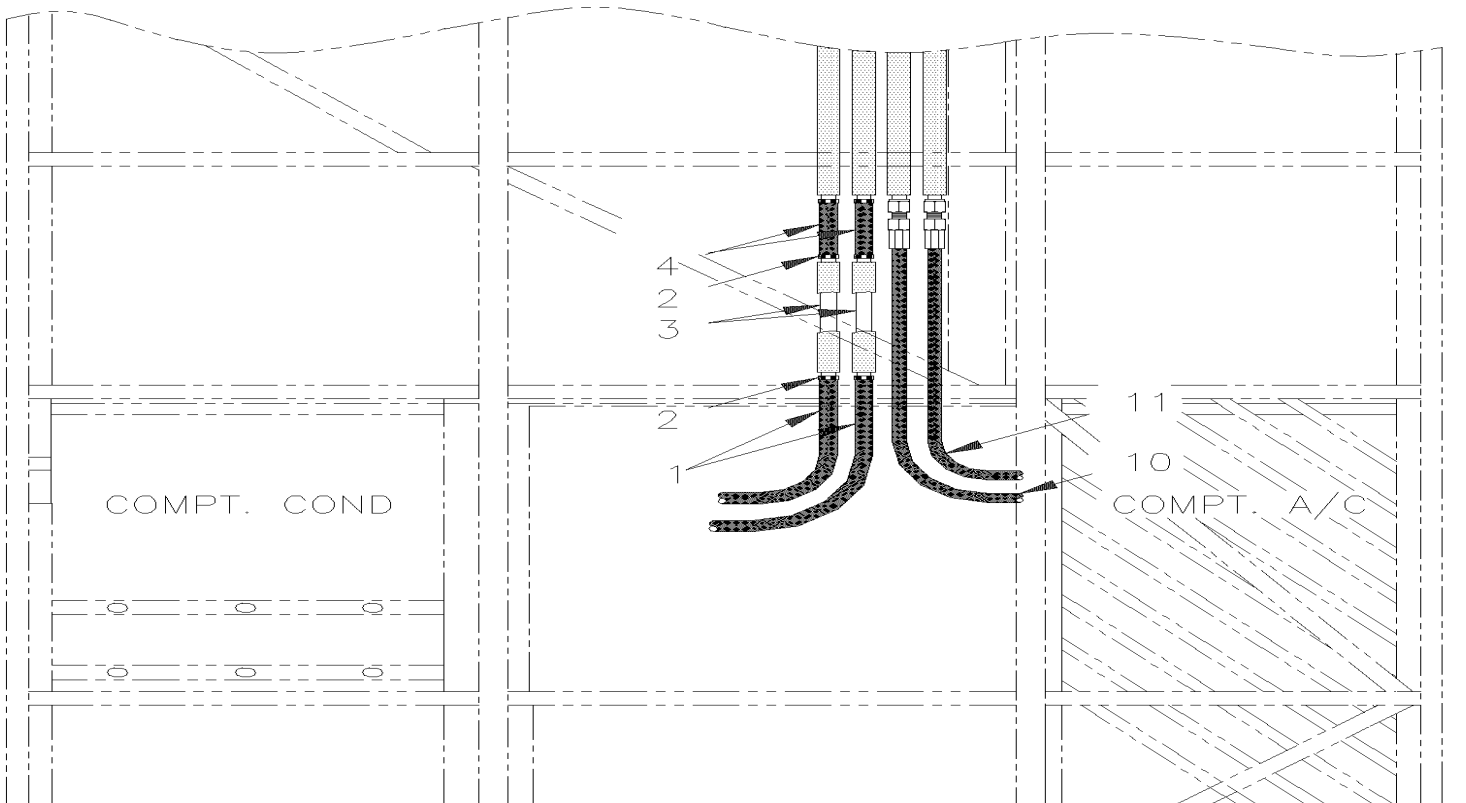
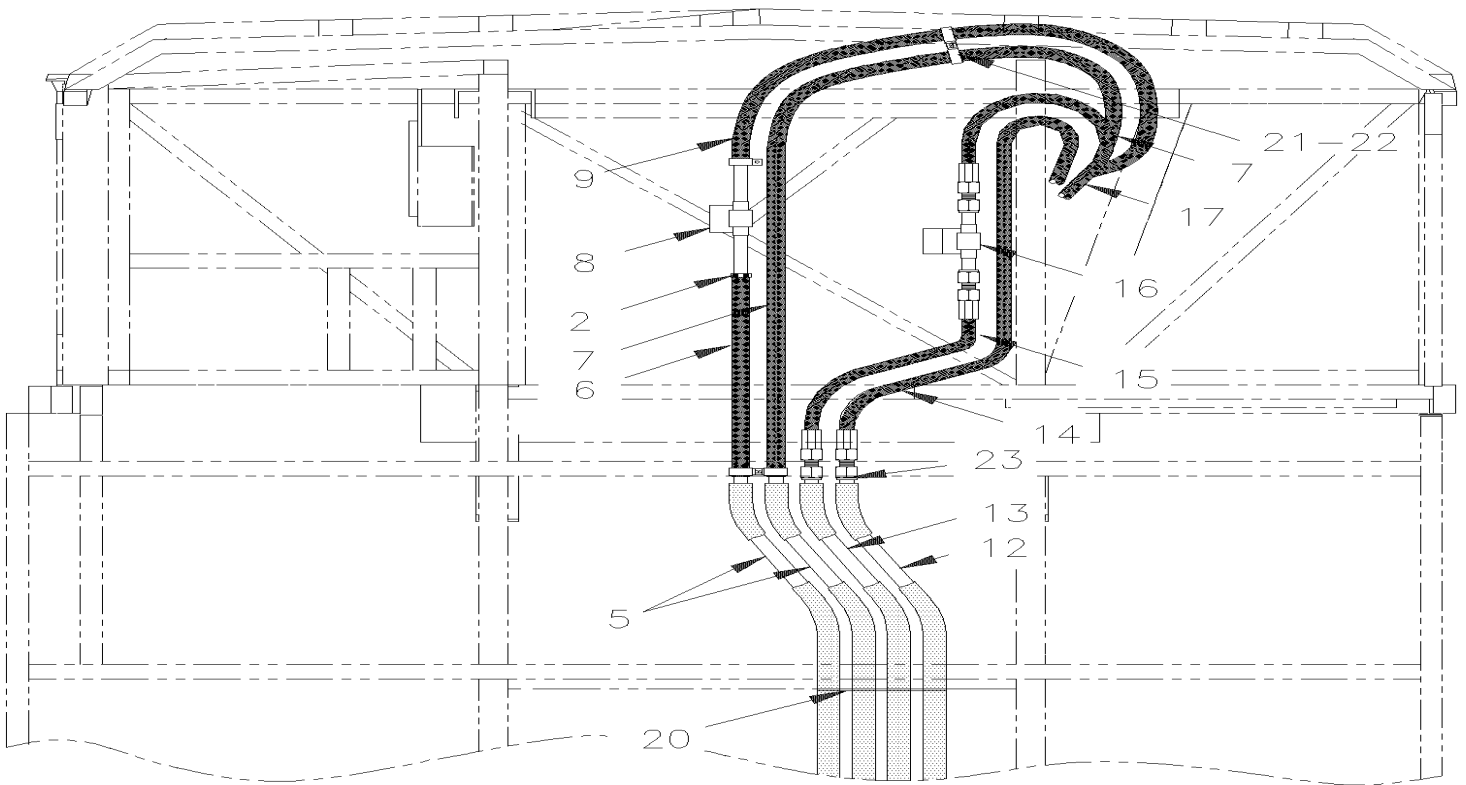
| Item# | Part | Description | H 3 4 0 | V I P 4 0 | N O T E S |
|-------|-------------------|---|------------------|-----------------------|-----------------------|
| 1 | 373040 | ADAPTOR ELBOW 45°/ CYLINDER HEAD EXIT | 1 | 1 | |
| 2 | 504657 | HOSE CLAMP / 1"1/16-2" C.T. 9424 | AR | AR | |
| 3 | 372700 | HOSE 3/4" I.D. 460MM | 1 | 1 | |
| 4 | 051595 | ELBOW 45° (WELDED) | 1 | 1 | |
| 5 | 372964 | PIPE ASSY / BALL VALVE & ENGINE W/60 | 1 | 1 | |
| 6 | 506242 | PIPE INSULATING / 1 3/8" I.D. X 1/2" TH. X 72 / APT13812 | AR | AR | |
| 7 | 870966 | BALL VALVE 1" NPT-F | 1 | 1 | A |
| 7 | 871419 | BALL VALVE 1" NPT-F / SERVICE | 1 | 1 | |
| 8 | 372648 | PIPE ASSY / WATER FILTER & BALL VALVE | 1 | 1 | |
| 10 | 372959 | PIPE ASSY / RETURN LINE TO ENGINE | 1 | 1 | |
| 11 | 501861 | GATE VALVE 1 1/4" (WELDED) | 1 | 1 | |
| 12 | 373226 | PIPE | 1 | 1 | |
| 13 | 372958 | ADAPTOR ELBOW 90° / WATER PUMP INLET | 1 | 1 | |
| 20 | 501564 | ADAPTER / PIPE FITTING / 3/4NPT-Fx1NPT-M BR | 1 | | |
| 21 | 507339 | STREET ELBOW 90° / PIPE FITTING / 3/4NPT-Mx3/4NPT-F BR | 1 | | |
| 22 | 372957 | ADAPTOR ELBOW 90° / CYLINDER HEAD EXIT | 1 | | |
| 23 | 504560 | HOSE CLAMP / 1"1/4-2"1/8 / C.T. 200 | AR | | |
| 24 | 372980 | HOSE 1 3/8" I.D. 651MM | 1 | | |
| 25 | 372979 | HOSE 1 3/8" I.D. 1205MM | 1 | | |
| 26 | 373030 | PIPE ELBOW 90° ASSY | 2 | | |
| 27 | 372683 | HOSE 3/4" I.D. 4" | 2 | | |
| 28 | 504020 | HOSE CLAMP / 9/16"-1"1/4 SS / HS-12 | AR | | |
| 30 | 373049 | PIPE "T" SHAPE | 1 | | |
| 31 | 504319 | HOSE CLAMP / 1"-1"1/2 SS / E.T. 16 | 1 | | |
| 32 | 507605 | MALE CONNECTOR / HOSE BARB FITTING / #12x1/2NPT-M BR | 1 | | |
| 32 | 501519 | MALE CONNECTOR / JIC 37° FITTING / #12JIC-Mx3/4NPT-M STL | 1 | | |
| 33 | 403636 | HOSE 5/8" I.D. 550MM | 1 | | |
| 34 | 373050 | HOSE 5/8" I.D. 660MM | 1 | | |
| 35 | 504020 | HOSE CLAMP / 9/16"-1"1/4 SS / HS-12 | 2 | | |
| 36 | 501373 | MALE CONNECTOR / HOSE BARB FITTING / #10x1/2NPT-M GALV | 1 | | |
| 37 | H4-1205-12 | AIR COMPRESSOR - "TU-FLO 750" - WITH DETROIT S-60 | | | |
| 38 | 503523 | HOSE SILICONE 1PLY 3/4" I.D. x 100' / S.L. | AR | AR | |
| 40 | 403641 | HOSE 3/4" I.D. 53MM | 2 | | |
| 41 | 501473 | MALE RUN TEE / PIPE FITTING / 1/2NPT-Mx1/2NPT-Fx1/2NPT-F BR | 1 | | |
| 42 | 507605 | MALE CONNECTOR / HOSE BARB FITTING / #12x1/2NPT-M BR | 1 | | |
| 43 | 373048 | HOSE #10 332MM | 1 | | |
| | | | | | |
| | | | | | |
| | | | | | |
| | | | | | |
| | | A) LOCATED IN BAGGAGE COMPARTEMENT, OVER REAR WHEELHOUSE | | | |

From L-031 To R-079

Date:10/2022

PAGE:H4-2222-10

A/C & HEATING LINE FRONT SECTION



| | | |
|---|--------------|-----------------|
| From L-031 To R-079 | Date:10/2022 | PAGE:H4-2222-10 |
| A/C & HEATING LINE FRONT SECTION | | |

| Item# | Part | Description | H 3 4 0 | V I P 4 0 | N O T E S |
|-------|-------------------|--|------------------|-----------------------|-----------------------|
| 1 | 372632 | HOSE 7/8" I.D. X 1848MM | 2 | 2 | |
| 1 | 503684 | . HOSE SILICONE 1 PLY 7/8" I.D. x 100' / S.L. | AR | AR | |
| 2 | 504646 | HOSE CLAMP / 11/16"-1"1/4 / C.T. 9412 | AR | AR | |
| 3 | 373250 | PIPE ASSY | 2 | | |
| 3 | 373223 | PIPE ASSY | | 2 | |
| 3 | 506276 | . PIPE INSULATING / 7/8" I.D. X 1/2" TH. X 72 / APT07812 | AR | AR | |
| 4 | 373134 | HOSE /WATER VALVE & HEATER / 7/8" I.D. 229MM | 2 | 2 | |
| 4 | 503523 | . HOSE SILICONE 1PLY 3/4" I.D. x 100' / S.L. | AR | AR | |
| 5 | 372661 | PIPE ASSY | 2 | 2 | |
| 6 | 372738 | HOSE 3/4" I.D. 815 MM | 1 | 1 | |
| 7 | 372633 | HOSE / PIPE & HEATER / 3/4" I.D. 7' 3" | 1 | 1 | |
| 7 | 503523 | . HOSE SILICONE 1PLY 3/4" I.D. x 100' / S.L. | AR | AR | |
| NS | 506267 | . PIPE INSULATING / 1 1/8" I.D. X 1/2" TH. X / APT11812 | AR | AR | |
| 8 | H4-2207-11 | WATER VALVE - DRIVER'S | | | |
| NS | 372742 | SUPPORT / TO FIX WATER VALVE | 1 | 1 | |
| NS | 500642 | SCREW TP PAN PH #10x3/4 Z050 | 2 | 2 | A |
| 9 | 372634 | HOSE /WATER VALVE & HEATER / 3/4" I.D. 4' 75" | 1 | 1 | |
| NS | 503523 | HOSE SILICONE 1PLY 3/4" I.D. x 100' / S.L. | AR | AR | |
| 10 | 372617 | HOSE ASSY / W/R-12 / #10 3075MM | 1 | 1 | |
| 10 | 452457 | HOSE ASSY TEFLON / W/R-22 / #10 3087MM | 1 | | |
| 10 | 373275 | HOSE ASSY / W/R-134a / #10 3075MM | 1 | 1 | |
| NS | 507344 | . O-RING / ORS FITTING / #10 NEO | 2 | 2 | |
| 11 | 372620 | HOSE ASSY / W/R-12 / #12 1803MM | 1 | 1 | |
| NS | 452454 | HOSE ASSY TEFLON / W/R-22 / #12 1809MM | 1 | | |
| NS | 373274 | HOSE ASSY / W/R-134a / #12 1803MM | 1 | 1 | |
| NS | 507280 | . O-RING / ORS FITTING / #12 NEO | 2 | 2 | |
| 12 | 372663 | PIPE ASSY RETURN A/C | | 1 | |
| 13 | 372656 | PIPE ASSY RETURN A/C | 1 | 1 | |
| 14 | 372619 | HOSE ASSY / W/R-12 / #10 86" | 1 | 1 | |
| 14 | 452459 | HOSE ASSY TEFLON / W/R-22 / #10 2189MM | 1 | | |
| 14 | 373277 | HOSE ASSY / W/R-134a / #10 2185MM | 1 | 1 | |
| 15 | 372616 | HOSE ASSY / W/R-12 / #10 503MM | 1 | 1 | |
| 15 | 452461 | HOSE ASSY TEFLON #6 602MM | 1 | 1 | |
| 15 | 373278 | HOSE ASSY / W/R-134a / #6 508MM | 1 | 1 | |
| NS | 506216 | . PIPE INSULATING / 5/8" I.D. X 1/2" TH. X 72 / APT05812 | AR | AR | |
| NS | 507344 | . O-RING / ORS FITTING / #10 NEO | 2 | 2 | |
| 16 | H4-2208-10 | REFRIGERANT SOLENOID VALVE | | | |
| 17 | 452460 | HOSE ASSY TEFLON #6 1410MM | 1 | | |
| 17 | 372614 | HOSE ASSY / W/R-12 / #6 1400MM | 1 | 1 | |
| 17 | 373279 | HOSE ASSY / W/R-134a / #6 1400MM | 1 | 1 | |
| NS | 507278 | . O-RING / ORS FITTING / #4 NEO | 2 | 2 | |
| 20 | 372653 | PIPE SUPPORT / OVER / FIRST BAGGAGE | 1 | 1 | |

| | | |
|---|--------------|-----------------|
| From L-031 To R-079 | Date:10/2022 | PAGE:H4-2222-10 |
| A/C & HEATING LINE FRONT SECTION | | |

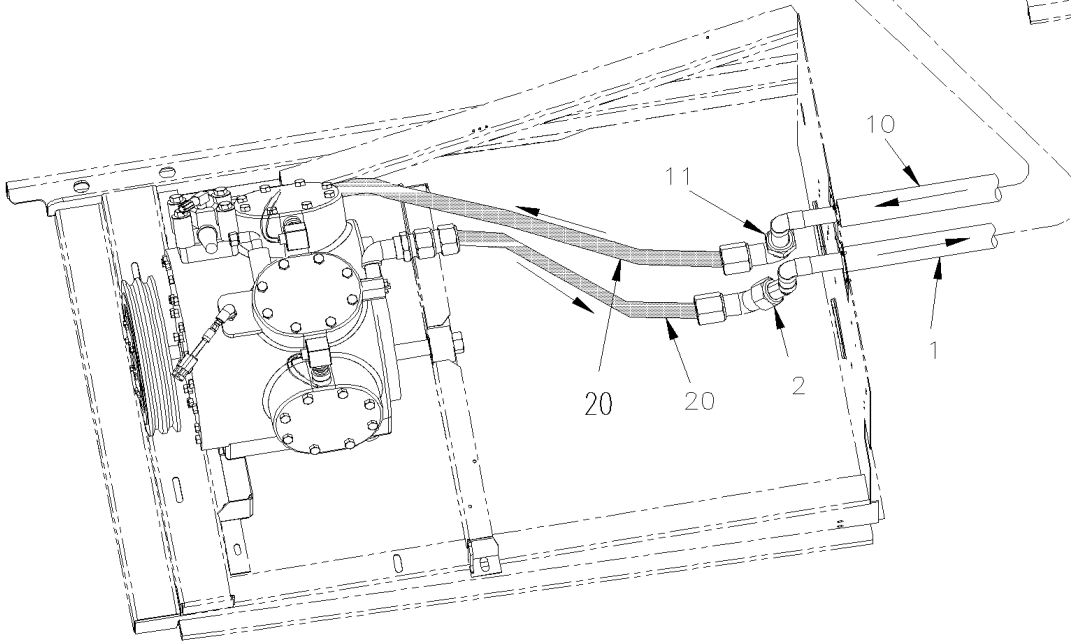
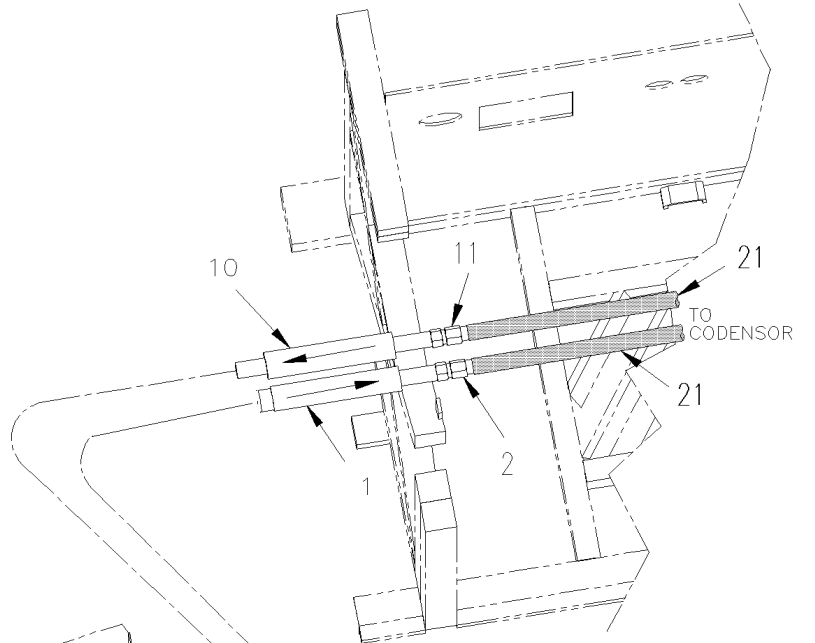
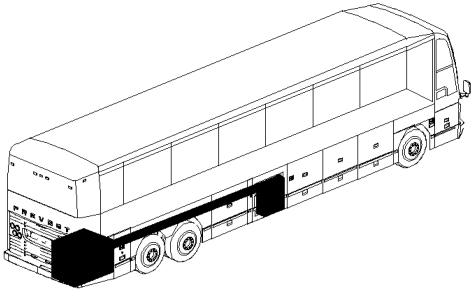
| Item# | Part | Description | H 3 4 0 | V I P 4 0 | N O T E S |
|-------|--------|--|------------------|-----------------------|-----------------------|
| 20 | 500481 | WASHER LO INT .437x.760x.040 ZP | AR | AR | |
| 20 | 500483 | WASHER LO SPT .570x.971x.141 ZP | AR | AR | |
| 21 | 504016 | CABLE TIE / 5/16" X 14"1/2 | AR | AR | |
| 22 | 504586 | WASHER FL SPACER .450x.625x.875 NYL | AR | AR | |
| 23 | 372652 | PIPE STRAP / UNDER AISLE STEPWELL | 1 | 1 | |
| 23 | 372722 | PIPE SUPPORT / UNDER AISLE STEPWELL | 1 | 1 | |
| | | WE DID NOT PRODUCED H3-40 WITH R-134A. | | | |
| | | ARE USED ONLY WITH RETROFIT KIT. CALL | | | |
| | | SERVICE PARTS FOR MORE INFORMATION | | | |
| | | | | | |
| | | | | | |
| | | A) TO FIX WATER VALVE | | | |

From L-031 To R-079

Date:10/2022

PAGE:H4-2222-15

A/C LINE REAR SECTION W/05G



| | | |
|------------------------------------|--------------|-----------------|
| From L-031 To R-079 | Date:10/2022 | PAGE:H4-2222-15 |
| A/C LINE REAR SECTION W/05G | | |

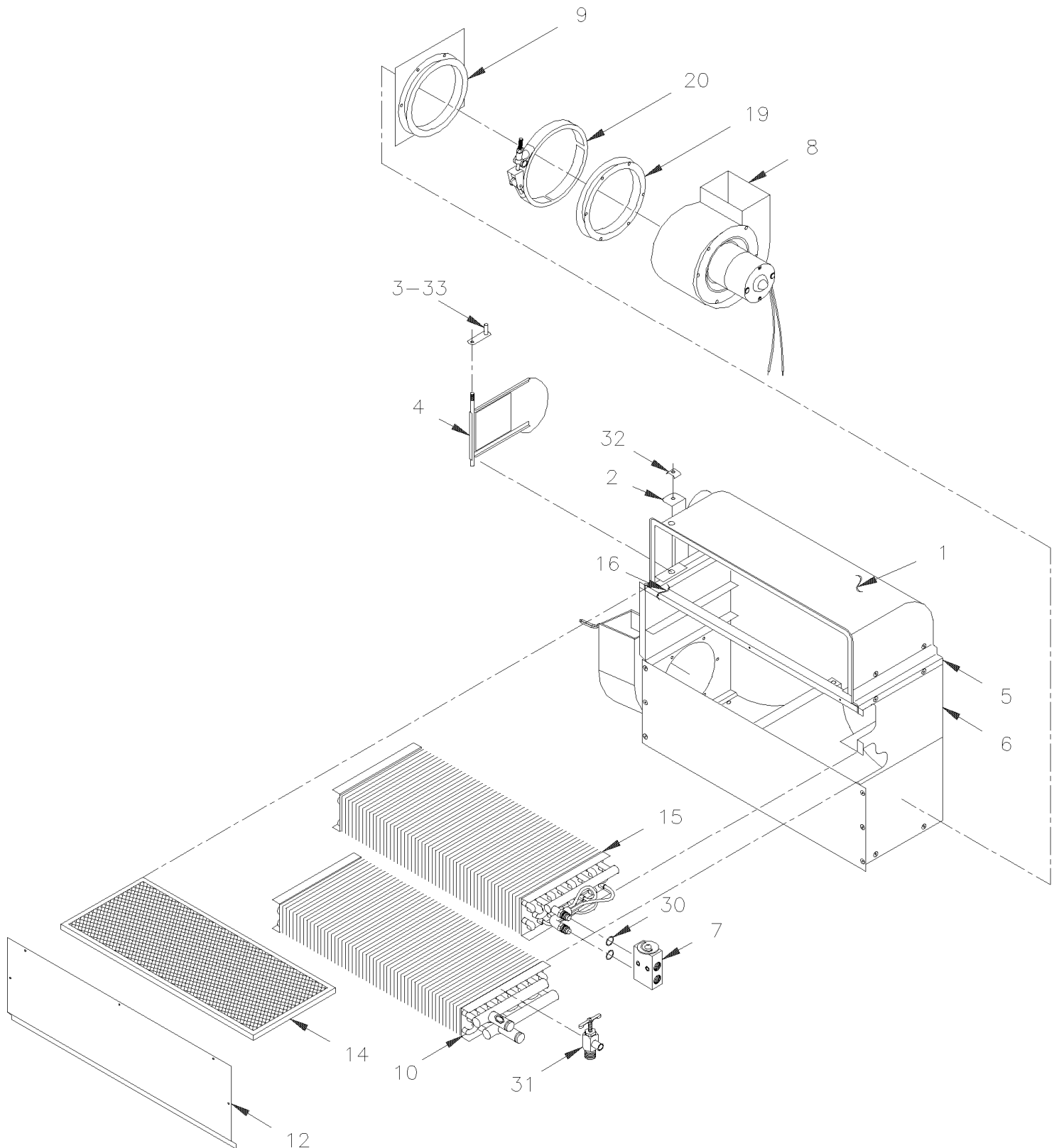
| Item# | Part | Description | H 3 4 0 | V I P 4 0 | N O T E S |
|-------|-------------------|--|------------------|-----------------------|-----------------------|
| 1 | 373123P | TUBE ASSY, PRESSURE / A/C COMPRESSOR | 1 | 1 | |
| 1 | 372649 | TUBE ASSY, PRESSURE / A/C COMPRESSOR / W/R-12 & R-22 | 1 | 1 | |
| 2 | 501718 | ADAPTER JIC @ BRAZE W/O-RING // #16JIC-Mx#18BRAZE-F BR | 2 | 2 | |
| . NS | 501802 | . O-RING / ORS FITTING / #16 NEO | 1 | 1 | |
| 10 | 373124P | TUBE ASSY, VACUUM / A/C COMPRESSOR | 1 | 1 | |
| 10 | 372650 | TUBE ASSY, VACUUM / A/C COMPRESSOR / W/R-12 & R-22 | 1 | 1 | |
| 11 | 501717 | ADAPTER JIC @ BRAZE W/O-RING // #20JIC-Mx#22BRAZE-F BR | 2 | 2 | |
| . NS | 501803 | . O-RING / ORS FITTING / #20 NEO | 1 | 1 | |
| 20 | H4-2245-00 | A/C COMPRESSOR 05G - INSTALLATION - WITH DETROIT S-92 | | | |
| 20 | H4-2245-01 | A/C COMPRESSOR 05G - INSTALLATION - WITH DETROIT S-60 | 1 | 1 | |
| 21 | H4-2270-00 | RECEIVER TANK & FILTER DRYER | | | |
| | | | | | |
| | | | | | |
| | | | | | |

From L-031 To M-140

Date:10/2022

PAGE:H4-2225-02

DRIVER'S HEATER & DEFROSTER ASSY



| | | |
|---|--------------|-----------------|
| From L-031 To M-140 | Date:10/2022 | PAGE:H4-2225-02 |
| DRIVER'S HEATER & DEFROSTER ASSY | | |

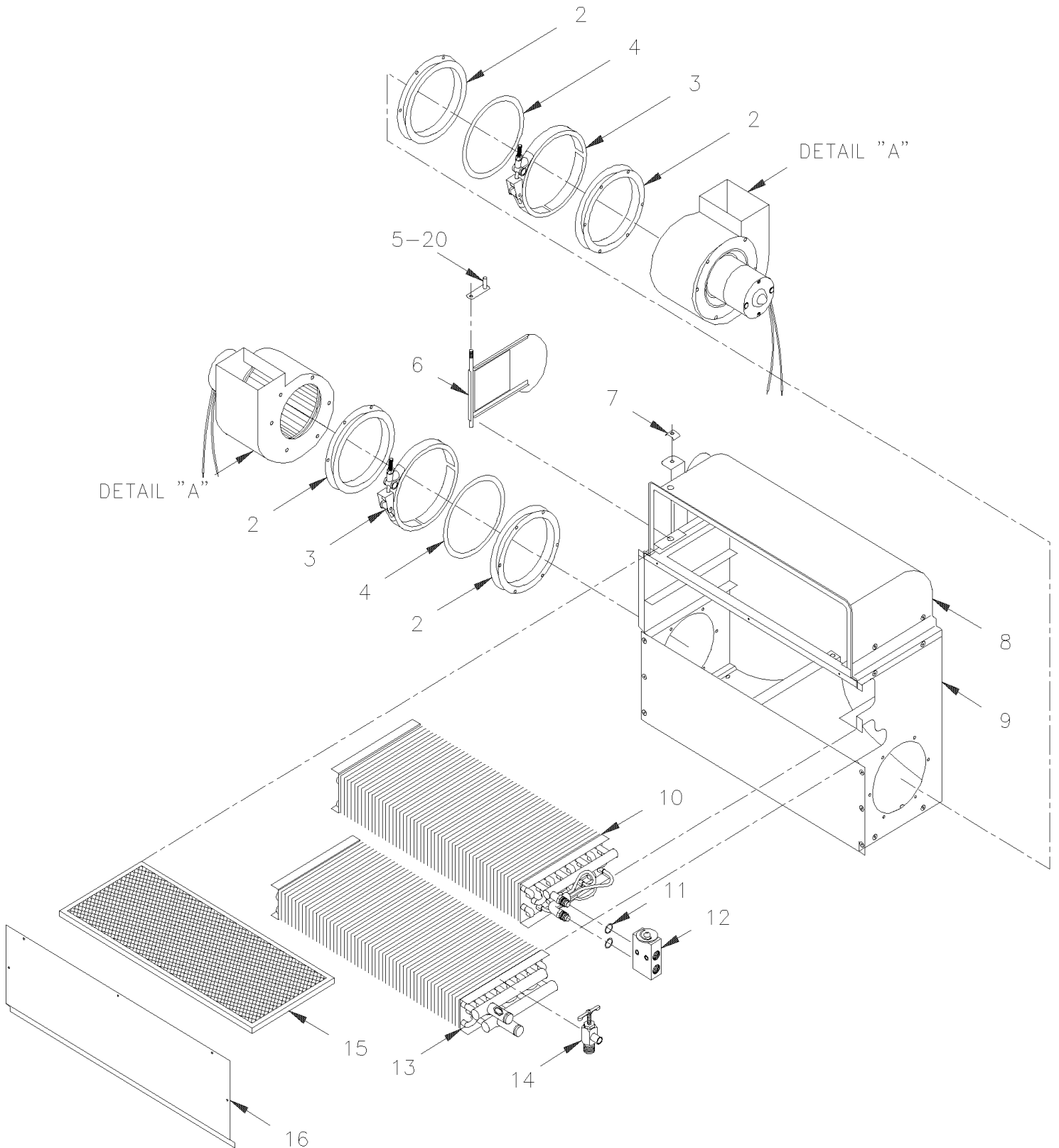
| Item# | Part | Description | H 3 4 0 | V I P 4 0 | N O T E S |
|-------|-------------------|--|------------------|-----------------------|-----------------------|
| | 372681 | DEFROSTER & A/C UNIT ASSY / W/R12 | 1 | 1 | |
| 1 | 371967 | . DUCT / AIR INTAKE ASSY / DAMPER | 1 | 1 | |
| 1 | 371943 | . . DUCT / AIR INTAKE | 1 | 1 | |
| 2 | 372042 | . . SUPPORT / TO FIX SENSOR TO UNIT | 1 | 1 | |
| NS | 504083 | . . SNAP BUSHING / .250x.468.406 | 1 | 1 | |
| 3 | 371972 | . . PIVOT | 1 | 1 | |
| 4 | 371969 | . . TRAP ASSY | 1 | 1 | |
| 5 | 372323 | . BOX / AIR DISTRIBUTOR | 1 | 1 | |
| 6 | 372324 | . BOX / COIL | 1 | 1 | |
| NS | 372321 | . PLATE CLOSING | 1 | 1 | |
| NS | 504347 | . RIVET POP DOME OE 3/16x1/4 AL | 19 | 19 | |
| 8 | H4-2240-00 | BLOWER & MOTOR ASSY - "AURORA" | | | |
| 9 | 372111 | . TRANSITION | 2 | 2 | |
| 10 | 870839 | . COIL HEATER | 1 | 1 | |
| 11 | 500277 | . RIVET NUT FL KNURLED OKS 5/16-18 .150-.312 | 3 | 3 | |
| 12 | 372322 | . PLATE CLOSING | 1 | 1 | |
| 14 | 870840 | . FILTER 7//16" x 8" x 18 7/8" (former) | 1 | 1 | |
| NS | 871049 | . FILTER 1/4" x 8" x 18 3/4" | 1 | 1 | |
| 15 | 950057 | . COIL EVAPORATOR | 1 | 1 | |
| 16 | 371968 | . SUPPORT | 1 | 1 | |
| NS | 504339 | . RIVET POP DOME OE 1/8x3/8 SS | 2 | 2 | A |
| 19 | 372126 | . ADAPTOR / FOR EASY REMOVAL MOTOR | 2 | 2 | |
| 20 | 504432 | . V-CLAMP / 6" I.D. | 2 | 2 | |
| 30 | 507279 | . O-RING / ORS FITTING / #8 NEO | 2 | 2 | |
| 33 | 500925 | . . NUT SPR PO RND 1/4 | 1 | 1 | |
| NS | 372460 | WIRE ASSY / FRESH AIR | 1 | 1 | |
| | | | | | |
| | | | | | |
| | | | | | |
| | | A) TO FIX STRAP | | | |

From M-141 To R-079

Date:10/2022

PAGE:H4-2225-03

DRIVER'S HEATER & DEFROSTER ASSY

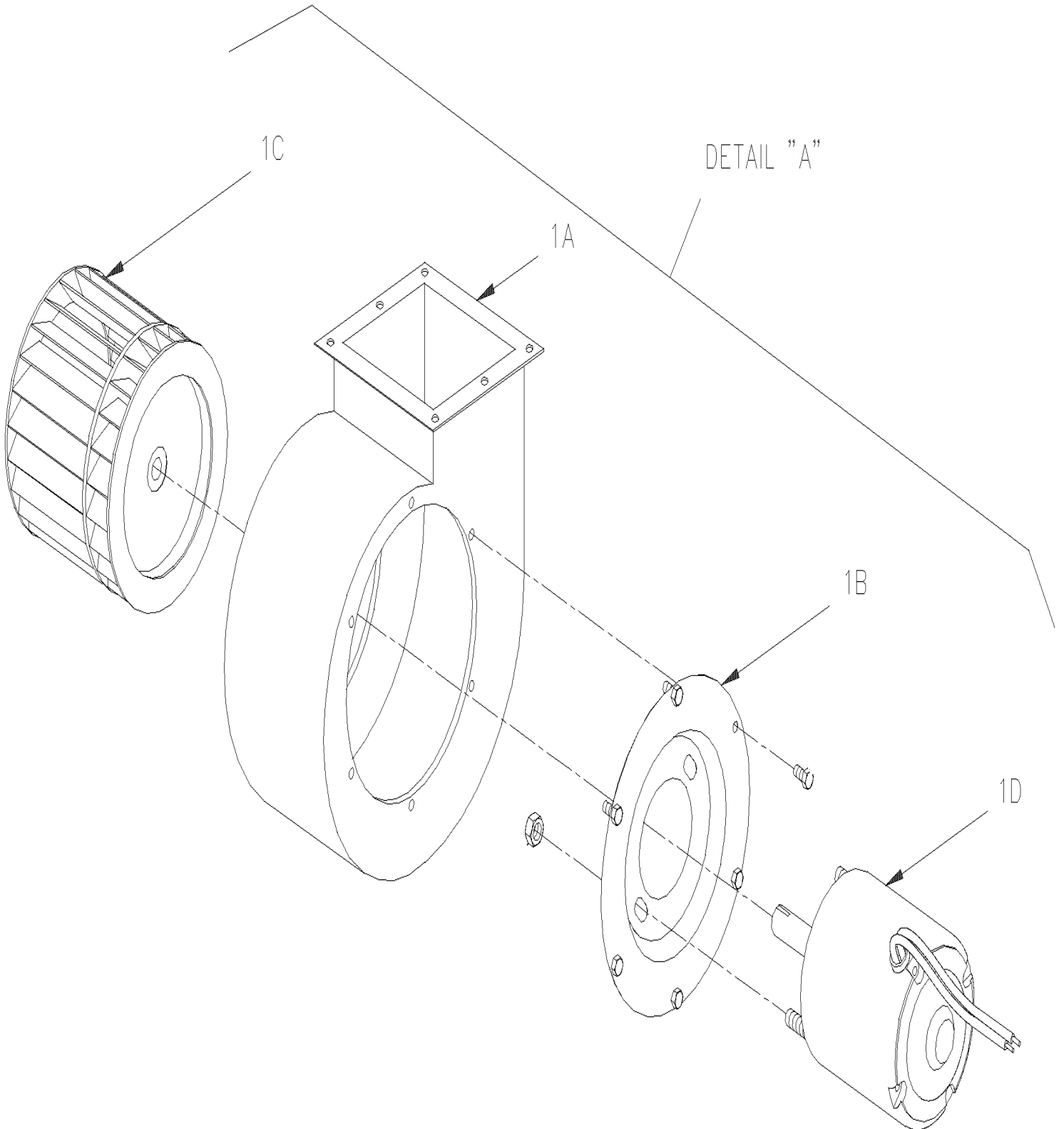


From M-141 To R-079

Date:10/2022

PAGE:H4-2225-03

DRIVER'S HEATER & DEFROSTER ASSY



| | | |
|---|--------------|-----------------|
| From M-141 To R-079 | Date:10/2022 | PAGE:H4-2225-03 |
| DRIVER'S HEATER & DEFROSTER ASSY | | |

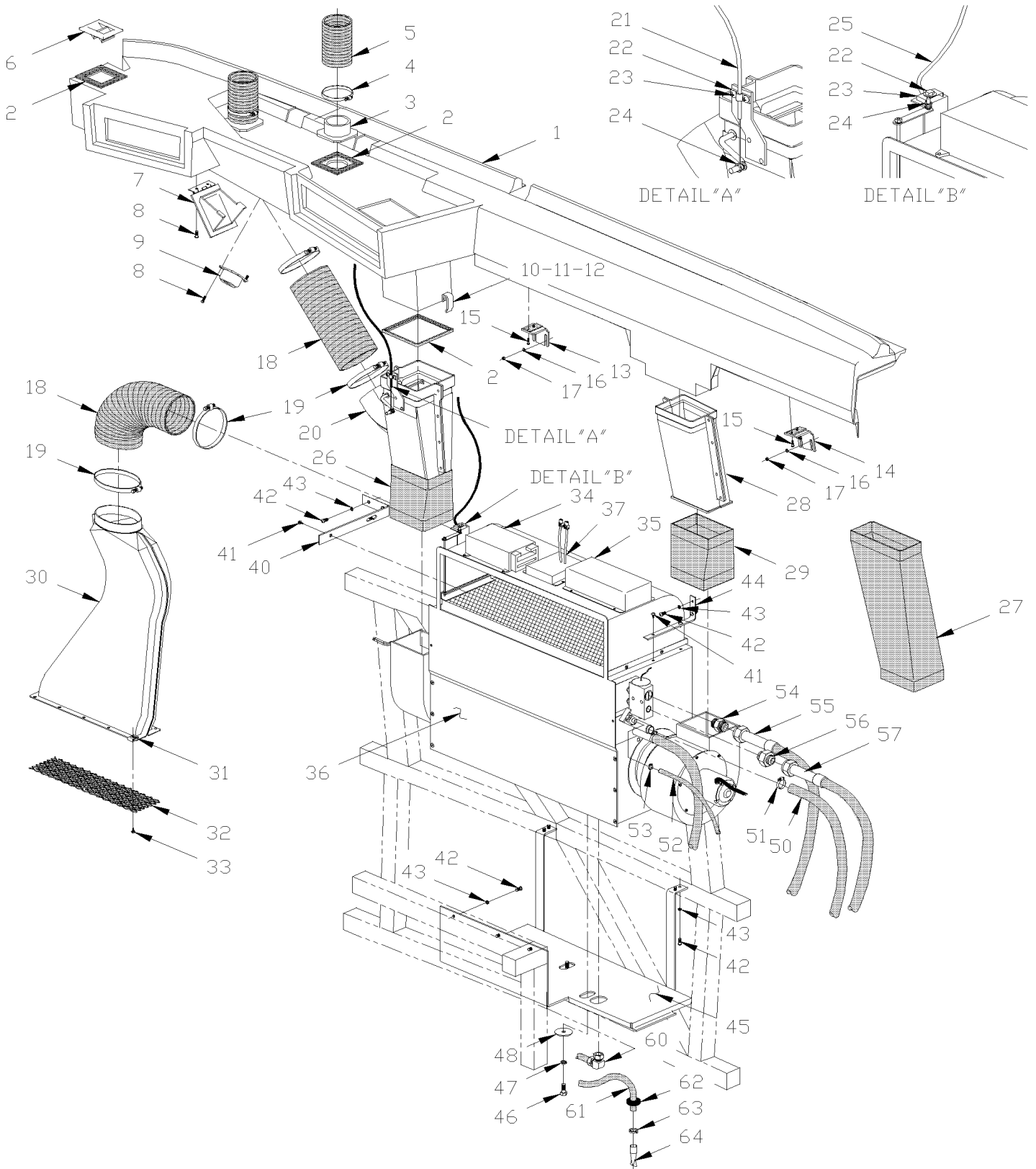
| Item# | Part | Description | H 3 4 0 | V I P 4 0 | N O T E S |
|-------|-------------------|------------------------------------|------------------|-----------------------|-----------------------|
| | 372768 | DEFROSTER & A/C UNIT ASSY / W/R22 | AR | AR | |
| NS | 871007 | DEFROSTER & A/C UNIT ASSY / W/R12 | 1 | 1 | |
| 1A | 871018 | . HOUSING BLOWER | 1 | 1 | |
| 1B | 871020 | . PLATE MOUNTING / MOTOR | 1 | 1 | |
| 1C | 871017 | . BLOWER WHEEL / STEEL | 1 | 1 | |
| 1D | 562167 | . MOTOR ASSY / 24V | 1 | 1 | |
| 2 | 871021 | . RING MOUNTING / FAN | 4 | 4 | |
| 3 | 504432 | . V-CLAMP / 6" I.D. | 2 | 2 | |
| 4 | N.P.N. | . SPACER-RING | 2 | 2 | 4 |
| 5 | 871023 | . PIVOT CABLE / FRESH AIR DAMPER | 1 | 1 | |
| 6 | 871022 | . DAMPER FRESH AIR | 1 | 1 | |
| NS | 871025 | . BUSHING / CABLE PIVOT | 1 | 1 | |
| 7 | 871024 | . CLAMP CABLE | 1 | 1 | |
| 8 | 871016 | . PLENUM PLASTIC | 1 | 1 | |
| 9 | 871015 | . CASING ASSY / COMPOSITE MATERIAL | 1 | 1 | |
| 10 | 372355 | . COIL EVAPORATOR / W/R-22 | 1 | 1 | |
| NS | 950057 | . COIL EVAPORATOR | 1 | 1 | A |
| 11 | 507279 | . O-RING / ORS FITTING / #8 NEO | 2 | 2 | |
| 12 | H4-2208-00 | A/C EXPANSION VALVE | | | |
| 13 | 870839 | . COIL HEATER | 1 | 1 | |
| 13 | 871094 | . COIL HEATER | 1 | 1 | |
| 14 | 501023 | . . DRAIN VALVE 1/4NPTM 3/8TUBE | 1 | 1 | |
| 15 | 871049 | . FILTER 1/4" x 8" x 18 3/4" | 1 | 1 | |
| 16 | 871026 | . COVER | 1 | 1 | |
| 20 | 372460 | WIRE ASSY / FRESH AIR | 1 | 1 | |
| NS | 500925 | NUT SPR PO RND 1/4 | 1 | 1 | |
| | | | | | |
| | | | | | |
| | | | | | |
| | | A) W/R12 | | | |
| | | 4) NO PARTS NUMBER | | | |

From L-031 To R-079

Date:10/2022

PAGE:H4-2230-00

DEFROSTER - INSTALLATION



| | | |
|---------------------------------|--------------|-----------------|
| From L-031 To R-079 | Date:10/2022 | PAGE:H4-2230-00 |
| DEFROSTER - INSTALLATION | | |

| Item# | Part | Description | H 3 4 0 | V I P 4 0 | N O T E S |
|-------|-------------------|---|------------------|-----------------------|-----------------------|
| 1 | 390967P | BOARD ASSY | 1 | 1 | |
| 2 | 506191 | TAPE RUB ADH1 CC POL 1/8" x 1/4" x 50' / GREY 2520X | AR | AR | |
| 3 | 372448 | HOSE ADAPTOR | 2 | 2 | |
| 4 | 504023 | HOSE CLAMP / 1"5/16-2"1/4 SS / HS-28 | 2 | 2 | |
| 5 | 390943 | HOSE #28 250MM | 2 | 2 | |
| 6 | 390944 | DEFLECTOR / AIR | 1 | 1 | |
| 7 | 372470 | TRAP ASSY | 1 | 1 | |
| 8 | 500409 | SCREW TP PAN PH #8x1/2 BK | AR | AR | |
| 9 | 870898 | OUTLET AIR ADJUSTABLE | 2 | 2 | |
| 10 | 504484 | CLIPS | 2 | 2 | |
| 11 | 502828 | WASHER FL .094x.218x.020 ZP | 4 | 4 | |
| 12 | 504485 | RIVET POP DOME OE 3/32x1/4 STL | 4 | 4 | |
| 13 | 391054 | BRACKET ANGLE | 1 | 1 | |
| 14 | 391052 | BRACKET ANGLE / R.H. | 1 | 1 | |
| 15 | 500120 | SCREW TP BDG PH #6x1/2 SS | AR | AR | |
| 16 | 502556 | WASHER FL 4.3x9.0x0.8 SS | AR | AR | |
| 17 | 500590 | NUT HEX NYRT M4-0.7 Z050 | AR | AR | |
| NS | 506001 | TAPE RUB ADH1 CC POL 1/8" x 3/4" x 50' / GREY 2520X | AR | AR | |
| 18 | 503434 | HOSE FLEXIBLE / AIR DUCT 4" I.D. X 12' / RUBBER | 1 | 1 | |
| 19 | 504235 | HOSE CLAMP / 3"9/16"-4"1/2 SS / HS-64 | 4 | 4 | |
| 20 | 372465 | DUCT "Y" ASSY | 1 | 1 | |
| 21 | 372459 | WIRE ASSY / DEFROSTER | 1 | 1 | |
| 22 | 504351 | WIRE CLAMP / 5/32" I.D. / 750-F3 | 1 | 1 | |
| 23 | 500582 | SCREW TP PAN PH #8x3/8 Z050 | 2 | 2 | |
| 24 | 500925 | NUT SPR PO RND 1/4 | 4 | 4 | |
| 25 | 372460 | WIRE ASSY / FRESH AIR | 1 | 1 | |
| 26 | 372471 | FLEXIBLE DUCT L.H. / W/FLANGE 145MM HEIGHT To M-140 | 1 | 1 | |
| 26 | 372776 | FLEXIBLE DUCT L.H. 145MM HEIGHT From M-141 | 1 | 1 | |
| 27 | 372771 | FLEXIBLE DUCT R.H. 385MM HEIGHT From M-141 | 1 | 1 | |
| 28 | 372455 | DUCT PLASTIC To M-140 | 1 | 1 | |
| 29 | 372532 | FLEXIBLE DUCT / W/FLANGE 145MM HEIGHT From M-141 | 1 | 1 | |
| 30 | 372440 | DUCT, AIR INTAKE | 1 | 1 | |
| 31 | 500981 | NUT SPR U #10-23/32x5/8 | 10 | 10 | |
| 32 | 372446 | GRILL | 1 | 1 | |
| 33 | 500414 | SCREW TP BDG PH #10x3/4 SS | 10 | 10 | |
| 34 | 562064 | KEY PAD CONTROL | | 1 | |
| 35 | 871030 | CONTROL SPEED / DEFROSTER MOTOR | 1 | 1 | |
| 35 | 871059 | CONTROL SPEED / DEFROSTER MOTOR | 1 | 1 | |
| 36 | H4-2225-03 | DRIVER'S HEATER & DEFROSTER ASSY | | | |
| 40 | 372540 | ANGLE | 1 | 1 | |
| 41 | 500641 | SCREW TP PAN PH #8x3/4 Z050 | AR | AR | |
| 42 | 500642 | SCREW TP PAN PH #10x3/4 Z050 | AR | AR | |

| | | | |
|---------------------------------|--|--------------|-----------------|
| From L-031 To R-079 | | Date:10/2022 | PAGE:H4-2230-00 |
| DEFROSTER - INSTALLATION | | | |

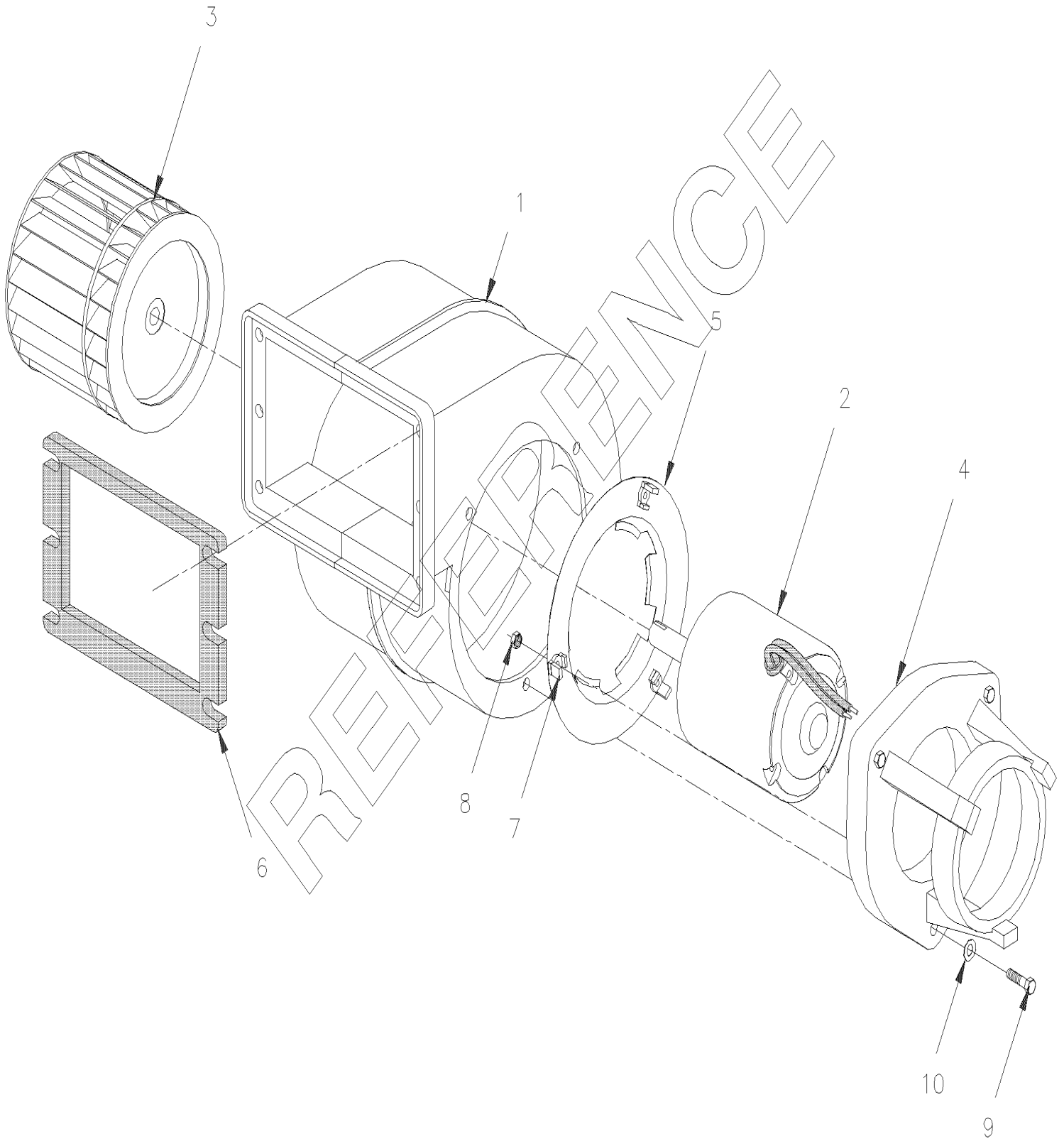
| Item# | Part | Description | H 3 4 0 | V I P 4 0 | N O T E S |
|-------|--------|--|------------------|-----------------------|-----------------------|
| 43 | 500473 | WASHER LO SPT .262x.489x.062 Z050 | AR | AR | |
| 44 | 372588 | ANGLE | 1 | 1 | |
| 45 | 372732 | SUPPORT, DEFROSTER | | 1 | |
| 45 | 372487 | SUPPORT, DEFROSTER | 1 | | |
| 46 | 500179 | SCREW CAP HEX 5/16-18x3/4 G5 Z050 | 3 | 3 | |
| 47 | 500476 | WASHER LO SPT .317x.586x.078 Z050 | 3 | 3 | |
| 48 | 500462 | WASHER FL .343x1.500x.083 SS | 3 | 3 | |
| 50 | 503523 | HOSE SILICONE 1PLY 3/4" I.D. x 100' / S.L. | AR | AR | |
| 51 | 504646 | HOSE CLAMP / 11/16"-1"1/4 / C.T. 9412 | 2 | 2 | |
| 52 | 560384 | PLASTIC TUBING / 3/8" / CLEAR | AR | AR | |
| 53 | 504014 | HOSE CLAMP / 1/4"-5/8" SS / HM-4 | 1 | 1 | |
| 54 | 507278 | O-RING / ORS FITTING / #4 NEO | 1 | 1 | |
| 55 | 372614 | HOSE ASSY / W/R-12 / #6 1400MM | 1 | 1 | |
| 55 | 452460 | HOSE ASSY TEFLON #6 1410MM | 1 | | |
| NS | 452452 | ADAPTOR W/R-22 | 1 | 1 | |
| 56 | 507344 | O-RING / ORS FITTING / #10 NEO | 1 | 1 | |
| 57 | 372619 | HOSE ASSY / W/R-12 / #10 86" | 1 | 1 | |
| 57 | 373277 | HOSE ASSY / W/R-134a / #10 2185MM | 1 | 1 | |
| 58 | 507279 | O-RING / ORS FITTING / #8 NEO | 1 | 1 | |
| 60 | 641418 | ELBOW UNION 90° / COMPRESSION FITTING / #10x#10 PLAS WHITE | 1 | 1 | |
| 61 | 503666 | HOSE 1/2" I.D. 100' / S.L. | AR | AR | |
| 62 | 504356 | GROMMET / .625x.875x.062x.312x1.125 | 1 | 1 | |
| 63 | 504637 | CABLE TIE / 3/16" x 13" | 1 | 1 | |
| 64 | 590284 | DRAIN BOOT 1" I.D. X 5" / FLAT | 1 | 1 | |
| 64 | 590286 | DRAIN BOOT 1 1/4" I.D. X 4" / FLAT | 1 | 1 | |
| | | | | | |
| | | | | | |
| | | | | | |

From L-031 To R-079

Date:10/2022

PAGE:H4-2240-00

BLOWER & MOTOR ASSY - "AURORA"



| | | |
|---|--------------|-----------------|
| From L-031 To R-079 | Date:10/2022 | PAGE:H4-2240-00 |
| BLOWER & MOTOR ASSY - "AURORA" | | |

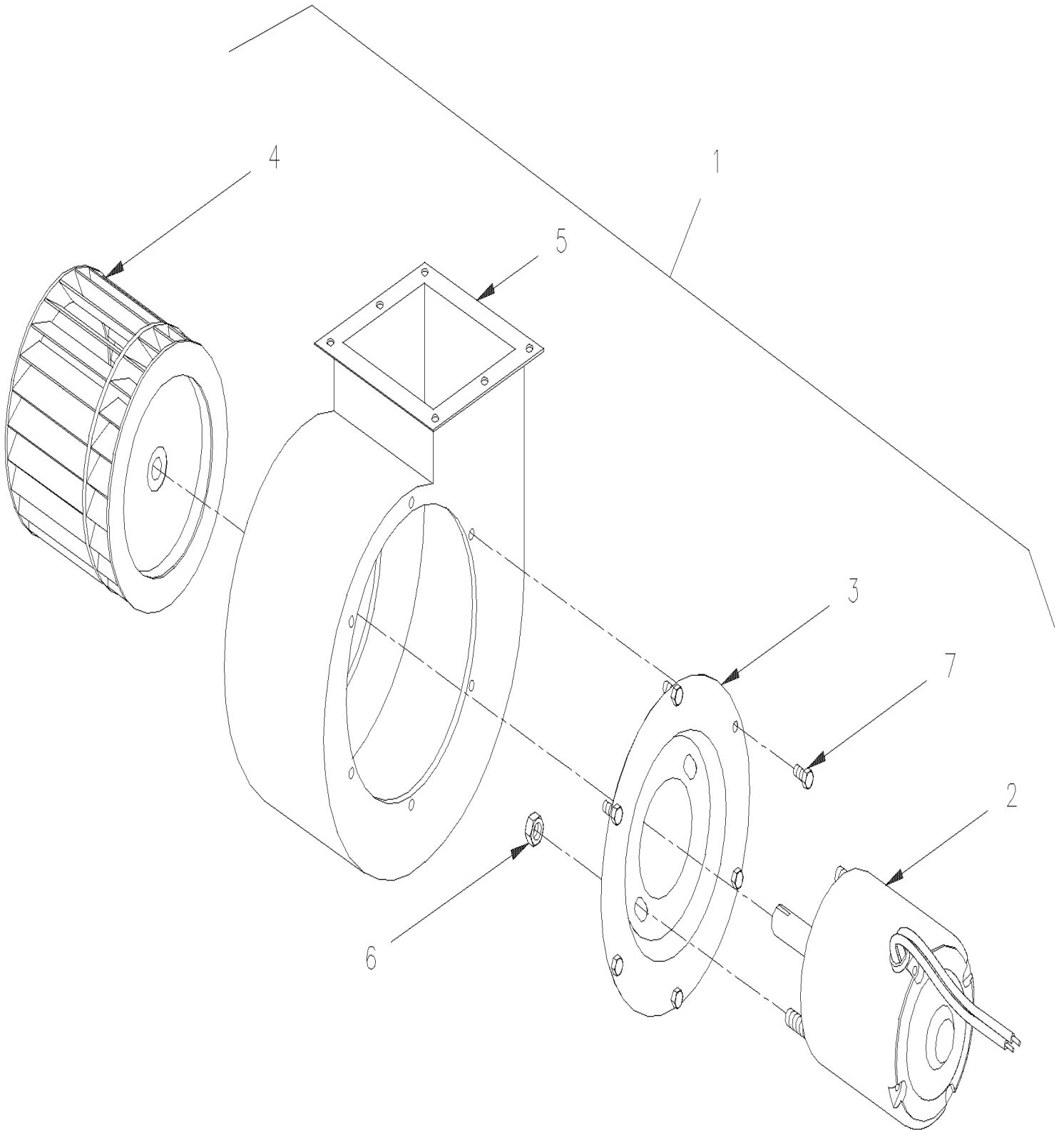
| Item# | Part | Description | H 3 4 0 | V I P 4 0 | N O T E S |
|-------|--------|-----------------------------------|------------------|-----------------------|-----------------------|
| 1 | 870845 | . HOUSING | 1 | 1 | |
| 2 | 561194 | . MOTOR ASSY / 24V | 1 | 1 | |
| 3 | 870850 | . BLOWER WHEEL | 1 | 1 | |
| 4 | 561195 | . BRACKET, MOTOR | 1 | 1 | |
| 5 | 561193 | . FIXTURE | 2 | 2 | |
| 6 | 870849 | . GASKET | 1 | 1 | |
| 7 | 561196 | . RING | 1 | 1 | |
| 8 | 870848 | . NUT | 3 | 3 | |
| 9 | 870847 | . SCREW CAP HEX M4-0.7x35 G8.8 ZP | 3 | 3 | |
| 10 | 870846 | . WASHER FL .174x.461x.040 ZP | 3 | 3 | |
| | | | | | |
| | | | | | |
| | | A) MODEL "AURORA" | | | |

From M-141 To R-079

Date:10/2022

PAGE:870844

BLOWER & MOTOR ASSY - "M.C.C." "CW" / FAN END



| | | |
|---------------------|--------------|-------------|
| From M-141 To R-079 | Date:10/2022 | PAGE:870844 |
|---------------------|--------------|-------------|

BLOWER & MOTOR ASSY - "M.C.C." "CW" / FAN END

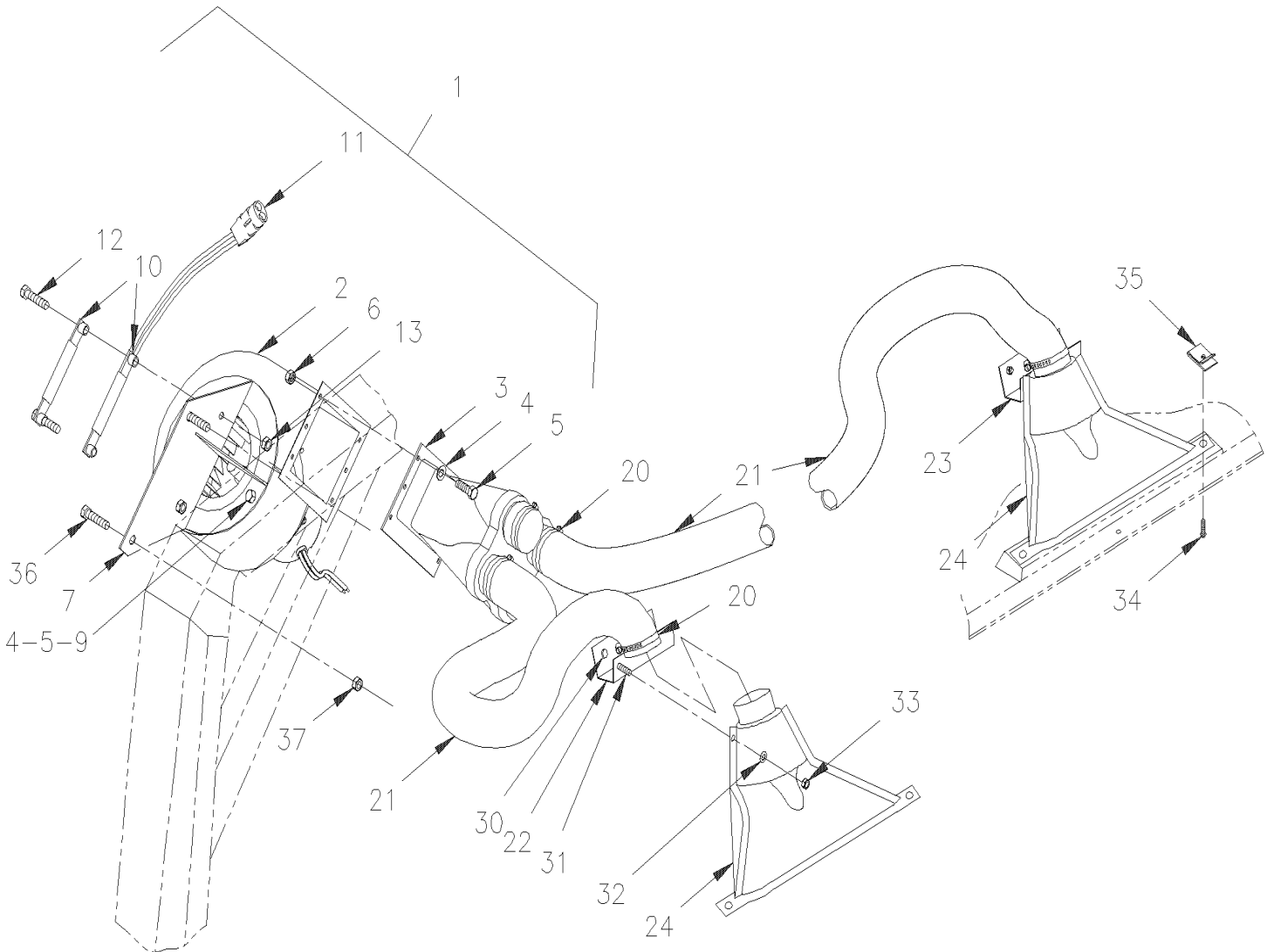
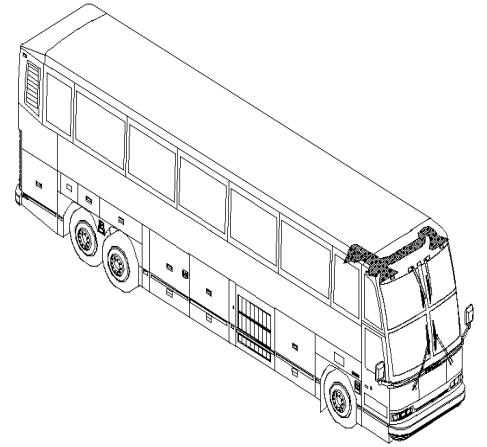
| Item# | Part | Description | H 3 4 0 | V I P 4 0 | N O T E S |
|-------|--------|---------------------------------|------------------|-----------------------|-----------------------|
| 1 | | BLOWER ASSY 24V / CW | 1 | 1 | |
| 2 | 562167 | . MOTOR ASSY / 24V | 1 | 1 | |
| 3 | 871020 | . PLATE MOUNTING / MOTOR | 1 | 1 | |
| 4 | 871017 | . BLOWER WHEEL / STEEL | 1 | 1 | |
| 5 | 871440 | . HOUSING BLOWER | 1 | 1 | |
| 6 | 500786 | . NUT HEX #10-24 Z050 | 2 | 2 | |
| 7 | 500978 | . SCREW CAP HEX #10-24x3/4 Z050 | 6 | 6 | |
| | | | | | |
| | | | | | |
| | | | | | |

From L-031 To R-079

Date:10/2022

PAGE:H4-2240-10

UPPER WINDSHIELD FAN - INSTALLATION



| | | | |
|--|--|--------------|-----------------|
| From L-031 To R-079 | | Date:10/2022 | PAGE:H4-2240-10 |
| UPPER WINDSHIELD FAN - INSTALLATION | | | |

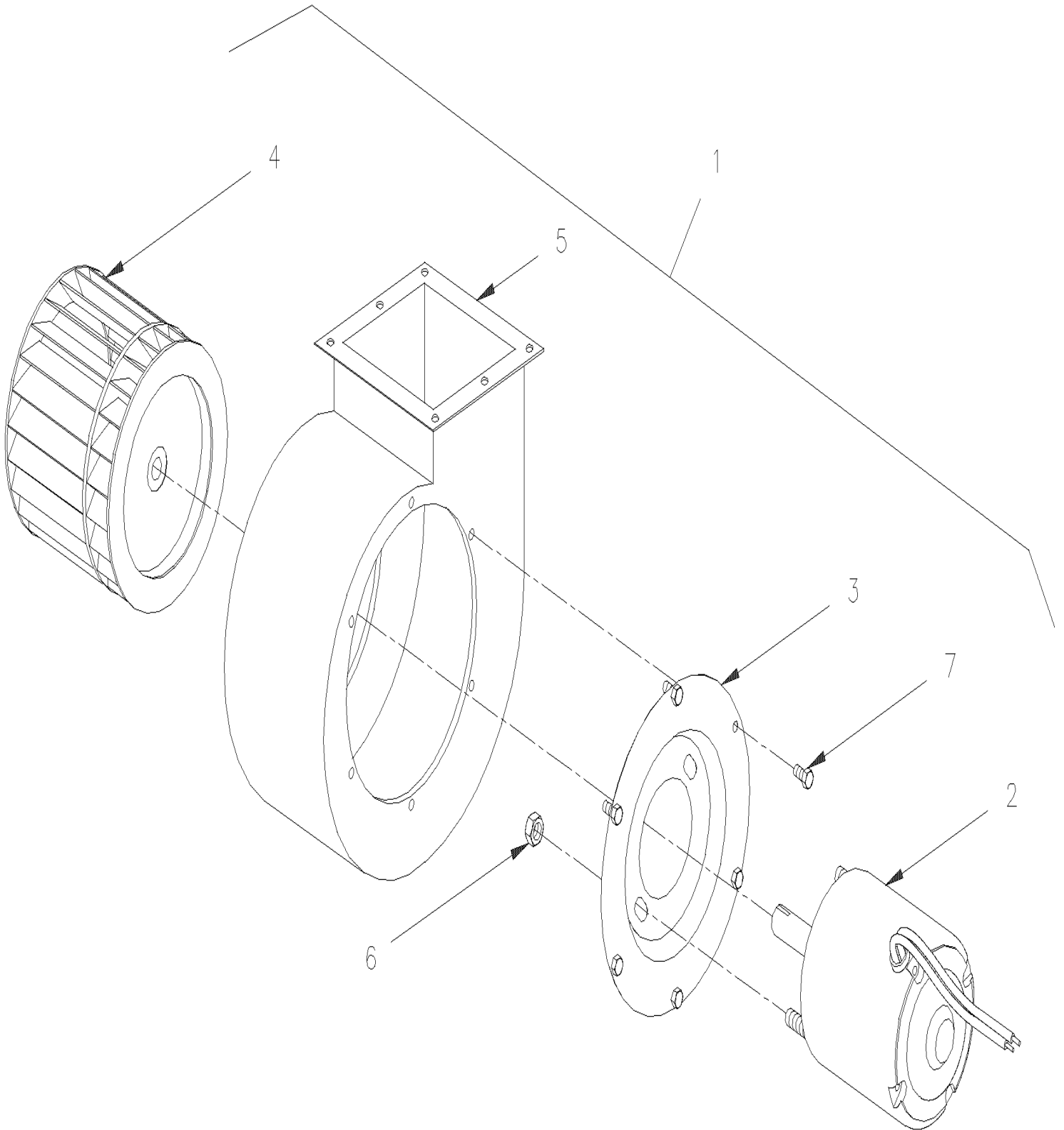
| Item# | Part | Description | H 3 4 0 | V I P 4 0 | N O T E S |
|-------|---------------|--|------------------|-----------------------|-----------------------|
| 1 | N.P.N. | BLOWER ASSY / UPPER WINDSHIELD | | | 4 |
| 2 | 371974 | . BLOWER ASSY W/CONNECTOR | 1 | 1 | |
| 2 | 870844 | . BLOWER & MOTOR ASSY - "M.C.C." "CW" / FAN END | 2 | 2 | |
| NS | 560997 | . CONNECTOR / 56 SERIES / TAB RH 2C / BLACK / PED 2973872 | 2 | 2 | |
| NS | 560998 | . . TAB RECEPTACLE TERMINAL / 16-14 / PED 2965142 | 2 | 2 | |
| 3 | 372524 | . DUCT AIR OUTLET / BLOWER | 1 | 1 | |
| 4 | 500591 | . WASHER FL 4.3x9.0x0.8 Z050 | 7 | 7 | |
| 5 | 500588 | . SCREW CAP HEX M4-0.7x20 G8.8 Z050 | 7 | 7 | |
| 6 | 500590 | . NUT HEX NYRT M4-0.7 Z050 | 4 | 4 | |
| 7 | 372515 | . SUPPORT / BLOWER | 1 | 1 | |
| 9 | 500589 | . NUT WELL M4-0.7x13.5 | 3 | 3 | |
| 10 | 561191 | . RESISTOR / 12 OHMS / 40 W | 2 | 2 | |
| 11 | 062275 | . HARNESS ASSY | 1 | 1 | |
| 12 | 502708 | . SCREW CAP HEX M5-0.8x35 SS | 2 | 2 | |
| 13 | 502707 | . NUT HEX STO M5-0.8 Z050 | 2 | 2 | |
| 20 | 504024 | HOSE CLAMP / 1"13/16"-2"3/4 SS / HS-36 | 4 | 4 | |
| 21 | 503031 | HOSE FLEXIBLE / AIR DUCT 2 1/2" I.D. X 12' / RUBBER | AR | AR | |
| 22 | 372522 | SUPPORT AIR NOZZLE / R.H. | 1 | 1 | |
| 23 | 372517 | SUPPORT AIR NOZZLE / L.H. | 1 | 1 | |
| 24 | 870900 | NOZZLE AIR | 2 | 2 | |
| 30 | 504473 | RIVET POP DOME OE 1/8x1/4 SS | 6 | 6 | |
| 31 | 502531 | SCREW CAP HEX M6-1.0x16 G8.8 Z050 | 4 | 4 | |
| 32 | 500440 | WASHER FL .250x.562x.065 Z050 | 4 | 4 | |
| 33 | 502511 | NUT HEX NYRT M6-1.0 Z050 | 4 | 4 | |
| 34 | 500432 | SCREW TC PAN PH #8-32x3/4 Z050 | 4 | 4 | |
| 35 | 500563 | NUT SPR U #8-32 .094-.125 | 4 | 4 | |
| 36 | 500179 | SCREW CAP HEX 5/16-18x3/4 G5 Z050 | 2 | 2 | |
| 37 | 502523 | RIVET NUT FL OKS 5/16-18 .059-.119 | 2 | 2 | |
| | | | | | |
| | | | | | |
| | | | | | |
| | | 4) NO PARTS NUMBER | | | |

From L-031 To R-079

Date:10/2022

PAGE:870844

BLOWER & MOTOR ASSY - "M.C.C." "CW" / FAN END



| | | |
|---------------------|--------------|-------------|
| From L-031 To R-079 | Date:10/2022 | PAGE:870844 |
|---------------------|--------------|-------------|

BLOWER & MOTOR ASSY - "M.C.C." "CW" / FAN END

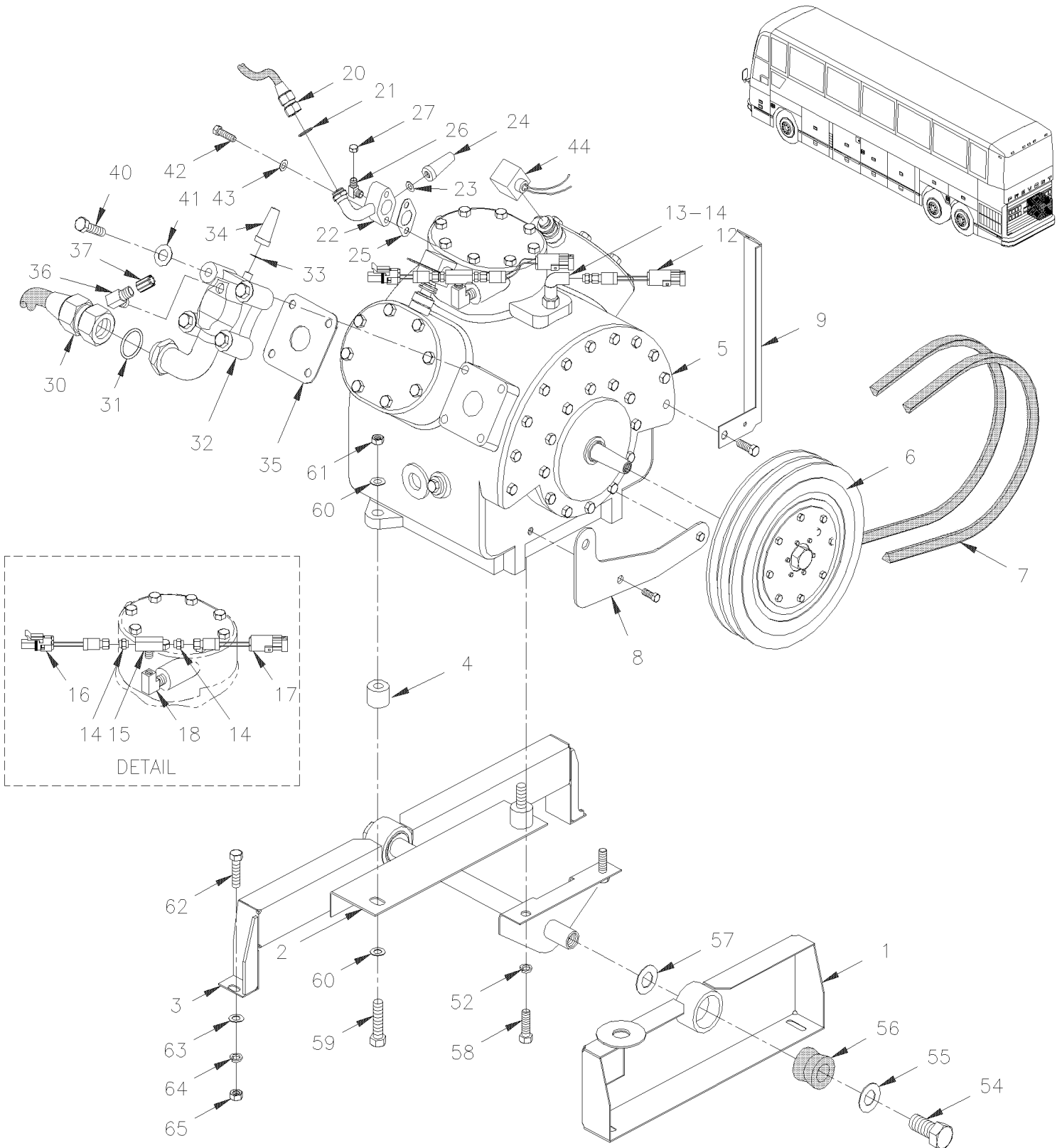
| Item# | Part | Description | H 3 4 0 | V I P 4 0 | N O T E S |
|-------|--------|---------------------------------|------------------|-----------------------|-----------------------|
| 1 | | BLOWER ASSY 24V / CW | 1 | 1 | |
| 2 | 562167 | . MOTOR ASSY / 24V | 1 | 1 | |
| 3 | 871020 | . PLATE MOUNTING / MOTOR | 1 | 1 | |
| 4 | 871017 | . BLOWER WHEEL / STEEL | 1 | 1 | |
| 5 | 871440 | . HOUSING BLOWER | 1 | 1 | |
| 6 | 500786 | . NUT HEX #10-24 Z050 | 2 | 2 | |
| 7 | 500978 | . SCREW CAP HEX #10-24x3/4 Z050 | 6 | 6 | |
| | | | | | |
| | | | | | |
| | | | | | |

From L-031 To R-032

Date:10/2022

PAGE:H4-2245-00

A/C COMPRESSOR 05G - INSTALLATION - WITH DETROIT S-92



| | | |
|--|--------------|-----------------|
| From L-031 To R-032 | Date:10/2022 | PAGE:H4-2245-00 |
| A/C COMPRESSOR 05G - INSTALLATION - WITH DETROIT S-92 | | |

| Item# | Part | Description | H 3 4 0 | V I P 4 0 | N O T E S |
|-------|-------------------|---|------------------|-----------------------|-----------------------|
| 1 | 451987 | SUPPORT PULLEY SIDE / PRODUCTION | 1 | 1 | |
| 1 | 452333 | SUPPORT PULLEY SIDE / SERVICE | 1 | 1 | |
| 1 | 452000 | SUPPORT PULLEY SIDE / W/VARIO DRIVE | 1 | | |
| 2 | 451857 | SUPPORT | 1 | 1 | |
| 2 | 452733 | SUPPORT ASSY | 1 | 1 | |
| 2 | 452079 | SHIM / SUPPORT & FRAME W/VARIO DRIVE | 4 | | |
| 3 | 451990 | SUPPORT OPPOSITE TO PULLEY SIDE | 1 | 1 | B |
| 3 | 452335 | SUPPORT OPPOSITE TO PULLEY SIDE | 1 | 1 | A |
| 4 | 371695 | SLEEVE SPACER | 2 | 2 | |
| 5 | H4-2250-00 | A/C COMPRESSOR ASSY 05G - THREE PORT | 1 | 1 | |
| 5 | H4-2250-01 | A/C COMPRESSOR ASSY 05G - TWIN PORT / SERVICE | 1 | 1 | |
| 6 | H4-2246-01 | A/C CLUTCH 05G - HOUSING MOUNTED | | | |
| 7 | 506321 | V-BELT / CX-96 9212-0343 | 2 | 2 | |
| 7 | 506601 | V-BELT / CX-75 9014-20753 | 2 | | |
| 8 | 371702 | BRACKET / BELT TENSIONER CYLINDER | 1 | 1 | |
| 12 | 450591 | PRESSURE SWITCH N.O. 30-15 / YELLOW 20SP001AA030C015C | 1 | 1 | |
| 12 | 452082 | PRESSURE SWITCH N.O. 30-15 20SP001AA030C015C | 1 | 1 | |
| 12 | 452406 | PRESSURE SWITCH N.O. 30-15 20SP001MA030C015C | 1 | 1 | |
| 12 | 452449 | PRESSURE SWITCH N.O. 60-35 20SP001AA060E035E | 1 | 1 | |
| 13 | 501332 | STREET ELBOW 90° / PIPE FITTING / 1/4NPT-Mx1/4NPT-F BR | 1 | 1 | |
| NS | 5011184 | FEMALE CONNECTOR / PIPE @ ORB / 1/4NPT-Fx#4ORB-M STL | 1 | 1 | |
| 14 | 950249 | SCHRADER VALVE 1/4NPT-M | 1 | 1 | |
| 15 | 501894 | MALE BRANCHE TEE / PIPE FITTING / 1/4NPT-Fx1/4NPT-Fx1/4NPT-M BR | AR | AR | |
| 16 | 450593 | PRESSURE SWITCH N.C. 275-225/ YELLOW 20SP001EB275K225K | 1 | 1 | |
| 16 | 452080 | PRESSURE SWITCH N.C. 275-225 20SP001EB275K225K | 1 | 1 | |
| 16 | 452405 | PRESSURE SWITCH N.C. 320-245 20SP001MB320K245R | 1 | 1 | |
| 16 | 452448 | PRESSURE SWITCH N.C. 418-320 20SP001EB418G320R | 1 | | |
| 17 | 452421 | PRESSURE SWITCH N.O. 280-220 20SP001MA280K220R | 1 | 1 | |
| 17 | 452450 | PRESSURE SWITCH N.O. 390-310 20SP001EA390R310G | 1 | | |
| 18 | 501037 | MALE ELBOW 90° / SAE 45° FITTING / #4FL-Mx1/4NPT-M BR | 1 | 1 | |
| 18 | 501332 | STREET ELBOW 90° / PIPE FITTING / 1/4NPT-Mx1/4NPT-F BR | 1 | 1 | |
| 20 | 372626 | HOSE ASSY / DISCHARGE W/R-12 / #16 610MM | 1 | 1 | |
| 20 | 452229 | HOSE ASSY / DISCHARGE W/R-12 & VARIO / #16 505MM | 1 | | |
| 20 | 950226 | HOSE ASSY / DISCHARGE W/R-22 / #16 715MM / SS BELLOW | 1 | | |
| 20 | 373272 | HOSE ASSY / DISCHARGE W/R-134a / #16 610MM | 1 | 1 | |
| 20 | 505182 | . COIL PROTECTOR / PLASTIC / #16 | AR | AR | |
| 21 | 501802 | O-RING / ORS FITTING / #16 NEO | 2 | 2 | |
| 22 | 450763 | VALVE ASSY / DISCHARGE W/R12, R22 & R134A | 1 | 1 | |
| . NS | 501037 | . MALE ELBOW 90° / SAE 45° FITTING / #4FL-Mx1/4NPT-M BR | 1 | 1 | |
| . NS | 501700 | . CAP NUT / SAE 45° FITTING / #4FL-F BR | 1 | 1 | |
| 23 | 870751 | . GASKET | 1 | 1 | |
| 24 | 870752 | . GASKET, CAP SEAL | 1 | 1 | |

| | | | |
|--|--|--------------|-----------------|
| From L-031 To R-032 | | Date:10/2022 | PAGE:H4-2245-00 |
| A/C COMPRESSOR 05G - INSTALLATION - WITH DETROIT S-92 | | | |

| Item# | Part | Description | H 3 4 0 | V I P 4 0 | N O T E S |
|-------|-------------------|---|------------------|-----------------------|-----------------------|
| 25 | 870753 | GASKET / DISCHARGE VALVE | 1 | 1 | |
| 26 | 501036 | MALE ELBOW 90° / SAE 45° FITTING / #4FL-Mx1/8NPT-M BR | 1 | 1 | |
| 26 | 5011133 | ELBOW 90° 1/8 NPT X M15 / W/R134A | 1 | 1 | |
| NS | 5011134 | GAUGE ADAPTOR ASSY M15 / W/BLACK CAP W/R134A | 1 | 1 | |
| 27 | 501700 | CAP NUT / SAE 45° FITTING / #4FL-F BR | 1 | 1 | |
| 27 | 950287 | SCHROUDER CAP / HIGH PRESSURE | 1 | 1 | |
| 30 | 372624 | HOSE ASSY / SUCTION W/R-12 / #20 440MM | 1 | 1 | |
| 30 | 452227 | HOSE ASSY / SUCTION W/R-12 & VARIO / #20 835MM | 1 | | |
| 30 | 950223 | HOSE ASSY / SUCTION W/R-22 / #20 1063MM / SS BELLOW | 1 | | |
| 30 | 373269 | HOSE ASSY / SUCTION W/R-134a / #20 940MM | 1 | 1 | |
| NS | 505182 | . COIL PROTECTOR / PLASTIC / #16 | AR | AR | |
| 31 | 501803 | O-RING / ORS FITTING / #20 NEO | 2 | 2 | |
| 32 | 450764 | VALVE ASSY / SUCTION / W/R12, R22 & R-134A | 1 | 1 | |
| . NS | 501037 | . MALE ELBOW 90° / SAE 45° FITTING / #4FL-Mx1/4NPT-M BR | 1 | 1 | |
| . NS | 501700 | . CAP NUT / SAE 45° FITTING / #4FL-F BR | 1 | 1 | |
| 33 | 870751 | . GASKET | 1 | 1 | |
| 34 | 870752 | . GASKET, CAP SEAL | 1 | 1 | |
| 35 | 870754 | GASKET / SUCTION VALVE | 1 | 1 | |
| 36 | 501036 | MALE ELBOW 90° / SAE 45° FITTING / #4FL-Mx1/8NPT-M BR | 1 | 1 | |
| 36 | 5011131 | ELBOW 90° 1/4 NPT X M13 / W/R134A | 1 | 1 | |
| 36 | 5011132 | GAUGE ADAPTOR ASSY M13 / W/BLACK CAP W/R134A | 1 | 1 | |
| 37 | 501700 | CAP NUT / SAE 45° FITTING / #4FL-F BR | 1 | 1 | |
| 37 | 950288 | SCHROUDER CAP / LOW PRESSURE | 1 | 1 | |
| 40 | 870755 | SCREW CAP HEX 1/2-13x2 1/2 G5 ZP | 4 | 4 | |
| 41 | 870756 | GASKET | 4 | 4 | |
| 42 | 870877 | SCREW CAP HEX 5/16-18x2 G5 ZP | 2 | 2 | |
| 43 | 870750 | GASKET | 2 | 2 | |
| 44 | H4-2250-15 | A/C ELECTRIC UNLOADER - W/05G COMPRESSOR | | | |
| 52 | 500478 | WASHER LO SPT .380x.683x.094 Z050 | 2 | 2 | |
| 54 | 500225 | SCREW CAP HEX 5/8-11x1 G5 Z050 | 2 | 2 | |
| 55 | 5001151 | WASHER CON 16.5x50.0x4.5 ZP | 2 | 2 | |
| 56 | 630062 | BUSHING / RUBBER / (ONE PIECE) 2" x 1.005" I.D. | 2 | 2 | |
| 57 | 500997 | WASHER FL 1.062x2.500x.125 SS | 2 | 2 | |
| 58 | 500192 | SCREW CAP HEX 3/8-16x1 1/4 G5 Z050 | 2 | 2 | |
| 59 | 500096 | SCREW CAP HEX 1/2-20x3 G5 Z050 | 2 | 2 | |
| 60 | 500446 | WASHER FL .531x1.250x.125 Z050 | 4 | 4 | |
| 61 | 500718 | NUT HEX STO 1/2-20 Z050 | 2 | 2 | |
| 62 | 502549 | SCREW CAP HEX M10-1.5x35 G8.8 Z050 | 5 | 5 | |
| 64 | 502616 | WASHER LO SPT 10.2x18.1x2.2 SS | 5 | 5 | |
| 65 | 500680 | NUT HEX STO M10-1.5 Z050 | 5 | 5 | |
| | | WE DID NOT PRODUCED H3-40 WITH R-134A. | | | |

| | | |
|--|--------------|-----------------|
| From L-031 To R-032 | Date:10/2022 | PAGE:H4-2245-00 |
| A/C COMPRESSOR 05G - INSTALLATION - WITH DETROIT S-92 | | |

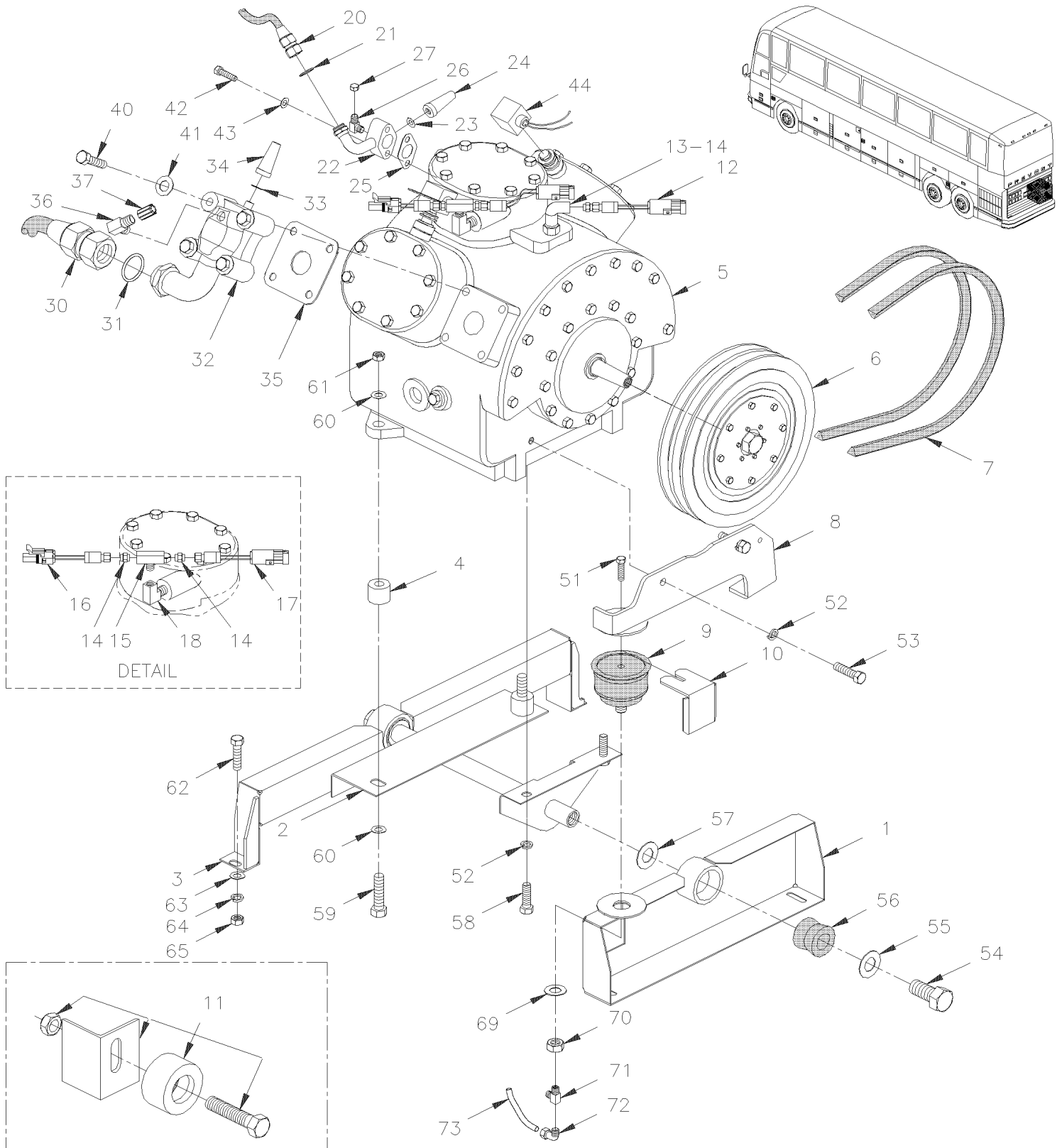
| Item# | Part | Description | H 3 4 0 | V I P 4 0 | N O T E S |
|-------|------|---|------------------|-----------------------|-----------------------|
| | | PARTS ARE USED WITH RETROFIT KIT, FOR MORE INFORMATION CALL SERVICE PARTS. | | | |
| | | | | | |
| | | | | | |
| | | A) SERVICE | | | |
| | | B) PRODUCTION | | | |

From P-256 To R-079

Date:10/2022

PAGE:H4-2245-01

A/C COMPRESSOR 05G - INSTALLATION - WITH DETROIT S-60



| | | |
|--|--------------|-----------------|
| From P-256 To R-079 | Date:10/2022 | PAGE:H4-2245-01 |
| A/C COMPRESSOR 05G - INSTALLATION - WITH DETROIT S-60 | | |

| Item# | Part | Description | H 3 4 0 | V I P 4 0 | N O T E S |
|-------|-------------------|---|------------------|-----------------------|-----------------------|
| 1 | 452259 | SUPPORT ASSY / PULLEY SIDE | 1 | 1 | B |
| 1 | 452731 | SUPPORT ASSY | 1 | 1 | C |
| 2 | 451857 | SUPPORT | 1 | 1 | B |
| 2 | 452733 | SUPPORT ASSY | 1 | 1 | C |
| 3 | 452415 | SUPPORT OPPOSITE PULLEY SIDE | 1 | 1 | B |
| 3 | 452734 | SUPPORT OPPOSITE PULLEY SIDE | 1 | 1 | C |
| 4 | 452268 | SLEEVE SPACER | 2 | 2 | |
| 5 | H4-2250-00 | A/C COMPRESSOR ASSY 05G - THREE PORT | 1 | 1 | |
| 5 | H4-2250-01 | A/C COMPRESSOR ASSY 05G - TWIN PORT / SERVICE | 1 | 1 | |
| 6 | H4-2246-01 | A/C CLUTCH 05G - HOUSING MOUNTED | | | |
| 7 | 506664 | V-BELT / BX-97 / SET OF 2 9212-0390 | 1 | 1 | |
| 8 | 452258 | TENSIONER FOR BELLOW | 1 | 1 | |
| 9 | 950208 | BELLOW ASSY / BELT TENSIONER / 3" O.D. | 1 | 1 | |
| . NS | 504695 | . HOSE CLAMP STEPLESS SPRING SS / OETIKER / 2.9-3.3 | 1 | 1 | |
| 10 | 453059 | BELLOW PROTECTOR | 1 | 1 | |
| 11 | H4-0120-01 | DRIVE PULLEY & BELTS - WITH DETROIT S-60 | | | |
| 12 | 452082 | PRESSURE SWITCH N.O. 30-15 20SP001AA030C015C | 1 | 1 | |
| 12 | 452449 | PRESSURE SWITCH N.O. 60-35 20SP001AA060E035E | 1 | 1 | |
| 12 | 452406 | PRESSURE SWITCH N.O. 30-15 20SP001MA030C015C | 1 | 1 | |
| 13 | 501332 | STREET ELBOW 90° / PIPE FITTING / 1/4NPT-Mx1/4NPT-F BR | 1 | 1 | |
| NS | 501184 | ADAPTOR W/O-RING / CURRENT INSTALLATION | 1 | 1 | |
| 14 | 950249 | SCHRADER VALVE 1/4NPT-M | 1 | 1 | |
| 15 | 501894 | MALE BRANCHE TEE / PIPE FITTING / 1/4NPT-Fx1/4NPT-Fx1/4NPT-M BR | 1 | 1 | |
| 16 | 452080 | PRESSURE SWITCH N.C. 275-225 20SP001EB275K225K | 1 | 1 | |
| 16 | 452448 | PRESSURE SWITCH N.C. 418-320 20SP001EB418G320R | 1 | 1 | A |
| 16 | 452405 | PRESSURE SWITCH N.C. 320-245 20SP001MB320K245R | 1 | 1 | |
| 17 | 452421 | PRESSURE SWITCH N.O. 280-220 20SP001MA280K220R | 1 | 1 | A |
| 17 | 452450 | PRESSURE SWITCH N.O. 390-310 20SP001EA390R310G | 1 | 1 | |
| 18 | 501332 | STREET ELBOW 90° / PIPE FITTING / 1/4NPT-Mx1/4NPT-F BR | AR | AR | |
| 18 | 501037 | MALE ELBOW 90° / SAE 45° FITTING / #4FL-Mx1/4NPT-M BR | 1 | 1 | |
| 20 | 372626 | HOSE ASSY / DISCHARGE W/R-12 / #16 610MM | 1 | 1 | |
| 20 | 950226 | HOSE ASSY / DISCHARGE W/R-22 / #16 715MM / SS BELLOW | 1 | 1 | |
| 20 | 373272 | HOSE ASSY / DISCHARGE W/R-134a / #16 610MM | 1 | 1 | |
| NS | 505182 | . COIL PROTECTOR / PLASTIC / #16 | AR | AR | |
| 21 | 501802 | O-RING / ORS FITTING / #16 NEO | 2 | 2 | |
| 22 | 450763 | VALVE ASSY / DISCHARGE W/R12, R22 & R134A | 1 | 1 | |
| . NS | 501037 | . MALE ELBOW 90° / SAE 45° FITTING / #4FL-Mx1/4NPT-M BR | 1 | 1 | |
| . NS | 501700 | . CAP NUT / SAE 45° FITTING / #4FL-F BR | 1 | 1 | |
| 23 | 870751 | . GASKET | 1 | 1 | |
| 24 | 870752 | . GASKET, CAP SEAL | 1 | 1 | |
| 25 | 870753 | GASKET / DISCHARGE VALVE | 1 | 1 | |
| 26 | 501036 | MALE ELBOW 90° / SAE 45° FITTING / #4FL-Mx1/8NPT-M BR | 1 | 1 | |

| | | |
|--|--------------|-----------------|
| From P-256 To R-079 | Date:10/2022 | PAGE:H4-2245-01 |
| A/C COMPRESSOR 05G - INSTALLATION - WITH DETROIT S-60 | | |

| Item# | Part | Description | H 3 4 0 | V I P 4 0 | N O T E S |
|-------|-------------------|---|------------------|-----------------------|-----------------------|
| 26 | 5011133 | ELBOW 90° 1/8 NPT X M15 / W/R134A | 1 | 1 | |
| NS | 5011134 | GAUGE ADAPTOR ASSY M15 / W/BLACK CAP W/R134A | 1 | 1 | |
| 27 | 501700 | CAP NUT / SAE 45° FITTING / #4FL-F BR | 1 | 1 | |
| 27 | 950287 | SCHROUDER CAP / HIGH PRESSURE | 1 | 1 | |
| 30 | 372624 | HOSE ASSY / SUCTION W/R-12 / #20 440MM | 1 | 1 | |
| 30 | 950223 | HOSE ASSY / SUCTION W/R-22 / #20 1063MM / SS BELLOW | 1 | 1 | |
| 30 | 373269 | HOSE ASSY / SUCTION W/R-134a / #20 940MM | 1 | 1 | |
| NS | 505182 | . COIL PROTECTOR / PLASTIC / #16 | AR | AR | |
| 31 | 501803 | O-RING / ORS FITTING / #20 NEO | 2 | 2 | |
| 32 | 450764 | VALVE ASSY / SUCTION / W/R12, R22 & R-134A | 1 | 1 | |
| . NS | 501037 | . MALE ELBOW 90° / SAE 45° FITTING / #4FL-Mx1/4NPT-M BR | 1 | 1 | |
| . NS | 501700 | . CAP NUT / SAE 45° FITTING / #4FL-F BR | 1 | 1 | |
| 33 | 870751 | . GASKET | 1 | 1 | |
| 34 | 870752 | . GASKET, CAP SEAL | 1 | 1 | |
| 35 | 870754 | GASKET / SUCTION VALVE | 1 | 1 | |
| 36 | 501036 | MALE ELBOW 90° / SAE 45° FITTING / #4FL-Mx1/8NPT-M BR | 1 | 1 | |
| 36 | 5011131 | ELBOW 90° 1/4 NPT X M13 / W/R134A | 1 | 1 | |
| NS | 5011132 | GAUGE ADAPTOR ASSY M13 / W/BLACK CAP W/R134A | 1 | 1 | |
| 37 | 501700 | CAP NUT / SAE 45° FITTING / #4FL-F BR | 1 | 1 | |
| 37 | 950288 | SCHROUDER CAP / LOW PRESSURE | 1 | 1 | |
| 40 | 870755 | SCREW CAP HEX 1/2-13x2 1/2 G5 ZP | 4 | 4 | |
| 41 | 870756 | GASKET | 4 | 4 | |
| 42 | 870877 | SCREW CAP HEX 5/16-18x2 G5 ZP | 2 | 2 | |
| 43 | 870750 | GASKET | 2 | 2 | |
| 44 | H4-2250-15 | A/C ELECTRIC UNLOADER - W/05G COMPRESSOR | | | |
| 51 | 500845 | SCREW CAP HEX 5/16-18x1/2 G5 Z050 | 1 | 1 | |
| 52 | 500478 | WASHER LO SPT .380x.683x.094 Z050 | 2 | 2 | |
| 53 | 500191 | SCREW CAP HEX 3/8-16x1 G5 Z050 | 2 | 2 | E |
| 54 | 500225 | SCREW CAP HEX 5/8-11x1 G5 Z050 | 2 | 2 | |
| 55 | 5001151 | WASHER CON 16.5x50.0x4.5 ZP | 2 | 2 | |
| 56 | 630062 | BUSHING / RUBBER / (ONE PIECE) 2" x 1.005" I.D. | 2 | 2 | |
| 57 | 500997 | WASHER FL 1.062x2.500x.125 SS | 2 | 2 | |
| 58 | 500192 | SCREW CAP HEX 3/8-16x1 1/4 G5 Z050 | 2 | 2 | |
| 59 | 500096 | SCREW CAP HEX 1/2-20x3 G5 Z050 | 2 | 2 | |
| 60 | 500446 | WASHER FL .531x1.250x.125 Z050 | 4 | 4 | |
| 61 | 500718 | NUT HEX STO 1/2-20 Z050 | 2 | 2 | |
| 62 | 502549 | SCREW CAP HEX M10-1.5x35 G8.8 Z050 | 5 | 5 | |
| 63 | 500445 | WASHER FL .437x1.000x.083 Z050 | 5 | 5 | |
| 64 | 502616 | WASHER LO SPT 10.2x18.1x2.2 SS | 5 | 5 | |
| 65 | 500680 | NUT HEX STO M10-1.5 Z050 | 5 | 5 | |
| 69 | 5001150 | WASHER FL 17.0x30.0x3.0 N500 | 1 | 1 | |
| 70 | 500792 | NUT HEX 5/8-11 Z050 | 1 | 1 | |

| | | |
|--|--------------|-----------------|
| From P-256 To R-079 | Date:10/2022 | PAGE:H4-2245-01 |
| A/C COMPRESSOR 05G - INSTALLATION - WITH DETROIT S-60 | | |

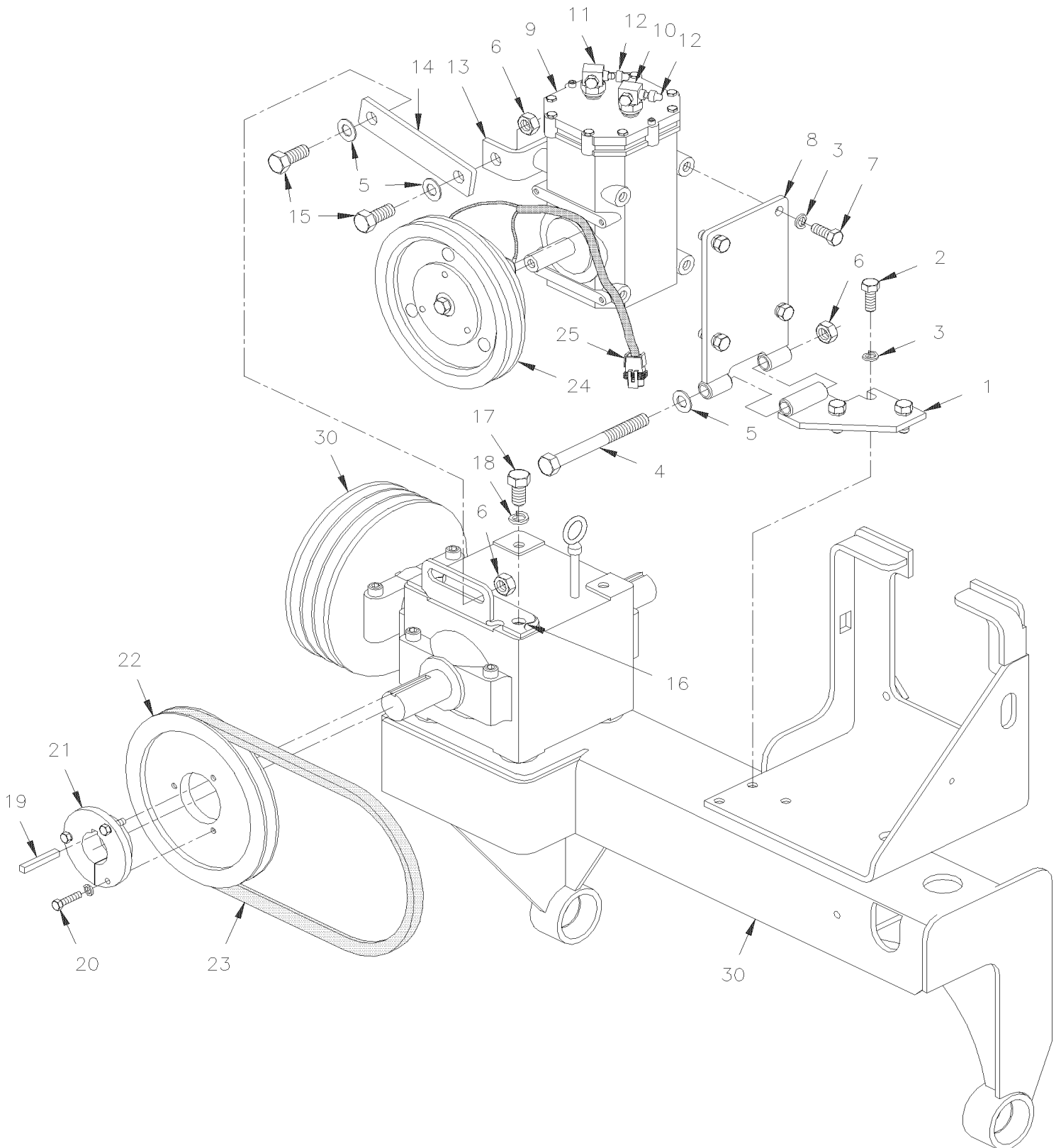
| Item# | Part | Description | H 3 4 0 | V I P 4 0 | N O T E S |
|-------|--------|--|------------------|-----------------------|-----------------------|
| 71 | 501707 | ADAPTER TEE / SAE 45° FITTING / #4FL-Mx1/8NPT-Mx1/8NPT-F BR | 1 | 1 | |
| 72 | 641369 | MALE ELBOW 90° NON-SWIVEL / PUSH-IN FITTING / #4x1/8NPT-M BR | 1 | 1 | |
| 73 | 503402 | TUBE, NYLON 1/4 O.D. / BLACK S.L. | AR | AR | |
| | | WE DID NOT PRODUCED H3-40 WITH R-134A. | | | |
| | | PARTS ARE USED ONLY WITH RETROFIT KIT, | | | |
| | | FOR MORE INFORMATION CALL SERVICE PARTS. | | | |
| | | | | | |
| | | | | | |
| | | A) W/ R22B PRODUCTION | | | |
| | | B) PRODUCTION | | | |
| | | C) SERVICE | | | |
| | | E) TO FIX TENSIONER | | | |

From L-031 To R-079

Date:10/2022

PAGE:H4-2245-12

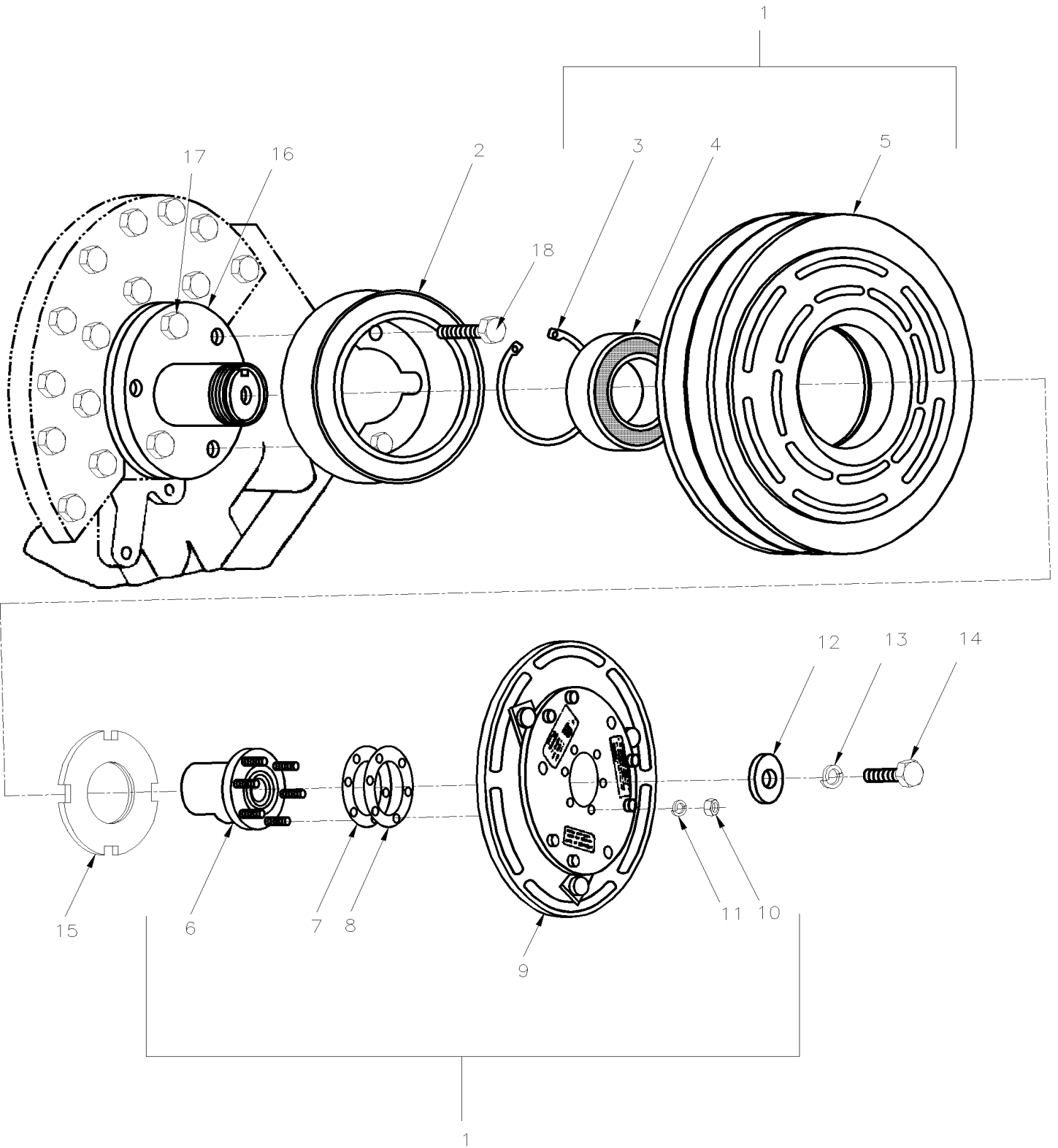
A/C COMPRESSOR "SPECIAL"



| | | |
|---------------------------------|--------------|-----------------|
| From L-031 To R-079 | Date:10/2022 | PAGE:H4-2245-12 |
| A/C COMPRESSOR "SPECIAL" | | |

| Item# | Part | Description | H 3 4 0 | V I P 4 0 | N O T E S |
|-------|-------------------|---|------------------|-----------------------|-----------------------|
| 1 | 452444 | PIVOT ASSY / SUPPORT | 1 | 1 | |
| 2 | 502559 | SCREW CAP HEX M10-1.5x25 G8.8 Z050 | 3 | 3 | |
| 3 | 500257 | WASHER LO SPT 10.2x18.1x2.2 Z050 | 9 | 9 | |
| 4 | 500105 | SCREW CAP HEX 1/2-20x5 1/2 G5 ZP | 1 | 1 | |
| 5 | 571351 | WASHER, 1/2" I.D. FLAT | 3 | 3 | |
| 6 | 500718 | NUT HEX STO 1/2-20 Z050 | 3 | 3 | |
| 7 | 500191 | SCREW CAP HEX 3/8-16x1 G5 Z050 | 6 | 6 | |
| 8 | 452471 | PIVOT ASSY / COMPRESSOR | 1 | 1 | |
| 9 | 950219 | A/C COMPRESSOR ASSY "TECUMSEH" / R-134A | 1 | 1 | |
| 9 | 950393 | A/C COMPRESSOR ASSY "CCI" / R-134A | 1 | 1 | S |
| 10 | 950076 | VALVE ASSY / DISCHARGE / W/O-RING 1/2" / W/"TECUMSEH" COMPRESSOR | 1 | 1 | |
| 10 | 950235 | GAUGE ADAPTOR ASSY / W/BLUE CAP FOR R-134A / SUCTION SIDE (ALUMINUM) | 1 | 1 | |
| NS | 950368 | ADAPTOR FITTING / O-RING PORT TO ROTOLOCK | 2 | 2 | A |
| NS | 950369 | SEAL TEFLON / O-RING PORT TO ROTOLOCK | 2 | 2 | A |
| NS | 950383 | SEAL TEFLON / O-RING PORT TO ROTOLOCK | 2 | 2 | A |
| 11 | 950077 | VALVE ASSY / SUCTION / W/O-RING 5/8" / W/"TECUMSEH" COMPRESSOR | 1 | 1 | |
| 11 | 950234 | GAUGE ADAPTOR ASSY / W/RED CAP FOR R-134A / DISCHARGE SIDE (ALUMINUM) | 1 | 1 | |
| 12 | 950157 | . CAP VALVE / PROTECTOR / STEEL | 1 | 1 | |
| 13 | 453122 | TENSIONNER SUPPORT | 1 | 1 | |
| 14 | 452442 | TENSIONNER | 2 | 2 | |
| 15 | 500086 | SCREW CAP HEX 1/2-20x1 1/4 G5 Z050 | 2 | 2 | |
| 16 | 452443 | TENSIONER BRACKET / GEARBOX | 2 | 2 | |
| 17 | 500213 | SCREW CAP HEX 1/2-13x1 G5 Z050 | 2 | 2 | |
| 18 | 500482 | WASHER LO SPT .506x.873x.125 Z050 | 2 | 2 | |
| 19 | 550186 | KEY 1/4" X 1/4" X 1 1/4" | 1 | 1 | |
| 20 | 500167 | SCREW CAP HEX 1/4-20x1 1/4 G5 PT Z050 | 3 | 3 | |
| NS | 500473 | WASHER LO SPT .262x.489x.062 Z050 | 3 | 3 | |
| 21 | 950230 | CONE BUSHING 1 1/4 I.D X 2 1/8 O.D. X 3 5/16 | 1 | 1 | |
| 22 | 950211 | PULLEY DRIVE 7.15 O.D. / SINGLE "V" | 1 | 1 | |
| 23 | 506685 | V-BELT / A-35 9002-2035 | 1 | 1 | |
| 24 | 950079 | PULLEY ASSY W/COIL 24V | 1 | 1 | |
| 25 | 561566 | CONNECTOR / WEATHER PACK / PH 2C / BLACK / PED 12010973 | 1 | 1 | |
| NS | 561568 | PIN TERMINAL / 16-14 / PED 12089305 | 2 | 2 | |
| NS | 561565 | CABLE SEAL / GREEN / PED 15324982 | 2 | 2 | |
| 30 | H4-0520-03 | FAN DRIVE - INSTALLATION | | | |
| NS | 451144 | OIL DIPSTICK / (REQUIRED TO CHANGE) | 1 | 1 | |
| | | | | | |
| | | | | | |
| | | | | | |
| | | A) SOME COMPRESSOR MODEL REQUIRES ALL THOSE ITEMS TO INSTALL SERVICING VALVE INLET AND OUTLET | | | |
| | | S) SERVICE AFTERMARKET | | | |

| | | |
|----------------------------------|--------------|-----------------|
| From L-031 To R-079 | Date:10/2022 | PAGE:H4-2246-01 |
| A/C CLUTCH 05G - HOUSING MOUNTED | | |



| | | |
|---|--------------|-----------------|
| From L-031 To R-079 | Date:10/2022 | PAGE:H4-2246-01 |
| A/C CLUTCH 05G - HOUSING MOUNTED | | |

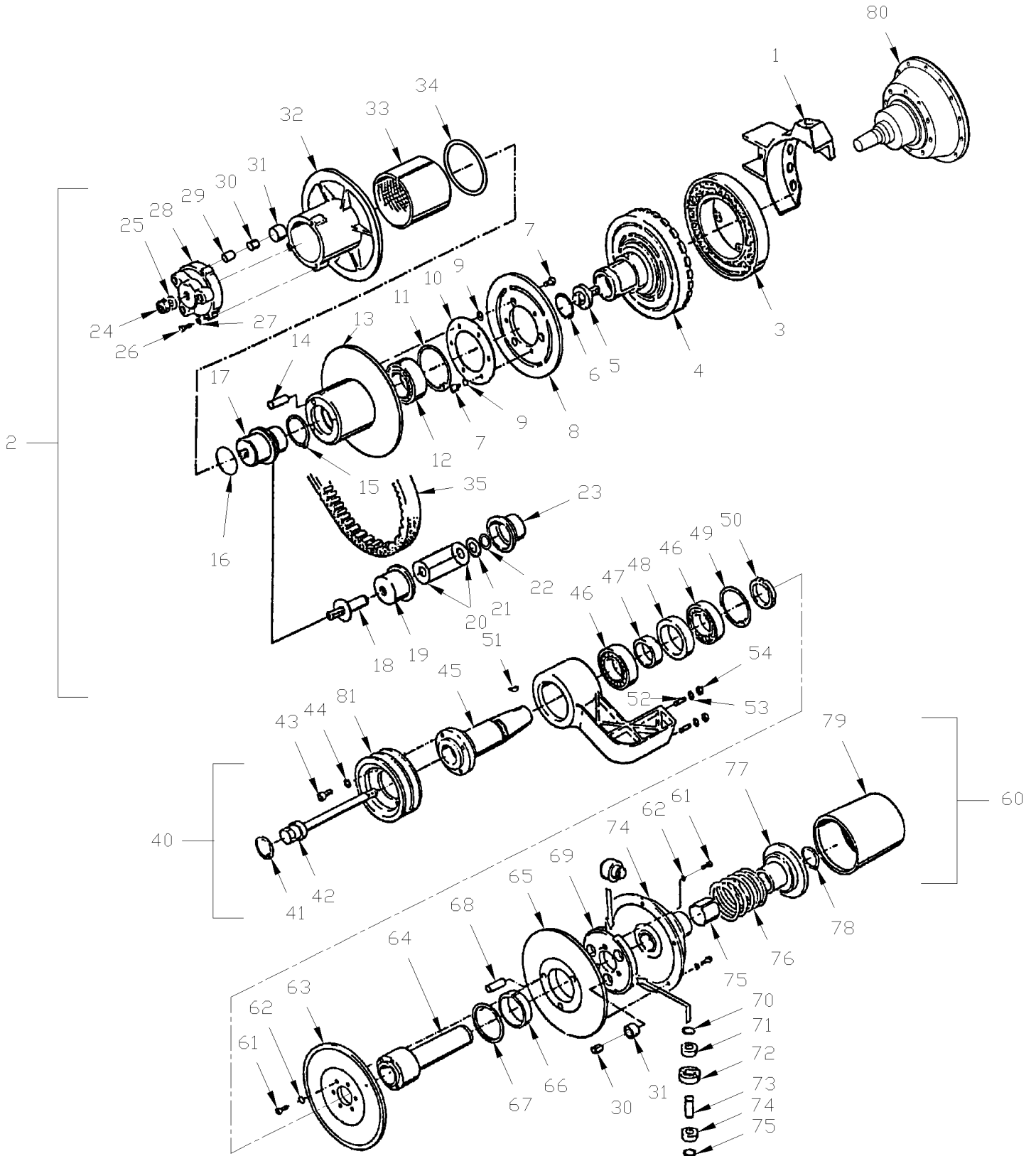
| Item# | Part | Description | H 3 4 0 | V I P 4 0 | N O T E S |
|-------|--------|--|------------------|-----------------------|-----------------------|
| 1 | 950094 | CLUTCH HOUSING-MOUNTED/24V DC 9" DIA 2C GROOVE | 1 | 1 | B |
| 1 | 950204 | CLUTCH HOUSING-MOUNTED/24V DC 9" DIA 2B GROVE | 1 | 1 | C |
| 2 | 950156 | COIL 24V | 1 | 1 | A |
| 3 | 950146 | . CIRCLIP INTERNAL | 1 | 1 | |
| 4 | 950141 | . BEARING | 1 | 1 | |
| 5 | N.S.S. | . PULLEY | 1 | 1 | 1 |
| 6 | N.S.S. | . HUB DRIVE | 1 | 1 | 1 |
| 7 | 950104 | . SHIM 0.010 | 1 | 1 | |
| 8 | 950103 | . SHIM 0.020 | 5 | 5 | |
| 9 | N.S.S. | . ARMATURE | 1 | 1 | 1 |
| 10 | 500769 | . NUT HEX 1/4-20 Z050 | 6 | 6 | |
| 11 | 500473 | . WASHER LO SPT .262x.489x.062 Z050 | 6 | 6 | |
| 12 | 870784 | WASHER 13/32" I.D. X 1 1/2" O.D. X 3/16" TH | 1 | 1 | |
| 13 | 500478 | WASHER LO SPT .380x.683x.094 Z050 | 1 | 1 | |
| 14 | 870785 | SCREW CAP HEX 3/8-24x7/8 G8 ZP | 1 | 1 | |
| 15 | 950093 | NUT / W/HUB MOUNTING ONLY | 1 | 1 | |
| 16 | 950092 | HUB HOUSING MOUNT | 1 | 1 | |
| 16 | 950408 | HUB HOUSING MOUNT W/GROOVE FOR TWIN PORT | 1 | 1 | |
| . NS | 950409 | . SEAL, LIP, SHAFT SEAL / W/TWIN PORT ONLY | 1 | 1 | |
| . NS | 870795 | . GASKET, HUB BEARING | 1 | 1 | |
| 17 | 500192 | SCREW CAP HEX 3/8-16x1 1/4 G5 Z050 | 6 | 6 | |
| 18 | 186679 | SCREW CAP HEX 3/8-16x1 1/4 G8 ZP | 1 | 1 | |
| NS | 950105 | SOCKET / TOOL FOR INSTALLATION | | | |
| NS | 950106 | PUSHER ROTOR / TOOL | | | |
| NS | 950107 | SPANNER WRENCH / TOOL | | | |
| | | | | | |
| | | | | | |
| | | A) THIS COIL IS NOT INCLUDE WITH #950204 | | | |
| | | B) W/SERIES 92 | | | |
| | | C) W/SERIES 60 | | | |
| | | 1) NOT SOLD SEPARATELY | | | |

From L-031 To R-079

Date:10/2022

PAGE:H4-2247-00

A/C CLUTCH 05G - W/VARIO-DRIVE



| | | |
|---------------------------------------|--------------|-----------------|
| From L-031 To R-079 | Date:10/2022 | PAGE:H4-2247-00 |
| A/C CLUTCH 05G - W/VARIO-DRIVE | | |

| Item# | Part | Description | H 3 4 0 | V I P 4 0 | N O T E S |
|-------|--------|---|------------------|-----------------------|-----------------------|
| | 950167 | DRIVE ASSY | 1 | | |
| 1 | 950168 | . BRACKET, TIGHTEN | 1 | | |
| 2 | 950169 | . OUTPUT DRIVE ASSY | 1 | | |
| 3 | 950170 | . . COIL, MAGNET | 1 | | |
| 4 | 950171 | . . ROTOR | 1 | | |
| 5 | 950172 | . . SCREW | 1 | | |
| 6 | N.P.N. | . . CIRCLIP, EXTERNAL | 1 | | 4 |
| 7 | N.P.N. | . . SCREW | 6 | | 4 |
| 8 | 950173 | . . PLATE, CLUTCH | 1 | | |
| 9 | N.P.N. | . . WASHER | 6 | | 4 |
| 10 | 950174 | . . PLATE RETAINER | | | |
| 11 | N.P.N. | . . CIRCLIP,EXTERNAL | 1 | | 4 |
| 12 | 950175 | . . BEARING | 1 | | |
| 13 | 950176 | . . DISC, INTERIOR / OUTPUT DRIVE | 1 | | |
| 14 | N.P.N. | . . PIN,DOWEL | 3 | | 4 |
| 15 | N.P.N. | . . CIRCLIP, INTERNAL | 1 | | 4 |
| 16 | N.P.N. | . . CIRCLIP, EXTERNAL | 1 | | 4 |
| 17 | 950177 | . . AXLE ADAPTOR ASSY | 1 | | |
| 18 | N.S.S. | . . . SHAFT / AXLE | 1 | | 1 |
| 19 | N.S.S. | . . . CAP, EXTERIOR | 1 | | 1 |
| 20 | N.S.S. | . . . WASHER, FEEDER | 23 | | 1 |
| 21 | N.S.S. | . . . WASHER, RETAINER | 1 | | 1 |
| 22 | N.S.S. | . . . CIRCLIP, EXTERNAL | 1 | | 1 |
| 23 | N.S.S. | . . . CAP, INTERIOR | 1 | | 1 |
| 24 | | . . . NUT, ELASTIC STOP | 1 | | |
| 25 | | . . . WASHER | 1 | | |
| 26 | | . . SCREW | 3 | | |
| 27 | | . . WASHER | 3 | | |
| 28 | 950178 | . . CAP, RETAINER | 1 | | |
| 29 | 950179 | . . BUSHING | 3 | | |
| 30 | N.P.N. | . . RING, SMALL | 6 | | 4 |
| 31 | N.P.N. | . . RING, LARGE | 6 | | 4 |
| 32 | 950180 | . . EXTERIOR DISC ASSY | 1 | | |
| 33 | N.S.S. | . . . BEARING | 1 | | 1 |
| 34 | N.S.S. | . . . SEAL | 1 | | 1 |
| 35 | 950159 | . V-BELT / VARIO-DRIVE & A/C COMPRESSOR | 1 | | |
| 40 | 950181 | . HOLDING ARM ASSY | 1 | | |
| 41 | N.S.S. | . . CIRCLIP, EXTERNAL | 1 | | 1 |
| 42 | 950182 | . . BOLT | 1 | | |
| 43 | 502655 | . . SCREW CAP HEX M10-1.5x25 SS BK | 5 | | |
| 44 | 500257 | . . WASHER LO SPT 10.2x18.1x2.2 Z050 | 5 | | |
| 45 | 950183 | . . SHAFT / OUTPUT DRIVE | 1 | | |

| | | |
|---------------------------------------|--------------|-----------------|
| From L-031 To R-079 | Date:10/2022 | PAGE:H4-2247-00 |
| A/C CLUTCH 05G - W/VARIO-DRIVE | | |

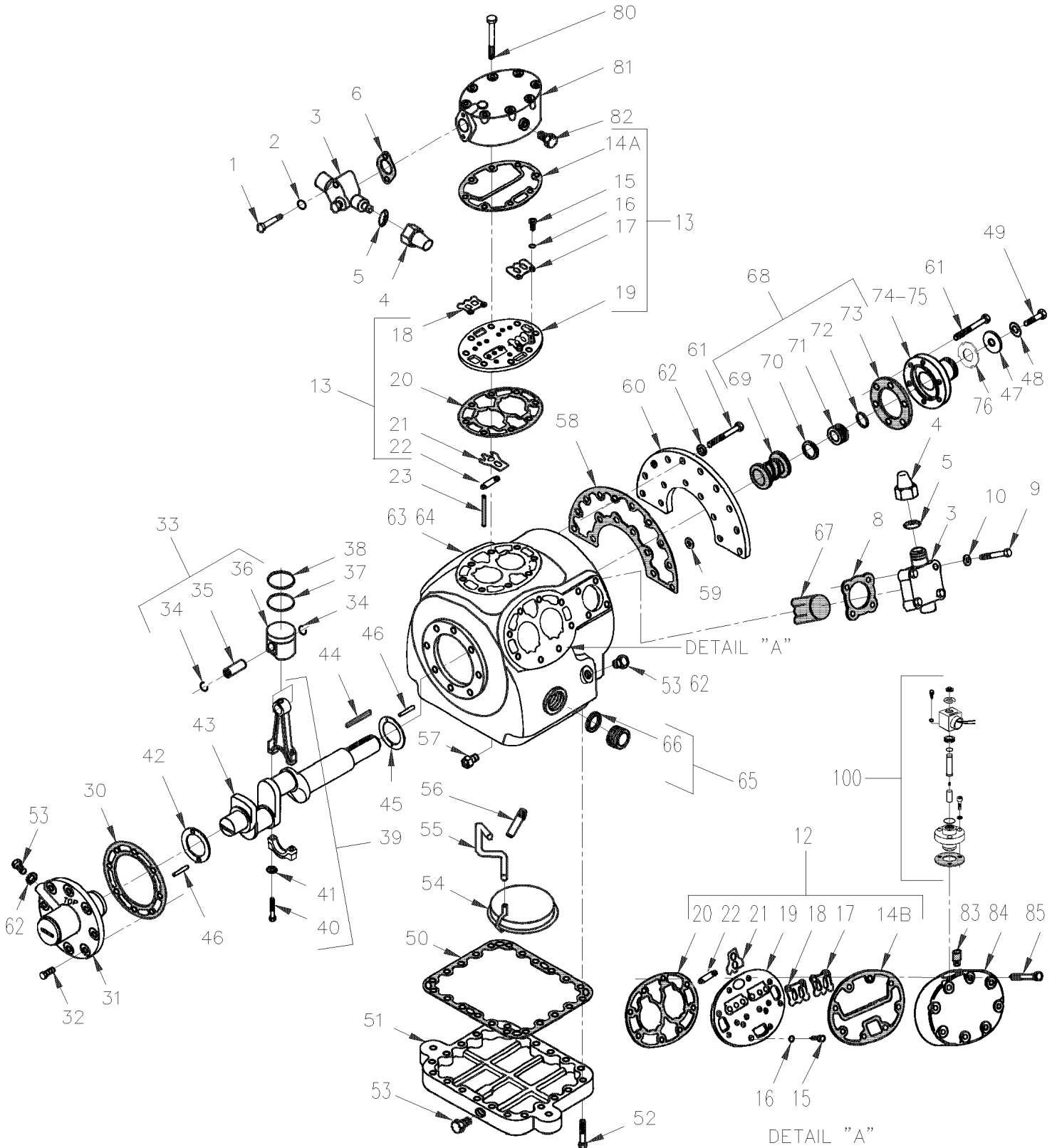
| Item# | Part | Description | H 3 4 0 | V I P 4 0 | N O T E S |
|-------|--------|--|------------------|-----------------------|-----------------------|
| 46 | 950184 | . . BEARING | 2 | | |
| 47 | 950185 | . . SPACER | 1 | | |
| 48 | 950186 | . . SPACER | 1 | | |
| 49 | N.P.N. | . . CIRCLIP, EXTERNAL | 1 | | 4 |
| 50 | N.P.N. | . . CIRCLIP, INTERNAL | 1 | | 4 |
| 51 | N.P.N. | . . KEY | 1 | | 4 |
| 52 | N.P.N. | . . STUD | 2 | | 4 |
| 53 | N.P.N. | . . WASHER, FLAT | 2 | | 4 |
| 54 | N.P.N. | . . NUT, STOVER | 2 | | 4 |
| 60 | 950187 | . INPUT DISC ASSY | 1 | | |
| 61 | N.S.S. | . . SCREW | 12 | | 1 |
| 62 | N.S.S. | . . WASHER | 17 | | 1 |
| 63 | 950188 | . . DISC, EXTERIOR | 1 | | |
| 64 | 950189 | . . SHAFT | 1 | | |
| 65 | 950190 | . . INTERIOR DISC ASSY | 1 | | |
| 66 | N.S.S. | . . . BUSHING | 1 | | 1 |
| 67 | N.S.S. | . . . SEAL | 1 | | 1 |
| 68 | N.S.S. | . . . PIN, DOWEL | 3 | | 1 |
| 69 | 950191 | . . CLUTCH COUNTERWEIGHT ASSY | 1 | | |
| 70 | N.S.S. | . . . CIRCLIP, INTERNAL | 6 | | 1 |
| 71 | 950192 | . . . WEIGHTS | 6 | | |
| 72 | N.S.S. | . . . WEIGHTS | 3 | | 1 |
| 73 | 950193 | . . . PIN | 3 | | |
| 74 | 950194 | . . PRESSURE PLATE ASSY | 1 | | |
| 75 | N.S.S. | . . . BUSHING | 1 | | 1 |
| 75 | 950195 | . . CAP, PROTECTOR | 1 | | |
| 76 | N.P.N. | . . SPRING RETURN | 1 | | 4 |
| 77 | N.P.N. | . . RETAINER | 1 | | 4 |
| 78 | N.P.N. | . . CIRCLIP, INTERNAL | 1 | | 4 |
| 80 | 950196 | . ADAPTOR / BELL | 1 | | |
| 80 | 950197 | . GEAR / NYLON | 1 | | |
| 80 | 950201 | . GEAR / STEEL | 1 | | |
| 81 | 451841 | PULLEY / INPUT DRIVE / W/2V x 180.3MM O.D. | 1 | | |
| | | | | | |
| | | | | | |
| | | | | | |
| | | 1) NOT SOLD SEPARATELY | | | |
| | | 4) NO PARTS NUMBER | | | |

From L-031 To R-079

Date:10/2022

PAGE:H4-2250-00

A/C COMPRESSOR ASSY 05G - THREE PORT



| | | |
|---------------------|--------------|-----------------|
| From L-031 To R-079 | Date:10/2022 | PAGE:H4-2250-00 |
|---------------------|--------------|-----------------|

A/C COMPRESSOR ASSY 05G - THREE PORT

| Item# | Part | Description | H 3 4 0 | V I P 4 0 | N O T E S |
|-------|-------------------|---|------------------|-----------------------|-----------------------|
| | 950138 | A/C COMPRESSOR ASSY / W/37 C.F.M. / W/O OIL & ACCESSORIES | 1 | 1 | |
| | 952643 | A/C COMPRESSOR ASSY / W/37 C.F.M. / REMAN / W/O OIL & ACCESSORIES | 1 | 1 | |
| | 950263 | A/C COMPRESSOR ASSY / W/41 C.F.M. / W/O OIL & ACCESSORIES | 1 | 1 | |
| NS | 950298D | A/C COMPRESSOR ASSY / W/41 C.F.M. / REMAN / W/O OIL & ACCESSORIES | | | |
| 1 | 870877 | . SCREW CAP HEX 5/16-18x2 G5 ZP | 2 | 2 | |
| 2 | 870750 | . GASKET | 2 | 2 | |
| 3 | H4-2245-00 | A/C COMPRESSOR 05G - INSTALLATION - WITH DETROIT S-92 | | | |
| 3 | H4-2250-01 | A/C COMPRESSOR ASSY 05G - TWIN PORT / SERVICE | | | |
| 4 | 870446 | . . CAP SEAL | 1 | 1 | |
| 5 | 870752 | . . . GASKET, CAP SEAL | 1 | 1 | |
| 6 | 870753 | . GASKET / DISCHARGE VALVE | 1 | 1 | |
| 8 | 870754 | . GASKET / SUCTION VALVE | 1 | 1 | |
| 9 | 870755 | . SCREW CAP HEX 1/2-13x2 1/2 G5 ZP | 4 | 4 | |
| 10 | 870756 | . GASKET | 4 | 4 | |
| 12 | 950325 | . VALVE PLATE ASSY / SIDE BANK | 4 | 4 | |
| 12 | 870800 | . . CHECK VALVE ASSY / UNLOADER | 2 | 2 | |
| 13 | 950324 | . VALVE PLATE ASSY / CENTER BANK | 1 | 1 | |
| 14A | 870760 | . . GASKET, CENTER CYLINDER HEAD | 1 | 1 | |
| 14B | 870797 | . . GASKET, L.H & R.H CYLINDER HEAD | 1 | 1 | |
| 15 | 870761 | . . SCREW CAP HEXS 1/4-28 x 3/8" | 4 | 4 | |
| 16 | 500473 | . . WASHER LO SPT .262x.489x.062 Z050 | 4 | 4 | |
| 17 | 870762 | . . VALVE STOP DISCHARGE | 2 | 2 | |
| 18 | 870763 | . . VALVE DISCHARGE | 2 | 2 | |
| 19 | N.S.S. | . . PLATE VALVE | 1 | 1 | 1 |
| 20 | 870764 | . . GASKET, VALVE PLATE | 1 | 1 | |
| 21 | 950276 | . . VALVE SUCTION | 2 | 2 | |
| 22 | 870766 | . . SPRING / SUCTION VALVE | 2 | 2 | |
| 23 | 870767 | . PIN DOWEL VALVE PLATE | 4 | 4 | |
| 30 | 870771 | . GASKET / OIL PUMP | 1 | 1 | |
| 31 | 870772 | . OIL PUMP ASSY / LOW SPEED | 1 | 1 | |
| 31 | 950286 | . OIL PUMP ASSY / (LOW PROFIL) | 1 | 1 | |
| 32 | 500192 | . SCREW CAP HEX 3/8-16x1 1/4 G5 Z050 | 8 | 8 | |
| 33 | 870773 | . PISTON & PIN ASSY / STANDARD / W/37 CFM | 1 | 1 | |
| 33 | 950272 | . PISTON & PIN ASSY / STANDARD / W/41 CFM | 6 | 6 | |
| 33 | 870814 | . PISTON & PIN ASSY/.020" OVERSIZE / W/37 CFM | 1 | 1 | |
| 33 | 950274 | . PISTON & PIN ASSY/.020" OVERSIZE / W/41 CFM | 6 | 6 | |
| 34 | N.S.S. | . . RETAINER | 2 | 2 | 1 |
| 35 | N.S.S. | . . PIN | 1 | 1 | 1 |

| | | |
|---|--------------|-----------------|
| From L-031 To R-079 | Date:10/2022 | PAGE:H4-2250-00 |
| A/C COMPRESSOR ASSY 05G - THREE PORT | | |

| Item# | Part | Description | H 3 4 0 | V I P 4 0 | N O T E S |
|-------|--------|---|------------------|-----------------------|-----------------------|
| 36 | N.S.S. | . PISTON SINGLE RING | 1 | 1 | 1 |
| 37 | 870774 | . RING / W/DOUBLE RING PISTON ONLY | 6 | 6 | |
| 38 | 870775 | . RING COMPRESSION / STANDARD | 6 | 6 | |
| 38 | 870815 | . RING COMPRESSION / .020" OVERSIZE | 6 | 6 | |
| 39 | 870776 | . CONNECTING ROD & CLIP ASSY / STANDARD | 6 | 6 | |
| 39 | 870816 | . CONNECTING ROD & CLIP ASSY / .010" OVERSIZE | 6 | 6 | |
| NS | 870767 | . PIN DOWEL VALVE PLATE | 2 | 2 | |
| 40 | 870777 | . BOLT | 2 | 2 | |
| 41 | 500440 | . WASHER FL .250x.562x.065 Z050 | 1 | 1 | |
| 42 | 870778 | . WASHER THRUST / PUMP END | 1 | 1 | |
| 43 | 870779 | . CRANKSHAFT ASSY / W/37 CFM | 1 | 1 | |
| 43 | 950273 | . CRANKSHAFT ASSY / W/41 CFM | 1 | 1 | |
| 44 | 950140 | . KEY CRANKSHAFT / W/HOUSING-MOUNTED CLUTCH | 1 | 1 | |
| 45 | 870781 | . WASHER THRUST | 1 | 1 | |
| 46 | 870782 | . PIN STRAIGHT 1/8" DIA. X 1/2" | 2 | 2 | |
| NS | 870783 | . PIN STRAIGHT .094" X 5/16" | 2 | 2 | |
| 47 | 870784 | . WASHER 13/32" I.D. X 1 1/2" O.D. X 3/16" TH | 1 | 1 | |
| 48 | 500478 | . WASHER LO SPT .380x.683x.094 Z050 | 1 | 1 | |
| 49 | 870785 | . SCREW CAP HEX 3/8-24x7/8 G8 ZP | 1 | 1 | |
| 50 | 870786 | . GASKET, BOTTOM PLATE | 1 | 1 | |
| 51 | 950444 | . PLATE BOTTOM | 1 | 1 | |
| 52 | 500191 | . SCREW CAP HEX 3/8-16x1 G5 Z050 | 22 | 22 | |
| 53 | 950303 | . PLUG, O-RING / (CURRENT) | 2 | 2 | |
| 54 | 870787 | . SCREEN ASSY / OIL FILTER | 1 | 1 | |
| 55 | 870788 | . TUBE / OIL SUCTION | 1 | 1 | |
| 56 | 870789 | . VALVE / OIL RELIEF | 1 | 1 | |
| 57 | 870790 | . CHECK VALVE ASSY / OIL RETURN | 2 | 2 | |
| 58 | 870791 | . GASKET, SHAFT END COVER | 1 | 1 | |
| 59 | 950139 | . WASHER .393x.622x.031 | 2 | 2 | |
| 60 | 870792 | . FLANGE | 1 | 1 | |
| 61 | 500192 | . SCREW CAP HEX 3/8-16x1 1/4 G5 Z050 | 21 | 21 | |
| 62 | 950139 | . WASHER .393x.622x.031 | 21 | 21 | |
| 63 | N.S.S. | . CRANKCASE | 1 | 1 | 1 |
| 64 | 950283 | . BEARING, MAIN SEAL END | 1 | 1 | |
| 65 | 870768 | . SIGHT GLASS ASSY | 2 | 2 | |
| 66 | 870769 | . GASKET, SIGHT GLASS | 2 | 2 | |
| 67 | 870770 | . STRAINER SUCTION | 1 | 1 | |
| 68 | 950327 | . SHAFT SEAL ASSY / W/HOUSING-MOUNTED CLUTCH | 1 | 1 | |
| 69 | N.S.S. | . SEAL / SHAFT | 1 | 1 | 1 |
| 70 | 870794 | . RING CARBON | 1 | 1 | |
| 71 | N.S.S. | . RING WEAR | 1 | 1 | 1 |
| 72 | N.S.S. | . O-RING | 1 | 1 | 1 |

| | | |
|---|--------------|-----------------|
| From L-031 To R-079 | Date:10/2022 | PAGE:H4-2250-00 |
| A/C COMPRESSOR ASSY 05G - THREE PORT | | |

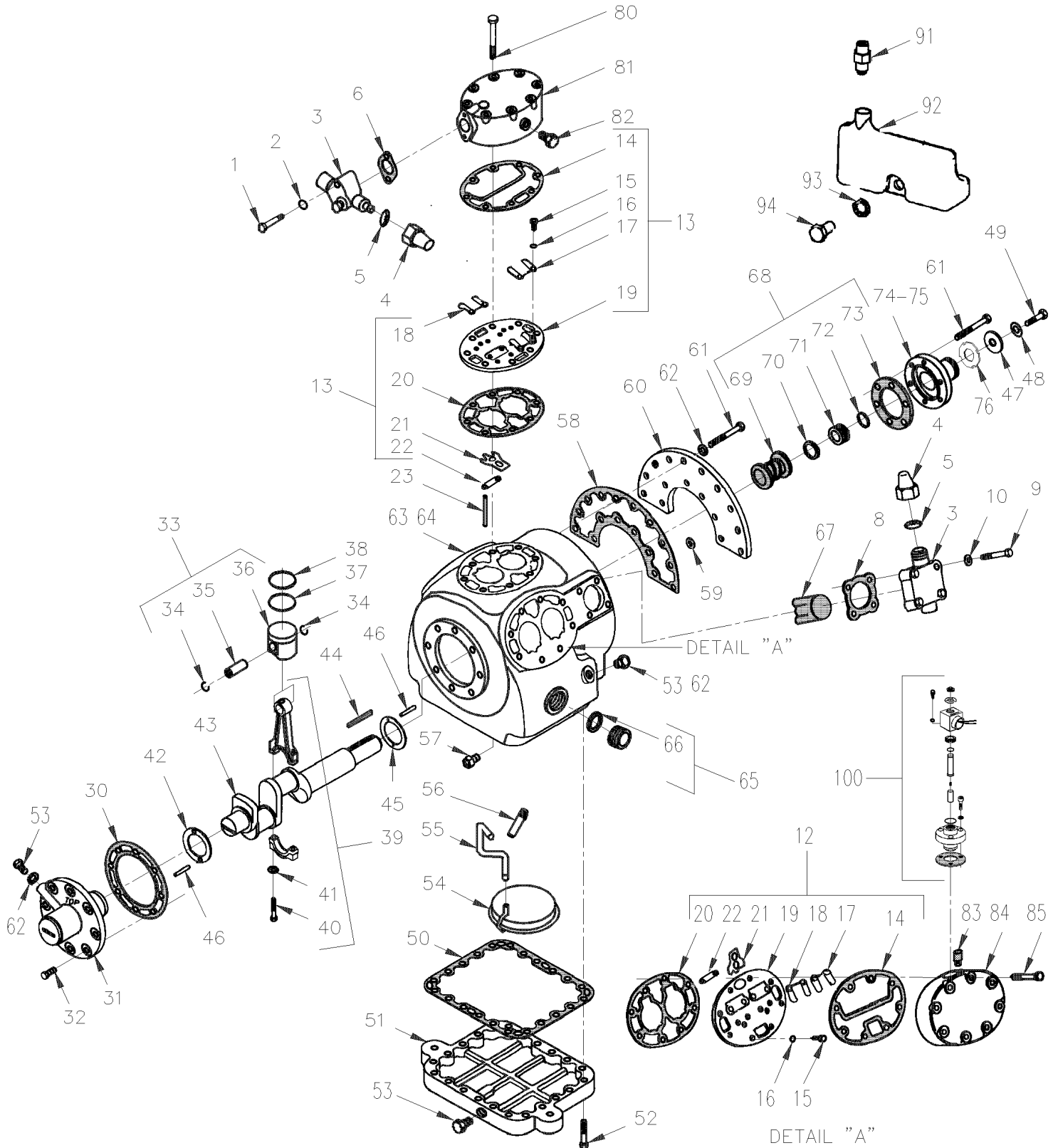
| Item# | Part | Description | H 3 4 0 | V I P 4 0 | N O T E S |
|-------|-------------------|---|------------------|-----------------------|-----------------------|
| 73 | 870795 | . . GASKET, HUB BEARING | 1 | 1 | |
| 74 | 950092 | . HUB HOUSING MOUNT | 1 | 1 | |
| 75 | N.S.S. | . . RING FELT & RETAINING | 1 | 1 | 1 |
| 76 | 950093 | . NUT / W/HUB MOUNTING ONLY | 1 | 1 | |
| 80 | G1091280 | . SCREW CAP HEX 3/8-16 X 3"1/4 | 8 | 8 | |
| 81 | 870757 | . HEAD CYLINDER / CENTER BANK | 1 | 1 | |
| 82 | 501303 | . PLUG SQUARE HEAD / PIPE FITTING / 1/8NPT-M BR | 1 | 1 | |
| 83 | 870799 | . STRAINER | 1 | 1 | |
| 84 | 870798 | HEAD CYLINDER / UNLOADER | 1 | 1 | |
| 85 | 502694 | SCREW CAP HEX 3/8-16x3 1/4 G5 ZP | 1 | 1 | |
| 100 | H4-2250-15 | A/C ELECTRIC UNLOADER - W/05G COMPRESSOR | 1 | 1 | |
| NS | 950236 | REFRIGERANT OIL POE / USE W/134A (4LITER) | AR | AR | |
| | | | | | |
| | | | | | |
| | | 1) NOT SOLD SEPARATELY | | | |

From L-031 To R-079

Date:10/2022

PAGE:H4-2250-01

A/C COMPRESSOR ASSY 05G - TWIN PORT / SERVICE



| | | |
|--|--------------|-----------------|
| From L-031 To R-079 | Date:10/2022 | PAGE:H4-2250-01 |
| A/C COMPRESSOR ASSY 05G - TWIN PORT / SERVICE | | |

| Item# | Part | Description | H 3 4 0 | V I P 4 0 | N O T E S |
|-------|-------------------|--|------------------|-----------------------|-----------------------|
| | 950401 | A/C COMPRESSOR ASSY REBUILT / W/41 C.F.M W/O ACCESSORIES TWIN PORT | | | |
| 1 | 870877 | . SCREW CAP HEX 5/16-18x2 G5 ZP | 2 | 2 | |
| 2 | 870750 | . GASKET | 2 | 2 | |
| 3 | H4-2245-01 | . A/C COMPRESSOR 05G - INSTALLATION - WITH DETROIT S-60 | | | |
| 4 | 870446 | . . CAP SEAL | 1 | 1 | |
| 5 | 870752 | . . . GASKET, CAP SEAL | 1 | 1 | |
| 6 | 950425 | . GASKET / DISCHARGE VALVE / (METAL) | 1 | 1 | |
| 8 | 950423 | . GASKET / SUCTION VALVE / (METAL) | 1 | 1 | |
| 9 | 870755 | . SCREW CAP HEX 1/2-13x2 1/2 G5 ZP | 4 | 4 | |
| 10 | 870756 | . GASKET | 4 | 4 | |
| 12 | 950415 | . VALVE PLATE ASSY / SIDE BANK / W/TWIN PORT ONLY | 2 | 2 | |
| NS | 870800 | . . CHECK VALVE ASSY / UNLOADER | 2 | 2 | |
| 13 | 950414 | . VALVE PLATE ASSY / CENTER BANK / W/TWIN PORT ONLY | 1 | 1 | |
| 14 | 950421 | . . GASKET, CYLINDER HEAD / W/TWIN PORT ONLY | 1 | 1 | |
| 15 | 870761 | . . SCREW CAP HEXS 1/4-28 x 3/8" | 4 | 4 | |
| 16 | 500473 | . . WASHER LO SPT .262x.489x.062 Z050 | 4 | 4 | |
| 17 | 950416 | . . VALVE DISCHARGE / W/TWIN PORT ONLY | 2 | 2 | |
| 18 | 950417 | . . BACKER VALVE DISCHARGE / W/TWIN PORT ONLY | 2 | 2 | |
| 19 | N.S.S. | . . PLATE VALVE | 1 | 1 | 1 |
| 20 | 950420 | . . GASKET, VALVE PLATE / W/TWIN PORT ONLY | 1 | 1 | |
| 21 | 950418 | . . VALVE SUCTION / W/TWIN PORT ONLY | 2 | 2 | |
| 22 | 950419 | . . SPRING / SUCTION VALVE / W/TWIN PORT ONLY | 2 | 2 | |
| 23 | 870767 | . PIN DOWEL VALVE PLATE | 4 | 4 | |
| 30 | 870771 | . GASKET / OIL PUMP | 1 | 1 | |
| 31 | 950403 | . OIL PUMP ASSY / W/TWIN PORT ONLY | 1 | 1 | |
| 32 | 500192 | . SCREW CAP HEX 3/8-16x1 1/4 G5 Z050 | 8 | 8 | |
| 33 | 950272 | . PISTON & PIN ASSY / STANDARD / W/41 CFM | 6 | 6 | |
| 33 | 950274 | . PISTON & PIN ASSY/.020" OVERSIZE / W/41 CFM | 6 | 6 | |
| 34 | N.S.S. | . . RETAINER | 2 | 2 | 1 |
| 35 | N.S.S. | . . PIN | 1 | 1 | 1 |
| 36 | N.S.S. | . . PISTON SINGLE RING | 1 | 1 | 1 |
| 37 | 870774 | . RING / W/DOUBLE RING PISTON ONLY | 6 | 6 | |
| 38 | 870775 | . RING COMPRESSION / STANDARD | 6 | 6 | |
| 38 | 870815 | . RING COMPRESSION / .020" OVERSIZE | 6 | 6 | |
| 39 | 870776 | . CONNECTING ROD & CLIP ASSY / STANDARD | 6 | 6 | |
| 39 | 870816 | . CONNECTING ROD & CLIP ASSY / .010" OVERSIZE | 6 | 6 | |
| NS | 870767 | . . PIN DOWEL VALVE PLATE | 2 | 2 | |
| 40 | 870777 | . . BOLT | 2 | 2 | |
| 41 | 500440 | . . WASHER FL .250x.562x.065 Z050 | 1 | 1 | |
| 42 | 870778 | . WASHER THRUST / PUMP END | 1 | 1 | |
| 43 | 950406 | . CRANKSHAFT ASSY / W/41 CFM / W/TWIN PORT ONLY | 1 | 1 | |

| | | |
|--|--------------|-----------------|
| From L-031 To R-079 | Date:10/2022 | PAGE:H4-2250-01 |
| A/C COMPRESSOR ASSY 05G - TWIN PORT / SERVICE | | |

| Item# | Part | Description | H 3 4 0 | V I P 4 0 | N O T E S |
|-------|----------|---|------------------|-----------------------|-----------------------|
| 44 | 950140 | . KEY CRANKSHAFT / W/HOUSING-MOUNTED CLUTCH | 1 | 1 | |
| 45 | 870781 | . WASHER THRUST | 1 | 1 | |
| 46 | 870782 | . PIN STRAIGHT 1/8" DIA. X 1/2" | 2 | 2 | |
| NS | 870783 | . PIN STRAIGHT .094" X 5/16" | 2 | 2 | |
| 47 | 870784 | . WASHER 13/32" I.D. X 1 1/2" O.D. X 3/16" TH | 1 | 1 | |
| 48 | 500478 | . WASHER LO SPT .380x.683x.094 Z050 | 1 | 1 | |
| 49 | 870785 | . SCREW CAP HEX 3/8-24x7/8 G8 ZP | 1 | 1 | |
| 50 | 950402 | . GASKET, BOTTOM PLATE / (METAL) | 1 | 1 | |
| 51 | 950444 | . PLATE BOTTOM | 1 | 1 | |
| 52 | 500191 | . SCREW CAP HEX 3/8-16x1 G5 Z050 | 22 | 22 | |
| 53 | 950303 | . PLUG, O-RING / (CURRENT) | 2 | 2 | |
| 54 | 870787 | . SCREEN ASSY / OIL FILTER | 1 | 1 | |
| 55 | 870788 | . TUBE / OIL SUCTION | 1 | 1 | |
| 56 | 870789 | . VALVE / OIL RELIEF | 1 | 1 | |
| 57 | 870790 | . CHECK VALVE ASSY / OIL RETURN | 2 | 2 | |
| 58 | 950412 | . GASKET, SHAFT END COVER / W/TWIN PORT ONLY | 1 | 1 | |
| 59 | 950139 | . WASHER .393x.622x.031 | 2 | 2 | |
| 60 | 870792 | . FLANGE | 1 | 1 | |
| 61 | 500192 | . SCREW CAP HEX 3/8-16x1 1/4 G5 Z050 | 21 | 21 | |
| 62 | 950139 | . WASHER .393x.622x.031 | 21 | 21 | |
| 63 | N.S.S. | . CRANKCASE | 1 | 1 | 1 |
| 64 | 950283 | . BEARING, MAIN SEAL END | 1 | 1 | |
| 65 | 870768 | . SIGHT GLASS ASSY | 2 | 2 | |
| 66 | 870769 | . GASKET, SIGHT GLASS | 2 | 2 | |
| 67 | 870770 | . STRAINER SUCTION | 1 | 1 | |
| 68 | 950407 | . SHAFT SEAL ASSY / W/HOUSING-MOUNTED CLUTCH / W/TWIN PORT ONLY | 1 | 1 | |
| 69 | N.S.S. | . SEAL / SHAFT | 1 | 1 | 1 |
| 70 | 870794 | . RING CARBON | 1 | 1 | |
| 71 | N.S.S. | . RING WEAR | 1 | 1 | 1 |
| 72 | N.S.S. | . O-RING | 1 | 1 | 1 |
| 73 | 870795 | . GASKET, HUB BEARING | 1 | 1 | |
| 74 | 950408 | . HUB HOUSING MOUNT W/GROOVE FOR TWIN PORT | 1 | 1 | |
| NS | 950409 | . SEAL, LIP, SHAFT SEAL / W/TWIN PORT ONLY | 1 | 1 | |
| NS | 870795 | . GASKET, HUB BEARING | 1 | 1 | |
| 75 | 950409 | . SEAL, LIP, SHAFT SEAL / W/TWIN PORT ONLY | 1 | 1 | |
| 76 | 950093 | . NUT / W/HUB MOUNTING ONLY | 1 | 1 | |
| 80 | G1091280 | . SCREW CAP HEX 3/8-16 X 3"1/4 | 8 | 8 | |
| 81 | 870757 | . HEAD CYLINDER / CENTER BANK | 1 | 1 | |
| 82 | 501303 | . PLUG SQUARE HEAD / PIPE FITTING / 1/8NPT-M BR | 1 | 1 | |
| 83 | 870799 | . STRAINER | 1 | 1 | |
| 84 | 950426 | . HEAD CYLINDER / UNLOADER / W/TWIN PORT ONLY | 1 | 1 | |
| 85 | 502694 | . SCREW CAP HEX 3/8-16x3 1/4 G5 ZP | 1 | 1 | |

| | | |
|--|--------------|-----------------|
| From L-031 To R-079 | Date:10/2022 | PAGE:H4-2250-01 |
| A/C COMPRESSOR ASSY 05G - TWIN PORT / SERVICE | | |

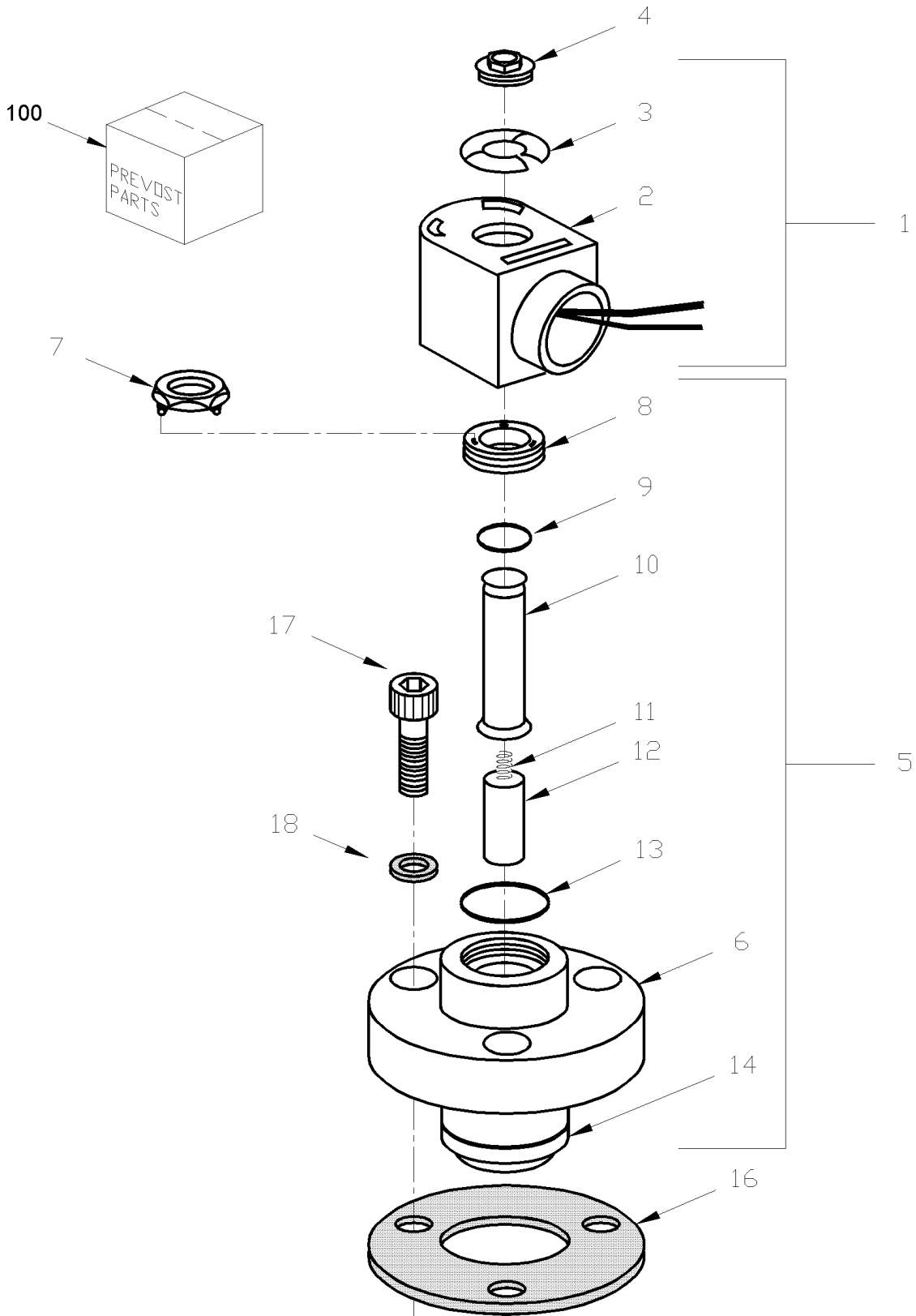
| Item# | Part | Description | H 3 4 0 | V I P 4 0 | N O T E S |
|-------|-------------------|---|------------------|-----------------------|-----------------------|
| 91 | 950410 | . ACCESS VALVE / W/TWIN PORT ONLY | 1 | 1 | |
| 92 | 950411 | . RESERVOIR / W/TWIN PORT ONLY | 1 | 1 | |
| 93 | 500856 | . WASHER LO INT .384x.692x.040 ZP | 1 | 1 | |
| 94 | 950967 | . SCREW CAP HEX 3/8-16 X 3/4 G8 | 1 | 1 | |
| 100 | H4-2250-15 | A/C ELECTRIC UNLOADER - W/05G COMPRESSOR | 1 | 1 | |
| NS | 950236 | REFRIGERANT OIL POE / USE W/134A (4LITER) | AR | AR | |
| | | | | | |
| | | | | | |
| | | | | | |
| | | 1) NOT SOLD SEPARATELY | | | |

From L-031 To R-079

Date:10/2022

PAGE:H4-2250-15

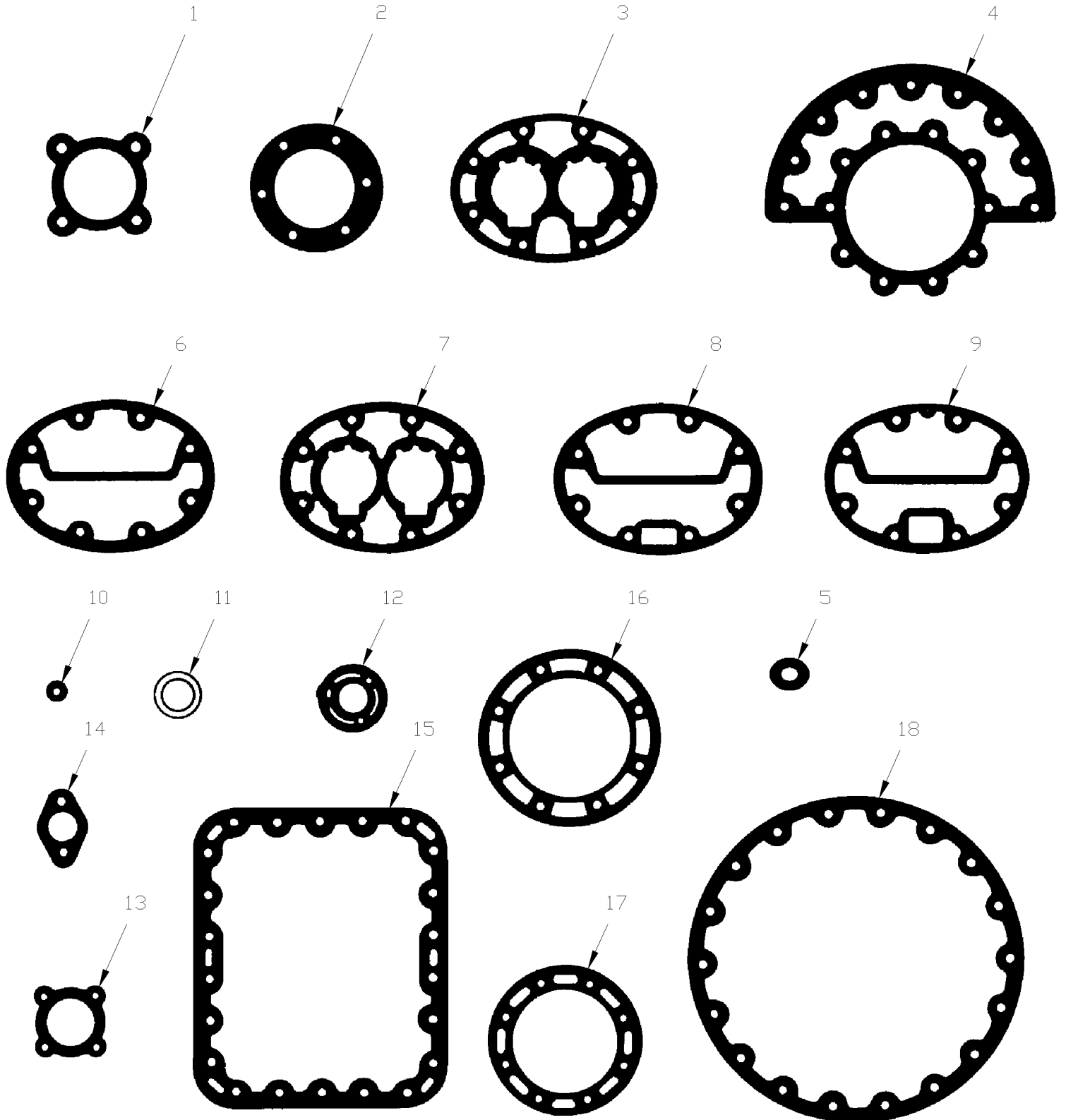
A/C ELECTRIC UNLOADER - W/05G COMPRESSOR



| | | |
|---|--------------|-----------------|
| From L-031 To R-079 | Date:10/2022 | PAGE:H4-2250-15 |
| A/C ELECTRIC UNLOADER - W/05G COMPRESSOR | | |

| Item# | Part | Description | H 3 4 0 | V I P 4 0 | N O T E S |
|-------|--------|---|------------------|-----------------------|-----------------------|
| | 063969 | COIL ASSY W/CONNECTOR | 2 | 2 | |
| 1 | 950096 | . COIL 24V | 1 | 1 | |
| 3 | N.S.S. | . . NAMEPLATE / VOLTAGE | 1 | 1 | 1 |
| 4 | N.S.S. | . . CAP, SNAP | 1 | 1 | 1 |
| 4 | N.S.S. | . . CAP, SNAP | 1 | 1 | 1 |
| NS | 561812 | . . CONNECTOR / SURE-SEAL / MALE HOUSING 2C / ITT CANNON 120-1807-000 | 1 | 1 | |
| NS | 561023 | . . PIN TERMINAL / 18-14 / ITT CANNON 030-2196-001 | 1 | 1 | |
| NS | 561024 | . . SOCKET TERMINAL / 18-14 / ITT CANNON 031-1267-001 | 1 | 1 | |
| NS | 561815 | CLAMP W/ 2 / ITT CANNON 029-0263-000 | AR | AR | A |
| 5 | 950095 | BODY / UNLOADER VALVE | 1 | 1 | |
| 6 | N.S.S. | . BODY, VALVE | 1 | 1 | 1 |
| 7 | N.S.S. | . NUT / FOR REMOVING OR REPLACING TUBE COLLAR | 1 | 1 | 1 |
| 8 | N.S.S. | . COLLAR / TUBE | 1 | 1 | 1 |
| 9 | N.S.S. | . O-RING | 1 | 1 | 1 |
| 10 | N.S.S. | . TUBE | 1 | 1 | 1 |
| 11 | N.S.S. | . SPRING, PLUNGER | 1 | 1 | 1 |
| 12 | N.S.S. | . PLUNGER | 1 | 1 | 1 |
| 13 | N.S.S. | . O-RING | 1 | 1 | 1 |
| 14 | 870818 | . RING, PISTON | 1 | 1 | |
| 16 | 870820 | GASKET, UNLOADER | 1 | 1 | |
| 17 | N.S.P. | SCREW CAP HEXS 1/4-28x3/4 | 3 | 3 | 2 |
| 18 | N.S.P. | GASKET / W/ALLEN BOLT | 3 | 3 | 2 |
| 100 | 950413 | KIT, STEM REPAIR | 1 | 1 | B |
| | | | | | |
| | | | | | |
| | | A) USE SERVICE 068562 TO REPLACE A/C MODULE | | | |
| | | B) INCLUDE ITEMS # 7,10,11,12 & 13 | | | |
| | | 1) NOT SOLD SEPARATELY | | | |
| | | 2) NOT SOLD BY PREVOST (SEE MANUFACTURING PART NUMBER AT END OF DESCRIPTION LINE) | | | |

| | | |
|------------------------------------|--------------|-----------------|
| From L-031 To R-079 | Date:10/2022 | PAGE:H4-2251-00 |
| GASKET - 05G A/C COMPRESSOR | | |



| | | |
|------------------------------------|--------------|-----------------|
| From L-031 To R-079 | Date:10/2022 | PAGE:H4-2251-00 |
| GASKET - 05G A/C COMPRESSOR | | |

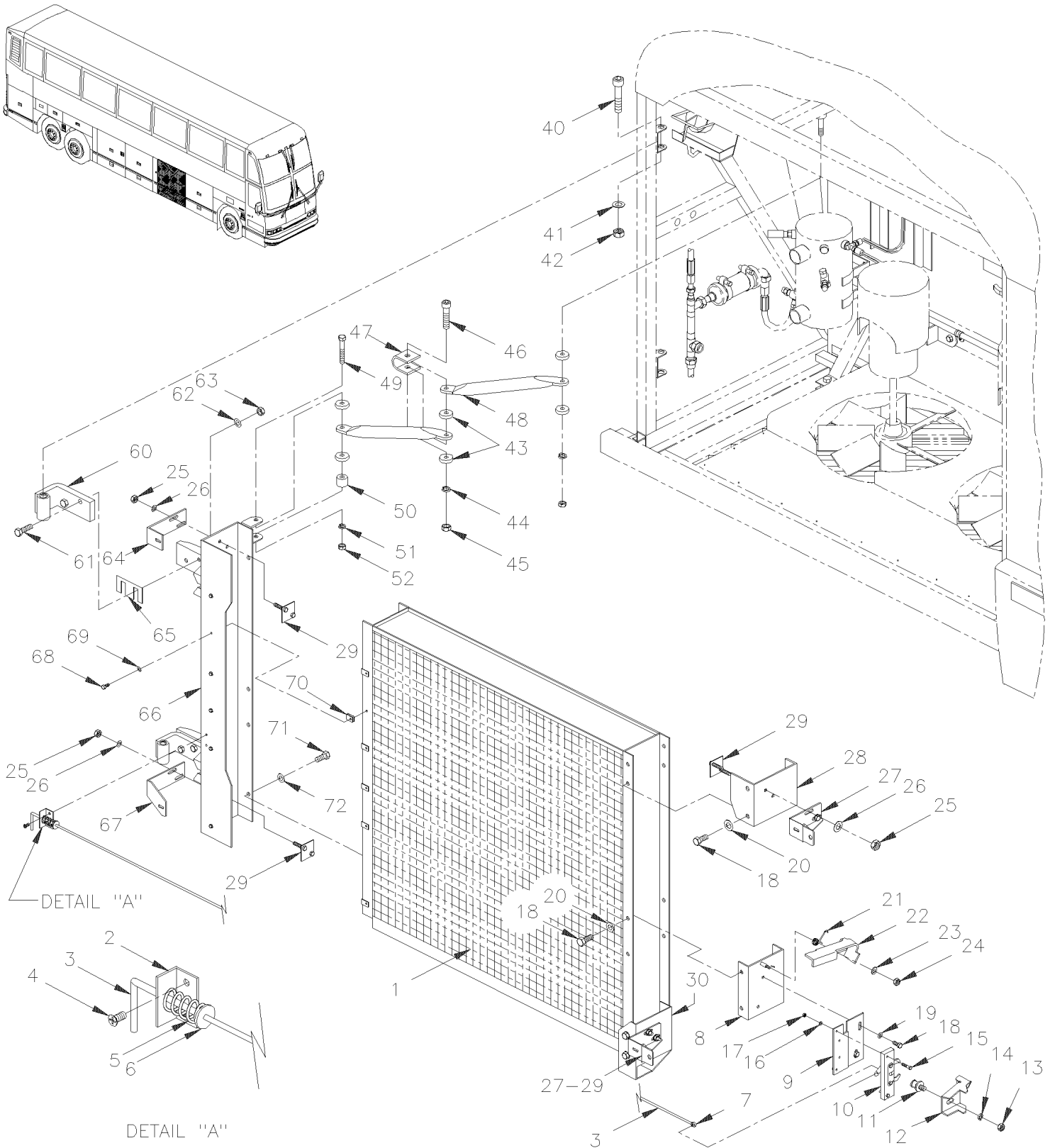
| Item# | Part | Description | H 3 4 0 | V I P 4 0 | N O T E S |
|-------|--------|---|------------------|-----------------------|-----------------------|
| | 870829 | KIT GASKET | 1 | 1 | |
| 1 | 870754 | . GASKET / SUCTION VALVE | 1 | 1 | |
| 2 | 870795 | . GASKET, HUB BEARING | 1 | 1 | |
| 3 | 870764 | . GASKET, VALVE PLATE | 3 | 3 | |
| 4 | N.S.S. | . GASKET / END FLANGE | 1 | 1 | 1 |
| 5 | 870791 | . GASKET, SHAFT END COVER | 2 | 2 | |
| 6 | N.S.S. | . GASKET / LEFT & RIGHT CYLINDER HEAD - STANDARDS | 2 | 2 | 1 |
| 7 | N.S.S. | . GASKET / VALVE PLATE | 3 | 3 | 1 |
| 8 | 870760 | . GASKET, CENTER CYLINDER HEAD | 1 | 1 | |
| 9 | 870797 | . GASKET, L.H & R.H CYLINDER HEAD | 2 | 2 | |
| 10 | N.S.S. | . GASKET / OIL SUPPLY TUBE | 1 | 1 | 1 |
| 11 | 870769 | . GASKET, SIGHT GLASS | 2 | 2 | |
| 12 | 870820 | . GASKET, UNLOADER | 2 | 2 | |
| 13 | N.S.S. | . GASKET / OIL PUMP COVER | 1 | 1 | 1 |
| 14 | 870753 | . GASKET / DISCHARGE VALVE | 2 | 2 | |
| 15 | 870786 | . GASKET, BOTTOM PLATE | 1 | 1 | |
| 16 | 870771 | . GASKET / OIL PUMP | 1 | 1 | |
| 17 | N.S.S. | . SEAL / SHAFT | 1 | 1 | 1 |
| 18 | N.S.S. | . GASKET / MOTOR END COVER | 1 | 1 | 1 |
| NS | 870791 | . GASKET, SHAFT END COVER | 1 | 1 | |
| | | | | | |
| | | | | | |
| | | | | | |
| | | 1) NOT SOLD SEPARATELY | | | |

From L-031 To R-079

Date:10/2022

PAGE:H4-2255-00

CONDENSOR - INSTALLATION



| | | |
|---------------------------------|--------------|-----------------|
| From L-031 To R-079 | Date:10/2022 | PAGE:H4-2255-00 |
| CONDENSOR - INSTALLATION | | |

| Item# | Part | Description | H 3 4 0 | V I P 4 0 | N O T E S |
|-------|---------|---|------------------|-----------------------|-----------------------|
| 1 | 451465 | CONDENSOR COPPER | 1 | 1 | B |
| 1 | 459042 | CONDENSOR ALUMINUM | 1 | 1 | B |
| NS | 451967 | "U" PIPE ASSY / CONNECTOR SUB-COOL | 1 | 1 | |
| 2 | 289148 | SUPPORT / ROD | 1 | 1 | |
| NS | 504462 | SNAP BUSHING / .187x.375x.312 | 1 | 1 | |
| 3 | 289147 | ROD LOCK | 1 | 1 | |
| 4 | 504379 | RIVET POP DOME OE 3/16x1/4 SS | 2 | 2 | |
| 5 | 502169 | SPRING COMPRESSION / .240 O.D. x 1.5 x .032 | 1 | 1 | |
| 6 | 500438 | WASHER FL .187x.437x.050 Z050 | 1 | 1 | |
| 7 | 504456 | CLIP / RETAINER ROD / WHITE OR RED | 1 | 1 | |
| 8 | 283188 | PLATE / LOCK RETAINER | 1 | 1 | |
| 9 | 289010 | SUPPORT LOCK | 1 | 1 | |
| 10 | 282517 | LOCK / DOOR | 1 | 1 | |
| 11 | 780189 | STRIKER & SHIM | 1 | 1 | |
| 12 | | SUPPORT / WELDED TO STRUCTURE | 1 | 1 | |
| 13 | 500788 | NUT HEX 7/16-14 Z050 | 1 | 1 | |
| 14 | 500445 | WASHER FL .437x1.000x.083 Z050 | 1 | 1 | A |
| 15 | 502818 | SCREW CAP HEX M6-1.0x35 G8.8 Z050 | 4 | 4 | |
| 16 | 502573 | WASHER FL 6.4x12.5x1.6 SS | 4 | 4 | |
| 17 | 502511 | NUT HEX NYRT M6-1.0 Z050 | 4 | 4 | |
| 18 | 502528 | SCREW CAP HEX M8-1.25x20 G8.8 EMN | 14 | 14 | |
| 19 | 500868 | NUT HEX NYRT M8-1.25 Z050 | 14 | 14 | |
| 20 | 500874 | WASHER FL 8.4x17.0x1.6 Z050 | 30 | 30 | |
| 21 | 283194 | SPRING, TORSION / .750 I.D. x .078 | 1 | 1 | |
| 22 | 283190 | LOCK SAFETY | 1 | 1 | |
| 23 | 500496 | WASHER FL .437x.750x.054 Z050 | 1 | 1 | |
| 24 | 500265 | NUT HEX STO 3/8-16 Z050 | 1 | 1 | |
| 25 | 5001188 | NUT HEX M8-1.25 SS | 8 | 8 | |
| 26 | 500035 | WASHER LO SPT .317x.586x.078 SS | 8 | 8 | |
| 27 | 282621 | ATTACHMENT / R.H. DOOR PANEL | 1 | 1 | |
| NS | 504446 | BUMPER PLUG / .718ODx.375THX.500HOLEx.125 | 2 | 2 | |
| 28 | 289140 | PLATE END / UPPER R.H. | 1 | 1 | |
| 29 | 285032 | RETAINING PLATE | 4 | 4 | |
| 30 | 283178 | PLATE END / LOWER R.H. | 1 | 1 | |
| 40 | 502596 | SCREW SHR HEXS 5/8x2 1/4 {1/2-13 Z050 | 2 | 2 | |
| 41 | 507299 | BUSHING NYLINER | 4 | 4 | |
| 42 | 502595 | NUT HEX NYRT 1/2-13 Z050 | 2 | 2 | |
| 43 | 500920 | WASHER FL .540x1.125x.125 NYL | 5 | 5 | |
| 44 | 500547 | WASHER FL .484x.750x.031 ZP | 2 | 2 | |
| 46 | 502796 | SCREW SHR HEXS 1/2x3/4 {3/8-16 | 1 | 1 | |
| 47 | 283205 | RETAINER ROD | 1 | 1 | |
| 48 | 283181 | ROD / DOOR RETAINING ARM | 2 | 2 | |

| | | |
|---------------------------------|--------------|-----------------|
| From L-031 To R-079 | Date:10/2022 | PAGE:H4-2255-00 |
| CONDENSOR - INSTALLATION | | |

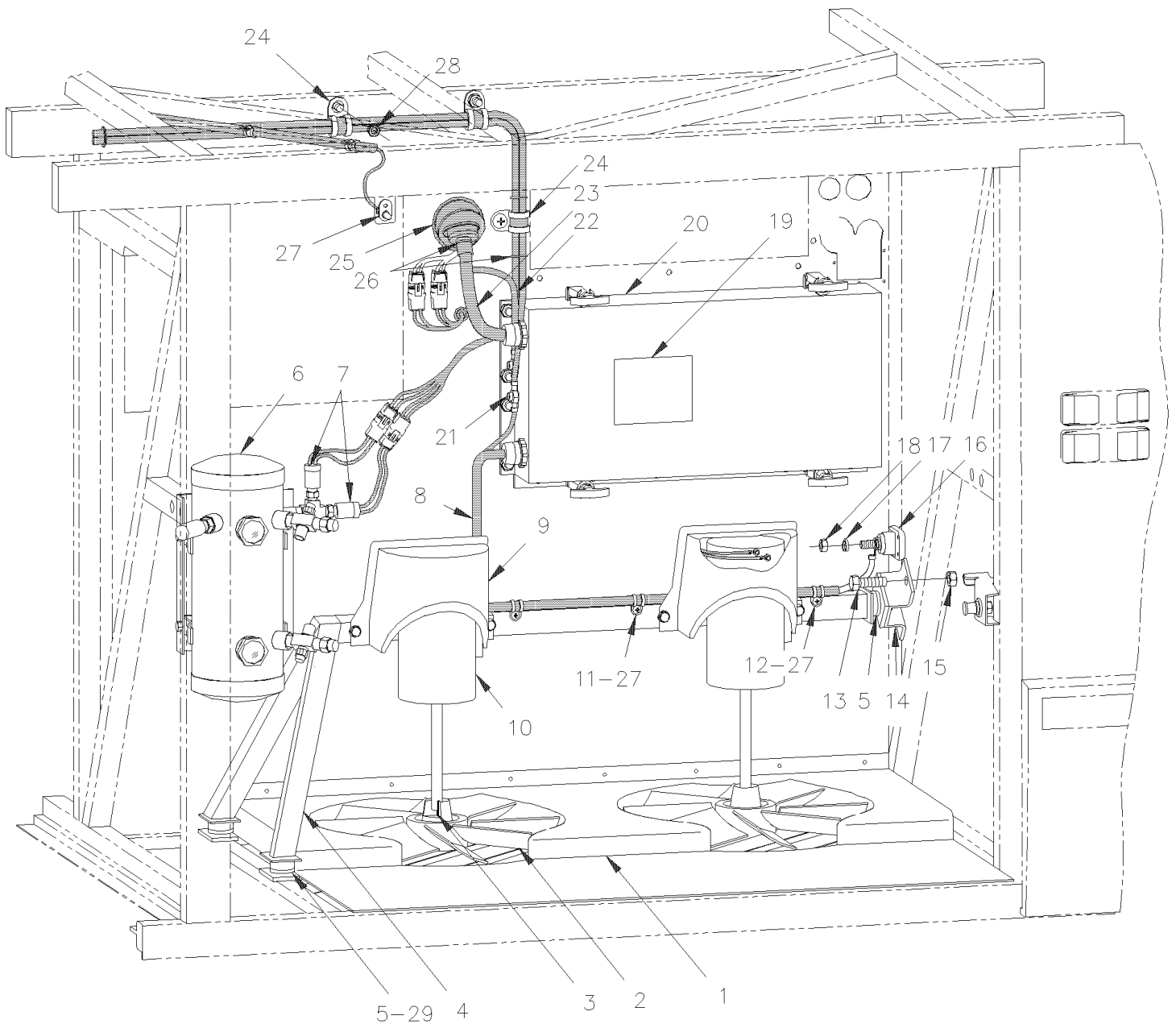
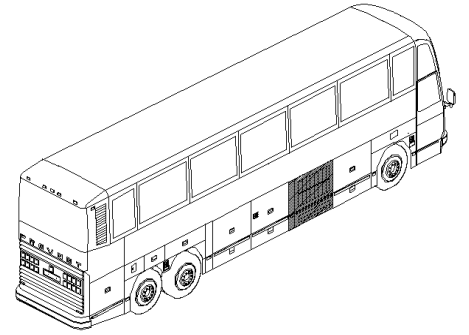
| Item# | Part | Description | H 3 4 0 | V I P 4 0 | N O T E S |
|-------|---------|---|------------------|-----------------------|-----------------------|
| NS | 450872 | SPACER SMALL I.D. | 1 | 1 | |
| 49 | 502527 | SCREW CAP HEX M8-1.25x50 G8.8 Z050 | 1 | 1 | |
| 50 | 283182 | SPACER LARGE I.D. | 1 | 1 | |
| 51 | 500476 | WASHER LO SPT .317x.586x.078 Z050 | 1 | 1 | |
| 52 | 502543 | NUT HEX M8-1.25 Z050 | 1 | 1 | |
| 60 | 283001 | HINGE / CONDENSER DOOR | 2 | 2 | |
| 61 | 5001338 | SCREW CAP HEX M12-1.75x45 G10.9 N500 | 4 | 4 | |
| 62 | 500446 | WASHER FL .531x1.250x.125 Z050 | 12 | 12 | |
| 63 | 502591 | NUT HEX NYRT M12-1.75 CP | 8 | 8 | |
| 64 | 282626 | ATTACHMENT / UPPER L.H. DOOR PANEL | 1 | 1 | |
| 65 | 285598 | SPACER SHIM | 1 | 1 | |
| 66 | 282937 | ATTACHMENT / HINGE | 1 | 1 | |
| 67 | 283175 | ATTACHMENT / LOWER L.H. DOOR PANEL | 1 | 1 | |
| NS | 500524 | SCREW TP PAN PH #12x5/8 SS | AR | AR | |
| 68 | 502622 | SCREW CAP HEX M6-1.0x20 SS BK | 8 | 8 | |
| 69 | 502570 | WASHER LO SPT 6.1x11.8x1.6 SS | 8 | 8 | |
| 70 | 502738 | NUT SPR U M6-1.0 0.6-4.0 | 8 | 8 | |
| 71 | 5001314 | SCREW CAP HEX M12-1.75x19 G8.8 ZP | 8 | 8 | |
| 72 | 500958 | WASHER FL .531x1.062x.095 SS | 8 | 8 | |
| | | | | | |
| | | | | | |
| | | | | | |
| | | A) W/STRIKER | | | |
| | | B) FOR COMPLETE CONDENSOR YOU NEED # 451967 | | | |

From L-031 To R-079

Date:10/2022

PAGE:H4-2260-00

CONDENSOR FAN - INSTALLATION



| | | |
|-------------------------------------|--------------|-----------------|
| From L-031 To R-079 | Date:10/2022 | PAGE:H4-2260-00 |
| CONDENSOR FAN - INSTALLATION | | |

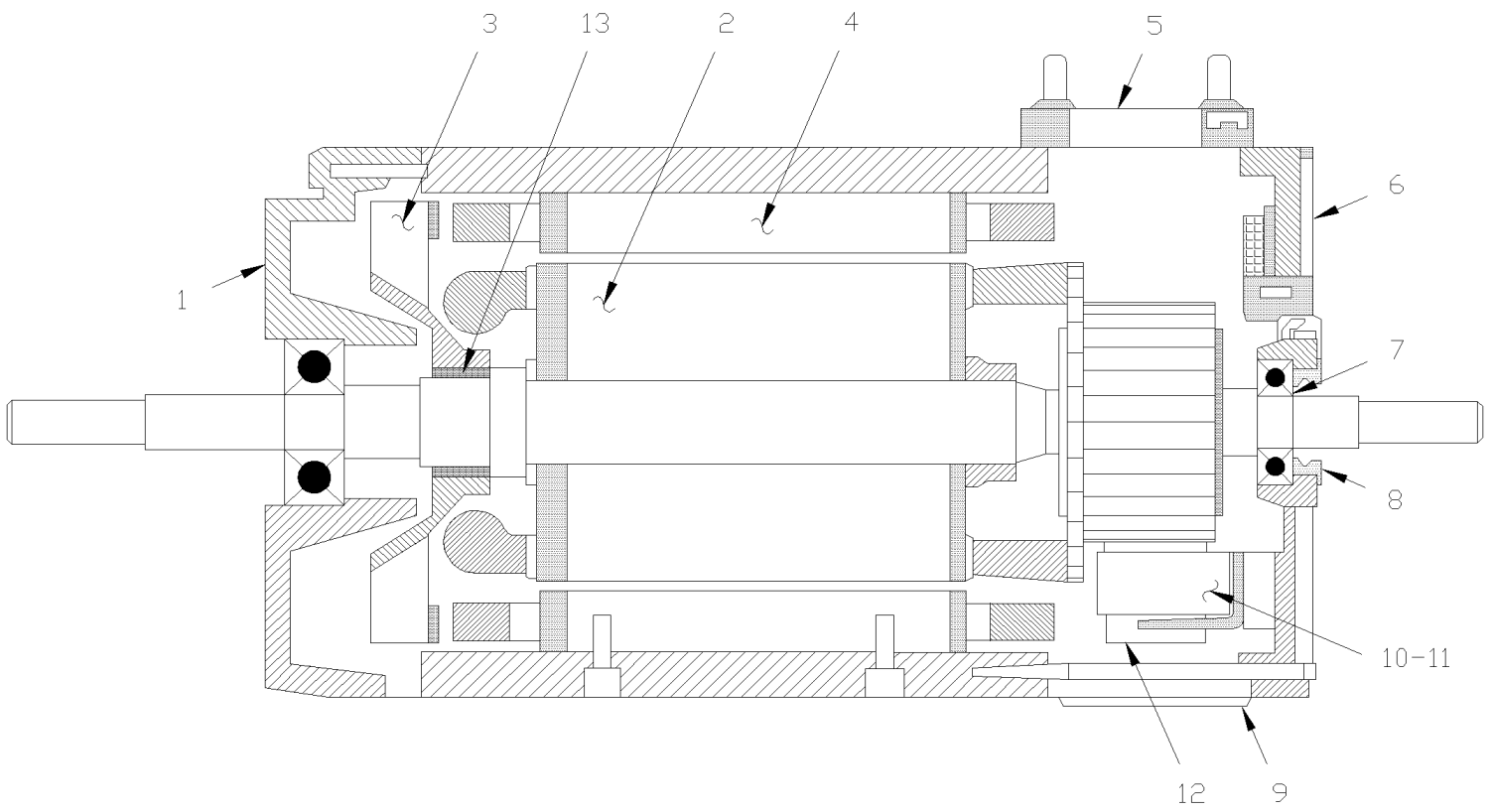
| Item# | Part | Description | H 3 4 0 | V I P 4 0 | N O T E S |
|-------|-------------------|---|------------------|-----------------------|-----------------------|
| | 451962 | FLOOR VENTURY ASSY | 1 | 1 | |
| 1 | 451821 | . FLOOR VENTURI | 1 | 1 | |
| NS | 451963 | . ADAPTOR HOSE DRAIN | 2 | 2 | |
| NS | 590109 | . DRAIN BOOT 1" I.D. X 5" / AS SHOWN | 2 | 2 | |
| NS | 590284 | . DRAIN BOOT 1" I.D. X 5" / FLAT | 2 | 2 | |
| 1 | 504319 | HOSE CLAMP / 1"-1"1/2 SS / E.T. 16 | 2 | 2 | |
| 2 | 372612 | FAN BLADE AXIAL 8 BLADES | 2 | 2 | |
| 3 | 452069 | KEY | 2 | 2 | |
| 4 | 451825 | FAN MOTOR SUPPORT | 1 | 1 | |
| 5 | 510342 | INSULATOR, RUBBER MOUNT | 3 | 3 | |
| 6 | H4-2270-00 | RECEIVER TANK & FILTER DRYER | | | |
| 7 | H4-2270-00 | RECEIVER TANK & FILTER DRYER | | | |
| 8 | 062555 | CABLE ASSY / A/C JUNCTION BOX & MOTORS | 1 | 1 | |
| 9 | 452011 | PROTECTOR MOTOR COVER PLASTIC | 2 | 2 | |
| 10 | H4-2265-50 | MOTOR - CONDENSOR - "PREVOST" - TAP-12 | 2 | 2 | |
| 10 | H4-2265-99 | MOTOR - CONDENSOR - "PREVOST" - T11G / SERVICE | 2 | 2 | |
| 10 | H4-2265-98 | MOTOR - CONDENSOR - "PREVOST" - T114 / SERVICE | 2 | 2 | |
| NS | 283482 | SHIM 138MM X 45MM X 24GA SS | AR | AR | |
| NS | 502528 | SCREW CAP HEX M8-1.25x20 G8.8 EMN | 8 | 8 | |
| NS | 500441 | WASHER FL .312x.734x.065 Z050 | 8 | 8 | |
| NS | 502744 | NUT HEX STO M8-1.25 Z050 | 8 | 8 | |
| 11 | 560481 | CLAMP / 5/8" I.D. | 2 | 2 | |
| 12 | 560479 | CLAMP / 3/8" I.D. | 6 | 6 | |
| 13 | 502719 | SCREW CAP HEX M10-1.5x20 SS EMN | 2 | 2 | |
| 14 | 452044 | REAR SUPPORT | 1 | 1 | |
| 15 | 500680 | NUT HEX STO M10-1.5 Z050 | AR | AR | |
| 16 | 380360 | STUD, GROUND (WELDED TO STRUCTURE) 1/2-13 | 1 | 1 | |
| 17 | 500857 | WASHER LO INT .512x.900x.045 Z050 | 1 | 1 | |
| 18 | 500998 | NUT HEX 1/2-13 BR | 1 | 1 | |
| 19 | 402792 | DECAL / "DANGER" SHUT DOWN A/C BEFORE SERVI. / ENGLISH & FRANCAIS | 1 | 1 | |
| 19 | 405637 | DECAL / "DANGER" SHUT DOWN A/C BEFORE SERVI. / ENGLISH & SPANISH | 1 | 1 | |
| 20 | H4-0621-00 | A/C JUNCTION BOX ASSY To R-396 | | | |
| 20 | H4-0621-01 | A/C JUNCTION BOX ASSY From R-397 | | | |
| 21 | 500379 | NUT HEX 3/8-16 BR | 5 | 5 | |
| NS | 500478 | WASHER LO SPT .380x.683x.094 Z050 | 5 | 5 | |
| 22 | 062577 | CABLE / MOTOR & A/C JUNCTION BOX #90H | 1 | 1 | |
| 23 | 062575 | CABLE HARNESS / A/C JCT BOX & EVAP COMP To R-396 | 1 | 1 | |
| 23 | 063308 | CABLE HARNESS From R-397 | 1 | 1 | |
| 24 | 560483 | CLAMP / 7/8" I.D. | 3 | 3 | |
| 25 | 504441 | CUFF END BELLOW / 3 1/2" I.D. x 3 1/2" x 5 5/8" | 1 | 1 | |
| 26 | 504637 | CABLE TIE / 3/16" x 13" | AR | AR | |
| 27 | 561109 | MICRO SWITCH | 1 | 1 | |

| | | |
|---------------------|--------------|-----------------|
| From L-031 To R-079 | Date:10/2022 | PAGE:H4-2260-00 |
|---------------------|--------------|-----------------|

CONDENSOR FAN - INSTALLATION

| Item# | Part | Description | H 3 4 0 | V I P 4 0 | N O T E S |
|-------|--------|--------------------------------|------------------|-----------------------|-----------------------|
| NS | 502524 | NUT HEX M4-0.7 Z050 | AR | AR | |
| NS | 502636 | WASHER LO SPT 4.1x7.6x0.9 Z050 | AR | AR | |
| 28 | 502617 | NUT HEX NYRT M10-1.5 Z050 | 2 | 2 | |
| NS | 500446 | WASHER FL .531x1.250x.125 Z050 | 2 | 2 | |
| 29 | 502568 | SCREW MA PAN PH M6-1.0x20 EMN | 4 | 4 | |
| NS | 500468 | WASHER FL .281x1.250x.065 Z050 | 4 | 4 | |
| | | | | | |
| | | | | | |
| | | | | | |

| | | |
|---------------------------------------|--------------|-----------------|
| From L-031 To R-079 | Date:10/2022 | PAGE:H4-2265-01 |
| MOTOR - EVAPORATOR - "PREVOST" - T-19 | | |

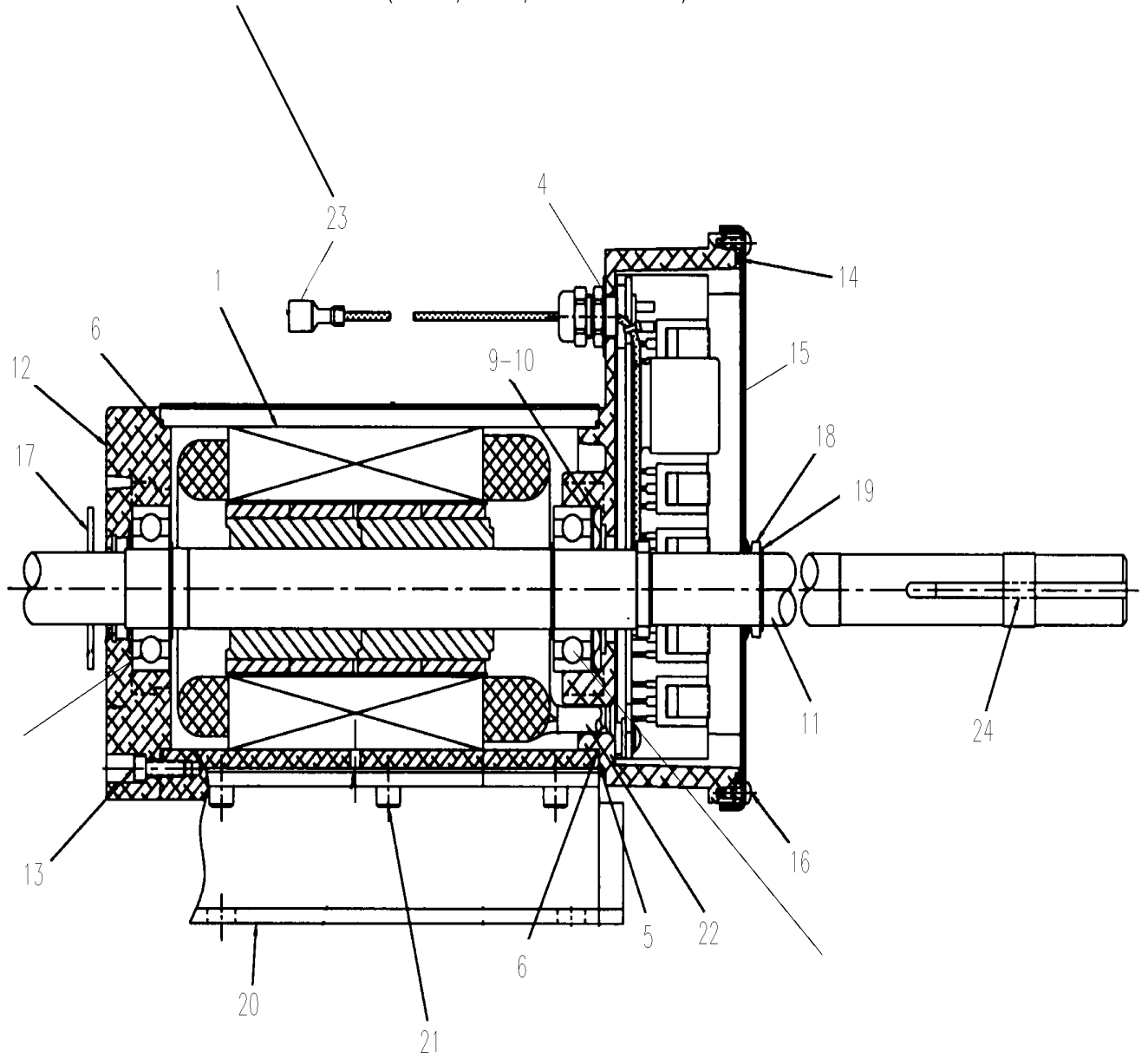


| | | |
|--|--------------|-----------------|
| From L-031 To R-079 | Date:10/2022 | PAGE:H4-2265-01 |
| MOTOR - EVAPORATOR - "PREVOST" - T-19 | | |

| Item# | Part | Description | H 3 4 0 | V I P 4 0 | N O T E S |
|-------|--------|--|------------------|-----------------------|-----------------------|
| | 561939 | MOTOR "PREVOST" / 2 HP / 1750 RPM / (STAMPED T-19) | 1 | 1 | |
| 1 | 562128 | . COVER / FAN END | 1 | 1 | |
| 2 | 562225 | . ARMATURE MOTOR | 1 | 1 | |
| 3 | 562126 | . . FAN | 1 | 1 | |
| 4 | 561203 | . STATOR WOUND / COMPLETE | 1 | 1 | |
| 5 | 561209 | . BLOCK TERMINAL | 1 | 1 | |
| . NS | 502543 | . . NUT HEX M8-1.25 Z050 | 2 | 2 | |
| . NS | 500874 | . . WASHER FL 8.4x17.0x1.6 Z050 | 2 | 2 | |
| . NS | 500588 | . . SCREW CAP HEX M4-0.7x20 G8.8 Z050 | 2 | 2 | |
| . NS | 500438 | . . WASHER FL .187x.437x.050 Z050 | 2 | 2 | |
| 6 | 562127 | . COVER / COMMUTATOR END | 1 | 1 | |
| 7 | 561210 | . BALL BEARING | 2 | 2 | |
| 8 | 561211 | . WASHER SPRING | 1 | 1 | |
| 9 | 561204 | . GRILLE PROTECTOR / PRODUCTION | 1 | 1 | |
| 9 | 064230 | . GRILL PROTECTOR / SERVICE | 1 | 1 | |
| 10 | 561208 | . BRUSH HOLDER ASSY / W/SPRING | 1 | 1 | |
| 11 | 562546 | . . SPRING, TORSION / .750 O.D. x .322 x .020 | 4 | 4 | |
| 12 | 561202 | . BRUSH | 4 | 4 | |
| 13 | 563166 | . STAR RING | 1 | 1 | |
| | | | | | |
| | | | | | |
| | | | | | |

| | | |
|-------------------------------------|--------------|-----------------|
| From L-031 To R-079 | Date:10/2022 | PAGE:H4-2265-47 |
| MOTOR - EVAPORATOR BRUSHLESS | | |

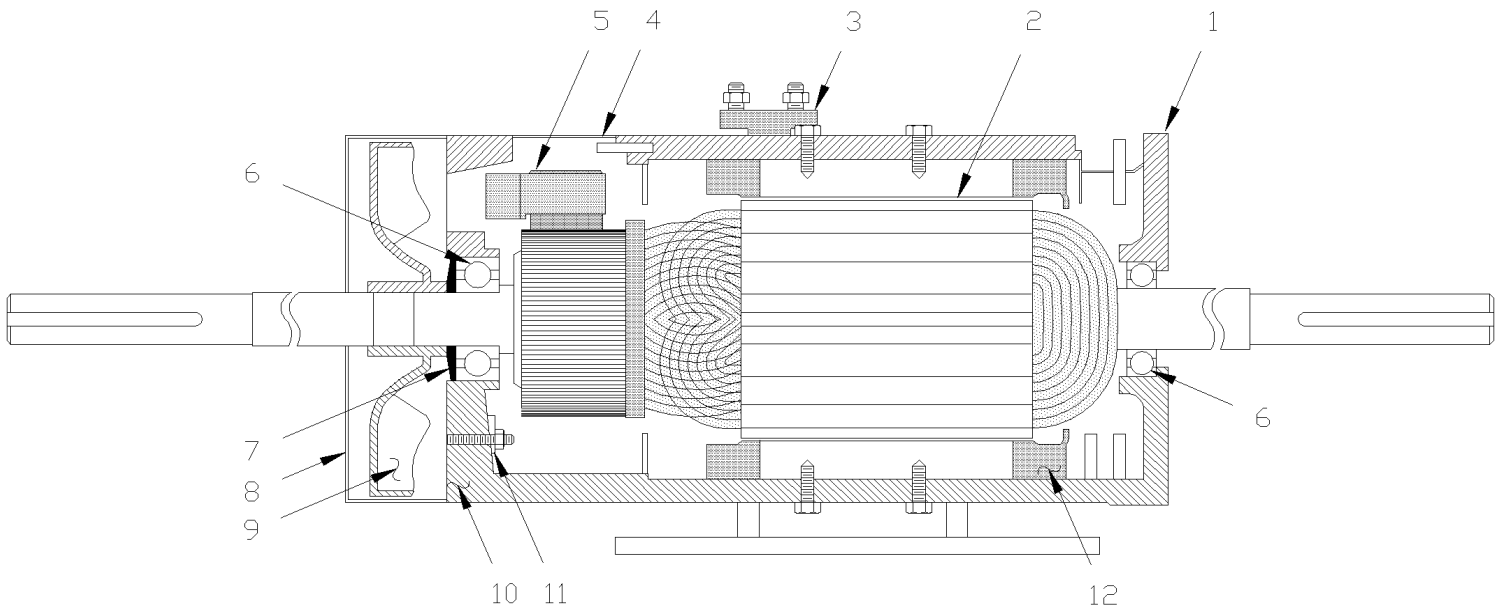
NOTE.: IN REPLACEMENT OF FORMER MOTOR MODEL YOU REQUIRE THOSE PARTS TO MODIFIED ITEM # 23 ONE OF EACH (561577,561578, 561786 & 563623)



| | | |
|-------------------------------------|--------------|-----------------|
| From L-031 To R-079 | Date:10/2022 | PAGE:H4-2265-47 |
| MOTOR - EVAPORATOR BRUSHLESS | | |

| Item# | Part | Description | H 3 4 0 | V I P 4 0 | N O T E S |
|-------|-----------------|--|------------------|-----------------------|-----------------------|
| | 563586 | MOTOR EVAPORATOR BRUSHLESS / (E-50348-0A) | 1 | 1 | S |
| | 564216 | MOTOR EVAPORATOR BRUSHLESS / 2 SPEEDS | 1 | 1 | |
| | | "WARNING" - "WARNING" -"WARNING" - "WARNING" | | | |
| | | THE FOLLOWING PARTS NUMBER ARE NOT | | | |
| | | "PREVOST" NUMBER AND IT NOT IN S.A.P. SYSTEM | | | |
| | | THEY ARE O.E.M. MFG NUMBER | | | |
| 1 | Call order desk | . MOTOR ASSY / COMPLETE | 1 | 1 | P |
| 4 | 564621 | . CONTROLLER ASSEMBLY | 1 | 1 | |
| 5 | Call order desk | . GASKET | 1 | 1 | P |
| 6 | Call order desk | . O-RING 3.989" x .070" | 1 | 1 | P |
| 7 | Call order desk | . SCREW MA PAN 8-32 x ? | 1 | 1 | P |
| 8 | Call order desk | . HEAT-SHRINK TUBING | 1 | 1 | P |
| 9 | Call order desk | . WAVE SPRING | 1 | 1 | P |
| 10 | Call order desk | . SHIM | 1 | 1 | P |
| 11 | Call order desk | . SHAFT / ROTOR ASSY W/KEYS | 1 | 1 | P |
| 12 | Call order desk | . ENDBELL | 1 | 1 | P |
| 13 | Call order desk | . SCREW MA PAN 8-32 x .875" | 1 | 1 | P |
| 14 | Call order desk | . O-RING SEAL | 1 | 1 | P |
| 15 | Call order desk | . COVER | 1 | 1 | P |
| 16 | Call order desk | . SCREW MA PAN #6-32 | 1 | 1 | P |
| 17 | Call order desk | . SLINGER | 1 | 1 | P |
| 18 | Call order desk | . V-SEAL | 1 | 1 | P |
| 19 | Call order desk | . EXTERNAL RETAINING RING | 1 | 1 | P |
| 20 | Call order desk | . BASE PLATE | 1 | 1 | P |
| 21 | Call order desk | . SCREW CAP HEXS 1/4-20 x ? | 1 | 1 | P |
| 22 | Call order desk | . TUBING | 1 | 1 | P |
| 23 | Call order desk | . TERMINAL (0.032 X 0.25) | 1 | 1 | P |
| 24 | Call order desk | . KEY SQUARE 3/16" x 3" | 1 | 1 | P |
| 30 | 032937 | KIT / SHAFT SHIELD | 1 | 1 | S |
| . NS | 033188 | . SHIELD / SHAFT | 1 | 1 | S |
| . NS | 500443 | . SCREW TP PAN PH #8x1/2 N500 | 5 | 5 | S |
| . NS | IS-10125 | . SEE INSTRUCTION SHEET | 1 | 1 | S |
| | | | | | |
| | | | | | |
| | | S) USE WITH OLD MOTOR 563586 WITHOUT SEAL ON THE SHAFT | | | |
| | | P) CALL ORDER DESK FOR SPECIFIC APPLICATION (V.I.N.) | | | |

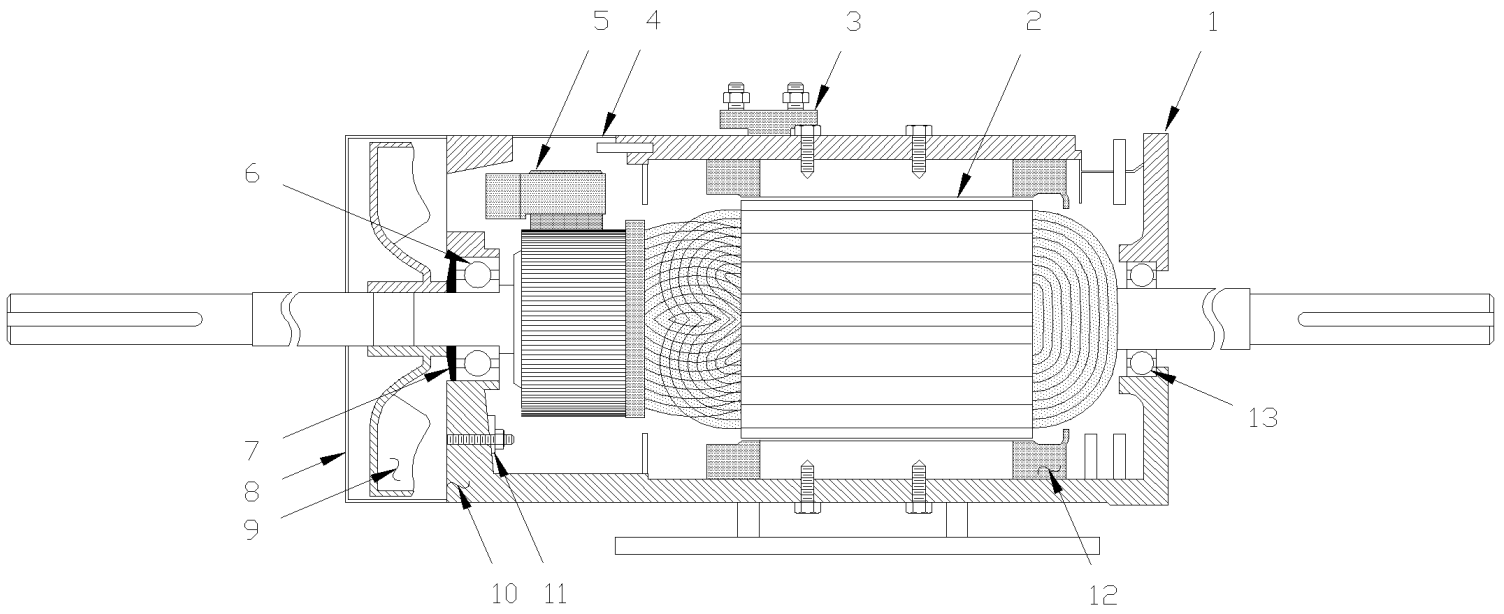
| | | |
|--|--------------|-----------------|
| From L-031 To R-079 | Date:10/2022 | PAGE:H4-2265-48 |
| MOTOR - EVAPORATOR - "PREVOST" - T-17 - 2 SPEEDS / SERVICE | | |



| | | |
|---|--------------|-----------------|
| From L-031 To R-079 | Date:10/2022 | PAGE:H4-2265-48 |
| MOTOR - EVAPORATOR - "PREVOST" - T-17 - 2 SPEEDS / SERVICE | | |

| Item# | Part | Description | H 3 4 0 | V I P 4 0 | N O T E S |
|-------|----------|---|------------------|-----------------------|-----------------------|
| | 563008 | MOTOR "PREVOST" / 2.1 HP / 1400 & 1880 RPM / (STAMPED T-17) | 1 | 1 | A |
| 1 | 563079 | . COVER | 1 | 1 | |
| 2 | 563077 | . ARMATURE MOTOR | 1 | 1 | |
| 3 | 563122 | . BLOCK, RECEPTACLE | 1 | 1 | |
| 4 | 562527 | . GRILLE PROTECTOR | 1 | 1 | |
| 5 | 562951 | . BRUSH | 4 | 4 | |
| 6 | 561210 | . BALL BEARING | 2 | 2 | |
| 7 | 561211 | . WASHER SPRING | 1 | 1 | |
| 8 | 562521 | . COVER / FAN END | 1 | 1 | |
| 9 | 562526 | . FAN | 1 | 1 | |
| 10 | 563078 | . COVER / COMMUTATOR END | 1 | 1 | |
| 11 | 563081 | . BRUSH HOLDER ASSY / W/SPRING | 1 | 1 | |
| 11 | 562546 | . . SPRING, TORSION / .750 O.D. x .322 x .020 | 4 | 4 | |
| 12 | 563080 | . STATOR WOUND / COMPLETE | 1 | 1 | |
| NS | 065548 | KIT, EVAPORATOR MOTOR SPEED CONTROL To R-396 | 1 | 1 | |
| . NS | IS-00032 | . SEE INSTRUCTION SHEET To R-396 | | | |
| NS | 453830 | KIT, SERVICE, REPLACEMENT BRUSH MOTOR | 1 | 1 | |
| . NS | IS-05903 | . SEE INSTRUCTION SHEET | 1 | 1 | |
| . NS | 562951 | . BRUSH | 4 | 4 | |
| . NS | 680309 | . HONING / STONE (FOR CLEAN COMMUTATOR) | 2 | 2 | |
| | | | | | |
| | | | | | |
| | | | | | |
| | | | | | |
| | | A) USE WITH KIT #065548 SEE PAGE H4-2215-49 | | | |

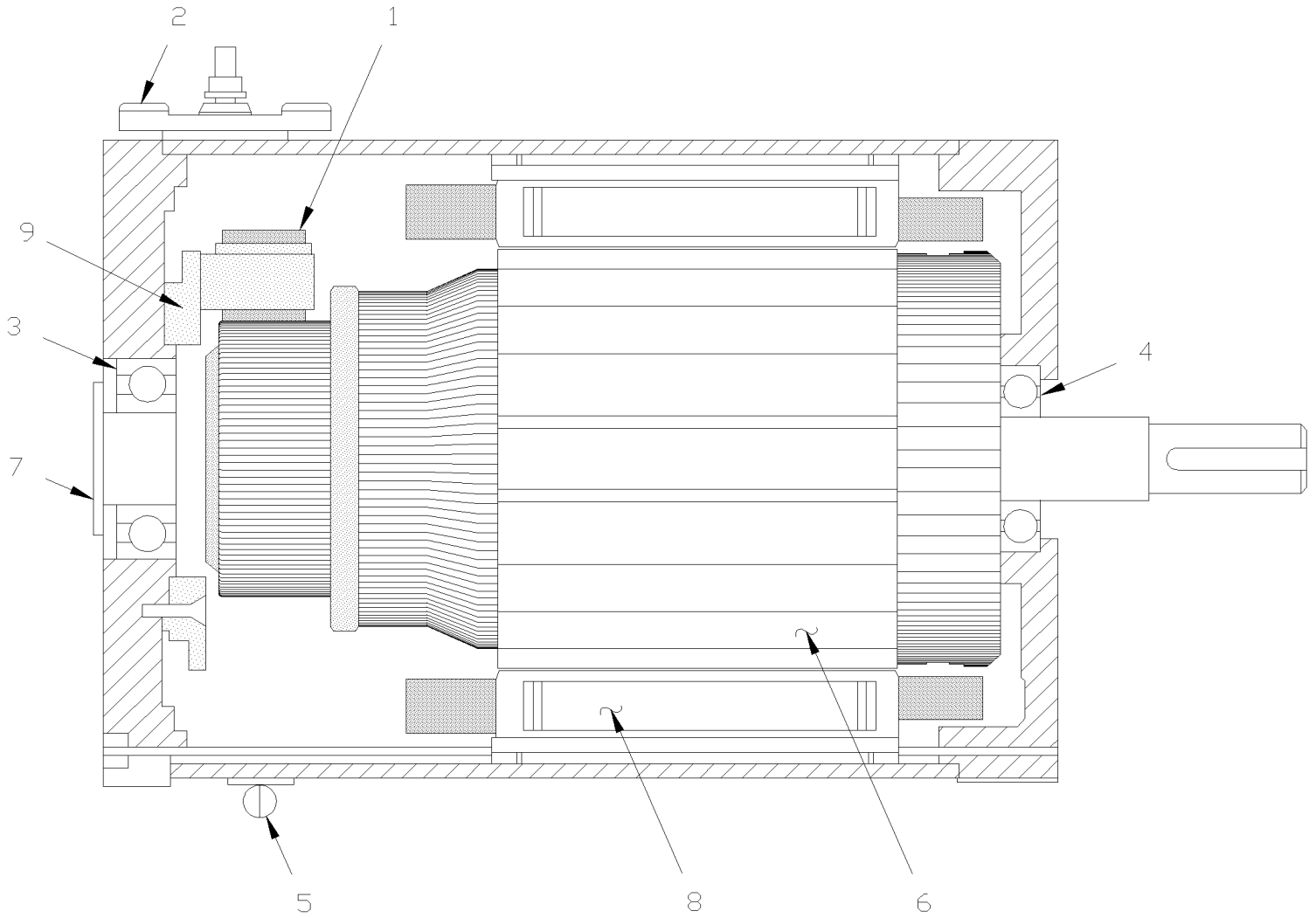
| | | |
|---|--------------|-----------------|
| From L-031 To R-079 | Date:10/2022 | PAGE:H4-2265-49 |
| MOTOR - EVAPORATOR - "PREVOST" - T-17 / SERVICE | | |



| | | |
|--|--------------|-----------------|
| From L-031 To R-079 | Date:10/2022 | PAGE:H4-2265-49 |
| MOTOR - EVAPORATOR - "PREVOST" - T-17 / SERVICE | | |

| Item# | Part | Description | H 3 4 0 | V I P 4 0 | N O T E S |
|-------|----------|--|------------------|-----------------------|-----------------------|
| | 562375 | MOTOR "PREVOST" / 2.1 HP / 1880 RPM / (STAMPED T-17) | 1 | 1 | A |
| 1 | 562523 | . COVER | 1 | 1 | |
| 2 | 562525 | . ARMATURE MOTOR | 1 | 1 | |
| 3 | 561209 | . BLOCK TERMINAL | 1 | 1 | |
| . NS | 502543 | . . NUT HEX M8-1.25 Z050 | 2 | 2 | |
| . NS | 500874 | . . WASHER FL 8.4x17.0x1.6 Z050 | 2 | 2 | |
| . NS | 500588 | . . SCREW CAP HEX M4-0.7x20 G8.8 Z050 | 2 | 2 | |
| . NS | 500438 | . . WASHER FL .187x.437x.050 Z050 | 2 | 2 | |
| 4 | 562527 | . GRILLE PROTECTOR | 1 | 1 | |
| 5 | 562951 | . BRUSH | 4 | 4 | |
| 6 | 562520 | . BALL BEARING | 1 | 1 | |
| 7 | 561211 | . WASHER SPRING | 1 | 1 | |
| 8 | 562521 | . COVER / FAN END | 1 | 1 | |
| 9 | 562526 | . FAN | 1 | 1 | |
| 10 | 562522 | . COVER / COMMUTATOR END | 1 | 1 | |
| 11 | 561208 | . BRUSH HOLDER ASSY / W/SPRING | 1 | 1 | |
| 11 | 562546 | . . SPRING, TORSION / .750 O.D. x .322 x .020 | 4 | 4 | |
| 12 | 562528 | . STATOR WOUND / COMPLETE | 1 | 1 | |
| 13 | 561210 | . BALL BEARING | 1 | 1 | |
| NS | 453830 | KIT, SERVICE, REPLACEMENT BRUSH MOTOR | 1 | 1 | |
| . NS | IS-05903 | . SEE INSTRUCTION SHEET | 1 | 1 | |
| . NS | 562951 | . BRUSH | 4 | 4 | |
| . NS | 680309 | . HONING / STONE (FOR CLEAN COMMUTATOR) | 2 | 2 | |
| | | | | | |
| | | | | | |
| | | | | | |
| | | A) THIS MOTOR IT SUPERSED BY KIT #065548 | | | |

| | | |
|--|--------------|-----------------|
| From L-031 To R-079 | Date:10/2022 | PAGE:H4-2265-50 |
| MOTOR - CONDENSOR - "PREVOST" - TAP-12 | | |

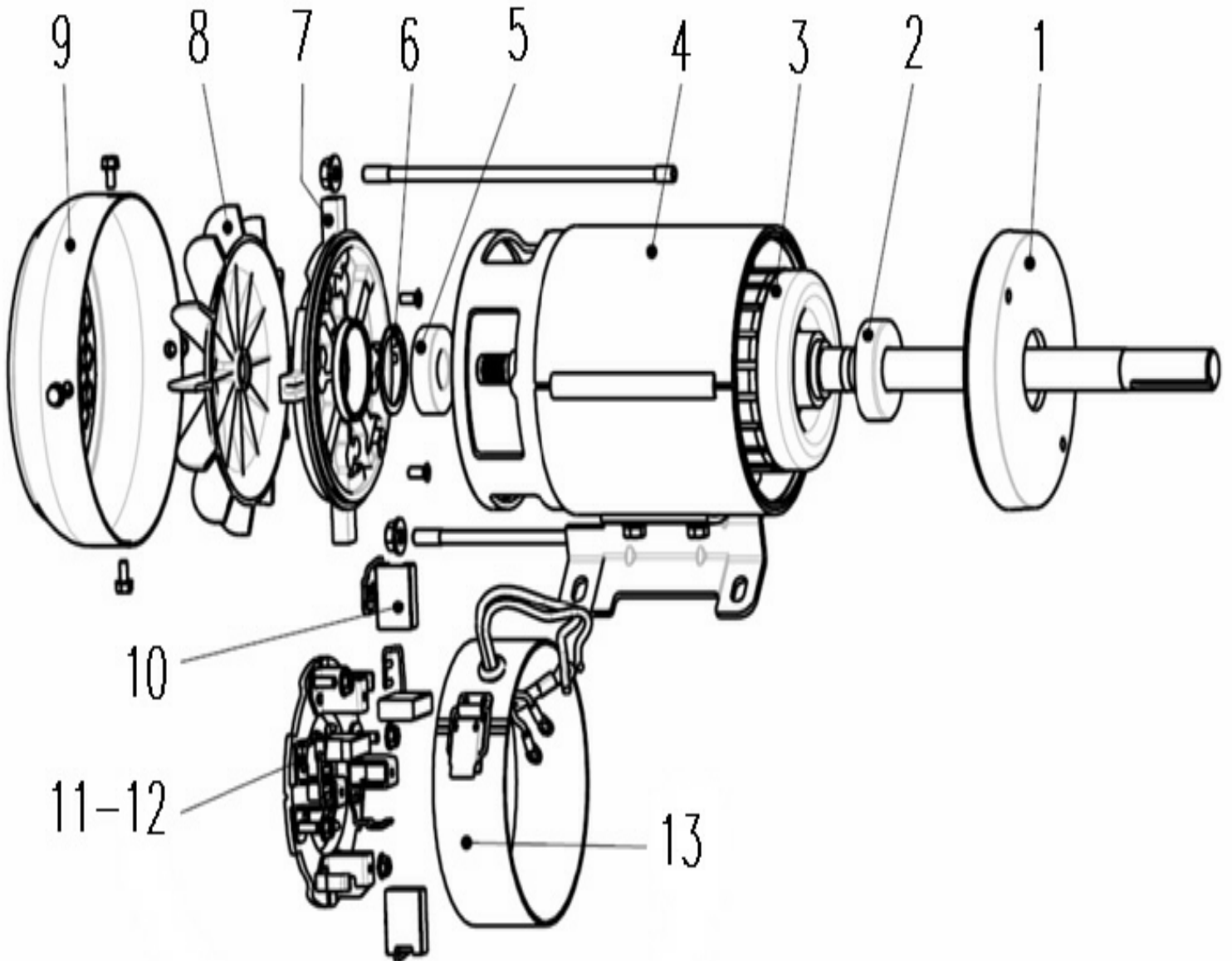


| | | |
|---------------------|--------------|-----------------|
| From L-031 To R-079 | Date:10/2022 | PAGE:H4-2265-50 |
|---------------------|--------------|-----------------|

MOTOR - CONDENSOR - "PREVOST" - TAP-12

| Item# | Part | Description | H 3 4 0 | V I P 4 0 | N O T E S |
|-------|-------------------|---|------------------|-----------------------|-----------------------|
| | 561558 | MOTOR / .57 HP / 1950 RPM / MODEL TAP-12 / W/8" SHAFT | 2 | 2 | E |
| | 562753 | MOTOR / .57 HP / 1950 RPM / MODEL TF-12 // W/8" SHAFT / (SERVICE) | AR | AR | E B |
| 1 | 561914 | . BRUSH | 4 | 4 | |
| 2 | 561913 | . BOARD, TERMINAL | 1 | 1 | |
| 3 | 507226 | . BALL BEARING | 1 | 1 | |
| 4 | 507308 | . BALL BEARING | 1 | 1 | |
| 5 | 562097 | . STRAP ASSY W/HOOK | 1 | 1 | |
| 6 | N.S.S. | . ARMATURE | 1 | 1 | 1 C |
| 6 | 563120 | . ARMATURE / TF12 / W/8" SHAFT | 1 | 1 | D |
| 7 | 562653 | . CAP PROTECTOR | AR | AR | A |
| 8 | N.S.S. | . PERMANENT MAGNET / W/MODEL TAP-12 | 1 | 1 | 1 C |
| 8 | 563121 | . FIELD COIL ASSY | 1 | 1 | D |
| 9 | 563072 | . COVER ASSY / WITH BRUSH HOLDER | 1 | 1 | |
| NS | 562545 | . . SPRING, TORSION / .875 O.D. x .317 x .0 | 4 | 4 | |
| 49 | H4-2265-99 | MOTOR - CONDENSOR - "PREVOST" - T11G / SERVICE | | | |
| 49 | H4-2265-98 | MOTOR - CONDENSOR - "PREVOST" - T114 / SERVICE | | | |
| 50 | 453624 | KIT RETROFIT MOTOR / W/8" SHAFT (SERIE "H" / UP TO V-1960) | 1 | 1 | |
| . NS | IS-00051 | . SEE INSTRUCTION SHEET | 1 | 1 | |
| 51 | 066655 | KIT RETROFIT MOTOR T114 W/CONNECTORS / W/8" SHAFT | 1 | 1 | |
| NS | 563595 | PIN TERMINAL / 12-10 / PED 12052139 | 2 | 2 | |
| NS | 563596 | SOCKET TERMINAL / 12 / PED 12065197 | 2 | 2 | |
| NS | 563597 | CABLE SEAL / PURPLE / PED 15324990 | 4 | 4 | |
| NS | 563599 | CAP LOCK CONNECTOR / GRAY / PED 12020833 | 1 | 1 | |
| NS | 563600 | CONNECTOR / METRI-PACK 480 / 2C PH / PED 12052613 | 1 | 1 | |
| NS | 563601 | CONNECTOR / METRI-PACK 480 / 2C SH / PED 12065863 | 1 | 1 | |
| NS | 563602 | SECONDARY LOCK / METRI-PACK 480 / 2C / BLACK / PED 12059897 | 2 | 2 | |
| | | | | | |
| | | | | | |
| | | A) USE THIS CAP FOR PRODUCT IMPROVMENT BEARING LIFE ON MOTOR 561558 | | | |
| | | B) SERVICE ONLY | | | |
| | | C) NOT SOLD SEPARTELY FOR MOTOR MODEL TAP-12 #561558 | | | |
| | | D) USE ONLY WITH MOTOR / MODEL TF-12 #562753 | | | |
| | | E) THIS MOTORS IT SUPPERSEDED BY KIT # 066655 | | | |
| | | 1) NOT SOLD SEPARATELY | | | |

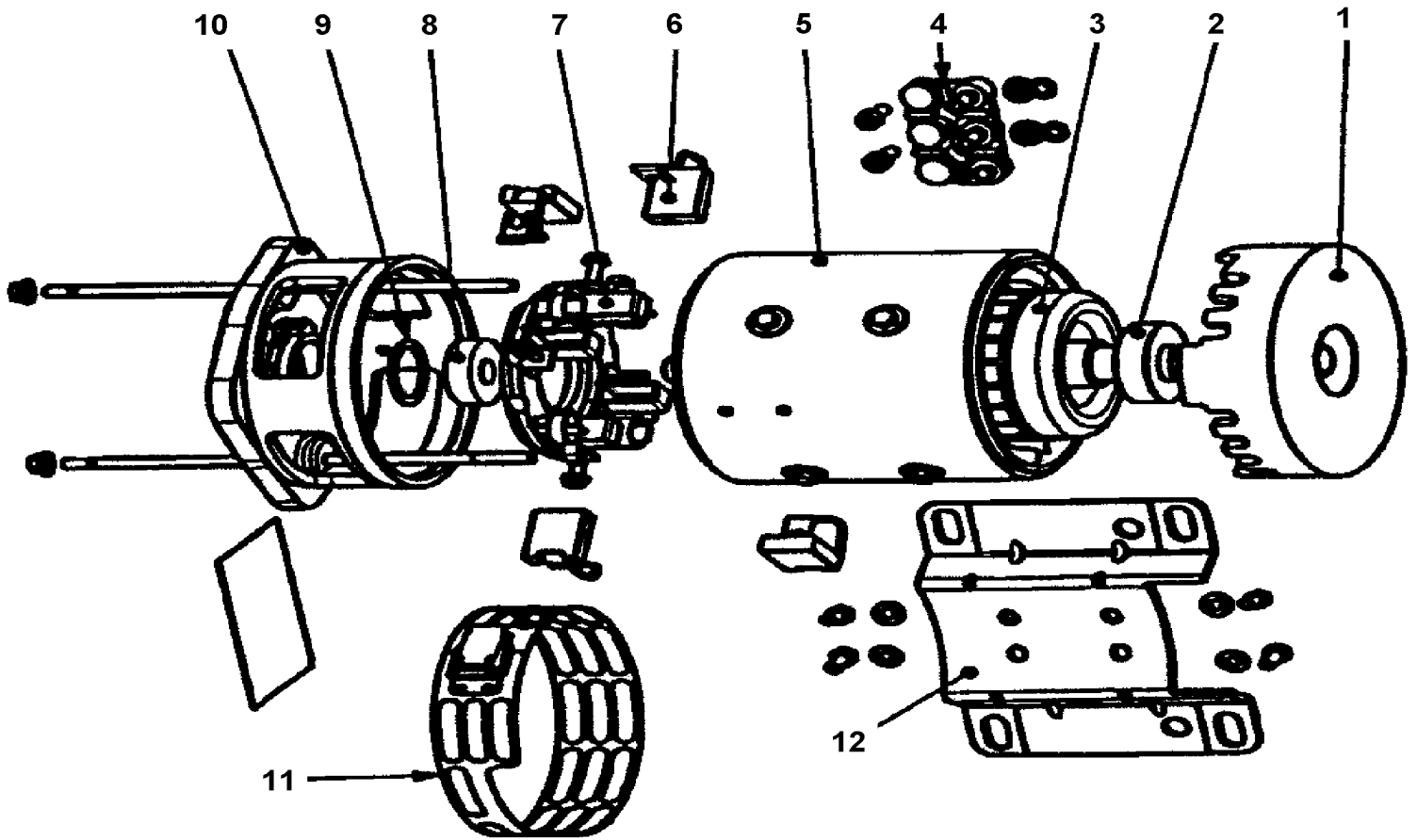
| | | |
|--|--------------|-----------------|
| From L-031 To R-079 | Date:10/2022 | PAGE:H4-2265-98 |
| MOTOR - CONDENSOR - "PREVOST" - T114 / SERVICE | | |



| | | |
|---|--------------|-----------------|
| From L-031 To R-079 | Date:10/2022 | PAGE:H4-2265-98 |
| MOTOR - CONDENSOR - "PREVOST" - T114 / SERVICE | | |

| Item# | Part | Description | H 3 4 0 | V I P 4 0 | N O T E S |
|-------|---------------|---|------------------|-----------------------|-----------------------|
| | 563943 | MOTOR / .57 HP / 1950 RPM / MODEL T114 / W/8" SHAFT (SERVICE) | 1 | 1 | |
| 1 | 563729 | . COVER | | | |
| 2 | 560974 | . BALL BEARING | 1 | 1 | |
| 3 | 563733 | . ARMATURE / T114 / W/8" SHAFT | 1 | 1 | |
| 4 | 563727 | . PERMANENT MAGNET / ASSY W/CASE | | | |
| 5 | 0907240 | . BALL BEARING | 1 | 1 | |
| 6 | N.P.N. | . PRELOAD WASHER | 1 | 1 | 4 |
| 7 | 563728 | . COVER COMMUTATOR END | | | |
| 8 | 563730 | . FAN | | | |
| 9 | 563732 | . COVER FAN PROTECTOR | | | |
| 10 | 561914 | . BRUSH | 4 | 4 | |
| 11 | 563111 | . BRUSH HOLDER ASSY | 1 | 1 | |
| 12 | 562545 | . SPRING, TORSION / .875 O.D. x .317 x .0 | 4 | 4 | |
| 13 | 563731 | . PROTECTOR GRILL | | | |
| 51 | 453624 | KIT RETROFIT MOTOR / W/8" SHAFT (SERIE "H" / UP TO V-1960) | 1 | 1 | |
| . NS | IS-00051 | . SEE INSTRUCTION SHEET | 1 | 1 | |
| NS | 563595 | . PIN TERMINAL / 12-10 / PED 12052139 | 2 | 2 | |
| NS | 563596 | . SOCKET TERMINAL / 12 / PED 12065197 | 2 | 2 | |
| NS | 563597 | . CABLE SEAL / PURPLE / PED 15324990 | 4 | 4 | |
| NS | 563599 | . CAP LOCK CONNECTOR / GRAY / PED 12020833 | 1 | 1 | |
| NS | 563600 | . CONNECTOR / METRI-PACK 480 / 2C PH / PED 12052613 | 1 | 1 | |
| NS | 563601 | . CONNECTOR / METRI-PACK 480 / 2C SH / PED 12065863 | 1 | 1 | |
| NS | 563602 | . SECONDARY LOCK / METRI-PACK 480 / 2C / BLACK / PED 12059897 | 2 | 2 | |
| 67 | 454478 | KIT,MOTOR COND. 563943 REPLACEMENT | 1 | 1 | |
| . NS | 560424 | . MOTOR / .57 HP / 1950 RPM // W/2" SHAFT / SCOTT DC | 1 | 1 | |
| . NS | 505037 | . 5/8 ID SET SCREW SHAFT COUPLING | 1 | 1 | |
| . NS | 505038 | . 5/8 OD KEYED ROTARY SHAFT 6"LG | 1 | 1 | |
| . NS | 505040 | . SHAFT KEY 3/16X3/16X1 | 2 | 2 | |
| | | | | | |
| | | | | | |
| | | 4) NO PARTS NUMBER | | | |

| | | |
|--|--------------|-----------------|
| From L-031 To R-079 | Date:10/2022 | PAGE:H4-2265-99 |
| MOTOR - CONDENSOR - "PREVOST" - T11G / SERVICE | | |



| | | |
|---|--------------|-----------------|
| From L-031 To R-079 | Date:10/2022 | PAGE:H4-2265-99 |
| MOTOR - CONDENSOR - "PREVOST" - T11G / SERVICE | | |

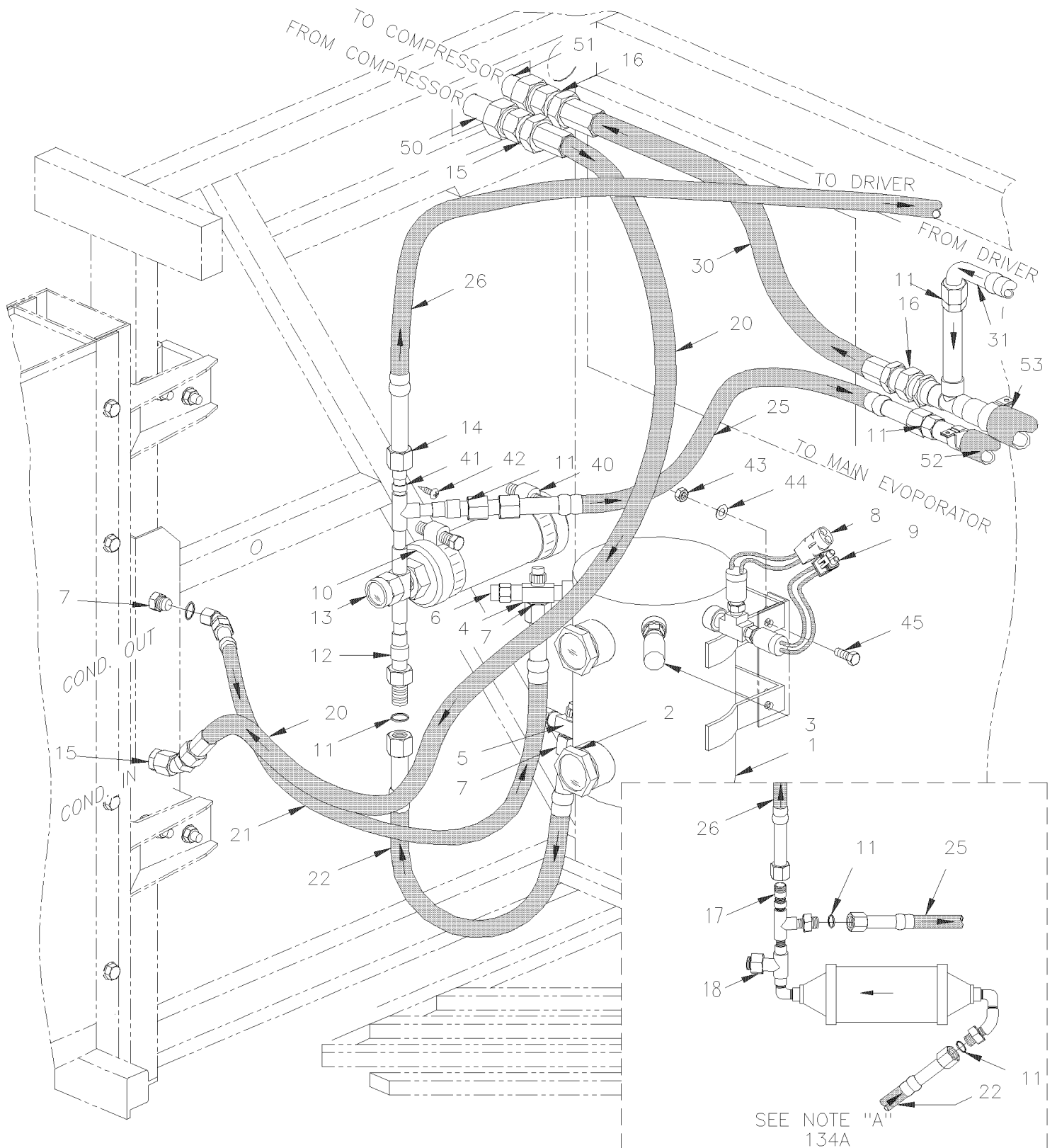
| Item# | Part | Description | H 3 4 0 | V I P 4 0 | N O T E S |
|-------|----------|---|------------------|-----------------------|-----------------------|
| | 563062 | MOTOR / .57 HP / 1950 RPM / MODEL TF-11G / W/8" SHAFT / (SERVICE C.C.W.) | 2 | 2 | A B |
| 1 | 563114 | . COVER | 1 | 1 | |
| 2 | 507226 | . BALL BEARING | 1 | 1 | |
| 3 | 563118 | . ARMATURE / T11G / W/8" SHAFT | 1 | 1 | |
| 4 | 563117 | . BLOCK TERMINAL | 1 | 1 | |
| 5 | 563110 | . FIELD COIL ASSY | 1 | 1 | |
| 6 | 561914 | . BRUSH | 4 | 4 | |
| 7 | 563111 | . BRUSH HOLDER ASSY | 1 | 1 | |
| 7 | 562545 | . . SPRING, TORSION / .875 O.D. x .317 x .0 | 4 | 4 | |
| 8 | 560974 | . BALL BEARING | 1 | 1 | |
| 9 | 561211 | . WASHER SPRING | 1 | 1 | |
| 10 | 563113 | . COVER COMUTATOR END | 1 | 1 | |
| 11 | 563116 | . GRILL PROTECTOR | 1 | 1 | |
| 12 | 563115 | . REMOVABLE SOCKET | 1 | 1 | |
| NS | 453624 | KIT RETROFIT MOTOR / W/8" SHAFT (SERIE "H" / UP TO V-1960) | 1 | 1 | |
| . NS | IS-00051 | . SEE INSTRUCTION SHEET | 1 | 1 | |
| 50 | 066655 | KIT RETROFIT MOTOR T114 W/CONNECTORS / W/8" SHAFT | | | |
| NS | 563595 | PIN TERMINAL / 12-10 / PED 12052139 | 2 | 2 | |
| NS | 563596 | SOCKET TERMINAL / 12 / PED 12065197 | 2 | 2 | |
| NS | 563597 | CABLE SEAL / PURPLE / PED 15324990 | 4 | 4 | |
| NS | 563599 | CAP LOCK CONNECTOR / GRAY / PED 12020833 | 1 | 1 | |
| NS | 563600 | CONNECTOR / METRI-PACK 480 / 2C PH / PED 12052613 | 1 | 1 | |
| NS | 563601 | CONNECTOR / METRI-PACK 480 / 2C SH / PED 12065863 | 1 | 1 | |
| NS | 563602 | SECONDARY LOCK / METRI-PACK 480 / 2C / BLACK / PED 12059897 | 2 | 2 | |
| | | | | | |
| | | | | | |
| | | A) THIS MOTOR IS INCLUDE IN KIT #453624 | | | |
| | | B) THIS MOTORS IT SUPPERSEDED BY KIT # 066655 | | | |

From L-031 To R-079

Date:10/2022

PAGE:H4-2270-00

RECEIVER TANK & FILTER DRYER



| | | |
|---|--------------|-----------------|
| From L-031 To R-079 | Date:10/2022 | PAGE:H4-2270-00 |
| RECEIVER TANK & FILTER DRYER | | |

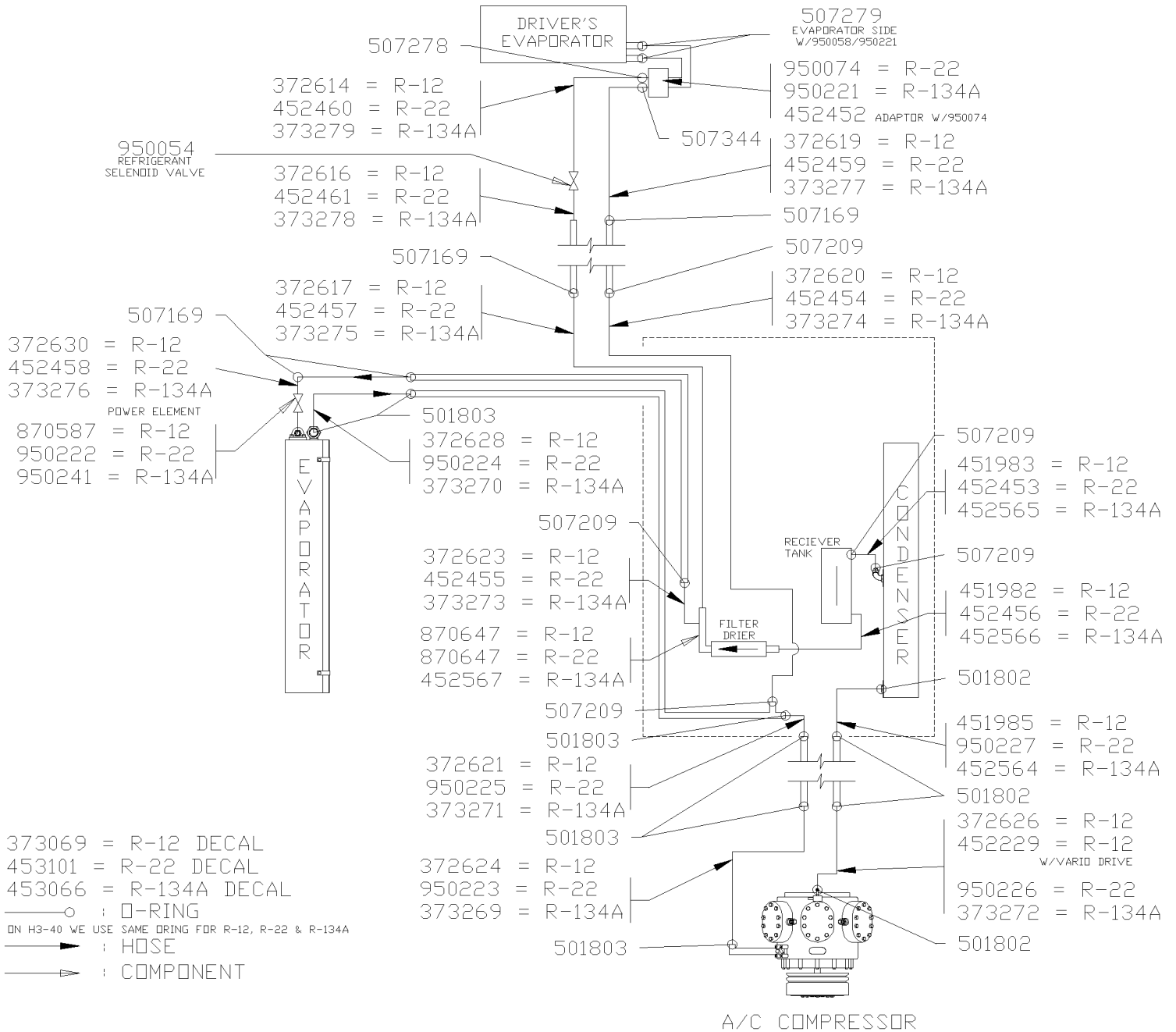
| Item# | Part | Description | H 3 4 0 | V I P 4 0 | N O T E S |
|-------|--------|---|------------------|-----------------------|-----------------------|
| 1 | 871045 | RECEIVER TANK ASSY | 1 | 1 | |
| . NS | 871001 | . SIGHT GLASS ASSY 1 NPT | 2 | 2 | |
| 2 | 871001 | . SIGHT GLASS ASSY 1 NPT | 2 | 2 | |
| 3 | 870581 | VALVE, SAFETY 340 PSI | 1 | 1 | |
| 3 | 870890 | VALVE, SAFETY 450 PSI | 1 | 1 | B |
| 4 | 950024 | VALVE ASSY / SERVICE / INLET | 2 | 2 | |
| 5 | 950023 | VALVE ASSY / SERVICE / OUTLET | 1 | 1 | |
| 6 | 950158 | . MOUNTING PLATE FOR MOTOR | 1 | 1 | |
| 7 | 507169 | O-RING 1/2 I.D. | AR | AR | |
| 8 | 062644 | PRESSURE SWITCH N.O. 120-90 20SP001AA120G090E | 1 | 1 | |
| 8 | 063745 | PRESSURE SWITCH N.O. 150-100 20SP001AA150K100K | 1 | 1 | |
| 9 | 062643 | PRESSURE SWITCH N.O. 170-130 20SP001AA170J130J | 1 | 1 | |
| 9 | 063746 | PRESSURE SWITCH N.O. 60-35 20SP001AA060E035E | 1 | 1 | |
| NS | 501338 | MALE RUN TEE / PIPE FITTING / 1/4NPT-Mx1/4NPT-Fx1/4NPT-F BR | 1 | 1 | |
| NS | 950249 | SCHRADER VALVE 1/4NPT-M | 1 | 1 | B |
| 10 | 870647 | FILTER DRYER ASSY / W/R12 & R22 | 1 | 1 | |
| . NS | 951196 | . O-RING TEFLON 1 3/8" I.D. x 1 5/8" O.D. | 1 | 1 | |
| 11 | 507280 | O-RING / ORS FITTING / #12 NEO | AR | AR | |
| 12 | 451842 | MOISTURE INDICATOR ASSY | 1 | 1 | |
| 13 | 950029 | . CAP, MOISTURE INDICATOR | 1 | 1 | |
| 14 | 501801 | O-RING / ORS FITTING / #8 NEO | AR | AR | |
| 15 | 501802 | O-RING / ORS FITTING / #16 NEO | AR | AR | |
| 16 | 501803 | O-RING / ORS FITTING / #20 NEO | AR | AR | |
| 17 | 452567 | FILTER DRYER ASSY WELDED / W/134A | 1 | 1 | |
| . NS | 950231 | . FILTER DRYER | 1 | 1 | |
| 18 | 950232 | MOISTURE INDICATOR | 1 | 1 | |
| 20 | 451985 | HOSE ASSY / W/R-12 / #16 978MM | 1 | 1 | |
| 20 | 950227 | HOSE ASSY / W/R-22 / #16 1100MM / SS BELLOW | 1 | | |
| 20 | 452564 | HOSE ASSY / W/R-134a / #16 978MM | 1 | 1 | |
| 21 | 451983 | HOSE ASSY / W/R-12 / #12 1000MM | 1 | 1 | |
| 21 | 452453 | HOSE ASSY TEFLON / W/R-22 / #12 1006MM | 1 | | |
| 21 | 452565 | HOSE ASSY / W/R-134a / #12 1000MM | 1 | 1 | |
| 22 | 451982 | HOSE ASSY / W/R-12 / #10 660MM | 1 | 1 | |
| 22 | 452456 | HOSE ASSY TEFLON / W/R-22 / #10 669MM | 1 | | |
| 22 | 452566 | HOSE ASSY / W/R-134a / #10 1000MM | 1 | 1 | |
| 25 | 372623 | HOSE ASSY / W/R-12 / #12 679MM | 1 | 1 | |
| 25 | 452455 | HOSE ASSY TEFLON / W/R-22 / #12 660MM | 1 | | |
| 25 | 373273 | HOSE ASSY / W/R-134a / #12 654MM | 1 | 1 | |
| 26 | 372617 | HOSE ASSY / W/R-12 / #10 3075MM | 1 | 1 | |
| 26 | 452457 | HOSE ASSY TEFLON / W/R-22 / #10 3087MM | 1 | 1 | |
| 26 | 373275 | HOSE ASSY / W/R-134a / #10 3075MM | 1 | 1 | |
| 26 | 505110 | . COIL PROTECTOR / PLASTIC / #12 | AR | AR | |

| | | |
|---|--------------|-----------------|
| From L-031 To R-079 | Date:10/2022 | PAGE:H4-2270-00 |
| RECEIVER TANK & FILTER DRYER | | |

| Item# | Part | Description | H 3 4 0 | V I P 4 0 | N O T E S |
|-------|----------|--|------------------|-----------------------|-----------------------|
| 30 | 372621 | HOSE ASSY / W/R-12 / #20 495MM | 1 | 1 | |
| 30 | 950225 | HOSE ASSY / W/R-22 / #20 616MM / SS BELLOW | 1 | | |
| 30 | 373271 | HOSE ASSY / W/R-134a / #20 495MM | 1 | 1 | |
| 31 | 372620 | HOSE ASSY / W/R-12 / #12 1803MM | 1 | 1 | |
| 31 | 452454 | HOSE ASSY TEFLON / W/R-22 / #12 1809MM | 1 | | |
| 31 | 373274 | HOSE ASSY / W/R-134a / #12 1803MM | 1 | 1 | |
| NS | 505110 | . COIL PROTECTOR / PLASTIC / #12 | AR | AR | |
| 40 | 370718 | STRAP / TO FIX DRYER | 1 | 1 | |
| NS | 450344 | RUBBER / AROUND DRYER | 1 | 1 | |
| NS | 450347 | RUBBER / FIXED TO WALL | 1 | 1 | |
| 41 | 560872 | CLAMP / 1"1/16 I.D. | 2 | 2 | |
| 42 | 500948 | SCREW TC CAP HEX 1/4-20x1 Z050 | 2 | 2 | |
| 43 | 500256 | NUT HEX M10-1.5 Z050 | 4 | 4 | |
| 44 | 500257 | WASHER LO SPT 10.2x18.1x2.2 Z050 | 4 | 4 | |
| 45 | 502559 | SCREW CAP HEX M10-1.5x25 G8.8 Z050 | 4 | 4 | |
| 50 | 372649 | TUBE ASSY, PRESSURE / A/C COMPRESSOR / W/R-12 & R-22 | 1 | 1 | |
| 51 | 372650 | TUBE ASSY, VACUUM / A/C COMPRESSOR / W/R-12 & R-22 | 1 | 1 | |
| 52 | 372660 | PIPE ASSY / W/R-12 & R-22 | 1 | 1 | |
| 53 | 372664 | PIPE ASSY / W/R-12 & R-22 | 1 | 1 | |
| | | WE DID NOT PRODUCED H3-40 WITH R-134A. | | | |
| | | ARE USED ONLY WITH RETROFIT KIT. TO RETROFIT | | | |
| | | YOUR VEHICLE, ORDER KIT #452631, 452632 AND | | | |
| | | 452633 AND SEE INSTRUCTION SHEET IS-94090 | | | |
| | | TO COMPLETE THE CORRECT INSTALLATION | | | |
| NS | 452631 | KIT, PRESSURES SWITCHES | 1 | 1 | |
| . NS | IS-94090 | . SEE INSTRUCTION SHEET | 1 | 1 | |
| NS | 452632 | KIT, EXPANTION VALVE & FILTER DRIER | 1 | 1 | |
| . NS | IS-94090 | . SEE INSTRUCTION SHEET | 1 | 1 | |
| NS | 452633 | KIT, A/C HOSES AND O-RING | 1 | 1 | |
| . NS | IS-94090 | . SEE INSTRUCTION SHEET | 1 | 1 | |
| NS | 950239 | A/C COMPRESSOR ASSY 05G / W41 .C.F.M. W/ALLS ACCESSORIES | 1 | 1 | |
| NS | 950240 | A/C COMPRESSOR ASSY 05G / W41 .C.F.M. W/ALLS ACCESSORIES | 1 | 1 | |
| | | | | | |
| | | | | | |
| | | B) W/R134A | | | |

| | | |
|--|--------------|-----------------|
| From L-031 To R-079 | Date:10/2022 | PAGE:H4-2299-00 |
| A/C HOSE & O-RING - W/ R-12 / R-22 & R-134A | | |

H3-40 & V.I.P. 40 ONLY



NOTE :

- WE DID NOT PRODUCED H3-40 WITH R-134A, R-134A PARTS ARE USED ONLY WITH RETROFIT KIT.
- TO CHANGE FROM R-12 TO R-134A THE NEXT 3 KITS ARE REQUIRED.
 - 452633 KIT, HOSE & O-RING WITH INSTRUCTION SHEET IS 94090,
 - 452632 KIT, EXPANSION VALVE & DRYER,
 - 452631 KIT, PRESSURE SWITCH FOR COMPRESSOR.
- IF EXISTING COMPRESSOR NEED TO BE REPLACED, THE KIT 452631 IS NOT REQUIRED. IF IT IS REPLACED BY 950240 COMPRESSOR ASSY (WITH VEHICULE 6V92 & 8V92) OR BY 950239 COMPRESSOR ASSY (WITH VEHICULE SERIES 60).

| | | |
|--|--------------|-----------------|
| From L-031 To R-079 | Date:10/2022 | PAGE:H4-2299-00 |
| A/C HOSE & O-RING - W/ R-12 / R-22 & R-134A | | |

| Item# | Part | Description | H 3 4 0 | V I P 4 0 | N O T E S |
|-------|--------|--|------------------|-----------------------|-----------------------|
| 1 | 372614 | HOSE ASSY / W/R-12 / #6 1400MM | AR | AR | |
| 2 | 372616 | HOSE ASSY / W/R-12 / #10 503MM | AR | AR | |
| 3 | 372617 | HOSE ASSY / W/R-12 / #10 3075MM | AR | AR | |
| 4 | 372619 | HOSE ASSY / W/R-12 / #10 86" | AR | AR | |
| 5 | 372620 | HOSE ASSY / W/R-12 / #12 1803MM | AR | AR | |
| 6 | 372621 | HOSE ASSY / W/R-12 / #20 495MM | AR | AR | |
| 7 | 372623 | HOSE ASSY / W/R-12 / #12 679MM | AR | AR | |
| 8 | 372624 | HOSE ASSY / SUCTION W/R-12 / #20 440MM | AR | AR | |
| 9 | 372626 | HOSE ASSY / DISCHARGE W/R-12 / #16 610MM | AR | AR | |
| 10 | 372628 | HOSE ASSY / W/R-12 / #20 650MM | AR | AR | |
| 11 | 372630 | HOSE ASSY / W/R-12 / #10 645MM | AR | AR | |
| 12 | 373069 | DECAL FREON R-12 | AR | AR | |
| 13 | 373269 | HOSE ASSY / SUCTION W/R-134a / #20 940MM | AR | AR | |
| 14 | 373270 | HOSE ASSY / W/R-134a / #20 650MM | AR | AR | |
| 15 | 373271 | HOSE ASSY / W/R-134a / #20 495MM | AR | AR | |
| 16 | 373272 | HOSE ASSY / DISCHARGE W/R-134a / #16 610MM | AR | AR | |
| 17 | 373273 | HOSE ASSY / W/R-134a / #12 654MM | AR | AR | |
| 18 | 373274 | HOSE ASSY / W/R-134a / #12 1803MM | AR | AR | |
| 19 | 373275 | HOSE ASSY / W/R-134a / #10 3075MM | AR | AR | |
| 20 | 373276 | HOSE ASSY / W/R-134a / #10 645MM | AR | AR | |
| 21 | 373277 | HOSE ASSY / W/R-134a / #10 2185MM | AR | AR | |
| 22 | 373278 | HOSE ASSY / W/R-134a / #6 508MM | AR | AR | |
| 23 | 373279 | HOSE ASSY / W/R-134a / #6 1400MM | AR | AR | |
| 24 | 451982 | HOSE ASSY / W/R-12 / #10 660MM | AR | AR | |
| 25 | 451983 | HOSE ASSY / W/R-12 / #12 1000MM | AR | AR | |
| 26 | 451985 | HOSE ASSY / W/R-12 / #16 978MM | AR | AR | |
| 27 | 452229 | HOSE ASSY / DISCHARGE W/R-12 & VARIO / #16 505MM | AR | AR | |
| 28 | 452452 | ADAPTOR W/R-22 | AR | AR | |
| 29 | 452453 | HOSE ASSY TEFLON / W/R-22 / #12 1006MM | AR | AR | |
| 30 | 452454 | HOSE ASSY TEFLON / W/R-22 / #12 1809MM | AR | AR | |
| 31 | 452455 | HOSE ASSY TEFLON / W/R-22 / #12 660MM | AR | AR | |
| 32 | 452456 | HOSE ASSY TEFLON / W/R-22 / #10 669MM | AR | AR | |
| 33 | 452457 | HOSE ASSY TEFLON / W/R-22 / #10 3087MM | AR | AR | |
| 34 | 452458 | HOSE ASSY TEFLON / W/R-22 / #10 654MM | AR | AR | |
| 35 | 452459 | HOSE ASSY TEFLON / W/R-22 / #10 2189MM | AR | AR | |
| 36 | 452460 | HOSE ASSY TEFLON #6 1410MM | AR | AR | |
| 37 | 452461 | HOSE ASSY TEFLON #6 602MM | AR | AR | |
| 38 | 452564 | HOSE ASSY / W/R-134a / #16 978MM | AR | AR | |
| 39 | 452565 | HOSE ASSY / W/R-134a / #12 1000MM | AR | AR | |
| 40 | 452566 | HOSE ASSY / W/R-134a / #10 1000MM | AR | AR | |
| 41 | 452567 | FILTER DRYER ASSY WELDED / W/134A | AR | AR | |
| . NS | 950231 | . FILTER DRYER | 1 | 1 | |

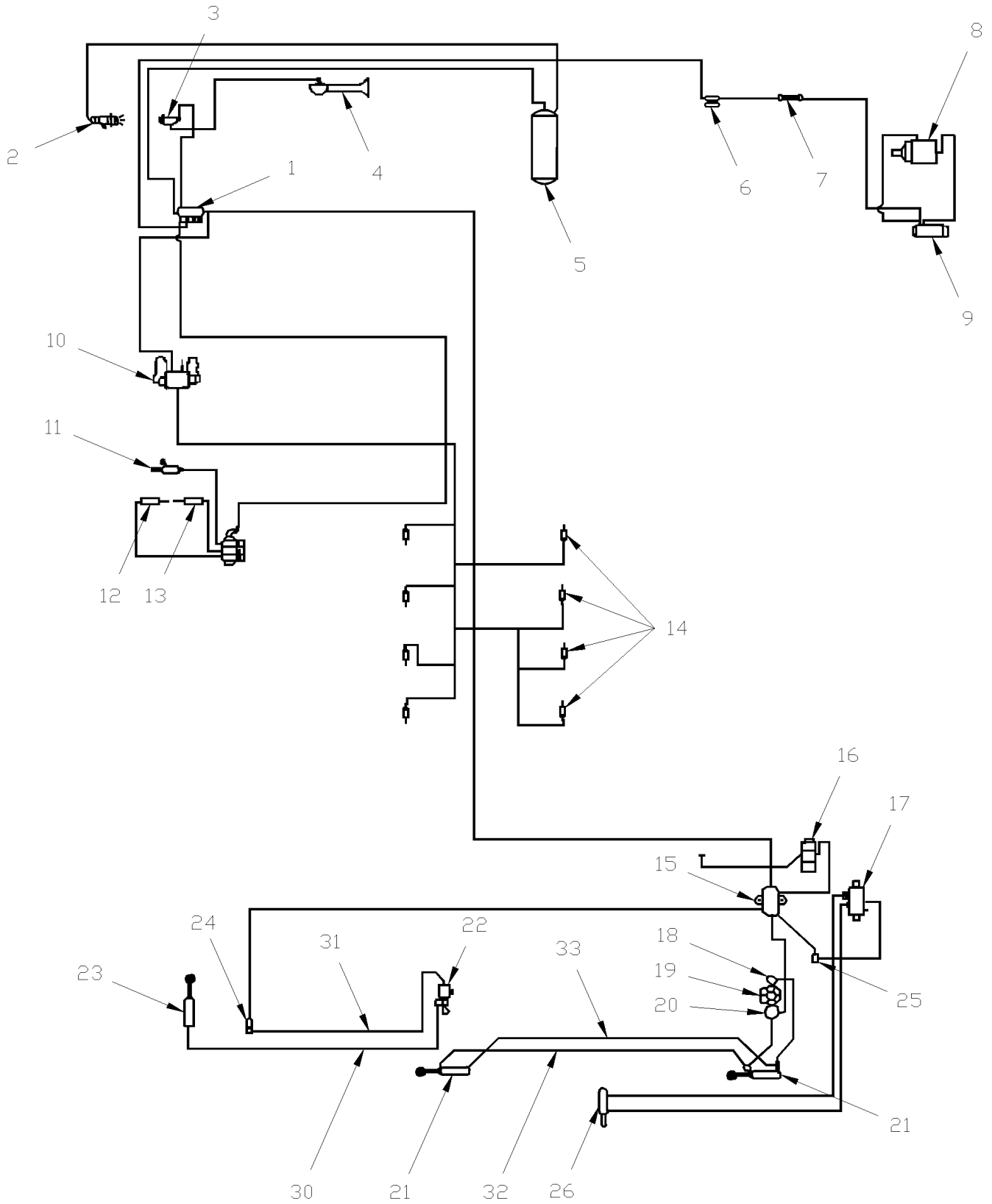
| | | |
|--|--------------|-----------------|
| From L-031 To R-079 | Date:10/2022 | PAGE:H4-2299-00 |
| A/C HOSE & O-RING - W/ R-12 / R-22 & R-134A | | |

| Item# | Part | Description | H 3 4 0 | V I P 4 0 | N O T E S |
|-------|----------|--|------------------|-----------------------|-----------------------|
| 42 | 452631 | KIT, PRESSURES SWITCHES | AR | AR | |
| . NS | IS-94090 | . SEE INSTRUCTION SHEET | 1 | 1 | |
| 43 | 452632 | KIT, EXPANTION VALVE & FILTER DRIER | AR | AR | |
| . NS | IS-94090 | . SEE INSTRUCTION SHEET | 1 | 1 | |
| 44 | 452633 | KIT, A/C HOSES AND O-RING | AR | AR | |
| . NS | IS-94090 | . SEE INSTRUCTION SHEET | 1 | 1 | |
| 45 | 453066 | DECAL R134A / NOMINAL CHARGE 24 LBS // ENGLISH & FRANCAIS | AR | AR | |
| 46 | 453101 | DECAL R22 / 24LBS | AR | AR | |
| 47 | 501802 | O-RING / ORS FITTING / #16 NEO | AR | AR | |
| 48 | 501803 | O-RING / ORS FITTING / #20 NEO | AR | AR | |
| 49 | 507169 | O-RING 1/2 I.D. | AR | AR | |
| 50 | 507209 | O-RING .424 ID | AR | AR | |
| 51 | 507279 | O-RING / ORS FITTING / #8 NEO | AR | AR | |
| 52 | 870587 | ELEMENT POWER R-12 | AR | AR | |
| 53 | 870647 | FILTER DRYER ASSY / W/R12 & R22 | AR | AR | |
| . NS | 951196 | . O-RING TEFLON 1 3/8" I.D. x 1 5/8" O.D. | 1 | 1 | |
| 54 | 950054 | VALVE REFRIGERANT SOLENOID / 3/8" NPT | AR | AR | S |
| 54 | 958212 | VALVE REFRIGERANT SOLENOID / 1/2" NPT | AR | AR | |
| 54 | 501534 | BUSHING REDUCER / PIPE FITTING / 1/2NPT-Mx3/8NPT-F BR | 2 | 2 | |
| 55 | 950058 | VALVE, EXPANSION / DRIVER'S W/R-12 | AR | AR | |
| 56 | 950074 | VALVE, EXPANSION 2 TON | AR | AR | |
| 57 | 950221 | VALVE, EXPANSION / DRIVER'S W/R134A | AR | AR | |
| 58 | 950222 | ELEMENT POWER R-22 | AR | AR | |
| 59 | 950223 | HOSE ASSY / SUCTION W/R-22 / #20 1063MM / SS BELLOW | AR | AR | |
| 60 | 950224 | HOSE ASSY / W/R-22 / #20 758MM / SS BELLOW | AR | AR | |
| 61 | 950225 | HOSE ASSY / W/R-22 / #20 616MM / SS BELLOW | AR | AR | |
| 62 | 950226 | HOSE ASSY / DISCHARGE W/R-22 / #16 715MM / SS BELLOW | AR | AR | |
| 63 | 950227 | HOSE ASSY / W/R-22 / #16 1100MM / SS BELLOW | AR | AR | |
| 64 | 950239 | A/C COMPRESSOR ASSY 05G / W41 .C.F.M. W/ALLS ACCESSORIES | AR | AR | |
| 65 | 950240 | A/C COMPRESSOR ASSY 05G / W41 .C.F.M. W/ALLS ACCESSORIES | AR | AR | |
| 66 | 950241 | ELEMENT POWER R134A | AR | AR | |
| 67 | 507278 | O-RING / ORS FITTING / #4 NEO | AR | AR | |
| 68 | 507344 | O-RING / ORS FITTING / #10 NEO | AR | AR | |
| | | | | | |
| | | | | | |
| | | | | | |
| | | S) THIS VALVE IS NO LONGER AVAILABLE USE 958212 WITH 950953 & 2X501534 | | | |

| | | Date:10/2022 | H4-23 | | |
|-------------|------------|--|------------------|-----------------------|-----------------------|
| ACCESSORIES | | | | | |
| Item# | Part | Description | H 3 4 0 | V I P 4 0 | N O T E S |
| 5 | H4-2300-00 | ACCESSORIES AIR SYSTEM From L-031 To R-079 | | | |
| 15 | H4-2305-00 | LOWER WINDSHIELD WIPER From L-031 To R-079 | | | |
| 15 | H4-2305-05 | LOWER WINDSHIELD WIPER - INSTALLATION From L-031 To R-079 | | | |
| 20 | H4-2305-10 | UPPER WINDSHIELD WIPER From L-031 To R-079 | | | |
| 20 | H4-2305-15 | UPPER WINDSHIELD WIPER - INSTALLATION From L-031 To R-079 | | | |
| 25 | H4-2305-20 | WINDSHIELD WASHER - INSTALLATION From L-031 To R-079 | | | |
| 30 | H4-2310-00 | HORN - INSTALLATION From L-031 To R-079 | | | |
| 40 | H4-2315-00 | AUDIO SYSTEM From L-031 To R-079 | | | |
| 40 | H4-2315-10 | SOUND SYSTEM - INSTALLATION From L-031 To R-079 | | | |
| 40 | H4-2315-50 | POWERVERTER - 12/110 VOLTS / VIDEO & GALLEY From L-031 To R-079 | | | |
| 40 | H4-2315-51 | POWERVERTER - 12&24/110 VOLTS/VIDEO&GALLEY / SERVICE From L-031 To R-079 | | | A |
| 40 | H4-2315-60 | ROOF ANTENNA & VIDEO WIRING DIAGRAM From L-031 To R-079 | | | |
| 45 | H4-2317-00 | FRONT MONITOR - VIDEO From L-031 To R-079 | | | |
| 50 | H4-2317-10 | SIDE MONITOR - VIDEO From L-031 To N-172 | | | |
| 50 | H4-2317-11 | SIDE MONITOR - VIDEO From N-173 To R-079 | | | |
| 55 | H4-2317-20 | VIDEO VHS PLAYER - INSTALLATION From L-031 To R-079 | | | |
| 60 | H4-2318-00 | CLOCK (DIGITAL) From L-031 To R-079 | | | |
| 70 | H4-2320-00 | JACK & FLARE KIT - INSTALLATION From L-031 To R-079 | | | |
| 75 | H4-2320-30 | EXTINGUISHER - INSTALLATION From L-031 To R-079 | | | |
| 80 | H4-2320-40 | FIRST AID KIT & AXE - INSTALLATION From L-031 To R-079 | | | |
| 90 | H4-2325-00 | LAVATORY - ACCESSORIES From L-031 To R-079 | | | |
| 95 | H4-2326-00 | TOILET PUMP ASSY From L-031 To R-079 | | | |
| 100 | H4-2327-00 | SUMP TANK - S/S From L-031 To R-079 | | | |
| 100 | H4-2327-01 | SUMP TANK - PLASTIC / SERVICE From L-031 To R-079 | | | A |
| 110 | H4-2328-00 | LAVATORY WALL - INSTALLATION From L-031 To R-079 | | | |
| 115 | H4-2329-00 | LAVATORY DOOR LOCK & SWITCH From L-031 To R-079 | | | |
| 120 | H4-2330-00 | WATER & SUMP TANK - INSTALLATION From L-031 To R-079 | | | |
| 125 | H4-2337-00 | LAVATORY FAN - INSTALLATION From L-031 To R-079 | | | |
| 130 | H4-2345-00 | GALLEY ASSY From L-031 To R-079 | | | |
| 130 | H4-2345-10 | GALLEY ACCESSORIES From L-031 To R-079 | | | |
| 135 | H4-2345-20 | QUICK LOUNGE From L-031 To R-079 | | | |
| 136 | H4-2345-99 | 110 VOLT - OUTLET / "RETROFIT" From L-031 To R-079 | | | |
| 140 | 870969 | WATER HEATER - "ESPAR" 40,000 B.T.U. From L-031 To R-079 | | | |
| 140 | 871036 | WATER HEATER - "WEBASTO" 80,000 B.T.U. From P-256 To R-079 | | | |
| 140 | 871097 | WATER HEATER - "ESPAR" 41,000 B.T.U. From P-256 To R-079 | | | A |
| 145 | H4-2355-00 | BACK-UP CAMERA - INSTALLATION From L-031 To M-083 | | | |
| 145 | H4-2355-01 | BACK-UP CAMERA - INSTALLATION From M-084 To R-079 | | | |
| 150 | H4-2360-00 | MONOGRAM ASSY & LETTERS From L-031 To R-079 | | | |
| 155 | H4-2370-00 | W.C.L. "ST & ST" - PUMP INSTALLATION From P-343 To P-364 | | | |
| 155 | H4-2370-05 | W.C.L. "ST & ST" - MODEL SSPL 380 L From P-343 To P-364 | | | |
| 155 | H4-2370-10 | W.C.L. - DECAL From P-343 To P-364 | | | |
| 155 | H4-2370-20 | W.C.L. SEAT BELTS From P-343 To P-364 | | | |

| | | Date:10/2022 | H4-23 | | |
|--------------------|------|--------------|------------------|-----------------------|-----------------------|
| ACCESSORIES | | | | | |
| Item# | Part | Description | H 3 4 0 | V I P 4 0 | N O T E S |
| | | | | | |
| | | | | | |
| | | | | | |
| | | A) SERVICE | | | |

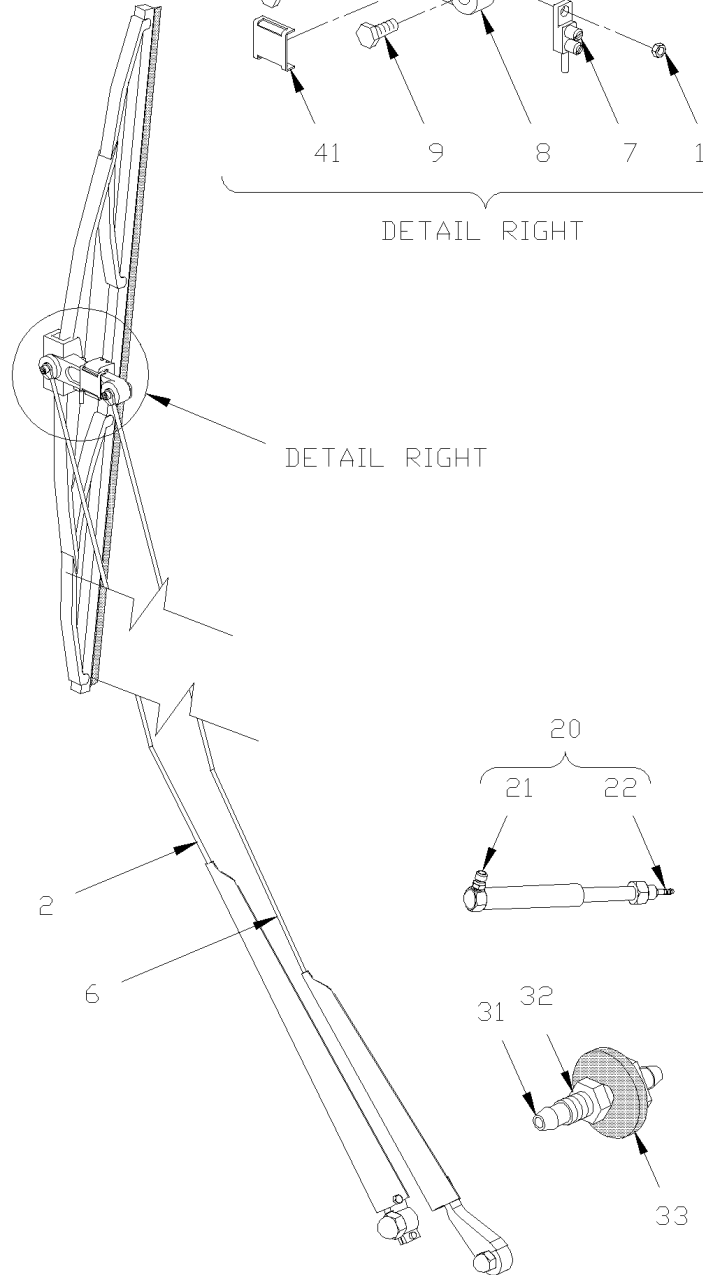
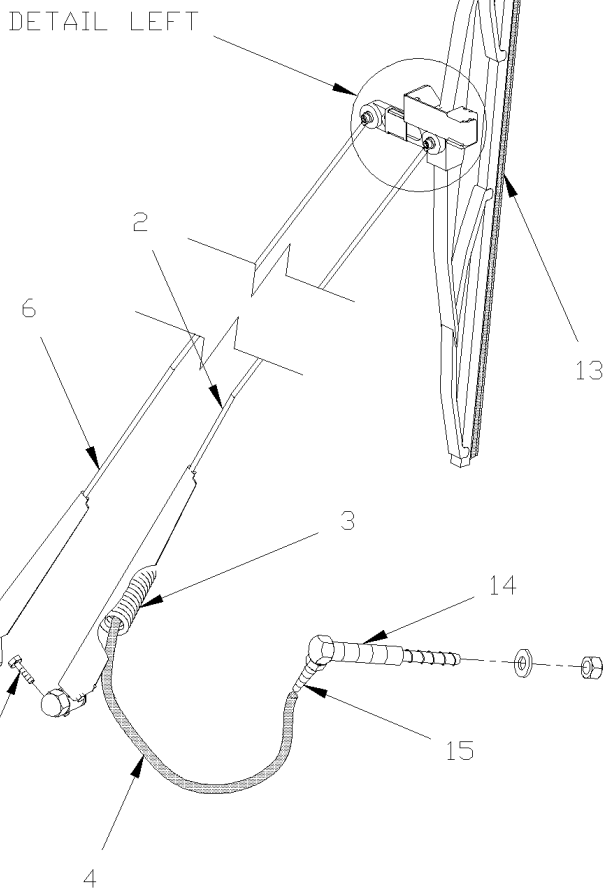
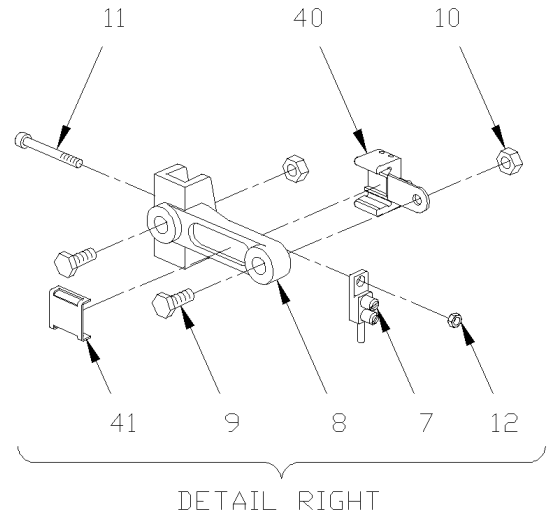
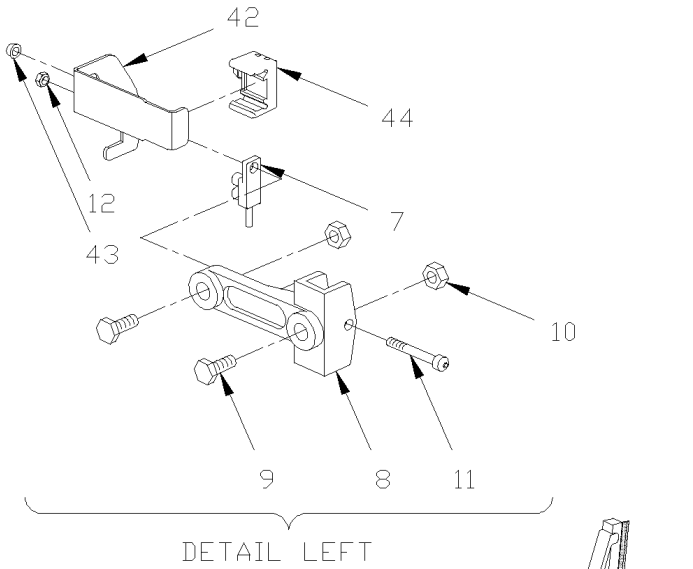
| | | |
|------------------------|--------------|-----------------|
| From L-031 To R-079 | Date:10/2022 | PAGE:H4-2300-00 |
| ACCESSORIES AIR SYSTEM | | |



| | | | |
|-------------------------------|--|--------------|-----------------|
| From L-031 To R-079 | | Date:10/2022 | PAGE:H4-2300-00 |
| ACCESSORIES AIR SYSTEM | | | |

| Item# | Part | Description | H 3 4 0 | V I P 4 0 | N O T E S |
|-------|-------------------|---|------------------|-----------------------|-----------------------|
| 1 | 141190 | MANIFOLD, BLOCK / UNDER DRIVER'S FLOOR | 1 | 1 | |
| 2 | 501354 | NEEDLE VALVE 1/8 NPT M x 1/8 NPT F | 1 | 1 | |
| 3 | 640128 | VALVE HORN HV-3 | 1 | | |
| 4 | 640093 | HORN AIR | 1 | | |
| 5 | 140868 | AIR TANK / W/END LOWER DRAIN 1228 IN° / 8" O.D. X 26" | 1 | 1 | |
| 6 | 641112 | VALVE To N-197 | 1 | | A |
| 7 | 641116 | VALVE, THROTTLE To N-197 | 1 | | |
| 8 | 780458 | UNIT, MOTOR To N-197 | 1 | | |
| 9 | 641113 | SOLENOID, CONTROL VALVE | 1 | | |
| 10 | 641189 | VALVE, 3 WAYS, 2 POSITIONS | 1 | | |
| . NS | 641169 | . SPOOL | 1 | | |
| 11 | 950080 | CYLINDER, AIR 5/16" SINGLE ACTION To M-087 | 1 | 1 | |
| 11 | 950200 | CYLINDER DOUBLE-ACTION From M-088 | 1 | 1 | |
| 12 | 641177 | CYLINDER | 1 | 1 | |
| 13 | 641178 | CYLINDER | 1 | 1 | |
| 14 | 780351 | HANDLE ASSY / W/AIR CYLINDER TYPE "PS" | 8 | | |
| 15 | 640055 | MANIFOLD / PIPE FITTING / 7 PORTS 1/4NPT-F STL | 1 | 1 | |
| 16 | 560930 | VALVE SOLENOID N.C. 24 VOLTS | 1 | | |
| . NS | 060851 | . CONNECTOR ASSY | 1 | | |
| 17 | 641204 | VALVE, 4 WAYS, 2 POSITIONS | 1 | 1 | |
| . NS | 641144 | . KIT REPAIR / COIL | 1 | 1 | |
| . NS | 641186 | . SPOOL | 1 | 1 | |
| 18 | 640488 | VALVE, AIR FILL 1/8" NPT | 1 | 1 | |
| . NS | 650164 | . CAP VALVE / CHROME | 1 | 1 | |
| 19 | 640938 | AIR PRESSURE REGULATOR | 1 | 1 | |
| 20 | 5011013 | VALVE, 4 WAYS CONTROL | 1 | 1 | B |
| 21 | H4-0130-00 | AIR CYLINDER - BELT TENSIONNER - WITH DETROIT S-92 | | | |
| 22 | 550023 | VALVE, SHUTTERSTAT 180° / 3/8" NPT x 1/8" NPT | 1 | 1 | |
| 23 | 550568 | CYLINDER AIR / SHUTTER / W/4" MOUNT | 1 | 1 | |
| 24 | 501880 | NEEDLE VALVE 1/4 TUBE 1/8 NPT | 1 | 1 | |
| 25 | 780233 | VALVE, CONTROL / FCP2 | 1 | 1 | |
| 26 | 990141 | CYLINDER, AIR 9/16" DOUBLE ACTION | 1 | 1 | |
| 30 | 140658 | HOSE ASSY TEFLON #4 1456MM | 1 | 1 | |
| 31 | 141108 | HOSE ASSY TEFLON #4 427MM | 1 | 1 | |
| 32 | 051559 | HOSE ASSY TEFLON #4 973MM | 1 | 1 | |
| 33 | 031147 | HOSE ASSY TEFLON #4 522MM | 2 | 2 | |
| 34 | 051127 | HOSE ASSY TEFLON #4 821MM | 1 | 1 | |
| | | | | | |
| | | | | | |
| | | | | | |
| | | A) EMERGENCY DOOR | | | |
| | | B) ON/OFF | | | |

| | | |
|-------------------------------|--------------|-----------------|
| From L-031 To R-079 | Date:10/2022 | PAGE:H4-2305-00 |
| LOWER WINDSHIELD WIPER | | |



| | | | |
|-------------------------------|--|--------------|-----------------|
| From L-031 To R-079 | | Date:10/2022 | PAGE:H4-2305-00 |
| LOWER WINDSHIELD WIPER | | | |

| Item# | Part | Description | H 3 4 0 | V I P 4 0 | N O T E S |
|-------|----------|---|------------------|-----------------------|-----------------------|
| | 800283 | WIPER ARM ASSY 33" C/C / W/PLASTIC LINK ("H" MODEL) | 2 | 2 | |
| 2 | 800310 | . WIPER ARM / MAIN 33" C/C | 1 | 1 | |
| 3 | 800312 | . . SPRING EXTENSION / .528 O.D. x 5.41 x .118 | 1 | 1 | |
| 4 | 300292 | . . HOSE #2 54" | AR | AR | |
| 4 | 300106 | . . HOSE #2 30" | 1 | 1 | |
| 4 | 300250 | . . HOSE #2 33" | 1 | 1 | |
| 4 | 300107 | . . HOSE #2 42" | 1 | 1 | |
| 4 | 300269 | . . HOSE #2 50' | 1 | 1 | |
| 4 | 800227 | . . HOSE WINDSHIELD WASHER WIPER ARM 100 FT | 1 | 1 | |
| 4 | 503696 | . . HOSE 1/8" I.D | 1 | 1 | A |
| 5 | 10539188 | . . SCREW CAP HEX 1/4-28x1 G8 BK | 1 | 1 | |
| 6 | 800313 | . WIPER ARM / IDLER 33" C/C | 1 | 1 | |
| 7 | 800318 | . NOZZLE, WINDSHIELD WASHER | 1 | 1 | |
| 8 | 800308 | . LINK ASSY | 1 | 1 | |
| 9 | 800243 | . SCREW SHR CAP HEX 1/4x33/64{10-32 | 2 | 2 | |
| 10 | 500423 | . NUT HEX NYRT #10-32 SS | 2 | 2 | |
| 11 | 800309 | . SCREW #10-32x.390 SS | 1 | 1 | |
| 12 | 500423 | . NUT HEX NYRT #10-32 SS | 1 | 1 | |
| 13 | 800284 | WIPER BLADE ASSY 22" | 1 | 1 | |
| . NS | 800383 | . RUBBER BLADE REFILL / (ONLY) WIPER REFILL 22" | 1 | 1 | |
| NS | 191104 | WIPER BLADE ASSY 22" ALTERNATIVE PART | 1 | 1 | |
| . NS | 800316 | . RUBBER BLADE REFILL / (ONLY) WIPER REFILL 22" | 1 | 1 | |
| . NS | 800180 | . CLIP / RETAINER END | 2 | 2 | |
| 14 | 800266 | ADAPTOR ASSY 90 DEG / #2 TO #2 WET ARM | 2 | 2 | B |
| 14 | 800321 | ADAPTOR ASSY 90 DEG / #3 TO #2 WET ARM | 2 | 2 | |
| 15 | 800317 | . ADAPTOR HOSE #2 (ALUMINUM) | 1 | 1 | |
| 20 | 800319 | NOZZLE, WINDSHIELD WASHER ASSY / FIX ON BODY | 2 | 2 | |
| 21 | 800323 | . JET | 1 | 1 | |
| 22 | 500699 | . NUT HEX 5/16-24 Z050 | 1 | 1 | |
| 31 | 300469 | ADAPTOR HOSE #3 / WET ARM M8-1.25 x 44MM | 2 | 2 | A |
| 32 | 5001188 | NUT HEX M8-1.25 SS | 2 | 2 | A |
| 33 | 502820 | WASHER FL .187x1.000x.125 RUB BK | 2 | 2 | |
| 40 | 300474 | . NOZZLE, WINDSHIELD WASHER / "BOSCH" / MODIFIED | 2 | 2 | A |
| 40 | 800330 | . . NOZZLE, WINDSHIELD WASHER / "BOSCH" | 1 | 1 | A |
| 41 | 300473 | . CLIP RETAINER / NOZZLE W/W "BOSCH" | 1 | 1 | A |
| 42 | 300487 | . SUPPORT NOZZLE ASSY | 1 | 1 | A |
| 43 | 504529 | . GROMMET / .250x.375x.062x.281x.625 | 1 | 1 | A |
| 44 | 800330 | NOZZLE, WINDSHIELD WASHER / "BOSCH" | 1 | 1 | |
| | | | | | |
| | | | | | |
| | | | | | |
| | | A) THIS COMPONENTS ARE REQUIRE FOR USE "BOSCH" NOZZLE | | | |

| | | | |
|---------------------|--|--------------|-----------------|
| From L-031 To R-079 | | Date:10/2022 | PAGE:H4-2305-00 |
|---------------------|--|--------------|-----------------|

LOWER WINDSHIELD WIPER

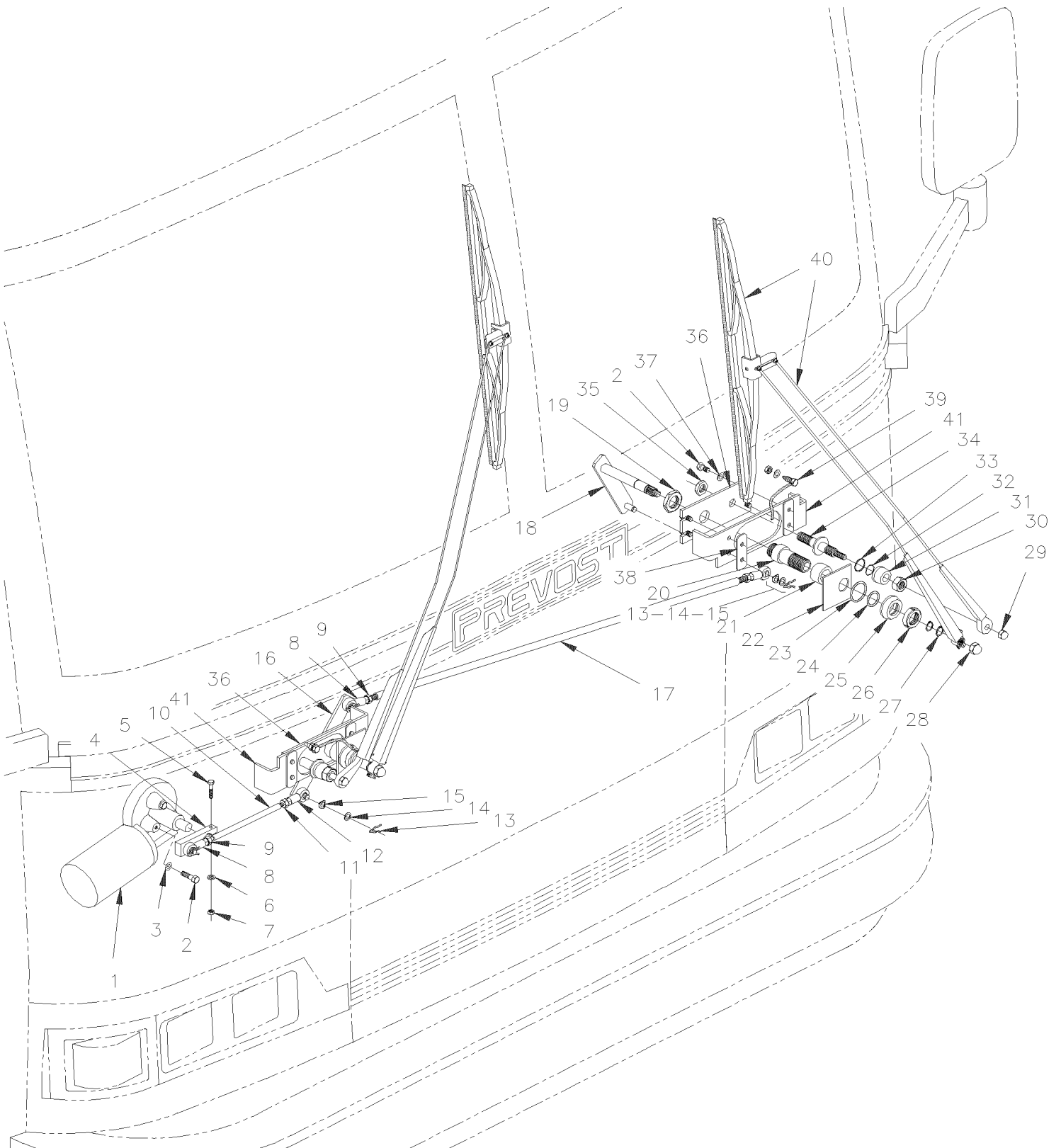
| Item# | Part | Description | H 3 4 0 | V I P 4 0 | N O T E S |
|-------|------|---|------------------|-----------------------|-----------------------|
| | | B) FOR PRODUCT IMPROVMENT, YOU REQUIRE ONE KIT # 300316 | | | |

From L-031 To R-079

Date:10/2022

PAGE:H4-2305-05

LOWER WINDSHIELD WIPER - INSTALLATION



| | | |
|--|--------------|-----------------|
| From L-031 To R-079 | Date:10/2022 | PAGE:H4-2305-05 |
| LOWER WINDSHIELD WIPER - INSTALLATION | | |

| Item# | Part | Description | H 3 4 0 | V I P 4 0 | N O T E S |
|-------|---------|---|------------------|-----------------------|-----------------------|
| 1 | 800287 | MOTOR WIPER ASSY / 24V To L-043 | 1 | 1 | |
| 1 | 800304 | MOTOR WIPER ASSY / 24V / NIDEC From L-044 | 1 | 1 | C |
| 2 | 500544 | SCREW CAP HEX M8-1.25x30 G8.8 Z050 | 3 | 3 | |
| 3 | 502507 | WASHER LO SPT 8.1x14.8x2.0 Z050 | 3 | 3 | |
| 4 | 300109 | LEVER / MOTOR To L-043 | 1 | 1 | |
| 4 | 300184 | LEVER / MOTOR From L-044 | 1 | 1 | |
| 5 | 502533 | SCREW CAP HEX M6-1.0x30 G8.8 Z050 | 1 | 1 | |
| 6 | 502564 | WASHER LO SPT 6.1x11.8x1.6 Z050 | 1 | 1 | |
| 7 | 502565 | NUT HEX M6-1.0 SS | 1 | 1 | |
| 8 | 502174 | ROD END MALE 3/8-24 / 3/8 I.D. | 3 | 3 | |
| 9 | 500956 | NUT HEX JAM 3/8-24 Z050 | 3 | 3 | |
| 10 | 309056 | ARM ASSY W/BEARING To L-043 | 1 | 1 | A |
| 10 | 300204 | ROD W/RH THREAD From L-044 To M-111 | 1 | 1 | |
| 10 | 300253 | ROD, W/R.H. & L.H. THREAD From M-112 | 1 | 1 | |
| 11 | 5001039 | NUT HEX JAM LH 3/8-24 Z050 | 1 | 1 | |
| 12 | 502186 | ROD END MALE L.H. 3/8-24-L.H./ 3/8 I.D. | 1 | 1 | |
| 13 | 504477 | RING RETAINER / EXT 14.0 X 13.4 X 1.0MM To L-043 | 1 | 1 | A |
| 13 | 502185 | PIN HAIR CUTTER .062 X 9/32 From L-044 | 4 | 4 | |
| 14 | 500905 | WASHER SPR WAVE .750x.015 | 4 | 4 | |
| 15 | 5001011 | WASHER FL .406x.625x.040 Z050 | 4 | 4 | |
| 16 | 300156 | LEVER RIGHT PIVOT To L-043 | 1 | 1 | |
| 16 | 300186 | LEVER RIGHT PIVOT From L-044 | 1 | 1 | |
| 17 | 309026 | ROD, L.H. / L.H. WIPER | 1 | 1 | |
| 18 | 300155 | LEVER LEFT PIVOT To L-043 | 1 | 1 | |
| 18 | 300192 | LEVER LEFT PIVOT From L-044 | 1 | 1 | |
| NS | 680739 | GREASE SYNTHETIC / RED 20KG | AR | AR | |
| 19 | 502821 | NUT HEX JAM 1 1/8-18 Z050 | 1 | 1 | |
| 20 | 300198 | TUBE ASSY From L-044 | 2 | 2 | |
| 20 | 300197 | . MAIN WIPER ARM THREADED TUBE From L-044 | 1 | 1 | |
| NS | 800125 | . BUSHING 5/8" I.D. X 7/8" O.D. X 5/8" L From L-044 | 2 | 2 | |
| NS | 800276 | . V-RING From L-044 | 1 | 1 | |
| 21 | 300302 | SPACER 38MM O.D.x 30MM I.D. x 12.5MM | 2 | 2 | |
| 22 | 300199 | PLATE | 2 | 2 | |
| 23 | 507321 | O-RING 1 5/8" I.D. X 1/8" From M-154 | 2 | 2 | |
| 24 | 507320 | O-RING 1 1/8" I.D. X 1/8" From M-154 | 2 | 2 | |
| 25 | 300062 | SPACER To M-153 | 1 | 1 | |
| 25 | 300271 | SPACER From M-154 | 2 | 2 | |
| 26 | 800064 | NUT SPANNER 1 1/8-18 / PLASTIC | 2 | 2 | |
| 27 | 504512 | RING RETAINER / EXT .625 x .588 x .037" / SS | 2 | 2 | |
| 28 | 800062 | NUT HEX CAP 3/8-24 BK | 2 | 2 | |
| 29 | 800078 | NUT HEX CAP 1/4-28 BK | 2 | 2 | |
| 30 | 800079 | NUT HEX 5/8-18 BK | 2 | 2 | |

| | | |
|--|--------------|-----------------|
| From L-031 To R-079 | Date:10/2022 | PAGE:H4-2305-05 |
| LOWER WINDSHIELD WIPER - INSTALLATION | | |

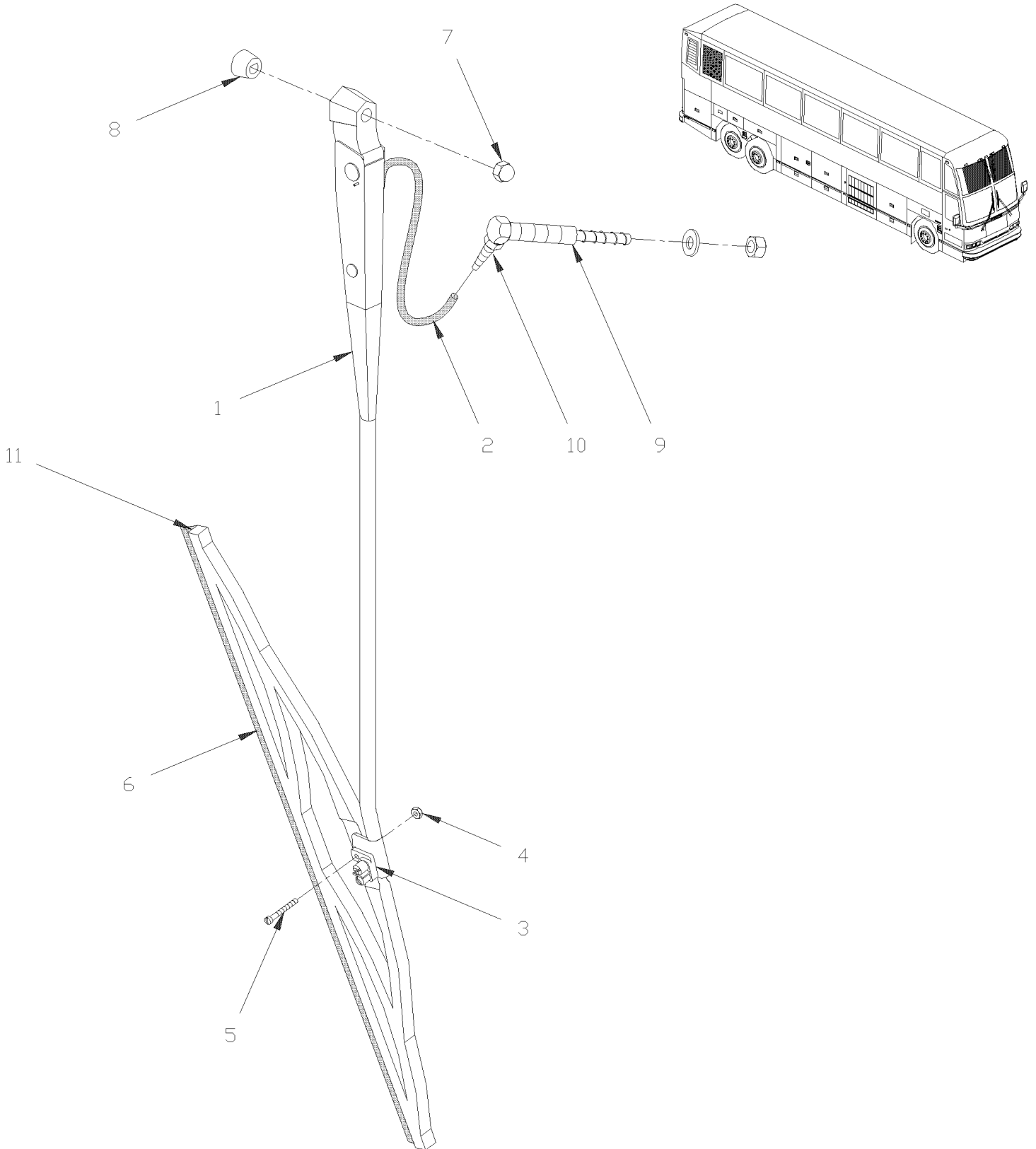
| Item# | Part | Description | H 3 4 0 | V I P 4 0 | N O T E S |
|-------|-------------------|---|------------------|-----------------------|-----------------------|
| 31 | 300061 | SPACER To N-204 | 2 | 2 | |
| 31 | 300279 | SPACER From N-205 | 2 | 2 | |
| 31 | 300301 | SPACER | 2 | 2 | B |
| 32 | 507318 | O-RING 5/8" I.D. X 1/16" From N-205 | 2 | 2 | |
| 33 | 507303 | O-RING 1/2" I.D. FLAT FACE From N-205 | 2 | 2 | |
| 34 | 300202 | SECONDARY SHAFT ASSY | 1 | 1 | |
| 34 | 300274 | SECONDARY SHAFT IDLE ARM | 1 | 1 | |
| 35 | 502822 | NUT HEX JAM THN 5/8-18x3/16 Z050 | 1 | 1 | |
| 36 | 300169 | BASE ASSY LH To L-043 | 1 | 1 | A |
| 36 | 300168 | BASE ASSY RH To L-043 | 1 | 1 | A |
| 36 | 300208 | PLATE, MOUNTING From L-044 | 2 | 2 | |
| 37 | 502583 | WASHER LO SERR 8.15x22.3x1.0 Z050 | 8 | 8 | |
| 38 | 300206 | PLATE, THREADED | 4 | 4 | |
| 39 | H4-2305-00 | LOWER WINDSHIELD WIPER | | | |
| 40 | H4-2305-00 | LOWER WINDSHIELD WIPER | | | |
| 41 | 250742 | SUPPORT, WIPER PIVOT L.H. / (WELDED AT STRUCTURE) | 1 | 1 | |
| 41 | 250741 | SUPPORT, WIPER PIVOT R.H. / (WELDED AT STRUCTURE) | 1 | 1 | |
| NS | 300506 | KIT, MOTOR WIPER BOSCH | AR | AR | |
| . NS | IS-00151A | . SEE INSTRUCTION SHEET | 1 | 1 | |
| | | | | | |
| | | | | | |
| | | | | | |
| | | A) FOR THOSE PARTS UP TO L-043 PARTS ARE DIFFERENT THAN ILLUSTRATED | | | |
| | | B) SERVICE | | | |
| | | C) THIS MOTOR IS SUPERSEDED BY KIT #300506 | | | |

From L-031 To R-079

Date:10/2022

PAGE:H4-2305-10

UPPER WINDSHIELD WIPER



| | | |
|-------------------------------|--------------|-----------------|
| From L-031 To R-079 | Date:10/2022 | PAGE:H4-2305-10 |
| UPPER WINDSHIELD WIPER | | |

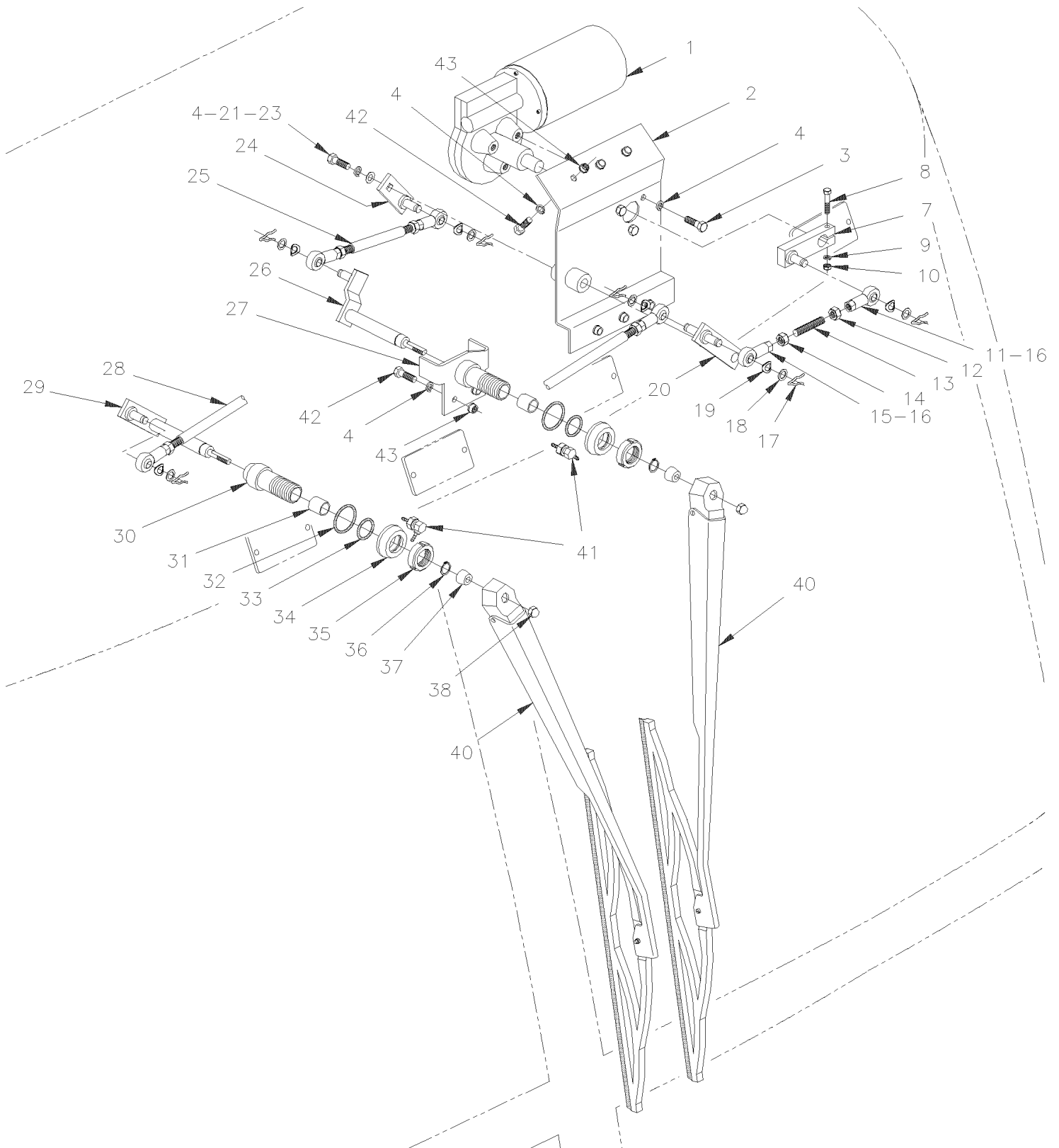
| Item# | Part | Description | H 3 4 0 | V I P 4 0 | N O T E S |
|-------|--------|--|------------------|-----------------------|-----------------------|
| 1 | 800278 | ARM WIPER, R.H. UPPER | 1 | 1 | |
| 1 | 800279 | ARM WIPER, L.H. UPPER | 1 | 1 | |
| 2 | 300292 | . HOSE #2 54" | AR | AR | A |
| 3 | 800280 | . NOZZLE, WINDSHIELD WASHER / R.H. | 1 | 1 | |
| 3 | 800281 | . NOZZLE, WINDSHIELD WASHER / L.H. | 1 | 1 | |
| 4 | 500425 | . NUT HEX NYRT #4-40 SS | 1 | 1 | |
| 5 | 800244 | . SCREW #4-40 / SADDLE LINK | 1 | 1 | |
| 6 | 800234 | BLADE ASSY, WIPER 20" | 1 | 1 | |
| 6 | 800315 | . RUBBER BLADE REFILL | 1 | 1 | |
| 6 | 800180 | . CLIP / RETAINER END | 1 | 1 | |
| 7 | 800062 | NUT HEX CAP 3/8-24 BK | 1 | 1 | |
| 8 | 800282 | ADAPTOR, DRIVE KNURLED | 1 | 1 | |
| 9 | 800266 | ADAPTOR ASSY 90 DEG / #2 TO #2 WET ARM | 1 | 1 | B |
| 9 | 800321 | ADAPTOR ASSY 90 DEG / #3 TO #2 WET ARM | 1 | 1 | |
| 10 | 800317 | . ADAPTOR HOSE #2 (ALUMINUM) | 1 | 1 | |
| | | | | | |
| NS | 300106 | HOSE #2 30" | AR | AR | |
| NS | 300250 | HOSE #2 33" | AR | AR | |
| NS | 300107 | HOSE #2 42" | AR | AR | |
| NS | 300269 | HOSE #2 50' | AR | AR | |
| NS | 800227 | HOSE WINDSHIELD WASHER WIPER ARM 100 FT | AR | AR | |
| | | | | | |
| | | | | | |
| | | A) SEE AT THE END OF DESCRIPTION PAGE ALL LENGHT AVAILABLE | | | |
| | | B) FOR PRODUCT IMPROVMENT YOU REQUIRE ONE KIT #300316 | | | |

From L-031 To R-079

Date:10/2022

PAGE:H4-2305-15

UPPER WINDSHIELD WIPER - INSTALLATION



| | | |
|--|--------------|-----------------|
| From L-031 To R-079 | Date:10/2022 | PAGE:H4-2305-15 |
| UPPER WINDSHIELD WIPER - INSTALLATION | | |

| Item# | Part | Description | H 3 4 0 | V I P 4 0 | N O T E S |
|-------|---------|---|------------------|-----------------------|-----------------------|
| 1 | 800287 | MOTOR WIPER ASSY / 24V To L-043 | 1 | 1 | |
| 1 | 800304 | MOTOR WIPER ASSY / 24V / NIDEC From L-044 | 1 | 1 | C |
| 2 | 300121 | SUPPORT To L-043 | 1 | 1 | |
| 2 | 300227 | SUPPORT From L-044 | 1 | 1 | |
| NS | 800274 | BUSHING FLANGE 5/8" I.D. X 7/8" O.D. X 3/4" L | 1 | 1 | |
| 3 | 500544 | SCREW CAP HEX M8-1.25x30 G8.8 Z050 | 3 | 3 | |
| 4 | 502507 | WASHER LO SPT 8.1x14.8x2.0 Z050 | 4 | 4 | |
| 7 | 300109 | LEVER / MOTOR To L-043 | 1 | 1 | |
| 7 | 300184 | LEVER / MOTOR From L-044 | 1 | 1 | |
| 8 | 502651 | SCREW CAP HEX M8-1.25x35 G8.8 Z050 To L-043 | 1 | 1 | |
| 8 | 502533 | SCREW CAP HEX M6-1.0x30 G8.8 Z050 From L-044 | 1 | 1 | |
| 9 | 500874 | WASHER FL 8.4x17.0x1.6 Z050 To L-043 | 1 | 1 | |
| 9 | 502564 | WASHER LO SPT 6.1x11.8x1.6 Z050 From L-044 | 1 | 1 | |
| 10 | 502543 | NUT HEX M8-1.25 Z050 To L-043 | 1 | 1 | |
| 10 | 502565 | NUT HEX M6-1.0 SS From L-044 | 1 | 1 | |
| 11 | 502174 | ROD END MALE 3/8-24 / 3/8 I.D. | 2 | 2 | |
| 12 | 500956 | NUT HEX JAM 3/8-24 Z050 | 2 | 2 | |
| 13 | 300124 | ROD ASSY W/BEARING To L-043 | 1 | 1 | A |
| 13 | 300229 | ROD THREADED / W/3/8-24 RH THREAD BOTH END 54MM From L-044 To M-111 | 1 | 1 | B |
| 13 | 300248 | ROD THREADED / W/3/8-24 LH & RH THREAD 54MM From M-112 | 1 | 1 | |
| 14 | 5001039 | NUT HEX JAM LH 3/8-24 Z050 | 2 | 2 | |
| 15 | 502186 | ROD END MALE L.H. 3/8-24-L.H./ 3/8 I.D. | 2 | 2 | |
| 16 | 680739 | GREASE SYNTHETIC / RED 20KG | AR | AR | |
| 17 | 502185 | PIN HAIR CUTTER .062 X 9/32 | 3 | 3 | A |
| 17 | 504477 | RING RETAINER / EXT 14.0 X 13.4 X 1.0MM | 3 | 3 | |
| 18 | 5001011 | WASHER FL .406x.625x.040 Z050 | 3 | 3 | |
| 19 | 500905 | WASHER SPR WAVE .750x.015 | 3 | 3 | |
| 20 | 300126 | INVERTION PIVOT To L-043 | 1 | 1 | A |
| 20 | 300236 | INVERTION PIVOT From L-044 | 1 | 1 | |
| 21 | 502780 | SCREW CAP HEX M8-1.25x25 SS BK | 1 | 1 | |
| 23 | 5001045 | WASHER BEL SPR .331x.827x.098 Z050 | 1 | 1 | |
| 24 | 300232 | LEVER ASSY | 1 | 1 | |
| 25 | 300132 | ROD THREADED / W/3/8-24 RH THREAD BOTH END 173MM To M-111 | 1 | 1 | B |
| 25 | 300257 | ROD THREADED / W/3/8-24 LH & RH THREAD 173MM From M-112 | 1 | 1 | |
| 26 | 300148 | LEFT PIVOT To L-043 | 1 | 1 | |
| 26 | 300238 | LEFT PIVOT From L-044 | 1 | 1 | |
| 27 | 300260 | MAIN WIPER ARM THREADED TUBE STREETSIDE | 1 | 1 | |
| 28 | 300255 | ROD THREADED / W/3/8-24 LH & RH THREAD 555MM | 1 | 1 | |
| 29 | 300149 | RIGHT PIVOT To L-043 | 1 | 1 | |
| 29 | 300240 | RIGHT PIVOT From L-044 | 1 | 1 | |
| 30 | 300139 | MAIN WIPER ARM THREADED TUBE | 1 | 1 | |
| 31 | 800125 | BUSHING 5/8" I.D. X 7/8" O.D. X 5/8" L | 1 | 1 | |

| | | |
|---------------------|--------------|-----------------|
| From L-031 To R-079 | Date:10/2022 | PAGE:H4-2305-15 |
|---------------------|--------------|-----------------|

UPPER WINDSHIELD WIPER - INSTALLATION

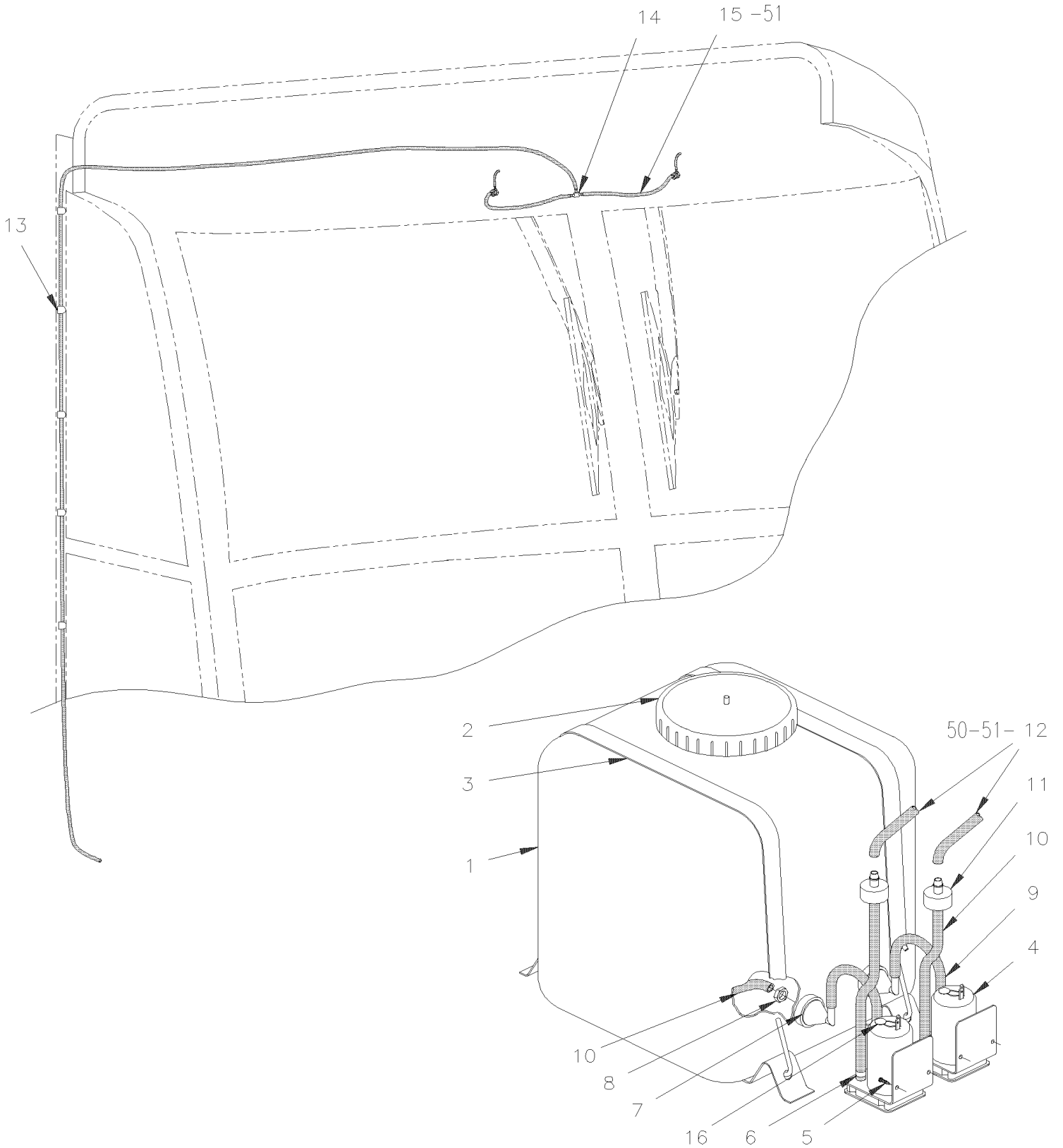
| Item# | Part | Description | H 3 4 0 | V I P 4 0 | N O T E S |
|-------|-------------------|--|------------------|-----------------------|-----------------------|
| NS | 800274 | BUSHING FLANGE 5/8" I.D. X 7/8" O.D. X 3/4" L | 1 | 1 | |
| NS | 800276 | V-RING | 1 | 1 | |
| NS | 680100 | THREAD LOCKER LOCTITE #271 / RED / 250ml | AR | AR | |
| 32 | 507321 | O-RING 1 5/8" I.D. X 1/8" | 2 | 2 | |
| 33 | 507320 | O-RING 1 1/8" I.D. X 1/8" | 2 | 2 | |
| 34 | 300271 | SPACER | 2 | 2 | |
| 35 | 800064 | NUT SPANNER 1 1/8-18 / PLASTIC | 2 | 2 | |
| 36 | 504512 | RING RETAINER / EXT .625 x .588 x .037" / SS | 1 | 1 | |
| 37 | 800282 | ADAPTOR, DRIVE KNURLED | 2 | 2 | |
| 38 | 800062 | NUT HEX CAP 3/8-24 BK | 2 | 2 | |
| 40 | H4-2305-10 | UPPER WINDSHIELD WIPER | | | |
| 41 | H4-2305-10 | UPPER WINDSHIELD WIPER | | | |
| 42 | 500181 | SCREW CAP HEX 5/16-18x1 G5 Z050 | 8 | 8 | |
| 43 | 500277 | RIVET NUT FL KNURLED OKS 5/16-18 .150-.312 | 8 | 8 | |
| NS | 300506 | KIT, MOTOR WIPER BOSCH | AR | AR | |
| . NS | IS-00151A | . SEE INSTRUCTION SHEET | 1 | 1 | |
| | | | | | |
| | | | | | |
| | | | | | |
| | | | | | |
| | | A) FOR THOSE PARTS PRIOR L-044 PARTS ARE DIFFERNT THAN ILLUSTRATED | | | |
| | | B) FROM L-044 TO M-112 WE USE ROD WITH 2ROD END WITH RH THREAD | | | |
| | | C) THIS MOTOR IS SUPERSEDED BY KIT #300506 | | | |

From L-031 To R-079

Date:10/2022

PAGE:H4-2305-20

WINDSHIELD WASHER - INSTALLATION



| | | |
|---|--------------|-----------------|
| From L-031 To R-079 | Date:10/2022 | PAGE:H4-2305-20 |
| WINDSHIELD WASHER - INSTALLATION | | |

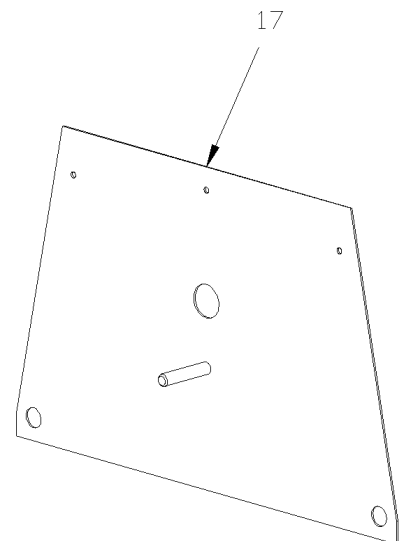
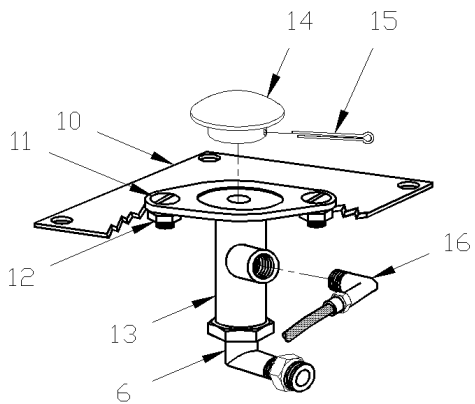
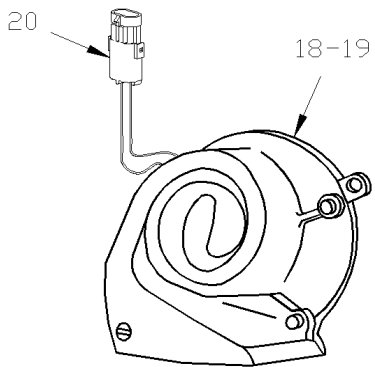
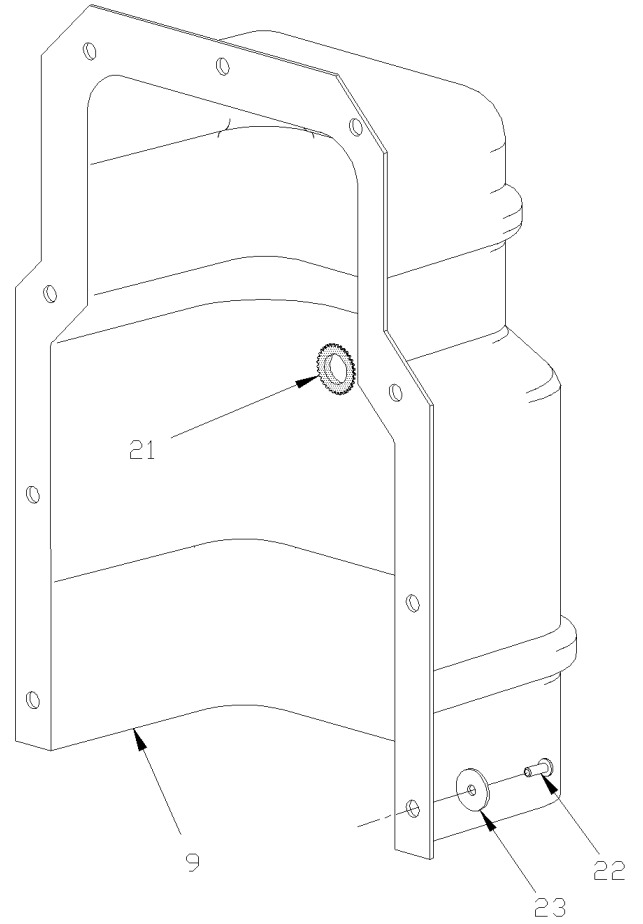
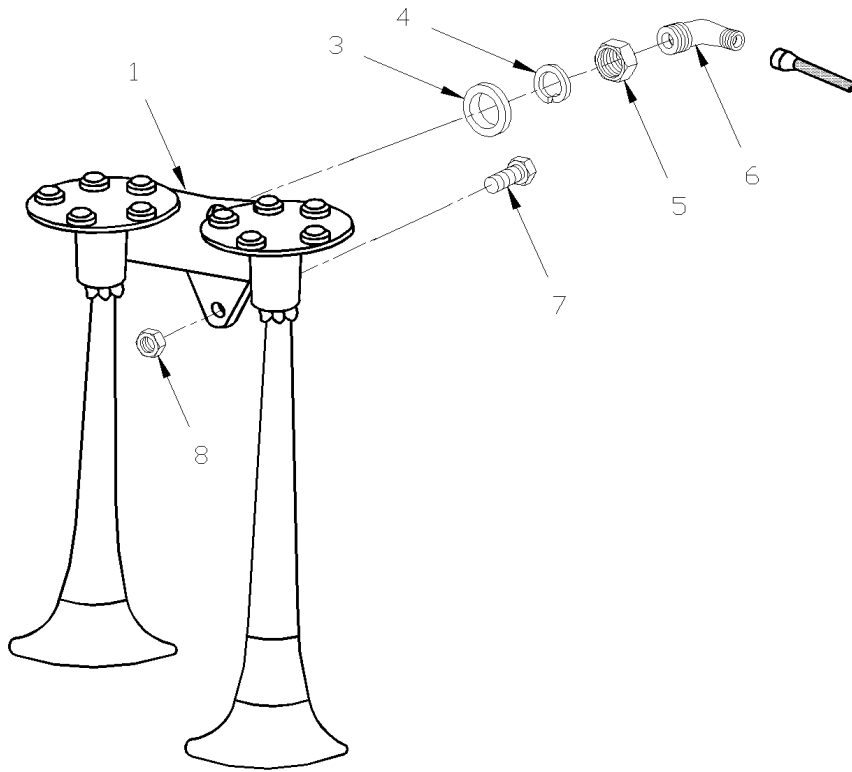
| Item# | Part | Description | H 3 4 0 | V I P 4 0 | N O T E S |
|-------|-------------------|--|------------------|-----------------------|-----------------------|
| 1 | 800285 | TANK, WINDSHIELD WASHER | 1 | 1 | |
| 2 | 800286 | COVER ASSY W/PLUG | 1 | 1 | |
| 3 | 504483 | TIE RUBBER BELT, W/HOOK 23" | 2 | 2 | |
| 4 | 800314 | PUMP WINDSHIELD WASHER | 2 | 2 | |
| 5 | 500657 | SCREW TC TR PH #10-24x1/2 Z050 | 4 | 4 | |
| 6 | 504590 | CLAMP SPRING / 3/8 | 2 | 2 | |
| 7 | 800292 | ELBOW, MALE CONNECTOR | 2 | 2 | |
| 8 | 5001188 | NUT HEX M8-1.25 SS | 2 | 2 | |
| 9 | 300162 | HOSE #3 225MM | 2 | 2 | |
| 10 | 300161 | HOSE #3 150MM | 5 | 5 | |
| 11 | 800288 | VALVE, CHECK | 2 | 2 | |
| 12 | 503002 | HOSE / EPDM 5/32" I.D. / S.L. | AR | AR | |
| 13 | 504637 | CABLE TIE / 3/16" x 13" | 7 | 7 | |
| 14 | 800206 | UNION TEE / HOSE BARB FITTING / #2x#2x5/32 PLAS | 1 | 1 | B |
| 14 | 800322 | UNION TEE / HOSE BARB FITTING / 5/32x5/32x5/32 PLAS | 1 | 1 | |
| 15 | 800227 | HOSE WINDSHIELD WASHER WIPER ARM 100 FT | AR | AR | A |
| 16 | 064129 | RESISTANCE S14K30 | 2 | 2 | |
| | | | | | |
| NS | 300106 | HOSE #2 30" | AR | AR | |
| NS | 300250 | HOSE #2 33" | AR | AR | |
| NS | 300107 | HOSE #2 42" | AR | AR | |
| NS | 300292 | HOSE #2 54" | AR | AR | |
| NS | 300269 | HOSE #2 50' | AR | AR | |
| 50 | H4-2305-00 | LOWER WINDSHIELD WIPER | | | |
| 51 | H4-2305-10 | UPPER WINDSHIELD WIPER | | | |
| | | | | | |
| | | | | | |
| | | | | | |
| | | | | | |
| | | A) SEE AT END OF DESCRIPTION PAGE DIFFERENT LENGHT OFFER | | | |
| | | B) FOR PRODUCT IMPROVMENT YOU REQUIRE KIT #300316 | | | |

From L-031 To R-079

Date:10/2022

PAGE:H4-2310-00

HORN - INSTALLATION

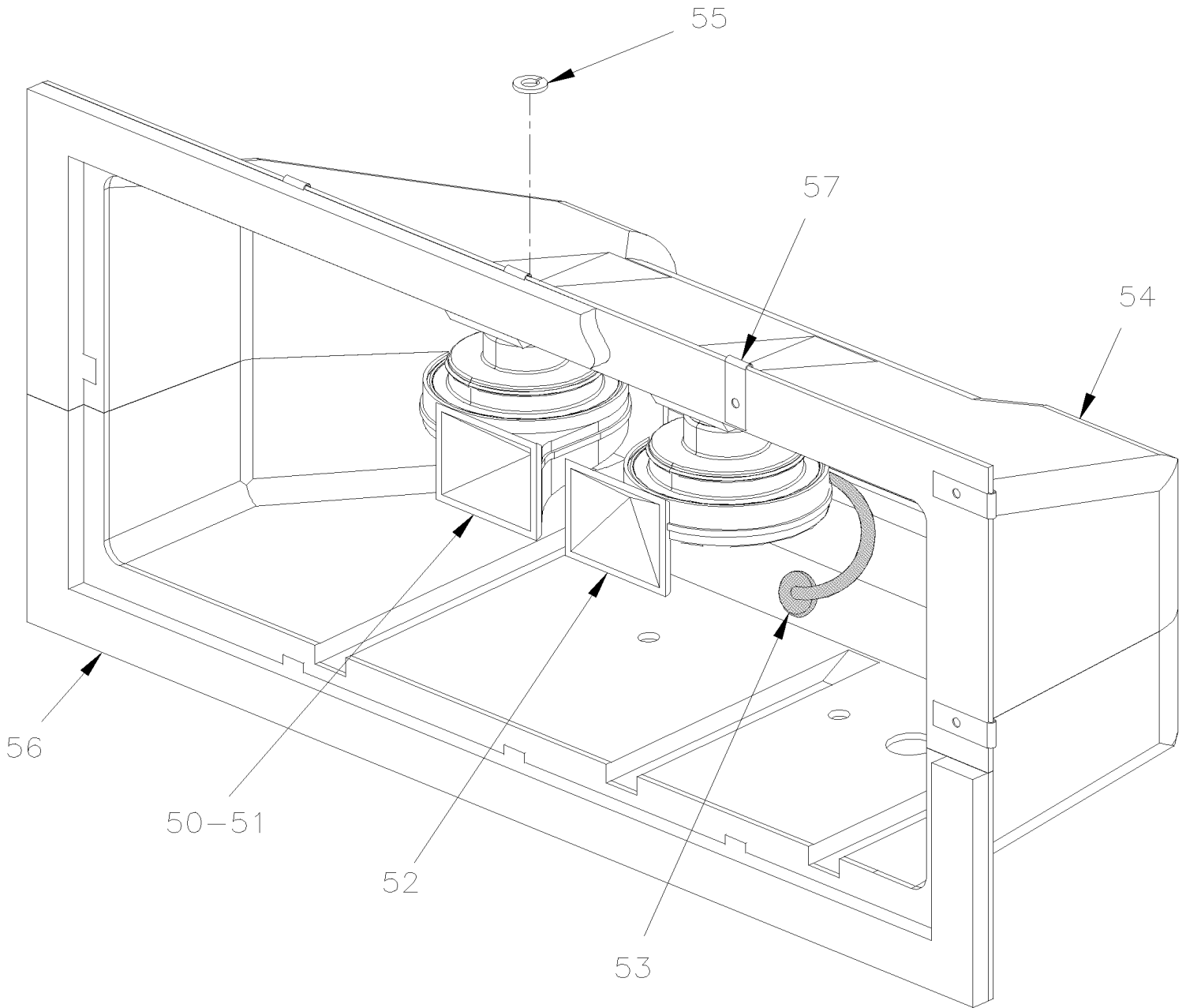


From L-031 To R-079

Date:10/2022

PAGE:H4-2310-00

HORN - INSTALLATION



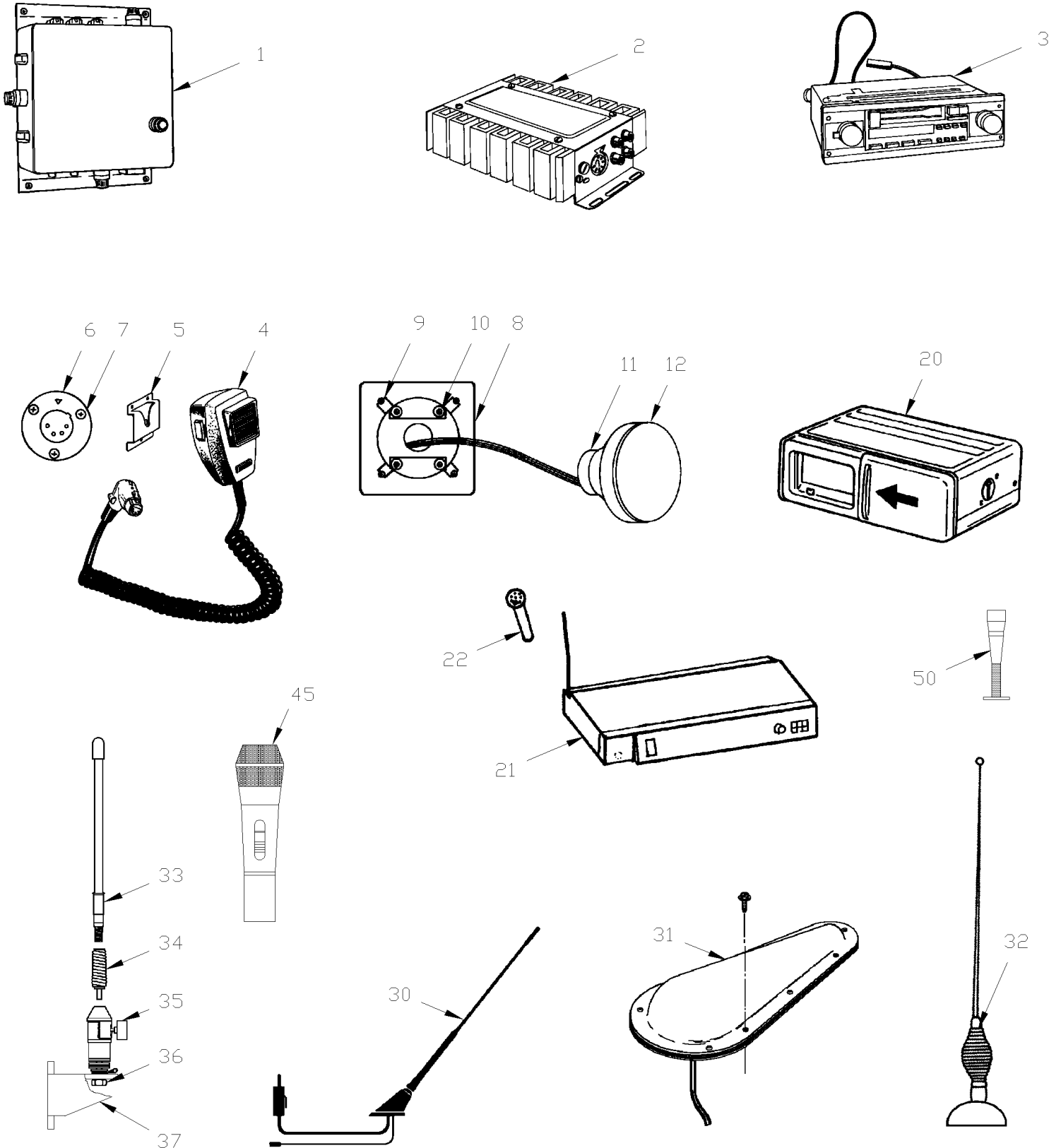
| | | |
|----------------------------|--------------|-----------------|
| From L-031 To R-079 | Date:10/2022 | PAGE:H4-2310-00 |
| HORN - INSTALLATION | | |

| Item# | Part | Description | H 3 4 0 | V I P 4 0 | N O T E S |
|-------|----------|---|------------------|-----------------------|-----------------------|
| 1 | 640093 | HORN AIR | 1 | 1 | |
| 3 | 500448 | WASHER FL .625x1.469x.109 ZP | 1 | 1 | |
| 4 | 500858 | WASHER LO INT .769x1.245x.055 Z050 | 1 | 1 | |
| 5 | 500730 | NUT HEX JAM THN 5/8-18x3/8 ZP | 1 | 1 | |
| 6 | 640996 | MALE ELBOW 90° / NTA FITTING / #4x1/8NPT-M BR | 2 | 2 | |
| 7 | 500025 | SCREW CAP HEX 5/16-24x1 G5 ZP | 1 | 1 | |
| 8 | 500699 | NUT HEX 5/16-24 Z050 | 1 | 1 | |
| 9 | 141279 | BOX, COVER / ELECTRICAL & AIR | 1 | 1 | |
| 10 | 141253 | PLATE / W/AUTOMATIC TRANSMISSION | 1 | 1 | |
| 10 | 140372 | PLATE / HORN VALVE | 1 | 1 | |
| 10 | 141454 | PLATE / W/O AIR HORN | | | |
| 11 | 500873 | SCREW MA RND PH #8-32x3/4 SS BK | 6 | 6 | |
| 12 | 500764 | NUT HEX #8-32 Z050 | 2 | 2 | |
| NS | 500470 | WASHER LO SPT .193x.334x.047 Z050 | 2 | 2 | |
| 13 | 640128 | VALVE HORN HV-3 | 1 | 1 | |
| 14 | N.S.S. | . BUTTON | 1 | 1 | 1 |
| 15 | 502097 | . PIN, COTTER 3/32 x 3/4 | 1 | 1 | |
| 16 | 640987 | . MALE CONNECTOR / NTA FITTING / #4x1/8NPT-M BR | 1 | 1 | |
| 17 | 141571 | PLATE SUPPORT HORN BOX | 1 | 1 | |
| 18 | 560379 | HORN, ELECTRIC / LOW "F" / 24 VOLTS / "DELCO" To M-169 | 1 | 1 | |
| 18 | 560380 | HORN, ELECTRIC / HIGH "A" / 24 VOLTS / "DELCO" To M-169 | 1 | 1 | |
| 18 | 065313 | HORN, KIT ELECTRIC / LOW / 24 VOLTS / "FIAM" To M-169 | 1 | 1 | S |
| . NS | IS-99152 | . SEE INSTRUCTION SHEET To M-169 | 1 | 1 | S |
| 18 | 563028 | . HORN, ELECTRIC / LOW 335HZ / 24V "FIAM" SERVICE To M-169 | 1 | 1 | S |
| 18 | 065314 | HORN, KIT ELECTRIC / HIGH / 24 VOLTS / "FIAM" To M-169 | 1 | 1 | S |
| . NS | IS-99152 | . SEE INSTRUCTION SHEET To M-169 | 1 | 1 | S |
| 18 | 563029 | . HORN, ELECTRIC / HIGH 400HZ / 24V "FIAM" SERVICE To M-169 | 1 | 1 | S |
| 18 | 562174 | HORN, ELECTRIC / LOW 360HZ / 12V From M-170 | 1 | 1 | |
| 18 | 562175 | HORN, ELECTRIC / HIGH 450HZ / 12V From M-170 | 1 | 1 | |
| 18 | 563015 | HORN, ELECTRIC / LOW 405HZ / 12V "FIAM" SERVICE | 1 | 1 | S |
| 18 | 563023 | HORN, ELECTRIC / HIGH 485HZ / 12V "FIAM" SERVICE | 1 | 1 | S |
| 19 | 560575 | . NUT HEX SPRING STEEL | 2 | 2 | |
| 20 | 062231 | HARNESS / HORN & CONNECTOR To M-169 | 1 | 1 | |
| 20 | 063205 | HARNESS / HORN & CONNECTOR From M-170 | 1 | 1 | |
| 21 | 504070 | GROMMET / .375x.625x.156x.406x1.000 | 1 | 1 | |
| 22 | 502868 | SCREW TC TR PH #10-16x1/2 N500 | 13 | 13 | |
| 23 | 500805 | WASHER FL .218x.875x.062 N500 | 13 | 13 | |
| 50 | 141473 | HORN ASSY W/BOX 24V / MTH & H3-40 V.I.P. To M-169 | | | 1 |
| 50 | 141539 | HORN ASSY W/BOX 12V / H3 V.I.P. From M-170 | | | 1 |
| 51 | 563028 | HORN, ELECTRIC / LOW 335HZ / 24V "FIAM" SERVICE To M-169 | | | 1 |
| 51 | 563015 | HORN, ELECTRIC / LOW 405HZ / 12V "FIAM" SERVICE From M-170 | | | 1 |
| 52 | 563029 | HORN, ELECTRIC / HIGH 400HZ / 24V "FIAM" SERVICE To M-169 | | | 1 |

| | | |
|----------------------------|--------------|-----------------|
| From L-031 To R-079 | Date:10/2022 | PAGE:H4-2310-00 |
| HORN - INSTALLATION | | |

| Item# | Part | Description | H 3 4 0 | V I P 4 0 | N O T E S |
|-------|--------|---|------------------|-----------------------|-----------------------|
| 52 | 563023 | HORN, ELECTRIC / HIGH 485HZ / 12V "FIAM" SERVICE From M-170 | | 1 | |
| 53 | 065287 | . CABLE HARNESS / ENGINE ACCESSORIES | | 1 | |
| 54 | 141161 | . BOX, PLASTIC / BLACK / ELECTRIC HORN | | 1 | |
| 55 | 500468 | . WASHER FL .281x1.250x.065 Z050 | | 2 | |
| NS | 500489 | . WASHER LO INT .894x1.410x.060 Z050 | | 2 | |
| 56 | 506282 | . TAPE RUB ADH1 CC POL 3/8" x 1" x 20' / GREY 2520 | | AR | |
| 57 | 500252 | . NUT SPR U #10-24 .156-.187 | | 10 | |
| | | | | | |
| | | | | | |
| | | S) USE IN SERVICE ONLY | | | |
| | | 1) NOT SOLD SEPARATELY | | | |

| | | |
|---------------------|--------------|-----------------|
| From L-031 To R-079 | Date:10/2022 | PAGE:H4-2315-00 |
| AUDIO SYSTEM | | |



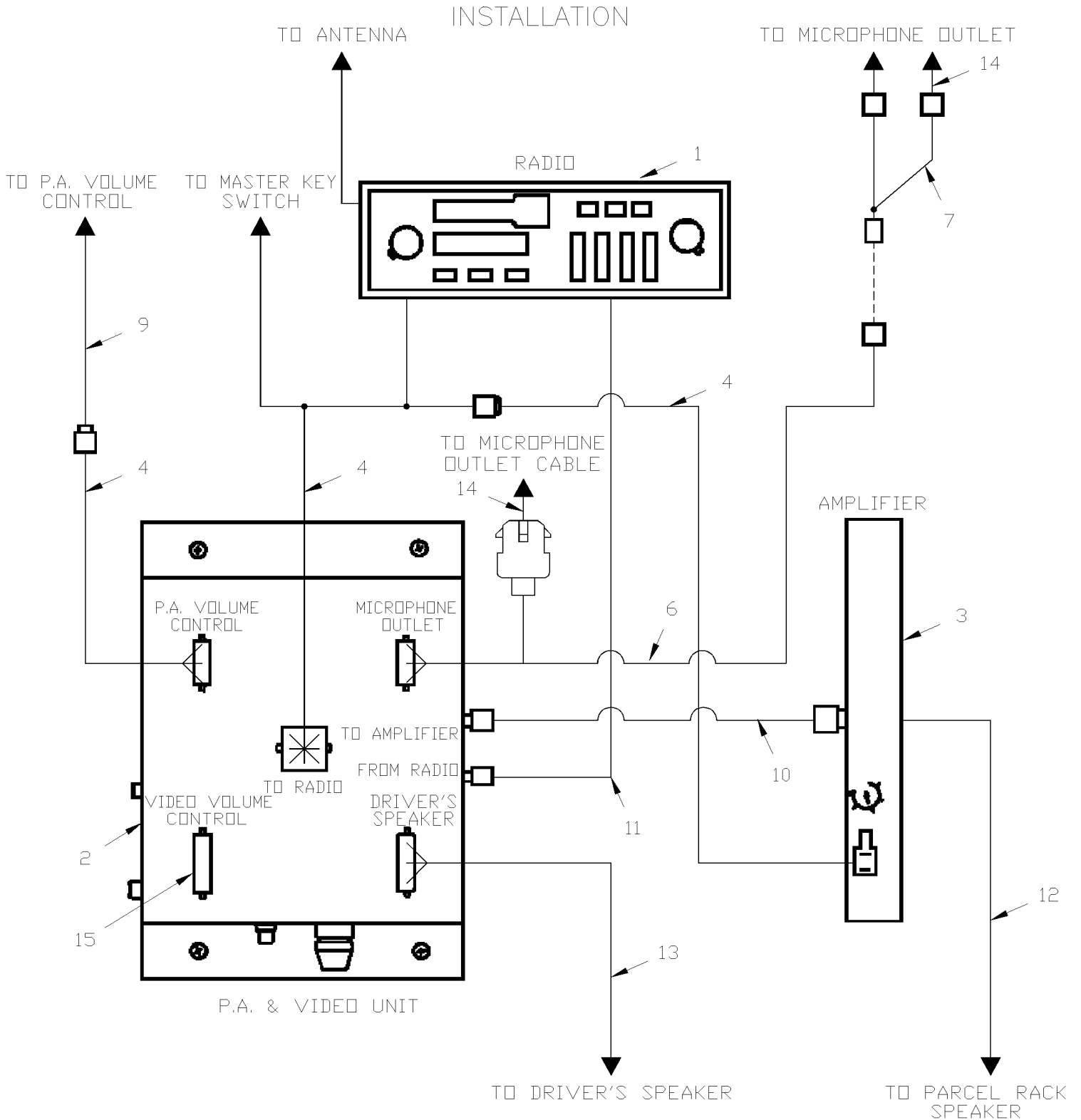
| | | |
|---------------------|--------------|-----------------|
| From L-031 To R-079 | Date:10/2022 | PAGE:H4-2315-00 |
| AUDIO SYSTEM | | |

| Item# | Part | Description | H 3 4 0 | V I P 4 0 | N O T E S |
|-------|------------|---|------------------|-----------------------|-----------------------|
| 1 | H4-2315-10 | SOUND SYSTEM - INSTALLATION | | | |
| 2 | H4-2315-10 | SOUND SYSTEM - INSTALLATION | | | |
| 3 | H4-2315-10 | SOUND SYSTEM - INSTALLATION | | | |
| 4 | 900290 | MICROPHONE / W/6' CORD / "MIDWEST" / TYPE C.B. | 1 | | |
| . NS | 900721 | . CONNECTOR MICROPHONE 90° / R4F | 1 | | |
| . NS | 900900 | . CABLE MICROPHONE 10' / "REI" | 1 | | |
| NS | 900366 | MICROPHONE / W/10' CORD / "MIDWEST" / TYPE C.B. | 1 | | |
| . NS | 900721 | . CONNECTOR MICROPHONE 90° / R4F | 1 | | |
| . NS | 900900 | . CABLE MICROPHONE 10' / "REI" | 1 | | |
| 5 | 900437 | BRACKET, MOUNTING / MICROPHONE | 1 | | |
| NS | 900501 | BRACKET, MOUNTING / MICROPHONE | 1 | | |
| NS | 900859 | BRACKET, MOUNTING / MICROPHONE | 1 | | |
| 6 | 402371 | OUTLET, MICROPHONE | AR | | |
| 6 | 900247 | . OUTLET / MICROPHONE | 1 | | |
| 7 | 504107 | RIVET POP DOME OE 1/8x5/16 AL | 3 | | |
| 8 | 322655 | SUPPORT / DRIVER'S SPEAKER To L-043 | 1 | | |
| NS | 403205 | SUPPORT / DRIVER'S SPEAKER From L-044 | 1 | | |
| 8 | 063336 | CABLE ASSY / DRIVER'S SPEAKER | 1 | | |
| 9 | 502811 | NUT SPR J #8A-B .168-.198 | AR | | |
| 10 | 500643 | SCREW TP PAN PH #12x3/4 Z050 | AR | | |
| 11 | 900502 | SPEAKER To L-043 | AR | | |
| NS | 900609 | SPEAKER From L-044 To P-272 | AR | | |
| NS | 900673 | SPEAKER From P-273 | AR | | |
| NS | 403960 | SPACER ADAPTOR / PLASTIC BLACK From P-273 | AR | | |
| 12 | 900503 | GRILLE / SPEAKER To L-043 | AR | | |
| NS | 900608 | GRILLE / SPEAKER From L-044 To P-272 | AR | | |
| NS | 900669 | GRILLE / SPEAKER From P-273 | AR | | |
| 20 | 900885 | CD CHARGER / 6 DISCS / "BLAUPUNKT" CDC-RF6/ SERVICE | 1 | | |
| 20 | 900732 | CD CHARGER / 10 DISCS / "BLAUPUNKT" CDC M5 | 1 | | |
| 20 | 900797 | CD CHARGER / 10 DISCS / "BLAUPUNKT" CDC M7 | 1 | | |
| 21 | 900723 | RECEIVER, WIRELESS MICROPHONE 171.90 MHZ | 1 | | |
| 21 | 900725 | RECEIVER, WIRELESS MICROPHONE 185.15 MHZ | 1 | | |
| 21 | 900727 | RECEIVER, WIRELESS MICROPHONE 209.15 MHZ | 1 | | |
| 21 | 900729 | RECEIVER, WIRELESS MICROPHONE 215.20 MHZ | 1 | | |
| 22 | 900722 | MICROPHONE, WIRELESS 171.90 MHZ | 1 | | |
| 22 | 900724 | MICROPHONE, WIRELESS 185.15 MHZ | 1 | | |
| 22 | 900726 | MICROPHONE, WIRELESS 209.15 MHZ | 1 | | |
| 22 | 900728 | MICROPHONE, WIRELESS 215.20 MHZ | 1 | | |
| NS | 900712 | SUPPORT MICROPHONE | 1 | | |
| NS | 900776 | NOISE SUPPRESSOR FILTER 12 AMPS / "MAGNADYNE" | 1 | | |
| NS | 403887 | CABLE ASSY / RECEIVER & P/A | 1 | | |
| 30 | 900661 | ANTENNA, RADIO / W/AMPLIFIER From N-183 | 1 | | |

| | | |
|---------------------|--------------|-----------------|
| From L-031 To R-079 | Date:10/2022 | PAGE:H4-2315-00 |
| AUDIO SYSTEM | | |

| Item# | Part | Description | H 3 4 0 | V I P 4 0 | N O T E S |
|--------|----------|--|------------------|-----------------------|-----------------------|
| . NS | 901068 | . ANTENNA STICK / REPLACEMENT From N-183 | 1 | | |
| NS | 900663 | ADAPTOR / RADIO & ANTENNA CABLE / MOTOROLA MALE to EURO FEMA | 1 | | |
| 30 | 404698 | KIT ANTENNA REPLACEMENT | AR | | |
| . NS | 900661 | . ANTENNA, RADIO / W/AMPLIFIER | 1 | | |
| . . NS | 901068 | . . ANTENNA STICK / REPLACEMENT | 1 | | |
| . NS | IS-97051 | . SEE INSTRUCTION SHEET | 1 | | |
| 31 | 900668 | ANTENNA ASSY / CELLULAR / "TEARDROP" | 1 | | |
| 32 | 900547 | ANTENNA, RADIO To N-182 | 1 | | |
| NS | 900546 | CABLE, ANTENNA EXTENSION / 13' 2" To N-182 | 1 | | |
| NS | 502633 | SCREW MA PAN SLT M6-1.0x40 | 1 | | |
| NS | 403552 | PLATE, GROUND / FRONT CAP & STRUCTURE | 1 | | |
| 33 | 900472 | ANTENNA ASSY / C.B. / 25" | 1 | | |
| 34 | 900469 | SPRING EXTENSION / .828 O.D. x 3.010 X .104 W/3/8 | 1 | | |
| 35 | 900471 | BRACKET, MOUNTING | 1 | | |
| NS | 404109 | BRACKET, MOUNTING | AR | | |
| 36 | 900470 | CABLE COAXIAL 18 FEET | 1 | | |
| NS | 5001242 | WASHER SHR .375x.110 NYL | 1 | | |
| NS | 403488 | WASHER | 1 | | |
| 37 | 403575 | ANTENNA SUPPORT | AR | | |
| 45 | 900745 | MICROPHONE / W/10' CORD / "SHURE" / TYPE ENTERTAINER | 1 | | |
| . NS | 900900 | . CABLE MICROPHONE 10' / "REI" | 1 | | |
| 50 | 900660 | MICROPHONE / W/GOOSE NECK 26" | 1 | | |
| NS | 404763 | KIT CD CHARGER REPLACEMENT | 1 | | |
| . NS | IS-98168 | . SEE INSTRUCTION SHEET | 1 | | |
| | | | | | |
| | | | | | |
| | | | | | |

| | | |
|-----------------------------|--------------|-----------------|
| From L-031 To R-079 | Date:10/2022 | PAGE:H4-2315-10 |
| SOUND SYSTEM - INSTALLATION | | |



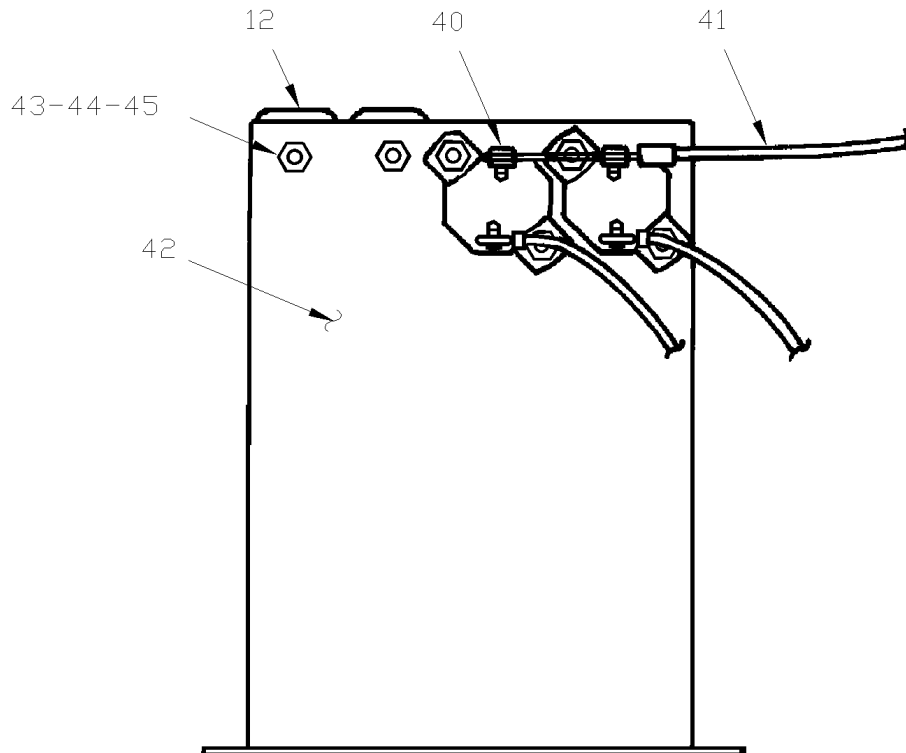
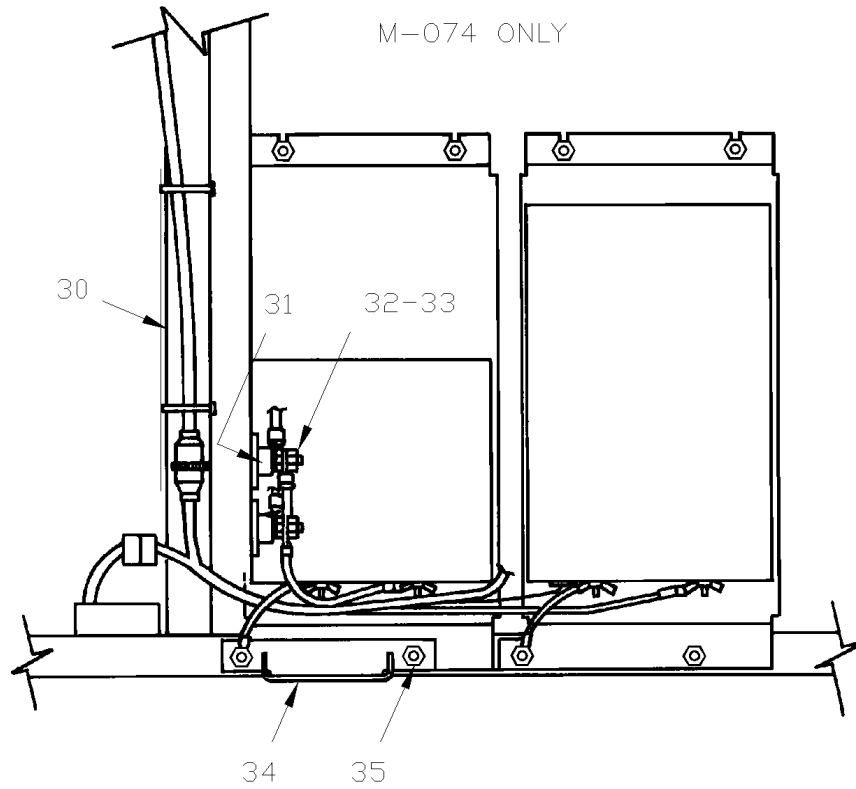
| | | |
|------------------------------------|---------------------|------------------------|
| From L-031 To R-079 | Date:10/2022 | PAGE:H4-2315-10 |
| SOUND SYSTEM - INSTALLATION | | |

| Item# | Part | Description | H 3 4 0 | V I P 4 0 | N O T E S |
|-------|--------|---|------------------|-----------------------|-----------------------|
| 1 | 900498 | RADIO "BLAUPUNKT" / "DENVER" To L-043 | 1 | | |
| 1 | 900601 | RADIO "BLAUPUNKT" / "CALGARY" From L-044 To M-130 | 1 | | |
| 1 | 403432 | RADIO "BLAUPUNKT" / "PHOENIX" From M-131 To P-311 | 1 | | |
| 1 | 900644 | . RADIO "BLAUPUNKT" / "PHOENIX" | 1 | | |
| 1 | 403656 | RADIO "BLAUPUNKT" / "DAYTONA" From P-312 To R-005 | 1 | | |
| 1 | 900681 | . RADIO "BLAUPUNKT" / "DAYTONA" | 1 | | |
| 1 | 403773 | RADIO "BLAUPUNKT" / "CHEYENNE" From R-006 | 1 | | |
| 1 | 900690 | . RADIO "BLAUPUNKT" / "CHEYENNE" | 1 | | |
| 1 | 403936 | RADIO "BLAUPUNKT" / "LEXINGTON" | 1 | | S |
| 1 | 900730 | . RADIO "BLAUPUNKT" MODEL "LEXINGTON" CM84 | 1 | | S |
| 1 | 404764 | RADIO "BLAUPUNKT" / "MELBOURNE" C-30 | 1 | | S |
| 1 | 900944 | . RADIO "BLAUPUNKT" / "MELBOURNE" C-30 | 1 | | |
| 1 | 405327 | RADIO "BLAUPUNKT" / "DAYTONA BEACH" C-51 | 1 | | S |
| 1 | 901063 | . RADIO "BLAUPUNKT" / "DAYTONA BEACH" C-51 | 1 | | |
| 1 | 409114 | RADIO "BLAUPUNKT" / "ST-LOUIS" C-32 | 1 | | S |
| 1 | 901090 | . RADIO "BLAUPUNKT" / "ST-LOUIS" C-32 | 1 | | |
| 1 | 409128 | RADIO "BLAUPUNKT" MODEL "LEXINGTON" C32 | 1 | | |
| 1 | 901129 | . RADIO "BLAUPUNKT" MODEL "LEXINGTON" C32 | 1 | | |
| NS | 500135 | . SCREW CAP HEX 5/8-18x4 G5 ZP | 1 | | |
| NS | 561669 | . CONNECTOR / UNIVERSAL MATE-N-LOK / SH 9C / AMP 1-480706-0 | 1 | | |
| NS | 561514 | . SOCKET TERMINAL / 20-14 / AMP 350537-3 | 9 | | |
| 2 | 900610 | AMPLIFIER, P/A & VIDEO | 1 | | |
| 2 | 900795 | AMPLIFIER, P/A & VIDEO | 1 | | |
| 3 | 900542 | AMPLIFIER "BLAUPUNKT" 80 WATTS (BPA 420) To N-229 | 1 | | B |
| 3 | 900665 | AMPLIFIER "BLAUPUNKT" 120 WATTS (BQA 120) From N-230 | 1 | | B |
| 3 | 900744 | AMPLIFIER "SONY" 4 X 20 WATTS / (XM2042) | AR | | B |
| 3 | 900858 | AMPLIFIER "PIONEER" 4 x 35 WATTS / (GM X84) | AR | | B |
| 3 | 901023 | AMPLIFIER "RCF" 4 x 20 WATTS | 1 | | S |
| NS | 403016 | SUPPORT To N-229 | 1 | | |
| NS | 403577 | SUPPORT From N-230 | 1 | | |
| 4 | 062184 | CABLE ASSY, MAIN To L-061 | 1 | | |
| 4 | 062918 | CABLE ASSY, MAIN From L-062 To M-130 | 1 | | |
| 4 | 063049 | CABLE ASSY, MAIN From M-131 | 1 | | |
| 6 | 402372 | CABLE ASSY / MICRO OUTLET ON R.H. CONSOLE / 32" | AR | | |
| 6 | 402402 | CABLE ASSY / MICRO OUTLET ON L.H. CONSOLE / 42" | AR | | |
| 6 | 402401 | CABLE ASSY / MICRO OUTLET ON DRIVER'S GUARD / 78" | AR | | |
| 6 | 402400 | CABLE ASSY / MICRO OUTLET ON R.H.MODESTY PANEL / 108" | AR | | |
| 6 | 402851 | CABLE ASSY TO MODESTY PANEL / 118" | 2 | | |
| 6 | 403370 | CABLE ASSY / MICRO OUTLET ON DRIVER'S GUARD 128" | AR | | |
| 6 | 402490 | CABLE ASSY / MICRO OUTLET ON L.H. PARCEL RACK / 163" | AR | | |
| 6 | 403950 | CABLE ASSY / MICRO OUTLET ON L.H. PARCEL RACK / 223" | AR | | |
| 6 | 402414 | CABLE ASSY 360" / MICRO OUTLET ON A/C DUCT | AR | | |

| | | |
|------------------------------------|--------------|-----------------|
| From L-031 To R-079 | Date:10/2022 | PAGE:H4-2315-10 |
| SOUND SYSTEM - INSTALLATION | | |

| Item# | Part | Description | H 3 4 0 | V I P 4 0 | N O T E S |
|-------|----------|--|------------------|-----------------------|-----------------------|
| 6 | 402403 | CABLE ASSY / MICRO OUTLET ON LAVATORY WALL / 552" | AR | | |
| 6 | 403951 | CABLE ASSY / MICRO OUTLET ON LAVATORY WALL / 611" | AR | | |
| 6 | 403103 | CABLE ASSY IN PARCEL RACK / 624" | 1 | | |
| 7 | 402404 | CABLE ASSY / Y-JUNCTION To N-229 | AR | | |
| 7 | 403529 | Y JCT ADAPTOR / W/5 MICRO OUTLET From N-230 | AR | | |
| 9 | 402373 | CONTROL VOLUME / P/A | 1 | | |
| 10 | 403532 | CABLE ASSY / P/A & VOLUME CONTROL | 1 | | |
| 11 | 403531 | CABLE ASSY / P/A & RADIO | 1 | | |
| 12 | 062591 | CABLE ASSY / PARCEL RACK | 2 | | |
| 13 | 062227 | CABLE ASSY / P/A & DRIVER SPEAKER | 1 | | |
| 14 | 402371 | OUTLET, MICROPHONE | AR | | B |
| 15 | 403221 | CONTROL VOLUME / VIDEO / L.H. CONSOLE To N-220 | 1 | | |
| NS | 403604 | CONTROL VOLUME / VIDEO / L.H. CONSOLE From N-221 | 1 | | |
| NS | 404476 | KIT, PA REI | AR | | |
| . NS | IS-95084 | . SEE INSTRUCTION SHEET | 1 | | |
| NS | 404524 | KIT AUDIO AMPLIFIER (FORMER) | 1 | | |
| . NS | IS-96185 | . SEE INSTRUCTION SHEET | 1 | | |
| NS | 405219 | KIT AUDIO AMPLIFIER (CURRENT) | 1 | | |
| . NS | IS-00206 | . SEE INSTRUCTION SHEET | 1 | | |
| | | | | | |
| | | | | | |
| | | | | | |
| | | B) THOSE AMPLIFIER ARE OBSOLETE, USE RETROFIT KIT #405219 SEE INSTRUCTION SHEET IS-00206 | | | |
| | | S) SERVICE ONLY | | | |

| | | |
|---|--------------|-----------------|
| From L-031 To R-079 | Date:10/2022 | PAGE:H4-2315-50 |
| POWERVERTER - 12/110 VOLTS / VIDEO & GALLEY | | |

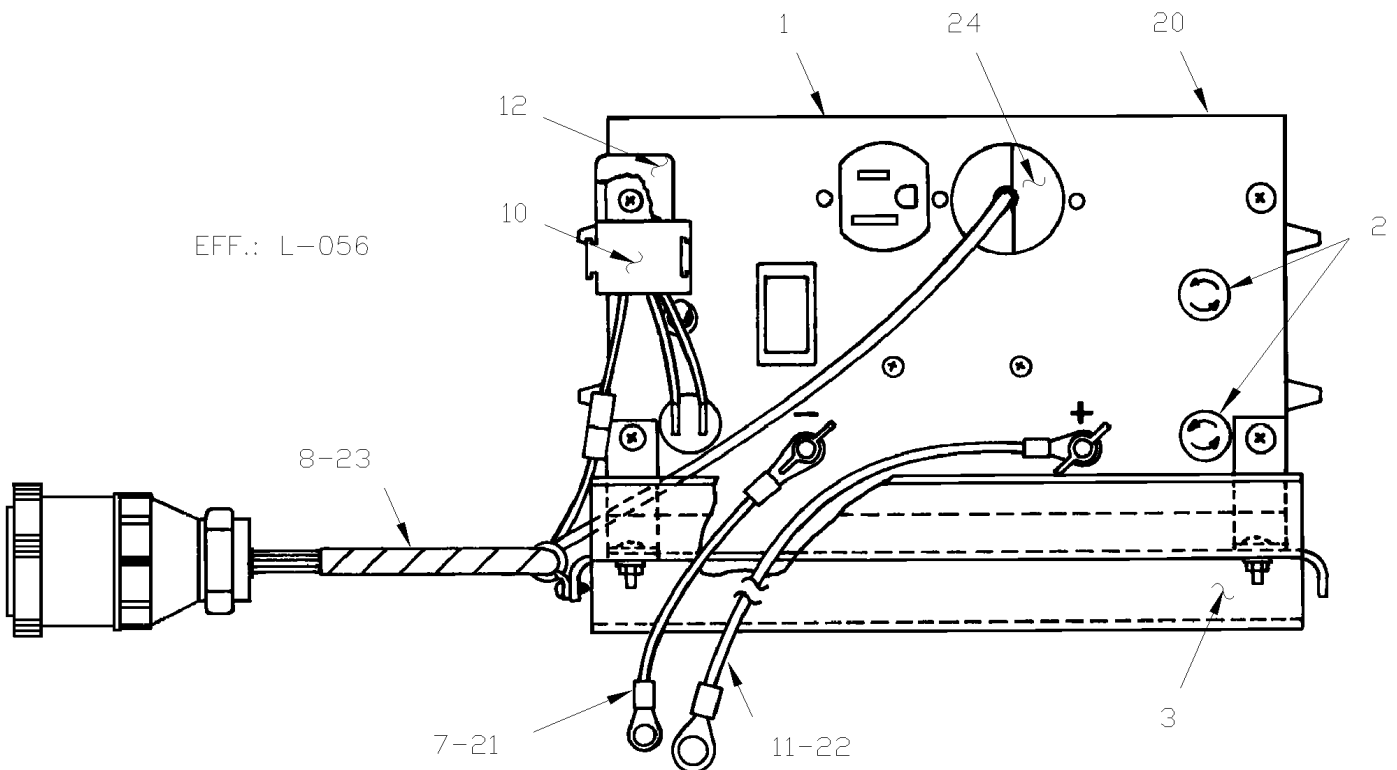
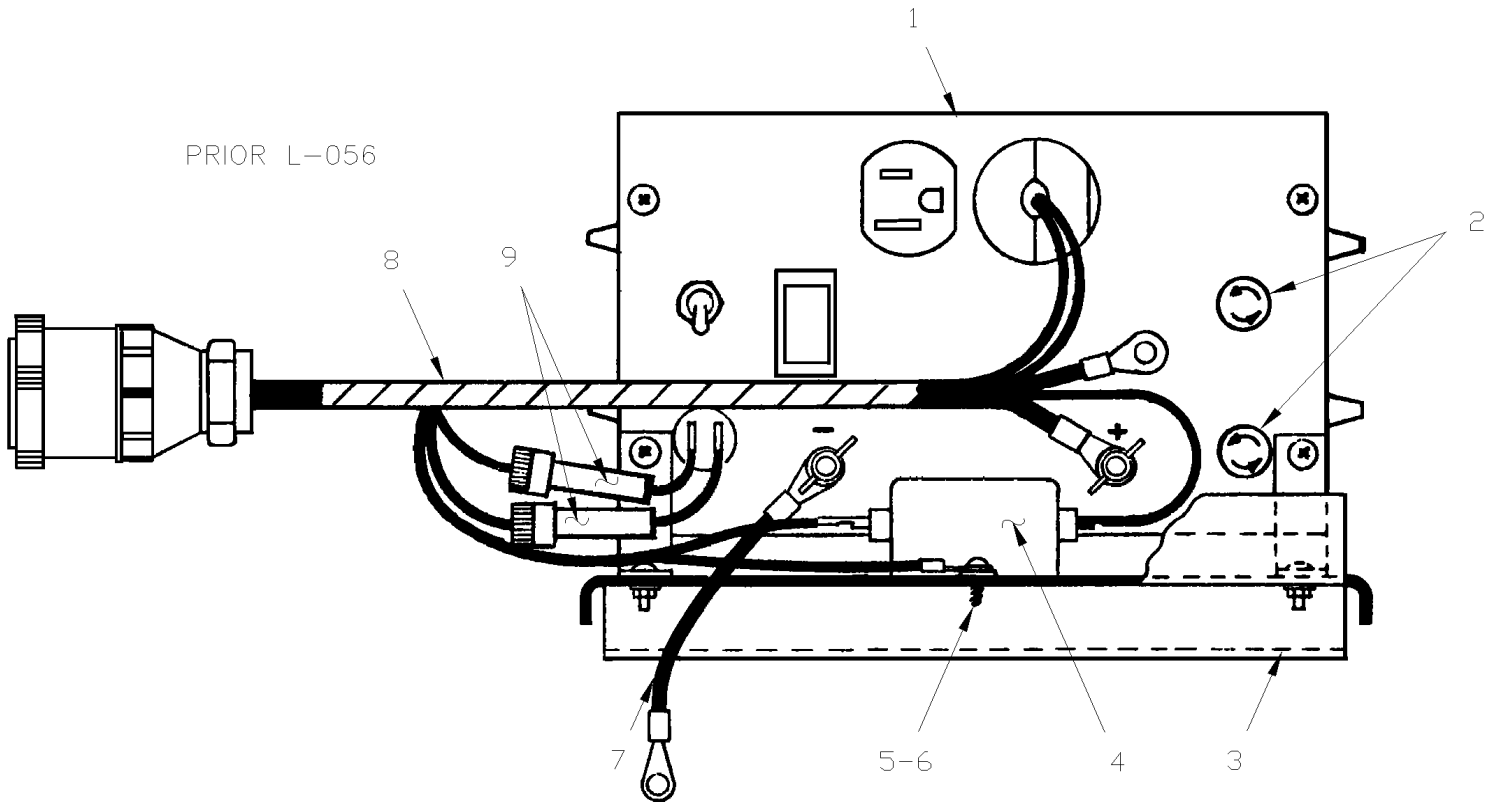


From L-031 To R-079

Date:10/2022

PAGE:H4-2315-50

POWERVERTER - 12/110 VOLTS / VIDEO & GALLEY



| | | |
|--|--------------|-----------------|
| From L-031 To R-079 | Date:10/2022 | PAGE:H4-2315-50 |
| POWERVERTER - 12/110 VOLTS / VIDEO & GALLEY | | |

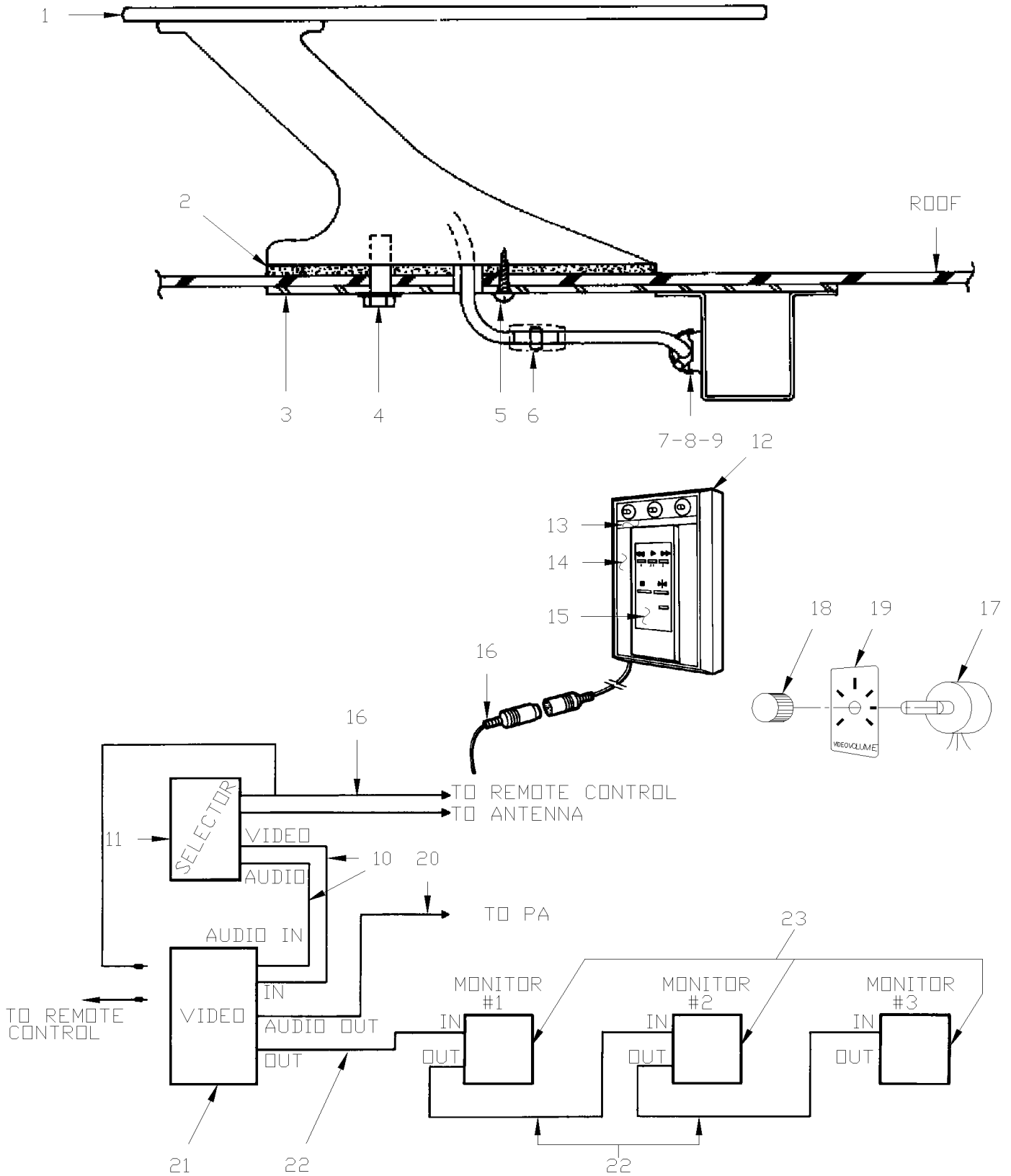
| Item# | Part | Description | H 3 4 0 | V I P 4 0 | N O T E S |
|-------|---------|--|------------------|-----------------------|-----------------------|
| | 403273P | POWERVERTER ASSY / 24/110 VOLTS 500 WATTS | 1 | 1 | |
| 1 | 561935 | . POWERVERTER ASSY / 12/110 V 500 WATTS (FORM | 1 | 1 | A |
| 1 | 562292 | . POWERVERTER ASSY / 12/110 V 750 WATTS | 1 | 1 | |
| 2 | 560063 | . . FUSE / 20 AMPS / SFE-20 | 2 | 2 | |
| 2 | 562472 | . . FUSE / ATC 40 AMPS ORANGE | 2 | 2 | |
| 3 | 403271 | . SUPPORT | 1 | 1 | |
| 4 | 900592 | FILTER, NOISE / 10A-120V To L-055 | 1 | 1 | |
| 5 | 500654 | . SCREW TC BDG PH #8-32x1/2 Z050 | 2 | 2 | |
| 6 | 500022 | . WASHER LO INT .168x.340x.023 Z050 | 2 | 2 | |
| 7 | 062149 | . CABLE ASSY #0 | 1 | 1 | |
| 8 | 062736 | CABLE ASSY To L-055 | 1 | | |
| 8 | 062931 | . CABLE ASSY From L-056 | 1 | 1 | |
| 11 | 063052 | . CABLE ASSY #0 | 1 | 1 | |
| 12 | 561707 | . RELAY 24V S.P.D.T. W/RESISTOR / | 1 | 1 | |
| 20 | 562046 | POWERVERTER ASSY / 24/110 V 1000 WATTS | 1 | 1 | B |
| 21 | 062984 | CABLE ASSY #0 | 1 | 1 | B |
| 22 | 063053 | CABLE ASSY | 1 | 1 | B |
| 23 | 062959 | CABLE ASSY | 1 | 1 | B |
| 24 | 062958 | CABLE ASSY 110V OUTLET | 1 | 1 | B |
| NS | 403373 | SUPPORT | 1 | 1 | B |
| NS | 403374 | PROTECTOR | 1 | 1 | B |
| NS | 504323 | GROMMET / .375x.500x.062x.281x.687 | 1 | 1 | B |
| 30 | 062737 | CABLE ASSY / POWERVERTER & FRONT JUNCTION BLOCK To L-055 | 1 | | |
| NS | 062930 | CABLE ASSY / POWERVERTER & FRONT JUNCTION BLOCK / CONSOLE From L-056 | 1 | 1 | |
| NS | 560407 | SWITCH MAGNETIC / 24V S.P.S.T. / 50AMPS N.O. | 1 | 1 | |
| NS | 063299 | CABLE ASSY | 1 | 1 | |
| NS | 381493 | STOPPER / TO FIX POWERVERTER | 2 | 2 | |
| NS | 381485 | STRAP / TO FIX POWERVERTER | 1 | 1 | |
| 31 | 560422 | BLOCK, TERMINAL / 1 STUD 3/8-16 / BLACK | 2 | 2 | B |
| 32 | 500783 | NUT HEX 3/8-16 Z050 | 4 | 4 | B |
| 33 | 500478 | WASHER LO SPT .380x.683x.094 Z050 | 4 | 4 | B |
| 34 | 283707 | SUPPORT | 1 | 1 | B |
| 35 | 502511 | NUT HEX NYRT M6-1.0 Z050 | AR | AR | B |
| NS | 502573 | WASHER FL 6.4x12.5x1.6 SS | AR | AR | B |
| 40 | 870690 | BREAKER 30AMPS / 24V / | 2 | 2 | B |
| 41 | 063055 | CABLE ASSY #24 VF | 1 | 1 | B |
| 42 | 381291 | SUPPORT | 1 | 1 | B |
| 43 | 502698 | SCREW MA PAN PH M4-0.7x16 SS BK | AR | AR | B |
| 44 | 502636 | WASHER LO SPT 4.1x7.6x0.9 Z050 | AR | AR | B |
| 45 | 502524 | NUT HEX M4-0.7 Z050 | AR | AR | B |
| | | | | | |
| | | | | | |

| | | |
|---------------------|--------------|-----------------|
| From L-031 To R-079 | Date:10/2022 | PAGE:H4-2315-50 |
|---------------------|--------------|-----------------|

POWERVERTER - 12/110 VOLTS / VIDEO & GALLEY

| Item# | Part | Description | H 3 4 0 | V I P 4 0 | N O T E S |
|-------|------|--|------------------|-----------------------|-----------------------|
| | | A) THIS POWERVERTER IS OBSOLETE, USE RETROFIT KIT #381494 & 562292 | | | |
| | | B) RELATED TO POWERVERTER 1000 WATTS | | | |

| | | |
|--|--------------|-----------------|
| From L-031 To R-079 | Date:10/2022 | PAGE:H4-2315-60 |
| ROOF ANTENNA & VIDEO WIRING DIAGRAM | | |



From L-031 To R-079 Date:10/2022 PAGE:H4-2315-60

ROOF ANTENNA & VIDEO WIRING DIAGRAM

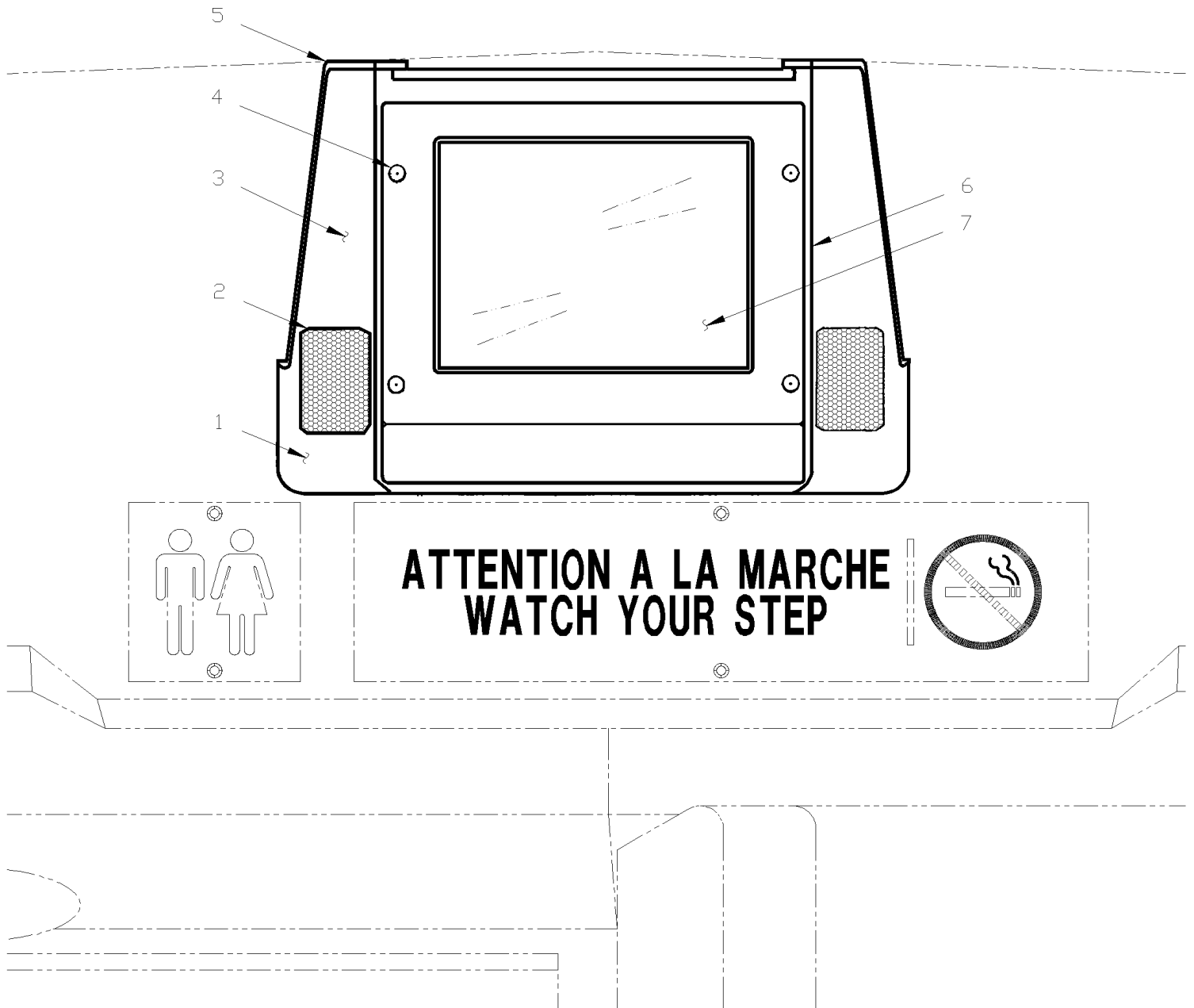
| Item# | Part | Description | H 3 4 0 | V I P 4 0 | N O T E S |
|-------|------------|--|------------------|-----------------------|-----------------------|
| 1 | 900617 | ANTENNA, ROOF / "WINTENNA" MODEL 720 6" | 1 | | |
| 1 | 900794 | ANTENNA, ROOF / "WINTENNA" MODEL 2 3/4" | 1 | | |
| 1 | 403354 | DECAL / VEHICLE HEIGHT 12'10" / BUS W/ TV ANTENNA | 1 | | |
| 1 | 403830 | DECAL / VEHICLE HEIGHT 12' 10" | 1 | | A |
| 1 | 403831 | DECAL / VEHICLE HEIGHT 12' 4" | 1 | | B |
| 2 | 403298 | GASKET, ANTENNA | 1 | | |
| 3 | 500048 | SCREW CAP HEX 3/8-24x1 1/4 G5 ZP | 1 | | |
| 4 | 403293 | PLATE, REINFORCEMENT / ROOF | 1 | | |
| 5 | 500617 | SCREW TP PAN PH #8x1 Z050 | 1 | | |
| 6 | 560786 | SHRINK TUBING / .500" - .250" / BLACK / ALPHA FIT-300-1/2-4B | AR | | |
| 7 | 504013 | TIE MOUNT / 1/4" X 1/4" I.D. | 4 | | |
| 7 | 504006 | RIVET POP CK OE 1/8x5/16 AL | 4 | | |
| 8 | 504012 | CABLE TIE / 3/16" X 6"1/2 | 4 | | |
| 10 | 900616 | CABLE ASSY / VIDEO & SELECTOR | 2 | | |
| NS | 561267 | WIRE MARKER / LETTER "A" / S.L. | AR | | |
| NS | 561288 | WIRE MARKER / LETTER "V" / S.L. | AR | | |
| 11 | 403289 | SELECTOR, CHANNEL | 1 | | |
| 12 | 403294 | CONTROL ASSY, REMOTE / W/SELECTOR ONLY | 1 | | |
| 12 | 403346 | CONTROL ASSY, REMOTE / W/DOUBLE VIDEO ONLY OPTION P.W.T. | AR | | |
| 13 | 403496 | . DECAL "TV-TV+ON/OFF" | 1 | | |
| 14 | 390972 | . LEXAN | 1 | | |
| 15 | 900612 | . CONTROL REMOTE | 1 | | |
| NS | 900796 | CONTROL REMOTE / W/60' CABLE | 1 | | |
| 16 | 403295 | CABLE / REMOTE CONTROL / CONTROL & SELECTOR | 1 | | |
| 17 | 403604 | CONTROL VOLUME / VIDEO / L.H. CONSOLE | 1 | | |
| 18 | 505306 | KNOB, POINTER | 1 | | |
| 19 | 391335 | DECAL / VIDEO VOLUME | 1 | | |
| 20 | H4-2317-11 | SIDE MONITOR - VIDEO | | | |
| 21 | H4-2317-20 | VIDEO VHS PLAYER - INSTALLATION | | | |
| 22 | H4-2317-11 | SIDE MONITOR - VIDEO | | | |
| 23 | H4-2317-00 | FRONT MONITOR - VIDEO | | | |
| 23 | H4-2317-11 | SIDE MONITOR - VIDEO | | | |
| | | | | | |
| | | | | | |
| | | | | | |
| | | A) VEHICLE HEIGHT 12'10" | | | |
| | | B) VEHICLE HEIGHT 12' | | | |

From L-031 To R-079

Date:10/2022

PAGE:H4-2317-00

FRONT MONITOR - VIDEO

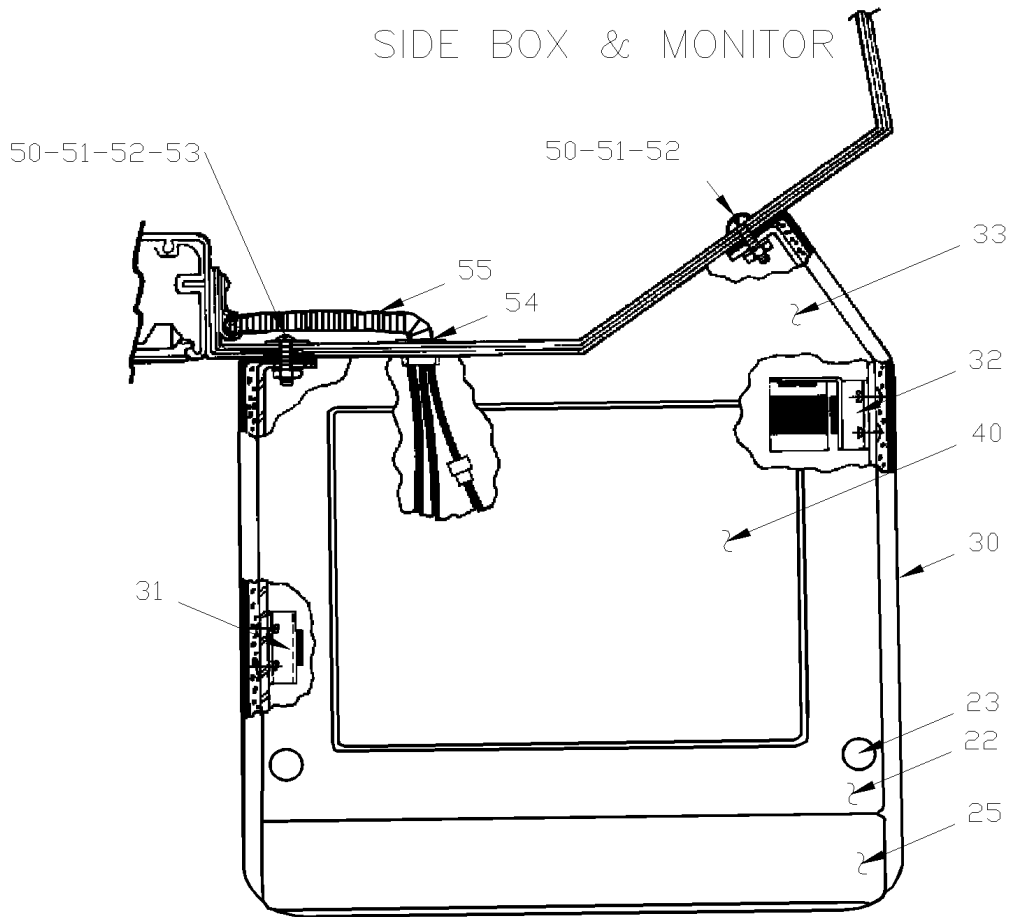


| | | |
|------------------------------|--------------|-----------------|
| From L-031 To R-079 | Date:10/2022 | PAGE:H4-2317-00 |
| FRONT MONITOR - VIDEO | | |

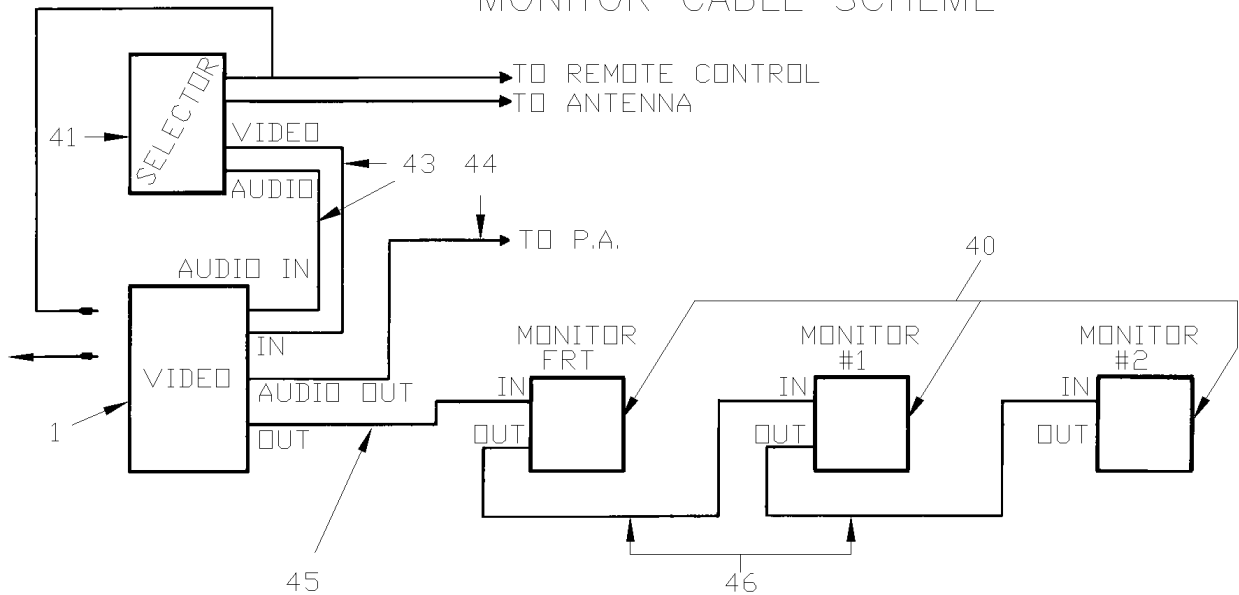
| Item# | Part | Description | H 3 4 0 | V I P 4 0 | N O T E S |
|-------|---------|---|------------------|-----------------------|-----------------------|
| 1 | 403226P | BOX, MONITOR CENTRAL ASSY | 1 | | |
| 2 | 402959 | . GRILLE ASSY | 2 | | |
| NS | 502524 | . NUT HEX M4-0.7 Z050 | 4 | | |
| NS | 502636 | . WASHER LO SPT 4.1x7.6x0.9 Z050 | 4 | | |
| 3 | 402951 | . RIM, FRONT MONITOR | 1 | | |
| 4 | 504400 | . SNAP CAP #10 FINISHING BLACK | 4 | | |
| NS | 504399 | . WASHER RETAINER SNAP CAP #10 | 4 | | |
| NS | 505259 | . SPACER 3/8 I.D. X 3/8 LG | 4 | | |
| NS | 500575 | . SCREW TP PAN PH #8x1 1/4 | 4 | | |
| 5 | 403233 | . MOULDING ASSY 570MM | 1 | | |
| 6 | 402974 | . PROTECTOR | 1 | | |
| NS | 403004P | . BRACKET ANGLE BOTTOM | 2 | | |
| NS | 403227 | . BRACKET ANGLE TOP | 1 | | |
| 7 | 900614 | MONITOR ASSY / MODEL ST-1000M | 1 | | A |
| NS | 403228 | SUPPORT REAR / TO FIX MONITOR | 1 | | |
| | | | | | |
| | | | | | |
| | | | | | |
| | | A) IN JUNE 1996 "PANASONIC" MODEL ST-100M BECAME OBSOLETE PART HAS BEEN SUPERSEDED BY 900838 & 404477 | | | |

| | | |
|-----------------------------|--------------|-----------------|
| From L-031 To N-172 | Date:10/2022 | PAGE:H4-2317-10 |
| SIDE MONITOR - VIDEO | | |

SIDE BOX & MONITOR



MONITOR CABLE SCHEME

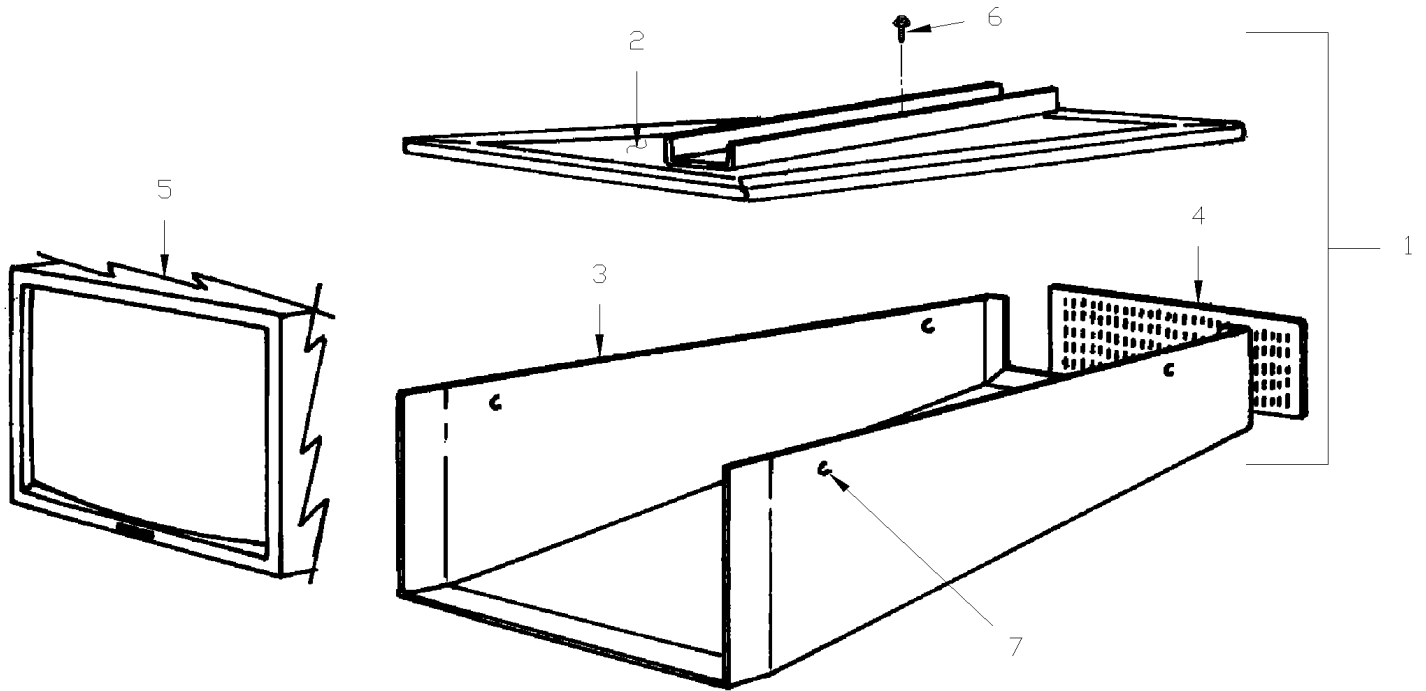


| | | |
|-----------------------------|--------------|-----------------|
| From L-031 To N-172 | Date:10/2022 | PAGE:H4-2317-10 |
| SIDE MONITOR - VIDEO | | |

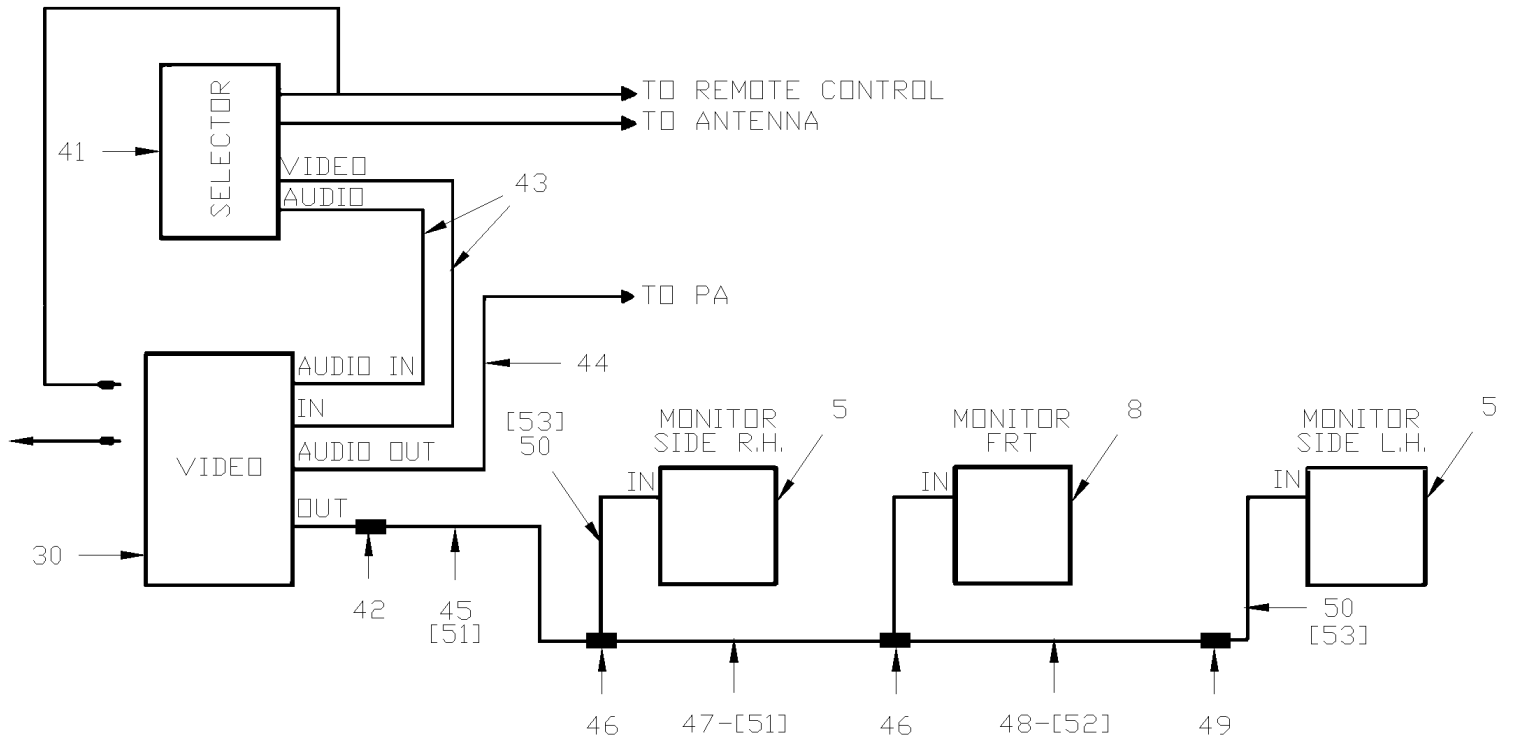
| Item# | Part | Description | H 3 4 0 | V I P 4 0 | N O T E S |
|-------|---------|--|------------------|-----------------------|-----------------------|
| 1 | 403002P | BOX ASSY, R.H. / SPECIFY COLOR | 2 | | |
| 1 | 403408P | BOX ASSY, L.H. / SPECIFY COLOR | AR | | |
| 2 | 403244 | . STOPPER / LOWER | 1 | | |
| 3 | 403245 | . STOPPER / UPPER / W/R.H. BOX | 1 | | |
| 3 | 403414 | . STOPPER / UPPER / W/L.H. BOX | 1 | | |
| 4 | 402956 | . BRACKET, R.H. BOX | 1 | | |
| 4 | 403413 | . BRACKET, L.H. BOX | 1 | | |
| 5 | 900614 | MONITOR ASSY / MODEL ST-1000M | 3 | | |
| 6 | 402974 | . PROTECTOR | 1 | | |
| 7 | 402951 | . RIM, FRONT MONITOR | 1 | | |
| 8 | 504400 | . SNAP CAP #10 FINISHING BLACK | 4 | | |
| 8 | 504399 | . WASHER RETAINER SNAP CAP #10 | 4 | | |
| 8 | 500575 | . SCREW TP PAN PH #8x1 1/4 | 4 | | |
| 8 | 505229 | . SPACER 3/8 I.D. X 3/8 LG | 4 | | |
| 10 | 5001027 | SCREW MA PAN PH #10-32x1 SS EMN | AR | | |
| 11 | 500470 | WASHER LO SPT .193x.334x.047 Z050 | AR | | |
| 12 | 500700 | NUT HEX #10-32 Z050 | AR | | |
| 13 | 402985 | PLATE, REINFORCEMENT | 2 | | |
| 14 | 504500 | SNAP BUSHING / .766x1.125x.453 | 4 | | |
| 15 | 562116 | CONVOLUTED TUBING / SLIT / BLACK & GRAY / .500" | AR | | |
| NS | 062751 | CABLE ASSY / FROM VIDEO TO MONITOR AND POWERVERTER | 1 | | |
| NS | 561932 | CONNECTOR / 15 AMPS / HUBBELL 5269-C | 2 | | |
| NS | 561834 | WIRE CABLE 18 / WHITE / TEW | AR | | |
| NS | 561261 | WIRE CABLE 18 / BLACK / GXL | AR | | |
| NS | 561932 | CONNECTOR / 15 AMPS / HUBBELL 5269-C | 2 | | |
| NS | 500482 | WASHER LO SPT .506x.873x.125 Z050 | 2 | | |
| NS | 500989 | WASHER FL .219x.875x.062 Z050 | 4 | | |
| 41 | 403289 | SELECTOR, CHANNEL | 1 | | |
| 43 | 900616 | CABLE ASSY / VIDEO & SELECTOR | 1 | | |
| 44 | 062719 | CABLE ASSY / VIDEO AUDIO TO P.A. | 1 | | |
| 45 | 402942 | CABLE ASSY / VIDEO OUT TO MONITOR | 1 | | |
| 46 | 402943 | CABLE ASSY / EACH MONITOR | 2 | | |
| 47 | 900567 | VIDEO CASSETTE PLAYER VHS / MODEL AG-1000 | 1 | | |
| | | | | | |
| | | | | | |
| | | | | | |

| | | |
|-----------------------------|--------------|-----------------|
| From N-173 To R-079 | Date:10/2022 | PAGE:H4-2317-11 |
| SIDE MONITOR - VIDEO | | |

SIDE BOX & MONITOR



MONITOR CABLE SCHEME



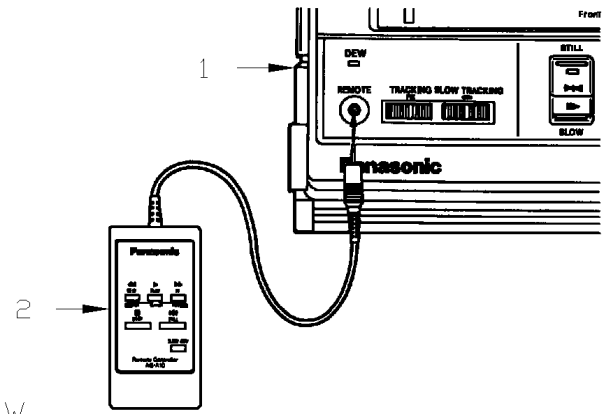
| | | |
|-----------------------------|---------------------|------------------------|
| From N-173 To R-079 | Date:10/2022 | PAGE:H4-2317-11 |
| SIDE MONITOR - VIDEO | | |

| Item# | Part | Description | H 3 4 0 | V I P 4 0 | N O T E S |
|-------|-------------------|--|------------------|-----------------------|-----------------------|
| 1 | 403309P | BOX ASSY / MONITOR ASSY, R.H. / SPECIFY COLOR / PRODUCTION | AR | | A |
| 1 | 403512P | BOX ASSY / MONITOR ASSY, L.H. / SPECIFY COLOR / PRODUCTION | AR | | A |
| 2 | 403502P | . ATTACHMENT, R.H. / SPECIFY COLOR | 1 | | |
| 2 | 403513P | . ATTACHMENT, L.H. / SPECIFY COLOR | 1 | | |
| 2 | 403514 | . . ATTACHMENT, L.H. | 1 | | |
| 2 | 403503 | . . ATTACHMENT, R.H. | 1 | | |
| NS | 403507 | . . SPACER / W/R.H. & L.H. ATTACHMENT | 2 | | |
| NS | 506322 | . TAPE RUB ADH2 POL .045" x 1" x 223' / WHITE 4085 | AR | | |
| 3 | 403508P | . BOX COVER ASSY / SPECIFY COLOR | 1 | | |
| 3 | 403509 | . . BOX COVER | 1 | | |
| 4 | 403510 | . . GRILLE | 1 | | |
| NS | 500814 | . . SCREW TP BDG PH #6x3/4 BK | 3 | | |
| NS | 506247 | . PAD RUB CC EPDM 1/4" x 40" x 54" / GREY 1440 | AR | | |
| 5 | 403501 | . MONITOR ASSY / MODEL ST-1000M / 110VOLTS | 1 | | B |
| 6 | 5001054 | . SCREW CAP BUT HEXS M10-1.5x50 G10.9 ZP | 3 | | |
| 6 | 500445 | . WASHER FL .437x1.000x.083 Z050 | 3 | | |
| 6 | 500556 | . SCREW MA TR PH 1/4-20x3/4 SS | 4 | | |
| 6 | 504399 | . WASHER RETAINER SNAP CAP #10 | 4 | | |
| 7 | 504400 | . SNAP CAP #10 FINISHING BLACK | 4 | | |
| 7 | 403497 | . SPACER | 4 | | |
| 7 | 500879 | . SCREW TP PAN PH #10x1 Z050 | 4 | | |
| 8 | H4-2317-00 | FRONT MONITOR - VIDEO | | | |
| 30 | H4-2317-20 | VIDEO VHS PLAYER - INSTALLATION | | | |
| 41 | H4-2315-60 | ROOF ANTENNA & VIDEO WIRING DIAGRAM | | | |
| 42 | 562207 | CONNECTOR / BNC / FEMALE / RCA MALE / AMP 12343 | 1 | | |
| 43 | 900616 | CABLE ASSY / VIDEO & SELECTOR | 1 | | |
| NS | 900777 | CONNECTOR BNC PLUG TO RCA ADAPTOR / ELEC 21-142-0 | 1 | | |
| NS | 561267 | WIRE MARKER / LETTER "A" / S.L. | 2 | | |
| NS | 561288 | WIRE MARKER / LETTER "V" / S.L. | 2 | | |
| 44 | 900653 | CABLE ASSY / AUDIO/VIDEO TO PA | 1 | | |
| 45 | 403409 | CABLE ASSY (VIDEO) / VIDEO TO TEE JACK / 1400MM | 1 | | |
| 46 | 562197 | CONNECTOR / BNC / FEMALE "T" / AMP 221988-1 | 2 | | A |
| 47 | 403411 | CABLE ASSY (VIDEO) / MONITOR TO MONITOR 6000MM | AR | | A |
| 48 | 403412 | CABLE ASSY (VIDEO) / MONITOR TO MONITOR 2300MM | 1 | | |
| 49 | 562083 | CONNECTOR / BNC / FEMALE JOINT / AMP 221551-1 | AR | | |
| NS | 900670 | CONNECTOR / BNC / PLUG 75 OHMS / AMP 12210 | 1 | | |
| 50 | 403412 | CABLE ASSY (VIDEO) / MONITOR TO MONITOR 2300MM | AR | | A |
| 50 | 403479 | CABLE ASSY (VIDEO) / MONITOR TO MONITOR 3800MM | 1 | | A |
| 50 | 403780 | CABLE ASSY (VIDEO) / FRONT MONITOR TO SIDE MONITOR 4500MM | 1 | | A |
| 51 | 063144 | CABLE ASSY 110V / FRONT MONITOR TO SIDE MONITOR / 6100MM | 1 | | |
| 52 | 063736 | CABLE ASSY 110V / FRONT TO L.H. / POWER TO VIDEO | 1 | | |
| 53 | 063735 | CABLE ASSY 110V / MONITOR & MONITOR 4400MM | 1 | | A |

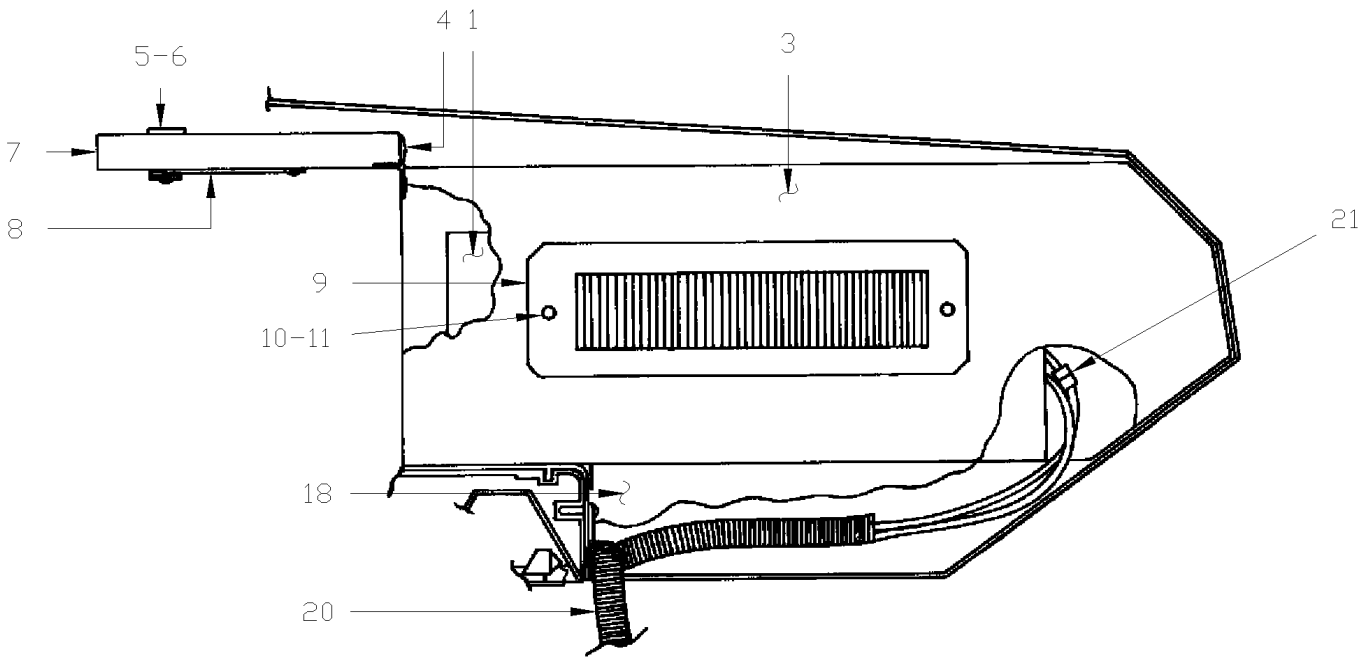
| | | |
|-----------------------------|--------------|-----------------|
| From N-173 To R-079 | Date:10/2022 | PAGE:H4-2317-11 |
| SIDE MONITOR - VIDEO | | |

| Item# | Part | Description | H 3 4 0 | V I P 4 0 | N O T E S |
|-------|--------|--|------------------|-----------------------|-----------------------|
| NS | 063736 | CABLE ASSY 110V / FRONT TO L.H. / POWER TO VIDEO | 1 | | |
| NS | 064123 | CABLE 110 V / JCT PANEL & INVERTER / 3050MM | 1 | | |
| | | | | | |
| | | | | | |
| | | A) FOR EACH ADDITIONAL MONITOR YOU NEED 1 JACK, 1 VIDEO CABLE & 1 110V CABLE (VERIFY LENGHT FOR CABLE) | | | |
| | | B) SEE ATTACHED TEXT RELATED TO NOTE B | | | |

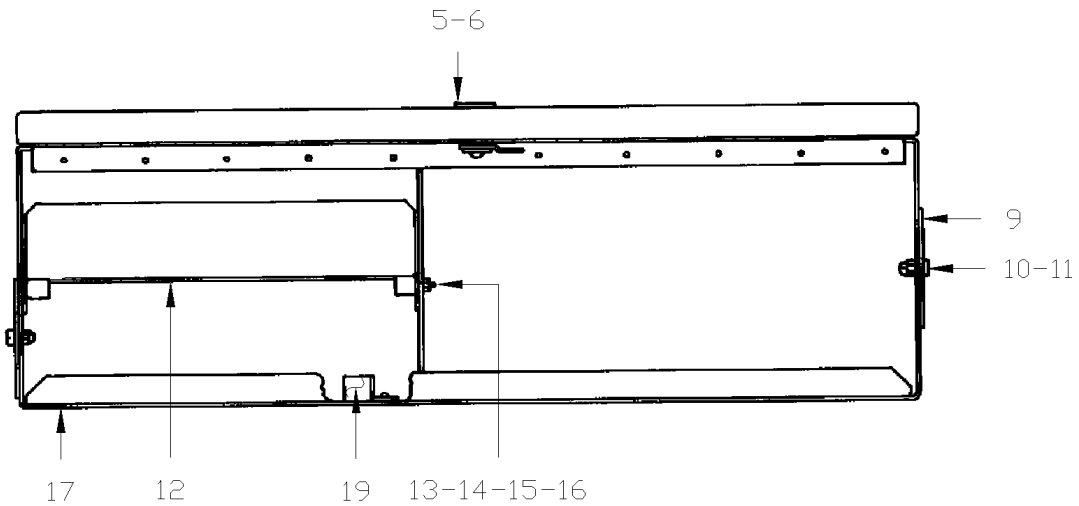
| | | |
|---------------------------------|--------------|-----------------|
| From L-031 To R-079 | Date:10/2022 | PAGE:H4-2317-20 |
| VIDEO VHS PLAYER - INSTALLATION | | |



SIDE VIEW



FRONT VIEW

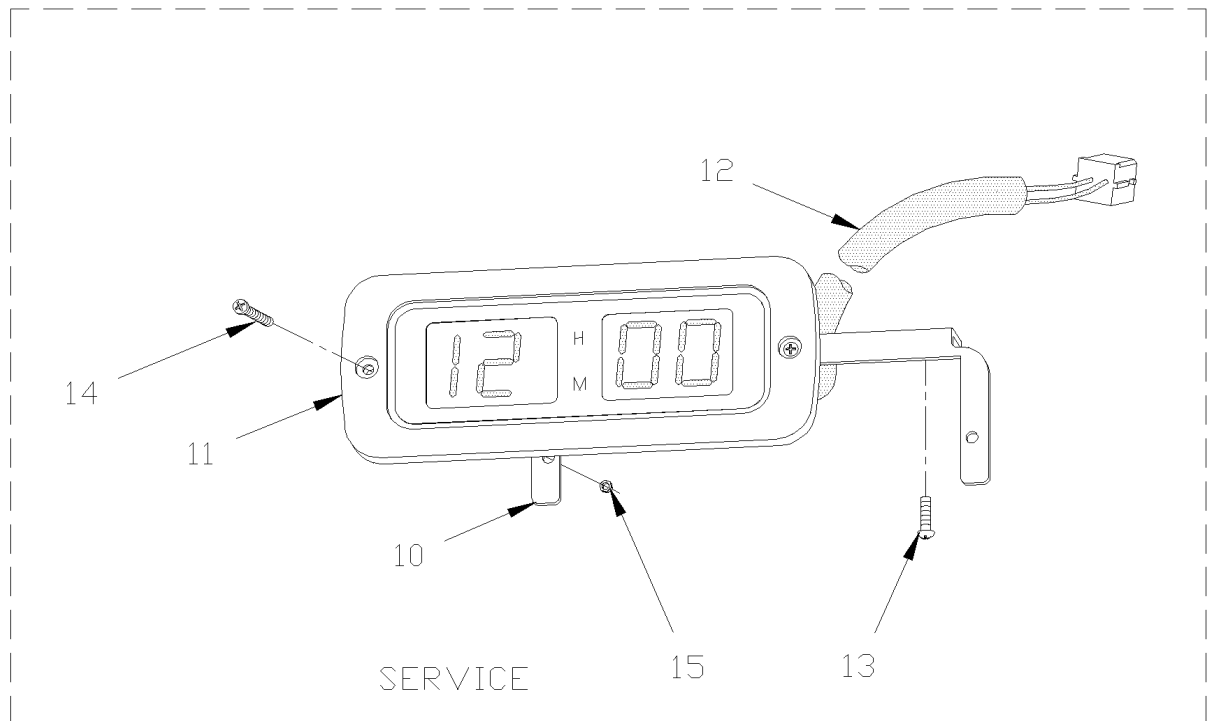
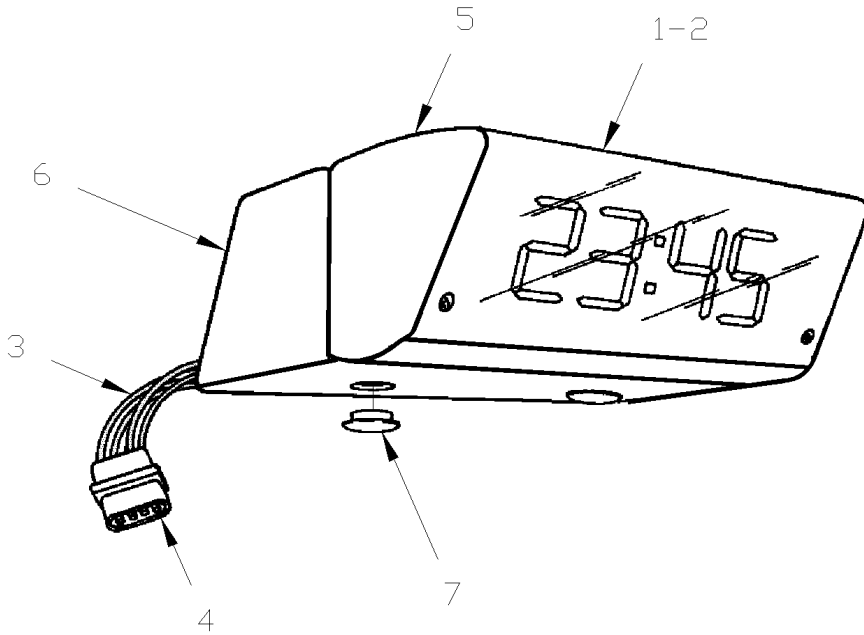


From L-031 To R-079

Date:10/2022

PAGE:H4-2318-00

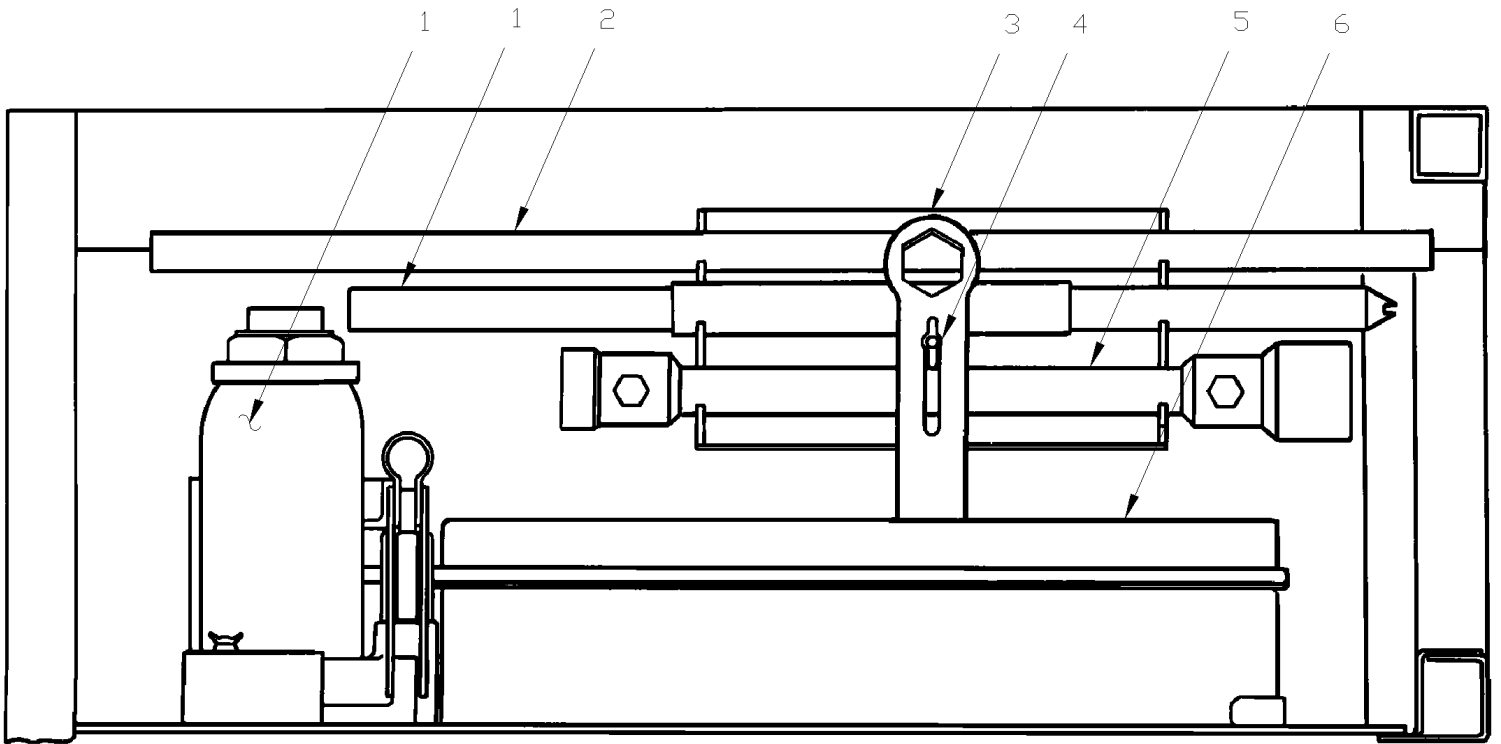
CLOCK (DIGITAL)



| | | |
|------------------------|--------------|-----------------|
| From L-031 To R-079 | Date:10/2022 | PAGE:H4-2318-00 |
| CLOCK (DIGITAL) | | |

| Item# | Part | Description | H 3 4 0 | V I P 4 0 | N O T E S |
|-------|---------|--|------------------|-----------------------|-----------------------|
| 1 | 403486 | DIGITAL CLOCK ASSY / MOUNTED CENTER FRONT CAP (AS SHOWN) | 1 | 1 | |
| 1 | 404048 | DIGITAL CLOCK ASSY W/SUPPORT / MOUNTED UNDER PARCEL RACK | 1 | 1 | |
| 2 | 900457 | . DIGITAL CLOCK | 1 | 1 | |
| 3 | 560851 | . CONNECTOR / COM. MATE-N-LOCK / PH 4C / AMP 1-480426-0 | 1 | 1 | |
| 4 | 560901 | . PIN TERMINAL / 20-14 / AMP 60620-1 | 4 | 4 | |
| 5 | 500560 | SCREW MA PAN PH M4-0.7x6 Z050 | 4 | 4 | |
| NS | 502636 | WASHER LO SPT 4.1x7.6x0.9 Z050 | 4 | 4 | |
| 6 | 440277 | SUPPORT / L.H. | 1 | 1 | |
| NS | 502504 | SCREW MA BDG PH #10-32x1 SS | 2 | 2 | |
| NS | 502774 | NUT WELL #10-32x.625 | 2 | 2 | |
| 7 | 504449 | HOLE PLUG BUTTON / .500 O.D. BLACK | 2 | 2 | |
| NS | 403989 | SUPPORT TO FIX CLOCK UNDER PARCEL RACK | 1 | 1 | |
| NS | 5001036 | SCREW MA PAN PH M4-0.7x10 Z050 | 4 | 4 | |
| NS | 504412 | WASHER RETAINER SNAP CAP #8 | 4 | 4 | |
| NS | 504403 | SNAP CAP #8 FINISHING BLACK | 4 | 4 | |
| NS | 561476 | CONNECTOR / (.062) / SH 4C / MOLEX 03-06-1044 | 1 | 1 | |
| NS | 561478 | SOCKET TERMINAL / 24-18 / MOLEX 02-06-1103 | 4 | 4 | |
| 10 | 404546 | SUPPORT | 1 | 1 | A |
| 11 | 404547 | DIGITAL CLOCK / 12HRS | 1 | 1 | A |
| 11 | 404551 | DIGITAL CLOCK / 24HRS | 1 | 1 | A |
| NS | 900867 | DIGITAL CLOCK | 1 | 1 | A |
| NS | 561476 | CONNECTOR / (.062) / SH 4C / MOLEX 03-06-1044 | 1 | 1 | A |
| NS | 561478 | SOCKET TERMINAL / 24-18 / MOLEX 02-06-1103 | 3 | 3 | A |
| NS | 562387 | CONVOLUTED TUBING / SLIT / BLACK / .250" | AR | AR | A |
| 12 | 064199 | CABLE ASSY / CLOCK & FRONT JCT PANEL | 1 | 1 | A |
| 13 | 500409 | SCREW TP PAN PH #8x1/2 BK | 3 | 3 | A |
| 14 | 500260 | SCREW TC FL PH #8-32x3/4 BK | 2 | 2 | A |
| 15 | 500670 | NUT HEX NYRT #8-32 Z050 | 2 | 2 | A |
| | | | | | |
| | | | | | |
| | | | | | |
| | | A) RELATED WITH SERVICE DIGITAL CLOCK | | | |

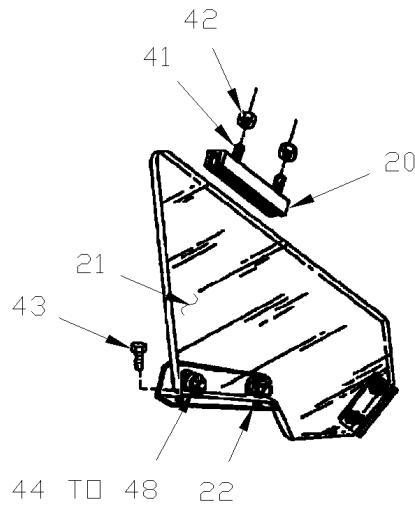
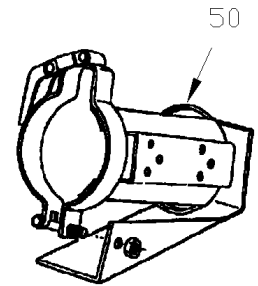
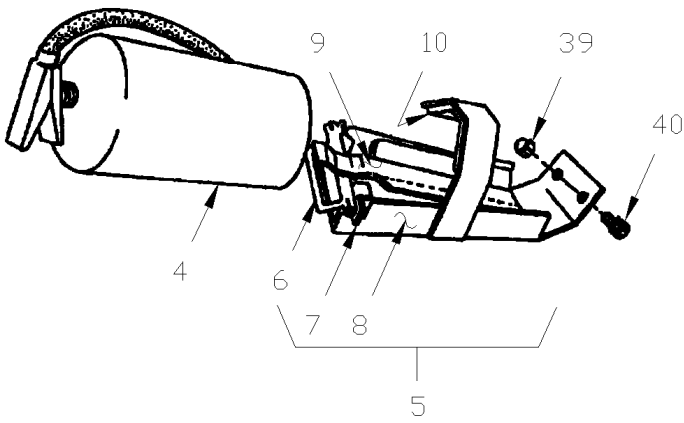
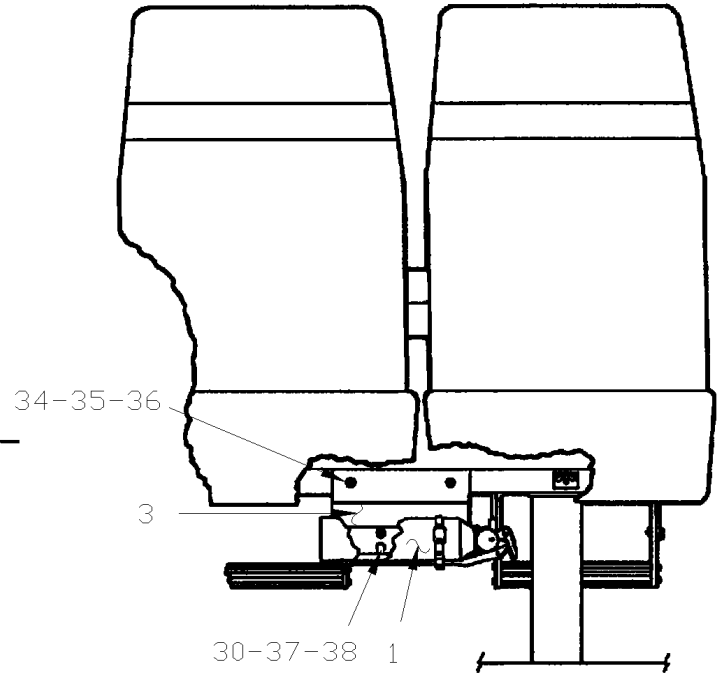
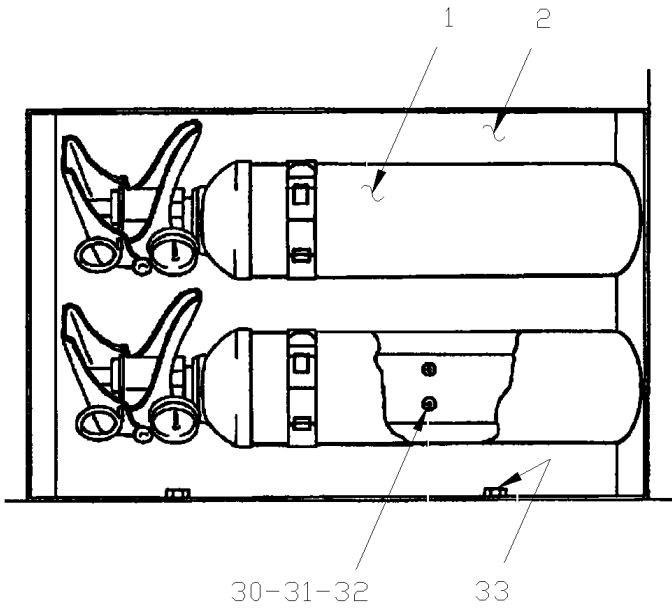
| | | |
|--|--------------|-----------------|
| From L-031 To R-079 | Date:10/2022 | PAGE:H4-2320-00 |
| JACK & FLARE KIT - INSTALLATION | | |



| | | |
|--|--------------|-----------------|
| From L-031 To R-079 | Date:10/2022 | PAGE:H4-2320-00 |
| JACK & FLARE KIT - INSTALLATION | | |

| Item# | Part | Description | H 3 4 0 | V I P 4 0 | N O T E S |
|-------|---------|---|------------------|-----------------------|-----------------------|
| 1 | 505505 | JACK, 12TONS | 1 | 1 | |
| NS | 5001012 | SCREW TH 5/16-18x1 1/2 BZC | 1 | 1 | |
| 2 | 690002 | HANDLE, W/WRENCH WHEEL NUT | 1 | 1 | |
| 3 | 410556 | KEY (FOR FRONT BUMPER NUT) | 1 | 1 | |
| . NS | 410545 | . KEY | 1 | 1 | |
| . NS | 410557 | . RUBBER | 1 | 1 | |
| 4 | 500782 | NUT WING 5/16-18 Z050 | 1 | 1 | |
| 5 | 690001 | WRENCH, WHEEL NUT 1 1/2" & 13/16 SQUARE | 1 | 1 | |
| 6 | 930283 | FLARE KIT, TRIANGULAR | 1 | 1 | |
| 6 | 930442 | FLARE KIT, TRIANGULAR | 1 | 1 | S |
| | | | | | |
| | | | | | |
| | | S) SERVICE | | | |

| | | |
|-----------------------------|--------------|-----------------|
| From L-031 To R-079 | Date:10/2022 | PAGE:H4-2320-30 |
| EXTINGUISHER - INSTALLATION | | |



| | | |
|------------------------------------|--------------|-----------------|
| From L-031 To R-079 | Date:10/2022 | PAGE:H4-2320-30 |
| EXTINGUISHER - INSTALLATION | | |

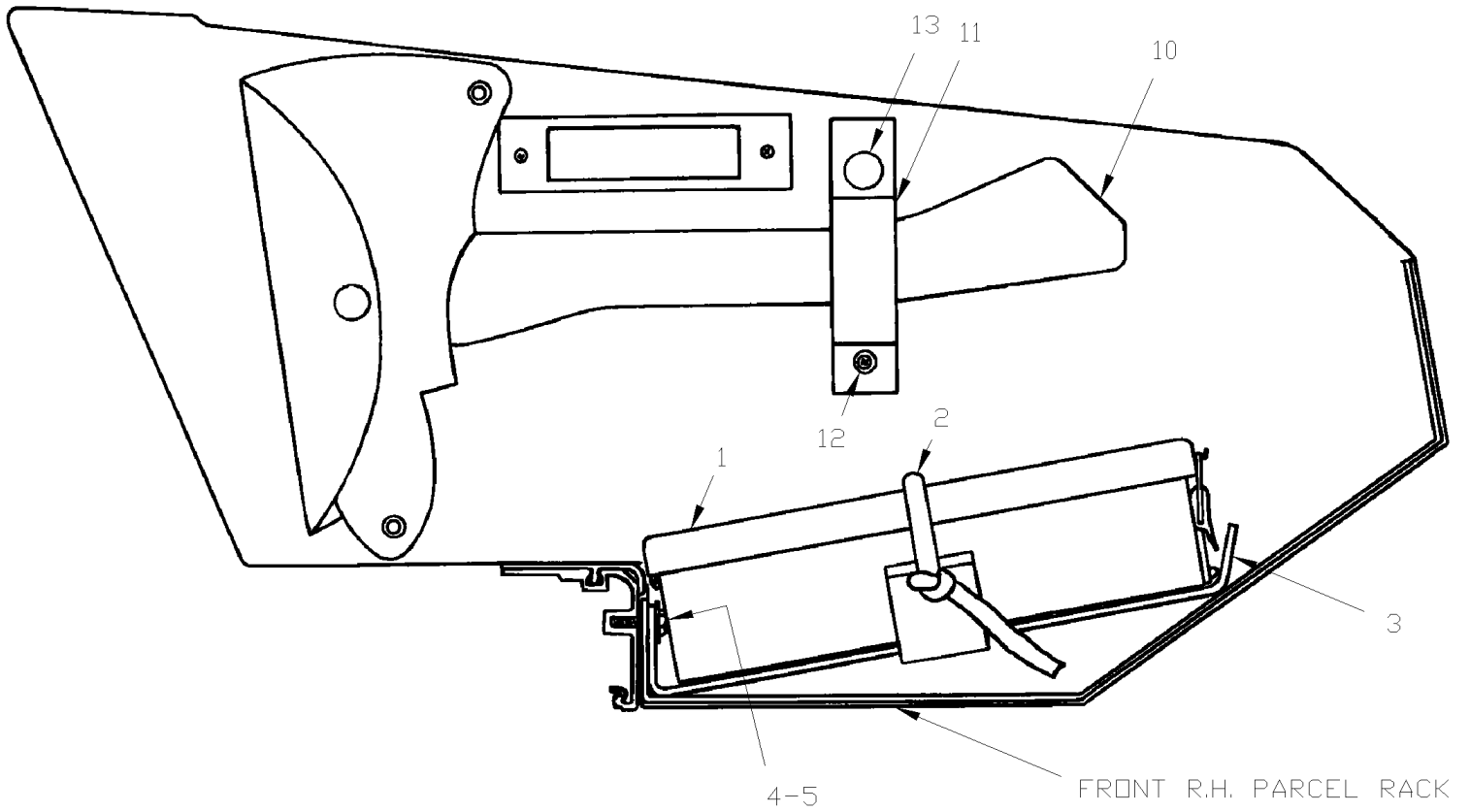
| Item# | Part | Description | H 3 4 0 | V I P 4 0 | N O T E S |
|-------|--------|---|------------------|-----------------------|-----------------------|
| 1 | 900042 | EXTINGUISHER 2 LBS | 2 | 2 | A |
| 1 | 900702 | EXTINGUISHER 2.5 LBS / W/PLASTIC HANDLE | 2 | 2 | B |
| 2 | 320615 | SUPPORT ASSY / EXTINGUISHER | 1 | 1 | A |
| 2 | 324391 | SUPPORT ASSY / EXTINGUISHER | 1 | 1 | B |
| 3 | 322632 | SUPPORT ASSY / EXTINGUISHER | 1 | 1 | A |
| 3 | 324349 | SUPPORT ASSY / EXTINGUISHER | 2 | 2 | B |
| NS | 470949 | SPACER RUBBER 3/4" O.D. / S.Q. | 2 | 2 | |
| NS | 900651 | EXTINGUISHER 20 LBS | 1 | 1 | |
| NS | 403465 | SUPPORT / FOR EXTINGUISHER 20 LBS / UNDER SEAT | 1 | 1 | |
| 4 | 900449 | EXTINGUISHER 10 LBS | 1 | | |
| NS | 900618 | SUPPORT | 1 | | |
| NS | 900618 | SUPPORT | 1 | | |
| 5 | 403581 | SUPPORT ASSY / 10 LBS INTINGUISHER / IN PARCEL RACK | 1 | | |
| 6 | 402575 | HANDLE ASSY / TILTING SUPPORT | 1 | | |
| 7 | 402571 | CLIP, SPRING | 2 | | |
| 8 | 402569 | BRACKET ASSY / TILTING SUPPORT | 1 | | |
| 9 | 402567 | SUPPORT, TILTING | 1 | | |
| 9 | 505188 | PIN, SPRING 1/4" X 7/8" | 1 | | |
| 9 | 470949 | SPACER RUBBER 3/4" O.D. / S.Q. | 2 | | |
| 10 | 506235 | TAPE RUB ADH1 PVC.NITRIL 1/2" x 1" x 15' / BLACK 1210 | AR | | |
| 20 | 402555 | FIXTURE, UPPER | 2 | | |
| 21 | 402541 | GUARD, PLEXIGLASS | 1 | | |
| 22 | 402553 | FIXTURE, LOWER | 2 | | |
| 30 | 500572 | SCREW MA TR PH #10-24x1/2 SS BK | 8 | 8 | |
| 31 | 500470 | WASHER LO SPT .193x.334x.047 Z050 | 8 | 8 | |
| 32 | 500786 | NUT HEX #10-24 Z050 | 8 | 8 | |
| 33 | 500535 | SCREW TP CAP HEX #14x3/4 Z050 | 4 | | |
| 34 | 500559 | SCREW MA TR PH 1/4-20x1 1/2 SS EMN | 4 | | |
| 35 | 500468 | WASHER FL .281x1.250x.065 Z050 | 4 | | |
| 36 | 500770 | NUT HEX STO 1/4-20 Z050 | 4 | | |
| 37 | 500964 | WASHER FL .203x.500x.047 Z050 | 8 | | |
| 38 | 500767 | NUT HEX #10-24 Z050 | 8 | | |
| 39 | 500772 | NUT HEX CAP 1/4-20 NP | 2 | | |
| 40 | 500394 | SCREW MA TR SLT 1/4-20x1/2 Z050 | 2 | | |
| 41 | 500510 | SCREW MA BDG PH #10-32x3/4 SS EMN | 4 | | |
| 42 | 500519 | NUT WELL #10-32x.518 | 4 | | |
| 43 | 500657 | SCREW TC TR PH #10-24x1/2 Z050 | 2 | | |
| 44 | 500607 | SCREW MA TR PH #10-24x1 SS | 4 | | |
| 45 | 500891 | NUT HEX CAP #10-24 Z050 | 6 | | |
| 46 | 900251 | BUSHING, RUBBER | 8 | | |
| 47 | 400380 | SPACER 5/16 O.D. x 17/32" x 18GA | 4 | | |
| 47 | 505539 | SPACER 5/16 O.D. x 17/32" x 18GA | 4 | | |

| | | |
|---------------------|--------------|-----------------|
| From L-031 To R-079 | Date:10/2022 | PAGE:H4-2320-30 |
|---------------------|--------------|-----------------|

EXTINGUISHER - INSTALLATION

| Item# | Part | Description | H 3 4 0 | V I P 4 0 | N O T E S |
|-------|--------|-------------------------------|------------------|-----------------------|-----------------------|
| 48 | 500989 | WASHER FL .219x.875x.062 Z050 | 4 | | |
| | | | | | |
| | | | | | |
| | | A) PRODUCTION | | | |
| | | B) SERVICE | | | |

| | | |
|------------------------------------|--------------|-----------------|
| From L-031 To R-079 | Date:10/2022 | PAGE:H4-2320-40 |
| FIRST AID KIT & AXE - INSTALLATION | | |



| | | |
|---|--------------|-----------------|
| From L-031 To R-079 | Date:10/2022 | PAGE:H4-2320-40 |
| FIRST AID KIT & AXE - INSTALLATION | | |

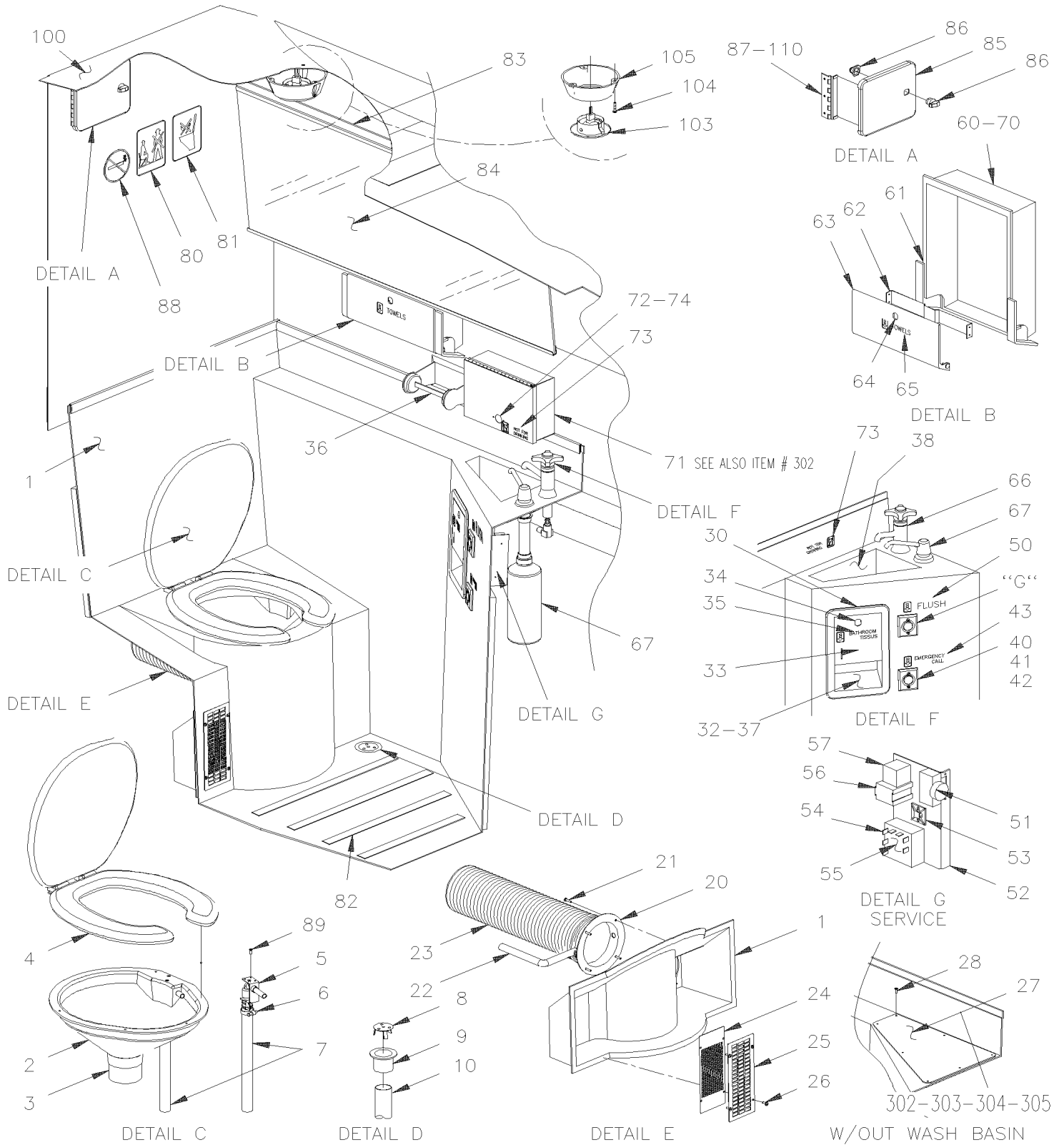
| Item# | Part | Description | H 3 4 0 | V I P 4 0 | N O T E S |
|-------|----------|--|------------------|-----------------------|-----------------------|
| 1 | 900014 | KIT, FIRST AID (SMALL) | 1 | | |
| 1 | 900289 | KIT, FIRST AID (LARGE) / MODEL #36 | 1 | | |
| 1 | 900767 | KIT, FIRST AID (EXTRA LARGE) / W / W.C.L. | 1 | | |
| NS | 195889 | KIT "EMERGENCY CLEANING" BIOHAZARD CASE OF 25 | AR | | |
| NS | 19503187 | HAND & FACE REFRESHER TOWELLETES | AR | | |
| 2 | 506621 | STRAP, RUBBER / S.L. | AR | | |
| 3 | 323606 | SUPPORT ASSY / W/FIRST AID KIT (SMALL) / 165MM | 1 | | |
| 3 | 323608 | SUPPORT ASSY / W/FIRST AID KIT (LARGE) / 350MM | 1 | | |
| 4 | 502526 | SCREW TC BDG PH #12-24x3/4 Z050 | 2 | | |
| 5 | 500989 | WASHER FL .219x.875x.062 Z050 | 2 | | |
| 10 | 900046 | FIRE AXE | 1 | | |
| 11 | 403582 | STRAP / TO FIX AXE | 1 | | |
| NS | 506236 | TAPE RUB ADH1 CC POL 1/16" x 1/2" x 100' / GREY 2520 | AR | | |
| 12 | 504106 | RIVET POP DOME OE 1/8x1/4 AL | 1 | | |
| NS | 500157 | WASHER FL .125x.375x.032 SS | 3 | | |
| 13 | 504003 | FASTENER RIVET BASE | 3 | | |
| NS | 504107 | RIVET POP DOME OE 1/8x5/16 AL | 1 | | |
| NS | 323292 | DECAL / FIRST AID | 1 | | |
| NS | 323291 | DECAL / AXE | 1 | | |
| | | | | | |
| | | | | | |
| | | | | | |

From L-031 To R-079

Date:10/2022

PAGE:H4-2325-00

LAVATORY - ACCESSORIES

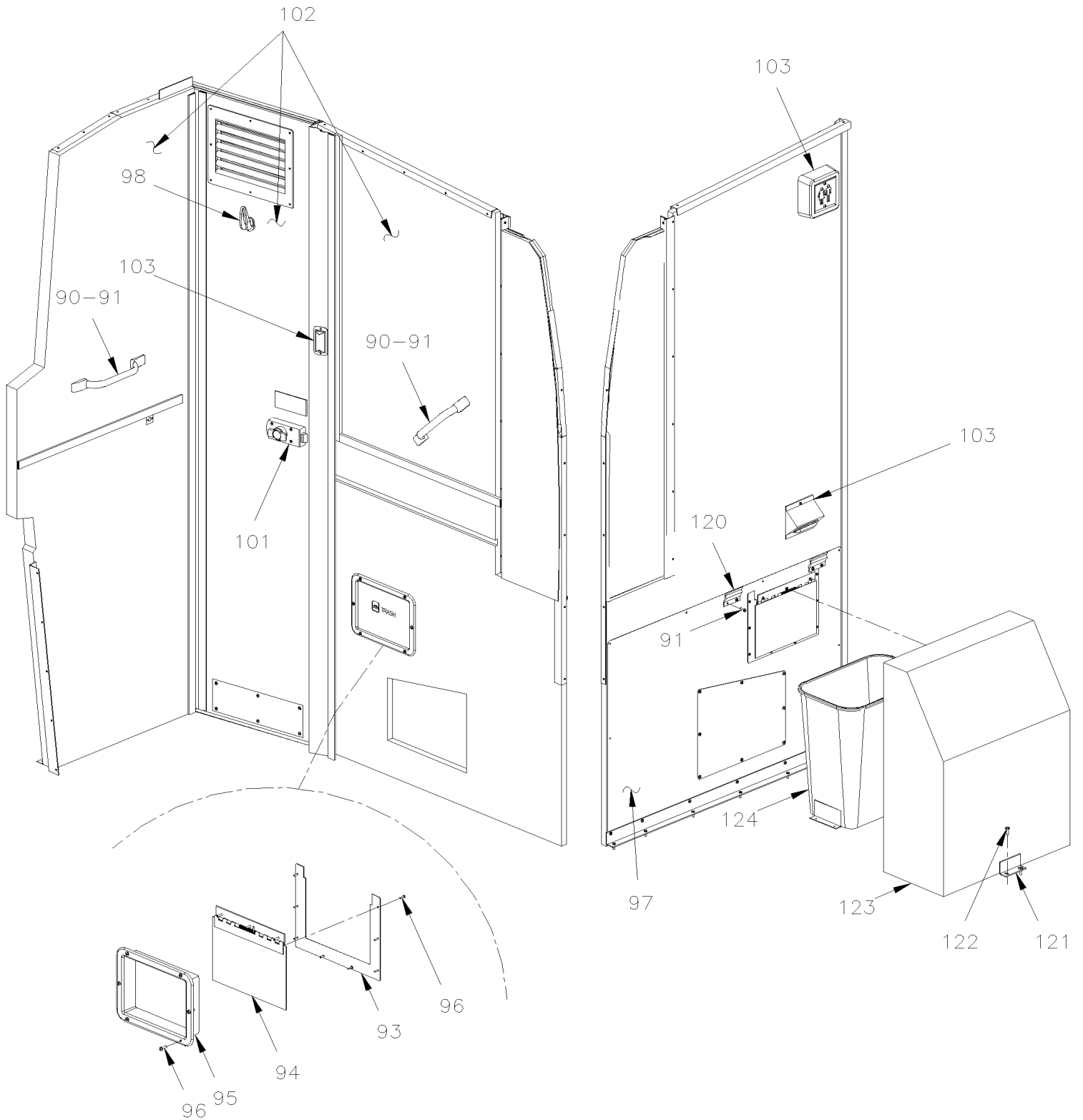


From L-031 To R-079

Date:10/2022

PAGE:H4-2325-00

LAVATORY - ACCESSORIES



| | | | |
|-------------------------------|--|--------------|-----------------|
| From L-031 To R-079 | | Date:10/2022 | PAGE:H4-2325-00 |
| LAVATORY - ACCESSORIES | | | |

| Item# | Part | Description | H 3 4 0 | V I P 4 0 | N O T E S |
|-------|---------|---|------------------|-----------------------|-----------------------|
| | 403168P | LAVATORY ASSY W/BASIN WASH | 1 | | |
| 1 | 402960 | TOILET FIBERGLASS ASSY | 1 | | |
| 1 | 403683 | TOILET FIBERGLASS ASSY / W/W.C.L. "ST & ST" | 1 | | |
| 2 | 403084 | BOWL ASSY, TOILET / W/SS LAVATORY | 1 | | |
| 3 | 404322 | PIPE ABS 3" I.D. X 73MM | 1 | | |
| 4 | 900338 | SEAT & COVER ASSY, TOILET / "BEMIS" | 1 | | |
| NS | 504427 | NUT WELL 1/4-20 | 2 | | |
| NS | 500610 | SCREW MA RND PH 1/4x1 3/4 SS | 2 | | |
| 5 | 405361 | SUPPORT | 1 | | |
| 5 | 405362 | PIPE ASSY | 1 | | |
| 6 | 504319 | HOSE CLAMP / 1"-1"1/2 SS / E.T. 16 | 1 | | |
| 7 | 403191 | HOSE 3/4" I.D. x 1900MM | 1 | | |
| 8 | 401927 | GRILLE ASSY, STRAINER | 1 | | |
| 9 | 900219 | STRAINER ASSY, FLOOR | 1 | | |
| NS | 900861 | PIGTAIL / DRAIN TUBE | 1 | | |
| 10 | 590109 | DRAIN BOOT 1" I.D. X 5" / AS SHOWN | 1 | | |
| NS | 504019 | HOSE CLAMP / 9/16"-1"1/16 SS / HS-10 | 1 | | |
| 20 | 403060 | FLANGE HOSE ADAPTOR 4" O.D. / W/5/8" HOSE | 1 | | |
| 21 | 500641 | SCREW TP PAN PH #8x3/4 Z050 | 4 | | |
| 22 | 403190 | HOSE 5/8" I.D. 500MM | 1 | | |
| 23 | 403058 | HOSE FLEXIBLE 5" I.D. X 460MM | 1 | | |
| 24 | 283827 | SCREEN 84.5 x 223 | 1 | | |
| 25 | 403151 | GRILLE / SIDE OF BOWL / 91MM x 226MM | 1 | | |
| 26 | 500638 | SCREW TP PAN PH #8x1/2 Z050 | 8 | | |
| 27 | 403382 | COVER / FORMICA / W/O WASHBASSIN | AR | | |
| 27 | 404198 | COVER / SS / W/O WASHBASSIN | AR | | |
| 28 | 500656 | SCREW TP OV PH #6x3/4 SS | 7 | | |
| NS | 500463 | WASHER FN CKF .187x.500x.090 BR Z050 | 7 | | |
| 30 | 402497 | DISPENSER ASSY | 1 | | |
| 32 | 409022 | . BOX | 1 | | |
| 33 | 409021 | . DOOR | 1 | | |
| 34 | 780538 | . LOCK | 1 | | |
| . NS | 780539 | . . KEY / (CH751) | 1 | | |
| NS | 403145 | SUPPORT DISPENSER | 1 | | |
| NS | 502789 | SCREW MA PAN PH M6-1.0x20 Z050 | 1 | | |
| NS | 900085 | PAPER, TOILET / BOX OF 96 PACK | AR | | |
| 35 | 402746 | DECAL / "BATHROOM TISSUS" / ENGLISH | 1 | | |
| 35 | 402586 | DECAL / "PAPIER HYGIENIQUE" | 1 | | |
| 36 | 900656 | DISPENSER / TOILET PAPER ASSY (TO USE W/STD) ROLL | 1 | | |
| NS | 900657 | PAPER, TOILET / ROLL S.Q. | AR | | |
| 37 | 403553 | CLOSING PANEL SS | 1 | | |
| 38 | 900509 | STRAINER / WASHBASIN | 1 | | |

| | | |
|-------------------------------|--------------|-----------------|
| From L-031 To R-079 | Date:10/2022 | PAGE:H4-2325-00 |
| LAVATORY - ACCESSORIES | | |

| Item# | Part | Description | H 3 4 0 | V I P 4 0 | N O T E S |
|-------|----------|---|------------------|-----------------------|-----------------------|
| 40 | 561676 | BUTTON / EMERGENCY | 1 | | |
| 41 | 403040 | PROTECTOR / EMERGENCY SWITCH / PLASTIC GREY / 44MM X 54MM | 2 | | |
| NS | 500148 | SCREW MA RND PH #6-32x1/2 SS | 4 | | |
| 42 | 500862 | SCREW TC PAN PH #6-32x3/4 Z050 | 2 | | |
| 43 | 402745 | DECAL / "EMERGENCY CALL" / ENGLISH | 1 | | |
| 43 | 402582 | DECAL / "APPEL D'URGENCE" | 1 | | |
| 50 | 402744 | DECAL / LAVATORY PUMP FLUSH / ENGLISH | 1 | | |
| 50 | 402587 | DECAL / "CHASSE D'EAU" | 1 | | |
| 51 | 900349 | PUSH BUTTON, OPERATOR | 1 | | C |
| NS | 900350 | . BRACKET, MOUNTING | 1 | | C |
| NS | 900348 | . SWITCH, TIMER | 1 | | C |
| NS | 900602 | . PUSH BUTTON / OPERATOR | 1 | | |
| 52 | 382030 | . FLUSH PUMP SWITCH ASSY | 1 | | |
| 52 | 382031 | . . SUPPORT | 1 | | |
| 53 | 562679 | . . 4 WAY ADH. BACKED MOUNTS 1.000 x 1.000 x .160 | 1 | | |
| 54 | 065830 | . . RESISTOR ASSY 1M OHMS 1/2 W | 1 | | |
| 55 | 563327 | . . TIME DELAY OFF | 1 | | |
| 56 | 065813 | . . CABLE ASSY / TIMER FLUSH PUMP | 1 | | |
| 57 | 563332 | . . RELAY 24V S.P.D.T. W/RESISTOR / "VOLVO" (20374662) | 1 | | |
| NS | 062574 | . CABLE ASSY / TIMER & ACCESSORIES | 1 | | |
| 60 | 403167 | DISPENSER ASSY | 1 | | |
| 61 | 403042 | . BOX | 1 | | |
| 62 | 403161 | . SUPPORT, ALUMINIUM | 1 | | |
| 63 | 409016 | . DOOR | 1 | | |
| 64 | 780538 | . LOCK | 1 | | B |
| . NS | 780539 | . . KEY / (CH751) | 1 | | B |
| 65 | 402747 | DECAL / "TOWELS" | 1 | | |
| 65 | 402584 | DECAL / "ESSUIE-MAIN" | 1 | | |
| 66 | 900582 | FAUCET | 1 | | |
| 67 | 900084 | DISPENSER / SOAP | 1 | | |
| NS | 19501055 | SOAP BASE ANGLED COUNTER MOUNT ROUND 2" O.D. / WHITE | AR | | |
| NS | 19503252 | SOAP BASE ANGLED COUNTER MOUNT ROUND 2" O.D. / BLACK | AR | | |
| NS | 19501054 | SOAP BASE 12° ANGLED COUNTER MOUNT ROUND 2" 5/8" / BLACK | AR | | |
| NS | 19503186 | HAND SANITIZER WATERLESS ALCOHOLIC SCREWABLE BOTTLE | AA | | |
| NS | 19503185 | HAND SANITIZER WATERLESS NON-ALCOHOLIC SCREWABLE BOTTLE | AR | | |
| NS | 19503187 | HAND & FACE REFRESHER TOWELLETES | AR | | |
| 70 | 900328 | TOWEL, PAPER | AR | | |
| NS | 403891 | CLOSING PANEL SS / TO USE W/O DISPENSER ASSY | 1 | | |
| NS | 500640 | SCREW TP PAN PH #6x3/4 Z050 | 6 | | F |
| NS | 500996 | NUT SPR U #6-32 .135-.150 | 6 | | F |
| 71 | 401760 | DISPENSER / WET TOWELS | 1 | | |
| NS | 402026 | . BOX | 1 | | |

| | | | |
|-------------------------------|--|--------------|-----------------|
| From L-031 To R-079 | | Date:10/2022 | PAGE:H4-2325-00 |
| LAVATORY - ACCESSORIES | | | |

| Item# | Part | Description | H 3 4 0 | V I P 4 0 | N O T E S |
|-------|-------------------|--|------------------|-----------------------|-----------------------|
| 72 | 401788 | . LOCK MODIFIED | 1 | | |
| 73 | 402748 | DECAL / "NOT FOR DRINKING" / ENGLISH | 1 | | |
| 73 | 402583 | DECAL / "NON POTABLE" | 1 | | |
| 74 | 900588 | TISSUS / WET PAPER | AR | | |
| 80 | 402751 | DECAL / "PLEASE SIT DOWN" | 1 | | |
| 81 | 402752 | DECAL / "NO GARBAGE" | 1 | | |
| 82 | 900515 | TAPE ANTISKID ADH / GREY / 1" X 60' | AR | | |
| 83 | 403156 | SUPPORT / MIRROR LOWER | 1 | | |
| 83 | 403153 | SUPPORT / MIRROR UPPER | 1 | | |
| NS | 506494 | TAPE RUB ADH2 URE 1/8" x 1" x 100' / WHITE 4008 | AR | | |
| NS | 506236 | TAPE RUB ADH1 CC POL 1/16" x 1/2" x 100' / GREY 2520 | AR | | |
| 84 | 403041 | MIRROR ASSY / SAFETY | 1 | | |
| 85 | 403044 | BOX | 1 | | K |
| 85 | 403043 | ACCES DOOR | 1 | | K |
| 86 | 780538 | LOCK | 1 | | |
| . NS | 780539 | . KEY / (CH751) | 1 | | |
| 86 | 504502 | LATCH ASSY, DOOR | 1 | | |
| 87 | 403150 | HINGE | 1 | | |
| 88 | 901026 | DECAL / "NO SMOKING" / 4" O.D. | 1 | | |
| 89 | 502885 | SCREW TC FL PH #8-32x5/8 N500 | 2 | | |
| 90 | 900308 | HANDLE / LONG | 2 | | |
| 91 | 500641 | SCREW TP PAN PH #8x3/4 Z050 | AR | | |
| 93 | 403675 | FRAME / STANLESS STEEL / EXTERIOR | 1 | | |
| 94 | 403677 | TRAP ASSY 232MM x 146MM | 1 | | |
| . NS | 403674 | . HINGE | 1 | | |
| . NS | 502209 | . SPRING, TORSION / .140 I.D. x 1.86 x .063 | 1 | | |
| 95 | 403045 | FRAME / PLASTIC / EXTERIOR / PLASTIC GREY | 1 | | |
| 96 | 500640 | SCREW TP PAN PH #6x3/4 Z050 | 2 | | |
| 97 | 403687 | CLOSING PANEL / W/W.C.L. "ST & ST" 889MM X 533MM | 1 | | A |
| 98 | 900297 | HOOK / COAT | 1 | | |
| 100 | H4-1833-00 | REAR FINISHING CAP & SIDE WALL | | | |
| 101 | H4-2329-00 | LAVATORY DOOR LOCK & SWITCH | | | |
| 102 | H4-2328-00 | LAVATORY WALL - INSTALLATION | | | |
| 103 | H4-0655-00 | INTERIOR LIGHTING | | | |
| 104 | 502643 | SCREW MA PAN PH #8-32x1 1/4 Z050 | 3 | | |
| NS | 500678 | NUT WELL #8-32x.450 | 3 | | |
| 105 | 405244 | LAMP SUPPORT / LAVATORY | 1 | | |
| NS | 860434 | ASHTRAY | 1 | | |
| 110 | 900603 | HOSE, COIL 1/4" X 12' | 1 | | |
| 110 | 900604 | NOZZLE, CLEANING | 1 | | |
| 110 | 900615 | WASHER, SEAL | 1 | | |
| 110 | 403067 | ADAPTOR | 1 | | |

| | | |
|-------------------------------|--------------|-----------------|
| From L-031 To R-079 | Date:10/2022 | PAGE:H4-2325-00 |
| LAVATORY - ACCESSORIES | | |

| Item# | Part | Description | H 3 4 0 | V I P 4 0 | N O T E S |
|--------|--------|---|------------------|-----------------------|-----------------------|
| 120 | 404459 | BRACKET, RETAINING / TO FIX CONTAINER TO WALL | 2 | | |
| 121 | 400860 | ANGLE / TO FIX DUSTBIN TO FLOOR / 3" | 1 | | |
| 122 | 500841 | SCREW TP PAN PH #14x3/4 Z050 | 2 | | |
| 123 | 403166 | CONTAINER ASSY / WASTE PAPER | 1 | | |
| . NS | 403170 | . DOOR WASTE PAPER CONTAINER | 1 | | |
| . NS | 403148 | . TRAP | 1 | | |
| . NS | 504502 | . LATCH ASSY, DOOR | 1 | | |
| . NS | 509558 | . WEATHERSEAL SNAP-ON 1/8" / SINGLE LIP / WH / C.T.L. | AR | | |
| NS | 405713 | DECAL / "TRASH DEPOSIT" PICTOGRAM / PHOTOLUMINESCENT | 1 | | |
| 124 | 900605 | TRASH CAN / BLACK PLASTIC | 1 | | |
| NS | 404005 | CONTAINER ASSY | 1 | | A |
| NS | 404006 | . COVER | 1 | | A |
| NS | 504353 | . RETAINER, 5/16"DIA. (DZUS) STUD | 2 | | A |
| NS | 504354 | . STUD 5/16 O.D. X 3/8 (DZUS) | 2 | | A |
| NS | 504365 | . SPRING HOOK / DZUS 5/16 | 2 | | A |
| NS | 509558 | . WEATHERSEAL SNAP-ON 1/8" / SINGLE LIP / WH / C.T.L. | AR | | A |
| NS | 500510 | SCREW MA BDG PH #10-32x3/4 SS EMN | 4 | | A |
| NS | 500519 | NUT WELL #10-32x.518 | 4 | | A |
| NS | 562176 | DETECTOR / SMOKE (OPTION) | 1 | | |
| NS | 505412 | . SPACER, ROLL | 2 | | |
| NS | 502630 | . WASHER FL .156x.375x.049 Z050 | 2 | | |
| NS | 500440 | . WASHER FL .250x.562x.065 Z050 | 4 | | |
| NS | 504481 | . RIVET POP DOME OE 1/8x.515 STL | 2 | | |
| | | NEXT PACK ARE FOR SERVICE | | | |
| 300 | 900655 | CHEMICAL PACK / "TIMSEN-AIR" / (BOX OF 960) | AR | | |
| 300 | 403678 | CHEMICAL PACK / "TIMSEN-AIR" / (BOX OF 40) | AR | | |
| 301 | 900329 | CHEMICAL PACK / "INCA GOLD" / S.Q. | AR | | |
| 301 | 900654 | CHEMICAL PACK / "INCA" FORMULE 104 / S.Q. | AR | | |
| 301 | 900893 | CHEMICAL PACK / "CELESTE INDUSTRIE" / S.Q. | AR | | |
| 301 | 900894 | CHEMICAL PACK / "CELESTE INDUSTRIE" / (BOX OF 100) | AR | | |
| | | WET TOWEL DISPENDER MOULDED | | | |
| 302 | 405275 | SUPPORT WET TOWEL DISPENDER | 1 | | |
| 303 | 405303 | DISPENSER PLASTIC / WET TOWELS | 1 | | |
| . NS | 780538 | . LOCK | 1 | | |
| . . NS | 780539 | . . KEY / (CH751) | 1 | | |
| 304 | 500656 | SCREW TP OV PH #6x3/4 SS | 8 | | |
| 305 | 500463 | WASHER FN CKF .187x.500x.090 BR Z050 | 8 | | |
| 306 | 065897 | KIT, RETROFIT / FLUSH PUMP W/2 SWITCH / SERIE "H" | 1 | | |

| | | |
|-------------------------------|--------------|-----------------|
| From L-031 To R-079 | Date:10/2022 | PAGE:H4-2325-00 |
| LAVATORY - ACCESSORIES | | |

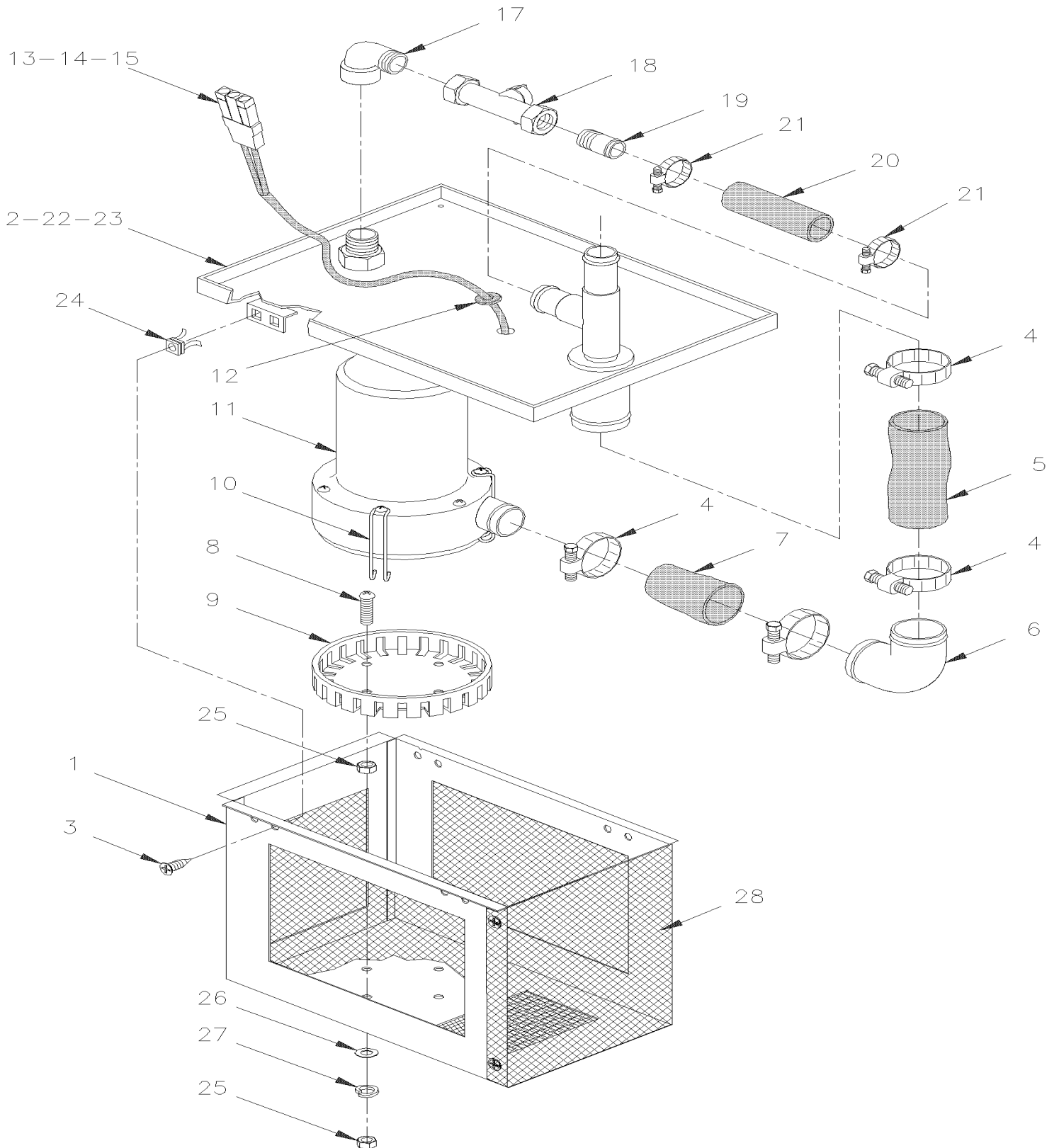
| Item# | Part | Description | H 3 4 0 | V I P 4 0 | N O T E S |
|-------|----------|--|------------------|-----------------------|-----------------------|
| . NS | IS-02112 | . SEE INSTRUCTION SHEET | 1 | | |
| 307 | 405368 | KIT, CLEANING DOOR LAVATORY | 1 | | |
| . NS | IS-02026 | . SEE INSTRUCTION SHEET | 1 | | |
| | | | | | |
| | | | | | |
| | | A) FOR COACH EQUIPPED W/W.C.L. W/ WASTE CONTAINER INSIDE OF LAVATORY | | | |
| | | B) SOME COACH USE LOCK /504502 TO USE W/O KEY | | | |
| | | C) THIS TIMER & SUPPORT ARE SUPPERSEDED BY KIT#065896 FOR VEHICULE EQUIPPED WITH ONE INSIDE OPERATING SWITCH OR BY KIT #065897 FOR VEHICULE EQUIPPED WITH EXTERIOR AUXILIARY SWITCH IN REAR ENGINE COMPARTMENT | | | |
| | | F) TO FIX CLOSING PANEL | | | |
| | | K) THIS PART IS SUPERSEDED BY KIT #405368 | | | |

From L-031 To R-079

Date:10/2022

PAGE:H4-2326-00

TOILET PUMP ASSY



| | | |
|-------------------------|--------------|-----------------|
| From L-031 To R-079 | Date:10/2022 | PAGE:H4-2326-00 |
| TOILET PUMP ASSY | | |

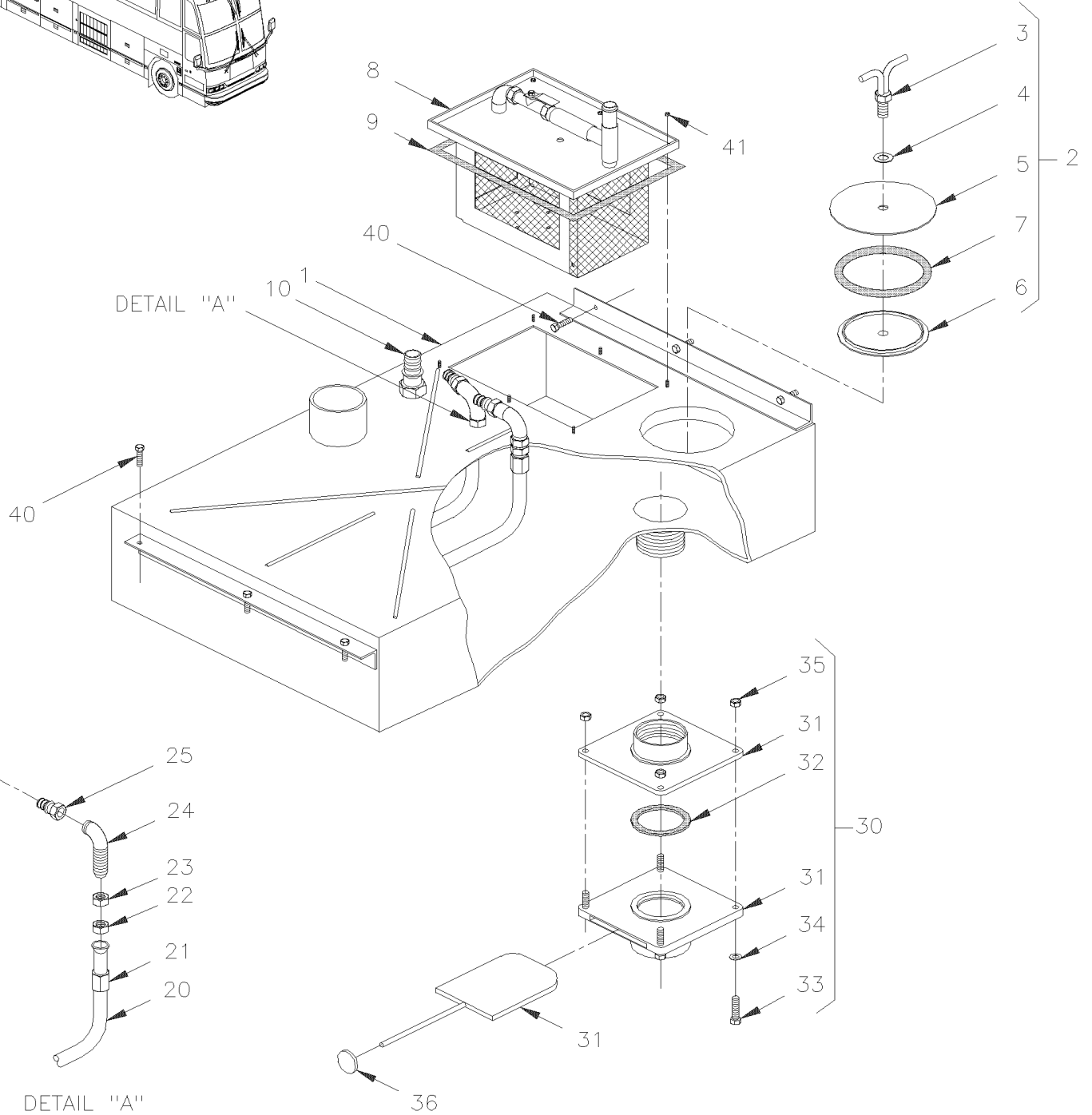
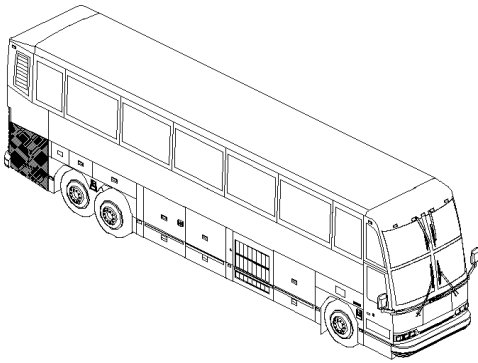
| Item# | Part | Description | H 3 4 0 | V I P 4 0 | N O T E S |
|-------|----------|---|------------------|-----------------------|-----------------------|
| 1 | 403035 | FRAME / PUMP BOX | 1 | | |
| 2 | 403036 | COVER / PUMP BOX To M-109 | 1 | | |
| 2 | 403467 | COVER / PUMP BOX / STD From M-110 | 1 | | |
| 3 | 500124 | SCREW TP TR PH #8x1/2 SS | 12 | | |
| 4 | 504413 | HOSE CLAMP / 1"1/16-2" SS / HAS-24 | 4 | | |
| 5 | 503391 | HOSE SILICONE 4PLY 1 1/8" I.D. x 3' | AR | | |
| 6 | 403470 | TUBE ASSY | 1 | | |
| 7 | 503391 | HOSE SILICONE 4PLY 1 1/8" I.D. x 3' | AR | | |
| 8 | 500556 | SCREW MA TR PH 1/4-20x3/4 SS | 4 | | |
| 9 | 900549 | BASE, STRAINER | AR | | |
| 10 | 402774 | CLAMP, HOLD-DOWN | 2 | | |
| 11 | 900496 | PUMP TOILET | 1 | | |
| 11 | 900550 | . IMPELLER, PUMP | AR | | |
| 11 | 900551 | . SEAL, PUMP | AR | | |
| 12 | 504323 | GROMMET / .375x.500x.062x.281x.687 | 1 | | |
| 13 | 561786 | CABLE SEAL / GRAY / PED 15324980 | 2 | | |
| 14 | 561568 | PIN TERMINAL / 16-14 / PED 12089305 | 2 | | |
| 15 | 561566 | CONNECTOR / WEATHER PACK / PH 2C / BLACK / PED 12010973 | 1 | | |
| 17 | 507557 | STREET ELBOW 90° / PIPE FITTING / 1/2NPT-Mx1/2NPT-F BR | 1 | | |
| 18 | 530096 | BALL VALVE 1/2" NPT 1/2 NPT F x 1/2 NPT F | 1 | | |
| 19 | 030827 | NIPPLE | 1 | | |
| 20 | 381115 | HOSE 7/8" I.D. X 3" | 1 | | |
| 21 | 504022 | HOSE CLAMP / 3/4"-1"3/4 SS / HS-20 | 2 | | |
| 22 | 409053 | GASKET / PUMP COVER 8 HOLES | 2 | | |
| 23 | 502621 | NUT HEX STO M6-1.0 Z050 | 1 | | A |
| 24 | 502741 | NUT AN #8 NYL | 12 | | |
| 25 | 500769 | NUT HEX 1/4-20 Z050 | 8 | | |
| 26 | 502573 | WASHER FL 6.4x12.5x1.6 SS | 4 | | |
| 27 | 502570 | WASHER LO SPT 6.1x11.8x1.6 SS | 4 | | |
| 28 | 403037 | PROTECTION GRILL | 1 | | |
| NS | 404917 | KIT LAVATORY FLUSH PUMP | AR | | |
| . NS | IS-99029 | . SEE INSTRUCTION SHEET | 1 | | |
| | | | | | |
| | | | | | |
| | | | | | |
| | | A) TO FIX PUMP | | | |

From L-031 To R-079

Date:10/2022

PAGE:H4-2327-00

SUMP TANK - S/S



| | | |
|------------------------|--------------|-----------------|
| From L-031 To R-079 | Date:10/2022 | PAGE:H4-2327-00 |
| SUMP TANK - S/S | | |

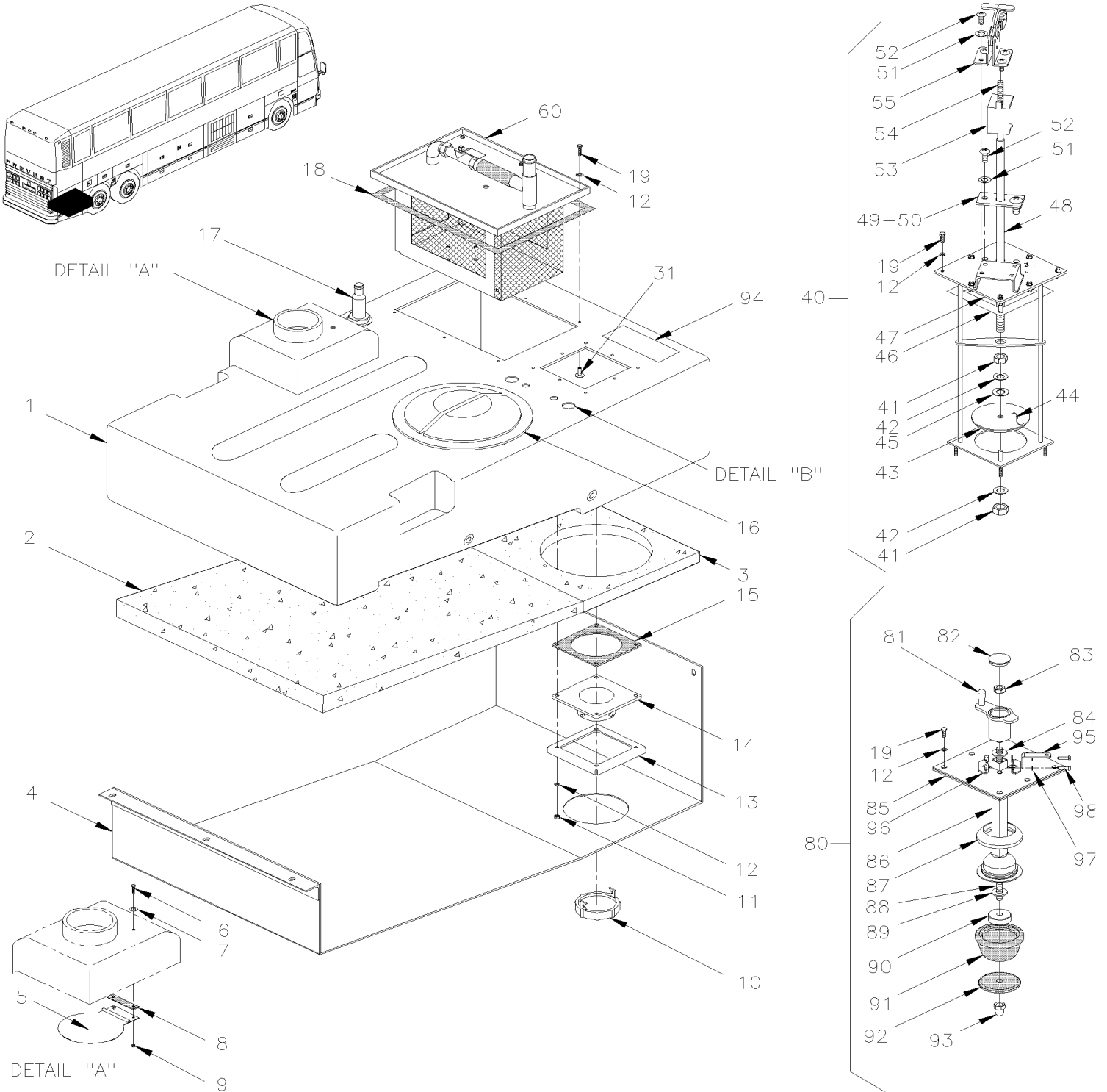
| Item# | Part | Description | H 3 4 0 | V I P 4 0 | N O T E S |
|-------|-------------------|--|------------------|-----------------------|-----------------------|
| 1 | 403020P | SUMP TANK ASSY | 1 | | A |
| 2 | 402611 | COVER ASSY | 1 | | |
| 3 | 402606 | . HANDLE | 1 | | |
| 4 | 502623 | . WASHER FL .443x.750x.125 NYL | 4 | | |
| 5 | 402608 | . PLATE, UPPER | 1 | | |
| 6 | 402612 | . PLATE, LOWER | 1 | | |
| 7 | 402610P | . GASKET | 1 | | |
| NS | 680333 | . GLUE / TO FIX GASKET | 1 | | |
| NS | 680335 | ANTIGRIP MIXTURE | 1 | | |
| NS | 504401 | SNAP-IN PLUG / .875 O.D. (FLUSH HEAD) | 2 | | |
| 8 | H4-2326-00 | TOILET PUMP ASSY | | | |
| 9 | 409053 | GASKET / PUMP COVER 8 HOLES | 1 | | |
| 10 | 900280 | THRU HULL, CONNECTOR / PLASTIC | 1 | | |
| 20 | 403626 | TUBE | 1 | | |
| 21 | 5011027 | NUT FLARELESS TUBE / JIC 37° FITTING / #10 STL | 1 | | |
| 22 | 5011028 | FERRULE FLARELESS TUBE / JIC 37° FITTING / #10 STL | 2 | | |
| 23 | 5011032 | NUT BULKHEAD FITTING / #10 STL | 1 | | |
| 24 | 5011030 | BULKHEAD UNION ELBOW 90° / JIC 37° FITTING / #10JIC-Mx#10JIC-M STL | 2 | | |
| 25 | 5011031 | FEMALE CONNECTOR SWIVEL / PUSH-LOK FITTING / #10JIC-F/FL-Fx#10 STL | 2 | | |
| 30 | 402667 | THREADED VALVE ASSY W/HANDLE | 1 | | |
| 31 | 900197 | . THREADED VALVE ASSY W/PLASTIC HANDLE | 1 | | |
| 32 | 900330 | . . SEAL | 2 | | |
| 33 | 500994 | . . SCREW CAP HEX 1/4-20x1 3/4 G5 PT Z050 | 4 | | |
| 34 | 500411 | . . WASHER FL .260x.697x.050 SS | 4 | | |
| 35 | 500769 | . . NUT HEX 1/4-20 Z050 | 4 | | |
| 35 | N.S.S. | . . HANDLE / PLASTIC | 1 | | 1 |
| 36 | 403109 | . HANDLE, THREADED VALVE / STANLESS STEEL | 1 | | |
| 40 | 502780 | SCREW CAP HEX M8-1.25x25 SS BK | 6 | | |
| NS | 502744 | NUT HEX STO M8-1.25 Z050 | 6 | | |
| NS | 500270 | WASHER FL .406x1.000x.063 SS | 6 | | |
| 100 | 404405P | SUMP TANK ASSY | 1 | | |
| . NS | IS-95091 | . SEE INSTRUCTION SHEET | 1 | | |
| | | | | | |
| | | | | | |
| | | | | | |
| | | | | | |
| | | A) FOR RETROFIT WITH PLASTIC TANK ASK KIT 404405P | | | |
| | | 1) NOT SOLD SEPARATELY | | | |

From L-031 To R-079

Date:10/2022

PAGE:H4-2327-01

SUMP TANK - PLASTIC / SERVICE

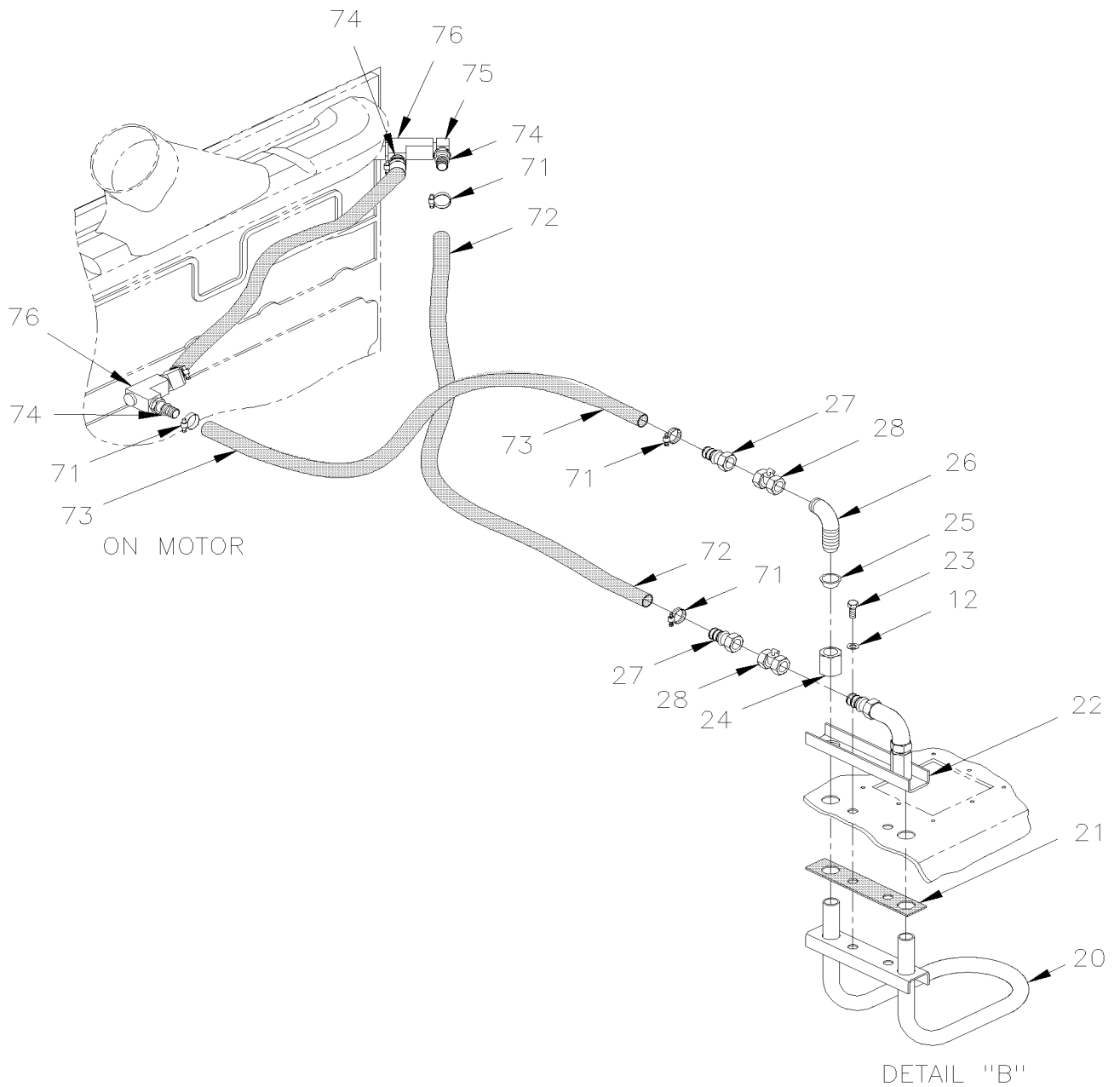
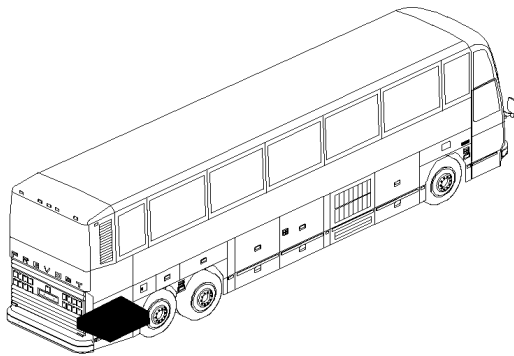


From L-031 To R-079

Date:10/2022

PAGE:H4-2327-01

SUMP TANK - PLASTIC / SERVICE



| | | |
|--------------------------------------|--------------|-----------------|
| From L-031 To R-079 | Date:10/2022 | PAGE:H4-2327-01 |
| SUMP TANK - PLASTIC / SERVICE | | |

| Item# | Part | Description | H 3 4 0 | V I P 4 0 | N O T E S |
|-------|----------|--|------------------|-----------------------|-----------------------|
| | 404405P | SUMP TANK ASSY | 1 | | |
| . NS | IS-95091 | . SEE INSTRUCTION SHEET | 1 | | |
| 1 | 403955 | . SUMP TANK | 1 | | |
| 2 | 404340 | . INSULATOR PANEL | 1 | | |
| 3 | 404341 | . INSULATOR PANEL | 1 | | |
| 4 | 404335 | . BOTTOM PANEL | 1 | | |
| 5 | 404176 | . TRAP DOOR WELDED | 1 | | |
| 6 | 502622 | . SCREW CAP HEX M6-1.0x20 SS BK | 2 | | |
| 7 | 502582 | . WASHER LO SERR 6.1x16.2x0.9 Z050 | 4 | | |
| 8 | 404155 | . GASKET | 1 | | |
| 9 | 502581 | . NUT HEX M6-1.0 Z050 | 2 | | |
| 10 | 900520 | . CAP | 1 | | |
| 11 | 502511 | . NUT HEX NYRT M6-1.0 Z050 | 4 | | |
| 12 | 502564 | . WASHER LO SPT 6.1x11.8x1.6 Z050 | 22 | | |
| 13 | 404373 | . PLATE | 1 | | |
| 13 | 404972 | . PLATE / TO FIXING EMTYING PLUG | 1 | | A |
| 14 | 900522 | . HOSE ADAPTOR / BAYONET FLANGE | 1 | | |
| 15 | 404342 | . GASKET | 1 | | |
| 16 | 900825 | . 8" CLOSED LID C/W RIM | 1 | | |
| 17 | 900280 | . THRU HULL, CONNECTOR / PLASTIC | 1 | | |
| 17 | 409038 | . GASKET | 1 | | |
| 18 | 409053 | . GASKET / PUMP COVER 8 HOLES | 1 | | |
| 19 | 502563 | . SCREW CAP HEX M6-1.0x12 G8.8 Z050 | 12 | | |
| 20 | 404337 | . HEATER ASSY | 1 | | |
| 21 | 404367 | . GASKET | 1 | | |
| 22 | 404339 | . SUPPORT PLATE | 1 | | |
| 23 | 502737 | . SCREW CAP HEX M6-1.0x25 SS BK | 2 | | |
| 24 | 5011027 | . NUT FLARELESS TUBE / JIC 37° FITTING / #10 STL | 2 | | |
| 25 | 5011028 | . FERRULE FLARELESS TUBE / JIC 37° FITTING / #10 STL | 2 | | |
| 26 | 5011137 | . UNION ELBOW 90° / JIC 37° FITTING / #10JIC-Mx#10JIC-M STL | 2 | | |
| 26 | 5011175 | . UNION ELBOW 90° / FERULOK FITTING / #6x#6 STL | 2 | | |
| 27 | 5011031 | . FEMALE CONNECTOR SWIVEL / PUSH-LOK FITTING / #10JIC-F/FL-Fx#10 STL | 2 | | |
| 27 | 507605 | . MALE CONNECTOR / HOSE BARB FITTING / #12x1/2NPT-M BR | 2 | | |
| 28 | 530096 | . BALL VALVE 1/2" NPT 1/2 NPT F x 1/2 NPT F | 2 | | |
| 31 | 5001182 | . NUT HEX NYRT M6-1.0 SS | 6 | | |
| 40 | 404148P | . EMPTYING TRAP DOOR | 1 | | B |
| 41 | 500875 | . NUT HEX M12-1.75 SS | 1 | | |
| 42 | 500958 | . WASHER FL .531x1.062x.095 SS | 2 | | |
| 43 | 404156 | . GASKET | 1 | | |
| NS | 681285 | . ADHESIVE | AR | | |
| 44 | 404100 | . CAP | 1 | | |
| 45 | 404432 | . O-RING | 1 | | |

| | | |
|--------------------------------------|--------------|-----------------|
| From L-031 To R-079 | Date:10/2022 | PAGE:H4-2327-01 |
| SUMP TANK - PLASTIC / SERVICE | | |

| Item# | Part | Description | H 3 4 0 | V I P 4 0 | N O T E S |
|-------|-------------------|---|------------------|-----------------------|-----------------------|
| 46 | 404136 | . . GASKET | 1 | | |
| 47 | 404394 | . . FRAME (WELDED) | 1 | | |
| 48 | 404144 | . . CENTER ROD | 1 | | |
| 49 | 404396 | . . PLATE | AR | | |
| NS | 680096 | . . SEALANT BUTYL ALUM / GREY / 310ml CARTRIDGE | 1 | | |
| 50 | 507290 | . . MOLYTHANE SEAL POLYPAK | 6 | | |
| 51 | 502564 | . . WASHER LO SPT 6.1x11.8x1.6 Z050 | 8 | | |
| 52 | 502526 | . . SCREW TC BDG PH #12-24x3/4 Z050 | 1 | | |
| 53 | 404182 | . . HOOK | 1 | | |
| 54 | 504644 | . . PROTECTOR CAP / BLACK / .281 I.D. x .500 | 1 | | |
| 55 | 900834 | LOCK LEVER | 1 | | |
| 60 | H4-2326-00 | TOILET PUMP ASSY | | | |
| 71 | 504646 | HOSE CLAMP / 11/16"-1"1/4 / C.T. 9412 | 4 | | |
| 72 | 404427 | HOSE / HEATER & ENGINE / 3/4" I.D. 1260MM | 1 | | |
| 73 | 402618 | HOSE / HEATER & ENGINE / 3/4" I.D. 960MM | 1 | | |
| 73 | 503523 | HOSE SILICONE 1PLY 3/4" I.D. x 100' / S.L. | 1 | | |
| 74 | 507605 | MALE CONNECTOR / HOSE BARB FITTING / #12x1/2NPT-M BR | 3 | | |
| 75 | 5011038 | MALE ELBOW 90° / BEADED HOSE BARB / #12x1/2NPT-M | 1 | | |
| 76 | 501473 | MALE RUN TEE / PIPE FITTING / 1/2NPT-Mx1/2NPT-Fx1/2NPT-F BR | 1 | | |
| 77 | 501528 | STREET ELBOW 45° / PIPE FITTING / 1/2NPT-Mx1/2NPT-F BR | 1 | | |
| 80 | 404948P | EMPTYING PLUG ASSY | 1 | | A |
| 81 | 404953 | . CRANK | 1 | | D |
| 81 | 405446 | . CRANK W/FLANGE | 1 | | C |
| 82 | 689948 | . PLUG | 1 | | |
| 83 | 502567 | . NUT HEX M10-1.5 SS | 1 | | |
| 84 | 509802 | . WASHER FL .500x1.125x.081 BR | 2 | | |
| 85 | 404949 | . PLATE ASSY / W/19MM SQ HOLE | 1 | | |
| . NS | 404950 | . . PLATE | 1 | | |
| . NS | 404951 | . . SEAL RUBBER / W/19MM SQ HOLE | 1 | | |
| . NS | 405083 | . . SEAL RETAINER | 1 | | |
| . NS | 504643 | . . RIVET POP DOME OE 1/8x1/2 SS | 4 | | |
| 85 | 407499 | . PLATE ASSY / W/22MM SQ HOLE SERVICE | 1 | | |
| . NS | 407497 | . . PLATE | 1 | | |
| . NS | 407498 | . . SEAL RUBBER / W/22MM SQ HOLE | 1 | | |
| . NS | 407496 | . . SEAL RETAINER FORMER ONE PIECE | 1 | | |
| . NS | 409262 | . . SEAL RETAINER CURRENT TWO PIECES | 2 | | |
| . NS | 504643 | . . RIVET POP DOME OE 1/8x1/2 SS | 4 | | |
| 86 | 407494 | . TUBE PLASTIC | 1 | | |
| 86 | 409257 | . TUBE PLASTIC SERVICE | 1 | | |
| 87 | 404956 | . CLAMPING RING | 1 | | |
| 87 | 409256 | . CLAMPING RING SERVICE | 1 | | |
| 88 | 407495 | . ROD | 1 | | |

| | | |
|--------------------------------------|--------------|-----------------|
| From L-031 To R-079 | Date:10/2022 | PAGE:H4-2327-01 |
| SUMP TANK - PLASTIC / SERVICE | | |

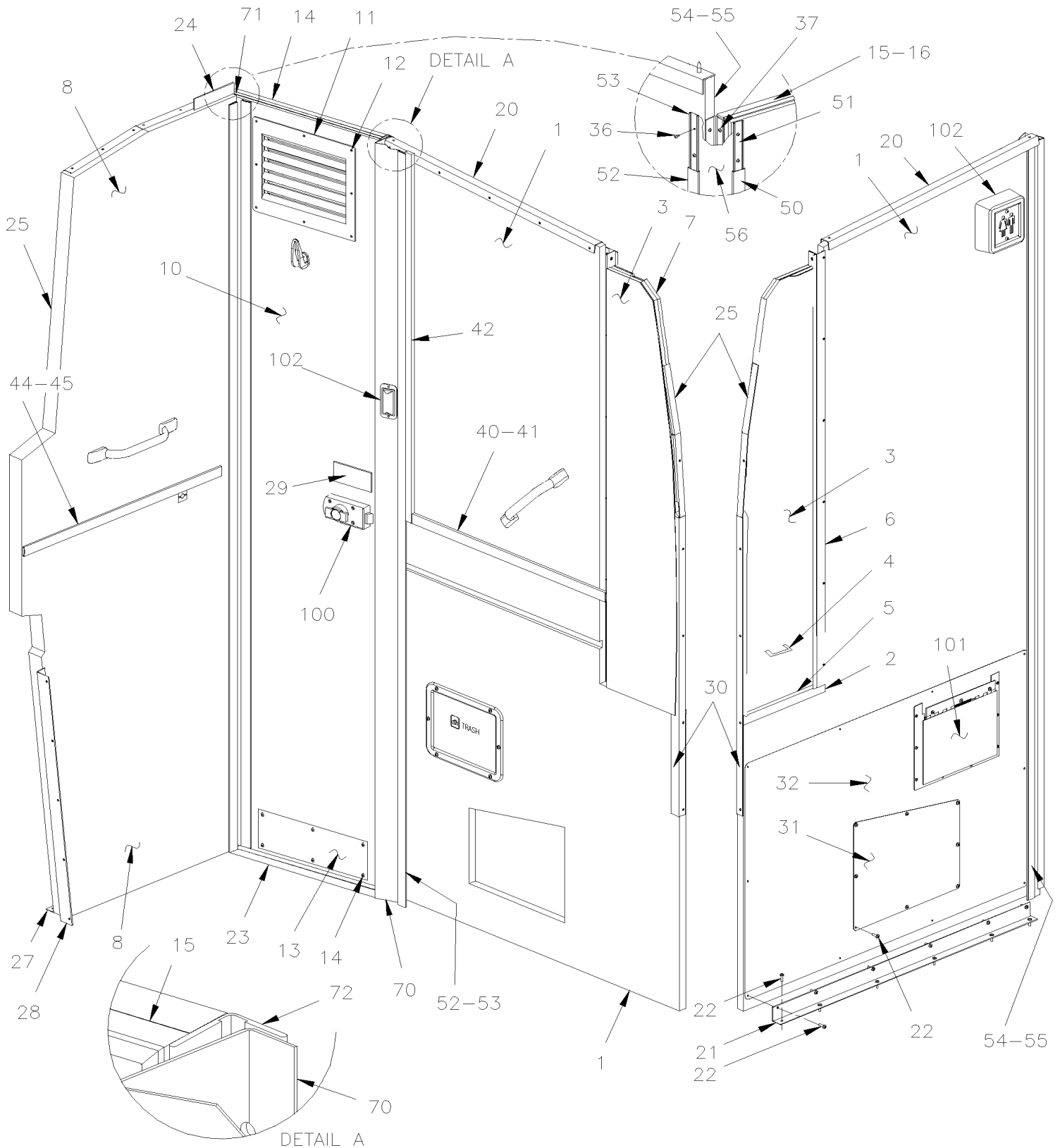
| Item# | Part | Description | H 3 4 0 | V I P 4 0 | N O T E S |
|-------|----------|---|------------------|-----------------------|-----------------------|
| 89 | 5001443 | . WASHER FL 10.3x38.0x3.0 SS | 1 | | |
| 91 | 409989 | . PLUG RUBBER | 1 | | |
| 92 | 404959 | . WASHER, CONIC | 1 | | |
| 93 | 5001511 | . NUT HEX CAP M10-1.5 SS | 1 | | |
| 94 | 405194 | DECAL "OPENING & CLOSING SUMP TANK PICTOGRA | 1 | | |
| 95 | 405439 | HANDLE / USE W/SS TUBE ITEM # 86 | 1 | | C |
| 95 | 405437 | HANDLE / USE W/PLASTIC TUBE ITEM # 86 | 1 | | D |
| 96 | 405436 | COLLAR ASSY W/NUT | 1 | | C |
| 96 | 405438 | COLLAR ASSY W/NUT | 1 | | D |
| 97 | 502570 | WASHER LO SPT 6.1x11.8x1.6 SS | 2 | | |
| 98 | 5001165 | SCREW CAP HEX M6-1.0x20 SS EMN | 2 | | |
| 100 | 405440 | KIT COLLAR & HANDLE / W/SS TUBE | 1 | | C |
| . NS | IS-02130 | . SEE INSTRUCTION SHEET | 1 | | C |
| 100 | 405441 | KIT COLLAR & HANDLE / W/PLASTIC TUBE | 1 | | D |
| . NS | IS-02130 | . SEE INSTRUCTION SHEET | 1 | | D |
| 101 | 409990P | KIT EMPTYING PLUG SUMP TANK | 1 | | |
| | | | | | |
| | | | | | |
| | | A) PART INCLUDE WITH KIT #409990 | | | |
| | | B) FOR PRODUCT IMPROVMENT ASK FOR KIT 409990P FOR INSTALLATION SEE DIAGRAM D-400291 | | | |
| | | C) USE WITH PLASTIC TUBE #86 | | | |
| | | D) WITH STAINLESS STEEL TUBE #86 | | | |

From L-031 To R-079

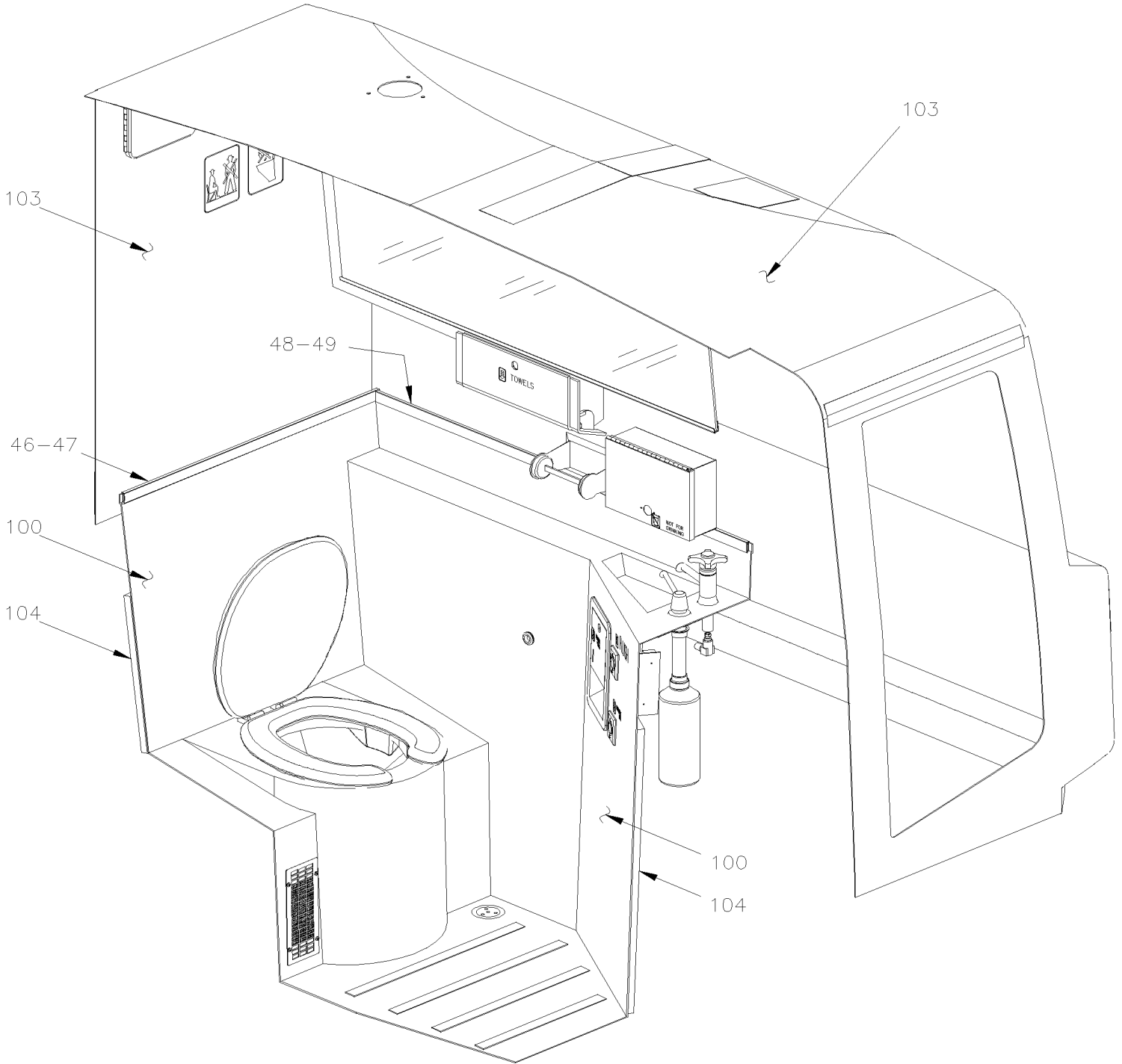
Date:10/2022

PAGE:H4-2328-00

LAVATORY WALL - INSTALLATION



| | | |
|-------------------------------------|--------------|-----------------|
| From L-031 To R-079 | Date:10/2022 | PAGE:H4-2328-00 |
| LAVATORY WALL - INSTALLATION | | |



| | | |
|-------------------------------------|--------------|-----------------|
| From L-031 To R-079 | Date:10/2022 | PAGE:H4-2328-00 |
| LAVATORY WALL - INSTALLATION | | |

| Item# | Part | Description | H 3 4 0 | V I P 4 0 | N O T E S |
|-------|-----------------|---|------------------|-----------------------|-----------------------|
| 1 | 403193P | FRONT WALL ASSY / LAVATORY / SPECIFY COLOR | 1 | | |
| 1 | 508342 | . FORMICA | AR | | |
| 1 | 500641 | . SCREW TP PAN PH #8x3/4 Z050 | 3 | | |
| 2 | 403147 | . ANGLE, FINISHING | 1 | | |
| 3 | 403196P | CLOSING PANEL ASSY / WATER TANK / SPECIFY COLOR / MIDNIGHT CHARCOAL | 1 | | |
| 3 | Call order desk | CLOSING PANEL ASSY / WATER TANK / SPECIFY COLOR /W/W.C.L. "ST & ST" | 1 | | P |
| 3 | 508342 | . FORMICA | AR | | |
| 4 | 900568 | . HANDLE / DOOR | 1 | | |
| NS | 500575 | . SCREW TP PAN PH #8x1 1/4 | 2 | | |
| 5 | 403146 | . ANGLE, FINISHING / LOWER | 1 | | |
| 6 | 403157 | . MOULDING, FINISHING / SIDE | 1 | | |
| 6 | 403698 | MOULDING, FINISHING/ SIDE W/W.C.L. "ST & ST / S.B. | 1 | | |
| 7 | 403197 | CORD FILLING / WALL CAP | 1 | | |
| 8 | 403195P | SIDE WALL ASSY / LAVATORY / SPECIFY COLOR | 1 | | |
| 8 | 508342 | . FORMICA | AR | | |
| 10 | 403194P | DOOR ASSY / SPECIFY COLOR | 1 | | |
| 10 | 508342 | . FORMICA | AR | | |
| NS | 065516 | CABLE / LAVATORY DOOR LOCK SWITCH / INSIDE OF DOOR | 1 | | |
| 11 | 373291 | . GRILL, VENT | 2 | | |
| NS | 506191 | . TAPE RUB ADH1 CC POL 1/8" x 1/4" x 50' / GREY 2520X | AR | | |
| 12 | 500814 | . SCREW TP BDG PH #6x3/4 BK | 8 | | |
| 13 | 403608 | PROTECTOR PANEL SS 18"1/4 X 4" | 1 | | |
| 13 | 404303 | PROTECTOR PANEL 405MM X 100MM SS | 1 | | |
| 14 | 500952 | SCREW TP BDG PH #8x1/2 SS | 6 | | |
| 15 | 403132 | . MOULDING "J" FORM / 415MM (16 5/16") / A/A | 2 | | E |
| 15 | 403130 | . MOULDING "J" FORM / 415MM (16 5/16") / A/A | 2 | | F |
| 16 | 403131 | . MOULDING "J" FORM / 1930MM (76") / F/F | 2 | | E |
| 16 | 403129 | . MOULDING "J" FORM / 1930MM (76") / A/A | 2 | | F |
| 18 | 860585 | VINYL , GREY | AR | | |
| 20 | 403139 | MOULDING "U" 22MM X 25MM X 662MM | 1 | | |
| NS | 504114 | RIVET POP DOME OE 3/16x1/4 AL | 14 | | |
| 21 | 403140 | ANGLE / W/W.C.L. "ST & ST" / 914MM | 1 | | |
| 22 | 500641 | . SCREW TP PAN PH #8x3/4 Z050 | AR | | |
| 23 | 403155 | FLOOR MOULDING / COVERING & TOILET | 1 | | |
| 24 | 403141 | MOULDING "U" 22MM X 25MM X 490MM | 1 | | |
| 25 | 403197 | CORD FILLING / WALL CAP | 2 | | |
| 27 | 403142 | . ANGLE, SUPPORT / SIDE WALL TO FLOOR (25MM X 38MM X 508MM) | 1 | | |
| 28 | 403143 | ANGLE 25MM X 38MM X 670MM | 1 | | |
| 29 | 402743 | DECAL "LOCK FOR LIGHTING" | 1 | | |
| 29 | 402741 | DECAL "VEROUILLER" | 1 | | |
| 29 | 405222 | DECAL / LAVATORY OPEN / LOCK / ENGLISH | 1 | | |
| 30 | 403144 | ANGLE 20MM X 25MM X 1715MM / FIXED AT WINDOW POST | 1 | | |

| | | |
|-------------------------------------|--------------|-----------------|
| From L-031 To R-079 | Date:10/2022 | PAGE:H4-2328-00 |
| LAVATORY WALL - INSTALLATION | | |

| Item# | Part | Description | H 3 4 0 | V I P 4 0 | N O T E S |
|-------|-------------------|--|------------------|-----------------------|-----------------------|
| 30 | 403987 | ANGLE 20MM X 25MM X 1150MM / FIXED AT WINDOW POST W/W.C.L. "ST & ST" | 1 | | |
| 31 | 404756 | CLOSING PLATE / TRAP ACCESS | AR | | A |
| 32 | 403687 | CLOSING PANEL / W/W.C.L. "ST & ST" 889MM X 533MM | 1 | | |
| 36 | 500640 | SCREW TP PAN PH #6x3/4 Z050 | AR | | |
| 37 | 500614 | SCREW TP FL PH #6x3/4 Z050 | AR | | |
| 40 | 403114 | MOULDING RETAINER / 623MM (24 1/2") | 1 | | |
| 41 | 403121 | MOULDING CAP / GREY PLATINE 629MM / 24 3/4" | 1 | | |
| 42 | 403262 | SPACER ASSY / FRONT WALL / FORMICA GREY | 1 | | |
| 44 | 403117 | MOULDING RETAINER / 615MM (24 1/4") | 1 | | |
| 45 | 403118 | MOULDING CAP / GREY PLATINE 621MM / 24 3/8" | 1 | | |
| 46 | 403115 | MOULDING RETAINER / 733MM (28 7/8") | 1 | | |
| 47 | 403119 | MOULDING CAP / GREY PLATINE 739MM / 29 1/8" | 1 | | |
| 48 | 403116 | MOULDING RETAINER / 1081MM (42 1/2") | 1 | | |
| 49 | 403120 | MOULDING CAP / GREY PLATINE 1089MM / 42 7/8" | 1 | | |
| 50 | 403124 | MOULDING CAP / GREY PLATINE 1930MM / 76" | 1 | | |
| 51 | 403123 | MOULDING RETAINER / 1955MM (77") | 1 | | |
| 52 | 403125 | MOULDING CAP / GREY PLATINE 1948MM / 76 5/8" | 1 | | |
| 53 | 403126 | MOULDING RETAINER / 1943MM (76 1/2") | 1 | | |
| 54 | 403112 | MOULDING RETAINER / 1943MM (76 1/2") | 2 | | |
| 55 | 403113 | MOULDING CAP / SS 1948MM (76 11/16") | 2 | | |
| 56 | 403171 | LEATHERETTE / GREY / 125MM X 1970MM | 1 | | |
| 70 | 403165 | MOULDING / WALL | 1 | | |
| NS | 404512 | LEATHERETTE / SWITCH COVERING / 60 X 125MM | 1 | | |
| 71 | 403158 | MOULDING ASSY W/HINGE | 1 | | |
| 72 | 403162 | MOULDING / DOOR STOPPER | 1 | | |
| NS | 500641 | SCREW TP PAN PH #8x3/4 Z050 | AR | | |
| NS | 506071 | TAPE RUB ADH1 CC POL 1/8" x 1/2" x 50' / GREY 2520X | AR | | |
| 100 | H4-2329-00 | LAVATORY DOOR LOCK & SWITCH | | | |
| 101 | H4-2325-00 | LAVATORY - ACCESSORIES | | | |
| 102 | H4-0655-00 | INTERIOR LIGHTING | | | |
| 103 | H4-1833-00 | REAR FINISHING CAP & SIDE WALL | | | |
| 104 | 350222 | INSULATING PAD TRIANGULAR SHAPE 230MM x 230MM | 1 | | |
| 104 | 350223 | INSULATING PAD REAR LOWER WALL | 1 | | |
| 104 | 350224 | INSULATING PAD / 635MM x 360MM | 1 | | |
| 104 | 350249 | INSULATING PAD REAR LOWER TOILET | 1 | | |
| 104 | 350305 | INSULATING PAD / 640MM x 90MM | 1 | | |
| 104 | 350306 | INSULATING PAD / 880MM x 90MM | 1 | | |
| 104 | 350376 | INSULATING PAD / 965MM x 280MM | 1 | | |
| | | | | | |
| | | | | | |
| | | | | | |
| | | | | | |
| | | A) FOR COACH EQUIPPED W/W.C.L. "ST & ST." SEE NOTE "A" PAGE H4-2325-00 FOR WASTE CONTAINER | | | |

| | | | |
|-------------------------------------|--|--------------|-----------------|
| From L-031 To R-079 | | Date:10/2022 | PAGE:H4-2328-00 |
| LAVATORY WALL - INSTALLATION | | | |

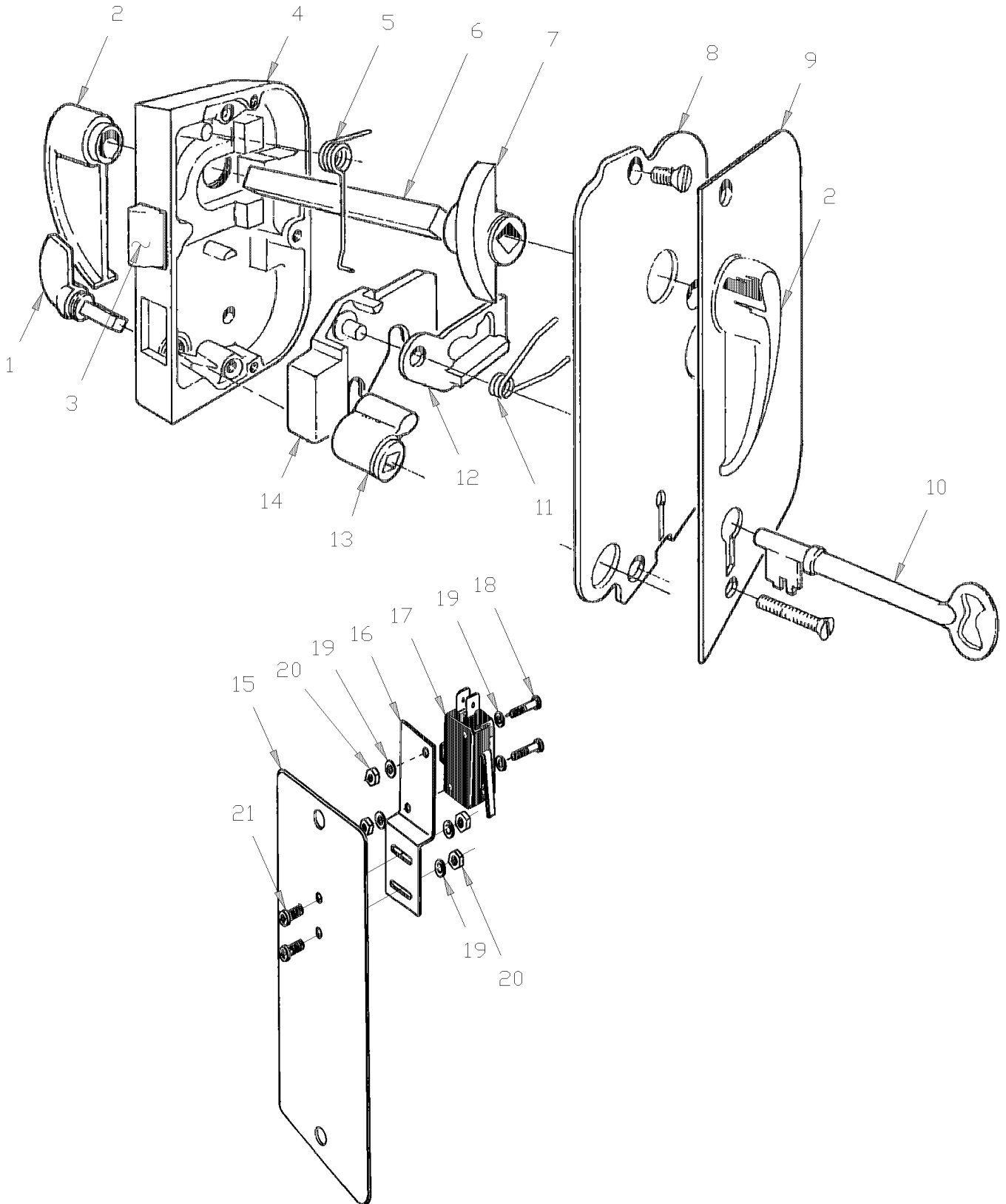
| Item# | Part | Description | H 3 4 0 | V I P 4 0 | N O T E S |
|-------|------|--|------------------|-----------------------|-----------------------|
| | | E) WITH TISSU FINISHING | | | |
| | | F) WITH CARPET FINISHING | | | |
| | | P) CALL ORDER DESK FOR SPECIFIC APPLICATION (V.I.N.) | | | |

From L-031 To R-079

Date:10/2022

PAGE:H4-2329-00

LAVATORY DOOR LOCK & SWITCH



| | | |
|--|--------------|-----------------|
| From L-031 To R-079 | Date:10/2022 | PAGE:H4-2329-00 |
| LAVATORY DOOR LOCK & SWITCH | | |

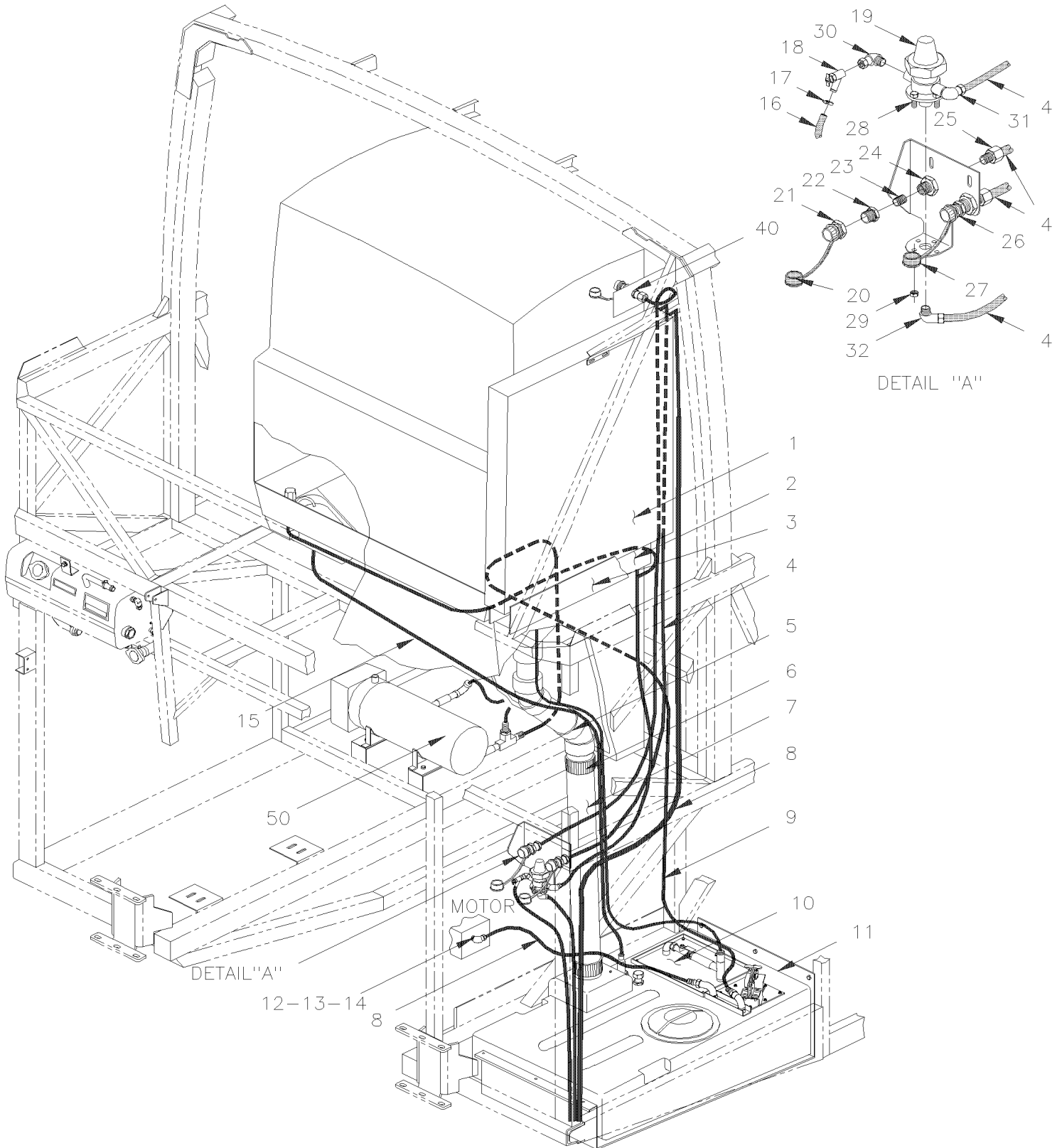
| Item# | Part | Description | H 3 4 0 | V I P 4 0 | N O T E S |
|-------|--------|---|------------------|-----------------------|-----------------------|
| | 900375 | LOCK ASSY, DOOR | 1 | | |
| | 500887 | . SCREW MA FL PH #8-32x1 1/4 SS | 3 | | |
| 1 | 900629 | . THUMB, PIECE | 1 | | |
| 2 | 900630 | . HANDLE, DOOR | 2 | | |
| 3 | 900631 | . BOLT, LATCH | 1 | | |
| 4 | N.S.S. | . CASE (ONLY) | 1 | | 1 |
| 5 | 900632 | . SPRING, TORSION / .348 I.D. x .275 x .055 | 1 | | |
| 6 | | . ROD, SQUARE 5/16" / S.L. | AR | | |
| 7 | 900633 | . FOLLOWER | 1 | | |
| 8 | N.S.S. | . COVER / CASE | 1 | | 1 |
| 8 | 500272 | . SCREW MA FL PH #8-32x1/2 ZP | 3 | | |
| 9 | 900634 | . ESCUTCHEON ASSY | 1 | | |
| 10 | 900299 | . KEY / LAVATORY DOOR "ADAMS & WESTLAKE" | 1 | | |
| 11 | 900635 | . SPRING, TORSION / .305 I.D. x .162 x .050 | 1 | | |
| 12 | 900636 | . TUMBLER | 1 | | |
| 13 | 900637 | . FOLLOWER / THUMB PIECE | 1 | | |
| 14 | | . BOLT, DEAD | 1 | | |
| 14 | | MICRO SWITCH ASSY | 1 | | |
| 15 | 403135 | COVER / MICRO SWITCH | 1 | | |
| 15 | 500647 | SCREW TC PAN PH #4-40x1/4 ZP | 2 | | |
| 16 | 403136 | SUPPORT / MICRO SWITCH | 1 | | |
| 17 | 561677 | MICRO SWITCH | 1 | | |
| NS | 405015 | LEATHERETTE / SWITCH COVERING / 60 X 125MM | 1 | | |
| 18 | 502577 | SCREW MA PAN PH M3-0.5x16 ZP | 2 | | |
| 19 | 502578 | WASHER FL 3.2x7.0x0.5 Z050 | 6 | | |
| 20 | 502579 | NUT HEX M3-0.5 NP | 4 | | |
| 21 | 502787 | SCREW MA PAN PH M3-0.5x10 ZP | 2 | | |
| NS | 062573 | CABLE ASSY / FOR LIGHT SWITCH | 1 | | A |
| NS | 504448 | CABLE CLIP 1/4" / ADHESIVE | 5 | | |
| NS | 402741 | DECAL "VEROUILLER" | 1 | | |
| NS | 402743 | DECAL "LOCK FOR LIGHTING" | 1 | | |
| | | | | | |
| | | | | | |
| | | | | | |
| | | | | | |
| | | A) THIS PROTECTOR IS COATED WITH GRAVEL GUARD AND IS BLACK PAINTED READY TO INSTALL | | | |
| | | 1) NOT SOLD SEPARATELY | | | |

From L-031 To R-079

Date:10/2022

PAGE:H4-2330-00

WATER & SUMP TANK - INSTALLATION



| | | |
|---|--------------|-----------------|
| From L-031 To R-079 | Date:10/2022 | PAGE:H4-2330-00 |
| WATER & SUMP TANK - INSTALLATION | | |

| Item# | Part | Description | H 3 4 0 | V I P 4 0 | N O T E S |
|-------|-------------------|--|------------------|-----------------------|-----------------------|
| 1 | 403030P | TANK / WATER ASSY / WELDED SS | 1 | | |
| 2 | 062683 | HEATER ASSY | 1 | | |
| 2 | 562018 | . HEATER, WATER | 1 | | |
| NS | 641040 | MALE ELBOW 90° / NTA FITTING / #8x3/8NPT-M BR | 2 | | |
| NS | 641182 | MALE RUN TEE / NTA FITTING / #8x#8x3/8NPT-M BR | 1 | | |
| 3 | 403851 | SUPPORT / WATER TANK | 1 | | |
| 3 | 310674 | ANGLE, #5 / L.H. / USE ONLY W/O FRESH WATER TANK | 1 | | |
| 3 | 504068 | GROMMET / .500x.750x.062x.312x1.062 | 1 | | |
| 3 | 500365 | SCREW TP CAP HEX #12x1 Z050 | 6 | | |
| 3 | 504249 | RIVET CHY Q PRDG 3/16x3/8 SS | 5 | | A |
| 4 | 503488 | TUBE, NYLON 1/2 O.D. / BLACK S.L./ | AR | | |
| NS | 641012 | BULKHEAD UNION / NTA FITTING / #8x3/8NPT-M BR | AR | | |
| 5 | 403074 | TUBE ASSY / ABS | 1 | | B |
| 6 | 503532 | UNION / ABS PIPE / 3Fx3F NEO | 3 | | |
| 7 | 503539 | TUBE / ABS PIPE / 3IDx12' ABS | AR | | |
| 8 | 503006 | HOSE 5/8" I.D. 50' / S.L. | AR | | |
| 9 | 503523 | HOSE SILICONE 1PLY 3/4" I.D. x 100' / S.L. | AR | | |
| 10 | H4-2326-00 | TOILET PUMP ASSY | | | |
| 11 | H4-2327-00 | SUMP TANK - S/S | | | |
| 11 | H4-2327-01 | SUMP TANK - PLASTIC / SERVICE | | | |
| 12 | 507557 | STREET ELBOW 90° / PIPE FITTING / 1/2NPT-Mx1/2NPT-F BR | 1 | | |
| 13 | 501373 | MALE CONNECTOR / HOSE BARB FITTING / #10x1/2NPT-M GALV | 1 | | |
| 14 | 504020 | HOSE CLAMP / 9/16"-1"1/4 SS / HS-12 | 1 | | |
| 15 | 503006 | HOSE 5/8" I.D. 50' / S.L. | AR | | |
| NS | 900191 | TUBE, TAIL 1 1/2" X 4" LG | 1 | | |
| NS | 504023 | HOSE CLAMP / 1"5/16-2"1/4 SS / HS-28 | 1 | | |
| 16 | 503527 | HOSE RADIATOR / 5/8" I.D. X 25"/"GREEN STRIPE" | AR | | |
| 17 | 504319 | HOSE CLAMP / 1"-1"1/2 SS / E.T. 16 | 2 | | |
| 18 | 501531 | DRAIN VALVE 3/8 NPT M x 5/8 HOSE | 1 | | |
| 19 | 900372 | AUTOMATIC DRAIN VALVE / FREEZING | 1 | | |
| NS | 900880 | KIT REPAIR / AUTOMATIC DRAIN VALVE | AR | | |
| 20 | 900326 | DUST CAP / QUICK DISCONNECT "B SERIES" / #10 VINYL | 2 | | |
| 21 | 900323 | NIPPLE / QUICK DISCONNECT "B SERIES" / #10x1/2NPT-F BR | 2 | | |
| 22 | 501534 | BUSHING REDUCER / PIPE FITTING / 1/2NPT-Mx3/8NPT-F BR | 2 | | |
| 23 | 501325 | NIPPLE / PIPE FITTING / 3/8NPT-Mx3/8NPT-Mx1 BR | 2 | | |
| 24 | 641012 | BULKHEAD UNION / NTA FITTING / #8x3/8NPT-M BR | 2 | | |
| 26 | 900324 | COUPLER / QUICK DISCONNECT "B SERIES" / #8x1/2NPT-F BR | 1 | | |
| 27 | 900325 | DUST PLUG / QUICK DISCONNECT "B SERIES" / #8 VINYL | 1 | | |
| 30 | 501333 | STREET ELBOW 90° / PIPE FITTING / 3/8NPT-Mx3/8NPT-F BR | 1 | | |
| 31 | 641040 | MALE ELBOW 90° / NTA FITTING / #8x3/8NPT-M BR | 1 | | |
| 32 | 641076 | MALE ELBOW 90° / NTA FITTING / #8x1/2NPT-M BR | 1 | | |
| | | SEE PAGE H4-2325-00 ITEM #9 | | | |

| | | |
|---------------------|--------------|-----------------|
| From L-031 To R-079 | Date:10/2022 | PAGE:H4-2330-00 |
|---------------------|--------------|-----------------|

WATER & SUMP TANK - INSTALLATION

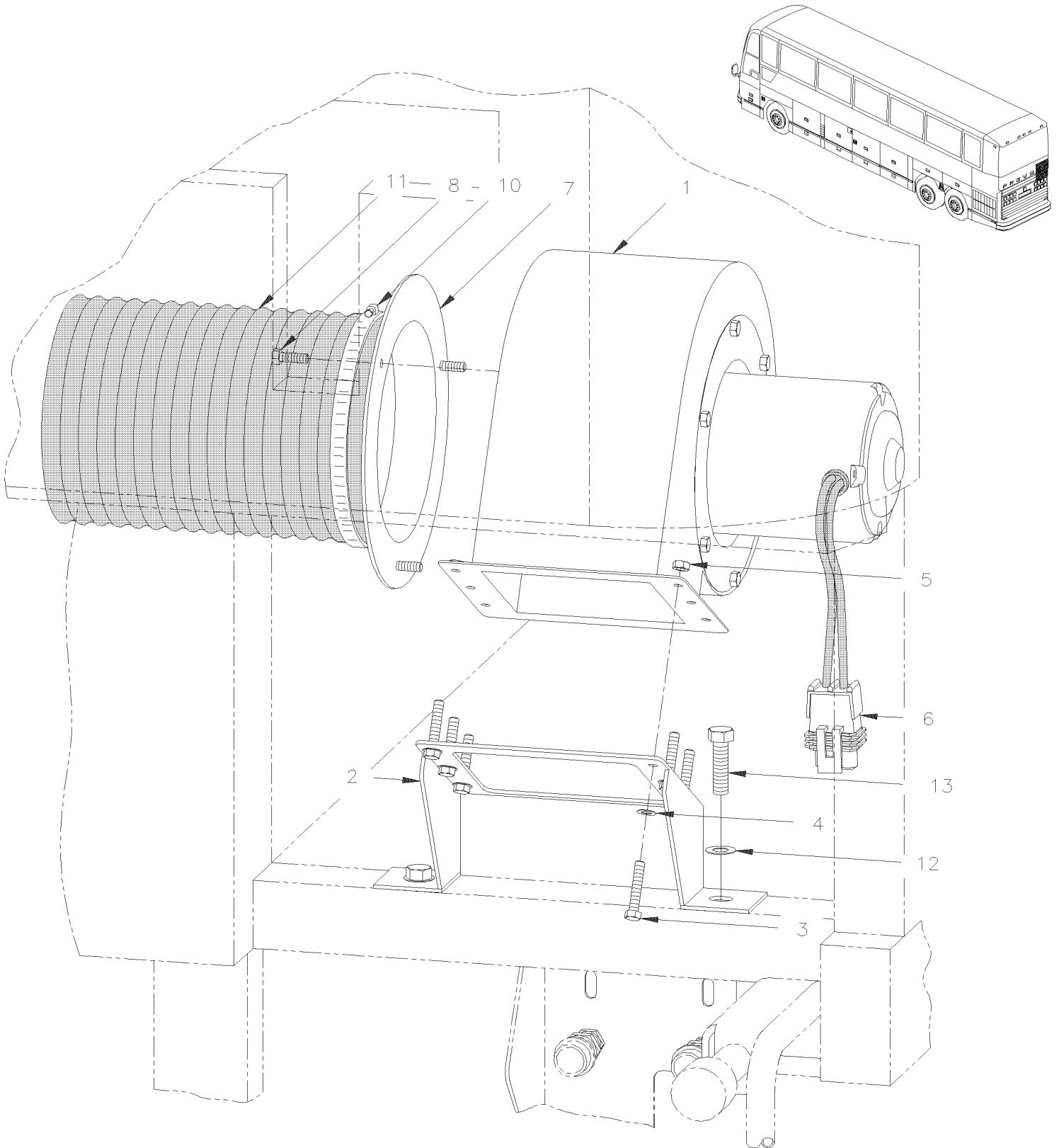
| Item# | Part | Description | H 3 4 0 | V I P 4 0 | N O T E S |
|-------|------|---|------------------|-----------------------|-----------------------|
| | | WATER HEATER | | | |
| | | | | | |
| | | | | | |
| | | A) FOR COACH W/W.C.L. SEE NOTE AT PAGE H4-2325-00 FOR WASTE CONTAINER | | | |
| | | B) FOR PRODUCT IMPROVEMENT, REPLACE BY #405693, 530211 AND 2 OF ITEMS 504235. | | | |

From L-031 To R-079

Date:10/2022

PAGE:H4-2337-00

LAVATORY FAN - INSTALLATION



| | | |
|------------------------------------|--------------|-----------------|
| From L-031 To R-079 | Date:10/2022 | PAGE:H4-2337-00 |
| LAVATORY FAN - INSTALLATION | | |

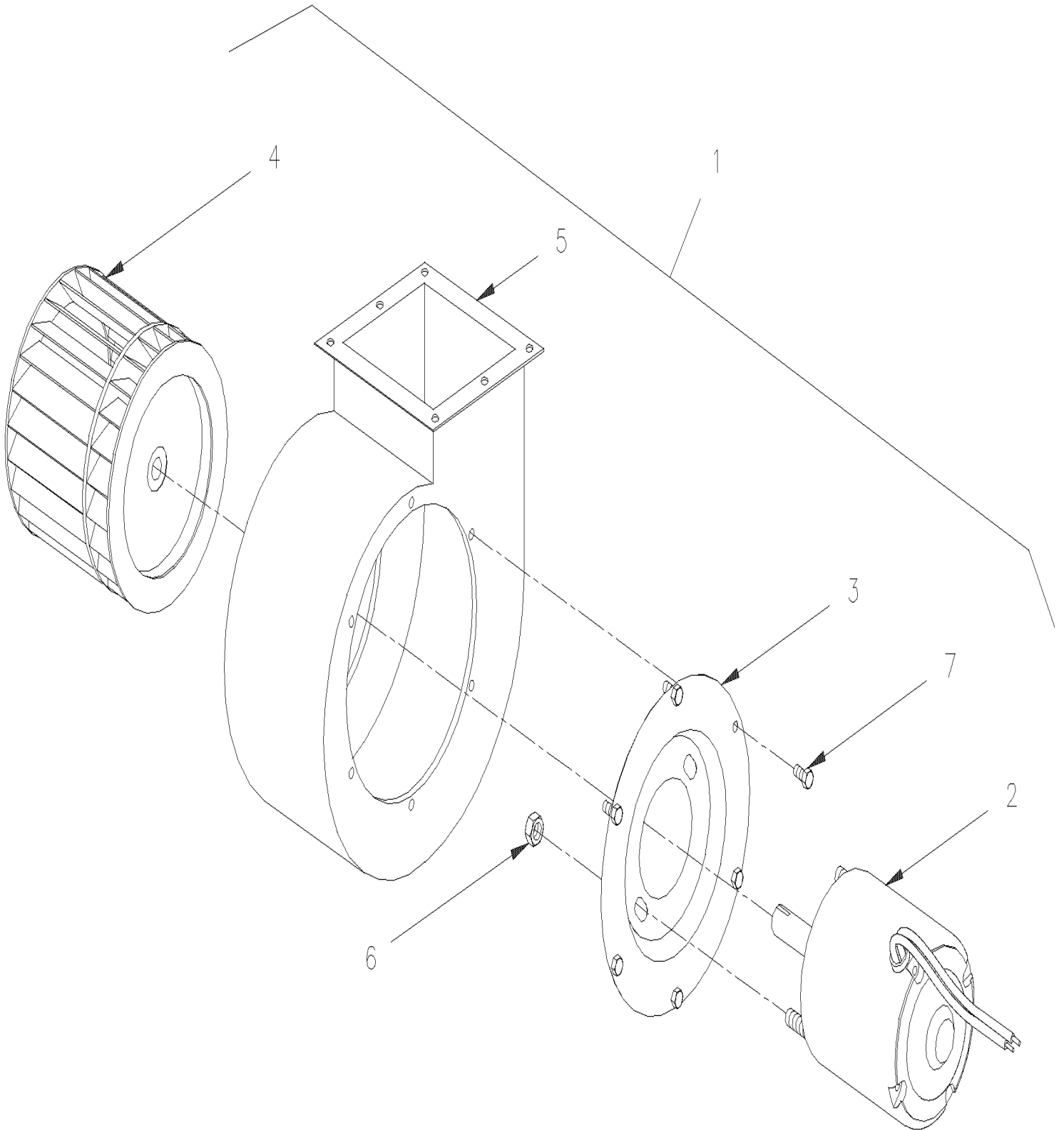
| Item# | Part | Description | H 3 4 0 | V I P 4 0 | N O T E S |
|-------|------------|---|------------------|-----------------------|-----------------------|
| | | BLOWER ASSY / LAVATORY | 1 | | |
| 1 | H4-2240-00 | BLOWER & MOTOR ASSY - "AURORA" | | | |
| 1 | 870844 | BLOWER & MOTOR ASSY - "M.C.C." "CW" / FAN END | | | |
| 2 | 403085 | . SUPPORT ASSY | 1 | | |
| 3 | 500588 | . SCREW CAP HEX M4-0.7x20 G8.8 Z050 | 6 | | |
| 4 | 500591 | . WASHER FL 4.3x9.0x0.8 Z050 | 6 | | |
| 5 | 500590 | . NUT HEX NYRT M4-0.7 Z050 | 6 | | |
| 6 | 561690 | . CONNECTOR / WEATHER PACK / SH 2C / BLACK / PED 12015792 | 1 | | |
| NS | 561578 | . SOCKET TERMINAL / 16-14 / PED 12010182 | 2 | | |
| NS | 561786 | . CABLE SEAL / GRAY / PED 15324980 | 2 | | |
| 7 | 403063 | . FLANGE / HOSE ADAPTOR | 1 | | |
| 8 | 502685 | . SCREW CAP HEX M4-0.7x20 SS EMN | 3 | | |
| NS | 500589 | . NUT WELL M4-0.7x13.5 | 3 | | |
| NS | 561883 | . SUPPORT RESISTOR | 2 | | |
| NS | 561884 | . RESISTOR / 2 OHMS / 50 W | 2 | | |
| 10 | 504324 | HOSE CLAMP / 4"1/2-6"1/2 SS / HS-96 | 2 | | |
| 11 | 503522 | HOSE FLEXIBLE / AIR DUCT 5" I.D. X 12' LINEN RUBBER | AR | | |
| 12 | 500874 | WASHER FL 8.4x17.0x1.6 Z050 | 2 | | |
| NS | 502507 | WASHER LO SPT 8.1x14.8x2.0 Z050 | 2 | | |
| 13 | 500069 | SCREW CAP HEX M8-1.25x16 G10.9 DP | 2 | | |
| | | | | | |
| | | | | | |
| | | | | | |

From L-031 To R-079

Date:10/2022

PAGE:870844

BLOWER & MOTOR ASSY - "M.C.C." "CW" / FAN END

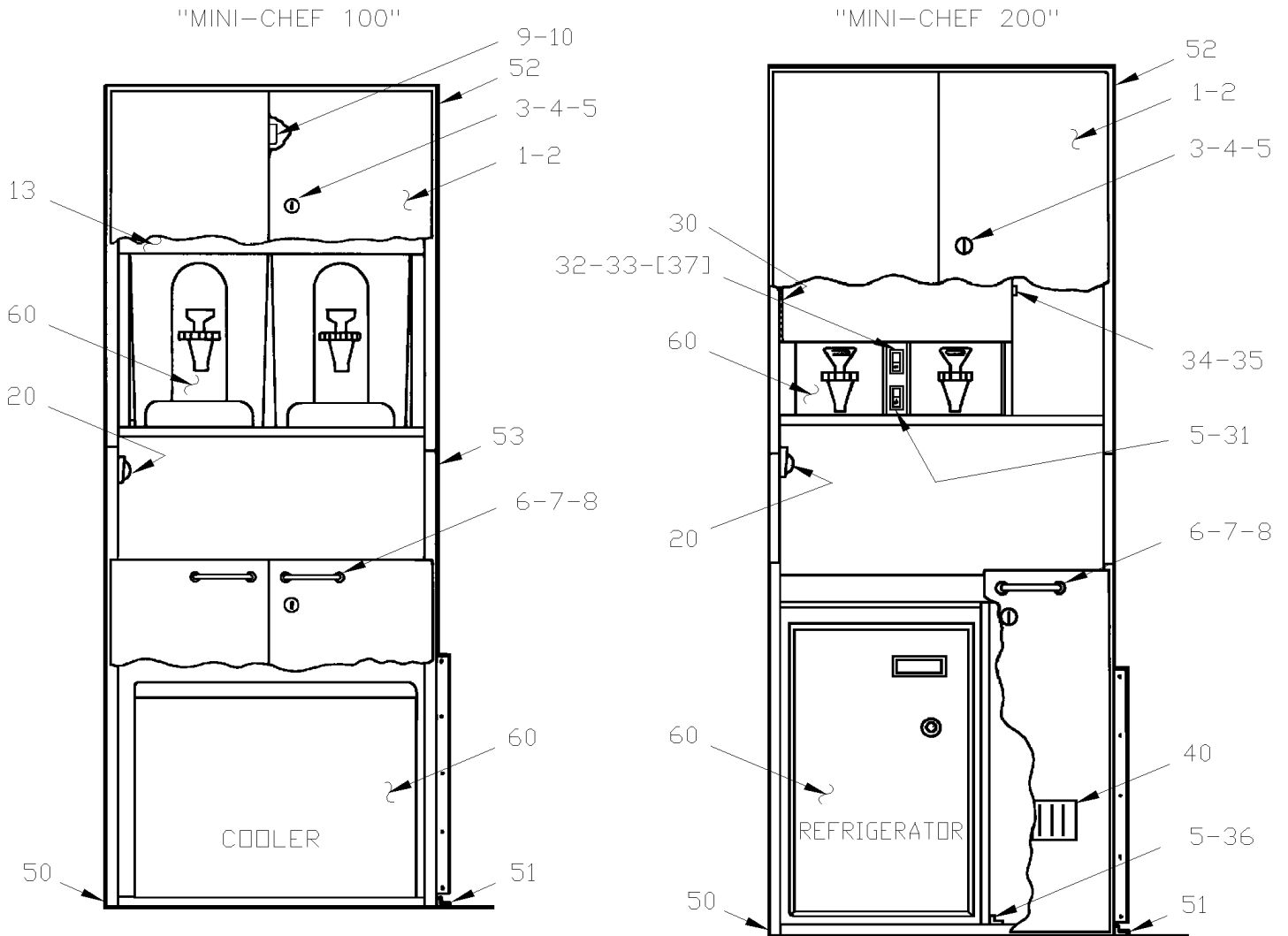


| | | |
|---------------------|--------------|-------------|
| From L-031 To R-079 | Date:10/2022 | PAGE:870844 |
|---------------------|--------------|-------------|

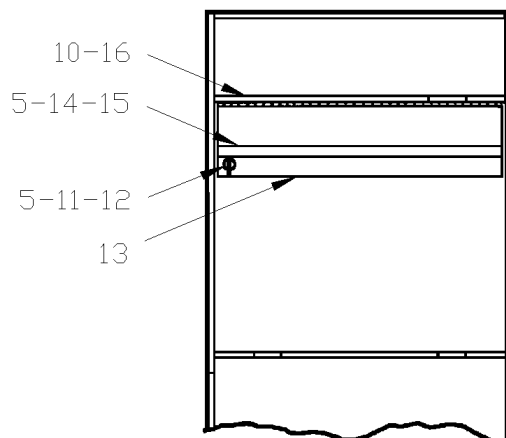
BLOWER & MOTOR ASSY - "M.C.C." "CW" / FAN END

| Item# | Part | Description | H 3 4 0 | V I P 4 0 | N O T E S |
|-------|--------|---------------------------------|------------------|-----------------------|-----------------------|
| 1 | | BLOWER ASSY 24V / CW | 1 | 1 | |
| 2 | 562167 | . MOTOR ASSY / 24V | 1 | 1 | |
| 3 | 871020 | . PLATE MOUNTING / MOTOR | 1 | 1 | |
| 4 | 871017 | . BLOWER WHEEL / STEEL | 1 | 1 | |
| 5 | 871440 | . HOUSING BLOWER | 1 | 1 | |
| 6 | 500786 | . NUT HEX #10-24 Z050 | 2 | 2 | |
| 7 | 500978 | . SCREW CAP HEX #10-24x3/4 Z050 | 6 | 6 | |
| | | | | | |
| | | | | | |
| | | | | | |

| | | |
|---------------------|--------------|-----------------|
| From L-031 To R-079 | Date:10/2022 | PAGE:H4-2345-00 |
| GALLEY ASSY | | |



"MINI-CHEF 100" (DOOR OPEN)



| | | |
|---------------------|--------------|-----------------|
| From L-031 To R-079 | Date:10/2022 | PAGE:H4-2345-00 |
| GALLEY ASSY | | |

| Item# | Part | Description | H 3 4 0 | V I P 4 0 | N O T E S |
|-------|---------|---|------------------|-----------------------|-----------------------|
| | 403329P | GALLEY "MINI-CHEF 100" ASSY/W/COOLER | 1 | | A |
| | 403330P | GALLEY "MINI-CHEF 100" ASSY/W/REFRIGERATOR 1.2 CU FT | 1 | | A |
| | 403421P | GALLEY "MINI CHEF 100" ASSY W/COFFEE MACHINE & MICROWAVE | AR | | B |
| | | | | | |
| | 403331P | GALLEY "MINI-CHEF 200" ASSY W/COOLER | 1 | | A |
| | 403332P | GALLEY "MINI-CHEF 200" ASSY/W/REFRIGERATOR 1.2 CU.FT | 1 | | A |
| | 403333P | GALLEY "MINI CHEF 200" / W/REFRIGERATOR & MICROWAVE | 1 | | A |
| | | | | | |
| 1 | N.S.S. | . DOOR ASSY / GALLEY "MINI-CHEF" | 4 | | 1 |
| 2 | 900569 | . MOULDING, PLASTIC | AR | | C |
| 2 | 900587 | . HINGE, DOOR / GALLEY | 8 | | |
| 2 | 900514 | . PLATE, MOUNTING / HINGE | 8 | | |
| 2 | 500626 | . SCREW TP OV PH #8x3/4 Z050 | AR | | |
| 3 | 780180 | . LOCK CYLINDER W/KEY / "VIRO" | 1 | | |
| . NS | 780501 | . . KEY | 1 | | |
| 3 | 780806 | . LOCK CYLINDER W/KEY / "VIRO" | 1 | | |
| . NS | 780501 | . . KEY | 1 | | |
| NS | 289549 | PIVOT LOCK ACTUATOR 42.4MM / W/11MM OFFSET | 1 | | |
| 4 | 402737 | . REINFORCEMENT / DOOR LOCK | 2 | | D |
| 5 | 500583 | . SCREW TP PAN PH #6x1/2 Z050 | AR | | |
| 6 | 900568 | . HANDLE / DOOR | 4 | | |
| 7 | 500645 | . SCREW TP OV PH #8x1 1/4 Z050 | 8 | | |
| 8 | 500464 | . WASHER FN CKF .210x.540 SS | 8 | | |
| 9 | 402738 | . PLATE, RETAINING / DOOR | 4 | | |
| 10 | 502611 | . SCREW TP FL PH #6x1/2 Z050 | AR | | |
| 11 | 504502 | . LATCH ASSY, DOOR | 1 | | |
| 12 | 402827 | . ANGLE, RETAINING / LATCH | 1 | | |
| 13 | 403249 | . PLATE, CLOSING | 1 | | |
| 13 | 506004 | . TAPE RUB ADH1 CC POL 3/8" x 1/2" x 20' / GREY 2520X | AR | | |
| 14 | 403250 | . MOULDING CAP / GREY PLATINE 524MM / 20 5/8" | AR | | |
| 15 | 403251 | . MOULDING RETAINER / 514MM (20 1/4") | AR | | |
| 16 | 403248 | . HINGE / DOOR | 1 | | |
| 20 | 830124 | . LAMP ASSY | 1 | | |
| 20 | 561942 | . BULB / 10WATT-24VOLTS / SAE# 6429 | AR | | |
| 30 | 402828 | . HINGE, DOOR | 1 | | |
| 30 | 900621 | . LATCH ASSY | 1 | | |
| 30 | 403321 | . SPACER / LATCH & SHELF | 1 | | |
| 31 | 402736 | . SUPPORT / SWITCH GALLEY SS 349.25MM x 38.1MM | 1 | | |
| 31 | 403326 | . SUPPORT / SWITCH / W/GALLEY & W/MICROWAVE 461MM x 110MM | 1 | | |
| 32 | 561468 | . SWITCH / OFF-ON S.P.S.T. | 2 | | |
| 33 | 063019 | . INSERT / GREEN / L.H. CONTAINER (GALLEY) | 1 | | |
| 33 | 063020 | . INSERT / GREEN / R.H. CONTAINER (GALLEY) | 1 | | |

| | | |
|---------------------|--------------|-----------------|
| From L-031 To R-079 | Date:10/2022 | PAGE:H4-2345-00 |
| GALLEY ASSY | | |

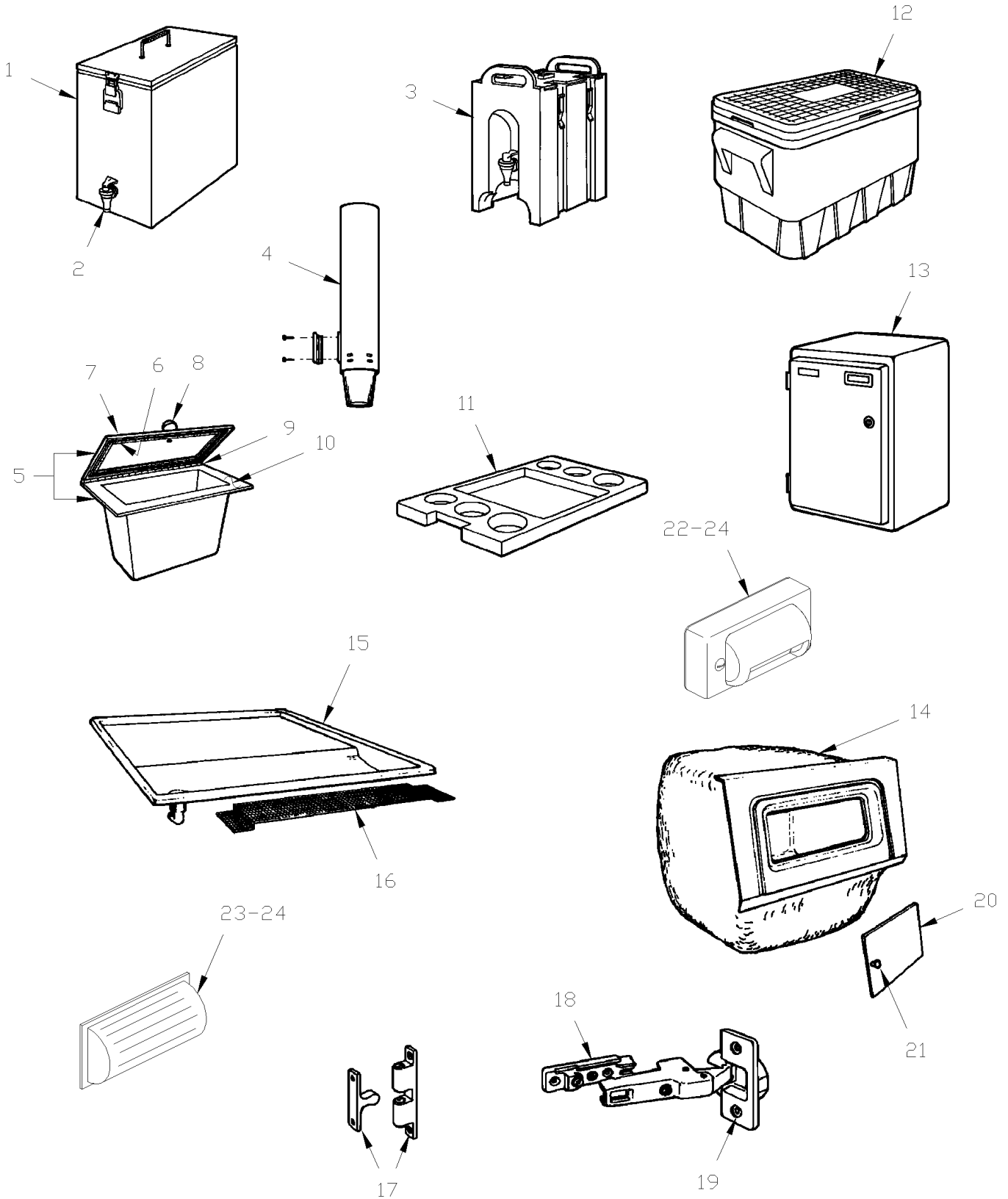
| Item# | Part | Description | H 3 4 0 | V I P 4 0 | N O T E S |
|-------|-------------------|---|------------------|-----------------------|-----------------------|
| 34 | 403081 | . HOOK / DOOR | 1 | | |
| 35 | 500656 | . SCREW TP OV PH #6x3/4 SS | 2 | | |
| 36 | 402849 | . ANGLE, RETAINING | 2 | | |
| 37 | 063347 | CABLE ASSY / REAR OF GALLEY & REAR JCT PANEL | 1 | | |
| 37 | 063831 | CABLE ASSY / INVERTER 750 WATT & GALLEY ON R.H. SIDE | 1 | | |
| 37 | 062929 | CABLE ASSY / INVERTER 1000W & GALLEY ON R.H. SIDE | 1 | | |
| 37 | 064411 | CABLE ASSY / INVERTER 1000W & GALLEY ON L.H. SIDE | 1 | | |
| 48 | 400877 | ANGLE, FINISHING / FRONT GALLEY | 1 | | |
| NS | 900280 | THRU HULL, CONNECTOR / PLASTIC | 1 | | |
| 50 | 403324 | ANGLE / TO FIX GALLEY | 1 | | |
| NS | Call order desk | BASE ASSY / GALLEY & FLOOR | 1 | | P |
| 51 | 403323 | ANGLE / TO FIX GALLEY | 2 | | |
| 52 | 403322 | ANGLE / TO FIX GALLEY | 1 | | |
| 53 | 403328 | CLOSING PANEL | 1 | | |
| NS | 500686 | SCREW TP OV PH #6x1/2 BK | AR | | |
| NS | 500345 | WASHER FN CKF .187x.500x.090 BR BK | AR | | |
| NS | 504106 | RIVET POP DOME OE 1/8x1/4 AL | AR | | |
| NS | 500638 | SCREW TP PAN PH #8x1/2 Z050 | AR | | |
| 60 | H4-2345-10 | GALLEY ACCESSORIES | | | |
| | | | | | |
| | | | | | |
| | | | | | |
| | | A) REFRIGERATOR, COOLER, ICE BOX & HOT LIQUID DISPENSOR ARE NOT INCLUDED IN ASSEMBLY SEE (H4-2345-10) | | | |
| | | B) THIS PART NUMBER INCLUDE ALLS COMPONENTS & INVERTER 1000W | | | |
| | | C) S.L. | | | |
| | | D) DOOR LOCK | | | |
| | | 1) NOT SOLD SEPARATELY | | | |
| | | P) CALL ORDER DESK FOR SPECIFIC APPLICATION (V.I.N.) | | | |

From L-031 To R-079

Date:10/2022

PAGE:H4-2345-10

GALLEY ACCESSORIES



| | | |
|---------------------------|--------------|-----------------|
| From L-031 To R-079 | Date:10/2022 | PAGE:H4-2345-10 |
| GALLEY ACCESSORIES | | |

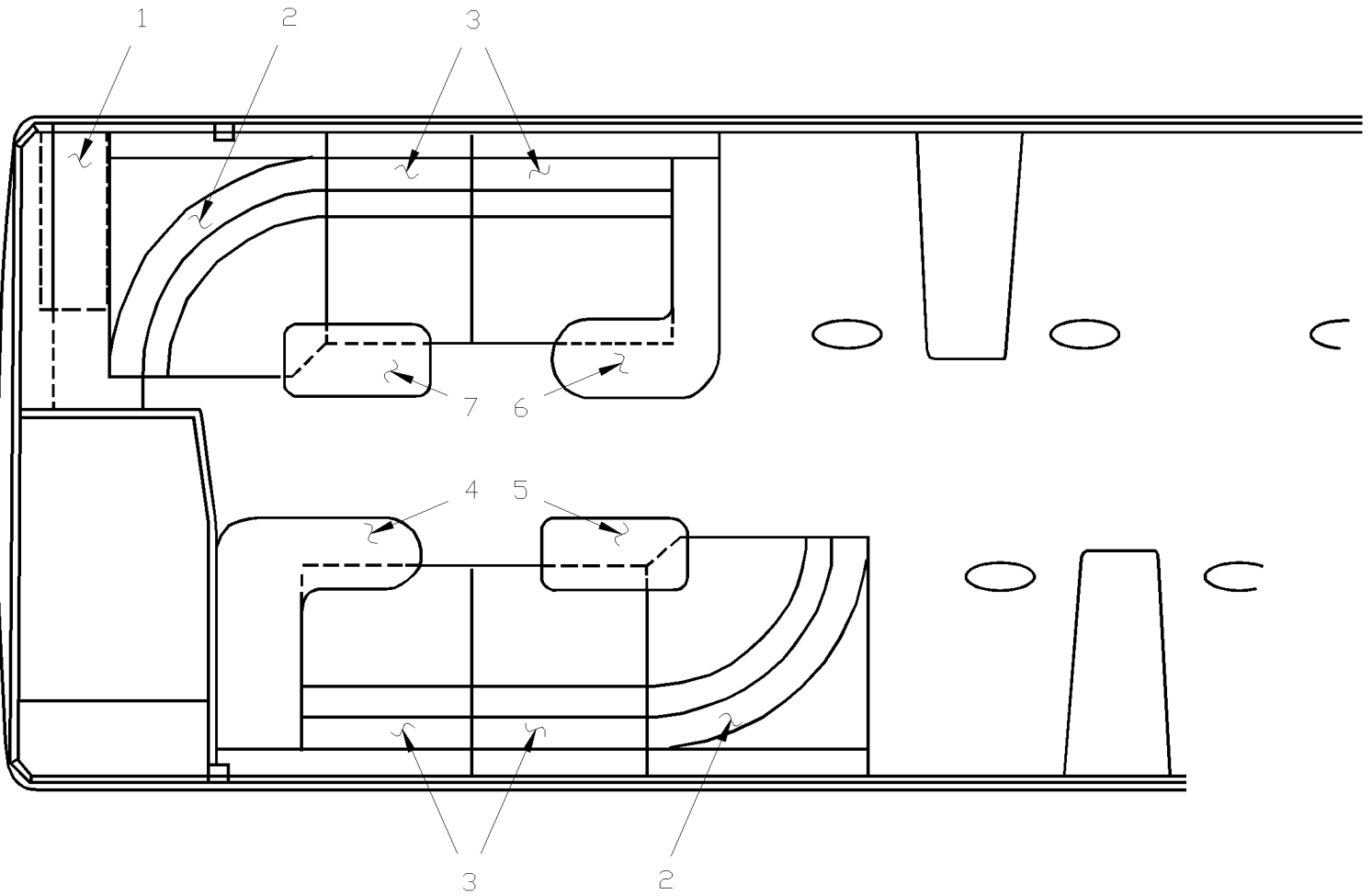
| Item# | Part | Description | H 3 4 0 | V I P 4 0 | N O T E S |
|-------|---------------|---|------------------|-----------------------|-----------------------|
| 1 | 403640 | DISPENSER ASSY / HOT LIQUID | 2 | | |
| 1 | 900488 | . DISPENSER, HOT LIQUID | 1 | | |
| 2 | 900483 | . SPIGOT ASSY / 1/2 NPT W/900488 | 1 | | |
| 2 | 900678 | . ADAPTOR / SPIGOT & CONTAINER | 1 | | |
| 2 | 900426 | . PLUG, 3 PINS MALE | 1 | | |
| 2 | 900427 | . SWITCH, TEMPERATURE | 1 | | |
| 2 | 900676 | . GASKET COVER | 1 | | |
| 2 | 403639 | . ADAPTOR, ON COVER FOR SAFETY CAP | 1 | | |
| 3 | 900583 | CONTAINER, LIQUID | 2 | | |
| 3 | 900677 | . SPIGOT ASSY / W/PLASTIC WING NUT | 1 | | |
| 4 | 402826 | DISPENSER, CUP / MODIFIED SHORT | 1 | | |
| 4 | 900391 | CUP DISPENSER / CUP / LONG | 1 | | |
| NS | 900249 | CUP / 100 UNIT PACK | AR | | |
| 5 | 402732 | ICE CONTAINER ASSY | 2 | | |
| 6 | 402734 | . COVER, ICE CONTAINER | 1 | | |
| 7 | 506002 | . TAPE RUB ADH1 CC POL 3/16" x 1/2" x 40' / GREY 2520 | AR | | |
| 8 | 505018 | . KNOB | 1 | | |
| 8 | 500541 | . SCREW MA FL PH 1/4-20x1/2 SS BK | 1 | | |
| 9 | 402829 | HINGE, COVER | 1 | | |
| 10 | 402731 | . CONTAINER, ICE | 1 | | |
| 11 | 403243 | TRAY, SERVICE | 1 | | |
| 12 | 900585 | COOLER 23 LITERS | 1 | | |
| 13 | 900741 | REFRIGERATOR "NORCOLD" 2.5 CU. FT MODEL DE-351 120/12 V W/ICE BOX | 1 | | |
| 13 | 900738 FORMER | REFRIGERATOR "NORCOLD" 4 CU. FT MODEL DE-390 | 1 | | |
| . NS | 901539 | . HINGE ASSY | 1 | | |
| 13 | 900584 | REFRIGERATOR "FRENSELE" 1.2 CU. FT / W/GALLEY "MINI-CHEF" | 1 | | |
| 13 | 900586 | COMPRESSOR, 24 VOLTS, REFRIGERATOR / W/900584 ONLY | 1 | | |
| 14 | 400989 | ICE BOX ASSY | 1 | | |
| 15 | 400821 | DRAIN PAN ASSY / BEIGE | 1 | | |
| 16 | 400806 | GRILLE DRAIN SS 466.7MM x 96MM | 1 | | |
| NS | 900280 | THRU HULL, CONNECTOR / PLASTIC | 1 | | |
| 17 | 900425 | CATCH ASSY | | | |
| 18 | 900514 | PLATE, MOUNTING / HINGE | 2 | | |
| 19 | 900389 | HINGE, DOOR | 2 | | |
| 20 | 401009 | DOOR, SLIDING | 1 | | |
| 21 | 505018 | KNOB | 1 | | |
| 22 | 830124 | LAMP ASSY | AR | | |
| 23 | 830139 | LAMP ASSY / W/ONE BULB | AR | | |
| 24 | 562278 | BULB / 10WATT-24VOLTS / SAE# 6429 | 1 | | |
| | | | | | |
| | | | | | |
| | | | | | |

From L-031 To R-079

Date:10/2022

PAGE:H4-2345-20

QUICK LOUNGE



| | | |
|---------------------|--------------|-----------------|
| From L-031 To R-079 | Date:10/2022 | PAGE:H4-2345-20 |
| QUICK LOUNGE | | |

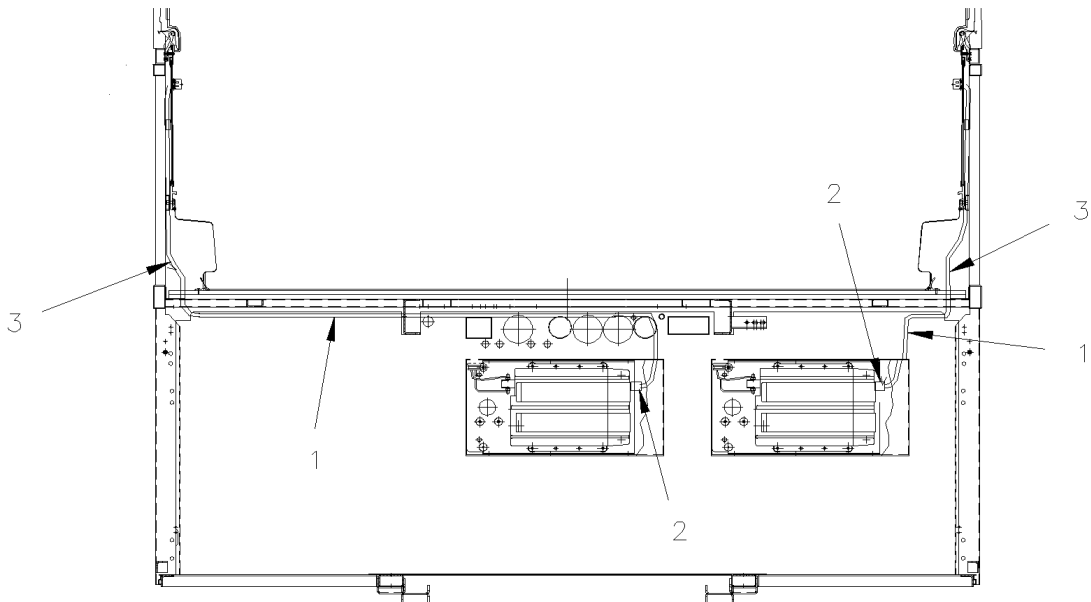
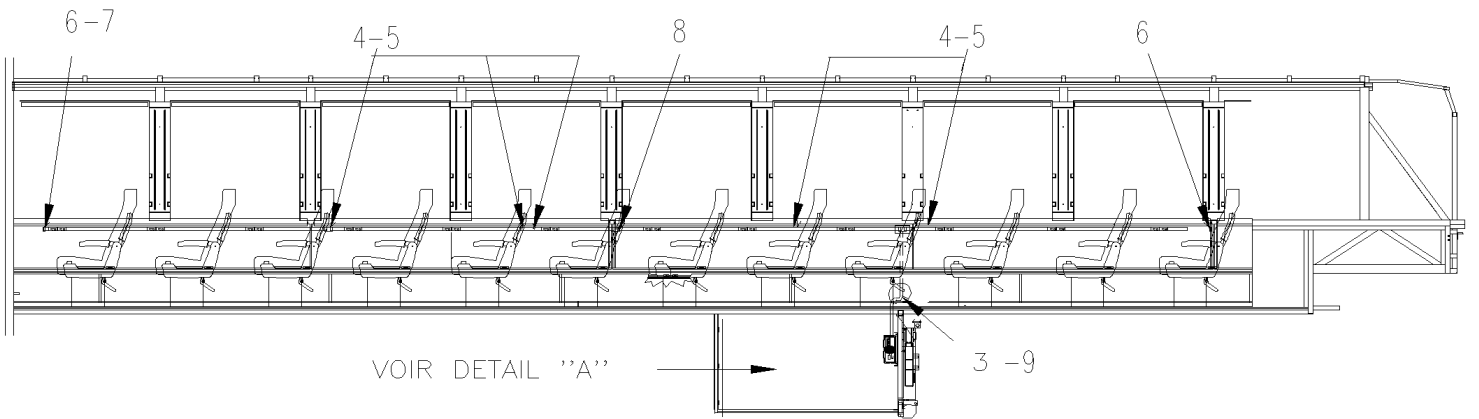
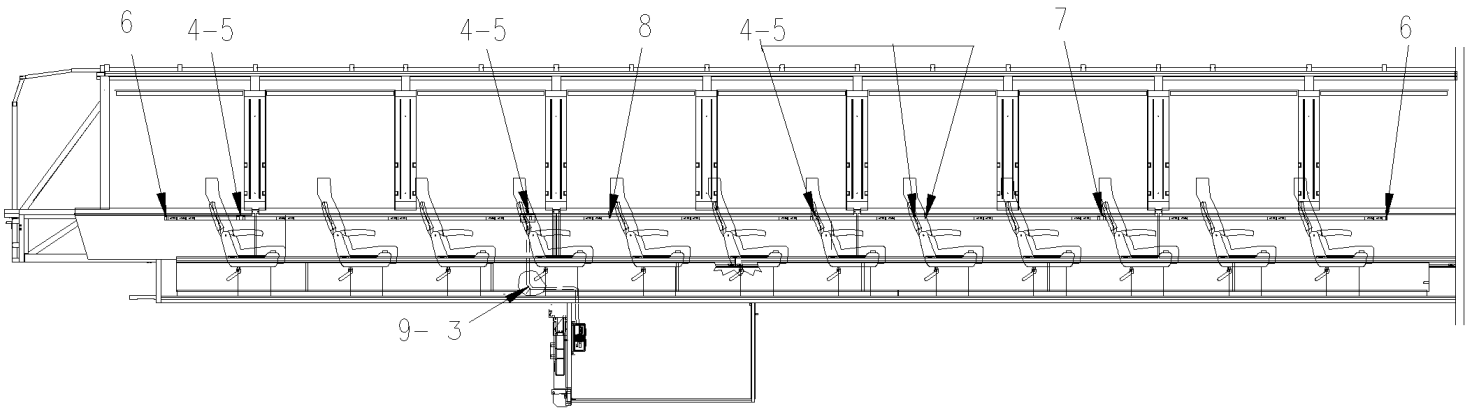
| Item# | Part | Description | H 3 4 0 | V I P 4 0 | N O T E S |
|-------|----------|--|------------------|-----------------------|-----------------------|
| 1 | 860701 | CLOSING PANEL | 1 | | |
| 2 | 860653 | SEAT ASSY / CORNER MODULE / S.C.C. | 2 | | |
| 3 | 860654 | SEAT ASSY / S.C.C. | 4 | | |
| 4 | 860702 | TABLE ASSY | 1 | | |
| 5 | 860655 | TABLE ASSY | 1 | | |
| 6 | 860697 | TABLE ASSY | 1 | | |
| 7 | 860703 | TABLE ASSY | 1 | | |
| | | IF YOU HAVE TO MOVE CARD TABLE TO | | | |
| | | INSTALL A QUICK LOUNGE, ORDER KIT #363079 | | | |
| | | TO COMPLETE INSTALLATION. | | | |
| NS | 363079 | KIT FOR RETROFIT TABLE / SPACER WALL AND STRUCTURE | 1 | 1 | |
| . NS | IS-91077 | . SEE INSTRUCTION SHEET | 1 | 1 | |
| | | | | | |
| | | | | | |
| | | | | | |

From L-031 To R-079

Date:10/2022

PAGE:H4-2345-99

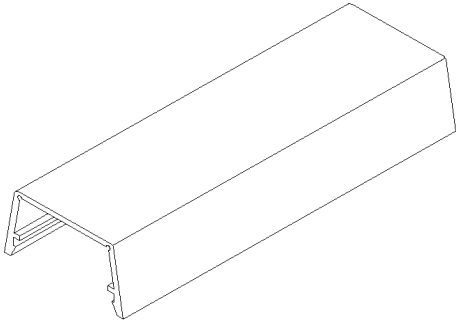
110 VOLT - OUTLET / "RETROFIT"



DETAIL "A"

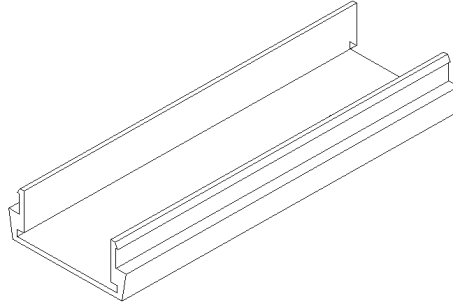
| | | |
|--------------------------------|--------------|-----------------|
| From L-031 To R-079 | Date:10/2022 | PAGE:H4-2345-99 |
| 110 VOLT - OUTLET / "RETROFIT" | | |

564151



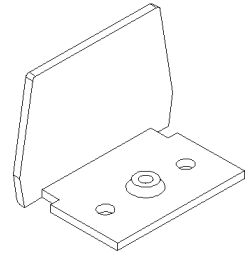
COVER ALUMINIUM
RACEWAY 110V

564152



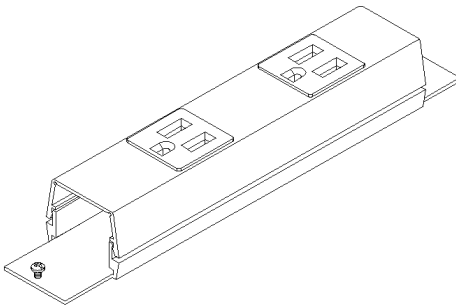
BASE ALUMINIUM
RACEWAY 110V

564153



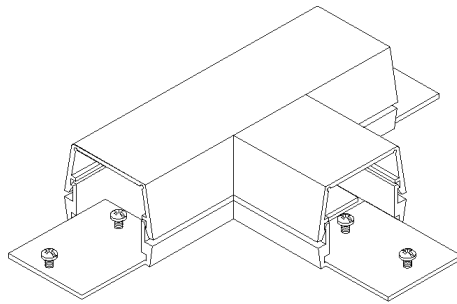
BLANK END FITTING
RACEWAY 110V

564154



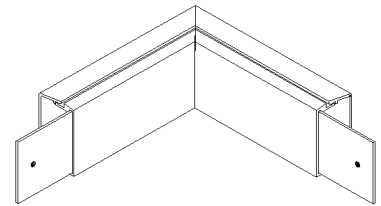
RECEPTACLE DOUBLE
RACEWAY 110V

564155



TEE
RACEWAY 110V

564156

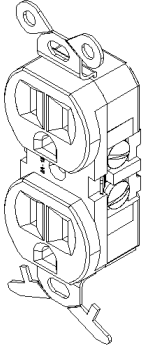


ELNOW
RACEWAY 110V

| | | |
|--------------------------------|--------------|-----------------|
| From L-031 To R-079 | Date:10/2022 | PAGE:H4-2345-99 |
| 110 VOLT - OUTLET / "RETROFIT" | | |

562657

WHITE



PLUG DOUBLE
OUTLET 110V

562659

WHITE

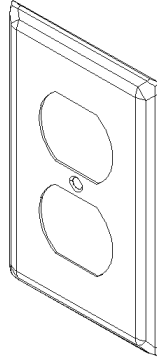
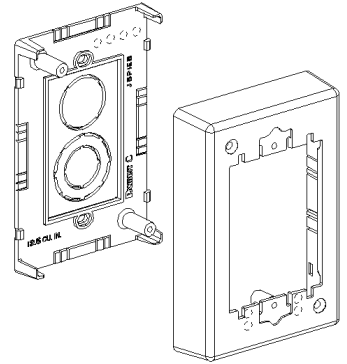


PLATE OUTLET 110V

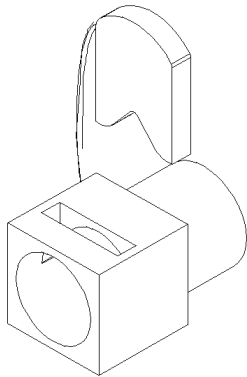
564129

WHITE



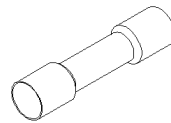
RECEPTACLE BOX
OUTLET 110V

564467



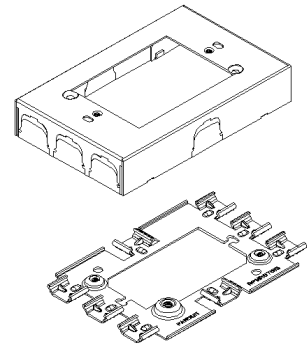
CONNECTOR IBERVILLE

563624



563848

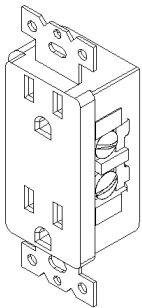
WHITE



RECEPTACLE BOX
OUTLET 110V

563846

WHITE



PLUG DOUBLE
OUTLET 110V

563847

WHITE

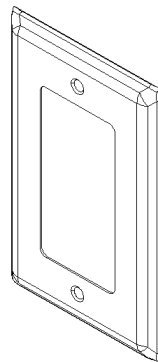


PLATE OUTLET 110V

| | | |
|---------------------------------------|--------------|-----------------|
| From L-031 To R-079 | Date:10/2022 | PAGE:H4-2345-99 |
| 110 VOLT - OUTLET / "RETROFIT" | | |

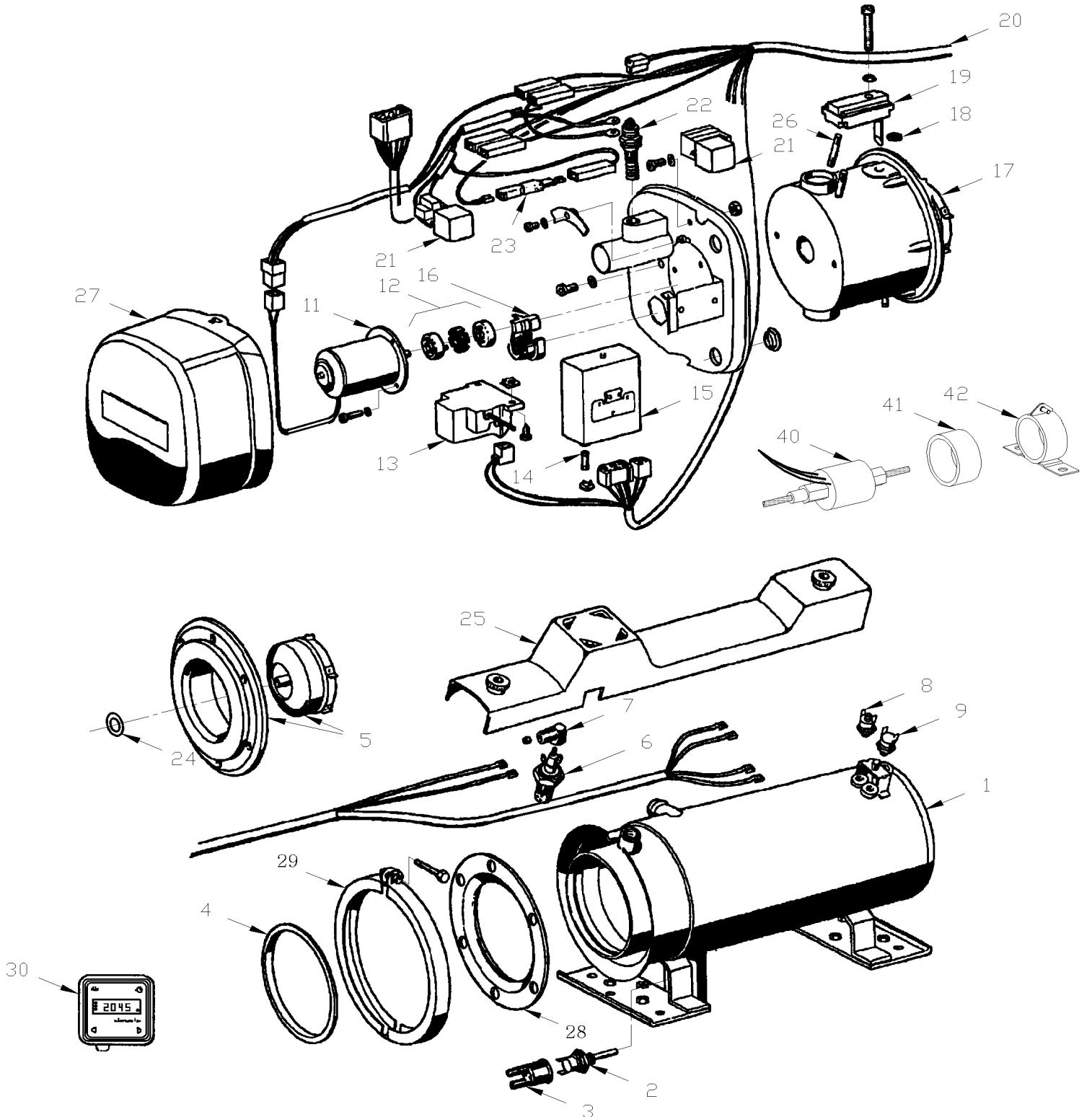
| Item# | Part | Description | H 3 4 0 | V I P 4 0 | N O T E S |
|-------|--------|---|------------------|-----------------------|-----------------------|
| 1 | 562664 | PROTECTOR METALLIC 1"/CABLE | AR | | |
| 2 | 560933 | CONNECTOR / 15 AMPS / HUBBELL 5266-C | AR | | |
| 3 | 562595 | SPECIAL WIRE CABLE 14/3 / WHITE (BOAT CABLE) | AR | | |
| 4 | 564151 | RACEWAY BASE ALUMINUM 60" | AR | | |
| 5 | 564152 | RACEWAY COVER ALUMINUM 60" | AR | | |
| 6 | 564153 | BLANK END FITTING CLOSING | AR | | |
| 7 | 564154 | RECEPTACLE DOUBLE / IN-LINE 15 Amps | AR | | |
| 8 | 564155 | TEE ALUMINUM RACEWAY | AR | | |
| 9 | 564156 | ELBOW 90° EXTERNAL RACEWAY | AR | | |
| 20 | 562657 | PLUG DOUBLE 110 VAC MURAL / WHITE | AR | | |
| 21 | 562659 | COVER PLATE DOUBLE 110V OUTLET / WHITE | AR | | |
| 22 | 564129 | RECEPTACLE BOX / 110Vac outlet / WHITE | AR | | |
| 23 | 564467 | CONNECTOR IBERVILLE 1/2" PLASTIC GREY | AR | | |
| 24 | 563624 | BUTT SPLICE / 12-10 / YELLOW / W/THERMORETRAC / PANDUIT BSH10-E | AR | | |
| 25 | 563848 | RECEPTACLE BOX / 100Vac outlet WHITE NYLON | AR | | |
| 26 | 562662 | PLUG DOUBLE 110 VAC MURAL WHITE NYLON "DECORA" | AR | | |
| 26 | 563846 | PLUG DOUBLE 110 VAC MURAL WHITE NYLON "DECORA" | AR | | |
| 26 | 564507 | PLUG DOUBLE 110 VAC MURAL GREY NYLON "DECORA" | AR | | |
| 27 | 563847 | COVER PLATE DOUBLE 110V OUTLET WHITE NYLON | AR | | |
| 27 | 564508 | COVER PLATE DOUBLE 110V OUTLET SILVER | AR | | |
| | | | | | |
| | | | | | |
| | | | | | |

From L-031 To R-079

Date:10/2022

PAGE:870969

WATER HEATER - "ESPAR" 40,000 B.T.U.



| | | |
|---|--------------|-------------|
| From L-031 To R-079 | Date:10/2022 | PAGE:870969 |
| WATER HEATER - "ESPAR" 40,000 B.T.U. | | |

| Item# | Part | Description | H 3 4 0 | V I P 4 0 | N O T E S |
|-------|--------|--|------------------|-----------------------|-----------------------|
| | | WATER HEATER - "ESPAR" 40,000 B.T.U. | 1 | 1 | |
| 1 | 870983 | . EXCHANGER HEAT | 1 | 1 | |
| 2 | 871004 | . SWITCH TEMPERATURE | 1 | 1 | |
| 3 | 871006 | . CAP PROTECTOR | 1 | 1 | |
| 4 | 870997 | . RING SEALING | 1 | 1 | |
| 5 | 871114 | . ATOMIZER | 1 | 1 | A |
| NS | 870984 | . KIT ATOMIZER | 1 | 1 | A |
| 6 | 870994 | . PLUG GLOW | 1 | 1 | |
| 7 | 870993 | . CONNECTOR PLUG | 1 | 1 | |
| 8 | 870996 | . SWITCH SAFETY CUTOUT | 1 | 1 | |
| 8 | 871035 | . SWITCH REGULATING / (CUT OUT 194°F / CUT IN 178°F) | 1 | 1 | |
| 9 | 870995 | . SWITCH REGULATING | 1 | 1 | |
| 11 | 870989 | . MOTOR ASSY / 24V | 1 | 1 | |
| 12 | 871005 | . COUPLING | 1 | 1 | |
| 13 | 870988 | . IGNITION SPARK GENERATOR | 1 | 1 | |
| 14 | 871003 | . FUSE 4 AMPS | 1 | 1 | |
| 15 | 871000 | . UNIT CENTRAL | 1 | 1 | |
| 16 | 870991 | . GROMMET | 1 | 1 | |
| 17 | 870990 | . BURNER | 1 | 1 | |
| 18 | 870998 | . O-RING | 1 | 1 | |
| 19 | 870985 | . SENSOR FLAME | 1 | 1 | |
| 20 | 870999 | . HARNESS ASSY | 1 | 1 | |
| 21 | 561707 | . RELAY 24V S.P.D.T. W/RESISTOR / | 2 | 2 | |
| 22 | 870987 | . RESISTOR | 1 | 1 | |
| 23 | 870992 | . DIODE | 1 | 1 | |
| 24 | 871115 | . WASHER | 1 | 1 | |
| 25 | 871072 | . COVER / GLOW PLUG | 1 | 1 | |
| 26 | 871081 | . STUD / TO FIX COVER / M5X40MM | 2 | 2 | |
| 27 | 871083 | . COVER | 1 | 1 | |
| 28 | 871367 | . FLANGE | 1 | 1 | |
| 29 | 871349 | . CLAMP RETAINER | 1 | 1 | |
| 30 | 562025 | TIMER ASSY / W/"ESPAR" PREHEATER | 1 | 1 | B |
| 40 | 870973 | PUMP FUEL | 1 | 1 | |
| 41 | 870972 | RING, RUBBER | 1 | 1 | |
| 42 | 870971 | SUPPORT, PUMP | 1 | 1 | |
| NS | 870981 | EXHAUST PIPE 1.57 O.D. X 118" | AR | AR | |
| NS | 870979 | CLAMP / EXHAUST | 1 | 1 | |
| NS | 870975 | ELBOW 90° / EXHAUST | 1 | 1 | |
| NS | 870974 | BALL | 1 | 1 | |
| NS | 870976 | NUT | 1 | 1 | |
| | | | | | |
| | | | | | |

| | | |
|---------------------|--------------|-------------|
| From L-031 To R-079 | Date:10/2022 | PAGE:870969 |
|---------------------|--------------|-------------|

WATER HEATER - "ESPAR" 40,000 B.T.U.

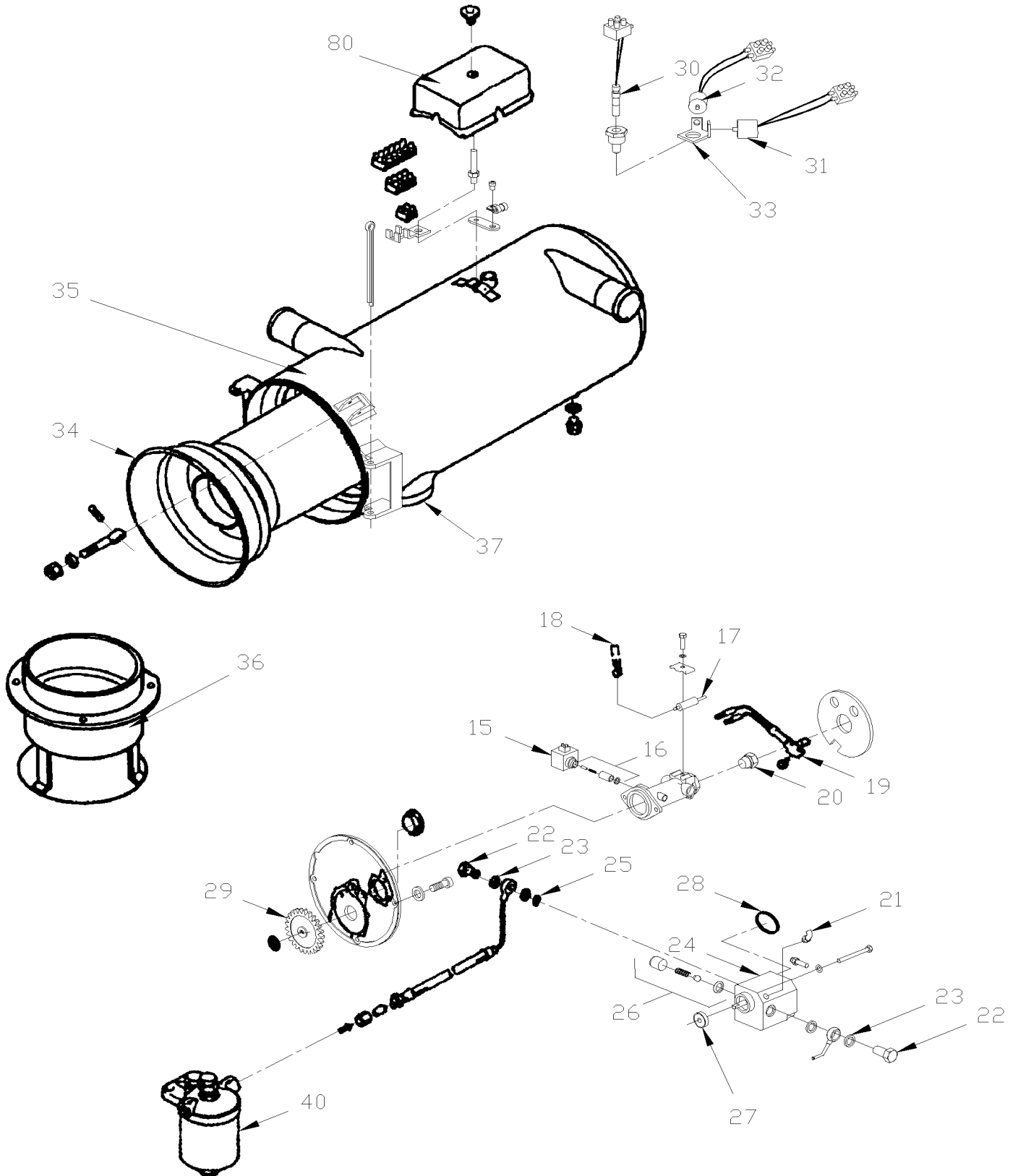
| Item# | Part | Description | H 3 4 0 | V I P 4 0 | N O T E S |
|-------|------|--|------------------|-----------------------|-----------------------|
| | | A) WHEN IT'S FIRST ATOMIZER REPLACED, USE CONVERSION KIT #870984 | | | |
| | | B) L.H. CONSOLE | | | |

From P-256 To R-079

Date:10/2022

PAGE:871036

WATER HEATER - "WEBASTO" 80,000 B.T.U.

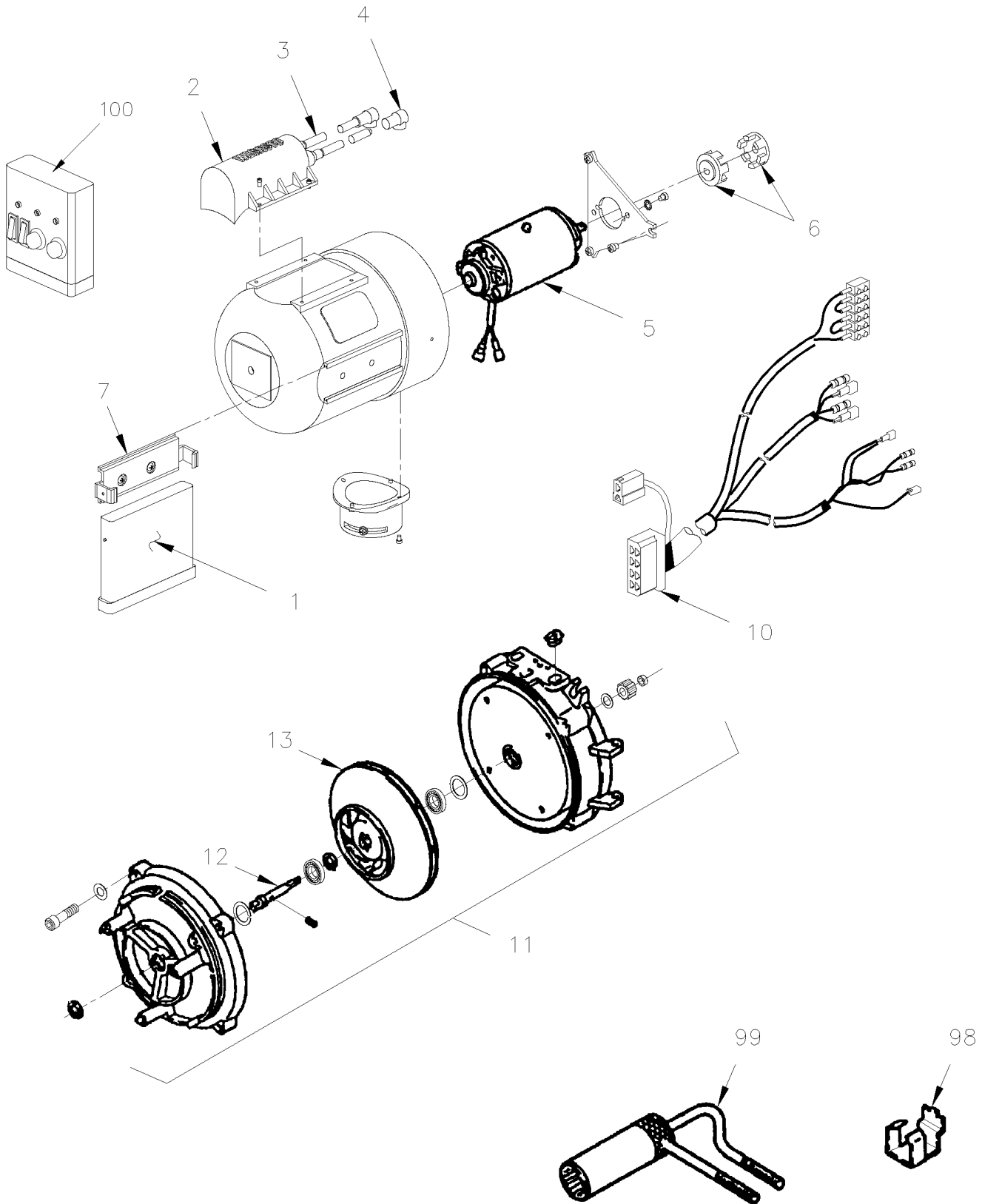


From P-256 To R-079

Date:10/2022

PAGE:871036

WATER HEATER - "WEBASTO" 80,000 B.T.U.



| | | |
|---|--------------|-------------|
| From P-256 To R-079 | Date:10/2022 | PAGE:871036 |
| WATER HEATER - "WEBASTO" 80,000 B.T.U. | | |

| Item# | Part | Description | H 3 4 0 | V I P 4 0 | N O T E S |
|-------|----------|---|------------------|-----------------------|-----------------------|
| | | WATER HEATER - "WEBASTO" 80,000 B.T.U. | 1 | 1 | |
| | N25810 | WATER HEATER - "WEBASTO" 80,000 B.T.U. | | | |
| NS | 871309 | BURNER HEAD ASSY 24V / DBW 2020 | 1 | 1 | |
| 1 | 870909 | . CONTROL UNIT 24V | 1 | 1 | A |
| . NS | 561186 | . . CONNECTOR / FASTIN-FASTON (.250) / RH 6C / AMP 925276-0 | 1 | 1 | A |
| . NS | 561597 | . . CONNECTOR / 56 SERIES / TAB RH 2C / BROWN / PED 2965981 | 1 | 1 | A |
| . NS | 562363 | . . CONNECTOR / FASTIN-FASTON (.250) / RH 8C / AMP 163007 | 1 | 1 | A |
| 2 | 870910 | . COIL, IGNITION | 1 | 1 | |
| 3 | 870911 | . . SOCKET | 2 | 2 | |
| 4 | 870912 | . . CABLE, HIGH TENSION / S.L. | AR | AR | |
| 5 | 870913 | . MOTOR ASSY / 24V | 1 | 1 | |
| 6 | 870939 | . CLUTCH | 2 | 2 | |
| 7 | N8883051 | . CLIP CONTROL UNIT | 1 | 1 | |
| 10 | 870914 | . WIRING HARNESS / W/TERMINAL BLOCK 6 C | 1 | 1 | |
| 11 | 870915 | . KIT, MOUNTING SHAFT | 1 | 1 | |
| 12 | 870916 | . SHAFT | 1 | 1 | |
| 13 | G1017453 | . ROTOR TURBINE | 1 | 1 | |
| 15 | 870917 | . SOLENOID VALVE / 24V | 1 | 1 | |
| 16 | 870919 | . . UNLOADER POWER ASSY | 1 | 1 | |
| 17 | 870920 | . ELECTRODE, IGNITION | 2 | 2 | |
| 18 | 870921 | . PLUG / ELECTRODE | 2 | 2 | |
| 19 | 870922 | . CELL, PHOTOELECTRIC | 1 | 1 | |
| 20 | 870918 | . NOZZLE 0.80GPH | 1 | 1 | |
| 20 | 871316 | NOZZLE 0.35GPH | AR | AR | |
| 20 | 871126 | NOZZLE 0.40GPH | AR | AR | |
| 20 | 192271 | NOZZLE 0.65GPH / PACK OF 12 | AR | AR | |
| 20 | G5007384 | NOZZLE 0.65GPH | AR | AR | |
| 20 | G1017473 | NOZZLE 0.65GPH | AR | AR | |
| 20 | 871291 | NOZZLE 0.85GPH | AR | AR | |
| 21 | 870928 | . PIPE, HIGH PRESSURE | 1 | 1 | |
| 22 | 870929 | . BANJO BOLT / M10-1.0 | 2 | 2 | |
| 23 | 870923 | . BANJO WASHER / M10 | 4 | 4 | |
| 24 | 870930 | . PUMP FUEL | 1 | 1 | |
| 25 | 870924 | . . FILTER | 1 | 1 | |
| 26 | 870925 | . . VALVE, PRESSURE CONTROL | 1 | 1 | |
| 27 | 870926 | . . GASKET | 1 | 1 | |
| 28 | 870927 | . . GASKET, RING | 1 | 1 | |
| 29 | 870931 | . SPUR GEAR | 1 | 1 | |
| 30 | 870932 | . FUSE THERMO 138°C (YELLOW) | 1 | 1 | |
| 31 | 870933 | . RELEASE, THERMO 117°C (GREEN) | 1 | 1 | |
| 32 | 870934 | . CONTROL THERMOSTAT 75°C GREEN & RED | 1 | 1 | |
| 33 | 870935 | . ANGLE BRACKET | 1 | 1 | |

| | | |
|---|--------------|-------------|
| From P-256 To R-079 | Date:10/2022 | PAGE:871036 |
| WATER HEATER - "WEBASTO" 80,000 B.T.U. | | |

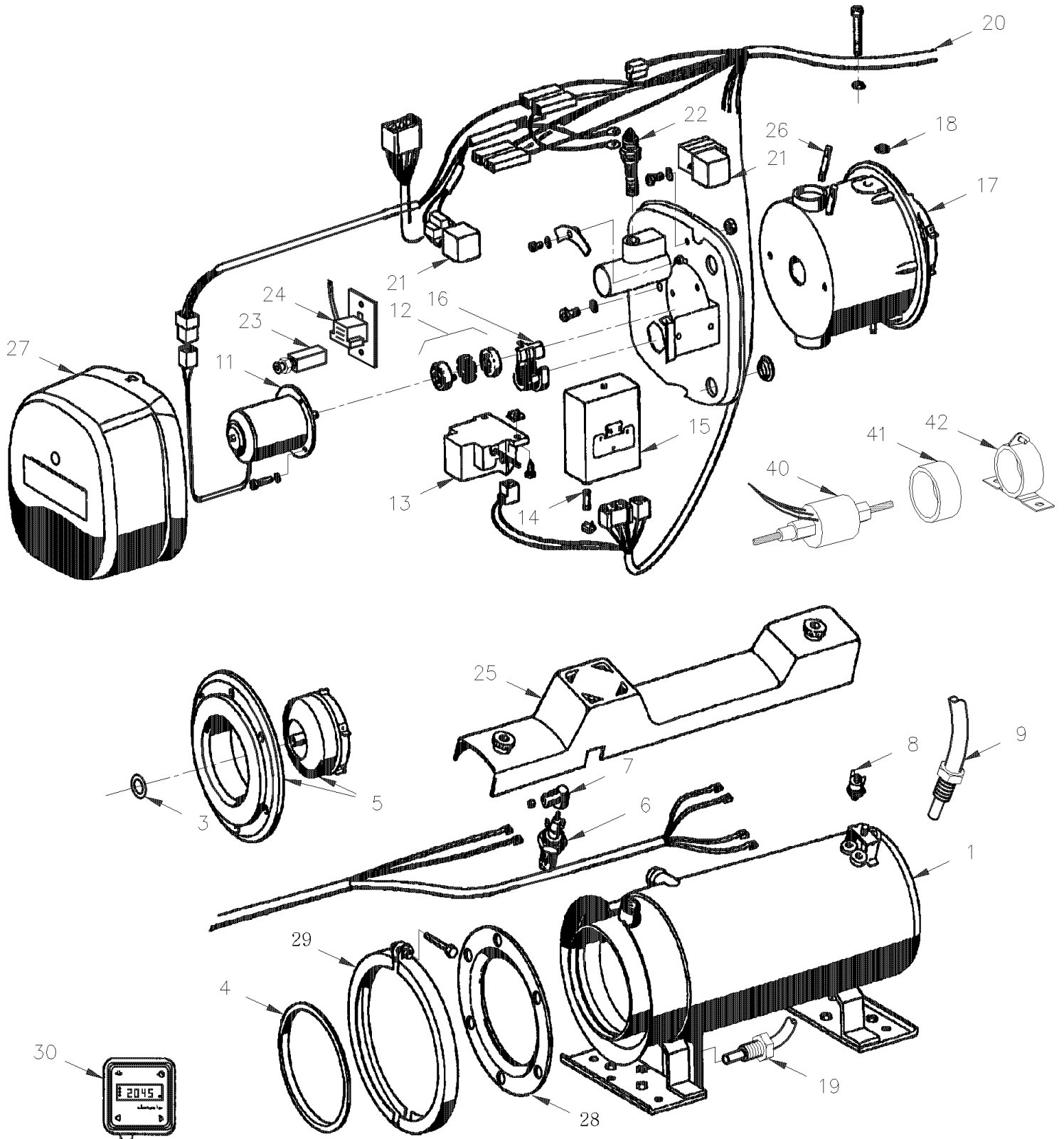
| Item# | Part | Description | H 3 4 0 | V I P 4 0 | N O T E S |
|-------|----------|---|------------------|-----------------------|-----------------------|
| 34 | 871057 | . CHAMBER, COMBUSTION / W/80,000 BTU | 1 | 1 | |
| 35 | 871251 | . HEAT EXCHANGER | 1 | 1 | |
| 36 | 870940 | . PIPE, OUTLET | 1 | 1 | |
| 37 | 871039 | EXHAUST PIPE SS 70MM O.D. X 1000MM | 1 | 1 | |
| | | SEE WATER HEATER - INSTALLATION | | | |
| 80 | N8883102 | CAP | 1 | 1 | |
| 98 | 870937 | GAUGE / IGNITION ELECTRODE | 1 | 1 | |
| 99 | 870938 | BOX WRENCH / HIGH PRESSURE NOZZLE | 1 | 1 | |
| 100 | 871319 | TESTING GEAR TOOL | AR | AR | |
| NS | 871246 | KIT, RETROFIT W/HEATER CONTROL BOX WATERTIGHT | AR | AR | |
| NS | 192273 | KIT NOZZLE W/OVERHEAT FUSE / DBW 2020 | AR | AR | B |
| NS | 065744 | KIT, RETROFIT BOX W/EXTENSION CABLE AND SUPP. | AR | AR | |
| NS | 192274 | KIT, MOTOR 24V W/BEARING, NOZZLE & O.H. FUSE / DBW 2020 | AR | AR | |
| NS | 192269 | KIT, ELECTRICAL REBUILT COMPONENTS 24V / DBW 2020 & DBW 300 | AR | AR | C |
| | | | | | |
| | | | | | |
| | | A) FOR PRODUCT IMPROVMENT USE KIT #871246 FOTR EXTEND WIRE CABLE BETWEEN CONTROL BOX AND WATER HEATER OR USE KIT #065744 FOR FIXED UNIT CONTROL BOX IN WATERPROOF BOX | | | |
| | | B) INCLUDES 2 ITEMS #20 & 30 | | | |
| | | C) INCLUDES ITEMS #1, 2, 3, 4, 10, 17, 19 & MORE | | | |

From P-256 To R-079

Date:10/2022

PAGE:871097

WATER HEATER - "ESPAR" 41,000 B.T.U.



| | | |
|---|--------------|-------------|
| From P-256 To R-079 | Date:10/2022 | PAGE:871097 |
| WATER HEATER - "ESPAR" 41,000 B.T.U. | | |

| Item# | Part | Description | H 3 4 0 | V I P 4 0 | N O T E S |
|-------|--------|--|------------------|-----------------------|-----------------------|
| | | WATER HEATER ASSY / MODEL D-12W / 25 1860 25 - "ESPAR" 41,000 B.T.U. From V-1922 | 1 | 1 | |
| 1 | 870983 | . EXCHANGER HEAT To V-1921 | 1 | 1 | |
| 1 | 871111 | . EXCHANGER HEAT From V-1922 | 1 | 1 | |
| 3 | 871115 | . WASHER | 1 | 1 | |
| 4 | 870997 | . RING SEALING | 1 | 1 | |
| 5 | 871114 | . ATOMIZER | 1 | 1 | A |
| NS | 870984 | . KIT ATOMIZER | 1 | 1 | A |
| 6 | 870994 | . PLUG GLOW | 1 | 1 | |
| 7 | 870993 | . CONNECTOR PLUG | 1 | 1 | |
| 8 | 870996 | . SWITCH SAFETY CUTOUT | 1 | 1 | |
| 9 | 871035 | . SWITCH REGULATING / (CUT OUT 194°F / CUT IN 178°F) To V-1921 | 1 | 1 | |
| 9 | 871116 | . SWITCH REGULATING / (CUT OUT 194°F / CUT IN 178°F) From V-1922 | 1 | 1 | |
| 11 | 870989 | . MOTOR ASSY / 24V | 1 | 1 | |
| 12 | 871005 | . COUPLING | 1 | 1 | |
| 13 | 870988 | . IGNITION SPARK GENERATOR | 1 | 1 | |
| 14 | 871003 | . FUSE 4 AMPS | 1 | 1 | |
| 15 | 871088 | . UNIT CENTRAL | 1 | 1 | |
| 16 | 870991 | . GROMMET | 1 | 1 | |
| 17 | 870990 | . BURNER To V-1921 | 1 | 1 | |
| 17 | 871113 | . BURNER From V-1922 | 1 | 1 | |
| 18 | 870998 | . O-RING | 1 | 1 | |
| 19 | 871118 | . SENSOR FLAME | 1 | 1 | |
| 20 | 870999 | . HARNESS ASSY To V-1921 | 1 | 1 | |
| 20 | 871112 | . HARNESS ASSY From V-1922 | 1 | 1 | |
| 21 | 561707 | . RELAY 24V S.P.D.T. W/RESISTOR / | 2 | 2 | |
| 22 | 870987 | . RESISTOR | 1 | 1 | |
| 23 | 871117 | . LED, INDICATOR | 1 | 1 | |
| 24 | 871095 | . CIRCUIT BOARD | 1 | 1 | |
| 25 | 871072 | . COVER / GLOW PLUG | 1 | 1 | |
| 26 | 871081 | . STUD / TO FIX COVER / M5X40MM | 2 | 2 | |
| 27 | 871083 | . COVER | 1 | 1 | |
| 28 | 871367 | . FLANGE | 1 | 1 | |
| 29 | 871349 | . CLAMP RETAINER | 1 | 1 | |
| 30 | 562025 | TIMER ASSY / W/"ESPAR" PREHEATER To V-1921 | 1 | 1 | |
| 30 | 562680 | TIMER ASSY / W/"ESPAR" PREHEATER / 7 DAYS From V-1922 | 1 | 1 | |
| NS | 871102 | . BULB / 1.4WATT-24 VOLTS | 1 | 1 | |
| 40 | 870973 | PUMP FUEL | 1 | 1 | |
| 41 | 870972 | RING, RUBBER | 1 | 1 | |
| 42 | 870971 | SUPPORT, PUMP | 1 | 1 | |
| | | | | | |
| | | | | | |
| | | | | | |

| | | |
|---------------------|--------------|-------------|
| From P-256 To R-079 | Date:10/2022 | PAGE:871097 |
|---------------------|--------------|-------------|

WATER HEATER - "ESPAR" 41,000 B.T.U.

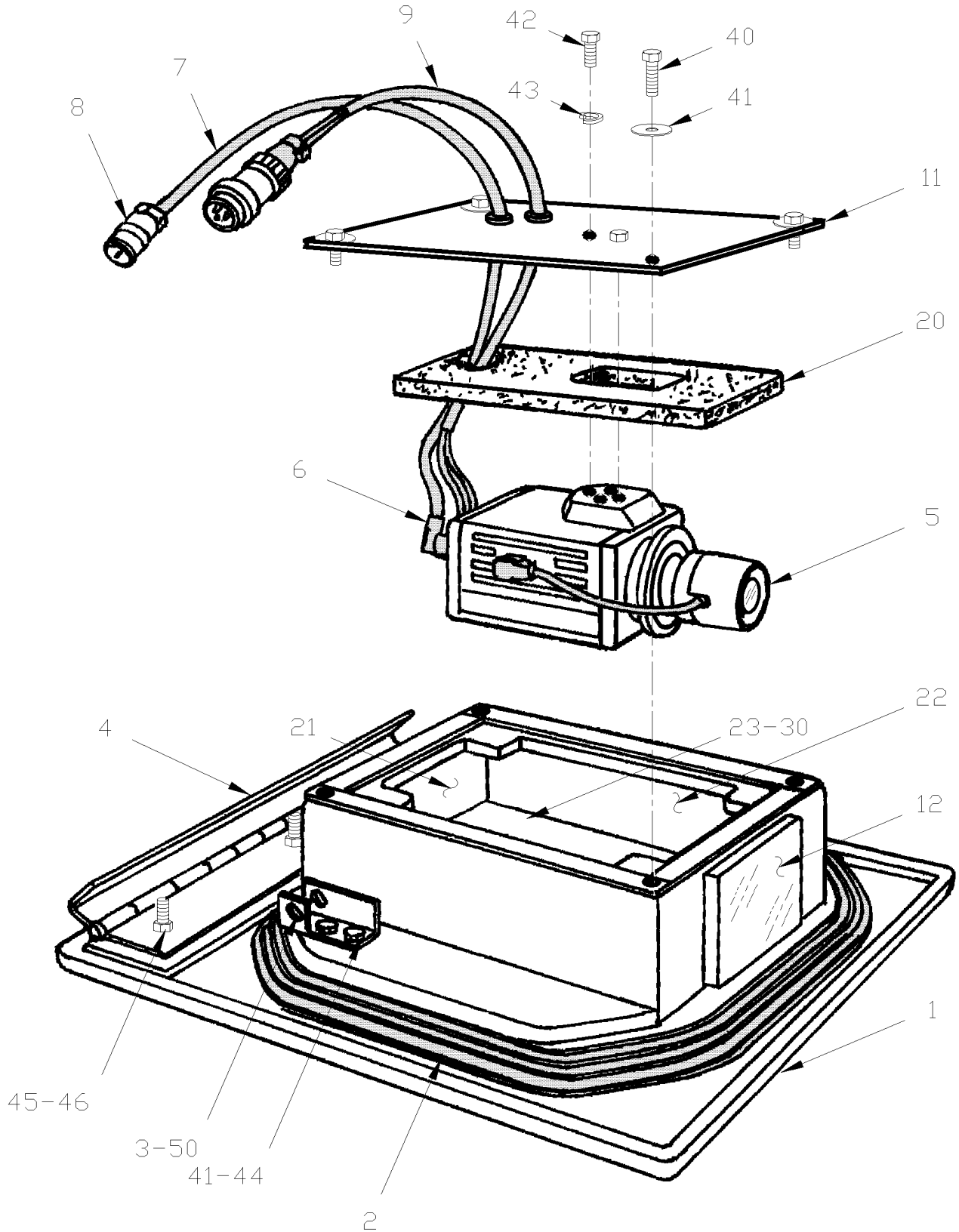
| Item# | Part | Description | H 3 4 0 | V I P 4 0 | N O T E S |
|-------|------|--|------------------|-----------------------|-----------------------|
| | | A) WHEN IT'S THE FIRST ATOMIZER REPLACED, USE CONVERSION KIT #870984 | | | |

From L-031 To M-083

Date:10/2022

PAGE:H4-2355-00

BACK-UP CAMERA - INSTALLATION



| | | |
|---------------------|--------------|-----------------|
| From L-031 To M-083 | Date:10/2022 | PAGE:H4-2355-00 |
|---------------------|--------------|-----------------|

BACK-UP CAMERA - INSTALLATION

| Item# | Part | Description | H 3 4 0 | V I P 4 0 | N O T E S |
|-------|-------------------|--|------------------|-----------------------|-----------------------|
| 1 | 490425 | HOUSING, CAMERA To M-083 | 1 | 1 | |
| 2 | 282960 | SEAL, RUBBER / S.L. To M-083 | AR | AR | A |
| 3 | 490454 | ATTACHMENT, CYLINDER / IN COVER To M-083 | 1 | 1 | B |
| 3 | 490640 | ATTACHMENT, CYLINDER / IN COVER From M-084 | 1 | 1 | |
| 4 | 490453 | HINGE / CAMERA HOUSING To M-083 | 1 | 1 | B |
| 4 | 490639 | HINGE / CAMERA HOUSING From M-084 | 1 | 1 | |
| 5 | 990160 | CAMERA / W/LENS "PANASONIC" | 1 | 1 | |
| 5 | 990294 | CAMERA / W/LENS "PANASONIC" | 1 | 1 | |
| 5 | H4-0645-30 | R.H. DASHBOARD PANEL | | | |
| 6 | 561715 | CONNECTOR / BNC / PLUG 90DEG / CABLE / AMP 331176 | 1 | 1 | |
| 7 | 490465 | COAXIAL CABLE ASSY | 1 | 1 | |
| 8 | 561716 | CONNECTOR / BNC / PLUG / CABLE / AMP 221265-2 | 1 | 1 | |
| 9 | 062116 | HARNESS ASSY / 12 VOLTS POWER SOURCE | 1 | 1 | |
| 9 | 561651 | CABLE CLAMP / CPC / #11 / AMP 206062-1 | 1 | 1 | |
| 10 | 504069 | GROMMET / .281x.375x.062x.250x.562 | 2 | 2 | |
| 11 | 490456 | PLATE, ANCHOR / CAMERA | 1 | 1 | |
| 12 | 490437 | GLASS, PROTECTOR / CAMERA | 1 | 1 | |
| NS | 680453 | SEALANT TAPE / CLEAR / 1/32"x1/2"x65' / 1795 | AR | AR | |
| NS | 680532 | SEALANT SIKA #221 / GREY / 310ml CARTRIDGE | AR | AR | |
| 20 | 490461 | PAD, INSULATING / LOWER CAMERA | 1 | 1 | |
| 21 | 490462 | PAD, INSULATING / REAR CAMERA | 1 | 1 | |
| 22 | 490463 | PAD, INSULATING / UPPER CAMERA | 1 | 1 | |
| 23 | 490460 | PAD, INSULATING / SIDE CAMERA | 2 | 2 | |
| 30 | 561717 | SWITCH, THERMAL S.P.S.T. | 1 | 1 | |
| NS | 561718 | ELEMENT HEATING (FORMER) | 1 | 1 | |
| NS | 063173 | ELEMENT, HEATING CURRENT | 1 | 1 | |
| NS | 561197 | SPRING SPADE TERMINAL #6 / 16-14 / AMP 52935-3 | 5 | 5 | |
| 40 | 502631 | SCREW CAP HEX M6-1.0x20 G8.8 Z050 | 4 | 4 | |
| 41 | 502571 | WASHER FL SEAL .281x.625x20GA SS | 6 | 6 | |
| 42 | 500047 | SCREW CAP HEX 1/4-20x5/8 G5 ZP | 2 | 2 | |
| 43 | 500473 | WASHER LO SPT .262x.489x.062 Z050 | 2 | 2 | |
| 44 | 502531 | SCREW CAP HEX M6-1.0x16 G8.8 Z050 | 2 | 2 | |
| 45 | 502679 | NUT HEX NYRT M4-0.7 ZP | 3 | 3 | |
| 46 | 502556 | WASHER FL 4.3x9.0x0.8 SS | 3 | 3 | |
| 50 | 990141 | CYLINDER, AIR 9/16" DOUBLE ACTION | 1 | 1 | |
| NS | 990142 | ROD, PIVOT / CYLINDER | 1 | 1 | |
| NS | 990143 | MALE CONNECTOR / PUSH-IN FITTING / W/O-RING / #2x#10-32-M BR | 2 | 2 | |
| NS | 490455 | ATTACHMENT, CYLINDER / ON CAP+B841 To M-083 | 1 | 1 | B |
| NS | 490641 | ATTACHMENT, CYLINDER / ON CAP From M-084 | 1 | 1 | |
| NS | 490459 | PIN, CLEVIS / TO FIX CYLINDER TO COVER ATTACHMENT | 1 | 1 | |
| NS | 502094 | PIN, COTTER 1/16 x 1/2 SS | 1 | 1 | B |
| NS | 502187 | PIN HITCH CLIP 1/16 x 1 5/32 ZP From M-084 | 1 | 1 | |

| | | |
|---------------------|--------------|-----------------|
| From L-031 To M-083 | Date:10/2022 | PAGE:H4-2355-00 |
|---------------------|--------------|-----------------|

BACK-UP CAMERA - INSTALLATION

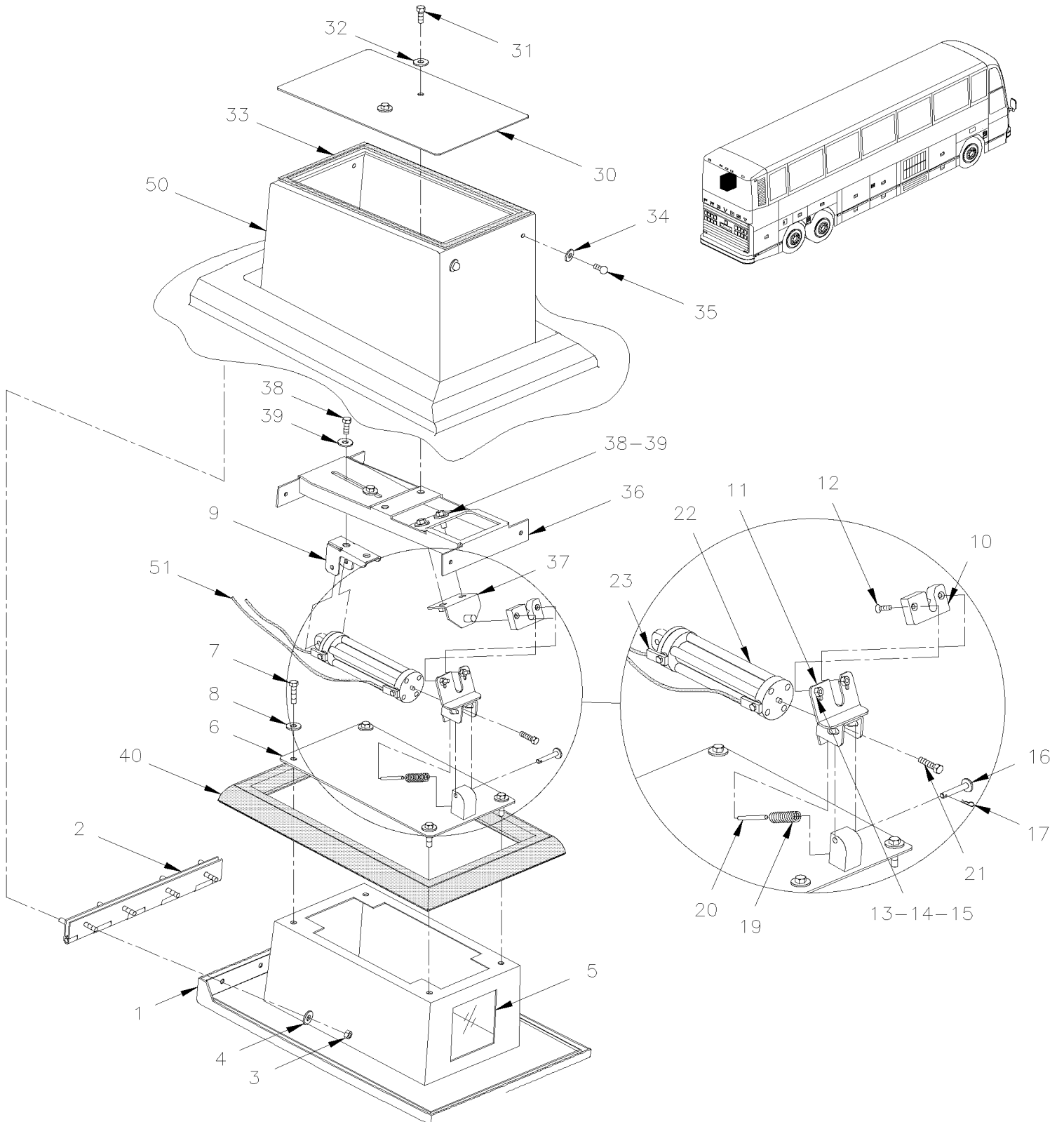
| Item# | Part | Description | H 3 4 0 | V I P 4 0 | N O T E S |
|-------|------|---|------------------|-----------------------|-----------------------|
| | | | | | |
| | | | | | |
| | | | | | |
| | | A) SEAL IS FIXED ON REAR CAP FROM M-084 | | | |
| | | B) FOR EASIER ACCESS TO CAMERA, USE PART FROM M-084 | | | |

From M-084 To R-079

Date:10/2022

PAGE:H4-2355-01

BACK-UP CAMERA - INSTALLATION



| | | |
|--------------------------------------|--------------|-----------------|
| From M-084 To R-079 | Date:10/2022 | PAGE:H4-2355-01 |
| BACK-UP CAMERA - INSTALLATION | | |

| Item# | Part | Description | H 3 4 0 | V I P 4 0 | N O T E S |
|-------|-------------------|--|------------------|-----------------------|-----------------------|
| | 490770 | HOUSING ASSY | | 1 | |
| 1 | 490767 | . HOUSING | | 1 | |
| 2 | 490765 | . HINGE | | 1 | |
| 3 | 5001180 | . NUT HEX NYRT #10-24 SS | | 4 | |
| 4 | 500989 | . WASHER FL .219x.875x.062 Z050 | | 4 | |
| 5 | 490768 | . GLASS WINDOW | | 1 | |
| 5 | 682176 | . SEALANT SIKA #221 / BLACK / 310ml CARTRIDGE | | AR | |
| 5 | 680453 | . SEALANT TAPE / CLEAR / 1/32"x1/2"x65' / 1795 | | AR | |
| 6 | 490761 | . PLATE ASSY / ATTACHMENT | | 1 | |
| 7 | 502622 | . SCREW CAP HEX M6-1.0x20 SS BK | | 4 | |
| 8 | 502571 | . WASHER FL SEAL .281x.625x20GA SS | | 4 | |
| 9 | 490760 | . ATTACHMENT / UPPER CYLINDER | | 1 | |
| 10 | 990225 | . CATCH ASSY | | 1 | |
| 11 | 490755 | . ATTACHMENT | | 1 | |
| 12 | 502642 | . SCREW MA FL PH #6-32x3/4 SS | | 2 | |
| 13 | 500581 | . WASHER LO SPT .141x.250x.031 SS | | 2 | |
| 14 | 502556 | . WASHER FL 4.3x9.0x0.8 SS | | 2 | |
| 15 | 500553 | . NUT HEX #6-32 SS | | 2 | |
| 16 | 490459 | . PIN, CLEVIS / TO FIX CYLINDER TO COVER ATTACHMENT | | 2 | |
| 17 | 502187 | . PIN HITCH CLIP 1/16 x 1 5/32 ZP | | 1 | |
| NS | 502637 | . WASHER FL .200x.437x.037 SS | | 2 | |
| 19 | 490759 | . SPRING COMPRESSION / .322 O.D. x 1.439 x .058 | | 1 | |
| 20 | 505221 | . SPRING, PIN 1/8 X 3/8 | | 1 | |
| 21 | 500512 | . SCREW CAP HEXF #10-32x1/2 ZP | | 1 | |
| 22 | 990224 | . AIR CYLINDER / BACK-UP CAMERA | | 1 | |
| 23 | 642167 | . MALE ELBOW 90° SWIVEL / PUSH-IN FITTING / #2x10-32 BR | | 2 | |
| 30 | 490769 | COVER | | 1 | |
| NS | 506071 | TAPE RUB ADH1 CC POL 1/8" x 1/2" x 50' / GREY 2520X | | AR | |
| 31 | 502622 | SCREW CAP HEX M6-1.0x20 SS BK | | 1 | |
| 32 | 502571 | WASHER FL SEAL .281x.625x20GA SS | | 1 | |
| 33 | 506648 | TAPE RUB ADH1 CC POL 1/8" x 1/2"x 50' / GREY 2542 | | AR | |
| 34 | 500964 | WASHER FL .203x.500x.047 Z050 | | 4 | |
| 35 | 504488 | RIVET MGLP PRDG 3/16x17/64 SS | | 4 | |
| 36 | 490756 | ATTACHMENT / UPPER TO FIX CYLINDER | | 1 | |
| 37 | 490757 | ATTACHMENT / LOWER TO FIX CATCH | | 1 | |
| 38 | 5001181 | SCREW CAP HEX M6-1.0x12 SS | | 4 | |
| 39 | 502582 | WASHER LO SERR 6.1x16.2x0.9 Z050 | | 4 | |
| 40 | 490766 | RUBBER SEAL EXTRUSION / BACK-UP CAMERA / 281MM X 167.5MM | | 1 | E |
| 50 | H4-1851-00 | CAP - FRONT & REAR - INSTALLATION | | | |
| 51 | H4-1202-00 | TUBES PLASTIC / AIR D.O.T. | | | |
| | | | | | |
| | | | | | |

| | | | |
|---------------------|--|--------------|-----------------|
| From M-084 To R-079 | | Date:10/2022 | PAGE:H4-2355-01 |
|---------------------|--|--------------|-----------------|

BACK-UP CAMERA - INSTALLATION

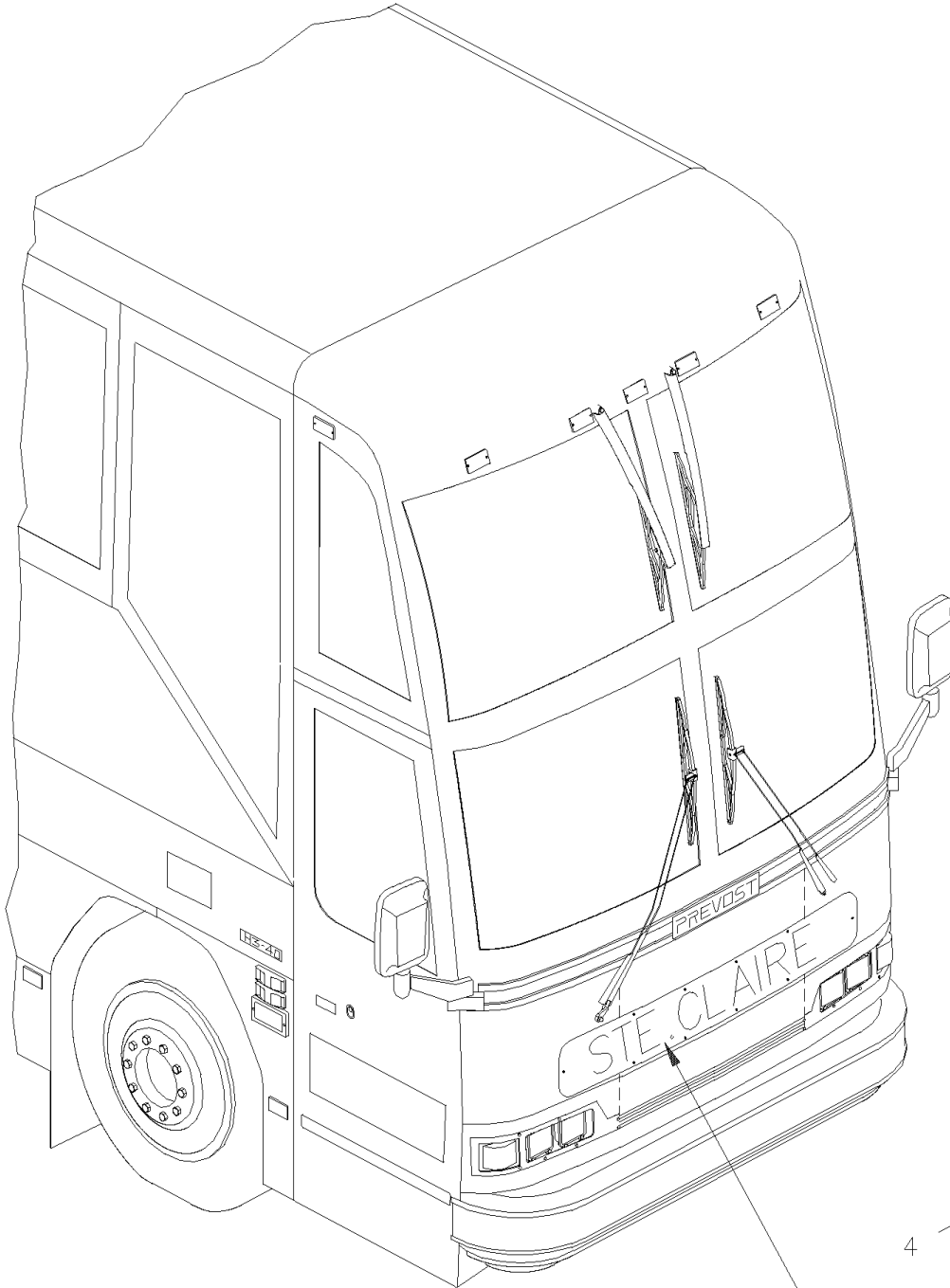
| Item# | Part | Description | H 3 4 0 | V I P 4 0 | N O T E S |
|-------|------|------------------------------------|------------------|-----------------------|-----------------------|
| | | | | | |
| | | E) THIS SEAL ARE FIXED TO REAR CAP | | | |

From L-031 To R-079

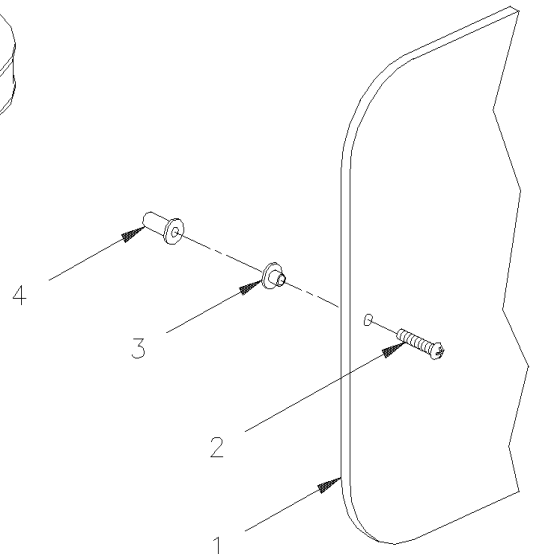
Date:10/2022

PAGE:H4-2360-00

MONOGRAM ASSY & LETTERS



This monogram is only a example



| | | |
|------------------------------------|--------------|-----------------|
| From L-031 To R-079 | Date:10/2022 | PAGE:H4-2360-00 |
| MONOGRAM ASSY & LETTERS | | |

| Item# | Part | Description | H 3 4 0 | V I P 4 0 | N O T E S |
|-------|---------|---|------------------|-----------------------|-----------------------|
| | | BEFORE ORDERING "MONOGRAM" OR "DECAL" PLEASE SPECIFY NAME... | | | |
| | 490392 | DECAL / ON BAGGAGE DOOR "OWNER & OPERATOR ICC # & ETC...." | 1 | 1 | |
| 1 | 490494P | MONOGRAM ASSY / FRONT BLACK W/ACRYLIC LETTER (WHITE OR GREY) | | | |
| 1 | 490492 | . MONOGRAM PLATE, BLACK PLASTIC / 9 3/4" X 82 5/8" | 1 | 1 | |
| 1 | 490716P | MONOGRAM ASSY / FRONT RED W/ACRYLIC LETTER GREY | 1 | 1 | |
| 1 | 490700 | . MONOGRAM PLATE, RED PLASTIC / 9 3/4" X 82 5/8" | 1 | 1 | |
| 1 | 490683P | MONOGRAM ASSY / FRONT CLEAR W/PAINT LETTER OR "SCOTCH" | | | |
| 1 | 490686 | . MONOGRAM PLATE, CLEAR PLASTIC / 9 3/4" X 90 1/2" | 1 | 1 | |
| 2 | 502735 | SCREW MA BDG PH #10-32x1 SS BK | 10 | 10 | A |
| 3 | 900251 | BUSHING, RUBBER | 10 | 10 | |
| 4 | 500519 | NUT WELL #10-32x.518 | 10 | 10 | |
| NS | 680130 | GLUE / TO FIX ACRYLIC LETTER TO MONOGRAM 1 Liter | AR | AR | |
| NS | 490307 | LETTER "A" / ACRYLIC WHITE | AR | AR | |
| NS | 490608 | LETTER "A" / ACRYLIC GREY | AR | AR | |
| NS | 490308 | LETTER "B" / ACRYLIC WHITE | AR | AR | |
| NS | 490609 | LETTER "B" / ACRYLIC GREY | AR | AR | |
| NS | 490309 | LETTER "C" / ACRYLIC WHITE | AR | AR | |
| NS | 490610 | LETTER "C" / ACRYLIC GREY | AR | AR | |
| NS | 490310 | LETTER "D" / ACRYLIC WHITE | AR | AR | |
| NS | 490611 | LETTER "D" / ACRYLIC GREY | AR | AR | |
| NS | 490311 | LETTER "E" / ACRYLIC WHITE | AR | AR | |
| NS | 490612 | LETTER "E" / ACRYLIC GREY | AR | AR | |
| NS | 490312 | LETTER "F" / ACRYLIC WHITE | AR | AR | |
| NS | 490613 | LETTER "F" / ACRYLIC GREY | AR | AR | |
| NS | 490313 | LETTER "G" / ACRYLIC WHITE | AR | AR | |
| NS | 490614 | LETTER "G" / ACRYLIC GREY | AR | AR | |
| NS | 490314 | LETTER "H" / ACRYLIC WHITE | AR | AR | |
| NS | 490615 | LETTER "H" / ACRYLIC GREY | AR | AR | |
| NS | 490336 | LETTER "I" / ACRYLIC WHITE | AR | AR | |
| NS | 490616 | LETTER "I" / ACRYLIC GREY | AR | AR | |
| NS | 490315 | LETTER "J" / ACRYLIC WHITE | AR | AR | |
| NS | 490617 | LETTER "J" / ACRYLIC GREY | AR | AR | |
| NS | 490316 | LETTER "K" / ACRYLIC WHITE | AR | AR | |
| NS | 490618 | LETTER "K" / ACRYLIC GREY | AR | AR | |
| NS | 490317 | LETTER "L" / ACRYLIC WHITE | AR | AR | |
| NS | 490619 | LETTER "L" / ACRYLIC GREY | AR | AR | |
| NS | 490318 | LETTER "M" / ACRYLIC WHITE | AR | AR | |
| NS | 490620 | LETTER "M" / ACRYLIC GREY | AR | AR | |
| NS | 490319 | LETTER "N" / ACRYLIC WHITE | AR | AR | |

| | | |
|------------------------------------|--------------|-----------------|
| From L-031 To R-079 | Date:10/2022 | PAGE:H4-2360-00 |
| MONOGRAM ASSY & LETTERS | | |

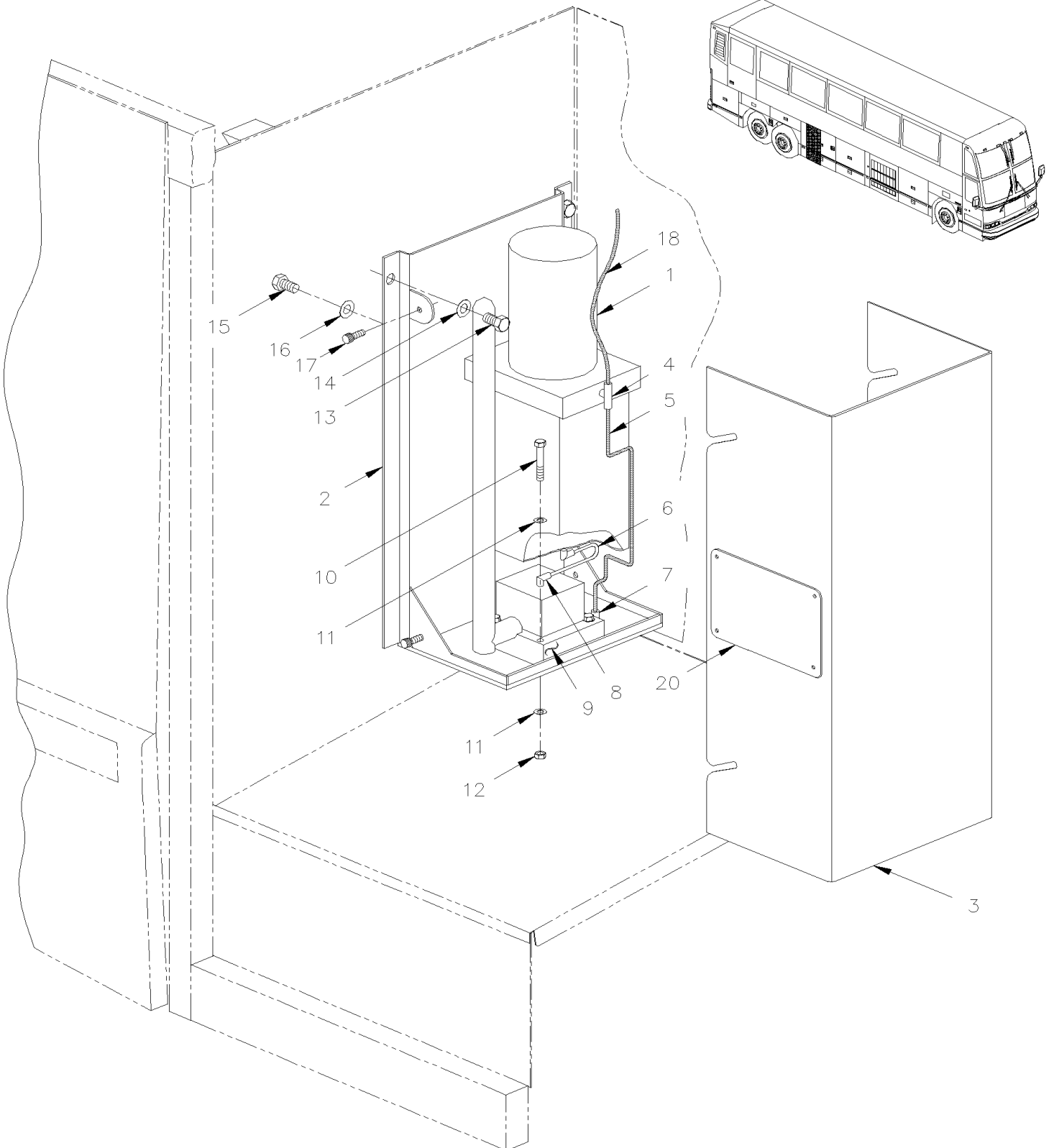
| Item# | Part | Description | H 3 4 0 | V I P 4 0 | N O T E S |
|-------|--------|----------------------------|------------------|-----------------------|-----------------------|
| NS | 490621 | LETTER "N" / ACRYLIC GREY | AR | AR | |
| NS | 490320 | LETTER "O" / ACRYLIC WHITE | AR | AR | |
| NS | 490622 | LETTER "O" / ACRYLIC GREY | AR | AR | |
| NS | 490321 | LETTER "P" / ACRYLIC WHITE | AR | AR | |
| NS | 490597 | LETTER "P" / ACRYLIC GREY | AR | AR | |
| NS | 490322 | LETTER "Q" / ACRYLIC WHITE | AR | AR | |
| NS | 490624 | LETTER "Q" / ACRYLIC GREY | AR | AR | |
| NS | 490323 | LETTER "R" / ACRYLIC WHITE | AR | AR | |
| NS | 490625 | LETTER "R" / ACRYLIC GREY | AR | AR | |
| NS | 490324 | LETTER "S" / ACRYLIC WHITE | AR | AR | |
| NS | 490626 | LETTER "S" / ACRYLIC GREY | AR | AR | |
| NS | 490325 | LETTER "T" / ACRYLIC WHITE | AR | AR | |
| NS | 490599 | LETTER "T" / ACRYLIC GREY | AR | AR | |
| NS | 490326 | LETTER "U" / ACRYLIC WHITE | AR | AR | |
| NS | 490628 | LETTER "U" / ACRYLIC GREY | AR | AR | |
| NS | 490327 | LETTER "V" / ACRYLIC WHITE | AR | AR | |
| NS | 490629 | LETTER "V" / ACRYLIC GREY | AR | AR | |
| NS | 490328 | LETTER "W" / ACRYLIC WHITE | AR | AR | |
| NS | 490598 | LETTER "W" / ACRYLIC GREY | AR | AR | |
| NS | 490329 | LETTER "X" / ACRYLIC WHITE | AR | AR | |
| NS | 490631 | LETTER "X" / ACRYLIC GREY | AR | AR | |
| NS | 490330 | LETTER "Y" / ACRYLIC WHITE | AR | AR | |
| NS | 490632 | LETTER "Y" / ACRYLIC GREY | AR | AR | |
| NS | 490331 | LETTER "Z" / ACRYLIC WHITE | AR | AR | |
| NS | 490633 | LETTER "Z" / ACRYLIC GREY | AR | AR | |
| NS | 490332 | AND "&" / ACRYLIC WHITE | AR | AR | |
| NS | 490634 | AND "&" / ACRYLIC GREY | AR | AR | |
| NS | 490333 | DOT "." / ACRYLIC WHITE | AR | AR | |
| NS | 490635 | DOT "." / ACRYLIC GREY | AR | AR | |
| NS | 490334 | DASH "-" / ACRYLIC WHITE | AR | AR | |
| NS | 490636 | DASH "-" / ACRYLIC GREY | AR | AR | |
| NS | 490335 | COMA "," / ACRYLIC WHITE | AR | AR | |
| NS | 490637 | COMA "," / ACRYLIC GREY | AR | AR | |
| | | | | | |
| | | | | | |
| | | | | | |
| | | A) TO FIX MONOGRAM | | | |

From P-343 To P-364

Date:10/2022

PAGE:H4-2370-00

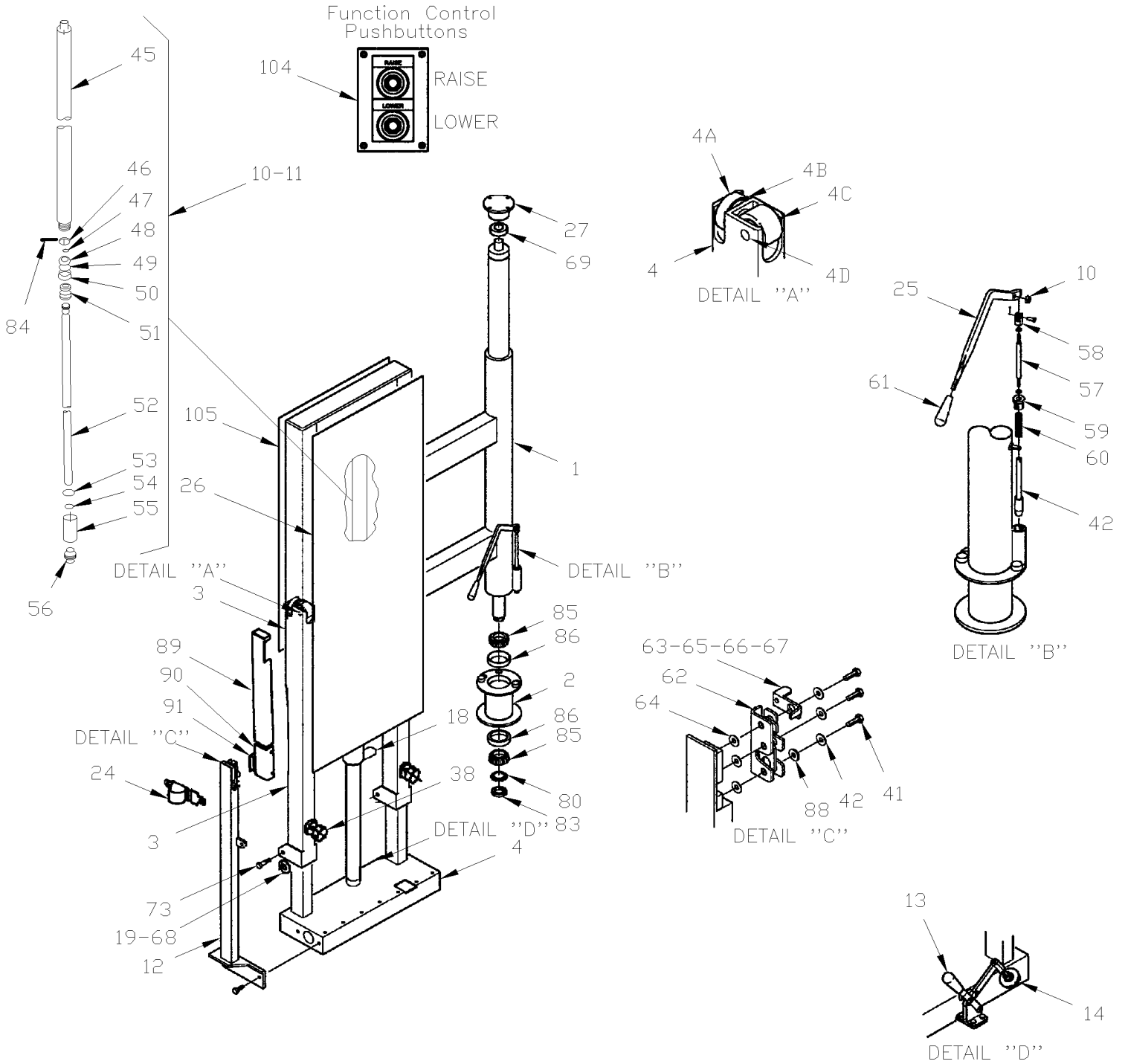
W.C.L. "ST & ST" - PUMP INSTALLATION



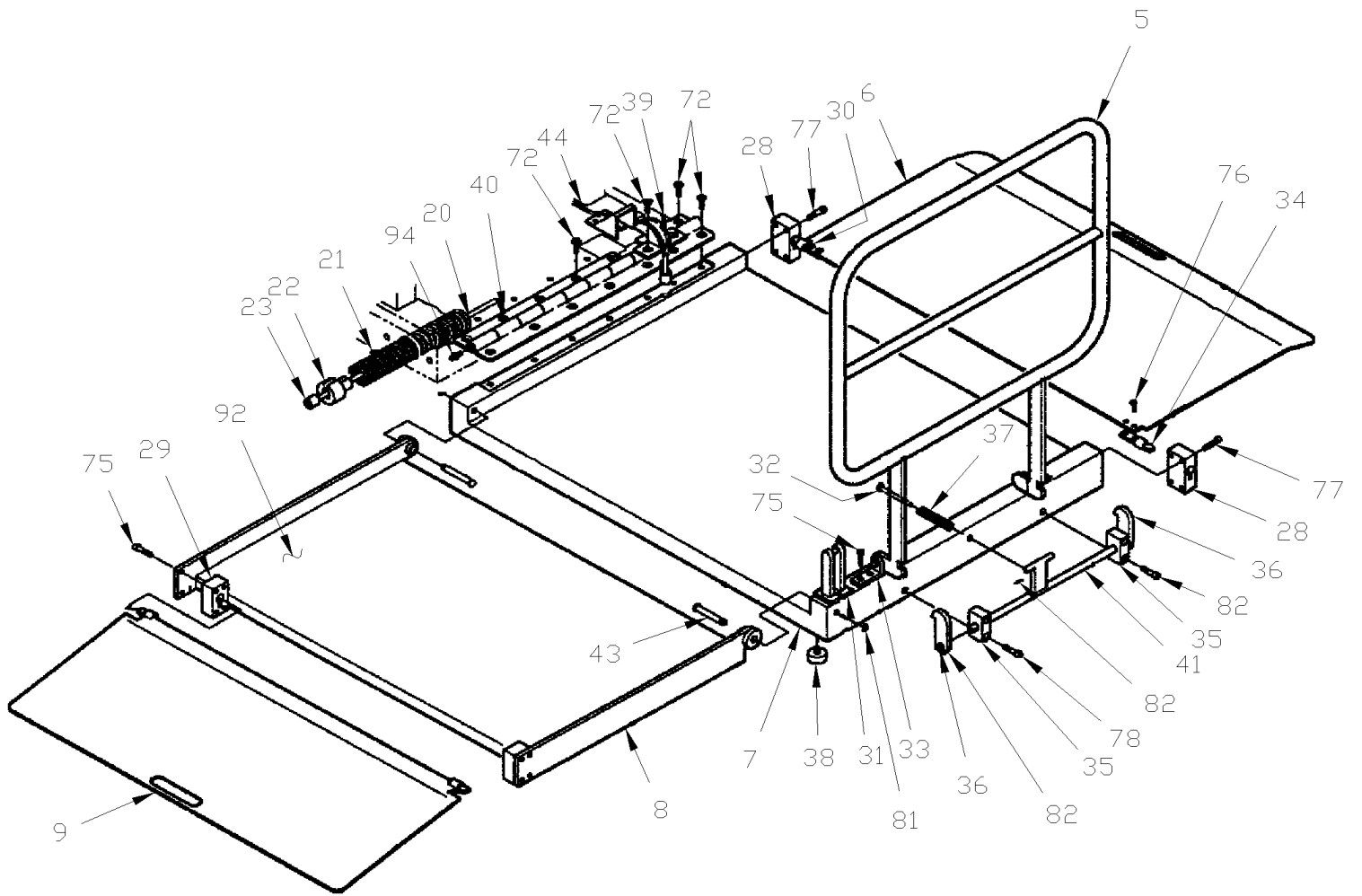
| | | |
|---|--------------|-----------------|
| From P-343 To P-364 | Date:10/2022 | PAGE:H4-2370-00 |
| W.C.L. "ST & ST" - PUMP INSTALLATION | | |

| Item# | Part | Description | H 3 4 0 | V I P 4 0 | N O T E S |
|-------|---------|--|------------------|-----------------------|-----------------------|
| 1 | 860797 | PUMP HYDRAULIC ASSY 24V | 1 | | |
| 2 | 284608 | SUPPORT ASSY | 1 | | |
| 3 | 284619 | COVER ASSY | 1 | | |
| NS | 810034 | . CARPET OZITE / S.L. 12 FT WIDE | AR | | A |
| 4 | 5011060 | MALE RUN TEE / JIC 37° FITTING / #6JIC-Mx #6JIC-Mx3/8NPT-M STL | 1 | | |
| 5 | 285196 | HOSE ASSY / #6 330MM | 1 | | |
| 6 | 285195 | PIPE COPPER TUBE | 1 | | |
| 7 | 501695 | MALE ELBOW 90° / JIC 37° FITTING / #6JIC-Mx1/4NPT-M STL | 1 | | |
| 8 | 641372 | MALE ELBOW 90° NON-SWIVEL / PUSH-IN FITTING / #6x1/4NPT-M BR | 2 | | |
| 9 | 860836 | HAND PUMP ASSEMBLY / (B13067) | 1 | | |
| 10 | 500172 | SCREW CAP HEX 1/4-20x2 1/2 G5 PT ZP | 4 | | |
| 11 | 500440 | WASHER FL .250x.562x.065 Z050 | 8 | | |
| 12 | 500770 | NUT HEX STO 1/4-20 Z050 | 4 | | B |
| 13 | 502617 | NUT HEX NYRT M10-1.5 Z050 | 4 | | |
| NS | 500462 | WASHER FL .343x1.500x.083 SS | 4 | | |
| 14 | 500602 | SCREW TH SHR 1/4-20x3/4 | 4 | | |
| 15 | 500190 | SCREW CAP HEX 3/8-16x3/4 G5 Z050 | 2 | | |
| 16 | 502616 | WASHER LO SPT 10.2x18.1x2.2 SS | 2 | | |
| 17 | 5001323 | NUT THUMB KNURLED M6-1.0 | 4 | | |
| 18 | 285197 | HOSE ASSY / #6 8535MM | 1 | | |
| NS | 560482 | CLAMP / 3/4" I.D. / W/HOLE 3/16" | 2 | | |
| NS | 501695 | MALE ELBOW 90° / JIC 37° FITTING / #6JIC-Mx1/4NPT-M STL | 1 | | |
| 20 | 860865 | INSTRUCTION PLATE MANUAL PUMP | 1 | | |
| 21 | 685682 | OIL HYDRAULIC W.C.L. (19 LITERS) | 1 | | |
| | | | | | |
| | | | | | |
| | | A) S.L. | | | |
| | | B) TO FIX BALLAST | | | |

| | | |
|-------------------------------------|--------------|-----------------|
| From P-343 To P-364 | Date:10/2022 | PAGE:H4-2370-05 |
| W.C.L. "ST & ST" - MODEL SSPL 380 L | | |



| | | |
|-------------------------------------|--------------|-----------------|
| From P-343 To P-364 | Date:10/2022 | PAGE:H4-2370-05 |
| W.C.L. "ST & ST" - MODEL SSPL 380 L | | |



| | | |
|-------------------------------------|--------------|-----------------|
| From P-343 To P-364 | Date:10/2022 | PAGE:H4-2370-05 |
| W.C.L. "ST & ST" - MODEL SSPL 380 L | | |

| Item# | Part | Description | H 3 4 0 | V I P 4 0 | N O T E S |
|-------|--------|--|------------------|-----------------------|-----------------------|
| | 860791 | LIFT ASSY COMPLETE / MODEL | 1 | | |
| 1 | 860998 | . ROTATING COLUMN | 1 | | |
| 2 | 860999 | . COLUMN BASE | 1 | | |
| 3 | 861000 | . OUTER FRAME | 1 | | |
| 4 | 861001 | . INNER FRAME | 1 | | |
| 5 | 861002 | . HAND RAIL | 1 | | |
| 6 | 861003 | . REAR PLATFORM | 1 | | |
| 7 | 861004 | . MAIN PLATFORM | 1 | | |
| 8 | 861005 | . FRONT PLATFORM | 1 | | |
| 9 | 861006 | . BARRIER | 1 | | |
| 10 | 861007 | . CYLINDER | 1 | | |
| 11 | 861008 | . SEAL KIT INCLUDE ITEMS 47,49,50,53,54 & 56 | 1 | | |
| 12 | 861009 | . SEAT BELT STAND | 1 | | |
| 13 | 861010 | . CLAMP | 1 | | |
| 14 | 861011 | . CLAMP PAD | 1 | | |
| 18 | 860900 | . FLOW VALVE | 1 | | |
| 19 | 861012 | . ROLLER | 1 | | |
| 20 | 861013 | . SPRING COLLAR | 1 | | |
| 21 | 861014 | . SPRING | 1 | | |
| 22 | 861015 | . CABLE COLLAR | 1 | | |
| 23 | 861016 | . CABLE | 1 | | |
| 24 | 861017 | . SEAT BELT | 1 | | |
| 25 | 861018 | . HANDLE LEVER | 1 | | |
| 26 | 861019 | . COVER | 2 | | |
| 27 | 861020 | . ROTATING CAP | 1 | | |
| 28 | 861021 | . LOCK BLOCK | 2 | | |
| 29 | 861022 | . LOCK BLOCK, FRONT | 2 | | |
| 31 | 861023 | . LATCH | 1 | | |
| 32 | 861024 | . PIN | 1 | | |
| 33 | 861025 | . BRACKET | 1 | | |
| 34 | 861026 | . PIVOT PIN | 2 | | |
| 35 | 861027 | . PIVOT BLOCK | 2 | | |
| 36 | 861028 | . LATCH | 2 | | |
| 37 | 861029 | . SPRING | 1 | | |
| 38 | 861030 | . BUMPER | 2 | | |
| 39 | 861039 | . PULLEY CABLE | 1 | | |
| 40 | 861032 | . HINGE | 1 | | |
| 41 | 861033 | . BELL CRANK | 1 | | |
| 42 | 861034 | . INDEX PIN | 1 | | |
| 43 | 861035 | . PIN | 2 | | |
| 44 | 861036 | . CABLE COVER | 1 | | |
| 45 | 861037 | . TUBE | 1 | | |

| | | |
|-------------------------------------|--------------|-----------------|
| From P-343 To P-364 | Date:10/2022 | PAGE:H4-2370-05 |
| W.C.L. "ST & ST" - MODEL SSPL 380 L | | |

| Item# | Part | Description | H 3 4 0 | V I P 4 0 | N O T E S |
|-------|--------|---|------------------|-----------------------|-----------------------|
| 46 | N.P.N. | . CASTEL NUT 5/8-16 | AR | | 4 |
| 47 | 861038 | . O-RING | 1 | | |
| 48 | 861039 | . PULLEY CABLE | 1 | | |
| 49 | N.P.N. | . POLYSEAL | AR | | 4 |
| 50 | 861041 | . WEAR RING | 1 | | |
| 51 | 861042 | . PISTON | 1 | | |
| 52 | 861043 | . ROD | 1 | | |
| 53 | 861044 | . O-RING | 1 | | |
| 54 | 861045 | . O-RING | 1 | | |
| 55 | 861046 | . ROD END | 1 | | |
| 56 | 861047 | . GLAND SEAL | 1 | | |
| 57 | 861048 | . ROD | 1 | | |
| 58 | 861049 | . CLEVIS | 1 | | |
| 59 | 861050 | . SPRING CAP | 1 | | |
| 60 | 861051 | . SPRING COMPRESSION / .767 O.D. x 2.512 x .104 | 1 | | |
| 61 | 861052 | . HANDLE | 1 | | |
| 62 | 861053 | . LATCH | 1 | | |
| 63 | 861054 | . LEVER | 1 | | |
| 64 | 500985 | . WASHER FL .343x.875x.125 Z050 | AR | | |
| 65 | 861055 | . ROD | 1 | | |
| 66 | 861056 | . BALL JOINT | 1 | | |
| 67 | 500692 | . NUT HEX 1/4-28 Z050 | AR | | |
| 68 | 861057 | . BEARING | 4 | | |
| 69 | 861058 | . BEARING | 1 | | |
| 72 | 500192 | . SCREW CAP HEX 3/8-16x1 1/4 G5 Z050 | 2 | | |
| 73 | 502694 | . SCREW CAP HEX 3/8-16x3 1/4 G5 ZP | 2 | | |
| 75 | 500367 | . SCREW MA FL SLT 1/4-20x1 1/4 Z050 | 12 | | |
| 76 | 500638 | . SCREW TP PAN PH #8x1/2 Z050 | 4 | | |
| 80 | 861059 | . WASHER, LOCK | 1 | | |
| 81 | 861060 | . SNAP RING | 4 | | |
| 82 | 861061 | . ROLL PIN 1/8 X 3/4 | 3 | | |
| 83 | 861062 | . NUT | 1 | | |
| 84 | 861063 | . CUTTER PIN | 1 | | |
| 85 | 861064 | . BEARING CONE | 2 | | |
| 86 | 861065 | . BEARING CUP | 2 | | |
| 87 | 861066 | . GROMMET | 2 | | |
| 88 | 861067 | . SPACER | 1 | | |
| 89 | 861068 | . TOP COVER | 1 | | |
| 90 | 861069 | . BOTTOM COVER | 1 | | |
| 91 | 861070 | . RELEASE LATCH | 1 | | |
| 92 | 861071 | . ANTI-SKID | 1 | | |
| 93 | 861072 | . INSTRUCTION PLATE | 1 | | |

| | | |
|-------------------------------------|--------------|-----------------|
| From P-343 To P-364 | Date:10/2022 | PAGE:H4-2370-05 |
| W.C.L. "ST & ST" - MODEL SSPL 380 L | | |

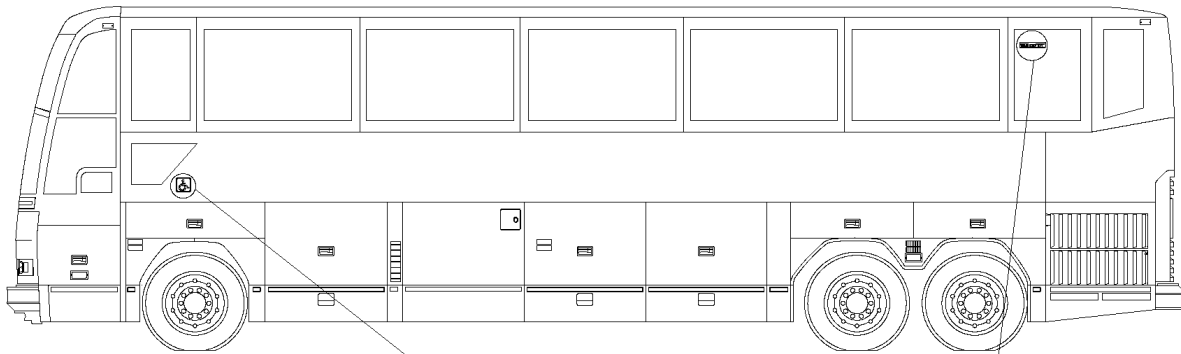
| Item# | Part | Description | H 3 4 0 | V I P 4 0 | N O T E S |
|-------|--------|-------------------------|------------------|-----------------------|-----------------------|
| 101 | 861073 | . IDENTIFICATION PLATE | 1 | | |
| 102 | 861074 | . NAME PLATE, POWERLIFT | 1 | | |
| 103 | 861075 | . LABEL, LATCH RELEASE | 1 | | |
| 104 | 861076 | . CONTROL SWITCH | 1 | | |
| 105 | 861077 | . PANEL | 1 | | |
| | | | | | |
| | | | | | |
| | | | | | |
| | | 4) NO PARTS NUMBER | | | |

From P-343 To P-364

Date:10/2022

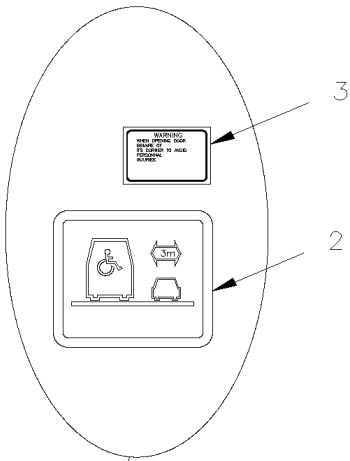
PAGE:H4-2370-10

W.C.L. - DECAL



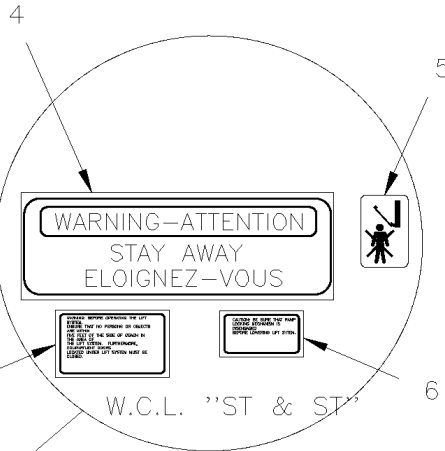
SORTIE URGENCE   EMERGENCY EXIT

8



3

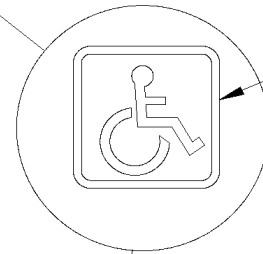
2



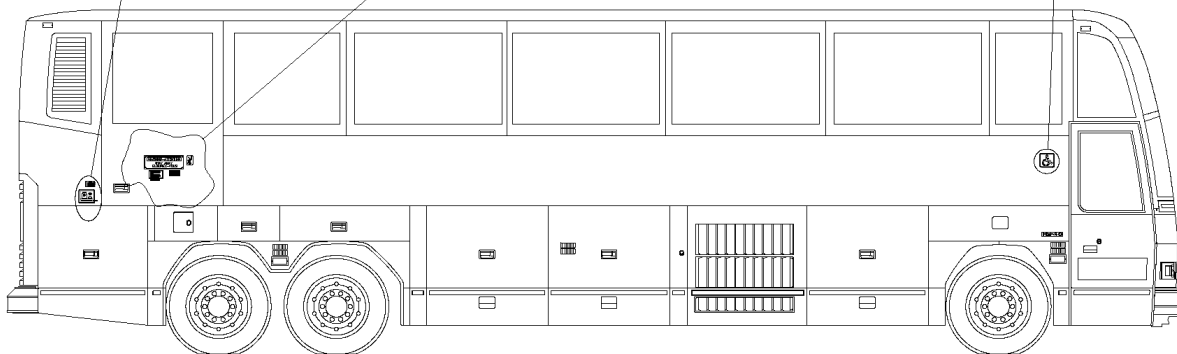
4

5

6



1



| | | |
|-----------------------|--------------|-----------------|
| From P-343 To P-364 | Date:10/2022 | PAGE:H4-2370-10 |
| W.C.L. - DECAL | | |

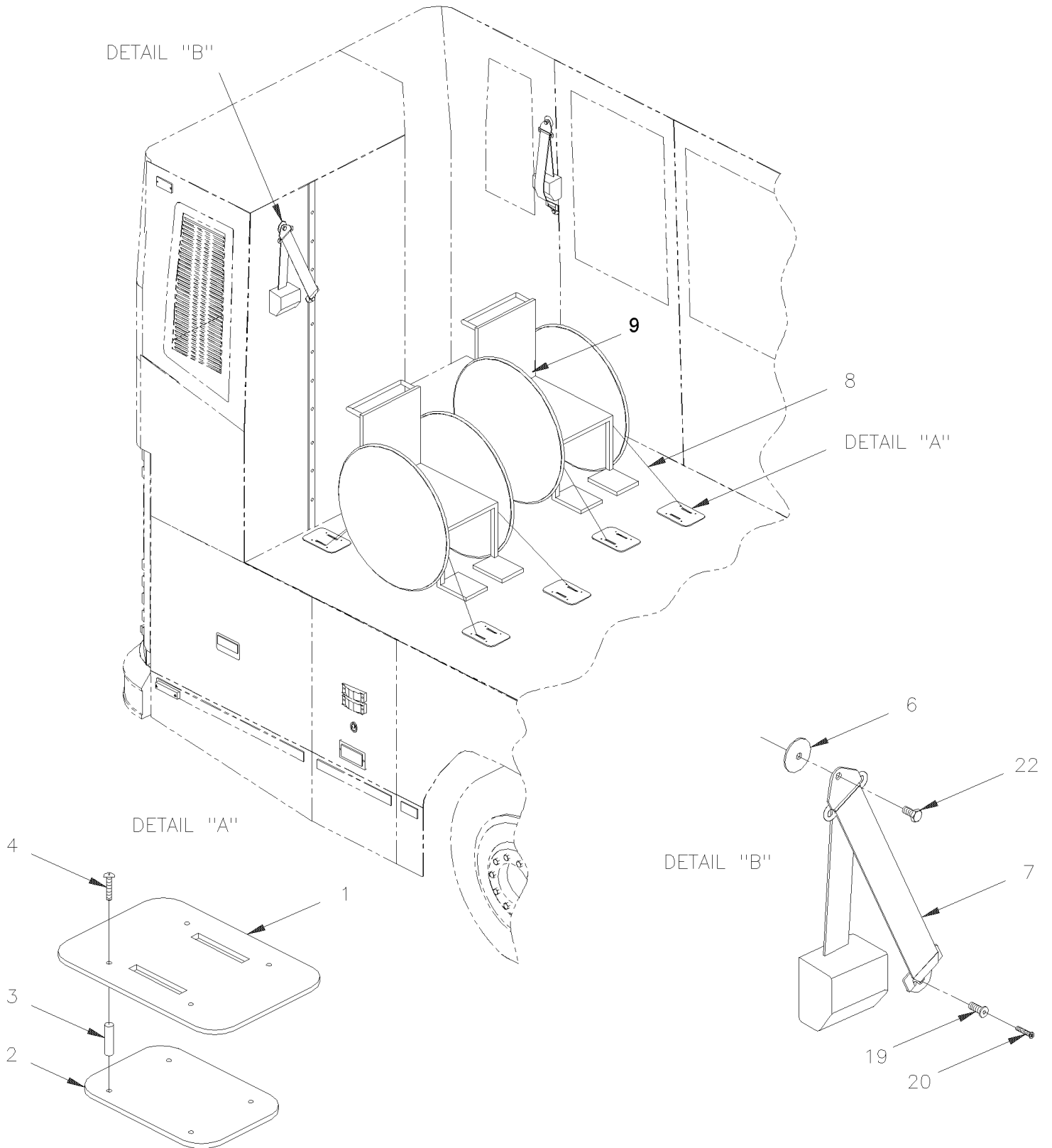
| Item# | Part | Description | H 3 4 0 | V I P 4 0 | N O T E S |
|-------|--------|---|------------------|-----------------------|-----------------------|
| 1 | 404087 | DECAL / BLUE W/CHAIR / 180MM x 180MM | 2 | | |
| 2 | 404083 | DECAL / DO NOT PARK WITHIN 3 METRES / ENGLISH & FRANCAIS | 1 | | |
| 2 | 404089 | DECAL / DO NOT PARK WITHIN 3 METRES / ENGLISH | 1 | | |
| 2 | 405645 | DECAL / DO NOT PARK WITHIN 3 METRES / ENGLISH & SPANISH | 1 | | |
| 3 | 403898 | DECAL / "WARNING" WHEN OPENING DOOR BEWARE.. / ENGLISH & FRANCAIS | 1 | | A |
| 3 | 404332 | DECAL / "WARNING" WHEN OPENING DOOR BEWARE.. / ENGLISH | 1 | | |
| 3 | 405644 | DECAL / "WARNING" WHEN OPENING DOOR BEWARE.. / ENGLISH & SPANISH | 1 | | |
| 4 | 404085 | DECAL / ATTENTION ELOIGNEZ-VOUS | 1 | | A |
| 4 | 404090 | DECAL / WARNING STAY AWAY | 1 | | |
| 5 | 403895 | DECAL / PICTOGRAM MAN W/X RED OVER & PLATFORM | 1 | | |
| 6 | 403897 | DECAL / S'ASURER QUE.ELEVATEUR | 1 | | A |
| 7 | 403896 | DECAL / AVANT D'OPERER LE.FERMEEES | 1 | | A |
| 8 | 404084 | DECAL / EMERGENCY EXIT / (RED ON CLEAR) / ENGLISH & FRANCAIS | 1 | | A |
| 8 | 404088 | DECAL / EMERGENCY EXIT / (RED ON CLEAR) / ENGLISH | 1 | | |
| 8 | 405629 | DECAL / EMERGENCY EXIT / (RED ON CLEAR) / ENGLISH & SPANISH | 1 | | |
| | | | | | |
| | | | | | |
| | | | | | |
| | | A) BILINGUAL FRENCH & ENGLISH | | | |

From P-343 To P-364

Date:10/2022

PAGE:H4-2370-20

W.C.L. SEAT BELTS



| | | |
|--------------------------|--------------|-----------------|
| From P-343 To P-364 | Date:10/2022 | PAGE:H4-2370-20 |
| W.C.L. SEAT BELTS | | |

| Item# | Part | Description | H 3 4 0 | V I P 4 0 | N O T E S |
|-------|---------|-----------------------------------|------------------|-----------------------|-----------------------|
| 1 | 363375 | ANCHOR PLATE | 4 | | |
| 2 | 363374 | RECEPTACLE | 4 | | |
| 3 | 504617 | SPACER M10 X 30 | 12 | | |
| 3 | 504618 | SPACER M10 X 12 | 4 | | |
| 4 | 5001187 | SCREW MA FL SLT M8-1.25x50 SS EMN | 16 | | |
| 6 | 403873 | FINISHING WASHER | 1 | | |
| 7 | 860824 | BELT RETAINER / SHOULDER | 1 | | |
| 8 | 860825 | BELT RETAINER / WHEELCHAIR | 1 | | |
| 9 | 860826 | BELT RETAINER / ABDOMINAL | 1 | | |
| 19 | 500322 | RIVET NUT FL OKS 1/4-20x.35x.216 | 1 | | |
| 20 | 5001097 | SCREW TC OV PH #6-32x3/4 SS410 BK | 1 | | |
| 22 | 500074 | SCREW CAP HEX 7/16-20x2 G5 Z050 | 2 | | |
| | | | | | |
| | | | | | |
| | | | | | |