

PREVOST
COACH MANUFACTURER

PARTS MANUAL

XL SERIES

PA1189

10-2022

XL SERIES PARTS MANUAL

General information

A. Vehicle Identification Number (V.I.N.)

Each time spare parts have to be ordered, you must refer to your vehicle identification number serial number. In order to understand the meaning of this number, please refer to the following:

2 P 9 L 3 3 4 0 5 E 1 0 0 1 638

L = VEHICLE MODEL
0 = VEHICLE LENGHT
E = MODEL YEAR
638 = SEQUENCE NUMBER

2 P C L 3 3 4 9 5 T 1 0 2 5663

L = VEHICLE MODEL
9 = VEHICLE LENGHT
T = MODEL YEAR
5662 = SEQUENCE NUMBER

Vehicle Model

This manual covers vehicle model XL coaches and MTH bus shells.

L	XL coaches
M	MTH bus shell
E	MTH bus shell Entertainer
R	XL coaches (Marathon) or Prevost XL
A	XL coaches (Astral)

Vehicle Length

0	40 feet	9	45 feet
----------	---------	----------	---------

Model Year

YEAR	CODE	YEAR	CODE	YEAR	CODE	YEAR	CODE
1984	E	1988	J	1992	N	1996	T
1985	F	1989	K	1993	P	1997	V
1986	G	1990	L	1994	R	1998	W
1987	H	1991	M	1995	S	1999	X
2000	Y						

Sequence Number

This number represents the sequence the vehicle has followed on the assembly line.

B. Effectivity

This manual covers information for vehicles from the E-638 to Y-7045.

The heading of each page in this manual refers to an effectivity serial number and in the parts description, you may find additional information on the effectivity of a specific part to a serial number (refer to EFF:.).

In the description, you may also remark the expression PRIOR which means that a component is effective

PARTS MANUAL

C. Illustrations

An exploded view is conveniently located at the beginning of each section and is meant to assist the user in identifying parts and components.

The illustrations show the typical construction of the different assemblies and , in all cases, may not reproduced the full detail or exact shape of parts shown, however, they represent parts which have same or similar function.

D. General

The information, illustrations and components/system descriptions contained in this manual are correct at time of publication. Prévost Car Inc., however, maintains a policy of continuous improvement of its product without imposing upon itself any obligation to install them on products previously manufactured.

Prévost Car Inc., reserves the right at any time to discontinue or change specifications, designs, features, models or equipment without incurring obligation.

PARTS MANUAL

E. Parts and Service Center

CANADA

Canadian Parts Customer Service 2955-A Watt Street Québec, Québec Canada, G1X 3W1	Toll free phone: 1 (800) 463-8876 Tel.: (418) 654-0174 Fax: (800) 939-0133 Fax: (418) 658-1723	Service Center British Columbia 11911 No. 5 Road Richmond, British Columbia Canada, V7A 4E9	Tel.: (604) 940-3306 Fax: (604) 940-3384
Service Center 850 Chemin Olivier Saint-Nicolas, Quebec Canada G7A 2N1	Toll free phone: 1 866 870-2046 Tel.: (418) 831-2046 Fax: (418) 831-7432	Service Ontario 8301-A Keele Street Vaughan, Ontario Canada, L4K 1Z6	Tel.: (905) 738-0881 Fax: (905) 738-0891
Service Center Alberta 292 MacDonald Crescent Fort McMurray, Alberta Canada T9H 4B6	Tel.: (780) 792-9526 Fax: (780) 743-0983		

UNITED STATES

US Parts Customer Service 2250 Point Blvd., Suite 410 Elgin, IL USA, 60123	Toll free phone 1 800 799-9938 Main office (847) 844-7680 Parts 1 800 621-5519	Prevost Parts & Service Center 800 South Cartwright Street Goodlettsville, TN USA, 37072	Toll free phone 1 877 299-8881 Main office (615) 299-8881 Fax: (615) 299-8816 After-Hours (615) 519-1372 Parts Emergency
Prevost Parts & Service Center 3384 De Forest Circle Mira Loma, CA USA, 91752	Toll free phone 1 800 421-9958 Main office (951) 360-2550 Fax: (951) 360-2560 After-Hours (951) 314-0226 Parts Emergency	Prevost Parts & Service Center 201 South Avenue South Plainfield, NJ USA, 07080	Toll free phone 1 800 223-0830 Main office (908) 222-7211 Fax: (908) 222-7304 Fax parts (908) 222-7305 After-Hours (201) 315-4064 Parts Emergency
Prevost Parts & Service Center 6821 Central Avenue, Newark, CA USA, 94560	Main office (310) 283-1852 After-Hours: (951) 314-0226 Parts Emergency	Prevost Parts & Service Center 15200 Frye Road Fort Worth, TX USA, 76155-2702	Service/Parts 1 866 773-8678 Main office (817) 685-0250 Fax : (817) 685-0460 After-Hours (817) 271-8653 Parts Emergency
Prevost Parts & Service Center 6931 Business Park Blvd North Jacksonville, FL USA, 32256	Toll free phone 1 800 874-7740 Main office (904) 886-4555 Fax: (904) 886-0092 After-Hours (904) 412-8023 Parts Emergency	Prevost Parts & Service Center 11851 Cutten Road Houston, TX USA, 77066	Service/Parts 1 877 602-0273 Main office (713) 849-8562 Fax: (281) 315-1571 After-Hours (346) 333-5520 Parts Emergency
Prevost Parts & Service Center 1300 Green Forest Court Winter Garden, FL USA, 34787	Toll free phone 1 866 726-6235 Main office (407) 554-0196 After-Hours: (407) 259-5720 Parts Emergency	Prevost Parts & Service Center 3715 N. Carnation St. Franklin Park, IL USA, 60131	Main office (847) 778-7475 Fax: (847) 737-2242 After-Hours 1 800 463-7738 Parts Emergency

PARTS MANUAL

KEY & ABBREVIATIONS

(XXXX-XX)	SEE PAGE	N/A	NOT AVAILABLE
<>	BETWEEN	NEG.	NEGATIVE
°	DEGREE	N.O.	NORMALLY OPEN
#	NUMBER	N.C.	NORMALLY CLOSE
??	INFORMATION NOT AVAILABLE AT TIME OF PUBLICATION	N.P.N.	NO PARTS NUMBER
ABS	ANTILOCK BRAKING SYSTEM	NPT	NATIONAL PIPE THREAD
AR	AS REQUIRED	NS	NOT SHOWN
ASSY	ASSEMBLY	N.S.P.	NOT SOLD AT PREVOST (SEE MANUFACTURING PART NUMBER AT THE END OF DESCRIPTION LINE)
CCW	COUNTERCLOCKWISE	N.S.S.	NOT SOLD SEPARATELY
C.E.	COMMUTATOR END	O.D.	OUTSIDE DIAMETER
CHR	CHROME	OPT.	OPTION
CW	CLOCKWISE	O.S.	OVERSIZE
CYL.	CYLINDER	PH	PHILLIPS
C/C	CENTER/CENTER	POS.	POSITIVE
D.E.	DRIVE END	RR	REAR
DIA.	DIAMETER	S.C.C.	SPECIFY COLOR CODE
DIFF.	DIFFERENTIAL	SCT	SECTION
D.P.D.T.	DOUBLE POLE DOUBLE THROW	S.D.	SPECIFY DIMENSION
ECU	ELECTRONIC CONTROL UNIT	S.L.	SPECIFY LENGHT
EDU	ELECTRONIC DISTRIBUTOR UNIT	SM	SMALL
EFF	EFFECTIVE	S.P.S.T.	SINGLE POLE SINGLE THROW
ENG.	ENGINE	S.P.D.T.	SINGLE POLE DOUBLE THROW
EXT	EXTERNAL	S.Q.	SPECIFY QUANTITY
FR	FRONT	SS	STAINLESS STEEL
GND	GROUND	STD	STANDARD
HD	HEAD	STO	STOVER
HEX	HEXAGONAL	SW	SWIVEL
H.P.	HIGH PRESSURE	SWL FITT.	SWIVEL FITTING
HVAC	HEATING, VENTILATION & AIR CONDITIONING	TPG	TAPING
HYD	HYDRAULIC	TH	THICKNESS
I.D.	INSIDE DIAMETER	TRANS.	TRANSMISSION
INT	INTERNAL	TXV	THERMAL EXPANSION VALVE
JCT	JUNCTION	U.S.	UNDERSIZE
LED	LIGHT-EMITTING DIODE	W	WITH
L.P.	LOW PRESSURE	W/O	WITHOUT
LUGG.	LUGGAGE	WIND.	WINDOW
M & F	MALE & FEMALE	ZP	ZINC PLATED

PARTS MANUAL

MEASUREMENT EQUIVALENTS

Fraction - Inches (dec.) - Millimeter

25.4mm = 1 inch

1mm = .03937 inch

fraction	decimal	mm	fraction	decimal	mm
1/64	0.0156	0.397	33/64	0.5156	13.097
1/32	0.0313	0.794	17/32	0.5313	13.494
-	0.0394	1	35/64	0.5469	13.891
3/64	0.0469	1.191	-	0.5512	14
1/16	0.0625	1.588	9/16	0.5625	14.288
5/64	0.0781	1.984	37/64	0.5781	14.684
-	0.0787	2	-	0.5906	15
3/32	0.0938	2.381	19/32	0.5938	15.081
7/64	0.1093	2.778	39/64	0.6094	15.478
-	0.1181	3	5/8	0.6250	15.875
1/8	0.1250	3.175	-	0.6299	16
9/64	0.1406	3.572	41/64	0.6406	16.272
5/32	0.1563	3.969	21/32	0.6563	16.669
-	0.1575	4	-	0.6693	17
11/64	0.1719	4.366	43/64	0.6719	17.066
3/16	0.1875	4.762	11/16	0.6875	17.462
-	0.1969	5	45/64	0.7031	17.859
13/64	0.2031	5.159	-	0.7087	18
7/32	0.2188	5.556	23/32	0.7188	18.256
15/64	0.2344	5.953	47/64	0.7344	18.653
-	0.2362	6	-	0.7480	19
1/4	0.2500	6.350	3/4	0.7500	19.050
17/64	0.2656	6.747	49/64	0.7656	19.447
-	0.2756	7	25/32	0.7813	19.844
9/32	0.2813	7.144	-	0.7874	20
19/64	0.2969	7.541	51/64	0.7969	20.241
5/16	0.3125	7.938	13/16	0.8125	20.638
-	0.3150	8	-	0.8268	21
21/64	0.3281	8.334	53/64	0.8281	21.034
11/32	0.3438	8.731	27/32	0.8438	21.431
-	0.3543	9	55/64	0.8594	21.828
23/64	0.3594	9.128	-	0.8661	22
3/8	0.3750	9.525	7/8	0.8750	22.225
25/64	0.3906	9.922	57/64	0.8096	22.622
-	0.3937	10	-	0.9055	23
13/32	0.4063	10.319	29/32	0.9063	23.019
27/64	0.4219	10.716	59/64	0.9219	23.416
-	0.4331	11	15/16	0.9375	23.812
7/16	0.4375	11.112	-	0.9449	24
29/64	0.4531	11.509	61/64	0.9531	24.209
15/32	0.4688	11.906	31/32	0.9688	24.606
-	0.4724	12	-	0.9843	25
31/64	0.4844	12.303	63/64	0.9844	25.003
12	0.5000	12.700	1/1	1	25.400
-	0.5118	13	-	-	-

PARTS MANUAL

TABLE OF CONTENTS

GENERAL	00
ENGINE	01
CLUTCH	02
FUEL	03
EXHAUST	04
COOLING	05
ELECTRICAL	06
TRANSMISSION	07
PROPELLER SHAFT	09
FRONT AXLE	10
REAR AXLE	11
BRAKE	12
WHEEL, HUBS & TIRES	13
STEERING	14
SUSPENSION	16
BODY	18
HEATING & AIR CONDITIONING	22
ACCESSORIES	23
WHEEL CHAIR LIFT	25

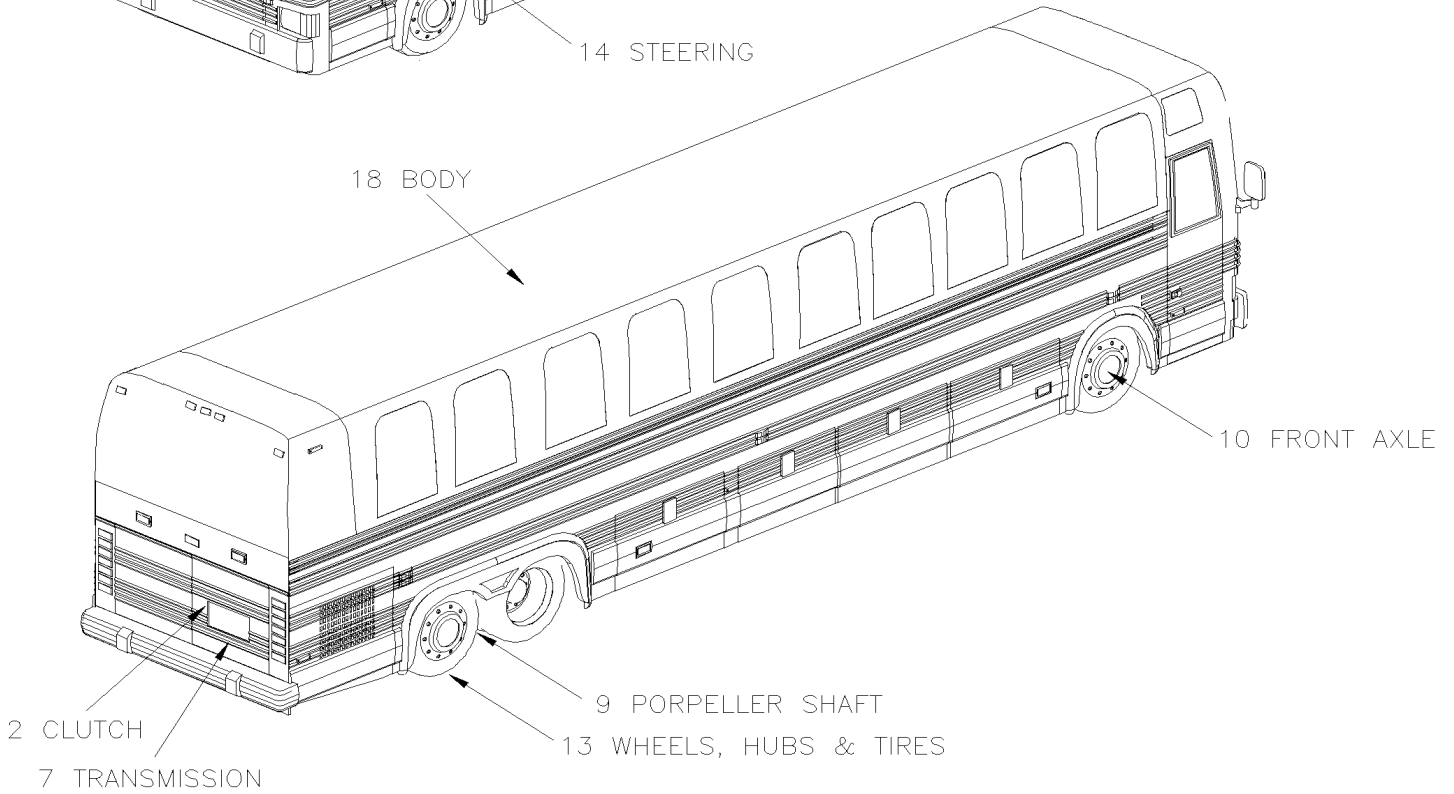
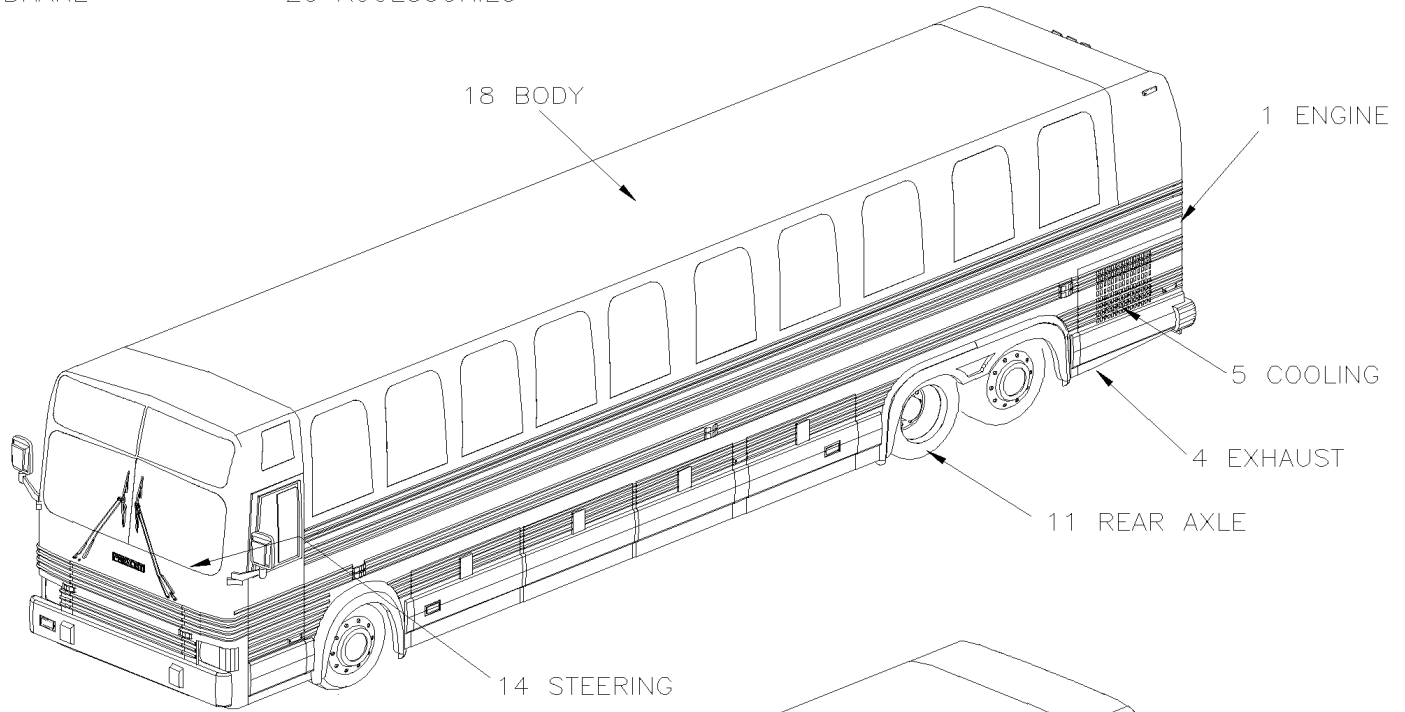
PARTS MANUAL

To have more information about fast moving parts, place an order for the book PA-1105 to your nearest parts order desk.

Thank you!

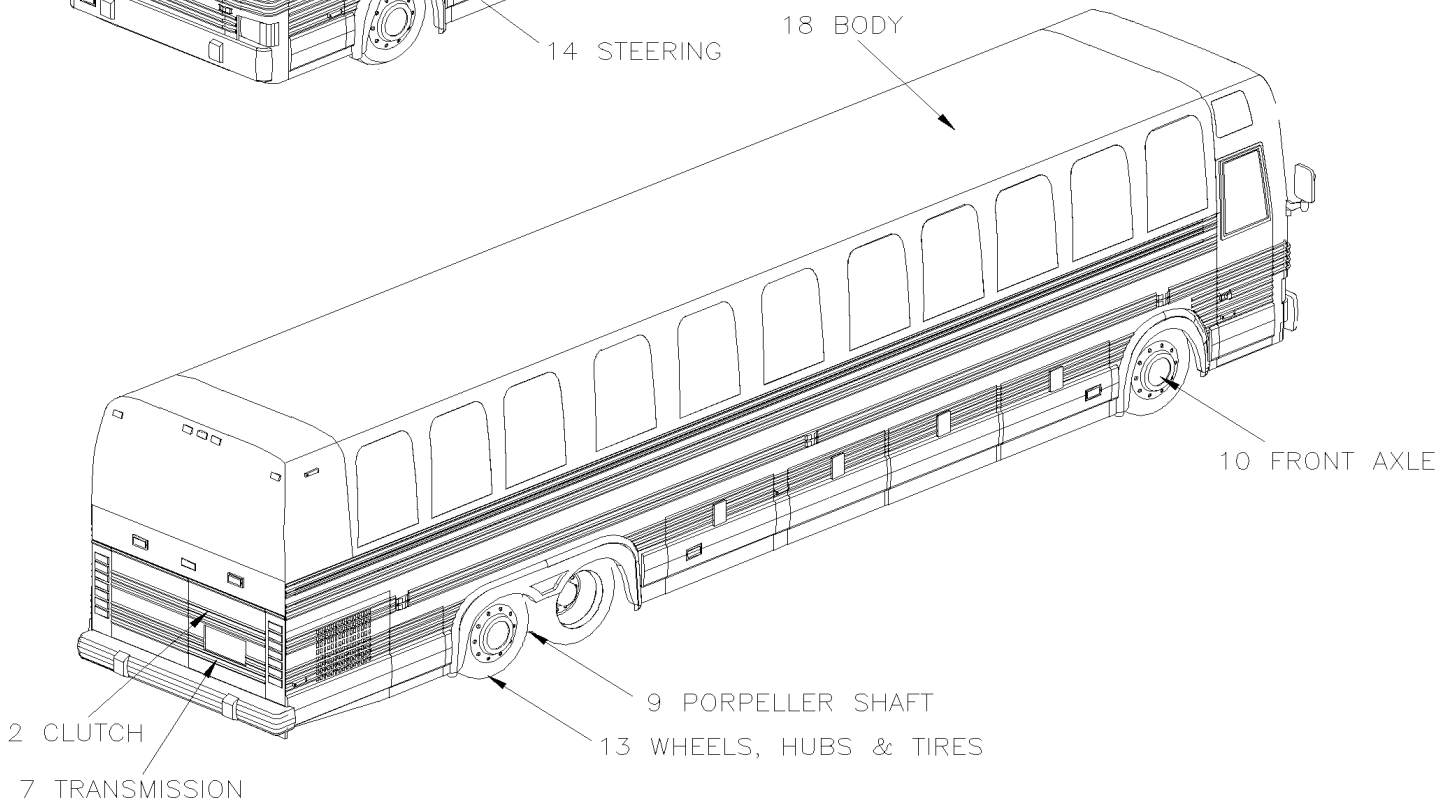
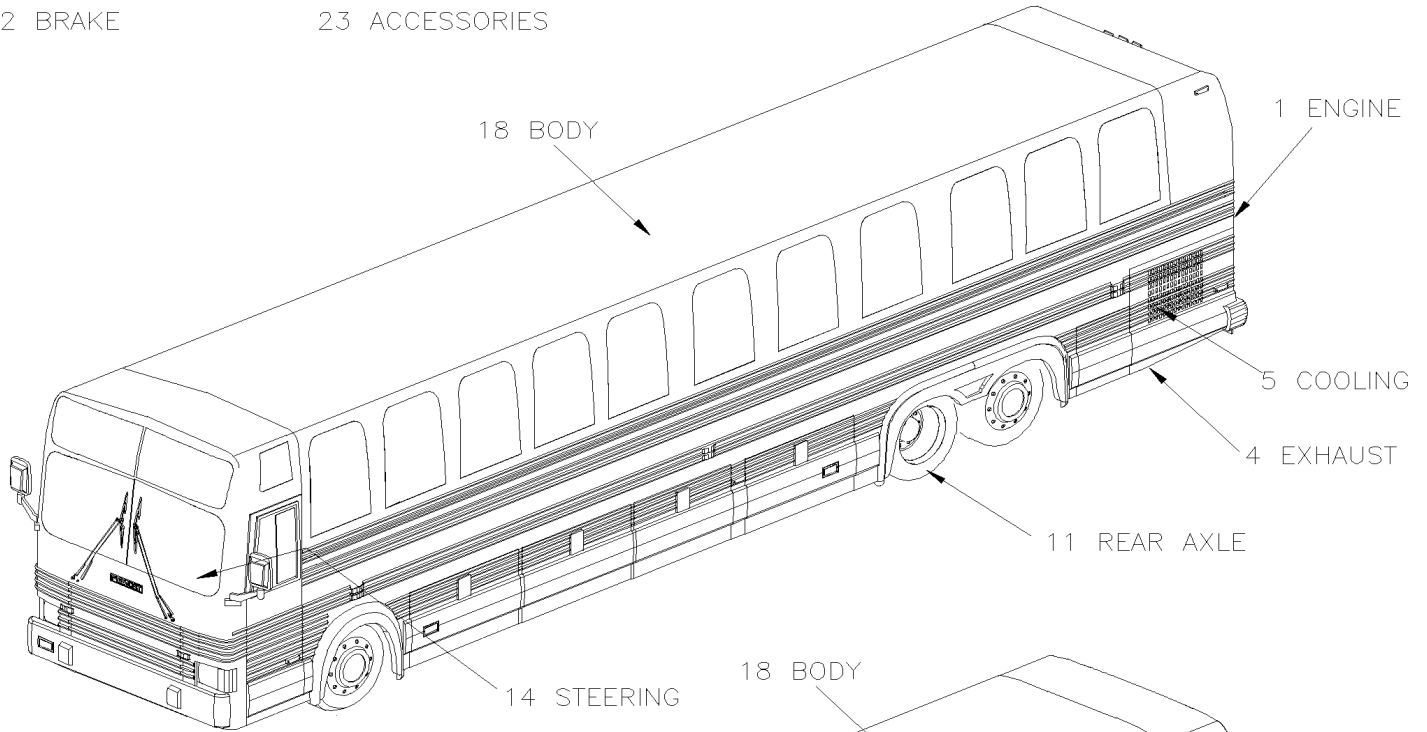
	Date:10/2022	PAGE: XL-102"
XL / BUS & MTH / 1984 -1999 / VIN FROM E-638 TO Y-7045		

- 3 FUEL
- 6 ELECTRICAL
- 12 BRAKE
- 16 SUSPENSION
- 22 HEATING & AIR CONDITIONING
- 23 ACCESSORIES



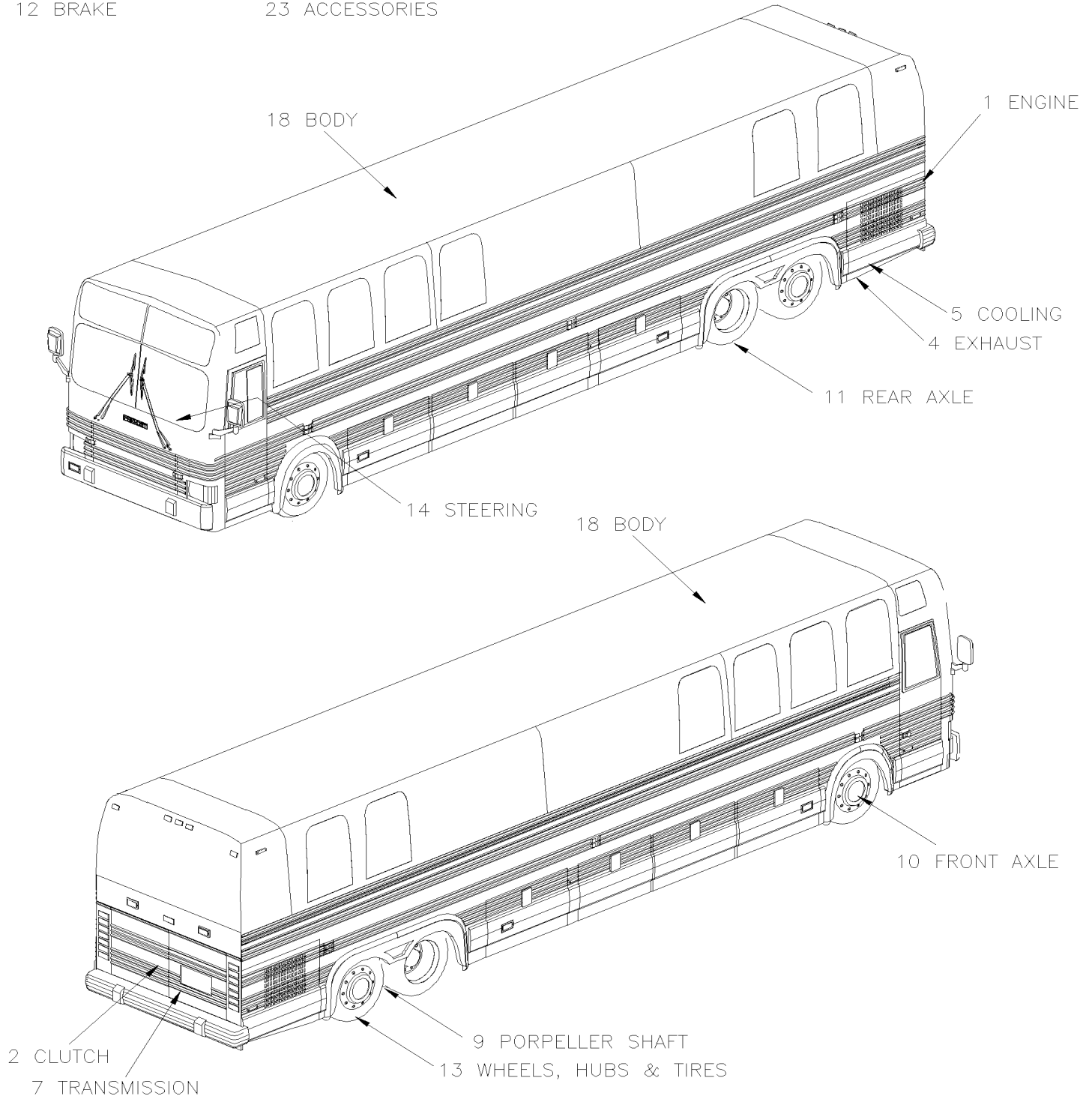
	Date:10/2022	PAGE: XL-102"
XL / BUS & MTH / 1984 -1999 / VIN FROM E-638 TO Y-7045		

- 3 FUEL
- 6 ELECTRICAL
- 12 BRAKE
- 16 SUSPENSION
- 22 HEATING & AIR CONDITIONING
- 23 ACCESSORIES



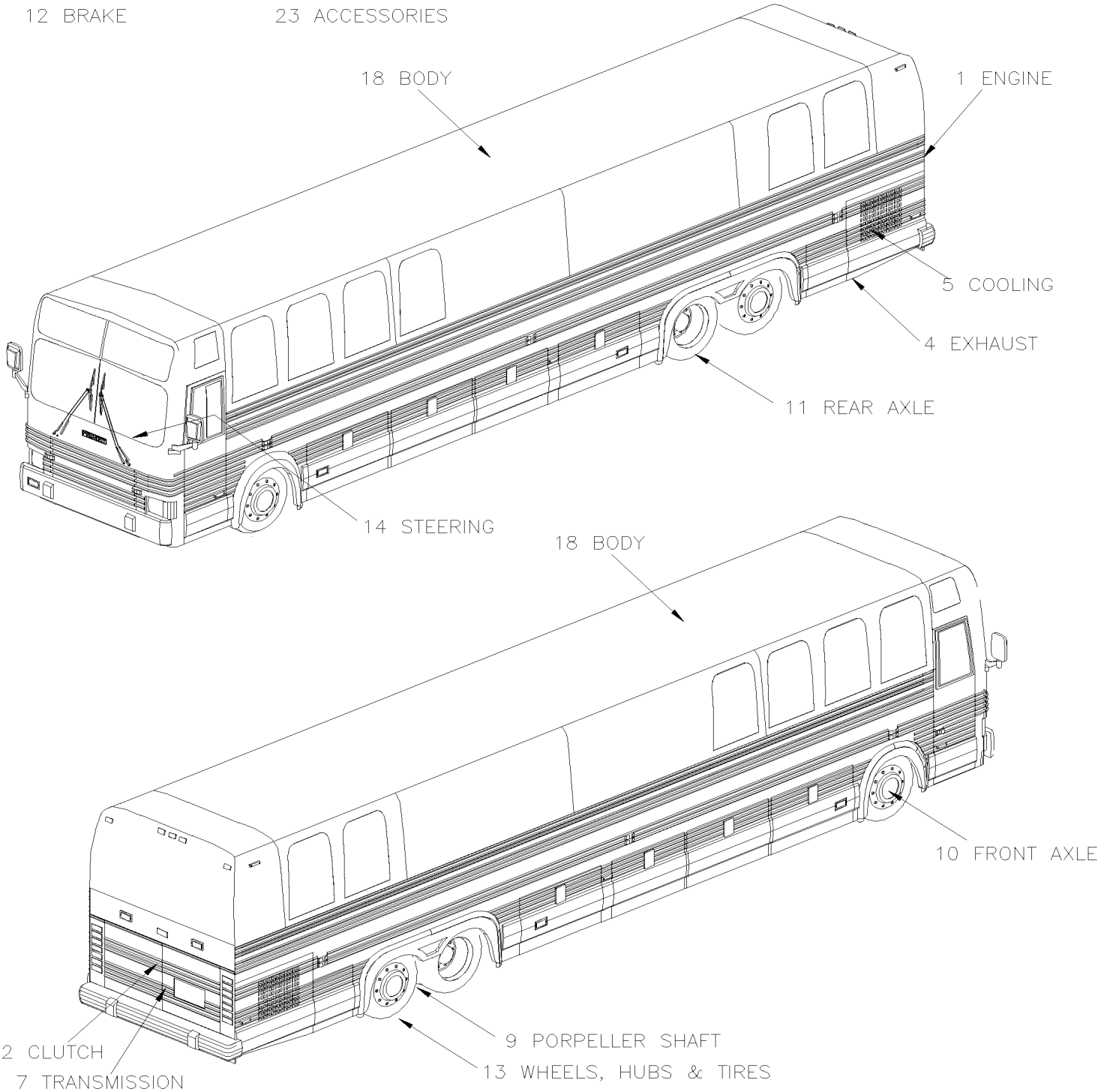
	Date:10/2022	PAGE: XL-102"
XL / BUS & MTH / 1984 -1999 / VIN FROM E-638 TO Y-7045		

- 3 FUEL
- 6 ELECTRICAL
- 12 BRAKE
- 16 SUSPENSION
- 22 HEATING & AIR CONDITIONING
- 23 ACCESSORIES



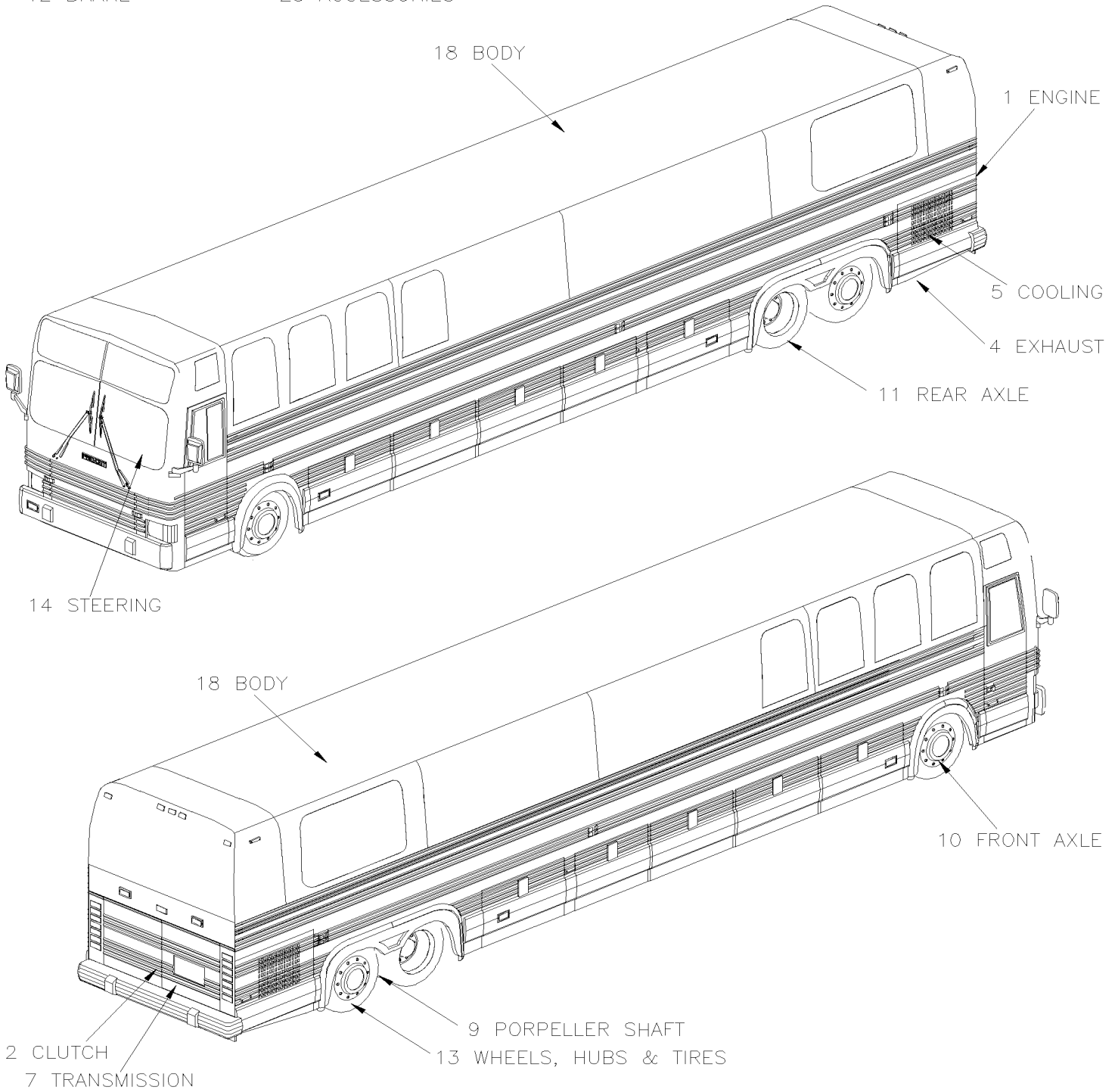
	Date:10/2022	PAGE: XL-102"
XL / BUS & MTH / 1984 -1999 / VIN FROM E-638 TO Y-7045		

- 3 FUEL
- 6 ELECTRICAL
- 12 BRAKE
- 16 SUSPENSION
- 22 HEATING & AIR CONDITIONING
- 23 ACCESSORIES



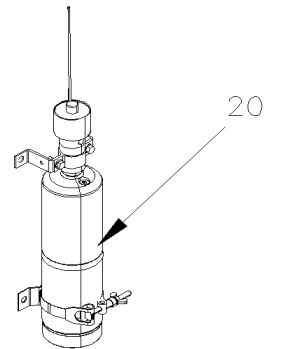
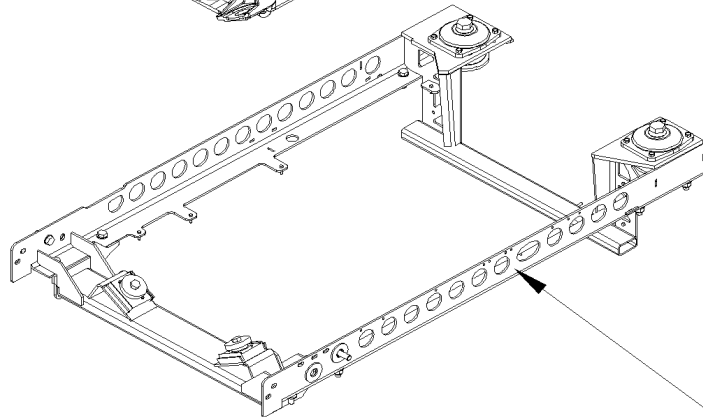
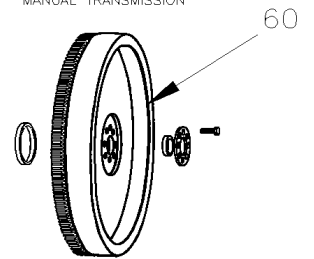
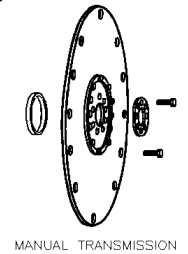
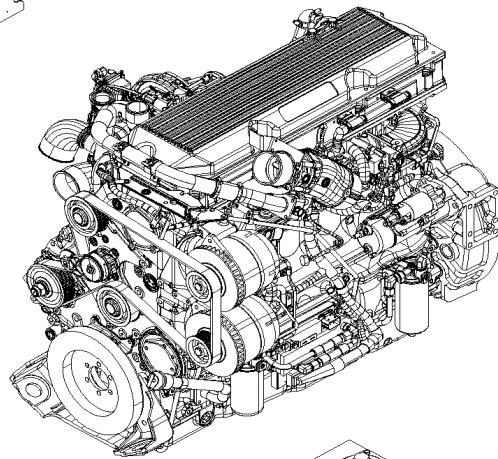
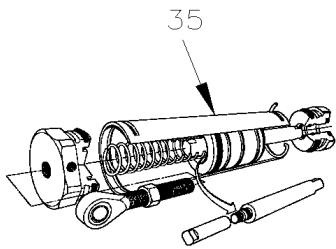
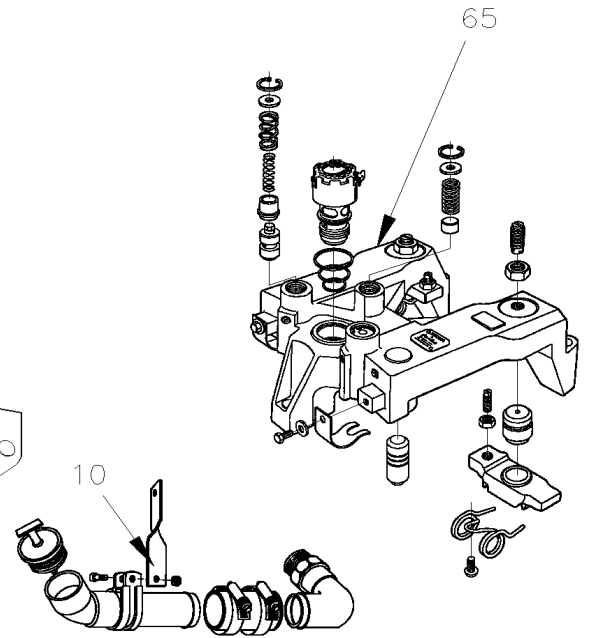
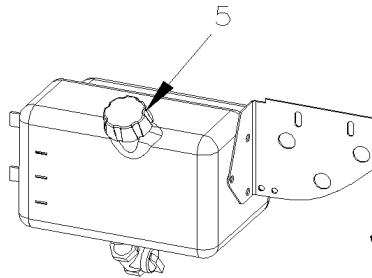
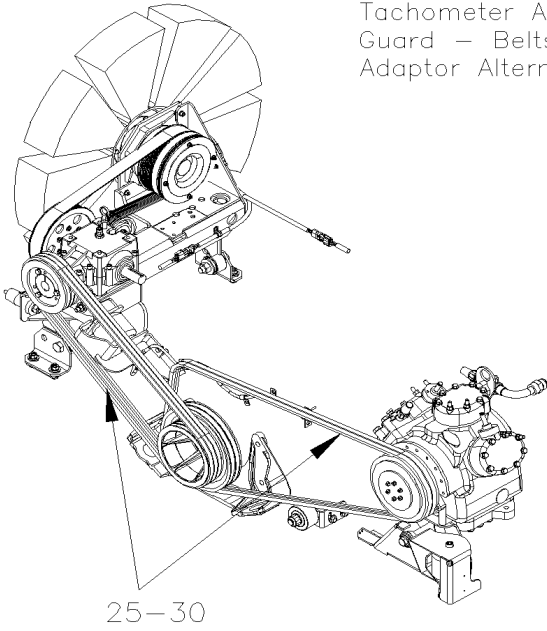
	Date:10/2022	PAGE: XL-102"
XL / BUS & MTH / 1984 -1999 / VIN FROM E-638 TO Y-7045		

- 3 FUEL
- 6 ELECTRICAL
- 12 BRAKE
- 16 SUSPENSION
- 22 HEATING & AIR CONDITIONING
- 23 ACCESSORIES



	Date:10/2022	XL-01
ENGINE		

Tachometer Adaptor 15
Guard - Belts Tensioners 40
Adaptor Alternator - type "MCI" 45



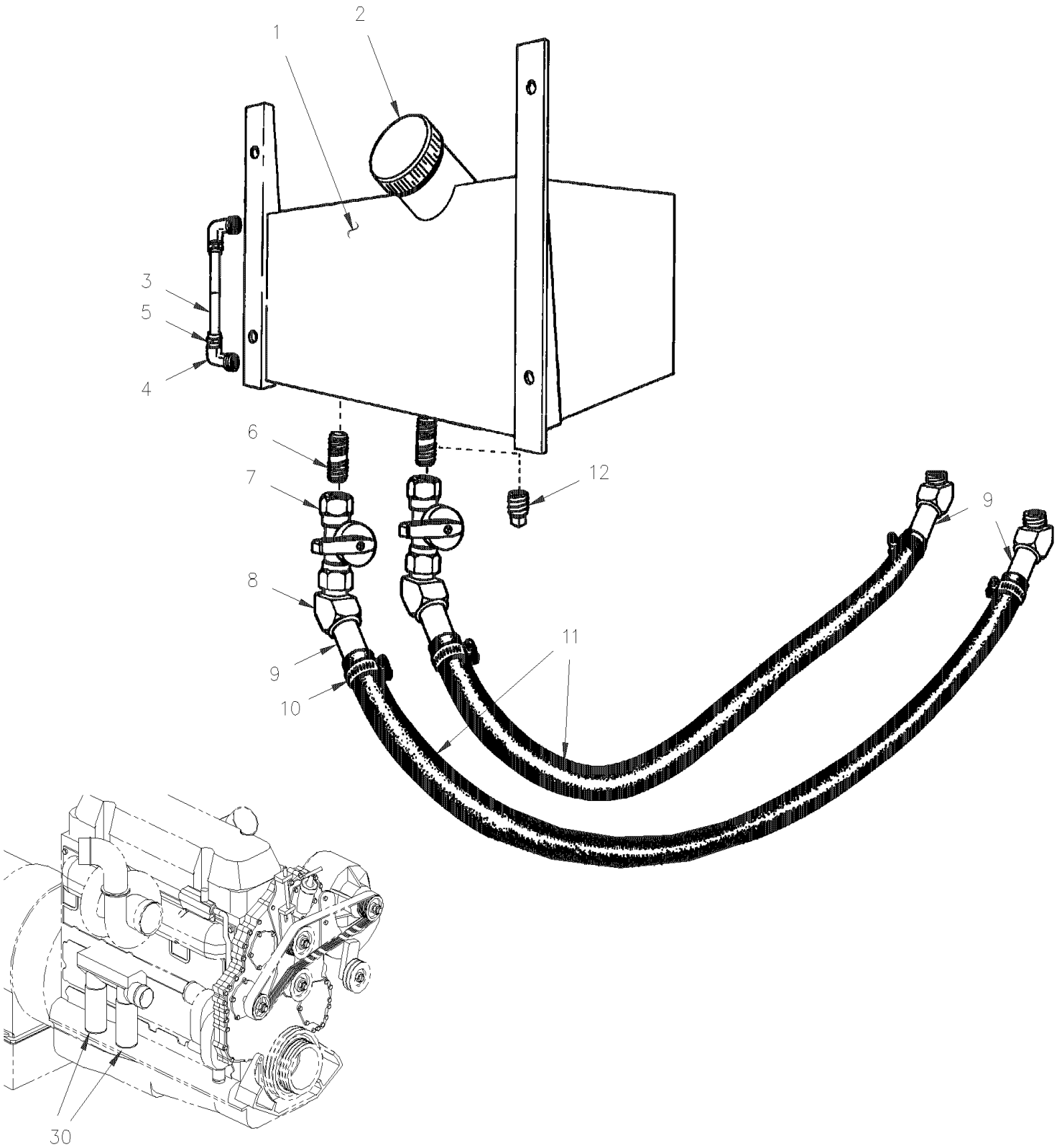
		Date:10/2022	XL-01					
ENGINE								
Item#	Part	Description	M T H 4 0	M T H 4 5	M T H 4 5 E	X L 4 0	X L 4 5	N O T E S
5	XL-0105-00	ENGINE OIL RESERVOIR - STEEL From E-638 To T-5973						
5	XL-0105-01	ENGINE OIL RESERVOIR - PLASTIC From T-5974 To Y-7045						
10	XL-0106-00	ENGINE OIL FILLER TUBE - WITH DETROIT S-71 & S-92 From E-638 To R-949						
15	XL-0110-00	TACHOMETER ADAPTOR - WITH TACHOGRAPH From E-638 To R-823						
15	XL-0110-05	TACHOMETER ADAPTOR - WITH SMALL GAUGE From E-638 To R-823						
20	XL-0116-00	STARTING AID - INSTALLATION From E-638 To Y-7045						
25	XL-0120-00	DRIVE PULLEY & BELTS - WITH DETROIT S-71 & S-92 From E-638 To R-949						
25	XL-0120-01	DRIVE PULLEY & BELTS - WITH DETROIT S-50 From R-836 To R-909						
25	XL-0120-02	DRIVE PULLEY & BELTS - WITH DETROIT S-60 From R-823 To X-6903						
25	XL-0120-03	DRIVE PULLEY & BELTS - W/2 "BOSCH" From X-6904 To Y-7045						
25	XL-0120-50	DRIVE PULLEY & BELTS - WITH DETROIT S-60 From P-722 To Y-7045						
30	XL-0125-00	BELTS TENSIONERS - WITH DETROIT S-71 & S-92 From E-638 To R-949						
30	XL-0125-01	BELTS TENSIONERS - WITH DETROIT S-60 From P-722 To Y-7045						
35	XL-0130-00	AIR CYLINDER - BELT TENSIONNER - WITH DETROIT S-92 From E-638 To R-949						
40	XL-0135-00	GUARD - BELTS TENSIONERS From E-638 To R-949						
45	XL-0145-00	ADAPTOR ALTERNATOR - TYPE "MCI" From E-638 To H-247						
50	XL-0150-00	ENGINE CRADLE - WITH DETROIT S-71 & S-92 From E-638 To R-949						
50	XL-0150-01	ENGINE CRADLE - WITH DETROIT S-60 From P-722 To Y-7045						
55	XL-0155-00	ENGINE TRANSMISSION GUARD & AIR SHIELD From E-638 To W-6383						
55	XL-0155-10	ENGINE TRANSMISSION GUARD & AIR SHIELD From W-6384 To Y-7045						
60	XL-0160-00	FLYWHEEL - WITH DETROIT S-71 & S-92 From E-638 To R-949						
65	XL-0165-00	JACOB'S - ENGINE BRAKE - WITH DETROIT S-71 & S-92 From E-638 To R-949						
65	XL-0165-01	JACOB'S - ENGINE BRAKE - WITH DETROIT S-60 From P-722 To Y-7045						

From E-638 To T-5973

Date:10/2022

PAGE:XL-0105-00

ENGINE OIL RESERVOIR - STEEL

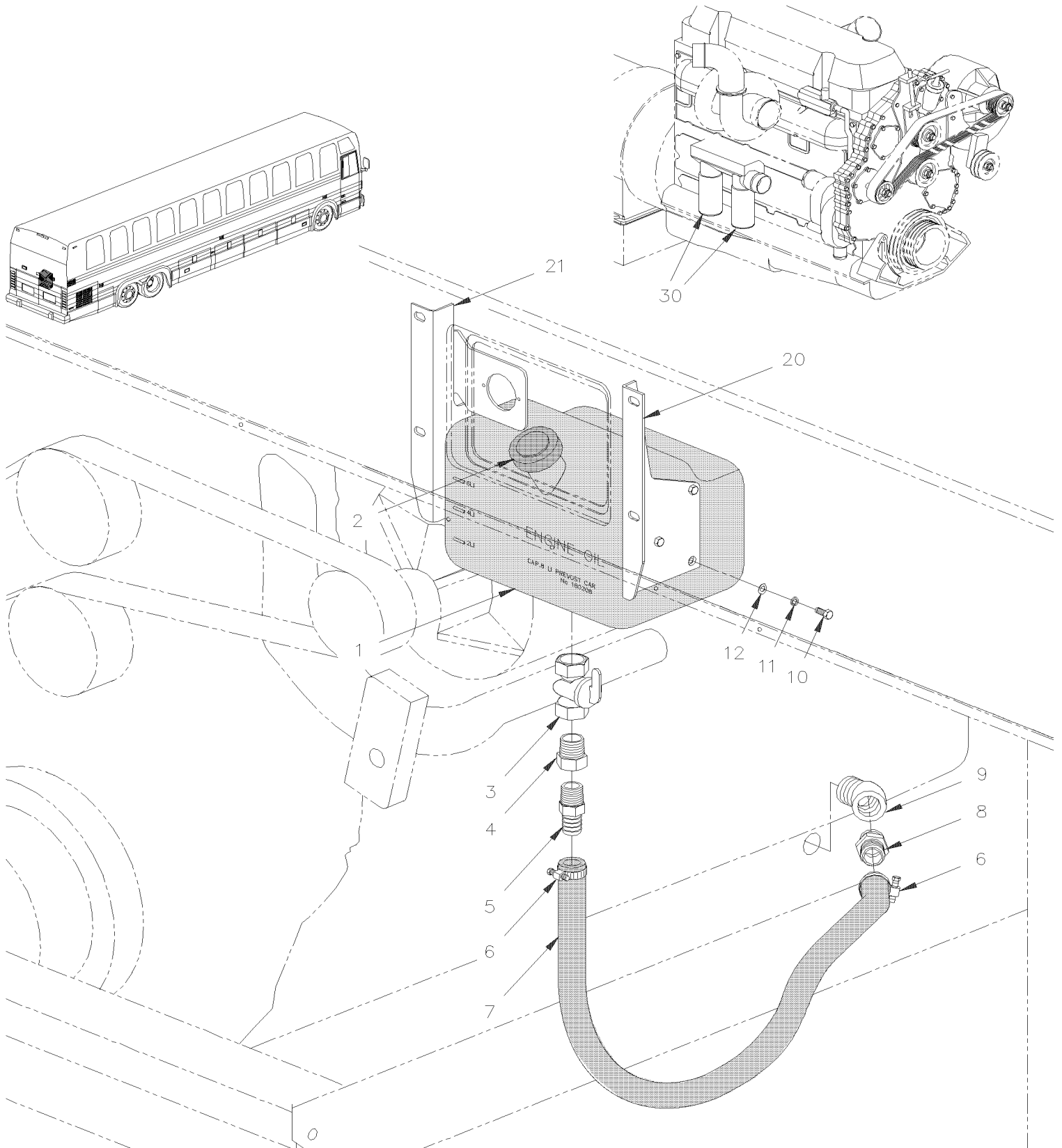


From T-5974 To Y-7045

Date:10/2022

PAGE:XL-0105-01

ENGINE OIL RESERVOIR - PLASTIC

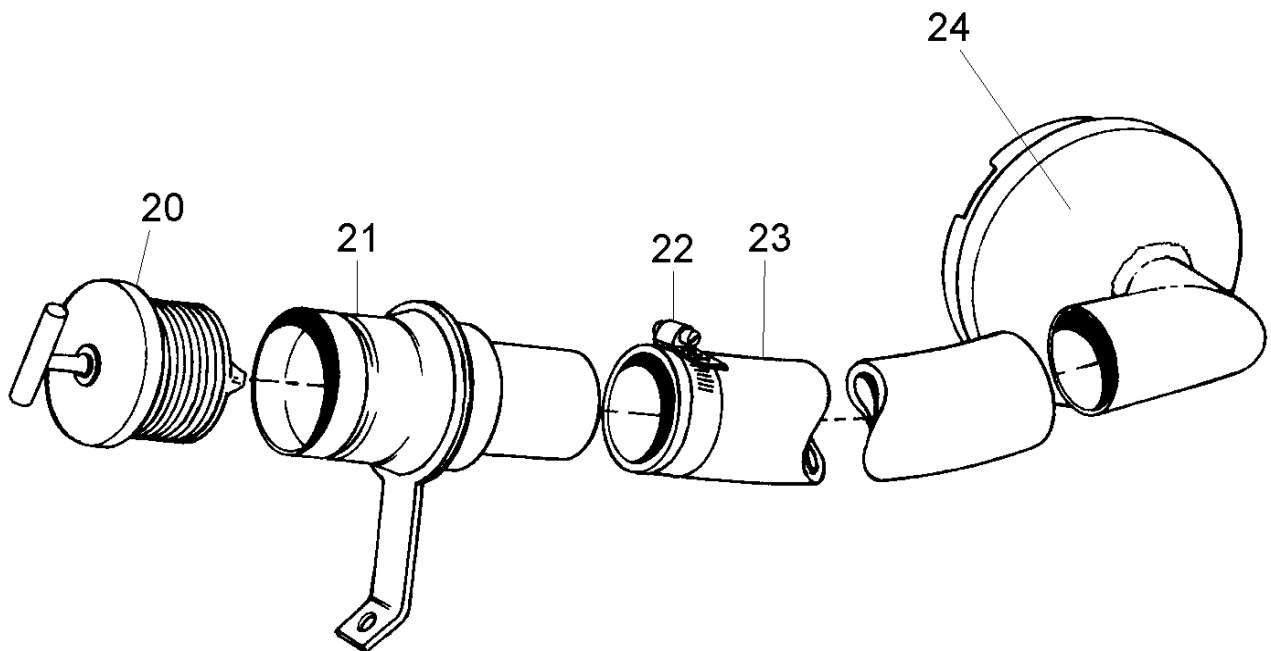
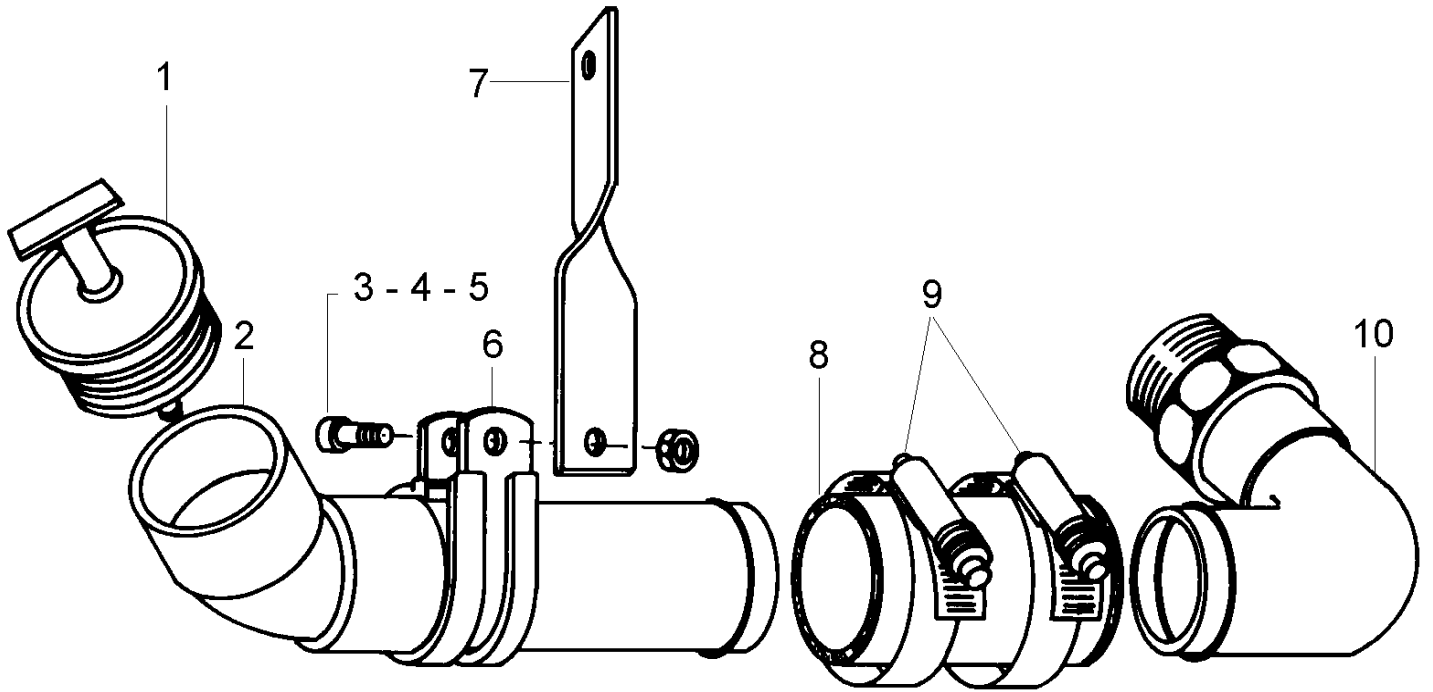


From E-638 To R-949

Date:10/2022

PAGE:XL-0106-00

ENGINE OIL FILLER TUBE - WITH DETROIT S-71 & S-92



From E-638 To R-949	Date:10/2022	PAGE:XL-0106-00
ENGINE OIL FILLER TUBE - WITH DETROIT S-71 & S-92		

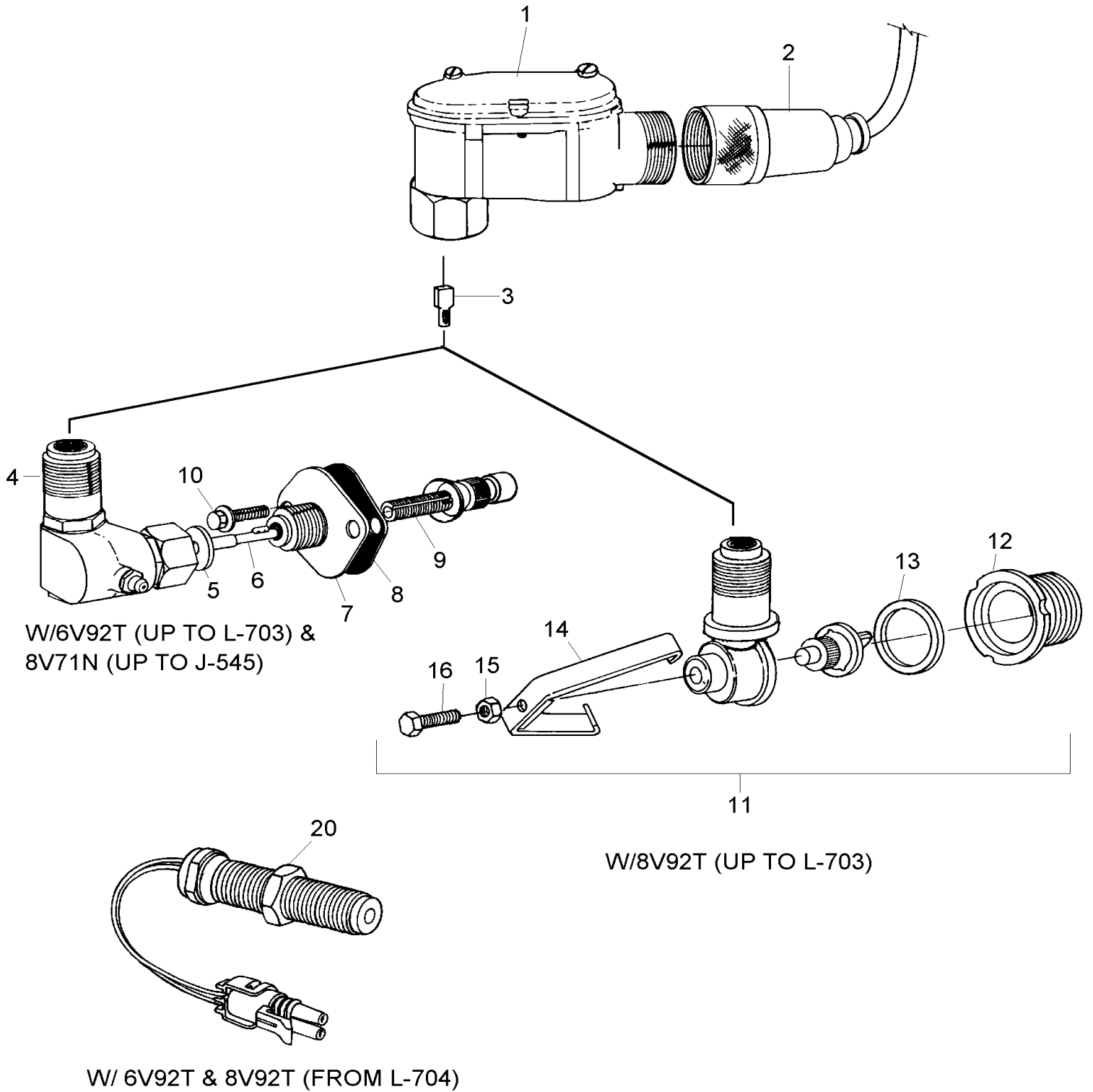
Item#	Part	Description	M T H 4 0	M T H 4 5	M T H 4 5 E	X L 4 0	X L 4 5	N O T E S
1	510387	CAP OIL FILLER 1"1/4 O.D.	1		1	1		
2	011506	TUBE ASSY FILLER NECK	1		1	1		
3	500510	SCREW MA BDG PH #10-32x3/4 SS EMN	1		1	1		
4	500700	NUT HEX #10-32 Z050	1		1	1		
5	500470	WASHER LO SPT .193x.334x.047 Z050	1		1	1		
6	561569	CLAMP / 1 3/8 I.D.	1		1	1		
7	011502	SUPPORT / CLAMP	1		1	1		
8	503392	HOSE SILICONE 4PLY 1 3/8" I.D. x 4'	AR		AR	AR		
9	504302	HOSE CLAMP / 1"9/16-2"1/2 SS / E.T. 32	2		2	2		
10	011505	ADAPTOR ASSY	1		1	1		
20	510274	CAP OIL FILLER 2" O.D.				1		A
21	011001	TUBE ASSY FILLER NECK				1		A
22	504022	HOSE CLAMP / 3/4"-1"3/4 SS / HS-20				2		A
23	503018	HOSE RADIATOR / 1 1/2" I.D. X 3'				AR		A
24	010997	ADAPTOR VALVE COVER				1		A
		A) THOSE PARTS ARE USE FOR A INSTALLATION ON VALVE COVER						

From E-638 To R-823

Date:10/2022

PAGE:XL-0110-00

TACHOMETER ADAPTOR - WITH TACHOGRAPH

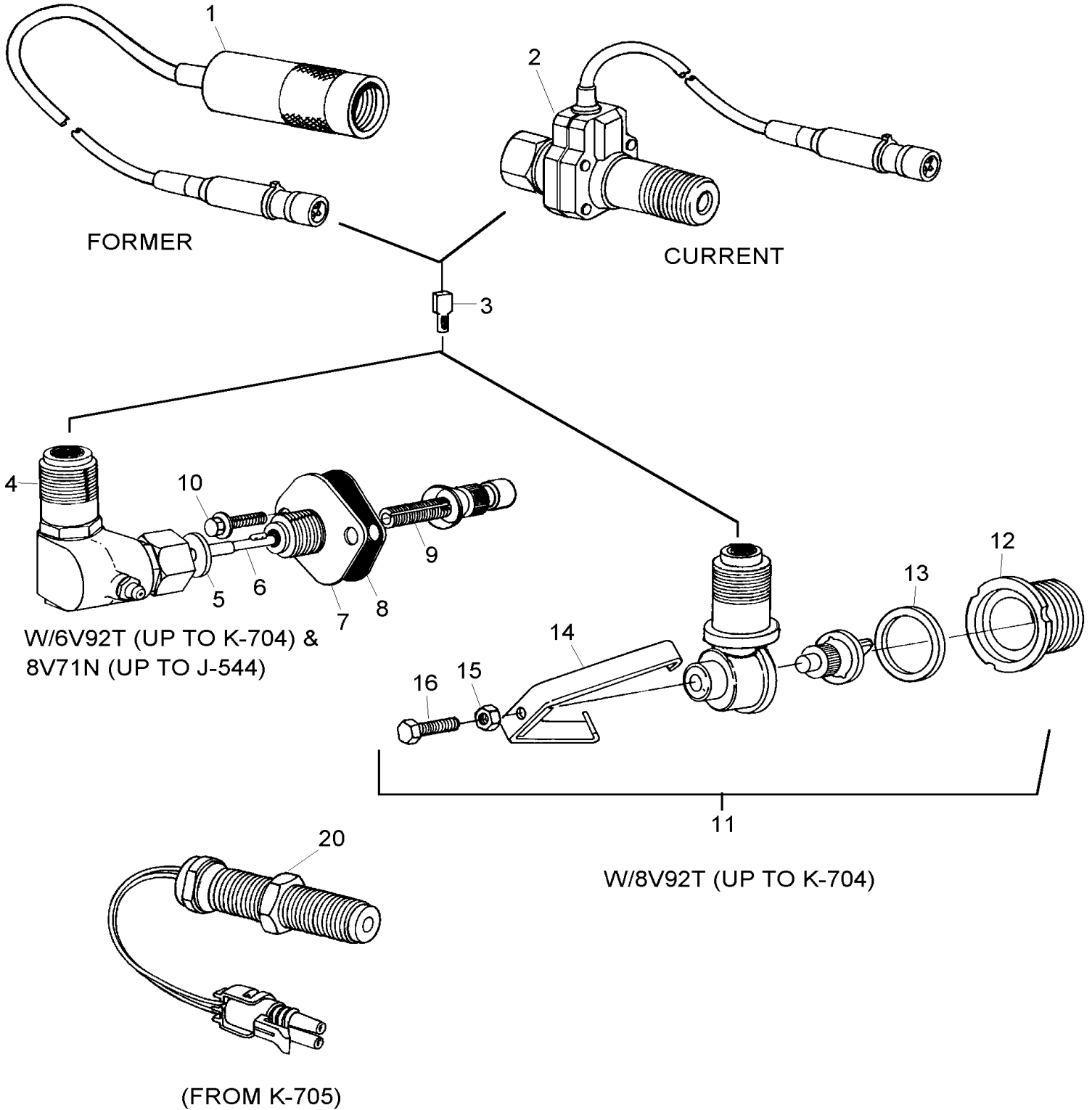


From E-638 To R-823

Date:10/2022

PAGE:XL-0110-05

TACHOMETER ADAPTOR - WITH SMALL GAUGE



From E-638 To R-823	Date:10/2022	PAGE:XL-0110-05
TACHOMETER ADAPTOR - WITH SMALL GAUGE		

Item#	Part	Description	M T H 4 0	M T H 4 5	M T H 4 5 E	X L 4 0	X L 4 5	N O T E S
1	590203	SENDING UNIT / (15 PULSES) To G-195	1			1		
2	090176	SENDING UNIT / (15 PULSES) From G-196 To H-260	1			1		
2	590231	SENDING UNIT / (15 PULSES) From H-261 To L-685	1			1		
3	590172	KEY DRIVE / FLAT X .187 O.D. To H-260	1			1		
3	090179	KEY DRIVE / .104 SQ X .150 OD / W/8V71 & 6V92 From H-261 To L-685	1			1		
3	590232	KEY DRIVE / .140 SQ X .187 OD / W/8V92 From H-261	1			1		
4	590169	ADAPTOR ANGLE / RATIO 2/1	1			1		
5	590204	WASHER	1			1		
6	090177	KEY DRIVE / FLAT X .150 O.D.	1			1		
7	590206	ADAPTOR & SEAL ASSY	1			1		
8	590145	GASKET ADAPTOR & SEAL	1			1		
9	590205	SHAFT DRIVE	1			1		
10	590207	SCREW	2			2		
11	590217	DRIVE ASSY TACHOMETER	1			1		
12	590219	COVER	1			1		
13	590218	GASKET	1			1		
14	590220	CLAMP	1			1		
15	500769	NUT HEX 1/4-20 Z050	1			1		
16	500167	SCREW CAP HEX 1/4-20x1 1/4 G5 PT Z050	1			1		
20	590246	MAGNETIC SENSOR / W/MANUAL TRANSMISSION From L-685 To R-774	1			1		A
		A) EXCEPTIONALLY FOR VEHICLE K-707,K-713 & K-715 ORDER SAME PARTS NUMBER AS FOR UP TO L-684						

From E-638 To Y-7045

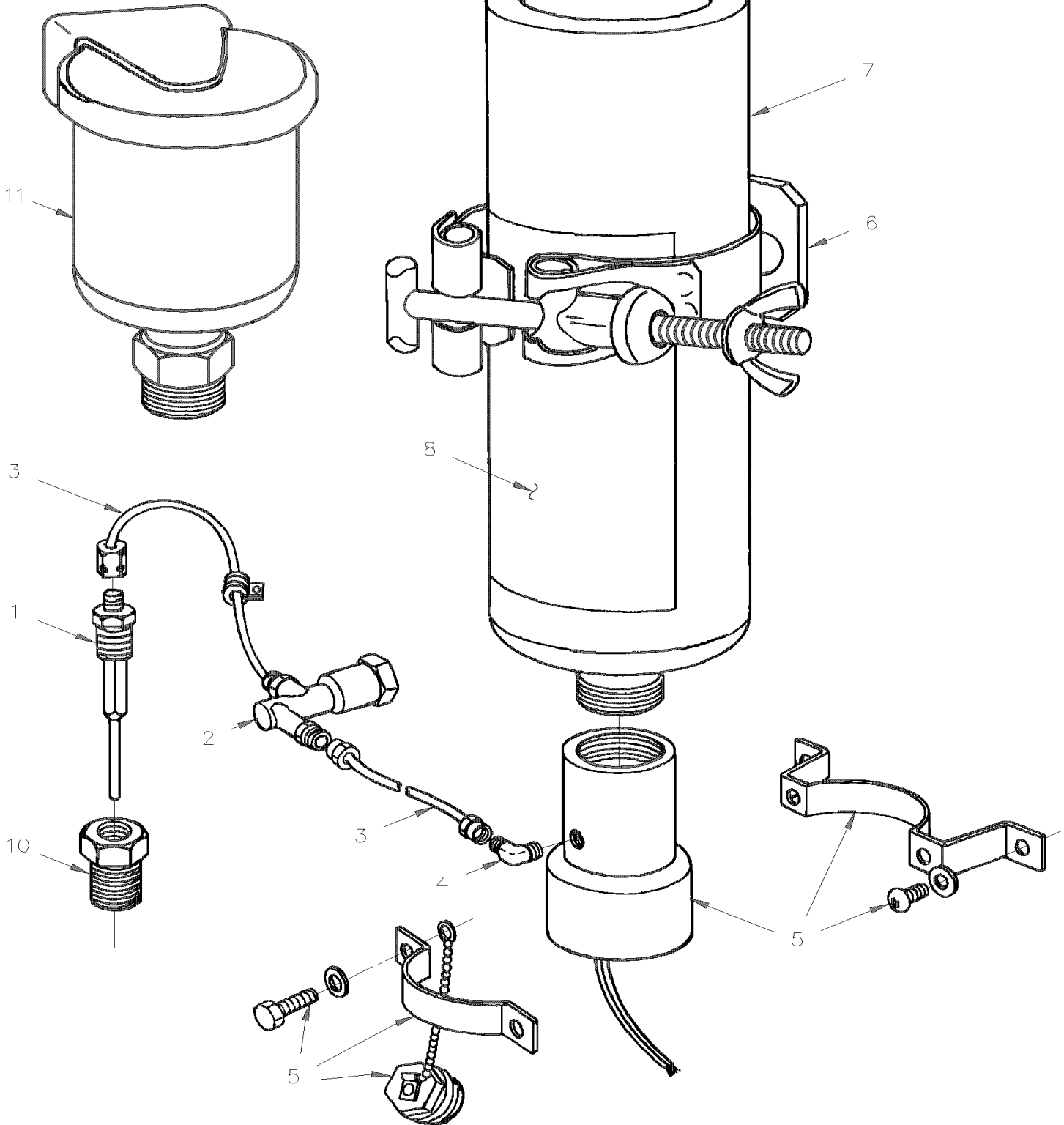
Date:10/2022

PAGE:XL-0116-00

STARTING AID - INSTALLATION

MANUAL

AUTOMATIC



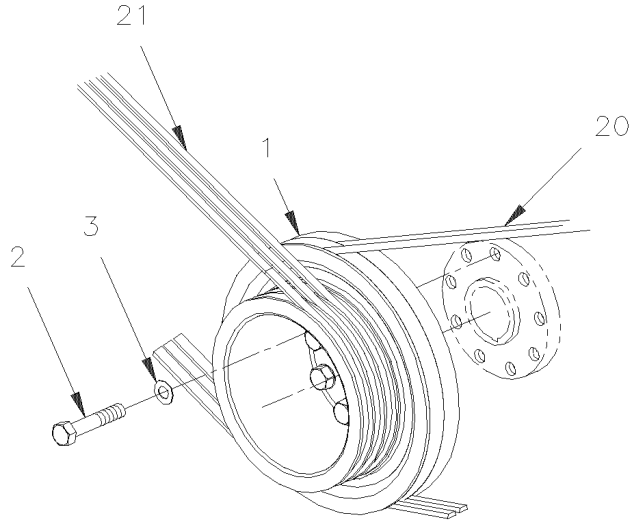
From E-638 To R-949

Date:10/2022

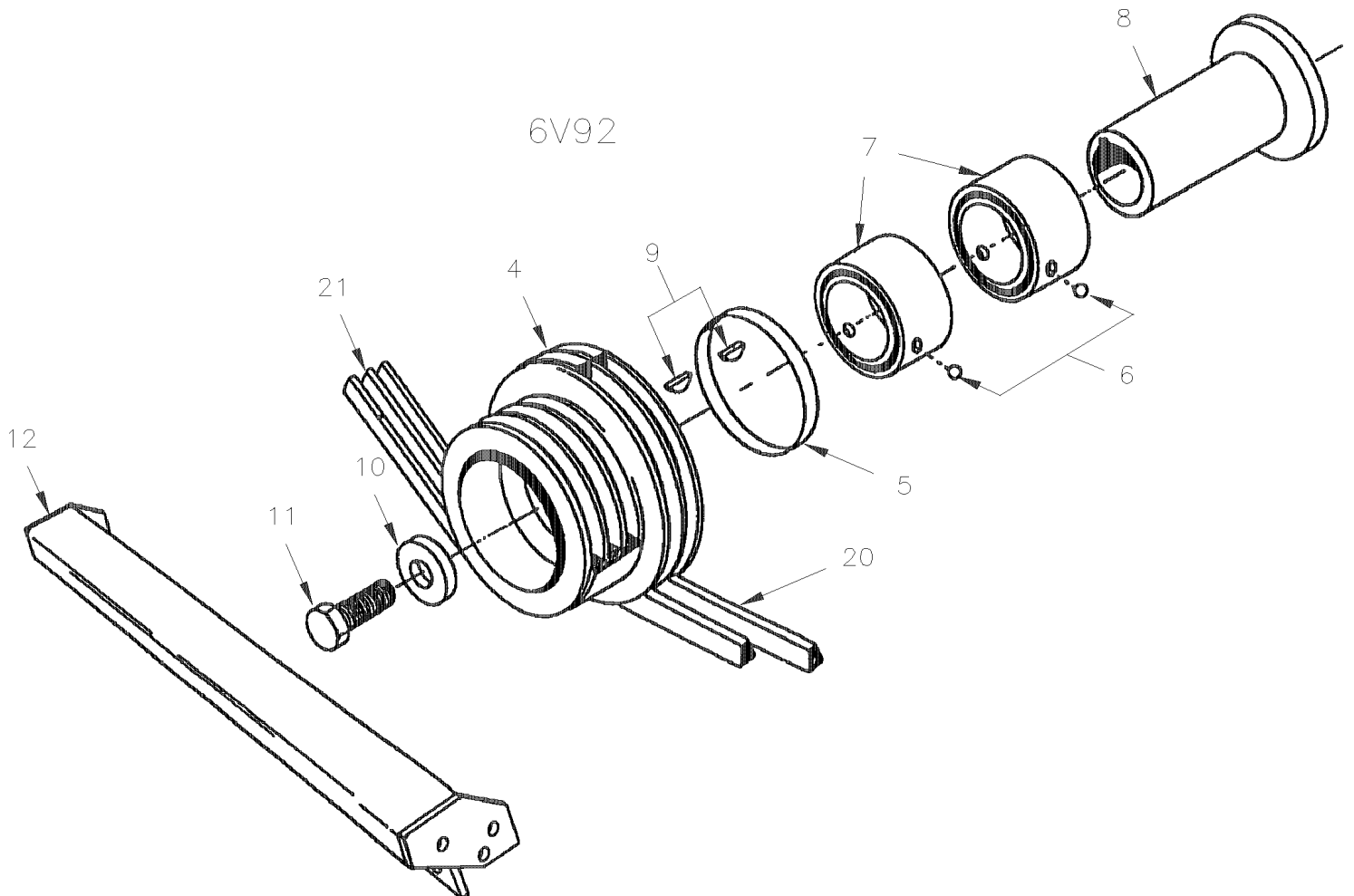
PAGE:XL-0120-00

DRIVE PULLEY & BELTS - WITH DETROIT S-71 & S-92

8V92



6V92



From E-638 To R-949		Date:10/2022	PAGE:XL-0120-00
DRIVE PULLEY & BELTS - WITH DETROIT S-71 & S-92			

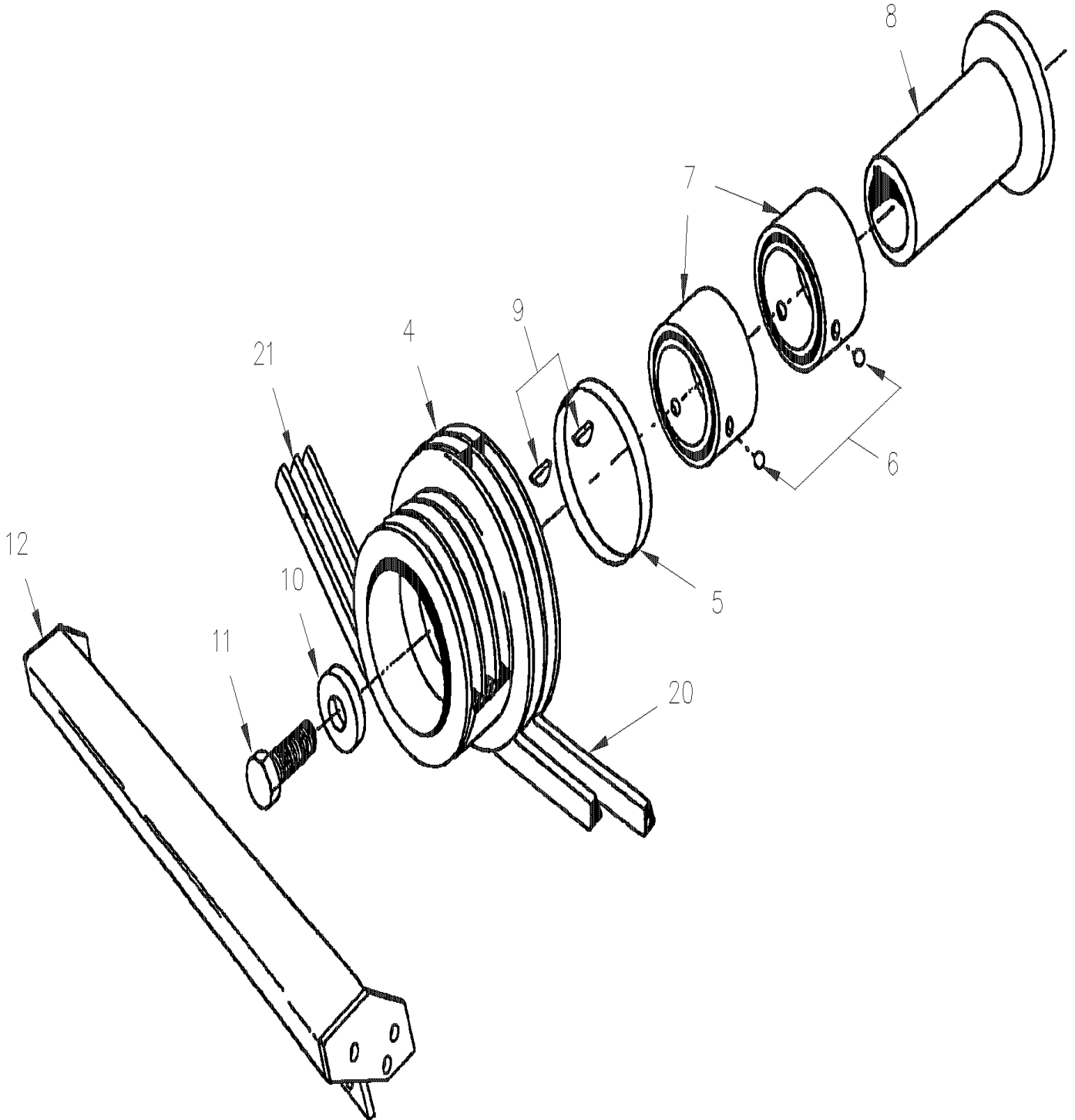
Item#	Part	Description	M T H 4 0	M T H 4 5	M T H 4 5 E	X L 4 0	X L 4 5	N O T E S
1	010674	PULLEY, 8V-92 / BOLTED ON HUB	1					B
1	010739	PULLEY, 8V-92 / BOLTED ON HUB	1		1	1		A
2	500761	SCREW CAP HEX 5/16-18x1 1/2 G8 ZP	6		6	6		
3	500476	WASHER LO SPT .317x.586x.078 Z050	6		6	6		
NS	510083	SPACER, DRIVE PULLEY 2"	1		1	1		
NS	510196	SEAL / CRANK SHAFT FRONT	1		1	1		
4	010916	PULLEY ASSY 7.5" & 9.125"	1		1	1		C
NS	010826	PULLEY / 3VA x 7.5" + 2VC x 9.125"	1		1	1		C
4	010826	PULLEY / 3VA x 7.5" + 2VC x 9.125"	1		1	1		
5	010915	SPACER	1		1	1		
6	510263	STEEL BALL 3/8	1		1	1		
7	510378	INSULATOR	2		2	2		
8	010096	HUB, DRIVE PULLEY	AR		AR	AR		
NS	510054	SPACER, DRIVE PULLEY 2" 9/16	1		1	1		
NS	510196	SEAL / CRANK SHAFT FRONT	1		1	1		
9	505133	KEY, WOODRUFF #E / 3/8" X1 1/4"	2		2	2		
10	510264	WASHER, DRIVE PULLEY RETAINING	1		1	1		
11	510265	BOLT CRANKSHAFT 1-14 X 2 1/4"	1		1	1		
12	010754	PULLEY PROTECTOR / W/O TRAILLER HITCH To L-472	1		1	1		
12	011404	PULLEY PROTECTOR / W/O TRAILLER HITCH From L-473	1		1	1		
12	011058	PULLEY PROTECTOR / W/TRAILLER HITCH To L-472	1		1	1		
12	011399	PULLEY PROTECTOR / W/TRAILLER HITCH From L-473	1		1	1		
20	506321	V-BELT / CX-96 9212-0343	2		2	2		D
21	506333	SUPER V-BELT / 3A-92 9092-30923	1		1	1		D
21	506612	SUPER V-BELT / 3A-94 9092-309433/A94 From N-428	1		1			E
21	506340	SUPER V-BELT / 3A-89 9092-30893	1			1		F
21	506612	SUPER V-BELT / 3A-94 9092-309433/A94 From P-741				1		E
		A) 2V X 9"½ O.D. + 3V X 7"½ O.D.						
		B) 3V X 10" O.D. + 3V X 7"½ O.D. OPTION						
		C) 2V X 9"¼ O.D. + 3V X 7"½ O.D.						
		D) USE WITH ADJUSTABLE FAN SUPPORT AT PAGE XL-0520-00						
		E) USE WITH FIXED FAN SUPPORT AT PAGE XL-0520-02						
		F) USE WITH THERMOSTATIC FAN UP TO MAY 1989 AFTER WE USE #506333						

From R-836 To R-909

Date:10/2022

PAGE:XL-0120-01

DRIVE PULLEY & BELTS - WITH DETROIT S-50



From R-823 To X-6903	Date:10/2022	PAGE:XL-0120-02
DRIVE PULLEY & BELTS - WITH DETROIT S-60		

Item#	Part	Description	M T H 4 0	M T H 4 5	M T H 4 5 E	X L 4 0	X L 4 5	N O T E S
1	011584	PULLEY W/60 (2V X 11" O.D. + 3V X 8" O.D. / BOLTED ON HUB				1	1	
2	N.S.P.	BOLT 9/16-18 X 2 1/2" / (8929222)				9	9	2
3	N.S.P.	WASHER SPECIAL 9/16" / (5133981)				9	9	2
4	452250	PULLEY, 5" O.D. DIA. To W-6315				1	1	A
4	453078	PULLEY ASSY W/BEARING & SEAL / 5" O.D. X 2V				1	1	
4	453075	. PULLEY / 5" O.D. X 2V From W-6316				1	1	
5	507340	. BALL BEARING 20 ID x 52 OD x 22.2 W				1	1	
6	504095	. RING RETAINER / INT 2.00 x 2.12 x .062				1	1	
7	502558	WASHER FL 21.0x37.0x3.0 G500				1	1	
8	507360	SEAL From V-6316				1	1	
NS	680500	GREASE MERITOR / 400GR From W-6316				1	1	
9	5001124	SCREW CAP HEX M20-2.5x80 G8.8 ZP				1	1	
10	453076	CAP, DUST From W-6316				1	1	
11	051895	SPACER 20MM I.D. X 9MM TH To W-6315				1	1	
11	052205	SPACER 20MM I.D. X 12.5MM TH From W-6316 To W-6903				1	1	
11	052205	SPACER 20MM I.D. X 12.5MM TH From W-6316 To W-6561				1	1	
11	052219	SPACER 20MM I.D. X 19.44MM TH From W-6562				1	1	
12	5001205	WASHER FL .875x1.375x.047				AR	AR	
13	452276	CENTERING BUSHING, FLANGE				1	1	
14	500809	NUT HEX STO M20-2.5 N500				1	1	
15	XL-0150-01	ENGINE CRADLE - WITH DETROIT S-60						
20	506664	V-BELT / BX-97 / SET OF 2 9212-0390				2	2	
21	506690	V-BELT / AX-74 9012-2074				3	3	
30	052010	PULLEY To V-6070				1	1	B
30	052208	PULLEY ASSY W/BEARING & SEAL / 43MM x 78MM				1	1	
30	052207	. PULLEY BELT TENSIONER / 43MM x 78MM O.D. To V-6070				1	1	
31	507340	. BALL BEARING 20 ID x 52 OD x 22.2 W				1	1	
32	504095	. RING RETAINER / INT 2.00 x 2.12 x .062				1	1	
33	5001205	. WASHER FL .875x1.375x.047				AR	AR	
34	507361	. SEAL				1	1	
35	5001124	SCREW CAP HEX M20-2.5x80 G8.8 ZP				1	1	
36	507360	SEAL				1	1	
37	051895	SPACER 20MM I.D. X 9MM TH				1	1	
37	052205	SPACER 20MM I.D. X 12.5MM TH				1	1	
38	500809	NUT HEX STO M20-2.5 N500				1	1	
40	011623	ANGLE SUPPORT / (WELDED TO ENGINE CRADLE) To V-6070				AR	AR	
40	052393	ANGLE SUPPORT / BOLTED TO ENGINE CRADLE From V-6071				AR	AR	
50	452981	BELT PROTECTOR From V-6071 To V-6240				1	1	C
50	453077	BELT PROTECTOR From V-6241				1	1	C
51	502559	SCREW CAP HEX M10-1.5x25 G8.8 Z050				1	1	
52	500445	WASHER FL .437x1.000x.083 Z050				2	2	
53	500257	WASHER LO SPT 10.2x18.1x2.2 Z050				1	1	

From R-823 To X-6903	Date:10/2022	PAGE:XL-0120-02
DRIVE PULLEY & BELTS - WITH DETROIT S-60		

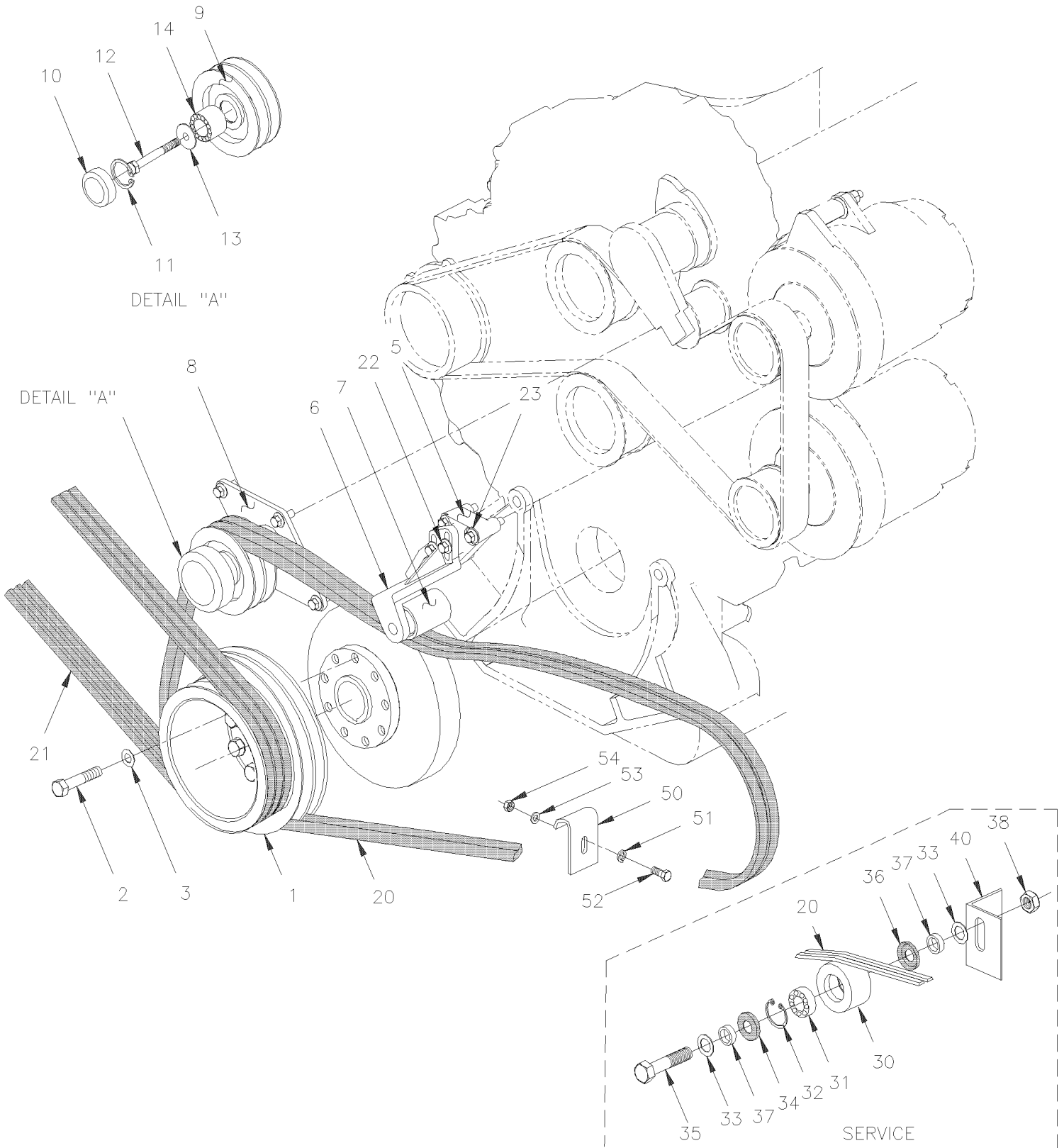
Item#	Part	Description	M T H 4 0	M T H 4 5	M T H 4 5 E	X L 4 0	X L 4 5	N O T E S
54	500256	NUT HEX M10-1.5 Z050				1	1	
NS	453630	KIT, PULLEY ASSY W/ANGLE SUPPORT				AR	AR	
. NS	IS-96114A	. SEE INSTRUCTION SHEET				1	1	
		A) FOR IMPROVE BEARING LIFE CHANGE PULLEY BY 453078						
		B) FOR IMPROVE BEARING LIFE CHANGE PULLEY BY : 052208						
		C) FOR PRODUCT IMPROVEMENT USE KIT #453630 & SEE INSTRUCTION SHEET						
		2) NOT SOLD BY PREVOST (SEE MANUFACTURING PART NUMBER AT END OF DESCRIPTION LINE)						

From X-6904 To Y-7045

Date:10/2022

PAGE:XL-0120-03

DRIVE PULLEY & BELTS - W/2 "BOSCH"



From X-6904 To Y-7045	Date:10/2022	PAGE:XL-0120-03
DRIVE PULLEY & BELTS - W/2 "BOSCH"		

Item#	Part	Description	M T H 4 0	M T H 4 5	M T H 4 5 E	X L 4 0	X L 4 5	N O T E S
1	011584	PULLEY W/60 (2V X 11" O.D. + 3V X 8" O.D. / BOLTED ON HUB				1	1	
2	N.S.P.	BOLT 9/16-18 X 2" 1/2 / (8929222)				9	9	2
3	N.S.P.	WASHER SPECIAL 9/16" / (5133981)				9	9	2
5	N.S.P.	ADAPTOR SNUBBER MOUNTING / (23522974)				1	1	2
6	N.S.P.	SNUBBER ASSY / (23522972)				1	1	2
6	N.S.P.	. SUPPORT / (23522973)				2	2	2
7	N.S.P.	. ROLLER / (23512825)				2	2	2
7	N.S.P.	. BEARING / (907394)				2	2	2
8	N.S.P.	PULLEY ASSY IDLER / (23519391)				1	1	2
8	N.S.P.	. SUPPORT / (23519388)				1	1	2
9	N.S.P.	. PULLEY / (23519290)				1	1	2
10	N.S.P.	. PROTECTOR CAP / (05107293)				1	1	2
11	N.S.P.	. SNAP RING / (23519223)				1	1	2
12	N.S.P.	. BOLT / (2350562)				1	1	2
13	N.S.P.	. WASHER / (23518224)				1	1	2
14	N.S.P.	. BEARING DBL ROW / (30BGS1D53) / (23518189)				1	1	2
20	506681	V-BELT / BX-100 9013-2100				1	1	
21	506690	V-BELT / AX-74 9012-2074 From X-6904 To X-7018				1	1	
21	506691	V-BELT / AX-73 9012-2073 From X-7019				3	3	
22	N.S.P.	BOLT FLG M8-1.25 X 25MM / (11509512)				2	2	2
23	N.S.P.	BOLT FLG M10-1.5 X 60MM / (11505068)				3	3	2
30	052208	PULLEY ASSY W/BEARING & SEAL / 43MM x 78MM				1	1	
30	052207	. PULLEY BELT TENSIONER / 43MM x 78MM O.D. / SERVICE				1	1	
31	507340	. BALL BEARING 20 ID x 52 OD x 22.2 W / SERVICE				1	1	
32	504095	. RING RETAINER / INT 2.00 x 2.12 x .062 / SERVICE				1	1	
33	5001205	. WASHER FL .875x1.375x.047 / SERVICE				AR	AR	
34	507361	. SEAL / SERVICE				1	1	
35	5001124	SCREW CAP HEX M20-2.5x80 G8.8 ZP / SERVICE				1	1	
36	507360	SEAL / SERVICE				1	1	
37	051895	SPACER 20MM I.D. X 9MM TH / SERVICE				1	1	
37	052205	SPACER 20MM I.D. X 12.5MM TH / SERVICE				2	2	
38	500809	NUT HEX STO M20-2.5 N500 / SERVICE				1	1	
40	011623	ANGLE SUPPORT / (WELDED TO ENGINE CRADLE) / SERVICE				1	1	
40	052393	ANGLE SUPPORT / BOLTED TO ENGINE CRADLE / SERVICE				1	1	
50	453077	BELT PROTECTOR				1	1	A
51	500445	WASHER FL .437x1.000x.083 Z050				2	2	
52	502559	SCREW CAP HEX M10-1.5x25 G8.8 Z050				1	1	
53	500257	WASHER LO SPT 10.2x18.1x2.2 Z050				1	1	
54	500256	NUT HEX M10-1.5 Z050				1	1	
NS	453630	KIT, PULLEY ASSY W/ANGLE SUPPORT				AR	AR	
. NS	IS-96114A	. SEE INSTRUCTION SHEET				1	1	

From X-6904 To Y-7045	Date:10/2022	PAGE:XL-0120-03
DRIVE PULLEY & BELTS - W/2 "BOSCH"		

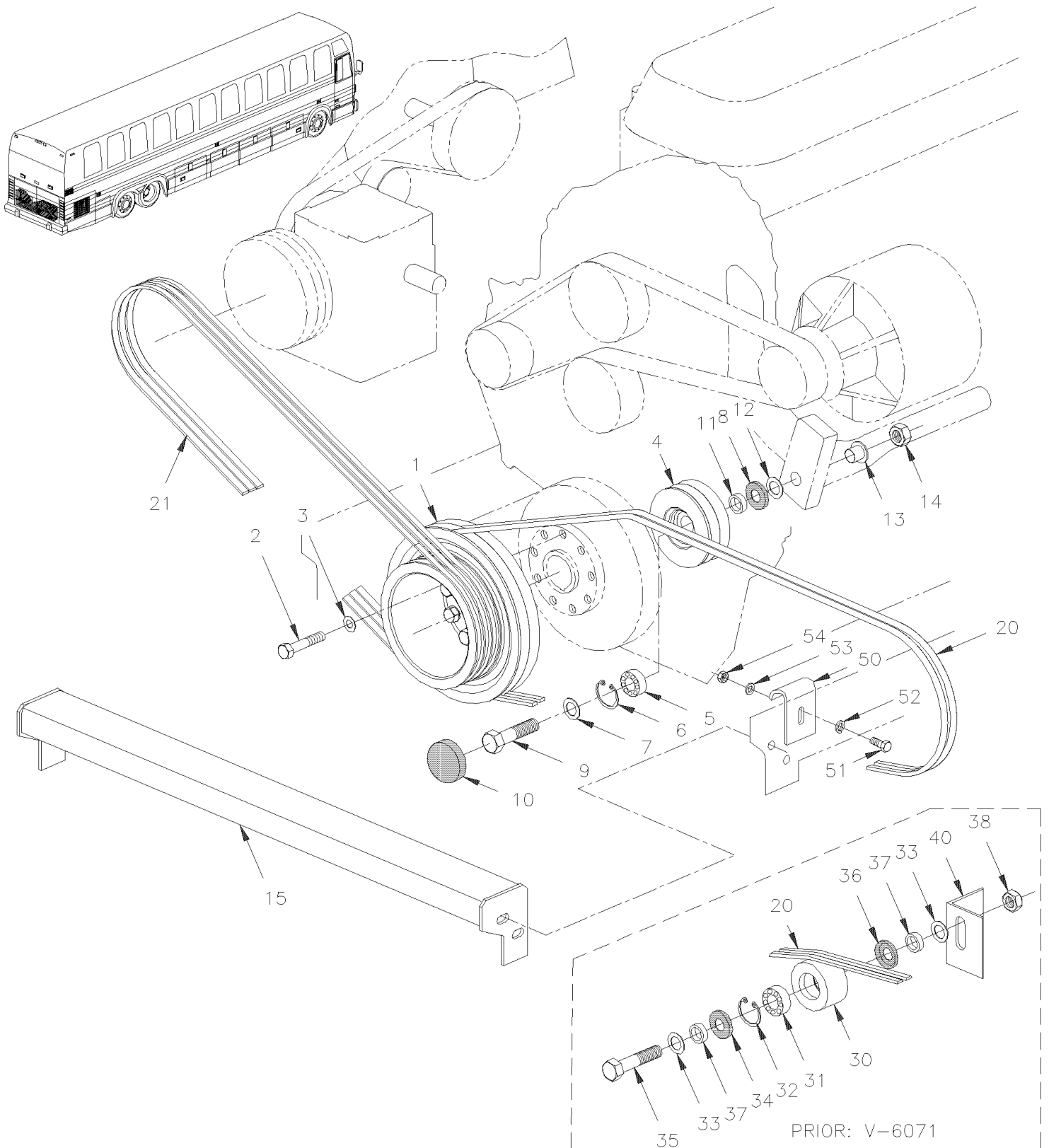
Item#	Part	Description	M T H 4 0	M T H 4 5	M T H 4 5 E	X L 4 0	X L 4 5	N O T E S
		A) FOR PRODUCT IMPROVEMENT USE KIT #453630 & SEE INSTRUCTION SHEET						
		2) NOT SOLD BY PREVOST (SEE MANUFACTURING PART NUMBER AT END OF DESCRIPTION LINE)						

From P-722 To Y-7045

Date:10/2022

PAGE:XL-0120-50

DRIVE PULLEY & BELTS - WITH DETROIT S-60



From P-722 To Y-7045	Date:10/2022	PAGE:XL-0120-50
DRIVE PULLEY & BELTS - WITH DETROIT S-60		

Item#	Part	Description	M T H 4 0	M T H 4 5	M T H 4 5 E	X L 4 0	X L 4 5	N O T E S
1	011584	PULLEY W/60 (2V X 11" O.D. + 3V X 8" O.D. / BOLTED ON HUB	1	1	1			
2	N.S.P.	BOLT 9/16-18 X 2 1/2" / (8929222)	9	9	9			2
3	N.S.P.	WASHER SPECIAL 9/16" / (5133981)	9	9	9			2
4	452250	PULLEY, 5" O.D. DIA. To W-6315	1	1	1			A
4	453078	PULLEY ASSY W/BEARING & SEAL / 5" O.D. X 2V	1	1	1			
4	453075	. PULLEY / 5" O.D. X 2V From W-6316	1	1	1			
5	507340	. BALL BEARING 20 ID x 52 OD x 22.2 W	1	1	1			
6	504095	. RING RETAINER / INT 2.00 x 2.12 x .062	1	1	1			
7	502558	WASHER FL 21.0x37.0x3.0 G500	1	1	1			
8	507360	SEAL From V-6316	1	1	1			
NS	680500	GREASE MERITOR / 400GR From W-6316	1	1	1			
9	5001124	SCREW CAP HEX M20-2.5x80 G8.8 ZP	1	1	1			
10	453076	CAP, DUST From W-6316	1	1	1			
11	051895	SPACER 20MM I.D. X 9MM TH To W-6315	1	1	1			
11	052205	SPACER 20MM I.D. X 12.5MM TH From W-6316 To W-6903	1	1	1			
11	052205	SPACER 20MM I.D. X 12.5MM TH From W-6316 To W-6561	1	1	1			
11	052219	SPACER 20MM I.D. X 19.44MM TH From W-6562	1	1	1			
12	5001205	WASHER FL .875x1.375x.047	AR	AR	AR			
13	452276	CENTERING BUSHING, FLANGE	1	1	1			
14	500809	NUT HEX STO M20-2.5 N500	1	1	1			
15	XL-0150-01	ENGINE CRADLE - WITH DETROIT S-60						
20	506664	V-BELT / BX-97 / SET OF 2 9212-0390	2	2	2			
21	506690	V-BELT / AX-74 9012-2074	3	3	3			
30	052010	PULLEY To V-6070	1	1	1			B
30	052208	PULLEY ASSY W/BEARING & SEAL / 43MM x 78MM	1	1	1			
30	052207	. PULLEY BELT TENSIONER / 43MM x 78MM O.D. To V-6070	1	1	1			
31	507340	. BALL BEARING 20 ID x 52 OD x 22.2 W	1	1	1			
32	504095	. RING RETAINER / INT 2.00 x 2.12 x .062	1	1	1			
33	5001205	. WASHER FL .875x1.375x.047	AR	AR	AR			
34	507361	. SEAL	1	1	1			
35	5001124	SCREW CAP HEX M20-2.5x80 G8.8 ZP	1	1	1			
36	507360	SEAL	1	1	1			
37	051895	SPACER 20MM I.D. X 9MM TH	1	1	1			
37	052205	SPACER 20MM I.D. X 12.5MM TH	1	1	1			
38	500809	NUT HEX STO M20-2.5 N500	1	1	1			
40	011623	ANGLE SUPPORT / (WELDED TO ENGINE CRADLE) To V-6070	AR	AR	AR			
40	052393	ANGLE SUPPORT / BOLTED TO ENGINE CRADLE From V-6071	AR	AR	AR			
50	452981	BELT PROTECTOR From V-6071 To V-6240	1	1	1			C
50	453077	BELT PROTECTOR From V-6241	1	1	1			C
51	502559	SCREW CAP HEX M10-1.5x25 G8.8 Z050	1	1	1			
52	500445	WASHER FL .437x1.000x.083 Z050	2	2	2			
53	500257	WASHER LO SPT 10.2x18.1x2.2 Z050	1	1	1			

From P-722 To Y-7045	Date:10/2022	PAGE:XL-0120-50
DRIVE PULLEY & BELTS - WITH DETROIT S-60		

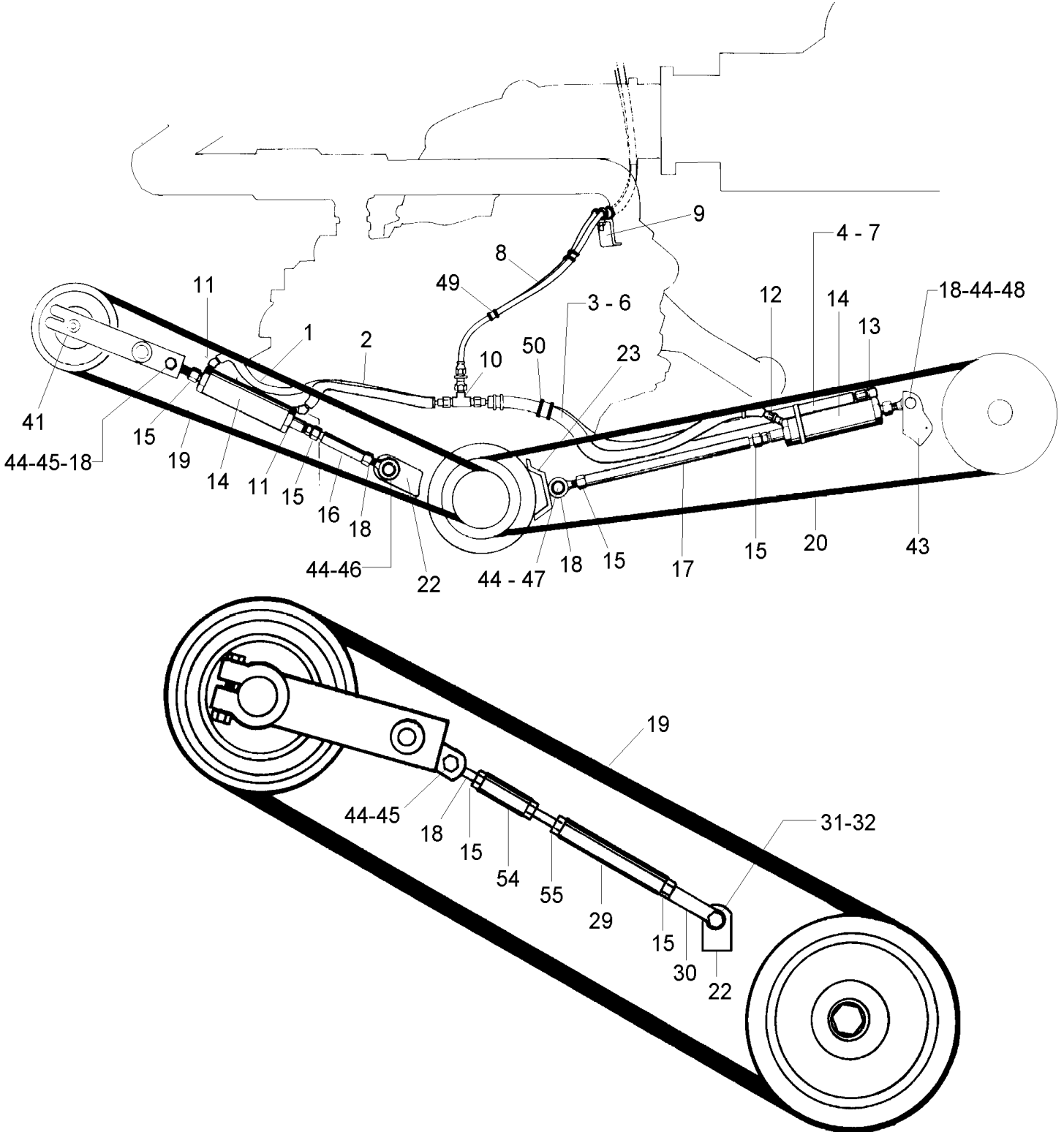
Item#	Part	Description	M T H 4 0	M T H 4 5	M T H 4 5 E	X L 4 0	X L 4 5	N O T E S
54	500256	NUT HEX M10-1.5 Z050	1	1	1			
NS	453630	KIT, PULLEY ASSY W/ANGLE SUPPORT	AR	AR	AR			
. NS	IS-96114A	. SEE INSTRUCTION SHEET	1	1	1			
		A) FOR IMPROVE BEARING LIFE CHANGE PULLEY BY 453078						
		B) FOR IMPROVE BEARING LIFE CHANGE PULLEY BY : 052208						
		C) FOR PRODUCT IMPROVEMENT USE KIT #453630 & SEE INSTRUCTION SHEET						
		2) NOT SOLD BY PREVOST (SEE MANUFACTURING PART NUMBER AT END OF DESCRIPTION LINE)						

From E-638 To R-949

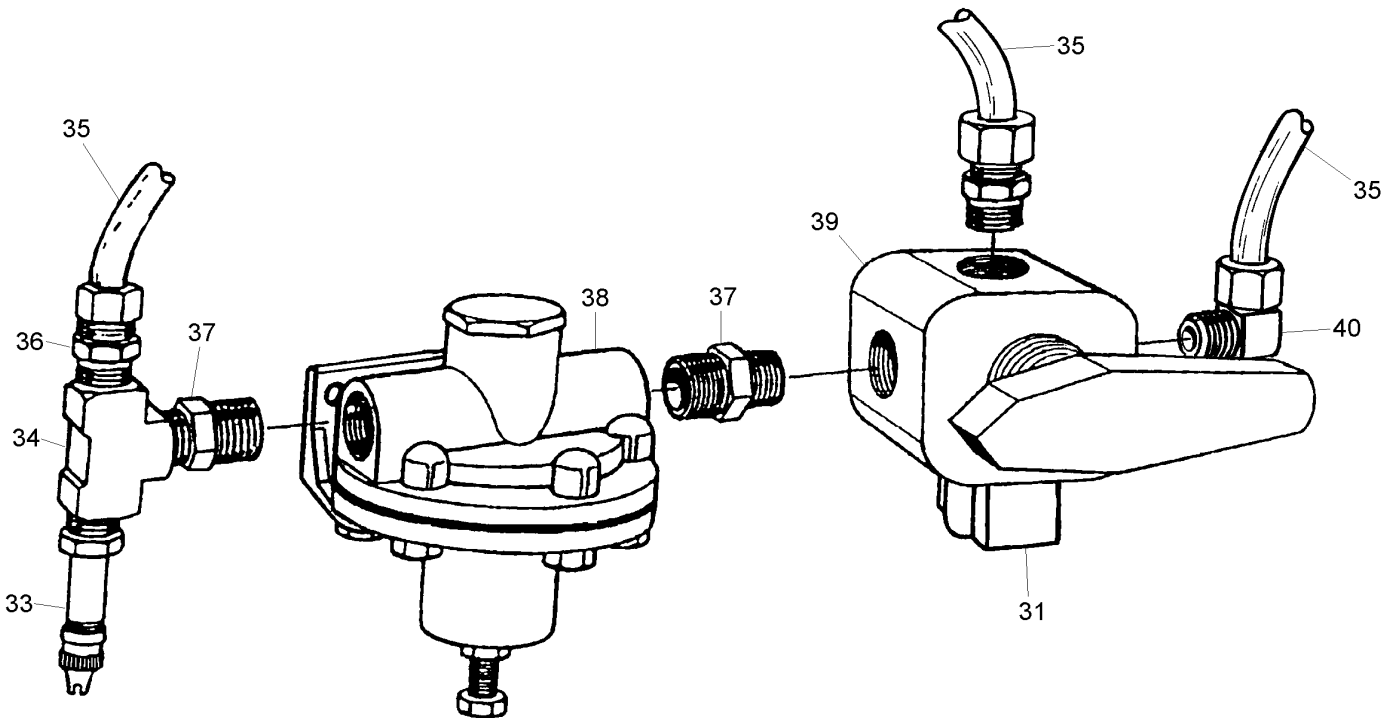
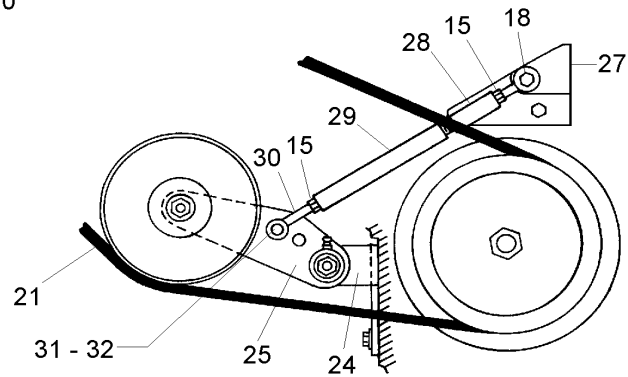
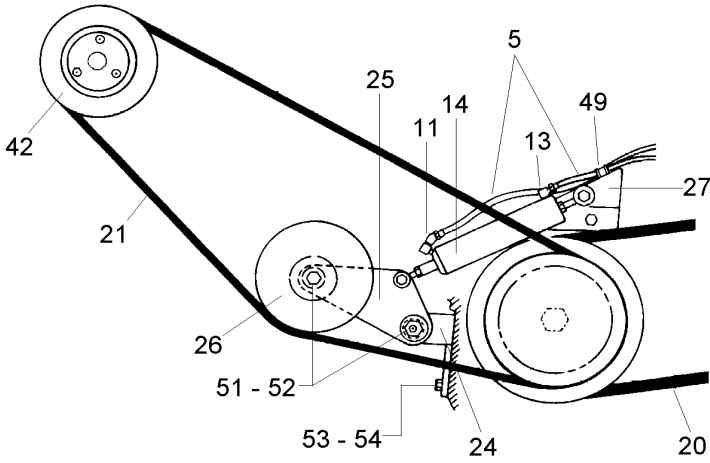
Date:10/2022

PAGE:XL-0125-00

BELTS TENSIONERS - WITH DETROIT S-71 & S-92



From E-638 To R-949	Date:10/2022	PAGE:XL-0125-00
BELTS TENSIONERS - WITH DETROIT S-71 & S-92		



From E-638 To R-949	Date:10/2022	PAGE:XL-0125-00
---------------------	--------------	-----------------

BELTS TENSIONERS - WITH DETROIT S-71 & S-92

Item#	Part	Description	M T H 4 0	M T H 4 5	M T H 4 5 E	X L 4 0	X L 4 5	N O T E S
1	011020	HOSE ASSY / JCT TEE TO BELT CYLINDER / #4 26"1/4	1			1		
2	010578	HOSE ASSY / JCT TEE TO BELT CYLINDER / #4 18"	1			1		
3	010610	HOSE ASSY / JCT TEE TO A/C CYLINDER / #4 24"	1		1	1		
4	010183	HOSE ASSY / JCT TEE TO A/C CYLINDER / #4 28"	1		1	1		
4	503411	. HOSE / 2556 / #4 X 50'	AR		AR	AR		
4	501347	. FEMALE CONNECTOR SWIVEL / PUSH-LOK FITTING #4JIC-Fx#4 BR	2		2	2		
4	560458	. FIBER LOOMS / 5/8" / BLACK	AR		AR	AR		
5	011583	HOSE ASSY TEFLON #4 218MM From N-428	2		2			
6	031145	HOSE ASSY TEFLON #4 611MM From N-428	1		1			
7	051127	HOSE ASSY TEFLON #4 821MM From N-428	1		1			
8	030627	HOSE ASSY TEFLON #4 1020MM	2		2	2		
8	503064	. HOSE TEFLON #4 / S.L.	AR		AR	AR		
8	501892	. FEMALE CONNECTOR SWIVEL / SAE 45° FITTING / TEFLON / #4FL-Fx#4 STL	1		1	1		
8	501890	. MALE CONNECTOR / PIPE FITTING / TEFLON / 1/4NPT-Mx#4	1		1	1		
8	501891	. FEMALE CONNECTOR / COMPRESSION FITTING / #4x1/4NPT-F BR	2		2	2		
9	011022	SUPPORT / HOSE	1		1	1		
10	501021	UNION TEE / SAE 45° FITTING / #4FL-Mx#4FL-Mx#4FL-M BR	2		2	2		
10	501962	UNION ELBOW 90° / SAE 45° FITTING / #4FL-Mx#4FL-M BR	2		2			
10	011197	SUPPORT HOSE / W/SMALL A/C ONLY	1		1			
10	011021	SUPPORT HOSE / W/LARGE A/C	1		1	1		
11	501808	MALE ELBOW 45° / SAE 45° FITTING / #4FL-Mx1/8NPT-M BR	2		2	2		
12	501026	MALE CONNECTOR / SAE 45° FITTING / #4FL-Mx1/8NPT-M BR	1		1	1		
13	501036	MALE ELBOW 90° / SAE 45° FITTING / #4FL-Mx1/8NPT-M BR	1		1	1		
14	XL-0130-00	AIR CYLINDER - BELT TENSIONNER - WITH DETROIT S-92						
15	500716	NUT HEX 1/2-20 Z050	AR		AR	AR		
16	011018	ROD ADJUSTMENT 7" / W/6V92	1			1		
16	010815	ROD ADJUSTMENT 7"3/8 / W/8V71	1			1		
16	011014	ROD ADJUSTMENT 5"1/8 / W/8V92	1		1	1		
17	371326	EXTENSION 10"3/4	1		1	1		
18	502040	ROD END MALE 1/2-20 / 1/2 I.D.	AR		AR	AR		
18	5011007	. GREASE FITTING / #8-32	1		1	1		
19	XL-0120-00	DRIVE PULLEY & BELTS - WITH DETROIT S-71 & S-92						
20	XL-0120-00	DRIVE PULLEY & BELTS - WITH DETROIT S-71 & S-92						
21	XL-0120-00	DRIVE PULLEY & BELTS - WITH DETROIT S-71 & S-92						
22	050961	BRACKET / TO FIX CYLINDER / 8V92	1		1	1		
22	050707	BRACKET / TO FIX CYLINDER / 6V92 & 8V71	1			1		
23	370525	BRACKET / W/AUX. A/C / 6V92T	1			1		
23	371825	BRACKET / W/AUX. A/C / 8V92T & 8V71	1		1	1		
23	372764	BRACKET W / 6V92T	1			1		
23	372763	BRACKET W / 8V92T	1		1	1		
24	051667	PIVOT W/8V92	1		1	1		
25	051663	ARM, TENSIONNER	1		1	1		B

From E-638 To R-949	Date:10/2022	PAGE:XL-0125-00
---------------------	--------------	-----------------

BELTS TENSIONERS - WITH DETROIT S-71 & S-92

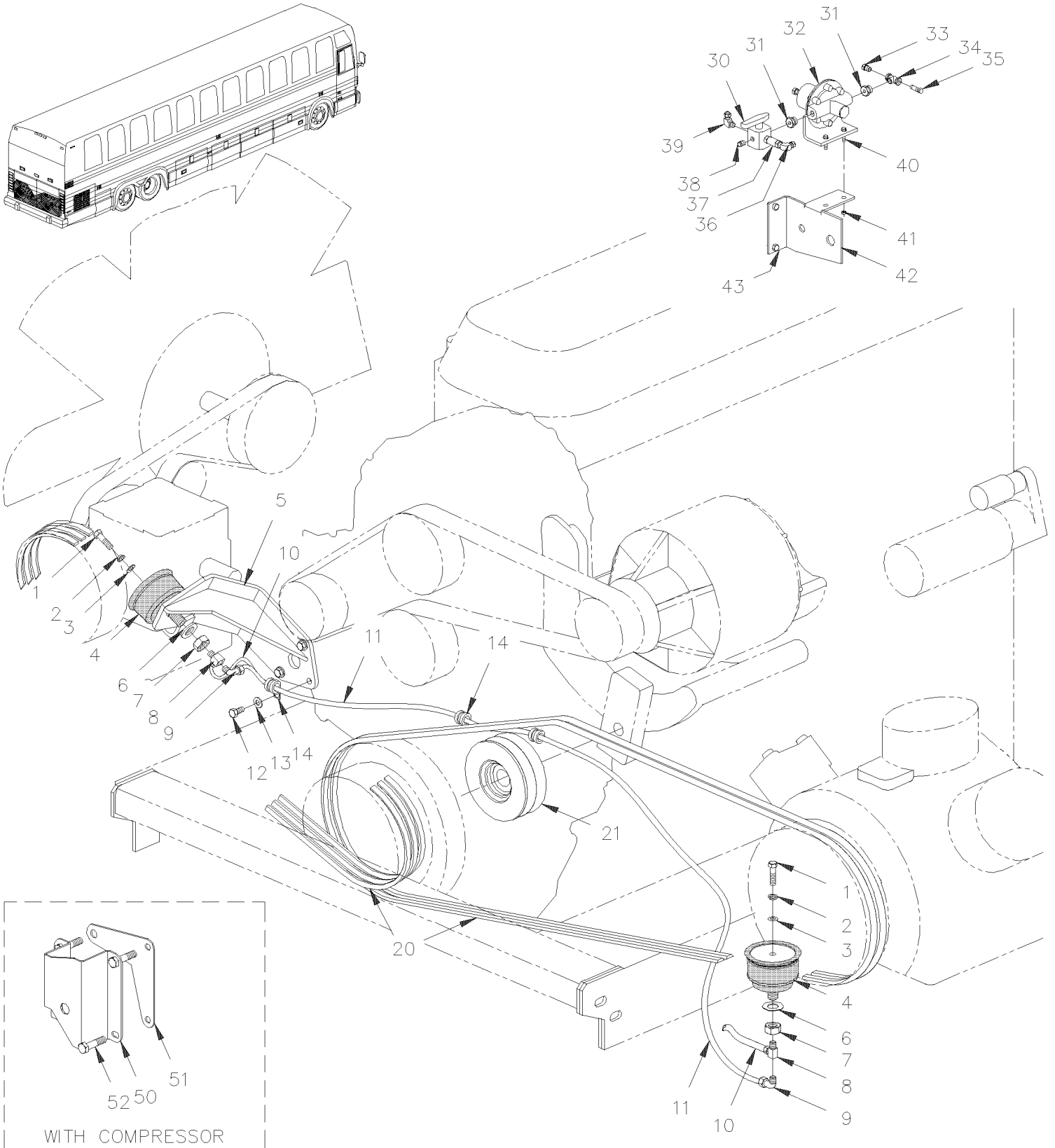
Item#	Part	Description	M T H 4 0	M T H 4 5	M T H 4 5 E	X L 4 0	X L 4 5	N O T E S
		B) PRODUCTION						
		C) SERVICE						

From P-722 To Y-7045

Date:10/2022

PAGE:XL-0125-01

BELTS TENSIONERS - WITH DETROIT S-60



From P-722 To Y-7045	Date:10/2022	PAGE:XL-0125-01
BELTS TENSIONERS - WITH DETROIT S-60		

Item#	Part	Description	M T H 4 0	M T H 4 5	M T H 4 5 E	X L 4 0	X L 4 5	N O T E S
1	500179	SCREW CAP HEX 5/16-18x3/4 G5 Z050	2	2	2	2	2	
2	500482	WASHER LO SPT .506x.873x.125 Z050	2	2	2	2	2	
3	500441	WASHER FL .312x.734x.065 Z050	2	2	2	2	2	
4	950208	BELLOW ASSY / BELT TENSIONER / 3" O.D.	1	1	1	1	1	
NS	504695	HOSE CLAMP STEPLESS SPRING SS / OETIKER / 2.9-3.3	1	1	1	1	1	
5	052050	SUPPORT BELLOW TENTIONER	1	1	1	1	1	
5	052098	SUPPORT BELLOW TENTIONER W/SERIES 50				1		
7	500792	NUT HEX 5/8-11 Z050	1	1	1	1	1	
8	501707	ADAPTER TEE / SAE 45° FITTING / #4FL-Mx1/8NPT-Mx1/8NPT-F BR	1	1	1	1	1	
9	640996	MALE ELBOW 90° / NTA FITTING / #4x1/8NPT-M BR	1	1	1	1	1	
9	641127	MALE ELBOW 45° / NTA FITTING / #4x1/8NPT-M BR	2	2	2	2	2	
10	503402	TUBE, NYLON 1/4 O.D. / BLACK S.L.	AR	AR	AR	AR	AR	
11	052041	HOSE ASSY TEFLON #4 1230MM To X-6903				1	1	
11	052317	HOSE ASSY TEFLON #4 1217MM From X-6904				1	1	
11	052041	HOSE ASSY TEFLON #4 1230MM	1	1	1			A
11	052042	HOSE ASSY / #4 3787MM	1	1	1			B
12	500069	SCREW CAP HEX M8-1.25x16 G10.9 DP	3	3	3	3	3	
13	500874	WASHER FL 8.4x17.0x1.6 Z050	3	3	3	3	3	
14	504601	CLAMP / 5/16" I.D. x .375 HOLE	3	3	3	3	3	
20	XL-0120-01	DRIVE PULLEY & BELTS - WITH DETROIT S-50						
20	XL-0120-02	DRIVE PULLEY & BELTS - WITH DETROIT S-60						
21	XL-0120-02	DRIVE PULLEY & BELTS - WITH DETROIT S-60						
30	5011013	VALVE, 4 WAYS CONTROL	1	1	1	1	1	
NS	5011113	SEAL LOWER	1	1	1	1	1	
NS	5011114	SEAL UPPER	1	1	1	1	1	
NS	010511	DECAL "AIR VALVE POSITION ON-OFF" To V-6171	1	1	1	1	1	
NS	011894	DECAL "BELT TENSIONER" From V-6172	1	1	1	1	1	
31	501650	NIPPLE REDUCER HEX / PIPE FITTING / 1/4NPT-Mx1/8NPT-Mx1 3/16 BR	2	2	2	2	2	
32	640938	AIR PRESSURE REGULATOR To W-6460	1	1	1	1	1	
32	641437	AIR PRESSURE REGULATOR 1/4" NPT / PLASTIC From W-6461	1	1	1	1	1	
33	640987	MALE CONNECTOR / NTA FITTING / #4x1/8NPT-M BR	1	1	1	1	1	
34	501336	FEMALE UNION TEE / PIPE FITTING / 1/8NPT-Fx1/8NPT-Fx1/8NPT-F BR	1	1	1	1	1	
35	640488	VALVE, AIR FILL 1/8" NPT	1	1	1	1	1	
NS	650164	CAP VALVE / CHROME	1	1	1	1	1	
36	641074	FEMALE ELBOW 90° / NTA FITTING / #4x1/8NPT-F BR	1	1	1	1	1	
37	530175	VALVE, CHECK 1/8 NPT	1	1	1	1	1	
38	5011013	VALVE, 4 WAYS CONTROL	1	1	1	1	1	
39	501331	STREET ELBOW 90° / PIPE FITTING / 1/8NPT-Mx1/8NPT-F BR	1	1	1	1	1	
40	502631	SCREW CAP HEX M6-1.0x20 G8.8 Z050	2	2	2	2	2	
41	502511	NUT HEX NYRT M6-1.0 Z050	2	2	2	2	2	
50	452785	SUPPORT IDLER PULLEY / SS / W/SMALL A/C To X-6737	1	1	1			
50	453307	SUPPORT IDLER PULLEY / STEEL / W/SMALL A/C From X-6738	1	1	1			

From P-722 To Y-7045	Date:10/2022	PAGE:XL-0125-01
BELTS TENSIONERS - WITH DETROIT S-60		

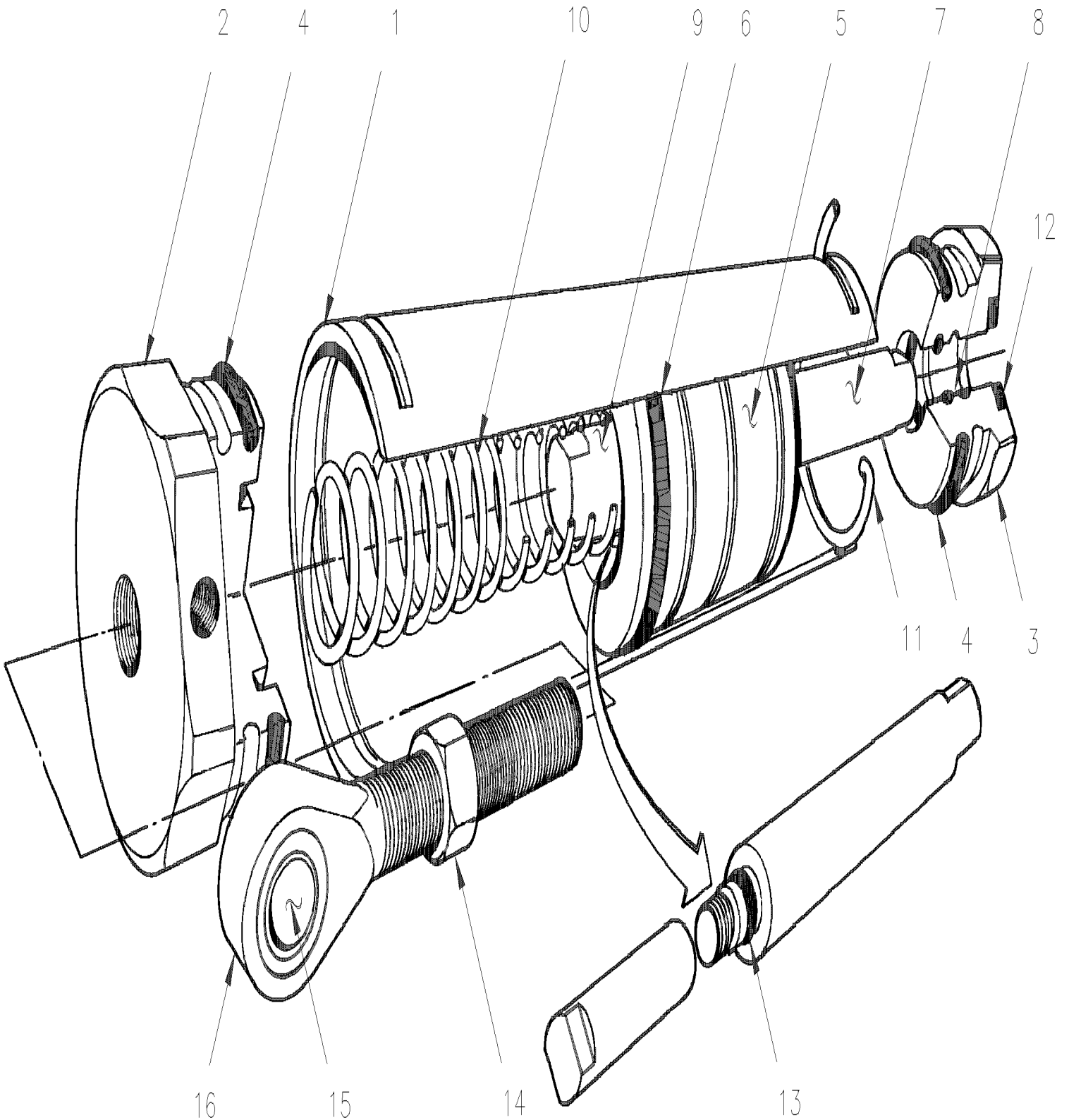
Item#	Part	Description	M T H 4 0	M T H 4 5	M T H 4 5 E	X L 4 0	X L 4 5	N O T E S
51	452280	SPACER / SUPPORT & ENGINE	AR	AR	AR			
52	500080	SCREW CAP HEX 7/16-20x4 1/2 G5 Z050	2	2	2			
NS	500480	WASHER LO SPT .443x.779x.109 Z050	2	2	2			
NS	500445	WASHER FL .437x1.000x.083 Z050	2	2	2			
NS	500709	NUT HEX 7/16-20 Z050	2	2	2			
		A) WITH LARGE A/C						
		B) WITH SMALL A/C						

From E-638 To R-949

Date:10/2022

PAGE:XL-0130-00

AIR CYLINDER - BELT TENSIONNER - WITH DETROIT S-92



From E-638 To R-949		Date:10/2022	PAGE:XL-0130-00
AIR CYLINDER - BELT TENSIONNER - WITH DETROIT S-92			

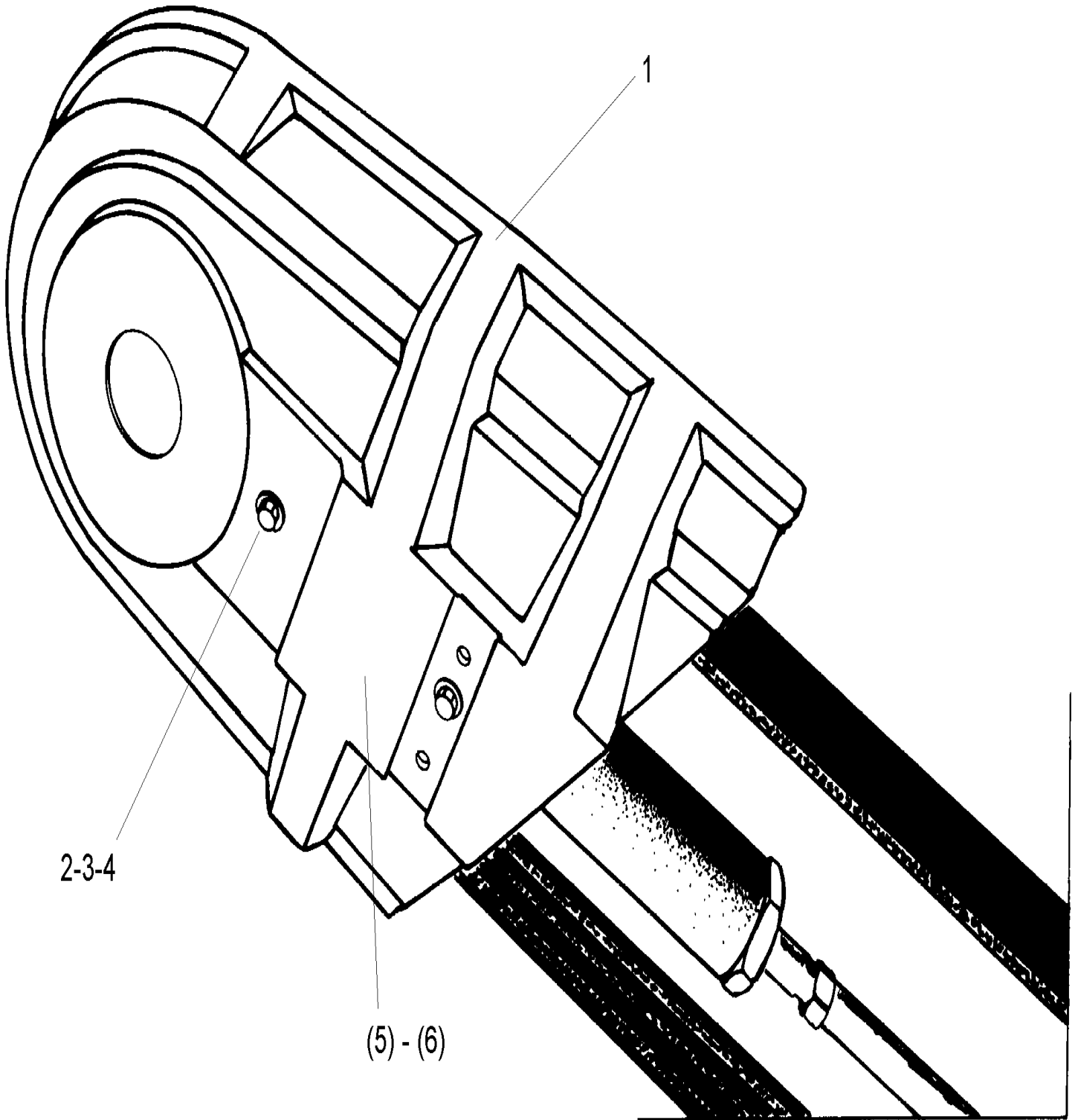
Item#	Part	Description	M T H 4 0	M T H 4 5	M T H 4 5 E	X L 4 0	X L 4 5	N O T E S
	010211	CYLINDER ASSY / SNAP-RING END MOUNTING TYPE	2		2	2		
	019203	CYLINDER ASSY / W/SCREW END MOUNTING TYPE	2		2	2		S
1	010194	. CASING	1		1	1		A
2	010195	. CAP, CLOSED / TYPE W/SNAP-RING	1		1	1		A
3	010196	. CAP, OPENED / TYPE W/SNAP-RING	1		1	1		A
4	507178	. O-RING / CAP	2		2	2		A
5	010159	. PISTON 1.812 O.D. X 1"3/4	1		1	1		A
6	507243	. SEAL, U-CUP / PISTON	1		1	1		A
7	010198	. ROD, 4 1/2" / PISTON STROKE 2"	1		1	1		A
8	507195	. O-RING / PISTON ROD	1		1	1		A
9	010199	. ROD, 2 7/8" / PISTON STOP	1		1	1		A
10	010054	. SPRING COMPRESSION / 1.160 O.D. x 6.25 x .187	1		1	1		
11	010203	. RING, SNAP	2		2	2		A
12	507200	. SEAL / OPENED CAP	1		1	1		A
13	507212	. O-RING	1		1	1		A
14	500716	NUT HEX 1/2-20 Z050	1		1	1		
15	502040	ROD END MALE 1/2-20 / 1/2 I.D.	2		2	2		
16	5011007	. GREASE FITTING / #8-32	1		1	1		
NS	010213	KIT REPAIR / INCLUDES #4,6,8,11,12,14 / W/SNAP-RING END MOUNTING TYP	1		1	1		A
NS	019207	KIT REPAIR / INCLUDES O-RING & SEAL / W/SCREW END MOUNTING TYPE	1		1	1		S
		A) THOSE ITEMS ARE USED ONLY WITH AIR CYLINDER #010211.						
		S) FOR SERVICE ONLY						

From E-638 To R-949

Date:10/2022

PAGE:XL-0135-00

GUARD - BELTS TENSIONERS

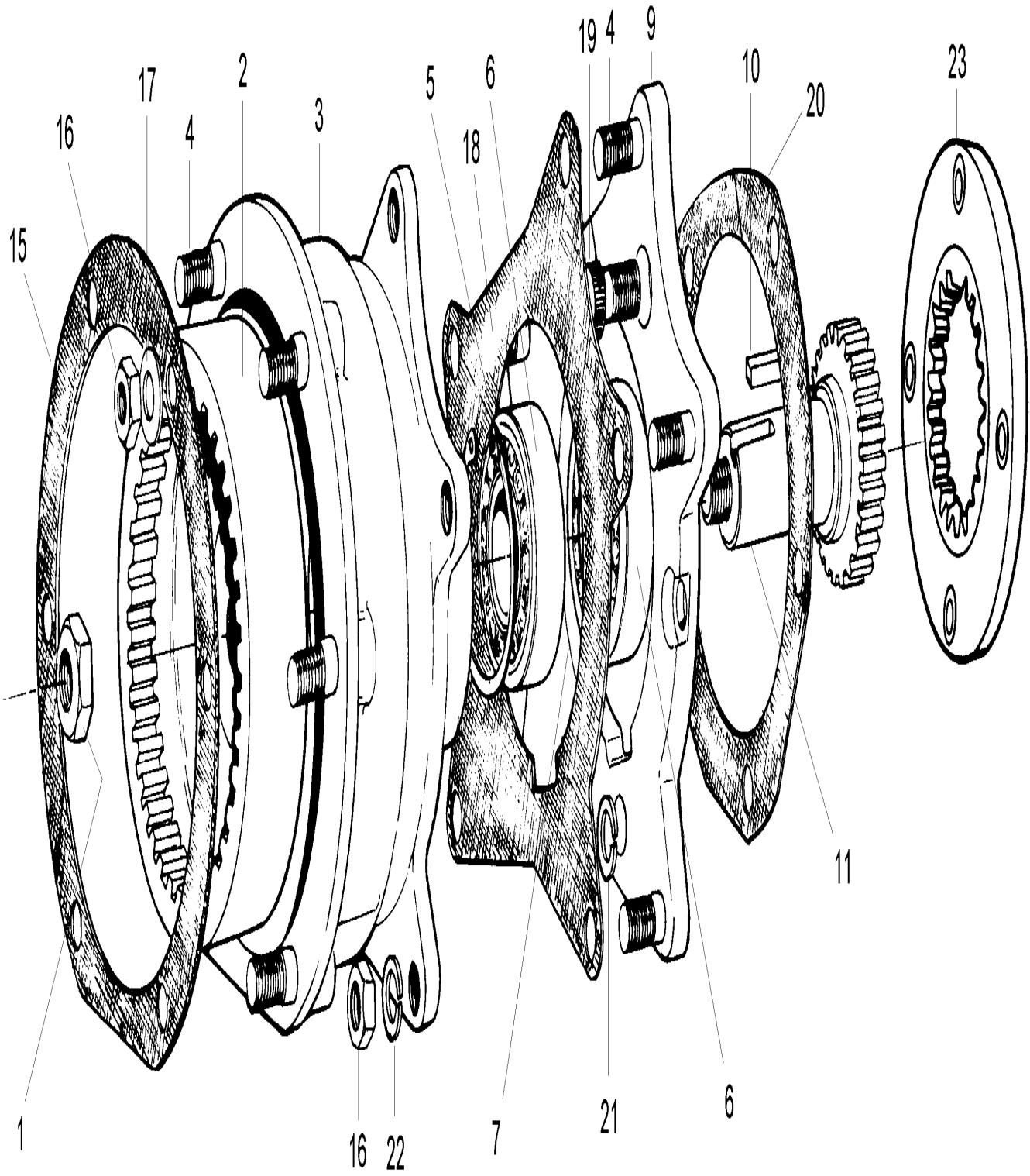


From E-638 To H-247

Date:10/2022

PAGE:XL-0145-00

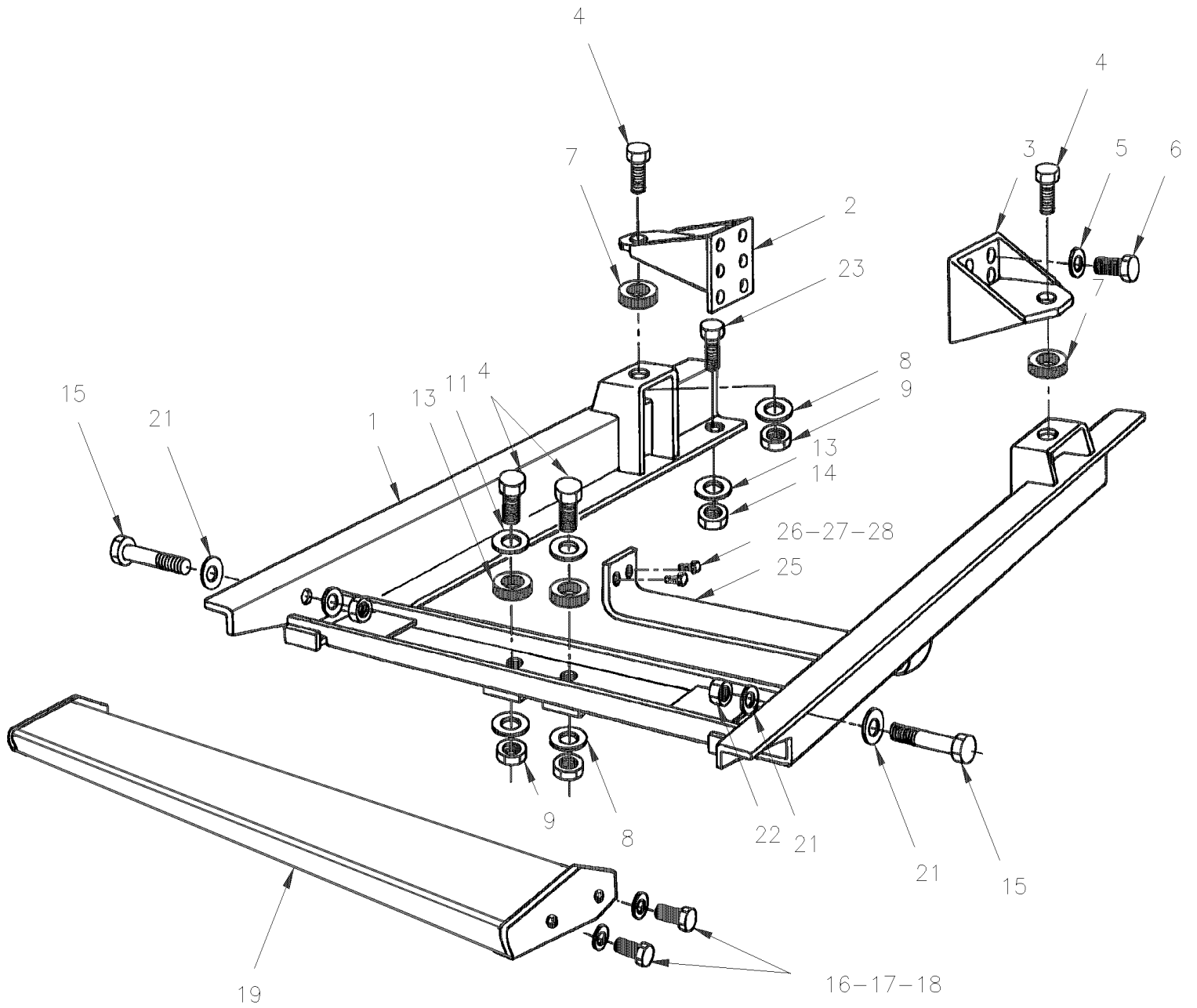
ADAPTOR ALTERNATOR - TYPE "MCI"



From E-638 To H-247		Date:10/2022	PAGE:XL-0145-00
ADAPTOR ALTERNATOR - TYPE "MCI"			

Item#	Part	Description	M T H 4 0	M T H 4 5	M T H 4 5 E	X L 4 0	X L 4 5	N O T E S
	560922	ADAPTOR ASSY	1			1		
1	560924	. NUT / DRIVE SHAFT	1			1		
2	560957	. GEAR INTERNAL / 55 TEETH	1			1		
3	560964	. HOUSING, ADAPTOR W/O STUD	1			1		
4	560967	. STUD / ADAPTOR HOUSING	6			6		
5	560961	. RING RETAINER / INT	1			1		
6	560958	. BALL BEARING	2			2		
7	561961	. SPACER	AR			AR		
9	560962	. PLATE, ADAPTOR / HOUSING TO ENGINE	1			1		
10	560960	. KEY / DRIVE SHAFT	1			1		
11	560956	. DRIVE SHAFT	1			1		
15	560934	GASKET / ALTERNATOR & ADAPTOR	1			1		
16	500716	NUT HEX 1/2-20 Z050	6			6		
17	500446	WASHER FL .531x1.250x.125 Z050	1			1		
18	560935	GASKET / ADAPTOR & PLATE	1			1		
19	561562	SCREW CAP HEXS 1/2-13x1 W/7/16 HEAD	4			4		
NS	500907	SCREW CAP HEXS 7/16-14x1 ZP	1			1		
20	510212	GASKET COMPRESSOR	1			1		
21	500857	WASHER LO INT .512x.900x.045 Z050	5			5		
22	500482	WASHER LO SPT .506x.873x.125 Z050	5			5		
23	510087	DISC COUPLING	1			1		
NS	510017	BOLT / TO FIX DISC COUPLING / 3/8-24 x 1 9/16"	1			1		
NS	060955	TOOL (FOR ALIGNMENT ALTERNATOR ADAPTOR DRIVE)	AR			AR		A
		A) FOR ALIGMENT PLATE ADAPTOR FLYWHEEL W/CENTER LINE OF CAMSHAFT						

From E-638 To R-949	Date:10/2022	PAGE:XL-0150-00
ENGINE CRADLE - WITH DETROIT S-71 & S-92		



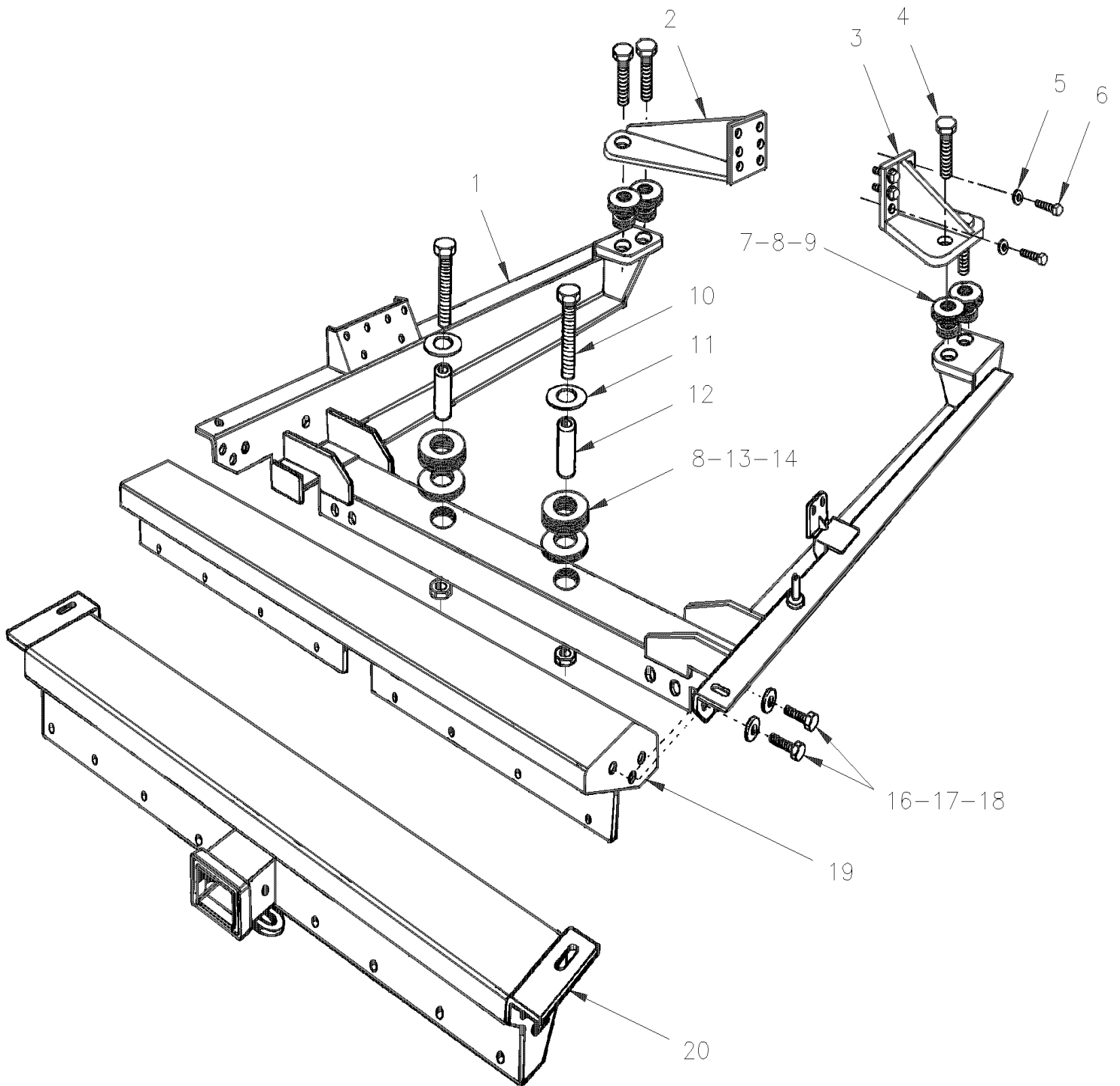
6V92 & 8V71

From E-638 To R-949

Date:10/2022

PAGE:XL-0150-00

ENGINE CRADLE - WITH DETROIT S-71 & S-92



8V92

From E-638 To R-949	Date:10/2022	PAGE:XL-0150-00
ENGINE CRADLE - WITH DETROIT S-71 & S-92		

Item#	Part	Description	M T H 4 0	M T H 4 5	M T H 4 5 E	X L 4 0	X L 4 5	N O T E S
1	010851	CRADLE ASSY To J-545				1		N
1	010831	CRADLE ASSY To J-545				1		R
1	010967	CRADLE ASSY To F-929	1			1		H
1	011038P	CRADLE ASSY From F-930	1			1		H
1	010937	CRADLE ASSY To F-929	1			1		I
1	011037P	CRADLE ASSY From F-930 To L-472	1		1	1		I
1	011491	CRADLE ASSY From L-473	1		1	1		I
1	010855	CRADLE ASSY To F-929				1		L
1	Call order desk	CRADLE ASSY From F-930				1		P L
1	010849	CRADLE ASSY To F-929				1		M
1	011035P	CRADLE ASSY From F-930				1		M
1	011070	CRADLE ASSY W/TRAILER HITCH To F-929	1					I
1	Call order desk	CRADLE ASSY W/TRAILER HITCH From F-930 To L-472	1					P I
1	011490	CRADLE ASSY W/TRAILER HITCH From L-473	1		1			I
2	010978	SUPPORT REAR L.H.	1			1		H
2	010935	SUPPORT REAR L.H.	1		1	1		I
2	010861	SUPPORT REAR L.H.				1		J
2	010848	SUPPORT REAR L.H.	1			1		K
3	010974	SUPPORT REAR R.H.	1			1		H
3	010936	SUPPORT REAR R.H.	1		1	1		I
3	010862	SUPPORT REAR R.H.				1		J
3	010847	SUPPORT REAR R.H.	1			1		K
4	500145	SCREW CAP HEX 3/4-16x3 1/2 G5 Z050	4			4		
4	500146	SCREW CAP HEX 3/4-16x4 G5 N500	4			4		
5	500484	WASHER LO SPT .635x1.079x.156 Z050	12			12		
6	500817	SCREW CAP HEX 5/8-11x1 3/4 G5 Z050	12			12		
7	510149	INSULATOR, RUBBER MOUNT / REAR SUPPORT W/8V/92	4			4		
NS	510247	INSULATOR, RUBBER MOUNT / REAR SUPPORT W/6V/92 & 8V/71	4			4		
8	010415	WASHER VIBRO / FRONT & REAR ENGINE SUPPORTS	6			6		
9	500735	NUT HEX STO 3/4-16 ZP	6			6		
10	500134	SCREW CAP HEX 5/8-18x3 1/2 G5 ZP	2			2		
11	010668	WSH FLAT / 8V92T FRONT SUPPORT	2			2		
NS	010797	WSH FLAT / 6V92T & 8V71 FRONT SUPPORT	2			2		
12	011056	BUSHING SPACER / TO FIX 8V92T FRONT SUPPORT	2			2		
13	510244	BUSHING RUBBER / FRONT ENGINE SUPPORT	2			2		
14	500725	NUT HEX STO 5/8-18 Z050	2			2		
NS	500735	NUT HEX STO 3/4-16 ZP	4			4		A
15	500776	SCREW CAP HEX M16-2.0x110 G8.8 Z050	2			2		
16	500088	SCREW CAP HEX 1/2-20x1 1/2 G5 ZP	4			4		B
17	500446	WASHER FL .531x1.250x.125 Z050	4			4		B
18	500718	NUT HEX STO 1/2-20 Z050	4			4		
19	011404	PULLEY PROTECTOR / W/O TRAILER HITCH	1			1		

From E-638 To R-949	Date:10/2022	PAGE:XL-0150-00
ENGINE CRADLE - WITH DETROIT S-71 & S-92		

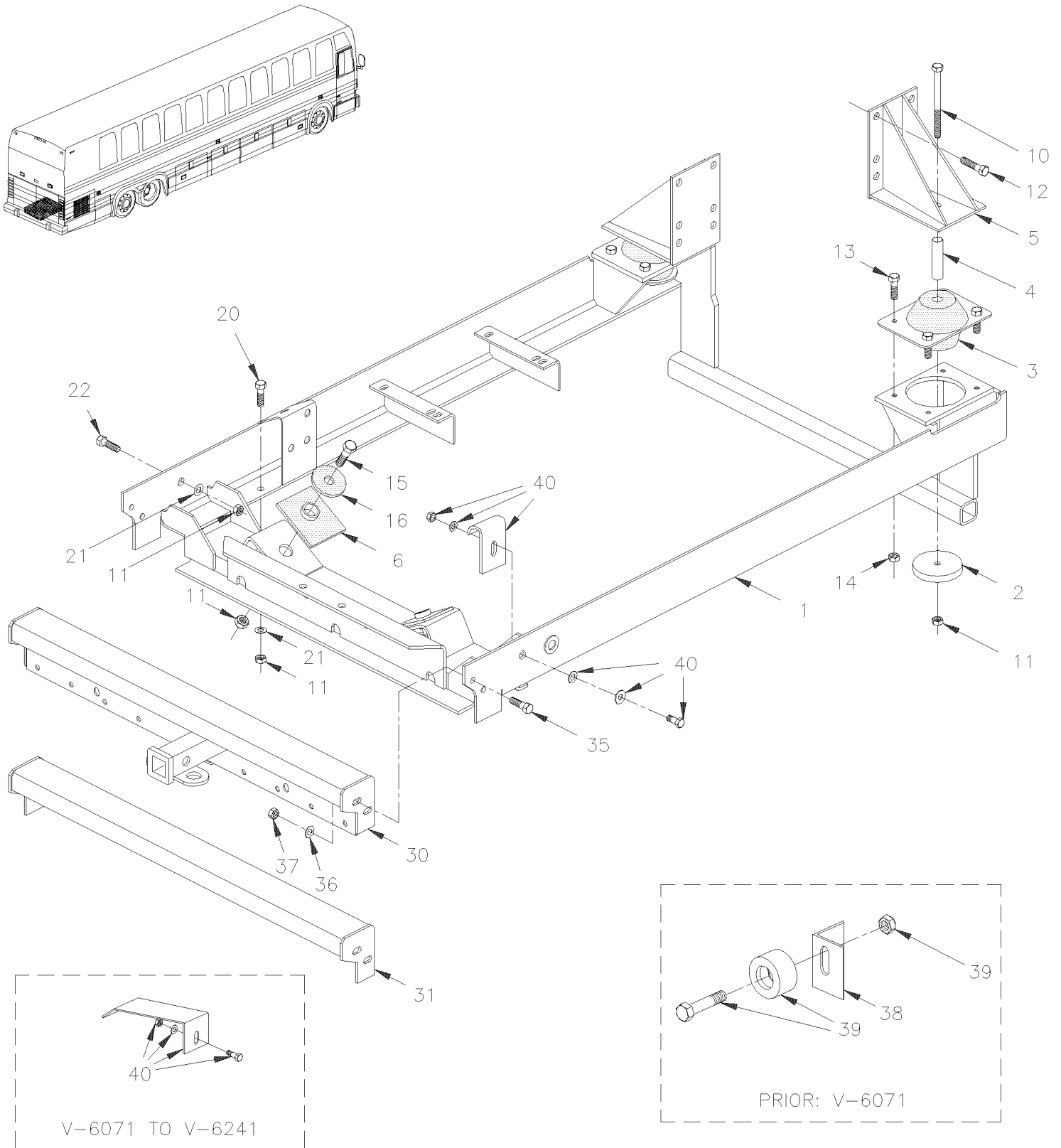
Item#	Part	Description	M T H 4 0	M T H 4 5	M T H 4 5 E	X L 4 0	X L 4 5	N O T E S
20	011399	PULLEY PROTECTOR / W/TRAILLER HITCH	1			1		
21	500846	WASHER FL 17.0x50.0x3.0 Z050	2			2		
22	500781	NUT HEX STO M16-2.0 DP	2			2		D
23	502544	SCREW CAP HEX M16-2.0x40 G8.8 Z050	4			4		D
25	070561	BAR PROTECTOR (HARDENED)	1			1		
26	500229	SCREW CAP HEX 5/8-11x2 G5 ZP	4			4		F
27	070624	SPACER / TO FIX TRANSMISSION PROTECTION BAR	4			4		
28	500792	NUT HEX 5/8-11 Z050	4			4		F
NS	500484	WASHER LO SPT .635x1.079x.156 Z050	4			4		F
		A) FRONT & REAR ENGINE SUPPORT						
		B) TO FIX PULLEY PROTECTOR						
		D) TO FIX CRADLE						
		F) TO FIX TRANSMISSION PROTECTION BAR						
		H) 8V92T W/MANUAL TRANSMISSION						
		I) 8V92T W/AUTOMATIC TRANSMISSION						
		J) 6V92 & 8V71 W/MANUAL TRANSMISSION						
		K) 6V92 & 8V71 W/AUTOMATIC TRANSMISSION						
		L) WITH 6V92 & MANUAL TRANSMISSION						
		M) WITH 6V92 & AUTOMATIC TRANSMISSION						
		N) WITH 8V71 & MANUAL TRANSMISSION						
		R) WITH 8V71 & AUTOMATIC TRANSMISSION						
		P) CALL ORDER DESK FOR SPECIFIC APPLICATION (V.I.N.)						

From P-722 To Y-7045

Date:10/2022

PAGE:XL-0150-01

ENGINE CRADLE - WITH DETROIT S-60



From P-722 To Y-7045	Date:10/2022	PAGE:XL-0150-01
ENGINE CRADLE - WITH DETROIT S-60		

Item#	Part	Description	M T H 4 0	M T H 4 5	M T H 4 5 E	X L 4 0	X L 4 5	N O T E S
1	011641P	CRADLE ASSY / W/S-60 & AUTOMATIC TRANSMISSION To V-6070	1	1	1	1	1	A
1	011890	CRADLE ASSY / W/S-60 & AUTOMATIC TRANSMISSION From V-6071	1	1	1	1	1	
1	011808	CRADLE ASSY/ W/S-60&AUTOM. TRANS&TRAILER HITCH To V-6070	1	1	1			A
1	012867	CRADLE ASSY/ W/S-60&AUTOM. TRANS&TRAILER HITCH From V-6071	1	1	1			
1	011765P	CRADLE ASSY / W/S-50 & MANUAL TRANSMISSION To V-6070				1	1	A
1	011794P	CRADLE ASSY / W/S-50 & AUTO TRANSMISSION To V-6070				1	1	A
1	011891	CRADLE ASSY / W/S-50 & AUTO TRANSMISSION From V-6071				1	1	
1	Call order desk	CRADLE ASSY / (SPECIAL GO-TRANSIT) From X-6945				1		P
2	011662	WASHER, INSULATOR / R.H. & L.H.	2	2	2	2	2	
3	510456	INSULATOR, RUBBER	2	2	2	2	2	
4	011629	SPACER BUSHING	2	2	2	2	2	
5	011585	SUPPORT, L.H.	1	1	1	1	1	
5	011585	SUPPORT, L.H.				1	1	
5	011785	SUPPORT, L.H. / W/S-50 & AUTOMATIC TRANSMISSION				1	1	
5	011586	SUPPORT, R.H. / W/S-60	1	1	1	1	1	
5	011772	SUPPORT, R.H. / W/S-50 & MANUAL TRANSMISSION				1	1	
5	011790	SUPPORT, R.H. / W/S-50 & AUTOMATIC TRANSMISSION				1	1	
6	510484	INSULATOR, RUBBER MOUNT SQUARE	2	2	2	2	2	
10	5001051	SCREW CAP HEX M16-2.0x160 G8.8 Z050	2	2	2	2	2	
11	500781	NUT HEX STO M16-2.0 DP	2	2	2	2	2	
12	500817	SCREW CAP HEX 5/8-11x1 3/4 G5 Z050				12	12	
12	502544	SCREW CAP HEX M16-2.0x40 G8.8 Z050	12	12	12	12	12	
13	502549	SCREW CAP HEX M10-1.5x35 G8.8 Z050	8	8	8	8	8	
14	500680	NUT HEX STO M10-1.5 Z050	AR	AR	AR	AR	AR	
NS	502644	WASHER FL 10.5x30.0x2.5 Z050	8	8	8	8	8	
15	502545	SCREW CAP HEX M16-2.0x80 G8.8 Z050	2	2	2	2	2	
16	510428	INSULATOR, RUBBER MOUNT ROUND	2	2	2	2	2	
20	502544	SCREW CAP HEX M16-2.0x40 G8.8 Z050	2	2	2	2	2	
21	500846	WASHER FL 17.0x50.0x3.0 Z050	6	6	6	6	6	
22	500776	SCREW CAP HEX M16-2.0x110 G8.8 Z050	2	2	2	2	2	
30	410581	PROTECTOR ASSY / W/TRAILER HITCH To T-5748	1	1	1			
30	410609	PROTECTOR ASSY / W/TRAILER HITCH From T-5749	1	1	1			
31	410596	PROTECTOR ASSY	1	1	1	1	1	
35	502731	SCREW CAP HEX M12-1.75x40 G8.8 Z050	4	4	4	4	4	
36	500446	WASHER FL .531x1.250x.125 Z050	4	4	4	4	4	
37	500811	NUT HEX STO M12-1.75 G500	4	4	4	4	4	
38	011623	ANGLE SUPPORT / (WELDED TO ENGINE CRADLE) To V-6070	1	1	1	1	1	
39	XL-0120-02	DRIVE PULLEY & BELTS - WITH DETROIT S-60						
40	XL-0120-02	DRIVE PULLEY & BELTS - WITH DETROIT S-60						
		FOR RETROFIT A TRAILER HITCH						

From P-722 To Y-7045	Date:10/2022	PAGE:XL-0150-01
ENGINE CRADLE - WITH DETROIT S-60		

Item#	Part	Description	M T H 4 0	M T H 4 5	M T H 4 5 E	X L 4 0	X L 4 5	N O T E S
		YOU REQUIRE NEXT FOLLOWING ITEMS						
NS	500446	WASHER FL .531x1.250x.125 Z050	4	4	4			
NS	500781	NUT HEX STO M16-2.0 DP	4	4	4			
NS	500811	NUT HEX STO M12-1.75 G500	4	4	4			
NS	502731	SCREW CAP HEX M12-1.75x40 G8.8 Z050	4	4	4			
NS	502744	NUT HEX STO M8-1.25 Z050	4	4	4			
NS	910006	NAME PLATE "CERTIFICATION HITCH PLATE"	1	1	1			
NS	502627	SCREW DRV RND #2x1/4 ZP	2	2	2			
NS	211484	SPACER / EACH SIDE OF ENGINE CRADLE	2	2	2			B
NS	410575	ANGLE / TRAILER HITCH SUPPORT	1	1	1			B
NS	410805	KIT TRAILER HITCH / UPGRADE TO 20000LBS		1				
NS	IS-99092A	SEE INSTRUCTION SHEET		1				
NS	410804	KIT TRAILER HITCH / UPGRADE TO 20000LBS	1		1			
NS	IS-99092A	SEE INSTRUCTION SHEET	1		1			
		A) PRIOR V-6071 CRADLE ARE USE WITH PULLEY FOR BELT PROTECTION, SEE PULLEY #052010 PAGE XL-0125-01						
		B) THOSE ITEMS NEED TO BE WELDED AT THE CRADLE ENGINE						
		P) CALL ORDER DESK FOR SPECIFIC APPLICATION (V.I.N.)						

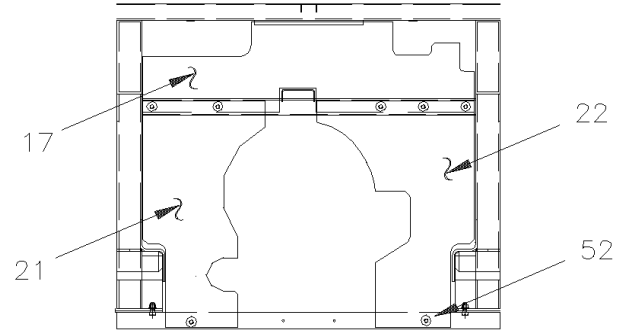
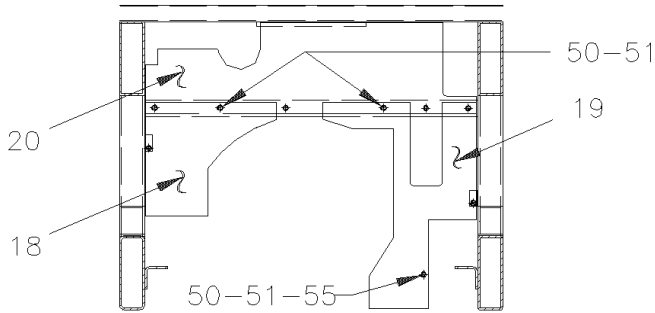
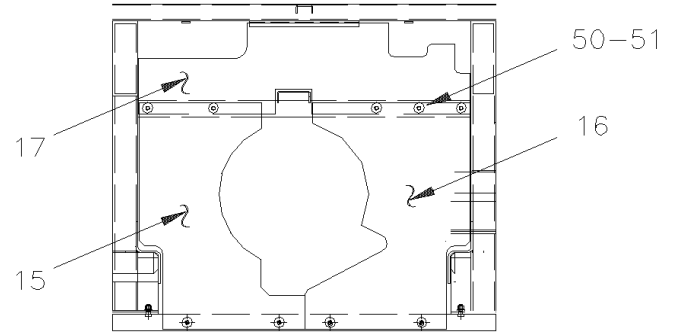
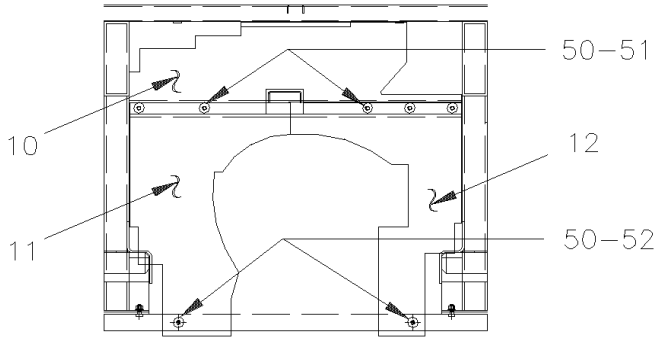
From E-638 To W-6383

Date:10/2022

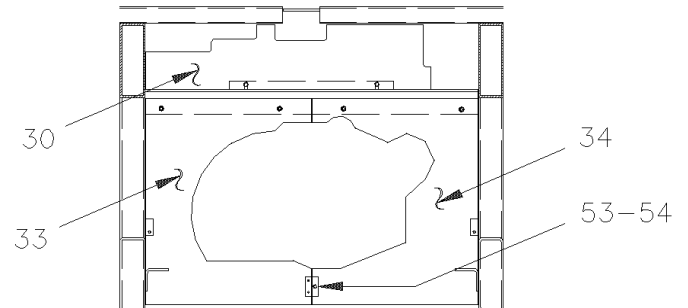
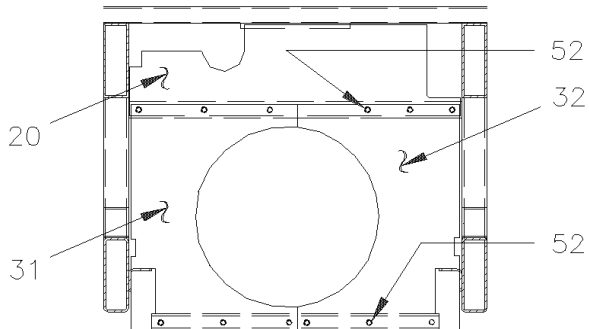
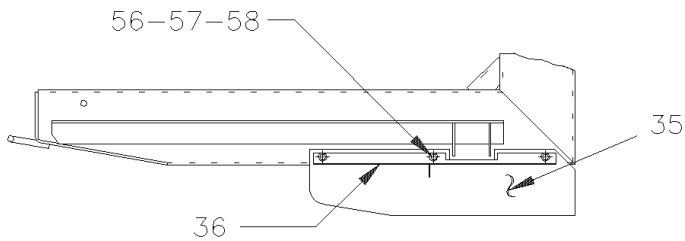
PAGE:XL-0155-00

ENGINE TRANSMISSION GUARD & AIR SHIELD

REAR VIEW



SIDE VIEW

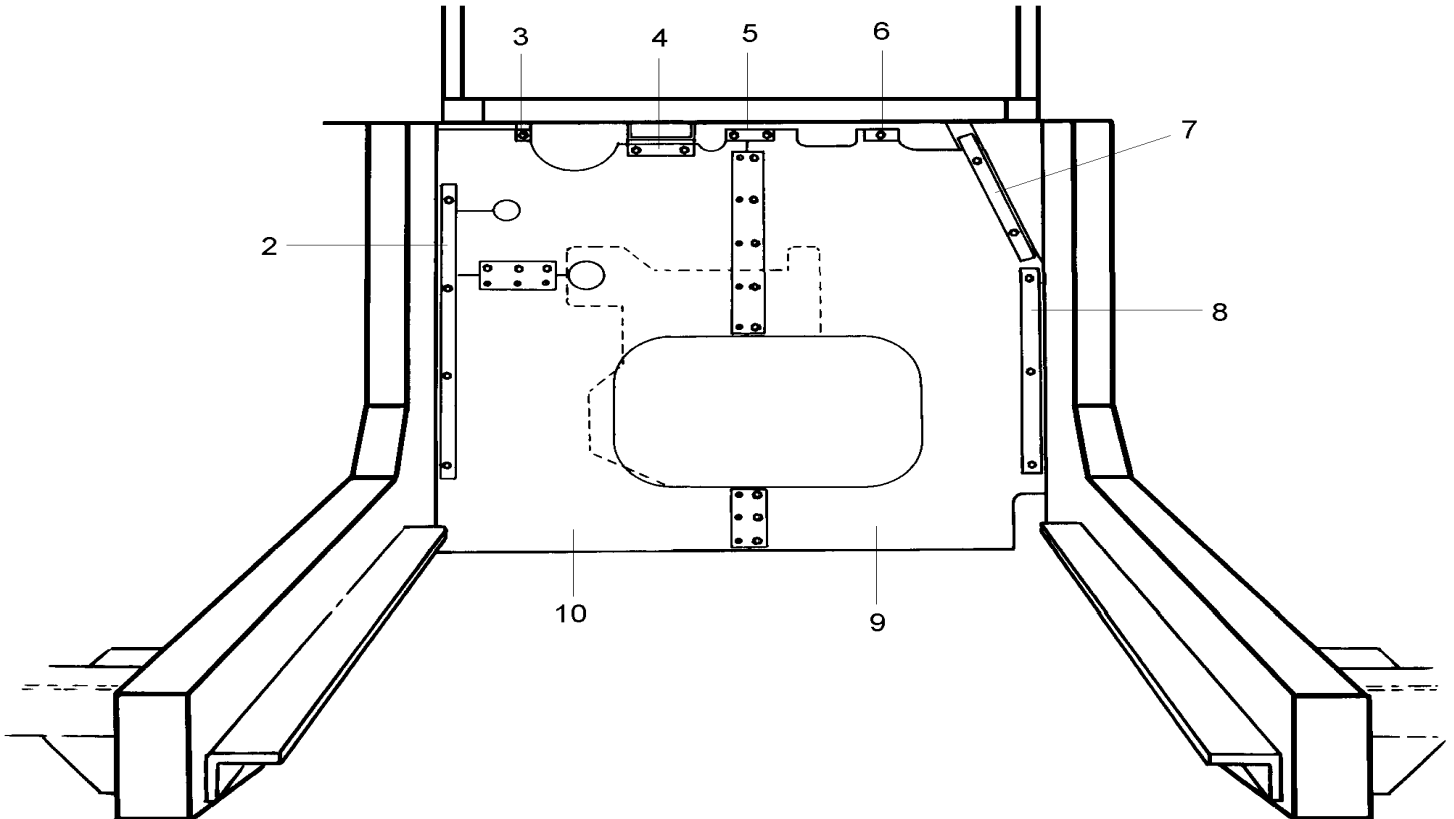
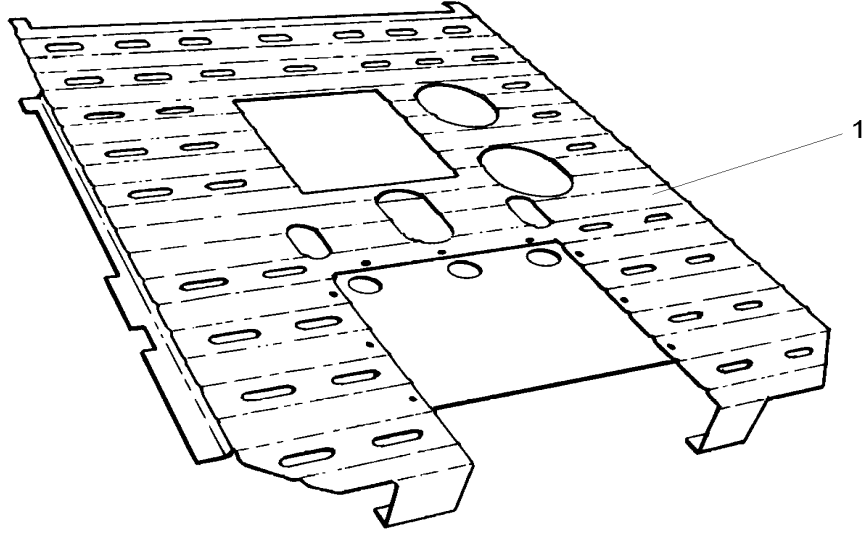


From E-638 To W-6383

Date:10/2022

PAGE:XL-0155-00

ENGINE TRANSMISSION GUARD & AIR SHIELD



From E-638 To W-6383	Date:10/2022	PAGE:XL-0155-00
ENGINE TRANSMISSION GUARD & AIR SHIELD		

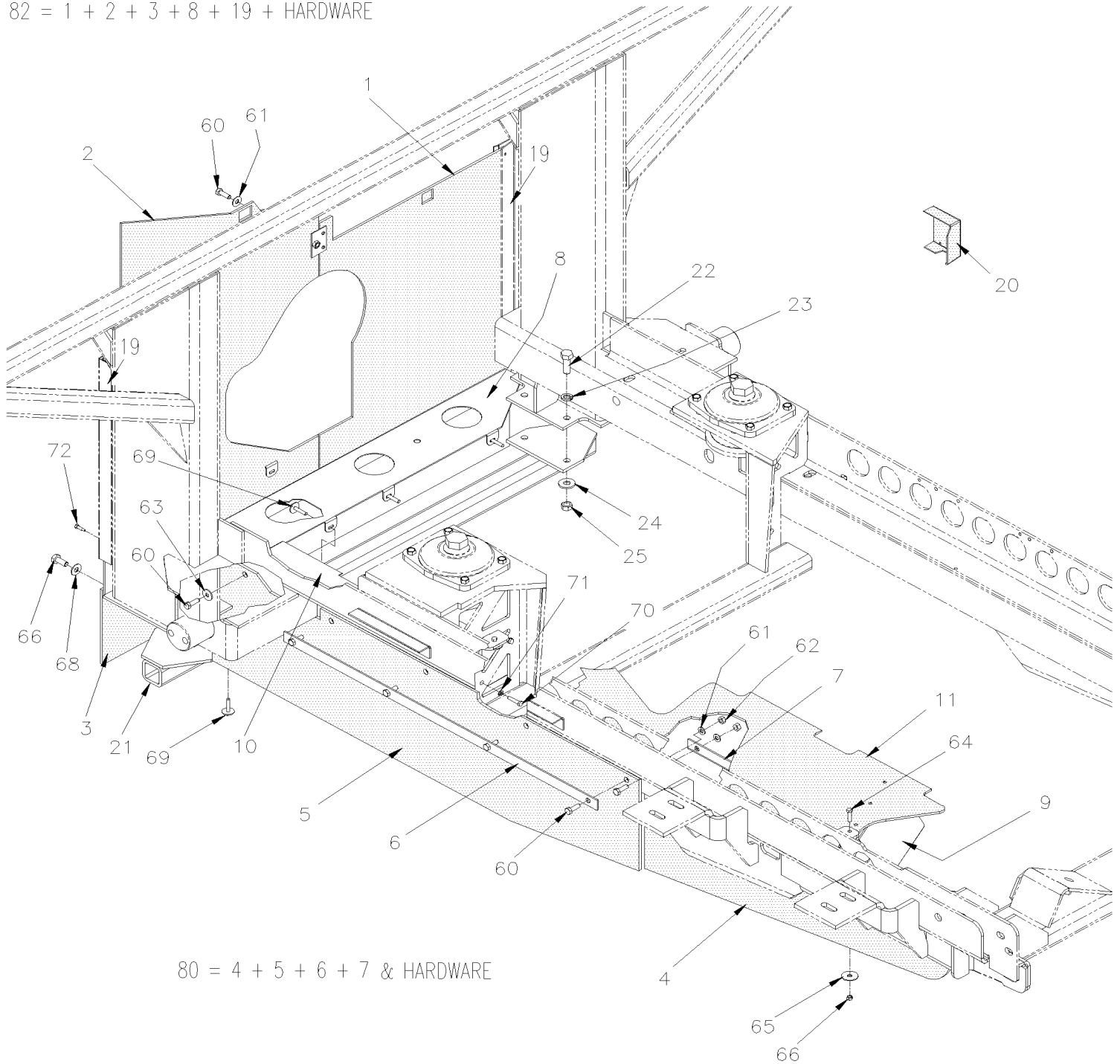
Item#	Part	Description	M T H 4 0	M T H 4 5	M T H 4 5 E	X L 4 0	X L 4 5	N O T E S
1	011164	PAN ASSY WINTER To N-492	1			1		E
1	011578	PAN ASSY WINTER From N-493	1		1	1		E
NS	010941	SUPPORT /TO FIX PAN WELDED TO FRONT STRUCTURE	2		2	2		
NS	010942	SUPPORT, ANGLE	2		2	2		
NS	500179	SCREW CAP HEX 5/16-18x3/4 G5 Z050	6		6	6		
NS	500183	SCREW CAP HEX 5/16-18x1 1/2 G5 PT Z050	4		4	4		
NS	500441	WASHER FL .312x.734x.065 Z050	10		10	10		
NS	500476	WASHER LO SPT .317x.586x.078 Z050	10		10	10		
2	011310	PLATE FIXTURE	10		10	10		
3	011309	PLATE FIXTURE	1		1	1		
4	011311	PLATE FIXTURE	1		1	1		
5	011308	PLATE FIXTURE	1		1	1		
6	011312	PLATE FIXTURE	1		1	1		
7	011191	PLATE FIXTURE	1		1	1		
8	011192	PLATE FIXTURE	1		1	1		
NS	500095	SCREW CAP HEX 1/4-20x3/4 SS	21		21	21		
NS	500473	WASHER LO SPT .262x.489x.062 Z050	21		21	21		
NS	500771	NUT HEX 1/4-20 SS	21		21	21		
9	011183	GUARD ASSY R.H.	1			1		F
9	011484	GUARD ASSY R.H.	1			1		G
9	011367	GUARD ASSY R.H.	1		1	1		H
9	011504	GUARD ASSY R.H.	1		1	1		J
10	011185	GUARD ASSY L.H.	1			1		F
10	011485	GUARD ASSY L.H.	1			1		G
10	011314	GUARD ASSY L.H.	1		1	1		J
NS	011442	KIT RETROFIT / ENGINE GUARD To K-652	AR			AR		H
NS	011238	KIT RETROFIT / ENGINE GUARD To K-652				AR		F
11	011687	GUARD UPPER LH		1				A
12	011688	GUARD UPPER RH		1				A
13	011689	GUARD LOWER LH		1				A
14	011690	GUARD LOWER RH		1				A
15	011715	GUARD LOWER L.H. To W-6383		1			1	B
16	011714	GUARD LOWER R.H. To W-6383		1			1	B
17	011713	GUARD UPPER To W-6383		1	1	1		B
18	011706	GUARD LOWER R.H.	1		1	1		B
19	011705	GUARD LOWER L.H.	1		1	1		B
20	011704	GUARD UPPER	1		1	1		B
21	011726	GUARD LOWER L.H. / W/RETARDER To W-6383		1			1	B
22	011725	GUARD LOWER R.H. / W/RETARDER To W-6383		1			1	B
30	011757	GUARD UPPER				1		C
31	011730	GUARD LOWER L.H. / W/60				1	1	C
32	011731	GUARD LOWER R.H. / W/60				1	1	C

From E-638 To W-6383	Date:10/2022	PAGE:XL-0155-00
ENGINE TRANSMISSION GUARD & AIR SHIELD		

Item#	Part	Description	M T H 4 0	M T H 4 5	M T H 4 5 E	X L 4 0	X L 4 5	N O T E S
33	011748	GUARD LOWER L.H. / W/50				1		C
34	011747	GUARD LOWER R.H. / W/50				1		C
NS	052379	AIRSHIELD KIT	1		1	1		D
NS	IS-99123	SEE INSTRUCTION SHEET	1		1	1		D
NS	052373	AIR SHIELD	1		1	1		D
NS	052372	ANGLE ATTACHMENT	1		1	1		D
NS	052380	AIRSHIELD KIT		1			1	K
NS	IS-99123	SEE INSTRUCTION SHEET		1			1	K
NS	052368	AIR SHIELD FORWARD		1			1	K
NS	052369	AIR SHIELD BACKWARD		1			1	K
NS	052370	ANGLE ATTACHMENT		1			1	K
NS	052371	PLATE ATTACHMENT		1			1	K
35	052373	AIR SHIELD	1	1	1	1	1	
36	052372	ANGLE ATTACHMENT	1	1	1	1	1	
50	502621	NUT HEX STO M6-1.0 Z050	AR	AR	AR	AR	AR	
51	500468	WASHER FL .281x1.250x.065 Z050	AR	AR	AR	AR	AR	
52	500923	SCREW TC CAP HEX 1/4-20x3/4 Z050	AR	AR	AR	AR	AR	
53	500535	SCREW TP CAP HEX #14x3/4 Z050	AR	AR	AR	AR	AR	
NS	502764	NUT SPR J #14A .035-.046	AR	AR	AR	AR	AR	
NS	502573	WASHER FL 6.4x12.5x1.6 SS	AR	AR	AR	AR	AR	
54	011390	PLATE FIXING				1		
55	502818	SCREW CAP HEX M6-1.0x35 G8.8 Z050	1	1	1	1	1	
56	502780	SCREW CAP HEX M8-1.25x25 SS BK	3	3	3	3	3	
57	500874	WASHER FL 8.4x17.0x1.6 Z050	3	3	3	3	3	
58	502744	NUT HEX STO M8-1.25 Z050	1	1	1	1	1	
		A) THIS PART IS RELATED W/60 AND W/ "ATEC" TRANSMISSION						
		B) THIS PART IS RELATED W/50 & 60 AND W/ "WORLD" TRANSMISSION						
		C) THIS PART IS RELATED W/50 & 60 W/ MANUAL TRANSMISSION						
		D) FOR PRODUCT IMPROVMENT WITH SERIES 60 UP TO Y-7044 YOU REQUIRE KIT #052379						
		E) USE WITH SERIES 71 & 92 ONLY						
		F) THIS IS RELATED W/6V92 & MANUAL TRANSMISSION						
		G) THIS PART IS RELATED W/8V92 & MANUAL TRANSMISSION						
		H) THIS PART IS RELATED W/8V92 & HYDRAULIC TRANSMISSION						
		J) THIS PART IS RELATED W/8V92 & "ATEC" TRANSMISSION						
		K) FOR PRODUCT IMPROVMENT WITH SERIES 60 UP TO Y-7044 YOU REQUIRE KIT #052380						

From W-6384 To Y-7045	Date:10/2022	PAGE:XL-0155-10
ENGINE TRANSMISSION GUARD & AIR SHIELD		

82 = 1 + 2 + 3 + 8 + 19 + HARDWARE



80 = 4 + 5 + 6 + 7 & HARDWARE

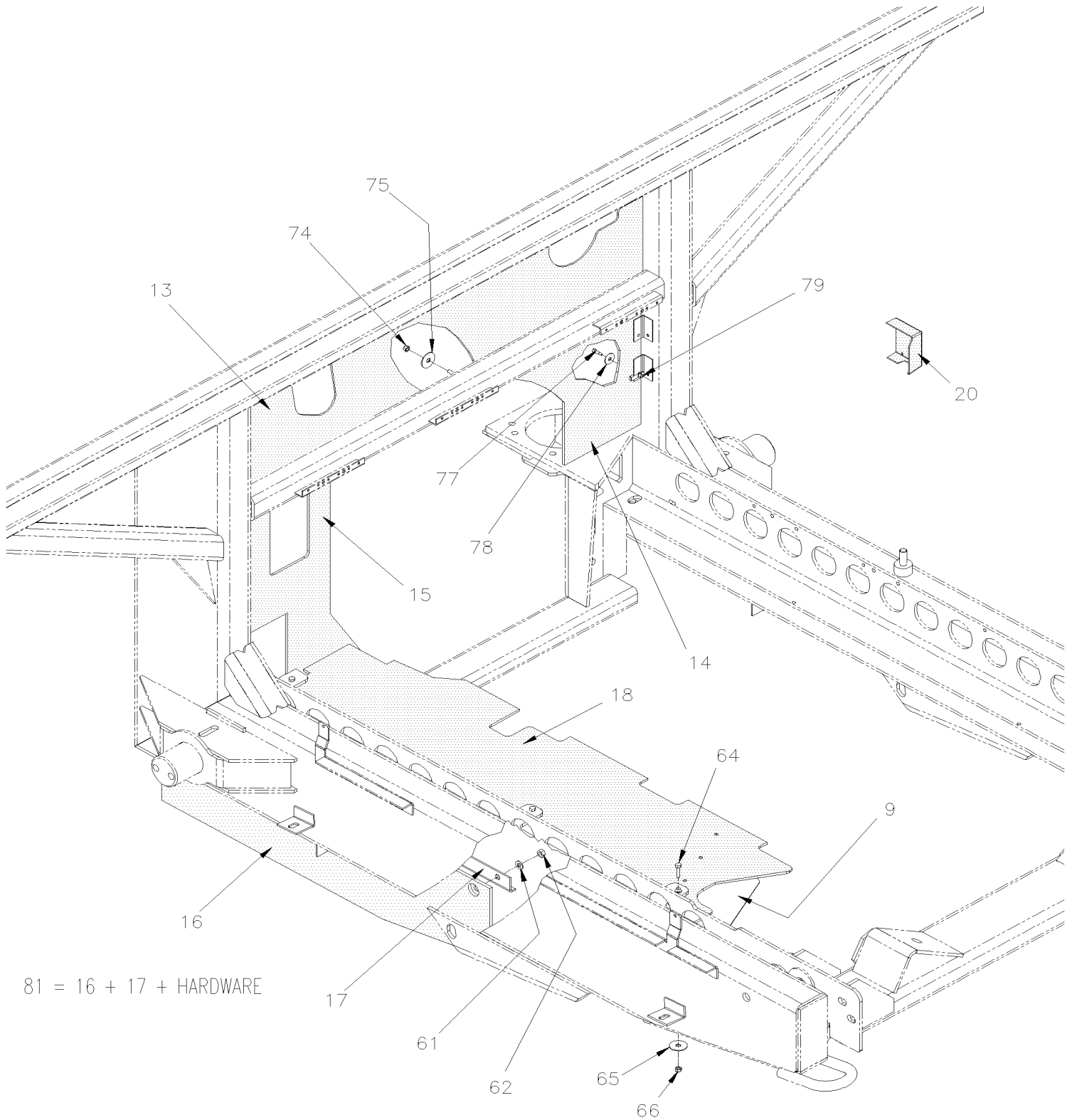
WITH BUS & MTH-45

From W-6384 To Y-7045

Date:10/2022

PAGE:XL-0155-10

ENGINE TRANSMISSION GUARD & AIR SHIELD



81 = 16 + 17 + HARDWARE

WITH BUS - 40 MTH-40 & MTH-45E

From W-6384 To Y-7045	Date:10/2022	PAGE:XL-0155-10
ENGINE TRANSMISSION GUARD & AIR SHIELD		

Item#	Part	Description	M T H 4 0	M T H 4 5	M T H 4 5 E	X L 4 0	X L 4 5	N O T E S
		"WARNING" - "WARNING" - "WARNING"						
		PINK LINES MAY BE RETROFIT FOR PRODUCT IMPROVEMENT BY CUSTOMER'S IN SERVICE						
1	071101	PROTECTOR R.H.		1			1	S R
. NS	071109	. PLATE ASSY W/WEDL-NUT M8-1.25		2			2	S R
. NS	504379	. RIVET POP DOME OE 3/16x1/4 SS		4			4	S R
2	071102	PROTECTOR L.H.					1	S
2	071130	PROTECTOR L.H.		1				S
3	071103	PROTECTOR LOWER 186MM x 1094MM		1			1	
4	052369	AIR SHIELD BACKWARD		1			1	
5	052368	AIR SHIELD FORWARD		1			1	
6	052371	PLATE ATTACHMENT		1			1	
7	052370	ANGLE ATTACHMENT		1			1	
8	071131	SUPPORT, LOWER		1			1	
9	012301	DEFLECTOR PROTECTOR SS 110MM x 215MM / ENGINE COOLANT PIPE	1	1	1		1	
9	504339	RIVET POP DOME OE 1/8x3/8 SS	3	3	3		3	
10	052327	AIR SHIELD BOX SS		1			1	
11	011999	AIR SHIELD From X-6832		1			1	
13	011704	GUARD UPPER	1		1	1		
14	011706	GUARD LOWER R.H.	1		1	1		A
15	011705	GUARD LOWER L.H.	1		1	1		A
16	052373	AIR SHIELD	1		1	1		
17	052372	ANGLE ATTACHMENT	1		1	1		
18	011999	AIR SHIELD From X-6832	1		1	1		
19	071104	SUPPORT LATERAL "F" SHAPE 500MM From X-6674	2	2	2		2	
20	382033	PROTECTOR "E.C.M." / PLASTIC	1	1	1	1	1	
21	171605	BAR, TRANSMISSION PROTECTOR		1			1	
22	502731	SCREW CAP HEX M12-1.75x40 G8.8 Z050		4			4	
23	500482	WASHER LO SPT .506x.873x.125 Z050		4			4	
24	500446	WASHER FL .531x1.250x.125 Z050		4			4	
25	500860	NUT HEX M12-1.75 Z050		4			4	
60	502780	SCREW CAP HEX M8-1.25x25 SS BK	10	10	10		10	
61	500874	WASHER FL 8.4x17.0x1.6 Z050	10	10	10	10	10	
61	5001341	WASHER FL 8.4x17.0x1.6 SS	AR	AR	AR	AR	AR	
62	502744	NUT HEX STO M8-1.25 Z050	8	8	8	8	8	
63	500381	WASHER FL 8.4x25.0x2.0 N500	1	1	1		1	
64	502737	SCREW CAP HEX M6-1.0x25 SS BK	3	3	3		3	
65	5001467	WASHER FL .343x1.250x.062 SS18-8	3	3	3		3	
66	502511	NUT HEX NYRT M6-1.0 Z050	3	3	3		3	

From W-6384 To Y-7045	Date:10/2022	PAGE:XL-0155-10
ENGINE TRANSMISSION GUARD & AIR SHIELD		

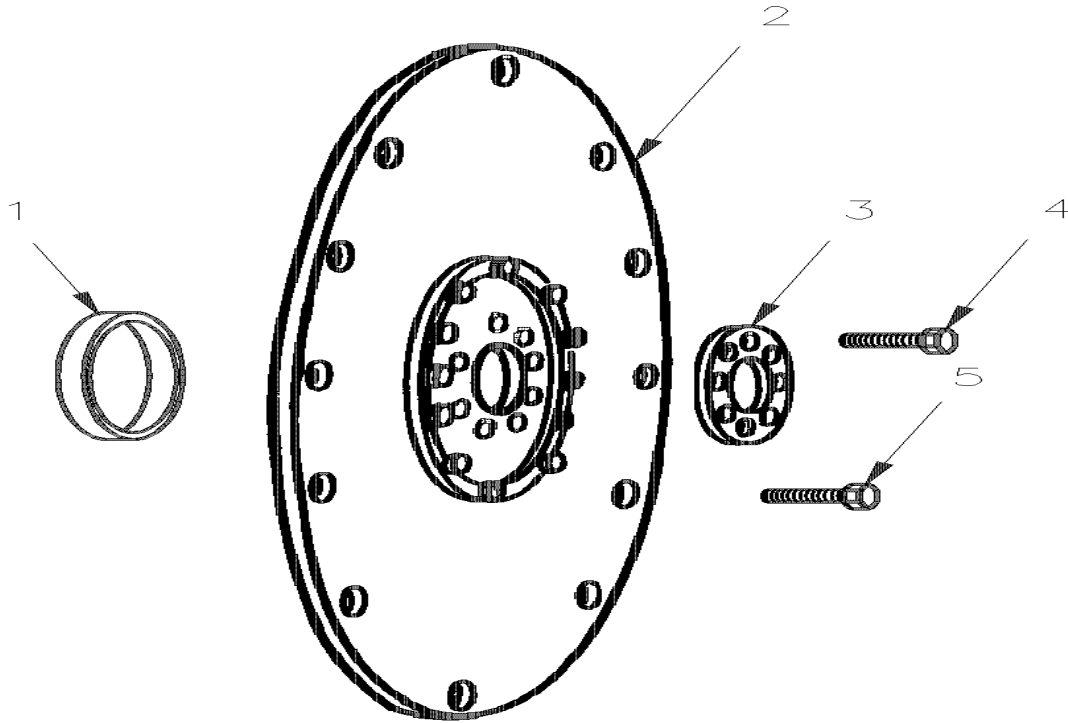
Item#	Part	Description	M T H 4 0	M T H 4 5	M T H 4 5 E	X L 4 0	X L 4 5	N O T E S
67	5001231	SCREW CAP HEX M10-1.5x25 SS	6	6	6		6	
68	500270	WASHER FL .406x1.000x.063 SS	6	6	6		6	
69	502810	SCREW TP CAP HEXW FL M6.3-1.81x30 PHC	6	6	6		6	
70	502686	SCREW CAP HEX M6-1.0x30 SS BK	2	2	2		2	
71	502853	WASHER LO SPT 6.1x11.8x1.6 N500	2	2	2		2	
72	5001169	SCREW TP CAP HEXW #12x3/4 SS410	2	2	2		2	
73	502622	SCREW CAP HEX M6-1.0x20 SS BK	1	1	1		1	
74	502621	NUT HEX STO M6-1.0 Z050	AR		AR			
75	500468	WASHER FL .281x1.250x.065 Z050	AR		AR			
77	500535	SCREW TP CAP HEX #14x3/4 Z050	2	2	2		2	
77	502818	SCREW CAP HEX M6-1.0x35 G8.8 Z050	AR	AR	AR		AR	
78	502573	WASHER FL 6.4x12.5x1.6 SS	2	2	2		2	
78	500468	WASHER FL .281x1.250x.065 Z050	AR	AR	AR		AR	
79	502764	NUT SPR J #14A .035-.046	2	2	2		2	
79	502621	NUT HEX STO M6-1.0 Z050	AR	AR	AR		AR	
80	052379	AIRSHIELD KIT To Y-6856	1		1	1		
. NS	IS-99123	. SEE INSTRUCTION SHEET To Y-6856	1		1	1		
. NS	052373	. AIR SHIELD To Y-6856	1		1	1		
. NS	052372	. ANGLE ATTACHMENT To Y-6856	1		1	1		
81	052380	AIRSHIELD KIT To Y-6856		1	1			
. NS	IS-99123	. SEE INSTRUCTION SHEET To Y-6856		1	1			
. NS	052368	. AIR SHIELD FORWARD To Y-6856		1	1			
. NS	052369	. AIR SHIELD BACKWARD To Y-6856		1	1			
. NS	052370	. ANGLE ATTACHMENT To Y-6856		1	1			
. NS	052371	. PLATE ATTACHMENT To Y-6856		1	1			
82	071041	KIT, PROTECTOR TRANS To W-6383		1				K1
. NS	071081	. SUPPORT To W-6383		2				K1
. NS	071101	. PROTECTOR R.H. To W-6383		1				K1
. . NS	071109	. . PLATE ASSY W/WEDL-NUT M8-1.25 To W-6383		2				K1
. . NS	504379	. . RIVET POP DOME OE 3/16x1/4 SS To W-6383		4				K1
. NS	071103	. PROTECTOR LOWER 186MM x 1094MM To W-6383		1				K1
. NS	071104	. SUPPORT LATERAL "F" SHAPE 500MM To W-6383		2				K1
. NS	071130	. PROTECTOR L.H. To W-6383		1				K1
. NS	071131	. SUPPORT, LOWER To W-6383		1				K1
82	071164	KIT, PROTECTOR TRANS To W-6383					1	K2
. NS	071081	. SUPPORT To W-6383					2	K2
. NS	071101	. PROTECTOR R.H. To W-6383					1	K2
. . NS	071109	. . PLATE ASSY W/WEDL-NUT M8-1.25 To W-6383					2	K2
. . NS	504379	. . RIVET POP DOME OE 3/16x1/4 SS To W-6383					4	K2
. NS	071102	. PROTECTOR L.H. To W-6383					1	K2

From W-6384 To Y-7045	Date:10/2022	PAGE:XL-0155-10
ENGINE TRANSMISSION GUARD & AIR SHIELD		

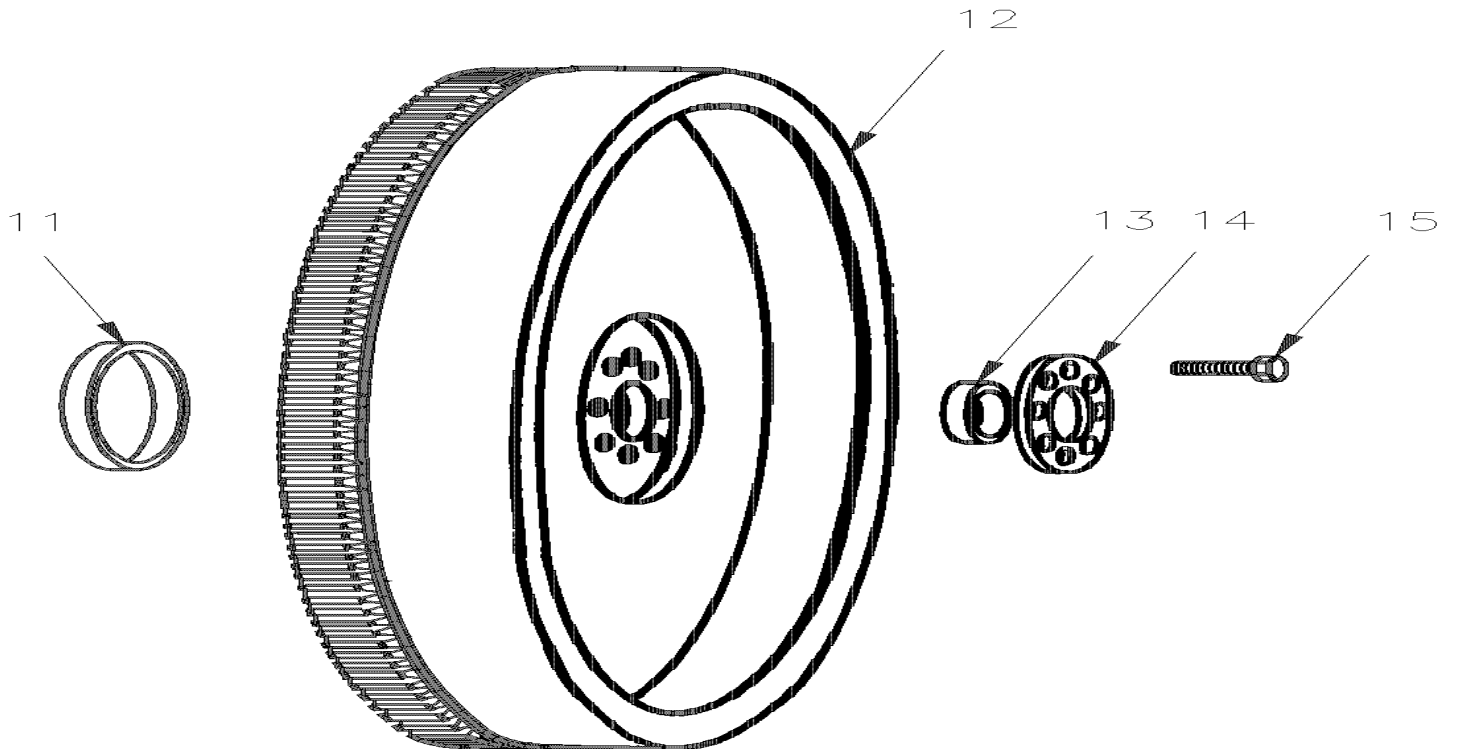
Item#	Part	Description	M T H 4 0	M T H 4 5	M T H 4 5 E	X L 4 0	X L 4 5	N O T E S
.NS	071103	. PROTECTOR LOWER 186MM x 1094MM To W-6383					1	K2
.NS	071104	. SUPPORT LATERAL "F" SHAPE 500MM To W-6383					2	K2
.NS	071111	. SUPPORT ASSY To W-6383					1	K2
		A) AS SHOWN						
		K1) THIS KIT INCLUDE ITEMS # 1,2,8,60,61,67 & 69						
		K2) THIS KIT INCLUDE ITEMS # 1,2,3,60,61,67 & 69						
		R) WITH RETARDER						
		S) WITHOUT RETARDER						

From E-638 To R-949	Date:10/2022	PAGE:XL-0160-00
FLYWHEEL - WITH DETROIT S-71 & S-92		

AUTOMATIC TRANSMISSION



MANUAL TRANSMISSION



From E-638 To R-949	Date:10/2022	PAGE:XL-0160-00
---------------------	--------------	-----------------

FLYWHEEL - WITH DETROIT S-71 & S-92

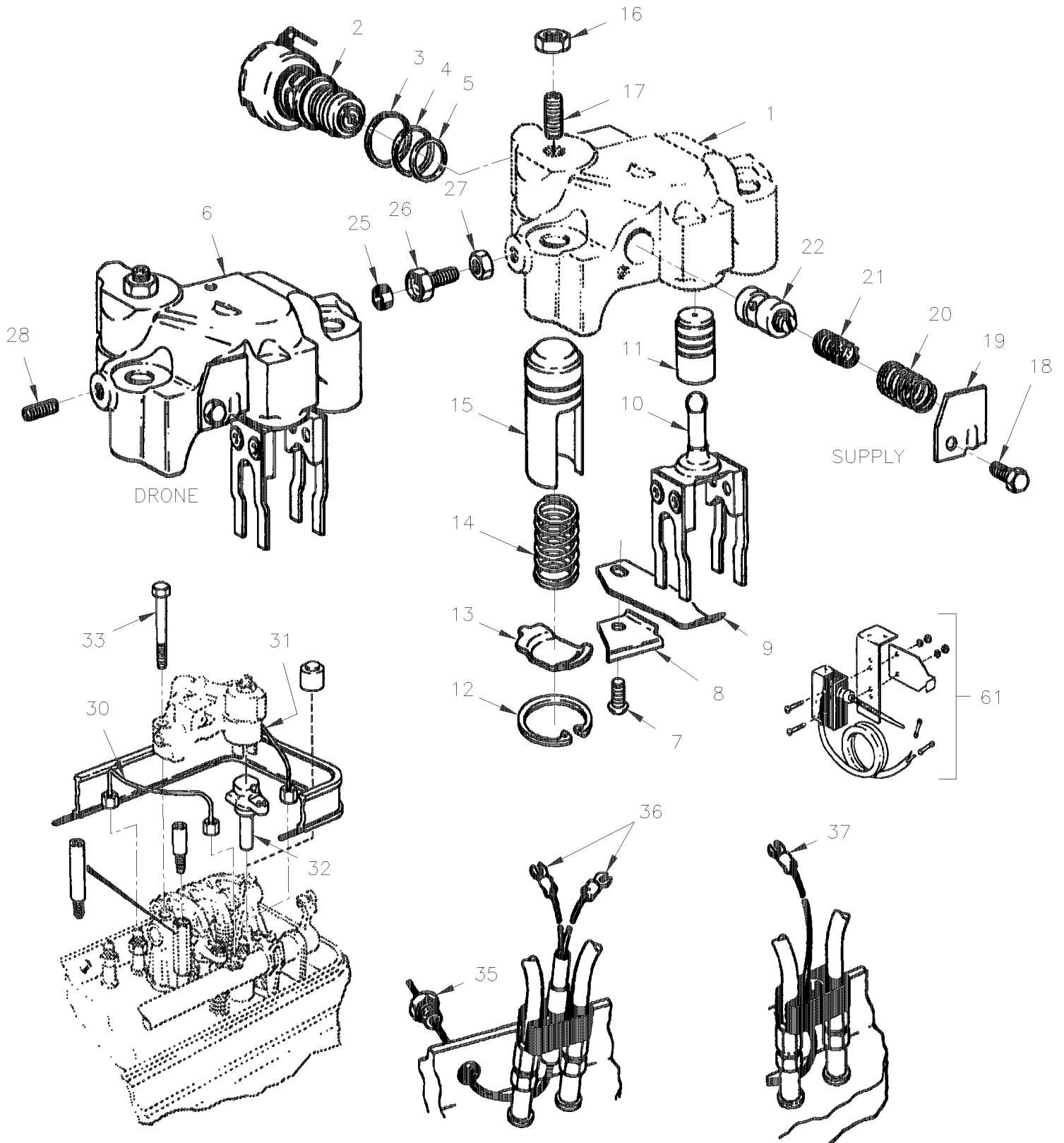
Item#	Part	Description	M T H 4 0	M T H 4 5	M T H 4 5 E	X L 4 0	X L 4 5	N O T E S
		6V92, 8V92 & 8V71 W/AUTOMATIC TRANSMISSION						
1	510286	SEAL OIL	1		1	1		B
1	510049	SEAL OIL	1			1		A
2	571418	PLATE FLEXIBLE	1		1	1		B
2	570810	PLATE FLEXIBLE	1			1		A
3	510225	PLATE SCUFF	1		1	1		B
3	510041	PLATE SCUFF	1			1		A
4	510079	BOLT / TO FIX SCUFF PLATE	12		12	12		
4	510079	BOLT / TO FIX SCUFF PLATE	12			12		A
NS	295131006	RING GEAR ADAPTOR ASSY / W/AUTOMATIC TRANS	1			1		
5	571143	BOLT / FLEXIBLE PLATE	12		12	12		
		6V92T & 8V92T W/MANUAL TRANSMISSION						
11	510286	SEAL OIL	1		1	1		
12	510223	FLYWHEEL	1		1	1		
13	507113	BALL BEARING	1		1	1		
14	510225	PLATE SCUFF	1		1	1		
15	510287	BOLT / TO FIX SCUFF PLATE	12		12	12		
		A) WITH 8V71 ENGINE						
		B) WITH 8V92						

From E-638 To R-949

Date:10/2022

PAGE:XL-0165-00

JACOB'S - ENGINE BRAKE - WITH DETROIT S-71 & S-92

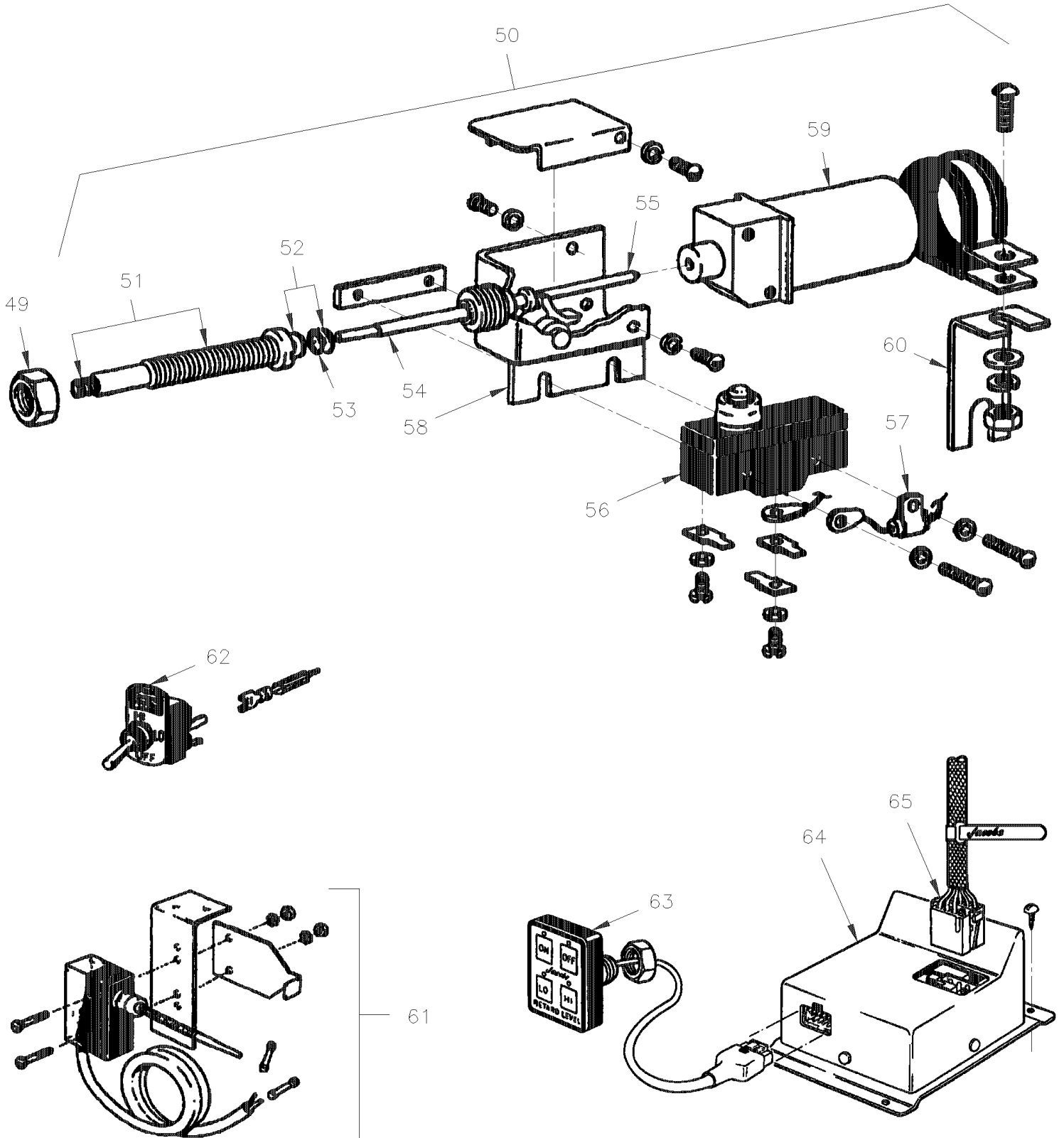


From E-638 To R-949

Date:10/2022

PAGE:XL-0165-00

JACOB'S - ENGINE BRAKE - WITH DETROIT S-71 & S-92



From E-638 To R-949	Date:10/2022	PAGE:XL-0165-00
JACOB'S - ENGINE BRAKE - WITH DETROIT S-71 & S-92		

Item#	Part	Description	M T H 4 0	M T H 4 5	M T H 4 5 E	X L 4 0	X L 4 5	N O T E S
	510197	KIT JACOB'S BRAKE /24V/ 6V92T REGULAR ENGINE To M-750	1			1		D
	510392	KIT JACOB'S BRAKE /12V/ 6V92T REGULAR ENGINE From M-751	1			1		D
	510245	KIT JACOB'S BRAKE /24V/ 8V92T REGULAR ENGINE To M-750	1			1		E
	510391	KIT JACOB'S BRAKE /12V/ 8V92T REGULAR ENGINE From M-751	1			1		D
	510361	KIT JACOB'S BRAKE /ATTACHMENT PARTS / 6V92T REGULAR ENGINE	1			1		F
	510362	KIT JACOB'S BRAKE /ATTACHMENT PARTS / 8V92T REGULAR ENGINE	1			1		G
	510365	KIT JACOB'S BRAKE / 12 VOLTS / 6V92T DDEC	1			1		B
	510366	KIT JACOB'S BRAKE / 12 VOLTS / 8V92T DDEC	1		1	1		C
1	N.S.P.	HOUSING / 12 VOLT SUPPLY / DDEC ENGINE (#013592)	1		1	1		2
2	510409	. VALVE SOLEINOID / 12 VOLTS DDEC ENGINE	1		1	1		
3	510411	. SEAL RING / UPPER	1		1	1		
4	510412	. SEAL RING / CENTER	1		1	1		
5	510413	. SEAL RING / LOWER	1		1	1		
6	N.S.P.	. HOUSING DRONE	1		1	1		2
7	N.S.P.	. . SCREW (#001265)	1		1	1		2
8	N.S.P.	. . RETAINER SPRING (#003669)	1		1	1		2
9	N.S.P.	. . SPRING / MASTER PISTON (#009505)	1		1	1		2
10	N.S.P.	. . FORK ASSY / MASTER PISTON (#003337)	1		1	1		2
11	N.S.P.	. . PISTON MASTER (#003329)	1		1	1		2
12	N.S.P.	. . RING RETAINING (#001023)	1		1	1		2
13	N.S.P.	. . RETAINER (#007620)	1		1	1		2
14	N.S.P.	. . SPRING (#001288)	1		1	1		2
15	N.S.P.	. . PISTON SLAVE (#009442)	1		1	1		2
16	N.S.P.	. . NUT (#001026)	1		1	1		2
17	N.S.P.	. . SCREW (#001031)	1		1	1		2
18	N.S.P.	. . SCREW (#001492)	1		1	1		2
19	N.S.P.	. . COVER CONTROL VALVE (#002221)	1		1	1		2
20	N.S.P.	. . SPRING CONTROL VALVE (#011434)	1		1	1		2
21	N.S.P.	. . SPRING CONTROL VALVE (#007500)	1		1	1		2
22	N.S.P.	. . SPOOL ASSY / CONTROL VALVE (#011930)	1		1	1		2
25	510415	. SEAL RING	4		4	4		
26	510414	. CONNECTOR OIL	4		4	4		
27	N.S.P.	. NUT (#001340)	4		4	4		2
28	N.S.P.	. SCREW (#001341)	4		4	4		2
30	510419	. PIPE R.H. FUEL	2		2	2		
31	510420	. PIPE L.H. FUEL	2		2	2		
NS	510482	. PIPE L.H. & R.H. FUEL	AR		AR	AR		
32	N.S.P.	. BRIDGE EXHAUST VALVE (#001322)	2		2	2		2
33	N.S.P.	. BOLT OIL SUPPLY (#001340)	4		4	4		2
35	510418	. BUSHING SEAL	2		2	2		
36	510417	. HARNESS	2		2	2		
37	510416	. HARNESS	2		2	2		

From E-638 To R-949	Date:10/2022	PAGE:XL-0165-00
JACOB'S - ENGINE BRAKE - WITH DETROIT S-71 & S-92		

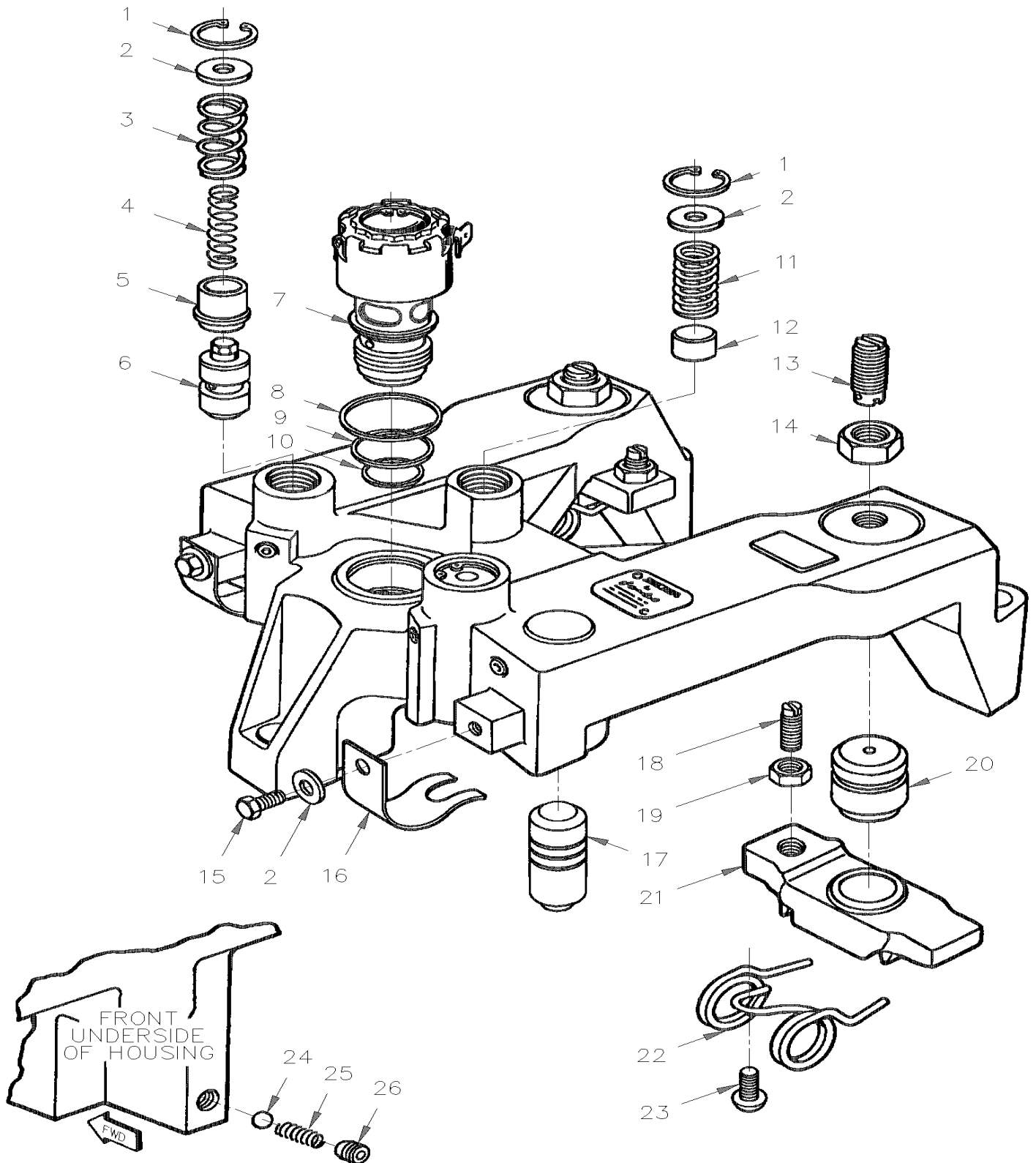
Item#	Part	Description	M T H 4 0	M T H 4 5	M T H 4 5 E	X L 4 0	X L 4 5	N O T E S
49	510241	NUT "SPECIAL"	1			1		
50	510148	SWITCH ASSY / W/BUFFER SCREW / FAST IDLE	1			1		
51	510124	SCREW ASSY	1			1		
52	510422	WASHER	1			1		
53	N.S.P.	O-RING (002017)	1			1		2
54	510146	PLUNGER	1			1		
55	560874	PLUNGER CYLINDRICAL	1			1		
56	560648	MICRO SWITCH	1			1		
57	560694	DIODE	1			1		
58	510421	BRACKET ACTUATING ASSY	1			1		
59	510423	CYLINDER BODY	1			1		
60	010440	BRACKET	1			1		
61	061736	SWITCH ASSY To M-762				1		
NS	063147	SWITCH ASSY, / JACOB'S & CRUISE CONTROL From M-763				1		A
NS	061735	HARNESS ASSY / CLUTCH SWITCH				1		
62	560911	SWITCH / OFF-ON -ON SERIES S.P.D.T.	1			1		
NS	561047	SWITCH, JACOB'S / PUSH BUTTON To H-234	1			1		
NS	561520	SWITCH / OFF-ON-ON SERIES S.P.D.T.	1		1	1		
NS	062991	INSERT / GREEN / "JACOB" BRAKE	1		1	1		
63	561544	MODULE DASHBOARD / DDEC ENGINE From H-285 To L-683	1			1		H
64	561543	MODULE ASSY CONTROL / DDEC ENGINE From H-285 To L-683	1			1		
71	500380	SCREW MA RND SLT #5-40x1 BZC				2		
72	502649	WASHER LO EXT .141x.320x.022 Z050				2		
73	500766	NUT HEX #5-40 ZP				2		
NS	065235	KIT SWITCH JAKE BRAKE	1			1		
NS	IS-99061	SEE INSTRUCTION SHEET	1			1		
		A) CLUTCH						
		B) ENGINE INCLUDES ITEMS #1,6,24,32,33,35 & 37						
		C) ENGINE INCLUDES ITEMS #1,6,24,32,33,35 & 37						
		D) INCLUDE ITEMS #1,6 & 29						
		E) INCLUDE ITEMS #1,6,24,29 & 34						
		F) INCLUDES ITEMS #24,35 & 37						
		G) INCLUDES ITEMS #24,35 & 36						
		H) FOR PRODUCT IMPROVEMENT, ASK KIT #065235						
		2) NOT SOLD BY PREVOST (SEE MANUFACTURING PART NUMBER AT END OF DESCRIPTION LINE)						

From P-722 To Y-7045

Date:10/2022

PAGE:XL-0165-01

JACOB'S - ENGINE BRAKE - WITH DETROIT S-60

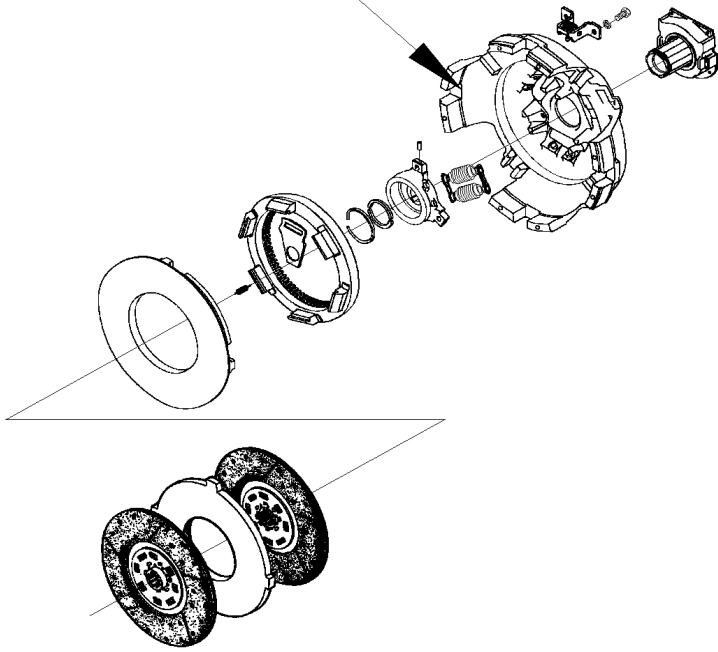


From P-722 To Y-7045	Date:10/2022	PAGE:XL-0165-01
JACOB'S - ENGINE BRAKE - WITH DETROIT S-60		

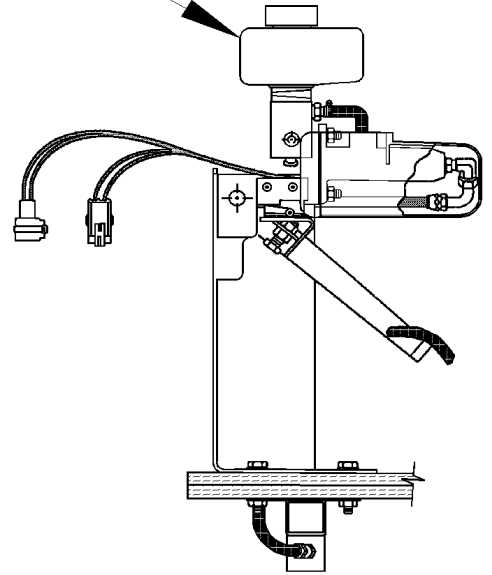
Item#	Part	Description	M T H 4 0	M T H 4 5	M T H 4 5 E	X L 4 0	X L 4 5	N O T E S
	510507	KIT JACOB'S 11.1 LITER	1	1	1	1	1	
	510508	KIT JACOB'S 12.7 LITER	1	1	1	1	1	
	N.S.P.	HOUSING ASSY - 12 VOLTS (#017122)	3	3	3	3	3	2
1	N.S.P.	RETAINING RING (#012991)	3	3	3	3	3	2
2	N.S.P.	COVER (#016505)	5	5	5	5	5	2
3	N.S.P.	STOP SPRING (#001519)	2	2	2	2	2	2
4	N.S.P.	SPRING (GREEN) (#001518)	2	2	2	2	2	2
5	N.S.P.	COLLAR (#016557)	2	2	2	2	2	2
6	N.S.P.	CONTROL VALVE (011930)	2	2	2	2	2	2
7	N.S.P.	SOLENOID VALVE (#016440)	1	1	1	1	1	2
8	510411	SEAL RING / UPPER	1	1	1	1	1	
9	510412	SEAL RING / CENTER	1	1	1	1	1	
10	510413	SEAL RING / LOWER	1	1	1	1	1	
11	N.S.P.	SPRING (#012990)	1	1	1	1	1	2
12	N.S.P.	PISTON - ACCUMULATOR (#012983)	1	1	1	1	1	2
13	N.S.P.	POWER LASH SCREW ASSY (#020382)	2	2	2	2	2	2
14	N.S.P.	HEX NUT (#011395)	2	2	2	2	2	2
15	N.S.P.	SCREW (#001492)	2	2	2	2	2	2
16	N.S.P.	FLAT SPRING (#016535)	2	2	2	2	2	2
17	N.S.P.	MASTER PISTON (#012981)	2	2	2	2	2	2
18	N.S.P.	ADJUSTING SCREW (#011426)	2	2	2	2	2	2
19	N.S.P.	HEX NUT (#001026)	2	2	2	2	2	2
20	N.S.P.	SLAVE PISTON (#017048)	2	2	2	2	2	2
21	N.S.P.	BRIDGE (#016771)	2	2	2	2	2	2
22	N.S.P.	TORSION SPRING (#019576)	2	2	2	2	2	2
23	N.S.P.	BUTTONHEAD SCREW (#0190741)	2	2	2	2	2	2
24	N.S.P.	BALL (#001021)	2	2	2	2	2	2
25	N.S.P.	BALL CHECK SPRING (#011720)	1	1	1	1	1	2
26	N.S.P.	PIPE PLUG (#008888)	1	1	1	1	1	2
26	N.S.P.	SOLENOID HARNESS EXTERNAL (#017393)	1	1	1	1	1	2
26	N.S.P.	SOLENOID HARNESS INTERNAL (#017392)	1	1	1	1	1	2
NS	510505	SHIM	AR	AR	AR	AR	AR	
26	N.S.P.	FILLER GAUGE .040 LASH / TO USE W/11.1 LITER (#017277)	AR	AR	AR	AR	AR	2
26	N.S.P.	FILLER GAUGE .020 LASH / TO USE W/12.7 LITER (#017278)	AR	AR	AR	AR	AR	2
		2) NOT SOLD BY PREVOST (SEE MANUFACTURING PART NUMBER AT END OF DESCRIPTION LINE)						

	Date:10/2022	XL-02
CLUTCH		

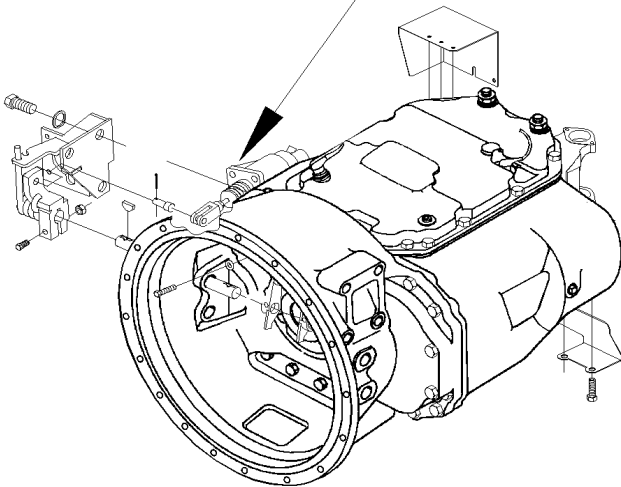
5



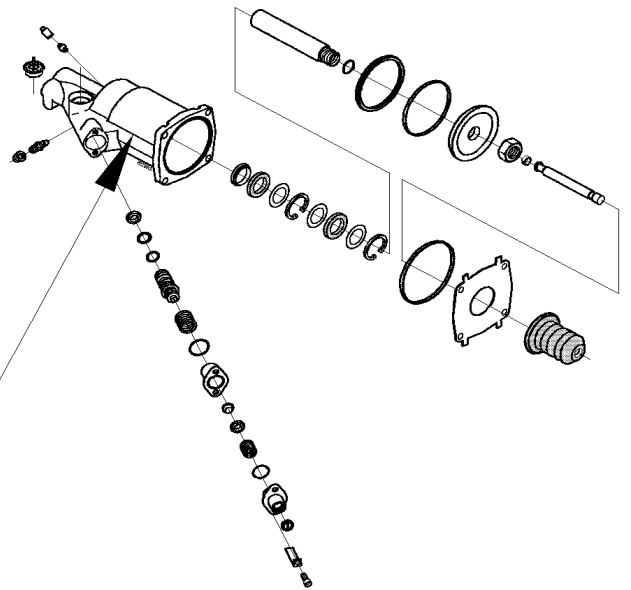
10-15



20-25



30



	Date:10/2022	XL-02
CLUTCH		

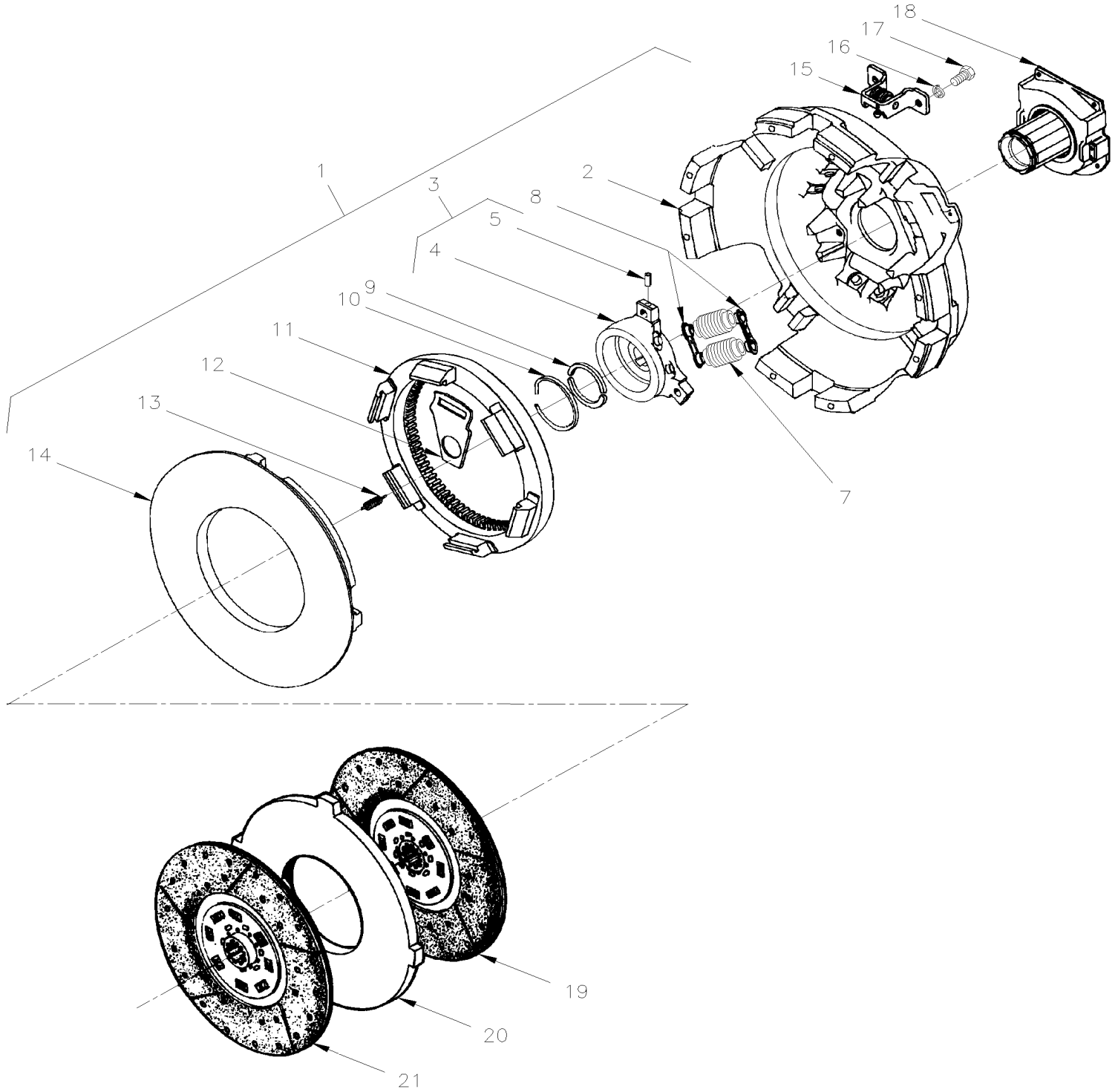
Item#	Part	Description	M T H 4 0	M T H 4 5	M T H 4 5 E	X L 4 0	X L 4 5	N O T E S
5	XL-0205-00	CLUTCH PRESSURE PLATE ASSY - WITH DETROIT S-71 & S-92 From E-638 To R-798						
5	XL-0205-01	CLUTCH PRESSURE PLATE ASSY - WITH DETROIT S-50 & S-60 From R-860 To T-5778						
10	XL-0210-00	CLUTCH PEDAL & CONTROL ROD From E-638 To L-684						
15	XL-0210-10	CLUTCH PEDAL - HYDRAULIC From L-685 To R-774						
15	XL-0210-11	CLUTCH PEDAL - "POWER ASSISTED" From R-775 To T-5778						
20	XL-0215-00	CLUTCH CONTROL - REAR SECTION - MECANICAL From E-638 To L-684						
25	XL-0215-10	CLUTCH CONTROL - REAR SECTION - HYDRAULIC From L-685 To R-774						
25	XL-0215-11	CLUTCH CONTROL - REAR SECTION - "POWER" From R-775 To T-5778						
30	XL-0220-00	CLUTCH CYLINDER - "POWER ASSISTED" From R-775 To T-5778						

From E-638 To R-798

Date:10/2022

PAGE:XL-0205-00

CLUTCH PRESSURE PLATE ASSY - WITH DETROIT S-71 & S-92



From E-638 To R-798	Date:10/2022	PAGE:XL-0205-00
CLUTCH PRESSURE PLATE ASSY - WITH DETROIT S-71 & S-92		

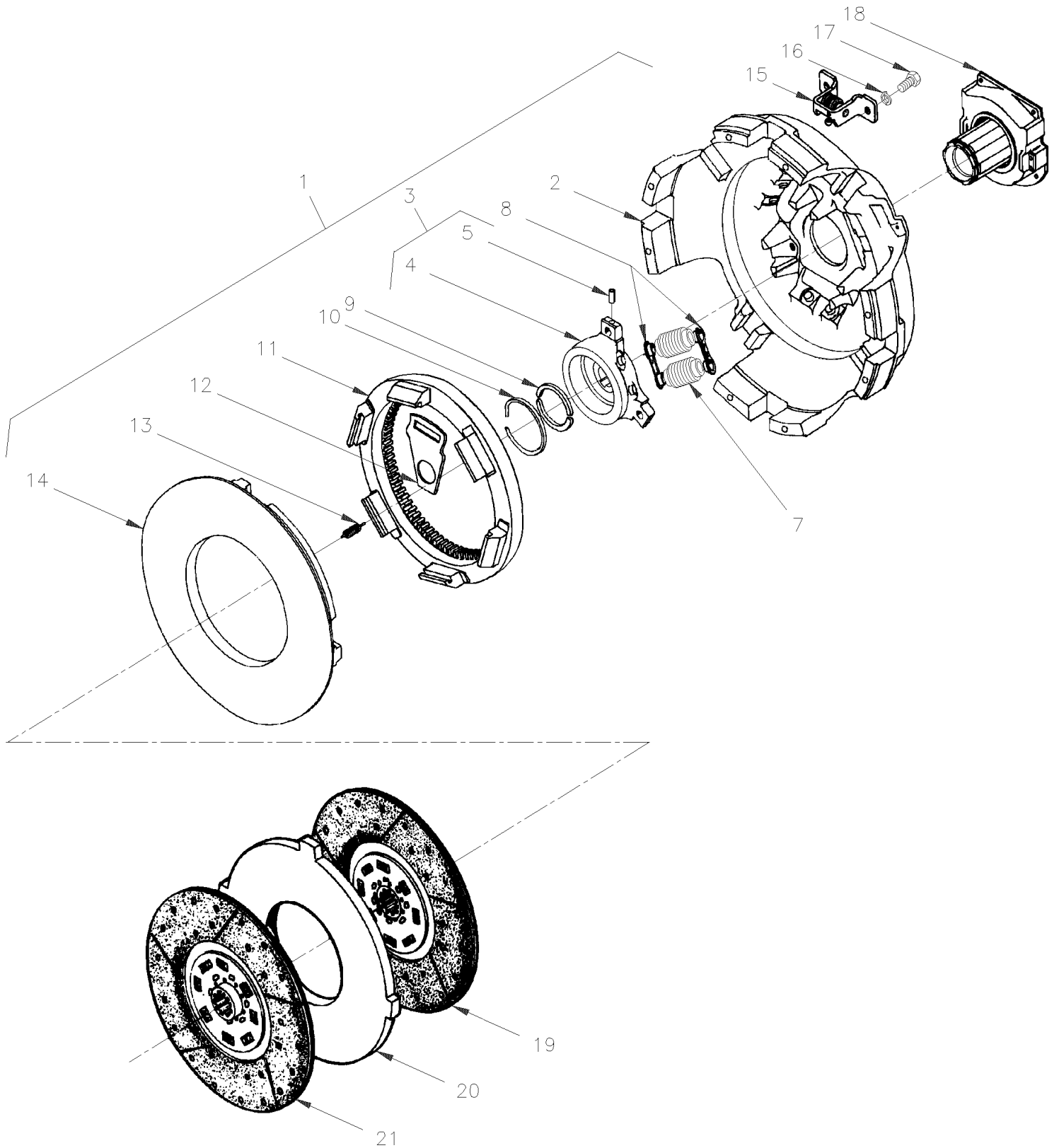
Item#	Part	Description	M T H 4 0	M T H 4 5	M T H 4 5 E	X L 4 0	X L 4 5	N O T E S
	520091	CLUTCH ASSY / W/6V92 To M-917				1		
	520134	CLUTCH ASSY / W/6V92 From M-918				1		
	520116	CLUTCH ASSY / W/8V92 To M-917				1		
	520133	CLUTCH ASSY / W/8V92 From M-918				1		
1	520115	. COVER ASSY / W/6V92 To M-917				1		
1	520135	. COVER ASSY / W/6V92 From M-918				1		
1	520117	. COVER ASSY / W/8V92 To M-917				1		
1	520136	. COVER ASSY / W/8V92 From M-918				1		
2	520111	. RING FLYWHEEL To M-917				1		
3	520112	. RETAINER & SPRING SLEEVE ASSY To M-917				1		
4	N.S.S.	. . . RETAINER / RELEASE SLEEVE				1		1
5	N.S.S.	. . . SLEEVE SPRING				1		1
7	520096	. SPRING PRESSURE / RED / W/6V92				6		
7	520118	. SPRING PRESSURE / YELLOW / 8V92				6		
8	520095	. PIVOT SPRING				6		
9	520098	. RING RELEASE SLEEVE				2		
10	520099	. RING SNAP				1		
11	520113	. RING ADJUSTING To M-917				1		
12	520100	. LEVER				6		
13	520102	. SPRING EXTENSION / .700 O.D. x 1.625 x .091				4		
14	520103	. PLATE PRESSURE				1		
15	520110	. ADJUSTER ASSY To M-917				1		
15	520137	. ADJUSTER ASSY From M-918				1		
16	520109	. WASHER LOCK				2		
17	520108	. BOLT				2		
18	520107	. RELEASE BEARING & SLEEVE ASSY				1		
19	520106	. DISC ASSY FRONT DRIVEN				1		
20	520105	. PLATE CENTER				1		
21	520104	. DISC ASSY REAR DRIVEN				1		
NS	520090	. CLUTCH BRAKE				1		
NS	520168	CLUTCH BRAKE "QUICK CONNECT"				AR		
NS	520119	CLUCH ASSY / CERAMIC From G-196 To G-198	1					
		1) NOT SOLD SEPARATELY						

From R-860 To T-5778

Date:10/2022

PAGE:XL-0205-01

CLUTCH PRESSURE PLATE ASSY - WITH DETROIT S-50 & S-60



From R-860 To T-5778	Date:10/2022	PAGE:XL-0205-01
CLUTCH PRESSURE PLATE ASSY - WITH DETROIT S-50 & S-60		

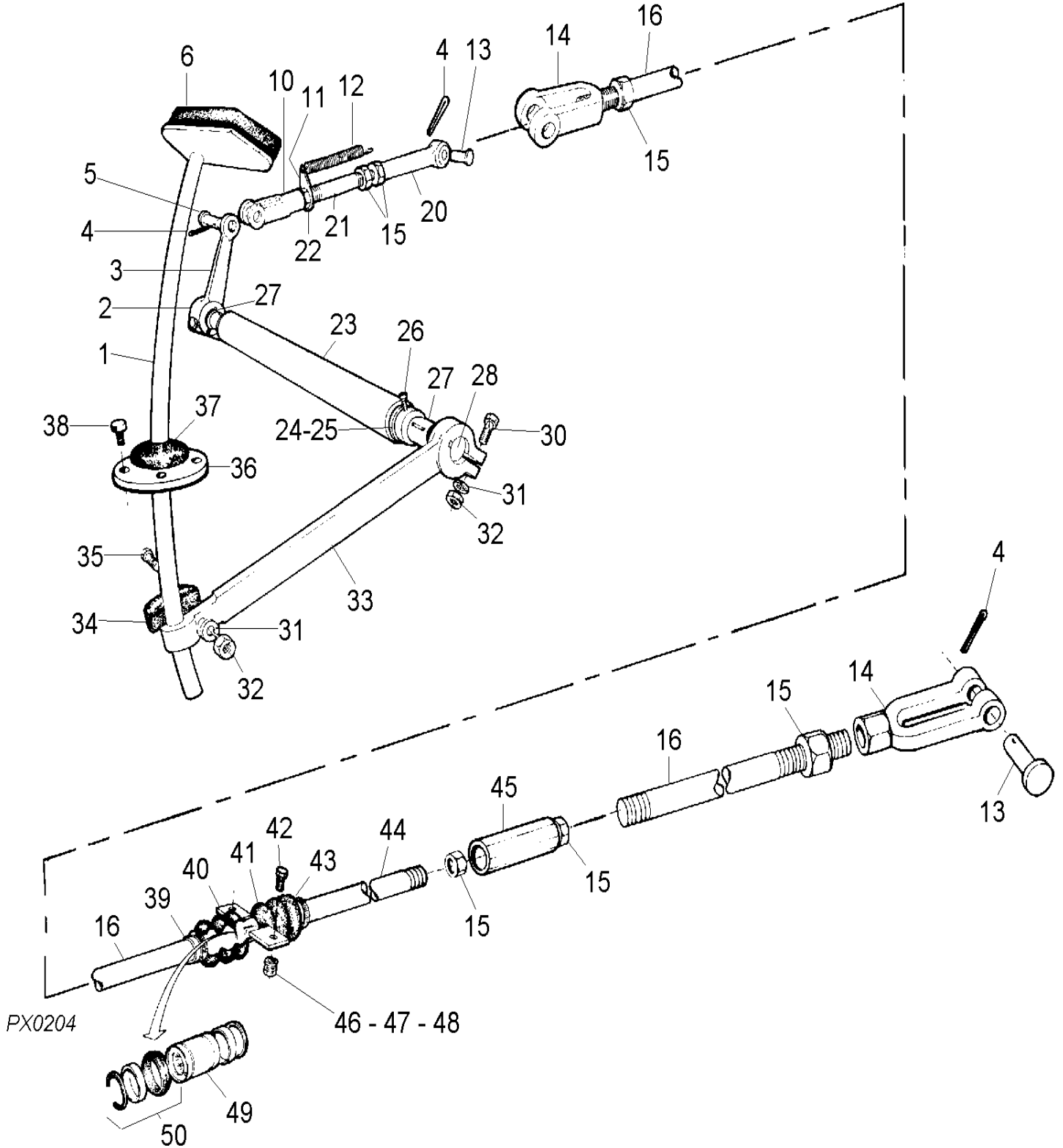
Item#	Part	Description	M T H 4 0	M T H 4 5	M T H 4 5 E	X L 4 0	X L 4 5	N O T E S
	520147	CLUTCH ASSY / W/SERIES 60				1		
	520148	CLUTCH ASSY / W/SERIES 50				1		
1	520150	. COVER ASSY / W/60				1		
1	520154	. COVER ASSY / W/50				1		
2	N.S.S.	. . RING FLYWHEEL				1		1
3	N.S.S.	. . RETAINER & SPRING SLEEVE ASS				1		1
4	N.S.S.	. . . RETAINER / RELEASE SLEEVE				1		1
5	N.S.S.	. . . SLEEVE SPRING				1		1
7	N.S.S.	. . SPRING PRESSURE				6		1
8	N.S.S.	. . PIVOT SPRING				6		1
9	N.S.S.	. . RING RELEASE SLEEVE				2		1
10	N.S.S.	. . RING SNAP				1		1
11	N.S.S.	. . RING ADJUSTING				1		1
12	N.S.S.	. . LEVER				6		1
13	N.S.S.	. . SPRING RETURN				4		1
14	N.S.S.	. . PLATE PRESSURE				1		1
15	520137	. . ADJUSTER ASSY				1		
16	N.S.S.	. . WASHER LOCK				2		1
17	N.S.S.	. . BOLT				2		1
18	520107	. . RELEASE BEARING & SLEEVE ASSY				1		
19	520151	. DISC ASSY FRONT DRIVEN / W/60				1		
NS	520155	. DISC ASSY REAR DRIVEN / W/50				1		A
20	520153	. PLATE CENTER / W/60				1		
20	520155	. DISC ASSY REAR DRIVEN / W/50				1		
21	520152	. DISC ASSY REAR DRIVEN / W/60				1		
21	520155	. DISC ASSY REAR DRIVEN / W/50				1		B
NS	520090	. CLUTCH BRAKE				1		
NS	520168	. CLUTCH BRAKE "QUICK CONNECT"				1		
		A) FRONT DRIVEN / W/50						
		B) REAR DRIVEN / W/50						
		1) NOT SOLD SEPARATELY						

From E-638 To L-684

Date:10/2022

PAGE:XL-0210-00

CLUTCH PEDAL & CONTROL ROD



From E-638 To L-684	Date:10/2022	PAGE:XL-0210-00
CLUTCH PEDAL & CONTROL ROD		

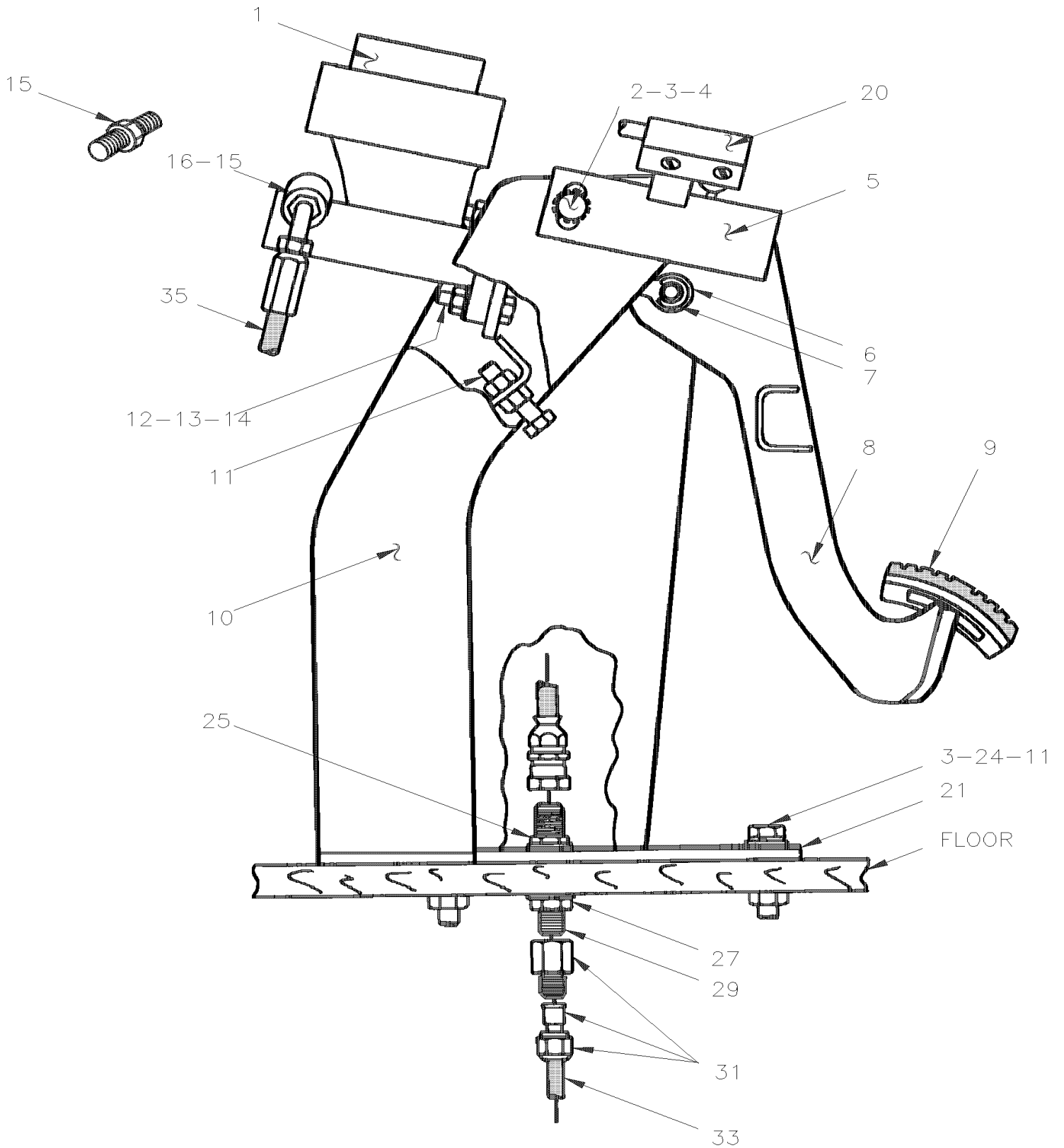
Item#	Part	Description	M T H 4 0	M T H 4 5	M T H 4 5 E	X L 4 0	X L 4 5	N O T E S
1	020184	PEDAL				1		
2	500052	SCREW CAP HEX 3/8-24x2 G5 ZP				3		
3	090155	LEVER, TRANSFER 3"1/2 C/C				1		
4	502111	PIN, COTTER 1/8 x 1 1/2 SS				2		
5	502035	PIN, CLEVIS 1/2 x 1 3/8 Z050				3		
6	020311	PAD, RUBBER				1		
10	020317	YOKE 1/2-20x1 15/16 C/Lx9/16Wx1/2				1		
11	090024	HOOK, SPRING				2		
12	502058	SPRING EXTENSION / .562 O.D. X 5.25 x .081				2		
12	502199	SPRING EXTENSION / .750 O.D. x 4.5 x .080				2		
13	502028	PIN, CLEVIS 5/8 x 3/4				2		
14	020362	YOKE 5/8-18x1 3/8 C/Lx3/4Wx5/8				2		
15	500730	NUT HEX JAM THN 5/8-18x3/8 ZP				9		
16	020327	ROD, 2ND & 4TH SECTION / 80"1/4 W/5/8-18UNC				2		
20	507011	ROD END FEMALE 5/8-18 / 5/8 I.D.				2		
21	020325	ROD 1ST SECTION / 68" W/5/8-18 & 12-20 THREAD				1		
22	500716	NUT HEX 1/2-20 Z050				3		
23	020207	TUBE, TRANSFER/CLUTCH 15 1/4"				1		
24	507313	BUSHING, BRONZE / TRANSFERT SHAFT				2		
25	090014	COLLAR ASSY				1		
25	090125	. COLLAR				1		
26	500309	. SCREW SET SQ 1/4-20x3/8				1		
27	505154	KEY, WOODRUFF #18 / 1/8" X 1 1/8"				2		
28	020229	SHAFT , TRANSFER / CLUTCH 19 1/8"				1		
30	500050	SCREW CAP HEX 3/8-24x1 1/2G5 ZP				7		
31	500478	WASHER LO SPT .380x.683x.094 Z050				5		
32	500705	NUT HEX 3/8-24 ZP				5		
33	020185	LEVER, PEDAL				1		
34	020186	STOPPER, RUBBER				1		
35	500052	SCREW CAP HEX 3/8-24x2 G5 ZP				1		
36	020375	RETAINING RING 57MM I.D. x 82MM O.D. SS				1		
37	520120	PROTECTOR BELLOW 1" I.D. X 3 1/2"				1		
38	500120	SCREW TP BDG PH #6x1/2 SS				4		
39	504017	HOSE CLAMP / 5/16"-7/8" SS / HM-6				11		
40	504053	WIRE CLAMP / 1" I.D.				5		
41	590003	BELLOWS / DUST SHIELD				11		
42	500023	SCREW CAP HEX 5/16-24x3/4 G5 ZP				10		
43	504023	HOSE CLAMP / 1"5/16-2"1/4 SS / HS-28				1		
44	020330	ROD / 3RD SECTION / 80"1/4 W/5/8-18 L.H. THRE				1		
45	020233	COUPLING, CONTROL ROD 5/8-18 R.H. / 5/8-18 L.H.				2		
46	500441	WASHER FL .312x.734x.065 Z050				10		
47	500476	WASHER LO SPT .317x.586x.078 Z050				10		

From L-685 To R-774

Date:10/2022

PAGE:XL-0210-10

CLUTCH PEDAL - HYDRAULIC



From L-685 To R-774	Date:10/2022	PAGE:XL-0210-10
CLUTCH PEDAL - HYDRAULIC		

Item#	Part	Description	M T H 4 0	M T H 4 5	M T H 4 5 E	X L 4 0	X L 4 5	N O T E S
	070726P	CLUTCH PEDAL ASSY / LESS MICRO SWITCH To M-762				1		
	070790P	CLUTCH PEDAL ASSY / LESS MICRO SWITCH From M-763				1		
1	520121	. CYLINDER MASTER				1		
NS	020392	. PROTECTOR / ANGLE PLASTIC				1		
2	500191	. SCREW CAP HEX 3/8-16x1 G5 Z050				AR		
3	500444	. WASHER FL .406x.812x.065 Z050				AR		
4	500265	. NUT HEX STO 3/8-16 Z050				AR		
4	680545	. PROTECTOR PLASTIC				1		
5	070693	. SUPPORT ASSY / ADJUSTABLE SWITCH To M-762				1		
5	070784	. SUPPORT ASSY / ADJUSTABLE SWITCH From M-763				1		
6	520124	. ROD ASSY / TO FIX PEDAL TO MASTER CYLINDER				1		
7	504535	. RING RETAINER / EXT 9 x 8 x 1.03MM				1		
8	520123	. PEDAL ASSY				1		
8	070769	. PROTECTOR RUBBER / OVER SPRING RETURN				1		
8	520125	. SPRING, TORSION / .950 I.D. X 1.5 x .136				1		
8	502798	. WASHER FL 17.0x30.0x3.0 BR				1		
8	070697	. RUBBER BUMPER				1		
9	520126	. RUBBER PAD				1		
10	070730	. SUPPORT ASSY				1		
11	500193	. SCREW CAP HEX 3/8-16x1 1/2 G5 Z050				3		
12	500182	. SCREW CAP HEX 5/16-18x1 1/4 G5 PT Z050				2		
13	500441	. WASHER FL .312x.734x.065 Z050				2		
14	500777	. NUT HEX STO 5/16-18 Z050				2		
15	070762	. ADAPTOR				1		
16	507298	. WASHER FL 12.5x20.0x1.5 COPPER				1		
NS	520127	KIT REPAIR / MASTER CYLINDER				AR		
20	061736	SWITCH ASSY To M-762				1		B
20	510294	. MICRO SWITCH To M-762				1		
20	561111	. CONNECTOR / SURE-SEAL / FEMALE HOUSING 3C / ITT CANNON 120-1805-000 To M-762				1		
20	561023	. PIN TERMINAL / 18-14 / ITT CANNON 030-2196-001 To M-762				2		
20	561115	. CLAMP W/ 3 & 4 / ITT CANNON 029-0262-000 To M-762				1		
20	063147	SWITCH ASSY, / JACOB'S & CRUISE CONTROL From M-763				1		
20	063141	. CABLE ASSY From M-763				1		
20	562206	. MICRO SWITCH / D.P.S.T. From M-763				1		
20	504012	. CABLE TIE / 3/16" X 6"1/2 From M-763				1		
NS	062883	CABLE ASSY / MICRO SWITCH INTERFACE				1		
24	500478	WASHER LO SPT .380x.683x.094 Z050				3		
25	502539	WASHER FL 15.0x28.0x2.5 ZP				1		
27	500520	WASHER LO INT .576x.985x.045 ZP				1		
29	5011005	BULKHEAD MALE CONNECTOR / JIC 37° FITTING / #6JIC-Mx1/4NPT-M STL				2		
31	5011006	FEMALE CONNECTOR / JIC 37° FITTING / #5JIC-Mx1/4NPT-F STL				2		
33	503560	COPPER TUBE .312" O.D. x .032" x 600"				AR		

From L-685 To R-774	Date:10/2022	PAGE:XL-0210-10
CLUTCH PEDAL - HYDRAULIC		

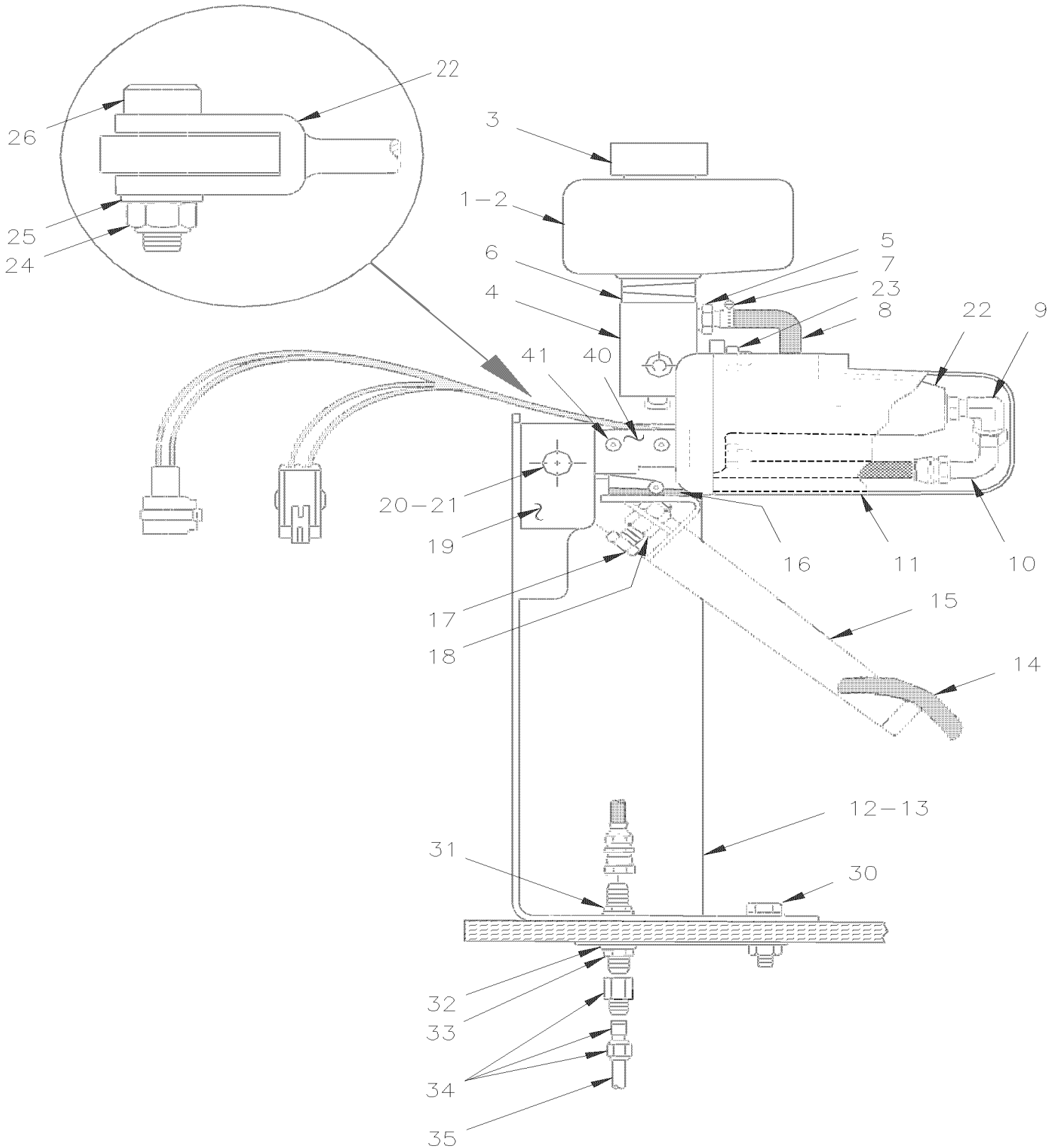
Item#	Part	Description	M T H 4 0	M T H 4 5	M T H 4 5 E	X L 4 0	X L 4 5	N O T E S
35	070759	HOSE ASSY TEFLON #6 762MM				1		
NS	070758	HOSE ASSY TEFLON #6 500MM				1		
NS	501595	. FEMALE CONNECTOR SWIVEL / JIC 37° FITTING / TEFLON / #6JIC-Fx#6 STL				2		
NS	501946	. FEMALE ELBOW 90° / JIC 37°/SAE45° FITTING / TEFLON / #6JIC-F/FL-Fx#6 STL				1		
NS	503065	. HOSE TEFLON #6 / S.L.				AR		
NS	504323	GROMMET / .375x.500x.062x.281x.687				AR		
		B) JACOB						

From R-775 To T-5778

Date:10/2022

PAGE:XL-0210-11

CLUTCH PEDAL - "POWER ASSISTED"



From R-775 To T-5778	Date:10/2022	PAGE:XL-0210-11
CLUTCH PEDAL - "POWER ASSISTED"		

Item#	Part	Description	M T H 4 0	M T H 4 5	M T H 4 5 E	X L 4 0	X L 4 5	N O T E S
	020425	PEDAL ASSY				1		A
1	N.S.A.	. RESERVOIR ASSY				1		3
2	520142	. . RESERVOIR				1		
3	520143	. . CAP				1		
NS	520144	. . FILTER				1		
4	020415	. . SUPPORT, RESERVOIR				1		
NS	507320	. . O-RING 1 1/8" I.D. X 1/8"				1		
5	5011048	. . MALE CONNECTOR / HOSE BARB FITTING / #5x1/4NPT-M BR				1		
6	520145	. CLAMP				1		
7	504014	. HOSE CLAMP / 1/4"-5/8" SS / HM-4				2		
8	020416	. HOSE #6 250MM				1		
NS	503583	. . HOSE SILICONE 3/8" I.D. x 25' / S.L.				AR		
9	5011046	. MALE ELBOW 90° / JIC 37° FITTING / #6JIC-Mx#5ORB-M STL				1		
10	020417	. HOSE ASSY TEFLON #6 400MM				1		
NS	503065	. . HOSE TEFLON #6 / S.L.				AR		
NS	501595	. . FEMALE CONNECTOR SWIVEL / JIC 37° FITTING / TEFLON / #6JIC-Fx#6 STL				1		
NS	501946	. . FEMALE ELBOW 90° / JIC 37°/SAE45° FITTING / TEFLON / #6JIC-F/FL-Fx#6 STL				1		
NS	560479	. CLAMP / 3/8" I.D.				1		
11	020418	. COVER, PLASTIC				1		
NS	500564	. SCREW MA RND PH #8-32x3/4 Z050				2		
NS	504412	. WASHER RETAINER SNAP CAP #8				2		
NS	504403	. SNAP CAP #8 FINISHING BLACK				2		
12	020393P	. PEDAL SUB-ASSY				1		
13	020394	. SUPPORT				1		
14	520126	. . RUBBER PAD				1		
15	020395	. . PEDAL, LEVER				1		
16	070697	. . RUBBER BUMPER				1		
17	500829	. . SCREW CAP HEX M10-1.5x40 G8.8				1		
18	500256	. . NUT HEX M10-1.5 Z050				1		
19	020400	. . PIVOT ASSY				1		
NS	502790	. . SCREW CAP HEX M8-1.25x20 G8.8 Z050				1		
20	520141	. . BEARING, NYLON				1		
21	520125	. . SPRING, TORSION / .950 I.D. X 1.5 x .136				1		
22	520139	. . CYLINDER				1		
23	502589	. . SCREW CAP HEX M8-1.25x25 G8.8 Z050				2		
NS	502543	. . NUT HEX M8-1.25 Z050				2		
NS	5001003	. . WASHER LO SPT 8.1x12.7x2.0 Z050				2		
24	500868	. . NUT HEX NYRT M8-1.25 Z050				2		
25	500874	. . WASHER FL 8.4x17.0x1.6 Z050				2		
26	5001128	. . SCREW SHR HEXS 10x20 {M8-1.25				1		
30	500193	. SCREW CAP HEX 3/8-16x1 1/2 G5 Z050				3		
30	500072	. SCREW CAP HEX M10-1.5x45 G10.9 Z050						

From R-775 To T-5778	Date:10/2022	PAGE:XL-0210-11
CLUTCH PEDAL - "POWER ASSISTED"		

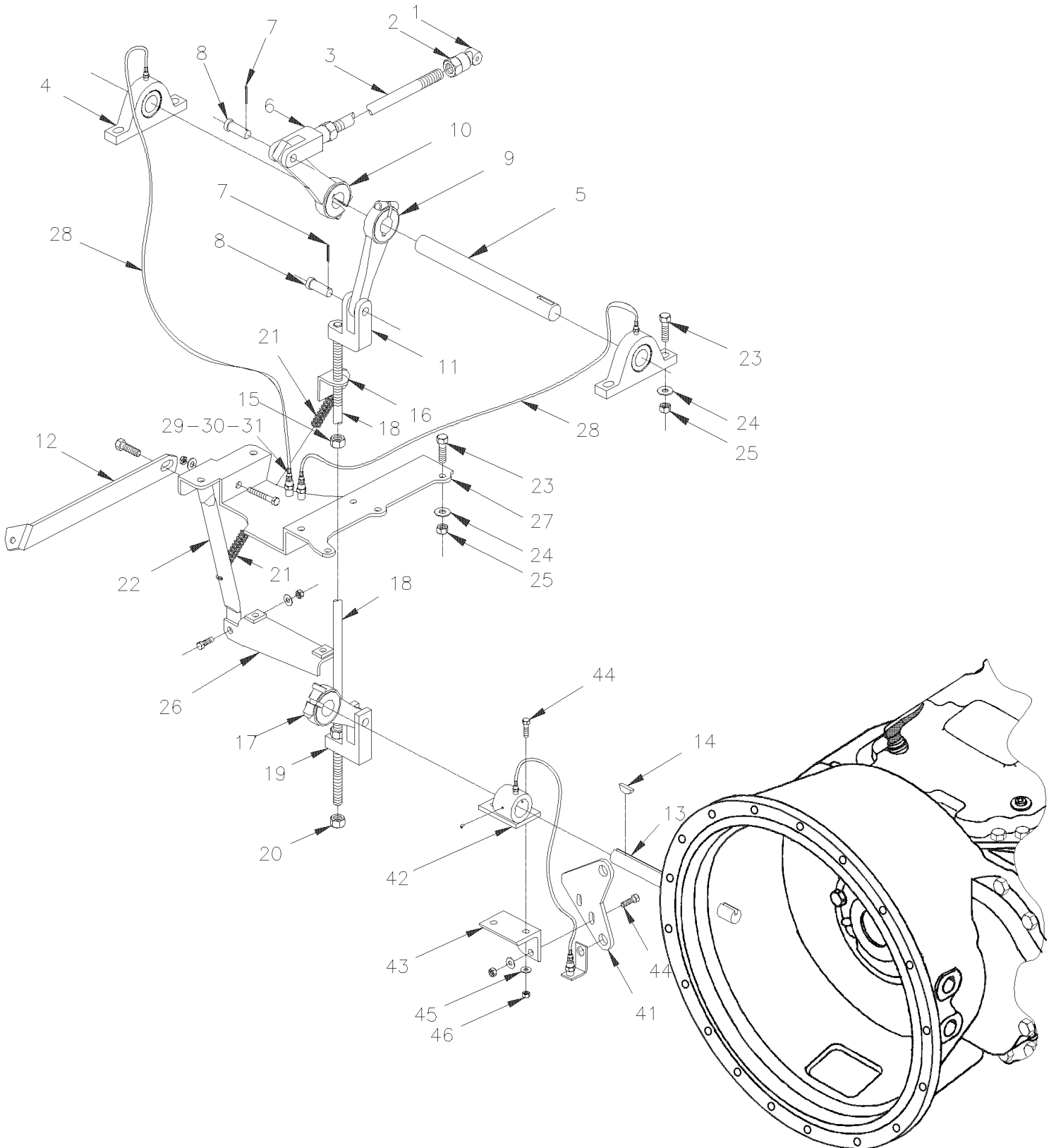
Item#	Part	Description	M T H 4 0	M T H 4 5	M T H 4 5 E	X L 4 0	X L 4 5	N O T E S
NS	500444	. WASHER FL .406x.812x.065 Z050				3		
NS	500478	. WASHER LO SPT .380x.683x.094 Z050				3		
31	502539	WASHER FL 15.0x28.0x2.5 ZP				1		
32	500520	WASHER LO INT .576x.985x.045 ZP				2		
33	5011005	BULKHEAD MALE CONNECTOR / JIC 37° FITTING / #6JIC-Mx1/4NPT-M STL				1		
34	5011006	FEMALE CONNECTOR / JIC 37° FITTING / #5JIC-Mx1/4NPT-F STL				1		
35	503560	COPPER TUBE .312" O.D. x .032" x 600"				AR		
40	063147	SWITCH ASSY, / JACOB'S & CRUISE CONTROL				1		
41	500762	SCREW MA PAN PH #5-40x1 1/4 ZP				2		
NS	500766	NUT HEX #5-40 ZP				2		
NS	502649	WASHER LO EXT .141x.320x.022 Z050				2		
NS	500437	WASHER FL .125x.375x.040 Z050				2		
50	020428	KIT RETROFIT, CLUTCH CONTROL POWER-ASSISTED "XL" WITH 8V-92				1		
. NS	IS-92108	. SEE INSTRUCTION SHEET				1		
50	020429	KIT RETROFIT, CLUTCH CONTROL POWER-ASSISTED "XL" WITH 6V-92				1		
. NS	IS-92108	. SEE INSTRUCTION SHEET				1		
		A) EXCEPTIONALLY FOR VEHICULE E-638 TO H-245 YOU REQUIRE ONE SHAFT #020377 AND ONE KEY #505154						
		3) NOT SOLD ASSEMBLY						

From E-638 To L-684

Date:10/2022

PAGE:XL-0215-00

CLUTCH CONTROL - REAR SECTION - MECANICAL



From E-638 To L-684	Date:10/2022	PAGE:XL-0215-00
CLUTCH CONTROL - REAR SECTION - MECANICAL		

Item#	Part	Description	M T H 4 0	M T H 4 5	M T H 4 5 E	X L 4 0	X L 4 5	N O T E S
1	507011	ROD END FEMALE 5/8-18 / 5/8 I.D.				1		
2	500730	NUT HEX JAM THN 5/8-18x3/8 ZP				2		
3	020268	ROD / REAR SECTION / W/8V71 / 72"¼				1		
3	020302	ROD / REAR SECTION / W/6V92 / 78"				1		
3	020356	ROD / REAR SECTION / W/8V92 / 70"¼				1		
4	020373	PILLOW BLOCK BEARING / MODIFIED 1" I.D.				2		
NS	507276	PILLOW BLOCK BEARING 1" I.D.				1		
5	020336	SHAFT TRANSFERT 1" O.D. X 10 7/8"				1		
6	640129	YOKE 5/8-18x1 3/8 C/Lx9/16Wx1/2				1		
7	502102	PIN, COTTER 1/8 x 1				2		
8	502035	PIN, CLEVIS 1/2 x 1 3/8 Z050				2		
9	020296	LEVER 6" C/C						
10	020266	LEVER 5" C/C						
10	505074	KEY WOODRUFF				2		
11	020318	YOKE / OFFSET 1/2-20x2 C/Lx1/2Wx1/2				1		
12	020337	SUPPORT, BRACE				1		
13	020303P	CLUTCH SHAFT 1"X11"¼ (FORMER) 1362-B				1		
13	020378	CLUTCH SHAFT 1"X11"¼ (CURRENT) 1362-B				1		
13	020377	CLUTCH SHAFT 1"X 9" 11/16"				AR		A
14	570030	KEY WASHER				1		
14	505154	KEY, WOODRUFF #18 / 1/8" X 1 1/8"				1		
15	500718	NUT HEX STO 1/2-20 Z050				1		
16	090024	HOOK, SPRING				1		
17	020308	LEVER, CLUTCH SHAFT 3 1/4" C/C				1		
18	020305	ROD, ADJUSTING 9 5/8" X 1/2-20 THREAD				1		
19	020262	YOKE, END LOWER				1		
20	500716	NUT HEX 1/2-20 Z050				3		
21	502058	SPRING EXTENSION / .562 O.D. X 5.25 x .081				1		
21	502199	SPRING EXTENSION / .750 O.D. x 4.5 x .080				1		
22	020224	SUPPORT, BRACE				1		
23	500050	SCREW CAP HEX 3/8-24x1 1/2G5 ZP				7		
24	500478	WASHER LO SPT .380x.683x.094 Z050				5		
25	500705	NUT HEX 3/8-24 ZP				5		
26	020298	PLATE, ATTACHMENT				1		
27	020288	SUPPORT, REAR / TRANSFER				1		
28	180015	HOSE ASSY / GREASE / #4 7"				2		
28	503048	HOSE SINGLE WIRE BRAID #4 / S.L.				AR		
28	501165	MALE CONNECTOR / PIPE FITTING / 1/8NPT-Mx#4 ZP				1		
28	501821	FEMALE CONNECTOR SWIVEL / SAE 45° FITTING / #4FL-Fx#4 STL				1		
28	501144	ELBOW, MALE / ON PILLOW BLOCK				2		
29	501026	MALE CONNECTOR / SAE 45° FITTING / #4FL-Mx1/8NPT-M BR				2		
30	501317	COUPLING / PIPE FITTING / 1/8NPT-Fx1/8NPT-F BR				2		

From E-638 To L-684	Date:10/2022	PAGE:XL-0215-00
CLUTCH CONTROL - REAR SECTION - MECANICAL		

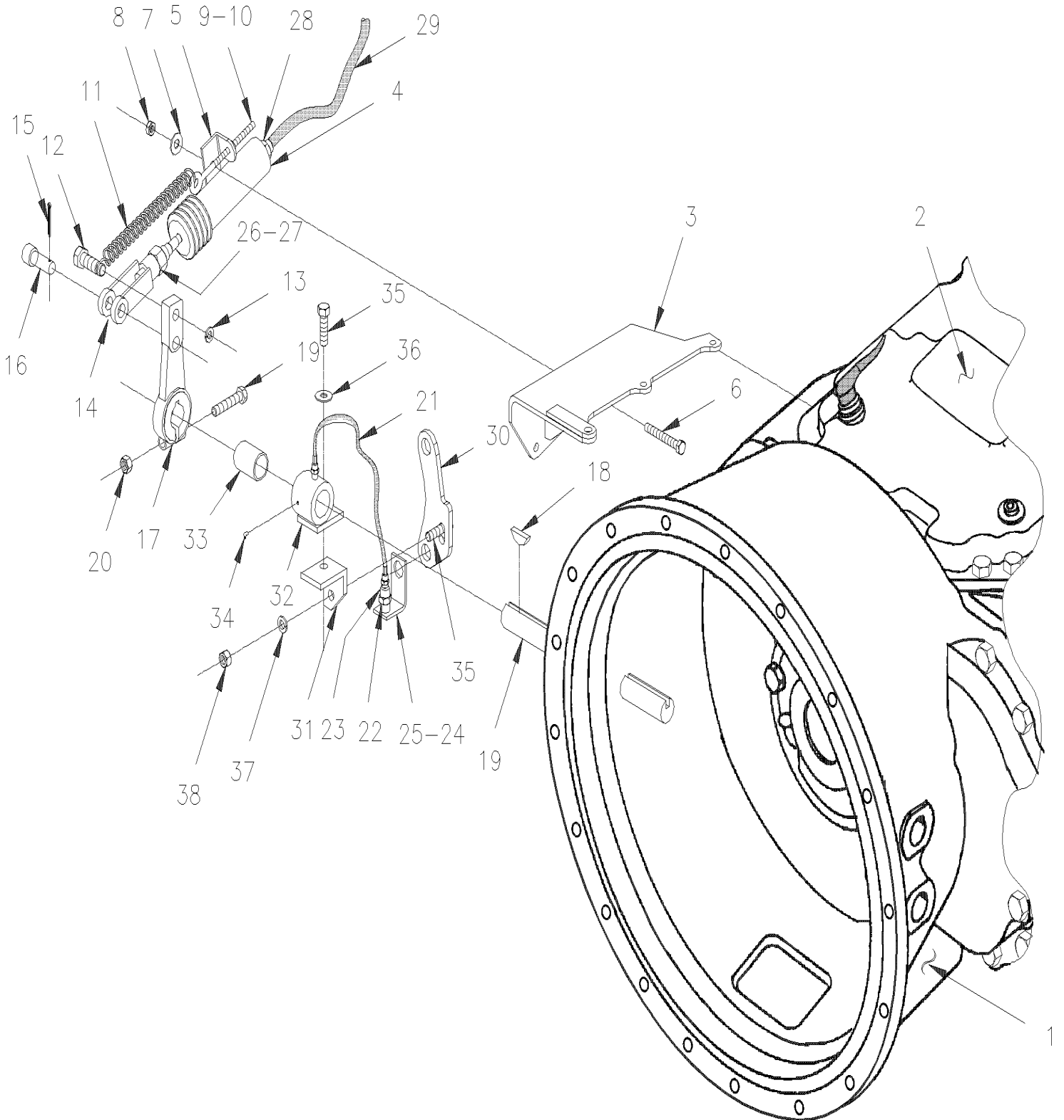
Item#	Part	Description	M T H 4 0	M T H 4 5	M T H 4 5 E	X L 4 0	X L 4 5	N O T E S
31	501495	GREASE FITTING 90° / 1/8 NPT				2		
32	500052	SCREW CAP HEX 3/8-24x2 G5 ZP				3		
41	020345	PLATE, ANCHOR / AUXILIARY CLUTCH SUPPORT				1		
42	020353	SUPPORT ASSY / W/BUSHING				1		
42	570075	. BUSHING				1		
43	020346	ANGLE / LOWER				1		
44	500181	SCREW CAP HEX 5/16-18x1 G5 Z050				4		
45	500985	WASHER FL .343x.875x.125 Z050				4		
46	500982	NUT HEX JAM 5/16-18 Z050				4		
		A) USES ONLY WITH "CLUTCH ASSISTED" UP TO H-277						

From L-685 To R-774

Date:10/2022

PAGE:XL-0215-10

CLUTCH CONTROL - REAR SECTION - HYDRAULIC



From L-685 To R-774	Date:10/2022	PAGE:XL-0215-10
CLUTCH CONTROL - REAR SECTION - HYDRAULIC		

Item#	Part	Description	M T H 4 0	M T H 4 5	M T H 4 5 E	X L 4 0	X L 4 5	N O T E S
1	XL-0700-00	MANUAL TRANSMISSION - INSTALLATION				1		
2	XL-0710-00	REMOTE CONTROL ASSY - REAR				1		
3	070770	SUPPORT ASSY / CYLINDER				1		
4	520122	CYLINDER ASSY				1		A
NS	520128	KIT REPAIR / SLAVE CYLINDER				AR		
5	020380	SUPPORT / SPRING TENSIONER SCREW				1		
6	502797	SCREW CAP HEX M8-1.25x70 G10.9 G500				3		
7	500874	WASHER FL 8.4x17.0x1.6 Z050				3		
8	502744	NUT HEX STO M8-1.25 Z050				1		
9	5001038	SCREW EYE 1/4-20x4 ZP				1		
10	500769	NUT HEX 1/4-20 Z050				2		
11	502058	SPRING EXTENSION / .562 O.D. X 5.25 x .081				1		
11	502199	SPRING EXTENSION / .750 O.D. x 4.5 x .080				1		
12	070691	SCREW RETAINING / SPRING				1		
13	502507	WASHER LO SPT 8.1x14.8x2.0 Z050				1		
14	640129	YOKE 5/8-18x1 3/8 C/Lx9/16Wx1/2				1		
15	502102	PIN, COTTER 1/8 x 1				1		
16	502036	PIN, CLEVIS 1/2 x 1 5/8 BZC				1		
17	070692	LEVER, CLUTCH SHAFT 71MM C/C				1		
18	505154	KEY, WOODRUFF #18 / 1/8" X 1 1/8"				1		
19	020377	CLUTCH SHAFT 1"X 9" 11/16"				1		
20	500680	NUT HEX STO M10-1.5 Z050				1		
21	020307	HOSE ASSY / #4 14"				2		
22	500445	WASHER FL .437x1.000x.083 Z050				2		
23	501317	COUPLING / PIPE FITTING / 1/8NPT-Fx1/8NPT-F BR				2		
24	501490	GREASE FITTING / 1/8 NPT				2		
25	020304	SUPPORT / GREASE TUBE				2		
26	500723	NUT HEX 5/8-18 ZP				1		
27	020381	ROD CYLINDER				1		
28	070762	ADAPTOR				1		
28	507298	WASHER FL 12.5x20.0x1.5 COPPER				1		
29	070758	HOSE ASSY TEFLON #6 500MM				1		
30	020382	SUPPORT / TO FIX W/HOUSING TRANSMISSION SCREW				1		
31	020386	ANGLE / TO FIX SUPPORT & BUSHING ASSY				1		
32	020388	BUSHING ASSY				1		
33	570075	BUSHING				1		
34	501495	GREASE FITTING 90° / 1/8 NPT				1		
35	502559	SCREW CAP HEX M10-1.5x25 G8.8 Z050				2		
36	500496	WASHER FL .437x.750x.054 Z050				2		
37	500822	WASHER LO SPT 10.2x18.1x2.2 ZP				2		
38	500256	NUT HEX M10-1.5 Z050				2		

From L-685 To R-774	Date:10/2022	PAGE:XL-0215-10
---------------------	--------------	-----------------

CLUTCH CONTROL - REAR SECTION - HYDRAULIC

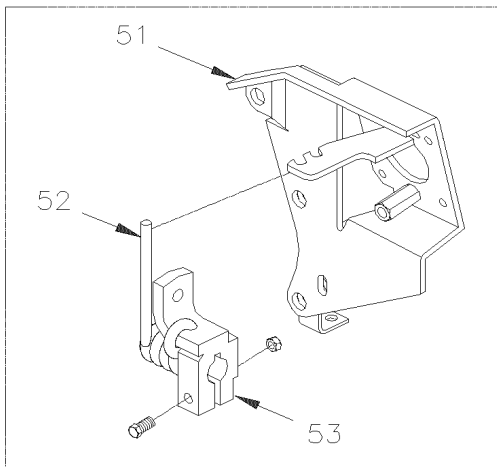
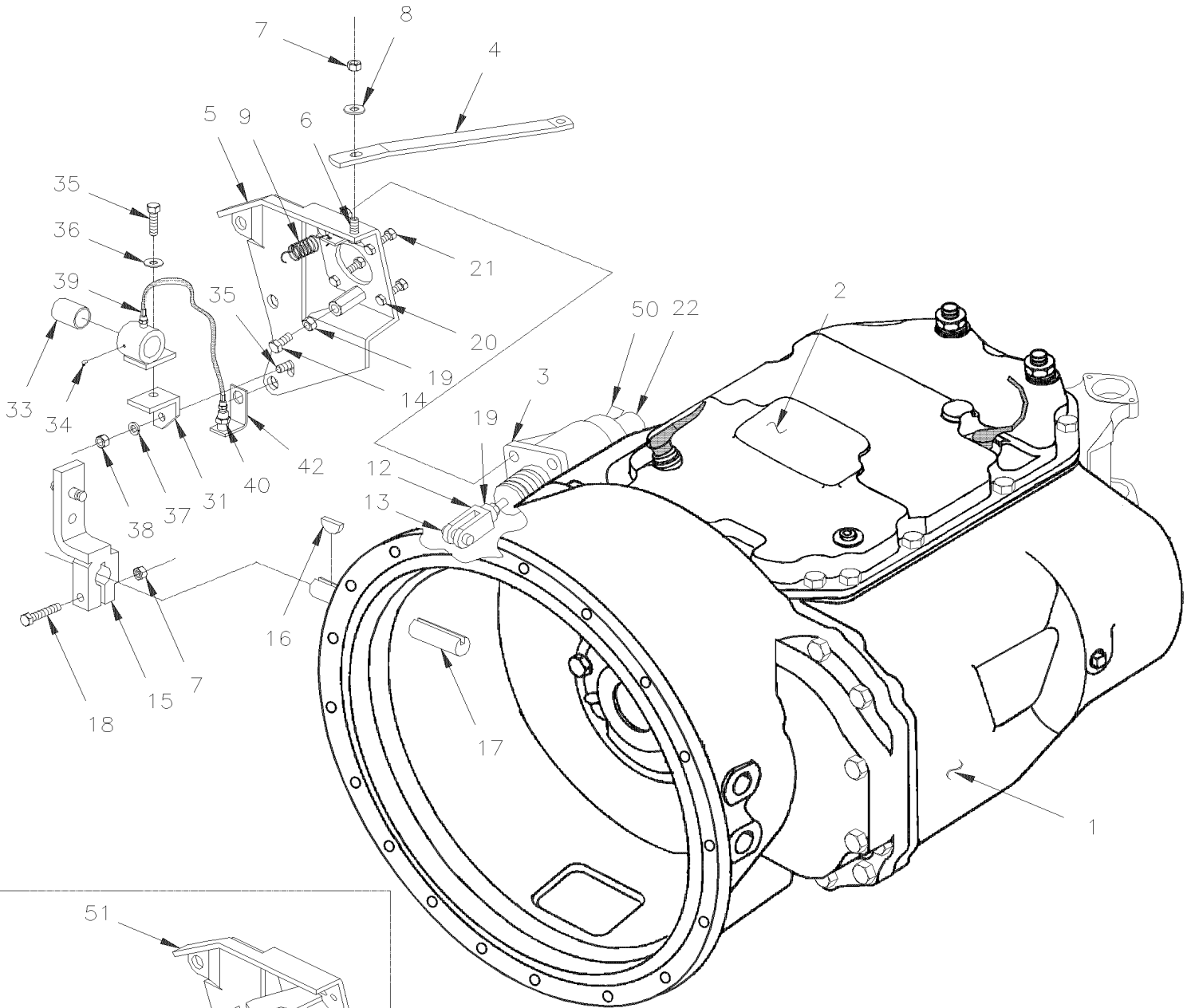
Item#	Part	Description	M T H 4 0	M T H 4 5	M T H 4 5 E	X L 4 0	X L 4 5	N O T E S
		A) WHEN REPLACING CYLINDER ASSY, DISCARD NON ADJUSTABLE CLEVIS YOKE & REPLACE W/ITEMS #14,26 & 27						

From R-775 To T-5778

Date:10/2022

PAGE:XL-0215-11

CLUTCH CONTROL - REAR SECTION - "POWER"



PRODUCT IMPROVMENT

From R-775 To T-5778	Date:10/2022	PAGE:XL-0215-11
CLUTCH CONTROL - REAR SECTION - "POWER"		

Item#	Part	Description	M T H 4 0	M T H 4 5	M T H 4 5 E	X L 4 0	X L 4 5	N O T E S
1	XL-0700-00	MANUAL TRANSMISSION - INSTALLATION						
2	XL-0710-00	REMOTE CONTROL ASSY - REAR						
2	XL-0710-05	SHIFTER LEVER ASSY - REAR						
3	XL-0220-00	CLUTCH CYLINDER - "POWER ASSISTED"						
4	020403	RENFORT, BRACKET / W/6 SPEEDS				1		
5	020402	SUPPORT ASSY / CYLINDER W/6 SPEEDS				1		A
6	502655	SCREW CAP HEX M10-1.5x25 SS BK				1		
7	500680	NUT HEX STO M10-1.5 Z050				2		
8	502644	WASHER FL 10.5x30.0x2.5 Z050				1		
9	502217	SPRING EXTENSION / .750 O.D. x 3.25 x .085				2		A
12	020405	CLEVIS YOKE M10 X 48 C/L X 14 W X 13 O.D.				1		
13	502036	PIN, CLEVIS 1/2 x 1 5/8 BZC				1		
NS	502102	PIN, COTTER 1/8 x 1				1		
14	500829	SCREW CAP HEX M10-1.5x40 G8.8				1		
15	020433	LEVER, CLUTCH SHAFT 71MM C/C				1		A
16	505154	KEY, WOODRUFF #18 / 1/8" X 1 1/8"				1		
17	020377	CLUTCH SHAFT 1"X 9" 11/16"				1		
18	502680	SCREW CAP HEX M10-1.5x50 SS				1		
19	500256	NUT HEX M10-1.5 Z050				2		
20	502651	SCREW CAP HEX M8-1.25x35 G8.8 Z050				4		
NS	500874	WASHER FL 8.4x17.0x1.6 Z050				8		
21	500868	NUT HEX NYRT M8-1.25 Z050				6		
22	5011047	MALE CONNECTOR / JIC 37° FITTING / #6JIC-MxM14-1.5-M STL				1		
. NS	N.P.N.	. O-RING				1		4
. NS	N.P.N.	. WASHER RET				1		4
30	020382	SUPPORT / TO FIX W/HOUSING TRANSMISSION SCREW				1		
31	020386	ANGLE / TO FIX SUPPORT & BUSHING ASSY				1		
32	020388	BUSHING ASSY				1		
33	570075	. BUSHING				1		
34	501495	GREASE FITTING 90° / 1/8 NPT				1		
35	502559	SCREW CAP HEX M10-1.5x25 G8.8 Z050				2		
36	500496	WASHER FL .437x.750x.054 Z050				2		
37	500822	WASHER LO SPT 10.2x18.1x2.2 ZP				2		
38	500256	NUT HEX M10-1.5 Z050				2		
39	020307	HOSE ASSY / #4 14"				2		
40	501317	COUPLING / PIPE FITTING / 1/8NPT-Fx1/8NPT-F BR				2		
NS	500445	WASHER FL .437x1.000x.083 Z050				2		
42	020304	SUPPORT / GREASE TUBE				2		
50	5011111	MALE ELBOW 90° / JIC 37° FITTING / #6JIC-MxM14-1.5-M STL				1		
. NS	N.P.N.	. O-RING				1		4
. NS	N.P.N.	. WASHER RET				1		4
NS	020436	HOSE ASSY TEFLON #6 1475MM				1		

From R-775 To T-5778	Date:10/2022	PAGE:XL-0215-11
CLUTCH CONTROL - REAR SECTION - "POWER"		

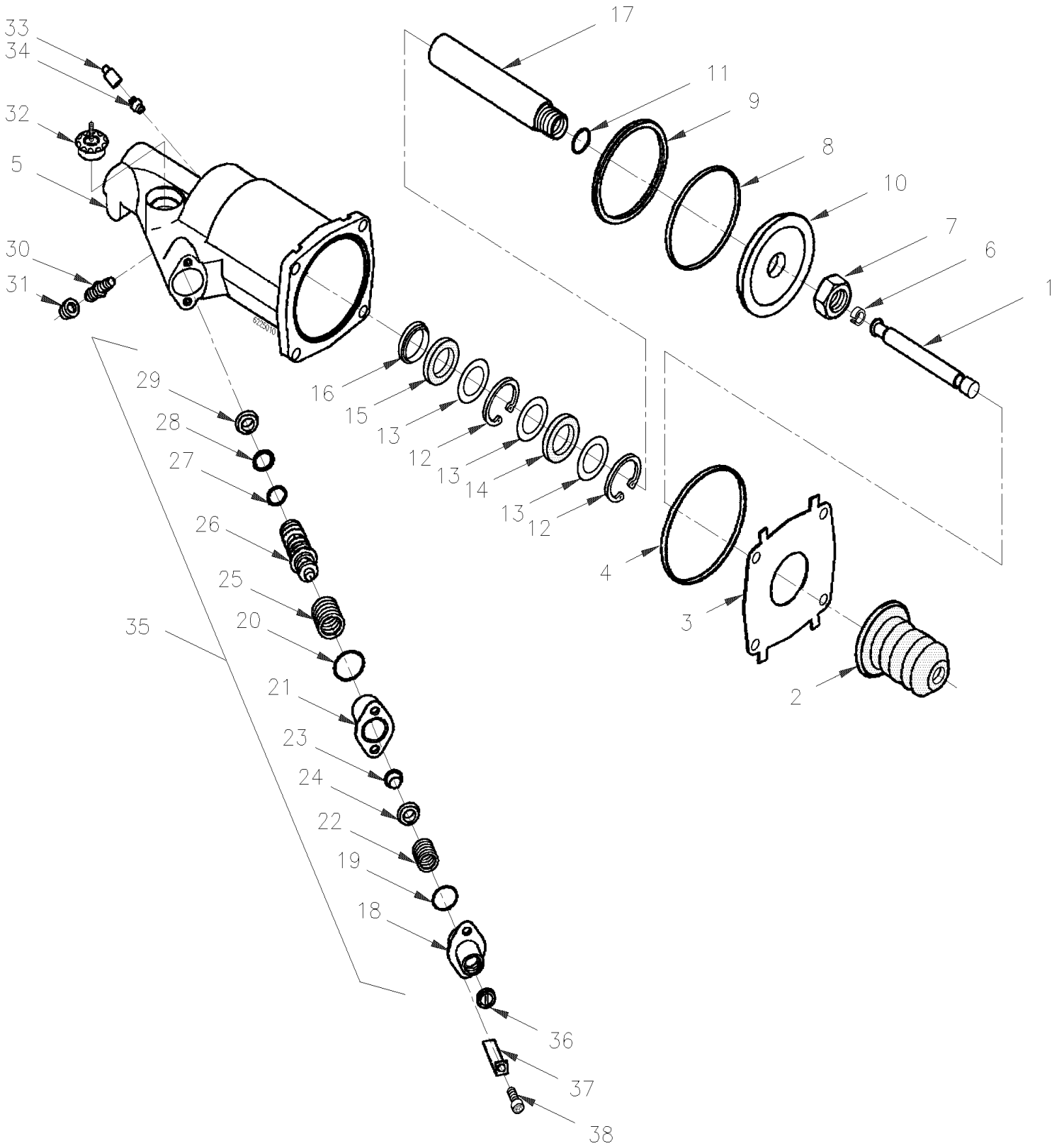
Item#	Part	Description	M T H 4 0	M T H 4 5	M T H 4 5 E	X L 4 0	X L 4 5	N O T E S
51	020448	SUPPORT ASSY / CYLINDER W/6 SPEEDS				1		
52	020439	SPRING, TORSION / 1.339 I.D. x 2.088 x .281				1		
53	020441	LEVER ASSY				1		
55	020428	KIT RETROFIT, CLUTCH CONTROL POWER-ASSISTED "XL" WITH 8V-92	1	1	1	1	1	
. NS	IS-92108	. SEE INSTRUCTION SHEET	1	1	1	1	1	
55	020429	KIT RETROFIT, CLUTCH CONTROL POWER-ASSISTED "XL" WITH 6V-92	1	1	1	1	1	
. NS	IS-92108	. SEE INSTRUCTION SHEET	1	1	1	1	1	
		A) FOR PRODUCT IMPROVMENT USE ITEMS #51,52 & 53						
		4) NO PARTS NUMBER						

From R-775 To T-5778

Date:10/2022

PAGE:XL-0220-00

CLUTCH CYLINDER - "POWER ASSISTED"

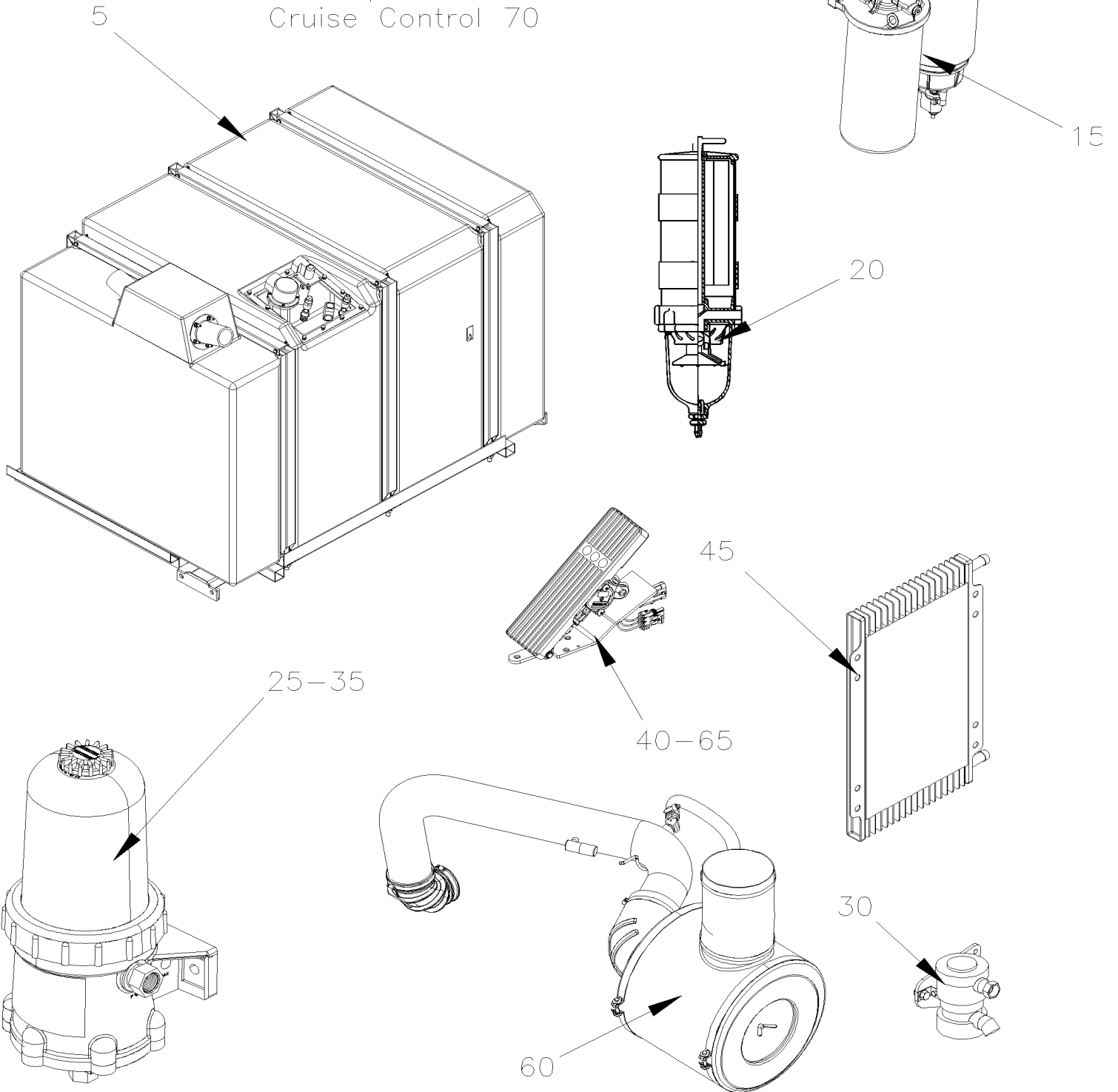


From R-775 To T-5778	Date:10/2022	PAGE:XL-0220-00
CLUTCH CYLINDER - "POWER ASSISTED"		

Item#	Part	Description	M T H 4 0	M T H 4 5	M T H 4 5 E	X L 4 0	X L 4 5	N O T E S
		A) UNPAINT						
		B) INCLUDE #2-4-8-9-14-15-19-20-23-24-27-28-29-32						
		C) INCLUDE ITEMS #18 TO 24.						
		1) NOT SOLD SEPARATELY						

	Date:10/2022	XL-03
FUEL		

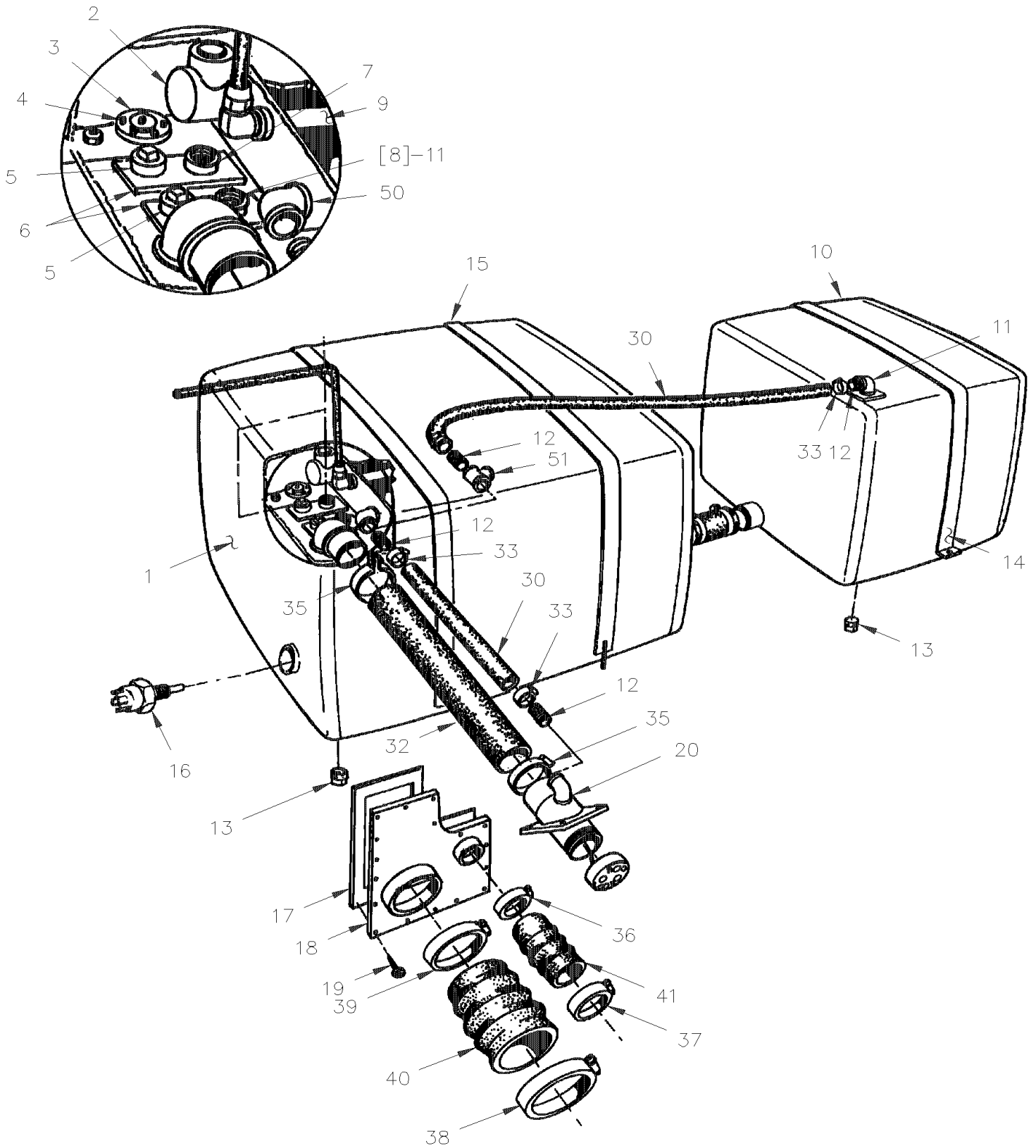
Fuel Hose — Installation 10
Engine Solenoid 50
Two-Speed Governor 55
Cruise Control 70



	Date:10/2022	XL-03
FUEL		

Item#	Part	Description	M T H 4 0	M T H 4 5	M T H 4 5 E	X L 4 0	X L 4 5	N O T E S
5	XL-0305-00	FUEL TANK - 160 & 90 GALLONS From E-638 To V-6257						
5	XL-0305-01	FUEL TANK PLASTIC 208 GALLONS From P-722 To Y-7045						
5	XL-0305-02	FUEL TANK PLASTIC 180 & 70 GALLONS From V-6258 To Y-7045						
10	XL-0310-00	FUEL HOSE - INSTALLATION - WITH DETROIT S-92 From E-638 To R-949						
10	XL-0310-01	FUEL HOSE - INSTALLATION - WITH DETROIT S-60 From P-722 To Y-7045						
15	XL-0311-00	FUEL FILTER - PRIMARY & SECONDARY From E-638 To Y-7045						
20	XL-0311-10	FUEL FILTER / WATER SEPARATOR - "RACOR" From E-638 To R-949						
25	XL-0311-15	FUEL FILTER / "PRO 380E" From L-465 To W-6638						
25	XL-0311-16	FUEL FILTER / "PRO 382" From W-6639 To Y-7045						
30	XL-0312-00	FUEL PUMP - AUXILIARY From S-507 To Y-7045						
35	XL-0312-10	FUEL PRO - INSTALLATION From P-722 To Y-7045						
40	XL-0315-00	ACCELERATOR PEDAL - MECHANICAL From E-638 To L-459						
40	XL-0315-05	ACCELERATOR PEDAL - AIR From E-638 To L-459						
40	XL-0315-10	ACCELERATOR PEDAL - ELECTRONIC DDEC I & II From H-255 To R-403						
40	XL-0315-11	ACCELERATOR PEDAL - ELECTRONIC DDEC II From H-255 To R-403						
40	XL-0315-12	ACCELERATOR PEDAL - ELECTRONIC DDEC III From R-404 To Y-7045						
45	XL-0316-00	FUEL COOLER - INSTALLATION From P-722 To V-6063						
45	XL-0316-01	FUEL COOLER - INSTALLATION From V-6064 To Y-7045						
50	XL-0325-00	ENGINE SOLENOID From E-638 To L-459						
55	XL-0325-10	TWO-SPEED GOVERNOR From E-638 To L-459						
60	XL-0330-00	AIR FILTER & INTAKE - WITH DETROIT S-71 & S-92 From E-638 To R-949						
60	XL-0330-01	AIR FILTER & INTAKE - INSTALLATION WITH DETROIT S-50 & S-60 From P-722 To Y-7045						
65	XL-0335-00	ACCELERATOR CONTROL REAR - MECHANICAL From E-638 To L-459						
65	XL-0335-05	ACCELERATOR CONTROL REAR - AIR From E-638 To L-459						
70	XL-0340-00	CRUISE CONTROL From E-638 To L-459						

From E-638 To V-6257	Date:10/2022	PAGE:XL-0305-00
FUEL TANK - 160 & 90 GALLONS		



From E-638 To V-6257	Date:10/2022	PAGE:XL-0305-00
FUEL TANK - 160 & 90 GALLONS		

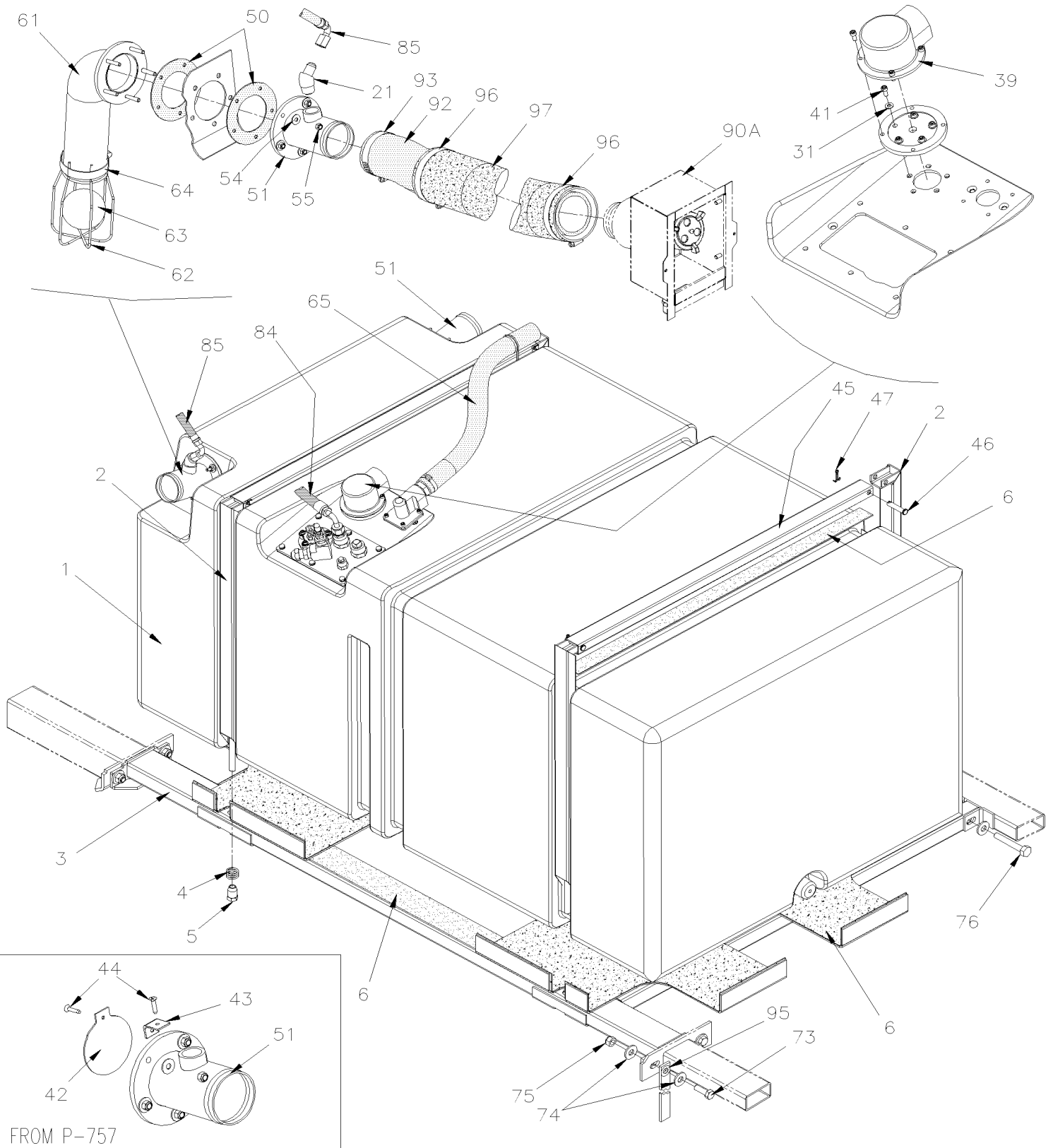
Item#	Part	Description	M T H 4 0	M T H 4 5	M T H 4 5 E	X L 4 0	X L 4 5	N O T E S
1	031336P	FUEL TANK ASSY / 160 US GAL / W/ALLS OPTIONS CONNECTORS	1		1	1		
2	530156	VALVE PRESSURE	1		1	1		
. NS	531427	GASKET / (SMALL)	1		1	1		
. NS	531428	GASKET / (LARGE)	1		1	1		
3	030882	SENSOR, FUEL LEVEL / W/160 GALLONS	1		1	1		
NS	030379	GASKET, FUEL SENSOR WHITE NITRILE	1		1	1		
4	500273	SCREW CAP HEXS #10-24x7/8 ZP	22		22	22		
NS	500593	WASHER FL .200x.437x.036 BR	22		22	22		
5	501306	PLUG SQUARE HEAD / PIPE FITTING / 1/2NPT-M BR	AR		AR	AR		
6	030977	PLATE	2		2	2		
NS	030861	GASKET	AR		AR	AR		
7	031130	TUBE ASSY	1		1	1		
NS	560388	PLASTIC TUBING / 3/4" / CLEAR	AR		AR	AR		
NS	504019	HOSE CLAMP / 9/16"-1"1/16 SS / HS-10	1		1	1		
8	031125	TUBE ASSY 3 1/4" / FUEL RETURN / AUXILIARY TANK	1		1	1		
9	030995	TUBE ASSY / 18 1/2" / FUEL RETURN	1		1	1		
NS	501053	CAP NUT / SAE 45° FITTING / #8FL-F BR	AR		AR	AR		
10	030920P	FUEL TANK ASSY, 90GAL / AUXILIARY	1		1	1		
11	501408	FEMALE ELBOW 90° / PIPE FITTING / 1/2NPT-Fx1/2NPT-F CASTIRON	1		1	1		
12	030827	NIPPLE	1		1	1		
13	501966	PLUG HEXS / PIPE FITTING / 1/2NPT-M STL	1		1	1		
14	030993	STRAP MOUNTING / 90 GAL TANK				1		
NS	030952	STRAP MOUNTING / 90 GAL TANK	1		1			
14	030894	RUBBER INSULATION / TO FIX UNDER MOUNTING STRAP	1		1	1		
NS	500714	NUT HEX STO 7/16-20 Z050	2		2	2		
NS	506235	TAPE RUB ADH1 PVC.NITRIL 1/2" x 1" x 15' / BLACK 1210	AR		AR	AR		
15	030895	STRAP MOUNTING / 160 GAL TANK	2		2	2		
NS	500777	NUT HEX STO 5/16-18 Z050	4		4	4		
16	530159	SENSOR PROBE "LOW-FUEL"	1		1	1		
17	506191	TAPE RUB ADH1 CC POL 1/8" x 1/4" x 50' / GREY 2520X	AR		AR	AR		
18	031362	PLATE ASSY (AS SHOWN)	1		1	1		
19	500417	SCREW TP PAN PH #6x3/8 Z050	AR		AR	AR		
20	XL-1875-00	FUEL TANK FILLING DOOR						
30	503547	HOSE / RUBBER #12 / S.L.	AR		AR	AR		
31	503486	HOSE / FUEL / 1 1/2" I.D. / S.L.	AR		AR	AR		
32	503475	HOSE / FUEL / 2 1/2" I.D. / S.L.	AR		AR	AR		
33	504021	HOSE CLAMP / 11/16"-1"1/2 SS / HS-16	2		2	2		
34	504394	HOSE CLAMP / 1"1/4-2"1/8 SS / HT-200	2		2	2		
35	504381	HOSE CLAMP / 2"3/4-3"5/8 SS / HT-350	2		2	2		
36	504022	HOSE CLAMP / 3/4"-1"3/4 SS / HS-20	1		1	1		
37	504021	HOSE CLAMP / 11/16"-1"1/2 SS / HS-16	2		2	2		
38	504026	HOSE CLAMP / 2"13/16-3"3/4 SS / HS-52	1		1	1		

From P-722 To Y-7045

Date:10/2022

PAGE:XL-0305-01

FUEL TANK PLASTIC 208 GALLONS

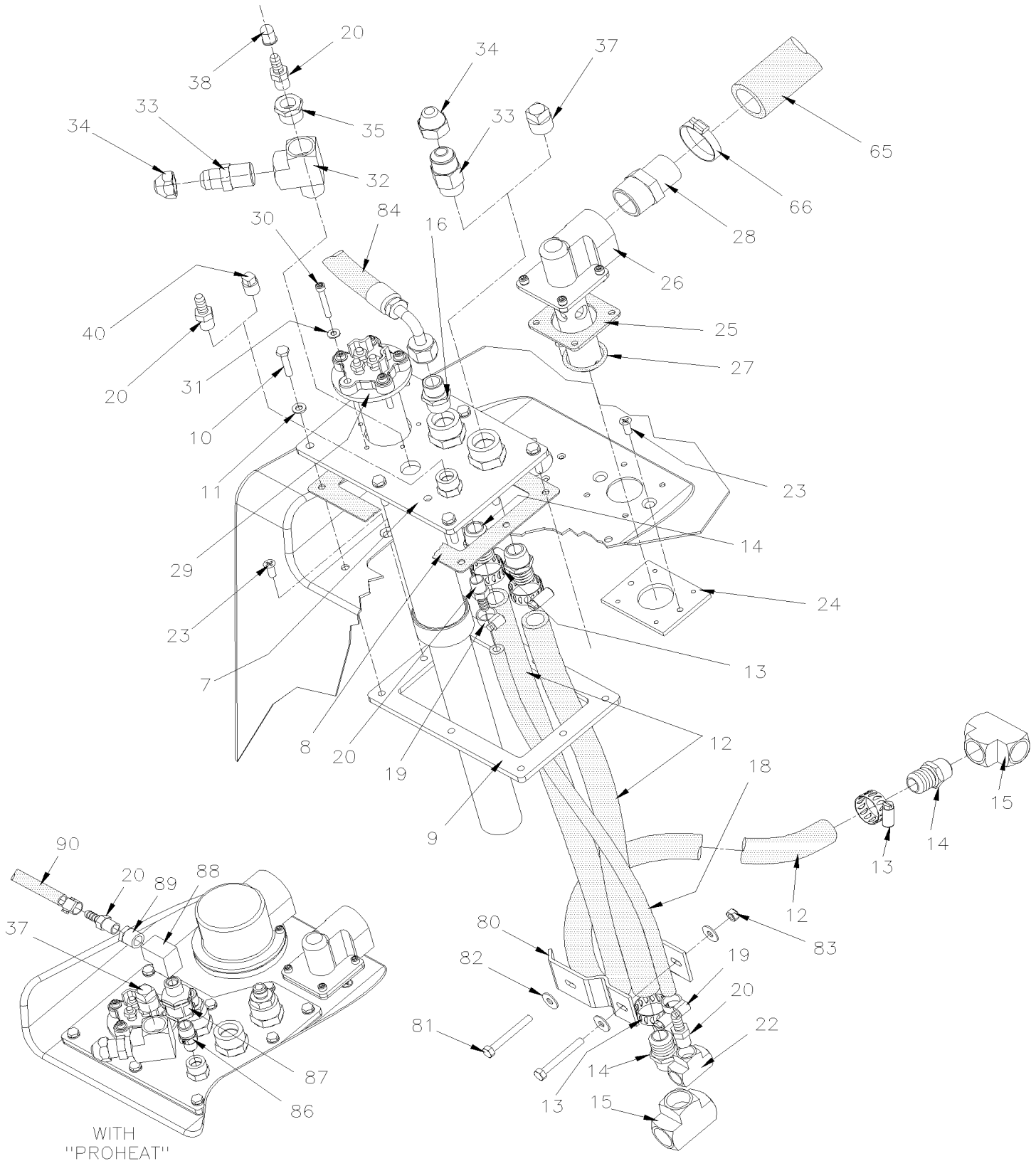


From P-722 To Y-7045

Date:10/2022

PAGE:XL-0305-01

FUEL TANK PLASTIC 208 GALLONS

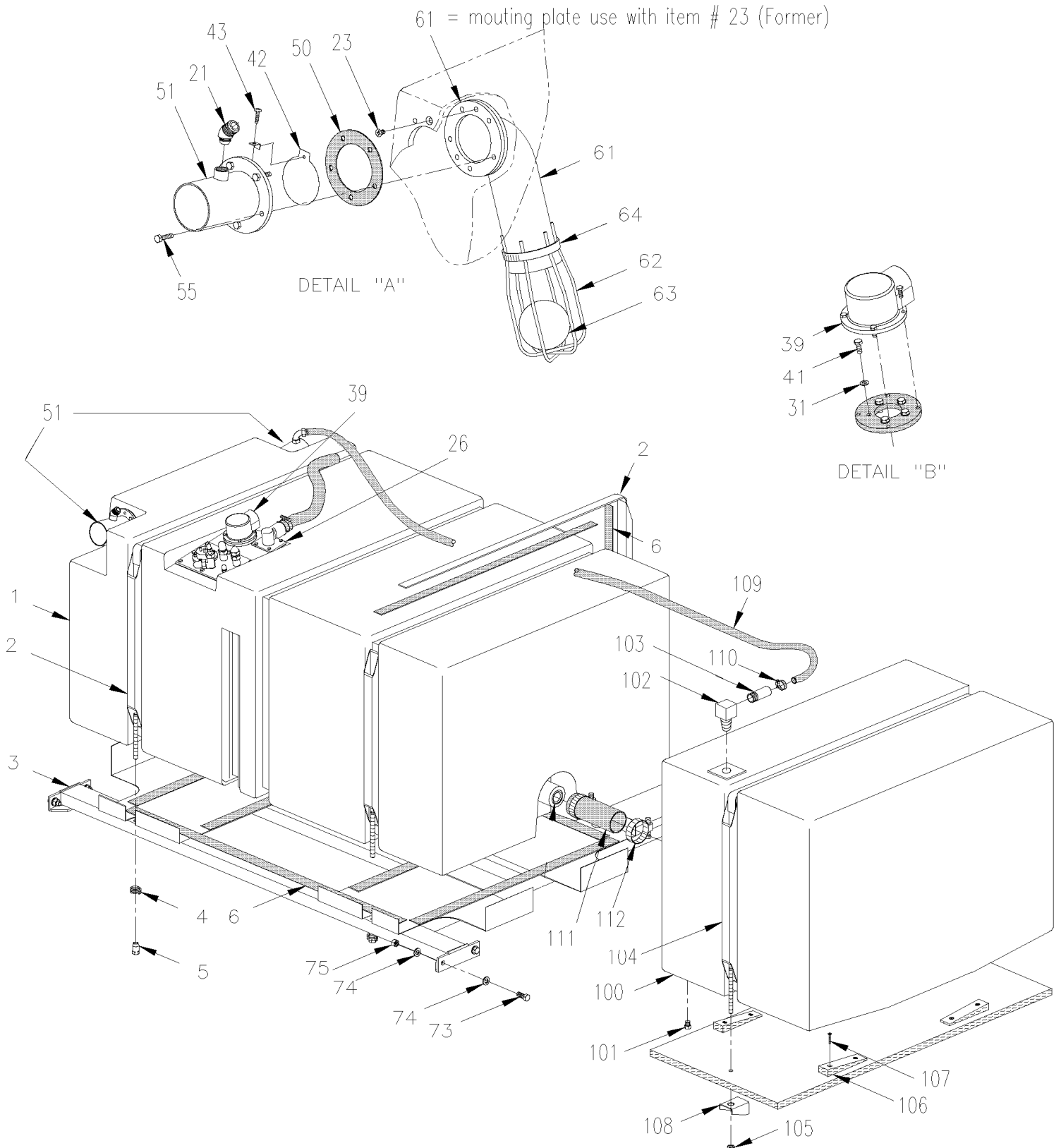


From P-722 To Y-7045

Date:10/2022

PAGE:XL-0305-01

FUEL TANK PLASTIC 208 GALLONS



From P-722 To Y-7045	Date:10/2022	PAGE:XL-0305-01
FUEL TANK PLASTIC 208 GALLONS		

Item#	Part	Description	M T H 4 0	M T H 4 5	M T H 4 5 E	X L 4 0	X L 4 5	N O T E S
	Call order desk	FUEL TANK ASSY		1			1	P
	Call order desk	FUEL TANK ASSY		1			1	P
1	031794	FUEL TANK / 208 GALLONS US / W/TWO INLET HOLES		1			1	
1	032455	FUEL TANK / 208 GALLONS US / W/TWO INLET HOLES		1			1	
2	031846	STRAP ASSY		2			2	
2	032463	ATTACHMENT POST ASSY / 689MM		4			4	
3	031814	REMOVABLE FLOOR ASSY		1			1	
3	032465	REMOVABLE FLOOR ASSY					1	B
3	032447	SHIM 197MM x 40MM SS		AR			AR	
4	502210	SPRING COMPRESSION / .975 O.D. x 1.250 x .125		1			1	
4	502932	SPRING COMPRESSION / SS .975 O.D. x 1.250 x .125		AR			AR	
5	031856	NUT HEX SPECIAL M12-1.75 ST To T-5689		4			4	
5	031930	NUT HEX SPECIAL M12-1.75 ST From T-5690		4			4	
5	032607	NUT HEX SPECIAL M12-1.75 SS		4			4	
NS	680038	THREAD LOCKER LOCTITE #243 / BLUE / 50ml		AR			AR	
6	506758	TAPE RUB ADH1 NEO 1/16"X 1 1/2"X50'		AR			AR	
6	031857	RUBBER / ON THE CORNER OF TANK 418MM x 549MM		4			4	
6	031861	RUBBER / ON THE RIGHT SIDE OF TANK 70MM x 480MM		1			1	
6	031859	RUBBER / ON TOP OF TANK 30MM x 480MM		3			3	
6	031860	RUBBER / BOTH SIDE OF TANK 30MM x 152MM		2			2	
NS	506007	TAPE RUB ADH1 CC NEO 3/4" x 1" x 10' / BLACK 1220		AR			AR	
7	031798	MAIN PLATE To T-5665		1			1	
7	032117	MAIN PLATE From T-5666 To V-6063		1			1	
7	032189	MAIN PLATE From V-2064		1			1	
7	032826	MAIN PLATE SERVICE		1			1	
8	031849	GASKET		1			1	
9	031851	INTERIOR FRAME ASSY		1			1	
10	502686	SCREW CAP HEX M6-1.0x30 SS BK		8			8	
11	5001392	WASHER FL 6.0x12.0x1.5 COP		8			8	
12	031837	PICK-UP TUBE / ENGINE To T-5890		1			1	
12	531417	HOSE / 2556 / #10 X 48"		3			3	
13	504019	HOSE CLAMP / 9/16"-1"1/16 SS / HS-10		6			6	
14	501942	MALE CONNECTOR / PUSH-LOK FITTING / 1/2NPT-Mx#10 BR		3			3	
15	501472	FEMALE UNION TEE / PIPE FITTING / 1/2NPT-Fx1/2NPT-Fx1/2NPT-F BR		3			3	
16	501739	MALE CONNECTOR / JIC 37° FITTING / #8JIC-Mx1/2NPT-M STL		1			1	
18	031838	PICK-UP TUBE / PRE-HEATING To T-5890		1			1	
18	031836	PICK-UP TUBE / ACCESSORIES To T-5890		1			1	
18	531444	HOSE / 2556 / #4 X 18 1/2"		1			1	
19	504014	HOSE CLAMP / 1/4"-5/8" SS / HM-4		2			2	
20	507602	MALE CONNECTOR / PUSH-LOK FITTING / 1/4NPT-Mx#4 BR		AR			AR	
20	501321	NIPPLE HEX / PIPE FITTING / 1/4NPT-Mx1/4NPT-Mx1 3/8 BR		1			1	
21	5011159	MALE ELBOW 45° / JIC 37° FITTING / #6JIC-Mx1/2NPT-M STL		1			1	

From P-722 To Y-7045	Date:10/2022	PAGE:XL-0305-01
FUEL TANK PLASTIC 208 GALLONS		

Item#	Part	Description	M T H 4 0	M T H 4 5	M T H 4 5 E	X L 4 0	X L 4 5	N O T E S
22	501337	FEMALE UNION TEE / PIPE FITTING / 1/4NPT-Fx1/4NPT-Fx1/4NPT-F BR		1			1	
23	5001198	SCREW MA FL PH M6-1.0x16 Z050		8			8	
24	031899	INTERIOR FRAME		1			1	
25	531443	GASKET / VALVE CONTROL LEVEL		1			1	
26	530099	VALVE, FUEL TANK LEVEL CONTROL		1			1	
26	504701	VALVE, FUEL TANK LEVEL CONTROL		1			1	
NS	531459	VALVE, FUEL TANK LEVEL CONTROL EMCO					1	B
NS	530212	GASKET / VALVE CONTROL LEVEL					1	B
NS	531410	WHISTLE					1	B
27	507356	O-RING		1			1	
28	030827	NIPPLE		1			1	
28	501205	ADAPTER / COPPER @ PIPE / 1Mx1NPT-M		1			1	
29	531387	SENSOR, FUEL LEVEL / 24"		1			1	
30	5011135	SCREW CAP HEXS #10-24x1 1/2 N500		10			10	
31	500593	WASHER FL .200x.437x.036 BR		10			10	
32	501473	MALE RUN TEE / PIPE FITTING / 1/2NPT-Mx1/2NPT-Fx1/2NPT-F BR		1			1	
33	501616	MALE CONNECTOR / SAE 45° FITTING / #8FL-Mx1/2NPT-M BR		1			1	
34	501053	CAP NUT / SAE 45° FITTING / #8FL-F BR		1			1	
35	501316	BUSHING REDUCER / PIPE FITTING / 1/2NPT-Mx1/4NPT-F BR		1			1	
37	501306	PLUG SQUARE HEAD / PIPE FITTING / 1/2NPT-M BR		1			1	
38	680733	CAP PROTECTOR (NO-THREADED)		1			1	
39	530156	VALVE PRESSURE		1			1	
NS	531427	GASKET / (SMALL)		1			1	
NS	531428	GASKET / (LARGE)		1			1	
39	531414	VALVE PRESSURE					1	B
40	501304	PLUG SQUARE HEAD / PIPE FITTING / 1/4NPT-M BR		1			1	
41	500143	SCREW CAP HEXS #10-24x1/2 N500		5			5	
42	031898	VALVE From P-757		1			1	A
43	031897	ANGLE From P-757		1			1	A
44	500260	SCREW TC FL PH #8-32x3/4 BK From P-757		2			2	A
45	032443	TRANSVERSAL CROSS BAR / 833.5 MM		2			2	
46	502121	PIN, CLEVIS 3/8 x 1.625 BZC		4			4	
47	502102	PIN, COTTER 1/8 x 1		4			4	
50	031804	GASKET		4			4	
50	032938	GASKET		2			2	
51	031800	FILLING HOSE ADAPTOR ASSY / R.H. WITH FUEL HOSE RETURN		1			1	
51	031896	FILLING HOSE ADAPTOR ASSY / L.H.		2			2	
54	500411	WASHER FL .260x.697x.050 SS		10			10	
55	502686	SCREW CAP HEX M6-1.0x30 SS BK From P-757		10			10	A
55	502511	NUT HEX NYRT M6-1.0 Z050		10			10	
61	031850	INTERIOR FRAME		2			2	A
61	032437	TUBE BALL RETAINER		2			2	

From P-722 To Y-7045	Date:10/2022	PAGE:XL-0305-01
FUEL TANK PLASTIC 208 GALLONS		

Item#	Part	Description	M T H 4 0	M T H 4 5	M T H 4 5 E	X L 4 0	X L 4 5	N O T E S
61	032914	TUBE BALL RETAINER		2			2	
62	032438	BASKET		2			2	
63	032657	BALL 70MM O.D.		2			2	
63	032871	BALL 77MM O.D.		2			2	S
64	504293	HOSE CLAMP / 2"5/16-3"1/4 SS / E.T. 44		2			2	
65	031474	HOSE #12 27"		1			1	
65	032415	HOSE #16 X 28" LG		2			2	
NS	503579	HOSE 1" I.D. X 50' / "GREEN STRIPE"		AR			AR	
NS	504637	CABLE TIE / 3/16" x 13"		AR			AR	
66	504021	HOSE CLAMP / 11/16"-1"1/2 SS / HS-16		1			1	
73	500806	SCREW CAP HEX M12-1.75X35 G10.9 G500		4			4	
74	500211	WASHER FL .531x1.250x.125 N500		12			12	
75	500811	NUT HEX STO M12-1.75 G500		6			6	
76	5001609	SCREW CAP HEX M12-1.75x80 G10.9 DP		2			2	
80	032240	HOLDING PLATE / TO HOLD TUBE		2			2	
81	502656	SCREW CAP HEX M6-1.0x50 SS		2			2	
82	500411	WASHER FL .260x.697x.050 SS		4			4	
83	502511	NUT HEX NYRT M6-1.0 Z050		4			4	
84	032579	HOSE ASSY / #8 6125MM	1	1	1	1	1	
84	032652	HOSE ASSY / #8 6500MM	1	1	1	1	1	
85	032097	HOSE ASSY / #6 7991MM	1	1	1	1	1	
86	501749	NIPPLE REDUCER HEX / PIPE FITTING / 3/8NPT-Mx1/4NPT-Mx1 13/32 BR					1	
87	530042	CHECK VALVE 3/8 NPT					4	
88	509863	FEMALE ELBOW 90° / PIPE FITTING / 3/8NPT-Fx3/8NPT-F BR					1	
89	501314	BUSHING REDUCER / PIPE FITTING / 3/8NPT-Mx1/4NPT-F BR					1	
90	XL-2350-10	WATER HEATER - INSTALLATION						
90A	XL-1875-00	FUEL TANK FILLING DOOR						
NS	031161	DECAL / FUEL RECOMMENDATIONS / FRENCH		1			1	
NS	031162	DECAL / FUEL RECOMMENDATIONS / ENGLISH		1			1	
NS	031164	DECAL / CERTIFICATION		1			1	
NS	400137	DECAL / DIESEL FUEL BLACK		1			1	
NS	403747	DECAL / INSTRUCTION FOR FILLING TANK /208 GAL BLACK		1			1	
92	031956	FILLING HOSE #40 652MM		1			1	
92	031855	FILLING HOSE #40 937MM		1			1	
93	504381	HOSE CLAMP / 2"3/4-3"5/8 SS / HT-350		2			2	
95	505056	ANTISTATIC STRAP / UNDER STRUCTURE		1			1	
96	504235	HOSE CLAMP / 3"9/16"-4"1/2 SS / HS-64		4			4	
97	032569	HOSE 3 1/2" I.D. X 610MM		1			1	
97	032570	HOSE 3 1/2" I.D. X 915MM		1			1	
		"OPTION " WITH AUXILIARY TANK SS						

From P-722 To Y-7045	Date:10/2022	PAGE:XL-0305-01
FUEL TANK PLASTIC 208 GALLONS		

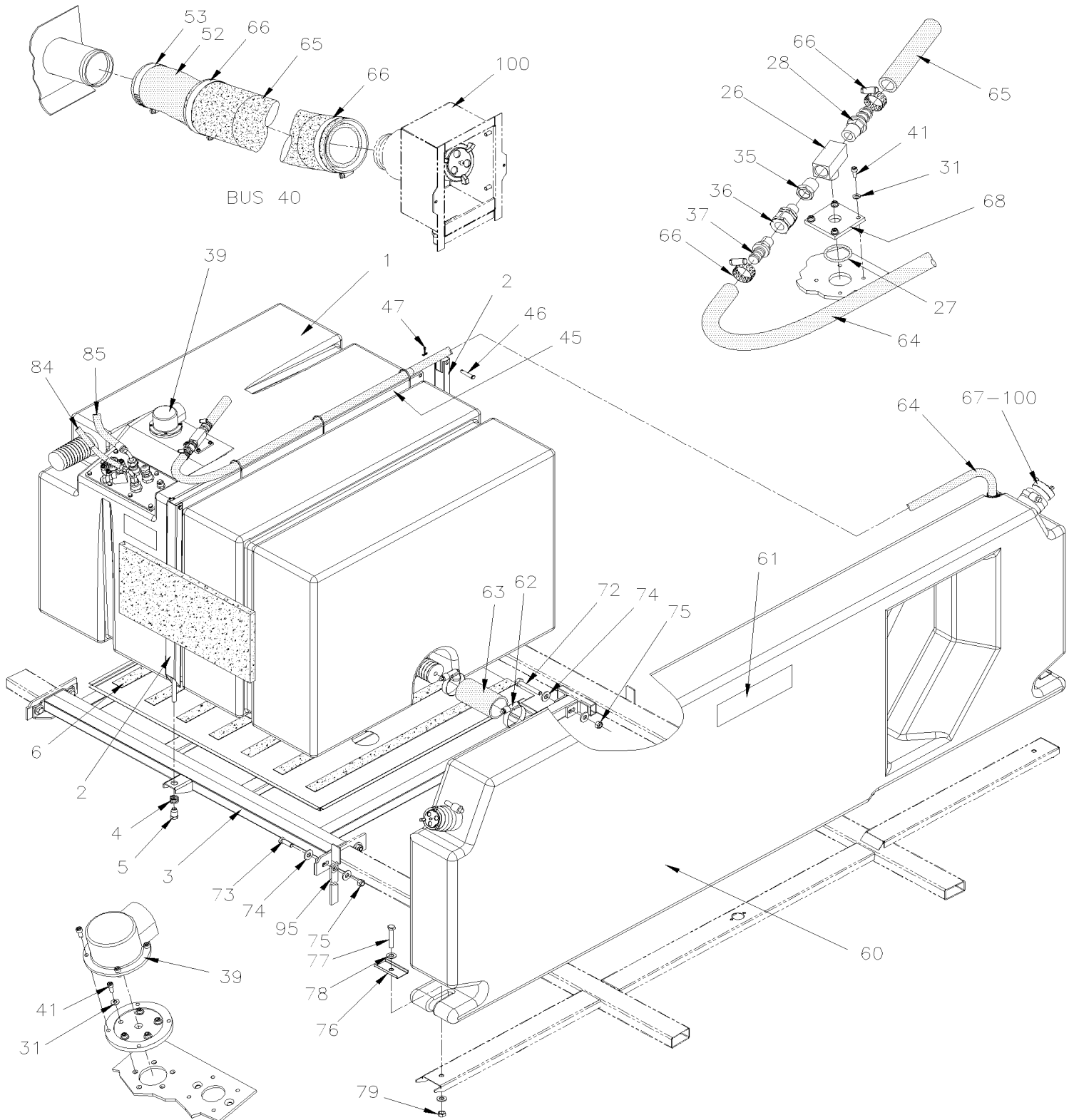
Item#	Part	Description	M T H 4 0	M T H 4 5	M T H 4 5 E	X L 4 0	X L 4 5	N O T E S
100	030920P	FUEL TANK ASSY, 90GAL / AUXILIARY		1			1	
101	501966	. PLUG HEXS / PIPE FITTING / 1/2NPT-M STL		1			1	
102	501408	. FEMALE ELBOW 90° / PIPE FITTING / 1/2NPT-Fx1/2NPT-F CASTIRON		1			1	
103	030827	. NIPPLE		1			1	
NS	506235	TAPE RUB ADH1 PVC.NITRIL 1/2" x 1" x 15' / BLACK 1210		AR			AR	
NS	680092	SEALANT TAPE BUTYL / GREY / 1/16"x3/4x50' / 71011V1760		AR			AR	
104	030951	STRAP, TANK		1			1	
105	500714	NUT HEX STO 7/16-20 Z050		2			2	
106	030926	SUPPORT WOOD		4			4	
NS	030893	INSULATING PAD 6" X 3" / W/THE PRECEDING ITEM / S.Q.		4			4	
107	500618	SCREW TP FL PH #10x1 Z050		4			4	
108	XL-1893-00	BAGGAGE & A/C COMPARTMENT UNDER CONSTRUCTION	1	1	1	1	1	
109	504020	HOSE CLAMP / 9/16"-1"1/4 SS / HS-12		2			2	
NS	504059	GROMMET / 1.250x1.500x.094x.375x1.875		1			1	
109	031891	HOSE / FROM PRIMARY TO AUXILLIARY / #12 2032MM		1			1	
111	031889	HOSE #24 171MM		1			1	
112	504394	HOSE CLAMP / 1"1/4-2"1/8 SS / HT-200		2			2	
120	032413	KIT, FUEL SPILLWAY RETROFIT To Y-7045		1			1	C
. NS	IS-98080	. SEE INSTRUCTION SHEET To Y-7045						C
121	032504	KIT, RETROFIT FUEL TANK STRAP To Y-7045		1			1	D
. NS	IS-02059	. SEE INSTRUCTION SHEET To Y-7045		1			1	D
122	032259	KIT, BRACE FOR HOSE To Y-7045		1			1	
. NS	IS-97121	. SEE INSTRUCTION SHEET To Y-7045						
123	032128	KIT, RETROFIT PICK-UP TUBE (SERIES XL) (SEE WB-96-06) From T-5828 To T-5890	1	1	1	1	1	
		A) FOR PRODUCT IMPROVEMENT OF SPILLWAY USE KIT # 032413 FOR VIN FROM P-722 TO Y-7045						
		B) WITH "EMCO WHEATON" FUEL CAP						
		C) INCLUDE ITEMS 8, 26, 28, 50, 54, 55, 61 to 66						
		D) INCLUDE ITEMS 2, 45 to 46						
		S) SERVICE						
		P) CALL ORDER DESK FOR SPECIFIC APPLICATION (V.I.N.)						

From V-6258 To Y-7045

Date:10/2022

PAGE:XL-0305-02

FUEL TANK PLASTIC 180 & 70 GALLONS



From V-6258 To Y-7045

Date:10/2022

PAGE:XL-0305-02

FUEL TANK PLASTIC 180 & 70 GALLONS



From V-6258 To Y-7045	Date:10/2022	PAGE:XL-0305-02
FUEL TANK PLASTIC 180 & 70 GALLONS		

Item#	Part	Description	M T H 4 0	M T H 4 5	M T H 4 5 E	X L 4 0	X L 4 5	N O T E S
1	032159	FUEL TANK / 180 GALLONS US				1		
. NS	032361	. ADAPTOR DRAIN PLUG				1		
. NS	032362	. O-RING DRAIN PLUG				1		
1	032015	FUEL TANK / 180 GALLONS US	1		1			
. NS	032361	. ADAPTOR DRAIN PLUG	1		1			
. NS	032362	. O-RING DRAIN PLUG	1		1			
1	032480	FUEL TANK / 180 GALLONS US	1		1			
2	032095	HOLDING STRAP	2		2	2		A
2	032506	ATTACHMENT ASSY 722MM	2		2	2		
3	032017	REMOVABLE FLOOR	1		1	1		
3	032608	REMOVABLE FLOOR	1		1	1		
NS	032091	BOTTOM PANEL	1		1	1		
4	502210	SPRING COMPRESSION / .975 O.D. x 1.250 x .125	2		2	2		
4	502932	SPRING COMPRESSION / SS .975 O.D. x 1.250 x .125	2		2	2		
5	031930	NUT HEX SPECIAL M12-1.75 ST	2		2	2		
5	032607	NUT HEX SPECIAL M12-1.75 SS	2		2	2		
6	506758	TAPE RUB ADH1 NEO 1/16"X 1 1/2"X50'	AR		AR	AR		
NS	506757	TAPE RUB ADH1 NEO 3/4" x 10" x 25 1/2" / BLACK 1220	1		1	1		
NS	506007	TAPE RUB ADH1 CC NEO 3/4" x 1" x 10' / BLACK 1220	AR		AR	AR		
7	032090	MAIN PLATE	1		1	1		
7	032167	MAIN PLATE	1	1	1	1	1	
8	032096	GASKET	1		1	1		
9	032092	INTERIOR FRAME	1		1	1		
10	502686	SCREW CAP HEX M6-1.0x30 SS BK	10		10	10		
11	5001392	WASHER FL 6.0x12.0x1.5 COP	10		10	10		
12	531417	HOSE / 2556 / #10 X 48"	1		1	1		
13	504019	HOSE CLAMP / 9/16"-1"1/16 SS / HS-10	2		2	2		
14	501942	MALE CONNECTOR / PUSH-LOK FITTING / 1/2NPT-Mx#10 BR	2		2	2		
15	501472	FEMALE UNION TEE / PIPE FITTING / 1/2NPT-Fx1/2NPT-Fx1/2NPT-F BR	1		1	1		
17	501930	MALE CONNECTOR / JIC 37° FITTING / #6JIC-Mx1/2NPT-M STL	1		1	1		
18	531444	HOSE / 2556 / #4 X 18 1/2"	1		1	1		
19	504014	HOSE CLAMP / 1/4"-5/8" SS / HM-4	2		2	2		
20	507602	MALE CONNECTOR / PUSH-LOK FITTING / 1/4NPT-Mx#4 BR	4		4	4		
22	501337	FEMALE UNION TEE / PIPE FITTING / 1/4NPT-Fx1/4NPT-Fx1/4NPT-F BR	1		1	1		
23	5001198	SCREW MA FL PH M6-1.0x16 Z050	2		2	2		
25	531443	GASKET / VALVE CONTROL LEVEL				1		
26	530099	VALVE, FUEL TANK LEVEL CONTROL				1		
26	507556	MALE BRANCHE TEE / PIPE FITTING / 1/2NPT-Fx1/2NPT-Fx1/2NPT-M BR	1		1			
27	507356	O-RING	1		1	1		
28	501605	BUSHING REDUCER / PIPE FITTING / 1NPT-Mx1/2NPT-F STL				1		
28	507605	MALE CONNECTOR / HOSE BARB FITTING / #12x1/2NPT-M BR	1		1			
29	531387	SENSOR, FUEL LEVEL / 24"	1		1	1		

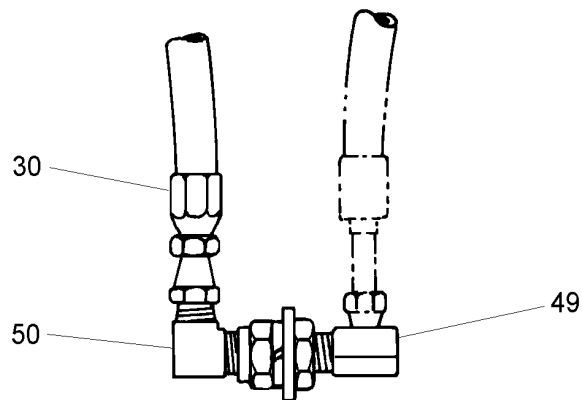
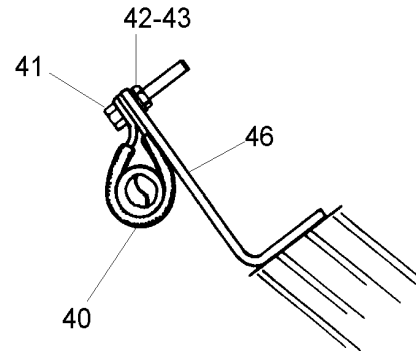
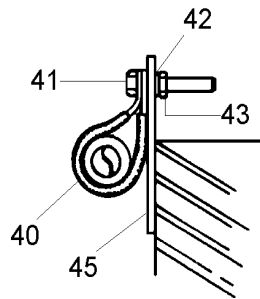
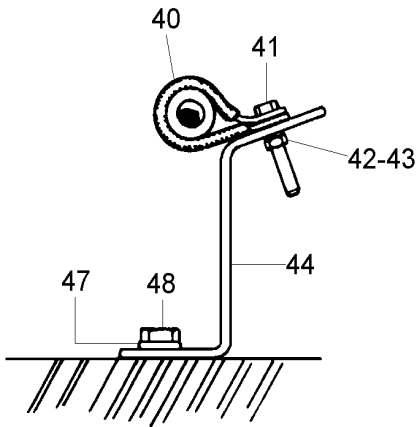
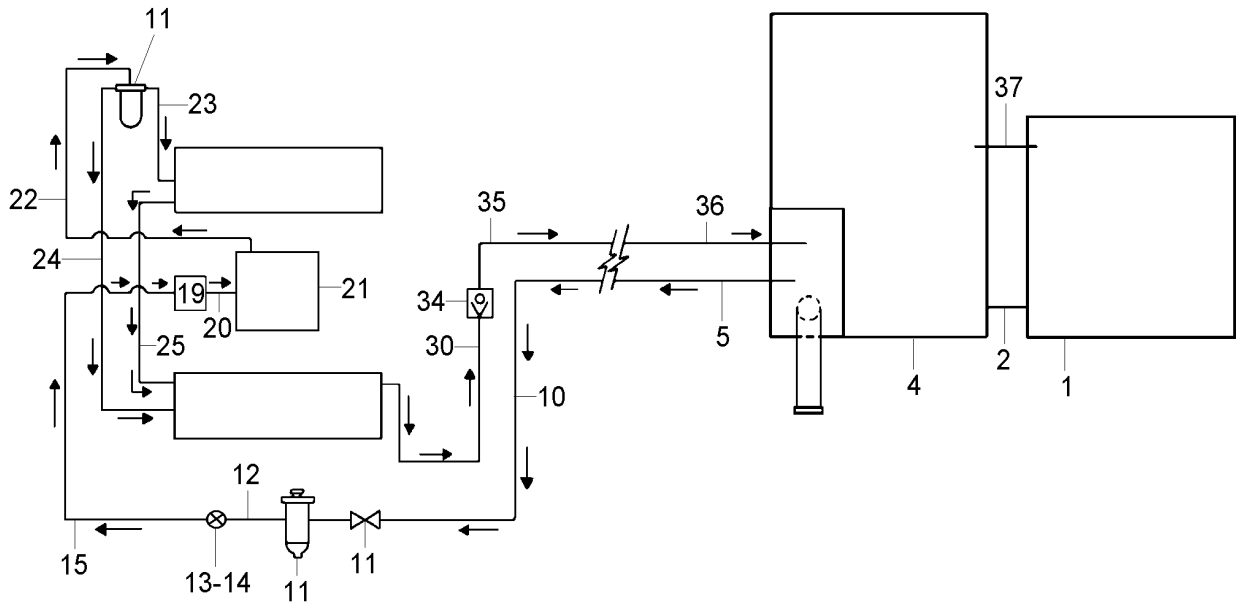
From V-6258 To Y-7045	Date:10/2022	PAGE:XL-0305-02
FUEL TANK PLASTIC 180 & 70 GALLONS		

Item#	Part	Description	M T H 4 0	M T H 4 5	M T H 4 5 E	X L 4 0	X L 4 5	N O T E S
30	5011135	SCREW CAP HEXS #10-24x1 1/2 N500	5		5	5		
31	500593	WASHER FL .200x.437x.036 BR	5		5	5		
32	501473	MALE RUN TEE / PIPE FITTING / 1/2NPT-Mx1/2NPT-Fx1/2NPT-F BR	1		1	1		
33	501616	MALE CONNECTOR / SAE 45° FITTING / #8FL-Mx1/2NPT-M BR	2		2	2		
34	501053	CAP NUT / SAE 45° FITTING / #8FL-F BR	1		1	1		
35	501534	BUSHING REDUCER / PIPE FITTING / 1/2NPT-Mx3/8NPT-F BR	1		1			
36	530042	CHECK VALVE 3/8 NPT	1		1			
37	501949	MALE CONNECTOR / PUSH-LOK FITTING / 3/8NPT-Mx#8 BR	1		1			
38	5011064	MALE CONNECTOR / HOSE BARB FITTING / #3x1/4NPT-M BR	1		1			
39	530156	VALVE PRESSURE	1		1	1		
. NS	531427	. GASKET / (SMALL)	1		1	1		
. NS	531428	. GASKET / (LARGE)	1		1	1		
41	500143	SCREW CAP HEXS #10-24x1/2 N500	5		5	5		
42	531445	HOSE / 2556 / #10 X 18 1/2"	1		1	1		
45	032508	TRANSVERSAL BAR 985MM	1		1	1		
46	502121	PIN, CLEVIS 3/8 x 1.625 BZC	2		2	2		
47	502102	PIN, COTTER 1/8 x 1	2		2	2		
52	031956	FILLING HOSE #40 652MM				1		
53	504381	HOSE CLAMP / 2"3/4-3"5/8 SS / HT-350				1		
56	504235	HOSE CLAMP / 3"9/16"-4"1/2 SS / HS-64				2		
57	032289	HOSE 3 1/2" I.D. X 750MM				1		
60	032194	FUEL TANK / 70 GALLONS US	1		1			
. NS	032147	. FILLING TUBE STRAIGHT	2		2			
61	032178	DECAL "CAUTION"	1		1			
62	032177	HOSE #40 150MM	1		1			
63	504562	HOSE CLAMP / 2"3/4-3"5/8 / C.T. 350	2		2			
64	032210	HOSE #8 1090MM	1		1			
NS	504637	CABLE TIE / 3/16" x 13"	4		4			
65	032415	HOSE #16 X 28" LG				1		
. NS	503579	. HOSE 1" I.D. X 50' / "GREEN STRIPE"				AR		
65	032166	HOSE #12 120"	1		1			
66	504021	HOSE CLAMP / 11/16"-1"1/2 SS / HS-16	1		1	1		
67	531424	FUEL FILLING CAP / SCREW TYPE CAP	2		2			
68	032204	SPIRACLE PLATE	1		1			
69	501316	BUSHING REDUCER / PIPE FITTING / 1/2NPT-Mx1/4NPT-F BR	1		1			
70	502737	SCREW CAP HEX M6-1.0x25 SS BK	2		2			
71	502570	WASHER LO SPT 6.1x11.8x1.6 SS	2		2			
72	5001862	SCREW CAP HEX M12-1.75x70 G10.9 N500	2		2	2		
73	500806	SCREW CAP HEX M12-1.75X35 G10.9 G500	8		8	8		
74	500211	WASHER FL .531x1.250x.125 N500	16		16	16		
75	500811	NUT HEX STO M12-1.75 G500	8		8	8		
76	032149	FIXING PLATE	2		2			

From V-6258 To Y-7045	Date:10/2022	PAGE:XL-0305-02
FUEL TANK PLASTIC 180 & 70 GALLONS		

Item#	Part	Description	M T H 4 0	M T H 4 5	M T H 4 5 E	X L 4 0	X L 4 5	N O T E S
77	5001392	WASHER FL 6.0x12.0x1.5 COP	10		10			
78	500958	WASHER FL .531x1.062x.095 SS	2		2			
79	500875	NUT HEX M12-1.75 SS	2		2	2		
80	032240	HOLDING PLATE / TO HOLD TUBE	2		2	2		
81	502656	SCREW CAP HEX M6-1.0x50 SS	2		2	2		
82	500411	WASHER FL .260x.697x.050 SS	2		2	2		
83	502511	NUT HEX NYRT M6-1.0 Z050	2		2	2		
95	505056	ANTISTATIC STRAP / UNDER STRUCTURE	1		1	1		
100	XL-1875-00	FUEL TANK FILLING DOOR						
NS	032509	KIT, RETROFIT FUEL TANK STRAP From V-6258 To Y-7045	1		1			
. NS	IS-02059	. SEE INSTRUCTION SHEET From V-6258 To Y-7045	1		1			
		A) FOR PRODUCT IMPROVMENT USE KIT #032509 FOR VEHICULE Up to 3-7990						

From E-638 To R-949	Date:10/2022	PAGE:XL-0310-00
FUEL HOSE - INSTALLATION - WITH DETROIT S-92		



From E-638 To R-949	Date:10/2022	PAGE:XL-0310-00
FUEL HOSE - INSTALLATION - WITH DETROIT S-92		

Item#	Part	Description	M T H 4 0	M T H 4 5	M T H 4 5 E	X L 4 0	X L 4 5	N O T E S
1	030920P	FUEL TANK ASSY, 90GAL / AUXILIARY	AR		AR	AR		
2	503486	HOSE / FUEL / 1 1/2" I.D. / S.L.	AR		AR	AR		
3	504394	HOSE CLAMP / 1"1/4-2"1/8 SS / HT-200	2		2	2		
4	031336P	FUEL TANK ASSY / 160 US GAL / W/ALLS OPTIONS CONNECTORS	1		1	1		
5	031064	HOSE ASSY / #8 24" From G-062	1		1	1		
6	501591	. MALE CONNECTOR / JIC 37° FITTING / #6JIC-Mx1/2NPT-M STL From G-062	1		1	1		
7	501923	. FEMALE CONNECTOR / AB FITTING / #10x3/8NPT-F BR	1		1	1		
8	503417	. HOSE #FC-300 HYDRAULIC / #8 S.L.	AR		AR	AR		
9	501785	. FEMALE CONNECTOR SWIVEL / JIC 37° FITTING / #8JIC-Fx#8 ZP	2		2	2		
10	031040	TUBE ASSY ½ X 182"	1		1	1		
10	503195	. COPPER TUBE .625" O.D. x .049" x 792"	AR		AR	AR		
10	560388	. PLASTIC TUBING / 3/4" / CLEAR	AR		AR	AR		
11	XL-0311-00	FUEL FILTER - PRIMARY & SECONDARY						
11	XL-0311-10	FUEL FILTER / WATER SEPARATOR - "RACOR"						
12	030658	TUBE / 49" / FUEL FILTER TO FUEL PUMP To L-684	1		1	1		
12	031681	TUBE / 47" / FUEL FILTER TO FUEL PUMP From L-685	1		1	1		
12	503191	. COPPER TUBE .500" O.D. x .045" x 240"	AR		AR	AR		
13	501792	FEMALE CONNECTOR / AB FITTING / #8x3/8NPT-F BR	1		1	1		
14	501591	MALE CONNECTOR / JIC 37° FITTING / #6JIC-Mx1/2NPT-M STL	1		1	1		
15	030588	HOSE ASSY / #8 1300MM	1		1	1		
15	031156	HOSE ASSY / #8 1020MM	1		1	1		
NS	503417	. HOSE #FC-300 HYDRAULIC / #8 S.L.	AR		AR	AR		
16	501594	. FEMALE ELBOW 90° SHORT DROP/ JIC 37° FITTING/ #8JIC-Fx#8 STL	1		1	1		
17	501839	. FEMALE ELBOW 45° SHORT DROP/ JIC 37° FITTING/ #8JIC-Fx#8 ZP	1		1	1		
18	501043	MALE ELBOW 90° / SAE 45° FITTING / #8FL-Mx3/8NPT-M BR	1		1	1		
19	N.S.P.	FUEL PUMP / SUPPLY W/MOTOR	1		1	1		2
20	N.S.P.	HOSE / FUEL PUMP & E.C.U. / (23501154)	1		1	1		2
21	N.S.P.	E.C.U. / (SUPPLY W/MOTOR)	1		1	1		2
22	N.S.P.	HOSE / E.C.U. TO SECONDARY FILTER / (8926140)	1		1	1		2
23	N.S.P.	HOSE ASSY /SECONDARY FILTER TO CYLINDER HEAD/ (2350168)	1		1	1		2
24	N.S.P.	HOSE ASSY /SECONDARY FILTER TO CYLINDER HEAD/ (8926141)	1		1	1		2
25	N.S.P.	HOSE ASSY RETURN / CYLINDER HEAD LH TO RH /	1		1	1		2
30	031490	HOSE ASSY / #6 330MM	1		1	1		
30	031537	HOSE ASSY / #6 457MM	1		1	1		
30	031240	HOSE ASSY / #6 1320MM	1		1	1		
30	503582	. HOSE #FC-300 HYDRAULIC / #6 S.L.	AR		AR	AR		
31	501836	. FEMALE CONNECTOR SWIVEL / SAE 45° FITTING / #6FL-Fx#6 STL	1		1	1		
32	501826	. MALE CONNECTOR SWIVEL / INVERTED FLARE / #6IFL-Mx#6 ZP	1		1	1		
33	501640	MALE CONNECTOR / INVERTED FLARE FITTING / #6IFL-Fx3/8NPT-M BR	1		1	1		
34	530042	CHECK VALVE 3/8 NPT	1		1	1		
35	031041	TUBE ASSY ½ X 152"	1		1	1		
36	031065	HOSE ASSY / FUEL RETURN / #8 24"	1		1	1		

From E-638 To R-949	Date:10/2022	PAGE:XL-0310-00
FUEL HOSE - INSTALLATION - WITH DETROIT S-92		

Item#	Part	Description	M T H 4 0	M T H 4 5	M T H 4 5 E	X L 4 0	X L 4 5	N O T E S
36	503417	. HOSE #FC-300 HYDRAULIC / #8 S.L.	AR		AR	AR		
36	501594	. FEMALE ELBOW 90° SHORT DROP/ JIC 37° FITTING/ #8JIC-Fx#8 STL	1		1	1		
36	501785	. FEMALE CONNECTOR SWIVEL / JIC 37° FITTING / #8JIC-Fx#8 ZP	1		1	1		
37	503547	HOSE / RUBBER #12 / S.L.	AR		AR	AR		
40	560482	CLAMP / 3/4" I.D. / W/HOLE 3/16"	AR		AR	AR		
40	560482	CLAMP / 3/4" I.D. / W/HOLE 3/16"	2		2	2		
41	500574	SCREW MA TR PH #10-24x1 1/4 SS	4		4	4		
42	500786	NUT HEX #10-24 Z050	4		4	4		
43	500470	WASHER LO SPT .193x.334x.047 Z050	4		4	4		
44	010559	BRACKET	1		1	1		
45	060525	SUPPORT HARNESS	1		1	1		
46	070368	SUPPORT	2		2	2		
47	500480	WASHER LO SPT .443x.779x.109 Z050	1		1	1		
48	500202	SCREW CAP HEX 7/16-14x1 G5 ZP	1		1	1		
49	501172	MALE CONNECTOR / INVERTED FLARE FITTING / #6IFL-Fx1/4NPT-M BR	1		1	1		
49	510253	ELBOW / RESTRICTION 0.080	1		1	1		
49	510291	CONNECTOR / RESTRICTION 0.080 (8924195)	1		1	1		
49	510343	CONNECTOR / RESTRICTION 0.070 (8925538)	1		1	1		
50	501040	MALE ELBOW 90° / SAE 45° FITTING / #6FL-Mx1/4NPT-M BR	1		1	1		
		2) NOT SOLD BY PREVOST (SEE MANUFACTURING PART NUMBER AT END OF DESCRIPTION LINE)						

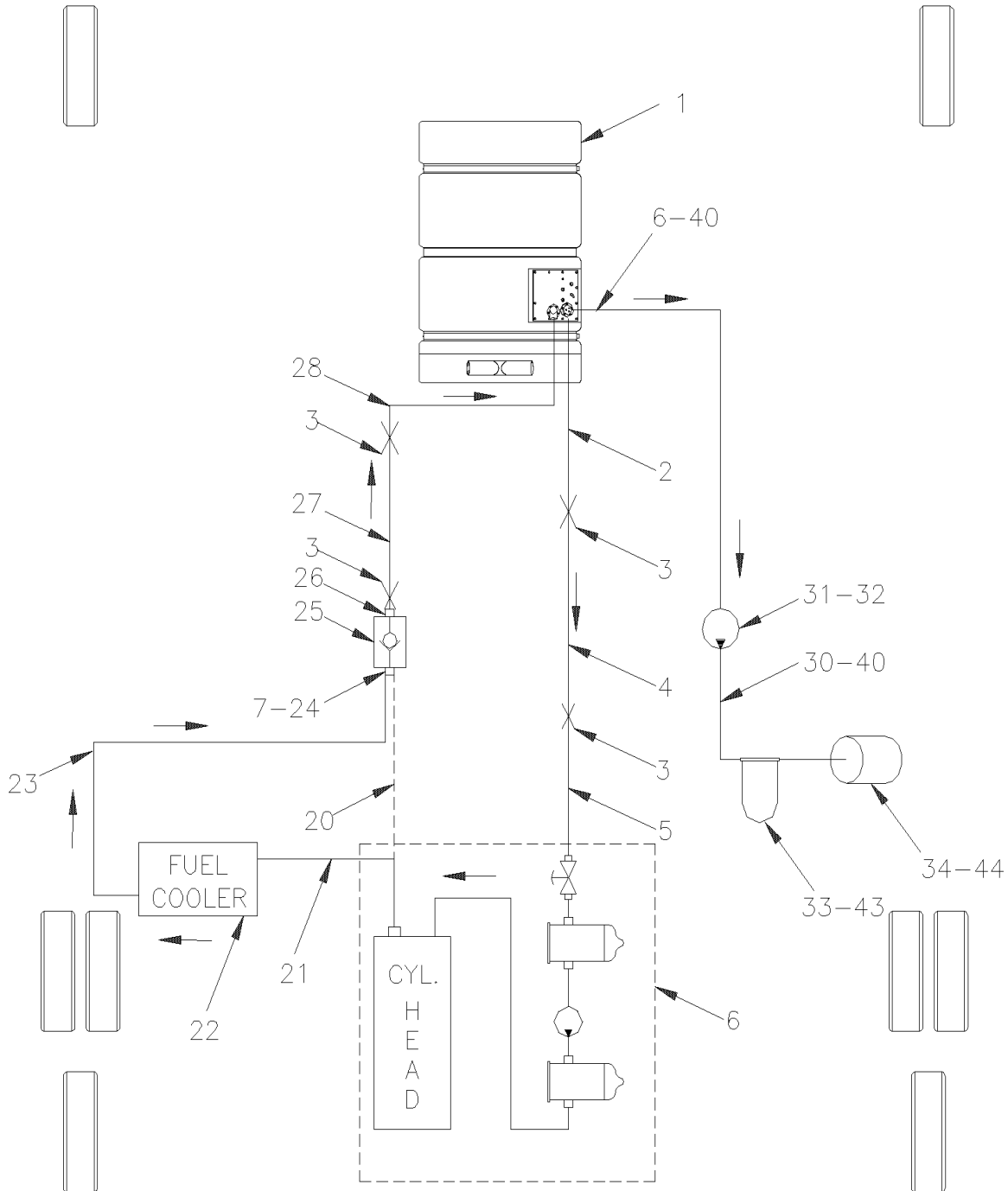
From P-722 To Y-7045

Date:10/2022

PAGE:XL-0310-01

FUEL HOSE - INSTALLATION - WITH DETROIT S-60

DASHED LINES SHOWS FUEL LINE CONFIGURATION, W/O FUEL COOLER



From P-722 To Y-7045	Date:10/2022	PAGE:XL-0310-01
FUEL HOSE - INSTALLATION - WITH DETROIT S-60		

Item#	Part	Description	M T H 4 0	M T H 4 5	M T H 4 5 E	X L 4 0	X L 4 5	N O T E S
1	XL-0305-00	FUEL TANK - 160 & 90 GALLONS To V-6257						
1	XL-0305-01	FUEL TANK PLASTIC 208 GALLONS From P-722						
1	XL-0305-02	FUEL TANK PLASTIC 180 & 70 GALLONS From V-6258						
2	031877	HOSE ASSY / #10 610MM To V-6063	1			1		A
2	032100	HOSE ASSY / #8 5764MM From V-6064	1			1		
2	031882	HOSE ASSY / #10 813MM To V-6063		1			1	A
2	032098	HOSE ASSY / #8 6632MM From V-6064		1			1	
NS	503063	. HOSE #FC-300 HYDRAULIC / #10 S.L.	AR	AR	AR	AR	AR	
NS	501677	. FEMALE ELBOW 90° SHORT DROP/ JIC 37° FITTING/ #10JIC-Fx#10 STL		1			1	
NS	5011062	. FEMALE CONNECTOR SWIVEL / JIC 37° FITTING / #8JIC-Fx#10 ZP	2		2	2		
NS	5011062	. FEMALE CONNECTOR SWIVEL / JIC 37° FITTING / #8JIC-Fx#10 ZP		1			1	
3	501591	MALE CONNECTOR / JIC 37° FITTING / #6JIC-Mx1/2NPT-M STL To V-6063	1	1	1	1	1	A
NS	501923	FEMALE CONNECTOR / AB FITTING / #10x3/8NPT-F BR To V-6063	1	1	1	1	1	
4	031813	TUBE ASSY, 175" To T-5873		1			1	
4	032106	TUBE ASSY 4445MM From T-5874 To V-6257		1			1	A
4	031873	TUBE ASSY, 157 1/2" To T-5873	1		1	1		
4	032103	TUBE ASSY 4000MM From T-5874 To V-6257	1		1	1		A
NS	560388	. PLASTIC TUBING / 3/4" / CLEAR To T-5874	AR	AR	AR	AR	AR	
NS	503195	. COPPER TUBE .625" O.D. x .049" x 792"	AR	AR	AR	AR	AR	
6	XL-0311-00	FUEL FILTER - PRIMARY & SECONDARY						
7	501617	MALE CONNECTOR / SAE 45° FITTING / #6FL-Mx3/8NPT-M BR To V-6063	1	1	1	1	1	
20	031875	HOSE ASSY / #6 530MM To V-6063	1		1	1		
20	032132	HOSE ASSY / DRAIN #6 460MM From V-6064	1		1	1		
20	031961	HOSE ASSY / #6 658MM To V-6063				1		C
20	032133	HOSE ASSY / #6 740MM From V-6064				1		C
21	XL-0316-00	FUEL COOLER - INSTALLATION To V-6063						
NS	XL-0316-01	FUEL COOLER - INSTALLATION From V-6064						
22	XL-0316-00	FUEL COOLER - INSTALLATION To V-6063						
22	XL-0316-01	FUEL COOLER - INSTALLATION From V-6064						
23	XL-0316-00	FUEL COOLER - INSTALLATION To V-6063						
23	XL-0316-01	FUEL COOLER - INSTALLATION From V-6064						
24	501640	MALE CONNECTOR / INVERTED FLARE FITTING / #6IFL-Fx3/8NPT-M BR	1	1	1	1	1	
NS	501333	STREET ELBOW 90° / PIPE FITTING / 3/8NPT-Mx3/8NPT-F BR	1		1	1		
25	530042	CHECK VALVE 3/8 NPT To V-6063	1	1	1	1	1	
25	531415	CHECK VALVE From V-6064	1	1	1	1	1	A
26	501792	FEMALE CONNECTOR / AB FITTING / #8x3/8NPT-F BR To V-6063	1	1	1	1	1	
27	031041	TUBE ASSY 1/2 X 152" To V-6063	1		1	1		
27	031946	TUBE ASSY 1/2 X 152" From V-6064	1		1	1		A
27	031812	TUBE ASSY 1/2 X 175" To V-6063		1			1	
27	032105	TUBE ASSY 1/2 X 175" From V-6064		1			1	A
NS	560387	. PLASTIC TUBING / 5/8" / CLEAR	AR	AR	AR	AR	AR	
NS	503191	. COPPER TUBE .500" O.D. x .045" x 240"	AR	AR	AR	AR	AR	

From P-722 To Y-7045	Date:10/2022	PAGE:XL-0310-01
FUEL HOSE - INSTALLATION - WITH DETROIT S-60		

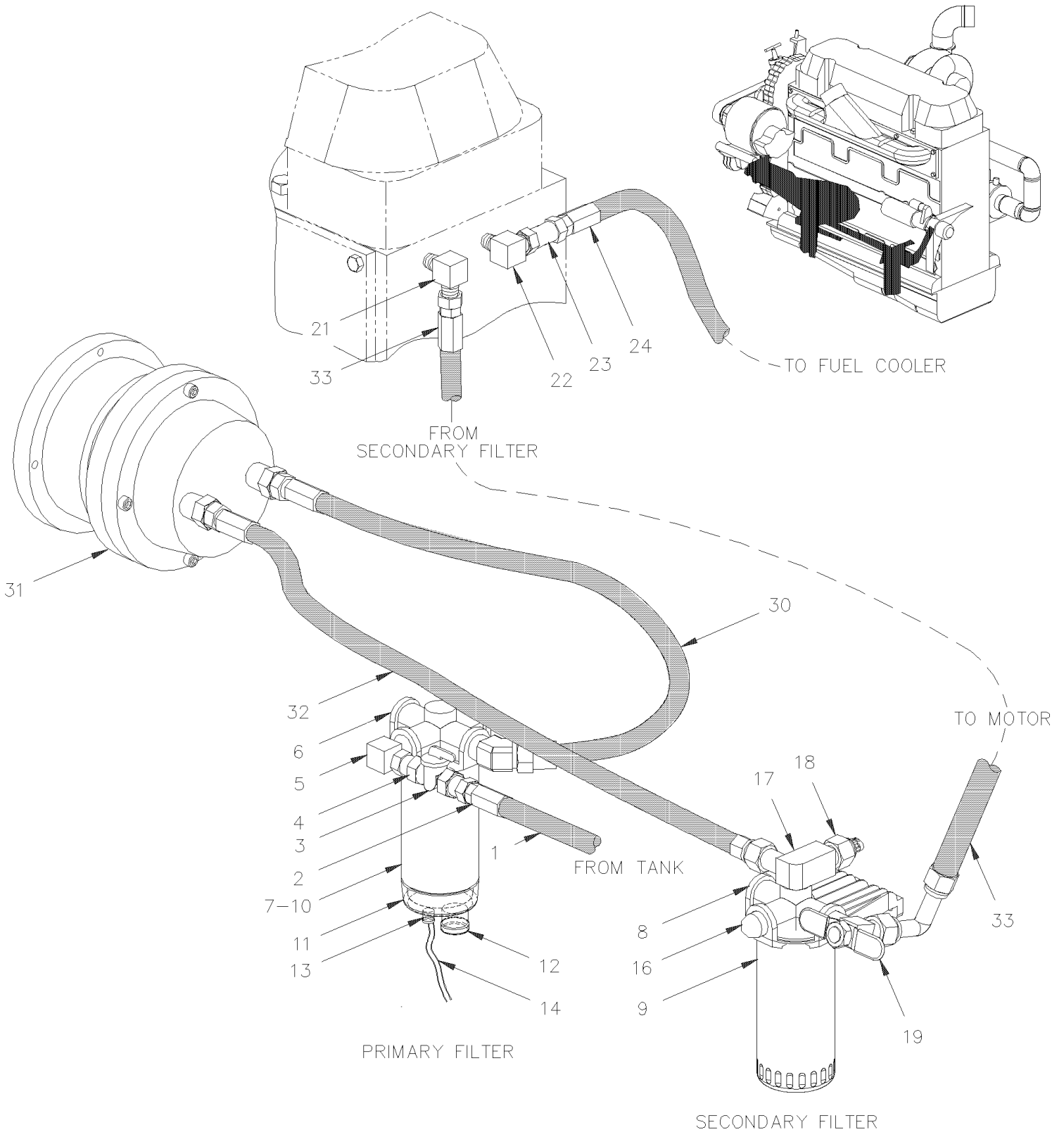
Item#	Part	Description	M T H 4 0	M T H 4 5	M T H 4 5 E	X L 4 0	X L 4 5	N O T E S
28	031065	HOSE ASSY / FUEL RETURN / #8 24" To V-6063	1	1	1	1	1	
28	032099	HOSE ASSY / FUEL RETURN / #6 4960MM From V-6064 To V-6257	1		1	1		
NS	503417	. HOSE #FC-300 HYDRAULIC / #8 S.L.	AR	AR	AR	AR	AR	
NS	501785	. FEMALE CONNECTOR SWIVEL / JIC 37° FITTING / #8JIC-Fx#8 ZP	1	1	1	1	1	
NS	501594	. FEMALE ELBOW 90° SHORT DROP/ JIC 37° FITTING/ #8JIC-Fx#8 STL	1	1	1	1	1	
NS	501591	. MALE CONNECTOR / JIC 37° FITTING / #6JIC-Mx1/2NPT-M STL	1	1	1	1	1	
NS	501792	. FEMALE CONNECTOR / AB FITTING / #8x3/8NPT-F BR	1	1	1	1	1	
		FOLLOWING PARTS ARE RELATED WITH WATER HEATER 40,000 BTU "ESPAR"						
30	870977	HOSE 3.2MM I.D. 25' / S.L.	AR	AR	AR	AR	AR	
NS	504014	HOSE CLAMP / 1/4"-5/8" SS / HM-4	4	4	4	4	4	
31	870973	PUMP FUEL	1	1	1	1	1	
32	870971	SUPPORT, PUMP	1	1	1	1	1	
NS	870972	RING, RUBBER	1	1	1	1	1	
NS	500896	SCREW TC FL PH #8-32x5/8 Z050	2	2	2	2	2	
34	871097	WATER HEATER - "ESPAR" 41,000 B.T.U.						
		FOLLOWING PARTS ARE RELATED WITH WATER HEATER 80,000 BTU "WEBASTO"						
40	503411	HOSE / 2556 / #4 X 50'	AR	AR	AR	AR	AR	
NS	504230	HOSE CLAMP / 3/8"-7/8" SS / HS-6	4	4	4	4	4	
43	871037	FILTER, FUEL	1	1	1	1	1	B
NS	871038	SUPPORT, FILTER FUEL	1	1	1	1	1	
44	871036	WATER HEATER - "WEBASTO" 80,000 B.T.U.						
44	871085	WATER HEATER - "WEBASTO" 45,000 B.T.U.						
		A) FOR PRODUCT IMPROVMENT USE KIT #032509 FOR VEHICULE Up to 3-7990						
		B) FIXED IN ENGINE COMPARTMENT						
		C) WITH SERIES 50						

From E-638 To Y-7045

Date:10/2022

PAGE:XL-0311-00

FUEL FILTER - PRIMARY & SECONDARY



From E-638 To Y-7045		Date:10/2022	PAGE:XL-0311-00
FUEL FILTER - PRIMARY & SECONDARY			

Item#	Part	Description	M T H 4 0	M T H 4 5	M T H 4 5 E	X L 4 0	X L 4 5	N O T E S
1	031834	HOSE ASSY / #10 52" To V-6063		1			1	A
1	032098	HOSE ASSY / #8 6632MM From V-6064		1			1	A
1	031876	HOSE ASSY / #10 925MM To V-6063	1		1	1		A
1	032100	HOSE ASSY / #8 5764MM From V-6064 To V-6257	1		1	1		A
1	032183	HOSE ASSY / #8 5982MM From V-6258	1		1	1		A
2	501034	MALE CONNECTOR / SAE 45° FITTING / #10FL-Mx1/2NPT-M BR	1	1	1	1	1	
3	530096	BALL VALVE 1/2" NPT 1/2 NPT F x 1/2 NPT F	1	1	1	1	1	
4	501322	NIPPLE HEX / PIPE FITTING / 3/8NPT-Mx3/8NPT-Mx1 13/32 BR	1	1	1	1	1	
NS	501534	BUSHING REDUCER / PIPE FITTING / 1/2NPT-Mx3/8NPT-F BR	1	1	1	1	1	
5	501333	STREET ELBOW 90° / PIPE FITTING / 3/8NPT-Mx3/8NPT-F BR	1	1	1	1	1	H
NS	501305	PLUG SQUARE HEAD / PIPE FITTING / 3/8NPT-M BR	AR	AR	AR	AR	AR	
6	530052	FILTER ASSY PRIMARY	1	1	1	1	1	
NS	510157	. COVER / W/PRIMARY FILTER	1	1	1	1	1	
7	510137	. FUEL FILTER, CARTRIDGE / T-915 / PRIMARY	1	1	1	1	1	
NS	531435	FILTER FUEL / WITH B-12 "VOLVO" ENGINE						B
8	530051	FILTER ASSY SECONDARY	1	1	1	1	1	
8	510344	. COVER / W/SECONDARY FILTER	1	1	1	1	1	
9	510128	. FUEL FILTER, CARTRIDGE / TP-916 / SECONDARY	1	1	1	1	1	
NS	032018	SUPPORT / SECONDARY FILTER W/SERIES 50				1		
10	531390	CARTRIDGE / W/WATER SEPARATOR FILTER	1	1	1	1	1	C
11	531389	BOWL PLASTIC	1	1	1	1	1	
12	531397	. DRAIN VALVE & SEAL	1	1	1	1	1	
NS	531398	. O-RING	1	1	1	1	1	
13	531391	. SENSOR / WATER LEVEL	1	1	1	1	1	
14	063715	CABLE ASSY / ENGINE ACC. & WATER SEPARATOR	1	1	1	1	1	
NS	561566	. CONNECTOR / WEATHER PACK / PH 2C / BLACK / PED 12010973	1	1	1	1	1	
NS	561565	. CABLE SEAL / GREEN / PED 15324982	2	2	2	2	2	
NS	561567	. PIN TERMINAL / 20-18 / PED 12089040	2	2	2	2	2	
NS	560483	CLAMP / 7/8" I.D.	1	1	1	1	1	G
16	950249	SCHRADER VALVE 1/4NPT-M	1	1	1	1	1	
17	N.S.P.	ELBOW ADAPTOR FUEL PRESSURE / (23505246-247)	1	1	1	1	1	2
18	N.S.P.	FUEL TEMP SENSOR / (23518092)	1	1	1	1	1	2
19	N.S.P.	ELBOW BALL VALVE / (235.....)	1	1	1	1	1	2
21	N.S.P.	ELBOW / (23513205)	1	1	1	1	1	2
22	N.S.P.	ELBOW / RESTRICTION / (8929725)	1	1	1	1	1	2
23	531415	CHECK VALVE	1	1	1	1	1	
24	XL-0316-00	FUEL COOLER - INSTALLATION To V-6063						A
24	XL-0316-01	FUEL COOLER - INSTALLATION From V-6064						A
30	N.S.P.	HOSE ASSY / PRIMARY & FUEL PUMP / (23509154)	1	1	1	1	1	2
31	N.S.P.	FUEL PUMP / SUPPLY W/MOTOR (23517845)	1	1	1	1	1	2
32	N.S.P.	HOSE ASSY / FUEL PUMP & SECONDARY/ (23505202)	1	1	1	1	1	2
32	031959	HOSE ASSY / #8 325MM				1		

From E-638 To Y-7045	Date:10/2022	PAGE:XL-0311-00
FUEL FILTER - PRIMARY & SECONDARY		

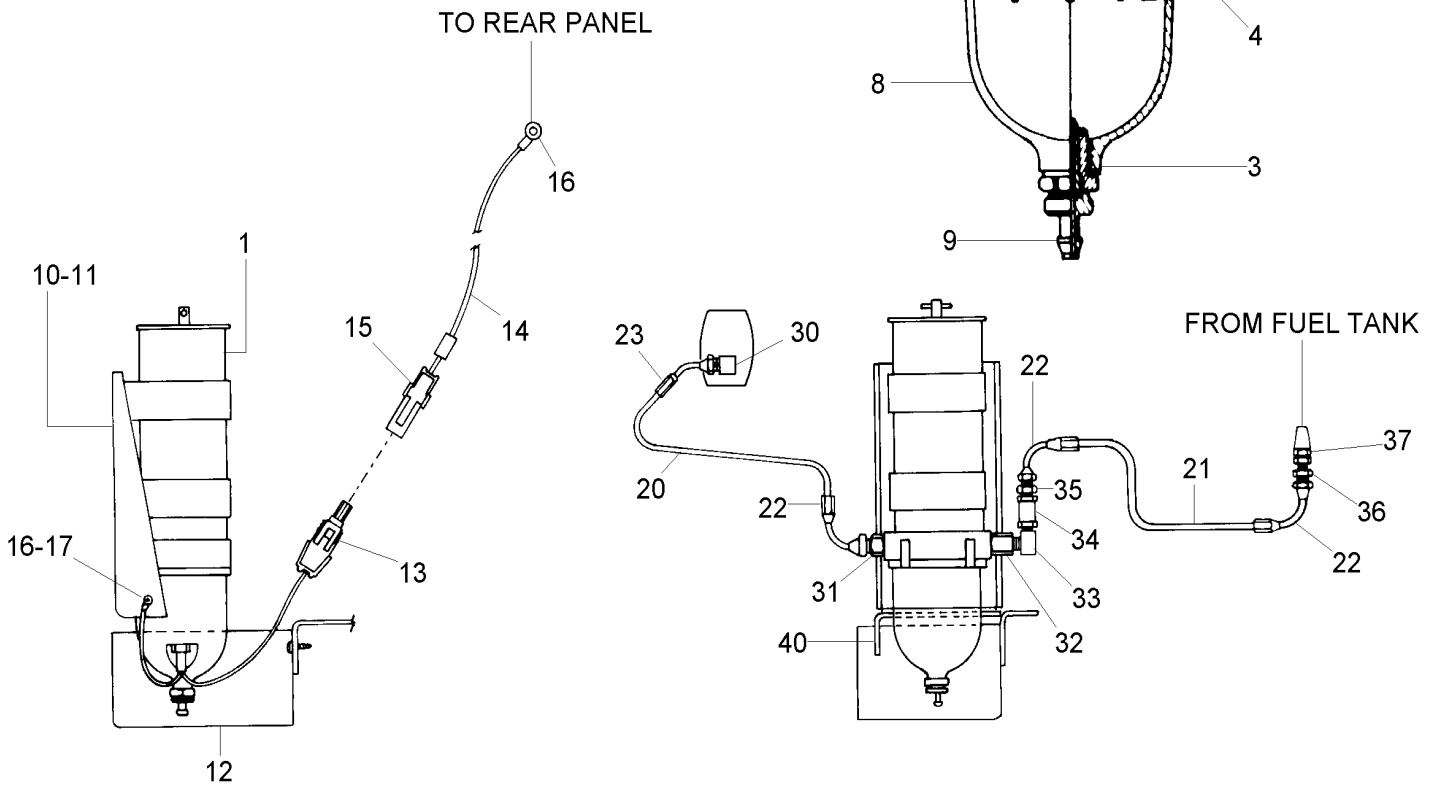
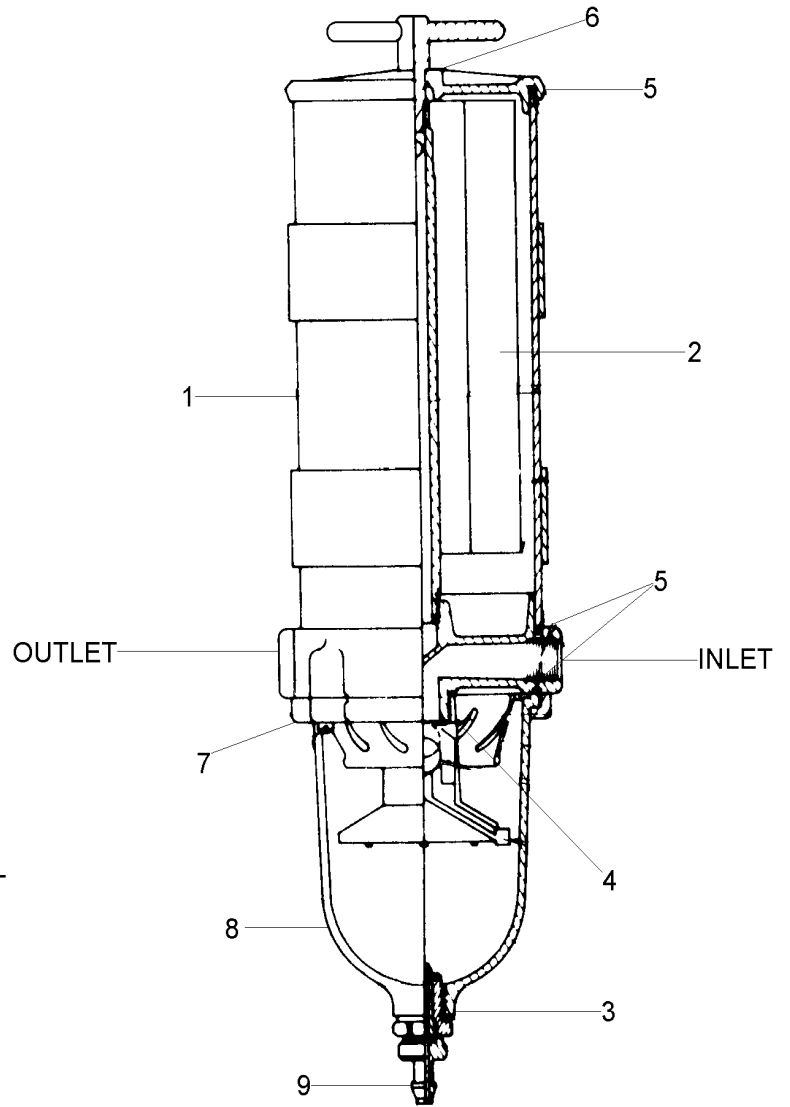
Item#	Part	Description	M T H 4 0	M T H 4 5	M T H 4 5 E	X L 4 0	X L 4 5	N O T E S
33	N.S.P.	HOSE ASSY / SECONDARY & ENGINE / (8929841)	1	1	1	1	1	2
		A) THOSE HOSES COME FROM BULKHEAD CONNECTOR FOR UP TO V-6063 & FROM FUEL TANK FROM V-6064						
		B) FOR B-12 "VOLVO" ENGINE WE USE SAME WATER SEPARATOR THAN LISTED BELLOW ITEM #10						
		C) FOR FILTER CARTRIDGE WATER SEPARATOR W/O PROBE SENSOR & PLASTIC BOWL USE PART #531407						
		G) FOR CABLE						
		H) W/PRIMARY						
		2) NOT SOLD BY PREVOST (SEE MANUFACTURING PART NUMBER AT END OF DESCRIPTION LINE)						

From E-638 To R-949

Date:10/2022

PAGE:XL-0311-10

FUEL FILTER / WATER SEPARATOR - "RACOR"



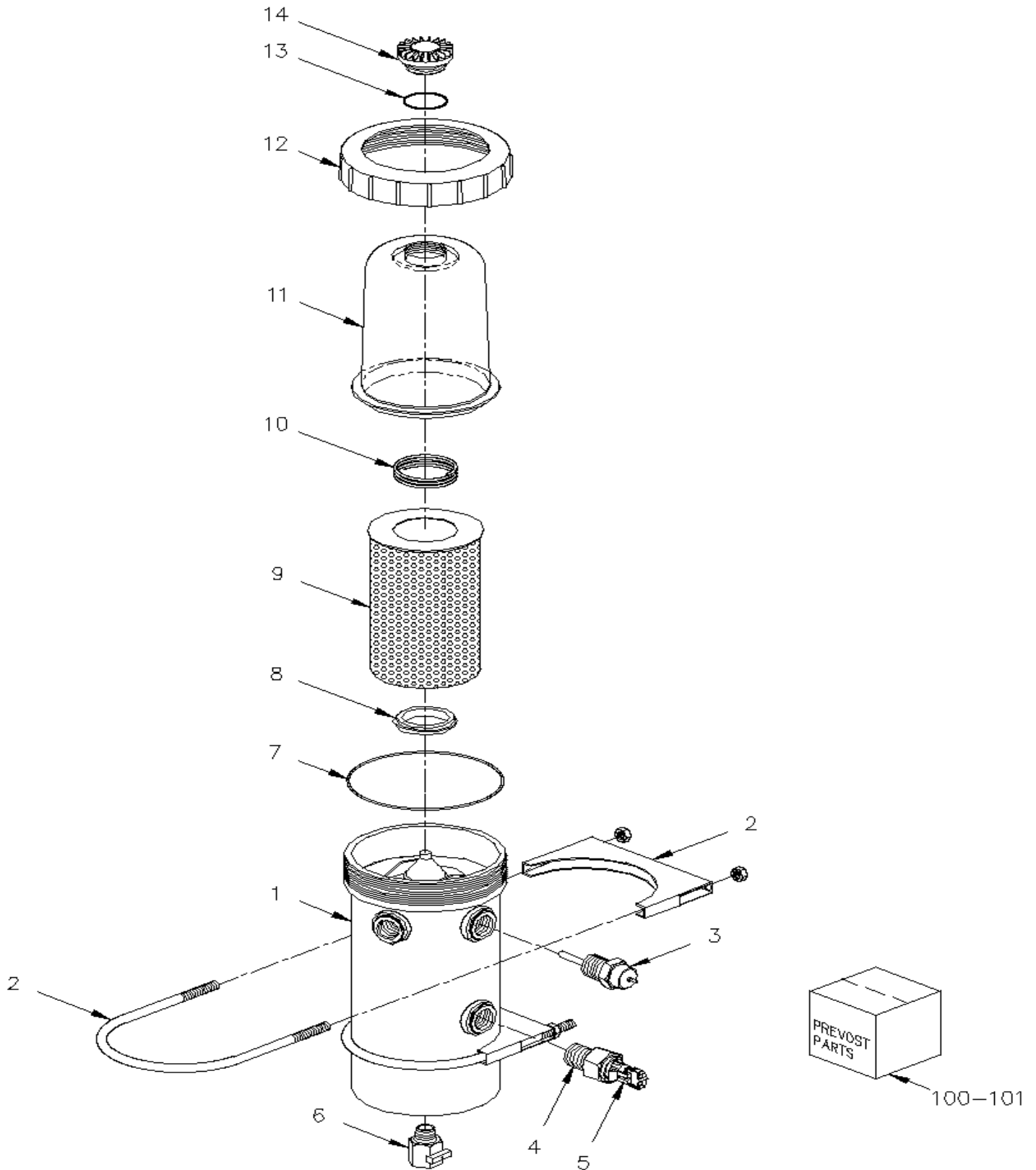
From E-638 To R-949	Date:10/2022	PAGE:XL-0311-10
FUEL FILTER / WATER SEPARATOR - "RACOR"		

Item#	Part	Description	M T H 4 0	M T H 4 5	M T H 4 5 E	X L 4 0	X L 4 5	N O T E S
1	530150	FILTER FUEL / WATER SEPARATOR	1		1	1		
2	531381	ELEMENT FILTER	1		1	1		
3	N.S.S.	O-RING / DRAIN BOWL	1		1	1		1
4	N.S.S.	GASKET / CHECK VALVE	1		1	1		1
5	N.S.S.	GASKET	3		3	3		1
6	N.S.S.	O-RING / T-HANDLE	1		1	1		1
7	N.S.S.	SCREW / TO FIX BOWL	4		4	4		1
8	531376	BOWL ASSY / PROBE	1		1	1		
9	531377	DRAIN	1		1	1		
NS	530205	KIT SEAL SERVICE / INCLUDE ITEMS 3-4-5-6-7	AR		AR	AR		
10	031154	BRACKET / TO FIX FILTER	1		1	1		
10	500213	SCREW CAP HEX 1/2-13x1 G5 Z050	2		2	2		
10	500789	NUT HEX 1/2-13 Z050	2		2	2		
10	500482	WASHER LO SPT .506x.873x.125 Z050	2		2	2		
11	500191	SCREW CAP HEX 3/8-16x1 G5 Z050	4		4	4		
11	500783	NUT HEX 3/8-16 Z050	4		4	4		
11	500478	WASHER LO SPT .380x.683x.094 Z050	4		4	4		
12	031168	PAN PROTECTOR	1		1			
12	500535	SCREW TP CAP HEX #14x3/4 Z050	1		1			
13	561577	CONNECTOR / WEATHER PACK / SH 1C / BLACK / PED 12015791	1		1	1		
13	561578	SOCKET TERMINAL / 16-14 / PED 12010182	1		1	1		
13	561786	CABLE SEAL / GRAY / PED 15324980	1		1	1		
14	062750	CABLE ASSY	1		1	1		
14	561681	CONVOLUTED TUBING / SLIT / BLACK & GRAY / .350"	AR		AR	AR		
15	561605	CONNECTOR / WEATHER PACK / PH 1C / BLACK / PED 12010996	1		1	1		
15	561568	PIN TERMINAL / 16-14 / PED 12089305	1		1	1		
15	561786	CABLE SEAL / GRAY / PED 15324980	1		1	1		
16	560082	RING TERMINAL #10 / 16-14 / INSULATED / AMP 626033-2	1		1	1		
17	500611	SCREW TC PAN PH #10-24x1/2 Z050	1		1	1		
20	031156	HOSE ASSY / #8 1020MM	1		1	1		
21	031158	HOSE ASSY / #8 457MM	1		1	1		
21	503417	HOSE #FC-300 HYDRAULIC / #8 S.L.	AR		AR	AR		
22	501594	FEMALE ELBOW 90° SHORT DROP/ JIC 37° FITTING/ #8JIC-Fx#8 STL	AR		AR	AR		
23	501839	FEMALE ELBOW 45° SHORT DROP/ JIC 37° FITTING/ #8JIC-Fx#8 ZP	AR		AR	AR		
30	501043	MALE ELBOW 90° / SAE 45° FITTING / #8FL-Mx3/8NPT-M BR	1		1	1		
31	501906	MALE CONNECTOR / JIC 37° FITTING / #8JIC-Mx#10ORB-M STL	1		1	1		
32	501907	FEMALE CONNECTOR / PIPE @ ORB / 1/2NPT-Fx#10ORB-M STL	1		1	1		
33	501908	MALE ELBOW 90° / PIPE FITTING / 1/2NPT-Mx1/2NPT-M STL	1		1	1		
34	530096	BALL VALVE 1/2" NPT 1/2 NPT F x 1/2 NPT F	1		1	1		
35	501739	MALE CONNECTOR / JIC 37° FITTING / #8JIC-Mx1/2NPT-M STL	1		1	1		
36	501591	MALE CONNECTOR / JIC 37° FITTING / #6JIC-Mx1/2NPT-M STL	1		1	1		
37	501923	FEMALE CONNECTOR / AB FITTING / #10x3/8NPT-F BR	1		1	1		

From E-638 To R-949	Date:10/2022	PAGE:XL-0311-10
FUEL FILTER / WATER SEPARATOR - "RACOR"		

Item#	Part	Description	M T H 4 0	M T H 4 5	M T H 4 5 E	X L 4 0	X L 4 5	N O T E S
40	031155	PLATE, SUPPORT / W/WATER SEPARATOR FILTER	1		1	1		
40	260256	REINFORCEMENT / WELDED TO STRUCTURE	1		1	1		
		1) NOT SOLD SEPARATELY						

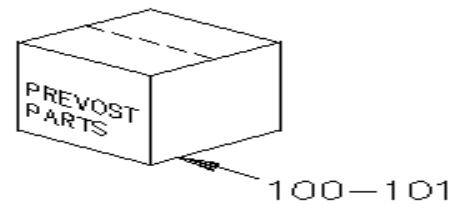
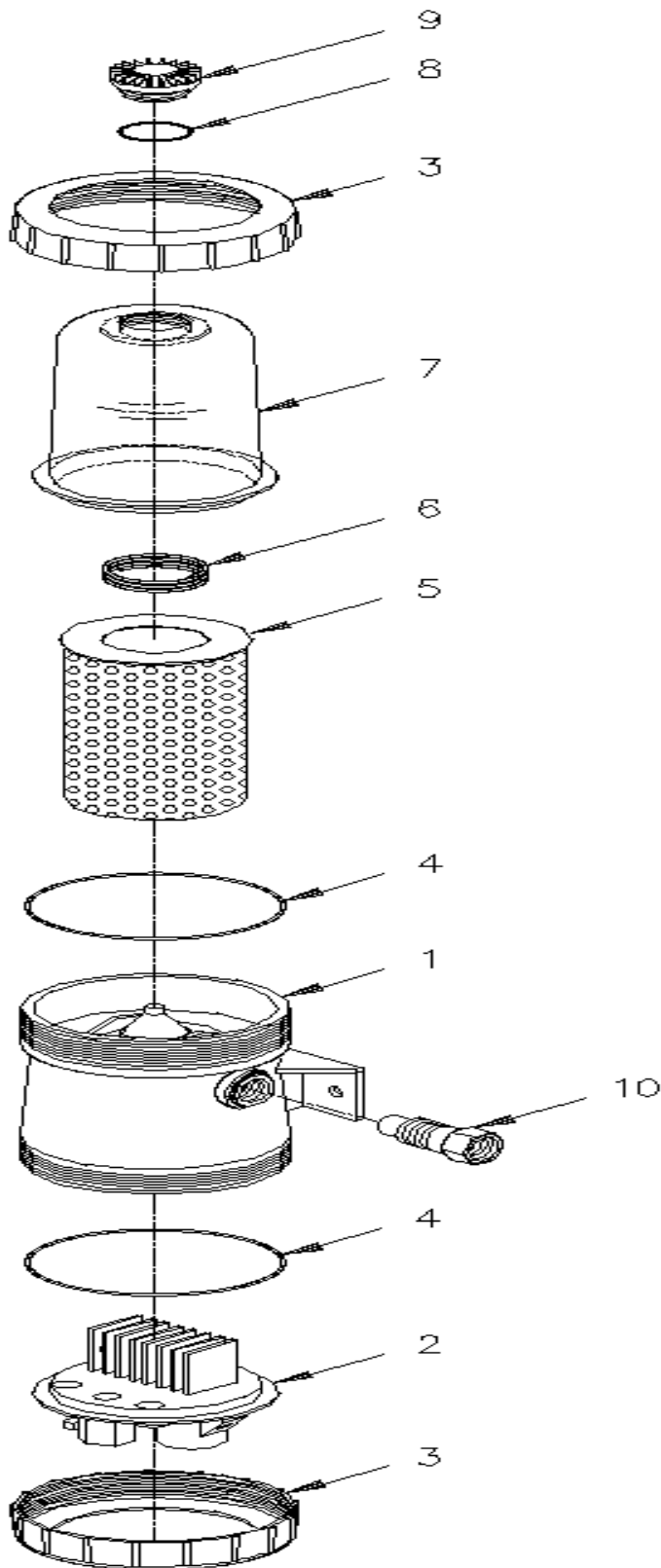
From L-465 To W-6638	Date:10/2022	PAGE:XL-0311-15
FUEL FILTER / "PRO 380E"		



From L-465 To W-6638	Date:10/2022	PAGE:XL-0311-15
FUEL FILTER / "PRO 380E"		

Item#	Part	Description	M T H 4 0	M T H 4 5	M T H 4 5 E	X L 4 0	X L 4 5	N O T E S
	531418	FILTER ASSY "FUEL PRO 380E" / 24 VOLTS	1	1	1	1	1	
1	N.S.S.	. BODY	1	1	1	1	1	1
2	N.S.P.	. V-CLAMP / (23516796)	2	2	2	2	2	2
3	N.S.P.	. PRE-HEATER 24 VOLTS / (23517428)	1	1	1	1	1	2
4	N.S.P.	. CHECK VALVE / (23518325)	1	1	1	1	1	2
5	N.S.P.	. THERMO SWITCH / (23517426)	1	1	1	1	1	2
6	N.S.P.	. DRAIN VALVE / (23518327)	1	1	1	1	1	2
7	N.S.S.	. SEAL COVER	1	1	1	1	1	1
8	N.S.S.	. GROMMET FILTER SEAL / (23514050)	1	1	1	1	1	1
9	531437	. FILTER FUEL ELEMENT /	1	1	1	1	1	
10	531440	. SPRING	1	1	1	1	1	
11	531438	. COVER, FILTER ELEMENT	1	1	1	1	1	
12	531441	. COLLAR, COVER	1	1	1	1	1	
13	N.S.S.	. SEAL CAP VENT	1	1	1	1	1	1
14	531439	. CAP VENT	1	1	1	1	1	
14	N.S.P.	. HARNESS THERMOSWITCH / (23517425)	1	1	1	1	1	2
100	531442	O-RING SET	1	1	1	1	1	A
. A	DAV380048	. ANTI TAMPER SEAL	1	1	1	1	1	A
. B	3946027	. O-RING	1	1	1	1	1	A
101	N.S.S.	CHECK VALVE REPAIR KIT / (23518326)	1	1	1	1	1	1
		A) INCLUDE ITEM #7 & 13						
		1) NOT SOLD SEPARATELY						
		2) NOT SOLD BY PREVOST (SEE MANUFACTURING PART NUMBER AT END OF DESCRIPTION LINE)						

From W-6639 To Y-7045	Date:10/2022	PAGE:XL-0311-16
FUEL FILTER / "PRO 382"		



From W-6639 To Y-7045	Date:10/2022	PAGE:XL-0311-16
FUEL FILTER / "PRO 382"		

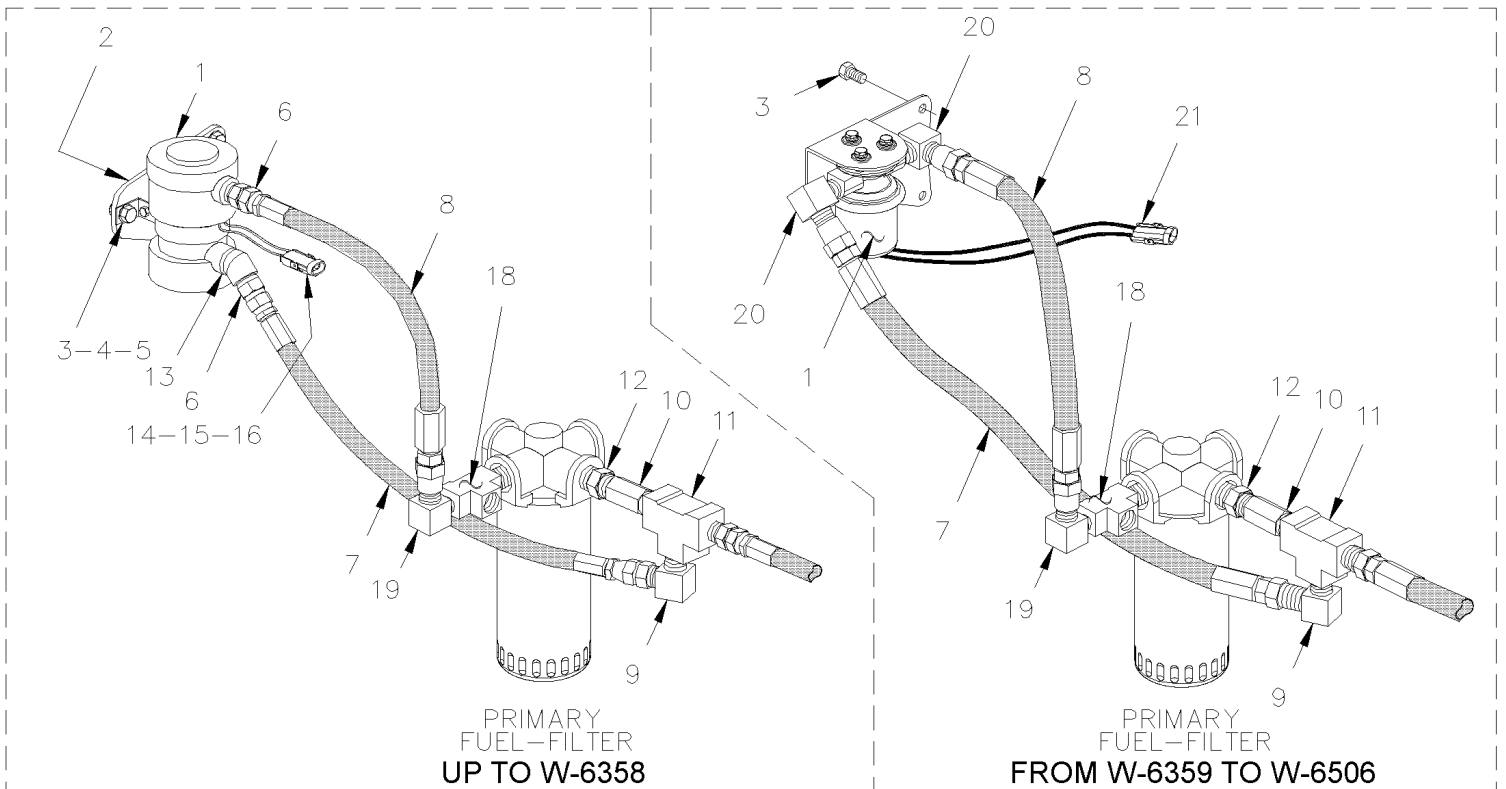
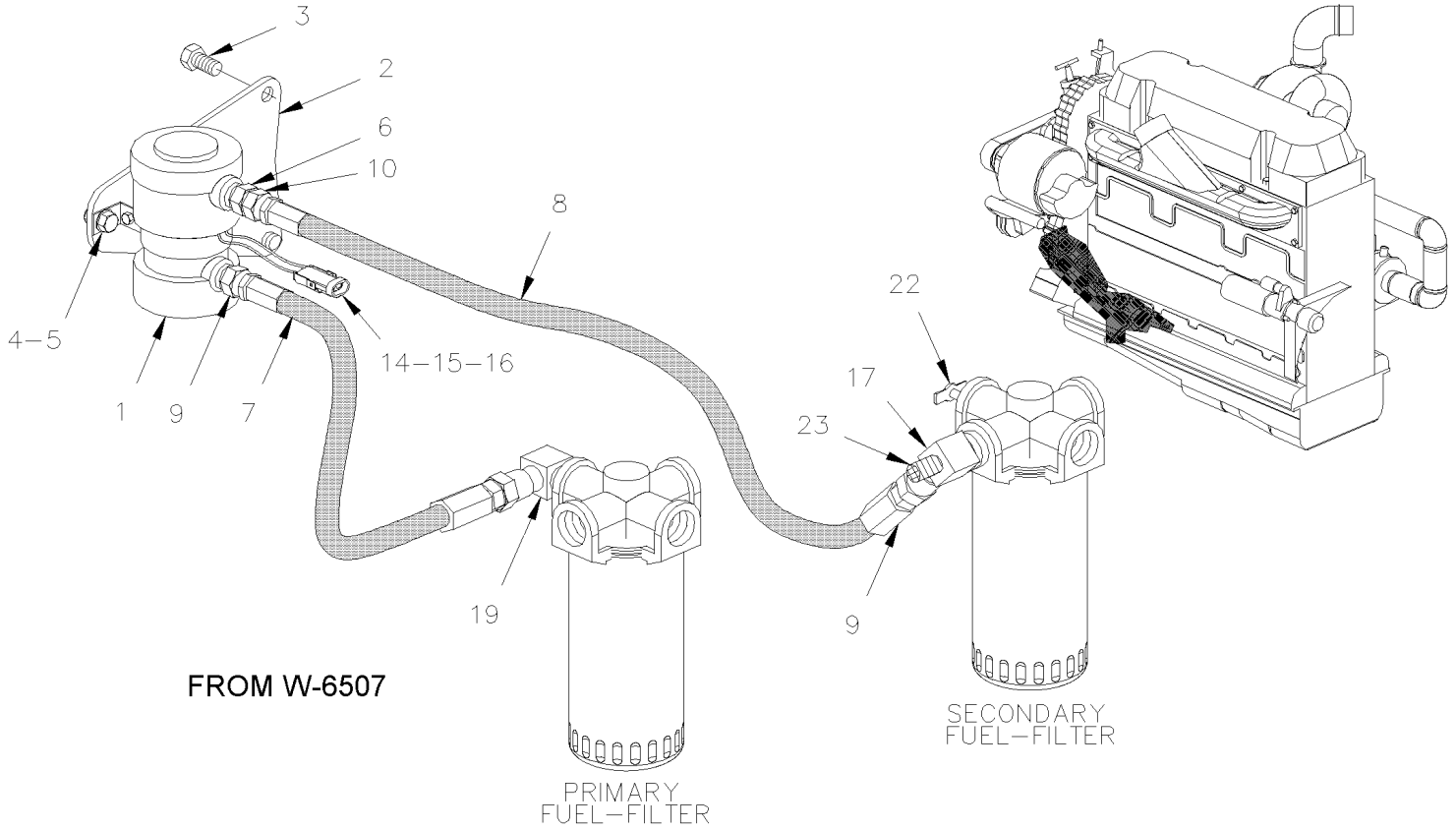
Item#	Part	Description	M T H 4 0	M T H 4 5	M T H 4 5 E	X L 4 0	X L 4 5	N O T E S
	531448	FILTER ASSY "FUEL PRO 382" / W/HEATER ELEMENT	1	1	1	1	1	
1	N.S.S.	. BODY CASTING	1	1	1	1	1	1
2	N.S.S.	. FLUID HEATER BASE	1	1	1	1	1	1
3	531441	. COLLAR, COVER	2	2	2	2	2	
4	N.S.S.	. SEAL COVER	2	2	2	2	2	1
5	531437	. FILTER FUEL ELEMENT /	1	1	1	1	1	
6	531440	. SPRING	1	1	1	1	1	
7	531438	. COVER, FILTER ELEMENT	1	1	1	1	1	
8	N.S.S.	. SEAL CAP VENT	1	1	1	1	1	1
9	531439	. CAP VENT	1	1	1	1	1	
10	N.S.P.	. CHECK VALVE / (23518325)	1	1	1	1	1	2
NS	500190	SCREW CAP HEX 3/8-16x3/4 G5 Z050	2	2	2	2	2	
NS	5001396	NUT SPR FL REC 3/8-16 .69x.91	2	2	2	2	2	
NS	500935	WASHER FL .390x1.500x.083	2	2	2	2	2	
NS	500265	NUT HEX STO 3/8-16 Z050	2	2	2	2	2	
100	531442	O-RING SET	1	1	1	1	1	A
. A	DAV380048	. ANTI TAMPER SEAL	1	1	1	1	1	A
. B	3946027	. O-RING	1	1	1	1	1	A
101	N.S.P.	CHECK VALVE REPAIR KIT / (23518326)	1	1	1	1	1	2
		A) INCLUDE ITEM #4 & 8						
		1) NOT SOLD SEPARATELY						
		2) NOT SOLD BY PREVOST (SEE MANUFACTURING PART NUMBER AT END OF DESCRIPTION LINE)						

From S-507 To Y-7045

Date:10/2022

PAGE:XL-0312-00

FUEL PUMP - AUXILIARY



From S-507 To Y-7045	Date:10/2022	PAGE:XL-0312-00
FUEL PUMP - AUXILIARY		

Item#	Part	Description	M T H 4 0	M T H 4 5	M T H 4 5 E	X L 4 0	X L 4 5	N O T E S
1	531388	FUEL PUMP ELECTRICAL To W-6358	1	1	1	1	1	
1	531436	FUEL PUMP ELECTRICAL From W-6359 To W-6506	1	1	1	1	1	
1	531388	FUEL PUMP ELECTRICAL From W-6507	1	1	1	1	1	
2	032020	SUPPORT To W-6358	1	1	1	1	1	
2	032237	SUPPORT From W-6359 To W-6506	1	1	1	1	1	
2	032020	SUPPORT From W-6507 To X-6903	1	1	1	1	1	
2	032254	SUPPORT From X-6904	1	1	1	1	1	
3	502790	SCREW CAP HEX M8-1.25x20 G8.8 Z050	2	2	2	2	2	
3	502651	SCREW CAP HEX M8-1.25x35 G8.8 Z050	2	2	2	2	2	
4	500874	WASHER FL 8.4x17.0x1.6 Z050	4	4	4	4	4	
5	500868	NUT HEX NYRT M8-1.25 Z050	4	4	4	4	4	
6	5011057	MALE CONNECTOR / JIC 37° FITTING / #8JIC-Mx1/4NPT-M STL To W-6506	2	2	2	2	2	
6	501749	NIPPLE REDUCER HEX / PIPE FITTING / 3/8NPT-Mx1/4NPT-Mx1 13/32 BR From W-6507	1	1	1	1	1	
6	501695	MALE ELBOW 90° / JIC 37° FITTING / #6JIC-Mx1/4NPT-M STL				1		A
7	032003	HOSE ASSY / #8 238MM To W-6358	1	1	1	1	1	
7	032239	HOSE ASSY / #8 370MM From W-6359 To W-6506	1	1	1	1	1	
7	032266	HOSE ASSY / #6 267MM From W-6507	1	1	1	1	1	
8	032002	HOSE ASSY / #8 320MM To W-6358	1	1	1	1	1	
8	032021	HOSE ASSY / #8 212MM From W-6359 To W-6506	1	1	1	1	1	
8	032267	HOSE ASSY / #6 756MM From W-6359 To W-6506	1	1	1	1	1	
8	032275	HOSE ASSY / #6 756MM From W-6507	1	1	1	1	1	
8	032310	HOSE ASSY / #6 265MM				1		A
9	5011061	MALE ELBOW 90° / JIC 37° FITTING / #8JIC-Mx1/2NPT-M STL To W-6358	1	1	1	1	1	
9	501687	MALE CONNECTOR / JIC 37° FITTING / #6JIC-Mx1/4NPT-M STL From W-6359	1	1	1	1	1	
10	531405	CHECK VALVE 1/2 NPT To W-6505	1	1	1	1	1	
10	531415	CHECK VALVE From W-6506	1	1	1	1	1	
11	501472	FEMALE UNION TEE / PIPE FITTING / 1/2NPT-Fx1/2NPT-Fx1/2NPT-F BR	1	1	1	1	1	
12	501810	ADAPTER / PIPE FITTING / 3/8NPT-Mx1/2NPT-F STL	1	1	1	1	1	
13	501329	STREET ELBOW 45° / PIPE FITTING / 1/4NPT-Mx1/4NPT-F BR	1	1	1	1	1	
14	561566	CONNECTOR / WEATHER PACK / PH 2C / BLACK / PED 12010973	1	1	1	1	1	
15	561568	PIN TERMINAL / 16-14 / PED 12089305	2	2	2	2	2	
16	561565	CABLE SEAL / GREEN / PED 15324982	2	2	2	2	2	
17	501338	MALE RUN TEE / PIPE FITTING / 1/4NPT-Mx1/4NPT-Fx1/4NPT-F BR From W-6359	1	1	1	1	1	
18	501699	MALE RUN TEE / PIPE FITTING / 3/8NPT-Mx3/8NPT-Fx3/8NPT-F BR To W-6506	1	1	1	1	1	
19	501587	MALE ELBOW 90° / JIC 37° FITTING / #8JIC-Mx3/8NPT-M STL To W-6506	1	1	1	1	1	
19	5011066	MALE ELBOW 90° / JIC 37° FITTING / #6JIC-Mx3/8NPT-M STL From W-6507	1	1	1	1	1	
20	501332	STREET ELBOW 90° / PIPE FITTING / 1/4NPT-Mx1/4NPT-F BR From W-6359 To W-6508	2	2	2	2	2	
21	064579	CABLE ASSY From W-6359 To W-6508	1	1	1	1	1	
22	501129	EXTERNAL SEAL DRAIN 1/4 NPT	1	1	1	1	1	
23	950249	SCHRADER VALVE 1/4NPT-M	1	1	1	1	1	
NS	032258	KIT INSTALLATION FUEL PUMP TO USE W/FUEL PRO FILTER					1	
. NS	IS-97114	. SEE INSTRUCTION SHEET					1	

From S-507 To Y-7045	Date:10/2022	PAGE:XL-0312-00
FUEL PUMP - AUXILIARY		

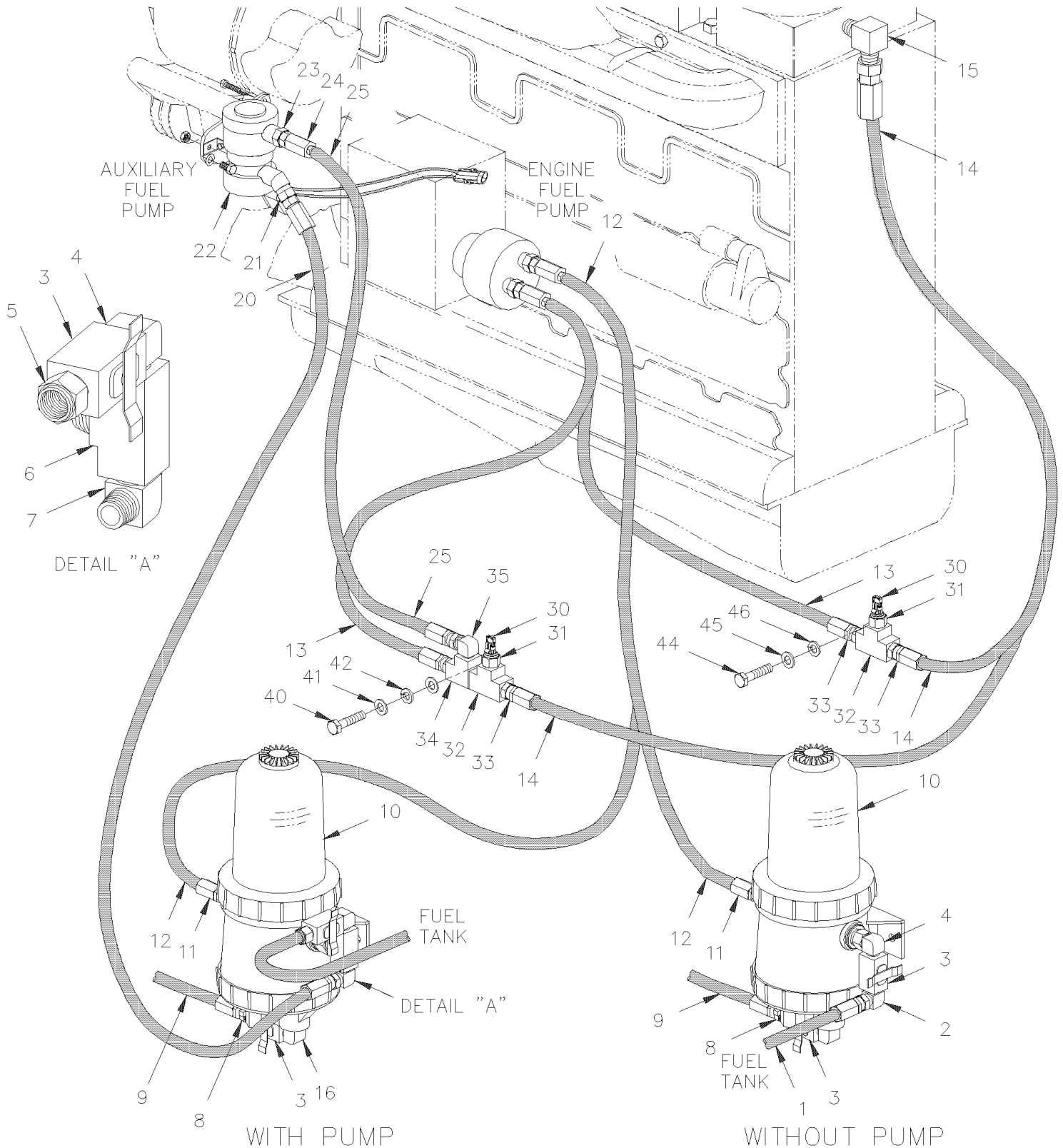
Item#	Part	Description	M T H 4 0	M T H 4 5	M T H 4 5 E	X L 4 0	X L 4 5	N O T E S
NS	032257	KIT INSTALLATION FUEL PUMP	1	1	1	1	1	
. NS	IS-97114	. SEE INSTRUCTION SHEET						
NS	064825	KIT INSTALLATION PRIMER PUMP SWITCH	1	1	1	1	1	
. NS	IS-97114	. SEE INSTRUCTION SHEET	1	1	1	1	1	
NS	064554	SWITCH ASSY W/CONNECTOR	1	1	1	1	1	
NS	064856	SUPPORT SWITCH	1	1	1	1	1	
NS	064099	DECAL "PRIME PUMP" / ENGLISH	1	1	1	1	1	
NS	066049	DECAL "PRIME PUMP" / ENGLISH & SPANISH	1	1	1	1	1	
NS	032833	KIT, RETROFIT AUX FUEL PUMP	1	1	1	1	1	
. NS	IS-08003	. SEE INSTRUCTION SHEET	1	1	1	1	1	
		A) WITH SERIES 50						

From P-722 To Y-7045

Date:10/2022

PAGE:XL-0312-10

FUEL PRO - INSTALLATION



From P-722 To Y-7045	Date:10/2022	PAGE:XL-0312-10
FUEL PRO - INSTALLATION		

Item#	Part	Description	M T H 4 0	M T H 4 5	M T H 4 5 E	X L 4 0	X L 4 5	N O T E S
1	032144	HOSE ASSY / #8 6402MM	1	1	1	1	1	
2	5011061	MALE ELBOW 90° / JIC 37° FITTING / #8JIC-Mx1/2NPT-M STL	1	1	1	1	1	
3	530096	BALL VALVE 1/2" NPT 1/2 NPT F x 1/2 NPT F	1	1	1	1	1	
4	501908	MALE ELBOW 90° / PIPE FITTING / 1/2NPT-Mx1/2NPT-M STL	1	1	1	1	1	
5	501616	MALE CONNECTOR / SAE 45° FITTING / #8FL-Mx1/2NPT-M BR	1	1	1	1	1	
6	507556	MALE BRANCHE TEE / PIPE FITTING / 1/2NPT-Fx1/2NPT-Fx1/2NPT-M BR	1	1	1	1	1	
7	5011056	MALE ELBOW 90° / JIC 37° FITTING / #6JIC-Mx1/2NPT-M STL	1	1	1	1	1	
8	507557	STREET ELBOW 90° / PIPE FITTING / 1/2NPT-Mx1/2NPT-F BR	1	1	1	1	1	
9	032133	HOSE ASSY / #6 740MM	1	1	1	1	1	
9	507557	STREET ELBOW 90° / PIPE FITTING / 1/2NPT-Mx1/2NPT-F BR	1	1	1	1	1	
10	XL-0311-15	FUEL FILTER / "PRO 380E" To W-6638						
10	XL-0311-16	FUEL FILTER / "PRO 382" From W-6639						
11	501739	MALE CONNECTOR / JIC 37° FITTING / #8JIC-Mx1/2NPT-M STL	1	1	1	1	1	
12	160381	HOSE ASSY / #8 737MM	1		1	1		
12	032270	HOSE ASSY / #8 1100MM		1			1	
13	N.S.P.	HOSE ASSY / FUEL PUMP & JUCTION / (23505202)	1	1	1	1	1	2
14	N.S.P.	HOSE ASSY / JUNCTION & ENGINE / (8929841)	1	1	1	1	1	2
15	N.S.P.	ELBOW 90° / (23513205)	1	1	1	1	1	2
16	501618	MALE CONNECTOR / SAE 45° FITTING / #6FL-Mx1/2NPT-M BR	1	1	1	1	1	
20	032276	HOSE ASSY / #6 1220MM	1	1	1	1	1	
21	501687	MALE CONNECTOR / JIC 37° FITTING / #6JIC-Mx1/4NPT-M STL	1	1	1	1	1	
22	XL-0312-00	FUEL PUMP - AUXILIARY						
23	501749	NIPPLE REDUCER HEX / PIPE FITTING / 3/8NPT-Mx1/4NPT-Mx1 13/32 BR	1	1	1	1	1	
24	531415	CHECK VALVE	1	1	1	1	1	
25	032275	HOSE ASSY / #6 756MM	1	1	1	1	1	
30	N.S.P.	FUEL TEMP SENSOR / (23518092)	1	1	1	1	1	2
31	501314	BUSHING REDUCER / PIPE FITTING / 3/8NPT-Mx1/4NPT-F BR	1	1	1	1	1	
32	501527	FEMALE UNION TEE / PIPE FITTING / 3/8NPT-Fx3/8NPT-Fx3/8NPT-F BR	1	1	1	1	1	
33	501617	MALE CONNECTOR / SAE 45° FITTING / #6FL-Mx3/8NPT-M BR	1	1	1	1	1	
34	501699	MALE RUN TEE / PIPE FITTING / 3/8NPT-Mx3/8NPT-Fx3/8NPT-F BR	1	1	1	1	1	
35	5011066	MALE ELBOW 90° / JIC 37° FITTING / #6JIC-Mx3/8NPT-M STL	1	1	1	1	1	
40	502559	SCREW CAP HEX M10-1.5x25 G8.8 Z050	1	1	1	1	1	
41	500257	WASHER LO SPT 10.2x18.1x2.2 Z050	1	1	1	1	1	
42	500935	WASHER FL .390x1.500x.083	1	1	1	1	1	
NS	070368	SUPPORT	1	1	1	1	1	
NS	560481	CLAMP / 5/8" I.D.	1	1	1	1	1	
NS	500774	NUT WING 1/4-20 ZP	1	1	1	1	1	
NS	500786	NUT HEX #10-24 Z050	1	1	1	1	1	
NS	500470	WASHER LO SPT .193x.334x.047 Z050	1	1	1	1	1	
44	500072	SCREW CAP HEX M10-1.5x45 G10.9 Z050	1	1	1	1	1	
45	500257	WASHER LO SPT 10.2x18.1x2.2 Z050	1	1	1	1	1	
46	500935	WASHER FL .390x1.500x.083	1	1	1	1	1	

From P-722 To Y-7045	Date:10/2022	PAGE:XL-0312-10
FUEL PRO - INSTALLATION		

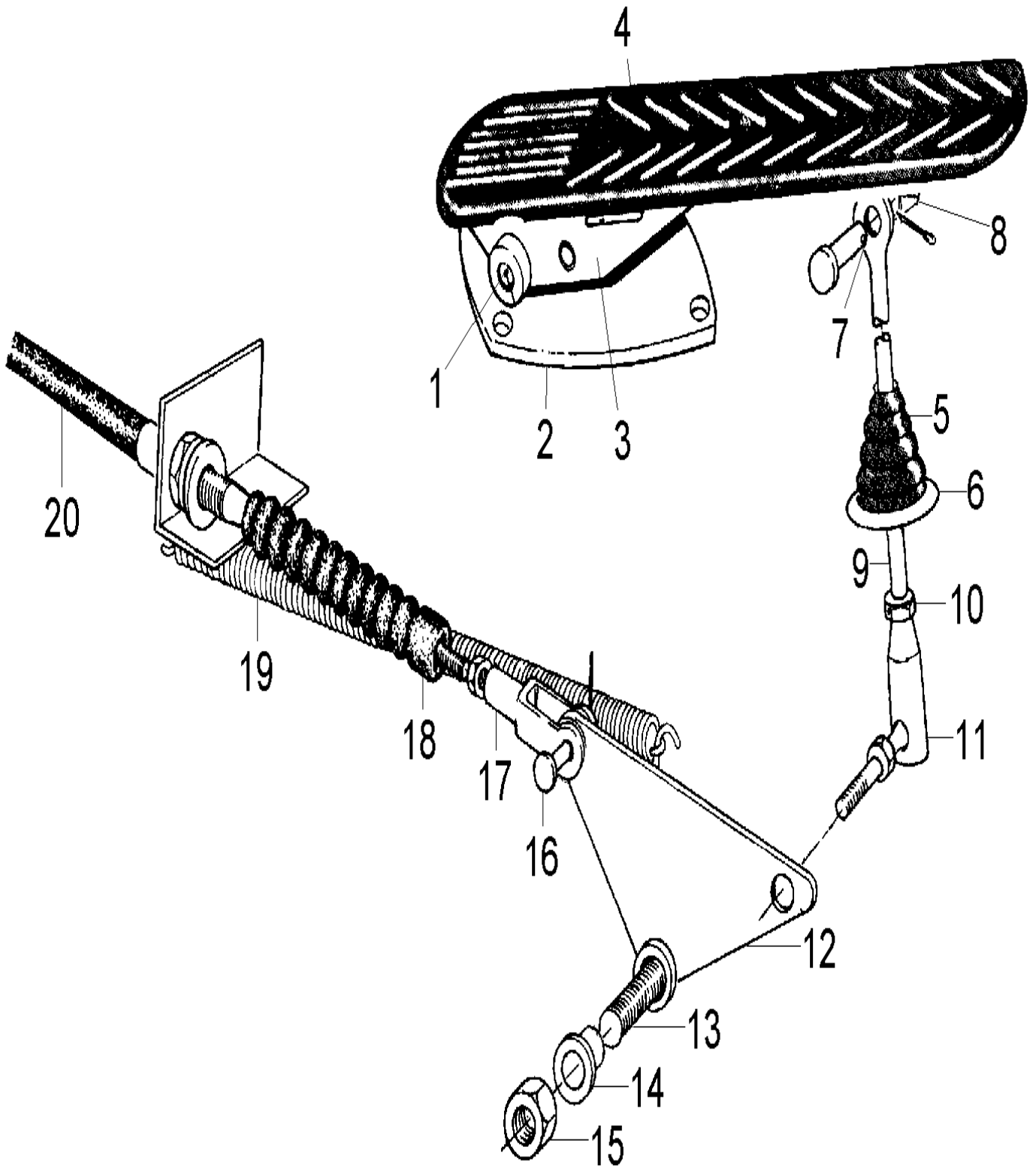
Item#	Part	Description	M T H 4 0	M T H 4 5	M T H 4 5 E	X L 4 0	X L 4 5	N O T E S
NS	500446	WASHER FL .531x1.250x.125 Z050	1	1	1	1	1	
NS	032252	SUPPORT / TO FIX PRO / USE WITH FORMER To W-6638	1	1	1	1	1	
		2) NOT SOLD BY PREVOST (SEE MANUFACTURING PART NUMBER AT END OF DESCRIPTION LINE)						

From E-638 To L-459

Date:10/2022

PAGE:XL-0315-00

ACCELERATOR PEDAL - MECHANICAL

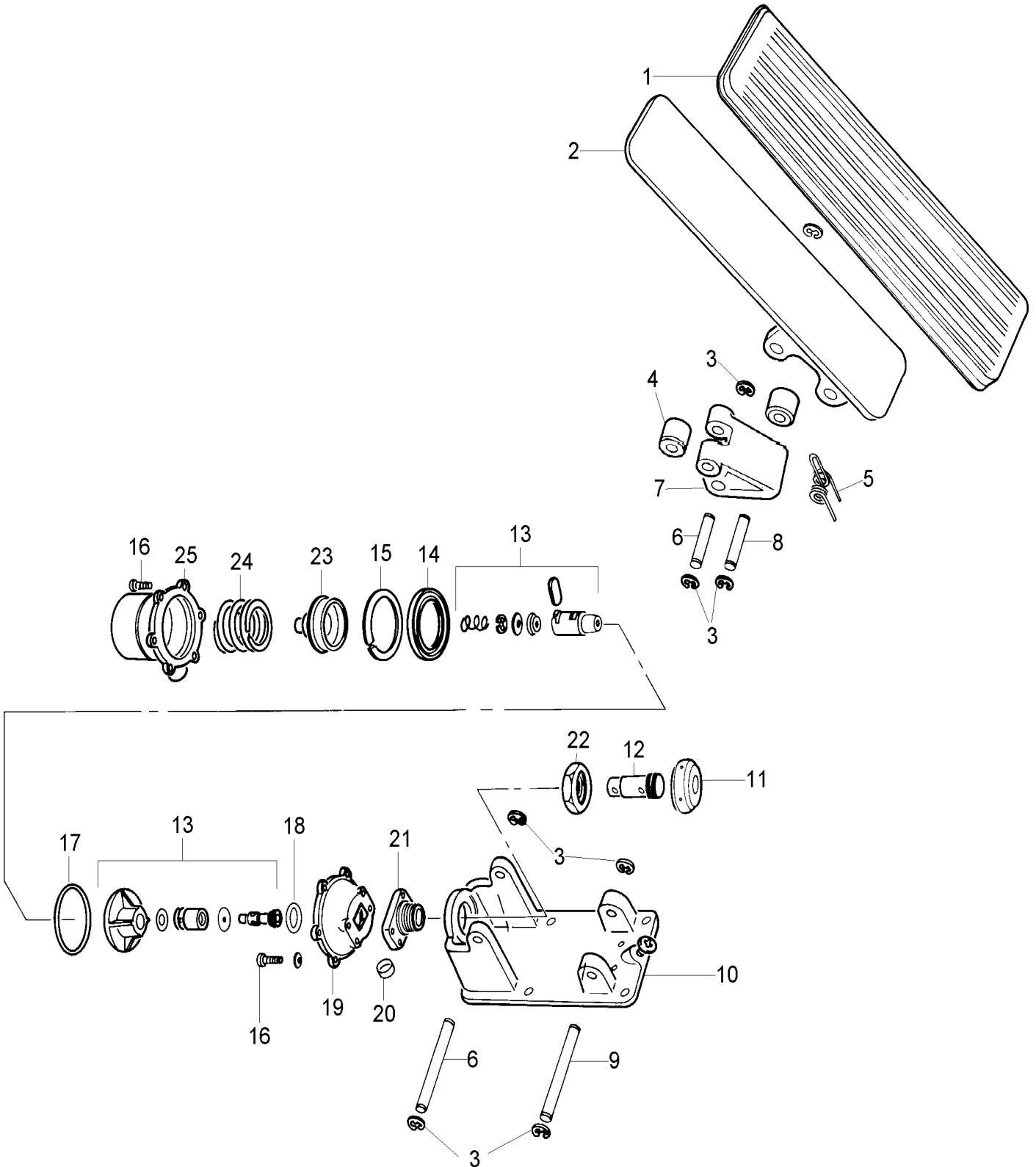


From E-638 To L-459

Date:10/2022

PAGE:XL-0315-05

ACCELERATOR PEDAL - AIR



From E-638 To L-459	Date:10/2022	PAGE:XL-0315-05
ACCELERATOR PEDAL - AIR		

Item#	Part	Description	M T H 4 0	M T H 4 5	M T H 4 5 E	X L 4 0	X L 4 5	N O T E S
	530080	PEDAL ASSY	1	1	1	1	1	
1	141212	. THREADLE COVER / W/STEEL BACKING	1	1	1	1	1	
1	15510856	. THREADLE COVER / W/STEEL BACKING	1	1	1	1	1	
2	2034000	. THREADLE	1	1	1	1	1	
3	N.P.N.	. SNAP RING	1	1	1	1	1	4
4	796725	. ROLLER	2	2	2	2	2	
5	2004659	. SPRING	1	1	1	1	1	
6	2004661	. PIN, THREADLE / LOWER TRANSFER & UPPER PEDAL	1	1	1	1	1	
7	2033073	. LEVER, TRANSFER	1	1	1	1	1	
8	2004661	. PIN, THREADLE / LOWER TRANSFER & UPPER PEDAL	1	1	1	1	1	
9	796728	. PIN, THREADLE / LOWER PEDAL /	1	1	1	1	1	
10	N.S.S.	. THREADLE BASE (119049)	1	1	1	1	1	1
11	2029668	. BOOT	1	1	1	1	1	
12	796732	. PUSH ROD ASSY	1	1	1	1	1	
13	N.P.N.	. PLATE ASSY	1	1	1	1	1	4
14	N.P.N.	. U-CUP	1	1	1	1	1	4
15	N.P.N.	. THRUST RING	1	1	1	1	1	4
16	N.P.N.	. SCREW	1	1	1	1	1	4
17	N.P.N.	. O-RING	1	1	1	1	1	4
18	N.P.N.	. O-RING	1	1	1	1	1	4
19	N.S.S.	. INLET BODY (118794)	1	1	1	1	1	1
20	N.S.S.	. SCREEN (116456)	1	1	1	1	1	1
21	N.P.N.	. ADAPTOR	1	1	1	1	1	4
22	N.S.S.	. NUT	1	1	1	1	1	1
23	N.S.S.	. PISTON	1	1	1	1	1	1
24	N.P.N.	. SPRING	1	1	1	1	1	4
25	N.S.S.	. OUTLET BODY (116707)	1	1	1	1	1	1
25	530078	REPAIR KIT / TRANSFER LEVER	AR	AR	AR	AR	AR	A
NS	531383	REPAIR KIT / VALVE	AR	AR	AR	AR	AR	B
25	796723	REPAIR KIT / VALVE	1	1	1	1	1	
NS	031169	COVER, PROTECTOR / OVER PEDAL	1	1	1	1	1	
NS	500540	SCREW TP CAP HEX 5/16x1/4 ZP	4	4	4	4	4	
NS	500505	SCREW WO PAN PH #10x1 Z050	2	2	2	2	2	
		A) INCLUDED ITEMS #3 TO 6 & 11 TO 18						
		B) INCLUDED ITEMS 11 TO 18						
		1) NOT SOLD SEPARATELY						
		4) NO PARTS NUMBER						

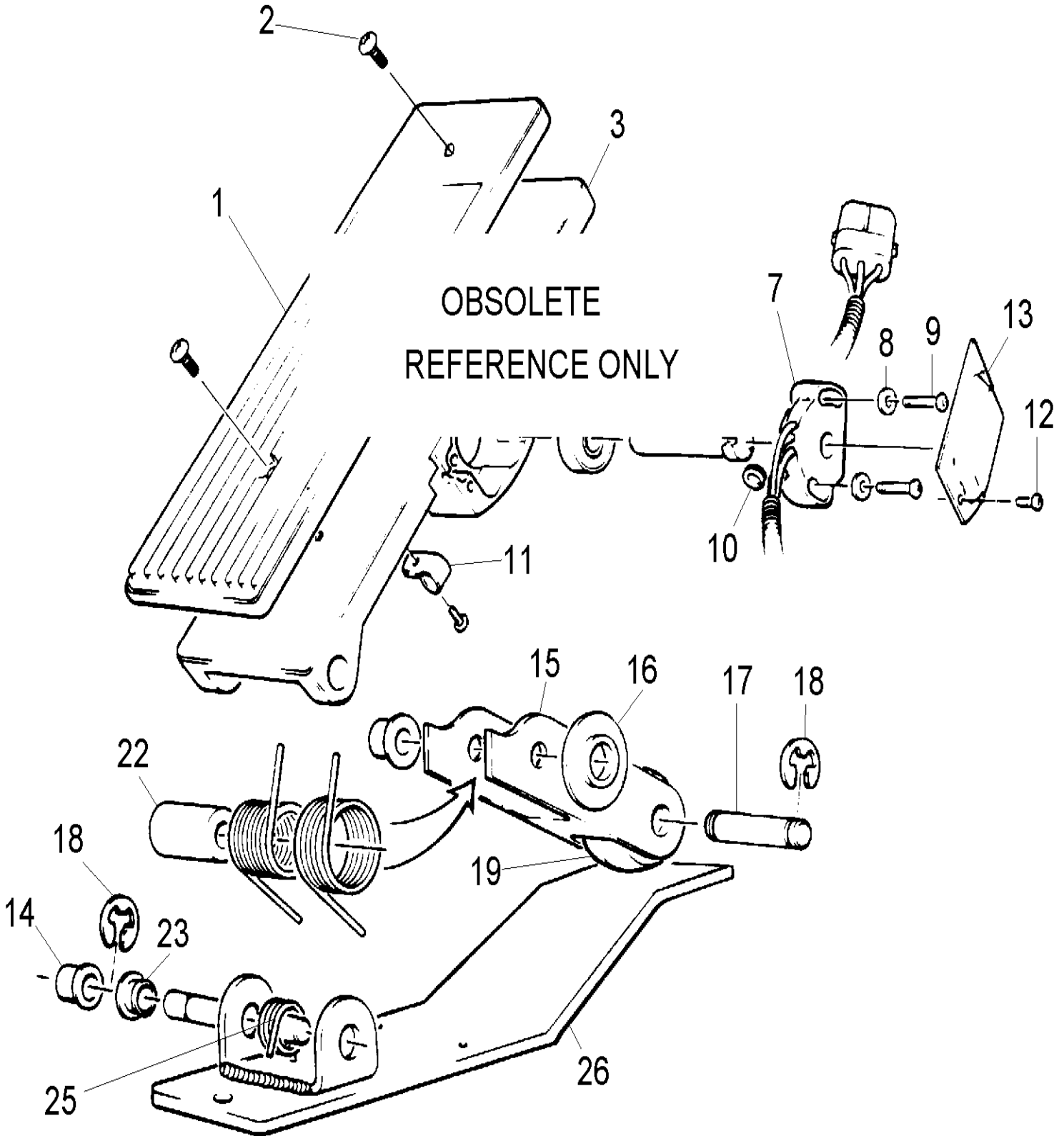
From H-255 To R-403

Date:10/2022

PAGE:XL-0315-10

ACCELERATOR PEDAL - ELECTRONIC DDEC I & II

OBSOLETE
REFERENCE ONLY



From H-255 To R-403	Date:10/2022	PAGE:XL-0315-10
---------------------	--------------	-----------------

ACCELERATOR PEDAL - ELECTRONIC DDEC I & II

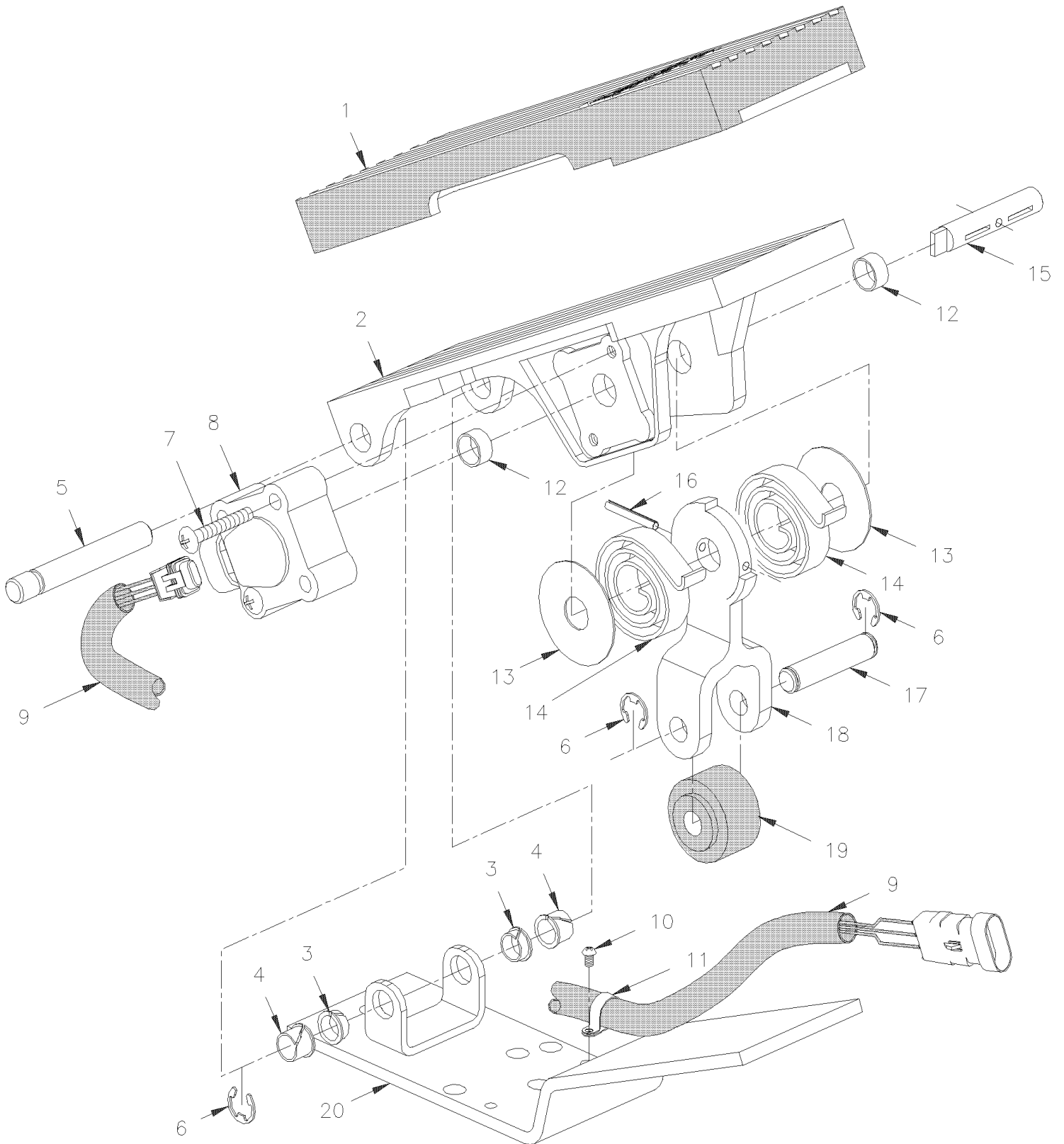
Item#	Part	Description	M T H 4 0	M T H 4 5	M T H 4 5 E	X L 4 0	X L 4 5	N O T E S
	530177	ACCELERATOR PEDAL ASSY	1			1		
	530209	ACCELERATOR PEDAL ASSY	1			1		A
1	141212	THREADLE COVER / W/STEEL BACKING	1			1		
2	500416	SCREW MA PAN PH #10-32x1/2 BK	2			2		
3	N.S.P.	THREADLE(130223)	1			1		2
4	561224	BEARING	1			1		
5	N.S.P.	SHAFT	1			1		2
6	505208	SPRING, PIN 1/8 X 7/8	1			1		
7	530208	KIT, POTENTIOMETER & WIRE	1			1		B
8	500593	WASHER FL .200x.437x.036 BR	1			1		
9	N.S.P.	SCREW, SPECIAL BRASS	2			2		2
10	504326	GROMMET / .187x.312x.187x.312x.437	1			1		
11	N.S.P.	CLAMP (119233)	1			1		2
12	500557	SCREW MA PAN PH #8-32x3/8 SS	2			2		
13	531392	COVER POT	1			1		
14	507260	BUSHING NYLINER W/SHOULDER .375x.437x.375x.594	3			3		
15	N.S.P.	LEVER ASSY (119203)	1			1		2
16	N.S.P.	LEVER SHIM (119214)	1			1		2
17	N.S.P.	PIN 3/8" X 1" 9/16	1			1		2
18	N.P.N.	SNAP RING	1			1		4
19	N.S.P.	ROLLER	3			3		2
20	531379	SPRING OUTER	1			1		
21	531378	SPRING INNER	1			1		
22	N.S.P.	SPRING TUBE	1			1		2
23	N.P.N.	NYLINER	2			2		4
24	N.S.P.	PIN THREADLE	1			1		2
25	531380	SPRING, TORSION /	1			1		
26	N.S.P.	BASE PLATE	1			1		2
26	502513	SCREW TP CAP HEX 5/16x1 Z050	3			3		
26	500642	SCREW TP PAN PH #10x3/4 Z050	AR			AR		
27	531393	KIT REPAIR / LOWER THREADLE PIN	1	1	1	1	1	
		A) W/OUT ITEM 14-18-23-25 & 26						
		B) INCLUDED ITEMS 7-9 & 11						
		2) NOT SOLD BY PREVOST (SEE MANUFACTURING PART NUMBER AT END OF DESCRIPTION LINE)						
		4) NO PARTS NUMBER						

From H-255 To R-403

Date:10/2022

PAGE:XL-0315-11

ACCELERATOR PEDAL - ELECTRONIC DDEC II



From H-255 To R-403		Date:10/2022	PAGE:XL-0315-11
---------------------	--	--------------	-----------------

ACCELERATOR PEDAL - ELECTRONIC DDEC II

Item#	Part	Description	M T H 4 0	M T H 4 5	M T H 4 5 E	X L 4 0	X L 4 5	N O T E S
	530177	ACCELERATOR PEDAL ASSY To R-402	1	1	1	1		E
	531400	ACCELERATOR PEDAL ASSY / SERVICE ONLY	1	1	1	1		E
1	141212	. THREADLE COVER / W/STEEL BACKING To R-402	1	1	1	1		E
1	531401	. THREADLE COVER	1	1	1	1		E
NS	Call order desk	. SCREW TC TR PH #10-32x1/2 To R-402	2	2	2	2		P
2	N.S.S.	. THREADLE	1	1	1	1		1
3	N.S.S.	. BUSHING, INNER	2	2	2	2		1
4	507260	. BUSHING NYLINER W/SHOULDER .375x.437x.375x.594	2	2	2	2		
5	N.S.S.	. PIN, THREADLE	1	1	1	1		1
6	N.S.S.	. SNAP RING 5/16" I.D.	3	3	3	3		1
7	500427	. SCREW MA RND PH #10-32x1 1/4 ZP	2	2	2	2		
8	N.S.S.	. POTENTIOMETER	1	1	1	1		1
8	531395	. POTENTIOMETER PEDAL SENSOR 0-5V	1	1	1	1		B
9	N8887087	. WIRE HARNESS	1	1	1	1		
10	500883	. SCREW TC PAN PH #8-32x3/8 Z050	2	2	2	2		
11	N.S.S.	. CLIP	2	2	2	2		1
12	N.S.S.	. BUSHING, GARLOCK	1	1	1	1		1
13	N.S.S.	. THRUST, WASHER-OUTER	2	2	2	2		1
13	N.S.S.	. THRUST, WASHER-INNER	2	2	2	2		1
14	N.S.S.	. SPRING	2	2	2	2		1
15	N.S.S.	. SHAFT SENSOR DRIVE	1	1	1	1		1
15	N.S.P.	. BEARING (#99-R-6) To R-402	1	1	1	1		2
16	505208	. SPRING, PIN 1/8 X 7/8	1	1	1	1		
17	N.S.S.	. ROLLER PIN	1	1	1	1		1
18	N.S.S.	. LEVER, THREADLE	1	1	1	1		1
19	N.S.S.	. ROLLER	1	1	1	1		1
20	531462	. BASE PLATE / (includes item #5)	1	1	1	1		
NS	530209	ACCELERATOR PEDAL ASSY To R-402	1	1	1	1		A
26	531393	KIT REPAIR / LOWER THREADLE PIN						C
26	531394	KIT REPAIR / ROLLER						D
		A) W/OUT ITEMS 3-4-5 & 20						
		B) INCLUDES ITEMS 7-9 & 11						
		C) INCLUDES ITEMS 3-4-5-6						
		D) INCLUDES ITEMS 6-17 & 19						
		E) FOR AN EASY IDENTIFICATION MODEL 530177 HAS COVERING RUBBER 9" 1/4 AND MODEL 531400 HAS 9" 7/8						
		1) NOT SOLD SEPARATELY						

From H-255 To R-403	Date:10/2022	PAGE:XL-0315-11
---------------------	--------------	-----------------

ACCELERATOR PEDAL - ELECTRONIC DDEC II

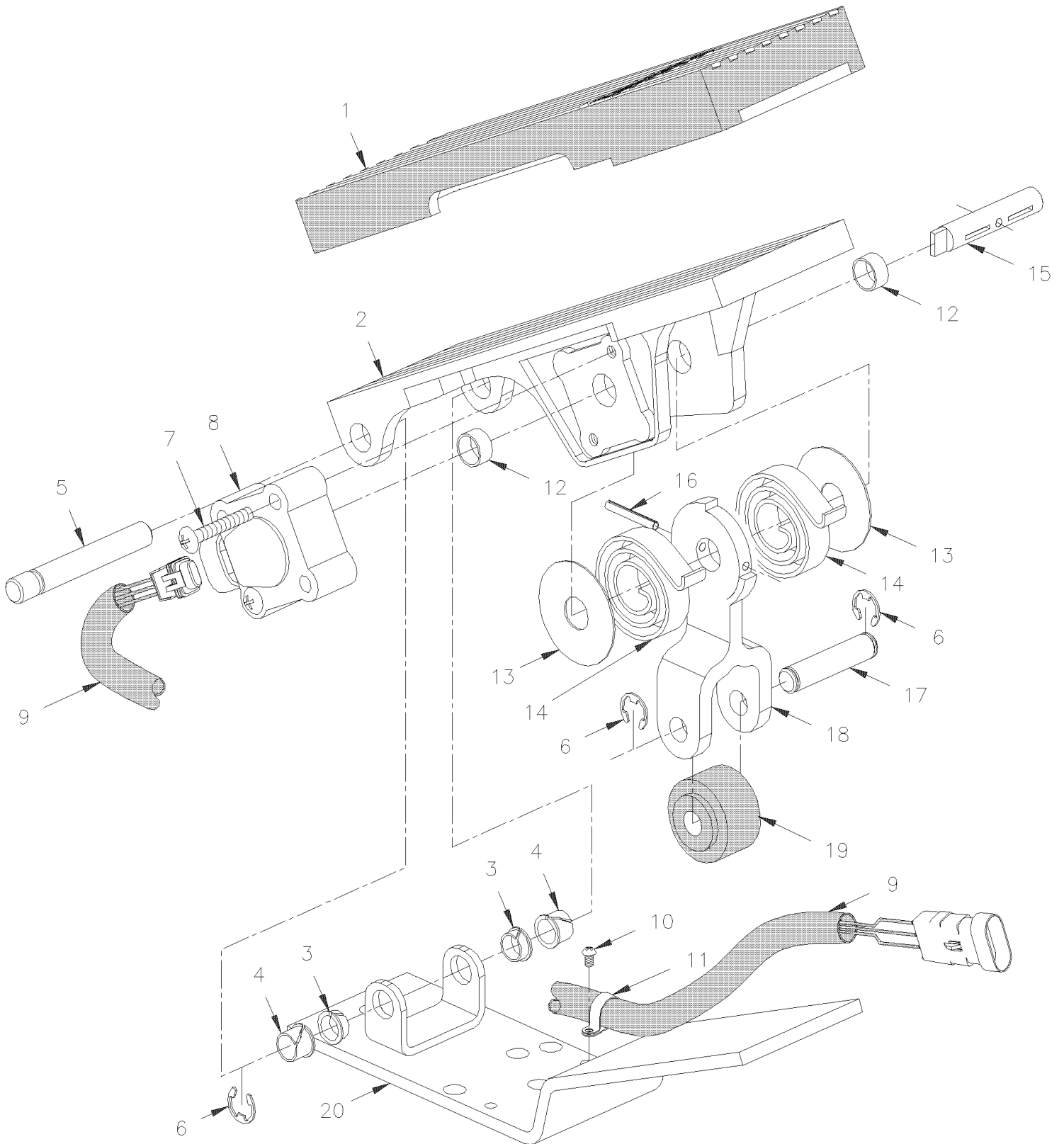
Item#	Part	Description	M T H 4 0	M T H 4 5	M T H 4 5 E	X L 4 0	X L 4 5	N O T E S
		2) NOT SOLD BY PREVOST (SEE MANUFACTURING PART NUMBER AT END OF DESCRIPTION LINE)						
		P) CALL ORDER DESK FOR SPECIFIC APPLICATION (V.I.N.)						

From R-404 To Y-7045

Date:10/2022

PAGE:XL-0315-12

ACCELERATOR PEDAL - ELECTRONIC DDEC III



From R-404 To Y-7045	Date:10/2022	PAGE:XL-0315-12
----------------------	--------------	-----------------

ACCELERATOR PEDAL - ELECTRONIC DDEC III

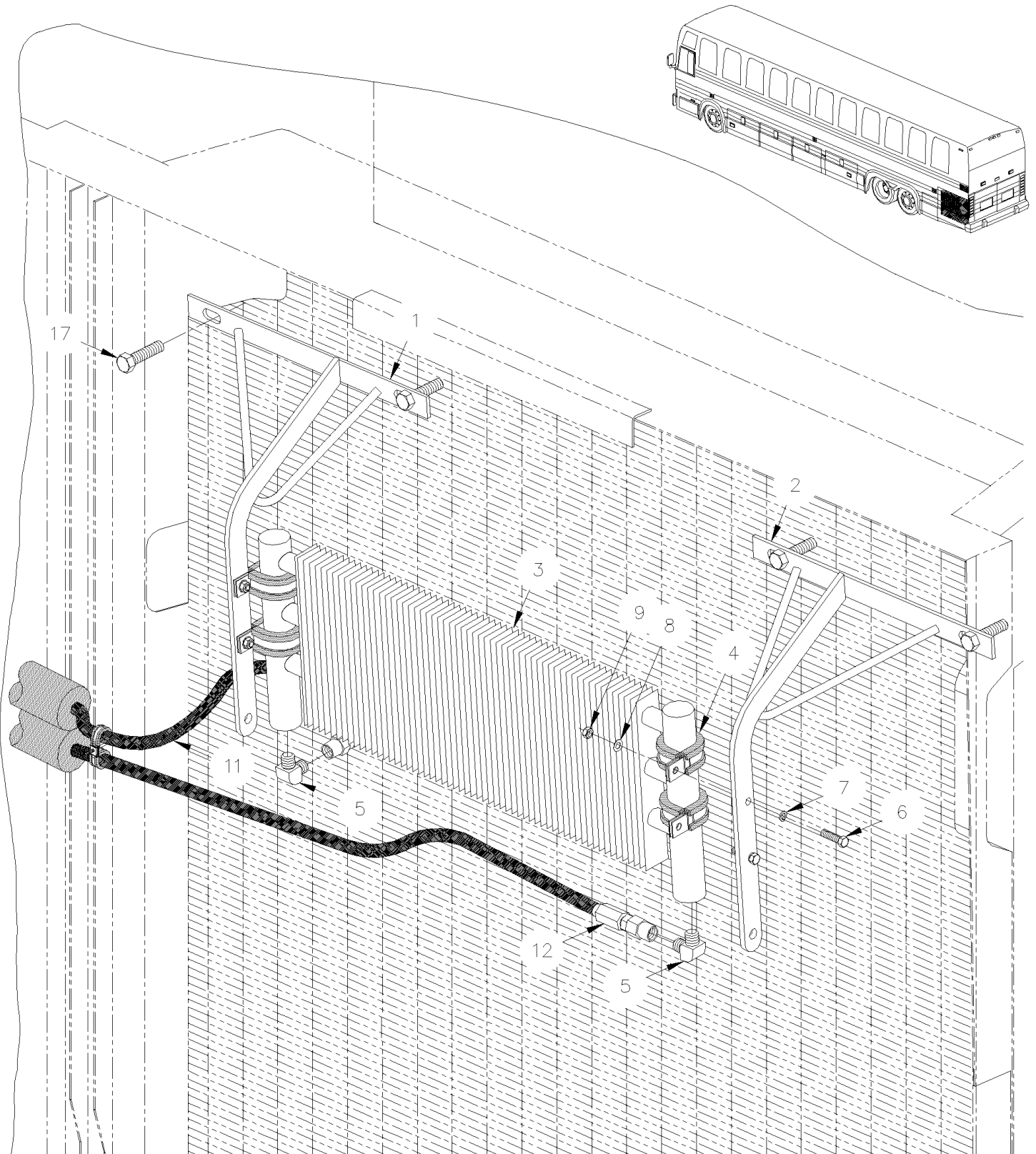
Item#	Part	Description	M T H 4 0	M T H 4 5	M T H 4 5 E	X L 4 0	X L 4 5	N O T E S
	531399	ACCELERATOR PEDAL ASSY / SERVICE ONLY	1	1	1	1	1	
1	531401	. THREADLE COVER	1	1	1	1	1	
2	N.S.S.	. THREADLE	1	1	1	1	1	1
3	N.S.S.	. BUSHING, INNER	2			2	2	1
3	N.S.S.	. BUSHING, INNER		1	1			1
4	507260	. BUSHING NYLINER W/SHOULDER .375x.437x.375x.594	2	2	2	2	2	
5	N.S.S.	. PIN, THREADLE	1	1	1	1	1	1
6	N.S.S.	. RING, SNAP 5/16" I.D.	3	3	3	3	3	1
7	500427	. SCREW MA RND PH #10-32x1 1/4 ZP	2	2	2	2	2	
8	531402	. POTENTIOMETER PEDAL SENSOR 0-5V	1	1	1	1	1	
9	N8887087	. . WIRE HARNESS	1	1	1	1	1	
10	500883	. SCREW TC PAN PH #8-32x3/8 Z050	2	2	2	2	2	
11	N.S.S.	. . CLIP	2	2	2	2	2	1
12	N.S.S.	. BUSHING, GARLOCK	2	2	2	2	2	1
13	N.S.S.	. THRUST, WASHER-OUTER	2	2	2	2	2	1
13	N.S.S.	. THRUST, WASHER-INNER	2	2	2	2	2	1
14	N.S.S.	. SPRING	2	2	2	2	2	1
15	N.S.S.	. SHAFT SENSOR DRIVE	1	1	1	1	1	1
16	505208	. SPRING, PIN 1/8 X 7/8	1	1	1	1	1	
17	N.S.S.	. ROLLER, PIN	1	1	1	1	1	1
18	N.S.S.	. LEVER, THREADLE	1	1	1	1	1	1
19	N.S.S.	. ROLLER	1	1	1	1	1	1
20	N.S.S.	. BASE PLATE	1	1	1	1	1	1
NS	531393	KIT REPAIR / LOWER THREADLE PIN	1	1	1	1	1	A
NS	531394	KIT REPAIR / ROLLER	1	1	1	1	1	B
		A) INCLUDES ITEMS #3-4-5-6						
		B) INCLUDES ITEMS 6,17 & 19						
		1) NOT SOLD SEPARATELY						

From P-722 To V-6063

Date:10/2022

PAGE:XL-0316-00

FUEL COOLER - INSTALLATION

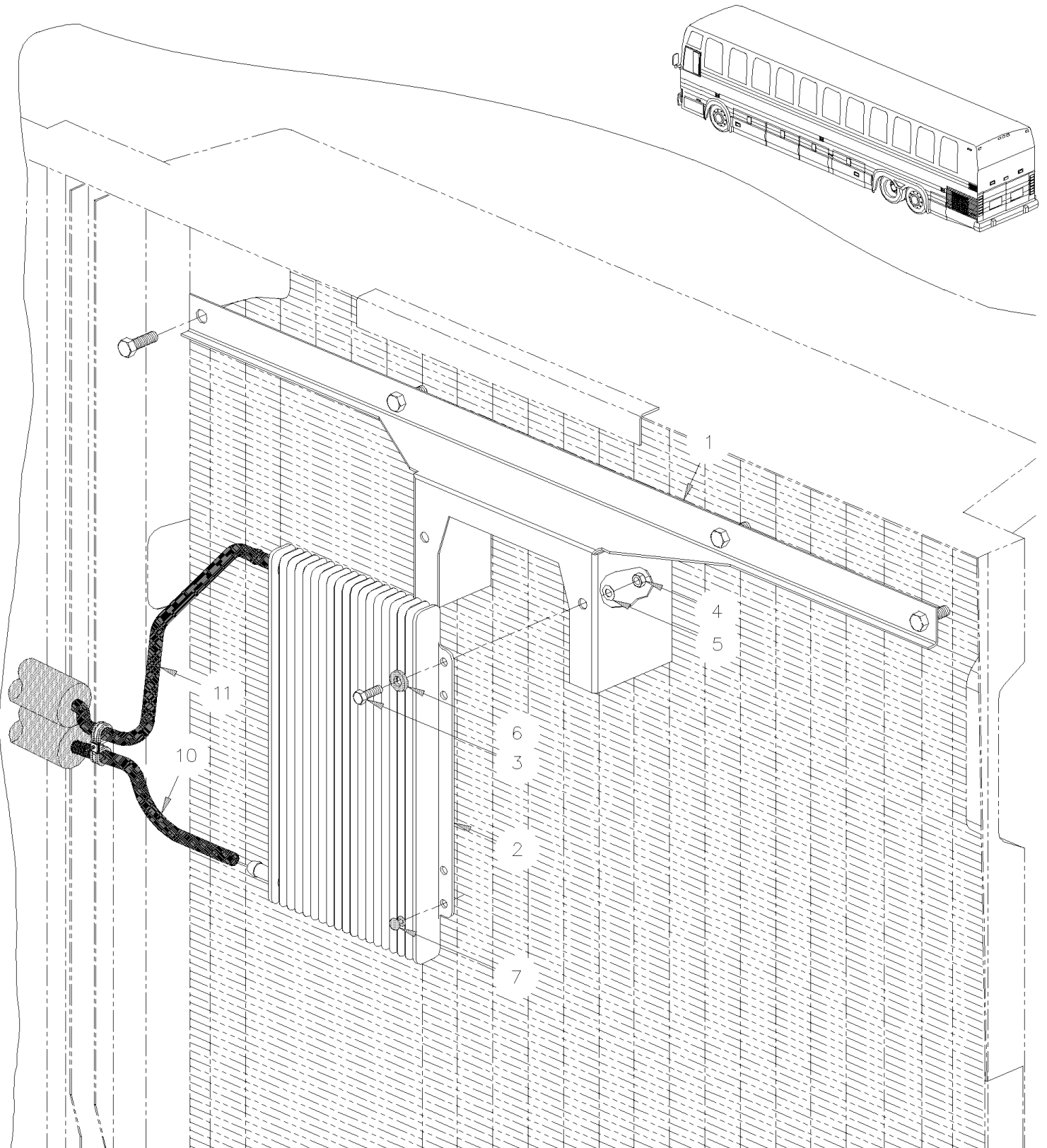


From V-6064 To Y-7045

Date:10/2022

PAGE:XL-0316-01

FUEL COOLER - INSTALLATION



From V-6064 To Y-7045	Date:10/2022	PAGE:XL-0316-01
FUEL COOLER - INSTALLATION		

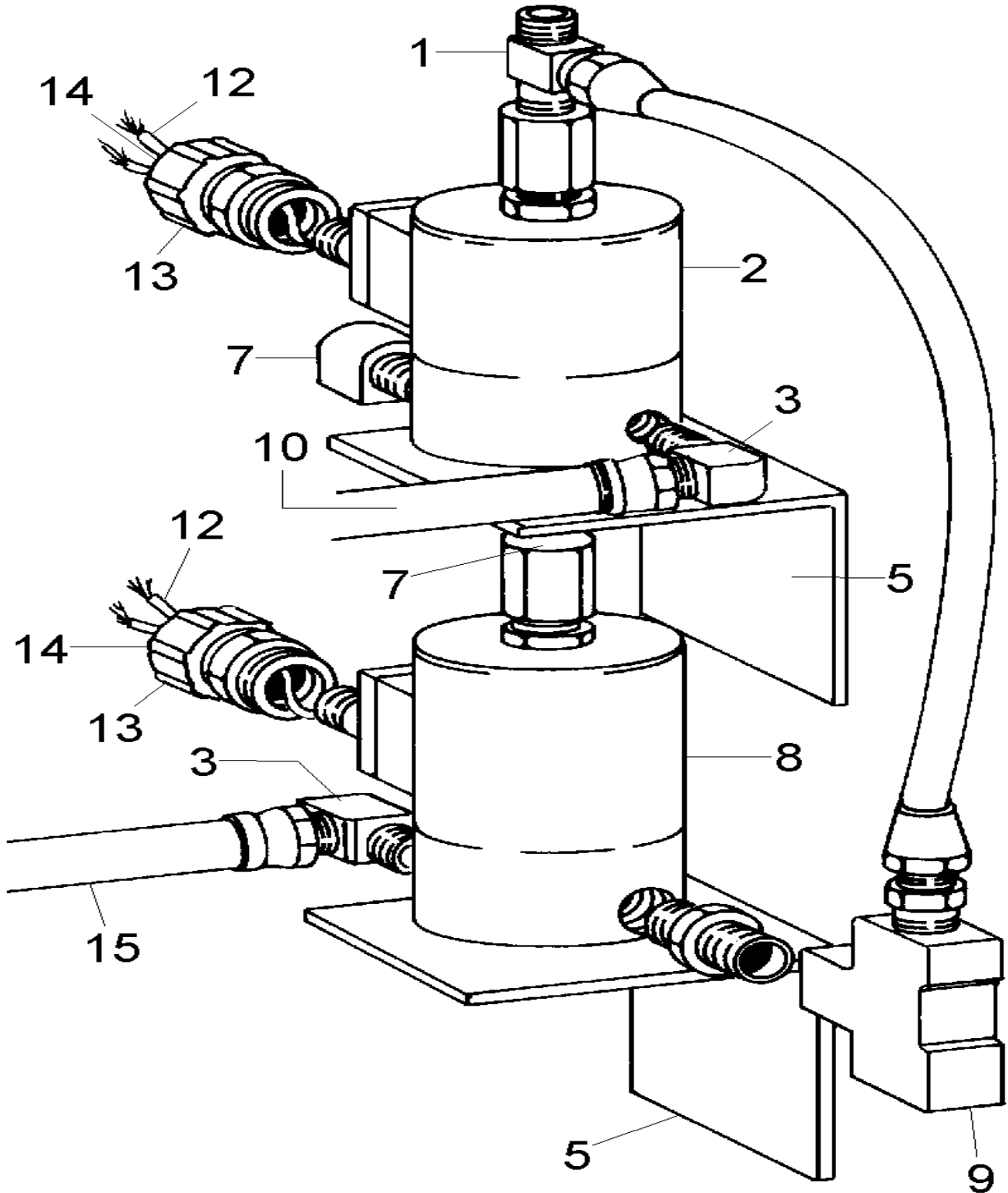
Item#	Part	Description	M T H 4 0	M T H 4 5	M T H 4 5 E	X L 4 0	X L 4 5	N O T E S
1	032130	SUPPORT / FUEL COOLER To W-6423					1	A
1	032242	SUPPORT / FUEL COOLER From W-6424				1	1	B
1	032140	SUPPORT / FUEL COOLER To W-6423	1	1	1			A
1	032243	SUPPORT / FUEL COOLER / W/470HP ENGINE From W-6424 To W-6561	1	1				
1	032264	SUPPORT / FUEL COOLER / W/AIR COOLER OVER RAD & SMALL A/C From W-6562	1	1				
1	032265	SUPPORT / FUEL COOLER / W/AIR COOLER OVER RAD & LARGE A/C From W-6562	1	1				
1	032242	SUPPORT / FUEL COOLER From W-6424 To X-6831			AR			B
1	032264	SUPPORT / FUEL COOLER / W/AIR COOLER OVER RAD & SMALL A/C From W-6562 To X-6831			AR			C
1	032265	SUPPORT / FUEL COOLER / W/AIR COOLER OVER RAD & LARGE A/C From W-6562 To X-6831			AR			C
1	032264	SUPPORT / FUEL COOLER / W/AIR COOLER OVER RAD & SMALL A/C From X-6832			1			
1	032265	SUPPORT / FUEL COOLER / W/AIR COOLER OVER RAD & LARGE A/C From X-6832			1			
2	531422	FUEL COOLER	1	1	1	1	1	
3	502563	SCREW CAP HEX M6-1.0x12 G8.8 Z050	4	4	4	4	4	
4	502565	NUT HEX M6-1.0 SS	4	4	4	4	4	
5	502570	WASHER LO SPT 6.1x11.8x1.6 SS	4	4	4	4	4	
6	502768	WASHER FL RUB .312x.625x.125 NEO To W-6423	2	2	2	2	2	
7	504362	BUMPER PLUG / .375ODx.3125THx.250HOLEx.125 To W-6423	2	2	2	2	2	
10	032137	HOSE ASSY / FROM CYLINDER HEAD / #6 2009MM		1			1	
10	032185	HOSE ASSY / FROM CYLINDER HEAD / #6 1910MM From V-6258	1		1	1		
11	032184	HOSE ASSY / TO FUEL TANK / #6 7440MM		1			1	
11	032097	HOSE ASSY / #6 7991MM From V-6258	1		1	1		
		A) FOR PRODUCT IMPROVMENT USE KIT #032244 FOR VEHICLE FROM V-6064 TO W-6424						
		B) USE WITH 470HP ENGINE ON 45' ENTERTAINER SEE FINAL VEHICLE RECORD						
		C) USE WITH 500HP ENGINE OPTIONAL ON 45' ENTERTAINER SEE FINAL VEHICLE RECORD						

From E-638 To L-459

Date:10/2022

PAGE:XL-0325-00

ENGINE SOLENOID



From E-638 To L-459	Date:10/2022	PAGE:XL-0325-00
ENGINE SOLENOID		

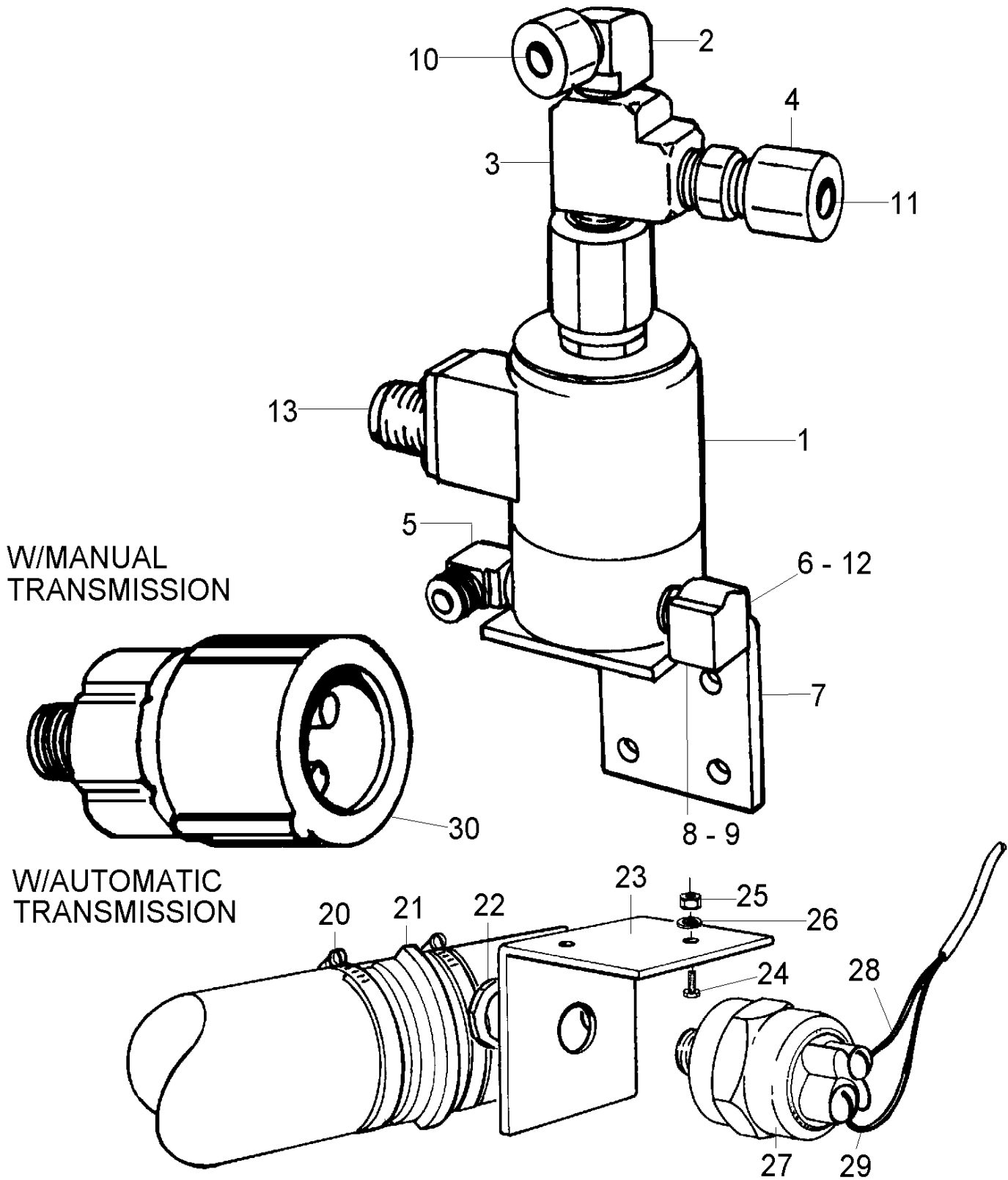
Item#	Part	Description	M T H 4 0	M T H 4 5	M T H 4 5 E	X L 4 0	X L 4 5	N O T E S
1	501790	MALE RUN TEE/ COMPRESSION FITTING / #4x#4x1/8NPT-M BR	1			1		
2	560352	VALVE SOLENOID N.O. 24 VOLTS	1			1		S
. NS	060851	. CONNECTOR ASSY	1			1		S
2	560836	. COIL 24V	1			1		
2	560881	. SPRING COMPRESSION / .540 O.D. x .360 x .029	1			1		
2	560715	. SEAL	1			1		
2	560882	. PLUNGER	1			1		
3	501036	MALE ELBOW 90° / SAE 45° FITTING / #4FL-Mx1/8NPT-M BR	2			2		
5	060721	SUPPORT / SOLENOID VALVE	2			2		
7	501331	STREET ELBOW 90° / PIPE FITTING / 1/8NPT-Mx1/8NPT-F BR	1			1		
8	560930	VALVE SOLENOID N.C. 24 VOLTS	1			1		I
. NS	060851	. CONNECTOR ASSY	1			1		I
8	560972	. COIL 24V	1			1		
8	560714	. SPRING COMPRESSION / .548 O.D. x .5 x .029	1			1		
8	560715	. SEAL	1			1		
8	560969	. PLUNGER	1			1		
9	501115	MALE BRANCH TEE/ COMPRESSION FITTING / #4x#4x1/8NPT-M BR	1			1		
10	031145	HOSE ASSY TEFLON #4 611MM	1			1		
12	060851	CONNECTOR ASSY	1			1		
13	560412	. CONNECTOR / SERIES 97 / SH 2C / AMPHENOL MS3106A-10SL-4S	2			2		
14	560808	. CABLE CLAMP / SERIES 97 / AMPHENOL AN3057-4	2			2		
14	560809	. BUSHING / SERIES 97 / AMPHENOL 9779-513-4	2			2		
NS	500470	WASHER LO SPT .193x.334x.047 Z050	4			4		
NS	502751	SCREW CAP HEX #10-32x3/8 Z050	4			4		
NS	500642	SCREW TP PAN PH #10x3/4 Z050	2			2		
15	031147	HOSE ASSY TEFLON #4 522MM	1			1		
		I) USE FOR ON "FAST IDLE"						
		S) USE FOR "ENGINE STOP"						

From E-638 To L-459

Date:10/2022

PAGE:XL-0325-10

TWO-SPEED GOVERNOR



W/MANUAL
TRANSMISSION

W/AUTOMATIC
TRANSMISSION

From E-638 To L-459	Date:10/2022	PAGE:XL-0325-10
TWO-SPEED GOVERNOR		

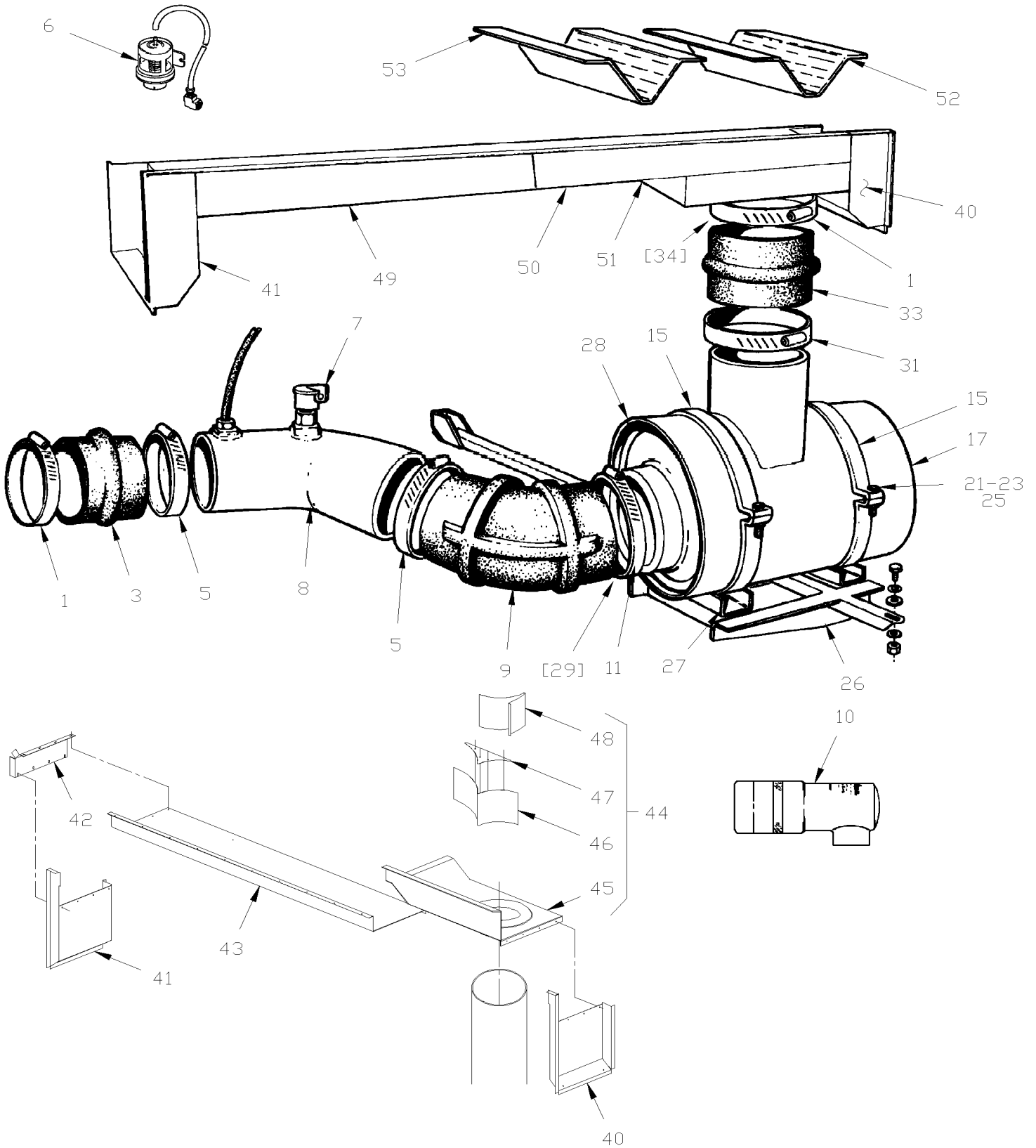
Item#	Part	Description	M T H 4 0	M T H 4 5	M T H 4 5 E	X L 4 0	X L 4 5	N O T E S
	031234	VALVE ASSY, SOLENOID / W/MANUAL TRANSMISSION				1		
1	560352	VALVE SOLENOID N.O. 24 VOLTS				1		
NS	060851	CONNECTOR ASSY				1		
2	501108	MALE ELBOW 90° / COMPRESSION FITTING / #4x1/8NPT-M BR				1		
3	501653	MALE RUN TEE / PIPE FITTING / 1/8NPT-Mx1/8NPT-Fx1/8NPT-F BR				1		
4	501093	MALE CONNECTOR / COMPRESSION FITTING / #4x1/8NPT-M BR				1		
5	501036	MALE ELBOW 90° / SAE 45° FITTING / #4FL-Mx1/8NPT-M BR				1		
6	501331	STREET ELBOW 90° / PIPE FITTING / 1/8NPT-Mx1/8NPT-F BR				1		
7	060721	SUPPORT / SOLENOID VALVE				1		
NS	500642	SCREW TP PAN PH #10x3/4 Z050				2		
8	502751	SCREW CAP HEX #10-32x3/8 Z050				2		
9	500470	WASHER LO SPT .193x.334x.047 Z050				2		
10	031236	TUBE / VALVE TO VALVE FAST IDLE				1		
11	031235	TUBE / VALVE TO VALVE FAST IDLE				1		
11	503188	COPPER TUBE .250" O.D. x .030" x 600"				AR		
12	031237	HOSE ASSY TEFLON #4 821MM				1		
12	501892	FEMALE CONNECTOR SWIVEL / SAE 45° FITTING / TEFLON / #4FL-Fx#4 STL				2		
12	503064	HOSE TEFLON #4 / S.L.				AR		
13	061232	CABLE ASSY / VALVE TO REAR JCT BOX				1		
NS	510267	KIT, GOVERNOR TWO-SPEED				1		
NS	501037	MALE ELBOW 90° / SAE 45° FITTING / #4FL-Mx1/4NPT-M BR				1		
20	504024	HOSE CLAMP / 1"13/16"-2"3/4 SS / HS-36				2		A
21	380299	CAM, NEUTRAL /SHIFT ROD				1		A
22	380289	NUT				1		A
23	031058	BRACKET				1		A
NS	031057	BRACKET, SWITCH SUPPORT / TWO-SPEED GOVERNOR OPTION				1		A
24	500044	SCREW CAP HEX 3/8-24x3/4 G5 Z050				2		A
25	500705	NUT HEX 3/8-24 ZP				2		A
26	500478	WASHER LO SPT .380x.683x.094 Z050				2		A
27	560632	SWITCH / BACK-UP N.C. / W/MANUAL TRANSMISSION				1		A
28	061233	CABLE ASSY / TO BATTERY ELECTRICAL PANEL				1		A
29	061234	CABLE ASSY / TO BATTERY ELECTRICAL PANEL				1		A
30	560639	SWITCH / BACK-UP N.O. / W/AUTO TRANS				1		B
NS	062814	CABLE ASSY To L-578				1		B
NS	062846	CABLE ASSY From L-579 To M-762				1		B
NS	063149	CABLE ASSY From M-763				1		B
		A) THIS PART IS RELATED WITH MANUAL TRANSMISSION						
		B) THIS PART IS RELATED WITH AUTOMATIC TRANSMISSION						

From E-638 To R-949

Date:10/2022

PAGE:XL-0330-00

AIR FILTER & INTAKE - WITH DETROIT S-71 & S-92

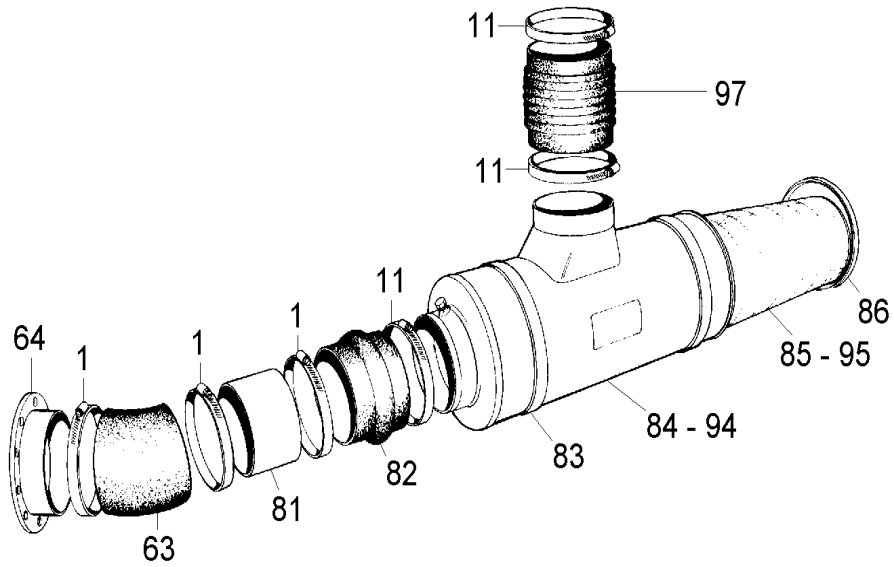
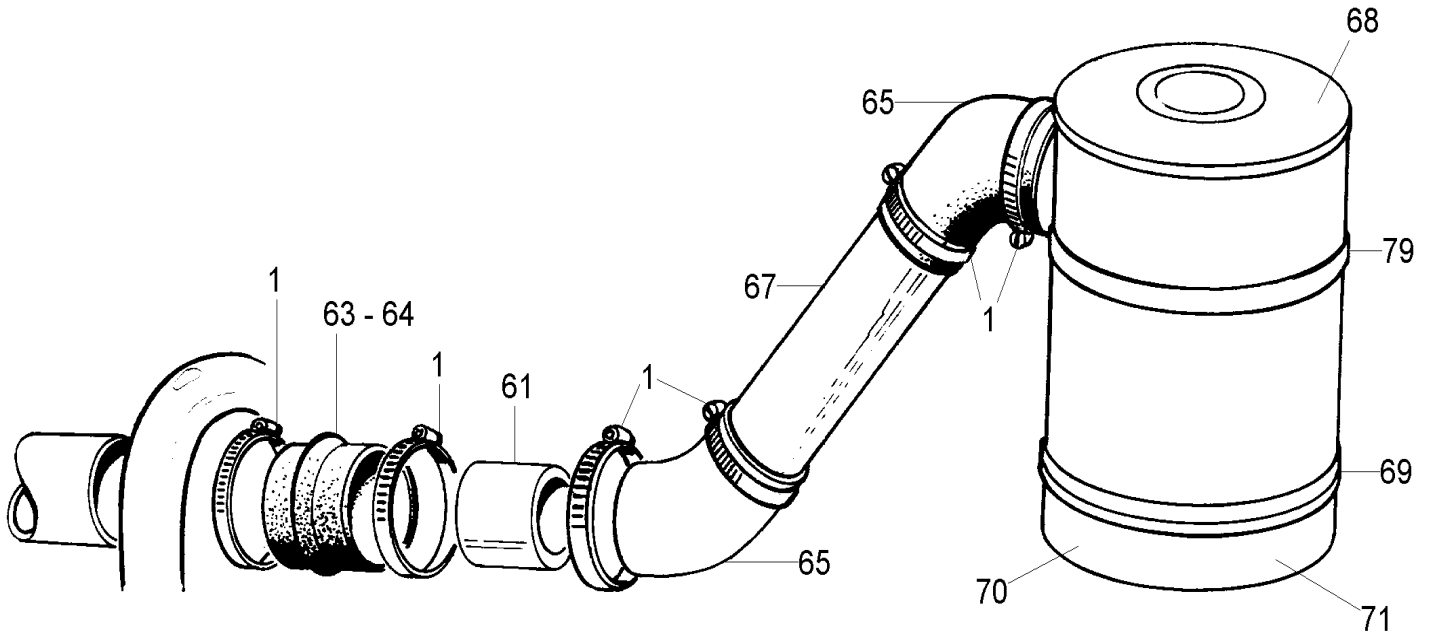


From E-638 To R-949

Date:10/2022

PAGE:XL-0330-00

AIR FILTER & INTAKE - WITH DETROIT S-71 & S-92



From E-638 To R-949	Date:10/2022	PAGE:XL-0330-00
AIR FILTER & INTAKE - WITH DETROIT S-71 & S-92		

Item#	Part	Description	M T H 4 0	M T H 4 5	M T H 4 5 E	X L 4 0	X L 4 5	N O T E S
1	504324	HOSE CLAMP / 4"1/2-6"1/2 SS / HS-96	AR		AR	AR		
1	504467	HOSE CLAMP / 5"1/4-6"1/8 / C.T. 600	AR		AR	AR		
3	031060	REDUCER RUBBER 6" X 5"	1		1	1		
3	530168	REDUCER 6" X 5"	1		1	1		
5	504031	HOSE CLAMP / 5"-7" SS / HS-104	AR		AR	AR		
5	504468	HOSE CLAMP / 6"1/4-7"1/8 / C.T. 700	AR		AR	AR		
6	530121	GAUGE AIR RESTRICTION INDICATOR 1/8" NPT WITH HOSE	1		1	1		
NS	500574	SCREW MA TR PH #10-24x1 1/4 SS	2		2	2		
NS	500470	WASHER LO SPT .193x.334x.047 Z050	2		2	2		
NS	500786	NUT HEX #10-24 Z050	2		2	2		
7	510022	CUP ETHER	AR		AR	AR		
8	031086	ELBOW 6" O.D. / ALUMINUM To M-872	1			1		C
8	531367	ELBOW 6" O.D. / RUBBER From M-873	1		1	1		
8	031716	PIPE 6" O.D. X 5"1/2 From M-873 To M-491	1			1		
8	031730	PIPE 6" O.D. X 8 1/2" From M-873 To M-491	1		1	1		
8	031770	PIPE 6" O.D. X 5" From M-492 To R-798	1		1			
8	031788	PIPE 6" O.D. X 6" 1/4 From R-798	1		1	1		
9	530169	ELBOW 45° DEGRES / REDUCER 7" X 6"	1		1	1		
10	530161	GAUGE AIR RESTRICTION 20" H2O 1/8" NPT	AR		AR	AR		
10	530193	GAUGE AIR RESTRICTION 15" H2O / (AS SHOWN) 1/8" NPT	AR		AR	AR		
11	504229	HOSE CLAMP / 6"1/2-8"1/2 SS / HS-100	AR		AR	AR		
11	504469	HOSE CLAMP / 7"1/4-8"1/8 / C.T. 800	AR		AR	AR		
15	030397	STRAP MOUNTING / W/16" AIR FILTER To R-797					2	
15	030397	STRAP MOUNTING / W/16" AIR FILTER To N-427	2					
15	031465	STRAP MOUNTING / W/18" AIR FILTER To R-797					2	
15	031465	STRAP MOUNTING / W/18" AIR FILTER From N-428	2		2			
17	530183	FILTER AIR 16" / W/GASKET To R-797					1	
17	530183	FILTER AIR 16" / W/GASKET To N-427	1					
17	530166	ELEMENT AIR FILTER 16" To R-797	1				1	
17	530166	ELEMENT AIR FILTER 16" To N-427	1					
17	530182	GASKET AIR FILTER 16" To R-797	1				1	
17	530182	GASKET AIR FILTER 16" To N-427	1					
17	530206	FILTER AIR 18" From R-798					1	1
17	530206	FILTER AIR 18" From N-428	1		1			
17	530197	ELEMENT AIR FILTER 18" From R-798					1	1
17	530197	ELEMENT AIR FILTER 18" From N-428	1		1			
21	500183	SCREW CAP HEX 5/16-18x1 1/2 G5 PT Z050	AR		AR	AR		
21	500182	SCREW CAP HEX 5/16-18x1 1/4 G5 PT Z050	2				2	
23	500441	WASHER FL .312x.734x.065 Z050	AR		AR	AR		
25	500777	NUT HEX STO 5/16-18 Z050	AR		AR	AR		
26	031088	SUPPORT ASSY / AIR FILTER To N-427	1					A
NS	030773	SUPPORT ANGLE / TO FIX AIR FILTER / WELDED TO To N-427	1					

From E-638 To R-949	Date:10/2022	PAGE:XL-0330-00
AIR FILTER & INTAKE - WITH DETROIT S-71 & S-92		

Item#	Part	Description	M T H 4 0	M T H 4 5	M T H 4 5 E	X L 4 0	X L 4 5	N O T E S
NS	212051	SUPPORT AIR FILTER From R-798				1		D
26	212051	SUPPORT AIR FILTER From N-428	1		1			
NS	500181	SCREW CAP HEX 5/16-18x1 G5 Z050	2					
NS	500476	WASHER LO SPT .317x.586x.078 Z050	2					
NS	500778	NUT HEX 5/16-18 N500	2					
27	030728	SEAT To N-427	2					
28	031092	SUPPORT, UPPER / AIR FILTER To R-797				1		
29	031091	SUPPORT, LOWER / AIR FILTER To R-797				1		
31	504470	HOSE CLAMP / 8"1/4-9"1/8 / C.T. 900	AR		AR	AR		
31	504415	HOSE CLAMP / 7"1/4-9"1/4 SS / HS-152	AR		AR	AR		
33	530210	HOSE FLEXIBLE / 8" O.D. x 125MM	1		1	1		D
33	530167	REDUCER RUBBER 8" X 7"	1			1		
34	031786	TUBE 8" O.D. X 2" 5/16 From R-798				1		
34	031776	TUBE 8" O.D. X 5 5/16" From N-428	1					F
34	031778	TUBE 8" O.D. X 11 5/16" From N-428	1		1			I
34	031777	TUBE 8" O.D. X 8 5/16" / MTH 83" From N-428	1					J
40	030629	AIR INTAKE R.H. / 12 3/4" HIGHT To R-797				1		
40	031773	AIR INTAKE L.H. & R.H. / 15 1/2" HIGHT From R-798				1		
40	030634	AIR INTAKE R.H. / 15 1/4" HIGHT To N-427	1					K
40	031773	AIR INTAKE L.H. & R.H. / 15 1/2" HIGHT From N-428	1					K
40	031110	AIR INTAKE R.H. / 18 3/4" HIGHT To N-427	1					L
40	031116	AIR INTAKE R.H. / 21 3/4" HIGHT From N-428	1					M
40	031772	AIR INTAKE L.H. & R.H. / 21 1/2" HIGHT	1		1			N
41	030640	AIR INTAKE L.H. / 12 3/4" HIGHT To R-797				1		
41	031773	AIR INTAKE L.H. & R.H. / 15 1/2" HIGHT From R-798				1		
41	030641	AIR INTAKE L.H. / 15 1/4" HIGHT To N-427	1					K
41	031773	AIR INTAKE L.H. & R.H. / 15 1/2" HIGHT From N-428	1					K
41	031109	AIR INTAKE L.H. / 18 3/4" HIGHT To N-427	1					L
41	031117	AIR INTAKE L.H. / 21 3/4" HIGHT To N-427	1					M
41	031772	AIR INTAKE L.H. & R.H. / 21 1/2" HIGHT From N-428	1		1			N
42	031760	ANGLE CLOSING L.H. DUCT From R-798				1		D
43	031755	DUCT CENTER PART 1595MM	1		1	1		D
44	031767P	BOX ASSY / FIBERGLASS	1		1	1		D
45	031754	FIBERGLASS BOX	1		1	1		
46	031769	. DEFLECTOR FRONT	1		1	1		
47	031775	. COVER FRONT DEFLECTOR	1		1	1		
48	031757	. DEFLECTOR REAR	1		1	1		
49	030866	DUCT L.H. 44" To L-464	1			1		
49	031611	DUCT L.H. ASSY 44" From L-465 To R-797				1		
50	030715	DUCT R.H. 48" To L-464	1			1		
50	031612	DUCT R.H. ASSY 48" From L-465 To R-797				1		
51	030741	BOX ASSY / AIR FILTER W/ 5" PIPE To E-745				1		

From E-638 To R-949	Date:10/2022	PAGE:XL-0330-00
AIR FILTER & INTAKE - WITH DETROIT S-71 & S-92		

Item#	Part	Description	M T H 4 0	M T H 4 5	M T H 4 5 E	X L 4 0	X L 4 5	N O T E S
51	031070	BOX ASSY / AIR FILTER W/ 7" PIPE From E-746 To R-797				1		
51	030817	BOX ASSY / AIR FILTER / W/OIL BATH FILTER / W/ 5" LG PIPE				1		
51	031071	BOX ASSY / AIR FILTER W/ 10" PIPE To N-427	1					
51	031072	BOX ASSY / AIR FILTER W/ 13" PIPE To N-427	1					
51	031073	BOX ASSY / AIR FILTER W/ 16" PIPE To N-427	1					
NS	500642	SCREW TP PAN PH #10x3/4 Z050	AR		AR	AR		
NS	500641	SCREW TP PAN PH #8x3/4 Z050	AR		AR	AR		
52	030760	DEFLECTOR V-SHAPED	1		1	1		
53	030745	DEFLECTOR V-SHAPED	1		1	1		
61	031047	PIPE ALUMINUM / W/6V92				1		O
63	530102	REDUCER RUBBER / 5 1/2" X 5" DIA.				1		O
NS	031108	PROTECTOR HEAT / W/6V92				1		O
NS	530172	COUPLING RUBBER / 5"1/2 DIA.				1		O
64	010926	PIPE FLANGE ADAPTOR/W/OIL BATH OR FRAM FILTER				1		O
NS	510237	GASKET / FLANGE & BLOWER				1		O
65	530085	ELBOW RUBBER / 45° / 5" 1/2 DIA.				1		O
67	031042	TUBE ASSY / AIR INTAKE				1		O
67	031042	TUBE ASSY / AIR INTAKE				1		O
68	530006	AIR FILTER ASSY / OIL BATH "VORTOX"				1		O
69	530158	. COLLAR RETAINING BOWL				1		O
70	030822	SUPPORT / FILTER WELDED TO FRAME REAR				1		O
NS	030848	REINFORCEMENT REAR				1		O
71	030823	SUPPORT / FILTER WELDED TO FRAME SIDE				1		O
NS	030849	REINFORCEMENT SIDE				1		O
79	030397	STRAP MOUNTING / W/16" AIR FILTER				2		O
NS	500778	NUT HEX 5/16-18 N500				2		O
NS	500476	WASHER LO SPT .317x.586x.078 Z050				2		O
NS	500186	SCREW CAP HEX 5/16-18x2 1/2 G5 Z050				2		O
81	031106	TUBE ASSY / W/6V92				1		G
81	031035	TUBE ASSY / W/8V71				1		G
82	530142	REDUCER RUBBER 7" X 5"1/2				1		G
NS	031108	PROTECTOR HEAT / W/6V92				1		G
83	530149	COLLAR AIR FILTER				2		G
83	260418	SUPPORT "Z" SHAPE / TO FIX FILTER ON R.H.				1		G
83	260462	SUPPORT "L" SHAPE / TO FIX FILTER ON L.H.				1		G
83	260465	SUPPORT "V" SHAPE / TO FIX FILTER W/O RESTROO				1		G
84	530163	FILTER ASSY AIR 11" / W/GASKET				1		Q
85	530162	. ELEMENT AIR FILTER 11" O.D.				1		Q
86	530181	. GASKET				1		Q
94	530148	FILTER ASSY AIR 11"				1		R
95	530164	. ELEMENT AIR FILTER 11" O.D.				1		R
97	030871	HOSE FLEXIBLE				1		R

From E-638 To R-949	Date:10/2022	PAGE:XL-0330-00
AIR FILTER & INTAKE - WITH DETROIT S-71 & S-92		

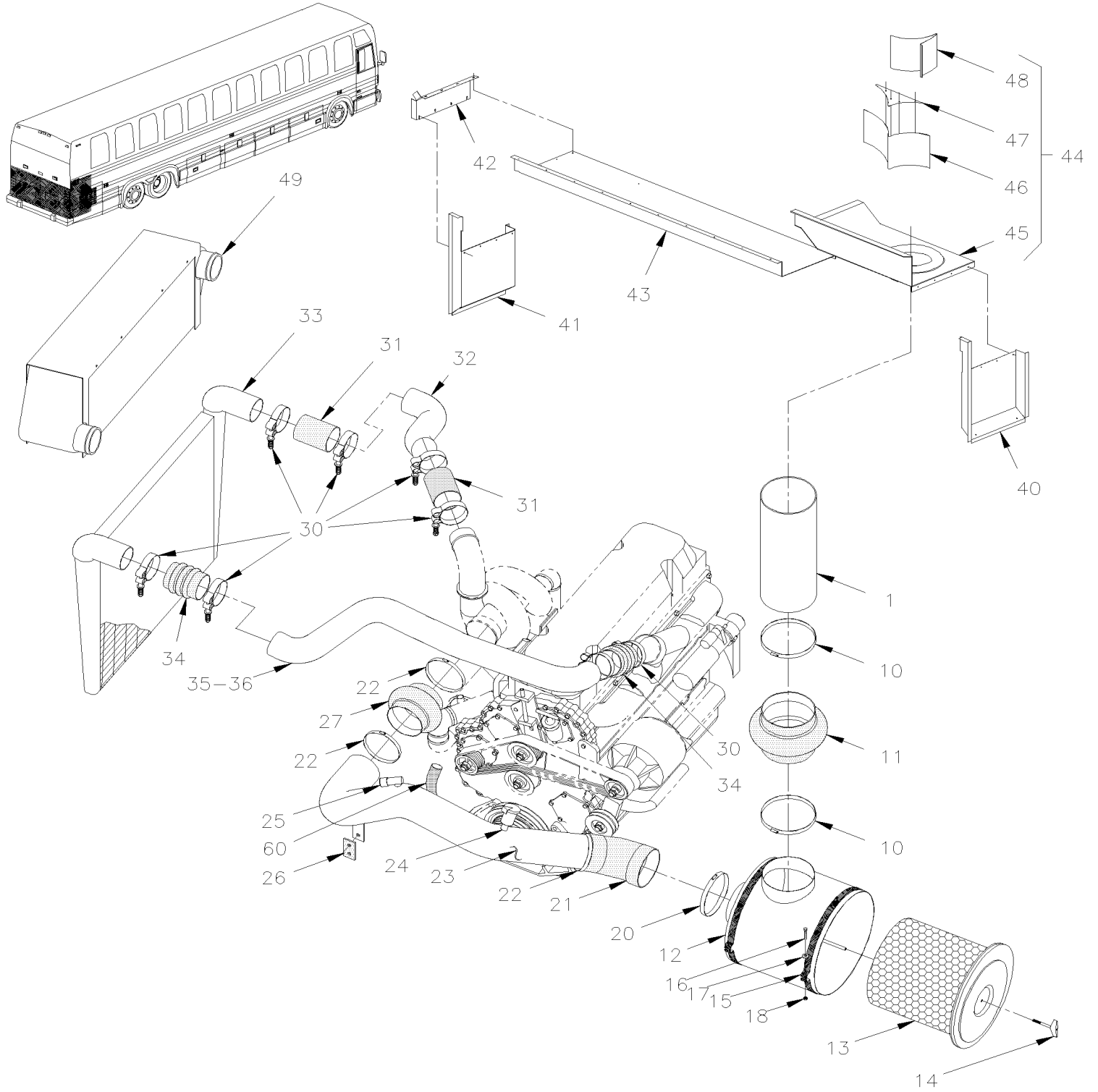
Item#	Part	Description	M T H 4 0	M T H 4 5	M T H 4 5 E	X L 4 0	X L 4 5	N O T E S
NS	503236	. HOSE FLEXIBLE / AIR DUCT 7" I.D. X 12' / LINEN RUBBER				AR		R
		A) AS SHOWN						
		C) FROM M-873 ALUMINUM ELBOW IS OBSOLETE USE 2 PIPES & RUBBER ELBOW						
		D) AS SHOWN AT PAGE XL-1894-11 ITEM # 24						
		F) MTH 80" W/SERIES 92						
		G) THIS PART IS RELATED WITH AIR FILTER FRAM 11" UP TO H-284						
		I) MTH 86" W/SERIES 92						
		J) MTH 83" W/SERIES 92						
		K) MTH 80"						
		L) MTH 83"						
		M) MTH 86"						
		N) MTH 83" & MTH 86"						
		O) THIS PARTS ARE RELATED TO OIL BATH FILTER						
		Q) RELATED WITH AIR FILTER "DONNALSON"						
		R) AIR FILTER "FRAM" - OPTION						

From P-722 To Y-7045

Date:10/2022

PAGE:XL-0330-01

AIR FILTER & INTAKE - INSTALLATION WITH DETROIT S-50 & S-60

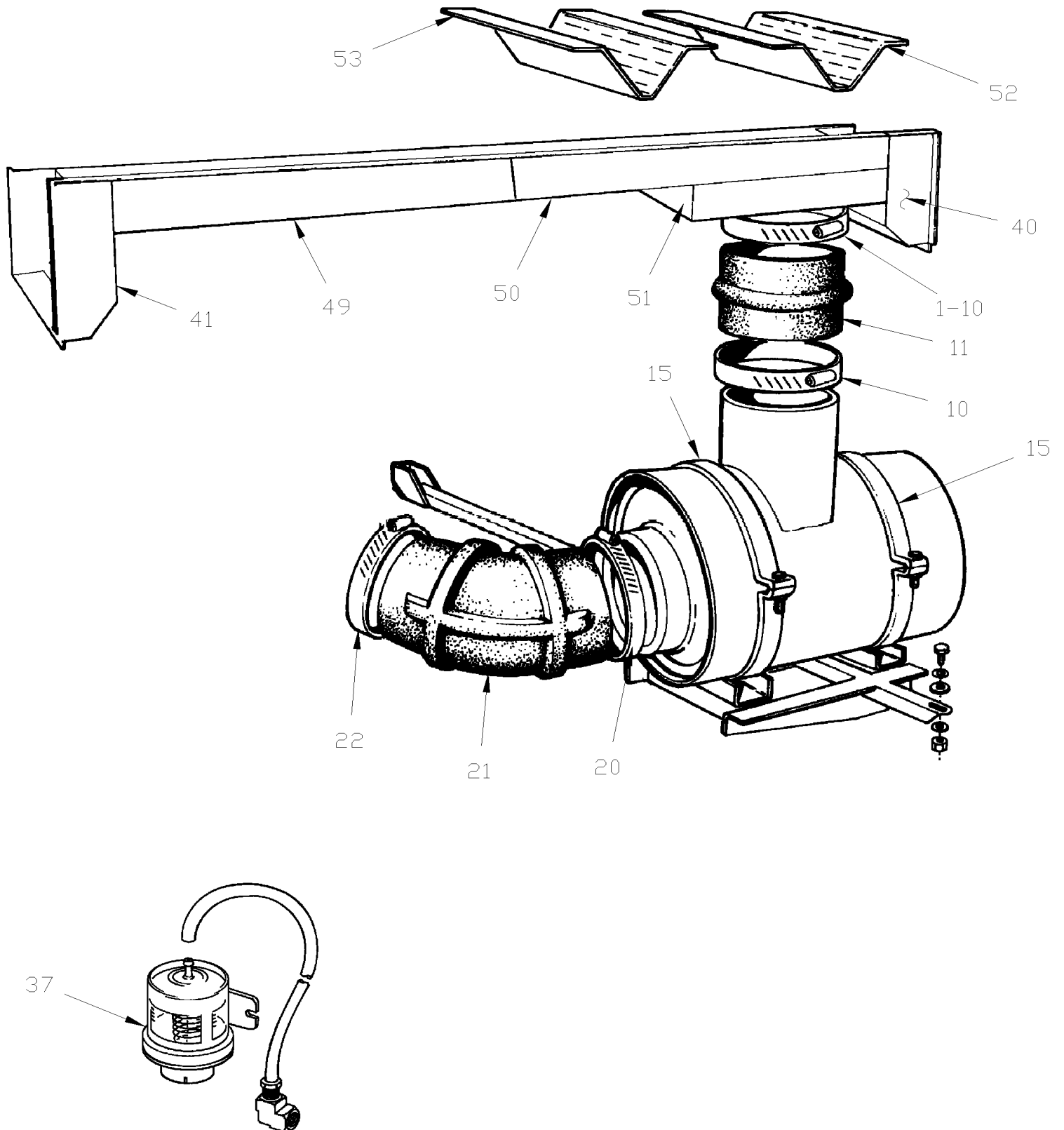


From P-722 To Y-7045

Date:10/2022

PAGE:XL-0330-01

AIR FILTER & INTAKE - INSTALLATION WITH DETROIT S-50 & S-60



From P-722 To Y-7045	Date:10/2022	PAGE:XL-0330-01
AIR FILTER & INTAKE - INSTALLATION WITH DETROIT S-50 & S-60		

Item#	Part	Description	M T H 4 0	M T H 4 5	M T H 4 5 E	X L 4 0	X L 4 5	N O T E S
1	031965	TUBE 8" O.D. X 3 3/8"				1		A
1	031776	TUBE 8" O.D. X 5 5/16"				1	1	
1	031778	TUBE 8" O.D. X 11 5/16"	1	1				
1	031883	TUBE 8" O.D. X 13 5/16"	1	1	1			
10	504415	HOSE CLAMP / 7" 1/4-9" 1/4 SS / HS-152	2	2	2	2	2	
11	530210	HOSE FLEXIBLE / 8" O.D. x 125MM	1	1	1	1	1	
12	530206	FILTER AIR 18"	1	1	1	1	1	
13	530197	ELEMENT AIR FILTER 18"	1	1	1	1	1	
14	531420	NUT WING 1/2-13 NY	1	1	1	1	1	
15	031465	STRAP MOUNTING / W/18" AIR FILTER	2	2	2	2	2	
16	500183	SCREW CAP HEX 5/16-18x1 1/2 G5 PT Z050	2	2	2	2	2	
17	500441	WASHER FL .312x.734x.065 Z050	2	2	2	2	2	
18	500777	NUT HEX STO 5/16-18 Z050	2	2	2	2	2	
20	504229	HOSE CLAMP / 6" 1/2-8" 1/2 SS / HS-100	1	1	1	1	1	
21	530169	ELBOW 45° DEGRES / REDUCER 7" X 6"	1	1	1	1	1	
22	504324	HOSE CLAMP / 4" 1/2-6" 1/2 SS / HS-96	3	3	3	3	3	
23	031822	PIPE 5 1/2" O.D. / AIR FILTER & TURBO To X-6882	1	1	1	1	1	
23	032269	PIPE 5 1/2" O.D. / AIR FILTER & TURBO From X-6883	1	1	1	1	1	
23	031948	PIPE 5 1/2" O.D. / AIR FILTER & TURBO				1		A
24	510022	CUP ETHER	1	1	1	1	1	
25	530161	GAUGE AIR RESTRICTION 20" H2O 1/8" NPT	AR	AR	AR	AR	AR	
25	530193	GAUGE AIR RESTRICTION 15" H2O / (AS SHOWN) 1/8" NPT	AR	AR	AR	AR	AR	
26	040535	MUFFLER CONNECTION	1	1	1	1	1	
27	530102	REDUCER RUBBER / 5 1/2" X 5" DIA.	1			1	1	
NS	531369	ELBOW RUBBER 90° X 5 1/2 I.D.				1		A
NS	531406	REDUCER RUBBER FLANGED 5 1/2 O.D. X 5 I.D.				1		A
30	531386	HOSE CLAMP SPRING LOAD / HEAVY DUTY 4" 1/8-4" 7/16	8	8	8	8	8	
31	531396	HOSE 4" I.D. 6 1/4"	2	2	2	2	2	
32	031824	PIPE 4" O.D. / AIR COOLER & TURBO	1	1	1	1		
32	032261	PIPE 4" O.D. / AIR COOLER & TURBO From W-6562	1	1				
32	031954	PIPE 4" O.D. / AIR COOLER & TURBO					1	
32	032261	PIPE 4" O.D. / AIR COOLER & TURBO From X-6832			1			
32	031947	PIPE 4" O.D. / AIR COOLER & TURBO / W/50 - ONLY				1		
33	550655	AIR COOLER ASSY To W-6710				1		
33	550741	AIR COOLER ASSY From W-6711 To X-6831				1		
33	550743	AIR COOLER ASSY From X-6832				1		
33	550715	AIR COOLER ASSY To W-6656					1	
33	550747	AIR COOLER ASSY From W-6657 To X-6831					1	
33	550801	AIR COOLER ASSY From X-6832					1	
NS	M106-02	SEE MAINTENANCE INFORMATION From X-6832					1	
33	550699	AIR COOLER ASSY To W-6710			1			
33	550743	AIR COOLER ASSY From W-6711 To X-6831			1			

From P-722 To Y-7045	Date:10/2022	PAGE:XL-0330-01
----------------------	--------------	-----------------

AIR FILTER & INTAKE - INSTALLATION WITH DETROIT S-50 & S-60

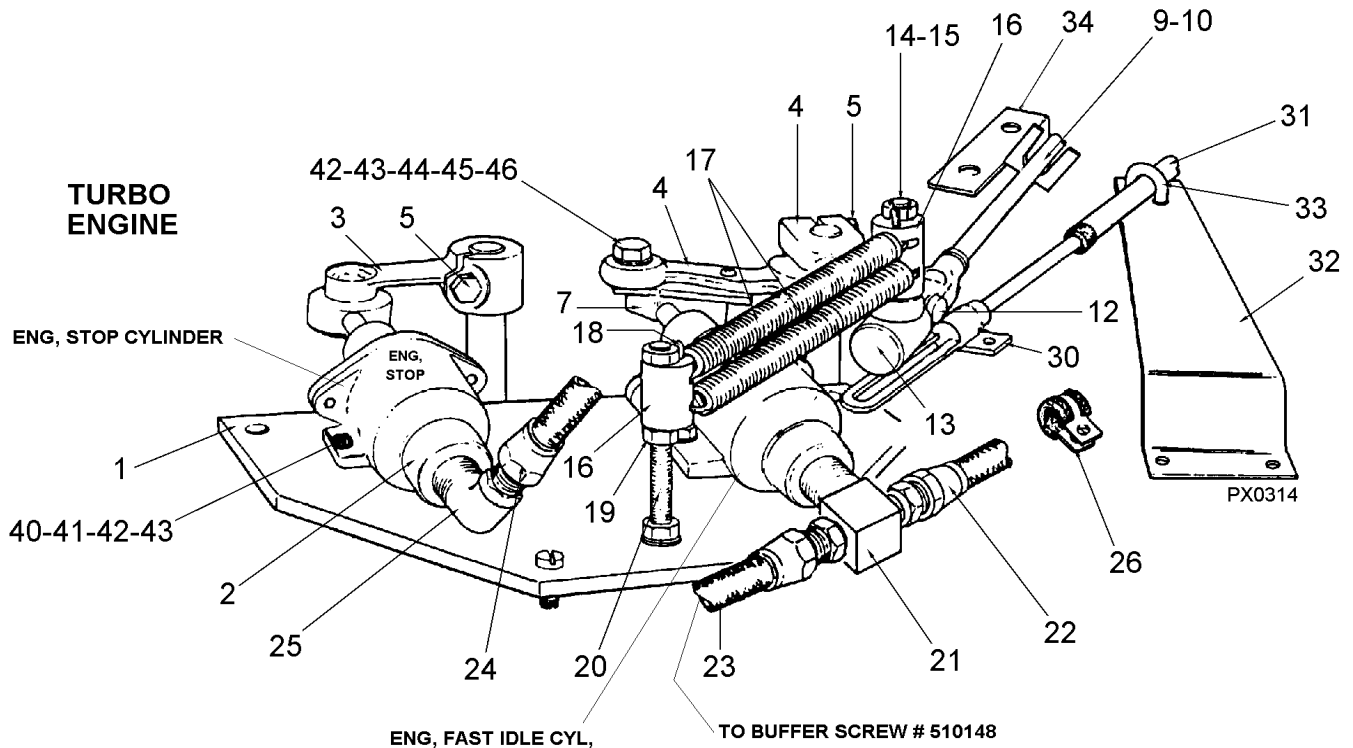
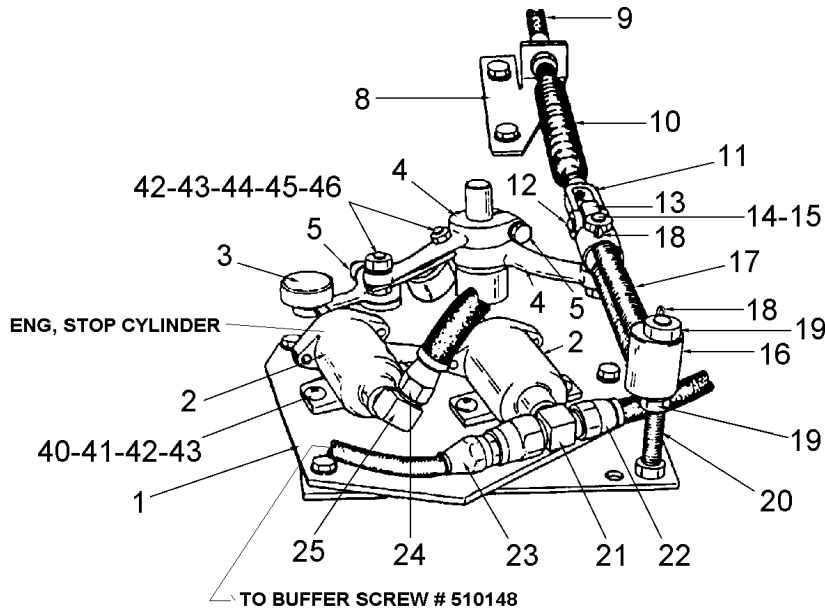
Item#	Part	Description	M T H 4 0	M T H 4 5	M T H 4 5 E	X L 4 0	X L 4 5	N O T E S
33	550699	AIR COOLER ASSY To T-5748	1	1				
33	550717	AIR COOLER ASSY From T-5749 To W-6561	1	1				
34	531385	HOSE / W/3 RING / 4" I.D. 6"	2	2	2	2	2	
35	031928	PIPE 4" O.D. / AIR COOLER & MANIFOLD W/O AIR RESTRICTION GAUGE W/O RESTRICTION GAUGE	1	1	1	1	1	
35	031827	PIPE 4" O.D. / AIR COOLER & MANIFOLD W/AIR RESTRICTION GAUGE W/AIR RESTRICTION GAUGE	1	1	1	1	1	
35	032262	PIPE 4" O.D. / AIR COOLER & MANIFOLD From W-6562 To X-6831	1	1	1			B
35	032305	PIPE 4" O.D. / AIR COOLER & MANIFOLD From X-6832	1	1	1			B
36	550635	SWITCH TEMPERATURE AIR SENSOR 150 DEG / 3 WIRES CONNECTORS To R-923	1	1	1	1		
37	530121	GAUGE AIR RESTRICTION INDICATOR 1/8" NPT WITH HOSE	1	1	1	1	1	
NS	031904	SUPPORT / TO FIX GAUGE RESTRICTION	1	1	1	1	1	
40	030629	AIR INTAKE R.H. / 12 3/4" HIGHT To R-797				1		
40	031773	AIR INTAKE L.H. & R.H. / 15 1/2" HIGHT From R-798 To X-6903				1	1	
40	032294	AIR INTAKE / R.H. From X-6904				1	1	
40	031772	AIR INTAKE L.H. & R.H. / 21 1/2" HIGHT	1	1	1			
41	030640	AIR INTAKE L.H. / 12 3/4" HIGHT To R-797				1		
41	031773	AIR INTAKE L.H. & R.H. / 15 1/2" HIGHT From R-798				1	1	
41	031772	AIR INTAKE L.H. & R.H. / 21 1/2" HIGHT	1	1	1			
43	031755	DUCT CENTER PART 1595MM	1	1	1	1	1	
NS	500642	SCREW TP PAN PH #10x3/4 Z050	AR	AR	AR	AR	AR	
NS	500641	SCREW TP PAN PH #8x3/4 Z050	AR	AR	AR	AR	AR	
NS	031611	DUCT L.H. ASSY 44" To R-797				1		
44	031767P	BOX ASSY / FIBERGLASS From R-798				1	1	
44	031767P	BOX ASSY / FIBERGLASS	1	1	1			
45	031754	. FIBERGLASS BOX	1	1	1	1	1	
46	031769	. DEFLECTOR FRONT	1	1	1	1	1	
47	031775	. COVER FRONT DEFLECTOR	1	1	1	1	1	
48	031757	. DEFLECTOR REAR	1	1	1	1	1	
NS	504528	HOLE PLUG BUTTON / .437 O.D. BLACK	3	3	3	3	3	
49	550772	AIR COOLER ASSY / OVER COOLANT RADIATOR From X-6832			1			
. NS	MI06-02	. SEE MAINTENANCE INFORMATION From X-6832			1			
49	550772	AIR COOLER ASSY / OVER COOLANT RADIATOR From W-6562	1	1				
. NS	MI06-02	. SEE MAINTENANCE INFORMATION From W-6562	1	1				
50	031612	DUCT R.H. ASSY 48" To R-797				1		
51	031070	BOX ASSY / AIR FILTER W/ 7" PIPE To R-797				1		
52	030760	DEFLECTOR V-SHAPED To R-797				1		
53	030745	DEFLECTOR V-SHAPED To R-797				1		
		A) WITH SERIE 50						
		B) USE WITH ITEM #49						

From E-638 To L-459

Date:10/2022

PAGE:XL-0335-00

ACCELERATOR CONTROL REAR - MECHANICAL



From E-638 To L-459		Date:10/2022	PAGE:XL-0335-00
ACCELERATOR CONTROL REAR - MECHANICAL			

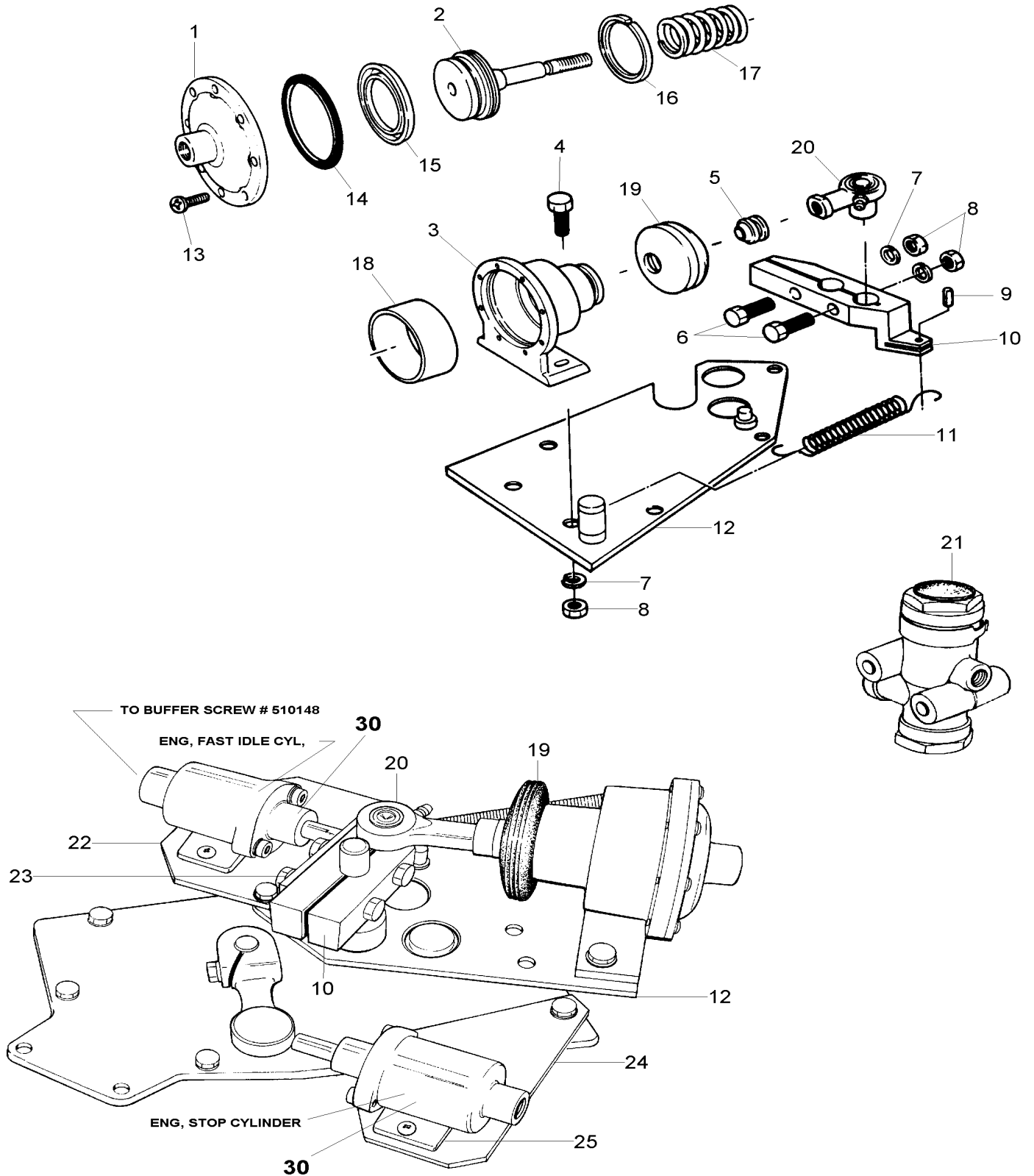
Item#	Part	Description	M T H 4 0	M T H 4 5	M T H 4 5 E	X L 4 0	X L 4 5	N O T E S
1	030595	PLATE, MOUNTING	1			1		
2	530025	CYLINDER	2			2		
. NS	530116	. CUP, PISTON	1			1		
. NS	530117	. SPRING COMPRESSION / .375 O.D. x 4 x	1			1		
3	010487	LEVER ASSY	1			1		
4	030783	LEVER	1			1		
5	500165	SCREW CAP HEX 1/4-20x1 G5 Z050	3			3		
5	500473	WASHER LO SPT .262x.489x.062 Z050	3			3		
6	010160	STRIKER ASSY	1			1		
7	030592	STRIKER ASSY	1			1		
8	010790	BRACKET / W/REGULAR ENGINE	1			1		
9	530049	ACCELERATOR CABLE ASSY 452"	1			1		
10	530115	. BOOT, PROTECTOR / EACH END	1			1		
11	030698	YOKE 1/4-28x1 1/4x1/4Wx17/64	1			1		
12	502094	PIN, COTTER 1/16 x 1/2 SS	1			1		
12	502023	PIN, CLEVIS 1/4 x 51/64	1			1		
13	030590	PIVOT ASSY To F-827	1			1		
13	031187	PIVOT ASSY From F-828	1			1		
14	500031	SCREW CAP HEX 5/16-24x2 G5 ZP	1			1		
15	500703	NUT HEX STO 5/16-24 ZP	1			1		
NS	500441	WASHER FL .312x.734x.065 Z050	1			1		
16	030594	HOLDER, SPRING	AR			AR		
17	502147	SPRING EXTENSION / .500 O.D. 3.5 x .054	2			2		
17	502178	SPRING EXTENSION / .500 O.D. x 3.5 x .054	AR			AR		
19	500982	NUT HEX JAM 5/16-18 Z050	1			1		
20	030591	BOLT	1			1		
21	501024	MALE BRANCH TEE / SAE 45° FITTING / #4FL-Mx#4FL-Mx1/4NPT-M BR	1			1		
22	031147	HOSE ASSY TEFLON #4 522MM	1			1		
23	031149	HOSE ASSY TEFLON #4 351MM	1			1		
24	031145	HOSE ASSY TEFLON #4 611MM	1			1		
24	503064	. HOSE TEFLON #4 / S.L.	AR			AR		
24	501892	. FEMALE CONNECTOR SWIVEL / SAE 45° FITTING / TEFLON / #4FL-Fx#4 STL	2			2		
25	501036	MALE ELBOW 90° / SAE 45° FITTING / #4FL-Mx1/8NPT-M BR	1			1		
26	560503	CLAMP / 1/4" I.D.	1			1		
30	070360	ADJUSTEMENT ASSY	1			1		
31	571130	CABLE / MODULATOR VALVE	1			1		
32	070368	SUPPORT	1			1		
32	070363	SUPPORT	1			1		
33	070439	U-BOLT	1			1		
34	030552	BRACKET / W/TURBO ENGINE	1			1		
40	500606	SCREW MA TR PH #10-24x3/4 SS	2			2		
41	500964	WASHER FL .203x.500x.047 Z050	2			2		

From E-638 To L-459

Date:10/2022

PAGE:XL-0335-05

ACCELERATOR CONTROL REAR - AIR



From E-638 To L-459		Date:10/2022	PAGE:XL-0335-05
ACCELERATOR CONTROL REAR - AIR			

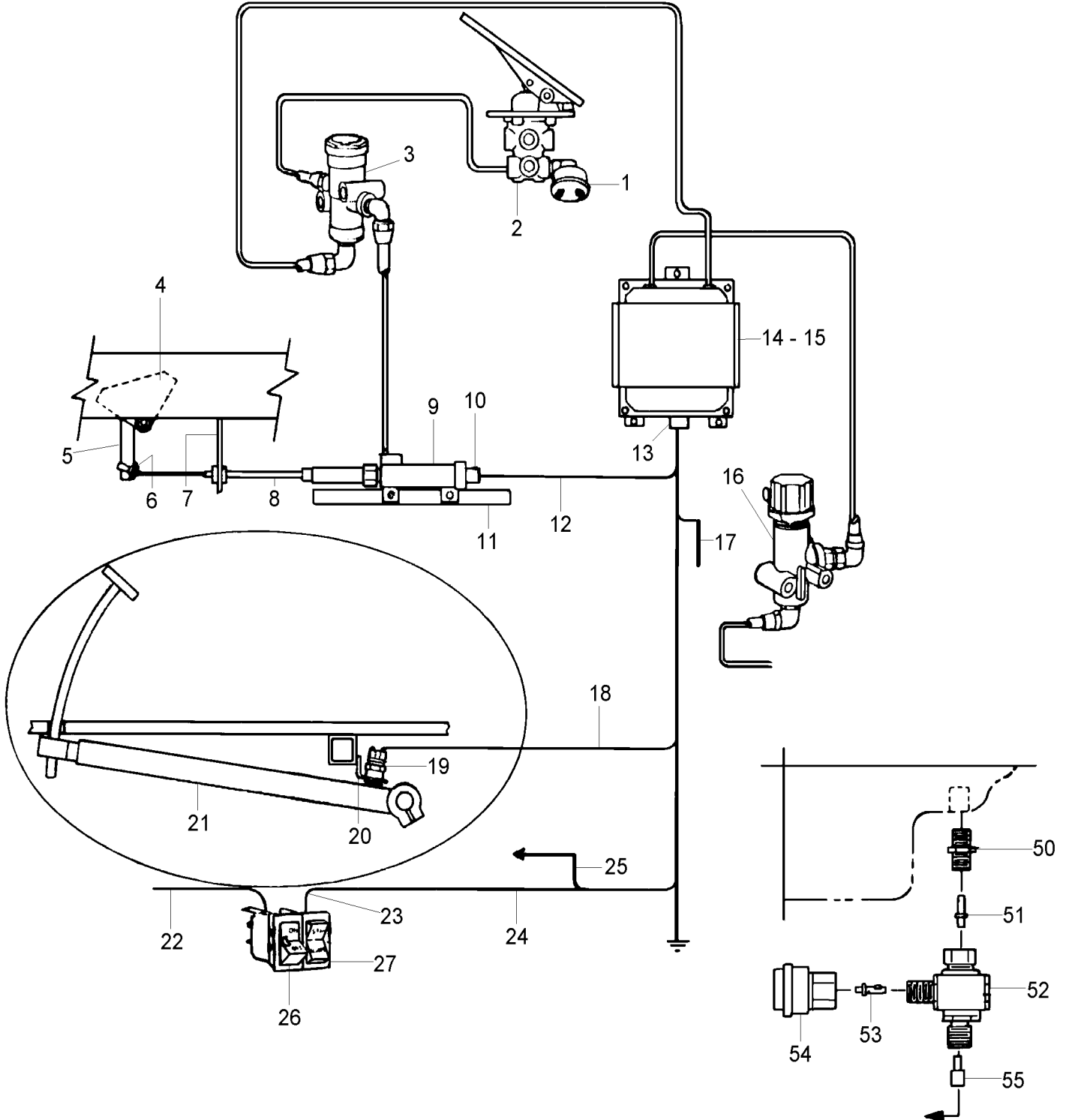
Item#	Part	Description	M T H 4 0	M T H 4 5	M T H 4 5 E	X L 4 0	X L 4 5	N O T E S
	530081	CYLINDER ASSY, THROTTLE				1		
1	N.S.P.	. COVER (188510)				1		2
2	N.S.P.	. PISTON (117408)				1		2
3	N.P.N.	. BODY ASSY W/SLEEVE				1		4
4	500167	. SCREW CAP HEX 1/4-20x1 1/4 G5 PT Z050				2		
5	N.S.P.	. SPACER (117399)				1		2
6	500049	. SCREW CAP HEX 1/4-20x7/8 G5 ZP				2		
7	500441	. WASHER FL .312x.734x.065 Z050				3		
8	500769	. NUT HEX 1/4-20 Z050				3		
9	505221	. SPRING, PIN 1/8 X 3/8				1		
10	030646	. LEVER				1		
11	N.P.N.	. SPRING / (502161 SPRING SUBSTITUTE)				1		4
12	030645	. PLATE / W/6V92 & 8V92				1		
12	530119	. . PLATE W/8V71				1		
13	500510	. SCREW MA BDG PH #10-32x3/4 SS EMN				8		
14	N.P.N.	. O-RING				1		4
15	N.P.N.	. U-CUP				1		4
16	N.P.N.	. WEAR RING				1		4
17	N.P.N.	. SPRING				1		4
18	N.P.N.	. WEAR SLEEVE				1		4
19	N.P.N.	. BOOT				1		4
20	531382	. ROD END MALE / MALE STUD 3/8-24 / 1/2" OD x 5/8				1		
20	530079	REPAIR KIT					AR	A
21	640471	VALVE, INVERSION TR-3 25-40LBS				1		
21	140177	HOSE ASSY TEFLON #6 406MM				2		
21	030600	HOSE ASSY TEFLON #4 1980MM				1		
22	030558	PLATE, MOUNTING				1		
23	030557	ATTACHMENT				1		
24	030556	PLATE, MOUNTING				1		
24	030648	PLATE, MOUNTING				1		
25	030699	SPACER				1		
30	530025	CYLINDER				2		
. NS	530116	. CUP, PISTON				1		
. NS	530117	. SPRING COMPRESSION / .375 O.D. x 4 x				1		
		A) INCLUDED ITEM 14 TO 20						
		2) NOT SOLD BY PREVOST (SEE MANUFACTURING PART NUMBER AT END OF DESCRIPTION LINE)						
		4) NO PARTS NUMBER						

From E-638 To L-459

Date:10/2022

PAGE:XL-0340-00

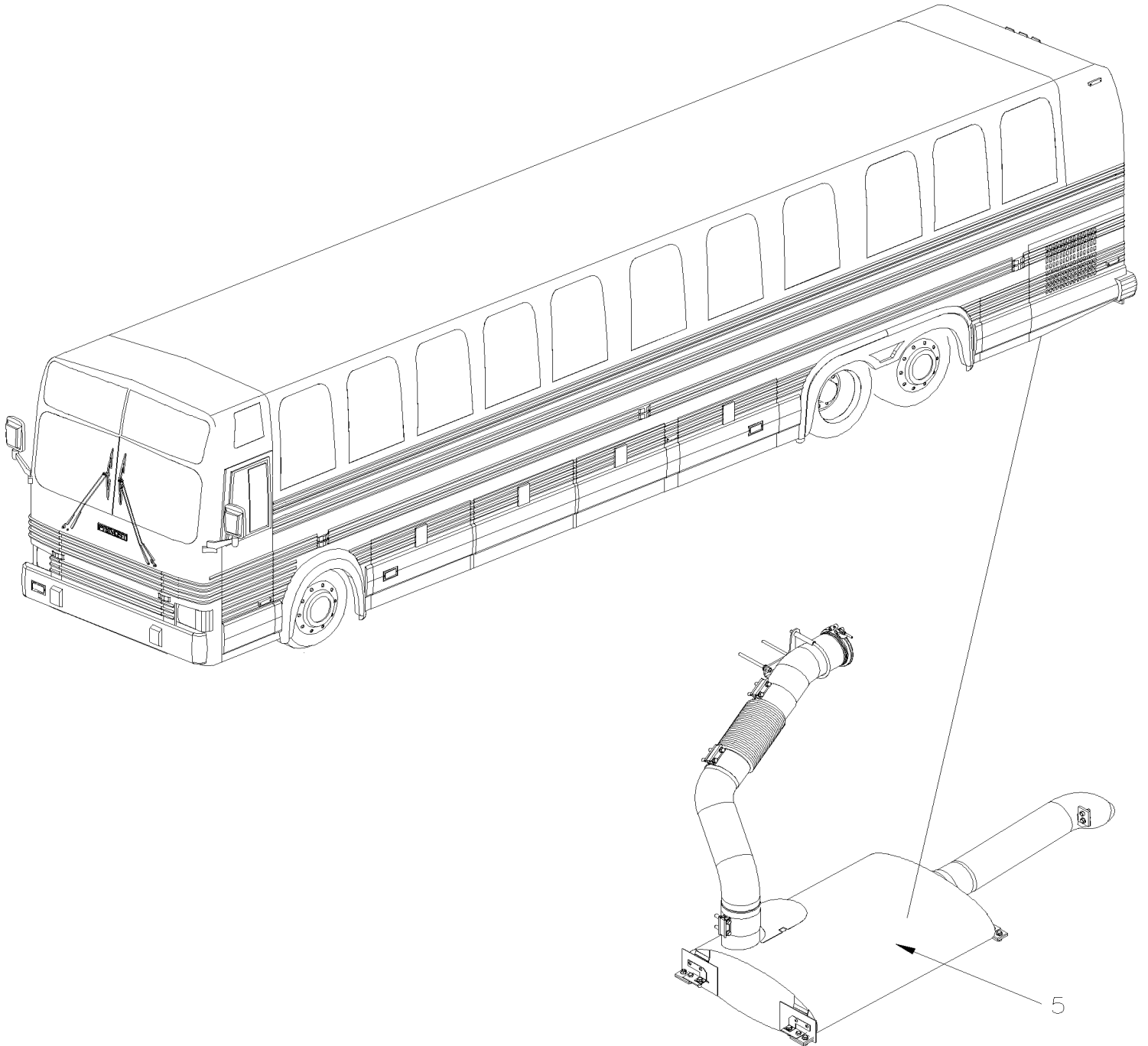
CRUISE CONTROL



From E-638 To L-459	Date:10/2022	PAGE:XL-0340-00
CRUISE CONTROL		

Item#	Part	Description	M T H 4 0	M T H 4 5	M T H 4 5 E	X L 4 0	X L 4 5	N O T E S
1	640852	PRESSURE SWITCH N.O. 4PSI / 1/4NPT W/8-32 / SL-5 BRAKE	1			1		
1	530129	CABLE ASSY / STOPLIGHT SWITCH & CONTROL	1			1		
2	XL-1220-10	BRAKE PEDAL VALVE - "BENDIX"						
3	530136	VALVE, INVERSION TR-3 14-16LBS	1			1		
4	XL-0315-00	ACCELERATOR PEDAL - MECHANICAL						
5	030753	LEVER, EXTENSION	1			1		
NS	500179	SCREW CAP HEX 5/16-18x3/4 G5 Z050	2			2		
NS	500441	WASHER FL .312x.734x.065 Z050	2			2		
NS	500778	NUT HEX 5/16-18 N500	2			2		
6	530139	RETAINDER	2			2		
7	030751	BRACKET	1			1		
8	530138	WIRE / THROTTLE / 716MM	1			1		
9	530137	CYLINDER AIR	1			1		
10	530187	. POTENTIOMETER	1			1		
11	030749	BRACKET	1			1		
NS	500845	SCREW CAP HEX 5/16-18x1/2 G5 Z050	2			2		
NS	500476	WASHER LO SPT .317x.586x.078 Z050	2			2		
12	030812	CABLE ASSY / CONTROL & CYLINDER	1			1		
13	504323	GROMMET / .375x.500x.062x.281x.687	3			3		
14	530135	CONTROL	1			1		
15	530188	. SOLENOID ASSY	1			1		
NS	500617	SCREW TP PAN PH #8x1 Z050	3			3		
NS	500473	WASHER LO SPT .262x.489x.062 Z050	AR			AR		
NS	030824	BOX , NOISE INSULATION	1			1		
NS	030825	PLATE	1			1		
NS	030826	SPACER	1			1		
NS	500133	SCREW TP RND PH #6x3/8 ZP	2			2		
16	530134	VALVE, PRESSURE REDUCING / RV-1 60 PSI	1			1		
17	030813	CABLE, GROUND	1			1		
18	030808	CABLE, ELECTRIC / W/MANUAL TRANSMISSION To L-684				1		
18	031736	CABLE ASSY From L-685				1		
18	030809	CABLE, ELECTRIC	1			1		
19	560632	SWITCH / BACK-UP N.C. / W/MANUAL TRANSMISSION To L-684				1		
NS	380289	NUT				1		
19	061736	SWITCH ASSY From L-685 To M-763				1		
19	063147	SWITCH ASSY, / JACOB'S & CRUISE CONTROL From M-763				1		
20	030785	BRACKET To L-684				1		
NS	500535	SCREW TP CAP HEX #14x3/4 Z050				2		
21	XL-0210-00	CLUTCH PEDAL & CONTROL ROD						
22	031013	CABLE, SWITCH POWER	1			1		
23	530126	WIRE ASSY To H-234	1			1		
23	061850	HARNESS ASSY, CRUISE CONTROL From H-235	1			1		

	Date:10/2022	XL-04
EXHAUST		

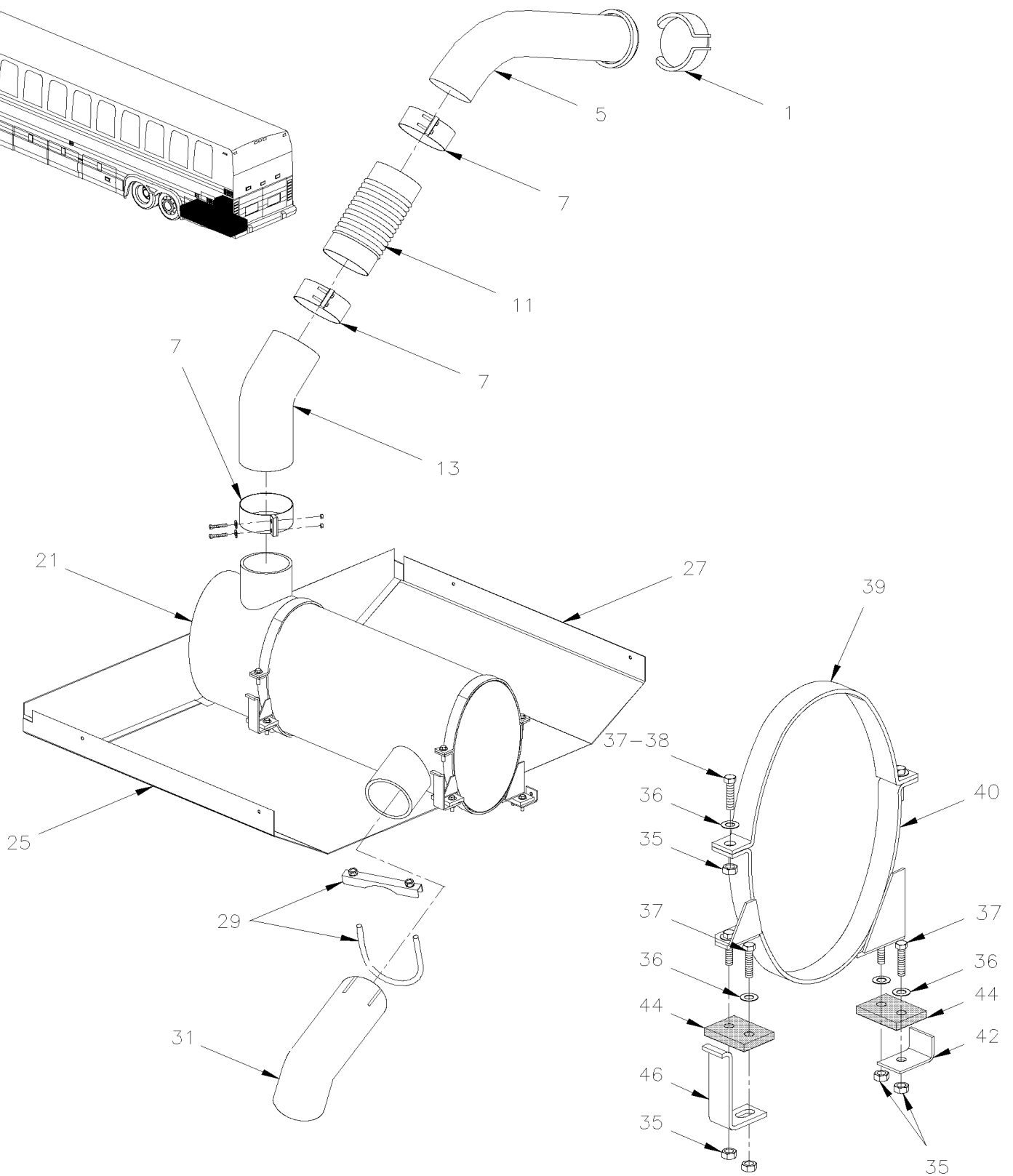


From E-638 To N-427

Date:10/2022

PAGE:XL-0405-00

MUFFLER - INSTALLATION WITH DETROIT S-92



From E-638 To N-427		Date:10/2022	PAGE:XL-0405-00
MUFFLER - INSTALLATION WITH DETROIT S-92			

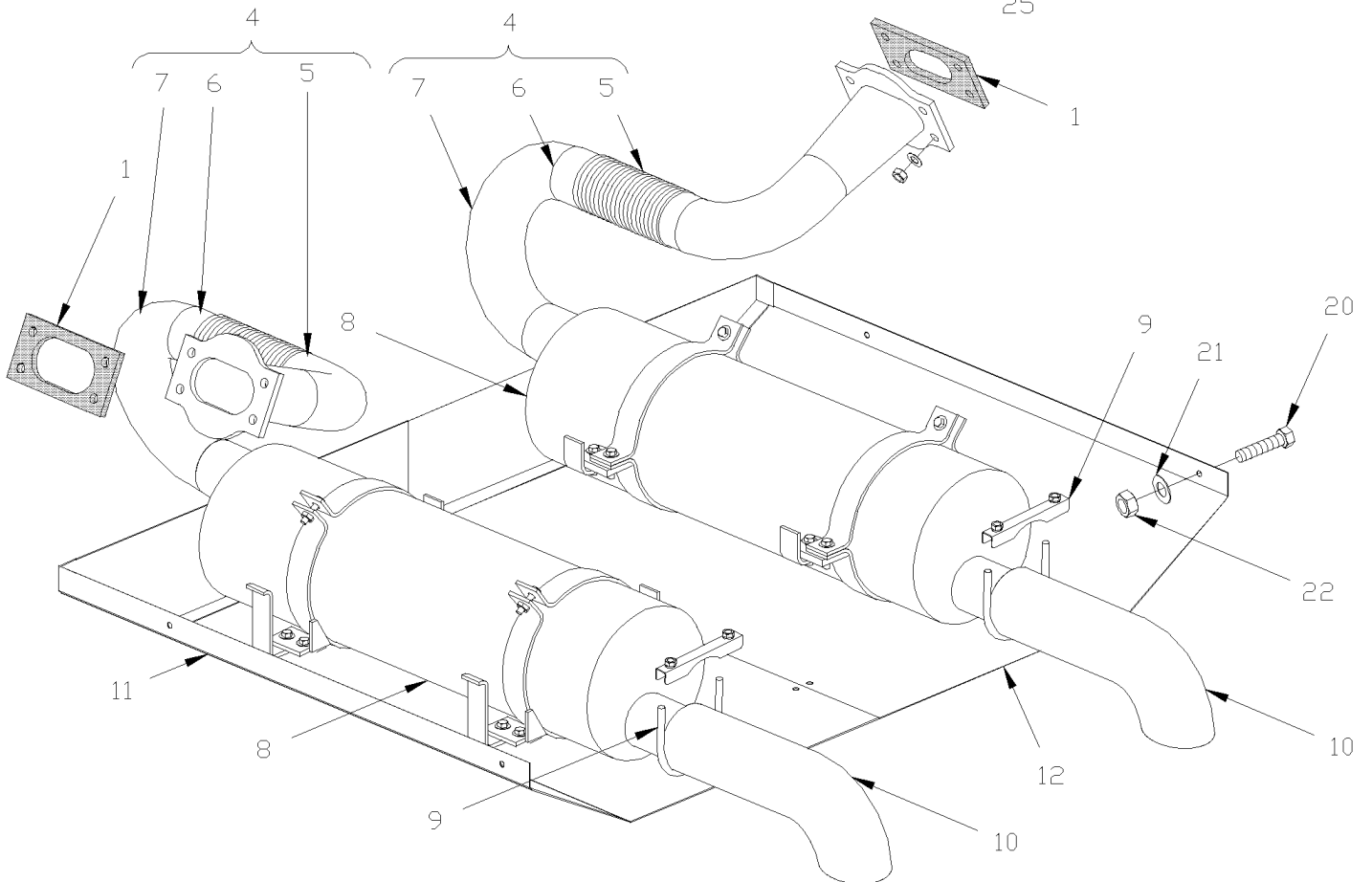
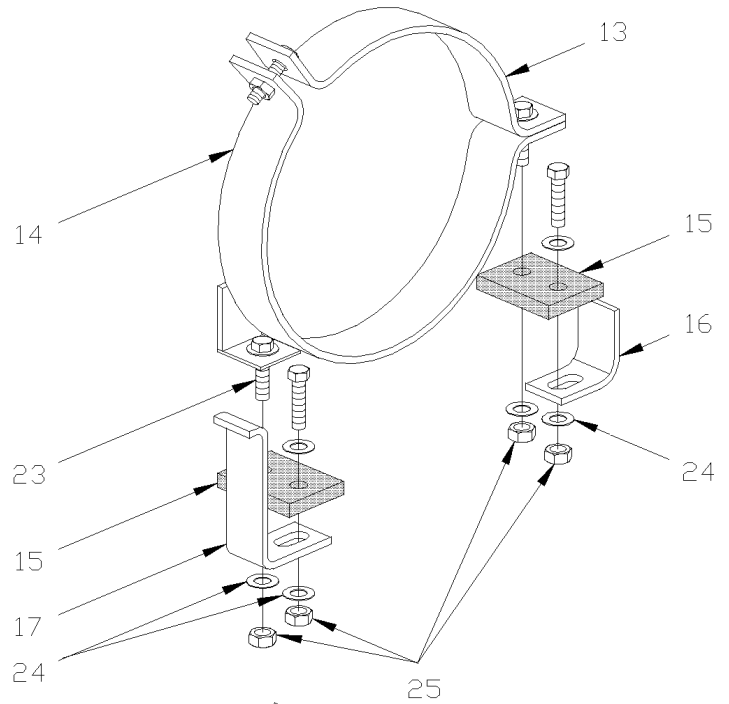
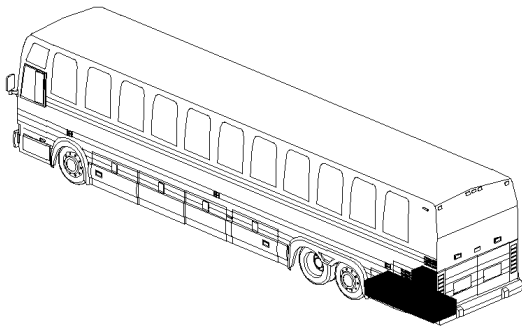
Item#	Part	Description	M T H 4 0	M T H 4 5	M T H 4 5 E	X L 4 0	X L 4 5	N O T E S
1	540019	V-CLAMP / 5.280" I.D.	1			1		
5	040332	PIPE, EXHAUST / UPPER / 6V92 To F-929				1		A
5	040404	PIPE, EXHAUST / UPPER / 6V92 From F-930				1		
5	040333	PIPE, EXHAUST / UPPER / 8V92 To F-929	1			1		A
5	040407	PIPE, EXHAUST / UPPER / 8V92 From F-930	1			1		
7	540024	CLAMP BAND SEAL / BUTT JOINT / 5" I.D.x3"	3			3		
11	540031	BELLOWS - EXHAUST 5" I.D. x 11.87"	1			1		
13	040381	ELBOW ASSY / 8V92	1			1		
13	040424	ELBOW ASSY / 6V92				1		
21	540013	MUFFLER / 6V92				1		
21	540022	MUFFLER / 8V92	1			1		
25	040239	PAN, EXHAUST / L.H.				1		
27	040186	PAN, EXHAUST / R.H.				1		
NS	500163	SCREW CAP HEX 1/4-20x3/4 G5 Z050				6		
NS	500440	WASHER FL .250x.562x.065 Z050				6		
NS	500473	WASHER LO SPT .262x.489x.062 Z050				6		
NS	500535	SCREW TP CAP HEX #14x3/4 Z050				2		
NS	500441	WASHER FL .312x.734x.065 Z050				2		
29	540018	U-CLAMP / (GUILLOTINE TYPE) / 5" I.D.	1			1		
31	040237	PIPE, TAIL	1			1		
35	500704	NUT HEX STO 3/8-24 Z050	AR			AR		
35	500265	NUT HEX STO 3/8-16 Z050				AR		
36	500444	WASHER FL .406x.812x.065 Z050	AR			AR		
37	500048	SCREW CAP HEX 3/8-24x1 1/4 G5 ZP	AR			AR		
37	500192	SCREW CAP HEX 3/8-16x1 1/4 G5 Z050				AR		
38	500193	SCREW CAP HEX 3/8-16x1 1/2 G5 Z050	AR			AR		
39	040276	COLLAR, UPPER / 6V92				2		
39	040374	COLLAR, UPPER / 8V92	2			2		
40	040345	COLLAR, LOWER / 6V92				2		
40	040373	COLLAR, LOWER / 8V92	2			2		
42	040365	SUPPORT	6			6		
44	040366	MUFFLER CONNECTION	8			8		
46	040364	SUPPORT	2			2		
NS	561157	SENSOR, PYROMETER W/ SERIES 92 & 60	2			2		
NS	061299	CABLE ASSY / W/PYROMETER / FRONT & REAR W/92	1			1		
NS	561158	. WIRE	AR			AR		
NS	561160	. WIRE 18 GA / SL	AR			AR		
NS	560784	. SHRINK TUBING / .250" - .080" / BLACK / ALPHA FIT-300-1/4-4B	AR			AR		
		A) ALSO USE WITH F-956, F-958, F-998 & F-017						

From E-638 To L-459

Date:10/2022

PAGE:XL-0405-01

MUFFLER - INSTALLATION WITH DETROIT S-71



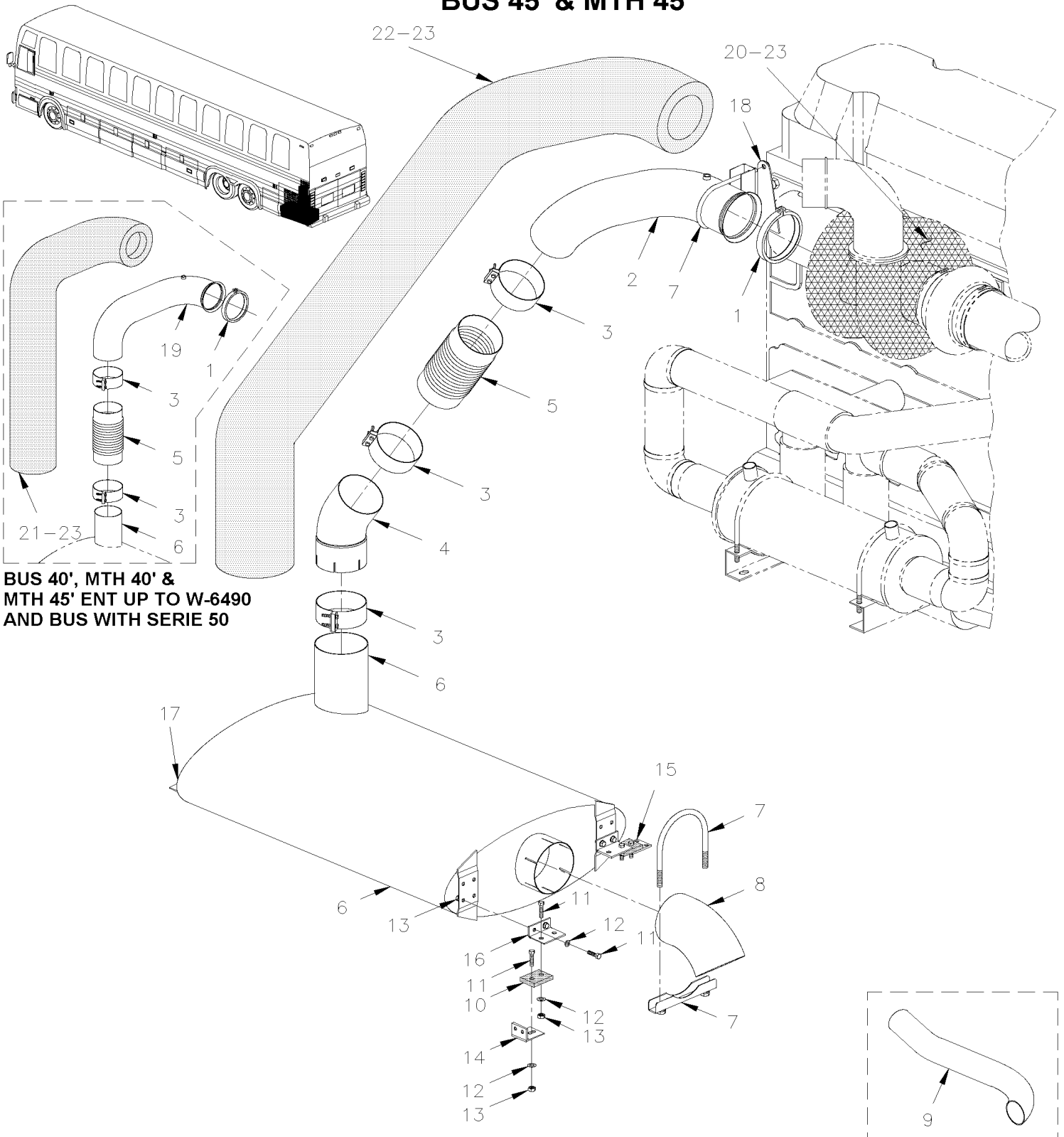
From N-428 To Y-7045

Date:10/2022

PAGE:XL-0405-02

MUFFLER - INSTALLATION WITH DETROIT S-92, S-50 & S-60

BUS 45' & MTH 45'



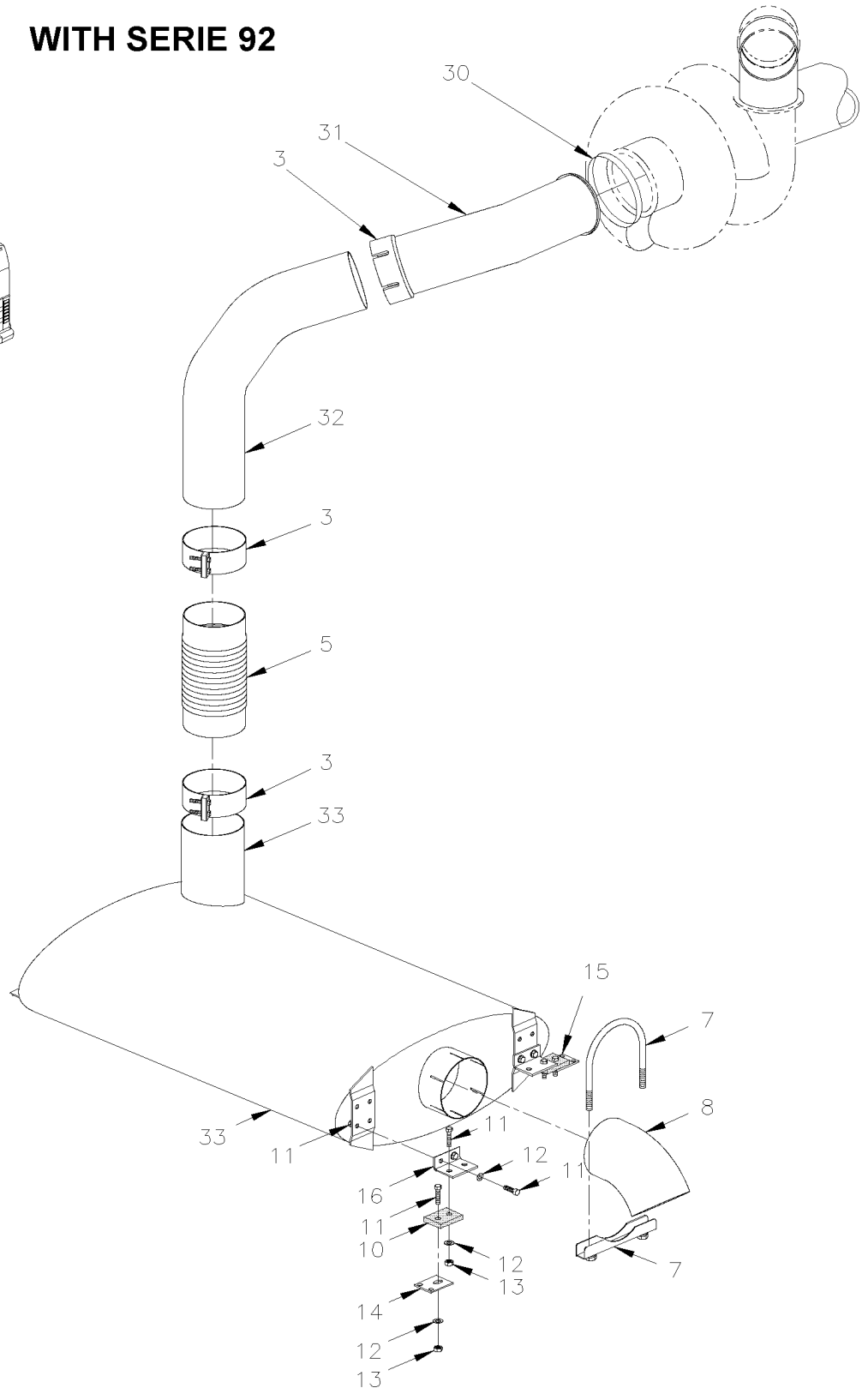
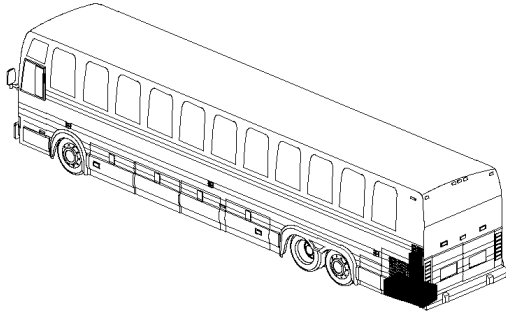
From N-428 To Y-7045

Date:10/2022

PAGE:XL-0405-02

MUFFLER - INSTALLATION WITH DETROIT S-92, S-50 & S-60

WITH SERIE 92



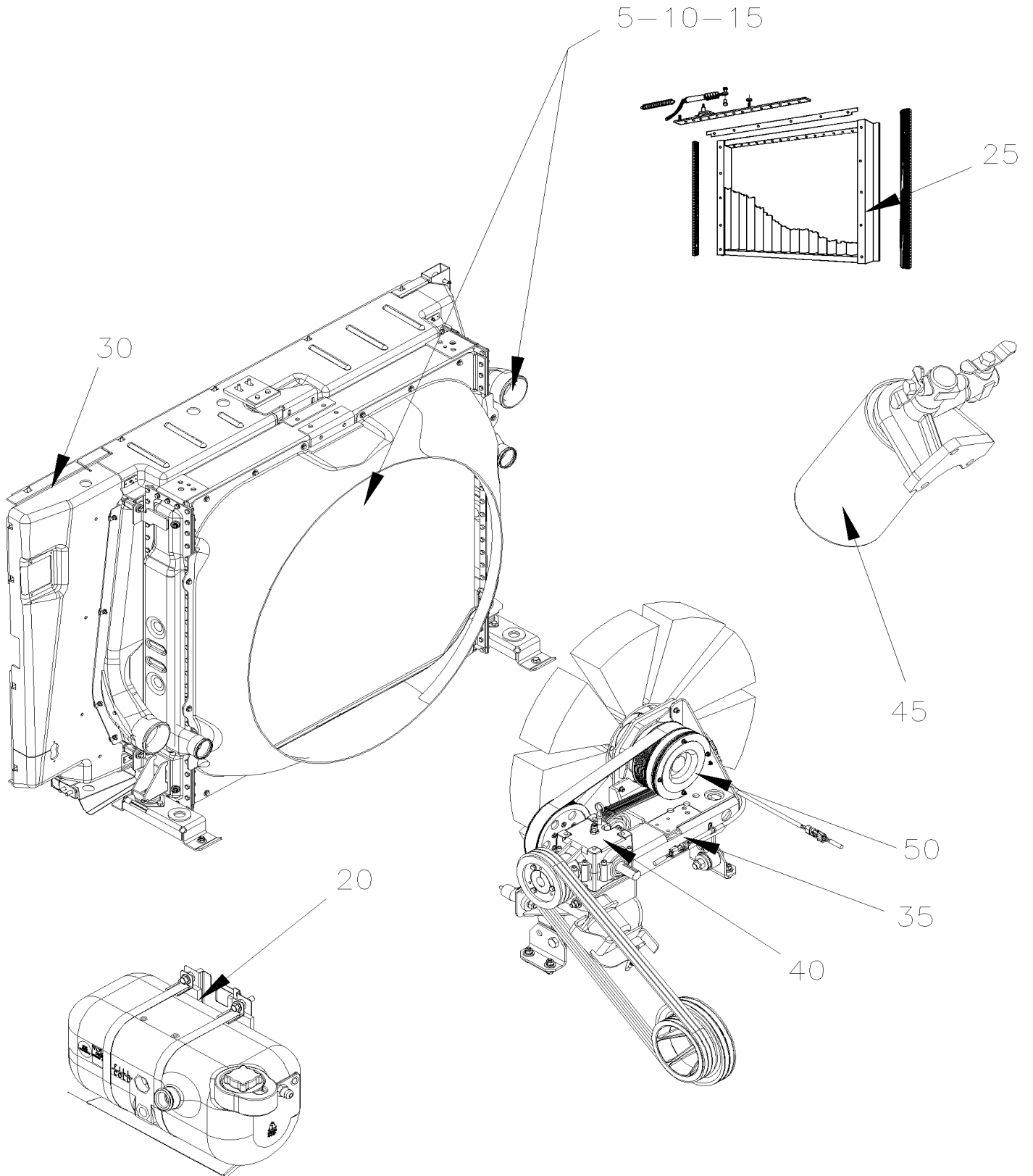
From N-428 To Y-7045	Date:10/2022	PAGE:XL-0405-02
MUFFLER - INSTALLATION WITH DETROIT S-92, S-50 & S-60		

Item#	Part	Description	M T H 4 0	M T H 4 5	M T H 4 5 E	X L 4 0	X L 4 5	N O T E S
1	540047	V-CLAMP / 5.588" I.D.	1	1	1	1	1	
2	040521	PIPE / W/SERIES 60 From W-6491	1		1	1		S
2	040531	PIPE / W/SERIES 60 / STAINLESS STEEL	1		1	1		S
2	040487	PIPE / W/SERIES 60 To W-6490		1			1	
2	040523	PIPE / W/SERIES 60 From W-6491		1			1	
3	540024	CLAMP BAND SEAL / BUTT JOINT / 5" I.D.x3"	2		2	2		
3	540024	CLAMP BAND SEAL / BUTT JOINT / 5" I.D.x3"		3			3	
4	040488	PIPE, ELBOW		1			1	
4	040520	PIPE ELBOW / W/SERIES 60 From W-6491	1		1	1		
4	040532	PIPE ELBOW / W/SERIES 60 / STAINLESS STEEL	1		1	1		
5	540031	BELLOWS - EXHAUST 5" I.D. x 11.87"	1	1	1	1	1	
6	540045	MUFFLER SERIES 50 & 60	1	1	1	1	1	
NS	503008	NUT SPR U M8-1.25 0.6-4.0	16	16	16	16	16	
6	540053	MUFFLER SERIES 50 & 60 / STAINLESS	1	1	1	1	1	
7	540018	U-CLAMP / (GUILLOTINE TYPE) / 5" I.D.	1	1	1	1	1	
8	040467	PIPE, TAIL	1		1	1		
8	040534	PIPE, TAIL / STAINLESS STEEL	1		1	1		
9	040498	PIPE, TAIL		1			1	
9	040558	PIPE, TAIL / STAINLESS STEEL		1			1	
10	040988	MUFFLER CONNECTION	AR	AR	AR	AR	AR	R
11	502790	SCREW CAP HEX M8-1.25x20 G8.8 Z050	8	8	8	8	8	
11	502528	SCREW CAP HEX M8-1.25x20 G8.8 EMN				8		
12	500874	WASHER FL 8.4x17.0x1.6 Z050	8	8	8	8	8	
13	502744	NUT HEX STO M8-1.25 Z050	8	8	8	8	8	
13	5001161	WASHER LO SPT 8.1x14.8x2.0 SS-304				8		
14	260632	SUPPORT, ANGLE / MUFFLER (WELDED)	2		2	2		
15	260689	ANGLE MUFFLER SUPPORT / BACKWARD / 28 5/8"		1			1	
15	260662	ANGLE MUFFLER SUPPORT / FORWARD / 28 5/8"		1			1	
16	040465	SUPPORT ANGLE 30MM x 54MM x 72MM	4	4	4	4	4	
17	040489	SUPPORT, ANGLE / 1 7/16" x 4" x 2 11/32"	1		1	1		A
17	040489	SUPPORT, ANGLE / 1 7/16" x 4" x 2 11/32"		4			4	A
NS	040517	SUPPORT, PIPE From W-6437					1	B
18	040560	KIT SUPPORT From W-6437	AR	AR	AR	AR	AR	
NS	IS-00142	SEE INSTRUCTION SHEET From W-6437	1	1	1	1	1	
19	040483	PIPE, EXHAUST / UPPER / W/SERIES 60 To W-6490	1		1	1		
19	040504	PIPE ELBOW / W/SERIES 50 To W-6490				1		
19	040524	PIPE ELBOW / W/SERIES 50 From W-6491				1		
20	040505	INSULATED BLANKET / TURBO To W-6490	1	1	1			A
20	040526	INSULATED BLANKET / TURBO From W-6491	1	1	1			A
21	040507	INSULATED BLANKET / PIPE To X-6996		1				A
21	040537	INSULATED BLANKET / PIPE From X-6997		1				A
21	040511	INSULATED BLANKET / PIPE & BELLOW To W-6490	1		1			A

From N-428 To Y-7045	Date:10/2022	PAGE:XL-0405-02
MUFFLER - INSTALLATION WITH DETROIT S-92, S-50 & S-60		

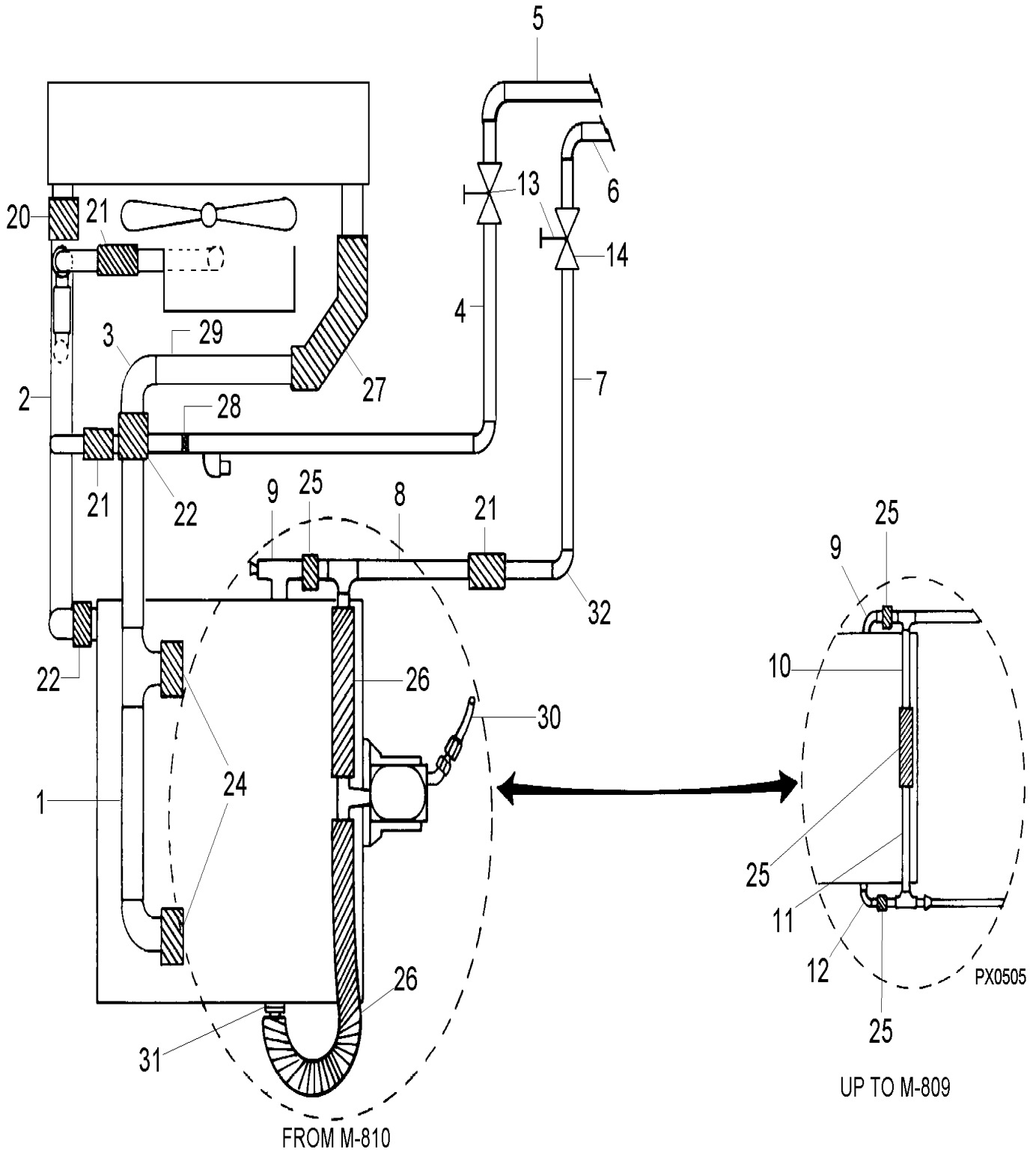
Item#	Part	Description	M T H 4 0	M T H 4 5	M T H 4 5 E	X L 4 0	X L 4 5	N O T E S
22	040528	INSULATED BLANKET / PIPE & BELLOW From W-6491	1		1			A
23	509754	WIRE LACING SS / TO FIX BLANKET RL 25'	1	1	1			
30	540019	V-CLAMP / 5.280" I.D.	1		1	1		
31	040464	PIPE, EXHAUST To R-843	1		1	1		
32	040482	PIPE, EXHAUST To R-843	1		1	1		
33	540046	MUFFLER 6 & 8V92 To R-843	1		1	1		
. NS	503008	. NUT SPR U M8-1.25 0.6-4.0 To R-843	16		16	16		
		A) USE ONLY WITH SERIE 60						
		B) FOR PRODUCT IMPROVMENT YOUR NEED KIT#040560						
		R) SERVICE						
		S) SHORTER THAN ILLUSTRATION						

	Date:10/2022	XL-05
COOLING		



		Date:10/2022	XL-05					
COOLING								
Item#	Part	Description	M T H 4 0	M T H 4 5	M T H 4 5 E	X L 4 0	X L 4 5	N O T E S
5	XL-0500-00	COOLANT PIPING WITH DETROIT S-71 & S-92 From E-638 To R-843						
5	XL-0500-01	COOLANT PIPING WITH DETROIT S-50 & S-60 From P-722 To Y-7045						
10	XL-0505-00	RADIATOR - INSTALLATION 32" From E-638 To L-459						
10	XL-0505-01	RADIATOR - INSTALLATION 36" From E-638 To R-843						
10	XL-0505-02	RADIATOR - INSTALLATION 39" From N-428 To R-843						
15	XL-0505-10	RADIATOR ASSY - BUS From R-846 To X-6831						
15	XL-0505-11	RADIATOR ASSY - BUS From X-6832 To Y-7045						
15	XL-0505-50	RADIATOR ASSY - MTH From P-722 To R-810						
15	XL-0505-51	RADIATOR ASSY - MTH From R-811 To X-6831						
15	XL-0505-52	RADIATOR ASSY - MTH From T-5749 To W-6561						
15	XL-0505-53	RADIATOR ASSY - MTH From W-6562 To Y-7045						
20	XL-0510-00	SURGE TANK From E-638 To J-621						
20	XL-0510-01	SURGE TANK From J-622 To X-6383						
20	XL-0510-02	SURGE TANK From X-6384 To Y-7045						
25	XL-0515-00	SHUTTER - RADIATOR 32" From E-638 To J-465						
25	XL-0515-01	SHUTTER - RADIATOR 36" From E-638 To R-814						
25	XL-0515-02	SHUTTER - RADIATOR 39" From N-428 To R-843						
25	XL-0515-05	SHUTTERSTAT ELEMENT & LUBRIFICATOR From E-638 To R-798						
30	XL-0518-00	RADIATOR SEALING FRAME - W/36" RADIATOR From E-638 To N-539						
30	XL-0518-01	RADIATOR SEALING FRAME - W/36" RADIATOR From N-540 To R-814						
30	XL-0518-02	RADIATOR SEALING FRAME - W/39" RADIATOR From N-428 To R-843						
30	XL-0518-03	RADIATOR SEALING FRAME From P-722 To Y-7045						
35	XL-0520-00	FAN DRIVE - INSTALLATION MOBILE WITH DETROIT S-71 & S-92 From E-638 To R-798						
35	XL-0520-02	FAN DRIVE - INSTALLATION FIXED WITH DETROIT S-92 From N-428 To R-843						
35	XL-0520-03	FAN DRIVE - INSTALLATION WITH DETROIT S-50 & S-60 From P-722 To Y-7045						
35	XL-0520-99	FAN DRIVE - INSTALLATION - SHORT / RETROFIT From P-722 To Y-7045						
40	XL-0525-00	GEARBOX "BOSTON GEAR" - #550027 From E-638 To R-797						
40	XL-0525-01	GEARBOX "SUPERIOR" - #550641 REFERENCE ONLY From P-722 To R-846						
40	XL-0525-02	GEARBOX "SUPERIOR" - #051934 From R-798 To R-843						
40	XL-0525-03	GEARBOX "SUPERIOR" - #550688 From P-722 To Y-7045						
40	XL-0525-04	GEARBOX "SUPERIOR" - #550731 & 550789 From P-722 To Y-7045						A
40	XL-0525-99	GEARBOX "SUPERIOR" / SERVICE From P-722 To Y-7045						A
45	XL-0530-00	COOLANT FILTER - INSTALLATION - WITH DETROIT S-71 & S-92 From E-638 To R-843						
45	XL-0530-01	COOLANT FILTER - INSTALLATION - WITH DETROIT S-60 From P-722 To Y-7045						
50	XL-0540-00	FAN CLUTCH ASSY - #550634 (FORMER) From P-722 To Y-7045						
50	XL-0540-01	FAN CLUTCH ASSY - #550634 (SERVICE) From P-722 To Y-7045						A
50	XL-0540-50	FAN CLUTCH ASSY - #550758 From W-6562 To Y-7045						
50	XL-0540-99	FAN CLUTCH ASSY - #550839 / RETROFIT From P-722 To Y-7045						
		A) SERVICE						

From E-638 To R-843	Date:10/2022	PAGE:XL-0500-00
COOLANT PIPING WITH DETROIT S-71 & S-92		



From E-638 To R-843	Date:10/2022	PAGE:XL-0500-00
COOLANT PIPING WITH DETROIT S-71 & S-92		

Item#	Part	Description	M T H 4 0	M T H 4 5	M T H 4 5 E	X L 4 0	X L 4 5	N O T E S
1	050979	PIPE ASSY OUTLET / 6V92, 8V92 & 8V71T	1		1	1		
1	050714	PIPE ASSY OUTLET / 8V71	1			1		
2	051041	PIPE ASSY LOWER / 8V71 W/32" RADIATOR To J-621	1			1		
2	051360	PIPE ASSY LOWER / 8V71 W/32" RADIATOR From J-622				1		
2	051091	PIPE ASSY LOWER / 8V71 W/32" RADIATOR / DRIVER'S A/C To J-621	1					
2	051088	PIPE ASSY LOWER / 8V71 W/36" RADIATOR To J-621	1			1		
2	051369	PIPE ASSY LOWER / 8V71 W/36" RADIATOR From J-622				1		
2	051087	PIPE ASSY LOWER / 8V71 W/36" RADIATOR / DRIVER'S A/C To J-621	1					
2	051107	PIPE ASSY LOWER / 8V92 W/36" RADIATOR To J-621	1			1		
2	051374	PIPE ASSY LOWER / 8V92 W/36" RADIATOR From J-622	1			1		
2	051108	PIPE ASSY LOWER / 8V92 W/36" RADIATOR / DRIVER'S A/C To J-621	1					
2	051375	PIPE ASSY LOWER / 8V92 W/36" RADIATOR / DRIVER'S A/C From J-622 To N-427	1					
2	051624	PIPE ASSY LOWER / 8V92 W/39" RADIATOR From N-428	1		1			
2	051149	PIPE ASSY LOWER / 6V92 W/36" RADIATOR To J-621	1			1		
2	051365	PIPE ASSY LOWER / 6V92 W/36" RADIATOR From J-622				1		
2	051150	PIPE ASSY LOWER / 6V92 W/36" RADIATOR / DRIVER'S A/C To J-621	1					
3	051042	PIPE ASSY UPPER / 8V71 W/32" RADIATOR To J-621	1			1		
3	051363	PIPE ASSY UPPER / 8V71 W/32" RADIATOR From J-622				1		
3	051090	PIPE ASSY UPPER / 8V71 W/36" RADIATOR To J-621	1			1		
3	051372	PIPE ASSY UPPER / 8V71 W/36" RADIATOR From J-622				1		
3	051151	PIPE ASSY UPPER / 6V92 W/36" RADIATOR To J-621	1			1		
3	051366	PIPE ASSY UPPER / 6V92 W/36" RADIATOR From J-622	1			1		
3	051089	PIPE ASSY UPPER / 8V92 W/36" RADIATOR To J-621				1		
3	051370	PIPE ASSY UPPER / 8V92 W/36" RADIATOR From J-622	1			1		
4	371894	PIPE ASSY HEATING RETURN To R-797	1		1	1		
4	372889	TUBE ASSY HEATING / RETURN LINE From R-798	1		1	1		
4	372574	PIPE ASSY From K-846 To N-427	1					
4	372903	TUBE ASSY HEATING / RETURN LINE /DRIVER'S A/C From N-428	1		1			A
5	371893	PIPE ASSY HEATING / RETURN LINE To R-797	1		1	1		
5	372887	PIPE ASSY HEATING / RETURN LINE From R-798	1		1	1		
6	371729	TUBE ASSY HEATING / FEED LINE To R-797	1		1	1		
6	372893	TUBE ASSY HEATING / FEED LINE From R-798	1		1	1		
7	371888	PIPE ASSY HEATING / FEED LINE To K-728	1			1		
7	372383	PIPE ASSY HEATING / FEED LINE From K-729	1			1		
7	372829	PIPE ASSY HEATING / FEED LINE / DRIVER'S A/C From N-993 To N-427	1					
7	372908	TUBE ASSY HEATING / FEED LINE / DRIVER'S A/C From N-428	1		1			
7	372896	PIPE ASSY HEATING / RETURN LINE From N-428	1		1	1		A
8	372746	PIPE ASSY HOT WATER "T" SHAPE From M-810	1			1		
8	372886	PIPE ASSY HOT WATER / 8V92 / CENTRAL A/C From N-428	1		1	1		A
8	372789	PIPE ASSY HOT WATER / 6V92 From M-810	1			1		
NS	011263	SUPPORT PIPE & HARNESS / W6V92 / "Z" SHAPE 6"	1		1	1		
NS	061130	SUPPORT PIPE & HARNESS / W/8V92 / 8" W/SLOT	1		1	1		

From E-638 To R-843	Date:10/2022	PAGE:XL-0500-00
COOLANT PIPING WITH DETROIT S-71 & S-92		

Item#	Part	Description	M T H 4 0	M T H 4 5	M T H 4 5 E	X L 4 0	X L 4 5	N O T E S
9	372902	PIPE ASSY / DRIVER'S A/C From N-428	1		1			
9	372189	PIPE ASSY / 6V92 & 8V92 From M-810	1			1		
9	371471	PIPE ASSY / 8V71 To M-809	1			1		
10	371732	PIPE ASSY / 8V71 To H-247				1		
10	372255	PIPE ASSY / 8V71 From H-248 To M-810				1		
10	371986	PIPE ASSY / 8V92 To H-247	1			1		
10	372256	PIPE ASSY / 8V92 From H-248 To M-810	1			1		
10	371936	PIPE ASSY / 6V92 To H-247	1			1		
10	372254	PIPE ASSY / 6V92 From H-248 To M-810	1			1		
11	372253	PIPE ASSY From H-248 To M-810	1			1		
11	371545	PIPE ASSY To H-247	1			1		
12	371544	PIPE ASSY To M-809	1			1		
13	501861	GATE VALVE 1 1/4" (WELDED)	2			2		
14	870966	BALL VALVE 1" NPT-F From N-428	1			1		
NS	372895	ROD / BLACK / TO CLOSE VALVE From N-428	1			1		A
20	503395	HOSE SILICONE 4PLY 2 3/4" I.D. x 3'	AR		AR	AR		A
20	503036	HOSE (GREEN STRIPE) 2 3/4" I.D. x 3'	AR			AR		
21	503392	HOSE SILICONE 4PLY 1 3/8" I.D. x 4'	AR		AR	AR		
21	503416	HOSE RADIATOR / 1 3/8" I.D. X3/"GREEN STRIPE"	AR			AR		
NS	452026	RESTRICTION / ALU. WASHER 6MM x 22MM O.D. W/10MM HOLE				AR		
22	503395	HOSE SILICONE 4PLY 2 3/4" I.D. x 3'	AR			AR		
22	503396	HOSE SILICONE 3" I.D. x 3'	AR		AR	AR		
22	503036	HOSE (GREEN STRIPE) 2 3/4" I.D. x 3'	AR			AR		
22	503038	HOSE RADIATOR / 3 1/8" I.D. X3/"GREEN STRIPE"	AR			AR		
24	503394	HOSE SILICONE 2 1/8" I.D. x 3'	AR		AR	AR		
24	503026	HOSE RADIATOR / 2 1/8" I.D. X3/"GREEN STRIPE"	AR			AR		
25	503461	HOSE SILICONE 4PLY 7/8" I.D. x 3'	AR		AR	AR		
25	503455	HOSE RADIATOR / 7/8" I.D. X 3' / "GREEN STRIPE"	AR			AR		
26	503523	HOSE SILICONE 1PLY 3/4" I.D. x 100' / S.L.	AR		AR	AR		
NS	061133	SUPPORT / OVER BLOWER TO FIX HOSE WATER COLANT COOLANT	1		1	1		
27	050837	HOSE ASSY / ELBOW WITH PIPE / 2 3/4" I.D.	1		1	1		
27	550561	. 45° ELBOW HOSE 2" 3/4 I.D.	AR		AR	AR		
27	050819	. PIPE	1		1	1		
27	504562	. HOSE CLAMP / 2"3/4-3"5/8 / C.T. 350	2		2	2		
28	503221	HOSE RADIATOR / 1 3/8" I.D. X 3'	AR		AR	AR		
28	501958	GATE VALVE 7/8" (WELDED)	1		1	1		A
29	051217	SUPPORT TUBE / 3" I.D. / W/71 & 92 From J-622	1		1	1		
29	051216	ATTACHMENT TUBE SUPPORT / 5" X 1" / W/71 From J-622				1		
29	050977	SUPPORT TUBE / W/6V92 & 8V92 To J-621	1			1		
29	050830	SUPPORT TUBE / 8V71 To J-621				1		
30	051742	HOSE ASSY / #8 1980 MM From M-810	1		1	1		
30	051741	HOSE ASSY / #8 1230MM From M-810	1		1	1		

From E-638 To R-843	Date:10/2022	PAGE:XL-0500-00
COOLANT PIPING WITH DETROIT S-71 & S-92		

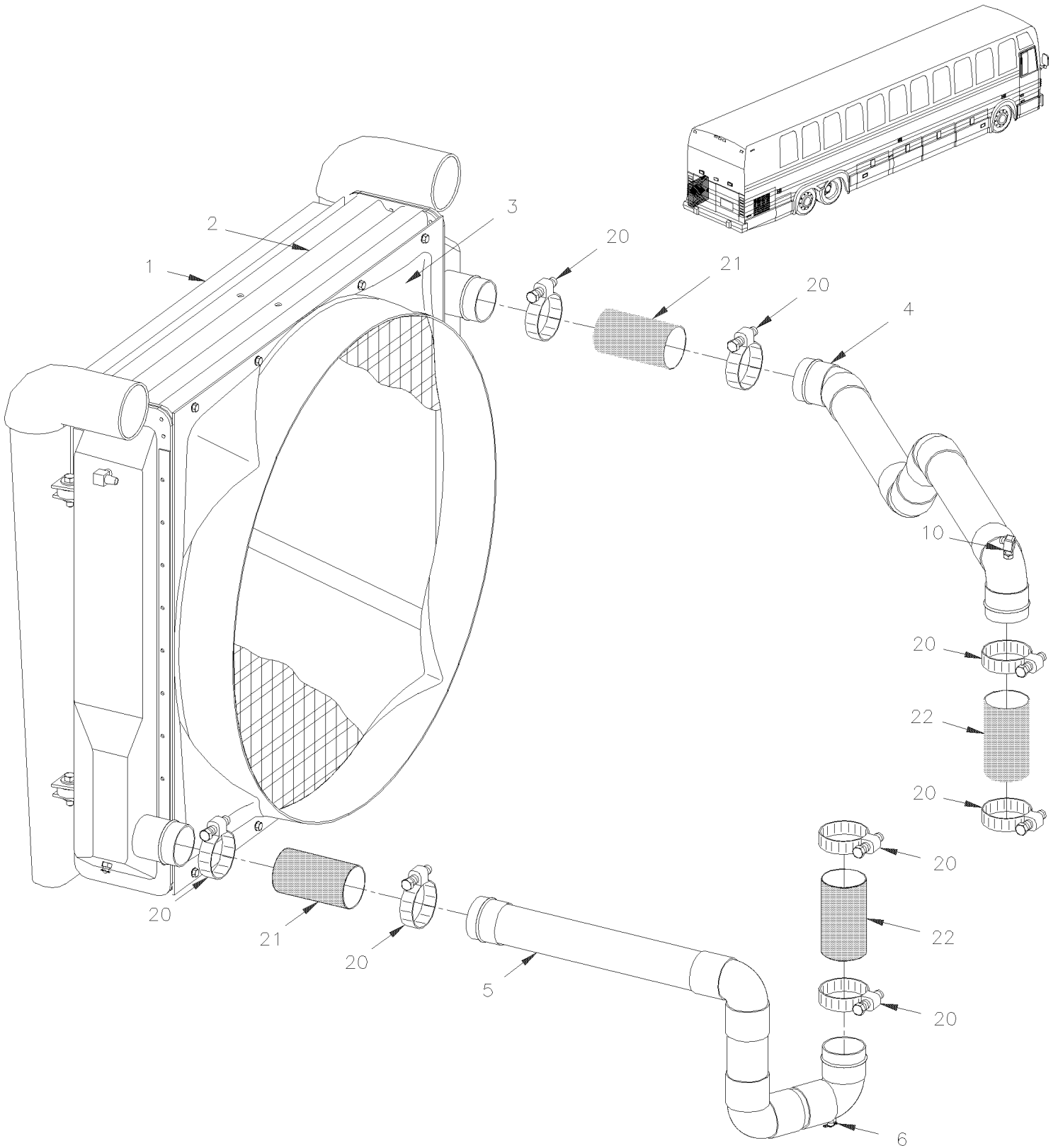
Item#	Part	Description	M T H 4 0	M T H 4 5	M T H 4 5 E	X L 4 0	X L 4 5	N O T E S
NS	503417	. HOSE #FC-300 HYDRAULIC / #8 S.L.	AR		AR	AR		
NS	501597	. FEMALE CONNECTOR SWIVEL / SAE 45° FITTING / #8FL-Fx#8 ZP	1		1	1		
NS	505110	. COIL PROTECTOR / PLASTIC / #12	AR		AR	AR		
31	507605	MALE CONNECTOR / HOSE BARB FITTING / #12x1/2NPT-M BR	1		1	1		
32	871031	ELBOW 90° X 1 3/8" I.D. / 177MM x 249.7 C/C / SILICONE From N-428	1		1	1		A
32	372131	ELBOW 90° REDUCER 1 1/8" I.D.W/3 1/4" x 1 3/8 I.D. W 5 1/4" C/C From N-428	1		1			
NS	504562	HOSE CLAMP / 2"3/4-3"5/8 / C.T. 350	AR		AR	AR		
NS	504561	HOSE CLAMP / 2"1/4-3"1/8 / C.T. 300	AR		AR	AR		
NS	504560	HOSE CLAMP / 1"1/4-2"1/8 / C.T. 200	AR		AR	AR		
		A) FROM SERIAL NUMBER N-428 ON MTH AND R-798 ON BUS						

From P-722 To Y-7045

Date:10/2022

PAGE:XL-0500-01

COOLANT PIPING WITH DETROIT S-50 & S-60



From P-722 To Y-7045		Date:10/2022	PAGE:XL-0500-01
COOLANT PIPING WITH DETROIT S-50 & S-60			

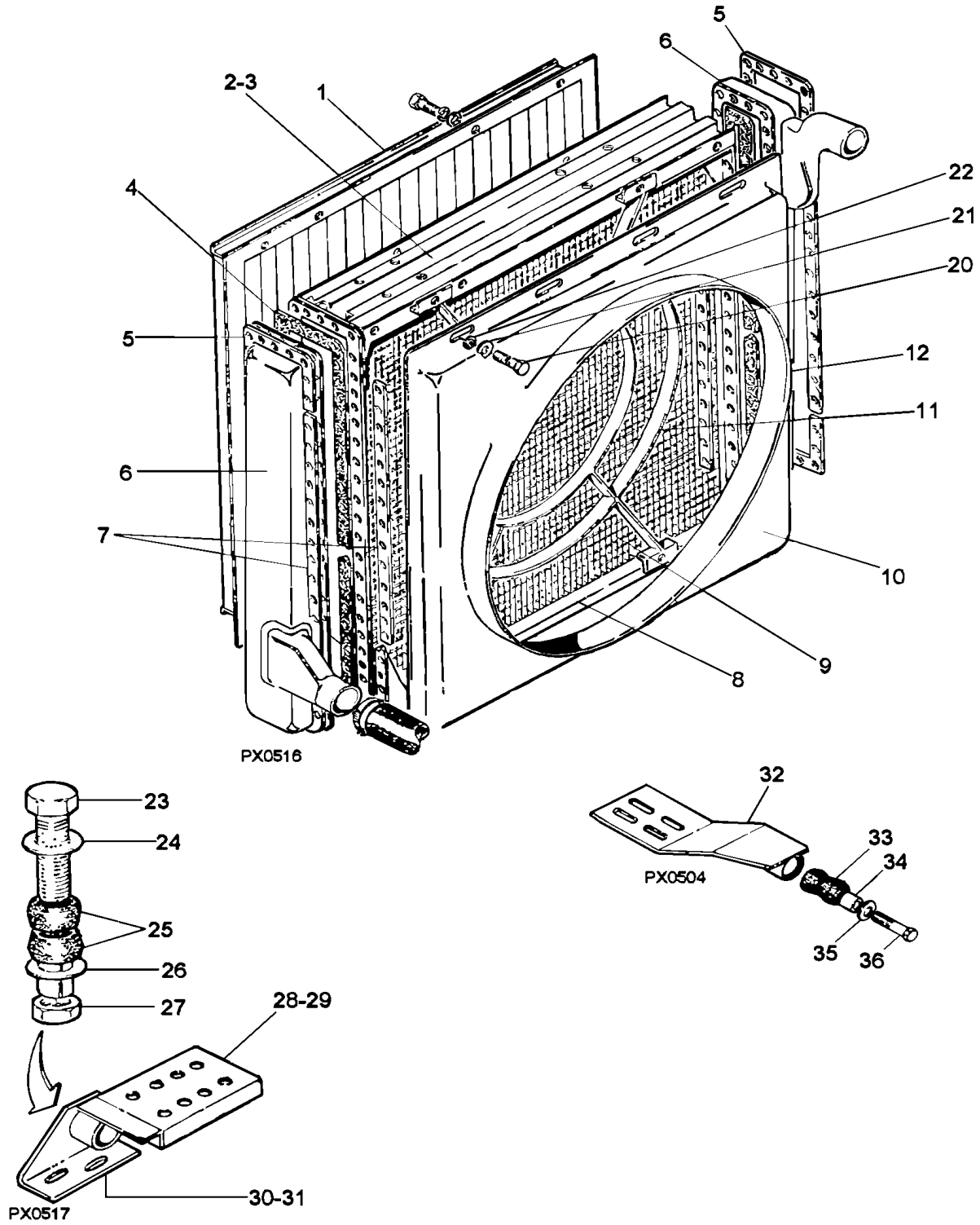
Item#	Part	Description	M T H 4 0	M T H 4 5	M T H 4 5 E	X L 4 0	X L 4 5	N O T E S
1	XL-0330-01	AIR FILTER & INTAKE - INSTALLATION WITH DETROIT S-50 & S-60						
2	XL-0505-10	RADIATOR ASSY - BUS						
2	XL-0505-51	RADIATOR ASSY - MTH						
2	XL-0505-52	RADIATOR ASSY - MTH From T-5749 To W-6561						
2	XL-0505-53	RADIATOR ASSY - MTH From W-6562						
3	XL-0505-10	RADIATOR ASSY - BUS						
3	XL-0505-51	RADIATOR ASSY - MTH						
3	XL-0505-52	RADIATOR ASSY - MTH From T-5749 To W-6561						
3	XL-0505-53	RADIATOR ASSY - MTH From W-6562						
4	052078	PIPE / RADIATOR & THERMOSTAT HOUSING To X-6680					1	
4	052257	PIPE / RADIATOR & THERMOSTAT HOUSING From X-6681					1	
4	051978	PIPE / RADIATOR & THERMOSTAT HOUSING To R-923	1	1	1	1		
4	052045	PIPE / RADIATOR & THERMOSTAT HOUSING From R-924 To S-427	1	1	1	1		
4	052038	PIPE / RADIATOR & THERMOSTAT HOUSING	1	1	1	1		
4	052220	PIPE / RADIATOR SIDE From W-6562	1	1				A
4	052220	PIPE / RADIATOR SIDE From W-6562			AR			A
4	052221	PIPE / THERMOSTAT HOUSING SIDE From W-6562	1	1				A
4	052221	PIPE / THERMOSTAT HOUSING SIDE From W-6562			AR			A
5	051853	PIPE / RADIATOR & ENGINE WATER PUMP To S-427	1	1	1	1		
5	052025	PIPE / RADIATOR & ENGINE WATER PUMP From S-428	1	1	1	1	1	
5	052222	PIPE / RADIATOR & ENGINE WATER PUMP From W-6562	1	1				A
5	052222	PIPE / RADIATOR & ENGINE WATER PUMP From W-6562			AR			A
6	501129	EXTERNAL SEAL DRAIN 1/4 NPT	1	1	1	1	1	
10	550640	SWITCH, THERMOSTATIC WATER SENSOR 92°C/98°C (198°F/208°F) To R-923	1	1	1	1		
10	550714	SWITCH, THERMOSTATIC WATER SENSOR 85°C/93°C (185°F/199°F) To R-923	1	1	1	1		
10	562310	CONNECTOR / TH 3C / BEHR 630017-00	1	1	1	1		
10	562311	RUBBER DUST SHIELD / BEHR 630018-00	1	1	1	1		
20	504562	HOSE CLAMP / 2"3/4-3"5/8 / C.T. 350	8	8	8	8	8	
21	051604	HOSE 2 3/4" I.D. 130MM	2	2	2	2	2	
. NS	503395	. HOSE SILICONE 4PLY 2 3/4" I.D. x 3'	AR	AR	AR	AR	AR	
21	052108	HOSE / W/50 / 2 3/4" I.D. 152MM				1		B
. NS	503395	. HOSE SILICONE 4PLY 2 3/4" I.D. x 3'				AR		B
22	051873	HOSE 2 5/8" I.D. 100MM	2	2	2	2		
22	051873	HOSE 2 5/8" I.D. 100MM					1	
22	052080	HOSE 2 5/8" I.D. 75MM					1	
NS	503580	. HOSE SILICONE 2 5/8" I.D. x 3'	AR	AR	AR	AR	AR	
NS	503395	. HOSE SILICONE 4PLY 2 3/4" I.D. x 3'	AR	AR	AR	AR	AR	
		A) USE WITH 500HP ENGINE OPTIONAL ON 45' ENTERTAINER SEE FINAL VEHICLE RECORD						
		B) USED WITH SERIE 50						

From E-638 To L-459

Date:10/2022

PAGE:XL-0505-00

RADIATOR - INSTALLATION 32"



From E-638 To L-459	Date:10/2022	PAGE:XL-0505-00
RADIATOR - INSTALLATION 32"		

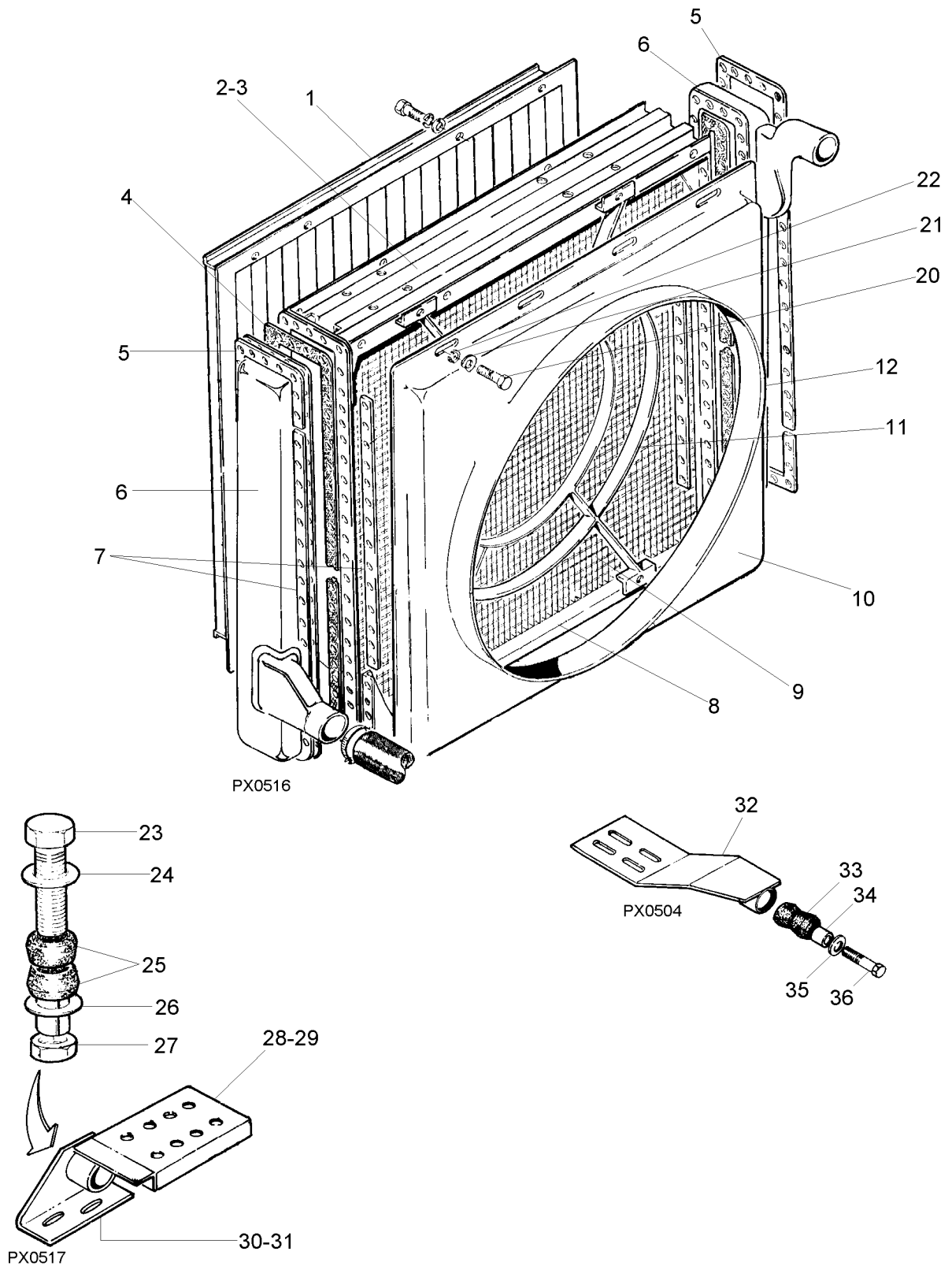
Item#	Part	Description	M T H 4 0	M T H 4 5	M T H 4 5 E	X L 4 0	X L 4 5	N O T E S
1	550273	SHUTTER	1			1		
1	506001	TAPE RUB ADH1 CC POL 1/8" x 3/4" x 50' / GREY 2520X	AR			AR		
2	550559	RADIATOR 32"	1			1		A
3	051701	. SUPPORT ASSY, TOP	1			1		
4	550248	. GASKET, HALF	4			4		
5	051700	. STRIP / EXTERIOR	4			4		
5	051703	. STRIP / INTERIOR	4			4		
6	550557	. TANK, RADIATOR / FRONT	1			1		
6	550558	. TANK, RADIATOR / REAR	1			1		
7	051699	. STRIP / EXTERIOR	4			4		
7	051698	. STRIP / INTERIOR	4			4		
8	051702	. SUPPORT ASSY, BOTTOM	1			1		
9	550034	. CORE 32"	1			1		
9	501304	PLUG SQUARE HEAD / PIPE FITTING / 1/4NPT-M BR	2			2		
10	050327	SHROUD / W/26" FAN BLADE	1			1		
10	050877	SHROUD / W/30" FAN BLADE & THERMOSTATIC FAN	1			1		
11	051222	FAN GUARD ASSY / RADIATOR	1			1		
11	050307	. FAN GUARD	1			1		
11	506025	. RUBBER CHANNEL / 1/18" x 5/16" INT "U" SHAPE / SQUARE C.T.L.	AR			AR		
20	500179	SCREW CAP HEX 5/16-18x3/4 G5 Z050	16			16		
21	500476	WASHER LO SPT .317x.586x.078 Z050	16			16		
22	500441	WASHER FL .312x.734x.065 Z050	16			16		
23	500145	SCREW CAP HEX 3/4-16x3 1/2 G5 Z050	2			2		
24	500451	WASHER FL .812x2.000x.148 ZP	4			4		
25	630002	BUSHING / RUBBER / (TWO PIECES) 1" x 1.005" I.D.	4			4		
26	130379	SLEEVE 3/4" I.D. X 1" O.D. X 1 11/16" LG	2			2		
27	500733	NUT HEX 3/4-16 Z050	2			2		
28	050689	SUPPORT, FRONT / RADIATOR	1			1		
29	050688	SUPPORT, REAR / RADIATOR (AS SHOWN)	1			1		
29	500191	SCREW CAP HEX 3/8-16x1 G5 Z050	8			8		
29	500478	WASHER LO SPT .380x.683x.094 Z050	8			8		
30	050582	BRACKET, FRONT (AS SHOWN)	1			1		
31	050583	BRACKET, REAR	1			1		
32	051036	SUPPORT UPPER / RADIATOR	1			1		
33	660253	BUSHING / RUBBER / (ONE PIECE) 1 1/2" x 5/8" I.D.	1			1		
34	505217	SPACER 7/16" X 1 1/4"	1			1		
35	500935	WASHER FL .390x1.500x.083	2			2		
36	500054	SCREW CAP HEX 3/8-24x2 1/2 G5 ZP	1			1		
		A) THIS RADIATOR HAS BEEN INSTALL UNTIL 1988						

From E-638 To R-843

Date:10/2022

PAGE:XL-0505-01

RADIATOR - INSTALLATION 36"



From E-638 To R-843	Date:10/2022	PAGE:XL-0505-01
RADIATOR - INSTALLATION 36"		

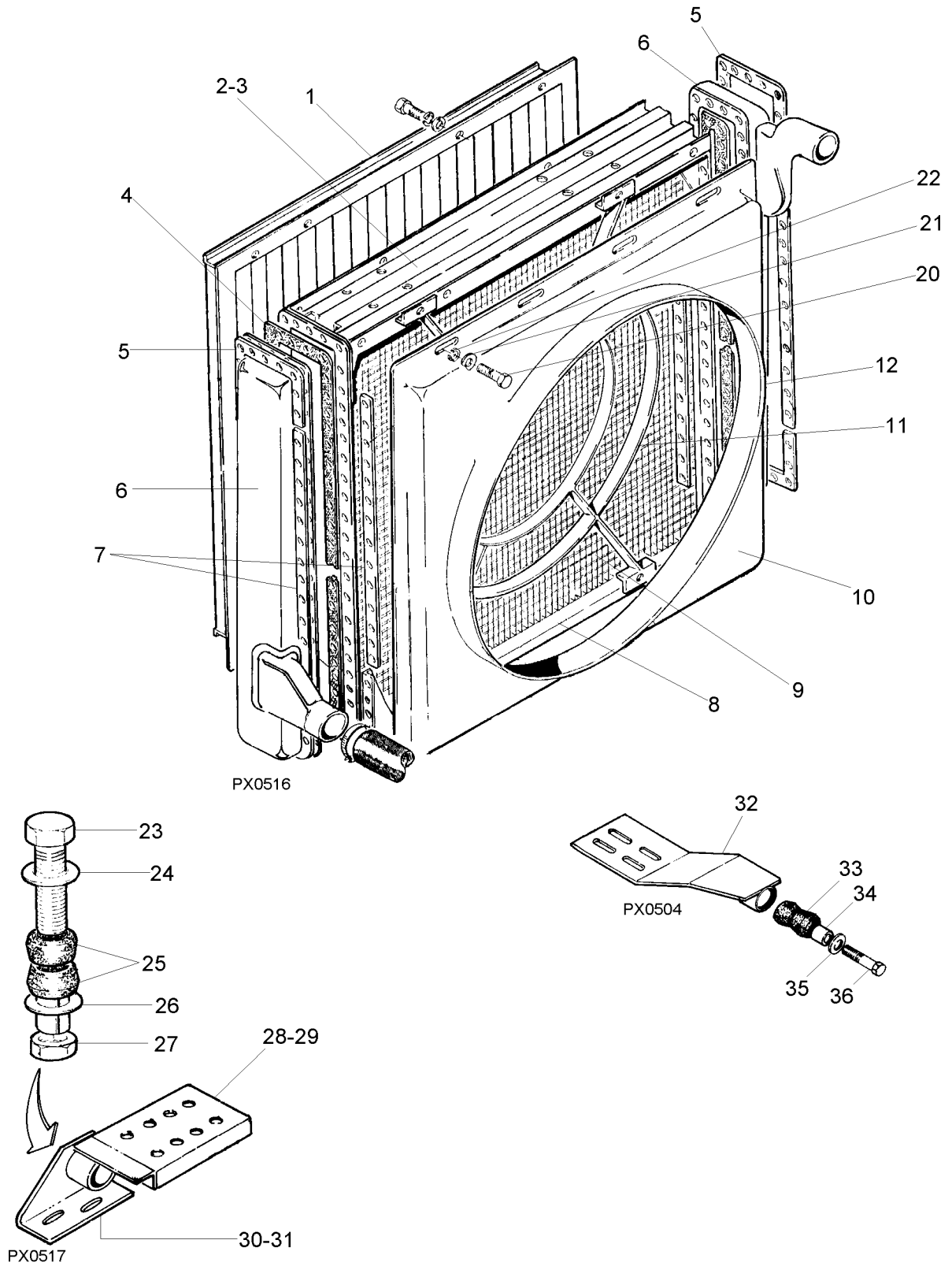
Item#	Part	Description	M T H 4 0	M T H 4 5	M T H 4 5 E	X L 4 0	X L 4 5	N O T E S
1	550292	SHUTTER ASSY	1			1		
NS	506001	TAPE RUB ADH1 CC POL 1/8" x 3/4" x 50' / GREY 2520X	AR			AR		
2	550291	RADIATOR 36"	1			1		
3	051710	. SUPPORT ASSY / TOP	1			1		
4	550562	. GASKET, HALF	4			4		
5	051705	. STRIP 6"1/4	8			8		
6	550564	. TANK / RADIATOR FRONT & REAR	2			2		
7	051704	. STRIP / EXTERIOR 7"	4			4		
8	051709	. SUPPORT ASSY / BOTTOM	1			1		
9	550563	. CORE 36"	1			1		
NS	501304	PLUG SQUARE HEAD / PIPE FITTING / 1/4NPT-M BR	2			2		
10	050327	SHROUD / W/26" FAN BLADE	1			1		
10	050651	SHROUD / W/30" FAN BLADE	1			1		
10	050894	SHROUD / W/30" FAN BLADE & THERMOSTATIC FAN To H-275	1			1		
10	051306	SHROUD / W/30" FAN BLADE & THERMOSTATIC FAN From H-276	1			1		
10	050981	SHROUD / W/32" FAN BLADE	1			1		
NS	050751	ADAPTOR ASSY SHROUD / RADIATOR & SHROUD To H-275	1			1		
NS	051283	ADAPTOR ASSY SHROUD / RADIATOR & SHROUD From H-276	1			1		
11	051223	FAN GUARD ASSY / RADIATOR	1			1		
11	050756	. FAN GUARD	1			1		
11	506025	. RUBBER CHANNEL / 1/18" x 5/16" INT "U" SHAPE / SQUARE C.T.L.	AR			AR		
12	051026	ATTACHMENT	2			2		
20	500179	SCREW CAP HEX 5/16-18x3/4 G5 Z050	16			16		
21	500476	WASHER LO SPT .317x.586x.078 Z050	16			16		
22	500441	WASHER FL .312x.734x.065 Z050	16			16		
22	051359	WASHER / TO FIX SHROUD UPPER & LOWER	8			8		
23	500145	SCREW CAP HEX 3/4-16x3 1/2 G5 Z050	2			2		
24	500451	WASHER FL .812x2.000x.148 ZP	4			4		
25	630002	BUSHING / RUBBER / (TWO PIECES) 1" x 1.005" I.D.	4			4		
26	130379	SLEEVE 3/4" I.D. X 1" O.D. X 1 11/16" LG	2			2		
27	500733	NUT HEX 3/4-16 Z050	2			2		
28	050689	SUPPORT, FRONT / RADIATOR	1			1		
29	050688	SUPPORT, REAR / RADIATOR (AS SHOWN)	1			1		
NS	500191	SCREW CAP HEX 3/8-16x1 G5 Z050	8			8		
NS	500478	WASHER LO SPT .380x.683x.094 Z050	8			8		
30	050582	BRACKET, FRONT (AS SHOWN)	1			1		
31	050583	BRACKET, REAR	1			1		
32	051036	SUPPORT UPPER / RADIATOR To R-797	1			1		
32	051798	SUPPORT UPPER / RADIATOR From R-798				1		
33	660253	BUSHING / RUBBER / (ONE PIECE) 1 1/2" x 5/8" I.D.	1			1		
34	505217	SPACER 7/16" X 1 1/4"	1			1		
35	500935	WASHER FL .390x1.500x.083	2			2		

From N-428 To R-843

Date:10/2022

PAGE:XL-0505-02

RADIATOR - INSTALLATION 39"

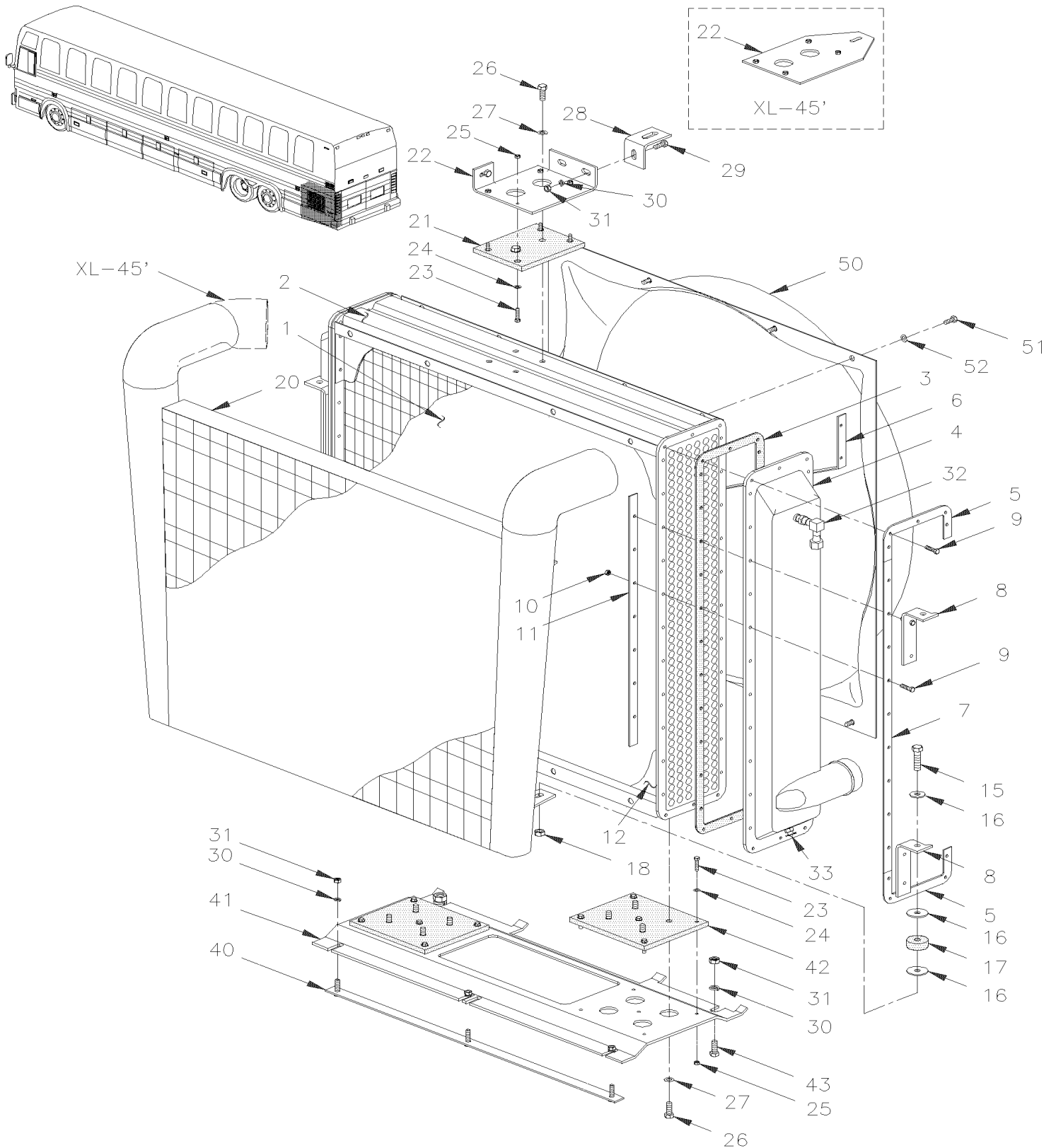


From R-846 To X-6831

Date:10/2022

PAGE:XL-0505-10

RADIATOR ASSY - BUS



From R-846 To X-6831	Date:10/2022	PAGE:XL-0505-10
RADIATOR ASSY - BUS		

Item#	Part	Description	M T H 4 0	M T H 4 5	M T H 4 5 E	X L 4 0	X L 4 5	N O T E S
	N.S.A.	RADIATOR ASSY / WATER & AIR COOLER To R-846				1		3
	N.S.A.	RADIATOR ASSY / WATER & AIR COOLER From R-847 To W-6770				1	1	3
	N.S.A.	RADIATOR ASSY / WATER & AIR COOLER From W-6771				1	1	3
	550654	. RADIATOR ASSY / WATER				1	1	
1	550684	. . CORE				1	1	
2	550678	. . SUPPORT ASSY TOP & BOTTOM				1	1	
3	550248	. . GASKET, HALF				4	4	
4	550681	. . TANK / RADIATOR FRONT & REAR				2	2	
5	550682	. . U-CLAMP / EXTERIOR 6.25"				4	4	
6	550751	. . REINFORCEMENT STRIP "Z" SHAPE / FRONT				1	1	
NS	550752	. . REINFORCEMENT STRIP "Z" SHAPE / REAR				1	1	
7	550680	. . STRIP / EXTERIOR 25"				4	4	
8	N.P.N.	. . ANGLE / TO FIX AIR COOLER				4	4	4
9	500029	. . SCREW CAP HEX 5/16-24x1 1/2 G5 ZP				AR	AR	
10	500699	. . NUT HEX 5/16-24 Z050				AR	AR	
NS	500826	. . WASHER LO EXT .320x.610x.034 ZP				AR	AR	
11	550679	. . STRIP / INTERIOR 28.18"				4	4	
12	550683	. . SUPPORT ASSY TOP & BOTTOM				1	1	
15	500831	SCREW CAP HEX 3/8-16x2 G5 ZP				4	4	
16	500446	WASHER FL .531x1.250x.125 Z050				8	8	
17	550685	BUSHING INSULATOR / RADIATORS				4	4	
18	500265	NUT HEX STO 3/8-16 Z050				4	4	
20	XL-0330-01	AIR FILTER & INTAKE - INSTALLATION WITH DETROIT S-50 & S-60						
21	052060	RUBBER PAD / SUPPORT & RADIATOR 165MM x 127MM W/6 HOLES				1	1	
22	051982	PLATE SUPPORT UPPER RADIATOR				1		
NS	052076	PLATE SUPPORT UPPER RADIATOR					1	
23	502737	SCREW CAP HEX M6-1.0x25 SS BK				4	4	
24	500468	WASHER FL .281x1.250x.065 Z050				4	4	
25	502621	NUT HEX STO M6-1.0 Z050				4	4	
26	500191	SCREW CAP HEX 3/8-16x1 G5 Z050				2	2	
27	500445	WASHER FL .437x1.000x.083 Z050				2	2	
28	052058	ATTACHMENT, ANGLE 55.50MM X 72.50 X 50.80MM				1	1	
NS	051913	ATTACHMENT, ROD / FRONT STRUCTURE & RADIATOR 25MM X 235					1	
29	502597	SCREW CAP HEX M8-1.25x22 G8.8 EMN				6	6	
NS	502585	WASHER LO SERR 10.2x26.3x1.4 ZP				3	3	
NS	502559	SCREW CAP HEX M10-1.5x25 G8.8 Z050				3	3	
NS	500256	NUT HEX M10-1.5 Z050				3	3	
30	502584	WASHER LO SERR 8.2x26.3x1.8 Z050				6	6	
31	502543	NUT HEX M8-1.25 Z050				6	6	
32	501332	STREET ELBOW 90° / PIPE FITTING / 1/4NPT-Mx1/4NPT-F BR				1	1	
NS	501308	ADAPTER / PIPE FITTING / 1/4NPT-Fx1/4NPT-M BR				1	1	
NS	501027	MALE CONNECTOR / SAE 45° FITTING / #4FL-Mx1/4NPT-M BR				1	1	

From R-846 To X-6831	Date:10/2022	PAGE:XL-0505-10
RADIATOR ASSY - BUS		

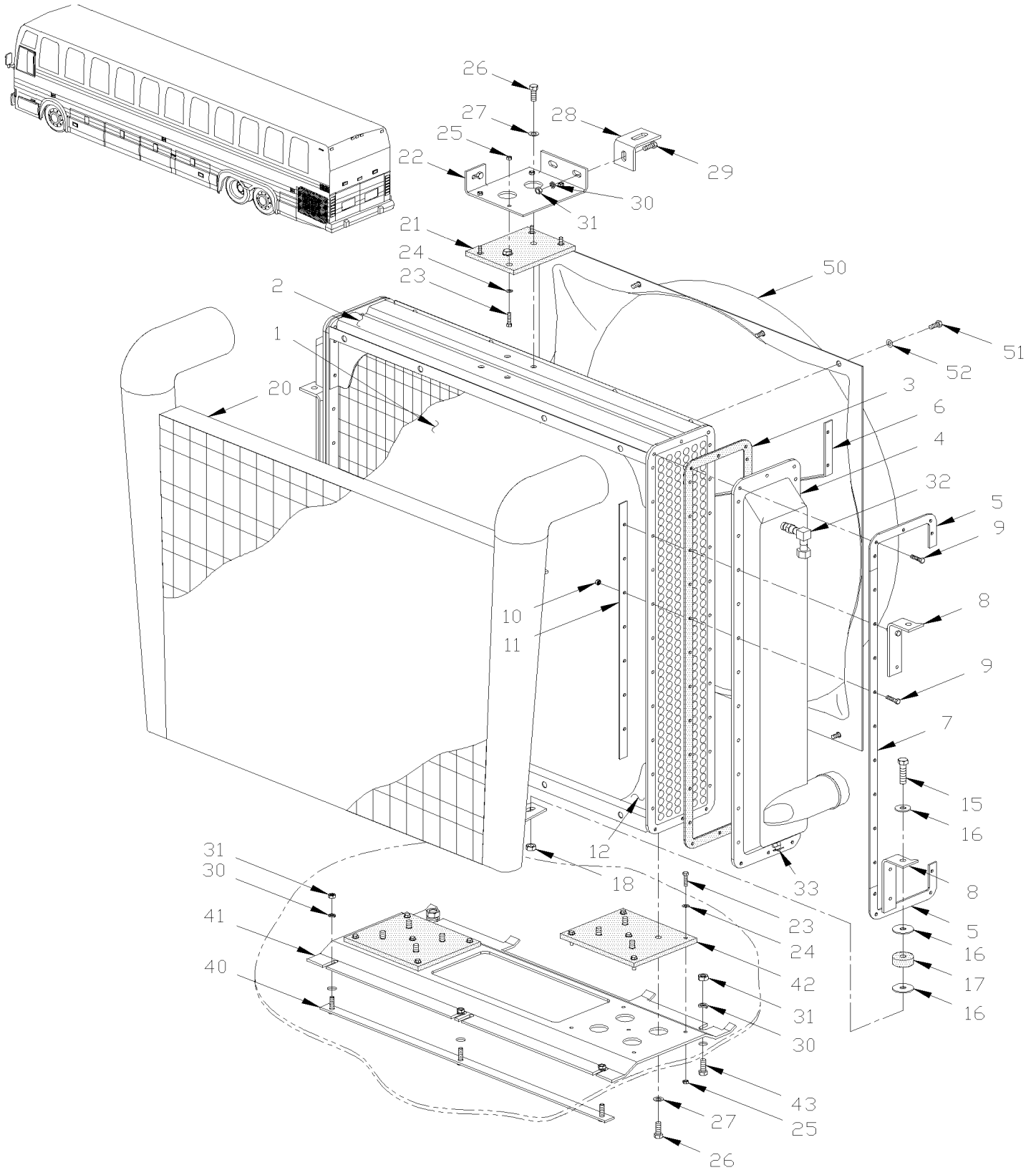
Item#	Part	Description	M T H 4 0	M T H 4 5	M T H 4 5 E	X L 4 0	X L 4 5	N O T E S
33	501129	EXTERNAL SEAL DRAIN 1/4 NPT				1	1	
40	051872	ATTACHMENT STRIP / TO FIX SUPPORT 760MM W/3 STUDS 376/342c/c				1	1	
41	052019	PLATE SUPPORT LOWER RADIATOR				1	1	
42	051836	RUBBER PAD / SUPPORT & RADIATOR 242MM x 165MM W/9 HOLES				1	1	
43	502780	SCREW CAP HEX M8-1.25x25 SS BK				2	2	
50	051837	SHROUD / W/32" FAN BLADE				1	1	
51	500179	SCREW CAP HEX 5/16-18x3/4 G5 Z050				8	8	
52	500476	WASHER LO SPT .317x.586x.078 Z050				8	8	
NS	506001	TAPE RUB ADH1 CC POL 1/8" x 3/4" x 50' / GREY 2520X				AR	AR	
		3) NOT SOLD ASSEMBLY						
		4) NO PARTS NUMBER						

From X-6832 To Y-7045

Date:10/2022

PAGE:XL-0505-11

RADIATOR ASSY - BUS



From X-6832 To Y-7045	Date:10/2022	PAGE:XL-0505-11
RADIATOR ASSY - BUS		

Item#	Part	Description	M T H 4 0	M T H 4 5	M T H 4 5 E	X L 4 0	X L 4 5	N O T E S
	N.S.A.	RADIATOR ASSY / WATER & AIR COOLER				1		3
	N.S.A.	RADIATOR ASSY / WATER & AIR COOLER					1	3
	550700	. RADIATOR ASSY / WATER				1		
	550800	. RADIATOR ASSY / WATER					1	
1	550707	. . CORE				1	1	
2	550701	. . SUPPORT ASSY TOP				1		
2	550796	. . SUPPORT ASSY TOP					1	
3	550562	. . GASKET, HALF				4	4	
4	550704	. . TANK / RADIATOR FRONT & REAR				2		
4	550798	. . TANK / RADIATOR FRONT					1	
4	550799	. . TANK / RADIATOR REAR					1	
5	051704	. . STRIP / EXTERIOR 7"				4	4	
NS	550705	. . STRIP / INTERIOR 5.44"				4	4	
6	550753	. . REINFORCEMENT STRIP "Z" SHAPE / FRONT				1	1	
6	550754	. . REINFORCEMENT STRIP "Z" SHAPE / REAR				1	1	
7	550702	. . STRIP / EXTERIOR 35.06"				4	4	
8	N.P.N.	. . ANGLE				1	1	4
9	500029	. . SCREW CAP HEX 5/16-24x1 1/2 G5 ZP				AR	AR	
10	500699	. . NUT HEX 5/16-24 Z050				AR	AR	
NS	500826	. . WASHER LO EXT .320x.610x.034 ZP				AR	AR	
11	550703	. . STRIP / INTERIOR 33.44"				4	4	
12	550706	. . SUPPORT ASSY BOTTOM				1		
12	550797	. . SUPPORT ASSY BOTTOM					1	
15	500831	SCREW CAP HEX 3/8-16x2 G5 ZP				4	4	
16	500446	WASHER FL .531x1.250x.125 Z050				8	8	
17	550685	BUSHING INSULATOR / RADIATORS				4	4	
18	500265	NUT HEX STO 3/8-16 Z050				4	4	
20	XL-0330-01	AIR FILTER & INTAKE - INSTALLATION WITH DETROIT S-50 & S-60						
21	052060	RUBBER PAD / SUPPORT & RADIATOR 165MM x 127MM W/6 HOLES				1	1	
22	051982	PLATE SUPPORT UPPER RADIATOR				1	1	
23	502737	SCREW CAP HEX M6-1.0x25 SS BK				12	12	
24	500468	WASHER FL .281x1.250x.065 Z050				15	15	
25	502621	NUT HEX STO M6-1.0 Z050				15	15	
26	500191	SCREW CAP HEX 3/8-16x1 G5 Z050				12	12	
27	500445	WASHER FL .437x1.000x.083 Z050				15	15	
28	052058	ATTACHMENT, ANGLE 55.50MM X 72.50 X 50.80MM				2	2	
30	502584	WASHER LO SERR 8.2x26.3x1.8 Z050				AR	AR	
31	502543	NUT HEX M8-1.25 Z050				AR	AR	
32	501332	STREET ELBOW 90° / PIPE FITTING / 1/4NPT-Mx1/4NPT-F BR				1	1	
NS	501308	ADAPTER / PIPE FITTING / 1/4NPT-Fx1/4NPT-M BR				1	1	
NS	501027	MALE CONNECTOR / SAE 45° FITTING / #4FL-Mx1/4NPT-M BR				1	1	
33	501129	EXTERNAL SEAL DRAIN 1/4 NPT				AR	AR	

From X-6832 To Y-7045	Date:10/2022	PAGE:XL-0505-11
RADIATOR ASSY - BUS		

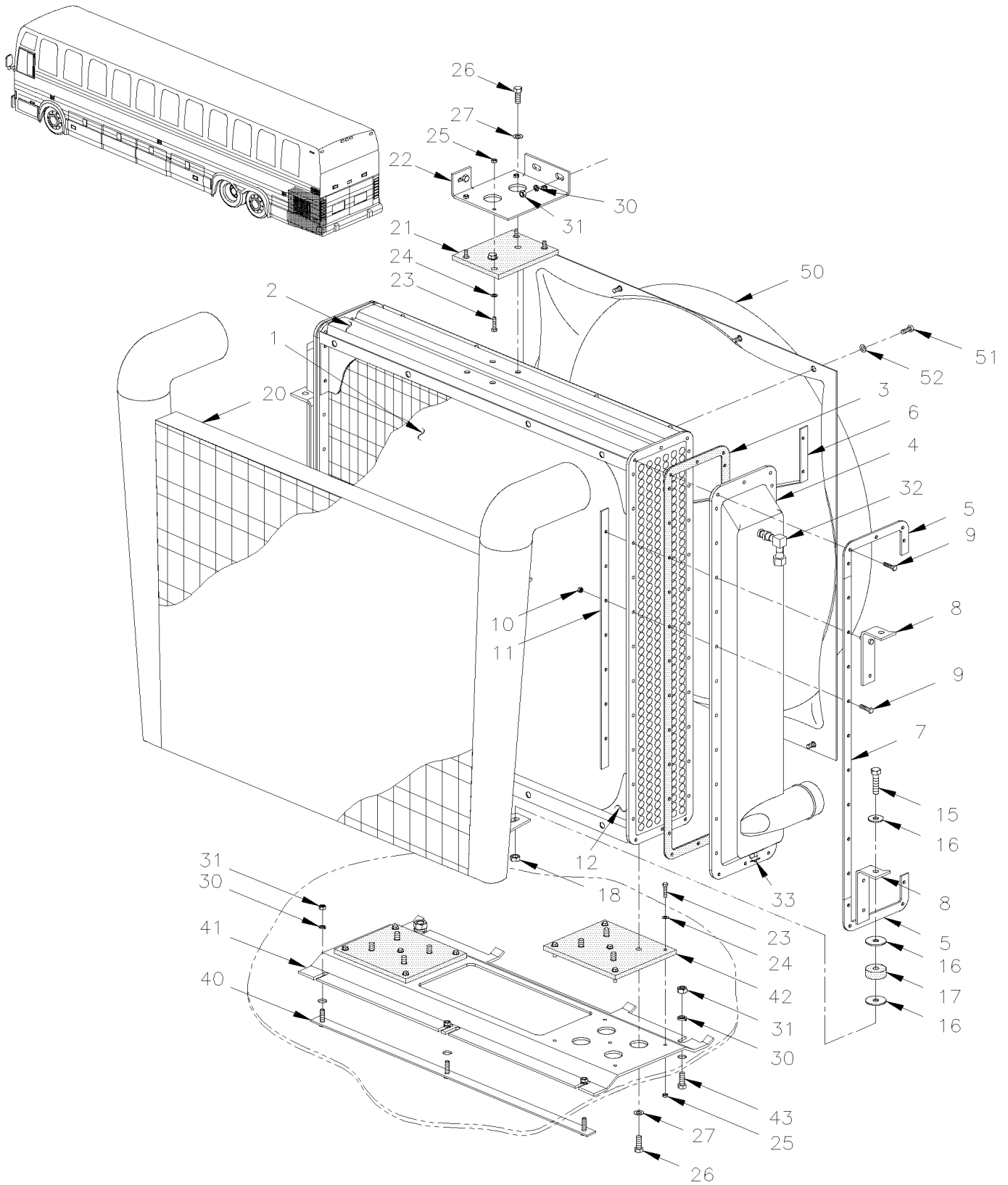
Item#	Part	Description	M T H 4 0	M T H 4 5	M T H 4 5 E	X L 4 0	X L 4 5	N O T E S
40	051872	ATTACHMENT STRIP / TO FIX SUPPORT 760MM W/3 STUDS 376/342c/c				1	1	
41	052015	PLATE SUPPORT LOWER RADIATOR				1	1	
42	051836	RUBBER PAD / SUPPORT & RADIATOR 242MM x 165MM W/9 HOLES				1	1	
43	502780	SCREW CAP HEX M8-1.25x25 SS BK				2	2	
50	051837	SHROUD / W/32" FAN BLADE				1	1	
51	500179	SCREW CAP HEX 5/16-18x3/4 G5 Z050				8	8	
52	500476	WASHER LO SPT .317x.586x.078 Z050				8	8	
NS	506001	TAPE RUB ADH1 CC POL 1/8" x 3/4" x 50' / GREY 2520X				AR	AR	
		3) NOT SOLD ASSEMBLY						
		4) NO PARTS NUMBER						

From P-722 To R-810

Date:10/2022

PAGE:XL-0505-50

RADIATOR ASSY - MTH



From P-722 To R-810	Date:10/2022	PAGE:XL-0505-50
RADIATOR ASSY - MTH		

Item#	Part	Description	M T H 4 0	M T H 4 5	M T H 4 5 E	X L 4 0	X L 4 5	N O T E S
	N.S.A.	RADIATOR ASSY / WATER & AIR COOLER		1				3
	550654	. RADIATOR ASSY / WATER		1				
1	550684	. . CORE		1				
2	550678	. . SUPPORT ASSY TOP & BOTTOM		1				
3	550248	. . GASKET, HALF		4				
4	550681	. . TANK / RADIATOR FRONT & REAR		2				
5	550682	. . U-CLAMP / EXTERIOR 6.25"		4				
6	550751	. . REINFORCEMENT STRIP "Z" SHAPE / FRONT		1				
6	550752	. . REINFORCEMENT STRIP "Z" SHAPE / REAR		1				
7	550680	. . STRIP / EXTERIOR 25"		4				
8	N.P.N.	. . ANGLE / TO FIX AIR COOLER		1				4
9	500029	. . SCREW CAP HEX 5/16-24x1 1/2 G5 ZP		AR				
10	500699	. . NUT HEX 5/16-24 Z050		AR				
10	500826	. . WASHER LO EXT .320x.610x.034 ZP		AR				
11	550679	. . STRIP / INTERIOR 28.18"		4				
12	550683	. . SUPPORT ASSY TOP & BOTTOM		1				
15	500831	SCREW CAP HEX 3/8-16x2 G5 ZP		4				
16	500446	WASHER FL .531x1.250x.125 Z050		8				
17	550685	BUSHING INSULATOR / RADIATORS		4				
18	500265	NUT HEX STO 3/8-16 Z050		4				
20	XL-0330-01	AIR FILTER & INTAKE - INSTALLATION WITH DETROIT S-50 & S-60						
21	051836	RUBBER PAD / SUPPORT & RADIATOR 242MM x 165MM W/9 HOLES		3				
22	051874	PLATE SUPPORT UPPER RADIATOR		1				
NS	051913	ATTACHMENT, ROD / FRONT STRUCTURE & RADIATOR 25MM X 235		1				
NS	051912	ATTACHEMNT, BRACKET REAR "T" SHAPE / STRUCTURE & RADIATOR		1				
NS	502597	SCREW CAP HEX M8-1.25x22 G8.8 EMN		4				
NS	500874	WASHER FL 8.4x17.0x1.6 Z050		4				
23	502737	SCREW CAP HEX M6-1.0x25 SS BK		12				
24	500468	WASHER FL .281x1.250x.065 Z050		15				
25	502621	NUT HEX STO M6-1.0 Z050		15				
26	500191	SCREW CAP HEX 3/8-16x1 G5 Z050		15				
27	500445	WASHER FL .437x1.000x.083 Z050		12				
30	502584	WASHER LO SERR 8.2x26.3x1.8 Z050		6				
31	502543	NUT HEX M8-1.25 Z050		3				
32	501332	STREET ELBOW 90° / PIPE FITTING / 1/4NPT-Mx1/4NPT-F BR		1				
32	501308	ADAPTER / PIPE FITTING / 1/4NPT-Fx1/4NPT-M BR		1				
32	501027	MALE CONNECTOR / SAE 45° FITTING / #4FL-Mx1/4NPT-M BR		1				
33	501129	EXTERNAL SEAL DRAIN 1/4 NPT		1				
40	051872	ATTACHMENT STRIP / TO FIX SUPPORT 760MM W/3 STUDS 376/342c/c		1				
41	051882	PLATE SUPPORT LOWER RADIATOR		1				
42	052060	RUBBER PAD / SUPPORT & RADIATOR 165MM x 127MM W/6 HOLES		2				
43	502780	SCREW CAP HEX M8-1.25x25 SS BK		AR				

From P-722 To R-810	Date:10/2022	PAGE:XL-0505-50
RADIATOR ASSY - MTH		

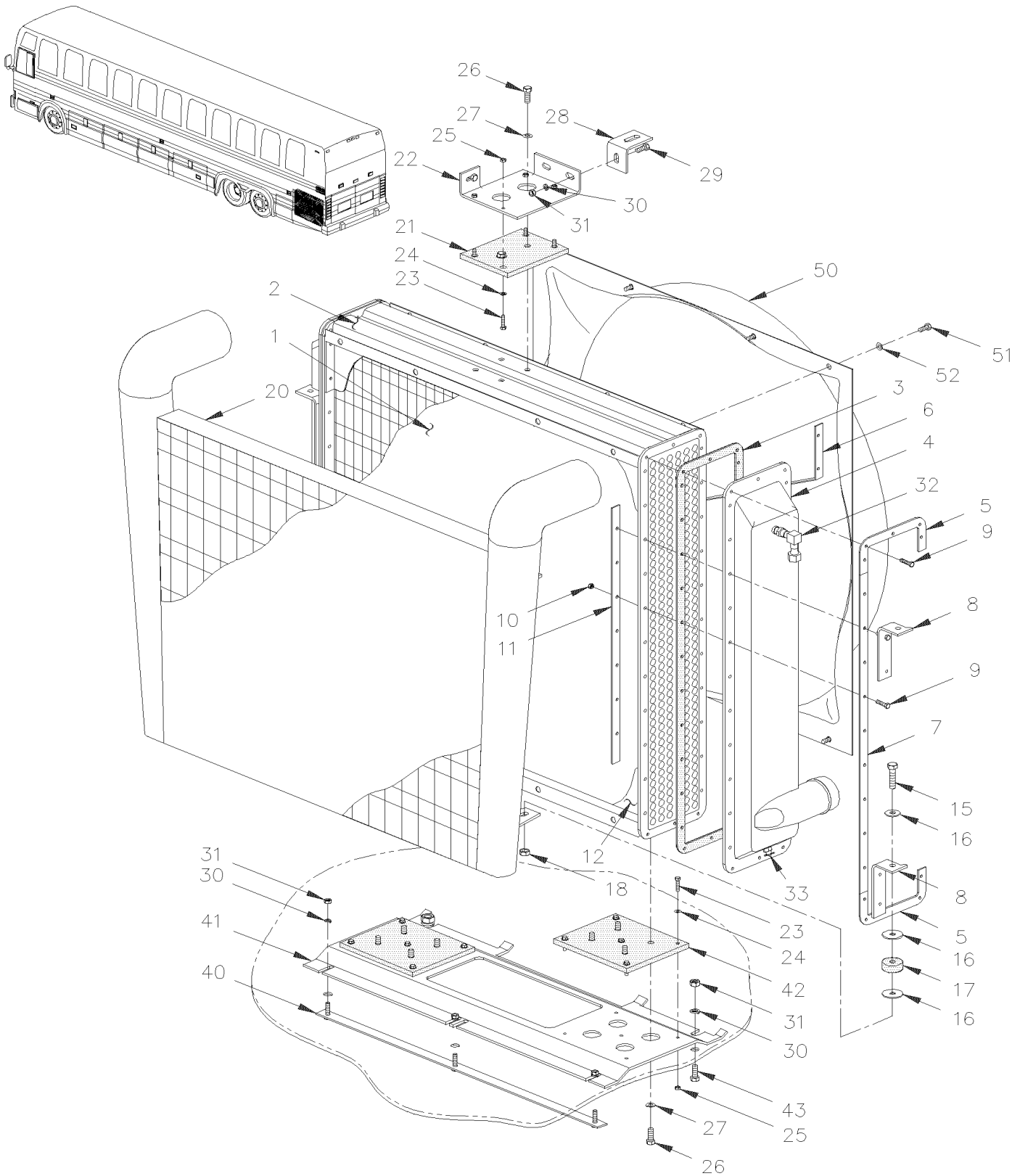
Item#	Part	Description	M T H 4 0	M T H 4 5	M T H 4 5 E	X L 4 0	X L 4 5	N O T E S
50	051837	SHROUD / W/32" FAN BLADE		1				
51	500179	SCREW CAP HEX 5/16-18x3/4 G5 Z050		8				
52	500476	WASHER LO SPT .317x.586x.078 Z050		8				
NS	506001	TAPE RUB ADH1 CC POL 1/8" x 3/4" x 50' / GREY 2520X		AR				
		3) NOT SOLD ASSEMBLY						
		4) NO PARTS NUMBER						

From R-811 To X-6831

Date:10/2022

PAGE:XL-0505-51

RADIATOR ASSY - MTH



From R-811 To X-6831	Date:10/2022	PAGE:XL-0505-51
RADIATOR ASSY - MTH		

Item#	Part	Description	M T H 4 0	M T H 4 5	M T H 4 5 E	X L 4 0	X L 4 5	N O T E S
	N.S.A.	RADIATOR ASSY / WATER & AIR COOLER To T-5748	1	1				3
	N.S.A.	RADIATOR ASSY / WATER & AIR COOLER To W-6715			1			3
	N.S.A.	RADIATOR ASSY / WATER & AIR COOLER From W-6716			1			3
NS	550700	. RADIATOR ASSY / WATER To T-5748	1	1				
	550700	. RADIATOR ASSY / WATER			1			
1	550707	. . CORE To T-5748	1	1				
1	550707	. . CORE			1			
2	550701	. . SUPPORT ASSY TOP To T-5748	1	1				
2	550701	. . SUPPORT ASSY TOP			1			
3	550562	. . GASKET, HALF To T-5748	4	4				
3	550562	. . GASKET, HALF			4			
4	550704	. . TANK / RADIATOR FRONT & REAR To T-5748	2	2				
4	550704	. . TANK / RADIATOR FRONT & REAR			2			
5	051704	. . STRIP / EXTERIOR 7" To T-5748	4	4				
5	051704	. . STRIP / EXTERIOR 7"			4			
NS	550705	. . STRIP / INTERIOR 5.44" To T-5748	4	4				
5	550705	. . STRIP / INTERIOR 5.44"			4			
6	550753	. . REINFORCEMENT STRIP "Z" SHAPE / FRONT To T-5748	1	1				
6	550753	. . REINFORCEMENT STRIP "Z" SHAPE / FRONT			1			
6	550754	. . REINFORCEMENT STRIP "Z" SHAPE / REAR To T-5748	1	1				
6	550754	. . REINFORCEMENT STRIP "Z" SHAPE / REAR			1			
7	550702	. . STRIP / EXTERIOR 35.06" To T-5748	4	4				
7	550702	. . STRIP / EXTERIOR 35.06"			4			
8	N.P.N.	. . ANGLE To T-5748	1	1				4
8	N.P.N.	. . ANGLE			1			4
9	500029	. . SCREW CAP HEX 5/16-24x1 1/2 G5 ZP To T-5748	AR	AR				
9	500029	. . SCREW CAP HEX 5/16-24x1 1/2 G5 ZP			AR			
10	500699	. . NUT HEX 5/16-24 Z050 To T-5748	AR	AR				
10	500699	. . NUT HEX 5/16-24 Z050			AR			
NS	500826	. . WASHER LO EXT .320x.610x.034 ZP To T-5748	AR	AR				
10	500826	. . WASHER LO EXT .320x.610x.034 ZP			AR			
11	550703	. . STRIP / INTERIOR 33.44" To T-5748	4	4				
11	550703	. . STRIP / INTERIOR 33.44"			4			
12	550706	. . SUPPORT ASSY BOTTOM To T-5748	1	1				
12	550706	. . SUPPORT ASSY BOTTOM			1			
15	500831	. . SCREW CAP HEX 3/8-16x2 G5 ZP To T-5748	4	4				
15	500831	. . SCREW CAP HEX 3/8-16x2 G5 ZP			4			
16	500446	. . WASHER FL .531x1.250x.125 Z050 To T-5748	8	8				
16	500446	. . WASHER FL .531x1.250x.125 Z050			8			
17	550685	. . BUSHING INSULATOR / RADIATORS To T-5748	4	4				
17	550685	. . BUSHING INSULATOR / RADIATORS			4			
18	500265	. . NUT HEX STO 3/8-16 Z050 To T-5748	4	4				

From R-811 To X-6831	Date:10/2022	PAGE:XL-0505-51
RADIATOR ASSY - MTH		

Item#	Part	Description	M T H 4 0	M T H 4 5	M T H 4 5 E	X L 4 0	X L 4 5	N O T E S
18	500265	. . NUT HEX STO 3/8-16 Z050			4			
20	XL-0330-01	. . AIR FILTER & INTAKE - INSTALLATION WITH DETROIT S-50 & S-60						
21	052060	. . RUBBER PAD / SUPPORT & RADIATOR 165MM x 127MM W/6 HOLES To T-5748	1	1				
21	052060	. . RUBBER PAD / SUPPORT & RADIATOR 165MM x 127MM W/6 HOLES			1			
22	051982	. . PLATE SUPPORT UPPER RADIATOR To T-5748	1	1				
22	051982	. . PLATE SUPPORT UPPER RADIATOR			1			
23	502737	. . SCREW CAP HEX M6-1.0x25 SS BK To T-5748	12	12				
23	502737	. . SCREW CAP HEX M6-1.0x25 SS BK			12			
24	500468	. . WASHER FL .281x1.250x.065 Z050 To T-5748	15	15				
24	500468	. . WASHER FL .281x1.250x.065 Z050			15			
25	502621	. . NUT HEX STO M6-1.0 Z050 To T-5748	15	15				
25	502621	. . NUT HEX STO M6-1.0 Z050			15			
26	500191	. . SCREW CAP HEX 3/8-16x1 G5 Z050 To T-5748	12	12				
26	500191	. . SCREW CAP HEX 3/8-16x1 G5 Z050			12			
27	500445	. . WASHER FL .437x1.000x.083 Z050 To T-5748	15	15				
27	500445	. . WASHER FL .437x1.000x.083 Z050			15			
28	052058	. . ATTACHMENT, ANGLE 55.50MM X 72.50 X 50.80MM To T-5748	2	2				
28	052058	. . ATTACHMENT, ANGLE 55.50MM X 72.50 X 50.80MM			2			
30	502584	. . WASHER LO SERR 8.2x26.3x1.8 Z050 To T-5748	AR	AR				
30	502584	. . WASHER LO SERR 8.2x26.3x1.8 Z050			AR			
31	502543	. . NUT HEX M8-1.25 Z050 To T-5748	AR	AR				
31	502543	. . NUT HEX M8-1.25 Z050			AR			
32	501332	. . STREET ELBOW 90° / PIPE FITTING / 1/4NPT-Mx1/4NPT-F BR To T-5748	1	1				
32	501332	. . STREET ELBOW 90° / PIPE FITTING / 1/4NPT-Mx1/4NPT-F BR			1			
NS	501308	. . ADAPTER / PIPE FITTING / 1/4NPT-Fx1/4NPT-M BR To T-5748	1	1				
32	501308	. . ADAPTER / PIPE FITTING / 1/4NPT-Fx1/4NPT-M BR			1			
NS	501027	. . MALE CONNECTOR / SAE 45° FITTING / #4FL-Mx1/4NPT-M BR To T-5748	1	1				
32	501027	. . MALE CONNECTOR / SAE 45° FITTING / #4FL-Mx1/4NPT-M BR			1			
33	501129	. . EXTERNAL SEAL DRAIN 1/4 NPT To T-5748	AR	AR				
33	501129	. . EXTERNAL SEAL DRAIN 1/4 NPT			AR			
40	051872	. . ATTACHMENT STRIP / TO FIX SUPPORT 760MM W/3 STUDS 376/342c/c To T-5748	1	1				
40	051872	. . ATTACHMENT STRIP / TO FIX SUPPORT 760MM W/3 STUDS 376/342c/c			1			
41	052015	. . PLATE SUPPORT LOWER RADIATOR To T-5748	1	1				
41	052015	. . PLATE SUPPORT LOWER RADIATOR			1			
42	051836	. . RUBBER PAD / SUPPORT & RADIATOR 242MM x 165MM W/9 HOLES To T-5748	1	1				
42	051836	. . RUBBER PAD / SUPPORT & RADIATOR 242MM x 165MM W/9 HOLES			1			
43	502780	. . SCREW CAP HEX M8-1.25x25 SS BK To T-5748	2	2				
43	502780	. . SCREW CAP HEX M8-1.25x25 SS BK			2			
50	051837	. . SHROUD / W/32" FAN BLADE To T-5748	1	1				
50	051837	. . SHROUD / W/32" FAN BLADE			1			
51	500179	. . SCREW CAP HEX 5/16-18x3/4 G5 Z050 To T-5748	8	8				
51	500179	. . SCREW CAP HEX 5/16-18x3/4 G5 Z050			8			

From R-811 To X-6831	Date:10/2022	PAGE:XL-0505-51
RADIATOR ASSY - MTH		

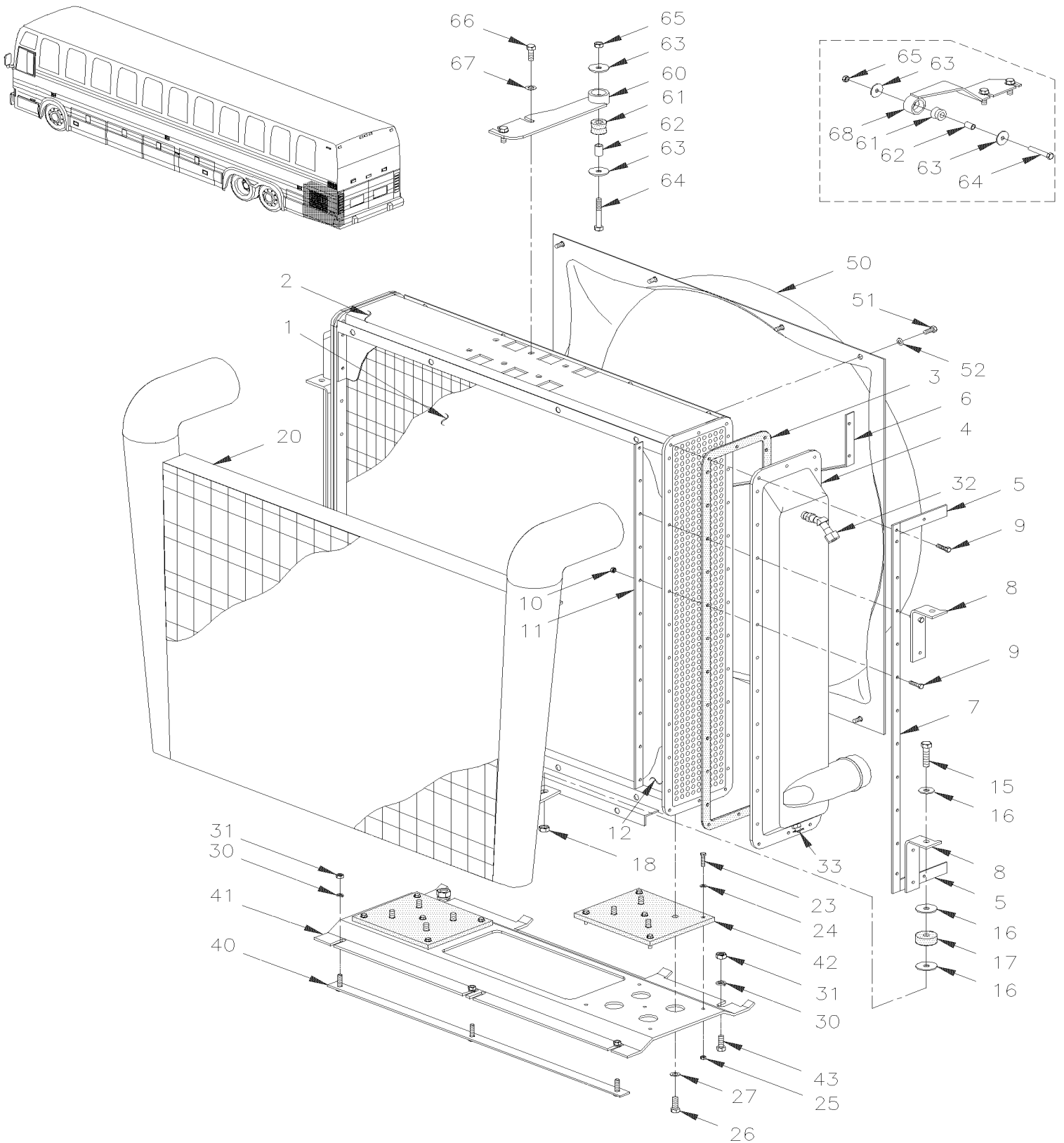
Item#	Part	Description	M T H 4 0	M T H 4 5	M T H 4 5 E	X L 4 0	X L 4 5	N O T E S
52	500476	. . WASHER LO SPT .317x.586x.078 Z050 To T-5748	8	8				
52	500476	. . WASHER LO SPT .317x.586x.078 Z050			8			
NS	506001	. . TAPE RUB ADH1 CC POL 1/8" x 3/4" x 50' / GREY 2520X To T-5748	AR	AR				
52	506001	. . TAPE RUB ADH1 CC POL 1/8" x 3/4" x 50' / GREY 2520X			AR			
		3) NOT SOLD ASSEMBLY						
		4) NO PARTS NUMBER						

From T-5749 To W-6561

Date:10/2022

PAGE:XL-0505-52

RADIATOR ASSY - MTH



From T-5749 To W-6561	Date:10/2022	PAGE:XL-0505-52
RADIATOR ASSY - MTH		

Item#	Part	Description	M T H 4 0	M T H 4 5	M T H 4 5 E	X L 4 0	X L 4 5	N O T E S
	N.S.A.	RADIATOR ASSY / WATER & AIR COOLER	1	1				3
	550718	. RADIATOR ASSY / WATER	1	1				
1	550720	. . CORE	1	1				
2	550721	. . SUPPORT ASSY TOP	1	1				
3	550722	. . GASKET, HALF	4	4				
4	550719	. . TANK / RADIATOR FRONT	1	1				
4	550726	. . TANK / RADIATOR REAR	1	1				
5	Call order desk	. . STRIP / EXTERIOR & INTERIOR 7"	8	8				P
6	550755	. . REINFORCEMENT STRIP "Z" SHAPE	1	1				
6	550756	. . REINFORCEMENT STRIP "Z" SHAPE	1	1				
7	550723	. . STRIP / EXTERIOR	4	4				
7	550725	. . STRIP / INTERIOR	4	4				
8	N.P.N.	. . ANGLE	4	4				4
9	500029	. . SCREW CAP HEX 5/16-24x1 1/2 G5 ZP	AR	AR				
10	500699	. . NUT HEX 5/16-24 Z050	AR	AR				
10	500826	. . WASHER LO EXT .320x.610x.034 ZP	AR	AR				
12	550706	. . SUPPORT ASSY BOTTOM	1	1				
15	500831	SCREW CAP HEX 3/8-16x2 G5 ZP	4	4				
16	500446	WASHER FL .531x1.250x.125 Z050	8	8				
17	550685	BUSHING INSULATOR / RADIATORS	4	4				
18	500265	NUT HEX STO 3/8-16 Z050	4	4				
20	XL-0330-01	AIR FILTER & INTAKE - INSTALLATION WITH DETROIT S-50 & S-60						
23	502737	SCREW CAP HEX M6-1.0x25 SS BK	12	12				
24	500468	WASHER FL .281x1.250x.065 Z050	15	15				
25	502621	NUT HEX STO M6-1.0 Z050	12	12				
26	500191	SCREW CAP HEX 3/8-16x1 G5 Z050	12	12				
31	502543	NUT HEX M8-1.25 Z050	3	3				
32	501332	STREET ELBOW 90° / PIPE FITTING / 1/4NPT-Mx1/4NPT-F BR	1	1				
NS	501308	ADAPTER / PIPE FITTING / 1/4NPT-Fx1/4NPT-M BR	1	1				
NS	501027	MALE CONNECTOR / SAE 45° FITTING / #4FL-Mx1/4NPT-M BR	1	1				
33	501129	EXTERNAL SEAL DRAIN 1/4 NPT	1	1				
NS	501329	STREET ELBOW 45° / PIPE FITTING / 1/4NPT-Mx1/4NPT-F BR	1	1				
40	051872	ATTACHMENT STRIP / TO FIX SUPPORT 760MM W/3 STUDS 376/342c/c	1	1				
41	052015	PLATE SUPPORT LOWER RADIATOR	1	1				
42	051836	RUBBER PAD / SUPPORT & RADIATOR 242MM x 165MM W/9 HOLES	2	2				
43	502780	SCREW CAP HEX M8-1.25x25 SS BK	2	2				
50	052114	SHROUD / W/32" FAN BLADE	1	1				
51	5001040	SCREW TC PAN PH #6-32x3/4 SS	4	4				
52	500157	WASHER FL .125x.375x.032 SS	4	4				
NS	506001	TAPE RUB ADH1 CC POL 1/8" x 3/4" x 50' / GREY 2520X	AR	AR				
60	052110	ATTACHMENT / UPPER RADIATOR	1					
61	660253	BUSHING / RUBBER / (ONE PIECE) 1 1/2" x 5/8" I.D.	1	1				

From T-5749 To W-6561	Date:10/2022	PAGE:XL-0505-52
RADIATOR ASSY - MTH		

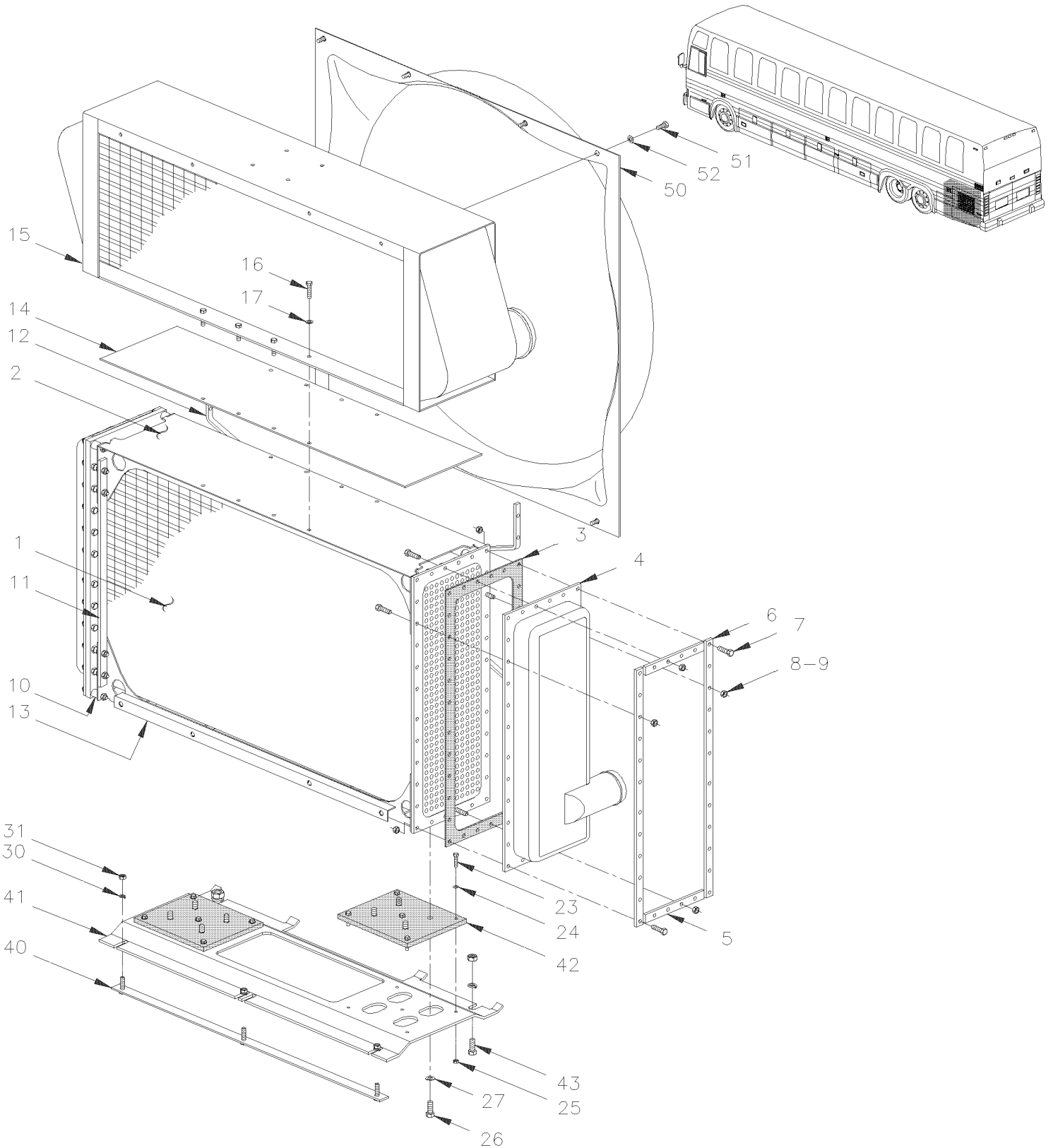
Item#	Part	Description	M T H 4 0	M T H 4 5	M T H 4 5 E	X L 4 0	X L 4 5	N O T E S
62	505217	SPACER 7/16" X 1 1/4"	1	1				
63	500935	WASHER FL .390x1.500x.083	2	2				
64	500195	SCREW CAP HEX 3/8-16x2 1/2 G5 Z050	1	1				
65	500265	NUT HEX STO 3/8-16 Z050	1	1				
66	500191	SCREW CAP HEX 3/8-16x1 G5 Z050	2	2				
67	500478	WASHER LO SPT .380x.683x.094 Z050	2	2				
68	052117	ATTACHMENT / UPPER RADIATOR		1				
		3) NOT SOLD ASSEMBLY						
		4) NO PARTS NUMBER						
		P) CALL ORDER DESK FOR SPECIFIC APPLICATION (V.I.N.)						

From W-6562 To Y-7045

Date:10/2022

PAGE:XL-0505-53

RADIATOR ASSY - MTH



From W-6562 To Y-7045		Date:10/2022	PAGE:XL-0505-53
RADIATOR ASSY - MTH			

Item#	Part	Description	M T H 4 0	M T H 4 5	M T H 4 5 E	X L 4 0	X L 4 5	N O T E S
	N.S.A.	RADIATOR ASSY / WATER & AIR COOLER	1	1				3
	N.S.A.	RADIATOR ASSY / WATER & AIR COOLER From X-6832			1			3
	550759	. RADIATOR ASSY / WATER	1	1				A
	550759	. RADIATOR ASSY / WATER From X-6832			1			
1	550760	. . CORE	1	1	1			
2	550764	. . SUPPORT ASSY TOP	1	1	1			
3	550768	. . GASKET, HALF	4	4	4			
4	550761	. . TANK / RADIATOR FRONT	1	1	1			
4	550762	. . TANK / RADIATOR REAR	1	1	1			
5	550766	. . STRIP / EXTERIOR & INTERIOR 6 1/2"	8	8	8			
6	550767	. . STRIP / EXTERIOR & INTERIOR 22 1/2"	8	8	8			
8	500778	. . NUT HEX 5/16-18 N500	68	68	68			
9	500446	. . WASHER FL .531x1.250x.125 Z050	72	72	72			
10	550770	. . BUSHING	4	4	4			
NS	500183	. . SCREW CAP HEX 5/16-18x1 1/2 G5 PT Z050	4	4	4			
NS	500185	. . SCREW CAP HEX 5/16-18x2 1/4 G5 Z050	4	4	4			
NS	502600	. . NUT HEX NYRT 5/16-18 Z050	4	4	4			
11	550771	. . STRIP, TIE BAR 20"	1	1	1			
12	550763	. . REINFORCEMENT STRIP "Z" SHAPE	1	1	1			
13	550765	. . SUPPORT ASSY BOTTOM	1	1	1			
NS	550103	. . RUBBER PAD 10FT LG.	AR	AR	AR			
14	550769	. . STRIP, PLASTIC	1	1	1			
NS	500826	. . WASHER LO EXT .320x.610x.034 ZP	8	8	8			
NS	500181	. . SCREW CAP HEX 5/16-18x1 G5 Z050	8	8	8			
NS	500985	. . WASHER FL .343x.875x.125 Z050	8	8	8			
15	XL-0330-01	AIR FILTER & INTAKE - INSTALLATION WITH DETROIT S-50 & S-60						
NS	052199	PLATE "OBLON" / TO FIX RADIATOR UPPER	1	1	1			
NS	500195	SCREW CAP HEX 3/8-16x2 1/2 G5 Z050	1	1	1			
23	502737	SCREW CAP HEX M6-1.0x25 SS BK	12	12	12			
24	500468	WASHER FL .281x1.250x.065 Z050	15	15	15			
25	502621	NUT HEX STO M6-1.0 Z050	12	12	12			
26	500191	SCREW CAP HEX 3/8-16x1 G5 Z050	12	12	12			
31	502543	NUT HEX M8-1.25 Z050	3	3	3			
32	501332	STREET ELBOW 90° / PIPE FITTING / 1/4NPT-Mx1/4NPT-F BR	1	1	1			
NS	501308	ADAPTER / PIPE FITTING / 1/4NPT-Fx1/4NPT-M BR	1	1	1			
NS	501027	MALE CONNECTOR / SAE 45° FITTING / #4FL-Mx1/4NPT-M BR	1	1	1			
33	501129	EXTERNAL SEAL DRAIN 1/4 NPT	1	1	1			
NS	501329	STREET ELBOW 45° / PIPE FITTING / 1/4NPT-Mx1/4NPT-F BR	1	1	1			
40	052224	ATTACHMENT, STRIP 768MM W/3 STUDS / TO FIX SUPPORT 364/364c/c	1	1	1			
41	052201	PLATE SUPPORT LOWER RADIATOR	1	1	1			
42	051836	RUBBER PAD / SUPPORT & RADIATOR 242MM x 165MM W/9 HOLES	2	2	2			
43	502780	SCREW CAP HEX M8-1.25x25 SS BK	2	2	2			

From W-6562 To Y-7045	Date:10/2022	PAGE:XL-0505-53
RADIATOR ASSY - MTH		

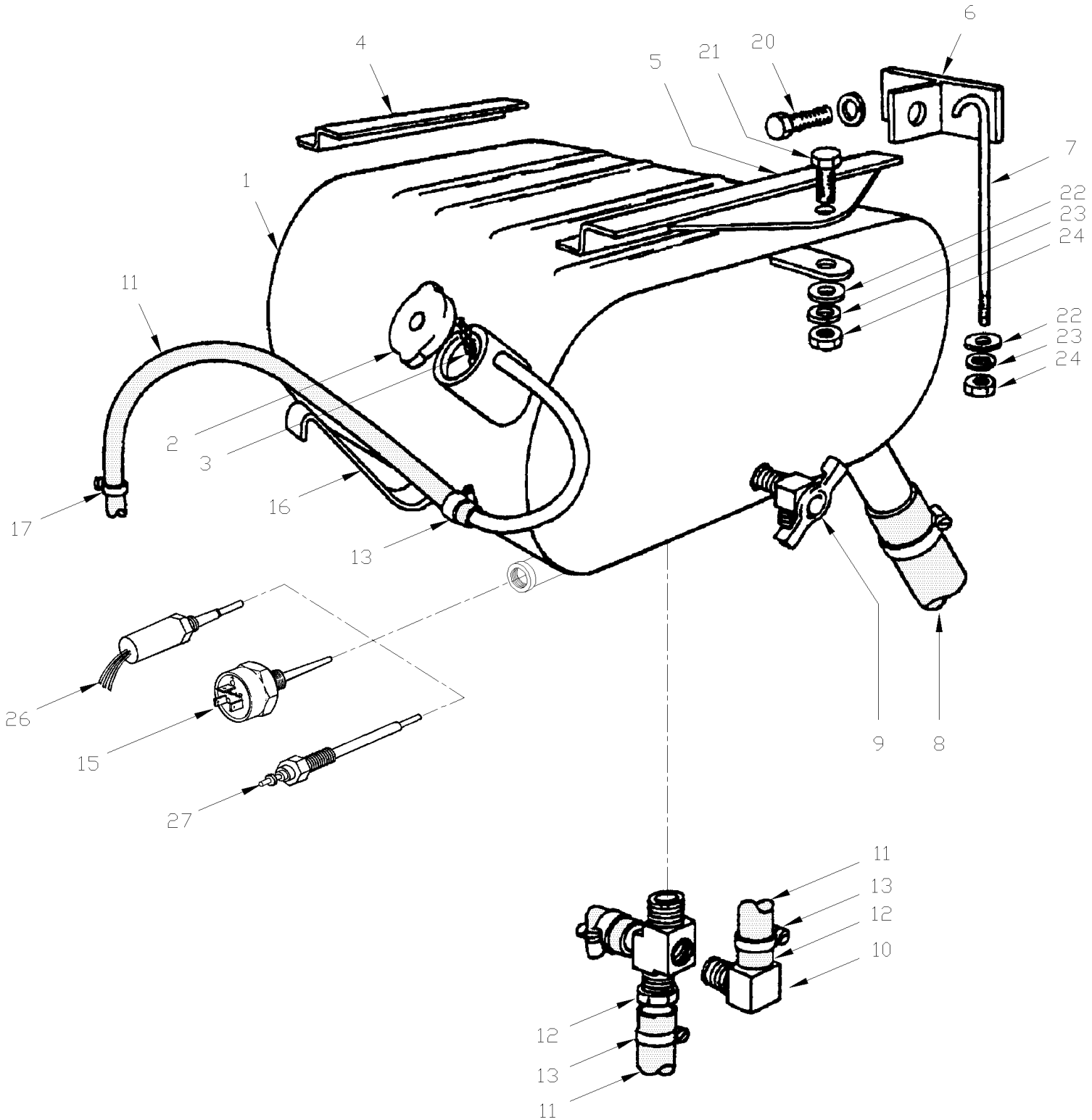
Item#	Part	Description	M T H 4 0	M T H 4 5	M T H 4 5 E	X L 4 0	X L 4 5	N O T E S
50	052197	SHROUD / W/36" FAN BLADE	1	1	1			
51	5001040	SCREW TC PAN PH #6-32x3/4 SS	4	4	4			
52	500157	WASHER FL .125x.375x.032 SS	4	4	4			
NS	506001	TAPE RUB ADH1 CC POL 1/8" x 3/4" x 50' / GREY 2520X	AR	AR	AR			
60	052110	ATTACHMENT / UPPER RADIATOR	1	1	1			
61	660253	BUSHING / RUBBER / (ONE PIECE) 1 1/2" x 5/8" I.D.	1	1	1			
62	505217	SPACER 7/16" X 1 1/4"	1	1	1			
63	500935	WASHER FL .390x1.500x.083	2	2	2			
64	500195	SCREW CAP HEX 3/8-16x2 1/2 G5 Z050	1	1	1			
65	500265	NUT HEX STO 3/8-16 Z050	1	1	1			
66	500191	SCREW CAP HEX 3/8-16x1 G5 Z050	2	2	2			
67	500478	WASHER LO SPT .380x.683x.094 Z050	2	2	2			
		A) USE WITH 500HP ENGINE OPTIONAL ON 45' ENTERTAINER SEE FINAL COACH RECORD						
		3) NOT SOLD ASSEMBLY						

From E-638 To J-621

Date:10/2022

PAGE:XL-0510-00

SURGE TANK



From E-638 To J-621	Date:10/2022	PAGE:XL-0510-00
SURGE TANK		

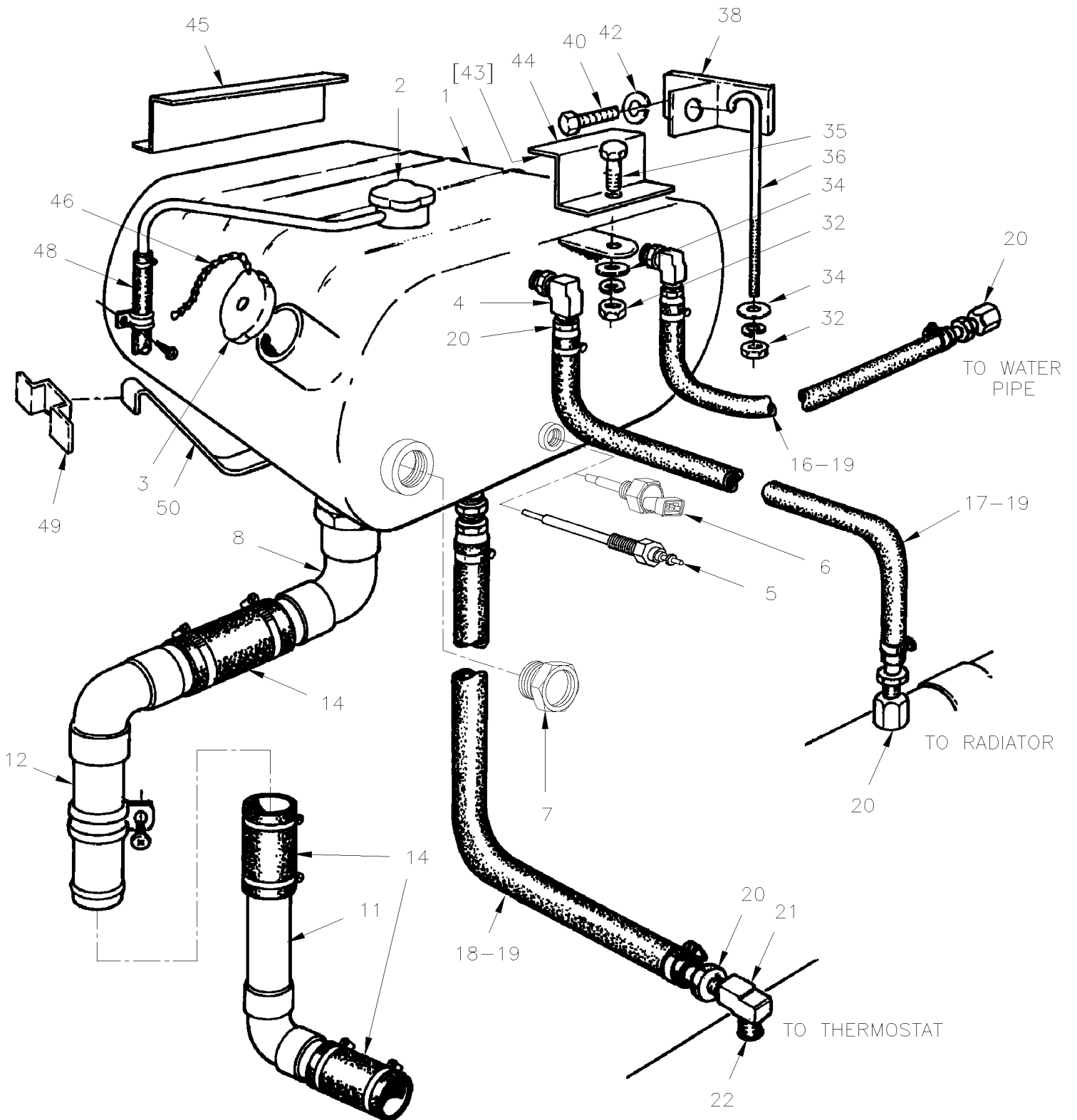
Item#	Part	Description	M T H 4 0	M T H 4 5	M T H 4 5 E	X L 4 0	X L 4 5	N O T E S
1	050881	TANK ASSY	1			1		
2	530039	CAP, FILLER 7 PSI	1			1		
3	980001	CHAIN / S.L	AR			AR		
4	050888	SUPPORT	1			1		
5	050889	SUPPORT	1			1		
6	050904	SUPPORT SURGE TANK	1			1		
7	050886	SCR EYE ZP 5/16-18X5	1			1		
8	503392	HOSE SILICONE 4PLY 1 3/8" I.D. x 4'	AR			AR		
9	501023	DRAIN VALVE 1/4NPTM 3/8TUBE	1			1		
10	501332	STREET ELBOW 90° / PIPE FITTING / 1/4NPT-Mx1/4NPT-F BR	1			1		
11	503047	HOSE / RUBBER #6 / S.L.	AR			AR		
12	501179	MALE CONNECTOR / PUSH-LOK FITTING / 1/4NPT-Mx#6 BR	2			2		
13	504017	HOSE CLAMP / 5/16"-7/8" SS / HM-6	4			4		
14	501338	MALE RUN TEE / PIPE FITTING / 1/4NPT-Mx1/4NPT-Fx1/4NPT-F BR	1			1		
15	560927	SENSOR PROBE "LOW COOLANT"	1			1		C
15	562436	SENSOR PROBE "LOW COOLANT" / SERVICE	1			1		A
NS	562438	CONNECTOR / METRI-PACK 150 / SH 4C / PED 12065298	1			1		A
15	063939	CABLE ASSY / TO USE W/NEW MODEL OF SENSOR	1			1		A
16	050887	SUPPORT	1			1		
17	504047	WIRE CLAMP / 5/8" I.D.	AR			AR		
20	500535	SCREW TP CAP HEX #14x3/4 Z050	2			2		
21	500179	SCREW CAP HEX 5/16-18x3/4 G5 Z050	1			1		
22	500441	WASHER FL .312x.734x.065 Z050	2			2		
23	500476	WASHER LO SPT .317x.586x.078 Z050	3			3		
24	500777	NUT HEX STO 5/16-18 Z050	2			2		
24	050682	DECAL / ANTIFREEZE / ENGLISH & FRANCAIS	1			1		
24	052574	DECAL / ANTIFREEZE / ENGLISH & SPANISH	1			1		
NS	050781	DECAL / COOLANT CAPACITY / 91 LITERS / ENGLISH & FRANCAIS	1			1		
24	064252	KIT RETROFIT "LOW COOLANT"	1			1		
NS	IS-94075	SEE INSTRUCTION SHEET	1			1		
26	561529	SENSOR PROBE "LOW LEVEL COOLANT"	1			1		B
27	561887	SENSOR PROBE "LOW LEVEL COOLANT"	1			1		D
		A) W/ REGULAR ENGINE AND INCLUDE IN KIT #064252						
		B) WITH DDEC I						
		C) THIS SENSOR IS OBSOLETE IN 1995 YOU REQUIRE KIT #064252 THIS KIT INCLUDE ONE PART NUMBER #562426, CABLE #063939 WITH IS-94075						
		D) W/DDEC II W/92						

From J-622 To X-6383

Date:10/2022

PAGE:XL-0510-01

SURGE TANK



From J-622 To X-6383	Date:10/2022	PAGE:XL-0510-01
SURGE TANK		

Item#	Part	Description	M T H 4 0	M T H 4 5	M T H 4 5 E	X L 4 0	X L 4 5	N O T E S
	051426	TANK ASSY / WITH FITTING To K-839	1		1	1		B
	051608	TANK ASSY / WITH FITTING From K-840 To R-925	1		1	1		B
	051926	TANK ASSY (STEEL) To X-6883	1	1	1	1	1	C
1	051399	. TANK (STEEL) To K-839	1		1	1		B
1	051607	. TANK (STEEL) From K-840 To X-6883	1	1	1	1	1	
2	550606	. . CAP PRESSURE / OVER 14 LBS	1	1	1	1	1	
3	530191	. . CAP FILLER To X-6883	1	1	1	1	1	
4	501037	. MALE ELBOW 90° / SAE 45° FITTING / #4FL-Mx1/4NPT-M BR	1	1	1	1	1	
5	561887	SENSOR PROBE "LOW LEVEL COOLANT"	1			1		A
6	562395	SENSOR PROBE "LOW LEVEL COOLANT" / 1/4" NPT	1	1	1	1	1	C
7	550618	. SIGHT GLASS 1" NPT From K-840	1	1	1	1	1	
7	21331481	. SIGHT GLASS 1" NPT From K-840	1	1	1	1	1	
8	051401	ELBOW	1		1	1		B
8	5011036	. MALE ELBOW 90° / COLLAR FITTING / 1NPT-Mx#16 STL	1	1	1	1	1	C
NS	501027	. MALE CONNECTOR / SAE 45° FITTING / #4FL-Mx1/4NPT-M BR	1	1	1	1	1	
11	051388	PIPE ELBOW LOWER SECTION				2		D
11	051388	PIPE ELBOW LOWER SECTION	1		1			D
12	051393	PIPE ELBOW UPPER SECTION / MTH 80"	1	1	1			
12	051394	PIPE ELBOW UPPER SECTION / MTH 83"	1	1	1			
12	051395	PIPE ELBOW UPPER SECTION / MTH 86"	1	1	1			
14	503579	HOSE 1" I.D. X 50' / "GREEN STRIPE"	AR	AR	AR	AR	AR	C
14	503392	HOSE SILICONE 4PLY 1 3/8" I.D. x 4'	AR		AR	AR		B
16	051963	HOSE ASSY / MTH 86" / #4 1066MM To X-6914	1	1	1			E
16	051968	HOSE ASSY / #4 838MM To X-6914				1	1	C
16	051826	HOSE ASSY / MTH 83" / #4 636MM To X-6914	1	1				
17	051967	HOSE ASSY / #4 688MM To X-6914				1	1	C
17	051931	HOSE ASSY / MTH 83" / #4 840MM To T-5748	1	1				E
17	051962	HOSE ASSY / MTH 86" / #4 916MM To X-6914	1	1	1			E
18	051929	HOSE ASSY / #4 990MM To X-6914				1	1	
18	051929	HOSE ASSY / #4 990MM To X-6914	1	1				
18	052061	HOSE ASSY / #4 1142MM From T-5748 To X-6914	1	1	1			
19	503411	. HOSE / 2556 / #4 X 50' To X-6914	AR	AR	AR	AR	AR	
20	501347	. FEMALE CONNECTOR SWIVEL / PUSH-LOK FITTING #4JIC-Fx#4 BR	2	2	2	2	2	
21	501037	MALE ELBOW 90° / SAE 45° FITTING / #4FL-Mx1/4NPT-M BR	1	1	1	1	1	
22	501314	BUSHING REDUCER / PIPE FITTING / 3/8NTP-Mx1/4NPT-F BR	1		1	1		B
32	500777	NUT HEX STO 5/16-18 Z050	2	2	2	2	2	
34	500441	WASHER FL .312x.734x.065 Z050	2	2	2	2	2	
35	500179	SCREW CAP HEX 5/16-18x3/4 G5 Z050	1	1	1	1	1	
36	050886	SCR EYE ZP 5/16-18X5	1	1	1	1	1	
38	050904	SUPPORT SURGE TANK	1	1	1	1	1	
40	500535	SCREW TP CAP HEX #14x3/4 Z050	2	2	2	2	2	
42	500473	WASHER LO SPT .262x.489x.062 Z050	2	2	2	2	2	

From J-622 To X-6383	Date:10/2022	PAGE:XL-0510-01
SURGE TANK		

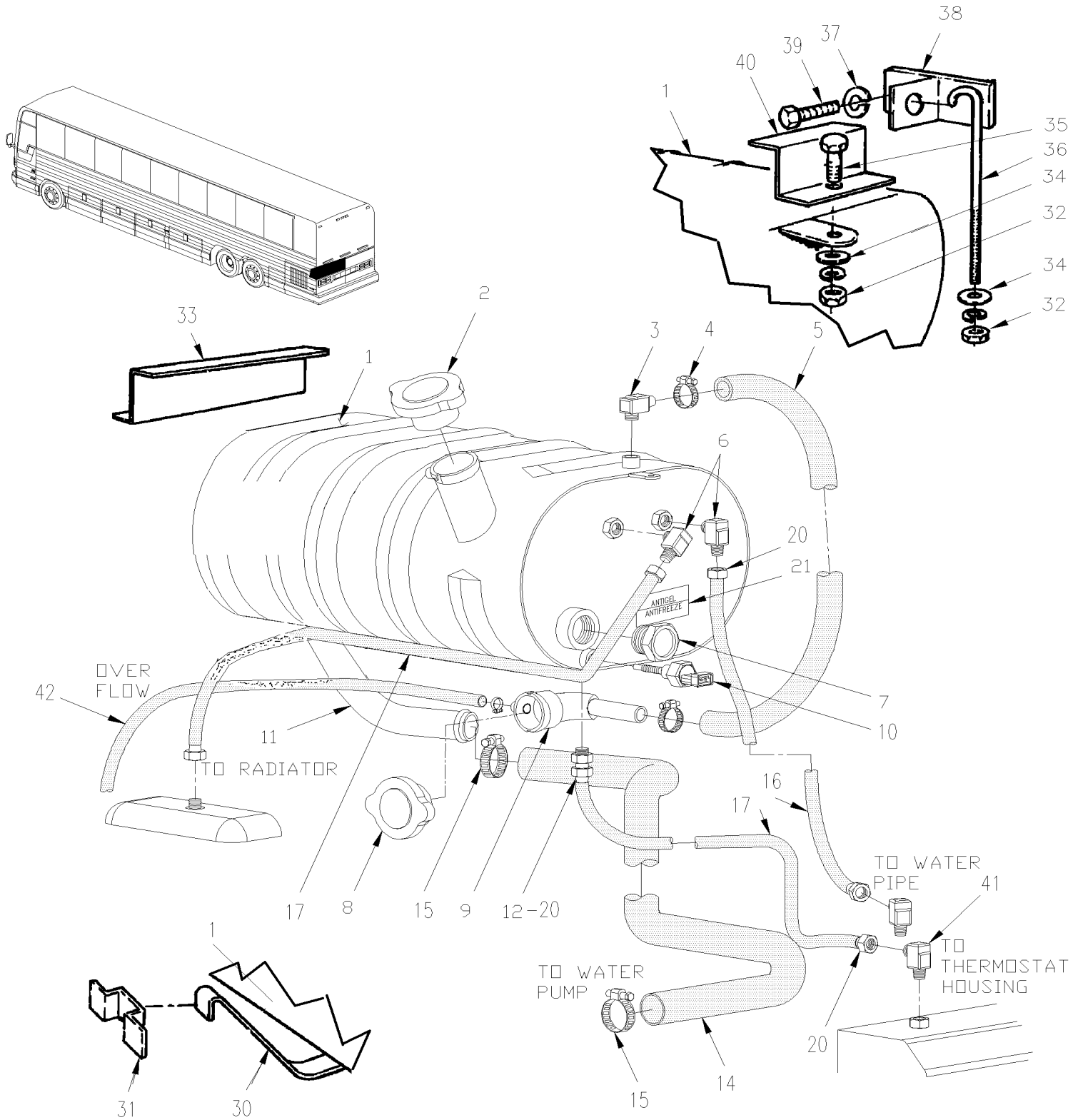
Item#	Part	Description	M T H 4 0	M T H 4 5	M T H 4 5 E	X L 4 0	X L 4 5	N O T E S
43	504272	RIVET CHY Q BRAZ 3/16x1/8 SS	4	4	4	4	4	
44	051381	SUPPORT SURGE TANK	1	1	1	1	1	
45	051379	SUPPORT SURGE TANK	1	1	1	1	1	
46	281416	CHAIN 8"	1	1	1	1	1	
48	503047	HOSE / RUBBER #6 / S.L.	AR	AR	AR	AR	AR	
49	260319	SUPPORT / WELDED TO FRAME	1	1	1	1	1	
50	051377	SUPPORT SURGE TANK	1	1	1	1	1	
NS	050781	DECAL / COOLANT CAPACITY / 91 LITERS / ENGLISH & FRANCAIS	1	1		1	1	
NS	050682	DECAL / ANTIFREEZE / ENGLISH & FRANCAIS	1	1	1	1	1	
NS	052574	DECAL / ANTIFREEZE / ENGLISH & SPANISH	1	1	1	1	1	
NS	561569	CLAMP / 1 3/8 I.D.	AR	AR	AR	AR	AR	
NS	560481	CLAMP / 5/8" I.D.	AR	AR	AR	AR	AR	
NS	504047	WIRE CLAMP / 5/8" I.D.	AR	AR	AR	AR	AR	
NS	504560	HOSE CLAMP / 1"1/4-2"1/8 / C.T. 200	AR	AR	AR	AR	AR	
NS	504017	HOSE CLAMP / 5/16"-7/8" SS / HM-6	AR	AR	AR	AR	AR	
NS	504105	RIVET POP DOME OE 1/8x3/16 AL	AR	AR	AR	AR	AR	
NS	500637	SCREW TP PAN PH #8x1 1/2 Z050	AR	AR	AR	AR	AR	
NS	500642	SCREW TP PAN PH #10x3/4 Z050	AR	AR	AR	AR	AR	
NS	504013	TIE MOUNT / 1/4" X 1/4" I.D.	AR	AR	AR	AR	AR	
NS	504015	CABLE TIE / 3/16" X 14"1/2	AR	AR	AR	AR	AR	
		A) WITH SERIE 92 W/DDEC II						
		B) WITH SERIE 92						
		C) WITH SERIE 50 & 60						
		D) USED IN LOWER SECTION WITH BUS SEE ITEM #12						
		E) WITH SERIE 60						

From X-6384 To Y-7045

Date:10/2022

PAGE:XL-0510-02

SURGE TANK



From X-6384 To Y-7045	Date:10/2022	PAGE:XL-0510-02
SURGE TANK		

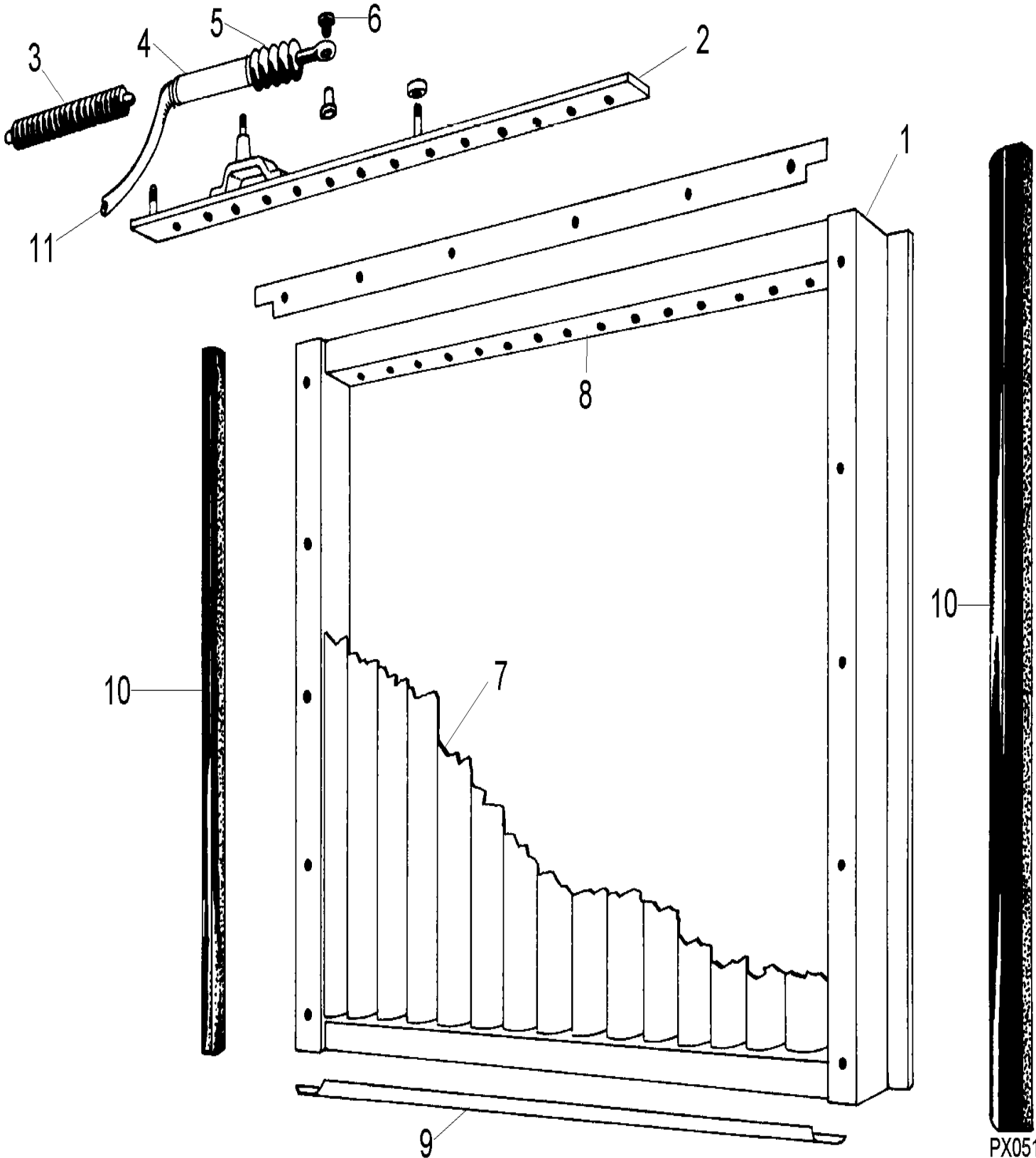
Item#	Part	Description	M T H 4 0	M T H 4 5	M T H 4 5 E	X L 4 0	X L 4 5	N O T E S
	052287P	TANK ASSY (S.S.)	1	1	1	1	1	
1	052286	TANK (S.S.)	1	1	1	1	1	
2	052355	CAP FILLER	1	1	1	1	1	
3	5011025	MALE ELBOW 90° / BEADED HOSE BARB / #10x1/4NPT-M	1	1	1	1	1	
4	504019	HOSE CLAMP / 9/16"-1"1/16 SS / HS-10	2	2	2	2	2	
5	051554	HOSE #10 560MM	1	1	1	1	1	
6	501037	MALE ELBOW 90° / SAE 45° FITTING / #4FL-Mx1/4NPT-M BR	2	2	2	2	2	
7	550618	SIGHT GLASS 1" NPT	1	1	1	1	1	
7	21331481	SIGHT GLASS 1" NPT	1	1	1	1	1	
8	550606	CAP PRESSURE / OVER 14 LBS	1	1	1	1	1	
9	051495	PIPE ASSY	1	1	1	1	1	
10	562395	SENSOR PROBE "LOW LEVEL COOLANT" / 1/4" NPT	1	1	1	1	1	
11	5011036	MALE ELBOW 90° / COLLAR FITTING / 1NPT-Mx#16 STL	1	1	1	1	1	
12	501027	MALE CONNECTOR / SAE 45° FITTING / #4FL-Mx1/4NPT-M BR	1	1	1	1	1	
14	503579	HOSE 1" I.D. X 50' / "GREEN STRIPE"	AR	AR	AR	AR	AR	
NS	5011147	FEMALE CONNECTOR SWIVEL / COLLAR FITTING / #16JIC-Fx#16 STL	1	1	1	1	1	
NS	5011255	MALE ELBOW 90° / JIC 37° FITTING / #16JIC-MxM33-2.0 ORB-M STL	1	1	1	1	1	
15	504658	HOSE CLAMP / 13/16"-1"3/4 / C.T. 9420	2	2	2	2	2	
16	051968	HOSE ASSY / #4 838MM To X-6914				1	1	
16	052337	HOSE ASSY / #4 838MM From X-6915				1	1	
16	052329	HOSE ASSY / MTH 83" / #4 636MM To X-6914	1	1				
16	051826	HOSE ASSY / MTH 83" / #4 636MM From X-6915	1	1				
16	051963	HOSE ASSY / MTH 86" / #4 1066MM To X-6914	1	1	1			
16	052336	HOSE ASSY / MTH 86" / #4 1066MM From X-6915	1	1	1			
17	051967	HOSE ASSY / #4 688MM To X-6914				1	1	
17	052334	HOSE ASSY / #4 688MM From X-6915				1	1	
17	051931	HOSE ASSY / MTH 83" / #4 840MM To X-6814	1	1				
17	051962	HOSE ASSY / MTH 86" / #4 916MM To X-6914	1	1	1			
17	052351	HOSE ASSY / #4 920MM From X-6915	1	1	1			
18	051929	HOSE ASSY / #4 990MM To X-6914				1	1	
18	052333	HOSE ASSY / #4 990MM From X-6915				1	1	
18	051929	HOSE ASSY / #4 990MM To T-5747	1	1	1			
18	052061	HOSE ASSY / #4 1142MM From T-5748 To X-6914	1	1	1			
18	052335	HOSE ASSY / #4 1142MM From X-6915	1	1	1			
18	503411	HOSE / 2556 / #4 X 50' To X-6914	AR	AR	AR	AR	AR	
18	503692	HOSE / (SAFETY STRIPE) / 1/4" I.D. 50' / S.L. From X-6915	AR	AR	AR	AR	AR	
20	501347	FEMALE CONNECTOR SWIVEL / PUSH-LOK FITTING #4JIC-Fx#4 BR	2	2	2	2	2	
21	050682	DECAL / ANTIFREEZE / ENGLISH & FRANCAIS	1	1	1	1	1	
21	052574	DECAL / ANTIFREEZE / ENGLISH & SPANISH	1	1	1	1	1	
21	050781	DECAL / COOLANT CAPACITY / 91 LITERS / ENGLISH & FRANCAIS	1	1	1	1	1	
30	051377	SUPPORT SURGE TANK	1	1	1	1	1	
31	260319	SUPPORT / WELDED TO FRAME	1	1	1	1	1	

From E-638 To J-465

Date:10/2022

PAGE:XL-0515-00

SHUTTER - RADIATOR 32"

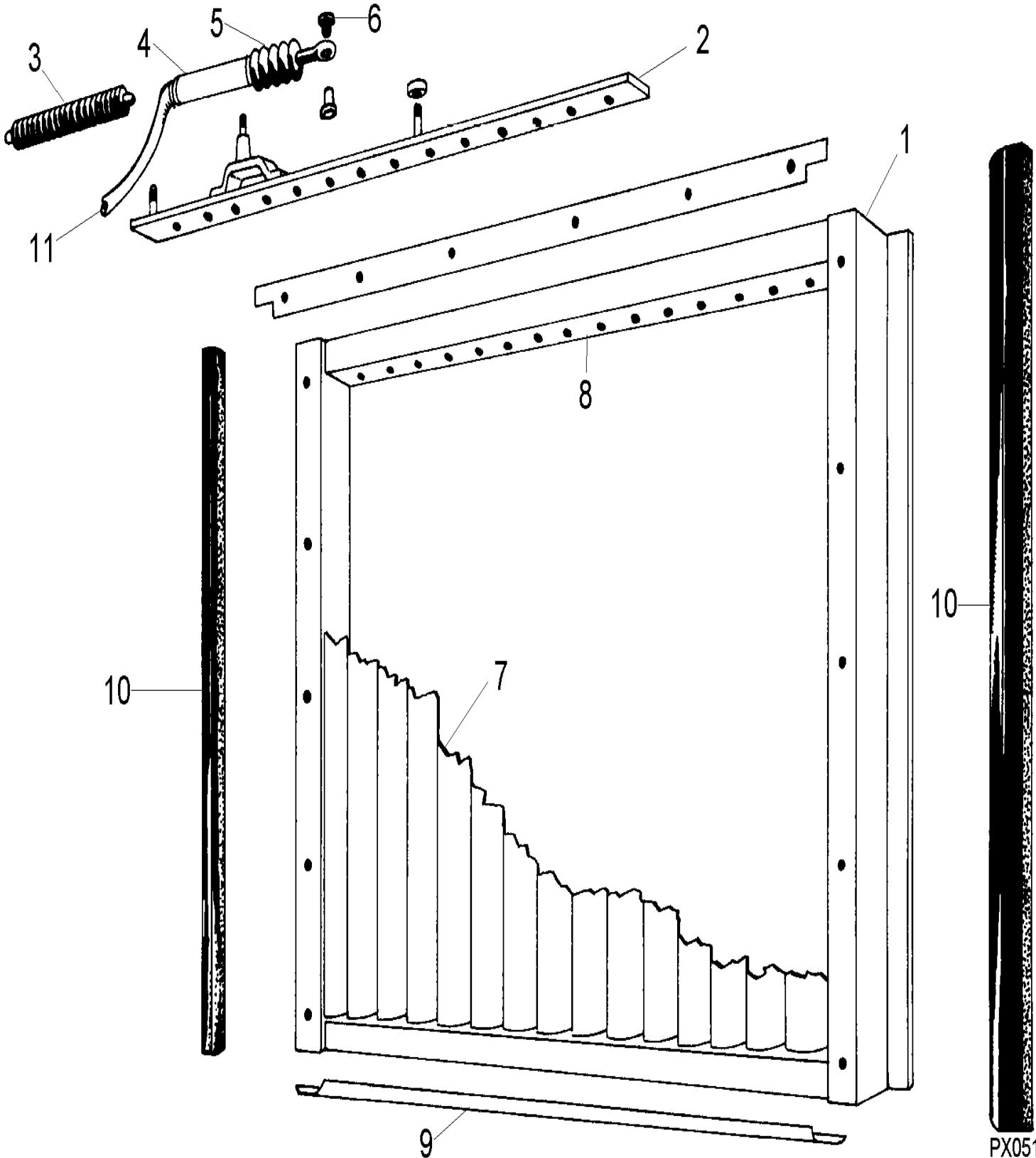


From E-638 To R-814

Date:10/2022

PAGE:XL-0515-01

SHUTTER - RADIATOR 36"

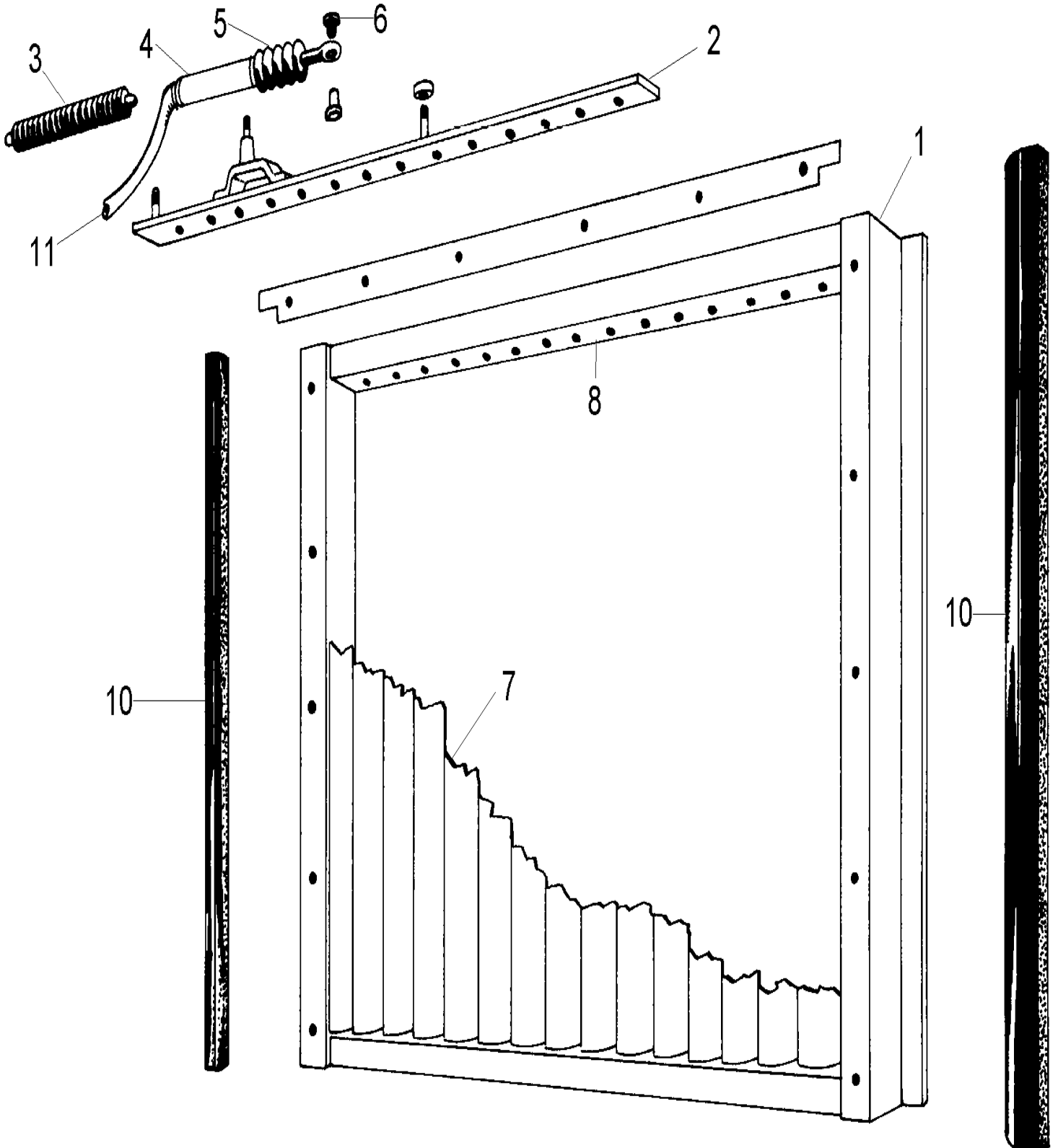


From N-428 To R-843

Date:10/2022

PAGE:XL-0515-02

SHUTTER - RADIATOR 39"



From N-428 To R-843	Date:10/2022	PAGE:XL-0515-02
SHUTTER - RADIATOR 39"		

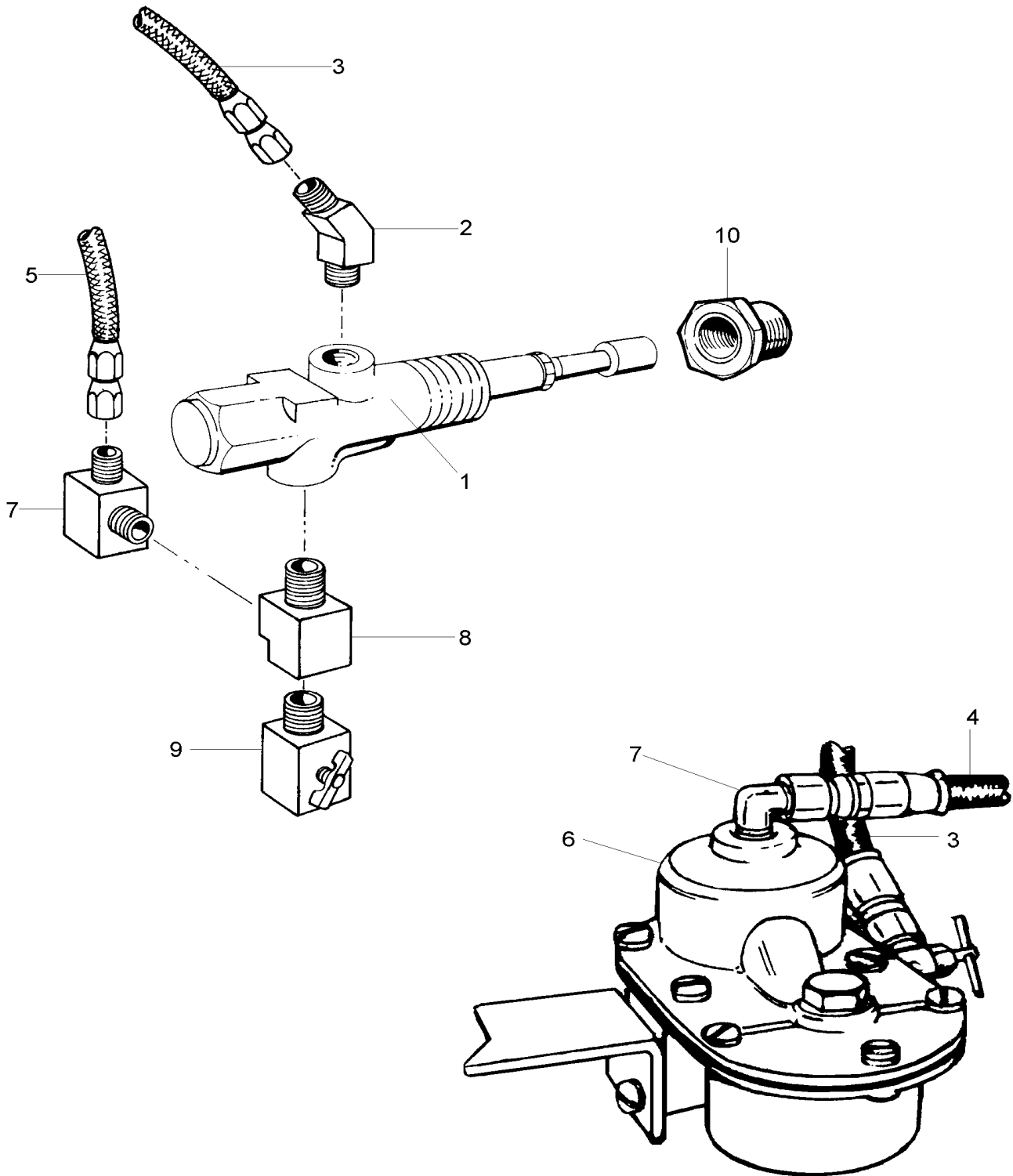
Item#	Part	Description	M T H 4 0	M T H 4 5	M T H 4 5 E	X L 4 0	X L 4 5	N O T E S
1	550619	SHUTTER ASSY 32"1/2H X 38"1/2 W	1		1			
2	N.P.N.	. BAR ASSY CONTROL UPPER	1		1			4
2	N.P.N.	. BAR ASSY CONTROL UPPER	1		1			4
3	550577	. SPRING EXTENSION / .350 O.D. x 6.875 x .069	2		2			
4	550568	. CYLINDER AIR / SHUTTER / W/4" MOUNT	1		1			
5	550569	. . BOOT RUBBER	1		1			
6	550179	. . BUSHING 5/16" I.D. / NYLON	2		2			
7	550582	. VANE ASSY 30"3/16	19		19			
8	550179	. BUSHING 5/16" I.D. / NYLON	38		38			
10	506001	TAPE RUB ADH1 CC POL 1/8" x 3/4" x 50' / GREY 2520X	AR		AR			
11	050898	HOSE ASSY TEFLON #4 1278MM	1		1			
11	503064	. HOSE TEFLON #4 / S.L.	AR		AR			
11	501892	. FEMALE CONNECTOR SWIVEL / SAE 45° FITTING / TEFLON / #4FL-Fx#4 STL	2		2			
		4) NO PARTS NUMBER						

From E-638 To R-798

Date:10/2022

PAGE:XL-0515-05

SHUTTERSTAT ELEMENT & LUBRIFICATOR

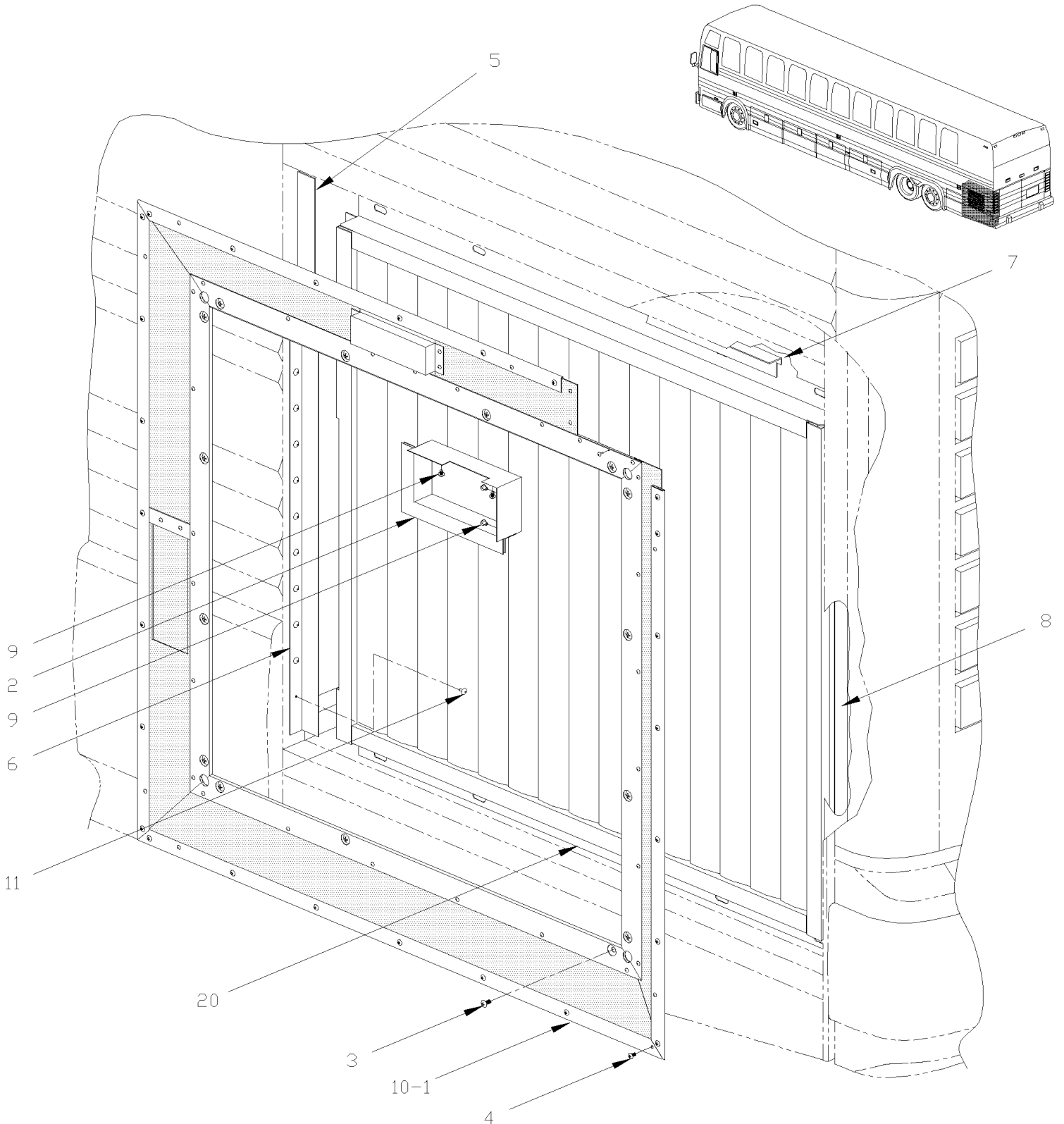


From E-638 To N-539

Date:10/2022

PAGE:XL-0518-00

RADIATOR SEALING FRAME - W/36" RADIATOR



From E-638 To N-539	Date:10/2022	PAGE:XL-0518-00
---------------------	--------------	-----------------

RADIATOR SEALING FRAME - W/36" RADIATOR

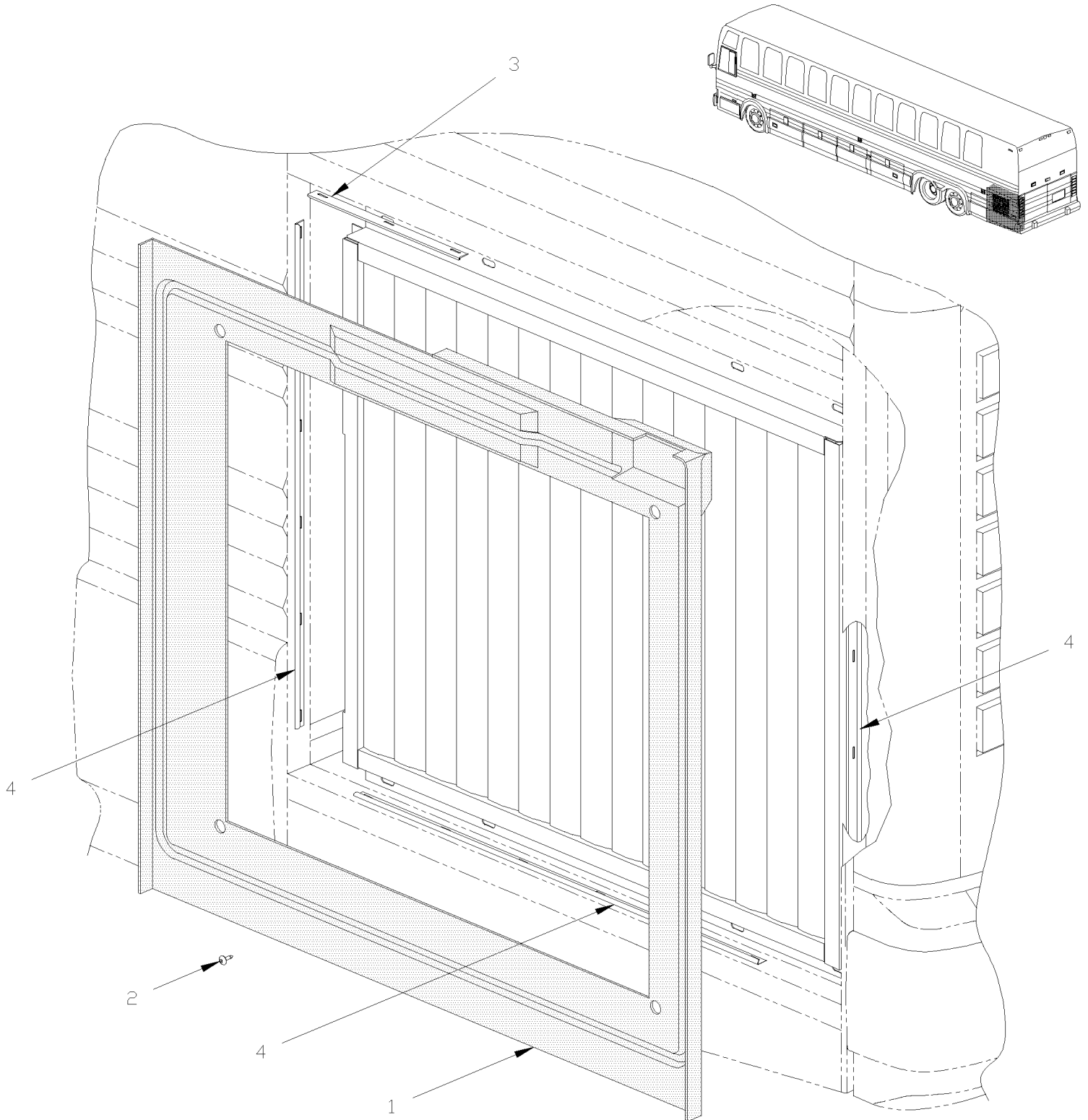
Item#	Part	Description	M T H 4 0	M T H 4 5	M T H 4 5 E	X L 4 0	X L 4 5	N O T E S
1	051341	FRAME ASSY/ W/RADIATOR 36" & 8V92 ONLY	1			1		A
NS	051273	SPACER, FRAME / W/36" RADIATOR	1					
2	051340	PROTECTOR BOX / HANDLE	1			1		
3	500038	SCREW TP PAN PH #12x1/2 SS	AR			AR		
4	502500	SCREW TC BDG PH #8-32x1/2 CJ	AR			AR		
5	051331	SUPPORT, ANGLE / L.H. FRONT UPPER	1			1		
6	051332	SUPPORT, ANGLE / L.H. FRONT LOWER	1			1		
7	051330	SUPPORT, ANGLE / UPPER	1			1		
8	051333	SUPPORT, ANGLE / REAR R.H.	1			1		
9	504340	RIVET POP DOME OE 1/8x3/16 SS	AR			AR		
10	506001	TAPE RUB ADH1 CC POL 1/8" x 3/4" x 50' / GREY 2520X	AR			AR		
11	504272	RIVET CHY Q BRAZ 3/16x1/8 SS	AR			AR		
20	XL-0515-01	SHUTTER - RADIATOR 36"						
NS	051346	KIT, RADIATOR SEALING KIT / W/LOCK DOOR	AR					
NS	051347	KIT, RADIATOR SEALING KIT / W/OUT LOCK DOOR	AR					
		A) UP TO H-285 USE KIT #051346 FOR SEALING FRAME WITH 8V92						

From N-540 To R-814

Date:10/2022

PAGE:XL-0518-01

RADIATOR SEALING FRAME - W/36" RADIATOR

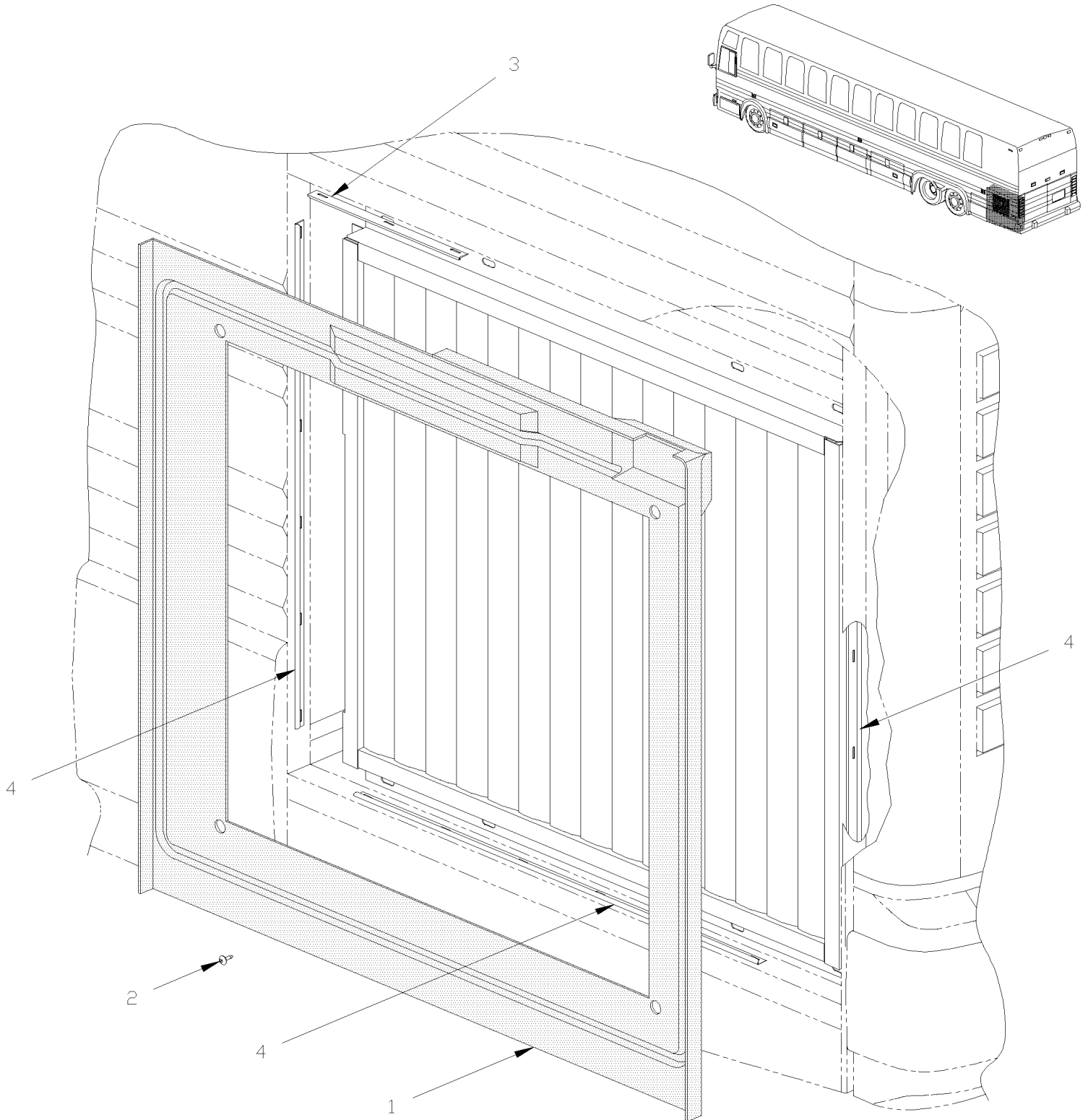


From N-428 To R-843

Date:10/2022

PAGE:XL-0518-02

RADIATOR SEALING FRAME - W/39" RADIATOR

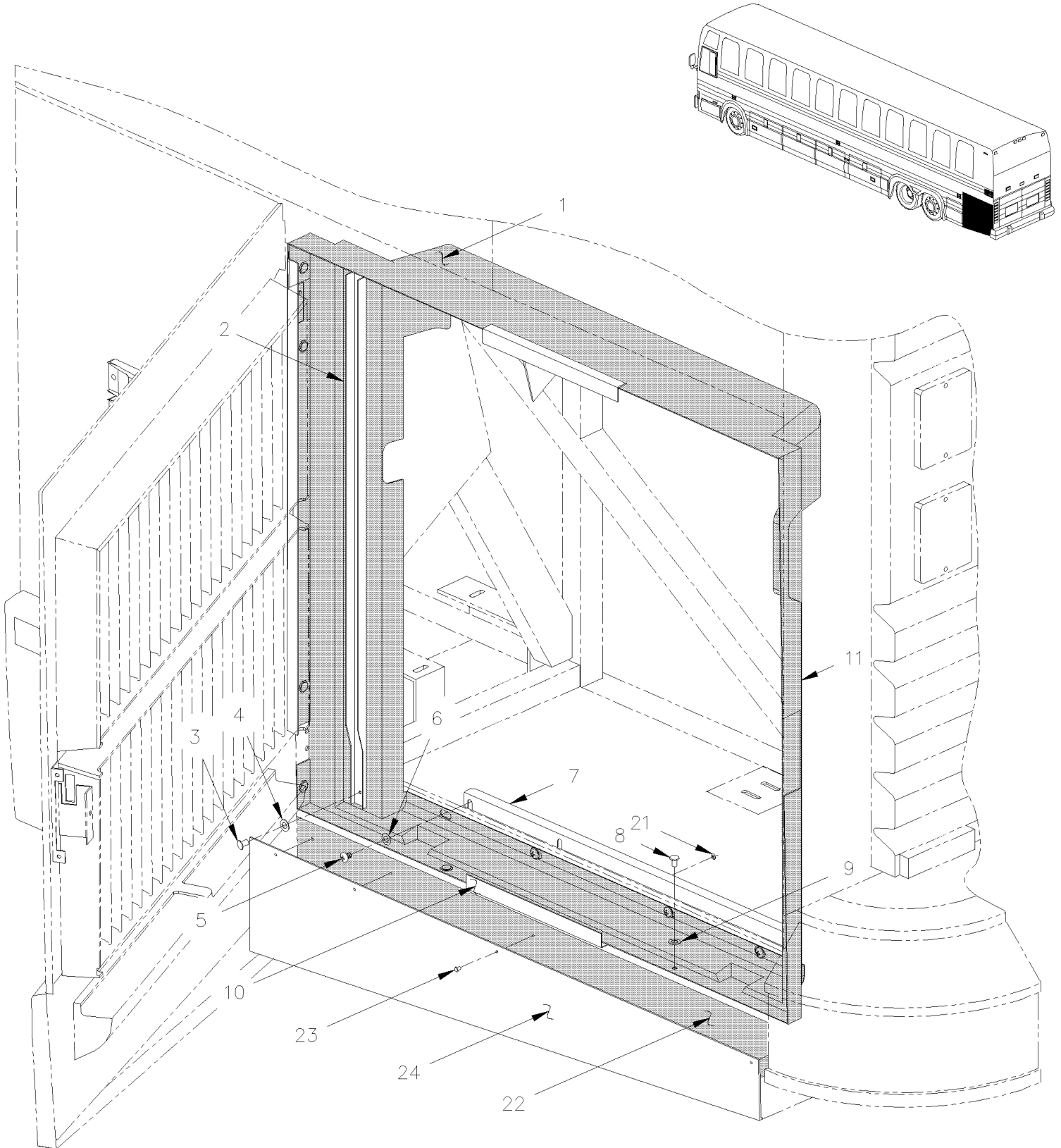


From P-722 To Y-7045

Date:10/2022

PAGE:XL-0518-03

RADIATOR SEALING FRAME



From P-722 To Y-7045	Date:10/2022	PAGE:XL-0518-03
----------------------	--------------	-----------------

RADIATOR SEALING FRAME

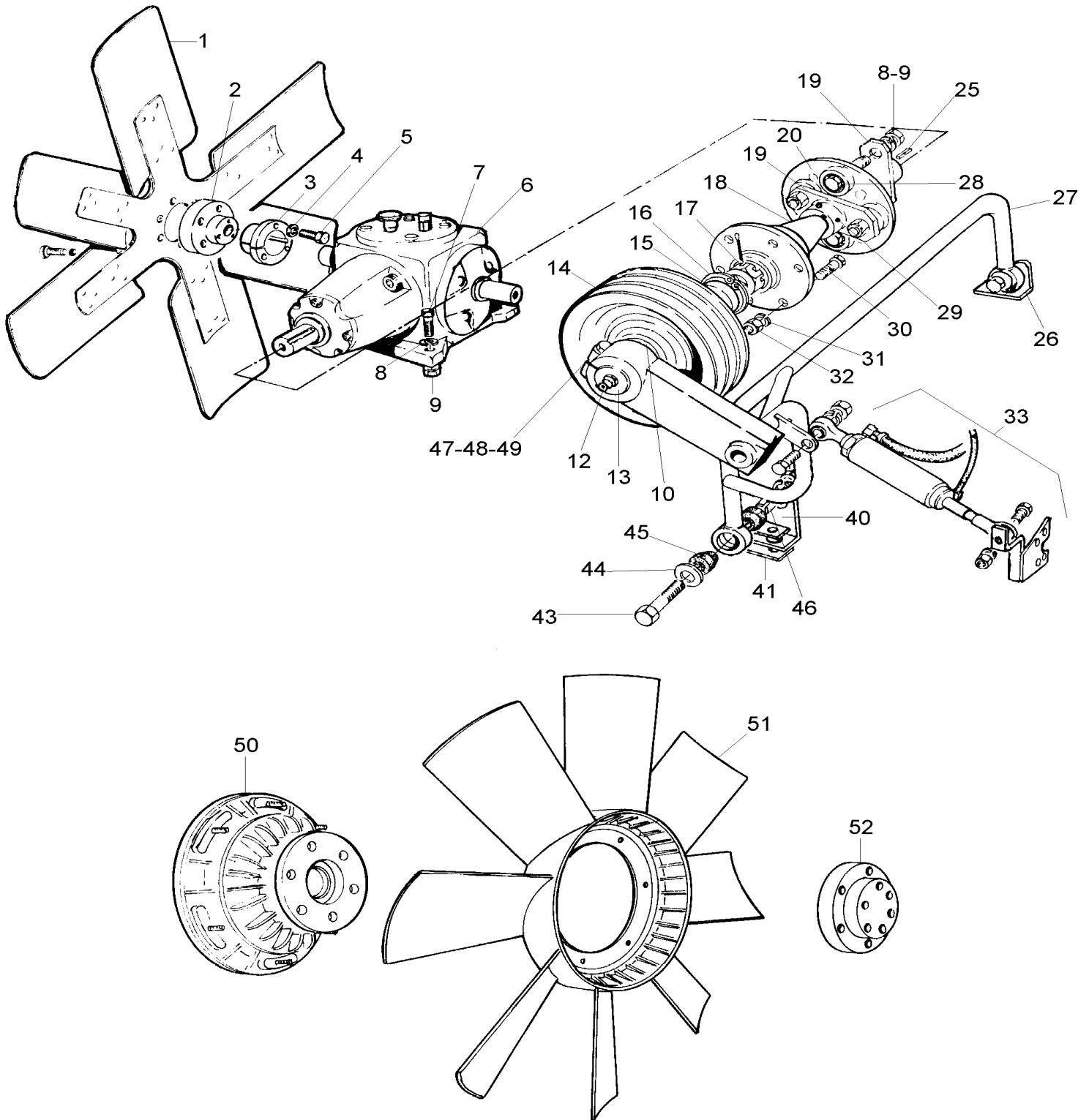
Item#	Part	Description	M T H 4 0	M T H 4 5	M T H 4 5 E	X L 4 0	X L 4 5	N O T E S
		B) ON WALL OF TANK COMP.						
		C) WARNING WARRANTY IT VOID IF YOU REMOVED THIS AIR SHIELD						
		D) FOR PRODUCT IMPROVMENT YOUR REQUIRE KIT #052379 OR 052380						

From E-638 To R-798

Date:10/2022

PAGE:XL-0520-00

FAN DRIVE - INSTALLATION MOBILE WITH DETROIT S-71 & S-92



From E-638 To R-798	Date:10/2022	PAGE:XL-0520-00
FAN DRIVE - INSTALLATION MOBILE WITH DETROIT S-71 & S-92		

Item#	Part	Description	M T H 4 0	M T H 4 5	M T H 4 5 E	X L 4 0	X L 4 5	N O T E S
1	550574	FAN ASSY / CCW 26" / 6 BLADES STEEL				1		
1	550624	FAN ASSY / CCW 26" / 7 BLADES PLASTIC				1		
1	550573	FAN ASSY / CCW 30" / 8 BLADES STEEL				1		
1	550626	FAN ASSY / CCW 30" / 7 BLADES PLASTIC				1		
1	550576	FAN ASSY / CCW 32" / 8 BLADES STEEL	1			1		
1	550622	FAN ASSY / CCW 32" / 7 BLADES PLASTIC	1			1		
1	550627	FAN ASSY / CW 32" / 9 BLADES PLASTIC	1			1		A
2	050907	COUPLING FAN / TO FIX PULLEY	1			1		
3	550594	CONE BUSHING 1 I.D X 1 1/2 O.D. X 2 5/8 O.D.	1			1		
4	500478	WASHER LO SPT .380x.683x.094 Z050	AR			AR		
4	500473	WASHER LO SPT .262x.489x.062 Z050	AR			AR		
5	500048	SCREW CAP HEX 3/8-24x1 1/4 G5 ZP	AR			AR		
5	500177	SCREW CAP HEX 1/4-20x1 G8 ZP	AR			AR		
5	500705	NUT HEX 3/8-24 ZP	AR			AR		
6	XL-0525-00	GEARBOX "BOSTON GEAR" - #550027 To R-797						
6	XL-0525-02	GEARBOX "SUPERIOR" - #051934 From R-798						
NS	051914	SPACER ADAPTOR	1			1		
7	500091	SCREW CAP HEX 1/2-20x1 3/4 G5 ZP	AR			AR		
8	500446	WASHER FL .531x1.250x.125 Z050	AR			AR		
9	500718	NUT HEX STO 1/2-20 Z050	AR			AR		
9	051221	SPACER SHIM / PLATE & SUPPORT	6			6		
9	050247	SHAFT & PULLEY ASSY	1			1		
10	507097	BALL BEARING	1			1		
12	501497	GREASE FITTING / 1/4-28	AR			AR		
13	050228	SHAFT 2" O.D. X 5"1/4	1			1		
14	050772	PULLEY	1			1		
15	507107	BALL BEARING	1			1		
15	507340	BALL BEARING 20 ID x 52 OD x 22.2 W	1			1		
16	504095	RING RETAINER / INT 2.00 x 2.12 x .062	1			1		
17	500726	NUT HEX SLT 5/8-18 ZP	1			1		
17	502110	PIN, COTTER 1/8 x 1 1/4	1			1		
17	050953	SHIM 2"1/4 O.D. X 1"1/2 I.D. X .030 TH	1			1		
18	050699	PULLEY FLANGE DRIVE / 8"7/8 LG	1			1		
19	050571	FLANGE COUPLING To N-982	2			2		
19	051745	FLANGE COUPLING / W/SHAFT 1"O.D. From N-983 To N-542	2			2		
19	051833	FLANGE COUPLING From N-543	2			2		
20	550272	COUPLING	1			1		
25	550186	KEY 1/4" X 1/4" X 1 1/4"	2			2		
25	500912	SCREW SET HEXS CUP 3/8-16x3/8	4			4		
26	051144	BRACKET FRONT / CENTER LINE HOLE / 3 15/16" HIGH W/ 2 1/8" To H-275	1			1		
26	051294	BRACKET FRONT / 3 1/2" HIGH W 2 3/16" From H-276	1			1		
26	051715	BRACKET FRONT / CENTER LINE HOLE / W/6V92 ONLY / 4 1/4" HIGH W/ 2 15/16" From M-929	1			1		

From E-638 To R-798	Date:10/2022	PAGE:XL-0520-00
FAN DRIVE - INSTALLATION MOBILE WITH DETROIT S-71 & S-92		

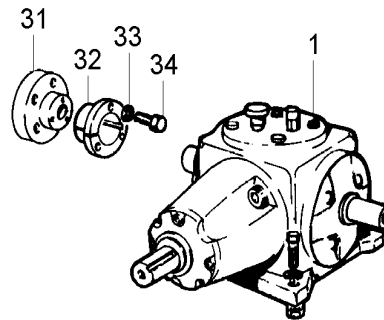
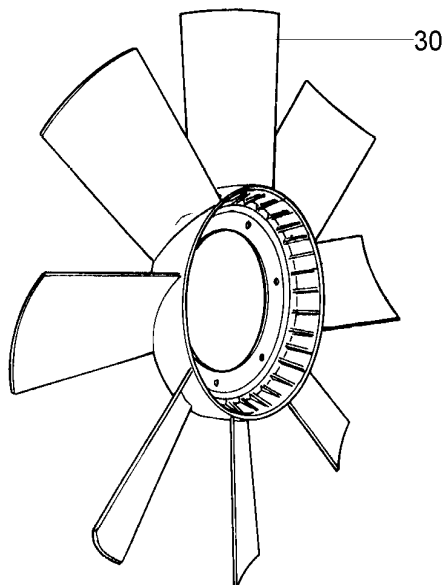
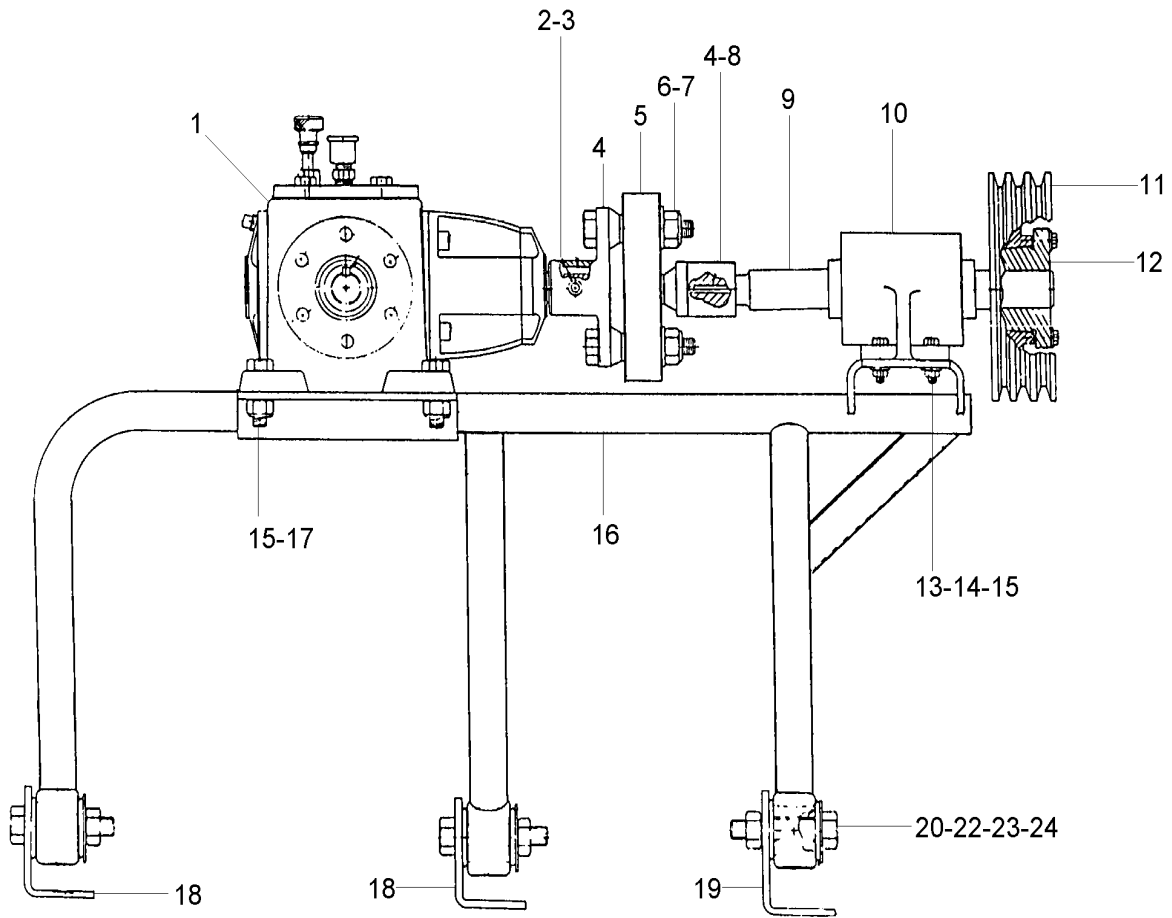
Item#	Part	Description	M T H 4 0	M T H 4 5	M T H 4 5 E	X L 4 0	X L 4 5	N O T E S
27	050701	SUPPORT ASSY To H-275	1			1		
27	051290	SUPPORT ASSY From H-276 To M-928	1			1		
27	051751	SUPPORT ASSY From M-929	1			1		
28	500096	SCREW CAP HEX 1/2-20x3 G5 Z050	4			4		
29	505074	KEY WOODRUFF	1			1		
30	500027	SCREW CAP HEX 5/16-24x1 1/4 G5 ZP	AR			AR		
31	500476	WASHER LO SPT .317x.586x.078 Z050	AR			AR		
32	500699	NUT HEX 5/16-24 Z050	AR			AR		
33	XL-0125-00	BELTS TENSIONERS - WITH DETROIT S-71 & S-92						
40	050704	BRACKET REAR / CENTER LINE HOLE / 3 7/16" HIGH W/ 2 1/8" To H-275	1			1		
40	051292	BRACKET REAR / CENTER LINE HOLE / 4" HIGH W/ 2 11/16" From H-276	1			1		
40	051713	BRACKET REAR / CENTER LINE HOLE / W/6V92 ONLY / 4 3/4" HIGH W/ 3 7/16" From M-929	1			1		
41	050705	SPACER 1/4" TH	AR			AR		
41	050706	SPACER 3/8" TH	AR			AR		
41	500476	WASHER LO SPT .317x.586x.078 Z050	4			4		
41	500445	WASHER FL .437x1.000x.083 Z050	4			4		
41	500444	WASHER FL .406x.812x.065 Z050	8			8		
41	500704	NUT HEX STO 3/8-24 Z050	4			4		
43	500145	SCREW CAP HEX 3/4-16x3 1/2 G5 Z050	2			2		
44	500451	WASHER FL .812x2.000x.148 ZP	4			4		
45	630002	BUSHING / RUBBER / (TWO PIECES) 1" x 1.005" I.D.	4			4		
45	500735	NUT HEX STO 3/4-16 ZP	2			2		
46	130379	SLEEVE 3/4" I.D. X 1" O.D. X 1 11/16" LG	2			2		
47	500094	SCREW CAP HEX 1/2-20x2 1/2 G5 ZP	1			1		
48	500482	WASHER LO SPT .506x.873x.125 Z050	1			1		
49	500716	NUT HEX 1/2-20 Z050	1			1		
50	550570	DRIVE ASSY / W/30" THERMOSTATIC FAN	1			1		
50	550604	DRIVE ASSY / W/32" THERMOSTATIC FAN				1		
51	550571	FAN BLADE / PLASTIC CW 30" / THERMOSTATIC	1			1		
51	550605	FAN BLADE / PLASTIC CW 32" / THERMOSTATIC	1			1		
52	050873	COUPLING / W/THERMOSTATIC FAN	1			1		
		A) IF YOU INSTALL THIS FAN BLADE YOUR REQUIRE TO MODIFIED GEAR BOX ROTATION						

From N-428 To R-843

Date:10/2022

PAGE:XL-0520-02

FAN DRIVE - INSTALLATION FIXED WITH DETROIT S-92



From N-428 To R-843	Date:10/2022	PAGE:XL-0520-02
FAN DRIVE - INSTALLATION FIXED WITH DETROIT S-92		

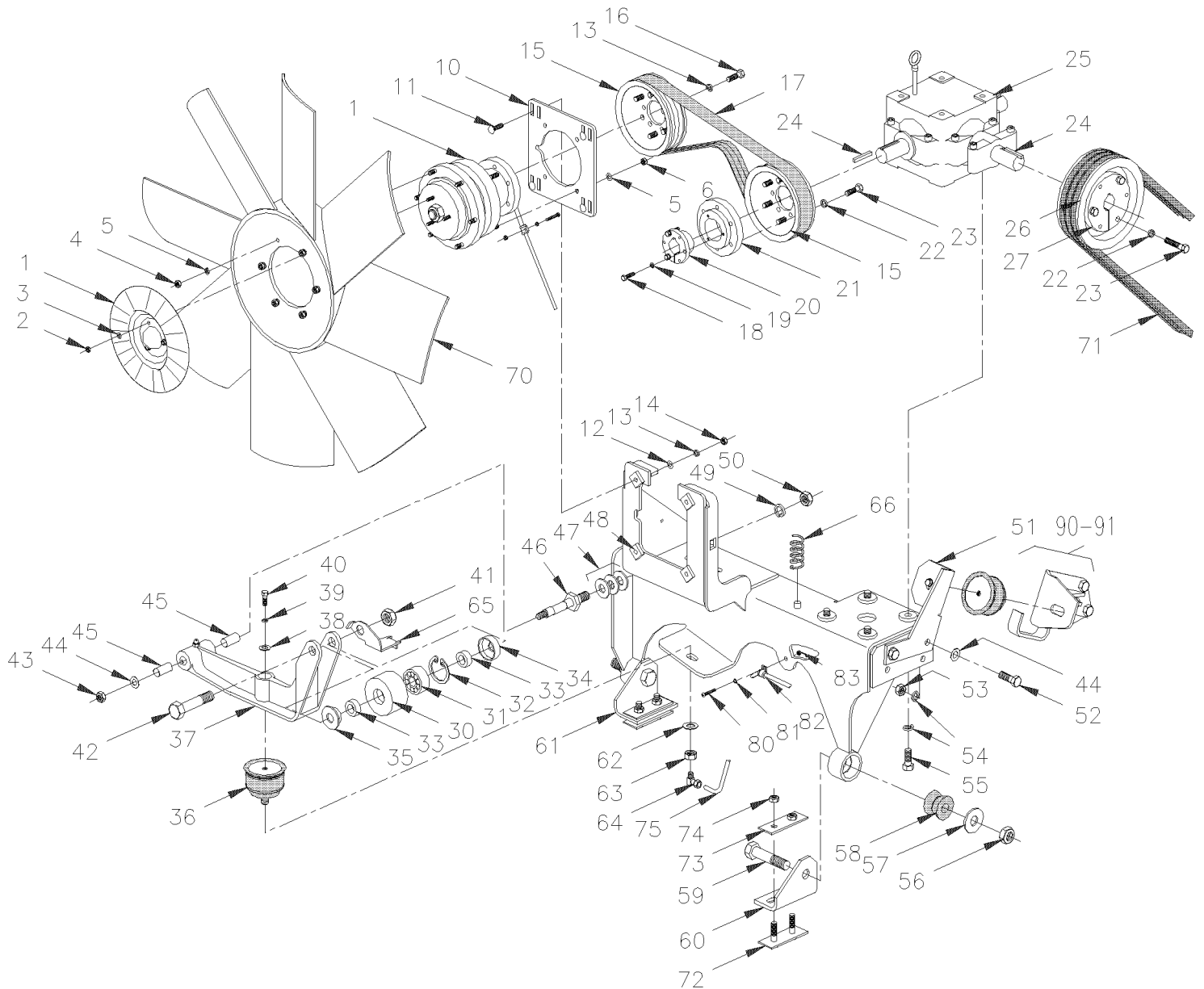
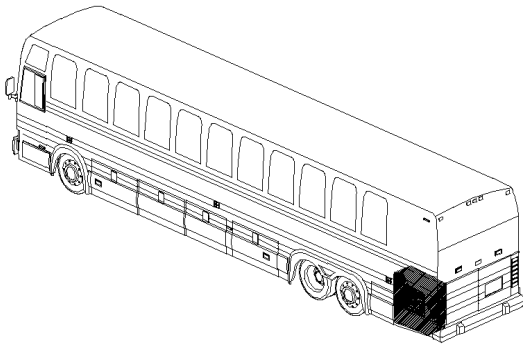
Item#	Part	Description	M T H 4 0	M T H 4 5	M T H 4 5 E	X L 4 0	X L 4 5	N O T E S
		A) O MOUNT WITH GEARBOX "SUPERIOR" IT REQUIRE SOME SHIM #051221 ADAPTOR PLATE & SUPPORT FROM N-428 FOR MTH & R-798 FOR BUS.						

From P-722 To Y-7045

Date:10/2022

PAGE:XL-0520-03

FAN DRIVE - INSTALLATION WITH DETROIT S-50 & S-60



From P-722 To Y-7045		Date:10/2022	PAGE:XL-0520-03
FAN DRIVE - INSTALLATION WITH DETROIT S-50 & S-60			

Item#	Part	Description	M T H 4 0	M T H 4 5	M T H 4 5 E	X L 4 0	X L 4 5	N O T E S
	052006P	FAN DRIVE ASSY	1	1	1	1	1	
1	XL-0540-00	. FAN CLUTCH ASSY - #550634 (FORMER)						C
NS	XL-0540-01	. FAN CLUTCH ASSY - #550634 (SERVICE)						C
1	XL-0540-50	. FAN CLUTCH ASSY - #550758 From W-6562						C
2	502511	. NUT HEX NYRT M6-1.0 Z050	3	3	3	3	3	
3	502573	. WASHER FL 6.4x12.5x1.6 SS	3	3	3	3	3	
4	502543	. NUT HEX M8-1.25 Z050	6	6	6	6	6	
5	500874	. WASHER FL 8.4x17.0x1.6 Z050	8	8	8	8	8	
NS	502644	. WASHER FL 10.5x30.0x2.5 Z050 From W-6562	8	8	8			D
6	502744	. NUT HEX STO M8-1.25 Z050	4	4	4	4	4	
NS	500680	. NUT HEX STO M10-1.5 Z050 From W-6562	4	4	4			D
10	051898	. PLATE TRANSITION / FAN CLUTCH & SUPPORT	1	1	1	1	1	
10	052196	. PLATE TRANSITION / FAN CLUTCH & SUPPORT From W-6562	1	1	1			C
11	5001208	. SCREW CRG M8-1.25x30 G8.8 Z050	4	4	4	4	4	
12	500874	. WASHER FL 8.4x17.0x1.6 Z050	8	8	8	8	8	
13	5001003	. WASHER LO SPT 8.1x12.7x2.0 Z050	10	10	10	10	10	
14	502543	. NUT HEX M8-1.25 Z050	4	4	4	4	4	
15	051830	. PULLEY / W/10RIB X 6.10" DIA	2	2	2	2	2	
16	502528	. SCREW CAP HEX M8-1.25x20 G8.8 EMN	6	6	6	6	6	
17	506688	. MULTI V-BELT / 10 RIB 51" 5100510-51	1	1	1	1	1	
18	500177	. SCREW CAP HEX 1/4-20x1 G8 ZP	3	3	3	3	3	
19	500473	. WASHER LO SPT .262x.489x.062 Z050	3	3	3	3	3	
20	550690	. CONE BUSHING 1 1/4 I.D X 1 13/16 O.D. X 2 5	1	1	1	1	1	
21	050907	. COUPLING FAN / TO FIX PULLEY	3	3	3	3	3	
22	500478	. WASHER LO SPT .380x.683x.094 Z050	6	6	6	6	6	
23	500048	. SCREW CAP HEX 3/8-24x1 1/4 G5 ZP	6	6	6	6	6	
24	550186	. KEY 1/4" X 1/4" X 1 1/4"	2	2	2	2	2	
25	XL-0525-03	. GEARBOX "SUPERIOR" - #550688						
25	XL-0525-04	. GEARBOX "SUPERIOR" - #550731 & 550789						
NS	052094	. SHIM / GEAR BOS & SUPPORT W/50				1		
26	051603	. PULLEY (3V X 7.40 DIA)	1	1	1	1	1	
27	550691	. CONE BUSHING 1 1/4 I.D X 3 O.D. X 4 5/8 O.D	1	1	1	1	1	
30	052010	. PULLEY To W-6378	1	1	1	1	1	
30	052208	. PULLEY ASSY W/BEARING & SEAL / 43MM x 78MM	1	1	1	1	1	
30	052676	. PULLEY ASSY W/BEARING & SEAL / 54MM x 75MM	1	1	1	1	1	F
30	052207	. PULLEY BELT TENSIONER / 43MM x 78MM O.D. From W-6379	1	1	1	1	1	A
30	052677	. PULLEY / 54MM WIDE x 75MM O.D.	1	1	1	1	1	F
31	507340	. BALL BEARING 20 ID x 52 OD x 22.2 W	1	1	1	1	1	
31	510618	. BALL BEARING DBL ROW / 30MM x 62MM x 27 W	1	1	1	1	1	F
32	504095	. RING RETAINER / INT 2.00 x 2.12 x .062	1	1	1	1	1	
32	504040	. RING RETAINER / INT 2.440 x 1.860 x 0.078 STL BLK	1	1	1	1	1	F
33	052004	. SPACER / BEARING & ARM T To W-6378	2	2	2	2	2	

From P-722 To Y-7045	Date:10/2022	PAGE:XL-0520-03
FAN DRIVE - INSTALLATION WITH DETROIT S-50 & S-60		

Item#	Part	Description	M T H 4 0	M T H 4 5	M T H 4 5 E	X L 4 0	X L 4 5	N O T E S
33	052205	. . SPACER 20MM I.D. X 12.5MM TH From W-6379	2	2	2	2	2	N
33	062627	. . HARNESS / TO A/C COMPRESSOR	1	1	1	1	1	F
34	507361	. . SEAL From W-6379	1	1	1	1	1	O
34	507371	. . SEAL	1	1	1	1	1	F
35	507360	. . SEAL From W-6379	1	1	1	1	1	L
35	507371	. . SEAL	1	1	1	1	1	F
NS	680500	. . GREASE MERITOR / 400GR	AR	AR	AR	AR	AR	
NS	680752	. . GREASE LITHIUM / BLUE	AR	AR	AR	AR	AR	F
36	950208	. BELLOW ASSY / BELT TENSIONER / 3" O.D.	2	2	2	2	2	
NS	504695	. . HOSE CLAMP STEPLESS SPRING SS / OETIKER / 2.9-3.3	1	1	1	1	1	
37	051991	. ARM, BELT TENSIONER / IRON USE W 45MM WIDE PULLEY	1	1	1	1	1	G
37	052624	. ARM, BELT TENSIONER / IRON USE W 54MM WIDE PULLEY	1	1	1	1	1	F
38	500985	. WASHER FL .343x.875x.125 Z050	1	1	1	1	1	
39	500476	. WASHER LO SPT .317x.586x.078 Z050	1	1	1	1	1	
40	5001132	. SCREW CAP HEX 5/16-18x7/8 G5 Z050	1	1	1	1	1	
41	500735	. NUT HEX STO 3/4-16 ZP	3	3	3	3	3	
41	5001252	. NUT HEX STO M20-2.5 DP	1	1	1	1	1	
42	500145	. SCREW CAP HEX 3/4-16x3 1/2 G5 Z050	3	3	3	3	3	
42	983296	. SCREW CAP HEX M20-2.5x90 G10.9 ZP	1	1	1	1	1	F
43	500811	. NUT HEX STO M12-1.75 G500	1	1	1	1	1	
43	5001628	. NUT HEX NYRT M10-1.5 SS	1	1	1	1	1	S
44	500446	. WASHER FL .531x1.250x.125 Z050	1	1	1	1	1	
44	500270	. WASHER FL .406x1.000x.063 SS	1	1	1	1	1	S
45	507293	. BUSHING NYLINED .625x.750x.750	2	2	2	2	2	
46	052003	. PIVOT / TO FIX TENSIONER TO SUPPORT	1	1	1	1	1	
46	052670	. PIVOT / TO FIX TENSIONER TO SUPPORT	1	1	1	1	1	S
46	501497	. GREASE FITTING / 1/4-28	1	1	1	1	1	
47	500449	. WASHER FL .625x1.500 SS	AR	AR	AR	AR	AR	
48	051908	. SUPPORT FAN CLUTCH & GEAR BOX / SHORT To W-6358	1	1	1	1	1	
48	052209	. SUPPORT FAN CLUTCH & GEAR BOX / SHORT From W-6359	1	1	1	1	1	B
49	500802	. WASHER LO SPT 16.2x37.4x3.5 Z050	1	1	1	1	1	
50	502588	. NUT HEX M16-2.0 ZP	1	1	1	1	1	
51	052066	. SUPPORT / BELLOW TENSIONNER To X-6903				1	1	
51	052346	. SUPPORT / BELLOW TENSIONNER From X-6904				1	1	
51	052066	. SUPPORT / BELLOW TENSIONNER	1	1	1			
54	500482	. WASHER LO SPT .506x.873x.125 Z050	6	6	6	6	6	
55	500214	. SCREW CAP HEX 1/2-13x1 1/4 G5 Z050	4	4	4	4	4	
57	500451	. WASHER FL .812x2.000x.148 ZP	2	2	2	2	2	
58	630002	. BUSHING / RUBBER / (TWO PIECES) 1" x 1.005" I.D.	2	2	2	2	2	
NS	507347	. SPACER / BUSHING	2	2	2	2	2	
60	051294	. BRACKET FRONT / 3 1/2" HIGH W 2 3/16" To T-5792	1	1	1	1	1	
60	052123	. SUPPORT, ANGLE / FRONT From T-5793 To X-6903				1	1	

From P-722 To Y-7045		Date:10/2022	PAGE:XL-0520-03
FAN DRIVE - INSTALLATION WITH DETROIT S-50 & S-60			

Item#	Part	Description	M T H 4 0	M T H 4 5	M T H 4 5 E	X L 4 0	X L 4 5	N O T E S
60	052347	SUPPORT, ANGLE / FRONT From X-6904				1	1	
60	052123	SUPPORT, ANGLE / FRONT From T-5793	1	1	1			
61	052005	SUPPORT, ANGLE / REAR To T-5792	1	1	1	1	1	
61	052124	SUPPORT, ANGLE / REAR From T-5793 To X-6903				1	1	
61	052348	SUPPORT, ANGLE / REAR From X-6904				1	1	
61	052124	SUPPORT, ANGLE / REAR From T-5793	1	1	1			
62	5001150	WASHER FL 17.0x30.0x3.0 N500	1	1	1	1	1	
63	500792	NUT HEX 5/8-11 Z050	1	1	1	1	1	
64	640996	MALE ELBOW 90° / NTA FITTING / #4x1/8NPT-M BR To X-6905	1	1	1	1	1	
64	501808	MALE ELBOW 45° / SAE 45° FITTING / #4FL-Mx1/8NPT-M BR From X-6906	1	1	1	1	1	
65	052206	SPRING ATTACHMENT W/45MM WIDE PULLEY From W-6359	1	1	1	1	1	
66	502247	SPRING COMPRESSION / 1.250 O.D. x 2.5 x .125 From W-6359	1	1	1	1	1	
70	550686	FAN ASSY / CW 32" / 9 BLADES PLASTIC				1	1	
70	550632	FAN ASSY / CW 32" / 8 BLADES PLASTIC To R-783	1	1	1			
70	550686	FAN ASSY / CW 32" / 9 BLADES PLASTIC From R-784 To W-6561	1	1				
70	550686	FAN ASSY / CW 32" / 9 BLADES PLASTIC From R-784 To X-6831			1			
70	550757	FAN ASSY / CW 36" / 8 BLADES PLASTIC From W-6562	1	1				
70	550757	FAN ASSY / CW 36" / 8 BLADES PLASTIC From X-6832			1			
71	506690	V-BELT / AX-74 9012-2074 To X-6903	3	3	3	3	3	
71	506691	V-BELT / AX-73 9012-2073 From X-6904	3	3	3	3	3	
71	506748	V-BELT / AX-72 9012-2072				3		E
72	051779	ATTACHMENT PLATE ASSY / TO FIX ANGLE TO FLOOR	2	2	2	2	2	
73	050706	SPACER 3/8" TH	AR	AR	AR	AR	AR	
73	050705	SPACER 1/4" TH	AR	AR	AR	AR	AR	
74	500714	NUT HEX STO 7/16-20 Z050	4	4	4	4	4	
NS	500666	NUT SPR FL REC 7/16-20 .69x.91	4	4	4	4	4	
75	503402	TUBE, NYLON 1/4 O.D. / BLACK S.L. To X-6905	AR	AR	AR	AR	AR	
75	031145	HOSE ASSY TEFLON #4 611MM From X-6906	1	1	1	1	1	
80	500574	SCREW MA TR PH #10-24x1 1/4 SS	1	1	1	1	1	
81	500470	WASHER LO SPT .193x.334x.047 Z050	2	2	2	2	2	
82	560503	CLAMP / 1/4" I.D.	1	1	1	1	1	
83	500786	NUT HEX #10-24 Z050	1	1	1	1	1	
90	052050	SUPPORT BELLOW TENTIONER	1	1	1	1	1	
90	059055	SUPPORT BELLOW TENSIONER / SERVICE	1	1	1	1	1	
90	052098	SUPPORT BELLOW TENTIONER W/SERIES 50				1		
91	XL-0125-01	BELTS TENSIONERS - WITH DETROIT S-60						
NS	052689	KIT, RETROFIT ARM W/54MM PULLEY	1	1	1	1	1	
		A) FOR IMPROVE BEARING LIFE USE 052208						
		B) FOR IMPROVE BELT LIFE ADD 502247 & 052206 & WELD TO SUPPORT ASSY 1 GUIDE FOR THE SPRING						

From P-722 To Y-7045	Date:10/2022	PAGE:XL-0520-03
FAN DRIVE - INSTALLATION WITH DETROIT S-50 & S-60		

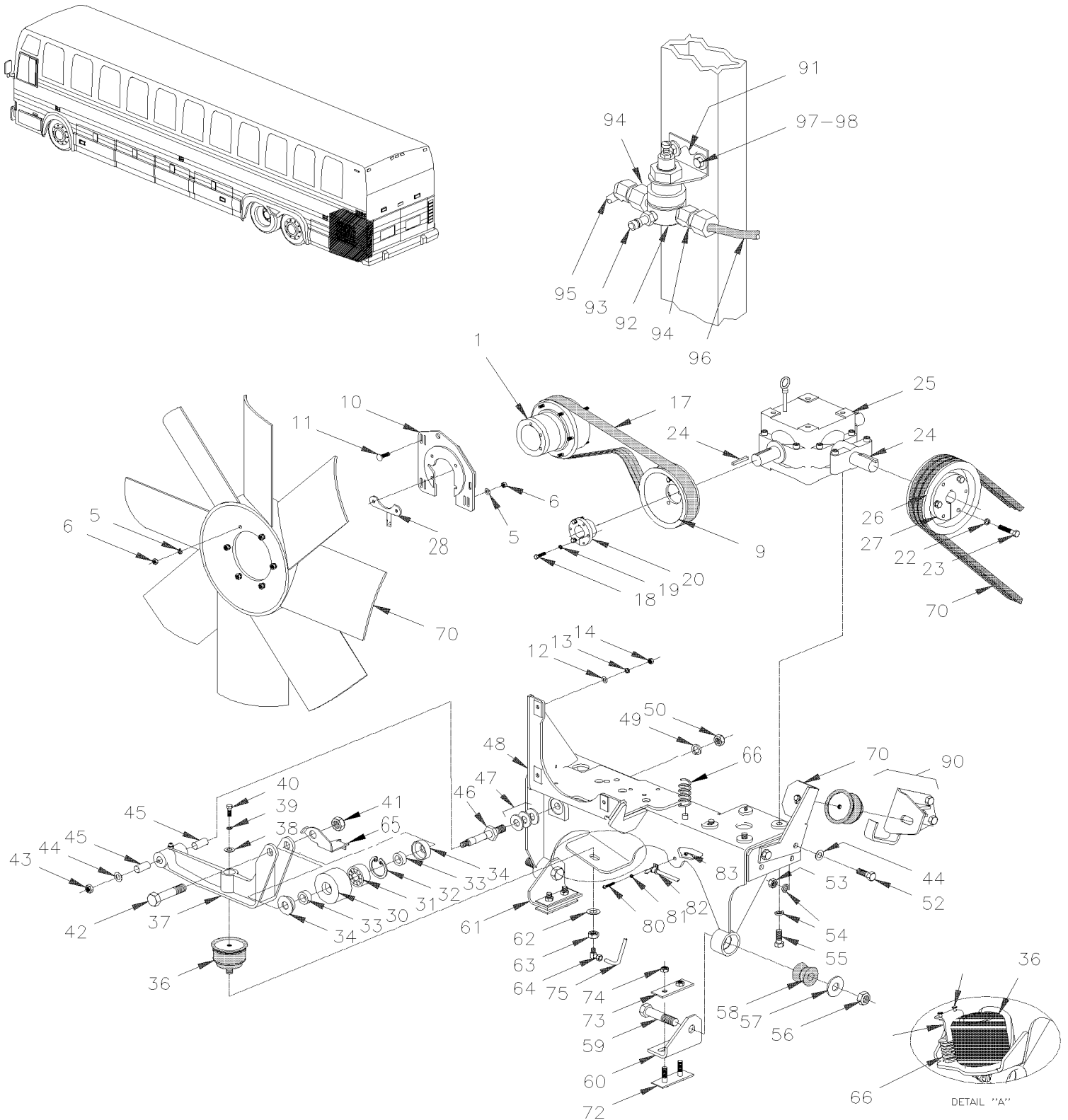
Item#	Part	Description	M T H 4 0	M T H 4 5	M T H 4 5 E	X L 4 0	X L 4 5	N O T E S
		C) THESE ITEMS ARE NOT INCLUDED IN ASSY 052006P						
		D) USE W/#550758 FAN CLUTCH						
		E) W/SERIES 50 / FAN DRIVE						
		F) THIS PART ARE INCLUDE WITH NEW ARM ASSY # 052689						
		G) THIS ARM IT SUPPERSEDED BY # 052689 ARM ASSY W/PULLEY						
		L) SIZE (30X44X7)						
		N) PULLEY & SUPPORT						
		O) SIZE (37X52X8)						
		S) SERVICE						

From P-722 To Y-7045

Date:10/2022

PAGE:XL-0520-99

FAN DRIVE - INSTALLATION - SHORT / RETROFIT

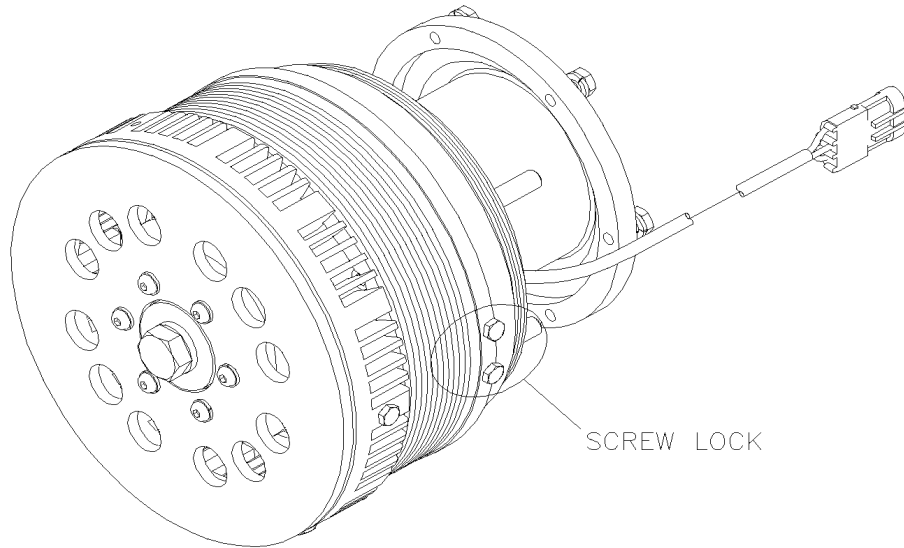


From P-722 To Y-7045

Date:10/2022

PAGE:XL-0520-99

FAN DRIVE - INSTALLATION - SHORT / RETROFIT



From P-722 To Y-7045	Date:10/2022	PAGE:XL-0520-99
FAN DRIVE - INSTALLATION - SHORT / RETROFIT		

Item#	Part	Description	M T H 4 0	M T H 4 5	M T H 4 5 E	X L 4 0	X L 4 5	N O T E S
NS	052665	KIT, UPGRADE ONLY / SMALL TO LARGE FAN CLUTCH	1		1	1	1	XL-45
. NS	IS-04106A	. SEE INSTRUCTION SHEET	1		1	1	1	XL-45
	052674	FAN DRIVE ASSY W/LARGE FAN CLUTCH 550839	1	1	1	1	1	
1	XL-0540-99	. FAN CLUTCH ASSY - #550839 / RETROFIT						
4	502543	. NUT HEX M8-1.25 Z050	6	6	6	6	6	
5	502644	. WASHER FL 10.5x30.0x2.5 Z050	8	8	8	8	8	
6	5001758	. NUT HEX STO M10-1.5 N500	4	4	4	4	4	
9	052584	. PULLEY / W/12RIB X 8.582" DIA	1	1	1	1	1	
10	052652	. PLATE TRANSITION / FAN CLUTCH & SUPPORT / W/550839 RETROFIT ONLY	1	1	1	1	1	
11	502891	. SCREW CRG M8-1.25x40 G8.8 Z050	3	3	3	3	3	
12	500874	. WASHER FL 8.4x17.0x1.6 Z050	3	3	3	3	3	
13	502889	. WASHER LO SPT 8.1x12.7x2.0 N500	3	3	3	3	3	
13	955920	. WASHER LO SPT 6.5x11.5x1.6 ZP	3	3	3	3	3	
14	502543	. NUT HEX M8-1.25 Z050	3	3	3	3	3	
17	5060071	. MULTI V-BELT / 12 RIB 57.48" (1460MM)	1	1	1	1	1	F
17	506060	. MULTI V-BELT / 12 RIB 58.39" (1483MM)	1	1	1	1	1	C
18	500171	. SCREW CAP HEX 1/4-20x1 G5 N500	3	3	3	3	3	
19	955920	. WASHER LO SPT 6.5x11.5x1.6 ZP	3	3	3	3	3	
20	550879	. CONE BUSHING 1 1/4 I.D X 1 13/16 O.D. X 2 5	1	1	1	1	1	
22	500218	. WASHER LO SPT .380x.683x.098 DP320	3	3	3	3	3	
23	502906	. SCREW CAP HEX 3/8-24x1 1/4 G5 N500	3	3	3	3	3	
24	550186	. KEY 1/4" X 1/4" X 1 1/4"	2	2	2	2	2	
25	XL-0525-00	. GEARBOX "BOSTON GEAR" - #550027						
26	051603	. PULLEY (3V X 7.40 DIA)	1	1	1	1	1	
27	550878	. CONE BUSHING 1 1/4 I.D X 3 O.D. X 4 5/8 O.D	1	1	1	1	1	
28	052691	. PLATE ASSY / W/RETAINER CABLE	1	1	1	1	1	
30	052676	. PULLEY ASSY W/BEARING & SEAL / 54MM x 75MM	1	1	1	1	1	
30	052677	. PULLEY / 54MM WIDE x 75MM O.D.	1	1	1	1	1	
31	510618	. BALL BEARING DBL ROW / 30MM x 62MM x 27 W	1	1	1	1	1	
32	504040	. RING RETAINER / INT 2.440 x 1.860 x 0.078 STL BLK	1	1	1	1	1	
33	052627	. BUSHING TRANSFER FAN	2	2	2	2	2	
34	507371	. SEAL	2	2	2	2	2	
NS	680752	. GREASE LITHIUM / BLUE	AR	AR	AR	AR	AR	
36	550840	. BELLOW ASSY / BELT TENSIONER / 4" O.D.	1	1	1	1	1	
37	051991	. ARM, BELT TENSIONER / IRON USE W 45MM WIDE PULLEY	1	1	1	1	1	
38	500444	. WASHER FL .406x.812x.065 Z050	1	1	1	1	1	
39	500478	. WASHER LO SPT .380x.683x.094 Z050	1	1	1	1	1	
40	500191	. SCREW CAP HEX 3/8-16x1 G5 Z050	1	1	1	1	1	
41	5001252	. NUT HEX STO M20-2.5 DP	1	1	1	1	1	

From P-722 To Y-7045	Date:10/2022	PAGE:XL-0520-99
FAN DRIVE - INSTALLATION - SHORT / RETROFIT		

Item#	Part	Description	M T H 4 0	M T H 4 5	M T H 4 5 E	X L 4 0	X L 4 5	N O T E S
NS	502558	. WASHER FL 21.0x37.0x3.0 G500	1	1	1	1	1	
42	983296	. SCREW CAP HEX M20-2.5x90 G10.9 ZP	1	1	1	1	1	
43	5001628	. NUT HEX NYRT M10-1.5 SS	1	1	1	1	1	
44	500446	. WASHER FL .531x1.250x.125 Z050	1	1	1	1	1	
45	507293	. BUSHING NYLINED .625x.750x.750	2	2	2	2	2	
46	052670	. PIVOT / TO FIX TENSIONER TO SUPPORT	1	1	1	1	1	
NS	501497	. GREASE FITTING / 1/4-28	1	1	1	1	1	
47	500449	. WASHER FL .625x1.500 SS	AR	AR	AR	AR	AR	
48	052649	. SUPPORT FAN CLUTCH & GEAR BOX / SHORT / W/550839 RETROFIT ONLY	1	1	1	1	1	
49	500802	. WASHER LO SPT 16.2x37.4x3.5 Z050	1	1	1	1	1	
50	502588	. NUT HEX M16-2.0 ZP	1	1	1	1	1	
52	502875	. SCREW CAP HEX M12-1.75x40 G8.8 N50	2	2	2	2	2	
53	500811	. NUT HEX STO M12-1.75 G500	2	2	2	2	2	
54	500944	. WASHER LO SPT .506x.873x.125 N500	6	6	6	6	6	
NS	500211	. WASHER FL .531x1.250x.125 N500	6	6	6	6	6	
55	500214	. SCREW CAP HEX 1/2-13x1 1/4 G5 Z050	4	4	4	4	4	
56	500735	. NUT HEX STO 3/4-16 ZP	2	2	2	2	2	
57	500451	. WASHER FL .812x2.000x.148 ZP	2	2	2	2	2	
58	630002	. BUSHING / RUBBER / (TWO PIECES) 1" x 1.005" I.D.	2	2	2	2	2	
NS	507347	. SPACER / BUSHING	2	2	2	2	2	
59	500145	. SCREW CAP HEX 3/4-16x3 1/2 G5 Z050	2	2	2	2	2	
60	059053	. SUPPORT, ANGLE / FRONT	1	1	1	1	1	
61	059051	. SUPPORT, ANGLE / REAR	1	1	1	1	1	
62	502901	. WASHER FL .625x1.469x.109 N500	1	1	1	1	1	
63	502917	. NUT HEX JAM 3/4-16 G2 N500	1	1	1	1	1	
64	501036	. MALE ELBOW 90° / SAE 45° FITTING / #4FL-Mx1/8NPT-M BR	1	1	1	1	1	
65	052655	. SPRING ATTACHMENT	1	1	1	1	1	
66	502247	. SPRING COMPRESSION / 1.250 O.D. x 2.5 x .125	1	1	1	1	1	
67	504487	. RIVET MGLP PRDG 3/16x7/16 SS	2	2	2	2	2	
70	XL-0520-00	FAN DRIVE - INSTALLATION MOBILE WITH DETROIT S-71 & S-92						
72	051779	. ATTACHMENT PLATE ASSY / TO FIX ANGLE TO FLOOR	2	2	2	2	2	
73	050706	. SPACER 3/8" TH	AR	AR	AR	AR	AR	
73	050705	. SPACER 1/4" TH	AR	AR	AR	AR	AR	
74	971072	. NUT HEX M12-1.75 ZG603	4	4	4	4	4	
NS	5001568	. NUT PUSH RND M12 ZP	4	4	4	4	4	
75	031054	. HOSE ASSY TEFLON #4 770MM	1	1	1	1	1	
75	052535	. HOSE ASSY TEFLON #4 662MM	1	1	1	1	1	
80	500606	. SCREW MA TR PH #10-24x3/4 SS	1	1	1	1	1	
81	500914	. WASHER LO SPT .193x.334x.047 N500	2	2	2	2	2	
82	952624	. CLAMP / 1/4" I.D.	1	1	1	1	1	
83	502882	. NUT HEX #10-24 N500	1	1	1	1	1	
90	XL-0125-01	BELTS TENSIONERS - WITH DETROIT S-60						

From P-722 To Y-7045	Date:10/2022	PAGE:XL-0520-99
FAN DRIVE - INSTALLATION - SHORT / RETROFIT		

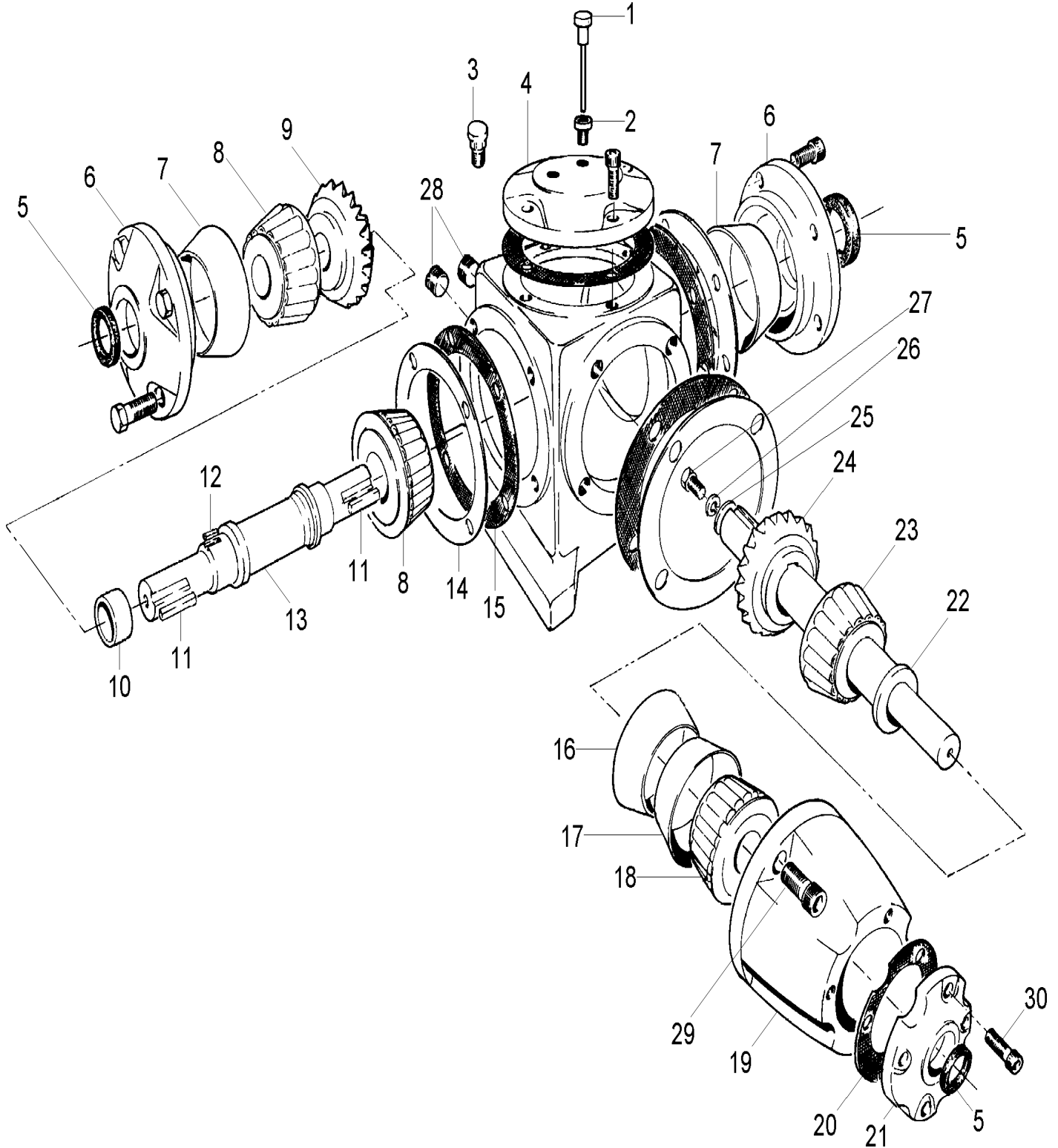
Item#	Part	Description	M T H 4 0	M T H 4 5	M T H 4 5 E	X L 4 0	X L 4 5	N O T E S
91	142013	SUPPORT AIR REGULATOR / ANGLE 90DEG STYLE	1	1	1	1	1	
92	641472	AIR PRESSURE REGULATOR 1/4" NPT / COPPER	1	1	1	1	1	
93	640488	VALVE, AIR FILL 1/8" NPT	1	1	1	1	1	
. NS	650164	. CAP VALVE / CHROME	1	1	1	1	1	
94	501027	MALE CONNECTOR / SAE 45° FITTING / #4FL-Mx1/4NPT-M BR	2	2	2	2	2	
95	052667	HOSE ASSY TEFLON #4 1524MM	1	1	1	1	1	
96	052668	HOSE ASSY TEFLON #4 1524MM	1	1	1	1	1	
NS	509815	TIE MOUNT / ATTACHMENT W/TREE MOUNT	3	3	3	3	3	
		C) USE WITH CURRENT FAN CLUTCH #550966 WITH TAB LOCK SEE IMAGE						
		F) USE WITH FORMER FAN CLUTCH #550966 WITH SCREW LOCK SEE IMAGE						
		XL-45) ON BUS XL 45' YOU MUST BE REQUIRE TO MAKE CLEARANCE ON SUPPORT # 052649 TO GIVE MORE FACILITY TO INSTALL NEW V-BELT						

From E-638 To R-797

Date:10/2022

PAGE:XL-0525-00

GEARBOX "BOSTON GEAR" - #550027

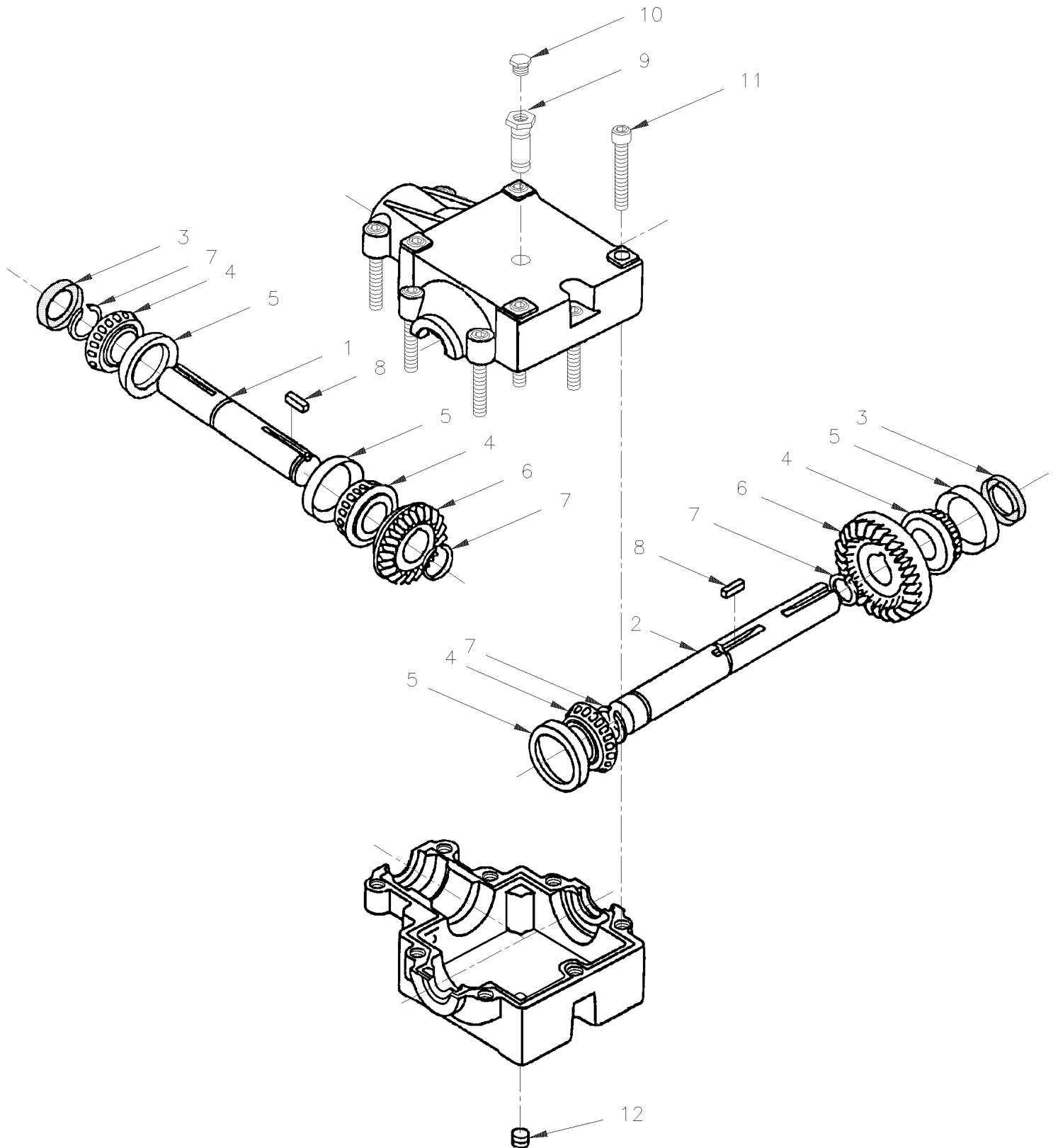


From P-722 To R-846

Date:10/2022

PAGE:XL-0525-01

GEARBOX "SUPERIOR" - #550641 REFERENCE ONLY



From P-722 To R-846	Date:10/2022	PAGE:XL-0525-01
GEARBOX "SUPERIOR" - #550641 REFERENCE ONLY		

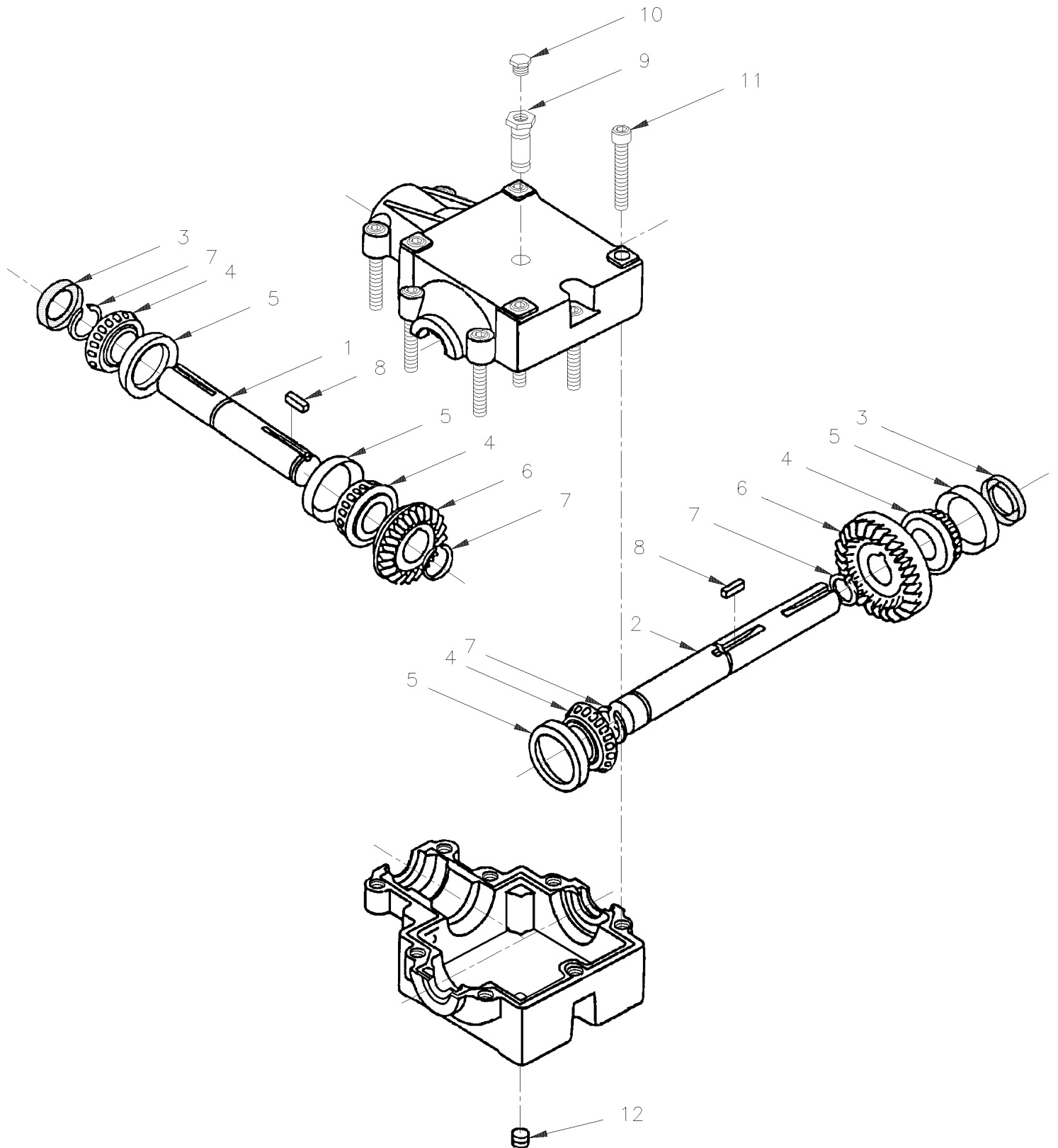
Item#	Part	Description	M T H 4 0	M T H 4 5	M T H 4 5 E	X L 4 0	X L 4 5	N O T E S
	550641	GEARBOX ASSY (CW) / W/1" O.D, SHAFT		1				
1	550646	. PINION SHAFT INPUT 1" O.D.		1				
2	550647	. CROSS SHAFT ASSY / OUTPUT 1" O.D.		1				
3	550648	. SEAL 1" I.D. / (149 X 100 X 25)		3				
4	550649	. CONE BEARING		4				
5	550650	. CUP BEARING		4				
6	550651	. GEAR 19 TEETH		2				
7	550652	. RETAINING RING / GEAR		2				
8	550653	. KEY		1				
9	550677	. TUBE REDUCER		1				
10	N.S.S.	. PRESSURE RELIEF VALVE 5 PSI		1				1
11	500710	. SCREW CAP HEXS 3/8-16x1 3/4 ZP		1				
11	501800	. PLUG HEXS / PIPE FITTING / 1/4NPT-M STL		1				
12	504599	MAGNETIC DRAIN PLUG 1/4 NPT		1				
12	180185	OIL SYNTHETIC SCH 634 (1 LITER)		AR				
12	682268	OIL SYNTHETIC SCH 634 (19 LITERS)		AR				
		1) NOT SOLD SEPARATELY						

From R-798 To R-843

Date:10/2022

PAGE:XL-0525-02

GEARBOX "SUPERIOR" - #051934



From R-798 To R-843		Date:10/2022	PAGE:XL-0525-02
GEARBOX "SUPERIOR" - #051934			

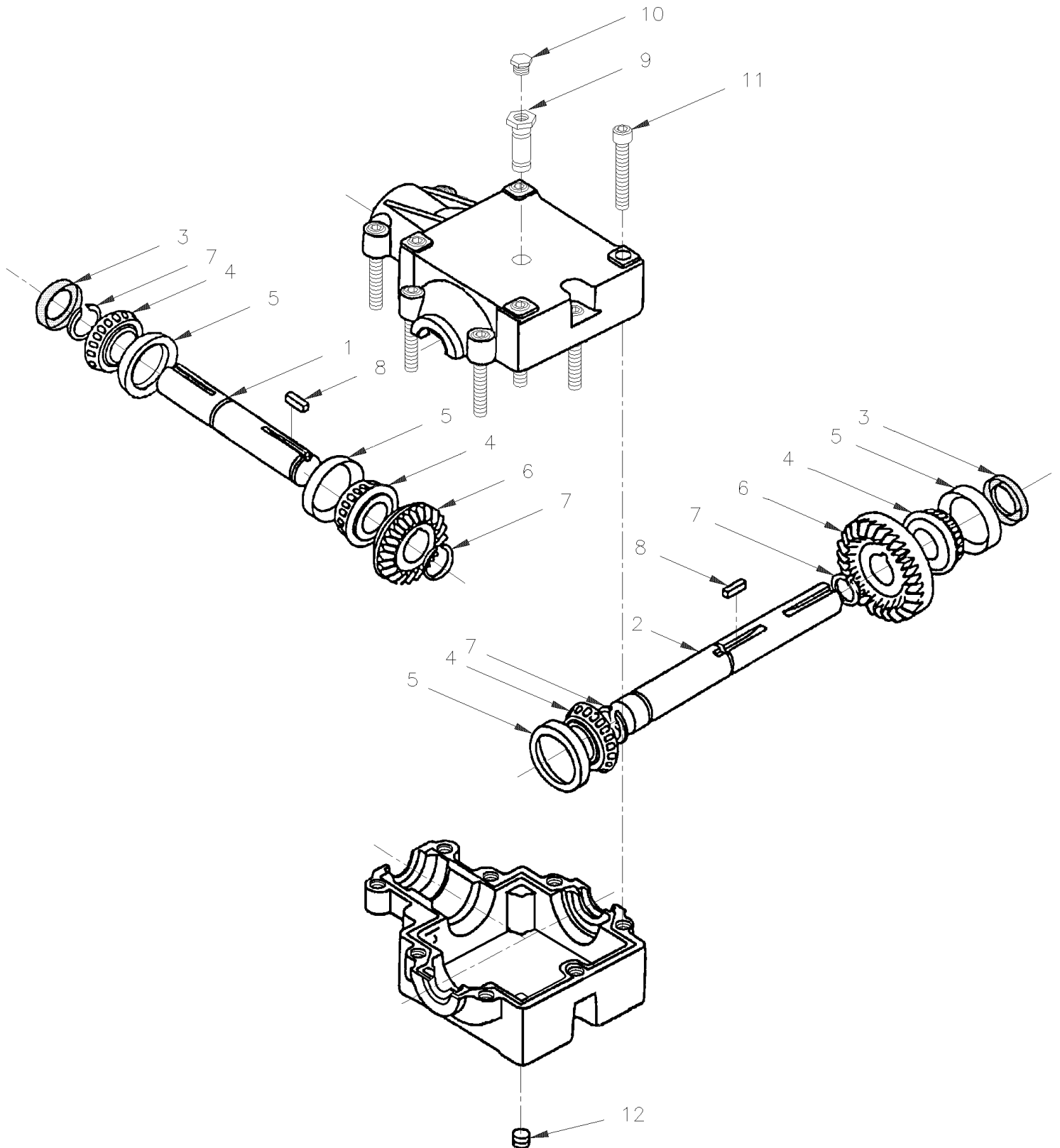
Item#	Part	Description	M T H 4 0	M T H 4 5	M T H 4 5 E	X L 4 0	X L 4 5	N O T E S
	051934	GEARBOX ASSY (CW) / W/1" O.D, SHAFT / 200-9AAF-D0367	1		1	1		A
	550656	. GEARBOX ASSY (CW) / W/1" O.D, SHAFT	1		1	1		A
1	550657	. . PINION SHAFT ASSY / INPUT 1" O.D.	1		1	1		
2	550647	. . CROSS SHAFT ASSY / OUTPUT 1" O.D.	1		1	1		
3	550648	. . SEAL 1" I.D. / (149 X 100 X 25)	3		3	3		
4	550649	. . CONE BEARING	4		4	4		
5	550650	. . CUP BEARING	4		4	4		
6	550651	. . GEAR 19 TEETH	2		2	2		
7	550652	. . RETAINING RING / GEAR	2		2	2		
8	550653	. . KEY	2		2	2		
9	550805	. . TUBE REDUCER ASSY	1		1	1		
10	N.S.S.	. . . PRESSURE RELIEF VALVE / 5PSI	1		1	1		1
11	500710	. . SCREW CAP HEXS 3/8-16x1 3/4 ZP	9		9	9		
NS	051933	. DECAL	1		1	1		
12	504599	MAGNETIC DRAIN PLUG 1/4 NPT	1		1	1		
NS	682268	OIL SYNTHETIC SCH 634 (19 LITERS)	AR		AR	AR		
12	180185	OIL SYNTHETIC SCH 634 (1 LITER)	AR		AR	AR		
		UP TO R-798 FOR RETROFIT THIS GEARBOX						
		YOU REQUIRE THOSE FOLLOWING PARTS						
NS	051914	SPACER ADAPTOR	1		1	1		
NS	500192	SCREW CAP HEX 3/8-16x1 1/4 G5 Z050	4		4	4		
NS	500478	WASHER LO SPT .380x.683x.094 Z050	4		4	4		
NS	500806	SCREW CAP HEX M12-1.75X35 G10.9 G500	4		4	4		
NS	500811	NUT HEX STO M12-1.75 G500	4		4	4		
		A) FOR PRODUCT IMPROVMENT SEE GEARBOX AT PAGE XL-0525-99						
		1) NOT SOLD SEPARATELY						

From P-722 To Y-7045

Date:10/2022

PAGE:XL-0525-03

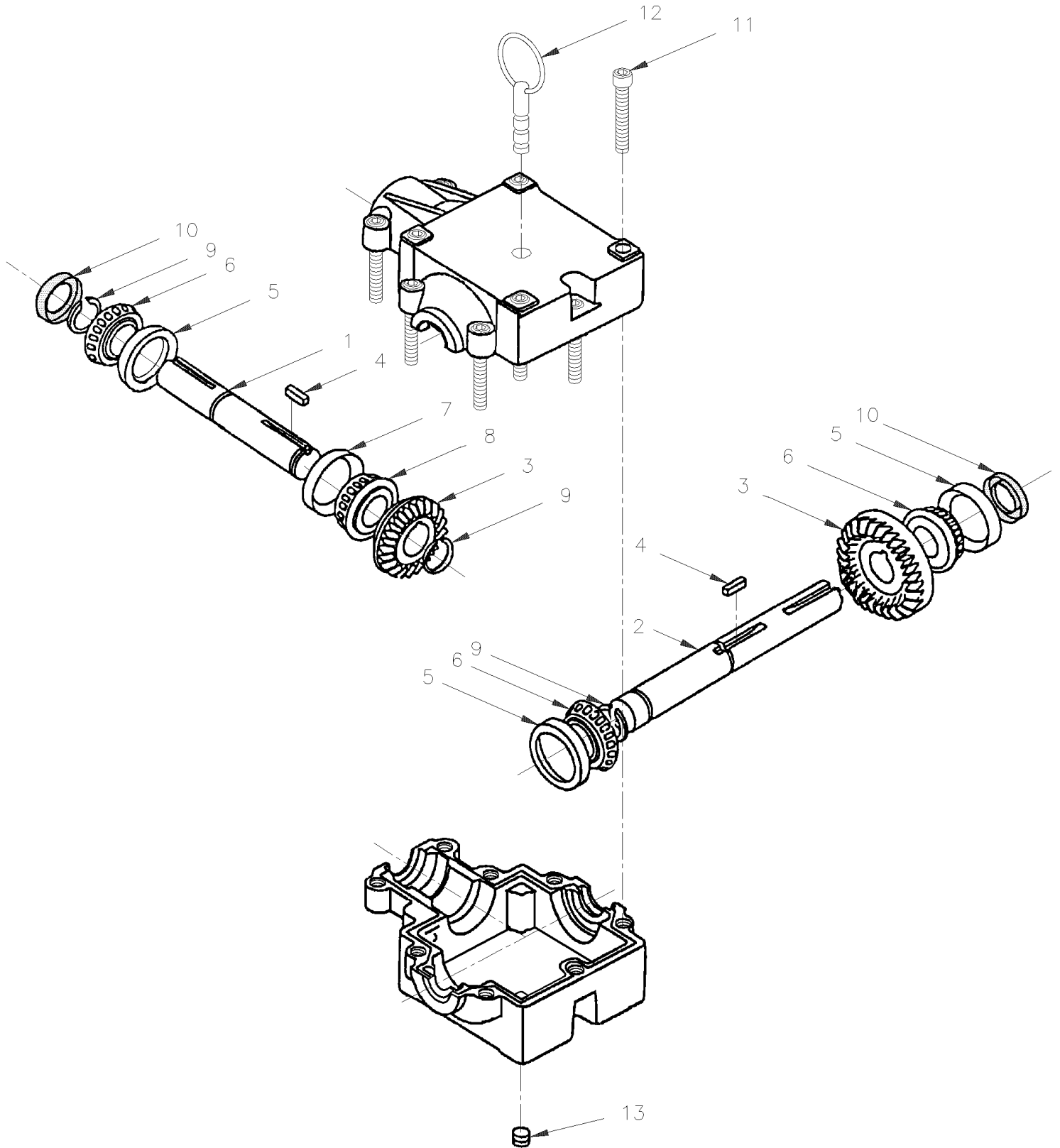
GEARBOX "SUPERIOR" - #550688



From P-722 To Y-7045	Date:10/2022	PAGE:XL-0525-03
GEARBOX "SUPERIOR" - #550688		

Item#	Part	Description	M T H 4 0	M T H 4 5	M T H 4 5 E	X L 4 0	X L 4 5	N O T E S
	550688	GEARBOX ASSY (CW)	1	1	1	1	1	
1	550693	. PINION SHAFT ASSY / INPUT	1	1	1	1	1	
2	550694	. CROSS SHAFT ASSY / OUTPUT	1	1	1	1	1	
3	550695	. SEAL 1 1/4" I.D. / (200 X 125 X 31)	3	3	3	3	3	
4	550696	. CONE BEARING	4	4	4	4	4	
5	550697	. CUP BEARING	4	4	4	4	4	
6	N.S.S.	. GEAR / (SOLD ASSY W/SHAFT)	2	2	2	2	2	1
7	550698	. RETAINING RING / GEAR	2	2	2	2	2	
8	N.S.S.	. KEY	2	2	2	2	2	1
9	550692	. TUBE REDUCER ASSY W/PRESSURE RELIEF VALVE	1	1	1	1	1	A
10	N.S.S.	. PRESSURE RELIEF VALVE / 5 PSI	1	1	1	1	1	1
11	N.S.P.	. SCREW 3/8-16 X 2 1/4"	9	9	9	9	9	2
NS	051933	. DECAL	1	1	1	1	1	
12	504599	MAGNETIC DRAIN PLUG 1/4 NPT	1	1	1	1	1	
NS	180185	OIL SYNTHETIC SCH 634 (1 LITER)	AR	AR	AR	AR	AR	
NS	682268	OIL SYNTHETIC SCH 634 (19 LITERS)	AR	AR	AR	AR	AR	
NS	052387	KIT, FAN GEARBOX BREATHER	1	1	1	1	1	
NS	IS-00049	. SEE INSTRUCTION SHEET						
		A) FOR PRODUCT IMPROVEMENT, ASK KIT #052387						
		1) NOT SOLD SEPARATELY						
		2) NOT SOLD BY PREVOST (SEE MANUFACTURING PART NUMBER AT END OF DESCRIPTION LINE)						

From P-722 To Y-7045	Date:10/2022	PAGE:XL-0525-04
GEARBOX "SUPERIOR" - #550731 & 550789		



From P-722 To Y-7045	Date:10/2022	PAGE:XL-0525-04
GEARBOX "SUPERIOR" - #550731 & 550789		

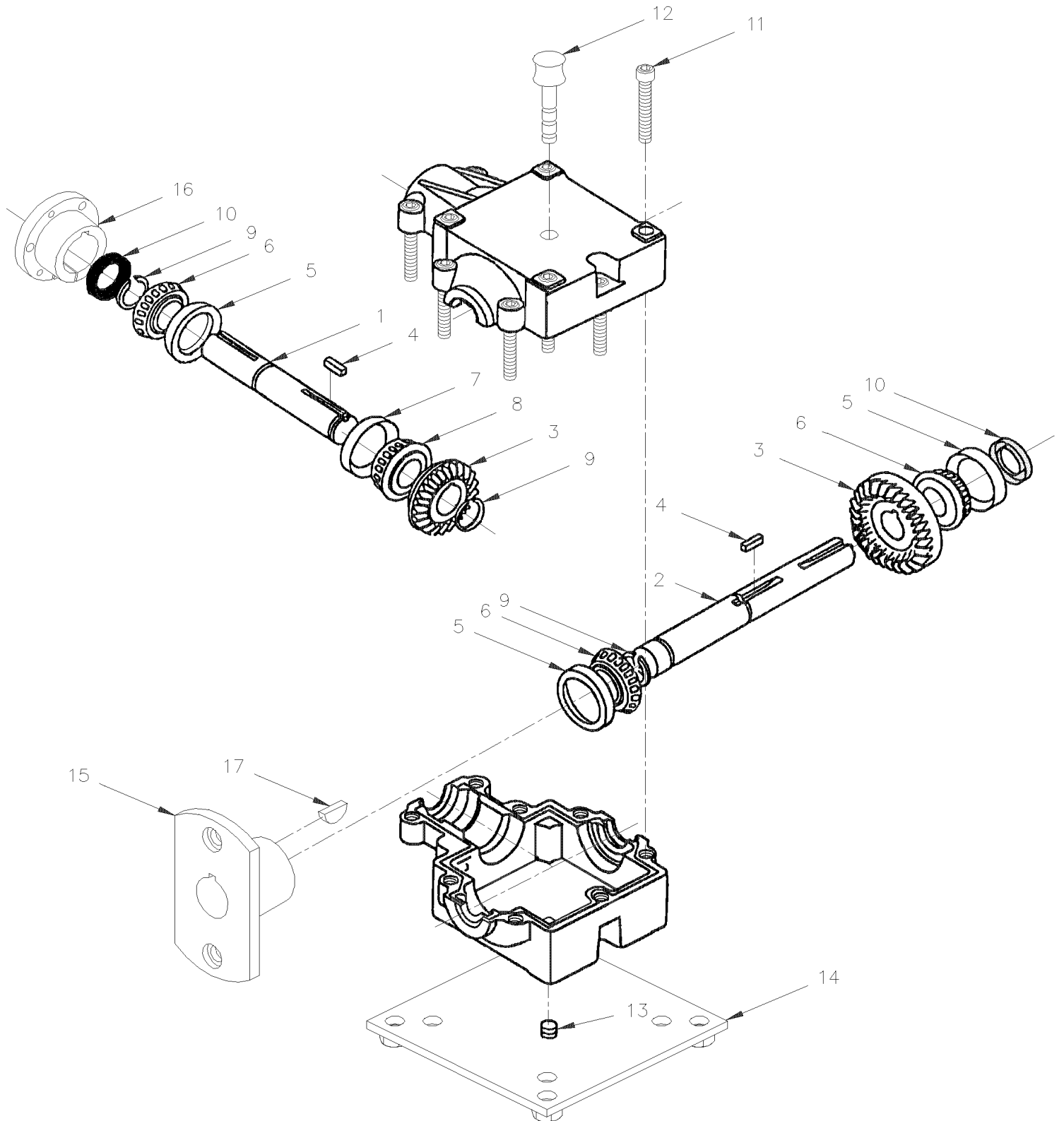
Item#	Part	Description	M T H 4 0	M T H 4 5	M T H 4 5 E	X L 4 0	X L 4 5	N O T E S
	550731	GEARBOX ASSY (CW)	1	1	1	1	1	A
NS	550789	GEARBOX ASSY (CW)	1	1	1	1	1	
1	550732	PINION SHAFT ASSY / INPUT 1 1/4" O.D.	1	1	1	1	1	
2	550733	CROSS SHAFT ASSY / OUTPUT 1 1 1/4" O.D.	1	1	1	1	1	
3	N.S.P.	GEAR / (SOLD ASSY W/SHAFT)	2	2	2	2	2	2
4	N.S.P.	KEY	2	2	2	2	2	2
5	550697	CUP BEARING	3	3	3	3	3	
6	550696	CONE BEARING	3	3	3	3	3	
7	550735	CUP BEARING	1	1	1	1	1	
8	550734	CONE BEARING	1	1	1	1	1	
9	550698	RETAINING RING / GEAR	2	2	2	2	2	
10	550695	SEAL 1 1/4" I.D. / (200 X 125 X 31)	3	3	3	3	3	
11	N.S.A.	SCREW 3/8-16 X 2 1/4"	9	9	9	9	9	3
12	550773	DIPSTICK	1	1	1	1	1	
13	504599	MAGNETIC DRAIN PLUG 1/4 NPT	1	1	1	1	1	
NS	051933	DECAL	1	1	1	1	1	A
NS	550790	DECAL	1	1	1	1	1	
NS	180185	OIL SYNTHETIC SCH 634 (1 LITER)	AR	AR	AR	AR	AR	A
NS	180217	OIL SYNTHETIC SCH 630 (1 LITER)	AR	AR	AR	AR	AR	
NS	682268	OIL SYNTHETIC SCH 634 (19 LITERS)	AR	AR	AR	AR	AR	A
NS	683666	OIL SYNTHETIC SCH 630 (19 LITERS)	AR	AR	AR	AR	AR	
NS	052387	KIT, FAN GEARBOX BREATHER	AR	AR	AR	AR	AR	
NS	IS-00049	SEE INSTRUCTION SHEET						
		A) PRODUCT IMPROVEMENT, ASK KIT #052387						
		2) NOT SOLD BY PREVOST (SEE MANUFACTURING PART NUMBER AT END OF DESCRIPTION LINE)						
		3) NOT SOLD ASSEMBLY						

From P-722 To Y-7045

Date:10/2022

PAGE:XL-0525-99

GEARBOX "SUPERIOR" / SERVICE



From P-722 To Y-7045	Date:10/2022	PAGE:XL-0525-99
GEARBOX "SUPERIOR" / SERVICE		

Item#	Part	Description	M T H 4 0	M T H 4 5	M T H 4 5 E	X L 4 0	X L 4 5	N O T E S
		FOLLOWING COMPONENTS ARE USED ONLY IN						
		REPLACEMENT OF OLD GEARBOX MODEL						
		ILLUSTRATED AT PAGE XL-0525-00 AND XL-0525-02						
	052212	KIT GEARBOX (CCW)	AR		AR	AR		A
. NS	IS-97122	. SEE INSTRUCTION SHEET	1		1	1		A
	052261	KIT GEARBOX (CW)	AR		AR	AR		B
	550791	. GEARBOX ASSY (CCW)	1		1	1		A C
	550811	. GEARBOX ASSY (CCW)	1		1	1		A C
	550898	. GEARBOX ASSY (CCW)	1		1	1		A C
	550789	. GEARBOX ASSY (CW)	1		1	1		B
	550810	. GEARBOX ASSY (CW)	1		1	1		B
	550897	. GEARBOX ASSY (CW)	1		1	1		B
1	550732	. PINION SHAFT ASSY / INPUT 1 1/4" O.D.	1		1	1		D
1	550880	. PINION SHAFT ASSY / INPUT 1 1/4" O.D.	1		1	1		E
2	550733	. CROSS SHAFT ASSY / OUTPUT 1 1 1/4" O.D.	1		1	1		D
2	550881	. CROSS SHAFT ASSY / OUTPUT 1 1 1/4" O.D.	1		1	1		E
3	N.S.S.	. GEAR / (SOLD ASSY W/SHAFT)	2		2	2		1
4	N.S.S.	. KEY	2		2	2		1
5	550697	. CUP BEARING	3		3	3		
6	550696	. CONE BEARING	3		3	3		
7	550735	. CUP BEARING	1		1	1		
8	550734	. CONE BEARING	1		1	1		
9	550698	. RETAINING RING / GEAR	2		2	2		
10	550695	. SEAL 1 1/4" I.D. / (200 X 125 X 31)	3		3	3		
11	N.S.P.	. SCREW 3/8-16 X 2 1/4"	9		9	9		2
12	550773	. DIPSTICK	1		1	1		
13	504599	. MAGNETIC DRAIN PLUG 1/4 NPT	1		1	1		
13	180217	OIL SYNTHETIC SCH 630 (1 LITER)	AR		AR	AR		
14	052213	ADAPTOR PLATE	1		1	1		
15	052215	FLANGE COUPLING / W/SHAFT 1 1/4" O.D.	1		1	1		
16	550690	CONE BUSHING 1 1/4 I.D X 1 13/16 O.D. X 2 5	1		1	1		
17	550186	KEY 1/4" X 1/4" X 1 1/4"	1		1	1		
30	052387	KIT, FAN GEARBOX BREATHER	1		1	1		
. NS	IS-00049	. SEE INSTRUCTION SHEET						
		A) TO USE WITH STANDARD FAN						
		B) TO USE WITH THERMOSTATIC FAN						
		C) THIS CURRENT GEARBOX REQUIRES "BREATHER" KIT #052387						

From P-722 To Y-7045	Date:10/2022	PAGE:XL-0525-99
----------------------	--------------	-----------------

GEARBOX "SUPERIOR" / SERVICE

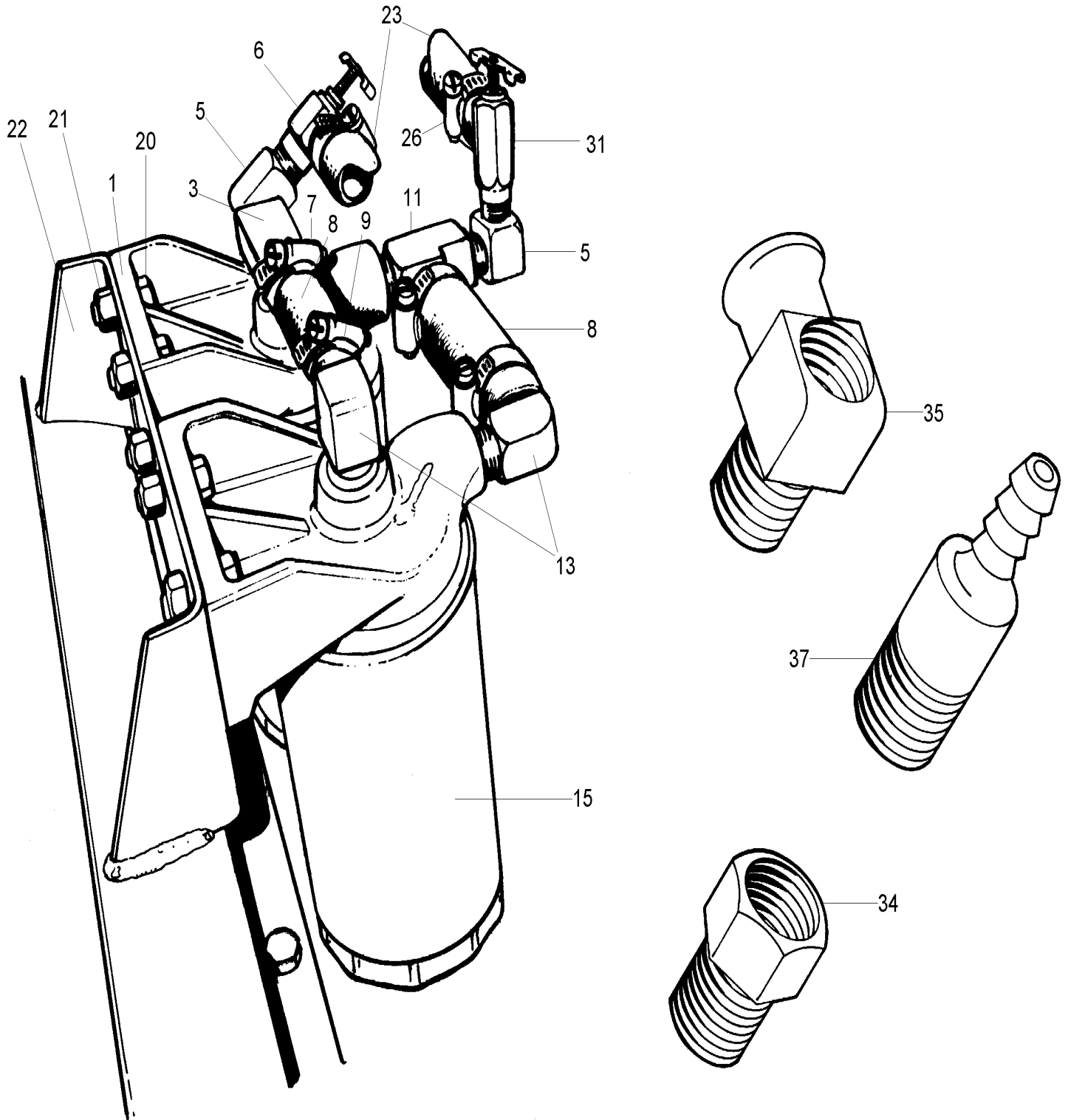
Item#	Part	Description	M T H 4 0	M T H 4 5	M T H 4 5 E	X L 4 0	X L 4 5	N O T E S
		D) USE WITH MODEL 550789, 550791, 550810 AND 550811						
		E) USE WITH MODEL 550897 AND 550898 ONLY						
		1) NOT SOLD SEPARATELY						
		2) NOT SOLD BY PREVOST (SEE MANUFACTURING PART NUMBER AT END OF DESCRIPTION LINE)						

From E-638 To R-843

Date:10/2022

PAGE:XL-0530-00

COOLANT FILTER - INSTALLATION - WITH DETROIT S-71 & S-92

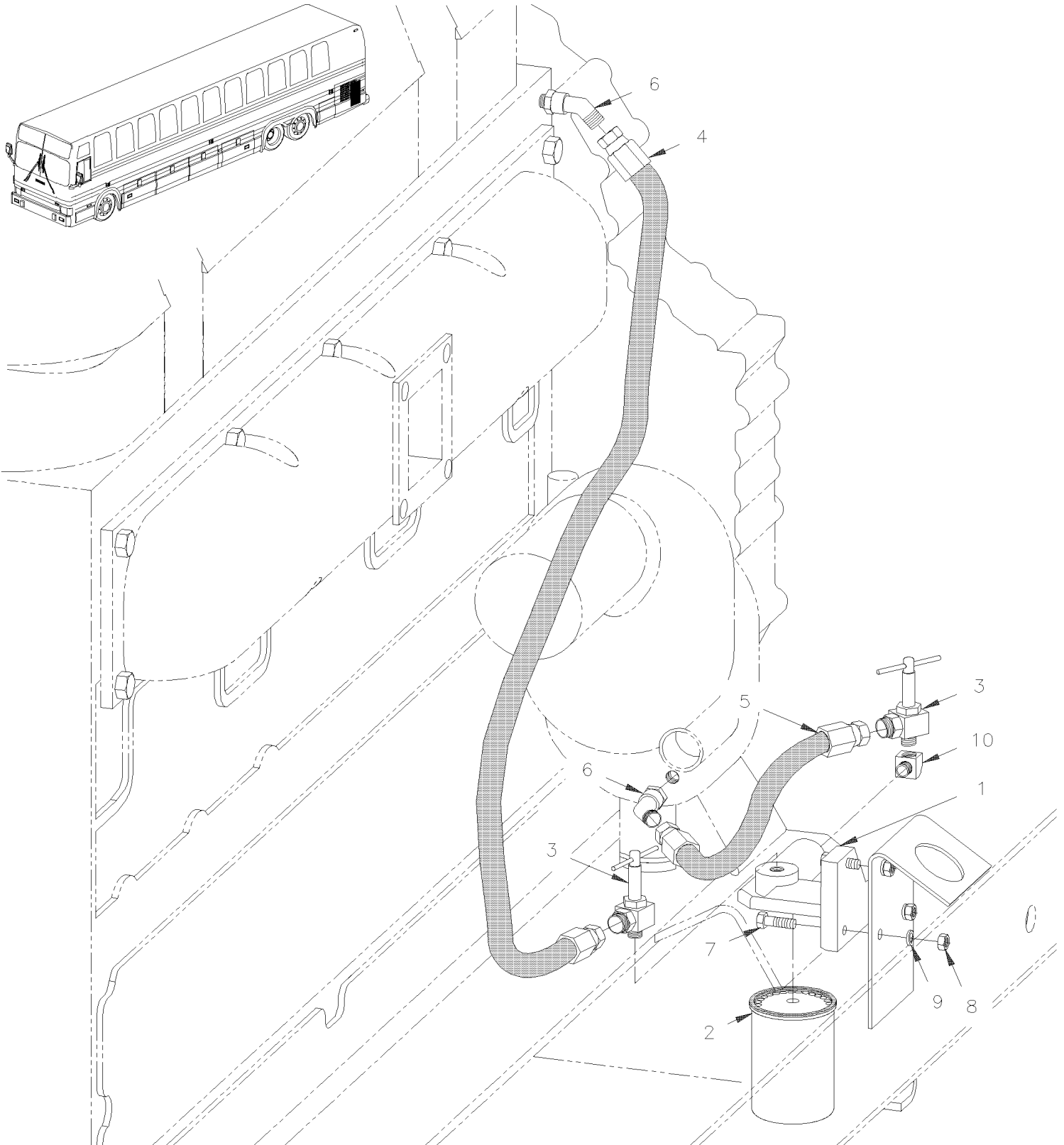


From P-722 To Y-7045

Date:10/2022

PAGE:XL-0530-01

COOLANT FILTER - INSTALLATION - WITH DETROIT S-60



From P-722 To Y-7045	Date:10/2022	PAGE:XL-0530-01
----------------------	--------------	-----------------

COOLANT FILTER - INSTALLATION - WITH DETROIT S-60

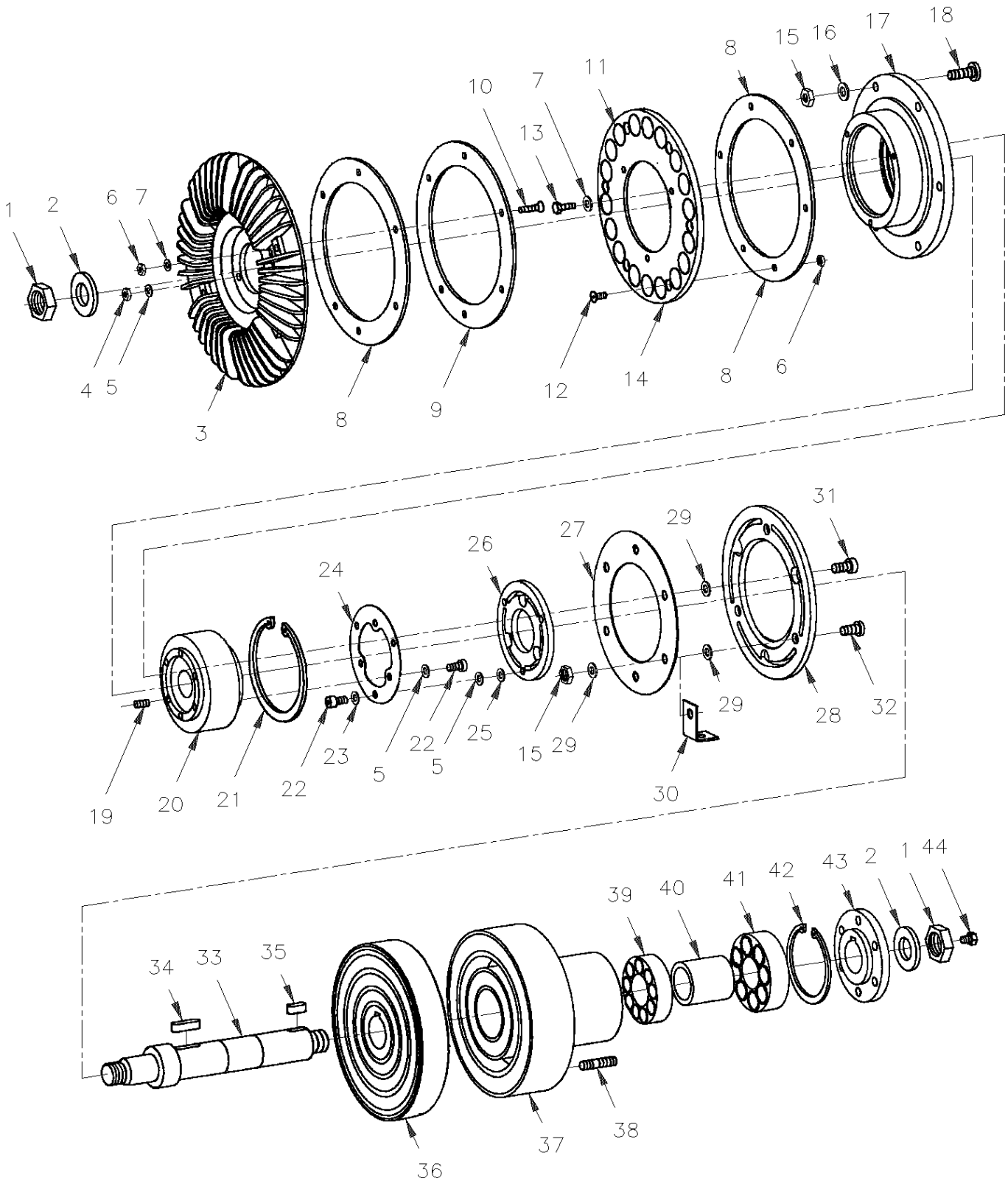
Item#	Part	Description	M T H 4 0	M T H 4 5	M T H 4 5 E	X L 4 0	X L 4 5	N O T E S
1	550645	ADAPTOR HEAD, COOLANT FILTER	1	1	1	1	1	
1	550804	ADAPTOR HEAD, COOLANT FILTER	1	1	1	1	1	
2	550630	CARTRIGE "MAINTENANCE" "NALCOOL" 3000	1	1	1	1	1	
3	N.S.P.	VALVE, SHUTT-OFF 1/4 X 3/8 NPT (#330) W/HEATER HEAD	1	1	1	1	1	2
4	051902	HOSE ASSY / #6 865MM	1	1	1	1	1	
5	051903	HOSE ASSY / #6 300MM	1	1	1	1	1	
NS	503582	. HOSE #FC-300 HYDRAULIC / #6 S.L.	AR	AR	AR	AR	AR	
NS	501836	. FEMALE CONNECTOR SWIVEL / SAE 45° FITTING / #6FL-Fx#6 STL	2	2	2	2	2	
6	5011034	MALE ELBOW 45° / SAE 45° FITTING / #6FL-Mx1/4NPT-M BR	2	2	2	2	2	
7	502589	SCREW CAP HEX M8-1.25x25 G8.8 Z050	3	3	3	3	3	
8	502543	NUT HEX M8-1.25 Z050	3	3	3	3	3	
9	5001003	WASHER LO SPT 8.1x12.7x2.0 Z050	3	3	3	3	3	
10	501333	STREET ELBOW 90° / PIPE FITTING / 3/8NPT-Mx3/8NPT-F BR	1	1	1	1	1	
20	011632	SUPPORT / WELD TO CRADLE	1	1	1	1	1	
		2) NOT SOLD BY PREVOST (SEE MANUFACTURING PART NUMBER AT END OF DESCRIPTION LINE)						

From P-722 To Y-7045

Date:10/2022

PAGE:XL-0540-00

FAN CLUTCH ASSY - #550634 (FORMER)



FORMER MODEL

From P-722 To Y-7045	Date:10/2022	PAGE:XL-0540-00
FAN CLUTCH ASSY - #550634 (FORMER)		

Item#	Part	Description	M T H 4 0	M T H 4 5	M T H 4 5 E	X L 4 0	X L 4 5	N O T E S
	550634	FAN CLUTCH ASSY /	1	1	1	1	1	
1	502767	. NUT HEX JAM M20-1.5 ZP	2	2	2	2	2	
2	502558	. WASHER FL 21.0x37.0x3.0 G500	2	2	2	2	2	
3	550658	. COOLING FAN	1	1	1	1	1	
4	502511	. NUT HEX NYRT M6-1.0 Z050	3	3	3	3	3	
5	502573	. WASHER FL 6.4x12.5x1.6 SS	9	9	9	9	9	
6	502782	. NUT HEX NYRT M5-0.8 Z050	12	12	12	12	12	
7	N.P.N.	. WASHER, M5 X .3	9	9	9	9	9	4
8	550659	. DISC	2	2	2	2	2	
9	550660	. EDDY CURRENT DISC	1	1	1	1	1	
10	N.P.N.	. SCREW, M5-0.8 X 25MM FLAT HEAD	6	6	6	6	6	4
11	550661	. MAGNET	18	18	18	18	18	
12	502639	. SCREW MA FL PH M5-0.8X12 ZP	6	6	6	6	6	
13	N.P.N.	. SCREW, M5-0.8 X 16MM	3	3	3	3	3	4
14	550711	. MAGNET PLATE SUPPORT	1	1	1	1	1	
15	502543	. NUT HEX M8-1.25 Z050	3	3	3	3	3	A
16	500874	. WASHER FL 8.4x17.0x1.6 Z050	6	6	6	6	6	
17	550662	. FLANGE DRIVEN	1	1	1	1	1	
18	550663	. STUD M8-1.25 X 26MM	6	6	6	6	6	
19	N.P.N.	. SET SCREW, M6-1.0 X 20MM	3	3	3	3	3	4
20	550664	. BEARING ASSY	1	1	1	1	1	
21	N.P.N.	. RETAINER RING (90 X 3)	1	1	1	1	1	4
22	N.P.N.	. SOCKET HEAD CAP SCREW, M6-1.0 X 8MM (50-01025)	6	6	6	6	6	4
23	N.P.N.	. WASHER	3	3	3	3	3	4
24	550665	. SPRING PLATE	1	1	1	1	1	
25	N.P.N.	. WASHER SHIM .05MM	3	3	3	3	3	4
26	550666	. ARMATURE DISC / 1ST SPEED	1	1	1	1	1	
27	550667	. SPRING PLATE	1	1	1	1	1	
28	550668	. ARMATURE DISC / 2ND SPEED	1	1	1	1	1	
29	N.P.N.	. WASHER	8	8	8	8	8	4
30	550713	. ANGLE	2	2	2	2	2	B
31	N.P.N.	. SOCKET HEAD CAP SCREW, M8-1.25 X 16MM (50-2755)	3	3	3	3	3	4
32	550669	. STUD M8-1.25 X 19MM	3	3	3	3	3	C
33	550670	. SHAFT	1	1	1	1	1	
34	550671	. KEY (8 X 7 X 28)	1	1	1	1	1	
35	550672	. KEY (8 X 7 X 18)	1	1	1	1	1	
36	550673	. ROTOR	1	1	1	1	1	
37	550674	. MAGNETIC COIL ASSY	1	1	1	1	1	
38	550675	. STUD M8-1.25 X 35MM	4	4	4	4	4	
39	507204	. BALL BEARING	1	1	1	1	1	
40	N.P.N.	. SPACER	1	1	1	1	1	4
41	507113	. BALL BEARING	2	2	2	2	2	

From P-722 To Y-7045	Date:10/2022	PAGE:XL-0540-00
FAN CLUTCH ASSY - #550634 (FORMER)		

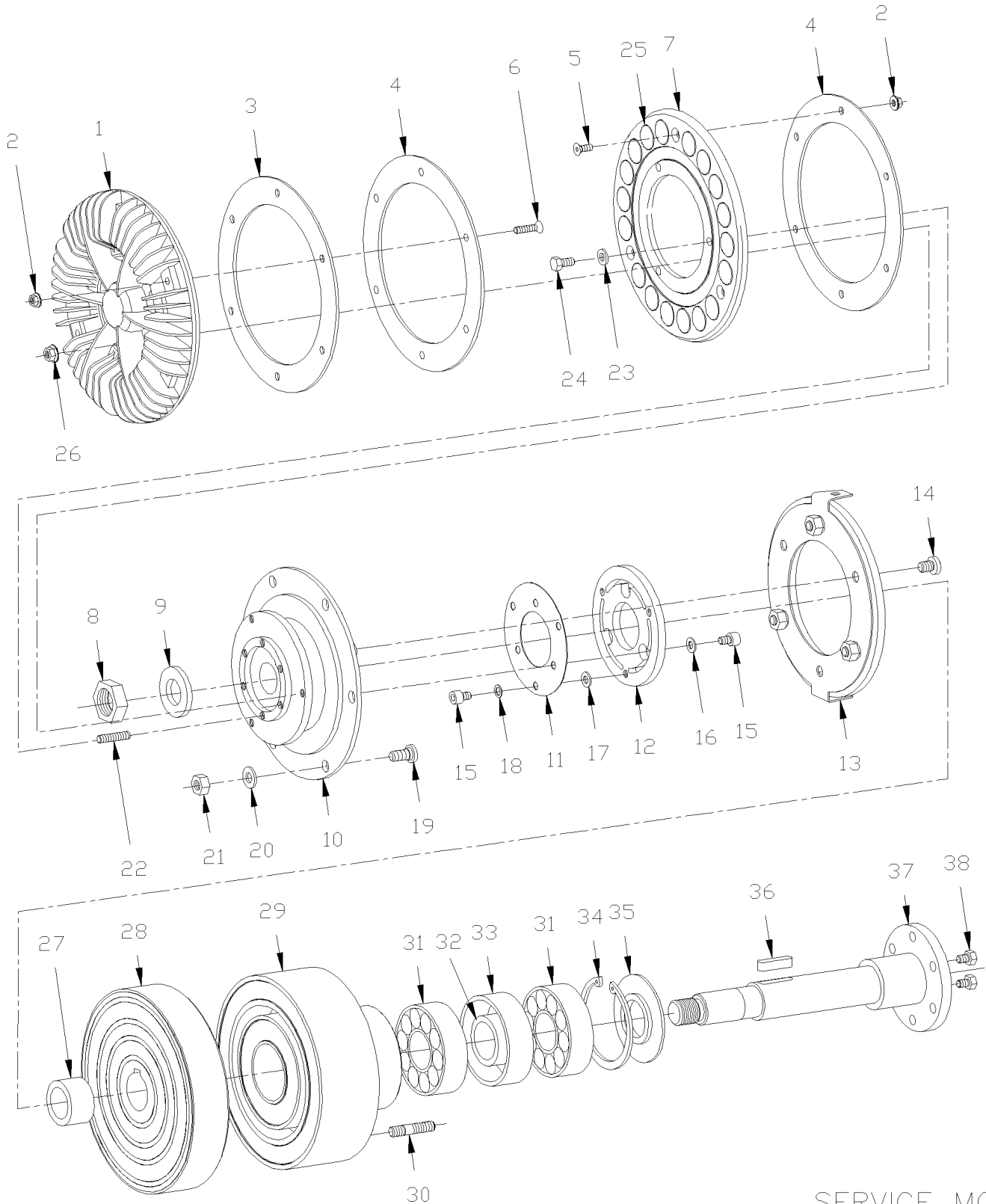
Item#	Part	Description	M T H 4 0	M T H 4 5	M T H 4 5 E	X L 4 0	X L 4 5	N O T E S
42	N.P.N.	. RETAINER RING (72 X 2.5)	1	1	1	1	1	4
43	550676	. FLANGE DRIVE	1	1	1	1	1	
44	5001106	. SCREW CAP HEX M6-1.0x10 G8.8 Z050	2	2	2	2	2	D
NS	561781	CONNECTOR / WEATHER PACK / PH 3C / BLACK / PED 12010717	1	1	1	1	1	
NS	561567	PIN TERMINAL / 20-18 / PED 12089040	3	3	3	3	3	
NS	561565	CABLE SEAL / GREEN / PED 15324982	3	3	3	3	3	
		FOLLOWING ITEMS ARE USED WITH						
		MANUAL OPERATING SWITCH ON L.H. CONSOLE						
NS	561468	SWITCH / OFF-ON S.P.S.T.				1	1	
NS	063021	INSERT / GREEN / WIPER (UPPER)				1	1	
NS	561107	CONNECTOR / TAB HOUSING 8C / SWF 596.289				1	1	
NS	561837	CONNECTOR / TAB HOUSING 2C / SWF 913.328				1	1	
NS	561908	TAB RECEPTACLE TERMINAL / 22-18 / AMP 60295-2				1	1	
NS	560673	WIRE CABLE 16 / BLACK / GXL				6	6	
NS	561258	WIRE CABLE 18 / RED / GXL				1	1	
NS	561700	SPRING SPADE TERMINAL #8 / 16-14 / AMP 52936				2	2	
NS	D060872	WIRING DIAGRAM SPECIAL PAGE 9-SP1				1	1	
		A) TO FIX FAN BLADE						
		B) (EMERGENCY)						
		C) TO FIX FAN BLADE						
		D) (EMERGENCY USE ONLY)						
		4) NO PARTS NUMBER						

From P-722 To Y-7045

Date:10/2022

PAGE:XL-0540-01

FAN CLUTCH ASSY - #550634 (SERVICE)



SERVICE MODEL

From P-722 To Y-7045	Date:10/2022	PAGE:XL-0540-01
FAN CLUTCH ASSY - #550634 (SERVICE)		

Item#	Part	Description	M T H 4 0	M T H 4 5	M T H 4 5 E	X L 4 0	X L 4 5	N O T E S
	550634	FAN CLUTCH ASSY /	1	1	1	1	1	
1	550792	COOLING FAN	1	1	1	1	1	
2	502782	NUT HEX NYRT M5-0.8 Z050	9	9	9	9	9	
3	550659	DISC	2	2	2	2	2	
4	N.S.S.	EDDY CURRENT DISC / INCLUDE WITH #550792	1	1	1	1	1	1
5	502639	SCREW MA FL PH M5-0.8X12 ZP	3	3	3	3	3	
6	N.P.N.	SCREW, M5-0.8 X 25MM FLAT HEAD	6	6	6	6	6	4
7	550779	MAGNET PLATE SUPPORT	1	1	1	1	1	
8	502767	NUT HEX JAM M20-1.5 ZP	2	2	2	2	2	
9	502558	WASHER FL 21.0x37.0x3.0 G500	2	2	2	2	2	
10	550780	FLANGE DRIVEN ASSY W/BEARING	1	1	1	1	1	
NS	550664	BEARING ASSY	1	1	1	1	1	
11	550665	SPRING PLATE	1	1	1	1	1	
12	550782	ARMATURE DISC / 1ST SPEED	1	1	1	1	1	
13	550783	ARMATURE DISC / 2ND SPEED	1	1	1	1	1	
13	550713	ANGLE	2	2	2	2	2	A
13	550667	SPRING PLATE	1	1	1	1	1	
14	N.P.N.	SOCKET HEAD CAP SCREW, M8-1.25 X 16MM (50-2755)	3	3	3	3	3	4
15	N.P.N.	SOCKET HEAD CAP SCREW, M6-1.0 X 8MM (50-01025)	6	6	6	6	6	4
16	N.P.N.	WASHER SHIM .05MM	3	3	3	3	3	4
17	N.P.N.	WASHER	3	3	3	3	3	4
18	502564	WASHER LO SPT 6.1x11.8x1.6 Z050	3	3	3	3	3	
19	550669	STUD M8-1.25 X 19MM	6	6	6	6	6	B
20	500874	WASHER FL 8.4x17.0x1.6 Z050	6	6	6	6	6	
21	502744	NUT HEX STO M8-1.25 Z050	6	6	6	6	6	C
22	N.P.N.	SET SCREW, M6-1.0 X 20MM	3	3	3	3	3	4
23	N.P.N.	WASHER	3	3	3	3	3	4
24	5001106	SCREW CAP HEX M6-1.0x10 G8.8 Z050	3	3	3	3	3	
25	550661	MAGNET	18	18	18	18	18	
26	502511	NUT HEX NYRT M6-1.0 Z050	3	3	3	3	3	
27	N.P.N.	SPACER	1	1	1	1	1	4
28	550784	ROTOR	1	1	1	1	1	
29	550785	MAGNETIC COIL ASSY	1	1	1	1	1	
30	550675	STUD M8-1.25 X 35MM	4	4	4	4	4	
31	507113	BALL BEARING	2	2	2	2	2	
32	N.P.N.	SPACER SMALL	1	1	1	1	1	4
33	N.P.N.	SPACER LARGE	1	1	1	1	1	4
34	N.P.N.	RETAINER RING (72 X 2.5)	1	1	1	1	1	4
35	N.P.N.	DEFLECTOR	1	1	1	1	1	4
36	550671	KEY (8 X 7 X 28)	1	1	1	1	1	
37	550786	SHAFT	1	1	1	1	1	
38	5001106	SCREW CAP HEX M6-1.0x10 G8.8 Z050	2	2	2	2	2	D

From P-722 To Y-7045	Date:10/2022	PAGE:XL-0540-01
FAN CLUTCH ASSY - #550634 (SERVICE)		

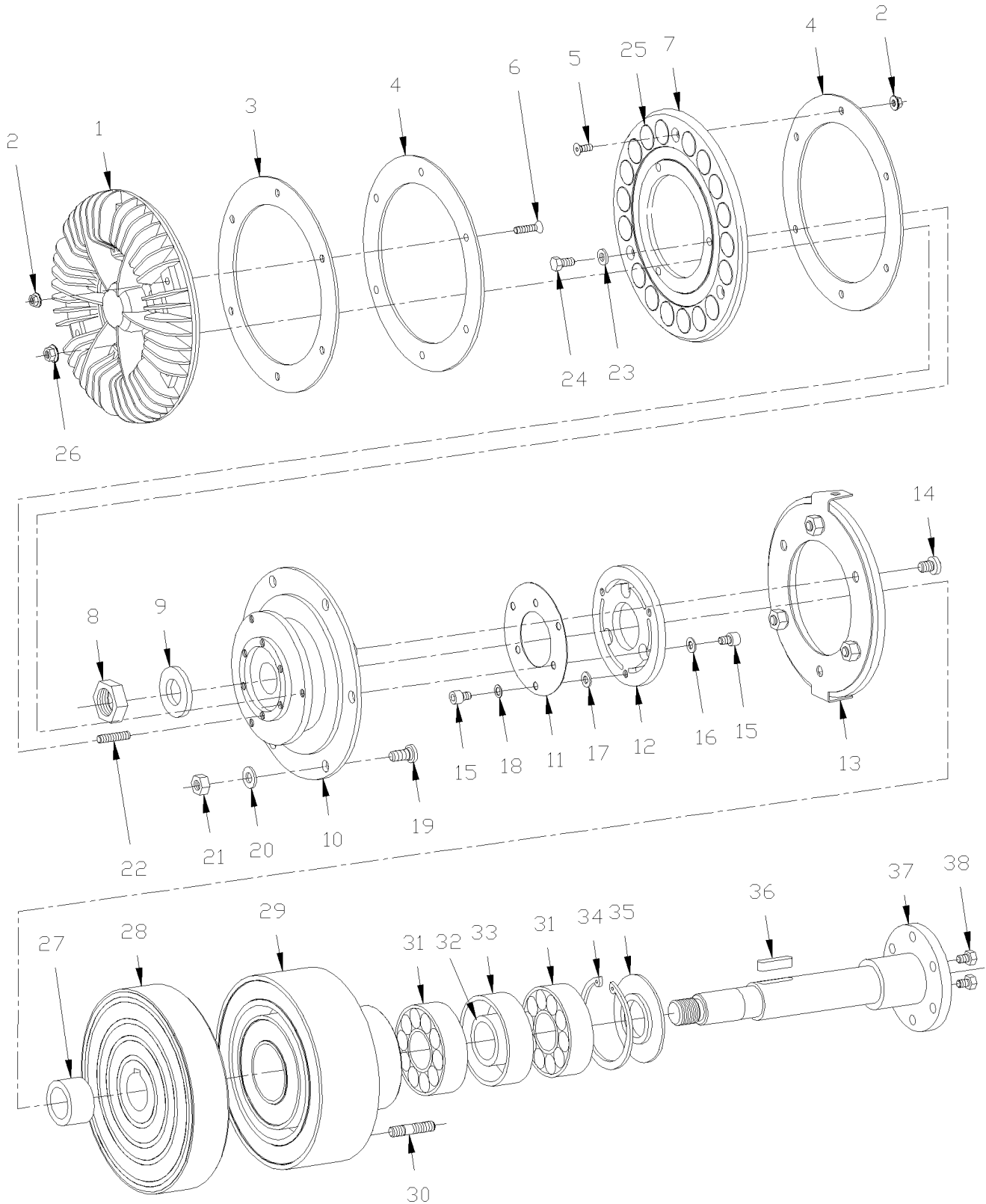
Item#	Part	Description	M T H 4 0	M T H 4 5	M T H 4 5 E	X L 4 0	X L 4 5	N O T E S
NS	502744	NUT HEX STO M8-1.25 Z050	4	4	4	4	4	
NS	500874	WASHER FL 8.4x17.0x1.6 Z050	4	4	4	4	4	
NS	561781	CONNECTOR / WEATHER PACK / PH 3C / BLACK / PED 12010717	1	1	1	1	1	
NS	561567	PIN TERMINAL / 20-18 / PED 12089040	3	3	3	3	3	
NS	561565	CABLE SEAL / GREEN / PED 15324982	3	3	3	3	3	
		FOLLOWING ITEMS ARE USED WITH						
		MANUAL OPERATING SWITCH ON DASHBOARD						
NS	561468	SWITCH / OFF-ON S.P.S.T.				1	1	
NS	063021	INSERT / GREEN / WIPER (UPPER)				1	1	
NS	561107	CONNECTOR / TAB HOUSING 8C / SWF 596.289				1	1	
NS	561837	CONNECTOR / TAB HOUSING 2C / SWF 913.328				1	1	
NS	561908	TAB RECEPTACLE TERMINAL / 22-18 / AMP 60295-2				1	1	
NS	560673	WIRE CABLE 16 / BLACK / GXL				6	6	
NS	561258	WIRE CABLE 18 / RED / GXL				1	1	
NS	561700	SPRING SPADE TERMINAL #8 / 16-14 / AMP 52936				2	2	
NS	D060872	WIRING DIAGRAM SPECIAL PAGE 9-SP1				1	1	
		A) (EMERGENCY)						
		B) TO FIX FAN BLADE						
		C) TO FIX FAN CLUTCH TO SUPPORT						
		D) (EMERGENCY USE ONLY)						
		1) NOT SOLD SEPARATELY						
		4) NO PARTS NUMBER						

From W-6562 To Y-7045

Date:10/2022

PAGE:XL-0540-50

FAN CLUTCH ASSY - #550758



From W-6562 To Y-7045	Date:10/2022	PAGE:XL-0540-50
FAN CLUTCH ASSY - #550758		

Item#	Part	Description	M T H 4 0	M T H 4 5	M T H 4 5 E	X L 4 0	X L 4 5	N O T E S
	550758	FAN CLUTCH ASSY /	1	1	1			A
1	550774	. COOLING FAN	1	1	1			
2	502782	. NUT HEX NYRT M5-0.8 Z050	9	9	9			
3	550659	. DISC	2	2	2			
4	N.S.S.	. EDDY CURRENT DISC / INCLUDE WITH #550774	1	1	1			1
5	502639	. SCREW MA FL PH M5-0.8X12 ZP	3	3	3			
6	N.P.N.	. SCREW, MA FL PH ZP M5-0.8 X 25MM	6	6	6			4
7	550779	. MAGNET PLATE SUPPORT	1	1	1			
8	502767	. NUT HEX JAM M20-1.5 ZP	1	1	1			
9	502558	. WASHER FL 21.0x37.0x3.0 G500	1	1	1			
10	550780	. FLANGE DRIVEN ASSY W/BEARING	1	1	1			
NS	550664	. BEARING ASSY	1	1	1			
11	550781	. SPRING PLATE	1	1	1			
12	550782	. ARMATURE DISC / 1ST SPEED	1	1	1			
13	550783	. ARMATURE DISC / 2ND SPEED	1	1	1			
NS	550713	. ANGLE	2	2	2			K
NS	550667	. SPRING PLATE	1	1	1			
14	N.P.N.	. SOCKET HEAD CAP SCREW, M8-1.25 X 16MM (50-2755)	3	3	3			4
15	N.P.N.	. SOCKET HEAD CAP SCREW, M6-1.0 X 8MM (50-01025)	6	6	6			4
16	N.P.N.	. WASHER, SHIM .05MM	3	3	3			4
17	502573	. WASHER FL 6.4x12.5x1.6 SS	3	3	3			
18	502564	. WASHER LO SPT 6.1x11.8x1.6 Z050	3	3	3			
19	550669	. STUD M8-1.25 X 19MM	6	6	6			L
20	500874	. WASHER FL 8.4x17.0x1.6 Z050	6	6	6			
21	502744	. NUT HEX STO M8-1.25 Z050	6	6	6			
22	N.P.N.	. SET SCREW, M6-1.0 X 20MM	3	3	3			4
23	N.P.N.	. WASHER	3	3	3			4
24	5001106	. SCREW CAP HEX M6-1.0x10 G8.8 Z050	3	3	3			
25	550661	. MAGNET	18	18	18			
26	502511	. NUT HEX NYRT M6-1.0 Z050	3	3	3			
27	N.P.N.	. SPACER	1	1	1			4
28	550776	. ROTOR	1	1	1			
29	550777	. MAGNETIC COIL ASSY	1	1	1			
30	550788	. STUD M10-1.5 X 35MM	4	4	4			
31	507113	. BALL BEARING	2	2	2			
32	N.P.N.	. SPACER SMALL	1	1	1			4
33	N.P.N.	. SPACER LARGE	1	1	1			4
34	N.P.N.	. RETAINER RING (72 X 2.5)	1	1	1			4
35	N.P.N.	. DEFLECTOR	1	1	1			4
36	550671	. KEY (8 X 7 X 28)	1	1	1			
37	550786	. SHAFT	1	1	1			
38	5001106	. SCREW CAP HEX M6-1.0x10 G8.8 Z050	2	2	2			I

From W-6562 To Y-7045	Date:10/2022	PAGE:XL-0540-50
FAN CLUTCH ASSY - #550758		

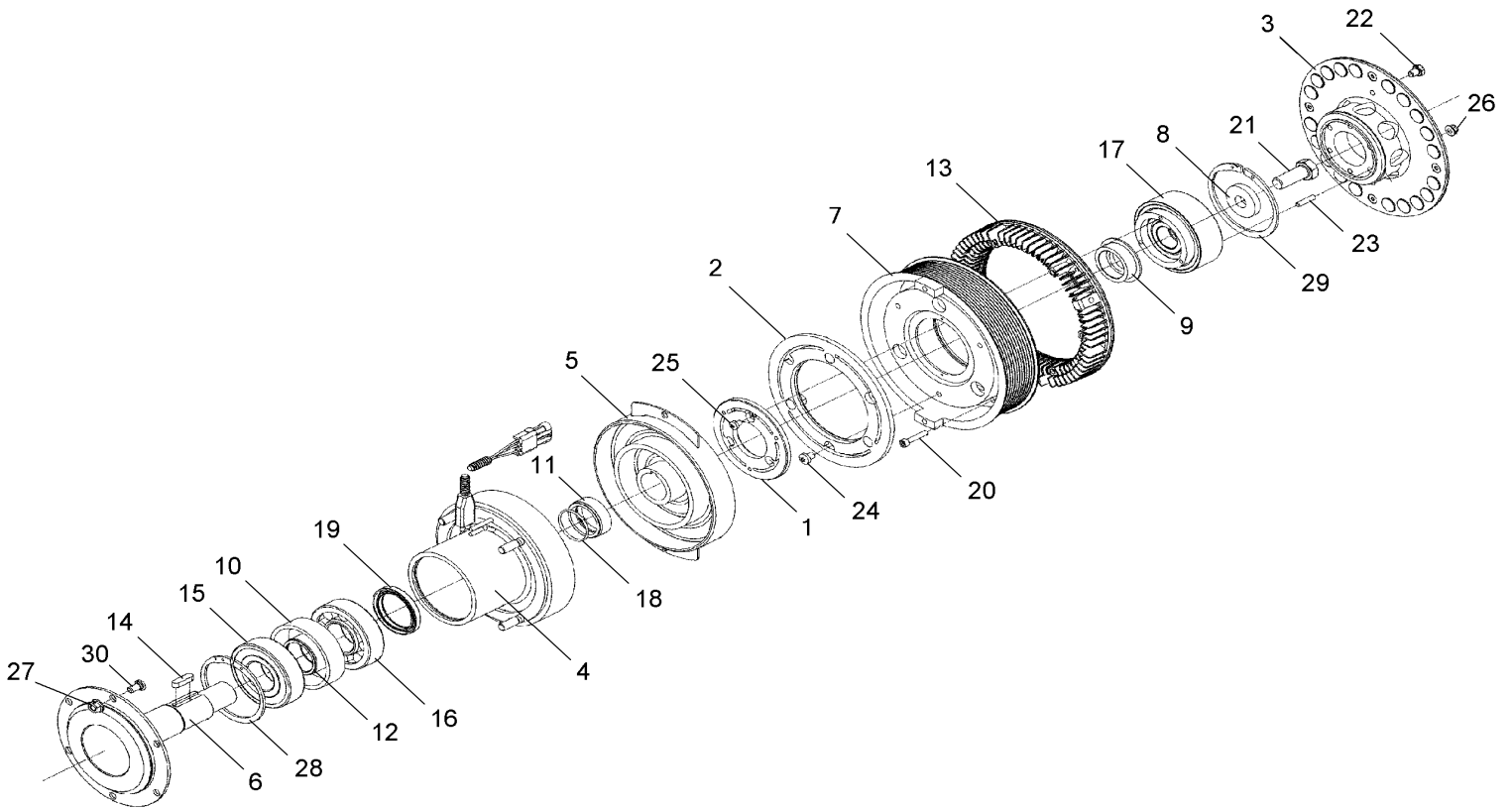
Item#	Part	Description	M T H 4 0	M T H 4 5	M T H 4 5 E	X L 4 0	X L 4 5	N O T E S
NS	561781	CONNECTOR / WEATHER PACK / PH 3C / BLACK / PED 12010717	1	1	1			
NS	561567	PIN TERMINAL / 20-18 / PED 12089040	3	3	3			
NS	561565	CABLE SEAL / GREEN / PED 15324982	3	3	3			
		A) OPTIONAL ON 45' ENTERTAINER SEE FINAL VEHICLE RECORD						
		I) (EMERGENCY USE ONLY)						
		K) (EMERGENCY)						
		L) TO FIX FAN BLADE						
		1) NOT SOLD SEPARATELY						
		4) NO PARTS NUMBER						

From P-722 To Y-7045

Date:10/2022

PAGE:XL-0540-99

FAN CLUTCH ASSY - #550839 / RETROFIT



From P-722 To Y-7045	Date:10/2022	PAGE:XL-0540-99
FAN CLUTCH ASSY - #550839 / RETROFIT		

Item#	Part	Description	M T H 4 0	M T H 4 5	M T H 4 5 E	X L 4 0	X L 4 5	N O T E S
	550839	FAN CLUTCH ASSY /	1	1	1	1	1	
. NS	IS-EB0140 A	SEE INSTRUCTION SHEET	1	1	1	1	1	
1	N.S.S.	ARMATURE DISC	1	1	1	1	1	1
2	N.S.S.	ARMATURE DISC	1	1	1	1	1	1
3	550882	MAGNET RING ASSY	1	1	1	1	1	
4	550883	MAGNETIC COIL ASSY	1	1	1	1	1	
5	550884	ROTOR	1	1	1	1	1	
6	550885	SHAFT	1	1	1	1	1	
7	550890	PULLEY ASSY WBEARING & DISC	1	1	1	1	1	A
8	550887	WASHER	1	1	1	1	1	
9	550888	BUSHING FLANGE	1	1	1	1	1	
10	N.P.N.	SPACER	1	1	1	1	1	4
11	550893	BUSHING W/GROOVE	1	1	1	1	1	
12	N.P.N.	SPACER	1	1	1	1	1	4
13	550889	COOLING RING	1	1	1	1	1	
14	550671	KEY (8 X 7 X 28)	1	1	1	1	1	
15	550895	BALL BEARING	1	1	1	1	1	
16	550894	ROLLER BEARING	1	1	1	1	1	
17	550886	BEARING ASSY	1	1	1	1	1	
18	550891	O-RING 40 X 2.5	1	1	1	1	1	
19	550892	SEAL 50 X 65 X 8	1	1	1	1	1	
20	N.P.N.	SCREW CAP HEX S.ZP MG X 30 G8.8	6	6	6	6	6	4
21	N.P.N.	SCREW CAP HEX M16 X 40 G10.9	1	1	1	1	1	4
22	500069	SCREW CAP HEX M8-1.25x16 G10.9 DP	2	2	2	2	2	
23	N.S.S.	INSERT	3	3	3	3	3	1
24	N.S.S.	INSERT	3	3	3	3	3	1
25	N.S.S.	SCREW M6 X 8	6	6	6	6	6	1
26	502744	NUT HEX STO M8-1.25 Z050	4	4	4	4	4	
27	500680	NUT HEX STO M10-1.5 Z050	6	6	6	6	6	
28	N.P.N.	RETAINER RING (90 X 3)	1	1	1	1	1	4
29	N.P.N.	RETAINER RING (100 X 3)	1	1	1	1	1	4
30	N.P.N.	INSERT	4	4	4	4	4	4
32	550966	FAN CLUTCH ASSY / ALTERNATIVE PART	1	1	1	1	1	
. NS	550062	LOCKING TABS	1	1	1	1	1	
32	550057	FAN CLUTCH ASSY / ALTERNATIVE PART / SEE MI16-08	1	1	1	1	1	
. NS	550062	LOCKING TABS	1	1	1	1	1	
33	IS17908	550057 FAN CLUTCH FIRST INSTALLATION / WITH LONG FAN DRIVE	1	1	1	1	1	
. NS	550057	FAN CLUTCH ASSY / ALTERNATIVE PART / SEE MI16-08	1	1	1	1	1	
. NS	550062	LOCKING TABS	1	1	1	1	1	
. NS	506064	MULTI V-BELT / 12 RIB 83 1/2" (2121)	1	1	1	1	1	
. NS	5001758	NUT HEX STO M10-1.5 N500	4	4	4	4	4	

From P-722 To Y-7045	Date:10/2022	PAGE:XL-0540-99
FAN CLUTCH ASSY - #550839 / RETROFIT		

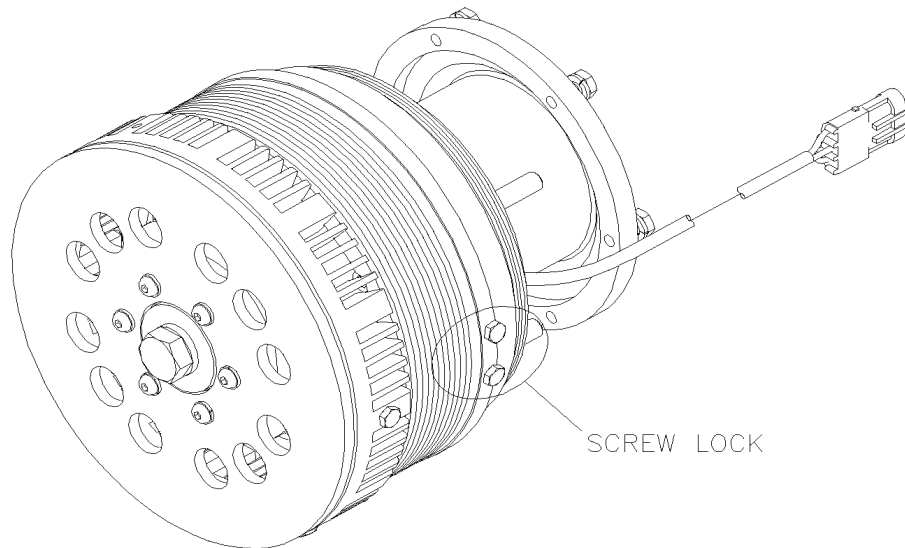
Item#	Part	Description	M T H 4 0	M T H 4 5	M T H 4 5 E	X L 4 0	X L 4 5	N O T E S
. NS	500897	. WASHER FL .437x1.000x.083 N500	4	4	4	4	4	
. NS	IS-17908	. SEE INSTRUCTION SHEET	1	1	1	1	1	
34	IS17909	550057 FAN CLUTCH FIRST INSTALLATION / WITH SHORT FAN DRIVE	1	1	1	1	1	
. NS	550057	. FAN CLUTCH ASSY / ALTERNATIVE PART / SEE MI16-08	1	1	1	1	1	
. . NS	550062	. . LOCKING TABS	1	1	1	1	1	
. NS	5002112	. MULTI V-BELT / 12 RIB 62.40" (1585MM)	2	2	2	2	2	
. NS	502692	. NUT HEXF STO M8-1.25 Z050	3	3	3	3	3	
. NS	502891	. SCREW CRG M8-1.25x40 G8.8 Z050	3	3	3	3	3	
. NS	500874	. WASHER FL 8.4x17.0x1.6 Z050	3	3	3	3	3	
. NS	502644	. WASHER FL 10.5x30.0x2.5 Z050	4	4	4	4	4	
. NS	5001758	. NUT HEX STO M10-1.5 N500	4	4	4	4	4	
. NS	5001654	. WASHER FL 6.4x17.0x3.0 SS	6	6	6	6	6	
. NS	502843	. SCREW CAP HEX M6-1.0x45 G8.8 N500	1	1	1	1	1	
. NS	502621	. NUT HEX STO M6-1.0 Z050	1	1	1	1	1	
. NS	IS-17909	. SEE INSTRUCTION SHEET	1	1	1	1	1	
		A) TO USE WITH NUT 29/32" THICK (610773) / FRONT & TAG AXLE						
		1) NOT SOLD SEPARATELY						
		4) NO PARTS NUMBER						

From P-722 To Y-7045

Date:10/2022

PAGE:550966

FAN CLUTCH ASSY / ALTERNATIVE PART

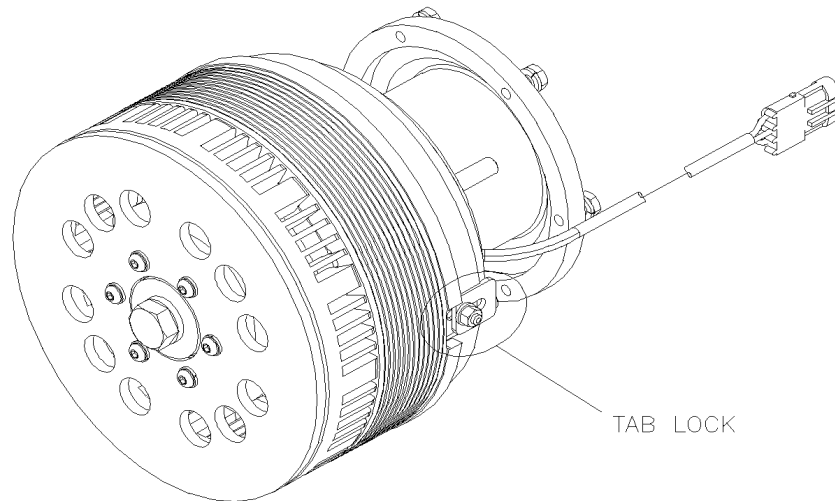


From P-722 To Y-7045

Date:10/2022

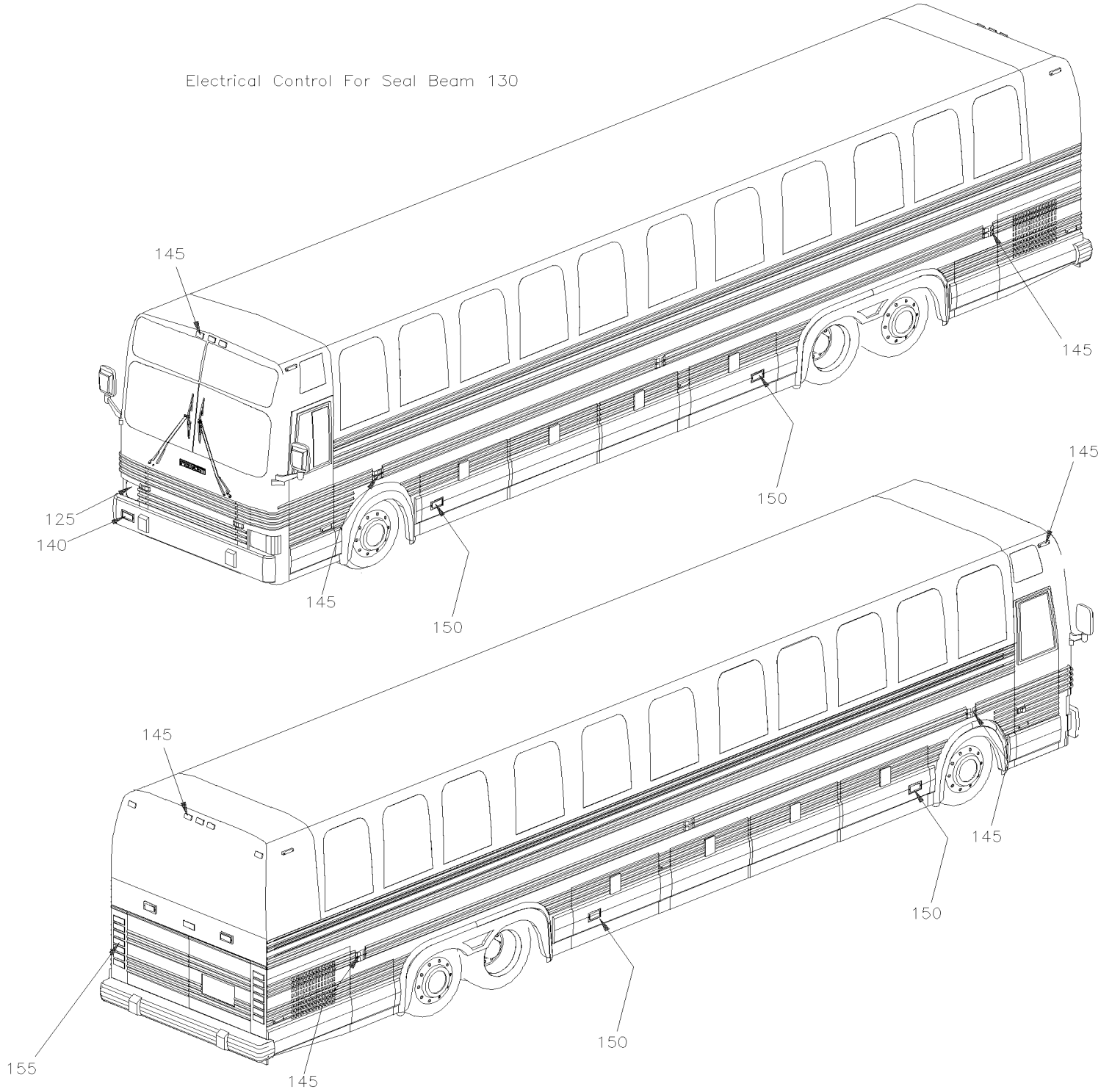
PAGE:550057

FAN CLUTCH ASSY / ALTERNATIVE PART / SEE MI16-08

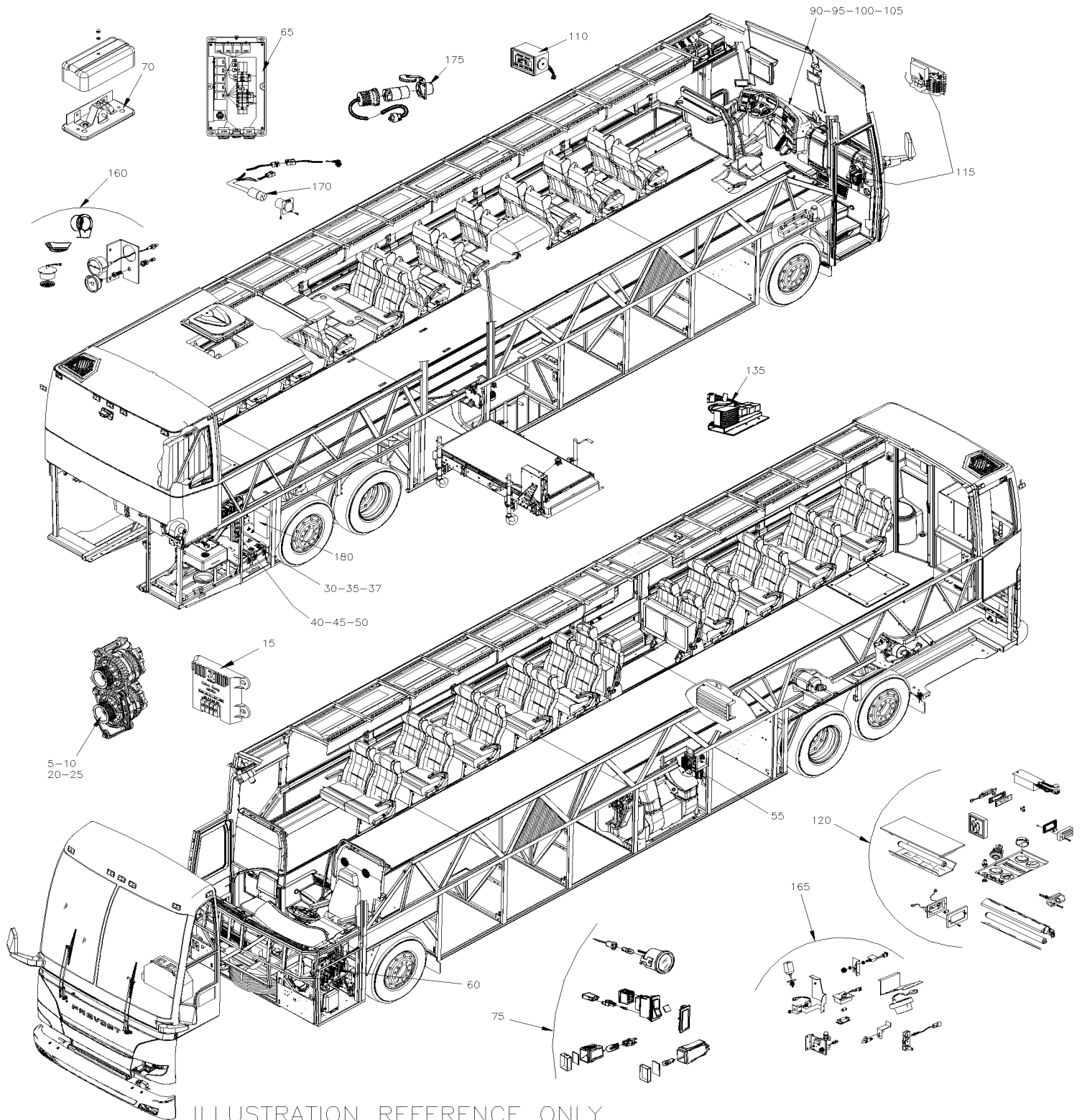


	Date:10/2022	XL-06
ELECTRICAL		

Electrical Control For Seal Beam 130



	Date: 10/2022	XL-06
ELECTRICAL		



		Date:10/2022	XL-06					
ELECTRICAL								
Item#	Part	Description	M T H 4 0	M T H 4 5	M T H 4 5 E	X L 4 0	X L 4 5	N O T E S
5	XL-0605-00	ALTERNATOR 24V/240 AMPS / "DELCO" #061227 From E-638 To H-247						
5	XL-0605-01	ALTERNATOR 24V/270 AMPS / "DELCO" #561236 From H-248 To L-684						
5	XL-0605-02	ALTERNATOR 24V/270 AMPS / "DELCO" #561723 From L-685 To R-843						
5	XL-0605-03	ALTERNATOR 24V/270 AMPS / "DELCO" #562235 From P-722 To Y-7045						
5	XL-0605-04	ALTERNATOR 12V/300 AMPS / "DELCO" #562355 From P-722 To Y-7045						
5	XL-0605-05	ALTERNATOR 24V/140 AMPS / "BOSCH" From X-6904 To Y-7045						
10	XL-0610-00	ALTERNATOR MOUNTING / "DELCO" WITH ADAPTOR "M.C.I." - DETROIT S-71 From E-638 To H-247						
10	XL-0610-01	ALTERNATOR MOUNTING / "DELCO" WITH DETROIT S-92 From H-248 To R-843						
10	XL-0610-02	ALTERNATOR MOUNTING / "DELCO" WITH DETROIT S-60 From P-722 To W-6485						
10	XL-0610-03	ALTERNATOR MOUNTING / "DELCO" WITH DETROIT S-60 From W-6486 To X-6903						
10	XL-0610-04	ALTERNATOR MOUNTING / "BOSCH" WITH DETROIT S-60 From X-6904 To Y-7045						
15	XL-0610-10	VOLTAGE REGULATOR - 24 VOLTS W/270 AMPS From E-638 To Y-7045						
15	XL-0610-11	VOLTAGE REGULATOR - 12 VOLTS W/300 AMPS From E-638 To Y-7045						
20	XL-0610-50	ALTERNATOR MOUNTING / 12V & 24V - MTH From E-638 To G-127						
20	XL-0610-51	ALTERNATOR MOUNTING / 12V & 24V - MTH From G-128 To Y-7045						
25	XL-0610-52	ALTERNATOR MOUNTING / "DELCO" - 12V/145A / DETROIT S-92 From E-638 To R-843						
25	XL-0610-53	ALTERNATOR MOUNTING / "DELCO" - 12V/145A / GEARBOX INSTAL From P-722 To Y-7045						
25	XL-0610-54	ALTERNATOR MOUNTING / "BOSCH" - 24V/140A / GEARBOX INSTAL From T-5663 To Y-7045						
25	XL-0610-55	ALTERNATOR MOUNTING / "DELCO" WITH DETROIT S-60 From W-6486 To Y-7045						
30	XL-0615-00	BATTERIES ELECTRICAL PANEL From E-638 To T-5662						
30	XL-0615-01	BATTERIES INSTALLATION - BUS 45' From S-570 To Y-7045						
30	XL-0615-02	BATTERIES INSTALLATION - BUS 40' From T-5663 To Y-7045						
35	XL-0615-10	BATTERIES INSTALLATION - MTH From L-685 To R-810						
35	XL-0615-11	BATTERIES INSTALLATION - MTH 45' From P-722 To Y-7045						
35	XL-0615-12	BATTERIES INSTALLATION - MTH 40' & MTH45E From R-823 To Y-7045						
37	XL-0615-51	BATTERIES COMPARTMENT PANEL - BUS From S-570 To Y-7045						
40	XL-0616-00	JUNCTION BOX COMPONENTS, RELAY & BREAKER From E-638 To Y-7045						
45	XL-0616-11	BREAKER PANEL From T-5663 To Y-7045						
50	XL-0620-00	REAR JUNCTION BOX ASSY From E-638 To L-684						
50	XL-0620-01	REAR JUNCTION BOX ASSY WITH DETROIT S-92 From L-685 To R-843						
50	XL-0620-02	REAR JUNCTION BOX ASSY WITH DETROIT S-60 From P-722 To Y-7045						
55	XL-0621-00	A/C JUNCTION BOX ASSY - MTH From E-638 To N-409						
55	XL-0621-01	A/C JUNCTION BOX ASSY - MTH From N-410 To V-6284						
55	XL-0621-02	A/C JUNCTION BOX ASSY - BUS 45' From S-570 To V-6284						
55	XL-0621-03	A/C JUNCTION BOX ASSY From V-6285 To Y-7045						
60	XL-0625-00	FRONT JUNCTION PANEL From E-638 To L-684						
60	XL-0625-01	FRONT JUNCTION PANEL From L-685 To Y-7045						
65	XL-0627-00	JUNCTION BOX - ATEC / DDEC II From J-540 To P-721						
65	XL-0627-01	JUNCTION BOX - "DDEC III" From P-722 To Y-7045						
70	XL-0628-00	CHIME BELL - INSTALLATION From E-638 To Y-7045						
75	XL-0644-00	DASHBOARD COMPONENTS From E-638 To Y-7045						
90	XL-0645-00	SWITCHES L.H. CONSOLE - BUS From E-638 To H-234						

	Date:10/2022	XL-06
ELECTRICAL		

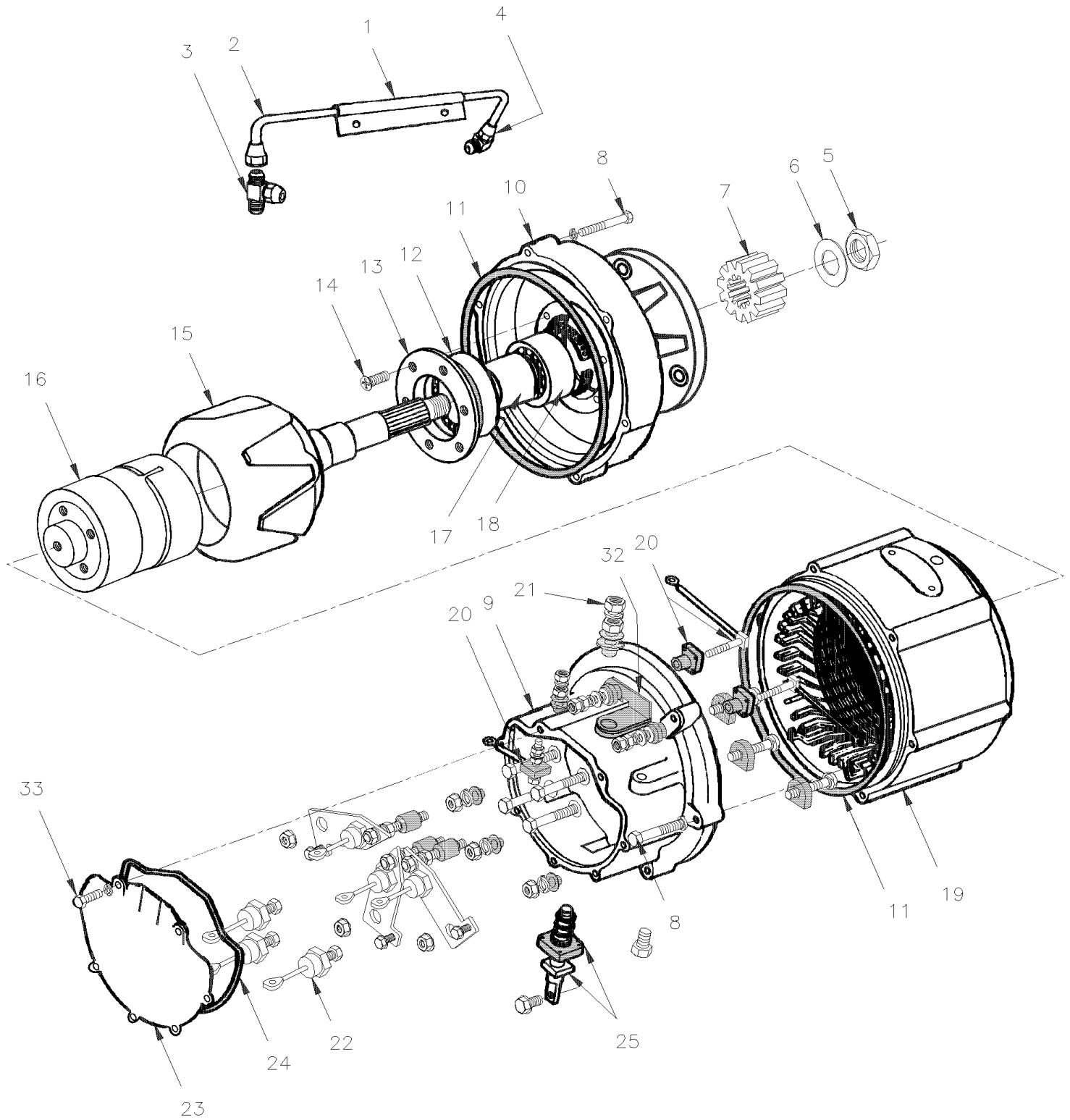
Item#	Part	Description	M T H 4 0	M T H 4 5	M T H 4 5 E	X L 4 0	X L 4 5	N O T E S
90	XL-0645-01	SWITCHES L.H. CONSOLE - BUS From H-235 To Y-7045						
90	XL-0645-05	SWITCHES L.H. CONSOLE - MTH From E-638 To H-234						
90	XL-0645-06	SWITCHES L.H. CONSOLE - MTH From H-235 To Y-7045						
95	XL-0645-20	DASHBOARD - CENTER PANEL From E-638 To S-569						
95	XL-0645-21	DASHBOARD - CENTER PANEL From S-570 To Y-7045						
100	XL-0645-40	DASHBOARD - LOWER L.H. & R.H. PANELS From E-638 To H-234						
100	XL-0645-41	DASHBOARD - LOWER L.H. & R.H. PANELS From H-235 To Y-7045						
105	XL-0645-50	DASHBOARD - CONSOLE R.H. From E-638 To G-118						
105	XL-0645-51	DASHBOARD - CONSOLE R.H. From G-119 To Y-7045						
110	XL-0650-00	DATA HUB From H-285 To Y-7045						
115	XL-0650-50	KEYLESS MODULE From X-6680 To Y-7045						
120	XL-0655-00	INTERIOR LIGHTING From E-638 To H-284						
120	XL-0655-01	INTERIOR LIGHTING From H-285 To Y-7045						
125	XL-0660-00	HEADLAMP & FRONT DIRECTIONAL LAMPS From E-638 To L-684						
125	XL-0660-01	HEADLAMP & FRONT DIRECTIONAL LAMPS From L-685 To Y-7045						
130	XL-0660-10	ELECTRICAL CONTROL FOR SEAL BEAM From E-638 To L-684						
135	XL-0660-20	FLASHER - ELECTRONIC & RELAY From L-685 To Y-7045						
140	XL-0661-00	FOG LAMP From E-638 To Y-7045						
145	XL-0662-00	CLEARANCE & MARKER LIGHT From E-638 To Y-7045						
150	XL-0663-00	DOCK & CORNERING LIGHT From E-638 To Y-7045						
155	XL-0664-00	REAR EXTERIOR LIGHTS & PLATE HOLDER From E-638 To L-684						
155	XL-0664-01	REAR EXTERIOR LIGHTS & PLATE HOLDER From L-685 To Y-7045						
160	XL-0665-00	ENGINE COMPARTMENT - ELECTRIC COMPONENTS From E-638 To Y-7045						
165	XL-0665-10	SWITCHES, LIGHTS, AJAR - UNDER FLOOR From E-638 To Y-7045						
170	XL-0666-00	BLOCK HEATER RECEPTACLE From E-638 To Y-7045						
175	XL-0670-00	EXTERIOR 110 VOLTS OUTLET From E-638 To Y-7045						
180	XL-0670-10	BATTERIES CHARGER - INSTALLATION From T-5663 To Y-7045						

From E-638 To H-247

Date:10/2022

PAGE:XL-0605-00

ALTERNATOR 24V/240 AMPS / "DELCO" #061227



From E-638 To H-247	Date:10/2022	PAGE:XL-0605-00
ALTERNATOR 24V/240 AMPS / "DELCO" #061227		

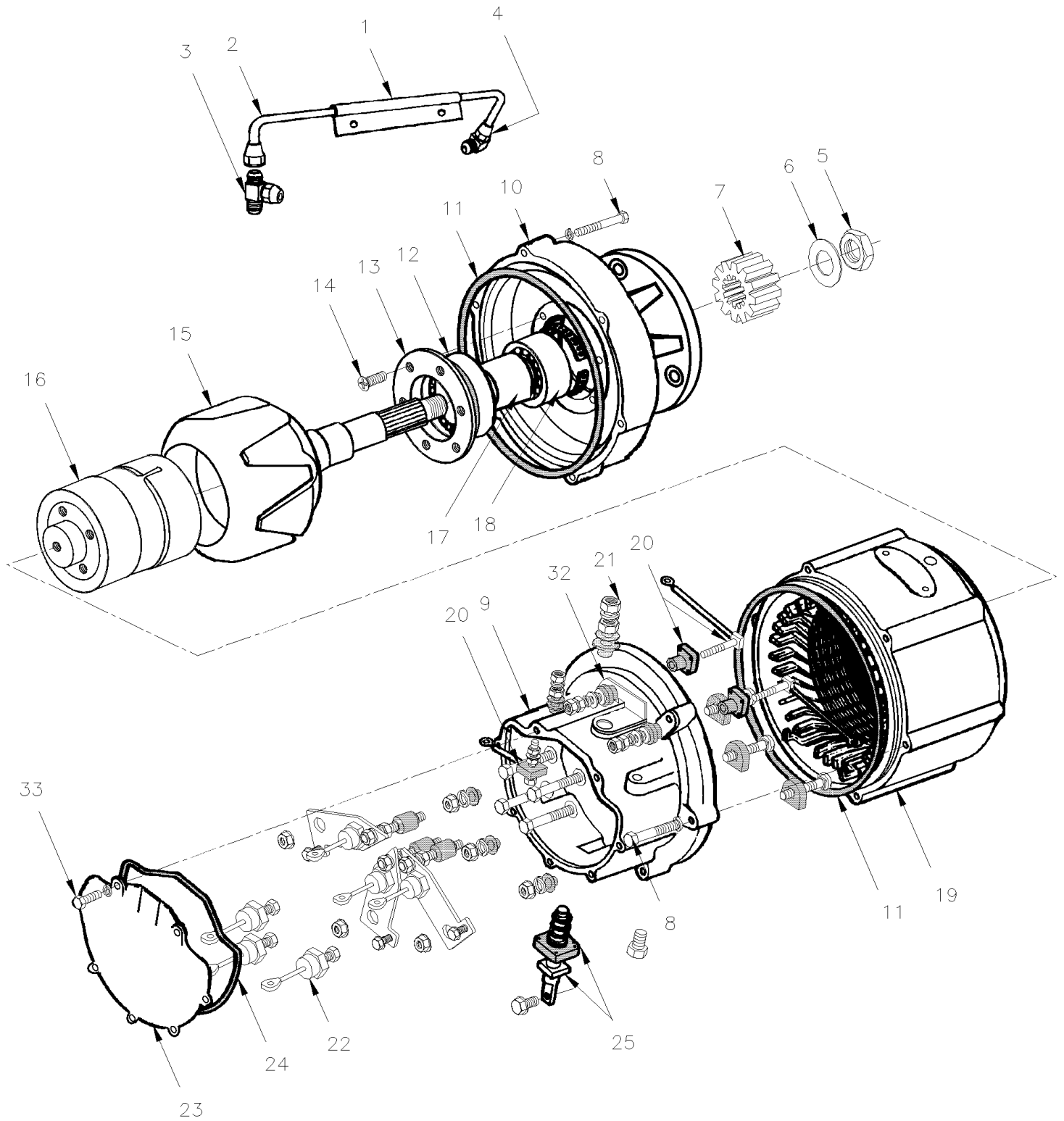
Item#	Part	Description	M T H 4 0	M T H 4 5	M T H 4 5 E	X L 4 0	X L 4 5	N O T E S
	061227	ALTERNATOR ASSY 24V/240 AMPS / (1117792)	1			1		
	561128	. ALTERNATOR ASSY	1			1		
	560921	. . ALTERNATOR ASSY / (W/OUT OIL LINE)	1			1		
1	561169	. . CLAMP / OIL LINE TUBE	1			1		
2	561172	. . OIL LINE TUBE	1			1		
3	561171	. . TEE	1			1		
4	561170	. . ELBOW 90°	1			1		
5	560968	. NUT	1			1		
6	560973	. WASHER / PINION	1			1		
7	560923	. GEAR PINION / 20 TEETH	1			1		
8	500170	. SCREW CAP HEX 1/4-20x2 G5 PT Z050	12			12		
NS	500473	. WASHER LO SPT .262x.489x.062 Z050	12			12		
9	N8885614	. FRAME RECTIFIER END	1			1		
10	562189	. FRAME D.E.	1			1		
11	562196	. O-RING	2			2		
12	562187	. BEARING INNER D.E.	1			1		
13	N.S.P.	. RETAINER BEARING (1941060)	1			1		2
14	500371	. SCREW MA FL PH M4-0.7x8 N500	6			6		
15	562179	. ROTOR	1			1		
16	562181	. FIELD ASSY	1			1		
17	562188	. SPACER / BEARING	1			1		
18	562184	. BEARING OUTER D.E.	1			1		
19	562177	. STATOR ASSY / W/RIGID LEAD	1			1		
20	560724	. STUD TERMINAL FIELD	2			2		
21	560846	. SLEEVE INSULATOR DC+ STUD	1			1		
22	562193	. DIODE (NEGATIF) / ALTERNATOR 50 DN	6			6		
23	562466	. COVER / RECTIFIER END / ALUMINUM DIE CAST	1			1		
24	562467	. . O-RING	1			1		
24	561237	. GASKET / USE W/STEEL COVER / (FORMER)	1			1		
25	562450	. STUD TERMINAL DC +	1			1		
32	561484	STRAP / DC+ & FIELD	1			1		
33	500163	. SCREW CAP HEX 1/4-20x3/4 G5 Z050	6			6		
		2) NOT SOLD BY PREVOST (SEE MANUFACTURING PART NUMBER AT END OF DESCRIPTION LINE)						

From H-248 To L-684

Date:10/2022

PAGE:XL-0605-01

ALTERNATOR 24V/270 AMPS / "DELCO" #561236

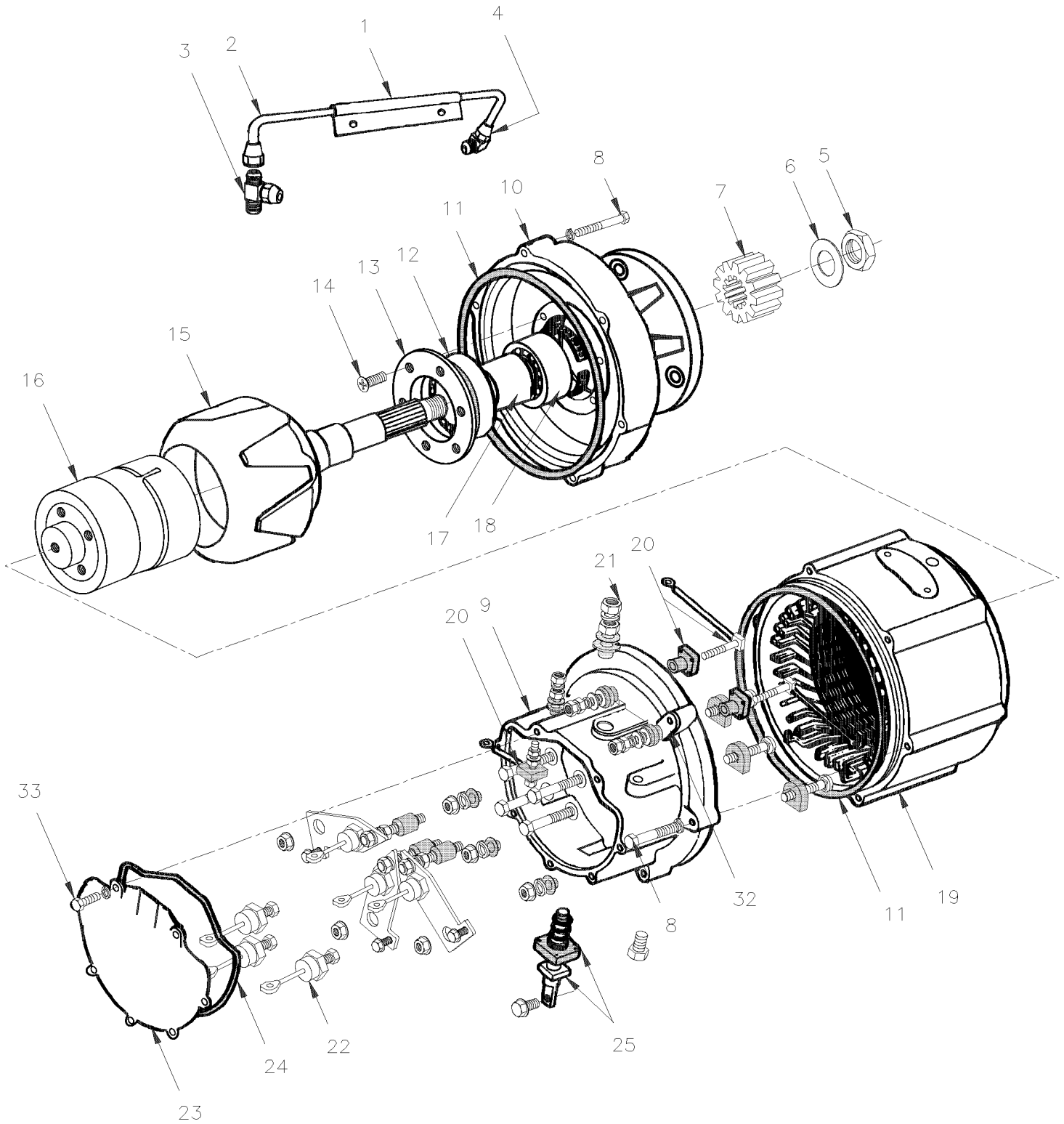


From L-685 To R-843

Date:10/2022

PAGE:XL-0605-02

ALTERNATOR 24V/270 AMPS / "DELCO" #561723

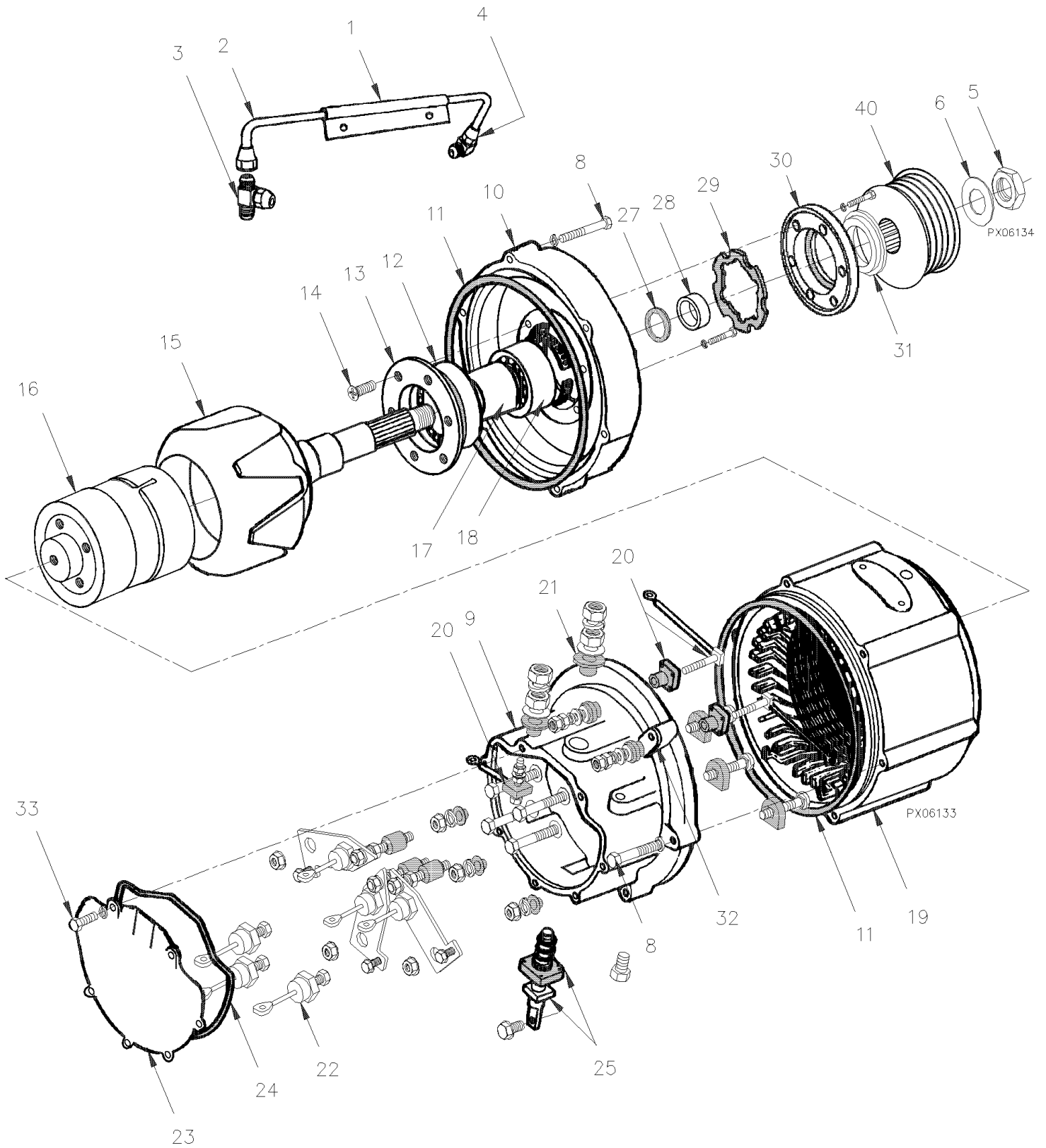


From P-722 To Y-7045

Date:10/2022

PAGE:XL-0605-03

ALTERNATOR 24V/270 AMPS / "DELCO" #562235



From P-722 To Y-7045	Date:10/2022	PAGE:XL-0605-03
ALTERNATOR 24V/270 AMPS / "DELCO" #562235		

Item#	Part	Description	M T H 4 0	M T H 4 5	M T H 4 5 E	X L 4 0	X L 4 5	N O T E S
	562235	ALTERNATOR ASSY 24V/270 AMPS	1	1	1	1	1	
	563437	ALTERNATOR ASSY 24V/270 AMPS	1	1	1	1	1	
1	561169	. CLAMP / OIL LINE TUBE	1	1	1	1	1	
2	562238	. OIL LINE TUBE	1	1	1	1	1	
3	561171	. TEE	1	1	1	1	1	
4	561170	. ELBOW 90°	1	1	1	1	1	
5	562457	. NUT, DRIVE END	1	1	1	1	1	
6	560973	. WASHER / PINION	1	1	1	1	1	
8	500170	. SCREW CAP HEX 1/4-20x2 G5 PT Z050	12	12	12	12	12	
NS	500473	. WASHER LO SPT .262x.489x.062 Z050	12	12	12	12	12	
9	N8885614	. FRAME RECTIFIER END	1		1	1		
9	563440	. FRAME RECTIFIER END	1	1	1	1	1	A
10	562241	. FRAME D.E.	1	1	1	1	1	
. NS	562509	. . OIL SEAL 2.247" O.D.	1	1	1	1	1	
10	10523585	. FRAME D.E.	1	1	1	1	1	
11	562196	. O-RING	2	2	2	2	2	
12	562186	. BEARING INNER D.E.	1	1	1	1	1	
13	N8885671	. RETAINER BEARING (1941060)	1	1	1	1	1	
14	500371	. SCREW MA FL PH M4-0.7x8 N500	6	6	6	6	6	
15	562240	. ROTOR	1	1	1	1	1	
16	562182	. FIELD ASSY	1	1	1	1	1	
18	562184	. BEARING OUTER D.E.	1	1	1	1	1	
19	562239	. STATOR ASSY / W/RIGID LEAD	1	1	1	1	1	
19	562694	. STATOR ASSY / W/FLEX LEAD	1	1	1	1	1	
19	563438	. STATOR ASSY / W/FLEX LEAD & INSULATOR	1	1	1	1	1	
20	560724	. STUD TERMINAL FIELD	2	2	2	2	2	
21	560846	. SLEEVE INSULATOR DC+ STUD	1	1	1	1	1	
22	562193	. DIODE (NEGATIF) / ALTERNATOR 50 DN	6	6	6	6	6	
23	562466	. COVER / RECTIFIER END / ALUMINUM DIE CAST	1	1	1	1	1	
24	562467	. . O-RING	1	1	1	1	1	
25	562450	. STUD TERMINAL DC +	1	1	1	1	1	
27	562242	. O-RING / SPACER COLLAR & BEARING	1	1	1	1	1	
28	562245	. SPACER COLLAR D.E.	1	1	1	1	1	
29	562243	. GASKET PLATE DRIVE END	1	1	1	1	1	
30	562244	. RETAINER BEARING D.E.	1	1	1	1	1	
31	562509	. . OIL SEAL 2.247" O.D.	1	1	1	1	1	
31	N8896697	. OIL SEAL W/FLANGE 30375" O.D.	1	1	1	1	1	
. NS	N8885631	. . O-RING / SPACER COLLAR & BEARING	1	1	1	1	1	
. NS	N8893250	. . SPACER COLLAR D.E.	1	1	1	1	1	
32	562386	. STRAP / FIELD TERMINAL & GROUND	1	1	1	1	1	
33	500163	. SCREW CAP HEX 1/4-20x3/4 G5 Z050	6	6	6	6	6	
40	510439	PULLEY ALTERNATOR 12 RIB	1	1	1	1	1	

From P-722 To Y-7045	Date:10/2022	PAGE:XL-0605-03
ALTERNATOR 24V/270 AMPS / "DELCO" #562235		

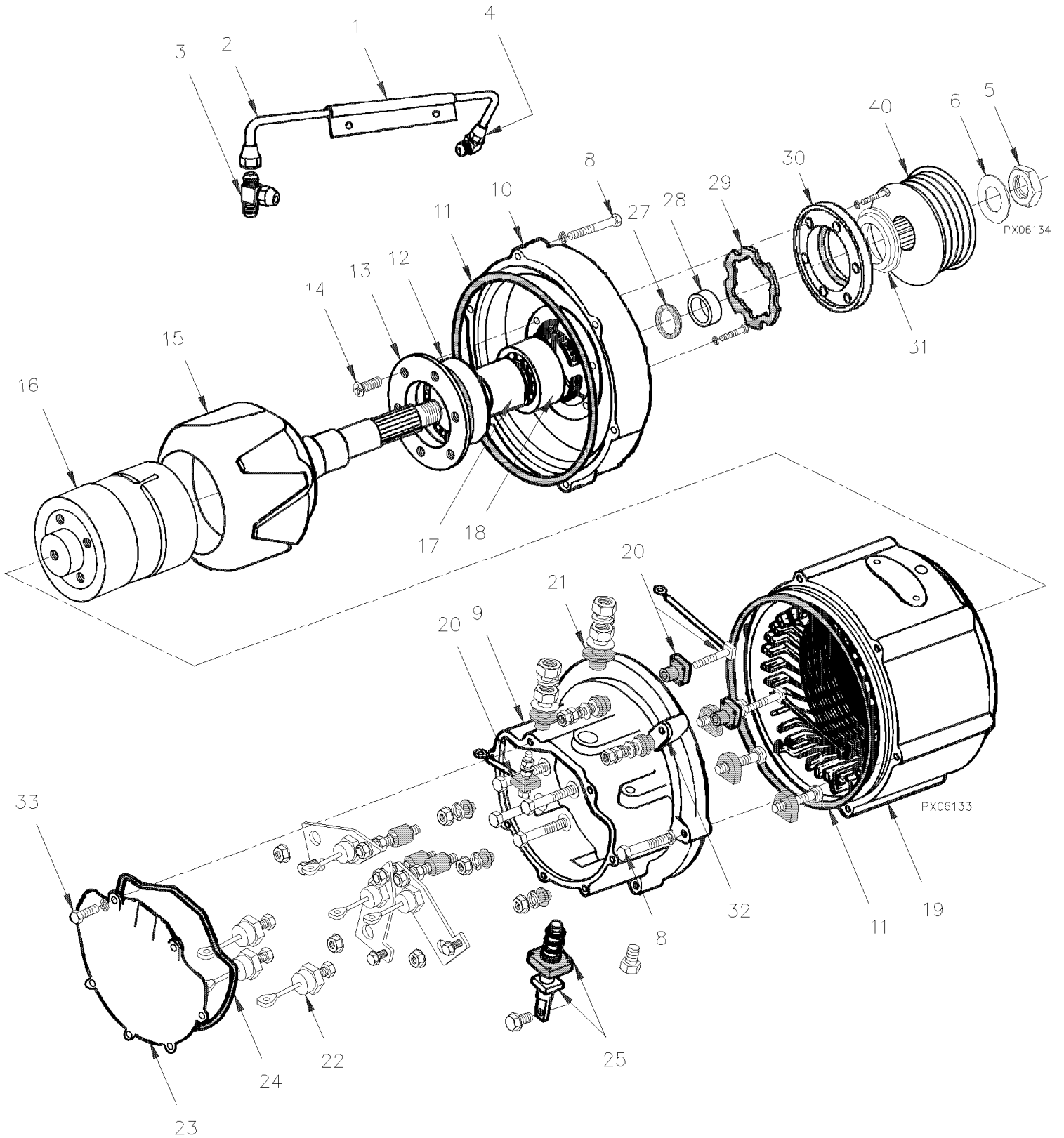
Item#	Part	Description	M T H 4 0	M T H 4 5	M T H 4 5 E	X L 4 0	X L 4 5	N O T E S
		A) USE WITH #563437 ONLY						

From P-722 To Y-7045

Date:10/2022

PAGE:XL-0605-04

ALTERNATOR 12V/300 AMPS / "DELCO" #562355

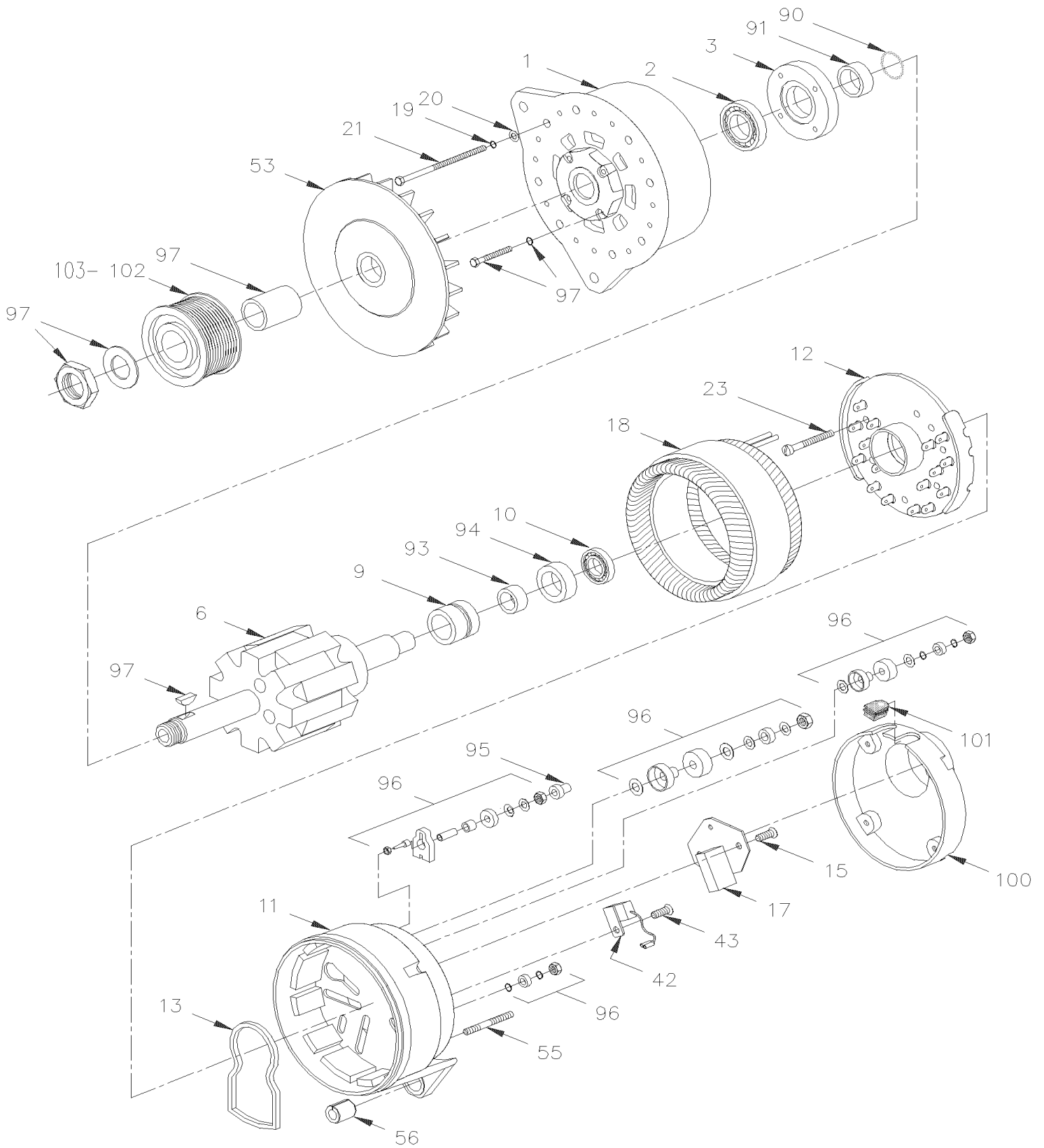


From X-6904 To Y-7045

Date:10/2022

PAGE:XL-0605-05

ALTERNATOR 24V/140 AMPS / "BOSCH"

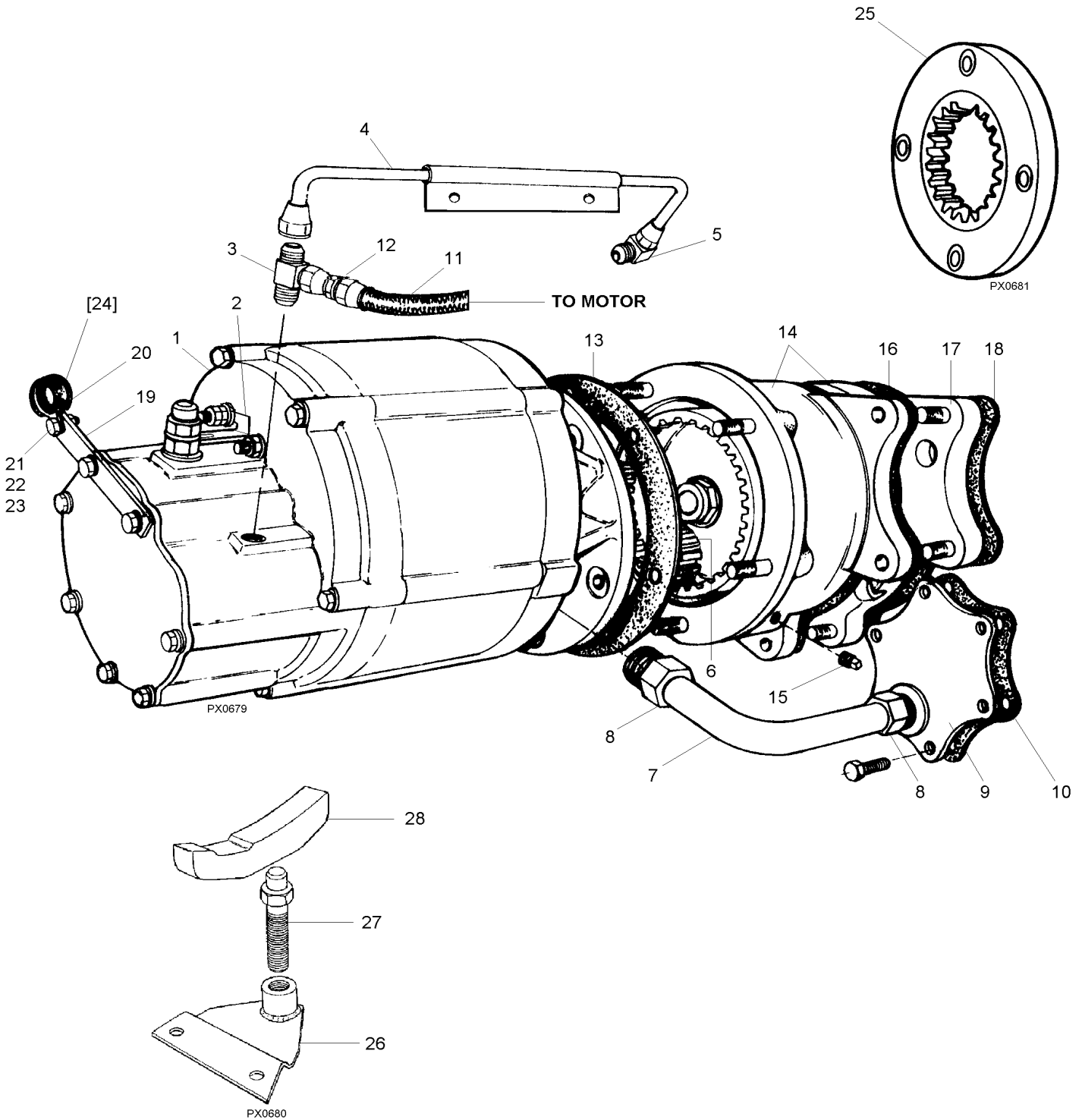


From E-638 To H-247

Date:10/2022

PAGE:XL-0610-00

ALTERNATOR MOUNTING / "DELCO" WITH ADAPTOR "M.C.I." - DETROIT S-71

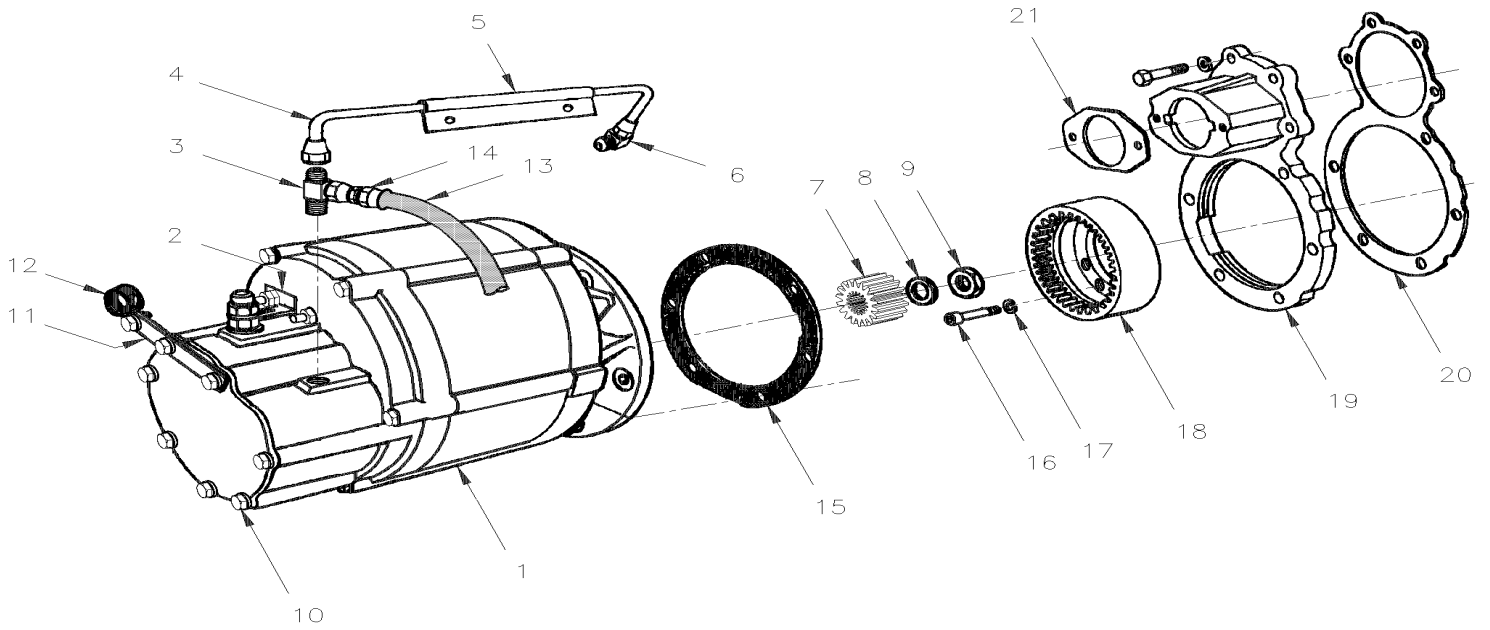


From H-248 To R-843

Date:10/2022

PAGE:XL-0610-01

ALTERNATOR MOUNTING / "DELCO" WITH DETROIT S-92



From H-248 To R-843	Date:10/2022	PAGE:XL-0610-01
ALTERNATOR MOUNTING / "DELCO" WITH DETROIT S-92		

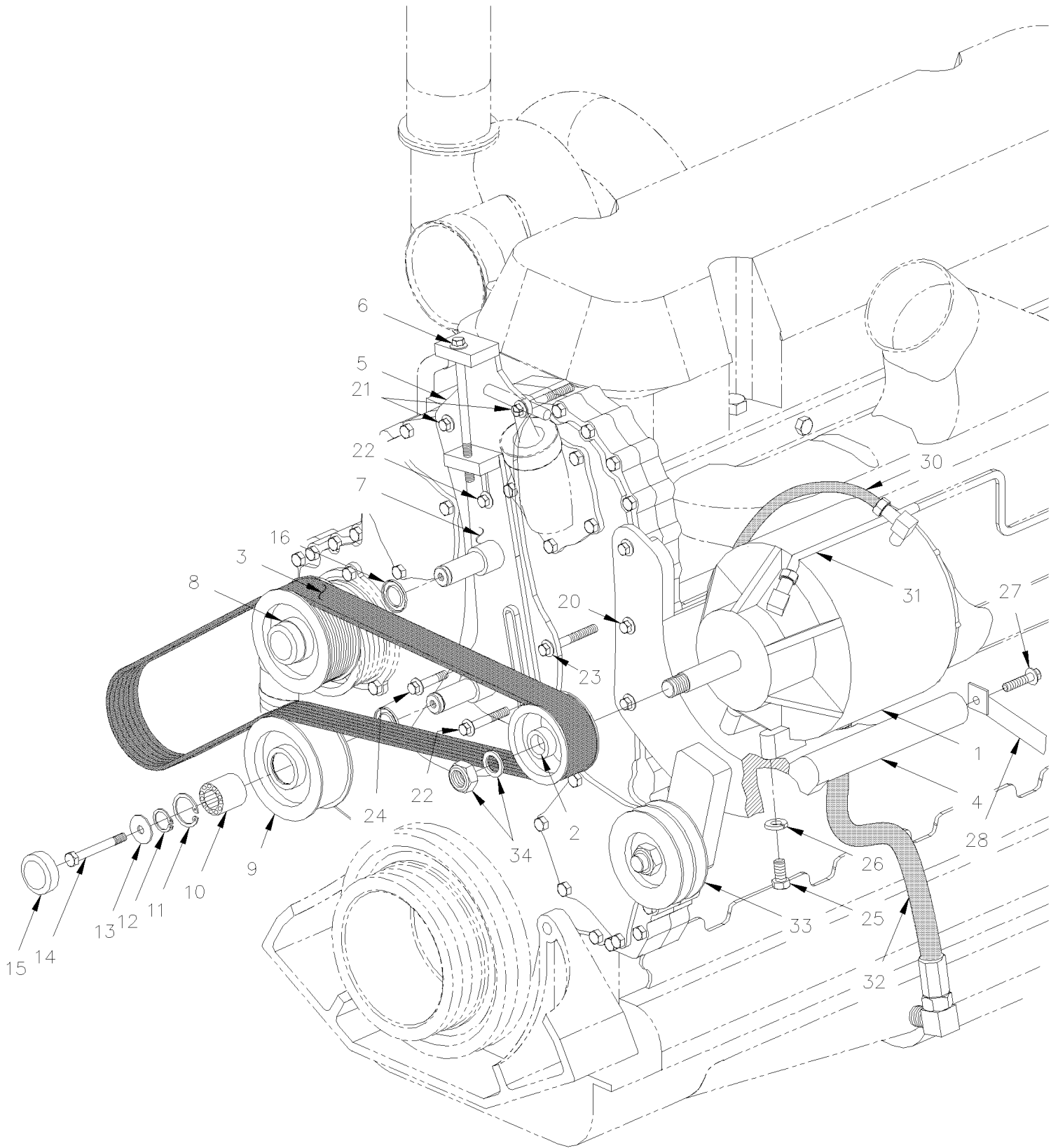
Item#	Part	Description	M T H 4 0	M T H 4 5	M T H 4 5 E	X L 4 0	X L 4 5	N O T E S
1	561236	ALTERNATOR ASSY 24V/270 AMPS To L-684	1			1		
1	561723	ALTERNATOR ASSY 24V/270 AMPS From L-685	1		1	1		
2	561484	. STRAP / DC+ & FIELD To L-684	1			1		
NS	562386	. STRAP / FIELD TERMINAL & GROUND From L-685	1		1	1		
3	561171	. TEE	1		1	1		
4	561598	. OIL LINE	1		1	1		
5	561169	. CLAMP / OIL LINE TUBE	1		1	1		
6	561170	. ELBOW 90°	1		1	1		
7	561702	. GEAR PINION / 18 TEETH	1		1	1		
8	560973	. WASHER / PINION	1		1	1		
9	560968	. NUT	1		1	1		
NS	562466	. COVER / RECTIFIER END / ALUMINUM DIE CAST	1		1	1		
NS	562466	. COVER / RECTIFIER END / ALUMINUM DIE CAST	1		1	1		
10	562467	. . O-RING	1		1	1		
11	060834	SUPPORT / HARNESS	1		1	1		
12	560481	CLAMP / 5/8" I.D.	1		1	1		
NS	060838	CABLE / DC + & STARTER	1		1	1		
NS	561859	. BOOT STUD WIRE COVER / RED	1		1	1		
13	061215	HOSE ASSY TEFLON #5 715MM	1		1	1		
NS	503492	. HOSE TEFLON #5 / S.L.	AR		AR	AR		
14	501921	. FEMALE CONNECTOR SWIVEL / SAE 45° FITTING / TEFLON / #5FL-Fx#5 STL	2		2	2		
NS	501039	MALE ELBOW 90° / SAE 45° FITTING / #5FL-Mx1/4NPT-M BR	1		1	1		
NS	501329	STREET ELBOW 45° / PIPE FITTING / 1/4NPT-Mx1/4NPT-F BR	1		1	1		
15	510308	GASKET ALTERNATOR	1		1	1		
16	N.S.P.	SOCKET HEX HEAD (5185793)	6		6	6		2
17	N.S.P.	WASHER (5185794)	6		6	6		2
18	510347	GEAR INTERNAL / 53 TEETH	1		1	1		
19	N.S.P.	ADAPTOR (23515921)	1		1	1		2
19	N.S.P.	STUD 1/2-20 (8928901)	5		5	5		2
19	N.S.P.	STUD 1/2-20 & 3/8-24 (8928900)	1		1	1		2
20	510340	GASKET / HOUSING & ALTERNATOR ADAPTOR	1		1	1		
21	510227	GASKET / POWER STEERING PUMP	1		1	1		
		2) NOT SOLD BY PREVOST (SEE MANUFACTURING PART NUMBER AT END OF DESCRIPTION LINE)						

From P-722 To W-6485

Date:10/2022

PAGE:XL-0610-02

ALTERNATOR MOUNTING / "DELCO" WITH DETROIT S-60



From P-722 To W-6485	Date:10/2022	PAGE:XL-0610-02
ALTERNATOR MOUNTING / "DELCO" WITH DETROIT S-60		

Item#	Part	Description	M T H 4 0	M T H 4 5	M T H 4 5 E	X L 4 0	X L 4 5	N O T E S
1	562235	ALTERNATOR ASSY 24V/270 AMPS	1	1	1	1	1	
NS	562355	ALTERNATOR ASSY 12V/300 AMPS /	1	1	1			
2	510439	PULLEY ALTERNATOR 12 RIB	1	1	1	1	1	
3	506669	MULTI V-BELT / 12 RIB 72" (1830) 23521337	1	1	1	1	1	
4	N.S.P.	SUPPORT ALTERNATOR MOUNTING / (23511742)	1	1	1	1	1	2
4	N.S.P.	SUPPORT ALTERNATOR MOUNTING / (23518226)	1	1	1	1	1	2 A
4	N.S.P.	SUPPORT ALTERNATOR MOUNTING / (23521128)	1	1	1	1	1	2 B
4	N.S.P.	KEY WOODRUFF 3/16" X 7/8" / (120502)	2	2	2	2	2	2 B
5	N.S.P.	SUPPORT BELT TENSIONER BRACKET / (23515696)	1	1	1	1	1	2
6	N.S.P.	BOLT FLG M10-1.5 X 170MM / (23511767)	1	1	1	1	1	2
7	N.S.P.	TENSIONER ASSY / (23515689)	1	1	1	1	1	2
7	N.S.P.	TENSIONER ASSY / (23518304)	1	1	1	1	1	2 A
8	N.S.P.	PULLEY IDLER 12G / 3 1/4" O.D. / (23511706)	1	1	1	1	1	2
8	N.S.P.	PULLEY IDLER 12G / 5 1/4" O.D. / (23518221)	1	1	1	1	1	2 A
9	N.S.P.	PULLEY BELT TENSIONER / 5 1/4 O.D. / (23515693)	1	1	1	1	1	2
9	N.S.P.	PULLEY BELT TENSIONER / 5 1/4 O.D. / (23511822)	1	1	1	1	1	2 A
10	510457	BEARING DBL ROW	1	1	1	1	1	
10	510618	BALL BEARING DBL ROW / 30MM x 62MM x 27 W	1	1	1	1	1	
11	510441	RING RETAINER / INT 2 1/16"	1	1	1	1	1	
12	510442	RING RETAINER / EXT .926 x .984 x .042	1	1	1	1	1	
13	N.S.P.	WASHER	2	2	2	2	2	2 A
14	N.S.S.	BOLT M10-1.5 X 45MM G10.9 / (23505062)	1	1	1	1	1	1 A
14	510627	BOLT M10-1.5 X 45MM LH G10.9	1	1	1	1	1	
15	N.S.P.	PROTECTOR CAP	2	2	2	2	2	2 B
16	N.S.P.	SEAL / (CR 14960)	2	2	2	2	2	2 B
20	N.S.P.	BOLT FLG M10-1.5 X 45MM / (11513960)	3	3	3	3	3	2
20	N.S.P.	NUT M10-1.5 FLG / (11506101)	3	3	3	3	3	2
21	975104	SCREW CAP HEXF M10-1.5x85 G10.9 PHC	2	2	2	2	2	
22	N.S.P.	BOLT FLG M10-1.5 X 25MM / (23511786)	3	3	3	3	3	2
23	975124	SCREW CAP HEXF M14-2.0x80 G10.9 PHC	2	2	2	2	2	
24	975121	SCREW CAP HEXF M14-2.0x50 G10.9 PHC	1	1	1	1	1	
25	N.S.P.	BOLT 1/2-13 X 2.00" / (00455001)	2	2	2	2	2	2 B
25	N.S.P.	BOLT 1/2-13 X 2.25" / (00186631)	2	2	2	2	2	2
26	N.S.P.	WASHER / (5132715)	4	4	4	4	4	2
27	N.S.P.	BOLT FLG M12-1.75 X 30MM / TO FIX BRACE / (11509528)	4	4	4	4	4	2
28	N.S.P.	BRACE ALTERNATOR SUPPORT / (23511743)	1	1	1	1	1	2
28	N.S.P.	BRACKET ALTERNATOR SUPPORT / ON BLOCK / (23511744)	1	1	1	1	1	2
28	N.S.P.	BOLT FLG M10-1.5 X 30MM / TO FIX SUPPORT ON BLOCK (11505299)	3	3	3	3	3	2
30	N.S.P.	HOSE ASSY 21" / #4 ALT VENT TOP OF ALTERNATOR / (0513063)	1	1	1	1	1	2
31	N.S.P.	HOSE ASSY 25.25" / #5 TEFLON OIL SUPPLY / (23504343)	1	1	1	1	1	2
32	N.S.P.	HOSE ASSY 23.40" / #16 OIL DRAIN / (23511765)	1	1	1	1	1	2
32	N.S.P.	CONNECTOR 1" NPT 1" TUBE / OIL DRAIN / (09402713)	1	1	1	1	1	2

From P-722 To W-6485	Date:10/2022	PAGE:XL-0610-02
ALTERNATOR MOUNTING / "DELCO" WITH DETROIT S-60		

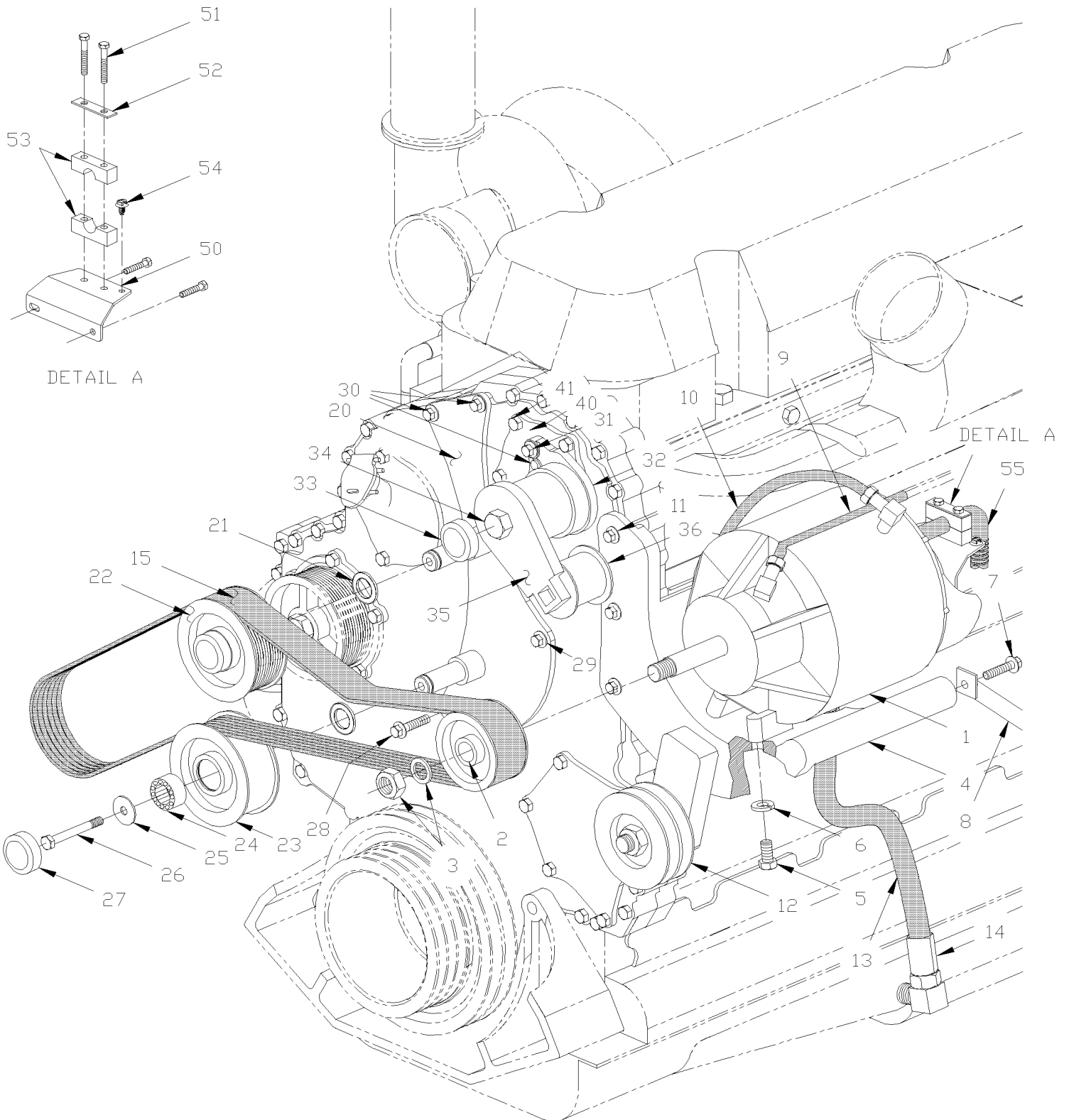
Item#	Part	Description	M T H 4 0	M T H 4 5	M T H 4 5 E	X L 4 0	X L 4 5	N O T E S
33	XL-0125-01	BELTS TENSIONERS - WITH DETROIT S-60						
34	XL-0605-03	ALTERNATOR 24V/270 AMPS / "DELCO" #562235						
35	N.S.P.	ELBOW 90° 3/4" NPT 1" TUBE / OIL DRAIN / (02492119)	1	1	1	1	1	2
NS	682408	BELT TENSIONER GAUGE (FOR V-RIBBED, POLY-V OR	AR	AR	AR	AR	AR	
		A) THIS INSTALLATION ARE EFFECTIVE IN JANUARY 1996						
		B) THIS INSTALLATION ARE EFFECTIVE IN JANUARY 1997						
		1) NOT SOLD SEPARATELY						
		2) NOT SOLD BY PREVOST (SEE MANUFACTURING PART NUMBER AT END OF DESCRIPTION LINE)						

From W-6486 To X-6903

Date:10/2022

PAGE:XL-0610-03

ALTERNATOR MOUNTING / "DELCO" WITH DETROIT S-60



From W-6486 To X-6903	Date:10/2022	PAGE:XL-0610-03
-----------------------	--------------	-----------------

ALTERNATOR MOUNTING / "DELCO" WITH DETROIT S-60

Item#	Part	Description	M T H 4 0	M T H 4 5	M T H 4 5 E	X L 4 0	X L 4 5	N O T E S
1	562235	ALTERNATOR ASSY 24V/270 AMPS				1	1	
2	510439	PULLEY ALTERNATOR 12 RIB				1	1	
3	XL-0605-03	ALTERNATOR 24V/270 AMPS / "DELCO" #562235						
4	N.S.P.	SUPPORT ALTERNATOR MOUNTING / (23521128)				1	1	2
4	N.S.P.	KEY, WOODRUFF 3/16" X 7/8" / (120502)				2	2	2
5	N.S.P.	BOLT 1/2-13 X 2.00" / (00455001)				2	2	2
5	N.S.P.	BOLT 1/2-13 X 2.25" / (00186631)				2	2	2
6	N.S.P.	WASHER / (5132715)				4	4	2
7	N.S.P.	BOLT FLG M12-1.75 X 30MM / TO FIX BRACE / (11509528)				4	4	2
7	N.S.P.	BRACKET ALTERNATOR SUPPORT / ON BLOCK / (23511744)				1	1	2
7	N.S.P.	BOLT FLG M10-1.5 X 30MM / TO FIX SUPPORT ON BLOCK (11505299)				3	3	2
8	N.S.P.	BRACE ALTERNATOR SUPPORT / (23511743)				1	1	2
9	N.S.P.	HOSE ASSY 25.25" / #5 TEFLON OIL SUPPLY / (23504343)				1	1	2
10	N.S.P.	HOSE ASSY 21" / #4 ALT VENT TOP OF ALTERNATOR / (0513063)				1	1	2
11	N.S.P.	SCREW CAP HEXF 7/16-14 X 5.75 / (23521130)				2	2	2
NS	510635	SCREW CAP HEXF 7/16-14x5.50 ZP				1	1	
11	510636	NUT HEXF 7/16-14 ZP				3	3	
12	XL-0125-01	BELTS TENSIONERS - WITH DETROIT S-60						
13	N.S.P.	HOSE ASSY 23.40" / #16 OIL DRAIN / (23517561)				1	1	2
13	N.S.P.	CONNECTOR 1" NPT 1" TUBE / OIL DRAIN / (09402713)				1	1	2
14	N.S.P.	ELBOW 90° 3/4" NPT 1" TUBE / OIL DRAIN / (02492119)				1	1	2
15	506782	MULTI V-BELT / 12 RIB 73" (1854) 23521000				1	1	
20	N.S.P.	IDLER PULLEY ASSY / (23520959)				1	1	2
21	N.S.P.	. SEAL / (CR 14960) / (23521013)				2	2	2
22	N.S.P.	. PULLEY IDLER 12G / 5 1/4" O.D. / (23520994)				1	1	2
23	N.S.P.	. PULLEY BELT TENSIONER / 5 1/4 O.D. / (23520999)				1	1	2
24	510618	. BALL BEARING DBL ROW / 30MM x 62MM x 27 W				1	1	
25	N.S.P.	. WASHER / (23518224)				2	2	2
26	N.S.P.	. BOLT M10-1.5 X 45MM G10.9 / (23505062)				2	2	2
26	510627	. BOLT M10-1.5 X 45MM LH G10.9				1	1	
27	N.S.P.	. PROTECTOR CAP / (05107293)				2	2	2
28	975121	SCREW CAP HEXF M14-2.0x50 G10.9 PHC				1	1	
29	975124	SCREW CAP HEXF M14-2.0x80 G10.9 PHC				2	2	
30	975104	SCREW CAP HEXF M10-1.5x85 G10.9 PHC				3	3	
31	N.S.P.	BOLT FLG M10-1.5 X 30MM / (23511786)				1	1	2
32	012103	AUTOMATIC TENSIONER ASSY				1	1	
32	N.S.S.	. SPRING				2	2	1
33	N.S.S.	. PROTECTOR CAP				1	1	1
34	N.S.S.	. BOLT				1	1	1
35	N.S.S.	. LEVER				1	1	1
36	N.S.S.	. PULLEY				1	1	1
36	N.S.S.	. BEARING				1	1	1

From W-6486 To X-6903 Date:10/2022 PAGE:XL-0610-03

ALTERNATOR MOUNTING / "DELCO" WITH DETROIT S-60

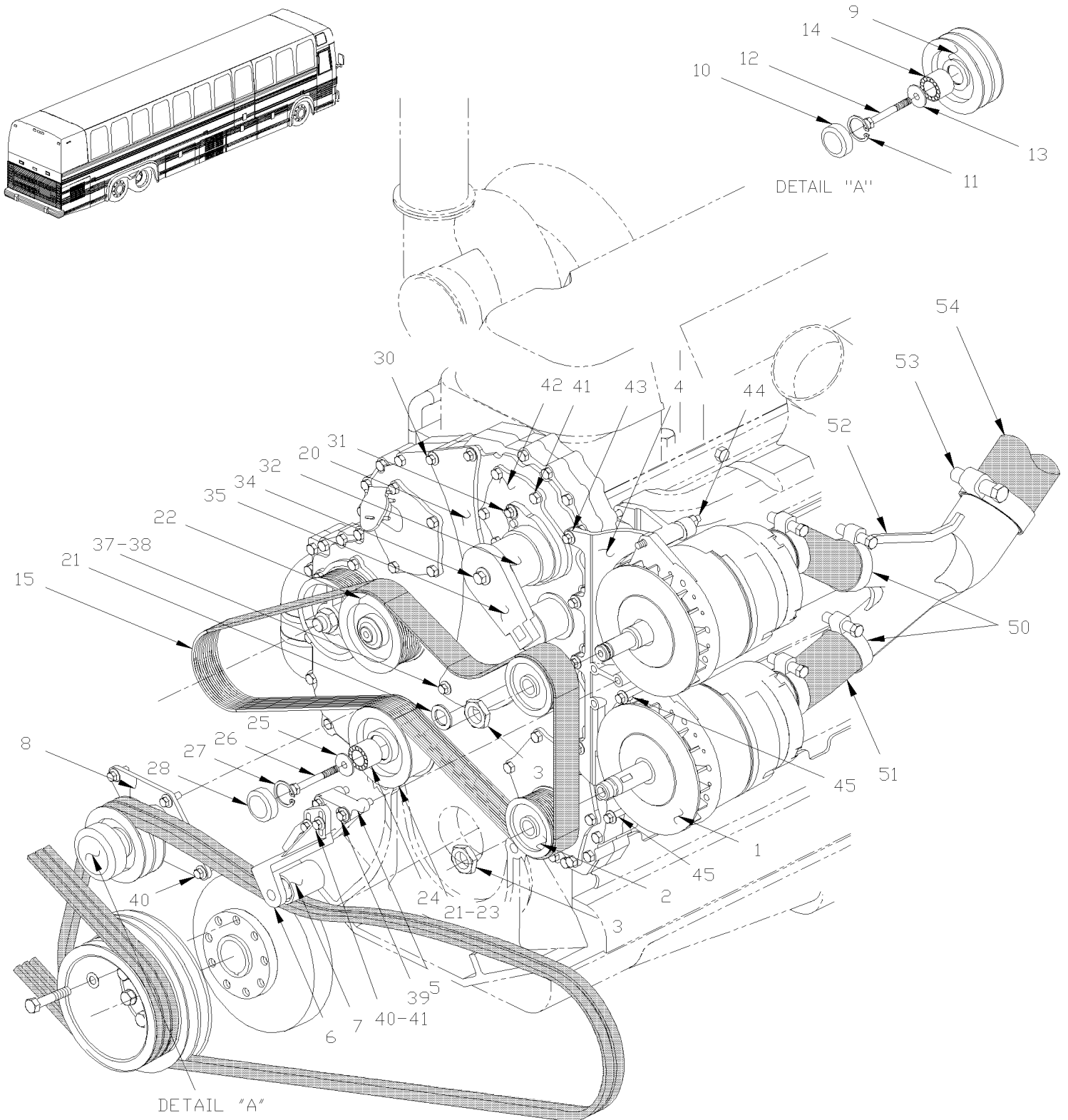
Item#	Part	Description	M T H 4 0	M T H 4 5	M T H 4 5 E	X L 4 0	X L 4 5	N O T E S
36	N.S.S.	PROTECTOR CAP				1	1	1
40	012104	TENSIONER, MOUNTING PLATE				1	1	
40	N.S.P.	O-RING / (8929253)				1	1	2
41	510641	SCREW CAP HEXF M8-1.25x30 G10.9				5	5	
50	065693	SUPPORT, DELCO ALT HARNESS				1	1	A
51	500170	SCREW CAP HEX 1/4-20x2 G5 PT Z050				2	2	
52	504614	PLATE RETAINING / COLLAR				1	1	
53	504703	COLLAR 1/2" I.D. / TO FIX HOSE				1	1	
54	509815	TIE MOUNT / ATTACHMENT W/TREE MOUNT				2	2	
55	504637	CABLE TIE / 3/16" x 13"				AR	AR	
NS	065696	KIT, RETROFIT HARNESS SUPPORT W/"DELCO" ALT				AR	AR	
		A) FOR IDENTIFICATION MESURE ARE 646MM x 852MM						
		1) NOT SOLD SEPARATELY						
		2) NOT SOLD BY PREVOST (SEE MANUFACTURING PART NUMBER AT END OF DESCRIPTION LINE)						

From X-6904 To Y-7045

Date:10/2022

PAGE:XL-0610-04

ALTERNATOR MOUNTING / "BOSCH" WITH DETROIT S-60



From X-6904 To Y-7045	Date:10/2022	PAGE:XL-0610-04
ALTERNATOR MOUNTING / "BOSCH" WITH DETROIT S-60		

Item#	Part	Description	M T H 4 0	M T H 4 5	M T H 4 5 E	X L 4 0	X L 4 5	N O T E S
1	562752	ALTERNATOR ASSY 24V/140 AMPS				2	2	
2	065465	PULLEY ALTERNATOR / "BOSCH" / 12 RIB				2	2	
3	563001	KIT NUT & WASHER M24-1.5 YC						
4	510663	SUPPORT ALTERNATOR MOUNTING				1	1	
5	012064	ADAPTOR SNUBBER MOUNTING				1	1	
6	012063	SNUBBER ASSY				1	1	
6	N.S.P.	. SUPPORT / (23522973)				1	1	2
7	N.S.P.	. ROLLER / (23512825)				1	1	2
7	N.S.P.	. BEARING / (907394)				1	1	2
8	012058	PULLEY ASSY IDLER				1	1	
8	N.S.P.	. SUPPORT / (23521658)				1	1	2
9	N.S.P.	. PULLEY / (23519390)				1	1	2
10	N.S.P.	. PROTECTOR CAP / (05107293)				1	1	2
10	510798	. PROTECTOR CAP / "PREVOST"				1	1	B
11	N.S.P.	. SNAP RING / (23518223)				1	1	2
12	5001308	. SCREW CAP HEXF M10-1.5x40 G10.9 N500				1	1	
13	N.S.P.	. WASHER / (23518224)				1	1	2
13	N.S.P.	. SEAL / (23520961)				1	1	2
14	510618	. BALL BEARING DBL ROW / 30MM x 62MM x 27 W				1	1	
15	506865	MULTI V-BELT / 12 RIB 81 1/2" 208585				1	1	
15	506669	MULTI V-BELT / 12 RIB 72" (1830) 23521337				1	1	A
20	012065	IDLER PULLEY ASSY				1	1	
21	N.S.P.	. SEAL / (CR 14960) / (23521013)				2	2	2
22	N.S.P.	. PULLEY IDLER 12G / 5"1/4 O.D. / (23520994)				1	1	2
23	N.S.P.	. PULLEY BELT TENSIONER / 5 1/4 O.D. / (2352099)				2	2	2
24	510618	. BALL BEARING DBL ROW / 30MM x 62MM x 27 W				1	1	
25	N.S.P.	. WASHER / (23518224)				1	1	2
26	5001308	. SCREW CAP HEXF M10-1.5x40 G10.9 N500				1	1	
26	510627	. BOLT M10-1.5 X 45MM LH G10.9				1	1	
27	N.S.P.	. SNAP RING / (23519223)				1	1	2
28	N.S.P.	. PROTECTOR CAP / 05107293)				2	2	2
28	510798	. PROTECTOR CAP / "PREVOST"				1	1	B
30	975104	SCREW CAP HEXF M10-1.5x85 G10.9 PHC				2	2	
31	969445	SCREW CAP HEXF M10-1.5x30 G10.9 PHC				1	1	
32	012103	AUTOMATIC TENSIONER ASSY				1	1	
32	N.S.S.	. SPRING				2	2	1
33	N.S.S.	. PROTECTOR CAP				1	1	1
34	975104	. SCREW CAP HEXF M10-1.5x85 G10.9 PHC				1	1	
35	N.S.S.	. LEVER				1	1	1
36	N.S.S.	. PULLEY				1	1	1
36	N.S.S.	. BEARING				1	1	1
36	N.S.S.	. PROTECTOR CAP				1	1	1

From X-6904 To Y-7045	Date:10/2022	PAGE:XL-0610-04
ALTERNATOR MOUNTING / "BOSCH" WITH DETROIT S-60		

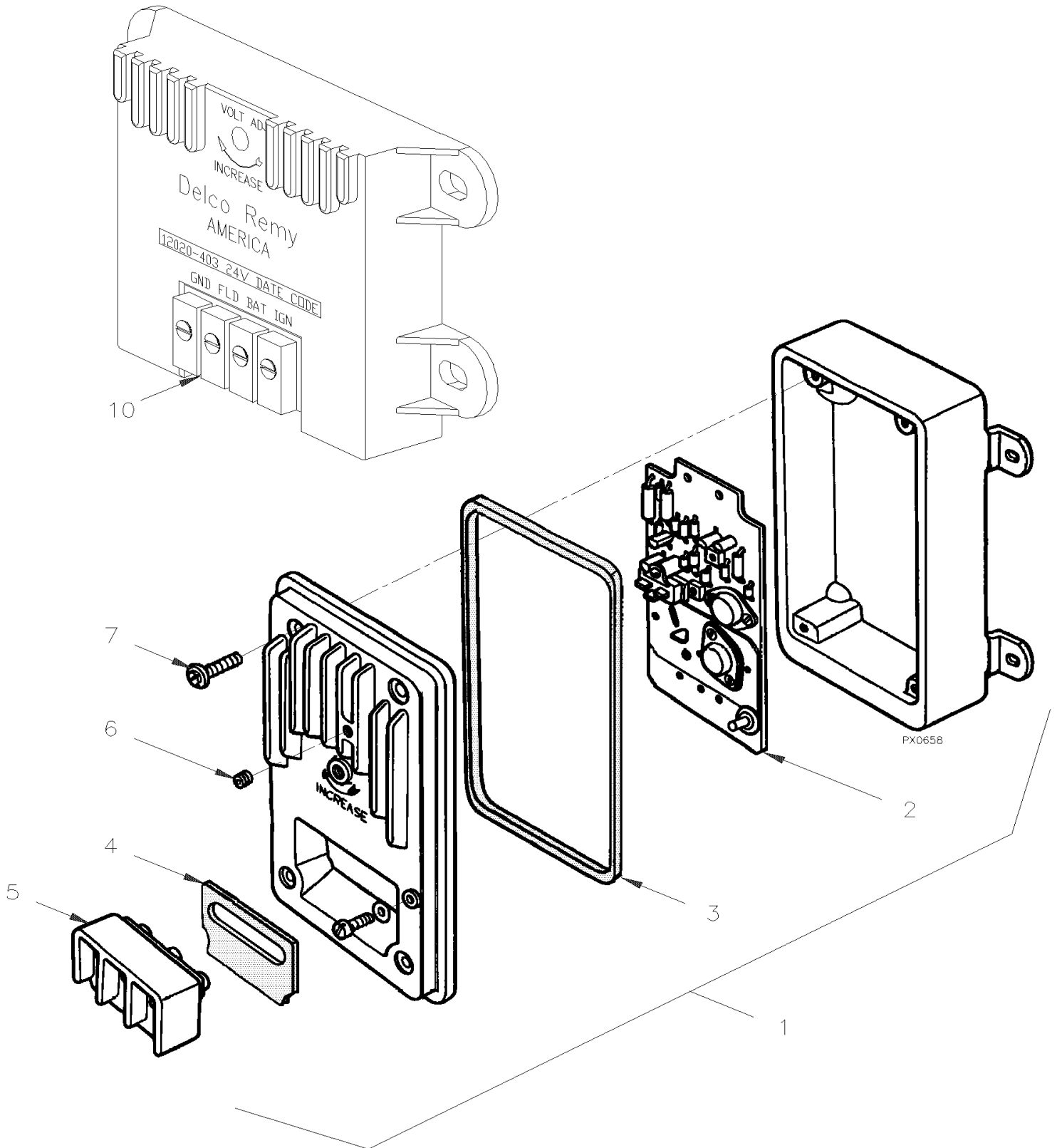
Item#	Part	Description	M T H 4 0	M T H 4 5	M T H 4 5 E	X L 4 0	X L 4 5	N O T E S
37	975121	SCREW CAP HEXF M14-2.0x50 G10.9 PHC				1	1	
38	975124	SCREW CAP HEXF M14-2.0x80 G10.9 PHC				2	2	
38	510643	NUT HEXF M14-2.0 ZP				3	3	
39	5001595	SCREW CAP HEXF M10-1.5x60 G8.8 G500				3	3	
40	955297	SCREW CAP HEX M8-1.25x25 G8.8 ZG603				2	2	
41	510641	SCREW CAP HEXF M8-1.25x30 G10.9				5	5	
42	012104	TENSIONER, MOUNTING PLATE				1	1	
42	N.S.P.	O-RING / (8929253)				1	1	2
43	510635	SCREW CAP HEXF 7/16-14x5.50 ZP				4	4	
NS	510636	NUT HEXF 7/16-14 ZP				4	4	
44	510639	BOLT M12-1.5 X 80MM				1	1	
44	5001584	SCREW CAP HEX M12-1.5x150 G10.9 DP				1	1	
45	510637	BOLT M12-1.5 X 50MM				4	4	
NS	5001585	WASHER FL 13.5x27x2.46-4.5 DP				6	6	
NS	510616	KIT, FILLER CAP COVER / OIL RELOCATION				AR	AR	
. NS	IS-99053C	. SEE INSTRUCTION SHEET				1	1	
NS	510617	KIT, AUTOMATIC BELT TENSIONER				AR	AR	
NS	510666	KIT, TWIN "BOSCH" ALTERNATOR RETROFIT				AR	AR	
. NS	IS-99053C	. SEE INSTRUCTION SHEET				1	1	
NS	065244	KIT, AIR INLET TWIN "BOSCH" ALT. RETRO "XL"				AR	AR	
. NS	IS-99053C	. SEE INSTRUCTION SHEET				1	1	
NS	065239	KIT, HARNESS TWIN RETROFIT / "XL"				AR	AR	
. NS	IS-99053C	. SEE INSTRUCTION SHEET				1	1	
NS	IS-99053C	SEE INSTRUCTION SHEET						
		A) EMEEGENCY USE ONL						
		B) FIT ONLY WITH PULLEY SOLD BY "PREVOST"						
		1) NOT SOLD SEPARATELY						
		2) NOT SOLD BY PREVOST (SEE MANUFACTURING PART NUMBER AT END OF DESCRIPTION LINE)						

From E-638 To Y-7045

Date:10/2022

PAGE:XL-0610-10

VOLTAGE REGULATOR - 24 VOLTS W/270 AMPS



From E-638 To Y-7045	Date:10/2022	PAGE:XL-0610-10
VOLTAGE REGULATOR - 24 VOLTS W/270 AMPS		

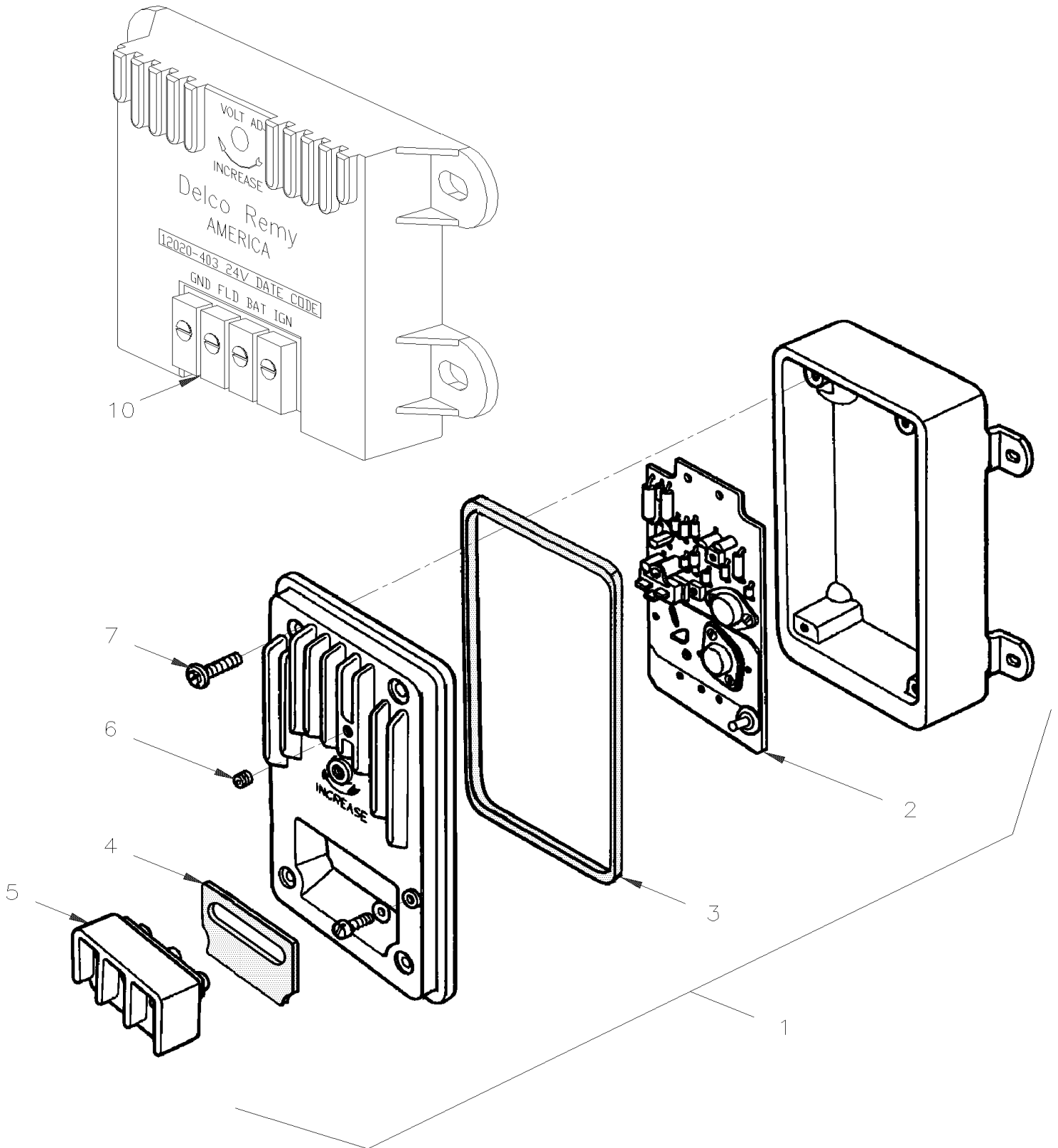
Item#	Part	Description	M T H 4 0	M T H 4 5	M T H 4 5 E	X L 4 0	X L 4 5	N O T E S
1	560929	REGULATOR ASSY 24V / W/4 TERMINALS To L-684	1			1		
1	560030	REGULATOR ASSY 24V / W/3 TERMINALS From L-685 To W-6416	1	1	1	1	1	A
2	562268	BOARD ASSY 24 VOLTS / W/4 SCREWS To L-684	1			1		
2	562269	BOARD ASSY 24 VOLTS / W/3 SCREWS From L-685 To W-6416	1	1	1	1	1	
3	N.S.P.	COVER GASKET (#1941482) To W-6416	1	1	1	1	1	2
4	N.S.P.	BLOCK GASKET (#1942826) To W-6416	1	1	1	1	1	2
5	N.S.P.	TERMINAL BLOCK (#1949471) To W-6416	1	1	1	1	1	2
NS	500653	SCREW TC PAN PH #8-32x1/4 Z050 To W-6416	3	3	3	3	3	
NS	502649	WASHER LO EXT .141x.320x.022 Z050 To W-6416	3	3	3	3	3	
6	N.S.P.	COVER PLUG (#1925919) To W-6416	1	1	1	1	1	2
7	N.S.P.	SCREW (#1987556) To W-6416	4	4	4	4	4	2
NS	561909	BOARD ASSY 24 VOLTS / W/4 SCREWS (REPLACEMENT O.E.M.) To L-684	1			1		
NS	561910	BOARD ASSY 24 VOLTS / W/3 SCREWS (REPLACEMENT O.E.M.) From L-685 To W-6416	AR	AR	AR	AR	AR	
10	562775	REGULATOR ASSY 24V / W/4 SCREWS From W-6417 To X-6903				1	1	A
NS	064577	JUMPER, WIRE From W-6417 To X-6903				1	1	
10	562775	REGULATOR ASSY 24V / W/4 SCREWS From W-6417	1	1	1			
10	064577	JUMPER, WIRE From W-6417	1	1	1			
NS	064717	KIT VOLTAGE REGULATOR	1	1	1	1	1	
NS	IS-97104B	SEE INSTRUCTION SHEET	1	1	1	1	1	
		A) WITH "EATON" TRANSMISSION						
		2) NOT SOLD BY PREVOST (SEE MANUFACTURING PART NUMBER AT END OF DESCRIPTION LINE)						

From E-638 To Y-7045

Date:10/2022

PAGE:XL-0610-11

VOLTAGE REGULATOR - 12 VOLTS W/300 AMPS



From E-638 To Y-7045	Date:10/2022	PAGE:XL-0610-11
VOLTAGE REGULATOR - 12 VOLTS W/300 AMPS		

Item#	Part	Description	M T H 4 0	M T H 4 5	M T H 4 5 E	X L 4 0	X L 4 5	N O T E S
1	560028	REGULATOR ASSY 12V To W-6416	1	1	1			
2	N.S.P.	. BOARD ASSY 12 VOLTS / (1986085) To W-6416	1	1	1			2
3	N.S.P.	. COVER GASKET (#1941482) To W-6416	1	1	1			2
4	N.S.P.	. BLOCK GASKET (#1942826) To W-6416	1	1	1			2
5	N.S.P.	. TERMINAL BLOCK (#1949471) To W-6416	1	1	1			2
NS	500653	. SCREW TC PAN PH #8-32x1/4 Z050 To W-6416	3	3	3			
NS	502649	. WASHER LO EXT .141x.320x.022 Z050 To W-6416	3	3	3			
6	N.S.P.	. COVER PLUG (#1925919) To W-6416	1	1	1			2
7	N.S.P.	. SCREW (#1987556) To W-6416	4	4	4			2
10	562776	REGULATOR ASSY 12V From W-6417	1	1	1			
NS	064577	JUMPER, WIRE From W-6417	1	1	1			
		THIS REGULATOR IS NOT FIXED BY "PREVOST" ON						
		MTH EQUIPPED WITH 12V 300 AMPS ALTERNATOR.						
		IT'S INSTALLED BY CONVERTER.						
		2) NOT SOLD BY PREVOST (SEE MANUFACTURING PART NUMBER AT END OF DESCRIPTION LINE)						

From E-638 To G-127

Date:10/2022

PAGE:XL-0610-50

ALTERNATOR MOUNTING / 12V & 24V - MTH

ILLUSTRATION NOT
AVAILABLE AT TIME OF
PRINTING

From E-638 To G-127	Date:10/2022	PAGE:XL-0610-50
ALTERNATOR MOUNTING / 12V & 24V - MTH		

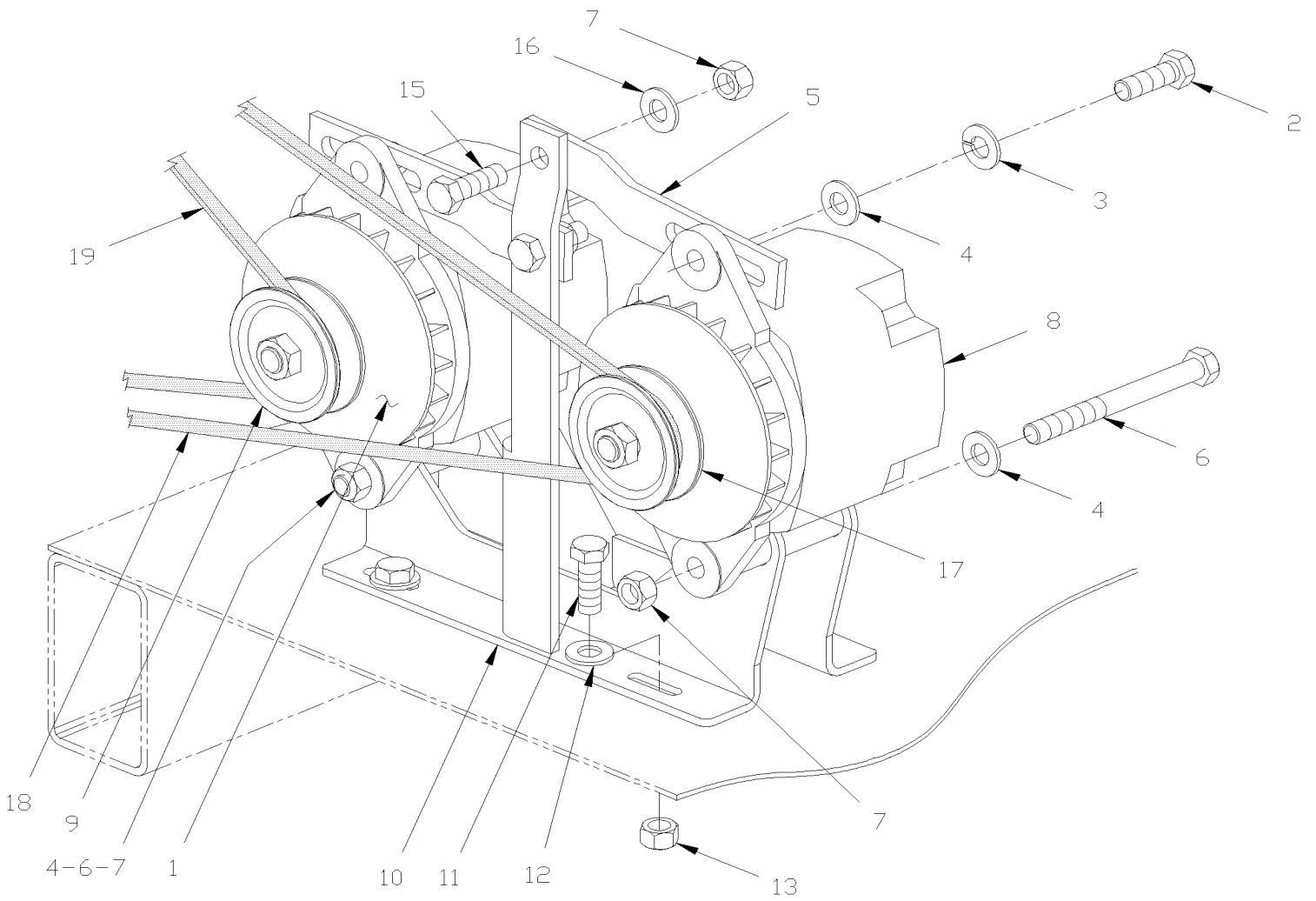
Item#	Part	Description	M T H 4 0	M T H 4 5	M T H 4 5 E	X L 4 0	X L 4 5	N O T E S
1	560864	ALTERNATOR ASSY 24V/75 AMPS	1					
NS	060775	CABLE ASSY / ALT & STARTER	1					
NS	060717	CABLE ASSY / ALT & GROUND	1					
2	500213	SCREW CAP HEX 1/2-13x1 G5 Z050	2					
3	500482	WASHER LO SPT .506x.873x.125 Z050	2					
4	500547	WASHER FL .484x.750x.031 ZP	2					
5	060864	TENSIONER BELT / 6"11/16 X 1"1/4	1					
6	500106	SCREW CAP HEX 1/2-20x6 G5 PT Z050	2					
7	500718	NUT HEX STO 1/2-20 Z050	3					
9	062418	PULLEY ALTERNATOR / W/1V x 3 1/4" O.D.	1					
10	N.P.N.	SUPPORT / ALTERNATOR	1					4
11	500192	SCREW CAP HEX 3/8-16x1 1/4 G5 Z050	4					
11	506315	V-BELT / B-66 9003-2066	1					
11	506599	V-BELT / BX-67 9013-20673	1					
NS	560993	ALTERNATOR 12V/85 AMPS / DIRECT DRIVE	1					A
NS	061190	SUPPORT ANGLE / 1" X 1"1/2	1					A
NS	060994	CABLE ASSY / ALT DIRECT DRIVE & GROUND	1					A
NS	060995	CABLE ASSY / ALT DIRECT DRIVE & JCT BLOCK	1					A
		A) FOLLOWING ITEMS ARE RELATED WITH DIRECT DRIVE MOUNTED ON ENGINE CAMSHAFT						
		4) NO PARTS NUMBER						

From G-128 To Y-7045

Date:10/2022

PAGE:XL-0610-51

ALTERNATOR MOUNTING / 12V & 24V - MTH



From G-128 To Y-7045	Date:10/2022	PAGE:XL-0610-51
----------------------	--------------	-----------------

ALTERNATOR MOUNTING / 12V & 24V - MTH

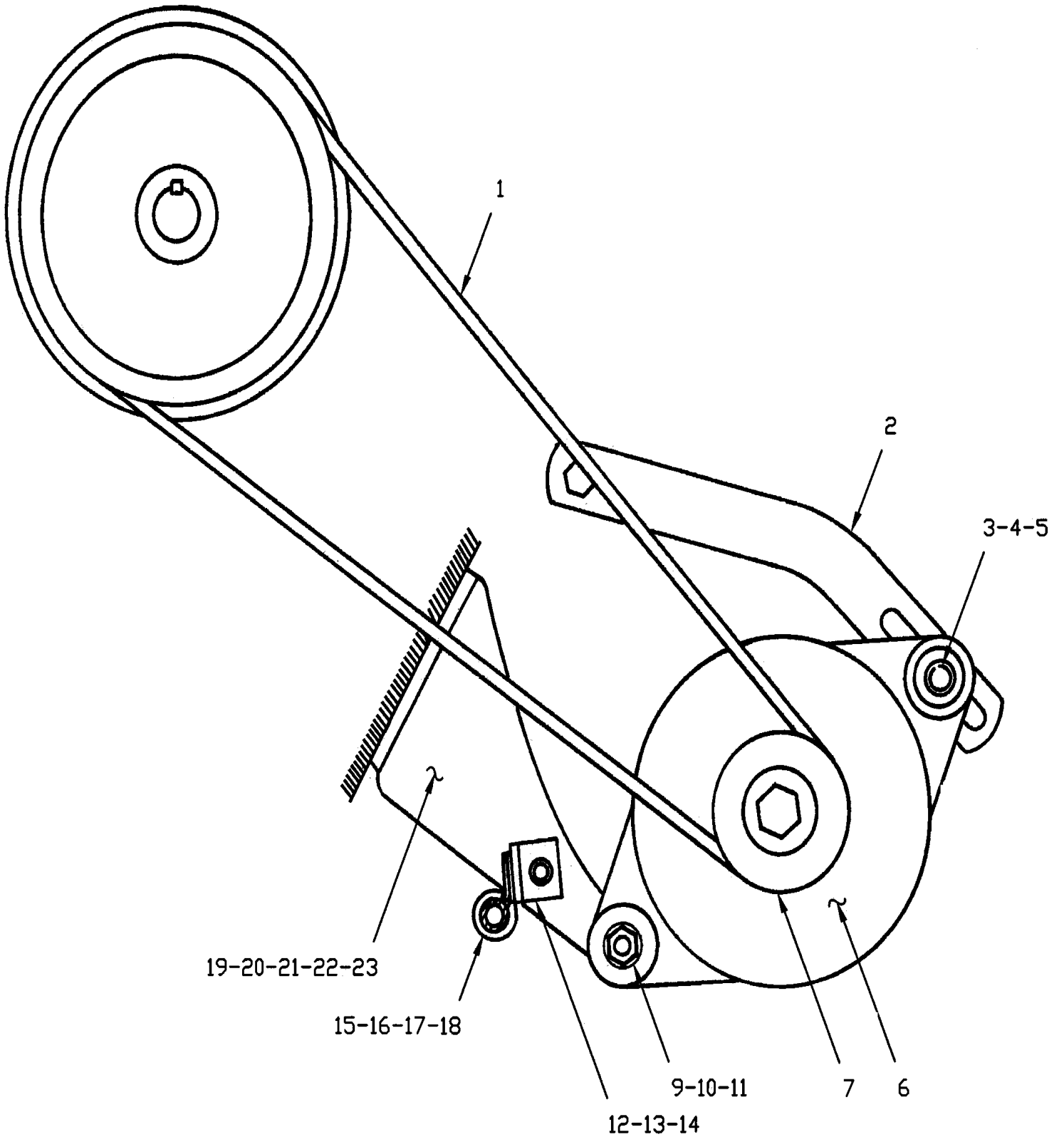
Item#	Part	Description	M T H 4 0	M T H 4 5	M T H 4 5 E	X L 4 0	X L 4 5	N O T E S
		A) FOR PRODUCT IMPROVMENT YOU REQUIRE ONE ALTERNATOR #562911, 1 PULLEY #562926 & 3 WASHER #5001426						
		B) WITH SERIES 71 & 92						
		C) WITH SERIES 60						
		D) WITH SERIES 71 & 92 WITH 4" O.D. PULLEY						
		E) WITH SERIES 71 & 92 WITH 3-1/4" O.D. PULLEY						
		F) WITH SERIES 60 MOUNTED WITH SMALL 12V/145AMP						
		G) WITH SERIES 60 MOUNTED WITH LARGE 12V/300AMP						
		M) PULLEY & FAN W/LEECE-NEVILLE						

From E-638 To R-843

Date:10/2022

PAGE:XL-0610-52

ALTERNATOR MOUNTING / "DELCO" - 12V/145A / DETROIT S-92

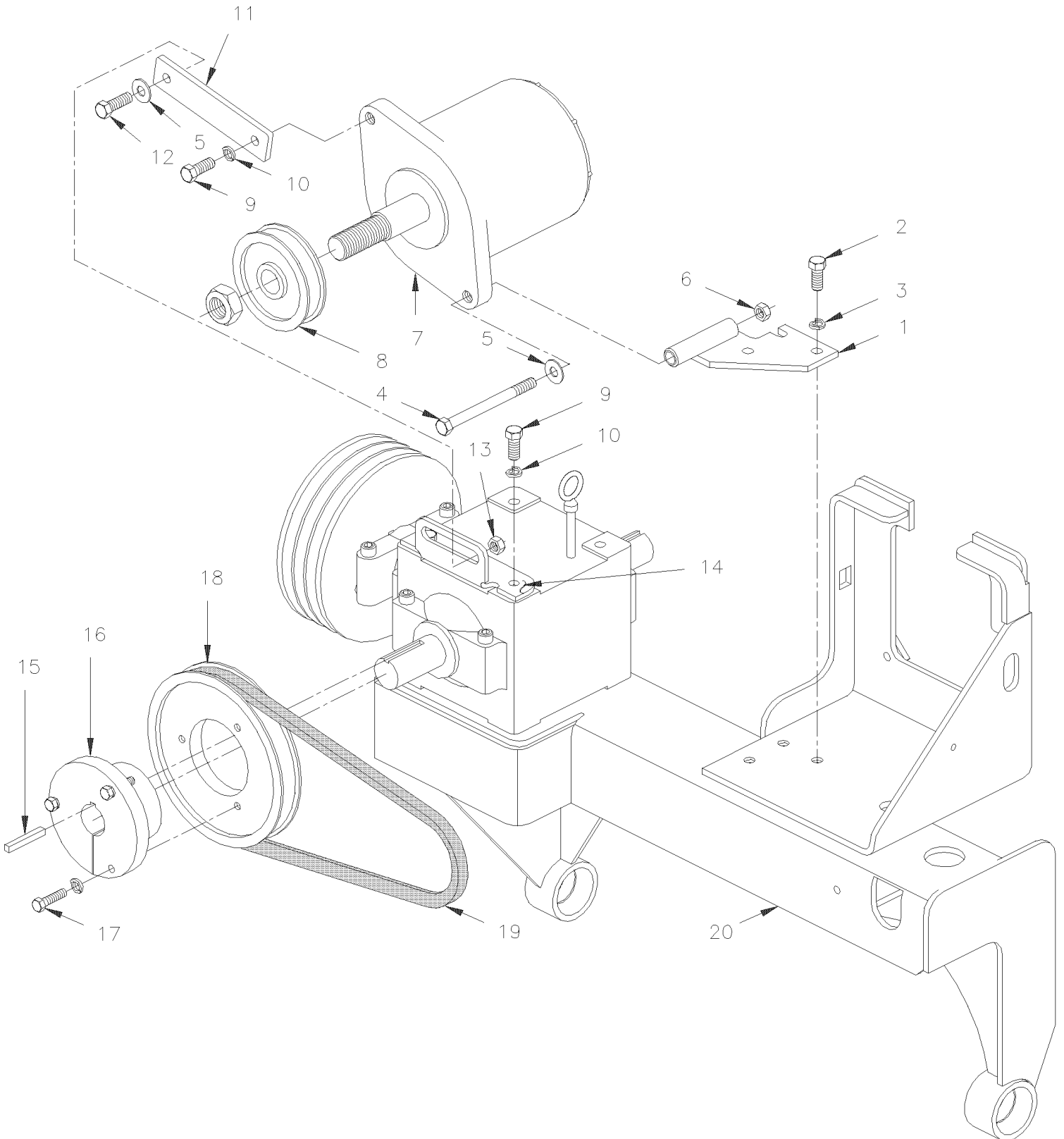


From P-722 To Y-7045

Date:10/2022

PAGE:XL-0610-53

ALTERNATOR MOUNTING / "DELCO" - 12V/145A / GEARBOX INSTAL



From P-722 To Y-7045 Date:10/2022 PAGE:XL-0610-53

ALTERNATOR MOUNTING / "DELCO" - 12V/145A / GEARBOX INSTAL

Item#	Part	Description	M T H 4 0	M T H 4 5	M T H 4 5 E	X L 4 0	X L 4 5	N O T E S
1	063777	PIVOT ASSY / SUPPORT	1	1	1			
NS	067526	SUPPORT PIVOT ALTERNATOR	1	1	1	1	1	RF
1	067529	SUPPORT ALTERNATOR LOWER "BOSCH" 12V	1	1	1	1	1	RF
NS	067524	SUPPORT ALTERNATOR UPPER "BOSCH" 12V	1	1	1	1	1	RF
2	502559	SCREW CAP HEX M10-1.5x25 G8.8 Z050	3	3	3			
3	500257	WASHER LO SPT 10.2x18.1x2.2 Z050	3	3	3			
4	500106	SCREW CAP HEX 1/2-20x6 G5 PT Z050	1	1	1			
5	571351	WASHER, 1/2" I.D. FLAT	2	2	2			
6	500718	NUT HEX STO 1/2-20 Z050	1	1	1			
7	561265	ALTERNATOR ASSY 12V/145 AMPS / DELCO To X-6769	1	1	1			R
7	562911	ALTERNATOR ASSY 12V/145 AMPS / LEECE-NEVILLE From X-6770	1	1	1			R
7	563523	ALTERNATOR ASSY 14V/160 AMPS / PRESTOLITE From X-6770						
7	563734	ALTERNATOR ASSY 12V/200AMPS / HD10E 200A 14V	1	1	1	1	1	RF
8	062418	PULLEY ALTERNATOR / W/1V x 3 1/4" O.D.	1	1	1			
8	562926	PULLEY 3.3" O.D. / W/ "LEECE-NEVILLE"	1	1	1			
8	5001426	WASHER FL .875x1.375x.047 STL KEYWAY	1	1	1			
8	067065	PULLEY ALTERNATOR "BOSCH" / W/ 2V x 82.5MM OD	1	1	1	1	1	RF
NS	067208	PROTECTOR PULLEY PLASTIC BLACK	1	1	1	1	1	RF
9	500213	SCREW CAP HEX 1/2-13x1 G5 Z050	3	3	3			
10	500482	WASHER LO SPT .506x.873x.125 Z050	3	3	3			
11	063779	TENSIONER 154MM C/C	1	1	1			
11	067523	TENSIONER 77.3 MM C/C	1	1	1	1	1	RF
12	500214	SCREW CAP HEX 1/2-13x1 1/4 G5 Z050	1	1	1			
13	500968	NUT HEX STO 1/2-13 Z050	3	3	3			
14	452443	TENSIONER BRACKET / GEARBOX	1	1	1			
15	550186	KEY 1/4" X 1/4" X 1 1/4"	1	1	1			
15	550293	KEY 1/4" X 1/4" X 1 13/16"	1	1	1	1	1	RF
16	950230	CONE BUSHING 1 1/4 I.D X 2 1/8 O.D. X 3 5/16	1	1	1			
16	950389	CONE BUSHING 1 1/4 I.D X 2 1/8 O.D. X 3 5/16	1	1	1	1	1	RF
17	500167	SCREW CAP HEX 1/4-20x1 1/4 G5 PT Z050	3	3	3			
NS	500473	WASHER LO SPT .262x.489x.062 Z050	3	3	3			
18	950211	PULLEY DRIVE 7.15 O.D. / SINGLE "V"	1	1	1			
18	950392	PULLEY DRIVE 7.25 O.D. / DOUBLE "V"	1	1	1	1	1	RF
19	506683	V-BELT / BX-31 9013-2031	1	1	1			
19	5060100	V-BELT / AX-32 9012-2032	1	1	1	1	1	RF
20	XL-0520-03	FAN DRIVE - INSTALLATION WITH DETROIT S-50 & S-60						
30	067513	KIT, RETROFIT 12V-200AMPS ALTERNATOR	1	1	1	1	1	
NS	IS-07038	SEE INSTRUCTION SHEET	1	1	1	1	1	
31	IS-07038	SEE INSTRUCTION SHEET	1	1	1	1	1	RF

From P-722 To Y-7045	Date:10/2022	PAGE:XL-0610-53
----------------------	--------------	-----------------

ALTERNATOR MOUNTING / "DELCO" - 12V/145A / GEARBOX INSTAL

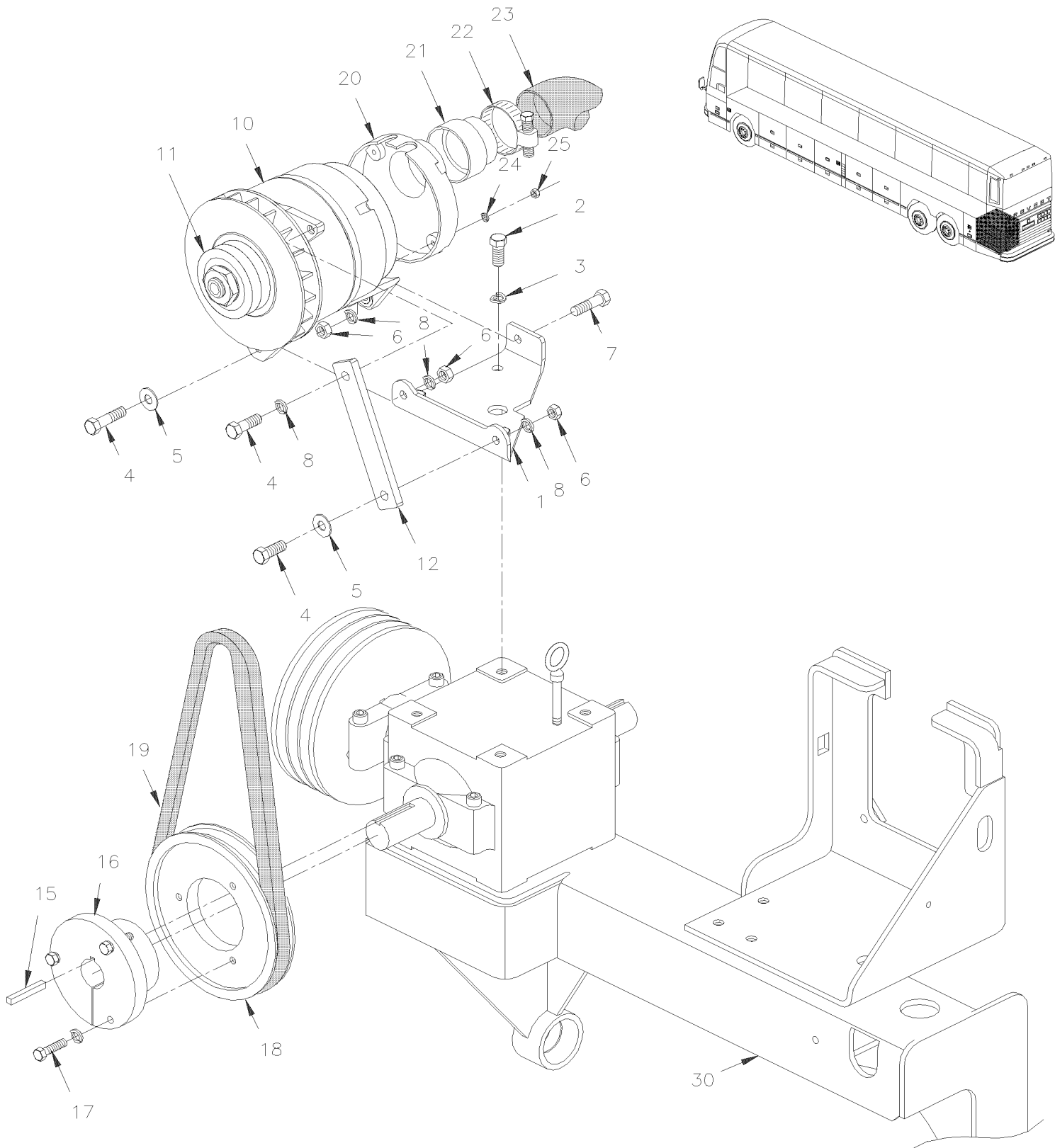
Item#	Part	Description	M T H 4 0	M T H 4 5	M T H 4 5 E	X L 4 0	X L 4 5	N O T E S
		R) FOR PRODUCT IMPROVEMENT ASK FOR KIT # 067513 KIT 12V-200AMPS "BOSCH"						
		RF) THIS PARTS ARE INCLUDE IN RETROFIT KIT # 067513						

From T-5663 To Y-7045

Date:10/2022

PAGE:XL-0610-54

ALTERNATOR MOUNTING / "BOSCH" - 24V/140A / GEARBOX INSTAL

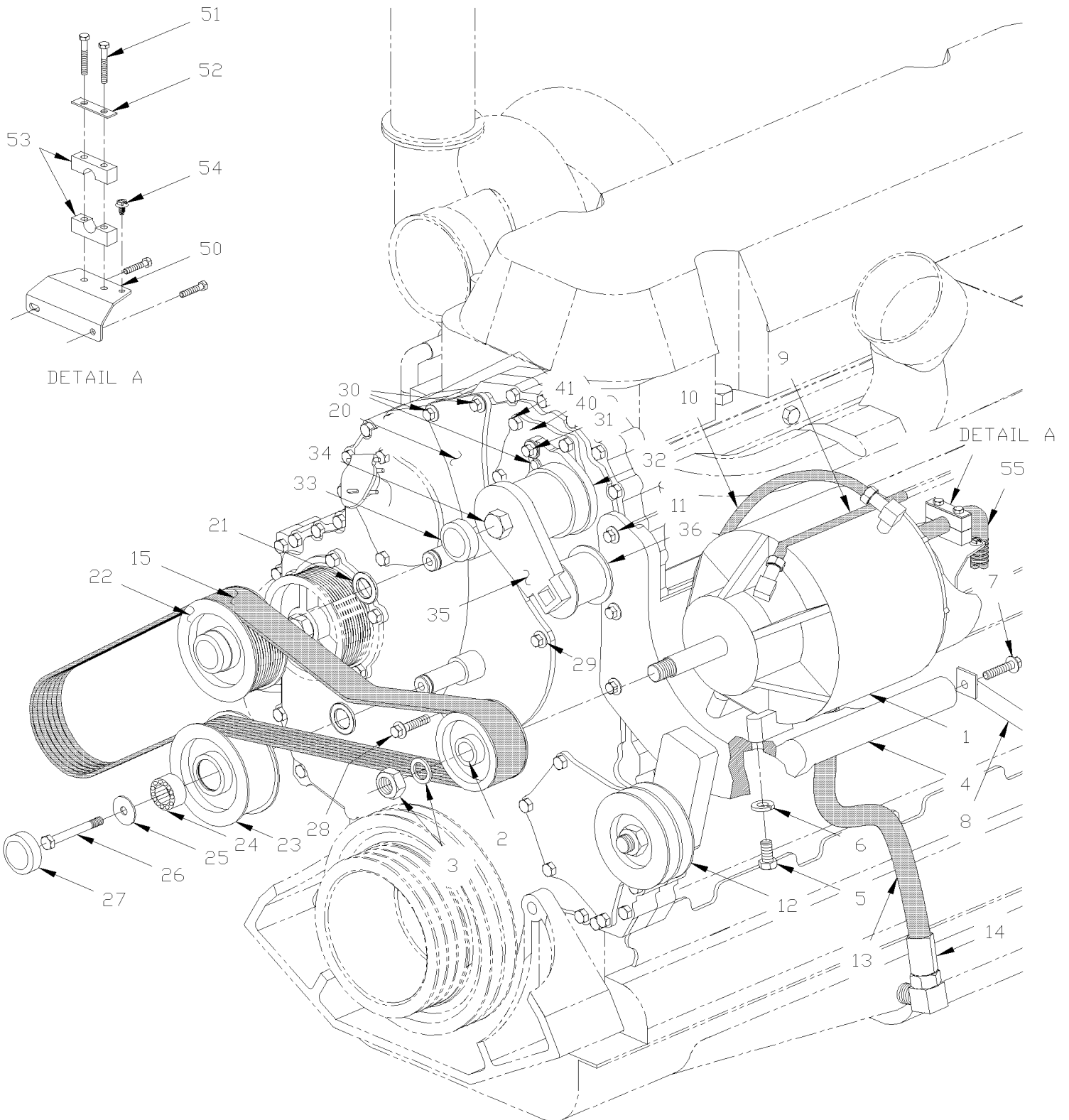


From W-6486 To Y-7045

Date:10/2022

PAGE:XL-0610-55

ALTERNATOR MOUNTING / "DELCO" WITH DETROIT S-60



From W-6486 To Y-7045	Date:10/2022	PAGE:XL-0610-55
-----------------------	--------------	-----------------

ALTERNATOR MOUNTING / "DELCO" WITH DETROIT S-60

Item#	Part	Description	M T H 4 0	M T H 4 5	M T H 4 5 E	X L 4 0	X L 4 5	N O T E S
1	562235	ALTERNATOR ASSY 24V/270 AMPS	1	1	1			
NS	562355	ALTERNATOR ASSY 12V/300 AMPS /	1	1	1			
2	510439	PULLEY ALTERNATOR 12 RIB	1	1	1			
3	XL-0605-03	ALTERNATOR 24V/270 AMPS / "DELCO" #562235						
4	N.S.P.	SUPPORT ALTERNATOR MOUNTING / (23521128)	1	1	1			2
4	N.S.P.	KEY, WOODRUFF 3/16" X 7/8" / (120502)	2	2	2			2
5	N.S.P.	BOLT 1/2-13 X 2.00" / (00455001)	2	2	2			2
5	N.S.P.	BOLT 1/2-13 X 2.25" / (00186631)	2	2	2			2
6	N.S.P.	WASHER / (5132715)	4	4	4			2
7	N.S.P.	BOLT FLG M12-1.75 X 30MM / TO FIX BRACE / (11509528)	4	4	4			2
7	N.S.P.	BRACKET ALTERNATOR SUPPORT / ON BLOCK / (23511744)	1	1	1			2
7	N.S.P.	BOLT FLG M10-1.5 X 30MM / TO FIX SUPPORT ON BLOCK (11505299)	3	3	3			2
8	N.S.P.	BRACE ALTERNATOR SUPPORT / (23511743)	1	1	1			2
9	N.S.P.	HOSE ASSY 25.25" / #5 TEFLON OIL SUPPLY / (23504343)	1	1	1			2
10	N.S.P.	HOSE ASSY 21" / #4 ALT VENT TOP OF ALTERNATOR / (0513063)	1	1	1			2
11	N.S.P.	BOLT FLG 7/16-14 X 5.75 / (23521130)	2	2	2			2
NS	510635	SCREW CAP HEXF 7/16-14x5.50 ZP	1	1	1			
11	510636	NUT HEXF 7/16-14 ZP	3	3	3			
12	XL-0125-01	BELTS TENSIONERS - WITH DETROIT S-60						
13	N.S.P.	HOSE ASSY 23.40" / #16 OIL DRAIN / (23517561)	1	1	1			2
13	N.S.P.	CONNECTOR 1" NPT 1" TUBE / OIL DRAIN / (09402713)	1	1	1			2
14	N.S.P.	ELBOW 90° 3/4" NPT 1" TUBE / OIL DRAIN / (02492119)	1	1	1			2
15	506782	MULTI V-BELT / 12 RIB 73" (1854) 23521000	1	1	1			
20	N.S.P.	IDLER PULLEY ASSY / (23520959)	1	1	1			2
21	N.S.P.	. SEAL / (CR 14960) / (23521013)	2	2	2			2
22	N.S.P.	. PULLEY IDLER 12G / 5 1/4" O.D. /	1	1	1			2
23	N.S.P.	. PULLEY BELT TENSIONER / 5 1/4 O.D. / (23520999)	1	1	1			2
24	510618	. BALL BEARING DBL ROW / 30MM x 62MM x 27 W	1	1	1			
25	N.S.P.	. WASHER / (23518224)	2	2	2			2
26	N.S.P.	. BOLT M10-1.5 X 45MM G10.9 / (23505062)	2	2	2			2
26	510627	. BOLT M10-1.5 X 45MM LH G10.9	1	1	1			
27	N.S.P.	. PROTECTOR CAP / (05107293)	2	2	2			2
28	975121	SCREW CAP HEXF M14-2.0x50 G10.9 PHC	1	1	1			
29	975124	SCREW CAP HEXF M14-2.0x80 G10.9 PHC	2	2	2			
30	975104	SCREW CAP HEXF M10-1.5x85 G10.9 PHC	3	3	3			
31	N.S.P.	BOLT FLG M10-1.5 X 30MM / (23511786)	1	1	1			2
32	012103	AUTOMATIC TENSIONER ASSY	1	1	1			
32	N.S.S.	. SPRING	2	2	2			1
33	N.S.S.	. PROTECTOR CAP	1	1	1			1
34	N.S.S.	. BOLT	1	1	1			1
35	N.S.S.	. LEVER	1	1	1			1
36	N.S.S.	. PULLEY	1	1	1			1

From W-6486 To Y-7045	Date:10/2022	PAGE:XL-0610-55
ALTERNATOR MOUNTING / "DELCO" WITH DETROIT S-60		

Item#	Part	Description	M T H 4 0	M T H 4 5	M T H 4 5 E	X L 4 0	X L 4 5	N O T E S
36	N.S.S.	. BEARING	1	1	1			1
36	N.S.S.	PROTECTOR CAP	1	1	1			1
40	012104	TENSIONER, MOUNTING PLATE	1	1	1			
40	N.S.P.	O-RING / (8929253)	1	1	1			2
41	510641	SCREW CAP HEXF M8-1.25x30 G10.9	5	5	5			
50	065693	SUPPORT, DELCO ALT HARNESS	1	1	1			A
51	500170	SCREW CAP HEX 1/4-20x2 G5 PT Z050	2	2	2			
52	504614	PLATE RETAINING / COLLAR	1	1	1			
53	504703	COLLAR 1/2" I.D. / TO FIX HOSE	1	1	1			
54	509815	TIE MOUNT / ATTACHMENT W/TREE MOUNT	2	2	2			
NS	504637	CABLE TIE / 3/16" x 13"	AR	AR	AR			
NS	065696	KIT, RETROFIT HARNESS SUPPORT W/"DELCO" ALT	AR	AR	AR			
		A) WITH "EATON" TRANSMISSION						
		1) NOT SOLD SEPARATELY						
		2) NOT SOLD BY PREVOST (SEE MANUFACTURING PART NUMBER AT END OF DESCRIPTION LINE)						

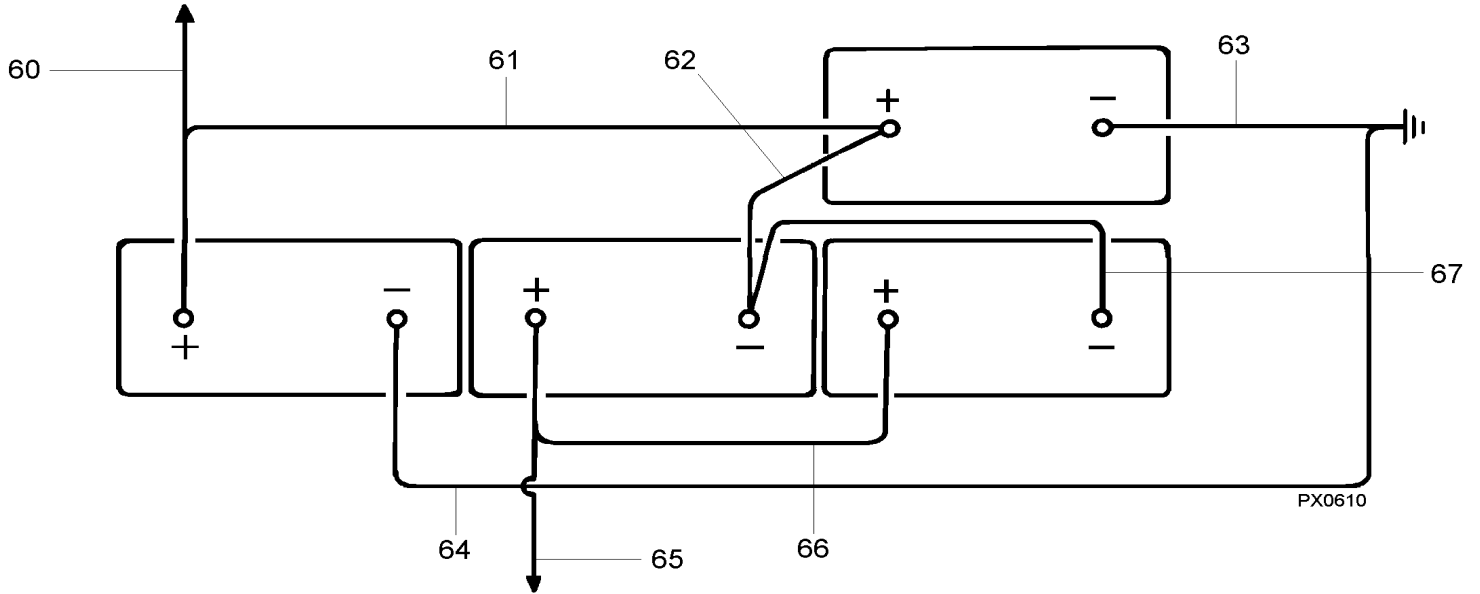
From E-638 To T-5662

Date:10/2022

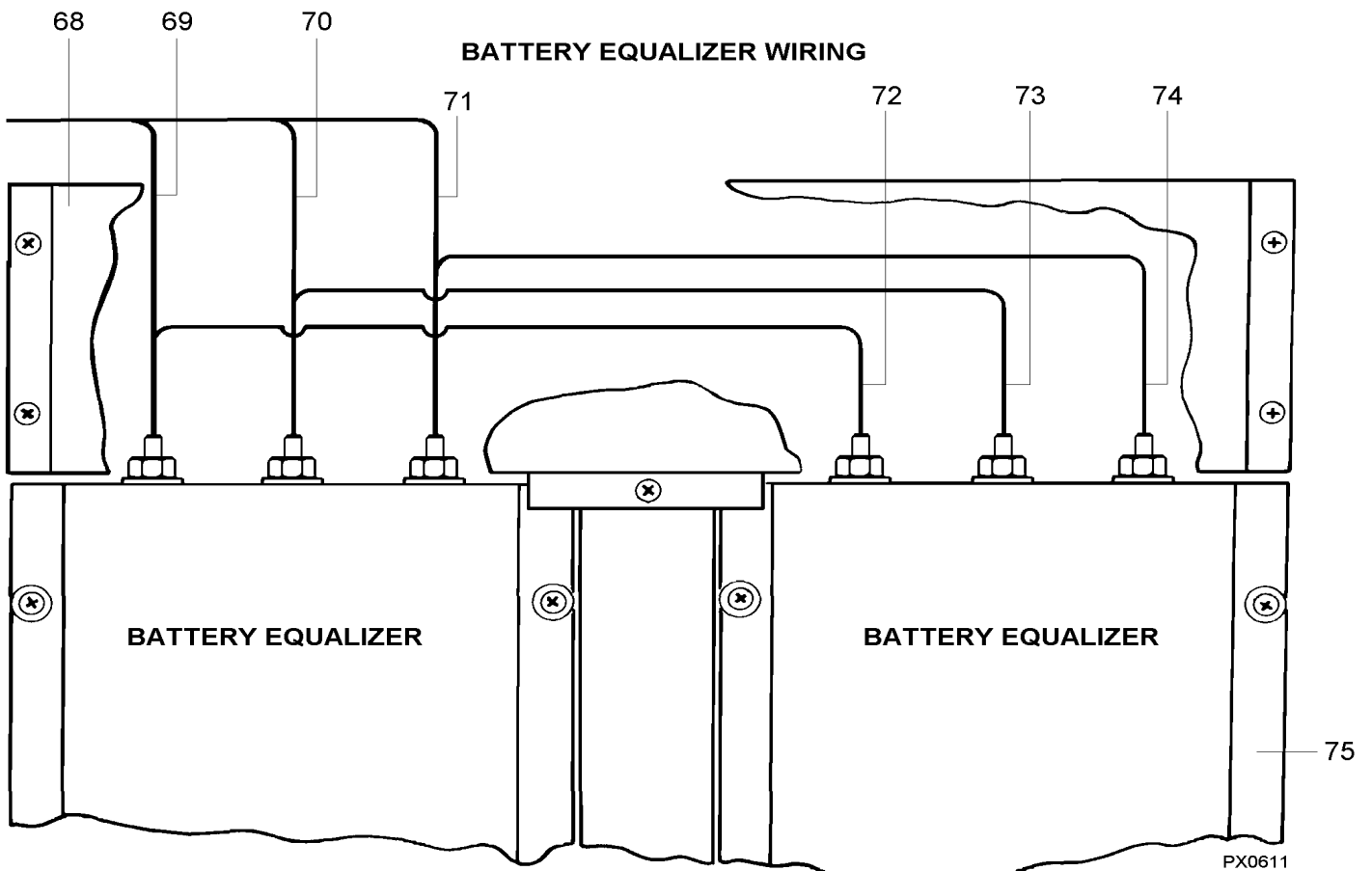
PAGE:XL-0615-00

BATTERIES ELECTRICAL PANEL

BATTERY WIRING



BATTERY EQUALIZER WIRING

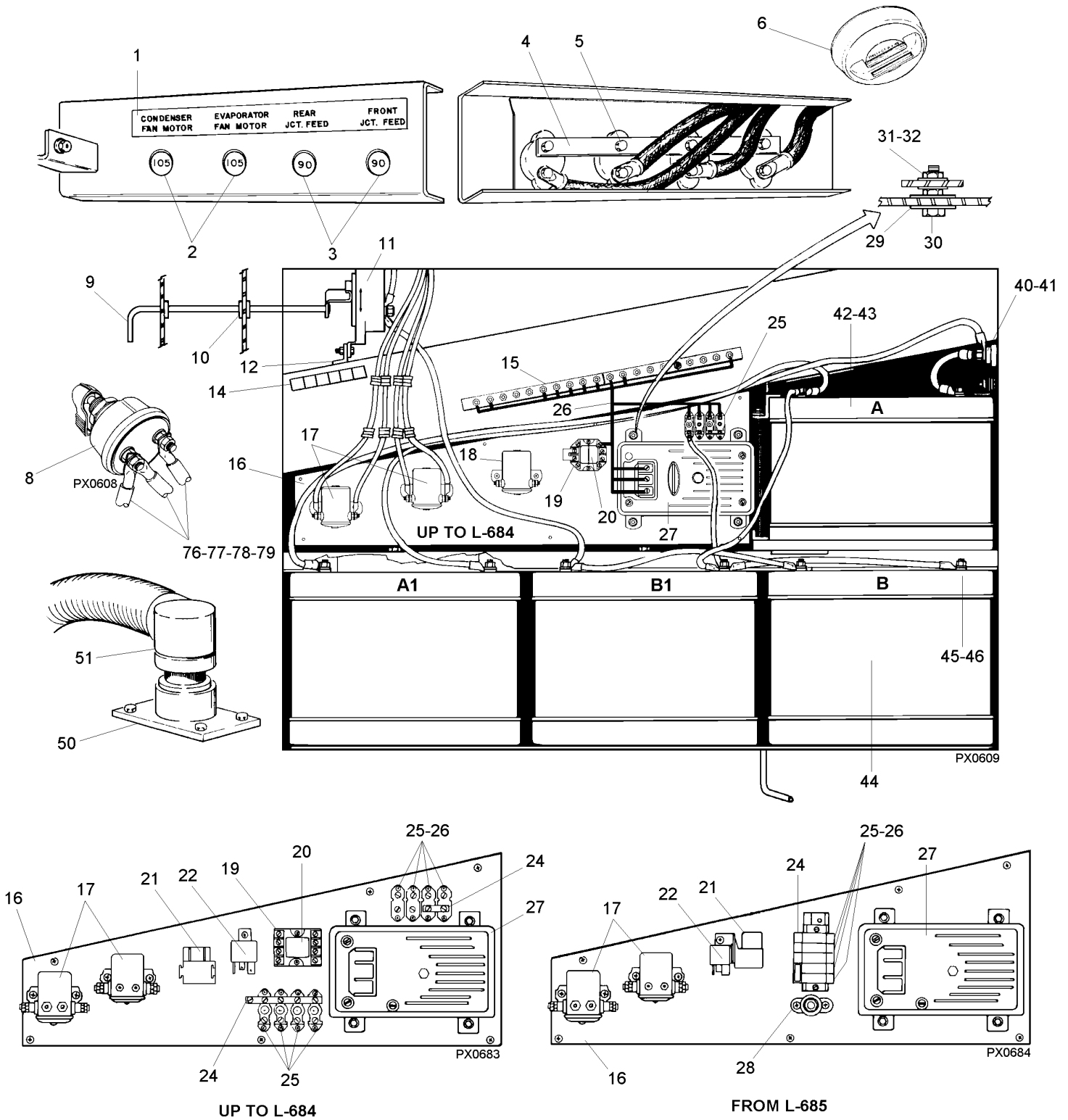


From E-638 To T-5662

Date:10/2022

PAGE:XL-0615-00

BATTERIES ELECTRICAL PANEL



From E-638 To T-5662		Date:10/2022	PAGE:XL-0615-00
----------------------	--	--------------	-----------------

BATTERIES ELECTRICAL PANEL

Item#	Part	Description	M T H 4 0	M T H 4 5	M T H 4 5 E	X L 4 0	X L 4 5	N O T E S
1	390391	PLATE / BREAKER IDENTI (FAN MOTOR & JCT FEED)				1		
NS	391427	PLATE / BREAKER IDENTI (12V FRONT REAR & DIR)				1		
NS	504124	RIVET POP DOME OE 1/8x.280 MNL				6		
2	560465	BREAKER 105AMPS / 24V /				2		
3	560298	BREAKER 90AMPS / 24V /				3		
NS	561767	BREAKER 70AMPS / 24V /				1		
NS	062857	CABLE ASSY / BREAKER & RELAY / 45"				1		
4	380484	BUS BAR / W/4 HOLES / 2 1/2" C/C				1		
5	500007	SCREW CAP HEX 1/4-28x3/4 G5 ZP				12		
NS	500387	SCREW MA RND PH #10-24x3/4 Z050				12		
NS	500470	WASHER LO SPT .193x.334x.047 Z050				12		
6	560069	DETECTOR / FIRE (FORMER)				1		
8	561541	SWITCH, 12 V. POWER DISCONNECT				1		
NS	061988	DECAL / ON-OFF				1		
NS	061031	CABLE ASSY / BREAKER & COND. FAN MOTOR / 31"				1		
NS	061030	CABLE ASSY / BREAKER & EVAP. FAN MOTOR / 32"				1		
NS	061032	CABLE ASSY / BREAKER & CUT OFF END / 15"				1		
9	380518	HANDLE / SWITCH				1		
NS	502154	PIN, COTTER 5/32 x 1 1/4 SS				3		
10	507257	BUSHING NYLINER W/SHOULDER				3		
11	560270	SWITCH, DISCONNECT 24VOLTS				1		
12	380516	PLATE, SUPPORT				1		
14	562084	SUPPORT / TIE WRAP				2		
15	560116	JUNCTION BLOCK W/10 STUDS				2		
15	562173	JUNCTION BLOCK W/10 STUDS				2		
NS	500641	SCREW TP PAN PH #8x3/4 Z050				AR		
15	Call order desk	CONTROL PANEL ASSY / W/REG. ENGINE To L-684				1		PA
15	Call order desk	CONTROL PANEL ASSY / W/DDEC ENGINE To K-652				1		PA
15	381227	CONTROL PANEL ASSY From K-653 To L-684				1		A
16	381381	CONTROL PANEL ASSY From L-685				1		B
16	380474	. BOARD To L-684				1		A
17	561005	. SWITCH MAGNETIC / 24V S.P.S.T. / 200AMPS N.O. To L-684				2		
18	560407	. SWITCH MAGNETIC / 24V S.P.S.T. / 50AMPS N.O. To L-684				1		A
18	500613	. SCREW TP PAN PH #10x1/2 Z050 To L-684				AR		A
18	500438	. WASHER FL .187x.437x.050 Z050 To L-684				AR		A
18	500765	. NUT HEX #10-32 BR To L-684				1		A
18	500470	. WASHER LO SPT .193x.334x.047 Z050 To L-684				1		A
18	500765	. NUT HEX #10-32 BR From L-685				4		B
19	561233	. BASE SOCKET 8 PIN To L-684				1		A
19	500470	. WASHER LO SPT .193x.334x.047 Z050 From L-685				4		B
20	561010	. RELAY 24V. D.P.D.T. To L-684				1		A
20	560920	. SPRING HOLDER To L-684				1		A

From E-638 To T-5662	Date:10/2022	PAGE:XL-0615-00
BATTERIES ELECTRICAL PANEL		

Item#	Part	Description	M T H 4 0	M T H 4 5	M T H 4 5 E	X L 4 0	X L 4 5	N O T E S
20	500667	. SCREW TP TR SQ #6x1 1/2 ZP To L-684				2		A
20	500613	. SCREW TP PAN PH #10x1/2 Z050 From L-685				AR		B
21	561707	. RELAY 24V S.P.D.T. W/RESISTOR / To L-684				1		A
21	500613	. SCREW TP PAN PH #10x1/2 Z050 To L-684				AR		A
21	500438	. WASHER FL .187x.437x.050 Z050 From L-685				AR		B
22	561991	. RELAY 24V S.P.S.T. / 70 AMPS N.O. From L-685				3		B
22	500883	. SCREW TC PAN PH #8-32x3/8 Z050 From L-685				AR		B
24	380633	. BUS BAR / W/4 HOLES / 7/8" C/C" To L-684				1		A
24	380296	. BAR, BUS To L-684				1		A
24	381203	. RAIL SUPPORT / 100MM From L-685				1		B
24	502611	. SCREW TP FL PH #6x1/2 Z050 From L-685				2		B
24	561729	. STOPPER From L-685				2		B
25	560828	. BREAKER 8AMPS / 24V / To L-684				AR		A
25	560829	. BREAKER 10AMPS / 24V / To L-684				AR		A
25	560830	. BREAKER 15AMPS / 24V / To L-684				AR		A
25	560831	. BREAKER 20AMPS / 24V / To L-684				AR		A
25	560832	. BREAKER 30AMPS / 24V / To L-684				AR		A
25	500417	. SCREW TP PAN PH #6x3/8 Z050 To L-684				AR		A
25	561790	. BREAKER 6AMPS / 24V / From L-685				1		B
25	561791	. BREAKER 8AMPS / 24V / From L-685				2		B
25	561793	. BREAKER 15AMPS / 24V / From L-685				1		B
25	561795	. BREAKER 25AMPS / 24V / From L-685				2		B
26	061041	. CABLE ASSY To L-684				1		A
26	062854	. CABLE ASSY From L-685				1		B
27	560929	. REGULATOR ASSY 24V / W/4 TERMINALS To L-684				AR		A D
27	560030	. REGULATOR ASSY 24V / W/3 TERMINALS From L-685				1		B D
28	560422	. BLOCK, TERMINAL / 1 STUD 3/8-16 / BLACK From L-685				1		B
28	500379	. NUT HEX 3/8-16 BR From L-685				4		B
28	500478	. WASHER LO SPT .380x.683x.094 Z050 From L-685				4		B
29	380476	. REINFORCEMENT				8		
30	500167	. SCREW CAP HEX 1/4-20x1 1/4 G5 PT Z050				8		
31	500440	. WASHER FL .250x.562x.065 Z050				1		
32	500769	. NUT HEX 1/4-20 Z050				1		
40	380360	STUD, GROUND (WELDED TO STRUCTURE) 1/2-13						
41	500998	NUT HEX 1/2-13 BR				1		
41	500482	WASHER LO SPT .506x.873x.125 Z050				1		
42	380457	ANGLE SUPPORT				1		
42	380459	SUPPORT ANGLE R.H.				1		
43	380456	FIXATION ROD				2		
NS	500778	NUT HEX 5/16-18 N500				5		
NS	500476	WASHER LO SPT .317x.586x.078 Z050				5		
NS	500441	WASHER FL .312x.734x.065 Z050				4		

From E-638 To T-5662	Date:10/2022	PAGE:XL-0615-00
BATTERIES ELECTRICAL PANEL		

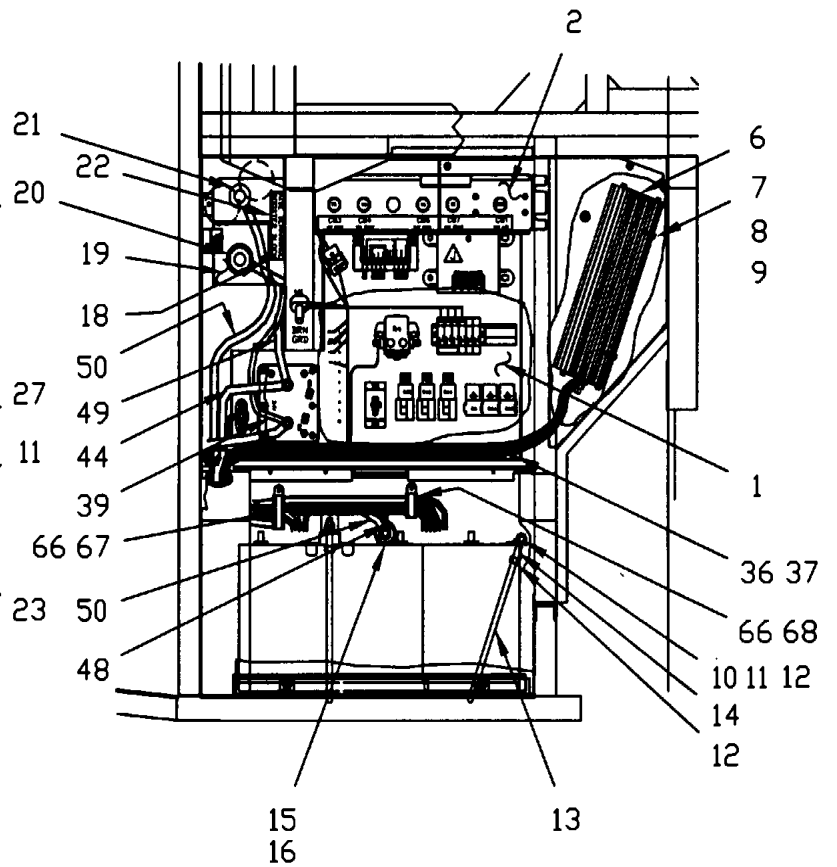
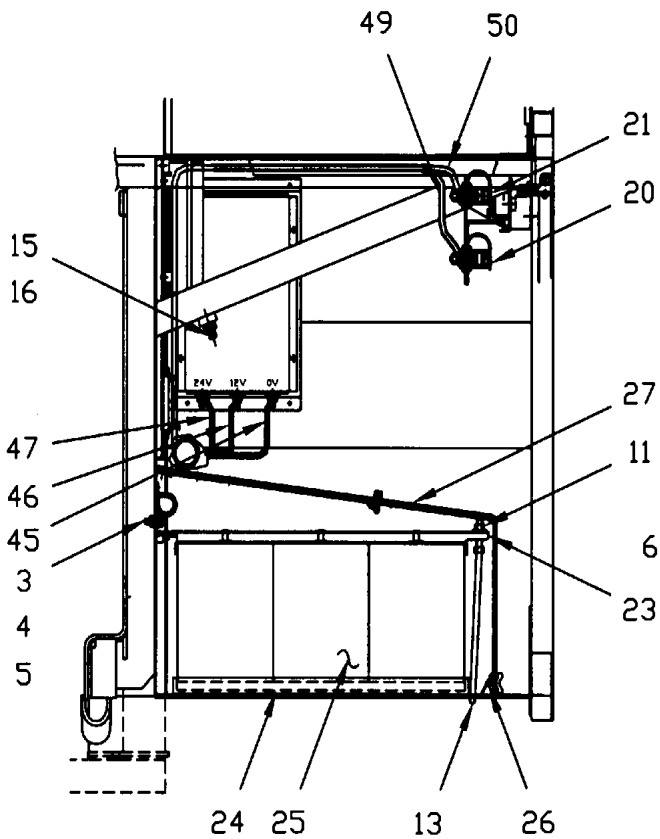
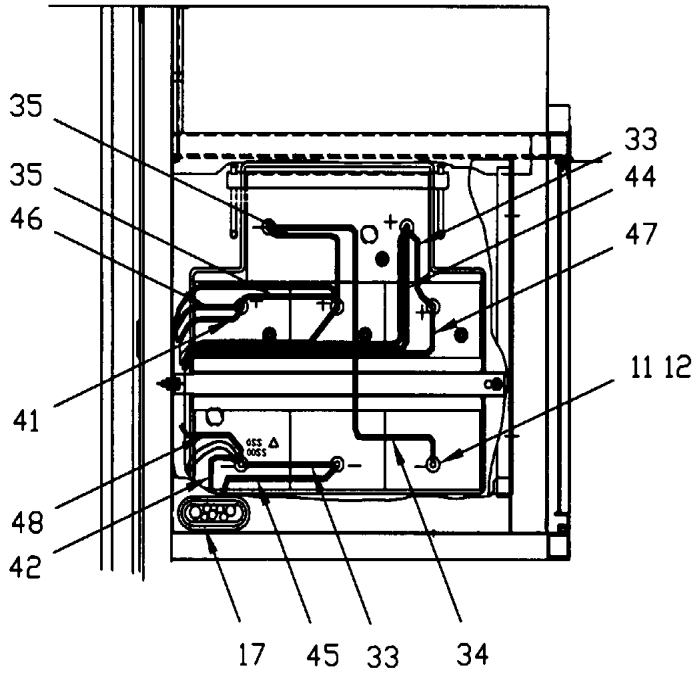
Item#	Part	Description	M T H 4 0	M T H 4 5	M T H 4 5 E	X L 4 0	X L 4 5	N O T E S
44	561026	BATTERY 12V GR31/625 To H-234				4		
44	561232	BATTERY 12V/625 CCA / GR31 From H-235				4		
NS	380469	SPACER				1		
NS	380470	SPACER				1		
NS	380468	SPACER				2		
NS	380471	RUBBER				3		
45	380677	ANGLE RETAINER				1		
46	380680	FIXATION ROD				2		
NS	500771	NUT HEX 1/4-20 SS				2		
NS	500411	WASHER FL .260x.697x.050 SS				2		
NS	500473	WASHER LO SPT .262x.489x.062 Z050				2		
50	061779	STUD, GROUND				1		
50	560177	. BLOCK, TERMINAL / 1 STUD 1/2-13 / BLACK				1		
50	561444	. SHRINK TUBING / 1.500" - .500" / BLACK / AMP 1-54031-1				1		
50	500789	. NUT HEX 1/2-13 Z050				1		
51	561858	BOOT STUD WIRE COVER / BLACK				1		
51	561859	BOOT STUD WIRE COVER / RED				1		
60	062856	CABLE ASSY				1		
61	061034	CABLE ASSY				1		
62	061036	CABLE ASSY / B - TO B -				1		
63	061033	CABLE ASSY				1		
64	061035	CABLE ASSY				1		
65	061039	CABLE ASSY				1		
66	061037	CABLE ASSY				1		
67	061062	CABLE ASSY				1		
68	062057	PROTECTOR, CABLE To L-684				1		
68	062881	CABLE PROTECTOR From L-685				1		
69	062050	CABLE ASSY 90" To L-684				1		
69	062850	CABLE ASSY / #0VA From L-685				1		
70	062049	CABLE ASSY 21" To L-684				1		
70	062851	CABLE ASSY / #12VA From L-685				1		
71	062051	CABLE ASSY / 40' To L-684				1		
71	062852	CABLE ASSY / #24VA From L-685				1		
72	062874	CABLE ASSY 0C From L-685				1		
73	062872	CABLE ASSY 12C From L-685				1		
74	062873	CABLE ASSY 24C From L-685				1		
75	561242	EQUALIZER, BATTERY / 10 AMPS				1		
75	561936	EQUALIZER "VANNER" 20 AMPS				1		
75	561016	EQUALIZER "VANNER" 50 AMPS				1		E
76	062049	CABLE ASSY 21" To L-684				1		
77	062052	CABLE ASSY 44" To L-684				1		
78	062054	CABLE ASSY 65" To L-684				1		

From E-638 To T-5662	Date:10/2022	PAGE:XL-0615-00
----------------------	--------------	-----------------

BATTERIES ELECTRICAL PANEL

Item#	Part	Description	M T H 4 0	M T H 4 5	M T H 4 5 E	X L 4 0	X L 4 5	N O T E S
79	062053	CABLE ASSY 48" To L-684				1		
79	062895	DECAL / CRANKING MOTOR & GENERATOR				1		
79	062933	DECAL / BATTERY COMPARTMENT				1		
79	400100	DECAL / 24 VOLTS				1		
79	061325	DECAL "CAUTION" ALWAYS FIRST.... / ENGLISH & FRANCAIS				1		
79	061547	DECAL / "ATTENTION (SERRAGES DES BATTERIES				1		
79	061548	DECAL / CAUTION (BATTERY TIGHTENING)				1		
79	380704	KIT, HARDWARE / FOR "DELCO" BATTERIES				1		C
NS	064717	KIT VOLTAGE REGULATOR				1		
. NS	IS-97104B	. SEE INSTRUCTION SHEET				1		
NS	065121	KIT EQUALIZER 60AMPS				AR		
. NS	IS-99016C	. SEE INSTRUCTION SHEET				1		
		A) THOSE PARTS ARE INSTALLED ON VEHICLE UP TO L-684						
		B) THOSE PARTS ARE INSTALLED ON VEHICLE FROM L-685						
		C) THIS KIT INCLUDE ALL PARTS TO FIX "DELCO" BATTERIES FOR COACH UP TO H-235						
		D) THIS PART IS SUPERSEDED BY KIT #064717						
		E) THIS PART IS SUPERSEDED BY KIT #065121. SEE INSTRUCTION SHEET IS-99016C FOR HELP						
		P) CALL ORDER DESK FOR SPECIFIC APPLICATION (V.I.N.)						

From S-570 To Y-7045	Date:10/2022	PAGE:XL-0615-01
BATTERIES INSTALLATION - BUS 45'		

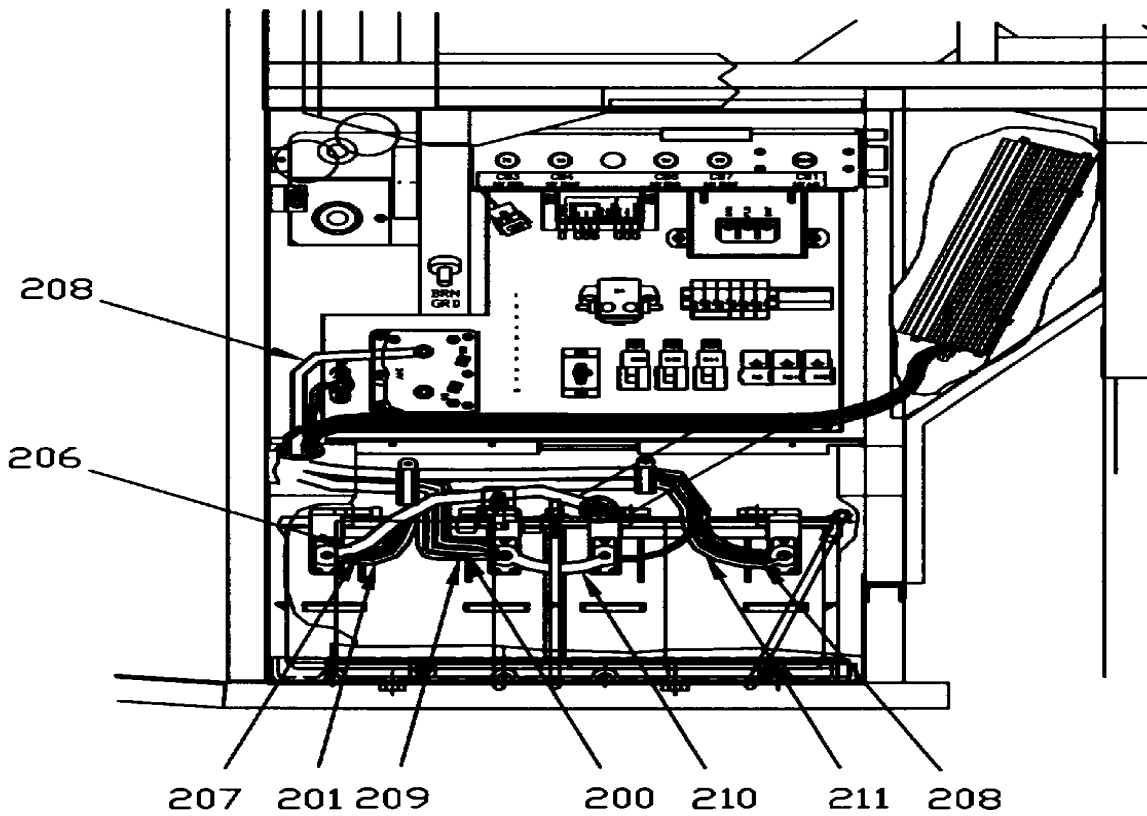
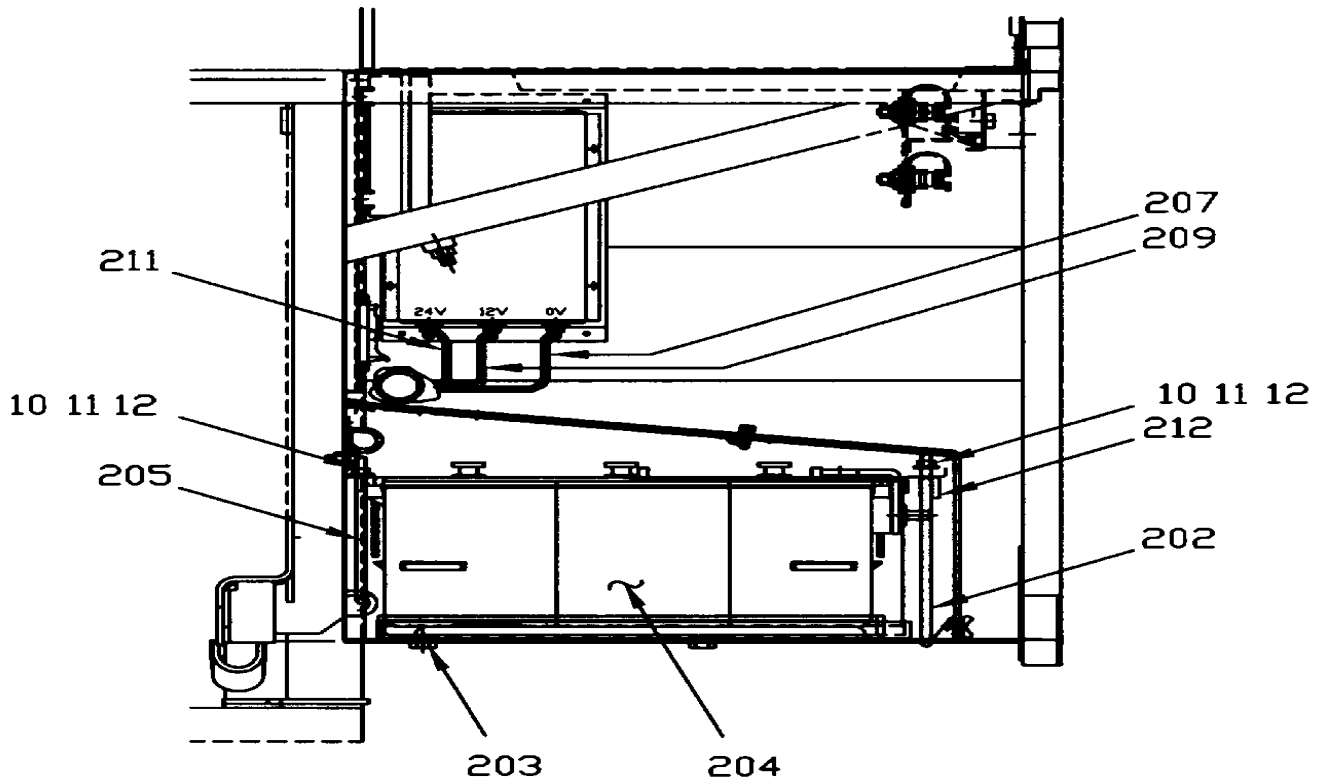


From S-570 To Y-7045

Date:10/2022

PAGE:XL-0615-01

BATTERIES INSTALLATION - BUS 45'



From S-570 To Y-7045	Date:10/2022	PAGE:XL-0615-01
BATTERIES INSTALLATION - BUS 45'		

Item#	Part	Description	M T H 4 0	M T H 4 5	M T H 4 5 E	X L 4 0	X L 4 5	N O T E S
1	XL-0615-51	BATTERIES COMPARTMENT PANEL - BUS						
2	XL-0616-11	BREAKER PANEL						
3	502790	SCREW CAP HEX M8-1.25x20 G8.8 Z050					1	
4	500874	WASHER FL 8.4x17.0x1.6 Z050					1	
5	5001003	WASHER LO SPT 8.1x12.7x2.0 Z050					1	
6	562332	EQUALIZER "VANNER" 100AMPS To T-5784					1	
6	562542	EQUALIZER "VANNER" 100AMPS From T-5875 To X-6893					1	B
6	562970	EQUALIZER "VANNER" 100AMPS From X-6894					1	B
7	500786	NUT HEX #10-24 Z050					4	
8	500964	WASHER FL .203x.500x.047 Z050					4	
9	500470	WASHER LO SPT .193x.334x.047 Z050					4	
10	500445	WASHER FL .437x1.000x.083 Z050					2	
11	500257	WASHER LO SPT 10.2x18.1x2.2 Z050					3	
12	500102	NUT HEX 3/8-16 SS					5	
13	381601	FIXATION ROD					3	
14	381602	RACK BATTERIES					1	
15	500998	NUT HEX 1/2-13 BR					2	
16	500482	WASHER LO SPT .506x.873x.125 Z050					2	
17	504606	GROMMET / 3.000x3.500x.062x.500x4.000					1	
18	504118	RIVET POP DOME OE 3/16x3/8 AL					2	
19	381210	SEPARATOR / FIBERGLASS RED					1	
20	561856	BOOSTER BLOCK, REMOTE / RED					1	
21	561857	BOOSTER BLOCK, REMOTE / BLACK					1	
22	062682	DECAL / "BOOSTER BLOCK" / ENGLISH & FRANCAIS					1	
22	066045	DECAL / "BOOSTER BLOCK" / ENGLISH & SPANISH						
23	381600	BATTERIES SUPPORT					1	
24	380671	TRAY, BATTERIES					1	
25	561232	BATTERY 12V/625 CCA / GR31 To Y-7101					4	
25	563030	BATTERY 12V/930 CCA / GR31 From Y-7102					4	
26	504605	RECEPTACLE 6 MM					2	
27	381672	COVER BATTERIES ASSY / W/2 LATCH					1	
. NS	381671	. COVER PANEL					1	
. NS	504203	. SPRING LATCH / KNURLED STEEL KNOB					2	
. NS	504603	. STUD 6 MM (DZUS)					2	
. NS	504604	. FASTENER					2	
. NS	504339	. RIVET POP DOME OE 1/8x3/8 SS					4	
. NS	160295	. DECAL / "IT FORBIDDEN TO STOCK ANYTING IN TH. / ENGLISH & FRANCAIS					1	
27	161191	DECAL / "IT FORBIDDEN TO STOCK ANYTING IN TH. / ENGLISH & SPANISH					1	
33	061180	CABLE ASSY / B - TO B -					2	
34	061036	CABLE ASSY / B - TO B -					1	
35	062371	CABLE ASSY / B + TO B +					2	
36	502565	NUT HEX M6-1.0 SS					4	

From S-570 To Y-7045	Date:10/2022	PAGE:XL-0615-01
BATTERIES INSTALLATION - BUS 45'		

Item#	Part	Description	M T H 4 0	M T H 4 5	M T H 4 5 E	X L 4 0	X L 4 5	N O T E S
37	502564	WASHER LO SPT 6.1x11.8x1.6 Z050					4	
39	064042	CABLE ASSY #24E					1	
41	063911	CABLE ASSY / #12					1	
42	064044	CABLE ASSY / #00A					1	
44	063591	CABLE ASSY / RELAY BATTERY & BATTERY #24					1	
45	063588	CABLE ASSY / #0VA					1	
46	063636	CABLE ASSY / #12VA					1	
47	064046	CABLE ASSY / #24VA					1	
48	063592	CABLE ASSY / B - TO GROUND					1	
49	063595	CABLE ASSY / TO BOOSTER BLOCK #24					1	
50	064047	CABLE ASSY / BATTERY BOOSTER BLOCK / #0					1	
66	502557	NUT HEX NYRT M4-0.7 SS					2	
67	504458	CLAMP / 1 5/8" I.D.					1	
68	560484	CLAMP / 1" I.D.					1	
200	063909	CABLE ASSY / #12					1	
201	063908	CABLE ASSY / #00A					1	
202	381660	BATTERY SUP. HOOK 38-16x280MM SS					1	
203	381670	TRAY, BATTERIES 8D					1	
204	562434	BATTERY 12V/8D / W/SIDE POSTS / WET To Y-7101					2	
204	563031	BATTERY 12V/8D / W/TOP POSTS From Y-7102					1	
204	563065	BATTERY KIT, SIDE POSTS / FOR 8D BATTERIES					AR	
205	381513	J-HOOK / 209.55MM / 3/8-16 SS					1	
206	064255	CABLE ASSY / B - TO GROUND					1	
207	063897	CABLE ASSY / #0VA					1	
208	064256	CABLE ASSY / RELAY BATTERY & BATTERY #24					1	
209	063898	CABLE ASSY / #12VA					1	
210	063903	CABLE ASSY / B + TO B -					1	
211	064257	CABLE ASSY #24VA					1	
212	381669	RACK BATTERIES					1	
250	065122	KIT EQUALIZER 100AMPS					AR	
. NS	IS-99016C	. SEE INSTRUCTION SHEET					1	
		B) THIS PART IS SUPERSEDED BY KIT #065122. SEE INSTRUCTION SHEET IS-99016C FOR HELP						

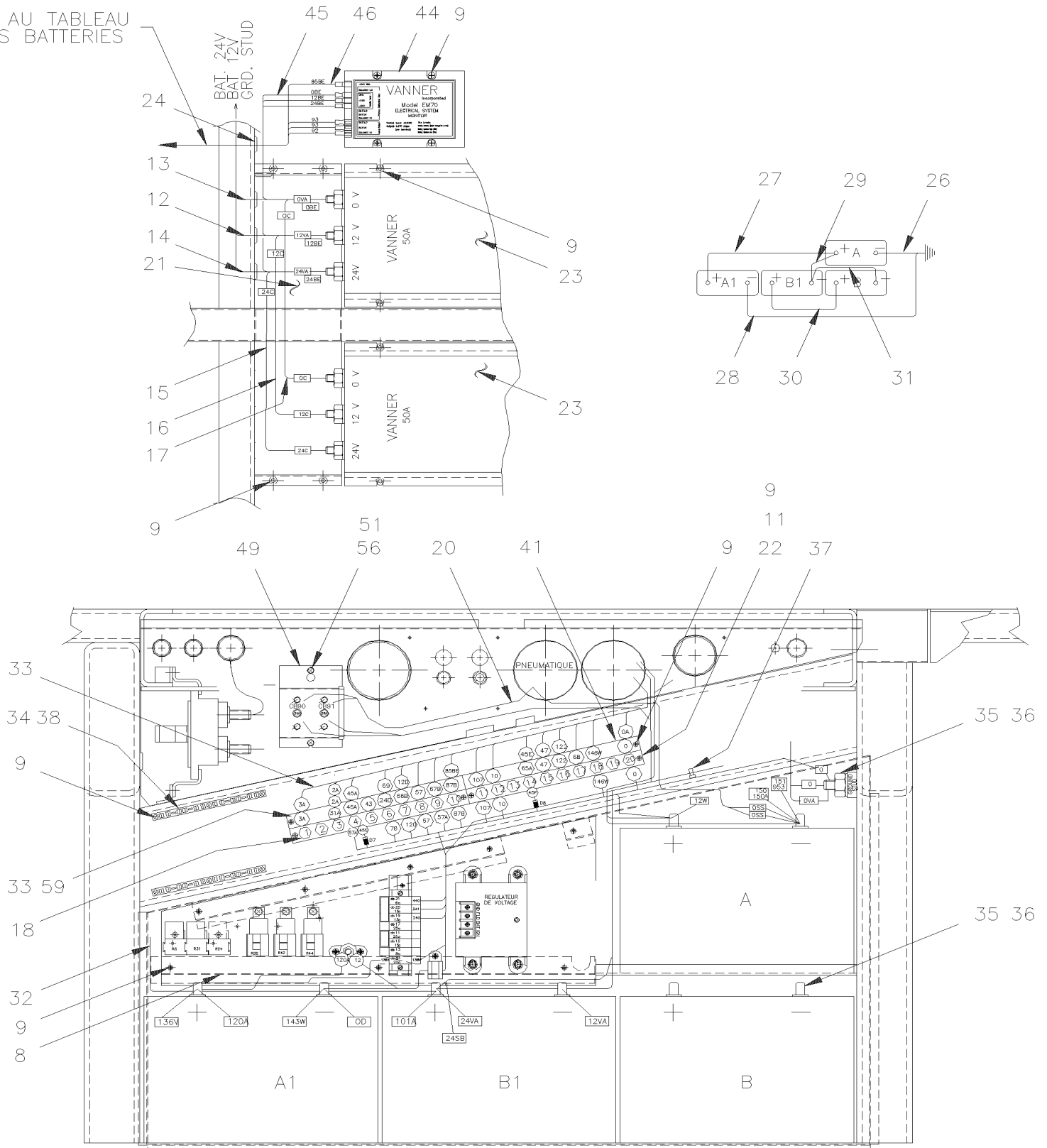
From T-5663 To Y-7045

Date:10/2022

PAGE:XL-0615-02

BATTERIES INSTALLATION - BUS 40'

AU TABLEAU
DES BATTERIES

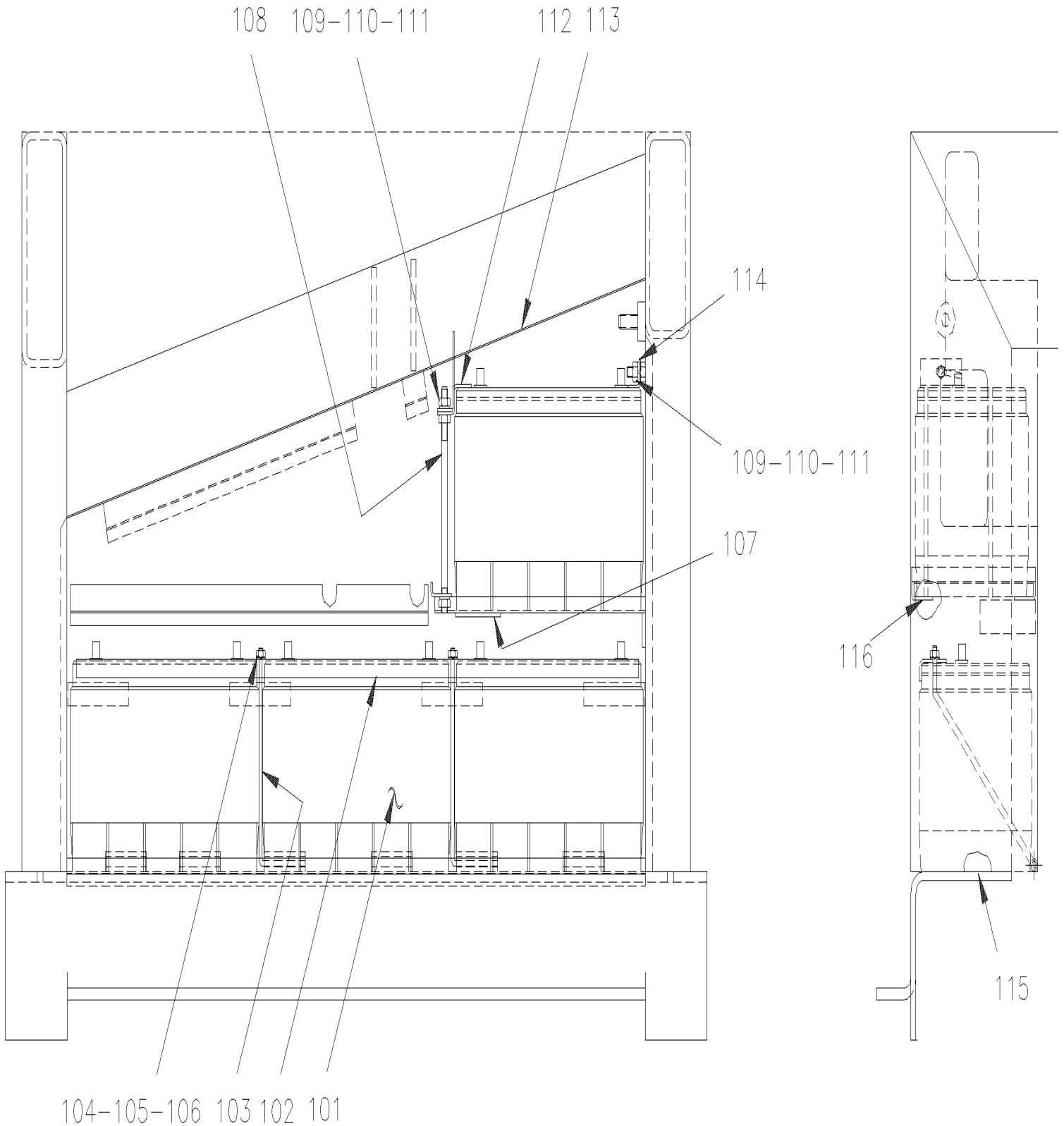


From T-5663 To Y-7045

Date:10/2022

PAGE:XL-0615-02

BATTERIES INSTALLATION - BUS 40'



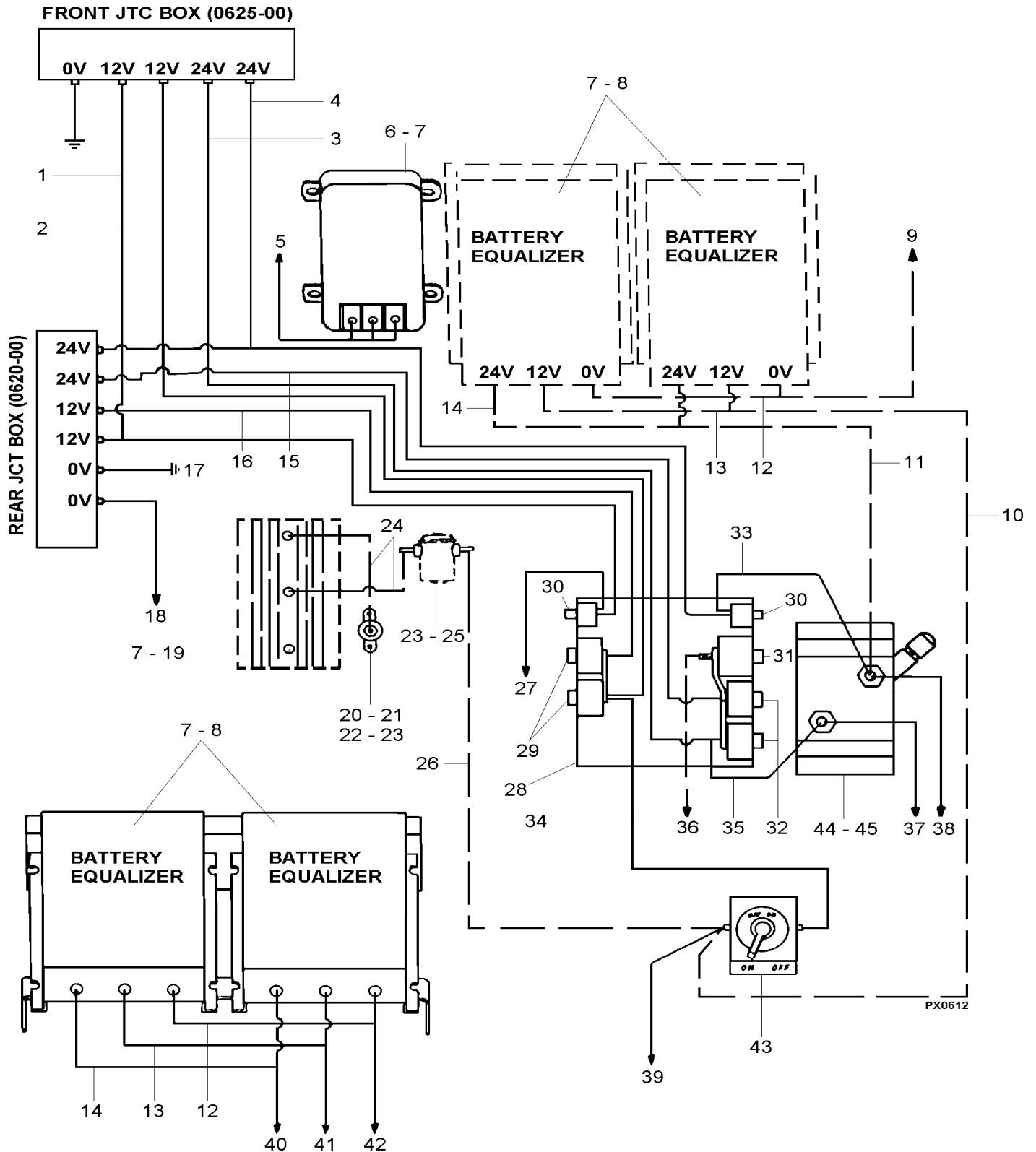
From T-5663 To Y-7045	Date:10/2022	PAGE:XL-0615-02
BATTERIES INSTALLATION - BUS 40'		

Item#	Part	Description	M T H 4 0	M T H 4 5	M T H 4 5 E	X L 4 0	X L 4 5	N O T E S
1	XL-0616-11	BREAKER PANEL						
8	XL-0615-51	BATTERIES COMPARTMENT PANEL - BUS						
9	500641	SCREW TP PAN PH #8x3/4 Z050				18		
12	062851	CABLE ASSY / #12VA				1		
13	062850	CABLE ASSY / #0VA				1		
14	062852	CABLE ASSY / #24VA				1		
15	062873	CABLE ASSY 24C				1		
16	062872	CABLE ASSY 12C				1		
17	062874	CABLE ASSY 0C				1		
21	062881	CABLE PROTECTOR				1		
23	561016	EQUALIZER "VANNER" 50 AMPS				2		C
23	562969	EQUALIZER "VANNER" 60AMPS From X-6887				1		C
24	504421	GROMMET / .625x.875x.187x.437x1.125				4		
26	061033	CABLE ASSY				1		
27	061034	CABLE ASSY				1		
28	061035	CABLE ASSY				1		
29	061036	CABLE ASSY / B - TO B -				1		
30	061037	CABLE ASSY				1		
31	061062	CABLE ASSY				1		
32	061039	CABLE ASSY				1		
35	500482	WASHER LO SPT .506x.873x.125 Z050				1		
36	502565	NUT HEX M6-1.0 SS				4		
44	562785	MONITOR / BATTERY EQUALIZER				1		
45	063765	CABLE ASSY / BATTERY MONITOR & VANNER				1		
46	063767	CABLE ASSY / TO BATTERIES MONITOR				1		
47	500102	NUT HEX 3/8-16 SS				8		
48	502616	WASHER LO SPT 10.2x18.1x2.2 SS				8		
101	561232	BATTERY 12V/625 CCA / GR31 To Y-7101				4		
101	563030	BATTERY 12V/930 CCA / GR31 From Y-7102				4		
102	380677	ANGLE RETAINER				1		
103	380680	FIXATION ROD				2		
104	500771	NUT HEX 1/4-20 SS				2		
105	500411	WASHER FL .260x.697x.050 SS				2		
106	500473	WASHER LO SPT .262x.489x.062 Z050				2		
107	380470	SPACER				1		
108	380456	FIXATION ROD				2		
109	500778	NUT HEX 5/16-18 N500				5		
110	500441	WASHER FL .312x.734x.065 Z050				4		
111	500476	WASHER LO SPT .317x.586x.078 Z050				5		
112	380457	ANGLE SUPPORT				1		
113	380469	SPACER				1		
114	380459	SUPPORT ANGLE R.H.				1		

From T-5663 To Y-7045	Date:10/2022	PAGE:XL-0615-02
BATTERIES INSTALLATION - BUS 40'		

Item#	Part	Description	M T H 4 0	M T H 4 5	M T H 4 5 E	X L 4 0	X L 4 5	N O T E S
115	381376	SPACER				2		
116	380468	SPACER				2		
		FOLLOWING DECALS ARE LOCATED IN						
		BATTERY DOOR						
116	061325	DECAL "CAUTION" ALWAYS FIRST.... / ENGLISH & FRANCAIS				AR		
116	063629	DECAL "RELAY & BREAKER IDENTIFICATION" From R-846 To T-5883				AR		
116	064279	DECAL "RELAY & BREAKER IDENTIFICATION" From T-5884 To V-6257				AR		
116	064143	DECAL "RELAY & BREAKER IDENTIFICATION" From V-6258 To X-6903				AR		
116	064995	DECAL "RELAY & BREAKER IDENTIFICATION" From X-6904				AR		
116	064524	DECAL "RELAY & BREAKER IDENTIFICATION"			AR			A
116	065161	DECAL From X-6945				AR		B
NS	065121	KIT EQUALIZER 60AMPS				AR		
. NS	IS-99016C	. SEE INSTRUCTION SHEET				1		
		A) USE WITH MTH-45S W/BATTERIES IN BAGGAGE COMPARTMENT						
		B) USE WITH VEHICLE GO-TRANSIT						
		C) THIS PART IS SUPERSEDED BY KIT #065121. SEE INSTRUCTION SHEET IS-99016C FOR HELP						

From L-685 To R-810	Date:10/2022	PAGE:XL-0615-10
BATTERIES INSTALLATION - MTH		

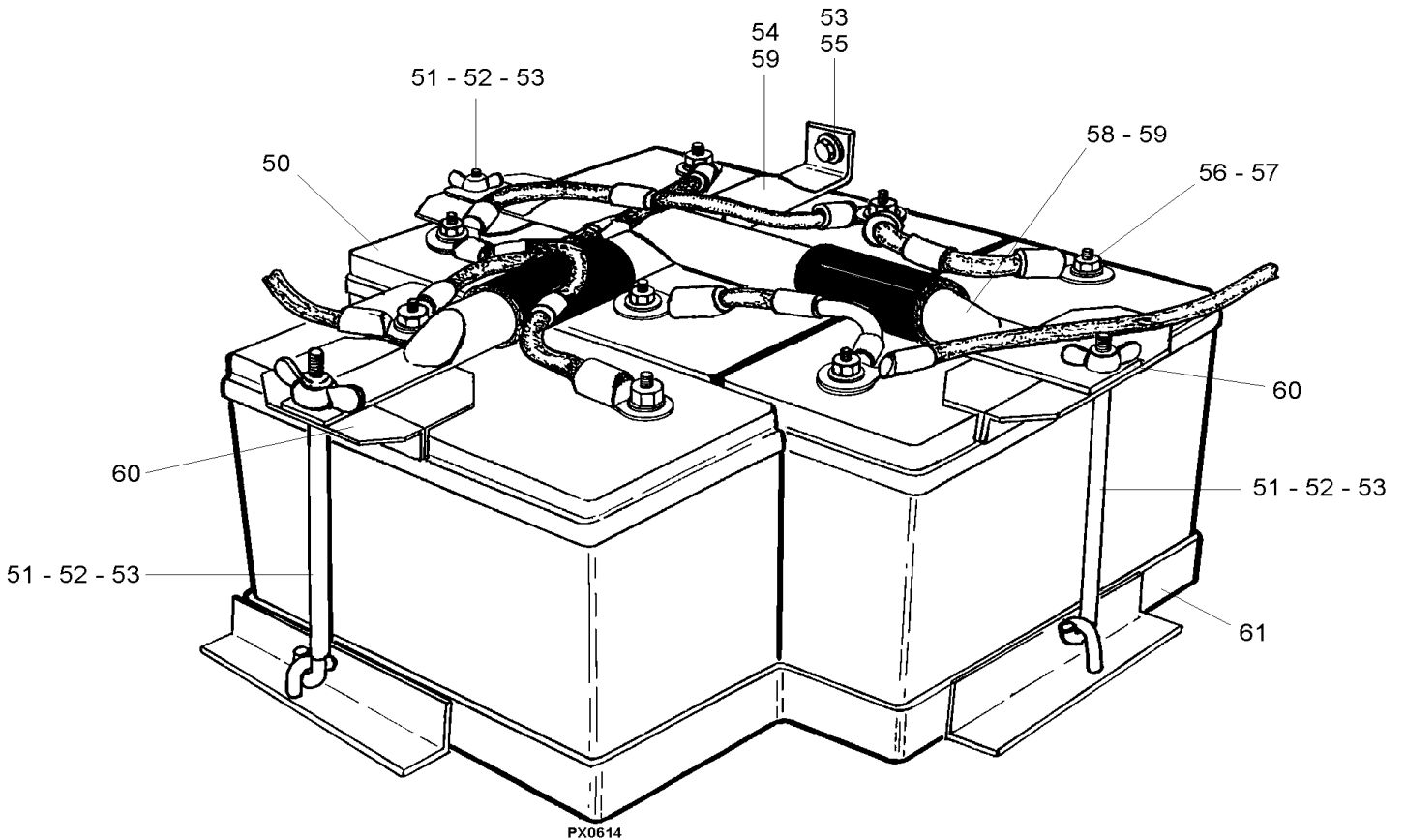
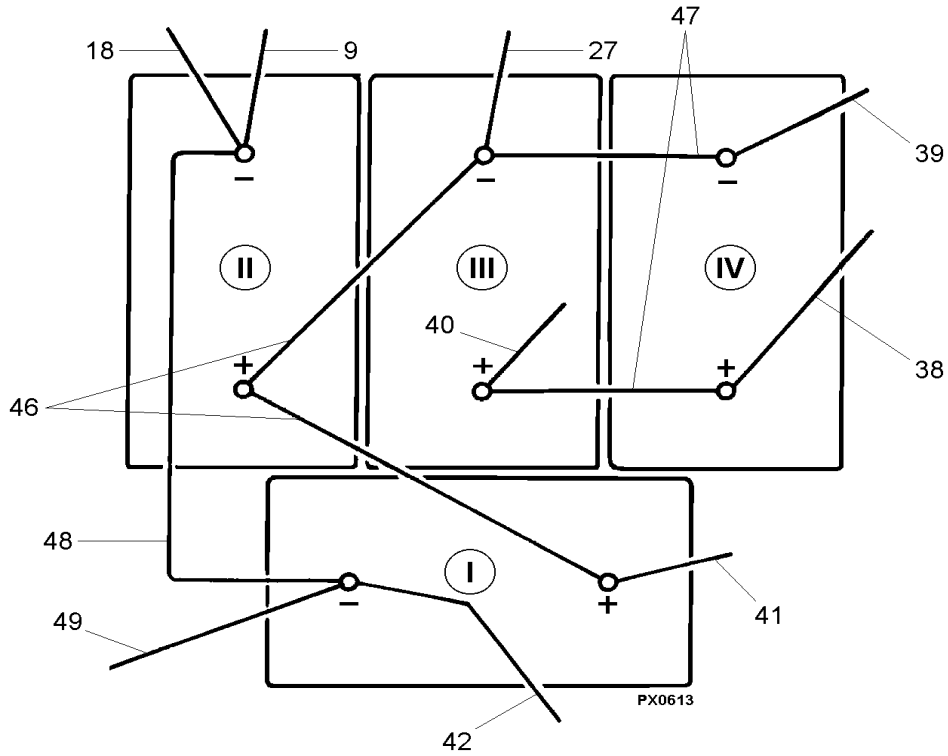


From L-685 To R-810

Date:10/2022

PAGE:XL-0615-10

BATTERIES INSTALLATION - MTH



From L-685 To R-810	Date:10/2022	PAGE:XL-0615-10
BATTERIES INSTALLATION - MTH		

Item#	Part	Description	M T H 4 0	M T H 4 5	M T H 4 5 E	X L 4 0	X L 4 5	N O T E S
1	062841	WIRE ASSY / BREAKER TO FRT & RR JCT BOXES	1					
2	062839	CABLE ASSY / BREAKER TO FRT JCT BOX	1					
3	060779	CABLE ASSY / BREAKER TO FRT JCT BOX	1					
4	062840	WIRE ASSY / BREAKER TO FRT & RR JCT BOXES	1					
5	062842	CABLE ASSY / VOLTAGE REGULATOR	1					
6	560030	REGULATOR ASSY 24V / W/3 TERMINALS	1					A
7	500642	SCREW TP PAN PH #10x3/4 Z050	AR					
8	561016	EQUALIZER "VANNER" 50 AMPS	AR					B
9	062832	CABLE ASSY / BATTERY EQUALIZER TO BATTERY #II	1					
10	062827	CABLE ASSY / BATTERY EQUALIZER TO 12V SWITCH	1					
11	062825	CABLE ASSY / BATTERY EQUALIZER TO 24V SWITCH	1					
12	061306	CABLE ASSY / BATTERY EQUALIZER GROUND POST	AR					
13	061334	CABLE ASSY / BATTERY EQUALIZER 12V POST	AR					
14	061265	CABLE ASSY / BATTERY EQUALIZER 24V POST	AR					
15	062824	CABLE ASSY 24VR	1					
16	062838	CABLE ASSY 12VR	1					
17	062849	CABLE ASSY # 0-8	1					
18	062835	CABLE ASSY / BATTERY #II TO RR JCT BOX	1					
19	561015	ISOLATOR, BATTERY	1					
20	560422	BLOCK, TERMINAL / 1 STUD 3/8-16 / BLACK	1					
21	500478	WASHER LO SPT .380x.683x.094 Z050	1					
22	500783	NUT HEX 3/8-16 Z050	1					
23	500641	SCREW TP PAN PH #8x3/4 Z050	2					
24	061269	CABLE ASSY / BATTERY ISO. TO JCT BLOCK & SWI	1					
NS	063207	CABLE ASSY / JCT BLOCK TO RR JCT BOX	1					
25	560271	RELAY SOLENOID 12V S.P.S.T. N.O.	1					
26	061268	CABLE ASSY / SOLENOID SWITCH TO 12V SWITCH	1					
27	062833	CABLE ASSY / 12VD-10	1					
28	381258	BREAKER & SUPPORT ASSY	1					
NS	381253	BREAKER SUPPORT	1					
29	561767	. BREAKER 70AMPS / 24V /	2					
30	870690	. BREAKER 30AMPS / 24V /	2					
31	560838	. BREAKER 200AMPS / 24V /	1					
32	560298	. BREAKER 90AMPS / 24V /	2					
NS	500388	. SCREW MA RND PH #10-24x1 Z050	AR					
NS	500470	. WASHER LO SPT .193x.334x.047 Z050	AR					
NS	500786	. NUT HEX #10-24 Z050	AR					
NS	380059	. BUS BAR / W/2 SLOTS / 3 3/8" C/C	2					
NS	380408	. JUMPER	1					
33	062836	. WIRE 24D ASSY	1					
34	062834	. CABLE ASSY 12E	1					
35	061328	. CABLE ASSY	1					

From L-685 To R-810	Date:10/2022	PAGE:XL-0615-10
BATTERIES INSTALLATION - MTH		

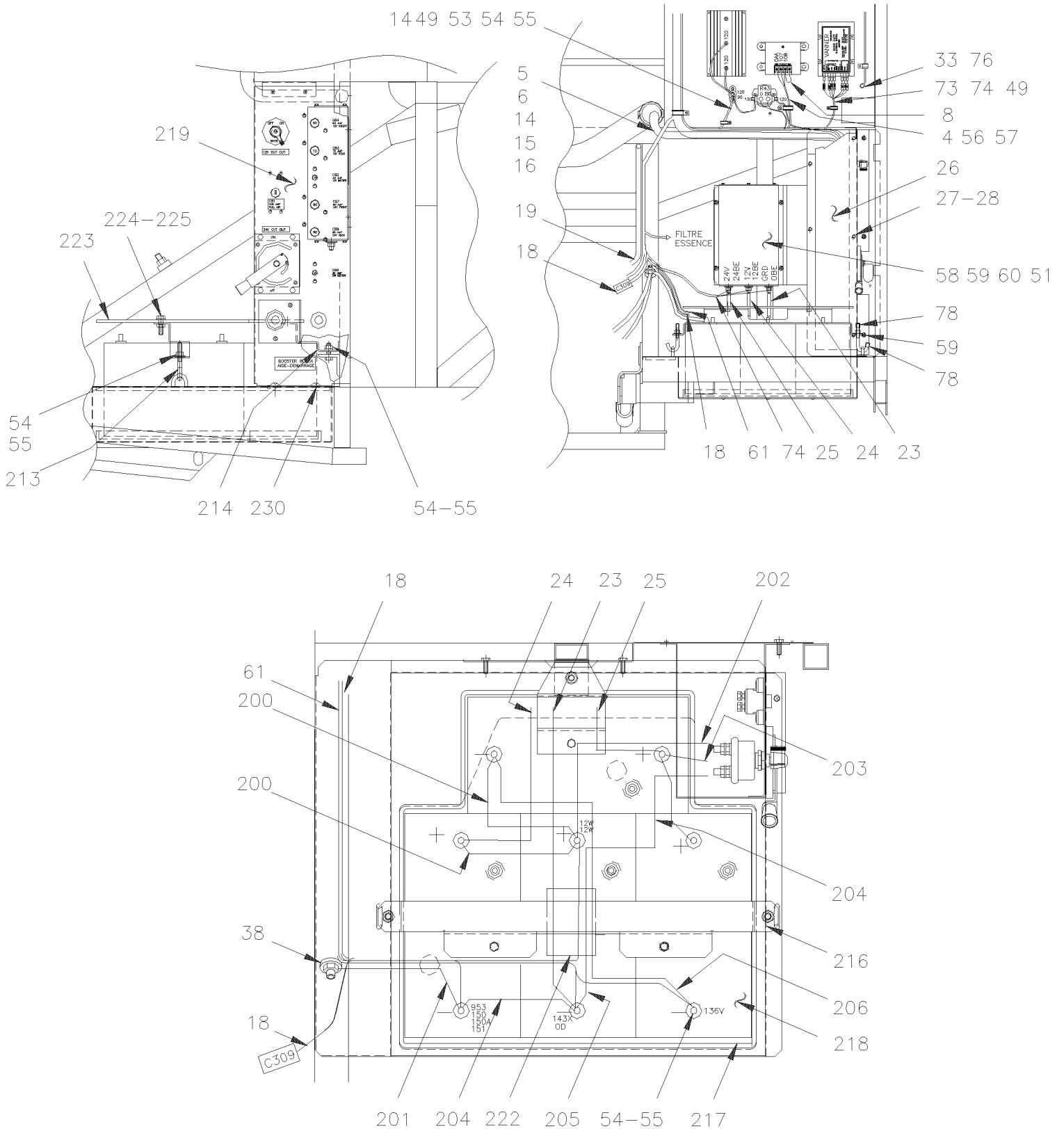
Item#	Part	Description	M T H 4 0	M T H 4 5	M T H 4 5 E	X L 4 0	X L 4 5	N O T E S
NS	381254	COVER	1					
NS	062853	DECAL / BREAKER BOX COVER	1					
36	061008	CABLE ASSY / 200AMP BREAKER TO A/C JCT BOX	1					
37	060715	CABLE ASSY / 24V SWITCH TO STARTER	1					
38	061184	CABLE ASSY 24-2/0	1					
39	062826	CABLE ASSY / 12V 2/0	1					
40	062831	CABLE ASSY / BATTERY EQUALIZER TO BATTERY #III	1					
41	062830	CABLE ASSY / BATTERY EQUALIZER TO BATTERY #I	1					
42	062829	CABLE ASSY / BATTERY EQUALIZER TO BATTERY #I	1					
43	561541	SWITCH, 12 V. POWER DISCONNECT	1					
44	560270	SWITCH, DISCONNECT 24VOLTS	1					
45	500165	SCREW CAP HEX 1/4-20x1 G5 Z050	4					
46	061176	CABLE ASSY / B + TO B +	2					
47	061180	CABLE ASSY / B - TO B -	2					
48	061181	CABLE ASSY	1					
49	061329	CABLE ASSY / B - TO GROUND	1					
50	561232	BATTERY 12V/625 CCA / GR31	4					
51	380492	ROD, RETAINING / BATTERY	3					
52	880016	NUT WING 3/8-16 ZP	3					
53	500444	WASHER FL .406x.812x.065 Z050	4					
54	381001	TUBE, SUPPORT / BATTERY	1					
55	500305	SCREW CAP HEX 3/8-16x7/8 G5 Z050	1					
56	500783	NUT HEX 3/8-16 Z050	8					
57	500478	WASHER LO SPT .380x.683x.094 Z050	8					
58	381002	TUBE, SUPPORT / BATTERY	1					
59	381115	HOSE 7/8" I.D. X 3"	2					
60	381104	SUPPORT ASSY / BATTERY	3					
61	380671	TRAY, BATTERIES	1					
NS	064717	KIT VOLTAGE REGULATOR	1					
. NS	IS-97104B	. SEE INSTRUCTION SHEET	1					
NS	065121	KIT EQUALIZER 60AMPS	AR					
. NS	IS-99016C	. SEE INSTRUCTION SHEET	1					
		A) THIS PART IS SUPERSEDED BY KIT #064717						
		B) THIS PART IS SUPERSEDED BY KIT #065121. SEE INSTRUCTION SHEET IS-99016C FOR HELP						

From P-722 To Y-7045

Date:10/2022

PAGE:XL-0615-11

BATTERIES INSTALLATION - MTH 45'



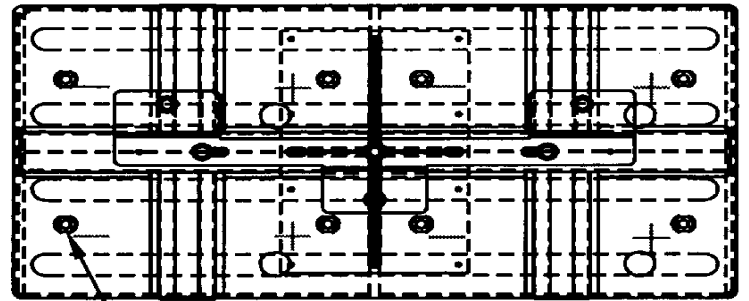
From P-722 To Y-7045	Date:10/2022	PAGE:XL-0615-11
BATTERIES INSTALLATION - MTH 45'		

Item#	Part	Description	M T H 4 0	M T H 4 5	M T H 4 5 E	X L 4 0	X L 4 5	N O T E S
4	063445	CABLE ASSY / VOLTAGE REGULATOR		1				
5	063366	CABLE ASSY / 24V HOT WIRE FEEDING		1				
6	063367	CABLE ASSY / 12V HOT WIRE FEEDING		1				
8	064577	JUMPER, WIRE		1				
14	063368	CABLE ASSY #90		1				
15	063364	CABLE ASSY #130		1				
16	063365	CABLE ASSY #12VF		1				
18	063562	WIRING HARNESS		1				
19	063542	CABLE ASSY E.C.M. & FOOT PEDAL DDEC III		1				
23	063411	CABLE ASSY / #0VA		1				
24	063415	CABLE ASSY / #12VA		1				
25	063414	CABLE ASSY / #24VA		1				
26	381762	COVER PROTECTOR PLASTIC BLACK		1				
27	502500	SCREW TC BDG PH #8-32x1/2 CJ		5				
28	500022	WASHER LO INT .168x.340x.023 Z050		5				
33	504226	SNAP BUSHING / .391x.578x.406		2				
38	500968	NUT HEX STO 1/2-13 Z050		2				
49	500641	SCREW TP PAN PH #8x3/4 Z050		26				
51	500473	WASHER LO SPT .262x.489x.062 Z050		9				
53	560422	BLOCK, TERMINAL / 1 STUD 3/8-16 / BLACK		1				
54	502616	WASHER LO SPT 10.2x18.1x2.2 SS		8				
55	500102	NUT HEX 3/8-16 SS		4				
56	500642	SCREW TP PAN PH #10x3/4 Z050		4				
57	560030	REGULATOR ASSY 24V / W/3 TERMINALS To W-6416		1				B
57	562762	REGULATOR ASSY 24V 4 SCREWS From W-6417		1				B
58	562332	EQUALIZER "VANNER" 100AMPS To T-5784		1				
58	562542	EQUALIZER "VANNER" 100AMPS From T-5875 To X-6893		1				C
58	562970	EQUALIZER "VANNER" 100AMPS From X-6894		1				C
59	500769	NUT HEX 1/4-20 Z050		7				
60	500441	WASHER FL .312x.734x.065 Z050		4				
61	063566	WIRING HARNESS		1				
73	562412	MONITOR / BATTERY EQUALIZER To W-6379		1				
73	562785	MONITOR / BATTERY EQUALIZER From W-6380		1				
74	063761	CABLE ASSY / EQUALIZER & MONITOR		1				
76	680096	SEALANT BUTYL ALUM / GREY / 310ml CARTRIDGE		AR				
78	504645	PROTECTOR CAP / BLACK / .313 I.D. x .500		2				
200	062371	CABLE ASSY / B + TO B +		2				
201	063410	CABLE ASSY / B - TO GROUND		1				
202	062826	CABLE ASSY / 12V 2/0		1				
203	063412	CABLE ASSY 24-2/0		1				
204	061180	CABLE ASSY / B - TO B -		2				
205	063406	CABLE ASSY / B - TO BOOSTER BLOCK		1				

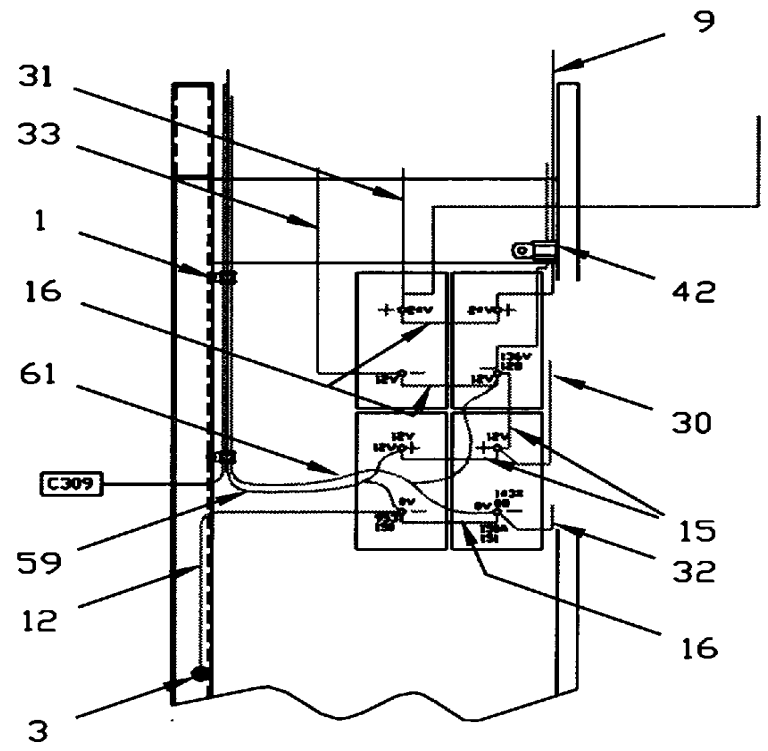
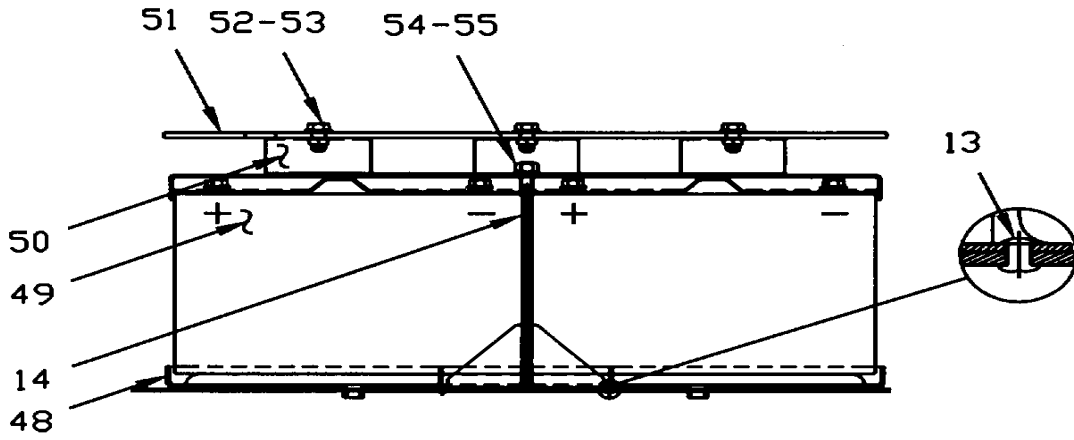
From P-722 To Y-7045	Date:10/2022	PAGE:XL-0615-11
BATTERIES INSTALLATION - MTH 45'		

Item#	Part	Description	M T H 4 0	M T H 4 5	M T H 4 5 E	X L 4 0	X L 4 5	N O T E S
206	061036	CABLE ASSY / B - TO B -		1				
213	381755	FIXATION ROD		2				
214	381756	HOLDING BRACKET		1				
216	381753	HOLDING BRACKET		1				
217	380671	TRAY, BATTERIES		1				
218	561232	BATTERY 12V/625 CCA / GR31 To Y-7101		4				
218	563030	BATTERY 12V/930 CCA / GR31 From Y-7102		4				
219	XL-0616-11	BREAKER PANEL						
222	506267	PIPE INSULATING / 1 1/8" I.D. X 1/2" TH. X / APT11812		AR				
223	381510	BATTERIES PROTECTOR		1				
224	502655	SCREW CAP HEX M10-1.5x25 SS BK		3				
225	500270	WASHER FL .406x1.000x.063 SS		3				
230	502526	SCREW TC BDG PH #12-24x3/4 Z050		4				
NS	064717	KIT VOLTAGE REGULATOR		1				
. NS	IS-97104B	. SEE INSTRUCTION SHEET		1				
NS	065122	KIT EQUALIZER 100AMPS		AR				
. NS	IS-99016C	. SEE INSTRUCTION SHEET		1				
		B) THIS PART IS SUPERSEDED BY KIT #064717						
		C) THIS PART IS SUPERSEDED BY KIT #065122. SEE INSTRUCTION SHEET IS-99016C FOR HELP						

From R-823 To Y-7045	Date:10/2022	PAGE:XL-0615-12
BATTERIES INSTALLATION - MTH 40' & MTH45E		



54 56

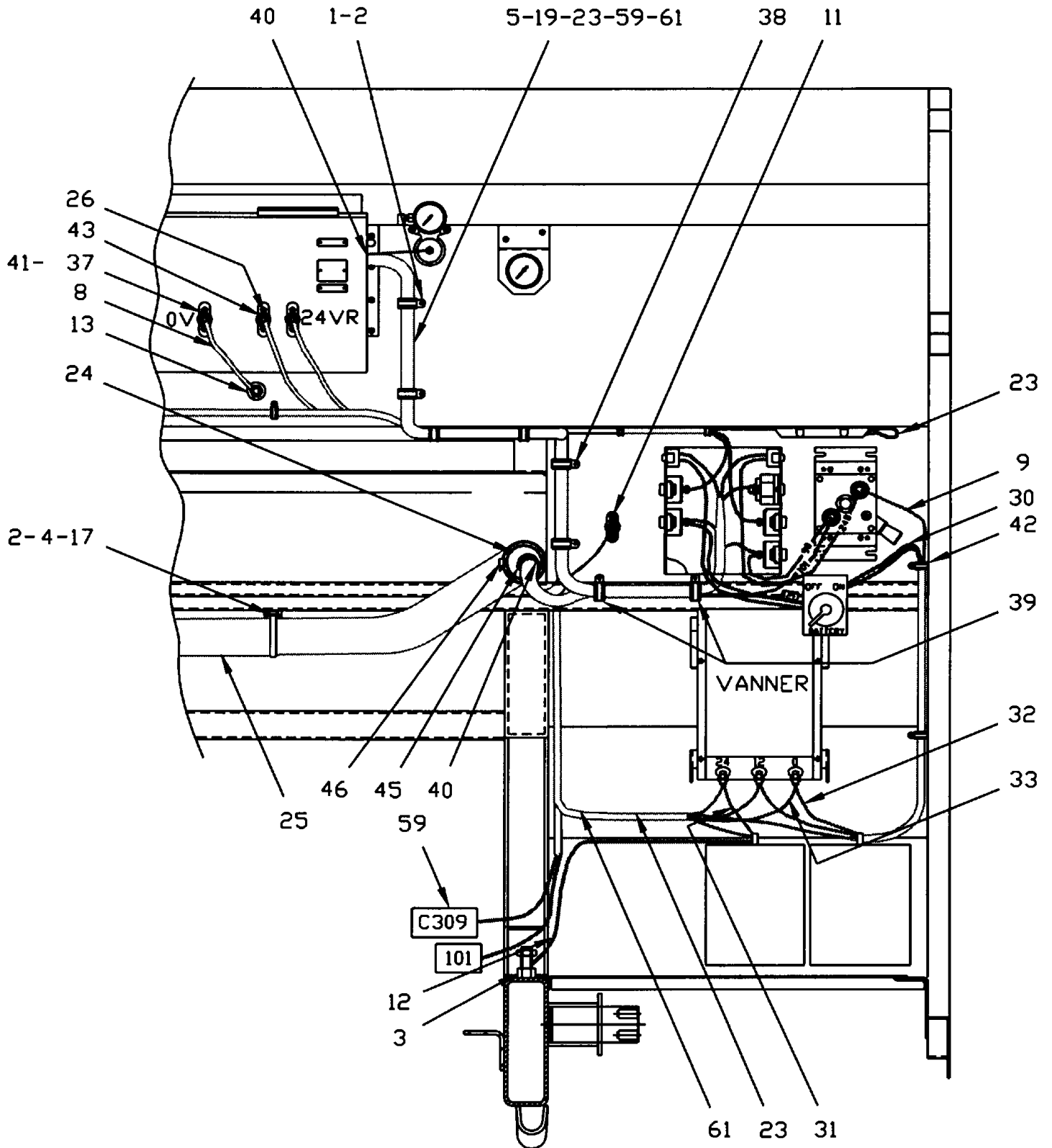


From R-823 To Y-7045

Date:10/2022

PAGE:XL-0615-12

BATTERIES INSTALLATION - MTH 40' & MTH45E



From R-823 To Y-7045	Date:10/2022	PAGE:XL-0615-12
BATTERIES INSTALLATION - MTH 40' & MTH45E		

Item#	Part	Description	MTH 40	MTH 45	MTH 45E	XL 40	XL 45	NOTES
1	560482	CLAMP / 3/4" I.D. / W/HOLE 3/16"	6		6			
2	500879	SCREW TP PAN PH #10x1 Z050	29		29			
3	500968	NUT HEX STO 1/2-13 Z050	2		2			
4	504016	CABLE TIE / 5/16" X 14"1/2	11		11			
5	063814	HARNESS 12V	1		1			
8	062849	CABLE ASSY # 0-8	1		1			
9	061184	CABLE ASSY 24-2/0	1		1			
10	561016	EQUALIZER "VANNER" 50 AMPS To X-6886	1		1			
10	562969	EQUALIZER "VANNER" 60AMPS From X-6887	1		1			
11	063368	CABLE ASSY #90	1		1			
12	061329	CABLE ASSY / B - TO GROUND	1		1			
13	504379	RIVET POP DOME OE 3/16x1/4 SS	7		7			
14	381558	SEPARATOR ASSY	1		1			
15	062371	CABLE ASSY / B + TO B +	2		2			
16	061180	CABLE ASSY / B - TO B -	3		3			
17	504013	TIE MOUNT / 1/4" X 1/4" I.D.	12		12			
19	063813	WIRING HARNESS 24V	1		1			
23	063762	CABLE ASSY / EQUALIZER & MONITOR	1		1			
24	504441	CUFF END BELLOW / 3 1/2" I.D. x 3 1/2" x 5 5/8"	1		1			
25	503674	HOSE FLEXIBLE / AIR DUCT 2 1/2" I.D. X 25'	AR					
25	503674	HOSE FLEXIBLE / AIR DUCT 2 1/2" I.D. X 25'			1			
26	561916	NUT, SPEED	2		2			
30	063567	CABLE ASSY / 12V 2/0	1		1			
31	063666	CABLE ASSY / #24VA	1		1			
32	063568	WIRING HARNESS	1		1			
33	063667	CABLE ASSY / #12VA	1		1			
37	500379	NUT HEX 3/8-16 BR	3		3			
38	560912	CLAMP / 1"1/4 I.D.	6		6			
39	504458	CLAMP / 1 5/8" I.D.	3		3			
40	680025	CAULKING STRIP 3/16" O.D. X 14'	AR		AR			
41	500478	WASHER LO SPT .380x.683x.094 Z050	3		3			
42	560484	CLAMP / 1" I.D.	3		3			
43	504367	PROTECTOR CAP / BLACK / .400 I.D. x .594 O.D. x .6875	1		1			
45	504637	CABLE TIE / 3/16" x 13"	2		2			
46	504024	HOSE CLAMP / 1"13/16"-2"3/4 SS / HS-36	3		3			
48	381560	TRAY, BATTERIES	1		1			
49	561232	BATTERY 12V/625 CCA / GR31 To Y-7101	4		4			
49	563030	BATTERY 12V/930 CCA / GR31 From Y-7102	4		4			
50	381553	SUPPORT BATTERIES	1		1			
51	381561	BATTERIES PROTECTOR	1		1			
52	500270	WASHER FL .406x1.000x.063 SS	3		3			
53	502655	SCREW CAP HEX M10-1.5x25 SS BK	3		3			

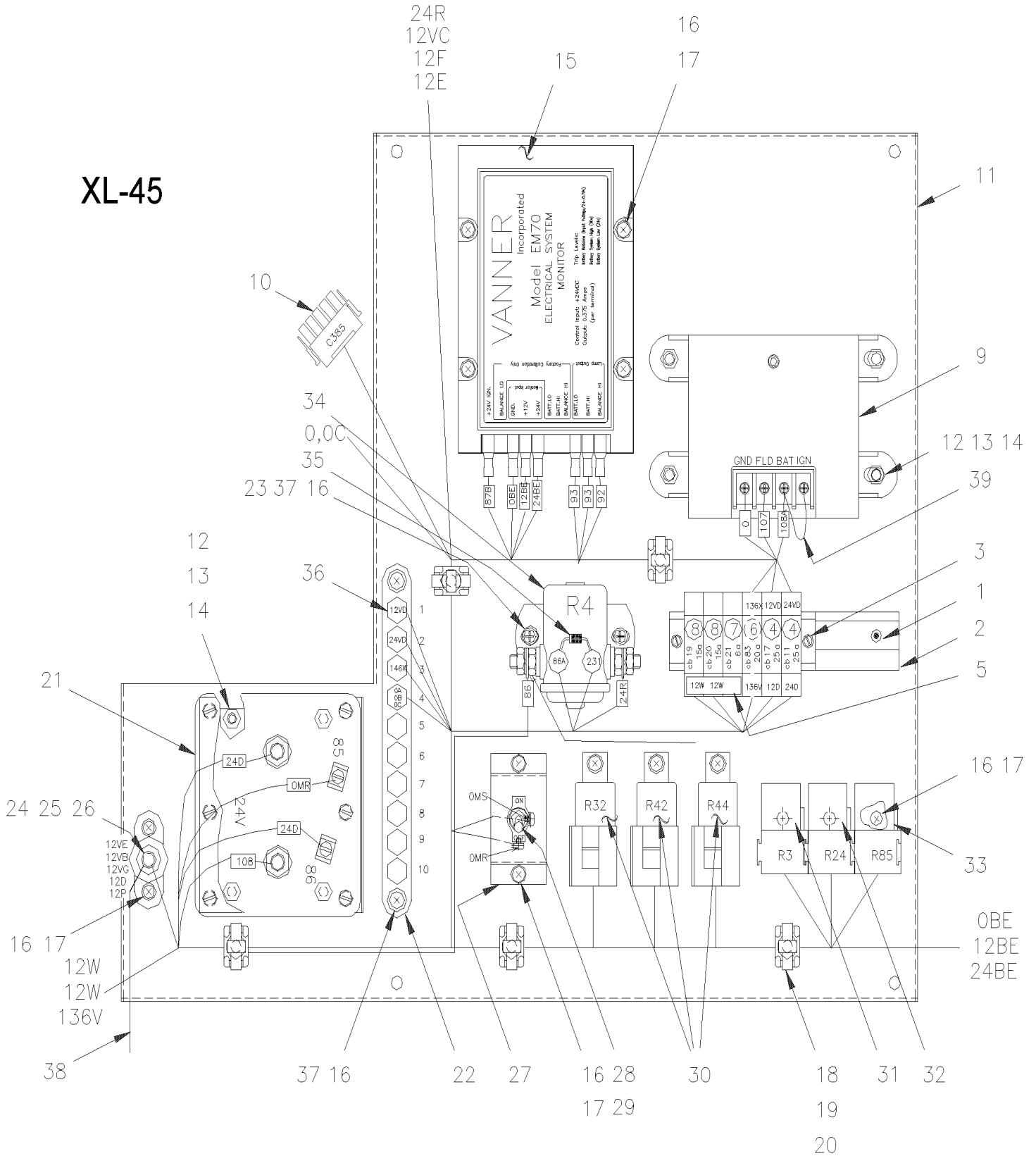
From S-570 To Y-7045

Date:10/2022

PAGE:XL-0615-51

BATTERIES COMPARTMENT PANEL - BUS

XL-45



From S-570 To Y-7045

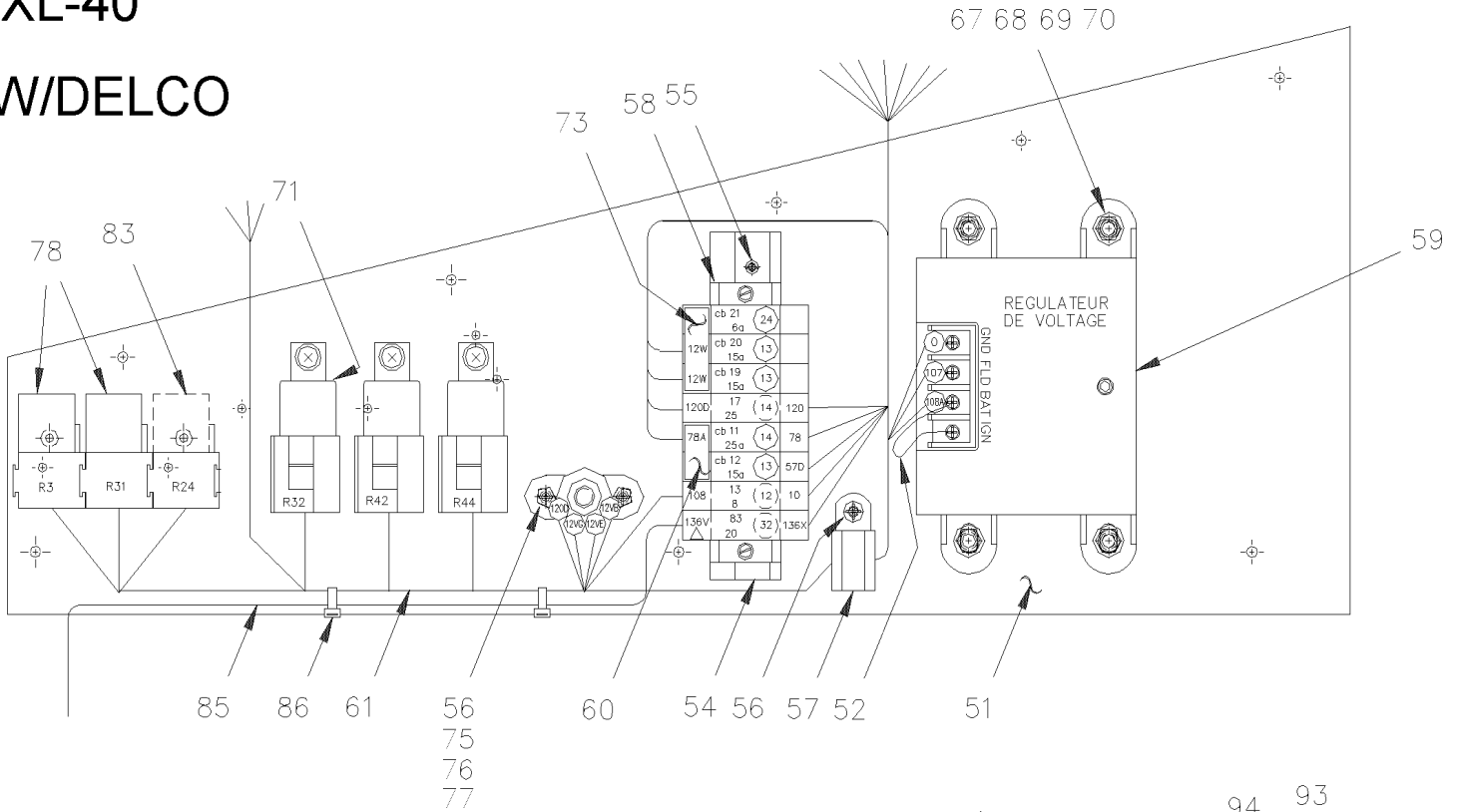
Date:10/2022

PAGE:XL-0615-51

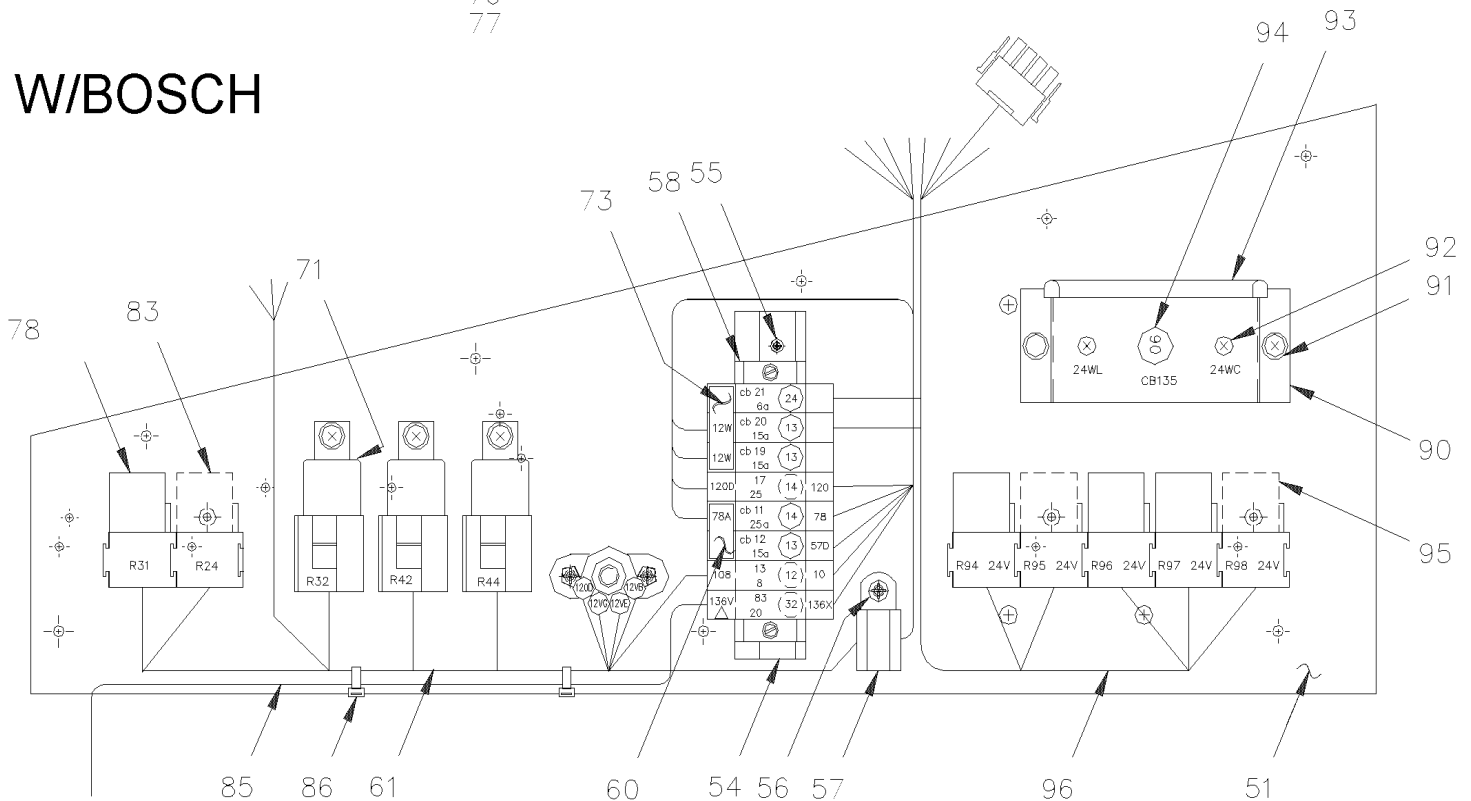
BATTERIES COMPARTMENT PANEL - BUS

XL-40

W/DELCO



W/BOSCH



From S-570 To Y-7045	Date:10/2022	PAGE:XL-0615-51
BATTERIES COMPARTMENT PANEL - BUS		

Item#	Part	Description	M T H 4 0	M T H 4 5	M T H 4 5 E	X L 4 0	X L 4 5	N O T E S
1	504006	RIVET POP CK OE 1/8x5/16 AL					2	
2	380905	RAIL SUPPORT / 150MM					1	
3	561729	STOPPER					2	
4	561795	BREAKER 25AMPS / 24V /					2	
5	380887	BUS BAR / W/3 HOLES 38MM					1	
6	381814	BUS BAR / W/3 HOLES 38MM					1	
7	561790	BREAKER 6AMPS / 24V /					1	
8	561793	BREAKER 15AMPS / 24V /					2	
9	560030	REGULATOR ASSY 24V / W/3 TERMINALS To W-6416					1	C
9	562762	REGULATOR ASSY 24V 4 SCREWS From W-6417					1	C
10	064039	WIRING HARNESS, BATTERIES COMPARTMENT ACCES					1	
11	381713	BATTERIES COMPARTMENT BOARD To W-6416					1	
11	381834	BATTERIES COMPARTMENT BOARD From W-6417					1	
12	502565	NUT HEX M6-1.0 SS					8	
13	502573	WASHER FL 6.4x12.5x1.6 SS					8	
14	502570	WASHER LO SPT 6.1x11.8x1.6 SS					8	
15	562412	MONITOR / BATTERY EQUALIZER To W-6379					1	
15	562785	MONITOR / BATTERY EQUALIZER From W-6380					1	
16	500654	SCREW TC BDG PH #8-32x1/2 Z050					18	
17	500022	WASHER LO INT .168x.340x.023 Z050					18	
18	504013	TIE MOUNT / 1/4" X 1/4" I.D.					5	
19	504637	CABLE TIE / 3/16" x 13"					5	
20	504114	RIVET POP DOME OE 3/16x1/4 AL					5	
21	562364	RELAY 24V S.P.S.T. / 300 AMPS N.O. // BATTERY DISCONNECT					1	
22	562173	JUNCTION BLOCK W/10 STUDS					1	
23	500438	WASHER FL .187x.437x.050 Z050					4	
24	560422	BLOCK, TERMINAL / 1 STUD 3/8-16 / BLACK					1	
25	500478	WASHER LO SPT .380x.683x.094 Z050					1	
26	500379	NUT HEX 3/8-16 BR					1	
27	381594	SUPPORT, SWITCH					1	
28	562394	PLATE, INDICATING (ON/OFF)					1	
29	560256	SWITCH / OFF-ON / S.P.S.T.					1	A
30	561991	RELAY 24V S.P.S.T. / 70 AMPS N.O.					3	
31	561707	RELAY 24V S.P.D.T. W/RESISTOR /					1	
32	561707	RELAY 24V S.P.D.T. W/RESISTOR /					1	
33	561538	RELAY 12V S.P.D.T. V 415 F11					1	
34	561005	SWITCH MAGNETIC / 24V S.P.S.T. / 200AMPS N.O.					1	
35	060798	DIODE ASSY					1	
36	500765	NUT HEX #10-32 BR					6	
37	500438	WASHER FL .187x.437x.050 Z050					4	
38	064045	CABLE ASSY #12P					1	
38	064258	CABLE ASSY / W/8D BATTERIES #12					1	

From S-570 To Y-7045	Date:10/2022	PAGE:XL-0615-51
BATTERIES COMPARTMENT PANEL - BUS		

Item#	Part	Description	M T H 4 0	M T H 4 5	M T H 4 5 E	X L 4 0	X L 4 5	N O T E S
39	064577	JUMPER, WIRE					1	
40	064048	WIRE NO:86 ASSY					1	
51	381271	BATTERIES COMPARTMENT BOARD				1		
52	064577	JUMPER, WIRE				1		
54	380905	RAIL SUPPORT / 150MM				1		
55	502611	SCREW TP FL PH #6x1/2 Z050				2		
56	500613	SCREW TP PAN PH #10x1/2 Z050				8		
57	560481	CLAMP / 5/8" I.D.				1		
58	561729	STOPPER				2		
59	560030	REGULATOR ASSY 24V / W/3 TERMINALS To W-6416				1		C
59	562762	REGULATOR ASSY 24V 4 SCREWS From W-6417 To X-6904				1		
60	381813	BUS BAR / W/2 HOLES 25MM				1		
61	064150	WIRING HARNESS, BATTERY COMPARTMENT PANEL				1		
62	561791	BREAKER 8AMPS / 24V /				1		
63	561793	BREAKER 15AMPS / 24V /				3		
64	561795	BREAKER 25AMPS / 24V /				2		
67	500167	SCREW CAP HEX 1/4-20x1 1/4 G5 PT Z050				4		
68	380476	REINFORCEMENT				4		
69	500440	WASHER FL .250x.562x.065 Z050				16		
70	500769	NUT HEX 1/4-20 Z050				8		
71	561991	RELAY 24V S.P.S.T. / 70 AMPS N.O.				3		
73	381814	BUS BAR / W/3 HOLES 38MM				1		
74	561790	BREAKER 6AMPS / 24V /				1		
75	560422	BLOCK, TERMINAL / 1 STUD 3/8-16 / BLACK				1		
76	500379	NUT HEX 3/8-16 BR				1		
77	500478	WASHER LO SPT .380x.683x.094 Z050				1		
78	561707	RELAY 24V S.P.D.T. W/RESISTOR /				2		
82	561794	BREAKER 20AMPS / 24V /				1		
83	561707	RELAY 24V S.P.D.T. W/RESISTOR /				1		
85	063549	WIRING HARNESS				1		
86	504637	CABLE TIE / 3/16" x 13"				2		
90	Call order desk	JCT BOX, REAR MTH 45 DDEC3 From X-6945				1		P B
91	500613	SCREW TP PAN PH #10x1/2 Z050 From X-6945				4		B
92	500387	SCREW MA RND PH #10-24x3/4 Z050 From X-6945				2		B
92	500470	WASHER LO SPT .193x.334x.047 Z050 From X-6945				2		B
92	500786	NUT HEX #10-24 Z050 From X-6945				2		B
93	506338	RUBBER CHANNEL / 1/16" x 1/4" INT "U" SHAPE / ROUND C.T.L. From X-6945				AR		B
94	562683	BREAKER 90AMPS / 24V / From X-6945				1		B
95	561707	RELAY 24V S.P.D.T. W/RESISTOR / From X-6945				5		B
96	065136	WIRING HARNESS RELAY WCL RIC-9 From X-6945				1		B
NS	064717	KIT VOLTAGE REGULATOR				1		
. NS	IS-97104B	. SEE INSTRUCTION SHEET				1		

From S-570 To Y-7045	Date:10/2022	PAGE:XL-0615-51
----------------------	--------------	-----------------

BATTERIES COMPARTMENT PANEL - BUS

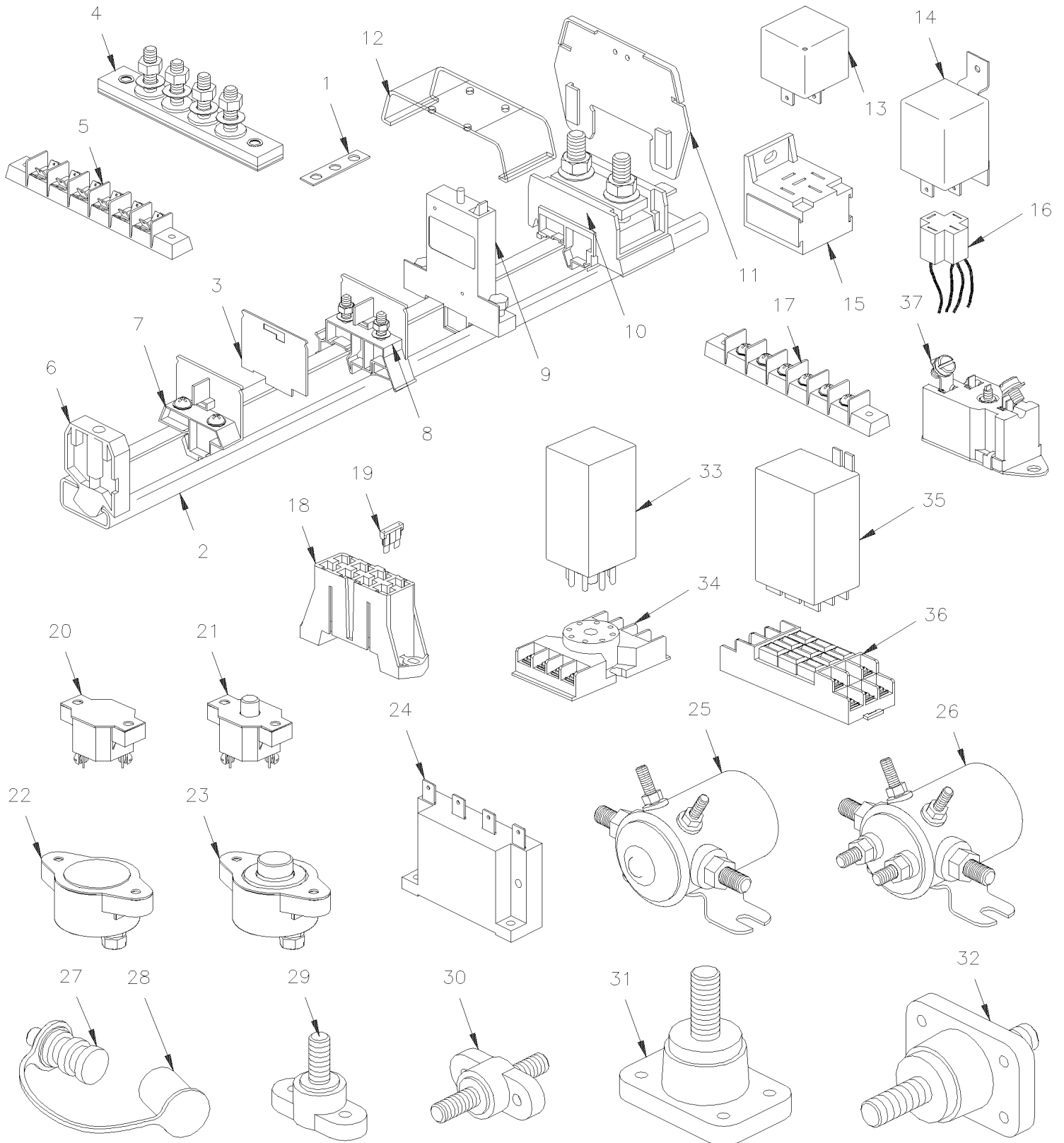
Item#	Part	Description	M T H 4 0	M T H 4 5	M T H 4 5 E	X L 4 0	X L 4 5	N O T E S
		A) ON R.H. DASH						
		B) SPECIAL "GO-TRANSIT"						
		C) THIS PART IS SUPERSEDED BY KIT #064717						
		P) CALL ORDER DESK FOR SPECIFIC APPLICATION (V.I.N.)						

From E-638 To Y-7045

Date:10/2022

PAGE:XL-0616-00

JUNCTION BOX COMPONENTS, RELAY & BREAKER



From E-638 To Y-7045	Date:10/2022	PAGE:XL-0616-00
----------------------	--------------	-----------------

JUNCTION BOX COMPONENTS, RELAY & BREAKER

Item#	Part	Description	M T H 4 0	M T H 4 5	M T H 4 5 E	X L 4 0	X L 4 5	N O T E S
1	381813	BUS BAR / W/2 HOLES 25MM	AR	AR	AR	AR	AR	
1	381814	BUS BAR / W/3 HOLES 38MM	AR	AR	AR	AR	AR	
1	381815	BUS BAR / W/4 HOLES 51MM	AR	AR	AR	AR	AR	
1	381816	BUS BAR / W/4 HOLES 64MM	AR	AR	AR	AR	AR	
1	381818	BUS BAR / W/4 HOLES 103MM	AR	AR	AR	AR	AR	
1	381817	BUS BAR / W/6 HOLES 77MM	AR	AR	AR	AR	AR	
1	381819	BUS BAR / W/8 HOLES 103MM	AR	AR	AR	AR	AR	
1	381820	BUS BAR / W/9 HOLES 117MM	AR	AR	AR	AR	AR	
1	880027	BUS BAR / W/10 HOLES 128MM	AR	AR	AR	AR	AR	
2	880026	RAIL SUPPORT / 2 METERS	AR	AR	AR	AR	AR	
2	381300	RAIL SUPPORT / 45MM	AR	AR	AR	AR	AR	
2	380927	RAIL SUPPORT / 72MM	AR	AR	AR	AR	AR	
2	380904	RAIL SUPPORT / 80MM	AR	AR	AR	AR	AR	
2	381203	RAIL SUPPORT / 100MM	AR	AR	AR	AR	AR	
2	380905	RAIL SUPPORT / 150MM	AR	AR	AR	AR	AR	
2	381249	RAIL SUPPORT / 155MM	AR	AR	AR	AR	AR	
2	380964	RAIL SUPPORT / 171MM	AR	AR	AR	AR	AR	
2	380839	RAIL SUPPORT / 180MM	AR	AR	AR	AR	AR	
2	380883	RAIL SUPPORT / 200MM	AR	AR	AR	AR	AR	
2	381638	RAIL SUPPORT / 209MM	AR	AR	AR	AR	AR	
2	380885	RAIL SUPPORT / 225MM	AR	AR	AR	AR	AR	
2	380793	RAIL SUPPORT / 230MM	AR	AR	AR	AR	AR	
2	380751	RAIL SUPPORT / 280MM	AR	AR	AR	AR	AR	
2	380756	RAIL SUPPORT / 290MM	AR	AR	AR	AR	AR	
2	380712	RAIL SUPPORT / 315MM	AR	AR	AR	AR	AR	
2	380838	RAIL SUPPORT / 320MM	AR	AR	AR	AR	AR	
2	380937	RAIL SUPPORT / 324MM	AR	AR	AR	AR	AR	
2	380914	RAIL SUPPORT / 350MM	AR	AR	AR	AR	AR	
2	380884	RAIL SUPPORT / 360MM	AR	AR	AR	AR	AR	
2	381124	RAIL SUPPORT / 460MM	AR	AR	AR	AR	AR	
2	381123	RAIL SUPPORT / 525MM	AR	AR	AR	AR	AR	
2	380713	RAIL SUPPORT / 605MM	AR	AR	AR	AR	AR	
2	380752	RAIL SUPPORT / 1050MM	AR	AR	AR	AR	AR	
3	561728	END CLOSING	AR	AR	AR	AR	AR	
4	560116	JUNCTION BLOCK W/10 STUDS	AR	AR	AR	AR	AR	
4	560291	JUNCTION BLOCK W/8 STUDS	AR	AR	AR	AR	AR	
4	562504	JUNCTION BLOCK W/6 STUDS	AR	AR	AR	AR	AR	
4	560113	JUNCTION BLOCK W/4 STUDS	AR	AR	AR	AR	AR	
4	560112	JUNCTION BLOCK W/2 STUDS	AR	AR	AR	AR	AR	
NS	560178	JUNCTION PANEL W/90 STUDS	1	1	1	1	1	
NS	560179	JUNCTION PANEL W/65 STUDS	1	1	1	1	1	
5	562373	CONNECTOR, MULTIPLE BLADE	AR	AR	AR	AR	AR	

From E-638 To Y-7045		Date:10/2022	PAGE:XL-0616-00
----------------------	--	--------------	-----------------

JUNCTION BOX COMPONENTS, RELAY & BREAKER

Item#	Part	Description	M T H 4 0	M T H 4 5	M T H 4 5 E	X L 4 0	X L 4 5	N O T E S
6	561729	STOPPER	AR	AR	AR	AR	AR	
NS	500583	. SCREW TP PAN PH #6x1/2 Z050	1	1	1	1	1	
7	381236	DUMMY ASSY W/SCREW	AR	AR	AR	AR	AR	
NS	562198	. BLOCK JUNCTION	1	1	1	1	1	
NS	500583	. SCREW TP PAN PH #6x1/2 Z050	2	2	2	2	2	
NS	500438	. WASHER FL .187x.437x.050 Z050	2	2	2	2	2	
8	561726	BLOCK JUNCTION	AR	AR	AR	AR	AR	
NS	502524	. NUT HEX M4-0.7 Z050	2	2	2	2	2	
9	561797	BREAKER 3AMPS / 24V /	AR	AR	AR	AR	AR	
9	561790	BREAKER 6AMPS / 24V /	AR	AR	AR	AR	AR	
9	561791	BREAKER 8AMPS / 24V /	AR	AR	AR	AR	AR	
9	561792	BREAKER 10AMPS / 24V /	AR	AR	AR	AR	AR	
9	561793	BREAKER 15AMPS / 24V /	AR	AR	AR	AR	AR	
9	561794	BREAKER 20AMPS / 24V /	AR	AR	AR	AR	AR	
9	561795	BREAKER 25AMPS / 24V /	AR	AR	AR	AR	AR	
10	561727	SCREW MA PAN PH	AR	AR	AR	AR	AR	
NS	500615	. NUT HEX M8-1.25 BR	2	2	2	2	2	
11	561731	COVER SUPPORT	AR	AR	AR	AR	AR	
12	561730	COVER / PROTECTOR / 1 BLOCK	AR	AR	AR	AR	AR	
12	561732	COVER / PROTECTOR / 2 BLOCKS	AR	AR	AR	AR	AR	
12	562024	COVER / PROTECTOR / 3 BLOCKS	AR	AR	AR	AR	AR	
13	562751	RELAY 6V S.P.D.T.	AR	AR	AR	AR	AR	
13	561538	RELAY 12V S.P.D.T. V 415 F11	AR	AR	AR	AR	AR	
13	561706	RELAY 12V S.P.D.T. W/DIODE /	AR	AR	AR	AR	AR	
13	562092	RELAY 12V S.P.D.T. W/DIODE /	AR	AR	AR	AR	AR	
13	561182	RELAY 24V S.P.S.T. N.O. VF4-11H11	AR	AR	AR	AR	AR	
13	561230	RELAY 24V S.P.D.T. VF4-15H	AR	AR	AR	AR	AR	
13	561557	RELAY 24V S.P.D.T. N.O.	AR	AR	AR	AR	AR	
13	561707	RELAY 24V S.P.D.T. W/RESISTOR /	AR	AR	AR	AR	AR	
14	561928	RELAY 12V S.P.D.T. / 50 AMPS N.O. VF7-41F	AR	AR	AR	AR	AR	
14	561991	RELAY 24V S.P.S.T. / 70 AMPS N.O.	AR	AR	AR	AR	AR	
15	561183	RELAY BASE / TAB TERMINAL / BOSCH 3334485008	AR	AR	AR	AR	AR	
16	562367	CONNECTOR / TAB HOUSING 4C / POTTER BRUMFIELD VCF7-1000	AR	AR	AR	AR	AR	
NS	561908	TAB RECEPTACLE TERMINAL / 22-18 / AMP 60295-2	AR	AR	AR	AR	AR	
NS	561108	TAB RECEPTACLE TERMINAL / 18-14 / AMP 42238-2	AR	AR	AR	AR	AR	
NS	561181	TAB RECEPTACLE TERMINAL / 12 / AMP 60508-2	AR	AR	AR	AR	AR	
NS	562368	TAB TERMINAL / 12-8 / AMP 280756-4	AR	AR	AR	AR	AR	
17	562173	JUNCTION BLOCK W/10 STUDS	AR	AR	AR	AR	AR	
18	562621	FUSE BLOCK W/4 LEADS & WIRES	AR	AR	AR	AR	AR	
NS	381960	. PROTECTOR COVER FUSE HOLDER 49MM x 62MM "OPTION SPECIAL"	AR	AR	AR	AR	AR	
18	562797	FUSE BLOCK W/4 LEADS & WIRES	AR	AR	AR	AR	AR	
NS	381960	. PROTECTOR COVER FUSE HOLDER 49MM x 62MM "OPTION SPECIAL"	AR	AR	AR	AR	AR	

From E-638 To Y-7045	Date:10/2022	PAGE:XL-0616-00
----------------------	--------------	-----------------

JUNCTION BOX COMPONENTS, RELAY & BREAKER

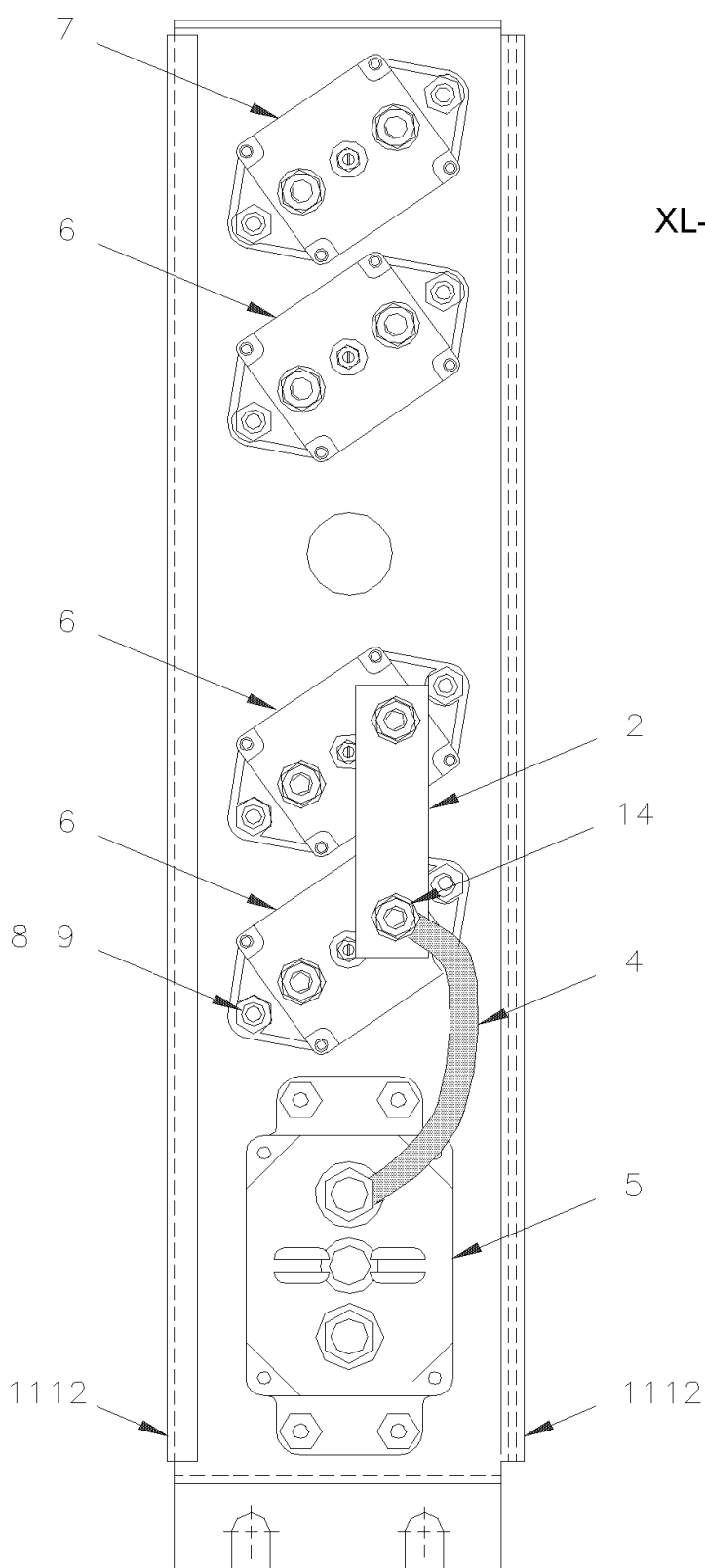
Item#	Part	Description	M T H 4 0	M T H 4 5	M T H 4 5 E	X L 4 0	X L 4 5	N O T E S
19	562597	FUSE / ATO 1AMP BLACK	AR	AR	AR	AR	AR	
19	562598	FUSE / ATO 2 AMPS GREY	AR	AR	AR	AR	AR	
19	562599	FUSE / ATO 3 AMPS VIOLET	AR	AR	AR	AR	AR	
19	562600	FUSE / ATO 4 AMPS PINK	AR	AR	AR	AR	AR	
19	562259	FUSE / ATO 5 AMPS AMBER	AR	AR	AR	AR	AR	
19	562602	FUSE / ATO 7.5 AMPS BROWN	AR	AR	AR	AR	AR	
19	562407	FUSE / ATO 10 AMPS RED	AR	AR	AR	AR	AR	
19	562604	FUSE / ATO 15 AMPS BLUE	AR	AR	AR	AR	AR	
19	562605	FUSE / ATO 20 AMPS YELLOW	AR	AR	AR	AR	AR	
19	562606	FUSE / ATO 25 AMPS NATURAL	AR	AR	AR	AR	AR	
19	562396	FUSE / ATO 30 AMPS GREEN	AR	AR	AR	AR	AR	
19	562608	FUSE / ATO 35 AMPS BLUE-GREEN	AR	AR	AR	AR	AR	
19	562472	FUSE / ATC 40 AMPS ORANGE	AR	AR	AR	AR	AR	
19	562609	FUSE / ATC 40 AMPS ORANGE	AR	AR	AR	AR	AR	
NS	563061	FUSE HOLDER ATO LINE	AR	AR	AR	AR	AR	
NS	562596	FUSE HOLDER ATO PANEL BOARD / LITTLEFUSE 155300	AR	AR	AR	AR	AR	
20	560295	BREAKER 6AMPS / 24V /	AR	AR	AR	AR	AR	
20	560296	BREAKER 10AMPS / 24V /	AR	AR	AR	AR	AR	
20	560297	BREAKER 20AMPS / 24V /	AR	AR	AR	AR	AR	
21	870690	BREAKER 30AMPS / 24V /	AR	AR	AR	AR	AR	
21	870093	BREAKER 40AMPS / 24V /	AR	AR	AR	AR	AR	
22	560794	BREAKER 90AMPS / 24V /	AR	AR	AR	AR	AR	
22	560308	BREAKER 150AMPS / 24V /	AR	AR	AR	AR	AR	
23	560703	BREAKER 40AMPS / 24V /	AR	AR	AR	AR	AR	
23	562686	BREAKER 40AMPS / 24V /	AR	AR	AR	AR	AR	
23	561767	BREAKER 70AMPS / 24V /	AR	AR	AR	AR	AR	
23	562687	BREAKER 70AMPS / 24V /	AR	AR	AR	AR	AR	
23	560298	BREAKER 90AMPS / 24V /	AR	AR	AR	AR	AR	
23	562683	BREAKER 90AMPS / 24V /	AR	AR	AR	AR	AR	
23	560465	BREAKER 105AMPS / 24V /	AR	AR	AR	AR	AR	
23	562685	BREAKER 105AMPS / 24V /	AR	AR	AR	AR	AR	
23	562397	BREAKER 120AMPS / 24V /	AR	AR	AR	AR	AR	
23	562688	BREAKER 120AMPS / 24V /	AR	AR	AR	AR	AR	
23	560299	BREAKER 150AMPS / 24V /	AR	AR	AR	AR	AR	
NS	562684	BREAKER 150AMPS / 24V /	AR	AR	AR	AR	AR	
NS	560838	BREAKER 200AMPS / 24V /	AR	AR	AR	AR	AR	
24	560772	TIME DELAY RELAY	AR	AR	AR	AR	AR	
25	560407	SWITCH MAGNETIC / 24V S.P.S.T. / 50AMPS N.O.	AR	AR	AR	AR	AR	
25	561005	SWITCH MAGNETIC / 24V S.P.S.T. / 200AMPS N.O.	AR	AR	AR	AR	AR	
26	561014	SWITCH MAGNETIC / 24V D.P.S.T. / 200AMPS N.O.	AR	AR	AR	AR	AR	
27	561856	BOOSTER BLOCK, REMOTE / RED	1	1	1	1	1	
27	561857	BOOSTER BLOCK, REMOTE / BLACK	1	1	1	1	1	

From T-5663 To Y-7045

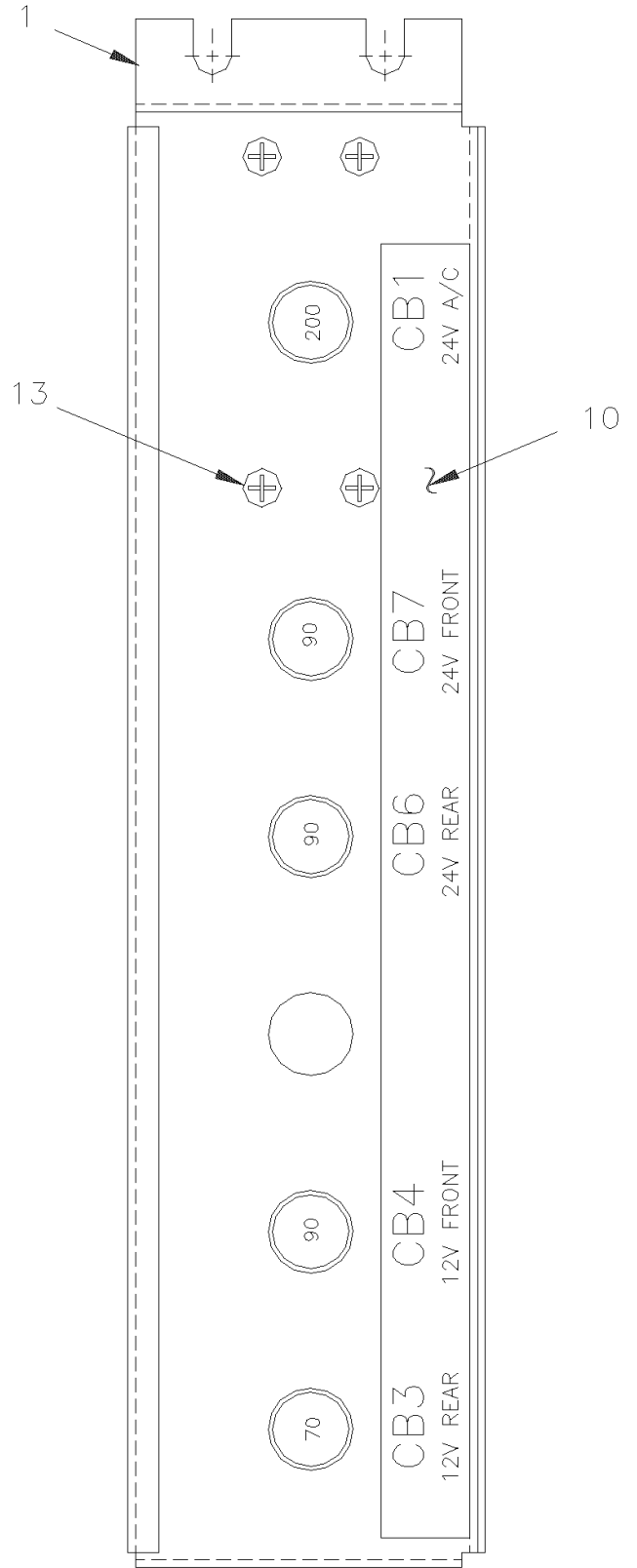
Date:10/2022

PAGE:XL-0616-11

BREAKER PANEL



XL-45

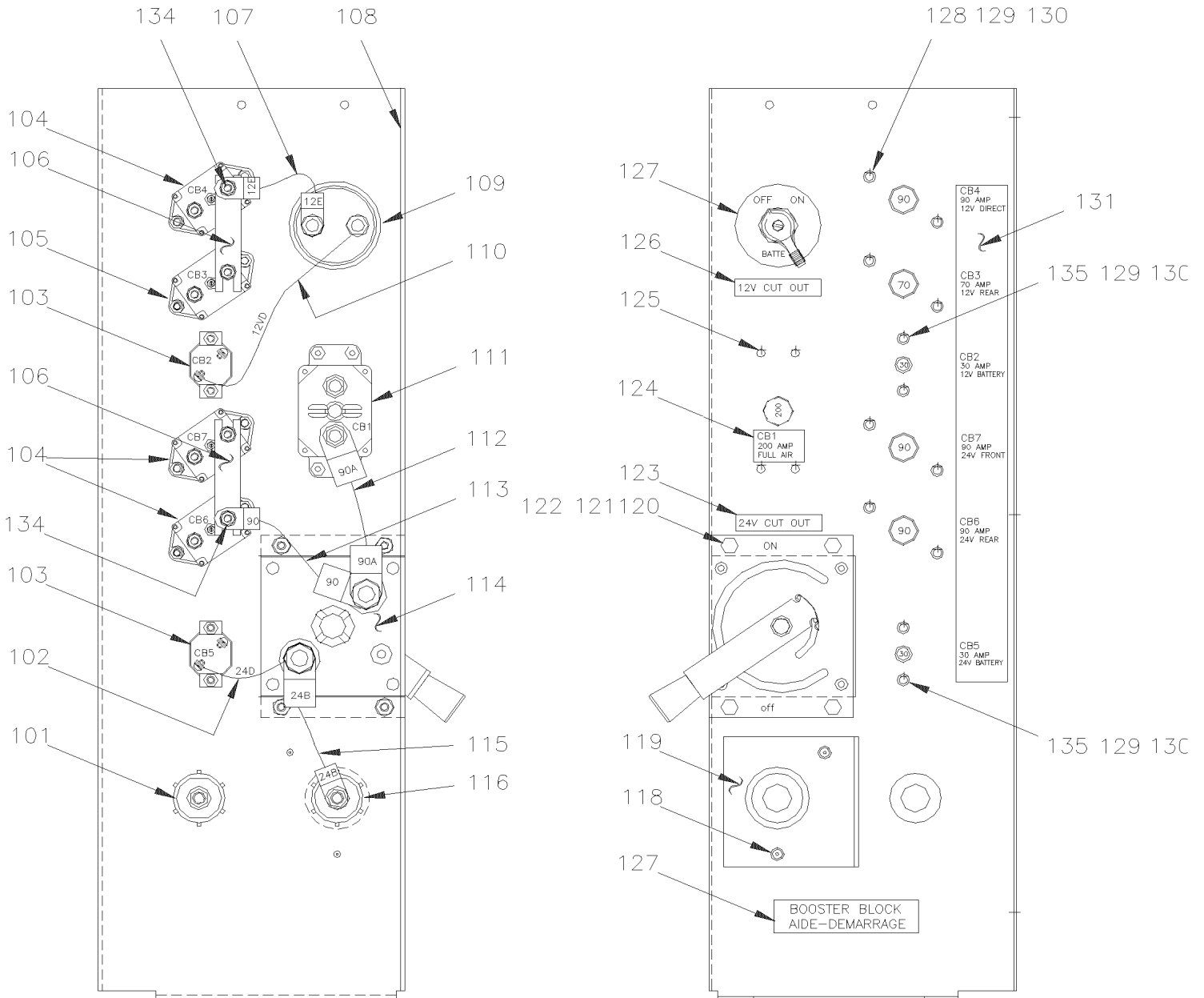


From T-5663 To Y-7045

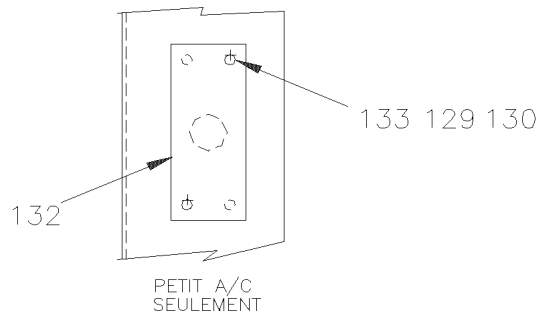
Date:10/2022

PAGE:XL-0616-11

BREAKER PANEL



MTH-45

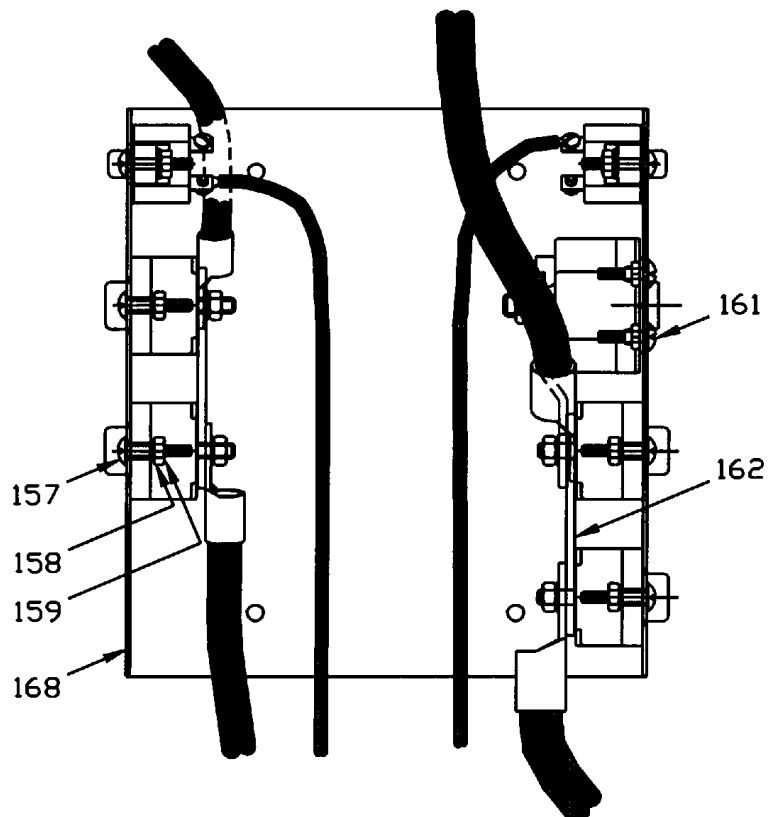
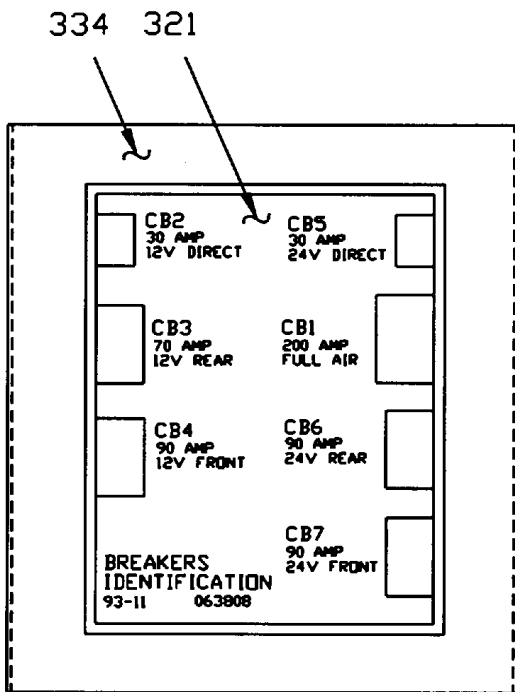
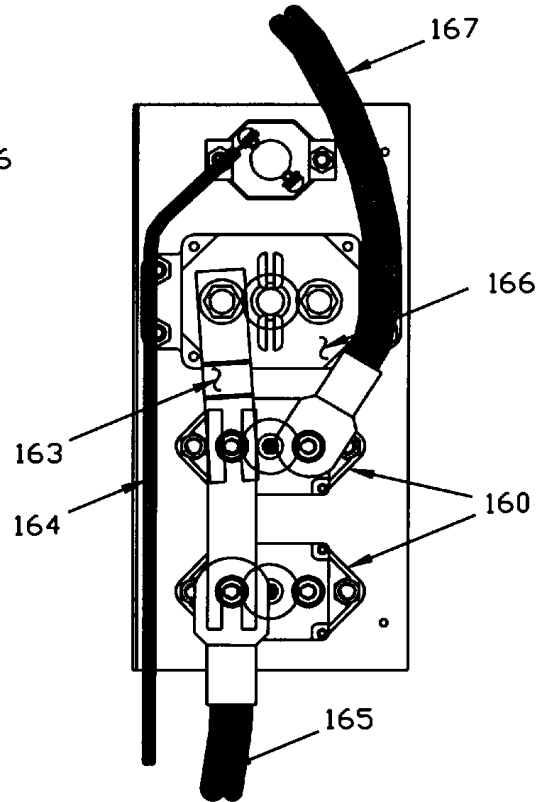
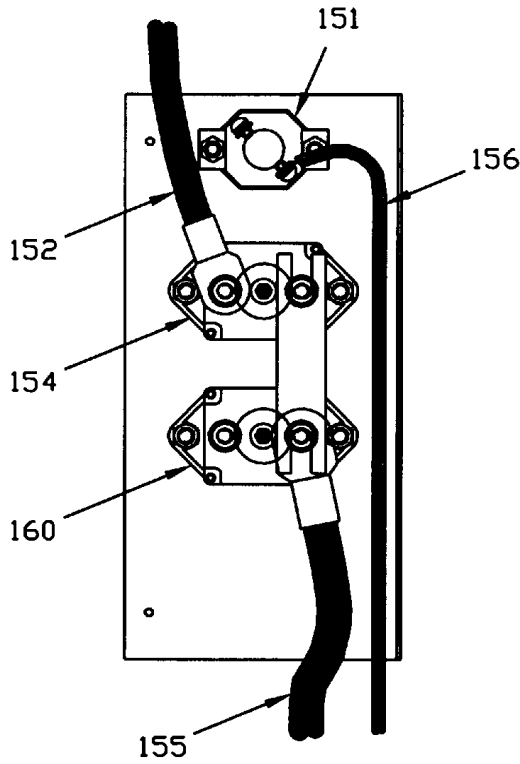


From T-5663 To Y-7045

Date:10/2022

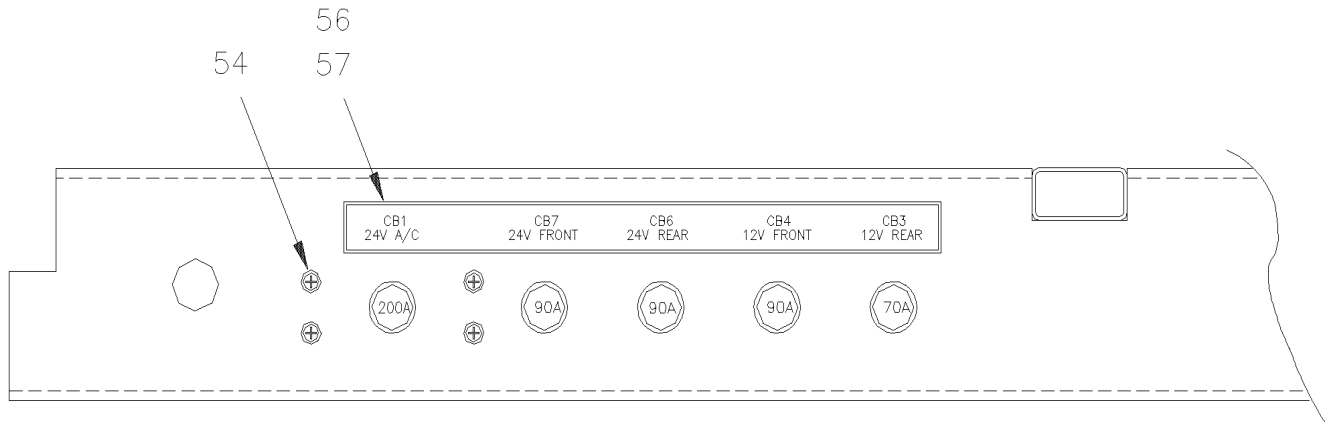
PAGE:XL-0616-11

BREAKER PANEL

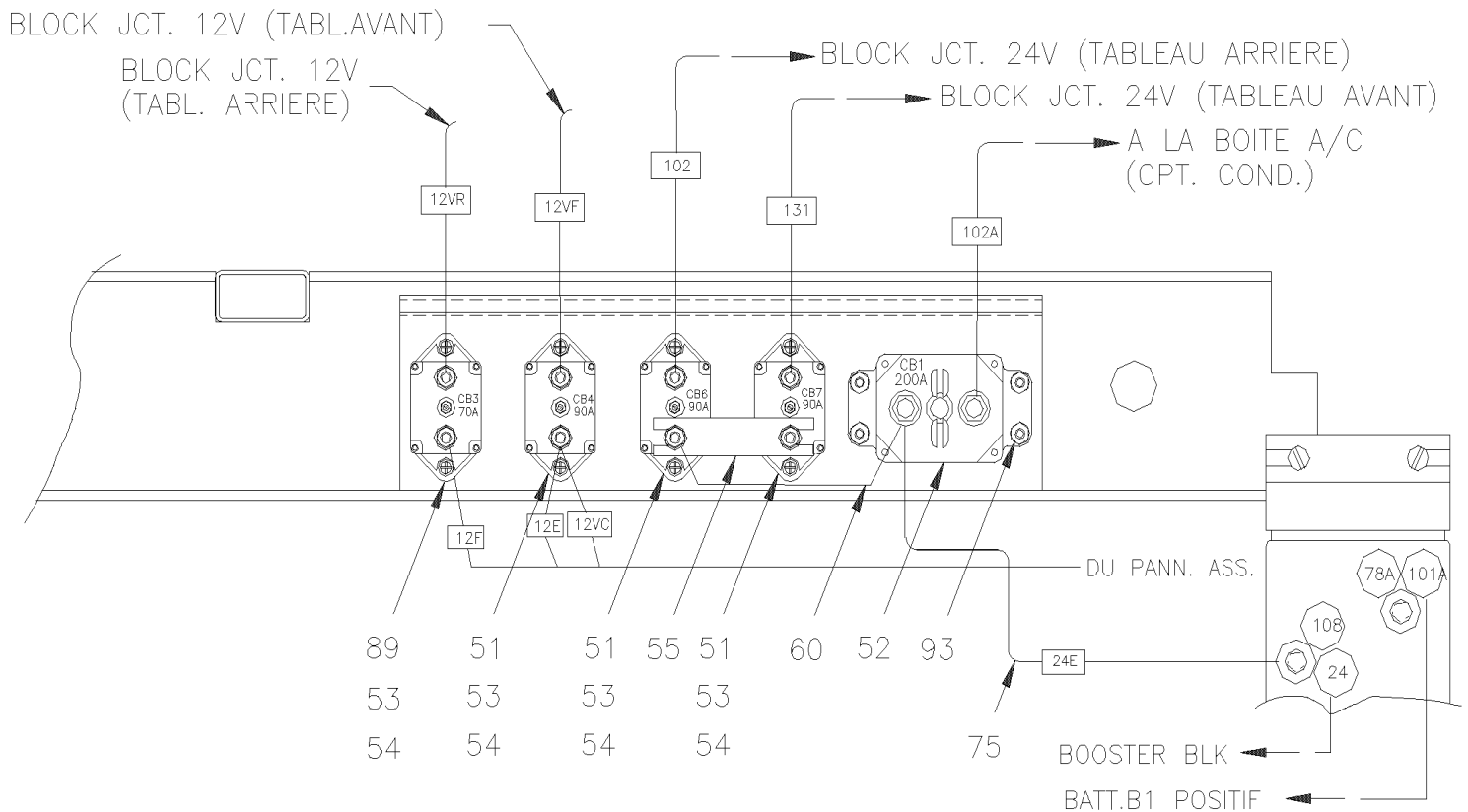


MTH-40 & MTH-45

From T-5663 To Y-7045	Date:10/2022	PAGE:XL-0616-11
BREAKER PANEL		



XL-40



From T-5663 To Y-7045		Date:10/2022	PAGE:XL-0616-11
BREAKER PANEL			

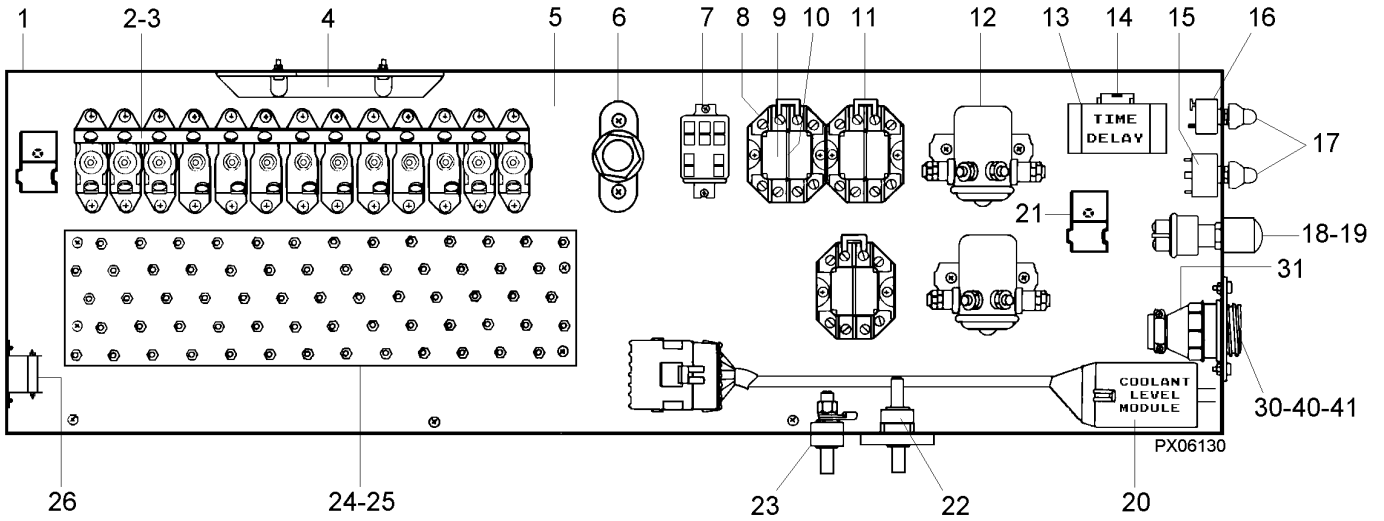
Item#	Part	Description	M T H 4 0	M T H 4 5	M T H 4 5 E	X L 4 0	X L 4 5	N O T E S
1	381716	BREAKER SUPPORT					1	
2	381717	BUS BAR / W/2 HOLES / 53MM C/C					1	
3	560703	BREAKER 40AMPS / 24V /					1	
4	063403	CABLE ASSY / #90					1	
5	560838	BREAKER 200AMPS / 24V /					1	
6	560298	BREAKER 90AMPS / 24V /					3	
6	562683	BREAKER 90AMPS / 24V /					3	
7	561767	BREAKER 70AMPS / 24V /					1	
7	562687	BREAKER 70AMPS / 24V /					1	
8	502524	NUT HEX M4-0.7 Z050					8	
9	502636	WASHER LO SPT 4.1x7.6x0.9 Z050					8	
10	064067	DECAL-BREAKER To T-5883					1	
10	064269	DECAL BREAKER From T-5884					1	
11	680066	ADHESIVE / ADBOND #5014 / 23.6ML BOTTLE						AR
12	506338	RUBBER CHANNEL / 1/16" x 1/4" INT "U" SHAPE / ROUND C.T.L.						AR
13	500510	SCREW MA BDG PH #10-32x3/4 SS EMN					4	
14	500007	SCREW CAP HEX 1/4-28x3/4 G5 ZP					1	
51	562683	BREAKER 90AMPS / 24V /				3		
52	560838	BREAKER 200AMPS / 24V /				1		
53	500470	WASHER LO SPT .193x.334x.047 Z050					8	
54	500874	WASHER FL 8.4x17.0x1.6 Z050					8	
55	380059	BUS BAR / W/2 SLOTS / 3 3/8" C/C					1	
56	064144	IDENTIFICATION PLATE					1	
57	681283	TAPE RUB ADH2 ACRYLIC .045" x 1/2" x 108' / WHITE 4945						AR
60	064549	CABLE ASSY #90					1	
75	064154	CABLE ASSY #24E					1	
89	064042	CABLE ASSY #24E					1	
93	502735	SCREW MA BDG PH #10-32x1 SS BK					4	
101	561857	BOOSTER BLOCK, REMOTE / BLACK		1				
102	063407	WIRE NO: 24D ASSY		1				
103	870690	BREAKER 30AMPS / 24V /		2				
104	560298	BREAKER 90AMPS / 24V /		3				
104	562683	BREAKER 90AMPS / 24V /		3				
105	561767	BREAKER 70AMPS / 24V /		1				
105	562687	BREAKER 70AMPS / 24V /		1				
106	380059	BUS BAR / W/2 SLOTS / 3 3/8" C/C		2				
107	063408	CABLE ASSY #12E		1				
108	381507	BREAKER SUPPORT To V-6201		1				
NS	381807	BREAKER SUPPORT From V-6202		1				
NS	381762	COVER PROTECTOR PLASTIC BLACK		1				
109	561541	SWITCH, 12 V. POWER DISCONNECT		1				
110	063404	WIRE NO: 12VD ASSY		1				

From T-5663 To Y-7045	Date:10/2022	PAGE:XL-0616-11
BREAKER PANEL		

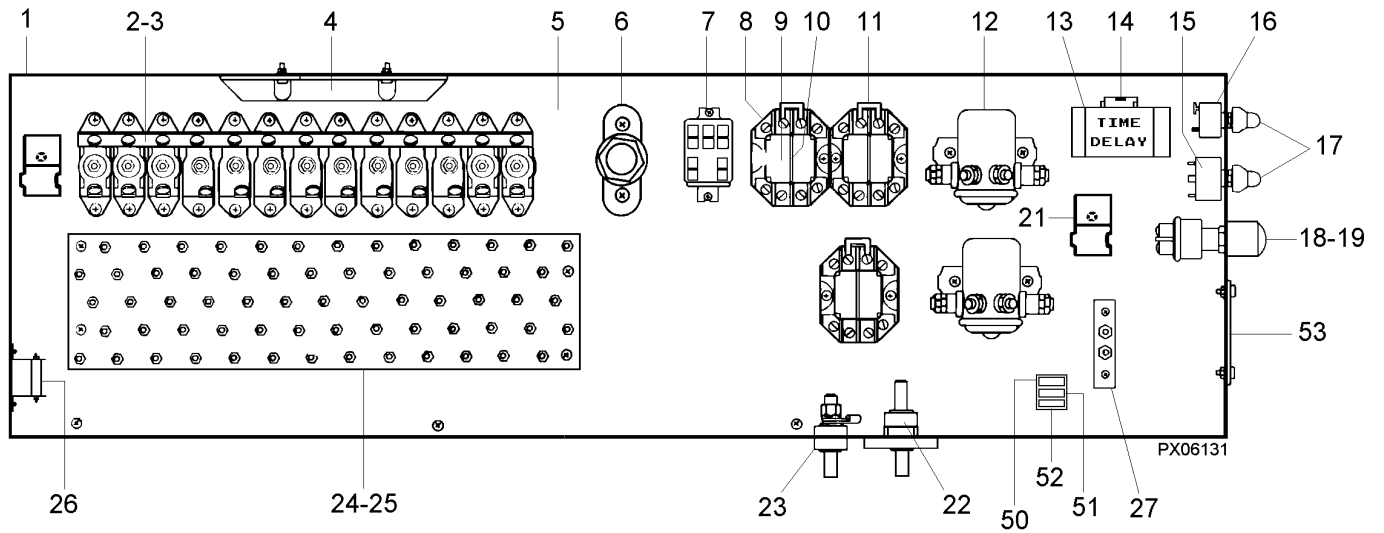
Item#	Part	Description	M T H 4 0	M T H 4 5	M T H 4 5 E	X L 4 0	X L 4 5	N O T E S
111	560838	BREAKER 200AMPS / 24V /		1				
112	063418	CABLE ASSY #90A		1				
113	063403	CABLE ASSY / #90		1				
114	062290	CUT OUT SWITCH 24V		1				
115	063405	CABLE ASSY #24B		1				
116	561856	BOOSTER BLOCK, REMOTE / RED		1				
117	062682	DECAL / "BOOSTER BLOCK" / ENGLISH & FRANCAIS		1				
117	066045	DECAL / "BOOSTER BLOCK" / ENGLISH & SPANISH		1				
118	504347	RIVET POP DOME OE 3/16x1/4 AL		2				
119	381210	SEPARATOR / FIBERGLASS RED		1				
120	5001190	SCREW CAP HEX 1/4-20x3/4 SS BK		4				
121	500770	NUT HEX STO 1/4-20 Z050		4				
122	500473	WASHER LO SPT .262x.489x.062 Z050		4				
123	063423	DECAL, 24V BREAKER		1				
124	063422	DECAL-CBI FULL AIR		1				
125	500510	SCREW MA BDG PH #10-32x3/4 SS EMN		4				
126	063421	DECAL -12V CUT OUT		1				
127	562172	PLATE, FACE		1				
128	500388	SCREW MA RND PH #10-24x1 Z050		8				
129	500470	WASHER LO SPT .193x.334x.047 Z050		12				
130	500786	NUT HEX #10-24 Z050		12				
131	063797	DECAL, POWER BREAKER		1				
132	381516	CLOSING PLATE		1				
133	500386	SCREW MA RND PH #10-24x1/2 Z050		2				
134	500007	SCREW CAP HEX 1/4-28x3/4 G5 ZP		2				
135	500387	SCREW MA RND PH #10-24x3/4 Z050		4				
151	870690	BREAKER 30AMPS / 24V /	2		2			
152	062838	CABLE ASSY 12VR	1		1			
154	561767	BREAKER 70AMPS / 24V /	1		1			
NS	562687	BREAKER 70AMPS / 24V /	1		1			
155	062834	CABLE ASSY 12E	1		1			
156	062833	CABLE ASSY / 12VD-10	1		1			
157	500388	SCREW MA RND PH #10-24x1 Z050	12		12			
158	500470	WASHER LO SPT .193x.334x.047 Z050	12		12			
159	500786	NUT HEX #10-24 Z050	12		12			
160	560298	BREAKER 90AMPS / 24V /	3		3			
160	562683	BREAKER 90AMPS / 24V /	3		3			
161	500510	SCREW MA BDG PH #10-32x3/4 SS EMN	4		4			
162	380059	BUS BAR / W/2 SLOTS / 3 3/8" C/C	2		2			
163	380408	JUMPER	1		1			
164	062836	WIRE 24D ASSY	1		1			
165	061328	CABLE ASSY	1		1			

From E-638 To L-684	Date:10/2022	PAGE:XL-0620-00
REAR JUNCTION BOX ASSY		

REGULAR ENGINE



DDEC ENGINE



From E-638 To L-684	Date:10/2022	PAGE:XL-0620-00
REAR JUNCTION BOX ASSY		

Item#	Part	Description	M T H 4 0	M T H 4 5	M T H 4 5 E	X L 4 0	X L 4 5	N O T E S
	380606P	REAR JCT BOX ASSY / W/6V92 & 8V/92 ENGINE To H-284	1			1		
	380605P	REAR JCT BOX ASSY / W/8V71 REGULAR ENGINE				1		
	380604	REAR JCT BOX ASSY / W/"VEAM"				1		
	Call order desk	REAR JCT BOX ASSY / W/"VEAM"				1		P
	Call order desk	REAR JCT BOX ASSY / W/DDEC II From L-507 To L-684				1		P
	Call order desk	REAR JCT BOX ASSY / W/DDEC II From L-507 To L-684				1		P
	Call order desk	REAR JCT BOX ASSY / W/REGULAR ENGINE To L-506	1					P
	Call order desk	REAR JCT BOX ASSY / W/REGU ENGINE & SMALL A/C To L-506	1					P
	380601P	REAR JCT BOX ASSY / W/REGU ENGINE & LARGE A/C To L-506	1					
	380960	REAR JCT BOX ASSY / W/DDEC II From L-507 To L-685	1					
1	380648	. BOX ASSY	1			1		
1	380649	. BRACKET / DOOR LOCK	2			2		
. NS	504275	. . MOUNTING, FASTENER SIDE MOUNT # 17 SCREW NUT	1			1		
. NS	380619	. . SUPPORT "Z" SHAPE	1			1		
. NS	504104	. . RIVET POP DOME OE 1/8x1/8 SS	2			2		
1	380744	. DOOR ASSY	1			1		
1	380625	. . DOOR ASSY	1			1		
1	380622	. . HINGE	3			3		
1	380634	. . RUBBER EXTRUSION ASSY 11 3/8" X 36 1/4"	1			1		
1	506298	. . . RUBBER EXTRUSION CC NEO 3/4" X 5/8" / C.T.L.	AR			AR		
1	504276	. SCREW FST WI #17 12.3x22.3 STL	2			2		
2	380294	. BUS BAR / W/3 HOLES / 7/8" C/C	AR			AR		
2	380633	. BUS BAR / W/4 HOLES / 7/8" C/C"	AR			AR		
2	880013	. BUS BAR	AR			AR		
2	500180	. SCREW CAP HEX 5/16-18x1 G8 BR	1			1		
2	500698	. NUT HEX 5/16-18 BR	1			1		
3	560827	. BREAKER 6AMPS / 24V /	AR			AR		
3	560828	. BREAKER 8AMPS / 24V /	AR			AR		
3	560829	. BREAKER 10AMPS / 24V /	AR			AR		
3	560830	. BREAKER 15AMPS / 24V /	AR			AR		
3	560831	. BREAKER 20AMPS / 24V /	AR			AR		
4	562058	. MONITOR / BATTERY EQUALIZER	1			1		
5	380624	. PANEL, MOUNTING / ARBORITE	1			1		
6	560422	. BLOCK, TERMINAL / 1 STUD 3/8-16 / BLACK	1			1		
6	061055	. WIRE ASSY / TO BATTERY COMPARTMENT	1			1		
7	560803	. RELAY, TIME DELAY RELAY - ON	1			1		
7	068970	. KIT SERVICE / TIMER	1			1		S
. NS	560772	. . TIME DELAY RELAY	1			1		S
. NS	065755	. . RESISTOR ASSY 330K/OHMS / 1/2 W	1			1		S
. NS	561707	. . RELAY 24V S.P.D.T. W/RESISTOR /	1			1		S
. NS	561183	. . RELAY BASE / TAB TERMINAL / BOSCH 3334485008	1			1		S
. NS	561108	. . TAB RECEPTACLE TERMINAL / 18-14 / AMP 42238-2	1			1		S

From E-638 To L-684	Date:10/2022	PAGE:XL-0620-00
REAR JUNCTION BOX ASSY		

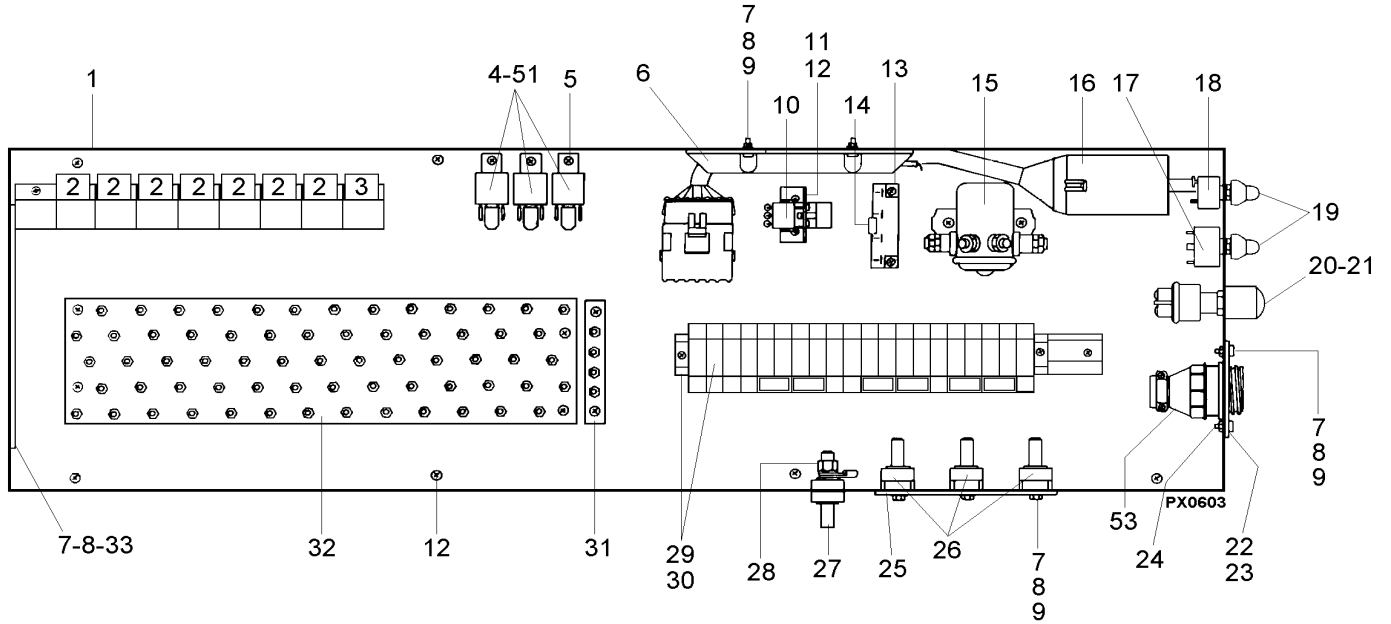
Item#	Part	Description	M T H 4 0	M T H 4 5	M T H 4 5 E	X L 4 0	X L 4 5	N O T E S
. NS	IS-13900	. . SEE INSTRUCTION SHEET	1			1		S
7	061507	. RESISTOR ASSY 470 OHMS 1/2W	1			1		
7	560805	. . RESISTOR / 470 OHMS / 1/2W	1			1		
8	561233	. BASE SOCKET 8 PIN	AR			AR		
9	561010	. RELAY 24V. D.P.D.T.	AR			AR		
9	560917	. RELAY 12V D.P.D.T.	AR			AR		
10	560920	. SPRING HOLDER	AR			AR		
11	880019	. BUS BAR	AR			AR		
12	560407	. SWITCH MAGNETIC / 24V S.P.S.T. / 50AMPS N.O.	2			2		
13	560772	. TIME DELAY RELAY	1			1		
14	061962	. RESISTOR ASSY 470 OHMS 1/2W	1			1		
14	560805	. . RESISTOR / 470 OHMS / 1/2W	1			1		
15	560330	. SWITCH / ON-OFF-ON / D.P.D.T.	1			1		
15	390229	. PLATE ENGRAVED / FRONT / NORMAL / REAR	1			1		
16	560256	. SWITCH / OFF-ON / S.P.S.T.	1			1		
16	390223	. PLATE ENGRAVED / LAMPS	1			1		
17	560241	. RUBBER PROTECTOR, TOGGLE SWITCH	1			1		
18	560267	. SWITCH, PUSH BUTTON S.P.S.T. / N.O.	1			1		
. NS	561891	. . CAP RUBBER	1			1		
19	561891	. . CAP RUBBER	1			1		
19	390227	. PLATE ENGRAVED / START	1			1		
20	561886	. MODULE / COOLANT LEVEL CONTROL	1			1		
21	561707	. RELAY 24V S.P.D.T. W/RESISTOR /	AR			AR		
22	560176	. BLOCK, JUNCTION / 2 STUD 1/2-13 / RED	1			1		
22	380618	. PLATE, CLOSING / W/O TERMINAL STUD	1			1		
23	561102	. BLOCK, JUNCTION / 2 STUD 3/8-16 / BLACK	1			1		
24	560179	. JUNCTION PANEL W/65 STUDS	1			1		
25	061508	. HOLDER, FUSE	AR			AR		
25	560067	. . FUSE HOLDER IN LINE	1			1		
. NS	8905111	. . . TERMINAL FUSE HOLDER	QR			QR		
25	560890	. . FUSE / 4 AMPS / AGC-4	1			1		
25	560893	. . FUSE / 3 AMPS / AGC-3A	1			1		
26	060806	. RESISTOR ASSY 0.82 OHM / W/12 VOLT FOG	1			1		
. NS	560823	. . RESISTOR / 0.82 OHM	2			2		
. . NS	562959	. . . SUPPORT, CERAMIC RESISTOR	1			1		
26	560823	. . RESISTOR / 0.82 OHM	2			2		
. NS	562959	. . . SUPPORT, CERAMIC RESISTOR	1			1		
27	560112	. JUNCTION BLOCK W/2 STUDS	1			1		
27	560113	. JUNCTION BLOCK W/4 STUDS	1			1		
27	504059	. GROMMET / 1.250x1.500x.094x.375x1.875	2			2		
27	504066	. GROMMET / .687x1.000x.062x.375x1.312	1			1		
27	504067	. GROMMET / 2.125x2.500x.125x.500x2.875	2			2		

From E-638 To L-684	Date:10/2022	PAGE:XL-0620-00
REAR JUNCTION BOX ASSY		

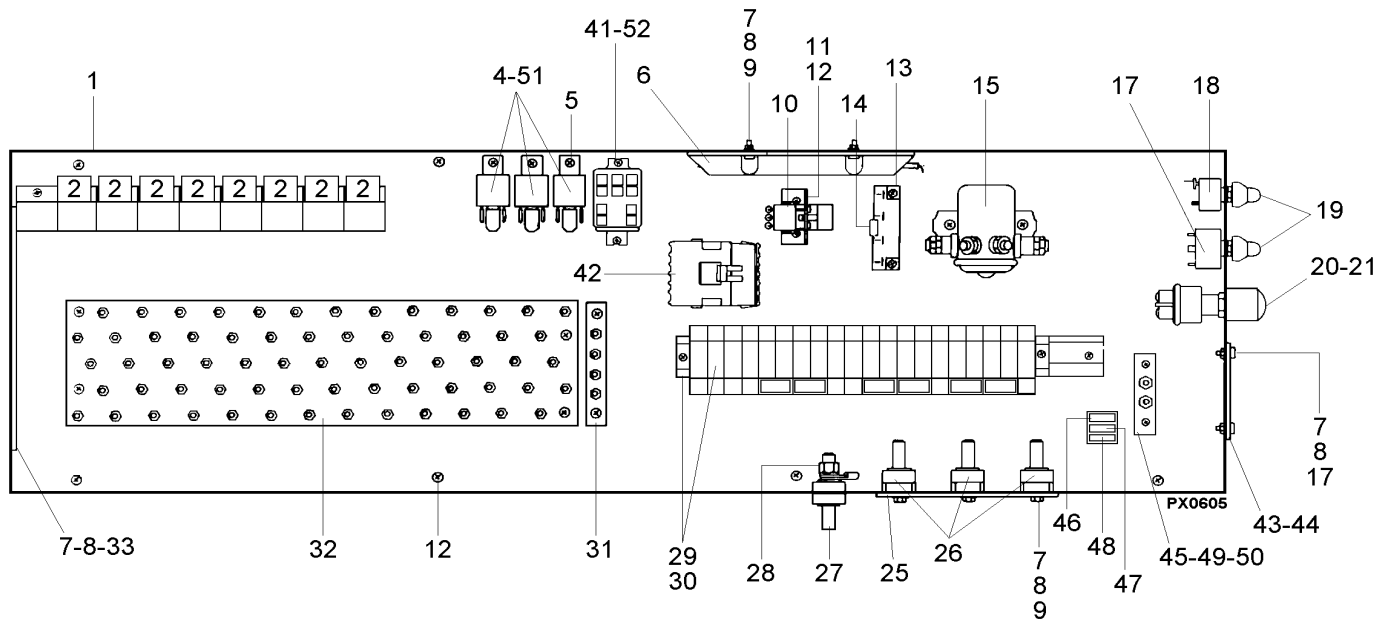
Item#	Part	Description	M T H 4 0	M T H 4 5	M T H 4 5 E	X L 4 0	X L 4 5	N O T E S
30	061925	. CABLE ASSY From H-285 To J-539	1			1		A
30	062325	. CABLE ASSY From J-540	1			1		A
31	561657	. . CABLE CLAMP / CPC / #23 / AMP 206138-1	2			2		
31	561772	. . CONNECTOR / CPC SERIES 3 / PH 7C / AMP 206137-1	1			1		
31	561693	. . CONNECTOR / CPC SERIES 4 / PH 4C/12C / AMP 207486-1	1			1		
31	561698	. . PIN TERMINAL 16-12 / POWER CONTACT / AMP 66261-4	AR			AR		
31	561018	. . PIN TERMINAL / 18-14 / SIGNAL CONTACT / AMP 66602-1	AR			AR		
40	061418	. CABLE ASSY / W/"VEAM" To H-284				1		
40	062046	. CABLE ASSY / W/"VEAM" From H-285 To K-728				1		
40	561144	. . CONNECTOR / ST 22C / VEAM CIR030R-28-11S-F80-T59				1		
40	561152	. . SOCKET TERMINAL / 16-14 / VEAM 27963-20				16		
40	561151	. . SOCKET TERMINAL / 16-14 / VEAM 27964-22				4		
40	561143	. . CONNECTOR / ST 3C / VEAM CIR030-20-19S-F80-T59				1		
40	561150	. . SOCKET TERMINAL / 10-8 / VEAM 27935				3		
40	561140	. . CRIMP REDUCTION SLEEVE / VEAM LV242999-T12T9				3		
40	561111	. . CONNECTOR / SURE-SEAL / FEMALE HOUSING 3C / ITT CANNON 120-1805-000				1		
40	561023	. . PIN TERMINAL / 18-14 / ITT CANNON 030-2196-001				3		
41	380617	. PLATE CLOSING				1		
50	061076	. CABLE ASSY / W/RED CONNECTOR To K-728	1			1		B
51	060732	. CABLE ASSY / W/WHITE CONNECTOR To K-728	1			1		B
52	061066	. CABLE ASSY / W/YELLOW CONNECTOR To K-728	1			1		B
52	063140	. CABLE ASSY / W/YELLOW CONNECTOR (SERVICE) To K-728	1			1		B
53	380616	. PLATE, CLOSING	1			1		
54	061084	. CABLE ASSY ENGINE WIRING & ACCESSORIES W/REGULAR ENGINE To H-284	1	1	1	1	1	B
55	063139	. CABLE ASSY ENGINE WIRING & ACCESSORIES W/REGULAR ENGINE W/REGULAR ENGINE From H-285	1	1	1	1	1	B
		A) WITH DDEC ENGINE						
		B) WITH REGULAR ENGINE						
		S) SERVICE						
		P) CALL ORDER DESK FOR SPECIFIC APPLICATION (V.I.N.)						

From L-685 To R-843	Date:10/2022	PAGE:XL-0620-01
REAR JUNCTION BOX ASSY WITH DETROIT S-92		

DDEC II ENGINE



REGULAR ENGINE



From L-685 To R-843	Date:10/2022	PAGE:XL-0620-01
REAR JUNCTION BOX ASSY WITH DETROIT S-92		

Item#	Part	Description	M T H 4 0	M T H 4 5	M T H 4 5 E	X L 4 0	X L 4 5	N O T E S
	381380	REAR JCT BOX ASSY W/"REGULAR" ENGINE 92				1		
	381378	REAR JCT BOX ASSY W/"DDEC II"				1		
	381377	REAR JCT BOX ASSY W/LARGE A/C	1		1			
	381379	REAR JCT BOX ASSY W/SMALL A/C	1		1			
1	381278	BOX ASSY W/O DOOR & COMPONENTS	1		1	1		
1	380744	DOOR ASSY	1		1	1		
1	504276	SCREW FST WI #17 12.3x22.3 STL	2		2	2		
1	380649	BRACKET / DOOR LOCK	2		2	2		
. NS	504275	MOUNTING, FASTENER SIDE MOUNT # 17 SCREW NUT	1		1	1		
. NS	380619	SUPPORT "Z" SHAPE	1		1	1		
. NS	504104	RIVET POP DOME OE 1/8x1/8 SS	2		2	2		
1	381277	BOARD, MOUNTING / LAMINATED	1		1	1		
2	561707	RELAY 24V S.P.D.T. W/RESISTOR /	AR		AR	AR		
3	561706	RELAY 12V S.P.D.T. W/DIODE /	AR		AR	AR		
4	561991	RELAY 24V S.P.S.T. / 70 AMPS N.O.	AR		AR	AR		
5	500613	SCREW TP PAN PH #10x1/2 Z050	AR		AR	AR		
6	562058	MONITOR / BATTERY EQUALIZER	1		1	1		A
6	562412	MONITOR / BATTERY EQUALIZER	1		1	1		A
7	500386	SCREW MA RND PH #10-24x1/2 Z050	AR		AR	AR		
8	500786	NUT HEX #10-24 Z050	AR		AR	AR		
9	500470	WASHER LO SPT .193x.334x.047 Z050	AR		AR	AR		
10	062588	DIODE ASSY / W/3 3AMPS	1		1	1		
10	560931	DIODE / 3AMPS	3		3	3		
NS	561669	CONNECTOR / UNIVERSAL MATE-N-LOK / SH 9C / AMP 1-480706-0	1		1	1		
NS	561514	SOCKET TERMINAL / 20-14 / AMP 350537-3	1		1	1		
11	381143	SUPPORT / FOR 6 PINS CONNECTOR	1		1	1		
12	500641	SCREW TP PAN PH #8x3/4 Z050	AR		AR	AR		
13	560772	TIME DELAY RELAY	1		1	1		
14	061962	RESISTOR ASSY 470 OHMS 1/2W	1		1	1		
14	560805	RESISTOR / 470 OHMS / 1/2W	1		1	1		
14	561539	TAB RECEPTACLE TERMINAL INSUL. NYLON / 16 / AMP 3-520141-2	2		2	2		
15	561005	SWITCH MAGNETIC / 24V S.P.S.T. / 200AMPS N.O.	1		1	1		
15	500765	NUT HEX #10-32 BR	AR		AR	AR		
15	500470	WASHER LO SPT .193x.334x.047 Z050	AR		AR	AR		
15	500699	NUT HEX 5/16-24 Z050	AR		AR	AR		
16	561886	MODULE / COOLANT LEVEL CONTROL	1		1	1		
17	560330	SWITCH / ON-OFF-ON / D.P.D.T.	1		1	1		
18	560256	SWITCH / OFF-ON / S.P.S.T.	1		1	1		
19	560241	RUBBER PROTECTOR, TOGGLE SWITCH	1		1	1		
20	560267	SWITCH, PUSH BUTTON S.P.S.T. / N.O.	1		1	1		
. NS	561891	CAP RUBBER	1		1	1		
21	561891	CAP RUBBER	1		1	1		

From L-685 To R-843		Date:10/2022	PAGE:XL-0620-01
REAR JUNCTION BOX ASSY WITH DETROIT S-92			

Item#	Part	Description	M T H 4 0	M T H 4 5	M T H 4 5 E	X L 4 0	X L 4 5	N O T E S
22	380716	. PLATE CLOSING				1		
23	500518	. SCREW MA BDG PH #4-40x1/2 Z050	AR		AR	AR		
24	561823	. NUT, RING #23 / 1.812" I.D. W/4 4-40	2			2		
25	381282	. PLATE / JCT BLOCK				1		
26	560422	. BLOCK, TERMINAL / 1 STUD 3/8-16 / BLACK				3		
27	561102	. BLOCK, JUNCTION / 2 STUD 3/8-16 / BLACK				1		
27	561102	. BLOCK, JUNCTION / 2 STUD 3/8-16 / BLACK	4		4			
28	500379	. NUT HEX 3/8-16 BR	AR		AR	AR		
28	500478	. WASHER LO SPT .380x.683x.094 Z050	AR		AR	AR		
29	XL-0616-00	JUNCTION BOX COMPONENTS, RELAY & BREAKER						
29	502611	. SCREW TP FL PH #6x1/2 Z050	AR		AR	AR		
30	561790	. BREAKER 6AMPS / 24V /	AR		AR	AR		
30	561791	. BREAKER 8AMPS / 24V /	AR		AR	AR		
30	561792	. BREAKER 10AMPS / 24V /	AR		AR	AR		
30	561793	. BREAKER 15AMPS / 24V /	AR		AR	AR		
30	561794	. BREAKER 20AMPS / 24V /	AR		AR	AR		
30	561795	. BREAKER 25AMPS / 24V /	AR		AR	AR		
30	561796	. BREAKER 30AMPS / 24V /	AR		AR	AR		
30	561797	. BREAKER 3AMPS / 24V /	AR		AR	AR		
31	560113	. JUNCTION BLOCK W/4 STUDS	1		1	1		
31	562504	. JUNCTION BLOCK W/6 STUDS	1		1	1		
32	560179	. JUNCTION PANEL W/65 STUDS	1		1	1		
33	560116	. JUNCTION BLOCK W/10 STUDS	1			1		
33	562173	. JUNCTION BLOCK W/10 STUDS	1		1	1		
41	560803	. RELAY, TIME DELAY RELAY - ON	1		1	1		
41	068970	. KIT SERVICE / TIMER	1	1	1	1	1	S
. NS	560772	. . TIME DELAY RELAY	1	1	1	1	1	S
. NS	065755	. . RESISTOR ASSY 330K/OHMS / 1/2 W	1	1	1	1	1	S
. NS	561707	. . RELAY 24V S.P.D.T. W/RESISTOR /	1	1	1	1	1	S
. NS	561183	. . RELAY BASE / TAB TERMINAL / BOSCH 3334485008	1	1	1	1	1	S
. NS	561108	. . TAB RECEPTACLE TERMINAL / 18-14 / AMP 42238-2	1	1	1	1	1	S
. NS	IS-13900	. . SEE INSTRUCTION SHEET	1	1	1	1	1	S
41	061507	. RESISTOR ASSY 470 OHMS 1/2W	1		1	1		
41	560805	. . RESISTOR / 470 OHMS / 1/2W	1		1	1		
42	561605	. CONNECTOR / WEATHER PACK / PH 1C / BLACK / PED 12010996	1			1		
43	380616	. PLATE, CLOSING				1		
44	504059	. GROMMET / 1.250x1.500x.094x.375x1.875				1		
45	560112	. JUNCTION BLOCK W/2 STUDS				1		
46	061066	. CABLE ASSY / W/YELLOW CONNECTOR To M-762				1		
46	063140	. CABLE ASSY / W/YELLOW CONNECTOR (SERVICE) From M-763				1		
47	061076	. CABLE ASSY / W/RED CONNECTOR				1		
48	060732	. CABLE ASSY / W/WHITE CONNECTOR				1		

From L-685 To R-843	Date:10/2022	PAGE:XL-0620-01
REAR JUNCTION BOX ASSY WITH DETROIT S-92		

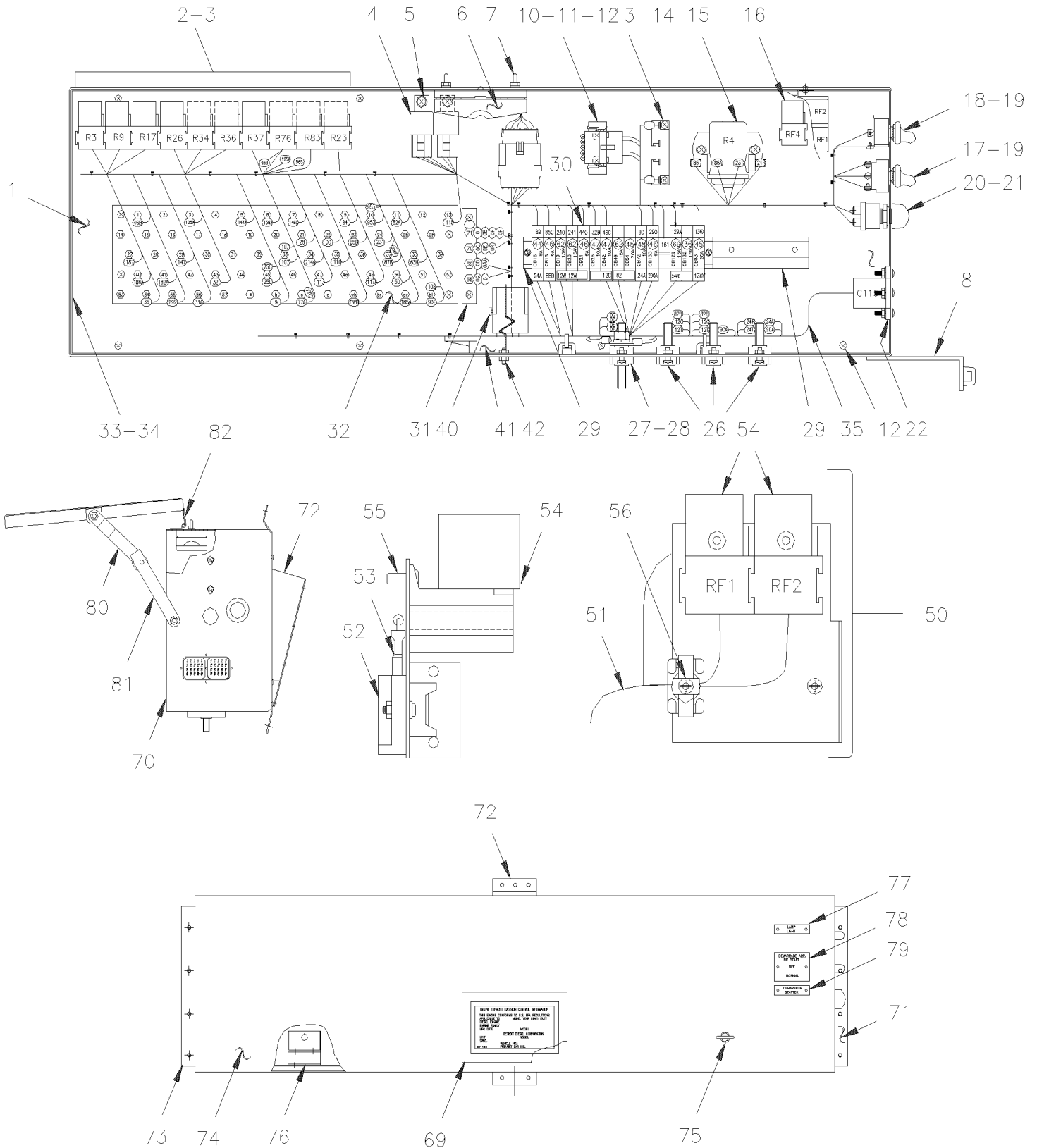
Item#	Part	Description	M T H 4 0	M T H 4 5	M T H 4 5 E	X L 4 0	X L 4 5	N O T E S
49	061603	. WIRE ASSY #25				1		
50	061604	. WIRE ASSY #107				1		
51	062886	. CABLE ASSY To P-753				1		B
51	063465	. CABLE ASSY From P-754				1		
51	062866	. CABLE ASSY To P-753	1		1			B
51	063466	. CABLE ASSY From P-754	1		1	1		
52	062892	. CABLE ASSY	1		1	1		
53	062325	. CABLE ASSY	1		1	1		
53	561657	. . CABLE CLAMP / CPC / #23 / AMP 206138-1	2		2	2		
53	561772	. . CONNECTOR / CPC SERIES 3 / PH 7C / AMP 206137-1	1		1	1		
53	561693	. . CONNECTOR / CPC SERIES 4 / PH 4C/12C / AMP 207486-1	1		1	1		
53	561698	. . PIN TERMINAL 16-12 / POWER CONTACT / AMP 66261-4	AR		AR	AR		
53	561018	. . PIN TERMINAL / 18-14 / SIGNAL CONTACT / AMP 66602-1	AR		AR	AR		
99	062897	DECAL JCT PANEL IDENT W/REGULAR ENGINE To P-753				1		C
99	063476	DECAL JCT PANEL IDENT W/REGULAR ENGINE From P-754				1		C
99	062898	DECAL JCT PANEL DESC. W/"DDEC" ENGINE To P-753				1		C
99	063477	DECAL JCT PANEL DESC. W/"DDEC" ENGINE From P-754				1		C
99	062899	DECAL JCT PANEL DESC. To N-409	1		1			C
99	063057	DECAL JCT PANEL DESC. From N-410 To P-753	1		1			C
99	063478	DECAL JCT PANEL DESC. From P-754	1		1			C
99	062903	DECAL JCT PANEL IDENT. W/REGULAR ENGINE To P-753				1		C
99	063473	DECAL JCT PANEL IDENT. W/REGULAR ENGINE From P-754				1		C
99	062904	DECAL JCT PANEL IDENT. W/"DDEC" ENGINE To P-753				1		C
99	063475	DECAL JCT PANEL IDENT. W/"DDEC" ENGINE From P-754				1		C
99	062905	DECAL JCT PANEL IDENT. To P-753	1		1			C
99	063474	DECAL JCT PANEL IDENT. From P-754	1		1			C
99	062900	DECAL BREAKER & RELAY IDENT. W/REGULAR ENGINE To P-753				1		C
99	063470	DECAL BREAKER & RELAY IDENT. W/REGULAR ENGINE From P-754				1		C
99	062901	DECAL BREAKER & RELAY IDENT. W/"DDEC" ENGINE To P-753				1		C
99	063471	DECAL BREAKER & RELAY IDENT. W/"DDEC" ENGINE From P-754				1		C
99	062902	DECAL BREAKER & RELAY IDENT. To P-753	1		1			C
99	063472	DECAL BREAKER & RELAY IDENT. From P-754	1		1			C
99	400122	DECAL - 24 VOLTS	1		1	1		C
		A) THIS MONITOR IS LOCATED IN 4TH BAGGAGE COMPARTMENT FOR BUS AND NEAR BATTERIES FOR MTH FROM R-797						
		B) FOR PROTECTION ON BRAKE LIGHT USE KIT #063575. TO USE WITH VEHICLE FROM L-685 TO P-754						
		C) LOCATED INSIDE OF LH ENGINE DOOR						
		S) SERVICE						

From P-722 To Y-7045

Date:10/2022

PAGE:XL-0620-02

REAR JUNCTION BOX ASSY WITH DETROIT S-60



From P-722 To Y-7045	Date:10/2022	PAGE:XL-0620-02
REAR JUNCTION BOX ASSY WITH DETROIT S-60		

Item#	Part	Description	M T H 4 0	M T H 4 5	M T H 4 5 E	X L 4 0	X L 4 5	N O T E S
	381580	REAR JCT BOX ASSY From R-846 To R-923				1		
	381650	REAR JCT BOX ASSY From R-924 To T-5788				1	1	
	381712	REAR JCT BOX ASSY From S-476 To T-5788				1	1	D
	381746	REAR JCT BOX ASSY From T-5789				1	1	
	381519	REAR JCT BOX ASSY W/LARGE A/C From P-646 To R-822		1				
	381636	REAR JCT BOX ASSY W/LARGE A/C From R-823 To R-923	1		1			
	381637	REAR JCT BOX ASSY W/LARGE A/C From R-823 To R-923		1				
	381648	REAR JCT BOX ASSY W/LARGE A/C From R-924 To T-5872		1				
	381745	REAR JCT BOX ASSY W/LARGE A/C From T-5873		1				
	381652	REAR JCT BOX ASSY W/LARGE A/C From R-924 To T-5788	1		1			
	381745	REAR JCT BOX ASSY W/LARGE A/C From T-5789	1		1			
	381517	REAR JCT BOX ASSY W/SMALL A/C From P-646 To R-822		1				
	381633	REAR JCT BOX ASSY W/SMALL A/C From R-824 To R-923	1		1			
	381635	REAR JCT BOX ASSY W/SMALL A/C From R-824 To R-923		1				
	381651	REAR JCT BOX ASSY W/SMALL A/C From R-924 To T-5872		1				
	381744	REAR JCT BOX ASSY W/SMALL A/C From T-5873		1				
	381653	REAR JCT BOX ASSY W/SMALL A/C From R-924 To T-5788	1		1			
	381744	REAR JCT BOX ASSY W/SMALL A/C From T-5789	1		1			
1	381277	. BOARD, MOUNTING / LAMINATED To T-5788	1	1	1	1	1	
1	381704	. BOARD, MOUNTING / LAMINATED From T-5789 To W-6421	1	1	1	1	1	
1	381833	. BOARD, MOUNTING / LAMINATED From W-6422	1	1	1	1	1	
2	561707	. RELAY 24V S.P.D.T. W/RESISTOR /	AR	AR	AR	AR	AR	
2	562092	. RELAY 12V S.P.D.T. W/DIODE /	AR	AR	AR	AR	AR	
3	561706	. RELAY 12V S.P.D.T. W/DIODE /	AR	AR	AR	AR	AR	
NS	063643	. WIRE ASSY				1	1	J
4	561991	. RELAY 24V S.P.S.T. / 70 AMPS N.O.	AR	AR	AR	AR	AR	
5	500613	. SCREW TP PAN PH #10x1/2 Z050	AR	AR	AR	AR	AR	
6	430236	. LAMP ASSY 24 V / CLEAR / W/CONNECTOR	1	1	1	1	1	
7	500564	. SCREW MA RND PH #8-32x3/4 Z050	2	2	2	2	2	
NS	500764	. NUT HEX #8-32 Z050	2	2	2	2	2	
8	381761	. CABLE SUPPORT	1	1	1	1	1	
10	062588	. DIODE ASSY / W/3 3AMPS				1	1	
10	381145	. DIODE ASSY / W/5 3AMPS	1	1	1			
10	560931	. DIODE / 3AMPS				3	3	
10	560931	. DIODE / 3AMPS	5	5	5			
NS	561669	. CONNECTOR / UNIVERSAL MATE-N-LOK / SH 9C / AMP 1-480706-0				1	1	
NS	561986	. CONNECTOR / UNIVERSAL MATE-N-LOK / SH 15C / AMP 1-480710-0	1	1	1			
NS	561514	. SOCKET TERMINAL / 20-14 / AMP 350537-3				6	6	
NS	561514	. SOCKET TERMINAL / 20-14 / AMP 350537-3	10	10	10			
11	381143	. SUPPORT / FOR 6 PINS CONNECTOR				1	1	
11	381518	. SUPPORT / FOR 10 PINS CONNECTOR	1	1	1			
12	500641	. SCREW TP PAN PH #8x3/4 Z050	AR	AR	AR	AR	AR	

From P-722 To Y-7045	Date:10/2022	PAGE:XL-0620-02
REAR JUNCTION BOX ASSY WITH DETROIT S-60		

Item#	Part	Description	M T H 4 0	M T H 4 5	M T H 4 5 E	X L 4 0	X L 4 5	N O T E S
13	560772	TIME DELAY RELAY	1	1	1	1	1	K
14	061962	RESISTOR ASSY 470 OHMS 1/2W	1			1	1	
14	560805	RESISTOR / 470 OHMS / 1/2W	1			1	1	
NS	561539	TAB RECEPTACLE TERMINAL INSUL. NYLON / 16 / AMP 3-520141-2	2			2	2	
15	561005	SWITCH MAGNETIC / 24V S.P.S.T. / 200AMPS N.O.	1			1	1	
NS	500765	NUT HEX #10-32 BR	AR	AR	AR	AR	AR	
NS	500470	WASHER LO SPT .193x.334x.047 Z050	AR	AR	AR	AR	AR	
NS	500699	NUT HEX 5/16-24 Z050	AR	AR	AR	AR	AR	
17	560330	SWITCH / ON-OFF-ON / D.P.D.T.	1	1	1	1	1	
18	560256	SWITCH / OFF-ON / S.P.S.T.	1	1	1	1	1	
19	560241	RUBBER PROTECTOR, TOGGLE SWITCH	1	1	1	1	1	
20	560267	SWITCH, PUSH BUTTON S.P.S.T. / N.O.	1	1	1	1	1	
NS	561891	CAP RUBBER	1	1	1	1	1	
21	561891	CAP RUBBER	1	1	1	1	1	
22	500873	SCREW MA RND PH #8-32x3/4 SS BK	4	4	4	4	4	
NS	500764	NUT HEX #8-32 Z050	4	4	4	4	4	
NS	502636	WASHER LO SPT 4.1x7.6x0.9 Z050	4	4	4	4	4	
26	560422	BLOCK, TERMINAL / 1 STUD 3/8-16 / BLACK	2			2		
27	561102	BLOCK, JUNCTION / 2 STUD 3/8-16 / BLACK				1		
27	561102	BLOCK, JUNCTION / 2 STUD 3/8-16 / BLACK	4					
NS	500379	NUT HEX 3/8-16 BR	AR	AR	AR	AR	AR	
28	500386	SCREW MA RND PH #10-24x1/2 Z050	8	8	8	8	8	
NS	500470	WASHER LO SPT .193x.334x.047 Z050	8	8	8	8	8	
NS	500786	NUT HEX #10-24 Z050	8	8	8	8	8	
NS	500478	WASHER LO SPT .380x.683x.094 Z050	AR	AR	AR	AR	AR	
29	XL-0616-00	JUNCTION BOX COMPONENTS, RELAY & BREAKER						
30	561790	BREAKER 6AMPS / 24V /	AR	AR	AR	AR	AR	
30	561791	BREAKER 8AMPS / 24V /	AR	AR	AR	AR	AR	
30	561792	BREAKER 10AMPS / 24V /	AR	AR	AR	AR	AR	
NS	561793	BREAKER 15AMPS / 24V /	AR	AR	AR	AR	AR	
30	561794	BREAKER 20AMPS / 24V /	AR	AR	AR	AR	AR	
30	561795	BREAKER 25AMPS / 24V /	AR	AR	AR	AR	AR	
30	561796	BREAKER 30AMPS / 24V /	AR	AR	AR	AR	AR	
30	561797	BREAKER 3AMPS / 24V /	AR	AR	AR	AR	AR	
31	560113	JUNCTION BLOCK W/4 STUDS	1	1	1	1		
31	562504	JUNCTION BLOCK W/6 STUDS	1	1	1	1		
32	560179	JUNCTION PANEL W/65 STUDS	1	1	1	1	1	
33	562173	JUNCTION BLOCK W/10 STUDS	1	1	1	1	1	
34	504059	GROMMET / 1.250x1.500x.094x.375x1.875				1		I
35	063552	CABLE ASSY / FOR MAJOR COMPONENTS From R-846 To R-923				1		
35	063858	CABLE ASSY / FOR MAJOR COMPONENTS From R-924 To S-475				1		
35	064028	CABLE ASSY / FOR MAJOR COMPONENTS From S-476 To T-5788				1		C

From P-722 To Y-7045	Date:10/2022	PAGE:XL-0620-02
REAR JUNCTION BOX ASSY WITH DETROIT S-60		

Item#	Part	Description	M T H 4 0	M T H 4 5	M T H 4 5 E	X L 4 0	X L 4 5	N O T E S
35	064210	CABLE ASSY / FOR MAJOR COMPONENTS From T-5789 To X-6819				1		
35	064938	CABLE ASSY / FOR MAJOR COMPONENTS From X-6819 To X-6903				1		
35	064963	CABLE ASSY / FOR MAJOR COMPONENTS From X-6904				1		
35	065104	CABLE ASSY / FOR MAJOR COMPONENTS From X-6945				1		B
35	064008	CABLE ASSY / FOR MAJOR COMPONENTS From S-570 To T-5788					1	
35	064210	CABLE ASSY / FOR MAJOR COMPONENTS From T-5789					1	
35	063641	CABLE ASSY / FOR MAJOR COMPONENTS From R-823 To R-923	1	1	1			
35	063859	CABLE ASSY / FOR MAJOR COMPONENTS From R-924 To T-5788	1		1			
35	063401	CABLE ASSY / FOR MAJOR COMPONENTS From P-646 To R-822		1				
35	063859	CABLE ASSY / FOR MAJOR COMPONENTS From R-823 To T-5788		1				
35	064217	CABLE ASSY / FOR MAJOR COMPONENTS From T-5789	1	1	1			
40	562341	RELAY, TIME DELAY RELAY - OFF To T-5872		1				
40	067982	KIT RETROFIT TIME DELAY RELAY	1	1	1	1	1	
NS	563584	RELAY, TIME DELAY RELAY - OFF / 30 SEC	1	1	1	1	1	
NS	561183	RELAY BASE / TAB TERMINAL / BOSCH 3334485008	1	1	1	1	1	
NS	561108	TAB RECEPTACLE TERMINAL / 18-14 / AMP 42238-2	4	4	4	4	4	
41	562340	BASE SOCKET		1				
42	560920	SPRING HOLDER		1				
NS	500564	SCREW MA RND PH #8-32x3/4 Z050		2				
NS	500764	NUT HEX #8-32 Z050		2				
NS	502636	WASHER LO SPT 4.1x7.6x0.9 Z050		2				
50	064206	FAN CLUTCH, MODULE ASSY From T-5789	1	1	1	1	1	A
NS	064207	SUPPORT	1	1	1	1	1	
51	064209	CABLE ASSY	1	1	1	1	1	
52	560772	TIME DELAY RELAY	1	1	1	1	1	
53	064208	RESISTOR ASSY 75K OHMS / 1/4 W	1	1	1	1	1	
54	561707	RELAY 24V S.P.D.T. W/RESISTOR /	2	2	2	2	2	
55	500883	SCREW TC PAN PH #8-32x3/8 Z050	2	2	2	2	2	
56	504013	TIE MOUNT / 1/4" X 1/4" I.D.	1	1	1	1	1	
NS	500378	SCREW MA RND SLT #5-40x3/4 ZP	2	2	2	2	2	
NS	502630	WASHER FL .156x.375x.049 Z050	1	1	1	1	1	
NS	500766	NUT HEX #5-40 ZP	2	2	2	2	2	
NS	504273	CABLE TIE / 1/8" X 3"1/2	1	1	1	1	1	
NS	502691	WASHER LO SPT 3.6x6.7x0.8 Z050	2	2	2	2	2	
70	381506	BOX ASSY W/O DOOR & COMPONENTS To R-822	1	1	1			
NS	381577	BOX ASSY W/O DOOR & COMPONENTS From R-823 To T-5788	1	1	1	1	1	
70	381700	BOX ASSY W/O DOOR & COMPONENTS From T-5789				1	1	
71	381503	SUPPORT / R.H. To T-5788	1	1	1			
71	381566	SUPPORT / R.H. From T-5789	1	1	1			
71	381566	SUPPORT / R.H.				1	1	
72	381505	SUPPORT, CENTRAL To T-5788		1		1	1	
NS	381702	SUPPORT, CENTRAL From T-5789				1	1	

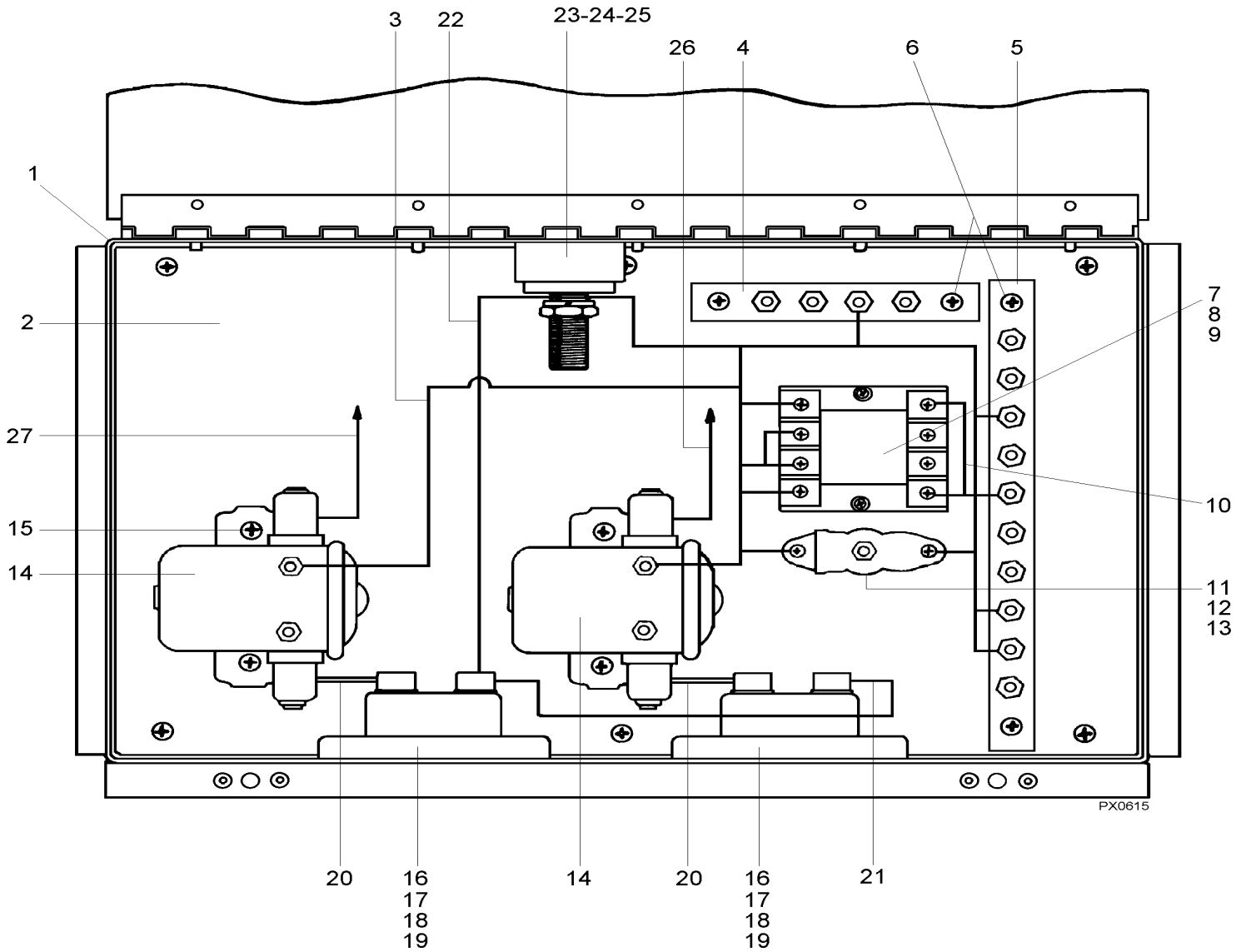
From P-722 To Y-7045	Date:10/2022	PAGE:XL-0620-02
REAR JUNCTION BOX ASSY WITH DETROIT S-60		

Item#	Part	Description	M T H 4 0	M T H 4 5	M T H 4 5 E	X L 4 0	X L 4 5	N O T E S
NS	381623	SUPPORT, CENTRAL To T-5788	1		1			
NS	381686	SUPPORT, CENTRAL To T-5788	1	1				
NS	381685	SUPPORT, CENTRAL / WITH 86" MTH From T-5789	1	1	1			
73	381504	SUPPORT / L.H. To T-5788	1	1	1			
NS	381566	SUPPORT / R.H. From T-5789	1	1	1	1	1	
74	381500	DOOR ASSY To T-5724	1	1	1			
NS	381739	DOOR ASSY From T-5725	1	1	1			
NS	381701	DOOR ASSY To T-5747				1	1	
NS	381738	DOOR ASSY From T-5748				1	1	
75	504276	SCREW FST WI #17 12.3x22.3 STL	2	2	2	2	2	
76	380649	BRACKET / DOOR LOCK	2	2	2	2	2	
NS	504275	MOUNTING, FASTENER SIDE MOUNT # 17 SCREW NUT	1	1	1	1	1	
NS	380619	SUPPORT "Z" SHAPE	1	1	1	1	1	
NS	504104	RIVET POP DOME OE 1/8x1/8 SS	2	2	2	2	2	
77	390223	PLATE ENGRAVED / LAMPS	1	1	1	1	1	
78	390229	PLATE ENGRAVED / FRONT / NORMAL / REAR	1	1	1	1	1	
79	390227	PLATE ENGRAVED / START	1	1	1	1	1	
80	383459	ARM, STRAIGHT SECTION / DOOR RETAINING				1	1	
81	383458	ARM, W/OFFSET SECTION / DOOR RETAINING To T-5788	1	1	1			
81	384051	ARM, W/OFFSET SECTION / DOOR RETAINING From T-5789	1	1	1	1	1	
82	381737	HINGE From R-924	3	3	3	3	3	
NS	380622	HINGE To R-923	3	3	3	3		
91	064250	CABLE ASSY / W/O RETARDER	1	1	1			
		FOLLOWING DECALS ARE LOCATED INSIDE OF LEFT HAND ENGINE DOOR						
NS	063720	DECAL JCT PANEL DESCRIPTION	1		1			
99	063697	DECAL JCT PANEL DESCRIPTION To T-5872		1				
NS	063720	DECAL JCT PANEL DESCRIPTION From T-5873		1				
99	064027	DECAL JCT PANEL DESCRIPTION From S-476 To T-5788				1		
99	064018	DECAL JCT PANEL DESCRIPTION To T-5678					1	
NS	064140	DECAL JCT PANEL DESCRIPTION From T-5678 To X-6903				1	1	
NS	065003	DECAL JCT PANEL DESCRIPTION From X-6904				1	1	
NS	065165	DECAL JCT PANEL DESCRIPTION From X-6945				1		
99	063696	DECAL JCT PANEL IDENTIFICATION To R-923		1				
99	063875	DECAL JCT PANEL IDENTIFICATION From R-924 To T-5872		1				
NS	064220	DECAL JCT PANEL IDENTIFICATION From T-5873		1				
99	063718	DECAL JCT PANEL IDENTIFICATION To R-923	1		1			
99	063877	DECAL JCT PANEL IDENTIFICATION From R-924 To T-5788	1		1			
NS	064220	DECAL JCT PANEL IDENTIFICATION From T-5789	1		1			
99	063722	DECAL JCT PANEL IDENTIFICATION To R-923				1		

From P-722 To Y-7045	Date:10/2022	PAGE:XL-0620-02
REAR JUNCTION BOX ASSY WITH DETROIT S-60		

Item#	Part	Description	M T H 4 0	M T H 4 5	M T H 4 5 E	X L 4 0	X L 4 5	N O T E S
99	063879	DECAL JCT PANEL IDENTIFICATION From R-924 To S-475				1		
99	064025	DECAL JCT PANEL IDENTIFICATION From S-476 To T-5677				1	1	
99	064141	DECAL JCT PANEL IDENTIFICATION From T-5678 To T-5788				1	1	
NS	064214	DECAL JCT PANEL IDENTIFICATION From T-5789 To X-6903				1	1	
NS	065001	DECAL JCT PANEL IDENTIFICATION From X-6904				1	1	
NS	065167	DECAL JCT PANEL IDENTIFICATION From X-6945						
99	063700	DECAL BREAKER & RELAY IDENTIFICATION To R-923		1				
99	063876	DECAL BREAKER & RELAY IDENTIFICATION From R-924 To T-5872		1				
99	064219	DECAL BREAKER & RELAY IDENTIFICATION From T-5873		1				
99	063719	DECAL BREAKER & RELAY IDENTIFICATION To R-923	1		1			
99	063878	DECAL BREAKER & RELAY IDENTIFICATION From R-924 To T-5788	1		1			
NS	064219	DECAL BREAKER & RELAY IDENTIFICATION From T-5789	1		1			
99	063723	DECAL BREAKER & RELAY IDENTIFICATION To R-923				1		
99	063880	DECAL BREAKER & RELAY IDENTIFICATION From R-924 To S-475				1		
99	064026	DECAL BREAKER & RELAY IDENTIFICATION From S-476 To T-5789				1	1	
NS	064215	DECAL BREAKER & RELAY IDENTIFICATION From T-5789 To X-6903				1	1	
NS	065002	DECAL BREAKER & RELAY IDENTIFICATION From X-6904				1	1	
NS	065166	DECAL BREAKER & RELAY IDENTIFICATION From X-6945				1		
NS	400122	DECAL - 24 VOLTS	1	1	1	1	1	
		ALL POSSIBLE OPTIONS ARE INCLUDED IN THE FOLLOWING BOX DRAWING AND ASSEMBLIES RELAY POSITION MAY VARY FROM ONE VEHICLE TO ANOTHER. VERIFY NUMBER STAMPED ON RELAY BEFORE SERVICING SEE CHART PAGE XL-0616-00						
		A) FOR PRODUCT IMPROVMENT ASK FOR WB 95-17 FOR VEHICLE UP TO T-5788						
		B) FOR VEHICLE "GO-TRANSIT"						
		C) WITH ENGINE SERIES 50						
		D) WITH ENGINE SERIES 50 & 60						
		I) IN SEPARATING WALL						
		J) ON RELAY R84 W/O AUXILIARY A/C						
		K) A/C SYSTEM						

From E-638 To N-409	Date:10/2022	PAGE:XL-0621-00
A/C JUNCTION BOX ASSY - MTH		



From E-638 To N-409	Date:10/2022	PAGE:XL-0621-00
A/C JUNCTION BOX ASSY - MTH		

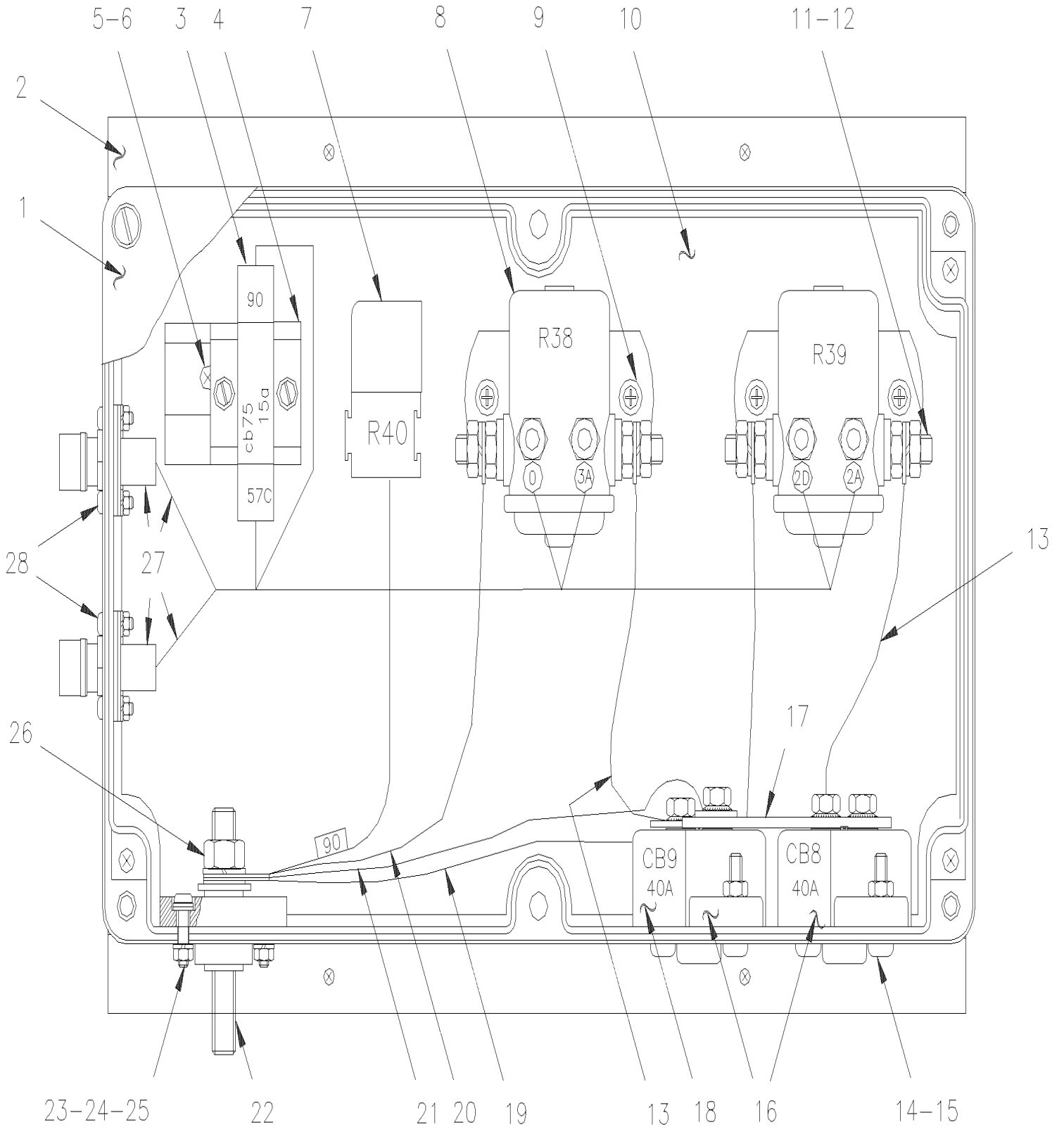
Item#	Part	Description	M T H 4 0	M T H 4 5	M T H 4 5 E	X L 4 0	X L 4 5	N O T E S
	Call order desk	REAR JCT BOX ASSY W/"REGULAR" ENGINE 92	1					P
1	380309	. BOX ASSY W/ HINGE COVER / (AS SHOWN)	1					
1	504320	. . SCREW FST SLT #12 5.8x12.3 STL	2					
1	504178	. . NUT RCT FL 3/4x3/8x.105 SS	2					
1	504534	. . GROMMET / .875x1.250x.187x.562x1.625	4					
2	Call order desk	. . PANEL ASSY	1					P
2	380328	. . PANEL	1					
2	500638	. . SCREW TP PAN PH #8x1/2 Z050	4					
3	061706	. . CABLE ASSY / A/C JCT BOX	1					
4	560113	. . JUNCTION BLOCK W/4 STUDS	1					
4	380147	. . DECAL 11,2,13 & 14	1					
5	562173	. . JUNCTION BLOCK W/10 STUDS	1					
5	380148	. . DECAL 1 TO 9	1					
6	500641	. . SCREW TP PAN PH #8x3/4 Z050	4					
7	561233	. . BASE SOCKET 8 PIN	1					
8	561010	. . RELAY 24V. D.P.D.T.	1					
9	500667	. . SCREW TP TR SQ #6x1 1/2 ZP	2					
10	061705	. . WIRE ASSY / RELAY SOCKET	1					
11	560830	. . BREAKER 15AMPS / 24V /	1					
12	500133	. . SCREW TP RND PH #6x3/8 ZP	2					
13	500470	. . WASHER LO SPT .193x.334x.047 Z050	3					
14	561005	. . SWITCH MAGNETIC / 24V S.P.S.T. / 200AMPS N.O.	2					
15	500613	. . SCREW TP PAN PH #10x1/2 Z050	4					
16	560465	. BREAKER 105AMPS / 24V /	2					
17	500388	. SCREW MA RND PH #10-24x1 Z050	2					
18	500786	. NUT HEX #10-24 Z050	4					
19	500470	. WASHER LO SPT .193x.334x.047 Z050	8					
20	380404	. BUS BAR	2					
21	380405	. BUS BAR / W/2 HOLES / 4 3/4" C/C	1					
22	060892	. CABLE ASSY / CIRCUIT BREAKER & JCT BLOCK	1					
23	560176	. BLOCK, JUNCTION / 2 STUD 1/2-13 / RED	1					
24	500789	. NUT HEX 1/2-13 Z050	1					
25	500482	. WASHER LO SPT .506x.873x.125 Z050	1					
26	061053	CABLE ASSY / CONDENSOR MOTOR & SWITCH	1					
27	061054	CABLE ASSY / EVAPORATOR MOTOR & SWITCH	1					
		P) CALL ORDER DESK FOR SPECIFIC APPLICATION (V.I.N.)						

From N-410 To V-6284

Date:10/2022

PAGE:XL-0621-01

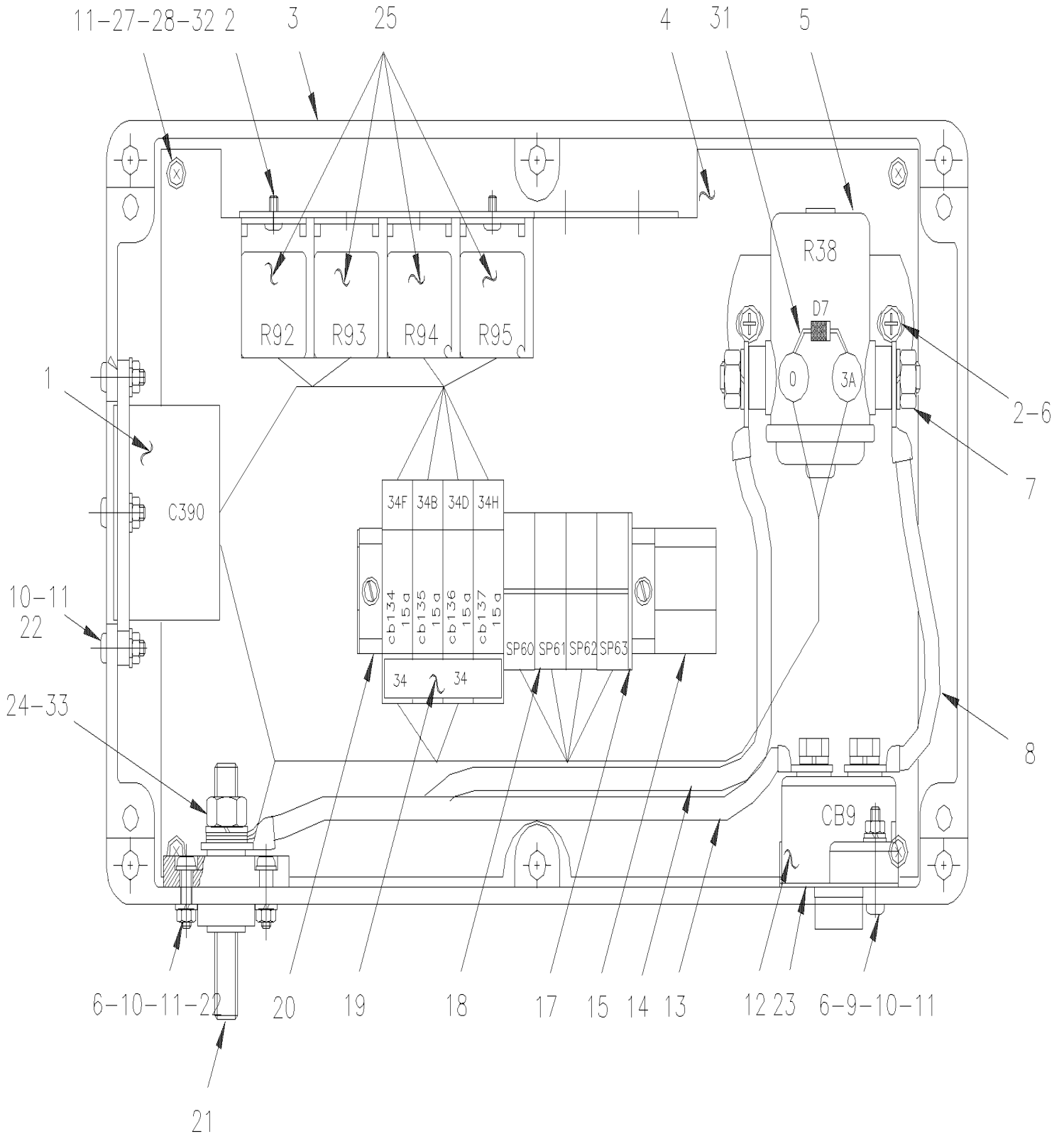
A/C JUNCTION BOX ASSY - MTH



From N-410 To V-6284		Date:10/2022	PAGE:XL-0621-01
A/C JUNCTION BOX ASSY - MTH			

Item#	Part	Description	M T H 4 0	M T H 4 5	M T H 4 5 E	X L 4 0	X L 4 5	N O T E S
		A) FOR PRODUCT IMPROVMENT HEAT DISSIPATOR RELAY ASK FOR KIT #065376						
		B) WITH SERIES 92						
		C) WITH SERIESD 60						
		P) CALL ORDER DESK FOR SPECIFIC APPLICATION (V.I.N.)						

From S-570 To V-6284	Date:10/2022	PAGE:XL-0621-02
A/C JUNCTION BOX ASSY - BUS 45'		



From S-570 To V-6284	Date:10/2022	PAGE:XL-0621-02
A/C JUNCTION BOX ASSY - BUS 45'		

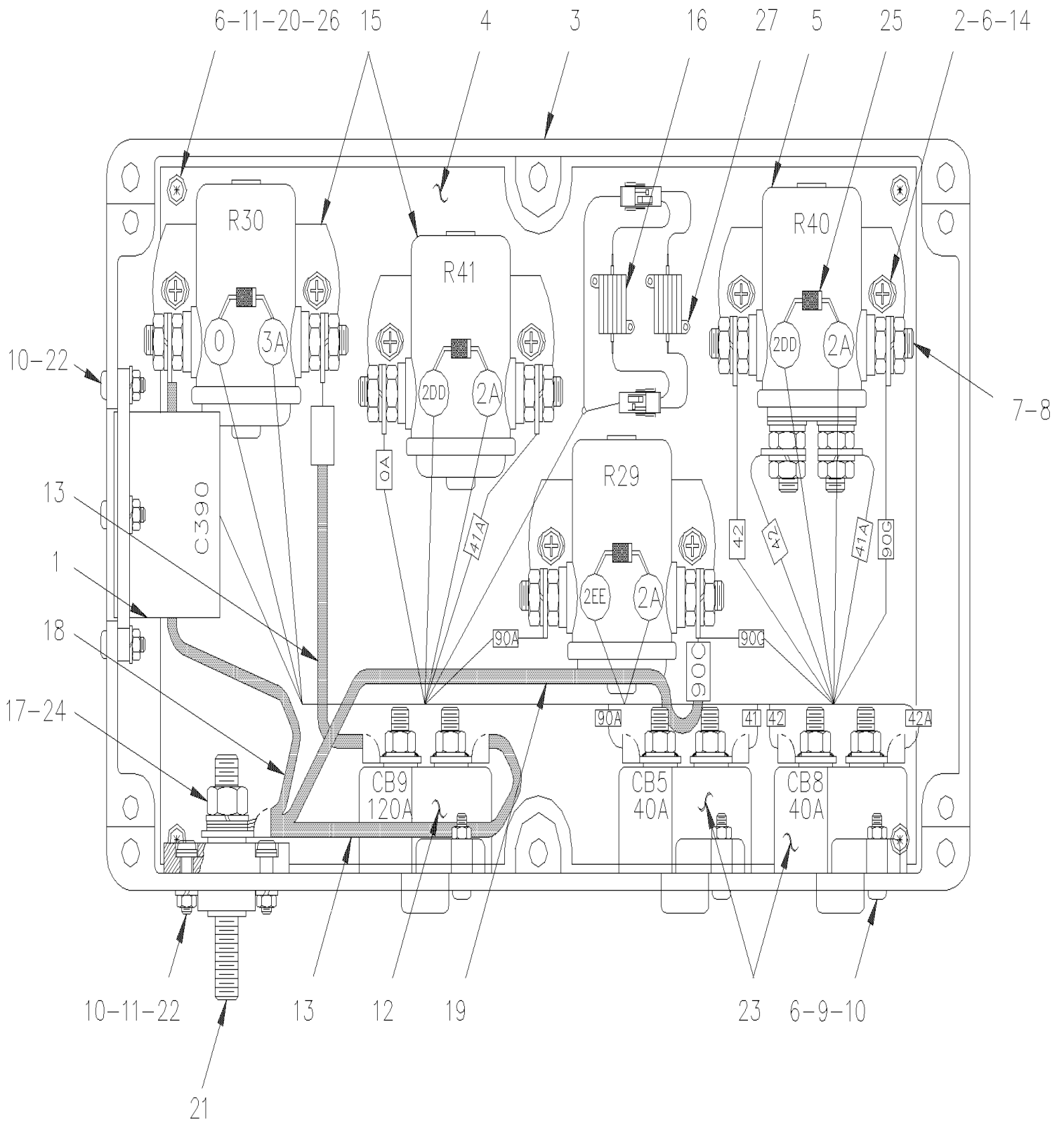
Item#	Part	Description	M T H 4 0	M T H 4 5	M T H 4 5 E	X L 4 0	X L 4 5	N O T E S
	Call order desk	BOX ASSY A/C JUNCTION					1	PA
1	064072	. WIRING HARNESS ASSY					1	
2	500883	. SCREW TC PAN PH #8-32x3/8 Z050					4	
3	880039	. BOX					1	
4	381720	. SUPPORT					1	
5	561005	. SWITCH MAGNETIC / 24V S.P.S.T. / 200AMPS N.O.					1	
6	500438	. WASHER FL .187x.437x.050 Z050					6	
7	500476	. WASHER LO SPT .317x.586x.078 Z050					2	
8	062980	. CABLE ASSY					1	
9	502677	. SCREW MA RND PH M4-0.7x25 SS					2	
10	502524	. NUT HEX M4-0.7 Z050					8	
11	502636	. WASHER LO SPT 4.1x7.6x0.9 Z050					12	
12	562397	. BREAKER 120AMPS / 24V /					1	
13	064070	. CABLE ASSY					1	
14	062979	. CABLE ASSY					1	
15	380905	. RAIL SUPPORT / 150MM					1	
NS	504006	. RIVET POP CK OE 1/8x5/16 AL					2	
17	561728	. END CLOSING					1	
18	561726	. BLOCK JUNCTION					4	
19	380888	. BUS BAR / W/4 HOLES 51MM					2	
20	561729	. STOPPER					2	
21	561102	. BLOCK, JUNCTION / 2 STUD 3/8-16 / BLACK					2	
22	502698	. SCREW MA PAN PH M4-0.7x16 SS BK					6	
23	381133	. GASKET / BREAKER & BOX					1	
24	500379	. NUT HEX 3/8-16 BR					2	
25	561707	. RELAY 24V S.P.D.T. W/RESISTOR /					4	
26	561793	. BREAKER 15AMPS / 24V /					4	
28	502637	. WASHER FL .200x.437x.037 SS					4	
31	060798	. DIODE ASSY					1	
32	5001036	. SCREW MA PAN PH M4-0.7x10 Z050					4	
33	500478	. WASHER LO SPT .380x.683x.094 Z050					2	
NS	064071	. DECAL / ON COVER					1	
NS	065376	KIT, COVER WITH VENTILATION FOR HEAT DISSIPAT					1	
		A) FOR PRODUCT IMPROVMENT HEAT DISSIPATOR RELAY ASK FOR KIT #065376						
		P) CALL ORDER DESK FOR SPECIFIC APPLICATION (V.I.N.)						

From V-6285 To Y-7045

Date:10/2022

PAGE:XL-0621-03

A/C JUNCTION BOX ASSY

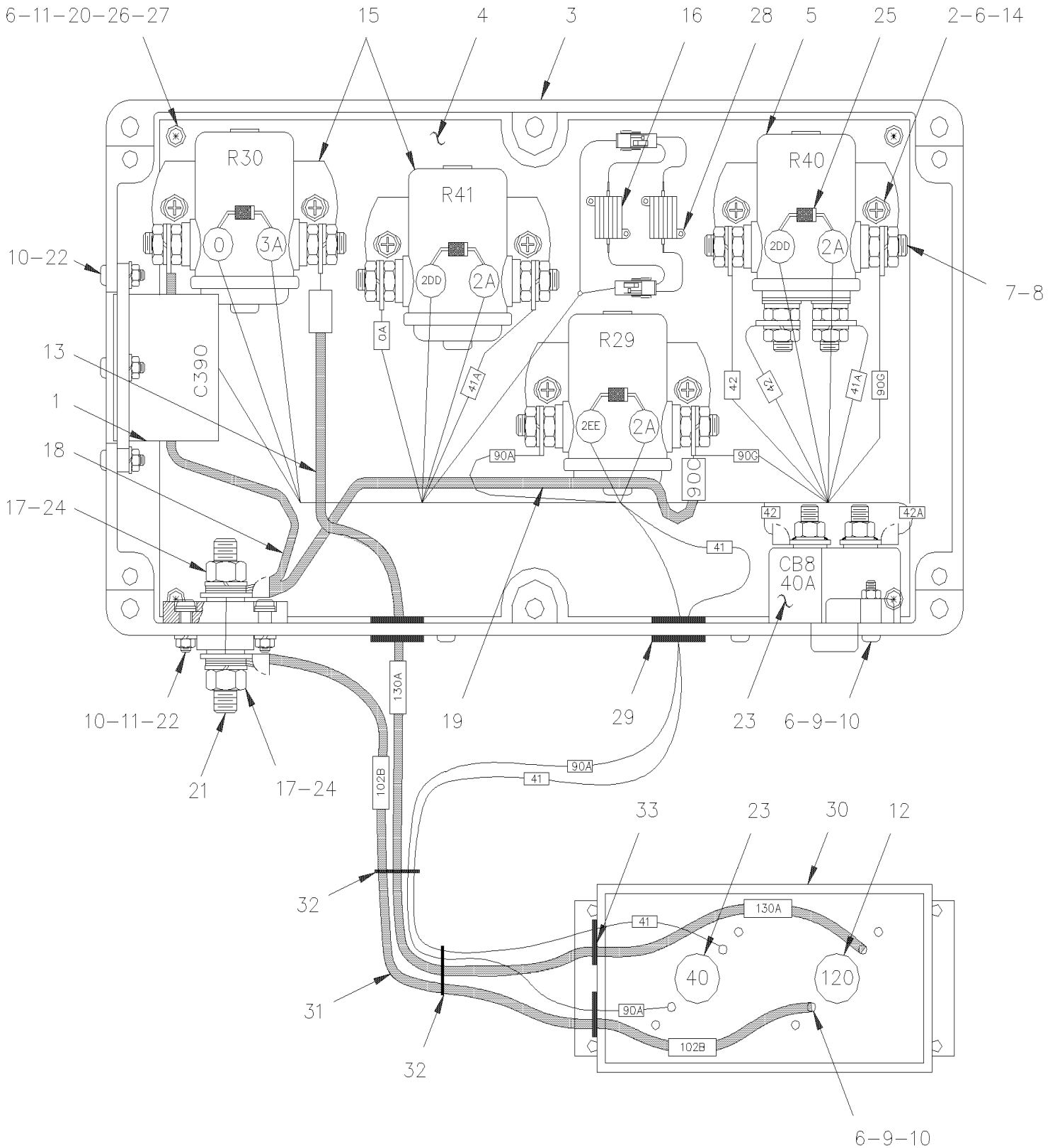


From V-6285 To Y-7045

Date:10/2022

PAGE:XL-0621-03

A/C JUNCTION BOX ASSY



From V-6285 To Y-7045	Date:10/2022	PAGE:XL-0621-03
A/C JUNCTION BOX ASSY		

Item#	Part	Description	M T H 4 0	M T H 4 5	M T H 4 5 E	X L 4 0	X L 4 5	N O T E S
	381785P	A/C JUNCTION BOX FAN AXIAL	1		1	1	1	B
1	064382	WIRING HARNESS ASSY To X-6808	1		1	1	1	
1	064921	WIRING HARNESS From X-6809 To X-6828	1		1	1	1	
1	065021	WIRING HARNESS From X-6829	1		1	1	1	
2	500638	SCREW TP PAN PH #8x1/2 Z050	8		8	8	8	
3	880041	BOX / PLASTIC ABS	1		1	1	1	
NS	064387	DECAL A/C BOX To X-6828	1		1	1	1	
NS	065028	DECAL A/C BOX From X-6829	1		1	1	1	
4	381786	MOUNTING PLATE	1		1	1	1	
5	561014	SWITCH MAGNETIC / 24V D.P.S.T. / 200AMPS N.O.	1		1	1	1	
6	500438	WASHER FL .187x.437x.050 Z050	12		12	12	12	
7	500699	NUT HEX 5/16-24 Z050	8		8	8	8	
8	500476	WASHER LO SPT .317x.586x.078 Z050	8		8	8	8	
9	502677	SCREW MA RND PH M4-0.7x25 SS	6		6	6	6	
10	500590	NUT HEX NYRT M4-0.7 Z050	14		14	14	14	
11	502690	WASHER FL 4.3x9.0x0.8 Z050	16		16	16	16	
12	562688	BREAKER 120AMPS / 24V /	1		1	1	1	
13	062980	CABLE ASSY To X-6828	2		2	2	2	
13	065023	CABLE ASSY From X-6829	1		1	1	1	C
14	500470	WASHER LO SPT .193x.334x.047 Z050	8		8	8	8	
15	561005	SWITCH MAGNETIC / 24V S.P.S.T. / 200AMPS N.O.	3		3	3	3	
16	064907	RESISTOR ASSY From X-6829	1		1	1	1	A
17	500478	WASHER LO SPT .380x.683x.094 Z050	3		3	3	3	
18	062981	CABLE ASSY	1		1	1	1	
19	062559	CABLE ASSY #90C	1		1	1	1	
20	5001363	NUT INS "E-Z LOK" M4-0.7 BR	4		4	4	4	
21	561102	BLOCK, JUNCTION / 2 STUD 3/8-16 / BLACK	2		2	2	2	
22	502698	SCREW MA PAN PH M4-0.7x16 SS BK	8		8	8	8	
NS	680025	CAULKING STRIP 3/16" O.D. X 14'	AR		AR	AR	AR	
23	562686	BREAKER 40AMPS / 24V /	2		2	2	2	
24	500379	NUT HEX 3/8-16 BR	3		3	3	3	
25	060798	DIODE ASSY	4		4	4	4	
26	5001036	SCREW MA PAN PH M4-0.7x10 Z050	4		4	4	4	
27	680066	ADHESIVE / ADBOND #5014 / 23.6ML BOTTLE	AR		AR	AR	AR	
27	500798	SCREW TP PAN PH #4-3/8 ZP	4		4	4	4	
NS	381133	GASKET / BREAKER & BOX	3		3	3	3	
29	504421	GROMMET / .625x.875x.187x.437x1.125	2		2	2	2	
30	381910	A/C BREAKER BOX	1		1	1	1	
31	065022	CABLE ASSY 102B	1		1	1	1	
32	504637	CABLE TIE / 3/16" x 13"	3		3	3	3	
33	504066	GROMMET / .687x1.000x.062x.375x1.312	2		2	2	2	
NS	680532	SEALANT SIKA #221 / GREY / 310ml CARTRIDGE	AR		AR	AR	AR	

From V-6285 To Y-7045	Date:10/2022	PAGE:XL-0621-03
A/C JUNCTION BOX ASSY		

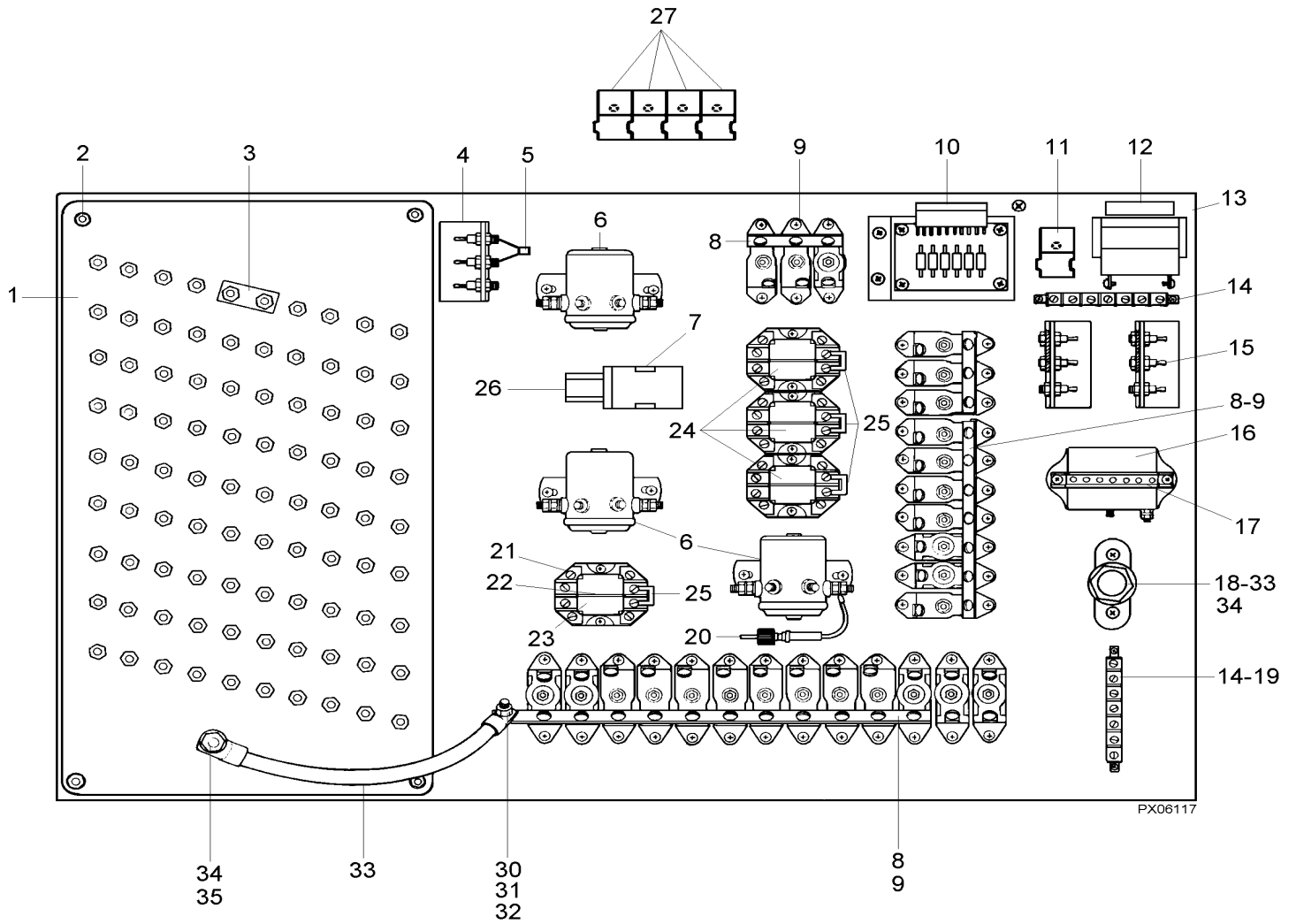
Item#	Part	Description	M T H 4 0	M T H 4 5	M T H 4 5 E	X L 4 0	X L 4 5	N O T E S
NS	065014	KIT TO RELOCATE CB5 AND CB9	1		1	1	1	
NS	IS-98147	SEE INSTRUCTION SHEET	1		1	1	1	
NS	065376	KIT, COVER WITH VENTILATION FOR HEAT DISSIPAT						
		A) TO FIX MOULDINGS & PANELS						
		B) TO FIX MOULDINGS & PANELS						
		C) FOR PRODUCT IMPROVMENT FOR INSTALL EXTERIOR BREAKER ASK FOR KIT 065014 FOR VEHICLE V-6285 TO X-6829						

From E-638 To L-684

Date:10/2022

PAGE:XL-0625-00

FRONT JUNCTION PANEL



From E-638 To L-684	Date:10/2022	PAGE:XL-0625-00
FRONT JUNCTION PANEL		

Item#	Part	Description	M T H 4 0	M T H 4 5	M T H 4 5 E	X L 4 0	X L 4 5	N O T E S
	381230	FRONT JUNCTION PANEL ASSY W/REG ENGINE From K-729 To L-506				1		
	Call order desk	FRONT JUNCTION PANEL ASSY W/DDEC I & ATEC				1		P
	381235	FRONT JUNCTION PANEL ASSY W/DDEC II From K-729 To L-506	1			1		
	381228	FRONT JUNCTION PANEL ASSY W/DDEC II & LARGE A/C From L-507 To L-684	1					
	381229	FRONT JUNCTION PANEL ASSY W/DDEC II & SMALL A/C From L-507 To L-684	1					
1	560178	JUNCTION PANEL W/90 STUDS	1			1		
2	500642	SCREW TP PAN PH #10x3/4 Z050	4			4		
3	880013	BUS BAR	2			2		
4	380357	DIODE SUBASSY / W/3 DIODES	1			1		
NS	560863	DIODE / 12AMPS / CATHODE STUD	3			3		
4	380359	SUPPORT	1			1		
4	380810	PLATE, INSULATING	1			1		
4	560863	DIODE / 12AMPS / CATHODE STUD	3			3		
4	500583	SCREW TP PAN PH #6x1/2 Z050	AR			AR		
5	061065	WIRE ASSY AUX. "LOW AIR SWITCH"	1			1		
6	560407	SWITCH MAGNETIC / 24V S.P.S.T. / 50AMPS N.O.	3			3		
7	560230	FLASHER UNIT 24V W/3 PRONGS	1			1		A
7	504312	CLIP	1			1		
7	064163	FLASHER UNIT 24V ASSY W/CONNECTOR / SERVICE	1			1		
7	380487	SPACER	1			1		
8	380189	BUS BAR 4"	AR			AR		
8	380293	BUS BAR / W/11 HOLES / 7/8" C/C	1			1		
8	380294	BUS BAR / W/3 HOLES / 7/8" C/C	AR			AR		
9	560827	BREAKER 6AMPS / 24V /	AR			AR		
9	560828	BREAKER 8AMPS / 24V /	AR			AR		
9	560829	BREAKER 10AMPS / 24V /	AR			AR		
9	560830	BREAKER 15AMPS / 24V /	AR			AR		
9	560831	BREAKER 20AMPS / 24V /	AR			AR		
10	061759	BOARD ASSY W/SUPPORT	1					
10	061758	SUPPORT	1					
10	061695	PRINTED CIRCUIT BOARD ASSY	1					
10	505231	SPACER .171x.250x.250	4					
10	500564	SCREW MA RND PH #8-32x3/4 Z050	4					
10	500470	WASHER LO SPT .193x.334x.047 Z050	4					
10	500764	NUT HEX #8-32 Z050	4					
11	561230	RELAY 24V S.P.D.T. VF4-15H	1					
12	561013	ALARM	1					
13	380647	PANEL ARBORITE	1			1		
14	560579	JUNCTION BAR / W/7 SCREW TERMINAL	2			2		
15	380549	SUPPORT DIODE ASSY	2			2		
15	380359	SUPPORT	1			1		
15	380358	DIODE SUBASSY	1			1		

From E-638 To L-684	Date:10/2022	PAGE:XL-0625-00
FRONT JUNCTION PANEL		

Item#	Part	Description	M T H 4 0	M T H 4 5	M T H 4 5 E	X L 4 0	X L 4 5	N O T E S
15	560863	. . DIODE / 12AMPS / CATHODE STUD	3			3		
15	380197	. . BUS BAR	1			1		
15	380725	. SUPPORT DIODE ASSY	1					
15	380726	. . SUPPORT	1					
15	380727	. . INSULATING	1					
15	560863	. . DIODE / 12AMPS / CATHODE STUD	1					
16	560918	. ALARM BUZZER	1			1		
17	504345	. CABLE TIE / 3/8"	1			1		
NS	061728	. DECAL "WARNING DO NOT TOUCH"	1			1		
18	560422	. BLOCK, TERMINAL / 1 STUD 3/8-16 / BLACK	1					
19	061104	. DECAL "91 TO 97"	1			1		
20	560067	. FUSE HOLDER IN LINE	1			1		
. NS	8905111	. . TERMINAL FUSE HOLDER	QR			QR		
NS	560598	. FUSE / 7 1/2 AMPS / AGC-7 1/2	1			1		
21	561233	. BASE SOCKET 8 PIN	AR			AR		
NS	500667	. SCREW TP TR SQ #6x1 1/2 ZP	2			2		
22	560920	. SPRING HOLDER	AR			AR		
23	560917	. RELAY 12V D.P.D.T.	1			1		
24	561010	. RELAY 24V. D.P.D.T.	AR			AR		
25	880019	. BUS BAR	AR			AR		
26	061171	. FLASHER RECEPTACLE ASSY	1			1		
26	560158	. BASE ASSY / POLLAK 52-256	1			1		
27	561707	. RELAY 24V S.P.D.T. W/RESISTOR /	AR					
30	500180	. SCREW CAP HEX 5/16-18x1 G8 BR	1			1		
31	500476	. WASHER LO SPT .317x.586x.078 Z050	1			1		
32	500698	. NUT HEX 5/16-18 BR	1			1		
33	060478	. CABLE 7"	1			1		
34	500379	. NUT HEX 3/8-16 BR	1			1		
35	500478	. WASHER LO SPT .380x.683x.094 Z050	1			1		
36	062443	KIT RETROFIT ELECTRONIC 24 FLASHER SERVICE	1	1	1	1	1	
. NS	IS-9914	. SEE INSTRUCTION SHEET	1	1	1	1	1	
		A) FOR PRODUCT IMPROVMENT ASK FOR KIT # 062443						
		P) CALL ORDER DESK FOR SPECIFIC APPLICATION (V.I.N.)						

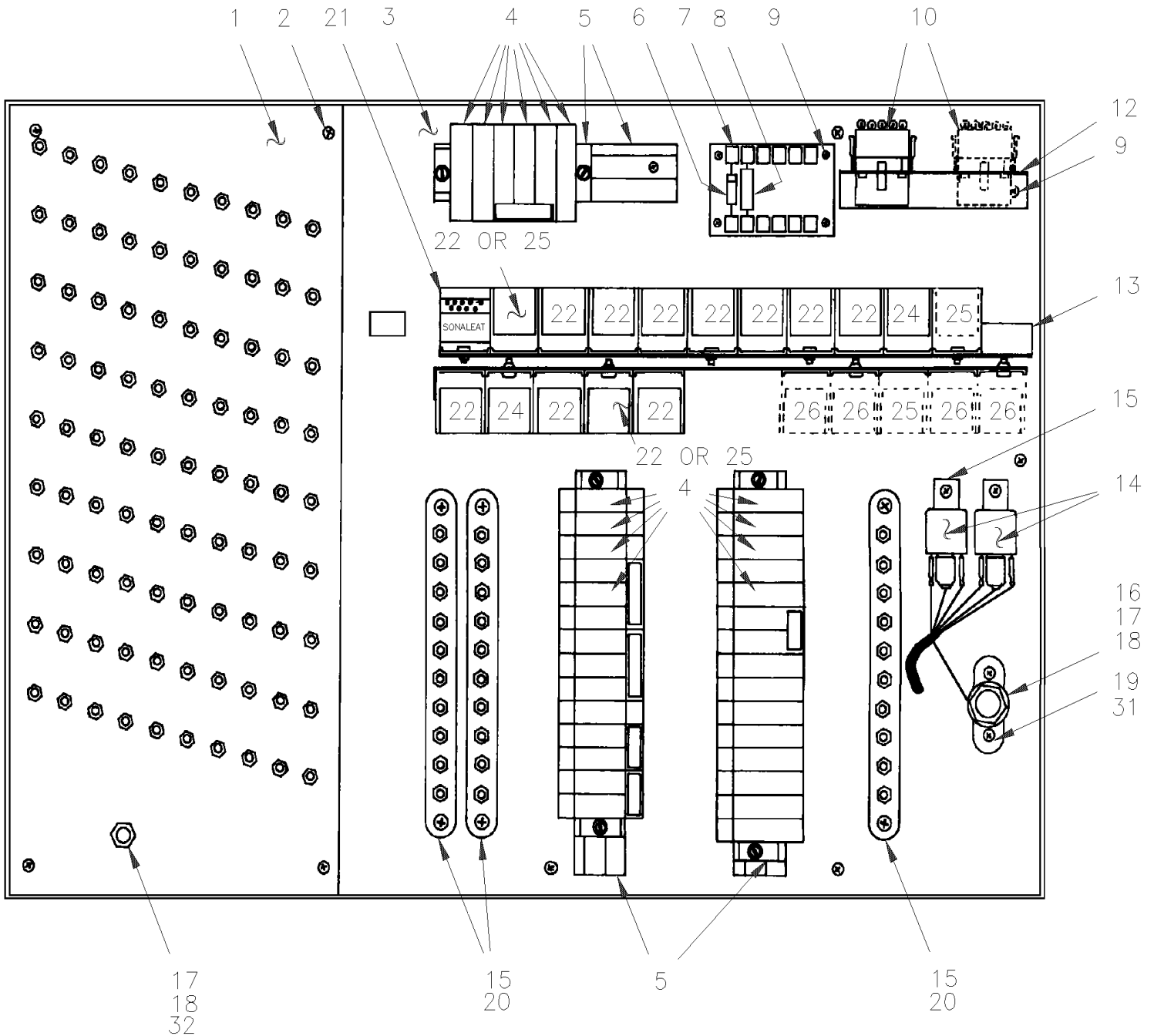
From L-685 To Y-7045

Date:10/2022

PAGE:XL-0625-01

FRONT JUNCTION PANEL

BUS



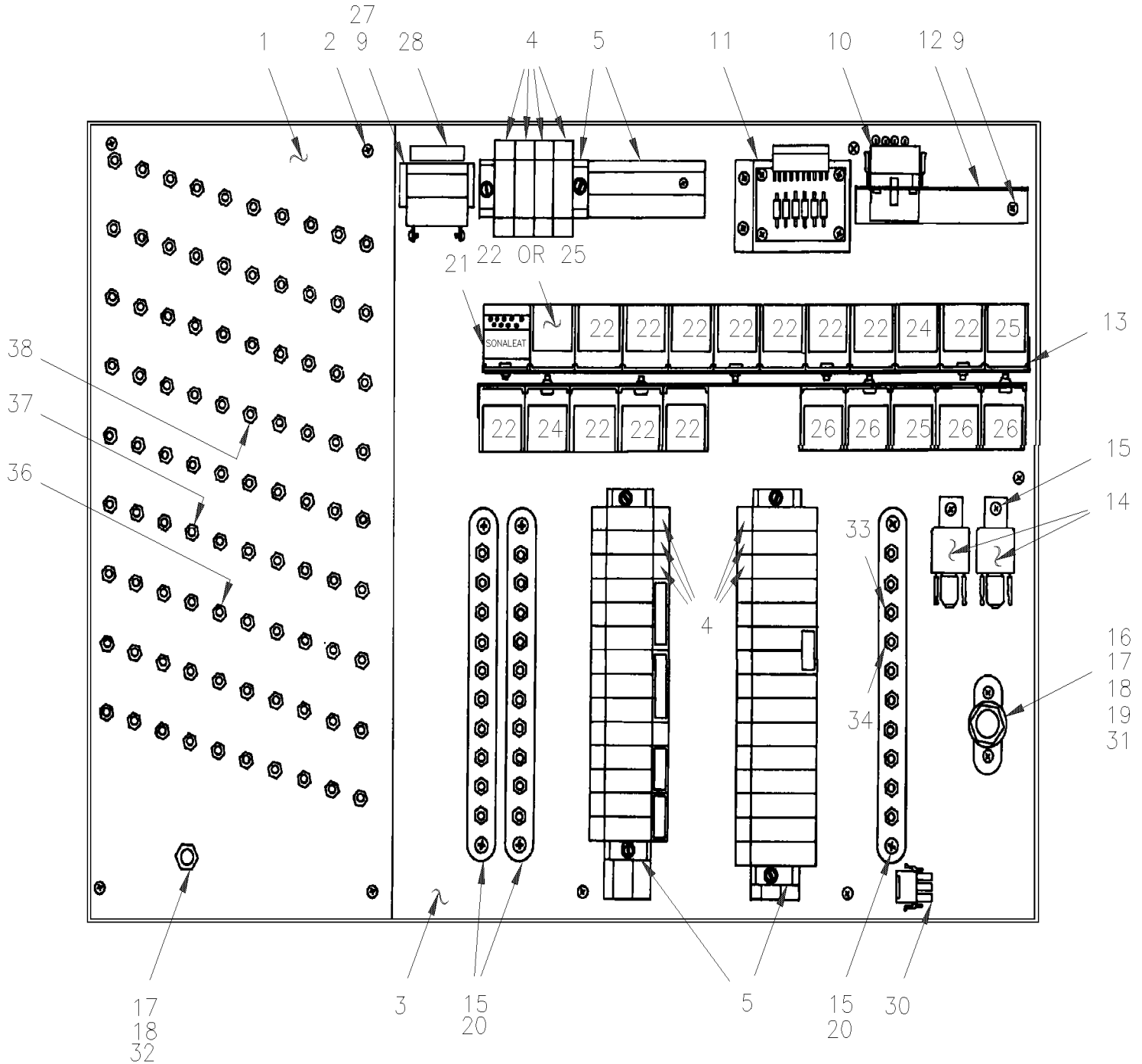
From L-685 To Y-7045

Date:10/2022

PAGE:XL-0625-01

FRONT JUNCTION PANEL

MTH



From L-685 To Y-7045	Date:10/2022	PAGE:XL-0625-01
----------------------	--------------	-----------------

FRONT JUNCTION PANEL

Item#	Part	Description	M T H 4 0	M T H 4 5	M T H 4 5 E	X L 4 0	X L 4 5	N O T E S
	381410	PANEL ASSY / W/O ABS To M-957				1		
	381411	PANEL ASSY / W/O ABS From M-958 To N-490				1		
	381418	PANEL ASSY / W/O ABS From N-491 To P-705				1		
	381530	PANEL ASSY / W/O ABS From P-706 To P-742				1		
	381534	PANEL ASSY / W/O ABS From P-743 To R-845				1		
	Call order desk	PANEL ASSY / W/ABS To M-957				1		P
	381372	PANEL ASSY / W/ABS From M-958 To N-490				1		
	381417	PANEL ASSY / W/ABS From N-491 To P-705				1		
	381529	PANEL ASSY / W/ABS From P-706 To P-742				1		
	381533	PANEL ASSY / W/ABS From P-743 To R-845				1		
	381565	PANEL ASSY From R-846 To T-5883				1		
	381766	PANEL ASSY From T-5884				1		
	Call order desk	PANEL ASSY From S-476				1		P
	381707	PANEL ASSY From S-476 To T-5883					1	
	381765	PANEL ASSY From T-5884					1	
	381409	PANEL ASSY / W/O ABS To M-957	1					
	381412	PANEL ASSY / W/O ABS From M-958 To N-490	1					
	381421	PANEL ASSY / W/O ABS From N-491	1					
	381532	PANEL ASSY / W/O ABS From P-741 To R-822	1		1			
	Call order desk	PANEL ASSY / W/ABS To M-957	1					P
	381374	PANEL ASSY / W/ABS From M-958 To N-490	1					
	381422	PANEL ASSY / W/ABS From N-491 To P-740	1					
	381531	PANEL ASSY / W/ABS From P-741 To R-822	1		1			
	Call order desk	PANEL ASSY From R-823 To T-5785	1		1			P
	381632	PANEL ASSY From R-823 To T-5785	1		1			
	381632	PANEL ASSY From R-823 To T-5785			AR			
	381521	PANEL ASSY From P-646 To R-822		1				
	381634	PANEL ASSY From R-823 To T-5785		1				
	381735	PANEL ASSY From T-5786	1	1	1			
1	560178	JUNCTION PANEL W/90 STUDS	1	1	1	1	1	
2	500642	. SCREW TP PAN PH #10x3/4 Z050	4	4	4	4	4	
3	381263	. BOARD, MOUNTING / LAMINATED	1	1	1	1	1	
4	561790	. BREAKER 6AMPS / 24V /	AR	AR	AR	AR	AR	
4	561791	. BREAKER 8AMPS / 24V /	AR	AR	AR	AR	AR	
4	561792	. BREAKER 10AMPS / 24V /	AR	AR	AR	AR	AR	
4	561793	. BREAKER 15AMPS / 24V /	AR	AR	AR	AR	AR	
4	561794	. BREAKER 20AMPS / 24V /	AR	AR	AR	AR	AR	
4	561795	. BREAKER 25AMPS / 24V /	AR	AR	AR	AR	AR	
4	561797	. BREAKER 3AMPS / 24V /	AR	AR	AR	AR	AR	
5	XL-0616-00	. JUNCTION BOX COMPONENTS, RELAY & BREAKER						
6	062120	. DIODE ASSY				1	1	
6	560931	. . DIODE / 3AMPS				1	1	

From L-685 To Y-7045	Date:10/2022	PAGE:XL-0625-01
FRONT JUNCTION PANEL		

Item#	Part	Description	M T H 4 0	M T H 4 5	M T H 4 5 E	X L 4 0	X L 4 5	N O T E S
7	562161	. BOARD TERMINAL				1	1	
7	381295	. . PLATE INSULATING				1	1	
8	063073	. RESISTOR ASSY 33 OHMS 10 W				1	1	
9	500133	. SCREW TP RND PH #6x3/8 ZP				AR	AR	
10	381145	. DIODE ASSY / W/5 3AMPS	AR	AR	AR	AR	AR	
10	560931	. . DIODE / 3AMPS	5	5	5	5	5	
10	561986	. . CONNECTOR / UNIVERSAL MATE-N-LOK / SH 15C / AMP 1-480710-0	1	1	1	1	1	
10	561514	. . SOCKET TERMINAL / 20-14 / AMP 350537-3	10	10	10	10	10	
11	061759	. BOARD ASSY W/SUPPORT	1	1	1			
11	061695	. . PRINTED CIRCUIT BOARD ASSY	1	1	1			
11	061758	. . SUPPORT	1	1	1			
11	505231	. . SPACER .171x.250x.250	4	4	4			
11	500564	. . SCREW MA RND PH #8-32x3/4 Z050	4	4	4			
11	500470	. . WASHER LO SPT .193x.334x.047 Z050	4	4	4			
11	500764	. . NUT HEX #8-32 Z050	4	4	4			
12	381144	. SUPPORT W/RECTIFIER CONNECTOR	1	1	1	1	1	
13	381264	. SUPPORT / W/RELAY BASE	1	1	1	1	1	
13	500557	. SCREW MA PAN PH #8-32x3/8 SS	AR	AR	AR	AR	AR	
14	561991	. RELAY 24V S.P.D.T. / 70 AMPS N.O.	2	2	2	2	2	
15	500582	. SCREW TP PAN PH #8x3/8 Z050	AR	AR	AR	AR	AR	
16	560422	. BLOCK, TERMINAL / 1 STUD 3/8-16 / BLACK	1	1	1	1	1	
17	500478	. WASHER LO SPT .380x.683x.094 Z050	1	1	1	1	1	
18	500379	. NUT HEX 3/8-16 BR	1	1	1	1	1	
19	500613	. SCREW TP PAN PH #10x1/2 Z050	2	2	2	2	2	
20	562173	. JUNCTION BLOCK W/10 STUDS	3	3	3	3	3	
21	562117	. ALARM BUZZER	1	1	1	1	1	A
22	561707	. RELAY 24V S.P.D.T. W/RESISTOR /	AR	AR	AR	AR	AR	
24	561538	. RELAY 12V S.P.D.T. V 415 F11	AR	AR	AR	AR	AR	
25	561706	. RELAY 12V S.P.D.T. W/DIODE /				AR		
26	562092	. RELAY 12V S.P.D.T. W/DIODE /	AR	AR	AR	AR	AR	
27	380951	. SUPPORT, BUZZER / UNDER DASHBOARD	1	1	1	1	1	
28	561013	. ALARM	1	1	1	1	1	
30	062823	. CABLE ASSY / FRT JCT PANEL W/DOOR LOCK	1			1		
30	062823	. CABLE ASSY / FRT JCT PANEL W/DOOR LOCK To X-6679	1	1	1			
30	064487	. CABLE ASSY / FRONT JCT PANEL TO CONSOLE From X-6680	1	1	1			
31	062844	. CABLE MAIN HARNESS To M-957	1					
31	063126	. CABLE MAIN HARNESS From M-958 To R-822	1		1			
31	063640	. CABLE MAIN HARNESS From R-823 To T-5785	1		1			
31	062878	. CABLE MAIN HARNESS To M-957				1		
31	063127	. CABLE MAIN HARNESS From M-958 To N-490				1		
31	063178	. CABLE MAIN HARNESS From N-491 To P-742				1		
31	063495	. CABLE MAIN HARNESS From P-743 To R-845				1		

From L-685 To Y-7045	Date:10/2022	PAGE:XL-0625-01
FRONT JUNCTION PANEL		

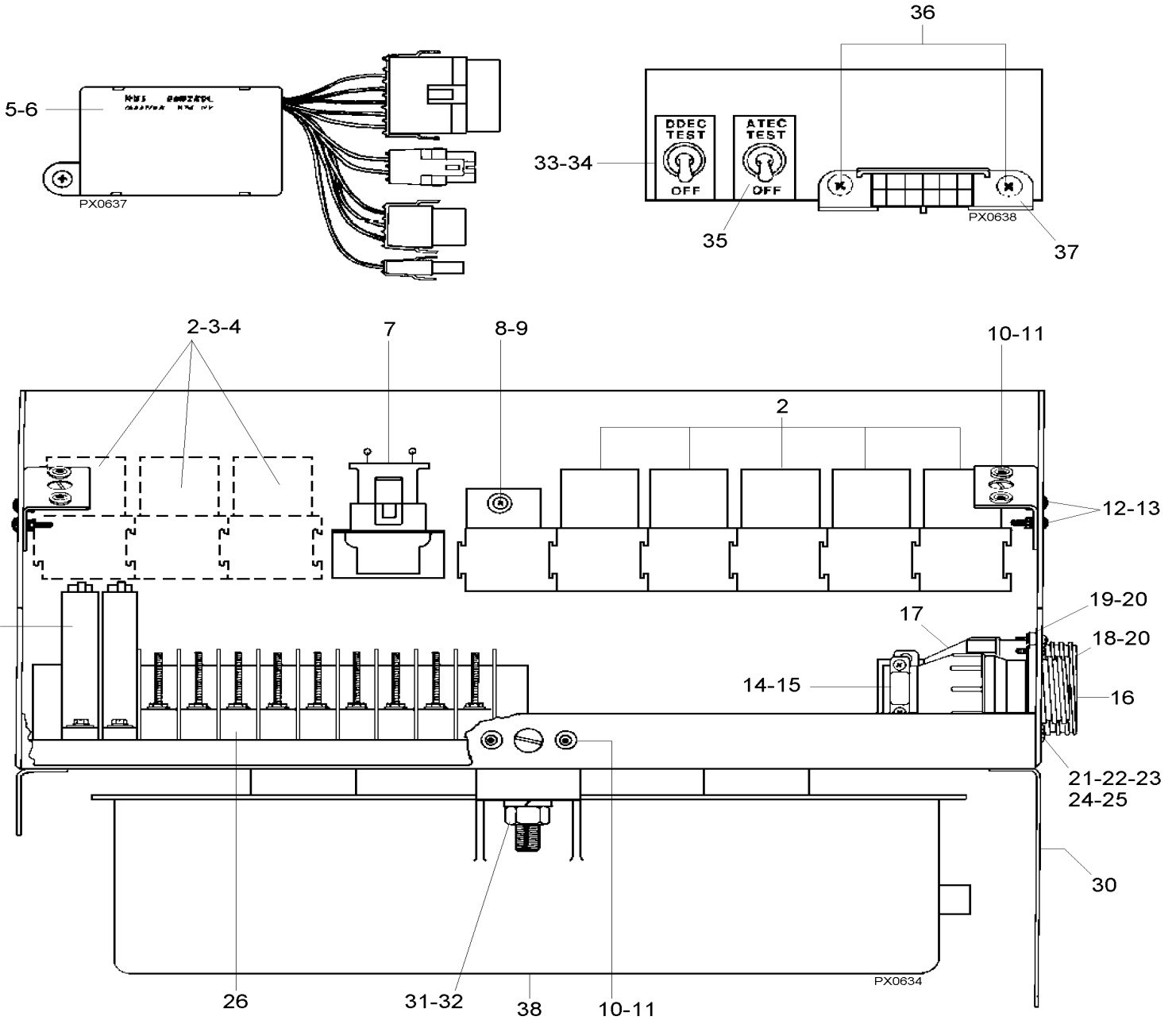
Item#	Part	Description	M T H 4 0	M T H 4 5	M T H 4 5 E	X L 4 0	X L 4 5	N O T E S
31	063584	CABLE MAIN HARNESS From R-846				1	1	
31	063848	CABLE MAIN HARNESS From P-646 To T-5872		1				
31	063848	CABLE MAIN HARNESS From R-823 To T-5872	1		1			
31	064481	CABLE MAIN HARNESS From T-5873 To X-6679	1	1	1			
31	064501	CABLE MAIN HARNESS From X-6680	1	1	1			
32	062822	CABLE MAIN HARNESS To N-490	1					
32	063179	CABLE MAIN HARNESS From N-491 To P-740	1					
32	062877	CABLE MAIN HARNESS To N-490				1		
32	063175	CABLE MAIN HARNESS From N-491 To P-705				1		
32	063492	CABLE MAIN HARNESS From P-706 To P-742				1		
32	063486	CABLE MAIN HARNESS From P-743 To R-845				1		
32	063583	CABLE MAIN HARNESS From R-846 To S-475				1		
32	063989	CABLE MAIN HARNESS From S-476 To T-5883				1	1	
32	064012	CABLE MAIN HARNESS From S-476					1	
32	064276	CABLE MAIN HARNESS From T-5884					1	
33	062847	WIRE ASSY	1			1		
34	062848	WIRE ASSY #24	1			1		
35	063240	CABLE ASSY				1		
36	062859	WIRE ASSY #82D	1					
37	061671	WIRE ASSY #43A	1					
NS	063849	DIODE ASSY From R-846	AR			AR	AR	
NS	063849	DIODE ASSY From R-846			2			
38	061880	CABLE ASSY #65A	1					
99	062907	DECAL BREAKER & RELAY IDENT W/REG ENG To M-957				1		
99	063128	DECAL BREAKER & RELAY IDENT W/REG ENG From M-958 To N-490				1		
99	063171	DECAL BREAKER & RELAY IDENT W/REG ENG From N-491 To P-740				1		
99	062909	DECAL DIODE IDENT W/REG ENG				1		
99	063498	DECAL BREAKER & RELAY IDENT W/DDEC II From P-741 To R-845				1		
99	063724	DECAL BREAKER & RELAY IDENT W/DDEC III From R-846 To S-475				1		
99	064013	DECAL BREAKER & RELAY IDENT W/DDEC III From S-476 To T-5884				1		
99	064283	DECAL BREAKER & RELAY IDENT W/DDEC III From T-5885 To W-6490				1		
99	064667	DECAL BREAKER & RELAY IDENT W/DDEC III From W-6491 To X-6903				1		
99	065000	DECAL BREAKER & RELAY IDENT W/DDEC III From X-6904				1		
99	065172	DECAL BREAKER & RELAY IDENT W/DDEC III From X-6945				1		
99	064021	DECAL BREAKER & RELAY IDENT W/DDEC III From S-497 To T-5884					1	
99	064282	DECAL BREAKER & RELAY IDENT W/DDEC III From T-5885 To W-6490					1	
99	064668	DECAL BREAKER & RELAY IDENT W/DDEC III From W-6491 To X-6903					1	
99	064999	DECAL BREAKER & RELAY IDENT W/DDEC III From X-6904					1	
99	062908	DECAL BREAKER & RELAY IDENT W/DDEC II To N-409	1					
99	063103	DECAL BREAKER & RELAY IDENT W/DDEC II From N-410 To N-490	1					
99	063172	DECAL BREAKER & RELAY IDENT W/DDEC II From N-491 To P-740	1		1			
99	063493	DECAL BREAKER & RELAY IDENT W/DDEC II From P-741	1		1			

From L-685 To Y-7045	Date:10/2022	PAGE:XL-0625-01
----------------------	--------------	-----------------

FRONT JUNCTION PANEL

Item#	Part	Description	M T H 4 0	M T H 4 5	M T H 4 5 E	X L 4 0	X L 4 5	N O T E S
		A) LOW WATER LEVEL (OPTION)						
		P) CALL ORDER DESK FOR SPECIFIC APPLICATION (V.I.N.)						

From J-540 To P-721	Date:10/2022	PAGE:XL-0627-00
JUNCTION BOX - ATEC / DDEC II		



From J-540 To P-721		Date:10/2022	PAGE:XL-0627-00
JUNCTION BOX - ATEC / DDEC II			

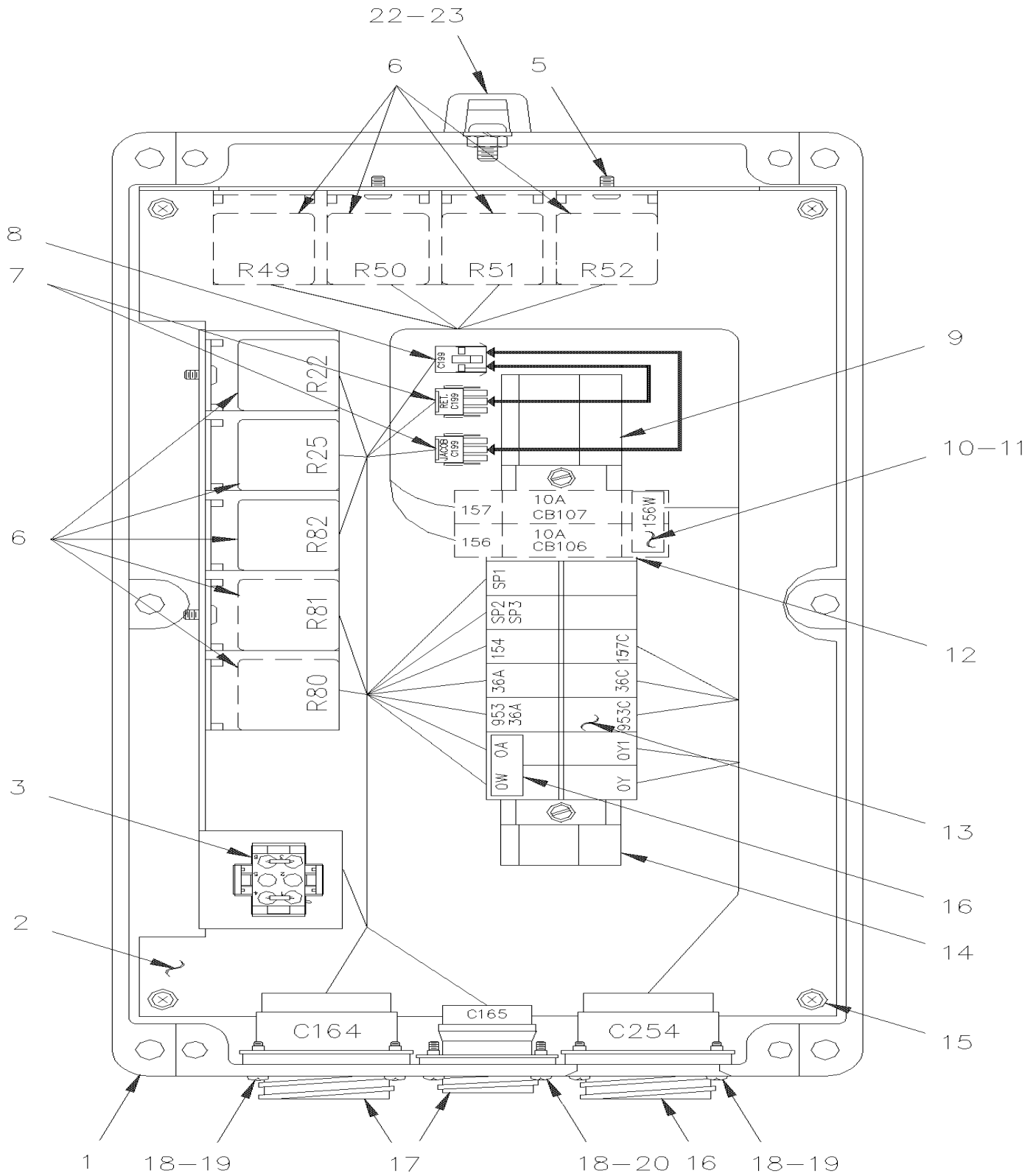
Item#	Part	Description	M T H 4 0	M T H 4 5	M T H 4 5 E	X L 4 0	X L 4 5	N O T E S
	381408	BOX ASSY / W/ATEC TRANS From L-707				1		
	381407	BOX ASSY / W/HYDRAULIC TRANSMISSION From L-707				1		
	381382	BOX ASSY / W/ATEC TRANSMISSION From L-685	1					
1	380969	BOX W/O COVER To N-986	1			1		
1	381424	BOX W/O COVER From N-987	1			1		
1	380965	COVER	1			1		
1	504354	STUD 5/16 O.D. X 3/8 (DZUS)	3			3		
1	504353	RETAINER, 5/16"DIA. (DZUS) STUD	3			3		
2	561707	RELAY 24V S.P.D.T. W/RESISTOR /	AR					
3	561706	RELAY 12V S.P.D.T. W/DIODE /				14		
4	063046	CABLE ASSY TO RELAY W/HYD. TRANS.				1		
4	500518	SCREW MA BDG PH #4-40x1/2 Z050	AR			AR		
5	561945	CONTROL, THROTTLE POSITION / ATEC TRANSMISSION	1			1		
6	500582	SCREW TP PAN PH #8x3/8 Z050	1			1		
7	062330	CONNECTOR ASSY W/RESISTOR	1			1		
7	561515	CONNECTOR / UNIVERSAL MATE-N-LOK / SH 6C / AMP 1-480704-0	1			1		
7	561514	SOCKET TERMINAL / 20-14 / AMP 350537-3	4			4		
7	561897	RESISTOR / 4.32K OHMS / 1/4 W	1			1		
7	561898	RESISTOR / 10K OHMS / 1/4 W	1			1		
8	500344	SCREW MA RND PH M4-0.7x12 Z050	AR			AR		
9	500438	WASHER FL .187x.437x.050 Z050	AR			AR		
10	380963	SUPPORT	2			2		
11	504365	SPRING HOOK / DZUS 5/16	3			3		
11	504106	RIVET POP DOME OE 1/8x1/4 AL	6			6		
12	500148	SCREW MA RND PH #6-32x1/2 SS	4			4		
13	500689	NUT HEX #6-32 Z050	4			4		
13	500437	WASHER FL .125x.375x.040 Z050	AR			AR		
14	063044	HARNESS ASSY	1			1		
15	561655	CABLE CLAMP / CPC / #17 / AMP 206070-8	1			1		
16	561638	CONNECTOR / CPC SERIES 1 / PH 16C / AMP 206036-1	1			1		
17	561657	CABLE CLAMP / CPC / #23 / AMP 206138-1	1			1		
18	561709	CONNECTOR / CPC SERIES 4 / PH 2C/20C / AMP 206613-1	1			1		
18	561698	PIN TERMINAL 16-12 / POWER CONTACT / AMP 66261-4	1			1		
18	561018	PIN TERMINAL / 18-14 / SIGNAL CONTACT / AMP 66602-1	AR			AR		
19	561821	NUT, RING #17 & 20 / 1.500" I.D W/4 4-40	1			1		
20	561823	NUT, RING #23 / 1.812" I.D. W/4 4-40	1			1		
21	381401	PLATE CLOSING / W/O ABS				1		
22	063163	CABLE ASSY / W/ABS ONLY From N-987	1					
23	561658	CABLE CLAMP / CPC / #23 / AMP 206512-1	1			1		
24	561693	CONNECTOR / CPC SERIES 4 / PH 4C/12C / AMP 207486-1	1					
24	561698	PIN TERMINAL 16-12 / POWER CONTACT / AMP 66261-4	2					
24	561018	PIN TERMINAL / 18-14 / SIGNAL CONTACT / AMP 66602-1	12					

From P-722 To Y-7045

Date:10/2022

PAGE:XL-0627-01

JUNCTION BOX - "DDEC III"



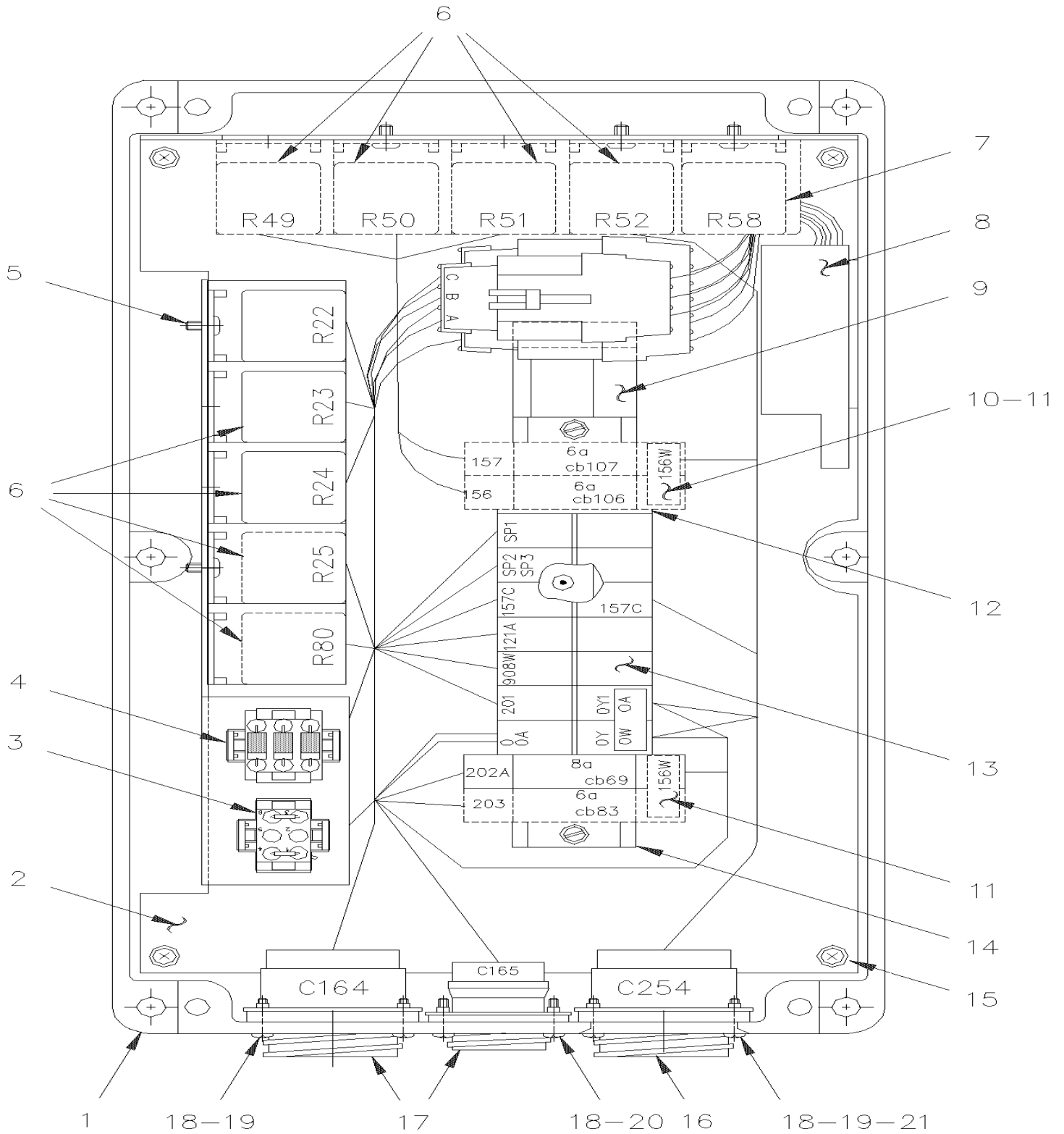
FROM W-6491

From P-722 To Y-7045

Date:10/2022

PAGE:XL-0627-01

JUNCTION BOX - "DDEC III"



UP TO W-6490

From P-722 To Y-7045	Date:10/2022	PAGE:XL-0627-01
----------------------	--------------	-----------------

JUNCTION BOX - "DDEC III"

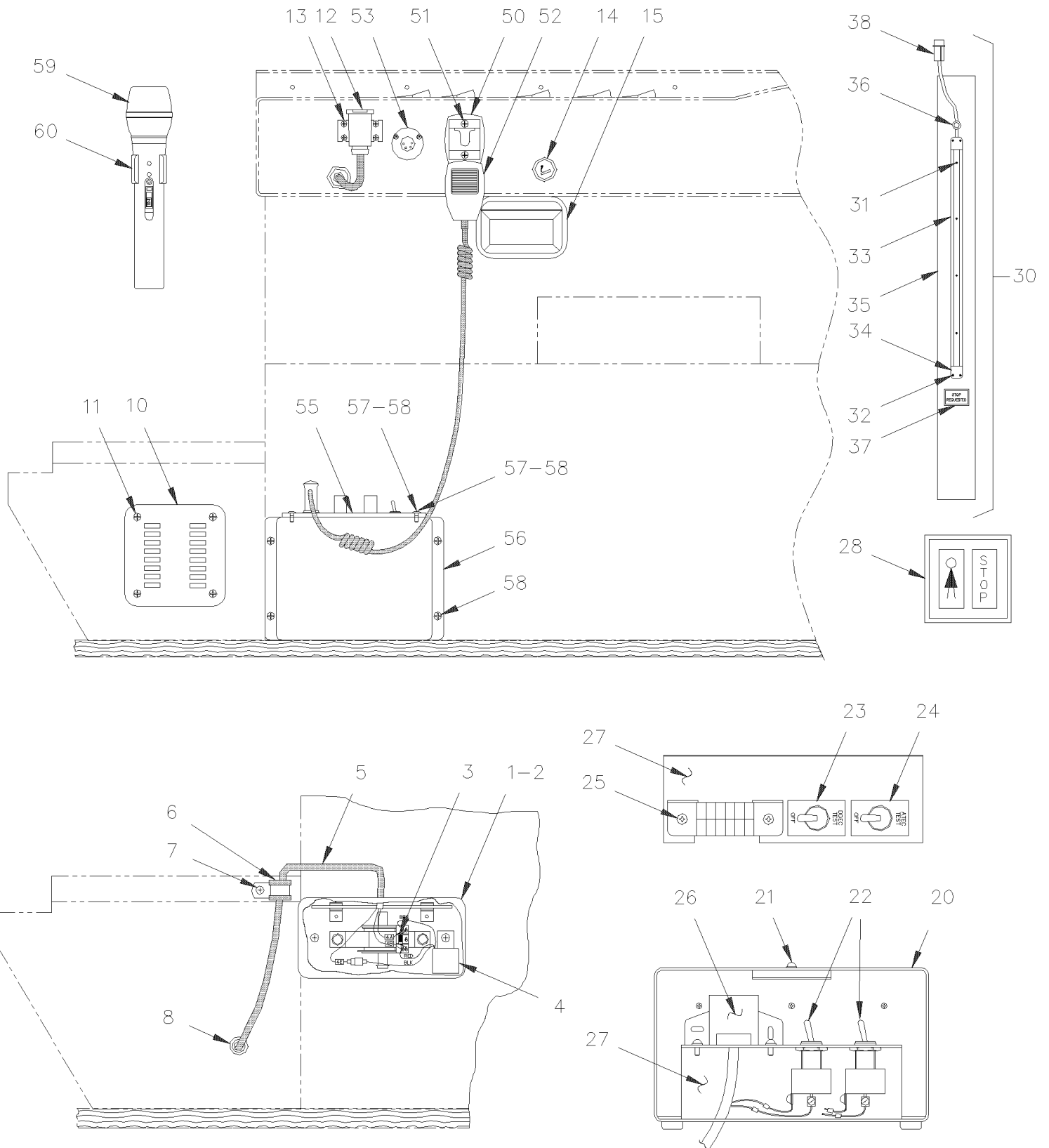
Item#	Part	Description	M T H 4 0	M T H 4 5	M T H 4 5 E	X L 4 0	X L 4 5	N O T E S
		P) CALL ORDER DESK FOR SPECIFIC APPLICATION (V.I.N.)						

From E-638 To Y-7045

Date:10/2022

PAGE:XL-0628-00

CHIME BELL - INSTALLATION



From E-638 To Y-7045	Date:10/2022	PAGE:XL-0628-00
CHIME BELL - INSTALLATION		

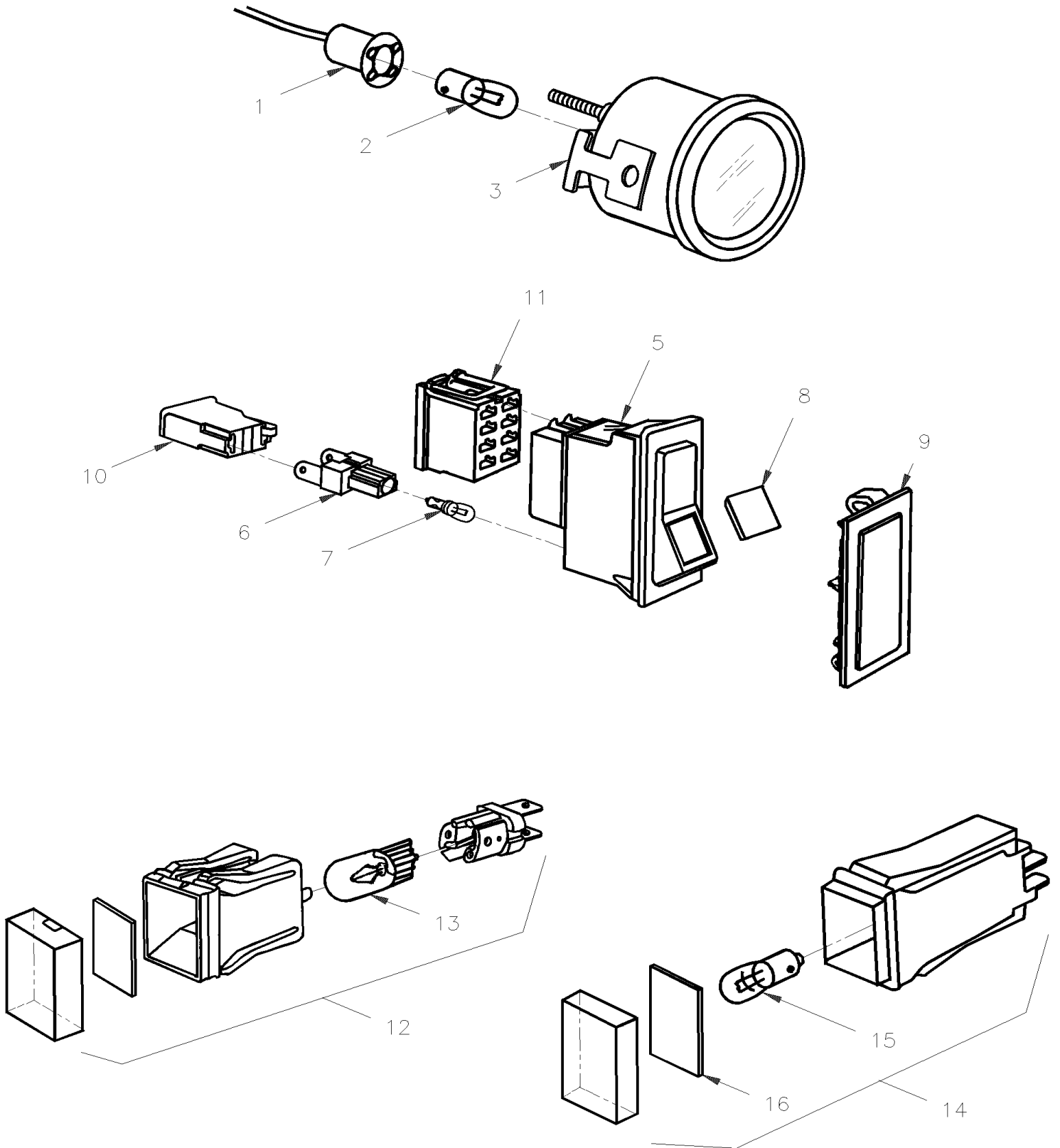
Item#	Part	Description	M T H 4 0	M T H 4 5	M T H 4 5 E	X L 4 0	X L 4 5	N O T E S
1	560367	CHIME BELL 24V / PASSENGER'S SIGNAL To W-6493				1	1	
2	561925	. COVER CHIME				1	1	
NS	500331	NUT WELL #10-32x1.0				2	2	
NS	500427	SCREW MA RND PH #10-32x1 1/4 ZP				2	2	
3	062121	DIODE				1	1	
4	063304	MODULE, PULSE				1	1	
5	061986	CABLE ASSY From P-743 To T-5883				1	1	
5	063433	CABLE ASSY From T-5884 To W-6493				1	1	
6	560479	CLAMP / 3/8" I.D.				2	2	
7	500641	SCREW TP PAN PH #8x3/4 Z050				4	4	
8	504323	GROMMET / .375x.500x.062x.281x.687				1	1	
10	381854	CHIME / PASSENGER'S SIGNAL From W-6494				1	1	
NS	064684	CABLE ASSY From W-6494				1	1	
11	500503	SCREW WO FL PH #8x1 1/4 Z050				4	4	
12	064195	POWER OUTLET 12V ASSY				1	1	
13	5001015	SCREW TP BDG PH #6x1/2 SS BK				4	4	
14	561491	LIGHTER ASSY / 12V				1	1	
15	860625	ASHTRAY / METAL				1	1	
NS	860626	SUPPORT ASHTRAY / PLASTIC				1	1	
NS	502678	SCREW SET HEXS CONE M10-1.5x15				2	2	
20	063425	COVER To R-822				1		
21	500572	SCREW MA TR PH #10-24x1/2 SS BK To R-822				1		
NS	391570	DECAL ATEC/DDEC TEST To R-822				1		
22	560256	SWITCH / OFF-ON / S.P.S.T. To R-822				2		
23	062645	DECAL, "DDEC" To R-822				1		
24	061879	DECAL, "ATEC" To R-822				1		
25	500657	SCREW TC TR PH #10-24x1/2 Z050 To R-822				1		
26	561817	CONNECTOR / METRI-PACK 280 / SH 12C / PED 12020043 To R-822				1		
NS	561818	SOCKET TERMINAL / 20-18 / PED 12034046 To R-822				1		
27	063424	SUPPORT To R-822				1		
28	560692	SWITCH / S.P.S.T. / N.O. / WHITE PUSH BUTTON To E-729				1		
28	561564	SWITCH, HOSTESS & STOP From E-730				1	1	
30	065147	NEXT STOP STRIP BUTTON From X-6945				1		
31	504103	. RIVET POP DOME OE 1/8x1/8 AL From X-6945				5		
32	5001015	. SCREW TP BDG PH #6x1/2 SS BK From X-6945				4		
33	065146	. EXTRUSION From X-6945				1		
34	562965	. SWITCH TAPE / S.P.S.T. / N. O. From X-6945				1		
35	320619	. STRIP From X-6945				1		
NS	680052	. GLUE, CONTACT ADBOND 8399 4 LITER From X-6945				AR		
36	5001419	. SNAP-IN PLUG / .375 O.D. From X-6945				1		
37	404882	. PLATE From X-6945				1		
37	5001479	. SCREW TP BDG PH #6x3/8 SS EMN From X-6945				2		

From E-638 To Y-7045

Date:10/2022

PAGE:XL-0644-00

DASHBOARD COMPONENTS



From E-638 To Y-7045	Date:10/2022	PAGE:XL-0644-00
----------------------	--------------	-----------------

DASHBOARD COMPONENTS

Item#	Part	Description	M T H 4 0	M T H 4 5	M T H 4 5 E	X L 4 0	X L 4 5	N O T E S
1	061887	SOCKET BULB / PLASTIC W/WIRE & CONNECTOR / BA9s	1	1	1	1	1	
. NS	561518	. SOCKET BULB / PLASTIC W/WIRE / BA9s	1	1	1	1	1	
. NS	560144	. BULB / 1.6WATT-24VOLTS / SAE# 1820	1	1	1	1	1	
NS	561518	. SOCKET BULB / PLASTIC W/WIRE / BA9s	1	1	1	1	1	
NS	562325	SOCKET BULB / PLASTIC W/.250 SPADE / BA7s	1	1	1	1	1	A
NS	562383	SOCKET BULB / METAL W/WIRE / BA9s	1	1	1			
2	560144	BULB / 1.6WATT-24VOLTS / SAE# 1820	1	1	1	1	1	
2	560145	BULB / 1WATT-24VOLTS / SAE# 1829	1	1	1	1	1	
2	560601	BULB / 2WATT-24VOLTS / SAE# 456	1	1	1			
2	561006	BULB / 1WATT-24VOLTS / SAE# 2741MF				3	3	
2	561167	BULB / 2WATT-24VOLTS / SAE# 3899	1	1	1	1	1	B
NS	561885	BULB COVER / GREEN W/PYROMETER	1	1	1			
3	561517	HARDWARE KIT	AR	AR	AR	AR	AR	
NS	500764	. NUT HEX #8-32 Z050	2	2	2	2	2	
5	561066	SWITCH / ON-ON / D.P.D.T. / CH-OVER W/O BULB	AR	AR	AR	AR	AR	
5	561064	SWITCH / ON-OFF-ON D.P.D.T. / W/O BULB	AR	AR	AR	AR	AR	
5	561065	SWITCH / ON-ON / D.P.D.T. / SELECTOR W/O BULB	AR	AR	AR	AR	AR	
5	561452	SWITCH / ON-M/ON D.P.D.T. W/O BULB	AR	AR	AR	AR	AR	
5	561468	SWITCH / OFF-ON S.P.S.T.	AR	AR	AR	AR	AR	
5	561470	SWITCH / OFF-M/ON S.P.S.T.	AR	AR	AR	AR	AR	
5	561471	SWITCH / OFF-M/ON W/LOCK S.P.S.T.	AR	AR	AR	AR	AR	C
NS	561475	SWITCH / M/ON-OFF-M/ON / S.P.D.T. CH-OVER	AR	AR	AR	AR	AR	
NS	561472	SWITCH / ON-ON / D.P.D.T. / CH-OVER	AR	AR	AR	AR	AR	
NS	561483	SWITCH / ON-OFF-ON D.P.D.T.	AR	AR	AR	AR	AR	
NS	561554	SWITCH / ON-ON / D.P.D.T. / SELECTOR	AR	AR	AR	AR	AR	
NS	561520	SWITCH / OFF-ON-ON SERIES S.P.D.T.	AR	AR	AR	AR	AR	D
6	561892	. SOCKET ASSY W/BULB 24V 596.710.	1	1	1	1	1	
7	561123	. . BULB / 1 WATT-24VOLTS / SAE# 2741	1	1	1	1	1	
7	561184	BULB / 1.2 WATT-12VOLTS / SAE# 2721	AR	AR	AR	AR	AR	
NS	562077	MOUNTING FRAME (FOR 2 SWITCHES) 594.802BH	AR	AR	AR	AR	AR	
8	561087	INSERT / BLACK	AR	AR	AR	AR	AR	
8	561461	INSERT / GREEN	AR	AR	AR	AR	AR	
8	561462	INSERT / RED	AR	AR	AR	AR	AR	
8	561487	INSERT / BLACK	AR	AR	AR	AR	AR	
9	561088	COVER, SWITCH HOLE	AR	AR	AR	AR	AR	
10	561837	CONNECTOR / TAB HOUSING 2C / SWF 913.328	AR	AR	AR	AR	AR	
NS	561108	TAB RECEPTACLE TERMINAL / 18-14 / AMP 42238-2	AR	AR	AR	AR	AR	
11	561107	CONNECTOR / TAB HOUSING 8C / SWF 596.289	AR	AR	AR	AR	AR	
NS	561108	TAB RECEPTACLE TERMINAL / 18-14 / AMP 42238-2	AR	AR	AR	AR	AR	
12	562113	TELLTALE ASSY / 24V SHORT	AR	AR	AR	AR	AR	
12	562114	TELLTALE ASSY / 12V SHORT	AR	AR	AR	AR	AR	
13	562049	. BULB / 2WATT-24VOLTS / SAE# 657	1	1	1	1	1	

From E-638 To Y-7045	Date:10/2022	PAGE:XL-0644-00
-----------------------------	---------------------	------------------------

DASHBOARD COMPONENTS

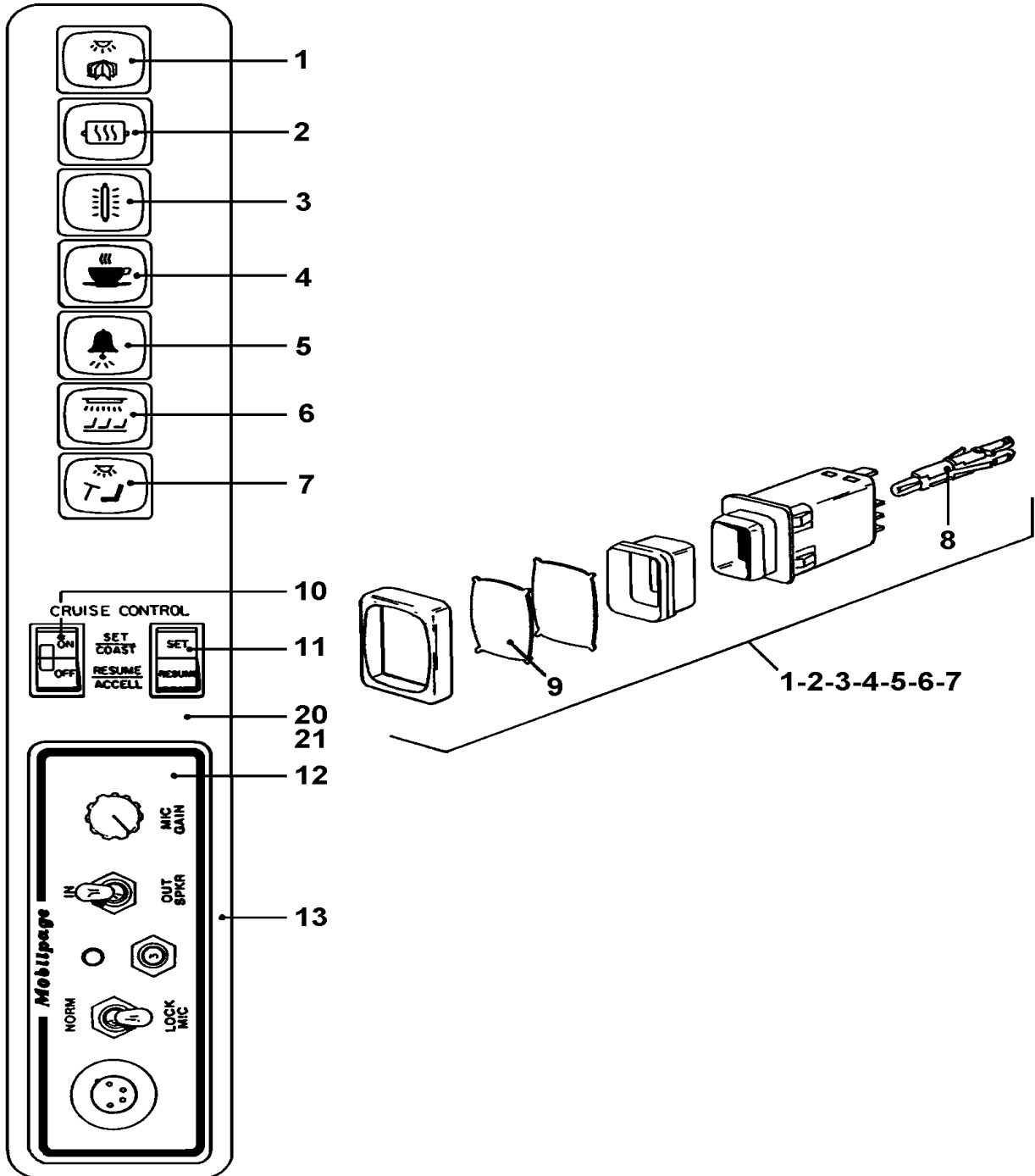
Item#	Part	Description	M T H 4 0	M T H 4 5	M T H 4 5 E	X L 4 0	X L 4 5	N O T E S
13	562048	. BULB / 2WATT-12VOLTS / SAE# 861332	1	1	1	1	1	
14	561089	TELLTALE ASSY / BLANK	AR			AR		
14	561480	TELLTALE ASSY / 24V LONG	AR			AR		
14	561588	TELLTALE ASSY / 12V LONG	AR			AR		
15	561122	. BULB / 2WATT-24VOLTS / SAE# 3797	1			1		
15	561586	. BULB / 2WATT-12VOLTS / SAE# 3796	1			1		
16	391020	INSERT / BLUE / HIGHT BEAM	AR	AR	AR	AR	AR	
16	561454	INSERT / AMBER PLAIN	AR	AR	AR	AR	AR	
16	561455	INSERT / RED PLAIN	AR	AR	AR	AR	AR	
16	391300	INSERT / GREEN PLAIN	AR	AR	AR	AR	AR	
		OTHER INSERTS SEE RESPECTIVE PAGES.						
		A) W/ MODEL "VDO"						
		B) W/TURBO BOOST & TACHO"VDO"						
		C) W/LOCK OFF POSITION						
		D) + ON 1ST & 2ND POSITION						

From E-638 To H-234

Date:10/2022

PAGE:XL-0645-00

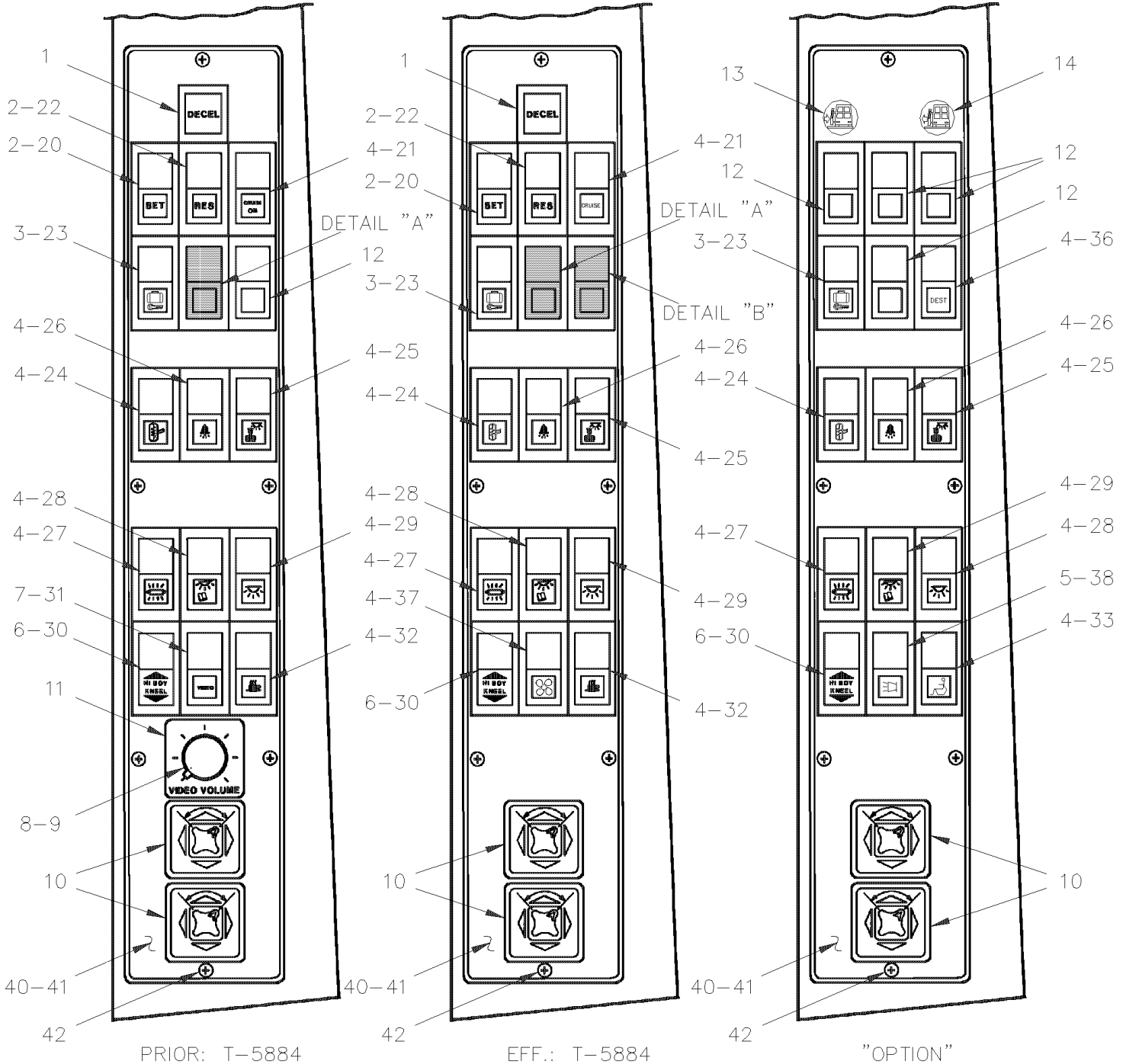
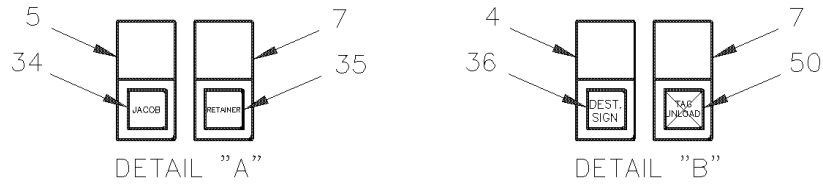
SWITCHES L.H. CONSOLE - BUS



From E-638 To H-234	Date:10/2022	PAGE:XL-0645-00
SWITCHES L.H. CONSOLE - BUS		

Item#	Part	Description	M T H 4 0	M T H 4 5	M T H 4 5 E	X L 4 0	X L 4 5	N O T E S
1	561051	SWITCH, READING LAMPS				1		
1	561504	SWITCH, READING LAMPS / SERVICE				1		
2	561060	SWITCH, HEATED MIRROR				1		
2	561505	SWITCH, HEATED MIRROR / SERVICE				1		
3	561061	SWITCH, FLUORESCENT LIGHTING				1		
3	561496	SWITCH, FLUORESCENT LIGHTING / SERVICE				1		
4	561059	SWITCH, GALLEY				1		
4	561497	SWITCH, GALLEY / SERVICE				1		
5	561058	SWITCH, PASSENGER'S CHIME				1		
5	561498	SWITCH, PASSENGER'S CHIME / SERVICE				1		
6	561057	SWITCH, INTERIOR LIGHTING				1		
6	561499	SWITCH, INTERIOR LIGHTING / SERVICE				1		
7	561056	SWITCH, DRIVER,S LIGHT				1		
7	061916	KIT, DRIVER'S LAMP SWITCH / SERVICE				1		
. NS	561510	. SWITCH, DRIVER'S LIGHT				1		
. NS	BS9901	. SEE INSTRUCTION SHEET				1		
7	561086	SWITCH DUMMY				1		
7	561127	SWITCH ASSY, W/O IDENTIFICATION				AR		
8	561123	. BULB / 1 WATT-24VOLTS / SAE# 2741				1		
9	N.S.S.	. INSERT IDENTIFICATION				1		1
10	530125	SWITCH - L.H. CONSOLE - BUS				1		
11	530127	SWITCH, CRUISE SET				1		
12	900473	P/A SYSTEM / W/R-522 RADIO ONLY				1		
12	900452	P/A REMOTE SYSTEM / W/R-750 To E-781				1		
12	900466	P/A REMOTE SYSTEM / W/R-750 From E-782				1		
13	401911	SPACER, MOUNTING / W/P/A #900466 ONLY				1		
20	390539	PANEL, W/7 SWITCHES & CR-CTRL & P/A				1		
20	390538	PANEL W/7 SWITCHES, CR-CTRL & P/A				1		
20	390537	PANEL, W/5 SWITCHES				1		
20	390425	PANEL, W/7 SWITCHES				1		
20	390419	PANEL W/7 SWITCHES & P/A				1		
21	390418	LEXAN, GREY / 2" 3/16 X 19" 11/16				1		
		1) NOT SOLD SEPARATELY						

From H-235 To Y-7045	Date:10/2022	PAGE:XL-0645-01
SWITCHES L.H. CONSOLE - BUS		



From H-235 To Y-7045	Date:10/2022	PAGE:XL-0645-01
SWITCHES L.H. CONSOLE - BUS		

Item#	Part	Description	M T H 4 0	M T H 4 5	M T H 4 5 E	X L 4 0	X L 4 5	N O T E S
1	561555	SWITCH PUSH BUTTON To M-956				1		
1	562257	SWITCH / M/ON / D.P.S.T. / WITH BULB From M-957				1	1	
NS	062082	INSERT / DECEL				1	1	
2	561554	SWITCH / ON-ON / D.P.D.T. / SELECTOR				1	1	
2	561470	SWITCH / OFF-M/ON S.P.S.T.				2	2	
3	561475	SWITCH / M/ON-OFF-M/ON / S.P.D.T. CH-OVER				1	1	
3	561554	SWITCH / ON-ON / D.P.D.T. / SELECTOR				1	1	
4	561468	SWITCH / OFF-ON S.P.S.T.				AR	AR	
5	561475	SWITCH / M/ON-OFF-M/ON / S.P.D.T. CH-OVER				1	1	
5	561520	SWITCH / OFF-ON-ON SERIES S.P.D.T.				1	1	
6	561613	SWITCH / M/ON-OFF-M/ON D.P.D.T.				1	1	
7	561472	SWITCH / ON-ON / D.P.D.T. / CH-OVER				1	1	
8	403221	CONTROL VOLUME / VIDEO / L.H. CONSOLE To N-516				1		
8	403604	CONTROL VOLUME / VIDEO / L.H. CONSOLE From N-517 To T-5883				1	1	
8	Call order desk	CONTROL VOLUME W/DOUBLE VIDEO PLAYER To T-5883				1	1	P
9	505306	KNOB, POINTER				1	1	
10	063129	SWITCH ASSY, MIRROR / (ON L.H. CONSOLE)				1	1	
10	562075	. SWITCH, MIRROR / SQUARE / W/24V BULB				1	1	
NS	561184	. BULB / 1.2 WATT-12VOLTS / SAE# 2721				1	1	
11	391335	DECAL / VIDEO VOLUME To T-5883				1	1	
12	561088	COVER, SWITCH HOLE				AR	AR	
13	562801	SWITCH / DOOR CLOSE				1		
NS	562810	INSERT / DOOR CLOSE				1		
14	562802	SWITCH / DOOR OPEN				1		
NS	562830	INSERT / DOOR OPEN				1		
20	063008	INSERT / GREEN / SET (CRUISE CONTROL)				1	1	
21	062998	INSERT / GREEN / OFF/ON (CRUISE CONTROL)				1		
21	063010	INSERT / GREEN / CRUISE (CRUISE CONTROL)				1	1	
22	062999	INSERT / GREEN / SET/RES				1		
22	063009	INSERT / GREEN / RESUME (CRUISE CONTROL)				1	1	
23	063003	INSERT / GREEN / LUGGAGE DOOR LOCK				1	1	
24	063030	INSERT / GREEN / MIRROR HEATER				1	1	
25	062995	INSERT / GREEN / DRIVER'S LIGHT				1	1	
26	062986	INSERT / GREEN / PASSENGER CHIME				1	1	B
27	062989	INSERT / GREEN / FLUORESCENT				1	1	
28	063031	INSERT / GREEN / READING LAMP				1	1	
29	063024	INSERT / GREEN / INTERIOR LAMP				1	1	
30	063014	INSERT / GREEN / KNEELING / HI-BUOY				1	1	
31	063033	INSERT / GREEN / VIDEO To T-5883				1	1	
32	062992	INSERT / GREEN / GALLEY				1	1	
33	390796	INSERT / GREEN / PLATFORM IN ACTION WCL				1		
34	062991	INSERT / GREEN / "JACOB" BRAKE				1	1	

From H-235 To Y-7045	Date:10/2022	PAGE:XL-0645-01
SWITCHES L.H. CONSOLE - BUS		

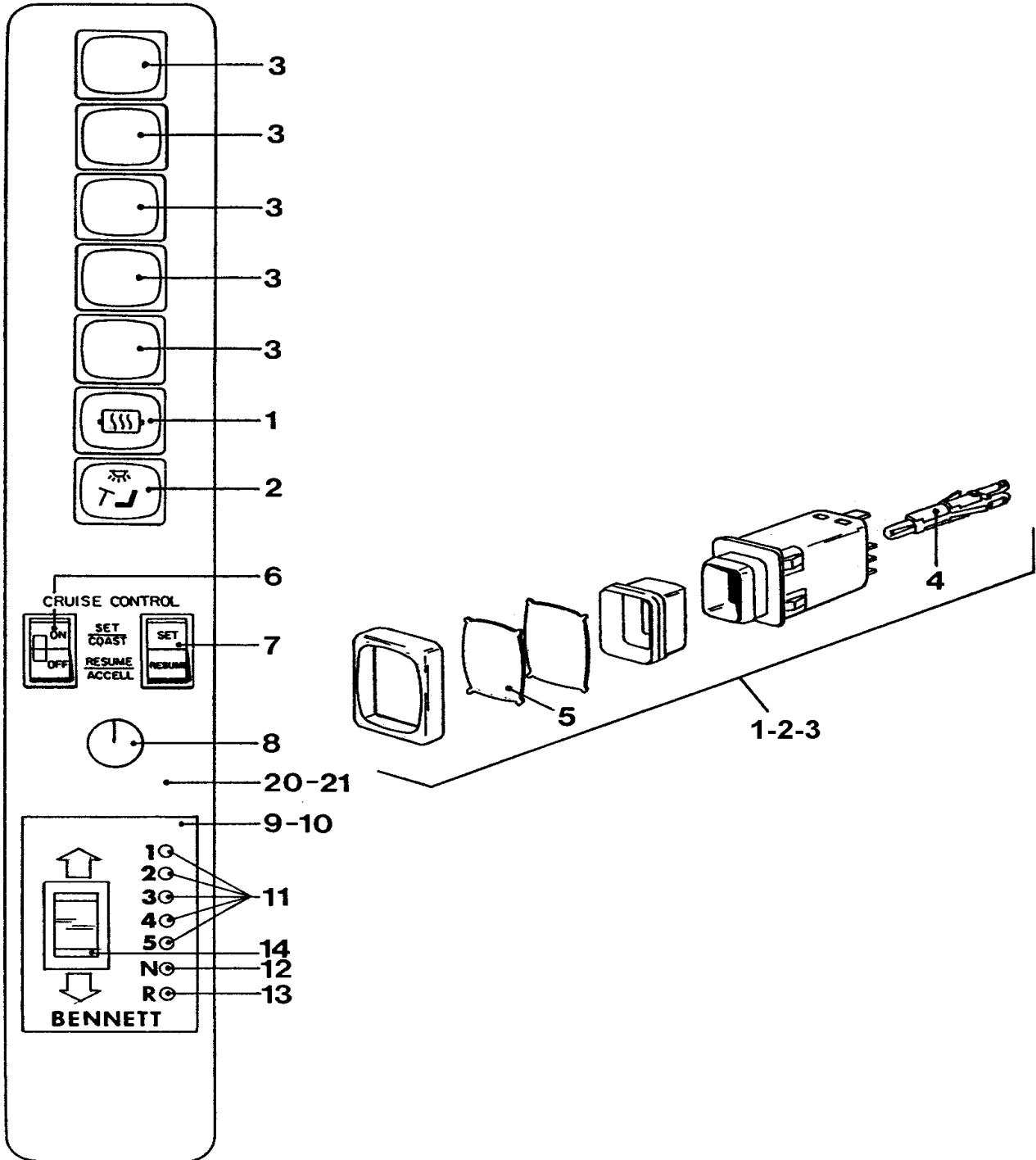
Item#	Part	Description	M T H 4 0	M T H 4 5	M T H 4 5 E	X L 4 0	X L 4 5	N O T E S
35	063028	INSERT / GREEN / RETARDER				1	1	
36	063018	INSERT / GREEN / DESTINATION SIGN				1	1	
37	063027	INSERT / GREEN / FAN				1	1	
38	065143	INSERT / SPEAKER				1	1	
39	063007	INSERT / GREEN / FRONT DOOR				1	1	
40	390812	LEXAN 3 3/16" X 19 11/16" To H-284				1		
40	390934	LEXAN 3 11/16" X 19 11/16" From H-285				1	1	
41	390816	PLATE / W/7 SWITCHES To J-569				1		
41	390818	PLATE / W/7 SWITCHES & P/A To H-284				1		
41	390882	PLATE / W/7 SWITCHES & MICRO OUTLET From H-285 To J-569				1		
41	390814	PLATE / W/9 SWITCHES To J-569				1		
41	390820	PLATE / W/9 SWITCHES & P/A To H-284				1		
41	390883	PLATE / W/9 SWITCHES & MICRO OUTLET From H-285 To J-569				1		
41	390933	PLATE / W/12 SWITCHES, MICRO OUTLET & CRUISE CTRL From J-570 To L-609				1		
41	391406	PLATE W/15 SWITCHES & MIRROR SWITCHES From L-610 To R-908				1		
41	391407	PLATE W/15 SWITCHES & MIRROR SWITCHES From L-610 To R-908				1		
41	391700	PLATE W/15 SWITCHES & MIRROR SWITCHES (AS SHOWN) From R-909				1	1	
41	392096	PLATE W/15 SWITCHES, 2 MIRRORS & DOOR SWITCH From X-6945				1		
42	500409	SCREW TP PAN PH #8x1/2 BK				8	8	
42	402371	OUTLET, MICROPHONE				1		
42	500641	SCREW TP PAN PH #8x3/4 Z050				3		
50	063487	INSERT / GREEN / UP/DOWN (LEVEL-LOW)					1	
		THE SWITCHES POSITION MAY VARY DEPENDING						
		ILLUSTRATION. FOR EASY IDENTIFICATION						
		SEE NUMBER STAMPED ON SWITCH						
		B) SEE TEXT ATTACHED TO THIS PAGE						
		P) CALL ORDER DESK FOR SPECIFIC APPLICATION (V.I.N.)						

From E-638 To H-234

Date:10/2022

PAGE:XL-0645-05

SWITCHES L.H. CONSOLE - MTH



From E-638 To H-234	Date:10/2022	PAGE:XL-0645-05
SWITCHES L.H. CONSOLE - MTH		

Item#	Part	Description	M T H 4 0	M T H 4 5	M T H 4 5 E	X L 4 0	X L 4 5	NOTES
1	561060	SWITCH, HEATED MIRROR	1					
1	561505	SWITCH, HEATED MIRROR / SERVICE	1					
2	561056	SWITCH, DRIVER,S LIGHT	1					
2	061916	KIT, DRIVER'S LAMP SWITCH / SERVICE	1					
. NS	561510	. SWITCH, DRIVER'S LIGHT	1					
. NS	BS9901	. SEE INSTRUCTION SHEET	1					
3	561086	SWITCH DUMMY	AR					
3	561127	SWITCH ASSY, W/O IDENTIFICATION	AR					
NS	561447	SWITCH, BACK-UP CANCEL	1					
NS	561495	SWITCH, ETHER	1					
3	561494	SWITCH, DOOR LOCK	1					
NS	561509	SWITCH, DOOR LOCK OVERULE	1					
4	561123	. BULB / 1 WATT-24VOLTS / SAE# 2741	1					
5	N.S.S.	. INSERT IDENTIFICATION	1					1
6	530125	SWITCH - L.H. CONSOLE - BUS	1					
7	530127	SWITCH, CRUISE SET	1					
8	830006	LAMP ASSY / CONSOLE LIGHTING	1					
. NS	N15711	. BASE PILOT LAMP	1					
. NS	N15712	. CAP PILOT LAMP	1					
. NS	560472	. BULB / 0.34WATT-24VOLTS / SAE# 327 / 4000hrs	1					
9	571392	MODULE SHIFTER LIGHT ASSY W/PLATE MOUNTING	1					
10	571407	. NAME PLATE /	1					
11	571410	. LENS CAP GREEN	5					
12	571411	. LENS CAP RED	1					
13	571412	. LENS CAP CLEAR	1					
NS	571413	. CLIPS RETAINER SOCKET	7					
NS	571409	. BULB /	7					
NS	571408	. SOCKET BULB	7					
14	571414	. SWITCH "ROCKER" 9 "BENNET" SHIFTER	1					
NS	571391	CONTROL MODULE (IN JCT PANEL) (NEUTRAL OFF)	1					
20	390714	PANEL, W/2 SWITCHES LEVEL-LOW & CR-CTRL	1					
20	390705	PANEL, W/2 SWITCHES LEVEL-LOW ATEC & CR-CTRL	1					
20	390708	PANEL, W/2 SWITCHES LEVEL-LOW & ATEC	1					
20	390711	PANEL, W/2 SWITCHES & LEVEL LOW	1					
20	390704	PANEL, W/2 SWITCHES	1					
20	390703	PANEL, W/2 SWITCHES & ATEC	1					
20	390702	PANEL, W/2 SWITCHES & CR-CTRL	1					
20	390701	PANEL, W/2 SWITCHES, CR-CTRL & ATEC	1					
20	Call order desk	PANEL, TO USE W/#390670	1					P
20	390667	PANEL, TO USE W/#390666	1					
20	390670	PANEL, W/5 SWITCHES & ATEC	1					
20	390666	PANEL, W/5 SWITCHES, CR-CTRL & ATEC	1					

From E-638 To H-234	Date:10/2022	PAGE:XL-0645-05
SWITCHES L.H. CONSOLE - MTH		

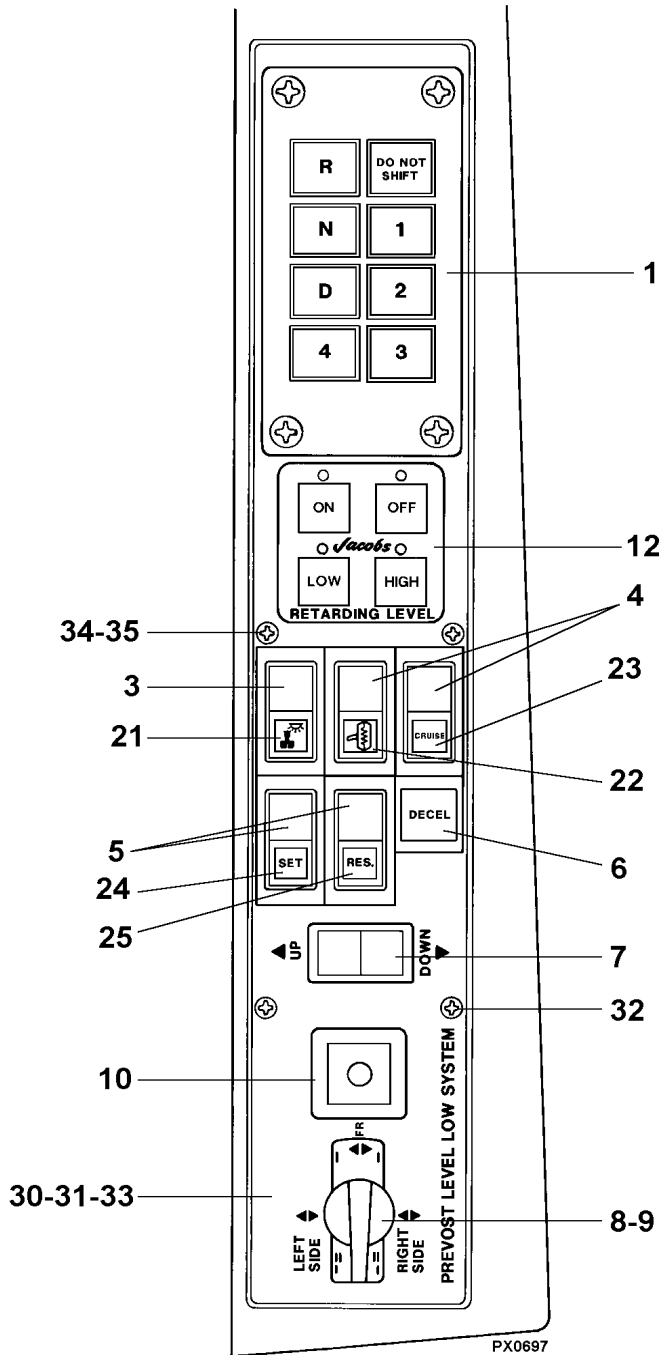
Item#	Part	Description	M T H 4 0	M T H 4 5	M T H 4 5 E	X L 4 0	X L 4 5	N O T E S
20	390539	PANEL, W/7 SWITCHES & CR-CTRL & P/A	1					
20	390536	PANEL, W/5 SWITCHES & "BENNET" SHIFTER	1					
20	390533	PANEL, W/5 SWITCHES & CR-CTRL	1					
20	390531	PANEL, W/5 SWITCHES,CR-CTRL 7 "BENNET"SHIFTER	1					
20	390537	PANEL, W/5 SWITCHES	1					
20	390425	PANEL, W/7 SWITCHES	1					
21	390668	LEXAN, GRAY / 2"3/16 X 13"1/8	1					
21	390497	LEXAN, GRAY / 2"3/16 X 19"11/16	1					
		1) NOT SOLD SEPARATELY						
		P) CALL ORDER DESK FOR SPECIFIC APPLICATION (V.I.N.)						

From H-235 To Y-7045

Date:10/2022

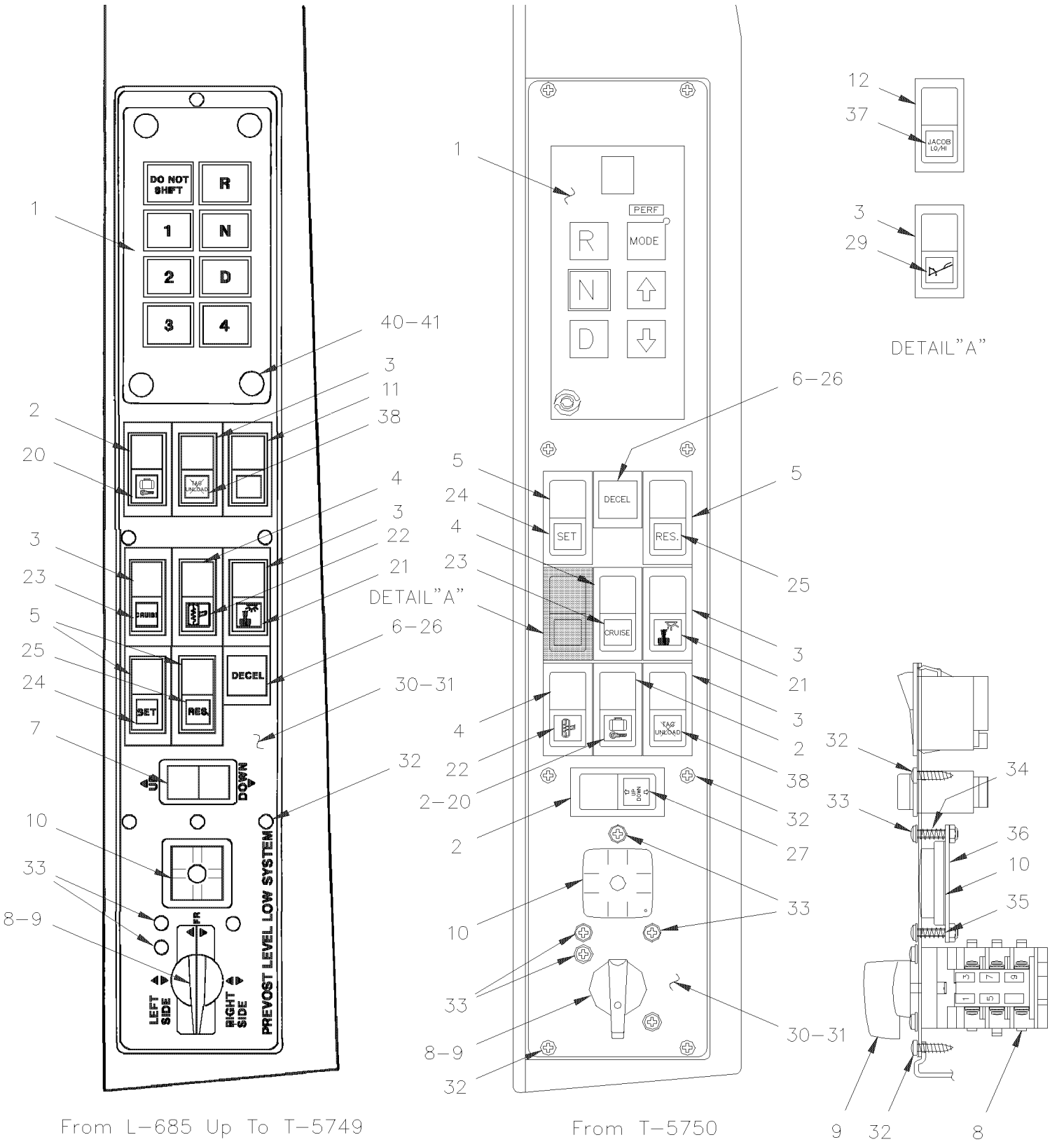
PAGE:XL-0645-06

SWITCHES L.H. CONSOLE - MTH



From H-235 Up To L-684

From H-235 To Y-7045	Date:10/2022	PAGE:XL-0645-06
SWITCHES L.H. CONSOLE - MTH		



From L-685 Up To T-5749

From T-5750

9 32 8

From H-235 To Y-7045	Date:10/2022	PAGE:XL-0645-06
SWITCHES L.H. CONSOLE - MTH		

Item#	Part	Description	M T H 4 0	M T H 4 5	M T H 4 5 E	X L 4 0	X L 4 5	N O T E S
1	XL-0755-15	SHIFTER ELECTRONIC - "ATEC" TRANSMISSION						
1	XL-0755-16	SHIFTER ELECTRONIC - "WORLD" TRANSMISSION						
NS	391623	SUPPORT FRONT / "Z" SHAPE / TO FIX SELECTOR To W-6491	1	1	1			
NS	391978	SUPPORT FRONT / "Z" SHAPE / TO FIX SELECTOR From W-6491	1	1	1			
NS	391648	SUPPORT REAR / "Z" SHAPE / TO FIX SELECTOR To W-6490	1	1	1			
NS	391977	SUPPORT REAR / "Z" SHAPE / TO FIX SELECTOR From W-6491	1	1	1			
NS	502690	WASHER FL 4.3x9.0x0.8 Z050	2	2	2			
NS	502679	NUT HEX NYRT M4-0.7 ZP	2	2	2			
2	561475	SWITCH / M/ON-OFF-M/ON / S.P.D.T. CH-OVER	1	1	1			
3	561472	SWITCH / ON-ON / D.P.D.T. / CH-OVER	1	1	1			
4	561468	SWITCH / OFF-ON S.P.S.T.	2	2	2			
5	561554	SWITCH / ON-ON / D.P.D.T. / SELECTOR	1	1	1			
5	561475	SWITCH / M/ON-OFF-M/ON / S.P.D.T. CH-OVER	1					
5	561470	SWITCH / OFF-M/ON S.P.S.T.	1	1	1			
6	561555	SWITCH PUSH BUTTON To N-986	1					
6	562257	SWITCH / M/ON / D.P.S.T. / WITH BULB From N-987	1	1	1			
NS	062082	INSERT / DECEL	1	1	1			
7	561260	SWITCH / M/ON-OFF-M/ON 3 P.D.T. To T-5749	1	1	1			
7	561475	SWITCH / M/ON-OFF-M/ON / S.P.D.T. CH-OVER From T-5750	1	1	1			
7	064173	INSERT / GREEN / UP/DOWN (LEVEL-LOW) From T-5750	1	1	1			
8	561259	SWITCH / 10 AMPS 4 POSITIONS 90° To T-5749	1	1	1			E
8	562517	SWITCH / 10 AMPS 4 POSITIONS 90° From T-5750	1	1	1			E
8	563086	SWITCH / 10 AMPS 4 POSITIONS 90° / SERVICE	1	1	1			
NS	392317	PLATE PLASTIC "LEVEL LOW" / SERVICE	1	1	1			
9	561855	. KNOB	1	1	1			
10	630075	LEVEL 5 WAYS	1	1	1			
11	561088	COVER, SWITCH HOLE	AR	AR	AR			
12	561544	MODULE DASHBOARD / DDEC ENGINE To L-684	1					H
12	561520	SWITCH / OFF-ON-ON SERIES S.P.D.T. From L-685	1	1	1			
20	063003	INSERT / GREEN / LUGGAGE DOOR LOCK	1	1	1			
21	062995	INSERT / GREEN / DRIVER'S LIGHT	1	1	1			
NS	560256	SWITCH / OFF-ON / S.P.S.T.	2	2	2			A
22	063030	INSERT / GREEN / MIRROR HEATER	1	1	1			
23	063010	INSERT / GREEN / CRUISE (CRUISE CONTROL)	1	1	1			
23	062998	INSERT / GREEN / OFF/ON (CRUISE CONTROL)	1					
24	063008	INSERT / GREEN / SET (CRUISE CONTROL)	1	1	1			
25	062999	INSERT / GREEN / SET/RES	1					
25	063009	INSERT / GREEN / RESUME (CRUISE CONTROL)	1	1	1			
26	062082	INSERT / DECEL	1	1	1			
27	064173	INSERT / GREEN / UP/DOWN (LEVEL-LOW) From T-5750	1	1	1			
29	063028	INSERT / GREEN / RETARDER	1	1	1			
30	390497	LEXAN, GRAY / 2"3/16 X 19"11/16 To H-284	1					C

From H-235 To Y-7045	Date:10/2022	PAGE:XL-0645-06
SWITCHES L.H. CONSOLE - MTH		

Item#	Part	Description	M T H 4 0	M T H 4 5	M T H 4 5 E	X L 4 0	X L 4 5	N O T E S
30	390893	LEXAN From H-285 To P-721	1					C
30	391649	LEXAN From P-722 To T-5749	1	1	1			
NS	391805	LEXAN From T-5750	1	1	1			
31	390845	PLATE ASSY / W/2 SWITCHES From H-235 To H-284	1					
31	390844	PLATE ASSY / W/2 SWITCHES & ATEC From H-235 To H-284	1					
31	390835	PLATE ASSY / W/2 SWITCHES & L.LOW From H-235 To H-284	1					
31	390841	PLATE ASSY / W/2 SWITCHES L.LOW & ATEC From H-235 To H-284	1					
31	390846	PLATE ASSY From H-235 To H-284	1					D
31	390843	PLATE ASSY / W/4 SWITCHES & CR/CTRL From H-235 To H-284	1					
31	390837	PLATE ASSY / W/4 SWITCHES L.LOW & CR/CTRL From H-235 To H-284	1					
31	390839	PLATE ASSY From H-235 To H-284	1					C
31	390892	PLATE ASSY From H-285 To L-684	1					C
31	391439	PLATE ASSY From L-685 To R-811	1	1	1			C
31	391650	PLATE ASSY From R-812 To S-645	1	1	1			
31	391771	PLATE ASSY To S-645	1	1	1			B
31	391783	PLATE ASSY From S-646 To T-5749	1	1	1			
31	391784	PLATE ASSY From S-646	1	1	1			B
NS	391804	PLATE ASSY From T-5750	1	1	1			
31	391826	PLATE ASSY	1	1	1			
NS	403591	DECAL / CHECK ENGINE LIGHT...W/"WORLD" SELECTOR	1	1	1			
32	500409	SCREW TP PAN PH #8x1/2 BK To R-811	6	6	6			
32	5001155	SCREW TP PAN PH #8X3/4 N050 From R-812	8	8	8			
33	500671	SCREW CAP HEXS #8-32x7/8 To R-811	5	5	5			
33	5001311	SCREW MA BDG PH #8-32x7/8 BK From R-812	5	5	5			
NS	5001310	WASHER FL RET .173x.375x.031 NYL BK From R-812	5	5	5			
34	502162	SPRING COMPRESSION / .240 O.D. x .312 x .026	3	3	3			
35	500670	NUT HEX NYRT #8-32 Z050	3	3	3			
36	390747	BRACKET / TO FIX LEVEL To T-5842	1	1	1			
36	391827	BRACKET / TO FIX LEVEL From T-5843	1	1	1			
37	062991	INSERT / GREEN / "JACOB" BRAKE	1	1	1			
38	063487	INSERT / GREEN / UP/DOWN (LEVEL-LOW) From T-5773		1				
40	500636	SCREW MA RND PH 1/4-20x1 1/2 EMN	4		4			C
41	500773	NUT INS TYPE "A-T" OE 1/4-20 .030-.250 SS	4		4			C
		THE SWITCHES POSITION MAY VARY DEPENDING						
		ILLUSTRATION. FOR IDENTIFICATION						
		SEE NUMBER STAMPED ON SWITCH						
NS	065235	KIT SWITCH JAKE BRAKE	1					
. NS	IS-99061	. SEE INSTRUCTION SHEET	1					
NS	065381	KIT, SWITCH LEVEL LOW / SERVICE	1	1	1	1	1	
. NS	391994	. DECAL "LEVEL LOW"	1	1	1	1	1	

From H-235 To Y-7045	Date:10/2022	PAGE:XL-0645-06
SWITCHES L.H. CONSOLE - MTH		

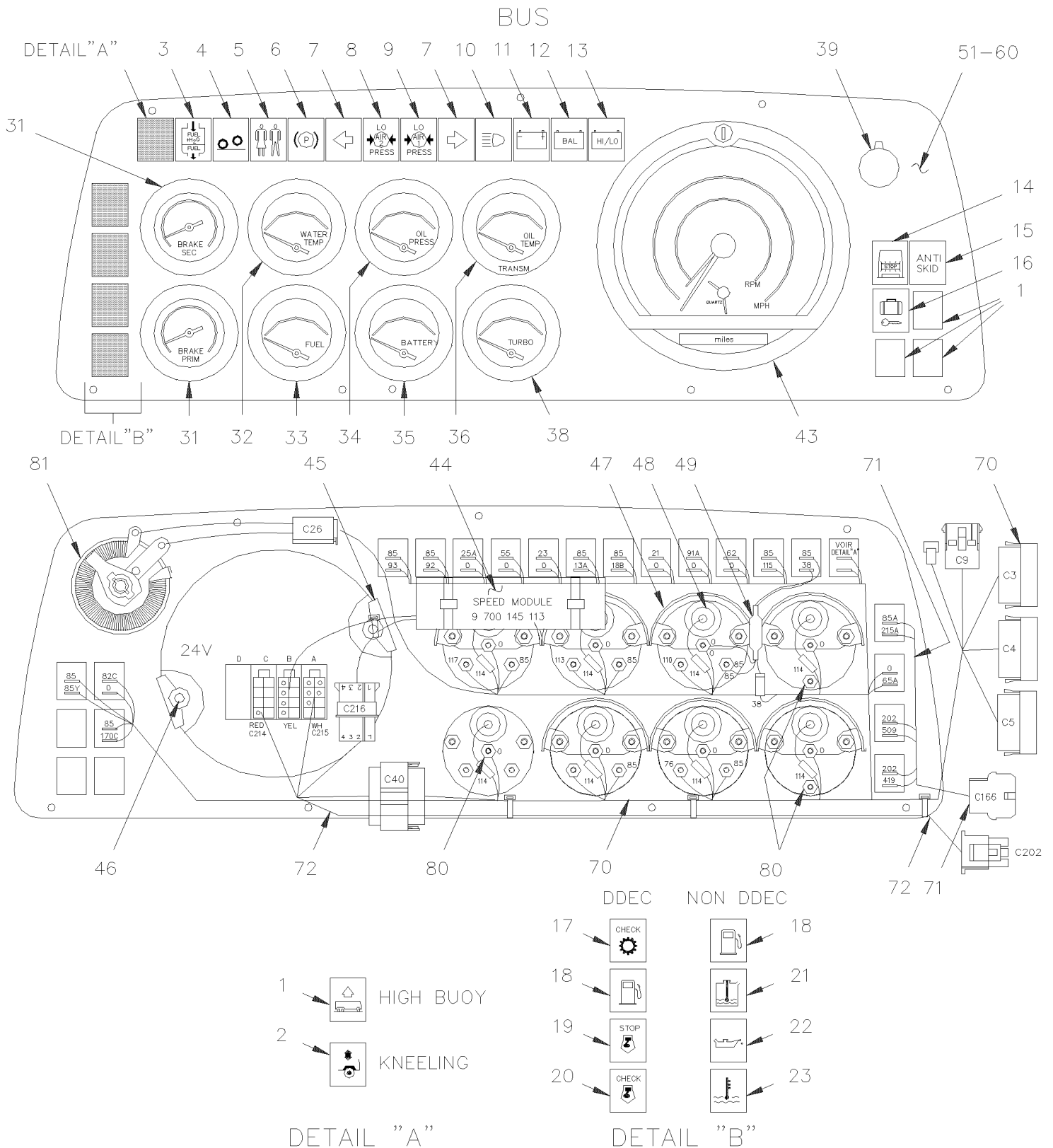
Item#	Part	Description	M T H 4 0	M T H 4 5	M T H 4 5 E	X L 4 0	X L 4 5	N O T E S
. NS	392317	. PLATE PLASTIC "LEVEL LOW"	1	1	1	1	1	
. NS	561457	. SPRING SPADE TERMINAL #6 / 22-16 / AMP 52929	7	7	7	7	7	
. NS	563086	. SWITCH / 10 AMPS 4 POSITIONS 90°	1	1	1	1	1	
. NS	D390096	. DIAGRAM, DASHBOARD, LEFT MODULE, MTH	1	1	1	1	1	
. NS	D390113	. DIAGRAM, DASHBOARD, LEFT MODULE, VIP MUX	1	1	1	1	1	
. NS	IS-06020	. INSTRUCTION SHEET	1	1	1	1	1	
. NS	FI-06020	. FEUILLE D'INSTRUCTION	1	1	1	1	1	
		A) ON R.H. DASH NEAR ENTRANCE DOOR						
		B) W/O LEVEL LOW						
		C) WITH "ATEC" TRANSMISSION						
		D) WITH "ATEC" & W/O LEVEL LOW						
		E) THIS SWITCH IT SUPPERSEDED BY KIT # 065381						
		H) FOR PRODUCT IMPROVEMENT, ASK KIT #065235						

From E-638 To S-569

Date:10/2022

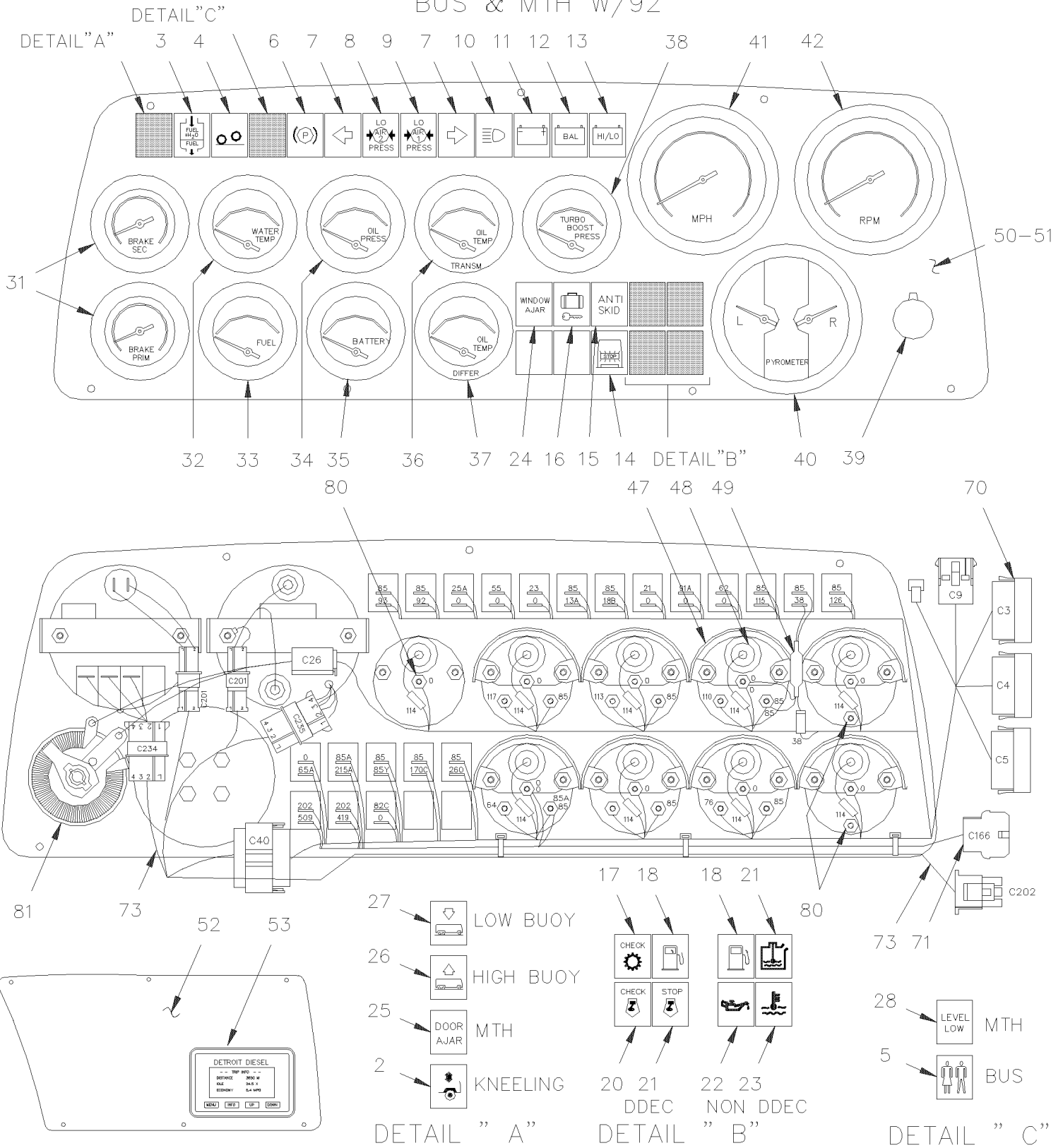
PAGE:XL-0645-20

DASHBOARD - CENTER PANEL



From E-638 To S-569	Date:10/2022	PAGE:XL-0645-20
DASHBOARD - CENTER PANEL		

BUS & MTH W/92



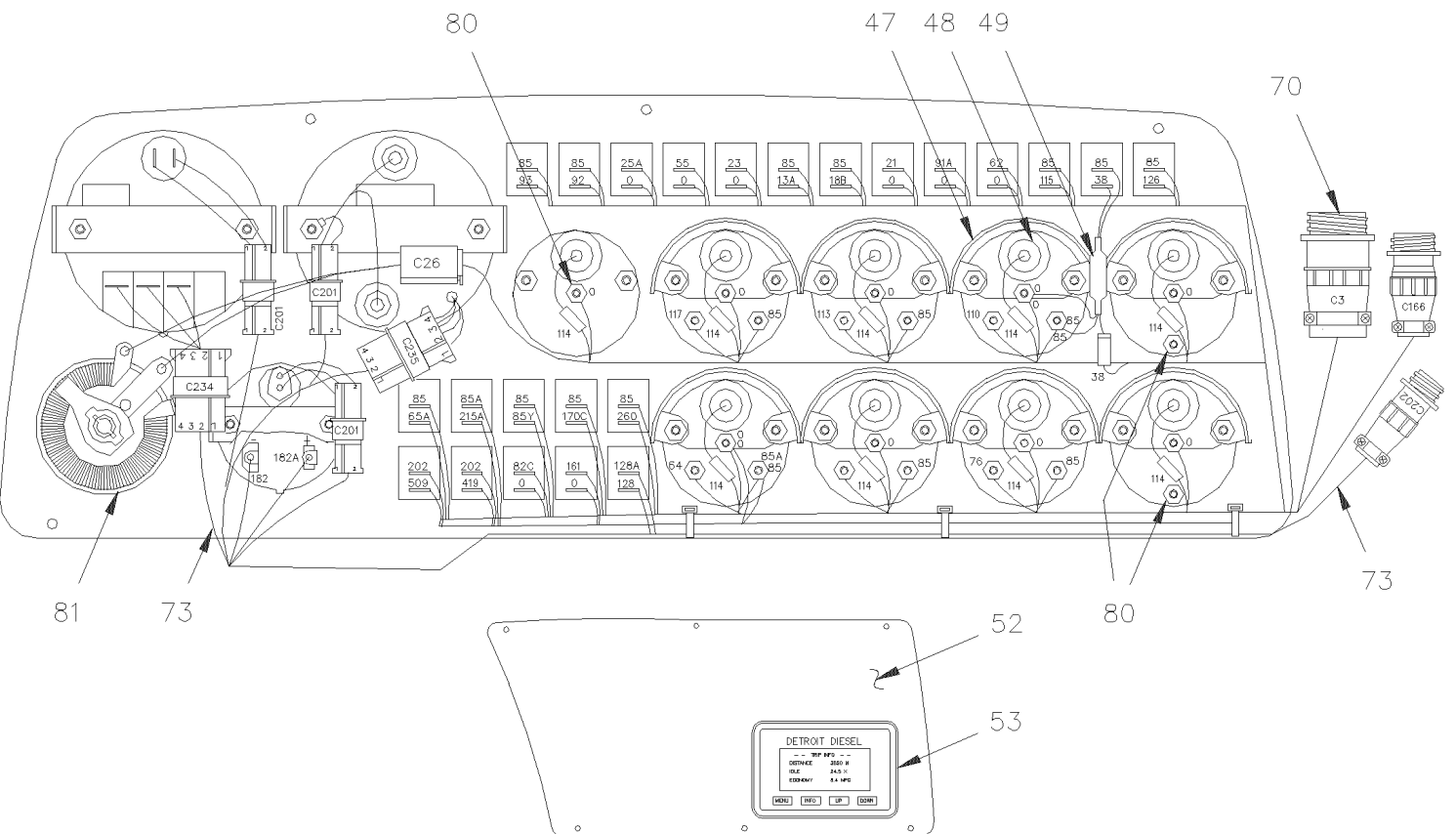
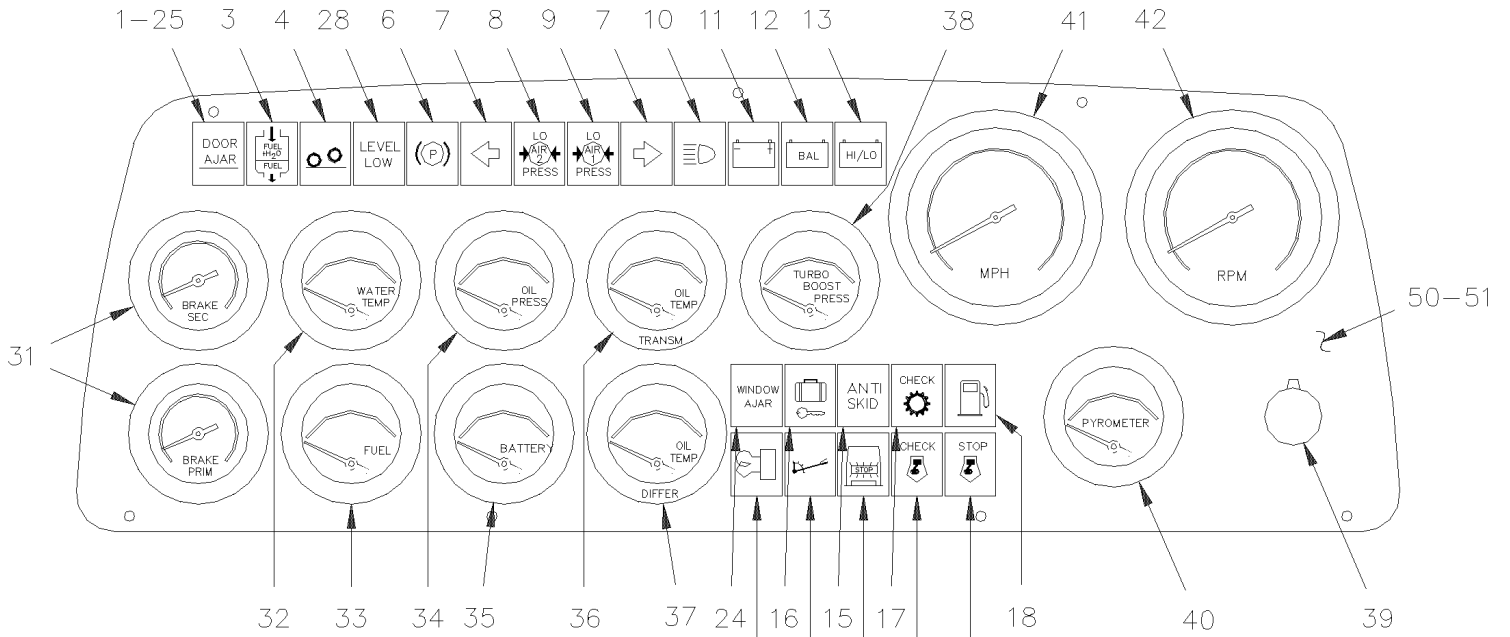
From E-638 To S-569

Date:10/2022

PAGE:XL-0645-20

DASHBOARD - CENTER PANEL

MTH W/60



From E-638 To S-569	Date:10/2022	PAGE:XL-0645-20
DASHBOARD - CENTER PANEL		

Item#	Part	Description	M T H 4 0	M T H 4 5	M T H 4 5 E	X L 4 0	X L 4 5	N O T E S
1	561089	TELLTALE ASSY / BLANK	AR	AR	AR	AR	AR	
1	561480	TELLTALE ASSY / 24V LONG To L-629	AR			AR		
1	561588	TELLTALE ASSY / 12V LONG To L-629	AR			AR		
1	562113	TELLTALE ASSY / 24V SHORT From L-630	AR	AR	AR	AR	AR	
NS	562049	. BULB / 2WATT-24VOLTS / SAE# 657	1	1	1	1	1	
1	562114	TELLTALE ASSY / 12V SHORT From L-630	AR	AR	AR	AR	AR	
NS	562048	. BULB / 2WATT-12VOLTS / SAE# 861332	1	1	1	1	1	
1	390859	INSERT / AMBER / HIGH-BUOY				1	1	
1	390867	INSERT / AMBER / LOW-BUOY				1	1	
2	561043	TELLTALE / 24VOLT KNEELING To L-629				1		
2	391031	INSERT / AMBER / KNEELING / HI-BUOY From L-630				1	1	
NS	061201	CABLE ASSY / W/KNEELING & HI-BUOY				1	1	
3	561161	TELLTALE / 24VOLT WATER IN FUEL To L-629	1			1		
3	391030	INSERT / AMBER / WATER IN FUEL From L-630	1	1	1	1	1	
4	561041	TELLTALE / 24VOLT TAG AXLE To L-629	1			1		
4	391235	INSERT / AMBER / TAG AXLE From L-630	1	1	1	1	1	
NS	640975	PRESSURE SWITCH N.C. 66PSI / 1/4NPT LP-3	1	1	1	1	1	
5	561033	TELLTALE / 24VOLT LAVATORY To L-629				1		
5	391024	INSERT / AMBER / LAVATORY (OCCUPIED) From L-630				1	1	
6	561042	TELLTALE / 24VOLT PARKING BRAKE To L-629	1			1		
6	391027	INSERT / AMBER / PARKING BRAKE From L-630	1	1	1	1	1	
NS	640975	PRESSURE SWITCH N.C. 66PSI / 1/4NPT LP-3	1	1	1	1	1	
NS	561044	TELLTALE / 24VOLT HAZARD To L-629	1			1		
NS	391386	INSERT / RED / HAZARD From L-630	1			1		
7	561039	TELLTALE / 24VOLT FLASHER To L-629	2			2		
7	391204	INSERT / GREEN / DIRECTIONAL FLASHER From L-630	2	2	2	2	2	
8	561036	TELLTALE / 24VOLT LOW AIR #2 To L-629	1			1		
8	391026	INSERT / RED / LO AIR #2 From L-630	1	1	1	1	1	
NS	640975	PRESSURE SWITCH N.C. 66PSI / 1/4NPT LP-3	1	1	1	1	1	
9	561035	TELLTALE / 24VOLT LOW AIR #1 To L-629	1			1		
9	391025	INSERT / RED / LO AIR #1 From L-630	1	1	1	1	1	
NS	640975	PRESSURE SWITCH N.C. 66PSI / 1/4NPT LP-3	1	1	1	1	1	
10	561038	TELLTALE / 24VOLT HI BEAM To L-629	1			1		
10	391020	INSERT / BLUE / HIGHT BEAM From L-630	1	1	1	1	1	
11	561040	TELLTALE / 24 VOLT BATTERY NOT CHARGE To L-629	1			1		
11	391028	INSERT / RED / GENERATOR From L-630	1	1	1	1	1	
12	391443	INSERT / YELLOW / BATTERIE BALANCE	1	1	1	1	1	
13	391278	INSERT / RED / BATTERIE HI-LO	1	1	1	1	1	
NS	562058	MONITOR / BATTERY EQUALIZER To R-964	1	1	1	1		
NS	562412	MONITOR / BATTERY EQUALIZER From R-965 To W-6379	1	1	1	1	1	
NS	562785	MONITOR / BATTERY EQUALIZER From W-6380	1	1	1	1	1	
14	391033	INSERT / RED / STOP-LIGHT	1	1	1	1	1	

From E-638 To S-569	Date:10/2022	PAGE:XL-0645-20
DASHBOARD - CENTER PANEL		

Item#	Part	Description	M T H 4 0	M T H 4 5	M T H 4 5 E	X L 4 0	X L 4 5	N O T E S
NS	640852	PRESSURE SWITCH N.O. 4PSI / 1/4NPT W/8-32 / SL-5 BRAKE To W-6899	1	1	1	1	1	
14	641462	PRESSURE SWITCH N.O. 4PSI / 1/4NPT W/10-32 / SL-5 BRAKE From W-6900	1	1	1	1	1	
15	391034	INSERT / RED / "ANTI SKID" To W-6490	1	1	1	1	1	
15	391672	INSERT / RED / "ABS" From W-6491	1	1	1	1	1	
16	391123	INSERT / GREEN / LUGGAGE DOOR LOCK	1	1	1			
17	390857	INSERT / AMBER / CHECK TRANSMISSION	1	1	1	1	1	
18	391029	INSERT / RED / FUEL LEVEL	1	1	1	1	1	
NS	531387	SENSOR, FUEL LEVEL / 24"		1			1	F
NS	530159	SENSOR PROBE "LOW-FUEL" To V-6257	1		1	1		E
NS	531387	SENSOR, FUEL LEVEL / 24" From V-6258	1		1	1		F
19	390889	INSERT / RED / STOP ENGINE	1			1		D
20	390888	INSERT / AMBER / CHECK ENGINE	1	1	1	1	1	
21	391388	INSERT / RED / LOW WATER LEVEL	1	1	1	1	1	
NS	560927	SENSOR PROBE "LOW COOLANT"	1			1		D
NS	561529	SENSOR PROBE "LOW LEVEL COOLANT"	1					H
NS	561887	SENSOR PROBE "LOW LEVEL COOLANT"	1		1	1		J
NS	562395	SENSOR PROBE "LOW LEVEL COOLANT" / 1/4" NPT	1	1	1	1	1	Z
NS	560918	ALARM BUZZER To L-684	1			1		
NS	562117	ALARM BUZZER From L-685	1	1	1	1	1	
NS	560082	RING TERMINAL #10 / 16-14 / INSULATED / AMP 626033-2	1	1	1	1	1	
NS	500583	SCREW TP PAN PH #6x1/2 Z050	2	2	2	2	2	
NS	500613	SCREW TP PAN PH #10x1/2 Z050	1	1	1	1	1	
22	391390	INSERT / RED / LOW OIL	1			1		D
NS	560816	PRESSURE SWITCH N.C. 3PSI / 1/8NPT W/2 SCREWS	1			1		D
23	391389	INSERT / RED / HOT WATER	1			1		D
NS	560932	SWITCH / N.O. / S.P.S.T. / ALARMSTAT 210° / 3/8" NPT GROUND BODY	1			1		D
24	391453	INSERT / AMBER / "WINDOW AJAR"	1	1	1			
25	390855	INSERT / RED / "DOOR AJAR"	1	1	1		1	
26	390859	INSERT / AMBER / HIGH-BUOY				1	1	
27	390867	INSERT / AMBER / LOW-BUOY				1	1	
28	561125	TELLTALE / 24VOLT LEVEL LOW To L-629	1	1	1			
28	391277	INSERT / RED / "LEVEL LOW" From L-630	1	1	1			
29	391023	INSERT / GREEN / AUXILIARY WATER HEATER	1	1	1	1	1	
30	391032	INSERT / AMBER / RETARDER OR TELMA	1					
31	561523	GAUGE, AIR PRESSURE / ELECTRICAL To K-728	2			2		
31	561958	GAUGE, AIR PRESSURE / MECHANICAL From K-729	2	2	2	2	2	
NS	561096	SENSOR, AIR PRESSURE / W/ELECTRIC GAUGE To K-728	2			2		
NS	641129	FEMALE CONNECTOR / PUSH-IN FITTING / #2x1/8NPT-F BR From K-729	2	2	2	2	2	
32	561526	GAUGE, WATER TEMPERATURE	1	1	1	1	1	
NS	561097	SENSOR, TEMPERATURE / WATER & OIL	1	1	1	1	1	
33	561524	GAUGE, FUEL LEVEL To R-849	1	1	1	1		
33	562377	GAUGE, FUEL LEVEL From R-850	1	1	1	1	1	

From E-638 To S-569		Date:10/2022	PAGE:XL-0645-20
DASHBOARD - CENTER PANEL			

Item#	Part	Description	M T H 4 0	M T H 4 5	M T H 4 5 E	X L 4 0	X L 4 5	N O T E S
NS	030882	SENSOR, FUEL LEVEL / W/160 GALLONS To V-6257	1		1	1		E
NS	531387	SENSOR, FUEL LEVEL / 24" From V-6258	1		1	1		F
NS	531387	SENSOR, FUEL LEVEL / 24"		1			1	F
34	561525	GAUGE, OIL PRESSURE	1	1	1	1	1	
NS	561095	SENSOR, OIL PRESSURE W/GAUGE 0-80	1	1	1	1	1	
35	561522	GAUGE, VOLTMETER 24VOLT To R-849	1	1	1	1		
35	562376	GAUGE, VOLTMETER 24VOLT From R-850	1	1	1	1	1	
36	561521	GAUGE, OIL TEMPERATURE	1	1	1	1	1	
NS	390626	DECAL, " ENGINE OIL TEMPERATURE"	1	1	1	1	1	
NS	390627	DECAL, "DIFFERENTIAL OIL TEMPERATURE"	1	1	1	1	1	
37	561521	GAUGE, OIL TEMPERATURE	1	1	1	1	1	
NS	561097	SENSOR, TEMPERATURE / WATER & OIL	1	1	1	1	1	
NS	061887	SOCKET BULB / PLASTIC W/WIRE & CONNECTOR / BA9s	AR	AR	AR	AR	AR	
NS	561518	SOCKET BULB / PLASTIC W/WIRE / BA9s	1	1	1	1	1	
NS	560144	BULB / 1.6WATT-24VOLTS / SAE# 1820	1	1	1	1	1	
NS	561518	SOCKET BULB / PLASTIC W/WIRE / BA9s	1	1	1	1	1	
NS	560144	BULB / 1.6WATT-24VOLTS / SAE# 1820	1	1	1	1	1	
NS	561517	HARDWARE KIT	AR	AR	AR	AR	AR	
38	561029	GAUGE, TURBO BOOST PRESSURE "VDO" To M-931	1	1	1	1	1	
38	562221	GAUGE, TURBO BOOST PRESSURE "VDO" From M-932	1	1	1	1	1	
NS	562325	SOCKET BULB / PLASTIC W/.250 SPADE / BA7s From M-932	1	1	1	1	1	
NS	561167	BULB / 2WATT-24VOLTS / SAE# 3899 From M-932	1	1	1	1	1	
NS	562325	SOCKET BULB / PLASTIC W/.250 SPADE / BA7s	1	1	1	1	1	
NS	561167	BULB / 2WATT-24VOLTS / SAE# 3899	1	1	1	1	1	
NS	641129	FEMALE CONNECTOR / PUSH-IN FITTING / #2x1/8NPT-F BR	1	1	1	1	1	
NS	503536	TUBE, NYLON 1/8 O.D. / BLACK S.L.	AR	AR	AR	AR	AR	
NS	501840	MALE ELBOW 90° / POLY-TITE FITTING / #2x1/8NPT-M BR	1	1	1	1	1	
NS	501312	BUSHING REDUCER / PIPE FITTING / 1/4NTP-Mx1/8NPT-F BR	1	1	1	1	1	
NS	501894	MALE BRANCHE TEE / PIPE FITTING / 1/4NPT-Fx1/4NPT-Fx1/4NPT-M BR	1	1	1	1	1	
NS	561843	GAUGE, DUMMY	1	1	1	1	1	
39	505306	KNOB, POINTER	1	1	1	1	1	
NS	061072	RHEOSTAT ASSY / DASH ILLUMINATION To T-5693	1	1	1	1	1	
NS	IS-95013	SEE INSTRUCTION SHEET To T-5693	1	1	1	1	1	
NS	562489	RHEOSTAT ASSY / DASH ILLUMINATION From T-5694	1	1	1	1	1	
NS	IS-95013	SEE INSTRUCTION SHEET From T-5694	1	1	1	1	1	
39	069136	KIT, SERVICE/ DIMMER SERVICE	1	1	1	1	1	
NS	564592	DIMMER / CLUSTER	1	1	1	1	1	
NS	IS-14900	INSTRUCTION SHEET	1	1	1	1	1	
40	561156	GAUGE, PYROMETER W/SERIES 92	1		1			
NS	562383	SOCKET BULB / METAL W/WIRE / BA9s	1		1			
NS	560121	BULB / 1WATT-12VOLTS / SAE# 53	1		1			
NS	560601	BULB / 2WATT-24VOLTS / SAE# 456	1		1			

From E-638 To S-569	Date:10/2022	PAGE:XL-0645-20
DASHBOARD - CENTER PANEL		

Item#	Part	Description	M T H 4 0	M T H 4 5	M T H 4 5 E	X L 4 0	X L 4 5	N O T E S
. NS	561157	. SENSOR, PYROMETER W/ SERIES 92 & 60	2		2			
40	562289	GAUGE, PYROMETER W/SERIES 60	1	1	1			
. NS	562431	. SOCKET BULB / METAL W/WIRE / BA9s	1	1	1			
. NS	560601	. BULB / 2WATT-24VOLTS / SAE# 456	1	1	1			
. NS	561157	. SENSOR, PYROMETER W/ SERIES 92 & 60	1	1	1			
NS	561885	BULB COVER / GREEN W/PYROMETER	1	1	1			
NS	562383	. SOCKET BULB / METAL W/WIRE / BA9s	1	1	1			
NS	560145	. BULB / 1WATT-24VOLTS / SAE# 1829	1	1	1			
NS	561157	SENSOR, PYROMETER W/ SERIES 92 & 60	2		2			
NS	561157	SENSOR, PYROMETER W/ SERIES 92 & 60		1				
NS	061299	CABLE ASSY / W/PYROMETER / FRONT & REAR W/92	1		1	1		
41	590198	SPEEDOMETER HEAD / MPH "ENGLER" To K-704	1			1		N
41	590200	SPEEDOMETER HEAD / KPH "ENGLER" To K-704	1			1		O
41	590243	SPEEDOMETER HEAD / MPH "DIXSON" From K-705 To L-684	1			1		N
41	590244	SPEEDOMETER HEAD / KPH "DIXSON" From K-705 To L-684	1			1		O
41	090198	SPEEDOMETER HEAD / MPH "VDO" From L-685 To T-5884	1	1	1	1	1	A
41	090199	SPEEDOMETER HEAD / KM/H "VDO" From L-685 To T-5884	1	1	1	1	1	B
41	090215	SPEEDOMETER HEAD / MPH "VDO" From T-5885	1	1	1	1	1	
41	090216	SPEEDOMETER HEAD / KPH "VDO" From T-5885	1	1	1	1	1	
NS	562431	. SOCKET BULB / METAL W/WIRE / BA9s	1	1	1	1	1	K
NS	563150	. SOCKET BULB / PLASTIC W/.250 SPADE / W2.1x9.5d (VDO)	1	1	1	1	1	L
NS	560145	. BULB / 1WATT-24VOLTS / SAE# 1829	1	1	1	1	1	
42	590201	TACHOMETER "ENGLER" To K-704	1			1		P
42	590245	TACHOMETER "DIXSON" From K-705 To L-684	1			1		Q
NS	560145	. BULB / 1WATT-24VOLTS / SAE# 1829 To L-684	1			1		
42	090197	TACHOMETER "VDO" From L-685 To P-661	1	1		1		
42	090211	TACHOMETER "VDO" / USE W/DDEC II AND REGULAR From P-662 To S-569	1	1	1	1		
42	090213	TACHOMETER "VDO" / USE W/DDEC III From S-570 To T-5884	1	1	1	1	1	C
NS	090214	TACHOMETER HEAD / "VDO" (PROGRAMMABLE) From T-5885	1	1	1	1	1	
NS	562325	. SOCKET BULB / PLASTIC W/.250 SPADE / BA7s	1	1	1	1	1	K
NS	563150	. SOCKET BULB / PLASTIC W/.250 SPADE / W2.1x9.5d (VDO)	1	1	1	1	1	L
NS	561167	. BULB / 2WATT-24VOLTS / SAE# 3899	1	1	1	1	1	
NS	062772	CONVERTER 24/12 / W/TACHOMETER & SPEEDOMETER	1	1	1	1	1	
43	590240	TACHOGRAPH ASSY / MPH / W/3 WIRES To L-703				1		R
43	590259	TACHOGRAPH ASSY / MPH / W/4 WIRES From L-704				1	1	
43	590239	TACHOGRAPH ASSY / KM/H / W/3 WIRES To L-703				1		S
43	590258	TACHOGRAPH ASSY / KM/H / W/4 WIRES From L-704				1	1	
NS	590236	. KEY				1	1	
NS	561006	. BULB / 1WATT-24VOLTS / SAE# 2741MF				3	3	
NS	590179	CHART KM/H				AR	AR	
NS	590122	CHART MPH				AR	AR	
NS	590251	CHART DUMMY PROTECTOR				AR	AR	

From E-638 To S-569	Date:10/2022	PAGE:XL-0645-20
----------------------------	---------------------	------------------------

DASHBOARD - CENTER PANEL

Item#	Part	Description	M T H 4 0	M T H 4 5	M T H 4 5 E	X L 4 0	X L 4 5	N O T E S
44	090195	MODULE ASSY / W/TACHOGRAPH W/4 WIRES From L-704				1	1	
44	090200	MODULE ASSY / W/TACHOGRAPH W/4 WIRES From L-704 To P-740				1		
45	590234	BRACKET To L-703				2		
45	590270	BRACKET From L-704				2	2	
46	590235	NUT KNURLED				2	2	
47	561517	HARDWARE KIT	AR	AR	AR	AR	AR	
48	061887	SOCKET BULB / PLASTIC W/WIRE & CONNECTOR / BA9s	AR	AR	AR	AR	AR	
. NS	561518	. SOCKET BULB / PLASTIC W/WIRE / BA9s	1	1	1	1	1	
. NS	560144	. BULB / 1.6WATT-24VOLTS / SAE# 1820	1	1	1	1	1	
NS	561518	. SOCKET BULB / PLASTIC W/WIRE / BA9s	1	1	1	1	1	
NS	560144	. . BULB / 1.6WATT-24VOLTS / SAE# 1820	1	1	1	1	1	
49	062033	ALARM / W/WATER SEPARATOR From H-396	1	1	1	1	1	
. NS	561579	. ALARM From H-396	1	1	1	1	1	
. NS	560815	. RING TERMINAL #10 / 22-18 / INSULATED / AMP 42037-2 From H-396	2	2	2	2	2	
. NS	561626	. TAB RECEPTACLE TERMINAL INSUL. NYLON / 22 / AMP 2-520264-4 From H-396	2	2	2	2	2	
. NS	560998	. TAB RECEPTACLE TERMINAL / 16-14 / PED 2965142 From H-396	1	1	1	1	1	
. NS	561073	. CONNECTOR / 56 SERIES / TAB RH 1C / BLACK / PED 2962793 From H-396	1	1	1	1	1	
NS	062077	KIT FOR RETROFIT ALARM To H-395	AR			AR		?
. NS	062033	. ALARM / W/WATER SEPARATOR To H-395	1			1		
. . NS	561579	. . ALARM To H-395	1			1		
. . NS	560815	. . RING TERMINAL #10 / 22-18 / INSULATED / AMP 42037-2 To H-395	2			2		
. . NS	561626	. . TAB RECEPTACLE TERMINAL INSUL. NYLON / 22 / AMP 2-520264-4 To H-395	2			2		
. . NS	560998	. . TAB RECEPTACLE TERMINAL / 16-14 / PED 2965142 To H-395	1			1		
. . NS	561073	. . CONNECTOR / 56 SERIES / TAB RH 1C / BLACK / PED 2962793 To H-395	1			1		
. NS	561031	. MALE BLADE TERMINAL / 16-14 / PED 2971962 To H-395	1			1		
. NS	561070	. CONNECTOR / 56 SERIES / MALE BLADE HOUS 1C / BLACK / PED 2973392 To H-395	1			1		
50	390530	PANEL / W/6 GAUGES 17 INSERTS & SMALL GAUGE To L-684				1		
50	390421	PANEL / W/7 GAUGES 17 INSERTS & SMALL GAUGE To L-684				1		
50	390557	PANEL / W/8 GAUGES 17 INSERTS & SMALL GAUGE To L-684	1			1		
50	391431	PANEL / W/8 GAUGES 23 INSERTS & SMALL GAUGE From L-685 To S-404	1		1	1		
50	391430	PANEL / W/9 GAUGES 23 INSERTS & SMALL GAUGE & PYROMETER W/92	1		1			
50	391199	PANEL / W/10GAUGES 17 INSERTS & SMALL GAUGE & PYROMETER From K-777 To L-685	1					
50	391723	PANEL / W/8 GAUGES 23 INSERTS & SMALL GAUGE From S-405	1	1	1	1	1	
50	391551	PANEL / W/8 GAUGES 23 INSERTS & SMALL GAUGE & PYROMETER W/60 To S-404	1	1	1			
50	391741	PANEL / W/8 GAUGES 23 INSERTS & SMALL GAUGE & PYROMETER W/60 From S-405	1	1	1			
50	391526	PANEL / W/8 GAUGES 23 INSERTS & "SILENT-1000" To S-404				1		
50	391742	PANEL / W/8 GAUGES 23 INSERTS & "SILENT-1000" From S-405 To X-6903				1	1	
50	392060	PANEL / W/8 GAUGES 25 INSERTS & "SILENT-1000" From X-6904				1	1	
50	392095	PANEL W/8 GAUGES 27 INSERTS & SMALL GAUGE From X-6945				1		
51	390393	LEXAN To H-284	1			1		
51	390902	LEXAN From H-285	1	1	1	1	1	
51	391547	LEXAN 24" X 30" GREY CHARCOALD / CUT TO FIT	AR	AR	AR	AR	AR	

From E-638 To S-569	Date:10/2022	PAGE:XL-0645-20
DASHBOARD - CENTER PANEL		

Item#	Part	Description	M T H 4 0	M T H 4 5	M T H 4 5 E	X L 4 0	X L 4 5	N O T E S
52	391446	PANEL R.H. OF DASHBOARD From K-653	1	1	1			
52	391715	PANEL R.H. OF DASHBOARD W/DATA HUB	1	1	1			
53	391445	LEXAN R.H. OF DASHBOARD From K-653	1	1	1			
NS	500409	SCREW TP PAN PH #8x1/2 BK	6	6	6		6	
60	390392	PANEL / W/6 GAUGES 17 INSERTS & TACHOGRAPH To L-684				1		
60	391432	PANEL / W/6 GAUGES 23 INSERTS & TACHOGRAPH From L-685				1		
60	390423	PANEL / W/7 GAUGES 17 INSERTS & TACHOGRAPH To L-684				1		
60	391433	PANEL / W/7 GAUGES 23 INSERTS & TACHOGRAPH From L-685				1		
60	390558	PANEL / W/10 GAUGES 13 INSERTS & TACHOGRAPH				1		
60	391739	PANEL / W/6 GAUGES 23 INSERTS & TACHOGRAPH				1		
60	391740	PANEL / W/7 GAUGES 23 INSERTS & TACHOGRAPH				1	1	
60	392062	PANEL / W/7 GAUGES 25 INSERTS & TACHOGRAPH	1	1	1	1	1	
NS	401850	DECAL / VEHICLE HEIGHT 11' 2" To H-284				1		
NS	402467	DECAL / VEHICLE HEIGHT 11' 2" From H-285				1	1	
NS	403355	DECAL / VEHICLE HEIGHT 11' 9"				1	1	M
NS	401851	DECAL / VEHICLE HEIGHT 11' 5" / MTH 80" To H-284	1					
NS	402470	DECAL / VEHICLE HEIGHT 11' 5" / MTH 80" From H-285	1					
NS	401852	DECAL / VEHICLE HEIGHT 11' 8" / MTH 83" To H-284	1					
NS	402469	DECAL / VEHICLE HEIGHT 11' 8" / MTH 83" From H-285	1	1				
NS	401853	DECAL / VEHICLE HEIGHT 11' 11" / MTH 86"	1	1	1	1		
NS	402468	DECAL / VEHICLE HEIGHT 11' 11" / MTH 86" From H-285	1	1	1			
NS	070399	DECAL / BRAKE CLUTCH To H-284				1		
NS	070513	DECAL / BRAKE CLUTCH From H-285	1			1		
70	061088	CABLE ASSY / TELLTALE & GAUGE To L-588	1			1		
70	062775	CABLE ASSY / TELLTALE & GAUGE From L-589 To L-684	1			1		
70	062864	CABLE ASSY / TELLTALE & GAUGE From L-685 To R-822	1	1	1	1		
70	063581	CABLE ASSY / TELLTALE & GAUGE From R-823 To S-569	1	1	1	1		
NS	064000	CABLE ASSY / TELLTALE & GAUGE From S-570 To X-6903				1	1	
70	064000	CABLE ASSY / TELLTALE & GAUGE From S-570	1	1	1			
70	Call order desk	CABLE ASSY / TELLTALE & GAUGE / W/2 BOSCH ALT From X-6904				1	1	P
71	061926	CABLE TELLTALE (4) W/DDEC To L-684	1			1		
71	062862	CABLE TELLTALE (4) W/DDEC From L-685 To R-823	1	1	1	1		
72	061529	CABLE ASSY / MAIN HARNESS & TACHOGRAPH To L-703				1		
72	062763	CABLE ASSY / MAIN HARNESS & TACHOGRAPH From L-704 To P-740				1		
72	063389	CABLE ASSY / MAIN HARNESS & TACHOGRAPH From P-741 To R-822				1		
72	063580	CABLE ASSY / MAIN HARNESS & TACHOGRAPH From R-823				1	1	
73	061364	CABLE ASSY / MAIN HARNESS & SMALL GAUGE To L-703	1	1	1	1	1	
73	062502	CABLE ASSY / MAIN HARNESS & SMALL GAUGE From L-704 To L-684	1	1	1	1	1	
73	062780	CABLE ASSY / MAIN HARNESS & SMALL GAUGE From L-685 To P-721	1	1	1	1	1	G
73	063390	CABLE ASSY / MAIN HARNESS & SMALL GAUGE From P-722 To R-822	1	1	1	1	1	
73	063579	CABLE ASSY / MAIN HARNESS & SMALL GAUGE From R-823 To T-5884	1	1	1	1	1	
73	064260	CABLE ASSY / MAIN HARNESS & SMALL GAUGE From T-5885	1	1	1	1	1	

From E-638 To S-569	Date:10/2022	PAGE:XL-0645-20
DASHBOARD - CENTER PANEL		

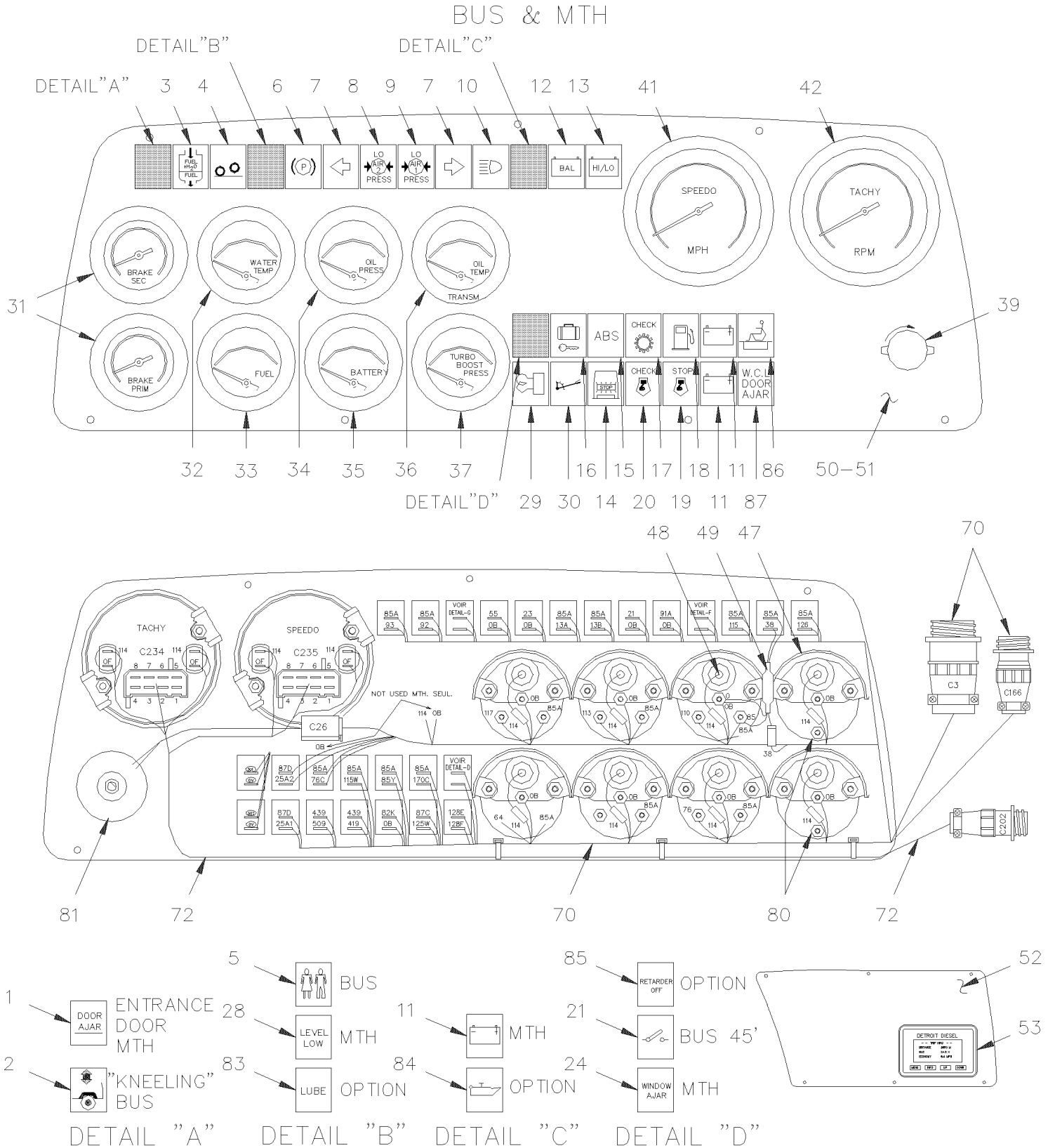
Item#	Part	Description	M T H 4 0	M T H 4 5	M T H 4 5 E	X L 4 0	X L 4 5	N O T E S
73	062764	CABLE ASSY / FRONT WHEEL SENSOR & DASH From L-685 To P-721	1	1	1	1	1	G
80	641129	FEMALE CONNECTOR / PUSH-IN FITTING / #2x1/8NPT-F BR	1	1	1	1	1	
NS	503536	TUBE, NYLON 1/8 O.D. / BLACK S.L.	AR	AR	AR	AR	AR	
NS	501840	MALE ELBOW 90° / POLY-TITE FITTING / #2x1/8NPT-M BR	1	1	1	1	1	
NS	501312	BUSHING REDUCER / PIPE FITTING / 1/4NPT-Mx1/8NPT-F BR	1	1	1	1	1	
NS	501894	MALE BRANCHE TEE / PIPE FITTING / 1/4NPT-Fx1/4NPT-Fx1/4NPT-M BR	1	1	1	1	1	
81	061072	RHEOSTAT ASSY / DASH ILLUMINATION To T-5693	1	1	1	1	1	
. NS	IS-95013	. SEE INSTRUCTION SHEET To T-5693	1	1	1	1	1	
81	562489	RHEOSTAT ASSY / DASH ILLUMINATION From T-5694	1	1	1	1	1	
. NS	IS-95013	. SEE INSTRUCTION SHEET From T-5694	1	1	1	1	1	
81	069136	KIT, SERVICE/ DIMMER SERVICE	1	1	1	1	1	
. NS	564592	. DIMMER / CLUSTER	1	1	1	1	1	
. NS	IS-14900	. INSTRUCTION SHEET	1	1	1	1	1	
82	390792	INSERT / RED / W.C.L. ACTIVITED From X-6945				1		
83	392093	INSERT / AMBER / "LUBE" From X-6945				1		
84	392094	INSERT / AMBER / "RETARDER OFF" From X-6945				1		
NS	391671	INSERT / GREEN / MASTER SWITCH	1	1	1	1	1	
85	391390	INSERT / RED / LOW OIL				1		
86	390792	INSERT / RED / W.C.L. ACTIVITED				1		
87	391768	INSERT / RED / "W.C.L. DOOR AJAR"				1		
NS	090217	KIT, RETROFIT TACHOMETER	AR	AR	AR	AR	AR	
. NS	IS-96014B	. SEE INSTRUCTION SHEET	1	1	1	1	1	
NS	090218	KIT, RETROFIT SPEEDO "MPH"	AR	AR	AR	AR	AR	
. NS	IS-96014B	. SEE INSTRUCTION SHEET	1	1	1	1	1	
NS	090219	KIT, RETROFIT SPEEDO "KMH"	AR	AR	AR	AR	AR	
. NS	IS-96014B	. SEE INSTRUCTION SHEET	1	1	1	1	1	
		A) THIS HEAD IS OBSOLETE IT IS SUPERSEDED BY #090218						
		B) THIS HEAD IS OBSOLETE IT IS SUPERSEDED BY #090219						
		C) THIS HEAD IS OBSOLETE IT IS SUPERSEDED BY #090217						
		D) WITH REGULAR ENGINE						
		E) WITH STAINLESS STEEL FUEL TANK						
		F) WITH PLASTIC FUEL TANK						
		G) THIS CABLE IT USE WITH "DIXSON" SPEEDO						
		H) LOW COOLANT W/DDEC1 W/92						
		J) LOW COOLANT W/DDEC II W/92						
		K) USE WITH FORMER MODEL						
		L) USE WITH CURRENT MODEL						
		M) BUS W/6" TV ANTENNA						
		N) THOSE SPEEDOMETER HEAD ARE OBSOLETE USE RETROFIT KIT #090206						

From E-638 To S-569	Date:10/2022	PAGE:XL-0645-20
---------------------	--------------	-----------------

DASHBOARD - CENTER PANEL

Item#	Part	Description	M T H 4 0	M T H 4 5	M T H 4 5 E	X L 4 0	X L 4 5	N O T E S
		O) THOSE SPEEDOMETER HEAD ARE OBSOLETE USE RETROFIT KIT #090205						
		P) THIS TACHOMETER HEAD IS OBSOLETE USE RETROFIT KIT #090207						
		Q) THIS TACHOMETER HEAD IS OBSOLETE USE RETROFIT KIT #090210						
		R) THIS TACHOGRAPH HEAD IS OBSOLETE USE RETROFIT KIT #090202						
		S) THIS TACHOGRAPH HEAD IS OBSOLETE USE RETROFIT KIT #090201						
		Z) LOW COLANT W/DDEC II & III W/50 & 60						
		?) SEE DETAIL SCREEN						
		P) CALL ORDER DESK FOR SPECIFIC APPLICATION (V.I.N.)						

From S-570 To Y-7045	Date:10/2022	PAGE:XL-0645-21
DASHBOARD - CENTER PANEL		



From S-570 To Y-7045	Date:10/2022	PAGE:XL-0645-21
DASHBOARD - CENTER PANEL		

Item#	Part	Description	M T H 4 0	M T H 4 5	M T H 4 5 E	X L 4 0	X L 4 5	N O T E S
1	561089	TELLTALE ASSY / BLANK	AR	AR	AR	AR	AR	
1	562113	TELLTALE ASSY / 24V SHORT	AR	AR	AR	AR	AR	
1	562049	. BULB / 2WATT-24VOLTS / SAE# 657	1	1	1	1	1	
1	562114	TELLTALE ASSY / 12V SHORT	AR	AR	AR	AR	AR	
NS	562048	. BULB / 2WATT-12VOLTS / SAE# 861332	1	1	1	1	1	
2	391031	INSERT / AMBER / KNEELING / HI-BUOY				1	1	
NS	061201	CABLE ASSY / W/KNEELING & HI-BUOY				1	1	
3	391030	INSERT / AMBER / WATER IN FUEL	1	1	1	1	1	
4	391235	INSERT / AMBER / TAG AXLE	1	1	1	1	1	
NS	640975	PRESSURE SWITCH N.C. 66PSI / 1/4NPT LP-3	1	1	1	1	1	
5	391024	INSERT / AMBER / LAVATORY (OCCUPIED)				1	1	
6	391027	INSERT / AMBER / PARKING BRAKE	1	1	1	1	1	
NS	640975	PRESSURE SWITCH N.C. 66PSI / 1/4NPT LP-3	1	1	1	1	1	
7	391204	INSERT / GREEN / DIRECTIONAL FLASHER	2	2	2	2	2	
8	391026	INSERT / RED / LO AIR #2	1	1	1	1	1	
NS	640975	PRESSURE SWITCH N.C. 66PSI / 1/4NPT LP-3	1	1	1	1	1	
9	391025	INSERT / RED / LO AIR #1	1	1	1	1	1	
NS	640975	PRESSURE SWITCH N.C. 66PSI / 1/4NPT LP-3	1	1	1	1	1	
10	391020	INSERT / BLUE / HIGHT BEAM	1	1	1	1	1	
NS	391893	INSERT / BLUE (BLANK)	1	1	1	1	1	
11	391028	INSERT / RED / GENERATOR	1	1	1	1	1	
12	391443	INSERT / YELLOW / BATTERIE BALANCE	1	1	1	1	1	
13	391278	INSERT / RED / BATTERIE HI-LO	1	1	1	1	1	
NS	562412	MONITOR / BATTERY EQUALIZER To W-6379	1	1	1	1	1	
NS	562785	MONITOR / BATTERY EQUALIZER From W-6380	1	1	1	1	1	
14	391033	INSERT / RED / STOP-LIGHT	1	1	1	1	1	
NS	640852	PRESSURE SWITCH N.O. 4PSI / 1/4NPT W/8-32 / SL-5 BRAKE To W-6899	1	1	1	1	1	
14	641462	PRESSURE SWITCH N.O. 4PSI / 1/4NPT W/10-32 / SL-5 BRAKE From W-6900	1	1	1	1	1	
15	391034	INSERT / RED / "ANTI SKID" To W-6490	1	1	1	1	1	
15	391672	INSERT / RED / "ABS" From W-6491	1	1	1	1	1	
16	391123	INSERT / GREEN / LUGGAGE DOOR LOCK	1	1	1			
17	390857	INSERT / AMBER / CHECK TRANSMISSION	1	1	1	1	1	
18	391029	INSERT / RED / FUEL LEVEL	1	1	1	1	1	
NS	531387	SENSOR, FUEL LEVEL / 24"		1			1	F
NS	530159	SENSOR PROBE "LOW-FUEL" To V-6257	1		1	1		E
NS	531387	SENSOR, FUEL LEVEL / 24" From V-6258	1		1	1		F
19	390889	INSERT / RED / STOP ENGINE				1		D
20	390888	INSERT / AMBER / CHECK ENGINE	1	1	1	1	1	
21	391388	INSERT / RED / LOW WATER LEVEL	1	1	1	1	1	
21	560927	SENSOR PROBE "LOW COOLANT"	1			1		D
21	561529	SENSOR PROBE "LOW LEVEL COOLANT"	1					H
21	561887	SENSOR PROBE "LOW LEVEL COOLANT"	1		1	1		J

From S-570 To Y-7045		Date:10/2022	PAGE:XL-0645-21
DASHBOARD - CENTER PANEL			

Item#	Part	Description	M T H 4 0	M T H 4 5	M T H 4 5 E	X L 4 0	X L 4 5	N O T E S
NS	562395	SENSOR PROBE "LOW LEVEL COOLANT" / 1/4" NPT	1	1	1	1	1	Z
21	560918	ALARM BUZZER To L-684				1	1	
NS	562117	ALARM BUZZER From L-685	1	1	1	1	1	
NS	560082	RING TERMINAL #10 / 16-14 / INSULATED / AMP 626033-2	1	1	1	1	1	
NS	500583	SCREW TP PAN PH #6x1/2 Z050	2	2	2	2	2	
NS	500613	SCREW TP PAN PH #10x1/2 Z050	1	1	1	1	1	
22	391390	INSERT / RED / LOW OIL	1			1		D
NS	560816	PRESSURE SWITCH N.C. 3PSI / 1/8NPT W/2 SCREWS	1			1		D
23	391389	INSERT / RED / HOT WATER	1			1		D
23	560932	SWITCH / N.O. / S.P.S.T. / ALARMSTAT 210° / 3/8" NPT GROUND BODY	1			1		D
24	391453	INSERT / AMBER / "WINDOW AJAR"	1	1	1			
25	390855	INSERT / RED / "DOOR AJAR"	1	1	1	1		
26	390859	INSERT / AMBER / HIGH-BUOY				1	1	
27	390867	INSERT / AMBER / LOW-BUOY				1	1	
28	391277	INSERT / RED / "LEVEL LOW"	1	1	1			
29	391023	INSERT / GREEN / AUXILIARY WATER HEATER	1	1	1	1	1	
30	391032	INSERT / AMBER / RETARDER OR TELMA	1	1	1	1	1	
30	065218	KIT, RETROFIT / TELL TALE / "STARTOR ON" / "X" / FROM T-5680 From T-5680 To Y-7045	1	1	1	1	1	
NS	WB99-23B	SEE WARRANTY BULLETIN From T-5680 To Y-7045	1	1	1	1	1	
31	561523	GAUGE, AIR PRESSURE / ELECTRICAL To K-728	2			2		
31	561958	GAUGE, AIR PRESSURE / MECHANICAL From K-729	2	2	2	2	2	
31	561096	SENSOR, AIR PRESSURE / W/ELECTRIC GAUGE To K-728	2			2		
32	561526	GAUGE, WATER TEMPERATURE	1	1	1	1	1	
NS	561097	SENSOR, TEMPERATURE / WATER & OIL	1	1	1	1	1	
33	562377	GAUGE, FUEL LEVEL	1	1	1	1	1	
NS	531387	SENSOR, FUEL LEVEL / 24"		1			1	F
NS	030882	SENSOR, FUEL LEVEL / W/160 GALLONS To V-6257	1		1	1		E
NS	531387	SENSOR, FUEL LEVEL / 24" From V-6258	1		1	1		F
34	561525	GAUGE, OIL PRESSURE	1	1	1	1	1	
NS	561095	SENSOR, OIL PRESSURE W/GAUGE 0-80	1	1	1	1	1	
35	562376	GAUGE, VOLTMETER 24VOLT	1	1	1	1	1	
36	561521	GAUGE, OIL TEMPERATURE	1	1	1	1	1	
NS	561097	SENSOR, TEMPERATURE / WATER & OIL	1	1	1	1	1	
NS	390626	DECAL, " ENGINE OIL TEMPERATURE"	1	1	1	1	1	
NS	390627	DECAL, "DIFFERENTIAL OIL TEMPERATURE"	1	1	1	1	1	
37	561521	GAUGE, OIL TEMPERATURE	1	1	1	1	1	
38	561029	GAUGE, TURBO BOOST PRESSURE "VDO" To M-931	1			1		
38	562221	GAUGE, TURBO BOOST PRESSURE "VDO" From M-932	1	1	1	1	1	
NS	562325	SOCKET BULB / PLASTIC W/.250 SPADE / BA7s From M-932	1	1	1	1	1	
NS	561167	BULB / 2WATT-24VOLTS / SAE# 3899 From M-932	1	1	1	1	1	
NS	562325	SOCKET BULB / PLASTIC W/.250 SPADE / BA7s	1	1	1	1	1	
NS	561167	BULB / 2WATT-24VOLTS / SAE# 3899	1	1	1	1	1	

From S-570 To Y-7045		Date:10/2022	PAGE:XL-0645-21
DASHBOARD - CENTER PANEL			

Item#	Part	Description	M T H 4 0	M T H 4 5	M T H 4 5 E	X L 4 0	X L 4 5	N O T E S
NS	561843	GAUGE, DUMMY	1	1	1	1	1	
39	505306	KNOB, POINTER	1	1	1	1	1	
40	562289	GAUGE, PYROMETER W/SERIES 60	1	1	1			
. NS	562431	. SOCKET BULB / METAL W/WIRE / BA9s	1	1	1			
. NS	560601	. BULB / 2WATT-24VOLTS / SAE# 456	1	1	1			
. NS	561157	. SENSOR, PYROMETER W/ SERIES 92 & 60	1	1	1			
NS	561885	BULB COVER / GREEN W/PYROMETER	1	1	1			
NS	562383	. SOCKET BULB / METAL W/WIRE / BA9s	1	1	1			
NS	560145	. BULB / 1WATT-24VOLTS / SAE# 1829	1	1	1			
NS	561157	SENSOR, PYROMETER W/ SERIES 92 & 60		1				
41	090198	SPEEDOMETER HEAD / MPH "VDO" From L-685 To T-5884	1	1	1	1	1	A
41	090215	SPEEDOMETER HEAD / MPH "VDO" From T-5885	1	1	1	1	1	
41	090199	SPEEDOMETER HEAD / KMH "VDO" From L-685 To T-5884	1	1	1	1	1	B
41	090216	SPEEDOMETER HEAD / KPH "VDO" From T-5885	1	1	1	1	1	
NS	562431	. SOCKET BULB / METAL W/WIRE / BA9s	1	1	1	1	1	G
NS	563150	. SOCKET BULB / PLASTIC W/.250 SPADE / W2.1x9.5d (VDO)	1	1	1	1	1	K
NS	560145	. BULB / 1WATT-24VOLTS / SAE# 1829	1	1	1	1	1	
42	560145	. BULB / 1WATT-24VOLTS / SAE# 1829 To L-684	1			1		
42	090197	TACHOMETER "VDO" From L-685 To P-661	1			1		
42	090211	TACHOMETER "VDO" / USE W/DDEC II AND REGULAR From P-662 To S-569	1	1	1	1		
42	090213	TACHOMETER "VDO" / USE W/DDEC III From S-570 To T-5884	1	1	1	1	1	
NS	090214	TACHOMETER HEAD / "VDO" (PROGRAMMABLE) From T-5885	1	1	1	1	1	
NS	562325	. SOCKET BULB / PLASTIC W/.250 SPADE / BA7s	1	1	1	1	1	G
NS	563150	. SOCKET BULB / PLASTIC W/.250 SPADE / W2.1x9.5d (VDO)	1	1	1	1	1	K
NS	561167	. BULB / 2WATT-24VOLTS / SAE# 3899	1	1	1	1	1	
43	590259	TACHOGRAPH ASSY / MPH / W/4 WIRES From L-704				1	1	
43	590258	TACHOGRAPH ASSY / KM/H / W/4 WIRES From L-704				1	1	
NS	590236	. KEY				1	1	
NS	561006	. BULB / 1WATT-24VOLTS / SAE# 2741MF				3	3	
NS	590179	CHART KM/H				AR	AR	
NS	590122	CHART MPH				AR	AR	
NS	590251	CHART DUMMY PROTECTOR				AR	AR	
44	090195	MODULE ASSY / W/TACHOGRAPH W/4 WIRES From L-704				1	1	
44	090200	MODULE ASSY / W/TACHOGRAPH W/4 WIRES From L-704 To P-740				1	1	
45	590270	BRACKET From L-704				2	2	
46	590235	NUT KNURLED				2	2	
47	561517	HARDWARE KIT	AR	AR	AR	AR	AR	
48	061887	SOCKET BULB / PLASTIC W/WIRE & CONNECTOR / BA9s	AR	AR	AR	AR	AR	
. NS	561518	. SOCKET BULB / PLASTIC W/WIRE / BA9s	1	1	1	1	1	
. NS	560144	. BULB / 1.6WATT-24VOLTS / SAE# 1820	1	1	1	1	1	
NS	561518	. SOCKET BULB / PLASTIC W/WIRE / BA9s	1	1	1	1	1	
NS	560144	. BULB / 1.6WATT-24VOLTS / SAE# 1820	1	1	1	1	1	

From S-570 To Y-7045		Date:10/2022	PAGE:XL-0645-21
----------------------	--	--------------	-----------------

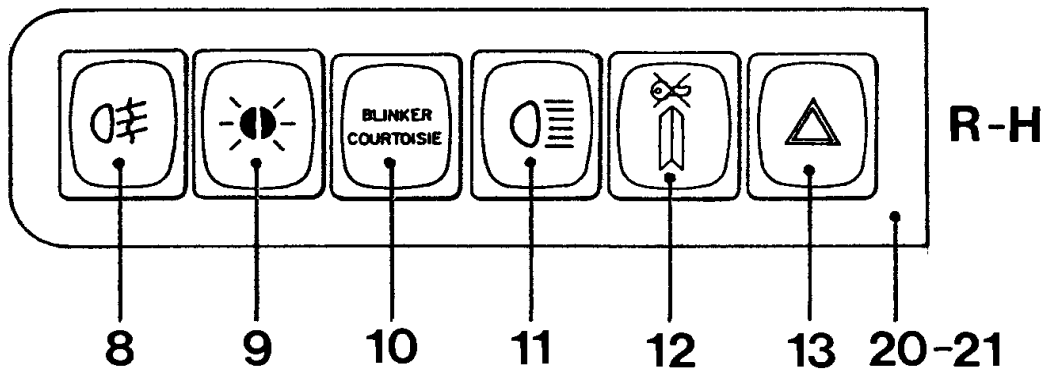
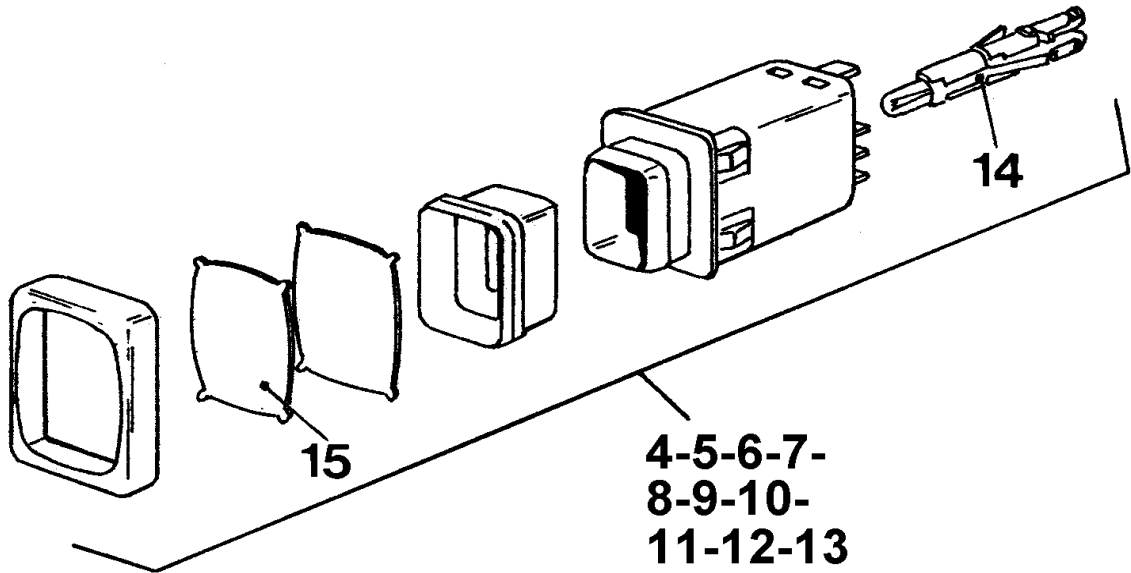
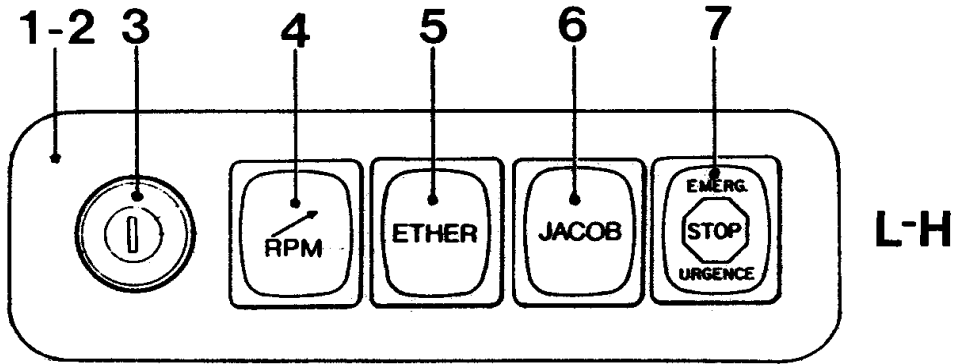
DASHBOARD - CENTER PANEL

Item#	Part	Description	M T H 4 0	M T H 4 5	M T H 4 5 E	X L 4 0	X L 4 5	N O T E S
49	062033	ALARM / W/WATER SEPARATOR	1	1	1	1	1	
. NS	561579	. ALARM	1	1	1	1	1	
. NS	560815	. RING TERMINAL #10 / 22-18 / INSULATED / AMP 42037-2	2	2	2	2	2	
. NS	561626	. TAB RECEPTACLE TERMINAL INSUL. NYLON / 22 / AMP 2-520264-4	2	2	2	2	2	
. NS	560998	. TAB RECEPTACLE TERMINAL / 16-14 / PED 2965142	1	1	1	1	1	
. NS	561073	. CONNECTOR / 56 SERIES / TAB RH 1C / BLACK / PED 2962793	1	1	1	1	1	
50	391723	PANEL / W/8 GAUGES 23 INSERTS & SMALL GAUGE From S-405	1	1	1	1	1	
50	391551	PANEL / W/8 GAUGES 23 INSERTS & SMALL GAUGE & PYROMETER W/60 To S-404	1	1	1			
50	391741	PANEL / W/8 GAUGES 23 INSERTS & SMALL GAUGE & PYROMETER W/60 From S-405	1	1	1			
50	391526	PANEL / W/8 GAUGES 23 INSERTS & "SILENT-1000" To S-404				1		
50	391742	PANEL / W/8 GAUGES 23 INSERTS & "SILENT-1000" From S-405 To X-6903				1	1	
50	392060	PANEL / W/8 GAUGES 25 INSERTS & "SILENT-1000" From X-6904				1	1	
50	392095	PANEL W/8 GAUGES 27 INSERTS & SMALL GAUGE From X-6945				1		
51	390902	LEXAN From H-285	1	1	1	1	1	
51	391547	LEXAN 24" X 30" GREY CHARCOALD / CUT TO FIT	AR	AR	AR	AR	AR	
52	391446	PANEL R.H. OF DASHBOARD	1	1	1			
52	391715	PANEL R.H. OF DASHBOARD W/DATA HUB	1	1	1			
53	391445	LEXAN R.H. OF DASHBOARD	1	1	1			
NS	500409	SCREW TP PAN PH #8x1/2 BK	6	6	6		6	
60	391739	PANEL / W/6 GAUGES 23 INSERTS & TACHOGRAPH From S-405 To X-6903				1		L
60	391740	PANEL / W/7 GAUGES 23 INSERTS & TACHOGRAPH From S-405 To X-6903				1	1	M
60	392062	PANEL / W/7 GAUGES 25 INSERTS & TACHOGRAPH From X-6904				1	1	M
70	064000	CABLE ASSY / TELLTALE & GAUGE From S-570 To X-6903				1	1	
70	Call order desk	CABLE ASSY / TELLTALE & GAUGE / W/2 BOSCH ALT From X-6904				1	1	P
70	064000	CABLE ASSY / TELLTALE & GAUGE From S-570	1	1	1			
72	063579	CABLE ASSY / MAIN HARNESS & SMALL GAUGE From R-823 To T-5884	1	1	1	1	1	
72	064260	CABLE ASSY / MAIN HARNESS & SMALL GAUGE From T-5885	1	1	1	1	1	
72	063580	CABLE ASSY / MAIN HARNESS & TACHOGRAPH From R-823				1	1	
80	641129	FEMALE CONNECTOR / PUSH-IN FITTING / #2x1/8NPT-F BR	1	1	1	1	1	
NS	503536	TUBE, NYLON 1/8 O.D. / BLACK S.L.	AR	AR	AR	AR	AR	
NS	501840	MALE ELBOW 90° / POLY-TITE FITTING / #2x1/8NPT-M BR	1	1	1	1	1	
NS	501312	BUSHING REDUCER / PIPE FITTING / 1/4NTP-Mx1/8NPT-F BR	1	1	1	1	1	
NS	501894	MALE BRANCHE TEE / PIPE FITTING / 1/4NPT-Fx1/4NPT-Fx1/4NPT-M BR	1	1	1	1	1	
81	061072	RHEOSTAT ASSY / DASH ILLUMINATION To T-5693	1	1	1	1	1	
. NS	IS-95013	. SEE INSTRUCTION SHEET To T-5693	1	1	1	1	1	
81	562489	RHEOSTAT ASSY / DASH ILLUMINATION From T-5694	1	1	1	1	1	
. NS	IS-95013	. SEE INSTRUCTION SHEET From T-5694	1	1	1	1	1	
81	069136	KIT, SERVICE/ DIMMER SERVICE	1	1	1	1	1	
. NS	564592	. DIMMER / CLUSTER	1	1	1	1	1	
. NS	IS-14900	. INSTRUCTION SHEET	1	1	1	1	1	
82	390792	INSERT / RED / W.C.L. ACTIVITED From X-6945				1		
83	392093	INSERT / AMBER / "LUBE" From X-6945				1		

From S-570 To Y-7045		Date:10/2022	PAGE:XL-0645-21
DASHBOARD - CENTER PANEL			

Item#	Part	Description	M T H 4 0	M T H 4 5	M T H 4 5 E	X L 4 0	X L 4 5	N O T E S
84	392094	INSERT / AMBER / "RETARDER OFF" From X-6945				1		
NS	391671	INSERT / GREEN / MASTER SWITCH		1			1	
85	391390	INSERT / RED / LOW OIL				1		
86	390792	INSERT / RED / W.C.L. ACTIVATED				1		
87	391768	INSERT / RED / "W.C.L. DOOR AJAR"				1		
NS	402467	DECAL / VEHICLE HEIGHT 11' 2" From H-285				1	1	
NS	403355	DECAL / VEHICLE HEIGHT 11' 9" To T-5883				1	1	V
NS	402469	DECAL / VEHICLE HEIGHT 11' 8" / MTH 83" From H-285	1	1				
NS	402468	DECAL / VEHICLE HEIGHT 11' 11" / MTH 86" From H-285	1	1	1			
99	070513	DECAL / BRAKE CLUTCH From H-285				1		
NS	090217	KIT, RETROFIT TACHOMETER	AR	AR	AR	AR	AR	
NS	IS-96014B	. SEE INSTRUCTION SHEET	1	1	1	1	1	
NS	090218	KIT, RETROFIT SPEEDO "MPH"	AR	AR	AR	AR	AR	
NS	IS-96014B	. SEE INSTRUCTION SHEET	1	1	1	1	1	
NS	090219	KIT, RETROFIT SPEEDO "KMH"	AR	AR	AR	AR	AR	
NS	IS-96014B	. SEE INSTRUCTION SHEET	1	1	1	1	1	
		A) THIS HEAD IS OBSOLETE IT IS SUPERSEDED BY #090218						
		B) THIS HEAD IS OBSOLETE IT IS SUPERSEDED BY #090219						
		D) WITH REGULAR ENGINE						
		E) WITH STAINLESS STEEL FUEL TANK						
		F) WITH PLASTIC FUEL TANK						
		G) USE WITH FORMER MODEL						
		H) LOW COOLANT W/DDEC1 W/92						
		J) LOW COOLANT W/DDEC II W/92						
		K) USE WITH CURRENT MODEL						
		L) WITH MANUAL TRANSMISSION						
		M) WITH AUTOMATIC TRANSMISSION						
		V) USE WITH TV ANTENNA						
		Z) LOW COLANT W/DDEC II & III W/50 & 60						
		P) CALL ORDER DESK FOR SPECIFIC APPLICATION (V.I.N.)						

From E-638 To H-234	Date:10/2022	PAGE:XL-0645-40
DASHBOARD - LOWER L.H. & R.H. PANELS		



From E-638 To H-234	Date:10/2022	PAGE:XL-0645-40
DASHBOARD - LOWER L.H. & R.H. PANELS		

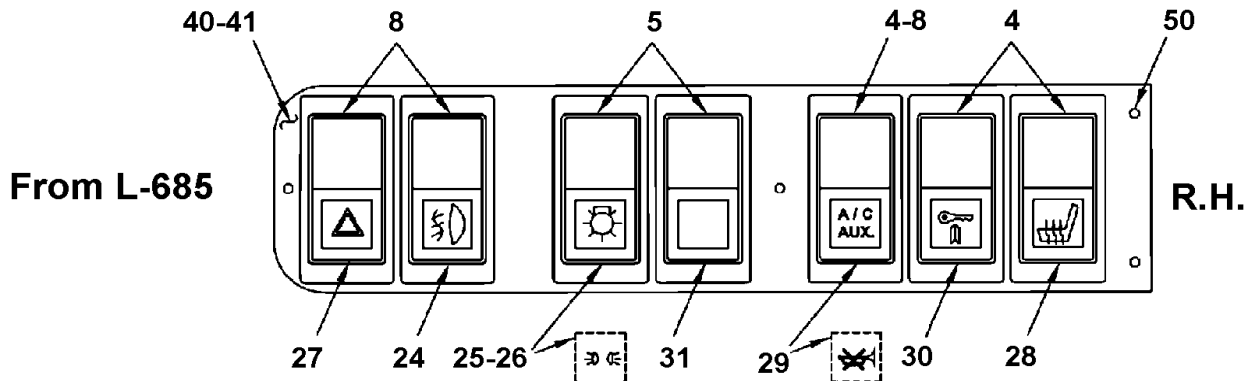
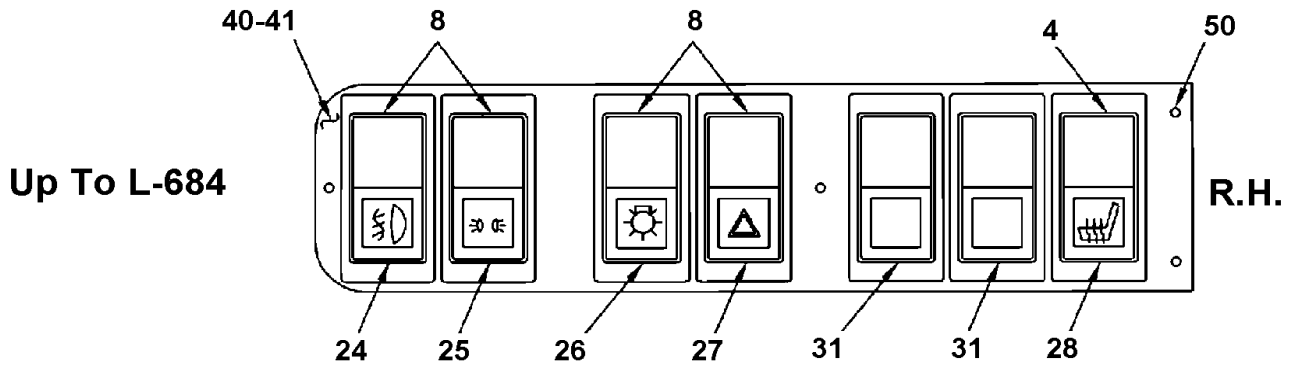
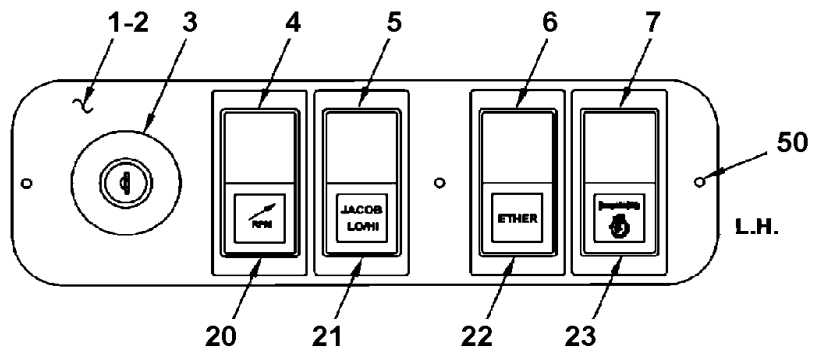
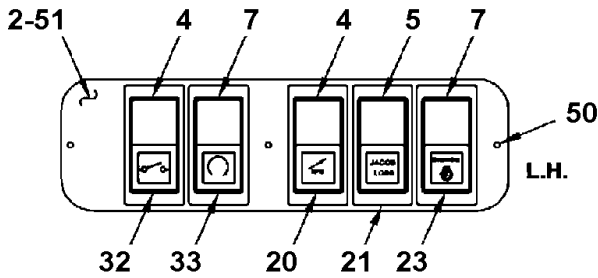
Item#	Part	Description	M T H 4 0	M T H 4 5	M T H 4 5 E	X L 4 0	X L 4 5	N O T E S
1	390417	PANEL, L.H.	1			1		
2	390416	LEXAN, L.H. / GRAY	1			1		
3	560880	SWITCH / OFF-ON / S.P.S.T. / KEY To G-069	1			1		D
NS	560256	SWITCH / OFF-ON / S.P.S.T. "SARTOR" To G-069	1			1		
NS	560817	PRESSURE SWITCH N.C. 10PSI / 1/8NPT W/1 SCREW GROUND TO BODY To G-069	1			1		
3	561085	SWITCH, IGNITION / CODE CH From G-070	1			1		
3	N.S.S.	. KEY	1			1		1
3	681136	KEY CHAIN / "PREVOST"	AR			AR		
4	561048	SWITCH, FAST IDLE	1			1		
4	561508	SWITCH, FAST IDLE / SERVICE	1			1		
5	561062	SWITCH, ETHER	1			1		
5	561495	SWITCH, ETHER / SERVICE	1			1		
6	561047	SWITCH, JACOB'S / PUSH BUTTON	1			1		
7	561049	SWITCH, EMERGENCY STOP	1			1		
7	561507	SWITCH, EMERGENCY STOP / SERVICE	1			1		
8	561050	SWITCH, FOG LAMPS	1			1		
8	561506	SWITCH, FOG LAMPS / SERVICE	1			1		
9	561054	SWITCH, CLEARANCE LIGHT To G-118	1			1		B
9	561206	SWITCH, CLEARANCE LIGHT From G-119	1			1		B
9	061915	KIT, CLEARANCE LIGHT SWITCH / SERVICE	1			1		
. NS	561501	. SWITCH, CLEARANCE LIGHT	1			1		
. NS	BS9901	. SEE INSTRUCTION SHEET	1			1		
10	561052	SWITCH, BLINKER	1			1		
10	561503	SWITCH, BLINKER / SERVICE	1			1		
11	561053	SWITCH, HEADLAMP To G-118	1			1		A
11	561205	SWITCH, HEADLAMP From G-119	1			1		A
11	061914	KIT, HEADLAMP SWITCH / SERVICE	1			1		
. NS	561502	. SWITCH, HEADLAMP	1			1		
. NS	BS9901	. SEE INSTRUCTION SHEET	1			1		
12	561055	SWITCH, DOOR LOCK	1			1		
12	561494	SWITCH, DOOR LOCK / SERVICE	1			1		
12	561126	SWITCH, DOOR LOCK OVERULE				1		
NS	561509	SWITCH, DOOR LOCK OVERULE / SERVICE				1		
13	561063	SWITCH, HAZARD LIGHT To G-118	1			1		C
13	561207	SWITCH, HAZARD LIGHT From G-119	1			1		C
13	061917	KIT, HAZARD LIGHT SWITCH / SERVICE	1			1		
. NS	561500	. SWITCH, HAZARD LIGHT	1			1		
. NS	BS9901	. SEE INSTRUCTION SHEET	1			1		
14	561123	. BULB / 1 WATT-24VOLTS / SAE# 2741	1			1		
15	N.S.S.	. INSERT IDENTIFICATION	1			1		1
20	390405	PANEL, R.H.	1			1		
21	390406	LEXAN, R.H. / GRAY	1			1		

From E-638 To H-234	Date:10/2022	PAGE:XL-0645-40
---------------------	--------------	-----------------

DASHBOARD - LOWER L.H. & R.H. PANELS

Item#	Part	Description	M T H 4 0	M T H 4 5	M T H 4 5 E	X L 4 0	X L 4 5	N O T E S
		A) THIS SWITCH IT SUPPERSEDED BY KIT # 061914						
		B) THIS SWITCH IT SUPPERSEDED BY KIT # 061915						
		C) THIS SWITCH IT SUPPERSEDED BY KIT # 061917						
		D) WITH THIS KEY SWITCH # 560880 WE USE #560256 AND PRESSURE SAFETY SWITCH # 560817 ON FUEL FILTER TO PROTECT STARTOR ENGAGEMENT						
		1) NOT SOLD SEPARATELY						

From H-235 To Y-7045	Date:10/2022	PAGE:XL-0645-41
DASHBOARD - LOWER L.H. & R.H. PANELS		



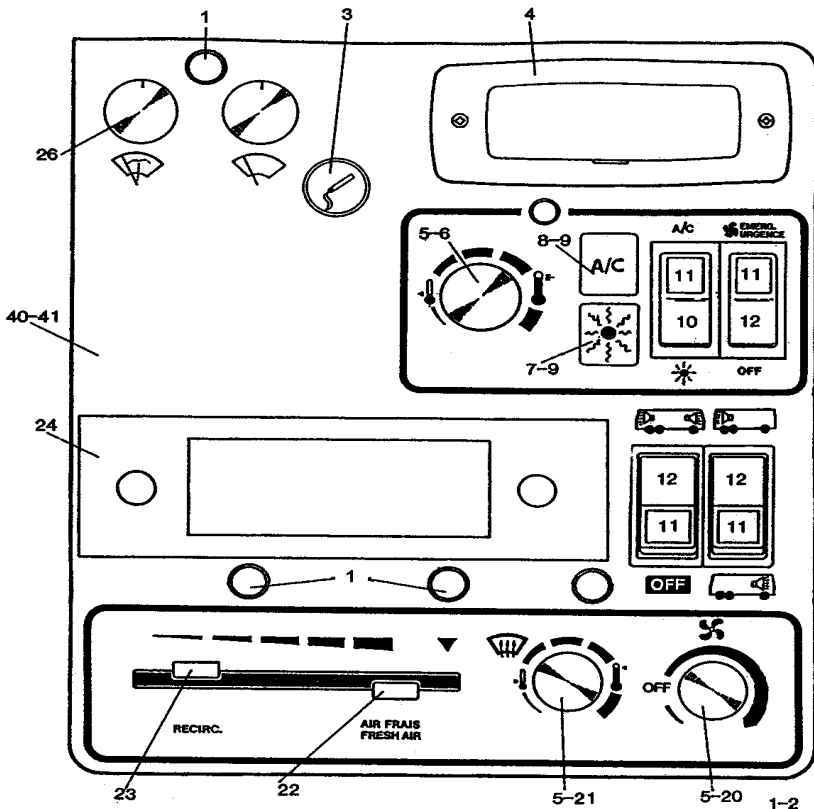
From H-235 To Y-7045		Date:10/2022	PAGE:XL-0645-41
DASHBOARD - LOWER L.H. & R.H. PANELS			

Item#	Part	Description	M T H 4 0	M T H 4 5	M T H 4 5 E	X L 4 0	X L 4 5	N O T E S
1	390822	PANEL To L-649	1	1	1	1	1	
1	391396	PANEL From L-650 To V-6119	1	1	1	1	1	
NS	391898	PANEL From V-6120	1	1	1			
2	390823	LEXAN To L-649	1	1	1	1	1	
2	390904	LEXAN From L-650 To V-6119	1	1	1	1	1	
NS	391899	LEXAN From V-6120	1	1	1			
3	561085	SWITCH, IGNITION / CODE CH To L-649	1			1		
3	N.S.S.	. KEY	1			1		1
3	562146	SWITCH, IGNITION / KEYLESS (ACC-OFF-IGN-START) From L-650				1	1	
3	562147	SWITCH, IGNITION / CODE 801 From L-650	1	1	1	1	1	
NS	780003	. KEY, IGNITION SWITCH CODE 801 From L-650	1	1	1	1	1	
3	562148	SWITCH, IGNITION / CODE 802 From L-650	1	1		1	1	
NS	780004	. KEY, IGNITION SWITCH CODE 802 From L-650	1	1		1	1	
3	562151	SWITCH, IGNITION / CODE 803 From L-650	1	1		1	1	
NS	780006	. KEY, IGNITION SWITCH CODE 803 From L-650	1	1		1	1	
3	562150	SWITCH, IGNITION / CODE 804 From L-650	1	1		1	1	
NS	780007	. KEY, IGNITION SWITCH CODE 804 From L-650	1	1		1	1	
3	562152	SWITCH, IGNITION / CODE 805 From L-650	1	1		1	1	
NS	780008	. KEY, IGNITION SWITCH CODE 805 From L-650	1	1		1	1	
3	562149	SWITCH, IGNITION / CODE 806 From L-650	1	1		1	1	
NS	780009	. KEY, IGNITION SWITCH CODE 806 From L-650	1	1		1	1	
3	562296	. KEY / IGNITION BLANCK UNCUT	AR	AR		AR	AR	
3	681136	KEY CHAIN / "PREVOST"	AR	AR		AR	AR	
NS	562674	KEYLESS / TRANSMITTER KEY RING / W/DESCRIPT	1	1	1			S
NS	IS-03103	. SEE INSTRUCTION SHEET	1	1	1			S
NS	563542	KEYLESS / TRANSMITTER KEY RING / W/PICTOGRAM / SERVICE	1	1	1			
NS	063282	SWITCH SUPPORT / UNDER R.H. DASH				AR	AR	
NS	560254	SWITCH / OFF-M/ON / S.P.S.T.				AR	AR	
4	561468	SWITCH / OFF-ON S.P.S.T.				AR		
4	561468	SWITCH / OFF-ON S.P.S.T.					1	
5	561520	SWITCH / OFF-ON-ON SERIES S.P.D.T.	AR	AR	AR	AR	AR	
6	561471	SWITCH / OFF-M/ON W/LOCK S.P.S.T.	1	1	1	1	1	
7	561470	SWITCH / OFF-M/ON S.P.S.T.	1	1	1	1	1	
8	561472	SWITCH / ON-ON / D.P.D.T. / CH-OVER	AR	AR	AR	AR	AR	
8	561520	SWITCH / OFF-ON-ON SERIES S.P.D.T. From L-685	1	1	1	1	1	A
20	062994	INSERT / GREEN / FAST IDLE	1	1	1	1	1	
21	062991	INSERT / GREEN / "JACOB" BRAKE	1	1	1	1	1	
21	063028	INSERT / GREEN / RETARDER	1	1	1	1	1	
22	062987	INSERT / GREEN / ETHER		1	1	1	1	
23	063012	INSERT / RED / ENGINE OVERRIDE	1	1	1	1	1	
24	063023	INSERT / GREEN / FOG LAMP	1	1	1	1	1	
25	062985	INSERT / GREEN / ID & CLEARANCE	1	1	1	1	1	

From H-235 To Y-7045	Date:10/2022	PAGE:XL-0645-41
DASHBOARD - LOWER L.H. & R.H. PANELS		

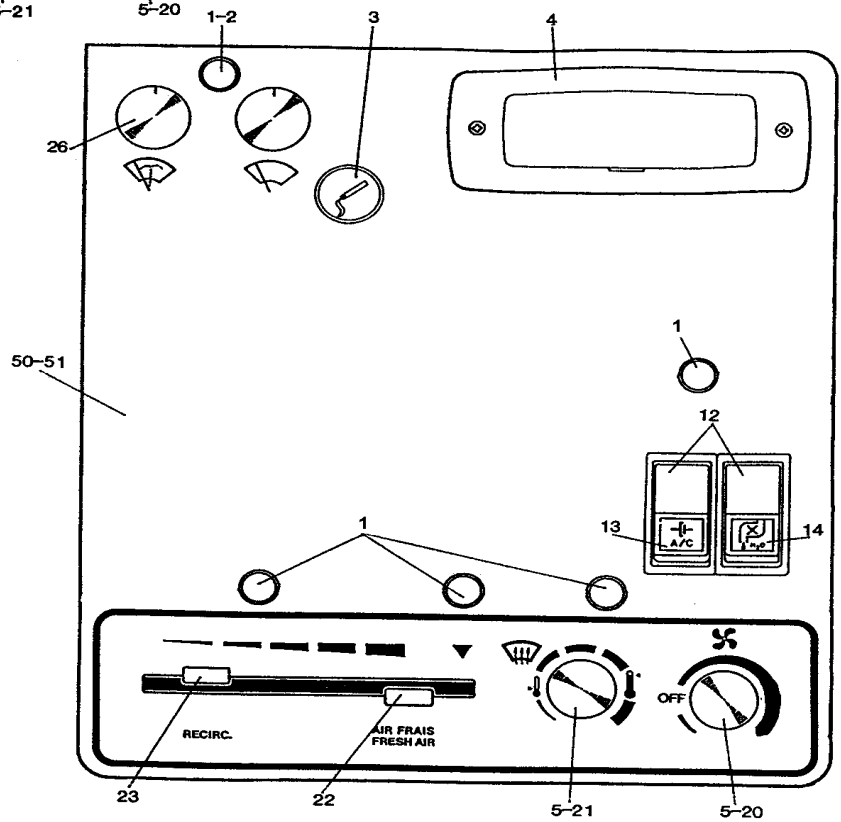
Item#	Part	Description	M T H 4 0	M T H 4 5	M T H 4 5 E	X L 4 0	X L 4 5	N O T E S
26	062988	INSERT / GREEN / GENERAL LIGHT	1	1	1	1	1	
27	062993	INSERT / RED / WARNING LIGHT / HAZARD	1	1	1	1	1	
28	062997	INSERT / GREEN / HEATED SEAT	1			1		
29	063001	INSERT / GREEN / BACK-UP ALARM (CANCEL)	1	1	1			
30	062996	INSERT / GREEN / LOCKING DOOR	1	1	1			
30	063005	INSERT / GREEN / A/C AUXILIARY				1	1	
31	561088	COVER, SWITCH HOLE	AR	AR	AR	AR	AR	
32	063013	INSERT / GREEN / MASTER SWITCH / CUT OFF				1		
33	063034	INSERT / GREEN / STARTER SWITCH				1		
40	390825	PANEL R.H.	1			1		
40	391172	PANEL R.H. From K-653	1	1	1	1	1	
41	390826	LEXAN To H-284	1			1		
41	390905	LEXAN From H-285 To W-6346				1	1	
41	391174	LEXAN From W-6347				1	1	
41	391174	LEXAN From K-653	1	1	1			
50	500409	SCREW TP PAN PH #8x1/2 BK	AR	AR	AR	AR	AR	
51	390791	PANEL / W/O KEY SWITCH To L-649				1		
		A) OFF-ON-ON SERIES / S.P.D.T. USED ON HEAD LAMP SWITCH ONLY						
		S) WHEN YOU REPLACE KEYLESS 562674 WITH THE NEW 563542 YOU NEED TO REPLACE MODULE 562673 BY THE NEW 563541 / SEE INSTRUCTION SHEET IS-03103						
		1) NOT SOLD SEPARATELY						

From E-638 To G-118	Date:10/2022	PAGE:XL-0645-50
DASHBOARD - CONSOLE R.H.		



Up to F-827

Up to F-827

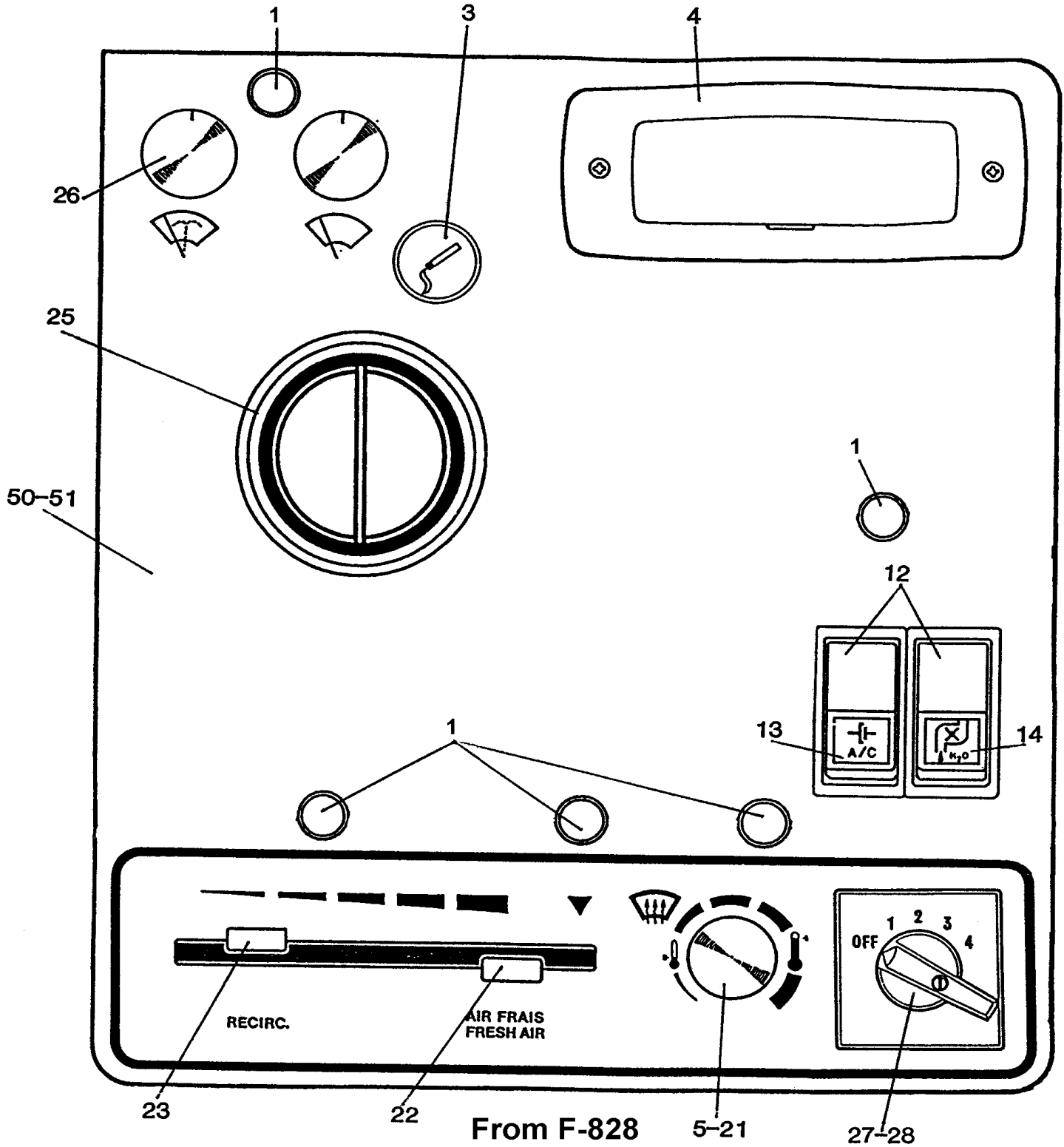


From E-638 To G-118

Date:10/2022

PAGE:XL-0645-50

DASHBOARD - CONSOLE R.H.

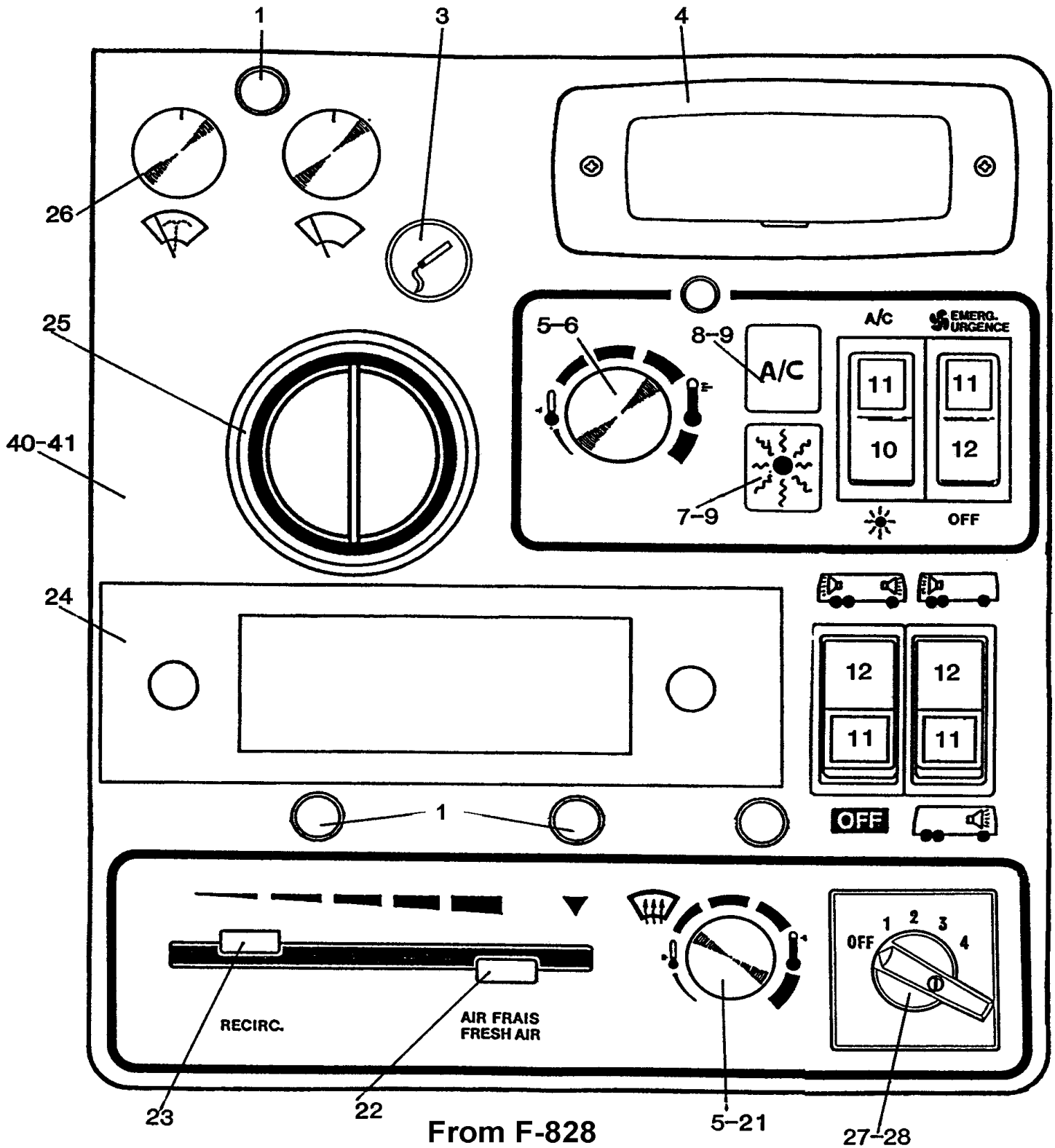


From E-638 To G-118

Date:10/2022

PAGE:XL-0645-50

DASHBOARD - CONSOLE R.H.



From E-638 To G-118	Date:10/2022	PAGE:XL-0645-50
DASHBOARD - CONSOLE R.H.		

Item#	Part	Description	M T H 4 0	M T H 4 5	M T H 4 5 E	X L 4 0	X L 4 5	N O T E S
1	830006	LAMP ASSY / CONSOLE LIGHTING	AR			AR		
. NS	N15711	. BASE PILOT LAMP	1			1		
. NS	N15712	. CAP PILOT LAMP	1			1		
. NS	560472	. BULB / 0.34WATT-24VOLTS / SAE# 327 / 4000hrs	1			1		
3	561264	LIGHTER ASSY / 24V	1			1		
3	561491	LIGHTER ASSY / 12V	1			1		
NS	561492	. POP OUT 12V	1			1		
4	860434	ASHTRAY	1			1		
5	505306	KNOB, POINTER	1			1		A
6	870863	CONTROL, TEMPERATURE / (FORMER)	1			1		
. NS	562576	. CONNECTOR / PH 6C / BURNDY 41035-00	1			1		
6	871074	CONTROL, TEMPERATURE	1			1		
. NS	M185-11	. MAINTENANCE INFORMATION	1			1		
. NS	562576	. CONNECTOR / PH 6C / BURNDY 41035-00	1			1		
NS	561134	. FUSE / 1 AMP / MLD-1 (SLOW BLOW)	1			1		
7	561046	TELLTALE / 24V HEAT WARNING	1			1		
8	561045	TELLTALE / 24V A/C WARNING	1			1		
9	561122	. BULB / 2WATT-24VOLTS / SAE# 3797	1			1		
10	561064	SWITCH / ON-OFF-ON D.P.D.T. / W/O BULB	1			1		
11	561087	INSERT / BLACK	1			1		
12	561065	SWITCH / ON-ON / D.P.D.T. / SELECTOR W/O BULB				2		
12	561065	SWITCH / ON-ON / D.P.D.T. / SELECTOR W/O BULB	1					
13	063000	INSERT / GREEN / CLUTCH A/C	1			1		
14	062990	INSERT / GREEN / WATER PUMP	1			1		
20	560429	SWITCH, W/3 POSITIONS To G-118	1			1		A
21	870963	CONTROL, TEMPERATURE / (FORMER)	1			1		A
. NS	562576	. CONNECTOR / PH 6C / BURNDY 41035-00	1			1		A
21	871076	CONTROL, TEMPERATURE	1			1		
. NS	562576	. CONNECTOR / PH 6C / BURNDY 41035-00	1			1		
NS	561134	. FUSE / 1 AMP / MLD-1 (SLOW BLOW)	1			1		
22	950049	CONTROL ASSY, W/LEVER FRESH AIR	1			1		
NS	451070	CABLE CONTROL ASSY / FRESH AIR / 42"	1			1		
NS	451069	CABLE CONTROL ASSY / FOOT OR DEFROST / 34"	1			1		
23	950051	KNOB, CONTROL	2			2		
24	XL-2315-00	SOUND SYSTEM - INSTALLATION						
NS	390542	BAR PROTECTION / IN FRONT OF RADIO				1		
25	870843	DEFLECTOR, AIR From F-828	1			1		
26	XL-2305-20	WINDSHIELD WASHER - INSTALLATION						
26	561168	SWITCH W/4 POSITIONS From F-828	1			1		
27	561266	SWITCH ASSY From G-119	1			1		
28	561855	. KNOB From G-119	1			1		
40	390597	PANEL / W/LARGE A/C From F-828	1			1		

From E-638 To G-118	Date:10/2022	PAGE:XL-0645-50
DASHBOARD - CONSOLE R.H.		

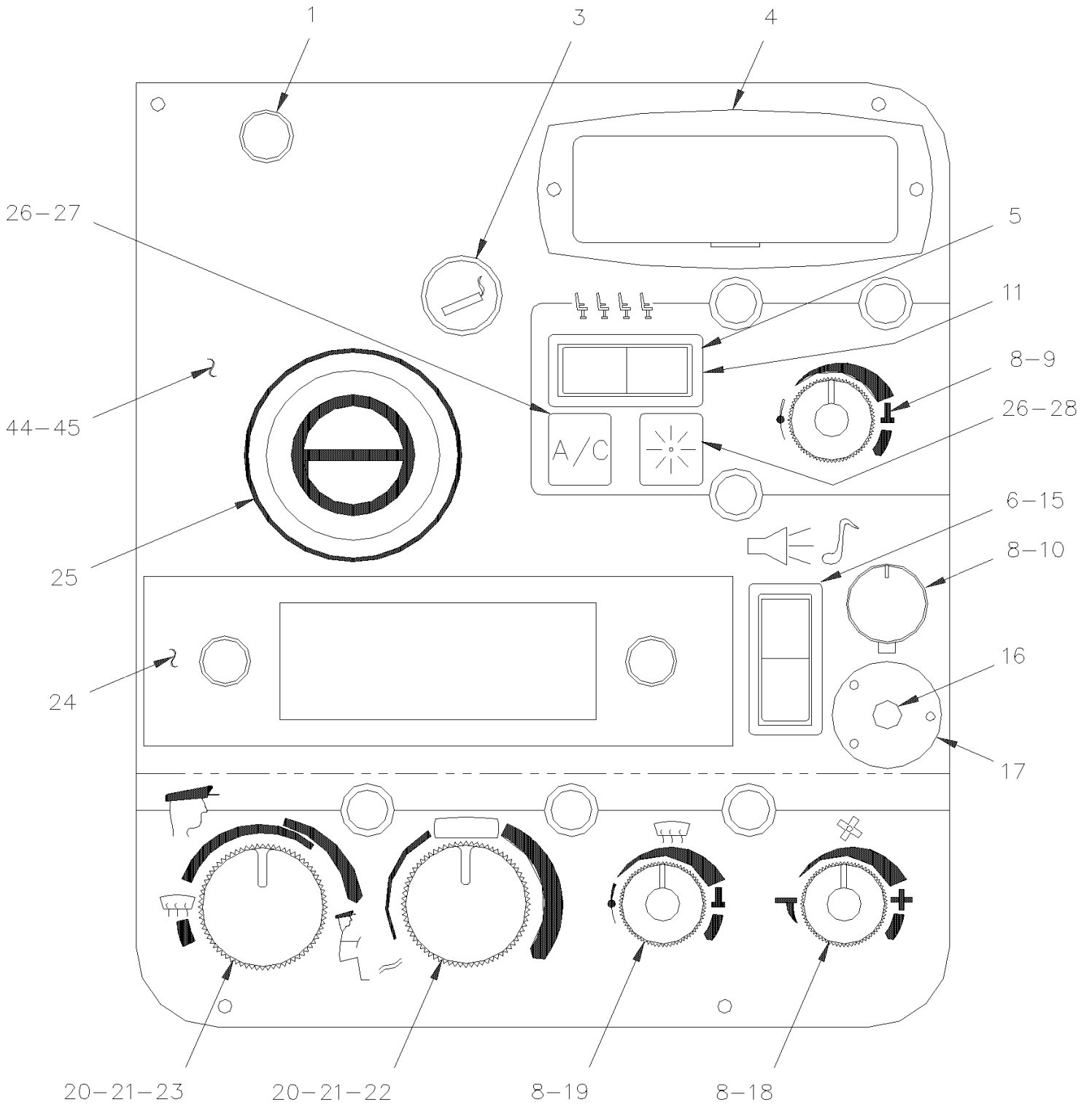
Item#	Part	Description	M T H 4 0	M T H 4 5	M T H 4 5 E	X L 4 0	X L 4 5	N O T E S
40	390481	PANEL / W/LARGE A/C To F-827	1			1		
40	390643	PANEL / W/RADIO R-522 & ASHTRAY To F-827				1		
40	390642	PANEL / W/RADIO R-522 To F-827				1		
40	390598	PANEL / W/RADIO R-750 From F-828				1		
40	390424	PANEL / W/RADIO R-750 To F-827				1		
40	390599	PANEL / W/RADIO R-750 & ASHTRAY From F-828				1		
40	390403	PANEL / W/RADIO R-750 & ASHTRAY To F-827				1		
40	390596	PANEL / W/LARGE A/C & ASHTRAY From F-828	1			1		
40	390483	PANEL / W/LARGE A/C & ASHTRAY To F-827	1			1		
41	390404	LEXAN / W/RADIO To F-827	1					
41	390639	LEXAN / W/RADIO From F-828				1		
41	390498	LEXAN / W/LARGE A/C To F-827	1					
41	390641	LEXAN / W/LARGE A/C From F-828				1		
50	390595	PANEL / W/SMALL A/C From F-828	1					
50	390482	PANEL / W/SMALL A/C To F-827	1					
50	390594	PANEL / W/SMALL A/C & ASHTRAY From F-828	1					
51	390486	LEXAN / W/SMALL A/C To F-827	1					
51	390640	LEXAN / W/SMALL A/C From F-828	1					
		A) FROM F-828 REVERSE POSITION OF DEFROSTER SWITCH AND SENSOR						

From G-119 To Y-7045

Date:10/2022

PAGE:XL-0645-51

DASHBOARD - CONSOLE R.H.



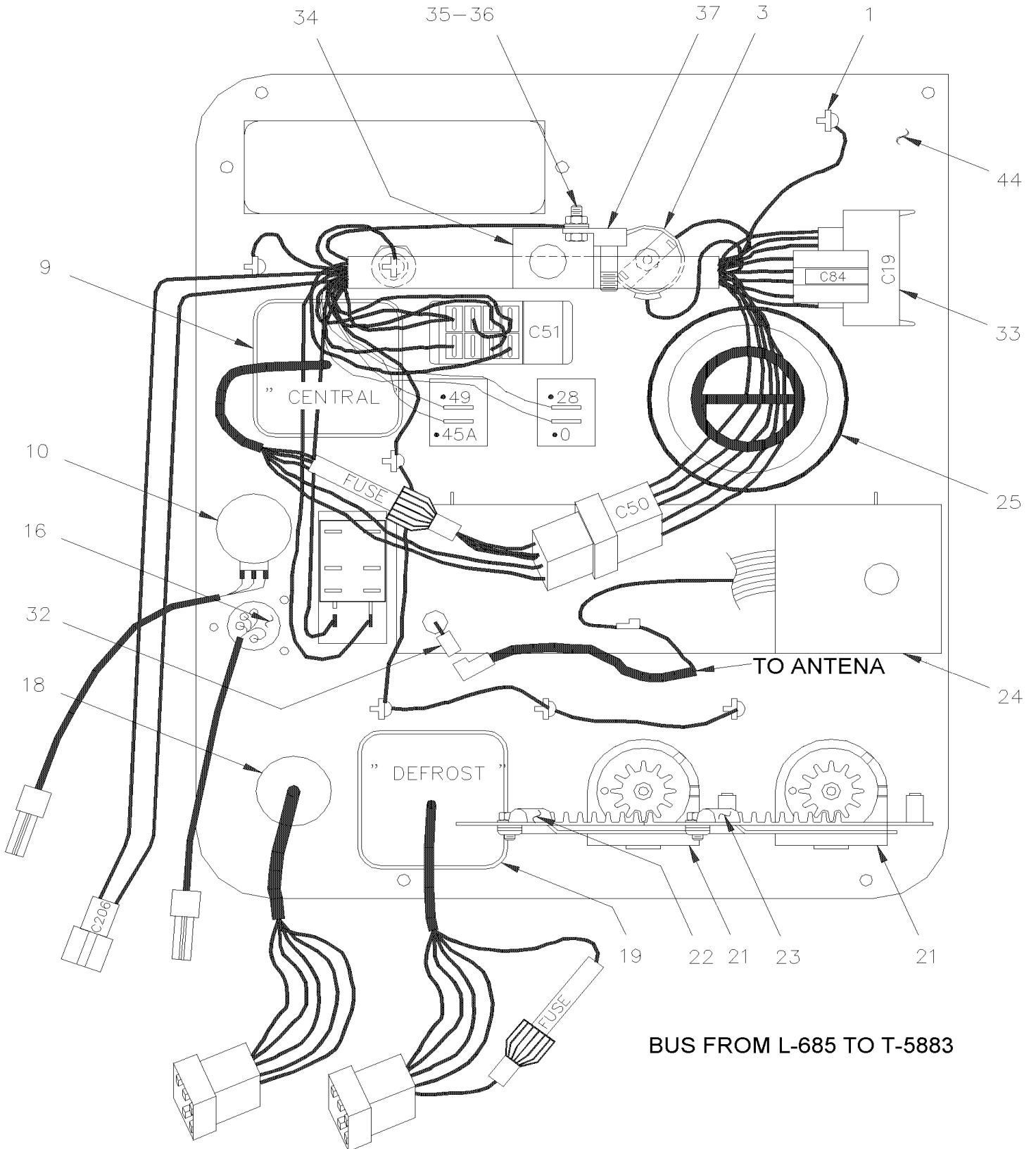
BUS FROM L-685 TO T-5883

From G-119 To Y-7045

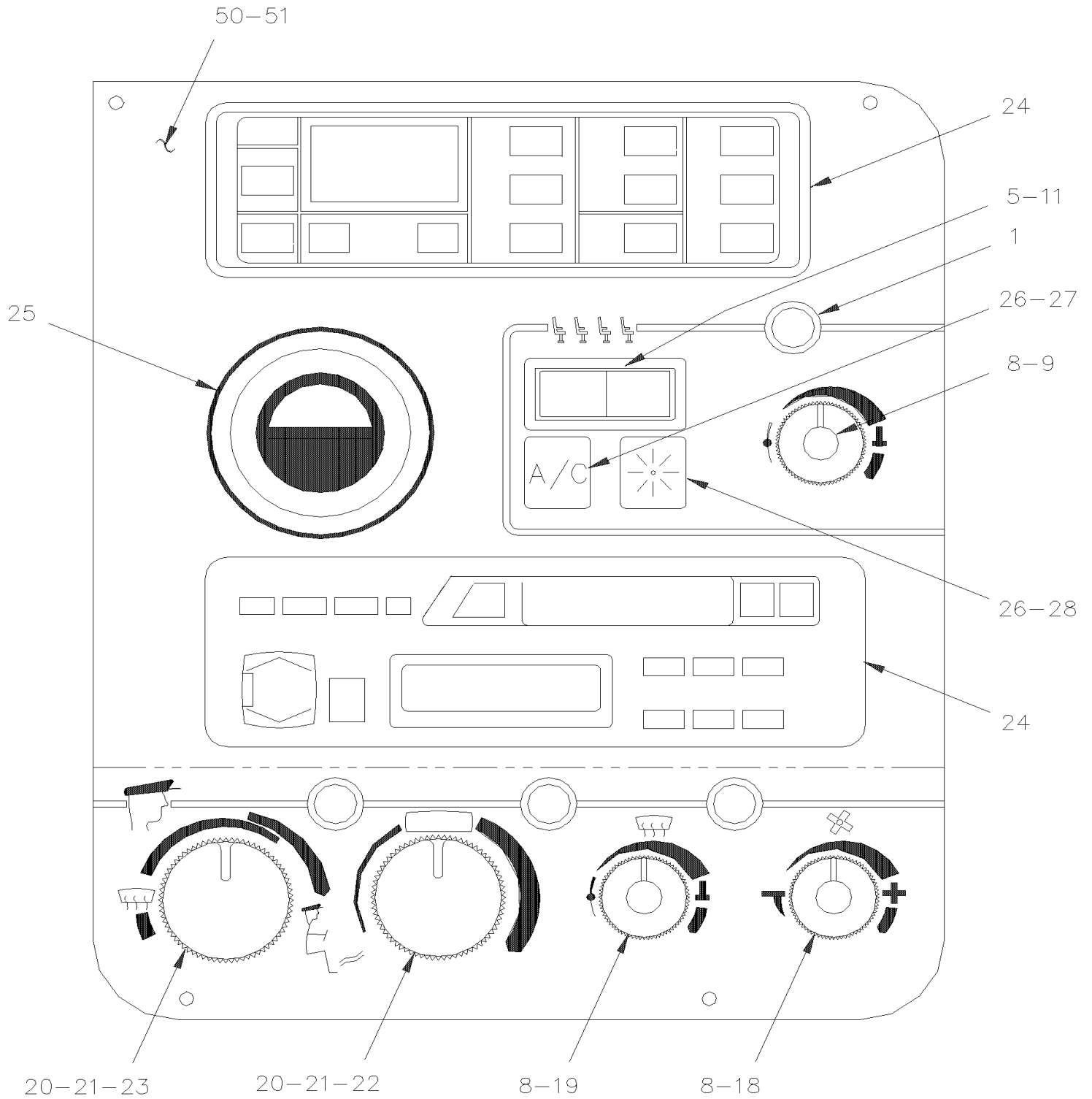
Date:10/2022

PAGE:XL-0645-51

DASHBOARD - CONSOLE R.H.



From G-119 To Y-7045	Date:10/2022	PAGE:XL-0645-51
DASHBOARD - CONSOLE R.H.		



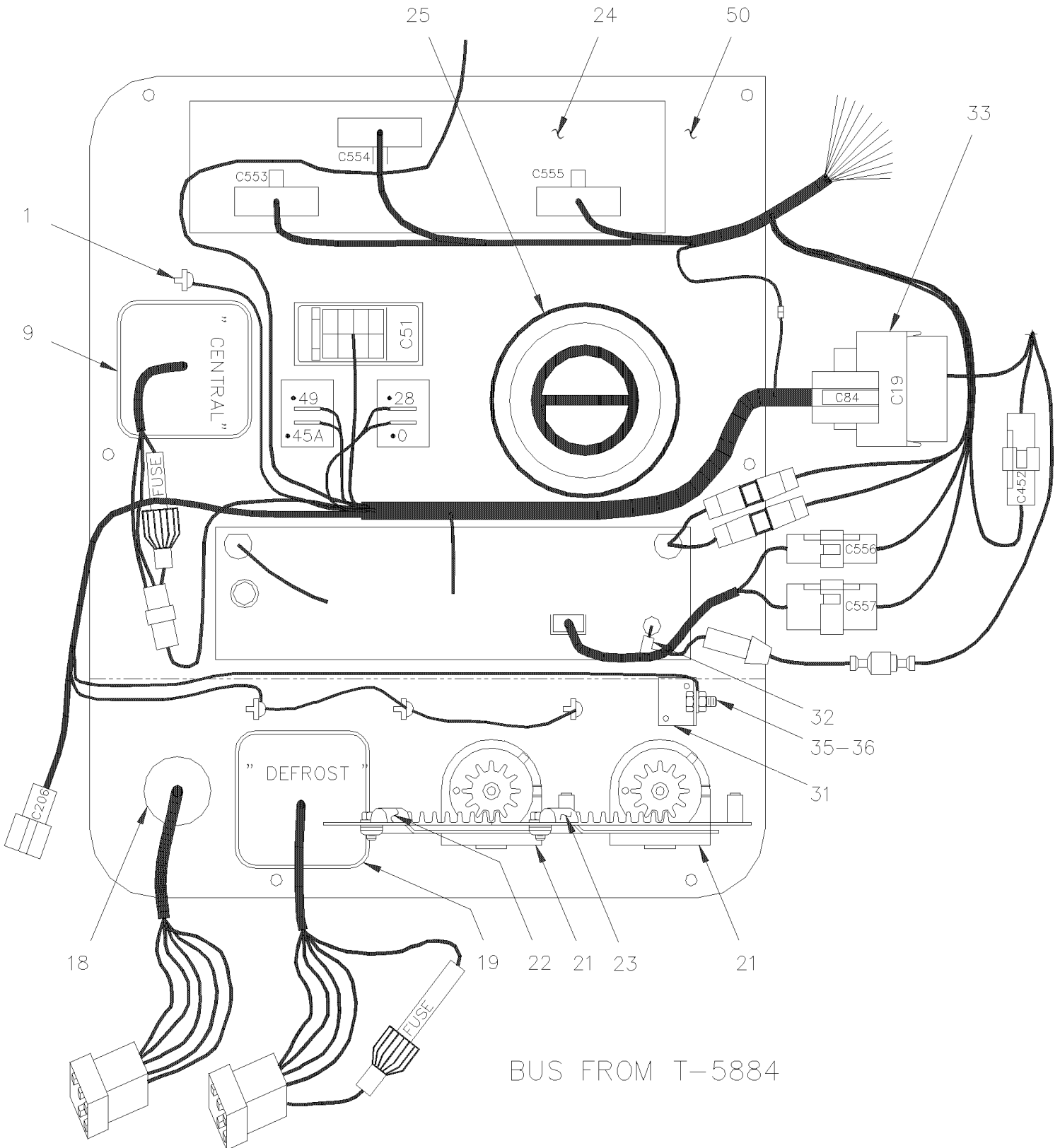
BUS FROM T-5884

From G-119 To Y-7045

Date:10/2022

PAGE:XL-0645-51

DASHBOARD - CONSOLE R.H.

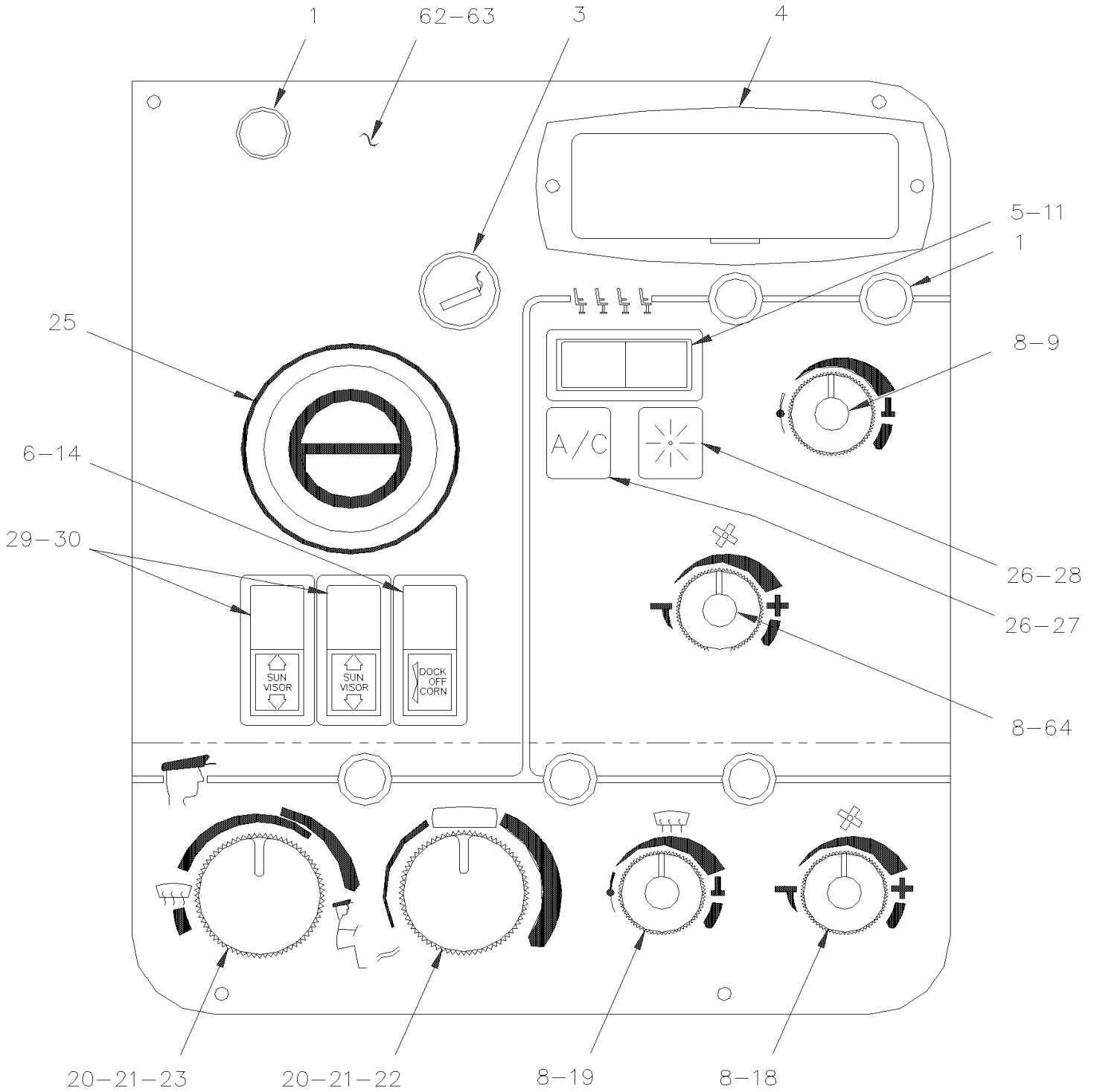


From G-119 To Y-7045

Date:10/2022

PAGE:XL-0645-51

DASHBOARD - CONSOLE R.H.



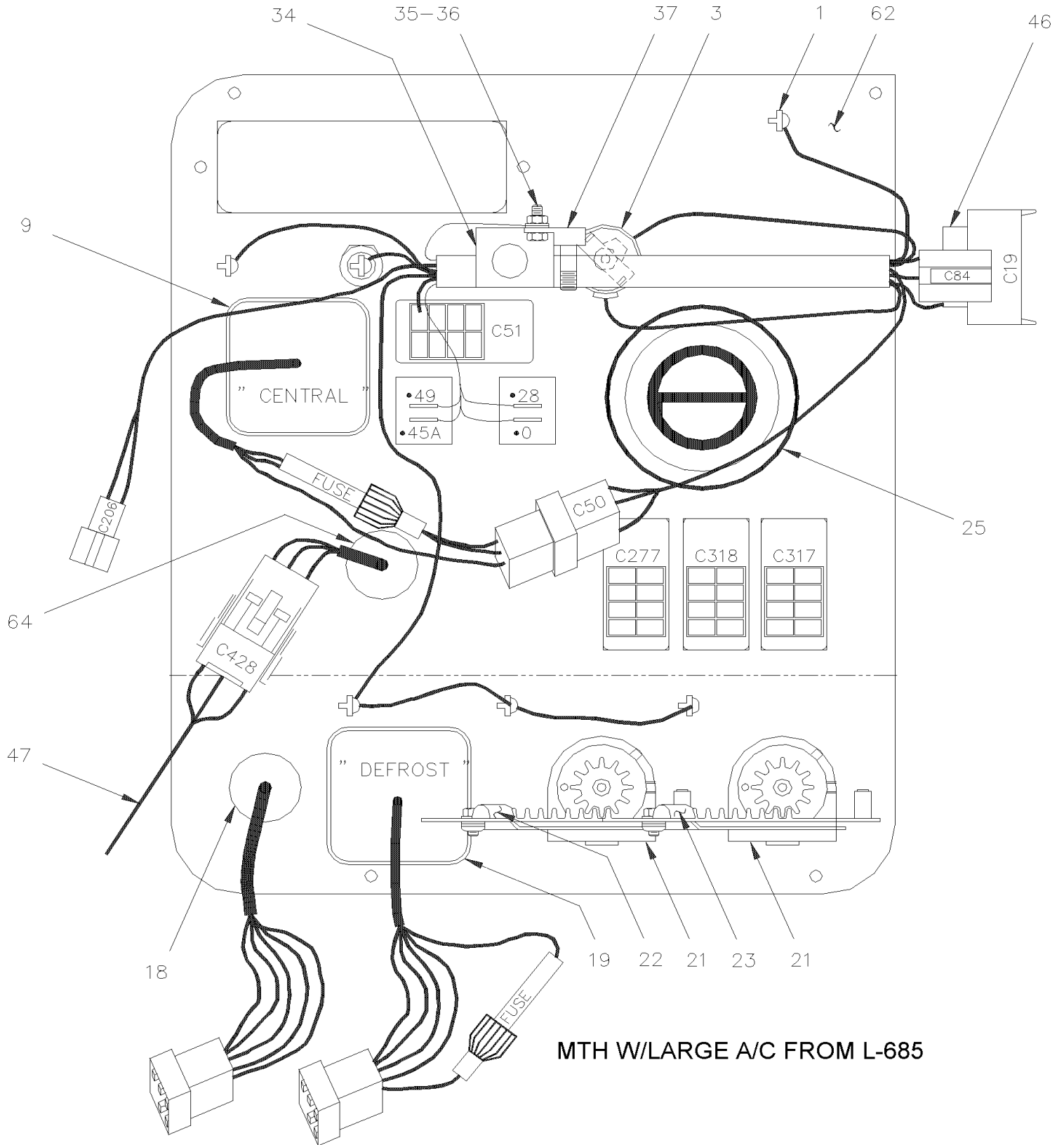
MTH W/LARGE A/C FROM L-685

From G-119 To Y-7045

Date:10/2022

PAGE:XL-0645-51

DASHBOARD - CONSOLE R.H.



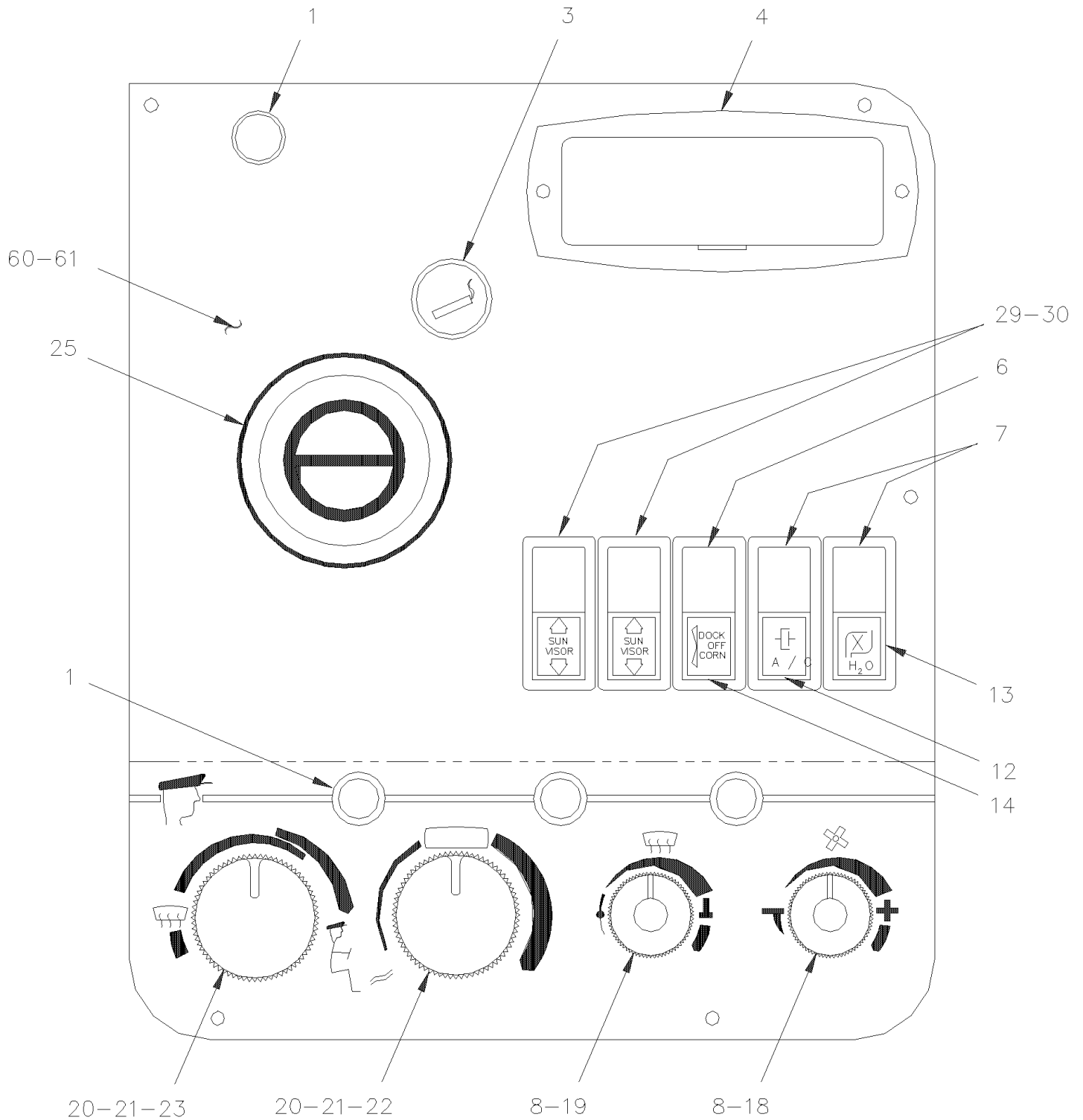
MTH W/LARGE A/C FROM L-685

From G-119 To Y-7045

Date:10/2022

PAGE:XL-0645-51

DASHBOARD - CONSOLE R.H.



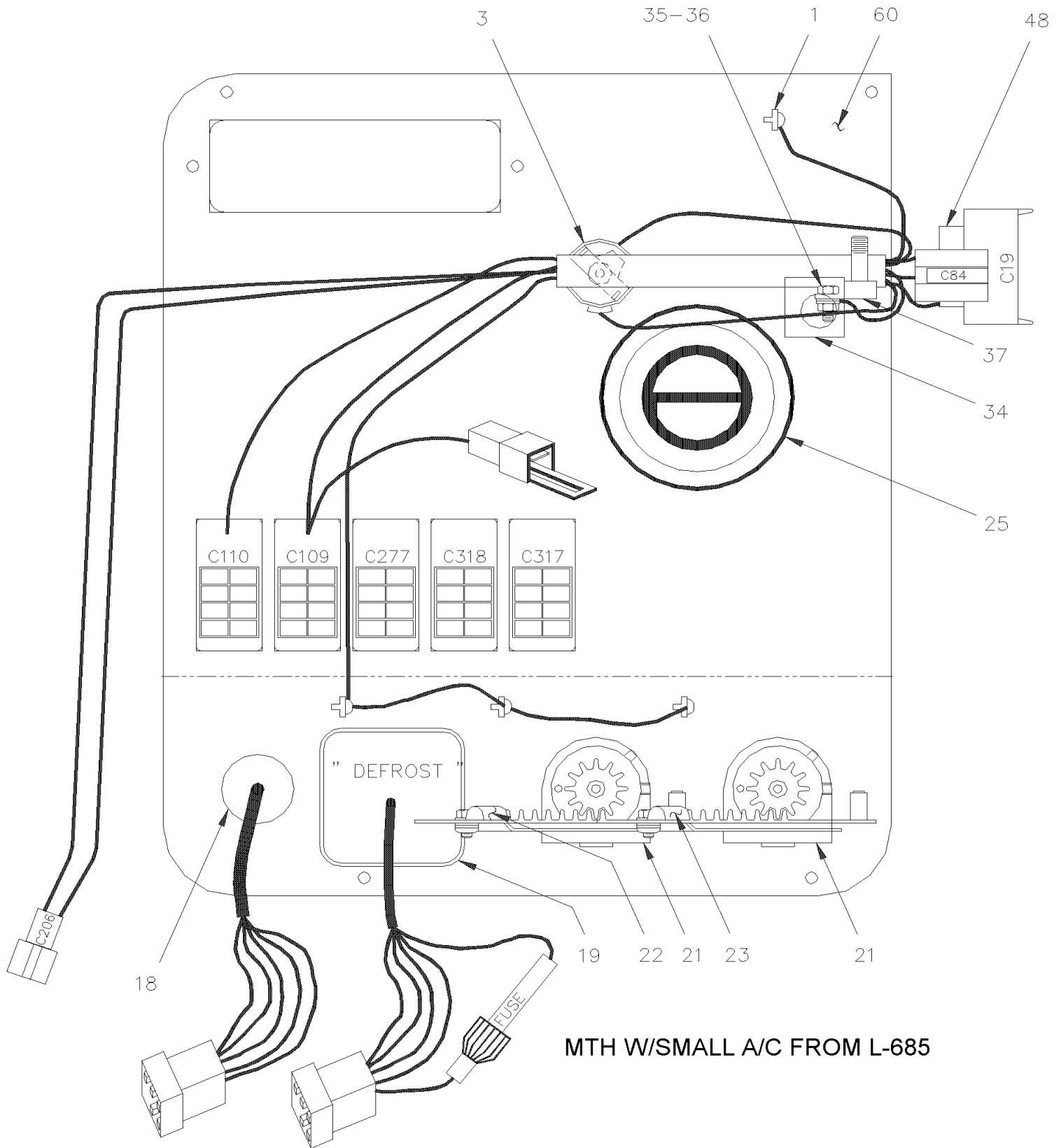
MTH W/SMALL A/C FROM L-685

From G-119 To Y-7045

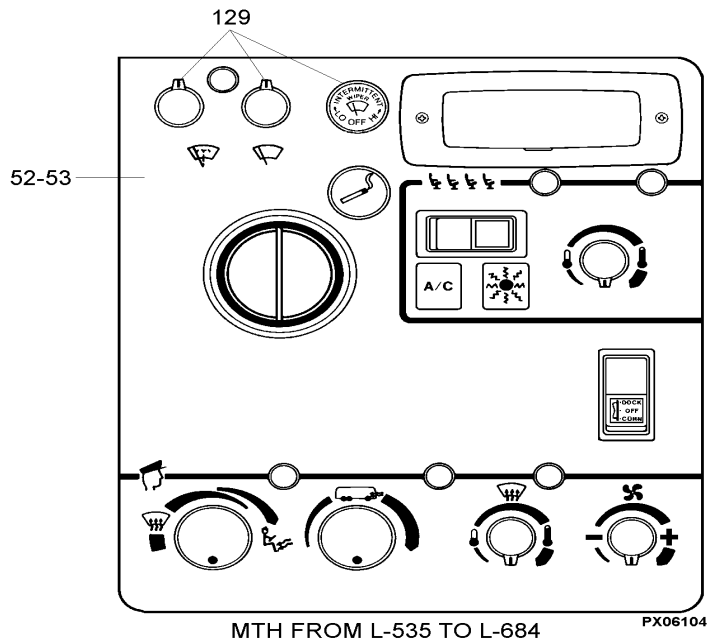
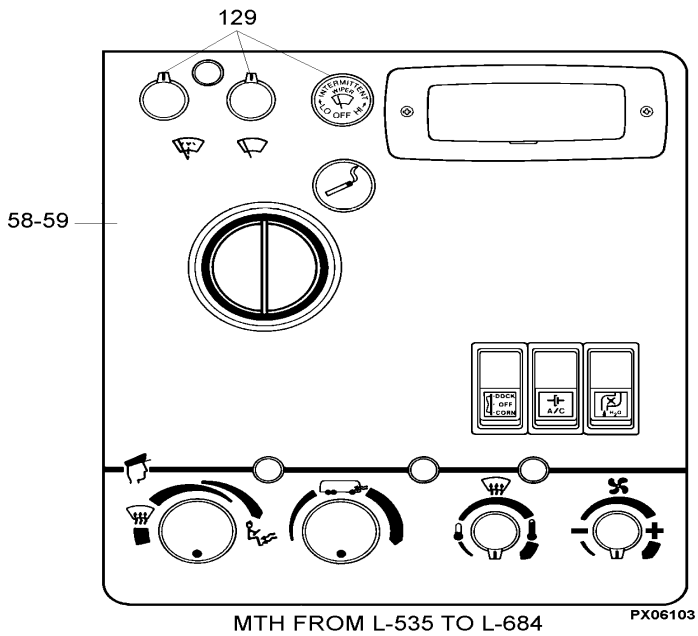
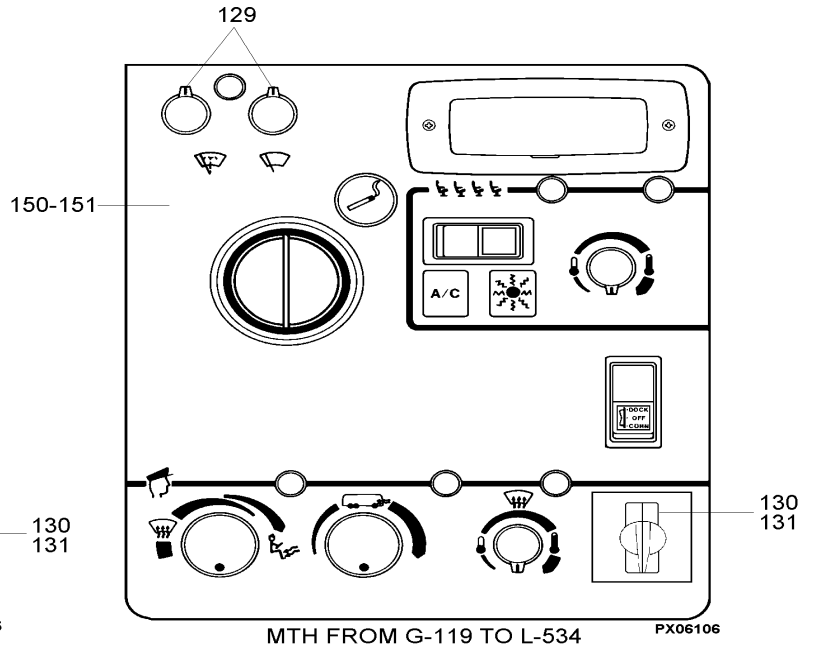
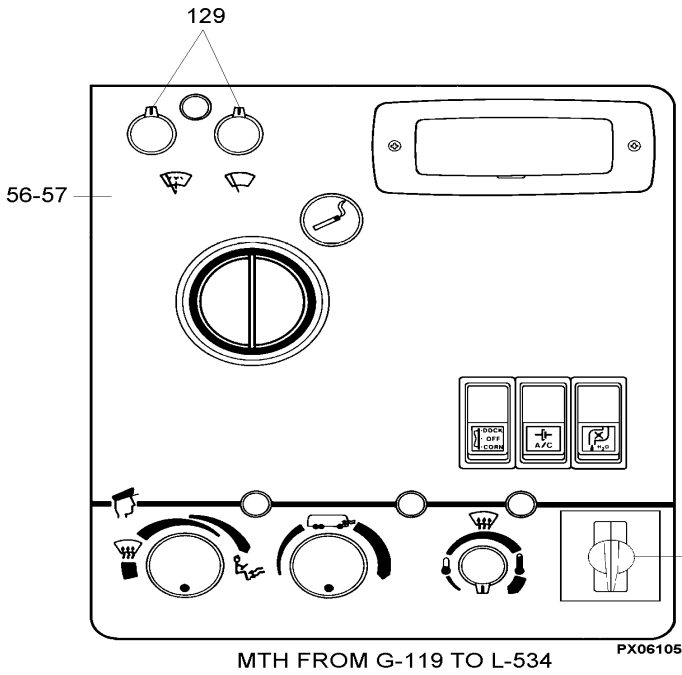
Date:10/2022

PAGE:XL-0645-51

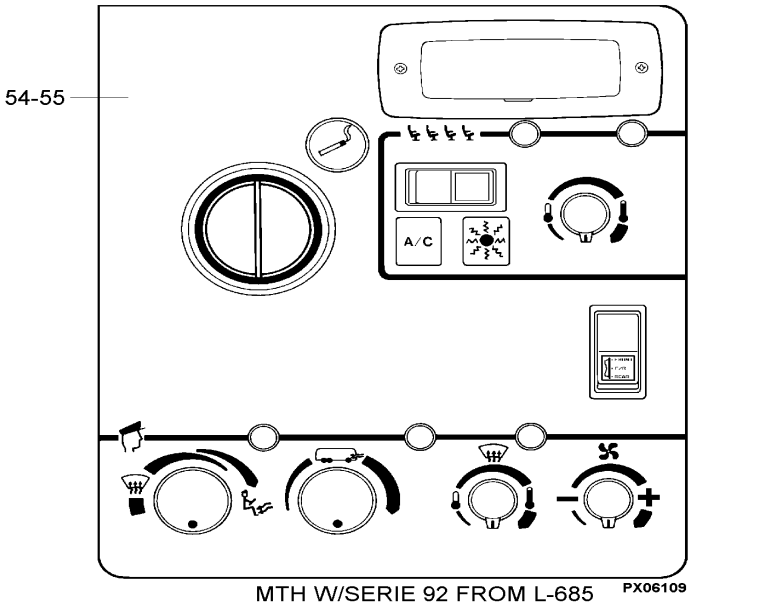
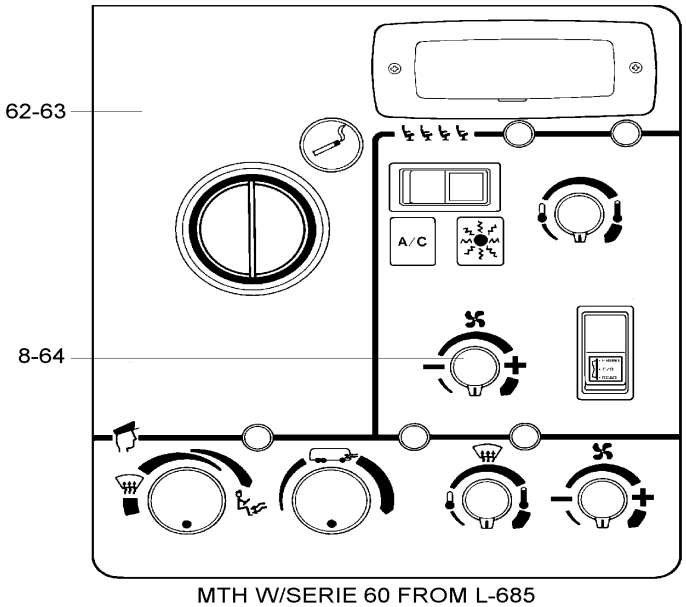
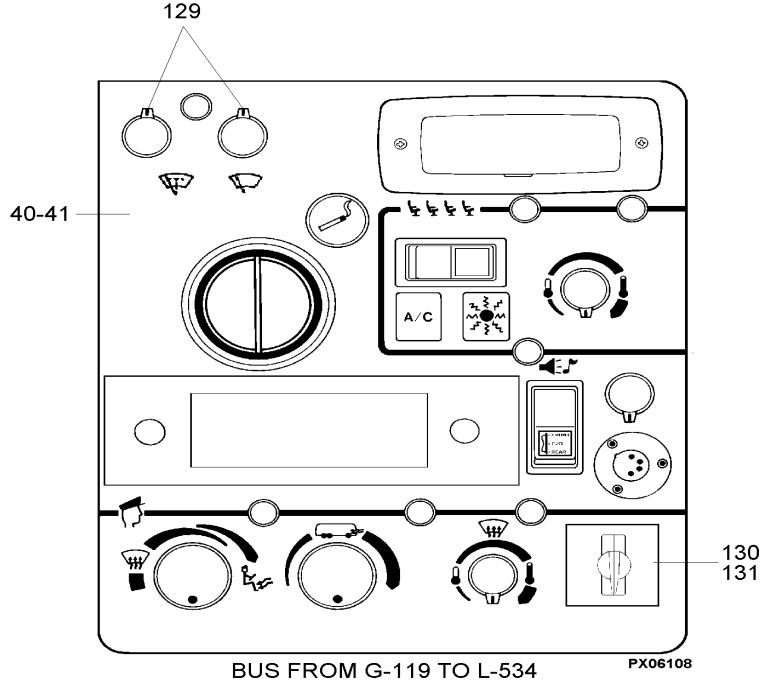
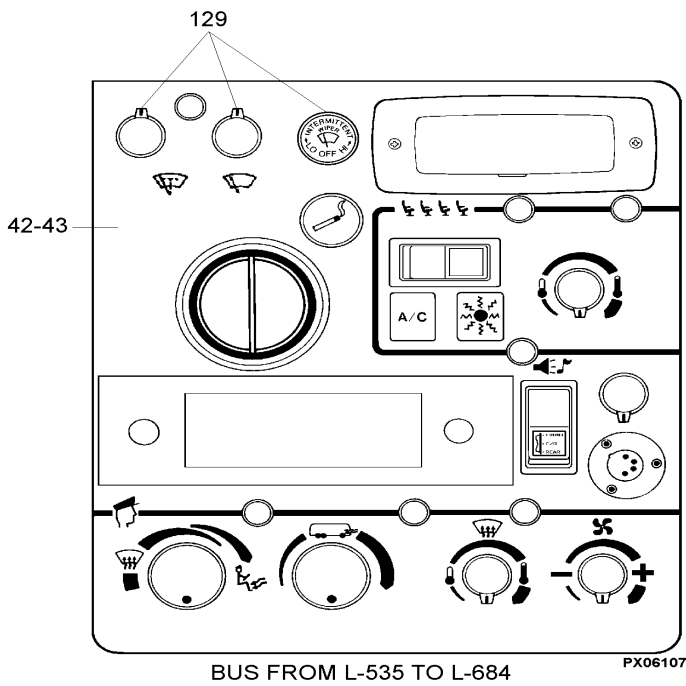
DASHBOARD - CONSOLE R.H.



From G-119 To Y-7045	Date:10/2022	PAGE:XL-0645-51
DASHBOARD - CONSOLE R.H.		



From G-119 To Y-7045	Date:10/2022	PAGE:XL-0645-51
DASHBOARD - CONSOLE R.H.		



From G-119 To Y-7045	Date:10/2022	PAGE:XL-0645-51
DASHBOARD - CONSOLE R.H.		

Item#	Part	Description	M T H 4 0	M T H 4 5	M T H 4 5 E	X L 4 0	X L 4 5	N O T E S
1	830006	LAMP ASSY / CONSOLE LIGHTING	7	7	7	7	7	
. NS	N15711	. BASE PILOT LAMP	1	1	1	1	1	
. NS	N15712	. CAP PILOT LAMP	1	1	1	1	1	
. NS	560472	. BULB / 0.34WATT-24VOLTS / SAE# 327 / 4000hrs	1	1	1	1	1	
3	561491	LIGHTER ASSY / 12V	1	1	1	1	1	
NS	561492	. POP OUT 12V	1	1	1	1	1	
4	860434	ASHTRAY	1	1	1	1	1	
5	561064	SWITCH / ON-OFF-ON D.P.D.T. / W/O BULB	1	1	1	1	1	
6	561483	SWITCH / ON-OFF-ON D.P.D.T.	1	1	1	1	1	
7	561468	SWITCH / OFF-ON S.P.S.T.	2	2	2			
7	561613	SWITCH / M/ON-OFF-M/ON D.P.D.T. From S-617	2	2	2			A
NS	063017	INSERT / GREEN / SUN VISOR	2	2	2			A
8	505306	KNOB, POINTER	4	4	4	4	4	
9	870863	CONTROL, TEMPERATURE / (FORMER) To S-599	1	1	1	1	1	
. NS	562576	. CONNECTOR / PH 6C / BURNDY 41035-00 To S-599	1	1	1	1	1	
9	871074	CONTROL, TEMPERATURE From S-600	1	1	1	1	1	
. NS	M185-11	. MAINTENANCE INFORMATION From S-600	1	1	1	1	1	
. NS	562576	. CONNECTOR / PH 6C / BURNDY 41035-00 From S-600	1	1	1	1	1	
NS	561134	. FUSE / 1 AMP / MLD-1 (SLOW BLOW)	1	1	1	1	1	
NS	870868	SENSOR MAIN HEATER / TEMPERATURE CONTROL	1	1	1	1	1	
10	402373	CONTROL VOLUME / P/A To T-5883				1	1	
11	561087	INSERT / BLACK	1	1	1	1	1	
12	063000	INSERT / GREEN / CLUTCH A/C	1	1	1			
13	062990	INSERT / GREEN / WATER PUMP	1	1	1			
14	063002	INSERT / GREEN / DOCK-OFF-CORN	1	1	1			
15	063011	INSERT / GREEN / FRONT / REAR (SPEAKER) To T-5883				1	1	
16	402371	OUTLET, MICROPHONE To T-5883				1	1	
17	504108	RIVET POP DOME OE 1/8x1/2 AL				3	3	
18	870896	RHEOSTAT / CONTROL	1	1	1	1	1	
NS	561134	. FUSE / 1 AMP / MLD-1 (SLOW BLOW)	1	1	1	1	1	
19	870963	CONTROL, TEMPERATURE / (FORMER) To S-599	1	1	1	1	1	
. NS	562576	. CONNECTOR / PH 6C / BURNDY 41035-00 To S-599	1	1	1	1	1	
19	871076	CONTROL, TEMPERATURE From S-600	1	1	1	1	1	
. NS	562576	. CONNECTOR / PH 6C / BURNDY 41035-00 From S-600	1	1	1	1	1	
NS	561134	. FUSE / 1 AMP / MLD-1 (SLOW BLOW)	1	1	1	1	1	
NS	870868	SENSOR MAIN HEATER / TEMPERATURE CONTROL	1	1	1	1	1	
20	505318	KNOB, POINTER	2	2	2	2	2	
21	950063	WIRE CONTROL / S.Q.	2	2	2	2	2	
NS	5001044	. NUT HEX JAM M12-1.0	1	1	1	1	1	
22	451070	CABLE CONTROL ASSY / FRESH AIR / 42"	1	1	1	1	1	
23	451181	CABLE CONTROL ASSY / FOOT OR DEFROST / 20"	1	1	1	1	1	
		RADIO (XL-2315-00)						

From G-119 To Y-7045		Date:10/2022	PAGE:XL-0645-51
DASHBOARD - CONSOLE R.H.			

Item#	Part	Description	M T H 4 0	M T H 4 5	M T H 4 5 E	X L 4 0	X L 4 5	N O T E S
24	XL-2315-01	SOUND SYSTEM - INSTALLATION To T-5883						
24	XL-2315-11	SOUND SYSTEM & ACCESSORIES - "R.E.I." From T-5884						
NS	5001035	NUT WING M5-0.8 NP				1	1	K
NS	390542	BAR PROTECTION / IN FRONT OF RADIO To T-5883				1	1	
25	870843	DEFLECTOR, AIR	1	1	1	1	1	
26	562113	TELLTALE ASSY / 24V SHORT	2	2	2	2	2	
27	391391	INSERT / AMBER / A/C	1	1	1	1	1	
28	391392	INSERT / GREEN / HEAT	1	1	1	1	1	
29	561613	SWITCH / M/ON-OFF-M/ON D.P.D.T.	2	2	2			
30	063017	INSERT / GREEN / SUN VISOR	2	2	2			
31	391864	SUPPORT RADIO & HARNESS From T-5884				1	1	
32	900663	ADAPTOR / RADIO & ANTENNA CABLE / MOTOROLA MALE to EURO FEMA				1	1	
33	061614	HARNESS ASSY / W/LARGE A/C To T-5883				1	1	
33	064261	CABLE ASSY From T-5884				1	1	
34	390480	SUPPORT CABLE HARNESS / ANGLE 1" X 1 1/2"				1	1	
NS	390628	PROTECTOR CABLE HARNESS / ANGLE 5 3/4" X 3" UNDER DASH				1	1	
35	500580	SCREW MA RND SLT #8-32x1/2 ZP	1	1	1	1	1	
NS	500437	WASHER FL .125x.375x.040 Z050	1	1	1	1	1	
36	500764	NUT HEX #8-32 Z050	1	1	1	1	1	
NS	500022	WASHER LO INT .168x.340x.023 Z050	1	1	1	1	1	
37	504428	TIE MOUNT / 3/16" #10 SCREW / TA1S10-C	1	1	1	1	1	
NS	504273	CABLE TIE / 1/8" X 3" 1/2	1	1	1	1	1	
40	390718	PANEL / W/RADIO (R-750) From G-119 To H-284				1		
40	390732	PANEL / W/RADIO (R-522) From G-119 To H-284				1		
40	390684	PANEL / W/RADIO (R-750) & ASHTRAY From G-119 To H-284				1		
40	390731	PANEL / W/RADIO (R-522) & ASHTRAY From G-119 To H-284				1		
40	391180	PANEL / W/P/A From H-285 To L-534				1		
40	391181	PANEL / W/P/A & RADIO From H-285 To L-534				1		
40	391175	PANEL / W/P/A & ASHTRAY From H-285 To L-534				1		
40	391176	PANEL / W/P/A, RADIO & ASHTRAY From H-285 To L-534				1		
41	390737	LEXAN From G-119 To H-284				1		
41	390894	LEXAN From H-285 To L-534				1		
42	391373	PANEL / W/P/A From L-535 To L-684				1		
42	391360	PANEL / W/P/A & RADIO From L-535 To L-684				1		
42	391369	PANEL / W/P/A & ASHTRAY	1	1	1	1	1	
42	391359	PANEL / W/P/A, RADIO & ASHTRAY From L-535 To L-684				1		
43	391332	LEXAN From L-535 To L-684				1		
44	391418	PANEL / W/P/A From L-685				1		
44	391425	PANEL / W/P/A & RADIO To T-5883				1	1	
44	391421	PANEL / W/P/A & ASHTRAY To T-5883				1	1	
NS	391424	PANEL / W/P/A, RADIO & ASTRAY / (AS SHOWN) To T-5883				1	1	
45	391416	LEXAN To T-5883				1	1	

From G-119 To Y-7045	Date:10/2022	PAGE:XL-0645-51
DASHBOARD - CONSOLE R.H.		

Item#	Part	Description	M T H 4 0	M T H 4 5	M T H 4 5 E	X L 4 0	X L 4 5	N O T E S
46	061614	HARNESS ASSY / W/LARGE A/C	1	1	1			
47	063758	HARNESS SPEED CONTROL / EVAPORATOR MOTOR	1	1	1			
48	061908	HARNESS ASSY / W/SMALL A/C	1	1	1			
50	391845	PANEL / W/MASTER CONTROL & RADIO From T-5884				1	1	
50	392081	PANEL W/CONTROL HEAD & RADIO IN PARCEL RACK From T-5884					1	
50	392102	PANEL W/CONTROL HEAD & W/OUT RADIO				1		
50	391912	PANEL W/CONTROL HEAD, W/RADIO & W/A/C HI & LO TELLTALE From V-6087 To V-6090					1	
51	391858	LEXAN From T-5884				1	1	
52	391374	PANEL From L-535 To L-684	1					
52	391371	PANEL / W/ASHTRAY From L-535 To L-684	1					
53	391333	LEXAN From L-535 To L-684	1					
54	391420	PANEL From L-685	1		1			D
54	391410	PANEL / W/ASHTRAY From L-685	1		1			D
55	391411	LEXAN From L-685	1		1			D
56	390734	PANEL From G-119 To H-284	1					
56	391179	PANEL From H-285 To L-534	1					
56	390733	PANEL / W/ASHTRAY From G-119 To H-284	1					
56	391177	PANEL / W/ASHTRAY From H-285 To L-534	1					
57	390735	LEXAN From G-119 To H-284	1					
57	390928	LEXAN From H-285 To L-534	1					
58	391372	PANEL From L-535 To L-684	1					
58	391370	PANEL / W/ASHTRAY From L-535 To L-684	1					
59	391334	LEXAN From L-535 To L-684	1					
60	391417	PANEL From L-685	1	1	1			D
60	391788	PANEL From L-685	1	1	1			A
60	391419	PANEL / W/ASHTRAY From L-685	1	1	1			D
NS	391787	PANEL / W/ASHTRAY From L-685	1	1	1			A
61	391415	LEXAN From L-685	1	1	1			
62	391662	PANEL From L-685	1	1	1			B
62	391790	PANEL From L-685	1	1	1			C
62	391661	PANEL / W/ASHTRAY From L-685	1	1			1	D
NS	391789	PANEL / W/ASHTRAY From L-685	1	1	1			C
63	391660	LEXAN	1	1	1			B
64	063661	RHEOSTAT BLOWER SPEED CONTROL	1	1	1			B
		FOLLOWING ITEMS ARE RELATED WITH						
		COACH EQUIPPED WITH						
		HI & LO TELLTALE A/C PRESSURE SWITCH						
		VEHICLES V-6087 TO V-6090						
NS	391912	PANEL W/CONTROL HEAD, W/RADIO & W/A/C HI & LO TELLTALE					1	
NS	562113	TELLTALE ASSY / 24V SHORT					2	

From G-119 To Y-7045		Date:10/2022	PAGE:XL-0645-51
DASHBOARD - CONSOLE R.H.			

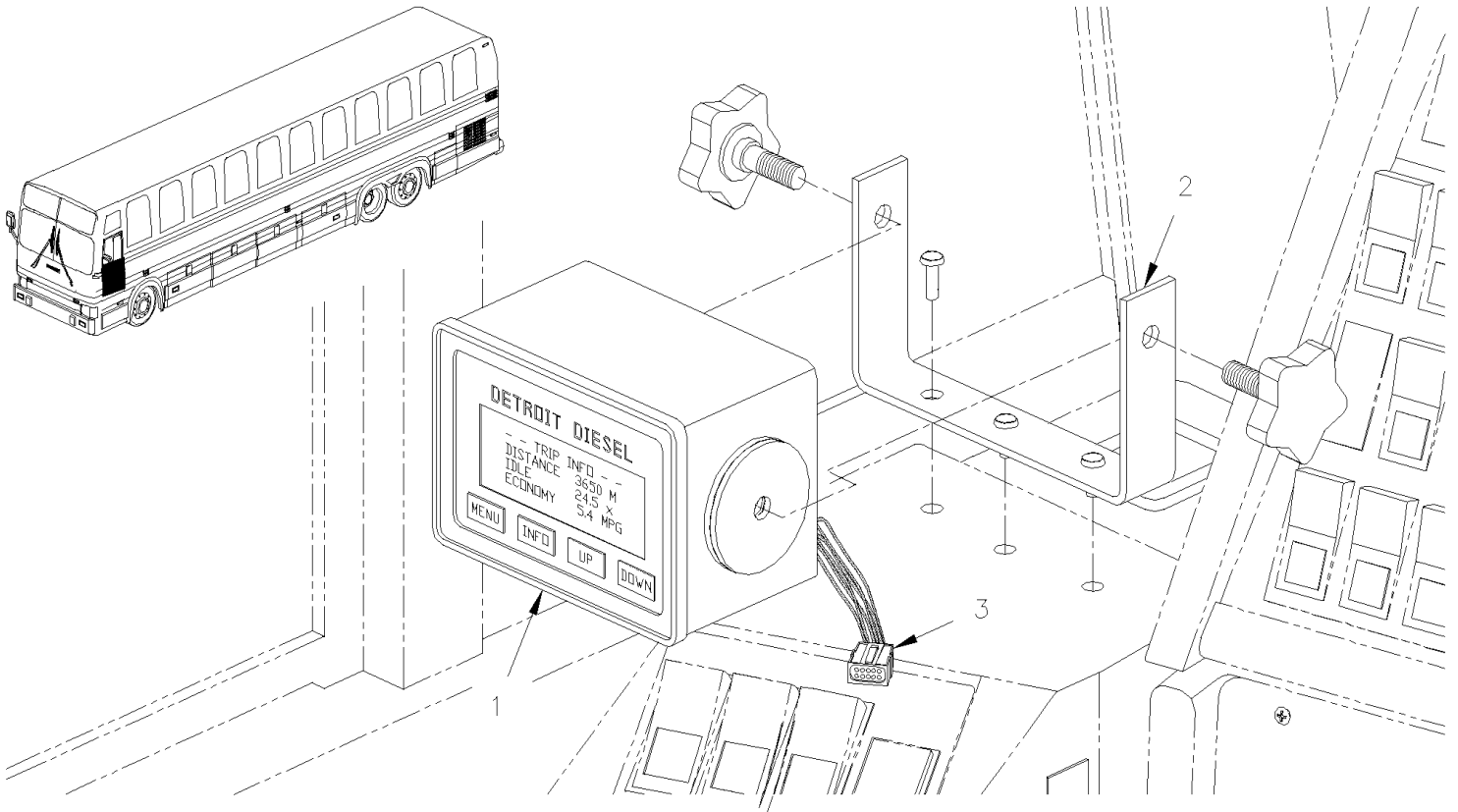
Item#	Part	Description	M T H 4 0	M T H 4 5	M T H 4 5 E	X L 4 0	X L 4 5	N O T E S
NS	391021	INSERT / RED / A/C LO PRESSURE					1	L
NS	391022	INSERT / RED / A/C HI PRESSURE					1	I
NS	064438	CABLE ASSY / HI & LO A/C PRESSURE SWITCH					1	
NS	064439	CABLE ASSY / RELAY HI & LO A/C PRESSURE SWITCH					1	
NS	064440	CABLE ASSY					1	
NS	561707	RELAY 24V S.P.D.T. W/RESISTOR /					1	
NS	D060872	WIRING DIAGRAM SPECIAL PAGE 9-SP1					1	
129		WINDSHIELD WASHER / VALVE (2305-20) From G-119 To L-684	1	1	1	1	1	
130	061725	SWITCH ASSY / W/CABLE From G-119 To L-534	1			1		
130	561266	. SWITCH ASSY	1			1		
131	561855	. . KNOB	1			1		
150	390880	PANEL From G-119 To H-284	1					
150	391182	PANEL From H-285 To L-534	1					
150	390879	PANEL / W/ASHTRAY From G-119 To H-284	1					
150	391178	PANEL / W/ASHTRAY From H-285 To L-534	1					
151	390736	LEXAN From G-119 To H-284	1					
151	390903	LEXAN From H-285 To L-534	1					
		A) THOSE PANELS ARE USE W/ELECTRICAL BLIND ROLLER WITH SERIE 92						
		B) EFFECTIVE WITH SERIE 60						
		C) THOSE PANEL ARE USE W/ELECTRTICAL BLIND ROLLER & RHEOSTAT BLOWER SPEED CONTROL WITH SERIE 60						
		D) WITH SERIES 92						
		I) HIGH PRESSURE						
		K) TO FIX RADIO						
		L) LOW PRESSURE						

From H-285 To Y-7045

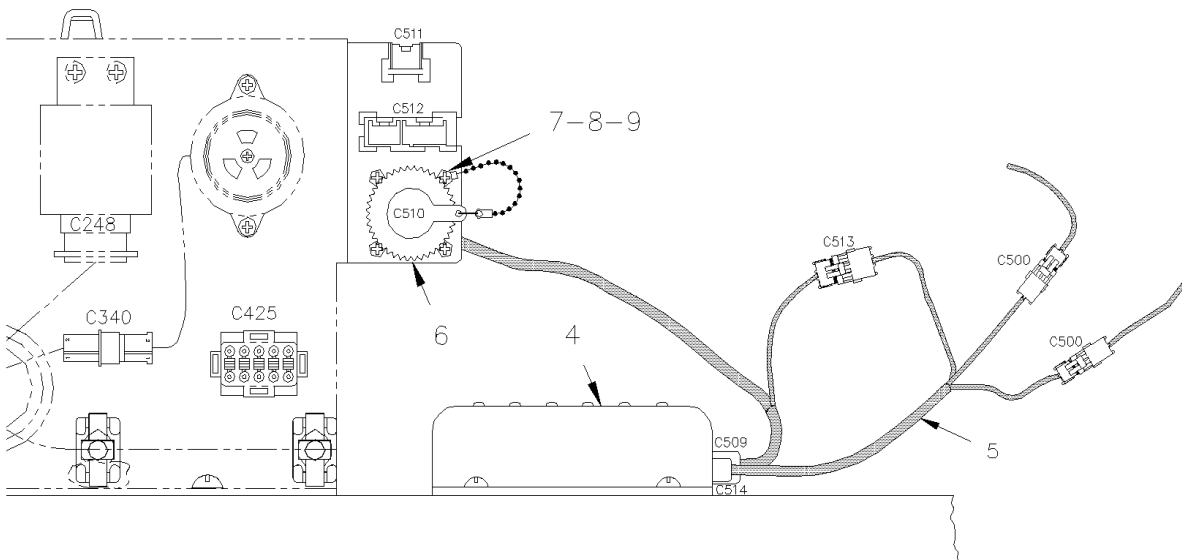
Date:10/2022

PAGE:XL-0650-00

DATA HUB



INSTALLATION OF DATA LOGGER

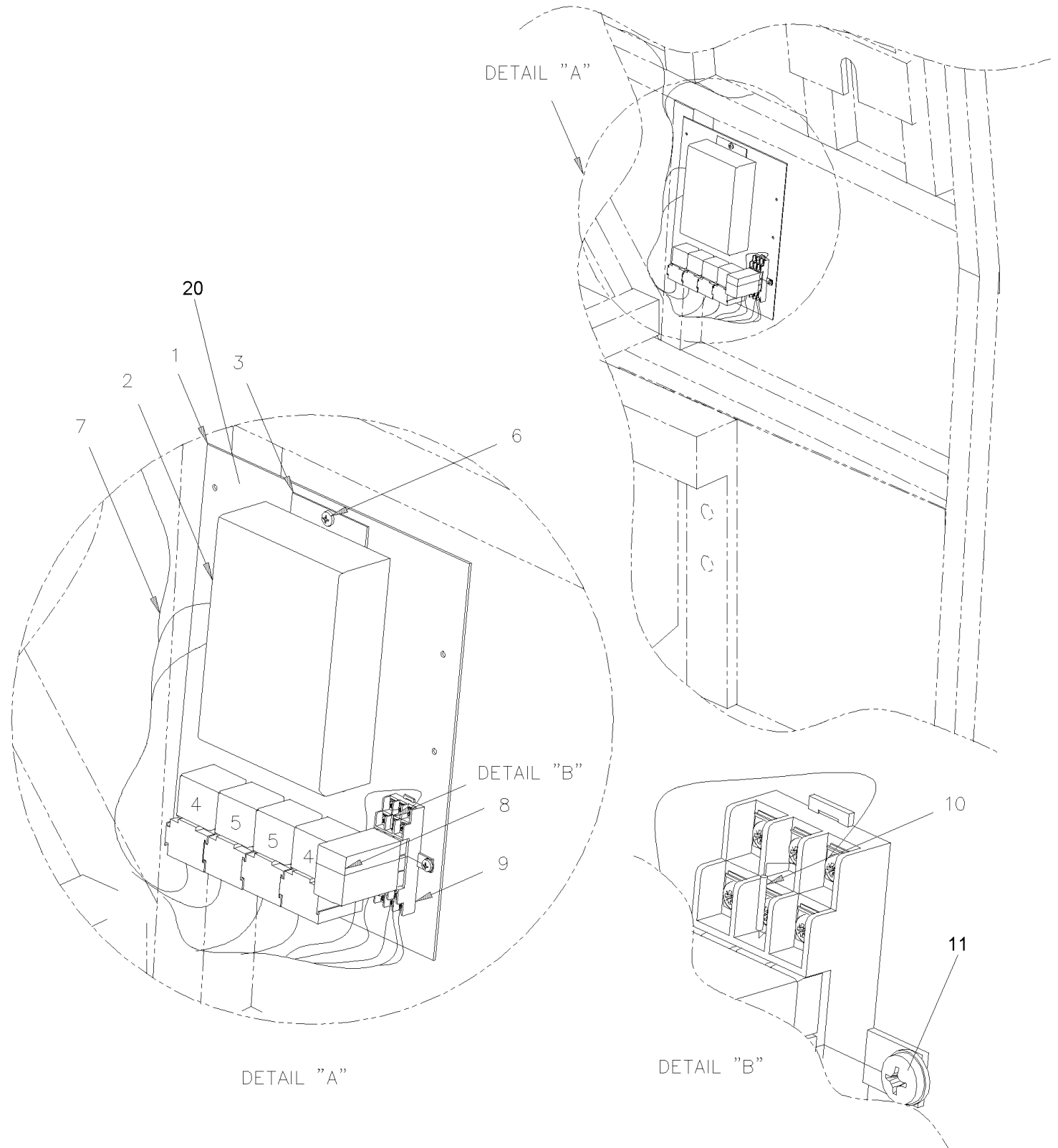


From X-6680 To Y-7045

Date:10/2022

PAGE:XL-0650-50

KEYLESS MODULE



From X-6680 To Y-7045	Date:10/2022	PAGE:XL-0650-50
KEYLESS MODULE		

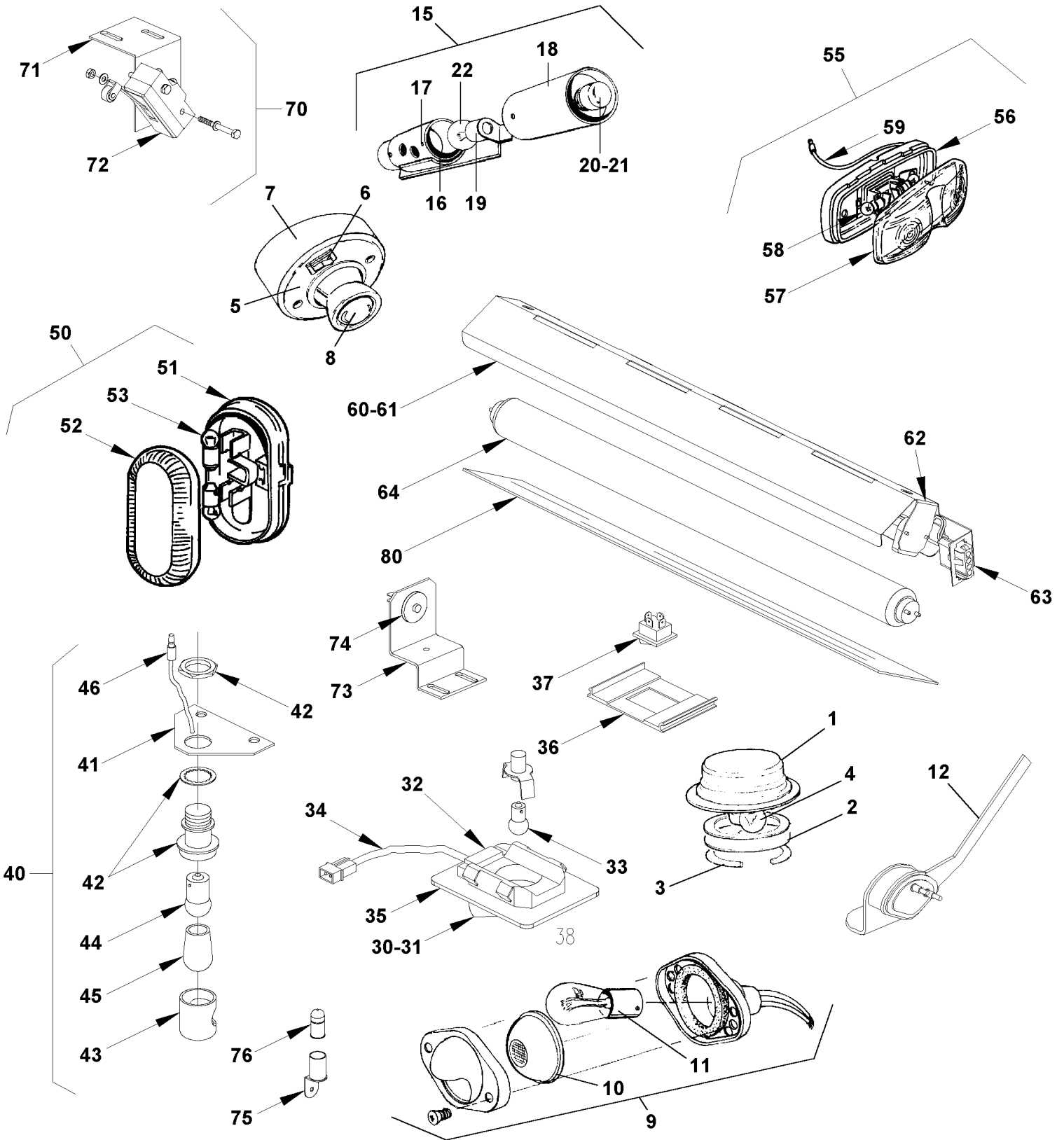
Item#	Part	Description	M T H 4 0	M T H 4 5	M T H 4 5 E	X L 4 0	X L 4 5	N O T E S
	381825	KEYLESS MODULE ASSY / MTH XL	1	1	1			
1	381824	SUPPORT KEYLESS MODULE	1	1	1			
2	562673	KEYLESS MODULE / 50' RANGE	1	1	1			S
NS	IS-03103	SEE INSTRUCTION SHEET	1	1	1			S
2	563541	KEYLESS MODULE / 350' RANGE / SERVICE	1	1	1			
3	064494	SUPPORT MODULE	2	2	2			
4	562092	RELAY 12V S.P.D.T. W/DIODE /	2	2	2			
5	561707	RELAY 24V S.P.D.T. W/RESISTOR /	2	2	2			
6	500582	SCREW TP PAN PH #8x3/8 Z050	4	4	4			
7	064497	WIRING HARNESS KEYLESS MODULE	1	1	1			
8	562341	RELAY, TIME DELAY RELAY - OFF	1	1	1			
8	067982	KIT RETROFIT TIME DELAY RELAY	1	1	1			
NS	563584	RELAY, TIME DELAY RELAY - OFF / 30 SEC	1	1	1			
NS	561183	RELAY BASE / TAB TERMINAL / BOSCH 3334485008	1	1	1			
NS	561108	TAB RECEPTACLE TERMINAL / 18-14 / AMP 42238-2	4	4	4			
8	563584	RELAY, TIME DELAY RELAY - OFF / 30 SEC / SERVICE	1	1	1			R
NS	560920	SPRING HOLDER	1	1	1			
9	562340	BASE SOCKET	1	1	1			
10	560805	RESISTOR / 470 OHMS / 1/2W	2	2	2			
11	500640	SCREW TP PAN PH #6x3/4 Z050	2	2	2			
NS	502630	WASHER FL .156x.375x.049 Z050	2	2	2			
20	500611	SCREW TC PAN PH #10-24x1/2 Z050	2	2	2			
20	500470	WASHER LO SPT .193x.334x.047 Z050	2	2	2			
NS	504637	CABLE TIE / 3/16" x 13"	10	10	10			
		R) SEE ATTACHMENT DOCUMENT 2004093						
		S) WHEN YOU REPLACE MODULE 562673 BY THE NEW 563541 YOU NEED TO REPLACE KEYLESS 562674 WITH THE NEW 563542 / SEE INSTRUCTION SHEET IS-03103						

From E-638 To H-284

Date:10/2022

PAGE:XL-0655-00

INTERIOR LIGHTING



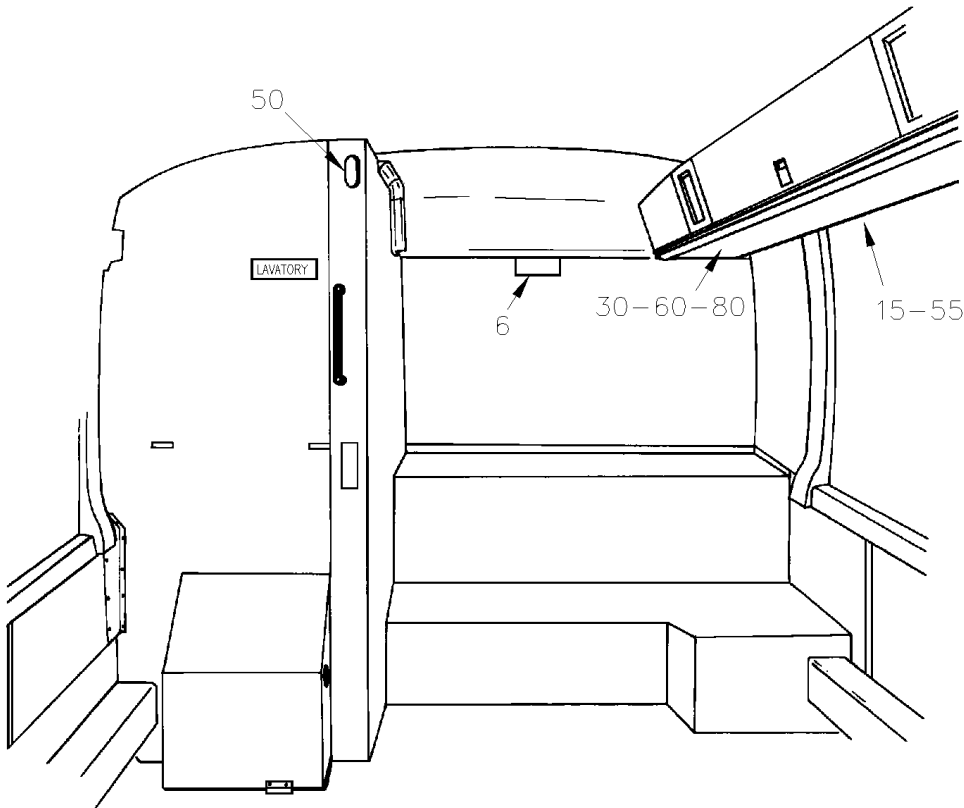
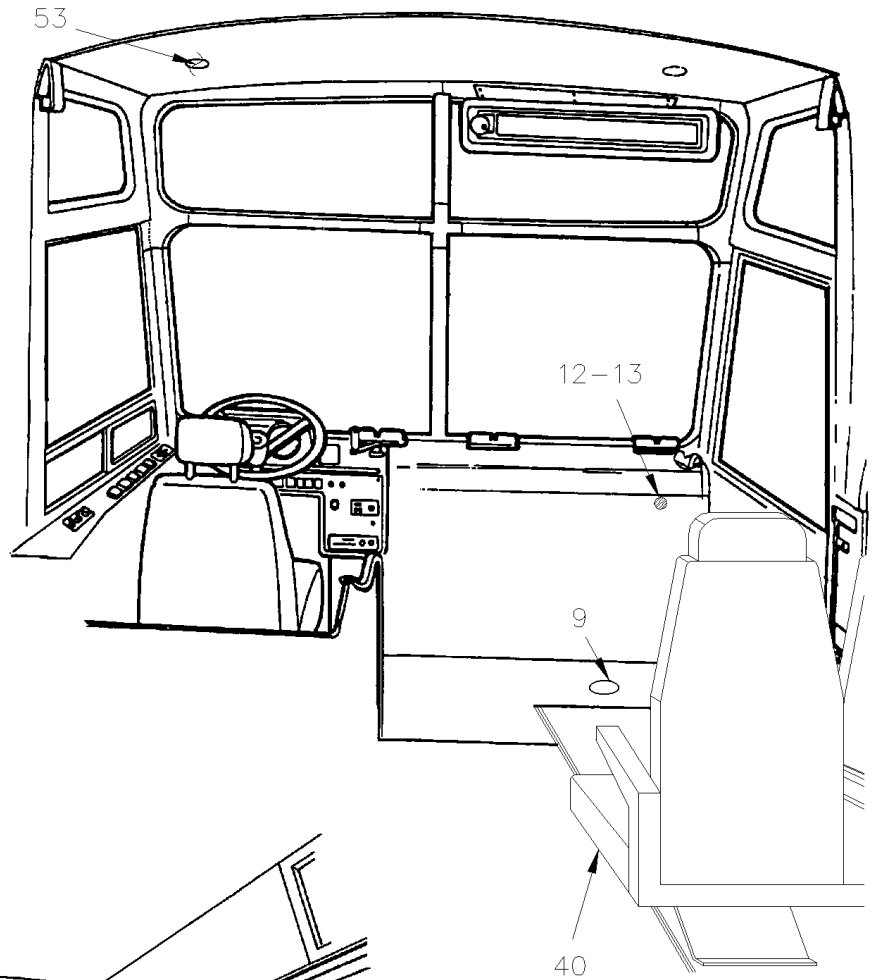
From E-638 To H-284

Date:10/2022

PAGE:XL-0655-00

INTERIOR LIGHTING

55-70 = BAGGAGE COMP.
55-73-75 = FRONT SERVICE DOOR



From E-638 To H-284	Date:10/2022	PAGE:XL-0655-00
INTERIOR LIGHTING		

Item#	Part	Description	M T H 4 0	M T H 4 5	M T H 4 5 E	X L 4 0	X L 4 5	N O T E S
		DOVE LAMP						
1	330032	DOVE LAMP ASSY				AR		
1	830014	. LAMP ASSY				1		
2	830094	. . LENS WHITE				1		
3	830099	. . RING RETAINER				1		
4	560130	. BULB / 15WATT-24VOLTS / SAE# 305				2		
4	560081	. RING TERMINAL #6 / 22-18 / INSULATED / AMP 36152				1		
4	560098	. TERMINAL SNAP PLUG / 16-14 / INSULATED / AMP 2-324225-1				1		
4	560697	. PLUG RECEPTACLE / 16-14 / AMP 165429-1				1		
		CARD TABLE & GALLEY LAMP						
5	830074	LAMP ASSY, W/SWITCH				1		
6	560913	. SWITCH / OFF-ON / S.P.D.T. / BLACK				1		
7	330105	SPACER, WOOD				1		
8	560130	BULB / 15WATT-24VOLTS / SAE# 305				1		
		STEPWELL LAMPS						
9	330052	LAMP ASSY, STEPWELL				3		
9	830046	. LAMP				1		
10	830049	. . LENS				1		
11	561008	. BULB / 15WATT-24VOLTS / SAE# 1309				1		
11	560098	. TERMINAL SNAP PLUG / 16-14 / INSULATED / AMP 2-324225-1				1		
NS	830119	LAMP ASSY, STEPWELL				1		
12	060338	SWITCH DOOR LIGHT				1		
12	560261	. SWITCH / S.P.S.T. / N.C.				1		
NS	500657	SCREW TC TR PH #10-24x1/2 Z050				2		
		PASSENGER READING LAMP						
13	560869	SWITCH / ON-ON / S.P.D.T.	1					
NS	390257	NAME PLATE / "DRIVER'S LIGHT"	1					
13	500646	SCREW MA FL PH 5/16-24x1 ZP	2					
15	330046	LAMP ASSY, READING				AR		
16	330048	. SUPPORT				1		
16	330024	. TUBE				1		
16	330023	. SEPARATOR				1		
17	330026	. END ASSY, R.H.				1		
18	330025	. END ASSY, L.H.				1		
19	560156	. . SOCKET BULB / METAL W/WIRE / BA15s				2		

From E-638 To H-284	Date:10/2022	PAGE:XL-0655-00
INTERIOR LIGHTING		

Item#	Part	Description	M T H 4 0	M T H 4 5	M T H 4 5 E	X L 4 0	X L 4 5	N O T E S
20	560977	. . SWITCH / ON-ON / S.P.S.T.				2		
21	560978	. . BUTTON SWITCH				2		
22	560130	. BULB / 15WATT-24VOLTS / SAE# 305				2		
		PASSANGER READING LAMP						
30	330258	LAMP ASSY				AR		S
31	830130	. LAMP				1		S
32	830132	. . SWITCH / ON-ON / S.P.S.T. / READING LIGHT				2		
33	562033	. . BULB / 8WATT-24VOLTS / SAE# 941-Q940				2		
34	560900	. CONNECTOR / COM. MATE-N-LOCK / PH 2C / AMP 1-480319-0				1		
34	560853	. PIN TERMINAL / 24-18 / AMP 60618-1				2		
35	330266	DECAL / [GREEN] SWITCH LOCALISATION				AR		S
36	311082	SWITCH SUPPORT				AR		
37	561564	SWITCH, HOSTESS & STOP				AR		
38	XL-0655-01	INTERIOR LIGHTING						
		AISLE LAMP						
40	330146	LAMP ASSY / UNDER SEAT W/BULB				AR		
40	330367	LAMP ASSY / UNDER SEAT W/LED				AR		
41	331343	. BRACKET				1		
42	830096	. LAMP				1		
43	830113	. . CAP PROTECTOR				1		
44	560141	. BULB / 3WATT-24VOLTS / SAE# 1251				1		
44	563546	. BULB / 7 LEDS BLUE / UNDER SEAT / #B607-2PB-028W				1		
44	564100	. BULB / 7 LEDS BLUE / UNDER SEAT / #270015				1		
45	560940	. BULB COVERING / BLUE				1		
46	560098	. TERMINAL SNAP PLUG / 16-14 / INSULATED / AMP 2-324225-1				1		
NS	061310	CABLE ASSY / LIGHT & MAIN CABLE				AR		
NS	061342	CABLE ASSY / FRT JCT BOX & FENDER LAMPS				1		
NS	500657	SCREW TC TR PH #10-24x1/2 Z050				AR		
		LAVATORY LAMP						
50	330058	LAMP ASSY 24 VOLTS / RED / W/CONNECTOR				1		A
50	430533	LAMP ASSY 24 V / RED / W/CONNECTOR / SERVICE				1		B
51	930019	. LAMP ASSY / RED				1		A
51	930352	. LAMP ASSY 24 VOLTS / RED				1		B
52	930092	. . LENS RED				1		
53	560702	. BULB / 0.2WATT-24VOLTS / SAE# 1843				2		
53	560098	. TERMINAL SNAP PLUG / 16-14 / INSULATED / AMP 2-324225-1				1		

From E-638 To H-284	Date:10/2022	PAGE:XL-0655-00
---------------------	--------------	-----------------

INTERIOR LIGHTING

Item#	Part	Description	M T H 4 0	M T H 4 5	M T H 4 5 E	X L 4 0	X L 4 5	N O T E S
		DRIVER'S LAMP						
NS	330054	DRIVER'S LAMP ASSY, ROUND	2			2		
53	830042	. LAMP ASSY	1			1		
53	830053	. . LENS, FROSTED / GLASS	1			1		
53	560132	. . BULB / 21WATT-24VOLTS / SAE# 308	1			1		
		EMERGENCY EXIT LAMP						
		BAGGAGE & ENGINE COMPARTMENT LAMP						
55	330160	LAMP ASSY 24 V / UNDER PARCEL RACK UPPER WINDOW				AR		A
55	430532	LAMP ASSY / UNDER PARCEL RACK SIDE OF WINDOW				1		B
55	430236	LAMP ASSY 24 V / CLEAR / W/CONNECTOR	6			6		A
55	430529	LAMP ASSY 24 V / CLEAR / W/CONNECTOR / SERVICE	1			1		B
55	430180	LAMP ASSY 24 V / FRT ELEC COMPARTMENT	1			1		A
55	430530	LAMP ASSY 24 V / FRT ELEC COMPARTMENT / SERVICE	1			1		B
55	430149	LAMP ASSY 24 V / BAG & ENG COMP / W/CON	2			2		A
55	430531	LAMP ASSY 24 V / BAG & ENG COMP / W/CON SERVICE	1			1		B
56	930166	. BASE HOUSING	1			1		A
56	930351	. BASE HOUSING	1			1		B
57	330159	. LENS, FROSTED				1		
57	930203	. LENS CLEAR	1			1		
58	560601	. BULB / 2WATT-24VOLTS / SAE# 456	2			2		A
58	560143	. BULB / 0.34WATT-24VOLTS / SAE# 1819	2			2		B
58	560144	. BULB / 1.6WATT-24VOLTS / SAE# 1820	2			2		B
58	562112	. BULB / 3WATT-24VOLTS / SAE# 1873	2			2		B
59	560098	. TERMINAL SNAP PLUG / 16-14 / INSULATED / AMP 2-324225-1	1			1		
59	560082	. RING TERMINAL #10 / 16-14 / INSULATED / AMP 626033-2	1			1		
59	560942	. BULB COVERING / BLUE				2		
59	330118	. SUPPORT / TO FIX LAMP ON FRONT COMPARTMENT LAMP	1			1		
59	063074	CABLE ASSY / TO BAGGAGE COMPARTEMENT LAMP				1		
59	063075	CABLE ASSY / W/BAGGAGE COMPARTEMENT LAMP	1					
		FLUORESCENT UNDER PARCEL RACK						
60	330174	BASE ASSY				AR		
61	330173	. SUPPORT				1		
62	830101	. SOCKET / BIPIN HOLDER				2		
63	310683	. BRACKET / O BI-PIN HOLDER				2		
64	830102	TUBE / 15WATT / F15T8CW - 18" / G13 MED BIPIN				AR		
NS	330183	BALLAST ASSY / 24/110 VOLTS				12		C

From E-638 To H-284	Date:10/2022	PAGE:XL-0655-00
INTERIOR LIGHTING		

Item#	Part	Description	M T H 4 0	M T H 4 5	M T H 4 5 E	X L 4 0	X L 4 5	N O T E S
NS	310682	COVER / PROTECTOR BALLAST IN PARCEL RACK PREVOST XL				AR		
NS	330176	COVER / PROTECTOR BALLAST IN PARCEL RACK "MIRAGE XL"				AR		
		ENGINE, FRONT SERVICE COMPARTMENT LAMP						
		JUNCTION PANEL COMPARTMENT LAMP						
70	381226	SWITCH ASSY / BAGGAGE COMPARTMENT DOOR LIGHT	6		6	6	6	
71	380480	SWITCH SUPPORT	1		1	1	1	
72	561109	MICRO SWITCH	1		1	1	1	
NS	063092	CABLE ASSY	1		1	1	1	
NS	5001100	SCREW CAP HEX M3-0.5x30 G8.8 ZP	2		2	2	2	
NS	502691	WASHER LO SPT 3.6x6.7x0.8 Z050	2		2	2	2	
NS	500437	WASHER FL .125x.375x.040 Z050	2		2	2	2	
NS	502579	NUT HEX M3-0.5 NP	2		2	2	2	
		FRONT SERVICE COMPARTMENT LAMP						
73	380589	SWITCH SUPPORT / SERVICE & JCT PANEL	2			2		
74	560260	SWITCH / S.P.S.T. / N.C.	2			2		
75	430172	SOCKET ASSY	1			1		
75	560859	SOCKET BULB / METAL W/WIRE / BA15s	1			1		
75	560098	TERMINAL SNAP PLUG / 16-14 / INSULATED / AMP 2-324225-1	1			1		
76	561008	BULB / 15WATT-24VOLTS / SAE# 1309	1			1		
NS	500638	SCREW TP PAN PH #8x1/2 Z050	AR			AR		
80	310670	SCREEN, FLUORESCENT / 3045MM / 120" C.T.L.				AR		
80	310696	SCREEN, FLUORESCENT / 3 3/8"				AR		
80	311463	SCREEN, FLUORESCENT / 3 7/8"				AR		
80	311110	SCREEN, FLUORESCENT / 8"				AR		
80	310684	SCREEN, FLUORESCENT / 10"				AR		
80	310848	SCREEN, FLUORESCENT / 15 1/2"				AR		
80	311308	SCREEN, FLUORESCENT / 16 1/8"				AR		
80	311040	SCREEN, FLUORESCENT / 17 1/2"				AR		
80	311299	SCREEN, FLUORESCENT / 17 3/4"				AR		
80	311168	SCREEN, FLUORESCENT / 19 1/2"				AR		
80	311446	SCREEN, FLUORESCENT / 20 7/8"				AR		
80	311314	SCREEN, FLUORESCENT / 21 1/4"				AR		
80	310701	SCREEN, FLUORESCENT / 21 5/8"				AR		
80	310693	SCREEN, FLUORESCENT / 23"				AR		
80	311108	SCREEN, FLUORESCENT / 23 1/2"				AR		
80	310692	SCREEN, FLUORESCENT / 24"				AR		
80	311444	SCREEN, FLUORESCENT / 24 5/8"				AR		

From E-638 To H-284	Date:10/2022	PAGE:XL-0655-00
----------------------------	---------------------	------------------------

INTERIOR LIGHTING

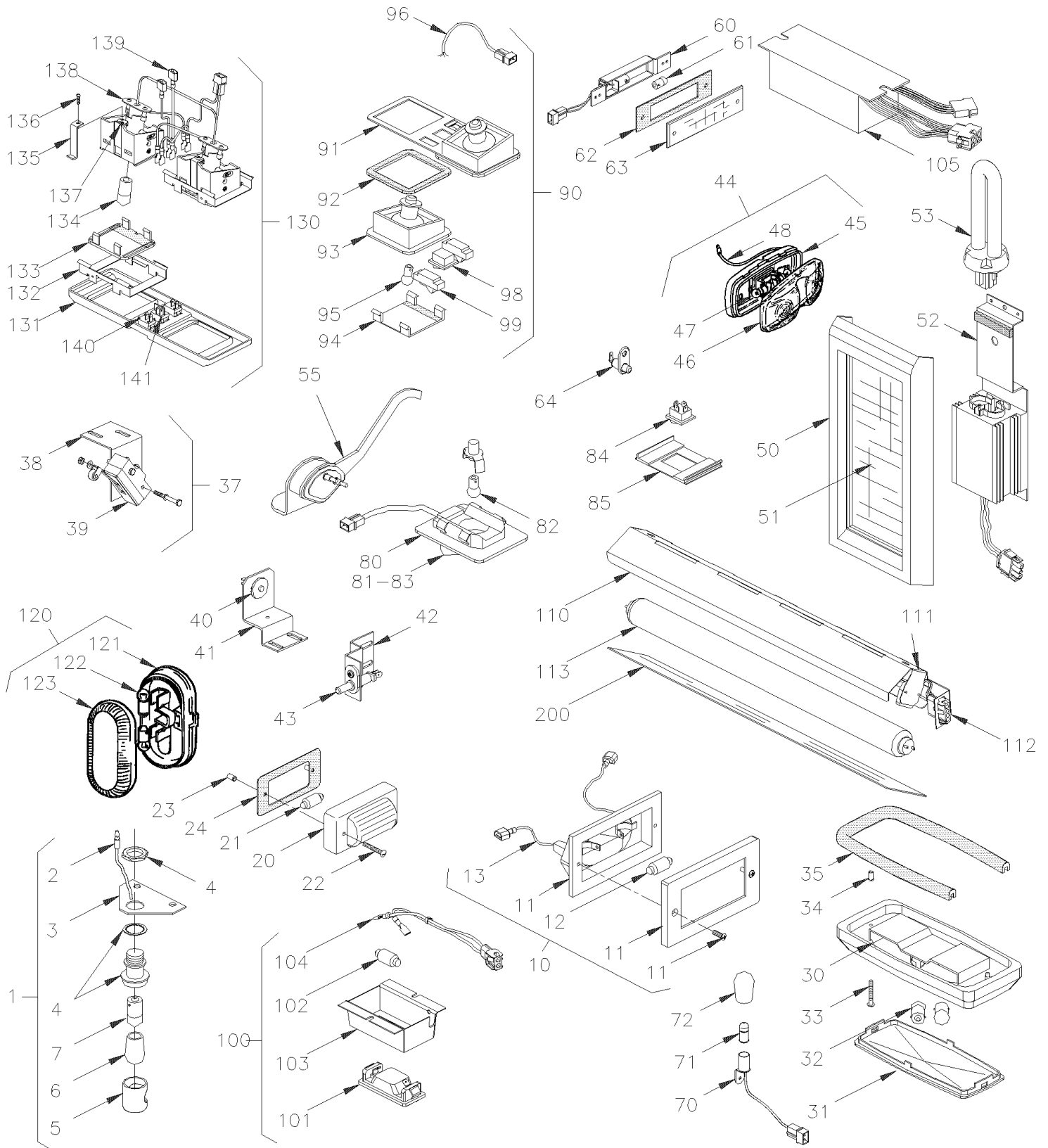
Item#	Part	Description	M T H 4 0	M T H 4 5	M T H 4 5 E	X L 4 0	X L 4 5	N O T E S
80	310813	SCREEN, FLUORESCENT / 24 1/2"				AR		
80	311338	SCREEN, FLUORESCENT / 24 3/4"				AR		
80	311445	SCREEN, FLUORESCENT / 25 1/8"				AR		
80	310685	SCREEN, FLUORESCENT / 25 1/2"				AR		
80	311468	SCREEN, FLUORESCENT / 26 3/8"				AR		
80	310787	SCREEN, FLUORESCENT / 26 1/2"				AR		
80	311025	SCREEN, FLUORESCENT / 27"				AR		
80	311311	SCREEN, FLUORESCENT / 27 1/2"				AR		
80	311024	SCREEN, FLUORESCENT / 27 3/4"				AR		
80	310704	SCREEN, FLUORESCENT / 27 7/8"				AR		
80	311339	SCREEN, FLUORESCENT / 28 1/2"				AR		
80	311107	SCREEN, FLUORESCENT / 29 3/4"				AR		
		A) USE IN PRODUCTION						
		B) USE IN SERVICE ONLY						
		C) THESE BALLAST IS OBSOLETE, USE RETROFIT KIT #330212						
		S) FOR SERVICE THIS MODEL IT SUPPERSEDED BY LAMP ASSY # 330302 AS SHOW AT ITEM # 130 AT PAGE XL-0655-01						

From H-285 To Y-7045

Date:10/2022

PAGE:XL-0655-01

INTERIOR LIGHTING



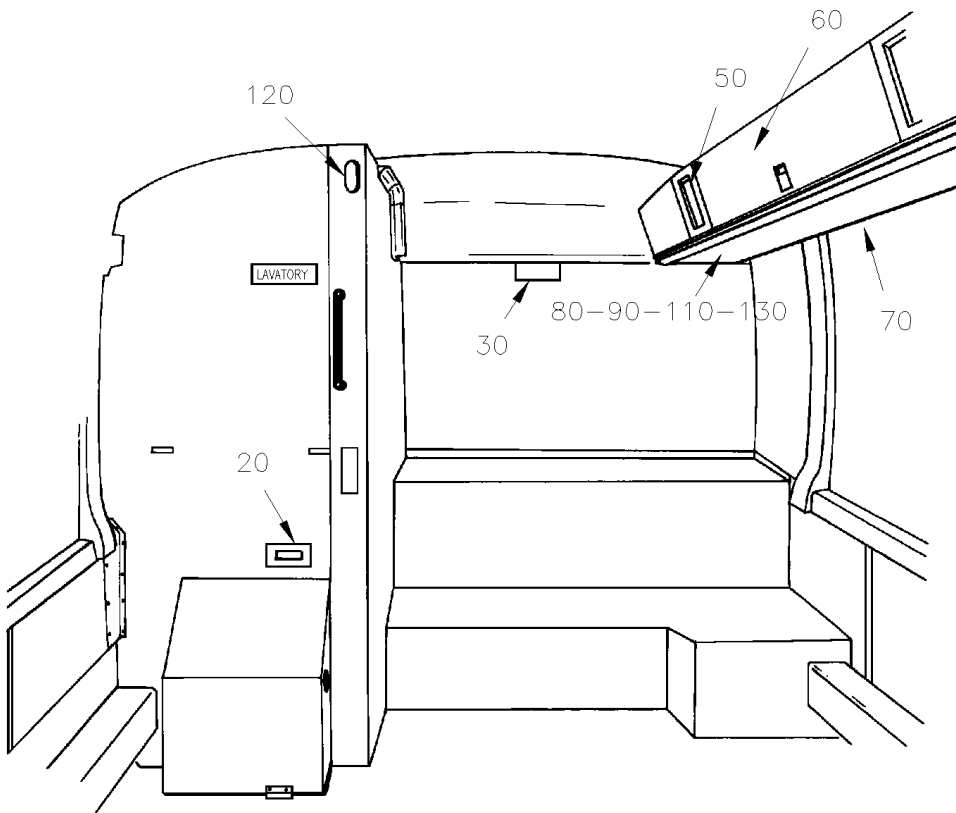
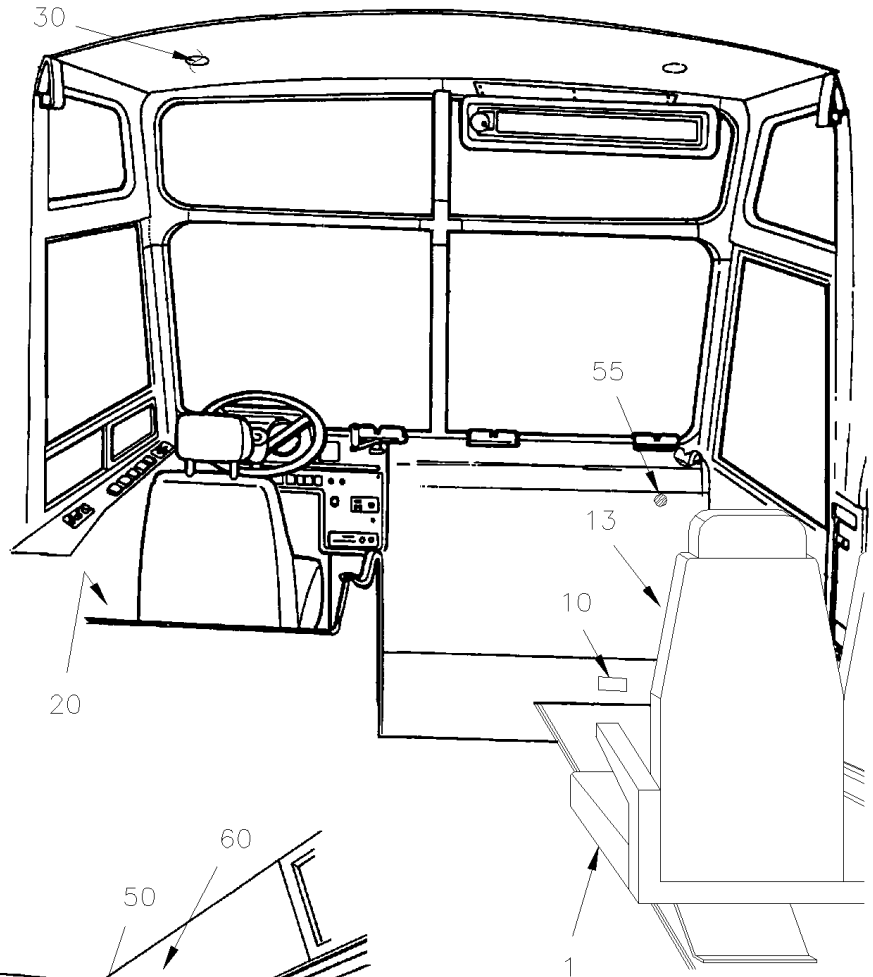
From H-285 To Y-7045

Date:10/2022

PAGE:XL-0655-01

INTERIOR LIGHTING

37-100 =BAGGAGE COMP.
40-44 =FRONT SERVICE DOOR



From H-285 To Y-7045			Date:10/2022	PAGE:XL-0655-01				
INTERIOR LIGHTING								
Item#	Part	Description	M T H 4 0	M T H 4 5	M T H 4 5 E	X L 4 0	X L 4 5	N O T E S
		AISLE LAMP - UNDER PASSENGER'S SEAT						
1	330146	LAMP ASSY / UNDER SEAT W/BULB				AR	AR	
1	330367	LAMP ASSY / UNDER SEAT W/LED				AR	AR	
2	560098	. TERMINAL SNAP PLUG / 16-14 / INSULATED / AMP 2-324225-1				1	1	
3	361343	. SUPPORT				1	1	
4	830096	. LAMP				1	1	
5	830113	. . CAP PROTECTOR				1	1	
6	560940	. BULB COVERING / BLUE				1	1	
7	560141	. BULB / 3WATT-24VOLTS / SAE# 1251				1	1	
7	563546	. BULB / 7 LEDS BLUE / UNDER SEAT / #B607-2PB-028W				1	1	
7	564100	. BULB / 7 LEDS BLUE / UNDER SEAT / #270015				1	1	
NS	061310	CABLE ASSY / LIGHT & MAIN CABLE				AR	AR	
NS	061342	CABLE ASSY / FRT JCT BOX & FENDER LAMPS				AR	AR	
		STEPWELL LAMP						
10	330241	LAMP ASSY To S-409				2	2	
10	330279	LAMP ASSY 24V W/BULB From S-410				2	2	
. NS	830142	. LAMP From S-410				1	1	
. NS	562278	. BULB / 10WATT-24VOLTS / SAE# 6429 From S-410				1	1	
10	830197	LAMP ASSY 24V LEDS				2	2	
10	068140	CABLE INTERFACE 330279 TO 830197 To S-409				1AR	1AR	
12	562278	. BULB / 10WATT-24VOLTS / SAE# 6429				1	1	
NS	500148	SCREW MA RND PH #6-32x1/2 SS				AR	AR	N
NS	500422	NUT SPR U #6-32 .110-.120 SS				AR	AR	N
		ENTRANCE DOOR LAMP INSIDE ON DOOR SPECIAL GO-TRANSIT						
13	930168	LAMP ASSY BACK-UP				1		
14	930171	. RING / CHROME				1		
15	930170	. LENS				1		
16	563010	BULB / 16WATT-24VOLTS / SAE# 1308				1		
NS	560952	SPRING, TORSION / .896 O.D. x .248 x .020				2		
		GALLEY & WASTE CONTAINER LAMP						
20	830124	LAMP ASSY				1	1	
21	562278	BULB / 10WATT-24VOLTS / SAE# 6429				1	1	
21	562305	BULB / 5WATT-12VOLTS / SAE# 6413				AR	AR	
		DRIVER'S LAMP - LAVATORY - REAR LOUNGE CAP						

From H-285 To Y-7045	Date:10/2022	PAGE:XL-0655-01
----------------------	--------------	-----------------

INTERIOR LIGHTING

Item#	Part	Description	M T H 4 0	M T H 4 5	M T H 4 5 E	X L 4 0	X L 4 5	N O T E S
30	830110	LAMP ASSY				3	3	
30	830110	LAMP ASSY	2	2	2			
31	830125	. LENS	1	1	1	1	1	
32	561553	. BULB / 10WATT-24VOLTS / SAE# 5637 To X-6979	1	1	1	1	1	
32	563010	. BULB / 16WATT-24VOLTS / SAE# 1308 From X-6980	2	2	2	2	2	
33	500654	SCREW TC BDG PH #8-32x1/2 Z050	AR	AR	AR	AR	AR	N
34	500678	NUT WELL #8-32x.450	AR	AR	AR	AR	AR	
35	506025	RUBBER CHANNEL / 1/18" x 5/16" INT "U" SHAPE / SQUARE C.T.L.	AR	AR	AR	AR	AR	
		ENGINE, FRONT SERVICE COMPARTMENT LAMP						
		JUNCTION PANEL COMPARTMENT LAMP						
37	381226	SWITCH ASSY / BAGGAGE COMPARTMENT DOOR LIGHT	AR	AR	AR	AR	AR	
38	380480	. SWITCH SUPPORT	1	1	1	1	1	
39	561109	. MICRO SWITCH	1	1	1	1	1	
NS	063092	. CABLE ASSY	1	1	1	1	1	
NS	5001100	. SCREW CAP HEX M3-0.5x30 G8.8 ZP	2	2	2	2	2	
NS	502691	. WASHER LO SPT 3.6x6.7x0.8 Z050	2	2	2	2	2	
NS	500437	. WASHER FL .125x.375x.040 Z050	2	2	2	2	2	
NS	502579	. NUT HEX M3-0.5 NP	2	2	2	2	2	
40	380589	SWITCH SUPPORT / SERVICE & JCT PANEL	1	1	1	1	1	
41	560260	SWITCH / S.P.S.T. / N.C.	1	1	1	1	1	
42	064167	SWITCH ASSY / BAGGAGE COMPARTMENT	6	6	6	6	6	
NS	063434	. SWITCH SUPPORT / W/BAGGAGE DOORS STD	1	1	1	1	1	
43	562303	. SWITCH / S.P.S.T. / N.C.	1	1	1	1	1	
NS	500613	. SCREW TP PAN PH #10x1/2 Z050	1	1	1	1	1	
NS	500022	. WASHER LO INT .168x.340x.023 Z050	1	1	1	1	1	
44	430149	LAMP ASSY 24 V / BAG & ENG COMP / W/CON	2	2	2	2	2	C
44	430531	LAMP ASSY 24 V / BAG & ENG COMP / W/CON SERVICE	2	2	2	2	2	D
44	430180	LAMP ASSY 24 V / FRT ELEC COMPARTMENT	1	1	1	1	1	C
44	430530	LAMP ASSY 24 V / FRT ELEC COMPARTMENT / SERVICE	1	1	1	1	1	D
45	930166	. BASE HOUSING	1	1	1	1	1	C
45	930351	. BASE HOUSING	1	1	1	1	1	D
46	930203	. LENS CLEAR	1	1	1	1	1	
47	560601	. BULB / 2WATT-24VOLTS / SAE# 456	2	2	2	2	2	C
47	562112	. BULB / 3WATT-24VOLTS / SAE# 1873	2	2	2	2	2	D
48	560098	. TERMINAL SNAP PLUG / 16-14 / INSULATED / AMP 2-324225-1	1	1	1	1	1	
48	560082	. RING TERMINAL #10 / 16-14 / INSULATED / AMP 626033-2	1		1	1	1	P
48	330118	. SUPPORT / TO FIX LAMP ON FRONT COMPARTMENT LAMP	1	1	1	1	1	
48	500638	. SCREW TP PAN PH #8x1/2 Z050	2	2	2	2	2	

From H-285 To Y-7045	Date:10/2022	PAGE:XL-0655-01
----------------------	--------------	-----------------

INTERIOR LIGHTING

Item#	Part	Description	M T H 4 0	M T H 4 5	M T H 4 5 E	X L 4 0	X L 4 5	N O T E S
		FRONT PARCEL RACK FLUORESCENT						
50	311461	LENS COVER ASSY / TO USE W/CORD				1	1	
NS	311462	LENS COVER ASSY / TO USE W/DOOR				1	1	
NS	312146	LENS COVER "SPECIAL"					1	A
51	311460	. LENS				1	1	
52	330220	BALLAST ASSY / 24 VOLTS To V-6215				AR	AR	
NS	330332	BALLAST ASSY / 24 VOLTS From V-6216				AR	AR	
53	830108	TUBE / 7WATT / PL7				AR	AR	
55	060338	SWITCH DOOR LIGHT				1	1	
55	560869	SWITCH / ON-ON / S.P.D.T.	1	1	1			
NS	390257	NAME PLATE / "DRIVER'S LIGHT"	1	1	1			
NS	500646	SCREW MA FL PH 5/16-24x1 ZP	2	2	2			
		PARCEL RACK						
60	430314	LAMP ASSY				AR	AR	
60	430313	. BOX				1	1	
60	561556	. SOCKET BULB / METAL W/2 WIRES / BA9s / LEECRAFT B22Q2				1	1	
60	504082	. SNAP BUSHING / .125x.312x.312				1	1	
60	560853	. PIN TERMINAL / 24-18 / AMP 60618-1				2	2	
60	560900	. CONNECTOR / COM. MATE-N-LOCK / PH 2C / AMP 1-480319-0				1	1	
60	504109	. RIVET POP DOME OE 5/32x3/16 AL				2	2	
61	560144	BULB / 1.6WATT-24VOLTS / SAE# 1820				AR	AR	
62	430316	SEAL				1	1	
63	430312	LENS				1	1	
NS	500124	SCREW TP TR PH #8x1/2 SS				2	2	M
64	561563	SWITCH / S.P.S.T. / N.C.				1	1	
NS	061967	CABLE ASSY / LIGHT & SWITCH				1	1	
		EMERGENCY EXIT LAMP - LOCATED UPPER OF SIDE WINDOW						
70	330217	SOCKET ASSY				AR	AR	
71	560601	BULB / 2WATT-24VOLTS / SAE# 456				AR	AR	
72	560942	BULB COVERING / BLUE				AR	AR	
NS	500648	SCREW TC BDG PH #6-32x1/4 ZP				AR	AR	
NS	500438	WASHER FL .187x.437x.050 Z050				AR	AR	
		READING LAMP UNDER PARCEL RACK						
80	330258	LAMP ASSY To T-5956				AR	AR	H

From H-285 To Y-7045	Date:10/2022	PAGE:XL-0655-01
----------------------	--------------	-----------------

INTERIOR LIGHTING

Item#	Part	Description	M T H 4 0	M T H 4 5	M T H 4 5 E	X L 4 0	X L 4 5	N O T E S
NS	830130	. LAMP To T-5956				1	1	H
81	830132	. . SWITCH / ON-ON / S.P.S.T. / READING LIGHT To T-5956				1	1	
82	562033	. . BULB / 8WATT-24VOLTS / SAE# 941-Q940 To T-5956				1	1	
NS	560900	. CONNECTOR / COM. MATE-N-LOCK / PH 2C / AMP 1-480319-0 To T-5956				1	1	
NS	560853	. PIN TERMINAL / 24-18 / AMP 60618-1 To T-5956				2	2	
83	330266	DECAL / [GREEN] SWITCH LOCALISATION To T-5956				1	1	H
NS	330257	STOPPER / ON SOME FRONT READING LIGHT FOR SPECIAL To T-5956				AR	AR	H
84	561564	SWITCH, HOSTESS & STOP To T-5956				AR	AR	
85	311082	SWITCH SUPPORT To T-5937				AR	AR	
NS	311898	SWITCH SUPPORT From T-5938 To T-5956				AR	AR	
		READING LAMP UNDER PARCEL RACK From T-5957						
90	330329	LAMP ASSY From T-5957				AR	AR	
NS	330333	LAMP ASSY / W/HOSTESS SWITCH From T-5957				AR	AR	
91	330328	. PLATE From T-5957				1	1	
91	330334	. PLATE / W/HOSTESS SWITCH From T-5957				1	1	
92	330323	. GASKET From T-5957				2	2	
93	330324	. LAMP ASSY / WITH LENS PAINTED From T-5957				2	2	
. NS	830143	. . LAMP ASSY From T-5957				1	1	
. NS	830148	. . LENS / PAINTED From T-5957				1	1	
94	830148	. LENS / PAINTED From T-5957				2	2	
95	561553	. BULB / 10WATT-24VOLTS / SAE# 5637 From T-5957				2	2	
96	064272	. CABLE ASSY From T-5957				1	1	
98	561564	. SWITCH, HOSTESS & STOP From T-5957				1	1	
99	562491	. SWITCH / OFF-ON / S.P.S.T. / RED ILLUMINATI From T-5957				2	2	
NS	065154	RESISTOR ASSY 15 OHMS 15 W				1		B
		BAGGAGE						
100	330268	LAMP ASSY 24V / BAGGAGE COMPARTMENT LAMP / W/ONE BULB 10W	AR	AR	AR	AR	AR	
100	330372	LAMP ASSY 24V / BAGGAGE COMPARTMENT LAMP W/2 BULBS 5W	AR	AR	AR	AR	AR	S
101	830139	. LAMP ASSY / W/ONE BULB	1	1	1	1	1	
101	830183	. LAMP ASSY / W/2 BULBS	1	1	1	1	1	S
102	562278	. BULB / 10WATT-24VOLTS / SAE# 6429	1	1	1	1	1	
102	562411	. BULB / 5WATT-24VOLTS / SAE # 6424	1	1	1	1	1	S
103	330267	. SUPPORT / SS / TO FIX LAMP / W/ONE BULB	1	1	1	1	1	
NS	063435	. CABLE ASSY / W/ONE BULB	1	1	1	1	1	
NS	504273	. CABLE TIE / 1/8" X 3"1/2	1	1	1	1	1	
		FLUORESCENT UNDER PARCEL RACK						

From H-285 To Y-7045	Date:10/2022	PAGE:XL-0655-01
INTERIOR LIGHTING		

Item#	Part	Description	M T H 4 0	M T H 4 5	M T H 4 5 E	X L 4 0	X L 4 5	N O T E S
105	330214	BALLAST ASSY / 24 VOLTS To V-6215				AR	AR	
NS	330330	BALLAST ASSY / 24 VOLTS From V-6216				AR	AR	
NS	330215	BALLAST ASSY / 24 VOLTS To V-6215				AR	AR	
NS	330331	BALLAST ASSY / 24 VOLTS From V-6216				AR	AR	
110	330219	LAMP ASSY To T-5937				AR	AR	
NS	330300	LAMP ASSY From T-5938				AR	AR	
111	830101	SOCKET / BIPIN HOLDER To T-5937				2	2	
NS	830145	SOCKET / BIPIN HOLDER From T-5938				2	2	
113	830102	TUBE / 15WATT / F15T8CW - 18" / G13 MED BIPIN				AR	AR	
		BOX STOP ON REQUEST (GO TRANSIT)						
113	330357	BOX				1		
113	562277	TAB RECEPTACLE TERMINAL / 22-18 / AMP 60118-1				2		
113	065099	CABLE ASSY TO RH PARCEL RACK				1		
113	065100	CABLE ASSY TO LH PARCEL RACK				1		
113	065102	CABLE ASSY IN FRONT JCT BOX				1		
113	561554	SWITCH / ON-ON / D.P.D.T. / SELECTOR				1		
		LAVATORY LAMP NEAR - PARCEL RACK						
120	330058	LAMP ASSY 24 VOLTS / RED / W/CONNECTOR				1	1	C
120	430533	LAMP ASSY 24 V / RED / W/CONNECTOR / SERVICE				1	1	D
121	930019	LAMP ASSY / RED				1	1	C
121	930352	LAMP ASSY 24 VOLTS / RED				1	1	D
122	560702	BULB / 0.2WATT-24VOLTS / SAE# 1843				2		C
122	560143	BULB / 0.34WATT-24VOLTS / SAE# 1819				2		D
122	562276	BULB / 2WATT-24VOLTS / SAE# 657				2	2	C
NS	560098	TERMINAL SNAP PLUG / 16-14 / INSULATED / AMP 2-324225-1				1	1	
123	930092	LENS RED				1	1	
		READING LAMP USE ON "SPECIAL" COACH To T-5956						
130	330302	LAMP ASSY To T-5956					AR	
131	330296	SUPPORT / PLASTIC To T-5956					1	
132	330297	HOLDER / SS / SPRING CLIP To T-5956					2	
133	830148	LENS / PAINTED To T-5956					2	
134	561553	BULB / 10WATT-24VOLTS / SAE# 5637 To T-5956					2	
135	330301	BRACKET 45MM X 10MM To T-5956					2	
136	500583	SCREW TP PAN PH #6x1/2 Z050 To T-5956					2	
137	500996	NUT SPR U #6-32 .135-.150 To T-5956					2	
138	330324	LAMP ASSY / WITH LENS PAINTED To T-5956					2	

From H-285 To Y-7045		Date:10/2022	PAGE:XL-0655-01
INTERIOR LIGHTING			

Item#	Part	Description	M T H 4 0	M T H 4 5	M T H 4 5 E	X L 4 0	X L 4 5	N O T E S
. NS	830143	. . LAMP ASSY To T-5956					1	
. NS	830148	. . LENS / PAINTED To T-5956					1	
139	064169	. CABLE ASSY / READING LAMP To T-5956					1	
NS	064190	. CABLE ASSY / HOSTESS LAMP To T-5956					1	
140	562491	. SWITCH / OFF-ON / S.P.S.T. / RED ILLUMINATI To T-5956					2	
141	562490	. SWITCH / OFF-ON / S.P.S.T. / WHITE To T-5956					1	
NS	310670	SCREEN, FLUORESCENT / 3045MM / 120" C.T.L. To T-5937				AR	AR	
NS	311879	SCREEN, FLUORESCENT / 3045MM / 120" C.T.L. From T-5938				AR	AR	
NS	310688	SCREEN, FLUORESCENT / 1 1/4" To T-5937				AR	AR	
NS	311800	SCREEN, FLUORESCENT / 2" To T-5937				AR	AR	
NS	311780	SCREEN, FLUORESCENT / 3" To T-5937				AR	AR	
NS	310696	SCREEN, FLUORESCENT / 3 3/8" To T-5937				AR	AR	
NS	311463	SCREEN, FLUORESCENT / 3 7/8" To T-5937				AR	AR	
NS	311300	SCREEN, FLUORESCENT / 4 3/4" To T-5937				AR	AR	
NS	311298	SCREEN, FLUORESCENT / 4 7/8" To T-5937				AR	AR	
NS	310814	SCREEN, FLUORESCENT / 5 1/2" To T-5937				AR	AR	
NS	311442	SCREEN, FLUORESCENT / 6 1/8" To T-5937				AR	AR	
NS	310705	SCREEN, FLUORESCENT / 6 5/8" To T-5937				AR	AR	
NS	310819	SCREEN, FLUORESCENT / 6 3/4" To T-5937				AR	AR	
NS	310695	SCREEN, FLUORESCENT / 7 3/8" To T-5937				AR	AR	
NS	311110	SCREEN, FLUORESCENT / 8" To T-5937				AR	AR	
NS	310697	SCREEN, FLUORESCENT / 8 3/4" To T-5937				AR	AR	
NS	311786	SCREEN, FLUORESCENT / 9 5/8" To T-5937				AR	AR	
NS	311892	SCREEN, FLUORESCENT / 9 1/4" To T-5937				AR	AR	
NS	310684	SCREEN, FLUORESCENT / 10" To T-5937				AR	AR	
NS	310698	SCREEN, FLUORESCENT / 11 3/8" To T-5937				AR	AR	
NS	311307	SCREEN, FLUORESCENT / 11 5/8" To T-5937				AR	AR	
NS	310939	SCREEN, FLUORESCENT / 12" To T-5937				AR	AR	
NS	311292	SCREEN, FLUORESCENT / 12 3/8" To T-5937				AR	AR	
NS	310699	SCREEN, FLUORESCENT / 13" To T-5937				AR	AR	
NS	311306	SCREEN, FLUORESCENT / 13 1/4" To T-5937				AR	AR	
NS	311335	SCREEN, FLUORESCENT / 13 5/8" To T-5937				AR	AR	
NS	310940	SCREEN, FLUORESCENT / 13 7/8" To T-5937				AR	AR	
NS	311469	SCREEN, FLUORESCENT / 14 3/8" To T-5937				AR	AR	
NS	310694	SCREEN, FLUORESCENT / 15" To T-5937				AR	AR	
NS	311312	SCREEN, FLUORESCENT / 15 1/4" To T-5937				AR	AR	
NS	310848	SCREEN, FLUORESCENT / 15 1/2" To T-5937				AR	AR	
NS	311781	SCREEN, FLUORESCENT / 15 3/4" To T-5937				AR	AR	
NS	311308	SCREEN, FLUORESCENT / 16 1/8" To T-5937				AR	AR	
NS	311782	SCREEN, FLUORESCENT / 16 3/8" To T-5937				AR	AR	

From H-285 To Y-7045	Date:10/2022	PAGE:XL-0655-01
INTERIOR LIGHTING		

Item#	Part	Description	M T H 4 0	M T H 4 5	M T H 4 5 E	X L 4 0	X L 4 5	N O T E S
NS	311441	SCREEN, FLUORESCENT / 16 3/4" To T-5937				AR	AR	
NS	311040	SCREEN, FLUORESCENT / 17 1/2" To T-5937				AR	AR	
NS	311299	SCREEN, FLUORESCENT / 17 3/4" To T-5937				AR	AR	
NS	310702	SCREEN, FLUORESCENT / 18 1/8" To T-5937				AR	AR	
NS	311423	SCREEN, FLUORESCENT / 18 1/4" To T-5937				AR	AR	
NS	311106	SCREEN, FLUORESCENT / 18 1/2" To T-5937				AR	AR	
NS	311439	SCREEN, FLUORESCENT / 18 3/4" To T-5937				AR	AR	
NS	311354	SCREEN, FLUORESCENT / 18 7/8" To T-5937				AR	AR	
NS	311337	SCREEN, FLUORESCENT / 19" To T-5937				AR	AR	
NS	311168	SCREEN, FLUORESCENT / 19 1/2" To T-5937				AR	AR	
NS	311109	SCREEN, FLUORESCENT / 20 1/8" To T-5937				AR	AR	
NS	311448	SCREEN, FLUORESCENT / 20 1/4" To T-5937				AR	AR	
NS	311447	SCREEN, FLUORESCENT / 20 5/8" To T-5937				AR	AR	
NS	311023	SCREEN, FLUORESCENT / 20 3/4" To T-5937				AR	AR	
NS	311446	SCREEN, FLUORESCENT / 20 7/8" To T-5937				AR	AR	
NS	311449	SCREEN, FLUORESCENT / 21 1/8" To T-5937				AR	AR	
NS	311314	SCREEN, FLUORESCENT / 21 1/4" To T-5937				AR	AR	
NS	310700	SCREEN, FLUORESCENT / 21 3/8" To T-5937				AR	AR	
NS	310701	SCREEN, FLUORESCENT / 21 5/8" To T-5937				AR	AR	
NS	310689	SCREEN, FLUORESCENT / 22" To T-5937				AR	AR	
NS	311290	SCREEN, FLUORESCENT / 22 1/2" To T-5937				AR	AR	
NS	310693	SCREEN, FLUORESCENT / 23" To T-5937				AR	AR	
NS	311304	SCREEN, FLUORESCENT / 22 7/8" To T-5937				AR	AR	
NS	310693	SCREEN, FLUORESCENT / 23" To T-5937				AR	AR	
NS	311643	SCREEN, FLUORESCENT / 23 1/4" To T-5937				AR	AR	
NS	311108	SCREEN, FLUORESCENT / 23 1/2" To T-5937				AR	AR	
NS	311440	SCREEN, FLUORESCENT / 23 7/8" To T-5937				AR	AR	
NS	310692	SCREEN, FLUORESCENT / 24" To T-5937				AR	AR	
NS	311783	SCREEN, FLUORESCENT / 24 1/4" To T-5937				AR	AR	
NS	310813	SCREEN, FLUORESCENT / 24 1/2" To T-5937				AR	AR	
NS	311444	SCREEN, FLUORESCENT / 24 5/8" To T-5937				AR	AR	
NS	311338	SCREEN, FLUORESCENT / 24 3/4" To T-5937				AR	AR	
NS	311445	SCREEN, FLUORESCENT / 25 1/8" To T-5937				AR	AR	
NS	311467	SCREEN, FLUORESCENT / 25 1/4" To T-5937				AR	AR	
NS	310685	SCREEN, FLUORESCENT / 25 1/2" To T-5937				AR	AR	
NS	311156	SCREEN, FLUORESCENT / 25 3/4" To T-5937				AR	AR	
NS	310686	SCREEN, FLUORESCENT / 26" To T-5937				AR	AR	
NS	311341	SCREEN, FLUORESCENT / 26 1/8" To T-5937				AR	AR	
NS	311468	SCREEN, FLUORESCENT / 26 3/8" To T-5937				AR	AR	
NS	310787	SCREEN, FLUORESCENT / 26 1/2" To T-5937				AR	AR	
NS	311025	SCREEN, FLUORESCENT / 27" To T-5937				AR	AR	
NS	311309	SCREEN, FLUORESCENT / 27 1/4" To T-5937				AR	AR	

From H-285 To Y-7045	Date:10/2022	PAGE:XL-0655-01
INTERIOR LIGHTING		

Item#	Part	Description	M T H 4 0	M T H 4 5	M T H 4 5 E	X L 4 0	X L 4 5	N O T E S
NS	311311	SCREEN, FLUORESCENT / 27 1/2" To T-5937				AR	AR	
NS	311024	SCREEN, FLUORESCENT / 27 3/4" To T-5937				AR	AR	
NS	310704	SCREEN, FLUORESCENT / 27 7/8" To T-5937				AR	AR	
NS	310825	SCREEN, FLUORESCENT / 28 1/8" To T-5937				AR	AR	
NS	311339	SCREEN, FLUORESCENT / 28 1/2" To T-5937				AR	AR	
NS	310788	SCREEN, FLUORESCENT / 28 3/4" To T-5937				AR	AR	
NS	310703	SCREEN, FLUORESCENT / 28 7/8" To T-5937				AR	AR	
NS	310687	SCREEN, FLUORESCENT / 29 1/4" To T-5937				AR	AR	
NS	311443	SCREEN, FLUORESCENT / 29 1/2" To T-5937				AR	AR	
NS	311107	SCREEN, FLUORESCENT / 29 3/4" To T-5937				AR	AR	
NS	310817	SCREEN, FLUORESCENT / 30 1/4" To T-5937				AR	AR	
NS	311328	SCREEN, FLUORESCENT / 30 3/4" To T-5937				AR	AR	
NS	311644	SCREEN, FLUORESCENT / 31" To T-5937				AR	AR	
NS	310818	SCREEN, FLUORESCENT / 31 3/4" To T-5937				AR	AR	
NS	310826	SCREEN, FLUORESCENT / 32 1/4" To T-5937				AR	AR	
NS	310816	SCREEN, FLUORESCENT / 33 1/8" To T-5937				AR	AR	
NS	311989	SCREEN, FLUORESCENT / 35 1/8" To T-5937				AR	AR	
NS	311327	SCREEN, FLUORESCENT / 52" To T-5937				AR	AR	
NS	311498	SCREEN, FLUORESCENT / 59 7/8" To T-5937				AR	AR	
NS	310919	SCREEN, FLUORESCENT / 108 3/4" To T-5937				AR	AR	
NS	311909	SCREEN, FLUORESCENT / 32MM From T-5938				AR	AR	
NS	311910	SCREEN, FLUORESCENT / 51MM From T-5938				AR	AR	
NS	311911	SCREEN, FLUORESCENT / 76MM From T-5938				AR	AR	
NS	311912	SCREEN, FLUORESCENT / 86MM From T-5938				AR	AR	
NS	311913	SCREEN, FLUORESCENT / 98MM From T-5938				AR	AR	
NS	311914	SCREEN, FLUORESCENT / 121MM From T-5938				AR	AR	
NS	311915	SCREEN, FLUORESCENT / 203MM From T-5938				AR	AR	
NS	311916	SCREEN, FLUORESCENT / 235MM From T-5938				AR	AR	
NS	311917	SCREEN, FLUORESCENT / 244MM From T-5938				AR	AR	
NS	311918	SCREEN, FLUORESCENT / 289MM From T-5938				AR	AR	
NS	311919	SCREEN, FLUORESCENT / 305MM From T-5938				AR	AR	
NS	311920	SCREEN, FLUORESCENT / 314MM From T-5938				AR	AR	
NS	311921	SCREEN, FLUORESCENT / 330MM From T-5938				AR	AR	
NS	311922	SCREEN, FLUORESCENT / 337MM From T-5938				AR	AR	
NS	311923	SCREEN, FLUORESCENT / 400MM From T-5938				AR	AR	
NS	311924	SCREEN, FLUORESCENT / 410MM From T-5938				AR	AR	
NS	311925	SCREEN, FLUORESCENT / 416MM From T-5938				AR	AR	
NS	311926	SCREEN, FLUORESCENT / 425MM From T-5938				AR	AR	
NS	311927	SCREEN, FLUORESCENT / 445MM From T-5938				AR	AR	
NS	311928	SCREEN, FLUORESCENT / 451MM From T-5938				AR	AR	
NS	311929	SCREEN, FLUORESCENT / 460MM From T-5938				AR	AR	
NS	311930	SCREEN, FLUORESCENT / 483MM From T-5938				AR	AR	

From H-285 To Y-7045	Date:10/2022	PAGE:XL-0655-01
INTERIOR LIGHTING		

Item#	Part	Description	M T H 4 0	M T H 4 5	M T H 4 5 E	X L 4 0	X L 4 5	N O T E S
NS	311931	SCREEN, FLUORESCENT / 524MM From T-5938				AR	AR	
NS	311932	SCREEN, FLUORESCENT / 543MM From T-5938				AR	AR	
NS	311933	SCREEN, FLUORESCENT / 549MM From T-5938				AR	AR	
NS	311934	SCREEN, FLUORESCENT / 559MM From T-5938				AR	AR	
NS	311935	SCREEN, FLUORESCENT / 572MM From T-5938				AR	AR	
NS	311936	SCREEN, FLUORESCENT / 581MM From T-5938				AR	AR	
NS	311937	SCREEN, FLUORESCENT / 584MM From T-5938				AR	AR	
NS	311938	SCREEN, FLUORESCENT / 591MM From T-5938				AR	AR	
NS	311939	SCREEN, FLUORESCENT / 597MM From T-5938				AR	AR	
NS	311940	SCREEN, FLUORESCENT / 606MM From T-5938				AR	AR	
NS	311941	SCREEN, FLUORESCENT / 610MM From T-5938				AR	AR	
NS	311942	SCREEN, FLUORESCENT / 616MM From T-5938				AR	AR	
NS	311943	SCREEN, FLUORESCENT / 622MM From T-5938				AR	AR	
NS	312110	SCREEN, FLUORESCENT / 625MM From T-5938				AR	AR	
NS	311944	SCREEN, FLUORESCENT / 638MM From T-5938				AR	AR	
NS	311945	SCREEN, FLUORESCENT / 641MM From T-5938				AR	AR	
NS	311946	SCREEN, FLUORESCENT / 648MM From T-5938				AR	AR	
NS	311947	SCREEN, FLUORESCENT / 654MM From T-5938				AR	AR	
NS	311948	SCREEN, FLUORESCENT / 660MM From T-5938				AR	AR	
NS	311949	SCREEN, FLUORESCENT / 664MM From T-5938				AR	AR	
NS	311950	SCREEN, FLUORESCENT / 670MM From T-5938				AR	AR	
NS	311951	SCREEN, FLUORESCENT / 673MM From T-5938				AR	AR	
NS	311952	SCREEN, FLUORESCENT / 686MM From T-5938				AR	AR	
NS	311953	SCREEN, FLUORESCENT / 692MM From T-5938				AR	AR	
NS	312078	SCREEN, FLUORESCENT / 699MM From T-5938				AR	AR	
NS	311954	SCREEN, FLUORESCENT / 705MM From T-5938				AR	AR	
NS	311955	SCREEN, FLUORESCENT / 708MM From T-5938				AR	AR	
NS	311956	SCREEN, FLUORESCENT / 714MM From T-5938				AR	AR	
NS	311957	SCREEN, FLUORESCENT / 724MM From T-5938				AR	AR	
NS	311958	SCREEN, FLUORESCENT / 749MM From T-5938				AR	AR	
NS	311959	SCREEN, FLUORESCENT / 756MM From T-5938				AR	AR	
NS	311960	SCREEN, FLUORESCENT / 768MM From T-5938				AR	AR	
NS	312111	SCREEN, FLUORESCENT / 781MM From T-5938				AR	AR	
NS	311961	SCREEN, FLUORESCENT / 787MM From T-5938				AR	AR	
		A) THIS LENS COVER IT USE WITH INSTALLATION W/CORD ON LH SIDE OF LENS AND W/DOOR ON RH SIDE OF LENS						
		B) TO USE WITH THE FIRST READING LAMP FOR DIMMER READING LIGHT						
		C) USE IN PRODUCTION						
		D) USE IN SERVICE ONLY						
		H) FOR SERVICE THIS MODEL IT SUPPERSEDED BY LAMP ASSY AS SHOW AT ITEM # 90 OR # 130						

From H-285 To Y-7045	Date:10/2022	PAGE:XL-0655-01
----------------------	--------------	-----------------

INTERIOR LIGHTING

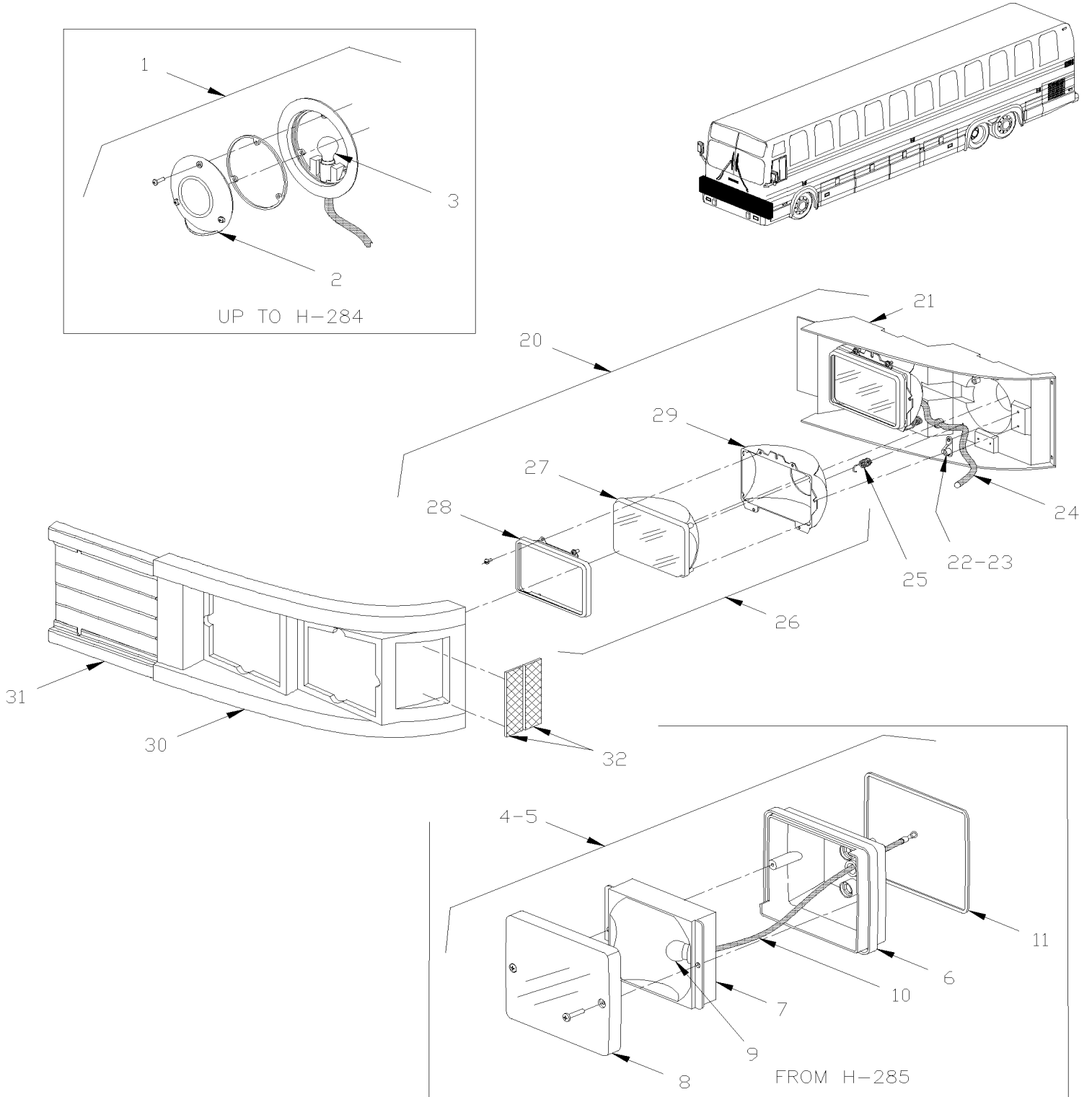
Item#	Part	Description	M T H 4 0	M T H 4 5	M T H 4 5 E	X L 4 0	X L 4 5	N O T E S
		M) TO FIX LENS						
		N) TO FIX LAMP						
		P) W/BAGGAGE LAMP ONLY						
		S) SERVICE						

From E-638 To L-684

Date:10/2022

PAGE:XL-0660-00

HEADLAMP & FRONT DIRECTIONAL LAMPS



From E-638 To L-684			Date:10/2022	PAGE:XL-0660-00				
HEADLAMP & FRONT DIRECTIONAL LAMPS								
Item#	Part	Description	M T H 4 0	M T H 4 5	M T H 4 5 E	X L 4 0	X L 4 5	N O T E S
		FRONT DIRECTIONAL LAMP						
1	430199	LAMP ASSY FRONT DIRECTIONAL To H-284	2			2		
1	930198	. LAMP ASSY AMBER 4"	1			1		
2	930196	. . LENS, AMBER 4"	1			1		
NS	930197	. . PIGTAIL	1			1		
NS	560098	. . TERMINAL SNAP PLUG / 16-14 / INSULATED / AMP 2-324225-1	1			1		
3	560131	BULB / 21WATT-24VOLTS / SAE# 307	1			1		
4	430301	LAMP ASSY FRONT DIRECTIONAL From H-285 To L-684	2			2		
5	561549	. LAMP ASSY DIRECTIONAL	1			1		
6	930248	. . HOUSING, SQUARE LAMP W/STUDS	1			1		
7	930250	. . REFLECTOR / CHROMED	1			1		
8	930251	. . LENS / AMBER	1			1		
9	561900	. BULB / 21WATT-24VOLTS / SAE# 7511	1			1		
10	560082	. RING TERMINAL #10 / 16-14 / INSULATED / AMP 626033-2	1			1		
10	560098	. TERMINAL SNAP PLUG / 16-14 / INSULATED / AMP 2-324225-1	1			1		
11	560488	. TAB RECEPTACLE TERMINAL / 18-14 / AMP 41274	2			2		
NS	430307	GASKET	2			2		
		HEADLAMP ASSY						
20	430264	HEADLAMP ASSY R.H. To L-684	1			1		
20	430265	HEADLAMP ASSY L.H. To L-684	1			1		
20	430296	HEADLAMP ASSY L.H. / W/DDEC ENGINE To L-684	1			1		
21	430250	. CASTING R.H.	1			1		
21	430251	. CASTING L.H.	1			1		
22	930217	. BRACKET, MOUNTING / ADJUSTING SCREW	4			4		
23	930218	. SCREW, ADJUSTING	4			4		
24	061114	. HARNESS ASSY / W/4 TERMINAL L.H.	1			1		
24	061115	. HARNESS ASSY / W/3 TERMINAL R.H.	1			1		
24	930220	. . SOCKET ASSY / SEALBEAM	1			1		
NS	561091	. . CONNECTOR / 56 SERIES / MALE BLADE HOUS 3C / BLACK / PED 2973172	1			1		
NS	561092	. . CONNECTOR / 56 SERIES / MALE BLADE HOUS 4C / BLACK / PED 2973603	1			1		
NS	561031	. . MALE BLADE TERMINAL / 16-14 / PED 2971962	AR			AR		
25	930219	. SPRING EXTENSION / .510 O.D. x 1.261 x .063	2			2		
26	930232	. HEADLAMP ASSY, L.H. / LOW BEAM	1			1		
26	930234	. HEADLAMP ASSY, R.H. / LOW BEAM	1			1		
26	930231	. HEADLAMP ASSY, L.H. / HIGH BEAM	1			1		
26	930233	. HEADLAMP ASSY, R.H. / HIGH BEAM	1			1		
27	561199	. . SEAL BEAM / HI-LO / 35/35W-12V / SAE# H4656	2			2		

From E-638 To L-684	Date:10/2022	PAGE:XL-0660-00
HEADLAMP & FRONT DIRECTIONAL LAMPS		

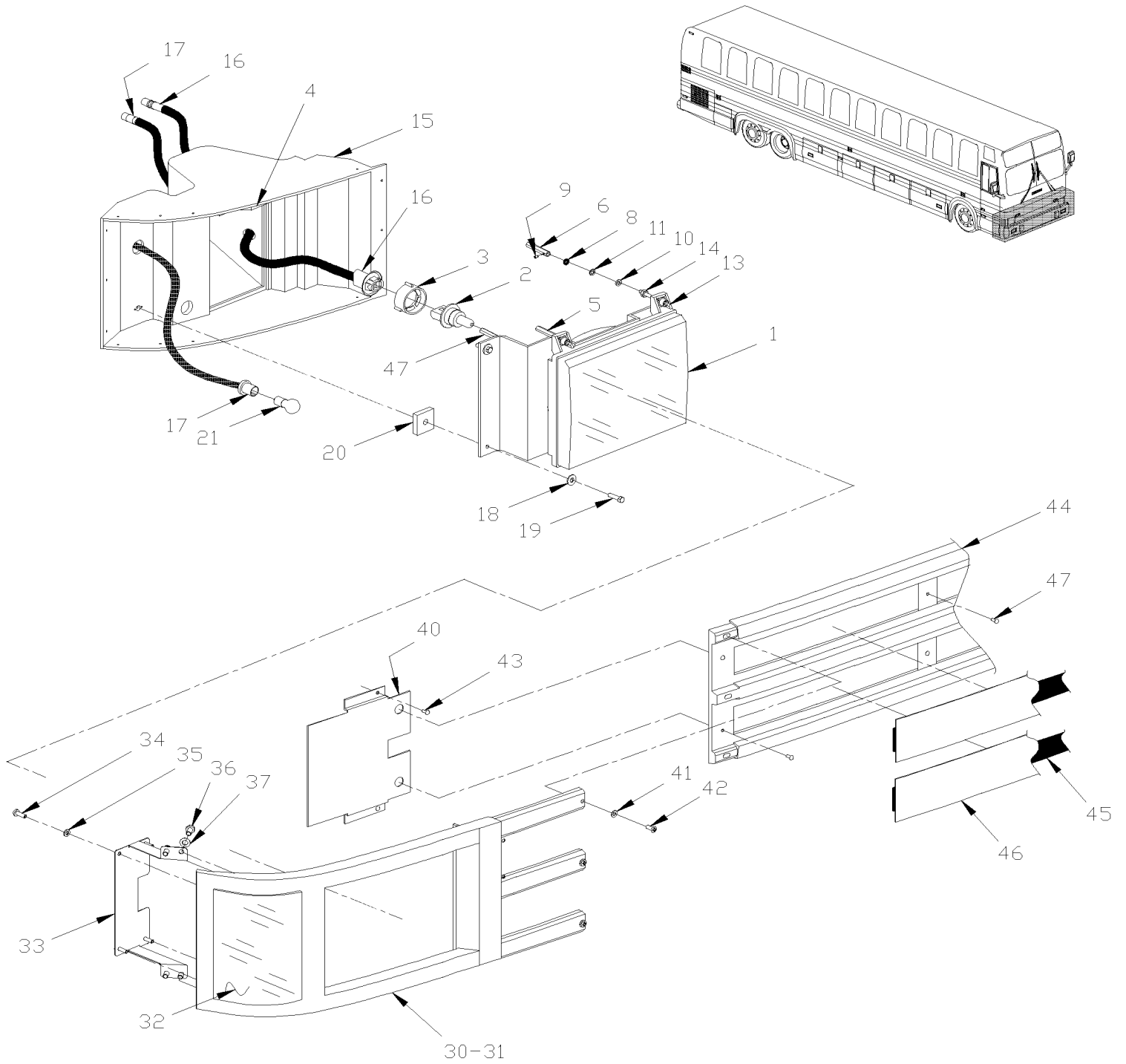
Item#	Part	Description	M T H 4 0	M T H 4 5	M T H 4 5 E	X L 4 0	X L 4 5	N O T E S
27	562689	. . SEAL BEAM / HI-LO / 40/55W-12V / SAE# H5062	2			2		
27	561198	. . SEAL BEAM / HI / 50W-12V / SAE# H4651	2			2		
27	562690	. . SEAL BEAM / HI / 50W-12V / SAE# H5051	2			2		
28	N.S.S.	. . RING CHROME	4			4		1
29	N.S.S.	. . BODY SEAL BEAM	4			4		1
30	430348	HEADLAMP BEZEL, L.H. & R.H. / BLACK PAINTED To H-284	2			2		
30	430234	. HEADLAMP BEZEL, L.H. & R.H. / UNPAINT	1			1		
30	430333	HEADLAMP BEZEL, R.H. / CHARCOAL PAINTED From H-285 To L-684	1			1		
30	430302	. HEADLAMP BEZEL, R.H. / UNPAINT	1			1		
30	430334	HEADLAMP BEZEL, L.H. / CHARCOAL PAINTED From H-285 To L-684	1			1		
30	430303	. HEADLAMP BEZEL, L.H. / UNPAINT	1			1		
31	430347	CENTER BEZEL / CHARCOAL PAINTED To H-284	1			1		
31	430235	. CENTER BEZEL / BLACK PAINTED	1			1		
31	430335	CENTER BEZEL / UNPAINTED From H-285 To L-684	1			1		
31	430304	. CENTER BEZEL / UNPAINTED	1			1		
32	930212	REFLECTOR AMBER 1 1/8" x 4 3/8" To H-284	1			1		
32	930256	REFLECTOR AMBER 1 7/16" x 3 1/4" From H-285 To L-684	1			1		
		1) NOT SOLD SEPARATELY						

From L-685 To Y-7045

Date:10/2022

PAGE:XL-0660-01

HEADLAMP & FRONT DIRECTIONAL LAMPS



From L-685 To Y-7045	Date:10/2022	PAGE:XL-0660-01
----------------------	--------------	-----------------

HEADLAMP & FRONT DIRECTIONAL LAMPS

Item#	Part	Description	M T H 4 0	M T H 4 5	M T H 4 5 E	X L 4 0	X L 4 5	N O T E S
	430428	HEADLAMP ASSY L.H.	1	1	1	1	1	
	430429	HEADLAMP ASSY R.H.	1	1	1	1	1	
1	930292	HEADLAMP L.H.	1	1	1	1	1	
1	930293	HEADLAMP R.H.	1	1	1	1	1	
2	930291	BULB / 65/45WATT-12VOLTS / SAE# 9004	1	1	1	1	1	
2	930385	BULB / 65/45WATT-12VOLTS / SAE#9004XL	1	1	1	1	1	
3	930290	RETAINER / BULB To X-6949	1	1	1	1	1	
3	930347	RETAINER / BULB From X-6950	1	1	1	1	1	
4	430383	BRACKET L.H.	1	1	1	1	1	
4	430382	BRACKET R.H.	1	1	1	1	1	
5	430388	ADJUSTER / UPPER	2	2	2	2	2	
NS	502684	RIVET NUT FL OKS 1/4-20 .119-.179	3	3	3	3	3	A
NS	430399	REINFORCEMENT SS / W/ITEM 45 & 47 3/4" x 3/4" W/23/64" hole	3	3	3	3	3	
6	930288	UPPER SCREW & NUT	2	2	2	2	2	
7	430389	ADJUSTER / LOWER	1	1	1	1	1	
8	504555	GROMMET / .500x.812x.125x.344x1.062x.031	3	3	3	3	3	
9	502682	SCREW SET HEXS CUP #8-32x3/16	1	1	1	1	1	
10	5001008	WASHER FL .218x.437x.062 RUB BK	3	3	3	3	3	
NS	5001007	WASHER BEL SPR .258x.500x.019 CV	1	1	1	1	1	
11	5001023	WASHER SPR GRIP .250x.531x.017 BK	1	1	1	1	1	
13	930289	SCREW LOWER	1	1	1	1	1	
14	5001009	NUT AN 1/4 NYL	3	3	3	3	3	
15	292113	CASING HEADLAMP L.H. To W-6453	1	1	1	1	1	
15	292885	CASING HEADLAMP L.H. From W-6454	1	1	1	1	1	
15	292112	CASING HEADLAMP R.H. To W-6453	1	1	1	1	1	
15	292884	CASING HEADLAMP R.H. From W-6454	1	1	1	1	1	
16	062879	CABLE ASSY / HEADLAMP	1	1	1	1	1	
NS	504555	GROMMET / .500x.812x.125x.344x1.062x.031	1	1	1	1	1	
NS	562099	CONNECTOR / METRI-PACK 280 / SH 3C / PED 12048369	1	1	1	1	1	
NS	562101	SOCKET TERMINAL / 14-12 / PED 12129493	3	3	3	3	3	
NS	562106	SEAL CONNECTOR / METRI-PACK / 3C / BLACK / PED 12048370	1	1	1	1	1	
NS	562107	SECONDARY LOCK / METRI-PACK 280 / 3C / GRAY / PED 12048371	1	1	1	1	1	
NS	561111	CONNECTOR / SURE-SEAL / FEMALE HOUSING 3C / ITT CANNON 120-1805-000	1	1	1	1	1	
NS	561024	SOCKET TERMINAL / 18-14 / ITT CANNON 031-1267-001	1	1	1	1	1	
NS	561023	PIN TERMINAL / 18-14 / ITT CANNON 030-2196-001	2	2	2	2	2	
17	062880	CABLE ASSY / DIRECTIONAL LAMP	1	1	1	1	1	
NS	504555	GROMMET / .500x.812x.125x.344x1.062x.031	1	1	1	1	1	
NS	562137	CONNECTOR / LAMP SOCKET / SH 3C / PED 12092378	1	1	1	1	1	
NS	562142	GASKET BULB SOCKET / PED 12020720	1	1	1	1	1	
NS	562141	SECONDARY LOCK / LAMP SOCKET / BLUE / PED 12064953	1	1	1	1	1	
NS	562139	SOCKET TERMINAL / 20-18 / PED 12092030	1	1	1	1	1	
NS	562140	CABLE SEAL / RED / PED 12052388	1	1	1	1	1	

From L-685 To Y-7045	Date:10/2022	PAGE:XL-0660-01
----------------------	--------------	-----------------

HEADLAMP & FRONT DIRECTIONAL LAMPS

Item#	Part	Description	M T H 4 0	M T H 4 5	M T H 4 5 E	X L 4 0	X L 4 5	N O T E S
NS	562138	. . SOCKET TERMINAL / 20-18 / PED 12092058	2	2	2	2	2	
NS	561786	. . CABLE SEAL / GRAY / PED 15324980	2	2	2	2	2	
NS	561080	. . CONNECTOR / SURE-SEAL / MALE HOUSING 3C / ITT CANNON 120-1808-000	1	1	1	1	1	
NS	561024	. . SOCKET TERMINAL / 18-14 / ITT CANNON 031-1267-001	1	1	1	1	1	
NS	561023	. . PIN TERMINAL / 18-14 / ITT CANNON 030-2196-001	1	1	1	1	1	
18	430406	. WASHER FLAT	3	3	3	3	3	
NS	502570	. WASHER LO SPT 6.1x11.8x1.6 SS	3	3	3	3	3	
19	5001315	. SCREW CAP HEX 1/4-20x1 SS	3	3	3	3	3	
20	292402	. INSULATING FOAM / SQUARE	3	3	3	3	3	
NS	560503	. CLAMP / 1/4" I.D.	2	2	2	2	2	
NS	502500	. SCREW TC BDG PH #8-32x1/2 CJ	2	2	2	2	2	
NS	504273	. CABLE TIE / 1/8" X 3"1/2	AR	AR	AR	AR	AR	
NS	504339	RIVET POP DOME OE 1/8x3/8 SS	AR	AR	AR	AR	AR	
NS	500952	SCREW TP BDG PH #8x1/2 SS	4	4	4	4	4	
21	562135	BULB / 32/3WATT-12VOLTS / SAE# 3057	1	1	1	1	1	
30	430397	HEADLAMP BEZEL ASSY L.H. / CHROME	1	1	1			
30	430412	HEADLAMP BEZEL ASSY L.H. / PAINTED ALUMINUM				1	1	
30	430395	HEADLAMP BEZEL ASSY R.H. / CHROME	1	1	1			
30	430415	HEADLAMP BEZEL ASSY R.H. / PAINTED ALUMINUM				1	1	
31	430398	. HEADLAMP BEZEL L.H. / CHROME	1	1	1			
31	430413	. HEADLAMP BEZEL L.H. / PAINTED				1	1	
31	430390	. HEADLAMP BEZEL R.H. / CHROME	1	1	1			
31	430416	. HEADLAMP BEZEL R.H. / PAINTED				1	1	
32	930295	. LENS DIRECTIONAL FLASHER	1	1	1	1	1	
33	430394	. BRACKET / TO FIX LENS	1	1	1	1	1	
34	500654	. SCREW TC BDG PH #8-32x1/2 Z050	4	4	4	4	4	
35	500438	. WASHER FL .187x.437x.050 Z050	4	4	4	4	4	
36	500556	. SCREW MA TR PH 1/4-20x3/4 SS	2	2	2	2	2	
37	500440	. WASHER FL .250x.562x.065 Z050	2	2	2	2	2	
40	430430	SPACER ASSY / FRONT GRILL & BEZEL	2	2	2	2	2	
41	5001171	WASHER LO SEAL .194 IDx.115 NYL	AR	AR	AR	AR	AR	
42	5001014	SCREW TC OV PH #10-24x1 1/2 SS410	10	10	10	10	10	
43	504248	RIVET CHY Q PRDG 3/16x1/4 SS	8	8	8	8	8	
44	430378	MOULDING FRONT / CHROMED / BEZEL	1	1	1			
44	430411	MOULDING FRONT / PAINTED ALUMINUM / BEZEL				1	1	
44	430410	. FRONT MOULDING UNPAINTED				1	1	
45	506318	TAPE DUAL LOCK 1" x 150' / BLACK SJ3541	AR	AR	AR	AR	AR	
46	430464	GRILLE PANEL FRONT / BLACK "ORANGE PEEL FINISH"	2	2	2	2	2	
47	504487	RIVET MGLP PRDG 3/16x7/16 SS	AR	AR	AR	AR	AR	
NS	064029	RESISTOR ASSY 0.82 OHM To V-6140	1	1	1	1	1	
. NS	560823	. RESISTOR / 0.82 OHM To V-6140	2	2	2	2	2	
. . NS	562959	. . SUPPORT, CERAMIC RESISTOR To V-6140	1	1	1	1	1	

From L-685 To Y-7045	Date:10/2022	PAGE:XL-0660-01
----------------------	--------------	-----------------

HEADLAMP & FRONT DIRECTIONAL LAMPS

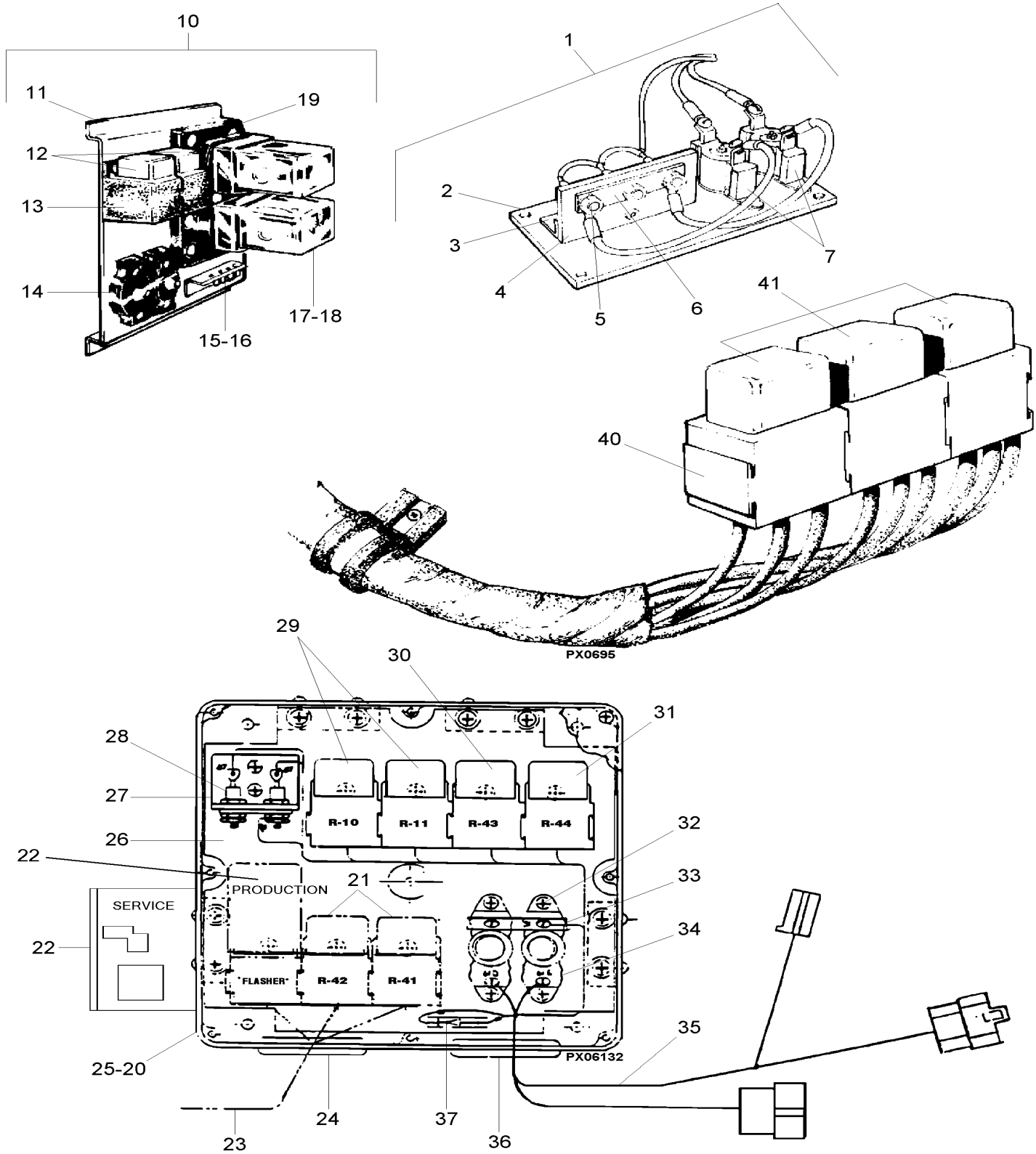
Item#	Part	Description	M T H 4 0	M T H 4 5	M T H 4 5 E	X L 4 0	X L 4 5	N O T E S
NS	064412	RESISTOR ASSY 0.82 OHM From V-6141	1	1	1	1	1	
NS	560823	RESISTOR / 0.82 OHM From V-6141	2	2	2	2	2	
NS	562959	SUPPORT, CERAMIC RESISTOR From V-6141	1	1	1	1	1	
NS	064178	CABLE ASSY / FRONT LOWER LAMPS To V-6140	1	1	1	1	1	
NS	064415	CABLE ASSY / FRONT LOWER LAMPS From V-6141	1	1	1	1	1	
		A) W/ITEM 5 & 7						

From E-638 To L-684

Date:10/2022

PAGE:XL-0660-10

ELECTRICAL CONTROL FOR SEAL BEAM



From E-638 To L-684		Date:10/2022	PAGE:XL-0660-10
ELECTRICAL CONTROL FOR SEAL BEAM			

Item#	Part	Description	M T H 4 0	M T H 4 5	M T H 4 5 E	X L 4 0	X L 4 5	N O T E S
1	380407	CONTROL ASSY To F-826	1			1		
2	380406	. PLATE	1			1		
3	380359	. SUPPORT	1			1		
4	380358	. DIODE SUBASSY	1			1		
5	560863	. DIODE / 12AMPS / CATHODE STUD	3			3		
6	060893	. BUS BAR	1			1		
7	560830	. BREAKER 15AMPS / 24V /	2			2		
10	380592	CONTROL PANEL ASSY From F-828 To J-427	1			1		
11	380595	. BASE SUPPORT	1			1		
12	561182	. RELAY 24V S.P.S.T. N.O. VF4-11H11	2			2		
13	061616	. CABLE ASSY / FOR RELAY & W/6 PINS PLUG CONNETOR	1			1		
14	560830	. BREAKER 15AMPS / 24V /	2			2		
14	061617	. CABLE ASSY / W/4 PINS PLUG CONNECTOR	1			1		
15	380651	. SUPPORT DIODE ASSY	1			1		
15	380359	. . SUPPORT	1			1		
15	380358	. . DIODE SUBASSY	1			1		
16	560863	. . DIODE / 12AMPS / CATHODE STUD	3			3		
16	060893	. . BUS BAR	1			1		
17	561010	. RELAY 24V. D.P.D.T.	2			2		
18	560920	. SPRING HOLDER	2			2		
19	561233	. BASE SOCKET 8 PIN	2			2		
19	061618	. CABLE ASSY / W/2 PINS PLUG CONNECTOR	1			1		
20	062108	CONTROL BOX ASSY / SEAL BEAM & FRONT KNEELING				1		
21	561182	. RELAY 24V S.P.S.T. N.O. VF4-11H11				2		
22	560230	. FLASHER UNIT 24V W/3 PRONGS From J-428 To J-638	1			1		A
22	561920	. FLASHER UNIT 24V W/3 PRONGS From J-639	1			1		A
22	064163	. FLASHER UNIT 24V ASSY W/CONNECTOR / SERVICE	1			1		B
23	061868	. CABLE / W/FRONT KNEELING From J-428 To J-638				1		
23	062244	. CABLE / W/FRONT KNEELING From J-639				1		
24	504059	. GROMMET / 1.250x1.500x.094x.375x1.875				1		
25	062107	. CONTROL BOX ASSY / SEAL BEAM	1			1		
25	062098	. . BOX	1			1		
26	062095	. . BOARD	1			1		
26	500638	. . SCREW TP PAN PH #8x1/2 Z050	8			8		
27	380784	. . DIODE ASSY	1			1		
27	380782	. . . SUPPORT	1			1		
27	380783	. . . INSULATING	1			1		
28	560863	. . . DIODE / 12AMPS / CATHODE STUD	2			2		
28	380197	. . . BUS BAR	1			1		
29	561182	. . RELAY 24V S.P.S.T. N.O. VF4-11H11	2			2		
30	561557	. . RELAY 24V S.P.D.T. N.O.	2			2		
31	500612	. . SCREW TP FL PH #8x1/2 ZP	AR			AR		

From E-638 To L-684	Date:10/2022	PAGE:XL-0660-10
ELECTRICAL CONTROL FOR SEAL BEAM		

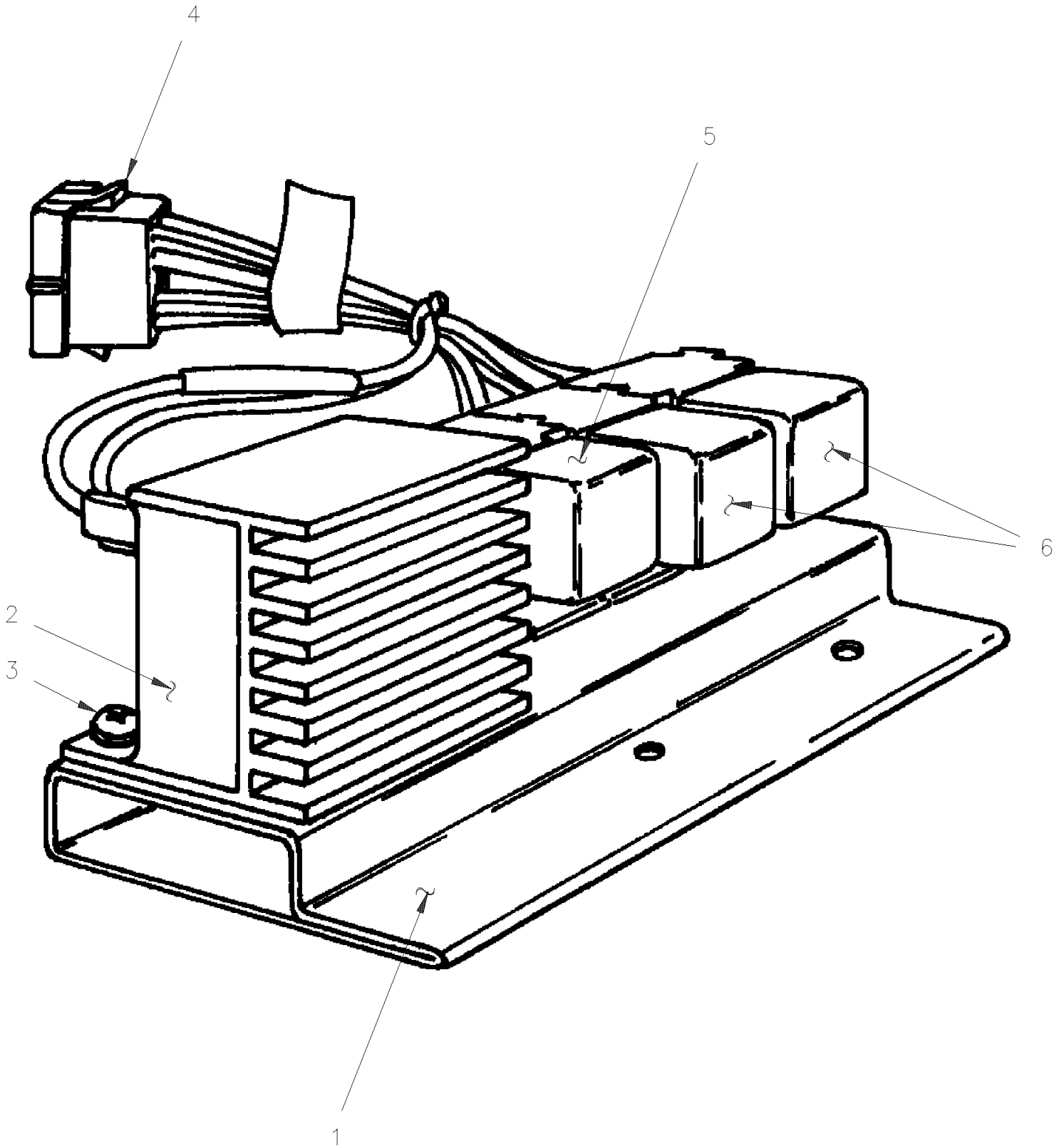
Item#	Part	Description	M T H 4 0	M T H 4 5	M T H 4 5 E	X L 4 0	X L 4 5	N O T E S
32	500417	. . SCREW TP PAN PH #6x3/8 Z050	4			4		
33	880013	. . BUS BAR	1			1		
34	560830	. . BREAKER 15AMPS / 24V /	2			2		
35	062103	. . CABLE ASSY / BREAKER & RELAY	1			1		
36	504059	. . GROMMET / 1.250x1.500x.094x.375x1.875	1			1		
37	061477	. . DIODE ASSY	1			1		
37	560931	. . DIODE / 3AMPS	1			1		
40	061934	. . CABLE ASSY / W/SEAL BEAM & FOG 12 VOLTS From H-285 To L-506	1			1		
41	561557	. . RELAY 24V S.P.D.T. N.O.	3			3		
42	062443	KIT RETROFIT ELECTRONIC 24 FLASHER / SERVICE	1	1	1	1	1	
. NS	IS-9914	. SEE INSTRUCTION SHEET	1	1	1	1	1	
		A) FOR PRODUCT IMPROVMENT ASK FOR KIT # 062443						
		B) THIS UNIT ARE INCLUDE IN KIT # 062443						

From L-685 To Y-7045

Date:10/2022

PAGE:XL-0660-20

FLASHER - ELECTRONIC & RELAY

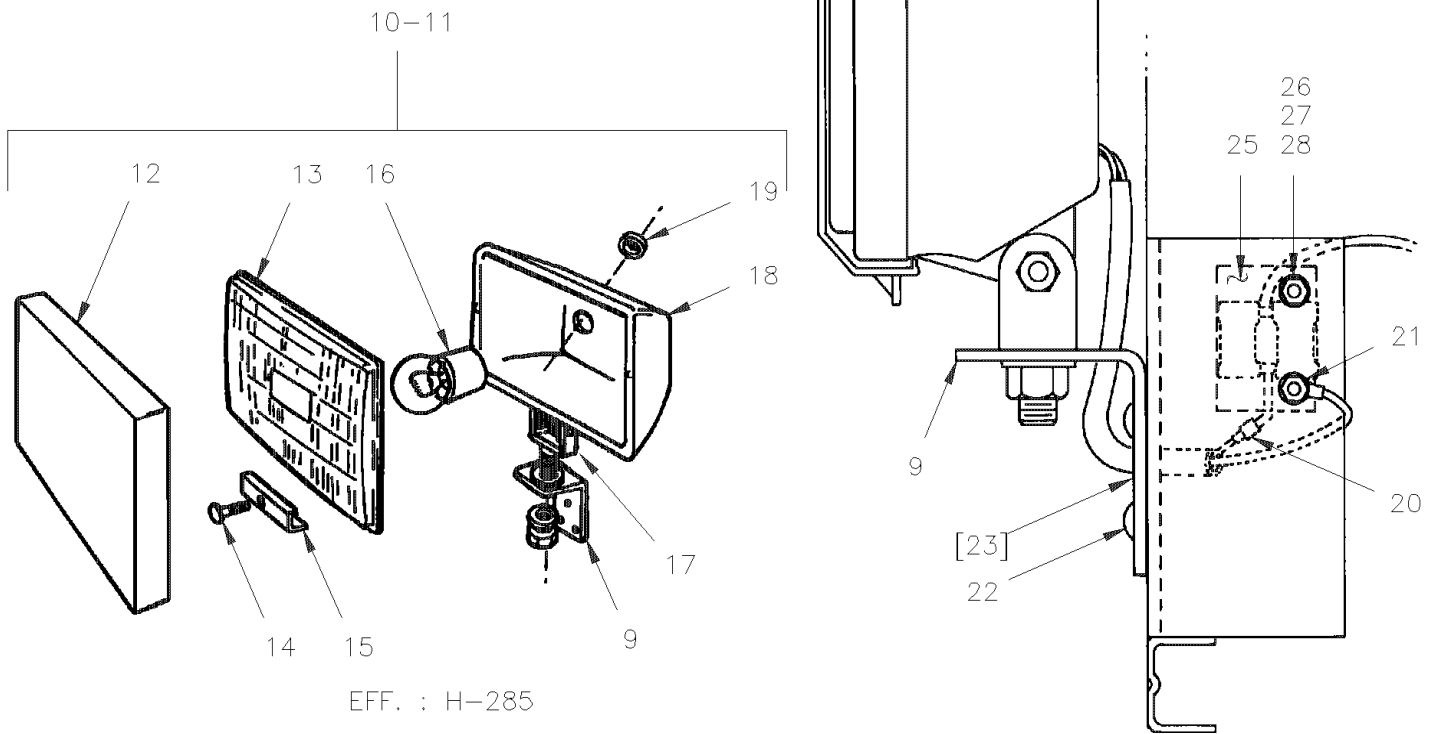
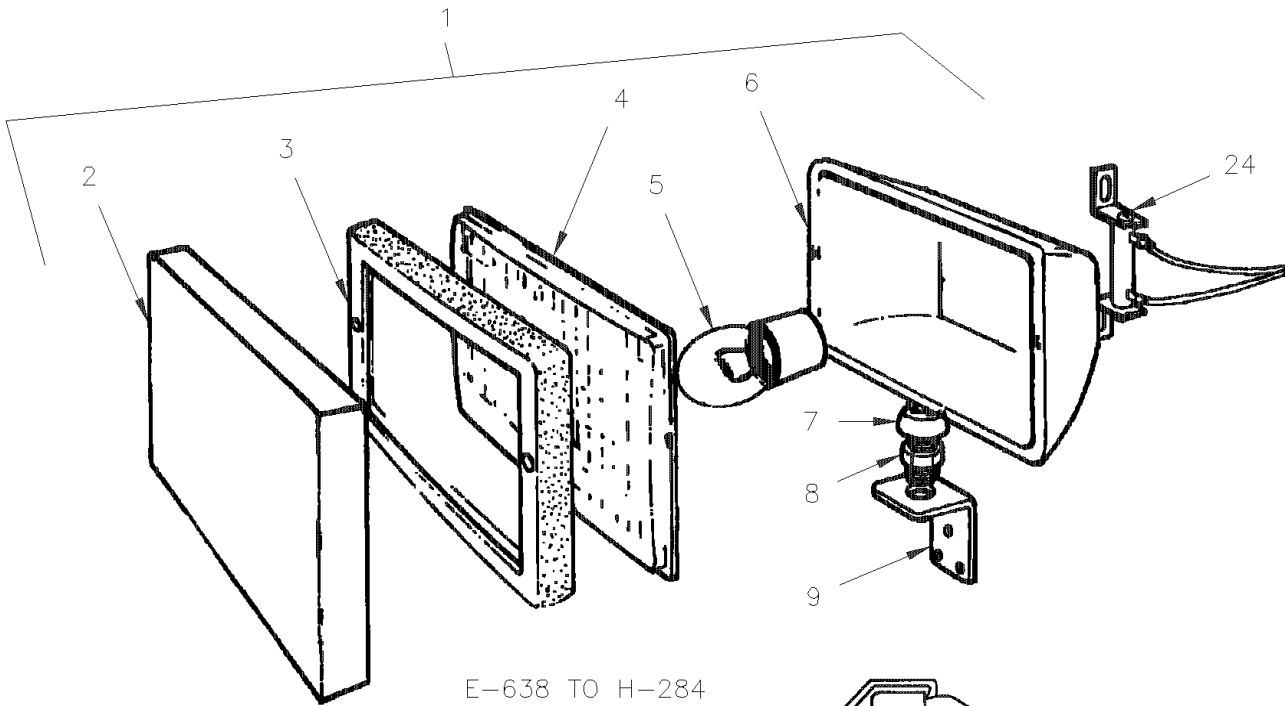


From E-638 To Y-7045

Date:10/2022

PAGE:XL-0661-00

FOG LAMP



From E-638 To Y-7045	Date:10/2022	PAGE:XL-0661-00
FOG LAMP		

Item#	Part	Description	M T H 4 0	M T H 4 5	M T H 4 5 E	X L 4 0	X L 4 5	N O T E S
1	930221	FOG LAMP ASSY 24 VOLT / "CIBIE" From E-652 To H-284	2			2		
1	930222	FOG LAMP ASSY 12 VOLT / "CIBIE" From E-652 To H-284	2			2		
2	930225	. COVER PROTECTOR From E-652 To H-284	1			1		
3	930226	. RING RETAINER From E-652 To H-284	1			1		
4	930227	. GLASS UNIT From E-652 To H-284	1			1		
5	560780	. BULB / 70WATT-24VOLTS / SAE# H2 / 64175 From E-652 To H-284	1			1		
5	560937	. BULB / 55WATT-12VOLTS / SAE# H2 / 64173 From E-652 To H-284	1			1		
6	N.P.N.	. HOUSING ASSY From E-652 To H-284	1			1		4
7	N.P.N.	. WASHER SPIGOT From E-652 To H-284	1			1		4
8	N.P.N.	. NUT SPIGOT From E-652 To H-284	1			1		4
9	430253	SUPPORT	2	2	2	2	2	
9	430254	SPACER	AR	AR	AR	AR	AR	
10	430405	FOG LAMP 12 V / "BOSCH" TOURING 170 / W/CONNECTOR From L-685	2	2	2	2	2	
11	430283	. FOG LAMP 24 V / "BOSCH" TOURING 170 To L-684	1			1		
11	430327	. FOG LAMP 12 V / "BOSCH" TOURING 170 From L-685	1	1	1	1	1	
12	930282	. . COVER FOG / "BOSH" PILOT	1	1	1	1	1	
12	930246	. . COVER FOG / "BOSH" TOURING	1	1	1	1	1	
13	930241	. . LAMP UNIT / FOG	1	1	1	1	1	
14	930243	. . SCREW	1	1	1	1	1	
15	930242	. . RETAINER	1	1	1	1	1	
16	561263	. . BULB / 70WATT-24VOLTS / SAE# H3 / 64156 To L-684	1			1		
16	561882	. . BULB / 55WATT-12VOLTS / SAE# H3 / 64151 From L-685	1	1	1	1	1	
17	930244	. . BRACKET KIT	1	1	1	1	1	
18	N.S.S.	. . HOUSING	1	1	1	1	1	1
19	504501	. GROMMET / .375x.625x.250x.500x.875	1	1	1	1	1	
20	560082	. RING TERMINAL #10 / 16-14 / INSULATED / AMP 626033-2	1	1	1	1	1	
NS	560382	. PLASTIC TUBING / 1/4" / CLEAR	AR	AR	AR	AR	AR	
21	561539	. TAB RECEPTACLE TERMINAL INSUL. NYLON / 16 / AMP 3-520141-2	1	1	1	1	1	
22	504248	RIVET CHY Q PRDG 3/16x1/4 SS	AR	AR	AR	AR	AR	
23	504069	GROMMET / .281x.375x.062x.250x.562	2	2	2	2	2	
24	430166	RESISTOR ASSY 0.82 OHM / W/24 VOLT FOG To L-684	1			1		
. NS	560823	. RESISTOR / 0.82 OHM To L-684	1			1		
. . NS	562959	. . SUPPORT, CERAMIC RESISTOR To L-684	1			1		
24	060806	RESISTOR ASSY 0.82 OHM / W/12 VOLT FOG To L-684	1			1		
. NS	560823	. RESISTOR / 0.82 OHM To L-684	2			2		
. . NS	562959	. . SUPPORT, CERAMIC RESISTOR To L-684	1			1		
25	061976	RESISTOR ASSY 1 OHM 10 W From L-685	1	1	1	1	1	
25	561539	. TAB RECEPTACLE TERMINAL INSUL. NYLON / 16 / AMP 3-520141-2	1	1	1	1	1	
25	561537	. RESISTOR / 1 OHM / 10 W	1	1	1	1	1	
25	561540	. TAB TERMINAL INSULATION NYLON / 16-14 / AMP 3-520107-2	1	1	1	1	1	
26	502662	SCREW MA PAN PH M3-0.5x12 BZC	2	2	2	2	2	
27	502649	WASHER LO EXT .141x.320x.022 Z050	2	2	2	2	2	

From E-638 To Y-7045	Date:10/2022	PAGE:XL-0661-00
FOG LAMP		

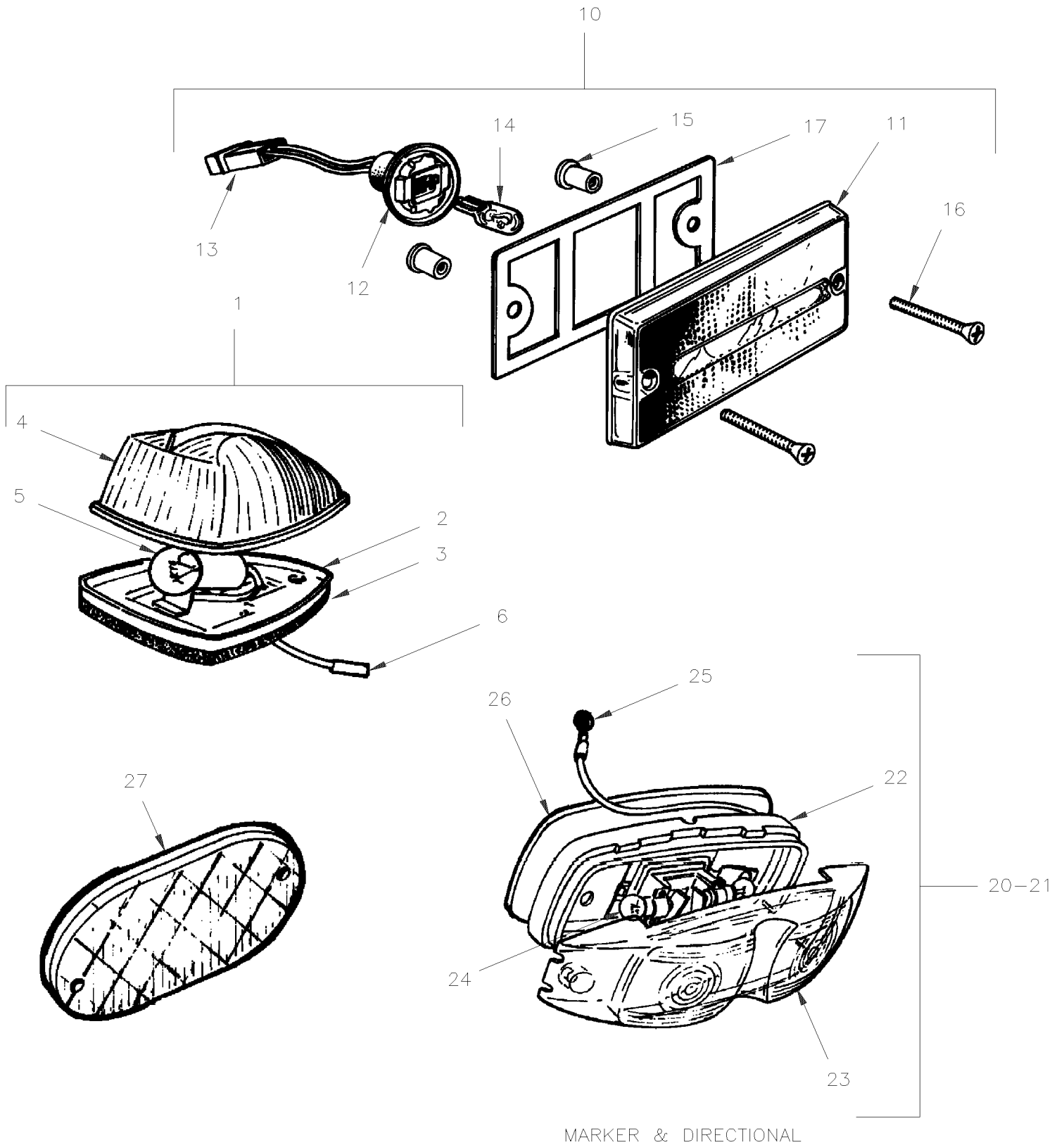
Item#	Part	Description	M T H 4 0	M T H 4 5	M T H 4 5 E	X L 4 0	X L 4 5	N O T E S
28	502579	NUT HEX M3-0.5 NP	2	2	2	2	2	
		FOLLOWING PARTS ARE RELATED TO To E-651						
		ROUND FOG LAMP 7" UP TO E-651 To E-651						
		& USE PICTURE FOR REFERENCE To E-651						
NS	930156	FOG LAMP ASSY 24 VOLT / "CIBIE" To E-651	2			2		A
NS	930191	FOG LAMP ASSY 12 VOLT / "CIBIE" To E-651	2			2		A
52	N.S.S.	COVER PROTECTOR To E-651	1			1		1
NS	930207	RING RETAINER To E-651	1			1		
NS	930157	GLASS UNIT To E-651	1			1		
NS	930179	BULB HOLDER To E-651	1			1		
NS	560780	BULB / 70WATT-24VOLTS / SAE# H2 / 64175 To E-651	1			1		
NS	560937	BULB / 55WATT-12VOLTS / SAE# H2 / 64173 To E-651	1			1		
56	N.S.S.	HOUSING ASSY To E-651	1			1		1
57	N.P.N.	WASHER SPIGOT To E-651	1			1		4
58	N.P.N.	NUT SPIGOT To E-651	1			1		4
NS	930270	FOG LAMP ASSY 24 VOLTS ROIUND 7" / "BOSCH" To E-651	AR			AR		A
61	N.S.S.	HOUSING ASSY To E-651	1			1		1
NS	930271	GLASS UNIT To E-651	1			1		
NS	930272	RING RETAINING GLASS UNIT To E-651	1			1		
NS	561263	BULB / 70WATT-24VOLTS / SAE# H3 / 64156 To E-651	1			1		
NS	930274	BRACKET MOUNTING To E-651	1			1		
NS	561882	BULB / 55WATT-12VOLTS / SAE# H3 / 64151 To E-651	1			1		
		A) FOG LAMP 7" #930270 IN 24 VOLTS ONLY FOR 12 VOLTS USE SEPARATE BULB						
		1) NOT SOLD SEPARATELY						
		4) NO PARTS NUMBER						

From E-638 To Y-7045

Date:10/2022

PAGE:XL-0662-00

CLEARANCE & MARKER LIGHT



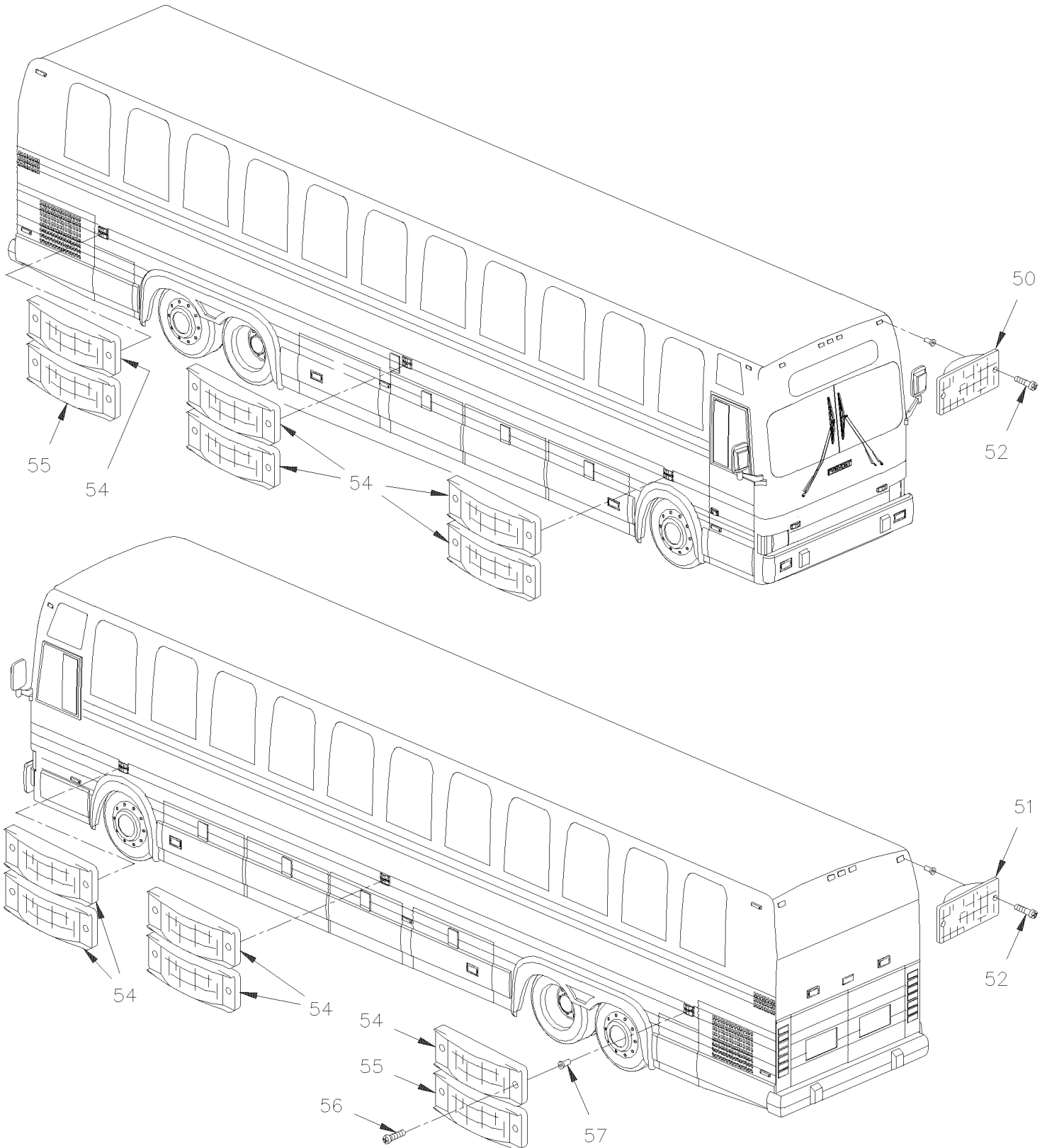
MARKER & DIRECTIONAL

From E-638 To Y-7045

Date:10/2022

PAGE:XL-0662-00

CLEARANCE & MARKER LIGHT



From E-638 To Y-7045	Date:10/2022	PAGE:XL-0662-00
CLEARANCE & MARKER LIGHT		

Item#	Part	Description	M T H 4 0	M T H 4 5	M T H 4 5 E	X L 4 0	X L 4 5	N O T E S
1	430263	LAMP ASSY 24 V / RED / W/CONNECTOR To L-684	7			7		
1	430262	LAMP ASSY 24 VOLTS / AMBER / W/CONNECTOR To L-684	7			7		
1	430371	LAMP ASSY 12 VOLTS / RED / W/CONNECTOR From L-685	7	7	7	7	7	
1	430370	LAMP ASSY 12 VOLTS / AMBER / W/CONNECTOR From L-685	5	5	5	5	5	
1	930223	LAMP ASSY / RED	1	1	1	1	1	
NS	930224	LAMP ASSY / AMBER	1	1	1	1	1	
2	N.S.S.	HOUSING	1	1	1	1	1	1
3	N.S.S.	GASKET	1	1	1	1	1	1
4	930177	LENS / RED	1	1	1	1	1	
4	930178	LENS / AMBER	1	1	1	1	1	
5	561166	BULB / 3WATT-24VOLTS / SAE# 464 To L-684	1			1		
5	562059	BULB / 2WATT-12VOLTS / SAE# 194 From L-685	1	1	1	1	1	
6	560098	TERMINAL SNAP PLUG / 16-14 / INSULATED / AMP 2-324225-1	1	1	1	1	1	
NS	560190	WIRE CABLE 16 / WHITE / GXL	AR	AR	AR	AR	AR	
NS	560697	PLUG RECEPTACLE / 16-14 / AMP 165429-1	1	1	1	1	1	
NS	500427	SCREW MA RND PH #10-32x1 1/4 ZP	AR	AR	AR	AR	AR	
NS	500331	NUT WELL #10-32x1.0	AR	AR	AR	AR	AR	
NS	061981	CABLE ASSY / CLEARANCE LIGHT & DESTINATION SIGN SIGN To S-609	1	1	1	1	1	
NS	064095	CABLE ASSY / CLEARANCE LIGHT & DESTINATION SIGN SIGN From S-610				1	1	
NS	062798	CABLE ASSY / CLEARANCE LIGHT / W/O UPPER SIDE WINDOW From L-685 To S-609	1	1	1			
NS	064095	CABLE ASSY / CLEARANCE LIGHT & DESTINATION SIGN SIGN From S-610 To W-6580	1	1	1			
NS	064647	CABLE ASSY / FRONT JCT PANEL & LIGHT From W-6581	1	1	1			
NS	062890	CABLE ASSY / REAR JCT PANEL & LIGHT From L-685	1	1	1	1	1	
10	N.S.A.	LIGHT ASSY 12 VOLTS / AMBER W/CONNECTOR	5	5	5			3
10	N.S.A.	LIGHT ASSY 12 VOLTS / RED W/CONNECTOR	7	7	7			3
10	430362	LAMP ASSY 12 V / AMBER / W/CONNECTOR From L-685 To P-643	5	5	5			
10	430359	LAMP ASSY 12 V / RED / W/CONNECTOR From L-685 To P-643	7	7	7			
11	930280	LENS / AMBER From L-685 To P-643	1	1	1			
11	930307	LENS / AMBER From P-644 To V-6214	1	1	1			
11	930322	LENS / AMBER From V-6215	1	1	1			
11	930279	LENS/ RED From L-685 To P-643	1	1	1			
11	930306	LENS / RED From P-644 To V-6214	1	1	1			
11	930321	LENS / RED From V-6215	1	1	1			
12	063343	SOCKET ASSY W/CONNECTOR & BULB / W2.1x9.Dd To W-6580	1	1	1			
NS	562295	SOCKET BULB / PLASTIC W/WIRE / W2.1x9.5d To W-6580	1	1	1			
NS	562059	BULB / 2WATT-12VOLTS / SAE# 194 To W-6580	1	1	1			
NS	560900	CONNECTOR / COM. MATE-N-LOCK / PH 2C / AMP 1-480319-0 To W-6580	1	1	1			
NS	560901	PIN TERMINAL / 20-14 / AMP 60620-1 To W-6580	1	1	1			
12	064652	SOCKET ASSY W/CONNECTOR & BULB / W2.1x9.Dd From W-6581	1	1	1			
NS	562295	SOCKET BULB / PLASTIC W/WIRE / W2.1x9.5d From W-6581	1	1	1			
NS	562095	WIRE CABLE 18 / BROWN & WHITE / GXL From W-6581	1	1	1			
NS	562834	TERMINAL SNAP PLUG / 20-16 / AMP 61388-1 From W-6581	1	1	1			

From E-638 To Y-7045	Date:10/2022	PAGE:XL-0662-00
----------------------	--------------	-----------------

CLEARANCE & MARKER LIGHT

Item#	Part	Description	M T H 4 0	M T H 4 5	M T H 4 5 E	X L 4 0	X L 4 5	N O T E S
. NS	562835	. . PLUG RECEPTACLE / 18-14 / AMP 42142-1 From W-6581	1	1	1			
12	562295	. . SOCKET BULB / PLASTIC W/WIRE / W2.1x9.5d	1	1	1			
13	560900	. . CONNECTOR / COM. MATE-N-LOCK / PH 2C / AMP 1-480319-0 To W-6580	1	1	1			
NS	560901	. . PIN TERMINAL / 20-14 / AMP 60620-1 To W-6580	2	2	2			
NS	562834	. . TERMINAL SNAP PLUG / 20-16 / AMP 61388-1 From W-6581	1	1	1			
NS	562835	. . PLUG RECEPTACLE / 18-14 / AMP 42142-1 From W-6581	1	1	1			
NS	562836	. . INSULATING PIN / AMP 170887-1 From W-6581	1	1	1			
NS	562837	. . INSULATING SOCKET, NATURAL / AMP 170889-1 From W-6581	1	1	1			
14	562059	. . BULB / 2WATT-12VOLTS / SAE# 194	1	1	1			
15	500589	NUT WELL M4-0.7x13.5 To W-6580	2	2	2			
16	502809	SCREW MA OV PH M4-0.7x30 SS BK To W-6580	2	2	2			
16	5001364	SCREW PTR TR PH M4x20 ZP From W-6581	2	2	2			
17	430438	SEAL LAMP GREY 1/4" THICK To V-6214	1	1	1			
17	930323	SEAL LAMP BLACK 1/4" THICK From V-6215	1	1	1			
	 SIDE MARKER & DIRECTIONAL LIGHT						
20	430177	LAMP ASSY 24 V / AMBER / W/CONNECTOR To L-684	AR			AR		A
20	430536	LAMP ASSY 24 V / AMBER / W/CONNECTOR / SERVICE To L-684	AR	AR	AR	AR	AR	B
20	430176	LAMP ASSY 24 V / RED / W/CONNECTOR To L-684	AR			AR		A
20	430535	LAMP ASSY 24 V / RED / W/CONNECTOR / SERVICE To L-684	AR	AR	AR	AR	AR	B
20	430391	LAMP ASSY 12 V / AMBER / W/CONNECTOR From L-685 To W-6444	AR	AR	AR	AR	AR	A
20	430484	LAMP ASSY 12 V / AMBER / W/CONNECTOR From W-6445	AR	AR	AR	AR	AR	A
20	430528	LAMP ASSY 12 V / AMBER / W/CONNECTOR / SERVICE	AR	AR	AR	AR	AR	B
20	430423	LAMP ASSY 12 V / RED / W/CONNECTOR From L-685 To W-6444	2	2	2	2	2	A
20	430483	LAMP ASSY 12 V / RED / W/CONNECTOR From W-6445	2	2	2	2	2	A
20	430527	LAMP ASSY 12 V / RED / W/CONNECTOR / SERVICE	2	2	2	2	2	B
21	930294	. LAMP ASSY / AMBER	1	1	1	1	1	
21	930303	. LAMP ASSY / RED	1	1	1	1	1	
22	930166	. . BASE HOUSING	1	1	1	1	1	A
22	930351	. . BASE HOUSING	1	1	1	1	1	B
23	930183	. . LENS / AMBER	1	1	1	1	1	
23	930182	. . LENS / RED	1	1	1	1	1	
24	560596	. . BULB / 2WATT-12VOLTS / SAE# 1895	2	2	2	2	2	A
24	560601	. BULB / 2WATT-24VOLTS / SAE# 456 To L-684	2			2		A
24	561166	. BULB / 3WATT-24VOLTS / SAE# 464 To L-684	2			2		B
24	562059	. BULB / 2WATT-12VOLTS / SAE# 194 To L-684	2			2		B
NS	560382	. PLASTIC TUBING / 1/4" / CLEAR	AR	AR	AR	AR	AR	
25	560098	. TERMINAL SNAP PLUG / 16-14 / INSULATED / AMP 2-324225-1	1	1	1	1	1	
NS	504665	. GROMMET / .375x.593x.046x.125x.593x.046 From W-6445	1	1	1	1	1	
26	430175	GASKET	1	1	1	1	1	
NS	500641	SCREW TP PAN PH #8x3/4 Z050	2	2	2	2	2	

From E-638 To Y-7045	Date:10/2022	PAGE:XL-0662-00
CLEARANCE & MARKER LIGHT		

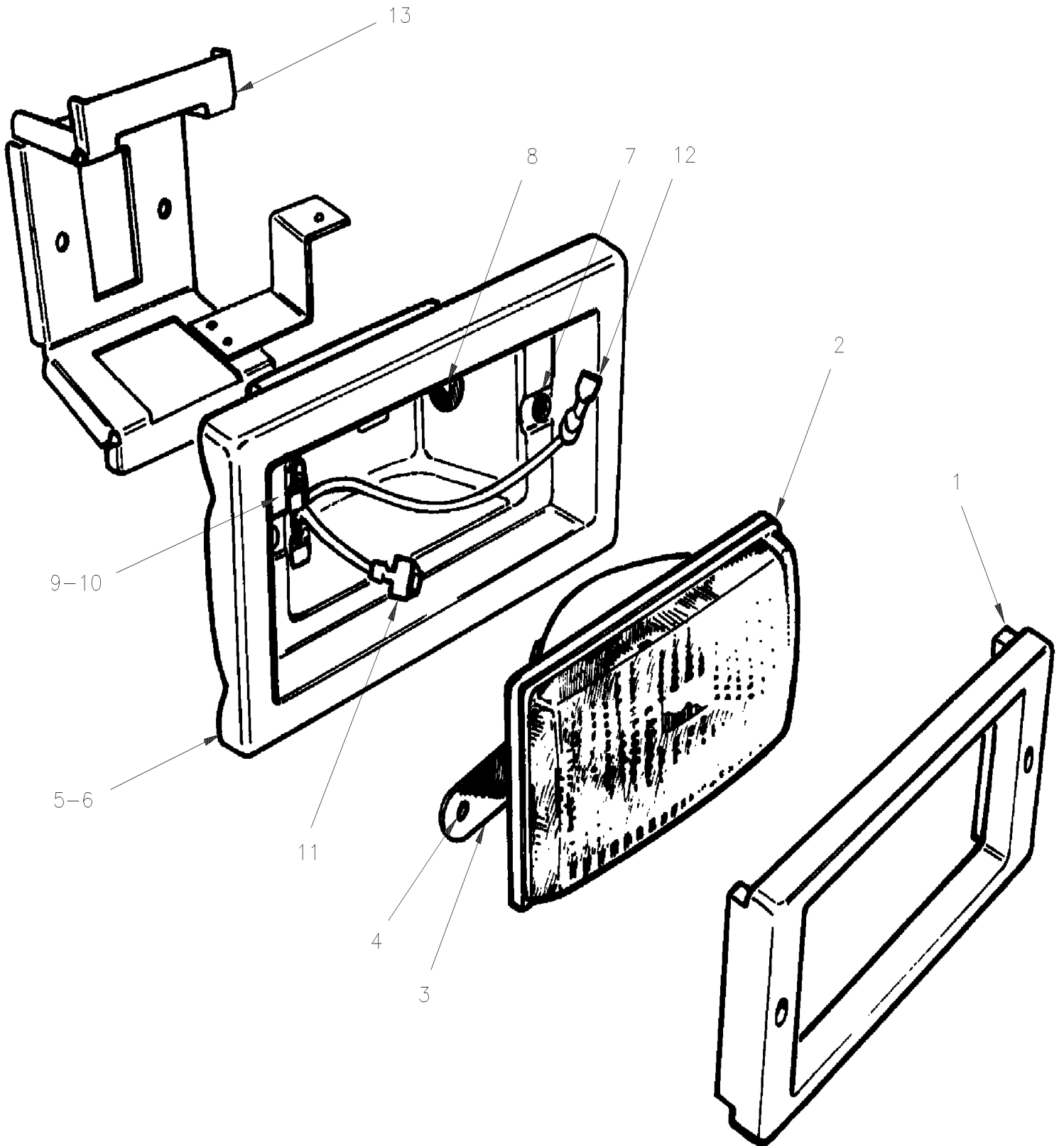
Item#	Part	Description	M T H 4 0	M T H 4 5	M T H 4 5 E	X L 4 0	X L 4 5	N O T E S
NS	500678	NUT WELL #8-32x.450	2	2	2	2	2	
NS	500873	SCREW MA RND PH #8-32x3/4 SS BK	2	2	2	2	2	
NS	504226	SNAP BUSHING / .391x.578x.406	1	1	1	1	1	
27	930204	REFLECTOR RED 1 15/16" x 4 7/16"	2	2	2	2	2	
27	930205	REFLECTOR AMBER 1 15/16" x 4 7/16"	2	2	2	2	2	
NS	282464	PLATE REFLECTOR RETAINING 4 5/16" X 1/2"	1	1	1	1	1	
50	930337	LAMP ID & CLEAR -LED AMBER / 6 LEDS From X-6945					7	
50	930416	LAMP ID & CLEAR -LED AMBER / 3 LEDS From X-6945					7	
51	930334	LAMP ID & CLEAR -LED RED / 6 LEDS From X-6945					7	
51	930415	LAMP ID & CLEAR -LED RED / 3 LEDS From X-6945					7	
NS	930323	SEAL LAMP BLACK 1/4" THICK From X-6945					14	
52	5001364	SCREW PTR TR PH M4x20 ZP From X-6945					2	
52	500589	NUT WELL M4-0.7x13.5	2	2	2	2	2	
54	930341	SIDE MARKER ASSY / AMBER / W/2 LED From X-6945					10	
55	930340	SIDE MARKER ASSY / RED / W/2 LED From X-6945					2	
NS	930346	CONNECTOR ASSY SEALED 2C / GROTE 67070 From X-6945					1	
NS	065098	CABLE ASSY / FRONT JCT PANEL & LIGHT From X-6945					1	
NS	065090	CABLE ASSY / REAR JCT PANEL & LIGHT From X-6945					1	
56	500432	SCREW TC PAN PH #8-32x3/4 Z050 From X-6945					1	
57	500678	NUT WELL #8-32x.450 From X-6945					2	
NS	065092	CABLE ASSY REAR IDENTIFICATION LIGHT					1	
100	473842	KIT, WATERPROOFING CLEARANCE & MARKER LIGHTS	AR	AR	AR	AR	AR	
NS	IS-98028	SEE INSTRUCTION SHEET	1	1	1	1	1	
NS	430538	KIT GASKET REPLACEMENT	1	1	1	1	1	
NS	IS-99113	SEE INSTRUCTION SHEET	1	1	1	1	1	
		A) USE WITH PRODUCTION LAMPS ASSY						
		B) USE WITH SERVICE LAMP ASSY						
		1) NOT SOLD SEPARATELY						
		3) NOT SOLD ASSEMBLY						

From E-638 To Y-7045

Date:10/2022

PAGE:XL-0663-00

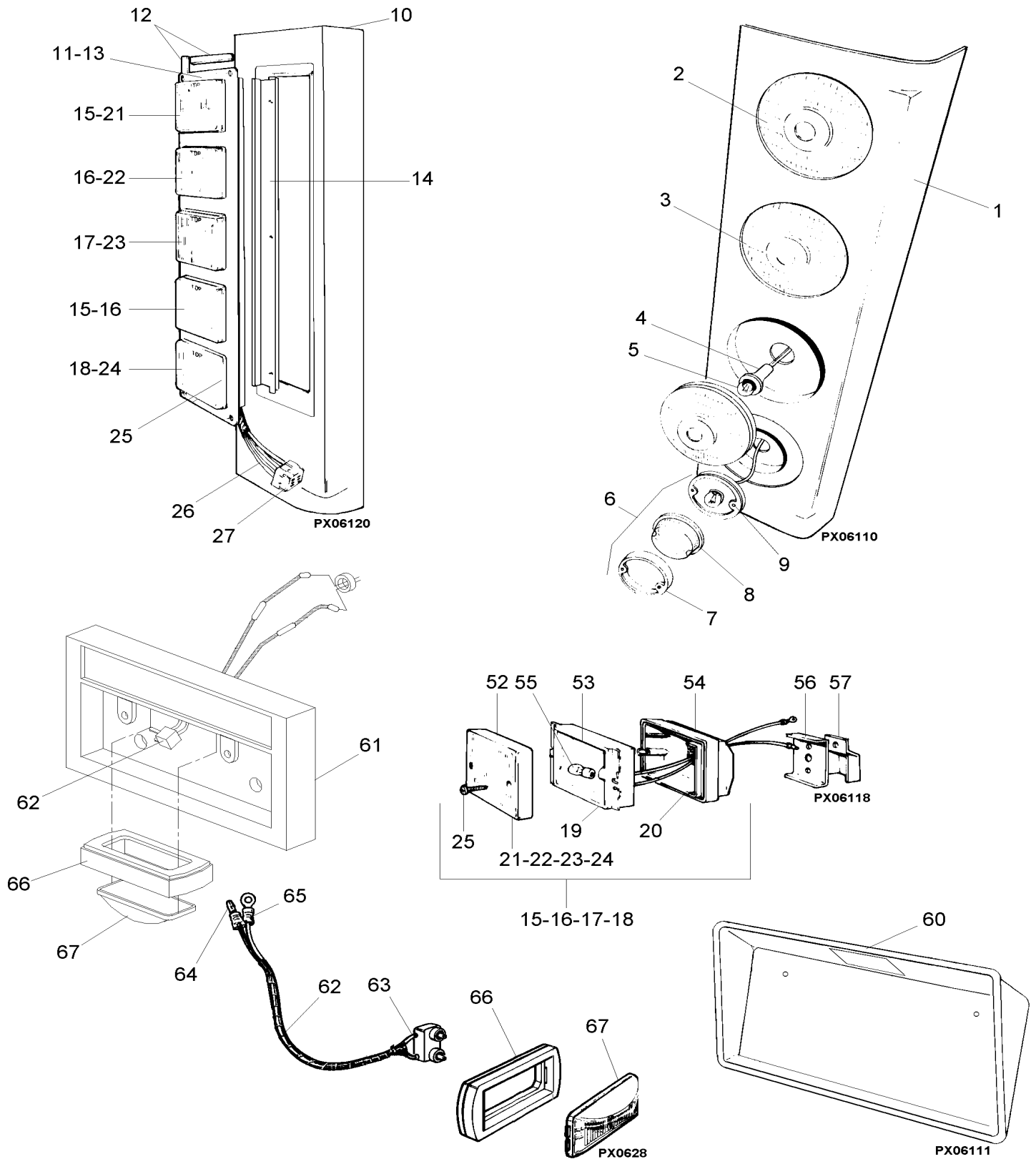
DOCK & CORNERING LIGHT



From E-638 To Y-7045	Date:10/2022	PAGE:XL-0663-00
DOCK & CORNERING LIGHT		

Item#	Part	Description	M T H 4 0	M T H 4 5	M T H 4 5 E	X L 4 0	X L 4 5	N O T E S
1	490387	FRAME	4	4	4			
NS	502530	SCREW MA OV PH M4-0.7x40 SS	AR	AR	AR			A
NS	500674	WASHER LO SEAL .168 IDx.115 NYL	AR	AR	AR			
NS	500438	WASHER FL .187x.437x.050 Z050	AR	AR	AR			
2	930235	LAMP ASSY	4	4	4			
NS	561882	BULB / 55WATT-12VOLTS / SAE# H3 / 64151	1	1	1			
3	490358	REINFORCEMENT	1	1	1			
4	500558	SCREW MA TR PH 1/4-20x1 SS	2	2	2			
NS	502702	NUT WELL 1/4-20x.630	2	2	2			
5	490420	HOUSING ASSY L.H.	2	2	2			
5	490421	HOUSING ASSY R.H.	2	2	2			
6	490388	. HOUSING	1	1	1			
7	500589	. NUT WELL M4-0.7x13.5	2	2	2			
8	504447	. GROMMET / .375x.500x.062x.312x.625	1	1	1			
NS	504446	. BUMPER PLUG / .718ODx.375THX.500HOLEx.125	1	1	1			
9	061976	. RESISTOR ASSY 1 OHM 10 W	1	1	1			
10	561537	. . RESISTOR / 1 OHM / 10 W	1	1	1			
11	561540	. . TAB TERMINAL INSULATION NYLON / 16-14 / AMP 3-520107-2	1	1	1			
12	561539	. . TAB RECEPTACLE TERMINAL INSUL. NYLON / 16 / AMP 3-520141-2	2	2	2			
13	490386	BRACKET / W/R.H. FRONT DOOR	1	1	1			
NS	061805	CABLE ASSY / SERVICE COMPARTMENT	1	1	1			
NS	061806	CABLE ASSY / ENTRANCE DOOR DOCKING LIGHT	1	1	1			
NS	061807	CABLE ASSY / TO REAR DOCKING LAMP	1					
NS	063318	CABLE ASSY / TO REAR DOCKING LAMP			1			
NS	063358	CABLE ASSY / TO REAR DOCKING LAMP		1				
NS	560481	CLAMP / 5/8" I.D.	AR	AR	AR			
NS	560503	CLAMP / 1/4" I.D.	AR	AR	AR			
NS	500641	SCREW TP PAN PH #8x3/4 Z050	AR	AR	AR			
NS	504012	CABLE TIE / 3/16" X 6"1/2	AR	AR	AR			
NS	500310	SCREW TC FL PH #10-24x1 1/4 SS410	1	1	1			
NS	500257	WASHER LO SPT 10.2x18.1x2.2 Z050	1	1	1			
NS	561482	CONVOLUTED TUBING / UNSLIT / BLACK / .500"	AR	AR	AR			
		A) (TO FIX FRAME)						

From E-638 To L-684	Date:10/2022	PAGE:XL-0664-00
REAR EXTERIOR LIGHTS & PLATE HOLDER		



From E-638 To L-684	Date:10/2022	PAGE:XL-0664-00
REAR EXTERIOR LIGHTS & PLATE HOLDER		

Item#	Part	Description	M T H 4 0	M T H 4 5	M T H 4 5 E	X L 4 0	X L 4 5	N O T E S
1	430203	HOUSING FIBERGLASS L.H. To H-284	1			1		
1	430204	HOUSING FIBERGLASS R.H. To H-284	1			1		
2	930236	LAMP HOUSING / AMBER	2			2		
3	930237	LAMP HOUSING / RED	4			4		
4	930211	SOCKET BULB / METAL W/2 WIRES / BA15s	6			6		
5	560135	BULB / 6WATT-24VOLTS / SAE# 623	2			2		
5	560773	BULB / 32WATT-24VOLTS / SAE# 1683	4			4		
6	930168	LAMP ASSY BACK-UP	2			2		
7	930170	. LENS	1			1		
8	930171	. RING / CHROME	1			1		
9	560773	BULB / 32WATT-24VOLTS / SAE# 1683	2			2		
10	430287	HOUSING FIBERGLASS L.H. From H-285 To L-684	1			1		
10	430288	HOUSING FIBERGLASS R.H. From H-285 To L-684	1			1		
11	430294	LIGHT ASSY REAR / W/CONNECTOR From H-285 To L-506	2			2		
11	430363	LIGHT ASSY REAR / W/CONNECTOR From L-507 To L-684	2			2		
12	430289	. SUPPORT ASSY	1			1		
13	506002	. TAPE RUB ADH1 CC POL 3/16" x 1/2" x 40' / GREY 2520	AR			AR		
14	430297	. PROTECTOR REAR	1			1		
15	561549	. LAMP ASSY DIRECTIONAL	AR			AR		
16	561548	. LAMP ASSY TAIL	AR			AR		
17	561547	. LAMP ASSY STOP	1			1		
18	561546	. LAMP ASSY BACK UP	1			1		
19	930248	. HOUSING, SQUARE LAMP W/STUDS	AR			AR		
20	930249	. REFLECTOR / WHITE	AR			AR		
20	930250	. REFLECTOR / CHROMED	AR			AR		
21	930251	. LENS / AMBER	AR			AR		
22	930253	. LENS, SQUARE RED TAIL LAMP	AR			AR		
23	930254	. LENS, SQUARE REAR STOP LAMP	1			1		
24	930252	. LENS / CLEAR	1			1		
25	502664	. SCREW TP PAN PH #8x1 SS EMN	10			10		
26	061982	. CABLE ASSY From H-285 To L-506	1			1		
26	062726	. CABLE ASSY From L-507 To L-684	1			1		
27	561606	CONNECTOR / WEATHER PACK / PH 6C / BLACK / PED 12020786	1			1		
NS	561568	PIN TERMINAL / 16-14 / PED 12089305	AR			AR		
NS	561900	BULB / 21WATT-24VOLTS / SAE# 7511	AR			AR		
NS	561912	BULB / 5WATT-24VOLTS / SAE# 5627	AR			AR		
50	430305	CYCLOPES ASSY / W/CONNECTOR From H-285 To L-684	1			1		
51	561547	. LAMP ASSY STOP	1			1		
52	930254	. LENS, SQUARE REAR STOP LAMP	1			1		
53	930250	. REFLECTOR / CHROMED	1			1		
54	930248	. HOUSING, SQUARE LAMP W/STUDS	1			1		
54	561566	. CONNECTOR / WEATHER PACK / PH 2C / BLACK / PED 12010973	1			1		

From E-638 To L-684		Date:10/2022	PAGE:XL-0664-00
REAR EXTERIOR LIGHTS & PLATE HOLDER			

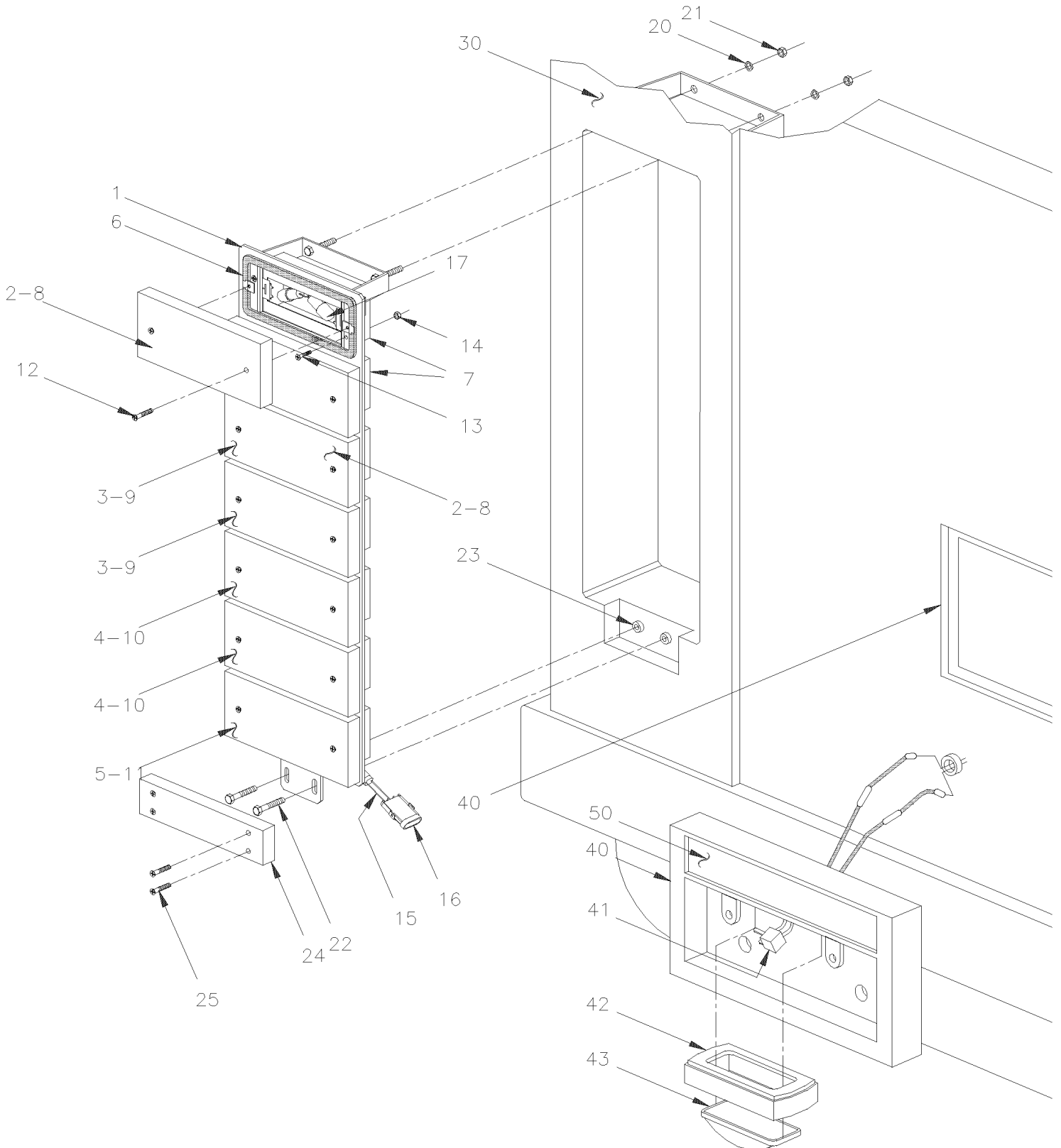
Item#	Part	Description	M T H 4 0	M T H 4 5	M T H 4 5 E	X L 4 0	X L 4 5	N O T E S
54	561568	. PIN TERMINAL / 16-14 / PED 12089305	2			2		
54	561565	. CABLE SEAL / GREEN / PED 15324982	2			2		
55	561900	. BULB / 21WATT-24VOLTS / SAE# 7511	1			1		
56	430299	SUPPORT CYCLOPE REAR	1			1		
57	430306	PROTECTOR / WIRE	1			1		
NS	062030	CABLE ASSY / CYCLOPE & REAR JUNCTION BOX	1			1		
60	490243	PLATE HOLDER LICENCE To H-284				2		
60	490243	PLATE HOLDER LICENCE To H-284	1					
61	490416	PLATE HOLDER LICENCE / (AS SHOWN) From H-285				2	2	
61	490416	PLATE HOLDER LICENCE / (AS SHOWN) From H-285	1	1	1			
61	490509	. PLATE HOLDER LICENCE / UNPAINTED	1	1	1	1	1	
NS	490638	PLATE HOLDER F.M.C.A. / PAINTED CHARCOAL From L-666	1	1	1			
NS	490602	. PLATE HOLDER F.M.C.A. / UNPAINTED	1	1	1			
62	061092	CONNECTOR PLUG ASSY 25" / (LICENCE PLATE LIGHT)	1	1	1	1	1	
62	061297	CONNECTOR PLUG ASSY 13"	1	1	1	1	1	
63	930210	. CONNECTOR ASSY / TRUCK-LITE 94924	1	1	1	1	1	
64	560098	. TERMINAL SNAP PLUG / 16-14 / INSULATED / AMP 2-324225-1	1	1	1	1	1	
65	560082	. RING TERMINAL #10 / 16-14 / INSULATED / AMP 626033-2	1	1	1	1	1	
NS	560784	. SHRINK TUBING / .250" - .080" / BLACK / ALPHA FIT-300-1/4-4B	AR	AR	AR	AR	AR	
66	930208	GROMMET RUBBER RETAINER / LICENCE LAMP TL 15700				2		
66	930208	GROMMET RUBBER RETAINER / LICENCE LAMP TL 15700	1	1	1		1	
67	930209	SEAL BULB / 2WATT - 24VOLTS / TL-15209 To L-684	2			2		D
67	N8894686	SEAL BULB / 2WATT - 24VOLTS / TL-15209	1					
67	065356	KIT RESISTANCE, LAMP LICENCE PLATE	AR	AR	AR	AR	AR	
. NS	IS-00034	. SEE INSTRUCTION SHEET	1	1	1	1	1	
		D) SUPERSEDED BY KIT #065356						

From L-685 To Y-7045

Date:10/2022

PAGE:XL-0664-01

REAR EXTERIOR LIGHTS & PLATE HOLDER



From L-685 To Y-7045	Date:10/2022	PAGE:XL-0664-01
REAR EXTERIOR LIGHTS & PLATE HOLDER		

Item#	Part	Description	M T H 4 0	M T H 4 5	M T H 4 5 E	X L 4 0	X L 4 5	N O T E S
	430381P	LAMP ASSY REAR / W/CONNECTOR	2	2	2	2	2	
1	430380	. BRACKET ASSY	1	1	1	1	1	
2	930309	. LAMP ASSY TURN SIGNAL	2	2	2	2	2	
3	930310	. LAMP ASSY TAIL	2	2	2	2	2	
4	930308	. LAMP ASSY / STOP	2	2	2	2	2	
5	930311	. LAMP ASSY BACK UP	1	1	1	1	1	
6	930300	. . GASKET	1	1	1	1	1	
7	N.S.S.	. . HOUSING	1	1	1	1	1	1
8	930313	. . LENS / AMBER	AR	AR	AR	AR	AR	
9	930314	. . LENS / RED (TAIL)	AR	AR	AR	AR	AR	
10	930312	. . LENS / RED (STOP)	AR	AR	AR	AR	AR	
11	930315	. . LENS / CLEAR	AR	AR	AR	AR	AR	
12	N.S.S.	. . SCREW	2	2	2	2	2	1
12	N.S.S.	. . WASHER	2	2	2	2	2	1
13	5001000	. SCREW MA BDG PH #8-32x5/8 SS	14	14	14	14	14	
14	500670	. NUT HEX NYRT #8-32 Z050	14	14	14	14	14	
15	062865	. CABLE HARNESS / REAR END EXTERIOR LAMP	1	1	1	1	1	
16	561606	. . CONNECTOR / WEATHER PACK / PH 6C / BLACK / PED 12020786	1	1	1	1	1	
NS	561568	. . PIN TERMINAL / 16-14 / PED 12089305	4	4	4	4	4	
NS	561786	. . CABLE SEAL / GRAY / PED 15324980	4	4	4	4	4	
NS	561783	. . SEAL PLUG CAVITY / GREEN / PED 12010300	1	1	1	1	1	
NS	562119	. . FLAG TERMINAL RECEPTACLE / 18-12 / AMP 41532	21	21	21	21	21	
NS	504559	. . GROMMET / .469X.078X.375X.594	7	7	7	7	7	
NS	504273	. CABLE TIE / 1/8" X 3"1/2	AR	AR	AR	AR	AR	
17	560589	. BULB / 32WATT-12VOLTS / SAE# 1156	10	10	10	10	10	
17	560123	. BULB / 4WATT-12VOLTS / SAE# 67	4	4	4	4	4	A
20	500441	WASHER FL .312x.734x.065 Z050	2	2	2	2	2	
21	502600	NUT HEX NYRT 5/16-18 Z050	2	2	2	2	2	
22	500559	SCREW MA TR PH 1/4-20x1 1/2 SS EMN	2	2	2	2	2	
23	504427	NUT WELL 1/4-20	2	2	2	2	2	B
24	930302	REFLECTOR RED 40MM x 180MM	1	1	1	1	1	
25	5001087	SCREW TP BDG PH #10x1/2 SS	2	2	2	2	2	
NS	430400	CYCLOPES ASSY / W/CONNECTOR	1	1	1	1	1	
NS	062934	CABLE ASSY	1	1	1	1	1	
NS	430401	PLATE / TO FIX CYCLOPES	1	1	1	1	1	
NS	500124	SCREW TP TR PH #8x1/2 SS	6	6	6	6	6	
NS	500470	WASHER LO SPT .193x.334x.047 Z050	6	6	6	6	6	
NS	500606	SCREW MA TR PH #10-24x3/4 SS	6	6	6	6	6	
NS	500641	SCREW TP PAN PH #8x3/4 Z050	2	2	2	2	2	
NS	500786	NUT HEX #10-24 Z050	6	6	6	6	6	
30	430444	HOUSING FIBERGLASS / R.H.	1	1	1	1	1	
30	430522	HOUSING FIBERGLASS / R.H. From X-6945				1		C

From L-685 To Y-7045	Date:10/2022	PAGE:XL-0664-01
REAR EXTERIOR LIGHTS & PLATE HOLDER		

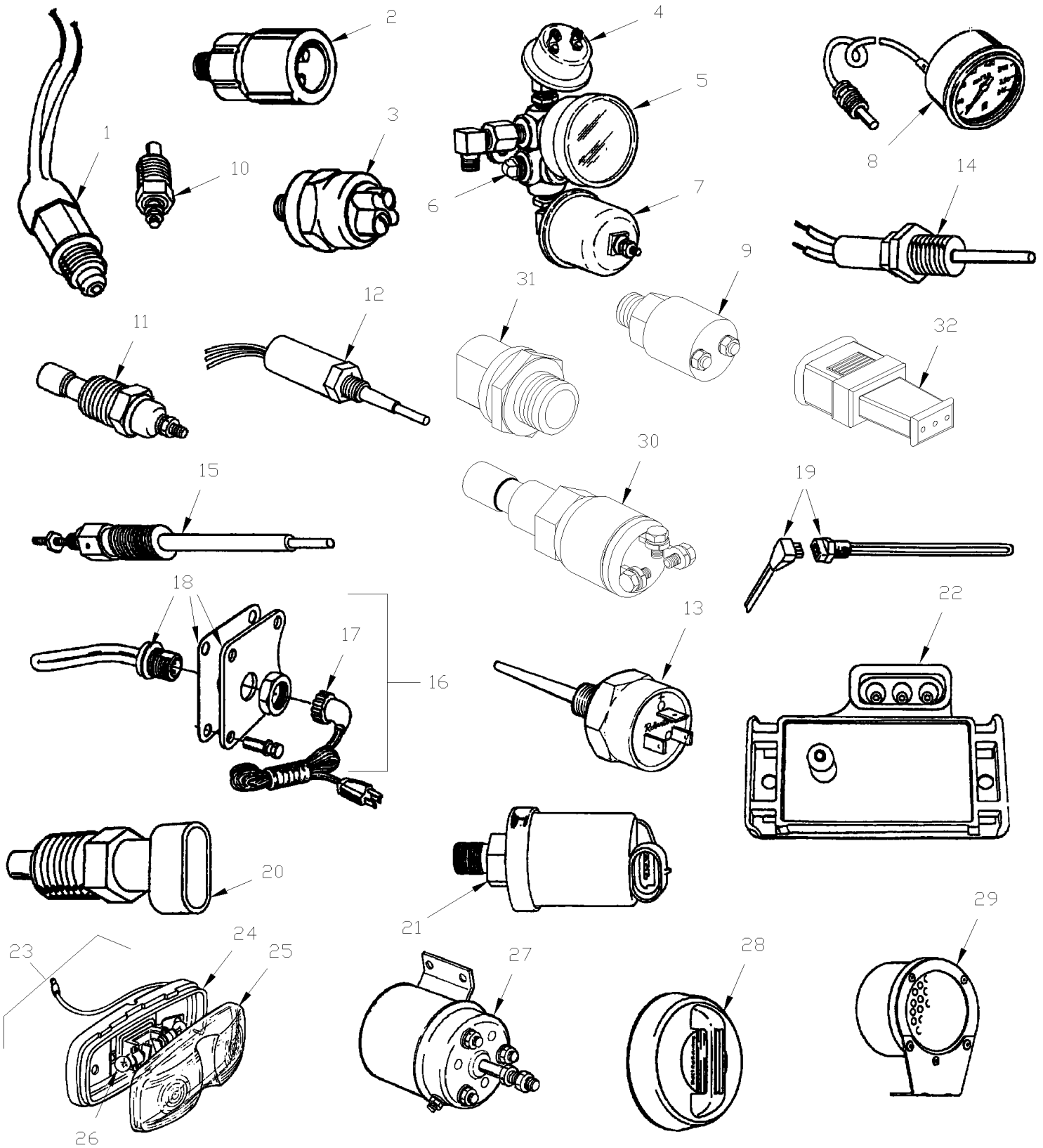
Item#	Part	Description	M T H 4 0	M T H 4 5	M T H 4 5 E	X L 4 0	X L 4 5	N O T E S
30	430445	HOUSING FIBERGLASS / L.H.	1	1	1	1	1	
30	430521	HOUSING FIBERGLASS / L.H. From X-6945				1		C
40	490416	PLATE HOLDER LICENCE / (AS SHOWN)				2	2	
40	490416	PLATE HOLDER LICENCE / (AS SHOWN)	1	1	1			
NS	490638	PLATE HOLDER F.M.C.A. / PAINTED CHARCOAL	1	1	1			
41	061092	CONNECTOR PLUG ASSY 25" / (LICENCE PLATE LIGHT)	1	1	1	1	1	
41	061297	CONNECTOR PLUG ASSY 13"	1	1	1	1	1	
41	930210	. CONNECTOR ASSY / TRUCK-LITE 94924	1	1	1	1	1	
41	560098	. TERMINAL SNAP PLUG / 16-14 / INSULATED / AMP 2-324225-1	1	1	1	1	1	
41	560082	. RING TERMINAL #10 / 16-14 / INSULATED / AMP 626033-2	1	1	1	1	1	
NS	560784	. SHRINK TUBING / .250" - .080" / BLACK / ALPHA FIT-300-1/4-4B	AR	AR	AR	AR	AR	
42	930208	GROMMET RUBBER RETAINER / LICENCE LAMP TL 15700	1	1	1	1	1	
43	930266	SEAL BULB / 2WATT - 12VOLTS / TL-15206	1	1	1	1	1	
50	XL-1855-00	RUB RAIL - EXTERIOR CREST & TRIMS						
		A) TAILLIGHT						
		B) TO FIX LIGHT ASSY						
		C) ON VEHICLE "GO TRANSIT"						
		1) NOT SOLD SEPARATELY						

From E-638 To Y-7045

Date:10/2022

PAGE:XL-0665-00

ENGINE COMPARTMENT - ELECTRIC COMPONENTS



From E-638 To Y-7045	Date:10/2022	PAGE:XL-0665-00
ENGINE COMPARTMENT - ELECTRIC COMPONENTS		

Item#	Part	Description	M T H 4 0	M T H 4 5	M T H 4 5 E	X L 4 0	X L 4 5	N O T E S
1	560633	SWITCH / NEUTRAL N.C. / W/AUTO TRANS	1			1		
2	560639	SWITCH / BACK-UP N.O. / W/AUTO TRANS	1			1		
NS	561868	CONNECTOR ASSY / TO USE W/#560639				1	1	
3	560632	SWITCH / BACK-UP N.C. / W/MANUAL TRANSMISSION To T-5778				1	1	
3	561019	SWITCH / NEUTRAL N.O. / W/MANUAL TRANSMISSION To T-5778				1	1	
4	560816	PRESSURE SWITCH N.C. 3PSI / 1/8NPT W/2 SCREWS	1			1		
4	561474	BOOT RUBBER / LOW OIL PRESSURE SWITCH	1	1	1	1		
5	510182	GAUGE, OIL PRESSURE / MECHANICAL (FORMER) To R-863	1	1	1	1		
5	510481	GAUGE, OIL PRESSURE / MECHANICAL (CURRENT) From R-864	1	1	1	1	1	
6	640055	MANIFOLD / PIPE FITTING / 7 PORTS 1/4NPT-F STL	1	1	1	1	1	
NS	010486	HOSE ASSY / OIL FEED LINE / MANIFOLD & / 62"	1			1		
NS	011269	HOSE ASSY TEFLON #4 1164MM	1		1	1		
NS	140376	HOSE ASSY TEFLON #6 686MM	1			1		
NS	011617	HOSE ASSY TEFLON #4 2615MM	1	1	1	1	1	A
NS	503064	. HOSE TEFLON #4 / S.L.	AR	AR	AR	AR	AR	
NS	501892	. FEMALE CONNECTOR SWIVEL / SAE 45° FITTING / TEFLON / #4FL-Fx#4 STL	2	2	2	2	2	
7	561095	SENSOR, OIL PRESSURE W/GAUGE 0-80	1	1	1	1	1	
8	561011	GAUGE WATER TEMPERATURE / MECHANICAL (FORMER)	1			1		
8	562331	GAUGE WATER TEMPERATURE / MECHANICAL (CURRENT)	1	1	1	1	1	
NS	050272	SUPPORT FOR TWO GAUGES	AR	AR	AR	AR	AR	
NS	060640	SUPPORT WATER TEMPERATURE GAUGE To X-6903	1	1	1	1	1	
8	065177	SUPPORT WATER TEMPERATURE GAUGE From X-6904	1	1	1	1	1	
9	561114	PRESSURE SWITCH N.C. 10PSI / 1/8NPT W/2 SCREWS / FUEL To G-069	1			1		
9	562468	PRESSURE SWITCH N.C. 10PSI / 1/8NPT W/2 SCREWS / FUEL	1			1		
10	561097	SENSOR, TEMPERATURE / WATER & OIL	1	1	1	1	1	
11	560932	SWITCH / N.O. / S.P.S.T. / ALARMSTAT 210° / 3/8" NPT GROUND BODY	1			1		
12	561529	SENSOR PROBE "LOW LEVEL COOLANT"	1					
13	560927	SENSOR PROBE "LOW COOLANT"	1			1		C
14	561157	SENSOR, PYROMETER W/ SERIES 92 & 60	2	2	2	2	2	
15	561887	SENSOR PROBE "LOW LEVEL COOLANT"	1		1	1		
15	562395	SENSOR PROBE "LOW LEVEL COOLANT" / 1/4" NPT	1	1	1	1	1	B
16	560879	BLOCK HEATER ASSY W/CORD W/SERIES 92	1		1	1		
17	XL-0666-00	BLOCK HEATER RECEPTACLE						
18	561459	. HEATER ELEMENT	1	1	1	1	1	
NS	560410	BLOCK HEATER	1	1	1	1	1	
18	561572	RECEPTACLE ASSY W/CORD	1	1	1	1	1	
19	561587	HEATER / OIL PAN / W/SERIES 92	1		1	1		
20	561990	. SENSOR / WATER TEMPERATURE / (DDEC) W/92	1	1	1	1	1	
21	561907	. SENSOR / OIL PRESSURE (DDEC) W/92	1	1	1	1	1	
22	561941	. SENSOR / TURBO BOOST (DDEC) W/92	1	1	1	1	1	
23	430152	LAMP ASSY 24 V / CLEAR / W/CONNECTOR	1	1	1	1	1	
24	930166	. BASE HOUSING	1	1	1	1	1	

From E-638 To Y-7045	Date:10/2022	PAGE:XL-0665-00
ENGINE COMPARTMENT - ELECTRIC COMPONENTS		

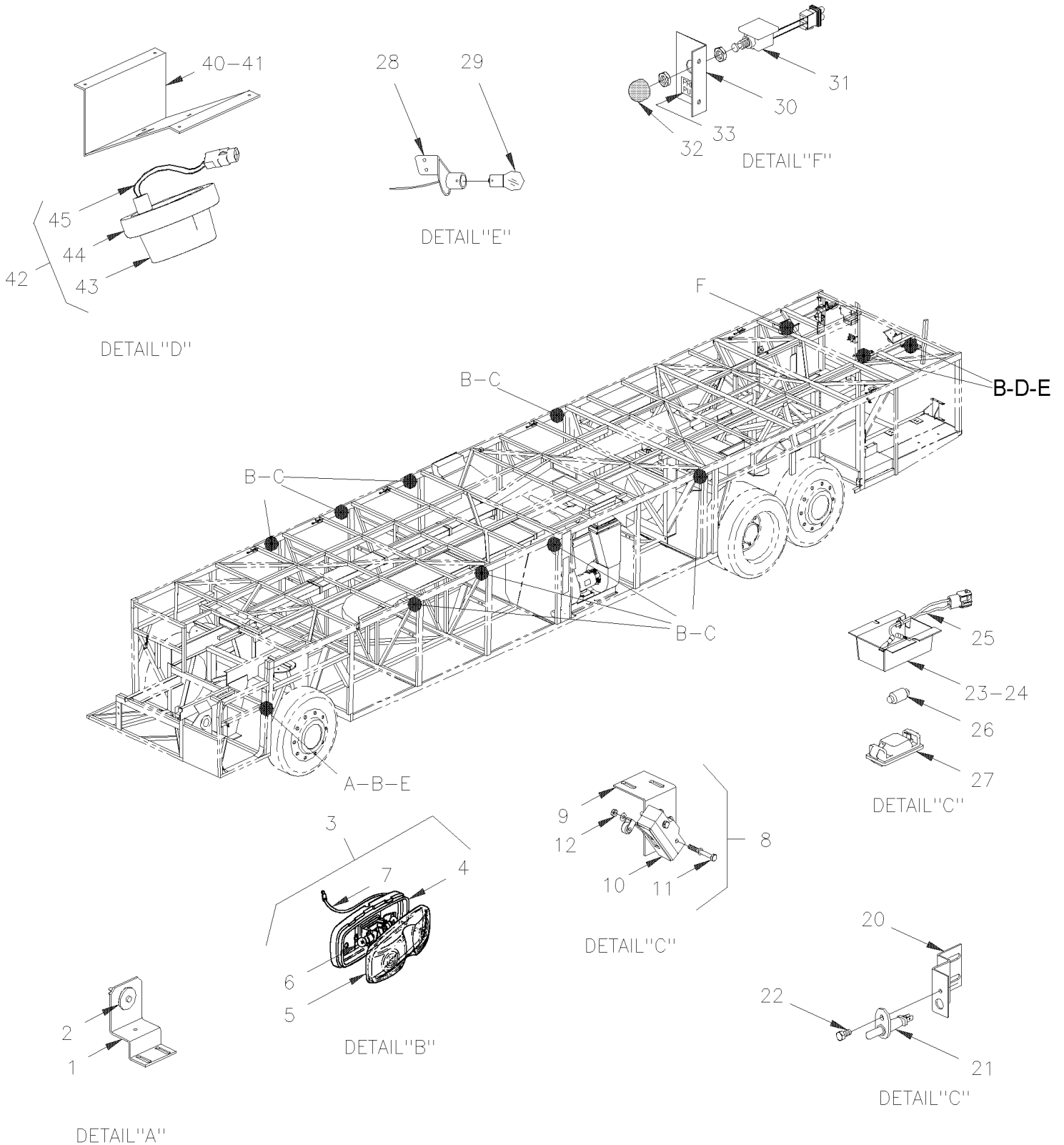
Item#	Part	Description	M T H 4 0	M T H 4 5	M T H 4 5 E	X L 4 0	X L 4 5	N O T E S
25	930203	. LENS CLEAR	1	1	1	1	1	
26	560601	. BULB / 2WATT-24VOLTS / SAE# 456	2	2	2	2	2	
27	560781	SOLENOID / EMERGENCY SHUT DOWN / W/8V71	1			1		
28	560069	DETECTOR / FIRE (FORMER)	2			2		
28	562402	DETECTOR / FIRE	2	2	2	2	2	
NS	065323	KIT, FIRE DETECTOR REPLACEMENT / SERVICE	AR	AR	AR	AR	AR	
. NS	IS-99091	. SEE INSTRUCTION SHEET	1	1	1	1	1	
29	380746	BACK-UP ALARM ASSY To V-6043	1	1	1	1	1	
29	381792	BACK-UP ALARM ASSY / "DAP " From V-6044	1	1	1	1	1	
29	381942	BACK-UP ALARM ASSY From X-6945				1		
29	380748	. SUPPORT BACK UP ALARM To V-6043	1	1	1	1	1	
29	212203	. SUPPORT BACK UP ALARM From V-6044	1	1	1	1	1	
29	065164	. SUPPORT BACK UP ALARM From X-6945				1		
29	561488	. ALARM / "DAP"	1	1	1	1	1	
29	562960	. ALARM From X-6945				1		
29	561566	. CONNECTOR / WEATHER PACK / PH 2C / BLACK / PED 12010973	1	1	1	1	1	
29	561568	. PIN TERMINAL / 16-14 / PED 12089305	2	2	2	2	2	
29	561565	. CABLE SEAL / GREEN / PED 15324982	2	2	2	2	2	
29	500769	. NUT HEX 1/4-20 Z050	2	2	2	2	2	
29	500473	. WASHER LO SPT .262x.489x.062 Z050	2	2	2	2	2	
29	500162	. SCREW CAP HEX 1/4-20x1/2 G5 Z050	2	2	2	2	2	
29	560382	. PLASTIC TUBING / 1/4" / CLEAR	AR	AR	AR	AR	AR	
29	065722	KIT, BACK-UP ALARM / SERIE "XL"	1	1	1	1	1	
. NS	IS-01155	. SEE INSTRUCTION SHEET	1	1	1	1	1	
30	550635	SWITCH TEMPERATURE AIR SENSOR 150 DEG / 3 WIRES CONNECTORS From P-646 To R-923	1	1	1	1		
31	550640	SWITCH, THERMOSTATIC WATER SENSOR 92°C/98°C (198°F/208°F) From P-646 To R-923	1	1	1	1		
31	550714	SWITCH, THERMOSTATIC WATER SENSOR 85°C/93°C (185°F/199°F) From P-646 To R-923	1	1	1	1		
32	562311	RUBBER DUST SHIELD / BEHR 630018-00 From P-646 To R-923	1	1	1	1		
NS	562310	CONNECTOR / TH 3C / BEHR 630017-00 From P-646 To R-923	1	1	1	1		
32	561608	SOCKET TERMINAL / 18-16 / DEUTSCH 0462-201-16141 From P-646 To R-923	3	3	3	3		
		A) OIL FEED LINE / MANIFOLD & MOTOR W/50 60						
		B) LOW COLANT W/DDEC W/50 & 60						
		C) THIS SENSOR IS OBSOLETE IN 1995 YOU REQUIRE KIT #064252 THIS KIT INCLUDE ONE PART NUMBER #562436, CABLE #063939 WITH IS-94075						

From E-638 To Y-7045

Date:10/2022

PAGE:XL-0665-10

SWITCHES, LIGHTS, AJAR - UNDER FLOOR



From E-638 To Y-7045	Date:10/2022	PAGE:XL-0665-10
SWITCHES, LIGHTS, AJAR - UNDER FLOOR		

Item#	Part	Description	M T H 4 0	M T H 4 5	M T H 4 5 E	X L 4 0	X L 4 5	N O T E S
1	380589	SWITCH SUPPORT / SERVICE & JCT PANEL	1	1	1	1	1	
2	560260	SWITCH / S.P.S.T. / N.C.	1	1	1	1	1	
3	430149	LAMP ASSY 24 V / BAG & ENG COMP / W/CON	2	2	2	2	2	
4	930166	. BASE HOUSING	1	1	1	1	1	
5	930203	. LENS CLEAR	1	1	1	1	1	
6	560601	. BULB / 2WATT-24VOLTS / SAE# 456	2	2	2	2	2	
7	560098	. TERMINAL SNAP PLUG / 16-14 / INSULATED / AMP 2-324225-1	1	1	1	1	1	
8	381226	SWITCH ASSY / BAGGAGE COMPARTMENT DOOR LIGHT	AR	AR	AR	AR	AR	
9	380480	. SWITCH SUPPORT	1	1	1	1	1	
10	561109	. MICRO SWITCH	1	1	1	1	1	
11	5001100	. SCREW CAP HEX M3-0.5x30 G8.8 ZP	2	2	2	2	2	
12	502579	. NUT HEX M3-0.5 NP	2	2	2	2	2	
NS	500437	. WASHER FL .125x.375x.040 Z050	2	2	2	2	2	
NS	502691	. WASHER LO SPT 3.6x6.7x0.8 Z050	2	2	2	2	2	
20	064167	SWITCH ASSY / BAGGAGE COMPARTMENT	AR	AR	AR	AR	AR	
20	063434	. SWITCH SUPPORT / W/BAGGAGE DOORS STD	1	1	1	1	1	
21	562303	. SWITCH / S.P.S.T. / N.C.	1	1	1	1	1	
22	500599	. SCREW TC TR PH #8-32x3/8 ZP	1	1	1	1	1	
NS	500022	. WASHER LO INT .168x.340x.023 Z050	1	1	1	1	1	
23	330268	LAMP ASSY 24V / BAGGAGE COMPARTMENT LAMP / W/ONE BULB 10W	AR	AR	AR	AR	AR	
23	330372	LAMP ASSY 24V / BAGGAGE COMPARTMENT LAMP W/2 BULBS 5W / SERVICE	1	1	1	1	1	S
24	330267	. SUPPORT / SS / TO FIX LAMP / W/ONE BULB	1	1	1	1	1	
25	063435	. CABLE ASSY / W/ONE BULB	1	1	1	1	1	
26	562278	. BULB / 10WATT-24VOLTS / SAE# 6429	1	1	1	1	1	
26	562411	. BULB / 5WATT-24VOLTS / SAE # 6424 / SERVICE	2	2	2	2	2	S
27	830139	. LAMP ASSY / W/ONE BULB	1	1	1	1	1	
27	830183	. LAMP ASSY / W/2 BULBS / SERVICE	1	1	1	1	1	S
28	430172	SOCKET ASSY	AR	AR	AR	AR	AR	
28	560859	. SOCKET BULB / METAL W/WIRE / BA15s	1	1	1	1	1	
NS	560098	. TERMINAL SNAP PLUG / 16-14 / INSULATED / AMP 2-324225-1	1	1	1	1	1	
29	561008	BULB / 15WATT-24VOLTS / SAE# 1309	1	1	1	1	1	
30	064097	SUPPORT				1	1	
31	064554	SWITCH ASSY W/CONNECTOR				1	1	
NS	562484	. SWITCH S.P.S.T. / N.C.				1	1	
32	561891	CAP RUBBER				1	1	
33	064099	DECAL "PRIME PUMP" / ENGLISH				1	1	
33	066049	DECAL "PRIME PUMP" / ENGLISH & SPANISH				1	1	
40	430467	LAMP ASSY W/CONNECTOR	AR	AR	AR	AR	AR	
41	430468	SUPPORT	1	1	1	1	1	
42	930168	. LAMP ASSY BACK-UP	1	1	1	1	1	
43	930170	. LENS	1	1	1	1	1	
44	930171	. . RING / CHROME	1	1	1	1	1	

From E-638 To Y-7045	Date:10/2022	PAGE:XL-0665-10
SWITCHES, LIGHTS, AJAR - UNDER FLOOR		

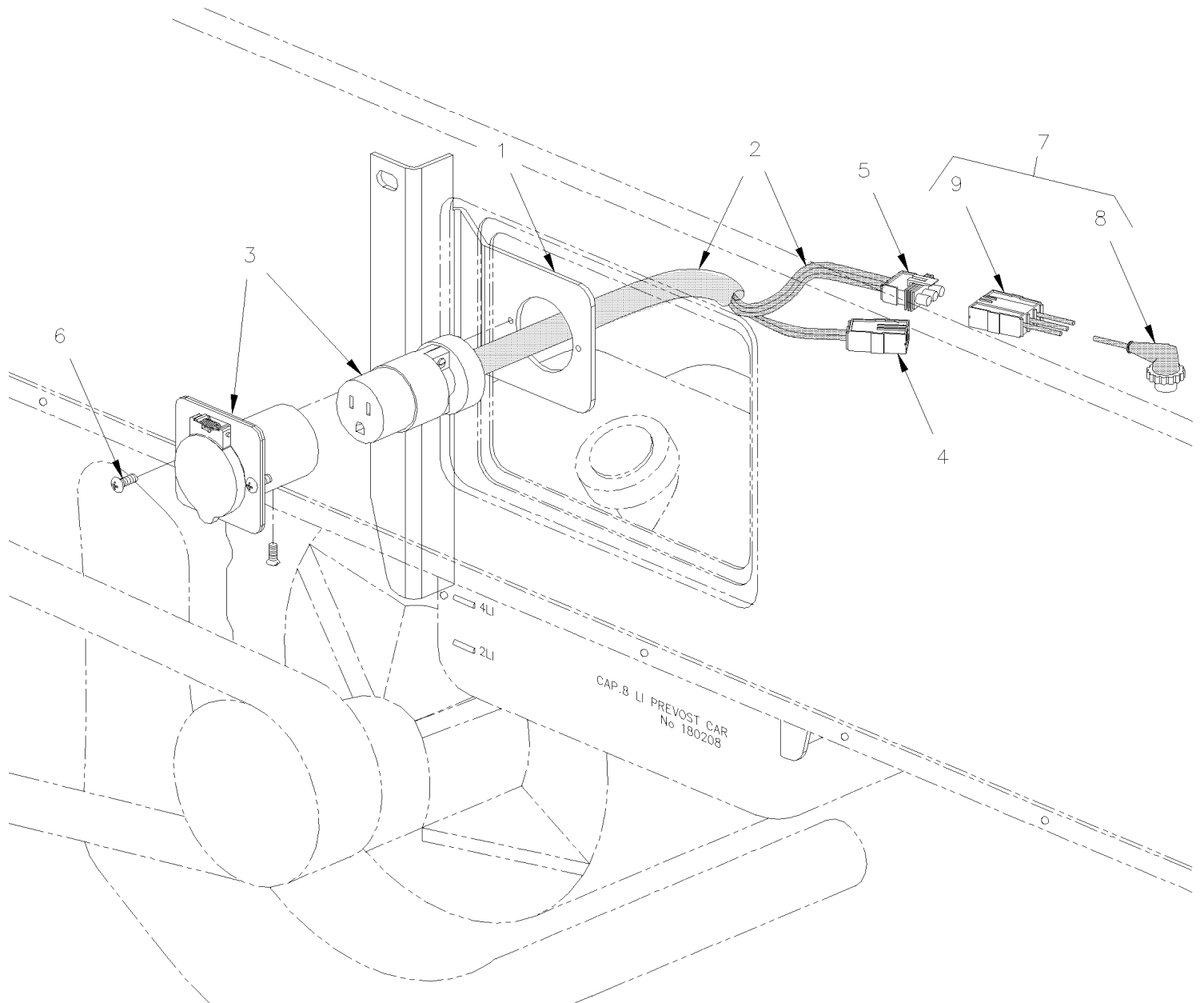
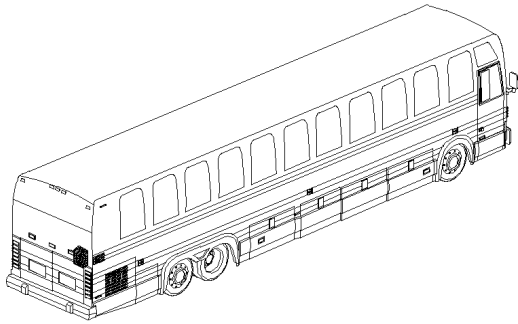
Item#	Part	Description	M T H 4 0	M T H 4 5	M T H 4 5 E	X L 4 0	X L 4 5	N O T E S
45	560136	. . BULB / 15WATT-12VOLTS / SAE# 1003	1	1	1	1	1	
NS	561605	. . CONNECTOR / WEATHER PACK / PH 1C / BLACK / PED 12010996	2	2	2	2	2	
NS	561567	. PIN TERMINAL / 20-18 / PED 12089040	2	2	2	2	2	
NS	561565	. CABLE SEAL / GREEN / PED 15324982	1	1	1	1	1	
		S) SERVICE						

From E-638 To Y-7045

Date:10/2022

PAGE:XL-0666-00

BLOCK HEATER RECEPTACLE

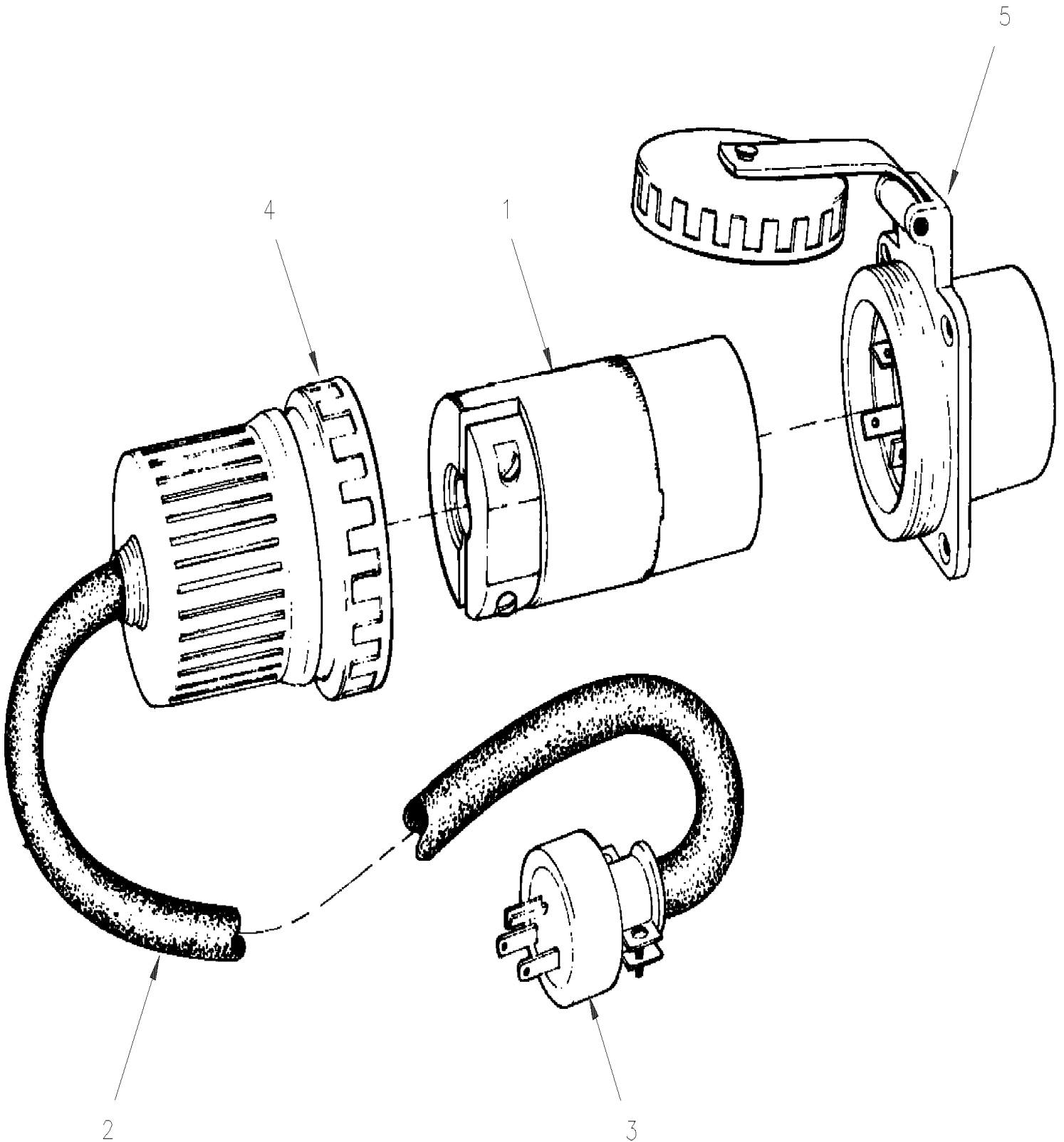


From E-638 To Y-7045

Date:10/2022

PAGE:XL-0670-00

EXTERIOR 110 VOLTS OUTLET

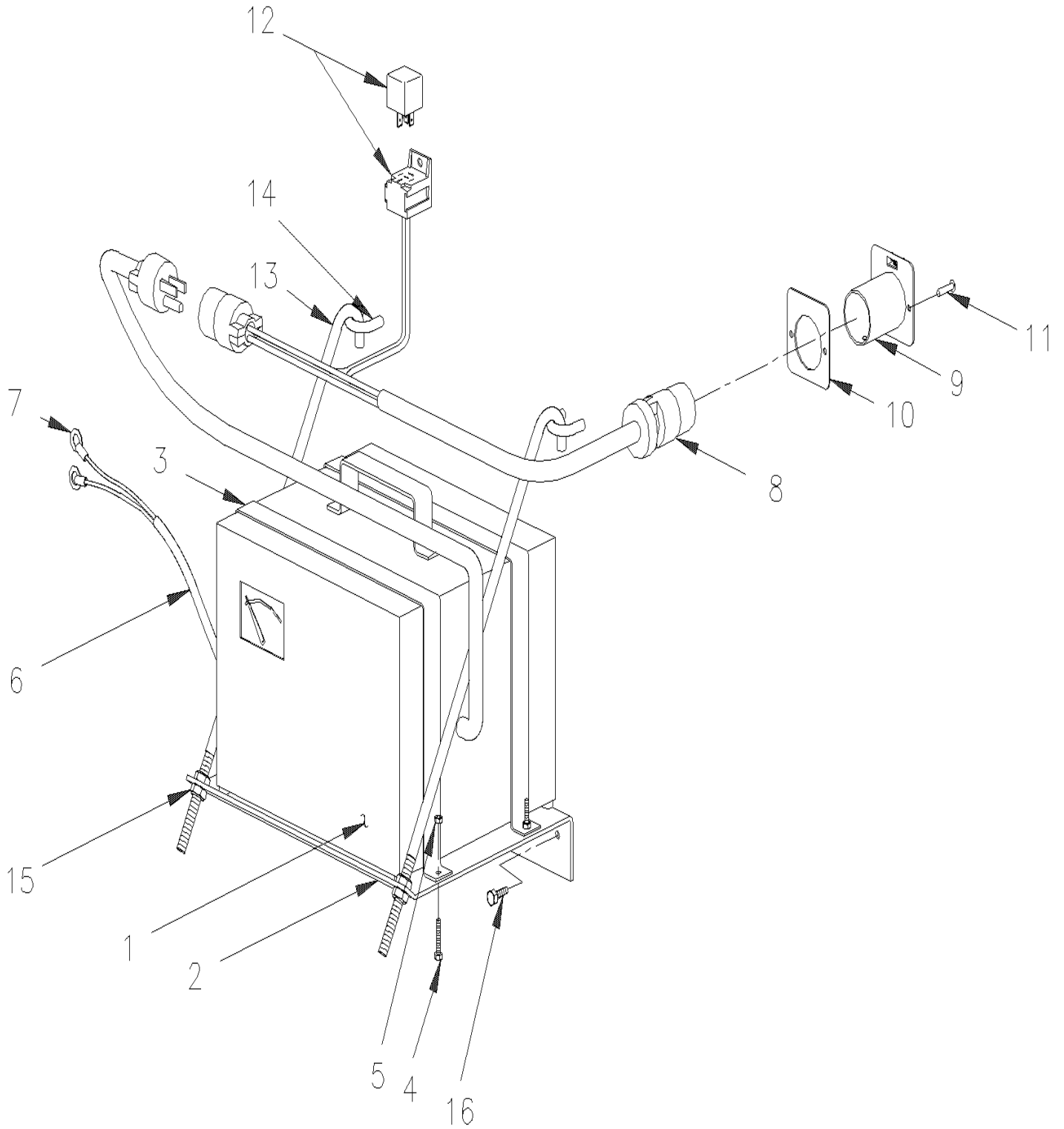


From T-5663 To Y-7045

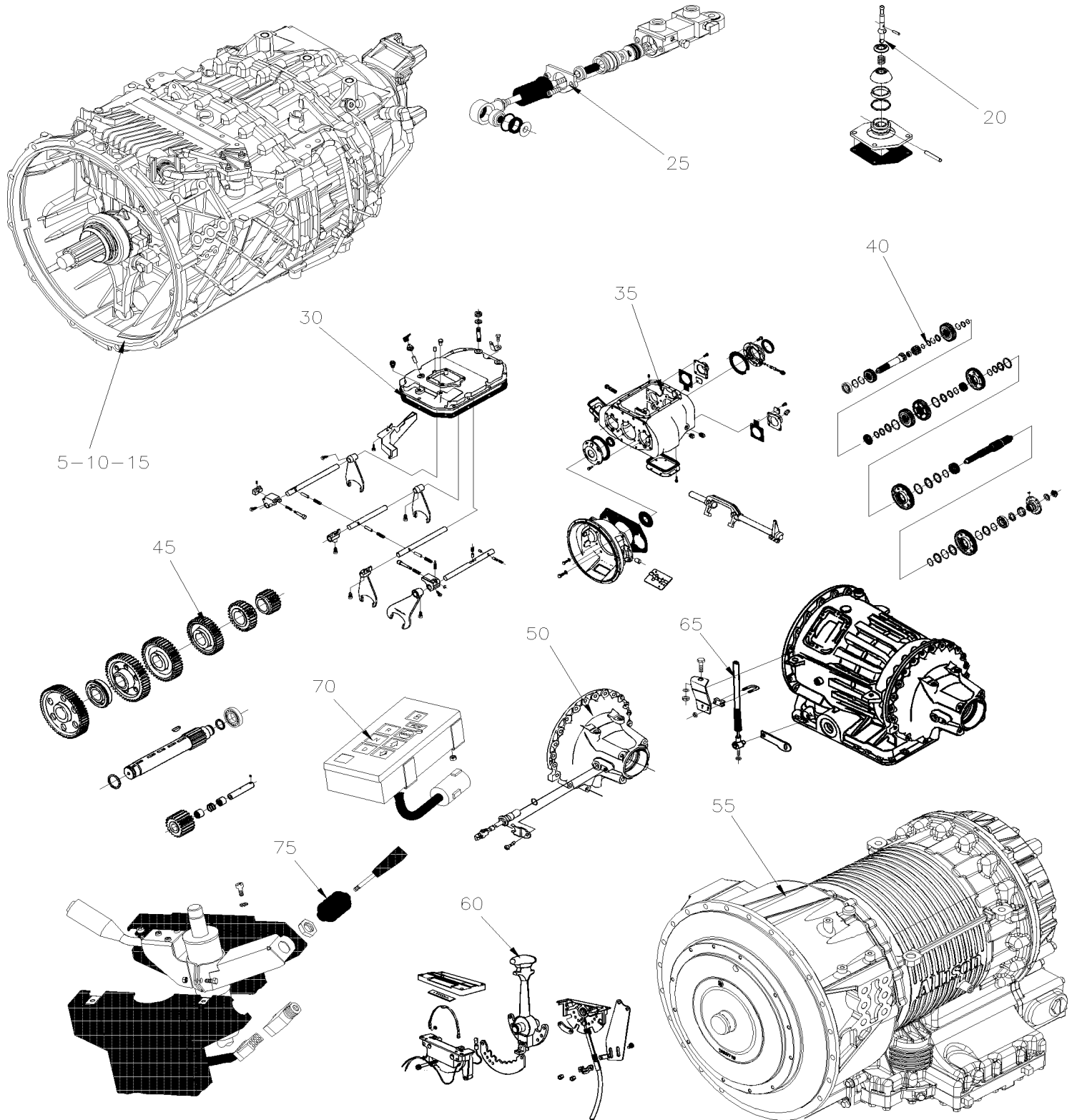
Date:10/2022

PAGE:XL-0670-10

BATTERIES CHARGER - INSTALLATION



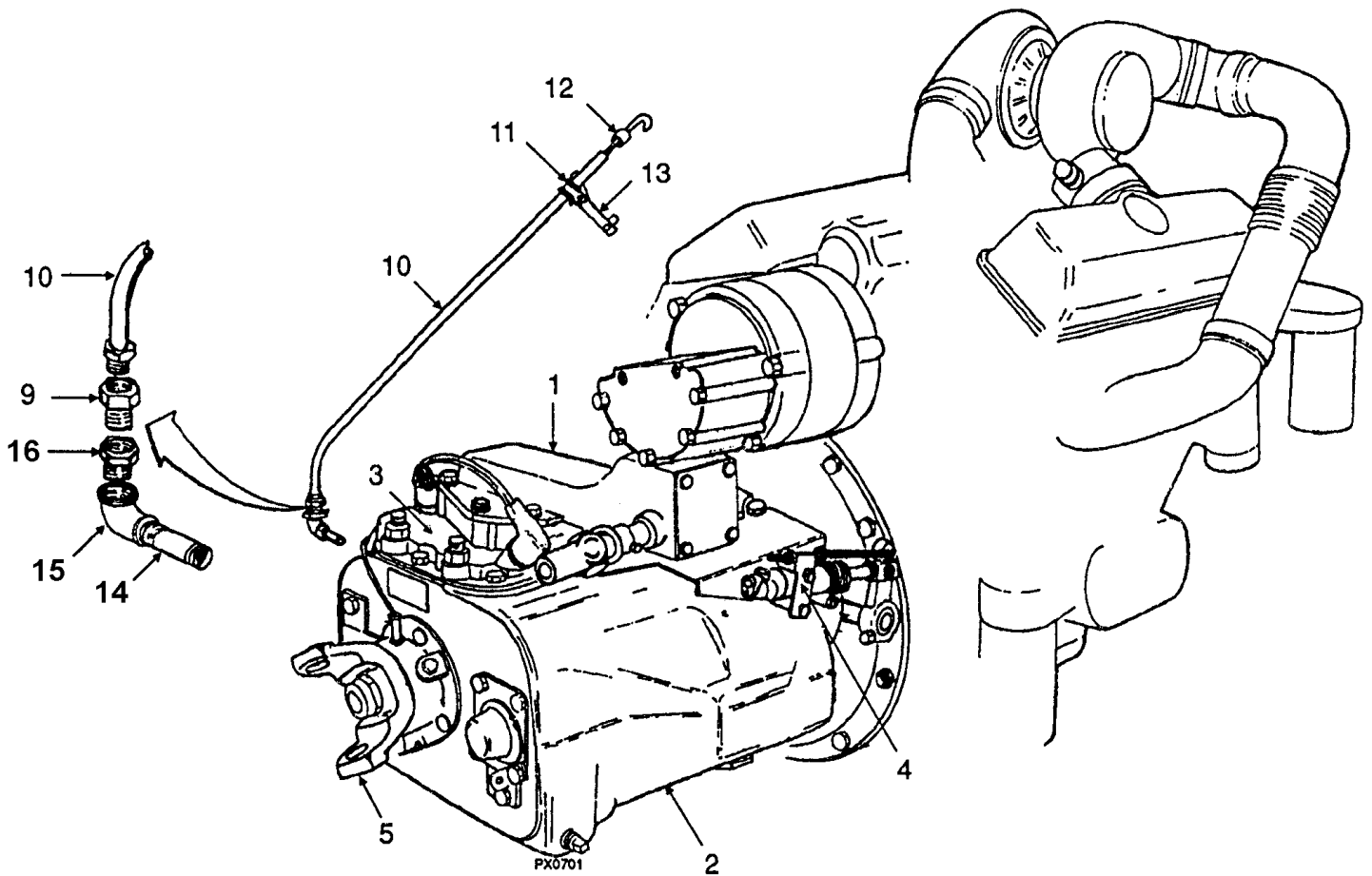
	Date:10/2022	XL-07
TRANSMISSION		



		Date:10/2022	XL-07					
TRANSMISSION								
Item#	Part	Description	M T H 4 0	M T H 4 5	M T H 4 5 E	X L 4 0	X L 4 5	N O T E S
5	XL-0700-00	MANUAL TRANSMISSION - INSTALLATION From E-638 To T-5778						
10	XL-0705-00	TRANSMISSION CONTROL & RODS From E-638 To T-5778						
15	XL-0705-10	SHIFTER MECHANISM - REAR From P-741 To T-5778						
20	XL-0710-00	REMOTE CONTROL ASSY - REAR From E-638 To R-859						
25	XL-0710-05	SHIFTER LEVER ASSY - REAR From R-860 To T-5778						
30	XL-0715-00	SHIFT COVER 6 SPEEDS W/CAST IRON CENTER From E-638 To R-859						
30	XL-0715-01	SHIFT COVER 6 SPEEDS - W/PS130-6B From E-638 To R-859						
30	XL-0715-05	SHIFT COVER 6 SPEEDS W/CAST IRON FORWARD From R-860 To T-5778						
30	XL-0715-06	SHIFT COVER 6 SPEEDS W/DIE ALUM FOWARD From R-860 To T-5778						
30	XL-0715-15	SHIFT COVER 7 SPEEDS W/DIE ALUM FOWARD From R-860 To T-5778						
35	XL-0720-00	TRANSMISSION MANUAL 6 SPEEDS - PS130-6B From E-638 To R-859						
35	XL-0720-01	TRANSMISSION MANUAL 7 SPEEDS - PS145-7A From R-860 To T-5778						
40	XL-0725-00	GEAR & RELATED PARTS W/6 SPEEDS From E-638 To R-859						
40	XL-0725-01	GEAR & RELATED PARTS W/7 SPEEDS From R-860 To T-5778						
45	XL-0730-00	COUNTERSHAFT GROUP W/6 SPEEDS From E-638 To R-859						
45	XL-0730-01	COUNTERSHAFT GROUP W/7 SPEEDS From R-860 To T-5778						
50	XL-0740-00	SPEEDOMETER ADAPTOR W/TACHOGRAPH From E-638 To L-704						
50	XL-0740-05	SPEEDOMETER ADAPTOR W/SMALL GAUGE From E-638 To L-704						
50	XL-0740-10	SPEEDOMETER SENSOR ON L.H. FRONT WHEEL From L-705 To P-721						
55	XL-0750-00	AUTOMATIC TRANSMISSION - INSTALLATION - WITH DETROIT S-71 & S-92 From E-638 To R-822						
55	XL-0750-01	AUTOMATIC TRANSMISSION - "ATEC" - WITH DETROIT S-60 From P-722 To R-822						
55	XL-0750-02	AUTOMATIC TRANSMISSION - "WORLD" From R-823 To Y-7045						
55	XL-0750-09	AUTOMATIC TRANSMISSION - "ATEC" - RETROFIT DETROIT S-50 & 60 From S-476 To T-5778						A
55	XL-0750-99	OIL COOLER "MODINE" - "RETROFIT" From P-646 To Y-7045						A
60	XL-0755-00	SHIFTER SELECTOR - AUTO TRANS. HYDRAU. From E-638 To R-822						
65	XL-0755-10	SHIFTER MODULATOR - AUTO. TRANS. HYDRAU. From E-638 To R-822						
65	XL-0755-11	SHIFTER "BENNET"- AUTO. TRANS. HYDRAU. From E-638 To H-254						
70	XL-0755-15	SHIFTER ELECTRONIC - "ATEC" TRANSMISSION From E-638 To R-822						
70	XL-0755-16	SHIFTER ELECTRONIC - "WORLD" TRANSMISSION From R-823 To Y-7045						
75	XL-0760-00	RETARDER SELECTOR SWITCH - "WORLD" From R-823 To Y-7045						
		A) RETROFIT						

From E-638 To T-5778	Date:10/2022	PAGE:XL-0700-00
MANUAL TRANSMISSION - INSTALLATION		

WITH SERIE 71 & 92



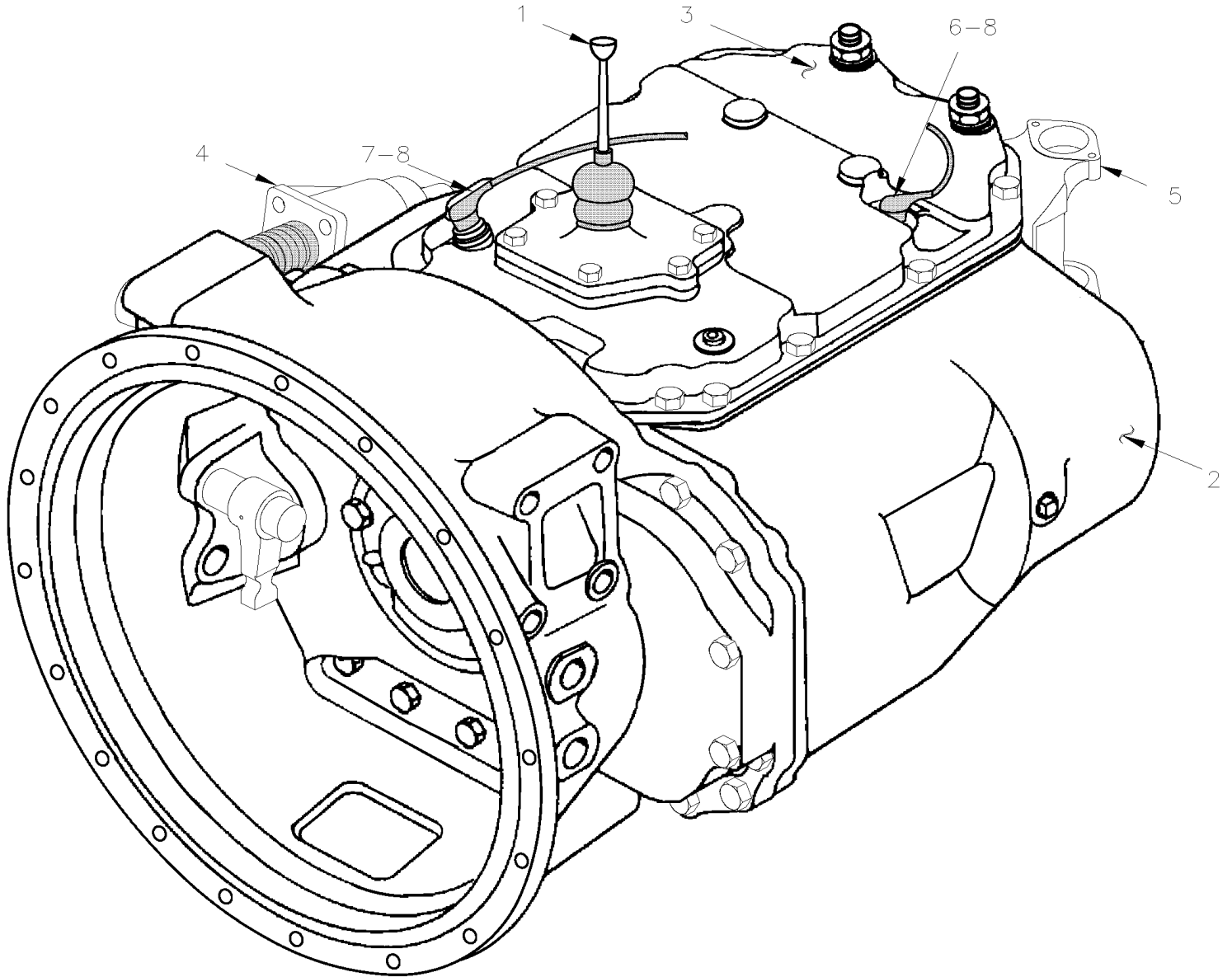
From E-638 To T-5778

Date:10/2022

PAGE:XL-0700-00

MANUAL TRANSMISSION - INSTALLATION

WITH SERIE 60



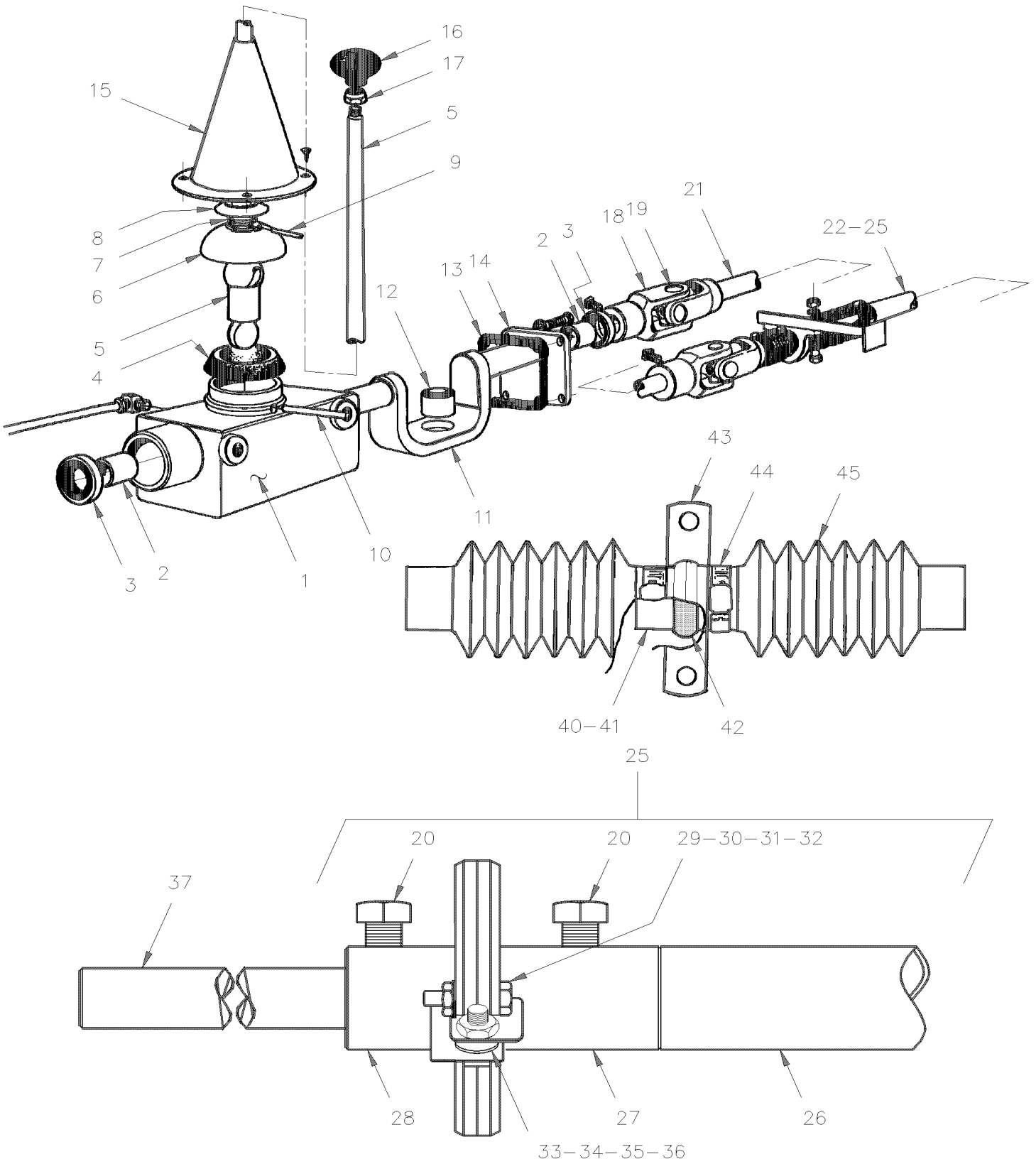
From E-638 To T-5778			Date:10/2022		PAGE:XL-0700-00			
MANUAL TRANSMISSION - INSTALLATION								
Item#	Part	Description	M T H 4 0	M T H 4 5	M T H 4 5 E	X L 4 0	X L 4 5	N O T E S
		A) FOR REPAIR YOKE & FLANGE						
		P) CALL ORDER DESK FOR SPECIFIC APPLICATION (V.I.N.)						

From E-638 To T-5778

Date:10/2022

PAGE:XL-0705-00

TRANSMISSION CONTROL & RODS



From E-638 To T-5778		Date:10/2022	PAGE:XL-0705-00
TRANSMISSION CONTROL & RODS			

Item#	Part	Description	M T H 4 0	M T H 4 5	M T H 4 5 E	X L 4 0	X L 4 5	N O T E S
1	070094	HOUSING ASSY				1		
2	570117	BUSHING				2		
3	570036	SEAL, OIL				2		
4	571469	WASHER COMPRESSION				1		
5	070342	LEVER SHIFT				1		
6	571468	CUP COMPRESSION				1		
7	571467	SPRING COMPRESSION / 1.154 O.D. x .634 x .120				1		
8	571466	COLLAR COMPRESSION				1		
NS	571464	BOOT RUBBER				1		
9	571465	PIN COLLAR				1		
10	571471	PIN				1		
11	571421	BRACKET ASSY				1		
12	571442	BUSHING				1		
13	570300	GASKET / REMOTE CONTROL				1		
14	N.S.S.	COVER				1		1
15	400039	BOOT COVERING / BLACK				1		
16	070124	KNOB / 6 SPEEDS				1		
NS	070929	KNOB / 7 SPEEDS				1		
17	502595	NUT HEX NYRT 1/2-13 Z050				1		
18	570074	U-JOINT ASSY 7/8" O.D.SHAFT				2		
NS	660259	KIT, CROSS & BEARING 15/16" O.D. X 2 1/4"				AR		
20	570025	SCREW SET SQ 7/16-20X1/2				AR		
21	070462	ROD 1ST SECTION / 54 9/16"				1		
22	070201	ROD 2ND SECTION / 82 15/16"				1		
22	500025	SCREW CAP HEX 5/16-24x1 G5 ZP				2		
23	070202	ROD 3RD SECTION / 82 15/16"				1		
23	500699	NUT HEX 5/16-24 Z050				2		
24	070464	ROD 4TH SECTION / 98"				1		
25	070370	ROD ASSY / 5TH SECTION / 37 1/2" / W/6V92 To P-742				1		
25	070508	ROD ASSY / 5TH SECTION / 34 3/4" / W/8V71 & 8V92 To P-742				1		
26	070432	ROD SUBASSY / 5TH SECTION / W/6V92				1		
26	070523	ROD SUBASSY / 5TH SECTION / W/8V71 & 8V92				1		
27	070308	COUPLING FLANGE				1		
28	070555	COUPLING FLANGE / WELDED				1		
31	500746	NUT HEX JAM 1-14 Z050				2		
32	500441	WASHER FL .312x.734x.065 Z050				2		
33	500010	SCREW CAP HEX 1/4-28x1 G5 PT ZP				1		
34	500692	NUT HEX 1/4-28 Z050				1		
35	500473	WASHER LO SPT .262x.489x.062 Z050				1		
36	500440	WASHER FL .250x.562x.065 Z050				AR		
37	070377	SHAFT 10 1/2" / W/6V92 To P-742				1		
37	070238	SHAFT 6" To P-742				1		

From E-638 To T-5778	Date:10/2022	PAGE:XL-0705-00
TRANSMISSION CONTROL & RODS		

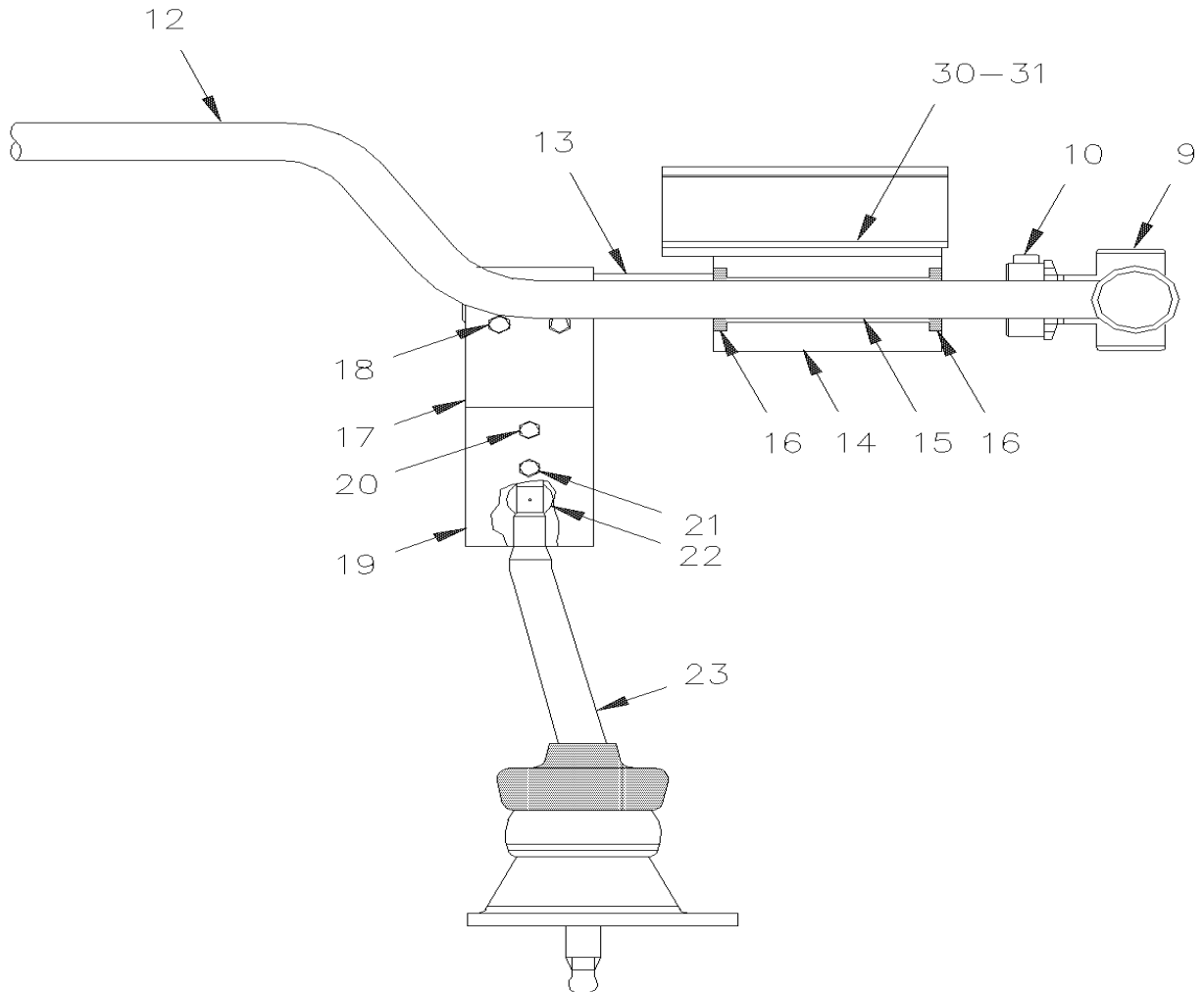
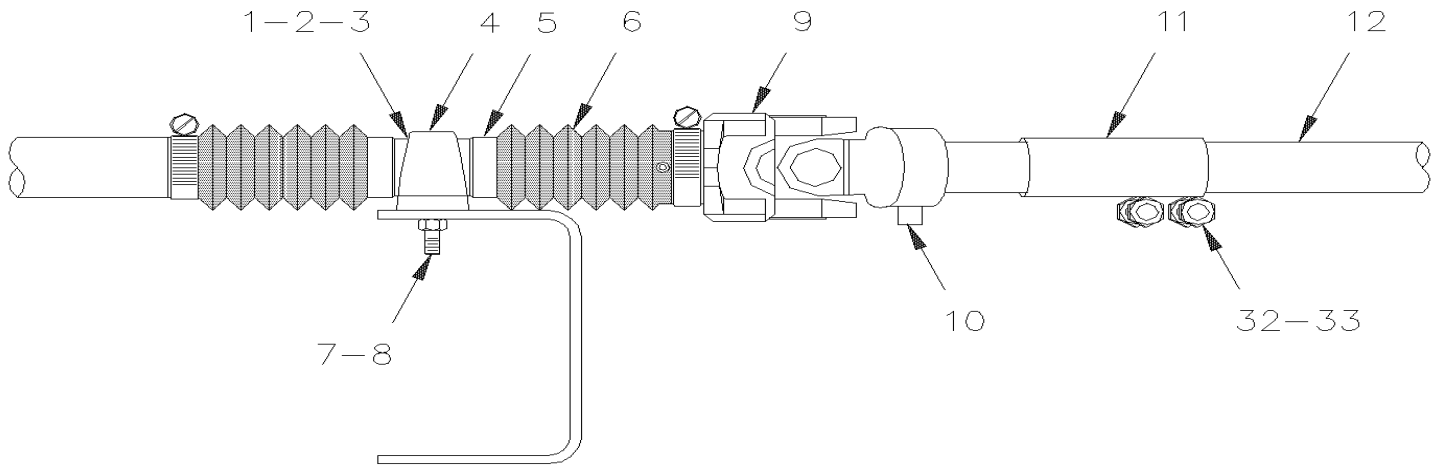
Item#	Part	Description	M T H 4 0	M T H 4 5	M T H 4 5 E	X L 4 0	X L 4 5	N O T E S
40	070341	BALL BUSHING ASSY To P-642				4		
40	070823	BUSHING ASSY From P-643				4		
41	070825	. COLLAR BUSHING RUBBER				1		
41	507049	. COLLAR BUSHING RUBBER				1		
42	507119	. BUSHING BALL / (LBAR-25)				1		
42	507327	. BUSHING TEFLON 1 I.D. X 1 1/8 O.D. X 1 (GLY.PGZ1616-F) From P-643				1		
43	504054	WIRE CLAMP / 1"1/4 I.D.				1		
44	504022	HOSE CLAMP / 3/4"-1"3/4 SS / HS-20				1		
45	590002	BOOT RUBBER				1		
NS	070536	GREASE TUBE ASSY (SHIFTING)				1		
NS	590004	BOOT RUBBER / CLOSING 5TH TO STRUCTURE				1		
		1) NOT SOLD SEPARATELY						

From P-741 To T-5778

Date:10/2022

PAGE:XL-0705-10

SHIFTER MECHANISM - REAR

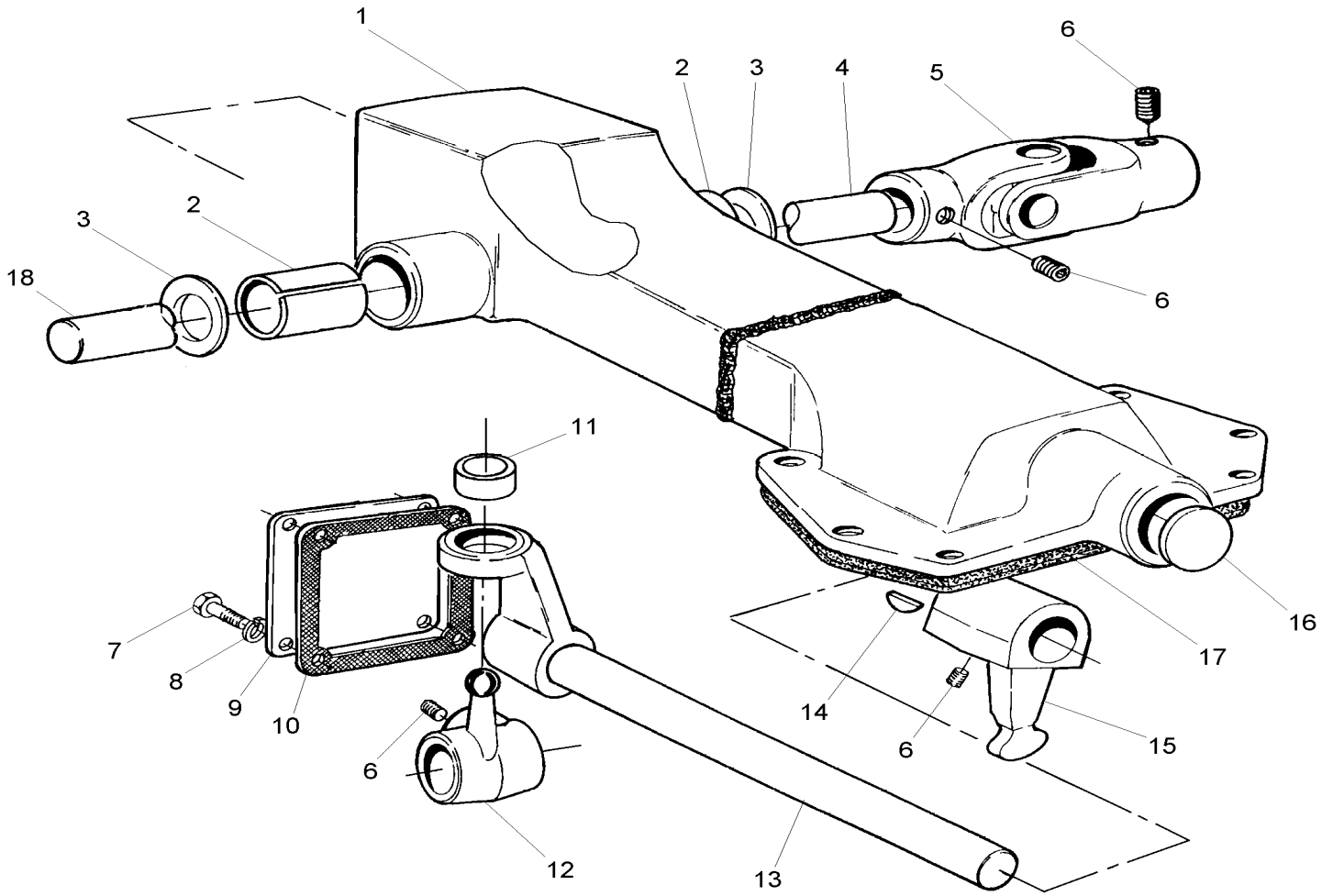


From E-638 To R-859

Date:10/2022

PAGE:XL-0710-00

REMOTE CONTROL ASSY - REAR



From E-638 To R-859	Date:10/2022	PAGE:XL-0710-00
REMOTE CONTROL ASSY - REAR		

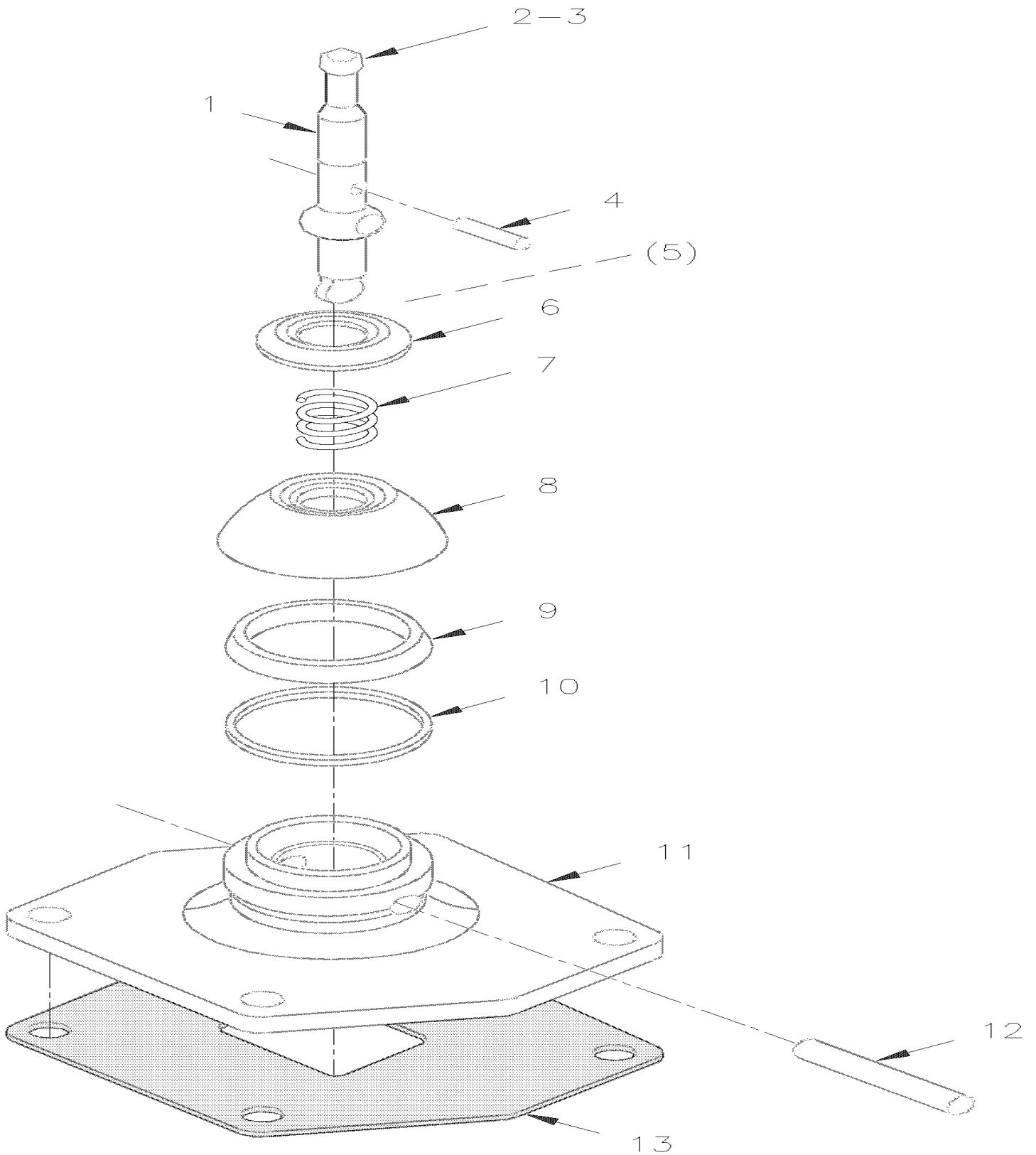
Item#	Part	Description	M T H 4 0	M T H 4 5	M T H 4 5 E	X L 4 0	X L 4 5	N O T E S
1	070383	REMOTE CONTROL ASSY W-1362-B To H-247				1		A
1	571297	. REMOTE CONTROL ASSY From H-248				1		
2	570117	. . BUSHING				4		
3	570036	. . SEAL, OIL				2		
4	570127	. . ROD				1		
5	570074	. . U-JOINT ASSY 7/8" O.D.SHAFT				1		
6	570025	. . SCREW SET SQ 7/16-20X1/2				4		
7	570387	. . SCREW CAP HEX 5/16-18x3/4				4		
8	570433	. . WASHER LO 5/16				4		
9	570138	. . COVER				1		
10	570300	. . GASKET / REMOTE CONTROL				1		
11	571442	. . BUSHING				1		
12	570061	. . FINGER				1		
13	571298	. . ROD 11 1/4 C/C				1		
14	570424	. . KEY WOODRUFF				1		
15	570062	. . FINGER, TRANS. SHIFTING				1		
16	570430	. . CAP				1		
17	570893	GASKET / SHIFTER LEVER W/CENTER CONTROL				1		
NS	660259	KIT, CROSS & BEARING 15/16" O.D. X 2 1/4"				AR		
18	571517	KIT BOOT PROTECTOR				1		
		A) THIS REMOTE IS MACHINED FOR ALTERNATOR CLEARANCE						

From R-860 To T-5778

Date:10/2022

PAGE:XL-0710-05

SHIFTER LEVER ASSY - REAR



From R-860 To T-5778	Date:10/2022	PAGE:XL-0710-05
SHIFTER LEVER ASSY - REAR		

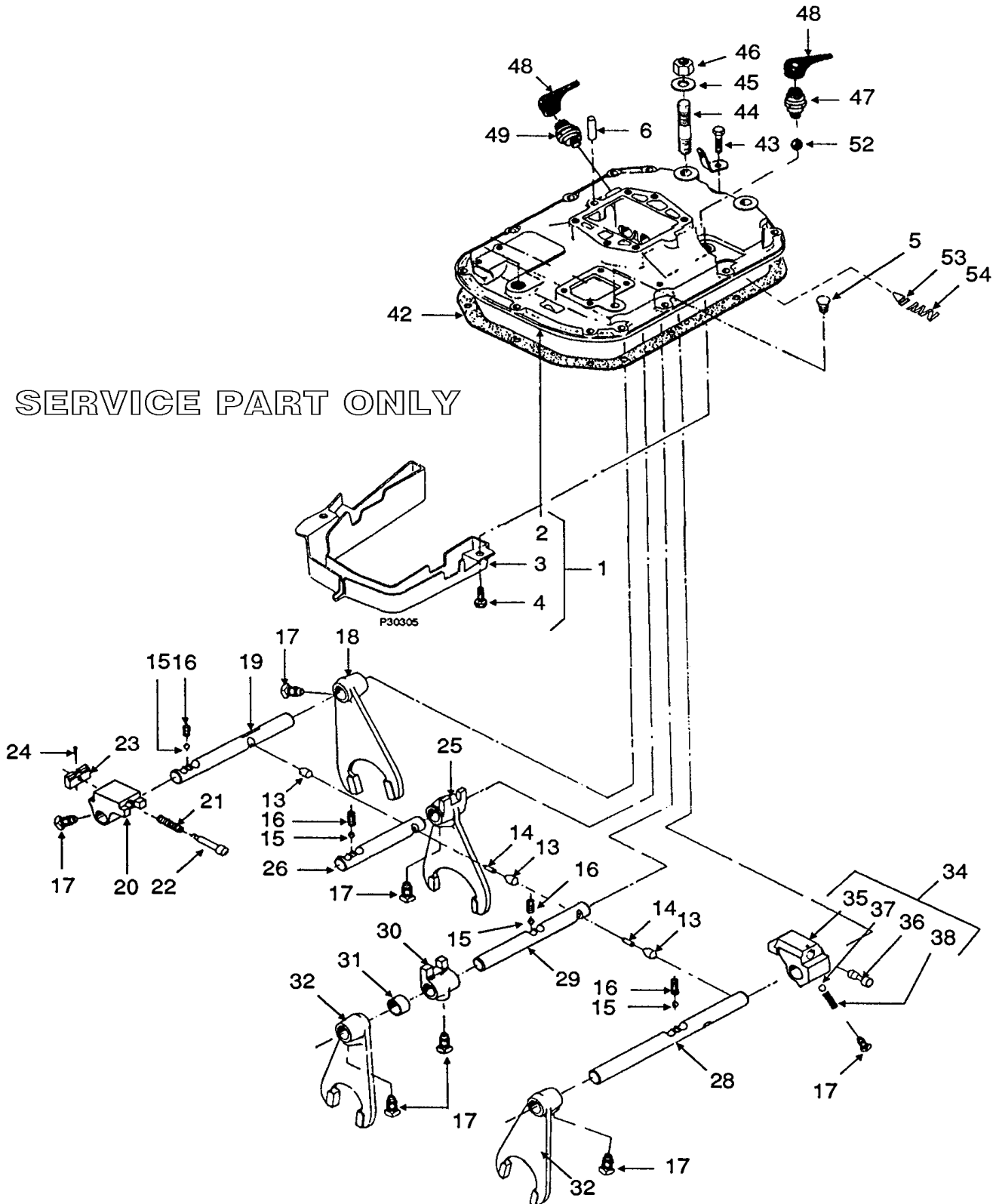
Item#	Part	Description	M T H 4 0	M T H 4 5	M T H 4 5 E	X L 4 0	X L 4 5	N O T E S
	571552	SHIFT LEVER ASSY W/FOWARD CONTROL				1		
1	571655	. LEVER ASSY				1		
2	N.S.S.	. . KNOB BALL				1		1
3	N.S.S.	. . PIN COLLAR / KNOB				1		1
4	571465	. PIN COLLAR				1		
5	571464	. BOOT RUBBER				1		
6	571466	. COLLAR COMPRESSION				1		
7	571467	. SPRING COMPRESSION / 1.154 O.D. x .634 x .120				1		
8	571468	. CUP COMPRESSION				1		
9	571469	. WASHER COMPRESSION				1		
10	571470	. RING SNAP W/FOWARD CONTROL				1		
11	N.S.S.	. BASE				1		1
12	571471	. PIN				1		
13	571574	GASKET / SHIFTER HOUSING & SHIFTER LEVER				1		
		1) NOT SOLD SEPARATELY						

From E-638 To R-859

Date:10/2022

PAGE:XL-0715-00

SHIFT COVER 6 SPEEDS W/CAST IRON CENTER



From E-638 To R-859		Date:10/2022	PAGE:XL-0715-00
SHIFT COVER 6 SPEEDS W/CAST IRON CENTER			

Item#	Part	Description	M T H 4 0	M T H 4 5	M T H 4 5 E	X L 4 0	X L 4 5	N O T E S
	571306	SHIFTER COVER HOUSING / 6 SPEEDS / W/CENTER CONTROL				1		A
1	571354	SHIFTER HOUSING & OIL TROUGH ASSY				1		A
2	N.S.S.	SHIFTER HOUSING				1		1
3	571355	OIL TROUGH				1		
4	571334	SCREW CAP HEXF 3/8-16 x 3/4"				2		
5	571357	BREATHER				1		
6	571358	PIN LOCK				1		
13	571362	INTERLOCK				3		
14	570007	PIN				3		
15	570088	BALL (FORMER)				4		B
NS	571526	SHIFTER HOUSING & OIL TROUGH ASSY				1		
16	571271	SPRING COMPRESSION / .301 O.D. x 1.430 x .064				4		
17	571363	SCREW SET 7/16-20x13/16				7		
18	571364	FORK / 1ST & REV				1		
19	571365	ROD / 1ST & REV				1		
20	571366	BRACKET / SHIFT ROD / 1ST & REV				1		
21	570162	SPRING COMPRESSION / .607 O.D. x 2. x .091				1		
22	570359	PLUNGER				1		
23	570213	BLOCK				1		
24	571367	PIN / PLUNGER				1		
25	570156	FORK / 2ND & 3RD				1		
26	571368	ROD / 2ND & 3RD				1		
28	571371	ROD / 4TH				1		
29	571370	ROD / 5TH & 6TH				1		
30	570350	BRACKET SHIFT				1		
31	570257	SPACER				1		
32	570157	FORK / 5TH & 6TH				2		
34	571372	SHIFT RDO BRACKET ASSY				1		
35	571373	BRACKET / SHIFT ROD				1		
36	571374	PLUNGER				1		
37	571375	BALL				1		
38	571376	SPRING				1		
42	570342	GASKET				1		
43	571347	SCREW CAP HEX 3/8-16x1 1/8				10		
44	571150	STUD 5/8-11 & 5/8-18 X 3 1/2"				2		
NS	571380	STUD 5/8-11 5/8-18x4				2		
45	571381	WASHER FL 5/8				2		
46	570383	NUT 5/8-18				2		
47	561019	SWITCH / NEUTRAL N.O. / W/MANUAL TRANSMISSION				1		
48	561012	PROTECTOR, TRANS. SWITCH				2		
49	560632	SWITCH / BACK-UP N.C. / W/MANUAL TRANSMISSION				1		
52	571422	BALL / NEUTRAL SWITCH				1		

From E-638 To R-859	Date:10/2022	PAGE:XL-0715-00
SHIFT COVER 6 SPEEDS W/CAST IRON CENTER		

Item#	Part	Description	M T H 4 0	M T H 4 5	M T H 4 5 E	X L 4 0	X L 4 5	N O T E S
53	571423	PLUNGER INTERNAL				1		
54	571424	SPRING PLUNGER				1		
NS	571356	KIT, PLUNGER, SPRING & POPPET FOR SHIFTER HOUSING W/CASE IRON ONLY				1		
		NOTE 1: IN AUGUST 1989 "DANA SPICER"						
		CHANGED DESIGN OF SHIFTER						
		HOUSING FOR A DIE CAST ALUMINIUM HOUSING						
		AND KEPT PARTS FOR SERVICE						
		AND IF YOU ORDER COVER ASSY						
		YOU WILL RECEIVE NEW MODEL						
		WITH DIE CAST ALUMINUM.						
		SEE PAGE XL-0715-01 FROM K-400						
		A) SEE NOTE 1						
		B) IN SOME CASE YOU COULD BE REPLACE BY ONE #571532 POPPET & ONE #571600 SPRING						
		1) NOT SOLD SEPARATELY						

From E-638 To R-859	Date:10/2022	PAGE:XL-0715-01
SHIFT COVER 6 SPEEDS - W/PS130-6B		

Item#	Part	Description	M T H 4 0	M T H 4 5	M T H 4 5 E	X L 4 0	X L 4 5	N O T E S
	571306	SHIFTER COVER HOUSING / 6 SPEEDS / W/CENTER CONTROL				1		
1	571354	. SHIFTER HOUSING & OIL TROUGH ASSY				1		
2	N.S.S.	. . SHIFTER HOUSING				1		1
NS	571578	. . RETAINER SHIFT ROD / REAR				1		
NS	571579	. . RETAINER SHIFT ROD / CENTER				1		
NS	571580	. . RETAINER SHIFT ROD				1		
3	571597	. . OIL TROUGH				1		
NS	571581	. . SCREW CAP HEX 3/8-16 X 1"				2		
4	571601	. . SCREW CAP HEX 3/8-16 x 3/4"				7		
5	571357	. BREATHER				1		
6	571358	. PIN LOCK				1		
13	571533	. INTERLOCK				3		
14	570007	. PIN				3		
15	571532	. POPPET / TO USE W/INSIDE SPRING #571600				4		
16	571600	. SPRING POPPET				4		
17	571582	. SCREW SET 7/16-20x3/4				7		
18	571364	. FORK / 1ST & REV				1		
19	571534	. ROD / 1ST & REV				1		
20	571366	. BRACKET / SHIFT ROD / 1ST & REV				1		
21	571535	. SPRING / PLUNGER				1		
22	571583	. PLUNGER				1		
23	570355	. RING LOCK				1		
25	570156	. FORK / 2ND & 3RD				1		
26	571528	. ROD / 2ND & 3RD				1		
28	571529	. ROD / 4TH				1		
29	571530	. ROD / 5TH & 6TH				1		
30	570350	. BRACKET SHIFT				1		
32	570157	. FORK / 5TH & 6TH				2		
33	571569	. SHIFT ROD BRACKET ASSY				1		
34	N.S.S.	. . BRACKET / SHIFT ROD				1		1
35	570087	. . BALL				1		
36	571584	. . PLUNGER				1		
37	571585	. . SNAP, RING				1		
38	571586	. . SPRING COMPRESSION / .600 O.D. x 2.205 x .065				1		
39	571587	. . SPRING COMPRESSION / .353 O.D. x 1. x .057				1		
42	570342	GASKET				1		
NS	570893	GASKET / SHIFTER LEVER W/CENTER CONTROL				1		
43	571347	SCREW CAP HEX 3/8-16x1 1/8				10		
44	571150	STUD 5/8-11 & 5/8-18 X 3 1/2"				2		
NS	571380	STUD 5/8-11 5/8-18x4				2		
45	571381	WASHER FL 5/8				2		
46	570383	NUT 5/8-18				2		

From E-638 To R-859	Date:10/2022	PAGE:XL-0715-01
SHIFT COVER 6 SPEEDS - W/PS130-6B		

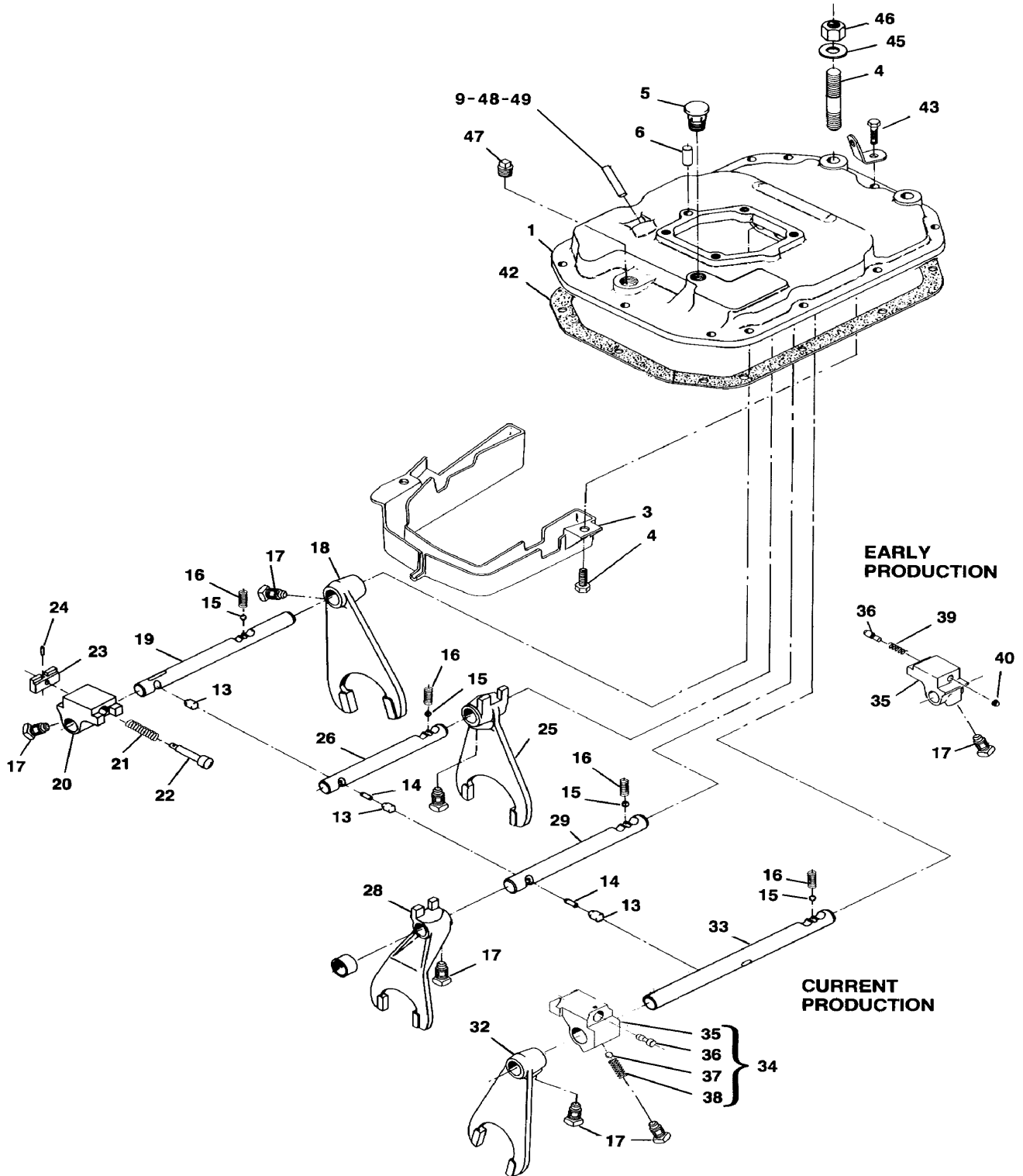
Item#	Part	Description	M T H 4 0	M T H 4 5	M T H 4 5 E	X L 4 0	X L 4 5	N O T E S
47	561019	SWITCH / NEUTRAL N.O. / W/MANUAL TRANSMISSION				1		
NS	571599	SPRING / NEUTRAL SWITCH				1		
NS	571598	PLUNGER / SWITCH & ROD				1		
48	561012	PROTECTOR, TRANS. SWITCH				2		
49	560632	SWITCH / BACK-UP N.C. / W/MANUAL TRANSMISSION				1		
NS	570374	PLUNGER / ROD & BACK-UP LIGHT SWITCH				1		
52	571422	BALL / NEUTRAL SWITCH				1		
		1) NOT SOLD SEPARATELY						

From R-860 To T-5778

Date:10/2022

PAGE:XL-0715-05

SHIFT COVER 6 SPEEDS W/CAST IRON FORWARD



From R-860 To T-5778	Date:10/2022	PAGE:XL-0715-05
SHIFT COVER 6 SPEEDS W/CAST IRON FORWARD		

Item#	Part	Description	M T H 4 0	M T H 4 5	M T H 4 5 E	X L 4 0	X L 4 5	N O T E S
		THIS SHIFTER HOUSING ASSY CAST IRON IS USED						
		ONLY W/PRODUCTION. WE SOLD SERVICE PARTS ONLY						
		& FOR SOLD 571376 AS SHOWN AT PAGE XL-0715-06						
	N.S.A.	SHIFTER HOUSING ASSY				1		3
1	571676	. SHIFTER HOUSING & OIL TROUGH ASSY				1		
2	N.P.N.	. . SHIFTER HOUSING				1		4
3	N.P.N.	. . OIL TROUGH				1		4
4	571237	. . SCREW 3/4" / TO FIX OIL TROUGH				2		
5	571357	. BREATHER				1		
6	571663	. PIN LOCK				1		
7	571667	. SCREW				1		
9	570374	. PLUNGER / ROD & BACK-UP LIGHT SWITCH				1		
13	571665	. INTERLOCK				3		
14	571666	. PIN				3		
15	571668	. POPPET / 5TH & 6TH SHIFT ROD				1		
16	571669	. SPRING / SHIFT ROD				1		
17	571582	. SCREW SET 7/16-20x3/4				7		
18	571364	. FORK / 1ST & REV				1		
19	571670	. ROD / 1ST & REV				1		
20	571366	. BRACKET / SHIFT ROD / 1ST & REV				1		
21	570162	. SPRING COMPRESSION / .607 O.D. x 2. x .091				1		
22	570359	. PLUNGER				1		
23	570213	. BLOCK				1		
24	571367	. PIN / PLUNGER				1		
25	570156	. FORK / 2ND & 3RD				1		
26	571671	. ROD / 2ND & 3RD				1		
28	571664	. FORK / 4TH				1		
29	571672	. ROD / 4TH				1		
32	570157	. FORK / 5TH & 6TH				1		
33	571673	. ROD / 5TH & 6TH				1		
34	571569	. SHIFT ROD BRACKET ASSY				1		
34	N.S.S.	. . BRACKET / SHIFT ROD				1		1
36	571584	. . PLUNGER				1		
37	570087	. . BALL				1		
38	571586	. . SPRING COMPRESSION / .600 O.D. x 2.205 x .065				1		
39	571587	SPRING COMPRESSION / .353 O.D. x 1. x .057				1		
40	571585	. . SNAP, RING				1		
42	570342	GASKET				1		
43	571347	SCREW CAP HEX 3/8-16x1 1/8				10		
44	571150	STUD 5/8-11 & 5/8-18 X 3 1/2"				2		
NS	571380	STUD 5/8-11 5/8-18x4				2		

From R-860 To T-5778	Date:10/2022	PAGE:XL-0715-05
SHIFT COVER 6 SPEEDS W/CAST IRON FORWARD		

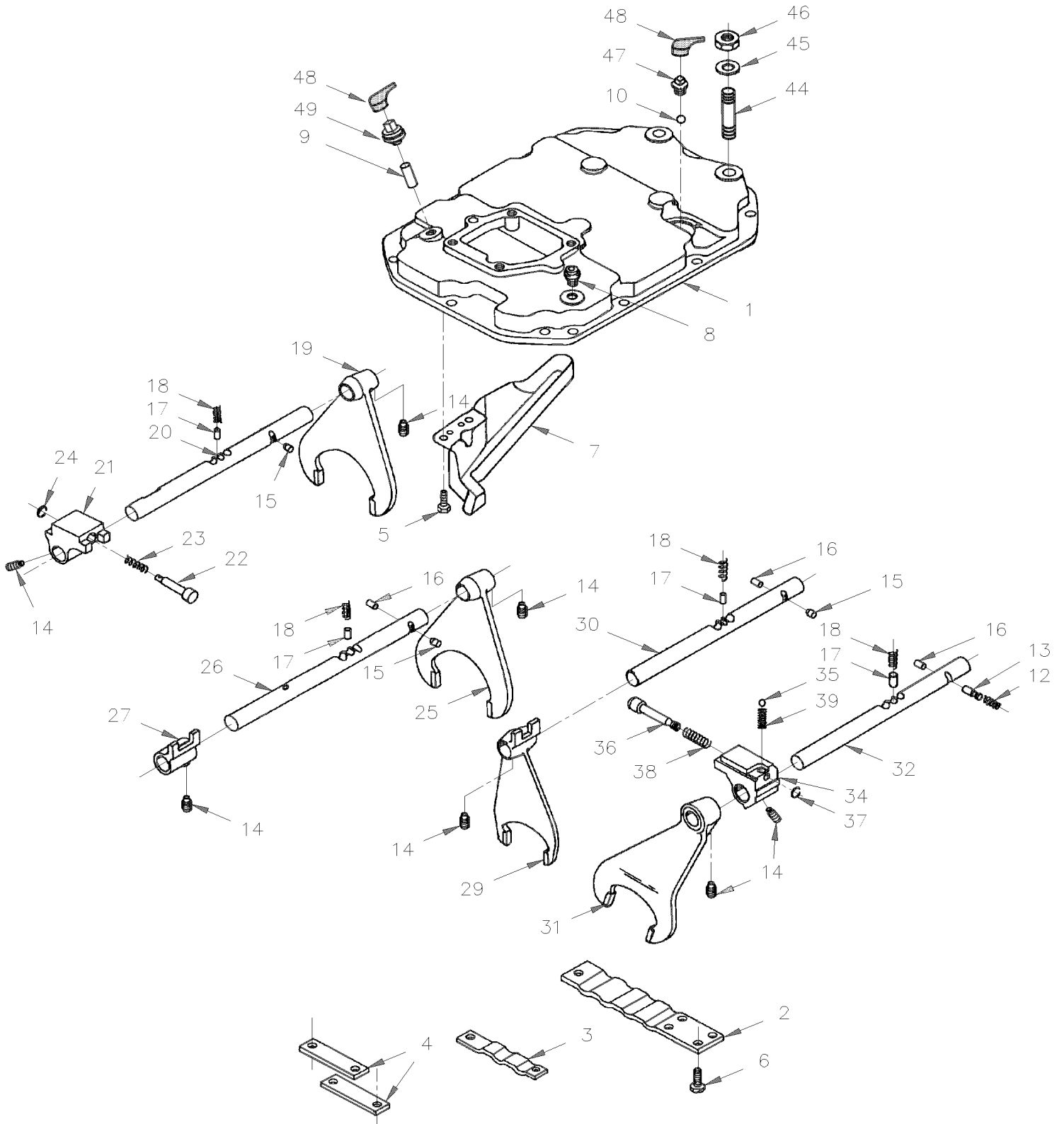
Item#	Part	Description	M T H 4 0	M T H 4 5	M T H 4 5 E	X L 4 0	X L 4 5	N O T E S
45	571381	WASHER FL 5/8				2		
46	570383	NUT 5/8-18				2		
47	561019	SWITCH / NEUTRAL N.O. / W/MANUAL TRANSMISSION				1		
NS	571422	BALL / NEUTRAL SWITCH				1		
48	561012	PROTECTOR, TRANS. SWITCH				2		
49	560632	SWITCH / BACK-UP N.C. / W/MANUAL TRANSMISSION				1		
		1) NOT SOLD SEPARATELY						
		3) NOT SOLD ASSEMBLY						
		4) NO PARTS NUMBER						

From R-860 To T-5778

Date:10/2022

PAGE:XL-0715-06

SHIFT COVER 6 SPEEDS W/DIE ALUM FOWARD



From R-860 To T-5778	Date:10/2022	PAGE:XL-0715-06
SHIFT COVER 6 SPEEDS W/DIE ALUM FOWARD		

Item#	Part	Description	M T H 4 0	M T H 4 5	M T H 4 5 E	X L 4 0	X L 4 5	N O T E S
	571576	SHIFTER COVER HOUSING / 6 SPEEDS W/FOWARD CONTROL				1		
1	571606	SHIFTER COVER HOUSING & OIL TROUGH ASSY				1		
2	N.S.S.	SHIFTER HOUSING				1		1
2	571578	RETAINER SHIFT ROD / REAR				AR		
3	571579	RETAINER SHIFT ROD / CENTER				1		
4	571580	RETAINER SHIFT ROD				1		
5	571601	SCREW CAP HEX 3/8-16 x 3/4"				2		
6	571581	SCREW CAP HEX 3/8-16 X 1"				7		
7	571597	OIL TROUGH				1		
8	571357	BREATHER				1		
9	570374	PLUNGER / ROD & BACK-UP LIGHT SWITCH				1		
10	571422	BALL / NEUTRAL SWITCH				1		
12	571599	SPRING / NEUTRAL SWITCH				1		
13	571598	PLUNGER / SWITCH & ROD				1		
14	571582	SCREW SET 7/16-20x3/4				7		
15	571533	INTERLOCK				3		
16	570007	PIN				3		
17	571532	POPPET / TO USE W/INSIDE SPRING #571600				4		
18	571600	SPRING POPPET				4		A
19	571364	FORK / 1ST & REV				1		
20	571603	ROD / 1ST & REV				1		
21	571366	BRACKET / SHIFT ROD / 1ST & REV				1		
22	571583	PLUNGER				1		
23	570162	SPRING COMPRESSION / .607 O.D. x 2. x .091				1		
24	570355	RING LOCK				1		
25	570156	FORK / 2ND & 3RD				1		
26	571604	ROD / 2ND & 3RD				1		
27	570350	BRACKET SHIFT				1		
29	571664	FORK / 4TH				1		
30	571605	ROD / 4TH				1		
31	570157	FORK / 5TH & 6TH				1		
32	571608	ROD / 5TH & 6TH				1		
33	571569	SHIFT ROD BRACKET ASSY				1		
34	N.S.S.	BRACKET / SHIFT ROD				1		1
35	570087	BALL				1		
36	571584	PLUNGER				1		
37	571585	SNAP, RING				1		
38	571586	SPRING COMPRESSION / .600 O.D. x 2.205 x .065				1		
39	571587	SPRING COMPRESSION / .353 O.D. x 1. x .057				1		
42	570342	GASKET				1		
43	571347	SCREW CAP HEX 3/8-16x1 1/8				10		
44	571150	STUD 5/8-11 & 5/8-18 X 3 1/2"				2		

From R-860 To T-5778	Date:10/2022	PAGE:XL-0715-06
SHIFT COVER 6 SPEEDS W/DIE ALUM FOWARD		

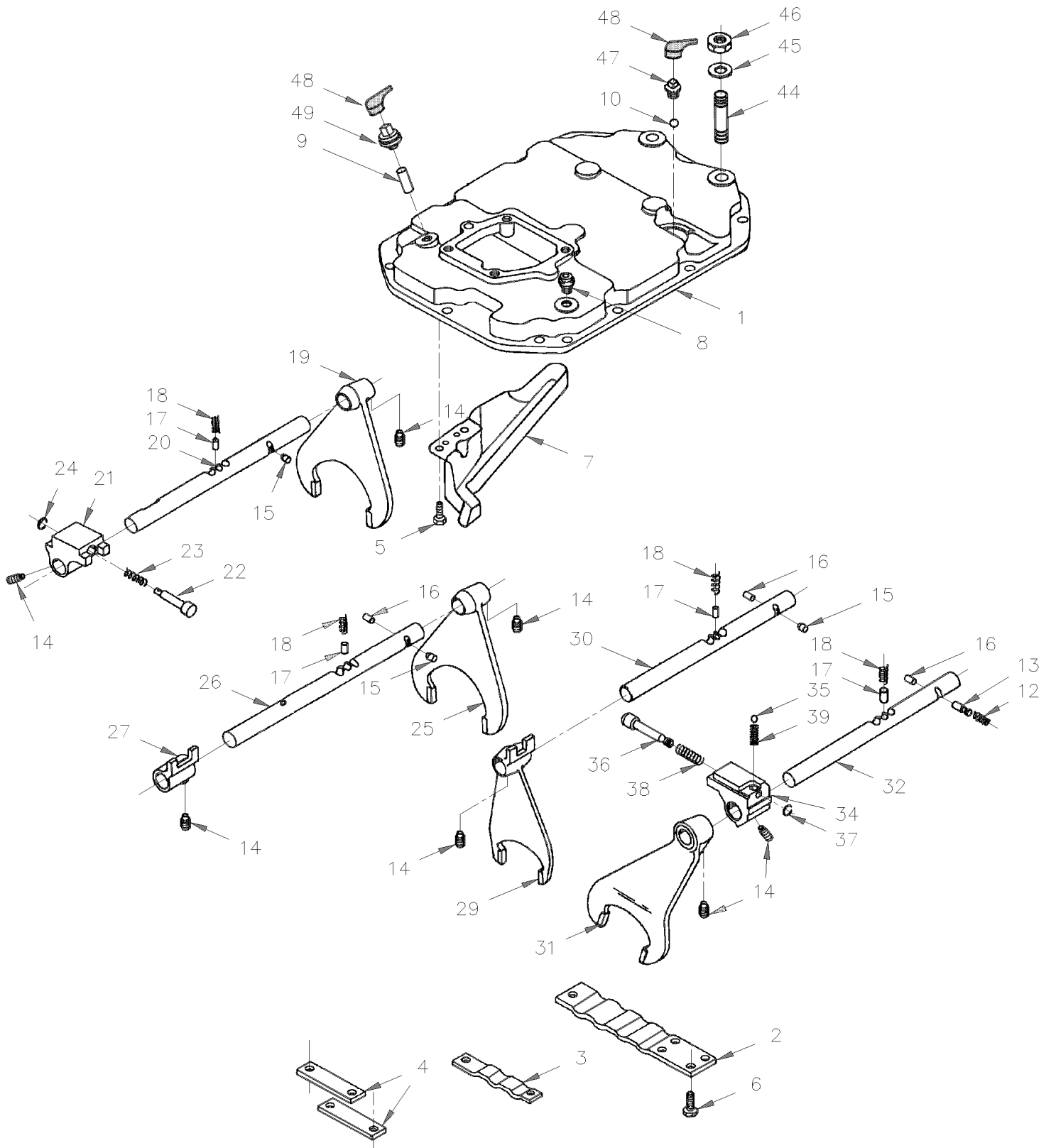
Item#	Part	Description	M T H 4 0	M T H 4 5	M T H 4 5 E	X L 4 0	X L 4 5	N O T E S
NS	571380	STUD 5/8-11 5/8-18x4				2		
45	571381	WASHER FL 5/8				2		
46	570383	NUT 5/8-18				2		
47	561019	SWITCH / NEUTRAL N.O. / W/MANUAL TRANSMISSION				1		
48	561012	PROTECTOR, TRANS. SWITCH				2		
49	560632	SWITCH / BACK-UP N.C. / W/MANUAL TRANSMISSION				1		
		A) TO USE INSIDE OF POPPET #571532						
		1) NOT SOLD SEPARATELY						

From R-860 To T-5778

Date:10/2022

PAGE:XL-0715-15

SHIFT COVER 7 SPEEDS W/DIE ALUM FOWARD



From R-860 To T-5778	Date:10/2022	PAGE:XL-0715-15
SHIFT COVER 7 SPEEDS W/DIE ALUM FOWARD		

Item#	Part	Description	M T H 4 0	M T H 4 5	M T H 4 5 E	X L 4 0	X L 4 5	N O T E S
	571577	SHIFTER COVER HOUSING / 7 SPEEDS W/FOWARD CONTROL				1		
1	571607	. SHIFTER COVER HOUSING & OIL TROUGH ASSY				1		
2	N.S.S.	. . SHIFTER HOUSING				1		1
2	571578	. . RETAINER SHIFT ROD / REAR				AR		
3	571579	. . RETAINER SHIFT ROD / CENTER				1		
4	571580	. . RETAINER SHIFT ROD				1		
5	571601	. . SCREW CAP HEX 3/8-16 x 3/4"				2		
6	571581	. . SCREW CAP HEX 3/8-16 X 1"				9		
7	571588	. . OIL TROUGH				1		
8	571357	. BREATHER				1		
9	570374	. PLUNGER / ROD & BACK-UP LIGHT SWITCH				1		
10	571422	. BALL / NEUTRAL SWITCH				1		
12	571599	. SPRING / NEUTRAL SWITCH				1		
13	571598	. PLUNGER / SWITCH & ROD				1		
14	571582	. SCREW SET 7/16-20x3/4				9		
15	571533	. INTERLOCK				3		
16	570007	. PIN				3		
17	571532	. POPPET / TO USE W/INSIDE SPRING #571600				4		
18	571600	. SPRING POPPET				1		A
19	571589	. FORK / 1ST & REV				1		
20	571590	. ROD / 1ST & REV				1		
21	571366	. BRACKET / SHIFT ROD / 1ST & REV				1		
22	571583	. PLUNGER				1		
23	570162	. SPRING COMPRESSION / .607 O.D. x 2. x .091				1		
24	570355	. RING LOCK				1		
25	571591	. FORK / 2ND & 3RD				1		
26	571592	. ROD / 2ND & 3RD				1		
27	570350	. BRACKET SHIFT				1		
29	571593	. FORK				2		
30	571594	. ROD / 4TH & 5TH				1		
31	571595	. FORK / 6TH & 7TH				1		
32	571596	. ROD / 6TH & 7TH				1		
33	571569	. SHIFT ROD BRACKET ASSY				1		
34	N.S.S.	. . BRACKET / SHIFT ROD				1		1
35	570087	. . BALL				1		
36	571584	. . PLUNGER				1		
37	571585	. . SNAP, RING				1		
38	571586	. . SPRING COMPRESSION / .600 O.D. x 2.205 x .065				1		
39	571587	. . SPRING COMPRESSION / .353 O.D. x 1. x .057				1		
43	500193	SCREW CAP HEX 3/8-16x1 1/2 G5 Z050				10		
44	571150	STUD 5/8-11 & 5/8-18 X 3 1/2"				2		
NS	571380	STUD 5/8-11 5/8-18x4				2		

From R-860 To T-5778	Date:10/2022	PAGE:XL-0715-15
SHIFT COVER 7 SPEEDS W/DIE ALUM FOWARD		

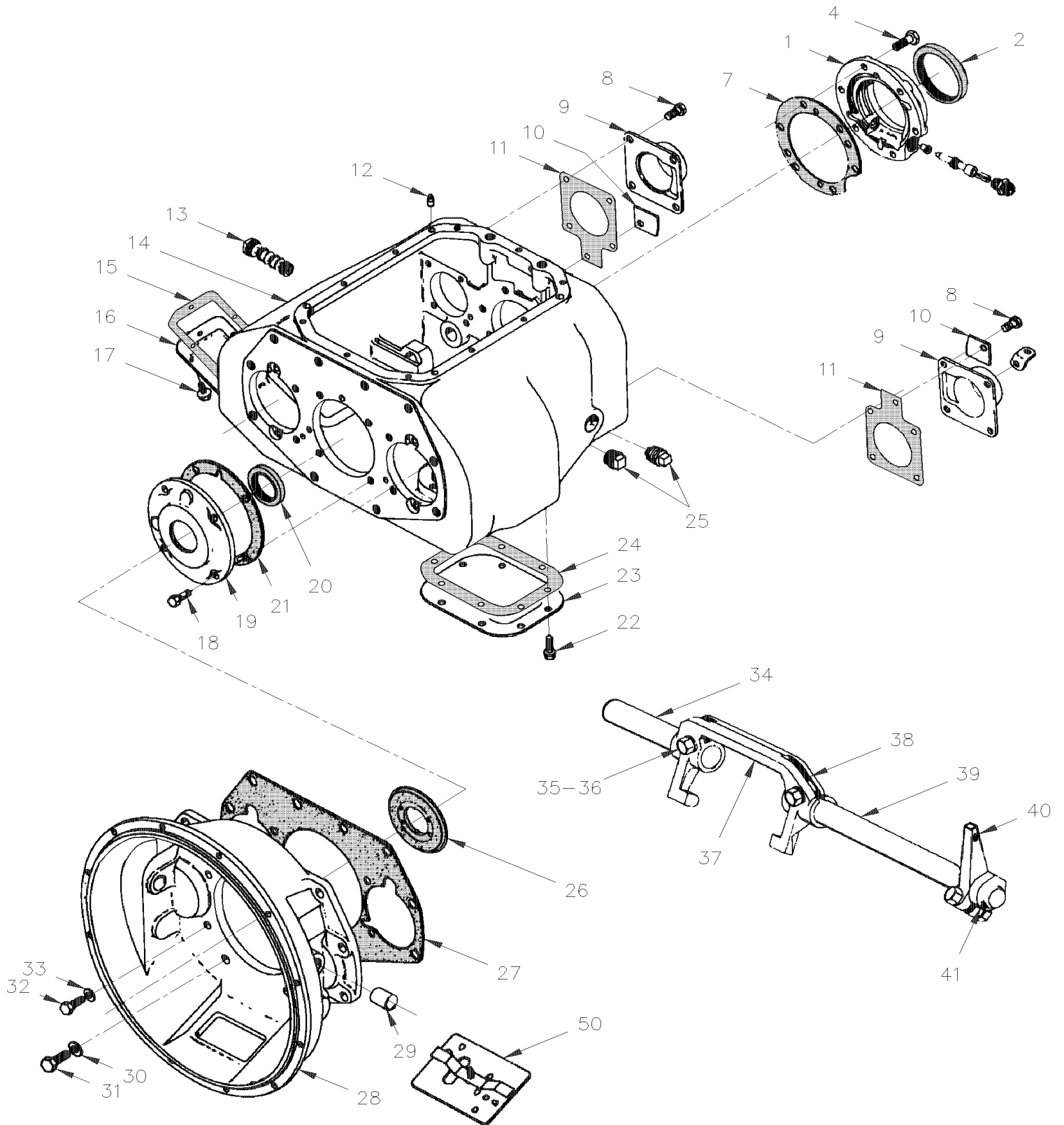
Item#	Part	Description	M T H 4 0	M T H 4 5	M T H 4 5 E	X L 4 0	X L 4 5	N O T E S
45	571381	WASHER FL 5/8				2		
46	570383	NUT 5/8-18				2		
47	561019	SWITCH / NEUTRAL N.O. / W/MANUAL TRANSMISSION				1		
48	561012	PROTECTOR, TRANS. SWITCH				2		
49	560632	SWITCH / BACK-UP N.C. / W/MANUAL TRANSMISSION				1		
NS	571575	SEALANT GASKET - TUBE 24CC				1		
NS	571574	GASKET / SHIFTER HOUSING & SHIFTER LEVER				1		
NS	571618	KIT GASKET				AR		
		A) TO USE INSIDE OF POPPET #571532						
		1) NOT SOLD SEPARATELY						

From E-638 To R-859

Date:10/2022

PAGE:XL-0720-00

TRANSMISSION MANUAL 6 SPEEDS - PS130-6B



From E-638 To R-859	Date:10/2022	PAGE:XL-0720-00
TRANSMISSION MANUAL 6 SPEEDS - PS130-6B		

Item#	Part	Description	M T H 4 0	M T H 4 5	M T H 4 5 E	X L 4 0	X L 4 5	N O T E S
	571482	TRANSMISSION ASSY 6 SPEEDS / MODEL PS130-6B W/CENTER CONTROL				1		
	571551	TRANSMISSION ASSY 6 SPEEDS / MODEL PS130-6B W/FOWARD CONTROL				1		
1	571497	BEARING RETAINER ASSY				1		
2	570364	SEAL				1		
4	571341	SCREW CAP HEX 1/2-13x1 1/2				4		
NS	571611	SCREW CAP HEX 1/2-13x2 1/2				2		
7	570345	GASKET				1		
8	571339	SCREW CAP HEXF 3/8-16 x 15/16"				10		
9	571338	RETAINER BEARING				2		
10	571337	COVER IDLER				2		
11	571336	GASKET				2		
12	570011	PIN DOWEL				2		
13	570153	PLUG MAGNETIC				2		
14	571333	CASE ASSY				1		
15	570218	GASKET / P.T.O. W/6 HOLES				1		
16	570229	COVER P.T.O. W/6 HOLES				1		
17	571334	SCREW CAP HEXF 3/8-16 x 3/4"				6		
18	571347	SCREW CAP HEX 3/8-16x1 1/8				4		
19	571345	BEARING RETAINER ASSY				1		
20	571346	SEAL				1		
21	570344	GASKET				1		
22	571335	SCREW CAP HEX 7/16-14x3/4				8		
23	570296	COVER P.T.O. W/8 HOLES				1		
24	570035	GASKET P.T.O. W/8 HOLES				1		
25	570094	. PLUG DRAIN & FILL				2		
26	XL-0205-01	CLUTCH PRESSURE PLATE ASSY - WITH DETROIT S-50 & S-60						
27	570348	GASKET				1		
28	570197	CLUTCH HOUSING ASSY				1		
29	570075	. BUSHING				4		
30	571349	WASHER FL 1.125x.625x0.600				10		
31	571348	SCREW CAP HEX 5/8-11 X 1 3/4				10		
32	571350	SCREW CAP HEX 1/2-13 X 1 1/4				4		
33	571351	WASHER, 1/2" I.D. FLAT				4		
34	570369	CLUTCH SHAFT 1" X 5 3/4"				1		
35	570199	SCREW				2		
36	570431	WASHER LOCK				2		
37	570172	YOKE CLUTCH RELEASE				1		
38	570030	KEY WASHER				2		
39	020303P	CLUTCH SHAFT 1"X11"1/4 (FORMER) 1362-B To L-484				1		
39	020378	CLUTCH SHAFT 1"X11"1/4 (CURRENT) 1362-B From L-485 To L-684				1		
39	020377	CLUTCH SHAFT 1"X 9" 11/16" From L-685				1		
40	020308	LEVER, CLUTCH SHAFT 3 1/4" C/C To L-684				1		

From E-638 To R-859	Date:10/2022	PAGE:XL-0720-00
TRANSMISSION MANUAL 6 SPEEDS - PS130-6B		

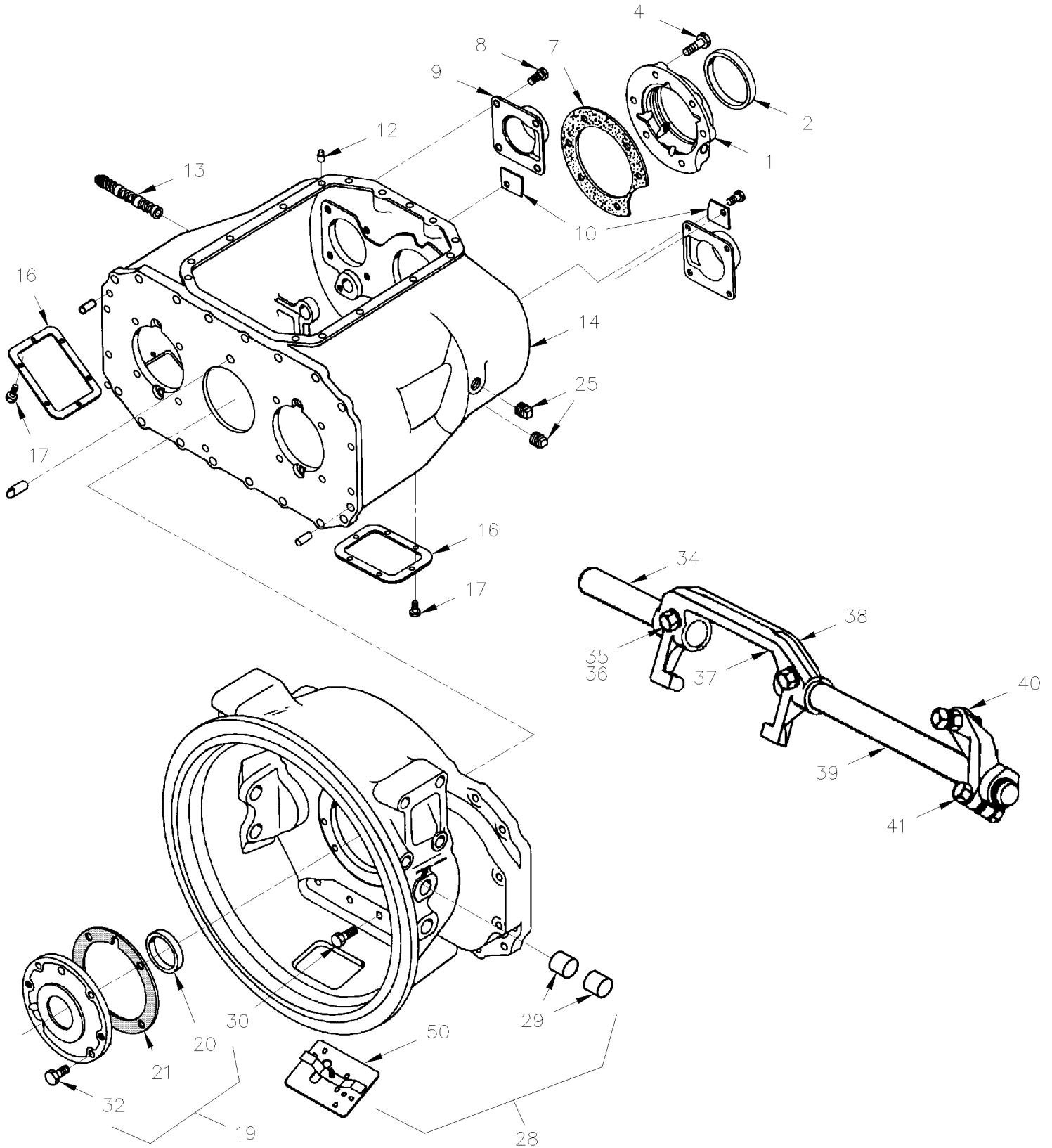
Item#	Part	Description	M T H 4 0	M T H 4 5	M T H 4 5 E	X L 4 0	X L 4 5	N O T E S
40	070692	LEVER, CLUTCH SHAFT 71MM C/C From L-685 To R-774				1		
40	020433	LEVER, CLUTCH SHAFT 71MM C/C From R-775				1		
41	550186	KEY 1/4" X 1/4" X 1 1/4"				1		
41	505154	KEY, WOODRUFF #18 / 1/8" X 1 1/8"				1		
50	020280	COVER ASSY (MODIFIED)				1		
50	500536	. SCREW TP HEXW SLT #14x1 ZP				2		A
NS	570342	GASKET				1		
NS	571574	GASKET / SHIFTER HOUSING & SHIFTER LEVER				1		
NS	570893	GASKET / SHIFTER LEVER W/CENTER CONTROL				1		
NS	571377	KIT GASKET				AR		C
NS	571383	KIT BEARING & SEAL				AR		B
		A) TO FIX COVER						
		B) INCLUDE TOO 1,2,3,6,8,10,14,17,23,26,29 7 31 ON XL-0725-00 & ITEMS 1,10,11 & 14 ON XL-0730-00						
		C) INCLUDE ITEMS 7,11,15,21,27 & 50 (GASKET)						

From R-860 To T-5778

Date:10/2022

PAGE:XL-0720-01

TRANSMISSION MANUAL 7 SPEEDS - PS145-7A



From R-860 To T-5778	Date:10/2022	PAGE:XL-0720-01
TRANSMISSION MANUAL 7 SPEEDS - PS145-7A		

Item#	Part	Description	M T H 4 0	M T H 4 5	M T H 4 5 E	X L 4 0	X L 4 5	N O T E S
	571458	TRANSMISSION ASSY 7 SPEEDS / MODEL PS145-7A				1		
1	571609	BEARING RETAINER ASSY				1		
2	571610	SEAL				1		
4	571341	SCREW CAP HEX 1/2-13x1 1/2				4		
NS	571611	SCREW CAP HEX 1/2-13x2 1/2				2		
7	570345	GASKET				1		
8	571339	SCREW CAP HEXF 3/8-16 x 15/16"				10		
9	571338	RETAINER BEARING				2		
10	571337	COVER IDLER				2		
12	570011	PIN DOWEL				2		
13	570153	PLUG MAGNETIC				2		
14	571612	CASE ASSY				1		
16	570229	COVER P.T.O. W/6 HOLES				2		
17	571334	SCREW CAP HEXF 3/8-16 x 3/4"				12		
18	571347	SCREW CAP HEX 3/8-16x1 1/8				4		
19	571613	BEARING RETAINER ASSY				1		
20	571614	SEAL KIT				1		
20	N.S.S.	SLEEVE / TO USE W/SEAL				1		1
21	570344	GASKET				1		
25	570094	. PLUG DRAIN & FILL				2		
26	XL-0205-01	CLUTCH PRESSURE PLATE ASSY - WITH DETROIT S-50 & S-60						
28	571615	CLUTCH HOUSING ASSY				1		
29	571616	. BUSHING				4		
30	571617	SCREW CAP HEX 5/8-11x2				16		
NS	571653	SCREW CAP HEX 3/8-16x3				4		
32	571347	SCREW CAP HEX 3/8-16x1 1/8				4		
34	570369	CLUTCH SHAFT 1" X 5 3/4"				1		
35	570199	SCREW				2		
36	570431	WASHER LOCK				2		
37	570172	YOKE CLUTCH RELEASE				1		
38	570030	KEY WASHER				2		
39	020377	CLUTCH SHAFT 1"X 9" 11/16"				1		
40	020433	LEVER, CLUTCH SHAFT 71MM C/C				1		
41	505154	KEY, WOODRUFF #18 / 1/8" X 1 1/8"				1		
50	020280	COVER ASSY (MODIFIED)				1		
NS	571574	GASKET / SHIFTER HOUSING & SHIFTER LEVER				1		
NS	571575	SEALANT GASKET - TUBE 24CC				1		
NS	571619	KIT BEARING & SEAL & ITEMS 8,11,12 & 15 ON PAGE 0730-01				AR		A
NS	571618	KIT GASKET				AR		B

From R-860 To T-5778	Date:10/2022	PAGE:XL-0720-01
TRANSMISSION MANUAL 7 SPEEDS - PS145-7A		

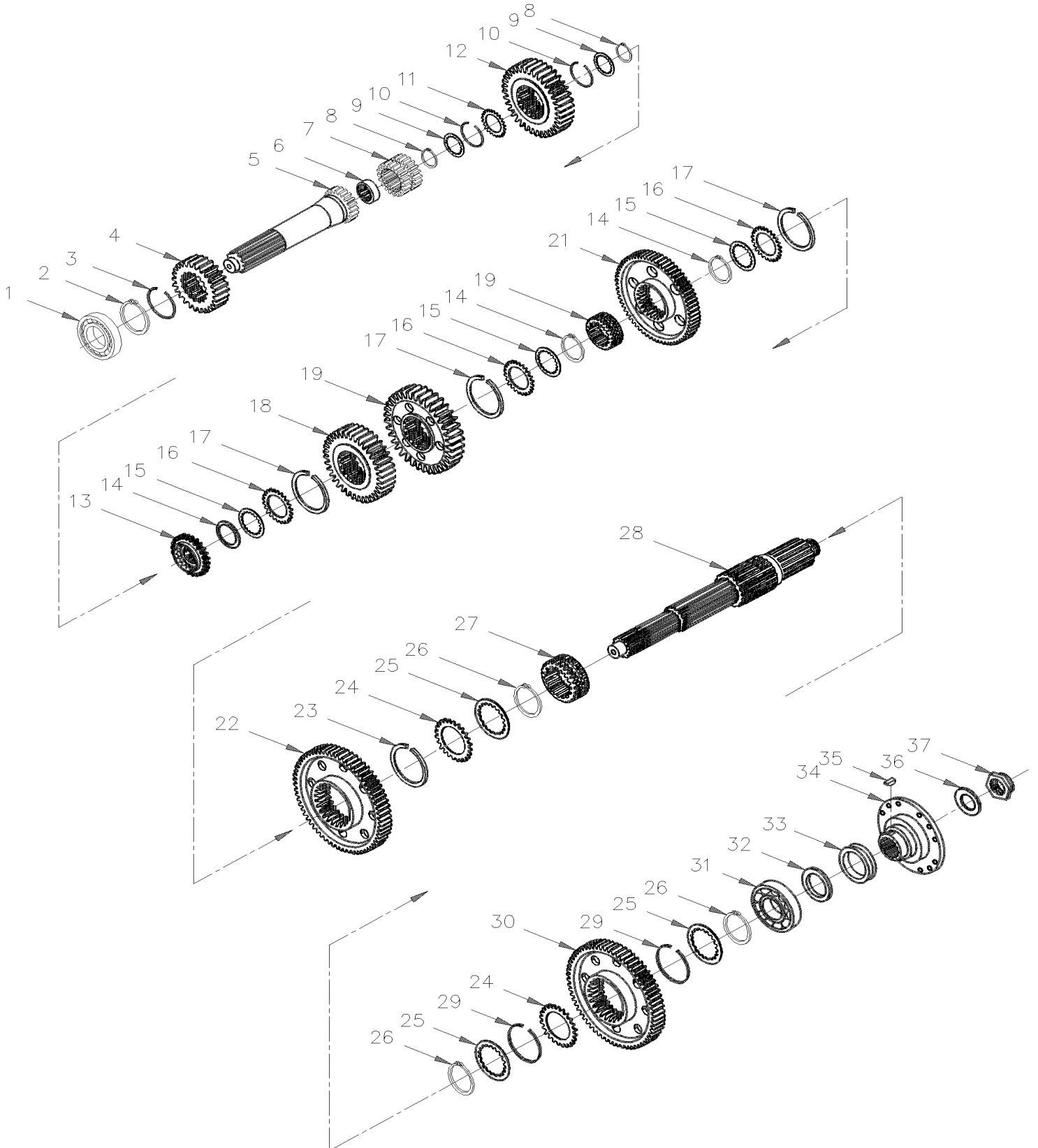
Item#	Part	Description	M T H 4 0	M T H 4 5	M T H 4 5 E	X L 4 0	X L 4 5	N O T E S
		A) W/ITEMS 1,2,3,5,7,9,10,11,12,15,16,17,18,20,22,24,25,26,27,32 & 34 ON XL-0725-01						
		B) FOR USE W/9.00 WHEEL ONLY						
		1) NOT SOLD SEPARATELY						

From E-638 To R-859

Date:10/2022

PAGE:XL-0725-00

GEAR & RELATED PARTS W/6 SPEEDS



From E-638 To R-859	Date:10/2022	PAGE:XL-0725-00
GEAR & RELATED PARTS W/6 SPEEDS		

Item#	Part	Description	M T H 4 0	M T H 4 5	M T H 4 5 E	X L 4 0	X L 4 5	N O T E S
1	571308	BEARING				1		
2	571309	RING SNAP				1		
3	570354	RING SNAP - INT				1		
4	571310	GEAR INPUT / 26T				1		
5	571312	SHAFT INPUT 2" / 10 SPLINES				1		
6	571313	BEARING POCKET				1		
7	570367	COLLAR 5TH-6TH CLUTCH				1		
8	571314	RING SNAP				2		
9	570212	WASHER THRUST / INT 13T				2		
10	570354	RING SNAP - INT				2		
11	570209	WASHER THRUST / EXT 17T				1		
12	570169	GEAR 5TH / 32T				1		
13	571315	COLLAR 4TH / SPEED CLUTCH				1		
14	570356	RING SNAP				3		
15	570207	WASHER THRUST / INT 15T				3		
16	571273	WASHER THRUST / EXT 20T				3		
17	570353	RING SNAP				3		
18	570168	GEAR 4TH / 38T				1		
19	570167	GEAR 3RD / 56T				1		
20	571254	COLLAR / 2ND-3RD				1		
21	571316	GEAR 2ND / 56T				1		
22	571256	GEAR 1ST / 64T				1		
23	571257	RING SNAP - INT				1		
24	571317	WASHER THRUST / EXT 24T				2		
25	571318	WASHER THRUST / INT 18T				3		
26	571319	RING SNAP				3		
27	571320	COLLAR / 1ST-REV.				1		
28	571321	SHAFT MAIN				1		
29	571322	RING SNAP - INT				2		
30	571323	GEAR REV / 64T				1		
31	571324	BEARING REAR				1		
32	571325	SPACER				2		
33	571304	GEAR DRIVE / SPEEDOMETER / W/ELECTRONIC SENDING UNIT				1		
NS	571479	SPEEDOMETER DRIVE TOOTH WHEEL				1		
34	571327	COMPANION FLANGE / W/MANUAL TRANS (20 SPL) 6 SPEEDS				1		
35	570376	KEY WOODRUFF				1		
36	570211	WASHER FLAT				1		
37	571328	NUT SELF-LOCKING 1 3/4-16				1		
NS	571379	KIT SNAP RING				AR		A
NS	571352	KIT THRUST WASHER				AR		

From E-638 To R-859	Date:10/2022	PAGE:XL-0725-00
---------------------	--------------	-----------------

GEAR & RELATED PARTS W/6 SPEEDS

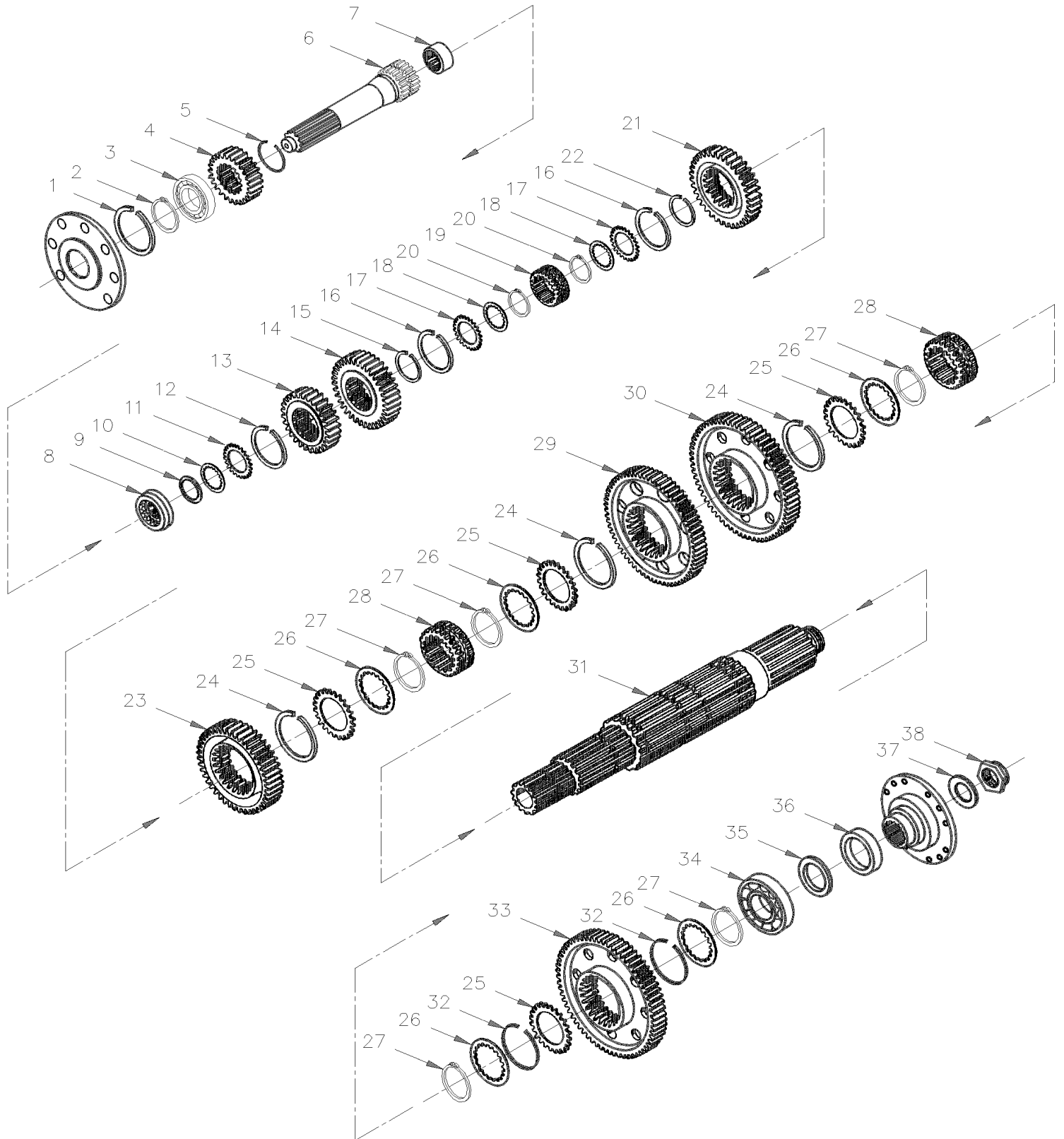
Item#	Part	Description	M T H 4 0	M T H 4 5	M T H 4 5 E	X L 4 0	X L 4 5	N O T E S
37	571383	KIT BEARING & SEAL				AR		C
		A) INCLUDE ITEMS 2,3,8,10,14,17,23,26 & 29 & ITEMS 1 &10 IN PAGE XL-0730-00						
		C) SEE ATTACHED TEXT TO KNOW THE PARTS INCLUDE IN THIS KIT						

From R-860 To T-5778

Date:10/2022

PAGE:XL-0725-01

GEAR & RELATED PARTS W/7 SPEEDS



From R-860 To T-5778	Date:10/2022	PAGE:XL-0725-01
GEAR & RELATED PARTS W/7 SPEEDS		

Item#	Part	Description	M T H 4 0	M T H 4 5	M T H 4 5 E	X L 4 0	X L 4 5	N O T E S
1	571620	RING SNAP				1		
2	571621	RING SNAP				1		
3	571622	BEARING				1		
4	571623	GEAR INPUT / 24T				1		
5	571624	RING SNAP				3		
6	571625	SHAFT INPUT 2" / 10 SPLINES				1		
7	571626	BEARING POCKET				1		
8	571627	COLLAR 6TH & 7TH				1		
9	571650	RING SNAP - EXT				2		
10	571628	WASHER THRUST / INT 22T				2		
11	571629	WASHER THRUST / EXT 17T				1		
12	570354	RING SNAP - INT				2		
13	571630	GEAR 6TH / 24T				1		
14	571631	GEAR 5TH / 34T				1		
15	571632	RING SNAP - INT				3		
16	570357	RING SNAP - INT				1		
17	571273	WASHER THRUST / EXT 20T				3		
18	571633	WASHER THRUST / INT 36T				3		
19	571634	COLLAR 4TH & 5TH / 20T				1		
20	571635	RING SNAP - EXT.				1		
21	571636	GEAR 4TH / 40T				1		
22	571632	RING SNAP - INT				1		
23	571637	GEAR 3RD / 48T				1		
24	571257	RING SNAP - INT				1		
25	571317	WASHER THRUST / EXT 24T				2		
26	571638	WASHER THRUST / INT 48T				3		
27	571319	RING SNAP				3		
28	571639	COLLAR 1ST & REV / 2SD & 3TH				1		
29	571640	GEAR 2ND / 58T				1		
30	571256	GEAR 1ST / 64T				1		
31	571641	SHAFT MAIN				1		
32	571322	RING SNAP - INT				2		
33	571323	GEAR REV / 64T				1		
34	571324	BEARING REAR				1		
35	571642	SPACER				2		
36	571479	SPEEDOMETER DRIVE TOOTH WHEEL				1		
37	570211	WASHER FLAT				1		
38	571328	NUT SELF-LOCKING 1 3/4-16				1		
NS	571651	KIT THRUST WASHER / INCLUDE ITEMS 1,5,9,12,15,16,20,22,24,27&32						B
NS	571652	KIT SNAP RING						A

From R-860 To T-5778	Date:10/2022	PAGE:XL-0725-01
----------------------	--------------	-----------------

GEAR & RELATED PARTS W/7 SPEEDS

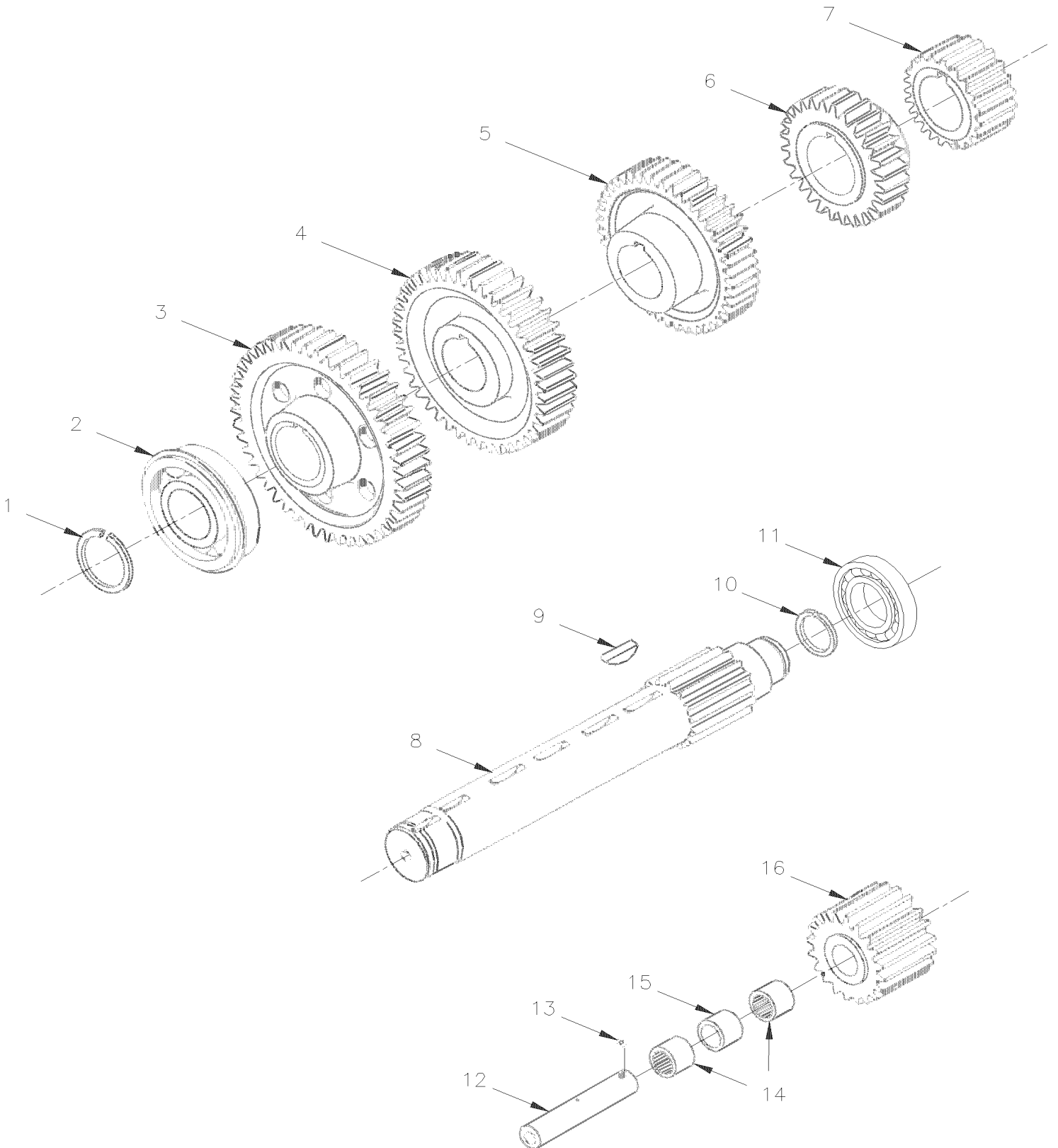
Item#	Part	Description	M T H 4 0	M T H 4 5	M T H 4 5 E	X L 4 0	X L 4 5	N O T E S
38	571619	KIT BEARING & SEAL						
		A) INCLUDE ITEMS 1,5,9,12,15,16,20,22,24,27 & 32 & ITEMS 8 & 11 ON PAGE XL-0730-01						
		B) W/ITEMS 8 & 11 ON PAGES 0730-01						

From E-638 To R-859

Date:10/2022

PAGE:XL-0730-00

COUNTERSHAFT GROUP W/6 SPEEDS



From E-638 To R-859	Date:10/2022	PAGE:XL-0730-00
COUNTERSHAFT GROUP W/6 SPEEDS		

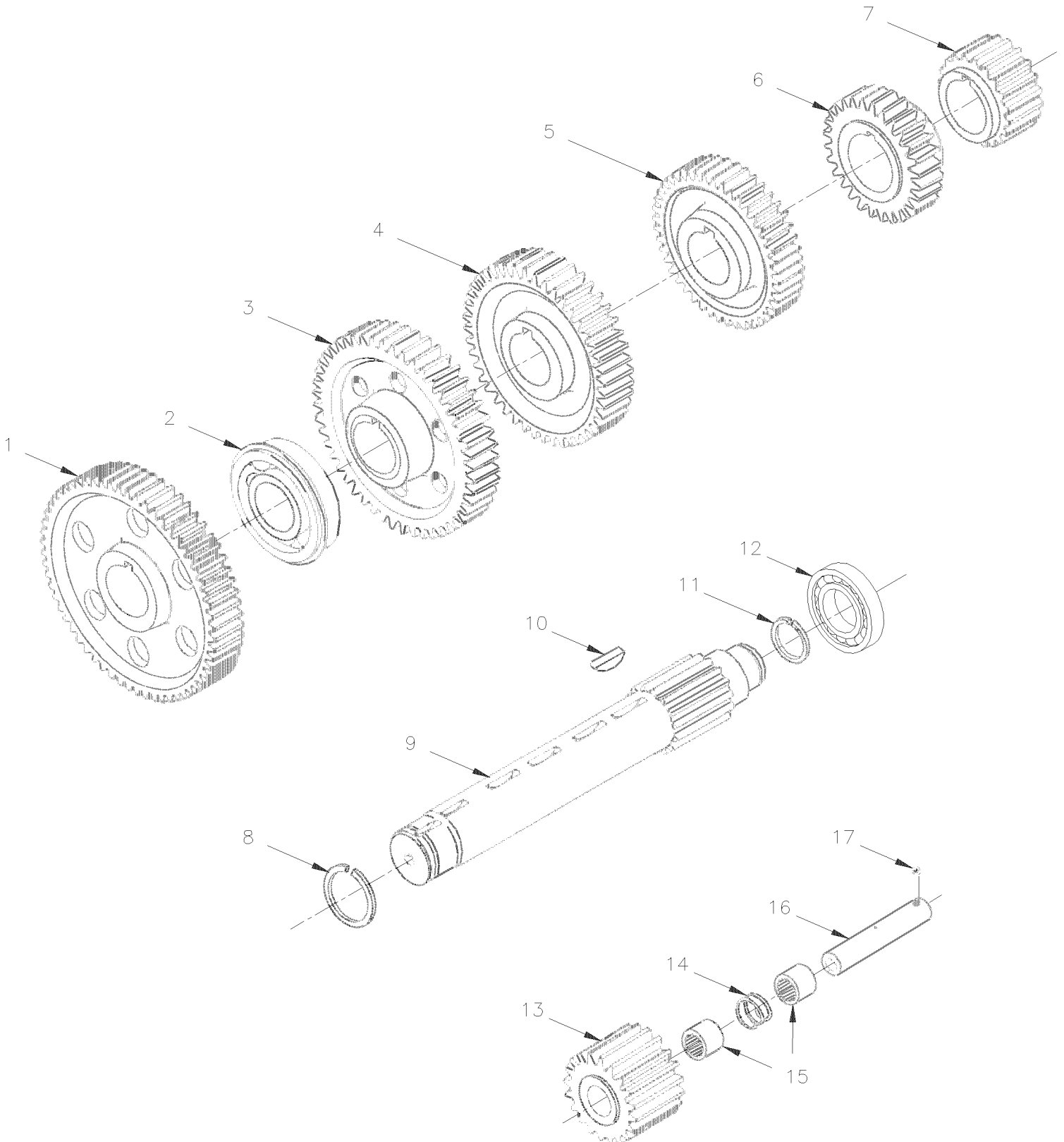
Item#	Part	Description	M T H 4 0	M T H 4 5	M T H 4 5 E	X L 4 0	X L 4 5	N O T E S
1	571269	RING SNAP				2		
2	570232	BEARING FRONT				2		
3	570069	GEAR 6TH / 52T				2		
4	571266	GEAR 5TH / 48T				2		
5	571267	GEAR 4TH / 40T				2		
6	570417	GEAR 3TH / 32T				2		
7	570416	GEAR 2TH / 23T				2		
8	571329	COUNTERSHAFT / 15T RIGHT SIDE-SPLINED FOR P.T.O.				1		
8	571330	COUNTERSHAFT / 15T LEFT SIDE-SPLINED FOR PUMP				1		
9	570377	KEY WOODRUFF				10		
10	571331	RING				2		
11	571332	BEARING / REAR				2		
12	570154	SHAFT				2		
13	570392	BALL LOCK 9/32" DIA.				2		
14	570250	BEARING				4		
15	570152	SPACER				2		
16	570070	GEAR				2		
NS	571379	KIT SNAP RING				AR		A
NS	571383	KIT BEARING & SEAL				AR		
		A) INCLUDE ITEMS 1 & 10 & ITEMS 2,3,8,10,14,17,23,26 & 29 ON XL-0725-00						

From R-860 To T-5778

Date:10/2022

PAGE:XL-0730-01

COUNTERSHAFT GROUP W/7 SPEEDS



From R-860 To T-5778	Date:10/2022	PAGE:XL-0730-01
COUNTERSHAFT GROUP W/7 SPEEDS		

Item#	Part	Description	M T H 4 0	M T H 4 5	M T H 4 5 E	X L 4 0	X L 4 5	N O T E S
1	571643	GEAR DRIVE / 57T				1		
2	570232	BEARING FRONT				1		
3	571644	GEAR 6TH / 43T				1		
4	571645	GEAR 5TH / 44T				1		
5	571646	GEAR 4TH / 37T				1		
6	570417	GEAR 3TH / 32T				1		
7	571647	GEAR 2ND / 23T				1		
8	571269	RING SNAP				2		
9	571648	COUNTERSHAFT / 15T				1		
10	570377	KEY WOODRUFF				10		
11	570231	RING				2		
12	571649	BEARING / REAR				2		
13	570070	GEAR				2		
14	570152	SPACER				2		
15	570250	BEARING				4		
16	570154	SHAFT				2		
17	570392	BALL LOCK 9/32" DIA.				2		
NS	571329	COUNTERSHAFT / 15T RIGHT SIDE-SPLINED FOR P.T.O.				1		
NS	571652	KIT SNAP RING				AR		A
NS	571619	KIT BEARING & SEAL				AR		
		A) TO FIX OUTLET						

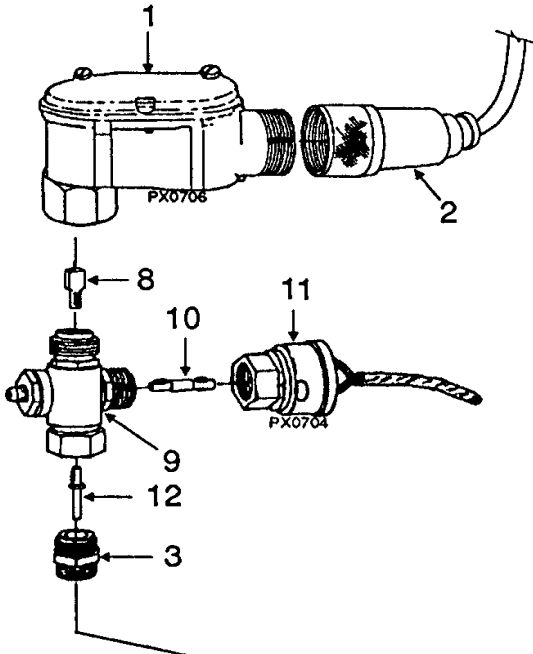
From E-638 To L-704

Date:10/2022

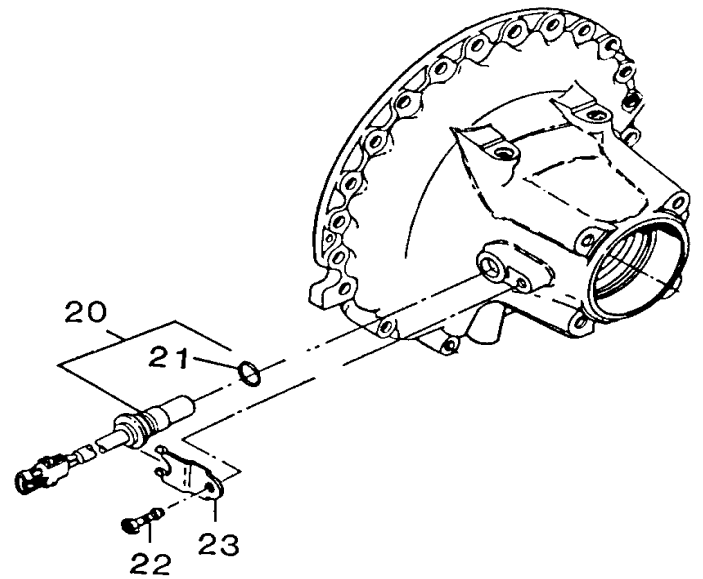
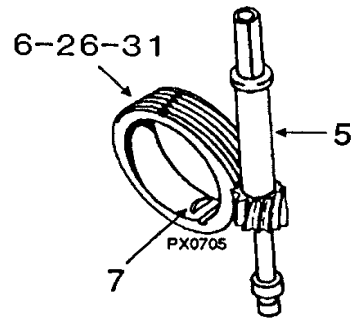
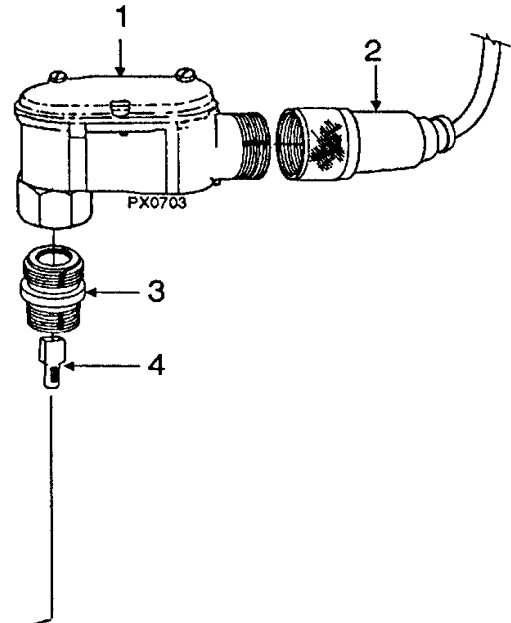
PAGE:XL-0740-00

SPEEDOMETER ADAPTOR W/TACHOGRAPH

WITH CRUISE CONTROL



WITHOUT CRUISE CONTROL

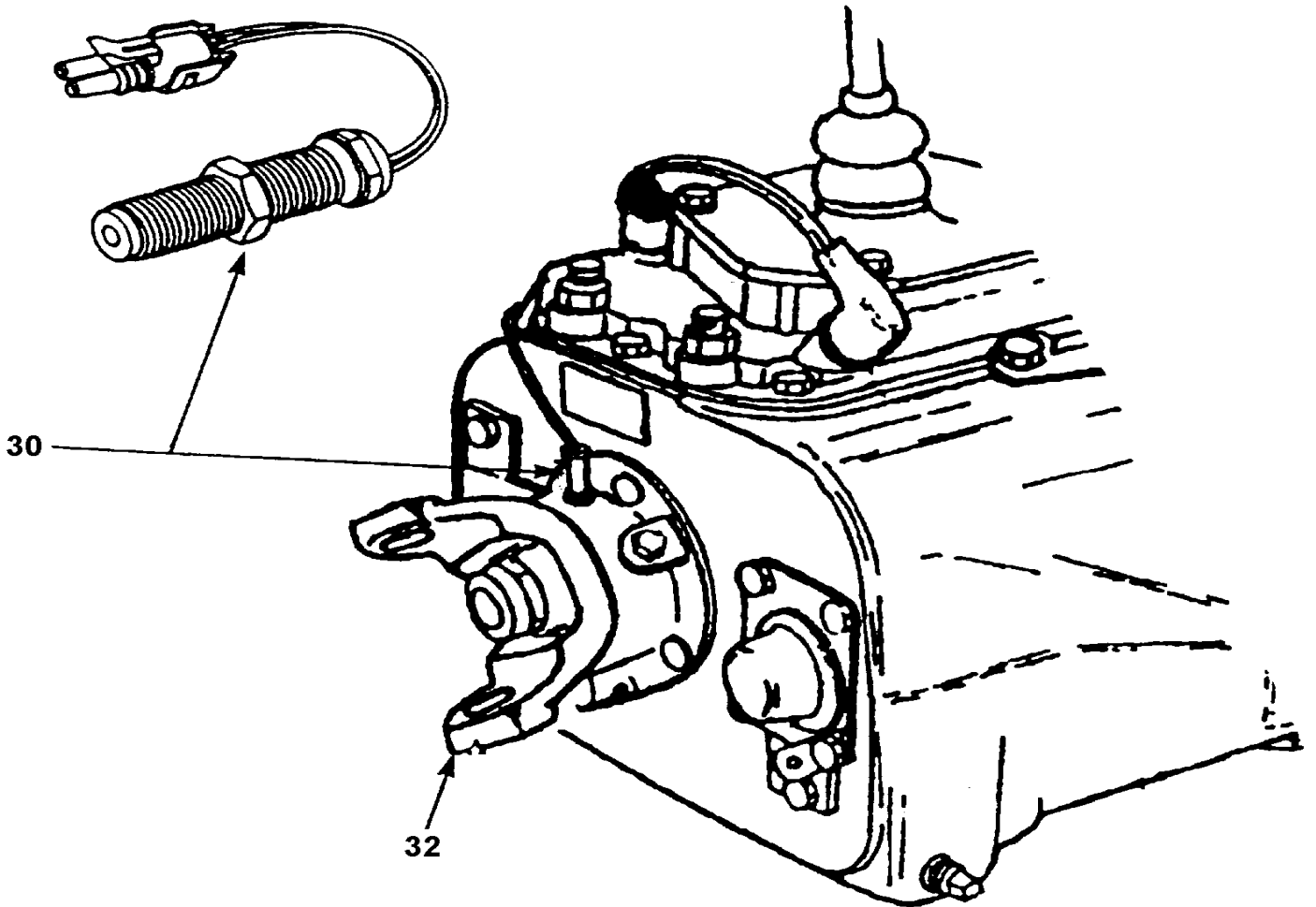
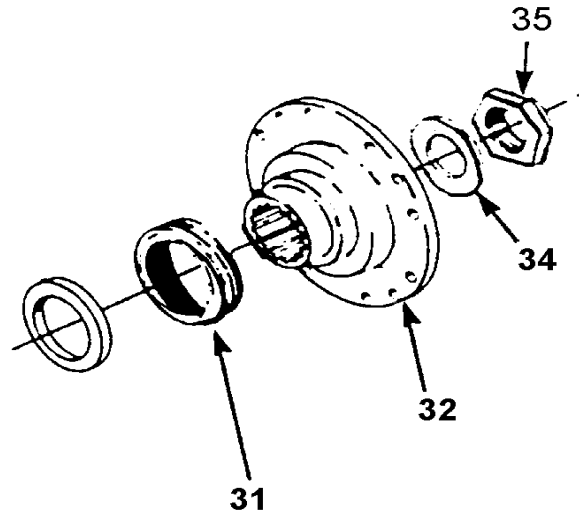


From E-638 To L-704

Date:10/2022

PAGE:XL-0740-00

SPEEDOMETER ADAPTOR W/TACHOGRAPH



From E-638 To L-704	Date:10/2022	PAGE:XL-0740-00
SPEEDOMETER ADAPTOR W/TACHOGRAPH		

Item#	Part	Description	M T H 4 0	M T H 4 5	M T H 4 5 E	X L 4 0	X L 4 5	N O T E S
		TACHOGRAPH - WITH AUTOMATIC TRANSMISSION HYDRAULIC						
1	590187	SENDING UNIT / MPH (3.73 RATIO)				1		
1	590190	SENDING UNIT / KM/H (3.73 RATIO)				1		
1	590186	SENDING UNIT / MPH (4.11 RATIO)				1		
1	590189	SENDING UNIT / KM/H (4.11 RATIO)				1		
1	590212	SENDING UNIT / MPH (3.33 RATIO)				1		
1	590213	SENDING UNIT / KM/H (3.33 RATIO)				1		
1	590254	SENDING UNIT / MPH (3.58 RATIO)				1		
1	590255	SENDING UNIT / KM/H (3.58 RATIO)				1		
1	590266	SENDING UNIT / MPH (3.42 RATIO)				1		
1	590168	SENDING UNIT 1:1 / 8V92T				1		A
		TACHOGRAPH - WITH MANUAL TRANSMISSION / UP TO: L-704						
1	590188	SENDING UNIT / MPH (3.73 RATIO)				1		
1	590191	SENDING UNIT / KM/H (3.73 RATIO)				1		
1	590210	SENDING UNIT / MPH (4.11 RATIO)				1		
1	590211	SENDING UNIT / KM/H (4.11 RATIO)				1		
1	590214	SENDING UNIT / MPH (3.33 RATIO)				1		
1	590215	SENDING UNIT / KM/H (3.33 RATIO)				1		
1	590256	SENDING UNIT / MPH (3.58 RATIO)				1		
1	590257	SENDING UNIT / KM/H (3.58 RATIO)				1		
1	590265	SENDING UNIT / MPH (3.42 RATIO)				1		
1	590267	SENDING UNIT / KM/H (3.42 RATIO)				1		
1	590268	SENDING UNIT / MPH (3.21 RATIO)				1		
1	590273	SENDING UNIT / KM/H (3.21 RATIO)	1	1	1	1	1	
NS	XL-0645-20	DASHBOARD - CENTER PANEL						
2	061058	CABLE ASSY To G-079				1		
2	061528	CABLE ASSY From G-080 To L-704				1		
NS	590167	. CABLE W/3 WIRES				1		
NS	590222	. . NUT				1		
NS	590226	. . BOOT RUBBER				1		
NS	590223	. . WASHER				1		
NS	590225	. . CONNECTOR SENSOR END				1		
NS	561181	. . TAB RECEPTACLE TERMINAL / 12 / AMP 60508-2				3		
NS	561080	. CONNECTOR / SURE-SEAL / MALE HOUSING 3C / ITT CANNON 120-1808-000				1		
NS	561023	. PIN TERMINAL / 18-14 / ITT CANNON 030-2196-001				1		
NS	561024	. SOCKET TERMINAL / 18-14 / ITT CANNON 031-1267-001				2		
NS	070368	SUPPORT				1		
3	590094	SLEEVE				1		

From E-638 To L-704	Date:10/2022	PAGE:XL-0740-00
SPEEDOMETER ADAPTOR W/TACHOGRAPH		

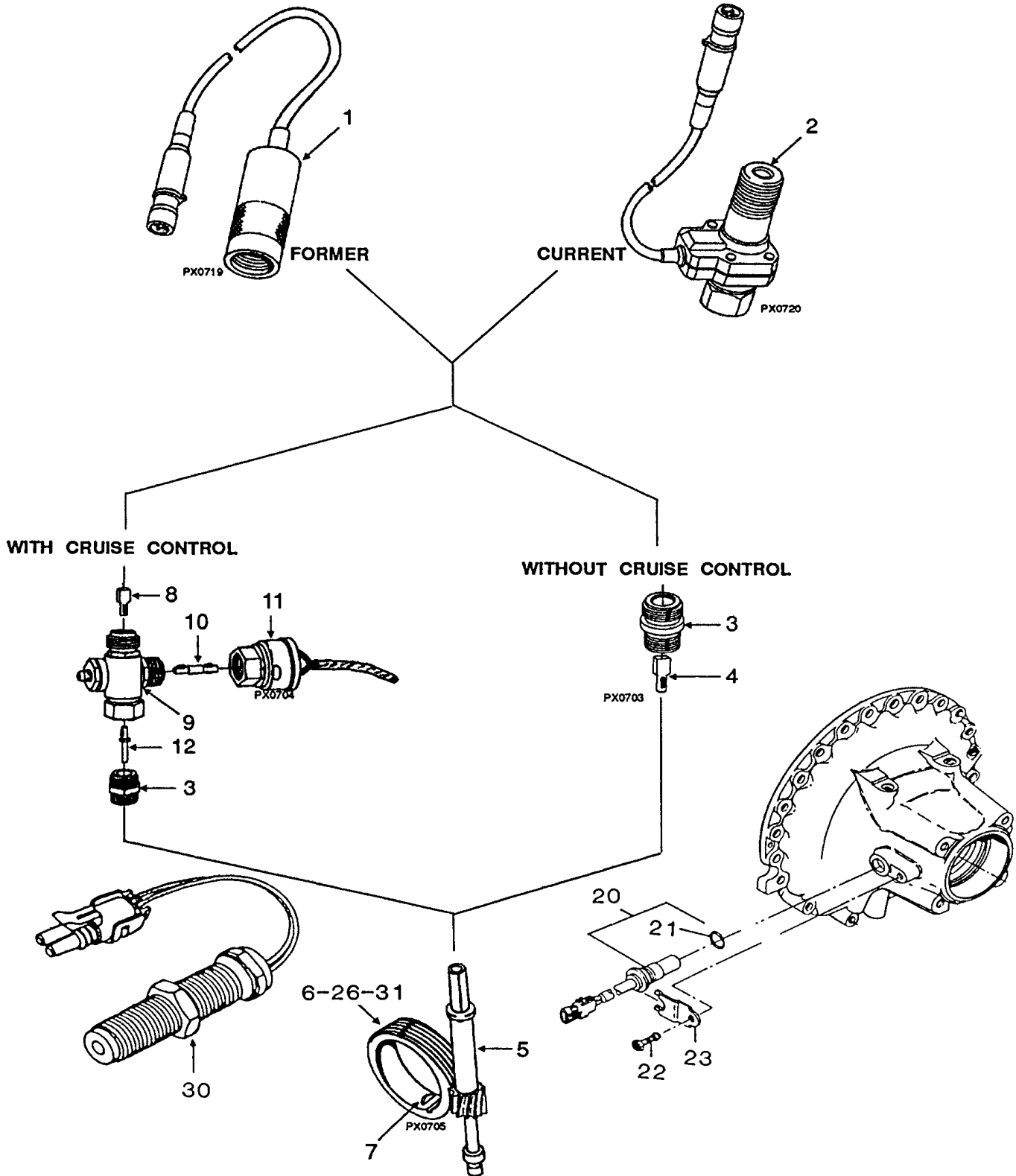
Item#	Part	Description	M T H 4 0	M T H 4 5	M T H 4 5 E	X L 4 0	X L 4 5	N O T E S
4	590049	KEY DRIVE / FLAT X .203 O.D.				1		
5	570362	GEAR DRIVEN / WITH MANUAL TRANSMISSION To L-684				1		
5	590121	GEAR DRIVEN				1		
5	571475	GEAR DRIVEN				1		A
6	571304	GEAR DRIVE / SPEEDOMETER / W/ELECTRONIC SENDING UNIT To L-684				1		
7	570376	KEY WOODRUFF To L-684				1		
		NEXT 5 ITEMS ARE RELATED						
		WITH MECHANICAL CRUISE CONTROL						
		MOUNTED WITH REGULAR ENGINE						
8	590172	KEY DRIVE / FLAT X .187 O.D.				1		
9	530122	TEE, ADAPTOR				1		
10	530140	SENDER, DRIVE				1		
11	530130	SENDER, SPEED				1		
12	590195	DRIVE, TIP				1		
		TACHOGRAPH - WITH AUTOMATIC TRANSMISSION "ATEC"						
20	561926	MAGNETIC SENSOR / W/AUTOMATIC TRANS "ATEC"				1		
21	N.S.P.	. O-RING / (23017303)				1		2
22	N.S.P.	BOLT, PATCH LOCK / (23015458)				1		2
23	N.S.P.	RETAINER, SPEED SENSOR / (8627650)				1		2
26	N.S.P.	GEAR SENSOR SPEED // "ATEC" / (23013191)				1		2
		TACHOGRAPH - WITH MANUAL TRANSMISSION / FROM: L-705						
30	590246	MAGNETIC SENSOR / W/MANUAL TRANSMISSION				1	1	
31	571479	SPEEDOMETER DRIVE TOOTH WHEEL				1	1	
NS	XL-0645-21	DASHBOARD - CENTER PANEL						
32	XL-0905-00	PROPELLER SHAFT - WITH DETROIT S-71 & S-92						
33	XL-0725-00	GEAR & RELATED PARTS W/6 SPEEDS						
33	XL-0725-01	GEAR & RELATED PARTS W/7 SPEEDS						
34	570211	WASHER FLAT				1		
35	571328	NUT SELF-LOCKING 1 3/4-16				1		
		A) FOR VEHICLES: E-762, H-381, H-383 & H-384						
		2) NOT SOLD BY PREVOST (SEE MANUFACTURING PART NUMBER AT END OF DESCRIPTION LINE)						

From E-638 To L-704

Date:10/2022

PAGE:XL-0740-05

SPEEDOMETER ADAPTOR W/SMALL GAUGE



From E-638 To L-704	Date:10/2022	PAGE:XL-0740-05
SPEEDOMETER ADAPTOR W/SMALL GAUGE		

Item#	Part	Description	M T H 4 0	M T H 4 5	M T H 4 5 E	X L 4 0	X L 4 5	N O T E S
1	590203	SENDING UNIT / (15 PULSES) To G-195	1			1		
1	090176	SENDING UNIT / (15 PULSES) From G-196 To H-260	1			1		
2	590231	SENDING UNIT / (15 PULSES) From H-261 To K-704	1			1		A
2	590231	SENDING UNIT / (15 PULSES) From H-261 To K-704	1			1		B
2	561080	. CONNECTOR / SURE-SEAL / MALE HOUSING 3C / ITT CANNON 120-1808-000	1			1		
2	561023	. PIN TERMINAL / 18-14 / ITT CANNON 030-2196-001	2			2		
NS	590252	. CAP PLUG 7/8-18	AR			AR		
2	XL-0645-20	DASHBOARD - CENTER PANEL						
3	590094	SLEEVE	1			1		
4	590049	KEY DRIVE / FLAT X .203 O.D. To H-260	1			1		
4	590230	KEY DRIVE / .104 SQUARE X .203 O.D. From H-261	1			1		
5	590121	GEAR DRIVEN	1			1		
5	570362	GEAR DRIVEN / WITH MANUAL TRANSMISSION				1		
5	571475	GEAR DRIVEN				1		
6	571304	GEAR DRIVE / SPEEDOMETER / W/ELECTRONIC SENDING UNIT				1		C
7	570376	KEY WOODRUFF				1		
8	590172	KEY DRIVE / FLAT X .187 O.D. To H-260	1			1		
8	590232	KEY DRIVE / .140 SQ X .187 OD / W/8V92 From H-261	1			1		
9	530122	TEE, ADAPTOR	1			1		
10	530140	SENDER, DRIVE	1			1		
11	530130	SENDER, SPEED	1			1		
12	590195	DRIVE, TIP	1			1		
20	561926	MAGNETIC SENSOR / W/AUTOMATIC TRANS "ATEC"	1		1	1		
21	N.S.S.	. O-RING / (23017303)	1		1	1		1
22	N.S.S.	BOLT, PATH LOCK / (23015458)	1		1	1		1
23	N.S.S.	RETAINER SPEED SENSOR	1		1	1		1
30	590246	MAGNETIC SENSOR / W/MANUAL TRANSMISSION From L-705				1	1	
31	571479	SPEEDOMETER DRIVE TOOTH WHEEL	1			1	1	
31	062503	CABLE ASSY / MAGNETIC SENSOR & MAIN HARNESS From K-705 To P-740	1	1	1	1		
31	070368	SUPPORT	2		2	2		
		NOTE: SOME VEHICLE / BETWEEN L-704 & P-722 ARE EQUIPPED WITH FOLLOWING ITEMS.						
NS	590276	SENDING UNIT / (30 PULSES)	1		1	1		
NS	590246	MAGNETIC SENSOR / W/MANUAL TRANSMISSION				1		
NS	063436	CABLE ASSY / W/MANUAL TRANS / SENSOR	1			1		
NS	571479	SPEEDOMETER DRIVE TOOTH WHEEL				1		
		A) THISS SENSOR ARE USED WITH "SILENT 1000" WITH CABLE #061364						

From E-638 To L-704	Date:10/2022	PAGE:XL-0740-05
---------------------	--------------	-----------------

SPEEDOMETER ADAPTOR W/SMALL GAUGE

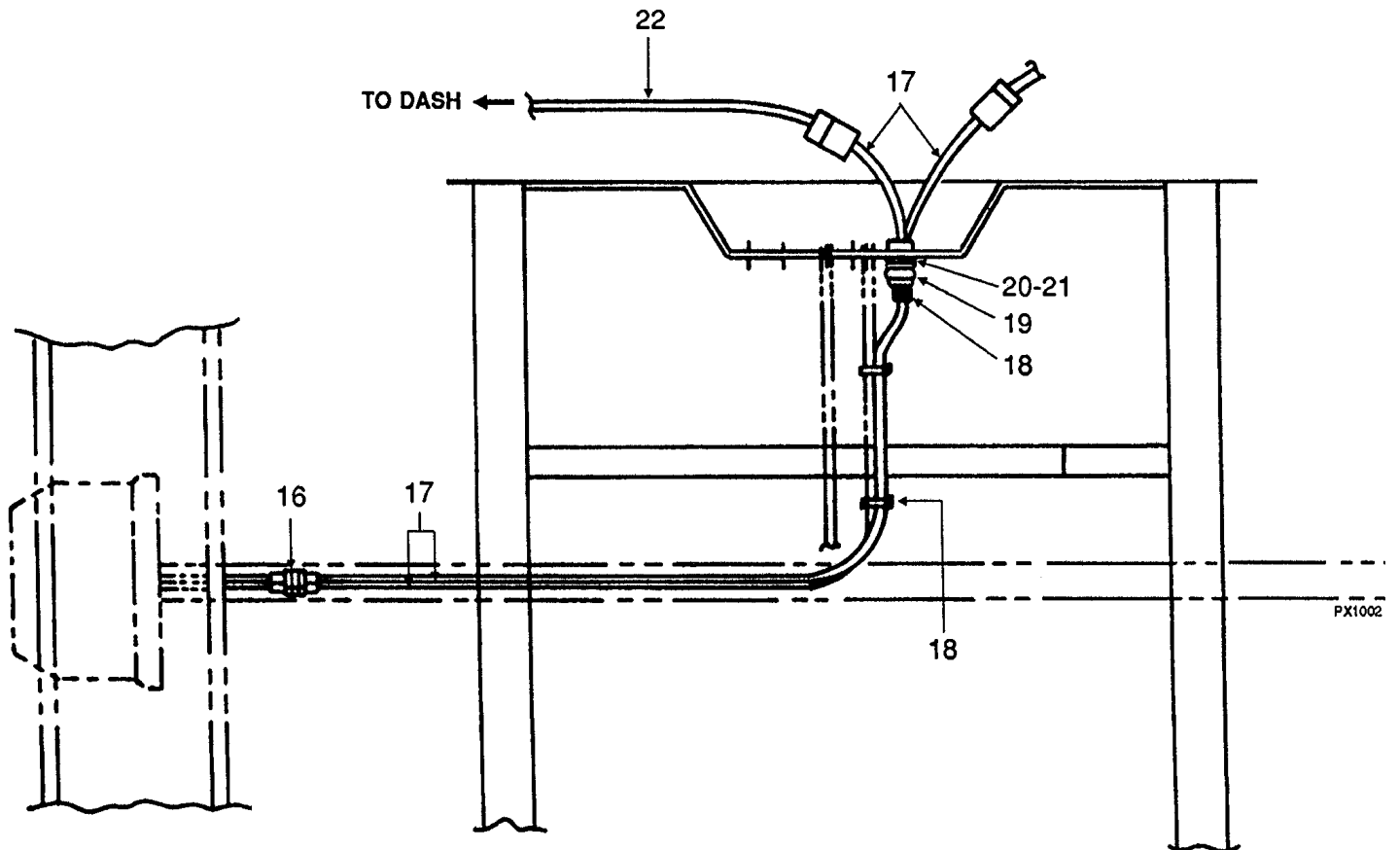
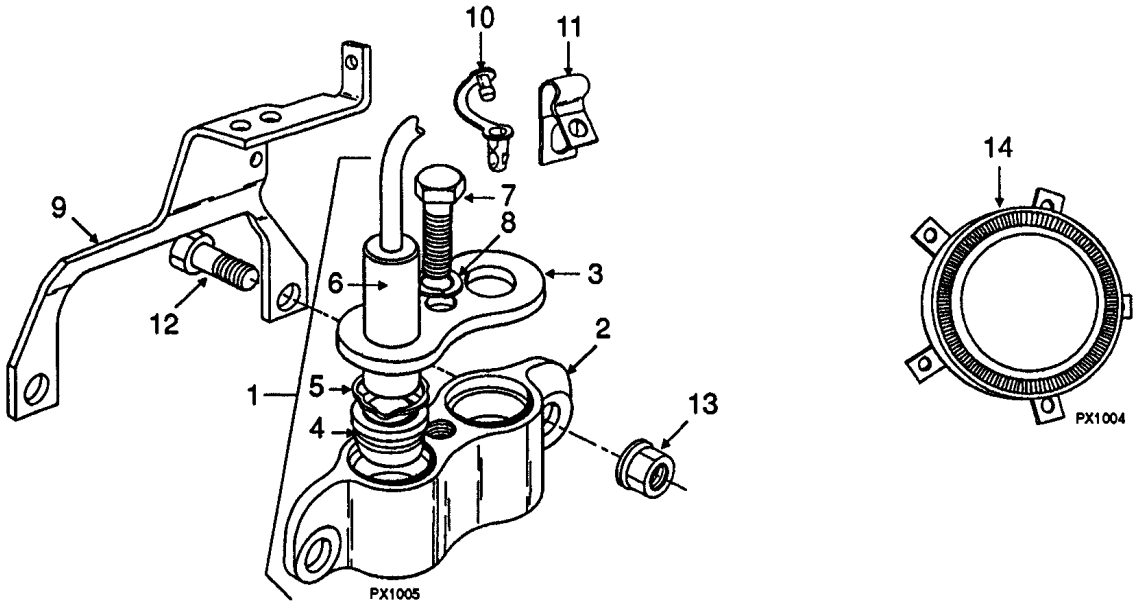
Item#	Part	Description	M T H 4 0	M T H 4 5	M T H 4 5 E	X L 4 0	X L 4 5	N O T E S
		B) FOR VEHICLES: K-707, K-713 & K-715C)FOR VEHICLES: E-762, H-381, H-383 & H-384						
		C) FOR VEHICLES: E-762, H-381, H-383 & H-384						
		1) NOT SOLD SEPARATELY						

From L-705 To P-721

Date:10/2022

PAGE:XL-0740-10

SPEEDOMETER SENSOR ON L.H. FRONT WHEEL



From L-705 To P-721	Date:10/2022	PAGE:XL-0740-10
SPEEDOMETER SENSOR ON L.H. FRONT WHEEL		

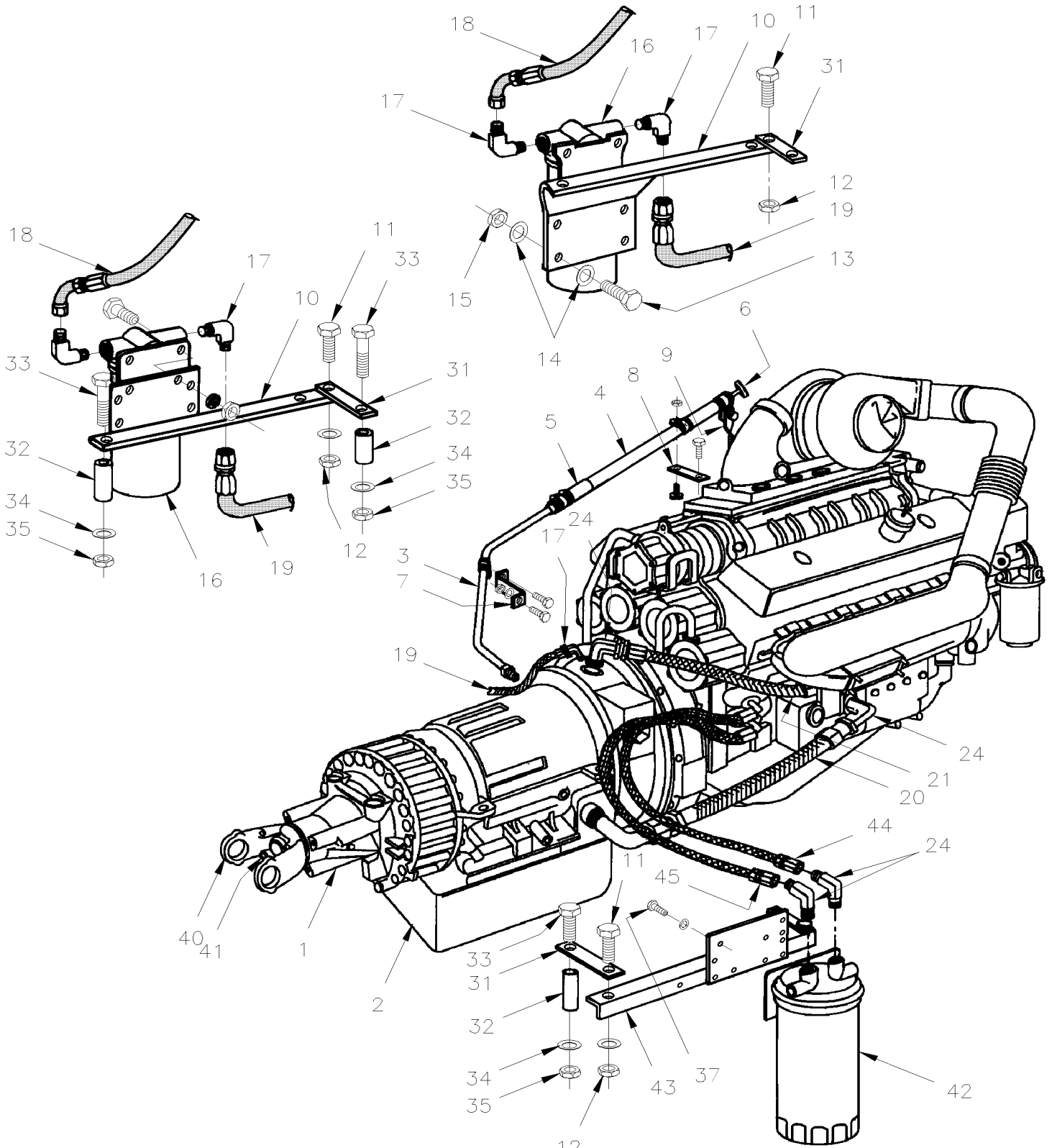
Item#	Part	Description	M T H 4 0	M T H 4 5	M T H 4 5 E	X L 4 0	X L 4 5	N O T E S
1	610911	SPEED SENSOR	1		1	1		A
2	N.S.S.	. HOUSING	1		1	1		1
3	N.S.S.	. CAP	1		1	1		1
4	610943	. BUSHING RETAINER	1		1	1		
5	610942	. WASHER	1		1	1		
6	610941	. SENSOR	1		1	1		
7	500191	. SCREW CAP HEX 3/8-16x1 G5 Z050	1		1	1		
8	500856	. WASHER LO INT .384x.692x.040 ZP	1		1	1		
9	610912	BRACKET	1		1	1		
10	610914	CLIP	1		1	1		
11	610913	CLAMP	1		1	1		
12	500046	SCREW CAP HEX 3/8-24x1 G5 Z050	2		2	2		
13	500704	NUT HEX STO 3/8-24 Z050	2		2	2		
14	610910	SLINGER & ROTOR ASSY	1		1	1		
16	561115	CLAMP W/ 3 & 4 / ITT CANNON 029-0262-000	1		1	1		
16	504273	CABLE TIE / 1/8" X 3"1/2	1		1	1		
17	062506	CABLE ASSY				1		
18	504012	CABLE TIE / 3/16" X 6"1/2	5		5	5		
19	504385	CUFF END BELLOW / 1 1/2" I.D. x 2 1/2" x 4"	1		1	1		
20	504022	HOSE CLAMP / 3/4"-1"3/4 SS / HS-20				1		
21	504024	HOSE CLAMP / 1"13/16"-2"3/4 SS / HS-36	1		1	1		
22	062764	CABLE ASSY / FRONT WHEEL SENSOR & DASH From L-704				1		
22	062505	CABLE ASSY / W/SMALL GAUGES From K-705	1		1	1		B
22	XL-0740-05	SPEEDOMETER ADAPTOR W/SMALL GAUGE						
		A) ITEM #1 TO 14 ARE FIXED ON ALL FRONT AXLE WITH BRAKE DRUMS / FROM: F-903 UP TO P-742						
		B) FOR VEHICLES: K-707, K-713 & K-715						
		1) NOT SOLD SEPARATELY						

From E-638 To R-822

Date:10/2022

PAGE:XL-0750-00

AUTOMATIC TRANSMISSION - INSTALLATION - WITH DETROIT S-71 & S-92



6V92 INSTALLATION ONLY

From E-638 To R-822	Date:10/2022	PAGE:XL-0750-00
---------------------	--------------	-----------------

AUTOMATIC TRANSMISSION - INSTALLATION - WITH DETROIT S-71 & S-92

Item#	Part	Description	M T H 4 0	M T H 4 5	M T H 4 5 E	X L 4 0	X L 4 5	N O T E S
		TRANSMISSION W/MECHANICAL ENGINE						
1	571283	TRANSMISSION HT-740-D / W/6V92T To L-616	1			1		L
1	571485	TRANSMISSION HT-740-D / W/6V92T From L-617				1		R
1	571284	TRANSSMISSION HT-754-CRD / W/6V92T To L-616	1			1		L
1	571486	TRANSSMISSION HT-754-CRD / W/6V92T From L-617				1		R
1	571303	TRANSSMISSION HT-754-CRD / W/8V92T To L-616	1			1		L
1	571487	TRANSSMISSION HT-754-CRD / W/8V92T From L-617				1		R
		TRANSMISSION W/DDEC II ENGINE						
1	571476	TRANSSMISSION HT-748 / W/6V92T To L-616				1		L
1	571490	TRANSSMISSION HT-748 / W/6V92T From L-617				1		R
1	571510	TRANSSMISSION HT-748 / W/8V92T From L-617				1		R
1	571478	TRANSSMISSION HT-755CR / W/6V92T To L-616				1		L
1	571491	TRANSSMISSION HT-755CR / W/6V92T From L-617				1		R
1	571454	TRANSSMISSION HT-755CR / W/8V92T To L-616	1			1		L
1	571489	TRANSMISSION HT-755CR From L-617	1		1	1		R
NS	571249	. SEAL / REAR OUTPUT SHAFT / W/HYDRAULIC	1		1	1		
1	N.S.P.	. SEAL / REAR OUTPUT SHAFT /W/"ATEC"/(23010005)	1		1	1		2
2	571443	. OIL PAN To M-952	1			1		L
2	571523	. OIL PAN From M-953	1		1	1		R
2	571444	. GASKET, OIL PAN	1			1		
3	070380	TUBE DIPSTICK (ONE PIECE) To L-616	1			1		H
3	070428	TUBE DIPSTICK (ONE PIECE) To L-616	1			1		G
3	070607	TUBE DIPSTICK (ONE PIECE) From L-617 To M-952	1		1	1		R
3	070783	TUBE DIPSTICK / 1ST SECTION From M-953	1			1		R
4	070781	TUBE DIPSTICK / 2ND SECTION From M-953	1			1		R
5	070779	HOSE 3/4" I.D.	1		1	1		
5	503424	. HOSE SILICONE 4PLY 3/4" I.D. x 3'	AR		AR	AR		
NS	504319	HOSE CLAMP / 1"-1"1/2 SS / E.T. 16	2		2	2		
6	571246	TRANS DIPSTICK 68" / 1727.2MM To L-616	1			1		
6	070604	TRANS DIPSTICK 34 3/4" / .882.65MM From L-617 To M-952	1			1		
6	571246	TRANS DIPSTICK 68" / 1727.2MM From M-953	1		1	1		
7	070368	SUPPORT	1			1		D
7	010559	BRACKET	1		1	1		E
8	070349	SUPPORT / 2ND SECTION From M-953	1		1	1		
9	070777	SUPPORT / 2ND SECTION From M-953	1		1	1		
NS	560482	CLAMP / 3/4" I.D. / W/HOLE 3/16"	1		1	1		
NS	560872	CLAMP / 1"1/16 I.D.	2		2	2		
NS	500606	SCREW MA TR PH #10-24x3/4 SS	3		3	3		
NS	500470	WASHER LO SPT .193x.334x.047 Z050	3		3	3		

From E-638 To R-822		Date:10/2022	PAGE:XL-0750-00
AUTOMATIC TRANSMISSION - INSTALLATION - WITH DETROIT S-71 & S-92			

Item#	Part	Description	M T H 4 0	M T H 4 5	M T H 4 5 E	X L 4 0	X L 4 5	N O T E S
NS	500786	NUT HEX #10-24 Z050	3		3	3		
10	070626	SUPPORT / OIL FILTER / W/AUTO TRANS "ATEC"	1		1	1		
10	070421	SUPPORT / OIL FILTER / W/AUTO TRANS HYDRAULIC	1		1	1		F
11	500817	SCREW CAP HEX 5/8-11x1 3/4 G5 Z050	1		1	1		
12	500683	NUT HEX STO 5/8-11 ZP	1		1	1		
13	500050	SCREW CAP HEX 3/8-24x1 1/2G5 ZP	4		4	4		
14	500478	WASHER LO SPT .380x.683x.094 Z050	4		4	4		
15	500705	NUT HEX 3/8-24 ZP	4		4	4		
16	571107	FILTER TRANSMISSION OIL To G-152	1			1		
16	530047	. ELEMENT / TRANS OIL FILTER (PF-132W) To G-152	1			1		
16	571453	FILTER TRANSMISSION OIL From G-153	1		1	1		
NS	571457	. OIL FILTER, CARTRIDGE / HD-223 / TRANS AUTO / W/TRANS HYDRAULIC From G-153	1		1	1		
17	501523	MALE ELBOW 90° / JIC 37° FITTING / #16JIC-Mx#16ORB-M STL	5		5	5		
18	010488	HOSE ASSY / #16 508MM				1		
18	070583	HOSE ASSY / #16 635MM	1		1	1		
19	011167	HOSE ASSY / #16 330MM				1		
19	070581	HOSE ASSY / #16 560MM	1		1	1		
19	503423	. HOSE #FC-300 HYDRAULIC / #16 S.L.	AR		AR	AR		
20	070738	HOSE ASSY / #16 457MM				1		
20	070346	HOSE ASSY / #16 762MM	1		1	1		
21	070740	HOSE ASSY / #16 343MM				1		
21	070358	HOSE ASSY / #16 495MM	1		1	1		
24	501589	MALE ELBOW 90° / JIC 37° FITTING / #16JIC-Mx1NPT-M STL	3		3	3		
31	011095	PLATE ATTACHMENT / OIL FILTER SUPPORT	AR			AR		
32	070304	TUBE / OIL FILTER SUPPORT	AR			AR		
33	500141	SCREW CAP HEX 5/8-18x5 1/2 G5 ZP	AR			AR		
34	500484	WASHER LO SPT .635x1.079x.156 Z050	AR			AR		
35	500723	NUT HEX 5/8-18 ZP	AR			AR		
NS	500683	NUT HEX STO 5/8-11 ZP	1		1	1		
37	500191	SCREW CAP HEX 3/8-16x1 G5 Z050	4			4		
40	571214	YOKE (1700) FULL ROUND (18 SPL)	1			1		
. NS	621493	. SPEEDY SLEEVE 3 1/2" I.D. / TO REPAIR OIL LEAK ON YOKE	1			1		
40	571305	YOKE (1800) FULL ROUND (18 SPL)	1		1	1		
. NS	621493	. SPEEDY SLEEVE 3 1/2" I.D. / TO REPAIR OIL LEAK ON YOKE	1		1	1		
NS	621493	SPEEDY SLEEVE 3 1/2" I.D. / TO REPAIR OIL LEAK ON YOKE	1		1	1		C
41	571248	NUT FLANGE	1		1	1		
42	510373	OIL FILTER, CARTRIDGE / PF-911L / ENGINE / W/SERIES 92	1			1		B
43	070301	SUPPORT / OIL FILTER / W/AUTO TRANS / (ENGINE W/6V92)	1			1		B
44	070680	HOSE ASSY / #16 914MM				1		B
45	010603	HOSE ASSY / #16 1126MM				1		B
NS	683904	TESTING FOR GLYCOL CONTAMINATION IN TRANSMISSION OIL	1	1	1	1	1	
. NS	IS-99901A	. SEE INSTRUCTION SHEET	1	1	1	1	1	

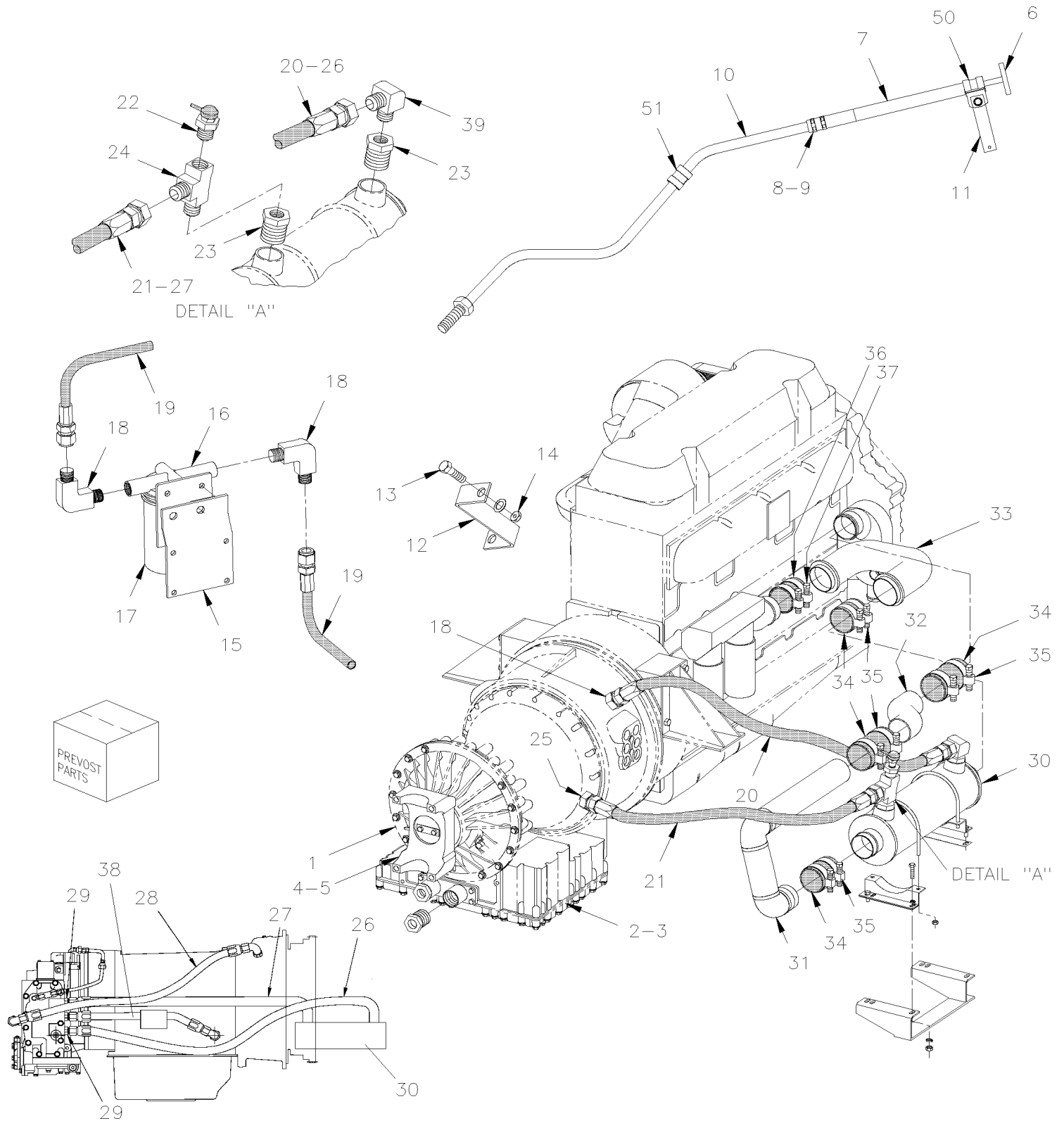
From E-638 To R-822		Date:10/2022	PAGE:XL-0750-00					
AUTOMATIC TRANSMISSION - INSTALLATION - WITH DETROIT S-71 & S-92								
Item#	Part	Description	M T H 4 0	M T H 4 5	M T H 4 5 E	X L 4 0	X L 4 5	N O T E S
		B) WITH 6V92, ENGINE OIL FILTER FIXED ON TRANSMISSION ON LH SIDE, W/SAME SUPPORT THAN TRANS. OIL FILTER						
		C) FOR REPAIR SLEEVE YOKE						
		D) WITH 6V						
		E) WITH 8V						
		F) WITH 8V92						
		G) WITH 8V92 ONLY FIXED ON LH SIDE						
		H) WITH 8V71 & 6V92 FIXED ON LH SIDE						
		L) THOSE TRANSMISSION HAVE LH OIL FILLER & DIPSTICK						
		R) THOSE TRANSMISSION HAVE RH OIL FILLER & DIPSTICK						
		2) NOT SOLD BY PREVOST (SEE MANUFACTURING PART NUMBER AT END OF DESCRIPTION LINE)						

From P-722 To R-822

Date:10/2022

PAGE:XL-0750-01

AUTOMATIC TRANSMISSION - "ATEC" - WITH DETROIT S-60



From P-722 To R-822	Date:10/2022	PAGE:XL-0750-01
AUTOMATIC TRANSMISSION - "ATEC" - WITH DETROIT S-60		

Item#	Part	Description	M T H 4 0	M T H 4 5	M T H 4 5 E	X L 4 0	X L 4 5	N O T E S
1	571489	TRANSMISSION HT-755CR		1				
1	571492	TRANSMISSION HTB-755CR		1				
2	571523	. OIL PAN		1				
3	571444	. GASKET, OIL PAN		1				
4	N.S.P.	. SEAL / (23010005)		1				2
5	580058	FLANGE YOKE (1800) FULL ROUND		1				R
5	571305	YOKE (1800) FULL ROUND (18 SPL)		1				
. NS	621493	. SPEEDY SLEEVE 3 1/2" I.D. / TO REPAIR OIL LEAK ON YOKE		1				
6	571538	TRANS DIPSTICK 2134.9MM		1				
7	070781	TUBE DIPSTICK / 2ND SECTION		1				
8	070779	HOSE 3/4" I.D.		1				
8	503424	. HOSE SILICONE 4PLY 3/4" I.D. x 3'		AR				
9	504319	HOSE CLAMP / 1"-1 1/2 SS / E.T. 16		2				
10	070836	TUBE, DIPSTICK 1ST SECTION		1				
11	070838	SUPPORT 1ST SECTON		1				
12	070834	SUPPORT 2ND SECTION		1				
13	500060	SCREW CAP HEX 3/8-24x4 1/2 G5 ZP		1				
14	500705	NUT HEX 3/8-24 ZP		1				
15	070841	SUPPORT OIL FILTER		1				
NS	500225	SCREW CAP HEX 5/8-11x1 G5 Z050		2				
NS	500484	WASHER LO SPT .635x1.079x.156 Z050		2				
16	571453	FILTER TRANSMISSION OIL		1				
17	571457	. OIL FILTER, CARTRIDGE / HD-223 / TRANS AUTO / W/TRANS HYDRAULIC		1				
NS	500257	WASHER LO SPT 10.2x18.1x2.2 Z050		4				
NS	502549	SCREW CAP HEX M10-1.5x35 G8.8 Z050		4				
NS	500256	NUT HEX M10-1.5 Z050		4				
18	501523	MALE ELBOW 90° / JIC 37° FITTING / #16JIC-Mx#16ORB-M STL		2				
19	070845	HOSE ASSY / #16 368MM		2				
20	070891	HOSE ASSY / #16 1143MM		1				
21	070346	HOSE ASSY / #16 762MM		1				
22	561097	SENSOR, TEMPERATURE / WATER & OIL		1				
23	5011084	BUSHING REDUCER / PIPE FITTING / 2NTP-Mx1NPT-F BR		2				
23	501743	BUSHING REDUCER / PIPE FITTING / 1 1/4NPT-Mx1NPT-F STL		2				
24	5011074	ADAPTER TEE / SAE 45° FITTING / #20FL-Mx1/2NPT-Fx#20ORB-M TO USED W/TEMP SENDER		1				
24	5011083	ADAPTER TEE / SAE 45° FITTING / #16FL-Mx1/2NPT-Fx#16ORB-M TO USED W/TEMP SENDER		1				
25	5011035	MALE ELBOW 90° / JIC 37° FITTING / #16JIC-Mx#16ORB-M STL		2				
26	070923	HOSE ASSY / #20 1700MM		1				R
27	051944	HOSE ASSY / #20 1250MM		1				R
28	070848	HOSE ASSY / #16 889MM		1				R
29	501575	MALE CONNECTOR / JIC 37° FITTING / #20JIC-Mx#20ORB-M STL VITON		2				R
30	550631	OIL COOLER W/2" NPT / (STAMPED STP 3-1127A) To R-822		1				
30	550598	COOLER ASSY From R-823		1				

From P-722 To R-822	Date:10/2022	PAGE:XL-0750-01
AUTOMATIC TRANSMISSION - "ATEC" - WITH DETROIT S-60		

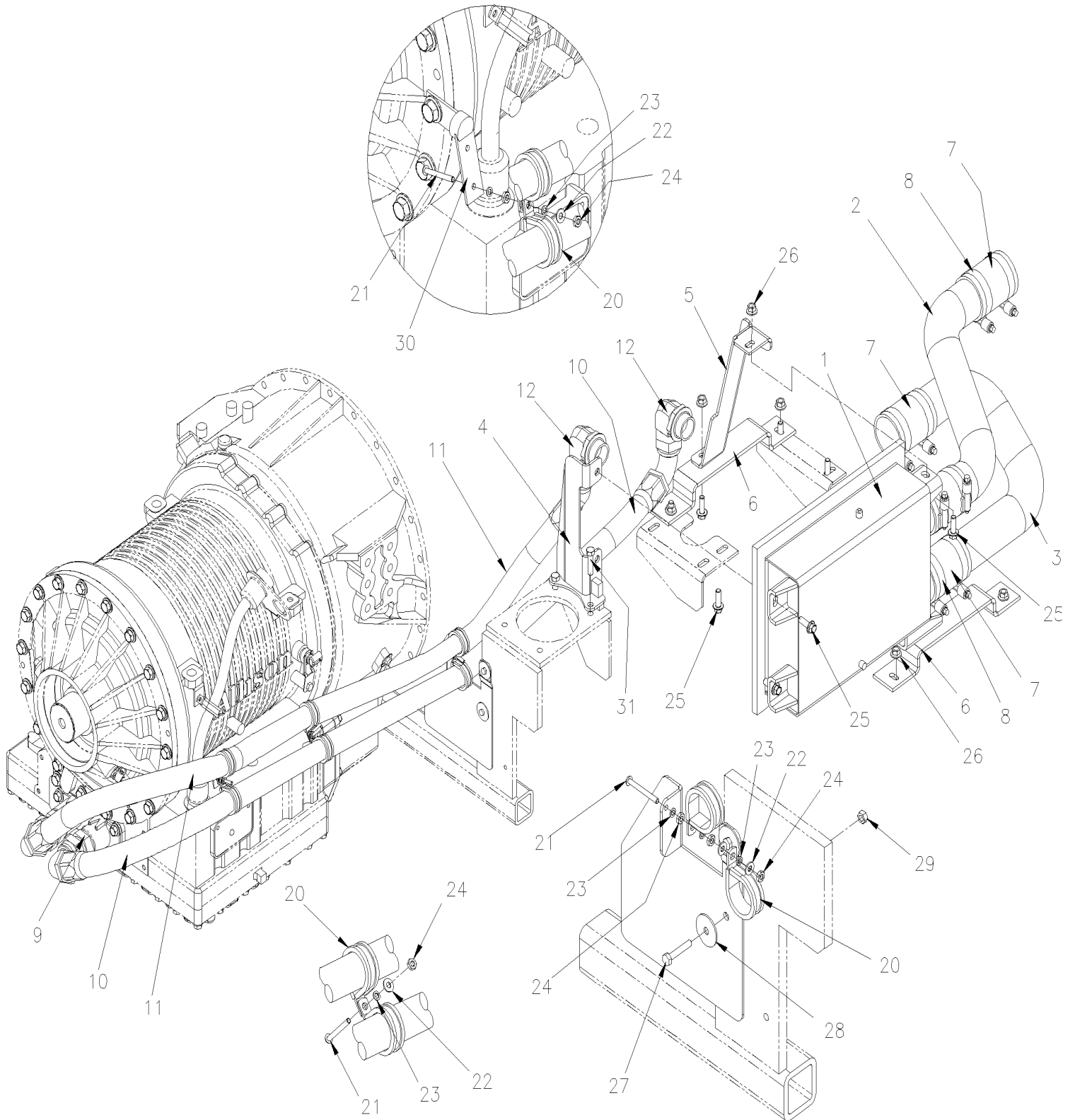
Item#	Part	Description	M T H 4 0	M T H 4 5	M T H 4 5 E	X L 4 0	X L 4 5	N O T E S
31	051854	PIPE ASSY		1				
32	N.S.P.	PIPE ASSY / WATER PUMP & PIPE BLACK / (23005899)		1				2
33	070890	PIPE ASSY		1				
34	051093	HOSE 3" I.D. 4"		1				
34	503396	. HOSE SILICONE 3" I.D. x 3'		AR				
35	504580	HOSE CLAMP / 3"1/4-4"1/8 / C.T. 400		4				
36	051094	HOSE 2 3/4" I.D. 3 1/8"		1				
. NS	503395	. HOSE SILICONE 4PLY 2 3/4" I.D. x 3'		AR				
36	503395	. HOSE SILICONE 4PLY 2 3/4" I.D. x 3'		AR				
37	504562	HOSE CLAMP / 2"3/4-3"5/8 / C.T. 350		6				
38	N.S.P.	HOSE ASSY / RETARDER OIL TUBE / (23016776)		1				2 R
39	501589	MALE ELBOW 90° / JIC 37° FITTING / #16JIC-Mx1NPT-M STL		2				
50	560872	CLAMP / 1"1/16 I.D.		2				
51	560482	CLAMP / 3/4" I.D. / W/HOLE 3/16"		1				
52	560912	CLAMP / 1"1/4 I.D.		2				
NS	502698	SCREW MA PAN PH M4-0.7x16 SS BK		AR				
NS	502679	NUT HEX NYRT M4-0.7 ZP		AR				
NS	502690	WASHER FL 4.3x9.0x0.8 Z050		AR				
53	502559	SCREW CAP HEX M10-1.5x25 G8.8 Z050		4				
NS	500256	NUT HEX M10-1.5 Z050		4				
NS	500257	WASHER LO SPT 10.2x18.1x2.2 Z050		8				
100	683904	TESTING FOR GLYCOL CONTAMINATION IN TRANSMISSION OIL		1				
. NS	IS-99901A	. SEE INSTRUCTION SHEET		1				
200	071269	OIL COOLER " WORLD" TRANSMISION "MODINE" - / "RETROFIT" From P-722 To R-822						
		R) USE WITHH TRANSMISSION WITH RETARDER						
		2) NOT SOLD BY PREVOST (SEE MANUFACTURING PART NUMBER AT END OF DESCRIPTION LINE)						

From P-722 To R-822

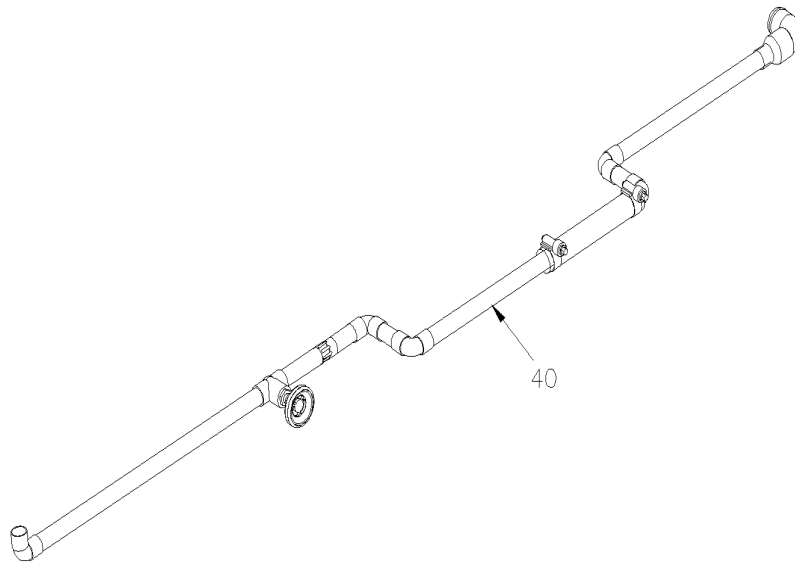
Date:10/2022

PAGE:071269

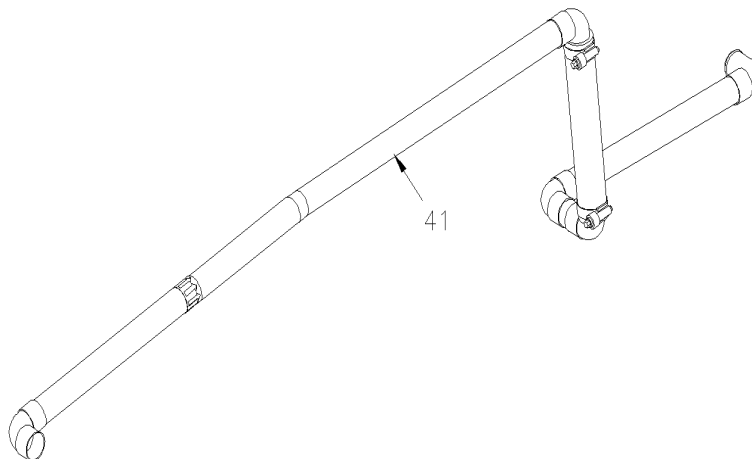
OIL COOLER " WORLD" TRANSMISSION "MODINE" - / "RETROFIT"



From P-722 To R-822	Date:10/2022	PAGE:071269
OIL COOLER " WORLD" TRANSMISION "MODINE" - / "RETROFIT"		



WITH MTH-45 WITH SMALL A/C
NOT INCLUDE WITH 071269



WITH MTH-45 & XL-45 WITH LARGE A/C
NOT INCLUDE WITH 071269

From P-722 To R-822	Date:10/2022	PAGE:071269
---------------------	--------------	-------------

OIL COOLER " WORLD" TRANSMISION "MODINE" - / "RETROFIT"

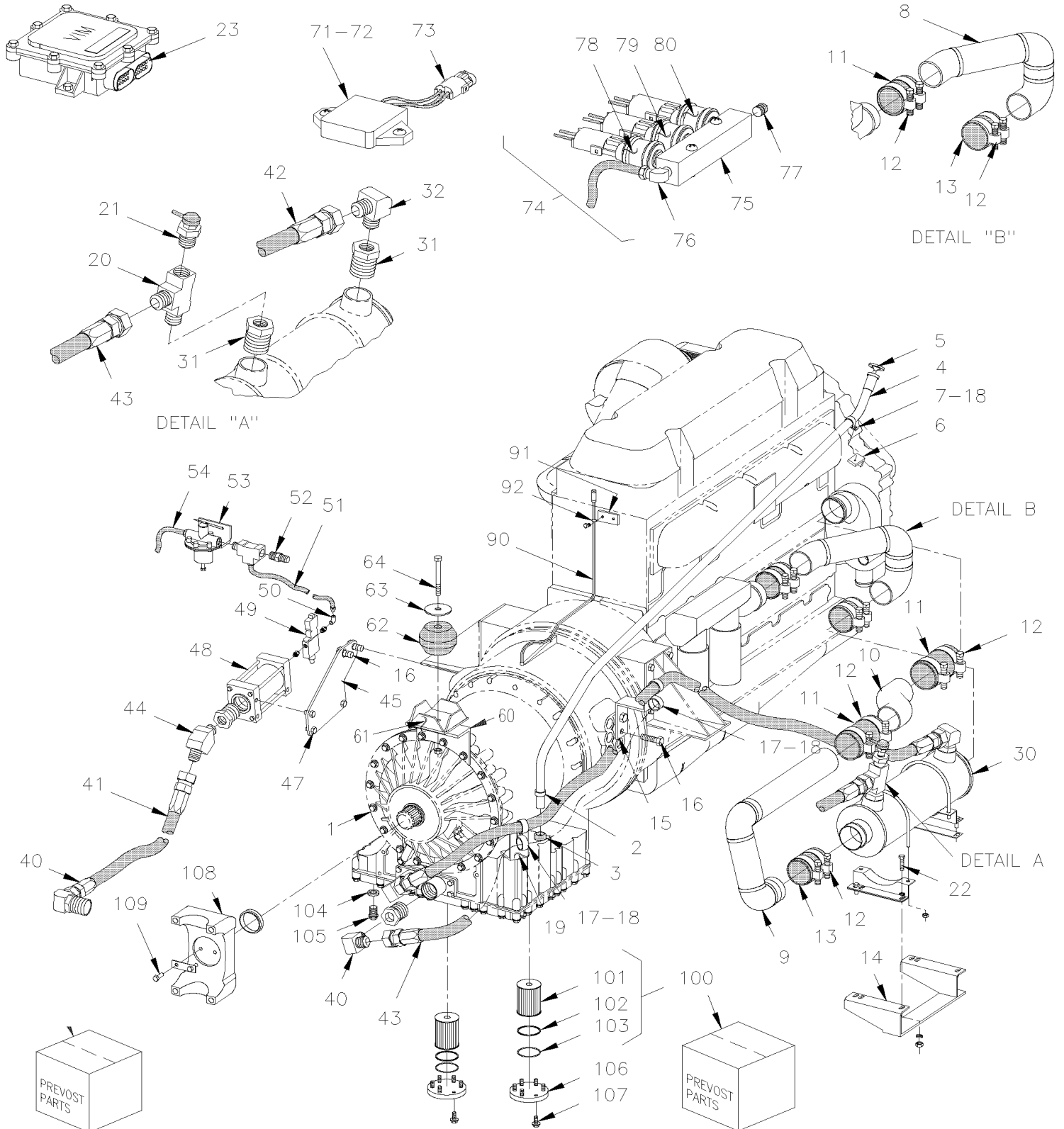
Item#	Part	Description	M T H 4 0	M T H 4 5	M T H 4 5 E	X L 4 0	X L 4 5	N O T E S
		PRODUCT IMPROVEMENT WITH TRANS WITH RETARDER						
1	571779	. OIL COOLER "MODINE" / SINGLE	1	1	1	1	1	
. NS	G1091499	. . GASKET	1	1	1	1	1	
. NS	G1091503	. . BOLTING BAR SHORT	2	2	2	2	2	
. NS	G1091502	. . BOLTING BAR LONG	2	2	2	2	2	
2	071256	. PIPE COOLER	1	1	1	1	1	
3	071255	. PIPE COOLER	1	1	1	1	1	
4	071258	. SUPPORT TRANS SIDE	1	1	1	1	1	
5	071254	. SUPPORT WATER PUMP SIDE	1	1	1	1	1	
6	071265	. ADAPTOR SUPPORT	2	2	2	2	2	
7	071250	. HOSE 2 3/4" I.D. X 100MM	4	4	4	4	4	
7	503395	. . HOSE SILICONE 4PLY 2 3/4" I.D. x 3'	AR	AR	AR	AR	AR	
8	504562	. HOSE CLAMP / 2"3/4-3"5/8 / C.T. 350	8	8	8	8	8	
9	501575	. MALE CONNECTOR / JIC 37° FITTING / #20JIC-Mx#20ORB-M STL VITON	2	2	2	2	2	
10	071266	. HOSE ASSY / #20 1555MM	1	1	1	1	1	
11	071267	. HOSE ASSY / #20 1481MM	1	1	1	1	1	
12	5011065	. MALE ELBOW 90° / JIC 37° FITTING / #20JIC-Mx#20ORB-M STL VITON	2	2	2	2	2	
13	071260	. SUPPORT, HOSE	1	1	1	1	1	
20	952641	. CLAMP / 1 5/16" I.D.	4	4	4	4	4	
21	500579	. SCREW MA RND PH #10-24x1 3/4 Z050	2	2	2	2	2	
22	500470	. WASHER LO SPT .193x.334x.047 Z050	6	6	6	6	6	
23	500964	. WASHER FL .203x.500x.047 Z050	4	4	4	4	4	
24	500786	. NUT HEX #10-24 Z050	6	6	6	6	6	
25	946472	. SCREW CAP HEXF M10-1.5x30 G8.8 ZG603	9	9	9	9	9	
26	971098	. NUT HEXF STO M10-1.5 G8 ZP	2	2	2	2	2	
27	502818	. SCREW CAP HEX M6-1.0x35 G8.8 Z050	2	2	2	2	2	
28	500468	. WASHER FL .281x1.250x.065 Z050	2	2	2	2	2	
29	502621	. NUT HEX STO M6-1.0 Z050	2	2	2	2	2	
30	061129	. SUPPORT FLAT TWISTED / TUBE DIPSTICK	1	1	1	1	1	
31	500829	. SCREW CAP HEX M10-1.5x40 G8.8	2	2	2	2	2	
40	373895	PIPE RETURN / ENGINE WATER PUMP						B
41	373903	PIPE RETURN / ENGINE WATER PUMP						C
		B) REQUIRE FOR BUS & MTH-45 WITH LARGE A/C SYSTEM AND IT NOT INCLUDE WITH KIT # 071269						
		C) USE ONLY WITH MTH-45 WITH SMALL AC SYSTEM WITH RETARDER AND IT NOT INCLUDE WITH KIT # 071269						

From R-823 To Y-7045

Date:10/2022

PAGE:XL-0750-02

AUTOMATIC TRANSMISSION - "WORLD"



From R-823 To Y-7045	Date:10/2022	PAGE:XL-0750-02
AUTOMATIC TRANSMISSION - "WORLD"		

Item#	Part	Description	M T H 4 0	M T H 4 5	M T H 4 5 E	X L 4 0	X L 4 5	N O T E S
		THE NEXT FOLLOWING TRANSMISSION W/O RETARDER						
		ARE USED WITH 11.1 LITERS						
NS	571660	TRANSMISSION ASSY B500				1	1	D
NS	571680	TRANSMISSION ASSY B500 / WTEC III				1	1	D
		THE NEXT FOLLOWING TRANSMISSION W/RETARDER						
		ARE USED WITH 11.1 LITERS						
NS	571661	TRANSMISSION ASSY B500R				1	1	D
NS	571681	TRANSMISSION ASSY B500R				1	1	D
NS	571701	TRANSMISSION ASSY B500R				1	1	
NS	571720	TRANSMISSION ASSY B500R				1	1	
		THE NEXT FOLLOWING E.C.U.						
		ARE USED WITH 11.1 LITERS						
NS	571556	E.C.U. B500				1	1	
NS	571558	E.C.U. B500				1	1	
NS	571682	E.C.U. B500				1	1	
NS	571683	E.C.U. B500				1	1	
NS	571696	E.C.U. B500				1	1	
NS	571697	E.C.U. B500				1	1	
NS	571721	E.C.U. B500				1	1	
	571742	E.C.U. B500 / WTEC III	1	1	1	1	1	
		THE NEXT FOLLOWING TRANSMISSION W/O RETARDER						
		ARE USED WITH 12.7 LITERS	1	1	1	1	1	
NS	571658	TRANSMISSION ASSY B500	1	1	1	1	1	D
NS	571678	TRANSMISSION ASSY B500	1	1	1	1	1	D
NS	571688	TRANSMISSION ASSY B500	1	1	1	1	1	
NS	571702	TRANSMISSION ASSY B500 / WTEC III	1	1	1	1	1	
NS	571713	TRANSMISSION ASSY HD4060	1	1	1			
NS	571726	TRANSMISSION ASSY HD4060	1	1	1			
		THE NEXT FOLLOWING TRANSMISSION W/RETARDER						
		ARE USED WITH 12.7 LITERS						
NS	571659	TRANSMISSION ASSY B500R	1	1	1	1	1	D
NS	571679	TRANSMISSION ASSY B500R	1	1	1	1	1	D
NS	571689	TRANSMISSION ASSY B500R	1	1	1			

From R-823 To Y-7045	Date:10/2022	PAGE:XL-0750-02
AUTOMATIC TRANSMISSION - "WORLD"		

Item#	Part	Description	M T H 4 0	M T H 4 5	M T H 4 5 E	X L 4 0	X L 4 5	N O T E S
NS	571703	TRANSMISSION ASSY B500R	1	1	1			
NS	571719	TRANSMISSION ASSY B500R	1	1	1			
NS	571712	TRANSMISSION ASSY HD4060	1	1	1			
NS	571725	TRANSMISSION ASSY HD4060	1	1	1			
		THE NEXT FOLLOWING E.C.U.						
		ARE USED WITH 12.7 LITERS						
NS	571554	E.C.U. HD4060	1	1	1	1	1	
NS	571684	E.C.U. HD4060	1	1	1	1	1	
NS	571698	E.C.U. HD4060	1	1	1	1	1	
NS	571544	E.C.U. HD4060R	1	1	1	1	1	
NS	571685	E.C.U. HD4060R	1	1	1	1	1	
NS	571699	E.C.U. HD4060R	1	1	1	1	1	
NS	571722	E.C.U. HD4060R	1	1	1	1	1	
	571743	E.C.U. HD4060R / WTEC III	1	1	1	1	1	
1		TRANSMISSION ASSY / SEE ABOVE						J
2	504602	. CLAMP / 1" I.D. X .375 HOLE	1	1	1	1	1	
NS	502513	. SCREW TP CAP HEX 5/16x1 Z050	1	1	1	1	1	
3	571662	. GROMMET RUBBER / TUBE & TRANS	1	1	1	1	1	
4	070864	TUBE DIPSTICK	1	1	1	1	1	Y
4	071026	TUBE DIPSTICK				1		Z
5	571567	TRANS DIPSTICK 2134.9MM	1	1	1	1	1	Y
5	571700	TRANS DIPSTICK				1		Z
6	061129	SUPPORT FLAT TWISTED / TUBE DIPSTICK	1	1	1	1	1	
6	070887	SUPPORT ANGLE / TUBE DIPSTICK	1	1	1	1	1	
6	070368	SUPPORT	1	1	1	1	1	
6	070938	SUPPORT	1	1	1	1	1	
NS	5001003	WASHER LO SPT 8.1x12.7x2.0 Z050	1	1	1	1	1	
NS	500069	SCREW CAP HEX M8-1.25x16 G10.9 DP	1	1	1	1	1	
7	560484	CLAMP / 1" I.D.	1	1	1	1	1	
8	070890	PIPE ASSY	1	1	1	1	1	Y
8	052102	PIPE ASSY	1	1	1	1	1	Z
9	051854	PIPE ASSY	1	1	1	1	1	Y
9	052101	PIPE ASSY	1	1	1	1	1	Z
10	N.S.P.	PIPE ASSY / WATER PUMP & PIPE, BLACK / (23005899)	1	1	1	1	1	2
11	051604	HOSE 2 3/4" I.D. 130MM	2	2	2	2	2	Y
. NS	503395	. HOSE SILICONE 4PLY 2 3/4" I.D. x 3'	AR	AR	AR	AR	AR	Y
11	070968	HOSE 3" I.D. 185MM	2	2	2	2	2	Z
11	051094	HOSE 2 3/4" I.D. 3 1/8"	1	1	1	1	1	Y
. NS	503395	. HOSE SILICONE 4PLY 2 3/4" I.D. x 3'	AR	AR	AR	AR	AR	Y

From R-823 To Y-7045	Date:10/2022	PAGE:XL-0750-02
AUTOMATIC TRANSMISSION - "WORLD"		

Item#	Part	Description	M T H 4 0	M T H 4 5	M T H 4 5 E	X L 4 0	X L 4 5	N O T E S
11	050668	HOSE 2 3/4" I.D. 3 1/8"	1	1	1	1	1	Z
11	503395	HOSE SILICONE 4PLY 2 3/4" I.D. x 3'	AR	AR	AR	AR	AR	
12	504562	HOSE CLAMP / 2"3/4-3"5/8 / C.T. 350	AR	AR	AR	AR	AR	
13	070968	HOSE 3" I.D. 185MM	1	1	1	1	1	Y
13	051157	HOSE 3" I.D. 90MM	1	1	1	1	1	Z
13	070969	HOSE 3" I.D. 140MM	1	1	1	1	1	
13	503396	HOSE SILICONE 3" I.D. x 3'	AR	AR	AR	AR	AR	
14	070892	SHIM / ENGINE CRADLE & OIL COOLER SUPPORT 26x166x1/4" / 140c/c	2	2	2	2	2	C
15	070884	SUPPORT "Z" SHAPE	1	1	1	1	1	Y
15	052104	SUPPORT ANGLE / HOSES	1	1	1	1	1	Z
16	500813	SCREW CAP HEX M16-2.0x35 G8.8 ZP	3	3	3	3	3	
NS	500802	WASHER LO SPT 16.2x37.4x3.5 Z050	3	3	3	3	3	
17	560912	CLAMP / 1"1/4 I.D.	4	4	4	4	4	
18	502698	SCREW MA PAN PH M4-0.7x16 SS BK	3	3	3	3	3	
NS	500590	NUT HEX NYRT M4-0.7 Z050	3	3	3	3	3	
19	070944	SUPPORT / HOSES	1	1	1	1	1	
NS	502644	WASHER FL 10.5x30.0x2.5 Z050	1	1	1	1	1	
NS	502549	SCREW CAP HEX M10-1.5x35 G8.8 Z050	1	1	1	1	1	
20	5011083	ADAPTER TEE / SAE 45° FITTING / #16FL-Mx1/2NPT-Fx#16ORB-M TO USED W/TEMP SENDER	1	1	1	1	1	
20	5011074	ADAPTER TEE / SAE 45° FITTING / #20FL-Mx1/2NPT-Fx#20ORB-M TO USED W/TEMP SENDER	1	1	1	1	1	
21	561097	SENSOR, TEMPERATURE / WATER & OIL	1	1	1	1	1	
22	502559	SCREW CAP HEX M10-1.5x25 G8.8 Z050	4	4	4	4	4	
NS	500257	WASHER LO SPT 10.2x18.1x2.2 Z050	8	8	8	8	8	
NS	500256	NUT HEX M10-1.5 Z050	4	4	4	4	4	
NS	502589	SCREW CAP HEX M8-1.25x25 G8.8 Z050	4	4	4	4	4	C
NS	5001003	WASHER LO SPT 8.1x12.7x2.0 Z050	8	8	8	8	8	
NS	502543	NUT HEX M8-1.25 Z050	4	4	4	4	4	
23	571542	MODULE INTERFACE	1	1	1	1	1	
23	063539	CABLE ASSY / FRT SELECTOR & RR ECU & VIM (STAMPED 29511559) To S-424	1	1	1	1	1	D
23	063953	CABLE ASSY / FRT SELECTOR & RR ECU & VIM (STAMPED 29518415) From S-425 To T-5884	1	1	1	1	1	D
NS	065892	KIT, RETROFIT "ALLISSON" TRANS HARNESS / XL SERIES To T-5884	1	1	1	1	1	
NS	064239	CABLE ASSY / FRT SELECTOR & RR ECU & VIM To T-5884	1	1	1	1	1	
NS	064237	CABLE ASSY / TRANS & SPEED SWITCH To T-5884	1	1	1	1	1	
NS	562425	CONNECTOR / METRI-PACK 150 P2S / SH 24C / PED 12092202 To T-5884	1	1	1	1	1	
NS	562352	SOCKET TERMINAL / 18-16 / PED 12103881 To T-5884	25	25	25	25	25	
NS	562032	SEAL PLUG CAVITY / METRI-PACK 150 PS2 / BLACK / PED 12034413 To T-5884	5	5	5	5	5	
NS	IS-94099	SEE INSTRUCTION SHEET To T-5884	1	1	1	1	1	
NS	064001	CABLE ASSY / INTERFACE & CABLE FRONT From T-5885 To V-6001	1	1	1	1	1	
NS	064381	CABLE ASSY / INTERFACE & CABLE FRONT From V-6002 To W-6490	1	1	1	1	1	
NS	064654	CABLE ASSY / INTERFACE & CABLE FRONT To W-6490	1	1	1	1	1	
23	064239	CABLE ASSY / FRT SELECTOR & RR ECU & VIM From T-5885	1	1	1	1	1	
30	550598	COOLER ASSY To S-515	1	1	1	1	1	

From R-823 To Y-7045		Date:10/2022	PAGE:XL-0750-02
AUTOMATIC TRANSMISSION - "WORLD"			

Item#	Part	Description	M T H 4 0	M T H 4 5	M T H 4 5 E	X L 4 0	X L 4 5	N O T E S
30	550708	OIL COOLER W/1" NPT / (2950137) From S-516	1	1	1	1	1	C
30	550709	OIL COOLER W/1 1/4" NPT / (29506669) From S-516 To T-5800	1	1	1	1	1	E
NS	550712	OIL COOLER W/1 1/4" NPT From T-5801 To X-6950	1	1	1	1	1	E
30	550795	OIL COOLER W/ #20 ORB (1" STRAIGHT THREAD) From X-6951	1	1	1	1	1	E
NS	550948	SUPPORT From X-6951	1	1	1	1	1	E
NS	550949	SUPPORT From X-6951	1	1	1	1	1	E
NS	550950	U-BOLT 3/8-16 From X-6951	2	2	2	2	2	E
NS	502510	WASHER FL .375x.875x.083 From X-6951	4	4	4	4	4	E
NS	500265	NUT HEX STO 3/8-16 Z050 From X-6951	4	4	4	4	4	E
30	550806	CORE ASSY OIL COOLER	1	1	1	1	1	
30	550807	O-RING 5.859 DIA x .140	1	1	1	1	1	
30	550808	O-RING 6.234 DIA x .140	1	1	1	1	1	
32	5011065	MALE ELBOW 90° / JIC 37° FITTING / #20JIC-Mx#20ORB-M STL VITON	1	1	1	1	1	
NS	501523	MALE ELBOW 90° / JIC 37° FITTING / #16JIC-Mx#16ORB-M STL	3	3	3	3	3	
40	5011065	MALE ELBOW 90° / JIC 37° FITTING / #20JIC-Mx#20ORB-M STL VITON	4	4	4	4	4	
41	070880	HOSE ASSY / #20 310MM	1	1	1	1	1	Y
41	071032	HOSE ASSY / #20 435MM	1	1	1	1	1	Z
42	070965	HOSE ASSY / #16 1890MM	1	1	1	1	1	CY
42	071019	HOSE ASSY / #16 1674MM	1	1	1	1	1	CZ
NS	070885	HOSE ASSY / #20 2018MM	1	1	1	1	1	EY
42	070577	HOSE ASSY / #20 1778MM	1	1	1	1	1	EZ
43	070939	HOSE ASSY / #16 1505MM	1	1	1	1	1	CY
43	071020	HOSE ASSY / #16 1284MM	1	1	1	1	1	CZ
NS	051688	HOSE ASSY / #20 1505MM	1	1	1	1	1	EY
43	051944	HOSE ASSY / #20 1250MM	1	1	1	1	1	EZ
NS	503423	HOSE #FC-300 HYDRAULIC / #16 S.L.	AR	AR	AR	AR	AR	
NS	501343	FEMALE CONNECTOR SWIVEL / JIC 37° FITTING / #20JIC-Fx#20 ZP	2	2	2	2	2	
NS	503516	HOSE #FC-300 HYDRAULIC / #20 S.L.	AR	AR	AR	AR	AR	
NS	501608	FEMALE CONNECTOR SWIVEL / JIC 37° FITTING / #16JIC-Fx#16 STL	2	2	2	2	2	
NS	071027	PROTECTOR RUBBER / FIXED END OF HOSE 204MM X 311MM	1	1	1	1	1	
NS	071096	PROTECTOR SUPPORT SS ANGLE SHAPE 61MM X 73MM From W-6384	AR	AR	AR	AR	AR	C
43	071031	PROTECTOR CABLE HARNESS From W-6384	1	1	1	1	1	Z
NS	071097	PROTECTOR SUPPORT SS 102MM X 90MM From W-6384	AR	AR	AR	AR	AR	E
NS	502559	SCREW CAP HEX M10-1.5x25 G8.8 Z050	1	1	1	1	1	F
NS	502644	WASHER FL 10.5x30.0x2.5 Z050	1	1	1	1	1	B
44	501575	MALE CONNECTOR / JIC 37° FITTING / #20JIC-Mx#20ORB-M STL VITON	1	1	1	1	1	
44	507558	MALE ELBOW 45° / JIC 37° FITTING / #20JIC-Mx#20ORB-M STL VITON	1	1	1	1	1	
		FOLLOWING PARTS ARE RELATED WITH						
		TRANSMISSION WITH RETARDER ONLY						
45	071014	SUPPORT / TRANS & ACUMULATOR / WTEC III	1	1	1	1	1	Y

From R-823 To Y-7045	Date:10/2022	PAGE:XL-0750-02
AUTOMATIC TRANSMISSION - "WORLD"		

Item#	Part	Description	M T H 4 0	M T H 4 5	M T H 4 5 E	X L 4 0	X L 4 5	N O T E S
45	071024	SUPPORT / TRANS & ACUMULATOR	1	1	1	1	1	Z
47	502790	SCREW CAP HEX M8-1.25x20 G8.8 Z050	4	4	4	4	4	
NS	5001003	WASHER LO SPT 8.1x12.7x2.0 Z050	3	3	3	3	3	
NS	502543	NUT HEX M8-1.25 Z050	4	4	4	4	4	
48	571548	ACUMULATOR & SOLENOID ASSY	1	1	1	1	1	
NS	571707	ACCUMULATOR	1	1	1	1	1	
NS	571708	VALVE SOLENOID 12V	1	1	1	1	1	
49	571547	KIT COLLARS & BOX /TO FIX ACCUMULATOR TO SUPPORT	1	1	1	1	1	
NS	500476	WASHER LO SPT .317x.586x.078 Z050	4	4	4	4	4	
NS	500723	NUT HEX 5/8-18 ZP	4	4	4	4	4	
NS	500182	SCREW CAP HEX 5/16-18x1 1/4 G5 PT Z050	4	4	4	4	4	
50	5011112	FEMALE ELBOW 90° / JIC 37° FITTING / #6JIC-Mx3/8NPT-F STL	1	1	1	1	1	
51	140376	HOSE ASSY TEFLON #6 686MM	1	1	1	1	1	
NS	070882	HOSE ASSY TEFLON #6 570MM	1	1	1	1	1	
NS	141787	HOSE ASSY TEFLON #6 902MM	1	1	1	1	1	
NS	503065	HOSE TEFLON #6 / S.L.	AR	AR	AR	AR	AR	
NS	501595	FEMALE CONNECTOR SWIVEL / JIC 37° FITTING / TEFLON / #6JIC-Fx#6 STL	2	2	2	2	2	
52	640488	VALVE, AIR FILL 1/8" NPT	1	1	1	1	1	
NS	650164	CAP VALVE / CHROME	1	1	1	1	1	
53	640938	AIR PRESSURE REGULATOR To W-6460	1	1	1	1	1	
NS	641437	AIR PRESSURE REGULATOR 1/4" NPT / PLASTIC From W-6461 To X-6691	1	1	1	1	1	
53	641472	AIR PRESSURE REGULATOR 1/4" NPT / COPPER From X-6692	1	1	1	1	1	
54	503404	TUBE, NYLON 3/8 O.D. / BLACK S.L.	AR	AR	AR	AR	AR	H
NS	560479	CLAMP / 3/8" I.D.	1	1	1	1	1	
NS	500613	SCREW TP PAN PH #10x1/2 Z050	1	1	1	1	1	
60	N.S.P.	SUPPORT REAR / (29507888)		1		1	1	2
NS	070964	SUPPORT REAR	1		1			
61	070950	GUIDE REAR	1	1	1	1	1	
62	630118	RUBBER BUMPPER	1	1	1	1	1	
63	550642	WASHER	1	1	1	1	1	
NS	571351	WASHER, 1/2" I.D. FLAT	1	1	1	1	1	
64	500106	SCREW CAP HEX 1/2-20x6 G5 PT Z050	1	1	1	1	1	
65	500718	NUT HEX STO 1/2-20 Z050	1	1	1	1	1	
71	562357	RESISTANCE MODULE	1	1	1	1	1	
72	562381	RESISTANCE MODULE	1	1	1	1	1	
73	063782	CABLE ASSY / RESISTANCE MODULE & SWITCH	1	1	1	1	1	
74	070902	PRESSURES SWITCH ASSY W/MANIFOLD	1	1	1	1	1	
75	070903	MANIFOLD	1	1	1	1	1	
76	640999	MALE ELBOW 90° / NTA FITTING / #6x1/4NPT-M BR	1	1	1	1	1	
77	501304	PLUG SQUARE HEAD / PIPE FITTING / 1/4NPT-M BR	1	1	1	1	1	
78	562358	PRESSURE SWITCH N.O. 2PSI / 1/8NPT	1	1	1	1	1	
79	562384	PRESSURE SWITCH N.O. 4PSI / 1/8NPT	1	1	1	1	1	

From R-823 To Y-7045	Date:10/2022	PAGE:XL-0750-02
AUTOMATIC TRANSMISSION - "WORLD"		

Item#	Part	Description	M T H 4 0	M T H 4 5	M T H 4 5 E	X L 4 0	X L 4 5	N O T E S
80	562385	. PRESSURE SWITCH N.O. 7PSI / 1/8NPT	1	1	1	1	1	
90	071170	HOSE ASSY / #4 24"	1	1	1	1	1	J
. A	071167	. FEMALE CONNECTOR / HOSE BARB @ METRIC / #4x M10-1.5-F BR	1	1	1	1	1	J
. B	071166	. MALE CONNECTOR / HOSE BARB @ METRIC / #4x M10-1.5-M BR	1	1	1	1	1	J
91	061025	SUPPORT	1	1	1	1	1	J
NS	504601	CLAMP / 5/16" I.D. x .375 HOLE	1	1	1	1	1	J
92	571763	BREATHER	1	1	1	1	1	J
100	571709	TRANSMISSION FILTER / MAINTENANCE KIT	AR	AR	AR	AR	AR	I
101	N.S.S.	. FILTER	2	2	2	2	2	1
102	571692	. O-RING / (LARGE SQUARE CUT)	2	2	2	2	2	
103	571693	. O-RING / (SMALL)	2	2	2	2	2	
104	571694	. O-RING / DRAIN PLUG	2	2	2	2	2	
105	571695	DRAIN PLUG ASSY W/O-RING	1	1	1	1	1	
106	N.S.P.	COVER FILTER / (29507434)	2	2	2	2	2	2
107	N.S.P.	BOLT M10-1.5 x 55M / (2954186)	AR	AR	AR	AR	AR	2
108	N.S.P.	YOKE (1810) HALF ROUND / (29511516 OR 6.5-4-4521-1)	1	1	1	1	1	2
108	N.S.P.	STRAP LOCK PLATE	1	1	1	1	1	2
108	N.S.P.	BOLT M10-1.5 X 30MM GR 10.9	2	2	2	2	2	2
108	N.S.P.	SEAL OUTPUT / (29515621)	1	1	1	1	1	2
109	N.S.P.	BOLT M10-1.5 X 30MM GR 10.9	2	2	2	2	2	2
		FOLLOWING ITEMS ARE USED WITH BREATHER INSTALLATION						
NS	071171	KIT, TRANSMISSION BREATHER From R-811 To X-6802						
. NS	IS-98121	. SEE INSTRUCTION SHEET From R-811 To X-6802						
NS	683904	TESTING FOR GLYCOL CONTAMINATION IN TRANSMISSION OIL	1	1	1	1	1	
. NS	IS-99901A	. SEE INSTRUCTION SHEET	1	1	1	1	1	
200	071269	OIL COOLER " WORLD" TRANSMISION "MODINE" - / "RETROFIT" From R-823 To Y-7045						
		B) TO FIX PROTECTOR						
		C) W/O RETARDER						
		D) "DETROIT ALLISSON"UPGRADE ELECTRICALS CONNECTORS END 1994 FOR COUPLING WITH NEW CONECTORS YOUR NEED KIT # 065892. ONLY IF YOU CHANGE TRANSMISSION WITH NEW CONNECTOR MODEL						
		E) W/RETARDER						
		F) TO FIX PROTECTOR						
		H) REGULATOR & MANIFOLD						
		I) 29526899						
		J) FOR PRODUCT IMPROVMENT ON BREATHER UP TO SN X-6803, USE KIT 071171						
		Y) WITH SERIE 60						

From R-823 To Y-7045	Date:10/2022	PAGE:XL-0750-02
AUTOMATIC TRANSMISSION - "WORLD"		

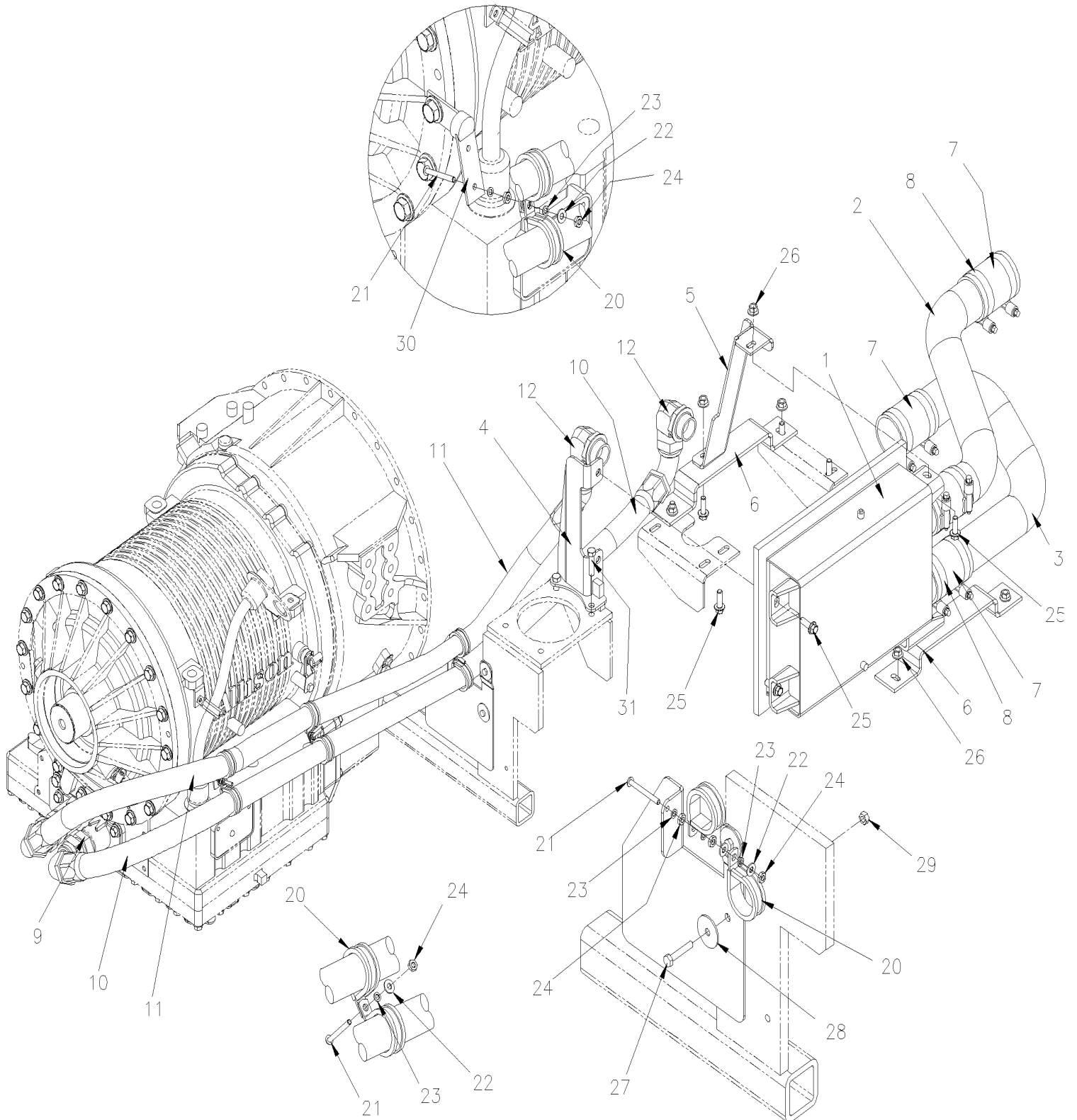
Item#	Part	Description	M T H 4 0	M T H 4 5	M T H 4 5 E	X L 4 0	X L 4 5	N O T E S
		Z) WITH SERIE 50						
		1) NOT SOLD SEPARATELY						
		2) NOT SOLD BY PREVOST (SEE MANUFACTURING PART NUMBER AT END OF DESCRIPTION LINE)						

From R-823 To Y-7045

Date:10/2022

PAGE:071269

OIL COOLER "WORLD" TRANSMISSION "MODINE" - / "RETROFIT"

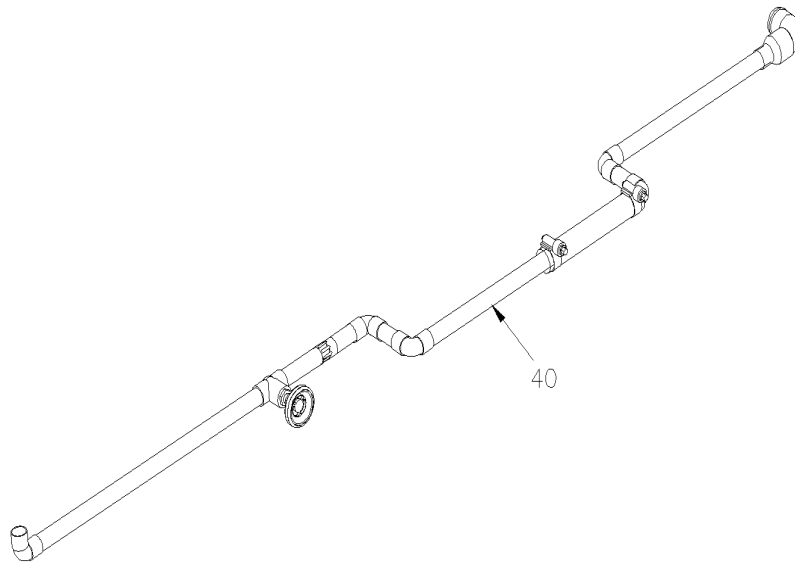


From R-823 To Y-7045

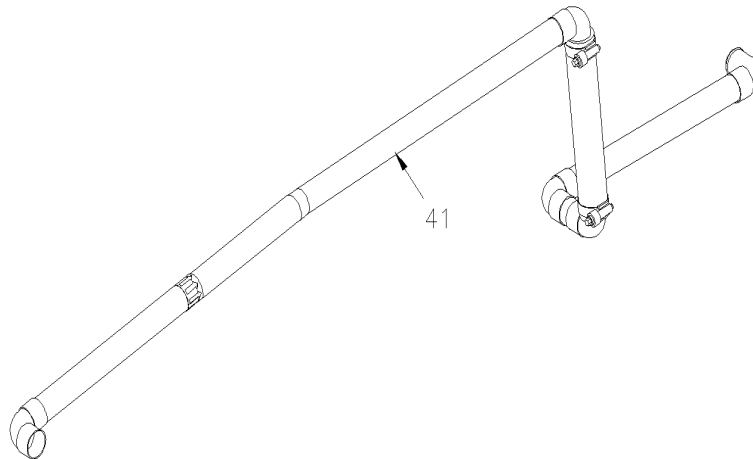
Date:10/2022

PAGE:071269

OIL COOLER "WORLD" TRANSMISION "MODINE" - / "RETROFIT"



WITH MTH-45 WITH SMALL A/C
NOT INCLUDE WITH 071269



WITH MTH-45 & XL-45 WITH LARGE A/C
NOT INCLUDE WITH 071269

From R-823 To Y-7045	Date:10/2022	PAGE:071269
----------------------	--------------	-------------

OIL COOLER " WORLD" TRANSMISION "MODINE" - / "RETROFIT"

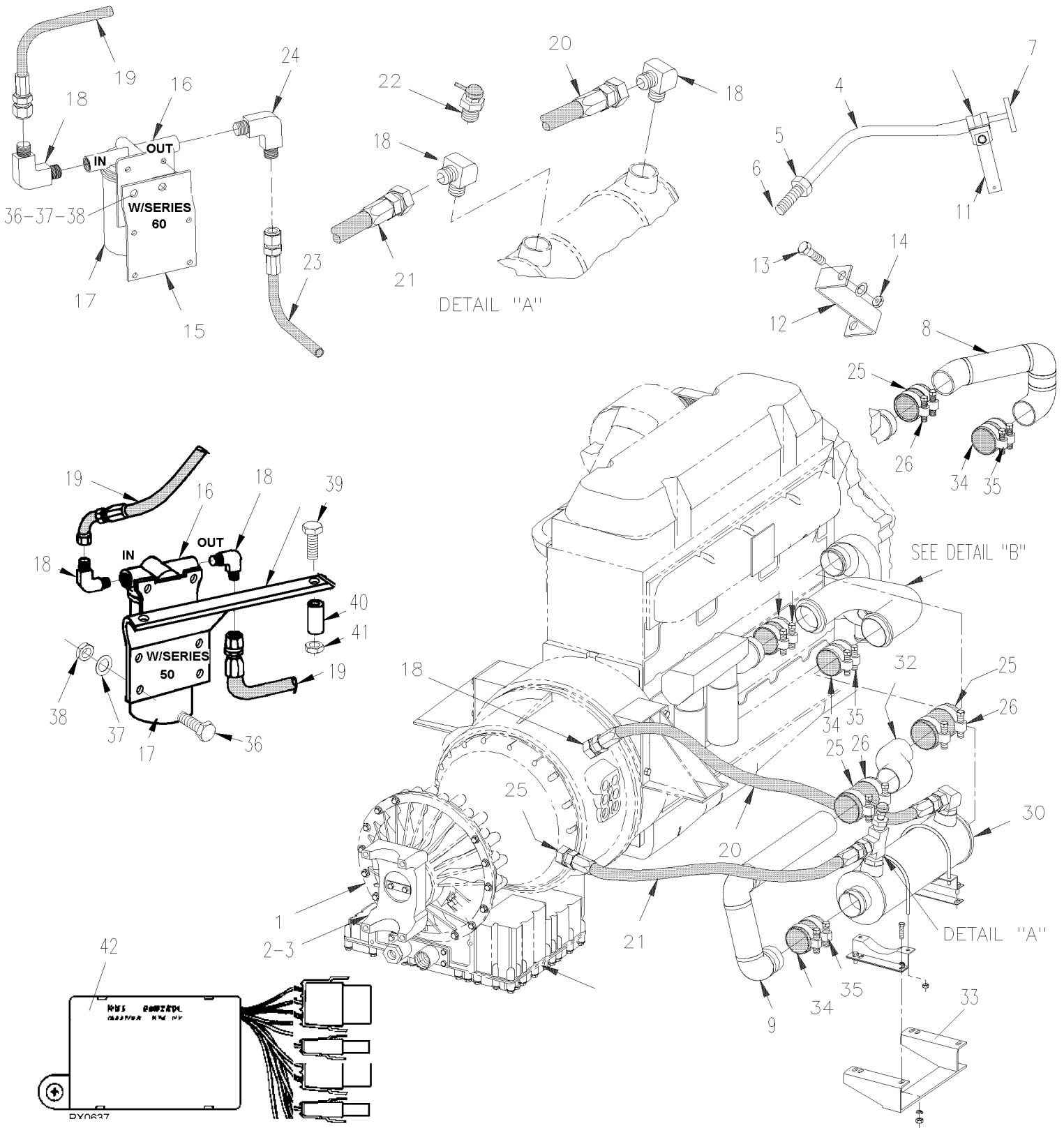
Item#	Part	Description	M T H 4 0	M T H 4 5	M T H 4 5 E	X L 4 0	X L 4 5	N O T E S
		PRODUCT IMPROVEMENT WITH TRANS WITH RETARDER						
1	571779	OIL COOLER "MODINE" / SINGLE	1	1	1	1	1	
. NS	G1091499	. . GASKET	1	1	1	1	1	
. NS	G1091503	. . BOLTING BAR SHORT	2	2	2	2	2	
. NS	G1091502	. . BOLTING BAR LONG	2	2	2	2	2	
2	071256	PIPE COOLER	1	1	1	1	1	
3	071255	PIPE COOLER	1	1	1	1	1	
4	071258	SUPPORT TRANS SIDE	1	1	1	1	1	
5	071254	SUPPORT WATER PUMP SIDE	1	1	1	1	1	
6	071265	ADAPTOR SUPPORT	2	2	2	2	2	
7	071250	HOSE 2 3/4" I.D. X 100MM	4	4	4	4	4	
7	503395	. . HOSE SILICONE 4PLY 2 3/4" I.D. x 3'	AR	AR	AR	AR	AR	
8	504562	HOSE CLAMP / 2"3/4-3"5/8 / C.T. 350	8	8	8	8	8	
9	501575	MALE CONNECTOR / JIC 37° FITTING / #20JIC-Mx#20ORB-M STL VITON	2	2	2	2	2	
10	071266	HOSE ASSY / #20 1555MM	1	1	1	1	1	
11	071267	HOSE ASSY / #20 1481MM	1	1	1	1	1	
12	5011065	MALE ELBOW 90° / JIC 37° FITTING / #20JIC-Mx#20ORB-M STL VITON	2	2	2	2	2	
13	071260	SUPPORT, HOSE	1	1	1	1	1	
20	952641	CLAMP / 1 5/16" I.D.	4	4	4	4	4	
21	500579	SCREW MA RND PH #10-24x1 3/4 Z050	2	2	2	2	2	
22	500470	WASHER LO SPT .193x.334x.047 Z050	6	6	6	6	6	
23	500964	WASHER FL .203x.500x.047 Z050	4	4	4	4	4	
24	500786	NUT HEX #10-24 Z050	6	6	6	6	6	
25	946472	SCREW CAP HEXF M10-1.5x30 G8.8 ZG603	9	9	9	9	9	
26	971098	NUT HEXF STO M10-1.5 G8 ZP	2	2	2	2	2	
27	502818	SCREW CAP HEX M6-1.0x35 G8.8 Z050	2	2	2	2	2	
28	500468	WASHER FL .281x1.250x.065 Z050	2	2	2	2	2	
29	502621	NUT HEX STO M6-1.0 Z050	2	2	2	2	2	
30	061129	SUPPORT FLAT TWISTED / TUBE DIPSTICK	1	1	1	1	1	
31	500829	SCREW CAP HEX M10-1.5x40 G8.8	2	2	2	2	2	
40	373895	PIPE RETURN / ENGINE WATER PUMP						B
41	373903	PIPE RETURN / ENGINE WATER PUMP						C
		B) REQUIRE FOR BUS & MTH-45 WITH LARGE A/C SYSTEM AND IT NOT INCLUDE WITH KIT # 071269						
		C) USE ONLY WITH MTH-45 WITH SMALL AC SYSTEM WITH RETARDER AND IT NOT INCLUDE WITH KIT # 071269						

From S-476 To T-5778

Date:10/2022

PAGE:XL-0750-09

AUTOMATIC TRANSMISSION - "ATEC" - RETROFIT DETROIT S-50 & 60



From S-476 To T-5778	Date:10/2022	PAGE:XL-0750-09
AUTOMATIC TRANSMISSION - "ATEC" - RETROFIT DETROIT S-50 & 60		

Item#	Part	Description	M T H 4 0	M T H 4 5	M T H 4 5 E	X L 4 0	X L 4 5	N O T E S
		FOLLOWING INSTALLATION ARE RELATED WITH						
		ONLY WITH VEHICLE LISTED BELOW PACIFIC WESTERN TRANSPORTATION						
		S-476, S-481, S-484, S-487, S-616, S-619, &						
		T-5769, T-5772, T-5775 & T-5778 From S-476 To T-5778						
		R-875, R-878, R-886, R-890, R980, & R-986 From R-875 To R-986						
1		KIT RETROFIT, TRANSMISSION ASSY / MODEL HT-746 From R-875 To R-986				1		
1	196224	KIT RETROFIT, TRANSMISSION ASSY / MODEL HT-748 W/SERIES 50 From S-476 To T-5778				1		
2	571550	SEAL OIL / TRANS HT-746 W/SERIES 60 From R-875 To R-986				1		
3	571570	YOKE (1810) HALF ROUND / MODIFIED FOR HT-746 (18 SPL) W/SERIES 60 From R-875 To R-986				1		
. NS	571537	. YOKE (1810) HALF ROUND / W/AUTOMATIC HT-746 (18 SPL) From R-875 To R-986				1		
. . NS	571568	. . SPEEDY SLEEVE 3.750: I.D. / WITH 571570 From R-875 To R-986				1		
. . NS	571550	. . SEAL OIL / TRANS HT-746 From R-875 To R-986				1		
. NS	571568	. SPEEDY SLEEVE 3.750: I.D. / WITH 571570 From R-875 To R-986				1		
3	571305	YOKE (1800) FULL ROUND (18 SPL) W/SERIES 50 From S-476 To T-5778				1		
. NS	621493	. SPEEDY SLEEVE 3 1/2" I.D. / TO REPAIR OIL LEAK ON YOKE From S-476 To T-5778				1		
4	070607	TUBE DIPSTICK (ONE PIECE) MODIFIED				1		
5	501361	FEMALE ELBOW 45° SHORT DROP/ JIC 37° FITTING/ #16JIC-Fx#16 ZP MODIFIED FOR DIPSTICK				1		
6	501573	MALE CONNECTOR / JIC 37° FITTING / #16JIC-Mx#16ORB-M STL				1		
7	571246	TRANS DIPSTICK 68" / 1727.2MM MODIFIED				1		
8	070890	PIPE ASSY W/SERIES 60 From R-875 To R-986				1		
8	052102	PIPE ASSY W/SERIES 50 From S-476 To T-5778				1		
9	051854	PIPE ASSY W/SERIES 60 From R-875 To R-986				1		
9	052101	PIPE ASSY W/SERIES 50 From S-476 To T-5778				1		
11	070838	SUPPORT 1ST SECTION				1		
12	070834	SUPPORT 2ND SECTION				1		
13	500060	SCREW CAP HEX 3/8-24x4 1/2 G5 ZP				1		
14	500705	NUT HEX 3/8-24 ZP				1		
15	070841	SUPPORT OIL FILTER W/SERIES 60 From R-875 To R-986				1		
15	070301	SUPPORT / OIL FILTER / W/AUTO TRANS / (ENGINE W/6V92) W-SERIES 50 From S-476 To T-5778				1		
16	571453	FILTER TRANSMISSION OIL				1		
17	571457	. OIL FILTER, CARTRIDGE / HD-223 / TRANS AUTO / W/TRANS HYDRAULIC				1		
NS	500257	WASHER LO SPT 10.2x18.1x2.2 Z050				4		
NS	502549	SCREW CAP HEX M10-1.5x35 G8.8 Z050				4		
NS	500256	NUT HEX M10-1.5 Z050				4		
18	501523	MALE ELBOW 90° / JIC 37° FITTING / #16JIC-Mx#16ORB-M STL				AR		
19	070845	HOSE ASSY / #16 368MM				2		
20	070891	HOSE ASSY / #16 1143MM W/SERIES 60 From R-875 To R-986				1		
20	070583	HOSE ASSY / #16 635MM W/SERIES 50 From S-476 To T-5778				1		
21	071248	HOSE ASSY / #16 1141MM W/SERIES 60 From R-875 To R-986				1		
21	070583	HOSE ASSY / #16 635MM W/SERIES 50 From S-476 To T-5778				1		
22	561097	SENSOR, TEMPERATURE / WATER & OIL				1		

From S-476 To T-5778	Date:10/2022	PAGE:XL-0750-09
AUTOMATIC TRANSMISSION - "ATEC" - RETROFIT DETROIT S-50 & 60		

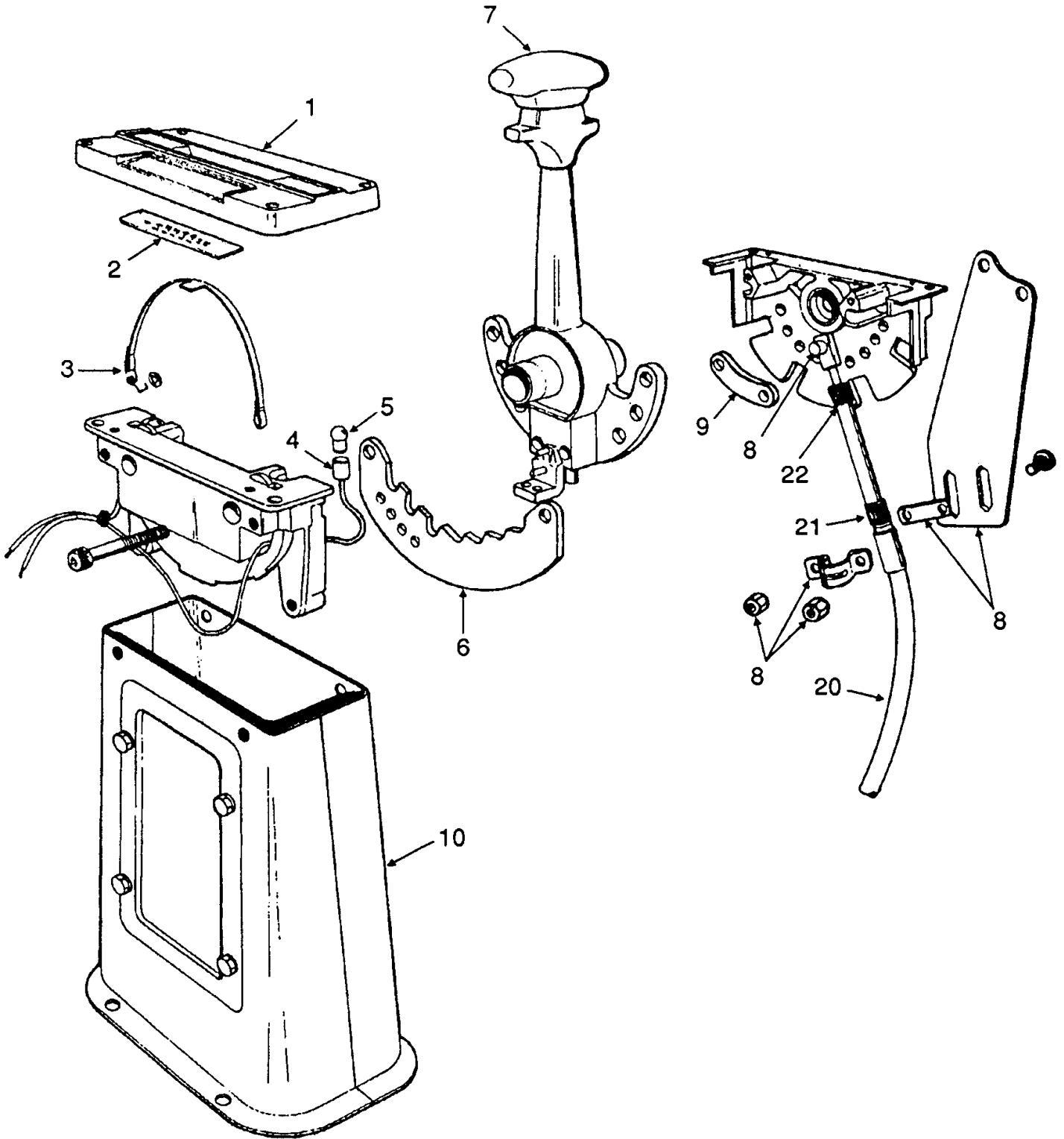
Item#	Part	Description	M T H 4 0	M T H 4 5	M T H 4 5 E	X L 4 0	X L 4 5	N O T E S
23	5011084	BUSHING REDUCER / PIPE FITTING / 2NTP-Mx1NPT-F BR				2		
23	501743	BUSHING REDUCER / PIPE FITTING / 1 1/4NPT-Mx1NPT-F STL				2		
24	501573	MALE CONNECTOR / JIC 37° FITTING / #16JIC-Mx#16ORB-M STL				1		
25	503396	HOSE SILICONE 3" I.D. x 3'				AR		
26	504562	HOSE CLAMP / 2"3/4-3"5/8 / C.T. 350				AR		
30	550708	OIL COOLER W/1" NPT / (2950137)				1		
32	N.S.P.	PIPE PAINT BLACK / WATER PUMP & COOLER / (230057899)				1		2
33	070892	SHIM / ENGINE CRADLE & OIL COOLER SUPPORT 26x166x1/4" / 140c/c				AR		
34	5061021	HOSE SILICONE 2PLY 3 1/8" I.D. x 3'				AR		
34	503395	HOSE SILICONE 4PLY 2 3/4" I.D. x 3'				AR		
35	504580	HOSE CLAMP / 3"1/4-4"1/8 / C.T. 400				4		
36	500050	SCREW CAP HEX 3/8-24x1 1/2G5 ZP				2		
37	500478	WASHER LO SPT .380x.683x.094 Z050				2		
38	500705	NUT HEX 3/8-24 ZP				2		
39	500137	SCREW CAP HEX 5/8-18x4 1/2 G5 ZP				1		
40	070304	TUBE / OIL FILTER SUPPORT				2		
41	500723	NUT HEX 5/8-18 ZP				2		
NS	500485	SCREW MA FL PH #10-32x3/4 SS EMN				2		
42	561945	CONTROL, THROTTLE POSITION / ATEC TRANSMISSION				1		
NS	061935	CABLE ASSY / FRONT & ECU TRANS				1		
		2) NOT SOLD BY PREVOST (SEE MANUFACTURING PART NUMBER AT END OF DESCRIPTION LINE)						

From E-638 To R-822

Date:10/2022

PAGE:XL-0755-00

SHIFTER SELECTOR - AUTO TRANS. HYDRAU.



PX0711

From E-638 To R-822	Date:10/2022	PAGE:XL-0755-00
---------------------	--------------	-----------------

SHIFTER SELECTOR - AUTO TRANS. HYDRAU.

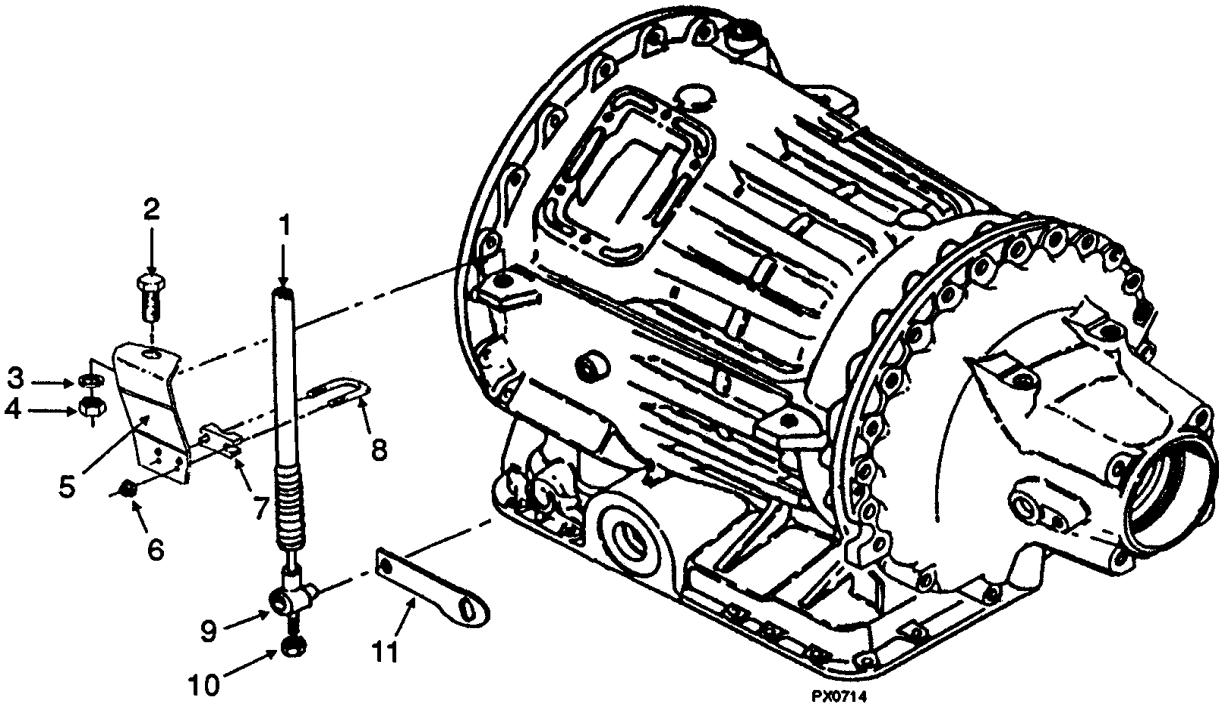
Item#	Part	Description	M T H 4 0	M T H 4 5	M T H 4 5 E	X L 4 0	X L 4 5	N O T E S
	571290	SHIFTER CONTROL ASSY / 4SPEEDS / R.H. To N-471				1		A
	571502	SHIFTER CONTROL ASSY / 4SPEEDS / R.H. From N-472	1			1		
	571288	SHIFTER CONTROL ASSY / 5SPEEDS / R.H. To N-471				1		A
	571503	SHIFTER CONTROL ASSY / 5SPEEDS / R.H. From N-472				1		
	571291	SHIFTER CONTROL ASSY / 4SPEEDS / L.H. To N-471				1		A
	571501	SHIFTER CONTROL ASSY / 4SPEEDS / L.H. From N-472				1		
	571289	SHIFTER CONTROL ASSY / 5SPEEDS / L.H. To N-471				1		A
	571504	SHIFTER CONTROL ASSY / 5SPEEDS / L.H. From N-472				1		
1	571342	. COVER	1			1		
2	571385	. STRIP POSITION / 4 SPEEDS	1			1		
2	571386	. STRIP POSITION / 5 SPEEDS	1			1		
3	571326	. INDICATOR STRIP SPRING & CLIP	1			1		
4	571226	. SOCKET & WIRE ASSY	1			1		
5	560394	. BULB / 2WATT-24VOLTS / SAE# 3797	1			1		
6	571344	. PLATE QUADRANT / 4 SPEEDS	1			1		
6	571384	. PLATE QUADRANT / 5 SPEEDS	1			1		
7	571343	. KNOB	1			1		
8	571387	. KIT CABLE ATTACHMENT	1			1		
8	571507	. KIT CABLE ATTACHMENT To N-471				1		
9	571416	. PLATE From N-472				1		
10	571126	MOUNTING STAND	1			1		
20	571292	CABLE ASSY 444" To N-471	1			1		A
20	571512	CABLE ASSY 444" From N-472				1		
20	571293	CABLE ASSY 504" To N-471				1		A
20	571506	CABLE ASSY 504" From N-472				1		
21	530088	. SEAL / SLEEVE	2			2		
22	530090	. SEAL / ROD	2			2		
22	070554	BUSHING FIBER	2			2		B
		A) WE USE SERIAL 60 (5/16) IF YOU REPLACE BY SERIAL 40 (1/4) YOU REQUIRE KIT #571509 FOR REAR ATTACHEMENT AND KIT #571507 FOR FRONT ATTACHEMENT ON SELECTOR						
		B) TO FIX OVER CABLE AT END OF STEEL TUBE / (FRONT & REAR)						

From E-638 To R-822

Date:10/2022

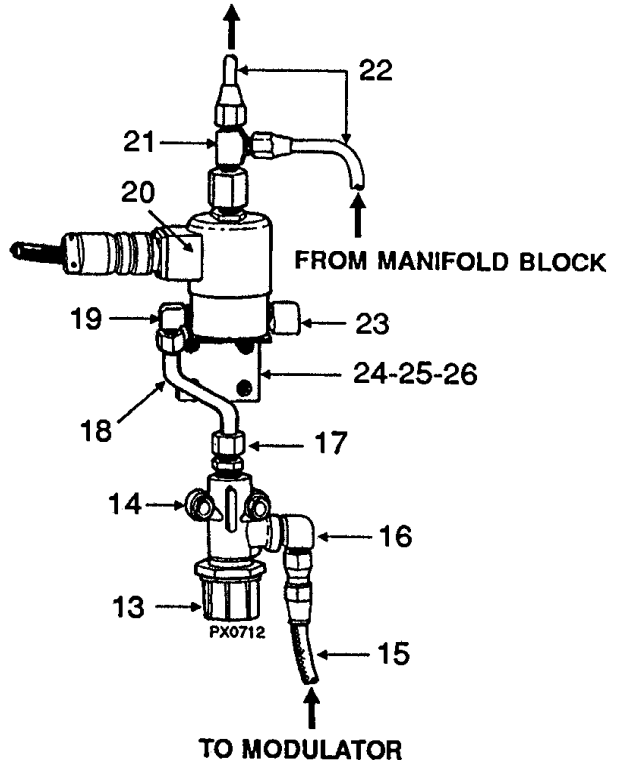
PAGE:XL-0755-10

SHIFTER MODULATOR - AUTO. TRANS. HYDRAU.

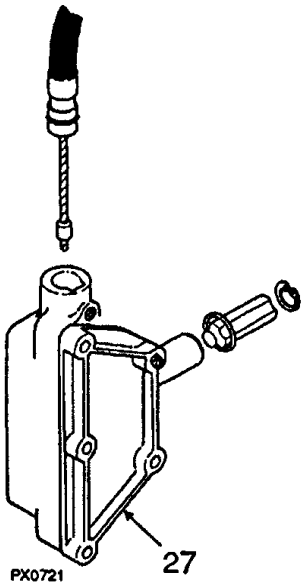


PX0714

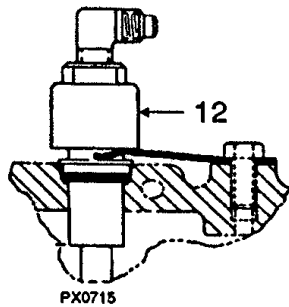
TO PRESSURE REGULATOR



TO MODULATOR



PX0721



PX0715

27

From E-638 To R-822	Date:10/2022	PAGE:XL-0755-10
SHIFTER MODULATOR - AUTO. TRANS. HYDRAU.		

Item#	Part	Description	M T H 4 0	M T H 4 5	M T H 4 5 E	X L 4 0	X L 4 5	N O T E S
1	571292	CABLE ASSY 444" To N-471	1			1		A
1	571512	CABLE ASSY 444" From N-472	1			1		
1	571293	CABLE ASSY 504" To N-471	1			1		A
1	571506	CABLE ASSY 504" From N-472	1			1		
NS	571287	KIT, CABLE SUPPORT To N-471	1			1		A
NS	571505	KIT, CABLE SUPPORT From N-472	1			1		
2	500121	. SCREW CAP HEX 5/8-18x1 1/2 G5 ZP	1			1		
3	500484	. WASHER LO SPT .635x1.079x.156 Z050	1			1		
4	500730	. NUT HEX JAM THN 5/8-18x3/8 ZP	1			1		
5	N.S.S.	. SUPPORT CABLE	1			1		1
NS	571509	. KIT U-BOLT (SERIAL 40 ONLY)	1			1		
6	500690	. NUT HEX NYRT 1/4-28 Z050	2			2		
7	N.S.S.	. SHIM	1			1		1
8	N.S.S.	. U-BOLT	1			1		1
9	571236	. TRUNION 5/16-24 To N-471	1			1		
9	571508	. TRUNION 1/4-28 From N-472	1			1		
11	571473	. LEVER	1			1		
12	571296	MODULATOR ASSY / W/HYDRAULIC TRANSMISSION & DDEC ENGINE				1		B
13	530134	VALVE, PRESSURE REDUCING / RV-1 60 PSI				1		
14	500550	SCREW TP CAP HEXW #14x2 ZP				2		
15	011464	HOSE ASSY TEFLON #4 1708MM				1		
NS	503064	. HOSE TEFLON #4 / S.L.				AR		
NS	501892	. FEMALE CONNECTOR SWIVEL / SAE 45° FITTING / TEFLON / #4FL-Fx#4 STL				2		
16	501037	MALE ELBOW 90° / SAE 45° FITTING / #4FL-Mx1/4NPT-M BR				1		
17	501094	MALE CONNECTOR / COMPRESSION FITTING / #4x1/4NPT-M BR				2		
18	503188	COPPER TUBE .250" O.D. x .030" x 600"				AR		
19	501108	MALE ELBOW 90° / COMPRESSION FITTING / #4x1/8NPT-M BR				1		
20	560324	VALVE SOLENOID N.O. 12 VOLTS				1		
NS	060851	. CONNECTOR ASSY				1		
21	501790	MALE RUN TEE/ COMPRESSION FITTING / #4x#4x1/8NPT-M BR				1		
22	503188	COPPER TUBE .250" O.D. x .030" x 600"				AR		
23	501331	STREET ELBOW 90° / PIPE FITTING / 1/8NPT-Mx1/8NPT-F BR				1		
24	060721	SUPPORT / SOLENOID VALVE				1		
25	502751	SCREW CAP HEX #10-32x3/8 Z050				2		
25	500470	WASHER LO SPT .193x.334x.047 Z050				2		
26	504487	RIVET MGLP PRDG 3/16x7/16 SS				4		
27	571130	CABLE / MODULATOR VALVE				1		
		A) WE USE SERIAL 60 (5/16) IF YOU REPLACE BY SERIAL 40 (1/4) YOU REQUIRE KIT #571509 FOR REAR ATTACHEMENT AND KIT #571507 FOR FRONT ATTACHEMENT ON SELECTOR						
		B) USE WITH AIR ACCELERATOR						

From E-638 To R-822	Date:10/2022	PAGE:XL-0755-10
---------------------	--------------	-----------------

SHIFTER MODULATOR - AUTO. TRANS. HYDRAU.

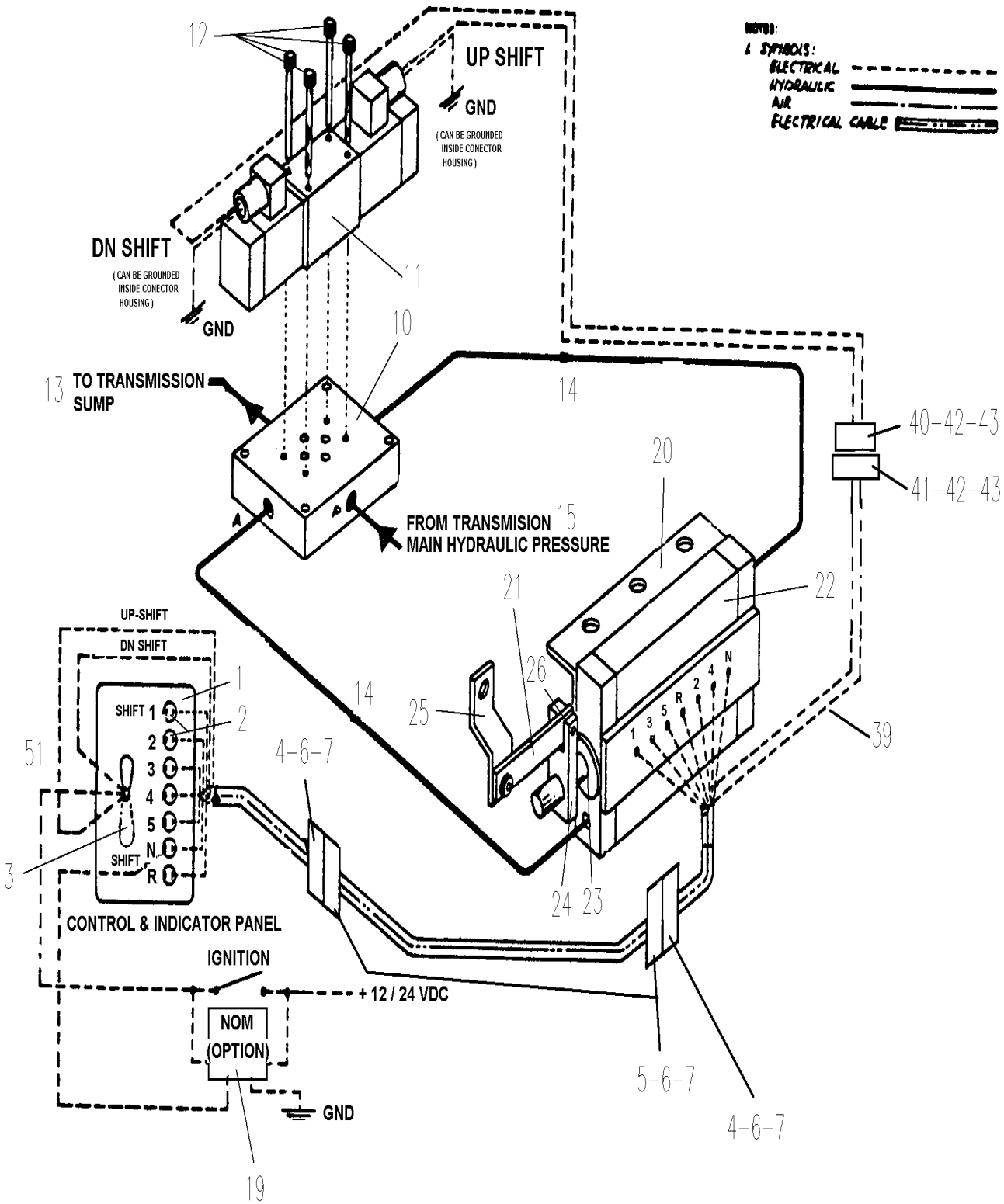
Item#	Part	Description	M T H 4 0	M T H 4 5	M T H 4 5 E	X L 4 0	X L 4 5	N O T E S
		1) NOT SOLD SEPARATELY						

From E-638 To H-254

Date:10/2022

PAGE:XL-0755-11

SHIFTER "BENNET"- AUTO. TRANS. HYDRAU.

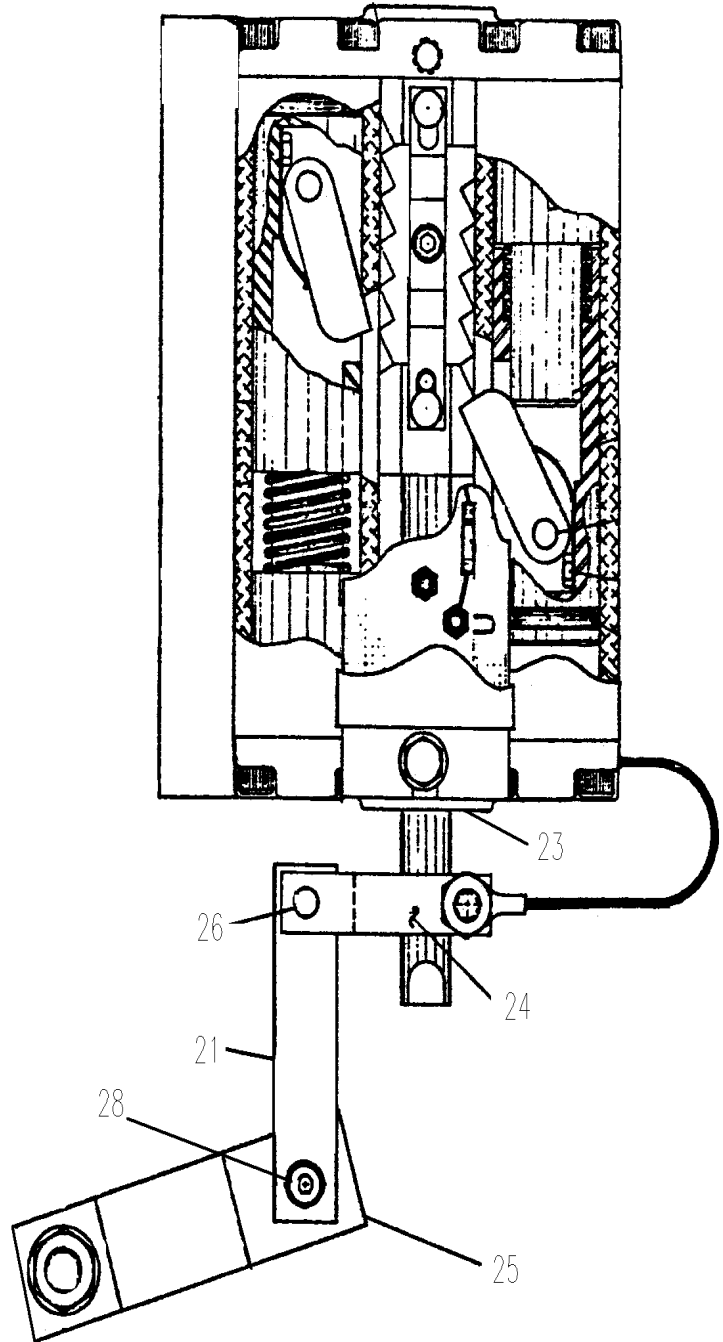
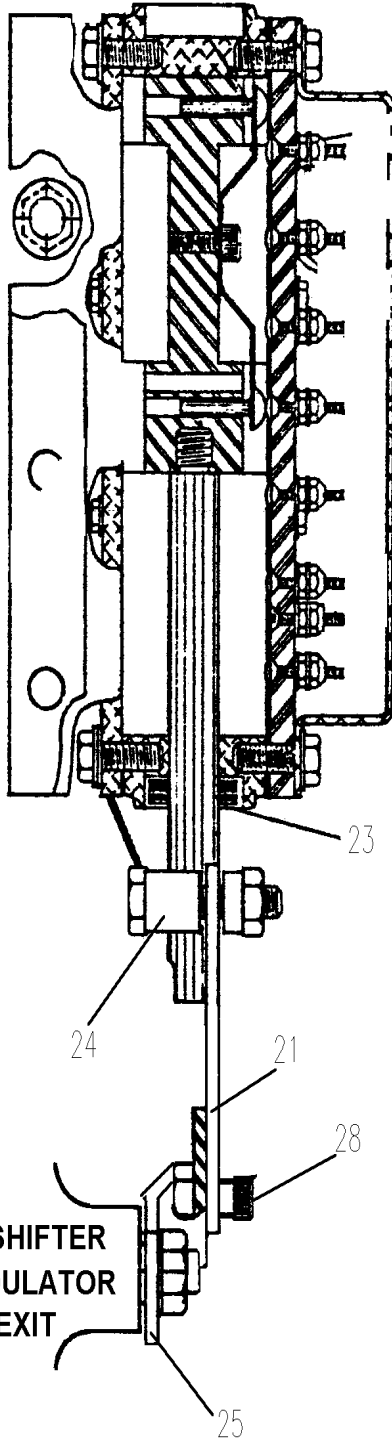


From E-638 To H-254

Date:10/2022

PAGE:XL-0755-11

SHIFTER "BENNET" - AUTO. TRANS. HYDRAU.

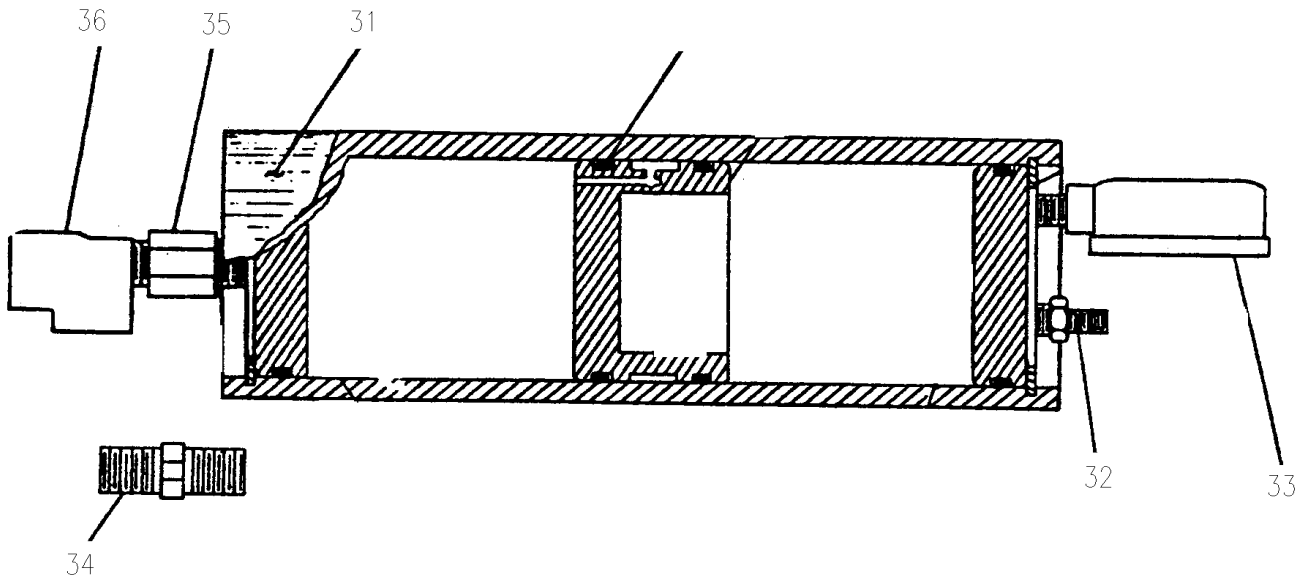
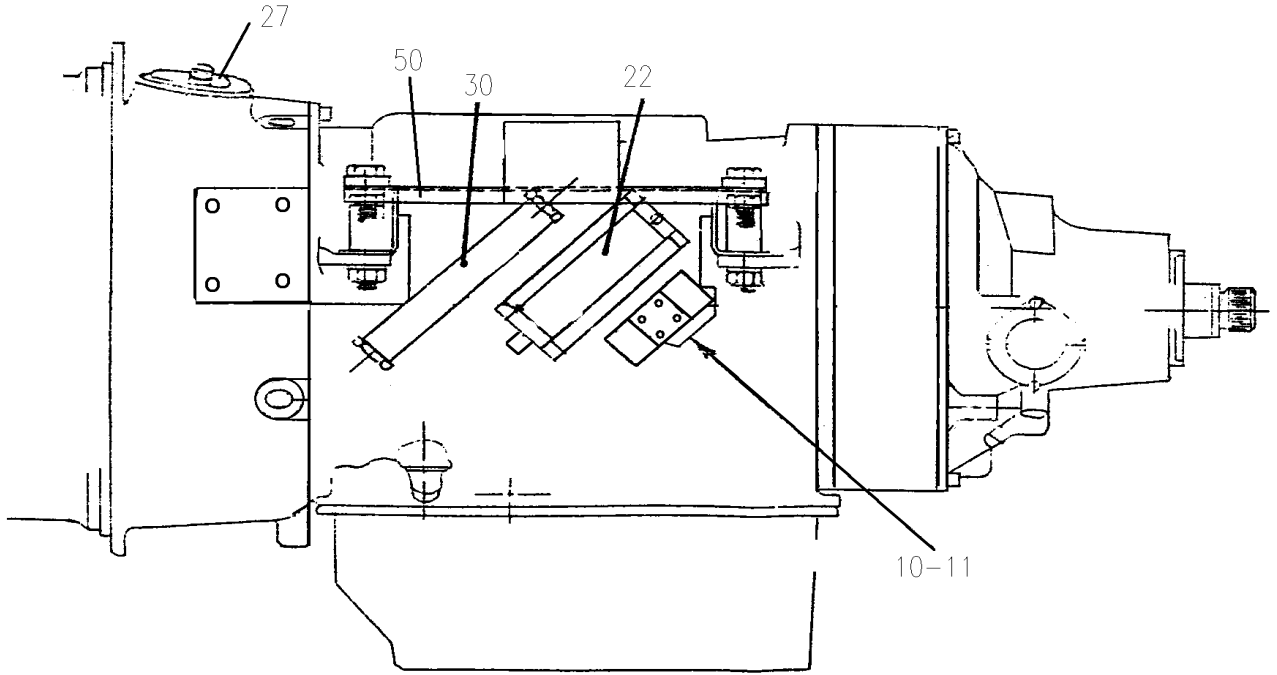


From E-638 To H-254

Date:10/2022

PAGE:XL-0755-11

SHIFTER "BENNET" - AUTO. TRANS. HYDRAU.



From E-638 To H-254	Date:10/2022	PAGE:XL-0755-11
SHIFTER "BENNET"- AUTO. TRANS. HYDRAU.		

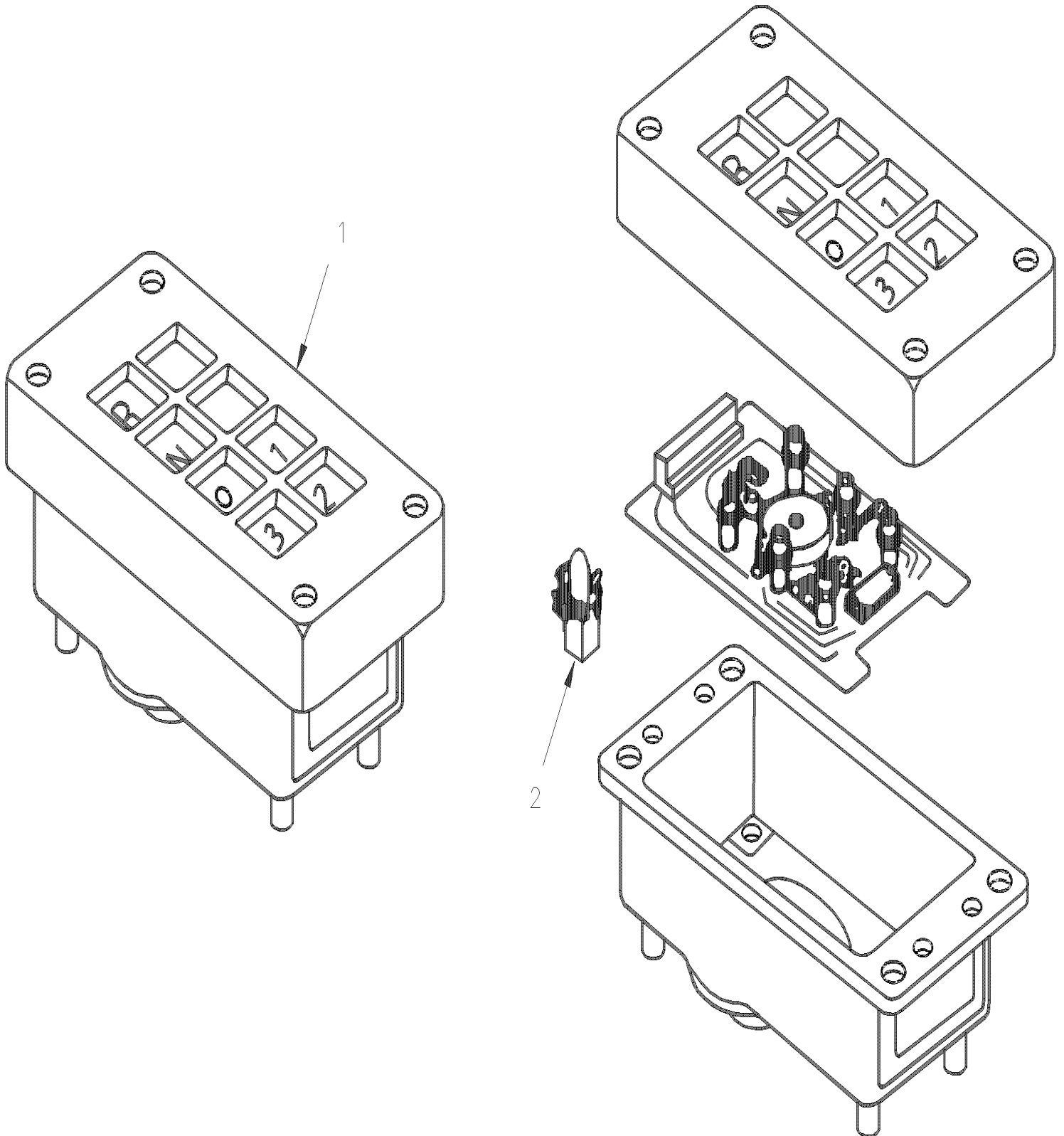
Item#	Part	Description	M T H 4 0	M T H 4 5	M T H 4 5 E	X L 4 0	X L 4 5	N O T E S
	070457	MODULE SHIFTER LIGHT ASSY W/CONNECTORS	1	1	1	1	1	
1	571392	MODULE SHIFTER LIGHT ASSY W/PLATE MOUNTING	1	1	1	1	1	
1	571407	NAME PLATE /	1	1	1	1	1	
2	571410	LENS CAP GREEN	5	5	5	5	5	
2	571411	LENS CAP RED	1	1	1	1	1	
2	571412	LENS CAP CLEAR	1	1	1	1	1	
2	571413	CLIPS RETAINER SOCKET	6	6	6	6	6	
NS	571408	SOCKET BULB	6	6	6	6	6	
NS	571409	BULB /	6	6	6	6	6	
3	571414	SWITCH "ROCKER" 9 "BENNET" SHIFTER	1	1	1	1	1	
4	561021	CONNECTOR / SURE-SEAL / FEMALE HOUSING 9C / ITT CANNON 120-1868-000	1	1	1	1	1	
5	561022	CONNECTOR / SURE-SEAL / MALE HOUSING 9C / ITT CANNON 120-1867-000	1	1	1	1	1	
6	561023	PIN TERMINAL / 18-14 / ITT CANNON 030-2196-001	AR	AR	AR	AR	AR	
7	561024	SOCKET TERMINAL / 18-14 / ITT CANNON 031-1267-001	AR	AR	AR	AR	AR	
NS	561025	CLAMP W/ 9 / ITT CANNON 026-0451-000	2	2	2	2	2	
10	571394	MOUNTING BASE PILOT VALVE	1	1	1	1	1	
11	571390	VALVE PILOT	1	1	1	1	1	
NS	561640	CONNECTOR / CPC SERIES 1 / SH 16C / AMP 206037-1	2	2	2	2	2	
NS	561655	CABLE CLAMP / CPC / #17 / AMP 206070-8	2	2	2	2	2	
NS	561001	SOCKET TERMINAL / 18-14 / SIGNAL CONTACT / AMP 66601-1	AR	AR	AR	AR	AR	
12	571395	SCREW CAP HEX	4	4	4	4	4	
13	070451	HOSE ASSY TEFLON #4 237MM	1	1	1	1	1	
14	070449	HOSE ASSY TEFLON #4 685MM	2	2	2	2	2	
15	070455	HOSE ASSY TEFLON #4 1016MM	1	1	1	1	1	
16	070453	HOSE ASSY TEFLON #4 406MM	1	1	1	1	1	
17	561638	CONNECTOR / CPC SERIES 1 / PH 16C / AMP 206036-1	3	3	3	3	3	
18	561018	PIN TERMINAL / 18-14 / SIGNAL CONTACT / AMP 66602-1	AR	AR	AR	AR	AR	
19	571391	CONTROL MODULE (IN JCT PANEL) (NEUTRAL OFF)	1	1	1	1	1	
20	070467	SUPPORT ANGLE MOUNTING	1	1	1	1	1	
21	070466	LINK SHIFTER 3" / W2 HOLES 2 5/16" C/C 1/4" & 11/32"	1	1	1	1	1	
22	070458	SHIFTER ASSY	1	1	1	1	1	
23	571397	SEAL ASSY	1	1	1	1	1	
24	571398	CLAMP LEVER	1	1	1	1	1	
25	571399	LEVER TRANSMISSION MODULAROR	1	1	1	1	1	
26	571401	PRAWL PIN	1	1	1	1	1	
27	070447	PTO COVER ASSY SUMP PUMP	1	1	1	1	1	
28	571402	SCREW SHR HEXS 5/16x3/8 {1/4-20	1	1	1	1	1	
28	502625	SCREW SHR HEXS 5/16x3/8 {1/4-20	1	1	1	1	1	
30	571389	ACUMULATOR CYLINDER ASSY To F-874	1	1	1	1	1	
30	571425	ACUMULATOR CYLINDER ASSY (2 HEX CAP AT END) From F-875	1	1	1	1	1	

From E-638 To R-822

Date:10/2022

PAGE:XL-0755-15

SHIFTER ELECTRONIC - "ATEC" TRANSMISSION

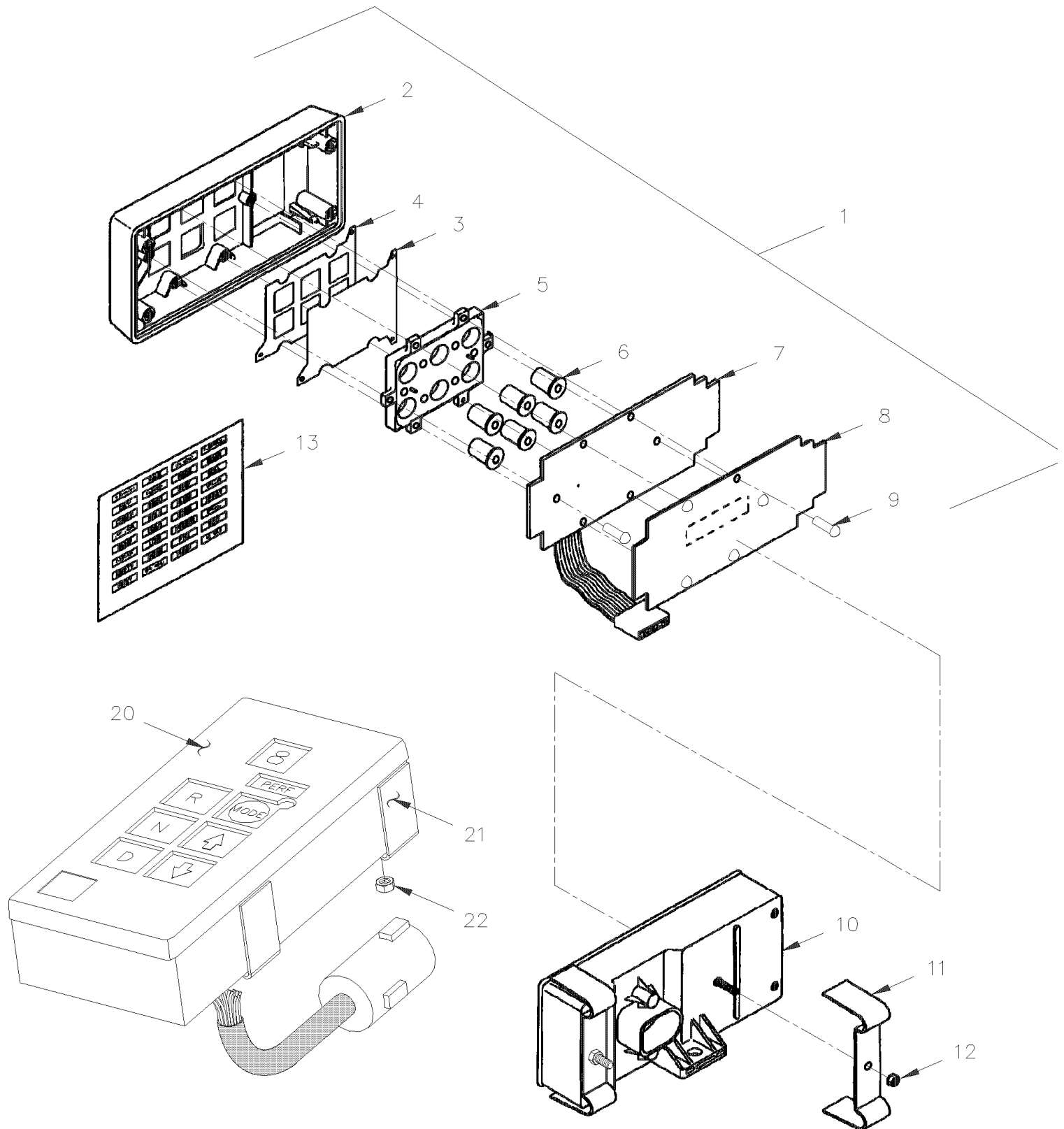


From R-823 To Y-7045

Date:10/2022

PAGE:XL-0755-16

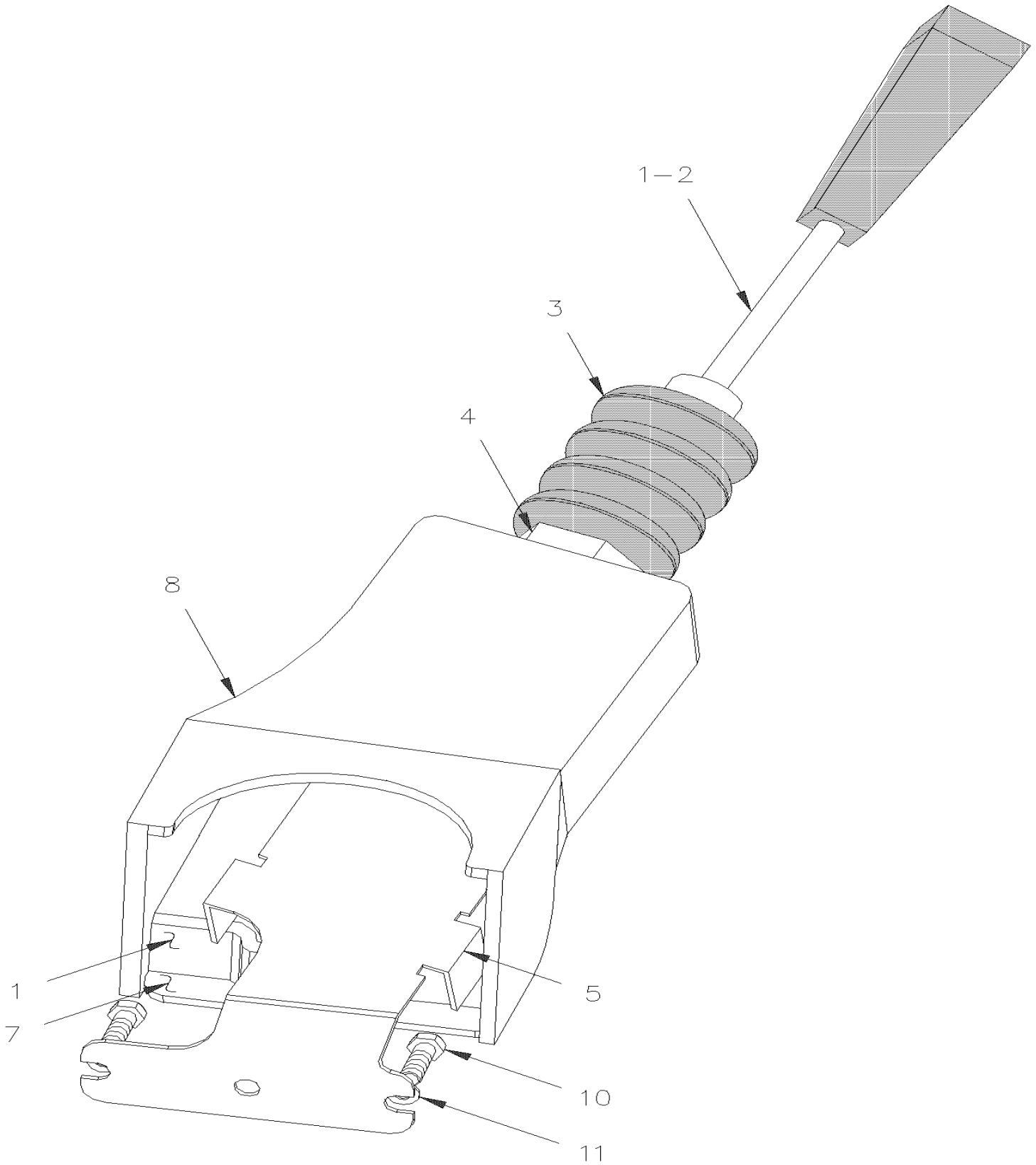
SHIFTER ELECTRONIC - "WORLD" TRANSMISSION



From R-823 To Y-7045	Date:10/2022	PAGE:XL-0755-16
SHIFTER ELECTRONIC - "WORLD" TRANSMISSION		

Item#	Part	Description	M T H 4 0	M T H 4 5	M T H 4 5 E	X L 4 0	X L 4 5	N O T E S
	571543	SELECTOR PUSH BUTTON W/6 SPEED "WORLD" To W-6490	1	1	1	1	1	
1	N.S.P.	. PUSH BUTTON ASSY / (29522940) To W-6490	1	1	1	1	1	2
2	N.S.P.	. BEZEL WITH GASKET / (29522947) To W-6490	1	1	1	1	1	2
3	N.S.P.	. OVERLAY / (29522943) To W-6490	1	1	1	1	1	2
4	N.S.P.	. GASKET / (29522944) To W-6490	1	1	1	1	1	2
5	N.S.P.	. DIFFUSER / (29522942) To W-6490	1	1	1	1	1	2
6	N.S.P.	. PLUNGER / (29522941) To W-6490	6	6	6	6	6	2
7	N.S.P.	. PCB ASSY/ (29522945) To W-6490	1	1	1	1	1	2
8	N.S.P.	. SHIELD, DUROID / (29522948) To W-6490	1	1	1	1	1	2
9	N.S.P.	. SCREW, #4-40 X .500 / (29522946) To W-6490	6	6	6	6	6	2
10	N.S.P.	. REMOTE ASSY / (29514528) To W-6490	1	1	1	1	1	2
11	N.S.P.	. BRACKET / (29514661) To W-6490	2	2	2	2	2	2
12	N.S.P.	. NUT, SELF-LOCKING To W-6490	2	2	2	2	2	2
13	N.S.P.	. MODE LABEL (SHEET) / (29509957) To W-6490	1	1	1	1	1	2 A
20	571718	SHIFTER, SELECTOR "WORLD" / WTEC III From W-6491	1	1	1	1	1	
21	N.S.P.	. BRACKET From W-6491	2	2	2	2	2	2
22	500423	. NUT HEX NYRT #10-32 SS From W-6491	2	2	2	2	2	
NS	391623	SUPPORT FRONT / "Z" SHAPE / TO FIX SELECTOR To W-6490	1	1	1			
NS	391648	SUPPORT REAR / "Z" SHAPE / TO FIX SELECTOR To W-6490	1	1	1			
NS	391977	SUPPORT REAR / "Z" SHAPE / TO FIX SELECTOR From W-6491	1	1	1			
NS	500591	WASHER FL 4.3x9.0x0.8 Z050	2	2	2	2	2	F
NS	500590	NUT HEX NYRT M4-0.7 Z050 To W-6490	2	2	2	2	2	F
NS	500670	NUT HEX NYRT #8-32 Z050	2	2	2	2	2	
NS	571542	MODULE INTERFACE	1	1	1	1	1	
		FOLLOWING PARTS ARE RELATED WITH INSTALLATION ON RH DRIVER'S CONSOLE WITH "WORLD" SHIFTER SELECTOR						
NS	391579	SUPPORT GREY / NORYL				1	1	
NS	500590	NUT HEX NYRT M4-0.7 Z050				2	2	
NS	500591	WASHER FL 4.3x9.0x0.8 Z050				2	2	
NS	500871	SCREW TP OV PH #8x1 BK				6	6	
NS	502620	WASHER FN CK .203x.531 BK				6	6	
		A) MODE LABELS ARE AVAILABLE ONLY IN SHEETS OF 32						
		F) TO FIX SHIFTER						
		2) NOT SOLD BY PREVOST (SEE MANUFACTURING PART NUMBER AT END OF DESCRIPTION LINE)						

From R-823 To Y-7045	Date:10/2022	PAGE:XL-0760-00
RETARDER SELECTOR SWITCH - "WORLD"		

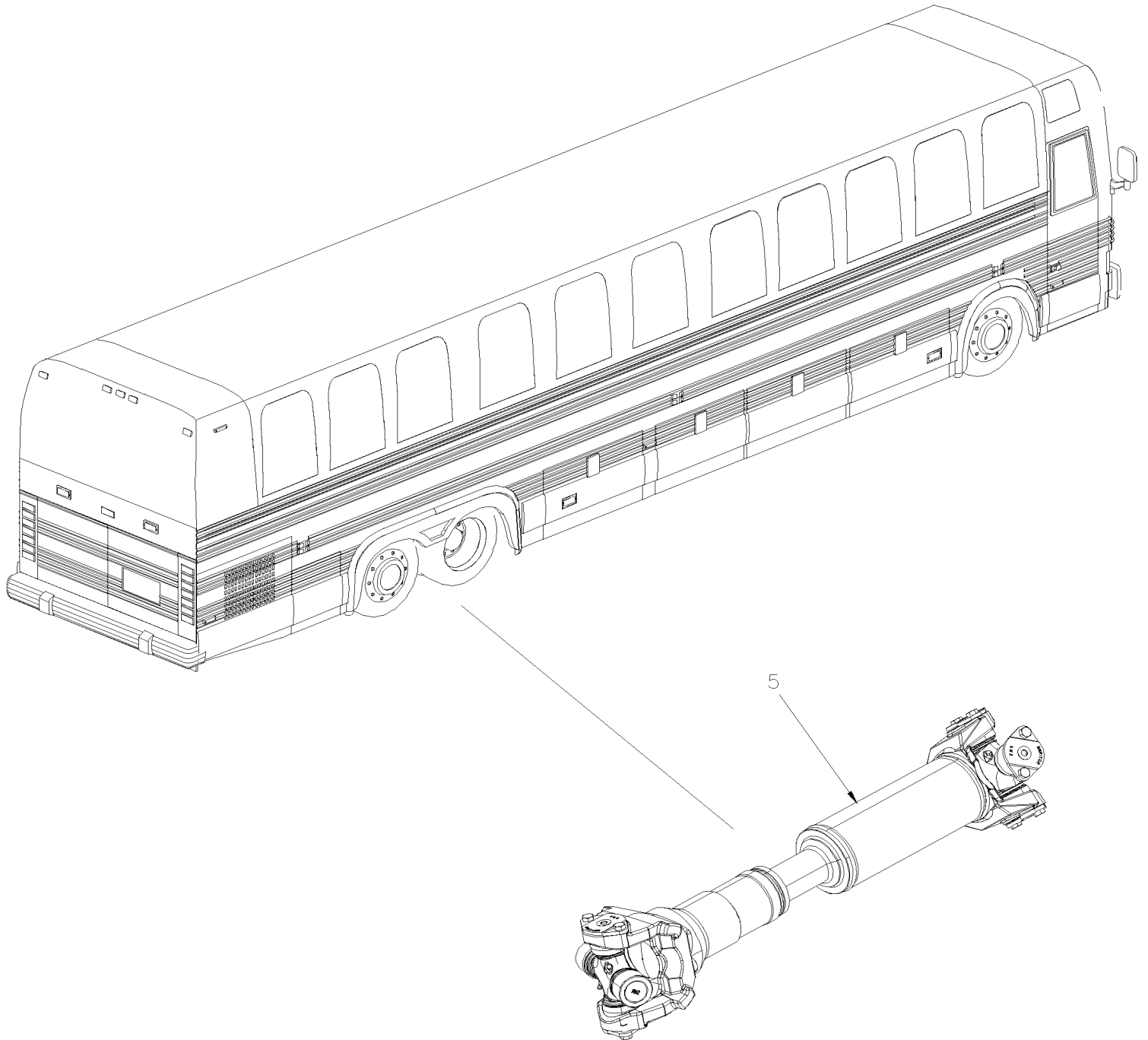


From R-823 To Y-7045	Date:10/2022	PAGE:XL-0760-00
----------------------	--------------	-----------------

RETARDER SELECTOR SWITCH - "WORLD"

Item#	Part	Description	M T H 4 0	M T H 4 5	M T H 4 5 E	X L 4 0	X L 4 5	N O T E S
1	562356	SWITCH ASSY / W/LEVER & BOOT / 6 POSITIONS	1	1	1	1	1	
2	N.S.S.	. LEVER	1	1	1	1	1	1
3	N.S.S.	. BOOT	1	1	1	1	1	1
4	N.S.S.	. NUT JAM	1	1	1	1	1	1
5	070936	SUPPORT CONTROL SWITCH	1	1	1	1	1	
NS	506338	RUBBER CHANNEL / 1/16" x 1/4" INT "U" SHAPE / ROUND C.T.L.	AR	AR	AR	AR	AR	
NS	502560	SCREW CAP HEX M5-0.8x45 G8.8 Z050	2	2	2	2	2	A
NS	5001030	WASHER LO EXTC 5.3x9.8x0.3 BK	2	2	2	2	2	
NS	070937	SPACER / DIRECTIONAL SWITCH & SUPPORT	2	2	2	2	2	
7	391684	PLASTIC BOX / BOTTOM	1	1	1	1	1	
8	391685	PLASTIC BOX / COVER	1	1	1	1	1	
10	5001094	SCREW MA PAN PH M4-0.7x16 SS BK	1	1	1	1	1	
NS	504273	CABLE TIE / 1/8" X 3"1/2	1	1	1	1	1	
		A) TO FIX SUPPORT						
		1) NOT SOLD SEPARATELY						

	Date:10/2022	XL-09
PROPELLER SHAFT		

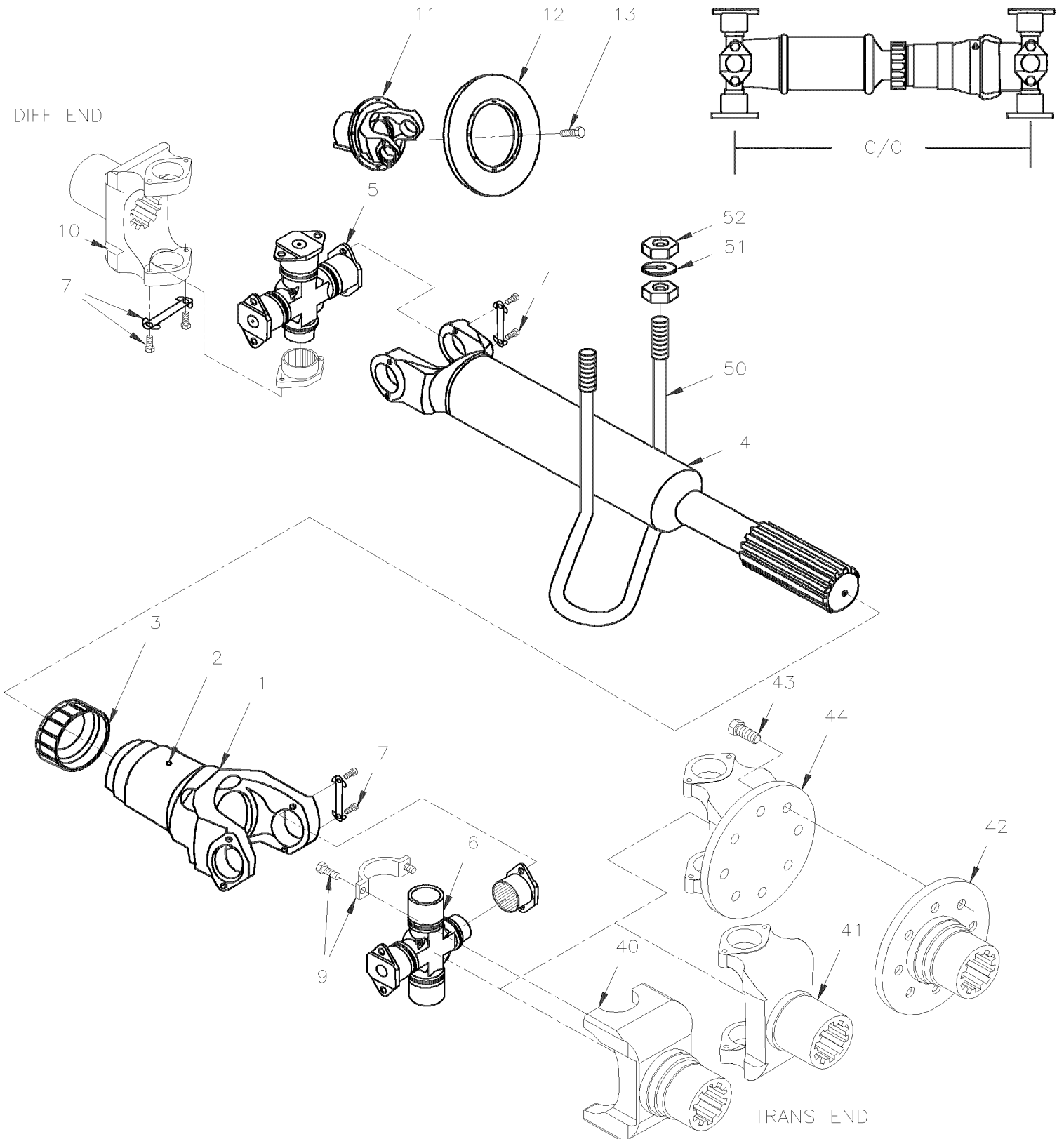


From E-638 To R-949

Date:10/2022

PAGE:XL-0905-00

PROPELLER SHAFT - WITH DETROIT S-71 & S-92



From E-638 To R-949 Date:10/2022 PAGE:XL-0905-00

PROPELLER SHAFT - WITH DETROIT S-71 & S-92

Item#	Part	Description	M T H 4 0	M T H 4 5	M T H 4 5 E	X L 4 0	X L 4 5	N O T E S
		MESURE FROM C/C OF BEARING CAP W/MINIMUM COLLAPSED						
		PROPELLER SHAFT SERIES 1710 USED WITH 6V92 ENGINE						
	580032	SHAFT ASSY 35 3/4" C/C				1		M
	580033	SHAFT ASSY 24 1/2" C/C				1		H
	580034	SHAFT ASSY 27 3/4" C/C				1		C
		PROPELLER SHAFT SERIES 1710 USED WITH 8V71 ENGINE						
	580010	SHAFT ASSY 30" C/C				1		M
	580023	SHAFT ASSY 18 3/4" C/C				1		D
	580026	SHAFT ASSY 22" C/C				1		F
		PROPELLER SHAFT SERIES 1810 USED WITH 8V92 ENGINE						
	580041	SHAFT ASSY 27" C/C				1		M
	580042	SHAFT ASSY 18 11/16" C/C				1		F
	580035	SHAFT ASSY 16 3/16" C/C	1		1	1		H
	580047	SHAFT ASSY 13" C/C	1					T
1	580064	SLIP YOKE				1		G
. NS	580079	WELSH PLUG / WELDED				1		G
1	580065	SLIP YOKE	1			1		J
. NS	580078	WELSH PLUG / PLASTIC BLUE 3 1/4" O.D. THIN	1			1		J
1	580066	SLIP YOKE	1					T
. NS	580084	WELSH PLUG / PLASTIC BLUE 3 1/4" O.D. DEEP	1					T
1	580054	SLIP YOKE	1					K
2	501491	GREASE FITTING / 1/8 NPTx3/4"	1			1		
3	580046	DUST CAP KIT / W/1700 SERIES				1		
3	580052	DUST CAP KIT / W/1800 SERIES	1			1		
4	580053	YOKE SHAFT/ W/580047	1					
4	N.S.S.	TUBE YOKE	1		1	1		1
NS	580031	KIT, CROSS & BEARING / W/1700 FULL ROUND				2		
5	580043	KIT, CROSS & BEARING / W/1800 FULL ROUND	2		2	2		
6	580062	KIT, CROSS & BEARING / W/1800 HALF ROUND	AR		AR	AR		
NS	580067	BEARING END (1810) W/QUICK DISCONNECT	2		2	2		

From E-638 To R-949	Date:10/2022	PAGE:XL-0905-00
PROPELLER SHAFT - WITH DETROIT S-71 & S-92		

Item#	Part	Description	M T H 4 0	M T H 4 5	M T H 4 5 E	X L 4 0	X L 4 5	N O T E S
7	580071	. . SCREW CAP HEX 3/8-24 x 5/8 G8	8		8	8		A
9	580063	KIT STRAP & BOLT	AR		AR	AR		
. NS	N8893184	. SCREW CB 12POINT (SET OF 4) 1/2-20 x 1" G8	4		4	4		
		NEXT FOLLOWING YOKE ARE PART OF						
		REAR AXLE						
10	621079	YOKE (1710) FULL ROUND (39 SPL) To E-730				1		L
. NS	620390	. DEFLECTOR, OIL To E-730				1		L
. NS	621490	. SPEEDY SLEEVE 2.750" I.D. / TO REPAIR OIL LEAK ON YOKE To E-730				1		L
10	621187	YOKE (1710) FULL ROUND (39 SPL) From E-731 To L-684	1			1		
. NS	621179	. DEFLECTOR, OIL From E-731 To L-684	1			1		
. NS	621490	. SPEEDY SLEEVE 2.750" I.D. / TO REPAIR OIL LEAK ON YOKE From E-731 To L-684	1			1		
10	621134	YOKE (1810) FULL ROUND (39 SPL) To E-730	1			1		L
. NS	620390	. DEFLECTOR, OIL To E-730	1			1		L
. NS	621490	. SPEEDY SLEEVE 2.750" I.D. / TO REPAIR OIL LEAK ON YOKE To E-730	1			1		L
10	621188	YOKE (1810) FULL ROUND (39 SPL) From E-731 To L-684	1			1		
. NS	621179	. DEFLECTOR, OIL From E-731 To L-684	1			1		
. NS	621490	. SPEEDY SLEEVE 2.750" I.D. / TO REPAIR OIL LEAK ON YOKE From E-731 To L-684	1			1		
10	621402	YOKE (1710) FULL ROUND (46 SPL) From L-465				1		
. NS	621501	. DEFLECTOR, OIL From L-465				1		
. NS	621492	. SPEEDY SLEEVE 3.250" I.D. / TO REPAIR OIL LEAK ON YOKE From L-465				1		
10	621403	YOKE (1810) FULL ROUND (46 SPL) From L-465	1		1	1		
. NS	621501	. DEFLECTOR, OIL From L-465	1		1	1		
. NS	621492	. SPEEDY SLEEVE 3.250" I.D. / TO REPAIR OIL LEAK ON YOKE From L-465	1		1	1		
11	621507	YOKE (1810) FULL ROUND (46 SPL) W/FLYWHEEL ADAPTOR ONE PIECE	1		1	1		
. NS	621492	. SPEEDY SLEEVE 3.250" I.D. / TO REPAIR OIL LEAK ON YOKE	1		1	1		
12	121242	FLYWHEEL	1		1	1		
NS	121243	ADAPTOR / FOR USE W/FLYWHEEL	1			1		B
13	500074	SCREW CAP HEX 7/16-20x2 G5 Z050	8		8	8		
NS	500714	NUT HEX STO 7/16-20 Z050	8		8	8		
		NEXT FOLLOWING YOKE ARE PART						
		OF TRANSMISSION						
40	580072	YOKE (1810) HALF ROUND / W/MANUAL TRANS (20 SPL) 6 SPEEDS				1		S
. NS	621494	. SPEEDY SLEEVE 3.750" I.D. / TO REPAIR OIL LEAK ON YOKE				1		S
41	571214	YOKE (1700) FULL ROUND (18 SPL)				1		E
. NS	621493	. SPEEDY SLEEVE 3 1/2" I.D. / TO REPAIR OIL LEAK ON YOKE				1		E
41	571305	YOKE (1800) FULL ROUND (18 SPL)	1		1	1		E
. NS	621493	. SPEEDY SLEEVE 3 1/2" I.D. / TO REPAIR OIL LEAK ON YOKE	1		1	1		E
41	571419	YOKE (1800) FULL ROUND W/MANUAL TRANS (20 SPL) 6 SPEEDS				1		W

From E-638 To R-949		Date:10/2022	PAGE:XL-0905-00
PROPELLER SHAFT - WITH DETROIT S-71 & S-92			

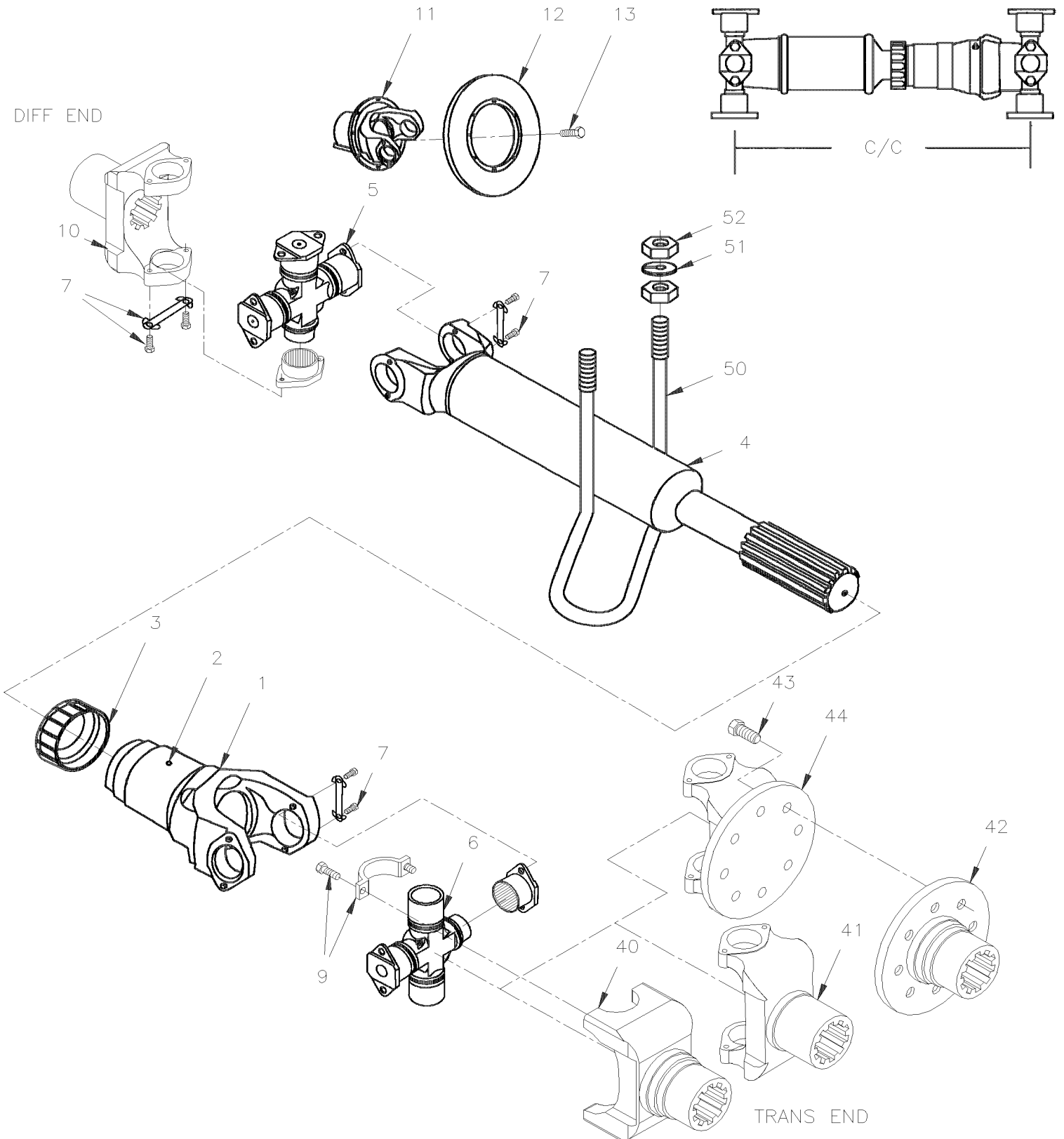
Item#	Part	Description	M T H 4 0	M T H 4 5	M T H 4 5 E	X L 4 0	X L 4 5	N O T E S
. NS	621494	. SPEEDY SLEEVE 3.750" I.D. / TO REPAIR OIL LEAK ON YOKE				1		W
42	571327	COMPANION FLANGE / W/MANUAL TRANS (20 SPL) 6 SPEEDS				1		
43	570982	SCREW CAP HEX 3/8-24x1 1/4				8		
NS	500704	NUT HEX STO 3/8-24 Z050				8		
44	580008	FLANGE YOKE (1700) FULL ROUND W/MAN (20 SPL) 6 SPEEDS				1		
50	120933	PROTECTOR GUARD PROPELLER SHAFT 500MM x 140MM	1		1	1		
51	500488	WASHER LO SPT .760x1.271x.188 Z050	2		2	2		
52	500733	NUT HEX 3/4-16 Z050	2		2	2		
		A) STRAP ARE NOT REQUIRE WITH NEW BOLTS IDENTIFIED BY RAISED LETTER "PL" (PATCH LOCK) ON HEAD OF BOLT #580071						
		B) FOR RETROFIT FLYWHEEL PLEASE SEE SERVICE BULLETIN #92-27						
		C) W/AUTOMATIC TRANSMISSION HT-740 & HT-748						
		D) W/AUTOMATIC TRANSMISSION HT-754						
		E) W/AUTOMATIC TRANSMISSION						
		F) W/AUTOMATIC TRANSMISSION HT-740						
		G) USE WITH ALL SERIE 1710						
		H) W/AUTOMATIC TRANSMISSION HT-754 & HT-755						
		J) USE WITH SHAFT ASSY #580035 & #580041						
		K) USE WITH SHAFT ASSY #580047						
		L) THIS YOKE HAVE SMALLER OIL DEFLECTOR						
		M) W/MANUAL TRASNMISSION						
		S) USE IN SERVICE ONLY						
		T) W/AUTOMATIC TRANSMISSION W/ "TELMA"						
		W) THIS YOKE MAY BE SUBTITU BY YOKE #580072 & 2 KIT #580063						
		1) NOT SOLD SEPARATELY						

From P-722 To Y-7045

Date:10/2022

PAGE:XL-0905-01

PROPELLER SHAFT - WITH DETROIT S-50 & S-60



From P-722 To Y-7045	Date:10/2022	PAGE:XL-0905-01
PROPELLER SHAFT - WITH DETROIT S-50 & S-60		

Item#	Part	Description	M T H 4 0	M T H 4 5	M T H 4 5 E	X L 4 0	X L 4 5	N O T E S
		MESURE FROM C/C OF BEARING CAP W/MINIMUM COLLAPSED						
		PROPELLER SHAFT SERIES 1810 USED WITH SERIES 50 ENGINE						
NS	580041	SHAFT ASSY 27" C/C				1		
		PROPELLER SHAFT SERIES 1810 USED WITH SERIES 60 ENGINE						
	580047	SHAFT ASSY 13" C/C From R-875 To R-986				1		T
NS	580075	SHAFT ASSY 14" C/C				1		N
NS	580073	SHAFT ASSY 27" C/C				1		M
NS	580070	SHAFT ASSY 39" C/C		1			1	L
NS	580075	SHAFT ASSY 14" C/C	1		1	1		L
	580068	SHAFT ASSY 29" C/C		1				R
	580070	SHAFT ASSY 39" C/C		1				P
	580035	SHAFT ASSY 16 3/16" C/C				1		
1	580065	. SLIP YOKE	1	1	1	1	1	K
. NS	580078	. . WELSH PLUG / PLASTIC BLUE 3 1/4" O.D. THIN	1	1	1	1	1	K
1	580066	. SLIP YOKE	1		1	1		J
. NS	580084	. . WELSH PLUG / PLASTIC BLUE 3 1/4" O.D. DEEP	1		1	1		J
2	501491	. . GREASE FITTING / 1/8 NPTx3/4"	1	1	1	1	1	
3	580052	. DUST CAP KIT / W/1800 SERIES	1	1	1	1	1	
4	N.S.S.	. YOKE SHAFT	1	1	1	1	1	1
5	580043	. KIT, CROSS & BEARING / W/1800 FULL ROUND	2		2	2		G
5	580043	. KIT, CROSS & BEARING / W/1800 FULL ROUND		1			1	F
6	580062	. KIT, CROSS & BEARING / W/1800 HALF ROUND	1	1	1	1	1	E
NS	580067	. . BEARING END (1810) W/QUICK DISCONNECT	2	2	2	2	2	D
7	580071	. . SCREW CAP HEX 3/8-24 x 5/8 G8	8	8	8	8	8	
9	580063	KIT STRAP & BOLT	2	2	2	2	2	C
. NS	N8893184	. SCREW CB 12POINT (SET OF 4) 1/2-20 x 1" G8	4	4	4	4	4	C
		NEXT FOLLOWING YOKE ARE PARTS OF REAR AXLE						
10	621403	YOKE (1810) FULL ROUND (46 SPL)	1	1	1	1	1	
. NS	621501	. DEFLECTOR, OIL	1	1	1	1	1	
. NS	621492	. SPEEDY SLEEVE 3.250" I.D. / TO REPAIR OIL LEAK ON YOKE	1	1	1	1	1	
11	621507	YOKE (1810) FULL ROUND (46 SPL) W/FLYWHEEL ADAPTOR ONE PIECE	1	1	1	1	1	

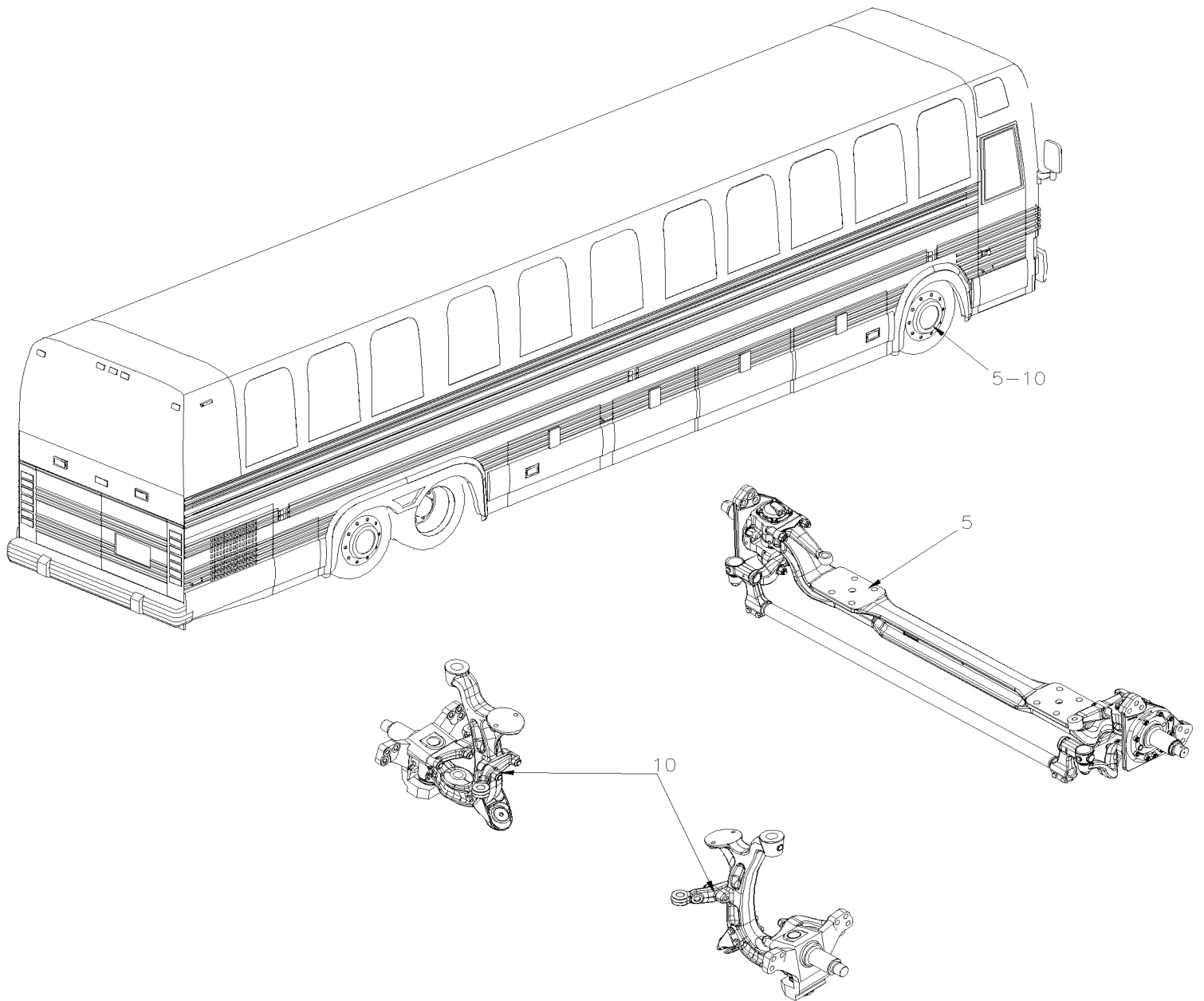
From P-722 To Y-7045	Date:10/2022	PAGE:XL-0905-01
PROPELLER SHAFT - WITH DETROIT S-50 & S-60		

Item#	Part	Description	M T H 4 0	M T H 4 5	M T H 4 5 E	X L 4 0	X L 4 5	N O T E S
. NS	621492	. SPEEDY SLEEVE 3.250" I.D. / TO REPAIR OIL LEAK ON YOKE	1	1	1	1	1	
12	121243	ADAPTOR / FOR USE W/FLYWHEEL	1	1	1	1	1	
13	500074	SCREW CAP HEX 7/16-20x2 G5 Z050	8	8	8	8	8	
13	500714	NUT HEX STO 7/16-20 Z050	8	8	8	8	8	
		NEXT 3 FOLLOWING YOKE ARE PARTS						
		OF TRANSMISSION						
40	580072	YOKE (1810) HALF ROUND / W/MANUAL TRANS (20 SPL) 6 SPEEDS To R-859				1		
. NS	621494	. SPEEDY SLEEVE 3.750" I.D. / TO REPAIR OIL LEAK ON YOKE To R-859				1		
40	571690	YOKE (1810) HALF ROUND / W/MANUAL TRANS (49 SPL) 7 SPEEDS From R-860 To T-5778				1		
40	N.S.P.	YOKE (1810) HALF ROUND / W/"WORLD" TRANS (29511516)	1	1	1	1	1	2
40	571570	YOKE (1810) HALF ROUND / MODIFIED FOR HT-746 (18 SPL)	1	1	1	1	1	S
. NS	571537	. YOKE (1810) HALF ROUND / W/AUTOMATIC HT-746 (18 SPL)	1	1	1	1	1	S
. . NS	571568	. . SPEEDY SLEEVE 3.750: I.D. / WITH 571570	1	1	1	1	1	S
. . NS	571550	. . SEAL OIL / TRANS HT-746	1	1	1	1	1	S
. NS	571568	. SPEEDY SLEEVE 3.750: I.D. / WITH 571570	1	1	1	1	1	S
41	571419	YOKE (1800) FULL ROUND W/MANUAL TRANS (20 SPL) 6 SPEEDS To R-859	1	1	1	1	1	W
. NS	621494	. SPEEDY SLEEVE 3.750" I.D. / TO REPAIR OIL LEAK ON YOKE To R-859	1	1	1	1	1	W
42	N.S.S.	COMPANION FLANGE		1				1 R
43	571500	SCREW CAP HEX 7/16-20x1 3/8		8				R
NS	500714	NUT HEX STO 7/16-20 Z050		8				R
44	580058	FLANGE YOKE (1800) FULL ROUND		1				R
50	120933	PROTECTOR GUARD PROPELLER SHAFT 500MM x 140MM	1	1	1	1	1	
51	500488	WASHER LO SPT .760x1.271x.188 Z050	2	2	2	2	2	
52	500733	NUT HEX 3/4-16 Z050	2	2	2	2	2	
		C) USE W/QUICK DISCONNECT HALF ROUND						
		D) INCLUDE W/ITEM #6						
		E) QUICK DISCONNECT HALF ROUND (5-676X) / USE W/ITEM #40						
		F) FULL ROUND (5-281X)						
		G) FULL ROUND (5-281X)						
		J) WITH SHAFT ASSY #580075						
		K) WITH SHAFT ASSY #580041, 580070 & 580073						
		L) W/ "WORLD" TRANS						
		M) W/MANUAL TRANSMISSION						
		N) W/ MANUAL TRANS 7						
		P) W/"ATEC" HTB-755						
		R) WITH/"ATEC" HTB-755CR W/RETARDER						
		S) THIS YOKE USED WITH VEHICLES RETROFIT "ATEC" TRANS WITH SERIES 50 ON P.W.T. COACH						

From P-722 To Y-7045	Date:10/2022	PAGE:XL-0905-01
PROPELLER SHAFT - WITH DETROIT S-50 & S-60		

Item#	Part	Description	M T H 4 0	M T H 4 5	M T H 4 5 E	X L 4 0	X L 4 5	N O T E S
		T) WITH RETROFIT P.W.T. SEE PAGE XL-0750-09						
		W) THIS YOKE MAY BE SUBSTITUTED BY YOKE #580072 & 2 KIT #580063						
		1) NOT SOLD SEPARATELY						
		2) NOT SOLD BY PREVOST (SEE MANUFACTURING PART NUMBER AT END OF DESCRIPTION LINE)						

	Date:10/2022	XL-10
FRONT AXLE		

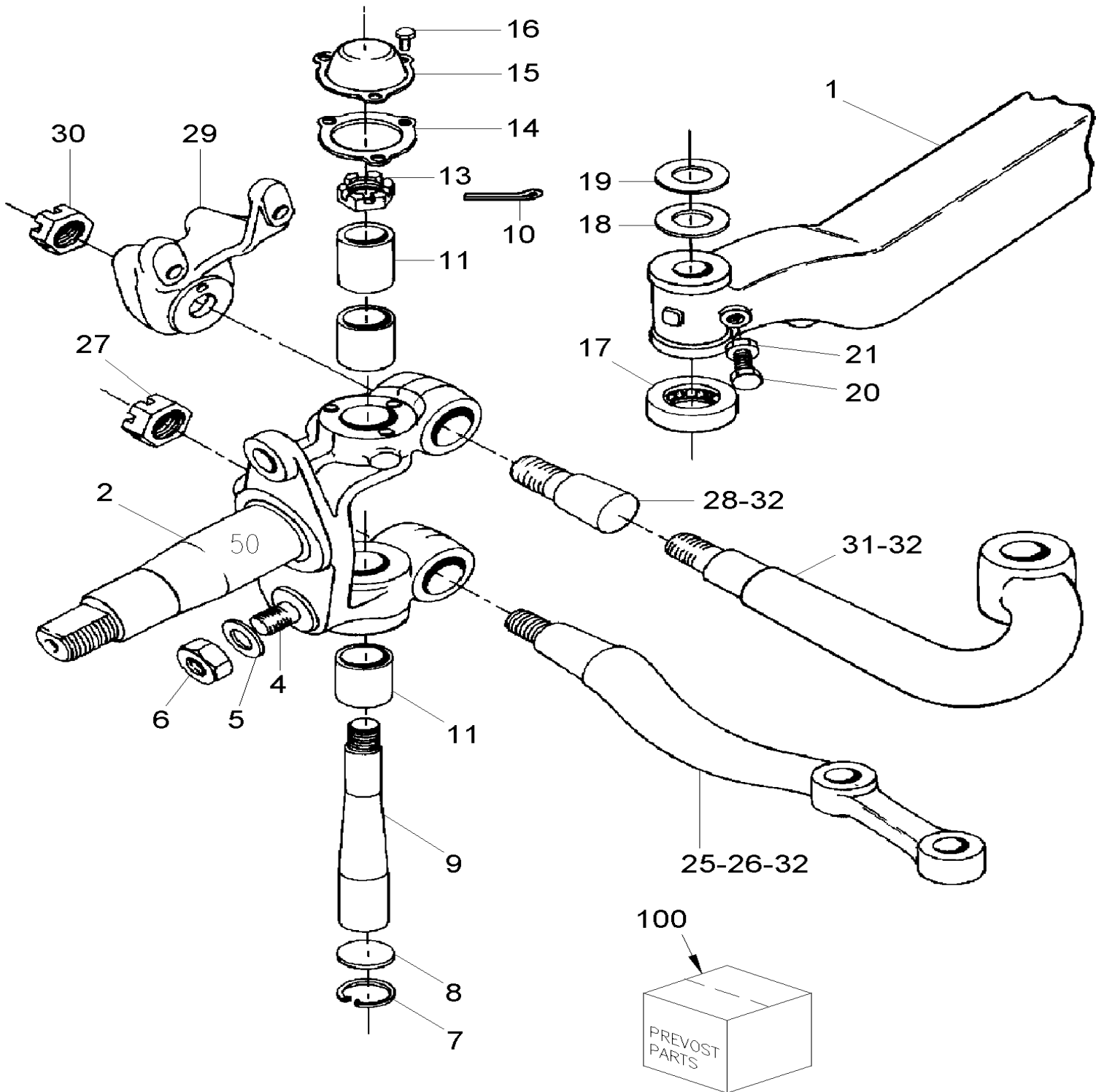


From E-638 To F-902

Date:10/2022

PAGE:XL-1005-00

FRONT AXLE - I BEAM RIGID MODEL "16931"



From E-638 To F-902	Date:10/2022	PAGE:XL-1005-00
FRONT AXLE - I BEAM RIGID MODEL "16931"		

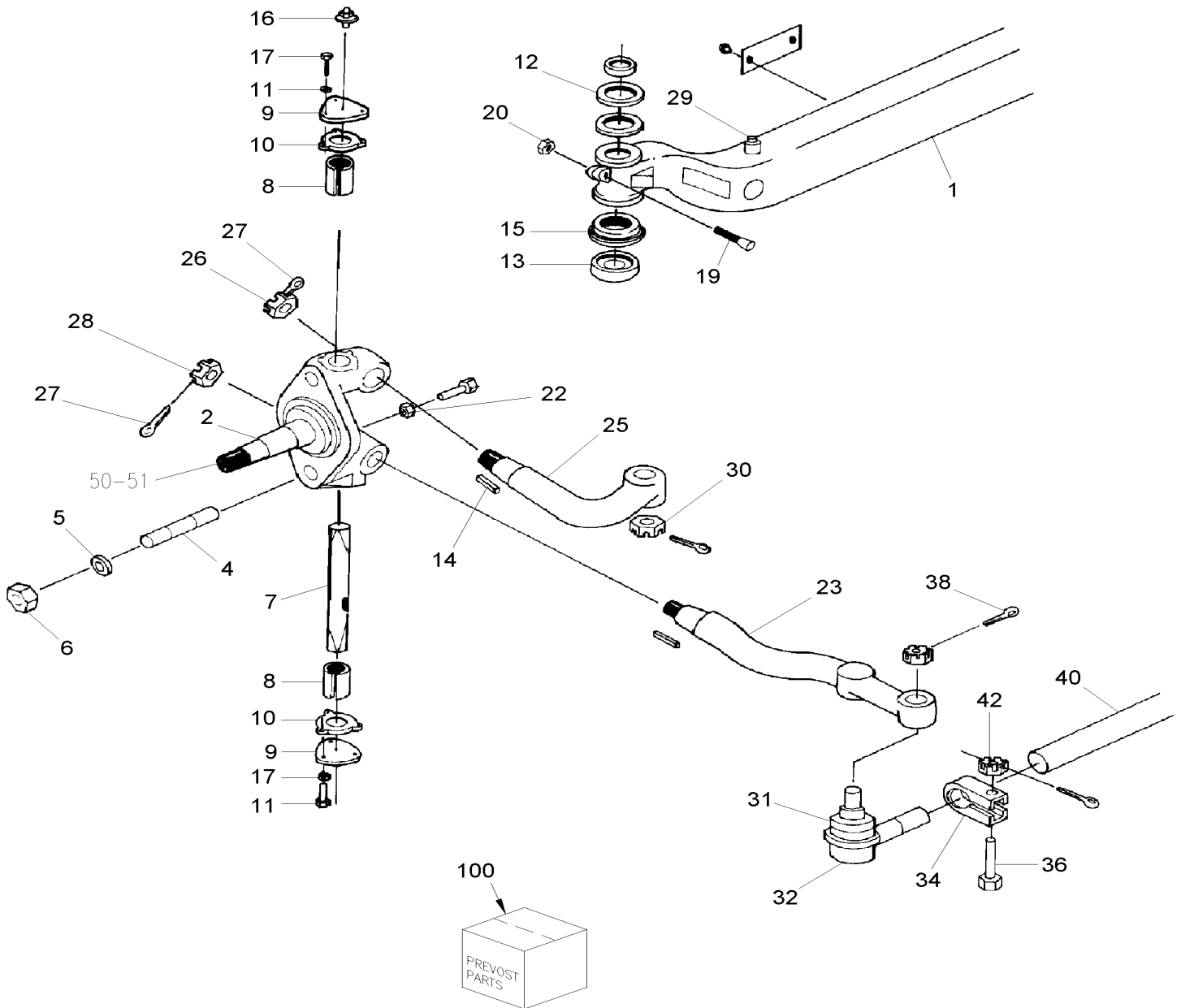
Item#	Part	Description	M T H 4 0	M T H 4 5	M T H 4 5 E	X L 4 0	X L 4 5	N O T E S
		A) SEE SERVICE BULLETIN #94-10						
		1) NOT SOLD SEPARATELY						

From F-903 To P-721

Date:10/2022

PAGE:XL-1005-01

FRONT AXLE - I BEAM RIGID MODEL "17101"



From F-903 To P-721	Date:10/2022	PAGE:XL-1005-01
FRONT AXLE - I BEAM RIGID MODEL "17101"		

Item#	Part	Description	M T H 4 0	M T H 4 5	M T H 4 5 E	X L 4 0	X L 4 5	N O T E S
		EFF. WITH F-903 AND UP EXCEPT FOR FOLLOWING						
		VEHICLES F-904, 905, 907, 908, 909, 911,						
		913, 915, 917, 923, 925, 935, 986, 988 & F989						
		SEE PAGE XL-1005-00						
1	610788	AXLE ASSY HUB MOUNT & 24" BOOSTER				1		
1	610793	AXLE ASSY STUD MOUNT & 24" BOOSTER	1		1	1		
1	610927	AXLE ASSY STUD MOUNT & 24" BOOSTER W/ABS	1		1	1		
NS	611136	. CENTER AXLE	1		1	1		
2	610889	. KNUCKLE, STEERING / R.H.	1		1	1		
2	610888	. KNUCKLE, STEERING / L.H.	1		1	1		
4	610772	. STUD / LOWER & UP 7/8-14 X 7/8-9 X 2 15/16"	2		2	2		
5	500490	. WASHER LO SPT .887x1.464x.219 ZP	2		2	2		
6	610053	. NUT 7/8-14	2		2	2		
NS	610911	. SPEED SENSOR	1		1	1		
NS	610941	. . SENSOR	1		1	1		
7	N.S.S.	. . PIN STEERING	2		2	2		1
8	N.S.S.	. . BUSHING	4		4	4		1
9	N.S.S.	. . CAP DUST	4		4	4		1
10	N.S.S.	. . GASKET	4		4	4		1
11	N.S.S.	. . SCREW CAP	12		12	12		1
12	610855	. . SHIM .005 / STEERING KNUCKLE PIN	AR		AR	AR		
12	610854	. . SHIM .010 / STEERING KNUCKLE PIN	AR		AR	AR		
13	N.S.S.	. . BEARING THRUST	4		4	4		1
14	610107	. . KEY SQ 3/8x7/8 LG	3		3	3		
15	N.S.S.	. . SEAL OIL	4		4	4		1
16	501495	. . GREASE FITTING 90° / 1/8 NPT	1		1	1		
17	N.S.S.	. . WASHER LOCK	4		4	4		1
NS	501490	. . GREASE FITTING / 1/8 NPT	4		4	4		
19	610795	. . KEY, DRAW LOWER 4"	2		2	2		
19	610794	. . KEY, DRAW UPPER 3"	2		2	2		
20	610796	. . NUT, KEY DRAW UPPER & LOWER	4		4	4		
22	621320	WASHER	AR		AR	AR		
23	610801	ARM KNUCKLE / L.H.	1		1	1		
NS	610802	ARM KNUCKLE / R.H.	1		1	1		
25	610901	ARM / STEERING	1		1	1		
26	500757	NUT HEX SLT 1 1/4-12 ZP	1		1	1		
27	502115	PIN, COTTER 3/16 x 2 1/2	AR		AR	AR		
28	610054	NUT 1 1/8-12 SLOTTED PRODUCTION	1		1	1		
29	610944	DOWEL PIN / CENTER AXLE	1		1	1		
30	500739	NUT HEX THK SLT 7/8-14 STL	1		1	1		
31	610687	TIE ROD END L.H. THREAD 1 1/4-12	1		1	1		

From F-903 To P-721	Date:10/2022	PAGE:XL-1005-01
FRONT AXLE - I BEAM RIGID MODEL "17101"		

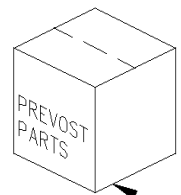
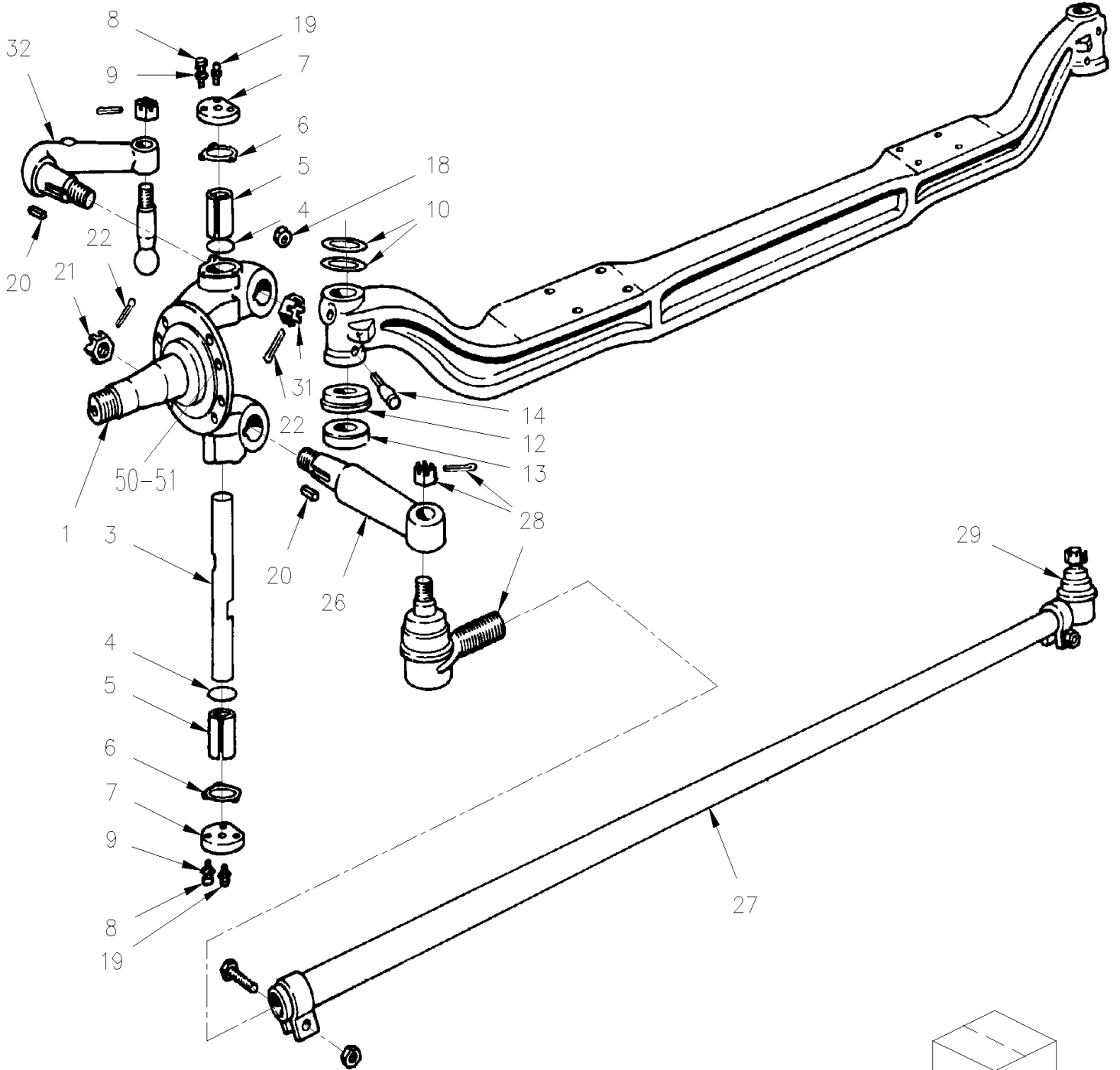
Item#	Part	Description	M T H 4 0	M T H 4 5	M T H 4 5 E	X L 4 0	X L 4 5	N O T E S
31	610686	TIE ROD END R.H. THREAD 1 1/4-12	2		2	2		
32	610137	. COVER DUST	1		1	1		
34	660698	COLLAR ASSY / W/BOLT & NUT 1 5/8" I.D.	3		3	3		
36	500231	SCREW CAP HEX 5/8-11x3 G5 ZP	AR		AR	AR		
38	502115	PIN, COTTER 3/16 x 2 1/2	AR		AR	AR		
40	610780	ROD ASSY W/END	1		1	1		
42	500683	NUT HEX STO 5/8-11 ZP	AR		AR	AR		
50	XL-1225-01	BRAKE PARTS - FRONT AXLE - W/MODEL 17101						
51	XL-1300-00	HUB & DRUM - FRONT AXLE						
100	610799	KIT REPAIR / KNUCKLE BUSHING // NYLON	1		1	1		
100	611240	KIT REPAIR / KNUCKLE BUSHING // BRASS	1		1	1		
		1) NOT SOLD SEPARATELY						

From P-722 To Y-7045

Date:10/2022

PAGE:XL-1005-02

FRONT AXLE - I BEAM RIGID MODEL "2FG-952-CAX"



100

From P-722 To Y-7045	Date:10/2022	PAGE:XL-1005-02
FRONT AXLE - I BEAM RIGID MODEL "2FG-952-CAX"		

Item#	Part	Description	M T H 4 0	M T H 4 5	M T H 4 5 E	X L 4 0	X L 4 5	N O T E S
	610981	AXLE ASSY STUD MOUNT & 24" BOOSTER W/ABS To R-860	1		1	1		
	610971	AXLE ASSY STUD-MOUNT & 30" BOOSTER W/ABS From R-861 To T-5872						
NS	610971	AXLE ASSY STUD-MOUNT & 30" BOOSTER W/ABS From R-861				1	1	
	610970	AXLE ASSY STUD MOUNT & 24" BOOSTER To R-860	1		1	1		
	610980	AXLE ASSY HUB MOUNT & 24" BOOSTER To R-860				1		
NS	610990	AXLE ASSY HUB-MOUNT & 30" BOOSTER W/ABS From R-861				1	1	
NS	611136	. CENTER AXLE	1	1	1	1	1	
NS	610944	. DOWEL PIN / CENTER AXLE	2	2	2	2	2	
1	611091	. KNUCKLE, STEERING / L.H.	1	1	1	1	1	
NS	611090	. KNUCKLE, STEERING / R.H.	1	1	1	1	1	
3	N.S.S.	. PIN / STEERING KNUCKLE	2	2	2	2	2	1
4	N.S.S.	. SEAL / STEERING KNUCKLE PIN	4	4	4	4	4	1
5	N.S.S.	. BUSHING / STEERING KNUCKLE PIN	4	4	4	4	4	1
6	N.S.S.	. GASKET / STEERING KNUCKLE PIN CAP	4	4	4	4	4	1
7	N.S.S.	. CAP / STEERING KNUCKLE PIN	4	4	4	4	4	1
8	N.S.S.	. BOLT / TO FIX STEERING KNUCKLE PIN CAP	12	12	12	12	12	1
9	N.S.S.	. WASHER, LOCK / TO FIX STEERING KNUCKLE PIN CAP	12	12	12	12	12	1
10	610854	. SHIM .010 / STEERING KNUCKLE PIN	AR	AR	AR	AR	AR	
NS	610855	. SHIM .005 / STEERING KNUCKLE PIN	AR	AR	AR	AR	AR	
12	N.S.S.	. . SEAL / THRUST BEARING	2	2	2	2	2	1
13	N.S.S.	. BEARING, THRUST	2	2	2	2	2	1
14	610794	. KEY, DRAW UPPER 3"	2	2	2	2	2	
NS	610795	. KEY, DRAW LOWER 4"	2	2	2	2	2	
18	610796	. NUT, KEY DRAW UPPER & LOWER	4	4	4	4	4	
19	501490	. GREASE FITTING / 1/8 NPT	2	2	2	2	2	
20	610861	KEY / CROSS TUBE ARM	4	4	4	4	4	
20	611092	. KEY / WOODRUFF	3	3	3	3	3	
21	610054	. NUT 1 1/8-12 SLOTTED PRODUCTION	2	2	2	2	2	
22	502115	. PIN, COTTER 3/16 x 2 1/2	4	4	4	4	4	
26	610801	. ARM KNUCKLE / L.H.	1	1	1	1	1	
NS	610972	. ARM KNUCKLE / R.H.	1	1	1	1	1	
27	610780	. ROD ASSY W/END	1	1	1	1	1	
28	611089	. . TIE ROD END L.H. THREAD 1 1/4-12	1	1	1	1	1	
29	661002	. . TIE ROD END R.H. THREAD 1 1/4-12	1	1	1	1	1	
30	621340	. SCREW, STOP / STEERING KNUCKLE	2	2	2	2	2	
NS	621338	. SHIM 0.010	2	2	2	2	2	
NS	621339	. NUT JAM STEERING KNUCKLE	2	2	2	2	2	
31	500757	. NUT HEX SLT 1 1/4-12 ZP	1	1	1	1	1	
32	610978	. ARM / STEERING	1	1	1	1	1	
50	XL-1225-01	BRAKE PARTS - FRONT AXLE - W/MODEL 17101						
50	XL-1225-99	BRAKE PARTS - FRONT AXLE MODEL 16 1/2 I.D. (RETROFIT)						

From P-722 To Y-7045	Date:10/2022	PAGE:XL-1005-02
FRONT AXLE - I BEAM RIGID MODEL "2FG-952-CAX"		

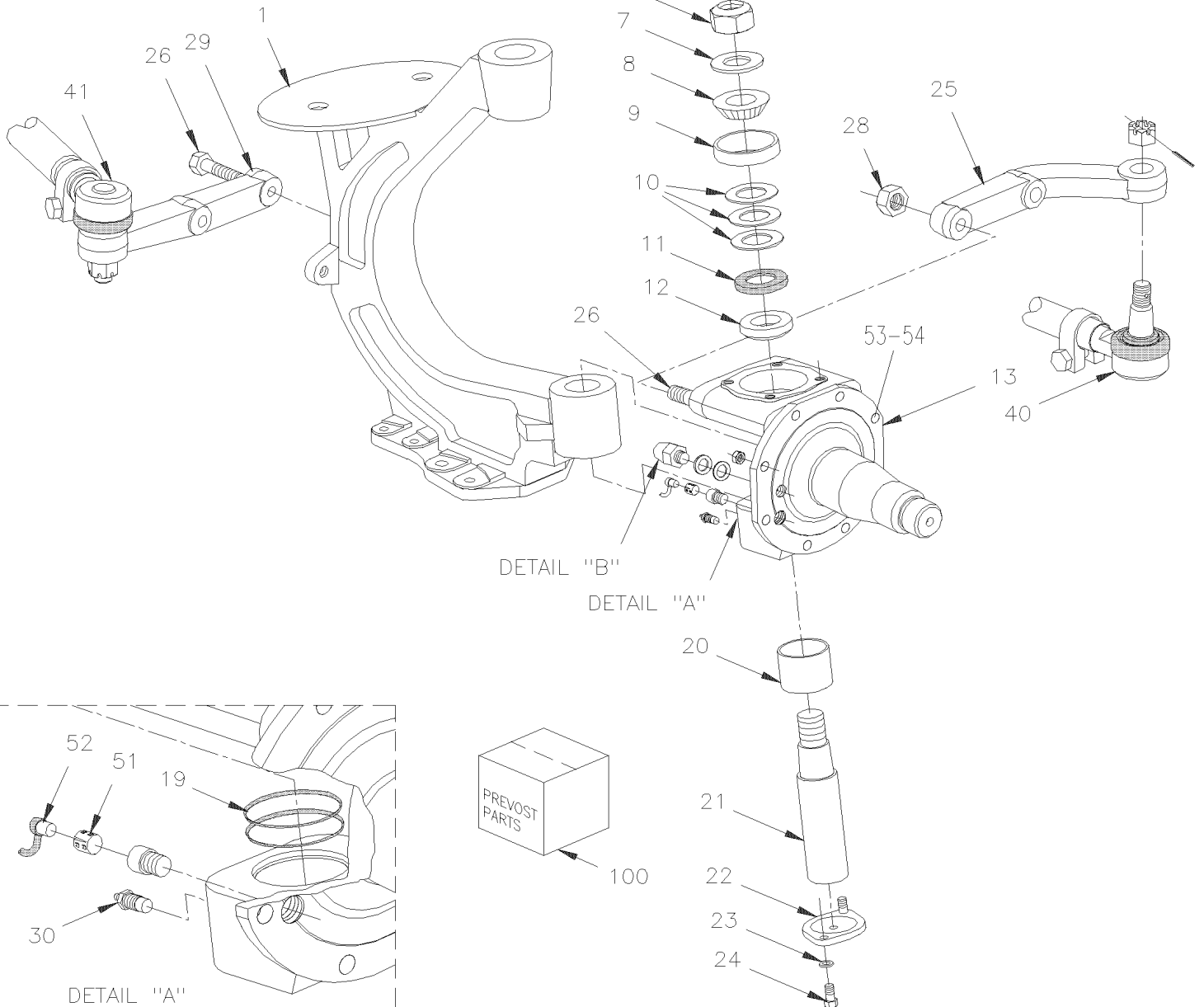
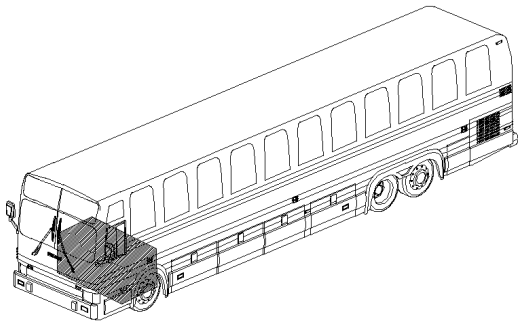
Item#	Part	Description	M T H 4 0	M T H 4 5	M T H 4 5 E	X L 4 0	X L 4 5	N O T E S
51	XL-1300-01	HUB & ROTOR - FRONT AXLE MODEL "2FG-952CAX"						
51	XL-1300-99	HUB & DRUM - FRONT AXLE - MODEL 16 ½ I.D. / "RETROFIT"						
100	610799	KIT REPAIR / KNUCKLE BUSHING // NYLON	AR	AR	AR	AR	AR	A
100	611240	KIT REPAIR / KNUCKLE BUSHING // BRASS	AR	AR	AR	AR	AR	A
		A) INCLUDE ITEMS #3,4,5,6,7,8,9,10,12 & 13						
		1) NOT SOLD SEPARATELY						

From T-5873 To V-6001

Date:10/2022

PAGE:XL-1005-50

FRONT AXLE - INDEPENDENT MODEL "IS-82" / 16500LBS



From T-5873 To V-6001	Date:10/2022	PAGE:XL-1005-50
FRONT AXLE - INDEPENDENT MODEL "IS-82" / 16500LBS		

Item#	Part	Description	M T H 4 0	M T H 4 5	M T H 4 5 E	X L 4 0	X L 4 5	N O T E S
	611079	AXLE ASSY L.H. & R.H. / W/TAPER KING PIN	1	1	1			
1	611119	AXLE L.H. / W/TAPER KING PIN & BELLOW SUPPORT	1	1	1			
1	611120	AXLE R.H. / W/TAPER KING PIN & BELLOW SUPPORT	1	1	1			
2	501491	GREASE FITTING / 1/8 NPTx3/4"	2	2	2			
NS	504615	PROTECTOR CAP / BLACK / .313 I.D. x .500	2	2	2			
3	611008	CAP COVER	2	2	2			
4	500067	SCREW CAP HEX 7/16-20x1 G5 Z050	4	4	4			
5	500447	WASHER FL .562x1.375x.109 ZP	4	4	4			
6	611009	NUT 1 1/4-12 STV	2	2	2			
7	611010	WASHER 38.23x69.85x7	2	2	2			
8	611011	CONE BEARING	2	2	2			A
9	611012	CUP BEARING	2	2	2			A
10	611013	WASHER SHIM / .005"	AR	AR	AR			
10	611014	WASHER SHIM / .006"	AR	AR	AR			
10	611015	WASHER SHIM / .008"	AR	AR	AR			
10	611016	WASHER SHIM / .010"	AR	AR	AR			
10	611017	WASHER SHIM / .015"	AR	AR	AR			
11	611018	OIL SEAL	2	2	2			
12	611019	SLEEVE	2	2	2			
13	611121	KNUCKLE L.H. / W/TAPER KING PIN	1	1	1			
13	611122	KNUCKLE R.H. / W/TAPER KING PIN	1	1	1			
15	611040	WASHER SHIM / 1/8" TH	AR	AR	AR			
15	611041	WASHER SHIM / 1/16" TH	AR	AR	AR			
15	611042	WASHER SHIM / 1/32" TH	AR	AR	AR			
16	611037	SWIVEL STOP SCREW	2	2	2			B
NS	611036	SWIVEL STOP SCREW	1	1	1			C
18	5007001	NUT HEX STO 1/2-20 Z050 G "C"	16	16	16			
NS	500091	SCREW CAP HEX 1/2-20x1 3/4 G5 ZP	6	6	6			
19	611020	V-SEAL	2	2	2			
20	611021	BUSHING LOWER KING PIN	2	2	2			
21	611022	KING PIN / TAPER	2	2	2			
22	611023	CAP LOWER / KING PIN / W/TAPER KING PIN	2	2	2			
23	N.P.N.	WASHER	1	1	1			4
24	N.P.N.	BOLT	1	1	1			4
25	611123	STEERING ARM L.H.	1	1	1			
25	611124	STEERING ARM R.H.	1	1	1			
26	5001326	SCREW CAP HEX M14-2.0x70 G10.9 DP	2	2	2			
26	5001327	SCREW CAP HEX M14-2.0x80 G10.9 DP	2	2	2			
28	5001196	NUT HEX SLT 3/4-16	8	8	8			
29	660995	UPRIGHT ARM R.H.	1	1	1			
29	660996	UPRIGHT ARM L.H.	1	1	1			
30	501493	GREASE FITTING 45° / 1/8 NPT	2	2	2			

From T-5873 To V-6001	Date:10/2022	PAGE:XL-1005-50
FRONT AXLE - INDEPENDENT MODEL "IS-82" / 16500LBS		

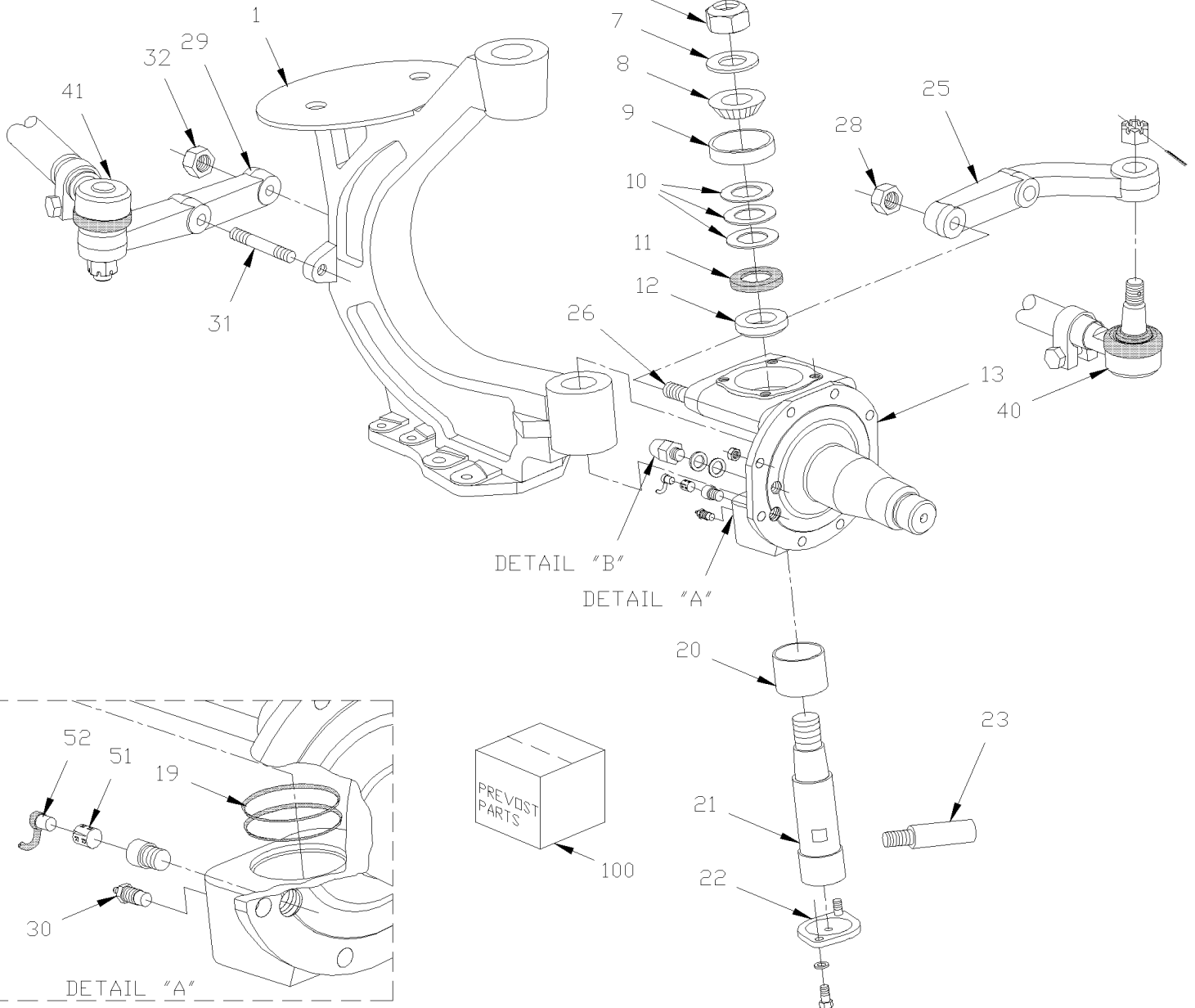
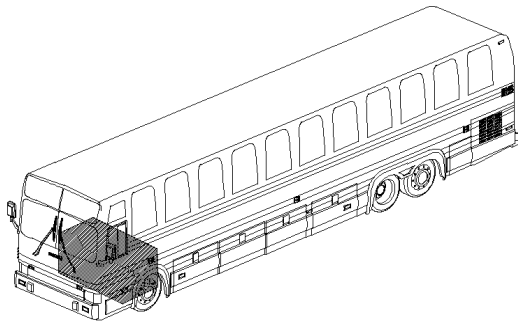
Item#	Part	Description	M T H 4 0	M T H 4 5	M T H 4 5 E	X L 4 0	X L 4 5	N O T E S
NS	504615	. PROTECTOR CAP / BLACK / .313 I.D. x .500	2	2	2			
40	XL-1410-50	STEERING RODS - INSTALLATION W/INDEPENDENT "IS-82" / 16500 LBS						
41	XL-1605-50	FRONT AXLE - INSTALL W/INDEPENDENT / 16500LBS						
51	641096	CLIP, SPRING / TO FIX SENSOR	2	2	2			
52	641288	SENSOR ABS (ON FRONT AXLE) 90° ANGLE	2	2	2			
53	XL-1225-03	BRAKE PARTS - FRONT AXLE - W/"KNORR-BREMSE" / SB7 SERIES						
53	XL-1225-04	BRAKE PARTS - FRONT AXLE - W/"KNORR-BREMSE" / SB7 SERIES						
53	XL-1225-98	BRAKE PARTS "KNORR-BREMSE" SN7 SERIES - "SERVICE"						
54	XL-1300-02	HUB & ROTOR - FRONT AXLE MODEL "IS-82"						
100	611125	KIT REPAIR / STEERING KNUCKLE BUSHING (TAPER) / (REQUIRE 2 KIT)						D
		A) OUTER WHEEL BEARING						
		B) REAR / 1 1/2" APROX						
		C) FRONT / 1 3/4" APROX						
		D) INCLUDING ITEMS #4 TO 12 & 19 TO 21						
		4) NO PARTS NUMBER						

From V-6002 To Y-7045

Date:10/2022

PAGE:XL-1005-51

FRONT AXLE - INDEPENDENT MODEL "IS-84" / 16500LBS



From V-6002 To Y-7045	Date:10/2022	PAGE:XL-1005-51
FRONT AXLE - INDEPENDENT MODEL "IS-84" / 16500LBS		

Item#	Part	Description	M T H 4 0	M T H 4 5	M T H 4 5 E	X L 4 0	X L 4 5	N O T E S
	611141	AXLE ASSY L.H. & R.H. / W/PARALLEL KING PIN To V-6037	1	1	1			
NS	611143	AXLE ASSY L.H. & R.H. From V-6038 To V-6254	1	1	1			
NS	611194	AXLE ASSY L.H. & R.H. From V-6255 To W-6329	1	1	1			
NS	611201	AXLE ASSY L.H. & R.H. From W-6330 To X-6865	1	1	1			
	611209	AXLE ASSY L.H. & R.H. From X-6866	1	1	1			
1	611160	AXLE L.H. / W/PARALLEL KING PIN & BELLOW	1	1	1			
1	611161	AXLE R.H. / W/PARALLEL KING PIN & BELLOW	1	1	1			
2	501491	GREASE FITTING / 1/8 NPTx3/4"	2	2	2			
NS	504615	PROTECTOR CAP / BLACK / .313 I.D. x .500	2	2	2			
3	611008	CAP COVER	2	2	2			
4	500067	SCREW CAP HEX 7/16-20x1 G5 Z050	4	4	4			
5	500447	WASHER FL .562x1.375x.109 ZP	4	4	4			
6	611153	NUT HEX STO 1 3/8"-12	2	2	2			
7	611010	WASHER 38.23x69.85x7	2	2	2			
8	611011	CONE BEARING	2	2	2			B
9	611012	CUP BEARING	2	2	2			B
10	611013	WASHER SHIM / .005"	AR	AR	AR			
10	611014	WASHER SHIM / .006"	AR	AR	AR			
10	611015	WASHER SHIM / .008"	AR	AR	AR			
10	611016	WASHER SHIM / .010"	AR	AR	AR			
10	611017	WASHER SHIM / .015"	AR	AR	AR			
11	611145	OIL SEAL	2	2	2			
12	611154	SLEEVE	2	2	2			
13	611157	KNUCKLE L.H. / W/PARALLEL KING PIN	1	1	1			
13	611158	KNUCKLE R.H. / W/PARALLEL KING PIN	1	1	1			
15	611042	WASHER SHIM / 1/32" TH	AR	AR	AR			A
15	611041	WASHER SHIM / 1/16" TH	AR	AR	AR			A
15	611040	WASHER SHIM / 1/8" TH	AR	AR	AR			A
16	611159	SWIVEL STOP SCREW / REAR / 38MM	2	2	2			A
NS	611149	SWIVEL STOP SCREW / FRONT / 48MM	1	1	1			A
NS	611150	SWIVEL STOP SCREW / FRONT / 60MM	1	1	1			A
18	5007001	NUT HEX STO 1/2-20 Z050 G "C"	16	16	16			
NS	500091	SCREW CAP HEX 1/2-20x1 3/4 G5 ZP	6	6	6			
19	611020	V-SEAL	2	2	2			
NS	611152	SEAL RING	2	2	2			
20	611144	BUSHING LOWER KING PIN	2	2	2			
21	611148	KING PIN	2	2	2			
22	611155	CAP LOWER / KING PIN	2	2	2			
NS	611156	O-RING	2	2	2			
22	612364	SCREW 3/8-24	4	4	4			
22	612363	WASHER	4	4	4			
23	611258	SWIVEL PIN LOCK	1	1	1			

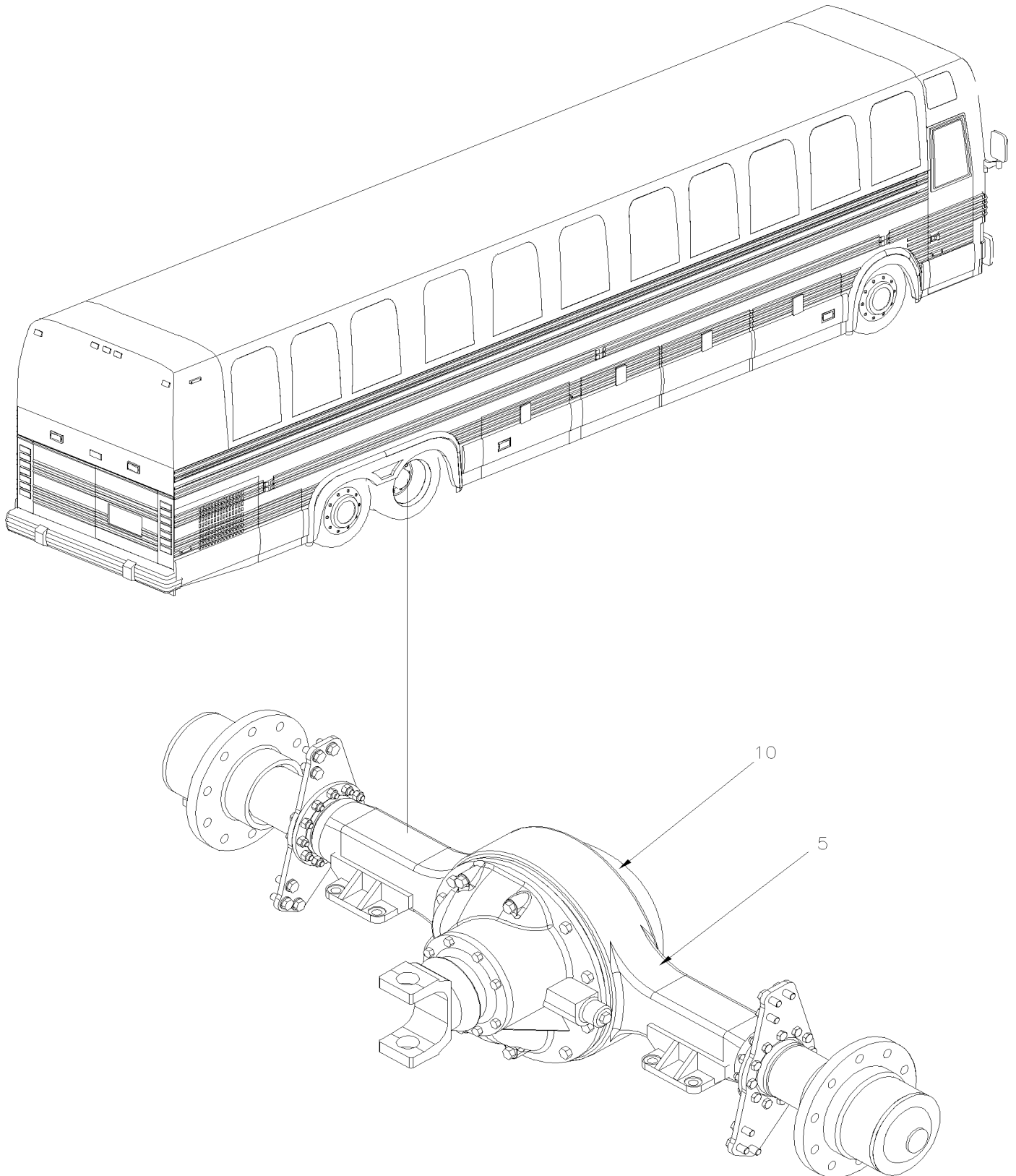
From V-6002 To Y-7045	Date:10/2022	PAGE:XL-1005-51
FRONT AXLE - INDEPENDENT MODEL "IS-84" / 16500LBS		

Item#	Part	Description	M T H 4 0	M T H 4 5	M T H 4 5 E	X L 4 0	X L 4 5	N O T E S
25	611172	. STEERING ARM L.H.	1	1	1			
NS	611171	. STEERING ARM R.H.	1	1	1			
26	611167	. STUD 3/4-16 X 4 1/2"	2	2	2			
NS	611166	. STUD 3/4-16 X 3 1/4"	2	2	2			
28	5001196	. NUT HEX SLT 3/4-16 To W-6329	8	8	8			
NS	500735	. NUT HEX STO 3/4-16 ZP From W-6330	8	8	8			
29	661072	. UPRIGHT ARM R.H. / W/56 Deg	1	1	1			
NS	661071	. UPRIGHT ARM L.H. / W/56 Deg	1	1	1			
30	501493	. GREASE FITTING 45° / 1/8 NPT	2	2	2			
NS	504615	. PROTECTOR CAP / BLACK / .313 I.D. x .500	2	2	2			
31	611248	. STUD M16	1	1	1			
31	611249	. STUD M16	1	1	1			
32	500781	. NUT HEX STO M16-2.0 DP	2	2	2			
40	XL-1410-50	STEERING RODS - INSTALLATION W/INDEPENDENT "IS-82" / 16500 LBS						
41	XL-1605-50	FRONT AXLE - INSTALL W/INDEPENDENT / 16500LBS						
51	641096	CLIP, SPRING / TO FIX SENSOR	2	2	2			
52	641288	SENSOR ABS (ON FRONT AXLE) 90° ANGLE	2	2	2			
53	XL-1225-04	BRAKE PARTS - FRONT AXLE - W/"KNORR-BREMSE" / SB7 SERIES						
53	XL-1225-98	BRAKE PARTS "KNORR-BREMSE" SN7 SERIES - "SERVICE"						
54	XL-1300-03	HUB & ROTOR - FRONT AXLE MODEL "IS-84"						
100	611162	KIT REPAIR / STEERING KNUCKLE BUSHING (PARALLEL) / (REQUIRES 2 KITS)	AR	AR	AR			C
NS	611008	. CAP COVER	1	1	1			C
NS	611153	. NUT HEX STO 1 3/8"-12	1	1	1			C
NS	611010	. WASHER 38.23x69.85x7	1	1	1			C
NS	611011	. CONE BEARING	1	1	1			C
NS	611012	. CUP BEARING	1	1	1			C
NS	611017	. WASHER SHIM / .015"	4	4	4			C
NS	611016	. WASHER SHIM / .010"	4	4	4			C
NS	611015	. WASHER SHIM / .008"	2	2	2			C
NS	611014	. WASHER SHIM / .006"	2	2	2			C
NS	611013	. WASHER SHIM / .005"	2	2	2			C
NS	611145	. OIL SEAL	1	1	1			C
NS	611154	. SLEEVE	1	1	1			C
NS	611294	. V-SEAL	1	1	1			C
NS	611144	. BUSHING LOWER KING PIN	1	1	1			C
NS	611148	. KING PIN	1	1	1			C
NS	611155	. CAP LOWER / KING PIN	1	1	1			C
NS	611156	. O-RING	1	1	1			C
NS	611258	. SWIVEL PIN LOCK	1	1	1			C
NS	610029	. NUT 7/16 UNF	1	1	1			C

From V-6002 To Y-7045	Date:10/2022	PAGE:XL-1005-51
FRONT AXLE - INDEPENDENT MODEL "IS-84" / 16500LBS		

Item#	Part	Description	M T H 4 0	M T H 4 5	M T H 4 5 E	X L 4 0	X L 4 5	N O T E S
. NS	5001200	. WASHER FL .453x.875x.090	1	1	1			C
		FOR SERIAL NUMBER V-6002 TO V-6026 SUPPLIER						
		INSTALLED ITEMS 15 & 16 STOPPER SCREW						
		SAME MODEL THAN AXLE IS-82						
		A) FOR SERIAL NUMBER V-6002 TO V-6026 SUPPLIER INSTALL ITEMS 15&16 STOPPER SCREW SAME MODEL THAN IS-82						
		B) OUTER WHEEL BEARING						
		C) INCLUDING ITEMS # 3 TO 12 & # 19 TO 23						

	Date:10/2022	XL-11
REAR AXLE		



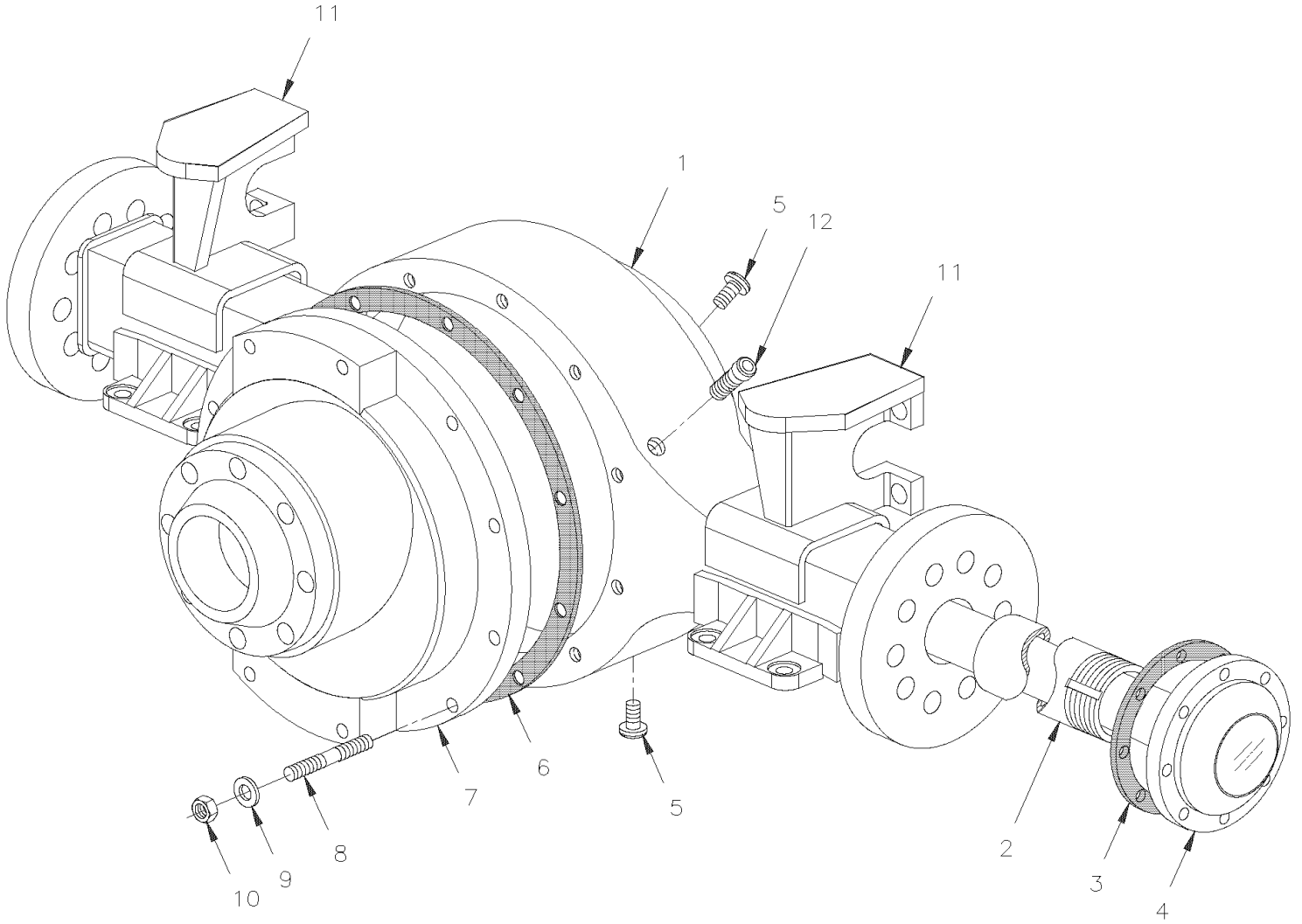
		Date:10/2022	XL-11					
REAR AXLE								
Item#	Part	Description	M T H 4 0	M T H 4 5	M T H 4 5 E	X L 4 0	X L 4 5	N O T E S
5	XL-1105-00	REAR AXLE - MODEL RS23160 & DRUM BRAKE W/59143 From E-638 To L-464						
5	XL-1105-01	REAR AXLE - MODEL RS23160 & DRUM BRAKE W/61143 From L-465 To Y-7045						
10	XL-1110-00	CARRIER ASSY - MODEL #59143 From E-638 To L-464						
10	XL-1110-01	CARRIER ASSY - MODEL #61143 From L-465 To Y-7045						

From E-638 To L-464

Date:10/2022

PAGE:XL-1105-00

REAR AXLE - MODEL RS23160 & DRUM BRAKE W/59143



From E-638 To L-464		Date:10/2022	PAGE:XL-1105-00
REAR AXLE - MODEL RS23160 & DRUM BRAKE W/59143			

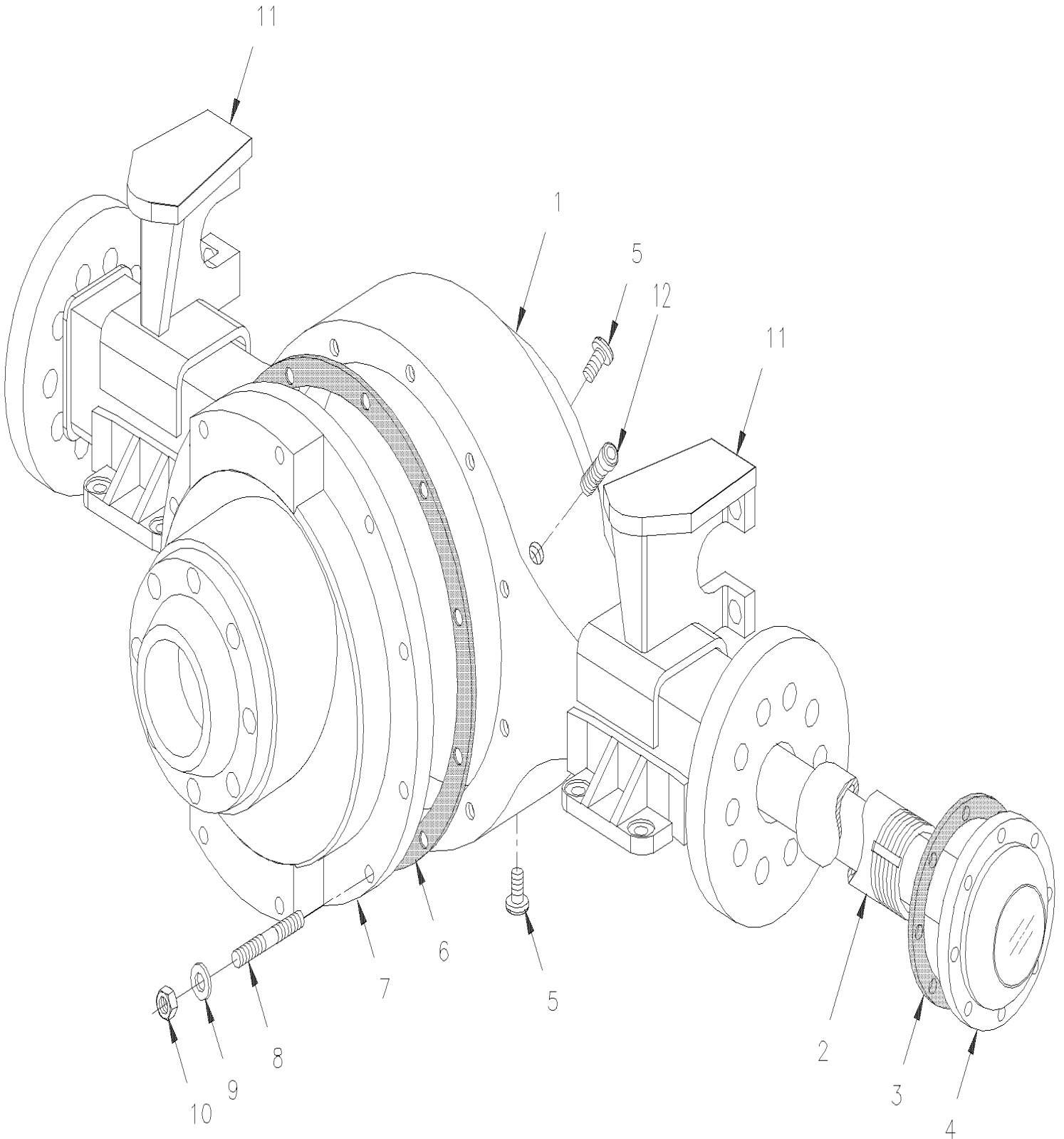
Item#	Part	Description	M T H 4 0	M T H 4 5	M T H 4 5 E	X L 4 0	X L 4 5	N O T E S
		AXLE ASSY WITH STUD MOUNTED WHEELS						
	621171	REAR AXLE ASSY / 3.33 RATIO				1		
	621174	REAR AXLE ASSY / 3.33 RATIO	1			1		
	621173	REAR AXLE ASSY / 3.73 RATIO				1		
	621175	REAR AXLE ASSY / 3.73 RATIO	1			1		
	621162	REAR AXLE ASSY / 3.73 RATIO	1					A
	621172	REAR AXLE ASSY / 4.10 RATIO				1		
		AXLE ASSY WITH HUB MOUNTED WHEELS						
	621198	REAR AXLE ASSY / 3.73 RATIO				1		
	621199	REAR AXLE ASSY / 3.33 RATIO				1		
	621168	REAR AXLE ASSY / 3.73 RATIO				1		
1	621182	. HOUSING / W/59143	1			1		
2	621127	. SLEEVE	2			2		
3	620923	. GASKET / AXLE SHAFT W/10 STUDS	2			2		
4	621180	. SHAFT, AXLE / L.H. & R.H. / 42" / W/59743	2			2		
5	621142	. PLUG FILLER	2			2		
6	680053	. SILICONE TUBE RTV103 / BLACK / 3 oz	1			1		
7	XL-1110-00	. CARRIER ASSY - MODEL #59143						
8	620042	. STUD 5/8-11x 5/8-18 x 2 5/8"	14			14		
8	621183	. STUD 5/8-11x 5/8-18 x 3 3/4"	4			4		
9	620474	. WASHER HARDENED / 5/8" I.D.	18			18		
10	500725	. NUT HEX STO 5/8-18 Z050	18			18		
11	120832	SUPPORT R.H. / BRAKE CHAMBER	1			1		
11	120831	SUPPORT L.H. / BRAKE CHAMBER	1			1		
12	620442	BREATHER / (CURRENT 1 PIECE)	1			1		
12	621871	BREATHER AND TUBE	1			1		S
		A) WITH "TELMA"						
		S) PRODUCT IMPROVEMENT						

From L-465 To Y-7045

Date:10/2022

PAGE:XL-1105-01

REAR AXLE - MODEL RS23160 & DRUM BRAKE W/61143



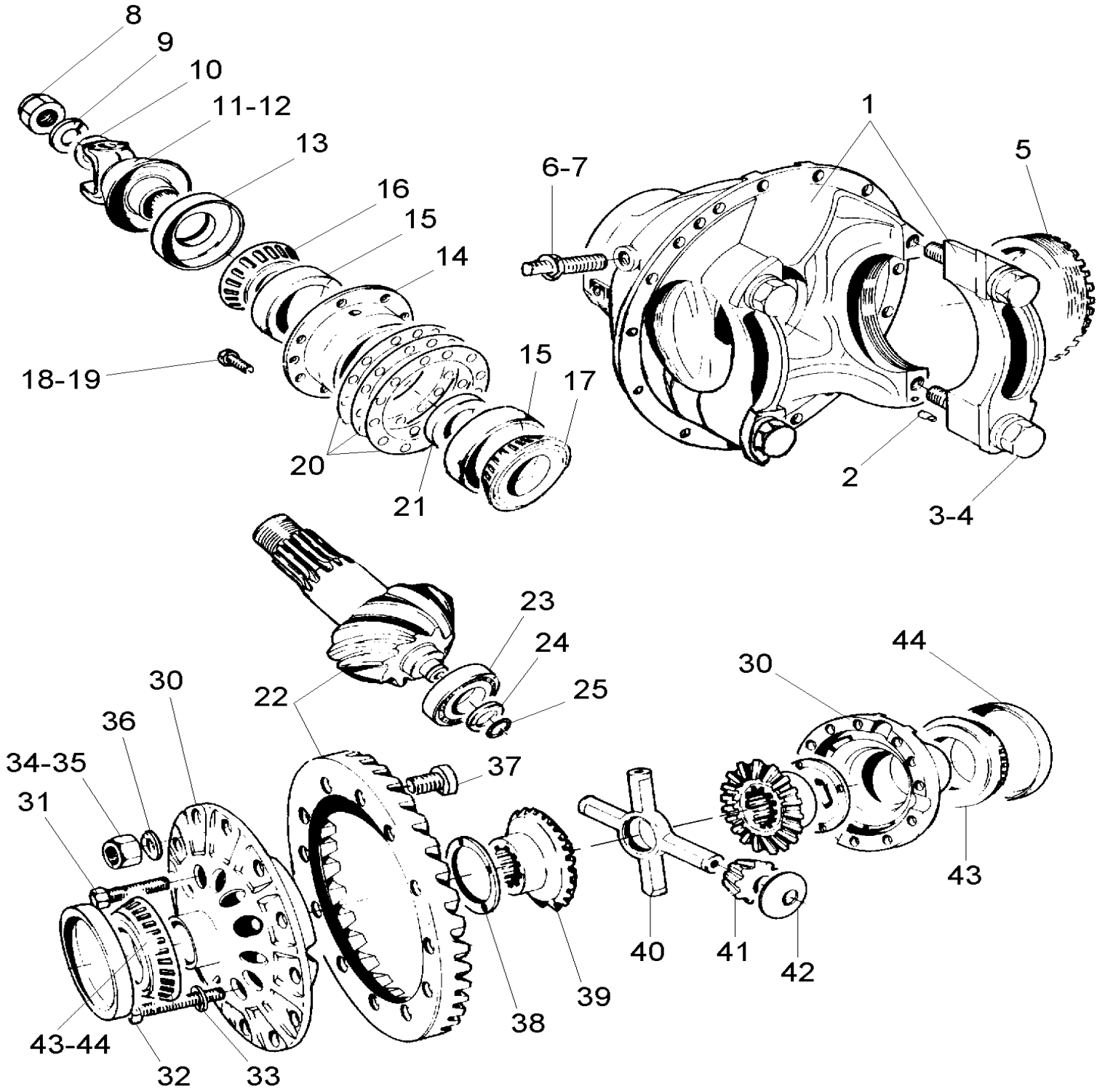
From L-465 To Y-7045	Date:10/2022	PAGE:XL-1105-01
REAR AXLE - MODEL RS23160 & DRUM BRAKE W/61143		

Item#	Part	Description	M T H 4 0	M T H 4 5	M T H 4 5 E	X L 4 0	X L 4 5	N O T E S
		. . . AXLE ASSY WITH STUD MOUNTED WHEELS						
NS	621465	REAR AXLE ASSY / 3.07 RATIO /				1		
NS	621566	REAR AXLE ASSY / 3.07 RATIO / W/ABS INSIDE				1		
NS	621657	REAR AXLE ASSY / 3.07 RATIO / W/ABS IN WHEEL				1		
NS	621469	REAR AXLE ASSY / 3.21 RATIO				1		
NS	621543	REAR AXLE ASSY / 3.21 RATIO / W/ABS INSIDE				1		
NS	621496	REAR AXLE ASSY / 3.21 RATIO / W/ABS IN WHEEL				1		
NS	621542	REAR AXLE ASSY / 4.30 RATIO				1		
NS	621647	REAR AXLE ASSY / 4.30 RATIO / W/ABS INSIDE				1	1	
NS	621560	REAR AXLE ASSY / 4.30 RATIO / W/ABS INSIDE				1	1	
NS	621530	REAR AXLE ASSY / 4.56 RATIO	1		1	1	1	
NS	621569	REAR AXLE ASSY / 4.56 RATIO / W/ABS INSIDE	1	1	1	1	1	
NS	621528	REAR AXLE ASSY / 4.56 RATIO / W/ABS IN WHEEL	1	1	1	1	1	
NS	621529	REAR AXLE ASSY / 4.88 RATIO	1		1	1	1	
NS	621571	REAR AXLE ASSY / 4.88 RATIO / W/ABS INSIDE	1	1	1	1	1	
NS	621527	REAR AXLE ASSY / 4.88 RATIO / W/ABS IN WHEEL	1	1	1	1	1	
		. . . AXLE ASSY WITH HUB MOUNTED WHEELS						
NS	621565	REAR AXLE ASSY / 2.93 RATIO						
NS	621564	REAR AXLE ASSY / 3.07 RATIO /				1		
NS	621567	REAR AXLE ASSY / 3.07 RATIO / W/ABS INSIDE				1		
NS	621659	REAR AXLE ASSY / 3.07 RATIO / W/ABS IN WHEEL				1		
NS	621522	REAR AXLE ASSY / 3.21 RATIO				1		
NS	621568	REAR AXLE ASSY / 3.21 RATIO / W/ABS INSIDE				1		
NS	621656	REAR AXLE ASSY / 3.07 RATIO / W/ABS IN WHEEL				1		
NS	621649	REAR AXLE ASSY / 4.30 RATIO / W/ABS INSIDE				1		
NS	621658	REAR AXLE ASSY / 4.30 RATIO / W/ABS IN WHEEL				1		
NS	621532	REAR AXLE ASSY / 4.56 RATIO				1	1	
NS	621544	REAR AXLE ASSY / 4.56 RATIO / W/ABS INSIDE				1	1	
NS	621531	REAR AXLE ASSY / 4.56 RATIO / W/ABS IN WHEEL				1	1	
NS	621534	REAR AXLE ASSY / 4.88 RATIO				1	1	
NS	621572	REAR AXLE ASSY / 4.88 RATIO / W/ABS INSIDE				1	1	
NS	621533	REAR AXLE ASSY / 4.88 RATIO / W/ABS IN WHEEL				1	1	
1	621471	. HOUSING	1	1	1	1	1	
2	621127	. SLEEVE	2	2	2	2	2	
3	620923	. GASKET / AXLE SHAFT W/10 STUDS	2	2	2	2	2	
4	621410	. SHAFT, AXLE / L.H. / 41.750"	1	1	1	1	1	
4	621411	. SHAFT, AXLE / R.H. / 43.500"	1	1	1	1	1	
5	621142	. PLUG FILLER	2	2	2	2	2	

From L-465 To Y-7045	Date:10/2022	PAGE:XL-1105-01
REAR AXLE - MODEL RS23160 & DRUM BRAKE W/61143		

Item#	Part	Description	M T H 4 0	M T H 4 5	M T H 4 5 E	X L 4 0	X L 4 5	N O T E S
6	680053	. SILICONE TUBE RTV103 / BLACK / 3 oz	1	1	1	1	1	
7	XL-1110-01	. CARRIER ASSY - MODEL #61143						
8	621183	. STUD 5/8-11x 5/8-18 x 3 3/4"	4	4	4	4	4	
NS	620042	. STUD 5/8-11x 5/8-18 x 2 5/8"	14	14	14	14	14	
9	620474	. WASHER HARDENED / 5/8" I.D.	18	18	18	18	18	
10	500742	. NUT HEX STO 7/8-14 ZP	18	18	18	18	18	
11	121102	SUPPORT L.H. & R.H. / BRAKE CHAMBER	2	2	2	2	2	
NS	121371	SUPPORT R.H. / BRAKE CHAMBER From T-5873	1	1	1			
NS	121372	SUPPORT L.H. / BRAKE CHAMBER From T-5873	1	1	1			
12	620442	BREATHER / (CURRENT 1 PIECE)	1	1	1	1	1	
12	621587	BREATHER / (CURRENT 3 PIECES)	1	1	1	1	1	S
		S) PRODUCT IMPROVEMENT						

From E-638 To L-464	Date:10/2022	PAGE:XL-1110-00
CARRIER ASSY - MODEL #59143		



From E-638 To L-464	Date:10/2022	PAGE:XL-1110-00
CARRIER ASSY - MODEL #59143		

Item#	Part	Description	M T H 4 0	M T H 4 5	M T H 4 5 E	X L 4 0	X L 4 5	N O T E S
	621176	CARRIER ASSY / 3.73 RATIO	1			1		
	621189	CARRIER ASSY / 3.33 RATIO	1			1		
	621191	CARRIER ASSY / 3.73 RATIO	1			1		
	621192	CARRIER ASSY / 3.33 RATIO	1			1		
	621190	CARRIER ASSY / 4.11 RATIO				1		
1	621141	CARRIER & CAP ASSY / W/3200-C-1433	1			1		
2	620311	. DOWEL PIN	4			4		
3	620107	. SCREW CAP HEX	4			4		
4	620476	. WASHER FL .91x1.62x.250	4			4		
5	620218	. RING, ADJUSTING / W MODEL 3200-C-1433	2			2		
5	620450	. PIN COTTER	2			2		
6	620211	. SCREW ADJUSTING	1			1		
7	620049	. NUT	1			1		
8	621074	. NUT	1			1		
9	621143	. WASHER FLAT	1			1		
10	620466	. WASHER, THRUST	1			1		
11	621079	. YOKE (1710) FULL ROUND (39 SPL) To E-730	1			1		A
. NS	620390	. DEFLECTOR, OIL To E-730	1			1		A
. NS	621490	. SPEEDY SLEEVE 2.750" I.D. / TO REPAIR OIL LEAK ON YOKE To E-730	1			1		A
11	621187	. YOKE (1710) FULL ROUND (39 SPL) From E-731	1			1		
. NS	621179	. DEFLECTOR, OIL From E-731	1			1		
. NS	621490	. SPEEDY SLEEVE 2.750" I.D. / TO REPAIR OIL LEAK ON YOKE From E-731	1			1		
11	621134	. YOKE (1810) FULL ROUND (39 SPL) To E-730	1			1		A
. NS	620390	. DEFLECTOR, OIL To E-730	1			1		A
. NS	621490	. SPEEDY SLEEVE 2.750" I.D. / TO REPAIR OIL LEAK ON YOKE To E-730	1			1		A
11	621188	. YOKE (1810) FULL ROUND (39 SPL) From E-731	1			1		
. NS	621179	. DEFLECTOR, OIL From E-731	1			1		
. NS	621490	. SPEEDY SLEEVE 2.750" I.D. / TO REPAIR OIL LEAK ON YOKE From E-731	1			1		
12	621179	. DEFLECTOR, OIL	1			1		
13	621177	. SEAL OIL	1			1		
14	621178	. CAGE BEARING	1			1		
15	620247	. CUP BEARING	2			2		
16	620248	. CONE BEARING	1			1		
17	620249	. CONE BEARING	1			1		
18	620149	. SCREW CAP HEX	8			8		
19	621151	. WASHER	8			8		
20	620340	. SHIM 0.005	AR			AR		
20	620341	. SHIM 0.010	AR			AR		
20	620538	. SHIM 0.003	AR			AR		
21	620343	. SPACER .500	AR			AR		
21	620344	. SPACER .526	AR			AR		

From E-638 To L-464	Date:10/2022	PAGE:XL-1110-00
CARRIER ASSY - MODEL #59143		

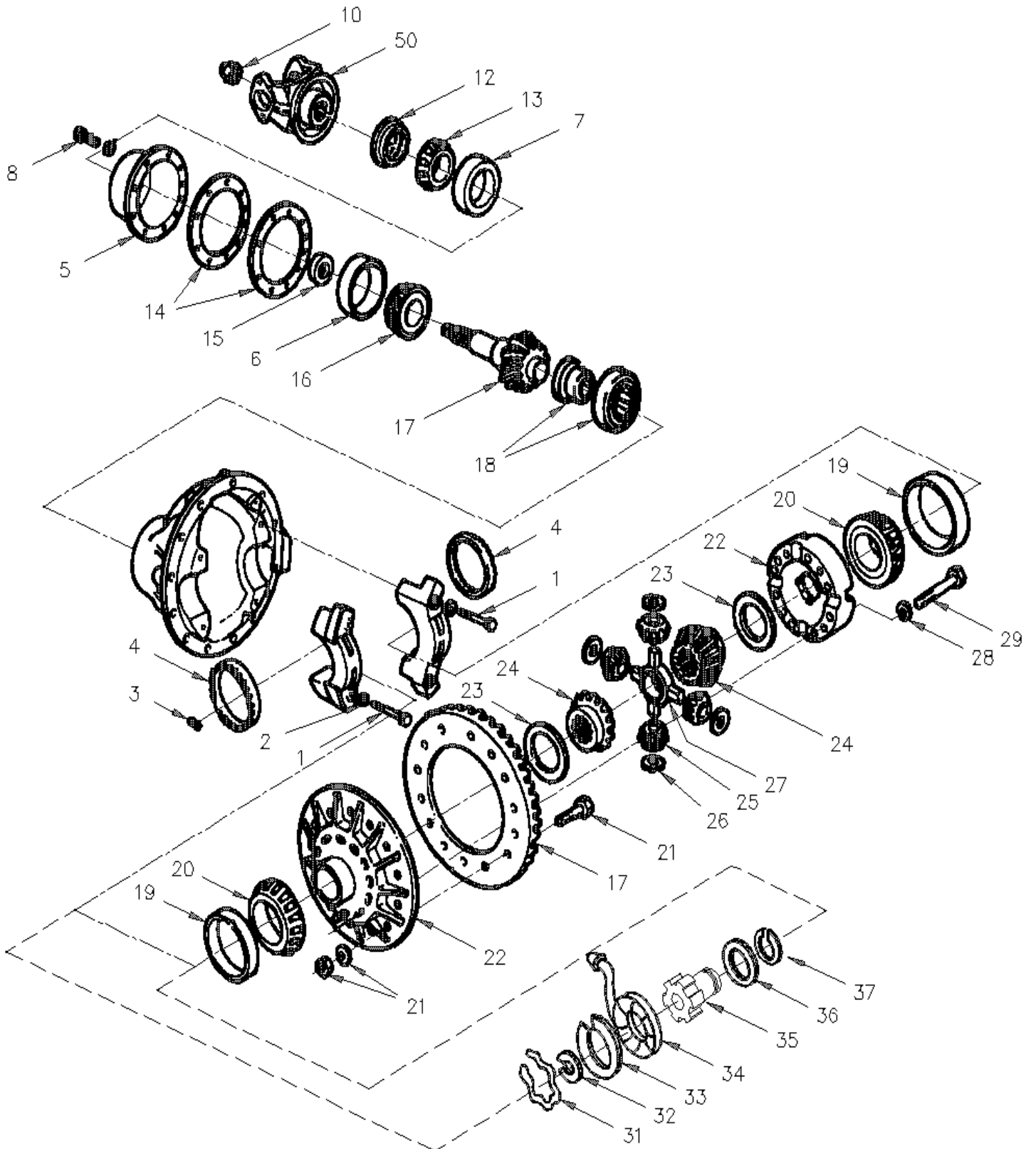
Item#	Part	Description	M T H 4 0	M T H 4 5	M T H 4 5 E	X L 4 0	X L 4 5	N O T E S
21	620490	. SPACER .534	AR			AR		
21	620513	. SPACER .248	AR			AR		
21	620514	. SPACER .249	AR			AR		
21	620515	. SPACER .250	AR			AR		
21	620516	. SPACER .251	AR			AR		
21	620517	. SPACER .252	AR			AR		
21	620518	. SPACER .253	AR			AR		
21	620519	. SPACER .254	AR			AR		
21	620520	. SPACER .265	AR			AR		
21	620521	. SPACER .271	AR			AR		
21	620522	. SPACER .277	AR			AR		
21	620523	. SPACER .283	AR			AR		
21	620873	. SPACER .525	AR			AR		
22	621129	. SET, GEAR DRIVE & PINION / 3.73 RATIO / W/3200-C-1433	1			1		
22	621193	. SET, GEAR DRIVE & PINION / 3.33 RATIO / W/3200-C-1433	1			1		
22	621194	. SET, GEAR DRIVE & PINION / 4.11 RATIO / W/3200-C-1433	1			1		
23	620282	. BEARING SPIGOT / INNER & OUTER / W/3200-C-1433	1			1		
24	620443	. WASHER / SPIGOT BEARING	1			1		
25	620467	. SNAP RING	1			1		
30	621144	. CASE ASSY	1			1		
31	621145	. . BOLT CASE (SHORT)	4			4		
32	621146	. . BOLT CASE (LONG)	8			8		
33	620474	. . WASHER HARDENED / 5/8" I.D.	12			12		
34	621157	. BOLT, NUT & WASHER / (KIT O	AR			AR		
35	621150	. . NUT	12			12		
36	620474	. . WASHER HARDENED / 5/8" I.D.	12			12		
37	621149	. . BOLT GEAR TO CASE	12			12		
38	620298	. WASHER, THRUST / SIDE GEAR	2			2		
39	621078	. GEAR SIDE / W/3200-C-1433	2			2		
40	620231	. SPIDER	1			1		
41	620219	. GEAR PINION	4			4		
42	620297	. WASHER, THRUST / PINION GEAR	4			4		
43	620189	. CONE BEARING	2			2		
44	620188	. CUP BEARING	2			2		
		A) THIS YOKE HAVE SMALLER OIL DEFLECTOR						

From L-465 To Y-7045

Date:10/2022

PAGE:XL-1110-01

CARRIER ASSY - MODEL #61143



From L-465 To Y-7045	Date:10/2022	PAGE:XL-1110-01
CARRIER ASSY - MODEL #61143		

Item#	Part	Description	M T H 4 0	M T H 4 5	M T H 4 5 E	X L 4 0	X L 4 5	N O T E S
	621578	CARRIER ASSY / 2.93 RATIO				1		
	621573	CARRIER ASSY / 3.07 RATIO W/ABS SENSOR INSIDE	1	1	1	1	1	
	621574	CARRIER ASSY / 3.21 RATIO W/ABS SENSOR INSIDE	1	1	1	1	1	
	621551	CARRIER ASSY / 3.42 RATIO	1	1	1	1	1	
	621552	CARRIER ASSY / 4.10 RATIO				1	1	
	621555	CARRIER ASSY / 4.30 RATIO				1	1	
	621575	CARRIER ASSY / 4.30 RATIO W/ABS SENSOR INSIDE				1	1	
	621553	CARRIER ASSY / 4.56 RATIO	1	1	1	1	1	
	621576	CARRIER ASSY / 4.56 RATIO W/ABS SENSOR INSIDE	1	1	1	1	1	
	621554	CARRIER ASSY / 4.89 RATIO	1	1	1	1	1	
	621577	CARRIER ASSY / 4.89 RATIO W/ABS SENSOR INSIDE	1	1	1	1	1	
	N.S.S.	CASE CARRIER	1	1	1	1	1	1
1	621418	SCREW, CAP	2	2	2	2	2	
2	621417	WASHER	4	4	4	4	4	
3	505128	SPRING, PIN 1/4 X 2	2	2	2	2	2	
4	621479	RING, ADJUSTING / W/MODEL 3200-P-1706	2	2	2	2	2	
4	621586	RING, ADJUSTING / W/MODEL 3200-J-1856	2	2	2	2	2	
4	621454	RING, ADJUSTING / W/MODEL 3200-T-1658	2		2	2		S
5	621419	CASE & CUP ASSY / PINION BEARING	1	1	1	1	1	
6	621420	CUP BEARING / INNER BEARING	1	1	1	1	1	
7	621421	CUP BEARING / OUTER BEARING	1	1	1	1	1	
8	621439	SCREW, CAP	8	8	8	8	8	
10	621418	SCREW, CAP	4	4	4	4	4	
NS	621445	NUT / DRIVE PINION	1	1	1	1	1	
12	621424	SEAL, OIL	1	1	1	1	1	
NS	195671	SEAL INSTALLER TOOL / CARRIER DRIVE PINION (2731T1)	1	1	1	1	1	I
13	621423	CONE BEARING / OUTER	1	1	1	1	1	
14	621438	SHIM 0.020	AR	AR	AR	AR	AR	
14	621437	SHIM 0.008	AR	AR	AR	AR	AR	
14	621436	SHIM 0.005	AR	AR	AR	AR	AR	
14	621435	SHIM 0.003	AR	AR	AR	AR	AR	
15	621434	SPACER .263	AR	AR	AR	AR	AR	
15	621433	SPACER .262	AR	AR	AR	AR	AR	
15	621432	SPACER .261	AR	AR	AR	AR	AR	
15	621431	SPACER .260	AR	AR	AR	AR	AR	
15	621430	SPACER .256	AR	AR	AR	AR	AR	
15	621429	SPACER .254	AR	AR	AR	AR	AR	
15	621428	SPACER .253	AR	AR	AR	AR	AR	
15	621427	SPACER .252	AR	AR	AR	AR	AR	
15	621426	SPACER .251	AR	AR	AR	AR	AR	
15	621425	SPACER .250	AR	AR	AR	AR	AR	
16	621422	CONE BEARING / INNER	1	1	1	1	1	

From L-465 To Y-7045	Date:10/2022	PAGE:XL-1110-01
CARRIER ASSY - MODEL #61143		

Item#	Part	Description	M T H 4 0	M T H 4 5	M T H 4 5 E	X L 4 0	X L 4 5	N O T E S
17	621485	. SET, GEAR DRIVE & PINION / 3.07 RATIO	1			1		K
17	621442	. SET, GEAR DRIVE & PINION / 3.58 RATIO	1			1		K
17	621443	. SET, GEAR DRIVE & PINION / 3.73 RATIO	1			1		K
17	621468	. SET, GEAR DRIVE & PINION / 4.10 RATIO				1		K
17	621585	. SET, GEAR DRIVE & PINION / 2.93 RATIO				AR	AR	C
17	621485	. SET, GEAR DRIVE & PINION / 3.07 RATIO				1		A
17	621474	. SET, GEAR DRIVE & PINION / 3.21 RATIO				1		A
17	621472	. SET, GEAR DRIVE & PINION / 3.42 RATIO				1		A
17	621487	. SET, GEAR DRIVE & PINION / 4.10 RATIO				1	1	A
17	621646	. SET, GEAR DRIVE & PINION / 4.30 RATIO	1	1	1	1	1	A
17	621538	. SET, GEAR DRIVE & PINION / 4.56 RATIO	1	1	1	1	1	A
17	621541	. SET, GEAR DRIVE & PINION / 4.89 RATIO	1	1	1	1	1	A
18	621441	. BEARING SPIGOT / INNER & OUTER / W/3200-T-1658	1			1		
18	621481	. BEARING SPIGOT / INNER & OUTER / W/3200-P-1706	1	1	1	1	1	B
NS	621482	. RING, SNAP / TO FIX SPIGOT BEARING	1	1	1	1	1	B
19	621210	. CUP BEARING	2	2	2	2	2	H
20	621209	. CONE BEARING	2	2	2	2	2	H
21	621444	. BOLT, NUT & WASHER / (KIT OF 12)	1	1	1	1	1	
22	621480	. CASE ASSY W/RATIO 3.07, 3.21, 3.42& 3.73				1		D
NS	621488	. CASE ASSY / W/RATIO 3.91, 4.10, 4.30 & 4.56	1	1	1	1	1	D
NS	621539	. CASE ASSY / W/RATIO 4.89	1	1	1	1	1	D
NS	621580	. CASE ASSY / W/RATIO 3.07 & 3.21				1		E
NS	621581	. CASE ASSY / W/RATIO 4.30 & 4.56	1	1	1	1	1	E
NS	621579	. CASE ASSY / W/RATIO 4.89	1	1	1	1	1	E
23	621449	. . WASHER, THRUST / SIDE GEAR	2	2	2	2	2	
24	621450	. . GEAR, SIDE	2	2	2	2	2	
25	621452	. . GEAR, PINION	4	4	4	4	4	
26	621453	. . WASHER, GEAR PINION	4	4	4	4	4	
27	621451	. . SPIDER	1	1	1	1	1	
28	621447	. . WASHER	12	12	12	12	12	
29	621448	. . SCREW, CAP	12	12	12	12	12	
31	621584	SPRING	1	1	1	1	1	F
32	621583	RING RETAINER / EXT / CONNECTOR RETAINER	1	1	1	1	1	F
33	621582	. SNAP RING	1	1	1	1	1	F
34	641341	. SENSOR ABS (IN CARRIER)	2	2	2	2	2	F
. NS	562535	. . CONNECTOR / DT SERIES / PH 2C / GRAY / DEUTSCH DT04-2P-LE02	1	1	1	1	1	F
. NS	562487	. . SECONDARY LOCK / DT SERIES / PH 2C / DEUTSCH W2P	1	1	1	1	1	F
. NS	562286	. . PIN TERMINAL / 18-16 / DEUTSCH 0460-202-16141	2	2	2	2	2	F
NS	621583	. RING RETAINER / EXT / CONNECTOR RETAINER	1	1	1	1	1	F

From L-465 To Y-7045	Date:10/2022	PAGE:XL-1110-01
CARRIER ASSY - MODEL #61143		

Item#	Part	Description	M T H 4 0	M T H 4 5	M T H 4 5 E	X L 4 0	X L 4 5	N O T E S
35	621588	. DRIVE TUBE	2	2	2	2	2	F
36	621589	. DRIVE TUBE WASHER	2	2	2	2	2	
37	621590	. SNAP RING DRIVE TUBE	2	2	2	2	2	
NS	621653	KIT, CUP & CONE	1	1	1	1	1	H
50	621403	YOKE (1810) FULL ROUND (46 SPL)	1	1	1	1	1	
. NS	621501	. DEFLECTOR, OIL	1	1	1	1	1	
. NS	621492	. SPEEDY SLEEVE 3.250" I.D. / TO REPAIR OIL LEAK ON YOKE	1	1	1	1	1	
		CARRIER ASSY MODEL 3200-P-1706						
		ARE USED WITH AXLE						
		61143 WX 41, 45, 46, 48, 58, 79, 80,						
		84, 90,127, 128, 129,144, 145, 147, 148						
		CARRIER ASSY MODEL 3200-J-1856						
		ARE USED WITH AXLE						
		61143 WX 143 & 154						
		A) GEAR DRIVE & PINION ARE USE ONLY WITH CARRIER MODEL 3200-P-1706 AND 3200-J-1856						
		B) W/CARRIER MODEL 3200-P-1706 & 3200-J-1856						
		C) W/CARRIER 3200-P-1706						
		D) THIS PART DOES NOT INCLUDE ITEMS #23 TO 27 FOR CARRIER 3200-P-1706 W/ABS SENSOR MOUNTED ON HUB WHEEL						
		E) THIS PART INCLUDE ITEMS #23 TO 29 FOR CARRIER MODEL 3200-J-1856 W/ABS SENSOR INSIDE						
		F) THIS PART IS RELATED WITH CARRIER MODEL 3200-J-1856 W/ABS SENSOR INSIDE ONLY						
		H) ALSO SOLD IN KIT #621653						
		I) THIS TOOL INSTALLER ARE USE WITH NEW SEAL STAMPED A1205A2731						
		K) GEAR DRIVE & PINION ARE USE ONLY WITH CARRIER MODEL 3200-T-1658						
		S) SEE ATTACHED TEXT						
		1) NOT SOLD SEPARATELY						

	Date:10/2022	XL-12
BRAKE		

Brake Air System 5
Fitting - Miscellaneous 20
Tubes Plastic / Air D.O.T. 25
Miscellaneous - Air Valves 55

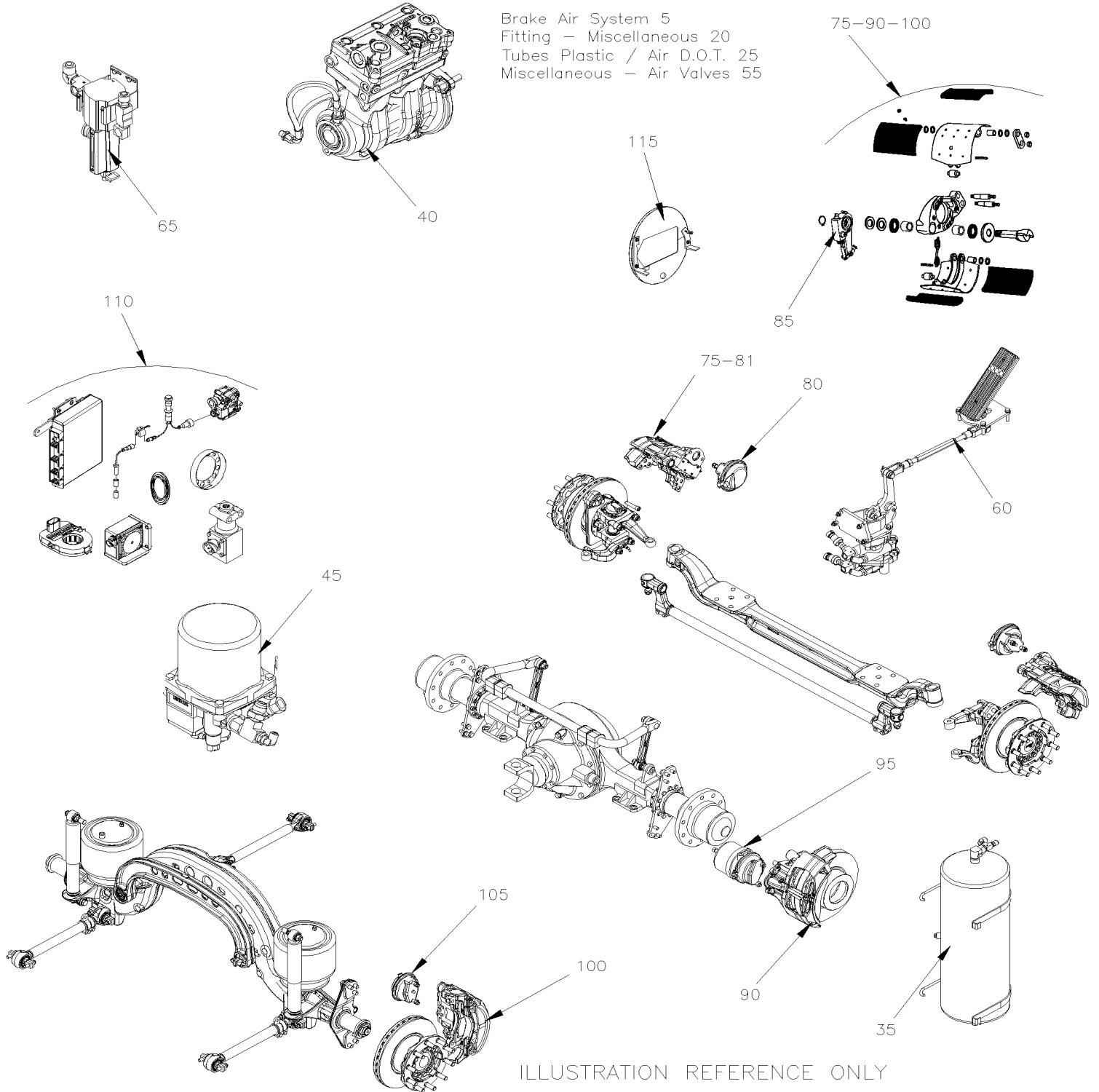


ILLUSTRATION REFERENCE ONLY

		Date:10/2022	XL-12			
BRAKE						

Item#	Part	Description	M T H 4 0	M T H 4 5	M T H 4 5 E	X L 4 0	X L 4 5	N O T E S
5	XL-1200-01	BRAKE AIR SYSTEM From E-638 To Y-7045						
20	XL-1201-00	FITTING - MISCELLANEOUS From E-638 To Y-7045						
25	XL-1202-00	TUBES PLASTIC / AIR D.O.T. From E-638 To Y-7045						
35	XL-1203-00	AIR TANK - INSTALLATION From E-638 To L-464						
35	XL-1203-01	AIR TANK - INSTALLATION From L-465 To Y-7045						
35	XL-1203-02	AIR TANK - INSTALLATION W/IND SUSPENSION From T-5873 To Y-7045						
40	XL-1205-10	AIR COMPRESSOR - "TU-FLO 700" - WITH DETROIT S-71 & S-92 From E-638 To M-809						
40	XL-1205-11	AIR COMPRESSOR - "TU-FLO 750" - WITH DETROIT S-92 From M-810 To R-843						
40	XL-1205-12	AIR COMPRESSOR - "TU-FLO 750" - WITH DETROIT S-60 From P-722 To Y-7045						
45	XL-1215-00	AIR DRYER - "BENDIX" AD-2 From E-638 To R-823						
45	XL-1215-02	AIR DRYER - "BENDIX" AD-9 From P-722 To S-523						
45	XL-1215-03	AIR DRYER - "ROCKWELL WABCO" From S-524 To W-6315						
45	XL-1215-50	AIR DRYER - "ROCKWELL WABCO" From W-6316 To Y-7045						
45	XL-1215-04	AIR DRYER - "BENDIX" AD-9 From W-6316 To Y-7045						
55	XL-1220-00	MISCELLANEOUS AIR VALVE From E-638 To Y-7045						
60	XL-1220-10	BRAKE PEDAL VALVE - "BENDIX" From E-638 To P-740						
60	XL-1220-11	BRAKE PEDAL VALVE - "BENDIX" From P-741 To Y-7045						
65	XL-1220-15	AIR FILTER - ACCESSORIES From E-638 To T-5789						
65	XL-1220-16	AIR FILTER - ACCESSORIES From T-5790 To Y-7045						
75	XL-1225-00	BRAKE PARTS - FRONT AXLE - W/MODEL 16931 From E-638 To F-902						
75	XL-1225-01	BRAKE PARTS - FRONT AXLE - W/MODEL 17101 From F-903 To P-740						
75	XL-1225-02	BRAKE PARTS - FRONT AXLE - W/MODEL 2FG952CAX From P-741 To Y-7045						
75	XL-1225-03	BRAKE PARTS - FRONT AXLE - W/"KNORR-BREMSE" / SB7 SERIES From T-5873 To V-6001						
75	XL-1225-04	BRAKE PARTS - FRONT AXLE - W/"KNORR-BREMSE" / SB7 SERIES From V-6002 To Y-7045						
80	XL-1225-10	BRAKE CHAMBER - FRONT AXLE From E-638 To Y-7045						
80	XL-1225-11	BRAKE CHAMBER - FRONT AXLE From T-5873 To Y-7045						
80	XL-1225-97	BRAKE PARTS "KNORR-BREMSE" SN7 SERIES W/NEW SLIDE PINS From T-5873 To Y-7045						
81	XL-1225-98	BRAKE PARTS "KNORR-BREMSE" SN7 SERIES - "SERVICE" From T-5873 To Y-7045						
81	XL-1225-99	BRAKE PARTS - FRONT AXLE MODEL 16 1/2 I.D. (RETROFIT) From P-741 To Y-7045						
85	XL-1230-00	SLACK ADJUSTER AUTOMATIC - "ROCKWELL" From L-465 To Y-7045						
85	XL-1230-01	SLACK ADJUSTER AUTOMATIC - "HALDEX" From E-638 To Y-7045						
90	XL-1235-00	BRAKE PARTS - DRIVE AXLE "MERITOR" W/DRUMS From E-638 To L-464						
90	XL-1235-01	BRAKE PARTS - DRIVE AXLE "MERITOR" W/DRUMS From L-465 To Y-7045						
95	XL-1235-10	BRAKE CHAMBER - DRIVE AXLE "ANCHOR LOCK" From E-638 To T-5973						
95	XL-1235-11	BRAKE CHAMBER - DRIVE AXLE "M.G.M." From T-5974 To Y-7045						
100	XL-1245-00	BRAKE PARTS - TAG AXLE - W/"MERITOR" DRUMS From E-638 To P-740						
100	XL-1245-01	BRAKE PARTS - TAG AXLE - W/"MERITOR" ABD 1560 From P-741 To W-6465						
100	XL-1245-04	BRAKE PARTS - TAG AXLE - W/"KNORR-BREMSE" From W-6466 To Y-7045						
105	XL-1245-10	BRAKE CHAMBER - TAG AXLE From E-638 To W-6465						
105	XL-1245-12	BRAKE CHAMBER - TAG AXLE "KNORR-BREMSE" From W-6466 To Y-7045						
110	XL-1250-00	ANTI-LOCK BRAKING SYSTEM From L-685 To Y-7045						
115	XL-1255-00	DUST SHIELD - W/BRAKE DRUM From E-638 To Y-7045						

		Date:10/2022	XL-12					
BRAKE								
Item#	Part	Description	M T H 4 0	M T H 4 5	M T H 4 5 E	X L 4 0	X L 4 5	N O T E S
		I) WITH INDEPENDANTE SUSPENSION						

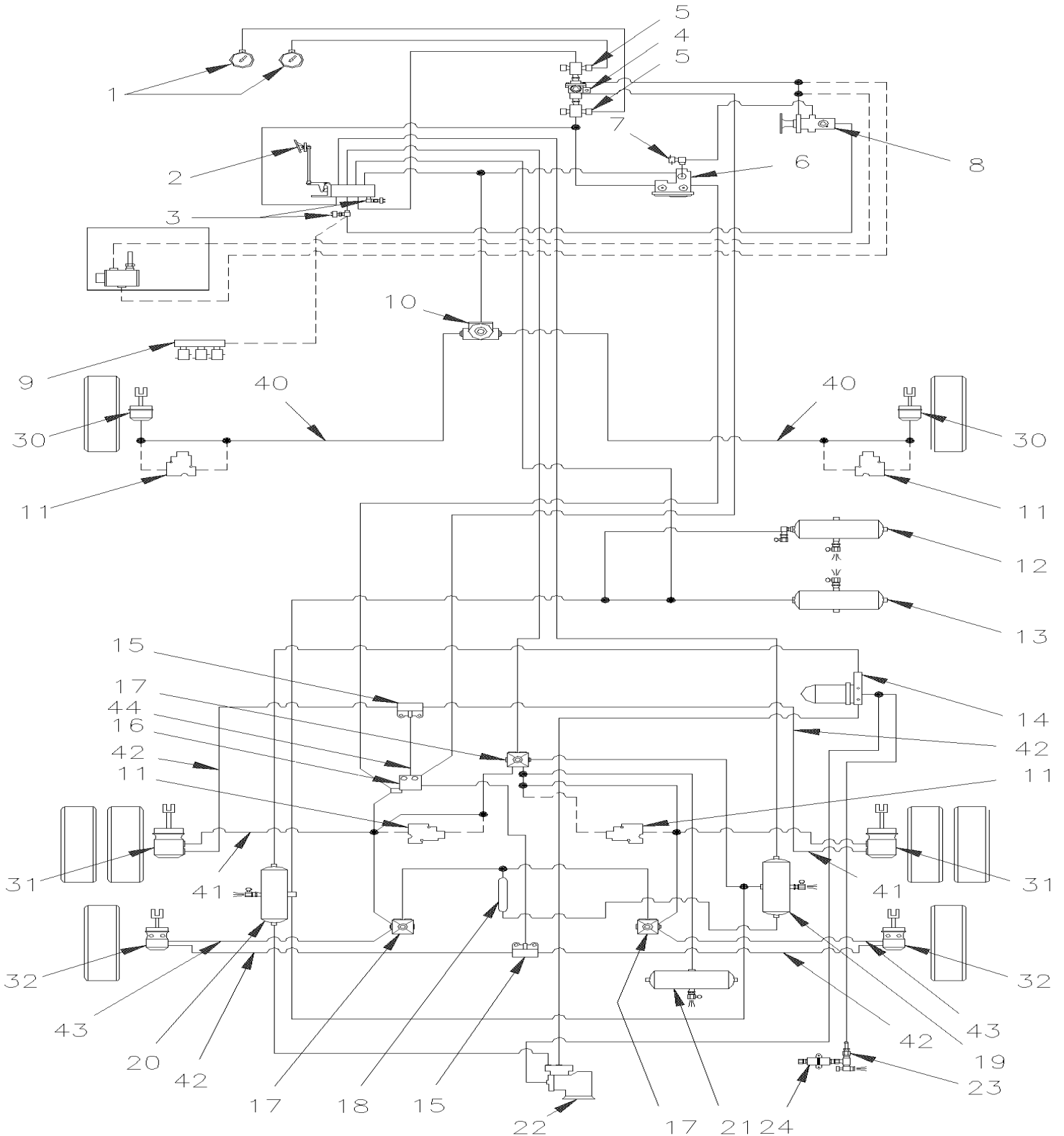
From E-638 To Y-7045

Date:10/2022

PAGE:XL-1200-01

BRAKE AIR SYSTEM

BUS DIAGRAM



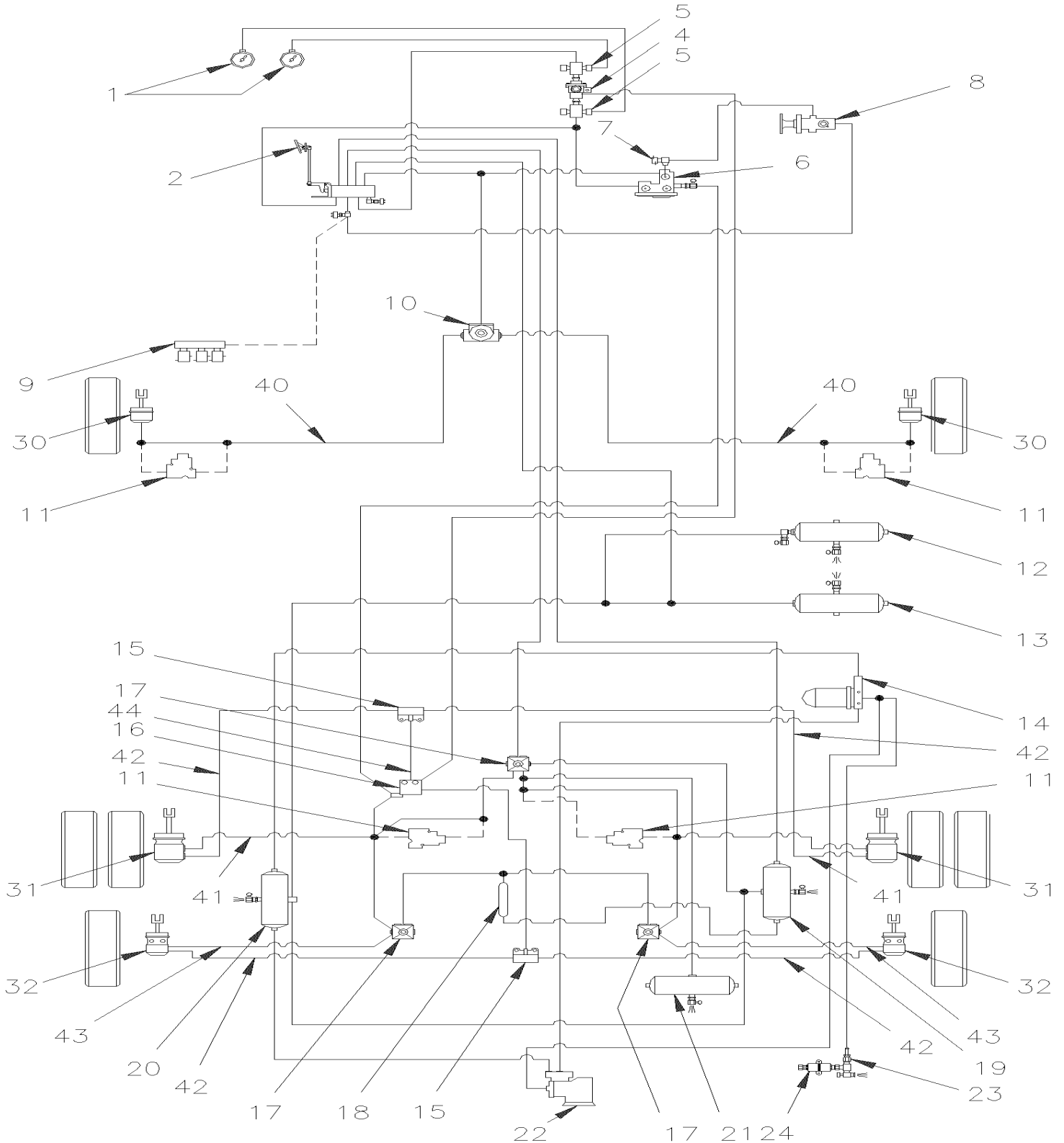
From E-638 To Y-7045

Date:10/2022

PAGE:XL-1200-01

BRAKE AIR SYSTEM

M.T.H. DIAGRAM



From E-638 To Y-7045	Date:10/2022	PAGE:XL-1200-01
BRAKE AIR SYSTEM		

Item#	Part	Description	M T H 4 0	M T H 4 5	M T H 4 5 E	X L 4 0	X L 4 5	N O T E S
1	561958	GAUGE, AIR PRESSURE / MECHANICAL	2	2	2	2	2	
2	XL-1220-11	BRAKE PEDAL VALVE - "BENDIX"						
3	640852	PRESSURE SWITCH N.O. 4PSI / 1/4NPT W/8-32 / SL-5 BRAKE	2	2	2	2	2	
4	641015	VALVE, DOUBLE CHECK DC-4	1	1	1	1	1	
5	640975	PRESSURE SWITCH N.C. 66PSI / 1/4NPT LP-3	2	2	2	2	2	
6	640870	VALVE / SPRING BRAKE SR-1	1	1	1	1	1	
. NS	640921	. REPAIR KIT / SR-1	1	1	1	1	1	
7	641174	PRESSURE SWITCH N.C. 30PSI / 1/4NPT LP-2	1	1	1	1	1	
8	641128	VALVE, CONTROL VALVE PP-1 / 40PSI	1	1	1	1	1	
. NS	641154	. REPAIR KIT / PP-1 & RD-3	1	1	1	1	1	
9	XL-0750-02	AUTOMATIC TRANSMISSION - "WORLD"						
10	641014	VALVE, QUICK RELEASE QR-1 / 3/8NPTx3/8NPTx3/8NPT To W-6193	1	1	1	1	1	
. NS	640924	. REPAIR KIT / QR-1 To W-6193	1	1	1	1	1	
10	641429	VALVE, QUICK RELEASE QR-1 / 3/8NPTx3/8NPTx3/8NPT From W-6194	1	1	1	1	1	
. NS	640924	. REPAIR KIT / QR-1 From W-6194	1	1	1	1	1	
11	641537	VALVE, "ABS" 24VOLT	4	4	4	4	4	
12	140868	AIR TANK / W/END LOWER DRAIN 1228 IN° / 8" O.D. X 26"	1	1	1	1	1	
NS	641043	DRAIN VALVE 1/4 NPT M	1	1	1	1	1	
13	140869	AIR TANK / 1791 IN° / 9 1/2" O.D. X 27"	1	1	1	1	1	A
NS	641043	DRAIN VALVE 1/4 NPT M	1	1	1	1	1	
14	XL-1215-02	AIR DRYER - "BENDIX" AD-9 To S-523						
14	XL-1215-03	AIR DRYER - "ROCKWELL WABCO" From S-524 To W-6315						
14	XL-1215-04	AIR DRYER - "BENDIX" AD-9 From W-6316	1	1	1	1	1	
15	641136	ANCHOR TEE / PIPE FITTING / 3/8NPT-Fx3/8NPT-Fx3/8NPT-F ZP	2	2	2	2	2	
16	641120	VALVE, RELAY R-14 HORIZONTAL PORT	1	1	1	1	1	
. NS	10508267	. KIT, REPAIR	1	1	1	1	1	
17	642067	VALVE, RELAY R-12 HORIZONTAL PORT To W-6597	3	3	3	3	3	
17	642013	VALVE, RELAY R-12 DC From W-6598	1	1	1	1	1	
18	640442	VALVE, INVERSION TR-2	1	1	1	1	1	
19	140869	AIR TANK / 1791 IN° / 9 1/2" O.D. X 27"	1	1	1	1	1	A
NS	641043	DRAIN VALVE 1/4 NPT M	1	1	1	1	1	
20	140869	AIR TANK / 1791 IN° / 9 1/2" O.D. X 27"	1	1	1	1	1	A
NS	641043	DRAIN VALVE 1/4 NPT M	1	1	1	1	1	
NS	141409	J-HOOK / 220 MM / M8-1.25 SS				2		
NS	141816	STRAP / TO USE W/9"1/2 O.D. TANK / "J" SHAPE				1		
21	641345	AIR TANK / 557 IN° / 7" O.D.X 16 1/2"	1	1	1			
22	XL-1205-12	AIR COMPRESSOR - "TU-FLO 750" - WITH DETROIT S-60						
23	640643	ANCHOR ELBOW / PIPE FITTING / 1/4NPT-Fx1/4NPT-F STL	1	1	1	1	1	
24	640488	VALVE, AIR FILL 1/8" NPT	1	1	1	1		
. NS	650164	. CAP VALVE / CHROME	1	1	1	1		
30	XL-1225-10	BRAKE CHAMBER - FRONT AXLE						
30	XL-1225-11	BRAKE CHAMBER - FRONT AXLE From T-5873						

From E-638 To Y-7045	Date:10/2022	PAGE:XL-1200-01
BRAKE AIR SYSTEM		

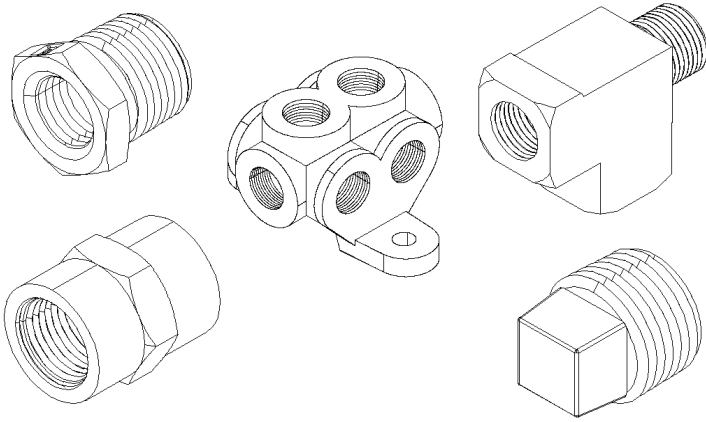
Item#	Part	Description	M T H 4 0	M T H 4 5	M T H 4 5 E	X L 4 0	X L 4 5	N O T E S
31	XL-1235-10	BRAKE CHAMBER - DRIVE AXLE "ANCHOR LOCK" To T-5973						
31	XL-1235-11	BRAKE CHAMBER - DRIVE AXLE "M.G.M." From T-5974						
32	XL-1245-10	BRAKE CHAMBER - TAG AXLE To W-6465						
32	XL-1245-12	BRAKE CHAMBER - TAG AXLE "KNORR-BREMSE" From W-6466						
40	641292	HOSE BRAKE #8 632MM (24 7/8")	2	2	2	2	2	
40	141836	HOSE BRAKE #8 864MM (34") From T-5873	2	2	2			
41	641301	HOSE BRAKE #8 841MM (33 1/8)	2	2	2	2	2	
42	503488	TUBE, NYLON 1/2 O.D. / BLACK S.L./	AR	AR	AR	AR	AR	
43	641302	HOSE BRAKE #8 610MM (24") From T-5890					2	
43	641305	HOSE BRAKE #8 718MM (28 1/4")	2	2	2	2	2	
44	641302	HOSE BRAKE #8 610MM (24")	2	2	2	2	2	B
		A) PRIMARY & SECONDARY						
		B) MANIFOLD BLOCK & RELAY VALVE						

From E-638 To Y-7045

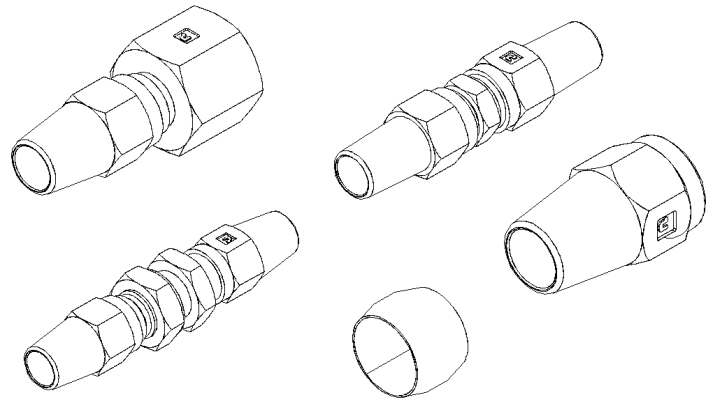
Date:10/2022

PAGE:XL-1201-00

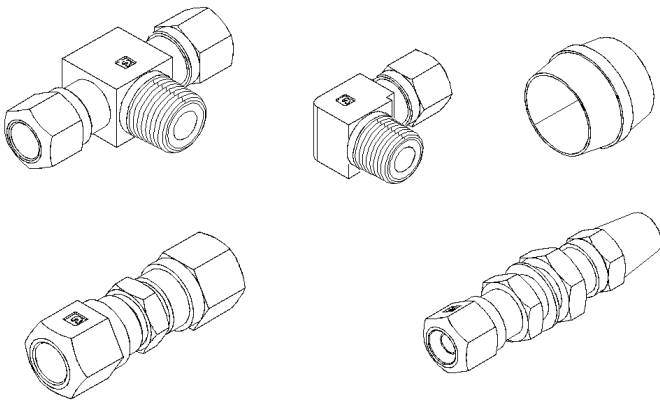
FITTING - MISCELLANEOUS



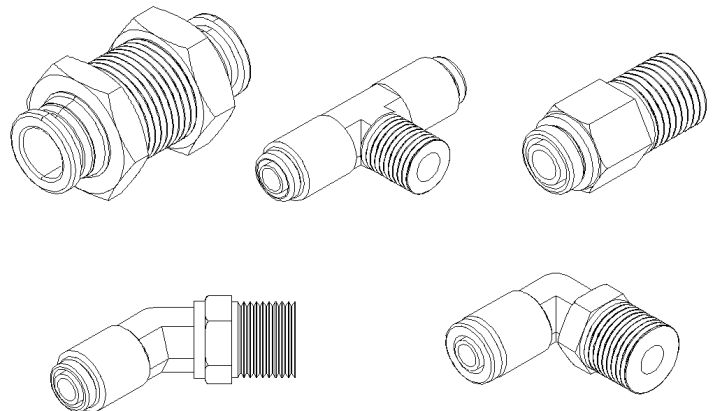
FITTING PIPE "NPT"
1



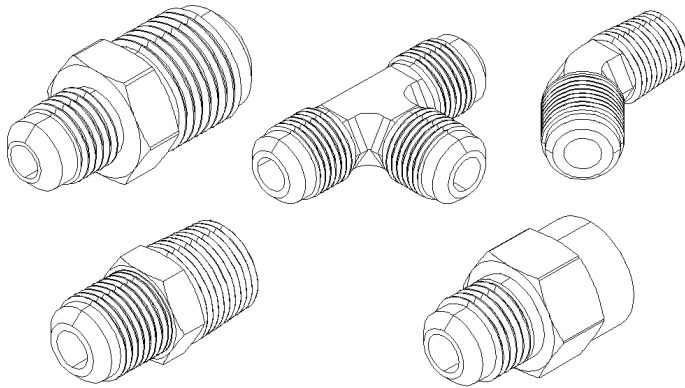
FITTING BRAKE "AB"
2



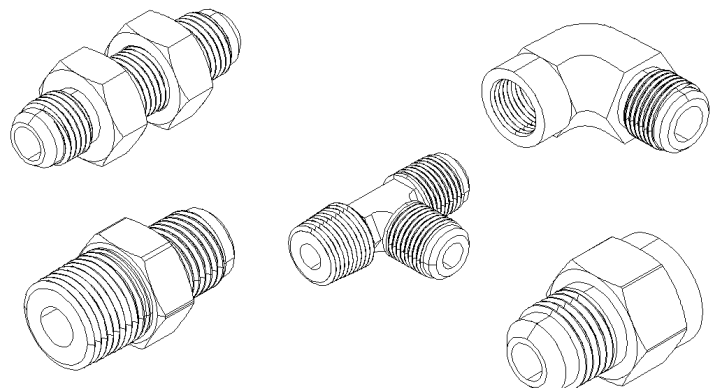
FITTING BRAKE "NTA"
3



FITTING BRAKE "PUSH-IN"
4



FITTING "SAE 45°"
5



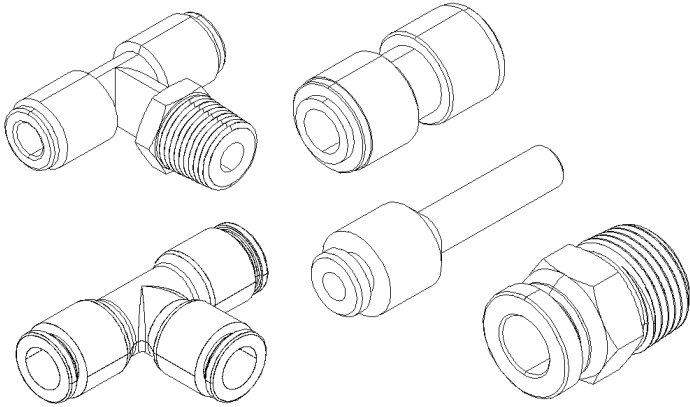
FITTING "JIC 37°"
6

From E-638 To Y-7045

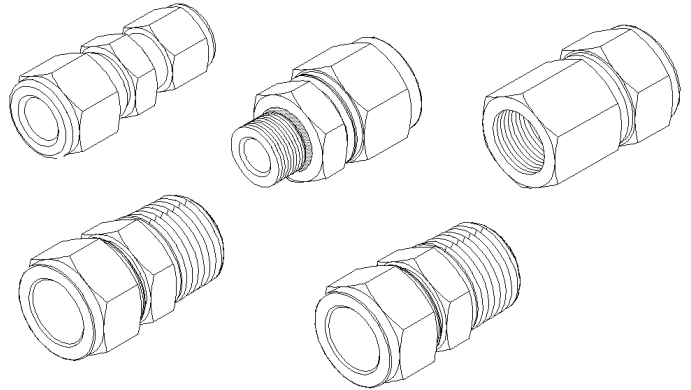
Date:10/2022

PAGE:XL-1201-00

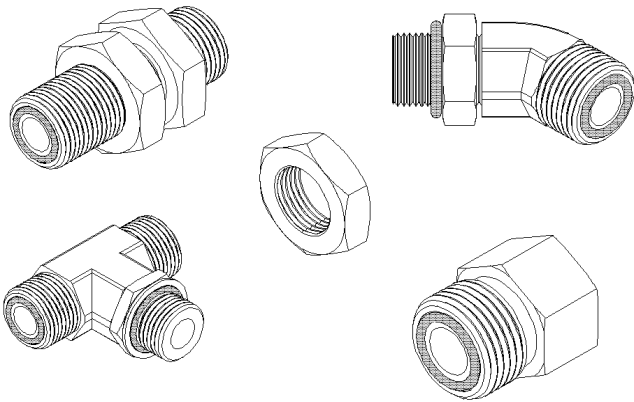
FITTING - MISCELLANEOUS



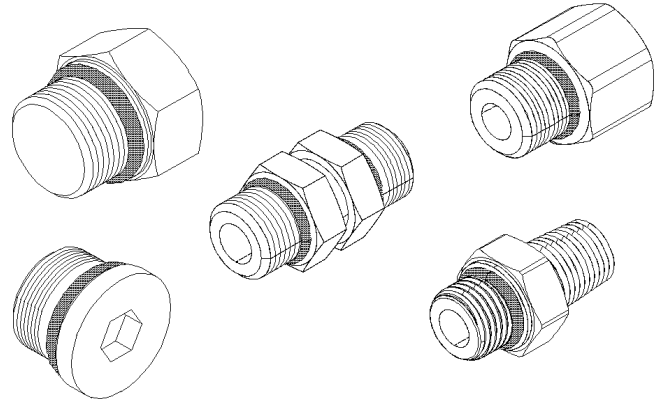
FITTING "PUSH-IN"
7



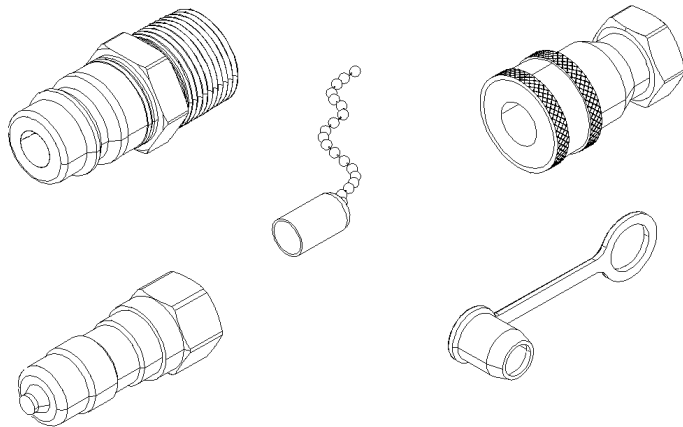
FITTING "A-LOK"
8



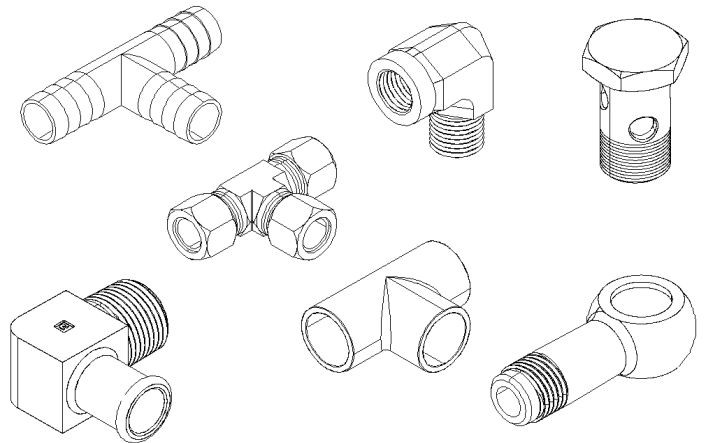
FITTING "ORS"
9



FITTING "ORB"
10



FITTING "QUICK DISCONNECT"
11



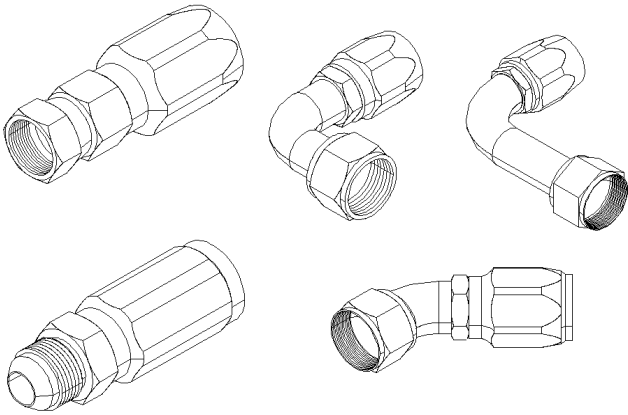
FITTING "MISCELANOUS"
12

From E-638 To Y-7045

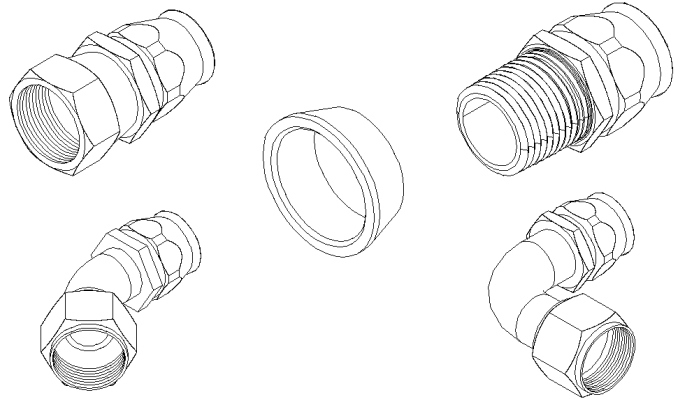
Date:10/2022

PAGE:XL-1201-00

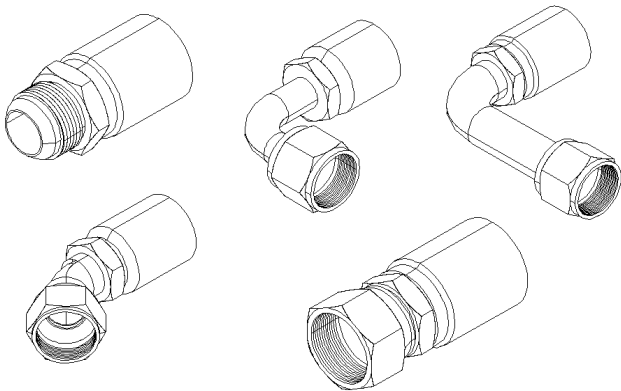
FITTING - MISCELLANEOUS



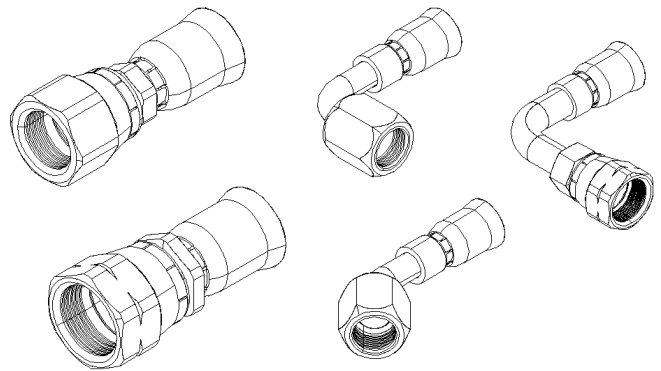
FITTING "HOSE END REUSABLE"
13



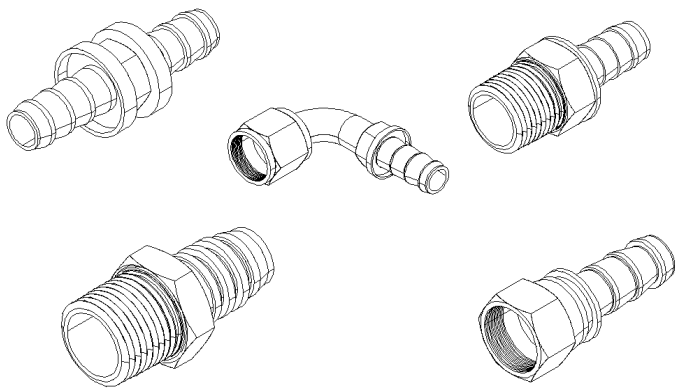
FITTING "HOSE END REUSABLE"
TEFLON
14



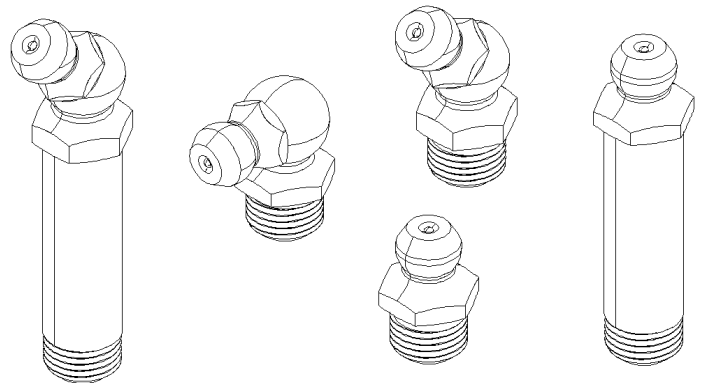
FITTING "HOSE END CRIMP"
15



FITTING "HOSE END CRIMP"
TEFLON
16



FITTING "HOSE END"
"PUSH-LOK & COLLAR"
17



FITTING "GREASE"
30

From E-638 To Y-7045	Date:10/2022	PAGE:XL-1201-00
FITTING - MISCELLANEOUS		

Item#	Part	Description	M T H 4 0	M T H 4 5	M T H 4 5 E	X L 4 0	X L 4 5	N O T E S
		... BRAKE						
1	FM-00FM-00	FITTING NPT PIPE - MISCELANOUS						
2	FM-00FM-01	FITTING BRAKE "AB" - MISCELANOUS (D.O.T.)						
3	FM-00FM-02	FITTING BRAKE "NTA" - MISCELANOUS (D.O.T.)						
4	FM-00FM-03	FITTING BRAKE "PUSH-IN" - MISCELANOUS (D.O.T.)						
		... SAE & JIC						
5	FM-00FM-04	FITTING "SAE 45°" - MISCELANOUS						
6	FM-00FM-05	FITTING "JIC 37°" - MISCELANOUS						
7	FM-00FM-06	FITTING "PUSH-IN" - MISCELANOUS						
8	FM-00FM-07	FITTING "A-LOK" - MISCELANOUS (SWAGLELOK)						
		... ORS & ORB						
9	FM-00FM-08	FITTING "ORS" - MISCELANOUS						
10	FM-00FM-09	FITTING "ORB" - MISCELANOUS						
		... QUICK DISCONNECT						
11	FM-00FM-10	FITTING "QUICK DISCONNECT" - MISCELANOUS						
12	FM-00FM-11	FITTING "MISCELANOUS"						
		... HOSE END FITTING						
13	FM-00FM-12	FITTING "HOSE END REUSABLE" - MISCELANOUS						
14	FM-00FM-13	FITTING "HOSE END REUSABLE TEFLON" - MISCELANOUS						
15	FM-00FM-14	FITTING "HOSE END CRIMP" - MISCELANOUS						
16	FM-00FM-15	FITTING "HOSE END CRIMP TEFLON" - MISCELANOUS						
17	FM-00FM-16	FITTING "HOSE END" - "PUSH-LOK & COLLAR"						
30	FM-00GF-00	GREASE FITTING						

From E-638 To Y-7045

Date:10/2022

PAGE:XL-1202-00

TUBES PLASTIC / AIR D.O.T.

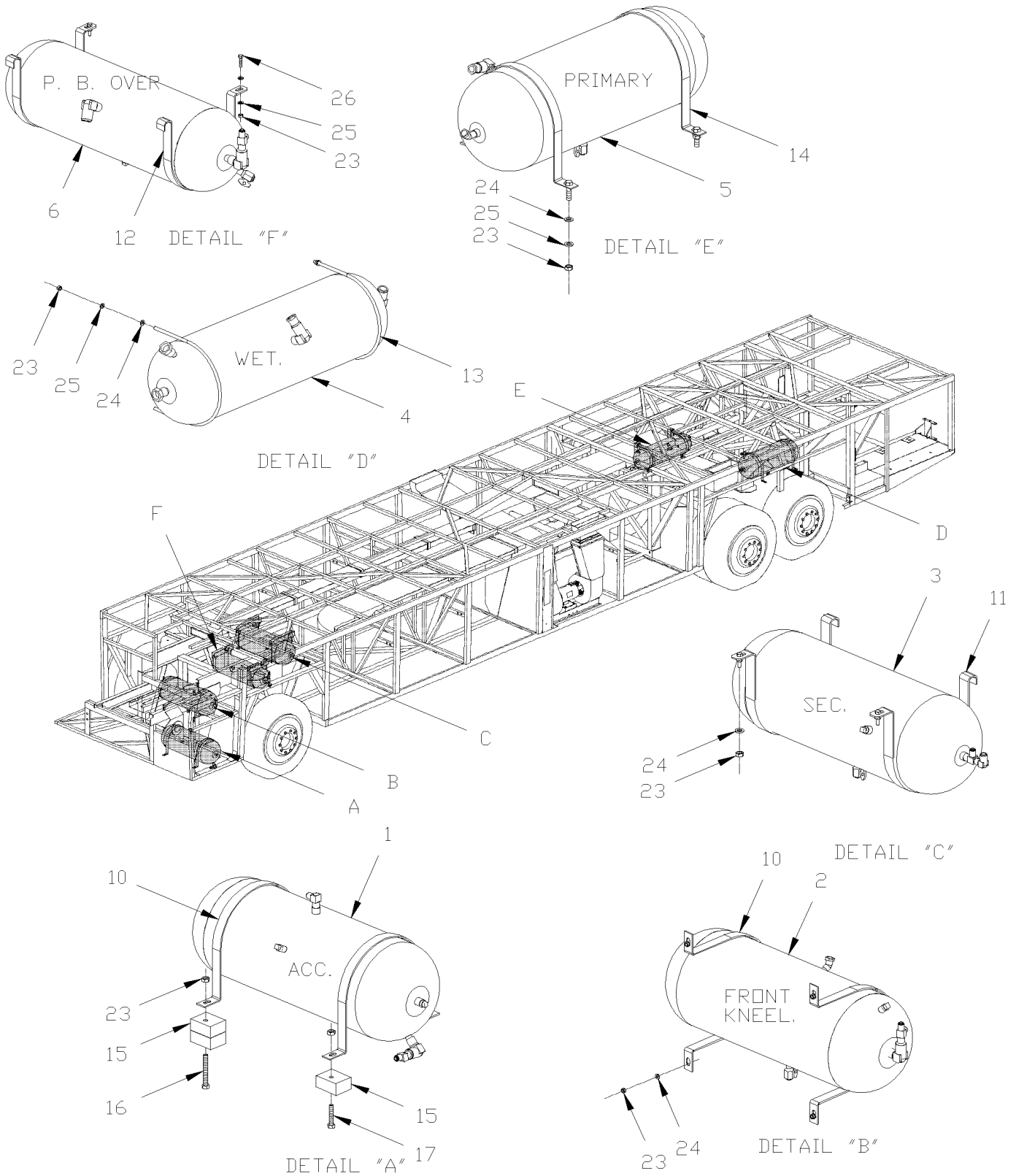
ILLUSTRATION NOT
AVAILABLE AT TIME OF
PRINTING

From E-638 To L-464

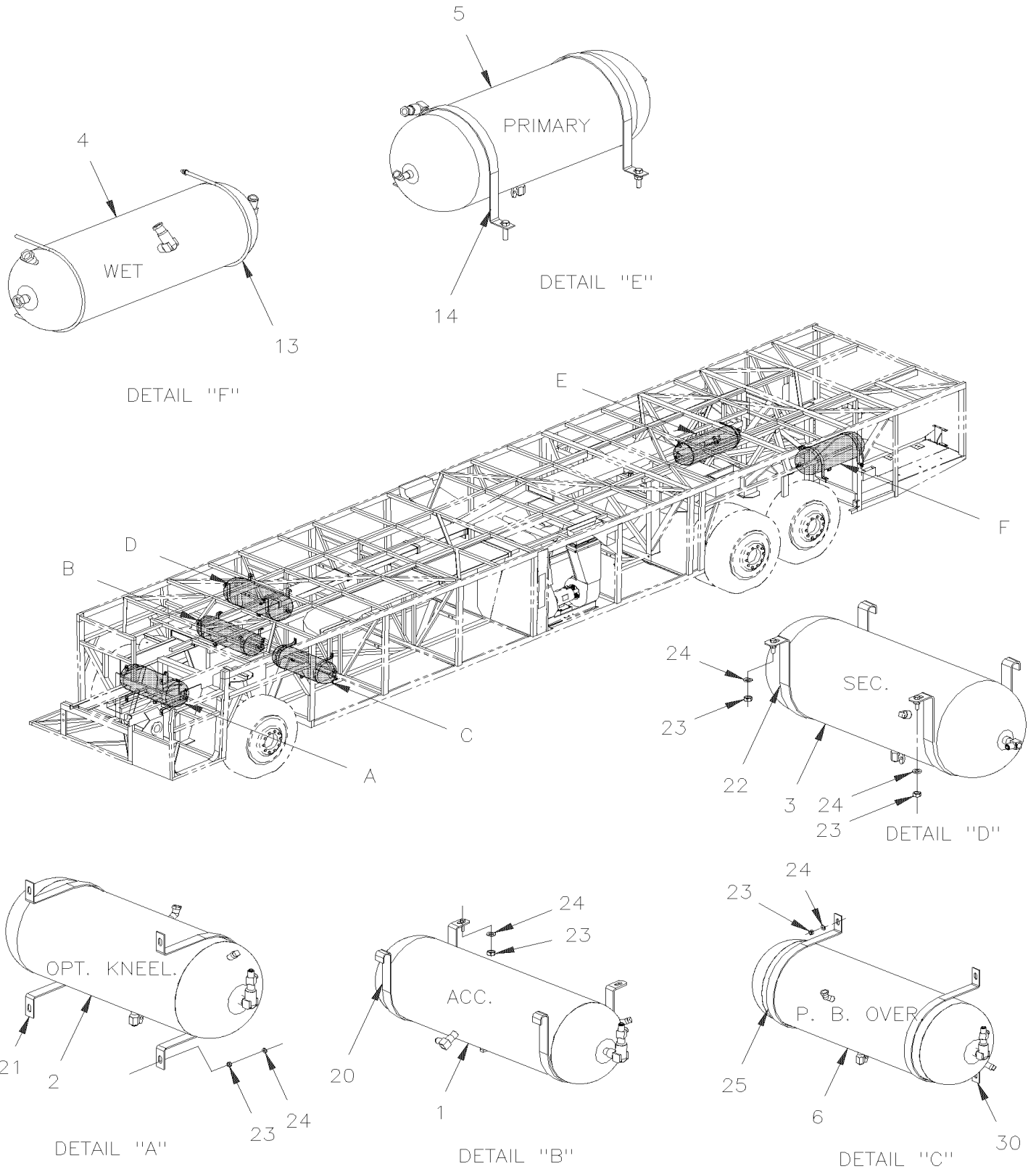
Date:10/2022

PAGE:XL-1203-00

AIR TANK - INSTALLATION



From L-465 To Y-7045	Date:10/2022	PAGE:XL-1203-01
AIR TANK - INSTALLATION		

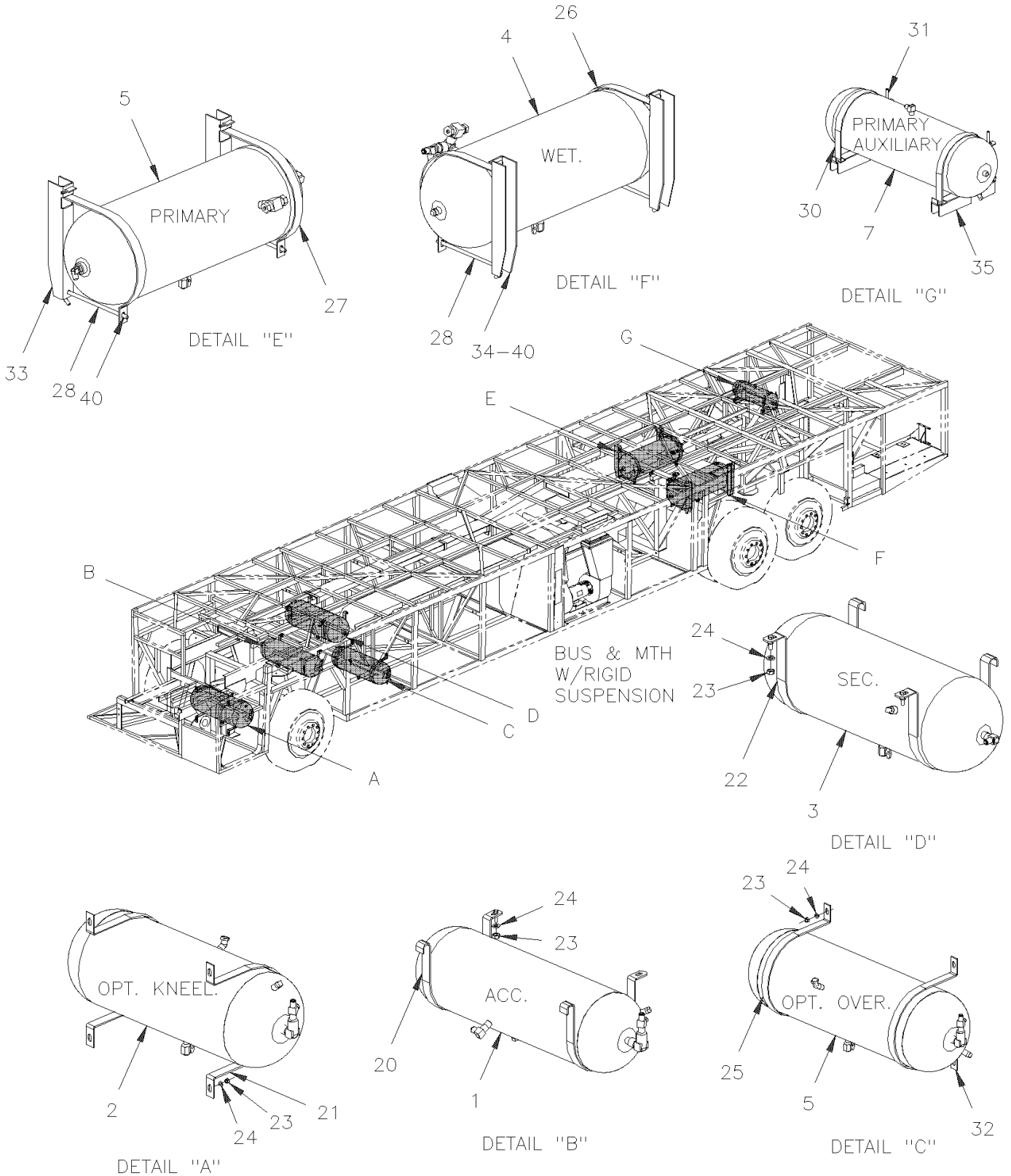


From L-465 To Y-7045

Date:10/2022

PAGE:XL-1203-01

AIR TANK - INSTALLATION



From L-465 To Y-7045	Date:10/2022	PAGE:XL-1203-01
AIR TANK - INSTALLATION		

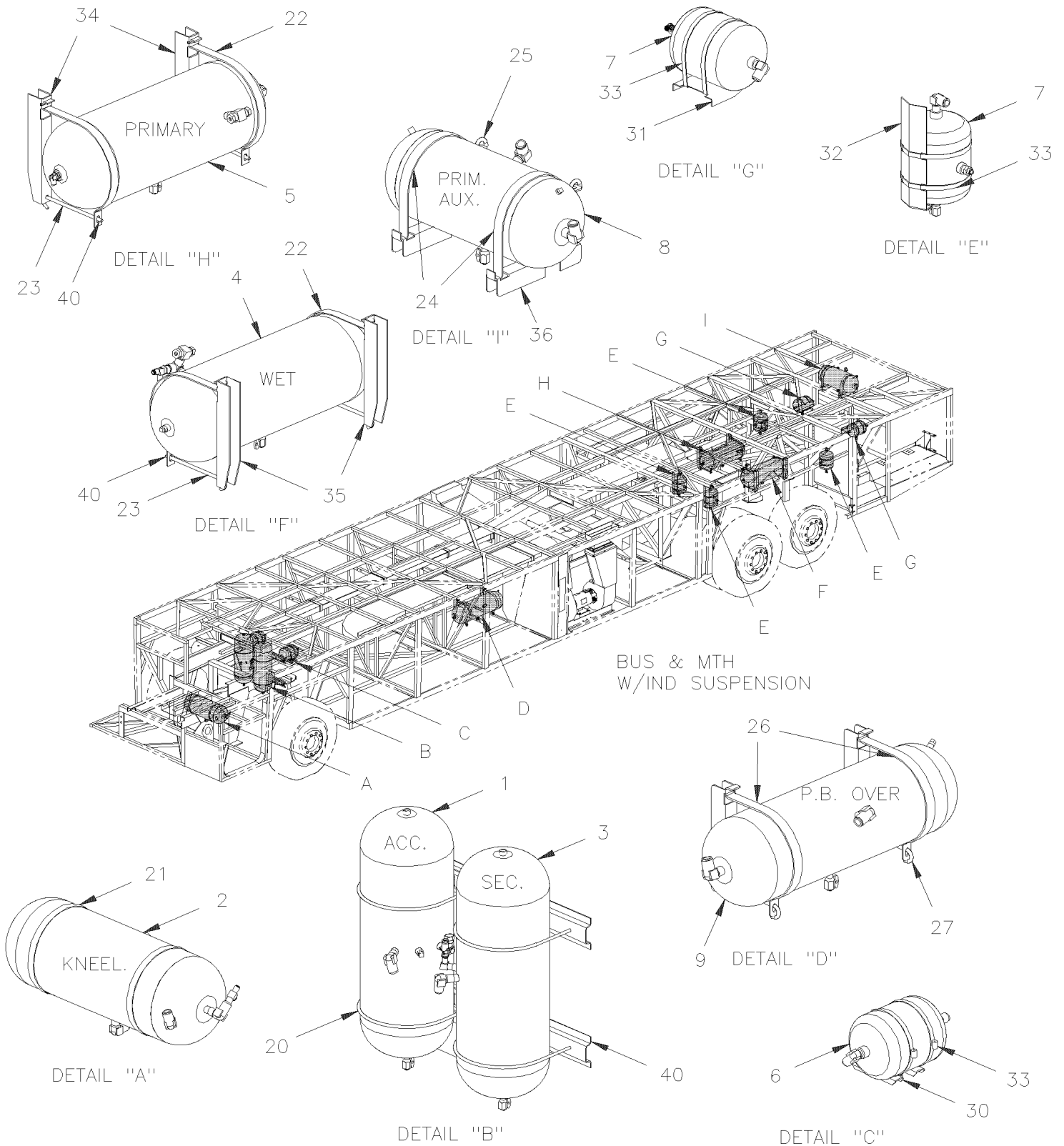
Item#	Part	Description	M T H 4 0	M T H 4 5	M T H 4 5 E	X L 4 0	X L 4 5	N O T E S
		ACCESSORIES AIR TANK						
1	140868	AIR TANK / W/END LOWER DRAIN 1228 IN° / 8" O.D. X 26"	1	1	1	1	1	
		KNEELING AIR TANK						
2	140870	AIR TANK / 1228 IN° / 8" O.D. X 26"				1	1	
		SECONDARY AIR TANK						
3	140869	AIR TANK / 1791 IN° / 9 1/2" O.D. X 27"	1	1	1	1	1	
		WET AIR TANK						
4	140870	AIR TANK / 1228 IN° / 8" O.D. X 26"	1	1	1	1	1	
		PRIMARY AIR TANK						
5	140869	AIR TANK / 1791 IN° / 9 1/2" O.D. X 27"	1	1	1	1	1	
		PARKING BRAKE "OVERRIDE"						
6	140870	AIR TANK / 1228 IN° / 8" O.D. X 26"				1	1	
		PRIMARY AIR TANK AUXILIARY						
7	641345	AIR TANK / 557 IN° / 7" O.D.X 16 1/2" From T-5776	1	1	1	1	1	
13	140973	J-HOOK / 19"1/4 / TO USE W/8" O.D. TANK 5/16-18 ST To L-684				2	2	
14	140330	STRAP / TO USE W/9"1/2 O.D. TANK "U" SHAPE To L-684				2	2	
20	141501	STRAP / TO USE W/8" O.D. TANK / "U" SHAPE	2	2	2	2	2	
21	140087	STRAP / TO USE W/8" O.D. TANK / "U" SHAPE	2	2	2	2	2	
22	141502	STRAP / TO USE W/9 1/2" O.D. TANK / "J" SHAPE	2	2	2	2	2	
23	500777	NUT HEX STO 5/16-18 Z050	AR	AR	AR	AR	AR	
24	500476	WASHER LO SPT .317x.586x.078 Z050	AR	AR	AR	AR	AR	
25	141886	STRAP / TO USE W/8" O.D. TANK / "J" SHAPE				1	1	
26	141816	STRAP / TO USE W/9"1/2 O.D. TANK / "J" SHAPE To S-520	2	2	2	2	2	
27	141408	STRAP / TO USE W/9"1/2 O.D. TANK / "J" SHAPE From S-521 To V-6251	2	2	2	2	2	
27	141816	STRAP / TO USE W/9"1/2 O.D. TANK / "J" SHAPE From V-6252	2	2	2	2	2	
28	141409	J-HOOK / 220 MM / M8-1.25 SS From S-521	4	4	4	4	4	
30	141859	STRAP / TO USE W/8" O.D. TANK / "J" SHAPE From T-5776	2	2	2	2	2	

From T-5873 To Y-7045

Date:10/2022

PAGE:XL-1203-02

AIR TANK - INSTALLATION W/IND SUSPENSION



From T-5873 To Y-7045	Date:10/2022	PAGE:XL-1203-02
-----------------------	--------------	-----------------

AIR TANK - INSTALLATION W/IND SUSPENSION

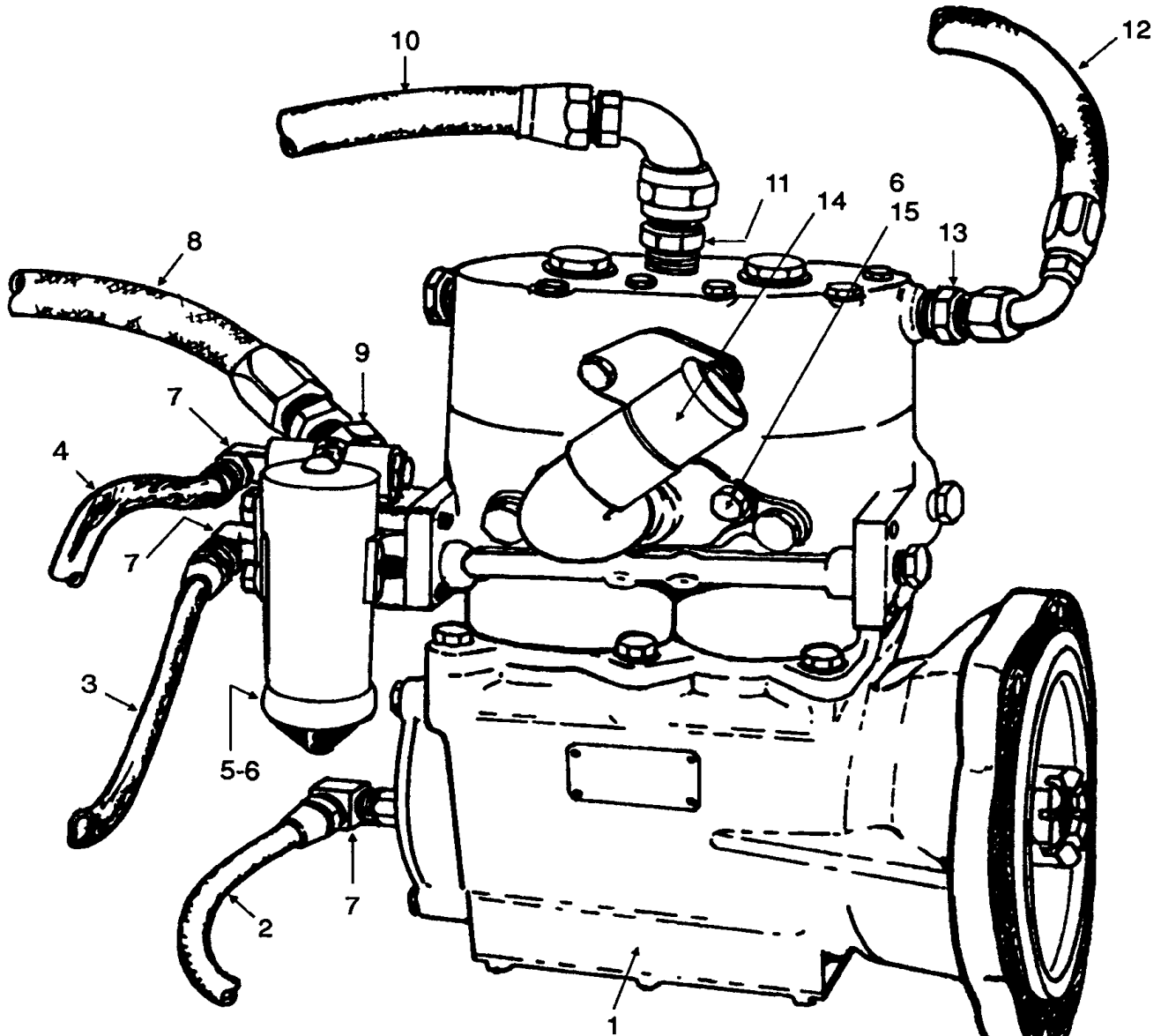
Item#	Part	Description	M T H 4 0	M T H 4 5	M T H 4 5 E	X L 4 0	X L 4 5	N O T E S
		ACCESSORIES AIR TANK						
1	141834	AIR TANK / 1303 IN° / 8" O.D. X 27"1/2	1	1	1		1	
		KNEELING AIR TANK						
2	140868	AIR TANK / W/END LOWER DRAIN 1228 IN° / 8" O.D. X 26"					1	
		SECONDARY AIR TANK						
3	141834	AIR TANK / 1303 IN° / 8" O.D. X 27"1/2	1	1	1		1	
		WET AIR TANK						
4	140869	AIR TANK / 1791 IN° / 9 1/2" O.D. X 27"	1	1	1		1	
		PRIMARY AIR TANK						
5	140869	AIR TANK / 1791 IN° / 9 1/2" O.D. X 27"	1	1	1		1	
		AIR BELLOW EXPENSION TANK						
6	131403	AIR TANK / 434 IN° / 7" O.D. X 13 1/4"	2	2	2		2	
7	641346	AIR TANK / 288 IN° / 7" O.D. X 9 1/4" / W/(2) 3/4" NPT To V-6190	6	6	6		6	
7	641424	AIR TANK / 288 IN° / 7" O.D. X 9 1/4" / W/(3) 1/2" NPT From V-6191	6	6	6		6	
		PRIMARY AIR TANK AUXILIARY						
8	641345	AIR TANK / 557 IN° / 7" O.D.X 16 1/2"	1	1	1		1	
		PARKING BRAKE OVERRULE TANK						
9	140869	AIR TANK / 1791 IN° / 9 1/2" O.D. X 27"					1	
20	141835	ROD / TO USE W/8" O.D. TANK / "U" SHAPE	4	4	4		4	
21	131523	STRAP / TO USE W/8" O.D. TANK / "O" SHAPE					2	
22	141816	STRAP / TO USE W/9"1/2 O.D. TANK / "J" SHAPE	4	4	4		4	
23	141409	J-HOOK / 220 MM / M8-1.25 SS	4	4	4		4	
24	141859	STRAP / TO USE W/8" O.D. TANK / "J" SHAPE	2	2	2		2	
25	141815	J-HOOK / 194 MM / M8-1.25 SS	2	2	2		2	
26	141816	STRAP / TO USE W/9"1/2 O.D. TANK / "J" SHAPE					2	

From E-638 To M-809

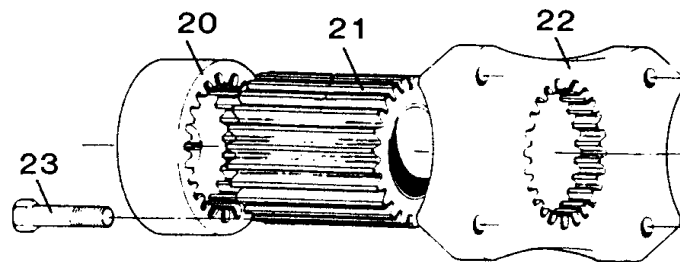
Date:10/2022

PAGE:XL-1205-10

AIR COMPRESSOR - "TU-FLO 700" - WITH DETROIT S-71 & S-92



PX1202



From E-638 To M-809	Date:10/2022	PAGE:XL-1205-10
AIR COMPRESSOR - "TU-FLO 700" - WITH DETROIT S-71 & S-92		

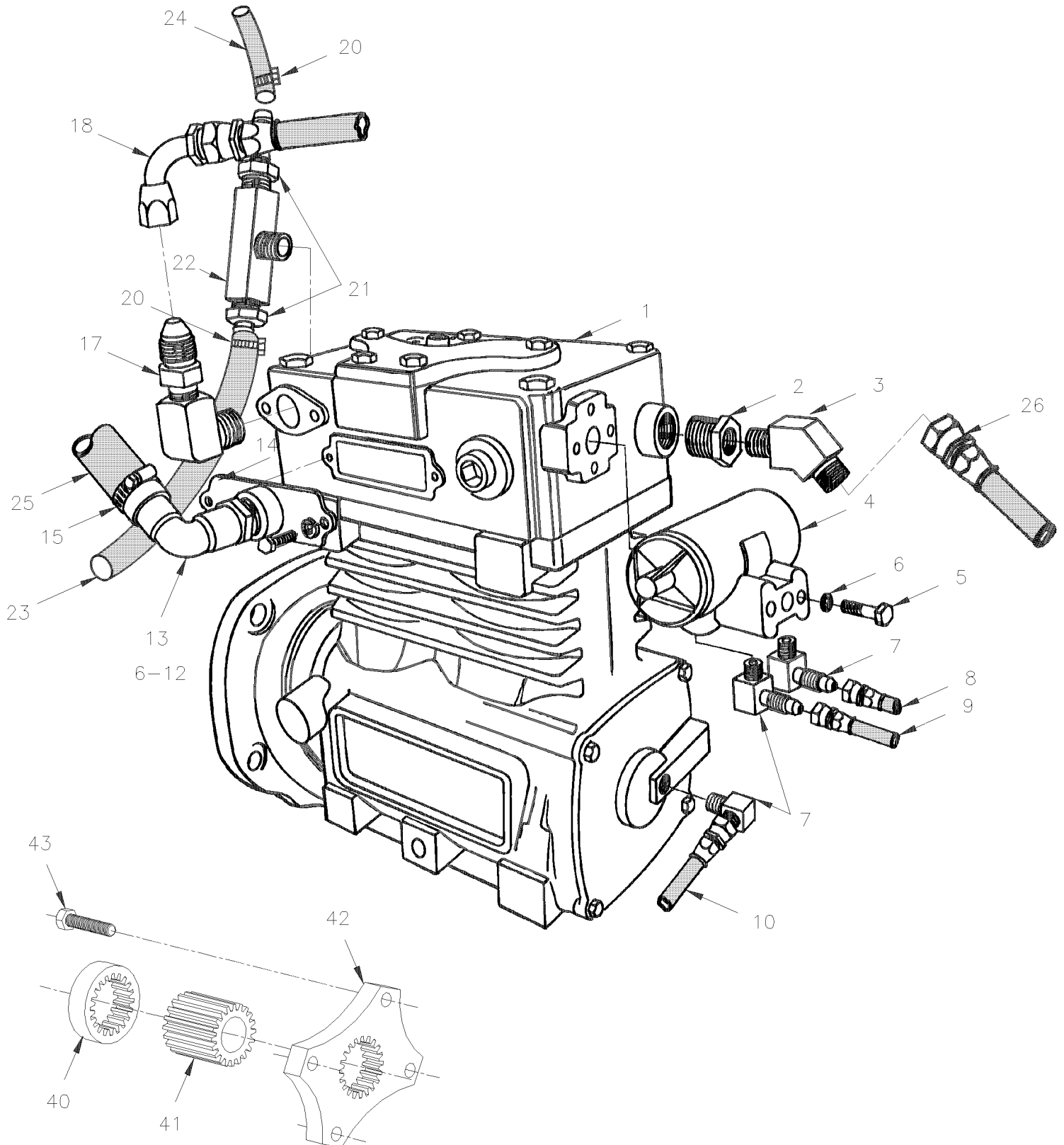
Item#	Part	Description	M T H 4 0	M T H 4 5	M T H 4 5 E	X L 4 0	X L 4 5	N O T E S
1	640937	COMPRESSOR AIR ASST / TU-FLO 700	1			1		
NS	070451	HOSE ASSY TEFLON #4 237MM From H-285	1			1		
NS	501021	UNION TEE / SAE 45° FITTING / #4FL-Mx#4FL-Mx#4FL-M BR	1			1		
NS	061266	SUPPORT / HOSE	1			1		
2	140632	HOSE ASSY TEFLON #6 1400MM To H-284	1			1		
2	010619	HOSE ASSY TEFLON #6 1240MM To H-284	1			1		
NS	140376	HOSE ASSY TEFLON #6 686MM To H-284	1			1		
NS	503065	. HOSE TEFLON #6 / S.L.	AR			AR		
NS	501595	. FEMALE CONNECTOR SWIVEL / JIC 37° FITTING / TEFLON / #6JIC-Fx#6 STL	2			2		
NS	141108	HOSE ASSY TEFLON #4 427MM From H-285	1			1		
NS	011269	HOSE ASSY TEFLON #4 1164MM From H-285	1			1		
3	140658	HOSE ASSY TEFLON #4 1456MM	1			1		
4	140657	HOSE ASSY TEFLON #4 364MM To H-284	1			1		
4	141108	HOSE ASSY TEFLON #4 427MM From H-285	1			1		
NS	503064	. HOSE TEFLON #4 / S.L.	AR			AR		
NS	501892	. FEMALE CONNECTOR SWIVEL / SAE 45° FITTING / TEFLON / #4FL-Fx#4 STL	2			2		
5	640964	GOVERNOR, AIR / D-2 / (105/125PSI)	1			1		
. NS	640965	. REPAIR KIT / GOVERNOR D-2	1			1		
. NS	640638	. GASKET, AIR GOVERNOR	1			1		
. NS	500187	. SCREW CAP HEX 5/16-18x3 G5 Z050	2			2		
. NS	500942	. WASHER LO SPT 8.1x14.8x2.0 N500	2			2		
NS	640965	REPAIR KIT / GOVERNOR D-2	AR			AR		
5	640638	. GASKET, AIR GOVERNOR	1			1		
6	500187	SCREW CAP HEX 5/16-18x3 G5 Z050	2			2		
NS	500476	WASHER LO SPT .317x.586x.078 Z050	4			4		
7	501036	MALE ELBOW 90° / SAE 45° FITTING / #4FL-Mx1/8NPT-M BR	3			3		
8	050346	HOSE ASSY / #10 12"	1			1		
8	141108	HOSE ASSY TEFLON #4 427MM	1			1		
NS	503050	. HOSE RUBBER / FUEL / #10 / S.L.	AR			AR		
NS	501163	. FEMALE CONNECTOR SWIVEL / SAE 45° FITTING / #10FL-Fx#10 ZP	2			2		
8	051562	HOSE ASSY / #8 2410MM From J-574	1					
NS	503417	. HOSE #FC-300 HYDRAULIC / #8 S.L.	AR					
NS	501594	. FEMALE ELBOW 90° SHORT DROP/ JIC 37° FITTING/ #8JIC-Fx#8 STL	1					
NS	501597	. FEMALE CONNECTOR SWIVEL / SAE 45° FITTING / #8FL-Fx#8 ZP	1					
9	507586	MALE ELBOW 45° / JIC 37° FITTING / #10JIC-Mx3/8NPT-M STL	1			1		
NS	501021	UNION TEE / SAE 45° FITTING / #4FL-Mx#4FL-Mx#4FL-M BR	1			1		
10	140780	HOSE ASSY TEFLON #10 2130MM	1			1		
NS	503066	. HOSE TEFLON #10	AR			AR		
NS	501898	. FEMALE ELBOW 90° / JIC 37°/SAE45° FITTING / TEFLON / #10JIC-F/FL-Fx#10 STL	2			2		
11	501592	MALE CONNECTOR / JIC 37° FITTING / #10JIC-Mx1/2NPT-M STL	1			1		
12	050776	HOSE ASSY / #8 1020MM To J-573	2			2		
12	050890	HOSE ASSY / #8 1520MM From J-574	1			1		

From M-810 To R-843

Date:10/2022

PAGE:XL-1205-11

AIR COMPRESSOR - "TU-FLO 750" - WITH DETROIT S-92



From M-810 To R-843	Date:10/2022	PAGE:XL-1205-11
AIR COMPRESSOR - "TU-FLO 750" - WITH DETROIT S-92		

Item#	Part	Description	M T H 4 0	M T H 4 5	M T H 4 5 E	X L 4 0	X L 4 5	N O T E S
1	641190	COMPRESSOR AIR ASSY / TU-FLO 750	1		1	1		
NS	641335	KIT REPAIR, UNLOADER	1		1	1		
2	501534	BUSHING REDUCER / PIPE FITTING / 1/2NPT-Mx3/8NPT-F BR	1		1	1		
3	501291	MALE ELBOW 45° / JIC 37° FITTING / #8JIC-Mx3/8NPT-M STL	1		1	1		
4	640964	GOVERNOR, AIR / D-2 / (105/125PSI)	1		1	1		
. NS	640965	. REPAIR KIT / GOVERNOR D-2	1		1	1		
. NS	640638	. GASKET, AIR GOVERNOR	1		1	1		
. NS	500187	. SCREW CAP HEX 5/16-18x3 G5 Z050	2		2	2		
. NS	500942	. WASHER LO SPT 8.1x14.8x2.0 N500	2		2	2		
NS	640965	REPAIR KIT / GOVERNOR D-2	AR		AR	AR		
NS	640638	GASKET, AIR GOVERNOR	1		1	1		
5	500187	SCREW CAP HEX 5/16-18x3 G5 Z050	2		2	2		
6	500476	WASHER LO SPT .317x.586x.078 Z050	4		4	4		
7	501036	MALE ELBOW 90° / SAE 45° FITTING / #4FL-Mx1/8NPT-M BR	3		3	3		
8	141108	HOSE ASSY TEFLON #4 427MM	1		1	1		
9	140658	HOSE ASSY TEFLON #4 1456MM	1		1	1		
10	141108	HOSE ASSY TEFLON #4 427MM	1		1	1		A
NS	070451	HOSE ASSY TEFLON #4 237MM	1		1	1		
NS	011269	HOSE ASSY TEFLON #4 1164MM	1		1	1		
NS	503064	. HOSE TEFLON #4 / S.L.	AR		AR	AR		
NS	501892	. FEMALE CONNECTOR SWIVEL / SAE 45° FITTING / TEFLON / #4FL-Fx#4 STL	2		2	2		
NS	501021	UNION TEE / SAE 45° FITTING / #4FL-Mx#4FL-Mx#4FL-M BR	1		1	1		
NS	011266	SUPPORT / HOSE / NEAR OIL GALLERY	1		1	1		
11	640996	MALE ELBOW 90° / NTA FITTING / #4x1/8NPT-M BR	1		1	1		
NS	503402	TUBE, NYLON 1/4 O.D. / BLACK S.L.	AR		AR	AR		
12	500179	SCREW CAP HEX 5/16-18x3/4 G5 Z050	2		2	2		
13	141484	ADAPTOR ASSY To N-490	1			1		
13	5011018	MALE ELBOW 90° / COLLAR FITTING / 3/4NPT-Mx#12 STL From N-491	1		1	1		
14	640945	ADAPTOR PLATE	1		1	1		
NS	640256	GASKET, ADAPTOR AIR INLET	1		1	1		
15	504022	HOSE CLAMP / 3/4"-1"3/4 SS / HS-20	2		2	2		
17	501600	MALE CONNECTOR / JIC 37° FITTING / #12JIC-Mx1/2NPT-M STL	1		1	1		
18	140780	HOSE ASSY TEFLON #10 2130MM	1		1	1		
NS	503066	. HOSE TEFLON #10	AR		AR	AR		
NS	501898	. FEMALE ELBOW 90° / JIC 37°/SAE45° FITTING / TEFLON / #10JIC-F/FL-Fx#10 STL	2		2	2		
20	504319	HOSE CLAMP / 1"-1"1/2 SS / E.T. 16	4		4	4		
21	507605	MALE CONNECTOR / HOSE BARB FITTING / #12x1/2NPT-M BR	AR		AR	AR		
22	507556	MALE BRANCHE TEE / PIPE FITTING / 1/2NPT-Fx1/2NPT-Fx1/2NPT-M BR	1		1	1		
NS	507557	STREET ELBOW 90° / PIPE FITTING / 1/2NPT-Mx1/2NPT-F BR	1		1	1		
23	372748	HOSE / TO ENGINE BLOCK / 3/4" I.D. 678MM	1		1	1		
24	372747	HOSE / TO L.H CYLINDER HEAD / 3/4" I.D.	1		1	1		
NS	503523	. HOSE SILICONE 1PLY 3/4" I.D. x 100' / S.L.	AR		AR	AR		

From M-810 To R-843	Date:10/2022	PAGE:XL-1205-11
AIR COMPRESSOR - "TU-FLO 750" - WITH DETROIT S-92		

Item#	Part	Description	M T H 4 0	M T H 4 5	M T H 4 5 E	X L 4 0	X L 4 5	N O T E S
NS	061133	SUPPORT / OVER BLOWER TO FIX HOSE WATER COLANT COOLANT	1		1	1		
25	503562	HOSE / W/8V92 / 1 1/4" I.D. 30" To N-490	1			1		
25	503567	HOSE / PIPE & AIR COMP / 1 1/4" I.D. 18 1/2" To N-490	1			1		
25	141573	HOSE / W/6V92 / 3/4" I.D. 30" From N-491	1		1	1		
25	141572	HOSE 3/4" I.D. 20 3/4" From N-491	1			1		
NS	503573	. HOSE / SUCTION / 3/4" I.D. / S.L.	AR		AR	AR		
NS	141480	HOSE ADAPTOR 1" / TO FIX AIR COMPRESSOR HOSE To N-490	1		1	1		
NS	5011017	MALE CONNECTOR / COLLAR FITTING / 3/4NPT-Mx#12 STL	1		1	1		
26	051741	HOSE ASSY / #8 1230MM To R-797	1		1	1		
26	051742	HOSE ASSY / #8 1980 MM From M-810	1		1			
26	051785	HOSE ASSY / #8 1410MM From N-428				1		
26	051785	HOSE ASSY / #8 1410MM To R-798	1		1			
26	051685	HOSE ASSY / #8 1520 MM	1		1	1		
NS	503417	. HOSE #FC-300 HYDRAULIC / #8 S.L.	AR		AR	AR		
NS	501597	. FEMALE CONNECTOR SWIVEL / SAE 45° FITTING / #8FL-Fx#8 ZP	1		1	1		
NS	505110	. COIL PROTECTOR / PLASTIC / #12	1		1	1		
40	510061	HUB	1		1	1		
41	510088	COUPLING	1		1	1		
42	510087	DISC COUPLING	1		1	1		
43	510017	BOLT / TO FIX DISC COUPLING / 3/8-24 x 1 9/16"	1		1	1		
		A) TEE NEAR OIL GALLERY ON ENGINE COMPARTMENT						

From P-722 To Y-7045	Date:10/2022	PAGE:XL-1205-12
AIR COMPRESSOR - "TU-FLO 750" - WITH DETROIT S-60		

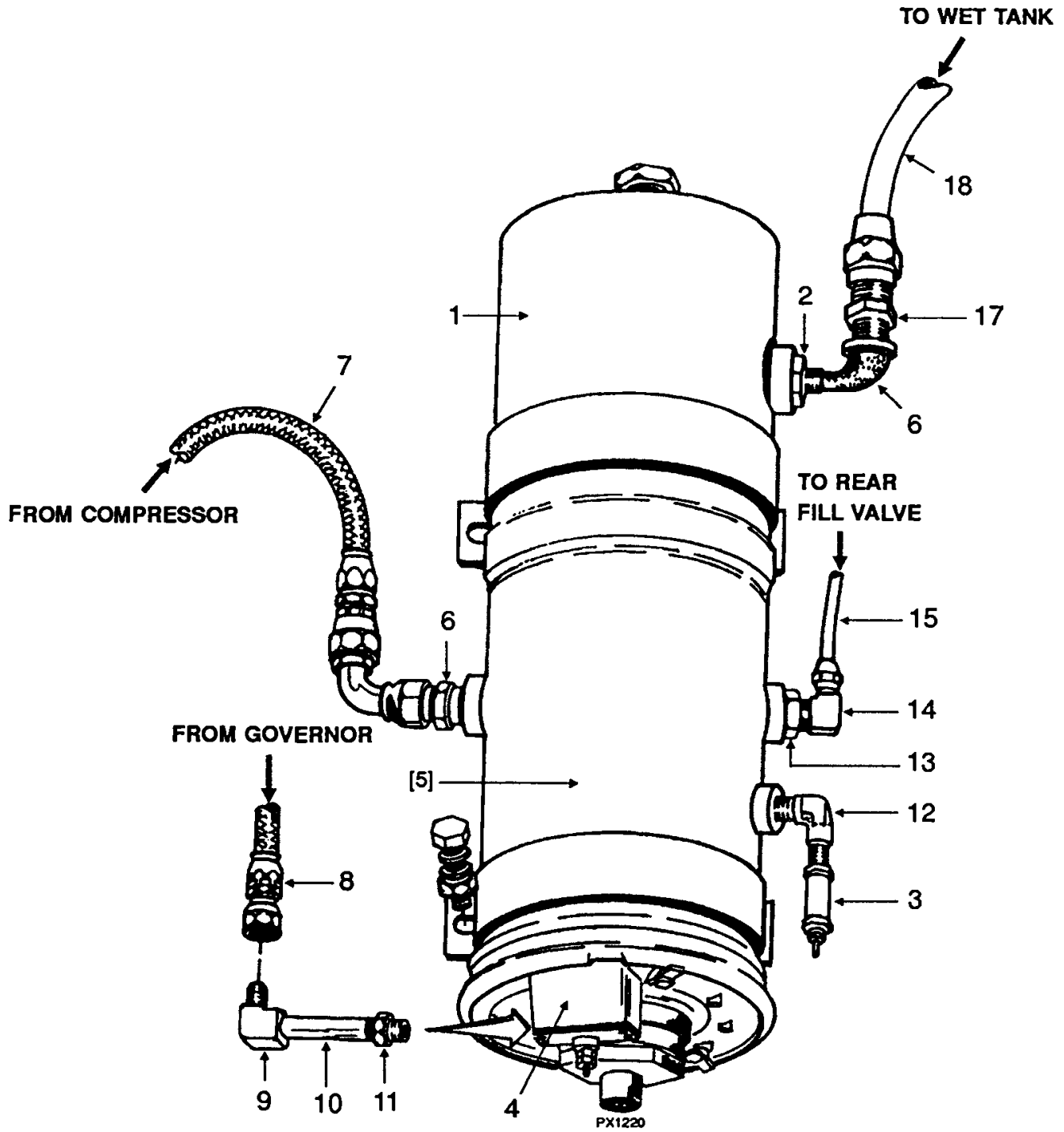
Item#	Part	Description	M T H 4 0	M T H 4 5	M T H 4 5 E	X L 4 0	X L 4 5	N O T E S
		B) THIS ITEMS SUPPLIER WITH ENGINE ASSY SEE YOUR DETROIT DIESEL DEALER						
		C) (STAMPED "BENDIX" #107051)						
		2) NOT SOLD BY PREVOST (SEE MANUFACTURING PART NUMBER AT END OF DESCRIPTION LINE)						

From E-638 To R-823

Date:10/2022

PAGE:XL-1215-00

AIR DRYER - "BENDIX" AD-2

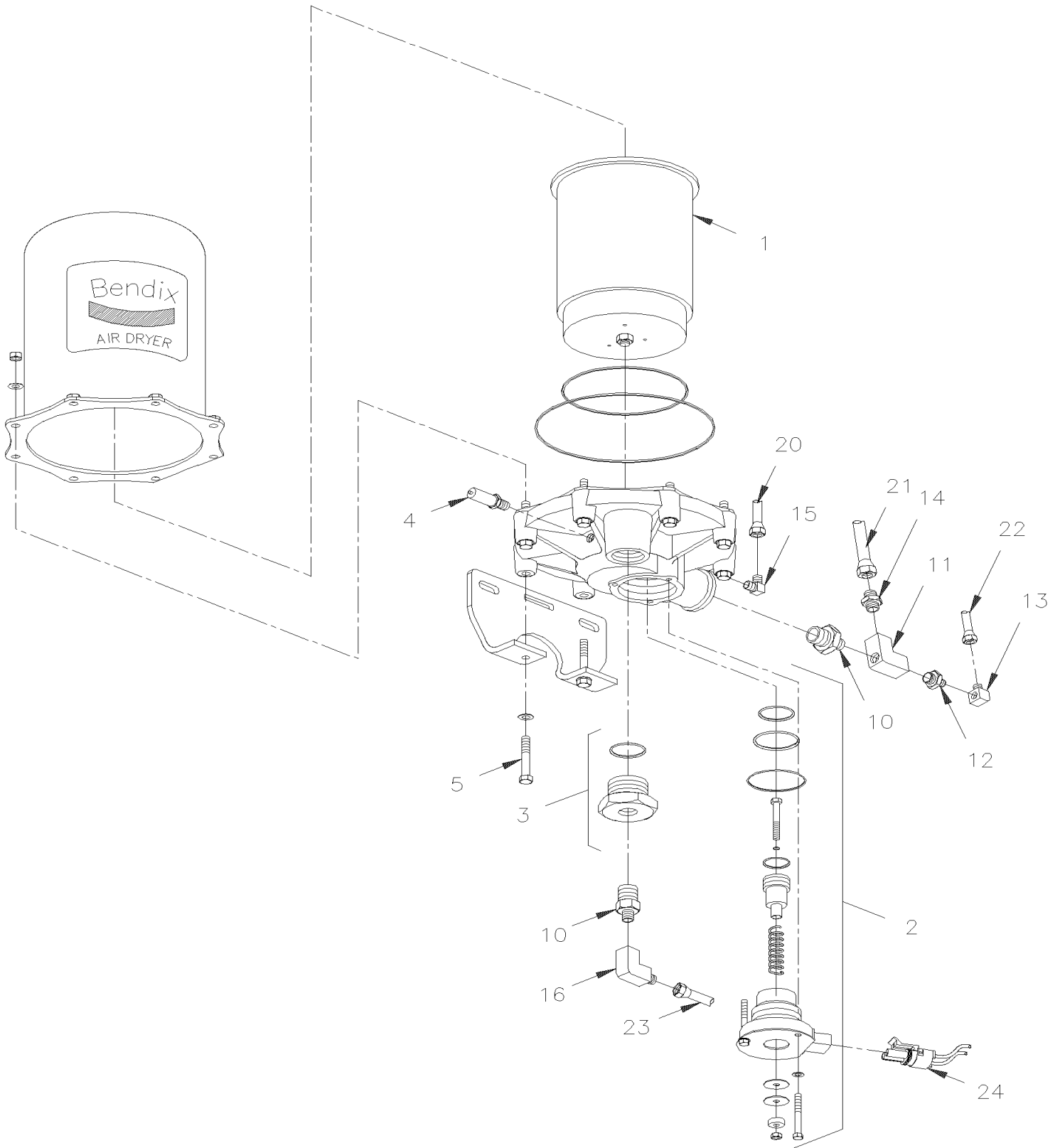


From P-722 To S-523

Date:10/2022

PAGE:XL-1215-02

AIR DRYER - "BENDIX" AD-9



From P-722 To S-523	Date:10/2022	PAGE:XL-1215-02
AIR DRYER - "BENDIX" AD-9		

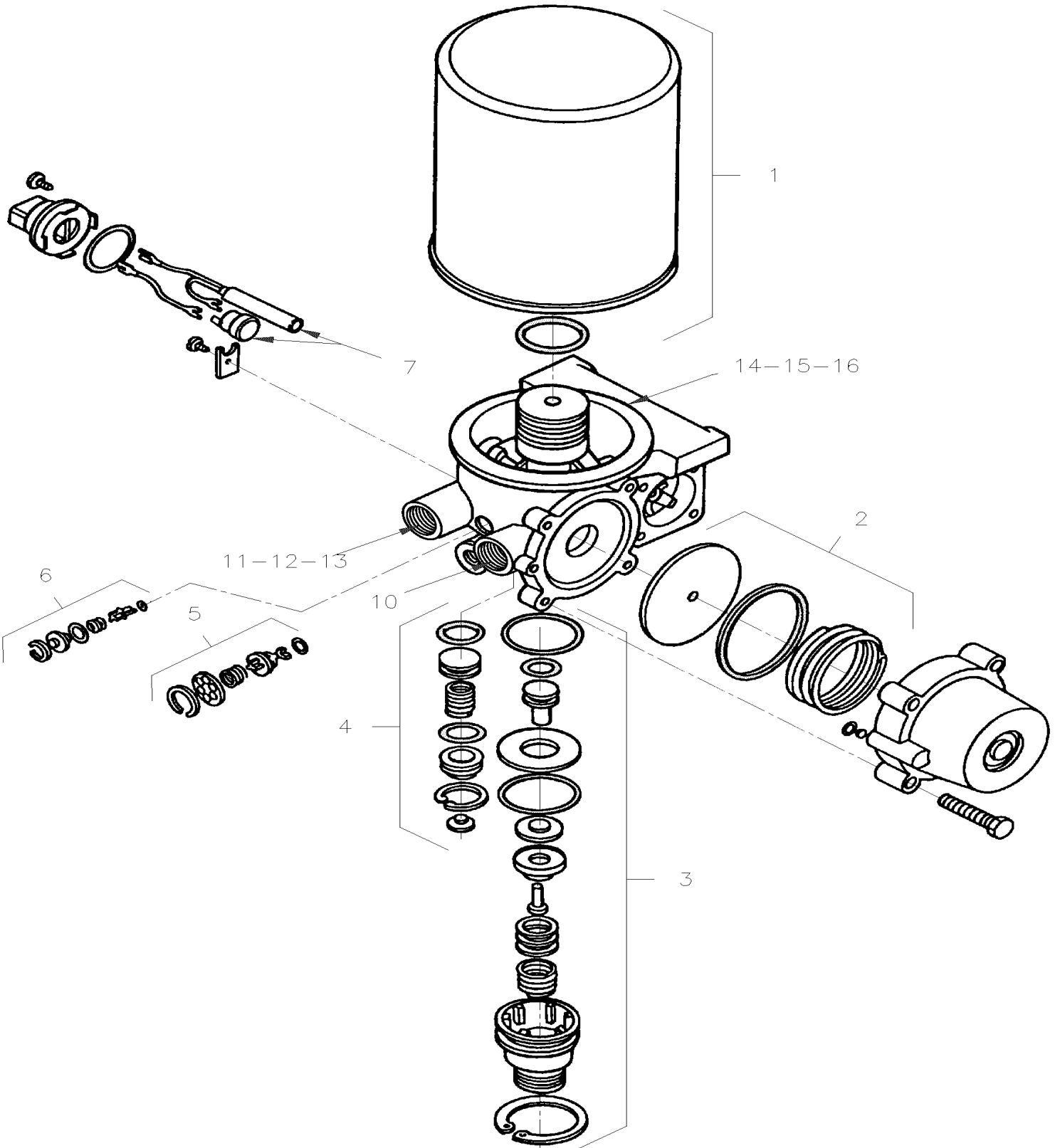
Item#	Part	Description	M T H 4 0	M T H 4 5	M T H 4 5 E	X L 4 0	X L 4 5	N O T E S
	641243	AIR DRYER ASSY AD-9 24 VOLTS				1	1	
1	641244	. DESICANT CARTRIDGE / "BENDIX" AD-9				1	1	
. NS	MI04-12	. . SEE MAINTENANCE INFORMATION				1	1	
2	641245	. PURGE VALVE ASSY W/HEATER				1	1	
2	641464	. PURGE VALVE ASSY W/HEATER 24V				1	1	
. NS	109579	. . HEATER ELEMENT 24V -109579				1	1	
NS	641358	. . KIT REPAIR / PURGE VALVE				1	1	
3	641246	. CHECK VALVE MAINTENANCE KIT 3/4 NPT				1	1	
4	N.S.P.	. SAFETY VALVE (285849)				1	1	2
5	5001173	. SCREW CAP HEX 5/16-18x4 1/2 G8 ZP				2	2	
10	501462	BUSHING REDUCER / PIPE FITTING / 3/4NTP-Mx1/2NPT-F BR				2	2	
11	507585	ADAPTER TEE / JIC 37° FITTING / 3/4NPT-Mx#12JIC-Mx3/4NPT-F STL		1				
13	507544	SWIVEL NUT ELBOW 90° SHORT / JIC 37° FITTING/ #12JIC-Fx#12JIC-Mx1.82 STL		1				
14	501755	BUSHING REDUCER / PIPE FITTING / 3/4NTP-Mx1/4NPT-F BR	1	1	1	1		
15	501037	MALE ELBOW 90° / SAE 45° FITTING / #4FL-Mx1/4NPT-M BR				1	1	
16	641134	MALE ELBOW 90° / NTA FITTING / #12x1/2NPT-M BR				1	1	
20	141709	HOSE ASSY TEFLON #4 4407MM To X-6775					1	A
20	141888	HOSE ASSY TEFLON #4 4431MM From X-6776					1	A
20	141831	HOSE ASSY TEFLON #4 3687MM				1		A
20	141640	HOSE ASSY TEFLON #4 4130MM	1	1	1	1	1	
21	141830	HOSE ASSY TEFLON #12 4157MM					1	C
21	141832	HOSE ASSY TEFLON #12 3607MM				1		C
22	141641	HOSE ASSY TEFLON /DRYER&COMPRESSOR / #12 4052MM		1				B
22	141710	HOSE ASSY TEFLON #12 4433MM				1		B
22	141802	HOSE ASSY TEFLON #12 4687MM	1		1			
23	503465	TUBE, NYLON 3/4 O.D. / GREEN S.L.				AR	AR	
24	562251	CONNECTOR / METRI-PACK 280 / SH 2C / PED 12020599				1	1	
NS	562287	SECONDARY LOCK / METRI-PACK 280 / 2C / BLACK / PED 12034446				1	1	
NS	562101	SOCKET TERMINAL / 14-12 / PED 12129493				2	2	
NS	562106	SEAL CONNECTOR / METRI-PACK / 3C / BLACK / PED 12048370				2	2	
NS	141941	KIT RETROFIT AD-9 AIR DRYER "XL"						
. NS	IS-97027	. SEE INSTRUCTION SHEET	1	1	1	1	1	
		A) DRYER & GOVERNOR						
		B) TANK & COMPRESSOR						
		C) DRYER & COMPRESSOR						
		2) NOT SOLD BY PREVOST (SEE MANUFACTURING PART NUMBER AT END OF DESCRIPTION LINE)						

From S-524 To W-6315

Date:10/2022

PAGE:XL-1215-03

AIR DRYER - "ROCKWELL WABCO"



From S-524 To W-6315	Date:10/2022	PAGE:XL-1215-03
AIR DRYER - "ROCKWELL WABCO"		

Item#	Part	Description	M T H 4 0	M T H 4 5	M T H 4 5 E	X L 4 0	X L 4 5	N O T E S
	641277	AIR DRYER "WABCO" / S-1000 / 24V HEATER To S-653	1	1	1	1	1	
	641337	AIR DRYER "WABCO" / S-1200 / 24V HEATER From S-654	1	1	1	1	1	B
1	641278	. DESICANT CARTRIDGE / "WABCO"	1	1	1	1	1	
. NS	M104-12	. . SEE MAINTENANCE INFORMATION	1	1	1	1	1	
2	641284	. REGENERATION VALVE KIT	1	1	1	1	1	
3	641283	. PURGE VALVE KIT	1	1	1	1	1	
4	641282	. TURBO CUT-OFF VALVE KIT	1	1	1	1	1	
5	641281	. OUTLET CHECK VALVE KIT	1	1	1	1	1	
6	641280	. BY-PASS VALVE KIT	1	1	1	1	1	
7	641279	. HEATER ASSY KIT 24 VOLTS	1	1	1	1	1	
. NS	562251	. . CONNECTOR / METRI-PACK 280 / SH 2C / PED 12020599	1	1	1	1	1	
. NS	562101	. . SOCKET TERMINAL / 14-12 / PED 12129493	2	2	2	2	2	
NS	641319	SNUBBLER AIR DISCHARGE / BLACK PLASTIC	1	1	1	1	1	
10	641134	MALE ELBOW 90° / NTA FITTING / #12x1/2NPT-M BR	1	1	1	1	1	
NS	641350	RELIEF VALVE ASSY / W/SPECIAL STREET TEE	1	1	1	1	1	
NS	501473	MALE RUN TEE / PIPE FITTING / 1/2NPT-Mx1/2NPT-Fx1/2NPT-F BR	1	1	1	1	1	
NS	501316	BUSHING REDUCER / PIPE FITTING / 1/2NPT-Mx1/4NPT-F BR	1	1	1	1	1	
NS	640997	MALE ELBOW 90° / NTA FITTING / #4x1/4NPT-M BR	1	1	1	1	1	
11	501600	MALE CONNECTOR / JIC 37° FITTING / #12JIC-Mx1/2NPT-M STL	1	1	1	1	1	
12	507544	SWIVEL NUT ELBOW 90° SHORT / JIC 37° FITTING/ #12JIC-Fx#12JIC-Mx1.82 STL	1	1	1	1	1	
13	141641	HOSE ASSY TEFLON /DRYER&COMPRESSOR / #12 4052MM To W-6315					1	
13	141641	HOSE ASSY TEFLON /DRYER&COMPRESSOR / #12 4052MM To T-5872		1				
13	141889	HOSE ASSY TEFLON /DRYER&COMPRESSOR / #12 5698MM From T-5873		1				
13	141586	HOSE ASSY TEFLON /DRYER&COMPRESSOR / #12 3483MM To W-6315				1		
13	141586	HOSE ASSY TEFLON /DRYER&COMPRESSOR / #12 3483MM To T-5872	1		1			
13	141891	HOSE ASSY TEFLON /DRYER&COMPRESSOR / #12 5013MM From T-5873	1		1			
13	141943	HOSE ASSY TEFLON /DRYER&COMPRESSOR / #12 3738MM			1	1		A
NS	503376	. HOSE TEFLON #12 / S.L.	AR	AR	AR	AR	AR	
NS	507582	. FEMALE CONNECTOR SWIVEL / JIC 37° FITTING / TEFLON / #12JIC-Fx#12 STL	2	2	2	2	2	
14	501312	BUSHING REDUCER / PIPE FITTING / 1/4NTP-Mx1/8NPT-F BR	1	1	1	1	1	
15	501808	MALE ELBOW 45° / SAE 45° FITTING / #4FL-Mx1/8NPT-M BR	1	1	1	1	1	
16	141640	HOSE ASSY TEFLON #4 4130MM To W-6315					1	J
16	141640	HOSE ASSY TEFLON #4 4130MM To T-5872		1				J
16	141890	HOSE ASSY TEFLON #4 5875MM From T-5873		1				J
16	141584	HOSE ASSY TEFLON #4 3478MM To W-6315				1		J
16	141584	HOSE ASSY TEFLON #4 3478MM To T-5872	1		1			J
16	141892	HOSE ASSY TEFLON #4 5190MM From T-5873	1		1			J
16	141640	HOSE ASSY TEFLON #4 4130MM To W-6315					1	I
16	141640	HOSE ASSY TEFLON #4 4130MM To T-5872		1				I
16	141888	HOSE ASSY TEFLON #4 4431MM From T-5873		1				I
16	141584	HOSE ASSY TEFLON #4 3478MM To W-6315				1		I
16	141584	HOSE ASSY TEFLON #4 3478MM To T-5872	1		1			I

From S-524 To W-6315	Date:10/2022	PAGE:XL-1215-03
AIR DRYER - "ROCKWELL WABCO"		

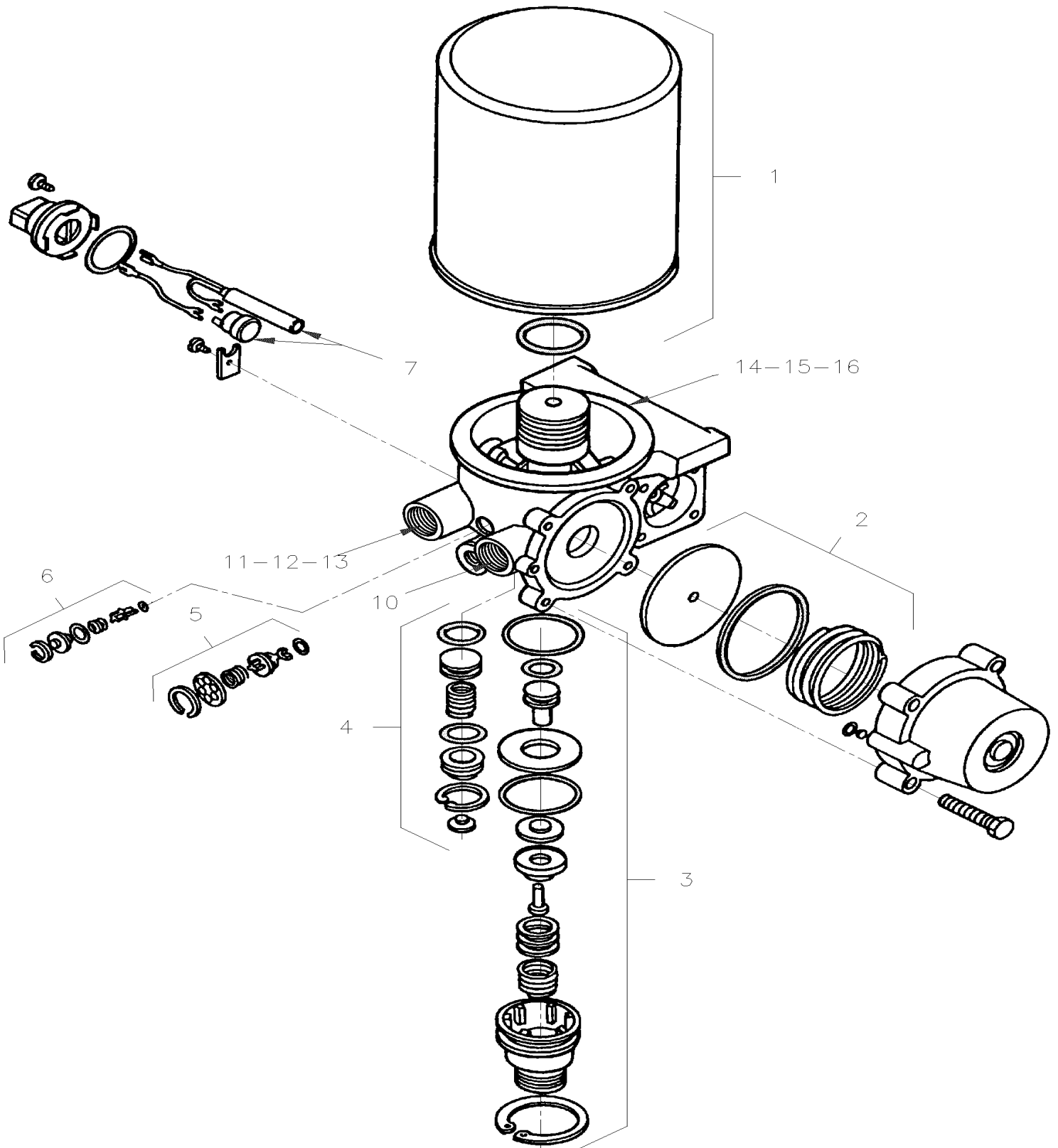
Item#	Part	Description	M T H 4 0	M T H 4 5	M T H 4 5 E	X L 4 0	X L 4 5	N O T E S
16	141887	HOSE ASSY TEFLON #4 3607MM From T-5873	1		1			
16	141944	HOSE ASSY TEFLON #4 3715MM			1	1		A
16	141887	HOSE ASSY TEFLON #4 3607MM				1		A
16	503064	. HOSE TEFLON #4 / S.L.	AR	AR	AR	AR	AR	
16	501892	. FEMALE CONNECTOR SWIVEL / SAE 45° FITTING / TEFLON / #4FL-Fx#4 STL	2	2	2	2	2	
NS	500214	SCREW CAP HEX 1/2-13x1 1/4 G5 Z050	3	3	3	3	3	
NS	500482	WASHER LO SPT .506x.873x.125 Z050	3	3	3	3	3	
NS	141941	KIT RETROFIT AD-9 AIR DRYER "XL"	AR	AR	AR	AR	AR	
. NS	IS-97027	. SEE INSTRUCTION SHEET	1	1	1	1	1	
		A) FOR USE WITH BUS WITH INDEPENDANT SUSPENSION OR W/ MTH-45S W/BATTERY LOCATED IN BAGGAGE COMPARTMENT						
		B) FOR PRODUCT IMPROVMENT WITH "BENDIX" AD-9 ASK FOR KIT #141941						
		I) GOVERNOR & TANK						
		J) DRYER & GOVERNOR						

From W-6316 To Y-7045

Date:10/2022

PAGE:XL-1215-50

AIR DRYER - "ROCKWELL WABCO"



From W-6316 To Y-7045		Date:10/2022	PAGE:XL-1215-50
AIR DRYER - "ROCKWELL WABCO"			

Item#	Part	Description	M T H 4 0	M T H 4 5	M T H 4 5 E	X L 4 0	X L 4 5	N O T E S
	641337	AIR DRYER "WABCO" / S-1200 / 24V HEATER	1	1	1			B
1	641278	. DESICANT CARTRIDGE / "WABCO"	1	1	1			
. NS	MI04-12	. . SEE MAINTENANCE INFORMATION	1	1	1			
2	641284	. REGENERATION VALVE KIT	1	1	1			
3	641283	. PURGE VALVE KIT	1	1	1			
4	641282	. TURBO CUT-OFF VALVE KIT	1	1	1			
5	641281	. OUTLET CHECK VALVE KIT	1	1	1			
6	641280	. BY-PASS VALVE KIT	1	1	1			
7	641279	. HEATER ASSY KIT 24 VOLTS	1	1	1			
. NS	562251	. . CONNECTOR / METRI-PACK 280 / SH 2C / PED 12020599	1	1	1			
. NS	562101	. . SOCKET TERMINAL / 14-12 / PED 12129493	2	2	2			
NS	641319	SNUBBLER AIR DISCHARGE / BLACK PLASTIC	1	1	1			
10	641134	MALE ELBOW 90° / NTA FITTING / #12x1/2NPT-M BR	1	1	1			
NS	641350	RELIEF VALVE ASSY / W/SPECIAL STREET TEE	1	1	1			
NS	501473	MALE RUN TEE / PIPE FITTING / 1/2NPT-Mx1/2NPT-Fx1/2NPT-F BR	1	1	1			
NS	501316	BUSHING REDUCER / PIPE FITTING / 1/2NPT-Mx1/4NPT-F BR	1	1	1			
NS	640997	MALE ELBOW 90° / NTA FITTING / #4x1/4NPT-M BR	1	1	1			
11	501600	MALE CONNECTOR / JIC 37° FITTING / #12JIC-Mx1/2NPT-M STL	1	1	1			
12	507544	SWIVEL NUT ELBOW 90° SHORT / JIC 37° FITTING/ #12JIC-Fx#12JIC-Mx1.82 STL	1	1	1			
13	141889	HOSE ASSY TEFLON /DRYER&COMPRESSOR / #12 5698MM		1				
13	141891	HOSE ASSY TEFLON /DRYER&COMPRESSOR / #12 5013MM	1		1			
13	141943	HOSE ASSY TEFLON /DRYER&COMPRESSOR / #12 3738MM			1			A
NS	503376	. HOSE TEFLON #12 / S.L.	AR	AR	AR			
NS	507582	. FEMALE CONNECTOR SWIVEL / JIC 37° FITTING / TEFLON / #12JIC-Fx#12 STL	2	2	2			
14	501312	BUSHING REDUCER / PIPE FITTING / 1/4NTP-Mx1/8NPT-F BR	1	1	1			
15	501808	MALE ELBOW 45° / SAE 45° FITTING / #4FL-Mx1/8NPT-M BR	1	1	1			
16	141890	HOSE ASSY TEFLON #4 5875MM		1				J
16	141892	HOSE ASSY TEFLON #4 5190MM	1		1			J
16	141888	HOSE ASSY TEFLON #4 4431MM		1				I
16	141887	HOSE ASSY TEFLON #4 3607MM	1		1			
16	141944	HOSE ASSY TEFLON #4 3715MM			1			A
16	503064	. HOSE TEFLON #4 / S.L.	AR	AR	AR			
16	501892	. FEMALE CONNECTOR SWIVEL / SAE 45° FITTING / TEFLON / #4FL-Fx#4 STL	2	2	2			
NS	500214	SCREW CAP HEX 1/2-13x1 1/4 G5 Z050	3	3	3			
NS	500482	WASHER LO SPT .506x.873x.125 Z050	3	3	3			
NS	141941	KIT RETROFIT AD-9 AIR DRYER "XL"	AR	AR	AR	AR	AR	
. NS	IS-97027	. SEE INSTRUCTION SHEET	1	1	1	1	1	
		A) FOR USE WITH BUS WITH INDEPENDANT SUSPENSION OR W/ MTH-45S W/BATTERY LOCATED IN BAGGAGE COMPARTMENT						

From W-6316 To Y-7045	Date:10/2022	PAGE:XL-1215-50
AIR DRYER - "ROCKWELL WABCO"		

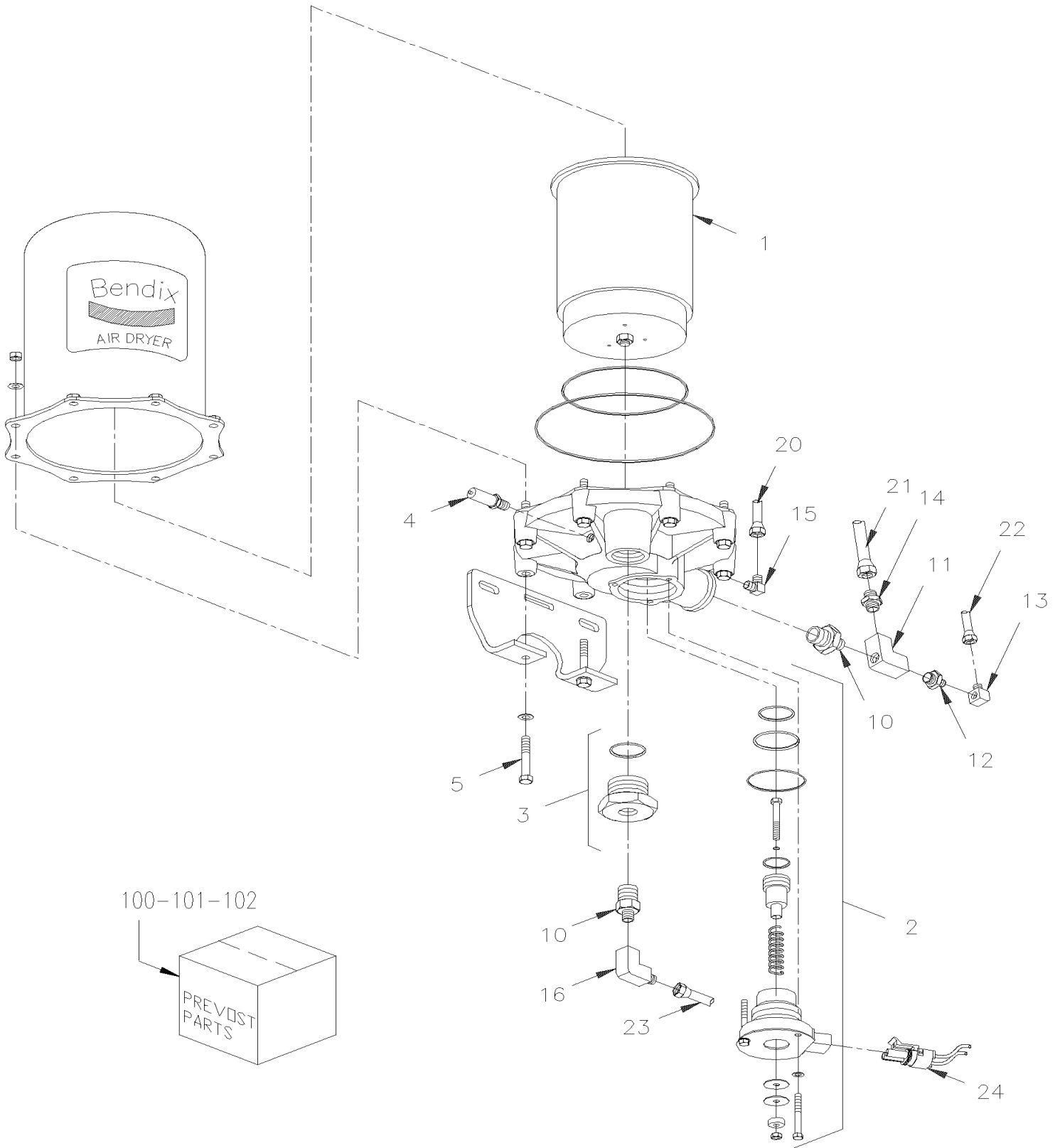
Item#	Part	Description	M T H 4 0	M T H 4 5	M T H 4 5 E	X L 4 0	X L 4 5	N O T E S
		B) FOR PRODUCT IMPROVMENT WITH "BENDIX" AD-9 ASK FOR KIT #141941						
		I) GOVERNOR & TANK						
		J) DRYER & GOVERNOR						

From W-6316 To Y-7045

Date:10/2022

PAGE:XL-1215-04

AIR DRYER - "BENDIX" AD-9



From W-6316 To Y-7045		Date:10/2022	PAGE:XL-1215-04
AIR DRYER - "BENDIX" AD-9			

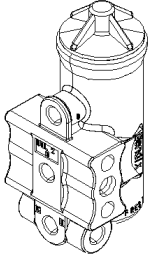
Item#	Part	Description	M T H 4 0	M T H 4 5	M T H 4 5 E	X L 4 0	X L 4 5	N O T E S
	641243	AIR DRYER ASSY AD-9 24 VOLTS				1	1	
1	641244	. DESICANT CARTRIDGE / "BENDIX" AD-9				1	1	
. NS	MI04-12	. . SEE MAINTENANCE INFORMATION				1	1	
2	641245	. PURGE VALVE ASSY W/HEATER				1	1	
3	641246	. CHECK VALVE MAINTENANCE KIT 3/4 NPT				1	1	
4	N.S.P.	. SAFETY VALVE (285849)				1	1	2
5	5001173	. SCREW CAP HEX 5/16-18x4 1/2 G8 ZP				2	2	
10	501462	BUSHING REDUCER / PIPE FITTING / 3/4NTP-Mx1/2NPT-F BR				2	2	
11	507585	ADAPTER TEE / JIC 37° FITTING / 3/4NPT-Mx#12JIC-Mx3/4NPT-F STL		1				
13	507544	SWIVEL NUT ELBOW 90° SHORT / JIC 37° FITTING/ #12JIC-Fx#12JIC-Mx1.82 STL		1				
14	501755	BUSHING REDUCER / PIPE FITTING / 3/4NTP-Mx1/4NPT-F BR	1	1	1	1		
15	501037	MALE ELBOW 90° / SAE 45° FITTING / #4FL-Mx1/4NPT-M BR				1	1	
16	641134	MALE ELBOW 90° / NTA FITTING / #12x1/2NPT-M BR				1	1	
20	141709	HOSE ASSY TEFLON #4 4407MM To X-6775						1 A
20	141888	HOSE ASSY TEFLON #4 4431MM From X-6776						1 A
20	141831	HOSE ASSY TEFLON #4 3687MM				1		A
20	141640	HOSE ASSY TEFLON #4 4130MM	1	1	1	1	1	
21	141830	HOSE ASSY TEFLON #12 4157MM						1 C
21	141832	HOSE ASSY TEFLON #12 3607MM				1		C
22	141641	HOSE ASSY TEFLON /DRYER&COMPRESSOR / #12 4052MM		1				B
22	141710	HOSE ASSY TEFLON #12 4433MM				1		B
22	141802	HOSE ASSY TEFLON #12 4687MM	1		1			
23	503465	TUBE, NYLON 3/4 O.D. / GREEN S.L.				AR	AR	
24	562251	CONNECTOR / METRI-PACK 280 / SH 2C / PED 12020599				1	1	
NS	562287	SECONDARY LOCK / METRI-PACK 280 / 2C / BLACK / PED 12034446				1	1	
NS	562101	SOCKET TERMINAL / 14-12 / PED 12129493				2	2	
NS	562106	SEAL CONNECTOR / METRI-PACK / 3C / BLACK / PED 12048370				2	2	
NS	141941	KIT RETROFIT AD-9 AIR DRYER "XL"						
. NS	IS-97027	. SEE INSTRUCTION SHEET				1	1	
100	641464	PURGE VALVE ASSY W/HEATER 24V				1	1	
. NS	109579	. HEATER ELEMENT 24V -109579				1	1	
101	109579	HEATER ELEMENT 24V -109579				1	1	
102	641358	KIT REPAIR / PURGE VALVE				1	1	
		A) DRYER & GOVERNOR						
		B) TANK & COMPRESSOR						
		C) DRYER & COMPRESSOR						
		2) NOT SOLD BY PREVOST (SEE MANUFACTURING PART NUMBER AT END OF DESCRIPTION LINE)						

From E-638 To Y-7045

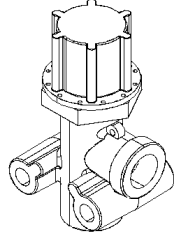
Date:10/2022

PAGE:XL-1220-00

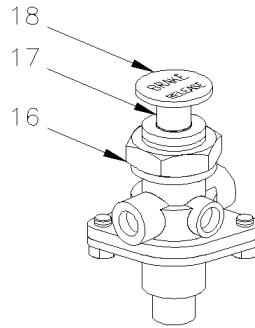
MISCELLANEOUS AIR VALVE



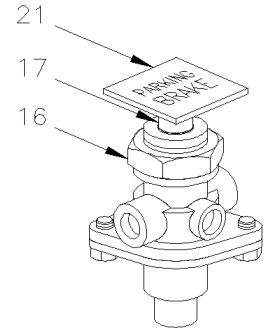
5



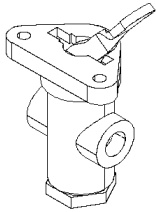
10



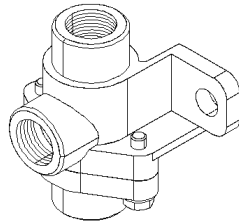
15



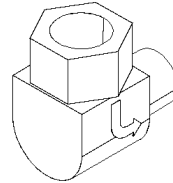
20



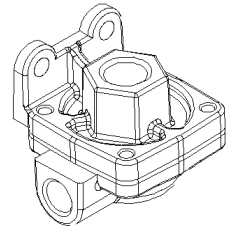
25



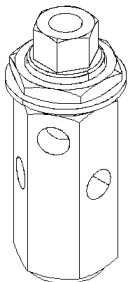
30



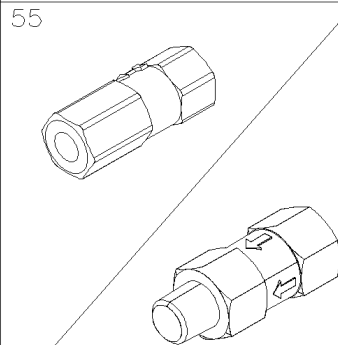
35



40

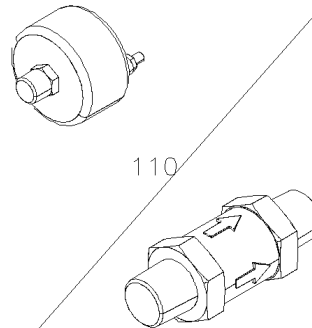


45



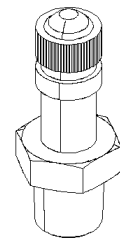
55

50

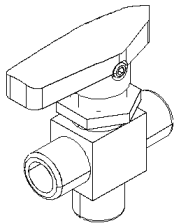


110

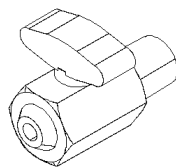
60



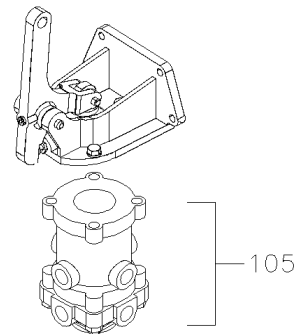
70



75

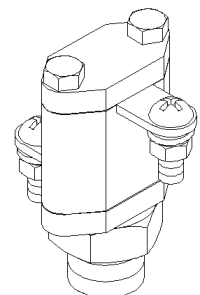


90



105

100



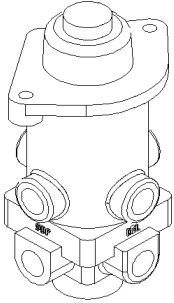
85

From E-638 To Y-7045

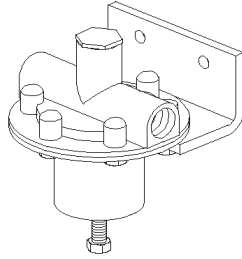
Date:10/2022

PAGE:XL-1220-00

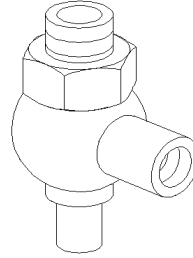
MISCELLANEOUS AIR VALVE



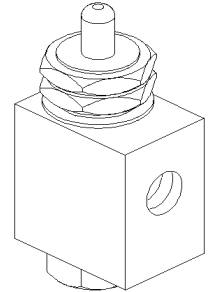
200



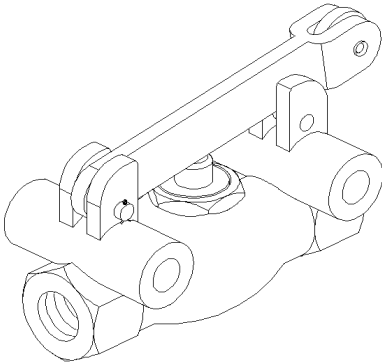
210



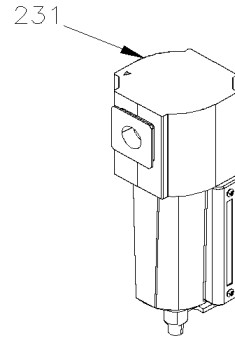
215



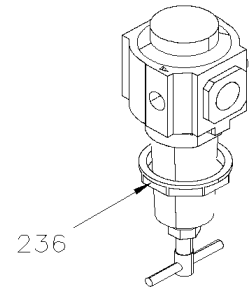
220



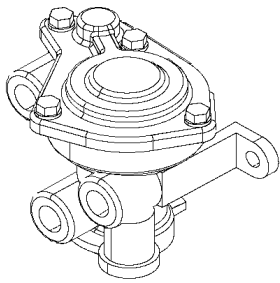
225



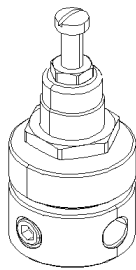
230



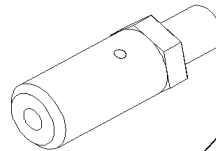
235



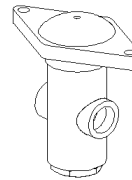
140



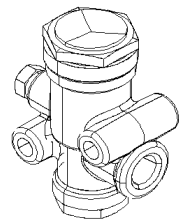
245



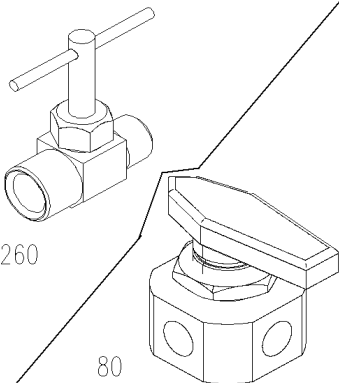
250



205

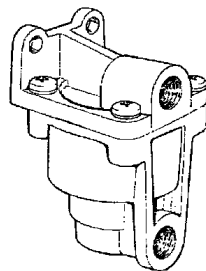


155

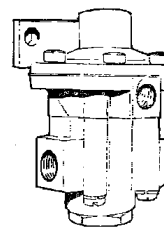


260

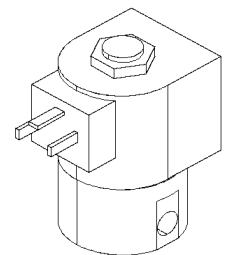
80



95



96



Typical Illustration

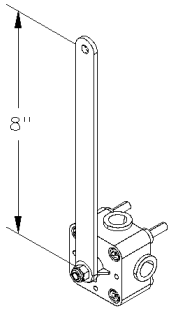
275

From E-638 To Y-7045

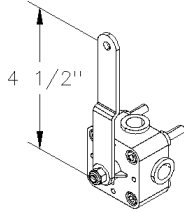
Date:10/2022

PAGE:XL-1220-00

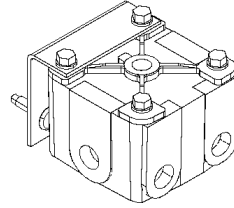
MISCELLANEOUS AIR VALVE



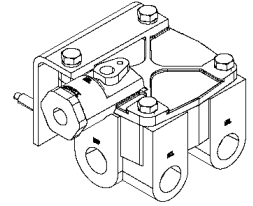
350



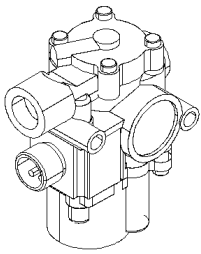
355



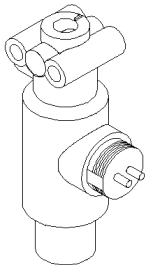
125



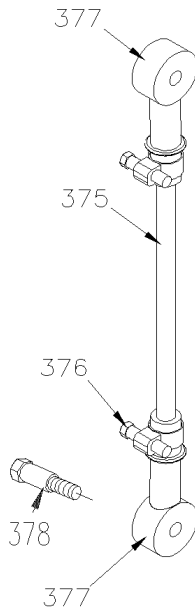
130



300

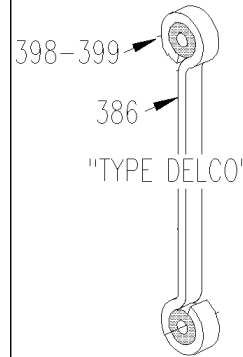


305



378

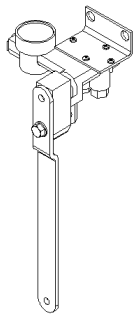
377



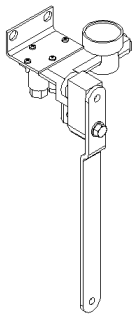
398-399

386

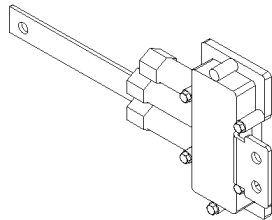
"TYPE DELCO"



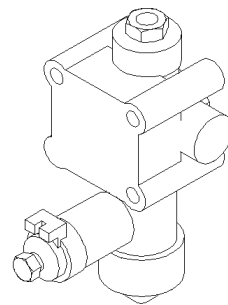
388



389



391



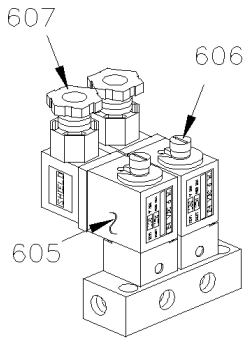
393

From E-638 To Y-7045

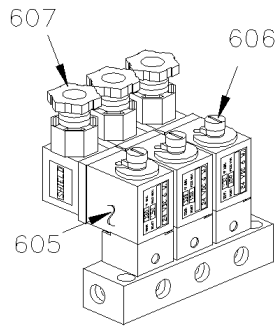
Date:10/2022

PAGE:XL-1220-00

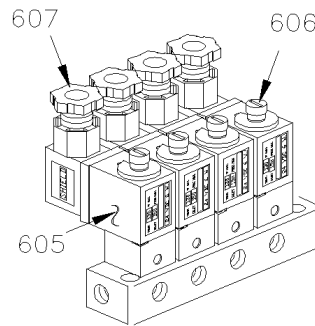
MISCELLANEOUS AIR VALVE



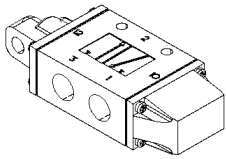
600



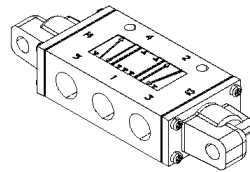
601



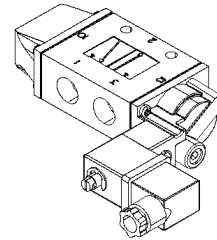
602



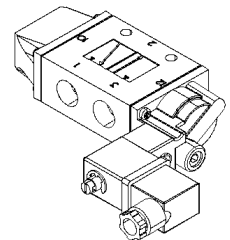
610



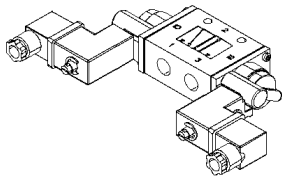
615



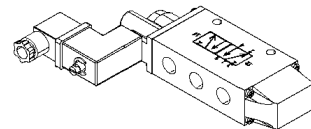
620



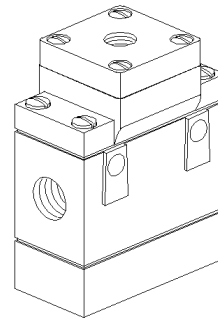
625



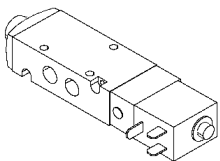
630



635



640



650

From E-638 To Y-7045	Date:10/2022	PAGE:XL-1220-00
MISCELLANEOUS AIR VALVE		

Item#	Part	Description	M T H 4 0	M T H 4 5	M T H 4 5 E	X L 4 0	X L 4 5	N O T E S
5	640964	GOVERNOR, AIR / D-2 / (105/125PSI)	1	1	1	1	1	
. NS	640965	. REPAIR KIT / GOVERNOR D-2	1	1	1	1	1	
. NS	640638	. GASKET, AIR GOVERNOR	1	1	1	1	1	
. NS	500187	. SCREW CAP HEX 5/16-18x3 G5 Z050	2	2	2	2	2	
. NS	500942	. WASHER LO SPT 8.1x14.8x2.0 N500	2	2	2	2	2	
5	641933	GOVERNOR, AIR / D-2 / (110/130PSI)	1	1	1	1	1	
. NS	640965	. REPAIR KIT / GOVERNOR D-2	1	1	1	1	1	
. NS	640638	. GASKET, AIR GOVERNOR	1	1	1	1	1	
. NS	500187	. SCREW CAP HEX 5/16-18x3 G5 Z050	2	2	2	2	2	
. NS	500942	. WASHER LO SPT 8.1x14.8x2.0 N500	2	2	2	2	2	
10	640439	VALVE, PRESSURE PROTECTION / PR-2 75PSI	1	1	1	1	1	
10	530134	VALVE, PRESSURE REDUCING / RV-1 60 PSI	1			1		
15	640472	VALVE, CONTROL / RD-3				1	1	
. NS	641154	. REPAIR KIT / PP-1 & RD-3				1	1	
16	640297	NUT	1	1	1	1	1	
17	640286	PIN ROLLER	1	1	1	1	1	
18	641155	BUTTON, OVERRULE ROUND BLACK				1	1	
NS	640394	BUTTON, PARKING BRAKE ROUND BLACK / 1"	1	1	1	1	1	
20	641128	VALVE, CONTROL VALVE PP-1 / 40PSI	1	1	1	1	1	
. NS	641154	. REPAIR KIT / PP-1 & RD-3	1	1	1	1	1	
20	641571	VALVE, CONTROL VALVE PP-1 / 40PSI	1	1	1	1	1	
NS	641185	VALVE, PARKING BRAKE PP-2	1	1	1	1	1	
. NS	641149	. BUTTON, PARKING BRAKE DIAMOND YELLOW / 1"	1	1	1	1	1	
. NS	641158	. REPAIR KIT / PP-2	1	1	1	1	1	
21	641149	BUTTON, PARKING BRAKE DIAMOND YELLOW / 1"	1	1	1	1	1	
25	640136	VALVE, CONTROL TW-1	1	1	1	1	1	
. NS	641156	. REPAIR KIT / TW-1	1	1	1	1	1	
30	641015	VALVE, DOUBLE CHECK DC-4	1	1	1	1	1	
30	641564	VALVE, DOUBLE CHECK DC-4	1	1	1	1	1	
35	641172	VALVE, CHECK ELBOW 90° 1/2 NPT	1	1	1	1	1	
40	641014	VALVE, QUICK RELEASE QR-1 / 3/8NPTx3/8NPTx3/8NPT	1	1	1	1	1	
. NS	640924	. REPAIR KIT / QR-1	1	1	1	1	1	
40	641429	VALVE, QUICK RELEASE QR-1 / 3/8NPTx3/8NPTx3/8NPT	1	1	1	1	1	
. NS	640924	. REPAIR KIT / QR-1	1	1	1	1	1	
45	640442	VALVE, INVERSION TR-2	1	1	1	1	1	
50	640135	VALVE, CHECK 1/4 NPT	1	1	1	1	1	
55	640123	VALVE, CHECK 1/2 NPT SC-1	1	1	1	1	1	
. NS	641401	. VALVE, CHECK 1/2 NPT SC-1	1	1	1	1	1	
55	641401	VALVE, CHECK 1/2 NPT SC-1	1	1	1	1	1	
60	530175	VALVE, CHECK 1/8 NPT	1	1	1	1	1	
70	640488	VALVE, AIR FILL 1/8" NPT	1	1	1	1	1	
. NS	650164	. CAP VALVE / CHROME	1	1	1	1	1	

From E-638 To Y-7045	Date:10/2022	PAGE:XL-1220-00
MISCELLANEOUS AIR VALVE		

Item#	Part	Description	M T H 4 0	M T H 4 5	M T H 4 5 E	X L 4 0	X L 4 5	N O T E S
75	641417	VALVE, 3 WAYS 1/8NPT-Fx1/8NPT-Fx1/8NPT-F BR	1	1	1	1	1	
. NS	642014	. HANDLE / RED	1	1	1	1	1	
75	642161	VALVE, 3 WAYS 1/8NPT-Fx1/8NPT-Fx1/8NPT-F BR / SERVICE	1	1	1	1	1	
. NS	642014	. HANDLE / RED	1	1	1	1	1	
80	5011013	VALVE, 4 WAYS CONTROL	1	1	1	1	1	
85	640975	PRESSURE SWITCH N.C. 66PSI / 1/4NPT LP-3	1	1	1	1	1	
85	641174	PRESSURE SWITCH N.C. 30PSI / 1/4NPT LP-2	1	1	1	1	1	
90	641043	DRAIN VALVE 1/4 NPT M	1	1	1	1	1	
95	640946	VALVE LIMITING AND QUICK RELEASE LQ-2	1	1	1	1	1	
. NS	640948	. REPAIR KIT	1	1	1	1	1	
96	640579	VALVE RELAY INTERLOCK	1	1	1	1	1	
100	XL-1220-11	BRAKE PEDAL VALVE - "BENDIX"						
105	641925	. VALVE SUB ASSY / MODEL E-10P	1	1	1	1	1	
110	640852	PRESSURE SWITCH N.O. 4PSI / 1/4NPT W/8-32 / SL-5 BRAKE	1	1	1	1	1	
110	641462	PRESSURE SWITCH N.O. 4PSI / 1/4NPT W/10-32 / SL-5 BRAKE	1	1	1	1	1	
NS	562052	PRESSURE SWITCH N.C. 3PSI / 1/4NPT W/2 SCREWS/ BRAKE	1	1	1	1	1	
125	641088	VALVE, RELAY R-12 HORIZONTAL PORT	1	1	1	1	1	
125	642068	VALVE, RELAY R-12 HORIZONTAL PORT / W/OUT SUPPORT	1	1	1	1	1	
125	642067	VALVE, RELAY R-12 HORIZONTAL PORT	1	1	1	1	1	
125	642013	VALVE, RELAY R-12 DC						
130	641120	VALVE, RELAY R-14 HORIZONTAL PORT 4psi Crack	1	1	1	1	1	
. NS	10508267	. KIT, REPAIR	1	1	1	1	1	
140	640870	VALVE / SPRING BRAKE SR-1	1	1	1	1	1	
. NS	640921	. REPAIR KIT / SR-1	1	1	1	1	1	
155	640471	VALVE, INVERSION TR-3 25-40LBS	1	1	1	1	1	
200	XL-1220-10	BRAKE PEDAL VALVE - "BENDIX"						
205	640128	VALVE HORN HV-3	1	1	1	1	1	
210	640938	AIR PRESSURE REGULATOR	1	1	1	1	1	
215	780233	VALVE, CONTROL / FCP2	1	1	1	1	1	
220	780232	VALVE, CONTROL / MJV-2 1/8" NPT	1	1	1	1	1	
225	780312	VALVE, 3 WAYS CONTROL	1	1	1	1	1	
230	641338	AIR FILTER ASSY	1	1	1	1	1	
231	641339	SUPPORT / AIR FILTER	1	1	1	1	1	
235	641352	AIR PRESSURE REGULATOR 1/2" NPT	1	1	1	1	1	
236	641506	NUT RING / AIR REGULATOR RETAINING	1	1	1	1	1	
NS	142025	SUPPORT / AIR REGULATOR	1	1	1	1	1	A
245	641437	AIR PRESSURE REGULATOR 1/4" NPT / PLASTIC To X-6691	1	1	1	1	1	
NS	641438	NUT To X-6691	1	1	1	1	1	
245	641472	AIR PRESSURE REGULATOR 1/4" NPT / COPPER From X-6692	1	1	1	1	1	
250	642022	SAFETY VALVE 150 PSI X 3/8 NPT / ST-3	1	1	1	1	1	
260	501354	NEEDLE VALVE 1/8 NPT M x 1/8 NPT F	1	1	1	1	1	
275	560352	VALVE SOLENOID N.O. 24 VOLTS	1	1	1	1	1	

From E-638 To Y-7045	Date:10/2022	PAGE:XL-1220-00
MISCELLANEOUS AIR VALVE		

Item#	Part	Description	M T H 4 0	M T H 4 5	M T H 4 5 E	X L 4 0	X L 4 5	N O T E S
. NS	060851	. CONNECTOR ASSY	1	1	1	1	1	
275	560930	VALVE SOLENOID N.C. 24 VOLTS	1	1	1	1	1	
. NS	060851	. CONNECTOR ASSY	1	1	1	1	1	
275	561179	VALVE SOLENOID N.C. 24 VOLTS	1	1	1	1	1	
. NS	060851	. CONNECTOR ASSY	1	1	1	1	1	
275	560324	VALVE SOLENOID N.O. 12 VOLTS	1	1	1	1	1	
. NS	060851	. CONNECTOR ASSY	1	1	1	1	1	
300	641537	VALVE, "ABS" 24VOLT	1	1	1	1	1	
305	641460	VALVE, "ATC" 24VOLT	1	1	1	1	1	
350	630156	VALVE, HEIGHT CONTROL "BARKSDALE" 8"	1	1	1	1	1	
355	630157	VALVE, HEIGHT CONTROL "BARKSDALE" / FRONT	1	1	1	1	1	
375	131467	ROD LINK / 165MM FRONT ONLY				1	1	
375	131351	ROD LINK / 140MM	1	1	1	1	1	
375	630086	LINK ASSY / W/ALL AXLES C.T.L. / (AS SHOWN) 18 1/4" ROD	1	1	1	1	1	
. NS	630117	. ROD END / BLACK RUBBER 5/16" I.D.	2	2	2	2	2	
. NS	630137	. SCREW SHR CAP HEX 5/16" I.D. x 1/4-20	2	2	2	2	2	
. NS	504014	. HOSE CLAMP / 1/4"-5/8" SS / HM-4	2	2	2	2	2	
376	504014	. HOSE CLAMP / 1/4"-5/8" SS / HM-4	2	2	2	2	2	
377	630117	. ROD END / BLACK RUBBER 5/16" I.D.	2	2	2	2	2	
378	630137	. SCREW SHR CAP HEX 5/16" I.D. x 1/4-20	2	2	2	2	2	
386	130781	LINK ASSY / W/FRONT AXLE / 355MM / 14" C/C	1	1	1	1	1	
386	130492	LINK ASSY / W/DRIVE AXLE / 139.7MM / 5 1/2" C/C	1	1	1	1	1	
388	630009	VALVE, HEIGHT CONTROL "DELCO" L.H.	1			1		
388	630068	VALVE, HEIGHT CONTROL "DELCO" L.H.	1			1		
389	630010	VALVE, HEIGHT CONTROL "DELCO" R.H.	1			1		
389	630069	VALVE, HEIGHT CONTROL "DELCO" R.H.	1			1		
391	630085	VALVE, HEIGHT CONTROL "NEWAY"	1			1		
391	630095	VALVE, HEIGHT CONTROL "NEWAY"	1	1	1	1	1	
393	630139	VALVE, HEIGHT CONTROL "KNORR"	1	1	1	1	1	
398	3178598	INSERT ST	2	2	2	2	2	
399	5538443	BUSHING RUBBER	2	2	2	2	2	
600	641130	MANIFOLD VALVE / W/2 SOLENOID	1	1	1	1	1	
600	641412	MANIFOLD VALVE / W/2 SOLENOID	1	1	1	1	1	
. NS	641107	. COIL 24V	2	2	2	2	2	
601	641180	MANIFOLD VALVE / W/3 SOLENOID	1	1	1	1	1	
. NS	641928	. KIT, MANIFOLD REPAIR / N.C.	3	3	3	3	3	
. NS	641107	. COIL 24V	1	1	1	1	1	
602	641055	MANIFOLD VALVE / W/4 SOLENOID	1	1	1	1	1	
. NS	641928	. KIT, MANIFOLD REPAIR / N.C.	4	4	4	4	4	
602	641448	MANIFOLD VALVE / W/4 SOLENOID	1	1	1	1	1	
. NS	641927	. KIT, MANIFOLD REPAIR / N.O.	1	1	1	1	1	

From E-638 To Y-7045	Date:10/2022	PAGE:XL-1220-00
MISCELLANEOUS AIR VALVE		

Item#	Part	Description	M T H 4 0	M T H 4 5	M T H 4 5 E	X L 4 0	X L 4 5	N O T E S
. NS	641928	. KIT, MANIFOLD REPAIR / N.C.	1	1	1	1	1	
. NS	641929	. COIL 24V	1	1	1	1	1	
. NS	990143	. MALE CONNECTOR / PUSH-IN FITTING / W/O-RING / #2x#10-32-M BR	1	1	1	1	1	
. NS	642213	. MALE ELBOW 90° SWIVEL / PUSH-IN FITTING / #2x10-32 NP	1	1	1	1	1	
. NS	641385	. CONNECTOR / SOCKET HOUSING ASSY 3C / PNEUMAC 54934-01	1	1	1	1	1	
. NS	641455	. REDUCER STEM / PUSH-IN FITTING / #2x#4 PLAS	1	1	1	1	1	
602	641906	MANIFOLD VALVE / W/4 SOLENOID	1	1	1	1	1	
. NS	641927	. KIT, MANIFOLD REPAIR / N.O.	1	1	1	1	1	
. NS	641928	. KIT, MANIFOLD REPAIR / N.C.	3	3	3	3	3	
. NS	641107	. COIL 24V	1	1	1	1	1	
. NS	642213	. MALE ELBOW 90° SWIVEL / PUSH-IN FITTING / #2x10-32 NP	1	1	1	1	1	
. NS	990143	. MALE CONNECTOR / PUSH-IN FITTING / W/O-RING / #2x#10-32-M BR	1	1	1	1	1	
. NS	641385	. CONNECTOR / SOCKET HOUSING ASSY 3C / PNEUMAC 54934-01	1	1	1	1	1	
. NS	641455	. REDUCER STEM / PUSH-IN FITTING / #2x#4 PLAS	1	1	1	1	1	
603	641205	MANIFOLD VALVE / W/5 SOLENOID	1	1	1	1	1	
. NS	641928	. KIT, MANIFOLD REPAIR / N.C.	5	5	5	5	5	
. NS	641107	. COIL 24V	5	5	5	5	5	
605	641107	. COIL 24V	AR	AR	AR	AR	AR	
606	641353	. PLUNGER REPAIR KIT / MANIFOLD VALVE (1)	AR	AR	AR	AR	AR	
607	641385	. CONNECTOR / SOCKET HOUSING ASSY 3C / PNEUMAC 54934-01	AR	AR	AR	AR	AR	
610	641274	VALVE, 3 WAYS, 2 POSITIONS N.C.	1	1	1	1	1	
615	641057	VALVE, 5 WAYS, 3 POSITIONS To X-6971	1	1	1	1	1	
615	641531	VALVE, 5 WAYS, 3 POSITIONS From X-6972	1	1	1	1	1	
. NS	641186	. SPOOL From X-6972	1	1	1	1	1	
620	641315	VALVE, 3 WAYS, 2 POSITIONS N.C. To X-6971	1	1	1	1	1	
620	641937	VALVE, 3 WAYS, 2 POSITIONS N.C. / W/MAN OVERRIDE From X-6972	1	1	1	1	1	
. NS	641929	. COIL 24V From X-6972	1	1	1	1	1	
. NS	641385	. CONNECTOR / SOCKET HOUSING ASSY 3C / PNEUMAC 54934-01 From X-6972	1	1	1	1	1	
625	630135	VALVE, 3 WAYS, 2 POSITIONS N.O. To X-6971	1	1	1	1	1	
. NS	641169	. SPOOL To X-6971	1	1	1	1	1	
. NS	641929	. COIL 24V To X-6971	1	1	1	1	1	
625	641528	VALVE, 3 WAYS, 2 POSITIONS N.O. From X-6972	1	1	1	1	1	
. NS	641929	. COIL 24V From X-6972	1	1	1	1	1	
. NS	641169	. SPOOL From X-6972	1	1	1	1	1	
. NS	641385	. CONNECTOR / SOCKET HOUSING ASSY 3C / PNEUMAC 54934-01 From X-6972	1	1	1	1	1	
630	641316	VALVE, 3 WAYS, 2 POSITIONS / 2 SOLENOID To X-6971	1	1	1	1	1	
630	641530	VALVE, 3 WAYS, 2 POSITIONS / 2 SOLENOIDS From X-6972	1	1	1	1	1	
. NS	641929	. COIL 24V From X-6972	1	1	1	1	1	
. NS	641169	. SPOOL From X-6972	1	1	1	1	1	
. NS	641385	. CONNECTOR / SOCKET HOUSING ASSY 3C / PNEUMAC 54934-01 From X-6972	1	1	1	1	1	
635	641317	VALVE, 4 WAYS, 2 POSITIONS To X-6971	1	1	1	1	1	
635	641527	VALVE, 4 WAYS, 2 POSITIONS From X-6972	1	1	1	1	1	

From E-638 To Y-7045	Date:10/2022	PAGE:XL-1220-00
MISCELLANEOUS AIR VALVE		

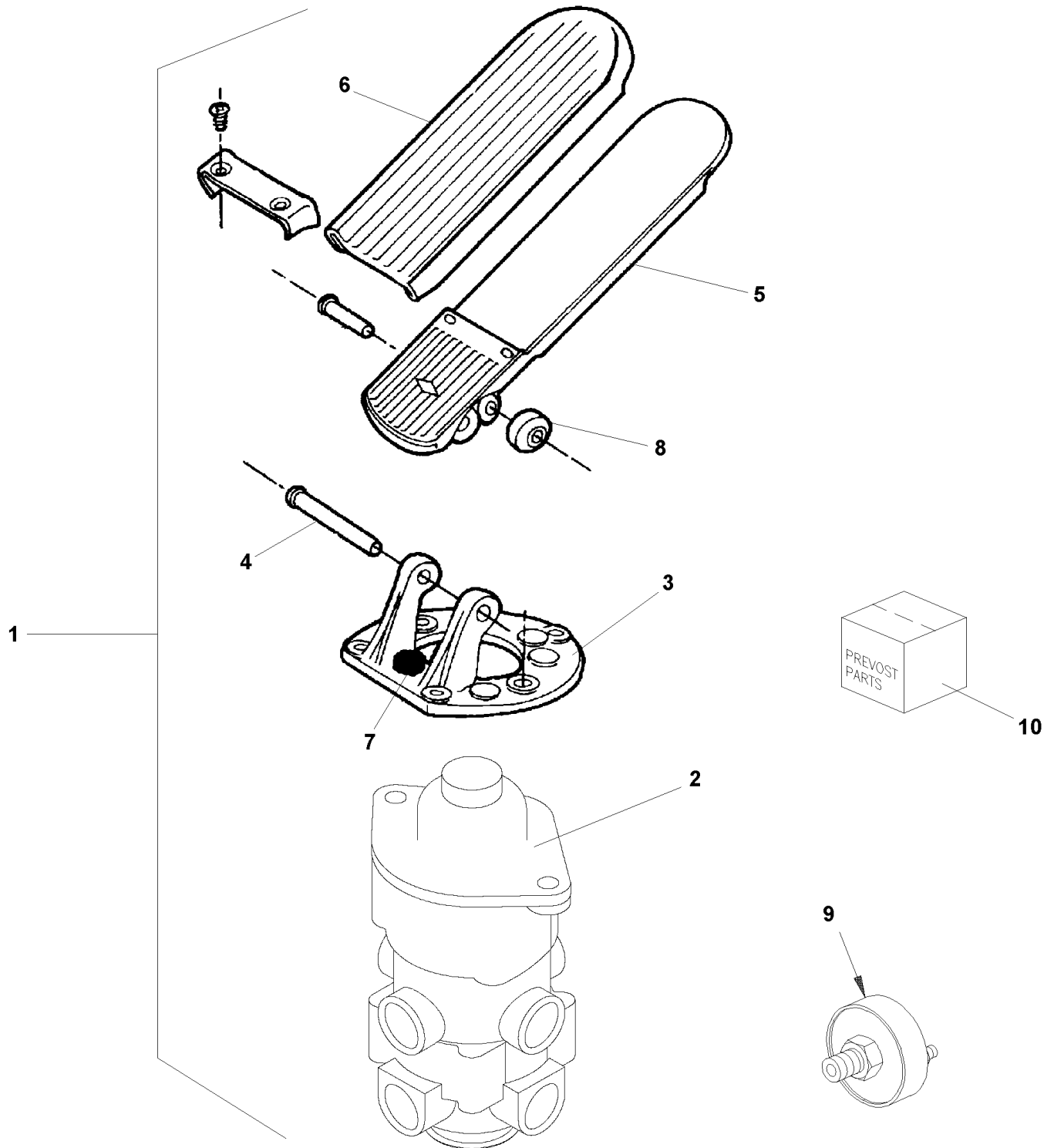
Item#	Part	Description	M T H 4 0	M T H 4 5	M T H 4 5 E	X L 4 0	X L 4 5	N O T E S
. NS	641929	. COIL 24V From X-6972	1	1	1	1	1	
. NS	641186	. SPOOL From X-6972	1	1	1	1	1	
. NS	641385	. CONNECTOR / SOCKET HOUSING ASSY 3C / PNEUMAC 54934-01 From X-6972	1	1	1	1	1	
640	641275	VALVE, 3 WAYS, 2 POSITIONS N.C. / W/O SPRING To X-6971	1	1	1	1	1	
640	641357	VALVE, 3 WAYS, 2 POSITIONS N.C. / W/SPRING From X-6972	1	1	1	1	1	
640	641276	VALVE, 3 WAYS, 2 POSITIONS N.O. / W/O SPRING To X-6971	1	1	1	1	1	
640	641356	VALVE, 3 WAYS, 2 POSITIONS N.O. / W/SPRING From X-6972	1	1	1	1	1	
650	642023	VALVE, 5 WAYS, 2 POSITIONS 24V / MODEL V19	1	1	1	1	1	
. NS	641385	. CONNECTOR / SOCKET HOUSING ASSY 3C / PNEUMAC 54934-01	1	1	1	1	1	
		A) LOCATED IN SPARE COMPARTMENT NEAR DRIVER'S FLOOR						

From E-638 To P-740

Date:10/2022

PAGE:XL-1220-10

BRAKE PEDAL VALVE - "BENDIX"



From P-741 To Y-7045	Date:10/2022	PAGE:XL-1220-11
BRAKE PEDAL VALVE - "BENDIX"		

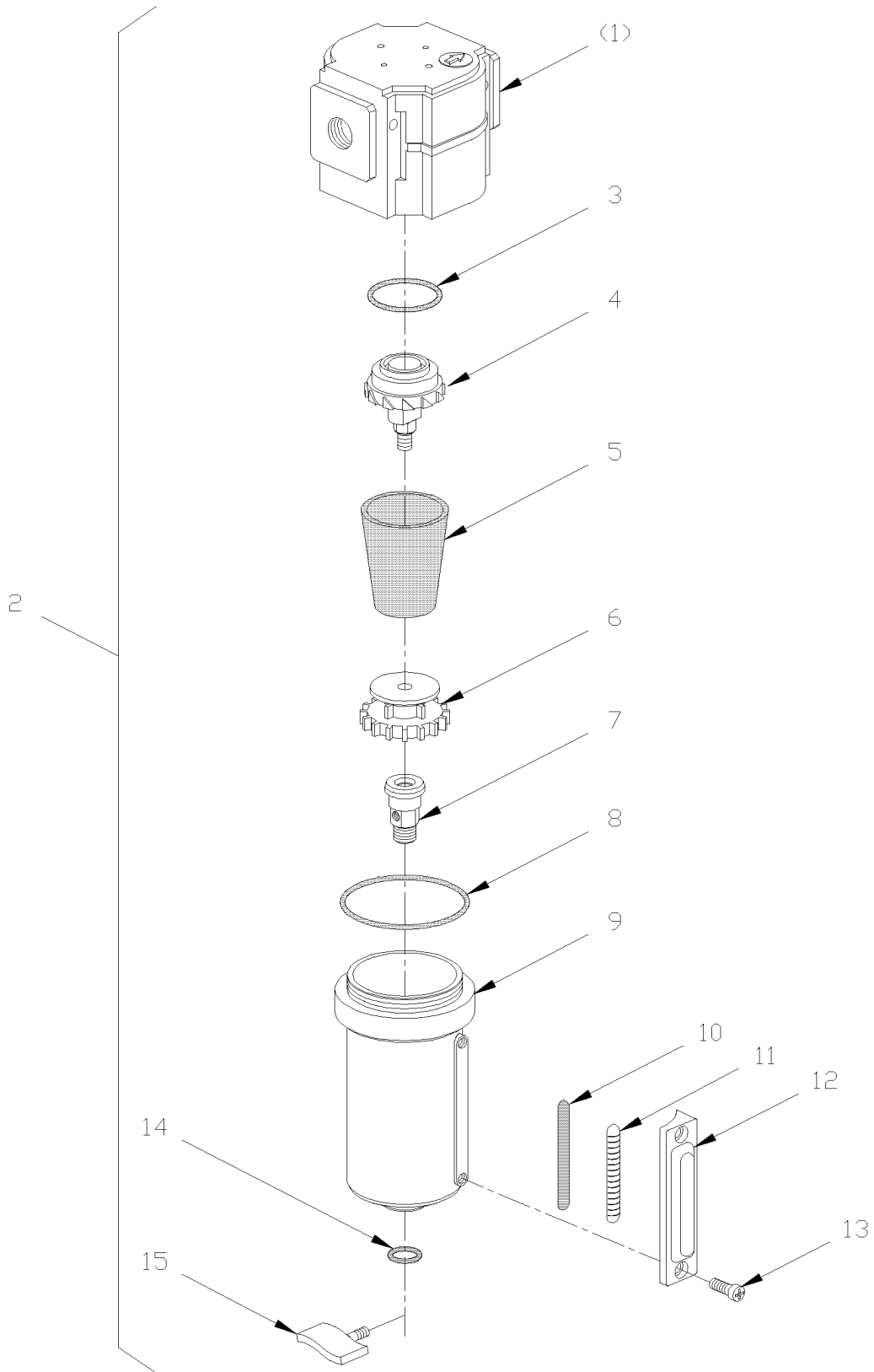
Item#	Part	Description	M T H 4 0	M T H 4 5	M T H 4 5 E	X L 4 0	X L 4 5	N O T E S
	141206	PEDAL ASSY	1	1	1	1	1	
1	500416	SCREW MA PAN PH #10-32x1/2 BK	2	2	2	2	2	
2	141212	THREADLE COVER / W/STEEL BACKING	1	1	1	1	1	
3	141207	PEDAL BRAKE	1	1	1	1	1	
4	502575	SCREW SHR HEXS 10x50 (M8-1.25	1	1	1	1	1	
5	500868	NUT HEX NYRT M8-1.25 Z050	1	1	1	1	1	
6	500874	WASHER FL 8.4x17.0x1.6 Z050	1	1	1	1	1	
7	507297	FLANGE BUSHING	2	2	2	2	2	
8	141211	SPACER	1	1	1	1	1	
9	141177	SUPPORT ASSY / TO FIX BRAKE PEDAL	1	1	1	1	1	
9	141996	SUPPORT ASSY / TO FIX BRAKE PEDAL	1	1	1	1	1	
10	507307	BUSHING OIL 1/2 I.D. X 3/4 O.D. X 1/2	1	1	1	1	1	
12	502102	PIN, COTTER 1/8 x 1	1	1	1	1	1	
13	502035	PIN, CLEVIS 1/2 x 1 3/8 Z050	1	1	1	1	1	
14	641257	BRAKE VALVE ASSY W/BACKET / MODEL E-15	1	1	1	1	1	
. NS	2359226	BOOT PLUNGER	1	1	1	1	1	
. NS	2222120	MOUNTING BRACKET COUPLING D-1	1	1	1	1	1	
14	641439	BRAKE VALVE ASSY W/BACKET / MODEL E-12	1	1	1	1	1	
. NS	2222120	MOUNTING BRACKET COUPLING D-1	1	1	1	1	1	
14	641856	BRAKE VALVE ASSY W/BACKET / MODEL E-10P	1	1	1	1	1	
. NS	19507993	BOOT PLUNGER	1	1	1	1	1	
. NS	19510779	PLUNGER	1	1	1	1	1	
. NS	2222120	MOUNTING BRACKET COUPLING D-1	1	1	1	1	1	
15	641925	VALVE SUB ASSY / MODEL E-10P	1	1	1	1	1	
15	641440	VALVE SUB ASSY / MODEL E-12	1	1	1	1	1	
15	641403	VALVE SUB ASSY / MODEL E-15	1	1	1	1	1	
16	500716	NUT HEX 1/2-20 Z050	2	2	2	2	2	
17	020317	YOKE 1/2-20x1 15/16 C/Lx9/16Wx1/2	2	2	2	2	2	
18	141178	SHAFT THREADED W/R.H. THREAD 260MM	1	1	1	1	1	
20	640852	PRESSURE SWITCH N.O. 4PSI / 1/4NPT W/8-32 / SL-5 BRAKE	2	2	2	2	2	
20	641462	PRESSURE SWITCH N.O. 4PSI / 1/4NPT W/10-32 / SL-5 BRAKE	2	2	2	2	2	
30	641367	MALE ELBOW 45° NON-SWIVEL / PUSH-IN FITTING / #6x3/8NPT-M BR	AR	AR	AR	AR	AR	
31	501699	MALE RUN TEE / PIPE FITTING / 3/8NPT-Mx3/8NPT-Fx3/8NPT-F BR	AR	AR	AR	AR	AR	
32	641330	MALE CONNECTOR / PUSH-IN FITTING / #6x3/8NPT-M BR	AR	AR	AR	AR	AR	
33	641375	MALE ELBOW 90° NON-SWIVEL / PUSH-IN FITTING / #6x3/8NPT-M BR	AR	AR	AR	AR	AR	
34	641368	MALE ELBOW 45° NON-SWIVEL / PUSH-IN FITTING / #8x3/8NPT-M BR	AR	AR	AR	AR	AR	
35	641602	MALE CONNECTOR / PUSH-IN FITTING / #10x3/8NPT-M BR	AR	AR	AR	AR	AR	
36	501330	STREET ELBOW 45° / PIPE FITTING / 3/8NPT-Mx3/8NPT-F BR	AR	AR	AR	AR	AR	
100	641404	REPAIR KIT / MAJOR / (MINOR, PISTON & DIAPHRAM) VALVE E-15	1	1	1	1	1	
100	641442	REPAIR KIT / MAJOR / (MINOR, PISTON & VALVE E-12 & E-15	1	1	1	1	1	
100	641405	REPAIR KIT / MINOR / (O-RING & SEAL) VALVE E-15	1	1	1	1	1	
100	641441	REPAIR KIT / MINOR / (O-RING & SEAL) / VALVE E-12 & E-15	1	1	1	1	1	

From T-5790 To Y-7045

Date:10/2022

PAGE:XL-1220-16

AIR FILTER - ACCESSORIES



From T-5790 To Y-7045	Date:10/2022	PAGE:XL-1220-16
-----------------------	--------------	-----------------

AIR FILTER - ACCESSORIES

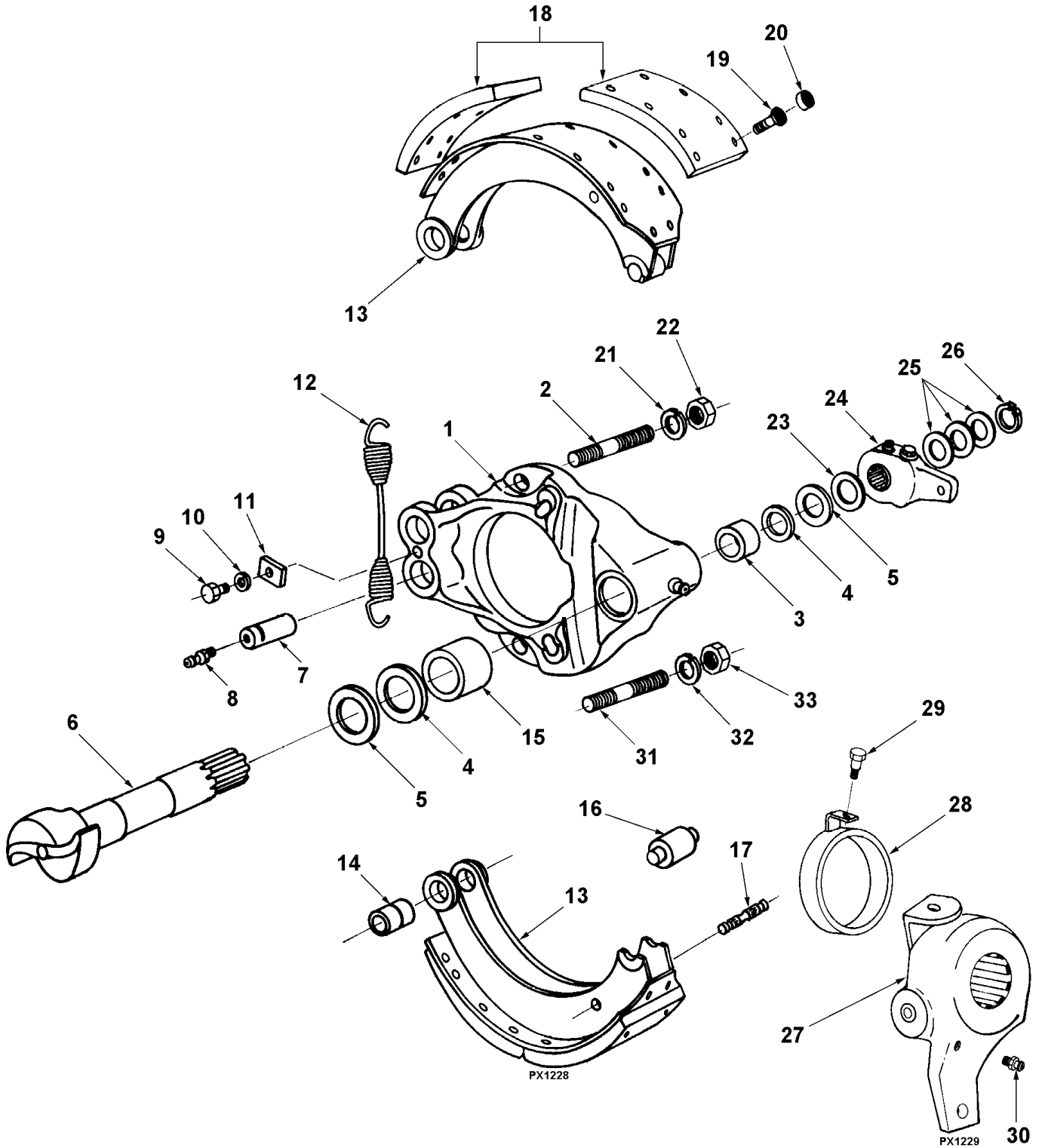
Item#	Part	Description	M T H 4 0	M T H 4 5	M T H 4 5 E	X L 4 0	X L 4 5	N O T E S
1	641339	SUPPORT / AIR FILTER	1	1	1	1	1	
2	641338	AIR FILTER ASSY	1	1	1	1	1	
3	N.S.S.	O-RING / UPPER CENTER POST	1	1	1	1	1	1
4	641969	CENTER POST	1	1	1	1	1	
5	641340	FILTER ELEMENT	1	1	1	1	1	
6	641970	SCREW BAFFLE	1	1	1	1	1	
7	641971	DRAIN VALVE BODY	1	1	1	1	1	
8	N.S.S.	O-RING / UPPER BOWL	1	1	1	1	1	1
9	N.S.S.	BOWL METAL	1	1	1	1	1	1
10	N.S.S.	INDICATOR FILTER	1	1	1	1	1	1
11	N.S.S.	GLASS / INDICATOR	1	1	1	1	1	1
12	N.S.S.	RETAINER / GLASS	1	1	1	1	1	1
13	N.S.S.	SCREW / TO FIX RETAINER	2	2	2	2	2	1
14	N.S.S.	O-RING / LOWER BOWL	1	1	1	1	1	1
15	641972	DRAIN VALVE	1	1	1	1	1	
16	N.S.S.	NUT RETAINER / DRAIN VALVE	1	1	1	1	1	1
17	641354	KIT, O-RING	AR	AR	AR	AR	AR	A
17	641355	KIT, LEVEL INDICATOR	AR	AR	AR	AR	AR	B
17	7770058	KIT, DRAIN VALVE	AR	AR	AR	AR	AR	C
		A) INCLUDE ITEMS #3,8 & 1						
		B) INCLUDE ITEMS #8,10,11 & 13						
		C) INCLUDE ITEMS #7,14 & 15						
		1) NOT SOLD SEPARATELY						

From E-638 To F-902

Date:10/2022

PAGE:XL-1225-00

BRAKE PARTS - FRONT AXLE - W/MODEL 16931



From E-638 To F-902

Date:10/2022

PAGE:XL-1225-00

BRAKE PARTS - FRONT AXLE - W/MODEL 16931



610485 R.H.
SUPERSEDED BY
611095 R.H.



610486 L.H.
SUPERSEDED BY
611096 L.H.

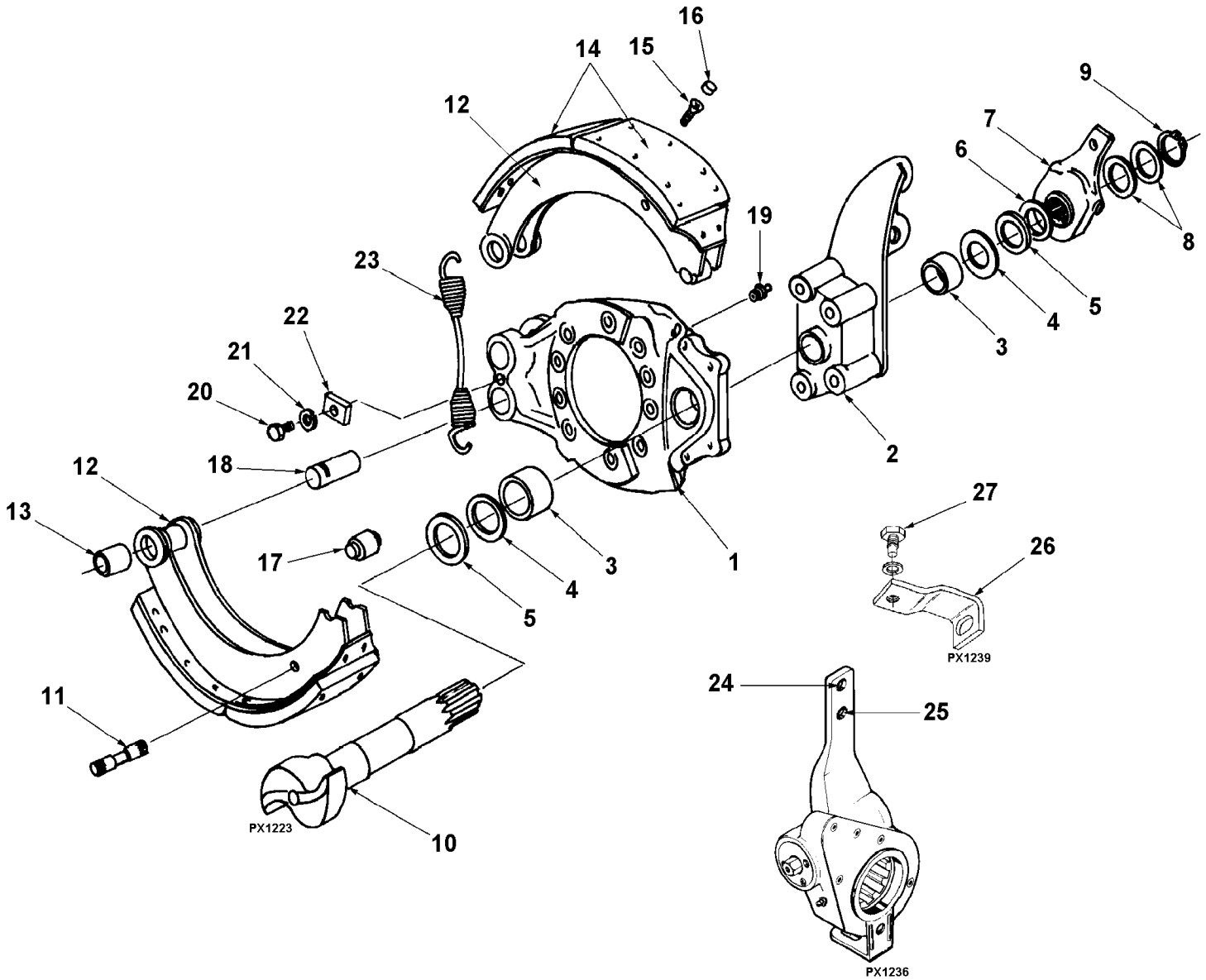
From E-638 To F-902	Date:10/2022	PAGE:XL-1225-00
BRAKE PARTS - FRONT AXLE - W/MODEL 16931		

Item#	Part	Description	M T H 4 0	M T H 4 5	M T H 4 5 E	X L 4 0	X L 4 5	N O T E S
1	610486	SPIDER R.H. / W/BUSHING	1			1		A
1	611096	SPIDER R.H. / W/BUSHING / W/MACHINED O.D. END CAM	1			1		A
1	610485	SPIDER L.H. / W/BUSHING	1			1		A
1	611095	SPIDER L.H. / W/BUSHING / W/MACHINED O.D. END CAM	1			1		A
2	610701	. STUD / UPPER 7/8-14 X 3-7/8"	2			2		
3	610699	. BUSHING 1 1/2" ID X 1 7/8" OD X 1 1/4"	2			2		
4	610179	. SEAL / CAMSHAFT	2			2		
5	610227	WASHER 1-9/16" I.D. x 2-3/4" O.D. x 1/16"TH	4			4		
6	610770	CAMSHAFT R.H.	1			1		
6	610769	CAMSHAFT L.H.	1			1		
7	610143	ANCHOR PIN	4			4		
8	501491	GREASE FITTING / 1/8 NPTx3/4"	4			4		
9	500181	SCREW CAP HEX 5/16-18x1 G5 Z050	2			2		
10	500476	WASHER LO SPT .317x.586x.078 Z050	2			2		
11	610217	LOCK / ANCHOR PIN	2			2		
12	610296	SPRING EXTENSION / .625 O.D. x 8.687	4			4		
13	610705	SHOE ASSY 5" WIDE / 14.5" O.D.	4			4		
14	610702	. BUSHING ANCHOR PIN / 1 1/4" I.D. x 1 1/2" O	4			4		
15	610700	SPACER BUSHING 1.781" LG	1			1		
16	610703	ROLLER STD	4			4		
16	610950	ROLLER 1/8" O.S.	AR			AR		
16	610951	ROLLER 1/4" O.S.	AR			AR		
16	610952	ROLLER 3/8" O.S.	AR			AR		
16	610953	ROLLER 1/2" O.S.	AR			AR		
17	610708	PIN, RETURN SPRING 27/64 O.D. x 2-25/32"	4			4		
18	641084	LINING SET NON ASBESTOS (8 PCES) STD	1			1		
18	641085	LINING SET NON ASBESTOS (8 PCES) X OVERSIZE	AR			AR		
18	641221	LINING SET NON ASBESTOS (8 PCES) XX OVERSIZE	AR			AR		
18	641222	LINING SET NON ASBESTOS (8 PCES) XXX OVERSIZE	AR			AR		
19	641208	SCREW MA FL SLT W/NUT & LOCK (100) 3/8-16x1 BR	16			16		
19	9097	SCREW MA FL SLT W/NUT & LOCK (100) 3/8-24x1 BR	AR			AR		
20	640617	PLUG, LINING BOLT HOLE	AR			AR		
21	500490	WASHER LO SPT .887x1.464x.219 ZP	2			2		
22	610075	NUT / STUD UPPER	2			2		
23	621133	WASHER 1 17/32" I.D. X 2 3/8" O.D. X .032 TH	2			2		
24	640869	SLACK ADJUSTER L.H. / MANUAL "BENDIX"	1			1		
24	640868	SLACK ADJUSTER R.H. / MANUAL "BENDIX"	1			1		
25	610778	WASHER 1 15/32" I.D. X 2 1/4" O.D. X 1/16" TH	6			6		
26	610771	RING RETAINER / EXT 1.375 I.D. x .108" th	2			2		
27	641470	SLACK ADJUSTER L.H. W/FRONT AXLE 16930 & 931	1			1		
27	641471	SLACK ADJUSTER R.H. W/FRONT AXLE 16930 & 931	1			1		
NS	641215	. BUSHING 5/8" O.D. X 1/2" I.D.	1			1		

From E-638 To F-902	Date:10/2022	PAGE:XL-1225-00
BRAKE PARTS - FRONT AXLE - W/MODEL 16931		

Item#	Part	Description	M T H 4 0	M T H 4 5	M T H 4 5 E	X L 4 0	X L 4 5	N O T E S
28	641468	ANCHOR BRACKET R.H. W/FRONT 16930 & 931	1			1		
28	641469	ANCHOR BRACKET L.H. W/FRONT 16930 & 931	1			1		
29	640986	. SCREW SPECIAL /TO USE WITH ALL SLACK ADJUST	1			1		
NS	500982	. NUT HEX JAM 5/16-18 Z050	3			3		
29	500181	. SCREW CAP HEX 5/16-18x1 G5 Z050	3			3		
30	501495	GREASE FITTING 90° / 1/8 NPT	2			2		
31	610039	STUD 7/8-14 x 7/8-14 x 2 3/4"	2			2		
32	610252	DOWEL / LOWER STUD	2			2		
33	610053	NUT 7/8-14	2			2		
		A) FOR EASY IDENTIFICATION, SEE DRAWING 2						

From F-903 To P-740	Date:10/2022	PAGE:XL-1225-01
BRAKE PARTS - FRONT AXLE - W/MODEL 17101		



W/AUTOMATIC SLACK ADJUSTER

From F-903 To P-740		Date:10/2022	PAGE:XL-1225-01
BRAKE PARTS - FRONT AXLE - W/MODEL 17101			

Item#	Part	Description	M T H 4 0	M T H 4 5	M T H 4 5 E	X L 4 0	X L 4 5	N O T E S
1	610893	SPIDER L.H. / W/BUSHING	1		1	1		
1	610892	SPIDER R.H. / W/BUSHING	1		1	1		
2	610891	BRACKET BRAKE CHAMBER L.H.	1		1	1		
2	610890	BRACKET BRAKE CHAMBER R.H.	1		1	1		
3	610699	. BUSHING 1 1/2" ID X 1 7/8" OD X 1 1/4"	2		2	2		
4	621115	. SEAL / CAMSHAFT	2		2	2		
5	610227	WASHER 1-9/16" I.D. x 2-3/4" O.D. x 1/16" TH	2		2	2		
6	621133	WASHER 1 17/32" I.D. X 2 3/8" O.D. X .032 TH	2		2	2		
7	641063	SLACK ADJUSTER L.H. / MANUAL "BENDIX"	1		1	1		
7	641064	SLACK ADJUSTER R.H. / MANUAL "BENDIX"	1		1	1		
8	610778	WASHER 1 15/32" I.D. X 2 1/4" O.D. X 1/16" TH	4		4	4		
9	610771	RING RETAINER / EXT 1.375 I.D. x .108" th	2		2	2		
10	610769	CAMSHAFT L.H.	1		1	1		
10	610770	CAMSHAFT R.H.	1		1	1		
11	610708	PIN, RETURN SPRING 27/64 O.D. x 2-25/32"	4		4	4		
12	610705	SHOE ASSY 5" WIDE / 14.5" O.D. To H-277	4			4		
12	610798	SHOE ASSY 6" WIDE / 14.5" O.D. From H-278	4		4	4		
13	610702	. BUSHING ANCHOR PIN / 1 1/4" I.D. x 1 1/2" O	4		4	4		
14	641084	LINING SET NON ASBESTOS (8 PCES) STD To H-277	1			1		
14	641082	LINING SET NON ASBESTOS (8 PCES) STD From H-278	1		1	1		
14	641085	LINING SET NON ASBESTOS (8 PCES) X OVERSIZE To H-277	AR			AR		
14	641083	LINING SET NON ASBESTOS (8 PCES) X OVERSIZE From H-278	AR		AR	AR		
14	641221	LINING SET NON ASBESTOS (8 PCES) XX OVERSIZE To H-277	AR			AR		
14	641223	LINING SET NON ASBESTOS (8 PCES) XX OVERSIZE From H-278	AR		AR	AR		
14	641222	LINING SET NON ASBESTOS (8 PCES) XXX OVERSIZE To H-277	AR			AR		
14	641224	LINING SET NON ASBESTOS (8 PCES) XXX OVERSIZE From H-278	AR		AR	AR		
15	641208	SCREW MA FL SLT W/NUT & LOCK (100) 3/8-16x1 BR	16		16	16		
15	9097	SCREW MA FL SLT W/NUT & LOCK (100) 3/8-24x1 BR	AR		AR	AR		
16	640617	PLUG, LINING BOLT HOLE	AR		AR	AR		
17	610703	ROLLER STD	4		4	4		
17	610950	ROLLER 1/8" O.S.	AR		AR	AR		
17	610951	ROLLER 1/4" O.S.	AR		AR	AR		
17	610952	ROLLER 3/8" O.S.	AR		AR	AR		
17	610953	ROLLER 1/2" O.S.	AR		AR	AR		
18	610143	ANCHOR PIN	4		4	4		
19	501496	GREASE FITTING 30° / 1/8 NPTx1 1/4"	4		4	4		
19	501491	GREASE FITTING / 1/8 NPTx3/4"	4		4	4		
20	620024	SCREW	2		2	2		
21	610002	WASHER LOCK	2		2	2		
22	610217	LOCK / ANCHOR PIN	2		2	2		
23	610296	SPRING EXTENSION / .625 O.D. x 8.687	4		4	4		
24	641051	SLACK ADJUSTER L.H. W/FRONT AXLE 17101	1		1	1		

From F-903 To P-740	Date:10/2022	PAGE:XL-1225-01
BRAKE PARTS - FRONT AXLE - W/MODEL 17101		

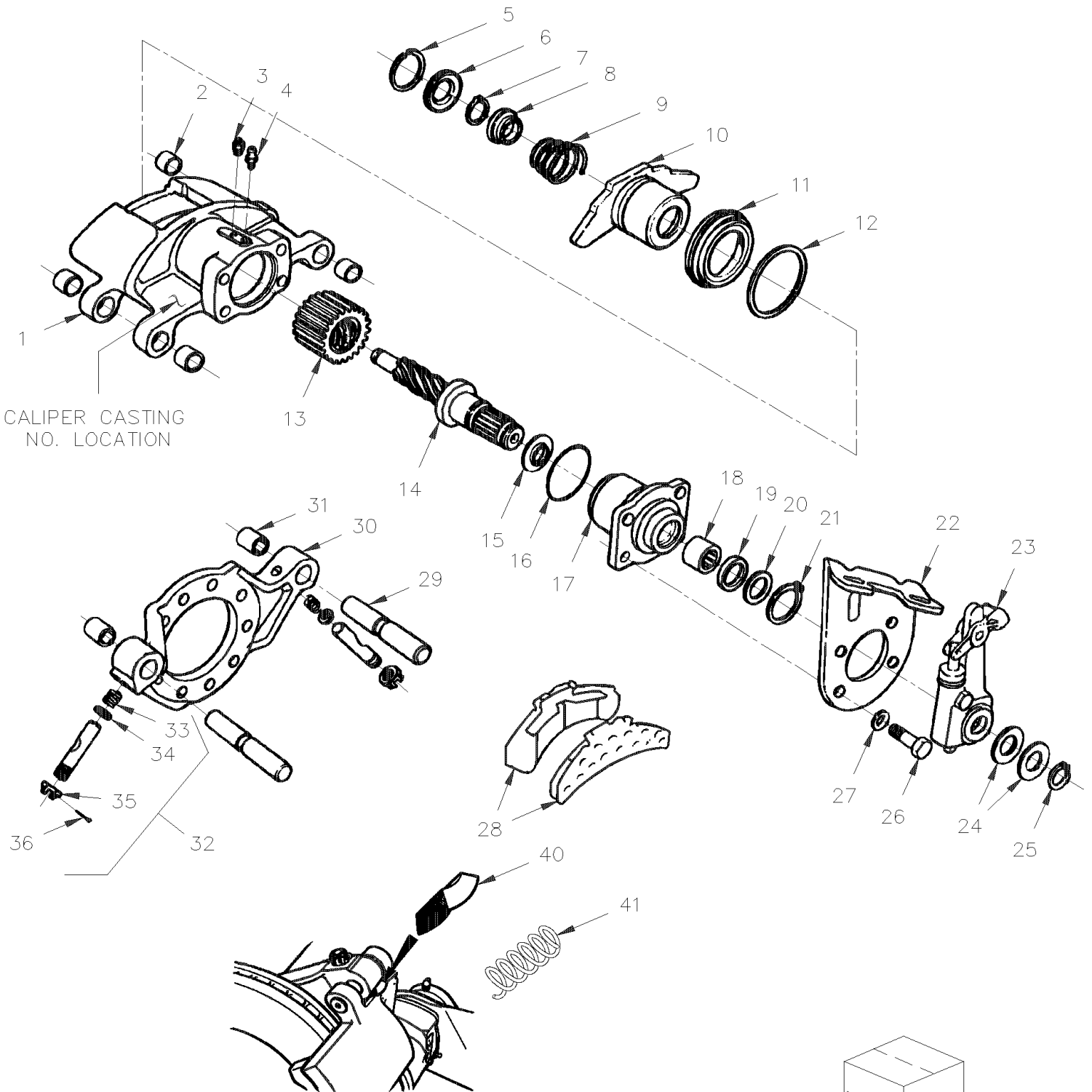
Item#	Part	Description	M T H 4 0	M T H 4 5	M T H 4 5 E	X L 4 0	X L 4 5	N O T E S
24	197306	SLACK ADJUSTER L.H. W/FRONT AXLE 17101	1		1	1		TTT
24	641052	SLACK ADJUSTER R.H. W/FRONT AXLE 17101	1		1	1		
24	197305	SLACK ADJUSTER R.H. W/FRONT AXLE 17101	1		1	1		TTT
25	641215	. BUSHING 5/8" O.D. X 1/2" I.D.	1		1	1		
26	641053	ANCHOR BRACKET L.H & R.H. / W/17101	1		1	1		
27	640986	SCREW SPECIAL /TO USE WITH ALL SLACK ADJUST	1		1	1		
NS	501490	GREASE FITTING / 1/8 NPT	1		1	1		
		NOTE: EXCEPTONALLY FOR VEHICLES						
		F-905, 907, 908, 909, 911, 913, 915						
		917, 923, 925, 935, 940, 986, 988 & F-989						
		SEE PAGE XL-1225-00						
		TTT) TRUCK - TRAILER - TRANSIT						

From P-741 To Y-7045

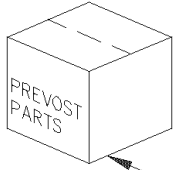
Date:10/2022

PAGE:XL-1225-02

BRAKE PARTS - FRONT AXLE - W/MODEL 2FG952CAX



CALIPER CASTING
NO. LOCATION



100 TO 103

From P-741 To Y-7045	Date:10/2022	PAGE:XL-1225-02
BRAKE PARTS - FRONT AXLE - W/MODEL 2FG952CAX		

Item#	Part	Description	M T H 4 0	M T H 4 5	M T H 4 5 E	X L 4 0	X L 4 5	N O T E S
	610974	CALIPER ASSY / L.H.				1	1	A
	610974	CALIPER ASSY / L.H. To T-5872	1	1	1			A
NS	610975	CALIPER ASSY / R.H.				1	1	A
	610975	CALIPER ASSY / R.H. To T-5872	1	1	1			A
1	621599	CALIPER / W/SLIDING BUSHING ONLY	2	2	2	2	2	
2	610806	BUSHING / (SET OF 4)	4	4	4	4	4	
3	610808	FITTING, PRESSURE RELIEF / 5 PSI	1	1	1	1	1	
4	501493	GREASE FITTING 45° / 1/8 NPT	1	1	1	1	1	
5	621363	RING, SNAP	1	1	1	1	1	
6	610816	SEAL / PISTON END	1	1	1	1	1	
7	610830	RING, RETAINING	1	1	1	1	1	
8	610831	BUSHING, INNER	1	1	1	1	1	
9	610813	SPRING COMPRESSION / 2.470 O.D. x 4.5 x .148	1	1	1	1	1	
10	621351	PISTON	1	1	1	1	1	
11	621352	BOOT	1	1	1	1	1	
12	621353	SEAL	1	1	1	1	1	
13	610817	NUT, ACTUATOR / L.H. THREAD	1	1	1	1	1	
13	610818	NUT, ACTUATOR / R.H. THREAD	1	1	1	1	1	
14	610819	SHAFT, POWER / L.H. THREAD	1	1	1	1	1	
14	610820	SHAFT, POWER / R.H. THREAD	1	1	1	1	1	
14	680500	GREASE MERITOR / 400GR	AR	AR	AR	AR	AR	
15	610821	WASHER, POWER SHAFT THRUST	1	1	1	1	1	
16	610822	O-RING	1	1	1	1	1	
17	610823	CAP / POWER SHAFT	1	1	1	1	1	
18	N.S.S.	BUSHING	1	1	1	1	1	1
19	621115	SEAL / CAMSHAFT	1	1	1	1	1	
20	610826	WASHER	1	1	1	1	1	
21	610376	RING, SNAP	1	1	1	1	1	
22	610977	BRACKET / L.H. / BRAKE CHAMBER	1	1	1	1	1	
22	610976	BRACKET / R.H. / BRAKE CHAMBER	1	1	1	1	1	
23	XL-1230-00	SLACK ADJUSTER AUTOMATIC - "ROCKWELL"						
23	XL-1230-01	SLACK ADJUSTER AUTOMATIC - "HALDEX"						
24	610832	WASHER	AR	AR	AR	AR	AR	
25	610833	SNAP RING CAM SHAFT & ANCHOR PIN	1	1	1	1	1	
26	610812	SCREW, HEX.	4	4	4	4	4	
27	610811	WASHER	4	4	4	4	4	
28	621371	KIT, LINING	1	1	1	1	1	
28	621855	KIT, LINING (set of 2)	1	1	1	1	1	
28	641285	KIT, LINING				1	1	G
NS	641363	KIT, LINING				1	1	B
29	621466	PIN SLIDING / W/GROOVE 3/32"	2	2	2	2	2	
NS	621467	O-RING / 47/64" I.D.	2	2	2	2	2	

From P-741 To Y-7045	Date:10/2022	PAGE:XL-1225-02
----------------------	--------------	-----------------

BRAKE PARTS - FRONT AXLE - W/MODEL 2FG952CAX

Item#	Part	Description	M T H 4 0	M T H 4 5	M T H 4 5 E	X L 4 0	X L 4 5	NOTES
30	610917	PLATE TORQUE / R.H.	1	1	1	1	1	
30	611093	PLATE TORQUE / R.H.	1	1	1	1	1	
NS	610918	PLATE TORQUE / L.H.	1	1	1	1	1	
30	611094	PLATE TORQUE / L.H.	1	1	1	1	1	
31	610837	BUSHING SLIDING PIN	2	2	2	2	2	
32	610838	KIT, RETAINER PIN / (SET OF 2)	1	1	1	1	1	
33	N.S.P.	. SPRING	2	2	2	2	2	2
34	N.S.P.	. WASHER	2	2	2	2	2	2
35	N.S.P.	. NUT	2	2	2	2	2	2
36	N.S.P.	. PIN, COTTER	2	2	2	2	2	2
40	141568	SPACER RUBBER / NOISELESS / CALIPER & TORQUE PLATE	1	1	1	1		
41	621546	SPRING, COMP. / 1.275 TO 1.675 O.D. x 1.890 x (SET OF 2)	1	1	1	1	1	
100	610924	KIT MINOR REPAIR	AR	AR	AR	AR	AR	C
101	610925	KIT MAJOR REPAIR / L.H.	AR	AR	AR	AR	AR	D
102	610926	KIT MAJOR REPAIR / R.H.	AR	AR	AR	AR	AR	E
103	611100	KIT SLIDING PIN / W/O-RING	AR	AR	AR	AR	AR	F
103	682928	INNER BUSHING DRIVE / W/ROCKWELL	AR	AR	AR	AR	AR	
103	682929	OUTER BUSHING DRIVER / W/ROCKWELL	AR	AR	AR	AR	AR	
103	682394	PLUG CALIBRATOR	AR	AR	AR	AR	AR	
. NS	MAINT-ADB1560	. SEE MAINTENANCE MANUAL	1	1	1	1	1	
103	682396	BEARING & NUT ASSEMBLY / W/ROCKWELL	AR	AR	AR	AR	AR	
. NS	MAINT-ADB1560	. SEE MAINTENANCE MANUAL	1	1	1	1	1	
103	682399	SPRING RETAINER ADAPTER / W/ROCKWELL / J-33860	AR	AR	AR	AR	AR	
. NS	MAINT-ADB1560	. SEE MAINTENANCE MANUAL	1	1	1	1	1	
		A) "WARNING" DISCARD THE SLACK ADJUSTER WHO COME WITH THIS ASSY BECAUSE IT USE ON TAG AXLE ONLY						
		B) FOR TRANSIT W/HIGH FREQUENCY BRAKE APPLICATION / #S2R7017173						
		C) INCLUDE ITEMS #5,6,7,8,11,12,15,16,17,19,20,21 & 32						
		D) INCLUDE ITEMS #5,6,7,8,11,12,13,14,15,16,19,20,21 & 32						
		E) INCLUDE ITEMS #5,6,7,8,11,12,13,14,15,16,19,20,21 & 32						
		F) INCLUDE 2 ITEMS #29, 2 ITEMS #32 & 4 O-RING						
		G) FOR TRANSIT W/HIGH FREQUENCY BRAKE APPLICATION / (FORMER) #1513AB						
		1) NOT SOLD SEPARATELY						
		2) NOT SOLD BY PREVOST (SEE MANUFACTURING PART NUMBER AT END OF DESCRIPTION LINE)						

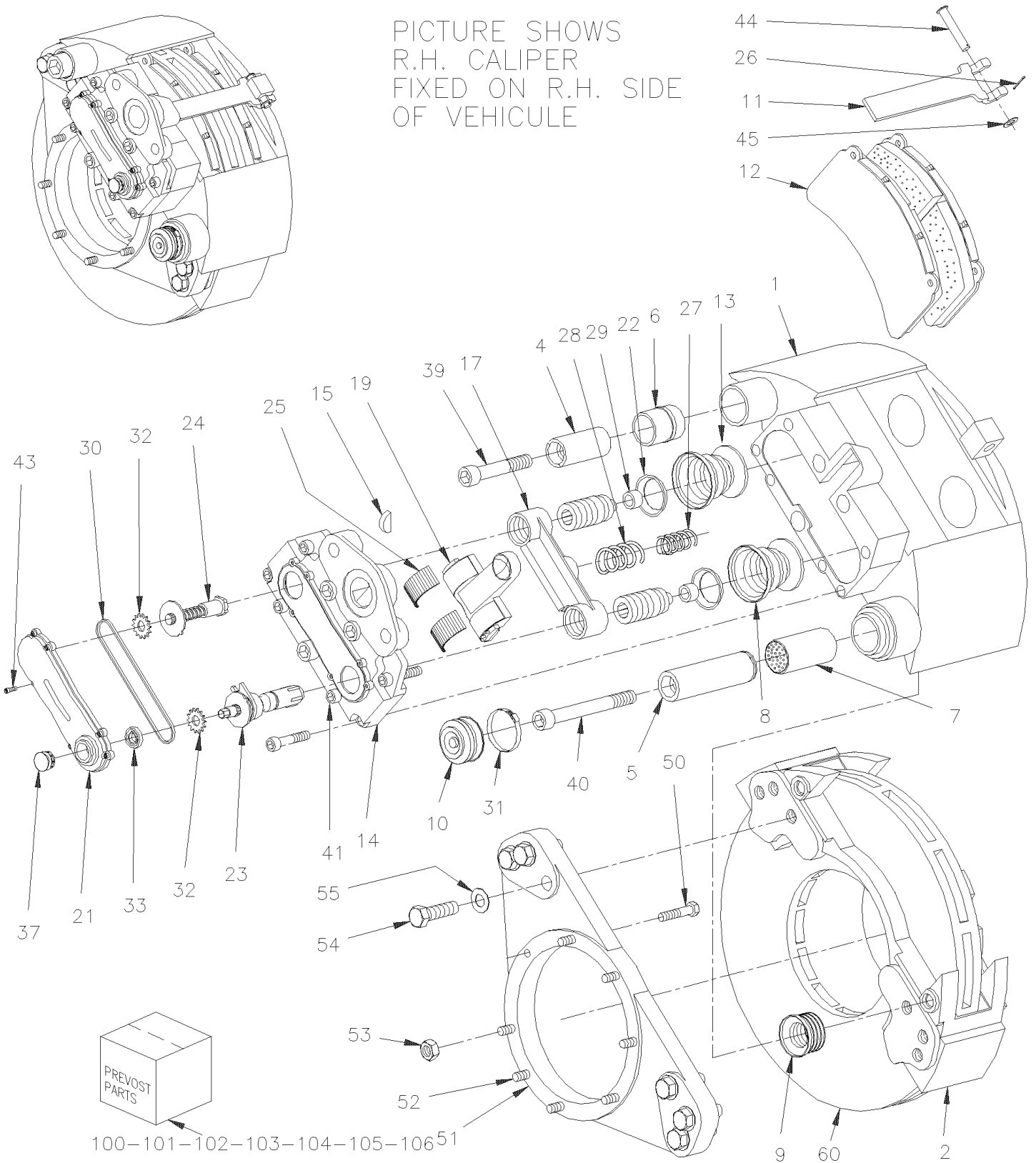
From T-5873 To V-6001

Date:10/2022

PAGE:XL-1225-03

BRAKE PARTS - FRONT AXLE - W/"KNORR-BREMSE" / SB7 SERIES

PICTURE SHOWS
R.H. CALIPER
FIXED ON R.H. SIDE
OF VEHICLE



From T-5873 To V-6001	Date:10/2022	PAGE:XL-1225-03
-----------------------	--------------	-----------------

BRAKE PARTS - FRONT AXLE - W/"KNORR-BREMSE" / SB7 SERIES

Item#	Part	Description	M T H 4 0	M T H 4 5	M T H 4 5 E	X L 4 0	X L 4 5	N O T E S
	N.S.A.	CALIPER ASSY R.H. / W/BOOSTER TYPE 24 / (SB7584)	1	1	1			3
	N.S.A.	CALIPER ASSY L.H. / W/BOOSTER TYPE 24 / (SB7594)	1	1	1			3
	611075	. CALIPER ASSY R.H. / W/O BOOSTER & CARRIER / SB7	1	1	1			A
	611074	. CALIPER ASSY L.H. / W/O BOOSTER & CARRIER / SB7	1	1	1			A
1	N.S.S.	. . CALIPER HOUSING	1	1	1			1
2	N.S.S.	. . BRAKE CARRIER	1	1	1			1
4	N.S.S.	. . GUIDE BUSHING / SHORT	1	1	1			1
5	N.S.S.	. . GUIDE BUSHING / LONG	1	1	1			1
6	611245	. . GUIDE SLEEVE / RUBBER SB 7 SERIES	1	1	1			
7	611107	. . BUSHING / BRASS	1	1	1			
8	N.S.S.	. . BOOT RUBBER	2	2	2			1
9	N.S.S.	. . BELLOW GUIDE BUSHING / RUBBER BLACK	1	1	1			1
10	641419	. . BELLOW CAP / RUBBER	1	1	1			
11	N.S.S.	. . BRAKE PAD BRACKET	1	1	1			1
12	611049	. . LINING SET STD /	1	1	1			B
. 11	N.S.S.	. . . BRAKE PAD BRACKET	1	1	1			1 B
. 26	N.S.S.	. . . SPRING SPLIT PIN	1	1	1			1 B
. 37	641313	. . . PLUG CAP / ADJUSTING DEVICE / PLASTIC INTERIOR GRIP	1	1	1			B
. 44	N.S.S.	. . . CLEVIS PIN	1	1	1			1 B
. 45	N.S.S.	. . . WASHER	1	1	1			1 B
. 61	N.S.S.	. . . SHEAR ADAPTER	1	1	1			1 B
13	N.S.S.	. . TAPPET	2	2	2			1
14	N.S.S.	. . SYNCHRONIZING HOUSING	1	1	1			1
15	N.S.S.	. . PLUG HALF / RUBBER	1	1	1			1
17	N.S.S.	. . BEAM	1	1	1			1
18	N.S.S.	. . O-RING	1	1	1			1
19	N.S.S.	. . LEVER	1	1	1			1
21	N.S.S.	. . COVER SYNCHRONIZING HOUSING	1	1	1			1
22	N.S.S.	. . CAP	2	2	2			1
23	N.S.S.	. . CLEARANCE ADJUSTER	1	1	1			1
24	N.S.S.	. . DRIVER	1	1	1			1
25	N.S.S.	. . LEVER BEARING	2	2	2			1
26	N.S.S.	. . SPRING SPLINT PIN	1	1	1			1
27	N.S.S.	. . COMPRESSION SPRING	1	1	1			1
28	N.S.S.	. . COMPRESSION SPRING	1	1	1			1
29	N.S.S.	. . RING RETAINING	2	2	2			1
30	N.S.S.	. . ROLLER CHAIN	1	1	1			1
31	641420	. . PERFORATED CLIP	1	1	1			
32	N.S.S.	. . CHAIN DRIVE WHEEL	2	2	2			1
33	N.S.S.	. . SHAFT SEALING RING	1	1	1			1
37	641313	. . PLUG CAP / ADJUSTING DEVICE / PLASTIC INTERIOR GRIP	1	1	1			
38	N.S.S.	. . DOWEL	4	4	4			1

From T-5873 To V-6001	Date:10/2022	PAGE:XL-1225-03
BRAKE PARTS - FRONT AXLE - W/"KNORR-BREMSE" / SB7 SERIES		

Item#	Part	Description	M T H 4 0	M T H 4 5	M T H 4 5 E	X L 4 0	X L 4 5	N O T E S
39	N.S.S.	. . SCREW CAP HEXS M16-1.5x140 G10.9 ZP	1	1	1			1
40	N.S.S.	. . SCREW CAP HEXS M16-1.5x90 G10.9 ZP	1	1	1			1
41	N.S.S.	. . SOCKET HEAD CAP SCREW M14 X 60MM	3	3	3			1
43	N.S.S.	. . SOCKET HEAD CAP SCREW M5 X 12MM	8	8	8			1
44	N.S.S.	. . CLEVIS PIN	1	1	1			1
45	N.S.S.	. . WASHER	1	1	1			1
50	500091	SCREW CAP HEX 1/2-20x1 3/4 G5 ZP	3	3	3			
51	611097	CALIPER MOUNTING BRACKET L.H.	1	1	1			
51	611098	CALIPER MOUNTING BRACKET R.H.	1	1	1			
52	611030	STUD 1/2-20 X 1 11/16"	5	5	5			U
53	500718	NUT HEX STO 1/2-20 Z050	8	8	8			U
54	5001193	SCREW CAP HEX M20-2.5x65 G10.9 ZP	6	6	6			
55	502558	WASHER FL 21.0x37.0x3.0 G500	6	6	6			
60	XL-1300-02	HUB & ROTOR - FRONT AXLE MODEL "IS-82" To W-6329						
60	XL-1300-03	HUB & ROTOR - FRONT AXLE MODEL "IS-84" From W-6330						
70	110786	BRAKE WEAR INDICATOR MECHANICAL / 44MM	AR	AR	AR			
99	FMBS-0BPK-10	BRAKE PARTS - "KNORR-BREMSE" / SB7 & SN7 "AFTERMARKET"						
100	611054	KIT, TAPPET W/BOOT	AR	AR	AR			C
. 08	N.S.S.	. BOOT RUBBER / WHITE	2	2	2			1 C
. 13	N.S.S.	. TAPPET	2	2	2			1 C
101	611168	KIT, GUIDANCE PINS & BELLOW	AR	AR	AR			D
. 04	N.S.S.	. GUIDE BUSHING / SHORT	1	1	1			1 D
. 05	N.S.S.	. GUIDE BUSHING / LONG	1	1	1			1 D
. 06	611245	. GUIDE SLEEVE / RUBBER SB 7 SERIES	1	1	1			D
. 07	611107	. BUSHING / BRASS	1	1	1			D
. 09	N.S.S.	. BELLOW GUIDE BUSHING / RUBBER RED	1	1	1			1 D
. 10	641421	. BELLOW CAP / RUBBER	1	1	1			D
. 31	641420	. PERFORATED CLIP	1	1	1			D
. 39	N.S.S.	. SCREW CAP HEXS	1	1	1			1 D
. 40	N.S.S.	. SCREW CAP HEXS	1	1	1			1 D
. 58	N.S.S.	. PLASTIC RING / BOOT RETAINER	1	1	1			1 D
102	611177	KIT, BOOT PROTECTOR & TAPPET	AR	AR	AR			E
. 08	N.S.S.	. BOOT RUBBER / WHITE	1	1	1			1 E
. 13	N.S.S.	. TAPPET	1	1	1			1 E
. 29	N.S.S.	. RING RETAINING / TAPPET	1	1	1			1 E
103	611179	KIT, CARRIER & GUIDING PIN	AR	AR	AR			
. 02	611340	. BRAKE CARRIER / W/6 HOLES BOLT RETAINERS M20-2.5	1	1	1			
. 04	N.S.S.	. GUIDE BUSHING / SHORT	1	1	1			1
. 05	N.S.S.	. GUIDE BUSHING / LONG	1	1	1			1
. 39	N.S.S.	. SCREW CAP HEXS	1	1	1			1
. 40	N.S.S.	. SCREW CAP HEXS	1	1	1			1

From T-5873 To V-6001 Date:10/2022 PAGE:XL-1225-03

BRAKE PARTS - FRONT AXLE - W/"KNORR-BREMSE" / SB7 SERIES

Item#	Part	Description	M T H 4 0	M T H 4 5	M T H 4 5 E	X L 4 0	X L 4 5	N O T E S
104	641402	KIT, PAD HOLDER	AR	AR	AR			X
.26	N.S.S.	. SPRING SPLIT PIN	1	1	1			1X
.44	N.S.S.	. CLEVIS PIN	1	1	1			1X
.45	N.S.S.	. WASHER	1	1	1			1X
104	683344	GREASE GREEN / 5GR	AR	AR	AR			G
104	641931	GREASE GREEN / 500GR	AR	AR	AR			G
104	683345	GREASE WHITE / 5GR	AR	AR	AR			H
104	641930	GREASE WHITE / 500GR	AR	AR	AR			H
104	641321	TOOL / THRUST MEMBER W/BELLOW	AR	AR	AR			I
104	641322	TOOL / CALIPER INNER BELLOW	AR	AR	AR			Y
104	641323	TOOL / BUSHING INSTALLER / SERIES SB	AR	AR	AR			
104	641444	TOOL / GROOVING BUSHING	AR	AR	AR			K
104	641435	TOOL / FORK (FOR BELLOW CAP)	AR	AR	AR			R
105	611199	KIT, BOOT & SEAL	AR	AR	AR			
.09	N.S.S.	. BELLOW GUIDE BUSHING / RUBBER RED	1	1	1			1
.10	641421	. BELLOW CAP / RUBBER	1	1	1			
.31	641420	. PERFORATED CLIP	1	1	1			
.37	641313	. PLUG CAP / ADJUSTING DEVICE / PLASTIC INTERIOR GRIP	1	1	1			
.58	N.S.S.	. PLASTIC RING / BOOT RETAINER	1	1	1			1
106	611246	KIT, GUIDANCE PIN & RUBBER BUSHING / SHORT PIN	AR	AR	AR			L
.04	N.S.S.	. GUIDE BUSHING / SHORT	1	1	1			1L
.06	611245	. GUIDE SLEEVE / RUBBER SB 7 SERIES	1	1	1			L
.39	N.S.S.	. SCREW CAP HEXS	1	1	1			1L
107	641427	KIT BOOT & CLIP	AR	AR	AR			P
.10	641421	. BELLOW CAP / RUBBER	1	1	1			P
.31	641420	. PERFORATED CLIP	1	1	1			P
		A) DO NOT INCLUDE ITEMS #2 & 12						
		B) INCLUDES ITEMS #11, 26, 37, 44, 45 & 61						
		C) INCLUDE 2 OF ITEMS #8 & 13						
		D) INCLUDE ITEMS #4,5,6,7,9,10,31,39,40 & 58						
		E) INCLUDE ITEMS #8,13 & 29						
		G) FOR ITEMS #4 & 6						
		H) FOR ITEMS #5 & 7						
		I) FOR USE W/ITEMS #8 & 13						
		K) FOR USE W/ITEM #7						
		L) INCLUDE ITEMS #4, 6 & 39						
		P) INCLUDE ITEM #10 & 31						
		R) FOR USE W/ITEM #8 & 13						
		X) INCLUDE ITEMS #11,26,44 & 45						

From T-5873 To V-6001	Date:10/2022	PAGE:XL-1225-03
-----------------------	--------------	-----------------

BRAKE PARTS - FRONT AXLE - W/"KNORR-BREMSE" / SB7 SERIES

Item#	Part	Description	M T H 4 0	M T H 4 5	M T H 4 5 E	X L 4 0	X L 4 5	N O T E S
		Y) FOR USE W/ITEM #9						
		1) NOT SOLD SEPARATELY						
		3) NOT SOLD ASSEMBLY						
		1) NOT SOLD SEPARATELY						

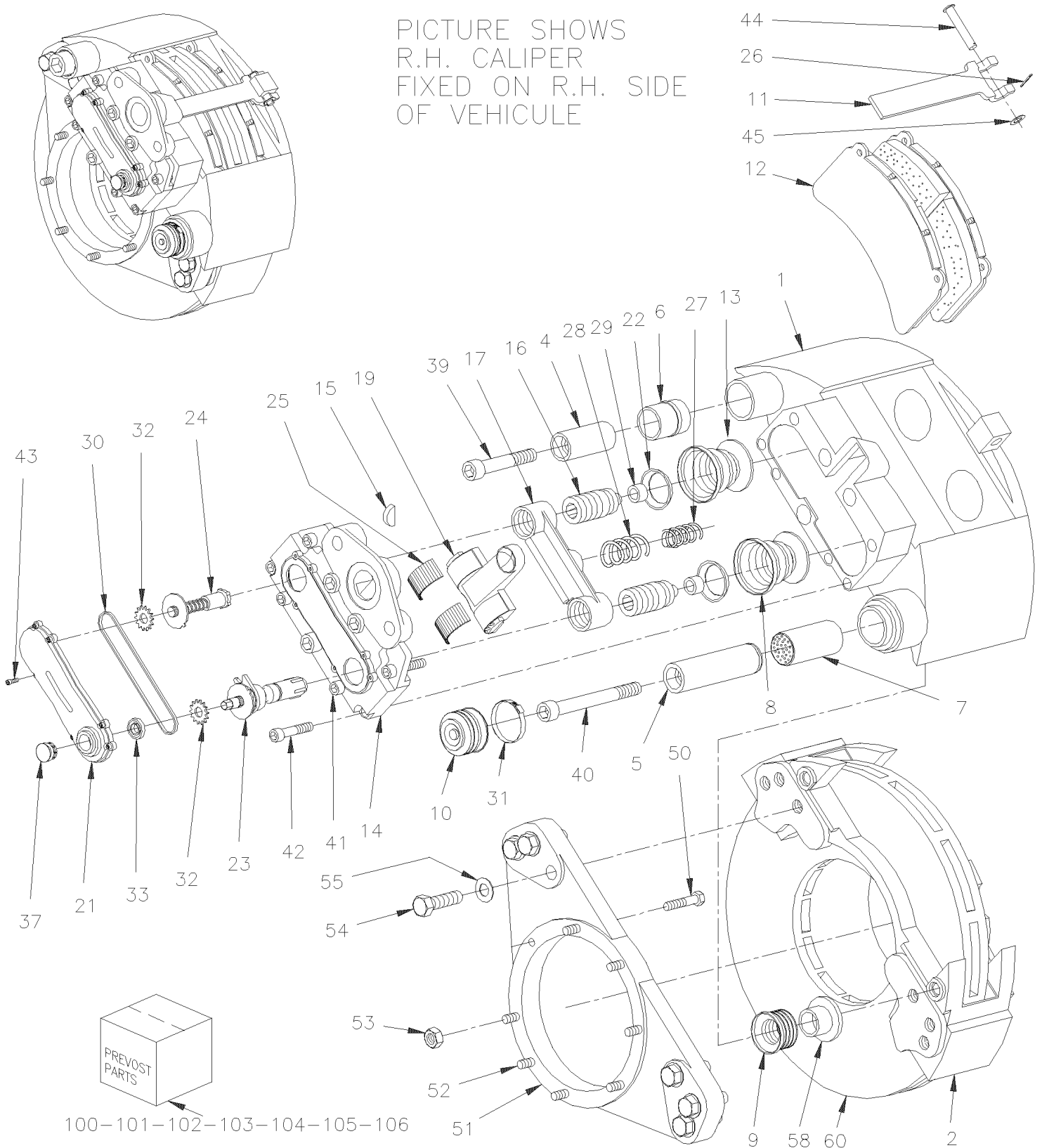
From V-6002 To Y-7045

Date:10/2022

PAGE:XL-1225-04

BRAKE PARTS - FRONT AXLE - W/"KNORR-BREMSE" / SB7 SERIES

PICTURE SHOWS
R.H. CALIPER
FIXED ON R.H. SIDE
OF VEHICLE



From V-6002 To Y-7045	Date:10/2022	PAGE:XL-1225-04
-----------------------	--------------	-----------------

BRAKE PARTS - FRONT AXLE - W/"KNORR-BREMSE" / SB7 SERIES

Item#	Part	Description	M T H 4 0	M T H 4 5	M T H 4 5 E	X L 4 0	X L 4 5	N O T E S
	N.S.A.	CALIPER ASSY R.H. / W/BOOSTER TYPE 24 / (SB7703)	1	1	1		1	3
	N.S.A.	CALIPER ASSY L.H. / W/BOOSTER TYPE 24 / (SB7713)	1	1	1		1	3
	611184	. CALIPER ASSY R.H. / W/O BOOSTER / SB7	1	1	1		1	A
	611185	. CALIPER ASSY L.H. / W/O BOOSTER / SB7	1	1	1		1	A
1	N.S.S.	. . CALIPER HOUSING	1	1	1		1	1
2	611340	. . BRAKE CARRIER / W/6 HOLES BOLT RETAINERS M20-2.5	1	1	1		1	
4	N.S.S.	. . GUIDE BUSHING / SHORT	1	1	1		1	1
5	N.S.S.	. . GUIDE BUSHING / LONG	1	1	1		1	1
6	611245	. . GUIDE SLEEVE / RUBBER SB 7 SERIES	1	1	1		1	
7	N.S.S.	. . BUSHING ROD	1	1	1		1	1
8	N.S.S.	. . BOOT RUBBER / WHITE	2	2	2		2	1
9	N.S.S.	. . BELLOW GUIDE BUSHING / RED	1	1	1		1	1
10	641421	. . BELLOW CAP / RUBBER	1	1	1		1	
11	N.S.S.	. . BRAKE PAD BRACKET	1	1	1		1	1
12	611049	. . LINING SET STD /	1	1	1		1	B
. 11	N.S.S.	. . . BRAKE PAD BRACKET	1	1	1		1	1B
. 26	N.S.S.	. . . SPRING SPLIT PIN	1	1	1		1	1B
. 37	641313	. . . PLUG CAP / ADJUSTING DEVICE / PLASTIC INTERIOR GRIP	1	1	1		1	B
. 44	N.S.S.	. . . CLEVIS PIN	1	1	1		1	1B
. 45	N.S.S.	. . . WASHER	1	1	1		1	1B
. 61	N.S.S.	. . . SHEAR ADAPTER	1	1	1		1	1B
13	N.S.S.	. . THRUST MEMBER / INCLUDED ITEM #8	2	2	2		2	1
14	N.S.S.	. . SYNCHRONIZING HOUSING	1	1	1		1	1
15	N.S.S.	. . PLUG HALF / RUBBER	1	1	1		1	1
17	N.S.S.	. . BEAM	1	1	1		1	1
18	N.S.S.	. . O-RING	1	1	1		1	1
19	N.S.S.	. . LEVER	1	1	1		1	1
21	N.S.S.	. . COVER SYNCHRONIZING HOUSING	1	1	1		1	1
22	N.S.S.	. . BOOT	2	2	2		2	1
23	N.S.S.	. . CLEARANCE ADJUSTER	1	1	1		1	1
24	N.S.S.	. . DRIVER	1	1	1		1	1
25	N.S.S.	. . LEVER BEARING	1	1	1		1	1
26	N.S.S.	. . SPRING SPLINT PIN	1	1	1		1	1
27	N.S.S.	. . COMPRESSION SPRING	1	1	1		1	1
28	N.S.S.	. . COMPRESSION SPRING	1	1	1		1	1
29	N.S.S.	. . RING RETAINING	2	2	2		2	1
30	N.S.S.	. . ROLLER CHAIN	1	1	1		1	1
31	641420	. . PERFORATED CLIP	1	1	1		1	
32	N.S.S.	. . CHAIN DRIVE WHEEL	2	2	2		2	1
33	N.S.S.	. . SHAFT SEALING RING	1	1	1		1	1
37	641313	. . PLUG CAP / ADJUSTING DEVICE / PLASTIC INTERIOR GRIP	1	1	1		1	
38	N.S.S.	. . DOWEL	4	4	4		4	1

From V-6002 To Y-7045	Date:10/2022	PAGE:XL-1225-04
-----------------------	--------------	-----------------

BRAKE PARTS - FRONT AXLE - W/"KNORR-BREMSE" / SB7 SERIES

Item#	Part	Description	M T H 4 0	M T H 4 5	M T H 4 5 E	X L 4 0	X L 4 5	N O T E S
39	N.S.S.	. . SCREW CAP HEXS M16-1.5x140 G10.9 ZP	1	1	1		1	1
40	N.S.S.	. . SCREW CAP HEXS M16-1.5x90 G10.9 ZP	1	1	1		1	1
41	N.S.S.	. . SOCKET HEAD CAP SCREW M14 X 60MM GR 12.9	3	3	3		3	1
43	N.S.S.	. . SOCKET HEAD CAP SCREW M5 X 12MM	8	8	8		8	1
44	N.S.S.	. . CLEVIS PIN	1	1	1		1	1
45	N.S.S.	. . WASHER	1	1	1		1	1
50	500091	SCREW CAP HEX 1/2-20x1 3/4 G5 ZP	3	3	3		3	O
51	611097	CALIPER MOUNTING BRACKET L.H.	1	1	1		1	
NS	611098	CALIPER MOUNTING BRACKET R.H.	1	1	1		1	
52	611030	STUD 1/2-20 X 1 11/16"	5	5	5		5	O
53	500718	NUT HEX STO 1/2-20 Z050	8	8	8		8	O
54	5001193	SCREW CAP HEX M20-2.5x65 G10.9 ZP	6	6	6		6	
55	502558	WASHER FL 21.0x37.0x3.0 G500	6	6	6		6	
58	N.S.P.	BOOT RETAINER	1	1	1		1	2
60	XL-1300-02	HUB & ROTOR - FRONT AXLE MODEL "IS-82" To W-6329						
60	XL-1300-03	HUB & ROTOR - FRONT AXLE MODEL "IS-84" From W-6330						
70	110786	BRAKE WEAR INDICATOR MECHANICAL / 44MM	AR	AR	AR		AR	
99	FMBS-0BPK-10	BRAKE PARTS - "KNORR-BREMSE" / SB7 & SN7 "AFTERMARKET"						
100	611054	KIT, TAPPET W/BOOT	AR	AR	AR		AR	D
.08	N.S.S.	. BOOT RUBBER / WHITE	2	2	2		2	1D
.13	N.S.S.	. TAPPET	2	2	2		2	1D
101	611168	KIT, GUIDANCE PINS & BELLOW	AR	AR	AR		AR	E
.04	N.S.S.	. GUIDE BUSHING / SHORT	1	1	1		1	1E
.05	N.S.S.	. GUIDE BUSHING / LONG	1	1	1		1	1E
.06	611245	. GUIDE SLEEVE / RUBBER SB 7 SERIES	1	1	1		1	E
.07	611107	. BUSHING / BRASS	1	1	1		1	E
.09	N.S.S.	. BELLOW GUIDE BUSHING / RUBBER RED	1	1	1		1	1E
.10	641421	. BELLOW CAP / RUBBER	1	1	1		1	E
.31	641420	. PERFORATED CLIP	1	1	1		1	E
.39	N.S.S.	. SCREW CAP HEXS	1	1	1		1	1E
.40	N.S.S.	. SCREW CAP HEXS	1	1	1		1	1E
.58	N.S.S.	. PLASTIC RING / BOOT RETAINER	1	1	1		1	1E
102	611177	KIT, BOOT PROTECTOR & TAPPET	AR	AR	AR		AR	F
.08	N.S.S.	. BOOT RUBBER / WHITE	1	1	1		1	1F
.13	N.S.S.	. TAPPET	1	1	1		1	1F
.29	N.S.S.	. RING RETAINING / TAPPET	1	1	1		1	1F
103	611179	KIT, CARRIER & GUIDING PIN	AR	AR	AR		AR	G
.02	611340	. BRAKE CARRIER / W/6 HOLES BOLT RETAINERS M20-2.5	1	1	1		1	G
.04	N.S.S.	. GUIDE BUSHING / SHORT	1	1	1		1	1G
.05	N.S.S.	. GUIDE BUSHING / LONG	1	1	1		1	1G
.39	N.S.S.	. SCREW CAP HEXS	1	1	1		1	1G

From V-6002 To Y-7045	Date:10/2022	PAGE:XL-1225-04
-----------------------	--------------	-----------------

BRAKE PARTS - FRONT AXLE - W/"KNORR-BREMSE" / SB7 SERIES

Item#	Part	Description	M T H 4 0	M T H 4 5	M T H 4 5 E	X L 4 0	X L 4 5	N O T E S
. 40	N.S.S.	. SCREW CAP HEXS	1	1	1		1	1 G
104	641402	KIT, PAD HOLDER	AR	AR	AR		AR	H
. 26	N.S.S.	. SPRING SPLIT PIN	1	1	1		1	1 H
. 44	N.S.S.	. CLEVIS PIN	1	1	1		1	1 H
. 45	N.S.S.	. WASHER	1	1	1		1	1 H
105	611199	KIT, BOOT & SEAL	AR	AR	AR		AR	I
. 09	N.S.S.	. BELLOW GUIDE BUSHING / RUBBER RED	1	1	1		1	1 I
. 10	641421	. BELLOW CAP / RUBBER	1	1	1		1	I
. 31	641420	. PERFORATED CLIP	1	1	1		1	I
. 37	641313	. PLUG CAP / ADJUSTING DEVICE / PLASTIC INTERIOR GRIP	1	1	1		1	I
. 58	N.S.S.	. PLASTIC RING / BOOT RETAINER	1	1	1		1	1 I
105	683344	GREASE GREEN / 5GR	AR	AR	AR		AR	J
105	641931	GREASE GREEN / 500GR	AR	AR	AR		AR	J
105	683345	GREASE WHITE / 5GR	AR	AR	AR		AR	K
105	641930	GREASE WHITE / 500GR	AR	AR	AR		AR	K
105	641321	TOOL / THRUST MEMBER W/BELLOW	AR	AR	AR		AR	L
105	641322	TOOL / CALIPER INNER BELLOW	AR	AR	AR		AR	M
105	641323	TOOL / BUSHING INSTALLER / SERIES SB	AR	AR	AR		AR	N
105	641444	TOOL / GROOVING BUSHING	AR	AR	AR		AR	O
105	641435	TOOL / FORK (FOR BELLOW CAP)	AR	AR	AR		AR	L
106	611246	KIT, GUIDANCE PIN & RUBBER BUSHING / SHORT PIN	AR	AR	AR		AR	C
. 04	N.S.S.	. GUIDE BUSHING / SHORT	1	1	1		1	1 C
. 06	611245	. GUIDE SLEEVE / RUBBER SB 7 SERIES	1	1	1		1	C
. 39	N.S.S.	. SCREW CAP HEXS	1	1	1		1	1 C
107	641427	KIT BOOT & CLIP	AR	AR	AR		AR	P
. 10	641421	. BELLOW CAP / RUBBER	1	1	1		1	P
. 31	641420	. PERFORATED CLIP	1	1	1		1	P
		A) INCLUDES ITEM #2 BUT NOT ITEM # 12						
		B) INCLUDES ITEMS #11, 26, 37, 44, 45 & 61						
		C) INCLUDE ITEMS #4,6 & 39						
		D) INCLUDE 2 OF ITEMS #8 & 13						
		E) INCLUDE ITEMS #4,5,6,7,9,10,31,39,40 & 58						
		F) INCLUDE ITEMS #8,13 & 29						
		G) INCLUDE ITEMS #2,4,5,39 & 40						
		H) INCLUDE ITEMS #11,26,44 & 45						
		I) INCLUDE ITEMS #9,10,31,37 & 58						
		J) FOR ITEMS #4 & 6						
		K) FOR ITEMS #5 & 7						
		L) FOR USE W/ITEMS #8 & 13						

From V-6002 To Y-7045	Date:10/2022	PAGE:XL-1225-04
-----------------------	--------------	-----------------

BRAKE PARTS - FRONT AXLE - W/"KNORR-BREMSE" / SB7 SERIES

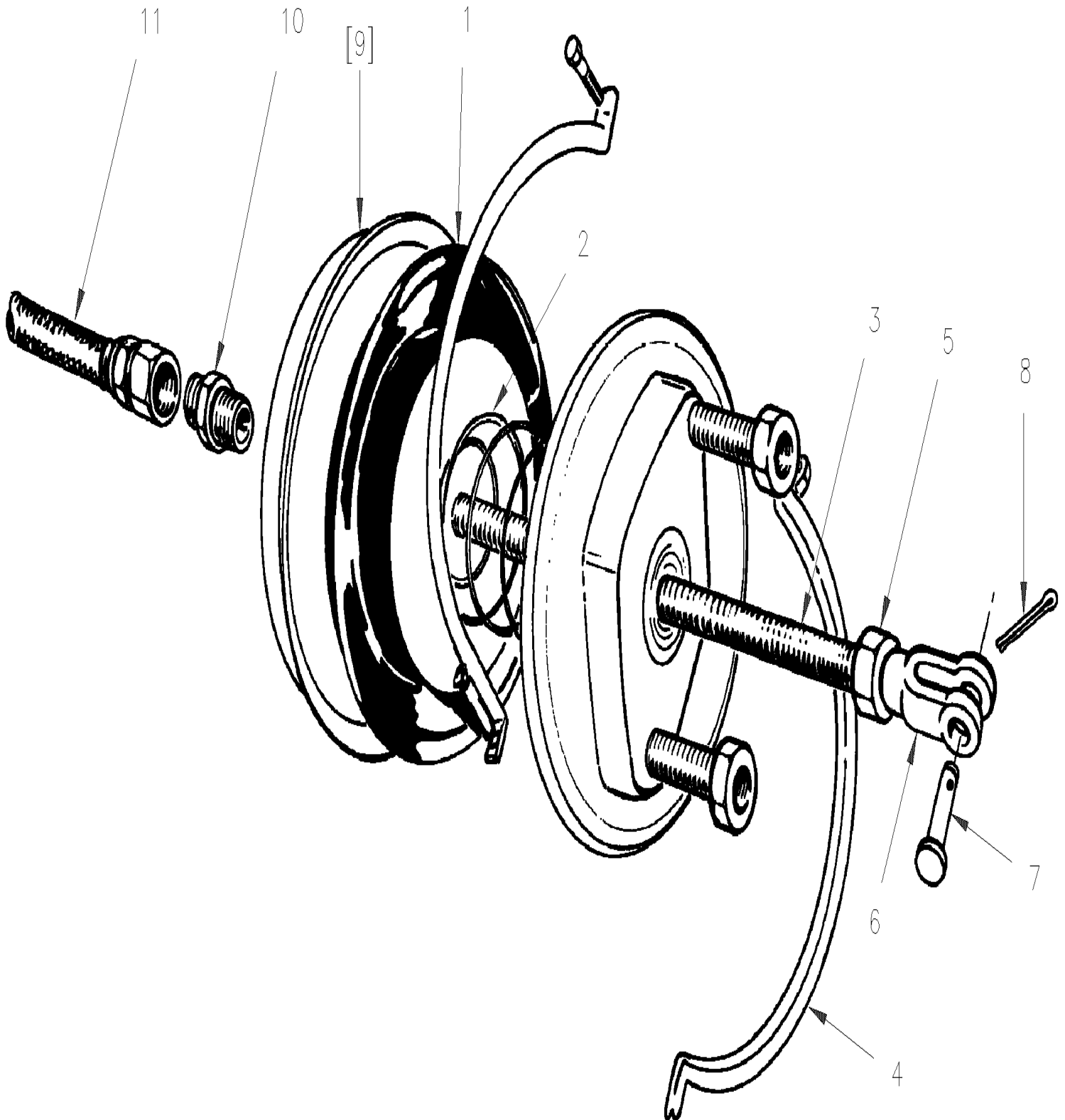
Item#	Part	Description	M T H 4 0	M T H 4 5	M T H 4 5 E	X L 4 0	X L 4 5	N O T E S
		M) FOR USE W/ITEM #9						
		N) FOR USE W/ITEM #7						
		O) TO FIX SPIDER						
		P) INCLUDE ITEM #10 & 31						
		1) NOT SOLD SEPARATELY						
		2) NOT SOLD BY PREVOST (SEE MANUFACTURING PART NUMBER AT END OF DESCRIPTION LINE)						
		3) NOT SOLD ASSEMBLY						
		1) NOT SOLD SEPARATELY						

From E-638 To Y-7045

Date:10/2022

PAGE:XL-1225-10

BRAKE CHAMBER - FRONT AXLE



From E-638 To Y-7045	Date:10/2022	PAGE:XL-1225-10
----------------------	--------------	-----------------

BRAKE CHAMBER - FRONT AXLE

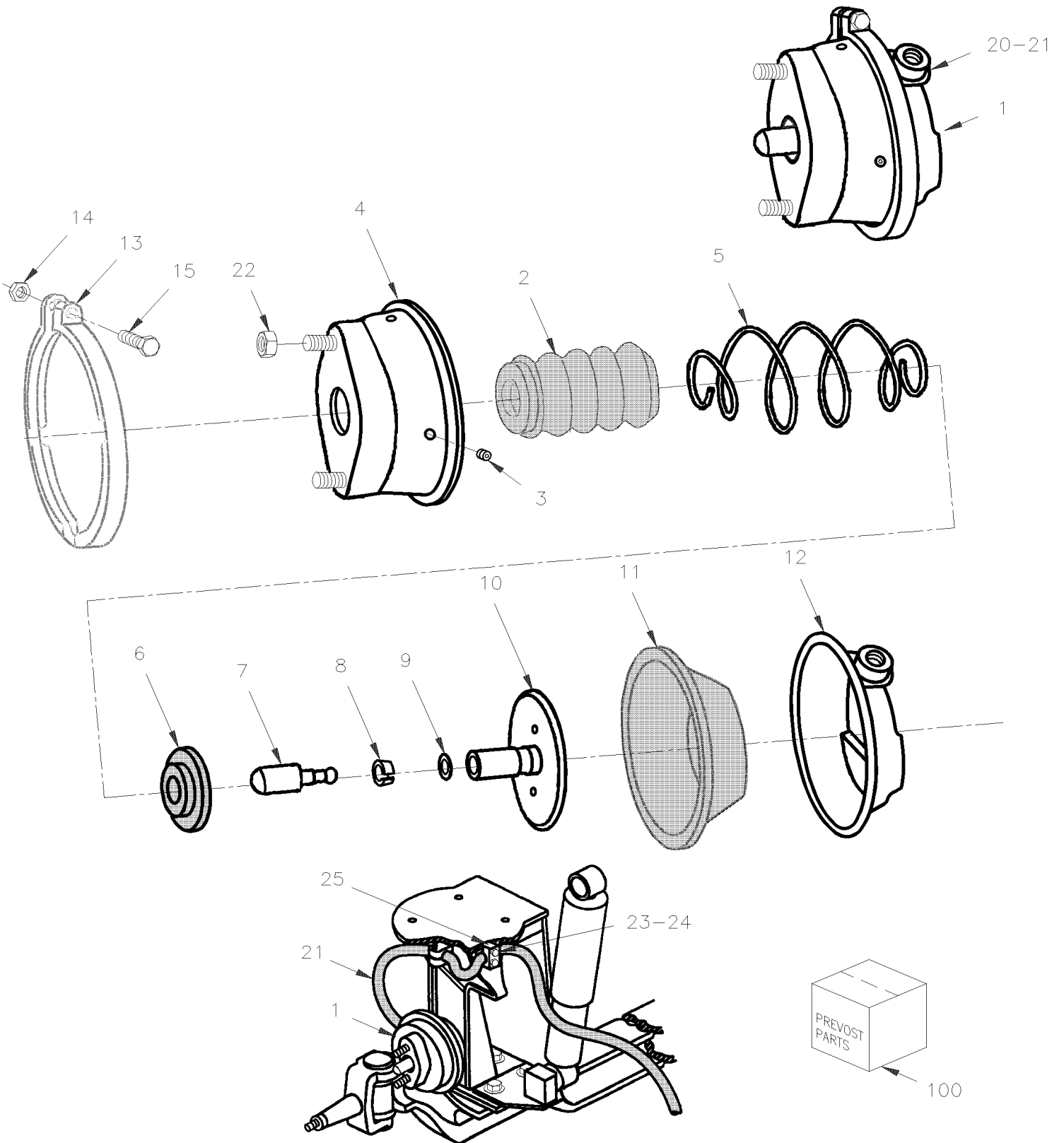
Item#	Part	Description	M T H 4 0	M T H 4 5	M T H 4 5 E	X L 4 0	X L 4 5	N O T E S
	640915	BRAKE CHAMBER ASSY / TYPE 24	2		2	2		
	641253	BRAKE CHAMBER ASSY / TYPE 30 From R-861				2	2	
	641253	BRAKE CHAMBER ASSY / TYPE 30 From R-861 To T-5872	2	2	2			
1	640229	. DIAPHRAGM / TYPE 24 To R-860	1		1	1		
1	640957	. DIAPHRAGM / TYPE 30 From R-861	1	1	1	1	1	
2	N.S.S.	. SPRING, COMP. To R-860	1		1	1		1 A
2	N.S.S.	. SPRING, COMP. From R-861	1	1	1	1	1	1 B
3	641255	. PUSH ROD TYPE 24 To R-860	1	1	1	1	1	A
3	641254	. PUSH ROD TYPE 30 From R-861	1	1	1	1	1	B
4	N.S.S.	. CLAMP W/BOLT & NUT To R-860	1		1	1		1 A
4	640958	. CLAMP TYPE 30 W/BOLT & NUT From R-861	1	1	1	1	1	B
5	500730	NUT HEX JAM THN 5/8-18x3/8 ZP	1	1	1	1	1	
6	640129	YOKE 5/8-18x1 3/8 C/Lx9/16Wx1/2	1	1	1	1	1	
7	502027	. PIN, CLEVIS 1/2 x 1 1/4 BZC	1	1	1	1	1	
8	502102	. PIN, COTTER 1/8 x 1	1	1	1	1	1	
9	N.S.S.	COVER / PRESSURE SIDE	1	1	1	1	1	1
10	501842	ADAPTER / AIR BRAKE HOSE FITTING / 3/4-20-Mx3/8NPT-M STL	1	1	1	1	1	
11	641292	HOSE BRAKE #8 632MM (24 7/8")	2	2	2	2	2	
		A) BRAKE AIR CHAMBER TYPE 24						
		B) BRAKE AIR CHAMBER TYPE 30						
		1) NOT SOLD SEPARATELY						

From T-5873 To Y-7045

Date:10/2022

PAGE:XL-1225-11

BRAKE CHAMBER - FRONT AXLE



From T-5873 To Y-7045	Date:10/2022	PAGE:XL-1225-11
-----------------------	--------------	-----------------

BRAKE CHAMBER - FRONT AXLE

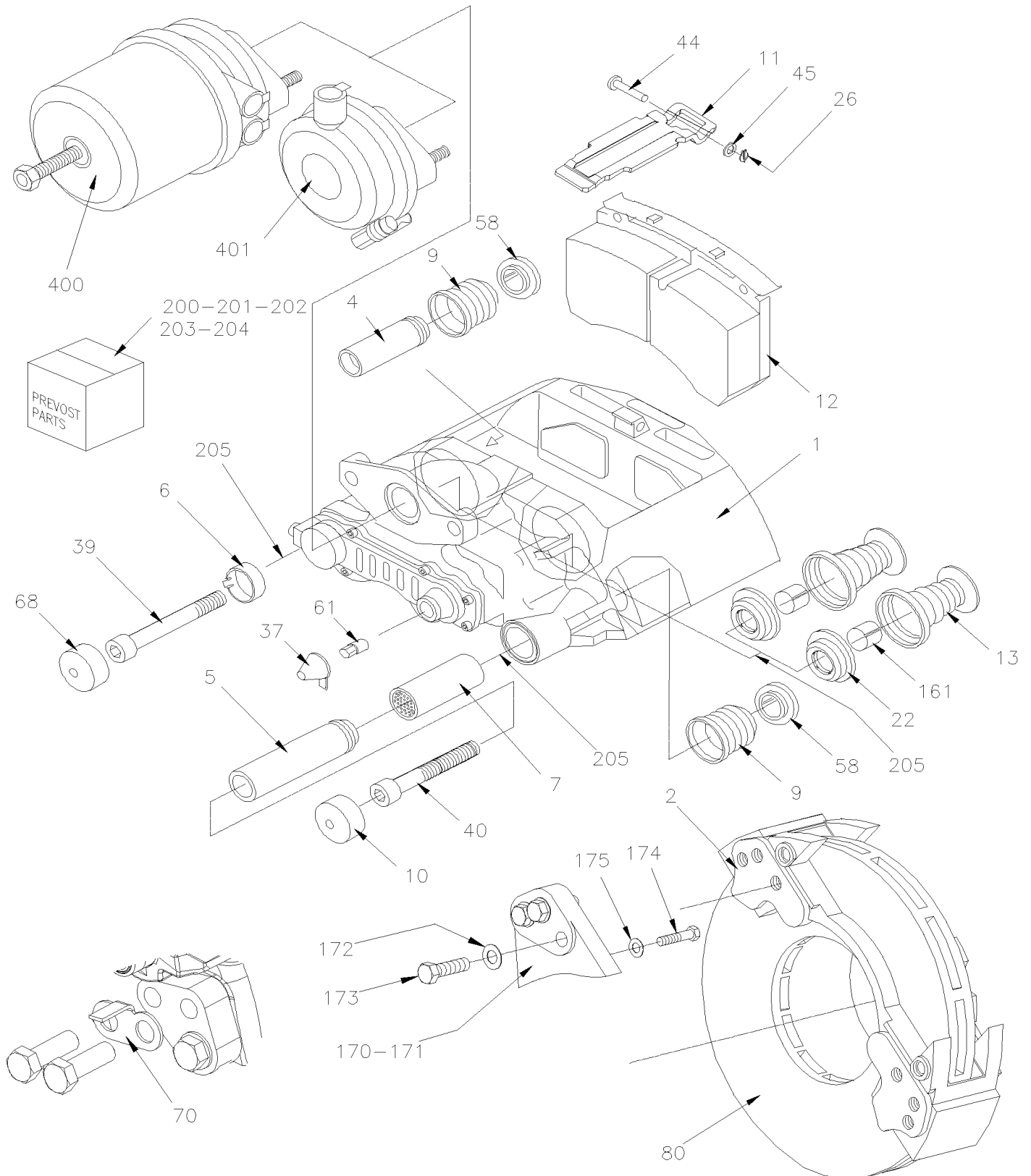
Item#	Part	Description	M T H 4 0	M T H 4 5	M T H 4 5 E	X L 4 0	X L 4 5	N O T E S
1	641309	BRAKE CHAMBER ASSY R.H. / TYPE 24	1	1	1			
NS	641312	BRAKE CHAMBER ASSY L.H. / TYPE 24	1	1	1			
2	N.S.S.	. BOOT	1	1	1			1
3	N.S.S.	. HOLE PLUG	1	1	1			1
4	N.S.S.	. CHAMBER , NO-PRESSURE	1	1	1			1
5	640231	. SPRING, COMP.	1	1	1			
6	N.S.S.	. SPRING SEAT	1	1	1			1
7	N.S.S.	. PUSH ROD END	1	1	1			1
8	N.S.S.	. RETAINER	1	1	1			1
9	N.S.S.	. RING	1	1	1			1
10	N.S.S.	. PUSH ROD	1	1	1			1
11	640229	. DIAPHRAGM / TYPE 24	1	1	1			
12	N.S.S.	. CHAMBER PRESSURE PLATE	1	1	1			1
13	N.S.S.	. CLAMP W/BOLT & NUT	1	1	1			1
14	502543	. . NUT HEX M8-1.25 Z050	1	1	1			
15	5001021	. . SCREW CAP HEXS M8-1.25x60 G8.8 PT	1	1	1			
20	641294	MALE CONNECTOR / JIC 37° FITTING / #8JIC-MxM16-1.5-M STL	1	1	1			
. NS	641297	. O-RING 13.1MM I.D. X 2.6 TH	1	1	1			
. NS	641298	. WASHER FL 17MM I.D x 22MM O.D. x 1.5MM	1	1	1			
21	141836	HOSE BRAKE #8 864MM (34")	2	2	2			
22	5001253	NUT HEX STO M16-1.5 G500	2	2	2			
23	504612	COLLAR 13/16" I.D. / TO FIX HOSE	2	2	2			
24	504614	PLATE RETAINING / COLLAR	2	2	2			
NS	500169	SCREW CAP HEX 1/4-20x1 1/2 G5 PT ZP	4	4	4			
25	141837	HOSE SUPPORT L.H.	1	1	1			
25	141845	HOSE SUPPORT R.H.	1	1	1			
100	641422	KIT REPAIR / TYPE 24	1	1	1			A
		A) INCLUDING ITEMS #2,3,6,8,9 & 11						
		1) NOT SOLD SEPARATELY						

From T-5873 To Y-7045

Date:10/2022

PAGE:XL-1225-97

BRAKE PARTS "KNORR-BREMSE" SN7 SERIES W/NEW SLIDE PINS



From T-5873 To Y-7045	Date:10/2022	PAGE:XL-1225-97
-----------------------	--------------	-----------------

BRAKE PARTS "KNORR-BREMSE" SN7 SERIES W/NEW SLIDE PINS

Item#	Part	Description	M T H 4 0	M T H 4 5	M T H 4 5 E	X L 4 0	X L 4 5	N O T E S
	642134	CALIPER ASSY R.H. FRONT & TAG OR L.H. DRIVE AXLE / W/O BOOSTER SN7	1	1	1	1	1	
	642139	CALIPER ASSY L.H. FRONT & TAG OR R.H. DRIVE AXLE / W/O BOOSTER SN7	1	1	1	1	1	
1	N.S.S.	. CALIPER HOUSING	1	1	1	1	1	1
2	611960	. BRAKE CARRIER / W/6 HOLES BOLT RETAINERS M20-1.5	1	1	1	1	1	
4	N.S.S.	. . GUIDE BUSHING / SHORT	1	1	1	1	1	1
5	N.S.S.	. . GUIDE BUSHING / LONG	1	1	1	1	1	1
6	N.S.S.	. . GUIDE BUSHING / DU	1	1	1	1	1	1
7		. . BUSHING / BRASS	1	1	1	1	1	
8	N.S.S.	. . BOOT RUBBER / WHITE	2	2	2	2	2	1
9	N.S.S.	. . BELLOW GUIDE BUSHING / RED	2	2	2	2	2	1
10	N.S.S.	. . STEEL CAP	1	1	1	1	1	1
11	N.S.S.	. . BRAKE PAD BRACKET	1	1	1	1	1	1
12	611049	. . LINING SET STD /	1	1	1	1	1	B
. 11	N.S.S.	. . . BRAKE PAD BRACKET	1	1	1	1	1	1B
. 26	N.S.S.	. . . SPRING SPLIT PIN	1	1	1	1	1	1B
. 37	641313	. . . PLUG CAP / ADJUSTING DEVICE / PLASTIC INTERIOR GRIP	1	1	1	1	1	B
. 44	N.S.S.	. . . CLEVIS PIN	1	1	1	1	1	1B
. 45	N.S.S.	. . . WASHER	1	1	1	1	1	1B
. 61	N.S.S.	. . . SHEAR ADAPTER	1	1	1	1	1	1B
13	N.S.S.	. . TAPPET WITH BOOT ASSY	2	2	2	2	2	1
22	N.S.S.	. . BOOT	2	2	2	2	2	1
26	N.S.S.	. . SPRING SPLINT PIN	1	1	1	1	1	1
37	N.S.S.	. . PLUG CAP / ADJUSTING DEVICE	1	1	1	1	1	1
39	N.S.S.	. . SCREW CAP HEXS ZP M16-1.5 GR10.9	1	1	1	1	1	1
40	N.S.S.	. . SCREW CAP HEXS ZP M16-1.5 GR10.9	1	1	1	1	1	1
44	N.S.S.	. . CLEVIS PIN	1	1	1	1	1	1
45	N.S.S.	. . WASHER	1	1	1	1	1	1
58	N.S.S.	. . RING	2	2	2	2	2	1
61	N.S.S.	. . SHEAR ADAPTER	1	1	1	1	1	1
68	N.S.S.	. . CAP	1	1	1	1	1	1
70	110786	BRAKE WEAR INDICATOR MECHANICAL / 44MM	AR	AR	AR	AR	AR	
80	XL-1310-02	HUB & ROTOR - TAG AXLE TYPE TS5 To W-6584						
80	XL-1310-03	HUB & ROTOR - TAG AXLE TYPE TS6 From W-6585						
80	XL-1310-99	HUB & ROTOR - TAG AXLE TYPE TS8U RETROFIT "UNITISED" BEARING						
161	N.S.S.	. RING RETAINING	2	2	2	2	2	1
170	XL-1005-50	FRONT AXLE - INDEPENDENT MODEL "IS-82" / 16500LBS To V-6001	1	1	1	1	1	
170	XL-1005-51	FRONT AXLE - INDEPENDENT MODEL "IS-84" / 16500LBS From V-6002						
171	621709	CALIPER MOUNTING BRACKET L.H. & R.H. W/OUT BUSHING	1	1	1	1	1	D
172	502558	WASHER FL 21.0x37.0x3.0 G500	6	6	6	6	6	
173	5001529	SCREW CAP HEX M20-1.5x60 G10.9 G500	6	6	6	6	6	
174	621636	SCREW CAP HEX / TO FIX BRACKET TO AXLE 9/16-18 X 2 GR 8	24	24	24	24	24	D
175	621365	WASHER (HARD) .59IDX.97ODX.09	24	24	24	24	24	D

From T-5873 To Y-7045 Date:10/2022 PAGE:XL-1225-97

BRAKE PARTS "KNORR-BREMSE" SN7 SERIES W/NEW SLIDE PINS

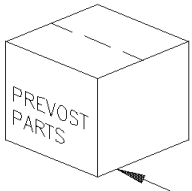
Item#	Part	Description	M T H 4 0	M T H 4 5	M T H 4 5 E	X L 4 0	X L 4 5	N O T E S
200	642032	KIT, TAPPET W/BOOT	AR	AR	AR	AR	AR	C
201	642141	KIT, GUIDANCE PINS & BELLOW / SN W/ GUIDE SLEEVE BUSHING END	AR	AR	AR	AR	AR	E
202	642034	KIT, PLUG CAP W/AJUSTING DEVICE (PACK of 10x #37, #37a & 61)	AR	AR	AR	AR	AR	S
203	641402	KIT, PAD HOLDER	AR	AR	AR	AR	AR	H
. 26	N.S.S.	. SPRING SPLIT PIN	1	1	1	1	1	1 H
. 44	N.S.S.	. CLEVIS PIN	1	1	1	1	1	1 H
. 45	N.S.S.	. WASHER	1	1	1	1	1	1 H
205	683345	GREASE WHITE / 5GR	AR	AR	AR	AR	AR	K
205	641930	GREASE WHITE / 500GR	AR	AR	AR	AR	AR	K
NS	641321	TOOL / THRUST MEMBER W/BELLOW	AR	AR	AR	AR	AR	L
NS	641322	TOOL / CALIPER INNER BELLOW	AR	AR	AR	AR	AR	M
NS	19400416	TOOL / PUSH-IN INNER BOOT (9)	AR	AR	AR	AR	AR	M
NS	642074	TOOL / BUSHING INSTALLER / SERIES SN	AR	AR	AR	AR	AR	N
NS	641435	TOOL / FORK (FOR BELLOW CAP)	AR	AR	AR	AR	AR	L
305	N.P.N.	TOOL / PRESS IN COVER / K015825	AR	AR	AR	AR	AR	4 X
306	N.P.N.	TOOL / BUSHING - INSTALLER & REMOVER KIT / K005986	AR	AR	AR	AR	AR	4 Y
307	N.P.N.	TOOL / RUBBER BUSHING - INSTALLER / K016743	AR	AR	AR	AR	AR	4 Z
NS	642035	KIT TOOL BOX "KNORR BREMSE" SERIE SN7	AR	AR	AR	AR	AR	
400	XL-1245-12	BRAKE CHAMBER - TAG AXLE "KNORR-BREMSE"						
401	XL-1225-11	BRAKE CHAMBER - FRONT AXLE						
500	Y006471_000_EN	MAINTENANCE MANUAL / ENGLISH KNORR-BREMSE						
NS	Y006471_000_F	MANUEL D'ENTRETIEN / FRANÇAIS KNORR-BREMSE						
		B) INCLUDES ITEMS #11, 26, 37, 44, 45 & 61						
		C) INCLUDES 2 OF ITEMS #13, 22 & 161						
		D) ON DRIVE AXLE ONLY						
		E) INCLUDES ITEMS #4, 5, 6, 7, 9, 10, 39, 40, 58 & 68						
		H) INCLUDES ITEMS #11,26,44 & 45						
		K) FOR ITEMS #5 & 7						
		L) TO USE W/ITEMS #13						
		M) TO USE W/ITEM #9						
		N) TO USE W/ITEM #7						
		S) INCLUDES 10 ITEMS #37 AND 61						
		X) TO USE WITH ITEM #10						
		Y) TO USE WITH ITEM 6						
		Z) TO USE WITH ITEM #68						
		1) NOT SOLD SEPARATELY						
		4) NO PARTS NUMBER						
		1) NOT SOLD SEPARATELY						

From T-5873 To Y-7045

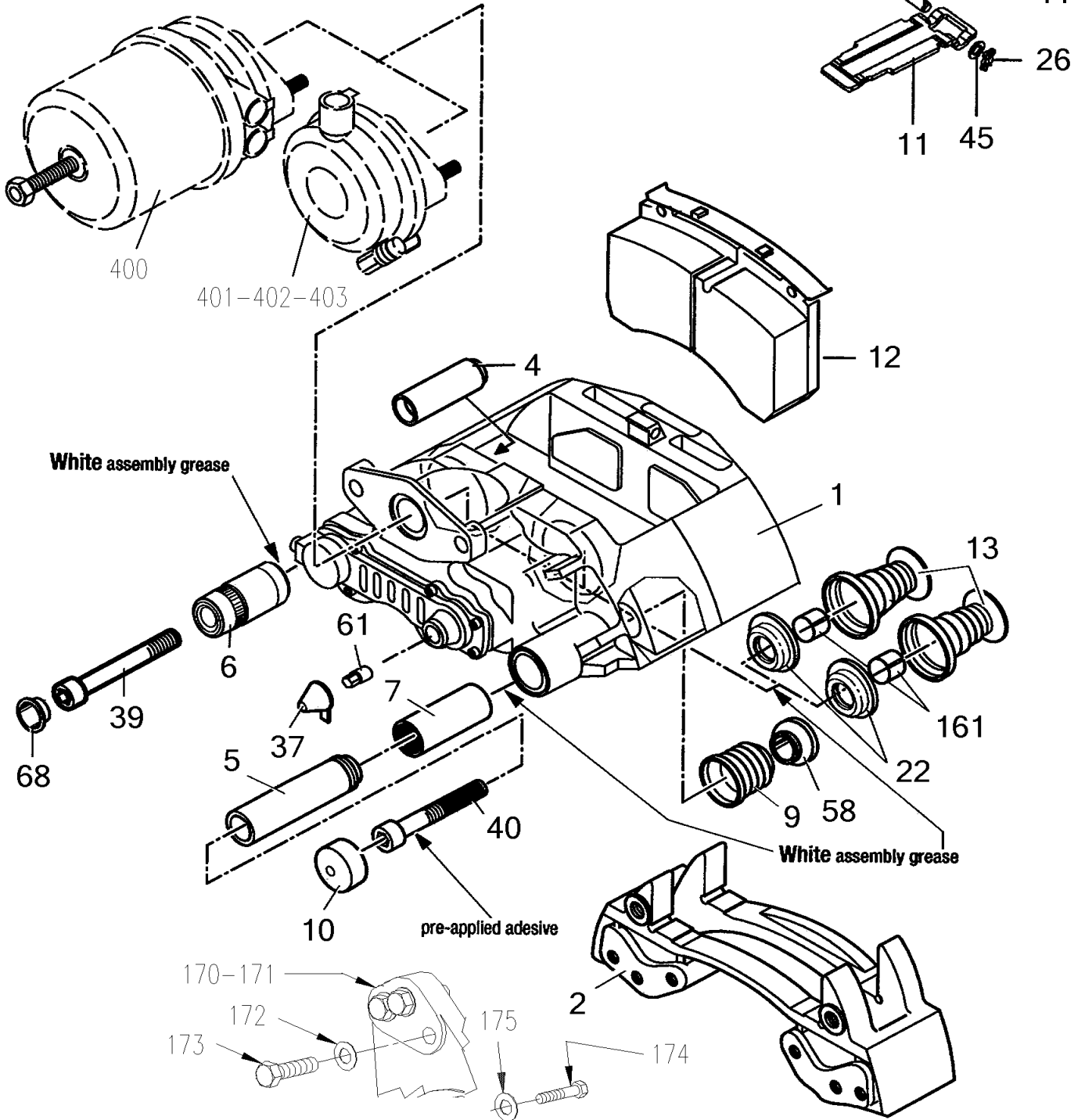
Date:10/2022

PAGE:XL-1225-98

BRAKE PARTS "KNORR-BREMSE" SN7 SERIES - "SERVICE"



200-201-202-203-204-205



From T-5873 To Y-7045		Date:10/2022	PAGE:XL-1225-98
-----------------------	--	--------------	-----------------

BRAKE PARTS "KNORR-BREMSE" SN7 SERIES - "SERVICE"

Item#	Part	Description	M T H 4 0	M T H 4 5	M T H 4 5 E	X L 4 0	X L 4 5	N O T E S
	611341	CALIPER ASSY R.H. / W/O BOOSTER / SN7	1	1	1	1	1	A
	611342	CALIPER ASSY L.H. / W/O BOOSTER / SN7	1	1	1	1	1	A
1	N.S.S.	. CALIPER HOUSING	1	1	1	1	1	1
2	611960	. BRAKE CARRIER / W/6 HOLES BOLT RETAINERS M20-1.5	1	1	1	1	1	
4	N.S.S.	. . GUIDE BUSHING / SHORT	1	1	1	1	1	1
5	N.S.S.	. . GUIDE BUSHING / LONG	1	1	1	1	1	1
6	N.S.S.	. . GUIDE SLEEVE	1	1	1	1	1	1
7	611107	. . BUSHING / BRASS	1	1	1	1	1	
8	N.S.S.	. . BOOT RUBBER / WHITE	2	2	2	2	2	1
9	N.S.S.	. . BELLOW GUIDE BUSHING / RED	1	1	1	1	1	1
10	N.S.S.	. . STEEL CAP	1	1	1	1	1	1
11	N.S.S.	. . BRAKE PAD BRACKET	1	1	1	1	1	1
12	611049	. . LINING SET STD /	1	1	1	1	1	B
. 11	N.S.S.	. . . BRAKE PAD BRACKET	1	1	1	1	1	1B
. 26	N.S.S.	. . . SPRING SPLIT PIN	1	1	1	1	1	1B
. 37	641313	. . . PLUG CAP / ADJUSTING DEVICE / PLASTIC INTERIOR GRIP	1	1	1	1	1	B
. 44	N.S.S.	. . . CLEVIS PIN	1	1	1	1	1	1B
. 45	N.S.S.	. . . WASHER	1	1	1	1	1	1B
. 61	N.S.S.	. . . SHEAR ADAPTER	1	1	1	1	1	1B
13	N.S.S.	. . TAPPET WITH BOOT ASSY	2	2	2	2	2	1
22	N.S.S.	. . BOOT	2	2	2	2	2	1
26	N.S.S.	. . SPRING SPLINT PIN	1	1	1	1	1	1
37	N.S.S.	. . PLUG CAP / ADJUSTING DEVICE	1	1	1	1	1	1
39	N.S.S.	. . SCREW CAP HEXS ZP M16-1.5 GR10.9	1	1	1	1	1	1
40	N.S.S.	. . SCREW CAP HEXS ZP M16-1.5 GR10.9	1	1	1	1	1	1
44	N.S.S.	. . CLEVIS PIN	1	1	1	1	1	1
45	N.S.S.	. . WASHER	1	1	1	1	1	1
58	N.S.S.	. . RING	1	1	1	1	1	1
61	N.S.S.	. . SHEAR ADAPTER	1	1	1	1	1	1
68	N.S.S.	. . CAP	1	1	1	1	1	1
70	110786	BRAKE WEAR INDICATOR MECHANICAL / 44MM	AR	AR	AR	AR	AR	
99	FMBS-0BPK-10	BRAKE PARTS - "KNORR-BREMSE" / SB7 & SN7 "AFTERMARKET"						
161	N.S.S.	. RING RETAINING	2	2	2	2	2	1
170	611097	CALIPER MOUNTING BRACKET L.H.						
170	611098	CALIPER MOUNTING BRACKET R.H.						
171	611047	CALIPER MOUNTING BRACKET L.H. & R.H. To W-6583	1	1	1	1	1	D
171	611216	SPINDLE / WITH MODEL "G.K.N." (TS6) From W-6584	1	1	1	1	1	D
172	502558	WASHER FL 21.0x37.0x3.0 G500	6	6	6	6	6	
173	5001529	SCREW CAP HEX M20-1.5x60 G10.9 G500	6	6	6	6	6	
174	621636	SCREW CAP HEX / TO FIX BRACKET TO AXLE 9/16-18 X 2 GR 8	24	24	24	24	24	D
175	621365	WASHER (HARD) .59IDX.97ODX.09	24	24	24	24	24	D

From T-5873 To Y-7045	Date:10/2022	PAGE:XL-1225-98
BRAKE PARTS "KNORR-BREMSE" SN7 SERIES - "SERVICE"		

Item#	Part	Description	M T H 4 0	M T H 4 5	M T H 4 5 E	X L 4 0	X L 4 5	N O T E S
		FOR MOUNTING BOLTS SEE RESPECTIVE PAGES						
		FOR INSTALLATION FRONT OR TAG AXLE						
		FRONT AXLE 1225-03 & 1225-04						
		TAG AXLE 1245-03 & 1245-04						
200	642032	KIT, TAPPET W/BOOT	AR	AR	AR	AR	AR	C
201	642031	KIT, GUIDANCE PINS & BELLOW / SN W/39MM BUSHING END	AR	AR	AR	AR	AR	E
202	642034	KIT, PLUG CAP W/AJUSTING DEVICE (PACK of 10x #37, #37a & 61)	AR	AR	AR	AR	AR	S
203	641402	KIT, PAD HOLDER	AR	AR	AR	AR	AR	H
. 26	N.S.S.	. SPRING SPLIT PIN	1	1	1	1	1	1 H
. 44	N.S.S.	. CLEVIS PIN	1	1	1	1	1	1 H
. 45	N.S.S.	. WASHER	1	1	1	1	1	1 H
205	683345	GREASE WHITE / 5GR	AR	AR	AR	AR	AR	K
205	641930	GREASE WHITE / 500GR	AR	AR	AR	AR	AR	K
NS	641321	TOOL / THRUST MEMBER W/BELLOW	AR	AR	AR	AR	AR	L
NS	641322	TOOL / CALIPER INNER BELLOW	AR	AR	AR	AR	AR	M
NS	642074	TOOL / BUSHING INSTALLER / SERIES SN	AR	AR	AR	AR	AR	N
NS	641435	TOOL / FORK (FOR BELLOW CAP)	AR	AR	AR	AR	AR	L
NS	641993	TOOL / PRESS IN COVER	AR	AR	AR	AR	AR	X
NS	641994	TOOL / BUSHING - INSTALLER	AR	AR	AR	AR	AR	Y
NS	641998	TOOL / RUBBER BUSHING - INSTALLER	AR	AR	AR	AR	AR	Z
NS	642035	KIT TOOL BOX "KNORR BREMSE" SERIE SN7	AR	AR	AR	AR	AR	
400	XL-1225-11	BRAKE CHAMBER - FRONT AXLE						
401	XL-1245-12	BRAKE CHAMBER - TAG AXLE "KNORR-BREMSE"						
500	Y006471_000_EN	MAINTENANCE MANUAL / ENGLISH KNORR-BREMSE						
NS	Y006471_000_F	MANUEL D'ENTRETIEN / FRANÇAIS KNORR-BREMSE						
		A) DO NOT INCLUDE ITEM #2 & #12						
		B) INCLUDES ITEMS #11, 26, 37, 44, 45 & 61						
		C) INCLUDES 2 OF ITEMS #13, 22 & 161						
		D) TAG AXLE ONLY						
		E) INCLUDES ITEMS #4, 5, 6, 7, 9, 10, 39, 40, 58 & 68						
		H) INCLUDES ITEMS #11,26,44 & 45						
		K) FOR ITEMS #5 & 7						
		L) TO USE W/ITEMS #13						
		M) TO USE W/ITEM #9						
		N) TO USE W/ITEM #7						
		S) INCLUDES 10 ITEMS #37 AND 61						
		X) TO USE WITH ITEM #10						
		Y) TO USE WITH ITEM 6						

From T-5873 To Y-7045	Date:10/2022	PAGE:XL-1225-98
BRAKE PARTS "KNORR-BREMSE" SN7 SERIES - "SERVICE"		

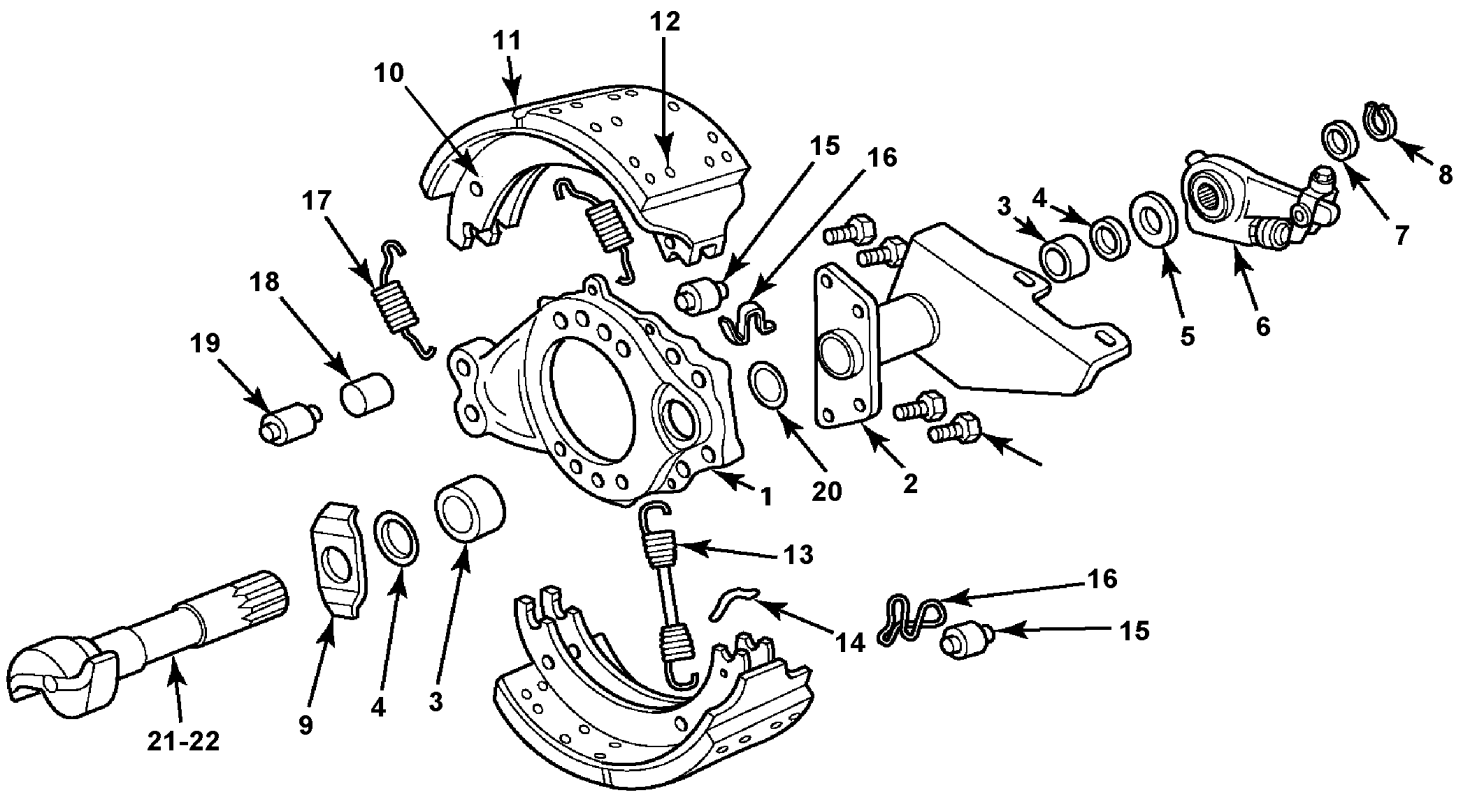
Item#	Part	Description	M T H 4 0	M T H 4 5	M T H 4 5 E	X L 4 0	X L 4 5	N O T E S
		Z) TO USE WITH ITEM #68						
		1) NOT SOLD SEPARATELY						
		1) NOT SOLD SEPARATELY						

From P-741 To Y-7045

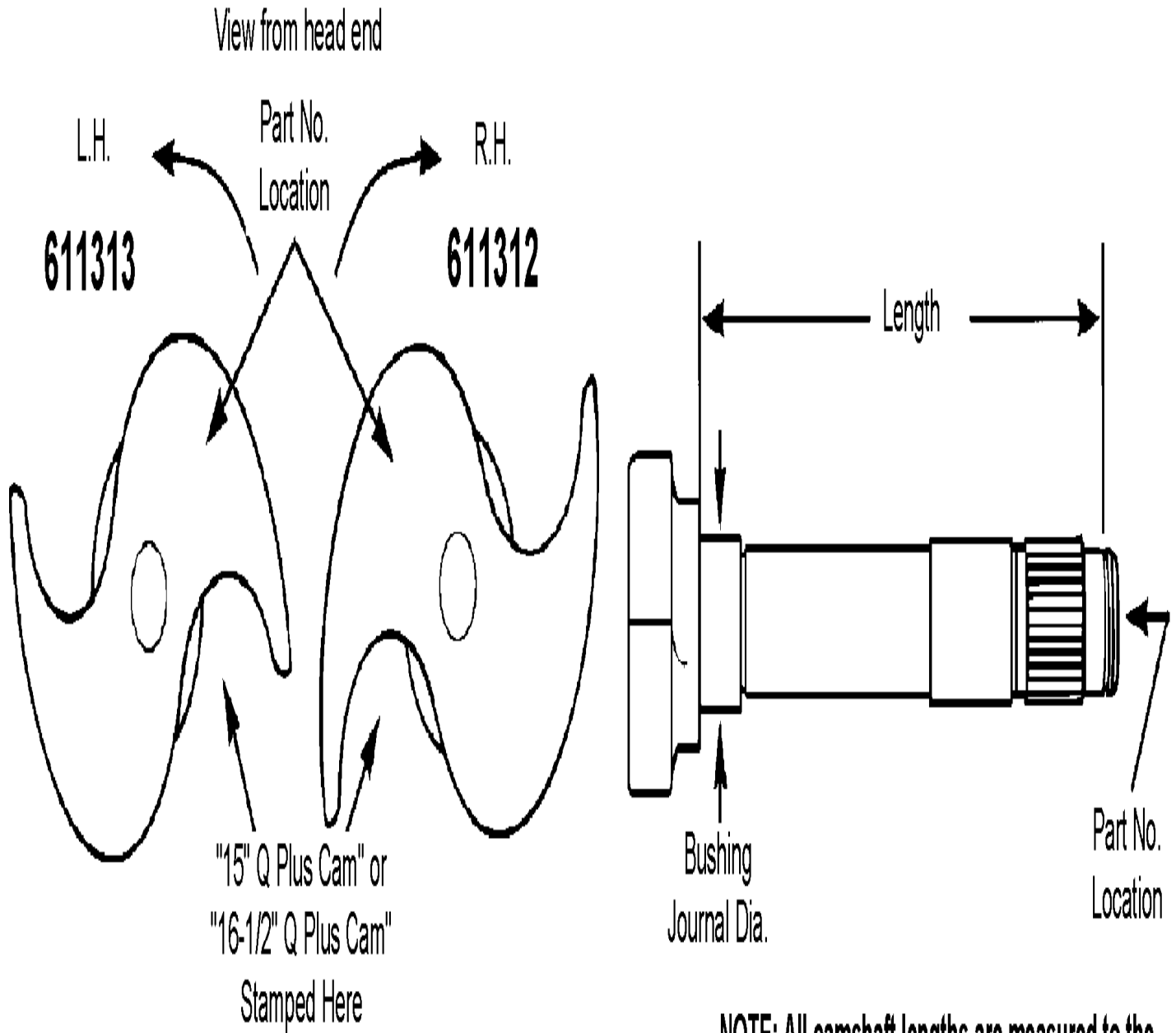
Date:10/2022

PAGE:XL-1225-99

BRAKE PARTS - FRONT AXLE MODEL 16 1/2 I.D. (RETROFIT)



From P-741 To Y-7045	Date:10/2022	PAGE:XL-1225-99
BRAKE PARTS - FRONT AXLE MODEL 16 1/2 I.D. (RETROFIT)		



NOTE: LH and RH indicates only the direction of cam rotation;
NOT which side of the vehicle the cam is used on.
(LH = Counterclockwise) (RH = Clockwise)

NOTE: All camshaft lengths are measured to the
beginning of the snap ring groove.

From P-741 To Y-7045	Date:10/2022	PAGE:XL-1225-99
BRAKE PARTS - FRONT AXLE MODEL 16 1/2 I.D. (RETROFIT)		

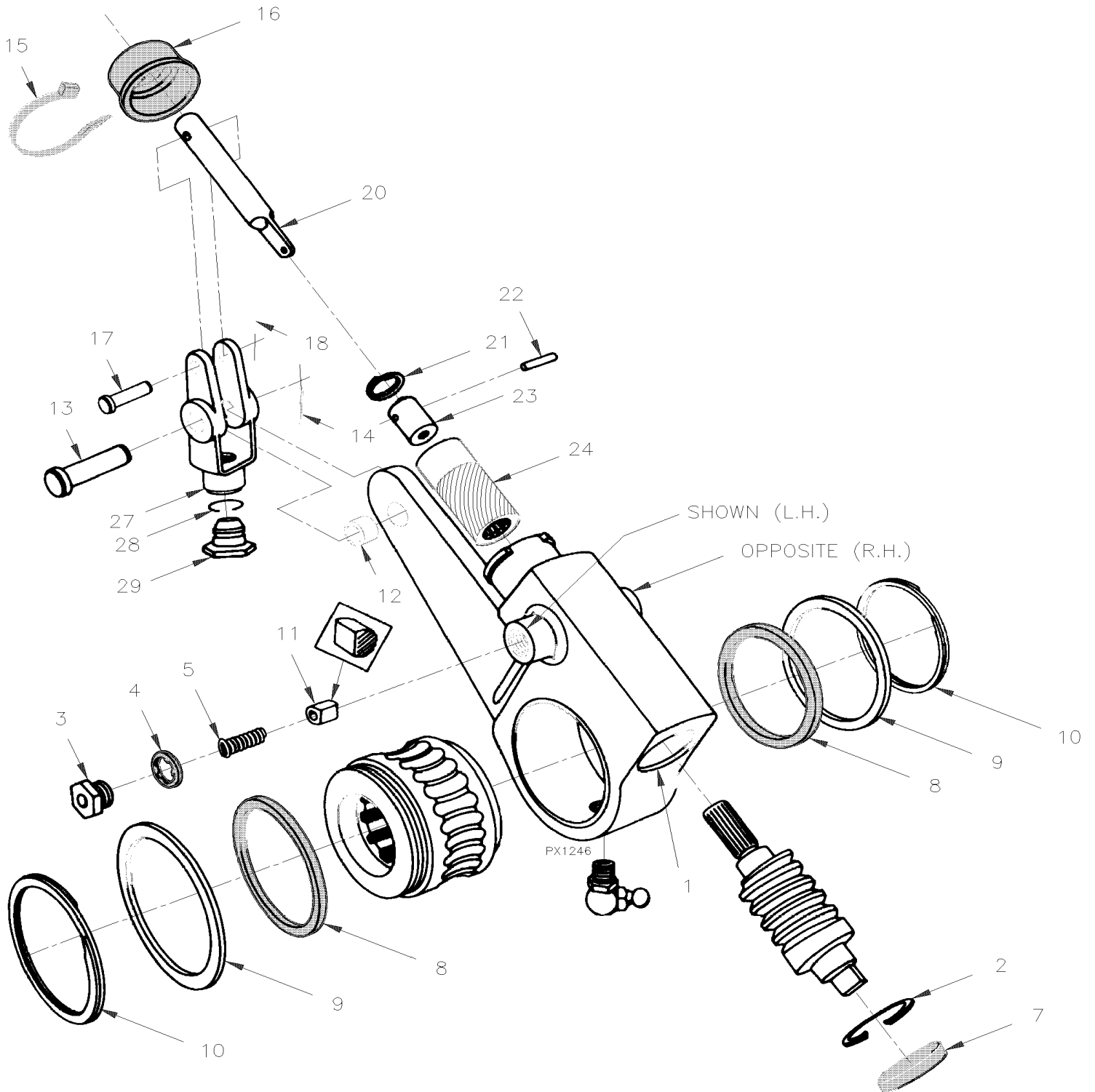
Item#	Part	Description	M T H 4 0	M T H 4 5	M T H 4 5 E	X L 4 0	X L 4 5	N O T E S
		IT IS POSSIBLE TO USED SAME INSTALLATION						
		ON TAG AXLE						
	611336	BRAKE ASSY	1	1	1	1	1	A
NS	MI03-01	SEE MAINTENANCE INFORMATION	1	1	1	1	1	A
1	N.P.N.	CAST SPIDER	1	1	1	1	1	4
2	611315	BRACKET CAMSHAFT & CHAMBER R.H.	1	1	1	1	1	
2	611316	BRACKET CAMSHAFT & CHAMBER L.H.	1	1	1	1	1	
3	611298	BUSHING CAM / NYLON	2	2	2	2	2	
4	621115	SEAL / CAMSHAFT	2	2	2	2	2	
5	621133	WASHER 1 17/32" I.D. X 2 3/8" O.D. X .032 TH	AR	AR	AR	AR	AR	
6	641271	SLACK ADJUSTER 5.5 X 1" 1/2-28	2	2	2	2	2	
6	641266	SLACK ADJUSTER L.H. & R.H. AXLE, W/DISC BRA	AR	AR	AR	AR	AR	
7	611317	WASHER FL 1.250x1.875x.093	2	2	2	2	2	
8	610833	SNAP RING CAM SHAFT & ANCHOR PIN	1	1	1	1	1	
9	611318	WASHER FL 1.250x1.875x.03	2	2	2	2	2	
10	611281	SHOES 16 1/2" X 6"	2	2	2	2	2	
11	641753	LINING SET NON ASBESTOS (8 PCES) STD	1	1	1	1	1	
11	641762	LINING SET NON ASBESTOS (8 PCES) X OVERSIZE	1	1	1	1	1	
11	641756	LINING SET NON ASBESTOS (8 PCES) XX OVERSIZ	1	1	1	1	1	
12	642065	SCREW FH SLOT BR 1/4-20X1 W/NUT & LOCK	AR	AR	AR	AR	AR	
13	610298	SPRING EXTENSION / 1.125 O.D. x 8.000	1	1	1	1	1	
14	610139	PIN, BRAKE RETURN SPRING	2	2	2	2	2	
15	611286	ROLLER	2	2	2	2	2	
16	611285	RETAINER ROLLER	2	2	2	2	2	
17	611282	SPRING SHORT	2	2	2	2	2	
18	611299	BUSHING ANCHOR	2	2	2	2	2	
19	611293	ROLLER ANCHOR PIN	2	2	2	2	2	
20	611314	O-RING	1	1	1	1	1	
21	611312	CAMSHAFT R.H.	1	1	1	1	1	
22	611313	CAMSHAFT L.H.	1	1	1	1	1	
100	611324	KIT, SPRING & ROLLER	AR	AR	AR	AR	AR	B
		A) THIS KIT USE ONLY WITH AXLE 2FG-952 MODIFIED WITH DRUM						
		B) KIT INCLUDE ITEMS #13 To 19						
		4) NO PARTS NUMBER						

From L-465 To Y-7045

Date:10/2022

PAGE:XL-1230-00

SLACK ADJUSTER AUTOMATIC - "ROCKWELL"



From L-465 To Y-7045	Date:10/2022	PAGE:XL-1230-00
SLACK ADJUSTER AUTOMATIC - "ROCKWELL"		

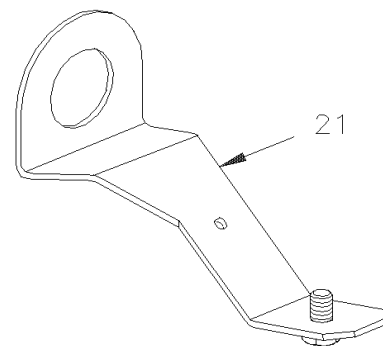
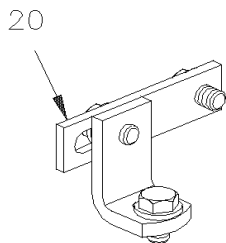
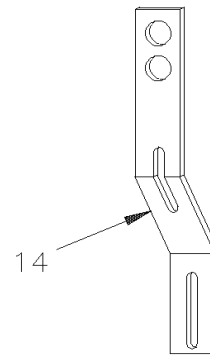
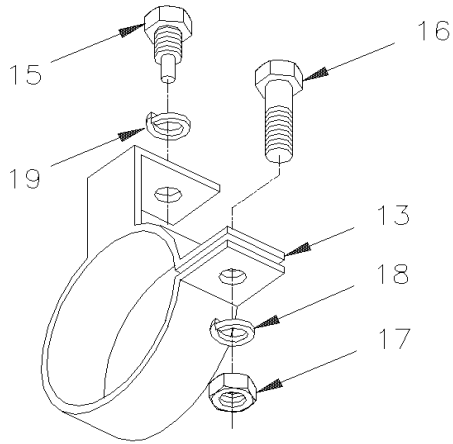
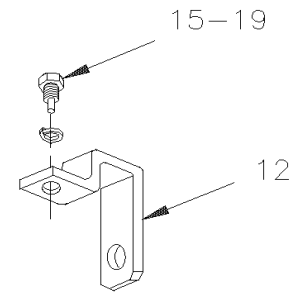
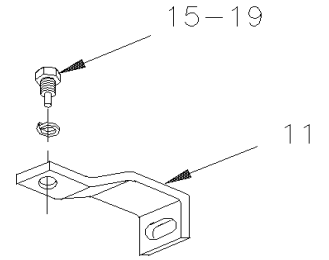
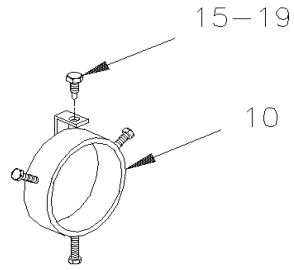
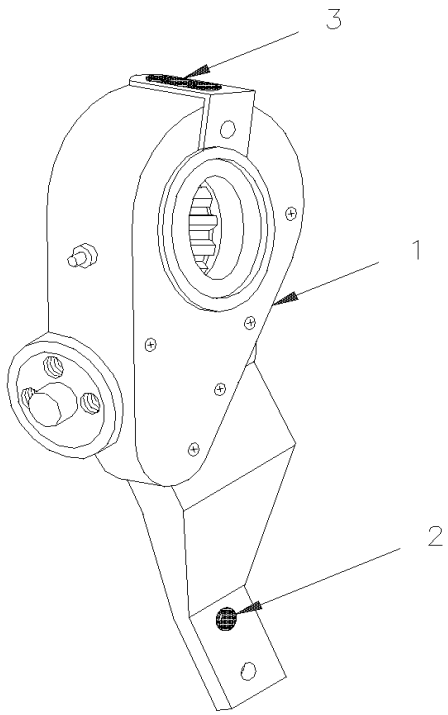
Item#	Part	Description	M T H 4 0	M T H 4 5	M T H 4 5 E	X L 4 0	X L 4 5	N O T E S
1	641271	SLACK ADJUSTER 5.5 X 1"1/2-28 From P-646	2	2	2	2	2	
1	641272	SLACK ADJUSTER LH 7 X 1"1/2-10	1	1	1	1	1	
1	641273	SLACK ADJUSTER RH 7 X 1"1/2-10	1	1	1	1	1	
1	641314	SLACK ADJUSTER 5.5 X 1"1/2-28	2	2	2	2	2	
2	610879	. RING, RETAINING	1	1	1	1	1	
3	610878	. SCREW, PRESSURE RELIEF	1	1	1	1	1	
4	610877	. GASKET	1	1	1	1	1	
5	610876	. SPRING COMPRESSION / .332 TO .230 O.D. x .740 x .0	1	1	1	1	1	
7	N.S.S.	. SEAL, OIL	1	1	1	1	1	1
8	N.S.S.	. SEAL	2	2	2	2	2	1
9	N.S.S.	. WASHER, THRUST	2	2	2	2	2	1
10	N.S.S.	. RING, RETAINING	2	2	2	2	2	1
11	642054	. PAWL, GUIDE	1	1	1	1	1	
12	641215	. BUSHING 5/8" O.D. X 1/2" I.D.	1	1	1	1	1	
13	610930	. PIN, CLEVIS 1/2 x 1 1/2	1	1	1	1	1	
14	N.S.S.	. PIN, COTTER	1	1	1	1	1	1
15	504273	. CABLE TIE / 1/8" X 3"1/2	1	1	1	1	1	
16	610887	. BOOT	1	1	1	1	1	
17	610929	. PIN, CLEVIS 1/4 x 1.119	1	1	1	1	1	
18	N.S.S.	. PIN, COTTER	1	1	1	1	1	1
20	N.S.S.	. ROD, ACTUATOR	1	1	1	1	1	1
21	N.S.S.	. RING, RETAINING	1	1	1	1	1	1
22	N.S.S.	. ROLLER	1	1	1	1	1	1
23	N.S.S.	. PISTON, ACTUATOR	1	1	1	1	1	1
24	N.S.S.	. ACTUATOR	1	1	1	1	1	1
27	610872	. YOKE, CLEVIS 5/8-18	1	1	1	1	1	
27	610956	. YOKE, CLEVIS 1/2-20	1	1	1	1	1	
28	N.S.S.	RETAINER RING / (2214-Z-260)						1
29	N.S.S.	ADAPTOR, QUICK CONNECT 5/8-18 / (2207-M-13)						1
29	N.S.S.	ADAPTOR, QUICK CONNECT 1/2-20 / (2207-L-12)						1
NS	610874	REPAIR KIT	1	1	1	1	1	B
NS	610873	REPAIR KIT	1	1	1	1	1	C
		B) INCLUDE / ITEMS # 20,21,22,23 & 24						
		C) INCLUDE / ITEMS #7,8,9,10,13,15,16,17 & 18						
		1) NOT SOLD SEPARATELY						

From E-638 To Y-7045

Date:10/2022

PAGE:XL-1230-01

SLACK ADJUSTER AUTOMATIC - "HALDEX"



From E-638 To Y-7045	Date:10/2022	PAGE:XL-1230-01
----------------------	--------------	-----------------

SLACK ADJUSTER AUTOMATIC - "HALDEX"

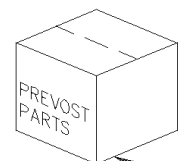
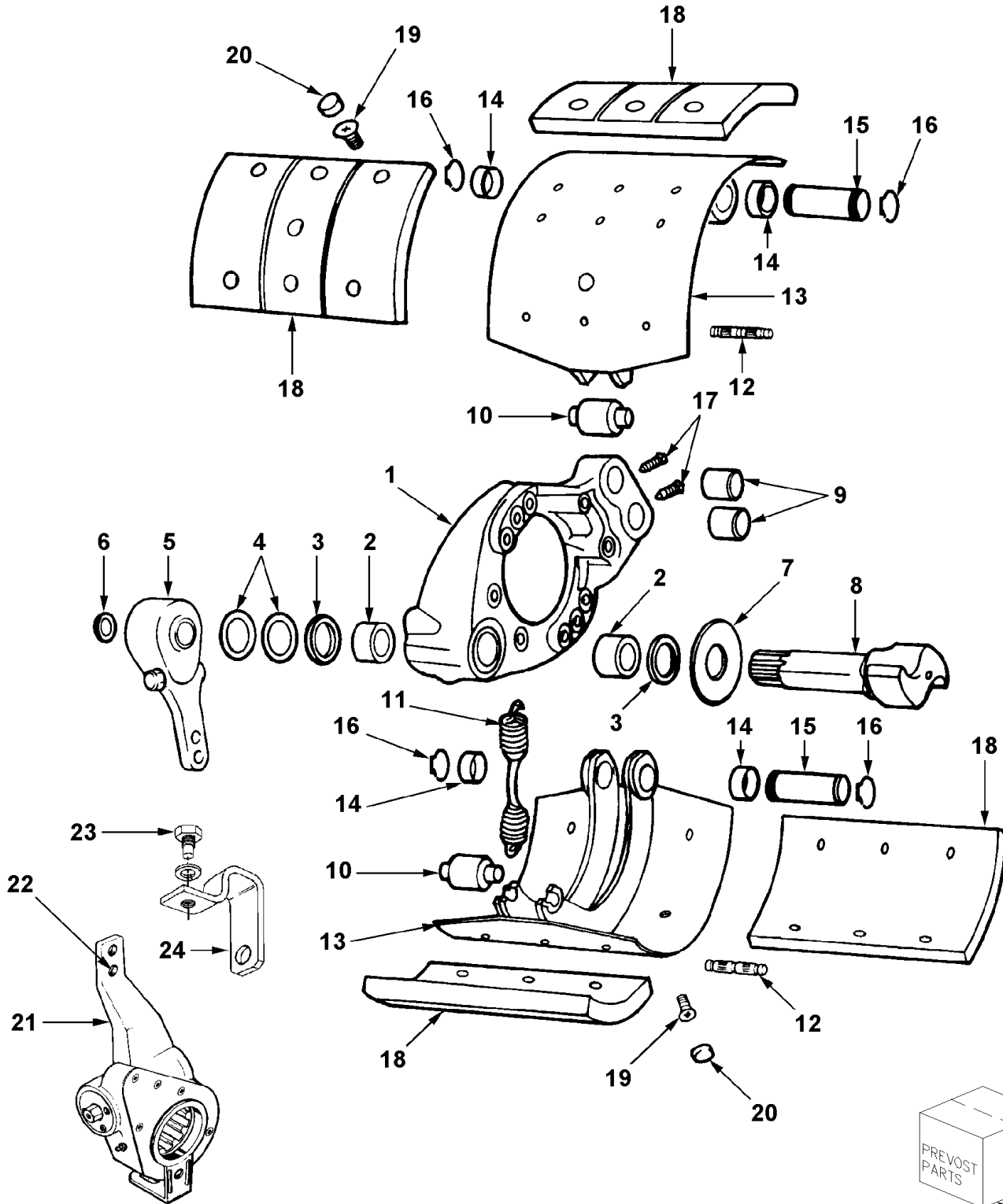
Item#	Part	Description	M T H 4 0	M T H 4 5	M T H 4 5 E	X L 4 0	X L 4 5	N O T E S
1	641471	SLACK ADJUSTER R.H. W/FRONT AXLE 16930 & 931 To F-902	AR			AR		
1	641470	SLACK ADJUSTER L.H. W/FRONT AXLE 16930 & 931 To F-902	AR			AR		
1	641051	SLACK ADJUSTER L.H. W/FRONT AXLE 17101 From F-903 To P-741	AR		AR	AR		
1	197306	SLACK ADJUSTER L.H. W/FRONT AXLE 17101 From F-903 To P-741	AR		AR	AR		TTT
1	641052	SLACK ADJUSTER R.H. W/FRONT AXLE 17101 From F-903 To P-741	AR		AR	AR		
1	197305	SLACK ADJUSTER R.H. W/FRONT AXLE 17101 From F-903 To P-741	AR		AR	AR		TTT
1	641465	SLACK ADJUSTER R.H. W/REAR AXLE 59742 & 743 To L-464	AR	AR	AR	AR	AR	
1	641466	SLACK ADJUSTER L.H. W/REAR AXLE 59742 & 743 To L-464	AR	AR	AR	AR	AR	
1	621523	SLACK ADJUSTER L.H. & R.H. W/REAR AXLE 61143 From L-465	AR	AR	AR	AR	AR	
1	641532	SLACK ADJUSTER L.H. & R.H. W/REAR AXLE 61143 (SERVICE)	AR	AR	AR	AR	AR	
1	641266	SLACK ADJUSTER L.H. & R.H. AXLE, W/DISC BRA From P-646		AR				A
1	641266	SLACK ADJUSTER L.H. & R.H. AXLE, W/DISC BRA From P-742	AR		AR	AR	AR	A
2	641215	. BUSHING 5/8" O.D. X 1/2" I.D.	AR	AR	AR	AR	AR	
3	641334	. RING / BLACK PLASTIC (W/DISC BRAKE MODEL)	AR	AR	AR	AR	AR	
10	640882	ANCHOR BRACKET L.H & R.H. / W/TAG To P-741	AR		AR	AR		
11	641053	ANCHOR BRACKET L.H & R.H. / W/17101 From F-903 To P-741	AR	AR	AR	AR		
12	141096	ANCHOR BRACKET L.H & R.H./ W/ REAR 59742&743 To L-464	AR			AR		
13	621524	ANCHOR BRACKET R.H. / W/REAR AXLE MODEL 61143 From L-465	AR	AR	AR	AR	AR	
13	621525	ANCHOR BRACKET L.H. / W/REAR AXLE MODEL 61143 From L-465	AR	AR	AR	AR	AR	
14	641267	ANCHOR BRACKET L.H. & R.H. / W/DISC BRAKE From P-646		AR				A
14	641267	ANCHOR BRACKET L.H. & R.H. / W/DISC BRAKE From P-646		AR				A
14	641267	ANCHOR BRACKET L.H. & R.H. / W/DISC BRAKE From P-742	AR		AR	AR	AR	A
15	640986	SCREW SPECIAL /TO USE WITH ALL SLACK ADJUST	AR	AR	AR	AR	AR	
16	500048	SCREW CAP HEX 3/8-24x1 1/4 G5 ZP	AR	AR	AR	AR	AR	
17	500705	NUT HEX 3/8-24 ZP	AR	AR	AR	AR	AR	
18	500478	WASHER LO SPT .380x.683x.094 Z050	AR	AR	AR	AR	AR	
19	500480	WASHER LO SPT .443x.779x.109 Z050	AR	AR	AR	AR	AR	
20	641467	ANCHOR BRACKET L.H. & R.H. / W/REAR 59742&743 To L-464	AR			AR		
21	641468	ANCHOR BRACKET R.H. W/FRONT 16930 & 931 To F-902	AR			AR		
21	641469	ANCHOR BRACKET L.H. W/FRONT 16930 & 931 To F-902	AR			AR		
		A) FRONT AXLE MODEL "2FG-952-CAX" & TAG AXLE WITH "ADB1560"						
		TTT) TRUCK - TRAILER - TRANSIT						

From E-638 To L-464

Date:10/2022

PAGE:XL-1235-00

BRAKE PARTS - DRIVE AXLE "MERITOR" W/DRUMS



From E-638 To L-464		Date:10/2022	PAGE:XL-1235-00
BRAKE PARTS - DRIVE AXLE "MERITOR" W/DRUMS			

Item#	Part	Description	M T H 4 0	M T H 4 5	M T H 4 5 E	X L 4 0	X L 4 5	N O T E S
1	621139	SPIDER L.H. & R.H. / W/BUSHING	2			2		
2	610699	. BUSHING 1 1/2" ID X 1 7/8" OD X 1 1/4"	2			2		
NS	621107	SCREW CAP HEX 5/8-11x2 G8 ZP	8			8		
NS	621057	WASHER / SPIDER TO AXLE	16			16		
NS	621731	WASHER FL .91x1.62x.250	16			16		
NS	500725	NUT HEX STO 5/8-18 Z050	16			16		
3	621115	SEAL / CAMSHAFT	2			2		
4	610219	WASHER 1-17/32" I.D. x 2-1/4" O.D. x 1/32"TH	AR			AR		
NS	610778	WASHER 1 15/32" I.D. X 2 1/4" O.D. X 1/16" TH	4			4		
5	640858	SLACK ADJUSTER R.H. / MANUAL "BENDIX"	1			1		
5	640859	SLACK ADJUSTER L.H. / MANUAL "BENDIX"	1			1		
NS	641215	BUSHING 5/8" O.D. X 1/2" I.D.	1			1		
6	620468	WASHER 17/32" I.D. X 2 7/16" O.D. X 1/16"TH	2			2		
7	610221	WASHER 1-17/32" I.D. x 2-7/16" O.D. x 1/16"TH	1			1		
8	621137	CAMSHAFT L.H.	1			1		
8	621138	CAMSHAFT R.H.	1			1		
9	621086	BUSHING ANCHOR PIN / 1 1/4" I.D. x 1 1/2" O.D	2			2		
10	621108	ROLLER STD	2			2		
10	621508	ROLLER 1/8" O.S.	AR			AR		
10	621509	ROLLER 1/4" O.S.	AR			AR		
10	621510	ROLLER 3/8" O.S.	AR			AR		
10	621511	ROLLER 1/2" O.S.	AR			AR		
11	620875	SPRING EXTENSION / 1.250 O.D. x 8.500	1			1		
12	620904	PIN, RETURN SPRING 27/64 O.D. x 2-5/32"	1			1		
13	621112	SHOE ASSY 10" WIDE / 14.5" O.D.	2			2		
14	621489	. BUSHING ANCHOR PIN / 1 1/4" I.D. x 1 1/2" O	2			2		
15	621088	ANCHOR PIN	1			1		
16	621089	SNAP-RING ANCHOR PIN	2			2		
17	621090	SCREW W/ SQ HEAD	2			2		
18	641086	LINING SET NON ASBESTOS (8 PCES) STD	1			1		
18	641087	LINING SET NON ASBESTOS (8 PCES) X OVERSIZE	AR			AR		
18	641225	LINING SET NON ASBESTOS (8 PCES) XX OVERSIZE	AR			AR		
18	641226	LINING SET NON ASBESTOS (8 PCES) XXX OVERSIZE	AR			AR		
19	641208	SCREW MA FL SLT W/NUT & LOCK (100) 3/8-16x1 BR	48			48		
19	9097	SCREW MA FL SLT W/NUT & LOCK (100) 3/8-24x1 BR	AR			AR		
20	640617	PLUG, LINING BOLT HOLE	48			48		
21	641466	SLACK ADJUSTER L.H. W/REAR AXLE 59742 & 743	1			1		
21	641465	SLACK ADJUSTER R.H. W/REAR AXLE 59742 & 743	1			1		
22	641215	BUSHING 5/8" O.D. X 1/2" I.D.	1			1		
23	640986	SCREW SPECIAL /TO USE WITH ALL SLACK ADJUST	1			1		
24	141096	ANCHOR BRACKET L.H & R.H./ W/ REAR 59742&743	2			2		A
NS	641467	ANCHOR BRACKET L.H. & R.H. / W/REAR 59742&743	1			1		B

From E-638 To L-464	Date:10/2022	PAGE:XL-1235-00
BRAKE PARTS - DRIVE AXLE "MERITOR" W/DRUMS		

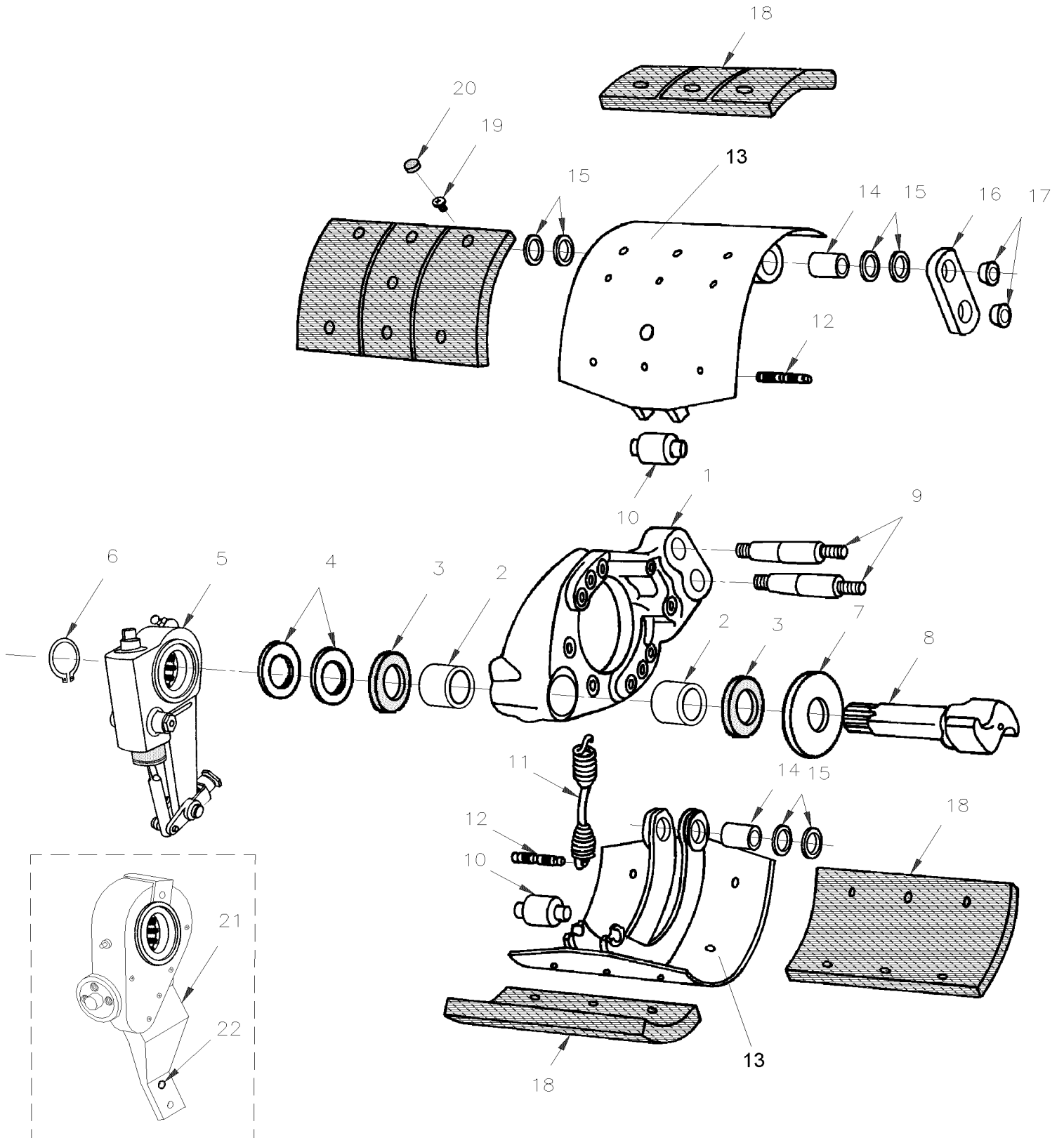
Item#	Part	Description	M T H 4 0	M T H 4 5	M T H 4 5 E	X L 4 0	X L 4 5	N O T E S
100	641249	KIT, ANCHOR PIN & SNAP-RING	2			2		C
		A) USE IN PRODUCTION						
		B) USE WITH SERVICE KIT						
		C) INCLUDE ITEM #15 & 16						

From L-465 To Y-7045

Date:10/2022

PAGE:XL-1235-01

BRAKE PARTS - DRIVE AXLE "MERITOR" W/DRUMS



From L-465 To Y-7045	Date:10/2022	PAGE:XL-1235-01
BRAKE PARTS - DRIVE AXLE "MERITOR" W/DRUMS		

Item#	Part	Description	M T H 4 0	M T H 4 5	M T H 4 5 E	X L 4 0	X L 4 5	N O T E S
1	621412	SPIDER L.H. / W/BUSHING	1	1	1	1	1	
1	621413	SPIDER R.H. / W/BUSHING	1	1	1	1	1	
2	610699	. BUSHING 1 1/2" ID X 1 7/8" OD X 1 1/4"	2	2	2	2	2	
NS	621107	SCREW CAP HEX 5/8-11x2 G8 ZP	8	8	8	8	8	
NS	621057	WASHER / SPIDER TO AXLE	16	16	16	16	16	
NS	621731	WASHER FL .91x1.62x.250	16	16	16	16	16	
NS	500725	NUT HEX STO 5/8-18 Z050	16	16	16	16	16	
3	610179	SEAL / CAMSHAFT	2	2	2	2	2	
4	621133	WASHER 1 17/32" I.D. X 2 3/8" O.D. X .032 TH	2	2	2	2	2	
NS	610778	WASHER 1 15/32" I.D. X 2 1/4" O.D. X 1/16" TH	4	4	4	4	4	
5	XL-1230-00	SLACK ADJUSTER AUTOMATIC - "ROCKWELL"						
5	621497	SLACK ADJUSTER L.H. & R.H. / MANUAL ROCKWELL	2	2	2	2	2	
NS	621514	YOKE 5/8-18x1 3/8 C/Lx9/16Wx1/2	AR	AR	AR	AR	AR	A
NS	621515	PIN, CLEVIS 1/2 x 1.630	AR	AR	AR	AR	AR	
6	610771	RING RETAINER / EXT 1.375 I.D. x .108" th	2	2	2	2	2	
7	621405	WASHER CAMHEAD 1 1/2" I.D.	1	1	1	1	1	
8	621406	CAMSHAFT L.H.	1	1	1	1	1	
8	621407	CAMSHAFT R.H.	1	1	1	1	1	
9	620853	PIN ANCHOR	2	2	2	2	2	
NS	500733	NUT HEX 3/4-16 Z050	2	2	2	2	2	
NS	500737	NUT HEX 7/8-14 ZP	2	2	2	2	2	
10	620903	ROLLER / STD	2	2	2	2	2	
10	621512	ROLLER 1/8" O.S.	AR	AR	AR	AR	AR	
10	621513	ROLLER 1/4" O.S.	AR	AR	AR	AR	AR	
11	620875	SPRING EXTENSION / 1.250 O.D. x 8.500	1	1	1	1	1	
12	620904	PIN, RETURN SPRING 27/64 O.D. x 2-5/32"	1	1	1	1	1	
13	620486	SHOE ASSY 10" WIDE / 14.5" O.D.	2	2	2	2	2	
14	610702	. BUSHING ANCHOR PIN / 1 1/4" I.D. x 1 1/2" O	1	1	1	1	1	
15	620908	WASHER / .063 TH	AR	AR	AR	AR	AR	
15	620909	WASHER / .031 TH	AR	AR	AR	AR	AR	
15	620910	WASHER / .094 TH	AR	AR	AR	AR	AR	
15	620911	WASHER / .125 TH	AR	AR	AR	AR	AR	
15	620912	WASHER	AR	AR	AR	AR	AR	
16	620851	STRAP	1	1	1	1	1	
17	620852	DOWEL 3/4 I.D.	2	2	2	2	2	
18	641086	LINING SET NON ASBESTOS (8 PCES) STD	1	1	1	1	1	
18	641087	LINING SET NON ASBESTOS (8 PCES) X OVERSIZE	AR	AR	AR	AR	AR	
18	641225	LINING SET NON ASBESTOS (8 PCES) XX OVERSIZE	AR	AR	AR	AR	AR	
18	641226	LINING SET NON ASBESTOS (8 PCES) XXX OVERSIZE	AR	AR	AR	AR	AR	
19	641208	SCREW MA FL SLT W/NUT & LOCK (100) 3/8-16x1 BR	48	48	48	48	48	
19	9097	SCREW MA FL SLT W/NUT & LOCK (100) 3/8-24x1 BR	AR	AR	AR	AR	AR	
20	640617	PLUG, LINING BOLT HOLE	48	48	48	48	48	

From L-465 To Y-7045	Date:10/2022	PAGE:XL-1235-01
----------------------	--------------	-----------------

BRAKE PARTS - DRIVE AXLE "MERITOR" W/DRUMS

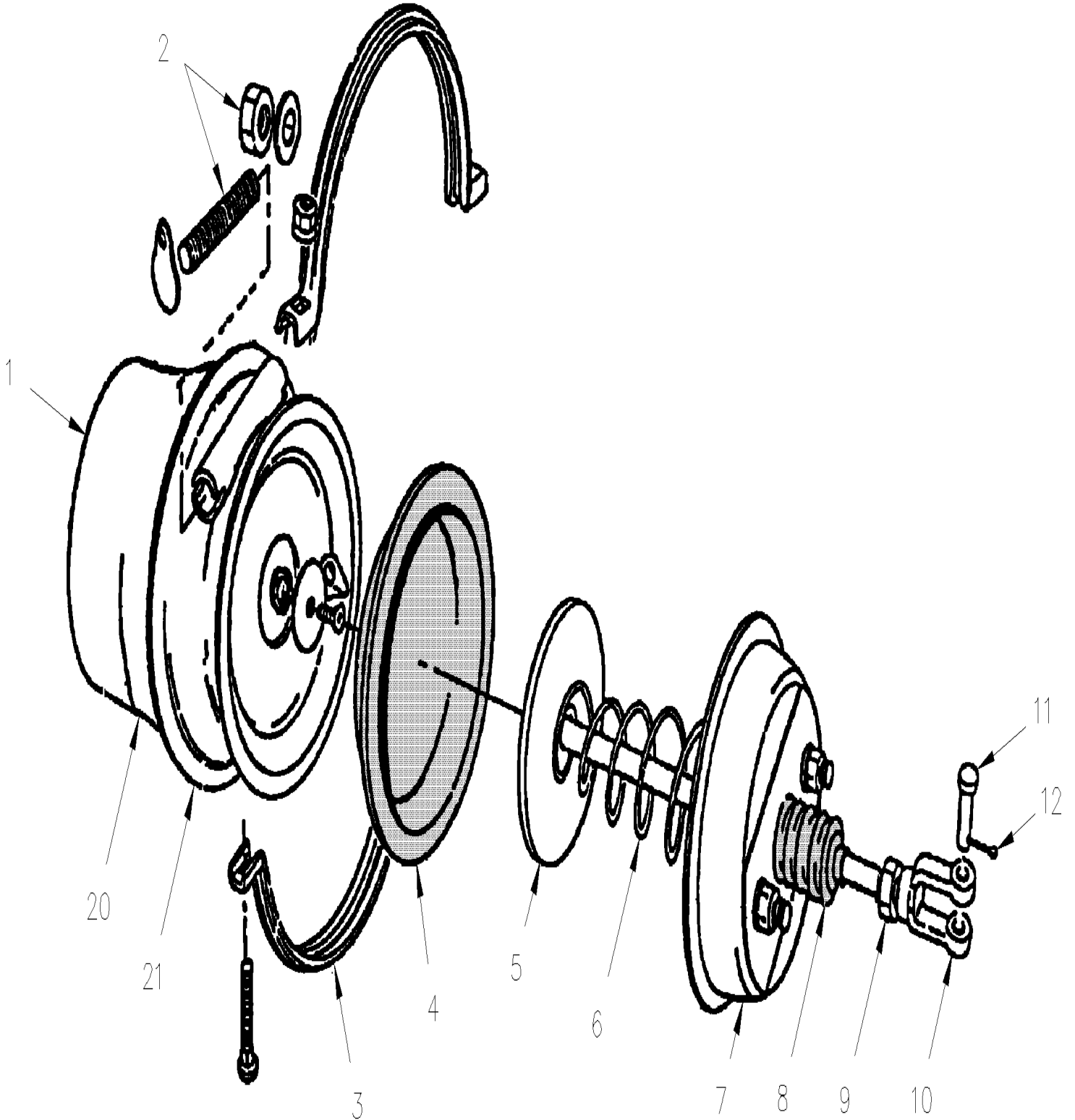
Item#	Part	Description	M T H 4 0	M T H 4 5	M T H 4 5 E	X L 4 0	X L 4 5	N O T E S
21	XL-1230-01	SLACK ADJUSTER AUTOMATIC - "HALDEX"						
22	641215	. BUSHING 5/8" O.D. X 1/2" I.D.	1	1	1	1	1	
23	621524	ANCHOR BRACKET R.H. / W/REAR AXLE MODEL 61143	1	1	1	1	1	B
23	621525	ANCHOR BRACKET L.H. / W/REAR AXLE MODEL 61143	1	1	1	1	1	B
24	500195	. SCREW CAP HEX 3/8-16x2 1/2 G5 Z050	1	1	1	1	1	
25	500496	. WASHER FL .437x.750x.054 Z050	2	2	2	2	2	
26	500783	. NUT HEX 3/8-16 Z050	1	1	1	1	1	
27	640986	. SCREW SPECIAL /TO USE WITH ALL SLACK ADJUST	1	1	1	1	1	
		A) W/DRIVE						
		B) SLACK ADJUSTER AUTOMATIC "HALDEX"						

From E-638 To T-5973

Date:10/2022

PAGE:XL-1235-10

BRAKE CHAMBER - DRIVE AXLE "ANCHOR LOCK"



From E-638 To T-5973	Date:10/2022	PAGE:XL-1235-10
BRAKE CHAMBER - DRIVE AXLE "ANCHOR LOCK"		

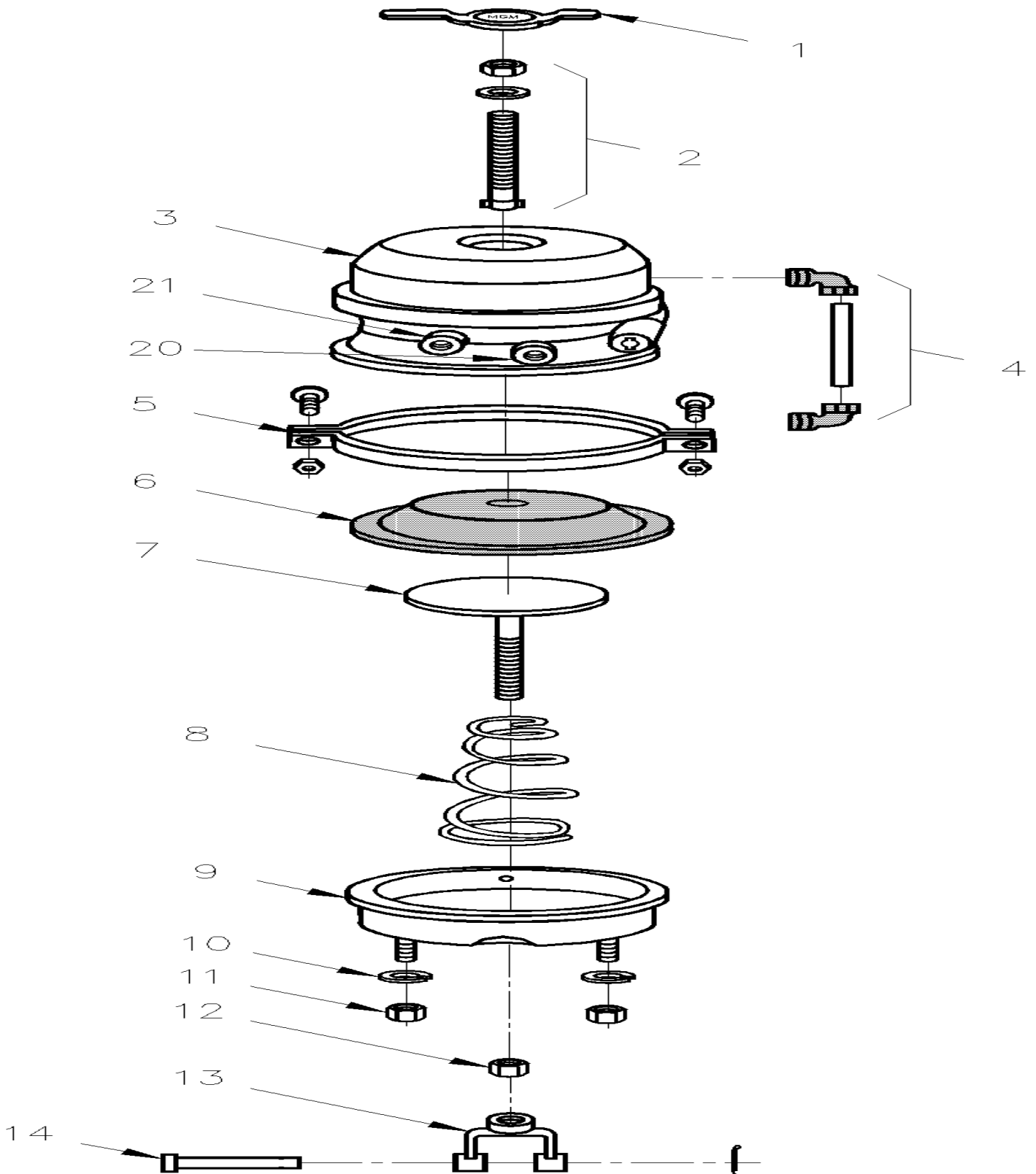
Item#	Part	Description	M T H 4 0	M T H 4 5	M T H 4 5 E	X L 4 0	X L 4 5	N O T E S
	640976	SPRING BRAKE ASSY 30/36 2.5" STROKE To L-464	1			1		
	641181	SPRING BRAKE ASSY 30/36 2.5" STROKE From L-465	2	2	2	2	2	
1	641290	. PIGKY BACK UNIT / TYPE 30/36 (SEALED)	1	1	1	1	1	
NS	641073	. . PLUG / WEEP HOLE (BLACK)	3	3	3	3	3	
NS	640963	. . PLUG / BLUE 3/4"	1			1		
NS	641291	. . PLUG / YELLOW 1 1/4"	1			1	1	
2	640977	. STUD, RELEASE W/NUTS & WASHERS	1	1	1	1	1	
3	N.S.S.	. CLAMP ASSY W/BOLTS & NUT TYPE 30	1	1	1	1	1	1
4	640957	. DIAPHRAGM / TYPE 30	1	1	1	1	1	
5	640956	. ROD, PUSH	1	1	1	1	1	
6	640955	. SPRING, COMP.	1	1	1	1	1	
7	641268	. HOUSING ASSY / TYPE 36	1	1	1	1	1	
8	640954	. DUST BOOT ASSY	1	1	1	1	1	
9	500723	. NUT HEX 5/8-18 ZP	1	1	1	1	1	
10	640129	. YOKE 5/8-18x1 3/8 C/Lx9/16Wx1/2	1			1		
NS	621514	. YOKE 5/8-18x1 3/8 C/Lx9/16Wx1/2	1	1	1	1	1	
11	621515	. PIN, CLEVIS 1/2 x 1.630	1	1	1	1	1	A
12	502102	. PIN, COTTER 1/8 x 1	1	1	1	1	1	
		. . . HOSE SERVICE BRAKE						
20	641301	HOSE BRAKE #8 841MM (33 1/8)	2	2	2	2	2	
20	641302	HOSE BRAKE #8 610MM (24")	1	1	1		1	B
NS	501842	ADAPTER / AIR BRAKE HOSE FITTING / 3/4-20-Mx3/8NPT-M STL	1	1	1	1	1	
NS	501330	STREET ELBOW 45° / PIPE FITTING / 3/8NPT-Mx3/8NPT-F BR	1	1	1	1	1	
		. . . HOSE EMERGENCY BRAKE						
21	641301	HOSE BRAKE #8 841MM (33 1/8)					2	
NS	501842	ADAPTER / AIR BRAKE HOSE FITTING / 3/4-20-Mx3/8NPT-M STL	1	1	1	1	1	
NS	501516	STREET ELBOW 90° / PIPE FITTING / 3/8NPT-Mx3/8NPT-F BR	1	1	1	1		C
NS	503488	TUBE, NYLON 1/2 O.D. / BLACK S.L./	AR	AR	AR	AR		
NS	641010	MALE ELBOW 45° / NTA FITTING / #8x3/8NPT-M BR	1	1	1	1	1	
		A) W/MANUAL ADJUSTER						
		B) MANIFOLD BLOCK & RELAY VALVE W/60 ENGINE						
		C) TO USE W/HOSE						
		1) NOT SOLD SEPARATELY						

From T-5974 To Y-7045

Date:10/2022

PAGE:XL-1235-11

BRAKE CHAMBER - DRIVE AXLE "M.G.M."



From T-5974 To Y-7045	Date:10/2022	PAGE:XL-1235-11
BRAKE CHAMBER - DRIVE AXLE "M.G.M."		

Item#	Part	Description	M T H 4 0	M T H 4 5	M T H 4 5 E	X L 4 0	X L 4 5	N O T E S
	641364	SPRING BRAKE ASSY 30/36 2.50" STROKE	2	2	2	2	2	
1	641408	. WEATHER SEAL PLUG	1	1	1	1	1	
NS	641434	. . O-RING	1	1	1	1	1	
2	641407	. KIT RELEASE BOLT	1	1	1	1	1	
3	641500	. PIGGY BACK UNIT / TYPE 30/36	1	1	1	1	1	
4	641406	. KIT BREATHER TUBE	1	1	1	1	1	
5	640958	. CLAMP TYPE 30 W/BOLT & NUT	1	1	1	1	1	
6	640957	. DIAPHRAGM / TYPE 30	1	1	1	1	1	
7	641409	. PUSH ROD KIT	1	1	1	1	1	
8	640955	. SPRING, COMP.	1	1	1	1	1	
9	N.S.S.	. NP - CHAMBER ASS'Y	1	1	1	1	1	1
10	500484	. WASHER LO SPT .635x1.079x.156 Z050	2	2	2	2	2	
11	500723	NUT HEX 5/8-18 ZP	2	2	2	2	2	
12	500730	NUT HEX JAM THN 5/8-18x3/8 ZP	1	1	1	1	1	
13	621514	YOKE 5/8-18x1 3/8 C/Lx9/16Wx1/2	1	1	1	1	1	
14	621515	PIN, CLEVIS 1/2 x 1.630	1	1	1	1	1	
		. . . HOSE SERVICE BRAKE						
20	641301	HOSE BRAKE #8 841MM (33 1/8)	2	2	2	2	2	
NS	501842	ADAPTER / AIR BRAKE HOSE FITTING / 3/4-20-Mx3/8NPT-M STL	1	1	1	1	1	
NS	501330	STREET ELBOW 45° / PIPE FITTING / 3/8NPT-Mx3/8NPT-F BR	1	1	1	1	1	
NS	641302	HOSE BRAKE #8 610MM (24")	1	1	1		1	B
		. . . HOSE EMERGENCY BRAKE						
21	641301	HOSE BRAKE #8 841MM (33 1/8)					2	
NS	501842	ADAPTER / AIR BRAKE HOSE FITTING / 3/4-20-Mx3/8NPT-M STL	1	1	1	1	1	
NS	501516	STREET ELBOW 90° / PIPE FITTING / 3/8NPT-Mx3/8NPT-F BR	1	1	1	1		C
NS	503488	TUBE, NYLON 1/2 O.D. / BLACK S.L./	AR	AR	AR	AR		
NS	641010	MALE ELBOW 45° / NTA FITTING / #8x3/8NPT-M BR	1	1	1	1	1	
		B) MANIFOLD BLOCK & RELAY VALVE W/60 ENGINE						
		C) TO USE W/HOSE						
		1) NOT SOLD SEPARATELY						

From E-638 To P-740

Date:10/2022

PAGE:XL-1245-00

BRAKE PARTS - TAG AXLE - W/"MERITOR" DRUMS



610485 R.H.
SUPERSEDED BY
611095 R.H.



610486 L.H.
SUPERSEDED BY
611096 L.H.

From E-638 To P-740	Date:10/2022	PAGE:XL-1245-00
---------------------	--------------	-----------------

BRAKE PARTS - TAG AXLE - W/"MERITOR" DRUMS

Item#	Part	Description	M T H 4 0	M T H 4 5	M T H 4 5 E	X L 4 0	X L 4 5	N O T E S
1	610485	SPIDER L.H. / W/BUSHING	1		1	1		A
1	611095	SPIDER L.H. / W/BUSHING / W/MACHINED O.D. END CAM	1		1	1		A
1	610486	SPIDER R.H. / W/BUSHING	1		1	1		A
1	611096	SPIDER R.H. / W/BUSHING / W/MACHINED O.D. END CAM	1		1	1		A
2	610701	. STUD / UPPER 7/8-14 X 3-7/8"	2		2	2		
3	610699	. BUSHING 1 1/2" ID X 1 7/8" OD X 1 1/4"	2		2	2		
4	610179	. SEAL / CAMSHAFT	2		2	2		
5	610227	WASHER 1-9/16" I.D. x 2-3/4" O.D. x 1/16"TH	4		4	4		
6	610769	CAMSHAFT L.H.	1		1	1		
6	610770	CAMSHAFT R.H.	1		1	1		
7	610143	ANCHOR PIN	4		4	4		
8	501491	GREASE FITTING / 1/8 NPTx3/4"	4		4	4		
9	500181	SCREW CAP HEX 5/16-18x1 G5 Z050	2		2	2		
10	500476	WASHER LO SPT .317x.586x.078 Z050	2		2	2		
11	610217	LOCK / ANCHOR PIN	2		2	2		
12	610296	SPRING EXTENSION / .625 O.D. x 8.687	4		4	4		
13	610705	SHOE ASSY 5" WIDE / 14.5" O.D.	4		4	4		
14	610702	. BUSHING ANCHOR PIN / 1 1/4" I.D. x 1 1/2" O	4		4	4		
15	610700	SPACER BUSHING 1.781" LG	1		1	1		
16	610703	ROLLER STD	4		4	4		
16	610950	ROLLER 1/8" O.S.	AR		AR	AR		
16	610951	ROLLER 1/4" O.S.	AR		AR	AR		
16	610952	ROLLER 3/8" O.S.	AR		AR	AR		
16	610953	ROLLER 1/2" O.S.	AR		AR	AR		
17	610708	PIN, RETURN SPRING 27/64 O.D. x 2-25/32"	4		4	4		
18	641084	LINING SET NON ASBESTOS (8 PCES) STD	1		1	1		
18	641085	LINING SET NON ASBESTOS (8 PCES) X OVERSIZE	AR		AR	AR		
18	641221	LINING SET NON ASBESTOS (8 PCES) XX OVERSIZE	AR		AR	AR		
18	641222	LINING SET NON ASBESTOS (8 PCES) XXX OVERSIZE	AR		AR	AR		
19	641208	SCREW MA FL SLT W/NUT & LOCK (100) 3/8-16x1 BR	16		16	16		
19	9097	SCREW MA FL SLT W/NUT & LOCK (100) 3/8-24x1 BR	AR		AR	AR		
20	640617	PLUG, LINING BOLT HOLE	AR		AR	AR		
21	500490	WASHER LO SPT .887x1.464x.219 ZP	2		2	2		
22	610075	NUT / STUD UPPER	2		2	2		
23	621133	WASHER 1 17/32" I.D. X 2 3/8" O.D. X .032 TH	2		2	2		
24	640868	SLACK ADJUSTER R.H. / MANUAL "BENDIX"	1		1	1		
24	640869	SLACK ADJUSTER L.H. / MANUAL "BENDIX"	1		1	1		
25	610778	WASHER 1 15/32" I.D. X 2 1/4" O.D. X 1/16" TH	6		6	6		
26	610771	RING RETAINER / EXT 1.375 I.D. x .108" th	2		2	2		
27	640879	SLACK ADJUSTER L.H. / AUTOMATIC "HALDEX"	1		1	1		
27	640880	SLACK ADJUSTER R.H. / AUTOMATIC "HALDEX"	1		1	1		
NS	641215	. BUSHING 5/8" O.D. X 1/2" I.D.	1		1	1		

From E-638 To P-740	Date:10/2022	PAGE:XL-1245-00
---------------------	--------------	-----------------

BRAKE PARTS - TAG AXLE - W/"MERITOR" DRUMS

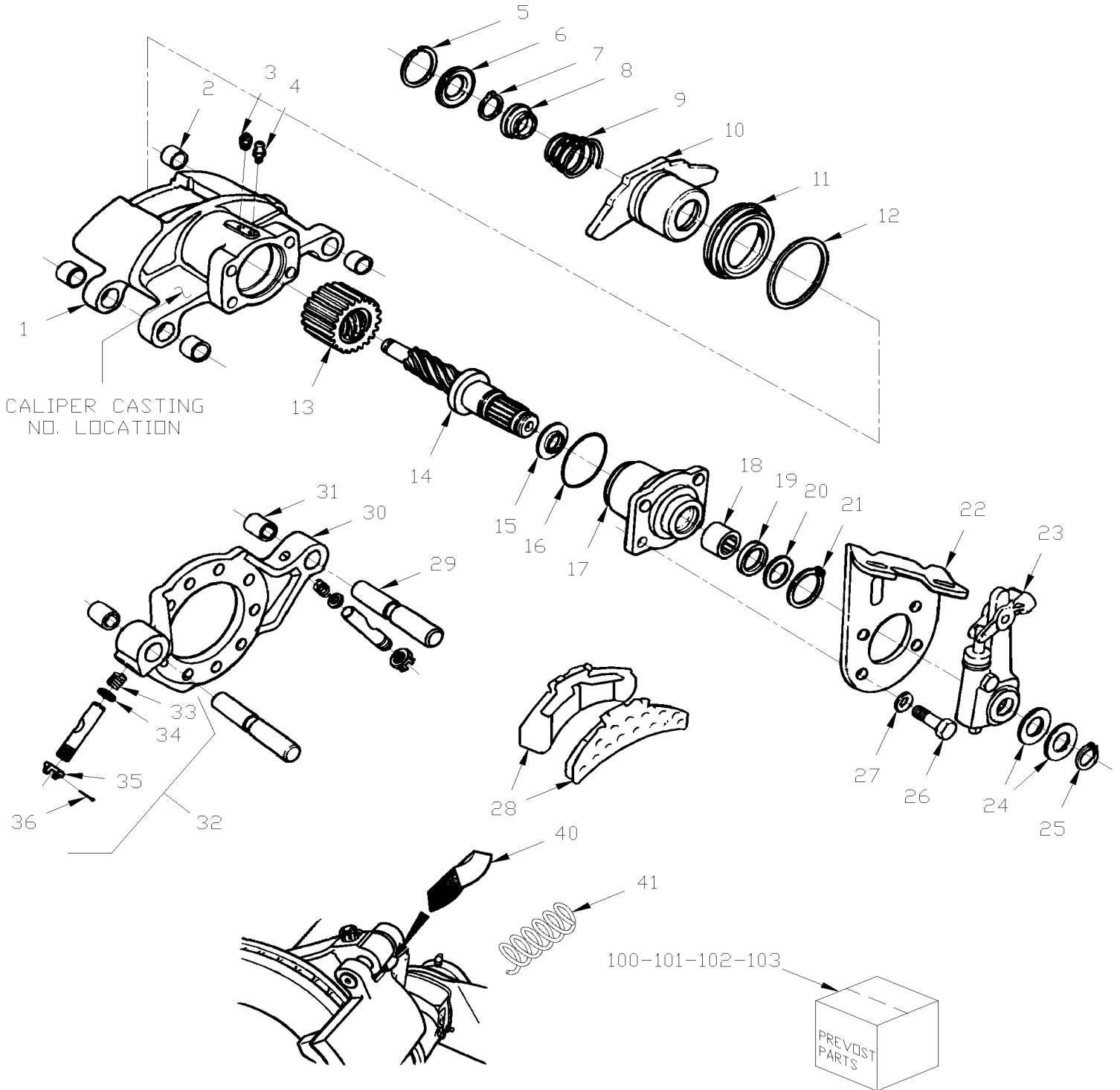
Item#	Part	Description	M T H 4 0	M T H 4 5	M T H 4 5 E	X L 4 0	X L 4 5	N O T E S
28	640882	ANCHOR BRACKET L.H & R.H. / W/TAG	2		2	2		
29	640986	. SCREW SPECIAL /TO USE WITH ALL SLACK ADJUST	1		1	1		
NS	500982	. NUT HEX JAM 5/16-18 Z050	3		3	3		
29	500181	. SCREW CAP HEX 5/16-18x1 G5 Z050	3		3	3		
30	501495	GREASE FITTING 90° / 1/8 NPT	2		2	2		
31	120752	STUD LOWER	2		2	2		
32	610252	DOWEL / LOWER STUD	2		2	2		
33	610053	NUT 7/8-14	2		2	2		
		NOTE: L.H. & R.H. ARE "ROCKWELL" APPLICATION						
		ON STANDARD AXLE. SEE PAGE XL-1225-00						
		"PREVOST" APPLICATION WITH THOSE SPIDERS						
		REVERSE POSITION ON TAG AXLE.						
		FOR THIS REASON DESCRIPTION ARE						
		REVERSE OF APPLICATION						
		A) FOR EASY IDENTIFICATION SEE DRAWING 2						

From P-741 To W-6465

Date:10/2022

PAGE:XL-1245-01

BRAKE PARTS - TAG AXLE - W/"MERITOR" ABD 1560



From P-741 To W-6465	Date:10/2022	PAGE:XL-1245-01
BRAKE PARTS - TAG AXLE - W/"MERITOR" ABD 1560		

Item#	Part	Description	M T H 4 0	M T H 4 5	M T H 4 5 E	X L 4 0	X L 4 5	N O T E S
	610974	CALIPER ASSY / L.H.	1	1	1	1	1	
	610975	CALIPER ASSY / R.H.	1	1	1	1	1	
1	621599	CALIPER / W/SLIDING BUSHING ONLY	2	2	2	2	2	
2	610806	BUSHING / (SET OF 4)	4	4	4	4	4	
3	610808	FITTING, PRESSURE RELIEF / 5 PSI	1	1	1	1	1	
4	501493	GREASE FITTING 45° / 1/8 NPT	1	1	1	1	1	
5	621363	RING, SNAP	1	1	1	1	1	
6	610816	SEAL / PISTON END	1	1	1	1	1	
7	610830	RING, RETAINING	1	1	1	1	1	
8	610831	BUSHING, INNER	1	1	1	1	1	
9	610813	SPRING COMPRESSION / 2.470 O.D. x 4.5 x .148	1	1	1	1	1	
10	621351	PISTON	1	1	1	1	1	
11	621352	BOOT	1	1	1	1	1	
12	621353	SEAL	1	1	1	1	1	
13	610817	NUT, ACTUATOR / L.H. THREAD	1	1	1	1	1	
13	610818	NUT, ACTUATOR / R.H. THREAD	1	1	1	1	1	
14	610819	SHAFT, POWER / L.H. THREAD	1	1	1	1	1	
14	610820	SHAFT, POWER / R.H. THREAD	1	1	1	1	1	
14	680500	GREASE MERITOR / 400GR	AR	AR	AR	AR	AR	
15	610821	WASHER, POWER SHAFT THRUST	1	1	1	1	1	
16	610822	O-RING	1	1	1	1	1	
17	610823	CAP / POWER SHAFT	1	1	1	1	1	
18	N.S.S.	BUSHING	1	1	1	1	1	1
19	621115	SEAL / CAMSHAFT	1	1	1	1	1	
20	610826	WASHER	1	1	1	1	1	
21	610376	RING, SNAP	1	1	1	1	1	
22	610977	BRACKET / L.H. / BRAKE CHAMBER	1	1	1	1	1	
NS	610976	BRACKET / R.H. / BRAKE CHAMBER	1	1	1	1	1	
23	XL-1230-00	SLACK ADJUSTER AUTOMATIC - "ROCKWELL"						
23	XL-1230-01	SLACK ADJUSTER AUTOMATIC - "HALDEX"						
24	610832	WASHER	AR	AR	AR	AR	AR	
25	610833	SNAP RING CAM SHAFT & ANCHOR PIN	1	1	1	1	1	
26	610812	SCREW, HEX.	4	4	4	4	4	
27	610811	WASHER	4	4	4	4	4	
28	621371	KIT, LINING	1	1	1	1	1	
28	621855	KIT, LINING (set of 2)	1	1	1	1	1	
28	641285	KIT, LINING				AR	AR	B
NS	641363	KIT, LINING				AR	AR	A
29	621466	PIN SLIDING / W/GROOVE 3/32"	2	2	2	2	2	
NS	621467	O-RING / 47/64" I.D.	2	2	2	2	2	
30	610904	PLATE TORQUE / R.H.	1	1	1	1	1	
30	611093	PLATE TORQUE / R.H. / SERVICE	1	1	1	1	1	

From P-741 To W-6465	Date:10/2022	PAGE:XL-1245-01
BRAKE PARTS - TAG AXLE - W/"MERITOR" ABD 1560		

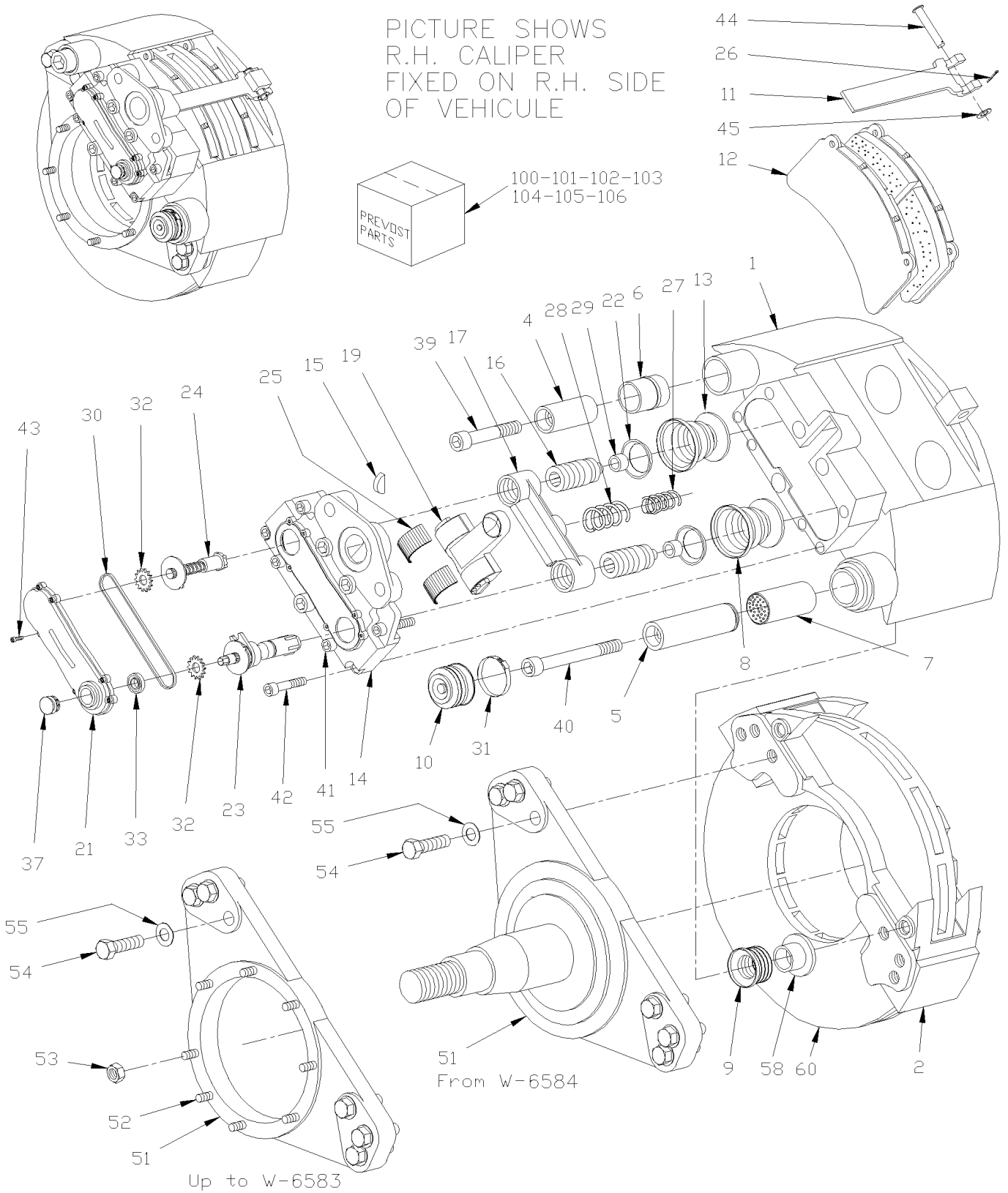
Item#	Part	Description	M T H 4 0	M T H 4 5	M T H 4 5 E	X L 4 0	X L 4 5	N O T E S
NS	610905	PLATE TORQUE / L.H.	1	1	1	1	1	
30	611094	PLATE TORQUE / L.H. / SERVICE	1	1	1	1	1	
31	610837	BUSHING SLIDING PIN	2	2	2	2	2	
32	610838	KIT, RETAINER PIN / (SET OF 2)	1	1	1	1	1	
33	N.S.S.	. SPRING	2	2	2	2	2	1
34	N.S.S.	. WASHER	2	2	2	2	2	1
35	N.S.S.	. NUT	2	2	2	2	2	1
36	N.S.S.	. PIN, COTTER	2	2	2	2	2	1
40	141568	SPACER RUBBER / NOISELESS / CALIPER & TORQUE PLATE	AR	AR	AR	AR	AR	
41	621546	SPRING, COMP. / 1.275 TO 1.675 O.D. x 1.890 x (SET OF 2)	1	1	1	1	1	
100	610924	KIT MINOR REPAIR	AR	AR	AR	AR	AR	F
101	610925	KIT MAJOR REPAIR / L.H.	AR	AR	AR	AR	AR	G
102	610926	KIT MAJOR REPAIR / R.H.	AR	AR	AR	AR	AR	H
103	611100	KIT SLIDING PIN / W/O-RING	AR	AR	AR	AR	AR	E
103	611169	KIT SLIDING PIN / W/O O-RING	AR	AR	AR	AR	AR	I
103	682928	INNER BUSHING DRIVE / W/ROCKWELL	AR	AR	AR	AR	AR	
103	682929	OUTER BUSHING DRIVER / W/ROCKWELL	AR	AR	AR	AR	AR	
103	682394	PLUG CALIBRATOR	AR	AR	AR	AR	AR	
. NS	MAINT- ADB1560	. SEE MAINTENANCE MANUAL	1	1	1	1	1	
103	682396	BEARING & NUT ASSEMBLY / W/ROCKWELL	AR	AR	AR	AR	AR	
. NS	MAINT- ADB1560	. SEE MAINTENANCE MANUAL	1	1	1	1	1	
103	682399	SPRING RETAINER ADAPTER / W/ROCKWELL / J-33860	AR	AR	AR	AR	AR	
. NS	MAINT- ADB1560	. SEE MAINTENANCE MANUAL	1	1	1	1	1	
		A) FOR TRANSIT W/HIGH FREQUENCY BRAKE APPLICATION / #S2R7017173						
		B) FOR TRANSIT W/HIGH FREQUENCY BRAKE APPLICATION / (FORMER) #1513AB						
		E) (INCLUDE 2 OF ITEM #29 W/4 O-RING & 2 #32)						
		F) INCLUDING ITEM #5,6,7,8,11,12,15,16,17,19,20,21 & 37						
		G) INCLUDE ITEMS #5,6,7,8,11,12,13,14,15,16,19,20,21 & 37						
		H) INCLUDE ITEMS #5,6,7,8,11,12,13,14,15,16,19,20,21 & 37						
		I) WITHOUT O-RING / (#15016)						
		1) NOT SOLD SEPARATELY						

From W-6466 To Y-7045

Date:10/2022

PAGE:XL-1245-04

BRAKE PARTS - TAG AXLE - W/"KNORR-BREMSE"



From W-6466 To Y-7045 Date:10/2022 PAGE:XL-1245-04

BRAKE PARTS - TAG AXLE - W/"KNORR-BREMSE"

Item#	Part	Description	M T H 4 0	M T H 4 5	M T H 4 5 E	X L 4 0	X L 4 5	N O T E S
	N.S.A.	CALIPER ASSY R.H. / W/BOOSTER TYPE 16/16 / (SB7704)	1	1	1	1	1	3
	N.S.A.	CALIPER ASSY L.H. / W/BOOSTER TYPE 16/16 / (SB7714)	1	1	1	1	1	3
	611184	. CALIPER ASSY R.H. / W/O BOOSTER / SB7	1	1	1	1	1	A
	611185	. CALIPER ASSY L.H. / W/O BOOSTER / SB7	1	1	1	1	1	A
1	N.S.S.	. . CALIPER HOUSING	1	1	1	1	1	1
2	611340	. . BRAKE CARRIER / W/6 HOLES BOLT RETAINERS M20-2.5	1	1	1	1	1	
4	N.S.S.	. . GUIDE BUSHING / SHORT	1	1	1	1	1	1
5	N.S.S.	. . GUIDE BUSHING / LONG	1	1	1	1	1	1
6	611245	. . GUIDE SLEEVE / RUBBER SB 7 SERIES	1	1	1	1	1	
7	611107	. . BUSHING / BRASS	1	1	1	1	1	
8	N.S.S.	. . BOOT RUBBER / WHITE	2	2	2	2	2	1
9	N.S.S.	. . BELLOW GUIDE BUSHING / RUBBER RED	1	1	1	1	1	1
10	641421	. . BELLOW CAP / RUBBER	1	1	1	1	1	
11	N.S.S.	. . BRAKE PAD BRACKET	1	1	1	1	1	1
12	611049	. . LINING SET STD /	1	1	1	1	1	B
. 11	N.S.S.	. . . BRAKE PAD BRACKET	1	1	1	1	1	1B
. 26	N.S.S.	. . . SPRING SPLIT PIN	1	1	1	1	1	1B
. 37	641313	. . . PLUG CAP / ADJUSTING DEVICE / PLASTIC INTERIOR GRIP	1	1	1	1	1	B
. 44	N.S.S.	. . . CLEVIS PIN	1	1	1	1	1	1B
. 45	N.S.S.	. . . WASHER	1	1	1	1	1	1B
. 61	N.S.S.	. . . SHEAR ADAPTER	1	1	1	1	1	1B
13	N.S.S.	. . TAPPET	2	2	2	2	2	1
14	N.S.S.	. . SYNCHRONIZING HOUSING	1	1	1	1	1	1
15	N.S.S.	. . PLUG HALF / RUBBER	1	1	1	1	1	1
17	N.S.S.	. . BEAM	1	1	1	1	1	1
18	N.S.S.	. . O-RING	1	1	1	1	1	1
19	N.S.S.	. . LEVER	1	1	1	1	1	1
21	N.S.S.	. . COVER SYNCHRONIZING HOUSING	1	1	1	1	1	1
22	N.S.S.	. . BOOT	2	2	2	2	2	1
23	N.S.S.	. . CLEARANCE ADJUSTER	1	1	1	1	1	1
24	N.S.S.	. . DRIVER	1	1	1	1	1	1
25	N.S.S.	. . LEVER BEARING	2	2	2	2	2	1
26	N.S.S.	. . SPRING SPLINT PIN	1	1	1	1	1	1
27	N.S.S.	. . COMPRESSION SPRING	1	1	1	1	1	1
28	N.S.S.	. . COMPRESSION SPRING	1	1	1	1	1	1
29	N.S.S.	. . RING RETAINING / TAPPET	2	2	2	2	2	1
30	N.S.S.	. . ROLLER CHAIN	1	1	1	1	1	1
31	641420	. . PERFORATED CLIP	1	1	1	1	1	
32	N.S.S.	. . CHAIN DRIVE WHEEL	2	2	2	2	2	1
33	N.S.S.	. . SHAFT SEALING RING	1	1	1	1	1	1
37	641313	. . PLUG CAP / ADJUSTING DEVICE / PLASTIC INTERIOR GRIP	1	1	1	1	1	
38	N.S.S.	. . DOWEL	4	4	4	4	4	1

From W-6466 To Y-7045	Date:10/2022	PAGE:XL-1245-04
-----------------------	--------------	-----------------

BRAKE PARTS - TAG AXLE - W/"KNORR-BREMSE"

Item#	Part	Description	M T H 4 0	M T H 4 5	M T H 4 5 E	X L 4 0	X L 4 5	N O T E S
39	N.S.S.	. . SCREW CAP HEXS M16-1.5x140 G10.9 ZP	1	1	1	1	1	1
40	N.S.S.	. . SCREW CAP HEXS M16-1.5x90 G10.9 ZP	1	1	1	1	1	1
41	N.S.S.	. . SOCKET HEAD CAP SCREW M14 X 60MM GR 12.9	3	3	3	3	3	1
43	N.S.S.	. . SOCKET HEAD CAP SCREW M5 X 12MM	8	8	8	8	8	1
44	N.S.S.	. . CLEVIS PIN	1	1	1	1	1	1
45	N.S.S.	. . WASHER	1	1	1	1	1	1
51	611047	CALIPER MOUNTING BRACKET L.H. & R.H. To W-6583	2	2	2	2	2	
NS	611216	SPINDLE / WITH MODEL "G.K.N." (TS6) From W-6584	2	2	2	2	2	
52	611030	STUD 1/2-20 X 1 11/16" To W-6583	8	8	8	8	8	
52	611048	STUD / M16-2.0 x 60MM From W-6584	8	8	8	8	8	
53	500718	NUT HEX STO 1/2-20 Z050	8	8	8	8	8	
54	5001193	SCREW CAP HEX M20-2.5x65 G10.9 ZP	6	6	6	6	6	
55	502558	WASHER FL 21.0x37.0x3.0 G500	6	6	6	6	6	
60	XL-1310-02	HUB & ROTOR - TAG AXLE TYPE TS5 To W-6584						
60	XL-1310-03	HUB & ROTOR - TAG AXLE TYPE TS6 From W-6585						
70	110786	BRAKE WEAR INDICATOR MECHANICAL / 44MM	AR	AR	AR	AR	AR	
99	FMBS-0BPK-10	BRAKE PARTS - "KNORR-BREMSE" / SB7 & SN7 "AFTERMARKET"						
100	611054	KIT, TAPPET W/BOOT	AR	AR	AR	AR	AR	C
.08	N.S.S.	. BOOT RUBBER / WHITE	2	2	2	2	2	1 C
.13	N.S.S.	. TAPPET	2	2	2	2	2	1 C
101	611168	KIT, GUIDANCE PINS & BELLOW	AR	AR	AR	AR	AR	D
.04	N.S.S.	. GUIDE BUSHING / SHORT	1	1	1	1	1	1 D
.05	N.S.S.	. GUIDE BUSHING / LONG	1	1	1	1	1	1 D
.06	611245	. GUIDE SLEEVE / RUBBER SB 7 SERIES	1	1	1	1	1	D
.07	611107	. BUSHING / BRASS	1	1	1	1	1	D
.09	N.S.S.	. BELLOW GUIDE BUSHING / RUBBER RED	1	1	1	1	1	1 D
.10	641421	. BELLOW CAP / RUBBER	1	1	1	1	1	D
.31	641420	. PERFORATED CLIP	1	1	1	1	1	D
.39	N.S.S.	. SCREW CAP HEXS	1	1	1	1	1	1 D
.40	N.S.S.	. SCREW CAP HEXS	1	1	1	1	1	1 D
.58	N.S.S.	. PLASTIC RING / BOOT RETAINER	1	1	1	1	1	1 D
102	611177	KIT, BOOT PROTECTOR & TAPPET	AR	AR	AR	AR	AR	E
.08	N.S.S.	. BOOT RUBBER / WHITE	1	1	1	1	1	1 E
.13	N.S.S.	. TAPPET	1	1	1	1	1	1 E
.29	N.S.S.	. RING RETAINING / TAPPET	1	1	1	1	1	1 E
103	611179	KIT, CARRIER & GUIDING PIN	AR	AR	AR	AR	AR	F
.02	611340	. BRAKE CARRIER / W/6 HOLES BOLT RETAINERS M20-2.5	1	1	1	1	1	F
.04	N.S.S.	. GUIDE BUSHING / SHORT	1	1	1	1	1	1 F
.05	N.S.S.	. GUIDE BUSHING / LONG	1	1	1	1	1	1 F
.39	N.S.S.	. SCREW CAP HEXS	1	1	1	1	1	1 F
.40	N.S.S.	. SCREW CAP HEXS	1	1	1	1	1	1 F
104	641402	KIT, PAD HOLDER	AR	AR	AR	AR	AR	G

From W-6466 To Y-7045	Date:10/2022	PAGE:XL-1245-04
BRAKE PARTS - TAG AXLE - W/"KNORR-BREMSE"		

Item#	Part	Description	M T H 4 0	M T H 4 5	M T H 4 5 E	X L 4 0	X L 4 5	N O T E S
. 26	N.S.S.	. SPRING SPLIT PIN	1	1	1	1	1	1 G
. 44	N.S.S.	. CLEVIS PIN	1	1	1	1	1	1 G
. 45	N.S.S.	. WASHER	1	1	1	1	1	1 G
104	641444	TOOL / GROOVING BUSHING	AR	AR	AR	AR	AR	N
105	611199	KIT, BOOT & SEAL	AR	AR	AR	AR	AR	H
. 09	N.S.S.	. BELLOW GUIDE BUSHING / RUBBER RED	1	1	1	1	1	1 H
. 10	641421	. BELLOW CAP / RUBBER	1	1	1	1	1	H
. 31	641420	. PERFORATED CLIP	1	1	1	1	1	H
. 37	641313	. PLUG CAP / ADJUSTING DEVICE / PLASTIC INTERIOR GRIP	1	1	1	1	1	H
. 58	N.S.S.	. PLASTIC RING / BOOT RETAINER	1	1	1	1	1	1 H
105	683344	GREASE GREEN / 5GR	AR	AR	AR	AR	AR	I
105	641931	GREASE GREEN / 500GR	AR	AR	AR	AR	AR	I
105	683345	GREASE WHITE / 5GR	AR	AR	AR	AR	AR	J
105	641930	GREASE WHITE / 500GR	AR	AR	AR	AR	AR	J
105	641321	TOOL / THRUST MEMBER W/BELLOW	AR	AR	AR	AR	AR	K
105	641322	TOOL / CALIPER INNER BELLOW	AR	AR	AR	AR	AR	L
105	641323	TOOL / BUSHING INSTALLER / SERIES SB	AR	AR	AR	AR	AR	N
105	641435	TOOL / FORK (FOR BELLOW CAP)	AR	AR	AR	AR	AR	O
106	611246	KIT, GUIDANCE PIN & RUBBER BUSHING / SHORT PIN	AR	AR	AR	AR	AR	P
. 04	N.S.S.	. GUIDE BUSHING / SHORT	1	1	1	1	1	1 P
. 06	611245	. GUIDE SLEEVE / RUBBER SB 7 SERIES	1	1	1	1	1	P
. 39	N.S.S.	. SCREW CAP HEXS	1	1	1	1	1	1 P
107	641427	KIT BOOT & CLIP	AR	AR	AR	AR	AR	Q
. 10	641421	. BELLOW CAP / RUBBER	1	1	1	1	1	Q
. 31	641420	. PERFORATED CLIP	1	1	1	1	1	Q
		A) INCLUDES ITEM #2 BUT NOT ITEM # 12						
		B) INCLUDES ITEMS #11, 26, 37, 44, 45 & 61						
		C) INCLUDE 2 OF ITEMS #8 & 13						
		D) INCLUDES ITEMS #4,5,6,7,9,10,31,39,40 & 58						
		E) INCLUDE ITEMS #8,13 & 29						
		F) INCLUDE ITEMS #2,4,5,39,40 & 58						
		G) INCLUDE ITEMS #11,26,44 & 45						
		H) INCLUDE ITEMS #9,10,31,37 & 58						
		I) FOR ITEMS #4 & 6						
		J) FOR ITEMS #5 & 7						
		K) FOR USE W/ITEMS #8 & 13						
		L) FOR USE W/ITEM #9						
		N) FOR USE W/ITEM #7						
		O) FOR USE W/ITEM #8 & 13						

From W-6466 To Y-7045	Date:10/2022	PAGE:XL-1245-04
BRAKE PARTS - TAG AXLE - W/"KNORR-BREMSE"		

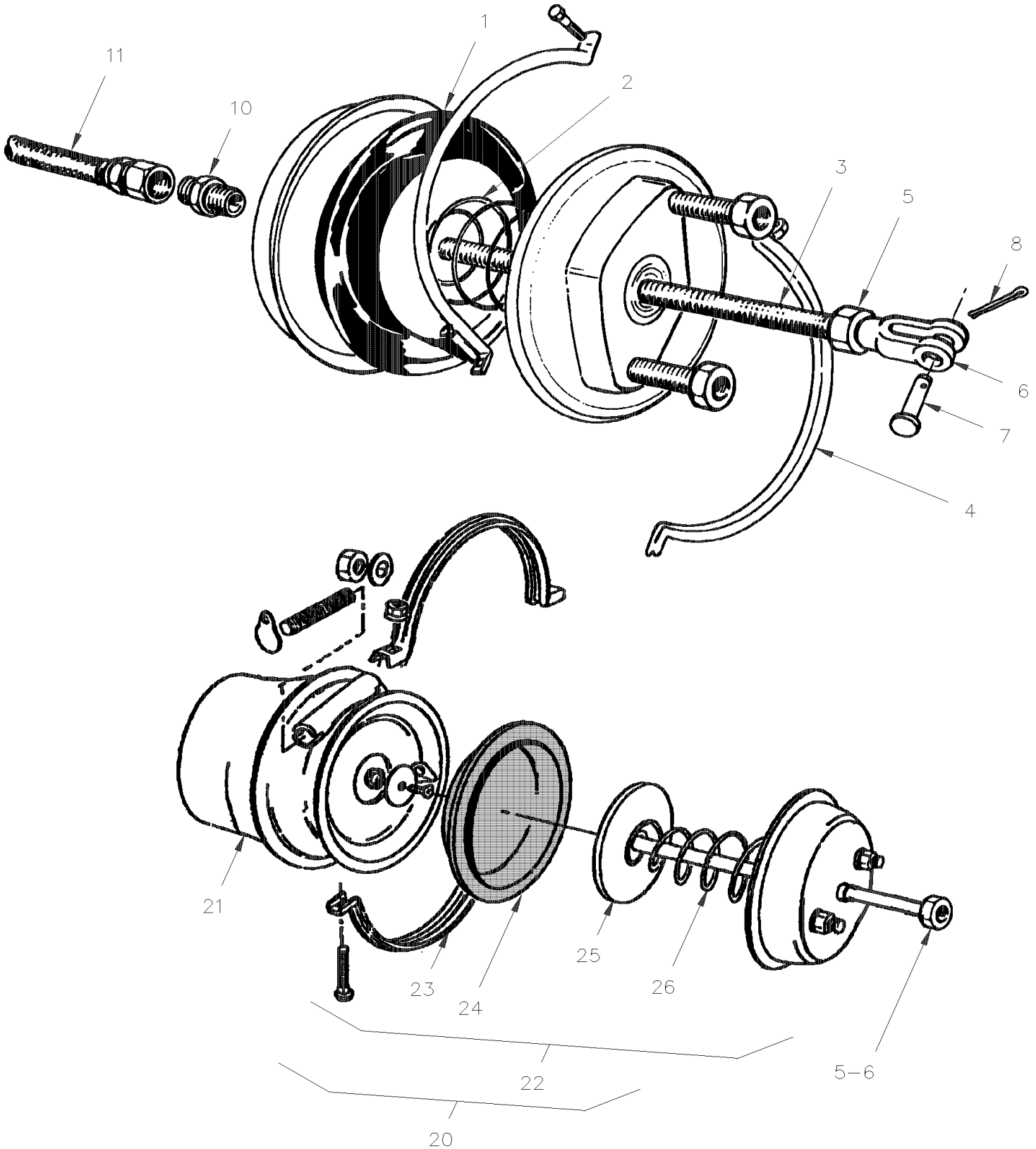
Item#	Part	Description	M T H 4 0	M T H 4 5	M T H 4 5 E	X L 4 0	X L 4 5	N O T E S
		P) INCLUDE ITEMS #4,6 & 39						
		Q) INCLUDE ITEM #10 & 31						
		1) NOT SOLD SEPARATELY						
		3) NOT SOLD ASSEMBLY						
		1) NOT SOLD SEPARATELY						

From E-638 To W-6465

Date:10/2022

PAGE:XL-1245-10

BRAKE CHAMBER - TAG AXLE



From E-638 To W-6465	Date:10/2022	PAGE:XL-1245-10
----------------------	--------------	-----------------

BRAKE CHAMBER - TAG AXLE

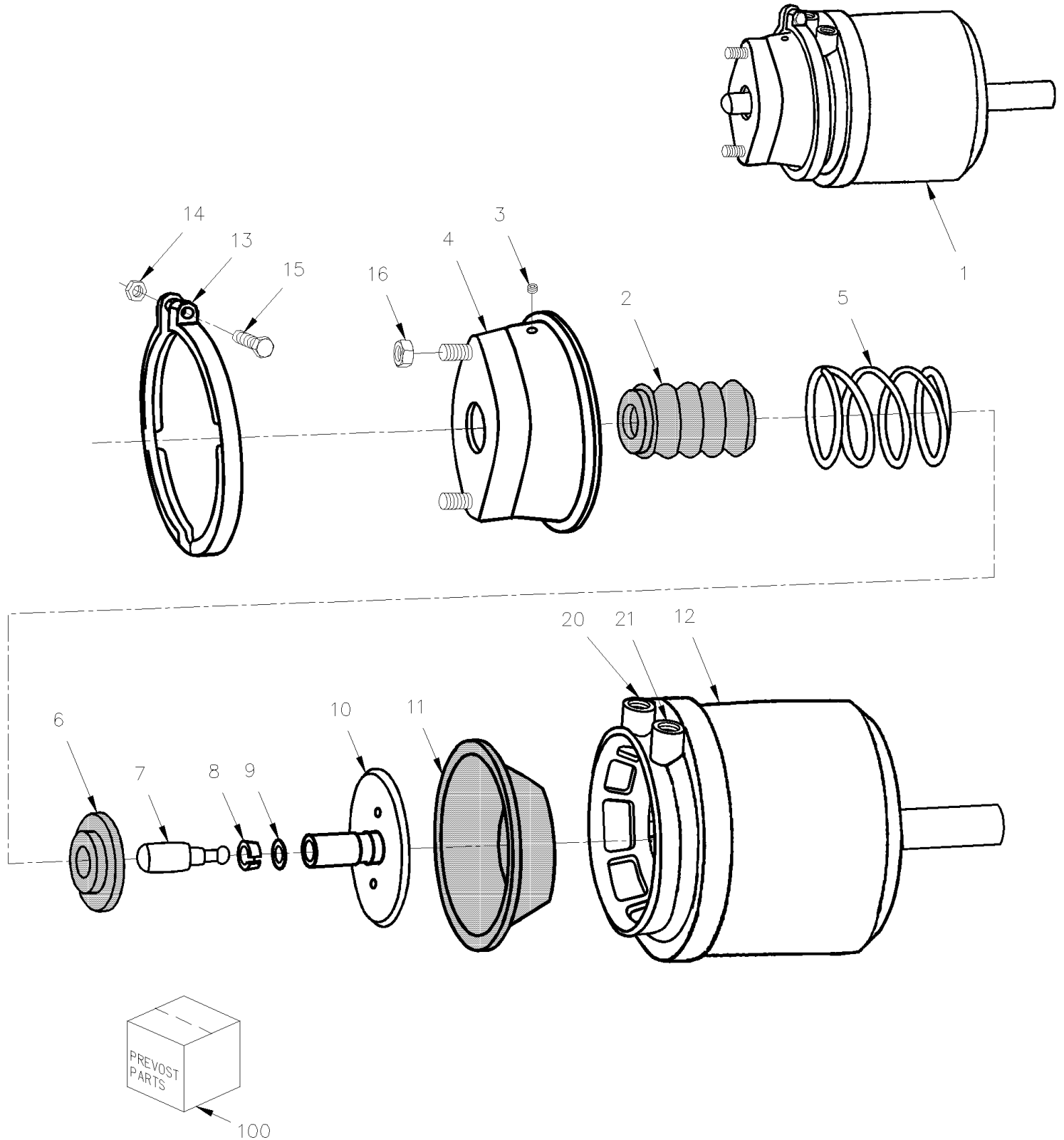
Item#	Part	Description	M T H 4 0	M T H 4 5	M T H 4 5 E	X L 4 0	X L 4 5	N O T E S
	641038	BRAKE CHAMBER ASSY / TYPE 16 / W/4" SHAFT	2		2	2		
1	641046	. DIAPHRAGM / TYPE 16	1		1	1		
2	641047	. SPRING COMPRESSION / 2.170 O.D. x 5.85 x .137	1		1	1		
3	641044	. PUSH ROD	1		1	1		
4	641065	. CLAMP W/BOLT & NUT / TYPE 16	1		1	1		
5	500723	. NUT HEX 5/8-18 ZP	2		2	2		
6	640036	YOKE 1/2-20x1 3/4 C/Lx9/16x5/8 I.D. To P-740	1		1	1		
6	610956	YOKE, CLEVIS 1/2-20 From P-741	1	1	1	1	1	A
6	640036	YOKE 1/2-20x1 3/4 C/Lx9/16x5/8 I.D. From P-741	AR	AR	AR	AR	AR	
7	502036	PIN, CLEVIS 1/2 x 1 5/8 BZC	1	1	1	1	1	
8	502102	PIN, COTTER 1/8 x 1	1	1	1	1	1	
9	N.S.S.	COVER / PRESSURE SIDE	1	1	1	1	1	1
10	501842	ADAPTER / AIR BRAKE HOSE FITTING / 3/4-20-Mx3/8NPT-M STL	1	1	1	1	1	
11	641305	HOSE BRAKE #8 718MM (28 1/4")				2		
11	141790	HOSE BRAKE #8 700MM To T-5798	2	2	2		2	
11	641301	HOSE BRAKE #8 841MM (33 1/8) From T-5799	2	2	2		2	
NS	503488	TUBE, NYLON 1/2 O.D. / BLACK S.L./	AR	AR	AR		AR	
NS	641010	MALE ELBOW 45° / NTA FITTING / #8x3/8NPT-M BR	1	1	1		1	
		. . . BRAKE CHAMBER WITH EMERGENCY UNIT						
20	141625	BRAKE AIR CHAMBER ASSY L.H. / TYPE 16/24	1	1	1		1	
NS	141626	BRAKE AIR CHAMBER ASSY R.H. / TYPE 16/24	1	1	1		1	
21	641250	. PIGGY BACK UNIT / TYPE 16/24 (SEALED)	1	1	1		1	
22	641193	. BRAKE CHAMBER ASSY / TYPE 16	1	1	1		1	B
22	641320	. BRAKE CHAMBER ASSY / TYPE 16	1	1	1		1	C
22	642066	. BRAKE CHAMBER ASSY / TYPE 16 / W/9" SHAFT	1	1	1		1	S
23	641065	. . CLAMP W/BOLT & NUT / TYPE 16	1	1	1		1	
24	641046	. . DIAPHRAGM / TYPE 16	1	1	1		1	
25	641044	. . PUSH ROD	1	1	1		1	
26	641047	. . SPRING COMPRESSION / 2.170 O.D. x 5.85 x .137	1	1	1		1	
		A) W/"ROCKWELL"						
		B) CURRENT MODEL						
		C) FORMER MODEL						
		S) SERVICE ONLY						
		1) NOT SOLD SEPARATELY						

From W-6466 To Y-7045

Date:10/2022

PAGE:XL-1245-12

BRAKE CHAMBER - TAG AXLE "KNORR-BREMSE"



From W-6466 To Y-7045	Date:10/2022	PAGE:XL-1245-12
BRAKE CHAMBER - TAG AXLE "KNORR-BREMSE"		

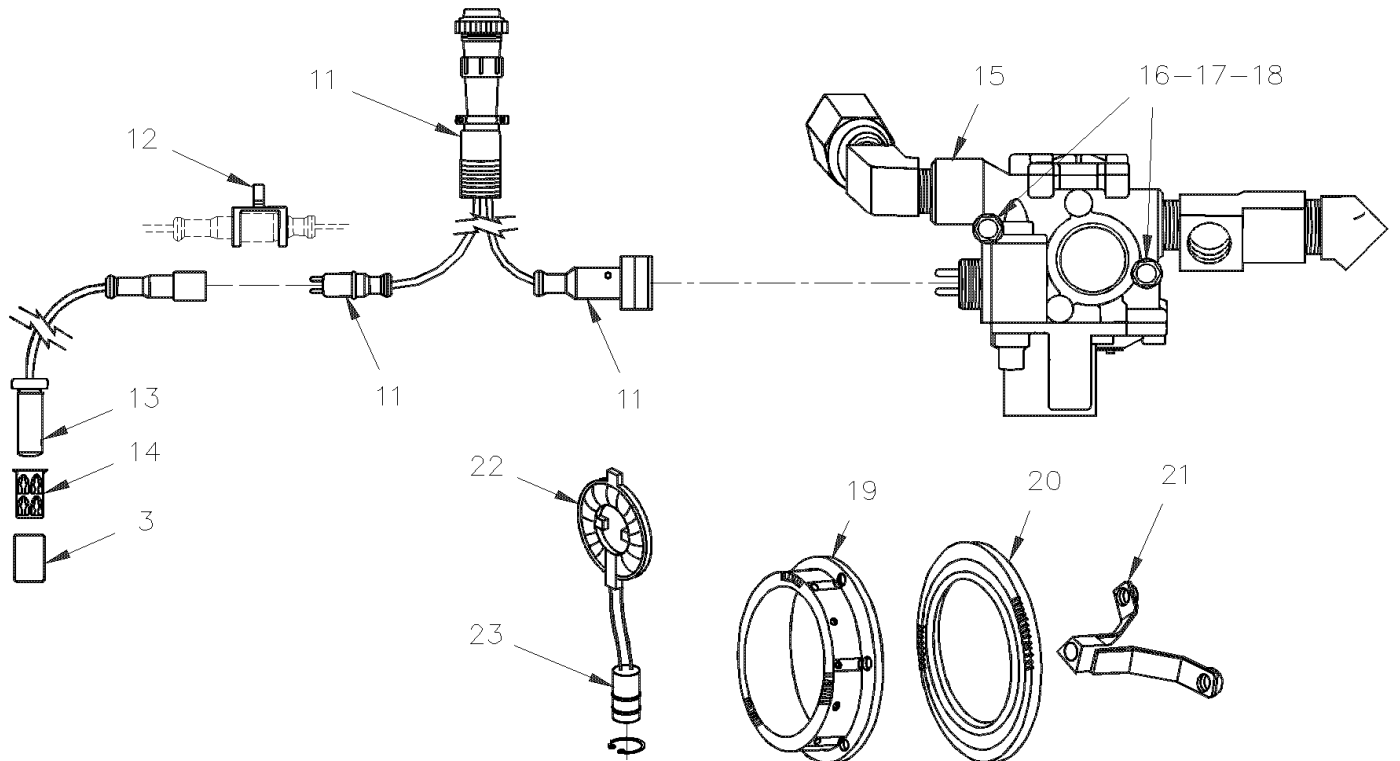
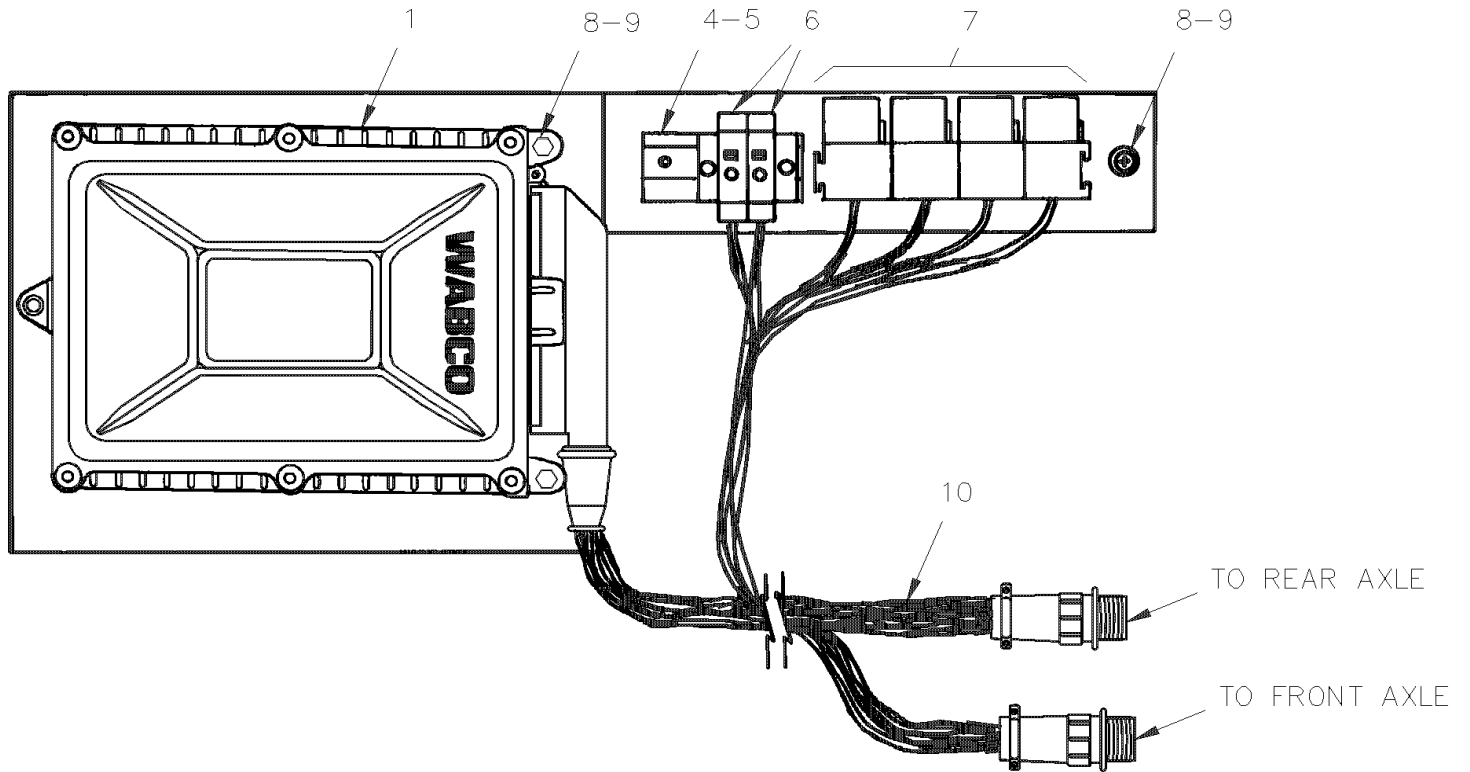
Item#	Part	Description	M T H 4 0	M T H 4 5	M T H 4 5 E	X L 4 0	X L 4 5	N O T E S
1	641308	BRAKE CHAMBER ASSY L.H. & R.H / TYPE 16/16	2	2	2	2	2	
2	N.S.S.	. BOOT	1	1	1	1	1	1
3	N.S.S.	. HOLE PLUG	1	1	1	1	1	1
4	N.S.S.	. CHAMBER , NO-PRESSURE	1	1	1	1	1	1
5	N.S.S.	. SPRING	1	1	1	1	1	1
6	N.S.S.	. SPRING SEAT	1	1	1	1	1	1
7	N.S.S.	. PUSH ROD END	1	1	1	1	1	1
8	N.S.S.	. RETAINER	1	1	1	1	1	1
9	N.S.S.	. RING	1	1	1	1	1	1
10	N.S.S.	. PUSH ROD	1	1	1	1	1	1
11	641046	. DIAPHRAGM / TYPE 16	1	1	1	1	1	
12	641431	. CHAMBER SUB ASSY / TYPE 16/16	1	1	1	1	1	
13	N.S.S.	. CLAMP W/BOLT & NUT	1	1	1	1	1	1
14	502543	. NUT HEX M8-1.25 Z050	1	1	1	1	1	
15	5001021	. SCREW CAP HEXS M8-1.25x60 G8.8 PT	1	1	1	1	1	
16	5001253	NUT HEX STO M16-1.5 G500	2	2	2	2	2	
		. . . HOSE SERVICE BRAKE						
20	141812	HOSE BRAKE #8 1012MM (40")	1	1	1	1	1	A
NS	501291	MALE ELBOW 45° / JIC 37° FITTING / #8JIC-Mx3/8NPT-M STL	1	1	1	1	1	A
		. . . HOSE EMERGENCY BRAKE						
21	503488	TUBE, NYLON 1/2 O.D. / BLACK S.L./	AR	AR	AR	AR	AR	
NS	641381	MALE CONNECTOR / PUSH-IN FITTING / #8x3/8NPT-M BR	1	1	1	1	1	
NS	141804	HOSE BRAKE #8 895MM	1	1	1	1	1	
NS	141788	ADAPTOR M16 - 3/8 FPT / SERVICE & EMERGENCY To X-6915	2	2	2	2	2	
NS	5011205	FEMALE CONNECTOR / PIPE @ METRIC / 3/8NPT-FxM16-1.5-M ZP From X-6916	2	2	2	2	2	
. NS	641297	. O-RING 13.1MM I.D. X 2.6 TH From X-6916	1	1	1	1	1	
. NS	641298	. WASHER FL 17MM I.D x 22MM O.D. x 1.5MM From X-6916	1	1	1	1	1	
NS	641297	O-RING 13.1MM I.D. X 2.6 TH	2	2	2	2	2	B
NS	641298	WASHER FL 17MM I.D x 22MM O.D. x 1.5MM	2	2	2	2	2	B
100	641430	KIT REPAIR	1	1	1	1	1	C
		A) SERVICE						
		B) SERVICE & EMERGENCY						
		C) INCLUDE ITEM 2-3-6-8-9-11						
		1) NOT SOLD SEPARATELY						

From L-685 To Y-7045

Date:10/2022

PAGE:XL-1250-00

ANTI-LOCK BRAKING SYSTEM



From L-685 To Y-7045	Date:10/2022	PAGE:XL-1250-00
ANTI-LOCK BRAKING SYSTEM		

Item#	Part	Description	M T H 4 0	M T H 4 5	M T H 4 5 E	X L 4 0	X L 4 5	N O T E S
1	641194	CONTROL UNIT 24V / ABS 4 CH To P-742	1	1	1	1		
1	641248	CONTROL UNIT 24V / ABS 4 CH From P-743 To W-6490	1	1	1	1	1	D
1	641446	CONTROL UNIT 24V / ABS 4 CH From W-6491	1	1	1	1	1	
1	381402	SUPPORT, CONTROL UNIT From N-987 To P-742	1	1	1	1		
NS	381495	SUPPORT / TO FIX TELL TALE & SWITCH From P-743	1	1	1	1	1	
NS	500505	SCREW WO PAN PH #10x1 Z050	6	6	6	6	6	
NS	500470	WASHER LO SPT .193x.334x.047 Z050	6	6	6	6	6	
NS	500167	SCREW CAP HEX 1/4-20x1 1/4 G5 PT Z050	3	3	3	3	3	
NS	500475	WASHER LO INT .320x.610x.034 Z050	3	3	3	3	3	
3	621416	BUSHING, RUBBER / USE WITH REAR SENSOR	2	2	2	2	2	C
4	880026	RAIL SUPPORT / 2 METERS	AR	AR	AR	AR	AR	
5	504006	RIVET POP CK OE 1/8x5/16 AL	2	2	2	2	2	
6	561791	BREAKER 8AMPS / 24V /	2	2	2	2	2	
7	561707	RELAY 24V S.P.D.T. W/RESISTOR /	4	4	4	4	4	
8	500617	SCREW TP PAN PH #8x1 Z050	1	1	1	1	1	
9	500022	WASHER LO INT .168x.340x.023 Z050	2	2	2	2	2	
10	062801	CABLE, MAIN To P-742				1		
10	063374	CABLE, MAIN From P-743 To R-845				1		
10	063162	CABLE, MAIN From N-987 To P-742	1		1			
10	641094	. CONNECTOR ASSY / 36C / WABCO 4460090012	1	1	1	1	1	
10	062801	CABLE, MAIN To P-742		1		1		
10	063162	CABLE, MAIN To P-742	1					
10	063375	CABLE ASSY / SENSOR & FRT JCT BOX From P-743 To R-845		1				
10	063639	CABLE ASSY / SENSOR & FRT JCT BOX From R-846 To W-6490		1			1	
10	064641	CABLE, MAIN From W-6491		1			1	
10	063551	CABLE ASSY / SENSOR & FRT JCT BOX From R-846 To W-6490	1			1		
10	064642	CABLE ASSY / SENSOR & FRT JCT BOX From W-6491	1			1		
10	063790	CABLE ASSY / SENSOR & FRT JCT BOX From R-846 To W-6490			1			
10	064643	CABLE ASSY / SENSOR & FRT JCT BOX From W-6491			1			
10	641094	. CONNECTOR ASSY / 36C / WABCO 4460090012	1	1	1	1	1	
11	062802	CABLE ASSY / FRONT WHEEL "ABS" From L-685 To W-6490	1	1	1	1	1	
11	062803	CABLE, FRONT AXLE To P-742	1			1		
11	063388	CABLE ASSY / REAR "ABS" SENSOR & VALVE From P-743 To S-569	1	1	1	1		
NS	064138	CABLE ASSY / REAR "ABS" SENSOR & VALVE From S-570 To W-6490	1	1	1	1	1	
11	064640	CABLE ASSY / FRONT "ABS" SENSOR & VALVE From W-6491	1	1	1	1	1	
11	064639	CABLE, REAR AXLE From W-6491 To X-6690	1	1	1	1	1	
11	064876	CABLE ASSY / REAR "ABS" SENSOR & VALVE From X-6691	1	1	1	1	1	
NS	641132	. CONNECTOR / MALE W2 WIRES x 3 METER / WABCO 8945900102	AR	AR	AR	AR	AR	
NS	641098	. CONNECTOR / FEMALE W3 WIRES x 3 METER / WABCO 8946010102	AR	AR	AR	AR	AR	
12	641131	CONNECTOR / CLAMP TO HOLD 2 CONNECTOR / WABCO 8848304544	4	4	4	4	4	
12	561115	CLAMP W/ 3 & 4 / ITT CANNON 029-0262-000	4	4	4	4	4	
13	641095	SENSOR ABS (ON FRONT & DRIVE AXLE)	2	2	2	2	2	

From L-685 To Y-7045	Date:10/2022	PAGE:XL-1250-00
ANTI-LOCK BRAKING SYSTEM		

Item#	Part	Description	M T H 4 0	M T H 4 5	M T H 4 5 E	X L 4 0	X L 4 5	N O T E S
13	641288	SENSOR ABS (ON FRONT AXLE) 90° ANGLE	2	2	2			
14	641096	CLIP, SPRING / TO FIX SENSOR	2	2	2	2	2	
15	641537	VALVE, "ABS" 24VOLT	4	4	4	4	4	
NS	501528	STREET ELBOW 45° / PIPE FITTING / 1/2NPT-Mx1/2NPT-F BR	AR	AR	AR	AR	AR	
NS	641089	MALE ELBOW 45° / NTA FITTING / #8x1/2NPT-M BR	AR	AR	AR	AR	AR	
NS	501473	MALE RUN TEE / PIPE FITTING / 1/2NPT-Mx1/2NPT-Fx1/2NPT-F BR	AR	AR	AR	AR	AR	
16	500188	SCREW CAP HEX 5/16-18x3 1/2 G5 ZP	AR	AR	AR	AR	AR	
17	500476	WASHER LO SPT .317x.586x.078 Z050	AR	AR	AR	AR	AR	
18	500778	NUT HEX 5/16-18 N500	AR	AR	AR	AR	AR	
19	621519	RETAINER / W/ "ABS" From S-570 To W-6489	1	1	1	1	1	
19	621519	RETAINER / W/ "ABS" From W-6691	1	1	1	1	1	
20	610968	TOOTH WHEEL / FRONT AXLE W/DRUM To P-721	2			2		
20	142503	TOOTH WHEEL / FRONT AXLE W/DRUM 16 1/2" I.D. RETROFIT From P-722				2	2	E
20	641101	TOOTH WHEEL / FRONT AXLE W/DISC "ROCKWELL" From P-721	2	2	2	2	2	
20	641101	TOOTH WHEEL / FRONT AXLE W/DISC "ROCKWELL" From P-721 To T-5872	2	2	2			
20	611086	TOOTH WHEEL / FRONT AXLE W/DISC "G.K.N." From T-5873	2	2	2			
20	611255	TOOTH WHEEL / FRONT AXLE W/DISC "G.K.N." From T-5873	2	2	2			
21	621518	BRACKET / ABS SENSOR From S-570 To W-6489	1	1	1	1	1	
21	621518	BRACKET / ABS SENSOR From W-6691	1	1	1	1	1	
22	641341	SENSOR ABS (IN CARRIER) To W-6690	1	1	1	1	1	A
NS	562535	CONNECTOR / DT SERIES / PH 2C / GRAY / DEUTSCH DT04-2P-LE02 To W-6690	1	1	1	1	1	A
NS	562487	SECONDARY LOCK / DT SERIES / PH 2C / DEUTSCH W2P To W-6690	1	1	1	1	1	A
NS	562286	PIN TERMINAL / 18-16 / DEUTSCH 0460-202-16141 To W-6690	2	2	2	2	2	A
23	562485	CONNECTOR / DT SERIES / SH 2C / GRAY / DEUTSCH DT06-2S	1	1	1	1	1	F
23	561608	SOCKET TERMINAL / 18-16 / DEUTSCH 0462-201-16141	2	2	2	2	2	F
23	562488	SECONDARY LOCK / DT SERIES / SH 2C / DEUTSCH W2S	1	1	1	1	1	F
		FOLLOWING ITEM ARE RELATED AVEC						
		WITH INSTALLATION OF SWITCH IN						
		FRONT SERVICE COMPARTMENT						
NS	381495	SUPPORT / TO FIX TELL TALE & SWITCH	1	1	1	1	1	
NS	562113	TELLTALE ASSY / 24V SHORT	1	1	1	1	1	
NS	063373	DECAL ABS SYSTEM From P-722 To R-883	1	1	1	1	1	
NS	560585	SWITCH - L.H. CONSOLE - BUS From P-743 To R-883	1	1	1	1	1	
NS	063890	DECAL / ANTILOCK BRAKE SYSTEM From R-884	1	1	1	1	1	
NS	391034	INSERT / RED / "ANTI SKID" From P-743 To R-883		1	1	1		
NS	391672	INSERT / RED / "ABS" From R-884	1	1	1	1	1	
NS	560330	SWITCH / ON-OFF-ON / D.P.D.T. From R-884	1	1	1	1	1	
NS	391672	INSERT / RED / "ABS" From R-884	1	1	1	1	1	
NS	562279	TOOL / BOX CONNECTOR 54 PINS	1	1	1	1	1	B

From L-685 To Y-7045	Date:10/2022	PAGE:XL-1250-00
ANTI-LOCK BRAKING SYSTEM		

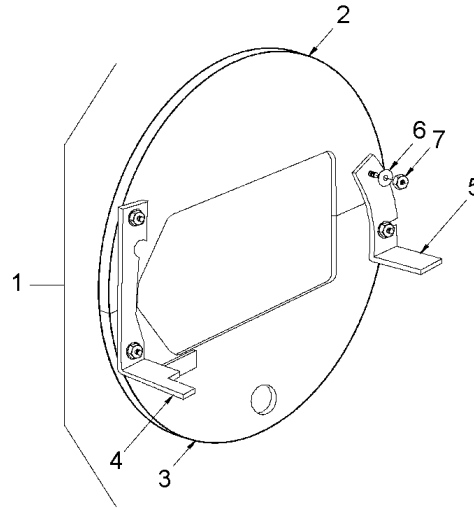
Item#	Part	Description	M T H 4 0	M T H 4 5	M T H 4 5 E	X L 4 0	X L 4 5	N O T E S
NS	381683	KIT REPLACEMENT ABS CONTROL UNIT (INST IN STEERING COMP.) From N-987 To P-739	1	1	1	1	1	
.01	IS-93070	. SEE INSTRUCTION SHEET From N-987 To P-739	1	1	1	1	1	
28	381589	KIT REPLACEMENT ABS CONTROL UNIT (INST IN BAGGAGES COMP.) From L-685 To N-986	1	1	1	1	1	
.01	IS-93070	. SEE INSTRUCTION SHEET From L-685 To N-986	1	1	1	1	1	
		A) INSIDE REAR AXLE CARRIER						
		B) FOR DIAGNOSTIC TEST						
		C) TO FIX ABS SENSOR ON DRIVE AXLE WHEEL END						
		D) THIS UNIT OIT OBSOLETE ASK FOR KIT #381859 FOR BUS & MTH. EXCEPT FOR MTH N-987 TO P-742 ASK FOR KIT #381683						
		E) USE ONLY WITH VEHICULE WITH HUB # 611319 & 611320 WITH 16 1/2" DRUM BRAKE						
		F) PART OF HARNESS CABLE						

From E-638 To Y-7045

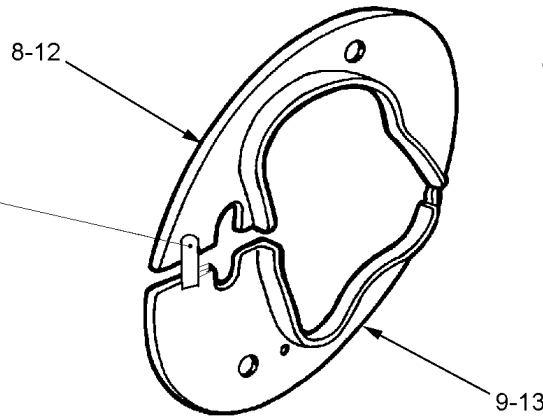
Date:10/2022

PAGE:XL-1255-00

DUST SHIELD - W/BRAKE DRUM



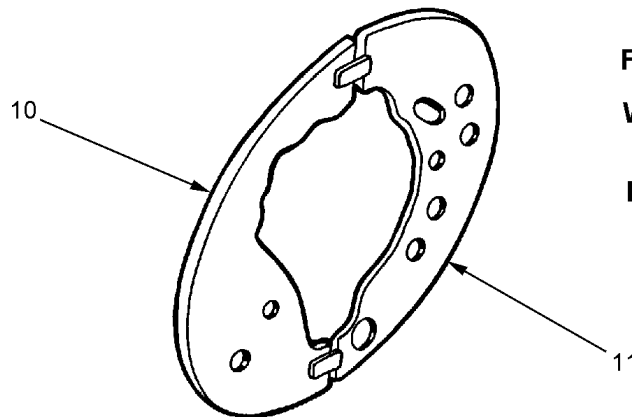
DRIVE AXLE



**TAG AXLE WITH DRUM UP-TO P-740
AND
FRONT AXLE MODEL 16931 SERIE
EFF.: FROM E-638 TO F-902**

NOTE

FOR EASY IDENTIFICATION
THIS PIECE IT WELDED TO
UPPER SECTION

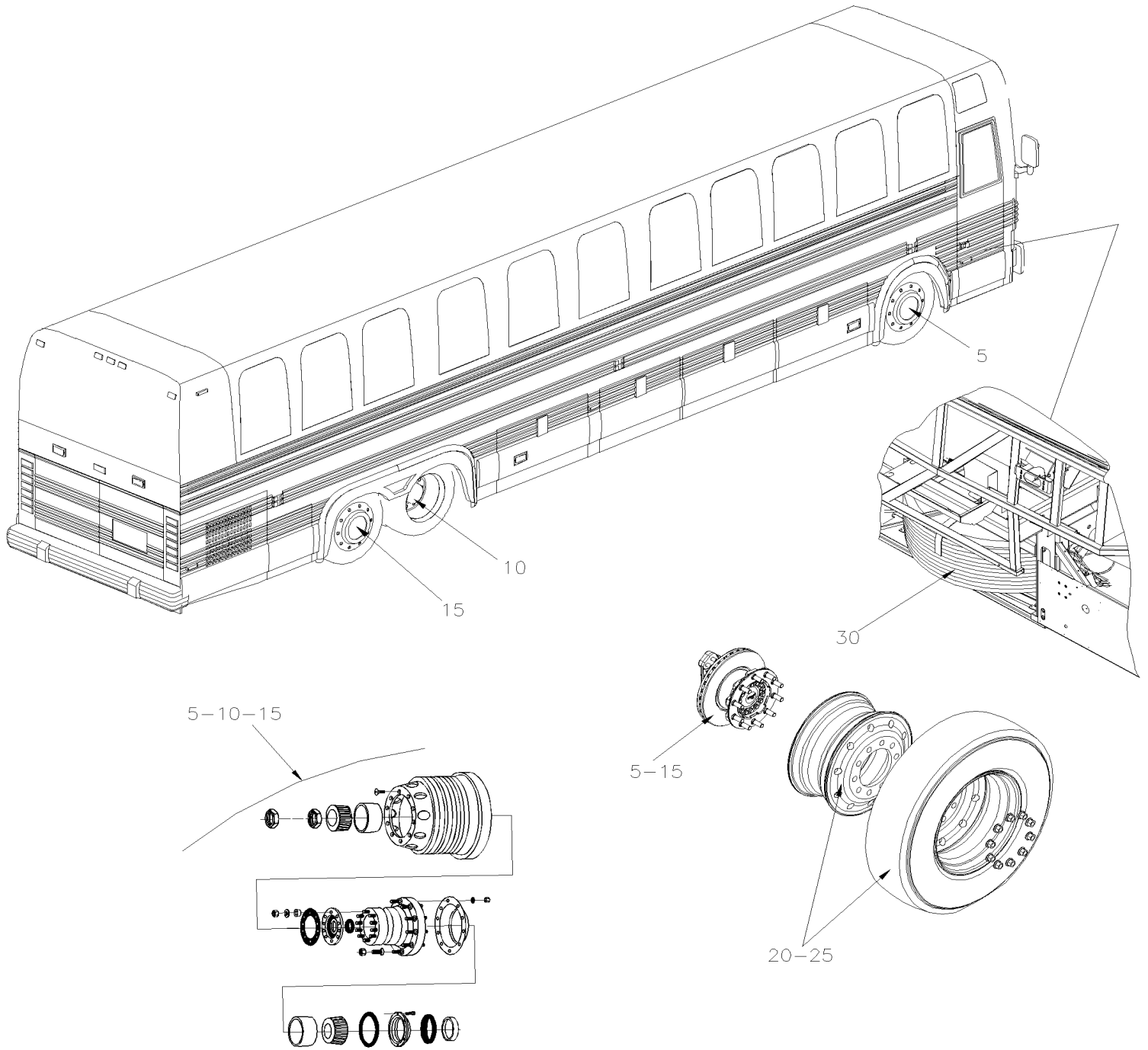


**FRONT AXLE MODEL 17101 SERIE
WITH 5" OR 6" DRUMS
EFF.: FROM F-903 TO P-740**

From E-638 To Y-7045		Date:10/2022	PAGE:XL-1255-00
DUST SHIELD - W/BRAKE DRUM			

Item#	Part	Description	M T H 4 0	M T H 4 5	M T H 4 5 E	X L 4 0	X L 4 5	N O T E S
1	120605	DUST SHIELD ASSY L.H. / DRIVE AXLE	1	1	1	1	1	
1	120606	DUST SHIELD ASSY R.H. / DRIVE AXLE	1	1	1	1	1	
2	120607	. SECTION UPPER / L.H.	1	1	1	1	1	
2	120608	. SECTION UPPER / R.H.	1	1	1	1	1	
3	120609	. SECTION LOWER / L.H.	1	1	1	1	1	
3	120610	. SECTION LOWER / R.H.	1	1	1	1	1	
4	120617	. ANCHOR REAR / L.H. (WELDED ON BEAM)	1	1	1	1	1	
4	120618	. ANCHOR REAR / R.H. (WELDED ON BEAM)	1	1	1	1	1	
5	120619	. ANCHOR FRONT / L.H. (WELDED ON BEAM)	1	1	1	1	1	
5	120620	. ANCHOR FRONT / R.H. (WELDED ON BEAM)	1	1	1	1	1	
6	500441	. WASHER FL .312x.734x.065 Z050	4	4	4	4	4	
7	500777	. NUT HEX STO 5/16-18 Z050	4	4	4	4	4	
8	110454	DUST SHIELD UPPER R.H. / TAG AXLE	1		1	1		A
8	110458	DUST SHIELD UPPER L.H. / TAG AXLE	1		1	1		A
9	110456	DUST SHIELD LOWER R.H. / TAG AXLE	1		1	1		A
9	110460	DUST SHIELD LOWER L.H. / TAG AXLE	1		1	1		A
10	110463	DUST SHIELD R.H. FRONT SECTION / FRONT AXLE From F-903 To H-277	1			1		B
10	110530	DUST SHIELD R.H. FRONT SECTION / FRONT AXLE From H-278	1		1	1		C
10	110467	DUST SHIELD L.H. FRONT SECTION / FRONT AXLE From F-903 To H-277	1			1		B
10	110532	DUST SHIELD L.H. FRONT SECTION / FRONT AXLE From H-278	1		1	1		C
11	110464	DUST SHIELD R.H. REAR SECTION / FRONT AXLE From F-903 To H-277	1			1		B
11	110531	DUST SHIELD R.H. REAR SECTION / FRONT AXLE From H-278	1		1	1		C
11	110468	DUST SHIELD L.H. REAR SECTION / FRONT AXLE From F-903 To H-277	1			1		B
11	110533	DUST SHIELD L.H. REAR SECTION / FRONT AXLE From H-278	1		1	1		C
12	110454	DUST SHIELD UPPER R.H. / TAG AXLE L.H. FRONT To F-902	1			1		D
12	110458	DUST SHIELD UPPER L.H. / TAG AXLE R.H. FRONT To F-902	1			1		D
13	110456	DUST SHIELD LOWER R.H. / TAG AXLE L.H. FRONT To F-902	1			1		D
13	110460	DUST SHIELD LOWER L.H. / TAG AXLE R.H. FRONT To F-902	1			1		D
NS	110376	SPACER SS 7/8" O.D. X 1/2" I.D. X 1/2"	AR			AR	AR	
NS	501496	GREASE FITTING 30° / 1/8 NPTx1 1/4"	AR			AR	AR	
		A) DUST SHIELD ARE USE W/TAG AXLE W/DRUM BRAKE						
		B) DUST SHIELD ARE USE W/AXLE 17101 SERIES WITH 5" DRUM BRAKE						
		C) DUST SHIELD ARE USE W/AXLE 17101 SERIES WITH 6" DRUM BRAKE						
		D) DUST SHIELD ARE USE W/AXLE 16931 SERIES WITH 5" DRUM BRAKE						

	Date:10/2022	XL-13
WHEELS, HUBS & TIRES		



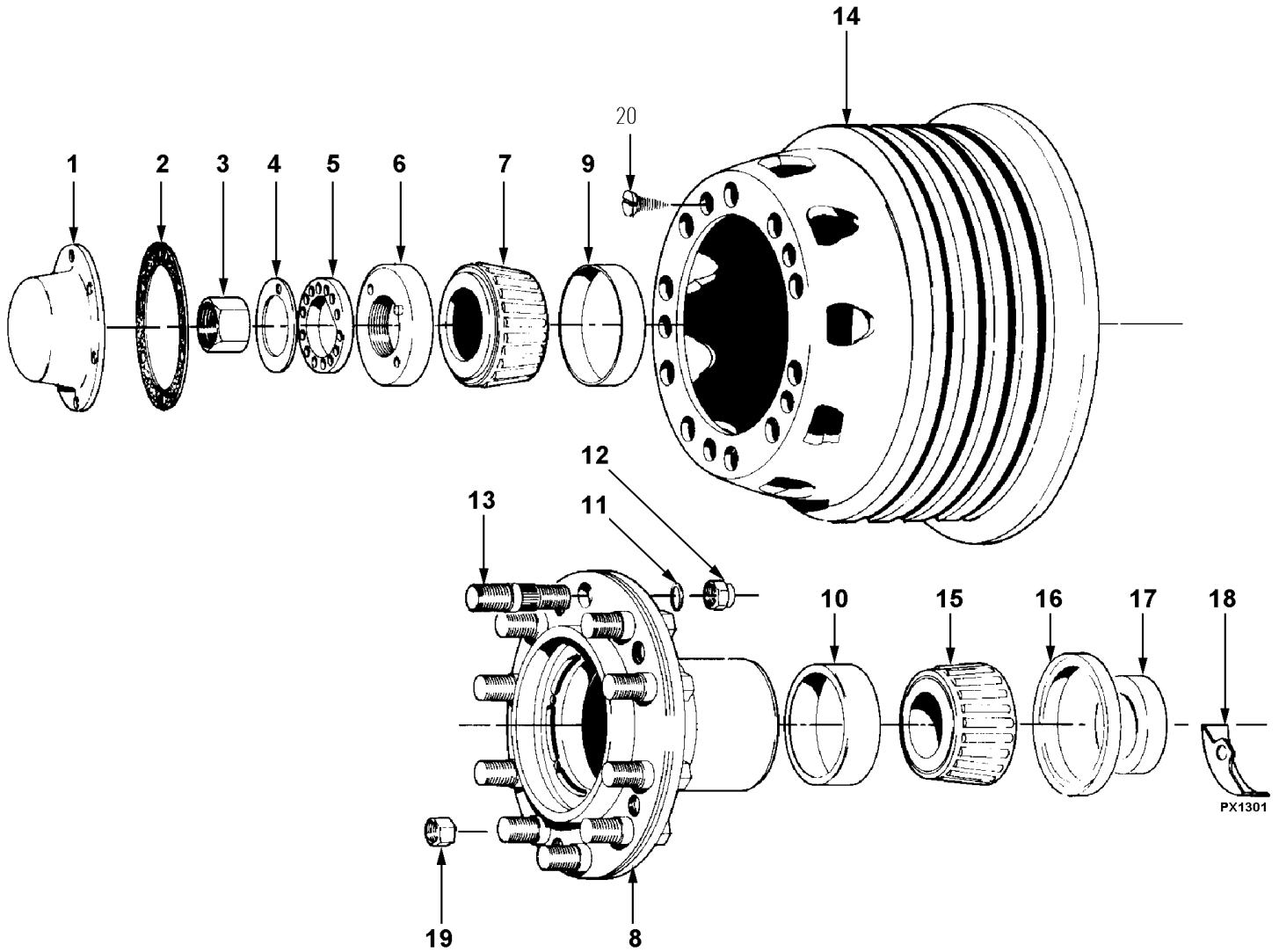
		Date:10/2022	XL-13					
WHEELS, HUBS & TIRES								
Item#	Part	Description	M T H 4 0	M T H 4 5	M T H 4 5 E	X L 4 0	X L 4 5	N O T E S
5	XL-1300-00	HUB & DRUM - FRONT AXLE From E-638 To P-740						
5	XL-1300-01	HUB & ROTOR - FRONT AXLE MODEL "2FG-952CAX" From P-741 To Y-7045						
5	XL-1300-02	HUB & ROTOR - FRONT AXLE MODEL "IS-82" From T-5873 To W-6329						
5	XL-1300-03	HUB & ROTOR - FRONT AXLE MODEL "IS-84" From W-6330 To Y-7045						
5	XL-1300-98	HUB & ROTOR - FRONT AXLE MODEL "NDIFS80P" From V-6002 To Y-7045						
5	XL-1300-99	HUB & DRUM - FRONT AXLE - MODEL 16 1/2 I.D. / "RETROFIT" From P-741 To Y-7045						
10	XL-1305-00	HUB & DRUM - DRIVE AXLE From E-638 To Y-7045						
15	XL-1310-00	HUB & DRUM - TAG AXLE From E-638 To P-740						
15	XL-1310-01	HUB & ROTOR - TAG AXLE WITH DISC BRAKE MODEL 1560 From P-741 To W-6465						
15	XL-1310-02	HUB & ROTOR - TAG AXLE TYPE TS5 From W-6466 To W-6584						
15	XL-1310-03	HUB & ROTOR - TAG AXLE TYPE TS6 From W-6585 To Y-7045						
15	XL-1310-99	HUB & ROTOR - TAG AXLE TYPE TS8U RETROFIT "UNITISED" BEARING From W-6466 To Y-7045						
20	XL-1318-00	WHEELS & COMPONENTS - BUS MOUNT (STANDARD) From E-638 To Y-7045						
25	XL-1320-00	WHEELS COVER CAP From E-638 To P-721						
30	XL-1325-00	SPARE WHEEL - INSTALLATION From E-638 To Y-7045						

From E-638 To P-740

Date:10/2022

PAGE:XL-1300-00

HUB & DRUM - FRONT AXLE



From E-638 To P-740	Date:10/2022	PAGE:XL-1300-00
HUB & DRUM - FRONT AXLE		

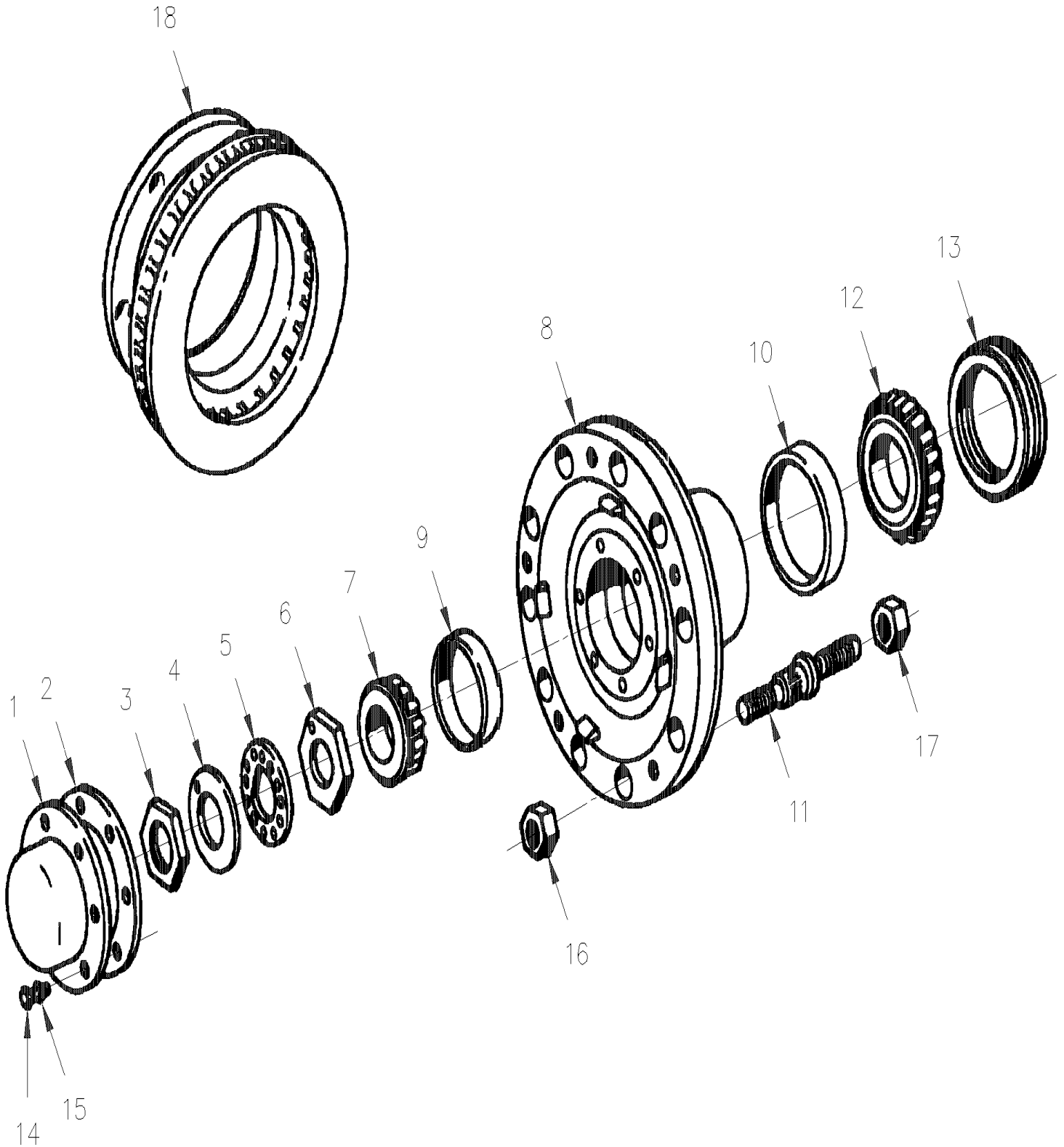
Item#	Part	Description	M T H 4 0	M T H 4 5	M T H 4 5 E	X L 4 0	X L 4 5	N O T E S
1	610164	HUB CAP W/GREACE	2			2		
1	507244	HUB CAP ASSY OIL	1		1	1		
NS	610973	. PLUG VENT / GREEN / USE W/STEEL HUB CAP "	1		1	1		
1	611253	HUB CAP / ALUMINUM / "STEMCO" / W/AXLE W/DISC	1		1	1		
2	610282	GASKET / W/GREASE	1			1		
2	610755	GASKET / W/OIL	1		1	1		
NS	500191	SCREW CAP HEX 3/8-16x1 G5 Z050	12		12	12		
NS	610756	WASHER LOCK	12		12	12		
3	610207	NUT JAM	2		2	2		
. NS	490114	. TOOL / NUT WHEEL BEARING ADJUSTMENT	1		1	1		
4	610225	WASHER FLAT LOCK 1 25/32x3 1/4x3/64	2		2	2		
5	610224	RING PIERCED LOCK	2		2	2		
6	610209	NUT ADJUSTING	2		2	2		
. NS	490114	. TOOL / NUT WHEEL BEARING ADJUSTMENT	1		1	1		
7	610043	CONE BEARING	2		2	2		
8	610790	HUB & STUD ASSY R.H. / W/STUD-MOUNTED WHEEL	1		1	1		
8	610964	HUB & STUD ASSY L.H. / W/STUD-MOUNTED WHEEL / W/ABS	1		1	1		
8	610789	HUB & STUD ASSY L.H. / W/STUD-MOUNTED WHEEL	1		1	1		
8	610963	HUB & STUD ASSY R.H. / W/STUD-MOUNTED WHEEL / W/ABS	1		1	1		
8	610782	HUB & STUD ASSY W/HUB-MOUNTED WHEEL				2		
8	610967	HUB & STUD ASSY W/HUB-MOUNTED WHEEL / W/ABS				2		
9	610040	. CUP BEARING	2		2	2		
10	610088	. CUP BEARING	2		2	2		
11	620477	. WASHER HARD / 7/8" IDX1 7/16" ODX 3/32" TH	20		20	20		
12	500742	. NUT HEX STO 7/8-14 ZP	20		20	20		
13	610750	. STUD / R.H. / W/STUD-MOUNT WHEEL	10		10	10		
13	610966	. STUD / L.H. / W/STUD-MOUNT WHEEL / W/ABS	10		10	10		
13	610749	. STUD / L.H. / W/STUD-MOUNT WHEEL	10		10	10		
13	610965	. STUD / R.H. / W/STUD-MOUNT WHEEL / W/ABS	10		10	10		
13	610117	. STUD / R.H. / W/STUD-MOUNT WHEEL	10		10	10		
13	610116	. STUD / L.H. / W/STUD-MOUNT WHEEL	10		10	10		
13	610775	. STUD / R.H. / W/HUB-MOUNT WHEEL 7/8-14				10		
14	640940	DRUM BRAKE W/5" WIDE SHOES / STD / To H-277	2			2		
14	641451	DRUM BRAKE W/5" WIDE SHOES / STD / To H-277	AR			AR		
14	641227	DRUM BRAKE W/5" WIDE SHOES / UNDER SIZE / To H-277	AR			AR		
14	641453	DRUM BRAKE W/5" WIDE SHOES / UNDER SIZE / To H-277	AR			AR		
14	640606	DRUM BRAKE W/6" WIDE SHOES / STD / From H-278	2		2	2		
14	641449	DRUM BRAKE W/6" WIDE SHOES / STD / From H-278	AR		AR	AR		
14	641523	DRUM BRAKE W/6" WIDE SHOES / STD / From H-278	AR		AR	AR		
14	641230	DRUM BRAKE W/6" WIDE SHOES / UNDER SIZE /	AR		AR	AR		
15	610089	CONE BEARING To F-902	2			2		
15	610800	CONE BEARING From F-903	2		2	2		

From P-741 To Y-7045

Date:10/2022

PAGE:XL-1300-01

HUB & ROTOR - FRONT AXLE MODEL "2FG-952CAX"



From P-741 To Y-7045		Date:10/2022	PAGE:XL-1300-01
HUB & ROTOR - FRONT AXLE MODEL "2FG-952CAX"			

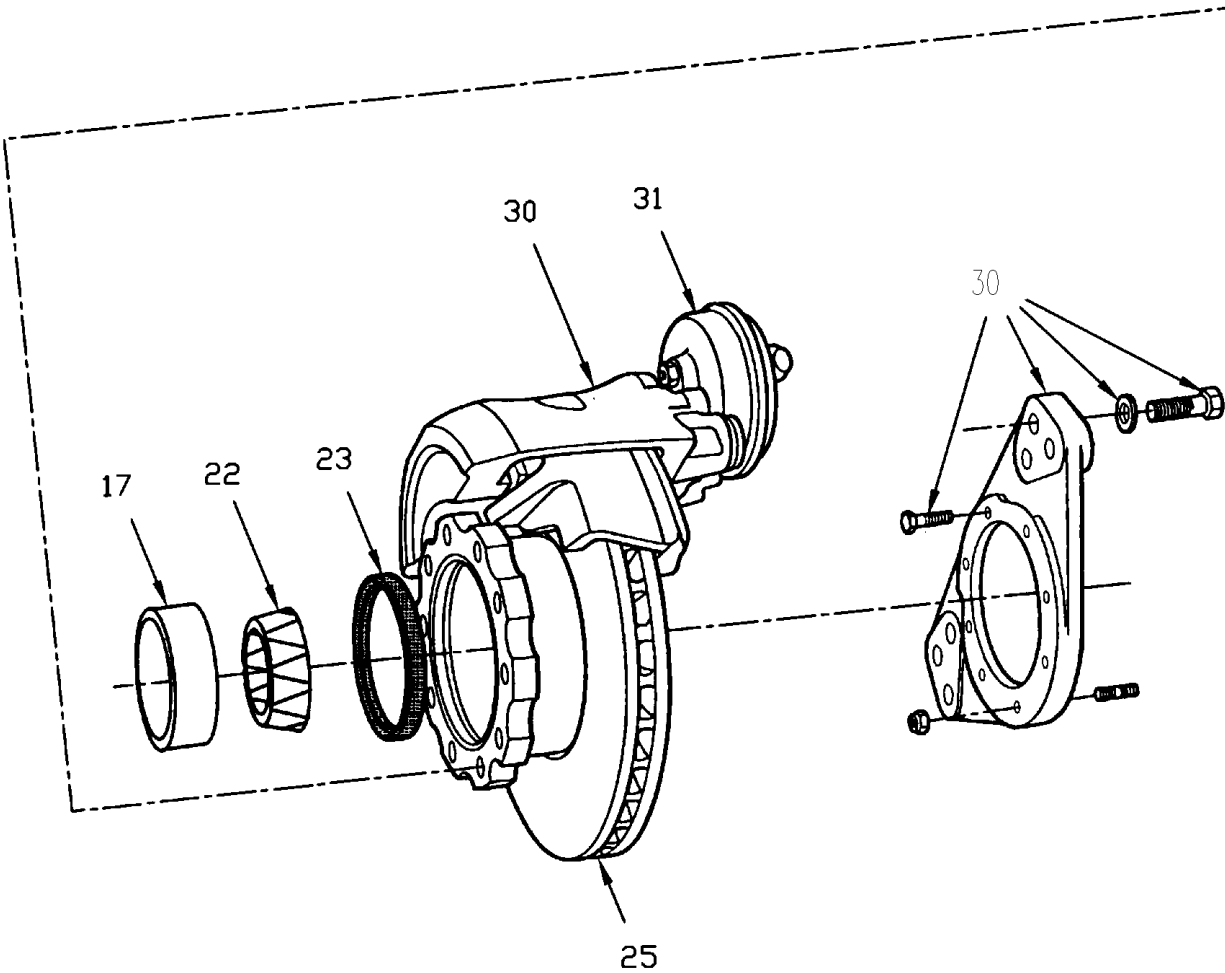
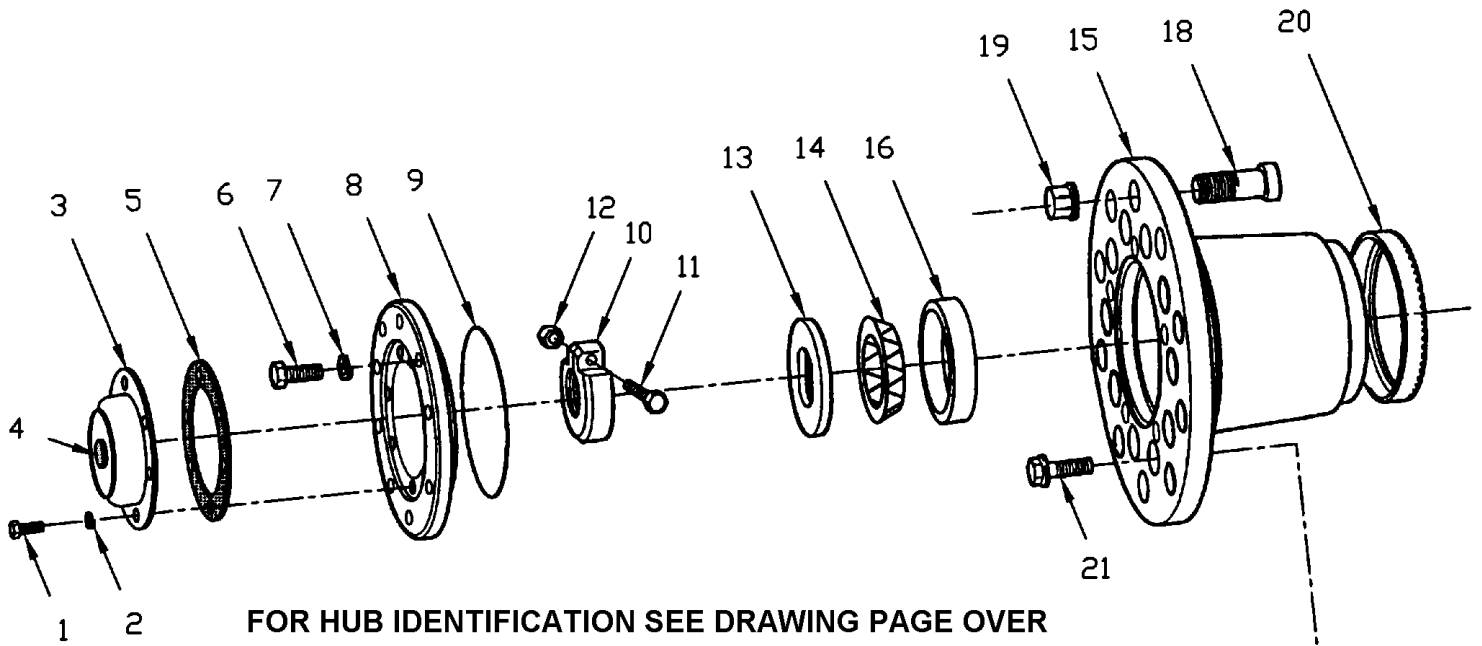
Item#	Part	Description	M T H 4 0	M T H 4 5	M T H 4 5 E	X L 4 0	X L 4 5	N O T E S
1	610882	HUB CAP / STEEL / "CR"	1	1	1	1	1	
NS	610973	. PLUG VENT / GREEN / USE W/STEEL HUB CAP "	1	1	1	1	1	
2	610865	. GASKET / HUB CAP	1	1	1	1	1	
3	610205	NUT JAM / OUTER WHEEL BEARING	1	1	1	1	1	
4	610222	LOCK PLATE / JAM NUT	1	1	1	1	1	
5	610223	WASHER LOCK PERFORATED / WHEEL BEARING	1	1	1	1	1	
6	610215	NUT ADJUSTING / INNER WHEEL BEARING / (HEXAGONAL)	1	1	1	1	1	
6	610986	NUT INNER	1	1	1	1	1	
. NS	490840	. TOOL / NUT WHEEL BEARING ADJUSTMENT	1	1	1	1	1	
7	610071	CONE BEARING / OUTER WHEEL BEARING	1	1	1	1	1	
8	610920	HUB WHEEL & CUP ASSY	1	1	1	1	1	
8	611267	HUB WHEEL & CUP ASSY / W/A.B.S. MACHINED	1	1	1	1	1	A
9	610070	. CUP BEARING / OUTER WHEEL BEARING	1	1	1	1	1	
10	610149	. CUP BEARING / INNER WHEEL BEARING	1	1	1	1	1	
11	610867	STUD / L.H. / W/STUD-MOUNT WHEEL	10	10	10	10	10	
11	610868	STUD / R.H. / W/STUD-MOUNT WHEEL	10	10	10	10	10	
11	610954	STUD / R.H. / W/HUB-MOUNT WHEEL 7/8-14	10	10	10	10	10	
12	610869	CONE BEARING / INNER WHEEL BEARING	1	1	1	1	1	
13	610870	SEAL ASSY / WHEEL BEARING	1	1	1	1	1	
13	611175	SEAL ASSY / WHEEL BEARING / "SCOTT-SEAL PLU	1	1	1	1	1	
14	500179	SCREW CAP HEX 5/16-18x3/4 G5 Z050	6	6	6	6	6	
15	500476	WASHER LO SPT .317x.586x.078 Z050	6	6	6	6	6	
16	610175	NUT L.H. 1 1/8-16 / STUD MOUNT WHEEL	10	10	10	10	10	
16	610176	NUT R.H. 1 1/8-16 / STUD MOUNT WHEEL	10	10	10	10	10	
16	610773	NUT R.H. / W/HUB-MOUNT WHEEL 7/8-14				10	10	
17	621378	NUT HEXF STO 3/4-16 ZP	10	10	10	10	10	
18	611102	ROTOR VENTED	2	2	2	2	2	
		FOLLOWING ITEMS ARE RELATED WITH						
		OIL CAP HUB IN PLASTIC						
NS	611214	HUB CAP / PLASTIC "CR"	1	1	1	1	1	
NS	611212	. PLUG VENT / RED / USE W/PLASTIC HUB CAP "CR	1	1	1	1	1	
NS	611213	. GASKET	1	1	1	1	1	
NS	684647	SEAL INSTALLER TOOL / FRT & TAG / ADB1560	1	1	1	1	1	
		A) THIS HUB IT MACHINED FOR ABS TOOTH WHEEL						

From T-5873 To W-6329

Date:10/2022

PAGE:XL-1300-02

HUB & ROTOR - FRONT AXLE MODEL "IS-82"



From T-5873 To W-6329

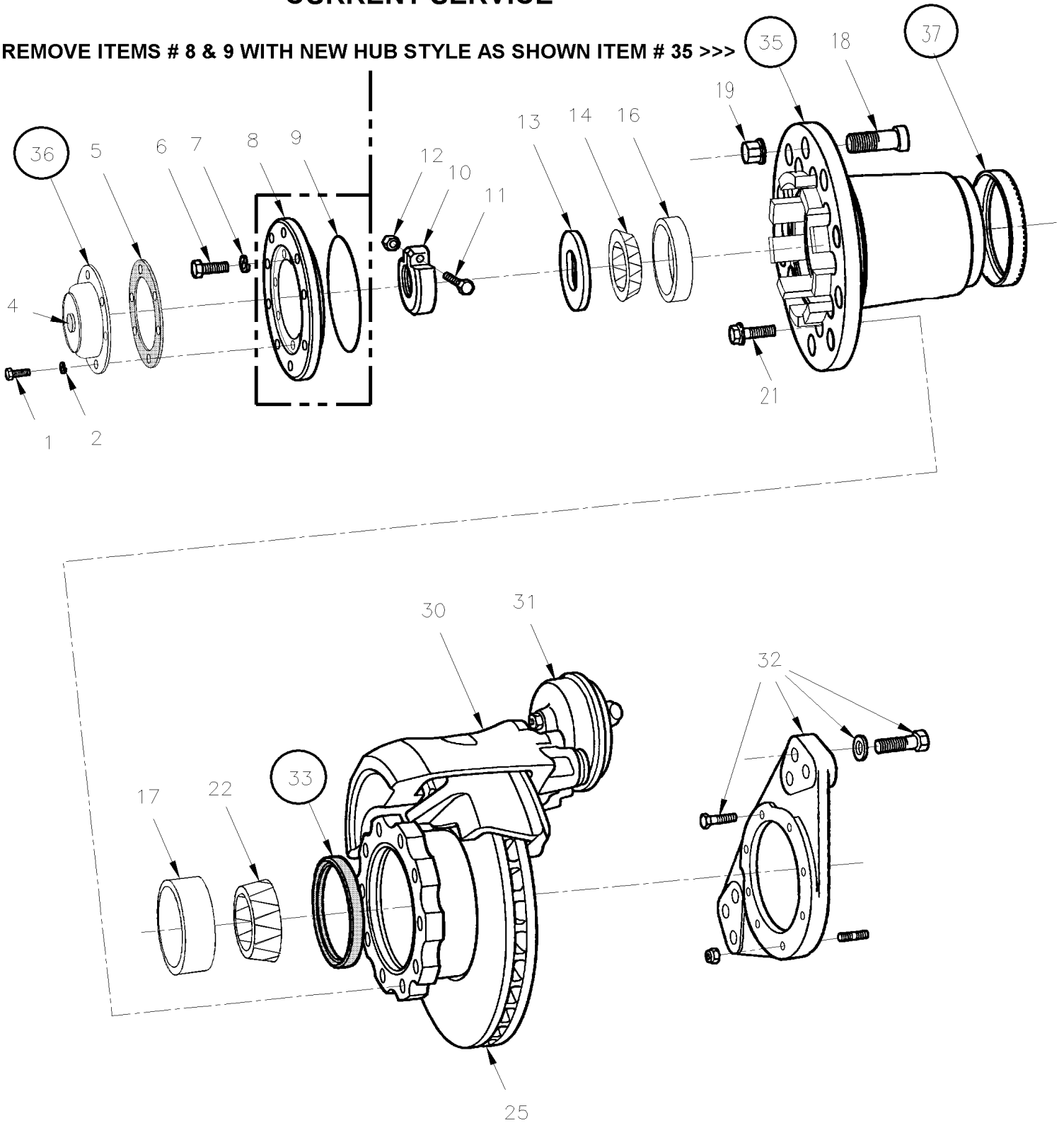
Date:10/2022

PAGE:XL-1300-02

HUB & ROTOR - FRONT AXLE MODEL "IS-82"

CURRENT SERVICE

REMOVE ITEMS # 8 & 9 WITH NEW HUB STYLE AS SHOWN ITEM # 35 >>>



From T-5873 To W-6329	Date:10/2022	PAGE:XL-1300-02
HUB & ROTOR - FRONT AXLE MODEL "IS-82"		

Item#	Part	Description	M T H 4 0	M T H 4 5	M T H 4 5 E	X L 4 0	X L 4 5	N O T E S
1	500069	SCREW CAP HEX M8-1.25x16 G10.9 DP	6	6	6			
NS	502790	SCREW CAP HEX M8-1.25x20 G8.8 Z050	6	6	6			
2	5001003	WASHER LO SPT 8.1x12.7x2.0 Z050	6	6	6			
3	611059	HUB CAP / STEEL "CR" To W-6254	1	1	1			
. NS	MI07-04	. SEE MAINTENANCE INFORMATION To W-6254	1	1	1			
3	611196	HUB CAP / PLASTIC "CR" From W-6255	1	1	1			
. 01	MI07-04	. SEE MAINTENANCE INFORMATION From W-6255	1	1	1			
4	611060	PLUG VENT / GREEN / USE W/STEEL HUB CAP "CR"	1	1	1			
4	611197	PLUG VENT / BLACK / USE W/PLASTIC HUB CAP "	1	1	1			
5	611083	GASKET HUB CAP / "CR" STEEL	1	1	1			
5	611198	GASKET HUB CAP / "CR" PLASTIC	1	1	1			
6	5001194	SCREW CAP HEX M12-1.75x35 G8.8 ZP To W-6254	5	5	5			
7	500810	WASHER LO SPT 12.2x21.1x2.5 Z050 To W-6254	5	5	5			
8	611058	CAP / WHEEL SUPPORT / USE W/HUB CAP ITEM # 3	1	1	1			
9	611002	O-RING / 6 1/4 I.D. X 1/8"	1	1	1			
10	611004	NUT ADJUSTING M45-2	1	1	1			
. NS	490845	. TOOL / NUT WHEEL BEARING ADJUSTMENT	1	1	1			
. NS	684735	. TOOL / NUT WHEEL BEARING ADJUSTMENT / TORQUE	1	1	1			
. NS	MI03-24	. SEE MAINTENANCE INFORMATION	1	1	1			
11	500054	SCREW CAP HEX 3/8-24x2 1/2 G5 ZP	1	1	1			
12	500704	NUT HEX STO 3/8-24 Z050	1	1	1			
13	611003	LOCK PLATE	1	1	1			
14	610126	CONE BEARING / OUTER WHEEL BEARING	1	1	1			
15	611084	HUB WHEEL / W/STANDARD WHEEL	1	1	1			
16	610125	CUP BEARING / OUTER WHEEL BEARING	1	1	1			
17	610997	CUP BEARING / INNER WHEEL BEARING	1	1	1			
18	610995	STUD / L.H. / W/STUD-MOUNT WHEEL	10	10	10			
18	610996	STUD / R.H. / W/STUD-MOUNT WHEEL	10	10	10			
18	610994	STUD / R.H. / W/HUB-MOUNT WHEEL 7/8-14	10	10				
19	610175	NUT L.H. 1 1/8-16 / STUD MOUNT WHEEL	10	10	10			
19	610176	NUT R.H. 1 1/8-16 / STUD MOUNT WHEEL	10	10	10			
19	610773	NUT R.H. / W/HUB-MOUNT WHEEL 7/8-14	10	10				
20	XL-1250-00	ANTI-LOCK BRAKING SYSTEM						
21	611007	SCREW CAP HEXF SERR M16-1.5x50 G10.9	10	10	10			
22	611087	CONE BEARING / INNER WHEEL BEARING	1	1	1			
23	611081	SEAL ASSY/ WHEEL BEARING W/OIL	1	1	1			
23	611247	SEAL ASSY/ WHEEL BEARING W/OIL	1	1	1			
23	611174	SEAL ASSY / W/OIL / "SCOTT-SEAL PLUS"	AR	AR	AR			
25	611188	ROTOR SOLID	1	1	1			C
25	611456	ROTOR VENTED	1	1	1			D
30	XL-1225-03	BRAKE PARTS - FRONT AXLE - W/"KNORR-BREMSE" / SB7 SERIES To V-6001						
30	XL-1225-04	BRAKE PARTS - FRONT AXLE - W/"KNORR-BREMSE" / SB7 SERIES From V-6002						

From T-5873 To W-6329		Date:10/2022	PAGE:XL-1300-02
HUB & ROTOR - FRONT AXLE MODEL "IS-82"			

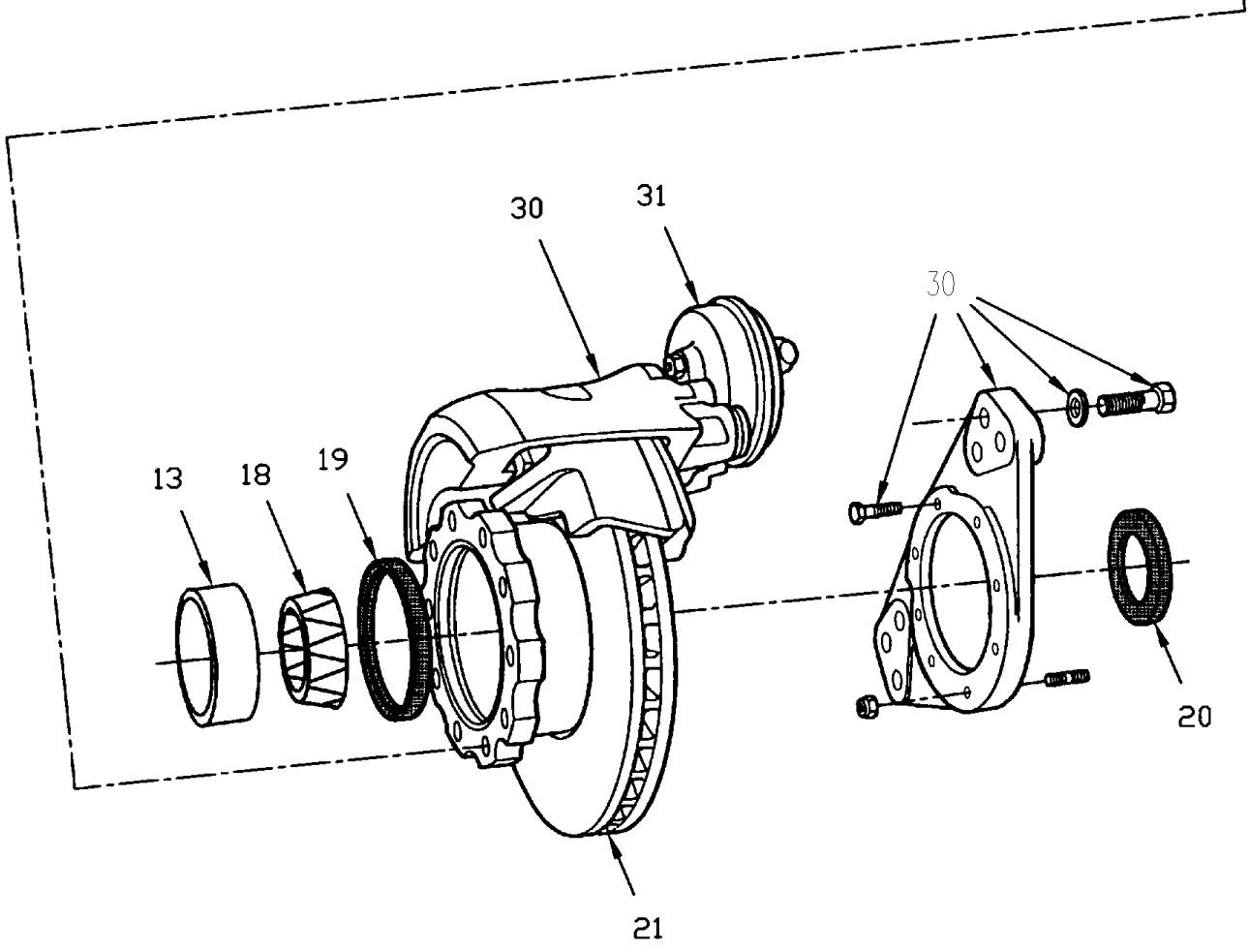
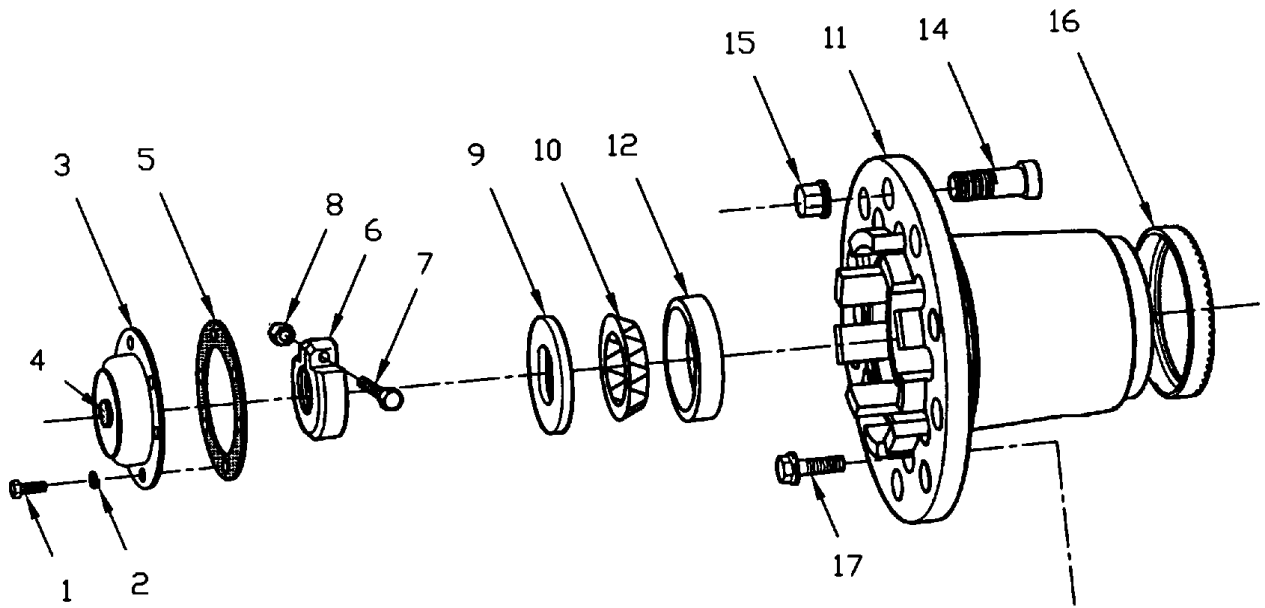
Item#	Part	Description	M T H 4 0	M T H 4 5	M T H 4 5 E	X L 4 0	X L 4 5	N O T E S
30	XL-1225-98	BRAKE PARTS "KNORR-BREMSE" SN7 SERIES - "SERVICE"						
31	XL-1225-11	BRAKE CHAMBER - FRONT AXLE						
32	XL-1005-50	FRONT AXLE - INDEPENDENT MODEL "IS-82" / 16500LBS To V-6001						
32	XL-1005-51	FRONT AXLE - INDEPENDENT MODEL "IS-84" / 16500LBS From V-6002						
33	611081	SEAL ASSY/ WHEEL BEARING W/OIL	1	1	1			
33	611247	SEAL ASSY/ WHEEL BEARING W/OIL	1	1	1			
35	611259	HUB WHEEL / W/METRIC WHEEL	1	1	1			
36	611250	HUB CAP / ALUMINUM / "STEMCO" SENTINEL / W/"GKN" AXLE	1	1	1			
36	611243	HUB CAP / W/GREASE ONLY	1	1	1			
37	611255	TOOTH WHEEL / FRONT AXLE W/DISC "G.K.N."	1	1	1			
NS	684644	SEAL INSTALLER TOOL / FRT & TAG TS-5	1	1	1			
41	611329	KIT, RETROFIT INDE FRONT AXLE / UNITISED From V-6002	1	1	1			
. NS	611334	. KNUCKLE L.H. / W/PARALLEL KING PIN ONLY W/RETROFIT UNITISED From V-6002	1	1	1			
. NS	611335	. KNUCKLE R.H. / W/PARALLEL KING PIN ONLY W/RETROFIT UNITISED From V-6002	1	1	1			
. NS	611949	. HUB NUT 1 3/4-8 From V-6002	2	2	2			
. NS	611948	. THRUST WASHER From V-6002	2	2	2			
. NS	611955	. SCREW CAP HEXF M14-1.5x78 G12.9 N500 From V-6002	28	28	28			
. NS	611301	. HUB FLANGE From V-6002	2	2	2			
. NS	611303	. HUB ASSY / UNITISED L.H. & R.H. "TIMKEN" From V-6002	2	2	2			
. NS	611300	. ROTOR VENTED From V-6002	2	2	2			
. NS	611166	. STUD 3/4-16 X 3 1/4" From V-6002	2	2	2			
. NS	611167	. STUD 3/4-16 X 4 1/2" From V-6002	3	3	3			
. NS	611331	. STUD / CURBSIDE / 3/4-16 X 4 1/4" From V-6002	2	2	2			
. NS	611332	. STUD 1/2-20 X 1 7/8 From V-6002	16	16	16			
		C) PRODUCTION						
		D) SERVICE						

From W-6330 To Y-7045

Date:10/2022

PAGE:XL-1300-03

HUB & ROTOR - FRONT AXLE MODEL "IS-84"



From W-6330 To Y-7045	Date:10/2022	PAGE:XL-1300-03
-----------------------	--------------	-----------------

HUB & ROTOR - FRONT AXLE MODEL "IS-84"

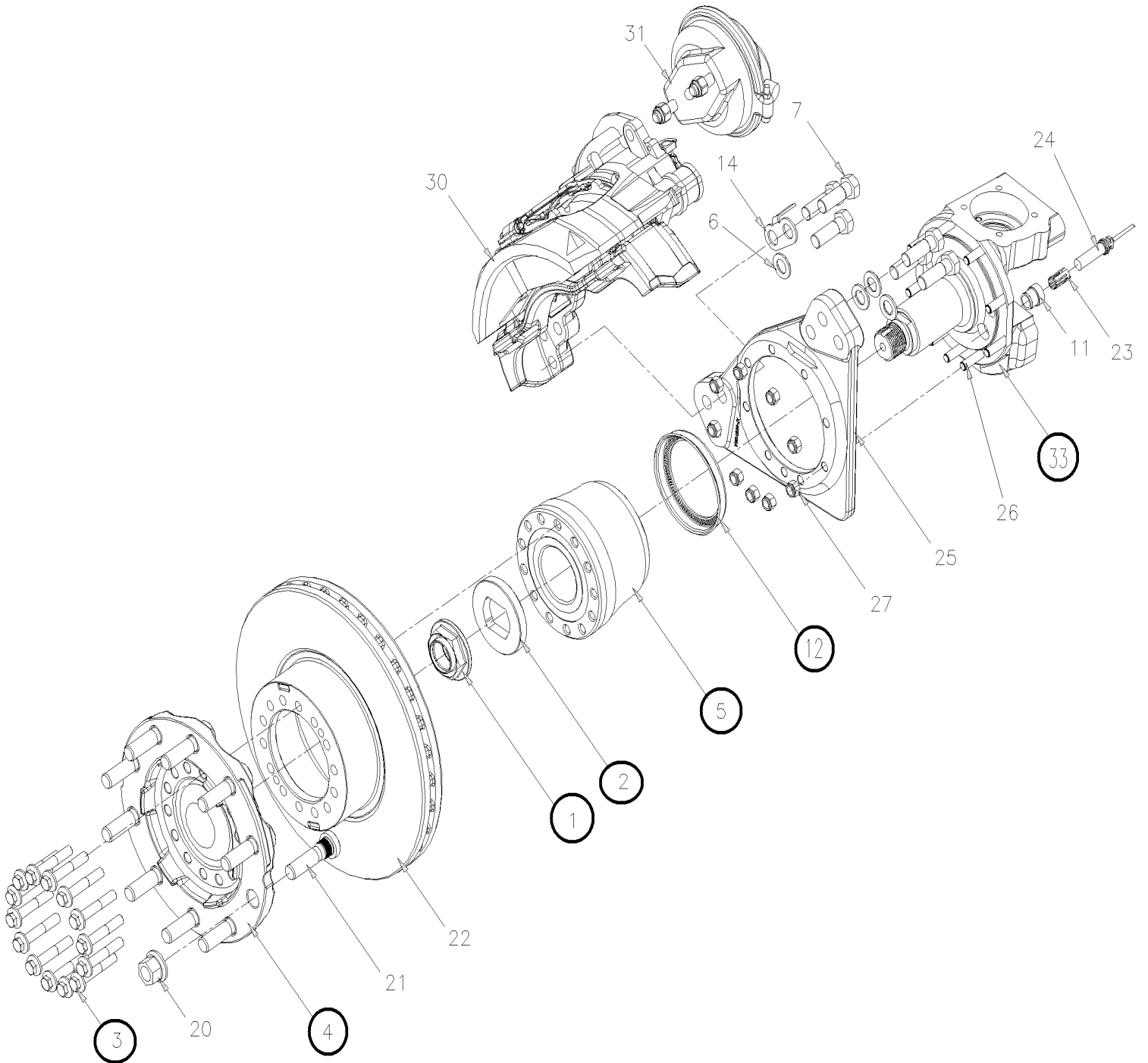
Item#	Part	Description	M T H 4 0	M T H 4 5	M T H 4 5 E	X L 4 0	X L 4 5	N O T E S
		A) TO USE W/PLASTIC HUB CAP						
		B) PRODUCTION						
		C) SERVICE						

From V-6002 To Y-7045

Date:10/2022

PAGE:XL-1300-98

HUB & ROTOR - FRONT AXLE MODEL "NDIFS80P"



From V-6002 To Y-7045	Date:10/2022	PAGE:XL-1300-98
HUB & ROTOR - FRONT AXLE MODEL "NDIFS80P"		

Item#	Part	Description	M T H 4 0	M T H 4 5	M T H 4 5 E	X L 4 0	X L 4 5	N O T E S
	 "WARNING" - "WARNING" - "WARNING"						
		THIS KIT DO NOT INCLUDE CALIPERS & BRAKE CHAMBER						
		KIT INCLUDE PARTS W/GREEN SPOT W/CIRCLE						
	611329	KIT, RETROFIT INDE FRONT AXLE / UNITISED	1	1	1			
. NS	611334	. KNUCKLE L.H. / W/PARALLEL KING PIN ONLY W/RETROFIT UNITISED	1	1	1			
. NS	611335	. KNUCKLE R.H. / W/PARALLEL KING PIN ONLY W/RETROFIT UNITISED	1	1	1			
. NS	611949	. HUB NUT 1 3/4-8	2	2	2			
. NS	611948	. THRUST WASHER	2	2	2			
. NS	611955	. SCREW CAP HEXF M14-1.5x78 G12.9 N500	28	28	28			
. NS	611301	. HUB FLANGE	2	2	2			
. NS	611303	. HUB ASSY / UNITISED L.H. & R.H. "TIMKEN"	2	2	2			
. NS	611300	. ROTOR VENTED	2	2	2			
. NS	611166	. STUD 3/4-16 X 3 1/4"	2	2	2			
. NS	611167	. STUD 3/4-16 X 4 1/2"	3	3	3			
. NS	611331	. STUD / CURBSIDE / 3/4-16 X 4 1/4"	2	2	2			
. NS	611332	. STUD 1/2-20 X 1 7/8	16	16	16			
1	611949	HUB NUT 1 3/4-8	2	2	2			
2	611948	THRUST WASHER	2	2	2			
3	611955	SCREW CAP HEXF M14-1.5x78 G12.9 N500	28	28	28			
4	611301	HUB FLANGE	2	2	2			
5	611303	HUB ASSY / UNITISED L.H. & R.H. "TIMKEN"	2	2	2			I
5	611474	HUB ASSY / UNITISED L.H. & R.H. "FAG" ASSY W/"ABS" RING	2	2	2			I
. NS	611472	. HUB ASSY / UNITISED L.H. & R.H. "FAG"	1	1	1			I
. NS	611473	. TOOTH WHEEL / FRONT AXLE & TAG W/ "FAG" 143.90MM I.D.	1	1	1			I
NS	491115	TOOL, HUB INSTALLER W/UNITISED BEARING / 70MM	AR	AR	AR			
. NS	NDS8	. MAINTENANCE INSTRUCTION	1	1	1			
6	611044	WASHER FL HARD 21.0x37.0x3.0 N500	12	12	12			
7	5001529	SCREW CAP HEX M20-1.5x60 G10.9 G500	12	12	12			
12	611304	TOOTH WHEEL / FRONT AXLE W/ "TIMKEN" 138.89MM I.D.	1	1	1			I
12	611473	TOOTH WHEEL / FRONT AXLE & TAG W/ "FAG" 143.90MM I.D.	1	1	1			I D
14	110786	BRAKE WEAR INDICATOR MECHANICAL / 44MM	AR	AR	AR			
20	20434082	NUT R.H. / W/HUB-MOUNT WHEEL M22-1.5 / 27 MM TH	10	10	10			
21	611207	STUD / R.H. / W/HUB-MOUNT WHEEL M22-1.5 x 81MM	10	10	10			
22	611300	ROTOR VENTED	2	2	2			
23	641096	CLIP, SPRING / TO FIX SENSOR	1	1	1			
		REMOVED FROM YOUR VEHICLE						
25	611039	CALIPER MOUNTING BRACKET L.H. & R.H.	1	1	1			
26	611030	STUD 1/2-20 X 1 11/16"	AR	AR	AR			
27	5007001	NUT HEX STO 1/2-20 Z050 G "C"	AR	AR	AR			
30	XL-1225-04	BRAKE PARTS - FRONT AXLE - W/"KNORR-BREMSE" / SB7 SERIES						

From V-6002 To Y-7045	Date:10/2022	PAGE:XL-1300-98
HUB & ROTOR - FRONT AXLE MODEL "NDIFS80P"		

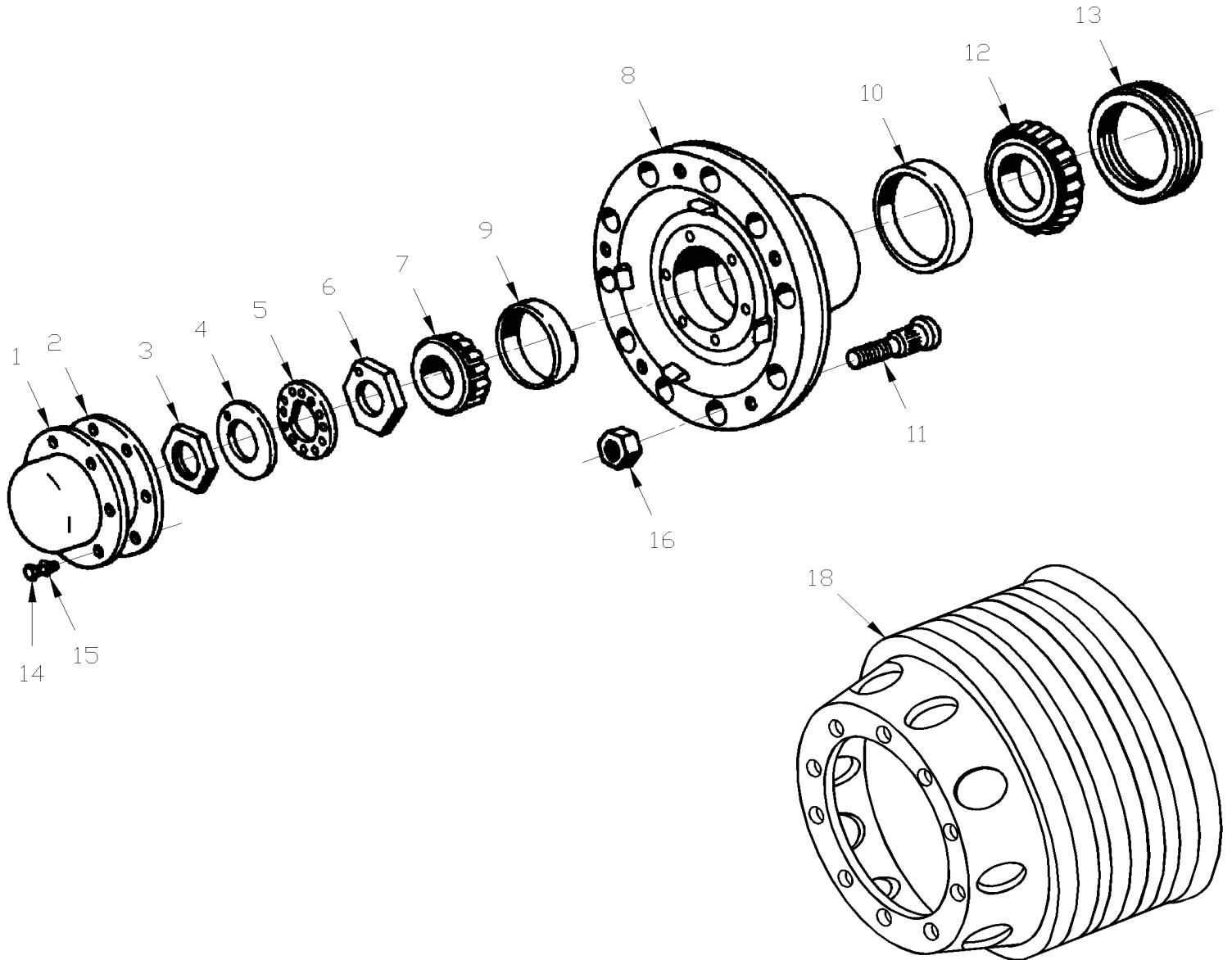
Item#	Part	Description	M T H 4 0	M T H 4 5	M T H 4 5 E	X L 4 0	X L 4 5	N O T E S
30	XL-1225-98	BRAKE PARTS "KNORR-BREMSE" SN7 SERIES - "SERVICE"						
30	XL-1225-97	BRAKE PARTS "KNORR-BREMSE" SN7 SERIES W/NEW SLIDE PINS						
31	XL-1225-11	BRAKE CHAMBER - FRONT AXLE						
33	611334	KNUCKLE L.H. / W/PARALLEL KING PIN ONLY W/RETROFIT UNITISED	1	1	1			I
33	611335	KNUCKLE R.H. / W/PARALLEL KING PIN ONLY W/RETROFIT UNITISED	1	1	1			I
		D) WITH HUB "FAG" ONLY						
		I) WITH INDEPENDENT SUSPENSION						

From P-741 To Y-7045

Date:10/2022

PAGE:XL-1300-99

HUB & DRUM - FRONT AXLE - MODEL 16 1/2 I.D. / "RETROFIT"



From P-741 To Y-7045	Date:10/2022	PAGE:XL-1300-99
HUB & DRUM - FRONT AXLE - MODEL 16 1/2 I.D. / "RETROFIT"		

Item#	Part	Description	M T H 4 0	M T H 4 5	M T H 4 5 E	X L 4 0	X L 4 5	N O T E S
		IT IS POSSIBLE TO USED SAME INSTALLATION						
		ON TAG AXLE	1	1	1	1	1	
1	610882	HUB CAP / STEEL / "CR"	1	1	1	1	1	AB
NS	610973	. PLUG VENT / GREEN / USE W/STEEL HUB CAP "	1	1	1	1	1	
2	610865	. GASKET / HUB CAP	1	1	1	1	1	
3	610205	NUT JAM / OUTER WHEEL BEARING	1	1	1	1	1	
4	610222	LOCK PLATE / JAM NUT	1	1	1	1	1	
5	610223	WASHER LOCK PERFORATED / WHEEL BEARING	1	1	1	1	1	
6	610215	NUT ADJUSTING / INNER WHEEL BEARING / (HEXAGONAL)	1	1	1	1	1	
6	610986	NUT INNER	1	1	1	1	1	
. NS	490840	. TOOL / NUT WHEEL BEARING ADJUSTMENT	1	1	1	1	1	
NS	611337	HUB ASSY L.H. STUD MOUNT / W/DRUMS 16.5 I.D.	1	1	1	1	1	AB
. NS	MI03-01	. SEE MAINTENANCE INFORMATION	1	1	1	1	1	AB
NS	611338	HUB ASSY R.H. STUD MOUNT / W/DRUMS 16.5 I.D.	1	1	1	1	1	AB
. NS	MI03-01	. SEE MAINTENANCE INFORMATION	1	1	1	1	1	AB
7	610071	. CONE BEARING / OUTER WHEEL BEARING	1	1	1	1	1	
8	611319	. HUB & STUD ASSY R.H. / W/STUD-MOUNTED WHEEL	1	1	1	1	1	
8	611320	. HUB & STUD ASSY L.H. / W/STUD-MOUNTED WHEEL	1	1	1	1	1	
9	610070	. . CUP BEARING / OUTER WHEEL BEARING	1	1	1	1	1	
10	610149	. . CUP BEARING / INNER WHEEL BEARING	1	1	1	1	1	
11	611322	. STUD / R.H. / W/STUD-MOUNT WHEEL	10	10	10	10	10	H
11	611323	. STUD / L.H. / W/STUD-MOUNT WHEEL	10	10	10	10	10	H
12	610869	. CONE BEARING / INNER WHEEL BEARING	1	1	1	1	1	
13	610870	. SEAL ASSY / WHEEL BEARING	1	1	1	1	1	
13	611175	. SEAL ASSY / WHEEL BEARING / "SCOTT-SEAL PLU	1	1	1	1	1	
14	500179	SCREW CAP HEX 5/16-18x3/4 G5 Z050	6	6	6	6	6	
15	500476	WASHER LO SPT .317x.586x.078 Z050	6	6	6	6	6	
16	610175	NUT L.H. 1 1/8-16 / STUD MOUNT WHEEL	10	10	10	10	10	
16	610176	NUT R.H. 1 1/8-16 / STUD MOUNT WHEEL	10	10	10	10	10	
18	641973	. DRUM BRAKE W/6" WIDE SHOES / STD /	1	1	1	1	1	
		FOLLOWING ITEMS ARE RELATED WITH						
		OIL CAP HUB IN PLASTIC						
NS	611214	HUB CAP / PLASTIC "CR"	1	1	1	1	1	
NS	611212	. PLUG VENT / RED / USE W/PLASTIC HUB CAP "CR	1	1	1	1	1	
NS	611213	. GASKET	1	1	1	1	1	
NS	684647	SEAL INSTALLER TOOL / FRT & TAG / ADB1560	1	1	1	1	1	

From P-741 To Y-7045	Date:10/2022	PAGE:XL-1300-99
HUB & DRUM - FRONT AXLE - MODEL 16 1/2 I.D. / "RETROFIT"		

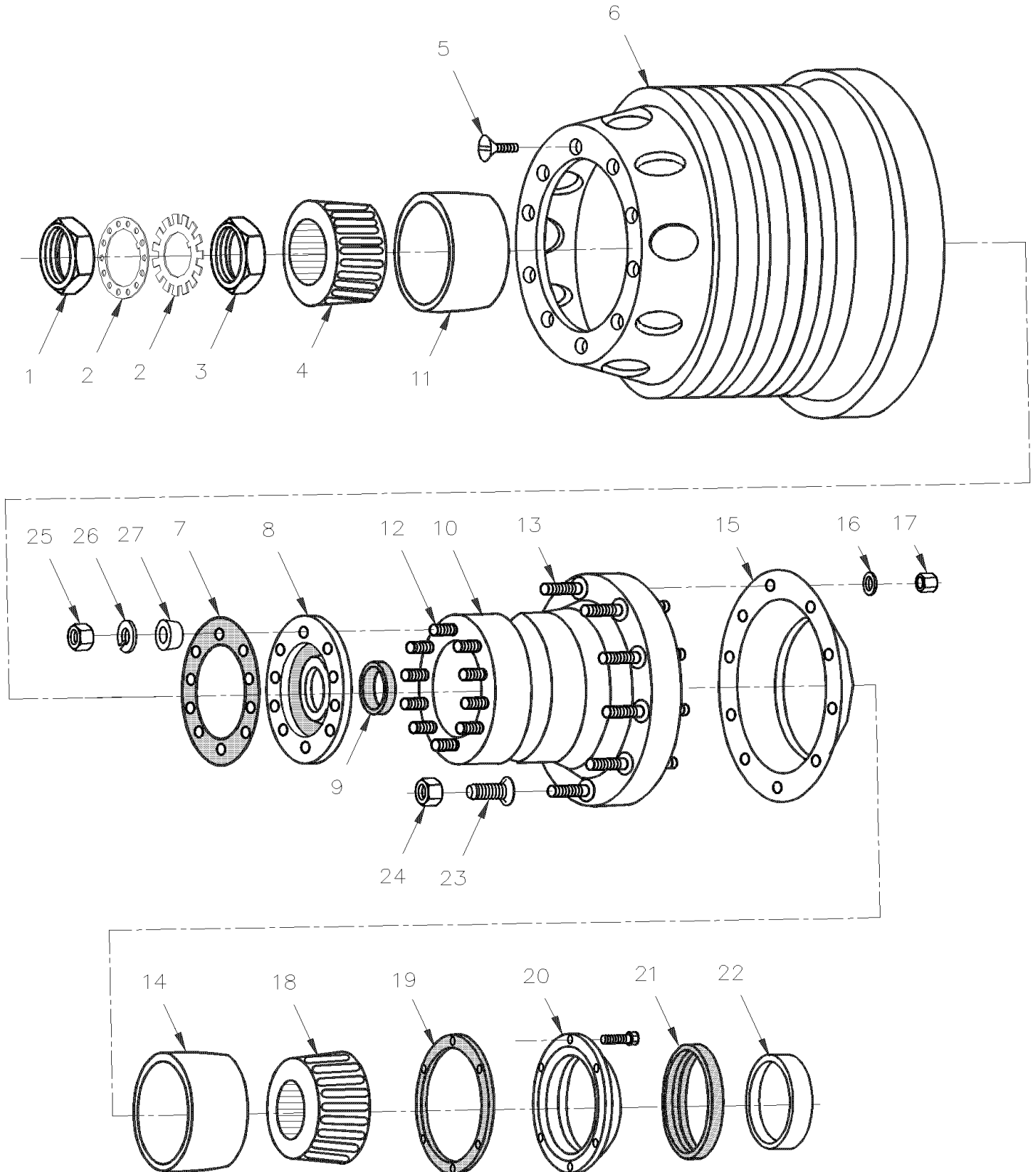
Item#	Part	Description	M T H 4 0	M T H 4 5	M T H 4 5 E	X L 4 0	X L 4 5	N O T E S
		A) THIS KIT USE ONLY WITH AXLE 2FG-952 MODIFIED WITH DRUM						
		B) INCLUDES ITEMS 7 TO 13 AND 18						
		H) FOR CUSTOMER'S WHO HAVE A PREFERENCE WITH HUB MOUNT STUD IT POSSIBLE WITH CHANGE ALLS STUDS FOR PART NUMBER # E-8986 "EUCLID" AND PROCURE LOCALY WITH NUT M22-1.5						

From E-638 To Y-7045

Date:10/2022

PAGE:XL-1305-00

HUB & DRUM - DRIVE AXLE



From E-638 To Y-7045	Date:10/2022	PAGE:XL-1305-00
HUB & DRUM - DRIVE AXLE		

Item#	Part	Description	M T H 4 0	M T H 4 5	M T H 4 5 E	X L 4 0	X L 4 5	N O T E S
1	620275	NUT OUTER / WHEEL BEARING	1	1	1	1	1	
2	621624	WASHER LOCK / KIT	1	1	1	1	1	
3	620279	NUT INNER / WHEEL BEARING	1	1	1	1	1	
4	620037	CONE BEARING / OUTER WHEEL BEARING	1	1	1	1	1	A
5	620040	SCREW MA FL SLT 1/2-13x15/16"	5	5	5	5	5	
6	640939	DRUM BRAKE W/10" WIDE SHOES / STD /	2	2	2	2	2	
6	641450	DRUM BRAKE W/10" WIDE SHOES / STD /	2	2	2	2	2	
6	2014318	DRUM BRAKE W/10" WIDE SHOES / STD /	2	2	2	2	2	
6	641228	DRUM BRAKE W/10" WIDE SHOES / UNDER SIZE /	AR	AR	AR	AR	AR	
6	641454	DRUM BRAKE W/10" WIDE SHOES / UNDER SIZE /	AR	AR	AR	AR	AR	
7	620923	GASKET / AXLE SHAFT W/10 STUDS	AR	AR	AR	AR	AR	
8	621070	SEAL ASSY / W/GREACE SEAL ONLY	1	1	1	1	1	
9	620446	WIPER, SEAL OUTER / 2.687 I.D. x 3.109 O.D.	1	1	1	1	1	
10	621170	HUB & STUD ASSY W/HUB-MOUNTED WHEEL				2	2	
NS	621160	HUB & STUD ASSY R.H. / W/STUD-MOUNTED WHEEL	1	1	1	1	1	
NS	621161	HUB & STUD ASSY L.H. / W/STUD-MOUNTED WHEEL	1	1	1	1	1	
11	620035	CUP BEARING / OUTER WHEEL BEARING	1	1	1	1	1	A
12	621096	STUD / 9/16-12 x 9/16-18 x 2 1/2"	10	10	10	10	10	
13	621097	STUD / L.H. / W/STUD-MOUNT WHEEL	10	10	10	10	10	
NS	621098	STUD / R.H. / W/STUD-MOUNT WHEEL	10	10	10	10	10	
NS	610776	STUD / R.H. 7/8-14 / W/HUB-MOUNT WHEEL / W/ 7/8-14				10	10	
NS	621545	STUD / R.H. 7/8-14 / W/HUB MOUNT WHEEL / W/ & STEEL				10	10	
14	620093	CUP BEARING / INNER WHEEL BEARING	1	1	1	1	1	
15	621099	SLINGER	1	1	1	1	1	
NS	621463	SLINGER W/ABS RETAINER OIL SEAL	1	1	1	1		
16	620477	WASHER HARD / 7/8" IDX1 7/16" ODX 3/32" TH	10	10	10	10	10	
17	500742	NUT HEX STO 7/8-14 ZP	10	10	10	10	10	
18	621106	CONE BEARING / INNER WHEEL BEARING	1	1	1	1	1	
19	620350	GASKET, INNER DRIVE AXLE	1	1	1	1	1	
20	621186	RETAINER ASSY W/SEAL OIL TYPE	1	1	1	1	1	
NS	621519	RETAINER / W/ "ABS"	1	1	1	1	1	B
NS	5001102	SCREW CAP HEXS 5/16-18x3/4 PT NYRT	6	6	6	6	6	
21	621069	SEAL OIL	1	1	1	1	1	
21	621101	SEAL GREASE	1	1	1	1	1	
22	621102	WIPER, SEAL INNER / 3.687 I.D. x 4.875 O.D.	1	1	1	1	1	
23	610961	NUT R.H. INNER / W/STEEL INSIDE & ALUM. OUTSI	10	10	10	10	10	
NS	610962	NUT L.H. INNER / W/STEEL INSIDE & ALUM. OUTSI	10	10	10	10	10	
NS	611192	NUT R.H. INNER / W/2 ALUMINUM WHEEL	10	10	10	10	10	
NS	611191	NUT L.H. INNER / W/2 ALUMINUM WHEEL	10	10	10	10	10	
NS	620250	NUT R.H. INNER / W/2 STEEL WHEEL	10	10	10	10	10	
NS	620251	NUT L.H. INNER / W/2 STEEL WHEEL	10	10	10	10	10	
24	610175	NUT L.H. 1 1/8-16 / STUD MOUNT WHEEL	10	10	10	10	10	

From E-638 To Y-7045	Date:10/2022	PAGE:XL-1305-00
HUB & DRUM - DRIVE AXLE		

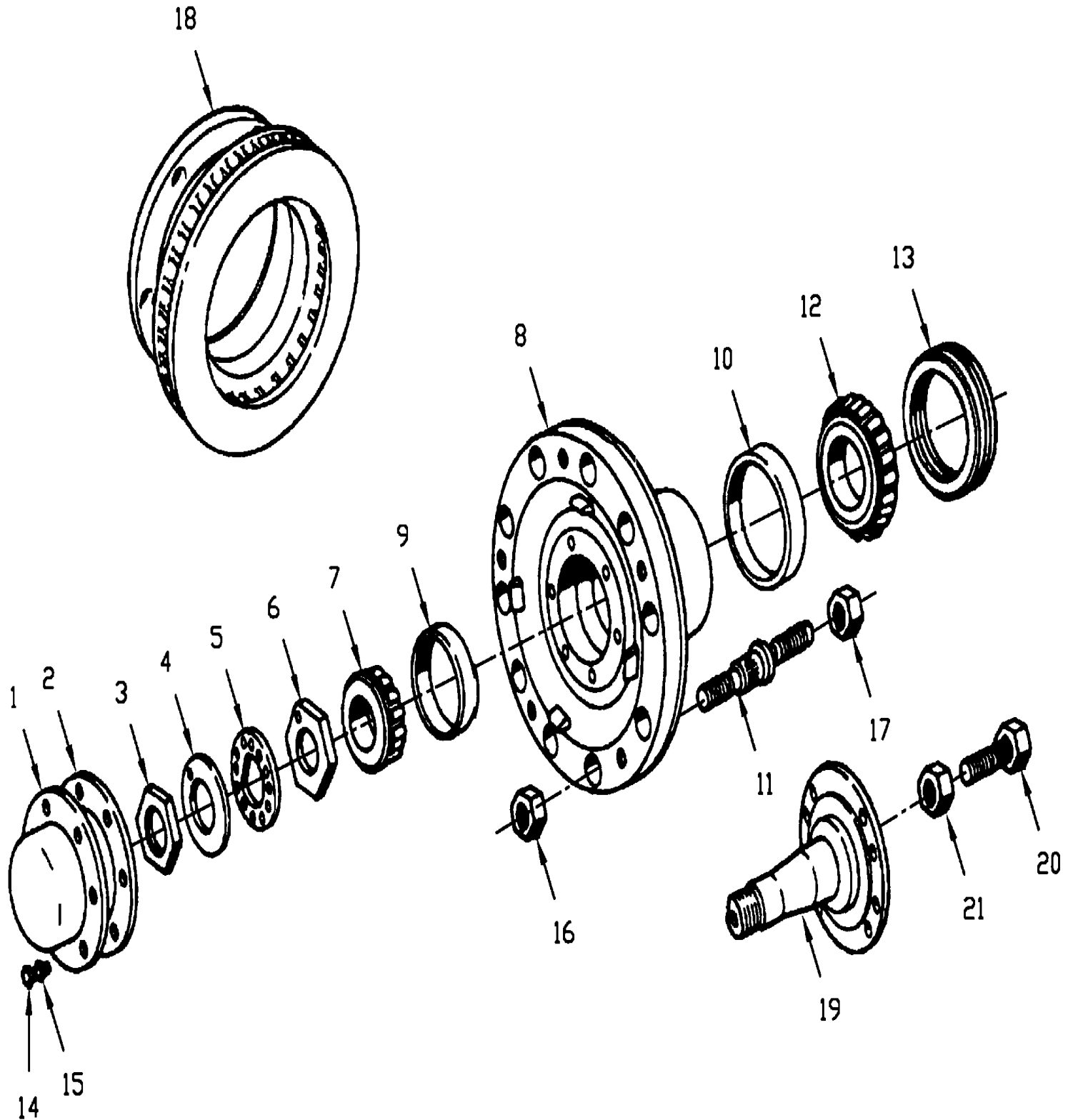
Item#	Part	Description	M T H 4 0	M T H 4 5	M T H 4 5 E	X L 4 0	X L 4 5	N O T E S
NS	610176	NUT R.H. 1 1/8-16 / STUD MOUNT WHEEL	10	10	10	10	10	
NS	610774	NUT R.H. / W/HUB-MOUNT WHEEL 7/8-14				10	10	
NS	610773	NUT R.H. / W/HUB-MOUNT WHEEL 7/8-14				10	10	F
NS	611241	NUT R.H. 7/8-14 / W/HUB MOUNT WHEEL "DISC-LOC R.H. 7/8-14 From X-6945				10		
25	621105	NUT 9/16-18	10	10	10	10	10	
26	620925	WASHER LO EXT .625x1.070x.055	4	4	4	4	4	
27	620924	DOWEL 9/16 I.D.	4	4	4	4	4	
NS	684648	SEAL INSTALLER TOOL / DRIVE W/DRUM	1	1	1	1	1	
NS	621654	KIT, CUP & CONE	AR	AR	AR	AR	AR	
		A) ALSO SOLD IN SET #621654						
		B) THIS RETAINER ARE USE WITH ABS SENSOR MOUNTED ON HUB						
		F) W/2 ALUMINUM WHEEL						

From P-741 To W-6465

Date:10/2022

PAGE:XL-1310-01

HUB & ROTOR - TAG AXLE WITH DISC BRAKE MODEL 1560

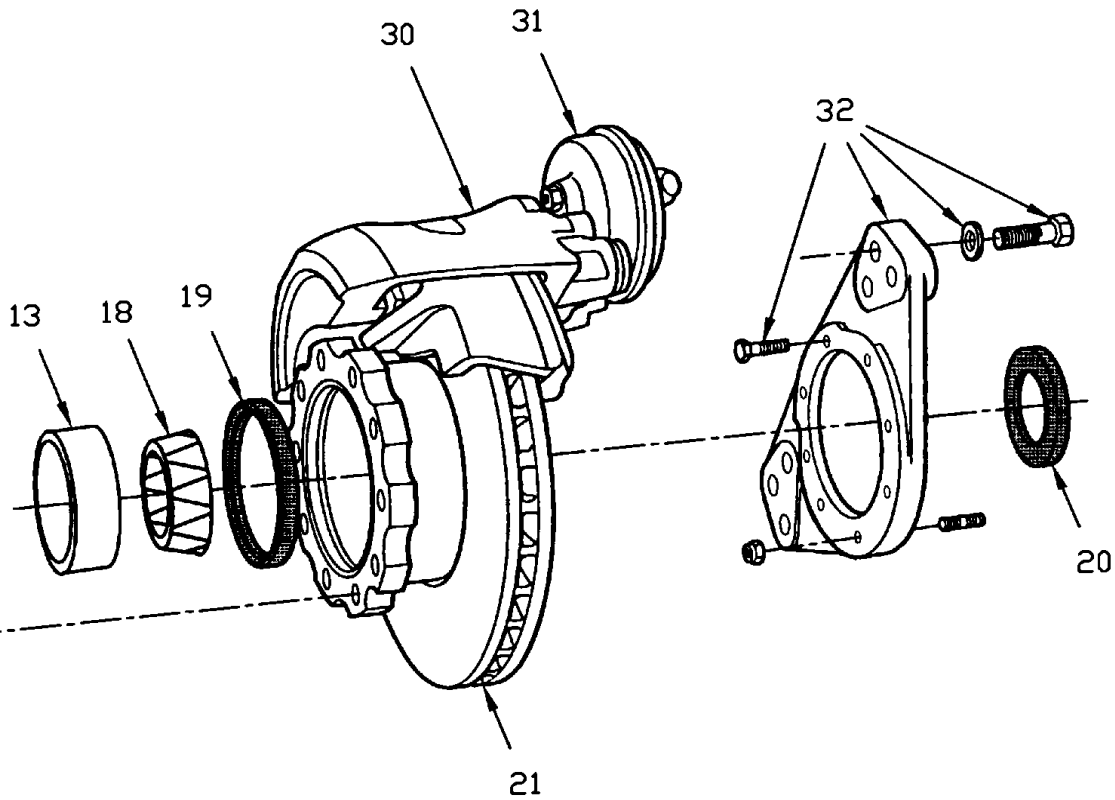
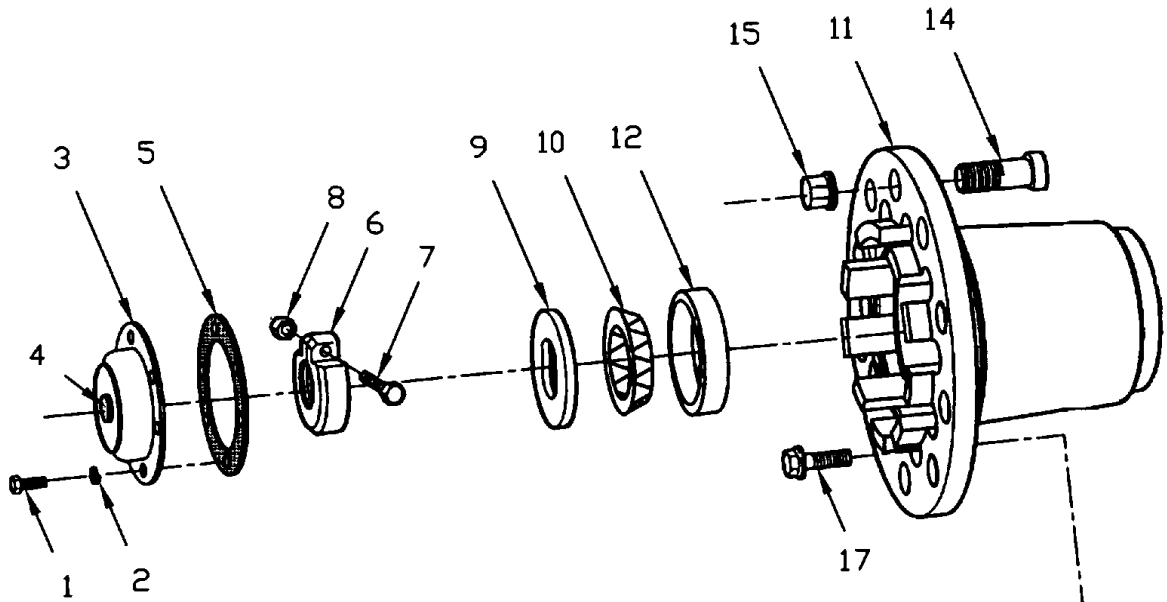


From W-6466 To W-6584

Date:10/2022

PAGE:XL-1310-02

HUB & ROTOR - TAG AXLE TYPE TS5



From W-6466 To W-6584	Date:10/2022	PAGE:XL-1310-02
HUB & ROTOR - TAG AXLE TYPE TS5		

Item#	Part	Description	M T H 4 0	M T H 4 5	M T H 4 5 E	X L 4 0	X L 4 5	N O T E S
1	502790	SCREW CAP HEX M8-1.25x20 G8.8 Z050	6	6	6	6	6	
2	5001003	WASHER LO SPT 8.1x12.7x2.0 Z050	6	6	6	6	6	
3	611196	HUB CAP / PLASTIC "CR"	1	1	1	1	1	
.01	MI07-04	. SEE MAINTENANCE INFORMATION	1	1	1	1	1	
4	611197	. PLUG VENT / BLACK / USE W/PLASTIC HUB CAP "	1	1	1	1	1	
5	611198	. GASKET HUB CAP / "CR" PLASTIC	1	1	1	1	1	
6	611004	NUT ADJUSTING M45-2	1	1	1	1	1	
.NS	490845	. TOOL / NUT WHEEL BEARING ADJUSTMENT	1	1	1	1	1	
.NS	684735	. TOOL / NUT WHEEL BEARING ADJUSTMENT / TORQUE	1	1	1	1	1	
.NS	MI03-24	. SEE MAINTENANCE INFORMATION	1	1	1	1	1	
7	500054	SCREW CAP HEX 3/8-24x2 1/2 G5 ZP	1	1	1	1	1	
8	500704	NUT HEX STO 3/8-24 Z050	1	1	1	1	1	
9	611003	LOCK PLATE	1	1	1	1	1	
10	610126	CONE BEARING / OUTER WHEEL BEARING	1	1	1	1	1	
11	611202	HUB WHEEL / W/STANDARD WHEEL	1	1	1	1	1	
12	610125	CUP BEARING / OUTER WHEEL BEARING	1	1	1	1	1	
13	610997	CUP BEARING / INNER WHEEL BEARING	1	1	1	1	1	
14	610996	STUD / R.H. / W/STUD-MOUNT WHEEL	10	10	10	10	10	
NS	610995	STUD / L.H. / W/STUD-MOUNT WHEEL	10	10	10	10	10	
NS	610994	STUD / R.H. / W/HUB-MOUNT WHEEL 7/8-14	10	10	10	10	10	
15	610175	NUT L.H. 1 1/8-16 / STUD MOUNT WHEEL	10	10	10	10	10	
NS	610176	NUT R.H. 1 1/8-16 / STUD MOUNT WHEEL	10	10	10	10	10	
NS	610773	NUT R.H. / W/HUB-MOUNT WHEEL 7/8-14	10	10	10	10	10	
17	611007	SCREW CAP HEXF SERR M16-1.5x50 G10.9	10	10	10	10	10	
18	611087	CONE BEARING / INNER WHEEL BEARING	1	1	1	1	1	
19	611081	SEAL ASSY/ WHEEL BEARING W/OIL	1	1	1	1	1	
19	611247	SEAL ASSY/ WHEEL BEARING W/OIL	1	1	1	1	1	
NS	611174	SEAL ASSY / W/OIL / "SCOTT-SEAL PLUS"	AR	AR	AR	AR	AR	
21	611188	ROTOR SOLID	1	1	1	1	1	A
21	611456	ROTOR VENTED	1	1	1	1	1	B
30	XL-1245-04	BRAKE PARTS - TAG AXLE - W/"KNORR-BREMSE"						
30	XL-1225-98	BRAKE PARTS "KNORR-BREMSE" SN7 SERIES - "SERVICE"						
31	XL-1245-12	BRAKE CHAMBER - TAG AXLE "KNORR-BREMSE"						
32	XL-1615-01	TAG AXLE - INSTALL SUSPENSION						
NS	684644	SEAL INSTALLER TOOL / FRT & TAG TS-5	1	1	1	1	1	
41	611327	KIT, RETROFIT TAG AXLE / UNITISED TS8U From W-6466	1	1	1	1	1	
.NS	611302	. SPINDLE / WITH MODEL "G.K.N." (TS8U UNITISED) From W-6466	2	2	2	2	2	
.NS	611949	. HUB NUT 1 3/4-8 From W-6466	2	2	2	2	2	
.NS	611948	. THRUST WASHER From W-6466	2	2	2	2	2	
.NS	611955	. SCREW CAP HEXF M14-1.5x78 G12.9 N500 From W-6466	28	28	28	28	28	
.NS	611301	. HUB FLANGE From W-6466	2	2	2	2	2	
.NS	611953	. HUB ASSY / UNITISED L.H. & R.H. "TIMKEN" From W-6466	2	2	2	2	2	

From W-6466 To W-6584	Date:10/2022	PAGE:XL-1310-02
HUB & ROTOR - TAG AXLE TYPE TS5		

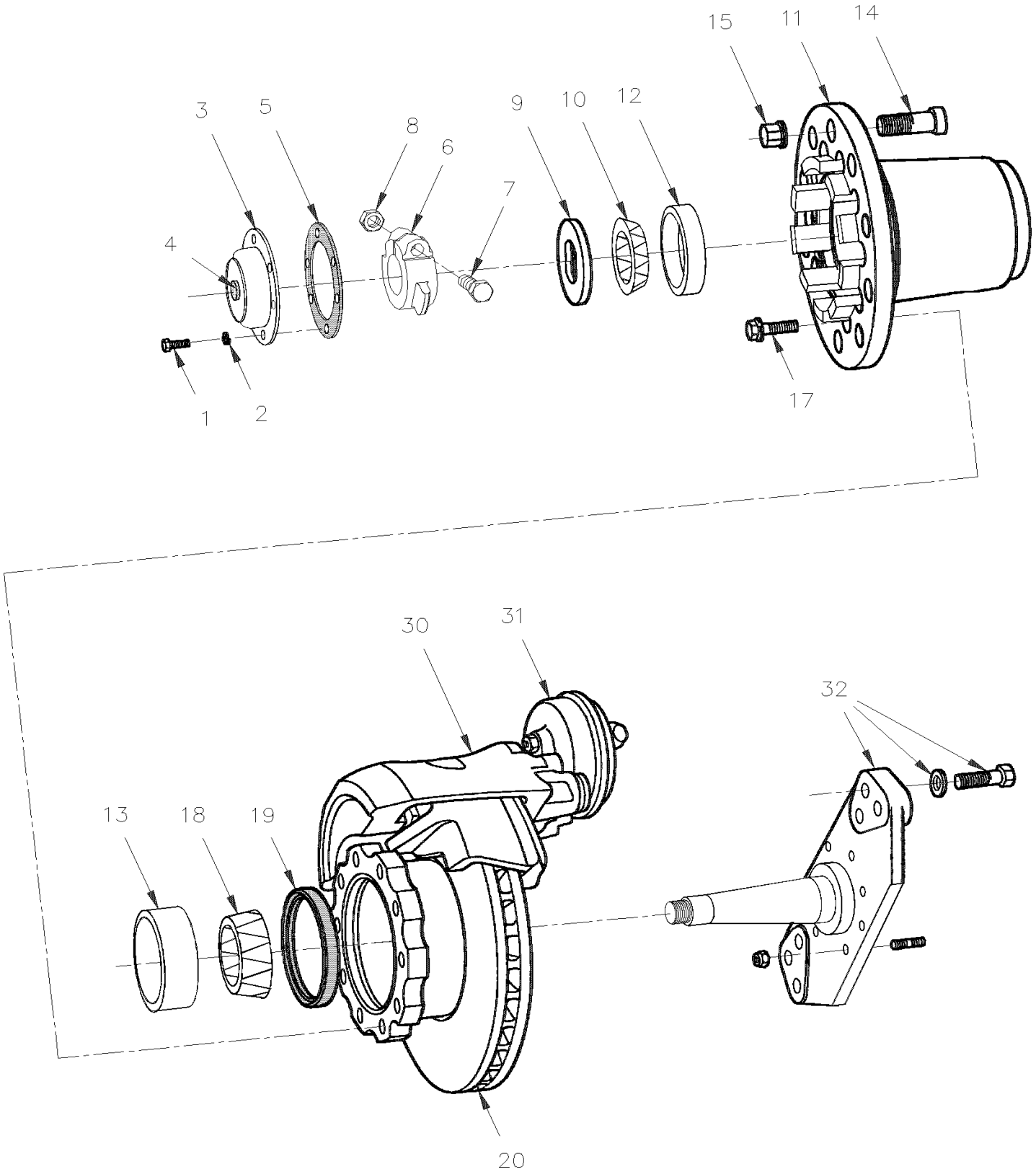
Item#	Part	Description	M T H 4 0	M T H 4 5	M T H 4 5 E	X L 4 0	X L 4 5	N O T E S
. NS	611300	. ROTOR VENTED From W-6466	2	2	2	2	2	
. NS	500781	. NUT HEX STO M16-2.0 DP From W-6466	16	16	16	16	16	
. NS	N.P.N.	. WASHER From W-6466	16	16	16	16	16	4
		A) PRODUCTION						
		B) SERVICE						
		4) NO PARTS NUMBER						

From W-6585 To Y-7045

Date:10/2022

PAGE:XL-1310-03

HUB & ROTOR - TAG AXLE TYPE TS6



From W-6585 To Y-7045		Date:10/2022	PAGE:XL-1310-03
HUB & ROTOR - TAG AXLE TYPE TS6			

Item#	Part	Description	M T H 4 0	M T H 4 5	M T H 4 5 E	X L 4 0	X L 4 5	N O T E S
1	502790	SCREW CAP HEX M8-1.25x20 G8.8 Z050	6	6	6	6	6	
2	5001003	WASHER LO SPT 8.1x12.7x2.0 Z050	6	6	6	6	6	
3	611196	HUB CAP / PLASTIC "CR" To X-6865	1	1	1	1	1	
.01	M107-04	. SEE MAINTENANCE INFORMATION To X-6865	1	1	1	1	1	
3	611210	HUB CAP / ALUMINUM / "STEMCO" From X-6866	1	1	1	1	1	
.NS	M107-04	. SEE MAINTENANCE INFORMATION From X-6866	1	1	1	1	1	
4	611197	. PLUG VENT / BLACK / USE W/PLASTIC HUB CAP " To X-6865	1	1	1	1	1	
4	611211	. KIT, HUB CAP WINDOW From X-6866	1	1	1	1	1	
4	611242	. PLUG VENT / RED / W/ALU HUB CAP "STEMCO"	1	1	1	1	1	
5	611198	. GASKET HUB CAP / "CR" PLASTIC To X-6865	1	1	1	1	1	
5	611261	. GASKET HUB CAP / "STEMCO" From X-6866	1	1	1	1	1	
6	611217	NUT ADJUSTING / 1"3/8-12	1	1	1	1	1	
.NS	490912	. TOOL / NUT WHEEL BEARING ADJUSTMENT	1	1	1	1	1	
.NS	684734	. TOOL / NUT WHEEL BEARING ADJUSTMENT / TORQUE	1	1	1	1	1	
.NS	M103-24	. SEE MAINTENANCE INFORMATION	1	1	1	1	1	
7	500052	SCREW CAP HEX 3/8-24x2 G5 ZP	1	1	1	1	1	
8	500704	NUT HEX STO 3/8-24 Z050	1	1	1	1	1	
9	611218	WASHER / "D" BEARING	1	1	1	1	1	
10	611219	CONE BEARING / OUTER WHEEL BEARING	1	1	1	1	1	A
11	611215	HUB WHEEL / W/STANDARD WHEEL	1	1	1	1	1	
12	611221	CUP BEARING / OUTER WHEEL BEARING	1	1	1	1	1	A
13	611220	CUP BEARING / INNER WHEEL BEARING	1	1	1	1	1	B
14	610996	STUD / R.H. / W/STUD-MOUNT WHEEL	10	10	10	10	10	
14	610995	STUD / L.H. / W/STUD-MOUNT WHEEL	10	10	10	10	10	
14	610994	STUD / R.H. / W/HUB-MOUNT WHEEL 7/8-14				10	10	
15	610175	NUT L.H. 1 1/8-16 / STUD MOUNT WHEEL	10	10	10	10	10	
15	610176	NUT R.H. 1 1/8-16 / STUD MOUNT WHEEL	10	10	10	10	10	
15	610773	NUT R.H. / W/HUB-MOUNT WHEEL 7/8-14				10	10	
15	611241	NUT R.H. 7/8-14 / W/HUB MOUNT WHEEL "DISC-LOC R.H. 7/8-14 From X-6945				10		
17	611007	SCREW CAP HEXF SERR M16-1.5x50 G10.9	10	10	10	10	10	
18	611222	CONE BEARING / INNER WHEEL BEARING	1	1	1	1	1	B
19	611081	SEAL ASSY/ WHEEL BEARING W/OIL	1	1	1	1	1	
19	611247	SEAL ASSY/ WHEEL BEARING W/OIL	1	1	1	1	1	
19	611174	SEAL ASSY / W/OIL / "SCOTT-SEAL PLUS"	AR	AR	AR	AR	AR	
21	611188	ROTOR SOLID	1	1	1	1	1	C
21	611456	ROTOR VENTED	1	1	1	1	1	D
30	XL-1245-04	BRAKE PARTS - TAG AXLE - W/"KNORR-BREMSE"						
30	XL-1225-98	BRAKE PARTS "KNORR-BREMSE" SN7 SERIES - "SERVICE"						
31	XL-1245-12	BRAKE CHAMBER - TAG AXLE "KNORR-BREMSE"						
32	XL-1615-01	TAG AXLE - INSTALL SUSPENSION						
NS	684645	SEAL INSTALLER TOOL / TAG TS-6	1	1	1	1	1	
41	611327	KIT, RETROFIT TAG AXLE / UNITISED TS8U From W-6466	1	1	1	1	1	

From W-6585 To Y-7045	Date:10/2022	PAGE:XL-1310-03
HUB & ROTOR - TAG AXLE TYPE TS6		

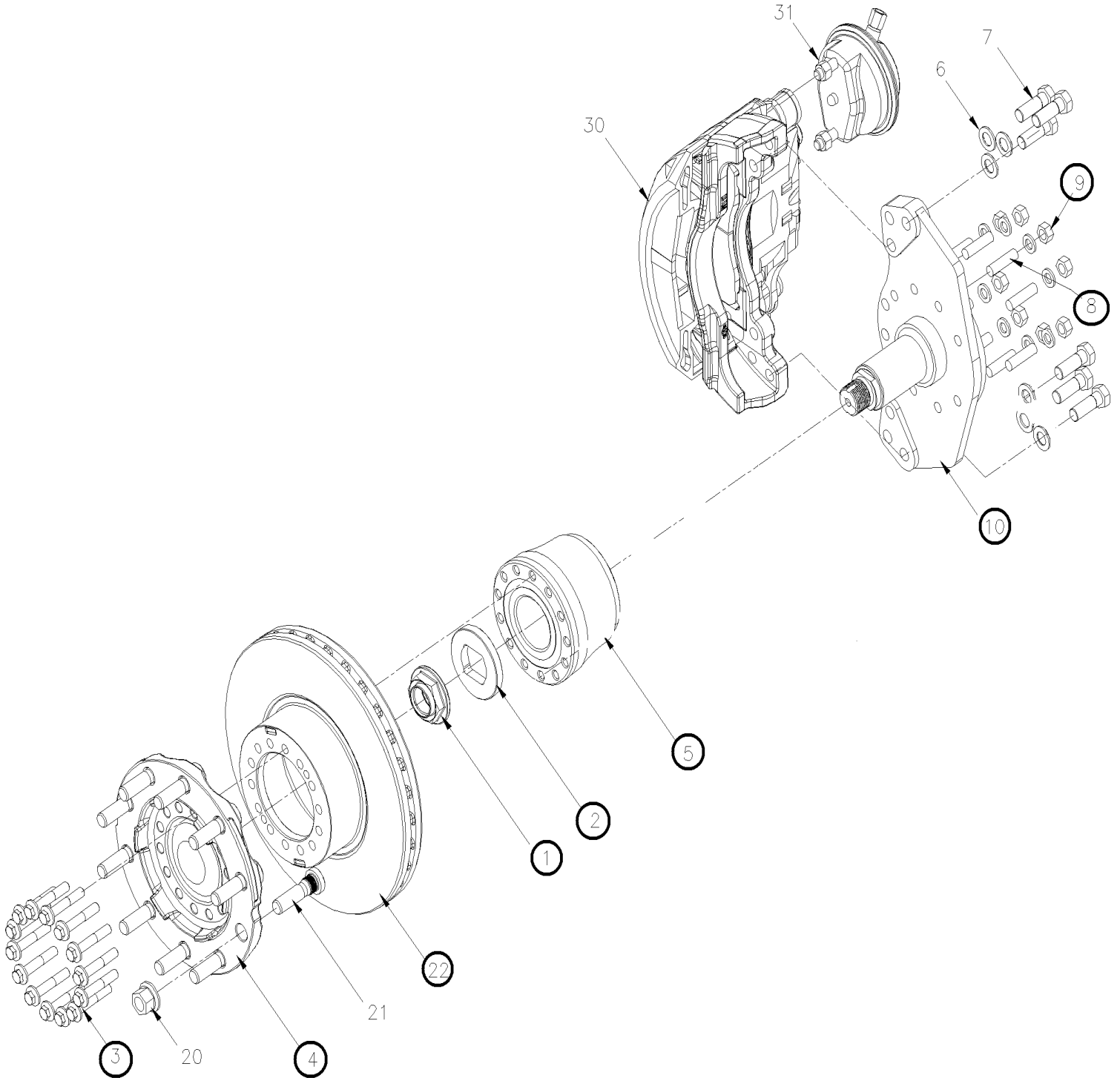
Item#	Part	Description	M T H 4 0	M T H 4 5	M T H 4 5 E	X L 4 0	X L 4 5	N O T E S
. NS	611302	. SPINDLE / WITH MODEL "G.K.N." (TS8U UNITISED) From W-6466	2	2	2	2	2	
. NS	611949	. HUB NUT 1 3/4-8 From W-6466	2	2	2	2	2	
. NS	611948	. THRUST WASHER From W-6466	2	2	2	2	2	
. NS	611955	. SCREW CAP HEXF M14-1.5x78 G12.9 N500 From W-6466	28	28	28	28	28	
. NS	611301	. HUB FLANGE From W-6466	2	2	2	2	2	
. NS	611953	. HUB ASSY / UNITISED L.H. & R.H. "TIMKEN" From W-6466	2	2	2	2	2	
. NS	611300	. ROTOR VENTED From W-6466	2	2	2	2	2	
. NS	500781	. NUT HEX STO M16-2.0 DP From W-6466	16	16	16	16	16	
. NS	N.P.N.	. WASHER From W-6466	16	16	16	16	16	4
		A) SOLD ONLY IN KIT #611228						
		B) SOLD ONLY IN KIT #611227						
		C) SOLD ONLY IN KIT #611227						
		D) SOLD ONLY IN KIT #611227						
		4) NO PARTS NUMBER						

From W-6466 To Y-7045

Date:10/2022

PAGE:XL-1310-99

HUB & ROTOR - TAG AXLE TYPE TS8U RETROFIT "UNITISED" BEARING



From W-6466 To Y-7045 Date:10/2022 PAGE:XL-1310-99

HUB & ROTOR - TAG AXLE TYPE TS8U RETROFIT "UNITISED" BEARING

Item#	Part	Description	M T H 4 0	M T H 4 5	M T H 4 5 E	X L 4 0	X L 4 5	N O T E S
	 "WARNING" - "WARNING" - "WARNING"						
		THIS KIT DO NOT INCLUDE CALIPERS & BRAKE CHAMBER						
		KIT INCLUDE PARTS W/GREEN SPOT W/CIRCLE						
	611327	KIT, RETROFIT TAG AXLE / UNITISED TS8U	1	1	1	1	1	
. NS	611302	. SPINDLE / WITH MODEL "G.K.N." (TS8U UNITISED)	2	2	2	2	2	
. NS	611949	. HUB NUT 1 3/4-8	2	2	2	2	2	
. NS	611948	. THRUST WASHER	2	2	2	2	2	
. NS	611955	. SCREW CAP HEXF M14-1.5x78 G12.9 N500	28	28	28	28	28	
. NS	611301	. HUB FLANGE	2	2	2	2	2	
. NS	611953	. HUB ASSY / UNITISED L.H. & R.H. "TIMKEN"	2	2	2	2	2	
. NS	611300	. ROTOR VENTED	2	2	2	2	2	
. NS	500781	. NUT HEX STO M16-2.0 DP	16	16	16	16	16	
. NS	N.P.N.	. WASHER	16	16	16	16	16	4
1	611949	HUB NUT 1 3/4-8	2	2	2	2	2	
2	611948	THRUST WASHER	2	2	2	2	2	
3	611955	SCREW CAP HEXF M14-1.5x78 G12.9 N500	28	28	28	28	28	S
4	611301	HUB FLANGE	2	2	2	2	2	
5	611953	HUB ASSY / UNITISED L.H. & R.H. "TIMKEN"	2	2	2	2	2	S
5	611471	HUB ASSY / UNITISED L.H. & R.H. "FAG" ASSY W/"ABS" RING	2	2	2	2	2	S
. NS	N.S.S.	. TOOTH WHEEL	1	1	1	1	1	1 S
. NS	509939	. SCREW DRV RND #4x1/4 SS	3	3	3	3	3	S
6	611044	WASHER FL HARD 21.0x37.0x3.0 N500	12	12	12	12	12	
7	5001193	SCREW CAP HEX M20-2.5x65 G10.9 ZP	12	12	12	12	12	
8	611048	STUD / M16-2.0 x 60MM	16	16	16	16	16	
NS	502884	WASHER LO SPT 16.2x27.4x3.5 N500	16	16	16	16	16	
9	502588	NUT HEX M16-2.0 ZP	16	16	16	16	16	
10	611302	SPINDLE / WITH MODEL "G.K.N." (TS8U UNITISED)	2	2	2	2	2	
NS	491115	TOOL, HUB INSTALLER W/UNITISED BEARING / 70MM	AR	AR	AR	AR	AR	
. NS	NDS8	. MAINTENANCE INSTRUCTION	1	1	1	1	1	
20	20434082	NUT R.H. / W/HUB-MOUNT WHEEL M22-1.5 / 27 MM TH	10	10	10	10	10	
21	611207	STUD / R.H. / W/HUB-MOUNT WHEEL M22-1.5 x 81MM	10	10	10	10	10	
22	611300	ROTOR VENTED	2	2	2	2	2	
30	XL-1245-04	BRAKE PARTS - TAG AXLE - W/"KNORR-BREMSE"						
30	XL-1225-98	BRAKE PARTS "KNORR-BREMSE" SN7 SERIES - "SERVICE"						
30	XL-1225-97	BRAKE PARTS "KNORR-BREMSE" SN7 SERIES W/NEW SLIDE PINS						
31	XL-1225-11	BRAKE CHAMBER - FRONT AXLE						
31	XL-1245-12	BRAKE CHAMBER - TAG AXLE "KNORR-BREMSE"						
NS	M108-04	SEE MAINTENANCE INFORMATION	1	1	1	1	1	

From W-6466 To Y-7045	Date:10/2022	PAGE:XL-1310-99
-----------------------	--------------	-----------------

HUB & ROTOR - TAG AXLE TYPE TS8U RETROFIT "UNITISED" BEARING

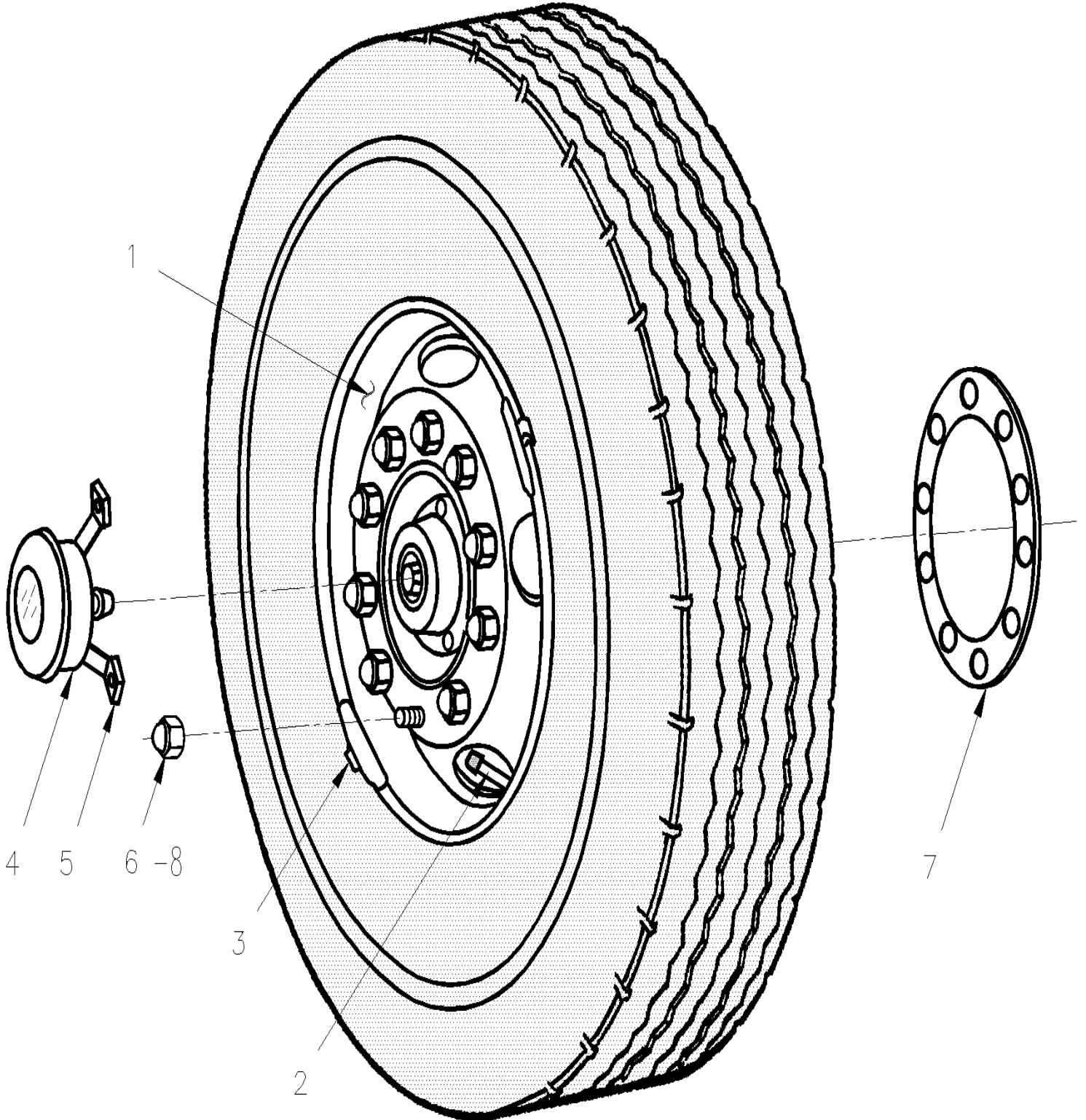
Item#	Part	Description	M T H 4 0	M T H 4 5	M T H 4 5 E	X L 4 0	X L 4 5	N O T E S
		S) REPLACED BOLTS EACH TIME WHEN YOU DISASSEMBLED OR UNSCREWED THE HUB						
		1) NOT SOLD SEPARATELY						
		4) NO PARTS NUMBER						

From E-638 To Y-7045

Date:10/2022

PAGE:XL-1318-00

WHEELS & COMPONENTS - BUS MOUNT (STANDARD)



From E-638 To Y-7045	Date:10/2022	PAGE:XL-1318-00
----------------------	--------------	-----------------

WHEELS & COMPONENTS - BUS MOUNT (STANDARD)

Item#	Part	Description	M T H 4 0	M T H 4 5	M T H 4 5 E	X L 4 0	X L 4 5	N O T E S
		. . . STEEL WHEELS / STUD MOUNTED						
1	650107	WHEEL, STEEL STUD 22.5 X 8.25 / GREY	AR	AR	AR	AR	AR	
1	650170	WHEEL, STEEL STUD 22.5 X 8.25 / WHITE	AR	AR	AR	AR	AR	
1	650215	WHEEL, STEEL STUD 22.5 X 8.25 / WHITE / POWDER COAT				AR	AR	
1	650160	WHEEL, STEEL STUD 22.5 X 8.25 / GREY / EXTRA SERVICE				AR	AR	
1	650189	WHEEL, STEEL STUD 22.5 X 8.25 / WHITE / 2 HAND HOLE	AR	AR	AR	AR	AR	
1	651160	WHEEL, STEEL STUD 22.5 X 8.25 / WHITE / 2 HAND HOLE	AR	AR	AR	AR	AR	
1	650162	WHEEL, STEEL STUD 22.5 X 9.00 / WHITE / 2 HAND HOLE PC				AR	AR	
1	650200	WHEEL, STEEL STUD 22.5 X 9.00 / GREY / 2 HAND HOLE				AR	AR	
1	650072	WHEEL, STEEL STUD 24.5 X 8.25 / GREY				AR	AR	
		. . . STEEL WHEELS / HUB-MOUNTED						
1	650119	WHEEL, STEEL HUB 22.5 X 8.25 / GREY				AR	AR	
1	650169	WHEEL, STEEL HUB 22.5 X 8.25 / WHITE				AR	AR	
1	650216	WHEEL, STEEL HUB 22.5 X 8.25 / WHITE / POWDER COAT				AR	AR	
1	650179	WHEEL, STEEL HUB 22.5 X 9.00 / WHITE	AR	AR	AR	AR	AR	
1	650213	WHEEL, STEEL HUB 22.5 X 9.00 / WHITE / POWDER COAT				AR	AR	
1	650199	WHEEL, STEEL HUB 22.5 X 9.00 / GREY				AR	AR	
		. . . ALUMINUM WHEELS / STUD-MOUNTED						
1	650098	WHEEL, ALU. STUD 22.5 X 8.25 / BOTH SIDE POLISH	AR	AR	AR	AR	AR	
1	650183	WHEEL, ALU. STUD 22.5 X 8.25 / INSIDE POLISH	AR	AR	AR	AR	AR	
1	650184	WHEEL, ALU. STUD 22.5 X 8.25 / OUTSIDE POLISH	AR	AR	AR	AR	AR	
1	650163	WHEEL, ALU. STUD 22.5 X 9.00 / BOTH SIDE POLISH	AR	AR	AR	AR	AR	
1	650190	WHEEL, ALU. STUD 22.5 X 9.00 / INSIDE POLISH	AR	AR	AR	AR	AR	
1	650191	WHEEL, ALU. STUD 22.5 X 9.00 / OUTSIDE POLISH	AR	AR	AR	AR	AR	
1	650122	WHEEL, ALU. STUD 24.5 X 8.25 / BOTH SIDE POLISH	AR	AR	AR	AR	AR	
1	650226	WHEEL, ALU. STUD 24.5 X 8.25 / BOTH SIDE POLISH	AR	AR	AR	AR	AR	
1	651104	WHEEL, ALU. STUD 24.5 X 8.25 / OUTSIDE POLISH	AR	AR	AR	AR	AR	
1	651105	WHEEL, ALU. STUD 24.5 X 8.25 / INSIDE POLISH	AR	AR	AR	AR	AR	
		. . . ALUMINUM WHEELS / HUB-MOUNTED						
1	650185	WHEEL, ALU. HUB 22.5 X 9.00 / INSIDE POLISH				AR	AR	
1	650186	WHEEL, ALU. HUB 22.5 X 9.00 / OUTSIDE POLISH				AR	AR	
1	650222	WHEEL, ALU. HUB 22.5 X 9.00 / BOTH SIDE POLISH				AR	AR	
1	650230	WHEEL, ALU. HUB 22.5 X 9.00 / BOTH SIDE MACHINED From X-6945				AR		

From E-638 To Y-7045	Date:10/2022	PAGE:XL-1318-00
----------------------	--------------	-----------------

WHEELS & COMPONENTS - BUS MOUNT (STANDARD)

Item#	Part	Description	M T H 4 0	M T H 4 5	M T H 4 5 E	X L 4 0	X L 4 5	N O T E S
		. . . VALVES - VALVE EXTENTION & HOLDER						
2	650108	VALVE / W/STEEL WHEEL / 4.75" LG 90°	AR	AR	AR	AR	AR	
2	650187	VALVE / W/STEEL WHEEL / 3 ½" LG W/LIGHT BEND	AR	AR	AR	AR	AR	
2	650007	VALVE / W/STEEL WHEEL / 2 ¼" LG STRAIGHT	AR	AR	AR	AR	AR	
2	650173	VALVE / W/STEEL WHEEL / 4" LG W/LIGHT BEND	AR	AR	AR	AR	AR	
2	150293	VALVE / W/STEEL WHEEL / "KNORR-BREMSE " BRAKE -	AR	AR	AR	AR	AR	A
2	650154	VALVE / W/ALUMINUM WHEEL / 2.60" LG W/60 deg	AR	AR	AR	AR	AR	
NS	650194	VALVE / W/ALUMINUM WHEEL / 1.38" LG W/60 deg	AR	AR	AR	AR	AR	
2	650744	VALVE / W/ALUMINUM WHEEL / 1.26" LG From T-5873	AR	AR	AR	AR	AR	C
NS	650164	. CAP VALVE / CHROME	AR	AR	AR	AR	AR	
NS	650151	. CAP VALVE / STD	AR	AR	AR	AR	AR	
NS	650008	. SPRING VALVE	AR	AR	AR	AR	AR	
NS	650205	. SPRING VALVE 21116	AR	AR	AR	AR	AR	B
NS	650201	EXTENSION VALVE 1 3/8" LG	AR	AR	AR	AR	AR	
NS	650158	EXTENSION VALVE / 4 1/2" LG	AR			AR		
NS	650130	EXTENSION VALVE / 6" LG	AR			AR		
NS	650165	EXTENSION VALVE / 6 1/4" LG	AR	AR	AR	AR	AR	
NS	650188	EXTENSION VALVE / 7" LG	AR	AR	AR	AR	AR	
NS	650205	SPRING VALVE 21116	AR	AR	AR	AR	AR	B
NS	650178	RUBBER HOLDER / 1.5" O.D. / EXTENSION VALVE	AR	AR	AR	AR	AR	
NS	650166	RUBBER HOLDER / 2" O.D. / EXTENSION VALVE	AR	AR	AR	AR	AR	
NS	650172	RUBBER HOLDER / 2.19" O.D. / EXTENSION VALVE	AR	AR	AR	AR	AR	
		. . . WEIGHTS						
3	650062	WEIGHT BALANCING / W/STEEL WHEEL / 2 OZ	AR	AR	AR	AR	AR	
3	650063	WEIGHT BALANCING / W/STEEL WHEEL / 3 OZ	AR	AR	AR	AR	AR	
3	650064	WEIGHT BALANCING / W/STEEL WHEEL / 4 OZ	AR	AR	AR	AR	AR	
3	650065	WEIGHT BALANCING / W/STEEL WHEEL / 6 OZ	AR	AR	AR	AR	AR	
3	650066	WEIGHT BALANCING / W/STEEL WHEEL / 8 OZ	AR	AR	AR	AR	AR	
3	650067	WEIGHT BALANCING / W/STEEL WHEEL / 10 OZ	AR	AR	AR	AR	AR	
3	650068	WEIGHT BALANCING / W/STEEL WHEEL / 12 OZ	AR	AR	AR	AR	AR	
3	650069	WEIGHT BALANCING / W/STEEL WHEEL / 14 OZ	AR	AR	AR	AR	AR	
3	650070	WEIGHT BALANCING / W/STEEL WHEEL / 16 OZ	AR	AR	AR	AR	AR	
3	650175	WEIGHT BALANCING / W/ALUMINUM WHEEL / INT. & EXT. / 2 OZ	AR	AR	AR	AR	AR	
3	650109	WEIGHT BALANCING / W/ALUMINUM WHEEL / INT. & EXT. / 3 OZ	AR	AR	AR	AR	AR	
3	650110	WEIGHT BALANCING / W/ALUMINUM WHEEL / EXT. ON 4 OZ	AR	AR	AR	AR	AR	
3	650114	WEIGHT BALANCING / W/ALUMINUM WHEEL / INT. ON 4 OZ	AR	AR	AR	AR	AR	
3	650111	WEIGHT BALANCING / W/ALUMINUM WHEEL / EXT. ON 6 OZ	AR	AR	AR	AR	AR	
3	650115	WEIGHT BALANCING / W/ALUMINUM WHEEL / INT. ON 6 OZ	AR	AR	AR	AR	AR	

From E-638 To Y-7045	Date:10/2022	PAGE:XL-1318-00
WHEELS & COMPONENTS - BUS MOUNT (STANDARD)		

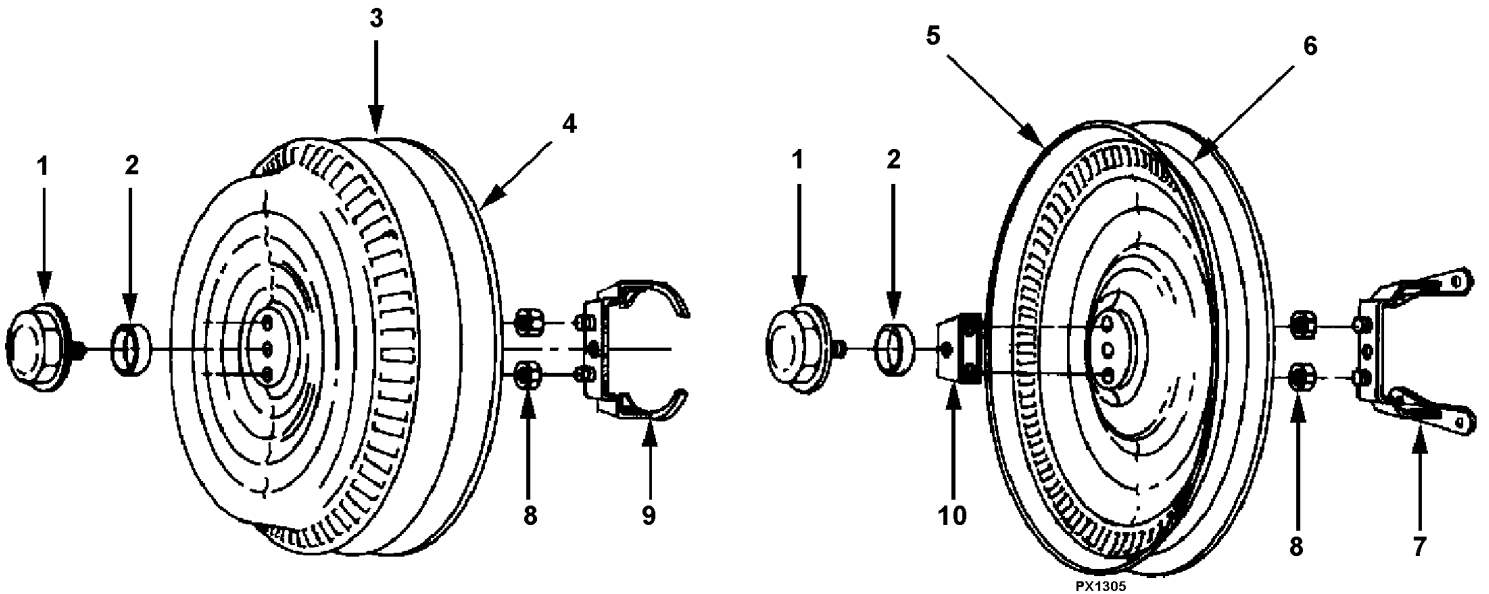
Item#	Part	Description	M T H 4 0	M T H 4 5	M T H 4 5 E	X L 4 0	X L 4 5	N O T E S
3	650112	WEIGHT BALANCING / W/ALUMINUM WHEEL / EXT. ON 8 OZ	AR	AR	AR	AR	AR	
3	650116	WEIGHT BALANCING / W/ALUMINUM WHEEL / INT. ON 8 OZ	AR	AR	AR	AR	AR	
3	650192	WEIGHT BALANCING / W/ALUMINUM WHEEL / W/ADHES 6 OZ	AR	AR	AR	AR	AR	
3	650206	WEIGHT BALANCING / POWDER (12 OZ BAG)	AR	AR	AR	AR	AR	
	 HUBODOMETER						
4	650002	HUBODOMETER, COMPLETE 11 X 20 & 12 X 22.5 MPH / STEMCO				AR	AR	
4	650117	HUBODOMETER, COMPLETE 11 X 20 & 12 X 22.5 KMH / STEMCO				AR	AR	
4	590216	HUBODOMETER, COMPLETE 11 X 20 & 12 X 22.5 KMH / V.D.O.				AR	AR	
4	650174	HUBODOMETER, COMPLETE / FOR 295/80 KMH				AR	AR	
5	650106	HUBODOMETER BRACKET / W/10 STUDS AXLE SHAFT				AR	AR	
5	650145	HUBODOMETER BRACKET / W/8 STUDS AXLE SHAFT				AR	AR	
	 OTHERS						
6	502221	CAP, PLASTIC CHROME / WHEEL NUT / HUB MOUNT				AR	AR	D
6	5001301	CAP, PLASTIC CHROME / WHEEL NUT / HUB MOUNT				AR	AR	E
6	502823	CAP, PLASTIC CHROME / WHEEL NUT / STUD MOUNT	AR	AR	AR	AR	AR	
6	502223	CAP, PLASTIC WHITE / WHEEL NUT / STUD MOUNT	AR	AR	AR	AR	AR	
7	650134	WHEEL GUARD MYLAR / WHEEL & HUB	AR	AR	AR	AR	AR	
7	110535	WHEEL SPACER / FRONT HUB & WHEEL W/9 WH	AR	AR	AR	AR	AR	F
NS	650224	HUB CAP PLASTIC CHROME W/NUT / STUD MOUNT	AR	AR	AR	AR	AR	G
8	650225	HUB CAP PLASTIC CHROME W/NUT / STUD MOUNT	AR	AR	AR	AR	AR	H
NS	621683	HUB CAP PLASTIC CHROME W/NUT / HUB MOUNT	AR	AR	AR	AR	AR	H
NS	MI02-17	SEE MAINTENANCE INFORMATION	1	1	1	1	1	
NS	MI03-26A	SEE MAINTENANCE INFORMATION	1	1	1	1	1	
		A) USE THIS VALVE W/ALLS STEEL WHEELS, MOUNTED W/"KNORR-BREMSE" BRAKE SYSTEM						
		B) USE THIS EXTENSION W/ POWDER BALANCING WEIGHT						
		C) W/ "KNORR-BREMSE" BRAKE SYSTEM						
		D) TO USE WITH NUT 1 3/8" THICK (610774) / DRIVE						
		E) TO USE WITH NUT 29/32" THICK (610773) / FRONT & TAG AXLE						
		F) FOR USE W/9.00 WHEEL ONLY						
		G) TO USE WITH FRONT & TAG AXLE WHEEL						
		H) TO USE WITH DRIVE AXLE WHEEL						

From E-638 To P-721

Date:10/2022

PAGE:XL-1320-00

WHEELS COVER CAP

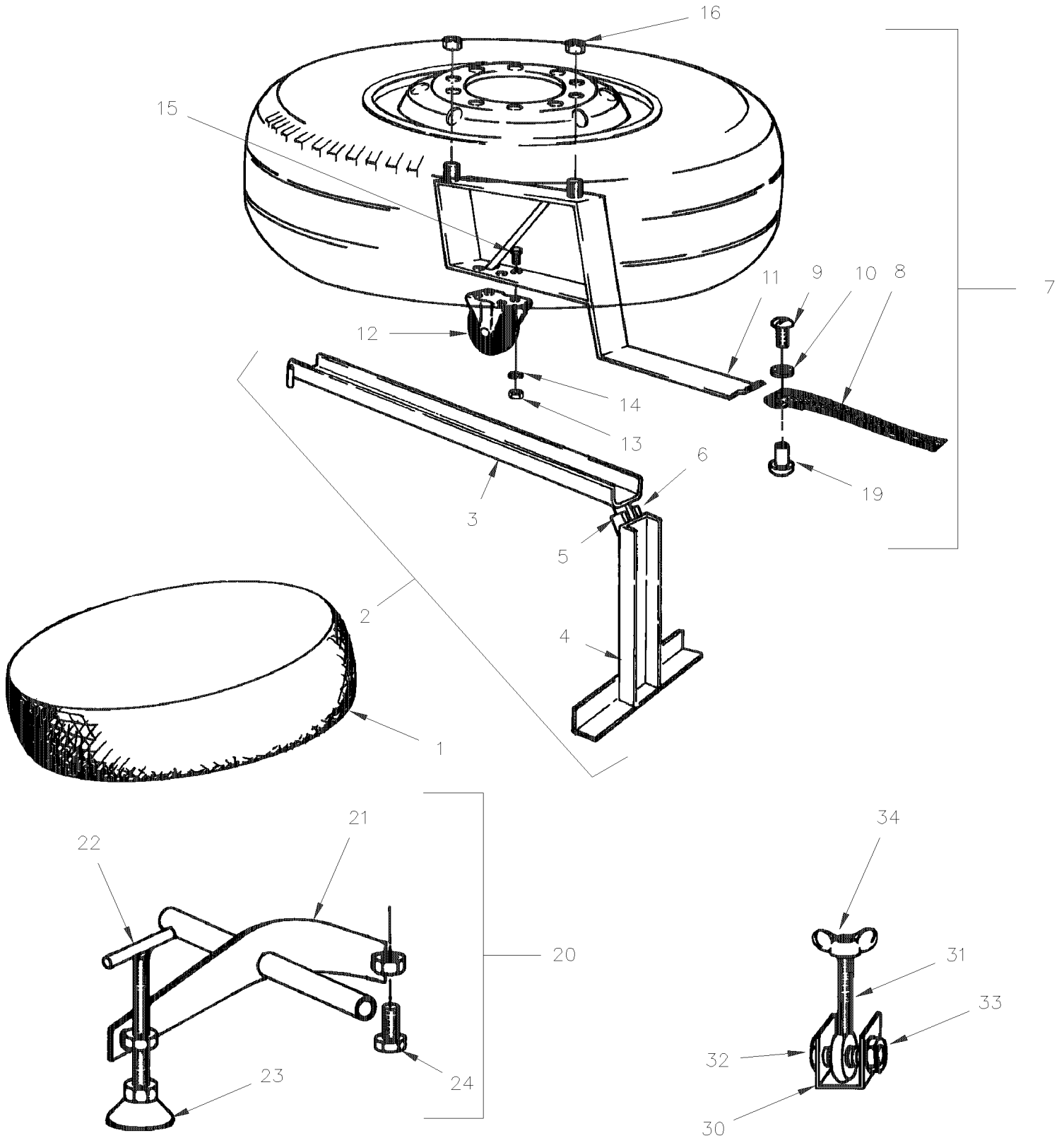


From E-638 To Y-7045

Date:10/2022

PAGE:XL-1325-00

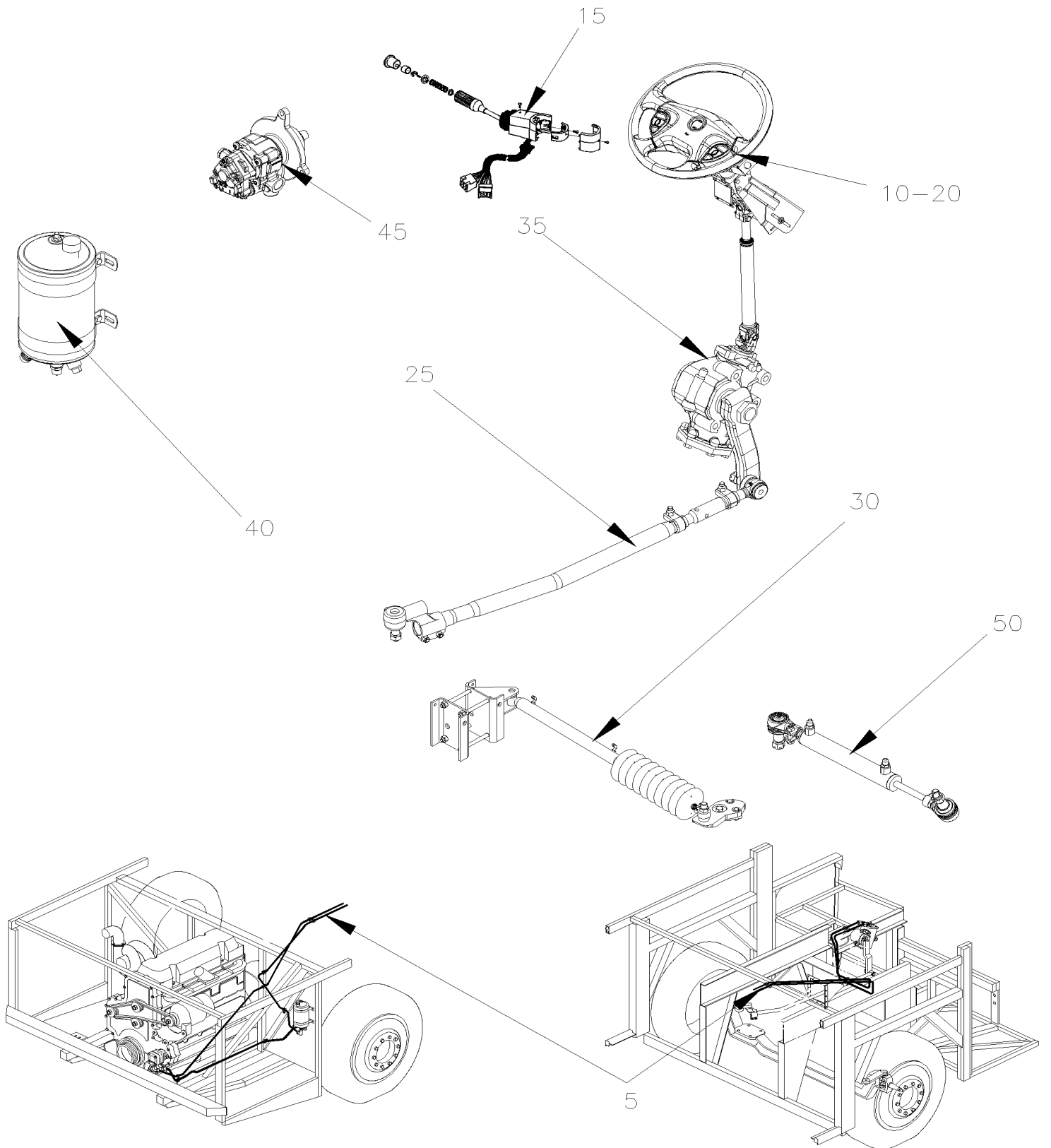
SPARE WHEEL - INSTALLATION



From E-638 To Y-7045	Date:10/2022	PAGE:XL-1325-00
SPARE WHEEL - INSTALLATION		

Item#	Part	Description	M T H 4 0	M T H 4 5	M T H 4 5 E	X L 4 0	X L 4 5	N O T E S
1	150119	COVER SPARE WHEEL				1	1	
2	150022	RAIL ASSY				1	1	
3	150085	. RAIL				1	1	
4	150086	. RAIL				1	1	
5	500183	. SCREW CAP HEX 5/16-18x1 1/2 G5 PT Z050				1	1	
6	500777	. NUT HEX STO 5/16-18 Z050				1	1	
7	150063	SUPPORT ASSY				1	1	
8	150025	. STRAP / 17"				1	1	
9	500531	. SCREW MA OV SLT #10-32x1/2				2	2	
10	500440	. WASHER FL .250x.562x.065 Z050				4	4	
NS	500801	. NUT SLE #10-32x3/8 ZP				2	2	
11	150021	. SUPPORT ASSY				1	1	
12	650041	. WHEEL				1	1	
13	500476	. WASHER LO SPT .317x.586x.078 Z050				4	4	
14	500699	. NUT HEX 5/16-24 Z050				4	4	
15	500023	. SCREW CAP HEX 5/16-24x3/4 G5 ZP				4	4	
16	610176	. NUT R.H. 1 1/8-16 / STUD MOUNT WHEEL				2	2	
20	150228	ATTACHMENT SPARE TIRE RETAINER ASSY / COMPLETE				1	1	
21	150229	. ATTACHMENT RETAINER ASSY				1	1	
22	150223	. HANDLE ASSY				1	1	
23	5001001	. NUT SW 1/2-13				1	1	
24	500225	. SCREW CAP HEX 5/8-11x1 G5 Z050				1	1	
30	211641	BRACE				1		
31	5001010	EYE BOLT M10-1.5x90 CJ				1	1	
32	502686	SCREW CAP HEX M6-1.0x30 SS BK				1	1	
33	502621	NUT HEX STO M6-1.0 Z050				1	1	
34	502794	NUT WING M10-1.5 ZP				1	1	
36	150123	CHAIN RETAINING SPARE WHEEL				1		A
37	150105	EYE BOLT / TO FIX CHAIN				1		A
38	150135	PLATE STOPPER / TRIANGULAR SHAPE / STEERING & SPARE WHEEL				1		A
39	500044	SCREW CAP HEX 3/8-24x3/4 G5 Z050				2		A
40	500478	WASHER LO SPT .380x.683x.094 Z050				2		A
41	500705	NUT HEX 3/8-24 ZP				2		A
		A) THE FOLLOWING PARTS ARE REQUIRED TO FIX SPARE WHEEL IN ITS COMPARTMENT UP TO L-684						

	Date:10/2022	XL-14
STEERING		



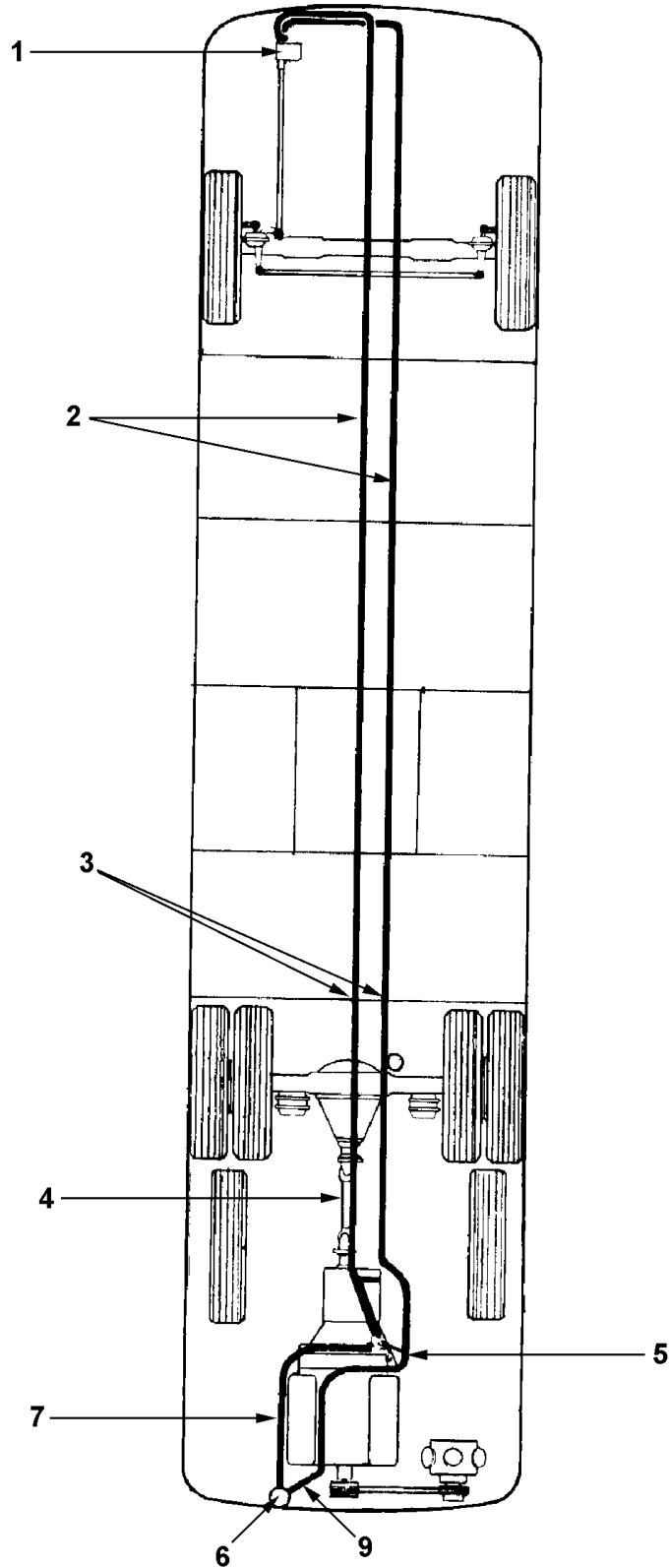
		Date:10/2022	XL-14					
STEERING								
Item#	Part	Description	M T H 4 0	M T H 4 5	M T H 4 5 E	X L 4 0	X L 4 5	N O T E S
5	XL-1400-00	POWER STEERING HOSE - INSTALLATION DETROIT S-71 & S-92 From E-638 To R-843						
5	XL-1400-01	POWER STEERING HOSE - INSTALLATION DETROIT S-50 & S-60 From P-722 To Y-7045						
10	XL-1405-00	STEERING WHEEL & COLUMN ASSY From E-638 To F-827						
10	XL-1405-01	STEERING WHEEL & COLUMN ASSY From F-828 To H-284						
10	XL-1405-02	STEERING WHEEL & COLUMN ASSY From H-285 To Y-7045						
15	XL-1406-00	MULTI-FUNCTION LEVER From F-828 To Y-7045						
20	XL-1407-00	STEERING COLUMN & COVER From E-638 To H-284						
20	XL-1407-01	STEERING COLUMN & COVER - TILT & TELESCOPIC From H-285 To Y-7045						
25	XL-1410-00	STEERING RODS - INSTALL W/ I BEAM & DRUMS From E-638 To P-740						
25	XL-1410-01	STEERING RODS - INSTALL W/ I BEAM & DISC MODEL 2FG-952-CAX From P-741 To Y-7045						
25	XL-1410-50	STEERING RODS - INSTALLATION W/INDEPENDENT "IS-82" / 16500 LBS From T-5873 To Y-7045						
30	XL-1412-00	STEERING DAMPER - INSTALL W/ I BEAM DRUM AXLE From E-638 To P-740						
30	XL-1412-01	STEERING DAMPER - INSTALL W/ I BEAM DISC AXLE From P-741 To Y-7045						
35	XL-1415-00	STEERING GEARBOX - HFB-70108 From E-638 To P-740						
35	XL-1415-01	STEERING GEARBOX - TAS 85040 & TAS 85081 From P-741 To Y-7045						
40	XL-1420-00	POWER STEERING TANK - 1.75 QT U.S. From E-638 To R-958						
40	XL-1420-01	POWER STEERING TANK - 4 QT U.S. From R-959 To Y-7045						
40	XL-1420-05	POWER STEERING TANK - 2 GALLONS From E-730 To H-399						
45	XL-1427-00	POWER STEERING PUMP - "VICKERS" - WITH DETROIT S-71 & S-92 From E-638 To R-843						
45	XL-1427-02	POWER STEERING PUMP - "VICKERS" - WITH DETROIT S-50 & S-60 From P-646 To V-6172						
45	XL-1427-03	POWER STEERING PUMP - "TRW" From T-5873 To Y-7045						
50	XL-1430-50	CYLINDER POWER STEERING From P-722 To T-5872						

From E-638 To R-843

Date:10/2022

PAGE:XL-1400-00

POWER STEERING HOSE - INSTALLATION DETROIT S-71 & S-92



From E-638 To R-843	Date:10/2022	PAGE:XL-1400-00
POWER STEERING HOSE - INSTALLATION DETROIT S-71 & S-92		

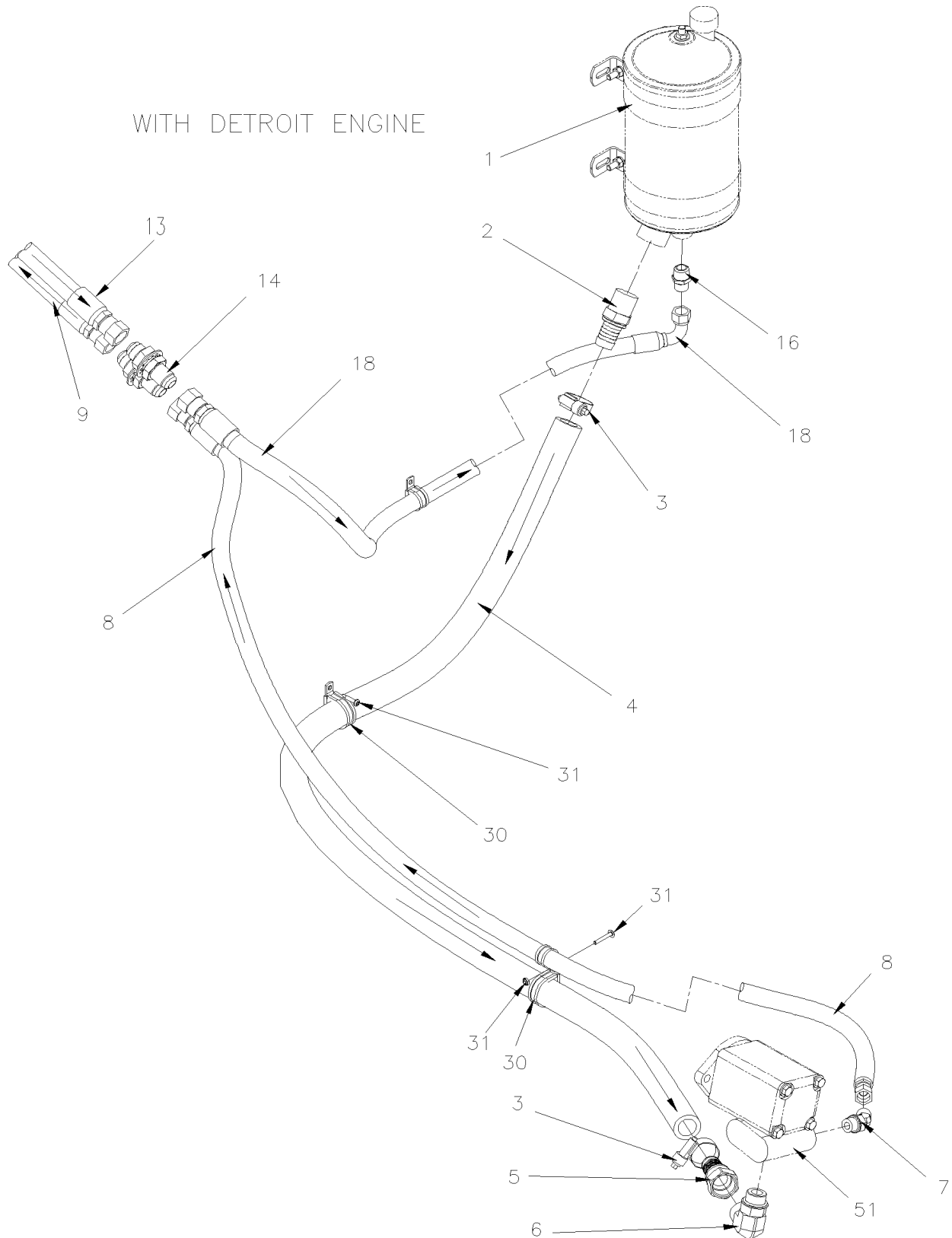
Item#	Part	Description	M T H 4 0	M T H 4 5	M T H 4 5 E	X L 4 0	X L 4 5	N O T E S
1	XL-1415-00	STEERING GEARBOX - HFB-70108 To P-740						
1	XL-1415-01	STEERING GEARBOX - TAS 85040 & TAS 85081 From P-741						A
2	160500	HOSE ASSY / #8 8310MM	1			1		
2	160911	HOSE ASSY / #8 9830MM			1			
2	503417	. HOSE #FC-300 HYDRAULIC / #8 S.L.	AR		AR	AR		
2	501785	. FEMALE CONNECTOR SWIVEL / JIC 37° FITTING / #8JIC-Fx#8 ZP	1		1	1		
2	501594	. FEMALE ELBOW 90° SHORT DROP/ JIC 37° FITTING/ #8JIC-Fx#8 STL	1			1		
2	501839	. FEMALE ELBOW 45° SHORT DROP/ JIC 37° FITTING/ #8JIC-Fx#8 ZP			1			
3	501815	BULKHEAD UNION / JIC 37° FITTING / #8JIC-Mx#8JIC-M STL	2		2	2		
4	160524	HOSE ASSY / #8 3280MM	1		1	1		
4	503417	. HOSE #FC-300 HYDRAULIC / #8 S.L.	AR		AR	AR		
4	501785	. FEMALE CONNECTOR SWIVEL / JIC 37° FITTING / #8JIC-Fx#8 ZP	1		1	1		
4	501594	. FEMALE ELBOW 90° SHORT DROP/ JIC 37° FITTING/ #8JIC-Fx#8 STL	1		1	1		
7	160495	HOSE ASSY / #12 2180MM	1		1	1		
7	503418	. HOSE #FC-300 HYDRAULIC / #12 S.L.	AR		AR	AR		
7	501545	. FEMALE CONNECTOR SWIVEL / JIC 37° FITTING / #12JIC-Fx#12 ZP	1		1	1		
7	501579	. FEMALE ELBOW 90° SHORT DROP/ JIC 37° FITTING/ #12JIC-Fx#12 STL	1		1	1		
9	160496	HOSE ASSY / #8 4340MM	1		1	1		
9	503417	. HOSE #FC-300 HYDRAULIC / #8 S.L.	AR		AR	AR		
9	501785	. FEMALE CONNECTOR SWIVEL / JIC 37° FITTING / #8JIC-Fx#8 ZP	1		1	1		
9	501594	. FEMALE ELBOW 90° SHORT DROP/ JIC 37° FITTING/ #8JIC-Fx#8 STL	1		1	1		
NS	560482	CLAMP / 3/4" I.D. / W/HOLE 3/16"	AR		AR	AR		
NS	500617	SCREW TP PAN PH #8x1 Z050	AR		AR	AR		
NS	504012	CABLE TIE / 3/16" X 6"1/2	AR		AR	AR		
NS	500729	WASHER LO INT 21.0x33.0x1.4 Z050	2		2	2		
		A) FOR AN INSTALLATION WITH ENGINE SERIES 60 OR WITH POWER CYLINDER ASSISTANCE SEE PAGE 1400-01						

From P-722 To Y-7045

Date:10/2022

PAGE:XL-1400-01

POWER STEERING HOSE - INSTALLATION DETROIT S-50 & S-60

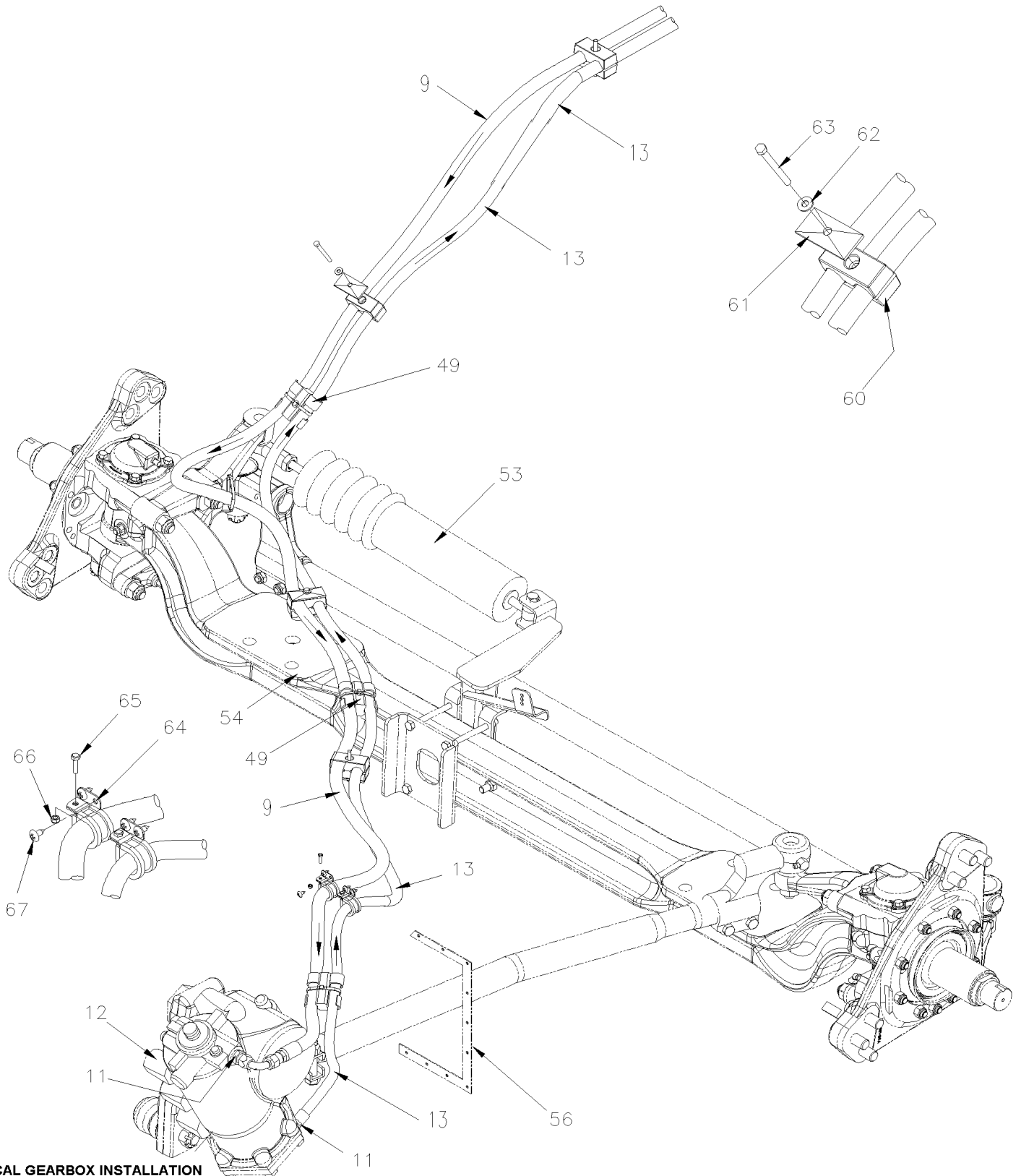


From P-722 To Y-7045

Date:10/2022

PAGE:XL-1400-01

POWER STEERING HOSE - INSTALLATION DETROIT S-50 & S-60



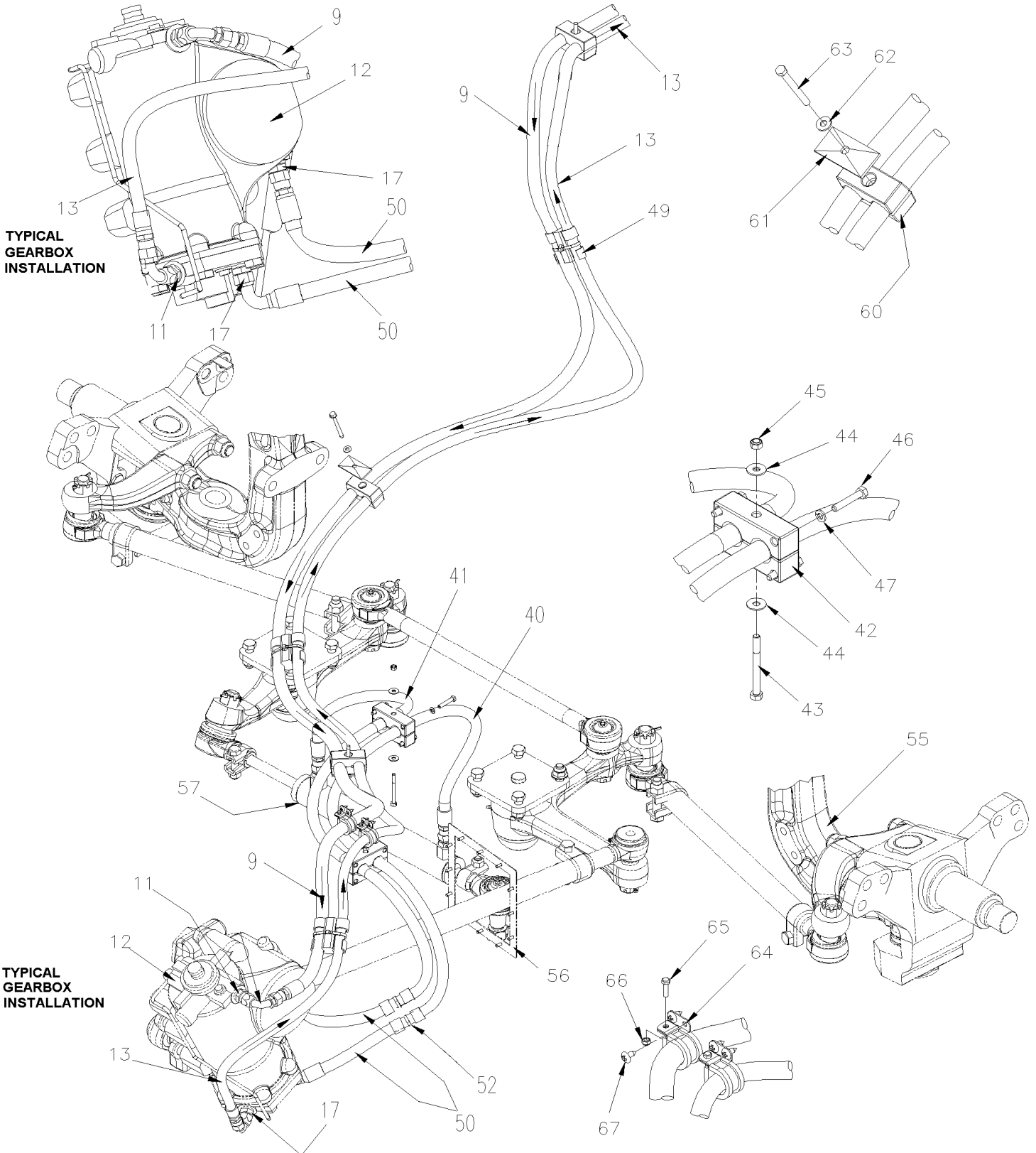
TYPICAL GEARBOX INSTALLATION

From P-722 To Y-7045

Date:10/2022

PAGE:XL-1400-01

POWER STEERING HOSE - INSTALLATION DETROIT S-50 & S-60



From P-722 To Y-7045	Date:10/2022	PAGE:XL-1400-01
-----------------------------	---------------------	------------------------

POWER STEERING HOSE - INSTALLATION DETROIT S-50 & S-60

Item#	Part	Description	M T H 4 0	M T H 4 5	M T H 4 5 E	X L 4 0	X L 4 5	N O T E S
1	XL-1420-01	POWER STEERING TANK - 4 QT U.S.						
2	5011086	MALE CONNECTOR / PUSH-LOK FITTING / 1NPT-Mx#16 STL	1	1	1	1	1	
3	504291	HOSE CLAMP / 1"1/8-1"3/4 SS / E.T. 20	AR	AR	AR	AR	AR	
4	160995	HOSE #16 1200MM		1			1	
4	160897	HOSE #16 1300MM	1	1	1			
4	503577	HOSE #16 / S.L.	AR	AR	AR	AR	AR	
5	5011036	MALE ELBOW 90° / COLLAR FITTING / 1NPT-Mx#16 STL	1	1	1	1	1	
5	5011147	FEMALE CONNECTOR SWIVEL / COLLAR FITTING / #16JIC-Fx#16 STL	1	1	1	1	1	
6	5011148	MALE ELBOW 90° / JIC 37° FITTING / #16JIC-Mx#12ORB-M STL	1	1	1	1	1	
7	5011055	MALE ELBOW 90° / JIC 37° FITTING / #10JIC-Mx#8ORB-M STL	1	1	1	1	1	
7	5011164	MALE ELBOW 90° / JIC 37° FITTING / #8JIC-Mx#8ORB-M STL	1	1	1	1	1	
7	5011167	MALE ELBOW 45° / JIC 37° FITTING / #8JIC-Mx#8ORB-M STL	1	1	1	1	1	
8	160896	HOSE ASSY / PUMP TO BULKHEAD / #10 5158MM To V-6063		1			1	
8	161028	HOSE ASSY / #8 5033MM From V-6064		1			1	
8	160923	HOSE ASSY / PUMP TO BULKHEAD / #10 4520MM To V-6063	1		1	1		
8	161027	HOSE ASSY / #8 4520MM From V-6064	1		1	1		
NS	505110	COIL PROTECTOR / PLASTIC / #12	AR	AR	AR	AR	AR	
9	160894	HOSE ASSY / BULKHEAD TO STEERING GEAR / #10 9195MM To V-6063		1			1	
9	161023	HOSE ASSY / #8 9165MM From V-6064		1			1	A
9	160921	HOSE ASSY / BULKHEAD TO STEERING GEAR / #10 8306MM To V-6063	1			1		
9	161022	HOSE ASSY / #8 8306MM From V-6064	1			1		A
9	160951	HOSE ASSY / BULKHEAD TO STEERING GEAR / #10 9830MM To V-6063			1			
9	161021	HOSE ASSY / #8 9830MM From V-6064			1			A
9	161197	KIT, HOSE REPAIR / FRONT SECTION STEERING / X SERIES From V-6064	AR	AR	AR	AR	AR	
NS	WB04-10A	SEE WARRANTY BULLETIN From V-6064	1	1	1	1	1	
NS	161195	HOSE ASSY / #8 1570MM From V-6064	1	1	1	1	1	
NS	501456	MALE CONNECTOR / JIC 37° FITTING / #8JIC-Mx#8 STL From V-6064	1	1	1	1	1	
11	507578	MALE CONNECTOR / JIC 37° FITTING / #10JIC-Mx#8ORB-M STL To V-6063	2	2	2	2	2	
NS	501593	MALE CONNECTOR / JIC 37° FITTING / #8JIC-Mx#8ORB-M STL From V-6064	2	2	2	2	2	
12	XL-1415-01	STEERING GEARBOX - TAS 85040 & TAS 85081	1	1	1	1	1	
13	160894	HOSE ASSY / BULKHEAD TO STEERING GEAR / #10 9195MM To V-6063		1			1	
13	161023	HOSE ASSY / #8 9165MM From V-6064		1			1	A
13	160921	HOSE ASSY / BULKHEAD TO STEERING GEAR / #10 8306MM To V-6063	1			1		
13	161022	HOSE ASSY / #8 8306MM From V-6064	1			1		A
13	160951	HOSE ASSY / BULKHEAD TO STEERING GEAR / #10 9830MM To V-6063			1			
13	161021	HOSE ASSY / #8 9830MM From V-6064			1			A
13	161197	KIT, HOSE REPAIR / FRONT SECTION STEERING / X SERIES From V-6064	1	1	1	1	1	
NS	WB04-10A	SEE WARRANTY BULLETIN From V-6064	1	1	1	1	1	
NS	161195	HOSE ASSY / #8 1570MM From V-6064	1	1	1	1	1	
NS	501456	MALE CONNECTOR / JIC 37° FITTING / #8JIC-Mx#8 STL From V-6064	1	1	1	1	1	
14	5011050	BULKHEAD UNION / JIC 37° FITTING / #10JIC-Mx#10JIC-M STL To V-6063	2	2	2	2	2	
14	501815	BULKHEAD UNION / JIC 37° FITTING / #8JIC-Mx#8JIC-M STL From V-6064	2	2	2	2	2	

From P-722 To Y-7045	Date:10/2022	PAGE:XL-1400-01
-----------------------------	---------------------	------------------------

POWER STEERING HOSE - INSTALLATION DETROIT S-50 & S-60

Item#	Part	Description	M T H 4 0	M T H 4 5	M T H 4 5 E	X L 4 0	X L 4 5	N O T E S
16	501592	MALE CONNECTOR / JIC 37° FITTING / #10JIC-Mx1/2NPT-M STL To V-6063	1	1	1	1	1	
16	501739	MALE CONNECTOR / JIC 37° FITTING / #8JIC-Mx1/2NPT-M STL From V-6064	1	1	1	1	1	
17	501970	MALE CONNECTOR / JIC 37° FITTING / #8JIC-Mx#6ORB-M STL To V-6063	2	2	2	2	2	
17	661021	PLUG / W/O-RING From V-6064	2	2	2	2	2	
18	160922	HOSE ASSY / #10 3556MM To V-6063				1		
18	161025	HOSE ASSY / #8 3416MM From V-6064				1		
18	160895	HOSE ASSY / #10 3610MM To V-6063		1			1	
18	161024	HOSE ASSY / #8 3968MM From V-6064 To V-6293		1			1	
18	161048	HOSE ASSY / #8 4215MM From V-6294		1			1	
18	160958	HOSE ASSY / #10 3988MM To V-6063	1		1			
18	161026	HOSE ASSY / #8 3988MM From V-6064	1		1			
18	161043	HOSE ASSY / #8 4630MM From V-6064		1				
30	952631	CLAMP / 3/4" I.D.	AR	AR	AR	AR	AR	
30	952634	CLAMP / 15/16" I.D.	AR	AR	AR	AR	AR	
31	500613	SCREW TP PAN PH #10x1/2 Z050	AR	AR	AR	AR	AR	
32	952641	CLAMP / 1 5/16" I.D.	AR	AR	AR	AR	AR	
33	500574	SCREW MA TR PH #10-24x1 1/4 SS	AR	AR	AR	AR	AR	
34	500767	NUT HEX #10-24 Z050	AR	AR	AR	AR	AR	
35	562036	CLAMP / 7/8" I.D. X 90°	AR	AR	AR	AR	AR	
36	500657	SCREW TC TR PH #10-24x1/2 Z050	AR	AR	AR	AR	AR	
40	160892	HOSE ASSY / #8 958MM From P-741 To V-6086	1	1	1	1	1	
41	160893	HOSE ASSY / #8 1384MM From P-741 To V-6086	1	1	1	1	1	
42	160033	HOSE RETAINER BLOCK CLAMP From P-741 To V-6086	4	4	4	4	4	
43	502541	SCREW CAP HEX M6-1.0x65 G8.8 Z050 From P-741 To V-6086	1	1	1	1	1	
44	500411	WASHER FL .260x.697x.050 SS From P-741 To V-6086	2	2	2	2	2	
45	5001182	NUT HEX NYRT M6-1.0 SS From P-741 To V-6086	1	1	1	1	1	
46	502888	SCREW CAP HEX M6-1.0x35 G8.8 N500 From P-741 To V-6086	4	4	4	4	4	
46	502769	SCREW CAP HEX M6-1.0x70 G10.9 DP From P-741 To V-6086	4	4	4	4	4	
47	502570	WASHER LO SPT 6.1x11.8x1.6 SS From P-741 To V-6086	4	4	4	4	4	
49	504634	T-CLIP / 7/8" - 1" From P-741 To V-6086	AR	AR	AR	AR	AR	
NS	504637	CABLE TIE / 3/16" x 13"	AR	AR	AR	AR	AR	
NS	500620	SCREW TP FL PH #10x1 1/2 Z050	AR	AR	AR	AR	AR	
50	160890	HOSE ASSY / #8 863MM From P-741 To V-6086	2	2	2	2	2	
51	XL-1427-02	POWER STEERING PUMP - "VICKERS" - WITH DETROIT S-50 & S-60	1	1	1	1	1	
51	XL-1427-03	POWER STEERING PUMP - "TRW"						
52	501815	BULKHEAD UNION / JIC 37° FITTING / #8JIC-Mx#8JIC-M STL From P-741 To V-6086	2	2	2	2	2	
NS	500858	WASHER LO INT .769x1.245x.055 Z050 From P-741 To V-6086	2	2	2	2	2	
53	XL-1412-01	STEERING DAMPER - INSTALL W/ I BEAM DISC AXLE						
54	XL-1005-02	FRONT AXLE - I BEAM RIGID MODEL "2FG-952-CAX"						
55	XL-1005-50	FRONT AXLE - INDEPENDENT MODEL "IS-82" / 16500LBS						
56	XL-1410-01	STEERING RODS - INSTALL W/ I BEAM & DISC MODEL 2FG-952-CAX						
57	XL-1430-50	CYLINDER POWER STEERING						

From P-722 To Y-7045	Date:10/2022	PAGE:XL-1400-01
----------------------	--------------	-----------------

POWER STEERING HOSE - INSTALLATION DETROIT S-50 & S-60

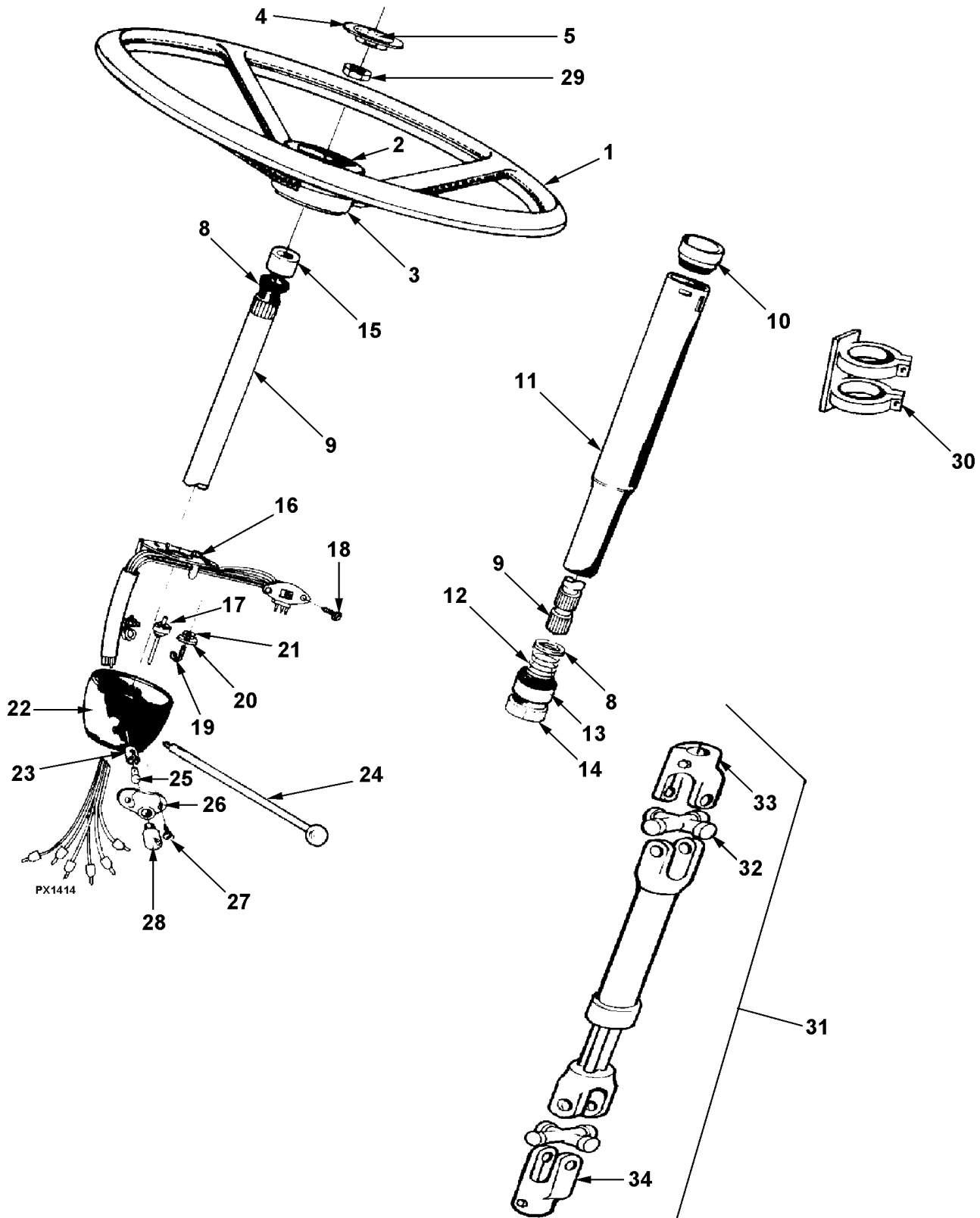
Item#	Part	Description	M T H 4 0	M T H 4 5	M T H 4 5 E	X L 4 0	X L 4 5	N O T E S
60	504727	CLAMP DOUBLE ASS / 2 HOSE SIZE 3/8" From P-741	AR	AR	AR	AR	AR	
61	504728	PLATE RETAINER From P-741	AR	AR	AR	AR	AR	
62	500440	WASHER FL .250x.562x.065 Z050 From P-741	AR	AR	AR	AR	AR	
63	500107	SCREW TC CAP HEXW 1/4-20x2 1/2 Z050 From P-741	AR	AR	AR	AR	AR	
64	562036	CLAMP / 7/8" I.D. X 90°	AR	AR	AR	AR	AR	
65	502550	SCREW CAP HEX M4-0.7x16 G8.8 Z050	AR	AR	AR	AR	AR	
66	500590	NUT HEX NYRT M4-0.7 Z050	AR	AR	AR	AR	AR	
67	500657	SCREW TC TR PH #10-24x1/2 Z050	AR	AR	AR	AR	AR	
		A) FOR SERVICE, IT'S POSSIBLE TO REPAIR THESE HOSES IN FRONT SERVICE COMPARTMENT WITH KIT #161198						

From E-638 To F-827

Date:10/2022

PAGE:XL-1405-00

STEERING WHEEL & COLUMN ASSY



From E-638 To F-827	Date:10/2022	PAGE:XL-1405-00
---------------------	--------------	-----------------

STEERING WHEEL & COLUMN ASSY

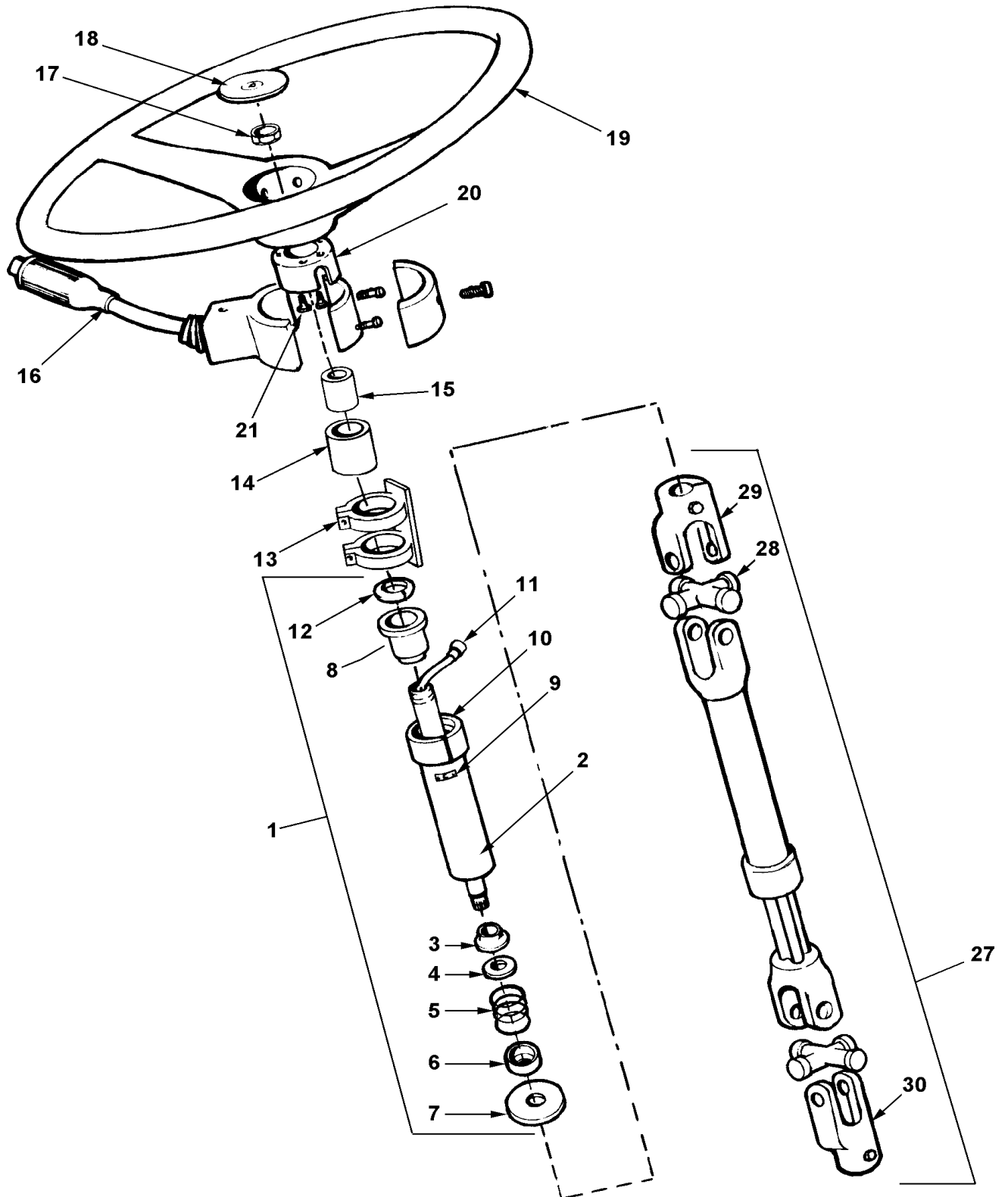
Item#	Part	Description	M T H 4 0	M T H 4 5	M T H 4 5 E	X L 4 0	X L 4 5	N O T E S
		1) NOT SOLD SEPARATELY						
		P) CALL ORDER DESK FOR SPECIFIC APPLICATION (V.I.N.)						

From F-828 To H-284

Date:10/2022

PAGE:XL-1405-01

STEERING WHEEL & COLUMN ASSY



From F-828 To H-284	Date:10/2022	PAGE:XL-1405-01
---------------------	--------------	-----------------

STEERING WHEEL & COLUMN ASSY

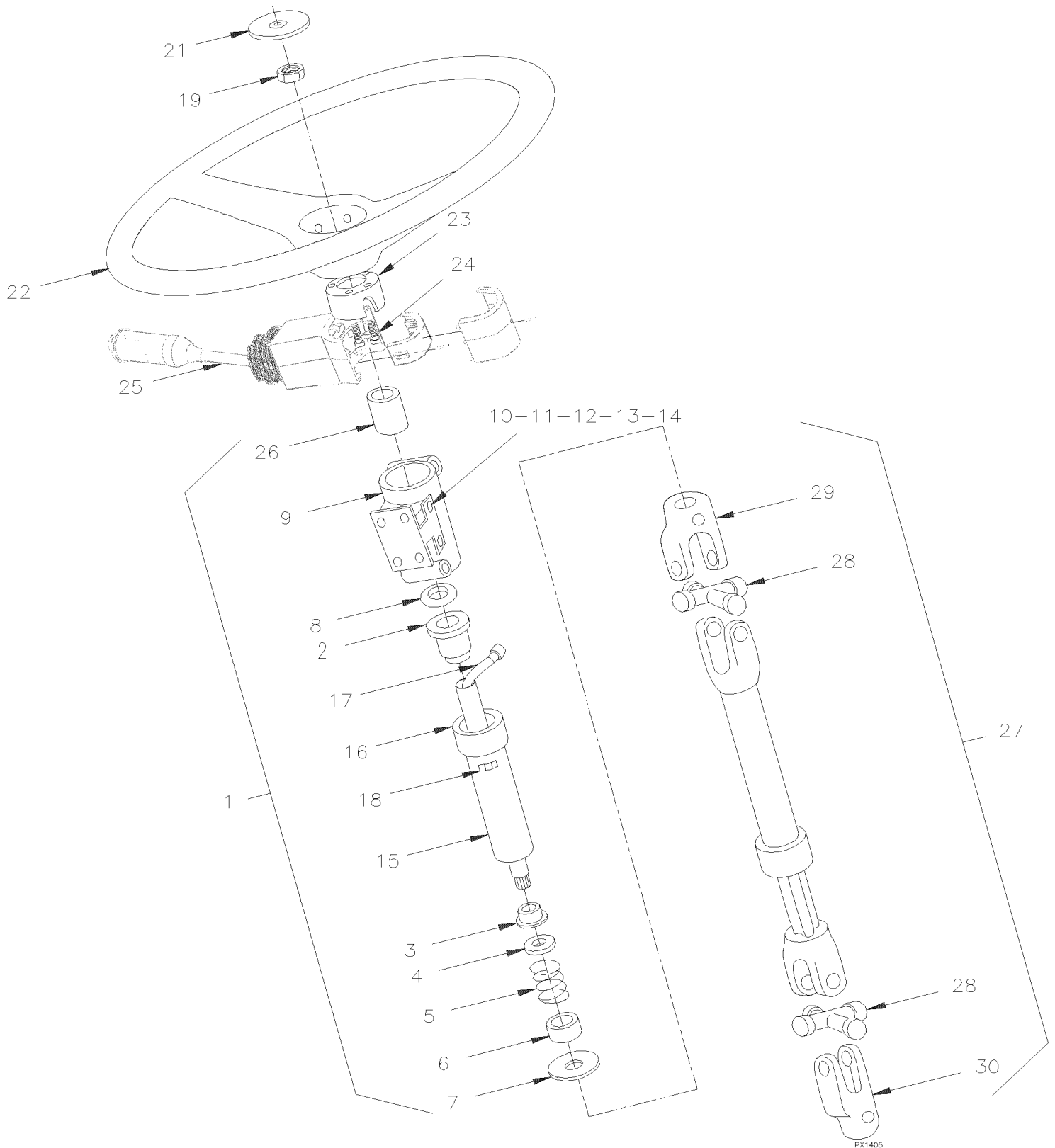
Item#	Part	Description	M T H 4 0	M T H 4 5	M T H 4 5 E	X L 4 0	X L 4 5	N O T E S
		B) USE WITH 191696 ONLY						
		C) THIS ITEM IS SUPERSEDED BY KIT #163247						
		S) A FEW COACH RECEIVE THIS SPACER IN SERVICE WITH STEERING "VOLVO"						

From H-285 To Y-7045

Date:10/2022

PAGE:XL-1405-02

STEERING WHEEL & COLUMN ASSY



From H-285 To Y-7045	Date:10/2022	PAGE:XL-1405-02
STEERING WHEEL & COLUMN ASSY		

Item#	Part	Description	M T H 4 0	M T H 4 5	M T H 4 5 E	X L 4 0	X L 4 5	N O T E S
1	160731	STEERING COLUMN ASSY 15" / W/BUS & MTH 86"				1	1	
NS	160642	STEERING COLUMN ASSY 17 1/2"	1	1				
NS	160772	STEERING COLUMN ASSY 15"	1	1	1			
2	660779	. BEARING ASSY	2	2	2	2	2	
3	660780	. SEAT, NYLON	1	1	1	1	1	
4	660758	. WASHER	1	1	1	1	1	
5	660777	. SPRING COMPRESSION / 1.344 O.D. x 1.441 x .130	1	1	1	1	1	
6	660776	. CAP, DUST	1	1	1	1	1	
7	660778	. WASHER	1	1	1	1	1	
8	660760	. SEAT	1	1	1	1	1	
9	160630	. PLATE / TO FIX STEERING COLUMN	1	1	1	1	1	
10	160652	. BRACKET / TO FIX COLUMN COVER	1	1	1	1	1	
11	500438	. WASHER FL .187x.437x.050 Z050	4	4	4	4	4	
NS	160944	. WIRE PROTECTOR / U SHAPE 260MM LG	1	1	1	1	1	
12	500470	. WASHER LO SPT .193x.334x.047 Z050	4	4	4	4	4	
13	502500	. SCREW TC BDG PH #8-32x1/2 CJ	4	4	4	4	4	
14	505406	. SPRING, PIN 1/4 X 1 1/2	1	1	1	1	1	
15	160773	. TUBE, STEERING 10 3/4" / W/MTH 80" & MTH 83"	1	1	1	1	1	
15	160631	. TUBE, STEERING 13 1/4" / W/BUS & MTH 86"	1	1				
16	160775	. SHAFT ASSY 15" / W/HORN SLEEVE / W/BUS & MTH 86"	1	1	1	1	1	
16	160644	. SHAFT ASSY 17 1/2" / W/HORN SLEEVE / W/MTH 80" & MTH 83"	1	1				
16	160776	. . SHAFT 15" / W/BUS & MTH 86"	1	1	1	1	1	
16	160707	. . SHAFT 17 1/2" / W/MTH 80" & MTH 83"	1	1				
NS	660783	. . SLEEVE / CONTACT BRUSH	1	1	1	1	1	
NS	660784	. . SCREW #8-32x1/4 NYLON	1	1	1	1	1	
17	061963	. . WIRE ASSY / KLAXON	1	1	1	1	1	
NS	560858	. . . TAB RECEPTACLE TERMINAL / 16-14 / AMP 5-160431-2	1	1	1	1	1	
NS	560381	. . . PLASTIC TUBING / 3/16" / CLEAR	AR	AR	AR	AR	AR	
18	160640	BRUSH CONTACT / HORN	1	1	1	1	1	
NS	504307	RIVET POP DOME OE 1/8x1/4 STL	2	2	2	2	2	
19	660085	NUT WHEEL	1	1	1	1	1	
21	660693	BUTTON UNIT HORN	1	1	1	1	1	
21	160779	. CREST "PREVOST" / HORN BUTTON	1	1	1	1	1	
22	160561	STEERING WHEEL ASSY W/CANCELING RING	1	1	1	1	1	A
22	191696	STEERING WHEEL W/OUT CANCELING RING / SERVICE ONLY	1	1	1	1	1	
23	660757	. RING, TURN SIGNAL CANCEL / BLACK PLASTIC	1	1	1	1	1	
24	500668	. SCREW MA PAN PH M3.5-0.6x20 Z050	1	1	1	1	1	
24	502688	. SCREW MA PAN PH M3.5-0.6x10 ZP	2	2	2	2	2	
24	500650	SCREW TC PAN PH #6-32x3/8 ZP	3	3	3	3	3	B
25	XL-1406-00	MULTI-FUNCTION LEVER						
26	160569	SPACER 1" I.D. X 1 3/16" O.D. X 1 9/16"	1	1	1	1	1	
26	161141	SPACER / SERVICE ONLY / 1" I.D. X 1 3/16" O.D. X 32MM	A	A	A	A	A	

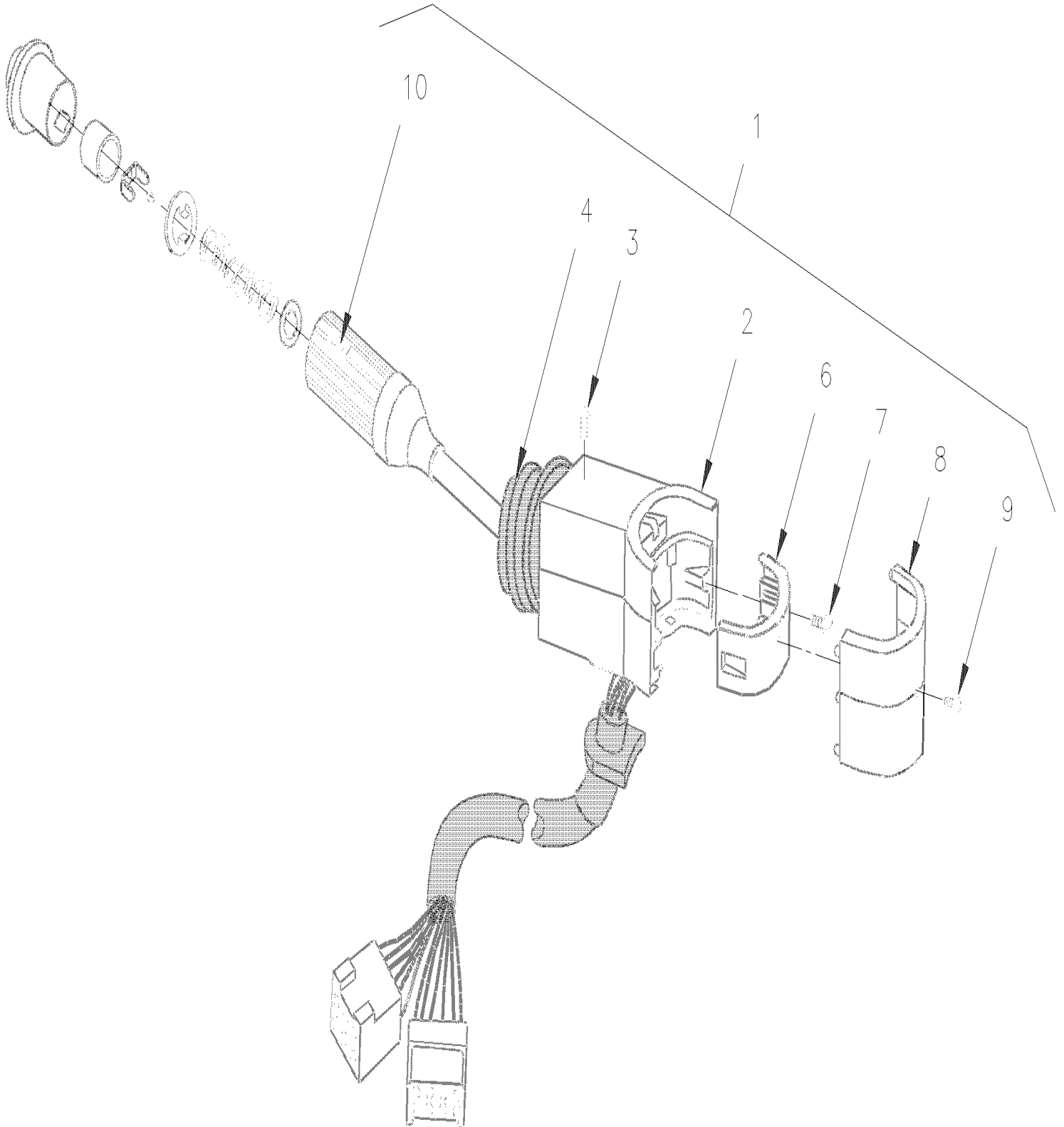
From H-285 To Y-7045			Date:10/2022			PAGE:XL-1405-02		
STEERING WHEEL & COLUMN ASSY								
Item#	Part	Description	M T H 4 0	M T H 4 5	M T H 4 5 E	X L 4 0	X L 4 5	N O T E S
27	660841	SHAFT ASSY, LOWER SECTION 29" C/C x 43" C/C To P-740	1		1	1		
27	660887	SHAFT ASSY, LOWER SECTION 15.13" C/C x 24.16" C/C From P-741				1	1	
27	660929	SHAFT ASSY, LOWER SECTION / MTH 80" 17.31" C/C x 25.94" C/C From P-741	1					
27	660930	SHAFT ASSY, LOWER SECTION / MTH 83" & 86" 19.93" C/C x 30.93" C/C From P-741 To T-5872	1	1	1			
27	661022	SHAFT ASSY, LOWER SECTION / MTH 83" & 86" 18.57" C/C x 30.57" C/C From T-5873	1	1	1			
28	660683	. KIT JOINT / CROSS W/BEARING	2	2	2	2	2	
29	660686	. YOKE, UPPER / 1" - 36 SPLINES	1	1	1	1	1	
30	660685	. YOKE, LOWER / 1" - 36 SPLINES	1	1	1	1	1	
30	661013	. YOKE, LOWER / 13/16" - 36 SPLINES From T-5873	1	1	1			
NS	161142	KIT, STEERING WHEEL	1	1	1	1	1	
NS	163247	KIT, STEERING WHEEL REPLACEMENT	1	1	1	1	1	
. NS	IS-01052	. SEE INSTRUCTION SHEET	1	1	1	1	1	
		A) THIS ITEM IS SUPERSEDED BY KIT #163247. SEE INSTRUCTION SHEET IS-01052						
		B) USE WITH 191696 ONLYS@A FEW COACH RECEIVE THIS SPACER IN SERVICE WITH STEERING "VOLVO"						

From F-828 To Y-7045

Date:10/2022

PAGE:XL-1406-00

MULTI-FUNCTION LEVER

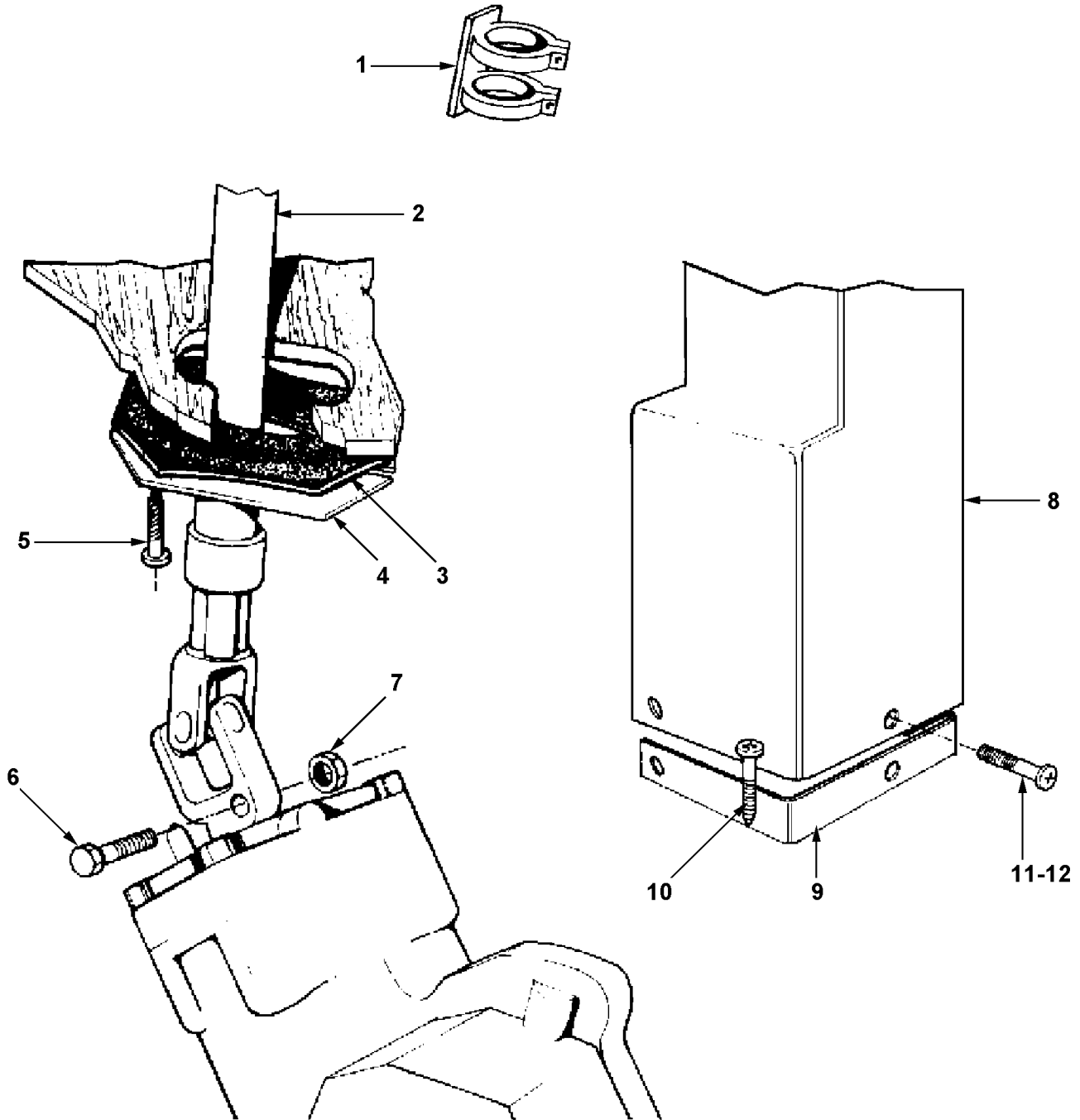


From E-638 To H-284

Date:10/2022

PAGE:XL-1407-00

STEERING COLUMN & COVER



From E-638 To H-284	Date:10/2022	PAGE:XL-1407-00
STEERING COLUMN & COVER		

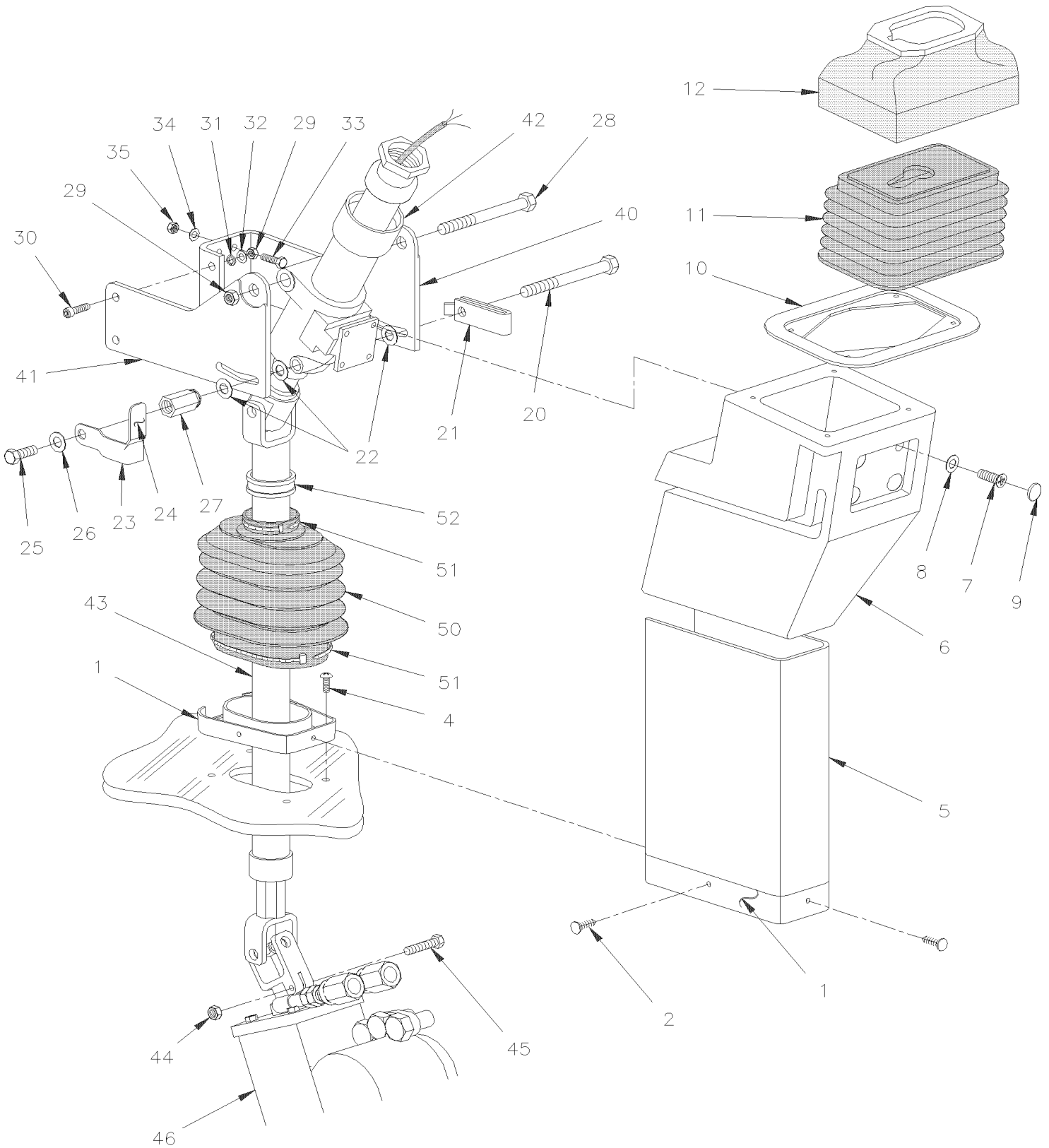
Item#	Part	Description	M T H 4 0	M T H 4 5	M T H 4 5 E	X L 4 0	X L 4 5	N O T E S
1	160487	SUPPORT, STEERING COLUMN	1			1		
NS	500031	SCREW CAP HEX 5/16-24x2 G5 ZP	2			2		
NS	500778	NUT HEX 5/16-18 N500	2			2		
NS	500723	NUT HEX 5/8-18 ZP	2			2		
NS	250516	SUPPORT To H-211	1			1		
NS	250636	SUPPORT From H-212	1			1		
2	XL-1405-00	STEERING WHEEL & COLUMN ASSY						
3	160425	SEAL, RUBBER	1			1		
4	160426	SUPPORT, SEAL	1			1		
5	500641	SCREW TP PAN PH #8x3/4 Z050	9			9		
6	500831	SCREW CAP HEX 3/8-16x2 G5 ZP	1			1		
7	500265	NUT HEX STO 3/8-16 Z050	1			1		
8	390439	COVER ASSY / W/SUPPORT				1		
8	Call order desk	COVER ASSY / W/SUPPORT / MTH 80" & MTH 83"	1					P
8	Call order desk	COVER ASSY / W/SUPPORT / MTH 86"	1					P
8	390402	. SUPPORT / ANGLE	2			2		
8	504106	. RIVET POP DOME OE 1/8x1/4 AL	2			2		
9	390407	COVER, BASE	1			1		
10	500409	SCREW TP PAN PH #8x1/2 BK	6			6		
11	500333	SCREW TP OV PH #6x3/4 BK	3			3		
12	500345	WASHER FN CKF .187x.500x.090 BR BK	3			3		
NS	390574	PLATE, CLOSING / DASH & COLUMN COVER	1			1		
NS	506025	RUBBER CHANNEL / 1/18" x 5/16" INT "U" SHAPE / SQUARE C.T.L.	AR			AR		
NS	506337	RUBBER CHANNEL / 3/32" x 11/32" INT "U" SHAPE / ROUND C.T.L.	AR			AR		
NS	500640	SCREW TP PAN PH #6x3/4 Z050	5			5		
		P) CALL ORDER DESK FOR SPECIFIC APPLICATION (V.I.N.)						

From H-285 To Y-7045

Date:10/2022

PAGE:XL-1407-01

STEERING COLUMN & COVER - TILT & TELESCOPIC



From H-285 To Y-7045	Date:10/2022	PAGE:XL-1407-01
STEERING COLUMN & COVER - TILT & TELESCOPIC		

Item#	Part	Description	M T H 4 0	M T H 4 5	M T H 4 5 E	X L 4 0	X L 4 5	N O T E S
1	390407	COVER, BASE To R-845	1	1	1	1		
1	391676	BASE From R-846 To R-400	1	1	1	1		
1	391745	SUPPORT From R-401	1	1	1	1	1	
2	504619	CLIP CHRISTMAS TREE / BLACK 7/32"O.D.x1/2" HOLE 3/16				3	3	A
4	500638	SCREW TP PAN PH #8x1/2 Z050	7	7	7	7	7	
5	390900	COVER, LOWER SECTION / W/MTH 83"	1	1				
5	390899	COVER, LOWER SECTION / W/MTH 86" & BUS	1	1	1	1	1	
6	391149	COVER ASSY, CENTRAL SECTION / W/MTH 83" & COACH	1	1		1	1	
6	390917	COVER ASSY, CENTRAL SECTION / W/MTH 86"	1	1	1			
6	391144	. COVER / W/MTH 83" & COACH	1	1		1	1	
6	390868	. COVER / W/MTH 86"	1	1	1			
6	500437	. WASHER FL .125x.375x.040 Z050	4	4	4	4	4	
6	504003	. FASTENER RIVET BASE	4	4	4	4	4	
6	504107	. RIVET POP DOME OE 1/8x5/16 AL	4	4	4	4	4	
7	500641	SCREW TP PAN PH #8x3/4 Z050	4	4	4	4	4	
NS	500563	NUT SPR U #8-32 .094-.125	4	4	4	4	4	
8	504412	WASHER RETAINER SNAP CAP #8	4	4	4	4	4	
9	504403	SNAP CAP #8 FINISHING BLACK	4	4	4	4	4	
10	391145	PLATE / TO FIX RUBBER COVER	1	1	1	1	1	
11	391156	COVER ASSY, RUBBER From J-549				1	1	
11	391157	COVER ASSY, RUBBER / MTH 83" From J-549	1	1				
12	390913	COVER ASSY, LEATHERETTE / BUS To J-548				1		B
12	390911	COVER ASSY, LEATHERETTE / MTH 80" & 83" To J-548	1					B
12	390912	COVER ASSY, LEATHERETTE / MTH 86"	1	1	1			
20	160708	SCREW / W/L.H. THREAD	1	1	1	1	1	
21	160633	RETAINER, LOCK PLATE	1	1	1	1	1	
22	500444	WASHER FL .406x.812x.065 Z050	3	3	3	3	3	
23	160639	LEVER ASSY TIGHTENING	1	1	1	1	1	
24	660786	. HANDLE, PLASTIC	1	1	1	1	1	
25	160709	SCREW CAP HEX 3/8-16x1 1/4"	1	1	1	1	1	
26	500823	WASHER LO INT 10.5x18.0x0.9 BK	1	1	1	1	1	
27	160636	NUT TIGHTENING / L.H.	1	1	1	1	1	
28	500885	SCREW SHR HEXS 3/8x4 {5/16-18	1	1	1	1	1	
29	500685	NUT HEX NYRT 5/16-18 SS	2	2	2	2	2	
30	500876	SCREW SHR HEXS 3/8x3/4 {5/16-18	2	2	2	2	2	
31	500905	WASHER SPR WAVE .750x.015	2	2	2	2	2	
32	500441	WASHER FL .312x.734x.065 Z050	2	2	2	2	2	
40	160632	SUPPORT, STEERING COLUMN	1	1	1	1	1	
41	250650	SUPPORT / (WELDED ON STRUCTURE)	1	1	1	1	1	
42	XL-1405-02	STEERING WHEEL & COLUMN ASSY						
43	XL-1405-02	STEERING WHEEL & COLUMN ASSY						
44	500567	SCREW CAP HEX 3/8-16x1 3/4 G5 ZP	2	2	2	2	2	

From H-285 To Y-7045	Date:10/2022	PAGE:XL-1407-01
STEERING COLUMN & COVER - TILT & TELESCOPIC		

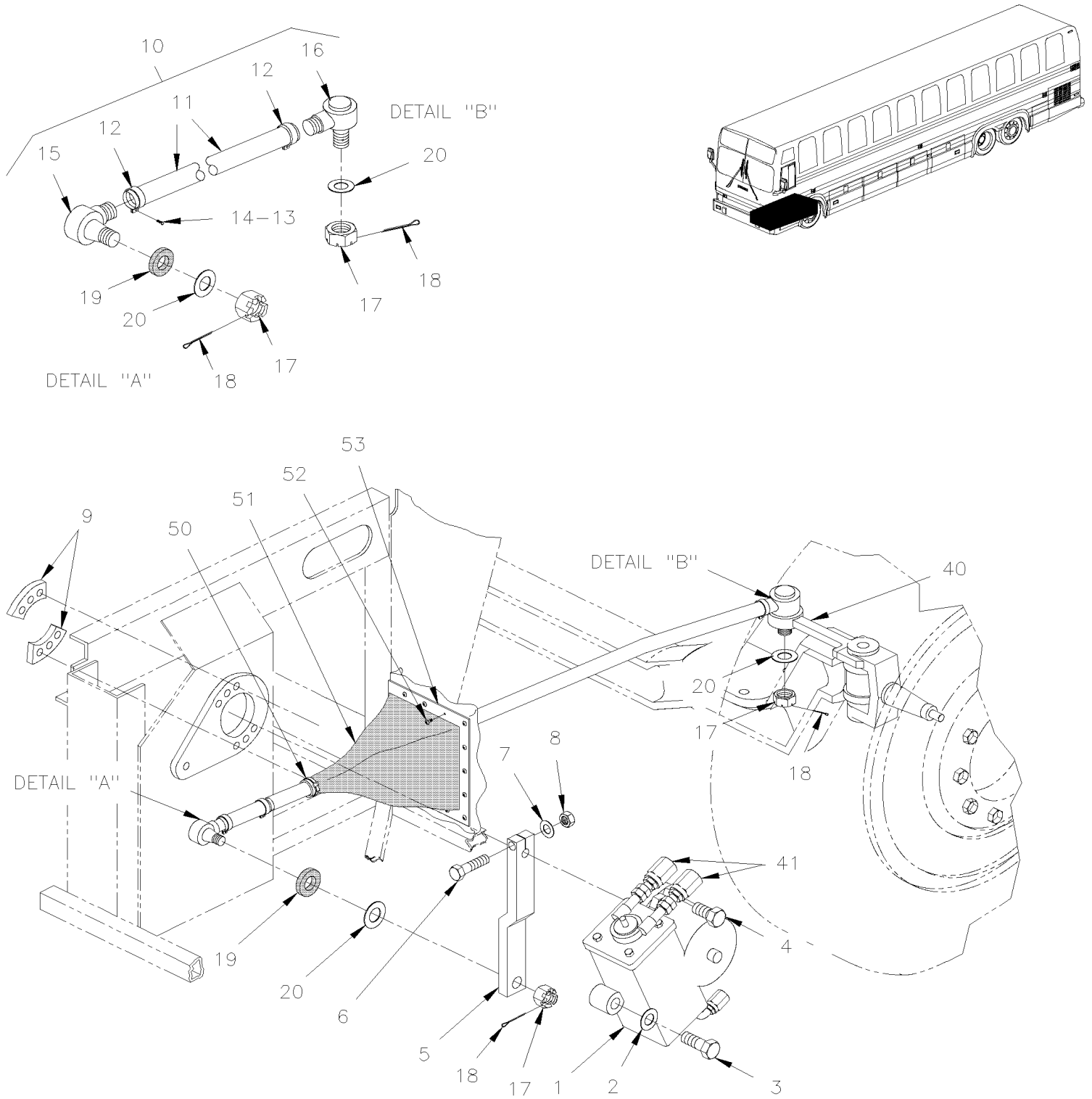
Item#	Part	Description	M T H 4 0	M T H 4 5	M T H 4 5 E	X L 4 0	X L 4 5	N O T E S
45	500265	NUT HEX STO 3/8-16 Z050	2	2	2	2	2	
46	XL-1415-01	STEERING GEARBOX - TAS 85040 & TAS 85081						
50	660981	BELLOW	1	1	1	1	1	
51	504637	CABLE TIE / 3/16" x 13"	2	2	2	2	2	
52	391576	SEAL RING	1	1	1	1	1	
NS	391763	SUPPORT ASSY W/BELLOW	1	1	1	1	1	
NS	391148	KIT COVER , RUBBER BELLOW RETROFIT	1			1		
		A) TO FIX BASE COVER						
		B) TO CHANGE LEATHER TO RUBBER ASK FOR KIT #391148						

From E-638 To P-740

Date:10/2022

PAGE:XL-1410-00

STEERING RODS - INSTALL W/ I BEAM & DRUMS



From E-638 To P-740		Date:10/2022	PAGE:XL-1410-00
STEERING RODS - INSTALL W/ I BEAM & DRUMS			

Item#	Part	Description	M T H 4 0	M T H 4 5	M T H 4 5 E	X L 4 0	X L 4 5	N O T E S
1	660588	GEARBOX STEERING "TRW"	1		1	1		
NS	Call order desk	PROTECTOR ASSY To F-827	1			1		PA
NS	160577	PROTECTOR ASSY From F-828 To L-684	1			1		A
2	500490	WASHER LO SPT .887x1.464x.219 ZP	1		1	1		
3	500154	SCREW CAP HEX 7/8-14x2 G8 ZP	1		1	1		
4	500144	SCREW CAP HEX 3/4-16x2 G8 ZP	6		6	6		
NS	500488	WASHER LO SPT .760x1.271x.188 Z050	6		6	6		
5	160672	ARM PITMAN / (PAINT BLACK)	1		1	1		
NS	MI05-09	SEE MAINTENANCE INFORMATION	1		1	1		
6	500298	SCREW CAP HEX 3/4-16x4 1/2 G5 ZP	1		1	1		
7	500488	WASHER LO SPT .760x1.271x.188 Z050	1		1	1		
8	500733	NUT HEX 3/4-16 Z050	1		1	1		
9	160488	PLATE / TO FIX GEARBOX	2		2	2		
10	160492	DRAG LINK ASSY / 1170MM C/C	1		1	1		
11	N.S.S.	ROD 1029MM	1		1	1		1
12	660978	COLLAR ASSY / W/BOLT & NUT 1 5/8" I.D.	2		2	2		
NS	500231	SCREW CAP HEX 5/8-11x3 G5 ZP	1		1	1		
NS	500683	NUT HEX STO 5/8-11 ZP	1		1	1		
13	500683	NUT HEX STO 5/8-11 ZP	1		1	1		
14	500231	SCREW CAP HEX 5/8-11x3 G5 ZP	1		1	1		
15	611089	TIE ROD END L.H. THREAD 1 1/4-12	1		1	1		
16	661002	TIE ROD END R.H. THREAD 1 1/4-12	1		1	1		
NS	501495	GREASE FITTING 90° / 1/8 NPT	1		1	1		
17	5001345	NUT HEX CSL THN 7/8-14	1		1	1		
18	502115	PIN, COTTER 3/16 x 2 1/2	2		2	2		
19	660997	RUBBER WASHER SEAL	1		1	1		
20	660998	WASHER RETAINER STEEL	1		1	1		
40	XL-1005-00	FRONT AXLE - I BEAM RIGID MODEL "16931" To F-902						
40	XL-1005-01	FRONT AXLE - I BEAM RIGID MODEL "17101" From F-903						
41	XL-1400-00	POWER STEERING HOSE - INSTALLATION DETROIT S-71 & S-92						
41	XL-1400-01	POWER STEERING HOSE - INSTALLATION DETROIT S-50 & S-60						
50	860002	LACE S.Q.	1		1	1		
51	160156	SHIELD RUBBER To L-684	1			1		
51	160845	BOOT From L-685	1		1	1		
52	500657	SCREW TC TR PH #10-24x1/2 Z050	AR		AR	AR		
52	500641	SCREW TP PAN PH #8x3/4 Z050	AR		AR	AR		
53	160549	FRAME METAL / TO FIX BOOT To L-684	1			1		
53	160844	FRAME METAL / TO FIX BOOT From L-685	1		1	1		
NS	160551	STRIP METAL / W/RUBBER To L-684	1			1		
NS	160841	STRIP METAL / W/RUBBER From L-685	1		1	1		
NS	160295	DECAL / "IT FORBIDDEN TO STOCK ANYTING IN TH. / ENGLISH & FRANCAIS	1		1	1		
NS	161191	DECAL / "IT FORBIDDEN TO STOCK ANYTING IN TH. / ENGLISH & SPANISH	1		1	1		

From E-638 To P-740	Date:10/2022	PAGE:XL-1410-00
---------------------	--------------	-----------------

STEERING RODS - INSTALL W/ I BEAM & DRUMS

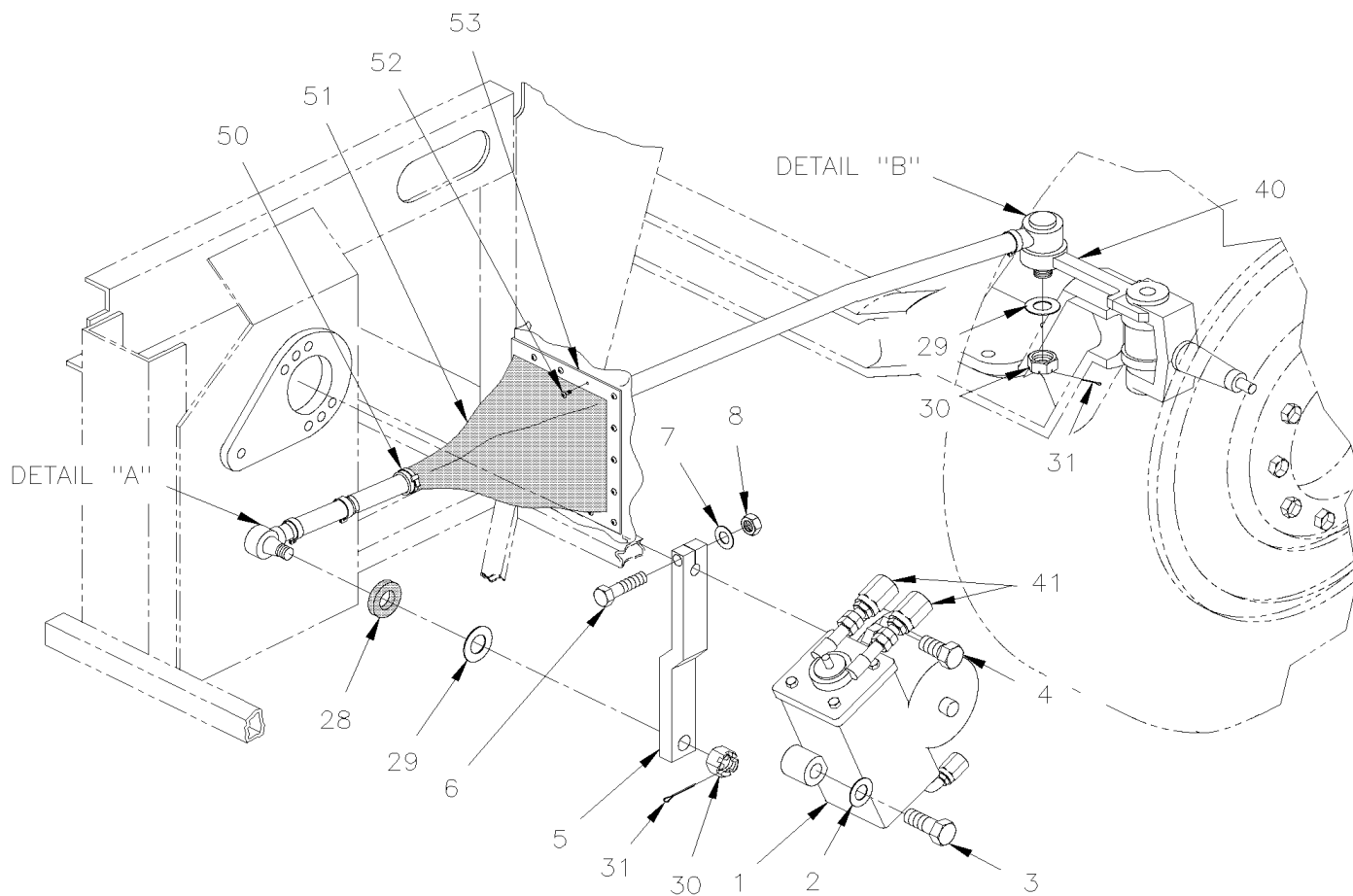
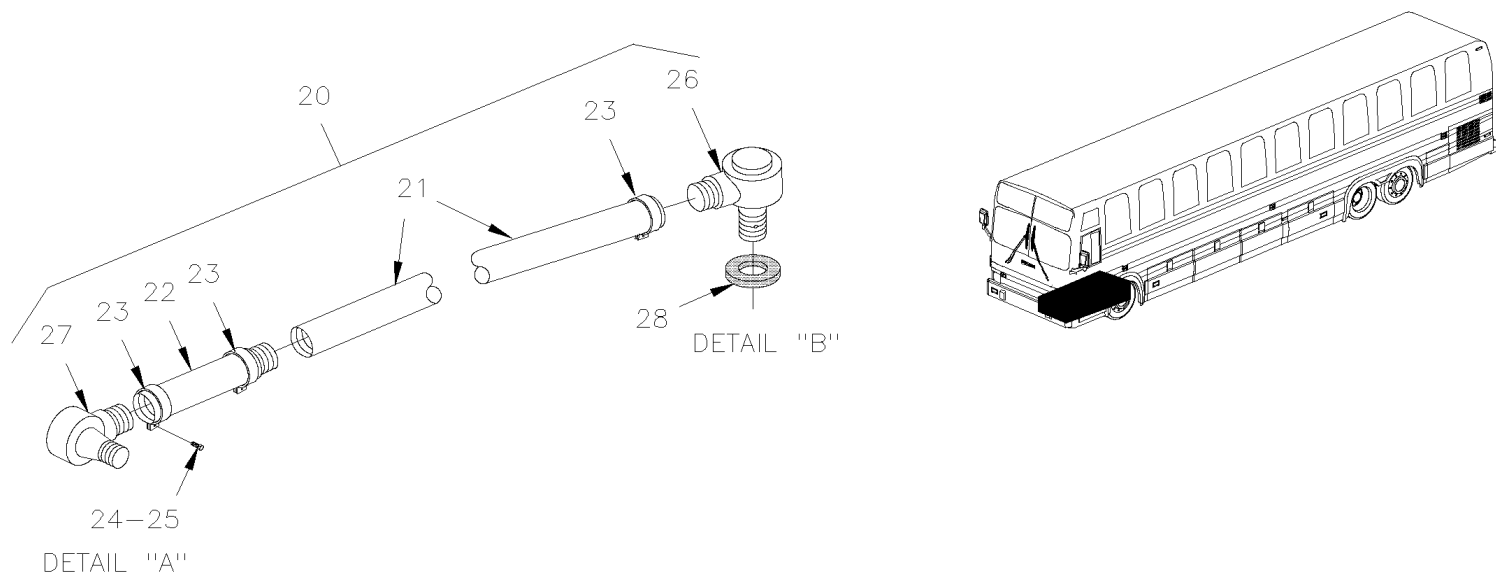
Item#	Part	Description	M T H 4 0	M T H 4 5	M T H 4 5 E	X L 4 0	X L 4 5	N O T E S
		A) THIS ITEM ARE BOLTED ON FLOOR TO PROTEC PITMAN ARM						
		1) NOT SOLD SEPARATELY						
		P) CALL ORDER DESK FOR SPECIFIC APPLICATION (V.I.N.)						

From P-741 To Y-7045

Date: 10/2022

PAGE: XL-1410-01

STEERING RODS - INSTALL W/ I BEAM & DISC MODEL 2FG-952-CAX



From P-741 To Y-7045	Date:10/2022	PAGE:XL-1410-01
----------------------	--------------	-----------------

STEERING RODS - INSTALL W/ I BEAM & DISC MODEL 2FG-952-CAX

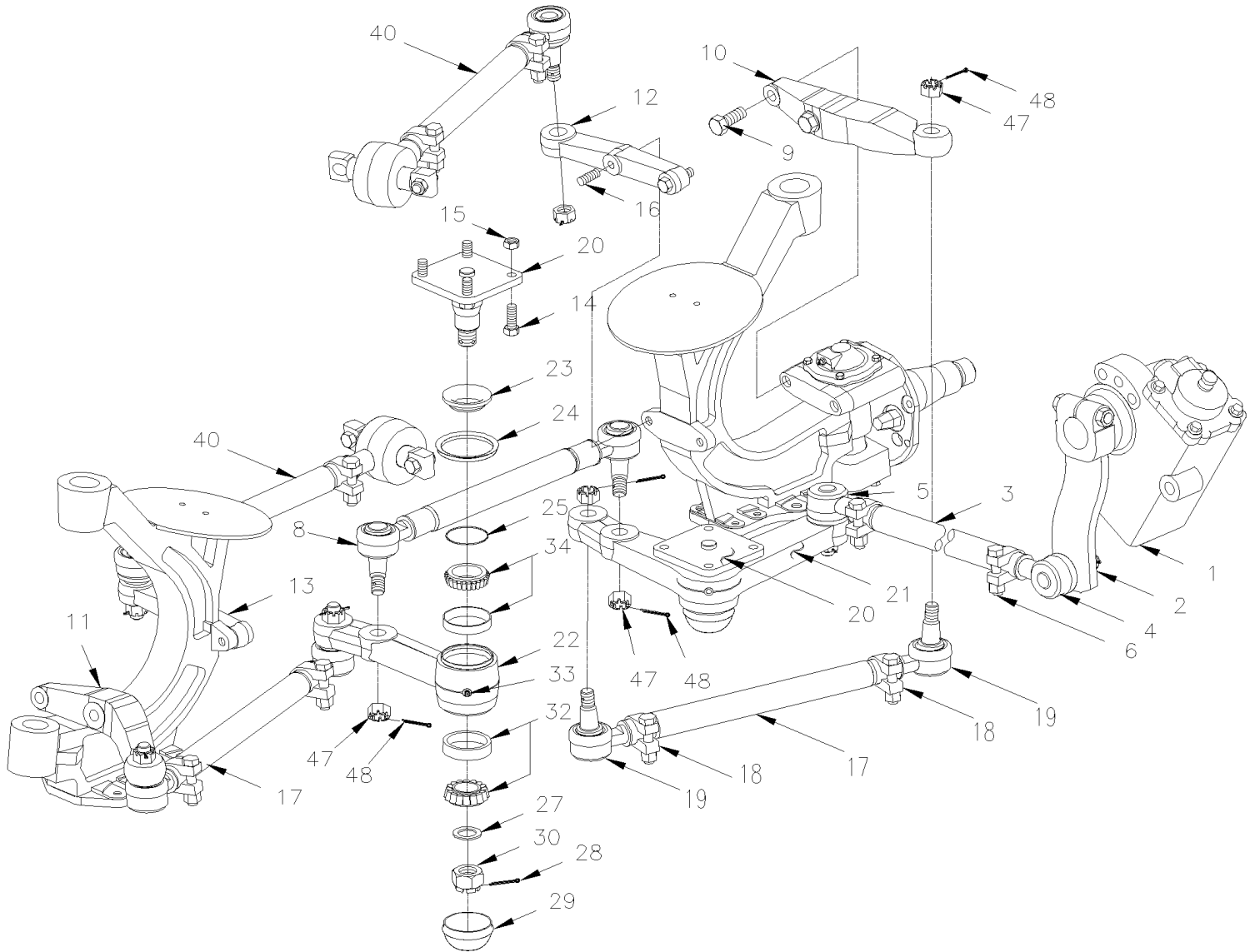
Item#	Part	Description	M T H 4 0	M T H 4 5	M T H 4 5 E	X L 4 0	X L 4 5	N O T E S
		A) RELOCATION OF FIRE SENSOR						
		B) SEE MAINTENANCE INFORMATION MI05-09						

From T-5873 To Y-7045

Date:10/2022

PAGE:XL-1410-50

STEERING RODS - INSTALLATION W/INDEPENDENT "IS-82" / 16500 LBS



From T-5873 To Y-7045	Date:10/2022	PAGE:XL-1410-50
STEERING RODS - INSTALLATION W/INDEPENDENT "IS-82" / 16500 LBS		



From T-5873 To Y-7045	Date:10/2022	PAGE:XL-1410-50
-----------------------	--------------	-----------------

STEERING RODS - INSTALLATION W/INDEPENDENT "IS-82" / 16500 LBS

Item#	Part	Description	M T H 4 0	M T H 4 5	M T H 4 5 E	X L 4 0	X L 4 5	N O T E S
1	XL-1415-01	STEERING GEARBOX - TAS 85040 & TAS 85081						
NS	500154	SCREW CAP HEX 7/8-14x2 G8 ZP	1	1	1			
NS	500490	WASHER LO SPT .887x1.464x.219 ZP	1	1	1			
NS	5001219	SCREW CAP HEX 3/4-16x1 3/4 G8 ZP	6	6	6			
2	660999	ARM, PITMAN	1	1	1			B
NS	M105-09	SEE MAINTENANCE INFORMATION	1	1	1			B
NS	500298	SCREW CAP HEX 3/4-16x4 1/2 G5 ZP	1	1	1			
NS	500733	NUT HEX 3/4-16 Z050	1	1	1			
NS	500488	WASHER LO SPT .760x1.271x.188 Z050	1	1	1			
3	160937	DRAG LINK ASSY / 877MM C/C To W-6470	1	1	1			
3	661026	DRAG LINK ASSY / 877MM C/C From W-6471	1	1	1			
3	160970	ROD / 731MM	1	1	1			
4	611070	TIE ROD END R.H. THREAD 1 1/4-12	1	1	1			
4	N8892657	TIE ROD END R.H. THREAD 1 1/4-12 SERVICE	1	1	1			S
5	611071	TIE ROD END L.H. THREAD 1 1/4-12	1	1	1			
5	661150	TIE ROD END L.H. THREAD 1 1/4-12 SERVICE	1	1	1			S
NS	5001345	NUT HEX CSL THN 7/8-14	1	1	1			
NS	502115	PIN, COTTER 3/16 x 2 1/2	1	1	1			
6	660978	COLLAR ASSY / W/BOLT & NUT 1 5/8" I.D.	2	2	2			
NS	500231	SCREW CAP HEX 5/8-11x3 G5 ZP	1	1	1			
NS	500683	NUT HEX STO 5/8-11 ZP	1	1	1			
6	500231	SCREW CAP HEX 5/8-11x3 G5 ZP	1	1	1			
6	500683	NUT HEX STO 5/8-11 ZP	1	1	1			
8	160978	ROD ASSY / 569MM C/C CENTER To V-6084	1	1	1			
8	661015	ROD ASSY / 569MM C/C CENTER From V-6085	1	1	1			
8	661131	ROD ASSY / 569MM C/C CENTER SERVICE	1	1	1			
9	5001326	SCREW CAP HEX M14-2.0x70 G10.9 DP	1	1	1			
9	5001327	SCREW CAP HEX M14-2.0x80 G10.9 DP	1	1	1			
10	611124	STEERING ARM R.H.	1	1	1			
11	611123	STEERING ARM L.H.	1	1	1			
12	660995	UPRIGHT ARM R.H. To V-6001	1	1	1			
12	661071	UPRIGHT ARM L.H. / W/56 Deg From V-6002	1	1	1			
13	660996	UPRIGHT ARM L.H. To V-6001	1	1	1			
13	661072	UPRIGHT ARM R.H. / W/56 Deg From V-6002	1	1	1			
14	502537	SCREW CAP HEX M14-2.0x40 G8.8 ZP	4	4	4			
15	502538	NUT HEX STO M14-2.0 Z050	4	4	4			
16	XL-1005-50	FRONT AXLE - INDEPENDENT MODEL "IS-82" / 16500LBS To V-6001						
16	XL-1005-51	FRONT AXLE - INDEPENDENT MODEL "IS-84" / 16500LBS From V-6002						
17	661024	ROD ASSY / 657MM C/C	2	2	2			
17	661129	ROD ASSY / 657MM C/C WITH LONG NECK TIE ROD END	2	2	2			R
17	N.P.N.	ROD	1	1	1			4
18	660978	COLLAR ASSY / W/BOLT & NUT 1 5/8" I.D.	1	1	1			

From T-5873 To Y-7045	Date:10/2022	PAGE:XL-1410-50
STEERING RODS - INSTALLATION W/INDEPENDENT "IS-82" / 16500 LBS		

Item#	Part	Description	M T H 4 0	M T H 4 5	M T H 4 5 E	X L 4 0	X L 4 5	N O T E S
. NS	500231	. . SCREW CAP HEX 5/8-11x3 G5 ZP	1	1	1			
. NS	500683	. . NUT HEX STO 5/8-11 ZP	1	1	1			
18	661133	. COLLAR ASSY / W/BOLT & NUT & STOPPER 1 5/8" I.D.	1	1	1			
. NS	500231	. . SCREW CAP HEX 5/8-11x3 G5 ZP	1	1	1			
. NS	500683	. . NUT HEX STO 5/8-11 ZP	1	1	1			
19	611070	. TIE ROD END R.H. THREAD 1 1/4-12	1	1	1			
19	2005362	. TIE ROD END R.H. THREAD 1 1/4-12 SERVICE	1	1	1			S
19	661138	. TIE ROD END R.H. THREAD 1 1/4-12	1	1	1			RR
19	611071	. TIE ROD END L.H. THREAD 1 1/4-12	1	1	1			
19	2005363	. TIE ROD END L.H. THREAD 1 1/4-12 SERVICE	1	1	1			S
19	661139	. TIE ROD END L.H. THREAD 1 1/4-12	1	1	1			RR
20	160983	SPINDLE SHAFT	1	1	1			
NS	161005	SHIM 26GAGE 105MM C/C x 14MM slot	AR	AR	AR			
NS	161006	SHIM 20GAGE 105MM C/C x 14MM slot	AR	AR	AR			
21	160972	LEVER L.H. To V-6179	1	1	1			
21	161020	LEVER L.H. From V-6180	1	1	1			
22	160982	LEVER R.H. To V-6179	1	1	1			
22	161019	LEVER R.H. From V-6180	1	1	1			
23	160984	SLEEVE WIPER 63.5MM O.D.	1	1	1			
24	507351	DUST SEAL 3.270 I.D. X 3.085 O.D.	1	1	1			
25	507350	OIL SEAL	1	1	1			
26	507352	O-RING 80MM X 3MM	1	1	1			
27	5001227	WASHER FL .453x.875x.090	1	1	1			
28	502115	PIN, COTTER 3/16 x 2 1/2	1	1	1			
29	160981	COVER To V-6179	1	1	1			
29	661014	COVER From V-6180	1	1	1			
29	502631	SCREW CAP HEX M6-1.0x20 G8.8 Z050 To V-6179	1	1	1			
30	5001218	NUT HEX CSL M30-1.5	1	1	1			
31	502631	SCREW CAP HEX M6-1.0x20 G8.8 Z050	8	8	8			
32	507354	KIT, CUP & CONE BEARING	2	2	2			
33	501490	GREASE FITTING / 1/8 NPT	1	1	1			
34	507353	KIT, CUP & CONE BEARING	2	2	2			
40	XL-1605-50	FRONT AXLE - INSTALL W/INDEPENDENT / 16500LBS						
47	5001345	NUT HEX CSL THN 7/8-14	1	1	1			
48	502104	PIN, COTTER 5/32 x 2	1	1	1			
NS	161009	SHIELD RUBBER	1	1	1			
NS	160994	COLLAR SHIELD RETAINER / "O" FORM CLOSED	1	1	1			
NS	500657	SCREW TC TR PH #10-24x1/2 Z050	12	12	12			A
NS	504024	HOSE CLAMP / 1"13/16"-2"3/4 SS / HS-36	1	1	1			
NS	MI05-09	SEE MAINTENANCE INFORMATION	1	1	1			
101	172171	KIT REINFORCMENT IND SUSPENTION MTH From T-5873	1	1	1			

From T-5873 To Y-7045	Date:10/2022	PAGE:XL-1410-50
STEERING RODS - INSTALLATION W/INDEPENDENT "IS-82" / 16500 LBS		

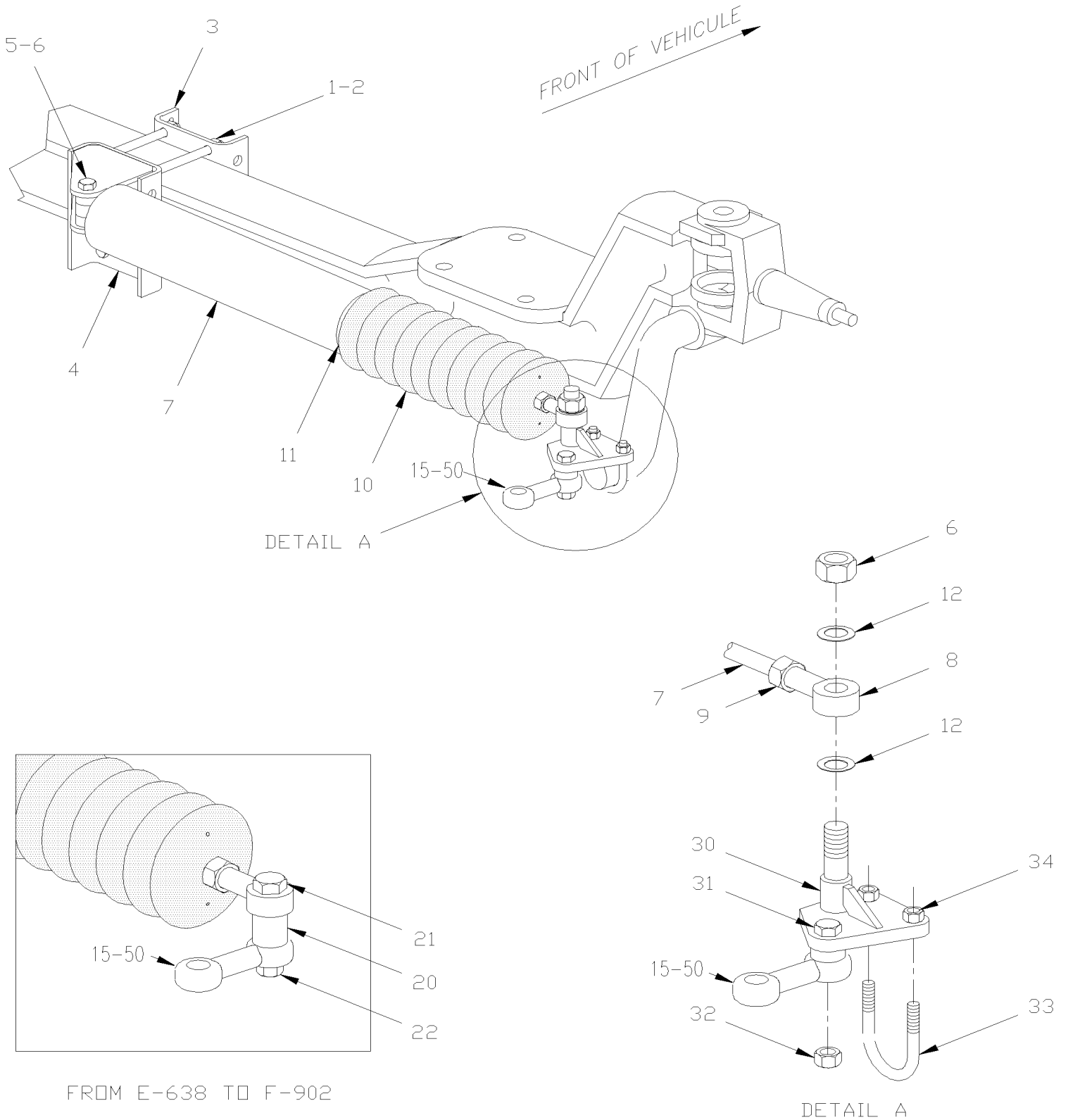
Item#	Part	Description	M T H 4 0	M T H 4 5	M T H 4 5 E	X L 4 0	X L 4 5	N O T E S
. NS	IS-97049	. SEE INSTRUCTION SHEET From T-5873	1	1	1			
		A) TO HOLD TOLE						
		B) SEE MAINTENANCE INFORMATION MI05-09						
		R) THIS ASSY USE ONLY LONG NECK TIE ROD END # 661138 & # 661139						
		RR) USE ONLY WITH ASSY # 661129						
		S) SERVICE ON SHORT FORMER MODEL						
		4) NO PARTS NUMBER						

From E-638 To P-740

Date:10/2022

PAGE:XL-1412-00

STEERING DAMPER - INSTALL W/ I BEAM DRUM AXLE

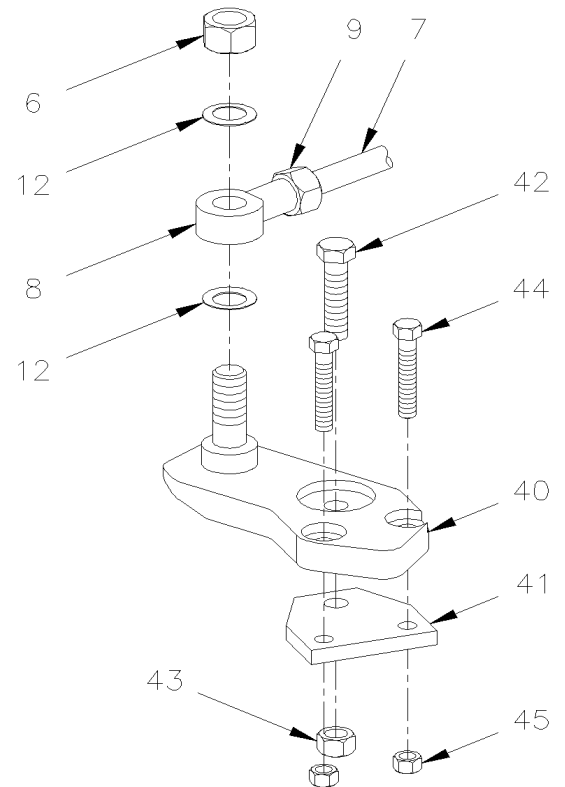
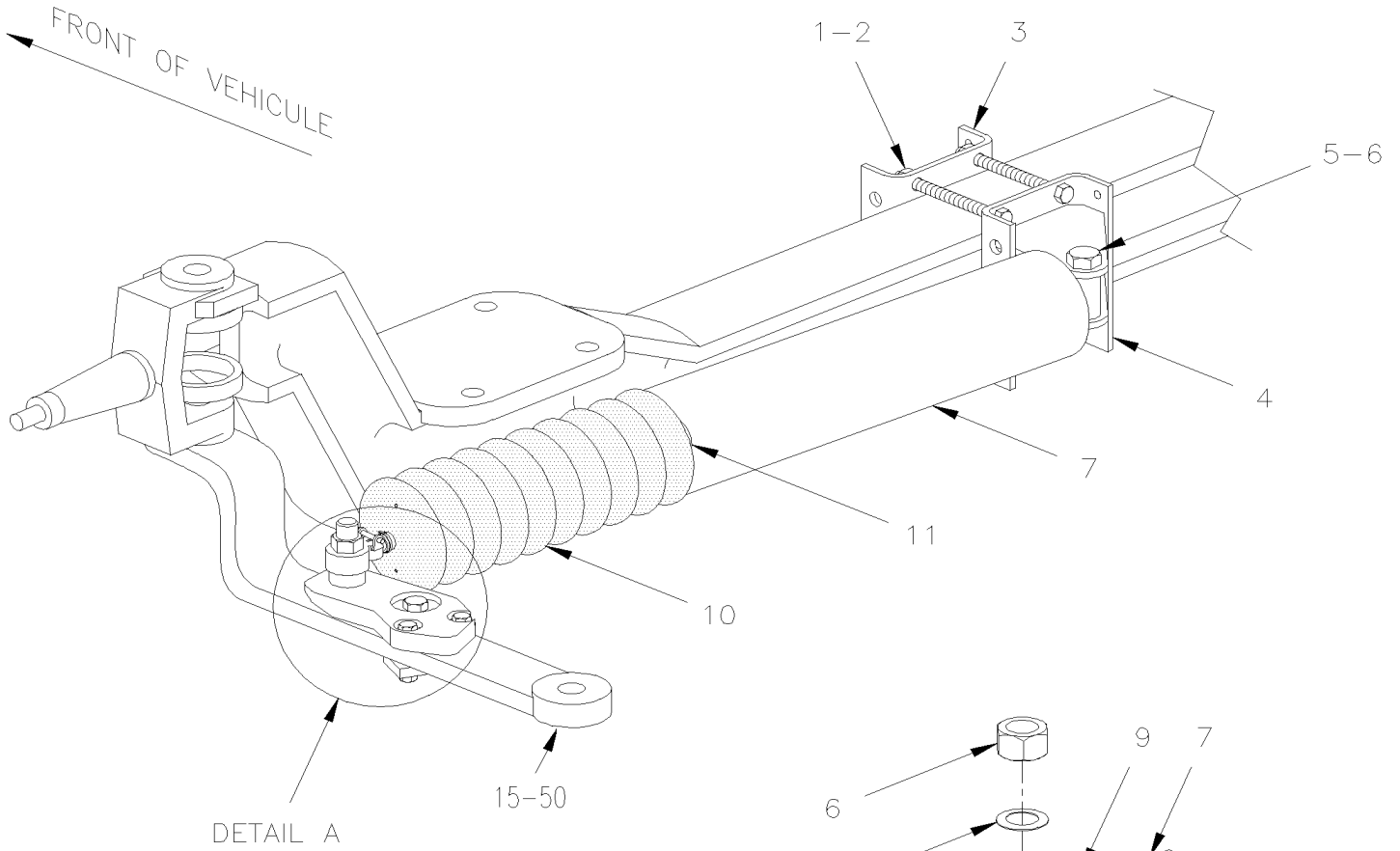


From P-741 To Y-7045

Date:10/2022

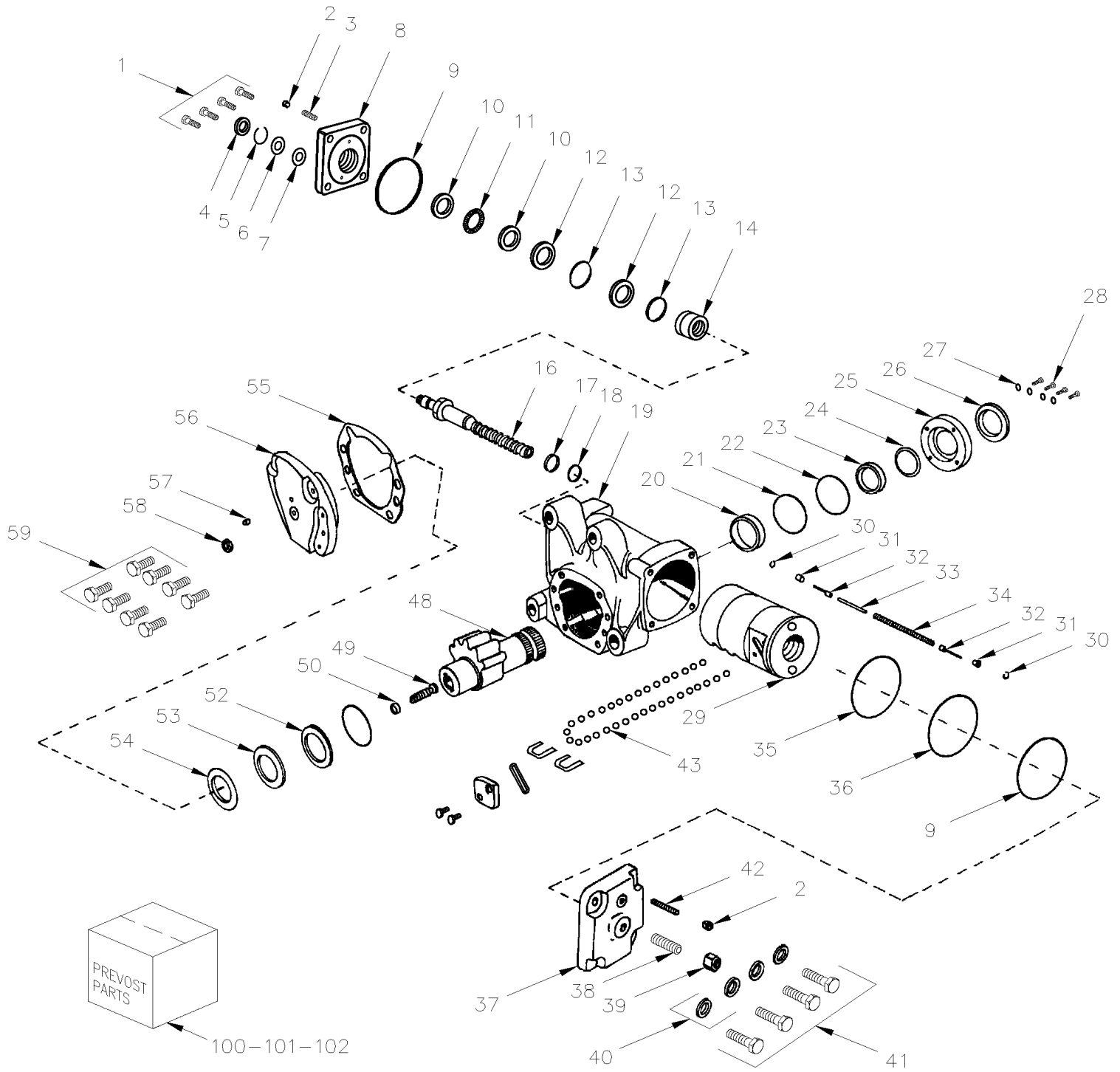
PAGE:XL-1412-01

STEERING DAMPER - INSTALL W/ I BEAM DISC AXLE



DETAIL A
FROM P-741

From E-638 To P-740	Date:10/2022	PAGE:XL-1415-00
STEERING GEARBOX - HFB-70108		



From E-638 To P-740	Date:10/2022	PAGE:XL-1415-00
STEERING GEARBOX - HFB-70108		

Item#	Part	Description	M T H 4 0	M T H 4 5	M T H 4 5 E	X L 4 0	X L 4 5	N O T E S
	660588	GEARBOX STEERING "TRW"	1			1		
	661038	GEARBOX STEERING "TRW"	1			1		
1		. BOLT 9/16-18 X 2 1/8	4			4		
2	660700	. NUT JAM / POPPET SCREW	2			2		
3	660659	. SCREW AJUSTING 2 1/4 OR 2 1/2 POPPET	1			1		
4	660701	. SEAL	1			1		
5	660702	. RING RETAINING	1			1		
6	660703	. WASHER	1			1		
7	660704	. SEAL / INPUT SHAFT (2 PIECES)	1			1		
8	660705	. HOUSING ASSY / VALVE (3 PIECES)	1			1		
9	660706	. O-RING	2			2		
10	660707	. WASHER THRUST	2			2		
11	660708	. BEARING THRUST	1			1		
12	660719	. . SEAL	2			2		
12	660710	. RING SEAL	1			1		
13	660720	. . O-RING	2			2		
13	N.S.S.	. . SEAL RING	1			1		1
13	N.S.S.	. . WORM & RING ASSY	1			1		1
14	N.S.S.	. . INSERT	1			1		1
16	660718	. SERVICE VALVE ASSY	1			1		
16	N.S.S.	. . SHAFT & VALVE ASSY	1			1		1
17	660721	. . O-RING	1			1		
18	660722	. . RING SEAL	1			1		
NS	660732	. HOUSING ASSY	1			1		
19		. . HOUSING	1			1		
19	660735	. . ARM, PITMAN 9" / (PAINTED BLACK)	1			1		
20	660733	. . BEARING	1			1		
21	660734	. . RING RETAINING	1			1		
22	N.S.S.	. . O-RING / COVER TRUNNION	1			1		1
23	660738	. . SEAL & ADAPTOR ASSY (2 PIECES)	1			1		
24	660737	. . WASHER BACK-UP	1			1		
NS	660736	. COVER ASSY / TRUNNION	1			1		
25	N.S.S.	. . COVER	1			1		1
25	N.S.S.	. . PIN	1			1		1
26	660709	. SEAL	1			1		
27	660711	. WASHER	4			4		
28	660712	. SCREW	4			4		
NS	660723	. RACK & BALL SERVICE ASSY	1			1		
29	N.S.S.	. . RACK PISTON	1			1		1
30	660728	. . RING RETAINING	2			2		
31	660727	. . SEAT POPPET	2			2		
32	660726	. . POPPETS	2			2		

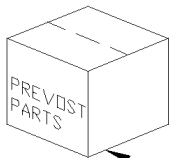
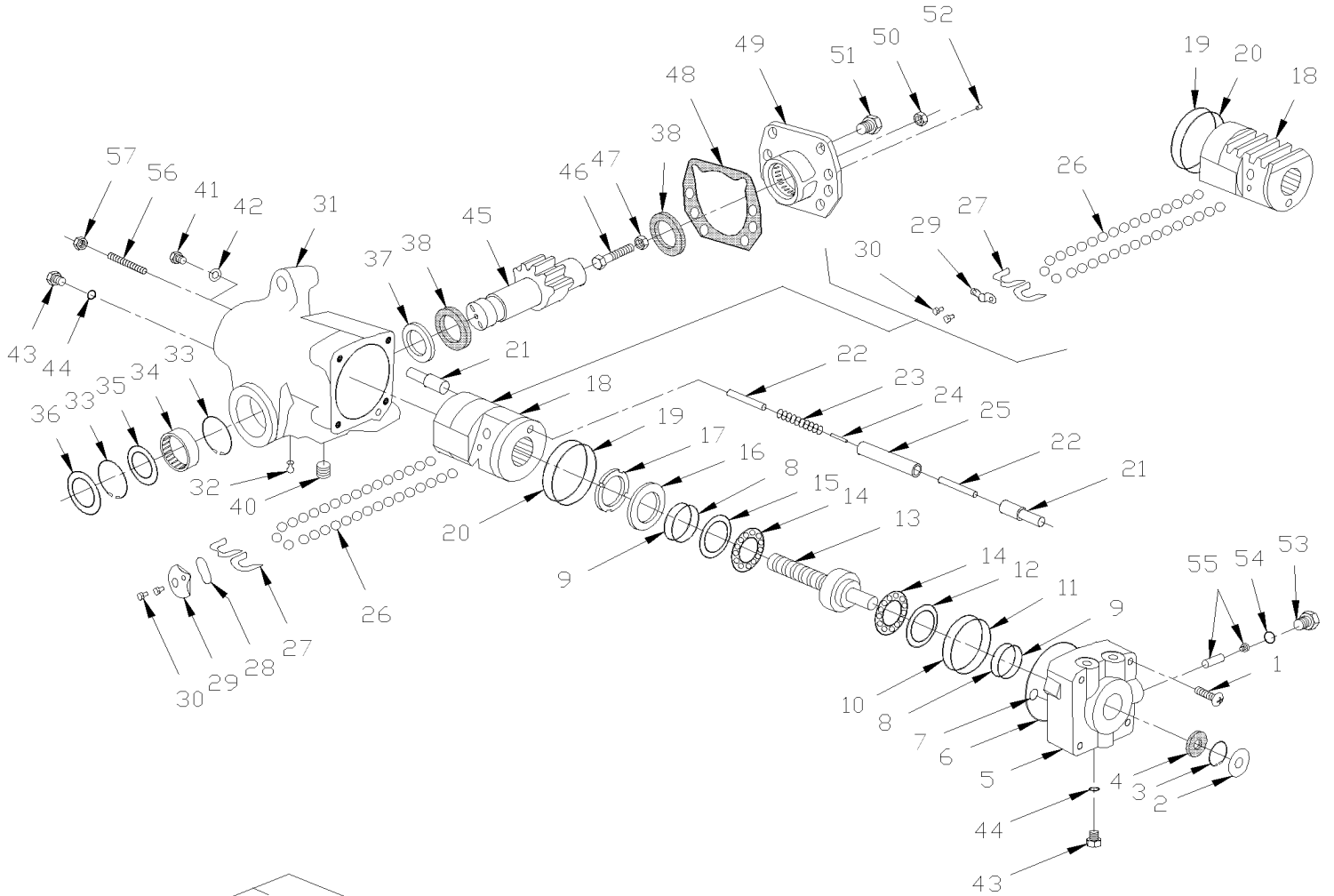
From E-638 To P-740	Date:10/2022	PAGE:XL-1415-00
STEERING GEARBOX - HFB-70108		

Item#	Part	Description	M T H 4 0	M T H 4 5	M T H 4 5 E	X L 4 0	X L 4 5	N O T E S
33	660725	. . SPACER ROD	1			1		
34	660724	. . SPRING, COMP.	1			1		
35	660729	. . O-RING (BACK UP; RACK PISTON)	1			1		
36	660730	. . TEFLON SEAL RING (RACK PISTON)	1			1		
37	660713	. COVER END	1			1		
38	660714	. SCREW ADJUSTING	1			1		
39	660715	. NUT JAM	1			1		
40	660716	. WASHER	4			4		
41	660717	. SCREW	4			4		
41	660739	. SHAFT & COVER SERVICE ASSY	1			1		
42	660660	. SCREW SET SLT FL 3/8-24x1 1/2 BK	1			1		
42	N.S.S.	. . INSERT THRUST	1			1		1
43	660731	. . BALL (KIT OF 34)	1			1		
43	N.S.S.	. . . BEARING	1			1		1
48	N.S.S.	. SHAFT & COVER (48 & 56)	1			1		1
49	660741	. . ADJUSTING SCREW (SECTOR SHAFT)	1			1		
50	660742	. . RETAINER (ADJUSTING SCREW)	1			1		
52	660747	. . . RING RETAINING	1			1		
52	660746	. . . SEAL ASSY / SIDE COVER (2 PIECES)	1			1		
53	660744	. . . WASHER	1			1		
54	660745	. . . WASHER BACK UP	1			1		
55	660749	. . GASKET / SIDE COVER	1			1		
55	660743	. . SIDE COVER SERVICE ASSY	1			1		
56	N.S.S.	. . . COVER SIDE	1			1		1
57	660748	. . VENT PLUG (SIDE COVER)	1			1		
58	660751	. . NUT HEX JAM	1			1		
59	660750	. . ARM, PITMAN 270MM C/C	8			8		
100	660752	KIT COMPLETE SEAL	AR			AR		
101	661065	KIT POPPET VALVE	AR			AR		C
. A	N.S.S.	. O-RING (BACK-UP)	1			1		1 C
. B	N.S.S.	. POPPET ADJUSTER SEAT & SLEEVE ASSY	2			2		1 C
. C	N.S.S.	. POPPET	2			2		1 C
. D	N.S.S.	. POPPET SPRING	1			1		1 C
. E	N.S.S.	. SPACER ROD	1			1		1 C
. F	N.S.S.	. PUSH TUBE	1			1		1 C
102	661066	SEAL KIT / SECTOR OUTPUT SHAFT	AR			AR		
. A	660966	. RETAINER RING	1			1		
. B	N.S.S.	. DIRT SEAL	1			1		1
. C	N.S.S.	. DIRT & WATER SEAL (TRUNION)	1			1		1
. D	660970	. WASHER (SPACER)	1			1		
. E	660968	. SEAL (OUTPUT) / W/85040	1			1		
. F	N.S.S.	. GASKET (SIDE COVER)	1			1		1

From E-638 To P-740	Date:10/2022	PAGE:XL-1415-00
STEERING GEARBOX - HFB-70108		

Item#	Part	Description	M T H 4 0	M T H 4 5	M T H 4 5 E	X L 4 0	X L 4 5	N O T E S
		C) INCLUD ITEMS # 21,22,23,24 & 25						
		1) NOT SOLD SEPARATELY						
		1) NOT SOLD SEPARATELY						

From P-741 To Y-7045	Date:10/2022	PAGE:XL-1415-01
STEERING GEARBOX - TAS 85040 & TAS 85081		



100-101-102-103

From P-741 To Y-7045	Date:10/2022	PAGE:XL-1415-01
STEERING GEARBOX - TAS 85040 & TAS 85081		

Item#	Part	Description	M T H 4 0	M T H 4 5	M T H 4 5 E	X L 4 0	X L 4 5	N O T E S
	660927	GEARBOX STEERING "TRW"	1	1	1	1	1	
NS	661008	GEARBOX STEERING "TRW" From T-5873	1	1	1			
1	660946	. SCREW 9/16-18 SPECIAL TORX	4	4	4	4	4	
2	N.S.S.	. DIRT & WATER SEAL	1	1	1	1	1	1
3	N.S.S.	. RETAINING RING	1	1	1	1	1	1
4	N.S.S.	. SEAL (INPUT SHAFT)	1	1	1	1	1	1
5	660949	. VALVE HOUSING / W/85040	1	1	1	1	1	
NS	661017	. VALVE HOUSING / W/85081 From T-5873	1	1	1			
6	N.S.S.	. . SEAL RING (VALVE HOUSING)	1	1	1	1	1	1
7	N.S.S.	. . SEAL RING (VALVE HOUSING) / W/85040	1	1	1	1	1	1
8	N.S.S.	. SEAL RING	2	2	2	2	2	1
9	N.S.S.	. O-RING	2	2	2	2	2	1
10	N.S.S.	. SEAL RING	1	1	1	1	1	1
11	N.S.S.	. O-RING (VALVE HOUSING)	1	1	1	1	1	1
12	660955	. THRUST WASHER (THICK)	1	1	1	1	1	
13	660956	. SHAFT & WORM ASSY/ W/85040	1	1	1	1	1	
NS	661018	. SHAFT & WORM ASSY. / W/85081 From T-5873	1	1	1			
14	660957	. THRUST BEARING	2	2	2	2	2	
15	660958	. THRUST WASHER (THIN)	1	1	1	1	1	
16	660959	. BEARING ADJUSTER	1	1	1	1	1	
17	N.S.S.	. ADJUSTER LOCKNUT	1	1	1	1	1	1
18	660961	. RACK PISTON	1	1	1	1	1	
19	N.S.S.	. . TEFLON SEAL RING (RACK PISTON)	1	1	1	1	1	1
20	N.S.S.	. . O-RING (BACK UP; RACK PISTON)	1	1	1	1	1	1
21	N.S.S.	. . POPPET ADJUSTER SEAT & SLEEVE ASSY	2	2	2	2	2	1
22	N.S.S.	. . POPPET	2	2	2	2	2	1
23	N.S.S.	. . POPPET SPRING	1	1	1	1	1	1
24	660964	. . SPACER ROD	1	1	1	1	1	
25	N.S.S.	. . PUSH TUBE	1	1	1	1	1	1
26	660731	. . BALL (KIT OF 34)	34	34	34	34	34	
27	N.S.S.	. . BALL RETURN GUIDE	2	2	2	2	2	1
28	N.S.S.	. . SEAL (CAP)	2	2	2	2	2	1
29	N.S.S.	. . BALL RETURN GUIDE CAP	1	1	1	1	1	1
29	N.S.S.	. . BALL RETURN GUIDE CLIP	1	1	1	1	1	1
30	N.S.S.	. . TORX SCREW (2 CAP)	2	2	2	2	2	1
30	N.S.S.	. . HEX HEAD BOLT (2 CLIP) 5/16-18 X 3/8"	2	2	2	2	2	1
31	N.S.S.	. HOUSING	1	1	1	1	1	1
32	N.S.S.	. GREASE FITTING	1	1	1	1	1	1
33	N.S.S.	. RETAINER RING	2	2	2	2	2	1
34	660967	. ROLLER BEARING	1	1	1	1	1	
35	N.S.S.	. SEAL	1	1	1	1	1	1
36	N.S.S.	. DIRT & WATER SEAL (TRUNION)	1	1	1	1	1	1

From P-741 To Y-7045	Date:10/2022	PAGE:XL-1415-01
STEERING GEARBOX - TAS 85040 & TAS 85081		

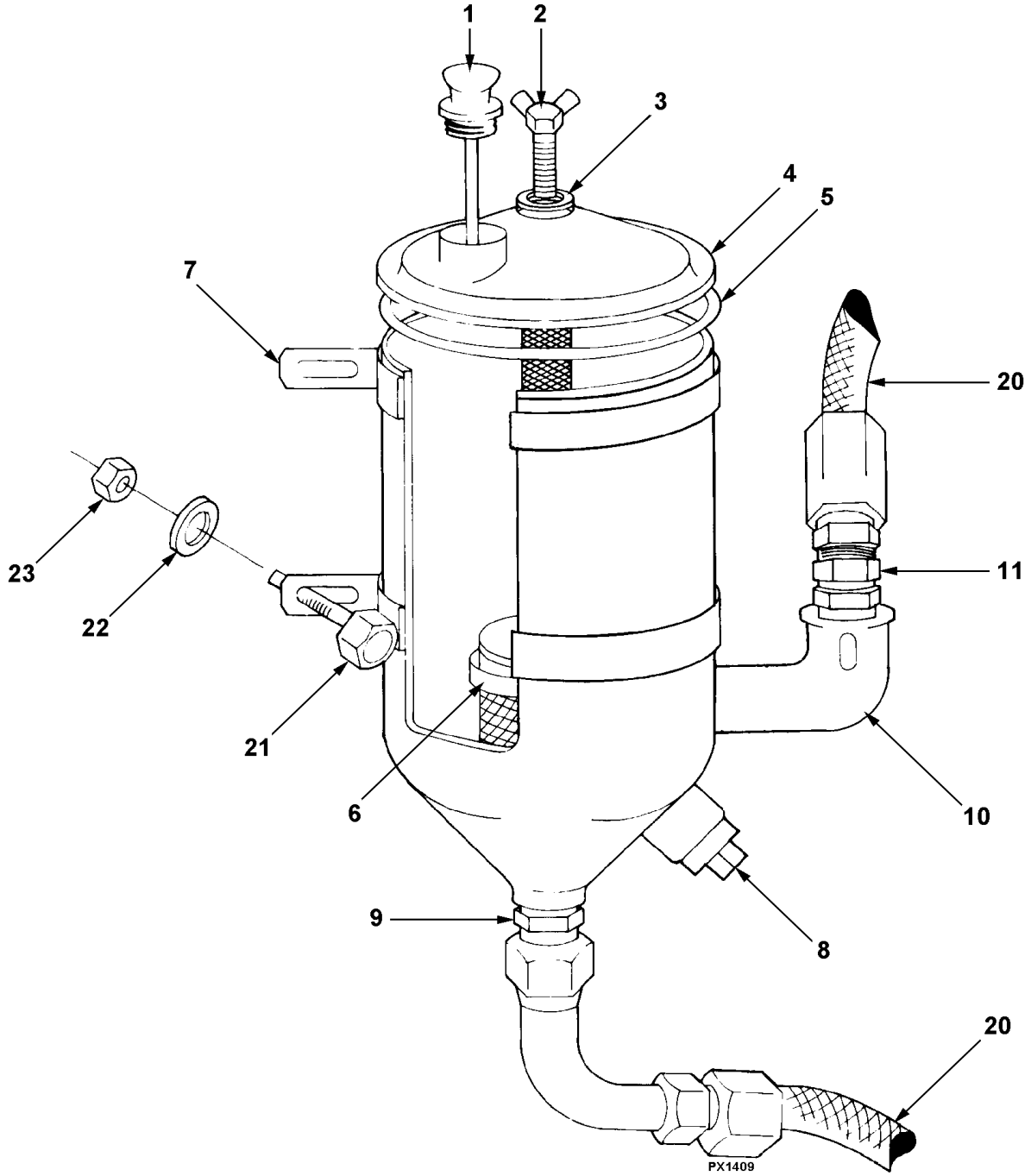
Item#	Part	Description	M T H 4 0	M T H 4 5	M T H 4 5 E	X L 4 0	X L 4 5	N O T E S
		A) INCLUDE ITEMS #2, 3 & 4						
		B) INCLUDE ITEMS #33,35,36,37,38 & 48						
		C) INCLUDE ITEMS # 21,22,23,24 & 25						
		D) INCLUDE ITEMS #2,3,4,6,7,8,9,10,11,17,19,20,27,28,29(CAP),30,35,36,38,44,48 & 52						
		1) NOT SOLD SEPARATELY						
		1) NOT SOLD SEPARATELY						

From E-638 To R-958

Date:10/2022

PAGE:XL-1420-00

POWER STEERING TANK - 1.75 QT U.S.

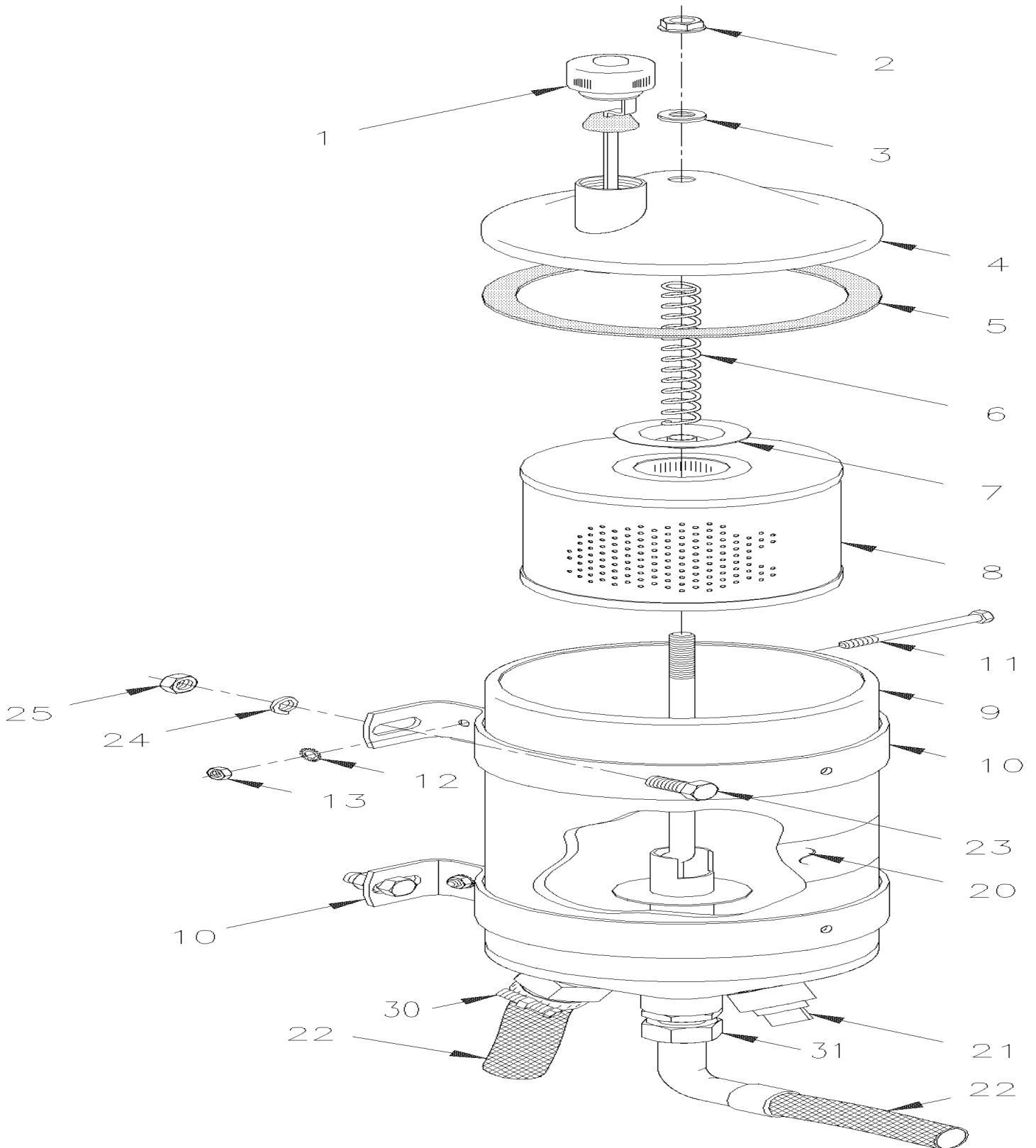


From R-959 To Y-7045

Date:10/2022

PAGE:XL-1420-01

POWER STEERING TANK - 4 QT U.S.



From R-959 To Y-7045	Date:10/2022	PAGE:XL-1420-01
POWER STEERING TANK - 4 QT U.S.		

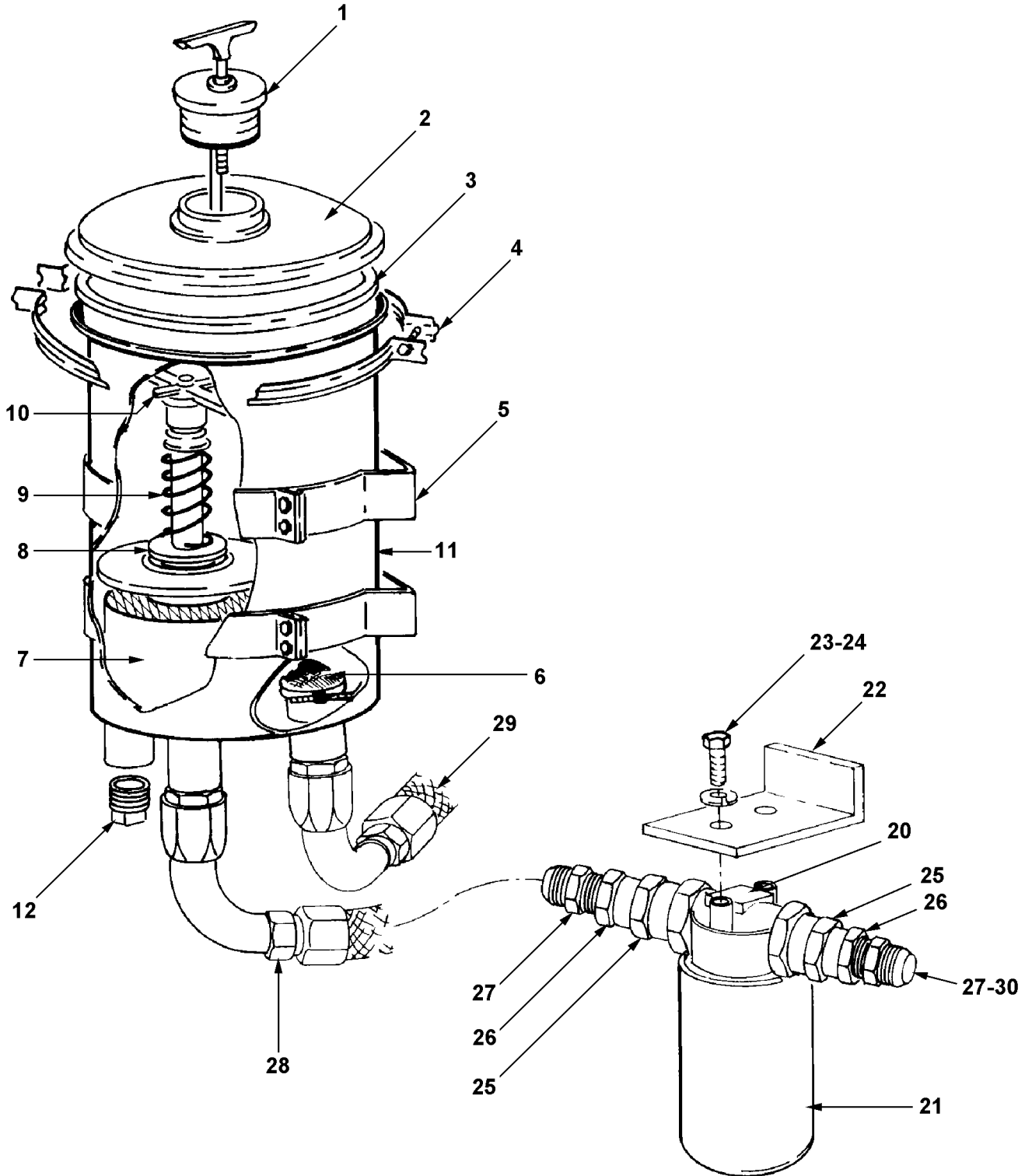
Item#	Part	Description	M T H 4 0	M T H 4 5	M T H 4 5 E	X L 4 0	X L 4 5	N O T E S
	660982	TANK ASSY 4QT U.S.	1	1	1	1	1	
1	660985	. DIPSTICK	1	1	1	1	1	
2	N.S.P.	. WING NUT 3/8-16	1	1	1	1	1	2
3	19512588	. WASHER	1	1	1	1	1	
4	660989	. COVER ASSY	1	1	1	1	1	
5	660986	. GASKET	1	1	1	1	1	
6	660991	. SPRING, COMP.	1	1	1	1	1	
7	N8886469	. WASHER, RETAINER	1	1	1	1	1	
8	660987	. ELEMENT FILTER	1	1	1	1	1	
		. CHAR(255)						
10	660988	. ATTACHMENT SUPPORT	2	2	2	2	2	
20	160370	DECAL "OIL DEXTRON"	1	1	1	1	1	
21	501306	PLUG SQUARE HEAD / PIPE FITTING / 1/2NPT-M BR	1	1	1	1	1	
22	XL-1400-01	POWER STEERING HOSE - INSTALLATION DETROIT S-50 & S-60						
23	502559	SCREW CAP HEX M10-1.5x25 G8.8 Z050	4	4	4	4	4	
24	502644	WASHER FL 10.5x30.0x2.5 Z050	4	4	4	4	4	
NS	500257	WASHER LO SPT 10.2x18.1x2.2 Z050	4	4	4	4	4	
25	500256	NUT HEX M10-1.5 Z050	4	4	4	4	4	
30	5011086	MALE CONNECTOR / PUSH-LOK FITTING / 1NPT-Mx#16 STL	1	1	1	1	1	
31	501592	MALE CONNECTOR / JIC 37° FITTING / #10JIC-Mx1/2NPT-M STL To V-6063	1	1	1	1	1	
31	501739	MALE CONNECTOR / JIC 37° FITTING / #8JIC-Mx1/2NPT-M STL From V-6064	1	1	1	1	1	
		2) NOT SOLD BY PREVOST (SEE MANUFACTURING PART NUMBER AT END OF DESCRIPTION LINE)						

From E-730 To H-399

Date:10/2022

PAGE:XL-1420-05

POWER STEERING TANK - 2 GALLONS

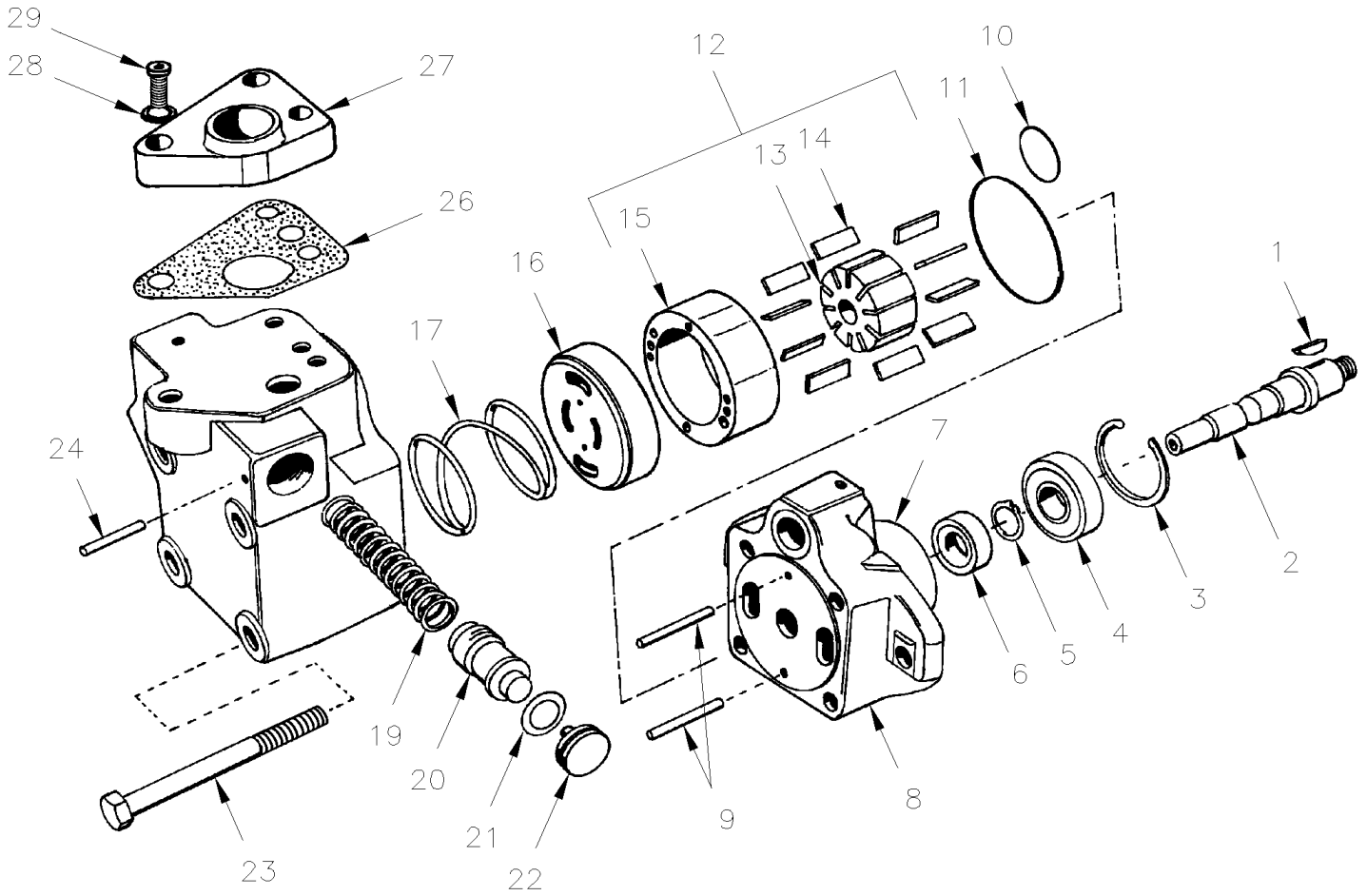


From E-638 To R-843

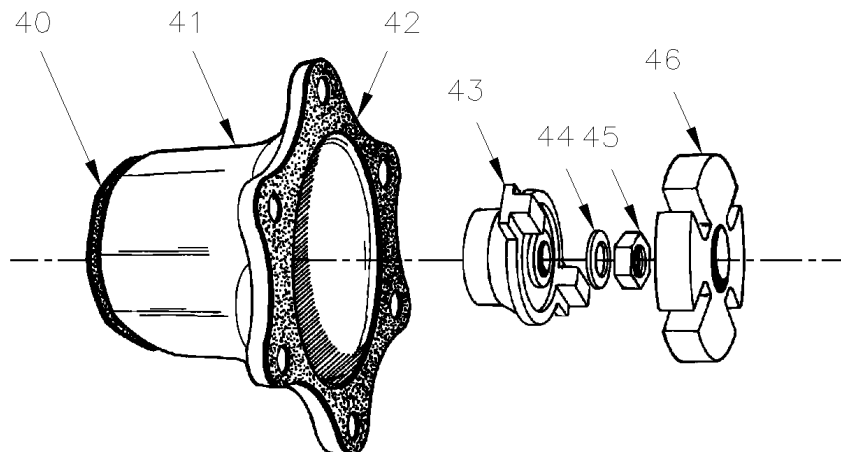
Date:10/2022

PAGE:XL-1427-00

POWER STEERING PUMP - "VICKERS" - WITH DETROIT S-71 & S-92



ACCESSORIES DRIVE (Hydraulic pump)



From E-638 To R-843	Date:10/2022	PAGE:XL-1427-00
---------------------	--------------	-----------------

POWER STEERING PUMP - "VICKERS" - WITH DETROIT S-71 & S-92

Item#	Part	Description	M T H 4 0	M T H 4 5	M T H 4 5 E	X L 4 0	X L 4 5	N O T E S
	660667	PUMP POWER STEERING / 1000 PSI To H-223	1			1		
	660767	PUMP POWER STEERING / 1500 PSI From H-224 To P-783	1			1		
	660917	PUMP POWER STEERING / 2000 PSI From P-784	1		1	1		
1	660441	. KEY	1		1	1		
2	660437	. SHAFT	1		1	1		
3	660442	. RING, RETAINER	1		1	1		
4	560974	. BALL BEARING	1		1	1		
5	660860	. RING, RETAINER	1		1	1		
6	660439	. SEAL, SHAFT	1		1	1		
7	660436	. BEARING	1		1	1		
8	N.S.S.	. BODY	1		1	1		1
9	660453	. PIN To P-783	2		2	2		
9	660507	. PIN From P-784	2		2	2		
10	660859	. O-RING	1		1	1		
11	660457	. O-RING	1		1	1		
12	660513	. KIT, MAINTENANCE ROTOR	1		1	1		
13	N.S.S.	. . ROTOR	1		1	1		1
14	660512	. . VANE	10		10	10		
15	N.S.S.	. . RING	1		1	1		1
16	660451	. PLATE PRESSURE	1		1	1		
17	660504	. SPRING COMPRESSION / 1.725 O.D. x 1.262 x .087	1		1	1		
19	660447	. SPRING COMPRESSION / .619 O.D. x 2.590 x .048	1		1	1		
20	660334	. VALVE, CONTROL / 1000 PSI To H-223	1			1		
20	660616	. VALVE, CONTROL / 1500 PSI From H-224 To P-784	1			1		
20	660918	. VALVE, CONTROL / 2000 PSI From P-784	1		1	1		
21	507169	. O-RING 1/2 I.D.	1		1	1		
22	660503	. PLUG	1		1	1		
23	500196	. SCREW CAP HEX 3/8-16x3 G5 ZP	4		4	4		
24	660446	. PIN	1		1	1		
26	660481	. GASKET	1		1	1		
27	660483	. MANIFOLD	1		1	1		
NS	501304	. PLUG SQUARE HEAD / PIPE FITTING / 1/4NPT-M BR	1		1	1		
28	660534	. WASHER	3		3	3		
29	660484	. SCREW	3		3	3		
NS	660274	KIT REPAIR (INCLUDE #6-10-11-21-26)	AR		AR	AR		
40	510227	GASKET / POWER STEERING PUMP	1		1	1		
41	510013	ADAPTOR	1		1	1		
42	510030	GASKET	1		1	1		
43	510228	HUB DRIVER	1		1	1		
44	510094	WASHER FLAT	1		1	1		
45	500951	NUT HEX STO 1/2-20 ZP	1		1	1		
46	510226	COUPLING	1		1	1		

From E-638 To R-843	Date:10/2022	PAGE:XL-1427-00
POWER STEERING PUMP - "VICKERS" - WITH DETROIT S-71 & S-92		

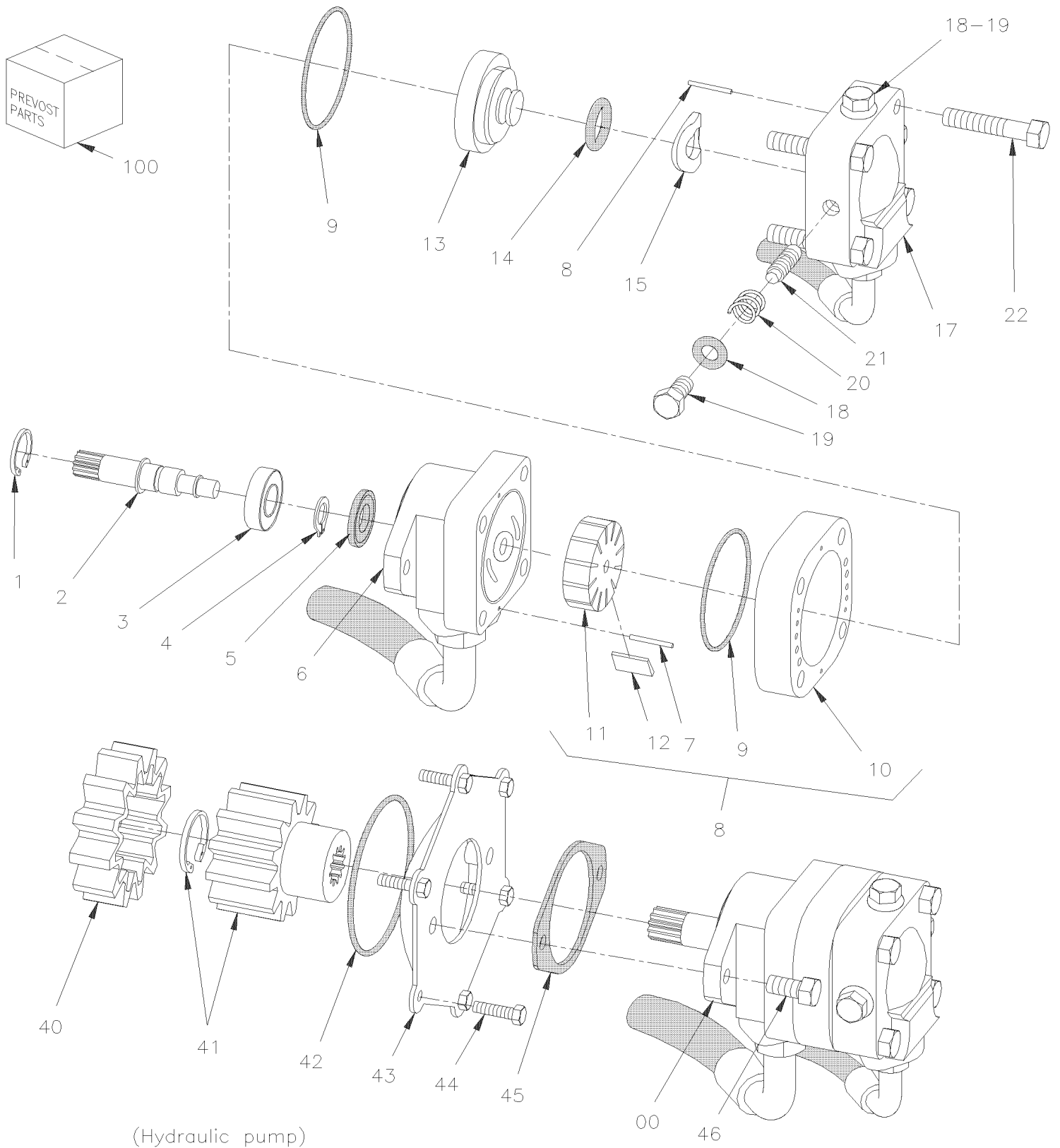
Item#	Part	Description	M T H 4 0	M T H 4 5	M T H 4 5 E	X L 4 0	X L 4 5	N O T E S
NS	501518	STREET ELBOW 90° / PIPE FITTING / 3/4NPT-Mx3/4NPT-F BR	1		1	1		
NS	501519	MALE CONNECTOR / JIC 37° FITTING / #12JIC-Mx3/4NPT-M STL	1		1	1		
NS	501593	MALE CONNECTOR / JIC 37° FITTING / #8JIC-Mx#8ORB-M STL	1		1	1		
NS	500192	SCREW CAP HEX 3/8-16x1 1/4 G5 Z050	2		2	2		
NS	500446	WASHER FL .531x1.250x.125 Z050	1		1	1		
NS	500478	WASHER LO SPT .380x.683x.094 Z050	2		2	2		
NS	500951	NUT HEX STO 1/2-20 ZP	1		1	1		
		1) NOT SOLD SEPARATELY						

From P-646 To V-6172

Date:10/2022

PAGE:XL-1427-02

POWER STEERING PUMP - "VICKERS" - WITH DETROIT S-50 & S-60



From P-646 To V-6172	Date:10/2022	PAGE:XL-1427-02
----------------------	--------------	-----------------

POWER STEERING PUMP - "VICKERS" - WITH DETROIT S-50 & S-60

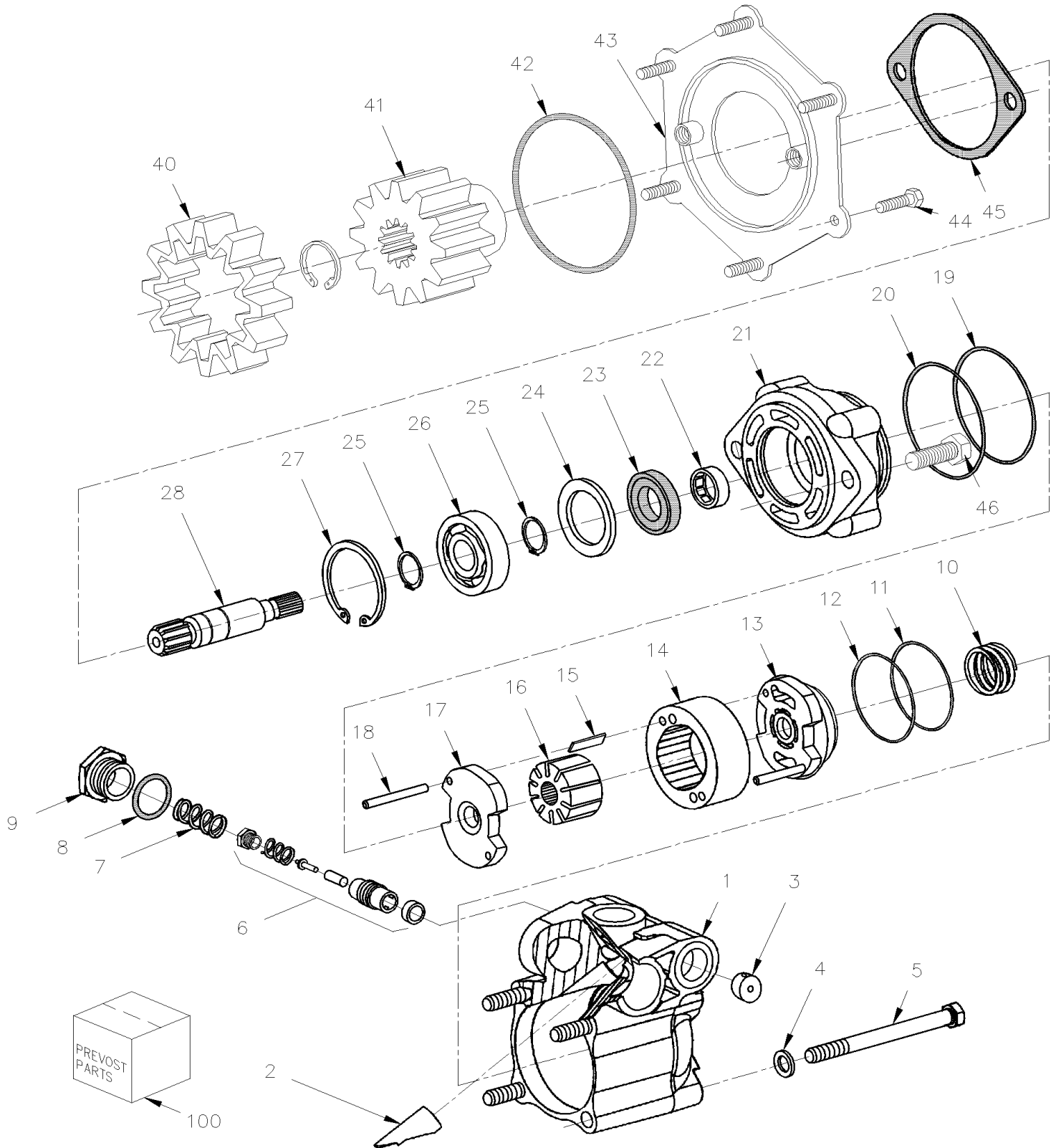
Item#	Part	Description	M T H 4 0	M T H 4 5	M T H 4 5 E	X L 4 0	X L 4 5	N O T E S
		A) THIS KIT IS FOR VEHICLES THAT NEVER HAD POWER STEERING CYLINDER						
		B) INCLUDE ITEMS 5-9-14-18						
		D) THIS KIT IS FOR VEHICLES THAT HAVE POWER STEERING CYLINDER OR IT HAVE BEEN REMOVED						
		2) NOT SOLD BY PREVOST (SEE MANUFACTURING PART NUMBER AT END OF DESCRIPTION LINE)						

From T-5873 To Y-7045

Date:10/2022

PAGE:XL-1427-03

POWER STEERING PUMP - "TRW"



From T-5873 To Y-7045	Date:10/2022	PAGE:XL-1427-03
POWER STEERING PUMP - "TRW"		

Item#	Part	Description	M T H 4 0	M T H 4 5	M T H 4 5 E	X L 4 0	X L 4 5	N O T E S
	661009	PUMP ASSY	1	1	1	1	1	
	661070	PUMP ASSY	1	1	1	1	1	
1	N.S.S.	. HOUSING	1	1	1	1	1	1
2	N.S.S.	. BOOST TUBE	1	1	1	1	1	1
3	N.S.S.	. ORIFICE	1	1	1	1	1	1
4	N.S.S.	. BOLTS	1	1	1	1	1	1
5	N.S.S.	. WASHERS	1	1	1	1	1	1
6	N.S.S.	. VALVE SPOOL ASSY	1	1	1	1	1	1
6	N.S.S.	. . SPOOL	1	1	1	1	1	1
6	N.S.S.	. . SPRING	1	1	1	1	1	1
6	N.S.S.	. . POPPET	1	1	1	1	1	1
6	N.S.S.	. . SHIMS	1	1	1	1	1	1
6	N.S.S.	. . RELIEF VALVE SEAT ASSY	1	1	1	1	1	1
7	N.S.S.	. SPRING	1	1	1	1	1	1
8	N.S.S.	. O-RING	1	1	1	1	1	1
9	N.S.S.	. PLUG	1	1	1	1	1	1
10	N.S.S.	. SPRING	1	1	1	1	1	1
11	N.S.S.	. O-RING	1	1	1	1	1	1
12	N.S.S.	. BACKUP RING	1	1	1	1	1	1
13	N.S.S.	. TOP PLATE	1	1	1	1	1	1
14	N.S.S.	. CAM RING	1	1	1	1	1	1
15	N.S.S.	. VANES	1	1	1	1	1	1
16	N.S.S.	. ROTOR	1	1	1	1	1	1
17	N.S.S.	. BOTTOM PLATE	1	1	1	1	1	1
18	N.S.S.	. LOCATING PINS	1	1	1	1	1	1
19	N.S.S.	. O-RING	1	1	1	1	1	1
20	N.S.S.	. O-RING	1	1	1	1	1	1
21	N.S.S.	. COVER	1	1	1	1	1	1
22	N.S.S.	. NEEDLE BEARING	1	1	1	1	1	1
23	N.S.S.	. SHAFT SEAL	1	1	1	1	1	1
24	N.S.S.	. SPACER	1	1	1	1	1	1
25	N.S.S.	. RETAINING RING	2	2	2	2	2	1
26	N.S.S.	. BALL BEARING	1	1	1	1	1	1
27	N.S.S.	. RETAINING RING	1	1	1	1	1	1
28	661011	. INPUT SHAFT	1	1	1	1	1	
40	510438	COUPLING DRIVE	1	1	1	1	1	
41	510437	SPROCKET ASSY W/SNAP-RING	1	1	1	1	1	
42	N.S.P.	O-RING / (08929289)	1	1	1	1	1	2
43	N.S.P.	ADAPTOR COVER / (11514329)	1	1	1	1	1	2
44	N.S.P.	SCREW M8-1.25 X 30MM / (11514329) 500544	5	5	5	5	5	2
44	N.S.P.	SCREW M8-1.25 X 30MM / (11505299)	1	1	1	1	1	2
45	510488	GASKET	1	1	1	1	1	

From T-5873 To Y-7045	Date:10/2022	PAGE:XL-1427-03
POWER STEERING PUMP - "TRW"		

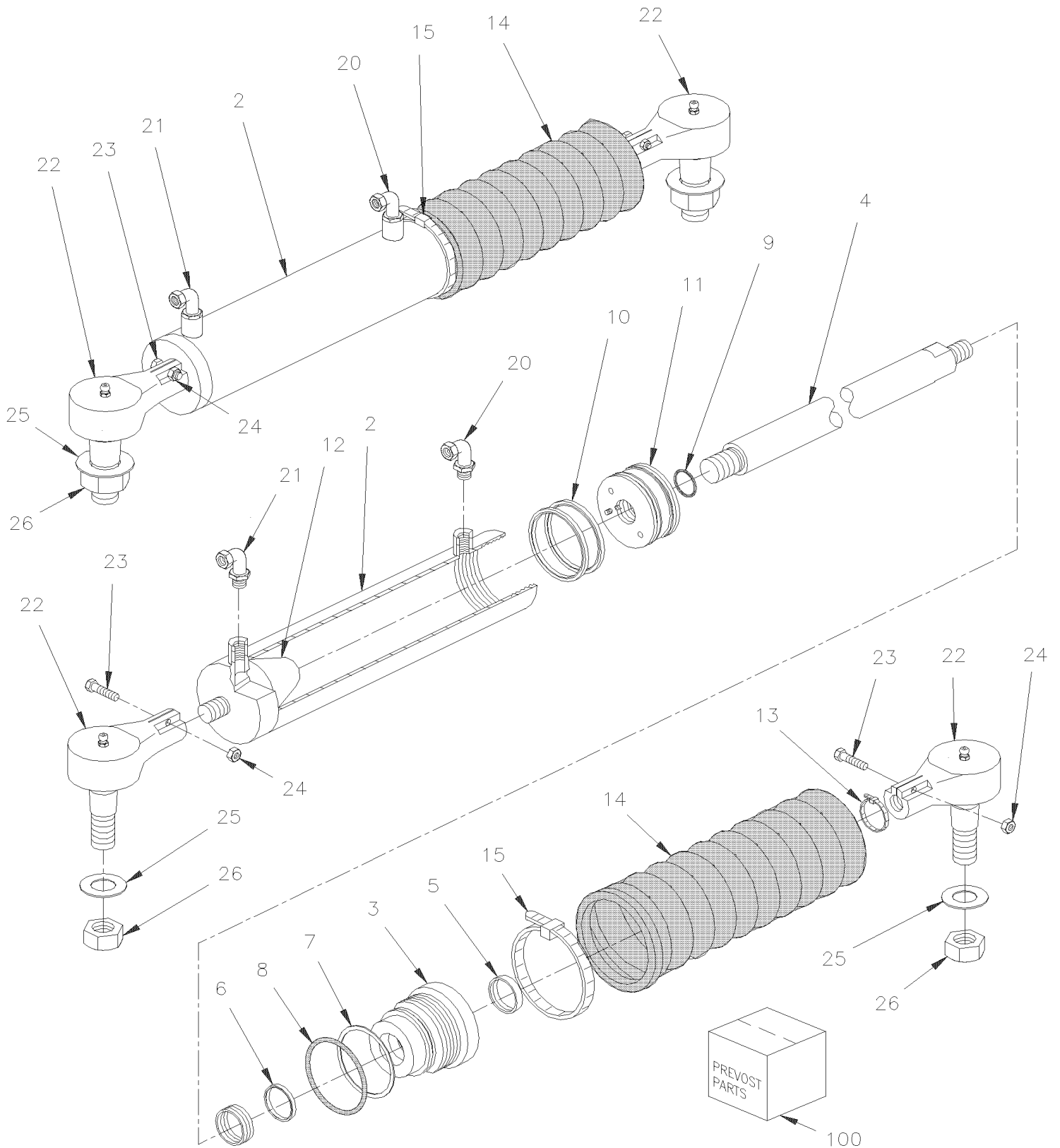
Item#	Part	Description	M T H 4 0	M T H 4 5	M T H 4 5 E	X L 4 0	X L 4 5	N O T E S
100	661012	KIT REPAIR	AR	AR	AR	AR	AR	A
		A) INCLUDE ITEMS # 8, 11, 12, 19, 20, 23						
		1) NOT SOLD SEPARATELY						
		2) NOT SOLD BY PREVOST (SEE MANUFACTURING PART NUMBER AT END OF DESCRIPTION LINE)						

From P-722 To T-5872

Date:10/2022

PAGE:XL-1430-50

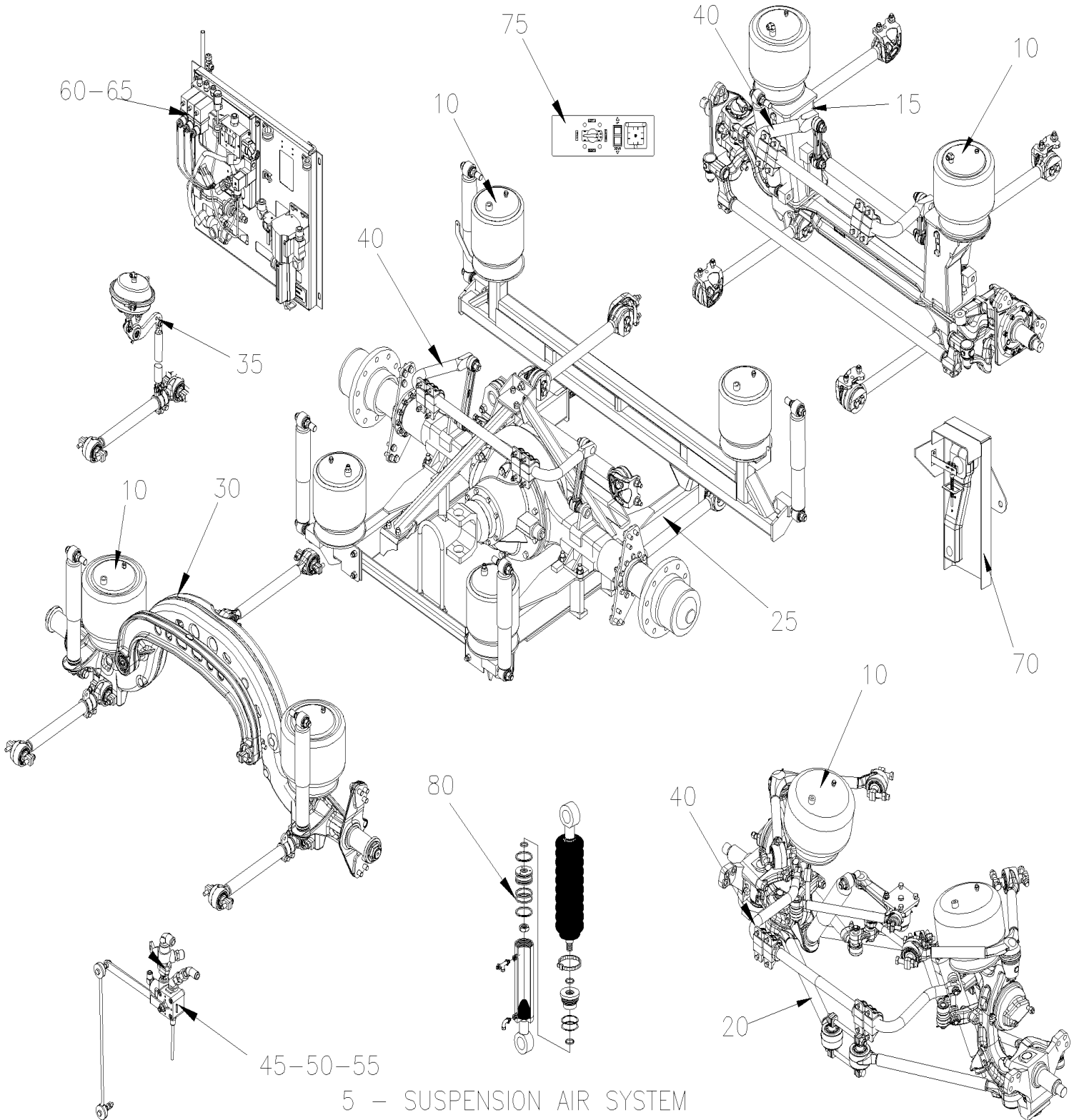
CYLINDER POWER STEERING



From P-722 To T-5872	Date:10/2022	PAGE:XL-1430-50
CYLINDER POWER STEERING		

Item#	Part	Description	M T H 4 0	M T H 4 5	M T H 4 5 E	X L 4 0	X L 4 5	N O T E S
1	160889	CYLINDER ASSY To S-518	1	1	1	1		
1	160988	CYLINDER ASSY From S-519	1	1	1	1	1	
2	160886	. CYLINDER ASSY To S-518	1	1	1	1		
2	661001	. CYLINDER ASSY From S-519	1	1	1	1		
3	660903	. . HEAD ASSY / ROD END To S-518	1	1	1	1		
3	661003	. . HEAD ASSY / ROD END From S-519	1	1	1	1		
4	660977	. . ROD ASSY / 17" STROKE	1	1	1	1		
5	N.S.S.	. . ROD WIPER	1	1	1	1		1
6	N.S.S.	. . "U" CUP	1	1	1	1		1
7	N.S.S.	. . BACK-UP	1	1	1	1		1
8	N.S.S.	. . O-RING	1	1	1	1		1
9	N.S.S.	. . O-RING	1	1	1	1		1
10	N.S.S.	. . "U" CUP	2	2	2	2		1
11	N.S.S.	. . PISTON	1	1	1	1		1
12	N.S.S.	. . NUT	1	1	1	1		1
13	504020	. HOSE CLAMP / 9/16"-1"1/4 SS / HS-12	1	1	1	1		
14	660934	. BOOT, PROTECTOR	1	1	1	1		
15	504021	. HOSE CLAMP / 11/16"-1"1/2 SS / HS-16	1	1	1	1		
20	501587	. MALE ELBOW 90° / JIC 37° FITTING / #8JIC-Mx3/8NPT-M STL	1	1	1	1		
21	501291	. MALE ELBOW 45° / JIC 37° FITTING / #8JIC-Mx3/8NPT-M STL	1	1	1	1		
22	160432	. END ASSY	2	2	2	2		
22	660252	. . END ASSY	1	1	1	1		
23	500074	. . SCREW CAP HEX 7/16-20x2 G5 Z050	1	1	1	1		
24	500714	. . NUT HEX STO 7/16-20 Z050	1	1	1	1		
25	500420	. . WASHER FL .938x1.750x.134 ZP	1	1	1	1		
26	5001345	. . NUT HEX CSL THN 7/8-14	1	1	1	1		
NS	160888	SUPPORT ASSY	1	1	1	1		C
NS	110594	PLATE, RETAINER	1	1	1	1		C
NS	500687	SCREW CAP HEX 7/16-20x5 G5 Z050	4	4	4	4		
NS	500445	WASHER FL .437x1.000x.083 Z050	4	4	4	4		
NS	500740	NUT HEX CSL 7/8-14	4	4	4	4		
100	660902	REPAIR KIT / STEERING CYLINDER To S-518	AR	AR	AR	AR		D
100	661004	REPAIR KIT / STEERING CYLINDER From S-519	AR	AR	AR	AR		D
100	661010	REPAIR KIT / STEERING CYLINDER USE ON ALLS MODELS	AR	AR	AR	AR		D
		C) TO FIX ON AXLE HOUSING						
		D) INCLUDE ITEM #5 TO 10						
		1) NOT SOLD SEPARATELY						

	Date:10/2022	XL-16
SUSPENSION		



		Date:10/2022	XL-16					
SUSPENSION								
Item#	Part	Description	M T H 4 0	M T H 4 5	M T H 4 5 E	X L 4 0	X L 4 5	N O T E S
5	XL-1600-01	SUSPENSION AIR SYSTEM From T-5663 To Y-7045						
5	XL-1600-02	SUSPENSION AIR SYSTEM From T-5873 To Y-7045						
10	XL-1601-00	BELLOWS - AIR SUSPENSION From E-638 To N-957						
10	XL-1601-01	BELLOWS - AIR SUSPENSION From N-958 To Y-7045						
15	XL-1605-00	FRONT AXLE - INSTALL W/ I BEAM RIGID From E-638 To Y-7045						
20	XL-1605-50	FRONT AXLE - INSTALL W/INDEPENDENT / 16500LBS From T-5873 To Y-7045						
25	XL-1610-00	REAR AXLE - INSTALL SUSPENSION From E-638 To S-519						
25	XL-1610-01	REAR AXLE - INSTALL SUSPENSION From S-520 To Y-7045						
30	XL-1615-00	TAG AXLE - INSTALL SUSPENSION From E-638 To P-740						
30	XL-1615-01	TAG AXLE - INSTALL SUSPENSION From P-741 To Y-7045						
35	XL-1615-10	TAG AXLE - LIFTING From E-638 To Y-7045						
40	XL-1616-00	SWAY BAR From E-638 To Y-7045						
45	XL-1620-00	HEIGHT CONTROL VALVE From E-638 To V-6252						
45	XL-1620-01	HEIGHT CONTROL VALVE From V-6253 To Y-7045						
50	XL-1620-11	HIGH-BUOY, LOW BUOY & "KNEELING" VALVE From E-638 To Y-7045						
55	XL-1620-50	HEIGHT CONTROL VALVE - MTH From T-5873 To V-6252						
60	XL-1630-00	FRONT KNEELING - CONTROL PANEL From E-638 To S-569						
60	XL-1630-01	FRONT KNEELING - CONTROL PANEL From S-570 To Y-7045						
65	XL-1640-00	LEVEL-LOW - CONTROL PANEL & VALVES From H-235 To T-5872						
65	XL-1640-01	LEVEL-LOW - CONTROL PANEL & VALVES From T-5873 To Y-7045						
70	XL-1640-10	LEVEL-LOW - LEVEL & SWITCHES - VALVE From E-638 To H-254						
75	XL-1650-00	TAG UNLOAD - STABILISATOR From P-722 To T-5872						
80	XL-1650-10	CYLINDER ASSY - STABILISATOR From P-722 To T-5872						

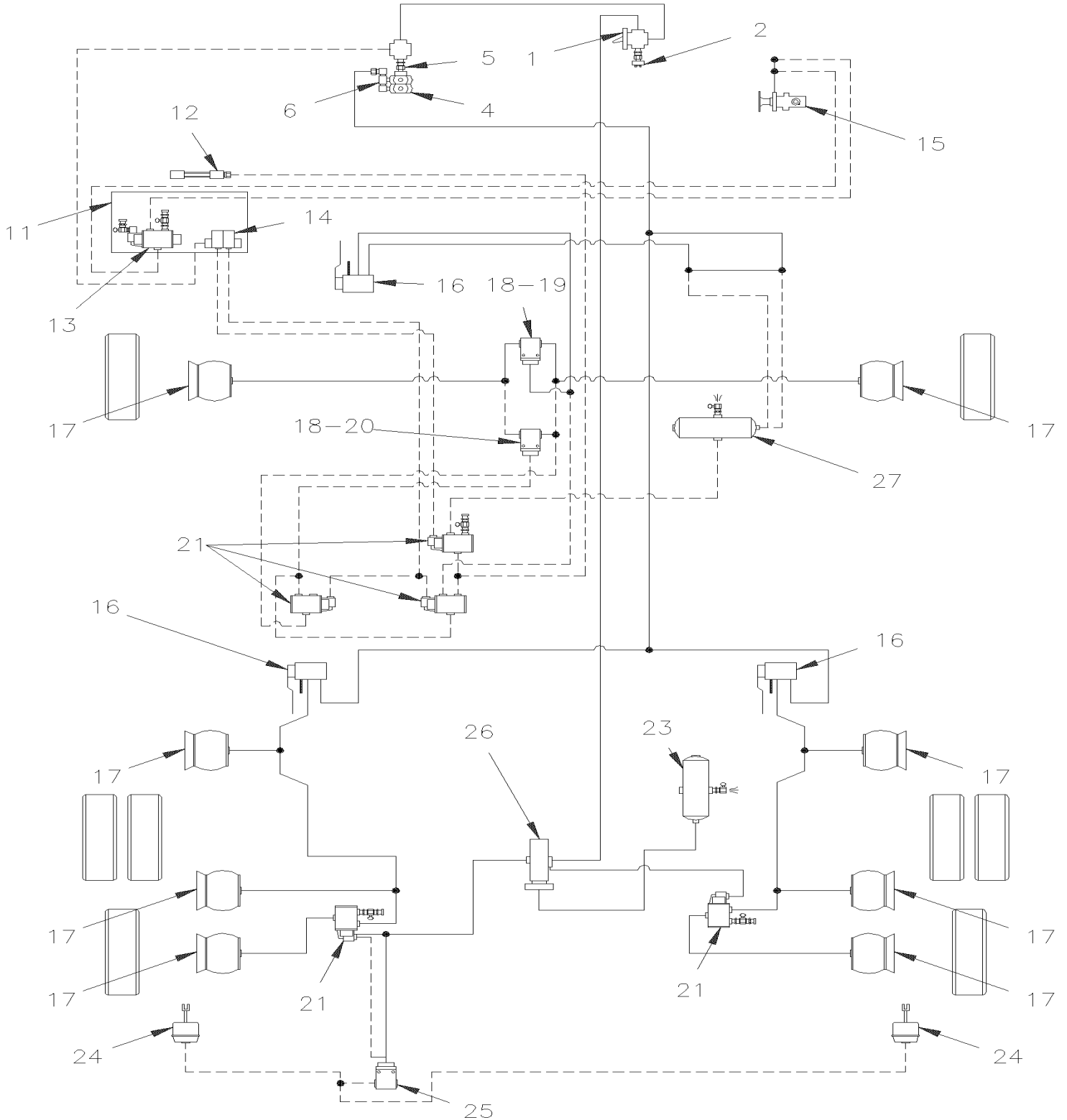
From T-5663 To Y-7045

Date:10/2022

PAGE:XL-1600-01

SUSPENSION AIR SYSTEM

BUS DIAGRAM



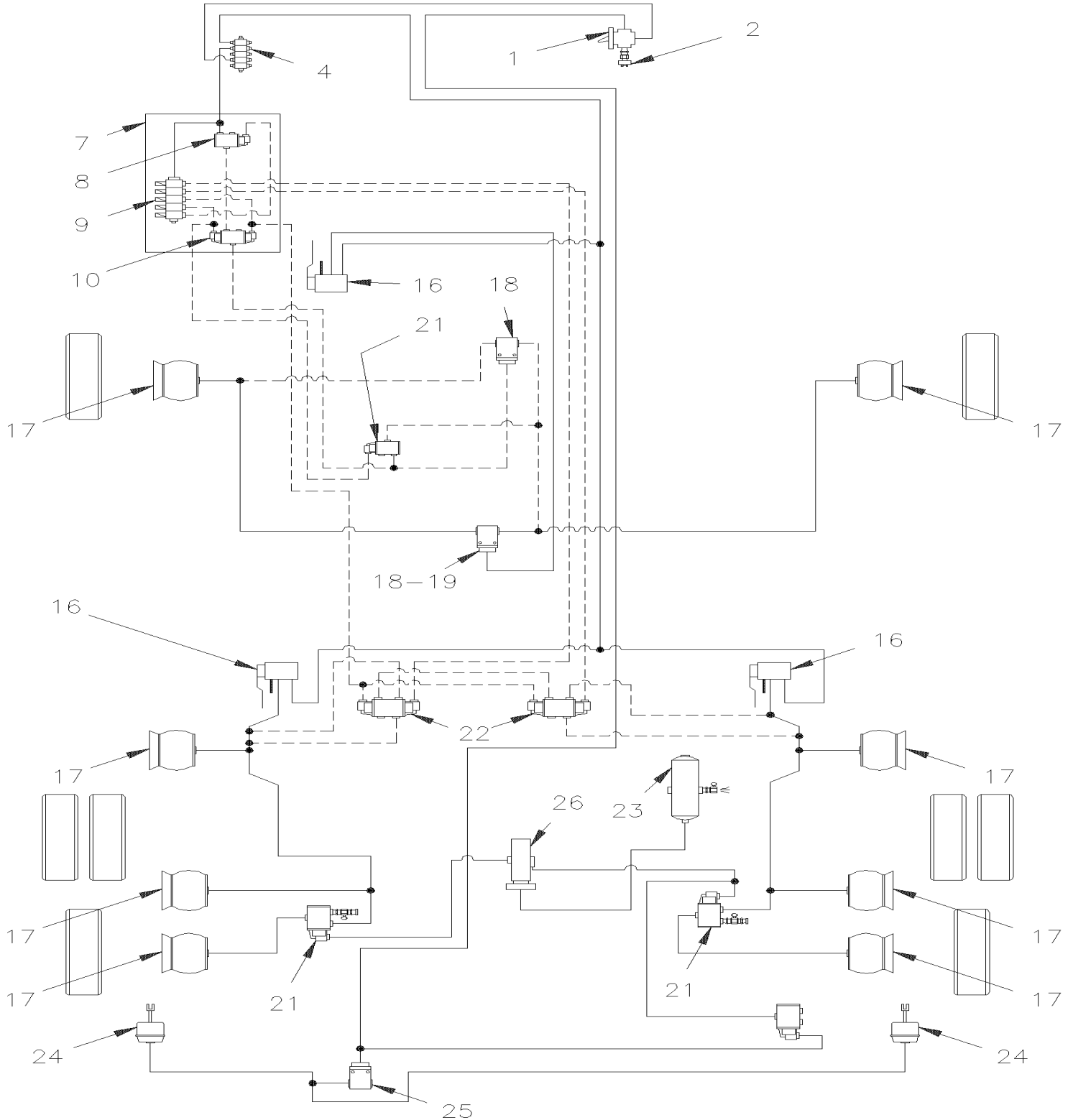
From T-5663 To Y-7045

Date:10/2022

PAGE:XL-1600-01

SUSPENSION AIR SYSTEM

M.T.H. DIAGRAM



From T-5663 To Y-7045		Date:10/2022	PAGE:XL-1600-01
SUSPENSION AIR SYSTEM			

Item#	Part	Description	M T H 4 0	M T H 4 5	M T H 4 5 E	X L 4 0	X L 4 5	N O T E S
1	640136	VALVE, CONTROL TW-1	1	1	1	1	1	
. NS	641156	. REPAIR KIT / TW-1	1	1	1	1	1	
2	562518	PRESSURE SWITCH N.O. 4PSI / 1/8NPT W/2 SCREWS / TAG	1	1	1	1	1	
4	640055	MANIFOLD / PIPE FITTING / 7 PORTS 1/4NPT-F STL		1	1	1	1	
5	640135	VALVE, CHECK 1/4 NPT				1	1	
6	640439	VALVE, PRESSURE PROTECTION / PR-2 75PSI				1	1	
7	XL-1640-00	LEVEL-LOW - CONTROL PANEL & VALVES To T-5872						
7	XL-1640-01	LEVEL-LOW - CONTROL PANEL & VALVES From T-5873						
8	XL-1640-00	LEVEL-LOW - CONTROL PANEL & VALVES To T-5872						
8	XL-1640-01	LEVEL-LOW - CONTROL PANEL & VALVES From T-5873						
9	641205	MANIFOLD VALVE / W/5 SOLENOID	1	1	1			
. NS	641928	. KIT, MANIFOLD REPAIR / N.C.	5	5	5			
. NS	641107	. COIL 24V	5	5	5			
10	641274	VALVE, 3 WAYS, 2 POSITIONS N.C.	AR	AR	AR			
11	XL-1630-01	FRONT KNEELING - CONTROL PANEL						
12	452043	PRESSURE SWITCH N.O. 60-35 20SP001AA060E035E From T-5711	1	1	1			
13	630135	VALVE, 3 WAYS, 2 POSITIONS N.O. To X-6971				1	1	
. NS	641169	. SPOOL To X-6971				1	1	
. NS	641929	. COIL 24V To X-6971				1	1	
13	641528	VALVE, 3 WAYS, 2 POSITIONS N.O. From X-6972				1	1	
. NS	641929	. COIL 24V From X-6972				1	1	
. NS	641169	. SPOOL From X-6972				1	1	
. NS	641385	. CONNECTOR / SOCKET HOUSING ASSY 3C / PNEUMAC 54934-01 From X-6972				1	1	
14	641130	MANIFOLD VALVE / W/2 SOLENOID				1	1	
15	641128	VALVE, CONTROL VALVE PP-1 / 40PSI				1	1	
. NS	641154	. REPAIR KIT / PP-1 & RD-3				1	1	
16	XL-1620-00	HEIGHT CONTROL VALVE To V-6252						
16	XL-1620-50	HEIGHT CONTROL VALVE - MTH From T-5873 To V-6252						
16	XL-1620-01	HEIGHT CONTROL VALVE From V-6253						
17	XL-1601-00	BELLOWS - AIR SUSPENSION						
18	641014	VALVE, QUICK RELEASE QR-1 / 3/8NPTx3/8NPTx3/8NPT To V-6193	1	1	1	1	1	
. NS	640924	. REPAIR KIT / QR-1 To V-6193	1	1	1	1	1	
NS	641429	VALVE, QUICK RELEASE QR-1 / 3/8NPTx3/8NPTx3/8NPT From W-6194	1	1	1	1	1	
. NS	640924	. REPAIR KIT / QR-1 From W-6194	1	1	1	1	1	
19	131353	RESTRICTION / ALU. TUBE 17MM X 10.25MM O.D. W/1.5MM HOLE				2	2	
NS	641136	ANCHOR TEE / PIPE FITTING / 3/8NPT-Fx3/8NPT-Fx3/8NPT-F ZP	1	1	1	1	1	
20	131116	RESTRICTION / ALU. TUBE 17MM X 11.10MM O.D. W/1.5MM HOLE						B
21	641274	VALVE, 3 WAYS, 2 POSITIONS N.C.	AR	AR	AR	AR	AR	
22	641057	VALVE, 5 WAYS, 3 POSITIONS To X-6971	2	2	2			
22	641531	VALVE, 5 WAYS, 3 POSITIONS From X-6972	2	2	2			
. NS	641186	. SPOOL From X-6972	1	1	1			
23	140869	AIR TANK / 1791 IN° / 9 1/2" O.D. X 27"	1	1	1	1	1	A

From T-5663 To Y-7045	Date:10/2022	PAGE:XL-1600-01
SUSPENSION AIR SYSTEM		

Item#	Part	Description	M T H 4 0	M T H 4 5	M T H 4 5 E	X L 4 0	X L 4 5	N O T E S
24	640729	BRAKE CHAMBER ASSY / TYPE 36	2	2	2	2	2	
25	641357	VALVE, 3 WAYS, 2 POSITIONS N.C. / W/SPRING	1	1	1	1	1	
26	640442	VALVE, INVERSION TR-2 From T-5776	1	1	1	1	1	T
27	140870	AIR TANK / 1228 IN° / 8" O.D. X 26"				1	1	
30	141907	KIT UPGRADE PNEUMATIC AIR SYSTEM TAG / INVERSION VALVE From T-5775	1	1	1	1	1	T
		A) PRIMARY & SECONDARY						
		B) TO USE W/KNEELING						
		T) TO UPGRADE PNEUMATIC SYSTEM AIR LEAK ON TAG.: ASK KIT # 141907 TO INVERSION AIR SYSTEM WITH MTH-45						

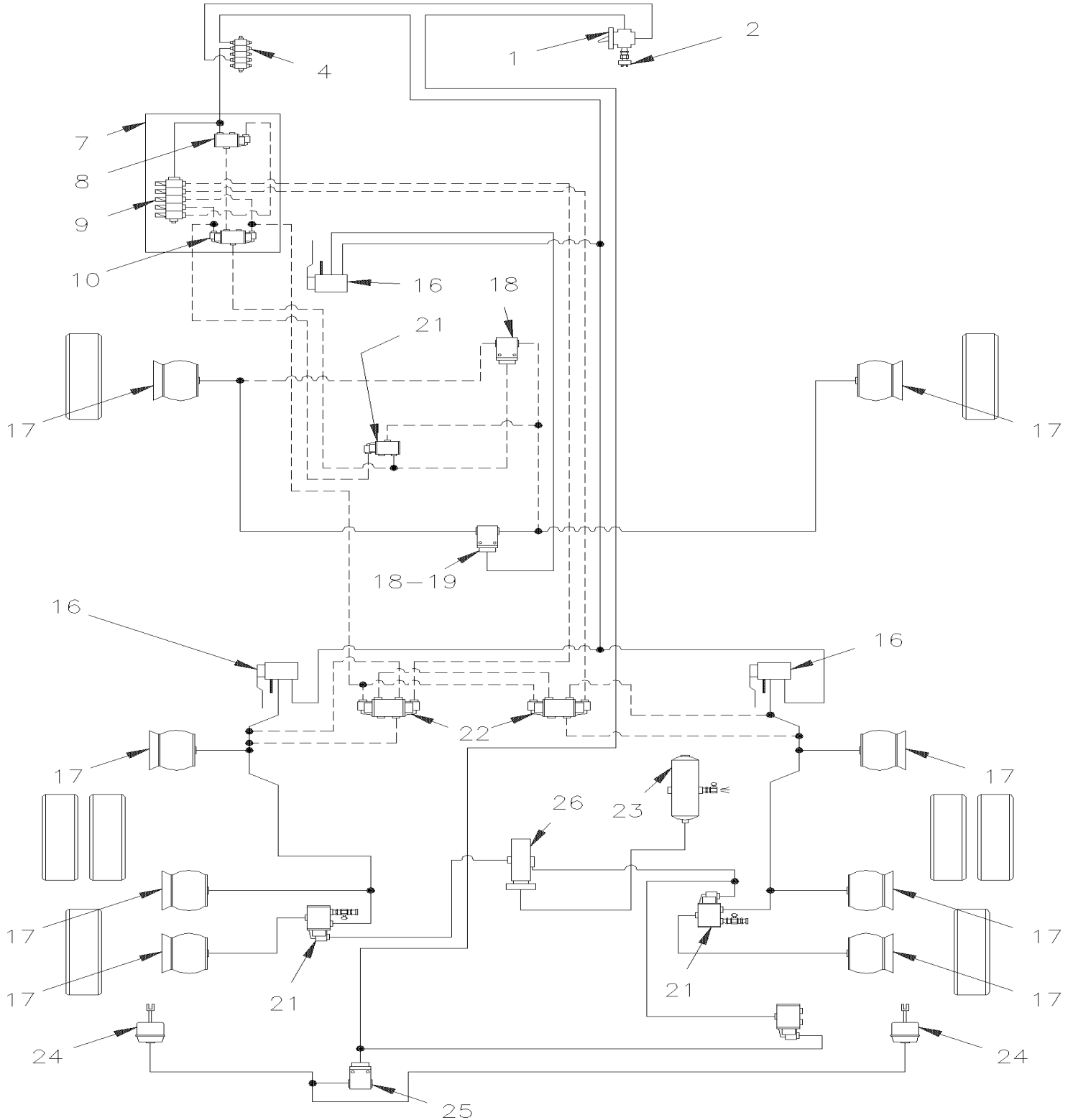
From T-5873 To Y-7045

Date:10/2022

PAGE:XL-1600-02

SUSPENSION AIR SYSTEM

M.T.H. DIAGRAM

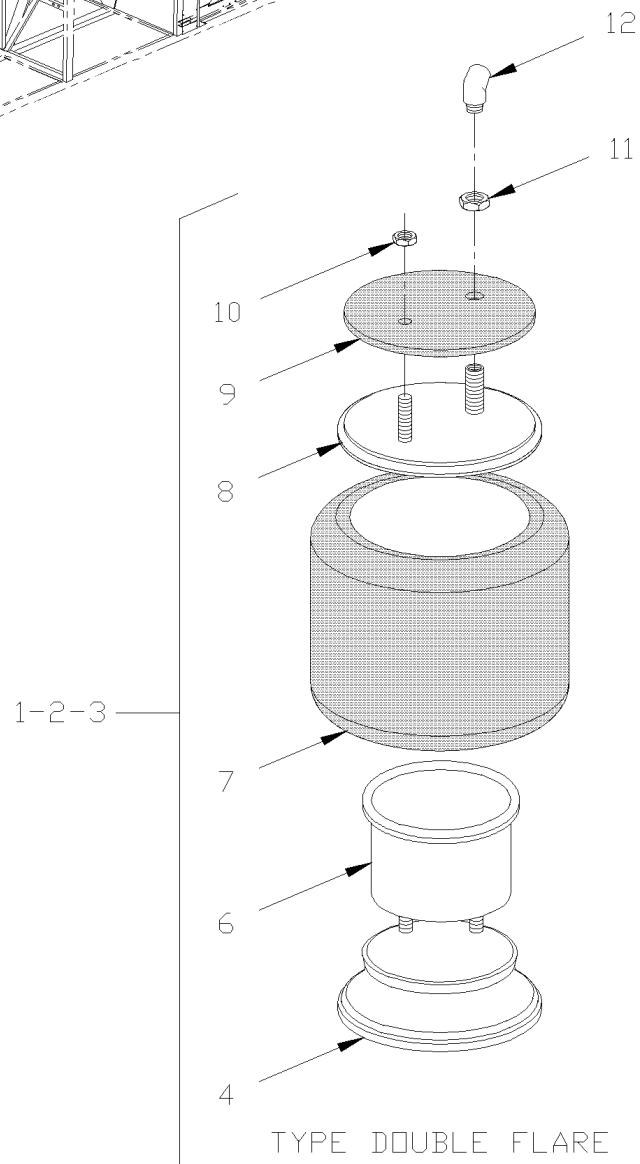
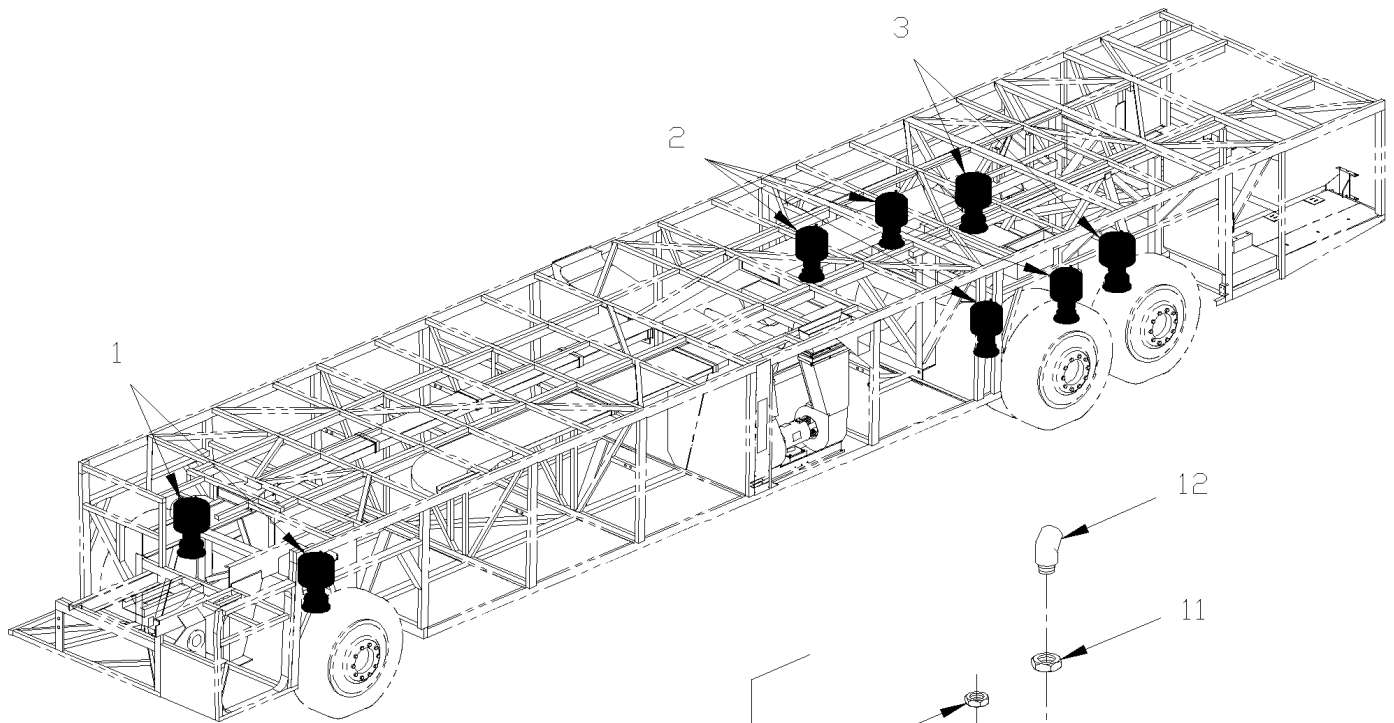


From E-638 To N-957

Date:10/2022

PAGE:XL-1601-00

BELLOWS - AIR SUSPENSION

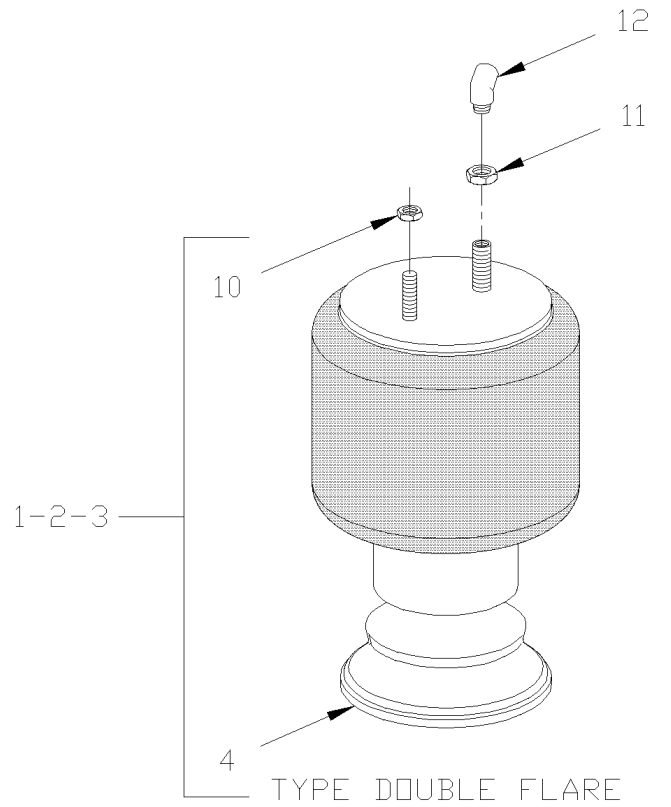
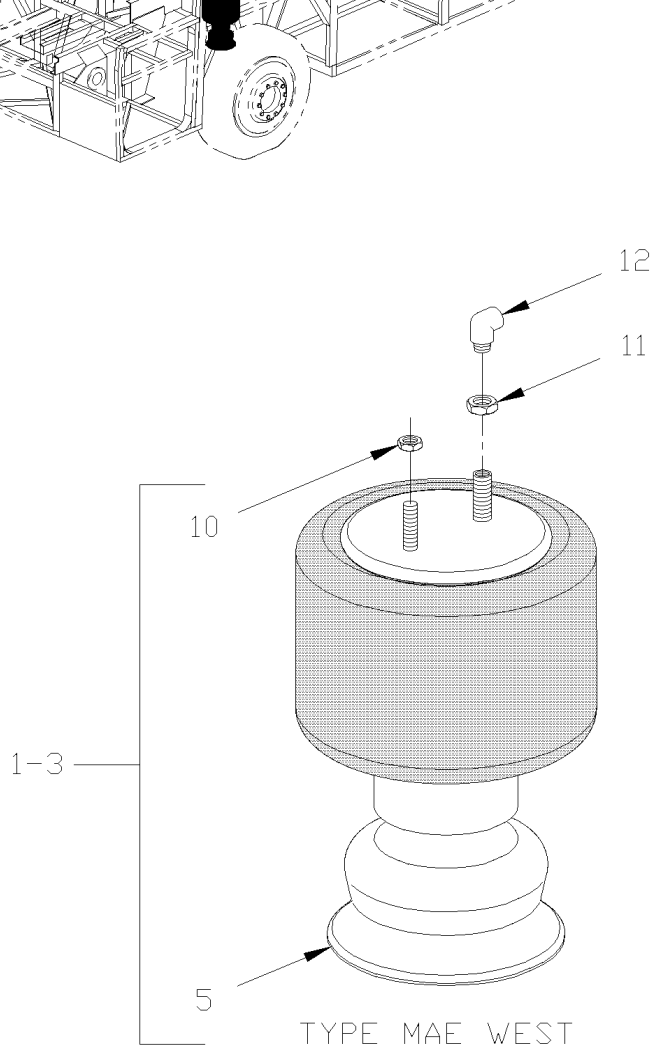
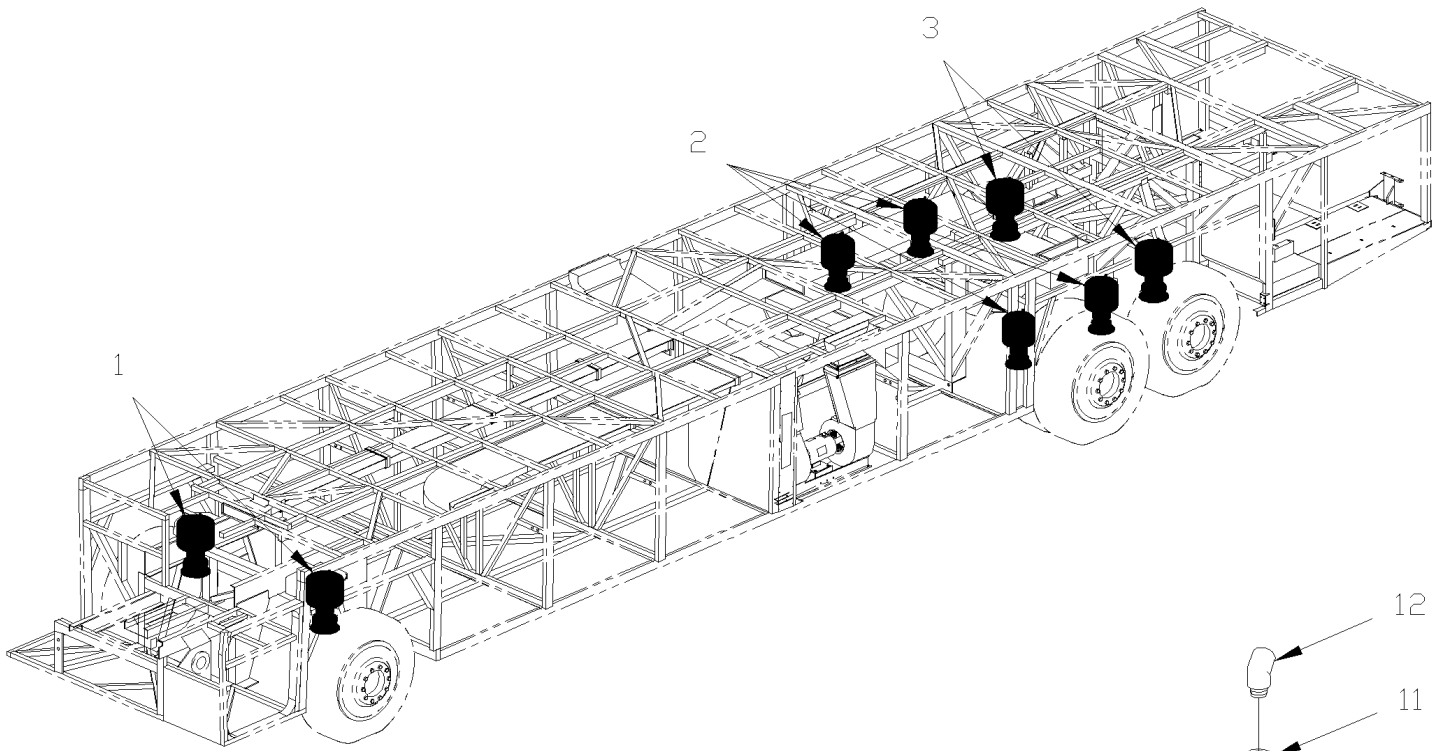


From N-958 To Y-7045

Date:10/2022

PAGE:XL-1601-01

BELLOWS - AIR SUSPENSION



From N-958 To Y-7045	Date:10/2022	PAGE:XL-1601-01
----------------------	--------------	-----------------

BELLOWS - AIR SUSPENSION

Item#	Part	Description	M T H 4 0	M T H 4 5	M T H 4 5 E	X L 4 0	X L 4 5	N O T E S
		. . . FRONT AXLE BELLOW						
1	630093	BELLOW ASSY / MODEL 1100 D.F. From N-958 To P-639	2			2		
1	630102	BELLOW ASSY / MODEL 1100 M.W. From P-640 To R-852		2	2	2		
1	630110	. BELLOW ASSY W/O PISTON From P-640 To R-852		1	1	1		
1	630102	BELLOW ASSY / MODEL 1100 M.W. From P-640 To P-742	2					
1	630110	. BELLOW ASSY W/O PISTON From P-640 To P-742	1					
1	630126	BELLOW ASSY / MODEL 1100 M.W. From R-853				2	2	
1	630128	. BELLOW ASSY W/O PISTON From R-853				1	1	
1	630126	BELLOW ASSY / MODEL 1100 M.W. From R-853 To T-5872		2				
1	630128	. BELLOW ASSY W/O PISTON From R-853 To T-5872		1				
1	630105	BELLOW ASSY / MODEL 1100 D.F. From P-743 To T-5872	2					
1	630109	. BELLOW ASSY W/O PISTON From P-743 To T-5872	1					
1	630105	BELLOW ASSY / MODEL 1100 D.F. From R-853			2			R
1	630109	. BELLOW ASSY W/O PISTON From R-853			1			R
1	630151	BELLOW ASSY / MODEL 1200 M.W. From T-5873	2	2	2	2	2	I
1	630223	. BELLOW ASSY W/O PISTON From T-5873	1	1	1	1	1	I
		. . . DRIVE AXLE BELLOW						
2	630092	BELLOW ASSY / MODEL 1100 D.F. From N-958 To P-639	4			4		
2	630104	BELLOW ASSY / MODEL 1100 D.F. From P-640 To T-5872	4	4	4	4	4	
2	630108	. BELLOW ASSY W/O PISTON From P-640 To T-5772	1	1	1	1	1	
2	630105	BELLOW ASSY / MODEL 1100 D.F. From T-5873	4	4	4	4	4	
2	630109	. BELLOW ASSY W/O PISTON From T-5873	1	1	1	1	1	
		. . . TAG AXLE BELLOW						
3	630092	BELLOW ASSY / MODEL 1100 D.F. From N-958 To P-639	2			2		
3	630104	BELLOW ASSY / MODEL 1100 D.F. From P-640 To R-852	2		2	2		
3	630108	. BELLOW ASSY W/O PISTON From P-640 To R-852	1		1	1		
3	630102	BELLOW ASSY / MODEL 1100 M.W. From P-640 To R-852		2			2	
3	630110	. BELLOW ASSY W/O PISTON From P-640 To R-852		1			1	
3	630104	BELLOW ASSY / MODEL 1100 D.F. From R-853	2		2	2		B
3	630108	. BELLOW ASSY W/O PISTON From R-853	1		1	1		B
3	630126	BELLOW ASSY / MODEL 1100 M.W. From R-853	2	2	2	2	2	C
3	630128	. BELLOW ASSY W/O PISTON From R-853	1	1	1	1	1	C
4	630071	. PISTON / TYPE DOUBLE FLARE	AR	AR	AR	AR	AR	
5	630036	. PISTON / TYPE MAY WEST	AR	AR	AR	AR	AR	
10	500717	NUT HEX NYRT 1/2-20 Z050	AR	AR	AR	AR	AR	

From N-958 To Y-7045	Date:10/2022	PAGE:XL-1601-01
BELLOWS - AIR SUSPENSION		

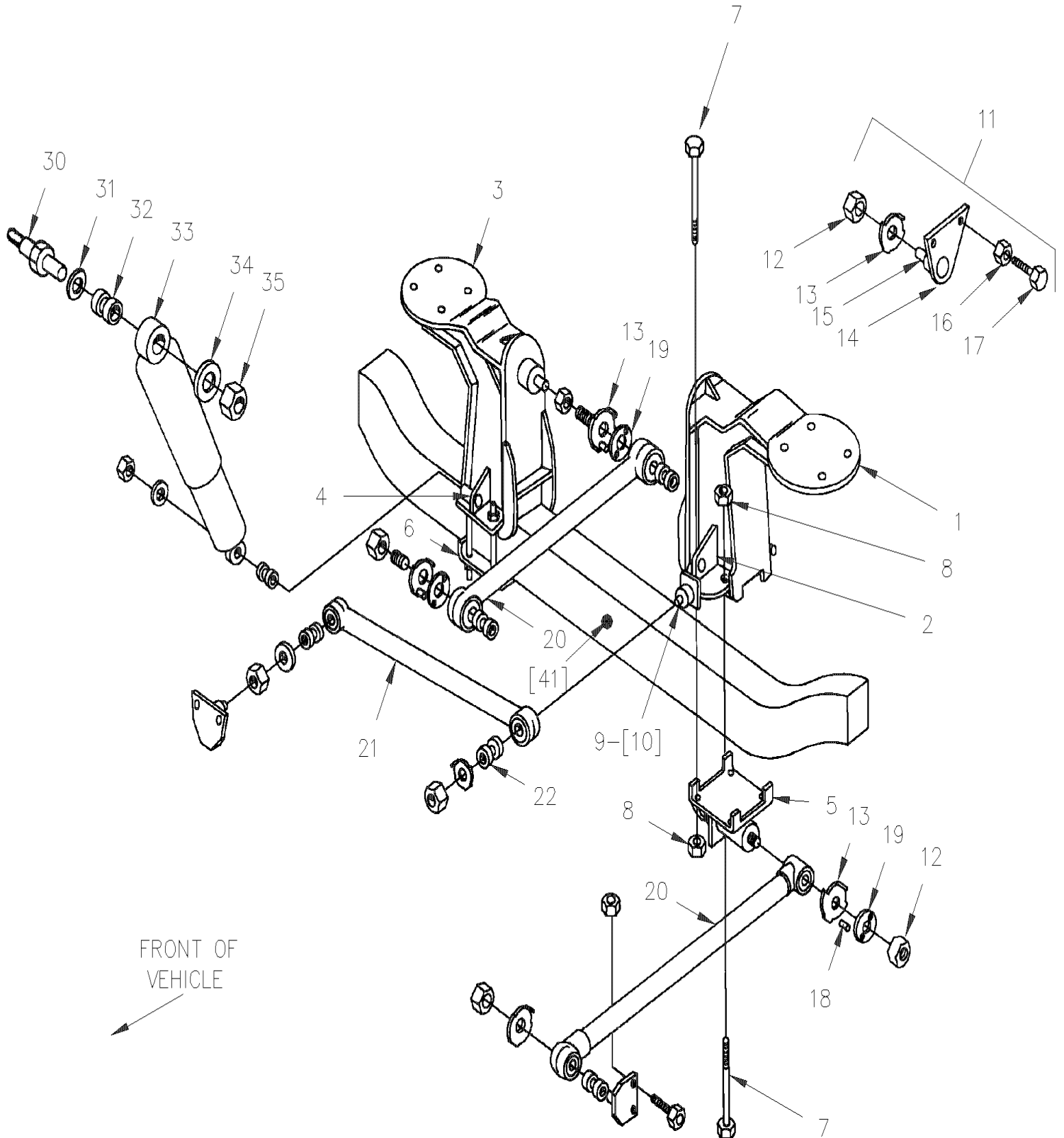
Item#	Part	Description	M T H 4 0	M T H 4 5	M T H 4 5 E	X L 4 0	X L 4 5	N O T E S
11	502831	NUT HEX THN 1 1/4-12x1/2	AR	AR	AR	AR	AR	
11	500734	NUT HEX JAM 3/4-16 Z050	AR		AR	AR		
11	5001041	NUT HEX THN 1 1/4-12x1/2 From T-5873	AR	AR	AR			
12	501406	STREET ELBOW 90° / PIPE FITTING / 1/2NPT-Mx1/2NPT-F BR From T-5873	1	1	1			
NS	131388	MALE CONNECTOR 114MM 1/2 NPT From T-5873	1	1	1			
		B) ONLY WITH 8V92 ENGINE						
		C) ONLY WITH W/60 ENGINE						
		I) WITH INDEPENDANT SUSPENSION						
		R) WITH RIGID SUSPENSION						

From E-638 To Y-7045

Date:10/2022

PAGE:XL-1605-00

FRONT AXLE - INSTALL W/ I BEAM RIGID



From E-638 To Y-7045		Date:10/2022	PAGE:XL-1605-00
FRONT AXLE - INSTALL W/ I BEAM RIGID			

Item#	Part	Description	M T H 4 0	M T H 4 5	M T H 4 5 E	X L 4 0	X L 4 5	N O T E S
1	110469	SUPPORT ASSY L.H. BELLOW To H-284	1			1		
1	110494	SUPPORT ASSY L.H. BELLOW From H-285 To J-551	1			1		
1	110536	SUPPORT ASSY L.H. BELLOW From H-285 To L-684	1			1		F
1	110567	SUPPORT ASSY L.H. BELLOW From L-685 To P-742	1		1	1		F
1	110605P	SUPPORT ASSY L.H. BELLOW From P-743	1		1	1	1	F
1	110605P	SUPPORT ASSY L.H. BELLOW From P-646		1				F
2	130806	. SUPPORT / PIN SHOCK PLAIN (WELDED) To H-284	1			1		
2	130968	. SUPPORT L.H. / PIN SHOCK TAPER From H-285 To P-742	1		1	1		
2	110583	. SUPPORT L.H. / PIN SHOCK TAPER (WELDED) From P-743	1		1	1	1	
NS	171032	. SUPPORT 1"-14 / SHOCK ABSORBER / 55MM From P-743	1		1	1	1	F
2	110583	. SUPPORT L.H. / PIN SHOCK TAPER (WELDED) From P-646		1				
NS	171032	. SUPPORT 1"-14 / SHOCK ABSORBER / 55MM From P-646		1				F
3	110470	SUPPORT ASSY R.H. BELLOW To H-284	1			1		
3	110495	SUPPORT ASSY R.H. BELLOW From H-285 To J-551	1			1		
3	110543	SUPPORT ASSY R.H. BELLOW From H-285 To L-684	1			1		F
3	110566	SUPPORT ASSY R.H. BELLOW From L-685 To P-742	1		1	1		F
3	110606P	SUPPORT ASSY R.H. BELLOW From P-743	1		1	1	1	F
3	110606P	SUPPORT ASSY R.H. BELLOW From P-646		1				F
4	130806	. SUPPORT / PIN SHOCK PLAIN (WELDED) To H-284	1			1		
4	130972	. SUPPORT R.H. / PIN SHOCK TAPER From H-285 To P-742	1			1		
4	110587	. SUPPORT R.H. / PIN SHOCK TAPER (WELDED) From P-743	1		1	1	1	
4	171032	. SUPPORT 1"-14 / SHOCK ABSORBER / 55MM From P-743	1		1	1	1	
4	110587	. SUPPORT R.H. / PIN SHOCK TAPER (WELDED) From P-646		1				
NS	171032	. SUPPORT 1"-14 / SHOCK ABSORBER / 55MM From P-646		1				F
5	110431	BRACKET ASSY R.H. To L-684	1			1		
5	110561P	BRACKET ASSY R.H. From L-685	1	1	1	1	1	
6	110426	BRACKET ASSY L.H. To L-684	1			1		
6	110562P	BRACKET ASSY L.H. From L-685	1	1	1	1	1	
7	500149	SCREW CAP HEX 3/4-16x7 G5 ZP	6	6	6	6	6	
7	5001026	SCREW CAP HEX 3/4-16x7 1/2 G5 ZP	2	2	2	2	2	
NS	500451	WASHER FL .812x2.000x.148 ZP	2	2	2	2	2	
8	500735	NUT HEX STO 3/4-16 ZP	8	8	8	8	8	
9	130809	ATTACHMENT / (REQUIRE 2 SLEEVES 130384)						
NS	130384	TAPER SLEEVE 3/4" I.D. X 1/2" THICK	2	2	2	2	2	
10	110446	SPACER / BELLOWS SUPPORTS & AXLE / 4 1/2" X 1 1/4" X 16GA	AR	AR	AR	AR	AR	
11	130940	ATTACHMENT KIT	AR	AR	AR	AR	AR	
12	500280	. NUT HEX 1 1/4-12x1 1/16 ZP	1	1	1	1	1	
13	131158	. TAB LOCK / W/1 HOLE 1.265" I.D.	1	1	1	1	1	
14	130846	. ATTACHMENT ASSY W/STUD	1	1	1	1	1	
15	130760	. . STUD 2 3/4" X 1 1/4-12 BOTH END	1	1	1	1	1	
16	500725	NUT HEX STO 5/8-18 Z050	2	2	2	2	2	
17	500880	SCREW CAP HEX 5/8-18x1 3/4 G5 ZP	2	2	2	2	2	

From E-638 To Y-7045	Date:10/2022	PAGE:XL-1605-00
FRONT AXLE - INSTALL W/ I BEAM RIGID		

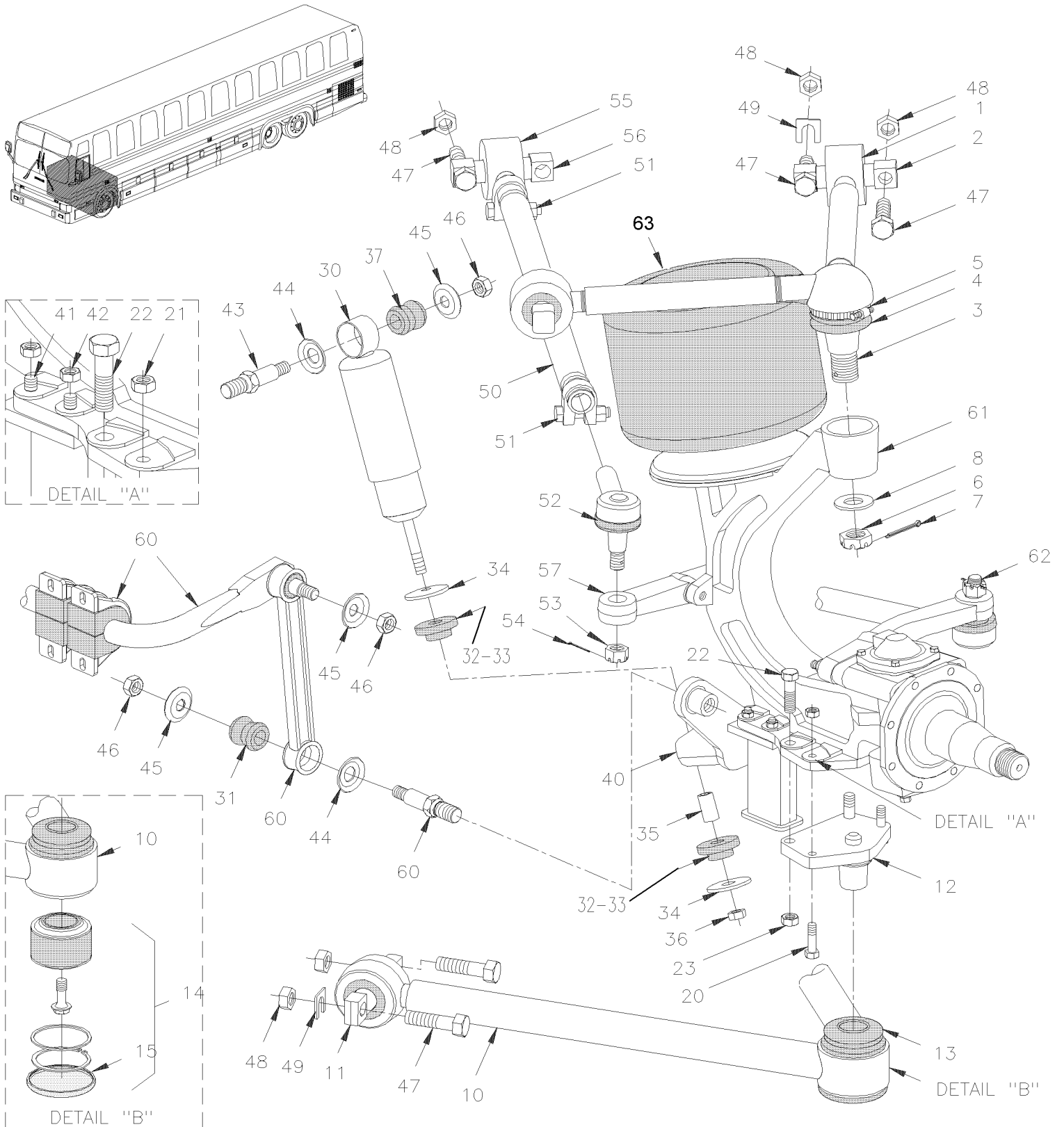
Item#	Part	Description	M T H 4 0	M T H 4 5	M T H 4 5 E	X L 4 0	X L 4 5	N O T E S
18	505189	SPRING, PIN 5/16 x 1 SS	AR	AR	AR	AR	AR	
19	130813	RETAINER PLATE / STEEL	AR	AR	AR	AR	AR	
20	120868	ROD ASSY / 23 3/8" C/C (593MM)	AR	AR	AR	AR	AR	A
NS	121101	ROD ASSY / 22 7/8" C/C (556MM)	AR	AR	AR	AR	AR	B
NS	121313	ROD ASSY / 23 7/8" C/C (606MM)	AR	AR	AR	AR	AR	B
21	120830	ROD ASSY / 39 3/4" C/C (1010MM) To L-684	1			1		
21	120026	ROD ASSY / 33 3/4" C/C (857MM) From L-685	1	1	1	1	1	
22	630021	RUBBER BUSHING "PREVOST"	AR	AR	AR	AR	AR	
30	130777	PIN W/FLAT ATTACHMENT 3/4-16 To H-284				AR	AR	
30	130956	PIN W/TAPER ATTACHMENT 3/4-16 From H-285 To T-5929	AR	AR	AR	AR	AR	
30	131424	PIN W/TAPER ATTACHMENT M20-2.5 From T-5930	AR	AR	AR	AR	AR	
NS	500568	SCREW CAP HEX 1-14x1 3/4 G5 PT ZP	2	2	2	2	2	
31	5001153	WASHER CON 25.5x50.0x4.5 ZP	AR	AR	AR	AR	AR	
32	630062	BUSHING / RUBBER / (ONE PIECE) 2" x 1.005" I.D.	AR	AR	AR	AR	AR	
33	630001	SHOCK ABSORBER / MED / BLUE To R-911	2		2	2	2	
33	630080	SHOCK ABSORBER / SOFT / RED To R-911	4			4		
33	630091	SHOCK ABSORBER / HARD / BLACK To R-911				AR		
33	630119	SHOCK ABSORBER / BLACK W/PLASTIC COVER To R-911		2				
33	630103	SHOCK ABSORBER / HARD / SILVER From R-912 To S-477		2				
33	630127	SHOCK ABSORBER / BLACK W/GAZ From R-912	2	2	2	2		
33	630134	SHOCK ABSORBER / WHITE From S-478					2	
34	5001152	WASHER CON 21.0x50.0x4.5 ZP	AR	AR	AR	AR	AR	
35	500735	NUT HEX STO 3/4-16 ZP To T-5929	AR	AR	AR	AR	AR	
35	500809	NUT HEX STO M20-2.5 N500 From T-5930	AR	AR	AR	AR	AR	
41	XL-1620-00	HEIGHT CONTROL VALVE To V-6252						
41	XL-1620-01	HEIGHT CONTROL VALVE From V-6253						
		A) PIN SWAY BAR TAPER (WELDED)						
		B) PIN SWAY BAR TAPER (WELDED)						
		F) PIN SWAY BAR TAPER (WELDED)						

From T-5873 To Y-7045

Date:10/2022

PAGE:XL-1605-50

FRONT AXLE - INSTALL W/INDEPENDENT / 16500LBS



From T-5873 To Y-7045	Date:10/2022	PAGE:XL-1605-50
FRONT AXLE - INSTALL W/INDEPENDENT / 16500LBS		

Item#	Part	Description	M T H 4 0	M T H 4 5	M T H 4 5 E	X L 4 0	X L 4 5	N O T E S
1	611073	UPPER ARM ASSY / L.H. & R.H. To W-6513	2	2	2			
1	611203	UPPER ARM ASSY / L.H. & R.H. From W-6514	1	1	1			
1	611347	UPPER ARM ASSY / L.H. & R.H. / SERVICE	1	1	1			
2	611111	. BALL PIN BUSHING / REPAIR KIT / UPPER ARM To W-6545	1	1	1			
. NS	683108	. . TOOL MOUNTING / MATRICE To W-6545	1	1	1			
. NS	683109	. . TOOL MOUNTING / TAPER RING / 100.5MM O.D. To W-6545	1	1	1			
. NS	683110	. . TOOL MOUNTING / STABILISATION To W-6545	1	1	1			
2	611135	. BUSHING BAR PIN / 20MM 130mm c/c 75MM O.D. x 52MM wide From W-6546	1	1	1			
. NS	683108	. . TOOL MOUNTING / MATRICE From W-6546	1	1	1			
. NS	683109	. . TOOL MOUNTING / TAPER RING / 100.5MM O.D. From W-6546	1	1	1			
. NS	683110	. . TOOL MOUNTING / STABILISATION From W-6546	1	1	1			
2	N.S.S.	. . LOCK RING	1	1	1			1
2	N.S.S.	. . SPACER RING	1	1	1			1
3	611108	. BALL STUD / REPAIR KIT / W/611203 ONLY	1	1	1			D
3	N.S.S.	. . BEARING RACE	1	1	1			1
3	N.S.S.	. . BEARING RETAINER	1	1	1			1
4	611109	. SEALING BOOT KIT / W/611203 ONLY	1	1	1			
5	611110	. . RING / RETAINER BOOT 96MM	1	1	1			
6	5001321	. NUT HEX CSL M30-1.5 17TH CJ	1	1	1			
7	502105	. PIN, COTTER 3/16 x 2	1	1	1			
8	5001255	. WASHER FL 31.75x54.77x3.175	2	2	2			
10	611072	. LOWER ARM ASSY / R.H.	1	1	1			
NS	611078	. LOWER ARM ASSY / L.H.	1	1	1			
11	611114	. BUSHING BAR PIN / 20x25MM 130mm c/c 85MM O.D. x 55MM wide	1	1	1			
. NS	683111	. . TOOL MOUNTING / MATRICE	1	1	1			
. NS	683112	. . TOOL MOUNTING / TAPER RING / 106.5MM O.D.	1	1	1			
. NS	683113	. . TOOL MOUNTING / STABILISATION	1	1	1			
11	N.S.S.	. . LOCK RING	1	1	1			1
11	N.S.S.	. . SPACER RING	1	1	1			1
12	611117	. MOUNTING BRACKET / TOP OF LOWER ARM W/4 HOL	1	1	1			
12	611357	. MOUNTING BRACKET / TOP OF LOWER ARM W/4 HOL	1	1	1			S
13	611115	. SEALING BOOT ASSY / ARM MOUNTING BRACKET	1	1	1			
NS	611116	. . RING / RETAINER BOOT 113MM	1	1	1			
14	611112	. LOWER BEARING BALL ASSY / REPAIR KIT	1	1	1			
. NS	683114	. . TOOL MOUNTING / MATRICE	1	1	1			
. NS	683115	. . TOOL MOUNTING / TAPER RING / 101.5MM O.D.	1	1	1			
. NS	683116	. . TOOL MOUNTING / STABILISATION	1	1	1			
. NS	683117	. . TOOL MOUNTING / MATRICE	1	1	1			
. NS	683118	. . TOOL MOUNTING / HANDLE	1	1	1			
. NS	683119	. . TOOL MOUNTING / MATRICE	1	1	1			
. NS	683120	. . TOOL MOUNTING RING POSITIONING	1	1	1			
14	N.S.S.	. . BEARING ELEMENT RING	2	2	2			1

From T-5873 To Y-7045	Date:10/2022	PAGE:XL-1605-50
FRONT AXLE - INSTALL W/INDEPENDENT / 16500LBS		

Item#	Part	Description	M T H 4 0	M T H 4 5	M T H 4 5 E	X L 4 0	X L 4 5	N O T E S
14	N.S.S.	. . . BEARING SPACER RING	2	2	2			1
14	N.S.S.	. . . SCR CAP HEX M14-1.5 X 30MM SPECIAL	1	1	1			1
15	611113	. . . CLOSING CAP, LOWER	1	1	1			
20	5001322	SCREW CAP HEX M16-1.5x60 G10.9 ZP	2	2	2			
NS	5001224	SCREW CAP HEX M16-2.0x60 G10.9 G500	AR	AR	AR			
21	5001253	NUT HEX STO M16-1.5 G500	4	4	4			
NS	5001254	NUT HEX STO M16-2.0 DP	AR	AR	AR			A
30	630136	SHOCK ABSORBER / BLACK	2	2	2			
31	630062	. BUSHING / RUBBER / (ONE PIECE) 2" x 1.005" I.D.	2	2	2			
32	630155	. BUSHING KIT / LOWER SHOCK	1	1	1			
NS	630249	. KIT WASHER & RUBBER BUSHING	1	1	1			
33	630152	. BUSHING / RUBBER	2	2	2			
34	630153	. . WASHER STEEL	2	2	2			
35	630154	. . SPACER SLEEVE / STEEL	1	1	1			
36	500725	. . NUT HEX STO 5/8-18 Z050	1	1	1			
36	963121	. . NUT HEX NYRT M16-1.5 ZP	1	1	1			
37	630257	. BUSHING / RUBBER / (TWO PIECES) 1" x 1.005" I.D.	2	2	2			
40	110674	SUPPORT R.H. / LOWER SHOCK & SWAY BAR	1	1	1			
NS	110675	SUPPORT L.H. / LOWER SHOCK & SWAY BAR	1	1	1			
41	5001043	SCREW CAP HEX M12-1.75x50 G8.8 Z050	8	8	8			
42	500811	NUT HEX STO M12-1.75 G500	8	8	8			B
43	130956	PIN W/TAPER ATTACHMENT 3/4-16 To T-5929	2	2	2			
NS	131424	PIN W/TAPER ATTACHMENT M20-2.5 From T-5930	2	2	2			
44	5001153	WASHER CON 25.5x50.0x4.5 ZP	2	2	2			
45	5001152	WASHER CON 21.0x50.0x4.5 ZP	6	6	6			C
46	500735	NUT HEX STO 3/4-16 ZP To T-5929	1	1	1			
46	500809	NUT HEX STO M20-2.5 N500 From T-5930	1	1	1			
47	5001225	SCREW CAP HEX M20-2.5x80 G10.9 G500	16	16	16			
48	5001252	NUT HEX STO M20-2.5 DP	16	16	16			
49	160992	SHIM "U" 6.35 x 39.5MM x 38MM x 20 i.d.	8	8	8			
NS	160993	SHIM "U" 3.175x 39.5MM x 38MM x 20 i.d.	4	4	4			
50	660993	ROD ASSY / 5TH	2	2	2			
51	611129	. COLLAR ASSY / W/BOLT & NUT 37MM I.D.	2	2	2			
NS	N17588	. . SCREW CAP HEX M12-1.75x70 G10.9 DP	1	1	1			
NS	500811	. . NUT HEX STO M12-1.75 G500	1	1	1			
52	611128	. TIE ROD END R.H. THREAD M30-1.5	1	1	1			
NS	N20571	. . RUBBER SEAL BOOT	1	1	1			
NS	N8884429	. . NUT HEX CSL M24-1.5 15TH CJ	1	1	1			
53	5001325	. . NUT HEX CSL M24-1.5 15TH CJ	1	1	1			
54	502104	. . PIN, COTTER 5/32 x 2	1	1	1			
55	611130	. BALL PIN BUSHING ASSY	1	1	1			
56	611127	. . BUSHING BAR PIN / 15MM 90mm c/c 55MM O.D. x 50MM wide	1	1	1			

From T-5873 To Y-7045	Date:10/2022	PAGE:XL-1605-50
FRONT AXLE - INSTALL W/INDEPENDENT / 16500LBS		

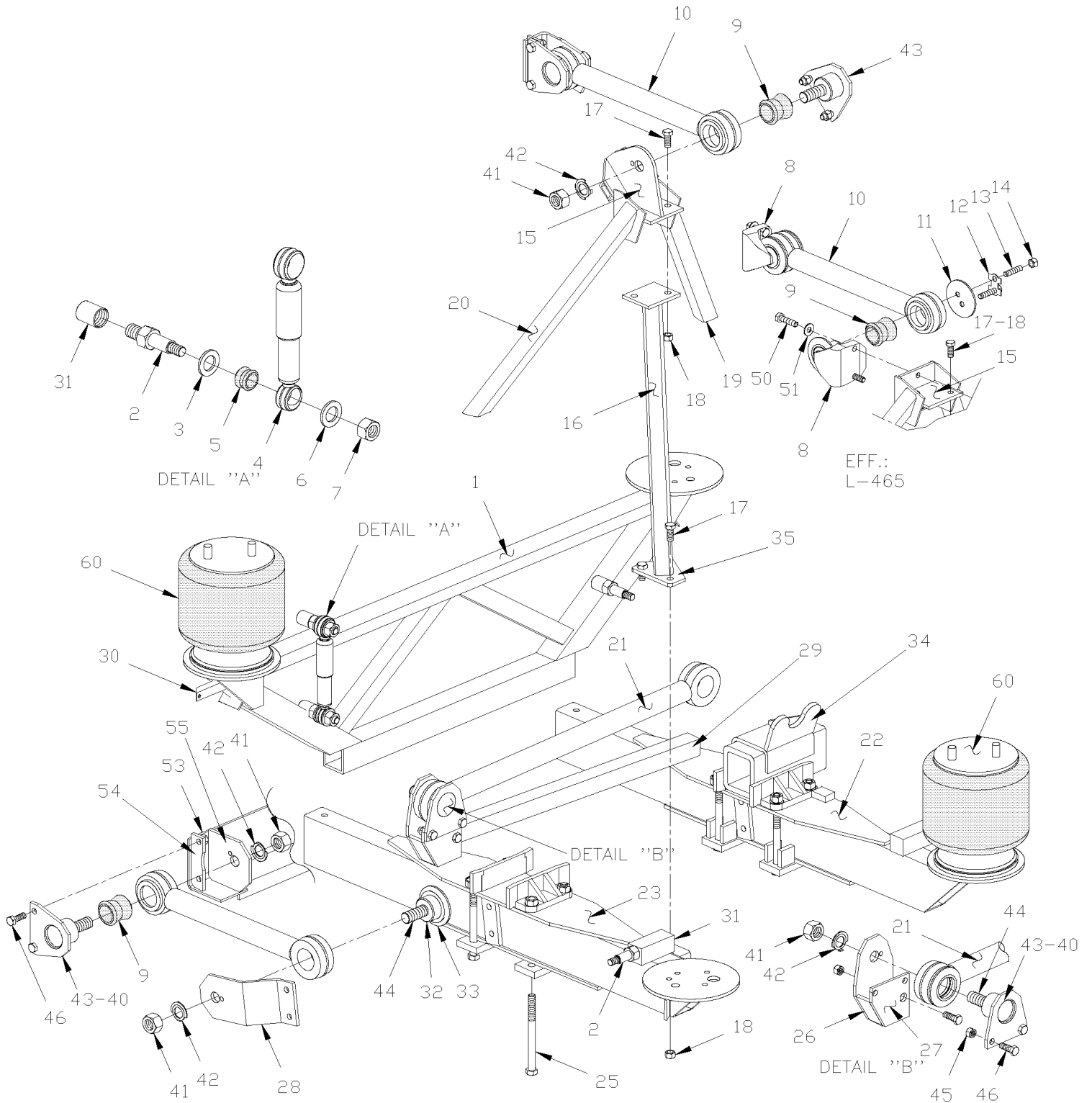
Item#	Part	Description	M T H 4 0	M T H 4 5	M T H 4 5 E	X L 4 0	X L 4 5	N O T E S
57	XL-1005-50	FRONT AXLE - INDEPENDENT MODEL "IS-82" / 16500LBS To V-6001						
NS	XL-1005-51	FRONT AXLE - INDEPENDENT MODEL "IS-84" / 16500LBS From V-6002						
60	XL-1616-00	SWAY BAR						
61	XL-1005-50	FRONT AXLE - INDEPENDENT MODEL "IS-82" / 16500LBS To V-6001						
61	XL-1005-51	FRONT AXLE - INDEPENDENT MODEL "IS-84" / 16500LBS From V-6002						
62	XL-1410-50	STEERING RODS - INSTALLATION W/INDEPENDENT "IS-82" / 16500 LBS						
63	XL-1601-00	BELLOWS - AIR SUSPENSION						
NS	501406	STREET ELBOW 90° / PIPE FITTING / 1/2NPT-Mx1/2NPT-F BR	1	1	1			
NS	131388	MALE CONNECTOR 114MM 1/2 NPT	1	1	1			
63	5001041	NUT HEX THN 1 1/4-12x1/2	1	1	1			
NS	683121	TOOL / SOCKET / BALL STUD REMOVER To W-6513	AR	AR	AR			
		A) (GR 10.9) TO FIX ARM (SERVICE)						
		B) TO FIX SUPPORT						
		C) (CONCAVE)						
		D) USE TOOL #683121						
		S) AFTER MARKET						
		1) NOT SOLD SEPARATELY						

From E-638 To S-519

Date:10/2022

PAGE:XL-1610-00

REAR AXLE - INSTALL SUSPENSION



From E-638 To S-519		Date:10/2022	PAGE:XL-1610-00
REAR AXLE - INSTALL SUSPENSION			

Item#	Part	Description	M T H 4 0	M T H 4 5	M T H 4 5 E	X L 4 0	X L 4 5	N O T E S
1	120809	FRONT FRAME ASSY To H-284	1			1		
1	120987	FRONT FRAME ASSY From H-285 To N-563	1			1		
1	121231P	FRONT FRAME ASSY / W/AXLE WITH DRUM BRAKE From N-564	1	1	1	1	1	
2	130777	PIN W/FLAT ATTACHMENT 3/4-16 To H-284	4			4		
2	130956	PIN W/TAPER ATTACHMENT 3/4-16 From H-285	4	4	4	4	4	
2	131424	PIN W/TAPER ATTACHMENT M20-2.5	2	2	2	2	2	C
3	5001153	WASHER CON 25.5x50.0x4.5 ZP	8	8	8	8	8	
4	630001	SHOCK ABSORBER / MED / BLUE To R-911	4	4	4	4	4	
4	630127	SHOCK ABSORBER / BLACK W/GAZ From R-912	4	4	4	4	4	
4	630134	SHOCK ABSORBER / WHITE	AR	AR	AR	AR	AR	
5	630062	BUSHING / RUBBER / (ONE PIECE) 2" x 1.005" I.D.	8	8	8	8	8	
6	5001152	WASHER CON 21.0x50.0x4.5 ZP	8	8	8	8	8	
7	500735	NUT HEX STO 3/4-16 ZP	4	4	4	4	4	
8	131065	SUPPORT / ROD / W/2 M16-2 HOLES / 95MM C/C // 150MM SHORT From L-465	5	5	5	5	5	
NS	121039	SHIM 20GAGE	AR	AR	AR	AR	AR	
NS	131068	SHIM 14GAGE	AR	AR	AR	AR	AR	
NS	121419	SHIM "U" 14GA SS 133MM x 62MM x 18 i.d.	AR	AR	AR	AR	AR	
NS	121418	SHIM "U" 26 GA SS 133MM x 62MM x 18 i.d.	AR	AR	AR	AR	AR	
9	630021	RUBBER BUSHING "PREVOST"	8	8	8	8	8	
NS	192380	SHIM WASHER / BUSHING RADIUS ROD 2.795x4.330x.0625 SS	AR	AR	AR	AR	AR	W
10	130615	ROD ASSY / 26 1/2" C/C (673MM)	3	3	3	3	3	A
10	131557	ROD ASSY / 26 5/8" C/C (675MM)	AR	AR	AR	AR	AR	B
11	110320	RETAINER PLATE / STEEL 110MM OD W/16.7 @ 38C/C From L-465	6	6	6	6		
11	110681	RETAINER PLATE / IRON 110MM OD W/16.7 @ 38C/C From L-465	6	6	6	6	6	C
12	110340	TAB LOCK / W/2 HOLES / W/4 TABS / 18MM I.D. X 38MM C/C From L-465	6	6	6	6	6	
13	130963	STUD M16-2.0x70	12	12	12	12	12	
14	502588	NUT HEX M16-2.0 ZP From L-465	12	12	12	12	12	
15	120756	ATTACHMENT / CENTRAL To L-464	1			1		
15	121095	ATTACHMENT / CENTRAL From L-465	1	1	1	1	1	
16	120820	BRACE / REAR To L-464	1			1		
16	121105	BRACE / REAR From L-465	1	1	1	1	1	
17	500415	SCREW CAP HEX 5/8-18x1 1/4 G5 ZP	AR	AR	AR	AR	AR	
18	500723	NUT HEX 5/8-18 ZP	AR	AR	AR	AR	AR	
19	120819	BRACE / FRONT R.H. To L-464	1			1		
19	121099	BRACE / FRONT R.H. From L-465	1	1	1	1	1	
20	120818	BRACE / FRONT L.H. To L-464	1			1		
20	121098	BRACE / FRONT L.H. From L-465	1	1	1	1	1	
21	120830	ROD ASSY / 39 3/4" C/C (1010MM)	1	1	1	1	1	
NS	130860	ATTACHMENT PLATE To G-197	1			1		
NS	130957	ATTACHMENT LATERAL ROD ASSY From G-198 To L-464	1		1	1		
NS	120858	ATTACHMENT LATERAL ROD ASSY From L-465	1		1	1		
22	120824	BEAM ASSY / R.H. To H-284	1			1		

From E-638 To S-519		Date:10/2022	PAGE:XL-1610-00
REAR AXLE - INSTALL SUSPENSION			

Item#	Part	Description	M T H 4 0	M T H 4 5	M T H 4 5 E	X L 4 0	X L 4 5	N O T E S
22	120988	BEAM ASSY / R.H. From H-285 To N-563	1			1		
22	121228	BEAM ASSY / R.H. From N-564 To S-519	1		1	1		
22	121280	BEAM ASSY / R.H. From P-646 To S-519		1			1	
23	120825	BEAM ASSY / L.H. To H-284	1			1		
23	120989	BEAM ASSY / L.H. From H-285 To N-563	1			1		
23	121227	BEAM ASSY / L.H. From N-564 To S-519	1		1	1		
23	121279	BEAM ASSY / L.H. From P-646 To S-519		1			1	
25	500152	SCREW CAP HEX 3/4-16x10 G5 ZP	8	8	8	8	8	
25	500151	SCREW CAP HEX 3/4-16x9 G5 ZP	8	8	8	8	8	
NS	500735	NUT HEX STO 3/4-16 ZP	8	8	8	8	8	
26	120500	ANCHOR PLATE, FRONT SECTION / (WELDED)	1	1	1	1	1	
27	120856	ATTACHMENT / (WELDED TO STRUCTURE)	1	1	1	1	1	
NS	120543	PLATE 3"3/4 X 2"1/2, BOTTOM SECTION / (WELDED)	1	1	1	1	1	
28	120800	PLATE ATTACHMENT / W/HOLE 8 3/8" C/C To S-519	1	1	1	1	1	
29	120826	TUBE / (WELDED)	1	1	1	1	1	
30	130491	ACTUATOR SUPORT / L.H. & R.H. TO FIX LINK To K-853	2			2		
30	121060	ACTUATOR SUPORT / L.H. & R.H. TO FIX LINK From K-854 To N-563	2			2		
30	121254	ACTUATOR SUPPORT / L.H. TO FIX LINK (WELDED) From N-564	1	1	1	1	1	
30	121256	ACTUATOR SUPPORT / R.H. TO FIX LINK (WELDED) From N-564	1	1	1	1	1	
31	130786	ATTACHMENT / SHOCK ABSORBER (ROUND WELDED) W/FLAT PIN SHOCK To H-284	2			2		
31	131069	SUPPORT PIN TAPER / (WELDED) From H-285 To J-540	2			2		
31	171032	SUPPORT 1"-14 / SHOCK ABSORBER / 55MM From J-541	2	2	2	2	2	
31	171032	SUPPORT 1"-14 / SHOCK ABSORBER / 55MM	4	4	4	4	4	
32	130763	PIN RADIUS ROD (WELDED TO BEAM STRUCTURE) To S-519	1	1	1	1	1	
33	120545	WASHER SHOULDER / (WELDED) / 4.5" O.D.x 2.535" I.D. x .625 To S-519	1	1	1	1	1	
34	120832	SUPPORT R.H. / BRAKE CHAMBER To L-464	1	1	1	1	1	
34	120831	SUPPORT L.H. / BRAKE CHAMBER To L-464	1	1	1	1	1	
34	121102	SUPPORT L.H. & R.H. / BRAKE CHAMBER From L-465	1	1	1	1	1	J
35	120842	PLATE SUPPORT	1	1	1	1	1	
40	130940	ATTACHMENT KIT	AR	AR	AR	AR	AR	
41	500280	NUT HEX 1 1/4-12x1 1/16 ZP	1	1	1	1	1	
42	131158	TAB LOCK / W/1 HOLE 1.265" I.D.	1	1	1	1	1	
43	130846	ATTACHMENT ASSY W/STUD	1	1	1	1	1	
44	130760	STUD 2 3/4" X 1 1/4-12 BOTH END	1	1	1	1	1	
45	500725	NUT HEX STO 5/8-18 Z050	2	2	2	2	2	
46	500880	SCREW CAP HEX 5/8-18x1 3/4 G5 ZP	2	2	2	2	2	
50	5001369	SCREW CAP HEX M16-2.0x70 G10.9 DP	2	2	2	2	2	
51	5001046	WASHER FL .656x1.500x.187	AR	AR	AR	AR	AR	
53	120816	REAR RADIUS ROD ATTACHMENT ANGLE ASSY To S-519	1	1	1	1	1	
53	212923	REAR RADIUS ROD ATTACHMENT ANGLE ASSY From S-520 To T-5850	1	1	1	1	1	
53	213209	REAR RADIUS ROD ATTACHMENT ANGLE ASSY From T-5851	1	1	1	1	1	
53	120813	ANGLE To S-519	1	1	1	1	1	

From E-638 To S-519	Date:10/2022	PAGE:XL-1610-00
REAR AXLE - INSTALL SUSPENSION		

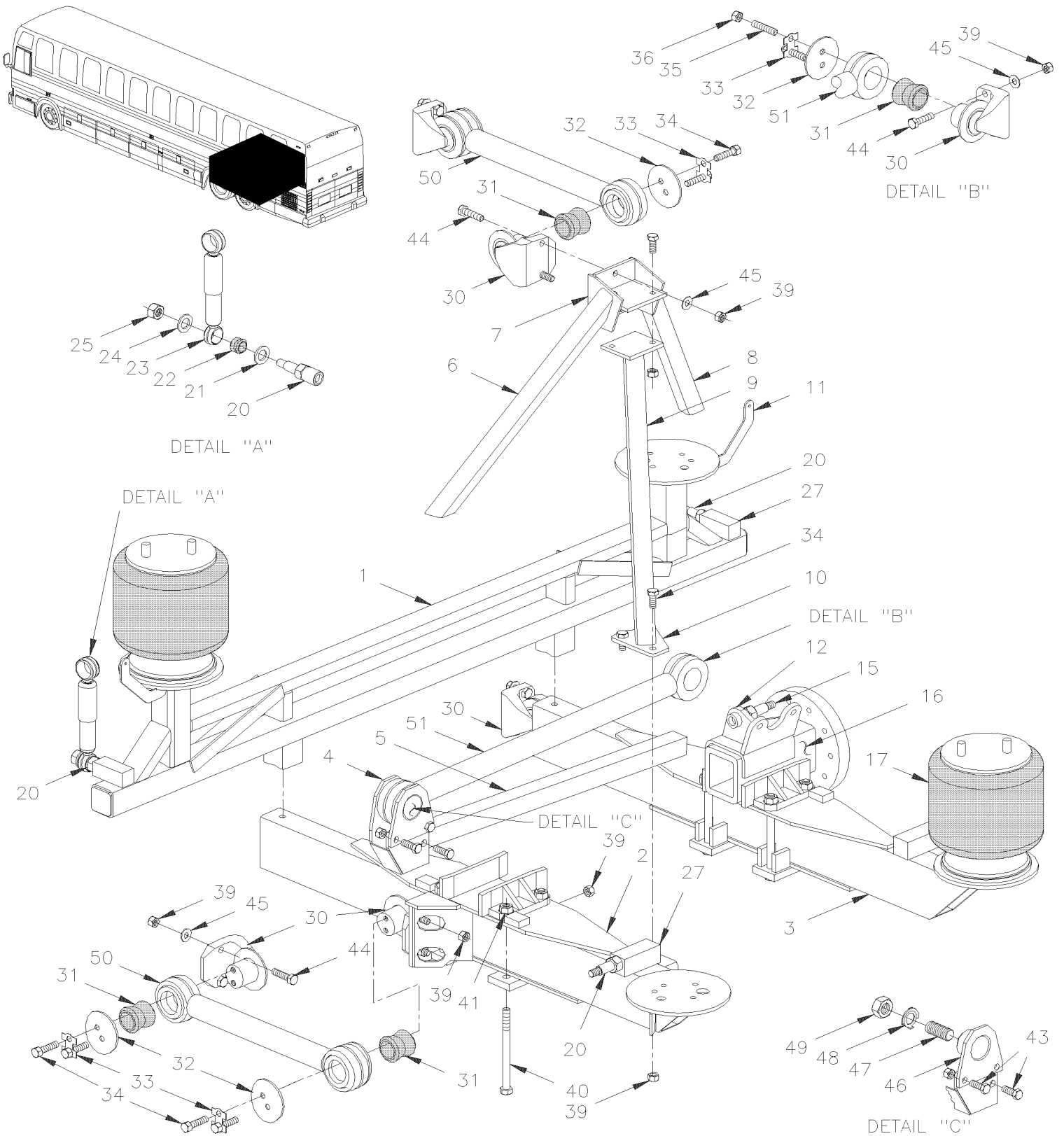
Item#	Part	Description	M T H 4 0	M T H 4 5	M T H 4 5 E	X L 4 0	X L 4 5	N O T E S
53	212921	. ANGLE From S-520	1	1	1	1	1	
54	120866	. PLATE To S-519	2	2	2	2	2	
54	212920	. PLATE From S-520 To T-5850	2	2	2	2	2	
54	213210	. PLATE From T-5851	2	2	2	2	2	
55	120865	. BUSHING PLATE To S-519	2	2	2	2	2	
55	212922	. BUSHING PLATE From S-520 To T-5850	2	2	2	2	2	
55	213211	. BUSHING PLATE From T-5851	2	2	2	2	2	
60	XL-1601-00	BELLOWS - AIR SUSPENSION						
60	XL-1601-01	BELLOWS - AIR SUSPENSION						
		A) USE IN PRODUCTION WITH FACTORY ALIGNMENT						
		B) USE ONLY WITH MISALIGNMENT IN SERVICE						
		C) CURRENT						
		J) (WELDED TO HOUSING)						
		W) IF NEED, USE BETWEEN BUSHING ROD SUPPORT						

From S-520 To Y-7045

Date:10/2022

PAGE:XL-1610-01

REAR AXLE - INSTALL SUSPENSION



From S-520 To Y-7045	Date:10/2022	PAGE:XL-1610-01
REAR AXLE - INSTALL SUSPENSION		

Item#	Part	Description	M T H 4 0	M T H 4 5	M T H 4 5 E	X L 4 0	X L 4 5	N O T E S
1	121231P	FRONT FRAME ASSY / W/AXLE WITH DRUM BRAKE	1	1	1	1	1	
2	121400P	BEAM ASSY / L.H.	1	1	1	1	1	
3	121399P	BEAM ASSY / R.H.	1	1	1	1	1	
4	120500	ANCHOR PLATE, FRONT SECTION / (WELDED)	1	1	1	1	1	
4	120856	ATTACHMENT / (WELDED TO STRUCTURE)	1	1	1	1	1	
4	120543	PLATE 3"3/4 X 2"1/2, BOTTOM SECTION / (WELDED)	1	1	1	1	1	
5	120826	TUBE / (WELDED)	1	1	1	1	1	
6	121098	BRACE / FRONT L.H.	1	1	1	1	1	
7	121095	ATTACHMENT / CENTRAL To X-6999	1	1	1	1	1	
7	121558	ATTACHMENT / CENTRAL From X-7000	1	1	1	1	1	
8	121099	BRACE / FRONT R.H.	1	1	1	1	1	
9	121105	BRACE / REAR To X-6999	1	1	1	1	1	
9	121560	BRACE / REAR From X-7000	1	1	1	1	1	
10	120842	PLATE SUPPORT To X-6999	1	1	1	1	1	
10	121554	PLATE SUPPORT From X-7000	1	1	1	1	1	
11	121254	ACTUATOR SUPPORT / L.H. TO FIX LINK (WELDED)	1	1	1	1	1	
11	121256	ACTUATOR SUPPORT / R.H. TO FIX LINK (WELDED)	1	1	1	1	1	
12	121102	SUPPORT L.H. & R.H. / BRAKE CHAMBER To T-5872	1	1	1	1	1	J
NS	121371	SUPPORT R.H. / BRAKE CHAMBER From T-5873	1	1	1	1	1	J
NS	121372	SUPPORT L.H. / BRAKE CHAMBER From T-5873	1	1	1	1	1	J
15	131424	PIN W/TAPER ATTACHMENT M20-2.5 To W-6479	2	2	2	2	2	A
NS	131522	PIN W/TAPER ATTACHMENT M20-2.5 / SWAY-BAR From W-6480	2	2	2	2	2	K
16	XL-1105-01	REAR AXLE - MODEL RS23160 & DRUM BRAKE W/61143						
17	XL-1601-00	BELLOWS - AIR SUSPENSION To N-957						
17	XL-1601-01	BELLOWS - AIR SUSPENSION From N-958						
20	130956	PIN W/TAPER ATTACHMENT 3/4-16 To T-5929	4	4	4	4	4	
20	131424	PIN W/TAPER ATTACHMENT M20-2.5 From T-5930	4	4	4	4	4	
21	5001153	WASHER CON 25.5x50.0x4.5 ZP	8	8	8	8	8	
22	630062	BUSHING / RUBBER / (ONE PIECE) 2" x 1.005" I.D.	8	8	8	8	8	
23	630127	SHOCK ABSORBER / BLACK W/GAZ	4	4	4	4	4	
23	630134	SHOCK ABSORBER / WHITE	AR	AR	AR	AR	AR	
24	5001152	WASHER CON 21.0x50.0x4.5 ZP	8	8	8	8	8	
25	500735	NUT HEX STO 3/4-16 ZP To T-5929	4	4	4	4	4	
25	500809	NUT HEX STO M20-2.5 N500 From T-5930	4	4	4	4	4	
27	171032	SUPPORT 1"-14 / SHOCK ABSORBER / 55MM	4	4	4	4	4	
30	131065	SUPPORT / ROD / W/2 M16-2 HOLES / 95MM C/C // 150MM SHORT	5	5	5	5	5	
NS	121039	SHIM 20GAGE	AR	AR	AR	AR	AR	
NS	131068	SHIM 14GAGE	AR	AR	AR	AR	AR	
NS	121419	SHIM "U" 14GA SS 133MM x 62MM x 18 i.d.	AR	AR	AR	AR	AR	
NS	121418	SHIM "U" 26 GA SS 133MM x 62MM x 18 i.d.	AR	AR	AR	AR	AR	
31	630021	RUBBER BUSHING "PREVOST"	8	8	8	8	8	
NS	192380	SHIM WASHER / BUSHING RADIUS ROD 2.795x4.330x.0625 SS	AR	AR	AR	AR	AR	W

From S-520 To Y-7045		Date:10/2022	PAGE:XL-1610-01
REAR AXLE - INSTALL SUSPENSION			

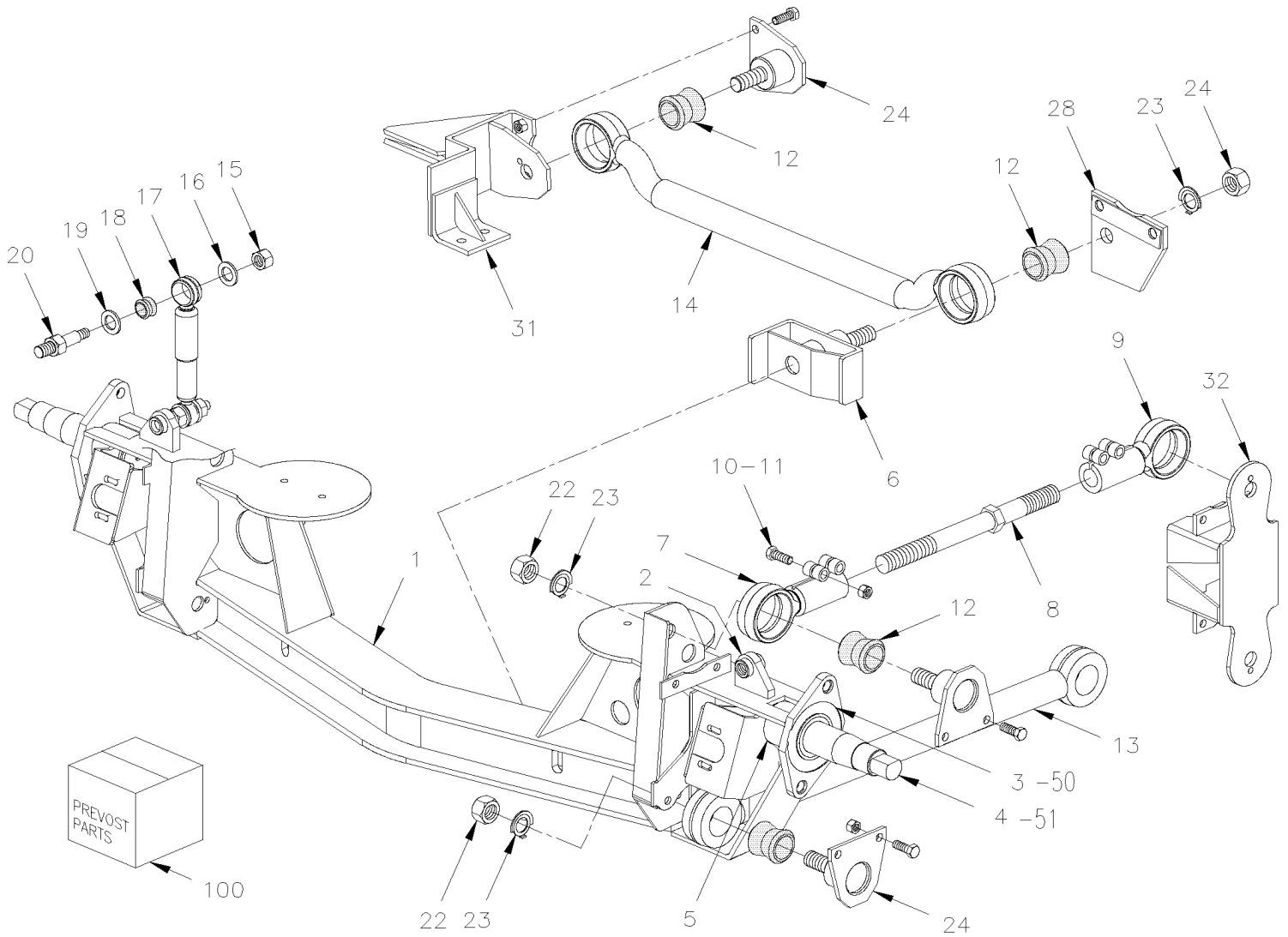
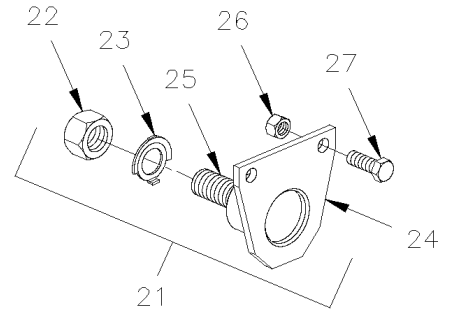
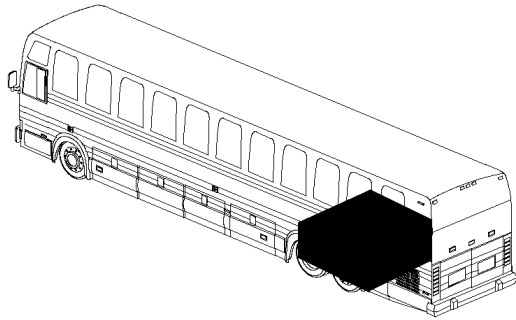
Item#	Part	Description	M T H 4 0	M T H 4 5	M T H 4 5 E	X L 4 0	X L 4 5	N O T E S
32	110681	RETAINER PLATE / IRON 110MM OD W/16.7 @ 38C/C	6	6	6	6	6	
33	110340	TAB LOCK / W/2 HOLES / W/4 TABS / 18MM I.D. X 38MM C/C	6	6	6	6	6	
34	500880	SCREW CAP HEX 5/8-18x1 3/4 G5 ZP	AR	AR	AR	AR	AR	
35	130963	STUD M16-2.0x70	2	2	2	2	2	
36	502588	NUT HEX M16-2.0 ZP	2	2	2	2	2	
39	500723	NUT HEX 5/8-18 ZP	AR	AR	AR	AR	AR	
40	500151	SCREW CAP HEX 3/4-16x9 G5 ZP To X-6902	8	8	8	8	8	
40	5001472	SCREW CAP HEX 3/4-16x9 1/2 G5 Z050 From X-6903	8	8	8	8	8	
41	500251	NUT HEX NYRT 3/4-16 Z050	8	8	8	8	8	
42	131420	ATTACHMENT	1	1	1	1	1	
43	500880	SCREW CAP HEX 5/8-18x1 3/4 G5 ZP	2	2	2	2	2	
NS	500725	NUT HEX STO 5/8-18 Z050	2	2	2	2	2	
44	5001369	SCREW CAP HEX M16-2.0x70 G10.9 DP	2	2	2	2	2	
45	5001046	WASHER FL .656x1.500x.187	AR	AR	AR	AR	AR	
46	130940	ATTACHMENT KIT	AR	AR	AR	AR	AR	
46	130846	. ATTACHMENT ASSY W/STUD	1	1	1	1	1	
47	130760	. . STUD 2 3/4" X 1 1/4-12 BOTH END	1	1	1	1	1	
48	131158	. TAB LOCK / W/1 HOLE 1.265" I.D.	1	1	1	1	1	
49	500280	. NUT HEX 1 1/4-12x1 1/16 ZP	1	1	1	1	1	
50	130615	ROD ASSY / 26 1/2" C/C (673MM)	3	3	3	3	3	
50	131557	ROD ASSY / 26 5/8" C/C (675MM)	AR	AR	AR	AR	AR	
51	120830	ROD ASSY / 39 3/4" C/C (1010MM)	1	1	1	1	1	
52	121600	KIT, REINFORCEMENT FRONT FRAME BELLOW SUPPORT DRIVE AXLE	1	1	1	1	1	
. NS	IS-03138	. SEE INSTRUCTION SHEET	1	1	1	1	1	
		A) FOR PRODUCT IMPROVMENT YOU REQUIRE 2 STUDS 131520, 2 PINS 131522 & 4 BUSHING 506678						
		J) (WELDED TO HOUSING)						
		K) FOR SWAY BAR ONLY						
		W) IF NEED, USE BETWEEN BUSHING ROD SUPPORT						

From E-638 To P-740

Date:10/2022

PAGE:XL-1615-00

TAG AXLE - INSTALL SUSPENSION



From E-638 To P-740	Date:10/2022	PAGE:XL-1615-00
TAG AXLE - INSTALL SUSPENSION		

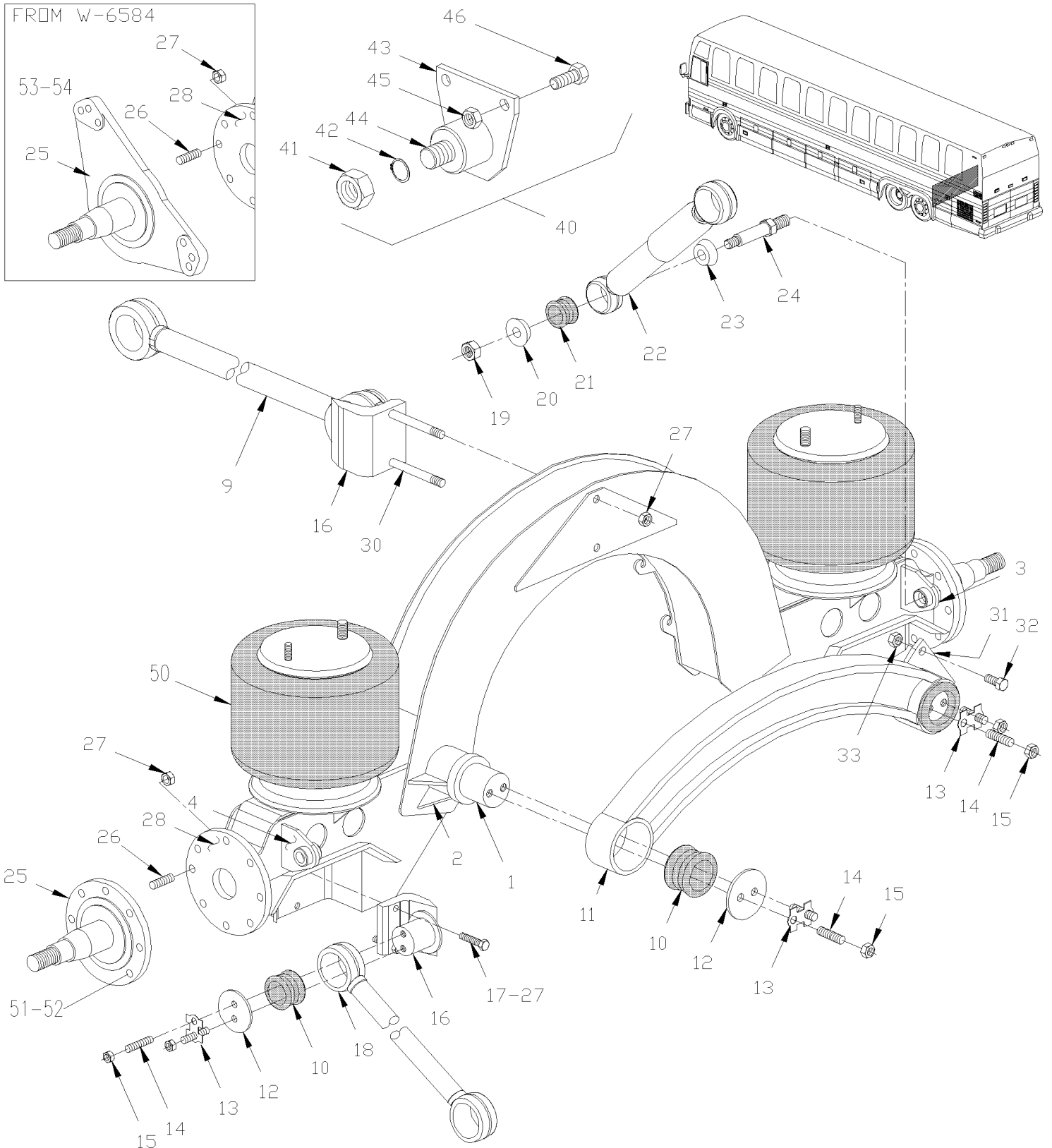
Item#	Part	Description	M T H 4 0	M T H 4 5	M T H 4 5 E	X L 4 0	X L 4 5	N O T E S
1	120919P	AXLE ASSY To H-284	1			1		
1	120990P	AXLE ASSY From H-285	1		1	1		
2	130766	. BRACKET L.H. & R.H. / TO FIX SHOCK ABSORBER W/FLAT PIN SHOCK To H-284	1			1		
2	130966	. ATTACHMENT / SHOCK ABSORBER R.H. W/TAPER PIN SHOCK From H-285	1		1	1		
2	130971	. ATTACHMENT / SHOCK ABSORBER L.H. W/TAPER PIN SHOCK From H-285	1		1	1		
3	120739	. . ATTACHMENT PLATE / L.H. & R.H.	1		1	1		
4	120738	. . . SPINDLE	2		2	2		
NS	500225	. . SCREW CAP HEX 5/8-11x1 G5 Z050	1		1	1		
5	120735	. . . SLEEVE	1		1	1		
6	120916	. ATTACHMENT / (WELDED TO TAG AXLE)	1		1	1		
6	120336	ROD ASSY ADJUSTABLE 26 1/2" C/C (673MM)	2		2	2		
7	120400	. ROD END L.H. THREAD 1 1/2-12 7 3/4" (196.5MM)	1		1	1		
8	120335	. ROD 18" THREADED L.H. & R.H. 1 1/2-12	1		1	1		
9	120387	. ROD END R.H. THREAD 1 1/2-12 7 3/4" (196.5MM)	1		1	1		
10	500128	. SCREW CAP HEX 5/8-18x2 1/2 G5 ZP	4		4	4		
11	500725	. NUT HEX STO 5/8-18 Z050	4		4	4		
12	630021	RUBBER BUSHING "PREVOST"	10		10	10		
NS	192380	SHIM WASHER / BUSHING RADIUS ROD 2.795x4.330x.0625 SS	AR		AR	AR		W
13	130615	ROD ASSY / 26 1/2" C/C (673MM)	2		2	2		
14	120830	ROD ASSY / 39 3/4" C/C (1010MM)	1			1		AB
14	120876	ROD ASSY / 39 3/4" C/C (1010MM) To L-684	1			1		C
14	131123	ROD ASSY / 39 3/4" C/C (1010MM) From L-685	1		1	1		C
14	121132	ROD ASSY / 39 3/4" C/C (1010MM)				1		D
15	500735	NUT HEX STO 3/4-16 ZP	4		4	4		
15	500809	NUT HEX STO M20-2.5 N500 From H-285	4		4	4		S
16	5001153	WASHER CON 25.5x50.0x4.5 ZP	4		4	4		
17	630001	SHOCK ABSORBER / MED / BLUE	2			2		
17	630127	SHOCK ABSORBER / BLACK W/GAZ	2		2	2		
18	630062	BUSHING / RUBBER / (ONE PIECE) 2" x 1.005" I.D.	4		4	4		
19	5001152	WASHER CON 21.0x50.0x4.5 ZP	4		4	4		
20	130777	PIN W/FLAT ATTACHMENT 3/4-16 To H-284	4			4		
20	130956	PIN W/TAPER ATTACHMENT 3/4-16 From H-285	4		4	4		
20	131424	PIN W/TAPER ATTACHMENT M20-2.5 From H-285	4		4	4		S
21	130940	ATTACHMENT KIT	1		1	1		
22	500280	. NUT HEX 1 1/4-12x1 1/16 ZP	1		1	1		
23	131158	. TAB LOCK / W/1 HOLE 1.265" I.D.	1		1	1		
24	130846	. ATTACHMENT ASSY W/STUD	1		1	1		
25	130760	. . STUD 2 3/4" X 1 1/4-12 BOTH END	1		1	1		
26	500725	NUT HEX STO 5/8-18 Z050	2		2	2		
27	500880	SCREW CAP HEX 5/8-18x1 3/4 G5 ZP	2		2	2		
31	130957	ATTACHMENT LATERAL ROD ASSY	1		1	1		
32	120524	SUPPORT ASSY / (WELDED TO STRUCTURE)	2			2		

From E-638 To P-740	Date:10/2022	PAGE:XL-1615-00
---------------------	--------------	-----------------

TAG AXLE - INSTALL SUSPENSION

Item#	Part	Description	M T H 4 0	M T H 4 5	M T H 4 5 E	X L 4 0	X L 4 5	N O T E S
50	XL-1245-00	BRAKE PARTS - TAG AXLE - W/"MERITOR" DRUMS To P-740						
50	XL-1245-01	BRAKE PARTS - TAG AXLE - W/"MERITOR" ABD 1560 From P-741						
50	XL-1225-98	BRAKE PARTS "KNORR-BREMSE" SN7 SERIES - "SERVICE"						
51	XL-1310-00	HUB & DRUM - TAG AXLE To P-740						
51	XL-1310-01	HUB & ROTOR - TAG AXLE WITH DISC BRAKE MODEL 1560 From P-741						
100	120734	SPINDLE REPAIR KIT / L.H. & R.H.	AR		AR	AR		E
		A) W/AUTOMATIC TRANSMISSION AND 6V92 & 8V71 ENGINE						
		B) W/MANUAL TRANSMISSION						
		C) W/AUTOMATIC TRANSMISSION AND 8V92 ENGINE						
		D) WITH VEHICULE E-762, H-381, H-382 & H-384						
		E) INCLUDE ITEM #3, 4 & 5						
		S) IN SERVICE						
		W) IF NEED, USE BETWEEN BUSHING ROD SUPPORT						

From P-741 To Y-7045	Date:10/2022	PAGE:XL-1615-01
TAG AXLE - INSTALL SUSPENSION		



From P-741 To Y-7045	Date:10/2022	PAGE:XL-1615-01
----------------------	--------------	-----------------

TAG AXLE - INSTALL SUSPENSION

Item#	Part	Description	M T H 4 0	M T H 4 5	M T H 4 5 E	X L 4 0	X L 4 5	N O T E S
	121169P	AXLE ASSY To R-918	1	1	1	1		
	121347P	AXLE ASSY W/MANUAL TRANSMISSION					1	
. NS	IS-95125	. SEE INSTRUCTION SHEET					1	
	121366P	AXLE ASSY W/AUTOMATIC TRANSMISSION From R-919 To W-6465	1	1	1	1	1	
. NS	IS-95125	. SEE INSTRUCTION SHEET From R-919 To W-6465	1	1	1	1	1	
NS	121487P	AXLE ASSY W/AUTOMATIC TRANSMISSION From W-6466	1	1	1	1	1	
NS	121347P	AXLE ASSY W/MANUAL TRANSMISSION To W-6465				1		
. NS	IS-95125	. SEE INSTRUCTION SHEET To W-6465				1		
NS	Call order desk	AXLE ASSY W/MANUAL TRANSMISSION From W-6466				1		P
1	121341	. SHAFT / TO FIX LATERAL ROD W/AXLE	1	1	1	1	1	
2	121268	. PLATE REINFORCEMENT (WELDED)	1	1	1	1	1	
3	121145	. ATTACHMENT R.H. / SHOCK ABSORBER PIN	1	1	1	1	1	
4	121147	. ATTACHMENT L.H. / SHOCK ABSORBER PIN	1	1	1	1	1	
9	120868	ROD ASSY / 23 3/8" C/C (593MM)	1	1	1	1	1	
10	630021	RUBBER BUSHING "PREVOST"	6	6	6	6	6	
NS	192380	SHIM WASHER / BUSHING RADIUS ROD 2.795x4.330x.0625 SS	AR	AR	AR	AR	AR	W
11	121065	ROD ASSY / 34 5/8" C/C (880MM) To R-918		1				A
11	131282	ROD ASSY / 35" C/C (889MM) / CASTING From R-919		1			1	D
11	131304	ROD ASSY 35" C/C (889MM) From R-919 To T-5771	1		1	1		D
11	131370	ROD ASSY / 35" C/C (889MM) / CASTING From T-5772	1		1	1		D
11	171691	ROD ASSY / 31 3/4" C/C (805MM)				1		M
12	110681	RETAINER PLATE / IRON 110MM OD W/16.7 @ 38C/C	6	6	6	6	6	
13	110340	TAB LOCK / W/2 HOLES / W/4 TABS / 18MM I.D. X 38MM C/C	6	6	6	6	6	
14	130963	STUD M16-2.0x70	12	12	12	12	12	
15	500781	NUT HEX STO M16-2.0 DP	18	18	18	18	18	B
16	131065	SUPPORT / ROD / W/2 M16-2 HOLES / 95MM C/C // 150MM SHORT	6	6	6	6	6	
17	5001369	SCREW CAP HEX M16-2.0x70 G10.9 DP	4	4	4	4	4	C
18	120868	ROD ASSY / 23 3/8" C/C (593MM) To R-847	2	2	2	2		
18	121358	ROD ASSY W/CHAIN HOOK / 23 3/8" C/C (593MM) From R-848	2	2	2	2	2	
19	500809	NUT HEX STO M20-2.5 N500	4	4	4	4	4	
20	5001152	WASHER CON 21.0x50.0x4.5 ZP	4	4	4	4	4	
21	630062	BUSHING / RUBBER / (ONE PIECE) 2" x 1.005" I.D.	4	4	4	4	4	
22	630001	SHOCK ABSORBER / MED / BLUE To R-911	2	2	2	2		
22	630127	SHOCK ABSORBER / BLACK W/GAZ From R-912	2	2	2	2	2	
23	500833	WASHER CON 25.5x60.0x2.5 ZP	4	4	4	4	4	
NS	5001153	WASHER CON 25.5x50.0x4.5 ZP	4	4	4	4	4	
24	131424	PIN W/TAPER ATTACHMENT M20-2.5	4	4	4	4	4	
25	610896	SPINDLE / WITH MODEL 1560 DISC BRAKE To W-6465	2	2	2	2	2	
25	611206	SPINDLE / WITH MODEL "G.K.N." (TS5) From W-6466 To W-6583	2	2	2	2	2	
25	611216	SPINDLE / WITH MODEL "G.K.N." (TS6) From W-6584	2	2	2	2	2	
26	500768	SCREW CAP HEX M16-2.0x70 G8.8 ZP To W-6465	12	12	12	12	12	
26	611048	STUD / M16-2.0 x 60MM From W-6466	8	8	8	8	8	

From P-741 To Y-7045		Date:10/2022	PAGE:XL-1615-01
----------------------	--	--------------	-----------------

TAG AXLE - INSTALL SUSPENSION

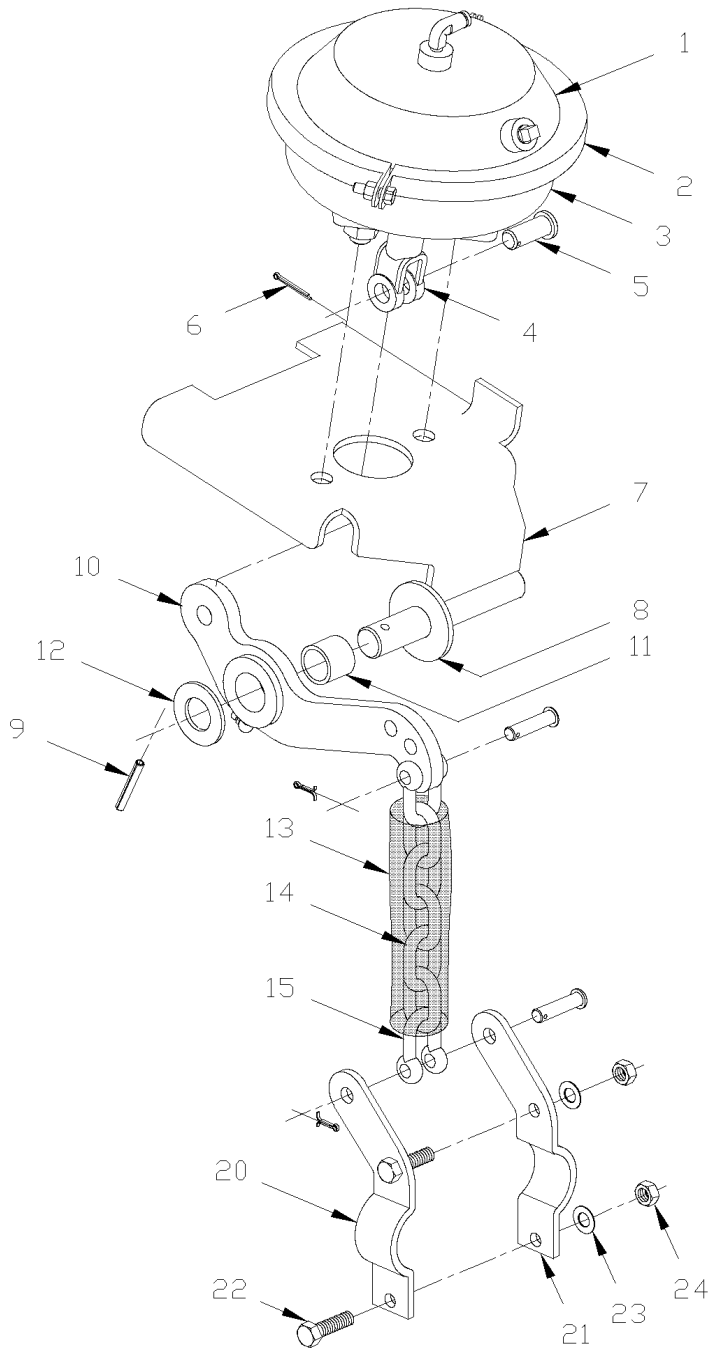
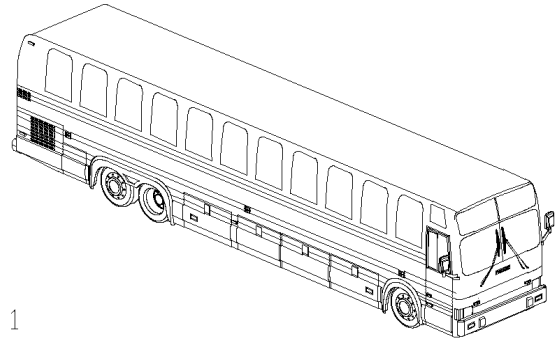
Item#	Part	Description	M T H 4 0	M T H 4 5	M T H 4 5 E	X L 4 0	X L 4 5	N O T E S
27	502588	NUT HEX M16-2.0 ZP	8	8	8	8	8	
NS	502884	WASHER LO SPT 16.2x27.4x3.5 N500	8	8	8	8	8	
28	121203	SHIM / CAMBER ADJUSTMENT 0.117 DEGRES / SPINDLE & AXLE	AR	AR	AR	AR	AR	
NS	121240	SHIM / CAMBER ADJUSTMENT 0.250 DEGRES / SPINDLE & AXLE	AR	AR	AR	AR	AR	
29	502544	SCREW CAP HEX M16-2.0x40 G8.8 Z050	4	4	4	4	4	
30	5001370	SCREW CAP HEX M16-2.0x180 G10.9 G500	2	2	2	2	2	
31	131334	PLATE, RETAINING From R-975 To T-5850	1	1	1	1	1	E
31	131420	ATTACHMENT From T-5851	1	1	1	1	1	E
32	500880	SCREW CAP HEX 5/8-18x1 3/4 G5 ZP	2	2	2	2	2	
33	500725	NUT HEX STO 5/8-18 Z050	2	2	2	2	2	
40	130940	ATTACHMENT KIT				AR		
40	130846	. ATTACHMENT ASSY W/STUD				1		
41	130760	. . STUD 2 3/4" X 1 1/4-12 BOTH END				1		
42	131158	. TAB LOCK / W/1 HOLE 1.265" I.D.				1		
43	500280	. NUT HEX 1 1/4-12x1 1/16 ZP	1	1	1	1	1	
44	500725	NUT HEX STO 5/8-18 Z050	2	2	2	2	2	
45	500880	SCREW CAP HEX 5/8-18x1 3/4 G5 ZP	2	2	2	2	2	
50	XL-1601-01	BELLOWS - AIR SUSPENSION						
51	XL-1245-01	BRAKE PARTS - TAG AXLE - W/"MERITOR" ABD 1560						
51	XL-1225-99	BRAKE PARTS - FRONT AXLE MODEL 16 1/2 I.D. (RETROFIT)						
52	XL-1310-01	HUB & ROTOR - TAG AXLE WITH DISC BRAKE MODEL 1560						
52	XL-1300-99	HUB & DRUM - FRONT AXLE - MODEL 16 1/2 I.D. / "RETROFIT"						
53	XL-1245-04	BRAKE PARTS - TAG AXLE - W/"KNORR-BREMSE"						
53	XL-1225-98	BRAKE PARTS "KNORR-BREMSE" SN7 SERIES - "SERVICE"						
54	XL-1310-02	HUB & ROTOR - TAG AXLE TYPE TS5 To W-6584						
54	XL-1310-03	HUB & ROTOR - TAG AXLE TYPE TS6 From W-6585						
		A) WITH "ATEC" TRANSMISSION						
		B) TO FIX SPINDLE						
		C) TO FIX ATTACHMENT						
		D) WITH "WORLD" TRANSMISSION						
		E) WITH AUTOMATIC TRANSMISSION						
		M) WITH MANUAL TRANSMISSION						
		W) IF NEED, USE BETWEEN BUSHING ROD SUPPORT						
		P) CALL ORDER DESK FOR SPECIFIC APPLICATION (V.I.N.)						

From E-638 To Y-7045

Date:10/2022

PAGE:XL-1615-10

TAG AXLE - LIFTING



From E-638 To Y-7045	Date:10/2022	PAGE:XL-1615-10
TAG AXLE - LIFTING		

Item#	Part	Description	M T H 4 0	M T H 4 5	M T H 4 5 E	X L 4 0	X L 4 5	N O T E S
1	640729	BRAKE CHAMBER ASSY / TYPE 36 To X-6689	2	2	2	2	2	G
1	641425	BRAKE CHAMBER ASSY / TYPE 36 From X-6690	2	2	2	2	2	
2	641067	. CLAMP TYPE 36	1	1	1	1	1	
3	640979	. DIAPHRAGM / TYPE 36	1	1	1	1	1	
3	641066	. BOOT RUBBER	1	1	1	1	1	
3	641426	. SHIELD, ROD CENTER HOLE	1	1	1	1	1	
4	640130	. YOKE 5/8-18x1 3/8 C/Lx9/16Wx5/8	1	1	1	1	1	
5	502028	. PIN, CLEVIS 5/8 x 3/4	1	1	1	1	1	
6	502102	. PIN, COTTER 1/8 x 1	1	1	1	1	1	
7	120521	BRACKET / L.H. To N-542	1			1		
7	120522	BRACKET / R.H. To N-542	1			1		
7	171387	BRACKET / R.H. From N-543 To R-844	1	1	1	1		
7	171388	BRACKET / L.H. From N-543 To R-844	1	1	1	1		
7	171727	BRACKET / L.H. From R-845 To X-6689	1	1	1	1	1	
7	171728	BRACKET / R.H. From R-845 To X-6689	1	1	1	1	1	
7	Call order desk	BRACKET / R.H. From X-6690	1	1	1	1	1	P
7	Call order desk	BRACKET / L.H. From X-6690	1	1	1	1	1	P
8	120551	. PIN / WELDED	1	1	1	1	1	A
8	121590	. PIN SS / WELDED	1	1	1	1	1	B
9	505128	SPRING, PIN 1/4 X 2	1	1	1	1	1	A
9	502106	PIN, COTTER 1/4 x 2	1	1	1	1	1	B
10	130454	LEVER ASSY	2		2	2		C
10	131313	LEVER ASSY	2	2	2	2	2	D
11	507055	. BUSHING OIL 1 1/4 O.D. X 1 I.D. X 1 LG	1	1	1	1	1	F
NS	131699	. BUSHING BRASS / W/GROOVE INSIDE 31.94 O.D. x 25.5 I.D. x 25.4	AR	AR	AR	AR	AR	
12	500456	WASHER FL 1.062x2.000x.134 Z050	1	1	1	1	1	
13	121123	TUBE COVERING CHAIN 290MM	1	1	1	1	1	
. NS	5001503	. TUBE, PVC / CLEAR / 1 1/2" I.D./ S.L.	AR	AR	AR	AR	AR	
14	130342	CHAIN To R-844	1		1	1		
14	121122	CHAIN / 340MM From R-845		1			1	D
14	121360	CHAIN / 178MM From R-845	1		1	1		E
15	505064	SHACKLE CHAIN 3/8	2	2	2	2	2	
NS	XL-1615-01	TAG AXLE - INSTALL SUSPENSION						
20	120860	RIGHT LEVER CLAMP To R-848	1	1	1	1		
21	120861	LEFT LEVER CLAMP To R-848	1	1	1	1		
22	500192	SCREW CAP HEX 3/8-16x1 1/4 G5 Z050 To R-848	2	2	2	2		
23	500478	WASHER LO SPT .380x.683x.094 Z050 To R-848	2	2	2	2		
24	500783	NUT HEX 3/8-16 Z050 To R-848	2	2	2	2		
30	141907	KIT UPGRADE PNEUMATIC AIR SYSTEM TAG / INVERSION VALVE To T-5775	1	1	1	1	1	T
31	IS98055	TAG AXLE LIFTING SYSTEM BRAKE CHAMBER REPLACEMENT	1	1	1	1	1	
. NS	641425	. BRAKE CHAMBER ASSY / TYPE 36	1	1	1	1	1	

From E-638 To Y-7045	Date:10/2022	PAGE:XL-1615-10
TAG AXLE - LIFTING		

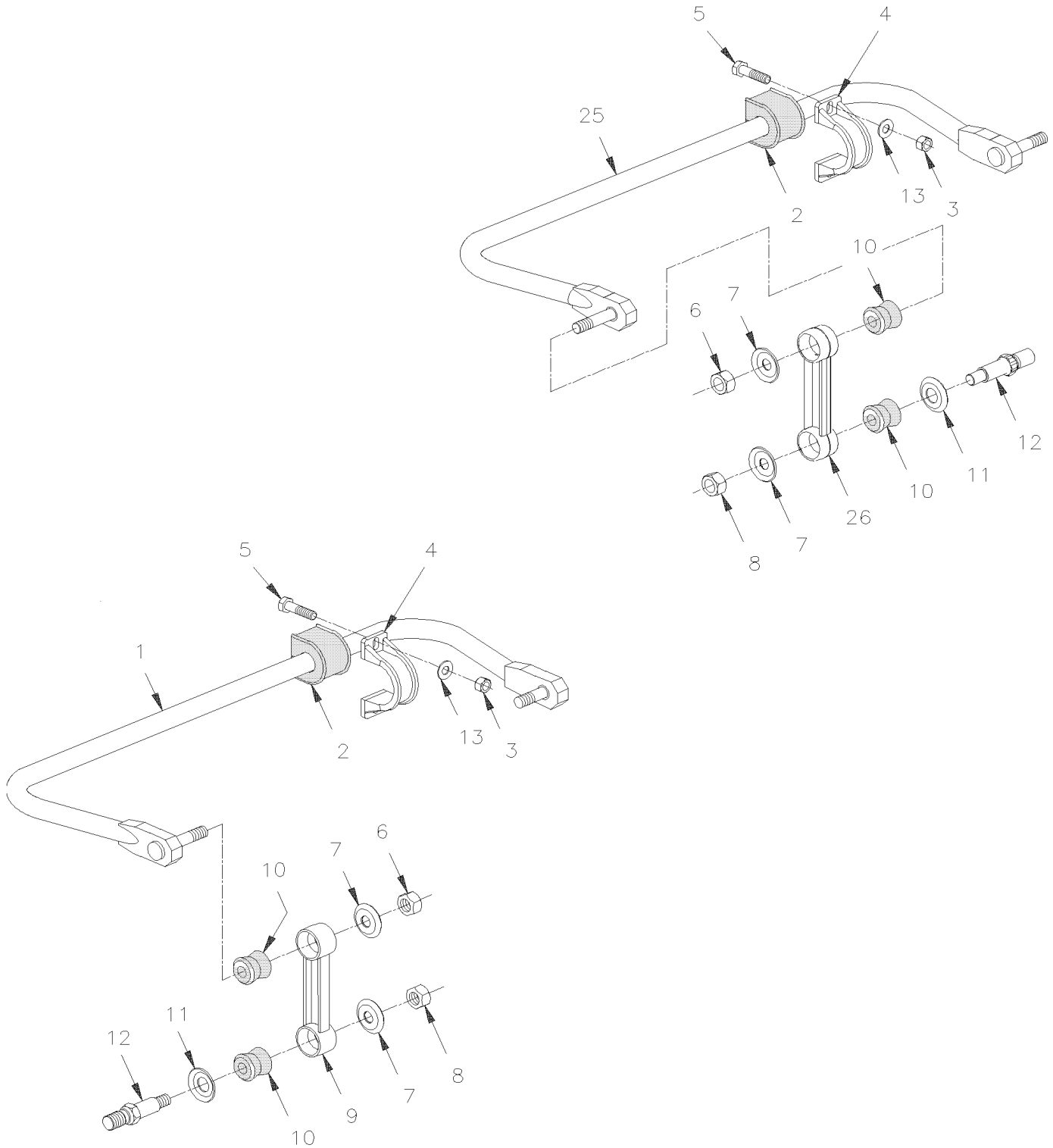
Item#	Part	Description	M T H 4 0	M T H 4 5	M T H 4 5 E	X L 4 0	X L 4 5	N O T E S
. NS	641375	. MALE ELBOW 90° NON-SWIVEL / PUSH-IN FITTING / #6x3/8NPT-M BR	1	1	1	1	1	
. NS	IS-98055	. SEE INSTRUCTION SHEET	1	1	1	1	1	
		A) FORMER						
		B) CURRENT						
		C) W/SERIES 71 & 92						
		D) W/SERIES 60						
		E) W/SERIES 92						
		F) FOR PRODUCT IMPROVEMENT ASK FOR #131699						
		G) TO REPLACE THE BRAKE CHAMBER 640729 BY THE NEW ONE 641425 USE SERVICE KIT IS98055						
		T) TO UPGRADE PNEUMATIC SYSTEM AIR LEAK ON TAG.: ASK KIT # 141907 TO INVERSION AIR SYSTEM WITH MTH-45						
		P) CALL ORDER DESK FOR SPECIFIC APPLICATION (V.I.N.)						

From E-638 To Y-7045

Date:10/2022

PAGE:XL-1616-00

SWAY BAR



From E-638 To Y-7045	Date:10/2022	PAGE:XL-1616-00
SWAY BAR		

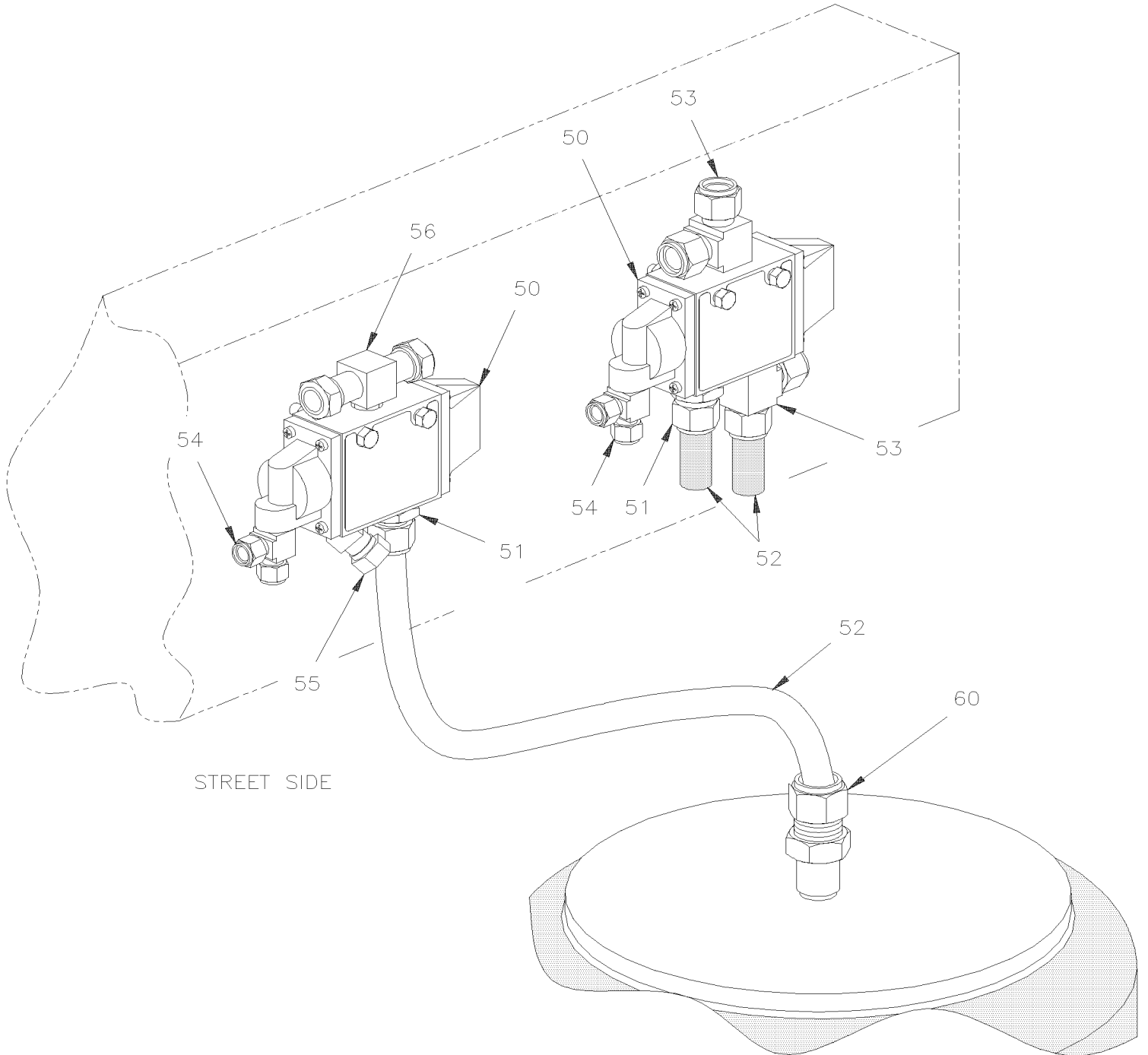
Item#	Part	Description	M T H 4 0	M T H 4 5	M T H 4 5 E	X L 4 0	X L 4 5	N O T E S
1	131019	SWAY BAR ASSY / 1 1/2" O.D. X 848MM	1		1	1		
1	131019	SWAY BAR ASSY / 1 1/2" O.D. X 848MM To P-758		1				
1	131276	SWAY BAR ASSY / 1 3/4" O.D. X 848MM From P-759 To T-5705		1				
1	131276	SWAY BAR ASSY / 1 3/4" O.D. X 848MM					1	
NS	131276	SWAY BAR ASSY / 1 3/4" O.D. X 848MM To T-5705	1		1			
NS	131398	SWAY BAR ASSY / 2" O.D. X 848MM From T-5706 To T-5872	1	1	1			
. A	131520	. STUD 1 1/4" O.D. From T-5706 To T-5872	2	2	2			
NS	131061	. STUD To W-6479	2	2	2	2	2	A
NS	131520	. STUD 1 1/4" O.D. From W-6480	2	2	2	2	2	
2	130953	BUSHING / RUBBER / USE WITH SWAY BAR 1 1/2"				4		
NS	630020	BUSHING / RUBBER / USE WITH SWAY BAR 1 3/4"	4	4	4		4	
NS	131355	BUSHING / RUBBER 2" I.D.	4	4	4			
3	500811	NUT HEX STO M12-1.75 G500	8	8	8	8	8	
NS	500011	WASHER FL / HARDENED 13.0x24.0x3.0 STL	4	4	4	4	4	
4	630145	COLLAR / IRON / 2x.472" HOLE 4 5/8 C/C	4	4	4	4	4	
5	500806	SCREW CAP HEX M12-1.75X35 G10.9 G500	8	8	8	8	8	
6	500809	NUT HEX STO M20-2.5 N500	2	2	2	2	2	
7	5001152	WASHER CON 21.0x50.0x4.5 ZP	4	4	4	4	4	
8	500735	NUT HEX STO 3/4-16 ZP To T-5929	2	2	2	2	2	
8	500809	NUT HEX STO M20-2.5 N500 From T-5930	2	2	2	2	2	
9	130241	LINK ASSY / 7" C/C To T-5779	2	2	2	2	2	
9	630146	LINK ASSY / 7" C/C / IRON From T-5780				2	2	
9	630146	LINK ASSY / 7" C/C / IRON From T-5780 To T-5872	2	2	2			
10	630062	BUSHING / RUBBER / (ONE PIECE) 2" x 1.005" I.D.	4	4	4	4	4	A
NS	506678	BUSHING / POLYURETHANE / (TWO PIECES) RED 1" x 1.005" I.D. From W-6480	8	8	8	8	8	
11	5001153	WASHER CON 25.5x50.0x4.5 ZP	4	4	4	4	4	
12	130956	PIN W/TAPER ATTACHMENT 3/4-16 From H-285 To T-5929	2	2	2	2	2	A
NS	131424	PIN W/TAPER ATTACHMENT M20-2.5 From T-5930 To W-6479	2	2	2	2	2	A
NS	131522	PIN W/TAPER ATTACHMENT M20-2.5 / SWAY-BAR From W-6480	2	2	2	2	2	B
13	110540P	KIT SWAY BAR RETROFIT To L-685	1			1		
. NS	IS-9912	. SEE INSTRUCTION SHEET To L-685	1			1		
25	131386P	SWAY BAR ASSY / 1 3/4" O.D. X 1050MM From T-5873	1	1	1			
26	630147	LINK ASSY / 12 1/2" C/C / IRON From T-5873	2	2	2			
NS	MI03-12	SEE MAINTENANCE INFORMATION	1	1	1	1	1	
		A) FOR PRODUCT IMPROVMENT YOU REQUIRE 2 STUDS 131520, 2 PINS 131522 & 4 BUSHING 506678						
		B) THIS PIN IS 3MM SHORTER ON BUSHING SIDE AND BLACK PAINTED FOR EASY IDENTIFICATION						

From E-638 To V-6252

Date:10/2022

PAGE:XL-1620-00

HEIGHT CONTROL VALVE



From E-638 To V-6252	Date:10/2022	PAGE:XL-1620-00
HEIGHT CONTROL VALVE		

Item#	Part	Description	M T H 4 0	M T H 4 5	M T H 4 5 E	X L 4 0	X L 4 5	N O T E S
1	630068	VALVE, HEIGHT CONTROL "DELCO" L.H. To K-853	2			2		
1	630069	VALVE, HEIGHT CONTROL "DELCO" R.H. To K-853	1			1		
2	130781	LINK ASSY / W/FRONT AXLE / 355MM / 14" C/C To K-853	1			1		
3	130492	LINK ASSY / W/DRIVE AXLE / 139.7MM / 5 1/2" C/C To K-853	2			2		
4	130296	ROD THREADED W/EYE, 4 1/8" 5/16-18 To K-853	1			1		
4	130297	ROD THREADED W/EYE, 7 1/8" 5/16-18 To K-853	1			1		
5	500165	SCREW CAP HEX 1/4-20x1 G5 Z050 To K-853	2			2		
6	500473	WASHER LO SPT .262x.489x.062 Z050 To K-853	2			2		
7	500769	NUT HEX 1/4-20 Z050 To K-853	1			1		
8	130937	ACTUATOR SUPPORT / "L" SHAPE / TO FIX ROD THREADED / 184MM X 45MM To K-853	1			1		
10	630085	VALVE, HEIGHT CONTROL "NEWAY" From K-854 To M-854	3			3		F
11	630087	. CHECK VALVE From K-854 To M-854	3			3		
12	630095	VALVE, HEIGHT CONTROL "NEWAY" From M-855				3	3	F
12	630095	VALVE, HEIGHT CONTROL "NEWAY" From M-855 To T-5872	3	3	3			F
13	530175	VALVE, CHECK 1/8 NPT	1	1	1	1	1	
14	131098	LEVER / W/FRONT W/KNEELING 280.5MM				1		B
14	131168	LEVER / W/FRONT W/KNEELING 277.7MM				1	1	C
NS	131161	LEVER / W/REAR VALVE 263.2MM LG From M-734 To P-598				2		A
NS	131161	LEVER / W/REAR VALVE 263.2MM LG From M-734 To N-564	2					A
NS	131154	PLATE ACTUATOR From N-524 To P-742				1		C
15	131066	ANGLE, ACTUATOR / TO FIX LINK TO AXLE From K-854 To N-523	1			1		
NS	500415	SCREW CAP HEX 5/8-18x1 1/4 G5 ZP	2			2		
16	131200	ACTUATOR SUPPORT / "T" SHAPE / TO FIX LINK / 5 7/8" X 1 7/8" From N-524 To P-742	1			1		
17	131197	COLLAR ASSY / TO FIX ACTUATOR From N-524 To P-742	1			1		
17	110594	PLATE, RETAINER From P-743 To R-845				1	1	D
17	110594	PLATE, RETAINER From P-722 To R-823	1	1	1			D
18	500484	WASHER LO SPT .635x1.079x.156 Z050				2	2	
NS	500473	WASHER LO SPT .262x.489x.062 Z050	2			2		
19	500771	NUT HEX 1/4-20 SS From N-524 To P-742	2			2		
20	630086	LINK ASSY / W/ALL AXLES C.T.L. / (AS SHOWN) 18 1/4" ROD From K-854				3	3	
. NS	630117	. ROD END / BLACK RUBBER 5/16" I.D. From K-854				2	2	
. NS	630137	. SCREW SHR CAP HEX 5/16" I.D. x 1/4-20 From K-854				2	2	
. NS	504014	. HOSE CLAMP / 1/4"-5/8" SS / HM-4 From K-854				2	2	
20	630086	LINK ASSY / W/ALL AXLES C.T.L. / (AS SHOWN) 18 1/4" ROD From K-854 To T-5872	1	1	1			
. NS	630117	. ROD END / BLACK RUBBER 5/16" I.D. From K-854 To T-5872	2	2	2			
. NS	630137	. SCREW SHR CAP HEX 5/16" I.D. x 1/4-20 From K-854 To T-5872	2	2	2			
. NS	504014	. HOSE CLAMP / 1/4"-5/8" SS / HM-4 From K-854 To T-5872	2	2	2			
20	N.S.S.	. ROD	1	1	1	1	1	1
21	504014	. HOSE CLAMP / 1/4"-5/8" SS / HM-4	2	2	2	2	2	
22	630133	. ROD END / BLACK RUBBER 1/4" I.D.	2	2	2	2	2	
23	630137	. SCREW SHR CAP HEX 5/16" I.D. x 1/4-20	2	2	2	2	2	
24	500440	. WASHER FL .250x.562x.065 Z050	2	2	2	2	2	

From E-638 To V-6252	Date:10/2022	PAGE:XL-1620-00
HEIGHT CONTROL VALVE		

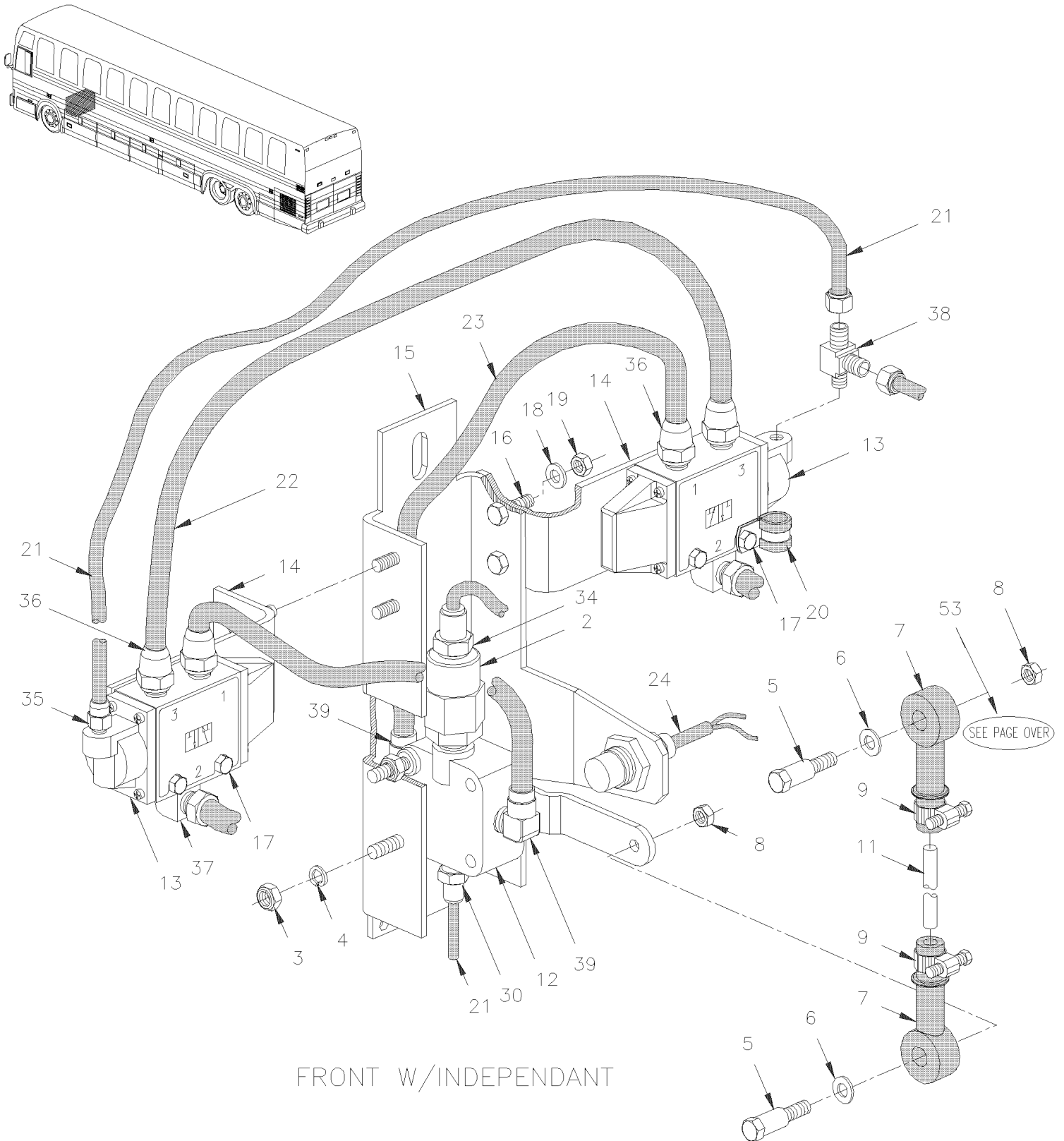
Item#	Part	Description	M T H 4 0	M T H 4 5	M T H 4 5 E	X L 4 0	X L 4 5	N O T E S
25	502716	. NUT HEX NYRT 1/4-20	2	2	2	2	2	
30	130952	ACTUATOR / KNEELING SWITCH From H-437 To K-853				1		
30	131001	ACTUATOR / KNEELING SWITCH & LINK From K-854 To L-588				1		
31	131087	ACTUATOR / KNEELING SWITCH & LINK From L-589 To N-523				1		
40	131000	SWITCH ASSY / FRONT KNEELING To N-523				1		
40	561705	. SWITCH, KNEELING MICRO SWITCH ASSY To N-523				1		
40	562410	. . MICRO SWITCH To N-523				1		
41	560434	. CONNECTOR 1/2" PIPE To N-523				1		
42	062094	. CABLE ASSY				1		
43	131166	SWITCH PROXIMITY ASSY 700MM From N-524				1	1	
43	562130	. SWITCH PROXIMITY / S.P.S.T. / N.O. /(3 WIRE From N-524				1	1	
44	062742	CABLE ASSY / KNEELING & SPEED SWITCH To L-684				1		
44	062887	CABLE ASSY / KNEELING & SPEED SWITCH From L-685 To N-523				1		
44	063072	CABLE ASSY / KNEELING & SPEED SWITCH From N-524 To P-740				1		
44	063391	CABLE ASSY / KNEELING & SPEED SWITCH From P-741 To S-569				1		
45	171258	SUPPORT / FRONT HEIGHT CONTROL VALVE / (WELDED TO STRUCTURE) From L-584 To L-684	1			1		
45	171269	SUPPORT / FRONT HEIGHT CONTROL VALVE / (WELDED TO STRUCTURE) From L-685 To N-523	1			1		
45	171427	SUPPORT / FRONT HEIGHT CONTROL VALVE / (WELDED TO STRUCTURE) From N-524	1	1	1	1	1	
NS	131454	KIT CONTROL VALVE HEIGHT REAR	AR	AR	AR	AR	AR	
. NS	IS-96192B	. SEE INSTRUCTION SHEET	1	1	1	1	1	
NS	131455	KIT CONTROL VALVE HEIGHT FRONT	AR	AR	AR	AR	AR	
. NS	IS-96192B	. SEE INSTRUCTION SHEET	1	1	1	1	1	
50	641168	VALVE, 3 WAYS, 2 POSITIONS To P-756	1	1	1	1	1	
. NS	641169	. SPOOL To P-756	1	1	1	1	1	
50	641274	VALVE, 3 WAYS, 2 POSITIONS N.C. From P-757	1	1	1	1	1	
51	641347	MALE CONNECTOR / PUSH-IN FITTING / #4x3/8NPT-M BR	1	1	1	1	1	
52	503402	TUBE, NYLON 1/4 O.D. / BLACK S.L.	1	1	1	1	1	
53	641388	MALE RUN TEE NON-SWIVEL / PUSH-IN FITTING / #6x#6x3/8NPT-M BR	1	1	1	1	1	
54	641002	MALE RUN TEE / NTA FITTING / #4x#4x1/8NPT-M BR	1	1	1	1	1	
55	641367	MALE ELBOW 45° NON-SWIVEL / PUSH-IN FITTING / #6x3/8NPT-M BR	1	1	1	1	1	
56	641008	MALE BRANCH TEE / NTA FITTING / #6x#6x3/8NPT-M BR	1	1	1	1	1	
60	XL-1601-00	BELLOWS - AIR SUSPENSION To N-957						
60	XL-1601-01	BELLOWS - AIR SUSPENSION From N-958						
		A) KIT #131163 MAY BE USE WITH VEHICLES PRIOR K-854 TO M-855 FOR LENGTHENING REAR VALVE W/200MM LEVER						
		B) AS SHOWN FOR USE WITH #131000 SWITCH						
		C) FOR USE WITH #131166 SWITCH						
		D) THIS PLATE HAVE PLATE SAME LOOK THAN ITEM #3 AT PAGE XL-1412-01						
		F) FOR PRODUCT IMPROVEMENT, ASK KIT #131455(FRONT) & #131454(REAR)						
		1) NOT SOLD SEPARATELY						

From V-6253 To Y-7045

Date:10/2022

PAGE:XL-1620-01

HEIGHT CONTROL VALVE

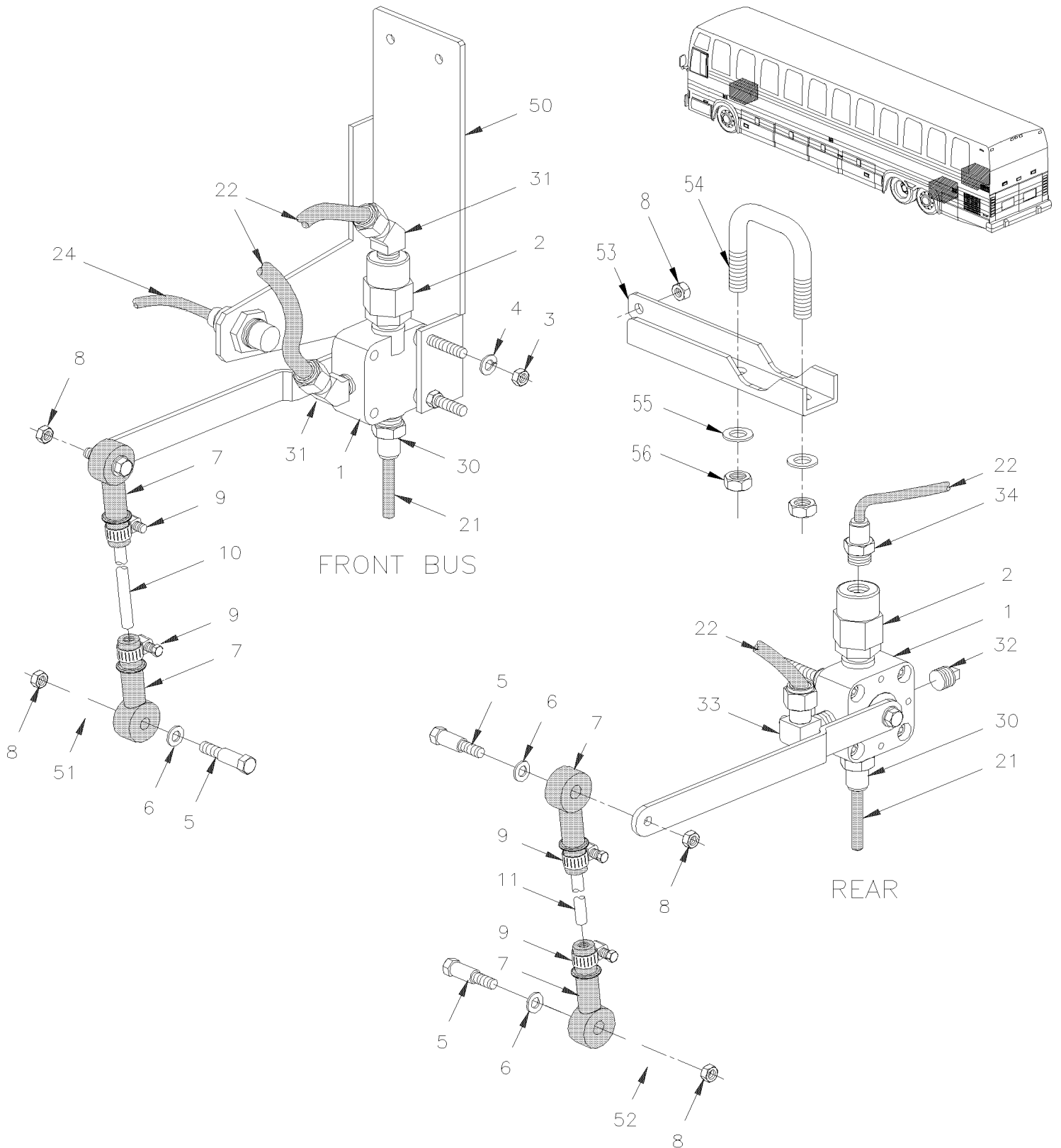


From V-6253 To Y-7045

Date:10/2022

PAGE:XL-1620-01

HEIGHT CONTROL VALVE



From V-6253 To Y-7045	Date:10/2022	PAGE:XL-1620-01
HEIGHT CONTROL VALVE		

Item#	Part	Description	M T H 4 0	M T H 4 5	M T H 4 5 E	X L 4 0	X L 4 5	N O T E S
1	630156	VALVE, HEIGHT CONTROL "BARKSDALE"	2	2	2	2	2	
NS	630156	VALVE, HEIGHT CONTROL "BARKSDALE"				3	3	
1	N.S.S.	. LEVER / PART OF VALVE	1	1	1	1	1	1
2	640135	VALVE, CHECK 1/4 NPT	1	1	1	1	1	
3	500769	NUT HEX 1/4-20 Z050	2	2	2	2	2	
4	500473	WASHER LO SPT .262x.489x.062 Z050	2	2	2	2	2	
5	630137	SCREW SHR CAP HEX 5/16" I.D. x 1/4-20	2	2	2	2	2	
6	500441	WASHER FL .312x.734x.065 Z050	2	2	2	2	2	
7	630117	ROD END / BLACK RUBBER 5/16" I.D.	2	2	2	2	2	
8	502716	NUT HEX NYRT 1/4-20	2	2	2	2	2	
9	504014	HOSE CLAMP / 1/4"-5/8" SS / HM-4	2	2	2	2	2	
10	131467	ROD LINK / 165MM				1	1	A
11	131351	ROD LINK / 140MM	2	2	2	2	2	
12	630157	VALVE, HEIGHT CONTROL "BARKSDALE" / FRONT	1	1	1	1	1	
12	N.S.S.	LEVER / PART OF VALVE	1	1	1	1	1	1
13	641274	VALVE, 3 WAYS, 2 POSITIONS N.C.	2	2	2	2	2	
14	131319	SUPPORT VALVE	2	2	2	2	2	
15	131468	SUPPORT HEIGHT CONTROL VALVE	1	1	1	1	1	
NS	131507	SUPPORT HEIGHT CONTROL VALVE / W/KNEELING (AS SHOWN)				1	1	D
15	131613	SUPPORT HEIGHT CONTROL VALVE / W/KNEELING	1	1	1			E
16	502622	SCREW CAP HEX M6-1.0x20 SS BK	4	4	4	4	4	
17	502656	SCREW CAP HEX M6-1.0x50 SS	4	4	4	4	4	
18	502570	WASHER LO SPT 6.1x11.8x1.6 SS	8	8	8	8	8	
19	502565	NUT HEX M6-1.0 SS	8	8	8	8	8	
20	560480	CLAMP / 1/2" I.D.	1	1	1	1	1	
21	503402	TUBE, NYLON 1/4 O.D. / BLACK S.L.	AR	AR	AR	AR	AR	
22	503471	TUBE, NYLON 3/8 O.D. / BLUE S.L.	AR	AR	AR	AR	AR	
23	503517	TUBE, NYLON 1/2 O.D. / BLUE S.L.	AR	AR	AR	AR	AR	
24	131166	SWITCH PROXIMITY ASSY 700MM To V-6285				1	1	
NS	131483	SWITCH PROXIMITY ASSY 1483MM From V-6286				1	1	
24	131535	SWITCH PROXIMITY ASSY 1520MM				1	1	
30	641332	MALE CONNECTOR / PUSH-IN FITTING / #4x1/4NPT-M BR	1	1	1	1	1	
31	641336	FEMALE ELBOW 90° / NTA FITTING / #6x3/8NPT-F BR	2	2	2	2	2	
32	501800	PLUG HEXS / PIPE FITTING / 1/4NPT-M STL	1	1	1	1	1	
NS	501304	PLUG SQUARE HEAD / PIPE FITTING / 1/4NPT-M BR	1	1	1	1	1	
33	641372	MALE ELBOW 90° NON-SWIVEL / PUSH-IN FITTING / #6x1/4NPT-M BR	1	1	1	1	1	
34	641331	MALE CONNECTOR / PUSH-IN FITTING / #6x1/4NPT-M BR	1	1	1	1	1	
35	641242	MALE CONNECTOR / PUSH-IN FITTING / #4x1/8NPT-M BR	1	1	1	1	1	
36	641381	MALE CONNECTOR / PUSH-IN FITTING / #8x3/8NPT-M BR	4	4	4	4	4	
37	641040	MALE ELBOW 90° / NTA FITTING / #8x3/8NPT-M BR	2	2	2	2	2	
38	641002	MALE RUN TEE / NTA FITTING / #4x#4x1/8NPT-M BR	1	1	1	1	1	
39	641373	MALE ELBOW 90° NON-SWIVEL / PUSH-IN FITTING / #8x1/4NPT-M BR	2	2	2	2	2	

From V-6253 To Y-7045	Date:10/2022	PAGE:XL-1620-01
HEIGHT CONTROL VALVE		

Item#	Part	Description	M T H 4 0	M T H 4 5	M T H 4 5 E	X L 4 0	X L 4 5	N O T E S
50	172114	SUPPORT / FRONT HEIGHT CONTROL VALVE				1	1	
51	110594	PLATE, RETAINER				1	1	B
52	XL-1610-00	REAR AXLE - INSTALL SUSPENSION						
53	110679	ACTUATOR LEVER	1	1	1	1	1	C
54	504635	U-BOLT 1 3/4" I.D. x 2 3/4" x 5/16-18	1	1	1	1	1	
55	500476	WASHER LO SPT .317x.586x.078 Z050	2	2	2	2	2	
56	500778	NUT HEX 5/16-18 N500	2	2	2	2	2	
		FOLLOWING ITEMS ARE RELATED WITH						
		BUS EQUIPPED WITH INDEPENDANT SUSPENSION						
		TO PROTECT VALVE						
NS	460386	AIR SHIELD DEFLECTOR / BACKWARD / W/IND SUSPENSION				1	1	
NS	502810	SCREW TP CAP HEXW FL M6.3-1.81x30 PHC				1	1	
		A) FRONT						
		B) TO FIX ON AXLE HOUSING						
		C) FIXED AT FRONT STABILISATOR BAR						
		D) USE ONLY THIS SUPPORT WITH VALVE #630157						
		E) USE ONLY THIS SUPPORT WITH VALVE #630237 THIS VALVE IS 6MM THICKER THAN VALVE #630157						
		1) NOT SOLD SEPARATELY						

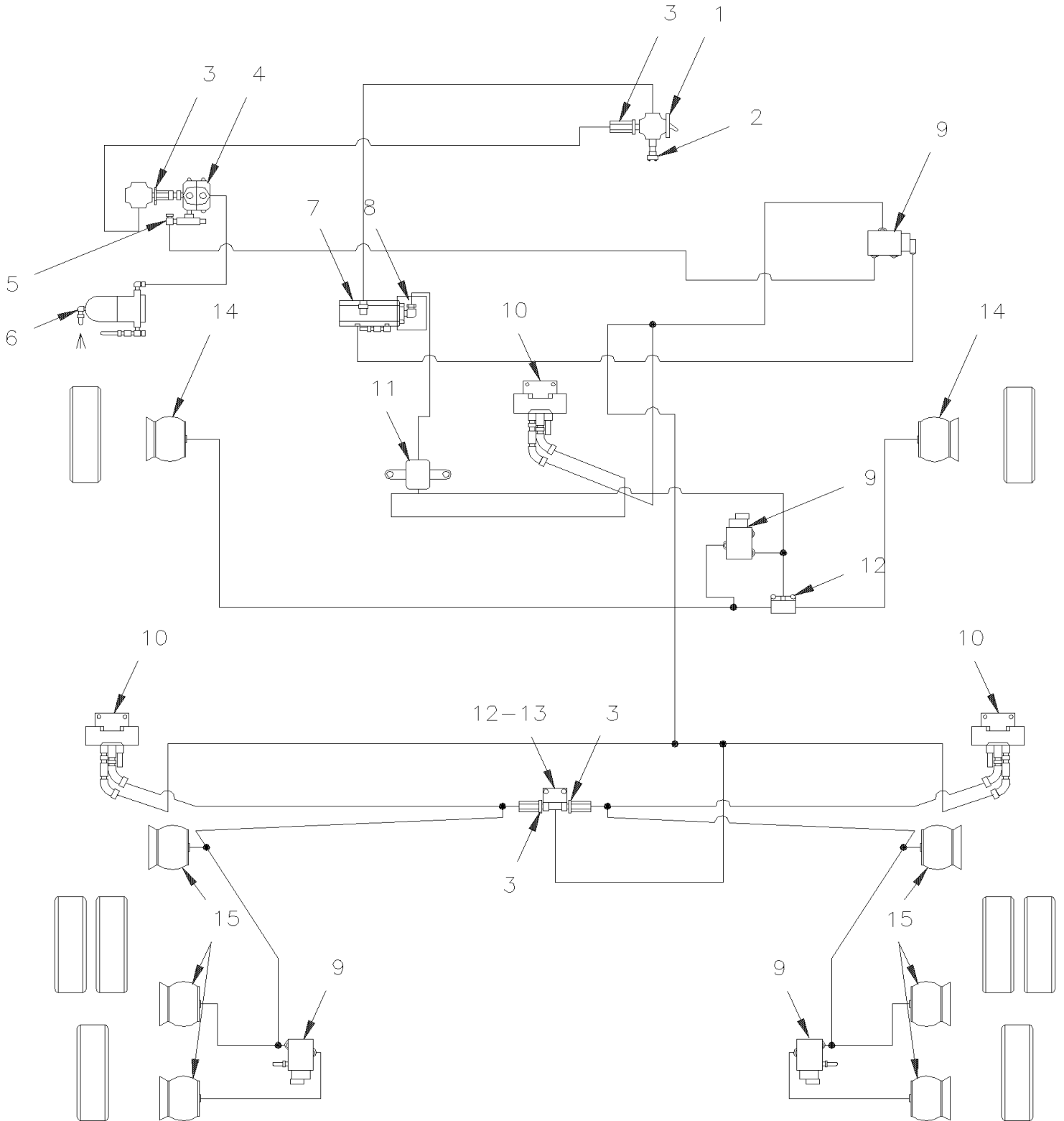
From E-638 To Y-7045

Date:10/2022

PAGE:XL-1620-11

HIGH-BUOY, LOW BUOY & "KNEELING" VALVE

FRONT "KNEELING" LOW-BUOY



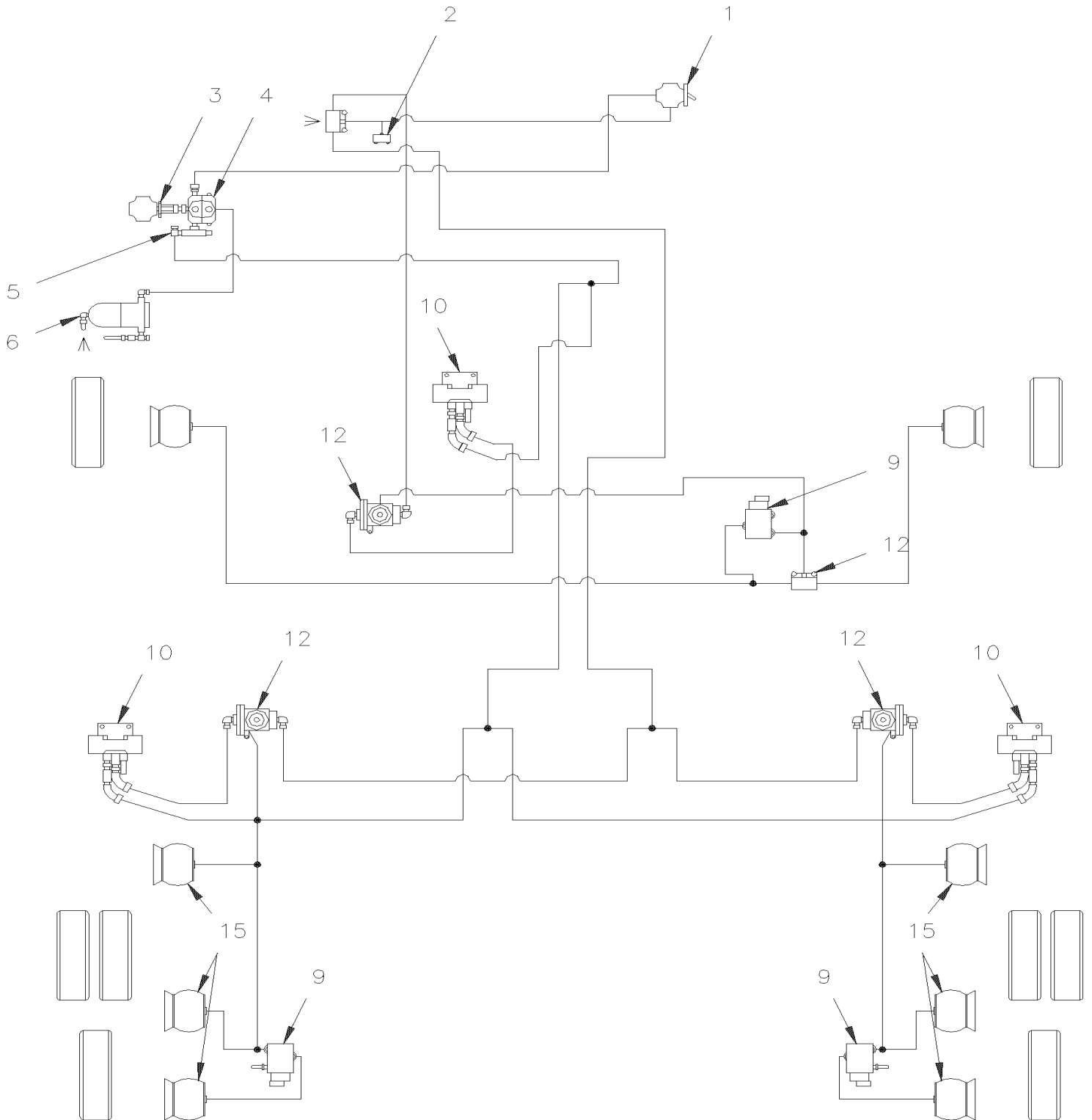
From E-638 To Y-7045

Date:10/2022

PAGE:XL-1620-11

HIGH-BUOY, LOW BUOY & "KNEELING" VALVE

FRONT "KNEELING" HIGH BUOY



From E-638 To Y-7045	Date:10/2022	PAGE:XL-1620-11
HIGH-BUOY, LOW BUOY & "KNEELING" VALVE		

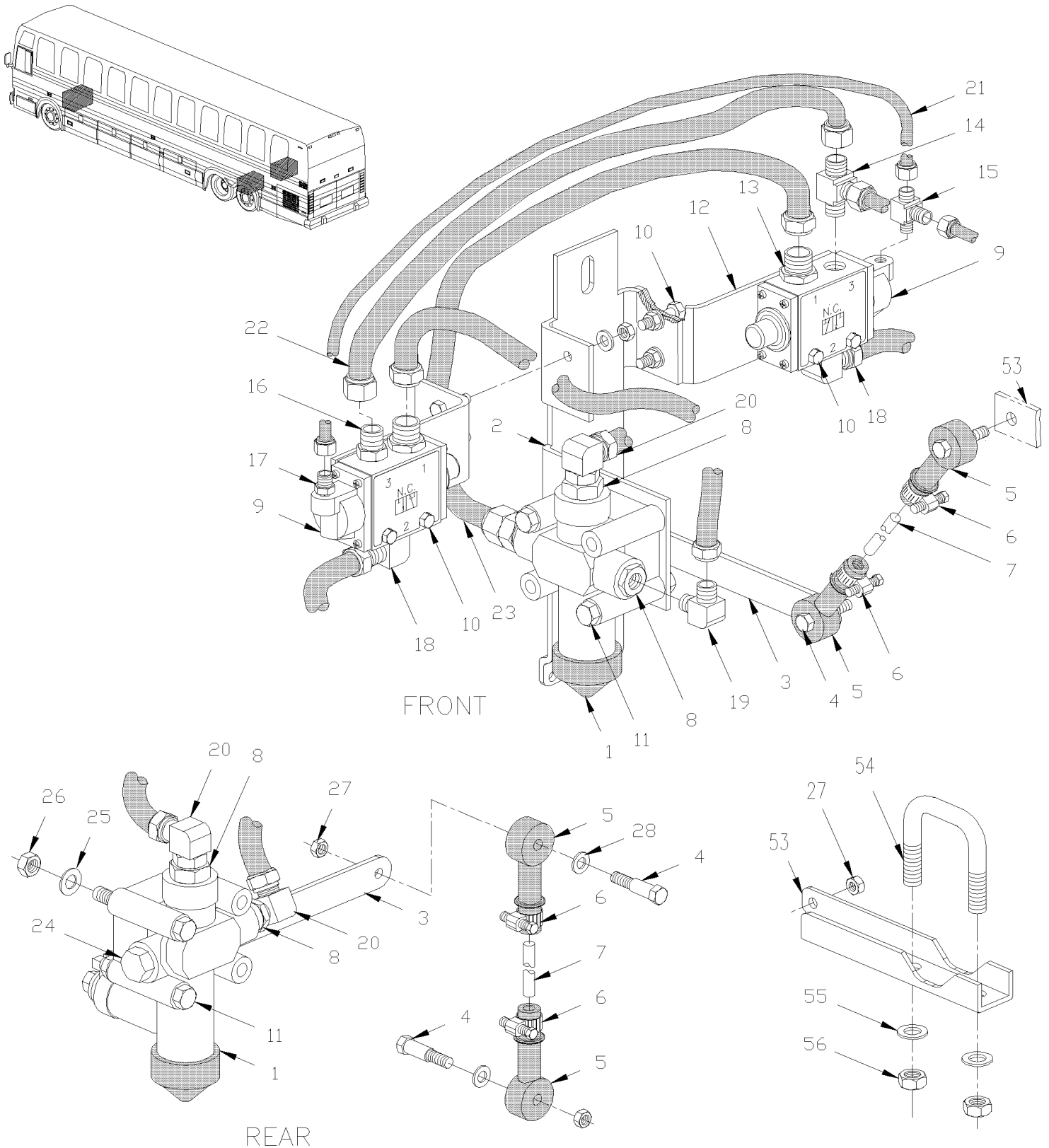
Item#	Part	Description	M T H 4 0	M T H 4 5	M T H 4 5 E	X L 4 0	X L 4 5	N O T E S
1	640136	VALVE, CONTROL TW-1				1	1	
. NS	641156	. REPAIR KIT / TW-1				1	1	
2	560816	PRESSURE SWITCH N.C. 3PSI / 1/8NPT W/2 SCREWS				1	1	
3	640135	VALVE, CHECK 1/4 NPT				1	1	
4	640055	MANIFOLD / PIPE FITTING / 7 PORTS 1/4NPT-F STL				1	1	
5	640439	VALVE, PRESSURE PROTECTION / PR-2 75PSI				1	1	
NS	641136	ANCHOR TEE / PIPE FITTING / 3/8NPT-Fx3/8NPT-Fx3/8NPT-F ZP						
6	640080	AIR FILTER ASSY To T-5789				1	1	
6	XL-1220-16	AIR FILTER - ACCESSORIES From T-5790						
7	640442	VALVE, INVERSION TR-2				1	1	
8	130597	SUPPORT				1	1	
9	641274	VALVE, 3 WAYS, 2 POSITIONS N.C.				1	1	
10	630095	VALVE, HEIGHT CONTROL "NEWAY" To W-6252				3	3	F
NS	630156	VALVE, HEIGHT CONTROL "BARKSDALE" From W-6253				3	3	
11	640643	ANCHOR ELBOW / PIPE FITTING / 1/4NPT-Fx1/4NPT-F STL				1	1	
12	641015	VALVE, DOUBLE CHECK DC-4				3	3	
NS	641014	VALVE, QUICK RELEASE QR-1 / 3/8NPTx3/8NPTx3/8NPT To V-6193				1	1	
. NS	640924	. REPAIR KIT / QR-1 To V-6193				1	1	
NS	641429	VALVE, QUICK RELEASE QR-1 / 3/8NPTx3/8NPTx3/8NPT From W-6194				1	1	
. NS	640924	. REPAIR KIT / QR-1 From W-6194				1	1	
13	131215	SUPPORT				1	1	
NS	131454	KIT CONTROL VALVE HEIGHT REAR	AR	AR	AR	AR	AR	
. NS	IS-96192B	. SEE INSTRUCTION SHEET	1	1	1	1	1	
NS	131455	KIT CONTROL VALVE HEIGHT FRONT	AR	AR	AR	AR	AR	
. NS	IS-96192B	. SEE INSTRUCTION SHEET	1	1	1	1	1	
		F) FOR PRODUCT IMPROVEMENT, ASK KIT #131455(FRONT) & #131454(REAR)						

From T-5873 To V-6252

Date:10/2022

PAGE:XL-1620-50

HEIGHT CONTROL VALVE - MTH



From T-5873 To V-6252	Date:10/2022	PAGE:XL-1620-50
HEIGHT CONTROL VALVE - MTH		

Item#	Part	Description	M T H 4 0	M T H 4 5	M T H 4 5 E	X L 4 0	X L 4 5	N O T E S
1	630139	VALVE, HEIGHT CONTROL "KNORR"	3	3	3			
2	131363	SUPPORT HEIGHT CONTROL VALVE	1	1	1			
3	131350	LEVER / WFRONT VALVE	1	1	1			
3	131393	LEVER / WREAR VALVE	2	2	2			
NS	5001217	SCREW CAP HEX M8-1.25x20 G10.9	1	1	1			
4	630137	SCREW SHR CAP HEX 5/16" I.D. x 1/4-20	2	2	2			
5	630117	ROD END / BLACK RUBBER 5/16" I.D.	2	2	2			
6	504014	HOSE CLAMP / 1/4"-5/8" SS / HM-4	2	2	2			
7	131351	ROD LINK / 140MM	1	1	1			
8	5011126	MALE CONNECTOR / PIPE @ METRIC / 3/8NTP-MxM12-1.5-M STL	3	3	3			
. NS	5011127	. WASHER M12	1	1	1			
. NS	507357	. O-RING M12	1	1	1			
NS	507357	O-RING M12	3	3	3			
NS	5011127	WASHER M12	3	3	3			
9	641274	VALVE, 3 WAYS, 2 POSITIONS N.C.	2	2	2			
10	502622	SCREW CAP HEX M6-1.0x20 SS BK	4	4	4			A
10	502656	SCREW CAP HEX M6-1.0x50 SS	4	4	4			
NS	502570	WASHER LO SPT 6.1x11.8x1.6 SS	8	8	8			
NS	502565	NUT HEX M6-1.0 SS	8	8	8			
11	5001178	SCREW CAP HEX M8-1.25x60 SS BK	2	2	2			
12	131319	SUPPORT VALVE	2	2	2			
13	640991	MALE CONNECTOR / NTA FITTING / #8x3/8NPT-M BR	2	2	2			
14	641388	MALE RUN TEE NON-SWIVEL / PUSH-IN FITTING / #6x#6x3/8NPT-M BR	1	1	1			
15	641002	MALE RUN TEE / NTA FITTING / #4x#4x1/8NPT-M BR	1	1	1			
16	641381	MALE CONNECTOR / PUSH-IN FITTING / #8x3/8NPT-M BR	1	1	1			
17	640987	MALE CONNECTOR / NTA FITTING / #4x1/8NPT-M BR	1	1	1			
18	641040	MALE ELBOW 90° / NTA FITTING / #8x3/8NPT-M BR	2	2	2			
19	641179	FEMALE ELBOW 90° / NTA FITTING / #8x3/8NPT-F BR	2	2	2			
20	641336	FEMALE ELBOW 90° / NTA FITTING / #6x3/8NPT-F BR	1	1	1			
21	503402	TUBE, NYLON 1/4 O.D. / BLACK S.L.	AR	AR	AR			
22	503471	TUBE, NYLON 3/8 O.D. / BLUE S.L.	AR	AR	AR			
23	503517	TUBE, NYLON 1/2 O.D. / BLUE S.L.	AR	AR	AR			
24	641110	PLUG M12 X 1.5 / USE WITH REAR VALVE ONLY	1	1	1			
25	5001161	WASHER LO SPT 8.1x14.8x2.0 SS-304	2	2	2			
26	5001188	NUT HEX M8-1.25 SS	2	2	2			
27	502716	NUT HEX NYRT 1/4-20	2	2	2			
28	500441	WASHER FL .312x.734x.065 Z050	2	2	2			
53	110679	ACTUATOR LEVER	1	1	1			B
54	504635	U-BOLT 1 3/4" I.D. x 2 3/4" x 5/16-18	1	1	1			
55	500476	WASHER LO SPT .317x.586x.078 Z050	2	2	2			
56	500778	NUT HEX 5/16-18 N500	2	2	2			

From T-5873 To V-6252	Date:10/2022	PAGE:XL-1620-50
-----------------------	--------------	-----------------

HEIGHT CONTROL VALVE - MTH

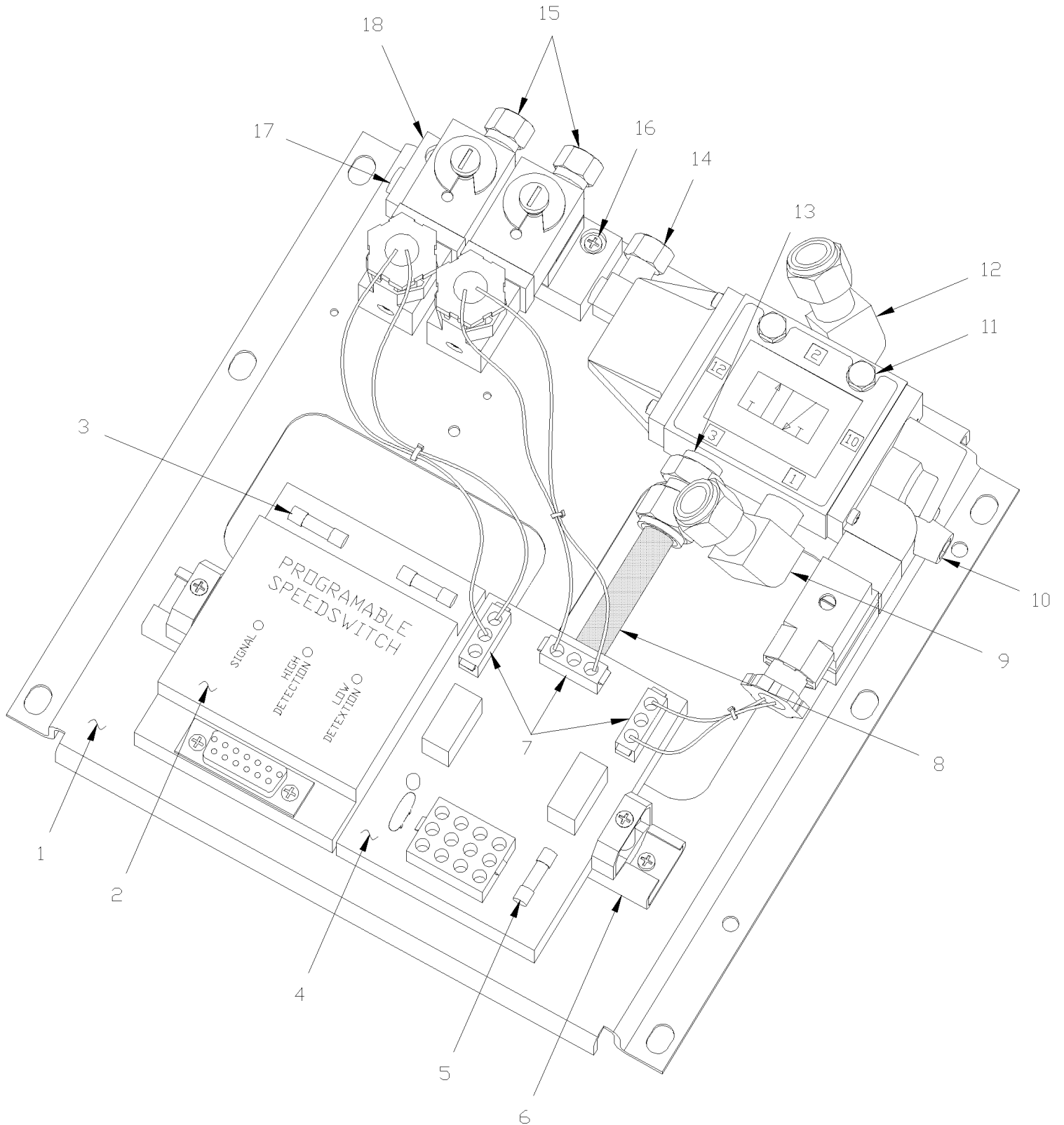
Item#	Part	Description	M T H 4 0	M T H 4 5	M T H 4 5 E	X L 4 0	X L 4 5	N O T E S
		A) TO FIX SUPPORT TO SUPPORT						
		B) FIXED AT FRONT STABILISATOR BAR						

From E-638 To S-569

Date:10/2022

PAGE:XL-1630-00

FRONT KNEELING - CONTROL PANEL



From E-638 To S-569		Date:10/2022	PAGE:XL-1630-00
---------------------	--	--------------	-----------------

FRONT KNEELING - CONTROL PANEL

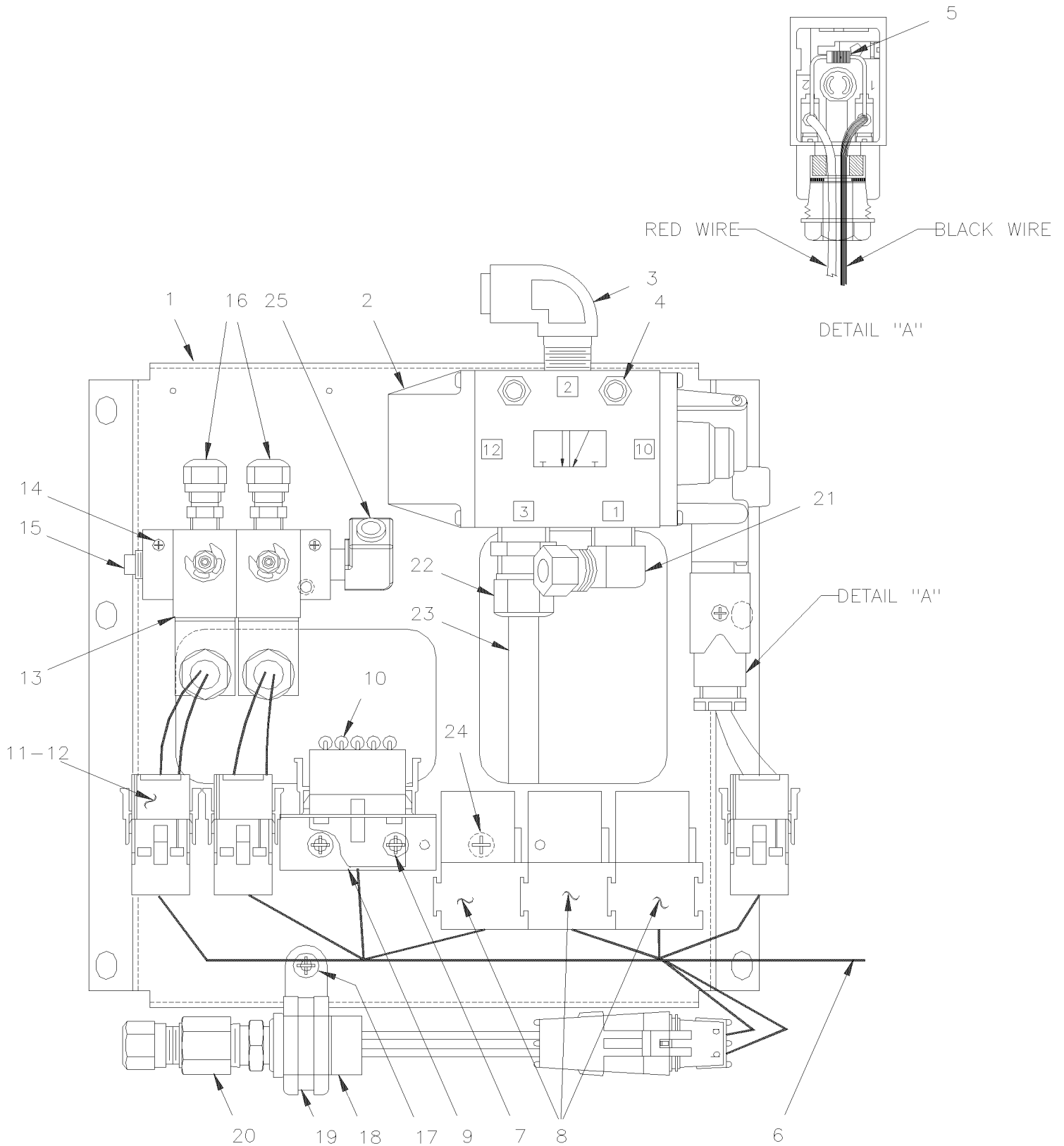
Item#	Part	Description	M T H 4 0	M T H 4 5	M T H 4 5 E	X L 4 0	X L 4 5	N O T E S
		A) FOR PRODUCT IMPROVMENT, ASK KIT #064813						

From S-570 To Y-7045

Date:10/2022

PAGE:XL-1630-01

FRONT KNEELING - CONTROL PANEL



From S-570 To Y-7045		Date:10/2022	PAGE:XL-1630-01
FRONT KNEELING - CONTROL PANEL			

Item#	Part	Description	M T H 4 0	M T H 4 5	M T H 4 5 E	X L 4 0	X L 4 5	N O T E S
	131361	PANEL ASSY To T-5710				1	1	
	131392	PANEL ASSY From T-5711				1	1	
1	131052	SUPPORT				1	1	
2	630135	VALVE, 3 WAYS, 2 POSITIONS N.O. To X-6971				1	1	
. NS	641169	SPOOL To X-6971				1	1	
. NS	641929	COIL 24V To X-6971				1	1	
2	641528	VALVE, 3 WAYS, 2 POSITIONS N.O. From X-6972				1	1	
. NS	641929	COIL 24V From X-6972				1	1	
. NS	641169	SPOOL From X-6972				1	1	
. NS	641385	CONNECTOR / SOCKET HOUSING ASSY 3C / PNEUMAC 54934-01 From X-6972				1	1	
3	641375	MALE ELBOW 90° NON-SWIVEL / PUSH-IN FITTING / #6x3/8NPT-M BR				1	1	
4	502793	SCREW CAP HEX M6-1.0x45 G8.8 Z050				2	2	
5	562353	DIODE / 1AMP				1	1	
6	064077	CABLE ASSY / KNEELING & SPEED SWITCH To T-5710				2	2	
6	064175	CABLE ASSY / KNEELING & SPEED SWITCH From T-5711				2	2	
7	500952	SCREW TP BDG PH #8x1/2 SS				4	4	
8	561707	RELAY 24V S.P.D.T. W/RESISTOR /				3	3	
8	641330	MALE CONNECTOR / PUSH-IN FITTING / #6x3/8NPT-M BR				1	1	
9	381143	SUPPORT / FOR 6 PINS CONNECTOR To T-5710				2	2	
9	381518	SUPPORT / FOR 10 PINS CONNECTOR From T-5711				2	2	
10	062588	DIODE ASSY / W/3 3AMPS To T-5710				1	1	
10	381145	DIODE ASSY / W/5 3AMPS From T-5711				1	1	
11	561550	CONNECTOR / UNIVERSAL MATE-N-LOK / SH 3C / AMP 1-480700-0				3	3	
12	561514	SOCKET TERMINAL / 20-14 / AMP 350537-3				6	6	
13	641130	MANIFOLD VALVE / W/2 SOLENOID To T-5710				1	1	
13	641412	MANIFOLD VALVE / W/2 SOLENOID From T-5711				1	1	
. NS	641107	COIL 24V From T-5711				2	2	
14	500495	SCREW TP PAN PH #6x1 Z050				2	2	
15	501303	PLUG SQUARE HEAD / PIPE FITTING / 1/8NPT-M BR				1	1	
16	640987	MALE CONNECTOR / NTA FITTING / #4x1/8NPT-M BR				2	2	
17	500582	SCREW TP PAN PH #8x3/8 Z050				1	1	
18	452043	PRESSURE SWITCH N.O. 60-35 20SP001AA060E035E From T-5711 To T-5749				1	1	A
18	452082	PRESSURE SWITCH N.O. 30-15 20SP001AA030C015C From T-5750				1	1	
19	560483	CLAMP / 7/8" I.D.				1	1	
20	641028	FEMALE CONNECTOR / NTA FITTING / #4x1/4NPT-F BR				1	1	
21	641375	MALE ELBOW 90° NON-SWIVEL / PUSH-IN FITTING / #6x3/8NPT-M BR				1	1	
22	640990	MALE CONNECTOR / NTA FITTING / #6x3/8NPT-M BR				1	1	
23	503470	TUBE, NYLON 3/8 O.D. / YELLOW S.L.				AR	AR	
24	500952	SCREW TP BDG PH #8x1/2 SS				1	1	
25	640996	MALE ELBOW 90° / NTA FITTING / #4x1/8NPT-M BR				1	1	
NS	064094	FIRE & KNEELING / ALARM ASSY / SERVICE				1	1	

From S-570 To Y-7045	Date:10/2022	PAGE:XL-1630-01
----------------------	--------------	-----------------

FRONT KNEELING - CONTROL PANEL

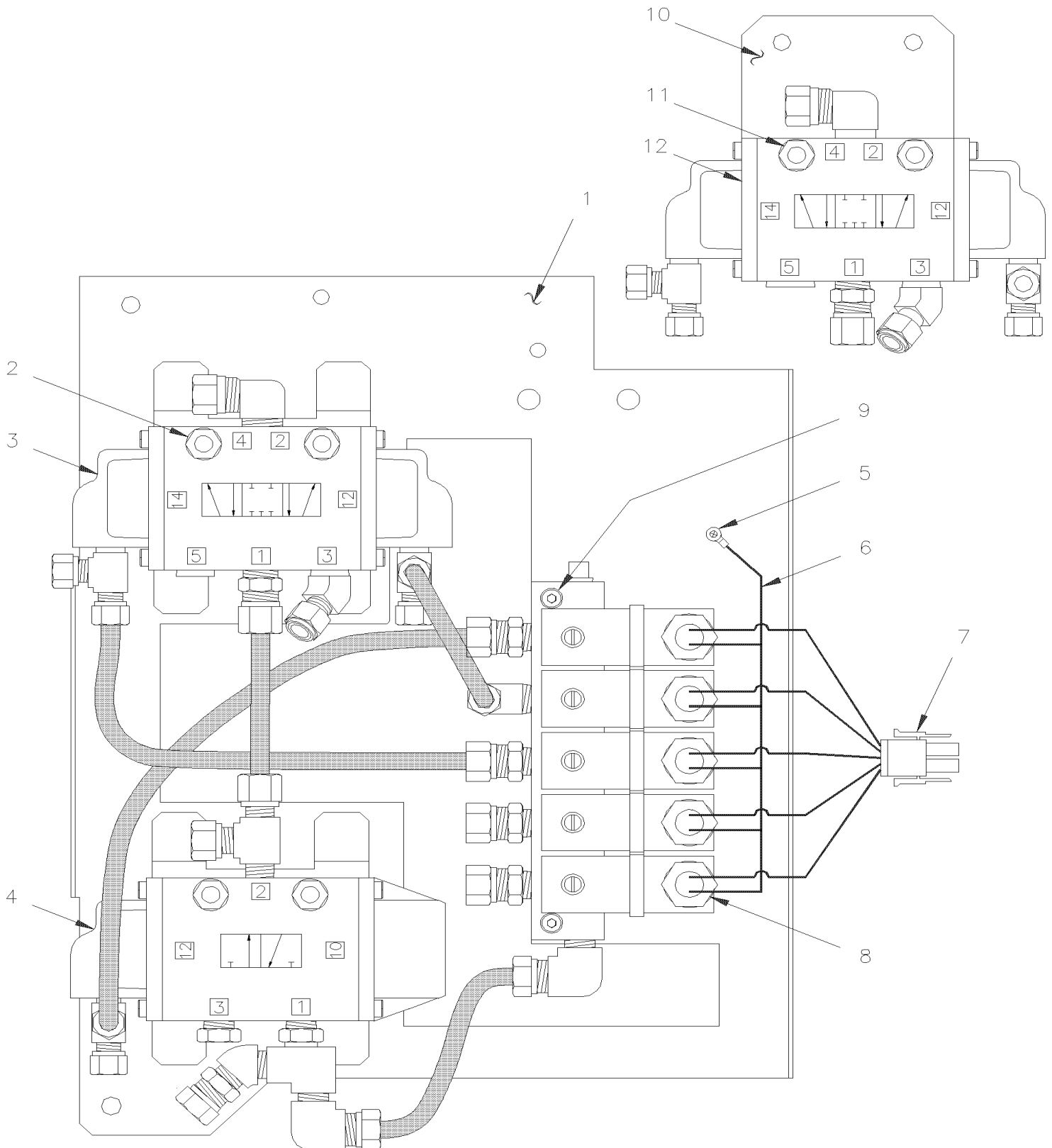
Item#	Part	Description	M T H 4 0	M T H 4 5	M T H 4 5 E	X L 4 0	X L 4 5	N O T E S
		A) THIS PRESSURE SWITCH USE PRIOR DECEMBER 1995B FOR CABLE						

From H-235 To T-5872

Date:10/2022

PAGE:XL-1640-00

LEVEL-LOW - CONTROL PANEL & VALVES



From H-235 To T-5872		Date:10/2022	PAGE:XL-1640-00
LEVEL-LOW - CONTROL PANEL & VALVES			

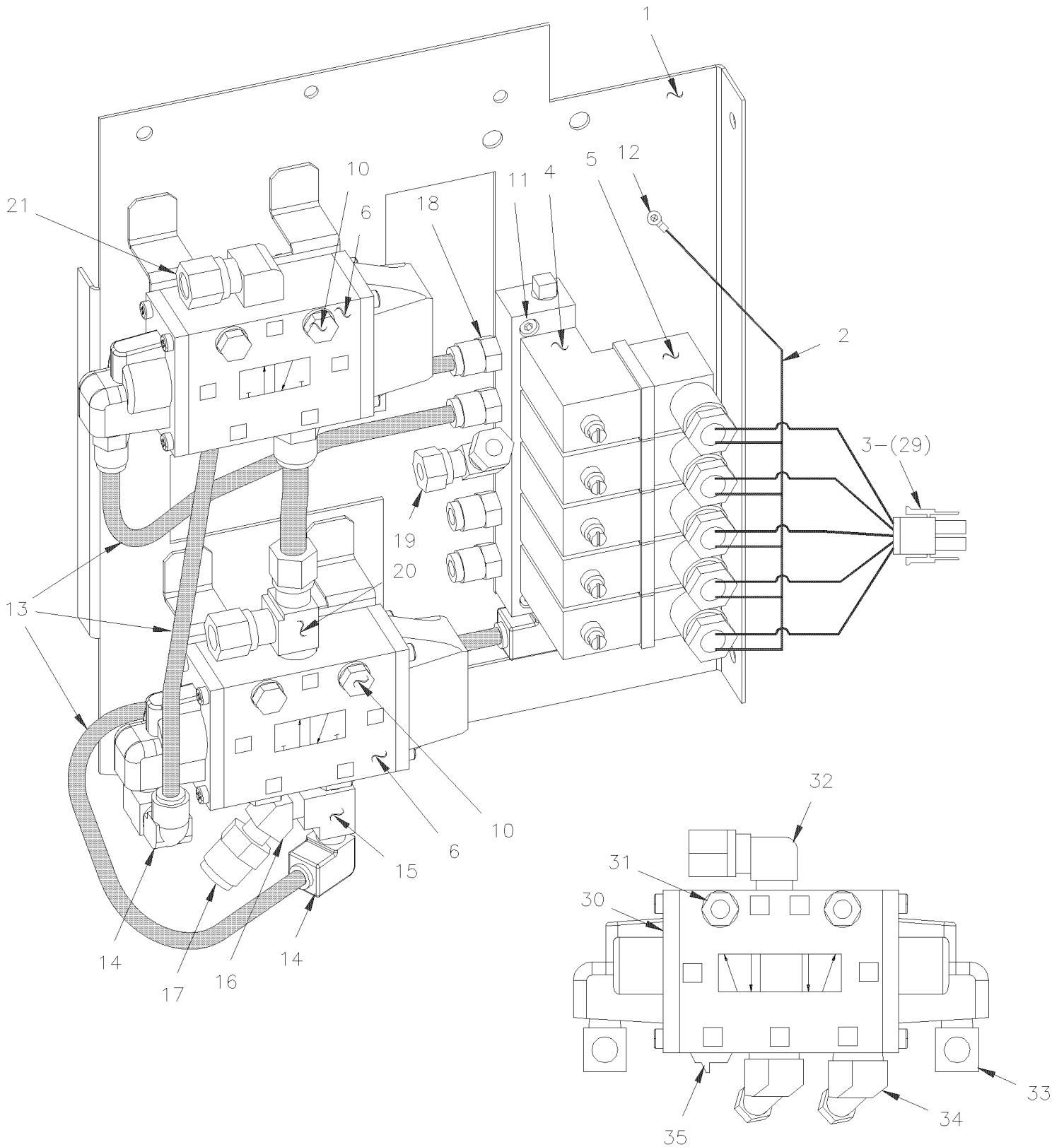
Item#	Part	Description	M T H 4 0	M T H 4 5	M T H 4 5 E	X L 4 0	X L 4 5	N O T E S
	130955	PANEL ASSY To M-906	1					
	131172	PANEL ASSY From M-907 To S-399	1	1	1			
	131224	PANEL ASSY (AS SHOWN) From S-400	1	1	1			
1	130914	. BRACKET / TO SUPPORT VALVES	1	1	1			
2	500994	. SCREW CAP HEX 1/4-20x1 3/4 G5 PT Z050	4	4	4			
NS	500473	. WASHER LO SPT .262x.489x.062 Z050	4	4	4			
3	641057	. VALVE, 5 WAYS, 3 POSITIONS	1	1	1			
4	641056	. VALVE, 3 WAYS, 2 POSITIONS To M-906	1					
4	641168	. VALVE, 3 WAYS, 2 POSITIONS From M-907 To S-399	1	1	1			
. NS	641169	. . SPOOL From M-907 To S-399	1	1	1			
4	641274	. VALVE, 3 WAYS, 2 POSITIONS N.C. From S-400	1	1	1			
5	500576	. SCREW TC PAN PH #6-32x1/2 Z050	1	1	1			
6	061694	. WIRE ASSY To M-906	1					
6	063081	. WIRE ASSY From M-907	1	1	1			
7	061871	. CABLE ASSY To M-906	1					
7	063082	. CABLE ASSY From M-907	1	1	1			
8	641055	. MANIFOLD VALVE / W/4 SOLENOID To M-906	1					
. NS	641928	. . KIT, MANIFOLD REPAIR / N.C. To M-906	4					
8	641205	. MANIFOLD VALVE / W/5 SOLENOID From M-907	1	1	1			
. NS	641928	. . KIT, MANIFOLD REPAIR / N.C. From M-907	5	5	5			
. NS	641107	. . COIL 24V From M-907	5	5	5			
NS	562353	. DIODE / 1AMP From S-400	5	5	5			
9	500671	. SCREW CAP HEXS #8-32x7/8	2	2	2			
10	130922	BRACKET To P-598	1	1	1			
11	500994	SCREW CAP HEX 1/4-20x1 3/4 G5 PT Z050	4	4	4			
NS	500473	WASHER LO SPT .262x.489x.062 Z050	4	4	4			
12	641057	VALVE, 5 WAYS, 3 POSITIONS	2	2	2			A
NS	064145	CABLE HARNESS / CONTROL PANEL & LEVEL SWITCH ON CONSOLE	1	1	1			
NS	XL-1201-00	FITTING - MISCELLANEOUS						
		A) EACH SIDE AT REAR AXLE						

From T-5873 To Y-7045

Date:10/2022

PAGE:XL-1640-01

LEVEL-LOW - CONTROL PANEL & VALVES



From T-5873 To Y-7045	Date:10/2022	PAGE:XL-1640-01
LEVEL-LOW - CONTROL PANEL & VALVES		

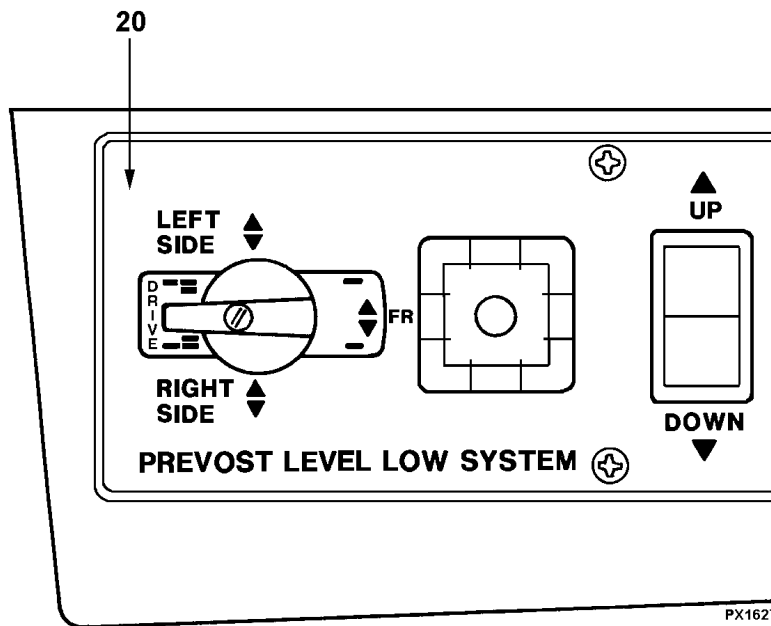
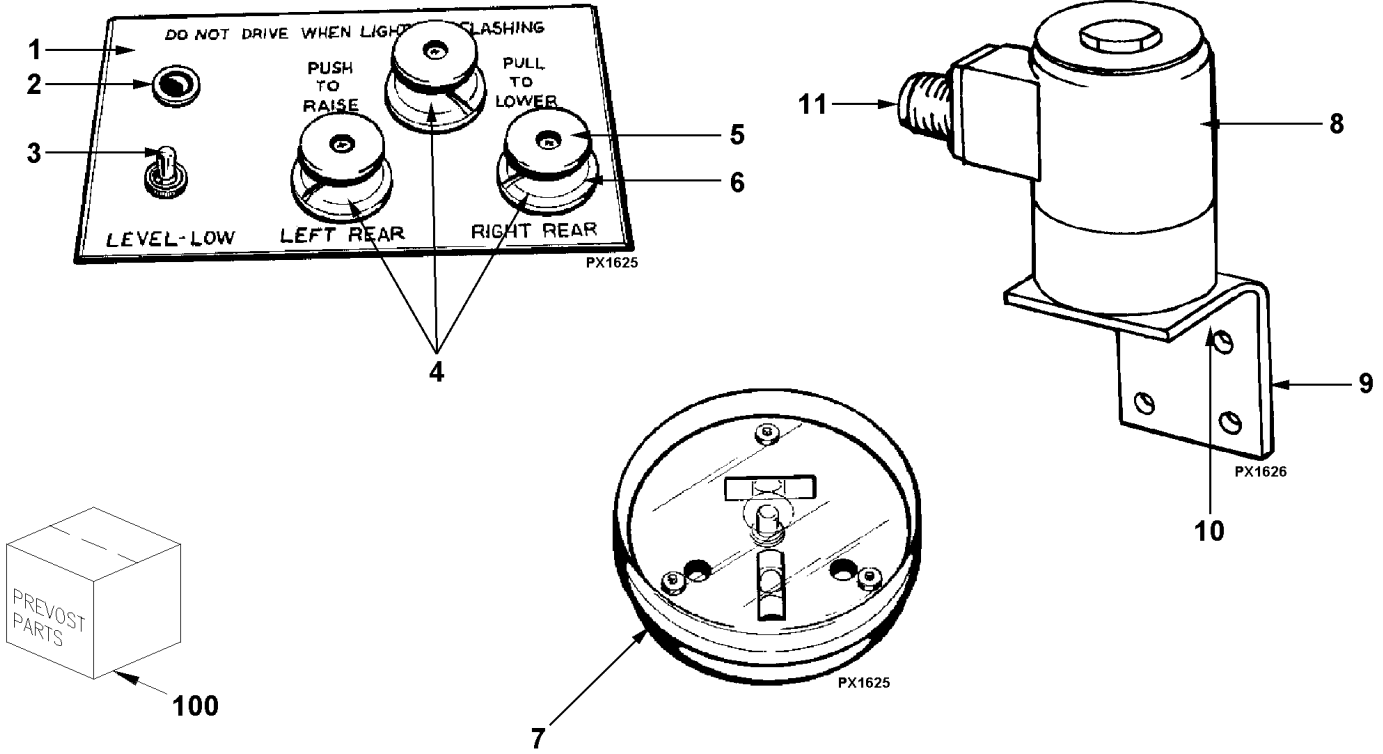
Item#	Part	Description	M T H 4 0	M T H 4 5	M T H 4 5 E	X L 4 0	X L 4 5	N O T E S
	131367	PANEL ASSY (AS SHOWN)	1	1	1			
1	131364	. BRACKET / TO SUPPORT VALVE	1	1	1			
2	063081	. WIRE ASSY	1	1	1			
3	063082	. CABLE ASSY	1	1	1			
4	641205	. MANIFOLD VALVE / W/5 SOLENOID	1	1	1			
. NS	641928	. . KIT, MANIFOLD REPAIR / N.C.	5	5	5			
. NS	641107	. . COIL 24V	5	5	5			
5	641107	. . COIL 24V	5	5	5			
NS	562353	. DIODE / 1AMP	5	5	5			
NS	641353	. PLUNGER REPAIR KIT / MANIFOLD VALVE (1)	AR	AR	AR			
6	641274	. VALVE, 3 WAYS, 2 POSITIONS N.C.	2	2	2			
10	500994	. SCREW CAP HEX 1/4-20x1 3/4 G5 PT Z050	4	4	4			
NS	500473	. WASHER LO SPT .262x.489x.062 Z050	4	4	4			
11	500671	. SCREW CAP HEXS #8-32x7/8	2	2	2			
12	500576	. SCREW TC PAN PH #6-32x1/2 Z050	1	1	1			
13	503471	. TUBE, NYLON 3/8 O.D. / BLUE S.L.	AR	AR	AR			
14	640996	. MALE ELBOW 90° / NTA FITTING / #4x1/8NPT-M BR	3	3	3			
15	501653	. MALE RUN TEE / PIPE FITTING / 1/8NPT-Mx1/8NPT-Fx1/8NPT-F BR	1	1	1			
16	501328	. STREET ELBOW 45° / PIPE FITTING / 1/8NPT-Mx1/8NPT-F BR	1	1	1			
17	641349	. MALE CONNECTOR / PUSH-IN FITTING / #6x1/8NPT-M BR	1	1	1			
18	641242	. MALE CONNECTOR / PUSH-IN FITTING / #4x1/8NPT-M BR	5	5	5			
19	641002	. MALE RUN TEE / NTA FITTING / #4x#4x1/8NPT-M BR	1	1	1			
20	641048	. MALE RUN TEE / NTA FITTING / #6x#6x3/8NPT-M BR	1	1	1			
21	641000	. MALE ELBOW 90° / NTA FITTING / #6x3/8NPT-M BR	1	1	1			
29	064145	CABLE HARNESS / CONTROL PANEL & LEVEL SWITCH ON CONSOLE	1	1	1			
		FOLLOWING PARTS ARE USED						
		AT REAR AXLE.						
30	641057	VALVE, 5 WAYS, 3 POSITIONS To X-6971	2	2	2			A
30	641531	VALVE, 5 WAYS, 3 POSITIONS From X-6972	2	2	2			A
. NS	641186	. SPOOL From X-6972	1	1	1			A
31	500994	SCREW CAP HEX 1/4-20x1 3/4 G5 PT Z050	4	4	4			
NS	500476	WASHER LO SPT .317x.586x.078 Z050	4	4	4			
NS	500769	NUT HEX 1/4-20 Z050	4	4	4			
32	641000	MALE ELBOW 90° / NTA FITTING / #6x3/8NPT-M BR	AR	AR	AR			
33	641242	MALE CONNECTOR / PUSH-IN FITTING / #4x1/8NPT-M BR	AR	AR	AR			
NS	641002	MALE RUN TEE / NTA FITTING / #4x#4x1/8NPT-M BR	AR	AR	AR			
34	641054	MALE ELBOW 45° / NTA FITTING / #6x3/8NPT-M BR	AR	AR	AR			
NS	641048	MALE RUN TEE / NTA FITTING / #6x#6x3/8NPT-M BR	AR	AR	AR			
NS	501309	ADAPTER / PIPE FITTING / 3/8NPT-Fx3/8NPT-M BR	AR	AR	AR			
35	501449	PLUG HEXS / PIPE FITTING / 3/8NPT-M STL	AR	AR	AR			

From T-5873 To Y-7045	Date:10/2022	PAGE:XL-1640-01
-----------------------	--------------	-----------------

LEVEL-LOW - CONTROL PANEL & VALVES

Item#	Part	Description	M T H 4 0	M T H 4 5	M T H 4 5 E	X L 4 0	X L 4 5	N O T E S
		A) EACH SIDE AT REAR AXLE						

From E-638 To H-254	Date:10/2022	PAGE:XL-1640-10
LEVEL-LOW - LEVEL & SWITCHES - VALVE		

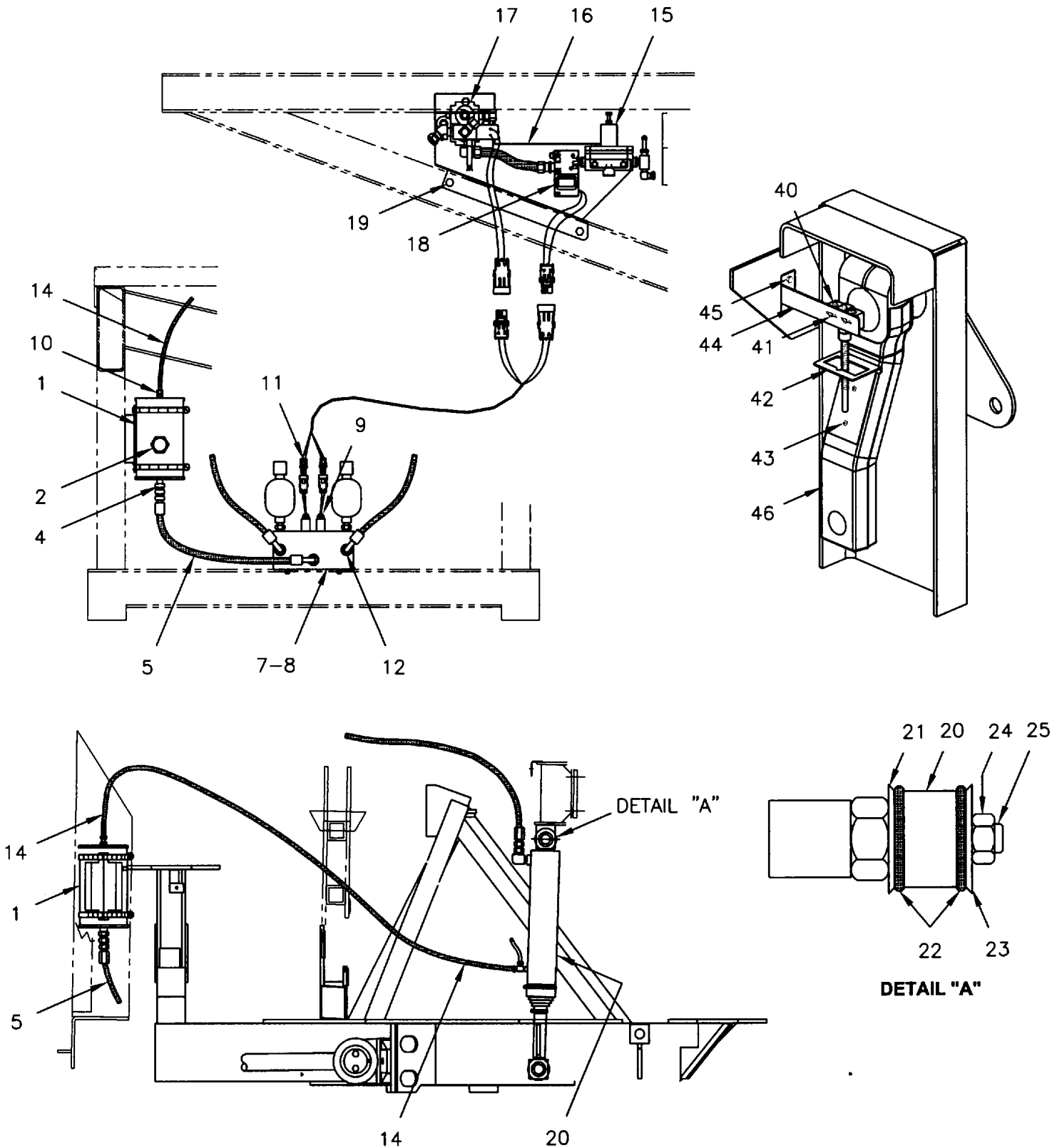


From P-722 To T-5872

Date:10/2022

PAGE:XL-1650-00

TAG UNLOAD - STABILISATOR



From P-722 To T-5872		Date:10/2022	PAGE:XL-1650-00
TAG UNLOAD - STABILISATOR			

Item#	Part	Description	M T H 4 0	M T H 4 5	M T H 4 5 E	X L 4 0	X L 4 5	N O T E S
1	131233	RESERVOIR ASSY		1			1	
NS	160370	. DECAL "OIL DEXTRON"		1			1	
2	871001	. SIGHT GLASS ASSY 1 NPT		1			1	
NS	501305	. PLUG SQUARE HEAD / PIPE FITTING / 3/8NPT-M BR		1			1	
3	640987	. MALE CONNECTOR / NTA FITTING / #4x1/8NPT-M BR		1			1	
4	501593	. MALE CONNECTOR / JIC 37° FITTING / #8JIC-Mx#8ORB-M STL		1			1	
NS	504595	HOSE CLAMP / 4"1/16-6" SS / HAS-88		2			2	
5	131242	HOSE ASSY / #8 500MM		1			1	
6	131244	HOSE ASSY / #8 2135MM		2			2	
7	131243	MANIFOLD VALVE ASSY		1			1	
8	630112	. MANIFOLD BLOCK		1			1	
9	630115	. VALVE ASSY W/SOLONOID		2			2	
NS	630114	. VALVE BODY		1			1	
10	630113	. ACCUMULATOR ASSY / 21 CUBIC INCHES		2			2	
11	561566	. CONNECTOR / WEATHER PACK / PH 2C / BLACK / PED 12010973		2			2	
NS	561565	. CABLE SEAL / GREEN / PED 15324982		4			4	
NS	561567	. PIN TERMINAL / 20-18 / PED 12089040		4			4	
12	501593	. MALE CONNECTOR / JIC 37° FITTING / #8JIC-Mx#8ORB-M STL		3			3	
13	063481	CABLE ASSY / TO TAG UNLOAD SOLONOID		1			1	
14	503402	TUBE, NYLON 1/4 O.D. / BLACK S.L.		AR			AR	
15	640938	AIR PRESSURE REGULATOR To W-6460		1			1	
15	641437	AIR PRESSURE REGULATOR 1/4" NPT / PLASTIC From W-6461		1			1	
NS	640488	VALVE, AIR FILL 1/8" NPT		1			1	
. NS	650164	. CAP VALVE / CHROME		1			1	
16	131246	SUPPORT		1			1	
17	640055	MANIFOLD / PIPE FITTING / 7 PORTS 1/4NPT-F STL		1			1	
18	641130	MANIFOLD VALVE / W/2 SOLENOID		1			1	
19	500923	SCREW TC CAP HEX 1/4-20x3/4 Z050		3			3	
20	XL-1650-10	CYLINDER ASSY - STABILISATOR						
21	500833	WASHER CON 25.5x60.0x2.5 ZP		2			2	
22	506678	BUSHING / POLYURETHANE / (TWO PIECES) RED 1" x 1.005" I.D.		4			4	
23	500812	WASHER CON 20.0x60.0x2.5 ZP		2			2	
24	500735	NUT HEX STO 3/4-16 ZP		2			2	
25	130956	PIN W/TAPER ATTACHMENT 3/4-16		2			2	
40	562343	MICRO SWITCH ASSY WITH FLEX		1			1	
NS	063480	CABLE ASSY / SWITCH TAG UNLOAD FRT JCT BOX		1			1	
41	502612	SCREW MA RND PH #6-32x1 Z050		2			2	A
NS	500467	WASHER LO INT .138x.275x.019 Z050		2			2	
NS	500689	NUT HEX #6-32 Z050		2			2	
42	063488	ACTUATOR TAG UNLOAD /		1			1	
43	500500	SCREW DRV RND #8x3/8 Z050		2			2	
44	063489	SUPPORT, SWITCH		1				

From P-722 To T-5872	Date:10/2022	PAGE:XL-1650-00
TAG UNLOAD - STABILISATOR		

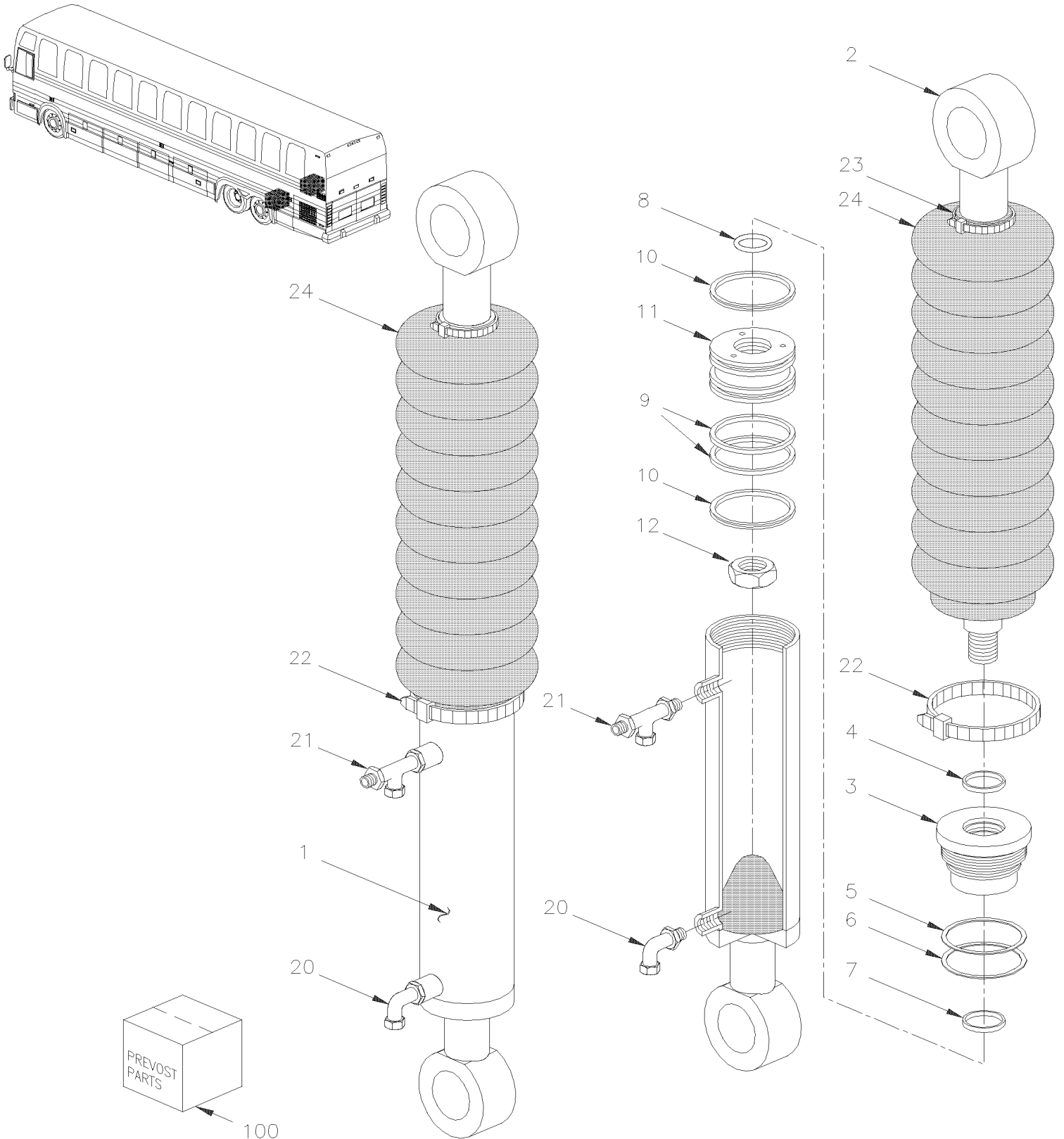
Item#	Part	Description	M T H 4 0	M T H 4 5	M T H 4 5 E	X L 4 0	X L 4 5	N O T E S
NS	064126	SUPPORT, SWITCH					1	
45	500978	SCREW CAP HEX #10-24x3/4 Z050		2			2	
NS	500786	NUT HEX #10-24 Z050		2			2	
NS	500470	WASHER LO SPT .193x.334x.047 Z050		2			2	
46	160901	ARM, PITMAN 280MM C/C / PAINTED BLACK		1			1	B
NS	MI05-09	SEE MAINTENANCE INFORMATION		1			1	B
		SOME BUSES HAVE THIS SPECIAL OPTION SYSTEM						
NS	MI05-09	SEE MAINTENANCE INFORMATION		1			1	
		A) (TO FIX SWITCH)						
		B) SEE MAINTENANCE INFORMATION MI05-09						

From P-722 To T-5872

Date:10/2022

PAGE:XL-1650-10

CYLINDER ASSY - STABILISATOR

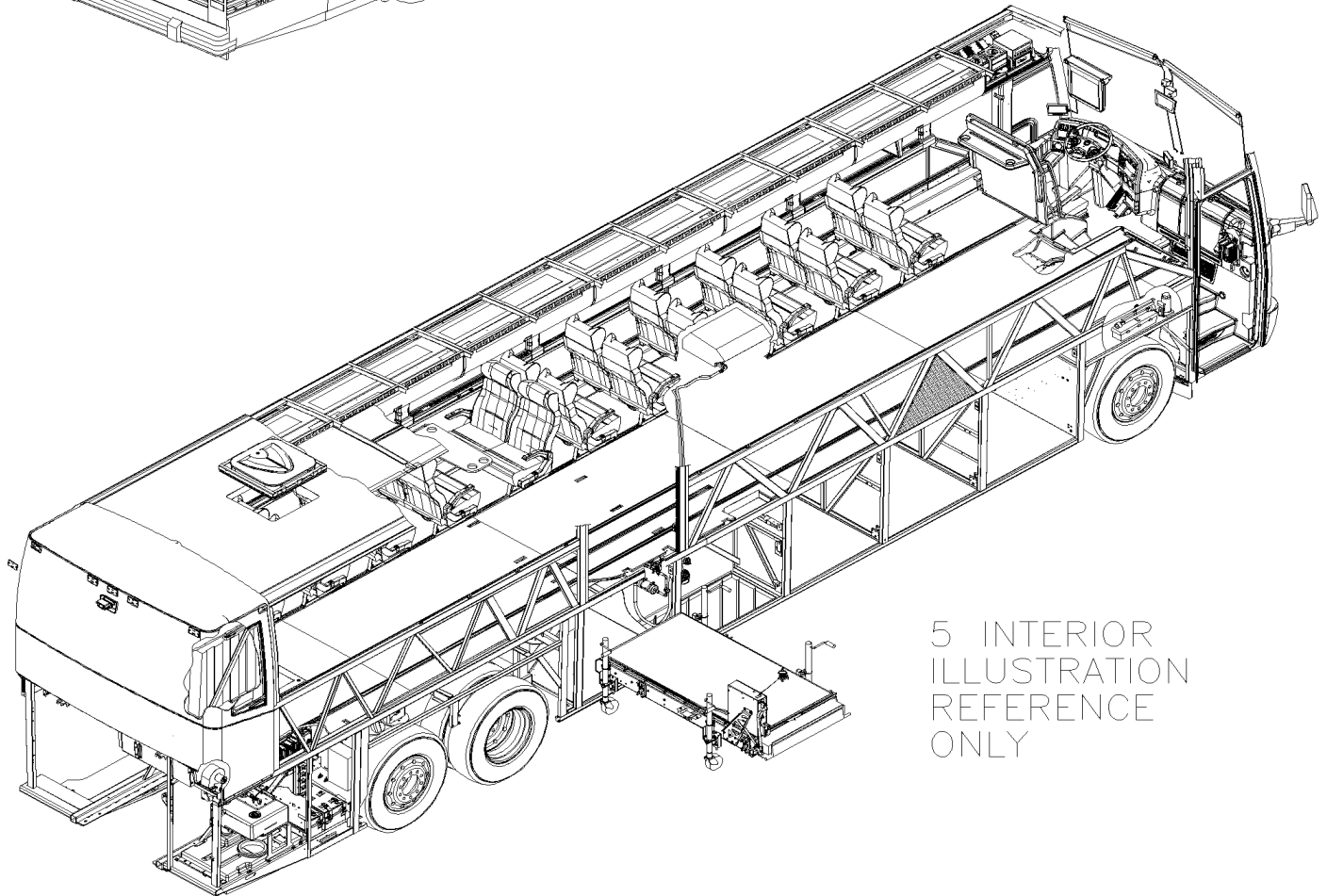
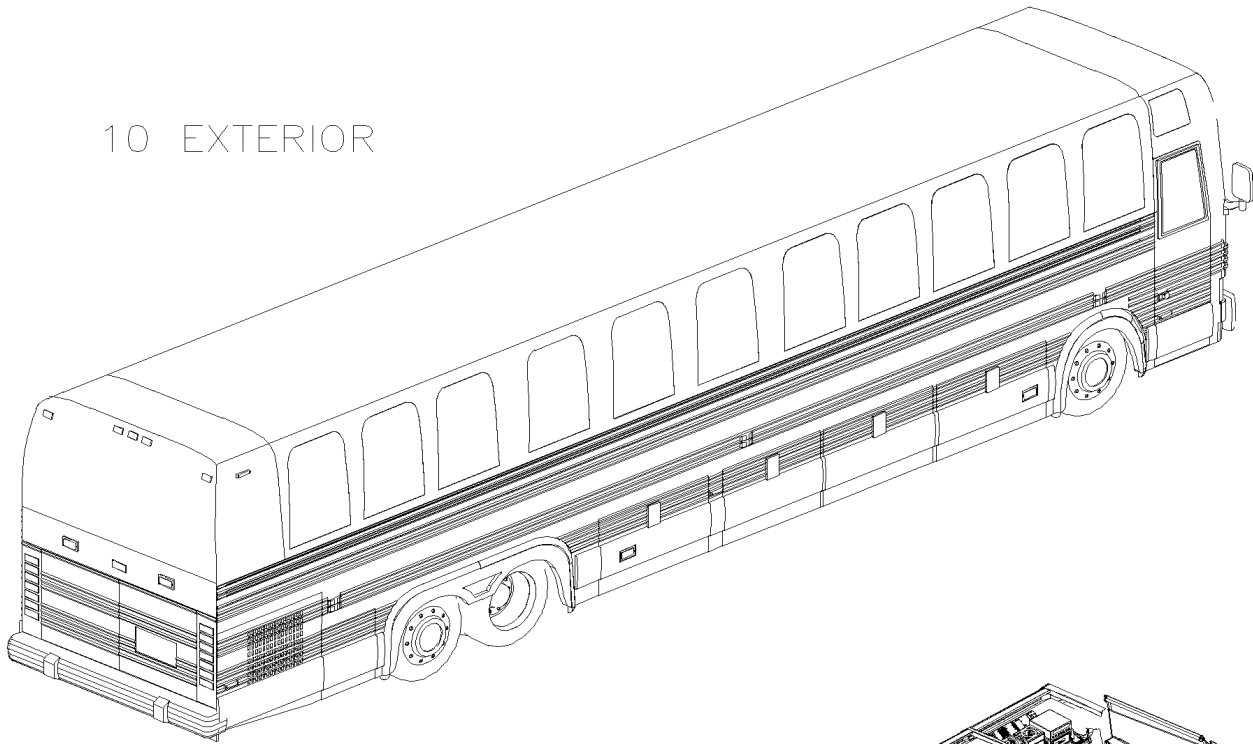


From P-722 To T-5872	Date:10/2022	PAGE:XL-1650-10
CYLINDER ASSY - STABILISATOR		

Item#	Part	Description	M T H 4 0	M T H 4 5	M T H 4 5 E	X L 4 0	X L 4 5	N O T E S
	N.S.A.	CYLINDER ASSY To S-518						3 A
	131362	CYLINDER ASSY From S-519		1			1	B
1	630111	. CYLINDER To S-518		1				A
1	630138	. CYLINDER From S-519		1			1	B
2	630141	. . ROD END		1			1	
3	630140	. . HEAD To S-518		1				A
3	630143	. . HEAD From S-519		1			1	B
4	N.S.S.	. . ROD WIPER		1			1	1
5	N.S.S.	. . O-RING		1			1	1
6	N.S.S.	. . BACK-UP		1			1	1
7	N.S.S.	. . U-CUP		1			1	1
8	N.S.S.	. . O-RING		1			1	1
9	N.S.S.	. . U-CUP		2			2	1
10	N.S.S.	. . GUIDE (PISTON)		2			2	1
11	N.S.S.	. . PISTON		1			1	1
12	N.S.S.	. . NUT		1			1	1
12	N.S.S.	. . BREATHER 1/8 NPT		1			1	1
20	501739	. MALE CONNECTOR / JIC 37° FITTING / #8JIC-Mx1/2NPT-M STL		1			1	
21	641002	. MALE RUN TEE / NTA FITTING / #4x#4x1/8NPT-M BR		1			1	
22	504025	. HOSE CLAMP / 2"5/16-3"1/4 SS / HS-44		1			1	
23	504021	. HOSE CLAMP / 11/16"-1"1/2 SS / HS-16		1			1	
24	506679	. CUFF END BELLOW / 1 1/4 I.D. X 3" X 4"		1			1	
100	630142	KIT REPAIR, SEAL		AR			AR	C
		A) SEE NUMBER STAMPED ON YOUR CYLINDER #010-9253-1						
		B) SEE NUMBER STAMPED ON YOUR CYLINDER #010-9253-5						
		C) INCLUDE ITEMS #4 TO 10						
		1) NOT SOLD SEPARATELY						
		3) NOT SOLD ASSEMBLY						

	Date:10/2022	XL-18
BODY		

10 EXTERIOR



5 INTERIOR
ILLUSTRATION
REFERENCE
ONLY

From E-638 To Y-7045

Date:10/2022

PAGE:XL-18-INT

BODY INTERIOR

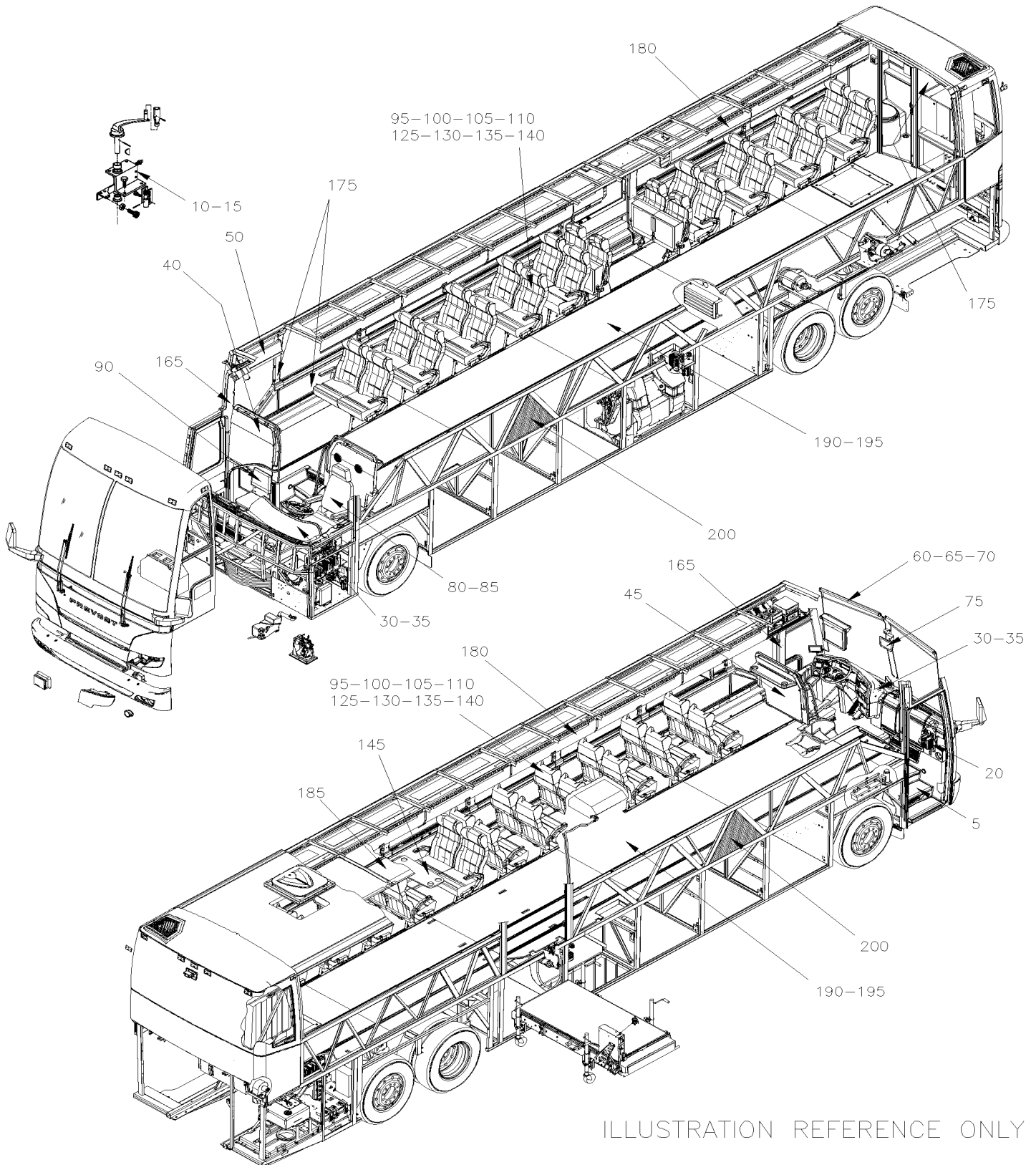


ILLUSTRATION REFERENCE ONLY

From E-638 To Y-7045	Date:10/2022	PAGE:XL-18-INT
BODY INTERIOR		

Item#	Part	Description	M T H 4 0	M T H 4 5	M T H 4 5 E	X L 4 0	X L 4 5	N O T E S
5	XL-1800-00	STEPWELL - COVERING & DOOR From E-638 To Y-7045						
10	XL-1802-00	ENTRANCE DOOR MECHANISM - BUS From E-638 To G-095						
10	XL-1802-01	ENTRANCE DOOR MECHANISM - BUS From G-096 To Y-7045						
15	XL-1802-02	ENTRANCE DOOR CONTROL From E-638 To Y-7045						
20	XL-1804-00	ENTRANCE DOOR LOCK - BUS From E-638 To G-095						
20	XL-1804-01	ENTRANCE DOOR LOCK - BUS From G-096 To Y-7045						
20	XL-1804-50	ENTRANCE DOOR LOCK - MTH From G-096 To Y-7045						
30	XL-1806-00	DASHBOARD PANEL & CONSOLE From E-638 To Y-7045						
35	XL-1806-50	VALVE CONSOLE - BUS R.H. & MTH L.H. From E-638 To Y-7045						
40	XL-1810-00	MODESTY PANEL R.H. From E-638 To Y-7045						
45	XL-1812-00	MODESTY PANEL L.H. From E-638 To Y-7045						
50	XL-1814-00	DESTINATION SIGN - "LE MIRAGE" From E-638 To Y-7045						
50	XL-1814-01	DESTINATION SIGN - ELECTRICAL From S-597 To Y-7045						
50	XL-1814-02	DESTINATION SIGN - DIGITAL From S-597 To Y-7045						
50	XL-1814-03	DESTINATION SIGN - DIGITAL - "GO-TRANSIT" From X-6945 To X-7014						
50	XL-1814-05	DESTINATION SIGN - INSTALLATION From S-597 To Y-7045						
50	XL-1814-10	DESTINATION SIGN - "PREVOST XL" From E-638 To J-429						
60	XL-1816-00	ROLLER BLIND - DRIVER' S & WINDSHIELD From E-638 To Y-7045						
60	XL-1816-05	ROLLER BLIND - DRIVER' S & WINDSHIELD From S-565 To Y-7045						
65	XL-1816-10	SUN SHADE - PASSENGER'S WINDOW From E-638 To Y-7045						
70	XL-1817-00	SUN VISOR - "LE MIRAGE" From E-638 To Y-7045						
70	XL-1817-05	SUN VISOR - "PREVOST XL" From E-638 To J-429						
75	XL-1820-00	MIRROR - INTERIOR From E-638 To Y-7045						
80	XL-1821-00	DRIVER'S SEAT "NATIONAL SEATING" From E-638 To P-721						
80	XL-1821-01	DRIVER'S SEAT "NATIONAL SEATING" - MODEL 93B From X-6900 To Y-7045						
85	XL-1822-00	DRIVER'S SEAT ASSY - "ISRI" From E-638 To Y-7045						
85	XL-1822-01	DRIVER'S SEAT - "ISRI" - 6800/338 From X-6948 To Y-7045						
85	XL-1822-10	DRIVER'S SEAT - "ISRI" - 6000/515 & 6500/515 From E-638 To Y-7045						
85	XL-1822-20	DRIVER'S SEAT - "ISRI" - 6801/517 & 6801/525 From N-490 To Y-7045						
90	XL-1824-00	HOSTESS SEAT ASSY From E-638 To Y-7045						
95	XL-1824-30	PASSENGER'S SEAT - "AMAYA" IDENTIFICATION "MODEL" From E-638 To Y-7045						
100	XL-1825-00	PASSENGER'S SEAT - "AMERICAN" - W6693 & W7693 From E-638 To Y-7045						
100	XL-1825-01	PASSENGER'S SEAT - "AMERICAN" - W6694 & W7694 From E-638 To Y-7045						
100	XL-1825-03	PASSENGER'S SEAT - "AMERICAN" - W6696 & W7696 From E-638 To Y-7045						
100	XL-1825-05	PASSENGER'S SEAT - "AMERICAN" - FRAME From E-638 To Y-7045						
100	XL-1825-10	PASSENGER'S SEAT - "AMERICAN" - FRAME ROTATIN From E-638 To Y-7045						
100	XL-1825-20	PASSENGER'S SEAT - "AMERICAN" - CUSHION From E-638 To Y-7045						
100	XL-1825-30	PASSENGER'S SEAT - "AMERICAN" - BACKREST WX69 From E-638 To Y-7045						
100	XL-1825-31	PASSENGER'S SEAT - "AMERICAN" - BACKREST WX69 From E-638 To Y-7045						
100	XL-1825-40	PASSENGER'S SEAT - "AMERICAN" - FOOTREST From E-638 To Y-7045						
100	XL-1825-50	PASSENGER'S SEAT - "AMERICAN" - ARMREST From E-638 To Y-7045						
100	XL-1825-60	PASSENGER'S SEAT - "AMERICAN" - BACK & ACCESS From E-638 To Y-7045						

From E-638 To Y-7045	Date:10/2022	PAGE:XL-18-INT
BODY INTERIOR		

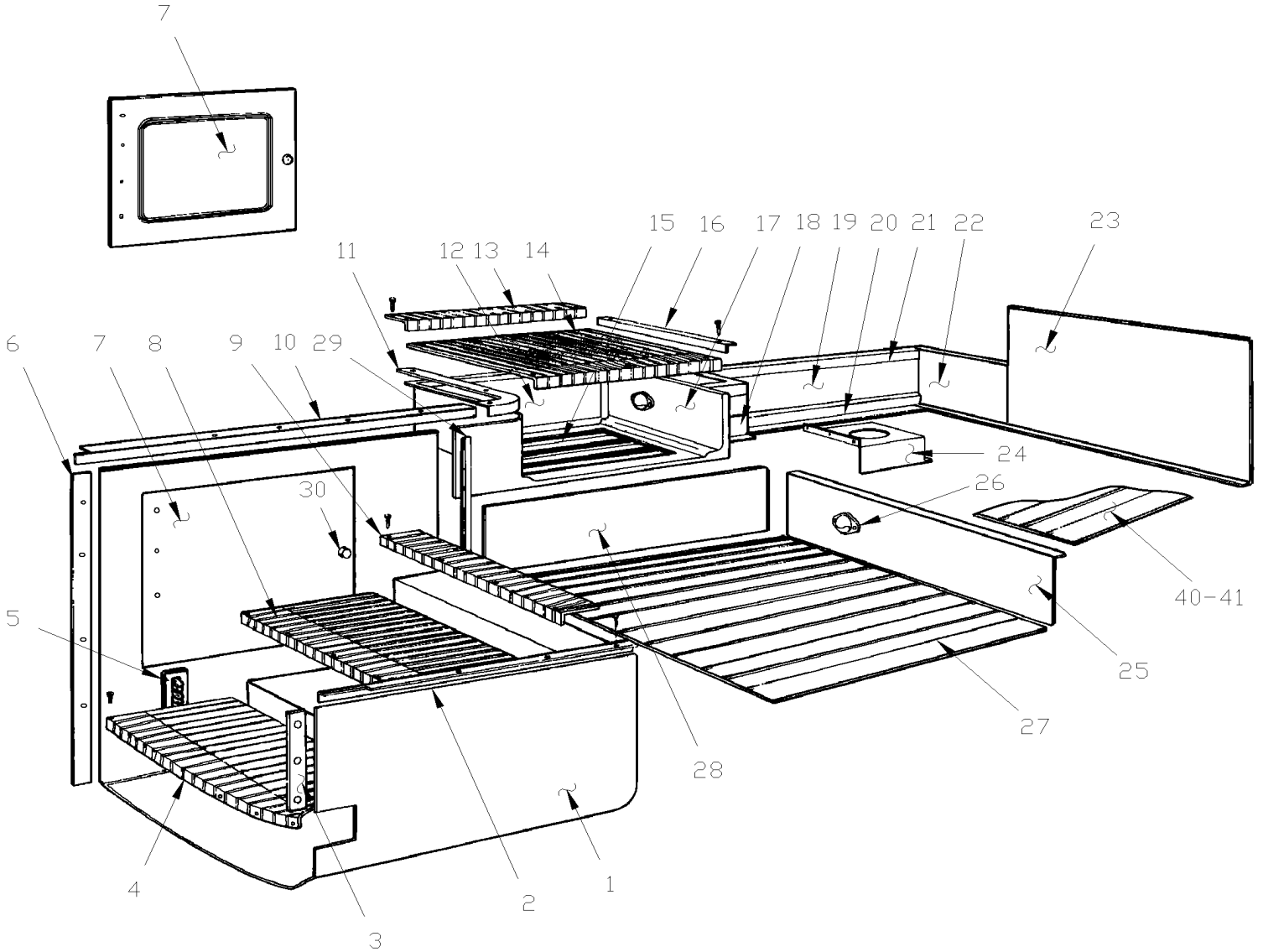
Item#	Part	Description	M T H 4 0	M T H 4 5	M T H 4 5 E	X L 4 0	X L 4 5	N O T E S
105	XL-1826-00	PASSENGER'S SEAT - "NATIONAL" - 4209 & 4210 From E-638 To Y-7045						
110	XL-1826-01	PASSENGER'S SEAT - "STANDARD & DELUXE" From E-638 To H-284						
110	XL-1826-05	PASSENGER'S SEAT - "AMAYA" "EUROTECH" From E-638 To Y-7045						
110	XL-1826-06	PASSENGER'S SEAT - "AMAYA" "BRASIL" From E-638 To Y-7045						
110	XL-1826-08	PASSENGER'S SEAT - "AMAYA" "GAUDI" From E-638 To Y-7045						
110	XL-1826-10	PASSENGER'S SEAT - ROTATING "STD & DELUXE" From E-638 To H-284						
110	XL-1826-40	ARMREST PASSENGER'S - "STD & DELUXE" From E-638 To H-284						
125	XL-1826-41	PASSENGER'S SEAT - "AMAYA" - FOOTREST From E-638 To Y-7045						
125	XL-1826-50	ARMREST PASSENGER'S SEAT - "AMAYA" WITH "EUROTECH" From E-638 To Y-7045						
125	XL-1826-51	ARMREST PASSENGER'S SEAT - "AMAYA" WITH "BRASIL" From E-638 To Y-7045						
125	XL-1826-52	ARMREST PASSENGER'S SEAT - "AMAYA" WITH "GAUDI" From E-638 To Y-7045						
125	XL-1826-60	ACCESSORIES PASSENGER'S SEAT - "AMAYA" From E-638 To Y-7045						
125	XL-1826-71	PASSENGER'S SEAT - "AMAYA" - FLIP-UP "GAUDI" HR & SC - W/ W.C.L. From E-638 To Y-7045						
130	XL-1827-00	PASSENGER'S SEAT - "SILHOUETTE" ALUMINUM From H-235 To M-803						
130	XL-1827-01	PASSENGER'S SEAT - "SILHOUETTE" CHARCOAL From M-804 To Y-7045						
130	XL-1827-02	PASSENGER'S SEAT - "ULTRA" From R-890 To Y-7045						
130	XL-1827-10	PASSENGER'S SEAT - ROTATING From H-235 To Y-7045						
135	XL-1827-50	ARMREST PASSENGER'S - "ALUMINUM" From H-235 To M-803						
135	XL-1827-51	ARMREST PASSENGER'S - "CHARCOAL" From M-804 To Y-7045						
135	XL-1827-99	ARMREST PASSENGER'S - "RETROFIT" From H-235 To Y-7045						
140	XL-1828-00	PASSENGER'S SEAT - "TOURISMO I" From K-847 To P-687						
140	XL-1828-01	PASSENGER'S SEAT - "TOURISMO II" From P-688 To Y-7045						
145	XL-1829-00	ACCESSORIES PASSENGER'S SEAT - "PREVOST" From E-638 To Y-7045						
165	XL-1832-00	FRONT FINISHING CAP - "LE MIRAGE" From E-638 To Y-7045						
165	XL-1832-01	FRONT FINISHING CAP - "GO TRANSIT" From X-6945 To Y-7045						
165	XL-1832-10	FRONT FINISHING CAP - "PREVOST XL" From E-638 To J-429						
165	XL-1832-15	DRIVER'S COMPARTMENT - "PREVOST XL" From E-638 To J-429						
175	XL-1834-00	REAR FINISHING CAP - "LE MIRAGE" From E-638 To Y-7045						
175	XL-1834-10	REAR FINISHING CAP - "PREVOST XL" From E-638 To J-429						
180	XL-1836-00	PARCEL RACK - "LE MIRAGE" From E-638 To H-284						
180	XL-1836-01	PARCEL RACK - "LE MIRAGE" - W/DOORS From H-285 To V-6249						
180	XL-1836-02	PARCEL RACK - "LE MIRAGE" - W/DOORS From V-6250 To Y-7045						
180	XL-1836-10	PARCEL RACK - "PREVOST XL" From E-638 To J-429						
180	XL-1836-20	PARCEL RACK - "ASTRAL XL" From E-638 To J-565						
185	XL-1837-00	CEILING PANELS & MOULDING - BUS From E-638 To H-284						
185	XL-1837-01	CEILING PANELS & MOULDING - BUS From H-285 To Y-7045						
185	XL-1837-10	CEILING PANELS & MOULDING "PREVOST XL" From E-638 To J-429						
185	XL-1837-20	CEILING PANELS & MOULDING "ASTRAL XL" From E-638 To J-565						
185	XL-1837-50	CEILING PANELS & MOULDING - MTH From E-638 To Y-7045						
190	XL-1838-00	FLOOR & COVERING - BUS From E-638 To Y-7045						
190	XL-1838-01	FLOOR COVERING - "TARAFLEX" From X-6660 To Y-7045						
195	XL-1838-10	FLOOR - MTH - WITH DETROIT S-92 From E-638 To R-843						

From E-638 To Y-7045

Date:10/2022

PAGE:XL-1800-00

STEPWELL - COVERING & DOOR



From E-638 To Y-7045	Date:10/2022	PAGE:XL-1800-00
STEPWELL - COVERING & DOOR		

Item#	Part	Description	M T H 4 0	M T H 4 5	M T H 4 5 E	X L 4 0	X L 4 5	N O T E S
1	220041	STEPWELL, FRONT / BLACK To H-284				1		
1	220617	STEPWELL, FRONT / BLACK From H-285 To H-413				1		
1	220646	STEPWELL, FRONT / CHARCOAL From H-414 To K-794				1		
1	220651	STEPWELL, FRONT / CHARCOAL From K-795 To S-461				1		
1	324586	STEPWELL, FRONT / CHARCOAL From S-462				1	1	
1	220279	STEPWELL, FRONT / BLACK To H-278		1				
1	220585	STEPWELL, FRONT / CHARCOAL From H-279 To S-461	1	1	1			
1	324585	STEPWELL, FRONT / CHARCOAL From S-462	1	1	1			
NS	680502	TAPE ANTISKID ADH / BLACK / 2" X 60' / 5215	AR	AR	AR			
NS	507295	HOLE PLUG BUTTON / 1.375 O.D. BLACK	1	1	1			
1	130621	DECAL "KNEELING BUS"	1	1	1	1	1	
1	130623	DECAL / ARROW SHAPE	1	1	1	1	1	
2	220066	MOULDING / SS ANGLE 18 3/16"				1	1	
3	320385	MOULDING / SS / 38" / TO FIX LEATHERETTE ON DASH	1	1	1			
3	320838	MOULDING / SS / 12" / TO FIX LEATHERETTE ON STEP				1	1	
		TO ORDER STEPTREAD 1ST, CUT & READY TO INSTALL ORDER...						
		PART NUMBER 220586 + SUFFIX CODE "?" LETTER Up to S-461						
		PART NUMBER 324549 + SUFFIX CODE "?" LETTER From S-462						
4	506416	STEP TREAD COVERING / CODE "A" = 702 R.C.A. RUBBER				1	1	
4	506417	STEP TREAD COVERING / CODE "B" = 777 R.C.A. RUBBER				1	1	
4	506418	STEP TREAD COVERING / CODE "C" = 653 R.C.A. RUBBER				1	1	
4	506419	STEP TREAD COVERING / CODE "D" = 747 R.C.A. RUBBER				1	1	
4	506420	STEP TREAD COVERING / CODE "E" = 766 R.C.A. RUBBER				1	1	
4	506454	STEP TREAD COVERING / CODE "F" = 604 R.C.A. RUBBER				1	1	
4	324549GT	STEP TREAD COVERING / CODE "F" = 604 R.C.A. RUBBER From X-6945				1		A
4	506482	STEP TREAD COVERING / CODE "G" = 758 R.C.A. RUBBER				1	1	
4	506481	STEP TREAD COVERING / CODE "H" = 630 R.C.A. RUBBER				1	1	
4	506480	STEP TREAD COVERING / CODE "I" = 895 R.C.A. RUBBER				1	1	
4	506490	STEP TREAD COVERING / CODE "J" = 602 R.C.A. RUBBER				1	1	
4	506581	STEP TREAD COVERING / CODE "K" = 650 R.C.A. RUBBER				1	1	
4	506587	STEP TREAD COVERING / CODE "L" = 975 R.C.A. RUBBER				1	1	
4	506592	STEP TREAD COVERING / CODE "M" = 793 R.C.A. RUBBER				1	1	
4	506607	STEP TREAD COVERING / CODE "O" = 992 R.C.A. RUBBER				1	1	
4		STEP TREAD COVERING / CODE "P" = 726 R.C.A. RUBBER				1	1	
4	506657	STEP TREAD COVERING / CODE "Q" = 788 R.C.A. RUBBER				1	1	
4	506402	STEP NOZING 3" X 30" / WHITE	1	1	1			
5	870887	DEFLECTOR, AIR				1	1	
6	220314	MOULDING S.S. 31 1/2"				1	1	
7	320504	DOOR ASSY / BLACK PAINTED W/GLASS To H-413				1		

From E-638 To Y-7045	Date:10/2022	PAGE:XL-1800-00
STEPWELL - COVERING & DOOR		

Item#	Part	Description	M T H 4 0	M T H 4 5	M T H 4 5 E	X L 4 0	X L 4 5	N O T E S
7	320503	DOOR ASSY / BLACK PAINTED To H-413				1		
7	323143	DOOR ASSY / CHARCOAL PAINTED From H-414				1	1	
7	504203	. SPRING LATCH / KNURLED STEEL KNOB From H-414				1	1	
7	326959	DOOR ASSY / WITH AXE SUPPORT From X-6945				1		
7	404922	. STRAP / TO FIX AXE From X-6945				1		
NS	500641	SCREW TP PAN PH #8x3/4 Z050				3	3	
		STEP TREAD COVERING 2TH / 16" X 11"						
8	506421	STEP TREAD COVERING / CODE "A" = 702 R.C.A. RUBBER				1	1	
8	506422	STEP TREAD COVERING / CODE "B" = 777 R.C.A. RUBBER				1	1	
8	506423	STEP TREAD COVERING / CODE "C" = 653 R.C.A. RUBBER				1	1	
8	506424	STEP TREAD COVERING / CODE "D" = 747 R.C.A. RUBBER				1	1	
8	506425	STEP TREAD COVERING / CODE "E" = 766 R.C.A. RUBBER				1	1	
8	506455	STEP TREAD COVERING / CODE "F" = 604 R.C.A. RUBBER				1	1	
8	506485	STEP TREAD COVERING / CODE "G" = 758 R.C.A. RUBBER				1	1	
8	506484	STEP TREAD COVERING / CODE "H" = 630 R.C.A. RUBBER				1	1	
8	506483	STEP TREAD COVERING / CODE "I" = 895 R.C.A. RUBBER				1	1	
8	506489	STEP TREAD COVERING / CODE "J" = 602 R.C.A. RUBBER				1	1	
8	506577	STEP TREAD COVERING / CODE "K" = 650 R.C.A. RUBBER				1	1	
8	506586	STEP TREAD COVERING / CODE "L" = 975 R.C.A. RUBBER				1	1	
8	506592	STEP TREAD COVERING / CODE "M" = 793 R.C.A. RUBBER				1	1	
		STEP TREAD COVERING / CODE "N" = 627 R.C.A. RUBBER						
NS	506606	STEP TREAD COVERING / CODE "O" = 992 R.C.A. RUBBER				1	1	
		STEP TREAD COVERING / CODE "P" = 726 R.C.A. RUBBER						
NS	506655	STEP TREAD COVERING / CODE "Q" = 788 R.C.A. RUBBER				1	1	
9	506442	STEP NOZING 3" X 27" / WHITE				1	1	
9	506402	STEP NOZING 3" X 30" / WHITE				1	1	
9	506876	STEP NOSING YELLOW / 3" X 27 1/2" From X-6945				1		
NS	504247	RIVET POP DOME OE 5/32x3/8 AL				9	9	
10	220429	MOULDING ANGLE SS To E-706				1		
10	220502	MOULDING ANGLE SS From E-707				1	1	
NS	500495	SCREW TP PAN PH #6x1 Z050				4	4	
11	220463	MOULDING SS To E-706				1		
11	220501	MOULDING SS 37 15/16" From E-707				1	1	
12	220430	PANEL S.S. 6" X 16"				1	1	
NS	500640	SCREW TP PAN PH #6x3/4 Z050				5	5	
13	506441	STEP NOZING 3" X 19" / WHITE				1	1	
13	506877	STEP NOZING 3" X 19" / YELLOW From X-6945				1		
		STEP TREAD COVERING AILSE / 11" X 16"						

From E-638 To Y-7045	Date:10/2022	PAGE:XL-1800-00
STEPWELL - COVERING & DOOR		

Item#	Part	Description	M T H 4 0	M T H 4 5	M T H 4 5 E	X L 4 0	X L 4 5	N O T E S
14	506426	STEP TREAD COVERING / CODE "A" = 702 R.C.A. RUBBER				1	1	
14	506427	STEP TREAD COVERING / CODE "B" = 777 R.C.A. RUBBER				1	1	
14	506428	STEP TREAD COVERING / CODE "C" = 653 R.C.A. RUBBER				1	1	
14	506429	STEP TREAD COVERING / CODE "D" = 747 R.C.A. RUBBER				1	1	
14	506430	STEP TREAD COVERING / CODE "E" = 766 R.C.A. RUBBER				1	1	
14	506875	STEP TREAD COVERING / CODE "F" = 604 R.C.A. RUBBER From X-6945				1		A
14	506453	STEP TREAD COVERING / CODE "F" = 604 R.C.A. RUBBER				1	1	
14	506479	STEP TREAD COVERING / CODE "G" = 758 R.C.A. RUBBER				1	1	
14	506478	STEP TREAD COVERING / CODE "H" = 630 R.C.A. RUBBER				1	1	
14	506477	STEP TREAD COVERING / CODE "I" = 895 R.C.A. RUBBER				1	1	
14	506491	STEP TREAD COVERING / CODE "J" = 602 R.C.A. RUBBER				1	1	
14	506580	STEP TREAD COVERING / CODE "K" = 650 R.C.A. RUBBER				1	1	
14	506588	STEP TREAD COVERING / CODE "L" = 975 R.C.A. RUBBER				1	1	
14	506594	STEP TREAD COVERING / CODE "M" = 793 R.C.A. RUBBER				1	1	
		STEP TREAD COVERING / CODE "N" = 627 R.C.A. RUBBER						
14	506604	STEP TREAD COVERING / CODE "O" = 992 R.C.A. RUBBER				1	1	
		STEP TREAD COVERING / CODE "P" = 726 R.C.A. RUBBER						
14	506656	STEP TREAD COVERING / CODE "Q" = 788				1	1	
15	220459	REINFORCEMENT ANGLE 14 3/8"				2	2	
16	220068	MOULDING ANGLE 12 1/4"				1	1	
17	220428	STEPWELL, AISLE / BLACK To H-413				1		
17	220647	STEPWELL, AISLE / CHARCOAL From H-414 To K-794				1		
17	220652	STEPWELL, AISLE / CHARCOAL From K-795				1	1	
NS	Call order desk	PANEL FLOOR / STEPWELL & #1 FLOOR PANEL 18 7/8" X 3/4"				1		P
19	810034	CARPET OZITE / S.L. 12 FT WIDE				AR	AR	
20	220236	MOULDING ANGLE 60° S.S. / 22" X 2"				1	1	
21	220369	MOULDING ANGLE S.S.				1	1	
22	220908	PANEL FINISHING "L" SHAPE 8 3/4" X 1" To W-6483				1	1	
NS	221114	PANEL FINISHING "L" SHAPE From W-6484				1	1	
23	320312	PANEL, FINISHING SS 14 1/4" X 30"				1	1	
24	070510	BOX ASSY				1	1	
24	070540	. BOX LOWER PART SHIFT LEVER				1		
24	070347	. BOX TOP / SHIFT LEVER				1		
24	070348	. BOX SIDE / SHIFT LEVER				1		
25	220070	PANEL SS, DRIVER'S FLOOR FINISHING To K-794				1		
25	220653	PANEL SS, DRIVER'S FLOOR FINISHING From K-795				1	1	
26	XL-0655-00	INTERIOR LIGHTING To H-284						
26	XL-0655-01	INTERIOR LIGHTING From H-285						
27		FLOOR COVERING UPPER STEPWELL SECTION / 28" X 36"	AR	AR	AR	AR	AR	
27	506443	RIB COVERING / CODE "A" = 702				1	1	

From E-638 To Y-7045	Date:10/2022	PAGE:XL-1800-00
STEPWELL - COVERING & DOOR		

Item#	Part	Description	M T H 4 0	M T H 4 5	M T H 4 5 E	X L 4 0	X L 4 5	N O T E S
27	506444	RIB COVERING / CODE "B" = 777				1	1	
27	506445	RIB COVERING / CODE "C" = 653				1	1	
27	506446	RIB COVERING / CODE "D" = 747				1	1	
27	506447	RIB COVERING / CODE "E" = 766				1	1	
27	506452	RIB COVERING / CODE "F" = 604				1	1	
27	506469	COVERING / CODE "G" = 758				1	1	
27	506475	RIB COVERING / CODE "H" = 630				1	1	
27	506476	RIB COVERING / CODE "I" = 895				1	1	
27	506492	RIB COVERING / CODE "J" = 602				1	1	
27	506578	RIB COVERING / CODE "K" = 650				1	1	
27	506589	RIB COVERING / CODE "L" = 975				1	1	
27	506595	RIB COVERING / CODE "M" = 793				1	1	
27	506602	RIB COVERING / CODE "N" = 627				1	1	
27	506605	RIB COVERING / CODE "O" = 992				1	1	
		COVERING / CODE "P" = 726 R.C.A. RUBBER						
27	506654	RIB COVERING / CODE "Q" = 788				1	1	
27	220504	PANEL WOOD, STEPPWELL UPPER FLOOR To M-915				1		
NS	220723	PANEL WOOD, STEPPWELL UPPER FLOOR From M-916				1	1	
27	220508	PANEL WOOD, STEPPWELL UPPER FLOOR To M-915				1		
NS	220717	PANEL WOOD, DEFROSTER'S FLOOR 7" X 10 3/8" From M-916				1	1	
NS	220716	BLOCK WOOD, UNDER R.H. HEAD LIGHT 5" X 1" From M-916				1	1	
28	220446	PANEL, FINISHING SS 7 3/4" X 31 7/8"				1	1	
29	220503	MOULDING				1	1	
30	504203	SPRING LATCH / KNURLED STEEL KNOB				1	1	
30	780119	UNIVERSAL LOCK W/KEY				1		
NS	500267	SCREW TC FL PH #10-32x1 1/2 Z050				AR	AR	
NS	500435	SCREW TP FL PH #6x1 Z050				AR	AR	
NS	500552	SCREW TP OV PH #6x3/4 Z050				AR	AR	
NS	506225	TAPE RUB ADH1 CC POL 1/16" x 1/4" x 100' / GREY 2520	AR	AR	AR	AR	AR	
NS	504108	RIVET POP DOME OE 1/8x1/2 AL	AR	AR	AR	AR	AR	
NS	504248	RIVET CHY Q PRDG 3/16x1/4 SS	AR	AR	AR	AR	AR	
40		FLOOR COVERING DRIVER'S SECTION / 36 3/8" X 48"	AR	AR	AR	AR	AR	
40	506436	COVERING / CODE "A" = 702				1	1	
40	506437	COVERING / CODE "B" = 777				1	1	
40	506438	COVERING / CODE "C" = 653				1	1	
40	506439	COVERING / CODE "D" = 747				1	1	
40	506440	COVERING / CODE "E" = 766				1	1	
40	506456	COVERING / CODE "F" = 604				1	1	
40	506468	COVERING / CODE "G" = 758 R.C.A. RUBBER				1	1	
40	506487	COVERING / CODE "H" = 630				1	1	

From E-638 To Y-7045	Date:10/2022	PAGE:XL-1800-00
STEPWELL - COVERING & DOOR		

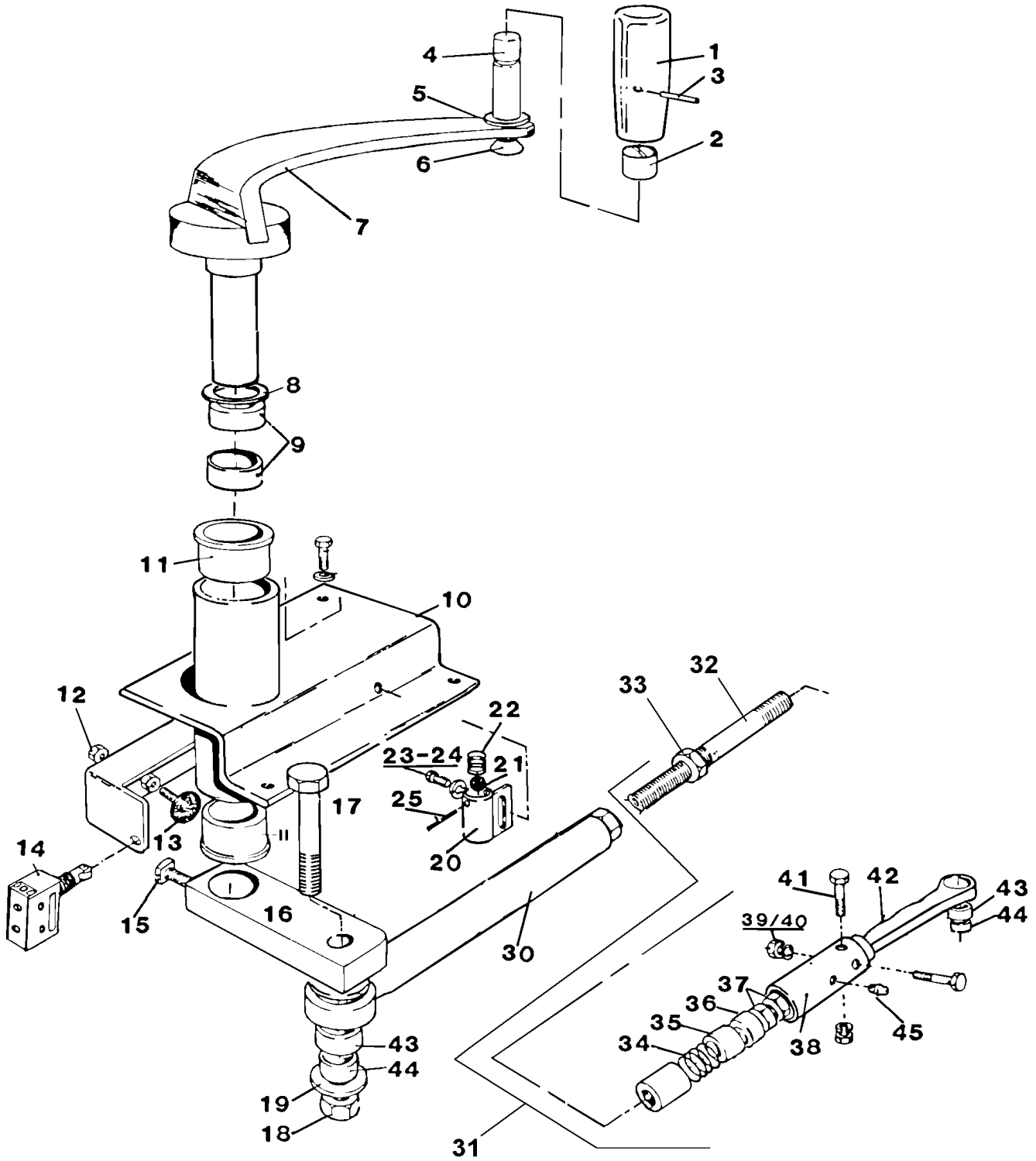
Item#	Part	Description	M T H 4 0	M T H 4 5	M T H 4 5 E	X L 4 0	X L 4 5	N O T E S
40	506486	COVERING / CODE "I" = 895				1	1	
40	506488	COVERING / CODE "J" = 602 R.C.A. RUBBER				1	1	
40	506579	COVERING / CODE "K" = 650 R.C.A. RUBBER				1	1	
40	506585	COVERING / CODE "L" = 975				1	1	
40	506591	COVERING / CODE "M" = 793 R.C.A. RUBBER				1	1	
40	506603	COVERING / CODE "N" = 627 R.C.A. RUBBER				1	1	
40	506608	COVERING / CODE "O" = 992 R.C.A. RUBBER				1	1	
40	N.P.N.	COVERING / CODE "P" = 726 R.C.A. RUBBER						4
40	506658	COVERING / CODE "Q" = 788				1	1	
41	323797	DRIVER'S FLOOR W/MAN TRANS From L-685 To P-740				1		
41	324002	DRIVER'S FLOOR W/MAN TRANS From P-741				1	1	
41	323798	DRIVER'S FLOOR W/AUTO TRANS From L-685 To P-740				1		
41	324003	DRIVER'S FLOOR W/AUTO TRANS From P-741				1	1	
41	323796	DRIVER'S FLOOR W/AUTO TRANS From L-685 To P-740				1		
41	324001	DRIVER'S FLOOR W/AUTO TRANS W/R.H. SELECTOR From P-741				1	1	
NS	323799	. DAMPING INSULATING 14" X 21"				1	1	
NS	680028	GLUE / 15LITERS				AR	AR	T
NS	680030	ADHESIVE ADCHEM #EC847 / 1 Liter				AR	AR	Q
NS	680096	SEALANT BUTYL ALUM / GREY / 310ml CARTRIDGE				AR	AR	R
		A) WITH YELLOW NOZING						
		Q) TO FIX COVERING ON FIBERGLASS & ALUMINUM						
		R) TO FIX COVERING ON FIBERGLASS						
		T) TO FIX COVERING ON WOOD						
		4) NO PARTS NUMBER						
		P) CALL ORDER DESK FOR SPECIFIC APPLICATION (V.I.N.)						

From E-638 To G-095

Date:10/2022

PAGE:XL-1802-00

ENTRANCE DOOR MECHANISM - BUS



From E-638 To G-095	Date:10/2022	PAGE:XL-1802-00
ENTRANCE DOOR MECHANISM - BUS		

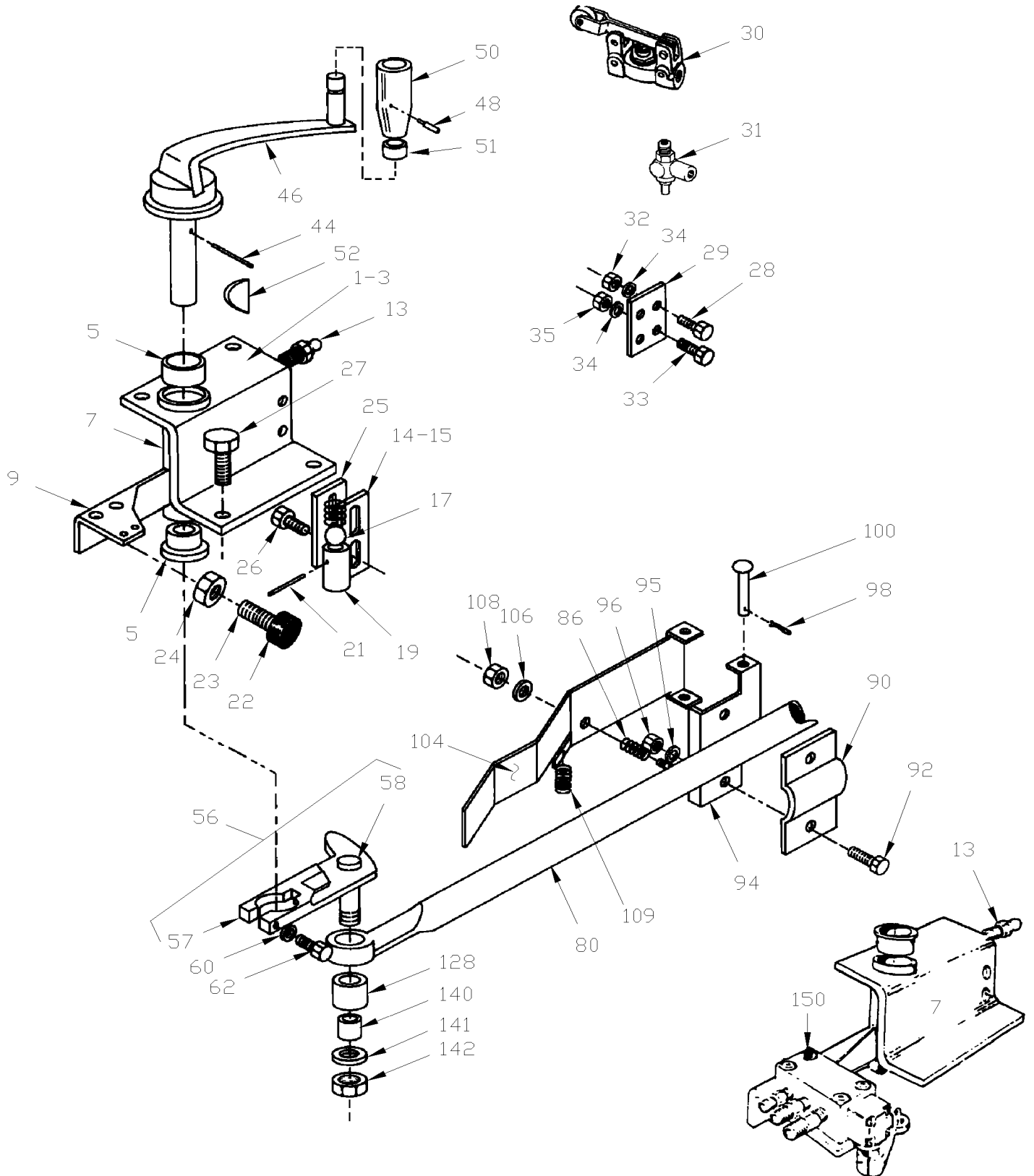
Item#	Part	Description	M T H 4 0	M T H 4 5	M T H 4 5 E	X L 4 0	X L 4 5	N O T E S
1	281096	HANDLE SWIVEL				1		
2	507271	. BUSHING NYLINED .625x.750x.750				2		
3	505208	SPRING, PIN 1/8 X 7/8				1		
4	280866	HANDLE SHAFT				1		
5	500856	WASHER LO INT .384x.692x.040 ZP				1		
6	500929	SCREW MA FL PH 3/8-24x1 1/4 SS				1		
7	281474	DOOR CONTROL				1		
8	500448	WASHER FL .625x1.469x.109 ZP				1		
9	507031	INNER RACE BEARING				2		
10	281476	BRACKET				1		
11	507274	BUSHING OIL W/SHOULDER 3/4 I.D. X 1 O.D. X 1 X 1 1/8"LG				2		
12	500699	NUT HEX 5/16-24 Z050				2		
13	504341	BUMPER PLUG / .750ODx.500THx.250HOLE				2		
14	560581	MICRO SWITCH				1		
15	570025	SCREW SET SQ 7/16-20X1/2				1		
16	280944	CONTROL LEVER				1		
17	500094	SCREW CAP HEX 1/2-20x2 1/2 G5 ZP				1		
18	500718	NUT HEX STO 1/2-20 Z050				1		
19	500446	WASHER FL .531x1.250x.125 Z050				2		
20	280489	SUPPORT				1		
21	507133	STEEL BALL 5/8				1		
22	281370	SPRING				1		
23	500025	SCREW CAP HEX 5/16-24x1 G5 ZP				2		
24	500476	WASHER LO SPT .317x.586x.078 Z050				2		
25	505184	SPRING, PIN 5/32 X 1				1		
30	281478	TUBE ASSY / 1" O.D. X 40"				1		
31	280405	CYLINDER HEAD ASSY				1		
32	280493	. ROD THREADED 5/8"-18 X 8 1/2" / ASSY W/NUT				1		
32	280509	. . ROD THREADED 5/8"-18 X 8 1/2"				1		
33	500730	. . NUT HEX JAM THN 5/8-18x3/8 ZP				1		
34	490123	. SPRING COMPRESSION / 1.227 O.D. x .980 x .200				1		
35	280494	. SPACER 7/8" LG				1		
36	280495	. SPACER 1/2" LG				1		
37	500730	. NUT HEX JAM THN 5/8-18x3/8 ZP				2		
38	280496	. ROD CYLINDER ASSY				1		
39	500769	. NUT HEX 1/4-20 Z050				2		
40	500472	. WASHER LO INT .256x.478x.028 Z050				2		
41	500170	. SCREW CAP HEX 1/4-20x2 G5 PT Z050				2		
42	280497	. END ASSY				1		
43	507056	. NEEDLE BEARING				1		
44	507047	. NEEDLE BEARING				1		
45	501499	. GREASE FITTING 45° / 1/4-28				1		

From G-096 To Y-7045

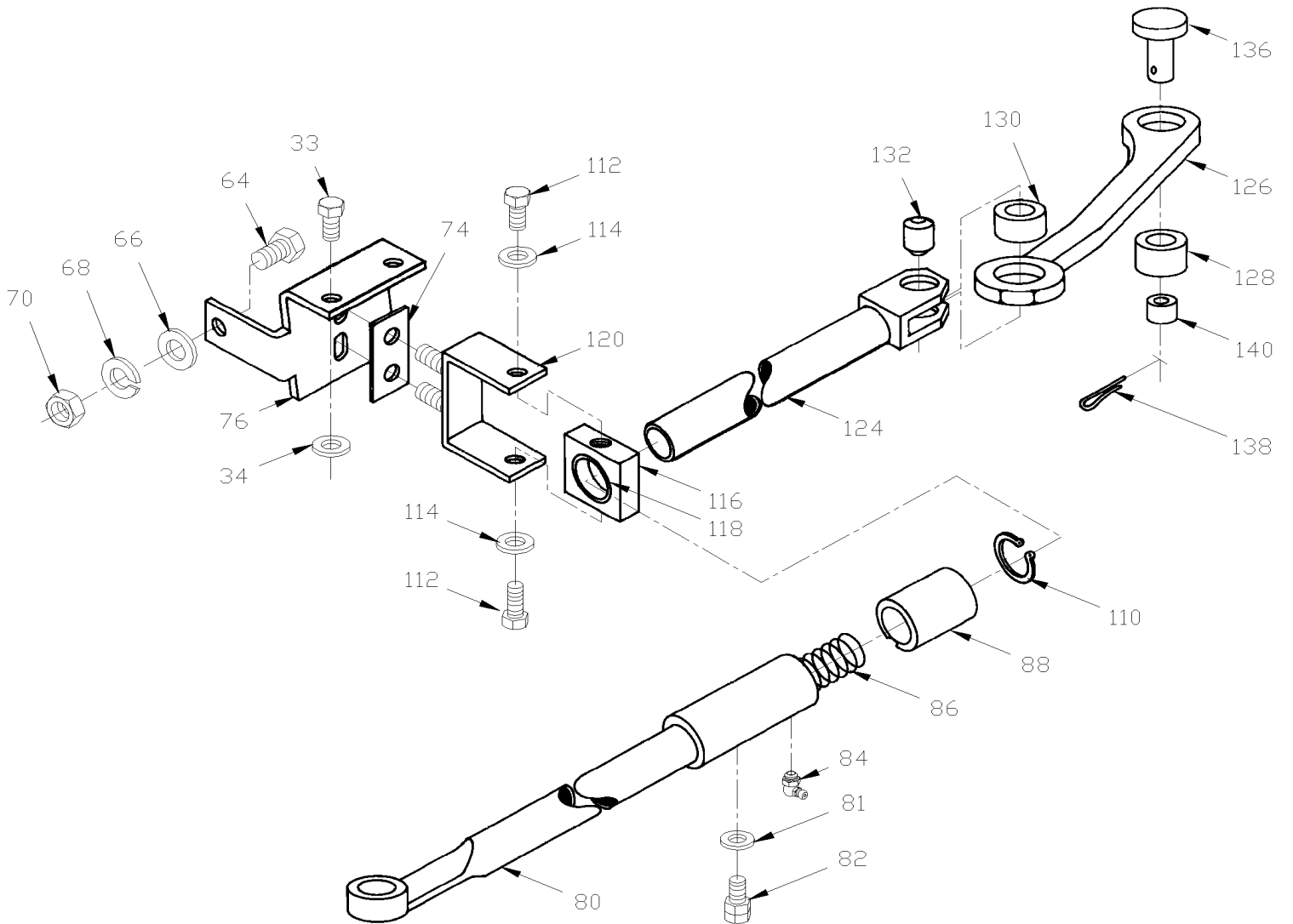
Date:10/2022

PAGE:XL-1802-01

ENTRANCE DOOR MECHANISM - BUS



From G-096 To Y-7045	Date:10/2022	PAGE:XL-1802-01
ENTRANCE DOOR MECHANISM - BUS		



From G-096 To Y-7045		Date:10/2022	PAGE:XL-1802-01
ENTRANCE DOOR MECHANISM - BUS			

Item#	Part	Description	M T H 4 0	M T H 4 5	M T H 4 5 E	X L 4 0	X L 4 5	N O T E S
	281770	BRACKET ASSY				1	1	
1	281842	. BRACKET ASSY / TO FIX DOOR HANDLE				1	1	
3	281475	. . BRACKET				1	1	
5	507274	. . BUSHING OIL W/SHOULDER 3/4 I.D. X 1 O.D. X 1 X 1 1/8"LG				1	1	
7	280941	. . HOUSING SHAFT				1	1	
9	281836	. . BRACKET / DOOR STOPPER				1	1	
11	500699	. . NUT HEX 5/16-24 Z050				2	2	
13	501497	. GREASE FITTING / 1/4-28				1	1	
14	281765	. STOPPER ASSY BALL				1	1	
15	282311	. . SPRING COMPRESSION / .700 O.D. x 940 x .105				1	1	
17	507133	. . STEEL BALL 5/8				1	1	
19	281833	. . CASE				1	1	
21	502098	. . PIN, COTTER 3/32 x 1				1	1	
NS	500411	. . WASHER FL .260x.697x.050 SS				1	1	
22	504341	. BUMPER PLUG / .750ODx.500THx.250HOLE				2	2	
23	500027	. SCREW CAP HEX 5/16-24x1 1/4 G5 ZP				1	1	
NS	500029	. SCREW CAP HEX 5/16-24x1 1/2 G5 ZP				1	1	
24	500699	. NUT HEX 5/16-24 Z050				2	2	
25	282317	. SPACER / W/STOPPER BALL				1	1	
26	500259	. SCREW CAP HEXF SERR 5/16-18x1 ZP				2	2	
27	500259	. SCREW CAP HEXF SERR 5/16-18x1 ZP				4	4	
28	500994	. SCREW CAP HEX 1/4-20x1 3/4 G5 PT Z050				2	2	
29	282909	. BRACKET				1	1	
30	780312	. VALVE, 3 WAYS CONTROL				1	1	
31	780233	. VALVE, CONTROL / FCP2				1	1	
32	500770	. NUT HEX STO 1/4-20 Z050				2	2	
NS	640997	. MALE ELBOW 90° / NTA FITTING / #4x1/4NPT-M BR				1	1	
NS	501650	. NIPPLE REDUCER HEX / PIPE FITTING / 1/4NPT-Mx1/8NPT-Mx1 3/16 BR				1	1	
NS	641013	. FEMALE CONNECTOR / NTA FITTING / #4x1/8NPT-F BR				1	1	
33	500163	SCREW CAP HEX 1/4-20x3/4 G5 Z050				2	2	
34	500473	WASHER LO SPT .262x.489x.062 Z050				2	2	
35	500769	NUT HEX 1/4-20 Z050				2	2	
NS	504079	PLUG BUTTON / 1.500 O.D. / NICKEL				1	1	
NS	281868	HANDLE ASSY				1	1	
44	505184	. SPRING, PIN 5/32 X 1				1	1	
46	281768	. LEVER ASSY				1	1	
48	505208	. SPRING, PIN 1/8 X 7/8				1	1	
50	281096	. HANDLE SWIVEL				1	1	
51	507271	. . BUSHING NYLINED .625x.750x.750				1	1	
52	505077	KEY, WOODRUFF #405 / 1/8" X 5/8"				1	1	
56	281762	LEVER ASSY				1	1	
57	281766	. LEVER				1	1	

From G-096 To Y-7045	Date:10/2022	PAGE:XL-1802-01
ENTRANCE DOOR MECHANISM - BUS		

Item#	Part	Description	M T H 4 0	M T H 4 5	M T H 4 5 E	X L 4 0	X L 4 5	N O T E S
58	281856	. SCREW				1	1	
60	500476	WASHER LO SPT .317x.586x.078 Z050				1	1	
62	500027	SCREW CAP HEX 5/16-24x1 1/4 G5 ZP				1	1	
64	500190	SCREW CAP HEX 3/8-16x3/4 G5 Z050				1	1	
66	500444	WASHER FL .406x.812x.065 Z050				3	3	
68	500478	WASHER LO SPT .380x.683x.094 Z050				3	3	
70	500783	NUT HEX 3/8-16 Z050				3	3	
74	282855	PLATE				1	1	
76	283101	BRACKET				1	1	
76	283347	ROD & LEVER ASSY				1	1	
80	281761	. TUBE ASSY / 1" O.D. X 42 15/16"				1	1	
80	286164	. DOOR ROD ASSY				1	1	
81	500035	. WASHER LO SPT .317x.586x.078 SS				1	1	
82	281745	. SCREW				1	1	
84	501500	. GREASE FITTING 90° / 1/4-28				1	1	
86	502157	. SPRING COMPRESSION / .975 O.D. x 1.5 x .075				1	1	
88	282305	. GUIDE				1	1	
90	282907	. BRACKET				1	1	
92	500165	. SCREW CAP HEX 1/4-20x1 G5 Z050				2	2	
94	282905	. BRACKET ASSY				1	1	
95	500473	. WASHER LO SPT .262x.489x.062 Z050				2	2	
96	500769	. NUT HEX 1/4-20 Z050				2	2	
98	502097	. PIN, COTTER 3/32 x 3/4				1	1	
100	502176	. PIN, CLEVIS 5/16 x 2 19/32 BZC				1	1	
104	282911	. LEVER				1	1	
106	500440	. WASHER FL .250x.562x.065 Z050				1	1	
108	500770	. NUT HEX STO 1/4-20 Z050				1	1	
109	502161	. SPRING EXTENSION / .750 O.D. x 3.75 x .075				1	1	
110	504426	. RING RETAINER / INT 1.250 x .050				1	1	
112	281855	. SCREW PIVOT				1	1	
114	500257	. WASHER LO SPT 10.2x18.1x2.2 Z050				1	1	
114	281763	. PIVOT ASSY				1	1	
116	281854	. . PIVOT				1	1	
118	507274	. . BUSHING OIL W/SHOULDER 3/4 I.D. X 1 O.D. X 1 X 1 1/8"LG				1	1	
120	281853	. BRACKET				1	1	
124	281908	. ROD ASSY				1	1	
126	281756	. PIVOT				1	1	
128	507056	. NEEDLE BEARING				1	1	
130	507286	. BUSHING OIL 1/2 I.D. X 11/16 O.D. X 3/8				1	1	
132	502158	. PIN DOWEL 1/2 X 3/4				1	1	
136	281857	PIN CLEVIS				1	1	
138	502098	PIN, COTTER 3/32 x 1				1	1	

From G-096 To Y-7045	Date:10/2022	PAGE:XL-1802-01
ENTRANCE DOOR MECHANISM - BUS		

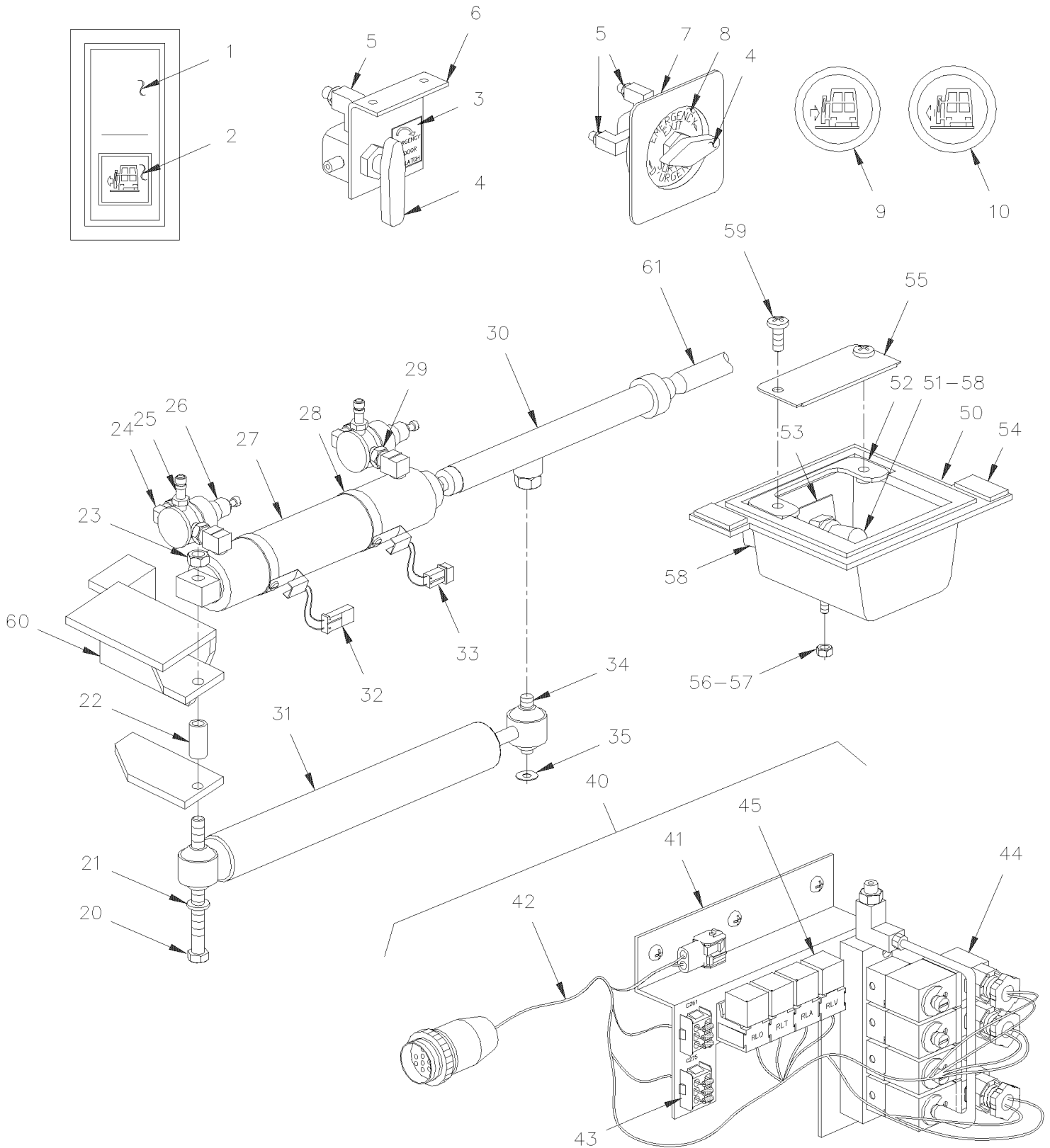
Item#	Part	Description	M T H 4 0	M T H 4 5	M T H 4 5 E	X L 4 0	X L 4 5	N O T E S
140	507047	NEEDLE BEARING				1	1	
141	500446	WASHER FL .531x1.250x.125 Z050				AR	AR	
142	500718	NUT HEX STO 1/2-20 Z050				AR	AR	
NS	500778	NUT HEX 5/16-18 N500				AR	AR	
150	780231	VALVE ASSY To J-535				1		A
151	282744	SAFETY OPENING KIT From G-096 To H-334				1		
NS	282917	KIT RETROFIT / AIR VALVE DOOR OPENING				1		
		A) THIS VALVE IT OBSOLETE IT SUPERSEDED BY KIT #282917						

From E-638 To Y-7045

Date:10/2022

PAGE:XL-1802-02

ENTRANCE DOOR CONTROL



From E-638 To Y-7045	Date:10/2022	PAGE:XL-1802-02
ENTRANCE DOOR CONTROL		

Item#	Part	Description	M T H 4 0	M T H 4 5	M T H 4 5 E	X L 4 0	X L 4 5	N O T E S
1	561475	SWITCH / M/ON-OFF-M/ON / S.P.D.T. CH-OVER				1	1	
2	063007	INSERT / GREEN / FRONT DOOR				1	1	
3	283989	DECAL "EMERGENCY DOOR VALVE" / IN STEERING COMPARTMENT				1	1	
4	641417	VALVE, 3 WAYS 1/8NPT-Fx1/8NPT-Fx1/8NPT-F BR				2	2	
. NS	642014	. HANDLE / RED				1	1	
4	642161	VALVE, 3 WAYS 1/8NPT-Fx1/8NPT-Fx1/8NPT-F BR / SERVICE				2	2	
. NS	642014	. HANDLE / RED				1	1	
5	XL-1201-00	FITTING - MISCELLANEOUS						
6	285537	SUPPORT				1	1	
7	391537	CAP, PROTECTOR				1	1	
8	284057	DECAL "EMERGENCY EXIT" / ENGLISH & FRANCAIS				1	1	
9	562801	SWITCH / DOOR CLOSE From X-6945				1		
NS	562810	INSERT / DOOR CLOSE From X-6945				1		
10	562802	SWITCH / DOOR OPEN From X-6945				1		
NS	562830	INSERT / DOOR OPEN From X-6945				1		
20	500687	SCREW CAP HEX 7/16-20x5 G5 Z050				1	1	
21	500480	WASHER LO SPT .443x.779x.109 Z050				1	1	
22	286160	SPACER				1	1	
23	500911	NUT HEX 7/16-20 BR				1	1	
24	640997	MALE ELBOW 90° / NTA FITTING / #4x1/4NPT-M BR				2	2	
25	640488	VALVE, AIR FILL 1/8" NPT				2	2	
. NS	650164	. CAP VALVE / CHROME				1	1	
26	641472	AIR PRESSURE REGULATOR 1/4" NPT / COPPER				2	2	
27	780602	CYLINDER 2"				1	1	
28	780594	LIMITING REED SWITCH ASSY S.P.S.T. N.O. / W/ 2" CYLINDER				1	1	
29	501321	NIPPLE HEX / PIPE FITTING / 1/4NPT-Mx1/4NPT-Mx1 3/8 BR				2	2	
NS	501332	STREET ELBOW 90° / PIPE FITTING / 1/4NPT-Mx1/4NPT-F BR				2	2	
30	286164	DOOR ROD ASSY				1	1	
31	780565	SHOCK DAMPER "KONI"				1	1	
32	560898	CONNECTOR / COM. MATE-N-LOCK / SH 2C / AMP 1-480318-0				1	1	
NS	560899	SOCKET TERMINAL / 20-14 / AMP 60619-1				2	2	
33	560900	CONNECTOR / COM. MATE-N-LOCK / PH 2C / AMP 1-480319-0				1	1	
NS	560901	PIN TERMINAL / 20-14 / AMP 60620-1				1	1	
34	285433	PIVOT STUD 7/16-14 X 80MM LG				1	1	
35	502601	NUT SPR PO RND 7/16				1	1	
40	286157	SEDAN DOOR MODULE ASSY				1	1	
40	286530	SEDAN DOOR MODULE ASSY From X-6945				1		
41	285903	. SUPPORT				1	1	
42	064885	. CABLE ASSY				1	1	
42	065090	. CABLE ASSY / REAR JCT PANEL & LIGHT From X-6945				1		
44	641448	. MANIFOLD VALVE / W/4 SOLENOID				1	1	A
. NS	641927	. . KIT, MANIFOLD REPAIR / N.O.				1	1	A

From E-638 To Y-7045	Date:10/2022	PAGE:XL-1802-02
ENTRANCE DOOR CONTROL		

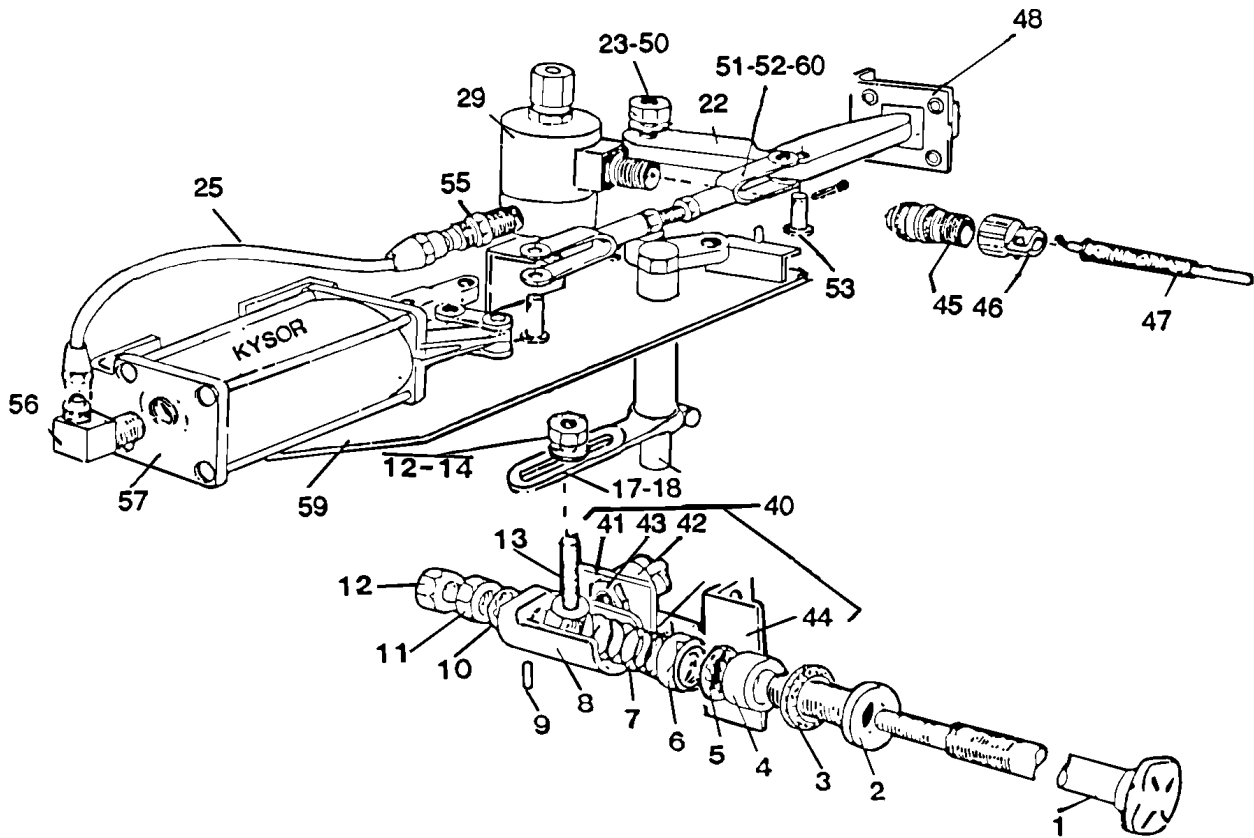
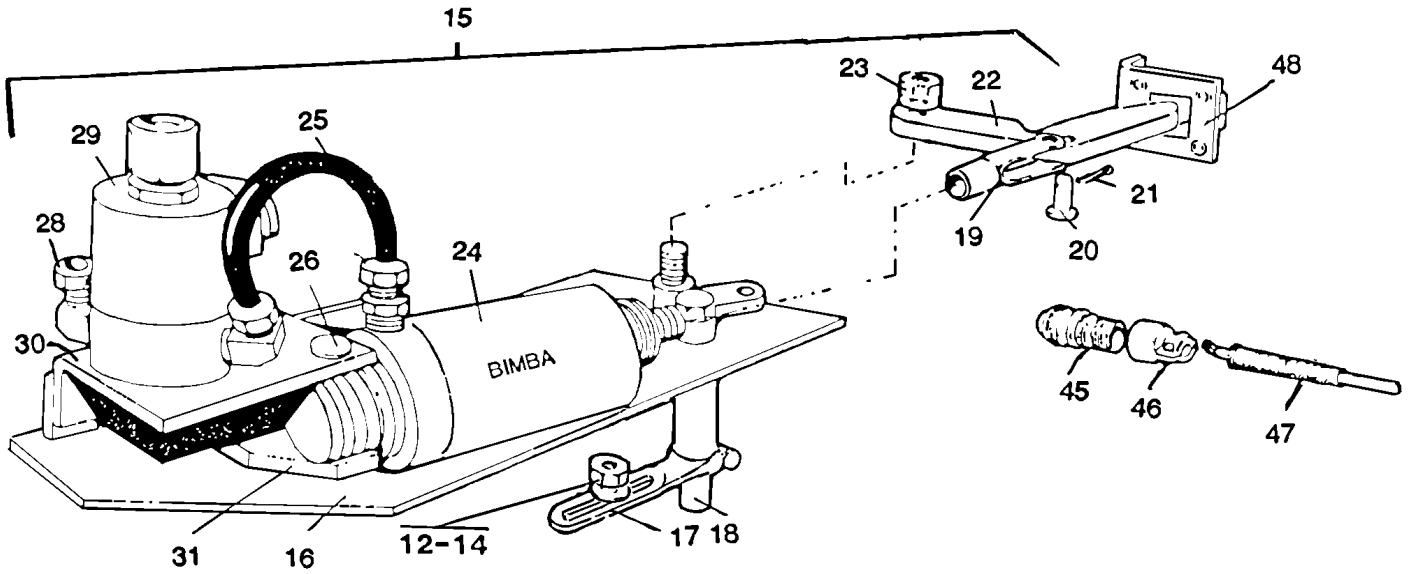
Item#	Part	Description	M T H 4 0	M T H 4 5	M T H 4 5 E	X L 4 0	X L 4 5	N O T E S
. NS	641928	. . KIT, MANIFOLD REPAIR / N.C.				1	1	A
. NS	641929	. . COIL 24V				1	1	A
. NS	990143	. . MALE CONNECTOR / PUSH-IN FITTING / W/O-RING / #2x#10-32-M BR				1	1	A
. NS	642213	. . MALE ELBOW 90° SWIVEL / PUSH-IN FITTING / #2x10-32 NP				1	1	A
. NS	641385	. . CONNECTOR / SOCKET HOUSING ASSY 3C / PNEUMAC 54934-01				1	1	A
. NS	641455	. . REDUCER STEM / PUSH-IN FITTING / #2x#4 PLAS				1	1	A
45	561707	. RELAY 24V S.P.D.T. W/RESISTOR /				AR	AR	
46	062588	. DIODE ASSY / W/3 3AMPS				1	1	
NS	286158	PLATE / TO FIX CONTROL MODULE From X-6945				1		
50	286546	BOX ASSY From X-6945				1		
50	286621	. BOX From X-6945				1		
51	560241	. RUBBER PROTECTOR, TOGGLE SWITCH From X-6945				1		
52	286543	. FIXING PLATE From X-6945				1		
NS	680532	. SEALANT SIKA #221 / GREY / 310ml CARTRIDGE From X-6945				AR		
53	286545	. INTERIOR PLATE From X-6945				1		
54	680453	. SEALANT TAPE / CLEAR / 1/32"x1/2"x65' / 1795 From X-6945				AR		
55	286544	CLOSING PLATE From X-6945				1		
56	502630	. WASHER FL .156x.375x.049 Z050 From X-6945				2		
57	500553	. NUT HEX #6-32 SS From X-6945				2		
58	562253	. SWITCH / M/ON-OFF-M/ON / S.P.S.T. From X-6945				1		B
NS	065380	KIT ENTRANCE DOOR SWITCH From X-6945				1		
59	5001332	SCREW MA PAN PH M4-0.7x16 SS From X-6945				2		
60	286147	SUPPORT / (WELDED)				1	1	
61	XL-1802-01	ENTRANCE DOOR MECHANISM - BUS						
		USE ON VEHICLE X-6686, X-6700, X-6704, X-6709 X-6713,X-6717,X-6721 & GO TRANSIT						
		A) THIS VALVE IT SUPPERSEDED BY #641906 AND YOU REQUIRE FOLLOWING PARTS 1 x #501336, 1 x #641126 & 2 x #641242						
		B) FOR PRODUCT IMPROVMENT ASK FOR KIT #065380						

From E-638 To G-095

Date:10/2022

PAGE:XL-1804-00

ENTRANCE DOOR LOCK - BUS



From E-638 To G-095	Date:10/2022	PAGE:XL-1804-00
ENTRANCE DOOR LOCK - BUS		

Item#	Part	Description	M T H 4 0	M T H 4 5	M T H 4 5 E	X L 4 0	X L 4 5	N O T E S
	280363	DOOR LOCK RELEASE ASSY / EXTERIOR				1		
1	280431	. HANDLE				1		
2	280525	. SLEEVE				1		
3	504264	. GROMMET / .750x1.250x.062x.250x1.625				1		
4	280526	. SPACER				1		
5	500858	. WASHER LO INT .769x1.245x.055 Z050				1		
6	500734	. NUT HEX JAM 3/4-16 Z050				1		
7	502144	. SPRING COMPRESSION / .720 O.D. x 2 x .062				1		
8	280435	. ACTUATOR				1		
9	500312	. SCREW SET HEXS CUP 1/4-20x1/2				1		
10	500856	. WASHER LO INT .384x.692x.040 ZP				1		
11	500956	. NUT HEX JAM 3/8-24 Z050				1		
12	500705	. NUT HEX 3/8-24 ZP				2		
13	280434	. LEVER				1		
14	500445	. WASHER FL .437x1.000x.083 Z050				1		
15	280429	CYLINDER ASSY				1		
17	280521	. LEVER				1		
18	280683	. ROD				1		
19	020317	. YOKE 1/2-20x1 15/16 C/Lx9/16Wx1/2				1		
20	502125	. PIN, CLEVIS 5/16 x 1 3/8 BZC				1		
NS	500441	. WASHER FL .312x.734x.065 Z050				1		
NS	281710	. BUSHING				2		
22	280357	. LATCH				1		
23	500718	. NUT HEX STO 1/2-20 Z050				1		
24	780213	. CYLINDER AIR				1		
25	503402	. TUBE, NYLON 1/4 O.D. / BLACK S.L.				AR		
26	502121	. PIN, CLEVIS 3/8 x 1.625 BZC				1		
NS	502102	. PIN, COTTER 1/8 x 1				1		
27	640988	. MALE CONNECTOR / NTA FITTING / #4x1/4NPT-M BR				1		
27	641332	. MALE CONNECTOR / PUSH-IN FITTING / #4x1/4NPT-M BR				1		
28	640996	. MALE ELBOW 90° / NTA FITTING / #4x1/8NPT-M BR				2		
29	560930	. VALVE SOLENOID N.C. 24 VOLTS				1		
NS	060851	. . CONNECTOR ASSY				1		
30	281709	. SUPPORT, ANGLE / CYLINDER				1		
31	281717	. SUPPORT, CYLINDER				1		
NS	507027	. NEEDLE BEARING				1		
40	280436	SUPPORT & SWITCH ASSY				1		
41	280524	. SUPPORT				1		
42	560632	. SWITCH / BACK-UP N.C. / W/MANUAL TRANSMISSION				1		
43	380289	. NUT				1		
43	500440	. WASHER FL .250x.562x.065 Z050				2		
43	500473	. WASHER LO SPT .262x.489x.062 Z050				2		

From E-638 To G-095	Date:10/2022	PAGE:XL-1804-00
ENTRANCE DOOR LOCK - BUS		

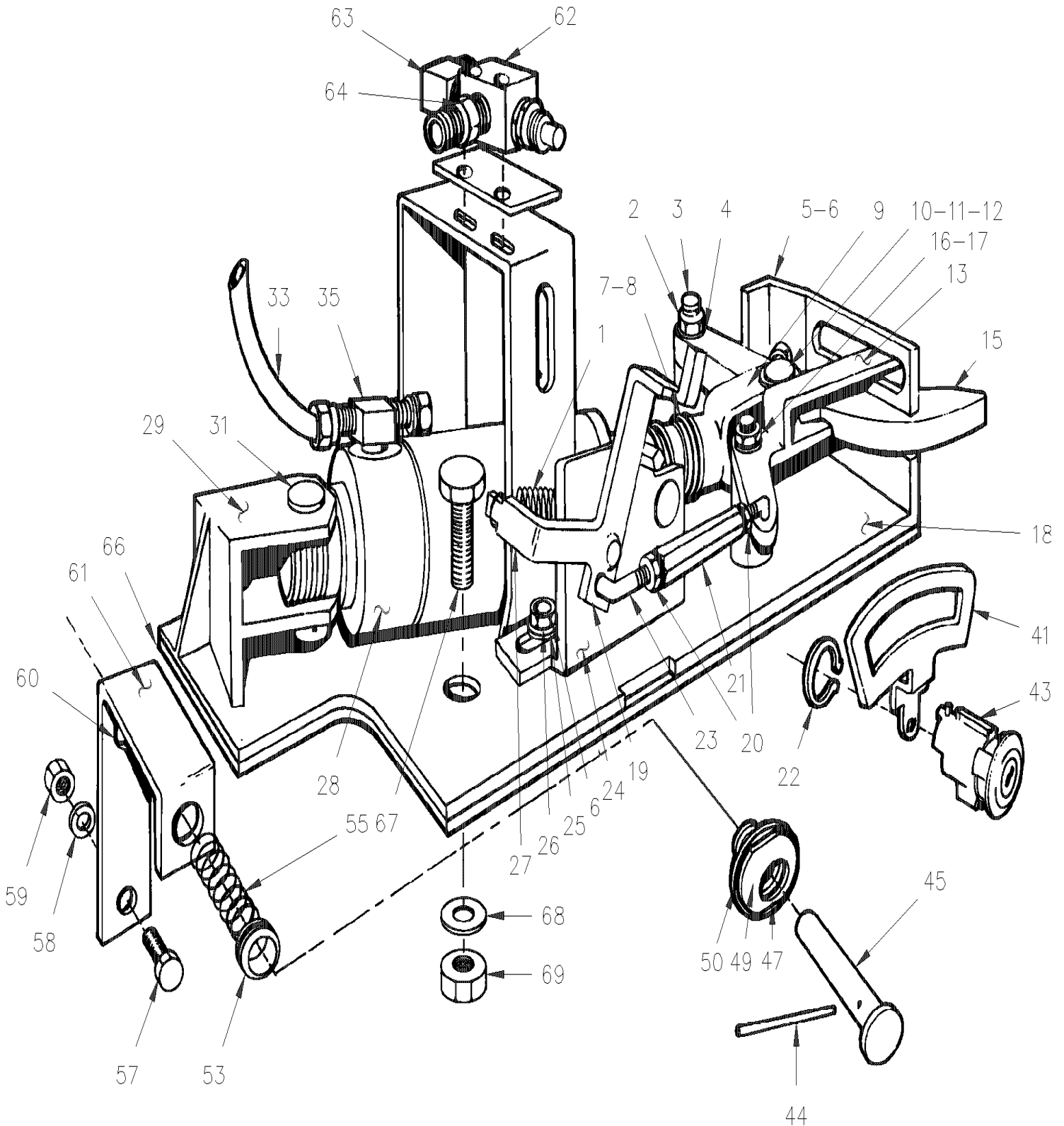
Item#	Part	Description	M T H 4 0	M T H 4 5	M T H 4 5 E	X L 4 0	X L 4 5	N O T E S
43	500005	. SCREW CAP HEX 1/4-28x1/2 G5 ZP				2		
44	280523	. BRACKET / TO FIX SWITCH ASSY				1		
45	560412	CONNECTOR / SERIES 97 / SH 2C / AMPHENOL MS3106A-10SL-4S				1		
46	560808	CABLE CLAMP / SERIES 97 / AMPHENOL AN3057-4				1		
47	560809	BUSHING / SERIES 97 / AMPHENOL 9779-513-4				1		
48	280397	CATCH / FIXED ON DOOR / FOR AIR LOCK				1		
NS	500511	SCREW MA FL PH #10-32x3/4 ZP				4		
NS	500440	WASHER FL .250x.562x.065 Z050				4		
NS	500470	WASHER LO SPT .193x.334x.047 Z050				4		
		FOLLOWING NEXT 12 ITEMS ARE RELATED WITH FORMER SUPPORT AND WITH "KYSOR" CYLINDER ONLY						
50	280414	SPACER 3/16"				1		
51	281130	YOKE 5/16" / W/"KYSOR" AIR CYLINDER				2		
52	280385	ROD, ADJUSTMENT 5/16" X 2 1/2"				1		
53	281365	PIN, CLEVIS				1		
54	502097	PIN, COTTER 3/32 x 3/4				1		
54	502098	PIN, COTTER 3/32 x 1				2		
55	501093	MALE CONNECTOR / COMPRESSION FITTING / #4x1/8NPT-M BR				1		
56	501108	MALE ELBOW 90° / COMPRESSION FITTING / #4x1/8NPT-M BR				1		
57	550025	CYLINDER AIR "KYSOR"				1		A
59	280522	SUPPORT, CYLINDER				1		
60	281724	YOKE, USE W/"KYSOR"				1		
NS	281722	KIT CYLINDER DOOR LOCK				1		
		A) FOR REPLACE "KYSOR" CYLINDER YOU REQUIRE KIT #281722						

From G-096 To Y-7045

Date:10/2022

PAGE:XL-1804-01

ENTRANCE DOOR LOCK - BUS



From G-096 To Y-7045	Date:10/2022	PAGE:XL-1804-01
ENTRANCE DOOR LOCK - BUS		

Item#	Part	Description	M T H 4 0	M T H 4 5	M T H 4 5 E	X L 4 0	X L 4 5	N O T E S
	281815	BASE SUB-ASSY / AIR LOCK To H-250				1		
	282399	BASE SUB-ASSY / AIR LOCK From H-251				1	1	
1	502159	. SPRING EXTENSION / .312 O.D. x 1.375 x .031				1	1	
2	500704	. NUT HEX STO 3/8-24 Z050				1	1	
3	507142	. BUSHING, NYLINER W/SHOULDER (8-L-8-F)				1	1	
4	500444	. WASHER FL .406x.812x.065 Z050				1	1	
5	500982	. NUT HEX JAM 5/16-18 Z050				1	1	
6	500179	. SCREW CAP HEX 5/16-18x3/4 G5 Z050				3	3	
7	502160	. SPRING COMPRESSION / .975 O.D. x 2.5 x .075				1	1	
8	500547	. WASHER FL .484x.750x.031 ZP				2	2	
9	020317	. YOKE 1/2-20x1 15/16 C/Lx9/16Wx1/2				1	1	
10	502027	. PIN, CLEVIS 1/2 x 1 1/4 BZC				1	1	
11	500958	. WASHER FL .531x1.062x.095 SS				2	2	
12	502101	. PIN, COTTER 1/8 x 3/4				2	2	
13	281801	. STOPPER ASSY				1	1	
15	281702	. LATCH				1	1	
16	500440	. WASHER FL .250x.562x.065 Z050				2	2	
17	500770	. NUT HEX STO 1/4-20 Z050				2	2	
18	281699	. BASE ASSY To H-250				1		
18	282400	. BASE ASSY From H-251				1	1	
19	502094	. PIN, COTTER 1/16 x 1/2 SS				2	2	
20	500786	. NUT HEX #10-24 Z050				2	2	
21	281813	. ROD ADJUSTING				1	1	
22	504402	. RING RETAINER / EXT .250 x .210 x .025"				AR	AR	
23	281812	. ROD ATTACHMENT				1	1	
24	281701	. BRACKET ASSY / TO FIX PIVOT				1	1	
25	500441	. WASHER FL .312x.734x.065 Z050				2	2	
26	500476	. WASHER LO SPT .317x.586x.078 Z050				2	2	
27	281795	. LEVER				1	1	
28	780213	. CYLINDER AIR				1	1	
29	502101	. PIN, COTTER 1/8 x 3/4				1	1	
31	502121	. PIN, CLEVIS 3/8 x 1.625 BZC				1	1	
33	503402	. TUBE, NYLON 1/4 O.D. / BLACK S.L.				AR	AR	
35	641006	. MALE BRANCH TEE / NTA FITTING / #4x#4x1/4NPT-M BR				1	1	
41	281704	PIVOT LOCK				1	1	
43	XL-1867-00	KEY & CYLINDER CODE "FORD" & "NS"				1	1	
44	502111	PIN, COTTER 1/8 x 1 1/2 SS				1	1	
45	281892	BUTTON PUSH				1	1	
47	507290	MOLYTHANE SEAL POLYPAK				1	1	
49	281893	SLEEVE FINISHING				1	1	
50	500451	WASHER FL .812x2.000x.148 ZP				1	1	
53	504264	GROMMET / .750x1.250x.062x.250x1.625				1	1	

From G-096 To Y-7045	Date:10/2022	PAGE:XL-1804-01
ENTRANCE DOOR LOCK - BUS		

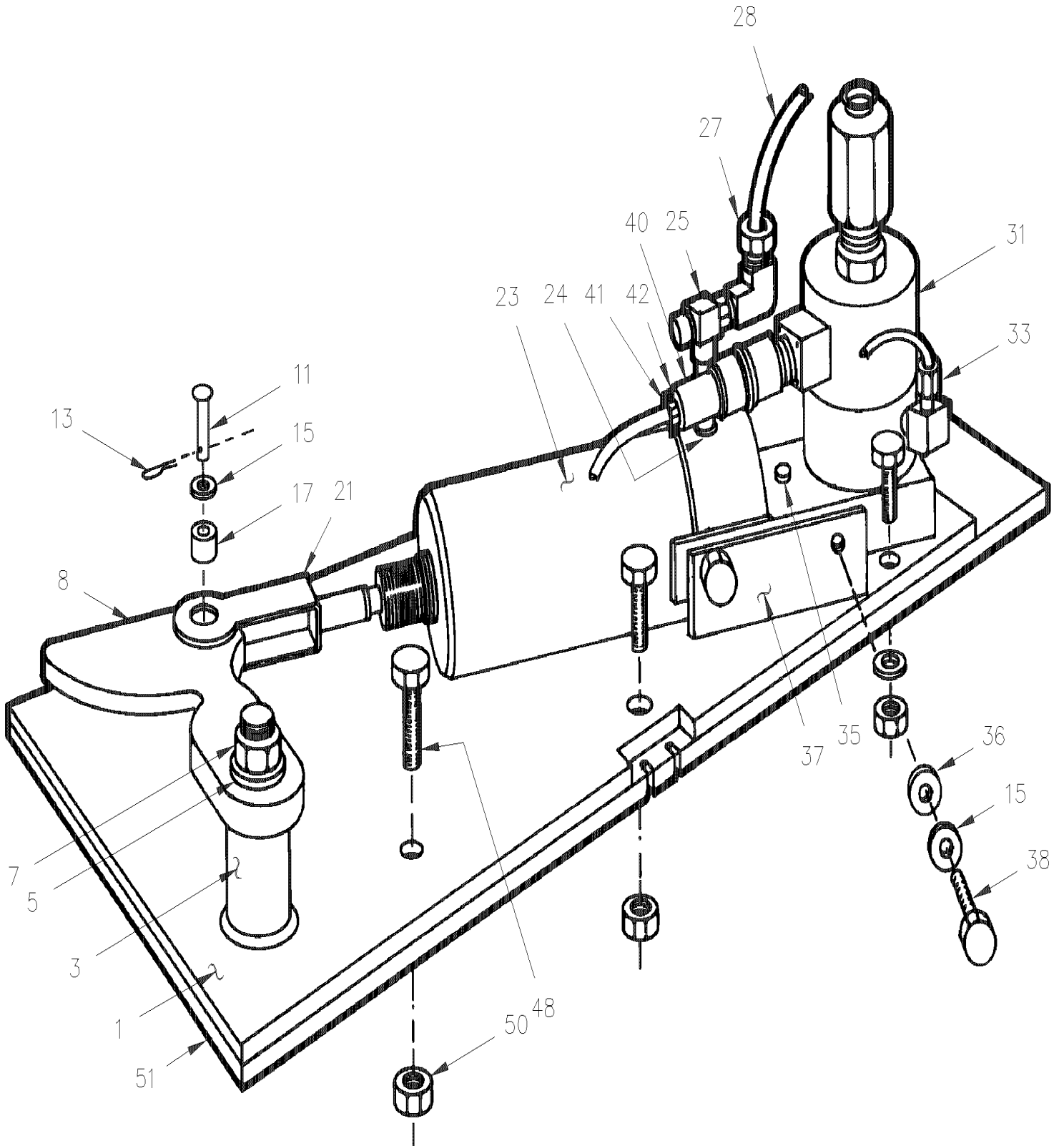
Item#	Part	Description	M T H 4 0	M T H 4 5	M T H 4 5 E	X L 4 0	X L 4 5	N O T E S
55	280433	SPRING COMPRESSION / .687 O.D. x 3 x .062				1	1	
57	500163	SCREW CAP HEX 1/4-20x3/4 G5 Z050				1	1	
58	500440	WASHER FL .250x.562x.065 Z050				1	1	
59	500769	NUT HEX 1/4-20 Z050				1	1	
60	500446	WASHER FL .531x1.250x.125 Z050				1	1	
61	282392	SUPPORT ASSY / W/VALVE				1	1	
61	282390	. SUPPORT ASSY				1	1	
61	500762	. SCREW MA PAN PH #5-40x1 1/4 ZP				2	2	
61	500438	. WASHER FL .187x.437x.050 Z050				2	2	
61	500470	. WASHER LO SPT .193x.334x.047 Z050				2	2	
61	500766	. NUT HEX #5-40 ZP				2	2	
62	780232	. VALVE, CONTROL / MJV-2 1/8" NPT				1	1	
63	640996	. MALE ELBOW 90° / NTA FITTING / #4x1/8NPT-M BR				1	1	
64	640987	. MALE CONNECTOR / NTA FITTING / #4x1/8NPT-M BR				1	1	
66	281841	SPACER WOOD / UNDER SUPPORT PLATE ASSY				1	1	
67	500187	SCREW CAP HEX 5/16-18x3 G5 Z050				4	4	
68	500441	WASHER FL .312x.734x.065 Z050				4	4	
69	500777	NUT HEX STO 5/16-18 Z050				4	4	
70	281896	SPACER				AR	AR	
		FOLLOWING PARTS ARE RELATED WITH						
		ENTRANCE DOOR AIR CONTROL						
		SEE PAGE XL-1802-02						
NS	562253	SWITCH / M/ON-OFF-M/ON / S.P.S.T.				1	1	B
70	065380	KIT ENTRANCE DOOR SWITCH				1	1	
NS	560241	RUBBER PROTECTOR, TOGGLE SWITCH				1	1	
NS	064889	PLATE / TO FIX SWITCH				1	1	
NS	501338	MALE RUN TEE / PIPE FITTING / 1/4NPT-Mx1/4NPT-Fx1/4NPT-F BR				1	1	A
NS	285218	PRESSURE SWITCH N.C. 30-10 20PS001AB030E010E				1	1	
		A) TO FIX PRESSURE SWITCH						
		B) FOR PRODUCT IMPROVMENT ASK FOR KIT #065380						

From G-096 To Y-7045

Date:10/2022

PAGE:XL-1804-50

ENTRANCE DOOR LOCK - MTH

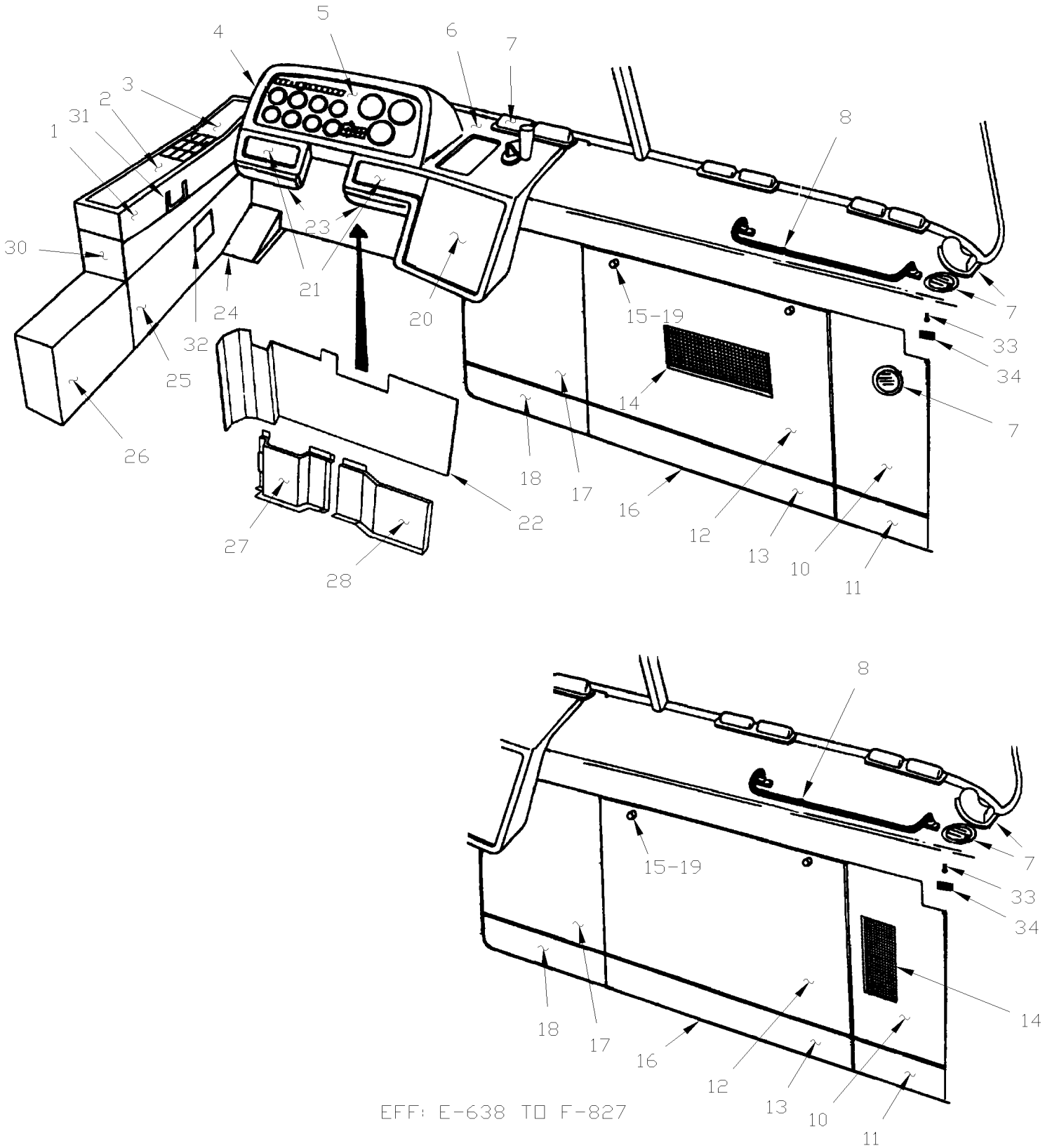


From E-638 To Y-7045

Date:10/2022

PAGE:XL-1806-00

DASHBOARD PANEL & CONSOLE



EFF: E-638 TO F-827

From E-638 To Y-7045	Date:10/2022	PAGE:XL-1806-00
DASHBOARD PANEL & CONSOLE		

Item#	Part	Description	M T H 4 0	M T H 4 5	M T H 4 5 E	X L 4 0	X L 4 5	N O T E S
1	390395	CONSOLE L.H. CHARCOAL To H-234				1		
1	390830	CONSOLE L.H. CHARCOAL From H-235 To H-284				1		
1	390915	CONSOLE L.H. GRAY From H-285 To J-420				1		
1	391050	CONSOLE L.H. CHARCOAL From J-421 To J-571				1		
1	391047	CONSOLE L.H. CHARCOAL From J-572 To L-610				1		
1	391405	CONSOLE L.H. CHARCOAL From L-611 To T-5883				1	1	
NS	391857	CONSOLE L.H. CHARCOAL From T-5884				1	1	
1	390395	CONSOLE L.H. CHARCOAL To H-234	1					
1	390832	CONSOLE L.H. CHARCOAL From H-235 To H-284	1					
1	390884	CONSOLE L.H. GRAY From H-285 To J-420	1					
1	391047	CONSOLE L.H. CHARCOAL From J-421 To R-822	1		1			
NS	391647	CONSOLE L.H. CHARCOAL From R-823	1	1	1			
2	XL-0645-00	SWITCHES L.H. CONSOLE - BUS						
2	XL-0645-01	SWITCHES L.H. CONSOLE - BUS						
2	XL-0645-05	SWITCHES L.H. CONSOLE - MTH						
2	XL-0645-06	SWITCHES L.H. CONSOLE - MTH						
3	XL-2230-00	DEFROSTER - INSTALLATION To F-827						
3	XL-2230-01	DEFROSTER - INSTALLATION From F-828						
4	390396	DASHBOARD, CHARCOAL To H-234	1	1	1	1	1	
4	390828	DASHBOARD, CHARCOAL From H-235 To H-284	1	1	1	1	1	
4	390887	DASHBOARD, GRAY From H-285 To J-420	1	1	1	1	1	
4	391049	DASHBOARD, CHARCOAL From J-421	1	1	1	1	1	
4	391744	DASHBOARD, CHARCOAL To T-5883				1	1	
NS	391859	DASHBOARD, CHARCOAL From T-5884				1	1	
4	390485	DASHBOARD, CHARCOAL	1	1	1	1	1	
4	390829	DASHBOARD, CHARCOAL	1	1	1	1	1	
4	390886	DASHBOARD, GRAY	1	1	1	1	1	
4	391048	DASHBOARD, CHARCOAL	1	1	1	1	1	
4	391150	DASHBOARD, CHARCOAL	1	1	1	1	1	A
4	391435	DASHBOARD, CHARCOAL	1	1	1	1	1	A
NS	391743	DASHBOARD, CHARCOAL To V-6119	1	1	1			A
NS	391894	DASHBOARD, CHARCOAL From V-6120	1	1	1			A
NS	390591	TAPE GREY 7/16" X 3/4" To H-234	AR			AR		
5	XL-0645-20	DASHBOARD - CENTER PANEL To S-569						
5	XL-0645-21	DASHBOARD - CENTER PANEL From S-570						
6	506025	RUBBER CHANNEL / 1/18" x 5/16" INT "U" SHAPE / SQUARE C.T.L.	AR	AR	AR	AR	AR	
NS	506337	RUBBER CHANNEL / 3/32" x 11/32" INT "U" SHAPE / ROUND C.T.L.	AR	AR	AR	AR	AR	
7	XL-2230-00	DEFROSTER - INSTALLATION To F-827						
7	XL-2230-01	DEFROSTER - INSTALLATION From F-828						
8	900489	HANDLE				1	1	
NS	500769	NUT HEX 1/4-20 Z050				4	4	
NS	500473	WASHER LO SPT .262x.489x.062 Z050				4	4	

From E-638 To Y-7045	Date:10/2022	PAGE:XL-1806-00
DASHBOARD PANEL & CONSOLE		

Item#	Part	Description	M T H 4 0	M T H 4 5	M T H 4 5 E	X L 4 0	X L 4 5	N O T E S
NS	500396	SCREW MA RND SLT 1/4-20x3/4 ZP				4	4	
NS	900490	CAP / W/HANDLE				2	2	
10	320546	PANEL, R.H. To F-827				1		B
10	390621	PANEL, R.H. From F-828				1	1	
10	390581	PANEL, R.H. MTH 80" To F-827	1					B
10	390620	PANEL, R.H. MTH 80" From F-828 To M-767	1					
10	391460	PANEL, R.H. MTH 80" From M-768	1					
10	390586	PANEL, R.H. MTH 83" To F-827	1					B
10	390619	PANEL, R.H. MTH 83" From F-828 To M-767	1					
10	391459	PANEL, R.H. MTH 83" From M-768	1	1				
10	391205	PANEL, R.H. MTH 83" W/O ENTRANCE DOOR	1	1				
10	390590	PANEL, R.H. MTH 86" To F-827	1					B
10	390618	PANEL, R.H. MTH 86" From F-828 To M-767	1					
10	391458	PANEL, R.H. MTH 86" From M-768	1	1	1			
10	392022	PANEL, R.H. / USE WITH ENTRANCE DOOR AIR CONTROL				1	1	
11	321247	PANEL, PROTECTOR SS				1		
12	390415	PANEL, CENTER To F-827				1		B
12	390672	PANEL, CENTER From F-828				1	1	
12	390580	PANEL, CENTER MTH 80" To F-827	1					
12	390673	PANEL, CENTER MTH 80" From F-828	1					
12	390585	PANEL, CENTER MTH 83" To F-827	1					
NS	390674	PANEL, CENTER MTH 83" From F-828	1	1				
NS	391207	PANEL, CENTER MTH 83" W/O ENTRANCE DOOR	1	1				
12	390589	PANEL, CENTER MTH 86" To F-827	1					
NS	390675	PANEL, CENTER MTH 86" From F-828	1	1	1			
13	321245	PANEL, PROTECTOR SS To F-827				1		
13	321700	PANEL, PROTECTOR SS From F-828				1		
14	320550	GRILL AIR / FRONT / RETURN / 4 1/2" X 18" To F-827	1			1		
14	371981	GRILL AIR / FRONT / RETURN From F-828	1	1	1	1	1	
15	504203	SPRING LATCH / KNURLED STEEL KNOB	2	2	2	2	2	
NS	390401	BRACKET, ANGLE / FOR LATCH	2	2	2	2	2	
16	390413	ANGLE, SS / TO FIX PANEL TO FLOOR				1	1	
16	390582	ANGLE, SS / TO FIX PANEL TO FLOOR	1	1	1			
17	Call order desk	PANEL, L.H. To F-827				1		P B
17	390664	PANEL, L.H. From F-828				1	1	
17	390663	PANEL, L.H. / MTH 80" From F-828	1					
17	390662	PANEL, L.H. / MTH 83" From F-828	1	1				
17	390661	PANEL, L.H. / MTH 86" From F-828	1	1	1			
18	321246	PANEL, PROTECTOR SS To F-827				1		
18	321712	PANEL, PROTECTOR SS From F-828				1	1	
19	402357	DECAL, LA LOI FEDERAL..				1	1	
19	402358	DECAL, FEDERAL LAW / ENGLISH				1	1	

From E-638 To Y-7045	Date:10/2022	PAGE:XL-1806-00
DASHBOARD PANEL & CONSOLE		

Item#	Part	Description	M T H 4 0	M T H 4 5	M T H 4 5 E	X L 4 0	X L 4 5	N O T E S
20	XL-0645-50	DASHBOARD - CONSOLE R.H. To G-118						
20	XL-0645-51	DASHBOARD - CONSOLE R.H. From G-119						
21	XL-0645-40	DASHBOARD - LOWER L.H. & R.H. PANELS To H-234						
21	XL-0645-41	DASHBOARD - LOWER L.H. & R.H. PANELS From H-235						
22	390420	PANEL, FINISHING To M-744	1			1		
22	391463	PANEL, FINISHING From M-745 To R-774	1	1	1	1	1	
22	391563	PANEL, FINISHING From R-775	1	1	1	1	1	
23	390433	PADDING ASSY R.H. To N-506	1			1		
23	390593	PADDING ASSY L.H. To N-506	1			1		
23	391464	PADDING ASSY L.H. & R.H. From N-507	2	2	2	2	2	
24	220186	FOOT REST To F-827	1			1		
NS	560494	SWITCH / DIMER / FOOT To F-827	1	1	1	1	1	
24	220506	FOOT REST From F-828	1	1	1	1	1	
25	320312	PANEL, FINISHING SS 14 1/4" X 30"	1	1	1	1	1	
26	XL-1806-50	VALVE CONSOLE - BUS R.H. & MTH L.H.						
27	402465	PANEL, PROTECTOR AMPLIFIER To T-5883				1	1	
28	402466	PANEL, PROTECTOR P/A To T-5883				1	1	
30	XL-1895-00	FRONT STRUCTURE						
31	400480	MOULDING "XL" / REGISTRER HOLDER	1			1		
NS	400482	PLATE, PLEXIGLASS	1			1		
NS	400481	PLATE SS / W/REGISTRATION PLATE	1			1		
32	401951	PLATE, SERIAL NUMBER To R-822				1		
32	403789	PLATE, SERIAL NUMBER From R-823 To S-547				1		
32	404044	PLATE, SERIAL NUMBER From S-548				1		
32	403947	PLATE, SERIAL NUMBER To S-547					1	
32	404043	PLATE, SERIAL NUMBER From S-548					1	
32	403367	PLATE, SERIAL NUMBER To P-763	1					
32	403734	PLATE, SERIAL NUMBER From P-764 To S-567	1					
32	403797	PLATE, SERIAL NUMBER From S-568	1					
32	404081	PLATE, SERIAL NUMBER From S-568 To T-5758	1					
32	404042	PLATE, SERIAL NUMBER From T-5759 To T-5872	1					
32	403657	PLATE, SERIAL NUMBER To R-906		1				
32	403706	PLATE, SERIAL NUMBER From R-907 To S-547		1				
32	404042	PLATE, SERIAL NUMBER From S-548		1				
32	403797	PLATE, SERIAL NUMBER To S-547	1		1			
32	404046	PLATE, SERIAL NUMBER From S-548 To T-5872	1	1	1			
32	404425	PLATE / V.I.N. / W/IND. SUSPENSION FRONT From T-5873 To W-6487	1	1				
32	404564	PLATE / V.I.N. / W/IND. SUSPENSION FRONT From W-6488	1	1	1			
32	404563	PLATE, SERIAL NUMBER From W-6488					1	
32	404561	PLATE, SERIAL NUMBER From W-6488				1		
NS	401456	TICKET BAG ASSY				1	1	
33	560869	SWITCH / ON-ON / S.P.D.T.	1	1	1			

From E-638 To Y-7045	Date:10/2022	PAGE:XL-1806-00
----------------------	--------------	-----------------

DASHBOARD PANEL & CONSOLE

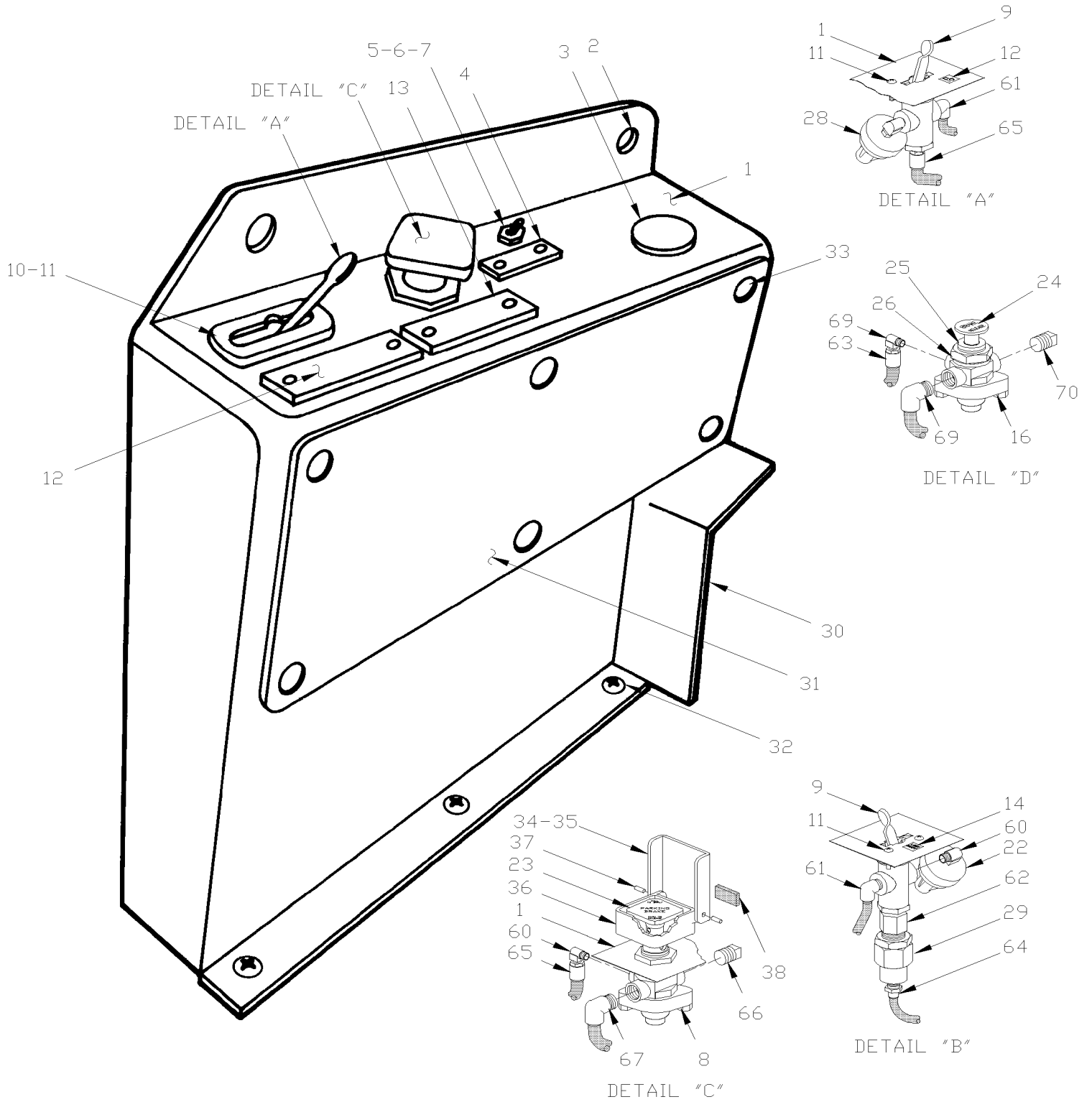
Item#	Part	Description	M T H 4 0	M T H 4 5	M T H 4 5 E	X L 4 0	X L 4 5	N O T E S
34	390257	NAME PLATE / "DRIVER'S LIGHT"	1	1	1			
NS	500646	SCREW MA FL PH 5/16-24x1 ZP	2	2	2			
35	Call order desk	PLATE / V.I.N.	1	1	1			P C
NS	504107	RIVET POP DOME OE 1/8x5/16 AL	2	2	2			C
NS	500437	WASHER FL .125x.375x.040 Z050	2	2	2			C
		A) DASHBOARD ARE LOCATED OVER ITEM #20						
		B) GRILL UP TO F-827 ARE FIXED ON PANEL #10 VERTICAL						
		C) LOCATED ON THE LEFT LOWER WINDSHEILD CORNER						
		P) CALL ORDER DESK FOR SPECIFIC APPLICATION (V.I.N.)						

From E-638 To Y-7045

Date:10/2022

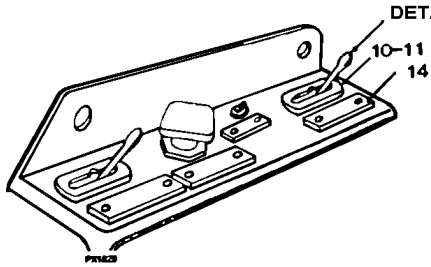
PAGE:XL-1806-50

VALVE CONSOLE - BUS R.H. & MTH L.H.

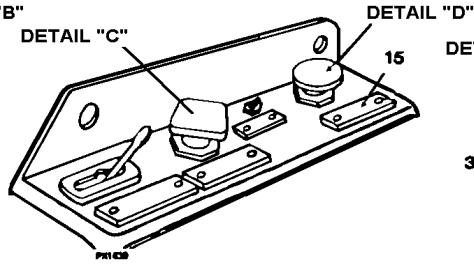


From E-638 To Y-7045	Date:10/2022	PAGE:XL-1806-50
VALVE CONSOLE - BUS R.H. & MTH L.H.		

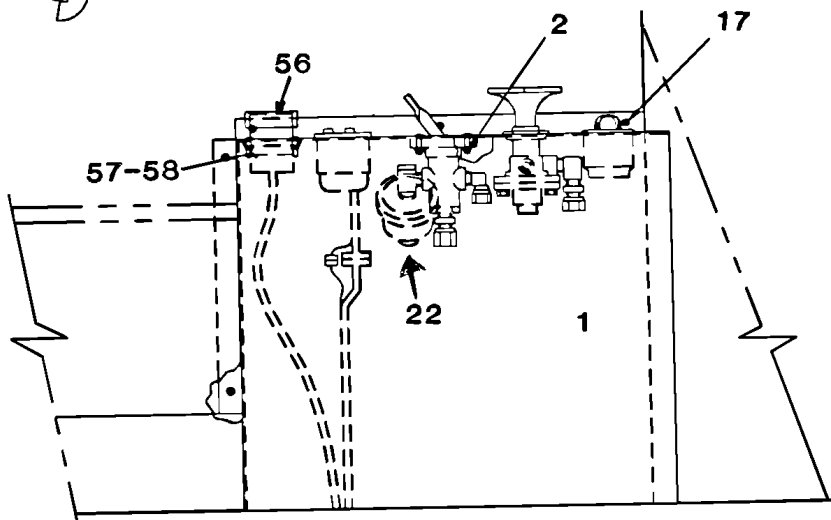
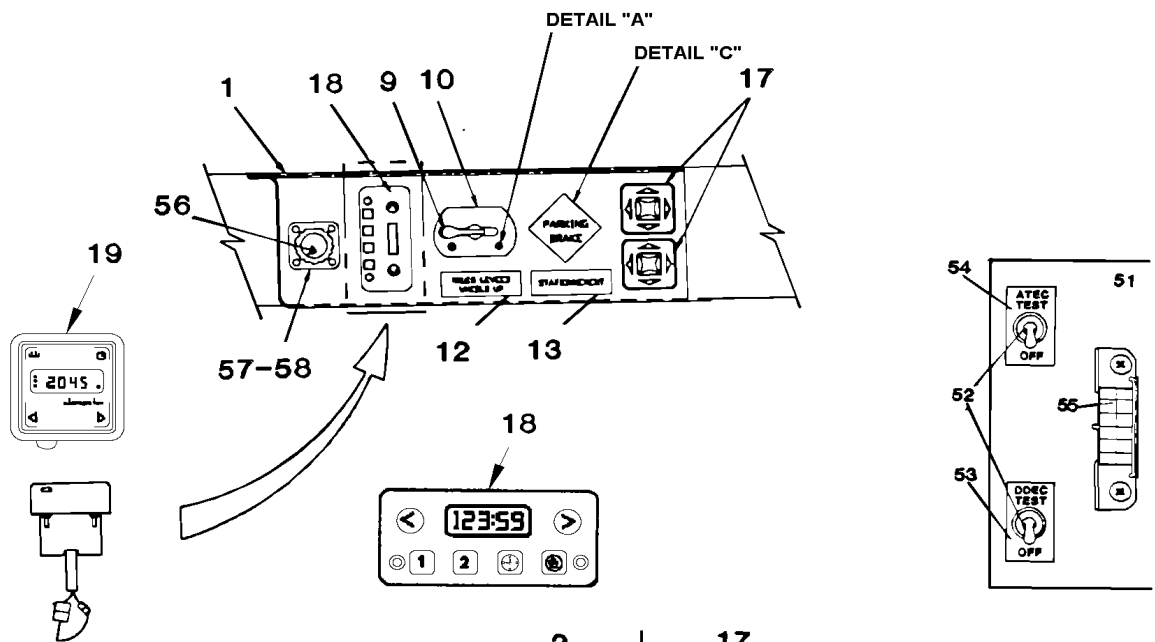
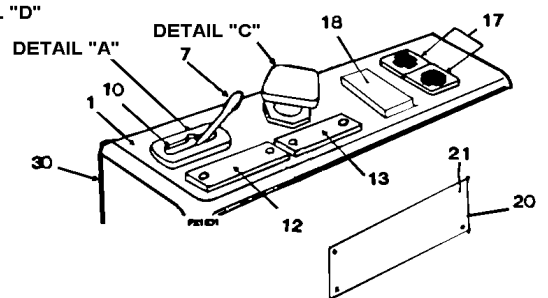
HI-BUOY OR LOW-BUOY OPTION (COACH)



PARKING BRAKE OVERRIDE OPTION (COACH)



PARKING BRAKE (MTH)



From E-638 To Y-7045	Date:10/2022	PAGE:XL-1806-50
VALVE CONSOLE - BUS R.H. & MTH L.H.		

Item#	Part	Description	M T H 4 0	M T H 4 5	M T H 4 5 E	X L 4 0	X L 4 5	N O T E S
1	140992	CONSOLE / FIBERGLASS To H-334				1		
1	141220	CONSOLE / FIBERGLASS From H-335				1	1	
1	140729	CONSOLE To P-721	1		1			A
1	391553	CONSOLE / DDEC II From P-722 To R-822	1	1	1			A
1	391587	CONSOLE / DDEC II & W/H 40M BTU From P-722 To R-822	1	1	1			A
1	391555	CONSOLE / DDEC II & W/H 80M BTU From P-722 To R-822	1	1	1			A
1	391619	CONSOLE / DDEC III From R-823	1	1	1			A
1	391618	CONSOLE / DDEC III & W/H 40M BTU From R-823	1	1	1			A
1	391615	CONSOLE / DDEC III & W/H 80M BTU From R-823	1	1	1			A
1	141496	CONSOLE To P-721	1		1			B
1	391554	CONSOLE / DDEC II From P-722 To R-822	1	1	1			B
1	391586	CONSOLE / DDEC II & W/H 40M BTU From P-722 To R-822	1	1	1			B
1	391557	CONSOLE / DDEC II & W/H 80M BTU From P-722 To R-822		1				B
1	391535	CONSOLE / DDEC II & DIFFERENTIAL LOCK To P-721	1					B
1	391556	CONSOLE / DDEC II & DIFFERENTIAL LOCK From P-722 To R-822	1					B
1	391620	CONSOLE / DDEC III From R-823	1	1	1			B
1	391617	CONSOLE / DDEC III & W/H 40M BTU From R-823	1	1	1			B
1	391616	CONSOLE / DDEC III & W/H 80M BTU From R-823	1	1	1			B
NS	391552	COVER CONSOLE ACCESS ALU 2 1/8" x 4 7/32" From P-722 To R-822	1	1	1			
2	500891	NUT HEX CAP #10-24 Z050	2	2	2	2	2	
3	504077	PLUG BUTTON / .875 O.D. / NICKEL				1	1	
4	390938	NAME PLATE, DOOR LOCK OVERRIDE From H-335				1	1	H
5	780232	VALVE, CONTROL / MJV-2 1/8" NPT From H-335				1	1	H
6	502613	NUT HEX THN 15/32-32x3/32 ZP From H-335				1	1	H
7	502615	WASHER LO INT 12.5x20.5x1.0 ZP From H-335				1	1	H
8	641185	VALVE, PARKING BRAKE PP-2 To R-949	1	1	1	1	1	E
. NS	641149	. BUTTON, PARKING BRAKE DIAMOND YELLOW / 1" To R-949	1	1	1	1	1	E
. NS	641158	. REPAIR KIT / PP-2 To R-949	1	1	1	1	1	E
8	641128	VALVE, CONTROL VALVE PP-1 / 40PSI From R-823	1	1	1	1	1	M
. NS	641154	. REPAIR KIT / PP-1 & RD-3 From R-823	1	1	1	1	1	M
9	640136	VALVE, CONTROL TW-1	1	1	1	1	1	
. NS	641156	. REPAIR KIT / TW-1	1	1	1	1	1	
10	130358	PLATE / TO FIX VALVE	1	1	1	1	1	
11	500572	SCREW MA TR PH #10-24x1/2 SS BK	AR	AR	AR	AR	AR	
12	390202	NAME PLATE " WHEEL-UP " BILINGUAL To P-721	1	1	1	1		
12	390198	NAME PLATE " WHEEL-UP " ENGLISH To P-721	1	1	1	1		
12	391562	DECAL, WHEELS UP, BILINGUAL From P-722 To T-5775	1	1	1	1	1	
12	391561	DECAL, WHEELS UP, ENGLISH From P-722 To T-5775	1	1	1	1	1	
12	391808	NAME PLATE " WHEEL-UP " BILINGUAL From T-5776 To T-5873	1	1	1	1	1	
12	391809	NAME PLATE " WHEEL-UP " ENGLISH From T-5776 To T-5873	1	1	1	1	1	
NS	391558	DECAL, DIFF LOCK	1					G
NS	504107	RIVET POP DOME OE 1/8x5/16 AL	4	4	4	4	4	

From E-638 To Y-7045	Date:10/2022	PAGE:XL-1806-50
VALVE CONSOLE - BUS R.H. & MTH L.H.		

Item#	Part	Description	M T H 4 0	M T H 4 5	M T H 4 5 E	X L 4 0	X L 4 5	N O T E S
NS	500647	SCREW TC PAN PH #4-40x1/4 ZP	AR	AR	AR	AR	AR	
13	390200	NAME PLATE, PARK PULL TO APPLY ENGLISH To P-721	1	1	1	1	1	
13	390201	NAME PLATE, PARK PULL TO APPLY BILINGUAL To P-721	1	1	1	1	1	
13	391560	DECAL, PARK PULL TO APPLY BILINGUAL From P-722	1	1	1	1	1	
14	390280	NAME PLATE, LOW-BUOY				1	1	
14	390268	NAME PLATE, HI-BUOY / BILINGUAL				1	1	
NS	500333	SCREW TP OV PH #6x3/4 BK				2	2	
15	390199	NAME PLATE, OVERRIDE				1	1	
16	640472	VALVE, CONTROL / RD-3				1	1	F
NS	641154	REPAIR KIT / PP-1 & RD-3				1	1	F
17	063129	SWITCH ASSY, MIRROR / (ON L.H. CONSOLE)	2	2	2			
17	562075	SWITCH, MIRROR / SQUARE / W/24V BULB	1	1	1			
17	562262	BULB / 0.75WATT-24VOLTS / STS-592.504	1	1	1			
17	561184	BULB / 1.2 WATT-12VOLTS / SAE# 2721	1	1	1			
18	871040	TIMER ASSY / W/"WEBASTO" PREHEATER To W-6502	1	1	1	1	1	L
18	871160	TIMER ASSY / W/"WEBASTO" PREHEATER From W-6503	1	1	1	1	1	
NS	871102	BULB / 1.4WATT-24 VOLTS From W-6503	1	1	1	1	1	
NS	561006	BULB / 1WATT-24VOLTS / SAE# 2741MF	1	1	1	1	1	
19	562025	TIMER ASSY / W/"ESPAR" PREHEATER To W-6217	1	1	1	1	1	
19	562680	TIMER ASSY / W/"ESPAR" PREHEATER / 7 DAYS From W-6218	1	1	1	1	1	
19	871102	BULB / 1.4WATT-24 VOLTS	1	1	1	1	1	
NS	063594	CABLE ASSY W/"ESPAR" To W-6217	1	1	1	1		
NS	064521	WIRING HARNESS / W/ "ESPAR" PREHEATER From W-6218	1	1	1			
19	063984	CABLE ASSY W/"ESPAR" To W-6216				1	1	
19	064520	CABLE ASSY W/"ESPAR" From W-6218				1	1	
19	063983	CABLE ASSY W/"WEBASTO" To W-6502				1	1	
19	064701	CABLE ASSY W/"WEBASTO" From W-6503				1	1	
19	065163	CABLE ASSY W/"WEBASTO" From X-6945				1		
20	403603	MOUNTING PLATE, DECAL DIFF. INST.	1					G
NS	900667	DECAL / DIFFERENTIAL INSTRUCTION	1					G
21	500120	SCREW TP BDG PH #6x1/2 SS	4					G
22	560816	PRESSURE SWITCH N.C. 3PSI / 1/8NPT W/2 SCREWS	1	1	1	1	1	
23	641149	BUTTON, PARKING BRAKE DIAMOND YELLOW / 1"	1	1	1	1	1	
24	641155	BUTTON, OVERRULE ROUND BLACK				1	1	
25	640286	PIN ROLLER	1	1	1	1	1	
26	640297	NUT	1	1	1	1	1	
28	562518	PRESSURE SWITCH N.O. 4PSI / 1/8NPT W/2 SCREWS / TAG	1	1	1	1	1	
29	640135	VALVE, CHECK 1/4 NPT				1	1	
30	506339	TAPE RUB ADH1 NIT 1/4" x 1" x 35' / BLACK 1220	AR	AR	AR		AR	
31	140542	PLATE, CLOSING				1		
32	500495	SCREW TP PAN PH #6x1 Z050				AR		
33	500417	SCREW TP PAN PH #6x3/8 Z050				6		

From E-638 To Y-7045		Date:10/2022	PAGE:XL-1806-50
VALVE CONSOLE - BUS R.H. & MTH L.H.			

Item#	Part	Description	M T H 4 0	M T H 4 5	M T H 4 5 E	X L 4 0	X L 4 5	N O T E S
34	391727	PROTECTOR BOX ASSY / OVER PARKING BRAKE VALVE	1	1	1	1	1	
35	391726	. COVER / CLEAR PLASTIC	1	1	1	1	1	
36	391725	. BOX	1	1	1	1	1	
37	505221	. SPRING, PIN 1/8 X 3/8	2	2	2	2	2	
38	506035	. TAPE RUB ADH1 NEO 1/2" x 1" x 15' / BLACK 1220X	AR	AR	AR	AR	AR	
40	063424	SUPPORT	1	1	1	1	1	
40	063425	COVER	1	1	1	1	1	
51	391570	DECAL ATEC/DDEC TEST From P-722 To R-822	1	1	1	1	1	C
52	560256	SWITCH / OFF-ON / S.P.S.T. From P-722 To R-822	1	1	1	1	1	C
53	062645	DECAL, "DDEC" From P-722 To R-822	1	1	1	1	1	C
54	061879	DECAL, "ATEC" From P-722 To R-822	1	1	1	1	1	C
55	561817	CONNECTOR / METRI-PACK 280 / SH 12C / PED 12020043 From P-722 To R-822	1	1	1	1	1	C
NS	561818	SOCKET TERMINAL / 20-18 / PED 12034046 From P-722 To R-822	10	10	10	10	10	C
56	562361	PROTECTIVE CAP / HD10 SERIES / 6C / DEUTSCH HDC16-6-BLACK From R-823	1	1	1	1	1	D
NS	562493	CHAIN / C.T.L. From R-823	AR	AR	AR	AR	AR	D
NS	562492	TYPE A COUPLING From R-823	1	1	1	1	1	D
NS	562494	RING / ATTACHMENT END From R-823	1	1	1	1	1	D
57	561821	NUT, RING #17 & 20 / 1.500" I.D W/4 4-40 From R-823	1	1	1			D
58	500518	SCREW MA BDG PH #4-40x1/2 Z050 From R-823	4	4	4			D
60	501331	STREET ELBOW 90° / PIPE FITTING / 1/8NPT-Mx1/8NPT-F BR	1	1	1	1	1	
61	641369	MALE ELBOW 90° NON-SWIVEL / PUSH-IN FITTING / #4x1/8NPT-M BR	1	1	1	1	1	
62	501310	ADAPTER / PIPE FITTING / 1/4NPT-Fx1/8NPT-M BR				1	1	
63	641242	MALE CONNECTOR / PUSH-IN FITTING / #4x1/8NPT-M BR				2	2	
64	641331	MALE CONNECTOR / PUSH-IN FITTING / #6x1/4NPT-M BR				1	1	
65	641349	MALE CONNECTOR / PUSH-IN FITTING / #6x1/8NPT-M BR	1	1	1	1	1	
66	501304	PLUG SQUARE HEAD / PIPE FITTING / 1/4NPT-M BR	1	1	1	1	1	
67	641371	MALE ELBOW 90° NON-SWIVEL / PUSH-IN FITTING / #4x1/4NPT-M BR	1	1	1	1	1	
68	501653	MALE RUN TEE / PIPE FITTING / 1/8NPT-Mx1/8NPT-Fx1/8NPT-F BR				1	1	
69	641370	MALE ELBOW 90° NON-SWIVEL / PUSH-IN FITTING / #6x1/8NPT-M BR				2	2	
70	501303	PLUG SQUARE HEAD / PIPE FITTING / 1/8NPT-M BR				1	1	
NS	282744	SAFETY OPENING KIT To H-334				1		
NS	065526	KIT, REPLACEMENT WEBASTO TIMER	1	1	1	1	1	
NS	IS-97154	. SEE INSTRUCTION SHEET	1	1	1	1	1	
		A) ALUMINUM CONSOLES ARE USED W/MIRROR W/MANUAL ADJUSTMENT "IKI" (XL-1856-00)						
		B) ALUMINUM CONSOLES ARE USED W/MIRROR W/ELECTRICAL ADJUSTMENT "RAMCO" (XL-1856-20 TO XL-1856-33)						
		C) ITEMS ARE RELATED WITH CONNECTOR FOR DIAGNOSTIC "DDEC II"						
		D) ITEMS ARE RELATED WITH CONNECTOR FOR DIAGNOSTIC "DDEC III"						
		E) INCLUDE ITEM #23, 25 & 26						

From E-638 To Y-7045	Date:10/2022	PAGE:XL-1806-50
----------------------	--------------	-----------------

VALVE CONSOLE - BUS R.H. & MTH L.H.

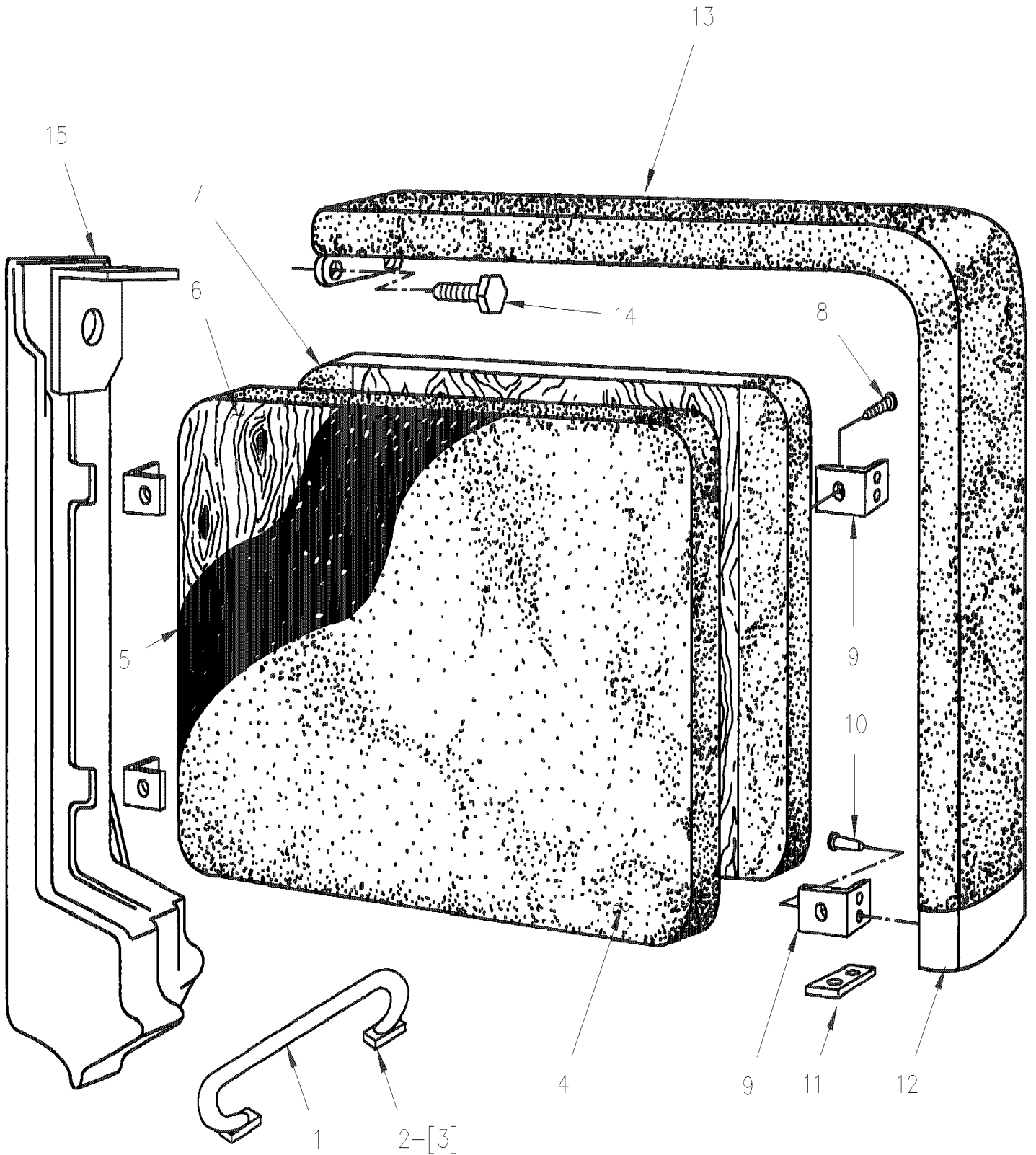
Item#	Part	Description	M T H 4 0	M T H 4 5	M T H 4 5 E	X L 4 0	X L 4 5	N O T E S
		F) INCLUDE ITEM 24-25 & 26						
		G) EFF ONLY WITH N-453, N-498, N-511, N-517 & N-521						
		H) FOR PRODUCT IMPROVEMENT DOOR LOCK OVERRIDE ASK FOR KIT #282744 FOR VEHICULE Up to H-334						
		L) THIS PART IS SUPERSEDED BY KIT #065526						
		M) USE WITH S60 ENGINE						

From E-638 To Y-7045

Date:10/2022

PAGE:XL-1810-00

MODESTY PANEL R.H.



From E-638 To Y-7045	Date:10/2022	PAGE:XL-1810-00
MODESTY PANEL R.H.		

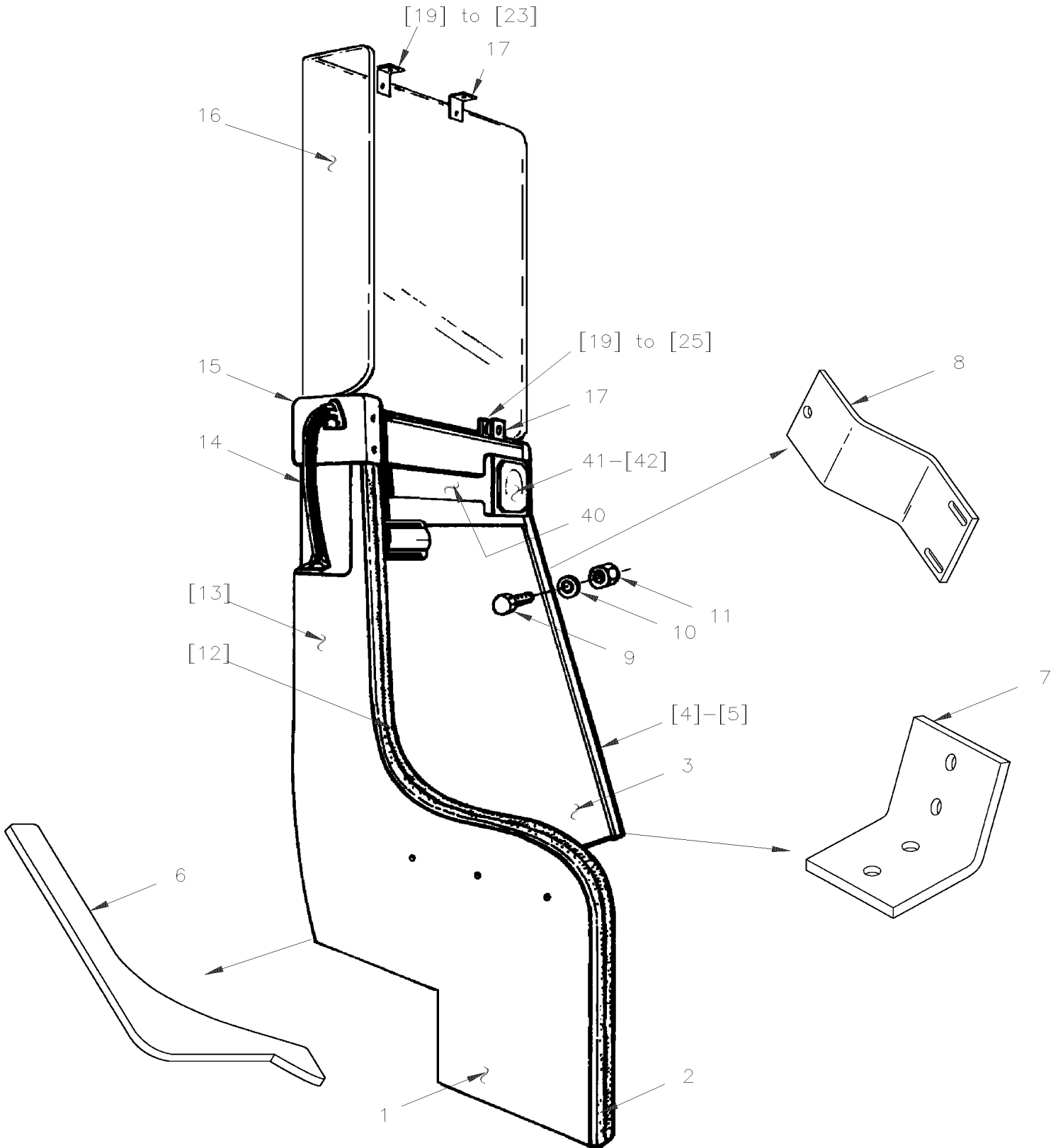
Item#	Part	Description	M T H 4 0	M T H 4 5	M T H 4 5 E	X L 4 0	X L 4 5	N O T E S
	323651	PANEL ASSY / MODESTY				1	1	
1	900309	. HANDLE To E-708				1		
1	900489	. HANDLE From E-709				1	1	
2	900490	. CAP / W/HANDLE				2	2	
3	500556	. SCREW MA TR PH 1/4-20x3/4 SS				2	2	
4	321332P	. PANEL ASSY / SPECIFY COLOR				1	1	
4		. . FABRIC OR LEATHERETTE / SPECIFY COLOR				AR	AR	
5	506050	. . PAD RUB CC PVC 1/4" x 45" x 57" / GREY 2720				AR	AR	
6	321189	. . PANEL / PLYWOOD				1	1	
7	321197	. FORMICA				1	1	
8	500442	. SCREW MA OV PH 1/4-20x3/4 ZP				4	4	
9	321188	. ATTACHMENTS				4	4	
10	500879	. SCREW TP PAN PH #10x1 Z050				8	8	
11	321338	. PLATE				1	1	
11	500181	SCREW CAP HEX 5/16-18x1 G5 Z050				1	1	
11	500478	WASHER LO SPT .380x.683x.094 Z050				1	1	
12	321341	MOULDING				1	1	
13	321336	SUPPORT				1	1	
14	500183	SCREW CAP HEX 5/16-18x1 1/2 G5 PT Z050				1	1	
15	321200	COVER / DOOR MECHANISM To E-729				1		B
15	321587	COVER / DOOR MECHANISM From E-730 To F-827				1		B
15	321639	COVER / DOOR MECHANISM From E-730				1		B
15	321588	COVER / DOOR MECHANISM To F-827				1		C
15	321640	COVER / DOOR MECHANISM From F-828				1	1	C
NS	504108	RIVET POP DOME OE 1/8x1/2 AL				2	2	
NS	506025	RUBBER CHANNEL / 1/18" x 5/16" INT "U" SHAPE / SQUARE C.T.L.				AR	AR	
NS	500333	SCREW TP OV PH #6x3/4 BK				4	4	
NS	506071	TAPE RUB ADH1 CC POL 1/8" x 1/2" x 50' / GREY 2520X				AR	AR	
NS	506264	TAPE RUB ADH1 URE 3/4" x 1" x 12.5' / GREY 1820X				AR	AR	
NS	506318	TAPE DUAL LOCK 1" x 150' / BLACK SJ3541				AR	AR	
NS	900331	BRACKET, MOUNTING / FRONT WALL HANDRAIL TUBE	1	1	1	1	1	A
NS	500870	SCREW SET HEXS CUP 1/4-28x3/16	4	4	4	4	4	A
NS	900333	BRACKET 60°	1	1	1	1	1	A
NS	326851	TUBE 1930MM	1	1	1	1	1	A
		A) THIS ITEM ARE RELATED WITH YELLOW POST BETWEEN DRIVER'S GUARD AND CEILING (GO-TRANSIT)						
		B) USE WITH "PREVOST XL"						
		C) USE WITH "MIRAGE OR ASTRAL"						

From E-638 To Y-7045

Date:10/2022

PAGE:XL-1812-00

MODESTY PANEL L.H.

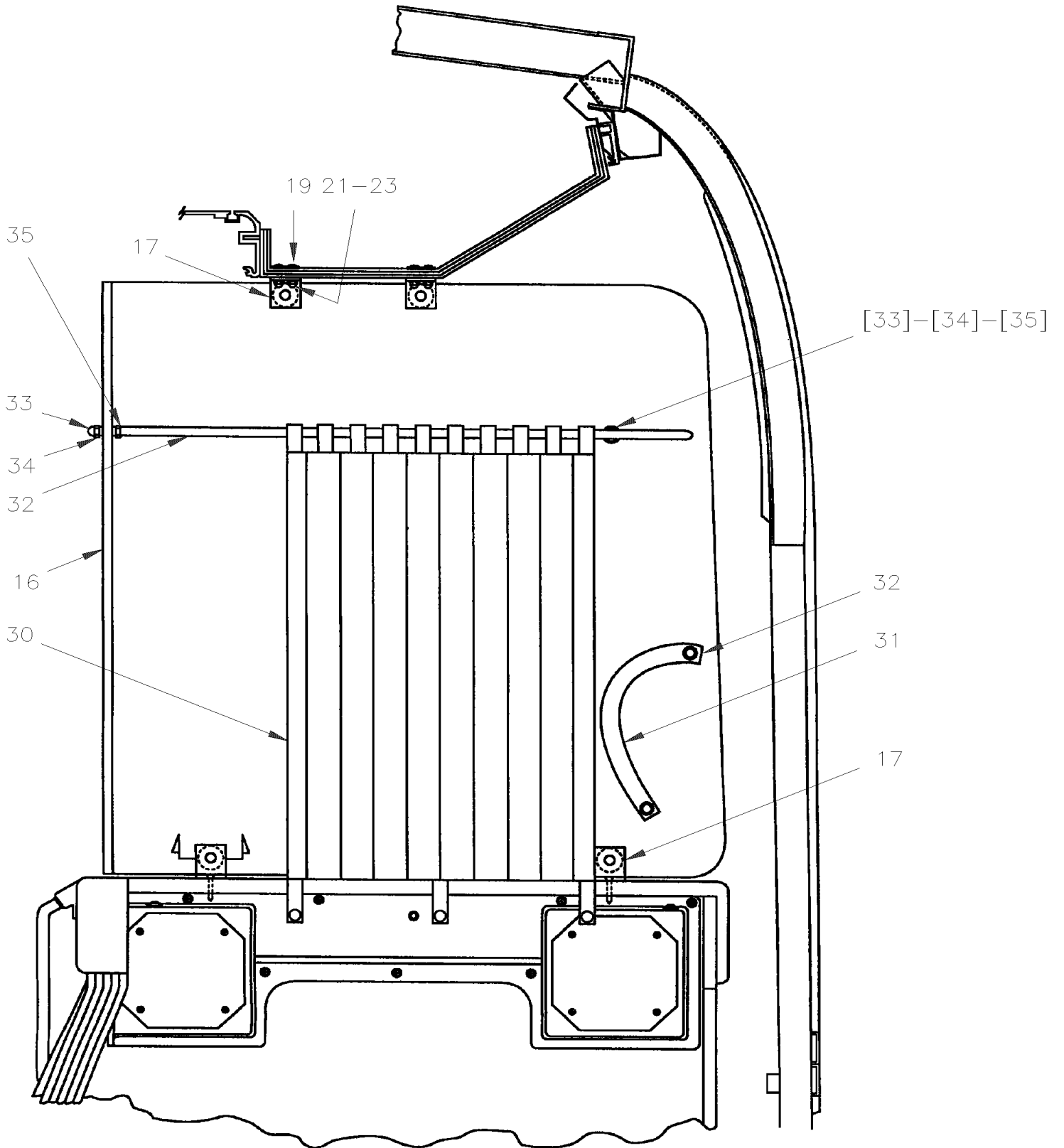


From E-638 To Y-7045

Date:10/2022

PAGE:XL-1812-00

MODESTY PANEL L.H.



From E-638 To Y-7045	Date:10/2022	PAGE:XL-1812-00
MODESTY PANEL L.H.		

Item#	Part	Description	M T H 4 0	M T H 4 5	M T H 4 5 E	X L 4 0	X L 4 5	N O T E S
	401671	PANEL ASSY / DRIVER'S GUARD				1	1	
1	401618	PANEL / FIBERGLASS				1	1	
2	401658	MOULDING				1	1	
2	504107	RIVET POP DOME OE 1/8x5/16 AL				17	17	
3	810034	CARPET OZITE / S.L. 12 FT WIDE				AR	AR	
4	400357	BRACKET, ANGLE 1" X 35"				1	1	
5	400356	MOULDING				1	1	
5	504108	RIVET POP DOME OE 1/8x1/2 AL				7	7	
6	402384	SPACER / PLYWOOD				1	1	
6	402385	PLYWOOD 30" X 1" X 1/4"				1	1	
6	500495	SCREW TP PAN PH #6x1 Z050				8	8	
7	400979	BRACKET / TO FIX GUARD TO FLOOR				1	1	
7	500638	SCREW TP PAN PH #8x1/2 Z050				2	2	
7	500641	SCREW TP PAN PH #8x3/4 Z050				2	2	
8	401481	BRACKET / TO FIX PANEL TO WALL				1	1	
8	500845	SCREW CAP HEX 5/16-18x1/2 G5 Z050				1	1	
9	500606	SCREW MA TR PH #10-24x3/4 SS				2	2	
10	500438	WASHER FL .187x.437x.050 Z050				2	2	
11	500891	NUT HEX CAP #10-24 Z050				2	2	
12	401872	PANEL / PLASTIC GREY CHARCOAL				1	1	
12	500630	SCREW TP OV PH #10x1 Z050				3	3	
12	500645	SCREW TP OV PH #8x1 1/4 Z050				3	3	
12	506302	RUBBER EXTRUSION TRIM SEAL / GRIP .024 / 7/16" HOLLOW BULB C.T.L.				AR	AR	
NS	402371	OUTLET, MICROPHONE				1	1	
12	870969	WATER HEATER - "ESPAR" 40,000 B.T.U.						
12	871036	WATER HEATER - "WEBASTO" 80,000 B.T.U.						
12	871085	WATER HEATER - "WEBASTO" 45,000 B.T.U.						
12	871077	WATER HEATER - "ESPAR" 41,000 B.T.U.						
13	401647	STRUCTURE ASSY / STEEL FRAME				1	1	
13	404257	STRUCTURE ASSY / STEEL FRAME W/SUSPENSION IND				1	1	
13	500048	SCREW CAP HEX 3/8-24x1 1/4 G5 ZP				2	2	
13	500478	WASHER LO SPT .380x.683x.094 Z050				2	2	
14	900439	HANDLE ASSY				1	1	
14	500607	SCREW MA TR PH #10-24x1 SS				2	2	
14	500574	SCREW MA TR PH #10-24x1 1/4 SS				2	2	
14	500440	WASHER FL .250x.562x.065 Z050				2	2	
14	500786	NUT HEX #10-24 Z050				2	2	
14	500891	NUT HEX CAP #10-24 Z050				2	2	
15	400848P	COVERING ASSY / SPECIFY COLOR				1	1	
15	400849	PROTECTOR				1	1	
15	506055	PAD RUB CC PVC 3/8" x 49" x 90" / GREY 2720				AR	AR	
15	506052	PAD RUB CC PVC 3/4" x 48" x 72" / GREY 2720				AR	AR	

From E-638 To Y-7045	Date:10/2022	PAGE:XL-1812-00
MODESTY PANEL L.H.		

Item#	Part	Description	M T H 4 0	M T H 4 5	M T H 4 5 E	X L 4 0	X L 4 5	N O T E S
15	506472	. RUB POL 1/4"X5'X75'				AR	AR	
15		. FABRIC OR LEATHERETTE / SPECIFY COLOR				AR	AR	
15	500630	SCREW TP OV PH #10x1 Z050				3	3	
15	500465	WASHER FN CKF .278x.729x.119 SS				AR	AR	
15	500801	NUT SLE #10-32x3/8 ZP				2	2	
15	500882	SCREW MA OV SLT #10-32x3/4				2	2	
15	500616	SCREW TP FL PH #10x3/4 Z050				1	1	
16	400389	PLEXIGLASS To H-284				1		
16	402484	PLEXIGLASS / CLEAR / (AS SHOWN) From H-285				1	1	
16	403665	PLEXIGLASS / TINTED / (AS SHOWN) From H-285				1	1	
16	405075	PLEXIGLASS / CLEAR / SPECIAL PWT				1	1	
17	401645	ATTACHMENT / UPPER ONLY To H-284				1		
17	401903	ATTACHMENT				2	2	
17	500626	SCREW TP OV PH #8x3/4 Z050				4	4	
19	500572	SCREW MA TR PH #10-24x1/2 SS BK				4	4	
20	500470	WASHER LO SPT .193x.334x.047 Z050				8	8	
21	502669	NUT HEX CAP NYRT #10-24 CHR				8	8	
22	500607	SCREW MA TR PH #10-24x1 SS				4	4	
23	500989	WASHER FL .219x.875x.062 Z050				4	4	
24	900251	BUSHING, RUBBER				4	4	
25	400380	SPACER 5/16 O.D. x 17/32" x 18GA				4	4	
25	505539	SPACER 5/16 O.D. x 17/32" x 18GA	5	5	5	5	5	
30	Call order desk	CURTAIN ASSY / SPECIFY COLOR				1	1	P
30		. FABRIC OR LEATHERETTE / SPECIFY COLOR				AR	AR	
NS	504001	. FASTENER SNAP MALE				3	3	
NS	504002	. FASTENER SNAP CAP				3	3	
31	Call order desk	. RETAINER / LEATHERETTE				1	1	P
NS	500378	SCREW MA RND SLT #5-40x3/4 ZP				1	1	
NS	500766	NUT HEX #5-40 ZP				1	1	
NS	500437	WASHER FL .125x.375x.040 Z050				1	1	
NS	504003	FASTENER RIVET BASE				1	1	
NS	504107	RIVET POP DOME OE 1/8x5/16 AL				3	3	
32	401562	POLE / CURTAIN				2	2	
33	500772	NUT HEX CAP 1/4-20 NP				2	2	
34	500440	WASHER FL .250x.562x.065 Z050				1	1	
35	500771	NUT HEX 1/4-20 SS				2	2	
40	402474	RECEPTACLE ASSY To L-968				1		
40	403203	RECEPTACLE ASSY From L-969				1	1	
40	403348	RECEPTACLE ASSY / W/O SPEAKER				1	1	
40	500345	WASHER FN CKF .187x.500x.090 BR BK To R-399				6	6	
NS	500686	SCREW TP OV PH #6x1/2 BK				4	4	
41	XL-2315-10	SOUND SYSTEM & ACCESSORIES						

From E-638 To Y-7045	Date:10/2022	PAGE:XL-1812-00
MODESTY PANEL L.H.		

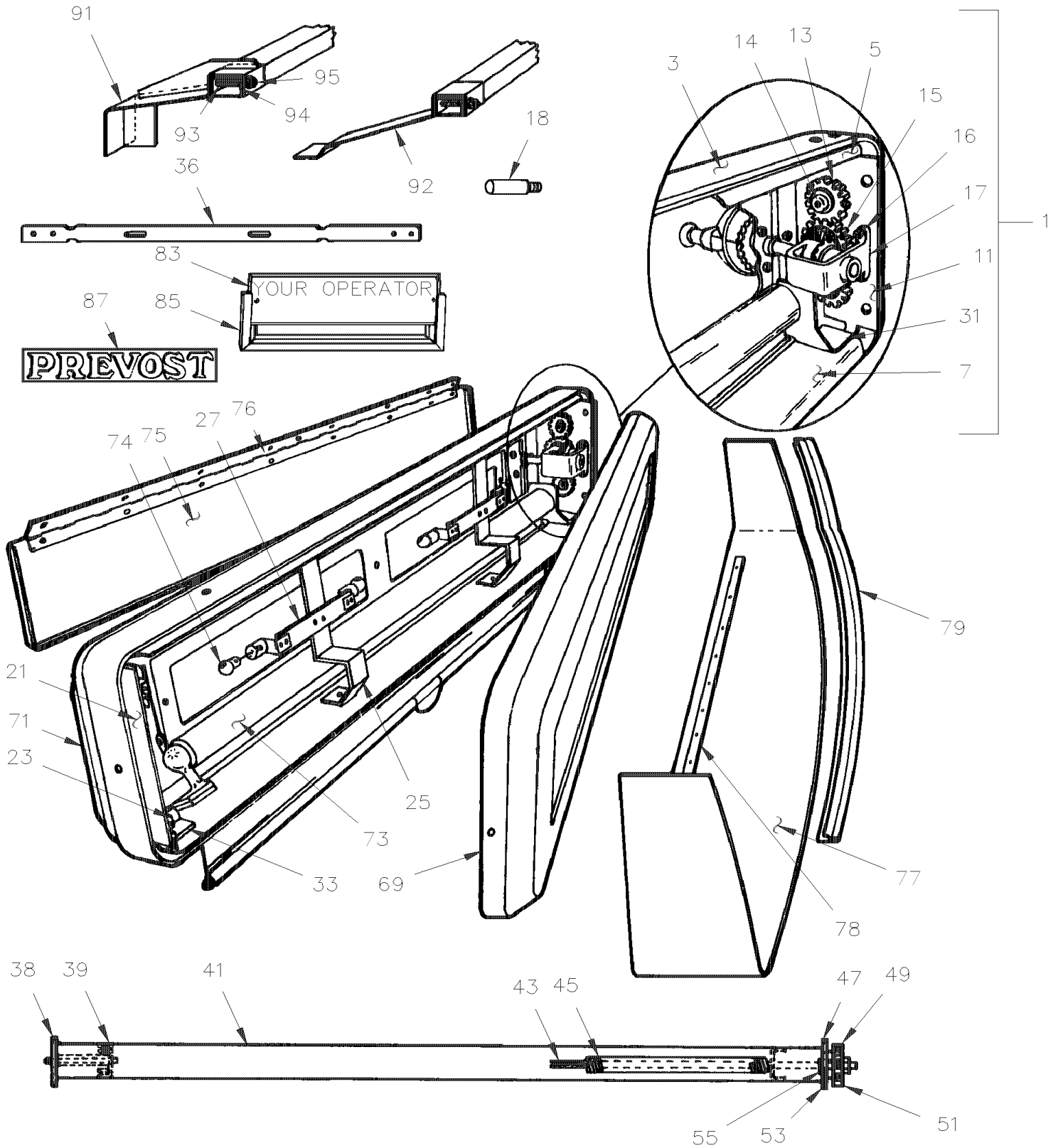
Item#	Part	Description	M T H 4 0	M T H 4 5	M T H 4 5 E	X L 4 0	X L 4 5	N O T E S
42	XL-2315-10	SOUND SYSTEM & ACCESSORIES						
NS	500360	SCREW TP FL PH #8x1 1/4 BK				8	8	
NS	502811	NUT SPR J #8A-B .168-.198				8	8	
42	402448	CABLE ASSY / TO DRIVER'S SPEAKER / 131" To P-576				1		
NS	063333	CABLE ASSY / TO DRIVER'S SPEAKER / 131" From P-577				1	1	
49	400389	PLEXIGLASS				1		A
49	401648	POLE / CURTAIN				1		A
49	401643	TUBING / TO FIX PLEXIGLASS To H-284				1		A
49	401945	TUBING / TO FIX PLEXIGLASS From H-285				1		A
49	900331	BRACKET, MOUNTING / FRONT WALL HANDRAIL TUBE				1		A
49	900334	BRACKET / TO FIX GRAB HANDLE				1		A
49	900335	SCREW SET HEXS CUP #10-32x3/16				2		A
50	900331	BRACKET, MOUNTING / FRONT WALL HANDRAIL TUBE				2		B
50	500870	SCREW SET HEXS CUP 1/4-28x3/16				4		B
50	326852	TUBE 1375MM				1		B
50	N.P.N.	SCREW, TO FIX BRACKET				8		4 B
		A) PARTS ARE USED FOR INSTALLATION W/"ASTRAL" XL						
		B) THIS ITEM ARE RELATED WITH YELLOW POST BETWEEN DRIVER'S GUARD AND CEILING (GO-TRANSIT)						
		4) NO PARTS NUMBER						
		P) CALL ORDER DESK FOR SPECIFIC APPLICATION (V.I.N.)						

From E-638 To Y-7045

Date:10/2022

PAGE:XL-1814-00

DESTINATION SIGN - "LE MIRAGE"



From E-638 To Y-7045	Date:10/2022	PAGE:XL-1814-00
DESTINATION SIGN - "LE MIRAGE"		

Item#	Part	Description	M T H 4 0	M T H 4 5	M T H 4 5 E	X L 4 0	X L 4 5	N O T E S
	440186P	BOX ASSY / DESTINATION SIGN				1	1	
1	440156	. FRAME ASSY				1	1	
3	440170	. . FRAME ASSY, EXTERIOR				1	1	
5	440163	. . PLATE ATTACHMENT / UPPER				1	1	
7	440162	. . PLATE ATTACHMENT / LOWER				1	1	
7	Call order desk	. . BRACKET ASSY / TO SUPPORT GEARS				1	1	P
11	440105	. . . SUPPORT / GEARS				1	1	
13	940006	. . . GEAR				2	2	
14	500987	. . . SCREW SHR HEXS 3/8x5/8 {5/16-18				2	2	
15	940004	. . . GEAR, CENTER				1	1	
16	500387	. . . SCREW MA RND PH #10-24x3/4 Z050				2	2	
17	940009	. . . BRACKET				1	1	
18	440115	. . . SHAFT / TO SUPPORT CENTER GEAR SHAFT				1	1	
18	500461	. . . WASHER SPR BOW .438x.750x.017				1	1	
18	500470	. . . WASHER LO SPT .193x.334x.047 Z050				2	2	
18	500476	. . . WASHER LO SPT .317x.586x.078 Z050				3	3	
18	500778	. . . NUT HEX 5/16-18 N500				3	3	
18	500786	. . . NUT HEX #10-24 Z050				2	2	
18	500919	. . . WASHER FL .406x.875x.060 NYL				2	2	
18	Call order desk	. . BRACKET ASSY, ROLLER				1	1	P
21	440107	. . . SUPPORT, ROLLER				1	1	
23	940010	. . . SUPPORT, ROLLER				2	2	
23	504106	. . . RIVET POP DOME OE 1/8x1/4 AL				AR	AR	
23	440172	. . BRACKET ASSY, LIGHT				2	2	
25	440157	. . . BRACKET				1	1	
27	440110	. . . SUPPORT, SOCKET				1	1	
27	504105	. . . RIVET POP DOME OE 1/8x3/16 AL				AR	AR	
31	440111	. . BRACKET, L.H / SUN VISOR				1	1	
33	440114	. . ATTACHMENT, FRAME				1	1	
35	440116	. . BRACKET, R.H / SUN VISOR				1	1	
36	440171	. . SPACER				2	2	
36	504126	. . RIVET POP DOME OE 3/16x5/8 AL				AR	AR	
36	504118	. . RIVET POP DOME OE 3/16x3/8 AL				AR	AR	
36	500386	. . SCREW MA RND PH #10-24x1/2 Z050				2	2	
36	500964	. . WASHER FL .203x.500x.047 Z050				2	2	
36	500165	. . SCREW CAP HEX 1/4-20x1 G5 Z050				4	4	
36	440208	. ROLLER ASSY W/SPRING				1	1	
36	440207	. ROLLER ASSY W/O SPRING				1	1	
38	440263	. . GUIDE ASSY				1	1	
39	504006	. . RIVET POP CK OE 1/8x5/16 AL				2	2	
41	440195	. . ROLLER				1	1	
43	440225	. . ROD				1	1	

From E-638 To Y-7045	Date:10/2022	PAGE:XL-1814-00
DESTINATION SIGN - "LE MIRAGE"		

Item#	Part	Description	M T H 4 0	M T H 4 5	M T H 4 5 E	X L 4 0	X L 4 5	N O T E S
45	440252	. . SPRING EXTENSION / .500 O.D. x 10.562 x .054				1	1	
47	440254	. . GUIDE ASSY				1	1	
NS	440255	. . GUIDE ASSY				1	1	
49	440272	. . GEAR ASSY				1	1	
51	502802	. . SCREW SET HEXS CUP #10-24x1/2				1	1	
53	500440	. . WASHER FL .250x.562x.065 Z050				1	1	
55	505407	. . SPRING, PIN 1/8 x 1/2 SS				1	1	
69	440183	. COVER FRONT				1	1	
71	440182	. COVER REAR				1	1	
73	900461	. ROLLER BLIND 781MM / CHARCOAL				1	1	
74	560979	. BULB / 15WATT-24VOLTS / SAE# 16911F				4	4	
74	440253	. HANDLE				1	1	
74	507260	. BUSHING NYLINER W/SHOULDER .375x.437x.375x.594				2	2	
74	500438	. WASHER FL .187x.437x.050 Z050				3	3	
74	500386	. SCREW MA RND PH #10-24x1/2 Z050				4	4	
74	500803	. NUT SPR J #10A .035-.050				4	4	
74	506318	. TAPE DUAL LOCK 1" x 150' / BLACK SJ3541				AR	AR	
74	061907	. CABLE ASSY				1	1	
74	560479	. CLAMP / 3/8" I.D.				2	2	
74	500583	. SCREW TP PAN PH #6x1/2 Z050				2	2	
74	500580	. SCREW MA RND SLT #8-32x1/2 ZP				2	2	
74	500764	. NUT HEX #8-32 Z050				2	2	
74	440192	. STOPPER / PLYWOOD				1	1	
74	440213	. ROD / TO FIX CURTAIN				2	2	
74	940008	. GEAR / W/CLUTCH & HANDLE				1	1	
74	940026	. CLUTCH / W/HANDLE				1	1	
75	440185	. PANEL ACCESS				1	1	
76	440180	. HINGE, DOOR DESTINATION SING				1	1	
76	321655	. DEFLECTOR ASSY / LIGHT				1	1	
77	321636	. DEFLECTOR / LIGHT				1	1	
78	321493	. BRACKET ANGLE				1	1	
79	506302	. RUBBER EXTRUSION TRIM SEAL / GRIP .024 / 7/16" HOLLOW BULB C.T.L.				AR	AR	
83	400636	. PLATE / STAMPED "NOM DU CONDUCTEUR"				AR	AR	
83	400637	. PLATE / STAMPED "DRIVER'S NAME" / REAR				AR	AR	
85	400638	. MOULDING / 11" / "U" SHAPE DRIVER'S NAME HO				1	1	
85	400601	. PLATE (BLANK) / FOR DRIVER'S NAME / SPECIFY NAME				1	1	
87	490216	. PLATE CREST "PREVOST"				1	1	
87	500437	. WASHER FL .125x.375x.040 Z050				AR	AR	
87	504103	. RIVET POP DOME OE 1/8x1/8 AL				AR	AR	
87	506322	. TAPE RUB ADH2 POL .045" x 1" x 223' / WHITE 4085				AR	AR	
91	440167	. BRACKET / TO FIX SIGN BOX LARGE BRACKET 5 3/8" HIGHT				1	1	
91	440168	. BRACKET / TO FIX SIGN BOX SMALL BRACKET 4 9/16" HIGHT				1	1	

From E-638 To Y-7045	Date:10/2022	PAGE:XL-1814-00
----------------------	--------------	-----------------

DESTINATION SIGN - "LE MIRAGE"

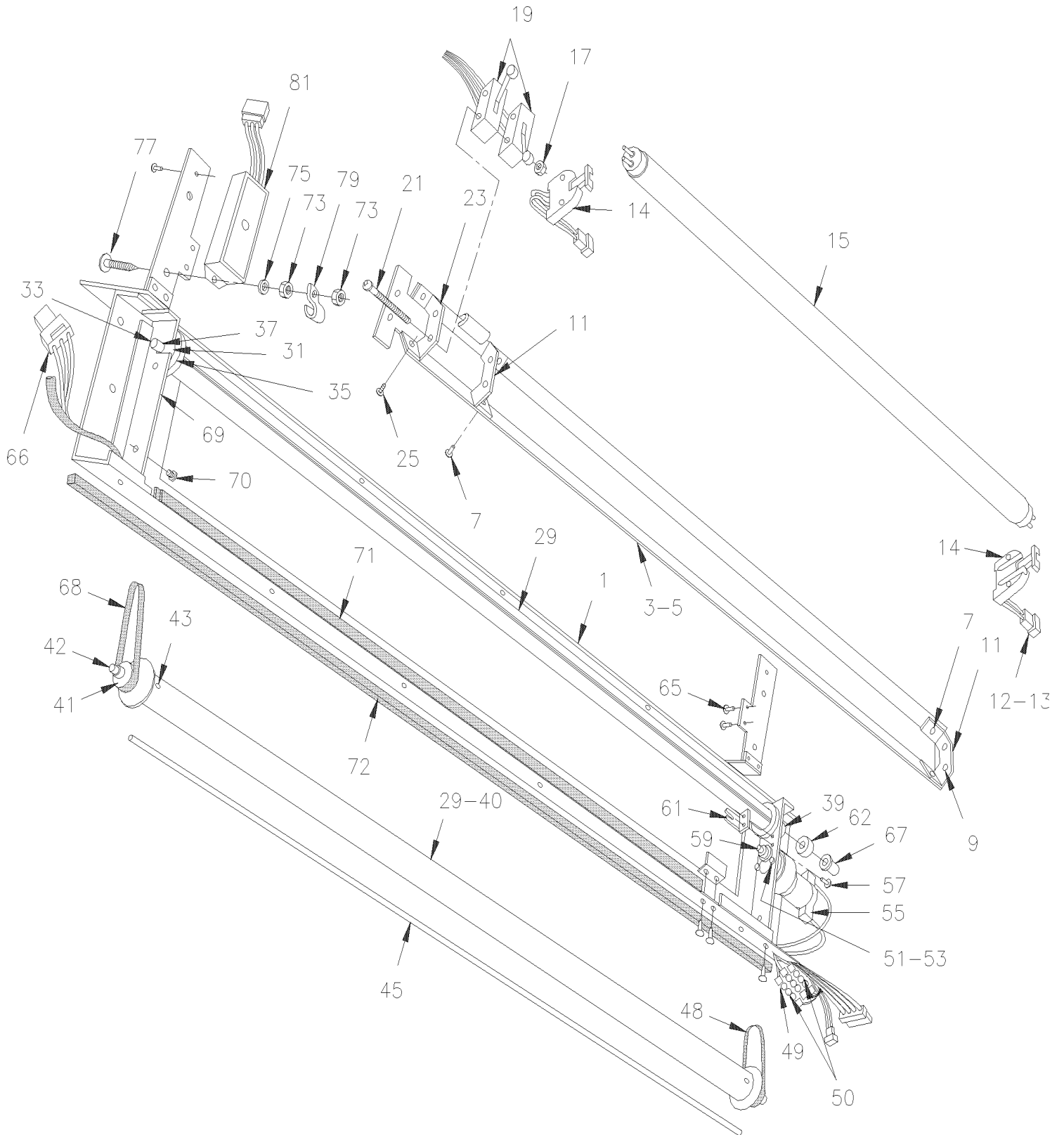
Item#	Part	Description	M T H 4 0	M T H 4 5	M T H 4 5 E	X L 4 0	X L 4 5	N O T E S
92	321551	BRACKET W/O DESTINATION SIGN				1	1	
93	500170	SCREW CAP HEX 1/4-20x2 G5 PT Z050				AR	AR	
94	500476	WASHER LO SPT .317x.586x.078 Z050				1	1	
95	500769	NUT HEX 1/4-20 Z050				1	1	
95	500185	SCREW CAP HEX 5/16-18x2 1/4 G5 Z050				2	2	
95	500778	NUT HEX 5/16-18 N500				2	2	
95	340229P	CURTAIN / TO PRINT NAMES / SPECIFY NAMES				1	1	
95	940023	CURTAIN WHITE / S.L.				AR	AR	
NS	440284	ATTACHMENT - "ORLEAN" OPTION				1	1	
NS	440285	ANGLE ANTI-RATTLE - "ORLEAN" OPTION				1	1	
NS	061981	CABLE ASSY / CLEARANCE LIGHT & DESTINATION SIGN SIGN To S-609				1	1	
NS	064095	CABLE ASSY / CLEARANCE LIGHT & DESTINATION SIGN SIGN From S-610				1	1	
		P) CALL ORDER DESK FOR SPECIFIC APPLICATION (V.I.N.)						

From S-597 To Y-7045

Date:10/2022

PAGE:XL-1814-01

DESTINATION SIGN - ELECTRICAL



From S-597 To Y-7045	Date:10/2022	PAGE:XL-1814-01
DESTINATION SIGN - ELECTRICAL		

Item#	Part	Description	M T H 4 0	M T H 4 5	M T H 4 5 E	X L 4 0	X L 4 5	N O T E S
	440241P	DESTINATION SIGN ASSY				1	1	
1	440244	. FRAME ASSY				1	1	
3	440237	. SUPPORT ASSY / TO FIX FLUORESCENT TUBE & ACCESSORIES				1	1	
5	440240	. REFLECTOR				1	1	
7	504114	. RIVET POP DOME OE 3/16x1/4 AL				4	4	
9	500518	. SCREW MA BDG PH #4-40x1/2 Z050				4	4	
11	440227	. BRACKET / TO FIX BIPIN HOLDER				2	2	
12	560900	. CONNECTOR / COM. MATE-N-LOCK / PH 2C / AMP 1-480319-0				2	2	
13	560853	. PIN TERMINAL / 24-18 / AMP 60618-1				4	4	
14	830101	. SOCKET / BIPIN HOLDER				2	2	
15	830120	. TUBE / 30WATT / F30T8CW4 - 30" / G13 MED BIPIN				1	1	
17	502717	. NUT HEX NYRT #6-32 ZP				4	4	
19	561109	. MICRO SWITCH				2	2	
21	502718	. SCREW MA PAN PH #6-32x2 ZP				2	2	
23	440236	. BRACKET / TO FIX MICROSWITCH				1	1	
25	500148	. SCREW MA RND PH #6-32x1/2 SS				2	2	
NS	506338	. RUBBER CHANNEL / 1/16" x 1/4" INT "U" SHAPE / ROUND C.T.L.				AR	AR	
NS	440238	. ROLLER ASSY				1	1	
29	440195	. ROLLER				1	1	
31	940030	. PULLEY				1	1	
33	440225	. ROD				1	1	
NS	440252	. SPRING EXTENSION / .500 O.D. x 10.562 x .054				1	1	
NS	505407	. SPRING, PIN 1/8 x 1/2 SS				1	1	
35	440255	. GUIDE ASSY				1	1	
37	500440	. WASHER FL .250x.562x.065 Z050				1	1	
39	440254	. GUIDE ASSY				1	1	
NS	504006	. RIVET POP CK OE 1/8x5/16 AL				2	2	
NS	440239	. ROLLER ASSY				1	1	
40	440195	. ROLLER				1	1	
41	940030	. PULLEY				2	2	
42	440254	. GUIDE ASSY				2	2	
43	504006	. RIVET POP CK OE 1/8x5/16 AL				2	2	
45	440213	. ROD / TO FIX CURTAIN				2	2	
NS	440250P	. CURTAIN / TO PRINT NAMES / SPECIFIED NAMES				1	1	A
NS	940023	. CURTAIN WHITE / S.L.				AR	AR	
48	940033	. BELT / 80TH				1	1	
49	062807	. RESISTOR ASSY 82 OHMS 2 W				1	1	
49	562108	. RESISTOR / 82 OHMS / 2 W				2	2	
49	561539	. TAB RECEPTACLE TERMINAL INSUL. NYLON / 16 / AMP 3-520141-2				2	2	
49	561761	. SHRINK TUBING / .750" - .375" / BLACK / ALPHA FIT-221-3/4-4B				AR	AR	
50	062339	. DIODE ASSY				2	2	
50	561904	. TAB TERMINAL INSULATION NYLON / 22-18 / AMP 2-520103-2				1	1	

From S-597 To Y-7045	Date:10/2022	PAGE:XL-1814-01
----------------------	--------------	-----------------

DESTINATION SIGN - ELECTRICAL

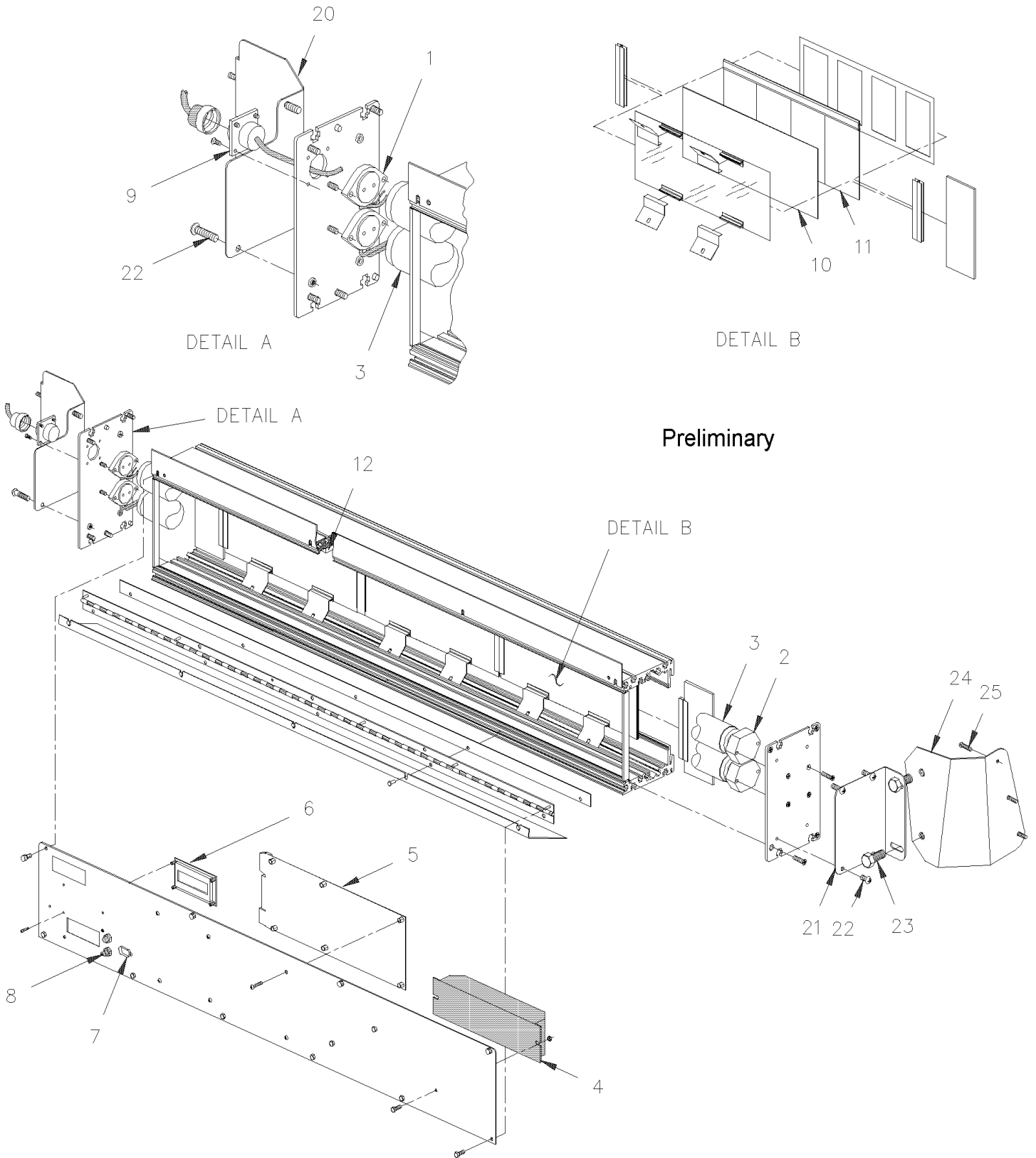
Item#	Part	Description	M T H 4 0	M T H 4 5	M T H 4 5 E	X L 4 0	X L 4 5	N O T E S
50	560931	. DIODE / 3AMPS				1	1	
50	561626	. TAB RECEPTACLE TERMINAL INSUL. NYLON / 22 / AMP 2-520264-4				1	1	
50	560785	. SHRINK TUBING / .375" - .187" / BLACK / ALPHA FIT-300-3/8-4B				AR	AR	
51	502724	. SCREW CAP HEX #10-32x1/4 BZC				2	2	
53	500240	. WASHER LO EXT .195x.410x.025 Z050				2	2	
55	940031	. MOTOR				1	1	
57	504103	. RIVET POP DOME OE 1/8x1/8 AL				2	2	
59	440249	. PULLEY MOTOR				1	1	
61	440224	. BRACKET				1	1	
62	440220	. SPACER				1	1	
65	504114	. RIVET POP DOME OE 3/16x1/4 AL				4	4	
66	062810	. CABLE / FROM DESTINATION SIGN TO HARNESS				1	1	
67	507138	. BUSHING, NYLINER W/SHOULDER (4-L-4-F)				4	4	
68	940032	. BELT / 128TH				1	1	
69	440222	. PLATE				1	1	
70	500417	. SCREW TP PAN PH #6x3/8 Z050				2	2	
71	506071	. TAPE RUB ADH1 CC POL 1/8" x 1/2" x 50' / GREY 2520X				AR	AR	
72	506268	. TAPE RUB ADH1 URE 3/8" x 1/2" x 25' / GREY 1820				AR	AR	
73	500786	. NUT HEX #10-24 Z050				3	3	
75	500964	. WASHER FL .203x.500x.047 Z050				2	2	
77	500387	. SCREW MA RND PH #10-24x3/4 Z050				2	2	
79	560479	. CLAMP / 3/8" I.D.				1	1	
81	330236	. BALLAST ASSY / 24 VOLTS				1	1	
81	830121	. BALLAST / 24 VOLTS				1	1	
81	561667	. CONNECTOR / UNIVERSAL MATE-N-LOK / PH 3C / AMP 1-480701-0				1	1	
81	561513	. PIN TERMINAL / 20-14 / AMP 350538-3				3	3	
81	504273	. CABLE TIE / 1/8" X 3"1/2				AR	AR	
NS	061981	CABLE ASSY / CLEARANCE LIGHT & DESTINATION SIGN SIGN To S-609	1	1	1	1	1	
NS	064095	CABLE ASSY / CLEARANCE LIGHT & DESTINATION SIGN SIGN From S-610	1	1	1	1	1	
		A) CURTAIN IS NOT INCLUDE WITH 440241P						

From S-597 To Y-7045

Date:10/2022

PAGE:XL-1814-02

DESTINATION SIGN - DIGITAL



From S-597 To Y-7045	Date:10/2022	PAGE:XL-1814-02
DESTINATION SIGN - DIGITAL		

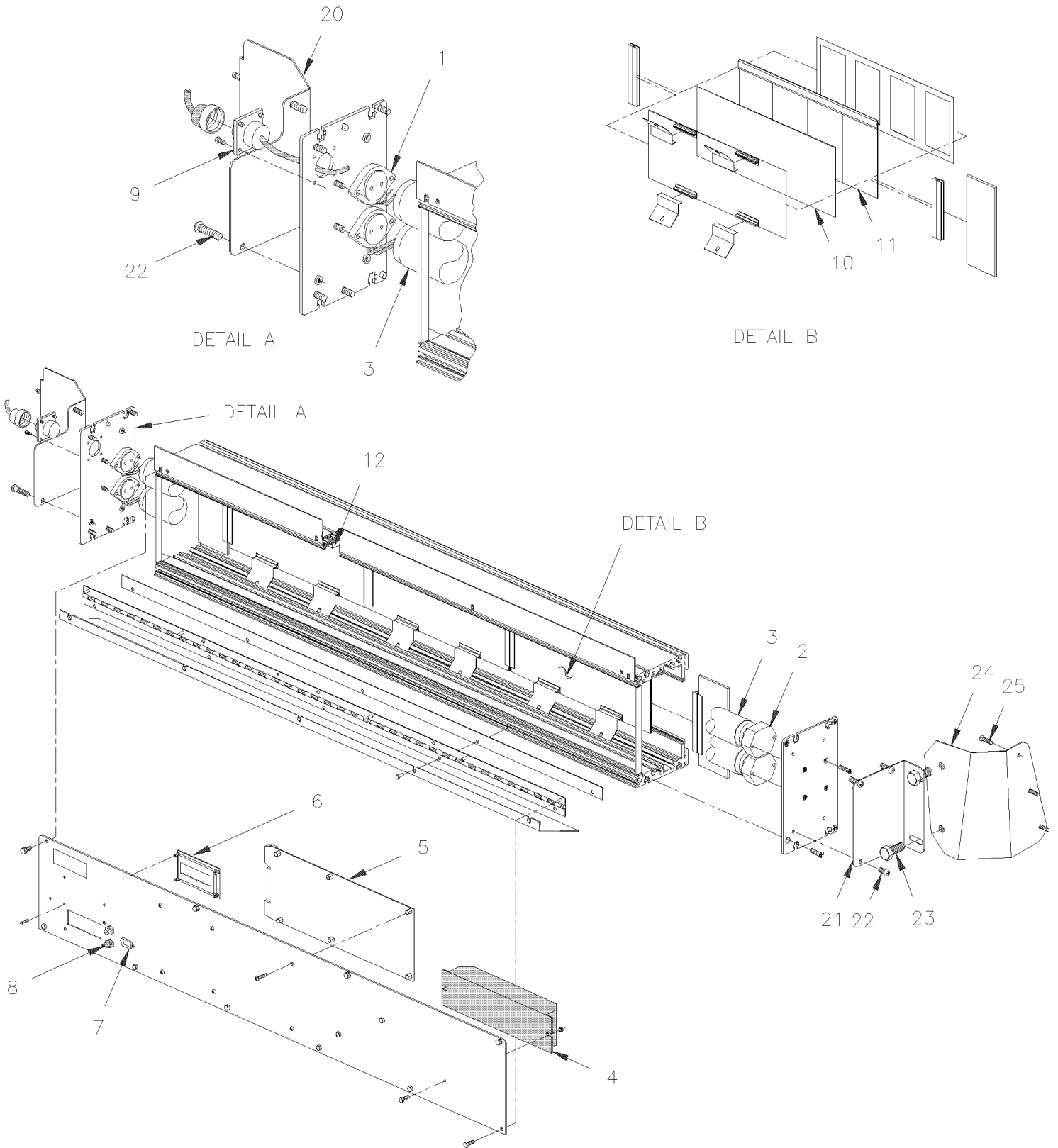
Item#	Part	Description	M T H 4 0	M T H 4 5	M T H 4 5 E	X L 4 0	X L 4 5	N O T E S
	940050	FRONT DESTINATION SIGN "POCATEC"				1	1	
1	830162	. FLUORESCENT SOCKET NON RETRACTABLE				2	2	
2	830163	. FLUORESCENT SOCKET RETRACTABLE				2	2	
3	830161	. TUBE / 30WATT / F30T12/CW/RS -36"/G13MED BIPIN				2	2	
4	940052	. BALLAST				1	1	
5	940044	. CONTROL BOARD				1	1	
NS	562309	. . FUSE / 2 AMPS / 2A				1	1	
6	940045	. REAR CD DISPLAY				1	1	
7	N.S.P.	. SERIAL LINK CONNECTOR / (205203-1)				1	1	2
7	N.S.P.	. SOCKET, SERIAL LINK CONNECTOR CONTACT / (5-66504-9)				AR	AR	2
8	940046	. ROUTE SELECTOR BUTTON				2	2	
9	561635	. CONNECTOR / CPC SERIES 1 / PH 9C / AMP 206705-1				1	1	
9	N.S.P.	. PIN, SIGN CONNECTOR CONTACT / (66361-2)				AR	AR	2
10	940047	. FRONT LEXAN WINDOW				3	3	
11	940048	. 4 CHARACTERS GLASS ASSY				3	3	
12	940053	. INTERFACE BOARD				1	1	
20	440312	SUPPORT L.H. / W/DIGITAL				1	1	
21	440313	SUPPORT R.H. / W/DIGITAL				1	1	
22	500873	SCREW MA RND PH #8-32x3/4 SS BK				6	6	
NS	500163	SCREW CAP HEX 1/4-20x3/4 G5 Z050				2	2	
23	500440	WASHER FL .250x.562x.065 Z050				2	2	
NS	500478	WASHER LO SPT .380x.683x.094 Z050				2	2	
24	440314	SUPPORT R.H. / W/DIGITAL				1	1	
25	500333	SCREW TP OV PH #6x3/4 BK				6	6	
NS	500345	WASHER FN CKF .187x.500x.090 BR BK				6	6	
NS	440309	COVER / WDIGITAL				1	1	
NS	940051	CABLE ADAPTOR / INTERFACE / W/CD PC TO DESTINATION SING				1	1	
		2) NOT SOLD BY PREVOST (SEE MANUFACTURING PART NUMBER AT END OF DESCRIPTION LINE)						

From X-6945 To X-7014

Date:10/2022

PAGE:XL-1814-03

DESTINATION SIGN - DIGITAL - "GO-TRANSIT"



From X-6945 To X-7014	Date:10/2022	PAGE:XL-1814-03
-----------------------	--------------	-----------------

DESTINATION SIGN - DIGITAL - "GO-TRANSIT"

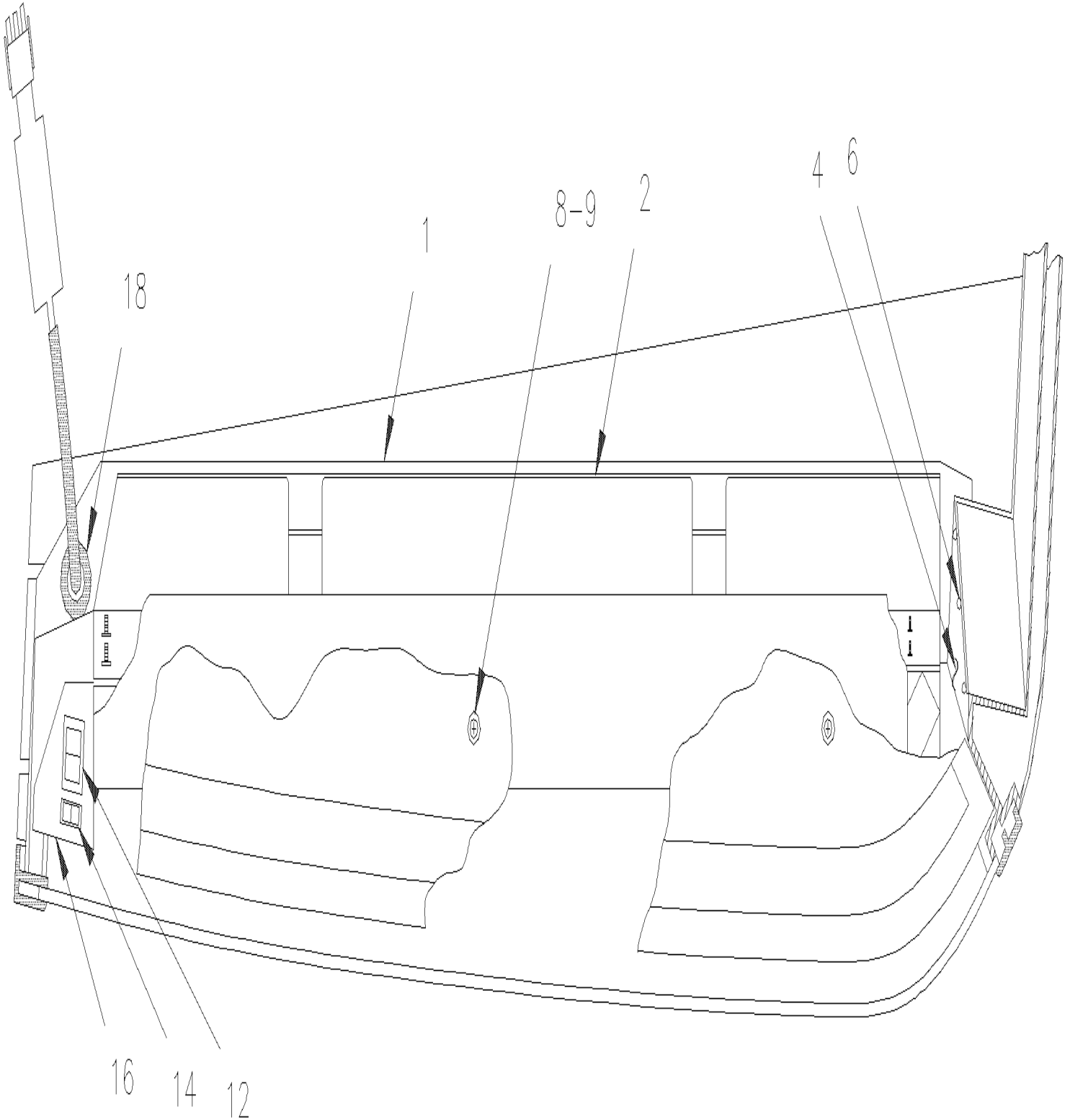
Item#	Part	Description	M T H 4 0	M T H 4 5	M T H 4 5 E	X L 4 0	X L 4 5	N O T E S
	940055	DESTINATION SIGN ASSY / SIDE W/3" LETTER				1		
	940056	DESTINATION SIGN ASSY / SIDE W/6" LETTER				1		
NS	440344	SUPPORT SIDE DESTINATION SIGN				1		
NS	440345	COVER SIDE DESTINATION SIGN				1		
	065098	CABLE ASSY / FRONT JCT PANEL & LIGHT				1		
1	830162	. FLUORESCENT SOCKET NON RETRACTABLE				2		
2	830163	. FLUORESCENT SOCKET RETRACTABLE				2		
3	830161	. TUBE / 30WATT / F30T12/CW/RS -36"/G13MED BIPIN				2		
4	940052	. BALLAST				1		
5	940044	. CONTROL BOARD				1		
NS	562309	. . FUSE / 2 AMPS / 2A				1		
6	940045	. REAR CD DISPLAY				1		
7	N.S.P.	. SERIAL LINK CONNECTOR / (205203-1)				1		2
7	N.S.P.	. SOCKET, SERIAL LINK CONNECTOR CONTACT / (5-66504-9)				AR		2
8	940046	. ROUTE SELECTOR BUTTON				2		
9	561635	. CONNECTOR / CPC SERIES 1 / PH 9C / AMP 206705-1				1		
9	N.S.P.	. PIN, SIGN CONNECTOR CONTACT / (66361-2)				AR		2
10	940047	. FRONT LEXAN WINDOW				3		
11	940048	. 4 CHARACTERS GLASS ASSY				3		
12	940053	. INTERFACE BOARD				1		
22	500873	SCREW MA RND PH #8-32x3/4 SS BK				6		
NS	500163	SCREW CAP HEX 1/4-20x3/4 G5 Z050				2		
23	500440	WASHER FL .250x.562x.065 Z050				2		
NS	500478	WASHER LO SPT .380x.683x.094 Z050				2		
25	500333	SCREW TP OV PH #6x3/4 BK				6		
NS	500345	WASHER FN CKF .187x.500x.090 BR BK				6		
NS	440308	COVER / WDIGITAL				1		
NS	940057	INSTRUCTION MANUAL				1		
NS	940054	SCREEN DISPLAY				1		
NS	404910	SUPPORT SCREEN DISPLAY				1		
NS	065230	REMOTE CONTROL SUPPORT				1		
		2) NOT SOLD BY PREVOST (SEE MANUFACTURING PART NUMBER AT END OF DESCRIPTION LINE)						

From S-597 To Y-7045

Date:10/2022

PAGE:XL-1814-05

DESTINATION SIGN - INSTALLATION



From S-597 To Y-7045	Date:10/2022	PAGE:XL-1814-05
DESTINATION SIGN - INSTALLATION		

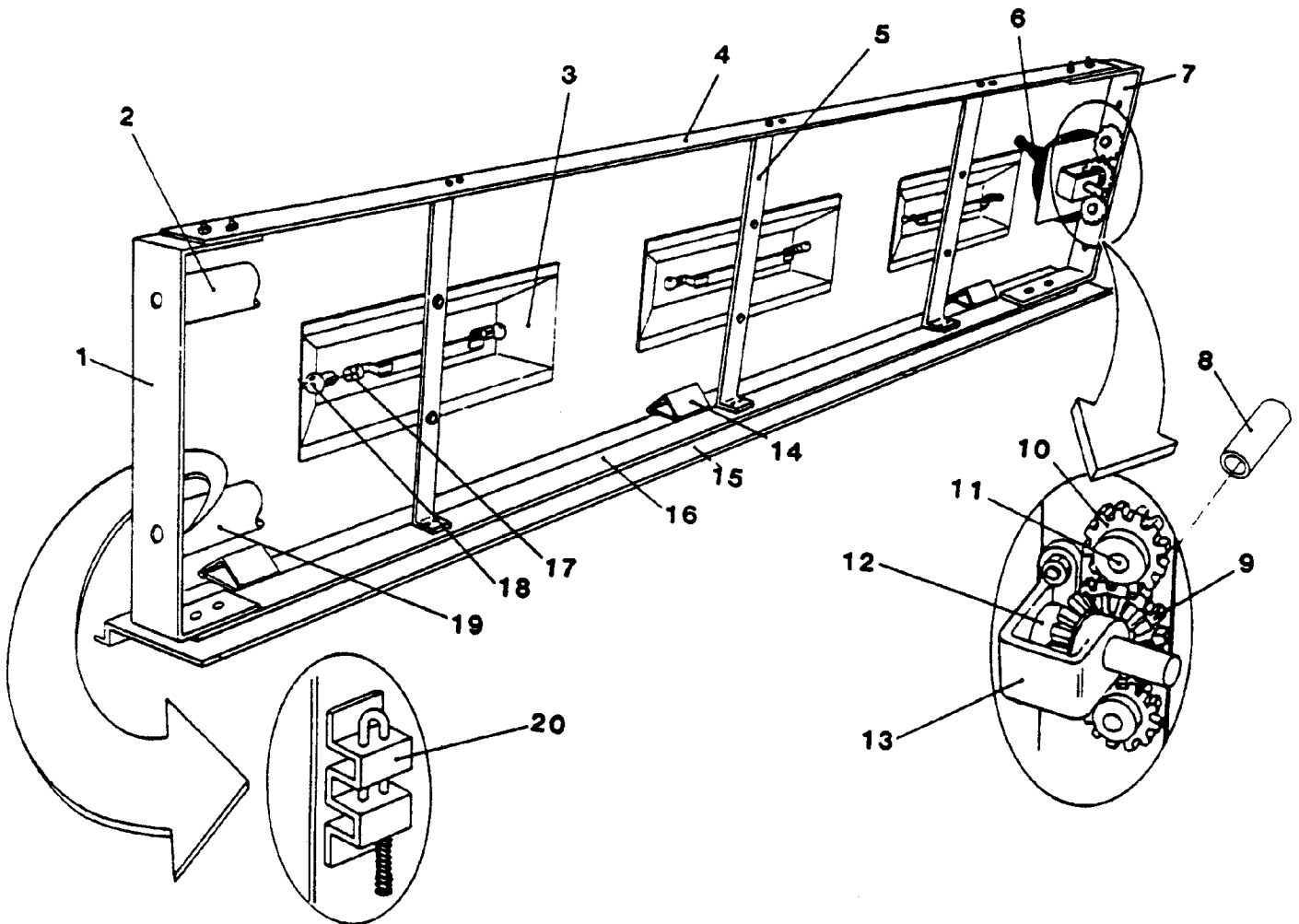
Item#	Part	Description	M T H 4 0	M T H 4 5	M T H 4 5 E	X L 4 0	X L 4 5	N O T E S
1	440295	COVER ASSY / W/ELECTRICAL				1	1	
1	440248	. WINDOW / LENS GREEN				1	1	
1	440309	COVER / WDIGITAL				1	1	
NS	500333	SCREW TP OV PH #6x3/4 BK				6	6	
NS	500345	WASHER FN CKF .187x.500x.090 BR BK				6	6	
2	XL-1814-01	DESTINATION SIGN - ELECTRICAL						
NS	502761	SCREW TP BDG PH #10x3/4 SS BK				6	6	A
NS	500769	NUT HEX 1/4-20 Z050				4	4	
4	440233	SUPPORT R.H. / W/ELECTRICAL				1	1	
4	440290	SUPPORT R.H. / W/ELECTRICAL				1	1	
NS	440289	SUPPORT L.H. / W/ELECTRICAL				1	1	
6	500879	SCREW TP PAN PH #10x1 Z050				6	6	
8	500624	SCREW TP OV PH #6x1/2 Z050				5	5	
9	500463	WASHER FN CKF .187x.500x.090 BR Z050				5	5	
12	562111	SWITCH / ON-OFF-ON/ S.P.D.T./REVERSE POLARITY				1	1	
NS	562110	. SWITCH / ON-OFF-ON/ S.P.D.T./REVERSE POLARITY / TORRIX 102256				1	1	
14	062809	SWITCH ASSY W/CONNERTOR				1	1	
14	562109	. SWITCH / ON-ON / S.P.S.T.				1	1	
14	561476	. CONNECTOR / (.062) / SH 4C / MOLEX 03-06-1044				1	1	
14	561748	. CONTACT HOLE PLUG / VEAM 10-101033-13				1	1	
16	440294	BRACKET / L.H. / TO FIX SWITCH				1	1	
18	504264	GROMMET / .750x1.250x.062x.250x1.625				1	1	
NS	502583	WASHER LO SERR 8.15x22.3x1.0 Z050				4	4	
NS	500769	NUT HEX 1/4-20 Z050				4	4	
		A) (TO FIX SIGN)						

From E-638 To J-429

Date:10/2022

PAGE:XL-1814-10

DESTINATION SIGN - "PREVOST XL"



From E-638 To J-429		Date:10/2022	PAGE:XL-1814-10
DESTINATION SIGN - "PREVOST XL"			

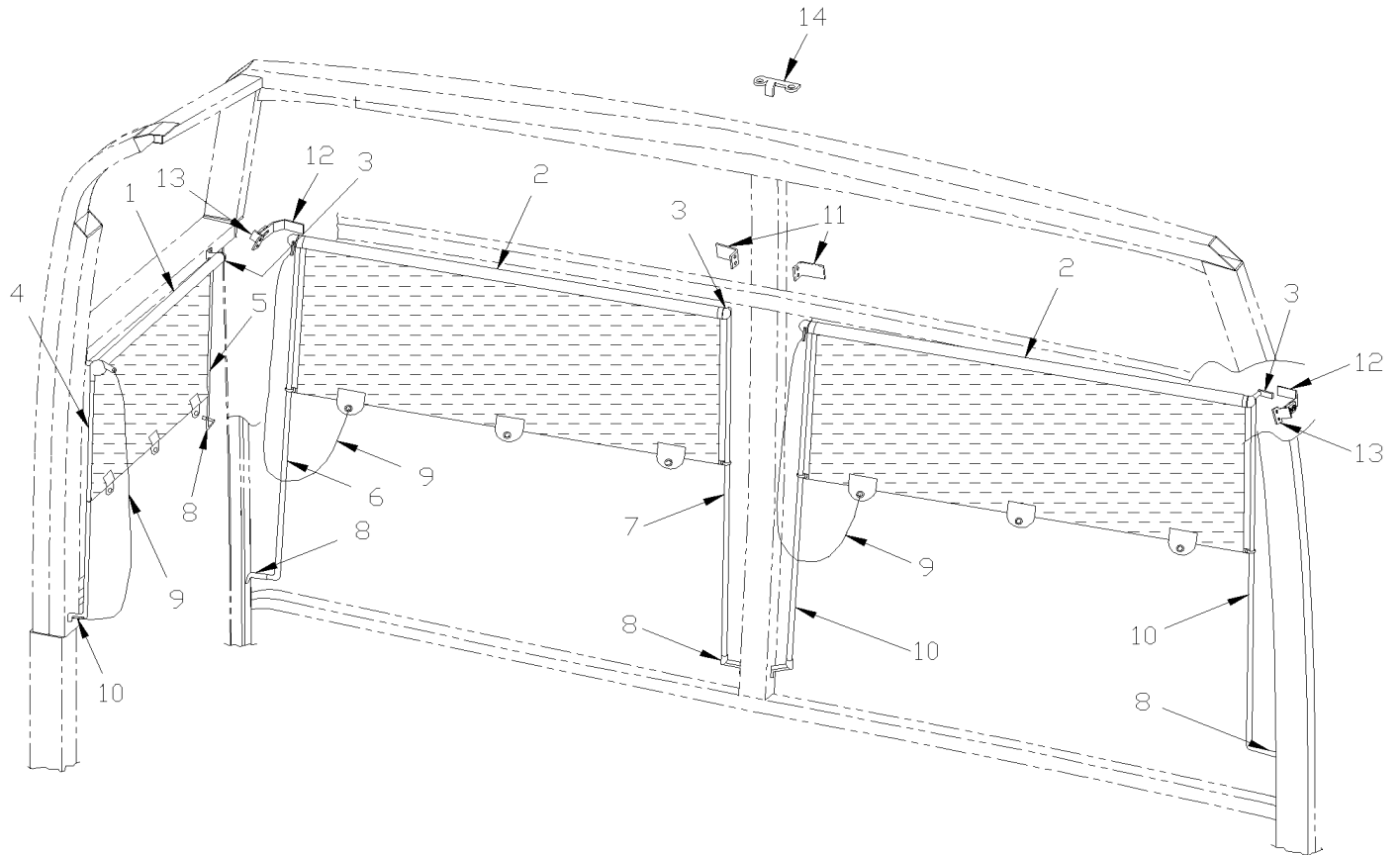
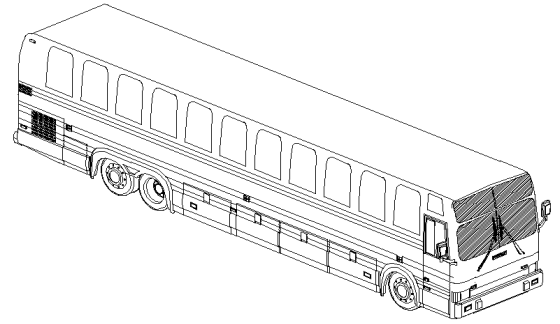
Item#	Part	Description	M T H 4 0	M T H 4 5	M T H 4 5 E	X L 4 0	X L 4 5	N O T E S
	340508	DESTINATION SIGN ASSY				1		
1	340498	. SUPPORT R.H.				1		
2	440214	. ROLLER ASSY W/SPRING				1		
2	440211	. . ROLLER				1		
2	440058	. . GEAR				1		
2	440210	. . SPRING EXTENSION / .500 O.D. x 6.750 x .062				1		
2	500303	. . SCREW SET HEXS CUP #10-24x3/16				1		
3	340580	. PROTECTOR, FOR LIGHT				1		
4	340496	. MOUNT BAR UPPER				1		
5	340500	. SUPPORT, FOR LIGHT				1		
6	940005	. HANDLE				1		
7	340499	. SUPPORT L.H.				1		
8	507285	. BUSHING OILITE 1/4 I.D. X 3/8 O.D. X 7/8 LG				1		
NS	500461	. WASHER SPR BOW .438x.750x.017				1		
9	940004	. GEAR, CENTER				1		
NS	500919	. WASHER FL .406x.875x.060 NYL				2		
10	940006	. GEAR				2		
11	500987	. SCREW SHR HEXS 3/8x5/8 {5/16-18				2		
12	940008	. GEAR / W/CLUTCH & HANDLE				1		
NS	440178	. HANDLE				1		
13	940009	. BRACKET				1		
14	340507	. HINGE				3		
15	340502	. SHIELD, ANTIDAZZLE				1		
16	340497	. MOUNT BAR LOWER				1		
17	560141	. BULB / 3WATT-24VOLTS / SAE# 1251				6		
18	560156	. SOCKET BULB / METAL W/WIRE / BA15s				6		
19	440050	. ROLLER, W/O SPRING				1		
NS	440211	. . ROLLER				1		
NS	440058	. . GEAR				1		
NS	500303	. . SCREW SET HEXS CUP #10-24x3/16				1		
20	940010	. SUPPORT, ROLLER				1		
NS	Call order desk	. CURTAIN, DESTINATION SIGN / SPECIFY YOUR NAME				1		P
NS	940022	. . MYLAR POLYESTER FILM 52 7/8"				AR		
NS	440180	HINGE, DOOR DESTINATION SING				AR		
		P) CALL ORDER DESK FOR SPECIFIC APPLICATION (V.I.N.)						

From E-638 To Y-7045

Date:10/2022

PAGE:XL-1816-00

ROLLER BLIND - DRIVER'S & WINDSHIELD



From E-638 To Y-7045	Date:10/2022	PAGE:XL-1816-00
ROLLER BLIND - DRIVER' S & WINDSHIELD		

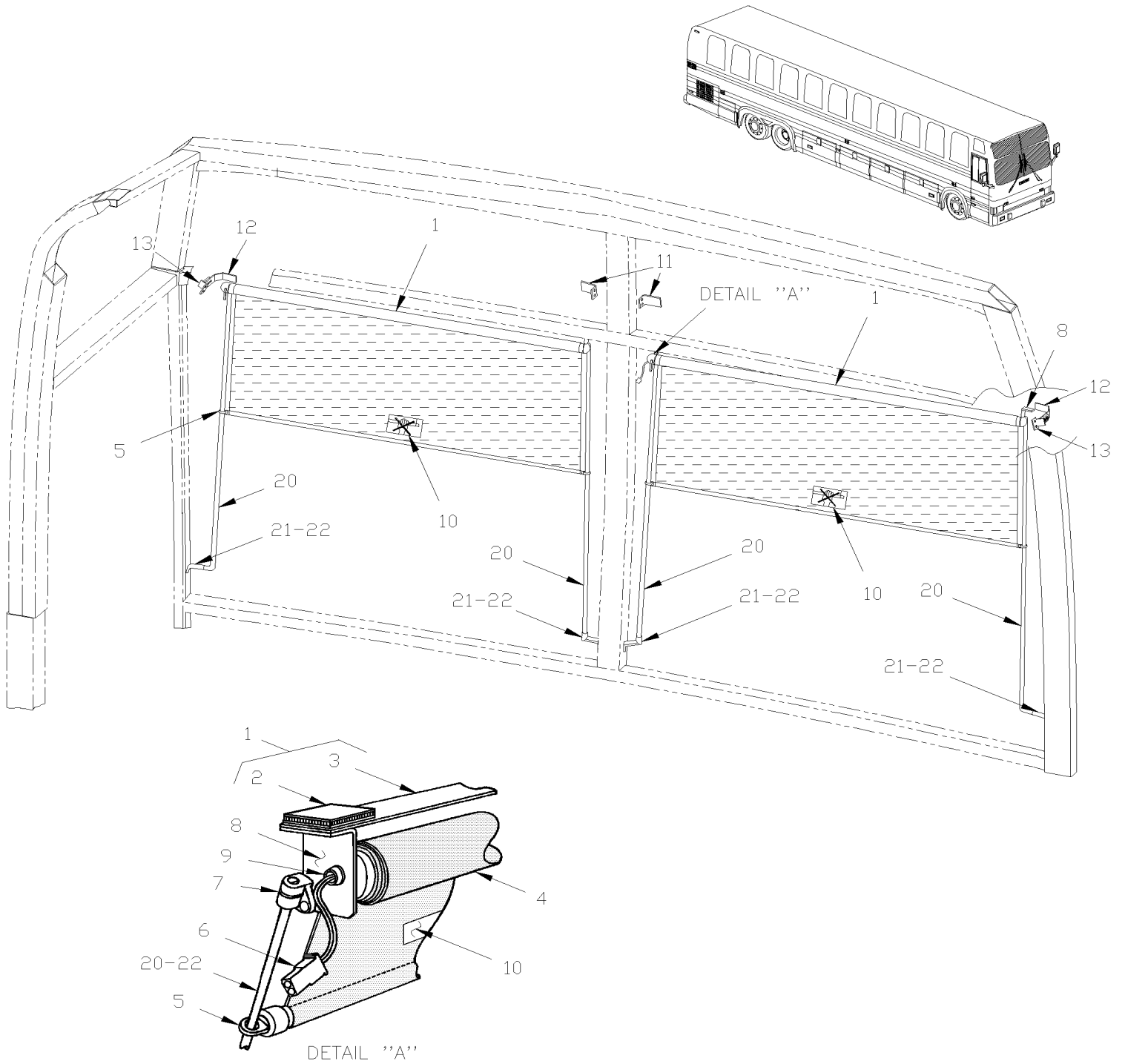
Item#	Part	Description	M T H 4 0	M T H 4 5	M T H 4 5 E	X L 4 0	X L 4 5	N O T E S
1	900596	BLIND ROLLER / CHARCOAL / 600MM	1	1	1	1	1	
NS	900597	. GUIDING PLUG / EACH END OF BLIND	2	2	2	2	2	
2	900486	BLIND ROLLER / CHARCOAL / 996MM	1	1	1	1	1	
NS	900597	. GUIDING PLUG / EACH END OF BLIND	2	2	2	2	2	
3	900478	BEARING HOLDER / R.H. / BLACK CASTING	1	1	1	1	1	
3	900477	BEARING HOLDER / L.H. W/LEVER / BLACK CASTING	1	1	1	1	1	
NS	500644	SCREW TP OV PH #6x1 ZP	4	4	4	4	4	
4	401901	ROD, 26" / BACKWARD	1	1	1	1	1	
5	401900	ROD, 23 3/4" X 3" / FORWARD	1	1	1	1	1	
5	404071	ROD, 13 1/8" X 3" / FORWARD W/BACK-UP MONITOR				1	1	
6	401899	ROD, 28 3/4" X 3 7/8" / L.H. STREET SIDE	1	1	1	1	1	
7	401898	ROD, 29"	1	1	1	1	1	
8	900476	ROD HOLDER 90° / BLACK PLASTIC 30MM C/L				4	4	
8	900476	ROD HOLDER 90° / BLACK PLASTIC 30MM C/L	AR	AR	AR			
NS	500495	SCREW TP PAN PH #6x1 Z050	4	4	4	4	4	
9	900482	CORD, W/BUTTON / BLACK 1700MM	1	1	1	1	1	
10	401897	ROD, 18 3/4" / STREET SIDE W/OUT DESTINATION	2	2	2	2	2	
11	401837	BRACKET ROLLER BLIND / CENTER POST				1	1	
11	401837	BRACKET ROLLER BLIND / CENTER POST	2	2	2			
11	404074	BRACKET ROLLER BLIND / CENTER POST From S-617				1	1	
11	404074	BRACKET ROLLER BLIND / CENTER POST From S-617	2	2	2			
12	401744	BRACKET, L.H. To S-616				1	1	
12	401744	BRACKET, L.H. To S-616	2	2	2			
13	402599	BRACKET ROLLER BLIND STREETSIDE To P-702	1	1	1	1	1	B
13	401835	BRACKET ROLLER BLIND CURBSIDE To P-702	1	1	1	1	1	B
13	401749	BRACKET ROLLER BLIND L.H. & R.H. From P-703	2	2	2	2	2	A
NS	500535	SCREW TP CAP HEX #14x3/4 Z050	2	2	2	2	2	
NS	500163	SCREW CAP HEX 1/4-20x3/4 G5 Z050	2	2	2	2	2	
NS	500473	WASHER LO SPT .262x.489x.062 Z050	2	2	2	2	2	
NS	500440	WASHER FL .250x.562x.065 Z050	2	2	2	2	2	
NS	500613	SCREW TP PAN PH #10x1/2 Z050	2	2	2	2	2	
13	500647	SCREW TC PAN PH #4-40x1/4 ZP	4	4	4	4	4	
14	404993	RELEASE LATCH L.H. / (GO-TRANSIT)				1		
		A) WELDED TO SIDE POST						
		B) FIXED TO STRUCTURE WITH SCREW						

From S-565 To Y-7045

Date:10/2022

PAGE:XL-1816-05

ROLLER BLIND - DRIVER'S & WINDSHIELD



From S-565 To Y-7045	Date:10/2022	PAGE:XL-1816-05
ROLLER BLIND - DRIVER' S & WINDSHIELD		

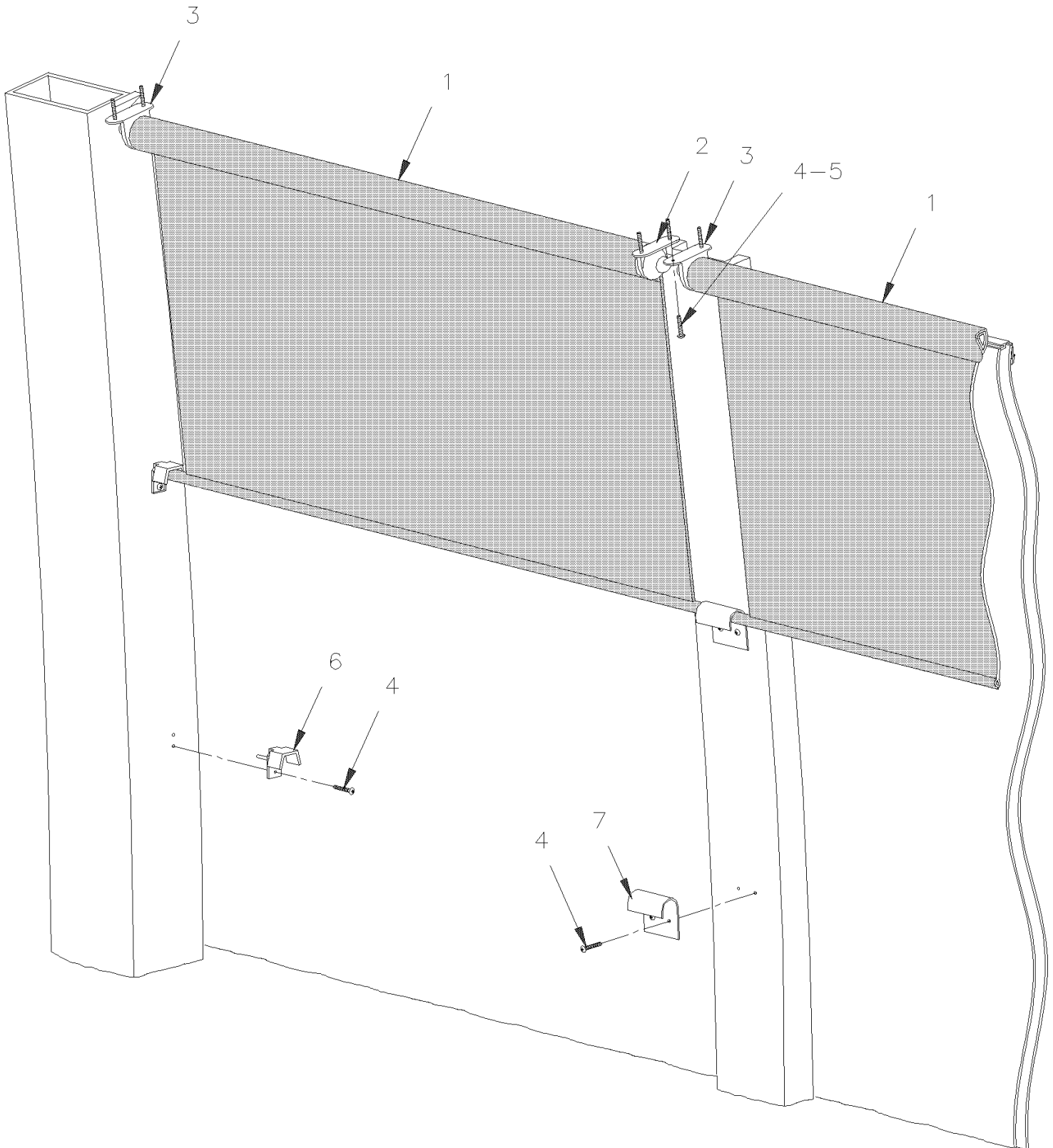
Item#	Part	Description	M T H 4 0	M T H 4 5	M T H 4 5 E	X L 4 0	X L 4 5	N O T E S
1	404080	ROLLER BLIND ASSY / ELECTRIC	1	1	1			
1	901121	ROLLER BLIND ASSY / ELECTRIC SERVICE	AR	AR	AR			
3	402948	. BRACKET	1	1	1			
4	900590	. ROLLER BLIND ELECTRIC	1	1	1			
5	900597	. . GUIDING PLUG / EACH END OF BLIND	1	1	1			
6	500898	. SCREW CAP HEX 7/16-14x1 3/4 G5 ZP	1	1	1			
6	560854	. SOCKET TERMINAL / 24-18 / AMP 60617-1	2	2	2			
7	900594	. BRACKET KIT ASSY R.H.						A
7	900554	. BRACKET KIT ASSY L.H.	1	1	1			C
7	504106	. RIVET POP DOME OE 1/8x1/4 AL	2	2	2			
7	901048	. KIT BRACKET L.H. & R.H. SERVICE	1	1	1			
8	402949	. BRACKET / L.H.	1	1	1			
8	402972	. BRACKET / R.H.	1	1	1			
8	504105	. RIVET POP DOME OE 1/8x3/16 AL	4	4	4			
9	507309	. BUSHING NYLINED .312x.375x.078x.500	1	1	1			
9	500437	. WASHER FL .125x.375x.040 Z050	2	2	2			
9	502564	. WASHER LO SPT 6.1x11.8x1.6 Z050	1	1	1			
10	402952	. DECAL	1	1	1			
11	401837	BRACKET ROLLER BLIND / CENTER POST	2	2	2			
12	404074	BRACKET ROLLER BLIND / CENTER POST	2	2	2			
13	401749	BRACKET ROLLER BLIND L.H. & R.H.	2	2	2			B
20	404075	ROD GUIDE / L.H.	1	1	1			
NS	401898	ROD, 29"	1	1	1			
NS	064111	CABLE ASSY / FRT JCT PANEL AND ROLLERBLIND	1	1	1			
20	064112	CABLE ASSY / FRT JCT PANEL AND RH CONSOLE	1	1	1			
21	900476	ROD HOLDER 90° / BLACK PLASTIC 30MM C/L	2	2	2			
22	500613	SCREW TP PAN PH #10x1/2 Z050	4	4	4			
100	405409	KIT, ELECTRIC ROLLER BLIND	1	1	1			
. NS	IS-01043	. SEE INSTRUCTION SHEET	1	1	1			
		A) INCLUDE ROD HOLDER, ADJUSTING NUT, LOCK WASHER & NUT SOLD ONLY ASSY						
		B) WELDED TO SIDE POST						
		C) INCLUDE ROD HOLDER						

From E-638 To Y-7045

Date:10/2022

PAGE:XL-1816-10

SUN SHADE - PASSENGER'S WINDOW



From E-638 To Y-7045	Date:10/2022	PAGE:XL-1816-10
SUN SHADE - PASSENGER'S WINDOW		

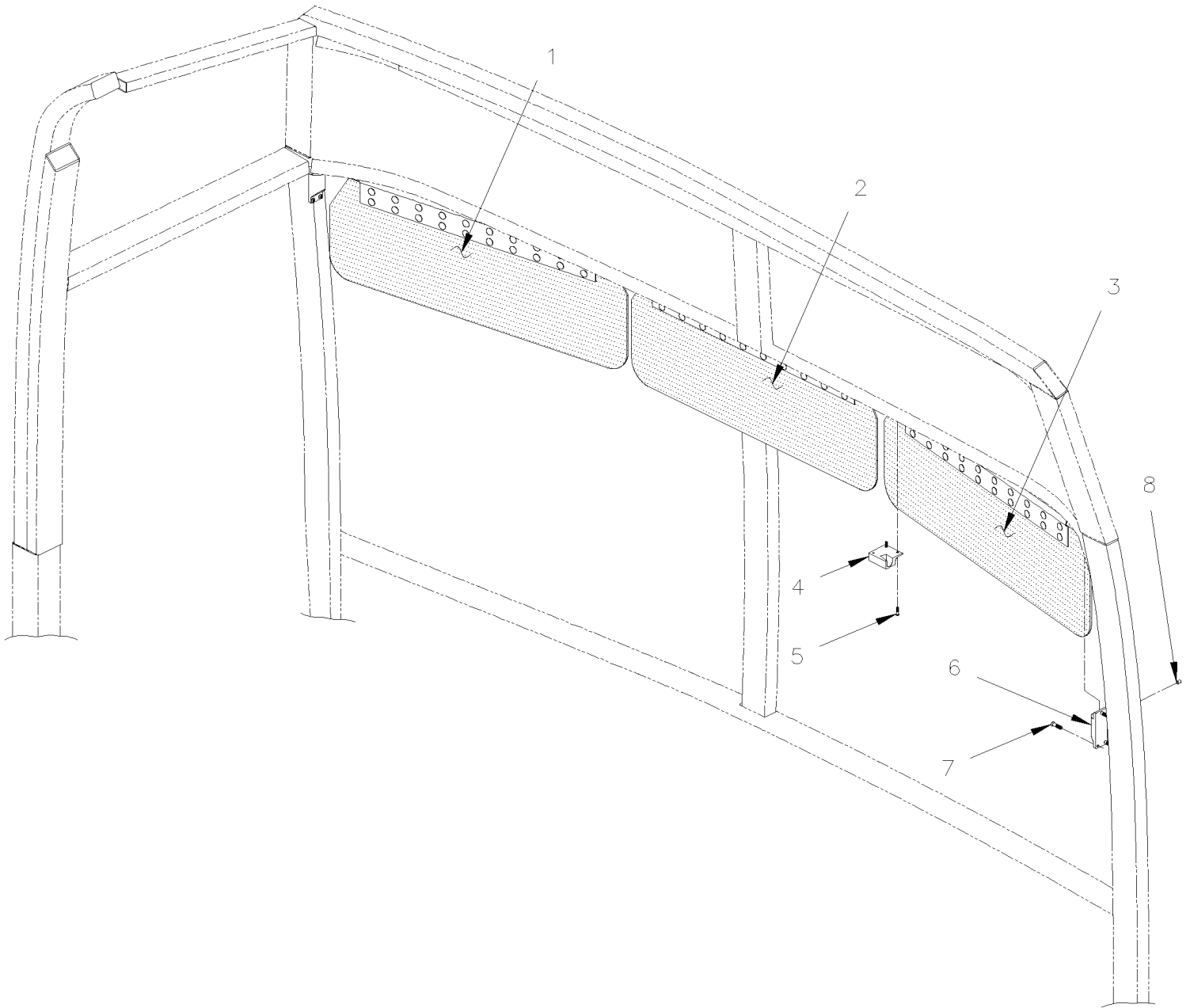
Item#	Part	Description	M T H 4 0	M T H 4 5	M T H 4 5 E	X L 4 0	X L 4 5	N O T E S
1	900543	SUN SHADE / 977MM WIDE				19		
1	900543	SUN SHADE / 977MM WIDE					21	
1	403482	SUN SHADE / 899MM ROD WIDE To N-981				1		A
2	900544	BRACKET, MALE / BLACK				19		
2	900544	BRACKET, MALE / BLACK					21	
3	900545	BRACKET, FEMALE / BLACK				19		
3	900545	BRACKET, FEMALE / BLACK					21	
4	500814	SCREW TP BDG PH #6x3/4 BK				166		
4	500814	SCREW TP BDG PH #6x3/4 BK					176	
5	403686	SPACER / BRACKET & BRACKET				AR	AR	
7	402592	HOOK To M-747				42		
7	403363	HOOK From M-748				42		
		A) USE ON FIRST R.H. WINDOW WITH VIDEO PREVOST						

From E-638 To Y-7045

Date:10/2022

PAGE:XL-1817-00

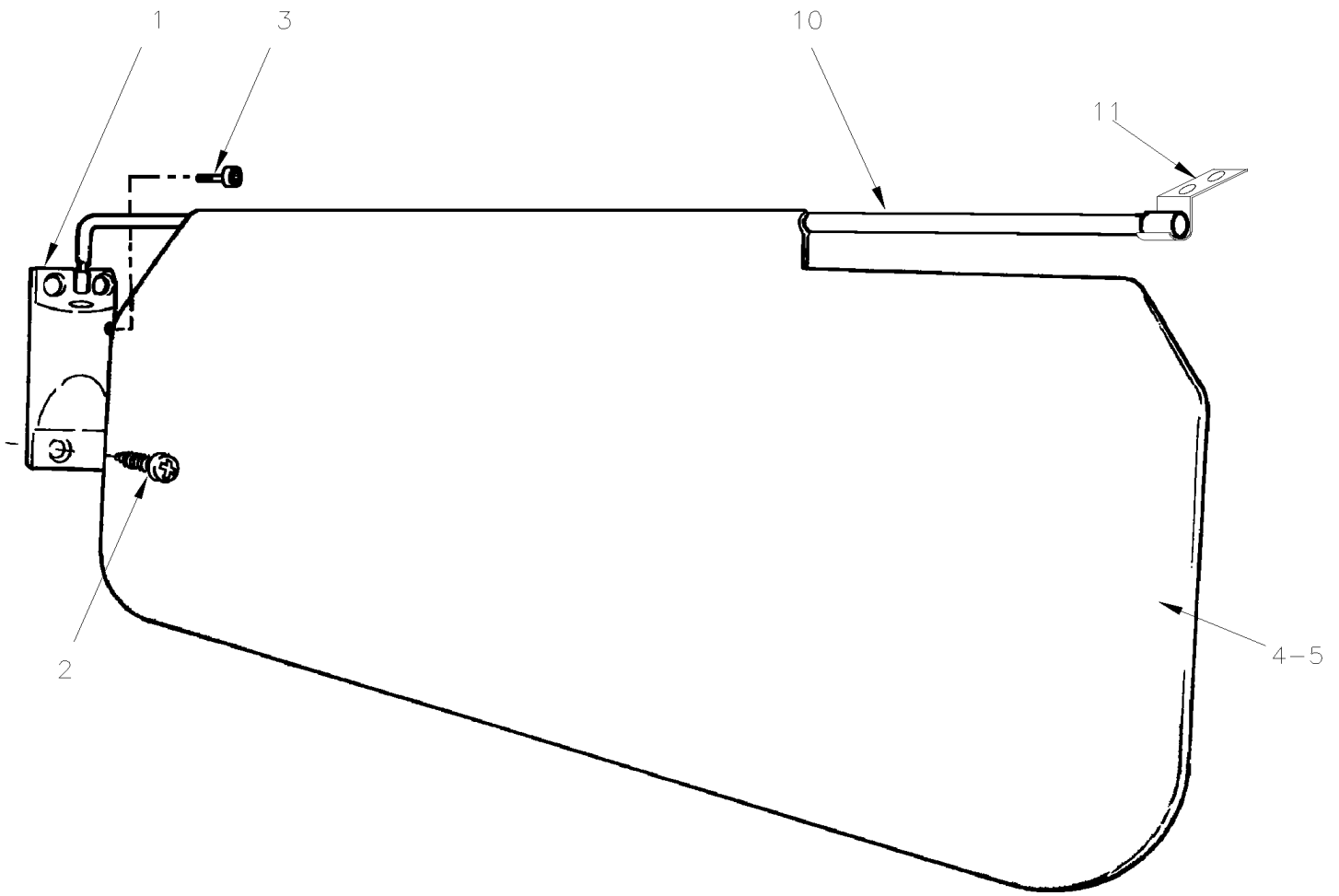
SUN VISOR - "LE MIRAGE"



From E-638 To Y-7045	Date:10/2022	PAGE:XL-1817-00
SUN VISOR - "LE MIRAGE"		

Item#	Part	Description	M T H 4 0	M T H 4 5	M T H 4 5 E	X L 4 0	X L 4 5	N O T E S
1	402350	SUN VISOR ASSY / L.H. W/COVERING 28 1/4" / (SPECIFY COLOR)	1	1	1			
1	401889	. SUN VISOR ASSY / L.H. W/O COVERING	1	1	1			
2	402348	SUN VISOR ASSY / CENTRAL W/COVERING 28 1/4" / (SPECIFY COLOR)	1	1	1			
2	401707	. SUN VISOR ASSY / CENTRAL W/O COVERING	1	1	1			
3	402346	SUN VISOR ASSY / R.H. W/COVERING 28 1/4" / (SPECIFY COLOR)	1	1	1			
3	401030	. SUN VISOR ASSY / R.H. W/O COVERING	1	1	1			
4	401586	ATTACHMENT, R.H. / CENTRAL SUN VISOR	1	1	1			
4	401585	ATTACHMENT, L.H. / CENTRAL SUN VISOR	1	1	1			
NS	401535	HOOK, RETAINING / L.H. SUN VISOR W/O CENTRAL & R.H. SUNVISOR	1	1	1			
5	500409	SCREW TP PAN PH #8x1/2 BK	4	4	4			
5	500263	SCREW TP PAN PH #8x3/8 BK	4	4	4			A
6	401465	ATTACHMENT, PIVOT L.H. & R.H. CHARCOAL	2	2	2			
7	500630	SCREW TP OV PH #10x1 Z050	6	6	6			
8	500303	SCREW SET HEXS CUP #10-24x3/16	1	1	1			
NS	560171	SLEEVE INSULATING	1	1	1			
NS	505173	SPRING, PIN 1/8 X 3/4	2	2	2			
		A) TO FIX ATTACHMENT						

From E-638 To J-429	Date:10/2022	PAGE:XL-1817-05
SUN VISOR - "PREVOST XL"		

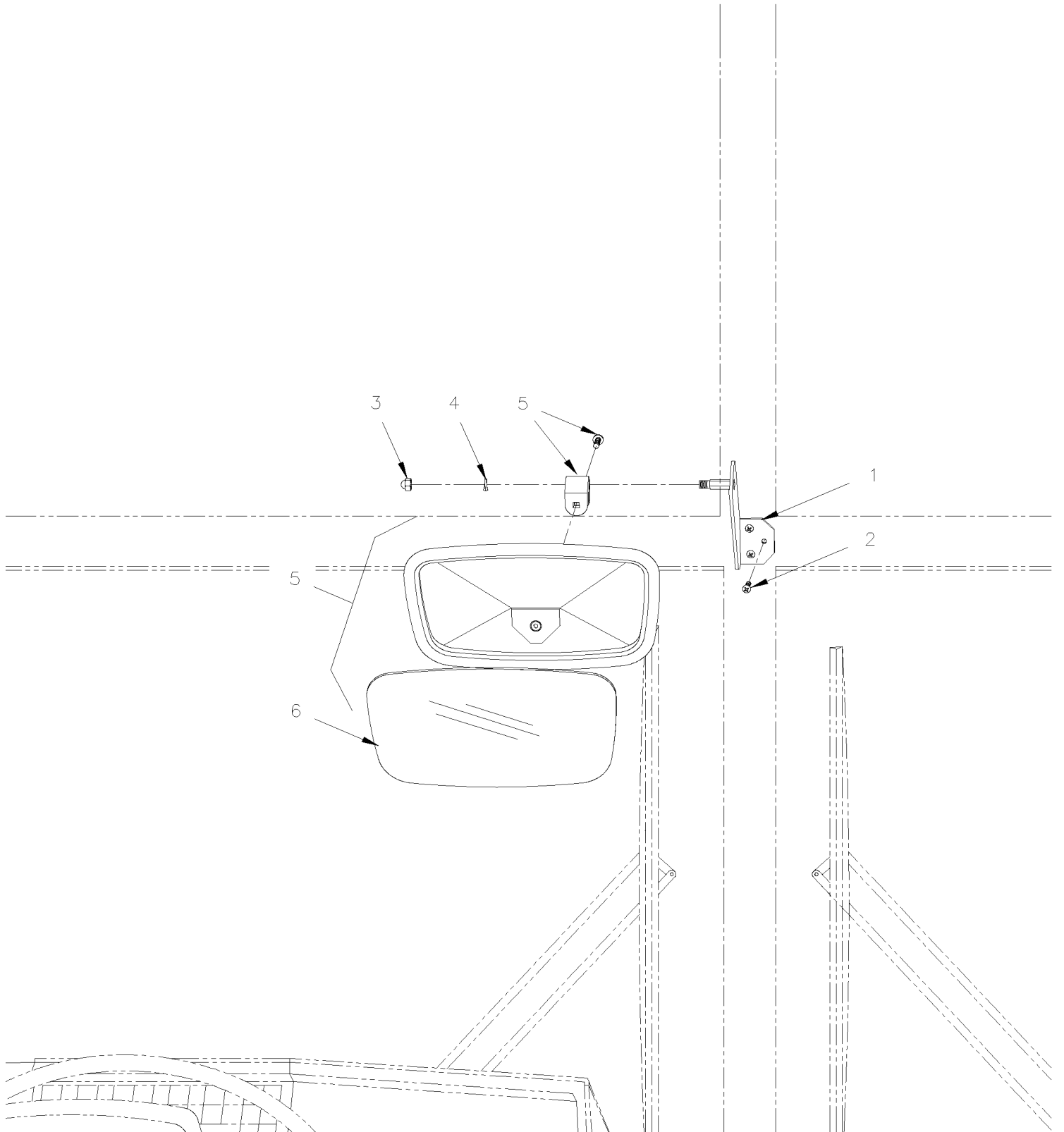


From E-638 To Y-7045

Date:10/2022

PAGE:XL-1820-00

MIRROR - INTERIOR

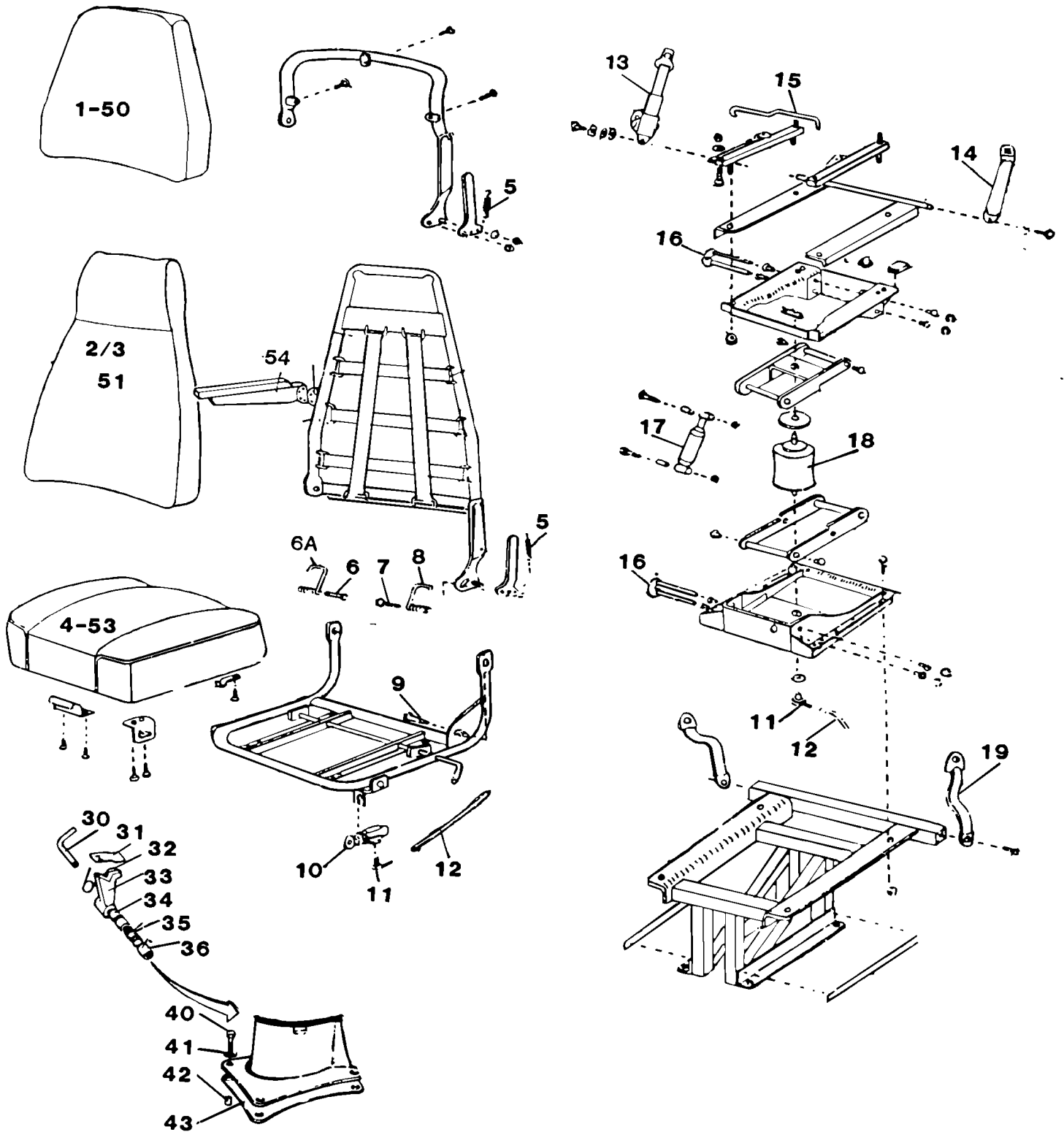


From E-638 To P-721

Date:10/2022

PAGE:XL-1821-00

DRIVER'S SEAT "NATIONAL SEATING"



From E-638 To P-721	Date:10/2022	PAGE:XL-1821-00
DRIVER'S SEAT "NATIONAL SEATING"		

Item#	Part	Description	M T H 4 0	M T H 4 5	M T H 4 5 E	X L 4 0	X L 4 5	N O T E S
	860138	SEAT ASSY / LOW BACK & AIR SUSPENSION	1			1		
	860297	SEAT ASSY / HIGH BACK & AIR SUSPENSION	1			1		
	860298	SEAT ASSY / HIGH BACK	1			1		
	860219	SEAT ASSY / LOW BACK	1			1		
1	860276	. BACK REST ASSY / LOW BACK	1			1		
2	N.P.N.	. BACK REST ASSY / HIGH BACK	1			1		4
3	860240	. . FOAM BACK REST / HIGH BACK	1			1		
4	860282	. CUSHION / W/AIR SUSPENSION	1			1		
4	860284	. CUSHION / W/O AIR SUSPENSION	1			1		
5	860290	. SPRING	1			1		
6	860286	. PIN, PIVOT	2			2		A
6	860821	. SPRING, TORSION / R.H. /	1			1		
7	860291	. PIN, PIVOT	1			1		A
7	860291	. PIN, PIVOT	2			2		B
8	860285	. SPRING, TORSION / .559 I.D. x .736 x .146	1			1		
9	860287	. PIN, LOCK	1			1		
10	630074	. VALVE ASSY / WM-397-G	1			1		
11	N.P.N.	. FITTING / W/AIR SUSPENSION	2			2		4
12	300292	. HOSE #2 54"	1			1		
13	860555	. STIFF BUCKLE	1			1		
14	860607	. STIFF BUCKLE IN BOOT	1			1		
15	860288	. TIE ROD	1			1		
16	860275	. SHAFT ASSY	1			1		
17	860289	. SHOCK ABSORBER	1			1		
18	860283	. BELLOW	1			1		
19	860553	. BELT TETHER / BODY & SUSPENSION / (SET OF 2)	2			2		
30	860268	. PIN PAWL RELEASE	1			1		
31	860270	. PAWL SPRING	1			1		
32	860273	. SPRING	1			1		
33	860269	. PAWL	1			1		
34	860271	. BUSHING OILITE	2			2		
35	860267	. SPRING	1			1		
36	860272	. SPACER	1			1		
NS	860652	. KIT REPAIR, SHAFT & BUSHING / W/AIR SUSPENSION	1			1		
NS	860651	. KIT REPAIR, SHAFT & BUSHING / W/AIR SUSPENSION	1			1		
NS	860648	. KIT REPAIR PAWL LATCH	1			1		
40	500053	SCREW CAP HEX 1/2-20x2 1/2 SS EMN	4			4		
41	500958	WASHER FL .531x1.062x.095 SS	4			4		
42	361633	SPACER 7/8" / STRUCTURE & BASSE	4			4		
42	Call order desk	SPACER / W/O AIR SUSPENSION	4			4		P
50	361451	COVERING BACKREST ASSY / S.C.C. / TISSUS & LE / DRIVER'S "NATIONAL"	1			1		
50	361452	COVERING BACKREST ASSY / S.C.C. / TISSUS / DRIVER'S "NATIONAL"	1			1		

From E-638 To P-721	Date:10/2022	PAGE:XL-1821-00
DRIVER'S SEAT "NATIONAL SEATING"		

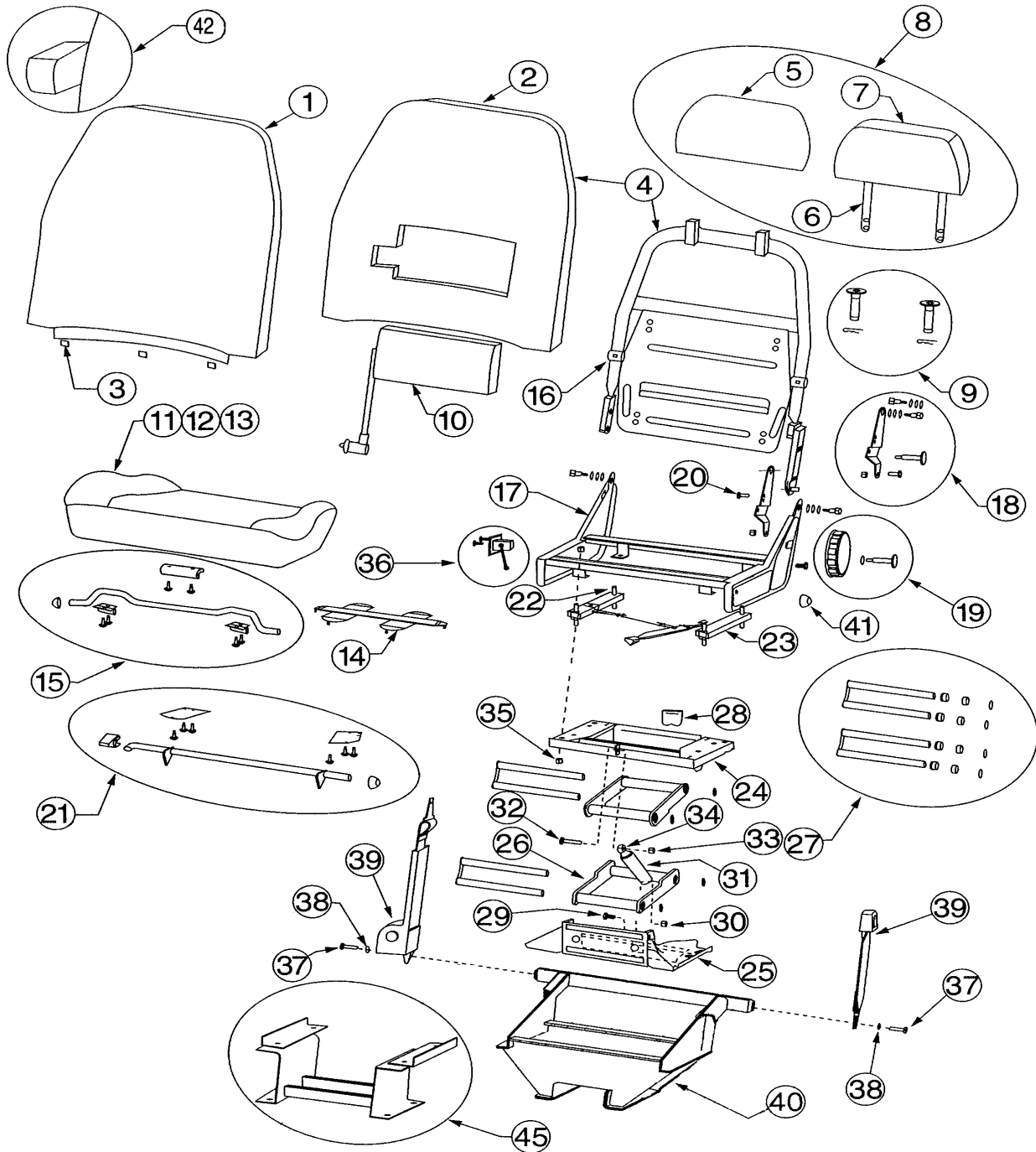
Item#	Part	Description	M T H 4 0	M T H 4 5	M T H 4 5 E	X L 4 0	X L 4 5	N O T E S
50	361462	COVERING BACKREST ASSY / S.C.C. / LEATHER / DRIVER'S "NATIONAL"	1			1		
51	361453	COVERING BACKREST ASSY / S.C.C. / LEATHER / DRIVER'S "NATIONAL"	1			1		
51	361454	COVERING BACKREST ASSY / S.C.C. / TISSUS & LE / DRIVER'S "NATIONAL"	1			1		
51	361455	COVERING BACKREST ASSY / S.C.C. / TISSUS / DRIVER'S "NATIONAL"	1			1		
53	361450	COVERING SEATREST ASSY / S.C.C. / LEATHER / DRIVER'S "NATIONAL"	1			1		
53	361463	COVERING SEATREST ASSY / S.C.C. / TISSUS & LE / DRIVER'S "NATIONAL"	1			1		
53	361464	COVERING SEATREST ASSY / S.C.C. / TISSUS / DRIVER'S "NATIONAL"	1			1		
54	860352	ARMREST R.H. / "NATIONAL" FIX	1			1		
54	860353	ARMREST L.H. / "NATIONAL" FIX	1			1		
54	860440	ARMREST L.H. ADJUSTABLE	1			1		
54	860442	ARMREST R.H. ADJUSTABLE	1			1		
55	361799	ADAPTOR / W/"ISRI" ADJUSTABLE	1			1		
55	361208	ADAPTOR / W/"NATIONAL" FIX	1			1		
		A) LOW BACK ONLY						
		B) HIGH BACK ONLY						
		4) NO PARTS NUMBER						
		P) CALL ORDER DESK FOR SPECIFIC APPLICATION (V.I.N.)						

From X-6900 To Y-7045

Date:10/2022

PAGE:XL-1821-01

DRIVER'S SEAT "NATIONAL SEATING" - MODEL 93B

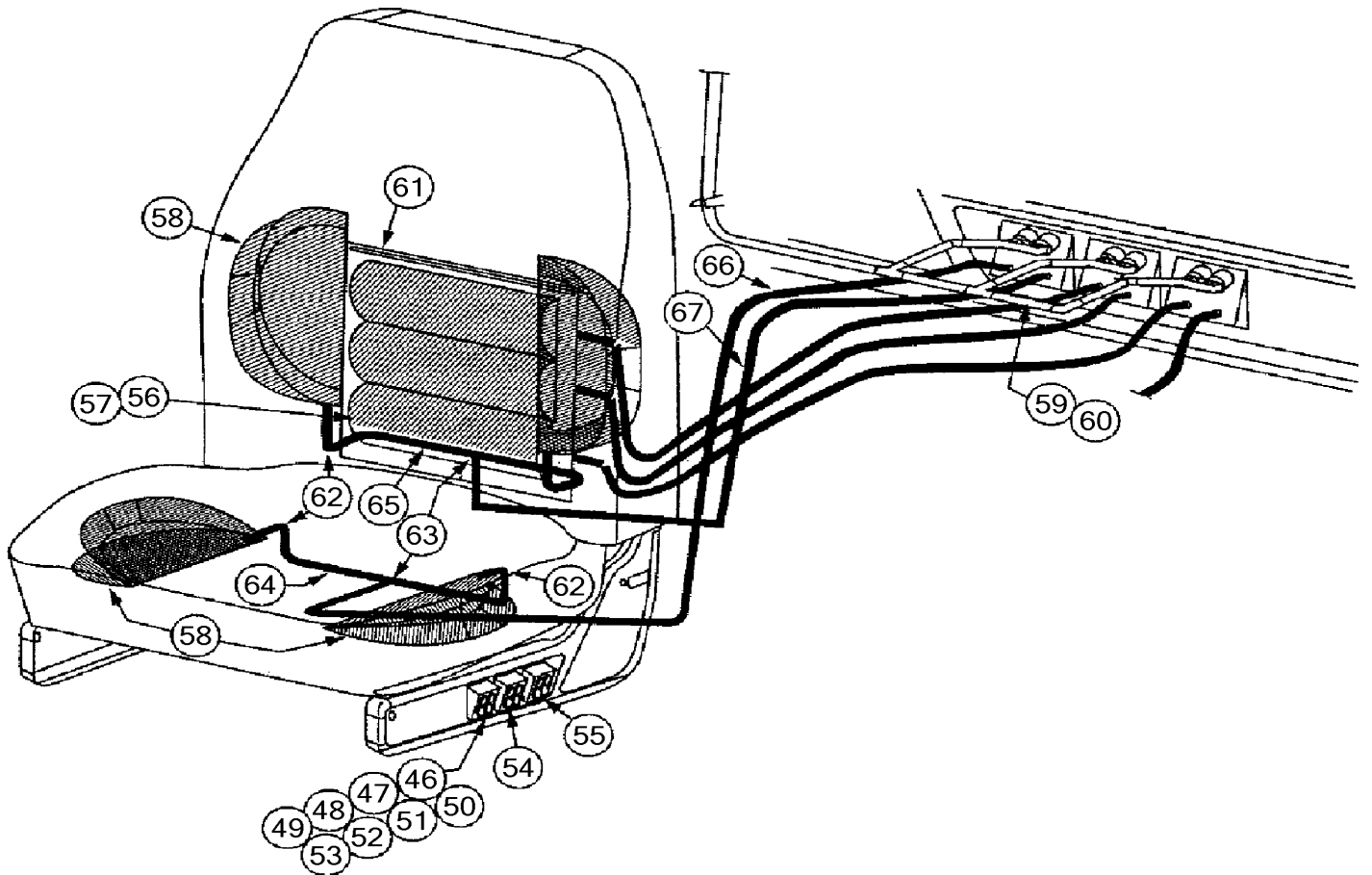


From X-6900 To Y-7045

Date:10/2022

PAGE:XL-1821-01

DRIVER'S SEAT "NATIONAL SEATING" - MODEL 93B



From X-6900 To Y-7045	Date:10/2022	PAGE:XL-1821-01
DRIVER'S SEAT "NATIONAL SEATING" - MODEL 93B		

Item#	Part	Description	M T H 4 0	M T H 4 5	M T H 4 5 E	X L 4 0	X L 4 5	N O T E S
	861503	DRIVER'S SEAT - "NATIONAL" - MODEL 93B To X-6994				1	1	
	861516	DRIVER'S SEAT - "NATIONAL" - MODEL 93B From X-6995				1	1	
1	Call order desk	BACK COVER / 20"				1	1	P
2	Call order desk	BACK POLY / 20" STANDARD				1	1	P
3	Call order desk	"U" CLIP				3	3	P
4	Call order desk	BACK ASSY / 20"				1	1	P
5	Call order desk	HEADREST COVER				1	1	P
6	Call order desk	FIXED HEADREST FRAME ASSY				1	1	P
7	Call order desk	HEADREST POLY				1	1	P
8	Call order desk	HEADREST ASSY				1	1	P
9	Call order desk	BUSHING KIT				1	1	P
10	192188	PASSIVE AIR LUMBAR BAG				1	1	
11	Call order desk	CUSHION COVER / 20"				1	1	P
12	Call order desk	CUSHION POLY / 20" STANDARD				1	1	P
13	Call order desk	CUSHION ASSY / 20"				1	1	P
14	Call order desk	WEBBING				3	3	P
15	Call order desk	FRONT CUSHION ADJUSTER				1	1	P
16	Call order desk	BACK FRAME ASSY				1	1	P
17	Call order desk	LOWER FRAME ASSY				1	1	P
18	Call order desk	KIT BRACKET BACK TO LOWER FRAME				1	1	P
19	Call order desk	KNOB KIT - BACK INCLINE				1	1	P
20	Call order desk	RECLINE LIMIT BOLT				1	1	P
21	Call order desk	REAR CUSHION ADJUSTER				1	1	P
22	Call order desk	TRACK STUD				4	4	P
23	Call order desk	TRACK KIT				1	1	P
24	Call order desk	UPPER BASE ASSY				1	1	P
25	Call order desk	LOWER BASE ASSY				1	1	P
26	860103	UPPER ARM ASSY W/BUSHINGS - 96 BASE MODEL				2	2	
27	860652	KIT REPAIR, SHAFT & BUSHING / W/AIR SUSPENSION				1	1	
28	Call order desk	BUMPER				1	1	P
29	500190	SCREW CAP HEX 3/8-16x3/4 G5 Z050				1	1	
30	500265	NUT HEX STO 3/8-16 Z050				1	1	
31	865353	BLOCK-O-LIFT				1	1	
32	500183	SCREW CAP HEX 5/16-18x1 1/2 G5 PT Z050				1	1	
33	500685	NUT HEX NYRT 5/16-18 SS				1	1	
34	Call order desk	RELEASE MECHANISM				1	1	P
35	Call order desk	NUT, TRACK ATTACHMENT				8	8	P
36	19508592	CABLE ASSY				1	1	
37	500067	SCREW CAP HEX 7/16-20x1 G5 Z050				1	1	
38	Call order desk	WASHER 1/2				2	2	P
39	19503838	RETRACTOR & BUCKLE				1	1	
40	Call order desk	RISER ASSY - "D" COACH	1	1	1	1	1	P

From X-6900 To Y-7045	Date:10/2022	PAGE:XL-1821-01
DRIVER'S SEAT "NATIONAL SEATING" - MODEL 93B		

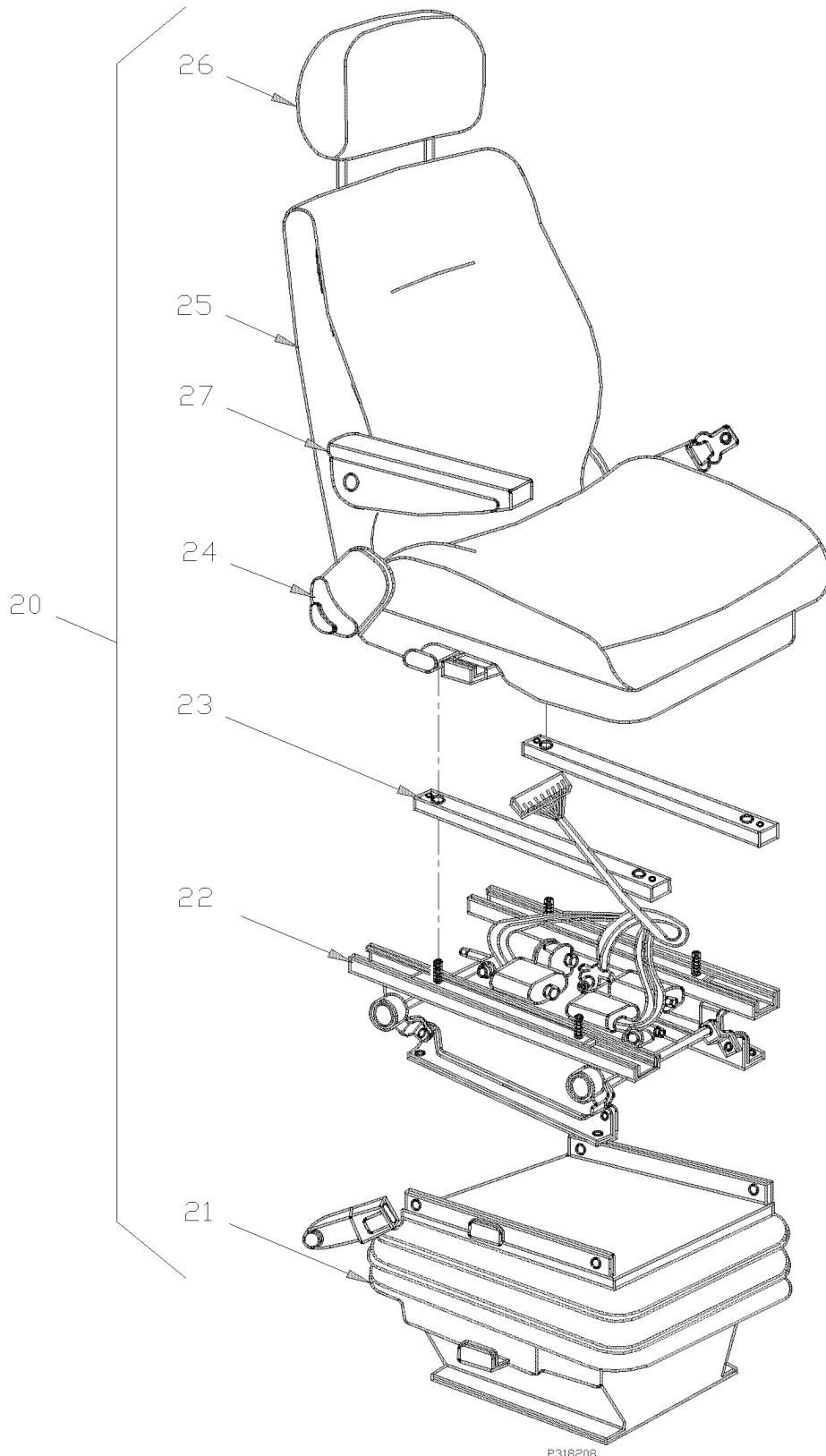
Item#	Part	Description	M T H 4 0	M T H 4 5	M T H 4 5 E	X L 4 0	X L 4 5	N O T E S
41	Call order desk	CAP,CUSHION ADJUSTER ROD				2	2	P
42	Call order desk	ARMREST ASSY / L.H.				1	1	P
42	Call order desk	ARMREST ASSY / R.H.				1	1	P
45	Call order desk	RISER ASSY				1	1	P
46	Call order desk	VALVE HI/LO F/SINGLE CHAMBER				1	1	P
47	Call order desk	VALVE HI/LO F/TRIPLE CHAMBER				1	1	P
48	Call order desk	VALVE HI/LO F/BOLSTERS				1	1	P
49	Call order desk	VALVE BLANK/LO F/SINGLE CHAMBER				1	1	P
50	Call order desk	VALVE BLANK/LO F/TRIPLE CHAMBER				1	1	P
51	Call order desk	VALVE BLANK/LO F/BOLSTERS				1	1	P
52	Call order desk	VALVE HI/BLANK F/BASE				1	1	P
53	Call order desk	VALVE LO/LO F/SINGLE CHAMBER				1	1	P
54	Call order desk	VALVE LO/LO F/TRIPLE CHAMBER				1	1	P
55	Call order desk	VALVE LO/LO F/BOLSTERS				1	1	P
56	865265	SINGLE CHAMBER LUMBAR BAG				1	1	
57	865266	TRIPLE CHAMBER LUMBAR BAG				1	1	
58	Call order desk	AIR BOLSTER				1	1	P
59	Call order desk	MANIFOLD ASSY TRIPLE CHAMBER				1	1	P
60	Call order desk	MANIFOLD ASSY TRIPLE CHAMBER & BOLSTERS				1	1	P
61	Call order desk	WIRE LUMBAR BAG				1	1	P
62	Call order desk	ELBOW,PLASTICFITTING				1	1	P
63	Call order desk	FITTING 1/8"				1	1	P
64	Call order desk	CLEAR TUBING / 4.5"				1	1	P
65	Call order desk	GREEN TUBING / 4.5"				1	1	P
66	Call order desk	TUBING, CLEAR, 2.83FEET				1	1	P
67	Call order desk	TUBING, GREEN, 2.67FEET				1	1	P
		P) CALL ORDER DESK FOR SPECIFIC APPLICATION (V.I.N.)						

From E-638 To Y-7045

Date:10/2022

PAGE:XL-1822-00

DRIVER'S SEAT ASSY - "ISRI"

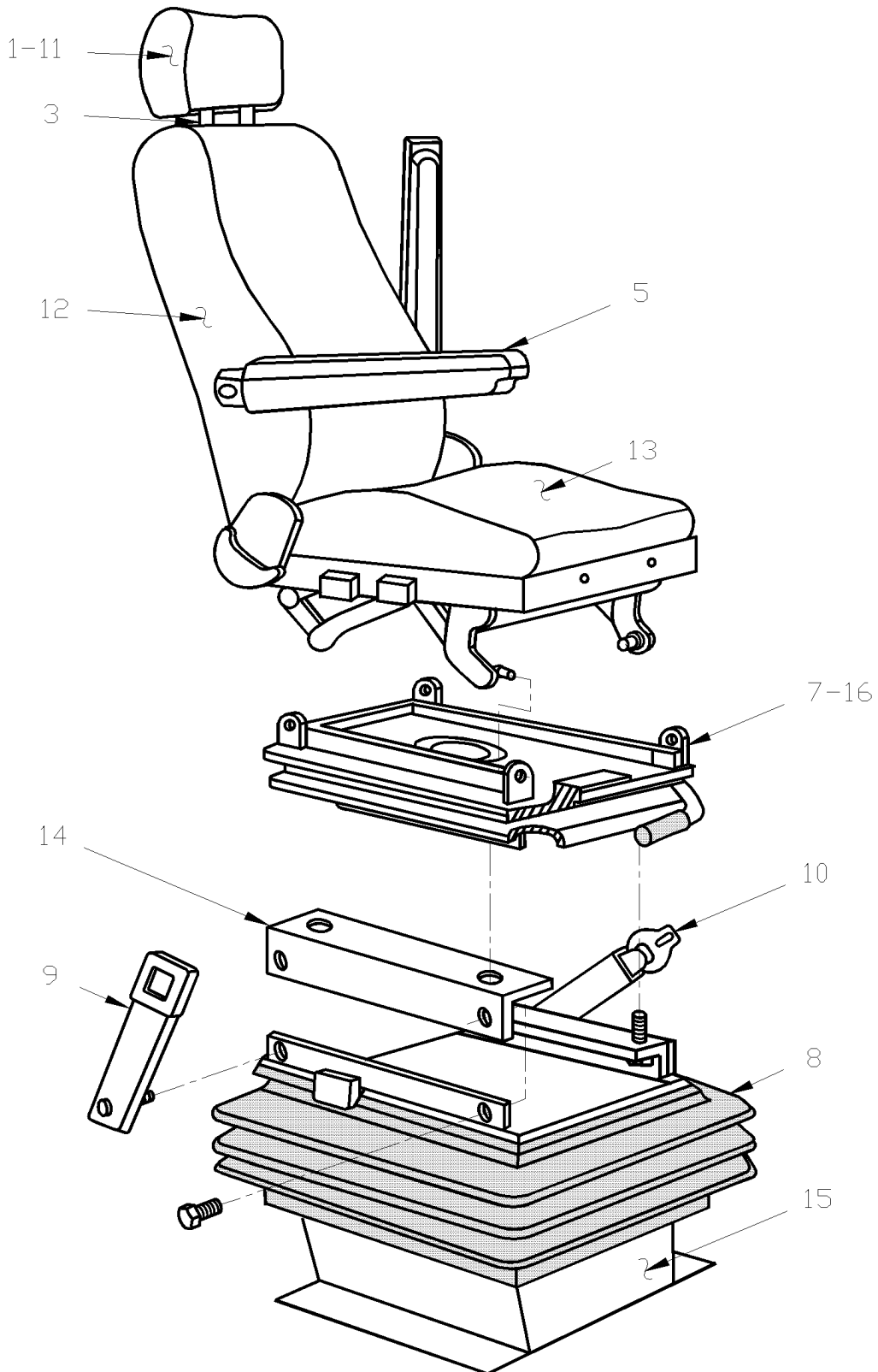


From E-638 To Y-7045

Date:10/2022

PAGE:XL-1822-00

DRIVER'S SEAT ASSY - "ISRI"



From E-638 To Y-7045	Date:10/2022	PAGE:XL-1822-00
----------------------	--------------	-----------------

DRIVER'S SEAT ASSY - "ISRI"

Item#	Part	Description	M T H 4 0	M T H 4 5	M T H 4 5 E	X L 4 0	X L 4 5	N O T E S
	362833	SEAT ASSY MECHANIC / R.H. CONTROL W/COVERING				1		DA
NS	860433	. DRIVER'S SEAT - "ISRI" - MODEL 6000/515 / MECHANIC / R.H. CONTROL				1	1	D
	860543	DRIVER'S SEAT - "ISRI" - MODEL 6000/515 / MECHANIC / L.H. CONTROL To S-537	1	1	1			D
	362834	SEAT ASSY MECHANIC / R.H. CONTROL & AIR LUMBAR W/COVERING				1	1	DA
NS	860449	. DRIVER'S SEAT - "ISRI" - MODEL 6000/515 / MECHANIC / R.H. CONTROL & AIR LUMBAR To S-594				1	1	D
	860852	. DRIVER'S SEAT - "ISRI" - MODEL 6000/515 / MECHANIC / R.H. CONTROL & AIR LUMBAR From S-595				1	1	D
	860544	DRIVER'S SEAT - "ISRI" - MODEL 6000/515 / MECHANIC / L.H. CONTROL & AIR LUMBAR To S-594	1	1	1			D
	860810	DRIVER'S SEAT - "ISRI" - MODEL 6000/515 / AIR SUSPENSION / R.H. CONTROL From R-912 To R-912				1		EH
	362836	SEAT ASSY AIR SUSPENSION / R.H. CONTROL W/COVERING				1		EA
	860432	. DRIVER'S SEAT - "ISRI" - MODEL 6000/515 / AIR SUSPENSION / R.H. CONTROL To S-537	1	1	1	1		E
	860545	DRIVER'S SEAT - "ISRI" - MODEL 6000/515 / AIR SUSPENSION / L.H. CONTROL To S-537	1	1	1			E
	362835	SEAT ASSY AIR SUSPENSION / R.H. CONTROL LUMBAR SUPPORTS W/COVERING				1		EA
	860450	. DRIVER'S SEAT - "ISRI" - MODEL 6000/515 / AIR SUSPENSION / R.H. CONTROL LUMBAR SUPPORTS To S-537	1	1	1	1		E
	860546	DRIVER'S SEAT - "ISRI" - MODEL 6000/515 / AIR SUSPENSION / L.H. CONTROL LUMBAR SUPPORTS To S-547	1	1	1			E
	860729	DRIVER'S SEAT - "ISRI" - MODEL 6801/517 / W/O UPHOLSTERY To S-537	1			1		F
NS	860853	DRIVER'S SEAT - "ISRI" - MODEL 6801/517 / W/O UPHOLSTERY From S-538 To T-5810				1	1	F
NS	860854	DRIVER'S SEAT - "ISRI" - MODEL 6801/517 / W/BLACK UPHOLSTERY From S-548 To T-5784	1	1	1			F
NS	860912	DRIVER'S SEAT - "ISRI" - MODEL 6801/525 / W/O UPHOLSTERY From T-5811				1	1	G
	860913	DRIVER'S SEAT - "ISRI" - MODEL 6801/525 / W/BLACK UPHOLSTERY From T-5785	1	1	1			G
1	XL-1822-10	. DRIVER'S SEAT - "ISRI" - 6000/515 & 6500/515						
1	XL-1822-20	. DRIVER'S SEAT - "ISRI" - 6801/517 & 6801/525						
3	XL-1822-10	. DRIVER'S SEAT - "ISRI" - 6000/515 & 6500/515						
3	XL-1822-20	. DRIVER'S SEAT - "ISRI" - 6801/517 & 6801/525						
5	XL-1822-10	. DRIVER'S SEAT - "ISRI" - 6000/515 & 6500/515						
5	XL-1822-20	. DRIVER'S SEAT - "ISRI" - 6801/517 & 6801/525						
7	XL-1822-10	. DRIVER'S SEAT - "ISRI" - 6000/515 & 6500/515						
8	XL-1822-10	. DRIVER'S SEAT - "ISRI" - 6000/515 & 6500/515						
8	XL-1822-20	DRIVER'S SEAT - "ISRI" - 6801/517 & 6801/525						
NS	362188	. KIT BELT	1	1	1	1	1	
NS	860553	. . BELT TETHER / BODY & SUSPENSION / (SET OF 2)	2	2	2	2	2	
9	860607	. . STIFF BUCKLE IN BOOT	1	1	1	1	1	
NS	861115	. . . SLEEVE COVERING	1	1	1	1	1	
10	860977	. . BELT SEAT	1	1	1	1	1	
NS	362283	. BAR ICP / W/SEAT MODEL 6000/515 & 6500/515				1	1	
NS	363104	. BAR ICP / W/SEAT MODEL 6500/ELECTRIC	1	1	1			
NS	363204	. BAR ICP / W/SEAT MODEL 6801/517 To S-624	1	1	1	1	1	
NS	363478	. BAR ICP / W/SEAT MODEL 6801/517 From S-625	1	1	1			
NS	363508	. BAR ICP / W/SEAT MODEL 6801/525 From T-5785	1	1	1			
NS	363275	. BAR ICP / W/SEAT MODEL 6801 / CURBSIDE	1	1	1			
NS	361677	. JOINT / W/AIR SUSPENSION / W/2 HOLES .344 O / 3 1/8" x W/2" C/C				2	2	
11	XL-1822-10	. DRIVER'S SEAT - "ISRI" - 6000/515 & 6500/515						
11	XL-1822-20	. DRIVER'S SEAT - "ISRI" - 6801/517 & 6801/525						

From E-638 To Y-7045	Date:10/2022	PAGE:XL-1822-00
----------------------	--------------	-----------------

DRIVER'S SEAT ASSY - "ISRI"

Item#	Part	Description	M T H 4 0	M T H 4 5	M T H 4 5 E	X L 4 0	X L 4 5	N O T E S
12	XL-1822-10	. DRIVER'S SEAT - "ISRI" - 6000/515 & 6500/515						
12	XL-1822-20	. DRIVER'S SEAT - "ISRI" - 6801/517 & 6801/525						
13	XL-1822-10	. DRIVER'S SEAT - "ISRI" - 6000/515 & 6500/515						
13	XL-1822-20	. DRIVER'S SEAT - "ISRI" - 6801/517 & 6801/525						
14	361830	ADAPTOR R.H. / FOR SWIVEL BASE / W/MODEL 6000 & 6500 ONLY	1	1	1			
NS	361832	ADAPTOR L.H. / FOR SWIVEL BASE / W/MODEL 6000 & 6500 ONLY	1	1	1			
15	361800	BASE DRIVER'S SEAT / W "ISRI" / 76.2MM HEIGHT / 3"	1	1	1	1	1	
NS	361710	BASE DRIVER'S SEAT / W "ISRI" / 101.6MM HEIGHT / 4"	AR	AR	AR	AR		
NS	361617	BASE DRIVER'S SEAT / W "ISRI" / 127MM HEIGHT / 5"	AR	AR	AR	AR		
NS	361996	BASE DRIVER'S SEAT / 50.8MM HEIGHT / 2" / 50.8MM HEIGHT / 2"	1	1	1			C
NS	363125	BASE DRIVER'S SEAT / W "ISRI" MODEL 6801 / 76.2MM HEIGHT / 3"	1	1	1	1	1	
NS	362909	BASE DRIVER'S SEAT / W "ISRI" "ELECTRIC / 57.1MM HEIGHT / 2 1/4" To S-466	1	1	1			
NS	363422	BASE DRIVER'S SEAT / W "ISRI" "ELECTRIC / 25.4MM HEIGHT / 1" From S-467	1	1	1			
NS	362056	ANCHOR PLATE ASSY USE W/CURBSIDE SEAT 7/16-14x1" / 32MMx89MM	6	6	6			
NS	361633	SPACER 7/8" / STRUCTURE & BASSE	4	4	4	4	4	
NS	362549	SPACER / STRUCTURE & BASE / 27MM	4	4	4	4	4	
NS	362550	SPACER 1 5/32" / STRUCTURE & BASE	4	4	4	4	4	
16	860491	SWIVEL BASE / W/MODEL 6000 & 6500 ONLY	1	1	1			
20	860807	DRIVER'S SEAT - "ISRI" - MODEL 6000/515 / ELECTRIC / AIR SUSPENSION / R.H CONTROL & LUMBAR SUPPORTS To S-490	1	1	1			E
20	860656	DRIVER'S SEAT - "ISRI" - MODEL 6000/515 / ELECTRIC W/MEMORY / AIR SUSPENSION / R.H. CONTROL & LUMBAR SUPPOR To S-560	1	1	1			E
NS	860855	DRIVER'S SEAT - "ISRI" - MODEL 6000/525 / ELECTRIC / AIR SUSPENSION / R.H. From S-491	1	1	1			J
NS	860856	DRIVER'S SEAT - "ISRI" - MODEL 6000/525 / ELECTRIC W/MEMORY / AIR SUSPENSION / R.H. CONTROL& LUMBAR SUPPORT From S-561	1	1	1			J
21	XL-1822-10	. DRIVER'S SEAT - "ISRI" - 6000/515 & 6500/515						
22	860728	. BASE ELECTRICAL ASSY	1	1	1			
23	860727	. TUBE ADAPTOR	2	2	2			
24	861081	. FRAME ASSY SEAT / W/O MEMORY ELECTRICAL SEAT	1	1	1			
NS	861082	. FRAME ASSY SEAT / W/MEMORY ELECTRICAL SEAT	1	1	1			
25	XL-1822-10	. DRIVER'S SEAT - "ISRI" - 6000/515 & 6500/515						
26	XL-1822-10	. DRIVER'S SEAT - "ISRI" - 6000/515 & 6500/515						
27	XL-1822-10	. DRIVER'S SEAT - "ISRI" - 6000/515 & 6500/515						
NS	061802	HARNESS ASSY, FOR HEATED SEAT / R.H. SEAT & DRIVER'S SEAT	1	1	1			
NS	061765	HARNESS ASSY / HEATED DRIVER'S SEAT	1	1	1	1	1	
NS	063134	HARNESS ASSY / FRT JCT BOX & CLUSTER	1	1	1			
NS	641507	UNION / PUSH-IN FITTING / #4 x 6MM NP	1	1	1	1	1	
NS	641092	UNION TEE / NTA FITTING / #4x#4x#4 BR	1	1	1	1	1	
		A) THOSE SEATS ARE COMPLETE ASSY W/COVERING, ARMREST, HEADREST HEATING PAD & SAFETY BELT(SPECIFY COLOR)						
		C) W/SEAT FIXED ON R.H. SIDE OF MTH.						
		D) THIS SEATS IS MODEL 6000/515 SEE PAGE XL-1822-10 FOR SERVICE PARTS						

From E-638 To Y-7045	Date:10/2022	PAGE:XL-1822-00
DRIVER'S SEAT ASSY - "ISRI"		

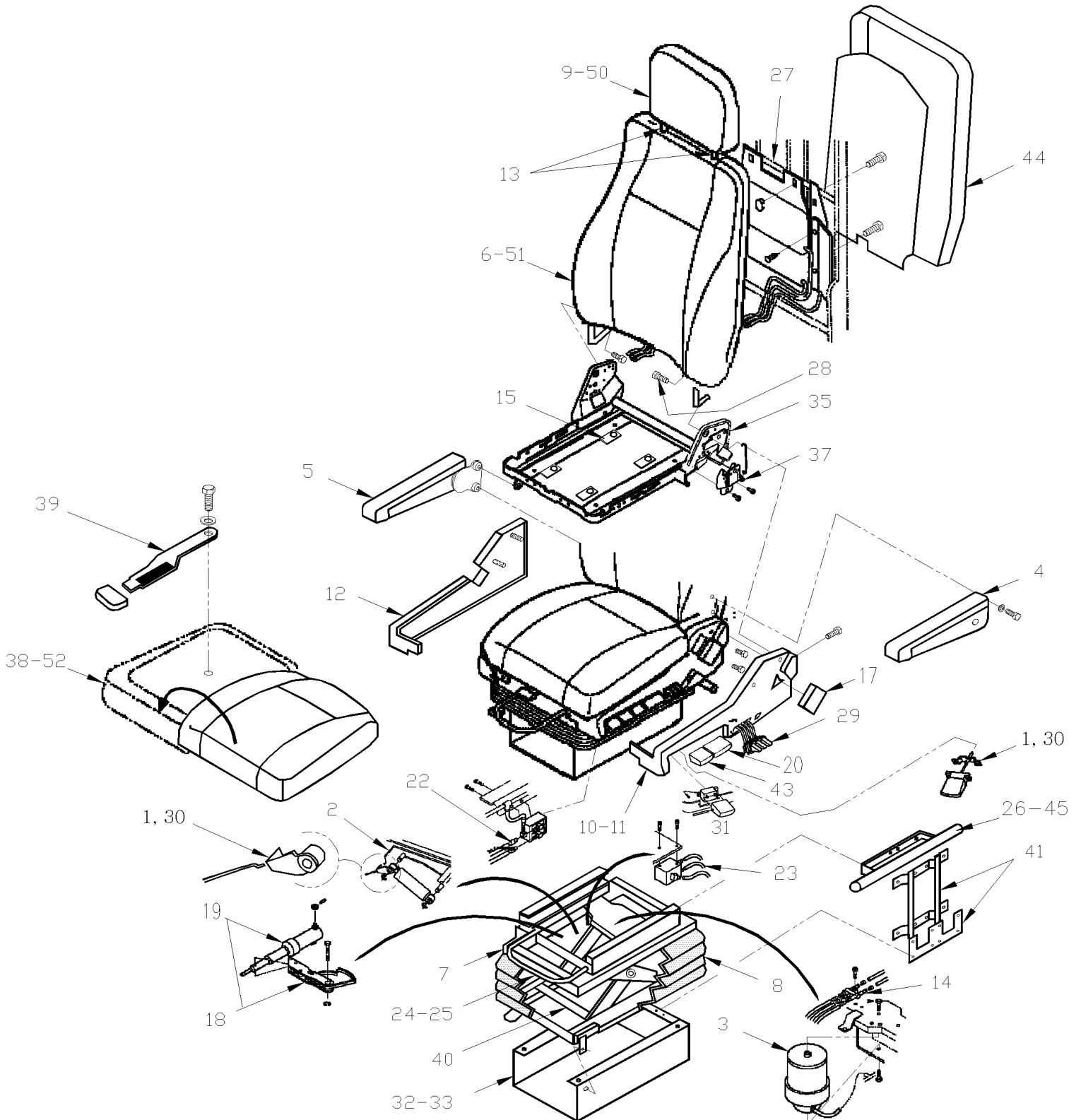
Item#	Part	Description	M T H 4 0	M T H 4 5	M T H 4 5 E	X L 4 0	X L 4 5	N O T E S
		E) THIS SEATS IS MODEL 6500/515 SEE PAGE XL-1822-10 FOR SERVICE PARTS						
		F) THIS SEATS IS MODEL 6801/517 SEE PAGE XL-1822-20 FOR SERVICE PARTS						
		G) THIS SEATS IS MODEL 6801/525 SEE PAGE XL-1822-20 FOR SERVICE PARTS						
		H) R-912 ONLY						
		J) THIS SEATS IS MODEL 6500/525 SEE PAGE XL-1822-10 FOR SERVICE PARTS						

From E-638 To Y-7045

Date:10/2022

PAGE:XL-1822-01

DRIVER'S SEAT - "ISRI" - 6800/338



From E-638 To Y-7045	Date:10/2022	PAGE:XL-1822-01
DRIVER'S SEAT - "ISRI" - 6800/338		

Item#	Part	Description	M T H 4 0	M T H 4 5	M T H 4 5 E	X L 4 0	X L 4 5	N O T E S
	364108	DRIVER'S SEAT ASSY W/COVERING / SPECYFIED COLOR CODE				1	1	E
	861373	DRIVER'S SEAT - "ISRI" - MODEL 6800/338 / W/R.H. CONTROL				1	1	A
	861374	DRIVER'S SEAT - "ISRI" - MODEL 6800/338 / W/R.H. CONTROL	1	1	1			B
	5001862	SCREW CAP HEX M12-1.75x70 G10.9 N500	4	4	4	4	4	G
	500747	WASHER LO SPT 12.2x21.1x2.5 N500	4	4	4	4	4	G
	500958	WASHER FL .531x1.062x.095 SS	4	4	4	4	4	G
	362549	SPACER / STRUCTURE & BASE / 27MM	4	4	4	4	4	G
NS	862420	. LEVER RETAINING CLIP	1	1	1	1	1	
NS	862421	. NUT PLASTIC WHITE	1	1	1	1	1	
NS	862422	. RETAINING CLIP	1	1	1	1	1	
	862423	. SCREW FOR RETAINING CLIP	1	1	1	1	1	
1	861638	. ADJUSTABLE SHOCK ABSORBER CABLE KIT	1	1	1	1	1	
2	861639	. ADJUSTABLE SHOCK ABSORBER KIT	1	1	1	1	1	
3	861640	. AIR SPRING KIT	1	1	1	1	1	
4	861641	. ARMREST KIT - LH / W/OUT COVERING	1	1	1			
4	861377	. ARMREST KIT - LH / W/POLYURETHANE PAD				1	1	
5	861642	. ARMREST KIT - RH / W/OUT COVERING	1	1	1			
5	861378	. ARMREST KIT - RH POLYURETHANE PAD				1	1	
6	861643	. BACKREST ASSY / NUDE	1	1	1	1	1	
. NS	864557	. . FOAM / BACKREST	1	1	1	1	1	
7	861644	. BOOT ADAPTER PLATE	1	1	1	1	1	
8	861645	. BOOT KIT	1	1	1	1	1	
9	861646	. HEADREST ASSEMBLY - NUDE	1	1	1	1	1	
10	861648	. COVER KIT CONTROL - LH	1	1	1	1	1	
11	861649	. COVER KIT CONTROL - RH	1	1	1	1	1	
12	861650	. COVER KIT NON-CONTROL - LH	1	1	1	1	1	
13	861647	. HEADREST BOOT (2PCS)	1	1	1	1	1	
14	861651	. DISTRIBUTION VALVE KIT	1	1	1	1	1	
15	861652	. GLIDE - SEAT PAN	1	1	1	1	1	
16	861653	. HANDLE KIT - SEAT FRAME - LH	1	1	1	1	1	
17	861654	. HANDLE KIT - SEAT FRAME - RH	1	1	1	1	1	D
18	864140	. KIT, CYLINDER & CAM ADJUSTEMENT KIT	1	1	1	1	1	
. 18	861655	. . HEIGHT ADJUSTMENT CAM KIT	1	1	1	1	1	
. 19	861656	. . HEIGHT ADJUSTMENT CYLINDER KIT	1	1	1	1	1	
18	864245	. KIT, CAM ADJUSTEMENT KIT	1	1	1	1	1	
NS	863741	. KIT SLIDING TRACK PLASTIC OBLONG	1	1	1	1	1	
20	862203	. AIR HEIGHT ADJUST HANDLE KIT RH	1	1	1	1	1	
22	861657	. HEIGHT ADJUSTMENT VALVE KIT - RH	1	1	1	1	1	
23	861658	. HEIGHT ADJUSTMENT VALVE KIT - SUSPENSION	1	1	1	1	1	
24	861659	. HORIZONTAL ADJUSTMENT SLIDE HANDLE	1	1	1	1	1	
25	861660	. HORIZONTAL ADJUSTMENT SLIDE SET	1	1	1	1	1	

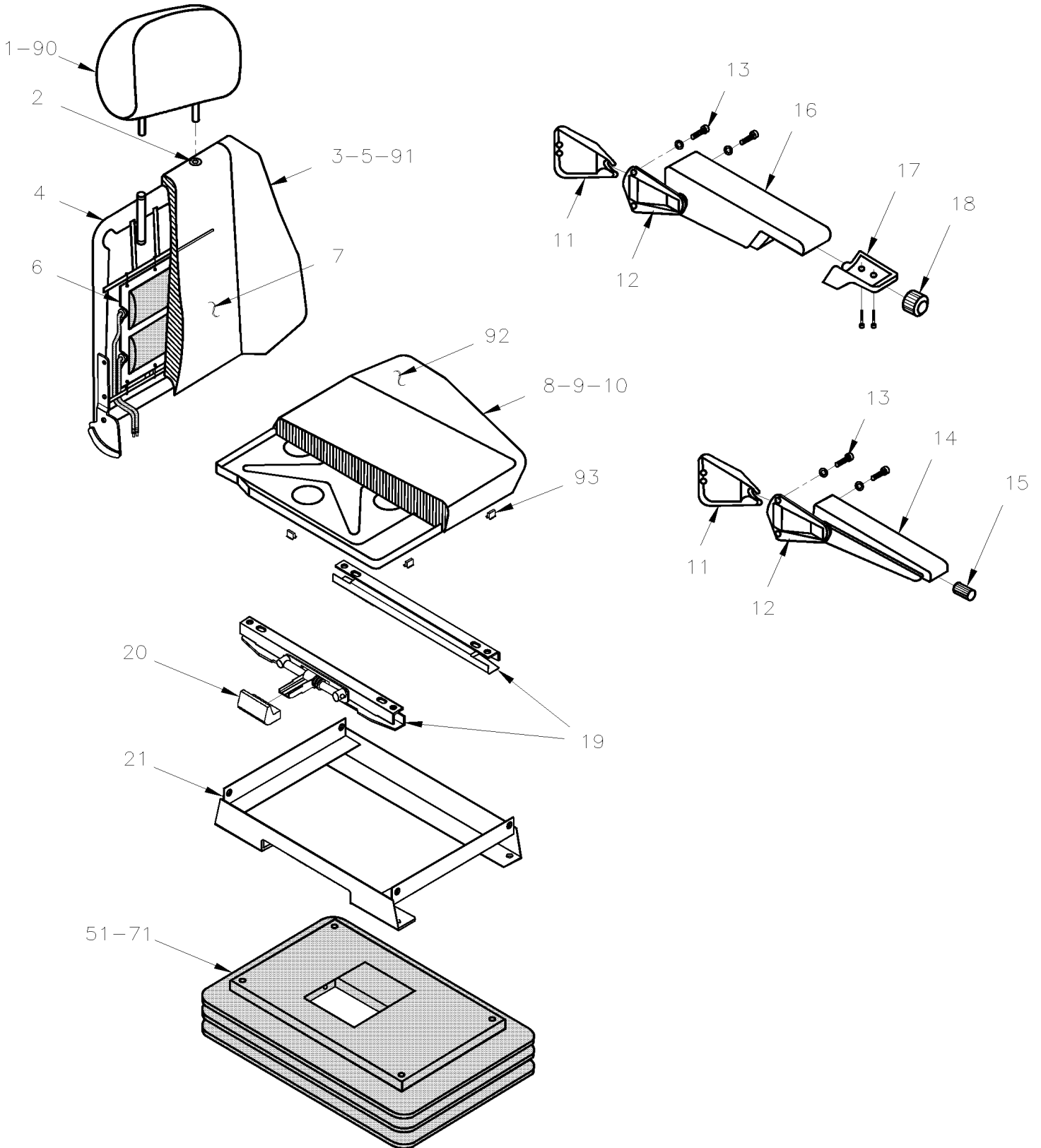
From E-638 To Y-7045	Date:10/2022	PAGE:XL-1822-01
DRIVER'S SEAT - "ISRI" - 6800/338		

Item#	Part	Description	M T H 4 0	M T H 4 5	M T H 4 5 E	X L 4 0	X L 4 5	NOTES
26	862205	SEAT BELT KIT NOT ILLUSTRATED / PAS ILLUSTRÉ	1	1	1	1	1	
27	861661	LUMBAR/BOLSTER KIT OLD STYLE	1	1	1	1	1	
27	864242	LUMBAR/BOLSTER KIT NEW STYLE	1	1	1	1	1	
28	862204	BACKREST BOLT	2	2	2	2	2	
29	861662	LUMBAR/BOLSTER VALVE RH	1	1	1	1	1	
30	862424	HANDLE FOR ADJUSTMENT SHOCK	1	1	1	1	1	
NS	862425	SHORT PIN ADJUSTMENT HANDLE	1	1	1	1	1	
NS	862426	LONG PIN ADJUSTMENT HANDLE	1	1	1	1	1	
NS	862956	HANDLE SUPPORT / PLASTIC BLACK	1	1	1	1	1	
31	861663	QUICK AIR RELEASE VALVE AND HANDLE KIT - RH	1	1	1	1	1	
33	861664	RISER KIT 76MM	1	1	1	1	1	
35	861665	SEAT FRAME - RH	1	1	1	1	1	
37	861666	SEAT FRAME TOOTH PLATE KIT RH	1	1	1	1	1	
38	861667	SEAT PAN ASSEMBLY - NUDE OLD STYLE	1	1	1	1	1	
NS	864556	FOAM / CUSHION	1	1	1	1	1	
38	864243	SEAT PAN ASSEMBLY - NUDE NEW STYLE	1	1	1	1	1	
NS	864237	CUSHION FOAM NEW PATERN	1	1	1	1	1	
39	861668	SEAT PAN ASSEMBLY LEVER AND HANDLE KIT	1	1	1	1	1	
40	861669	SUSPENSION	1	1	1	1	1	
NS	864244	KIT , SUSPENSION HARDWARE REPAIR	1	1	1	1	1	
41	861670	TETHER AND TETHER PLATE KIT	1	1	1	1	1	
43	861671	TILT HANDLE KIT - RH	1	1	1	1	1	
44	861672	BACKREST PANEL	1	1	1	1	1	
NS	363705	INTERFACE COPILOTE ISRI 6800	1	1	1			C
NS	363937	ANCHORAGE CO-PILOTE SEAT ASSY W/BOLT	4	4	4			C
NS	326831	ANCHORAGE "U" FORM 48MM x 38MM x 112MM	1	1	1			C
NS	500958	WASHER FL .531x1.062x.095 SS	1	1	1			C
NS	500482	WASHER LO SPT .506x.873x.125 Z050	1	1	1			C
NS	500806	SCREW CAP HEX M12-1.75X35 G10.9 G500	1	1	1			C
NS	362056	ANCHOR PLATE ASSY USE W/CURBSIDE SEAT 7/16-14x1" / 32MMx89MM	2	2	2			C
NS	362521	ANCHOR PLATE ASSY USE W/CURBSIDE SEAT 7/16-14x2" / 32MMx89MM	2	2	2			C
45	364128	DRIVER'S SAFETY BELT EXTENSION R.H.	1	1	1	1	1	F
45	364129	DRIVER'S SAFETY BELT EXTENSION L.H.	1	1	1	1	1	F
NS	500071	SCREW CAP HEX 7/16-20x1 1/2 G5 Z050	2	2	2	2	2	F
NS	500709	NUT HEX 7/16-20 Z050	2	2	2	2	2	F
NS	500809	NUT HEX STO M20-2.5 N500	4	4	4	4	4	F
NS	500860	NUT HEX M12-1.75 Z050	2	2	2	2	2	F
NS	502731	SCREW CAP HEX M12-1.75x40 G8.8 Z050	2	2	2	2	2	F
50	363740P	COVERING HEADREST ASSY / S.C.C. / DRIVER'S "ISRI" / 6800				1	1	
51	363738P	COVERING BACKREST ASSY / S.C.C. / DRIVER'S "ISRI" / 6800				1	1	
51	364168P	COVERING BACKREST ASSY / S.C.C. / DRIVER'S "ISRI" / 6800				1	1	
52	363739P	COVERING SEATREST ASSY / S.C.C. OLD STYLE / DRIVER'S "ISRI" / 6800				1	1	

From E-638 To Y-7045	Date:10/2022	PAGE:XL-1822-01
DRIVER'S SEAT - "ISRI" - 6800/338		

Item#	Part	Description	M T H 4 0	M T H 4 5	M T H 4 5 E	X L 4 0	X L 4 5	N O T E S
52	364071P	COVERING SEATREST ASSY / S.C.C. NEW STYLE / DRIVER'S "ISRI" / 6800				1	1	
NS	864709	TUBE PLASTIC 6MM O.D. CHARCOAL W/RED LINE	AR	AR	AR	AR	AR	
NS	864710	TUBE PLASTIC 6MM O.D. CHARCOAL W/GREY LINE	AR	AR	AR	AR	AR	
NS	864711	TUBE PLASTIC 6MM O.D. CHARCOAL	AR	AR	AR	AR	AR	
NS	641507	UNION / PUSH-IN FITTING / #4 x 6MM NP	1	1	1	1	1	
NS	641092	UNION TEE / NTA FITTING / #4x#4x#4 BR	1	1	1	1	1	
91	867958	ADAPTOR	1	1	1	1	1	
91	868125	UNION 4MM/4MM	1	1	1	1	1	
91	868128	UNION 6MM/4MM	1	1	1	1	1	
		A) THIS SEAT IS WITHOUT COVERING & ARMREST						
		B) THIS SEAT HAS BLACK COVERING, LARGE ARMREST & HEADREST FOR FACTORY DELIVERY						
		C) USE WITH CO-PILOTE SEAT INSTALLATION						
		D) INCLUDE ALL KNOB FOR ITEM # 17, 20, 29, & 39						
		E) INCLUDE ITEM 50-51-52						
		F) YOU REQUIRE THOSE COMPONENTS TO EXTEND DRIVER'S SAFETY BELT						
		G) TO FIX SEAT TO THE FLOOR						

From E-638 To Y-7045	Date:10/2022	PAGE:XL-1822-10
DRIVER'S SEAT - "ISRI" - 6000/515 & 6500/515		

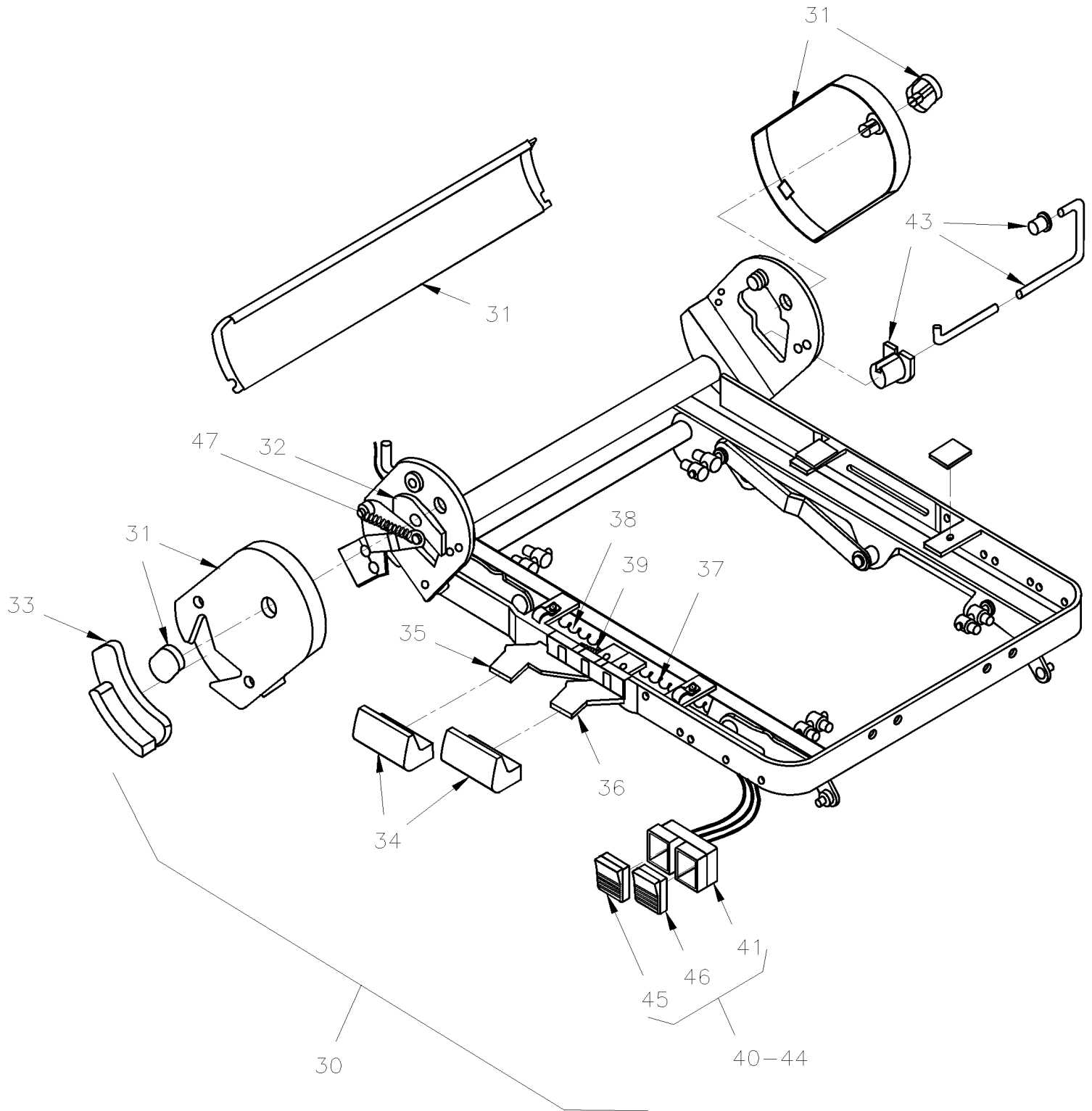


From E-638 To Y-7045

Date:10/2022

PAGE:XL-1822-10

DRIVER'S SEAT - "ISRI" - 6000/515 & 6500/515

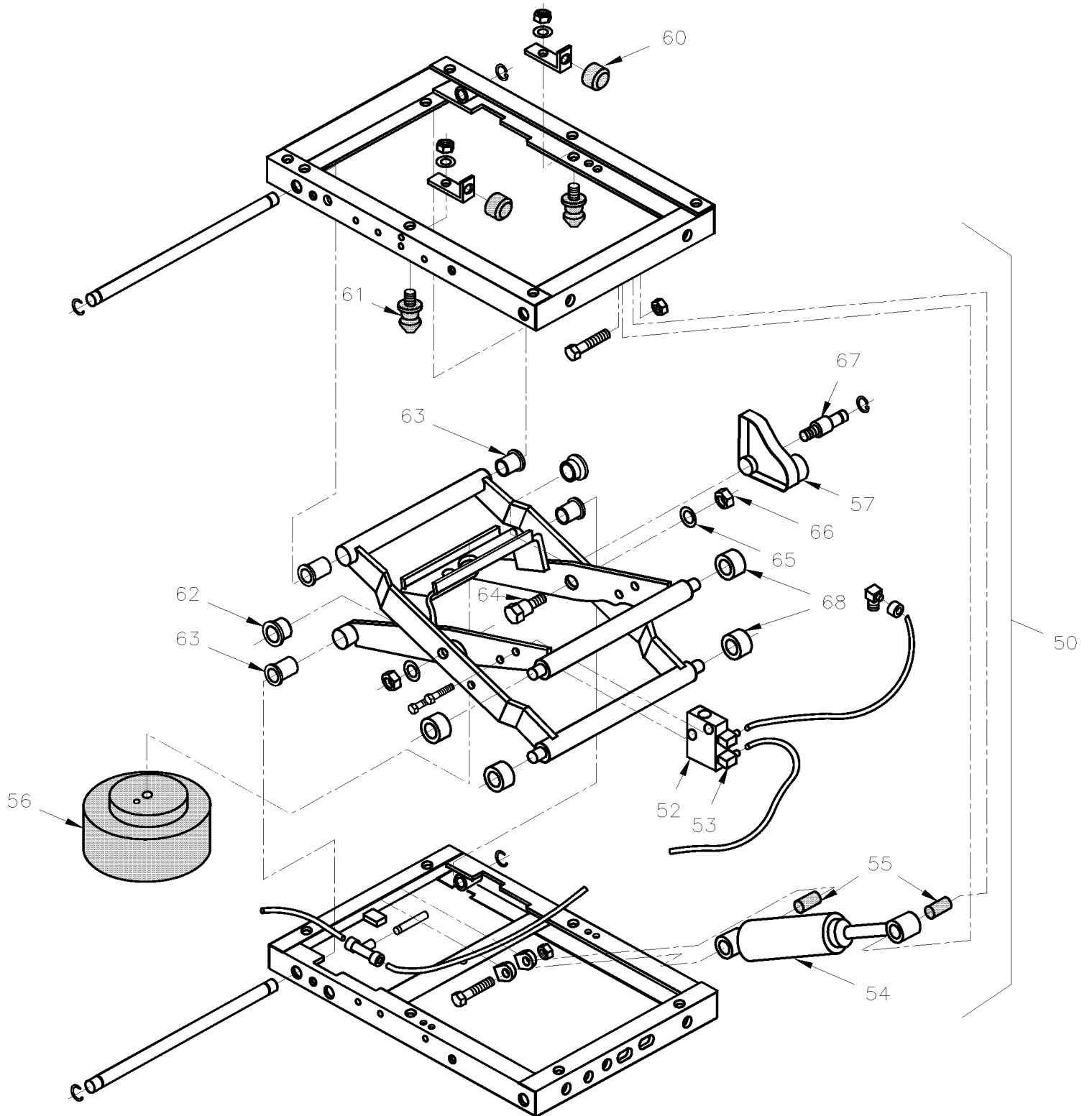


From E-638 To Y-7045

Date:10/2022

PAGE:XL-1822-10

DRIVER'S SEAT - "ISRI" - 6000/515 & 6500/515

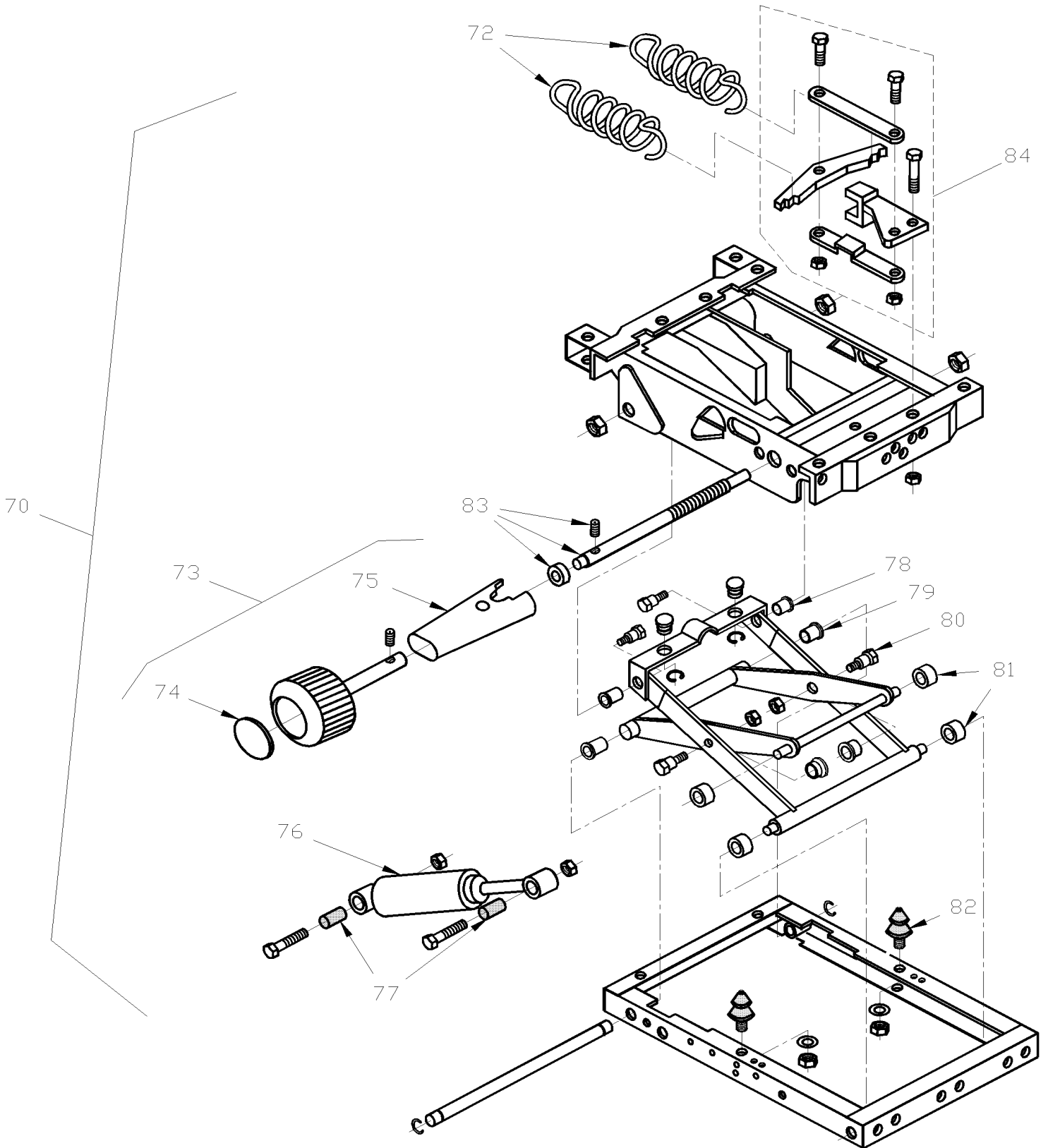


From E-638 To Y-7045

Date:10/2022

PAGE:XL-1822-10

DRIVER'S SEAT - "ISRI" - 6000/515 & 6500/515



From E-638 To Y-7045	Date:10/2022	PAGE:XL-1822-10
DRIVER'S SEAT - "ISRI" - 6000/515 & 6500/515		

Item#	Part	Description	M T H 4 0	M T H 4 5	M T H 4 5 E	X L 4 0	X L 4 5	N O T E S
		FOR COMPLETE SEAT ASSY, PART NUMBER SEE PAGE XL-1822-00						
1	860441	HEADREST	1	1	1	1	1	
2	860483	GROMMET	2	2	2	2	2	
3	860508	BACKREST ASSY / R.H. CONTROL	1	1	1	1	1	
4	860509	. FRAME / R.H. CONTROL	1	1	1	1	1	
NS	860600	. FRAME / L.H. CONTROL	1	1	1			
5	860507	. FOAM	1	1	1	1	1	
6	860494	AIR BAG / LOMBAR	1	1	1	1	1	
7	860548	HEATING PAD / BACK	1	1	1	1	1	
8	860510	PAN SEAT SUBASSY	1	1	1	1	1	
9	860511	. FOAM / SEAT	1	1	1	1	1	
10	860547	HEATING PAD / SEAT	1	1	1	1	1	
11	860532	COVER	2	2	2	2	2	
12	N.S.S.	BRACKET / ARMREST	1	1	1	1	1	1
13	500544	SCREW CAP HEX M8-1.25x30 G8.8 Z050	2	2	2	2	2	
14	860440	ARMREST L.H. ADJUSTABLE	1	1	1	1	1	
NS	860442	ARMREST R.H. ADJUSTABLE	1	1	1	1	1	
14	868135	ARMREST L.H. BLACK	1	1	1			
. NS	868133	. COVER, ARMREST END, OPEN, BLK	1	1	1			
14	868134	ARMREST R.H. BLACK	1	1	1			
. NS	868133	. COVER, ARMREST END, OPEN, BLK	1	1	1			
15	860725	. KNOB	1	1	1	1	1	
16	860721	ARMREST ASSY L.H. / W/O COVERING	1	1	1			
NS	860722	ARMREST ASSY R.H. / W/O COVERING	1	1	1			
16	N.S.S.	COVERING	1	1	1			1
17	860723	. COVER KIT ARMREST	1	1	1			
18	860724	. KNOB	1	1	1			
19	860517	SLIDE MASTER / HANDLE & SLAVE / R.H. OR L.H. CONTROL	1	1	1	1	1	
19	861085	SLIDE MASTER / HANDLE & SLAVE / R.H. CONTROL	1	1	1	1	1	F
20	860514	. HANDLE R.H. & L.H.	1	1	1	1	1	
20	861086	. HANDLE R.H.	1	1	1	1	1	F
NS	861084	SLIDE SET "C" STYLE / HANDLE & SLAVE / W/SEAT #860852				1	1	
21	861100	SPACER STATIC /W/FOLLOWING SEAT NUMBER 860432 433,449,450,543,544,545 & 546	1	1	1	1	1	A
NS	861102	SPACER STATIC	1	1	1	1	1	B
21	860516	SPACER STATIC 2"	AR	AR	AR	AR	AR	E
NS	861103	SPACER STATIC / W/SEAT #860729	1	1	1	1		
30	860539	FRAME ASSY SEAT / R.H. CONTROL (AS SHOWN) To S-537	1	1	1	1	1	
30	861083	FRAME ASSY SEAT / R.H. CONTROL (AS SHOWN) From S-538				1	1	
30	860605	FRAME ASSY SEAT / L.H. CONTROL	1	1	1			

From E-638 To Y-7045	Date:10/2022	PAGE:XL-1822-10
DRIVER'S SEAT - "ISRI" - 6000/515 & 6500/515		

Item#	Part	Description	M T H 4 0	M T H 4 5	M T H 4 5 E	X L 4 0	X L 4 5	N O T E S
NS	861081	FRAME ASSY SEAT / W/O MEMORY ELECTRICAL SEAT	1	1	1			
NS	861082	FRAME ASSY SEAT / W/MEMORY ELECTRICAL SEAT	1	1	1			
31	860487	. SIDE PLATE ASSY / KIT FOR R.H. CONTROL (AS SHOWN)	1	1	1	1	1	
31	861090	. SIDE PLATE ASSY / KIT FOR R.H. CONTROL (AS SHOWN)	1	1	1	1	1	F
31	860590	. SIDE PLATE ASSY / KIT FOR L.H. CONTROL	1	1	1	1		
32	861790	. TOOTH LEVER / R.H. SIDE (AS SHOWN)	1	1	1	1	1	
32	861789	. TOOTH LEVER / L.H. SIDE	1	1	1			
33	860493	. HANDLE / R.H. CONTROL (AS SHOWN)	1	1	1	1	1	
NS	861089	. HANDLE / R.H. CONTROL (AS SHOWN)	1	1	1	1	1	
NS	860589	. HANDLE / L.H. CONTROL	1	1	1			
34	860641	. HANDLE HEIGHT TILT / FRONT & REAR To S-537	2	2	2	2	2	
34	861087	. HANDLE HEIGHT TILT / FRONT From S-538	1	1	1	1	1	F
34	861088	. HANDLE HEIGHT TILT / REAR From S-538	1	1	1	1	1	F
35	860587	. LEVER HEIGHT REAR	1	1	1	1	1	
36	860588	. LEVER HEIGHT FOWARD	1	1	1	1	1	
37	860690	. LEVER ADJUSTMENT KEY / R.H. FRONT & L.H. RE	1	1	1	1	1	
38	860689	. LEVER ADJUSTMENT KEY / R.H. REAR & L.H. FRO	1	1	1	1	1	
39	860513	. KIT SPRING (2 LARGES & 3 SMALL)	1	1	1	1	1	
40	860495	VALVE LUMBAR SUPPORTS To S-594	1	1	1	1		
41	860593	. BUTTON YELLOW To S-594	2	2	2	2		
43	861091	. TORSION BAR KIT	1	1	1	1	1	
44	860888	KIT VALVE LUMBAR SUPPORTS / W/SEAT W/L.H. CONTROL	1	1	1			F
NS	860887	KIT VALVE LUMBAR SUPPORTS / W/SEAT W/R.H. CONTROL	1	1	1	1	1	FD
44	861092	. KIT VALVE LOMBAR SUPPORTS	1	1	1	1	1	FC
45	861093	. . . BUTTON AIR LOMBAR UPPER SECTION	1	1	1	1	1	
46	861094	. . . BUTTON AIR LOMBAR LOWER SECTION	1	1	1	1	1	
47	862217	. SPRING	1	1	1	1	1	
50	860518	SUSPENSION ASSY AIR	1	1	1	1		
51	860523	. COVER	1	1	1	1		
52	860719	. VALVE AIR	1	1	1	1		
53	860533	. ELBOW PLASTIC BLUE	1	1	1	1		
NS	868501	. NUT BLACK	1	1	1	1	1	
54	860521	. ABSORBER / 99LBS	1	1	1	1		
NS	860602	. ABSORBER / 120LBS	1	1	1	1		
55	860586	. . BUSHING / ABSORBER	2	2	2	2		
56	860522	. BELLOW	1	1	1	1		
. NS	866008	. . CONNECTOR AIR W/"O-RING"	1	1	1	1		
57	860515	. CAM	1	1	1	1		
NS	860693	. KIT REPAIR / AIR SUSPENSION	AR	AR	AR	AR		
60	N.S.S.	. . BUMPER RUBBER	2	2	2	2		1
61	N.S.S.	. . BUMPER RUBBER	2	2	2	2		1
62	N.S.S.	. . BUSHING SPLIT FLANGE	2	2	2	2		1

From E-638 To Y-7045	Date:10/2022	PAGE:XL-1822-10
DRIVER'S SEAT - "ISRI" - 6000/515 & 6500/515		

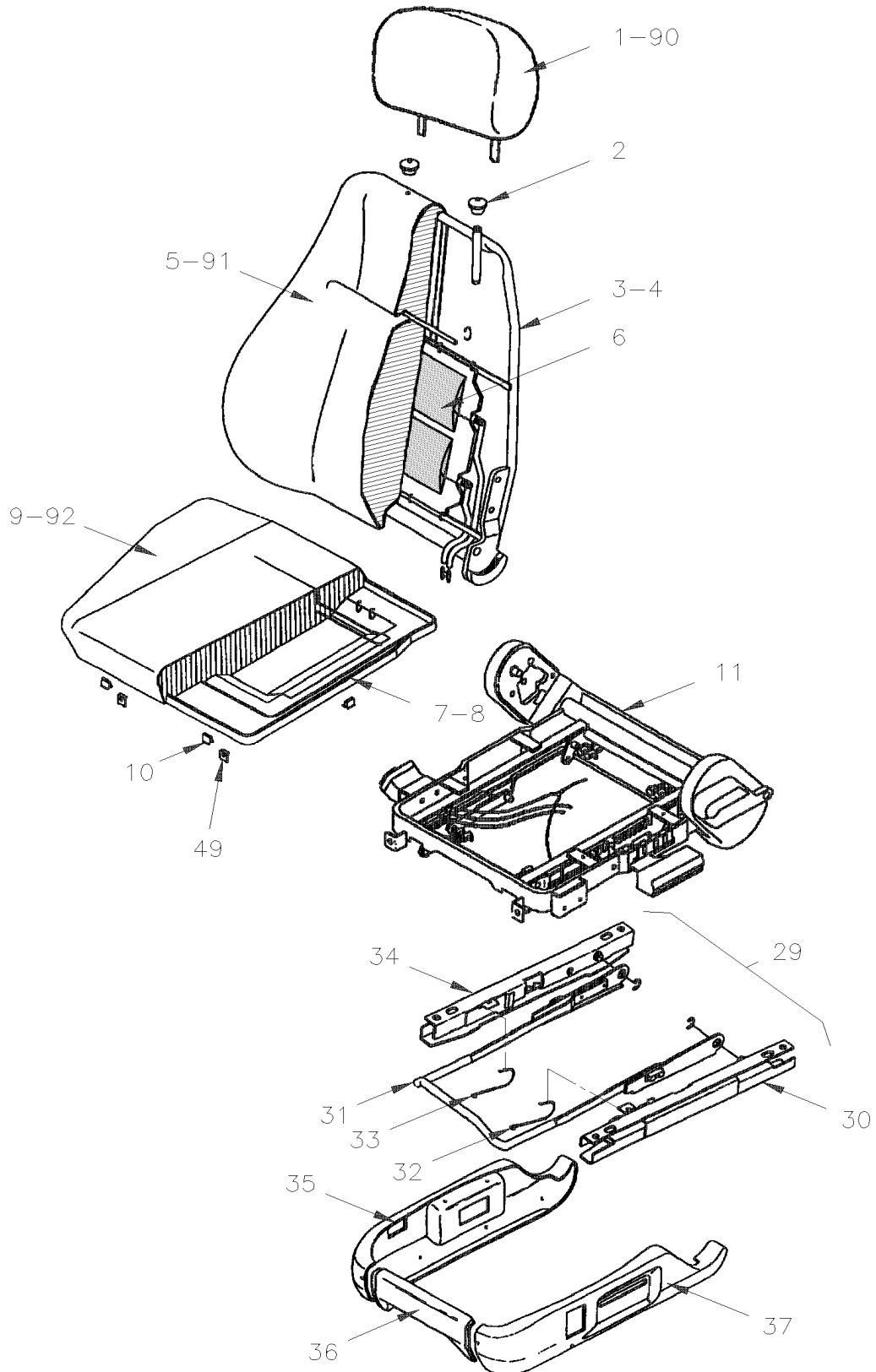
Item#	Part	Description	M T H 4 0	M T H 4 5	M T H 4 5 E	X L 4 0	X L 4 5	N O T E S
		A) W/SEAT #860433						
		B) W/860853, 860854, 860912 & 860913						
		C) W/HOSE & HARDWARE						
		D) W/BUTTON						
		E) FORMER						
		F) FOR EASY IDENTIFICATION PICTOGRAM ARE PRINTED ON BUTTON						
		1) NOT SOLD SEPARATELY						

From N-490 To Y-7045

Date:10/2022

PAGE:XL-1822-20

DRIVER'S SEAT - "ISRI" - 6801/517 & 6801/525

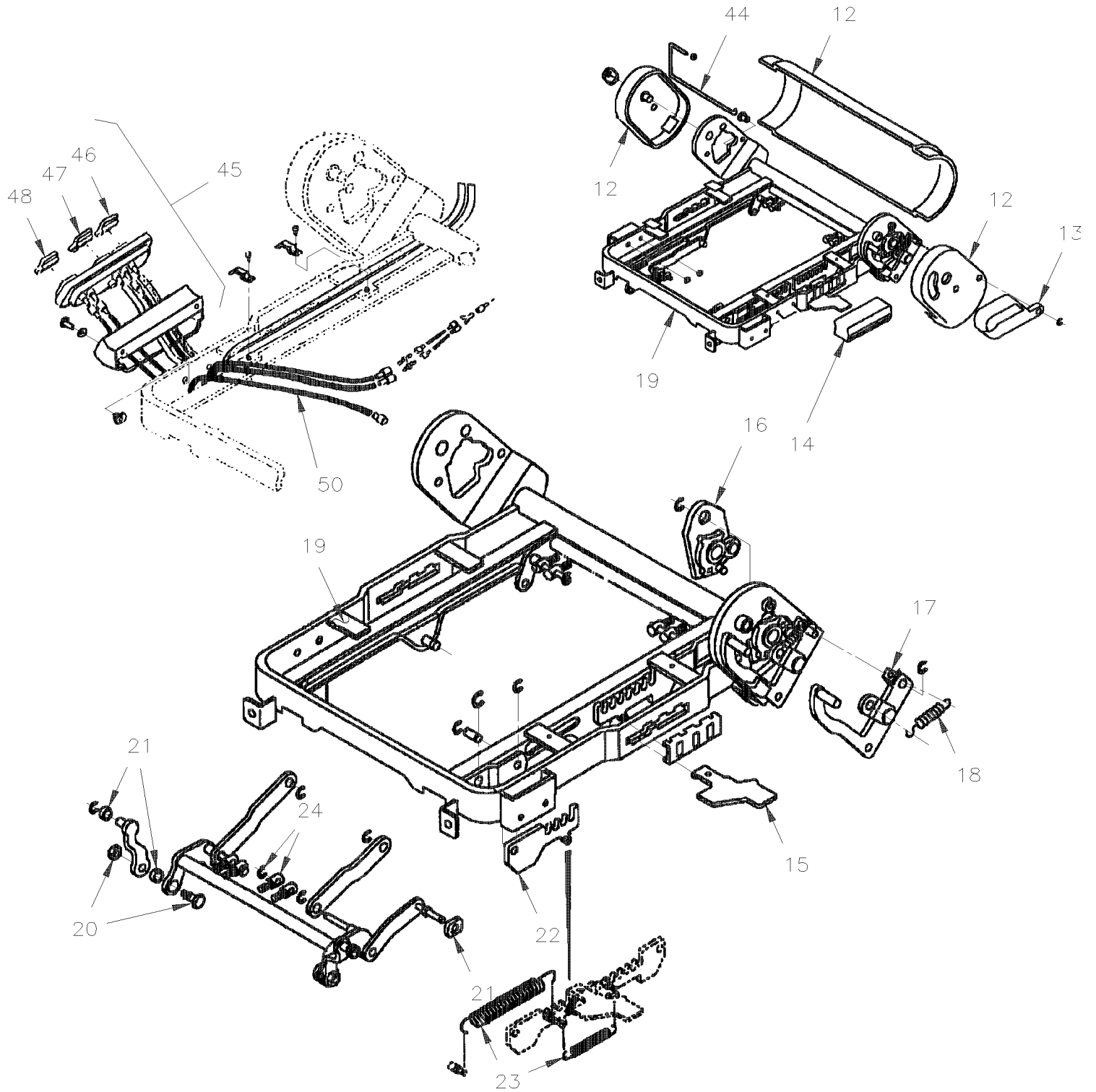


From N-490 To Y-7045

Date:10/2022

PAGE:XL-1822-20

DRIVER'S SEAT - "ISRI" - 6801/517 & 6801/525

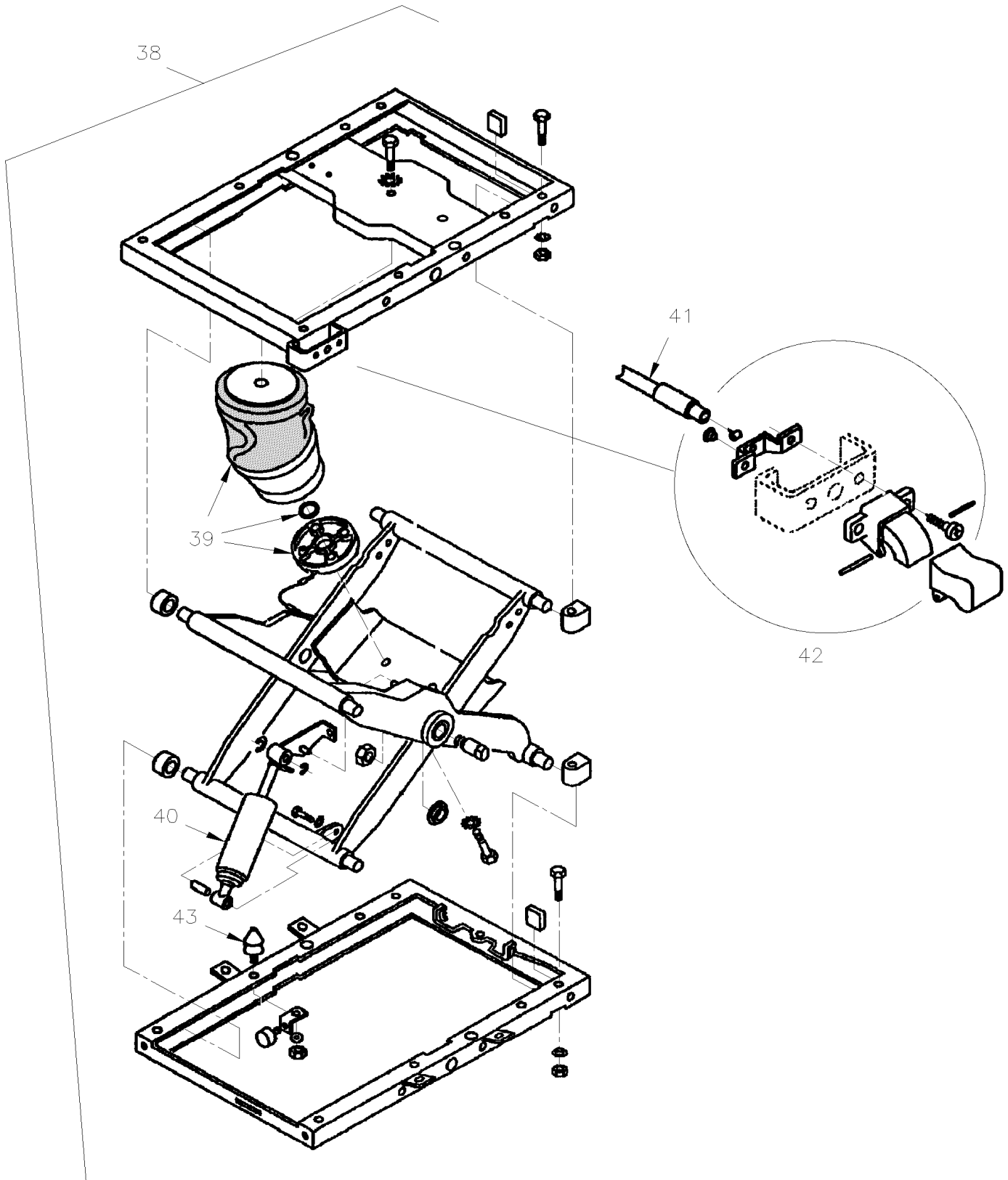


From N-490 To Y-7045

Date:10/2022

PAGE:XL-1822-20

DRIVER'S SEAT - "ISRI" - 6801/517 & 6801/525



From N-490 To Y-7045	Date:10/2022	PAGE:XL-1822-20
DRIVER'S SEAT - "ISRI" - 6801/517 & 6801/525		

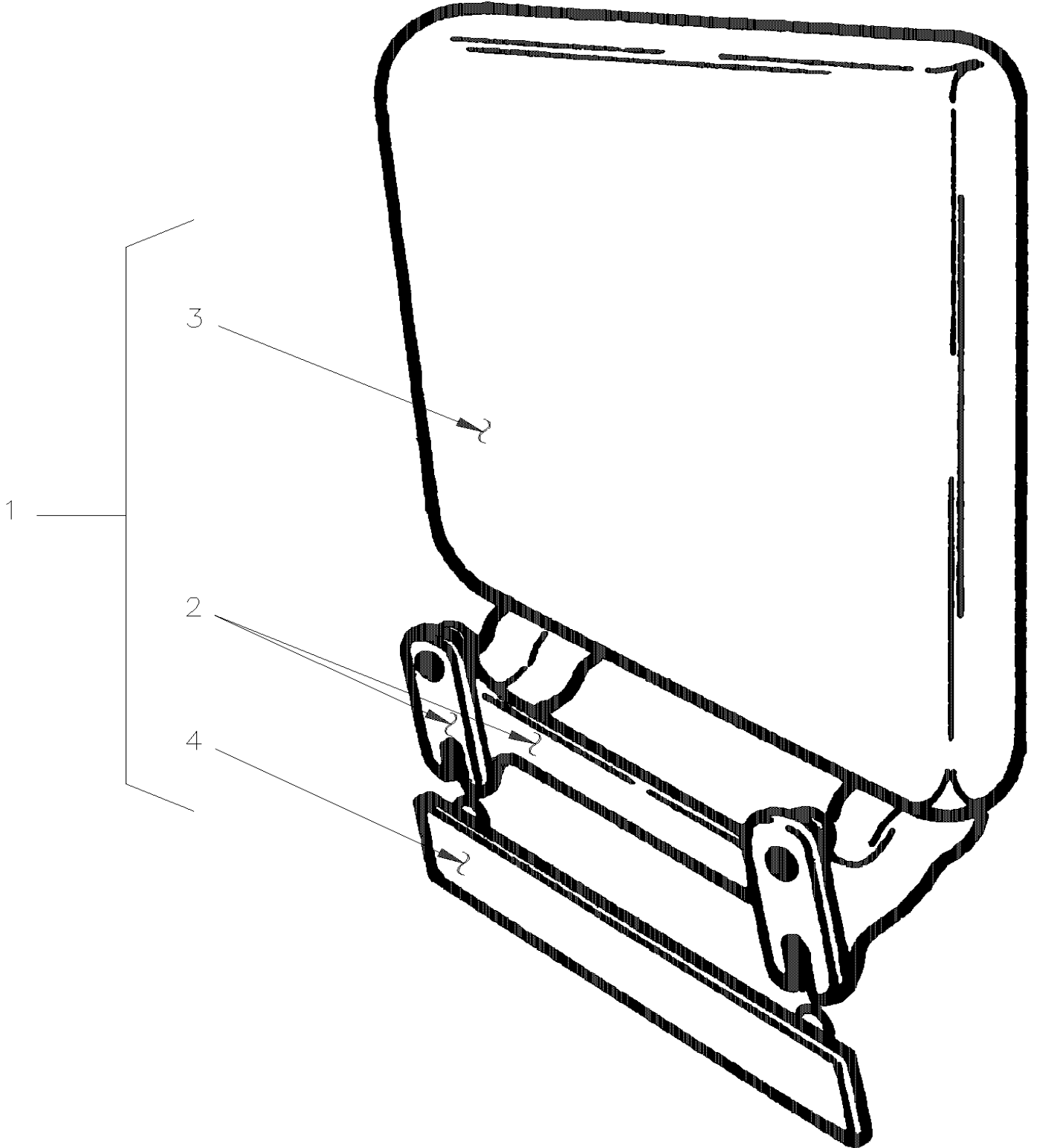
Item#	Part	Description	M T H 4 0	M T H 4 5	M T H 4 5 E	X L 4 0	X L 4 5	N O T E S
		FOR COMPLETE SEAT ASSY, PART NUMBER SEE PAGE XL-1822-00						
1	860441	HEADREST	1	1	1	1	1	
2	860483	GROMMET	2	2	2	2	2	
3	860739	BACKREST ASSY	1	1	1	1	1	
4	860740	. BACKREST FRAME ASSY	1	1	1	1	1	
5	860741	. BACKREST FOAM	1	1	1	1	1	
5	861105	. KIT ROD & CLIP / UPHOLSTERY	1	1	1	1	1	
6	860494	AIR BAG / LOMBAR	1	1	1	1	1	
7	860742	SEAT PAN ASSY	1	1	1	1	1	
8	860743	. SEAT PAN	1	1	1	1	1	
9	860744	. SEAT FOAM	1	1	1	1	1	
9	861104	. KIT ROD & CLIP / UPHOLSTERY	1	1	1	1	1	
10	860527	CLIP	8	8	8	8	8	
11	860745	SEAT FRAME ASSY / W/860729	1	1	1	1	1	
11	861098	SEAT FRAME ASSY / W/860853 & 860854	1	1	1	1	1	
11	861099	SEAT FRAME ASSY / W/860912 & 860913	1	1	1	1	1	
12	860746	. SIDE PLATE KIT	1	1	1	1	1	
13	860747	. . HANDLE BRACKET	1	1	1	1	1	
14	860748	. . HANDLE SLOPE	1	1	1	1	1	
14	860007	. . HANDLE SLOPE	1	1	1	1	1	
15	860588	. LEVER HEIGHT FOWARD	1	1	1	1	1	
16	861789	. TOOTH LEVER / L.H. SIDE	1	1	1	1	1	
17	860750	. LEVER BACKREST	1	1	1	1	1	
18	860751	. SPRING EXTENSION / .275 O.D. x 1.65 x .047	1	1	1	1	1	
19	860752	. SEAT FRAME	1	1	1	1	1	
20	860754	. KIT BUSHING,SHOULDER SCREW,NUT & SNAP RING FOR FRAME SEAT	1	1	1	1	1	
21	860753	. . KIT BUSHING ONLY, FOR FRAME SEAT	1	1	1	1	1	
22	860756	. PLATE LATCH SLOPE FRONT, FRAME SEAT	1	1	1	1	1	
23	860755	. SPRING KIT FOR SLOPE	1	1	1	1	1	
24	860757	. SWIVEL BOLTS & CLIPS KIT	1	1	1	1	1	
25	860774	. AIR VALVE KIT LUMBAR / (AS SHOWN FORMER) To S-537	1	1	1	1	1	
NS	860775	. . VALVE To S-537	1	1	1	1	1	
26	860776	. . COVER VALVE To S-537	2	2	2	2	2	
26	860876	. AIR VALVE KIT LUMBAR	1	1	1	1	1	
27	860777	. . PASSENGER'S SEAT AMERICAN SEATING, KIT 50 PAS / MODEL W6693D	1	1	1	1	1	
28	860778	. . VALVE	1	1	1	1	1	
29	860758	SLIDE, SET	1	1	1	1	1	
30	860759	. SLIDE SLAVE	1	1	1	1	1	
31	860763	. HANDLE	1	1	1	1	1	

From N-490 To Y-7045	Date:10/2022	PAGE:XL-1822-20
----------------------	--------------	-----------------

DRIVER'S SEAT - "ISRI" - 6801/517 & 6801/525

Item#	Part	Description	M T H 4 0	M T H 4 5	M T H 4 5 E	X L 4 0	X L 4 5	N O T E S
		A) W/860853, 860854, 860912 & 860913						
		B) FOR EASY IDENTIFICATION PICTOGRAM AREPRINTED ON BUTTON						

From E-638 To Y-7045	Date:10/2022	PAGE:XL-1824-00
HOSTESS SEAT ASSY		



From E-638 To Y-7045

Date:10/2022

PAGE:XL-1824-30

PASSENGER'S SEAT - "AMAYA" IDENTIFICATION "MODEL"



GAUDI



BRAZIL



2 + 1



TORINO



TORINO VIP



SIGLIUM



PATRIOT



PATRIOT BRASIL



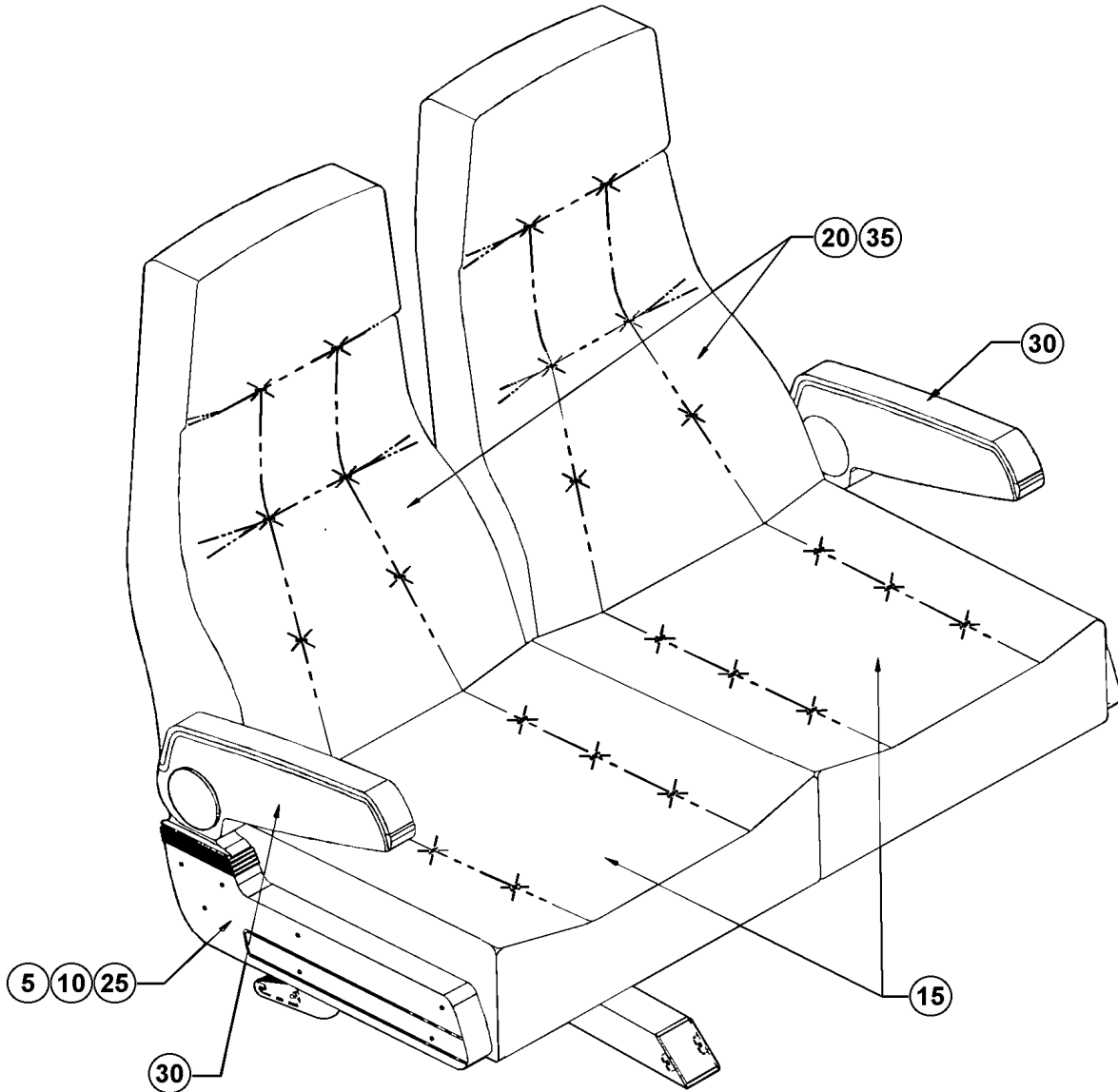
PATRIOT VIP

From E-638 To Y-7045

Date:10/2022

PAGE:XL-1825-00

PASSENGER'S SEAT - "AMERICAN" - W6693 & W7693

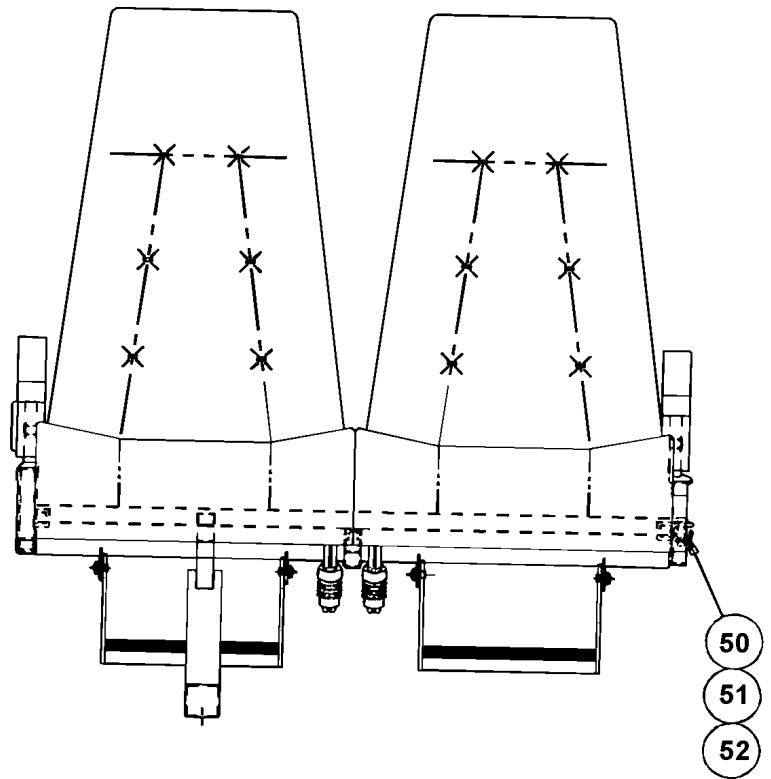
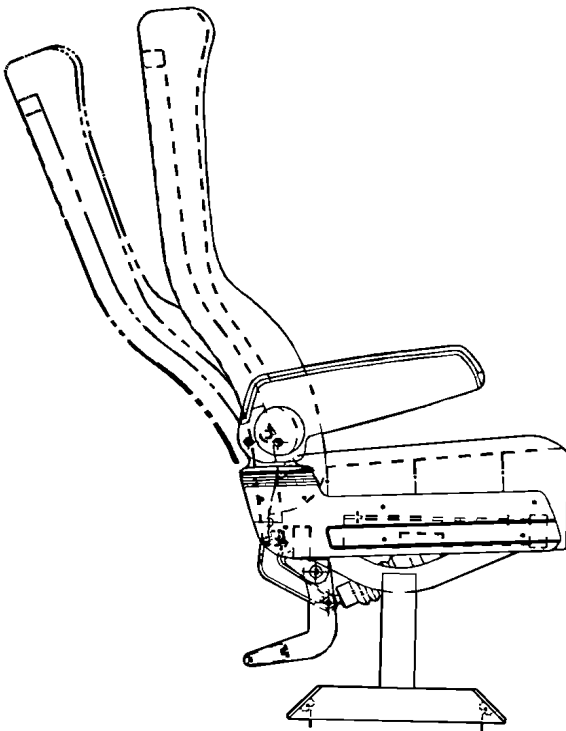


From E-638 To Y-7045

Date:10/2022

PAGE:XL-1825-00

PASSENGER'S SEAT - "AMERICAN" - W6693 & W7693



From E-638 To Y-7045	Date:10/2022	PAGE:XL-1825-00
----------------------	--------------	-----------------

PASSENGER'S SEAT - "AMERICAN" - W6693 & W7693

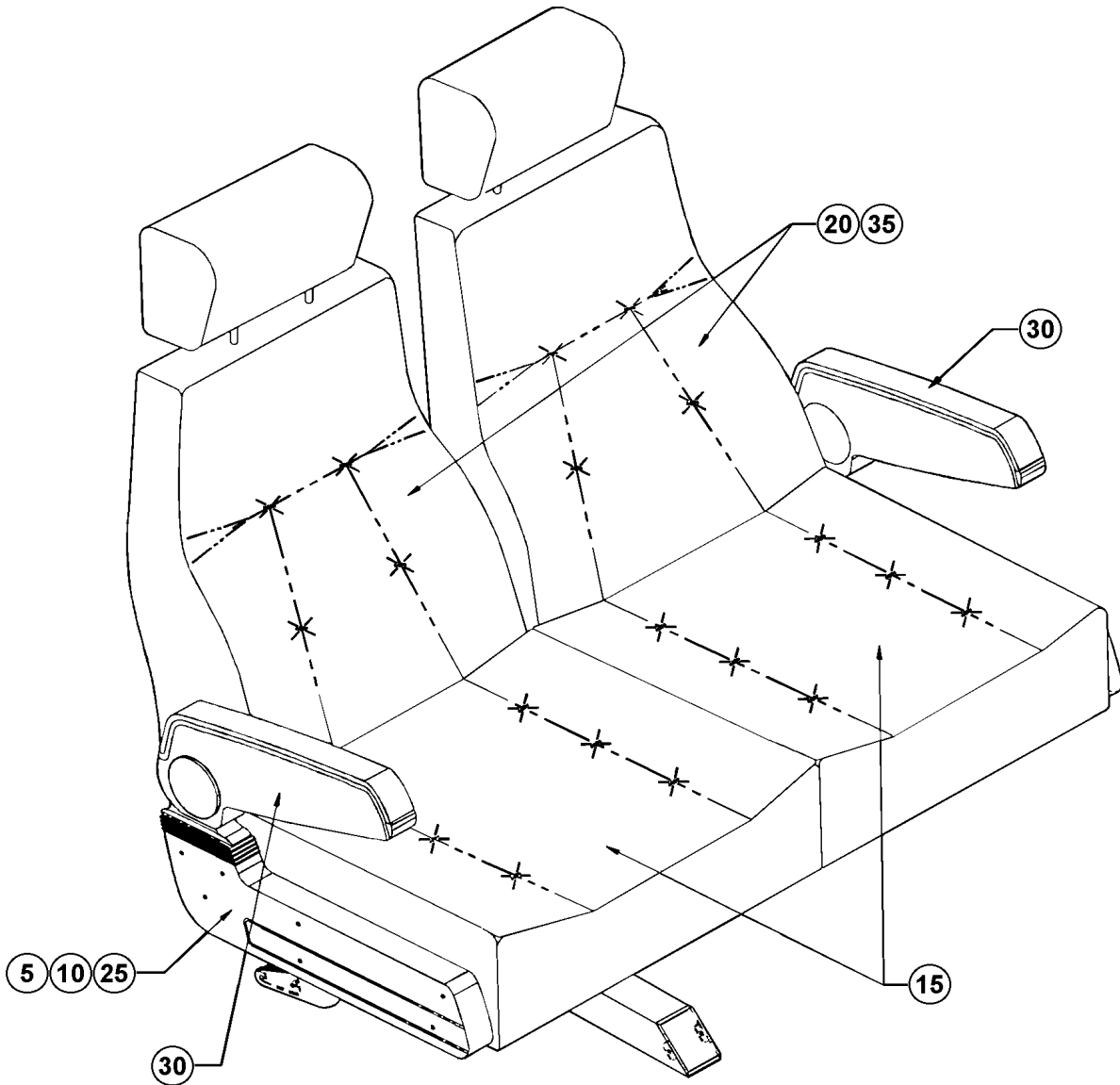
Item#	Part	Description	M T H 4 0	M T H 4 5	M T H 4 5 E	X L 4 0	X L 4 5	N O T E S
		IMPORTANT NOTE:						
		TO ORDER COMPLETE PASSENGER'S SEAT KIT #,						
		SEE THE FINAL VEHICLE RECORD.						
5	XL-1825-05	. PASSENGER'S SEAT - "AMERICAN" - FRAME						
10	XL-1825-10	. PASSENGER'S SEAT - "AMERICAN" - FRAME ROTATIN						
15	XL-1825-20	. PASSENGER'S SEAT - "AMERICAN" - CUSHION						
20	XL-1825-30	. PASSENGER'S SEAT - "AMERICAN" - BACKREST WX69						
25	XL-1825-40	. PASSENGER'S SEAT - "AMERICAN" - FOOTREST						
30	XL-1825-50	. PASSENGER'S SEAT - "AMERICAN" - ARMREST						
35	XL-1825-60	. PASSENGER'S SEAT - "AMERICAN" - BACK & ACCESS						
50	Call order desk	SCREW - WALL ATTACHING				2	2	P
51	860094	CHANNEL WALL ATTACHING				2	2	
52	Call order desk	WASHER				2	2	P
		P) CALL ORDER DESK FOR SPECIFIC APPLICATION (V.I.N.)						

From E-638 To Y-7045

Date:10/2022

PAGE:XL-1825-01

PASSENGER'S SEAT - "AMERICAN" - W6694 & W7694

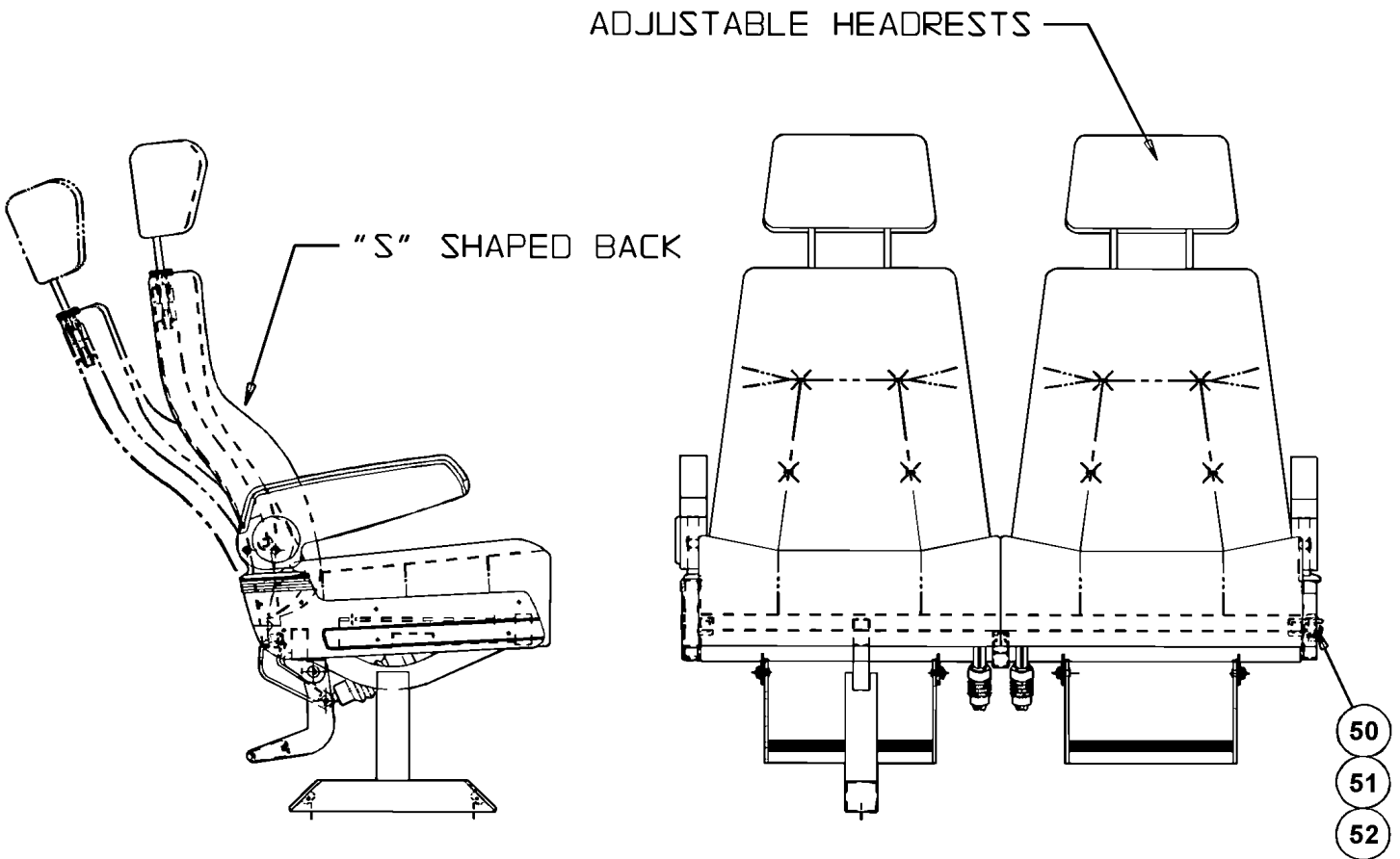


From E-638 To Y-7045

Date:10/2022

PAGE:XL-1825-01

PASSENGER'S SEAT - "AMERICAN" - W6694 & W7694



From E-638 To Y-7045	Date:10/2022	PAGE:XL-1825-01
----------------------	--------------	-----------------

PASSENGER'S SEAT - "AMERICAN" - W6694 & W7694

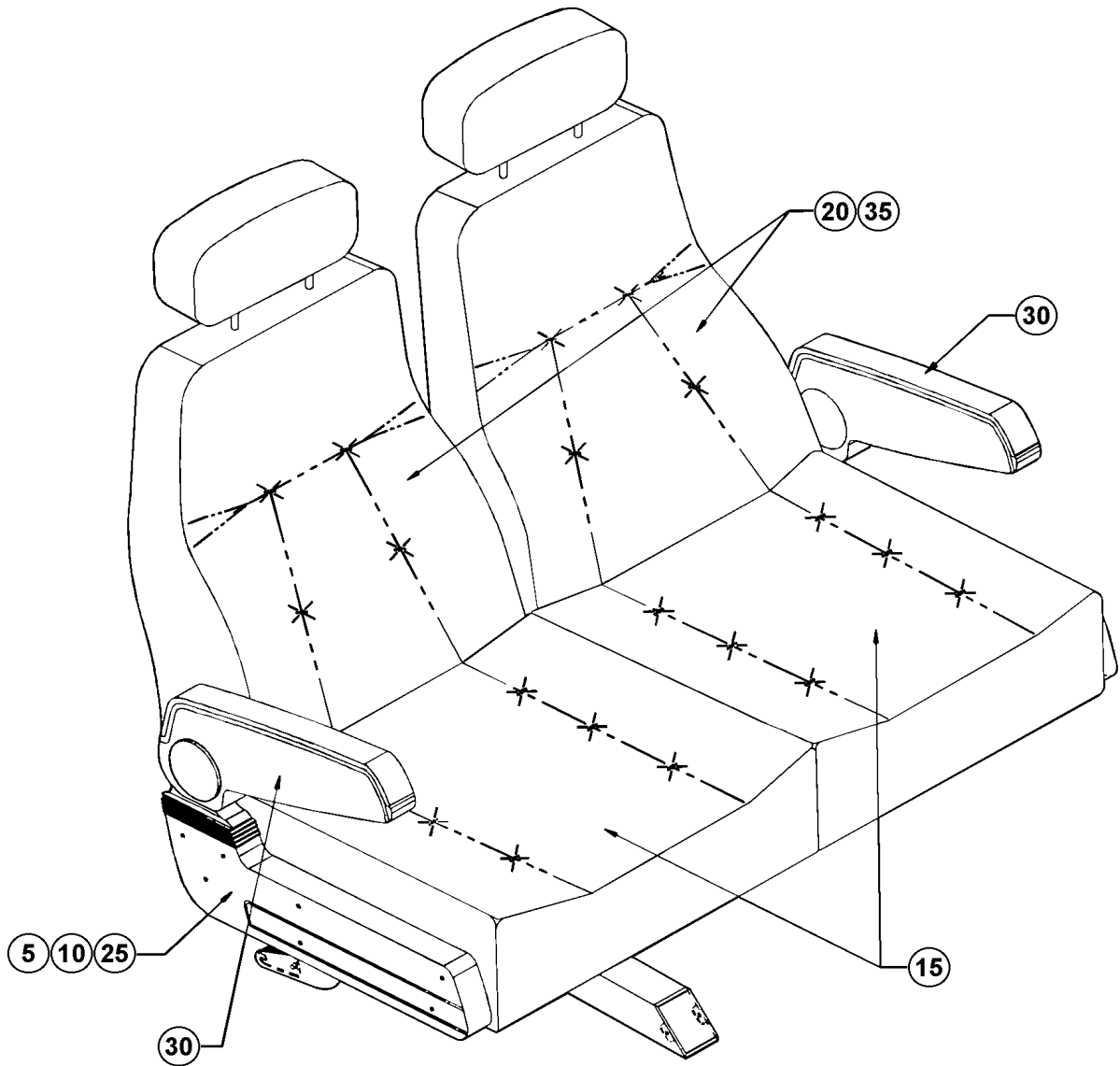
Item#	Part	Description	M T H 4 0	M T H 4 5	M T H 4 5 E	X L 4 0	X L 4 5	N O T E S
		IMPORTANT NOTE:						
		TO ORDER COMPLETE PASSENGER'S SEAT KIT #,						
		SEE THE FINAL VEHICLE RECORD.						
5	XL-1825-05	. PASSENGER'S SEAT - "AMERICAN" - FRAME						
10	XL-1825-10	. PASSENGER'S SEAT - "AMERICAN" - FRAME ROTATIN						
15	XL-1825-20	. PASSENGER'S SEAT - "AMERICAN" - CUSHION						
20	XL-1825-31	. PASSENGER'S SEAT - "AMERICAN" - BACKREST WX69						
25	XL-1825-40	. PASSENGER'S SEAT - "AMERICAN" - FOOTREST						
30	XL-1825-50	. PASSENGER'S SEAT - "AMERICAN" - ARMREST						
35	XL-1825-60	. PASSENGER'S SEAT - "AMERICAN" - BACK & ACCESS						
50	Call order desk	SCREW - WALL ATTACHING				2	2	P
51	860094	CHANNEL WALL ATTACHING				2	2	
52	Call order desk	WASHER				2	2	P
		P) CALL ORDER DESK FOR SPECIFIC APPLICATION (V.I.N.)						

From E-638 To Y-7045

Date:10/2022

PAGE:XL-1825-03

PASSENGER'S SEAT - "AMERICAN" - W6696 & W7696

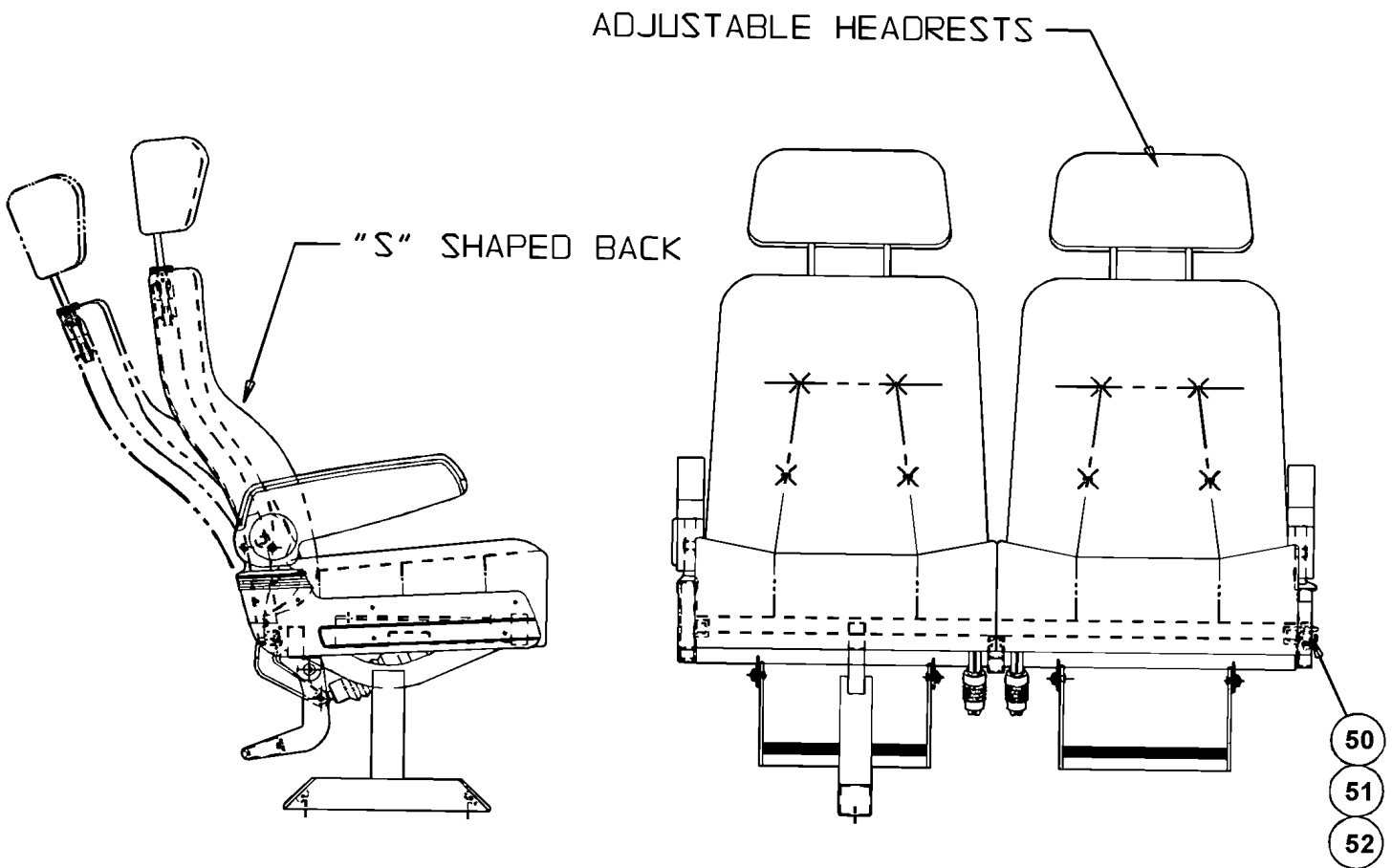


From E-638 To Y-7045

Date:10/2022

PAGE:XL-1825-03

PASSENGER'S SEAT - "AMERICAN" - W6696 & W7696



From E-638 To Y-7045	Date:10/2022	PAGE:XL-1825-03
----------------------	--------------	-----------------

PASSENGER'S SEAT - "AMERICAN" - W6696 & W7696

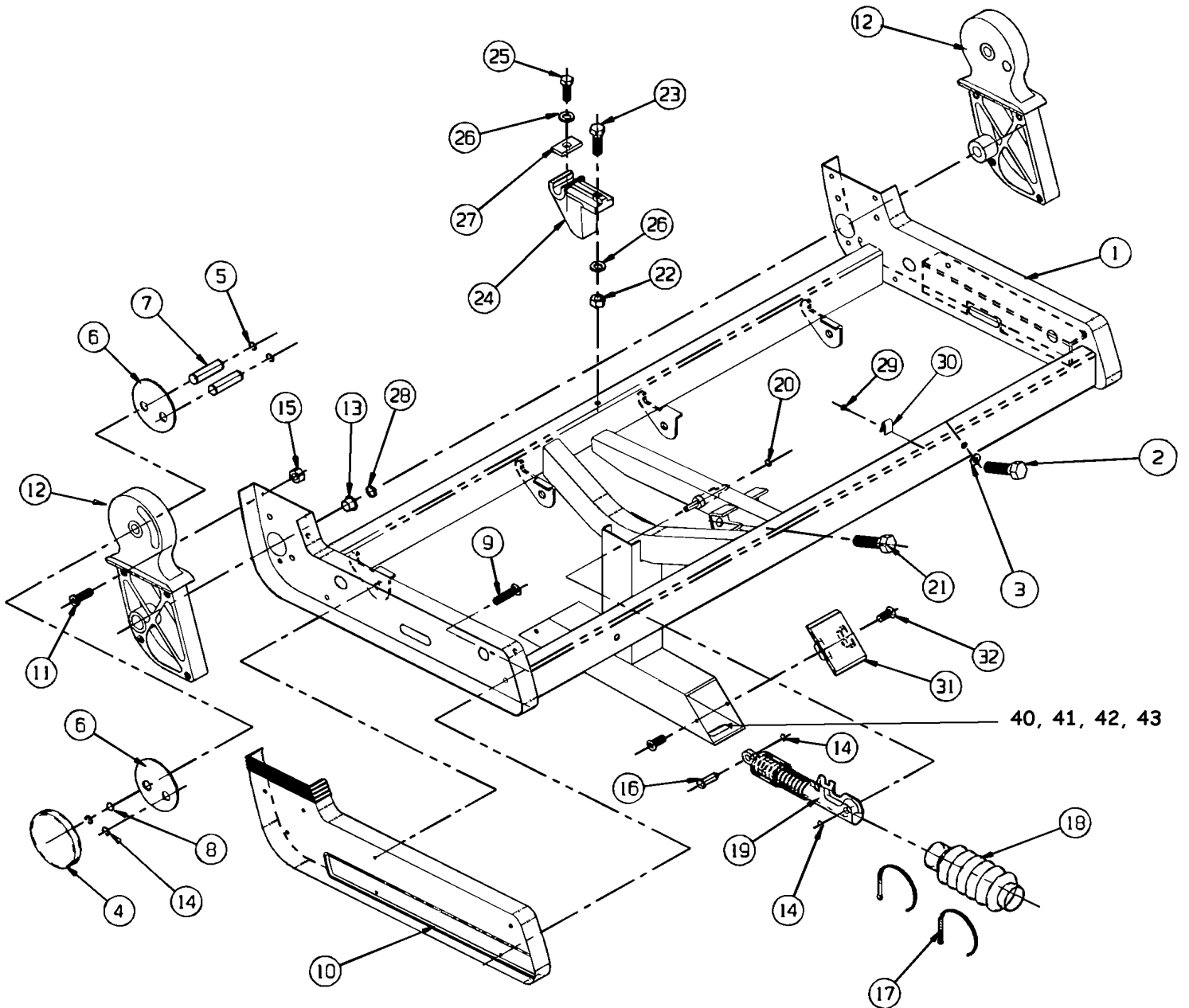
Item#	Part	Description	M T H 4 0	M T H 4 5	M T H 4 5 E	X L 4 0	X L 4 5	N O T E S
		IMPORTANT NOTE:						
		TO ORDER COMPLETE PASSENGER'S SEAT KIT #,						
		SEE THE FINAL VEHICLE RECORD						
5	XL-1825-05	. PASSENGER'S SEAT - "AMERICAN" - FRAME						
10	XL-1825-10	. PASSENGER'S SEAT - "AMERICAN" - FRAME ROTATIN						
15	XL-1825-20	. PASSENGER'S SEAT - "AMERICAN" - CUSHION						
20	XL-1825-31	. PASSENGER'S SEAT - "AMERICAN" - BACKREST WX69						
25	XL-1825-40	. PASSENGER'S SEAT - "AMERICAN" - FOOTREST						
30	XL-1825-50	. PASSENGER'S SEAT - "AMERICAN" - ARMREST						
35	XL-1825-60	. PASSENGER'S SEAT - "AMERICAN" - BACK & ACCESS						
50	Call order desk	SCREW - WALL ATTACHING				2	2	P
51	860094	CHANNEL WALL ATTACHING				2	2	
52	Call order desk	WASHER				2	2	P
		P) CALL ORDER DESK FOR SPECIFIC APPLICATION (V.I.N.)						

From E-638 To Y-7045

Date:10/2022

PAGE:XL-1825-05

PASSENGER'S SEAT - "AMERICAN" - FRAME



LH FRAME ASSEMBLY (SHOWN)
RH FRAME ASSEMBLY (OPPOSITE HAND)

From E-638 To Y-7045	Date:10/2022	PAGE:XL-1825-05
----------------------	--------------	-----------------

PASSENGER'S SEAT - "AMERICAN" - FRAME

Item#	Part	Description	M T H 4 0	M T H 4 5	M T H 4 5 E	X L 4 0	X L 4 5	N O T E S
1	Call order desk	FRAME ASSY RH W/FOOTREST				1	1	P
1	Call order desk	FRAME ASSY LH W/FOOTREST				1	1	P
1	Call order desk	FRAME ASSY RH W/O FOOTREST				1	1	P
NS	Call order desk	FRAME ASSY LH W/O FOOTREST				1	1	P
1	Call order desk	FRAME ASSY LH REAR CROSS				1	1	P
2	Call order desk	SCREW CAP HEX 5/16-18x2 3/4				2	2	P
3	500476	WASHER LO SPT .317x.586x.078 Z050				2	2	
4	Call order desk	COVER DECORATIVE ASSY				1	1	P
5	Call order desk	RETAINER RING				8	8	P
6	Call order desk	PLATE REINFORCEMENT				4	4	P
7	Call order desk	PIN ARM PIVOT				4	4	P
8	865884	WASHER SPR WAVE				1	1	
9	Call order desk	SCREW SIDE TRIM #8 X 5/8"				7	7	P
10	862901	TRIM PANEL SIDE L.H.				1	1	
10	863776	TRIM PANEL SIDE R.H.				1	1	
11	Call order desk	SCREW MA PAN PH #10-32 X 5/8				8	8	P
12	Call order desk	CASTING PIVOT (AISLE SIDE)				1	1	P
12	Call order desk	CASTING PIVOT (AISLE SIDE)				1	1	P
12	Call order desk	CASTING PIVOT (WALL SIDE)				1	1	P
12	Call order desk	CASTING PIVOT (WALL SIDE)				1	1	P
13	860042	PIVOT BEARING				2	2	
14	Call order desk	SNAP RING				4	4	P
15	500423	NUT HEX NYRT #10-32 SS				8	8	
16	Call order desk	PIN CONNECTOR LINK				2	2	P
17	504273	CABLE TIE / 1/8" X 3"1/2				2	2	
18	Call order desk	COVER MECHLOK				2	2	P
19	864135	LOCK MECHANISM RH				1	1	
19	864268	LOCK MECHANISM LH				1	1	
NS	861486	CLIP / WIRE RETAINER				2	2	
20	502523	RIVET NUT FL OKS 5/16-18 .059-.119				1	1	
21	500052	SCREW CAP HEX 3/8-24x2 G5 ZP				2	2	
23	502694	SCREW CAP HEX 3/8-16x3 1/4 G5 ZP				1	1	
24	864857	CASTING - CENTER				1	1	
25	500192	SCREW CAP HEX 3/8-16x1 1/4 G5 Z050				1	1	
26	500480	WASHER LO SPT .443x.779x.109 Z050				2	2	
27	Call order desk	PLATE RETAINER				1	1	P
28	Call order desk	WASHER FL NYL				4	4	P
29	Call order desk	RIVET POP 1/8" SS L FLANGE				3	3	P
30	Call order desk	CLAMP				3	3	P
31	N8881678	CAP - END				2	2	
32	500952	SCREW TP BDG PH #8x1/2 SS				4	4	
40	500305	SCREW CAP HEX 3/8-16x7/8 G5 Z050				2	2	

From E-638 To Y-7045	Date:10/2022	PAGE:XL-1825-05
PASSENGER'S SEAT - "AMERICAN" - FRAME		

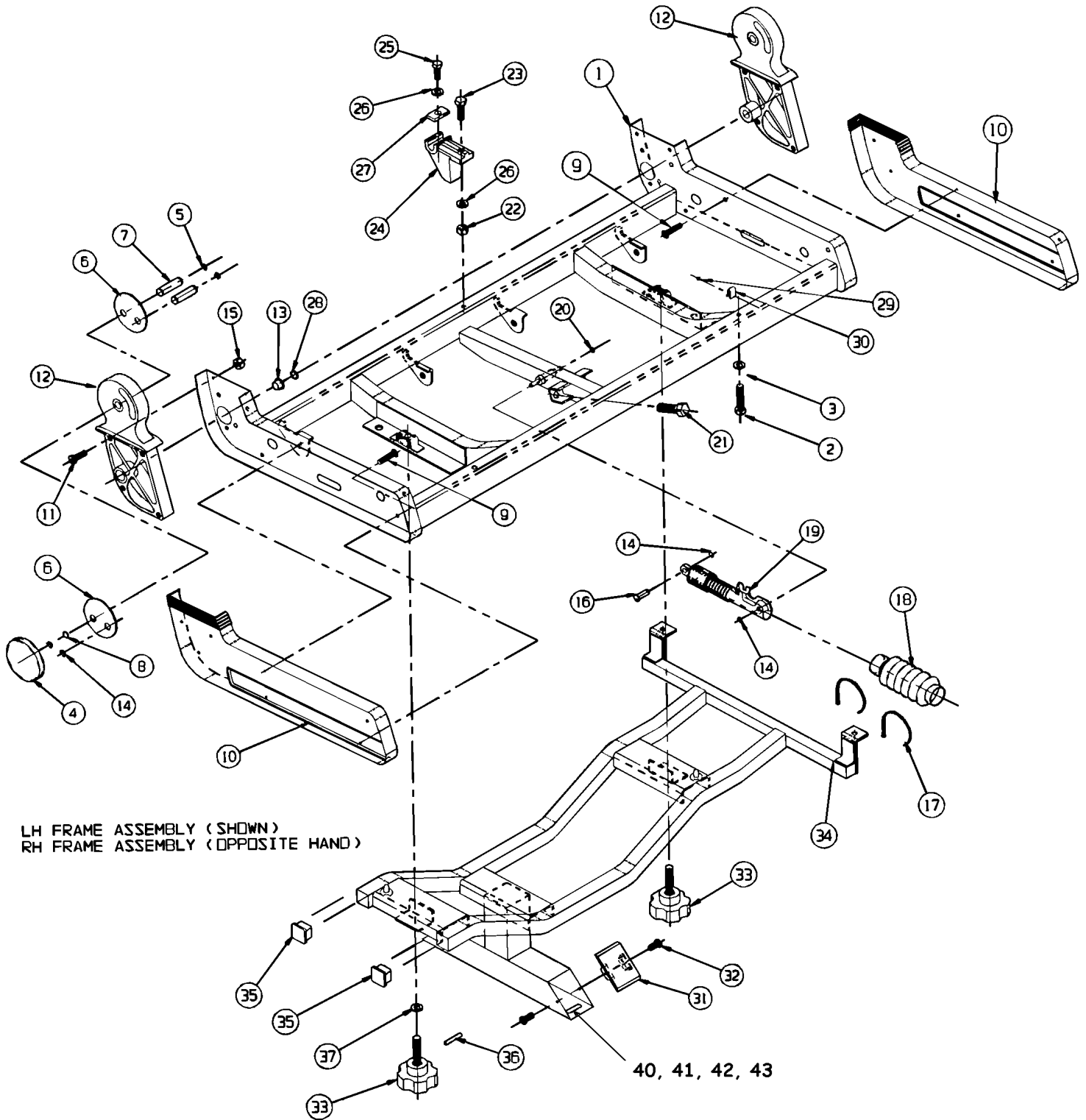
Item#	Part	Description	M T H 4 0	M T H 4 5	M T H 4 5 E	X L 4 0	X L 4 5	N O T E S
41	500478	WASHER LO SPT .380x.683x.094 Z050				2	2	
42	500270	WASHER FL .406x1.000x.063 SS				2	2	
43	362627	PLATE ANCHOR / 3/8-16 BOLT INSIDE TRACK / 1 1/4" X 1 1/4"				2	2	
100	862901	TRIM PANEL SIDE L.H.				1	1	
		P) CALL ORDER DESK FOR SPECIFIC APPLICATION (V.I.N.)						

From E-638 To Y-7045

Date:10/2022

PAGE:XL-1825-10

PASSENGER'S SEAT - "AMERICAN" - FRAME ROTATING



From E-638 To Y-7045	Date:10/2022	PAGE:XL-1825-10
PASSENGER'S SEAT - "AMERICAN" - FRAME ROTATIN		

Item#	Part	Description	M T H 4 0	M T H 4 5	M T H 4 5 E	X L 4 0	X L 4 5	N O T E S
1	Call order desk	FRAME ASSY UPPER W/FOOTREST				1	1	P
2	Call order desk	SCREW CAP HEX 5/16-18x2 3/4				2	2	P
3	500476	WASHER LO SPT .317x.586x.078 Z050				2	2	
4	Call order desk	COVER DECORATIVE ASSY				1	1	P
5	Call order desk	RETAINER RING				8	8	P
6	Call order desk	PLATE REINFORCEMENT				4	4	P
7	Call order desk	PIN ARM PIVOT				4	4	P
8	865884	WASHER SPR WAVE				1	1	
9	Call order desk	SCREW SIDE TRIM #8 X 5/8"				14	14	P
10	862901	TRIM PANEL SIDE L.H.				1	1	
10	863776	TRIM PANEL SIDE R.H.				1	1	
11	Call order desk	SCREW MA PAN PH #10-32 X 5/8				8	8	P
12	Call order desk	CASTING PIVOT (AISLE SIDE)				1	1	P
12	Call order desk	CASTING PIVOT (AISLE SIDE)				1	1	P
13	860042	PIVOT BEARING				2	2	
14	Call order desk	SNAP RING				4	4	P
15	500423	NUT HEX NYRT #10-32 SS				8	8	
16	Call order desk	PIN CONNECTOR LINK				2	2	P
17	504273	CABLE TIE / 1/8" X 3"1/2				2	2	
18	Call order desk	COVER MECHLOK				2	2	P
19	864135	LOCK MECHANISM RH				1	1	
19	864268	LOCK MECHANISM LH				1	1	
NS	861486	CLIP / WIRE RETAINER				2	2	
20	Call order desk	PIN PORTER RETAINER				1	1	P
21	500052	SCREW CAP HEX 3/8-24x2 G5 ZP				2	2	
23	502694	SCREW CAP HEX 3/8-16x3 1/4 G5 ZP				1	1	
24	864857	CASTING - CENTER				1	1	
25	500192	SCREW CAP HEX 3/8-16x1 1/4 G5 Z050				1	1	
26	500480	WASHER LO SPT .443x.779x.109 Z050				2	2	
27	Call order desk	PLATE RETAINER				1	1	P
28	Call order desk	WASHER FL NYL				4	4	P
29	Call order desk	RIVET POP 1/8" SS L FLANGE				3	3	P
30	Call order desk	CLAMP				3	3	P
31	N8881678	CAP - END				1	1	
32	Call order desk	SCREW #8x1/2				4	4	P
33	864807	KNOB RETAINER				2	2	
34	Call order desk	FRAME ASSY - LOWER				1	1	P
35	Call order desk	CAP - PLUG				2	2	P
36	Call order desk	PIN ROLL				2	2	P
37	Call order desk	WASHER LO SPT				1	1	P
40	500305	SCREW CAP HEX 3/8-16x7/8 G5 Z050				2	2	
41	500478	WASHER LO SPT .380x.683x.094 Z050				2	2	

From E-638 To Y-7045	Date:10/2022	PAGE:XL-1825-10
PASSENGER'S SEAT - "AMERICAN" - FRAME ROTATIN		

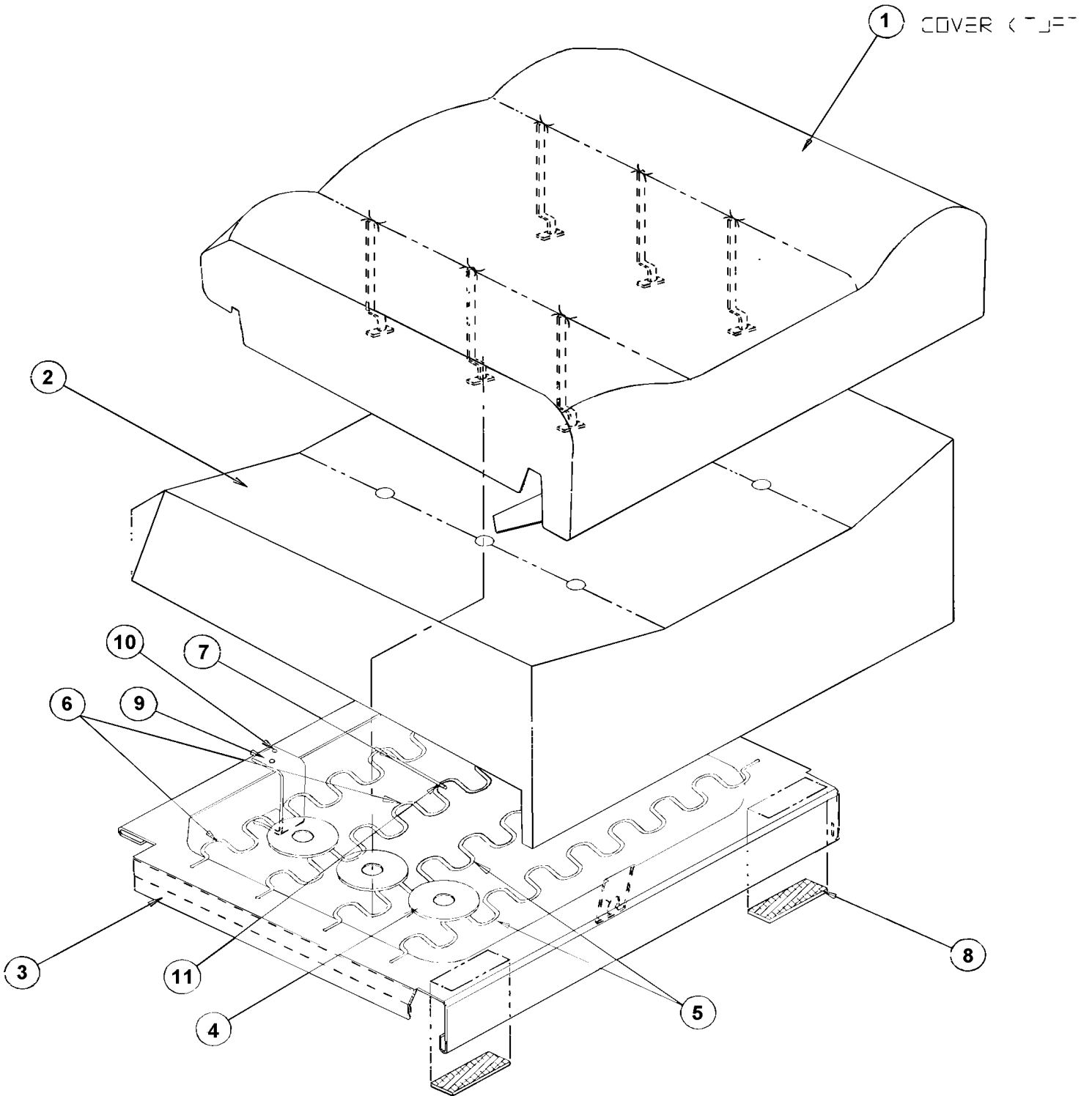
Item#	Part	Description	M T H 4 0	M T H 4 5	M T H 4 5 E	X L 4 0	X L 4 5	N O T E S
42	500270	WASHER FL .406x1.000x.063 SS				2	2	
43	362627	PLATE ANCHOR / 3/8-16 BOLT INSIDE TRACK / 1 1/4" X 1 1/4"				2	2	
		P) CALL ORDER DESK FOR SPECIFIC APPLICATION (V.I.N.)						

From E-638 To Y-7045

Date:10/2022

PAGE:XL-1825-20

PASSENGER'S SEAT - "AMERICAN" - CUSHION

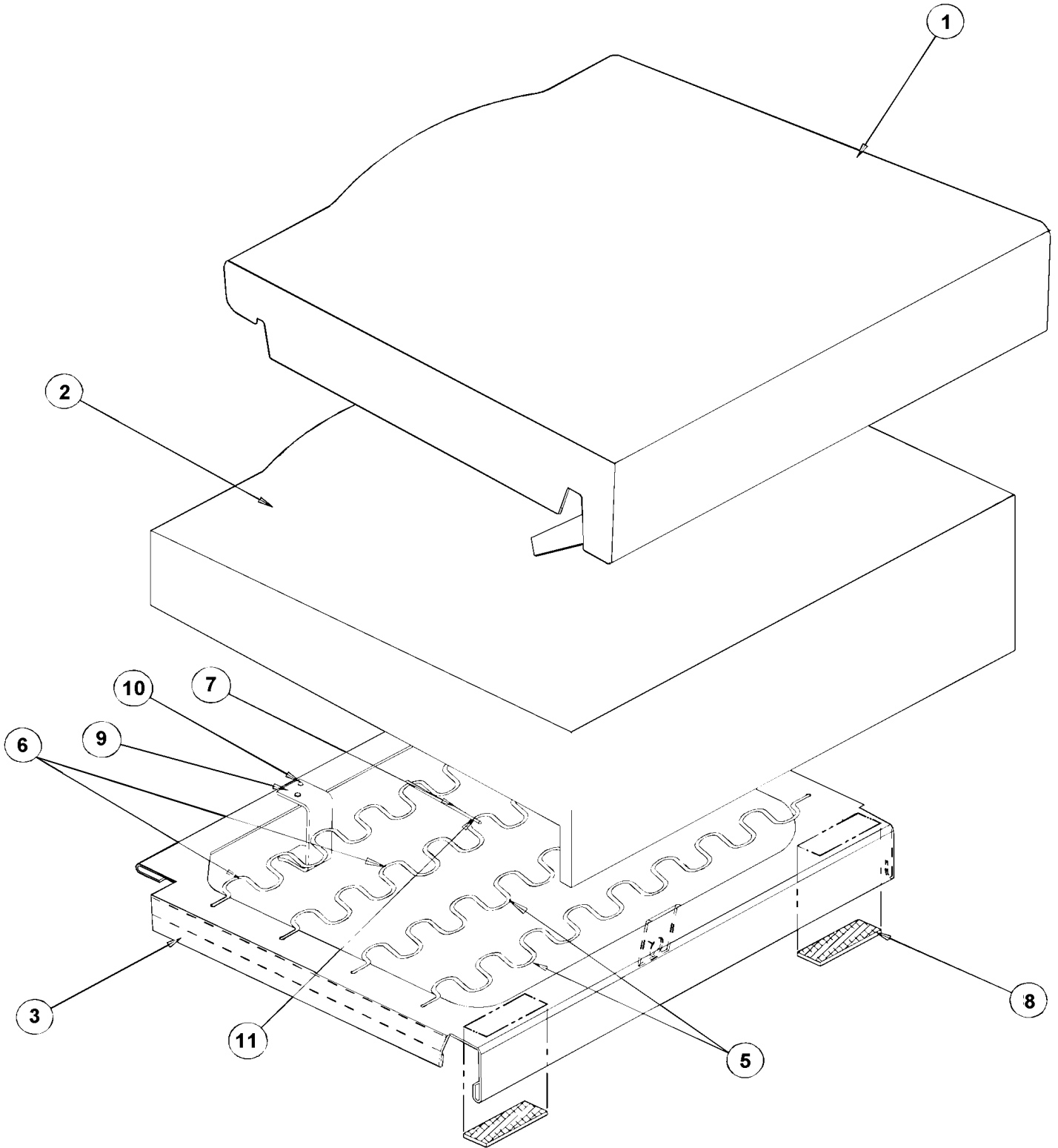


From E-638 To Y-7045

Date:10/2022

PAGE:XL-1825-20

PASSENGER'S SEAT - "AMERICAN" - CUSHION



From E-638 To Y-7045	Date:10/2022	PAGE:XL-1825-20
----------------------	--------------	-----------------

PASSENGER'S SEAT - "AMERICAN" - CUSHION

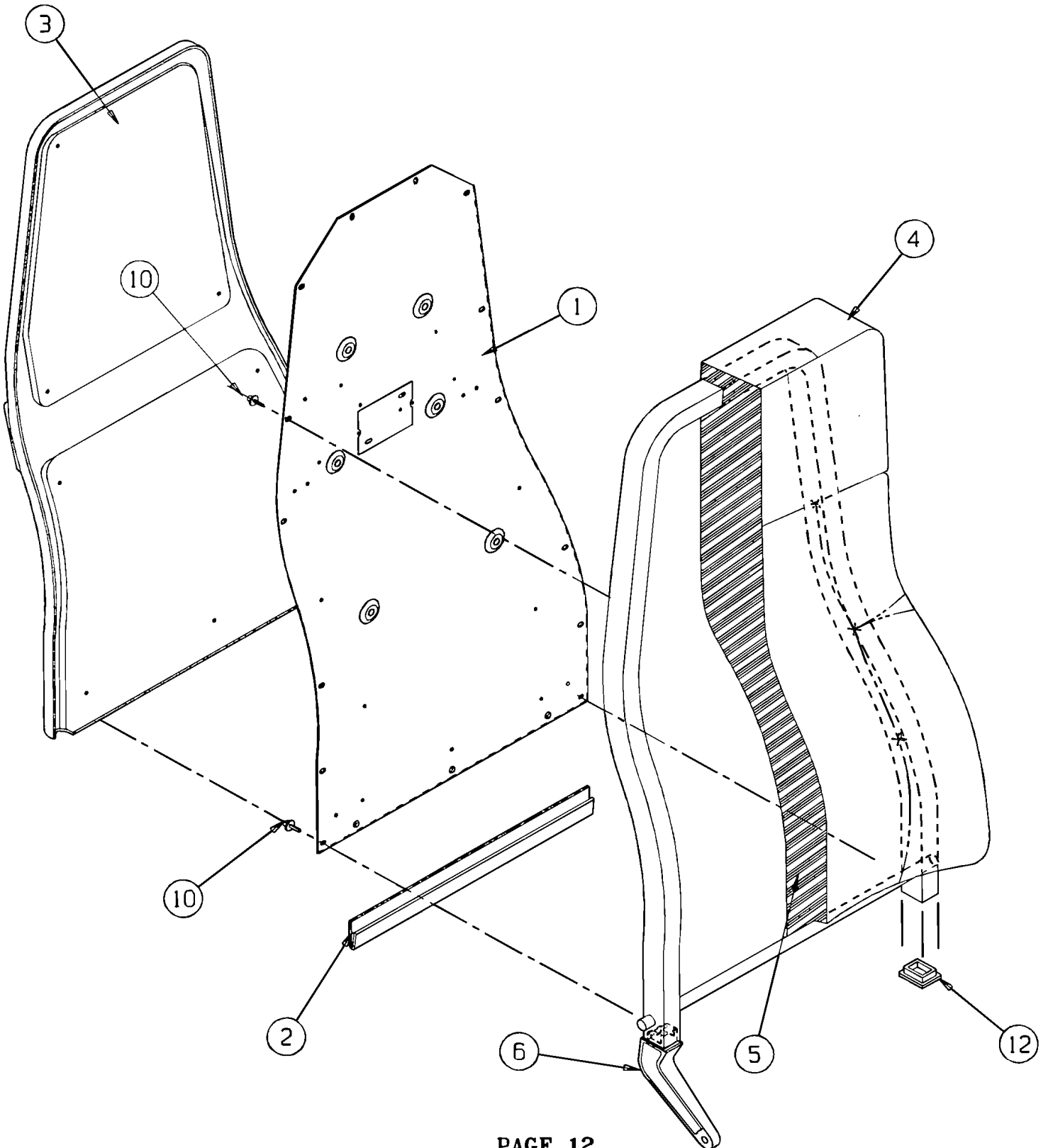
Item#	Part	Description	M T H 4 0	M T H 4 5	M T H 4 5 E	X L 4 0	X L 4 5	N O T E S
	N.P.N.	CUSHION ASSY - TUFTED				1	1	4 A
	N.P.N.	CUSHION ASSY - NON-TUFTED				1	1	4 B
1	N.P.N.	. COVER CUSHION				1	1	4
2	865801	. FOAM - CUSHION TUFTED - POLY				1	1	A
2	Call order desk	. FOAM - CUSHION TUFTED - LOW SMOKE FOAM				1	1	PA
2	Call order desk	. FOAM - CUSHION NON-TUFTED - POLY				1	1	PB
2	Call order desk	. FOAM - CUSHION NON-TUFTED - LOW SMOKE FOAM				1	1	PB
3	865802	. FRAME ASSY				1	1	
4	Call order desk	. WASHER (PULL TAB)				6	6	PA
5	Call order desk	. SPRING - NO SAG (FLAT)				2	2	P
6	Call order desk	. SPRING - NO SAG (CROWNED)				2	2	P
7	Call order desk	. WIRE 5"				1	1	P
8	Call order desk	. VELCRO				2	2	P
9	Call order desk	. RETAINER - REAR				1	1	P
10	Call order desk	. RIVET POP 3/16x7/16 ZP				1	1	P
11	Call order desk	. HARTCO-CLIP				1	1	P
		. CHAR(255)						
		A) TUFTED CUSHION						
		B) NON-TUFTED CUSHION						
		4) NO PARTS NUMBER						
		P) CALL ORDER DESK FOR SPECIFIC APPLICATION (V.I.N.)						

From E-638 To Y-7045

Date:10/2022

PAGE:XL-1825-30

PASSENGER'S SEAT - "AMERICAN" - BACKREST WX69

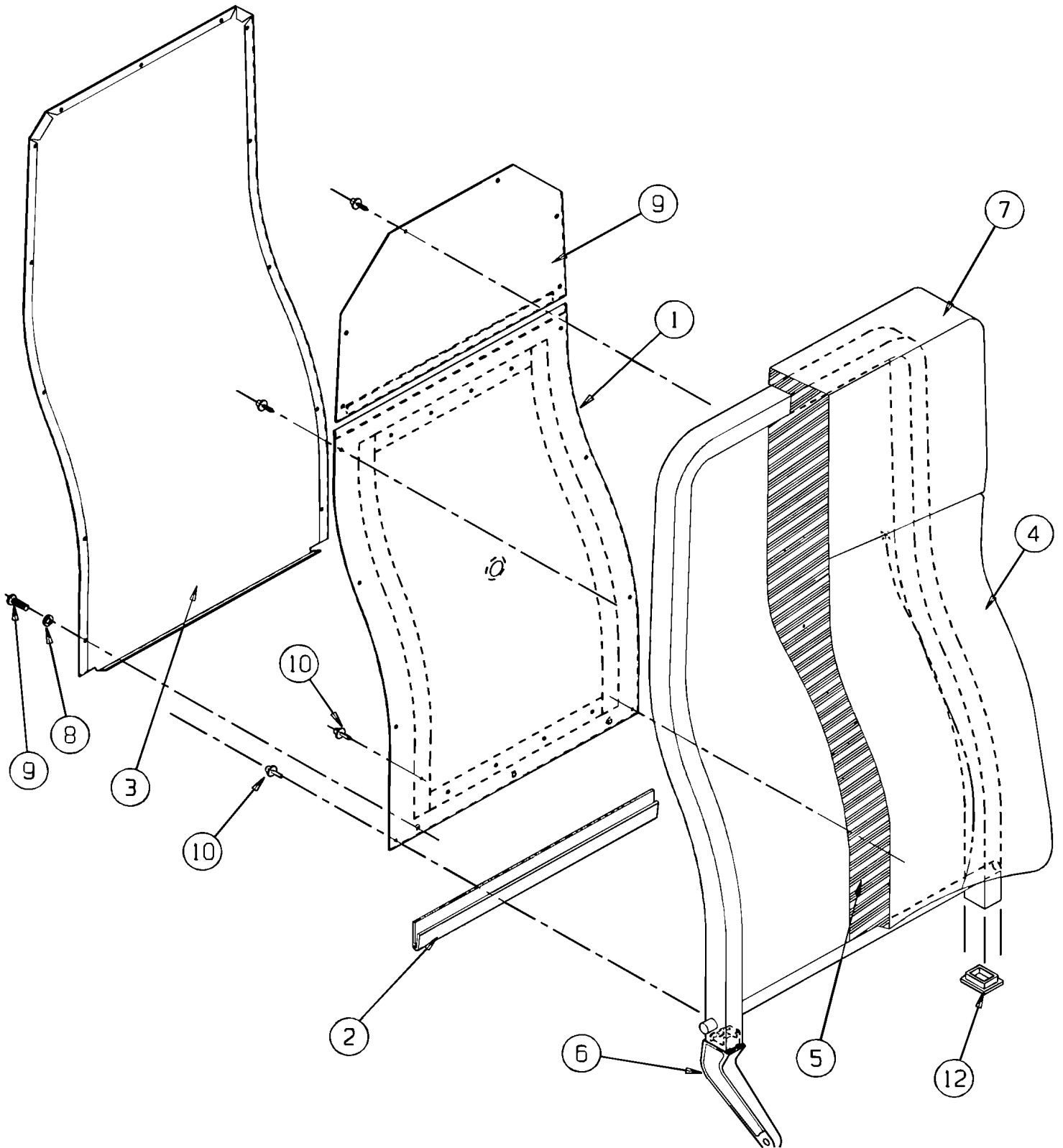


From E-638 To Y-7045

Date:10/2022

PAGE:XL-1825-30

PASSENGER'S SEAT - "AMERICAN" - BACKREST WX69



From E-638 To Y-7045	Date:10/2022	PAGE:XL-1825-30
PASSENGER'S SEAT - "AMERICAN" - BACKREST WX69		

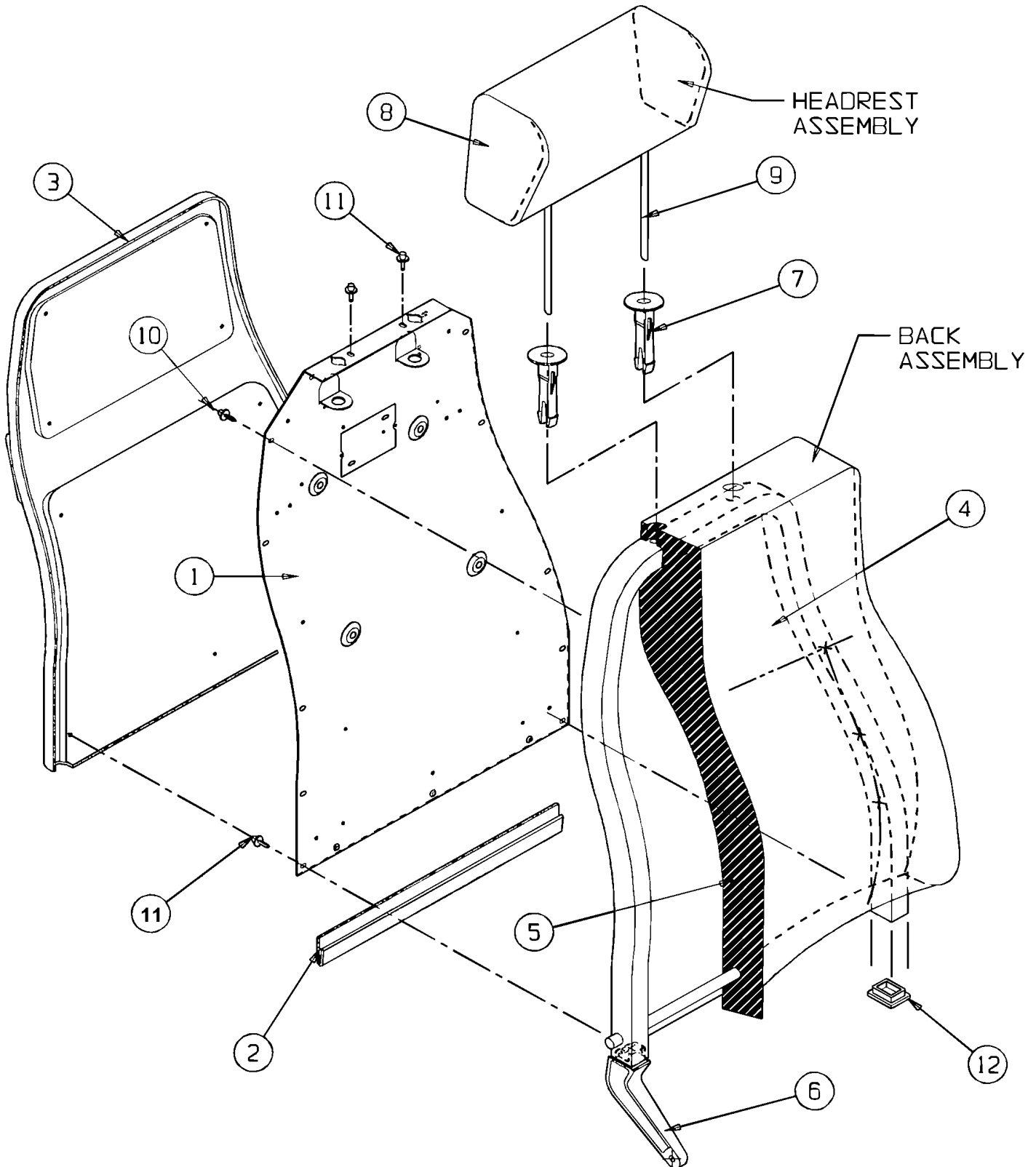
Item#	Part	Description	M T H 4 0	M T H 4 5	M T H 4 5 E	X L 4 0	X L 4 5	N O T E S
1	Call order desk	PANEL METAL INNER				1	1	PD
1	Call order desk	PANEL METAL INNER				1	1	PC
2	Call order desk	EXTRUSION VINYL				1	1	P
3	XL-1825-60	PASSENGER'S SEAT - "AMERICAN" - BACK & ACCESS						D
4	N.P.N.	COVER BACK UPHOLSTERY				1	1	4D
4	N.P.N.	COVER BACK UPHOLSTERY				1	1	4C
5	Call order desk	FOAM BACK				1	1	PA
5	Call order desk	FOAM BACK				1	1	PB
6	Call order desk	BACK FRAME & FOAM RH				1	1	PA
6	Call order desk	BACK FRAME & FOAM RH				1	1	PB
6	Call order desk	BACK FRAME & FOAM RH				1	1	PC
6	Call order desk	BACK FRAME & FOAM LH				1	1	PA
6	Call order desk	BACK FRAME & FOAM LH				1	1	PB
6	Call order desk	BACK FRAME & FOAM LH				1	1	PC
7	Call order desk	FOAM HEADREST				1	1	PC
8	Call order desk	PROTECTIVE TAPE				QR	QR	PD
9	Call order desk	PANEL METAL				1	1	PC
10	Call order desk	RIVET POP				12	12	P
12	865892	PLUG CAP 1x1 1/4 BLK POLY				1	1	
		A) WITH SEAT MODEL W6693						
		B) WITH SEAT MODEL W6695						
		C) WITH SEAT MODEL W7693						
		D) WITH SEAT MODEL W6693 & W7693						
		4) NO PARTS NUMBER						
		P) CALL ORDER DESK FOR SPECIFIC APPLICATION (V.I.N.)						

From E-638 To Y-7045

Date:10/2022

PAGE:XL-1825-31

PASSENGER'S SEAT - "AMERICAN" - BACKREST WX69

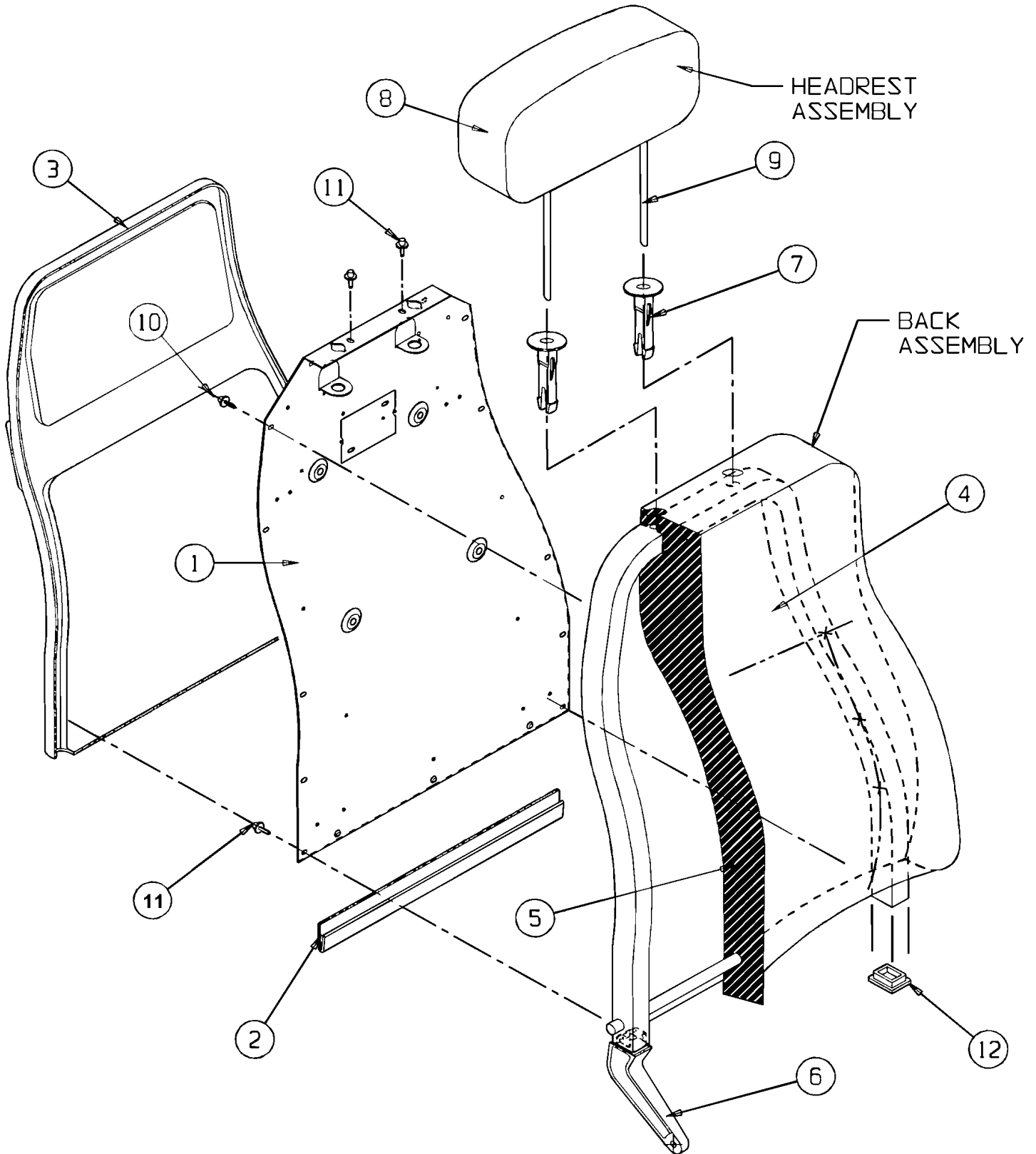


From E-638 To Y-7045

Date:10/2022

PAGE:XL-1825-31

PASSENGER'S SEAT - "AMERICAN" - BACKREST WX69



From E-638 To Y-7045	Date:10/2022	PAGE:XL-1825-31
PASSENGER'S SEAT - "AMERICAN" - BACKREST WX69		

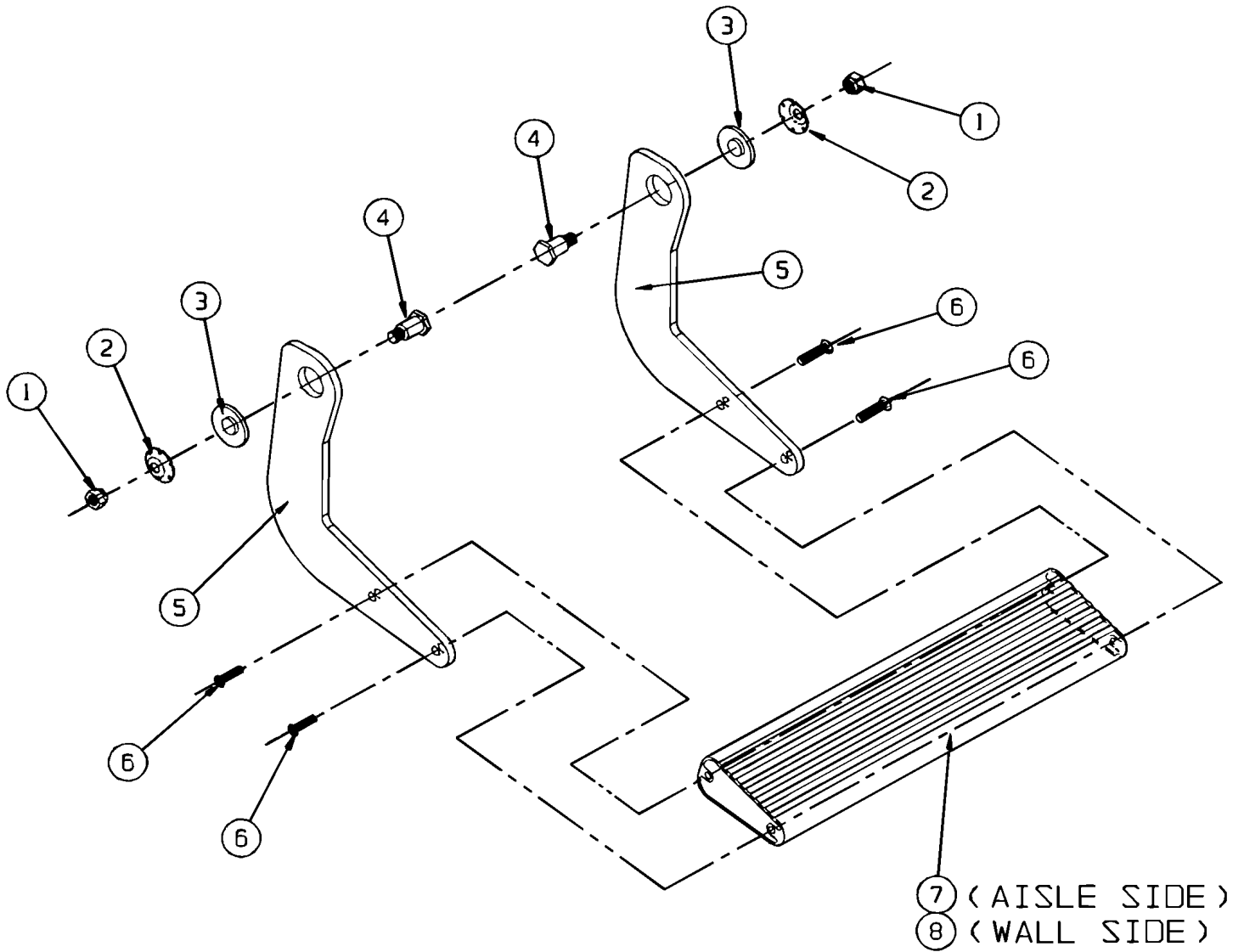
Item#	Part	Description	M T H 4 0	M T H 4 5	M T H 4 5 E	X L 4 0	X L 4 5	N O T E S
1	Call order desk	PANEL METAL INNER				1	1	P
2	Call order desk	EXTRUSION VINYL				1	1	P
3	XL-1825-60	PASSENGER'S SEAT - "AMERICAN" - BACK & ACCESS						
4	N.P.N.	COVER BACK UPHOLSTERY				1	1	4
5	Call order desk	FOAM BACK - POLY FOAM				1	1	PA
5	Call order desk	FOAM BACK - POLY FOAM				1	1	PB
5	Call order desk	FOAM BACK - LOW SMOKE FOAM				1	1	PB
5	Call order desk	FOAM BACK - POLY FOAM				1	1	PC
5	Call order desk	FOAM BACK - LOW SMOKE FOAM				1	1	PC
5	Call order desk	FOAM BACK - POLY FOAM				1	1	PD
5	Call order desk	FOAM BACK - LOW SMOKE FOAM				1	1	PD
6	Call order desk	BACK FRAME & FOAM RH				1	1	P
6	Call order desk	BACK FRAME & FOAM LH				1	1	P
7	863800	BUSHING GUIDE				2	2	
8	N.P.N.	COVER HEADREST UPHOLSTERY				1	1	4
9	Call order desk	HEADREST ASSY - POLY FOAM				1	1	PE
9	Call order desk	HEADREST ASSY - POLY FOAM				1	1	PF
9	Call order desk	HEADREST ASSY - LOW SMOKE FOAM				1	1	PE
9	Call order desk	HEADREST ASSY - LOW SMOKE FOAM				1	1	PF
10	Call order desk	RIVET POP				12	12	P
11	Call order desk	RIVET POP				2	2	P
12	865892	PLUG CAP 1x1 1/4 BLK POLY				1	1	
		A) WITH SEAT MODEL W6694						
		B) WITH SEAT MODEL W6696						
		C) WITH SEAT MODEL W7694						
		D) WITH SEAT MODEL W7696						
		E) WITH SEAT MODEL W6694 & W6696						
		F) WITH SEAT MODEL W7694 & W7696						
		4) NO PARTS NUMBER						
		P) CALL ORDER DESK FOR SPECIFIC APPLICATION (V.I.N.)						

From E-638 To Y-7045

Date:10/2022

PAGE:XL-1825-40

PASSENGER'S SEAT - "AMERICAN" - FOOTREST

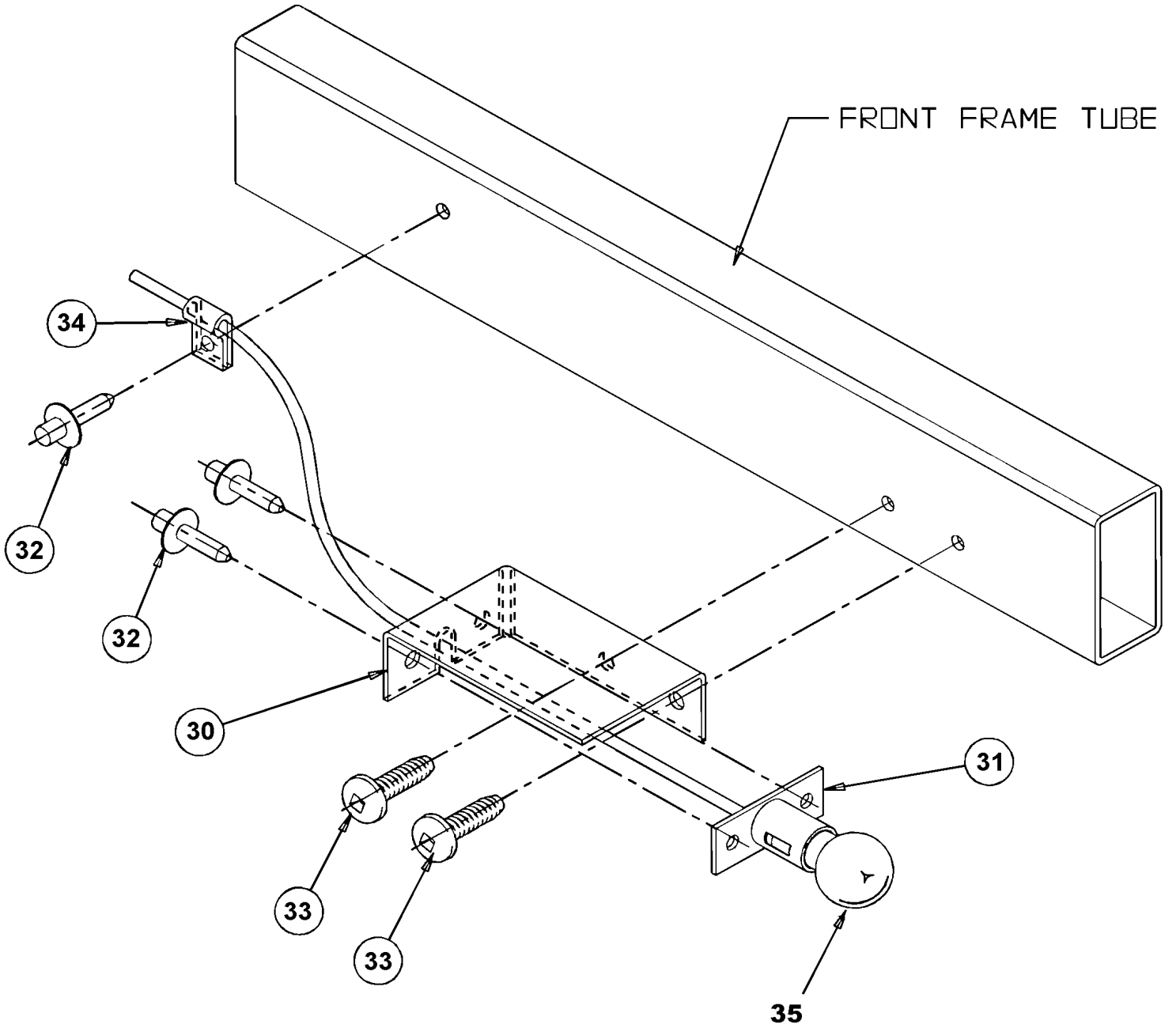


From E-638 To Y-7045

Date:10/2022

PAGE:XL-1825-40

PASSENGER'S SEAT - "AMERICAN" - FOOTREST



From E-638 To Y-7045	Date:10/2022	PAGE:XL-1825-40
PASSENGER'S SEAT - "AMERICAN" - FOOTREST		

Item#	Part	Description	M T H 4 0	M T H 4 5	M T H 4 5 E	X L 4 0	X L 4 5	N O T E S
	864788	FOOTREST ASSY (AISLE SIDE)				1	1	
	Call order desk	FOOTREST ASSY (WALL SIDE)				1	1	P
1	500690	. NUT HEX NYRT 1/4-28 Z050				2	2	
2	862724	. WASHER TENSIONER				2	2	
3	862723	. WASHER FL NYLON				2	2	
4	862722	. PIN PIVOT				2	2	
5	865126	. PLATE HANGER				2	2	
6	Call order desk	. SCREW MA PAN PH #10-24x3/4				4	4	P
7	Call order desk	. EXTRUSION FOOTREST (AISLE SIDE)				1	1	P
8	Call order desk	. EXTRUSION FOOTREST (WALL SIDE)				1	1	P
30	Call order desk	ASILE LITE ASSEMBLY				1	1	P
30	Call order desk	ASILE LITE ASSEMBLY (REVERSIBLE)				1	1	PA
30	Call order desk	. HOUSING ASILE LITE				1	1	P
30	Call order desk	. HOUSING ASILE LITE (REVERSIBLE)				1	1	PA
31	Call order desk	. LAMP SOCKET ASSEMBLY				1	1	P
32	504105	. RIVET POP DOME OE 1/8x3/16 AL				7	7	
33	Call order desk	. SCREW MA BUT SQ #6-32x1/2				2	2	P
34	Call order desk	. CLAMP				5	5	P
35	560141	. BULB / 3WATT-24VOLTS / SAE# 1251				AR	AR	
35	563546	BULB / 7 LEDS BLUE / UNDER SEAT / #B607-2PB-028W				AR	AR	
35	564100	BULB / 7 LEDS BLUE / UNDER SEAT / #270015				AR	AR	
		A) WITH REVERSIBLE SEAT						
		P) CALL ORDER DESK FOR SPECIFIC APPLICATION (V.I.N.)						

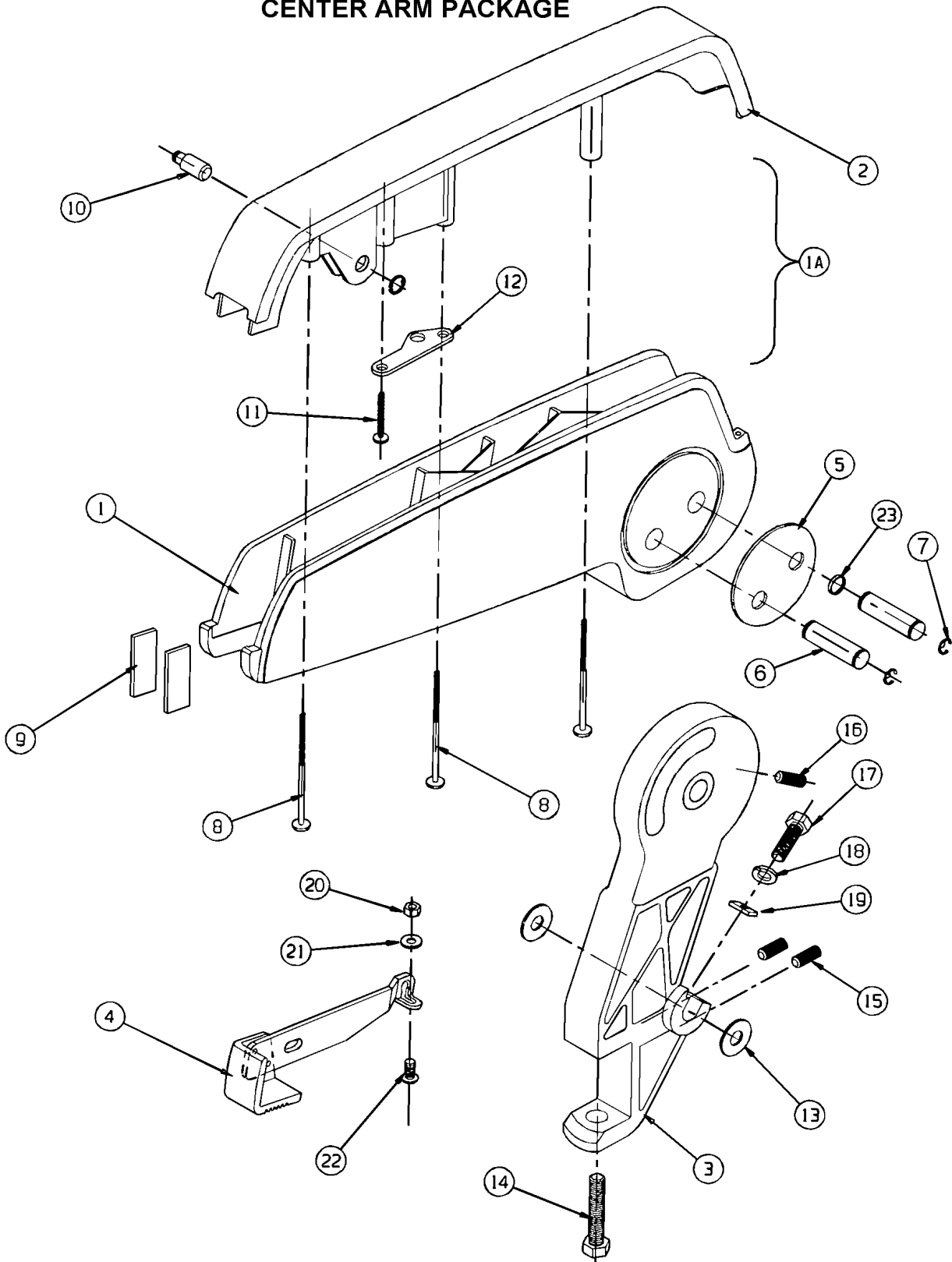
From E-638 To Y-7045

Date:10/2022

PAGE:XL-1825-50

PASSENGER'S SEAT - "AMERICAN" - ARMREST

CENTER ARM PACKAGE



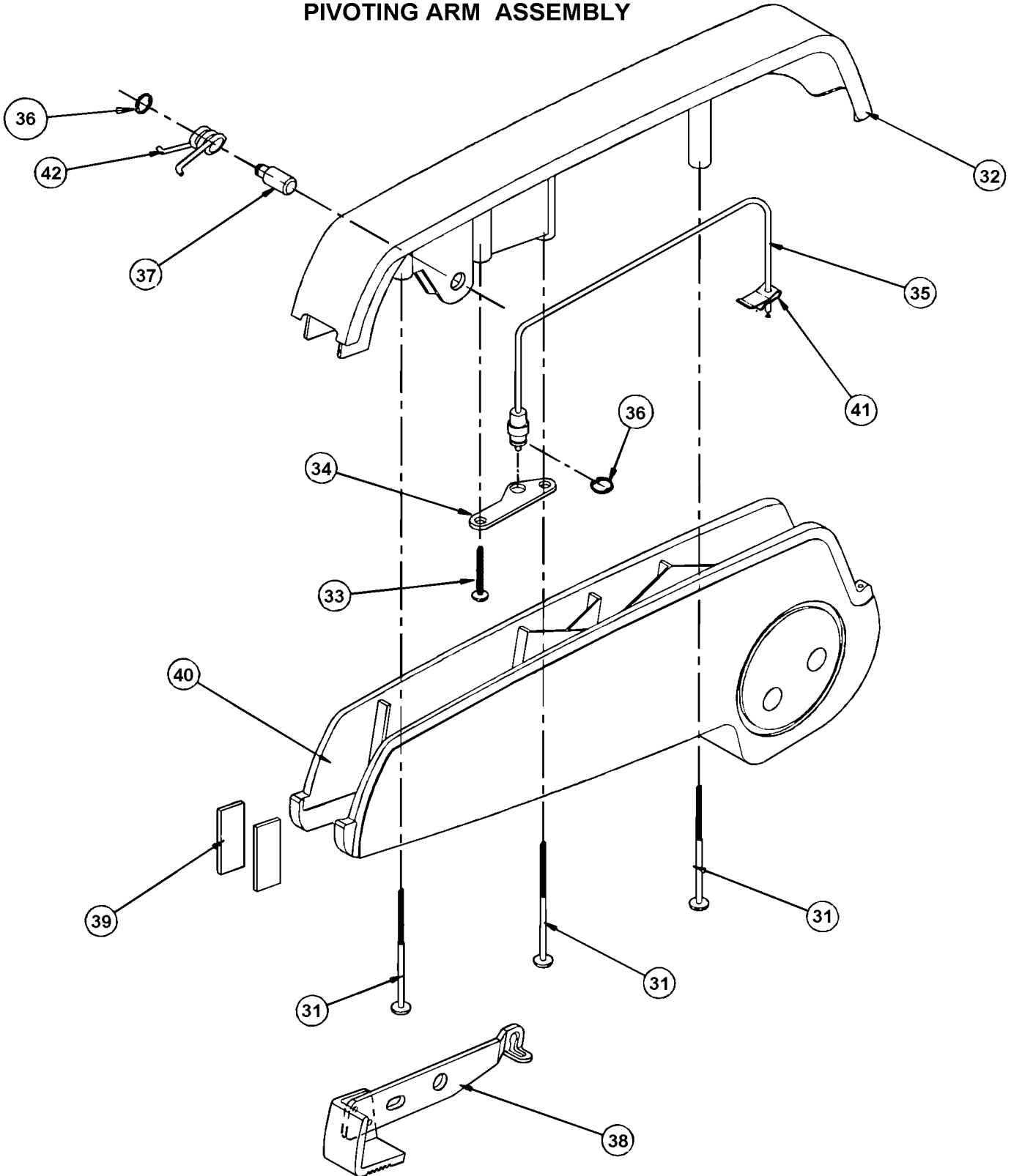
From E-638 To Y-7045

Date:10/2022

PAGE:XL-1825-50

PASSENGER'S SEAT - "AMERICAN" - ARMREST

PIVOTING ARM ASSEMBLY



From E-638 To Y-7045	Date:10/2022	PAGE:XL-1825-50
----------------------	--------------	-----------------

PASSENGER'S SEAT - "AMERICAN" - ARMREST

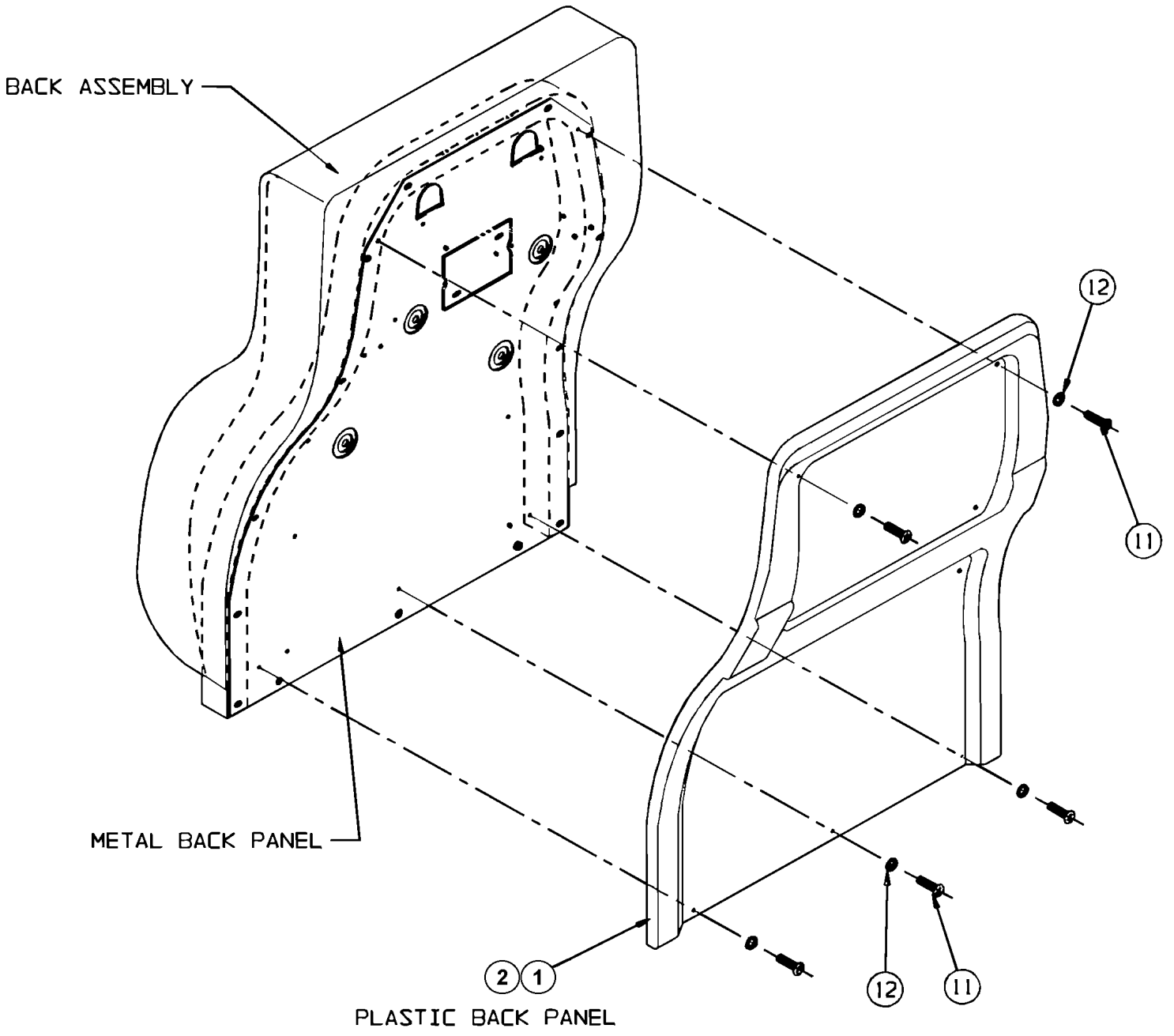
Item#	Part	Description	M T H 4 0	M T H 4 5	M T H 4 5 E	X L 4 0	X L 4 5	N O T E S
		A) INCLUDE ITEM 1 & 3						
		P) CALL ORDER DESK FOR SPECIFIC APPLICATION (V.I.N.)						

From E-638 To Y-7045

Date:10/2022

PAGE:XL-1825-60

PASSENGER'S SEAT - "AMERICAN" - BACK & ACCESS

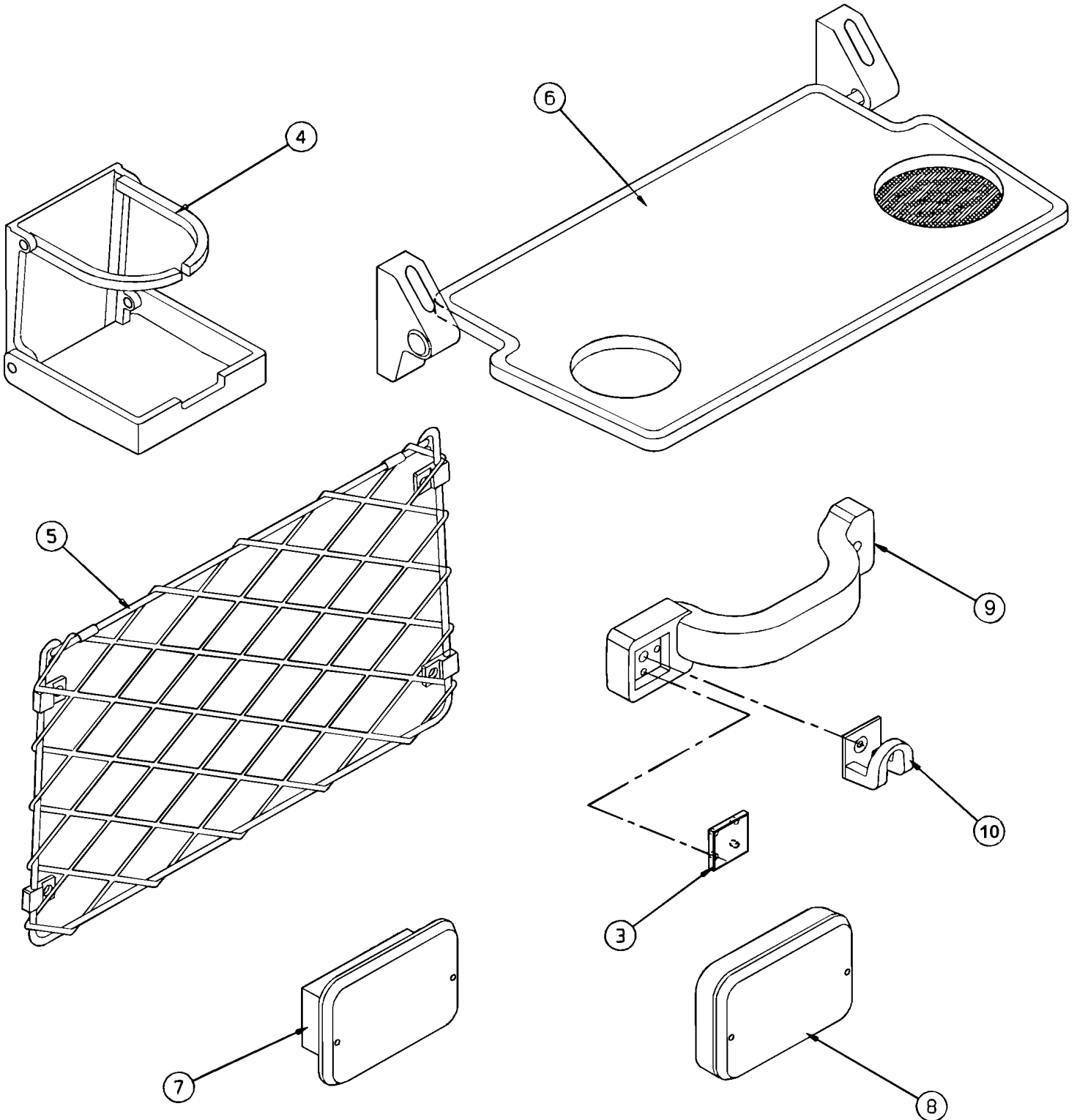


From E-638 To Y-7045

Date:10/2022

PAGE:XL-1825-60

PASSENGER'S SEAT - "AMERICAN" - BACK & ACCESS



From E-638 To Y-7045	Date:10/2022	PAGE:XL-1825-60
----------------------	--------------	-----------------

PASSENGER'S SEAT - "AMERICAN" - BACK & ACCESS

Item#	Part	Description	M T H 4 0	M T H 4 5	M T H 4 5 E	X L 4 0	X L 4 5	N O T E S
1	Call order desk	PANEL W/O OPTIONS - CHARCOAL				1	1	PA
1	Call order desk	PANEL W/O OPTIONS - RED				1	1	PA
1	Call order desk	PANEL W/O OPTIONS - BLUE				1	1	PA
1	Call order desk	PANEL W/O OPTIONS - BROWN				1	1	PA
1	Call order desk	PANEL W/GRABHANDLE & COAT HOOK - CHARCOAL				1	1	PA
1	Call order desk	PANEL W/GRABHANDLE & COAT HOOK - RED				1	1	PA
1	Call order desk	PANEL W/GRABHANDLE & COAT HOOK - BLUE				1	1	PA
1	Call order desk	PANEL W/GRABHANDLE & COAT HOOK - BROWN				1	1	PA
1	Call order desk	PANEL W/MAGAZINE POCKET - CHARCOAL				1	1	PA
1	Call order desk	PANEL W/MAGAZINE POCKET - RED				1	1	PA
1	Call order desk	PANEL W/MAGAZINE POCKET - BLUE				1	1	PA
1	Call order desk	PANEL W/MAGAZINE POCKET - BROWN				1	1	PA
1	Call order desk	PANEL W/MAGAZINE POCKET & CUP HOLDER - CHARCOAL				1	1	PA
1	Call order desk	PANEL W/MAGAZINE POCKET & CUP HOLDER - RED				1	1	PA
1	Call order desk	PANEL W/MAGAZINE POCKET & CUP HOLDER - BLUE				1	1	PA
1	Call order desk	PANEL W/MAGAZINE POCKET & CUP HOLDER - BROWN				1	1	PA
1	Call order desk	PANEL W/MAGAZINE POCKET & GRABHANDLE - CHARCOAL				1	1	PA
1	Call order desk	PANEL W/MAGAZINE POCKET & GRABHANDLE - RED				1	1	PA
1	Call order desk	PANEL W/MAGAZINE POCKET & GRABHANDLE - BLUE				1	1	PA
1	Call order desk	PANEL W/MAGAZINE POCKET & GRABHANDLE - BROWN				1	1	PA
1	Call order desk	PANEL W/MAGAZINE POCKET & RECESSED ASHTRAY - CHARCOAL				1	1	PA
1	Call order desk	PANEL W/MAGAZINE POCKET & RECESSED ASHTRAY - RED				1	1	PA
1	Call order desk	PANEL W/MAGAZINE POCKET & RECESSED ASHTRAY - BLUE				1	1	PA
1	Call order desk	PANEL W/MAGAZINE POCKET & RECESSED ASHTRAY - BROWN				1	1	PA
1	Call order desk	PANEL W/MAGAZINE POCKET & SNACK TRAYS - CHARCOAL				1	1	PA
1	Call order desk	PANEL W/MAGAZINE POCKET & SNACK TRAYS - RED				1	1	PA
1	Call order desk	PANEL W/MAGAZINE POCKET & SNACK TRAYS - BLUE				1	1	PA
1	Call order desk	PANEL W/MAGAZINE POCKET & SNACK TRAYS - BROWN				1	1	PA
1	Call order desk	PANEL W/RECESSED ASHTRAY - CHARCOAL				1	1	PA
1	Call order desk	PANEL W/RECESSED ASHTRAY - RED				1	1	PA
1	Call order desk	PANEL W/RECESSED ASHTRAY - BLUE				1	1	PA
1	Call order desk	PANEL W/RECESSED ASHTRAY - BROWN				1	1	PA
1	Call order desk	PANEL W/SNACK TRAYS - CHARCOAL				1	1	PA
1	Call order desk	PANEL W/SNACK TRAYS - RED				1	1	PA
1	Call order desk	PANEL W/SNACK TRAYS - BLUE				1	1	PA
1	Call order desk	PANEL W/SNACK TRAYS - BROWN				1	1	PA
2	Call order desk	PANEL W/O OPTIONS - CHARCOAL				1	1	PB
2	Call order desk	PANEL W/O OPTIONS - RED				1	1	PB
2	Call order desk	PANEL W/O OPTIONS - BLUE				1	1	PB
2	Call order desk	PANEL W/O OPTIONS - BROWN				1	1	PB
2	Call order desk	PANEL W/COAT HOOK - CHARCOAL				1	1	PB

From E-638 To Y-7045	Date:10/2022	PAGE:XL-1825-60
----------------------	--------------	-----------------

PASSENGER'S SEAT - "AMERICAN" - BACK & ACCESS

Item#	Part	Description	M T H 4 0	M T H 4 5	M T H 4 5 E	X L 4 0	X L 4 5	N O T E S
2	Call order desk	PANEL W/COAT HOOK - RED				1	1	PB
2	Call order desk	PANEL W/COAT HOOK - BLUE				1	1	PB
2	Call order desk	PANEL W/COAT HOOK - BROWN				1	1	PB
2	Call order desk	PANEL W/CUP HOLDER - CHARCOAL				1	1	PB
2	Call order desk	PANEL W/CUP HOLDER - RED				1	1	PB
2	Call order desk	PANEL W/CUP HOLDER - BLUE				1	1	PB
2	Call order desk	PANEL W/CUP HOLDER - BROWN				1	1	PB
2	Call order desk	PANEL W/GRABHANDLE & COAT HOOK - CHARCOAL				1	1	PB
2	Call order desk	PANEL W/GRABHANDLE & COAT HOOK - RED				1	1	PB
2	Call order desk	PANEL W/GRABHANDLE & COAT HOOK - BLUE				1	1	PB
2	Call order desk	PANEL W/GRABHANDLE & COAT HOOK - BROWN				1	1	PB
2	Call order desk	PANEL W/GRABHANDLE & RECESSED ASHTRAY - CHARCOAL				1	1	PB
2	Call order desk	PANEL W/GRABHANDLE & RECESSED ASHTRAY - RED				1	1	PB
2	Call order desk	PANEL W/GRABHANDLE & RECESSED ASHTRAY - BLUE				1	1	PB
2	Call order desk	PANEL W/GRABHANDLE & RECESSED ASHTRAY - BROWN				1	1	PB
2	Call order desk	PANEL W/MAGAZINE POCKET - CHARCOAL				1	1	PB
2	Call order desk	PANEL W/MAGAZINE POCKET - RED				1	1	PB
2	Call order desk	PANEL W/MAGAZINE POCKET - BLUE				1	1	PB
2	Call order desk	PANEL W/MAGAZINE POCKET - BROWN				1	1	PB
2	Call order desk	PANEL W/MAGAZINE POCKET & GRABHANDLE - CHARCOAL				1	1	PB
2	Call order desk	PANEL W/MAGAZINE POCKET & GRABHANDLE - RED				1	1	PB
2	Call order desk	PANEL W/MAGAZINE POCKET & GRABHANDLE - BLUE				1	1	PB
2	Call order desk	PANEL W/MAGAZINE POCKET & GRABHANDLE - BROWN				1	1	PB
2	Call order desk	PANEL W/MAGAZINE POCKET & RECESSED ASHTRAY - CHARCOAL				1	1	PB
2	Call order desk	PANEL W/MAGAZINE POCKET & RECESSED ASHTRAY - RED				1	1	PB
2	Call order desk	PANEL W/MAGAZINE POCKET & RECESSED ASHTRAY - BLUE				1	1	PB
2	Call order desk	PANEL W/MAGAZINE POCKET & RECESSED ASHTRAY - BROWN				1	1	PB
2	Call order desk	PANEL W/RECESSED ASHTRAY - CHARCOAL				1	1	PB
2	Call order desk	PANEL W/RECESSED ASHTRAY - RED				1	1	PB
2	Call order desk	PANEL W/RECESSED ASHTRAY - BLUE				1	1	PB
2	Call order desk	PANEL W/RECESSED ASHTRAY - BROWN				1	1	PB
2	Call order desk	PANEL W/SNACK TRAYS - CHARCOAL				1	1	PB
2	Call order desk	PANEL W/SNACK TRAYS - RED				1	1	PB
2	Call order desk	PANEL W/SNACK TRAYS - BLUE				1	1	PB
2	Call order desk	PANEL W/SNACK TRAYS - BROWN				1	1	PB
3	284049	. PLUG / SQUARE / BLACK				1	1	
4	900527	. GLASS HOLDER				1	1	
5	866007	. MAGAZINE POCKET				1	1	
6	860657	. SHELF				1	1	
7	Call order desk	. ASHTRAY - RECESSED				1	1	P
8	Call order desk	. ASHTRAY - SURFACED MTD				1	1	P

From E-638 To Y-7045	Date:10/2022	PAGE:XL-1825-60
PASSENGER'S SEAT - "AMERICAN" - BACK & ACCESS		

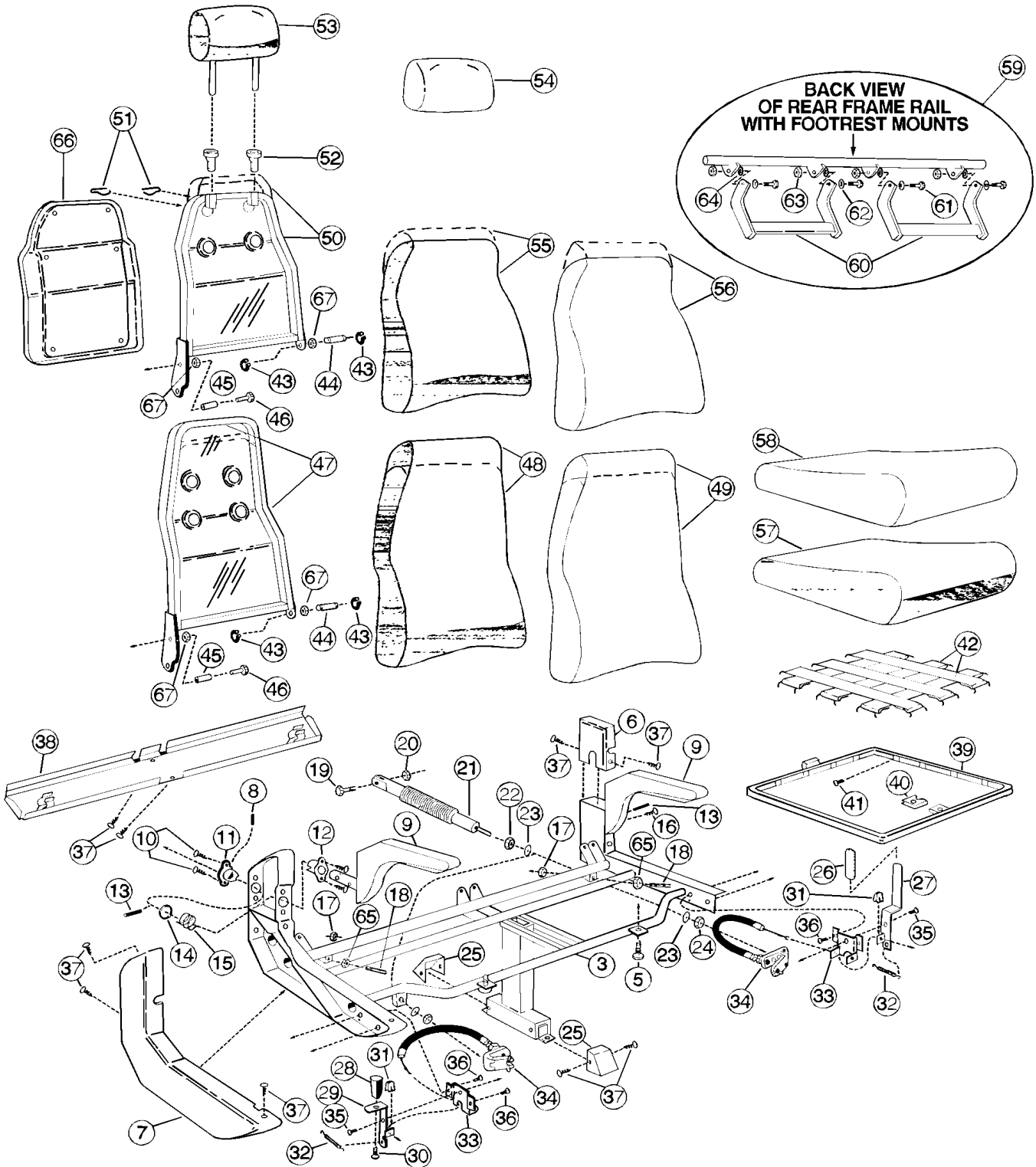
Item#	Part	Description	M T H 4 0	M T H 4 5	M T H 4 5 E	X L 4 0	X L 4 5	N O T E S
9	860422	. HANDLE				1	1	
NS	Call order desk	. SCREW #8 1" TYPE AB				AR	AR	P
NS	Call order desk	. SCREW TC #8-32x1				AR	AR	P
10	860421	. HOOK				1	1	
11	Call order desk	SCREW PLASTIC PANEL				9	9	P
12	Call order desk	WASHER NYL				9	9	P
		A) WITH SEAT MODEL W6693 & W7693						
		B) WITH SEAT MODEL W6694, W7694, W6696 & W7696						
		P) CALL ORDER DESK FOR SPECIFIC APPLICATION (V.I.N.)						

From E-638 To Y-7045

Date:10/2022

PAGE:XL-1826-00

PASSENGER'S SEAT - "NATIONAL" - 4209 & 4210

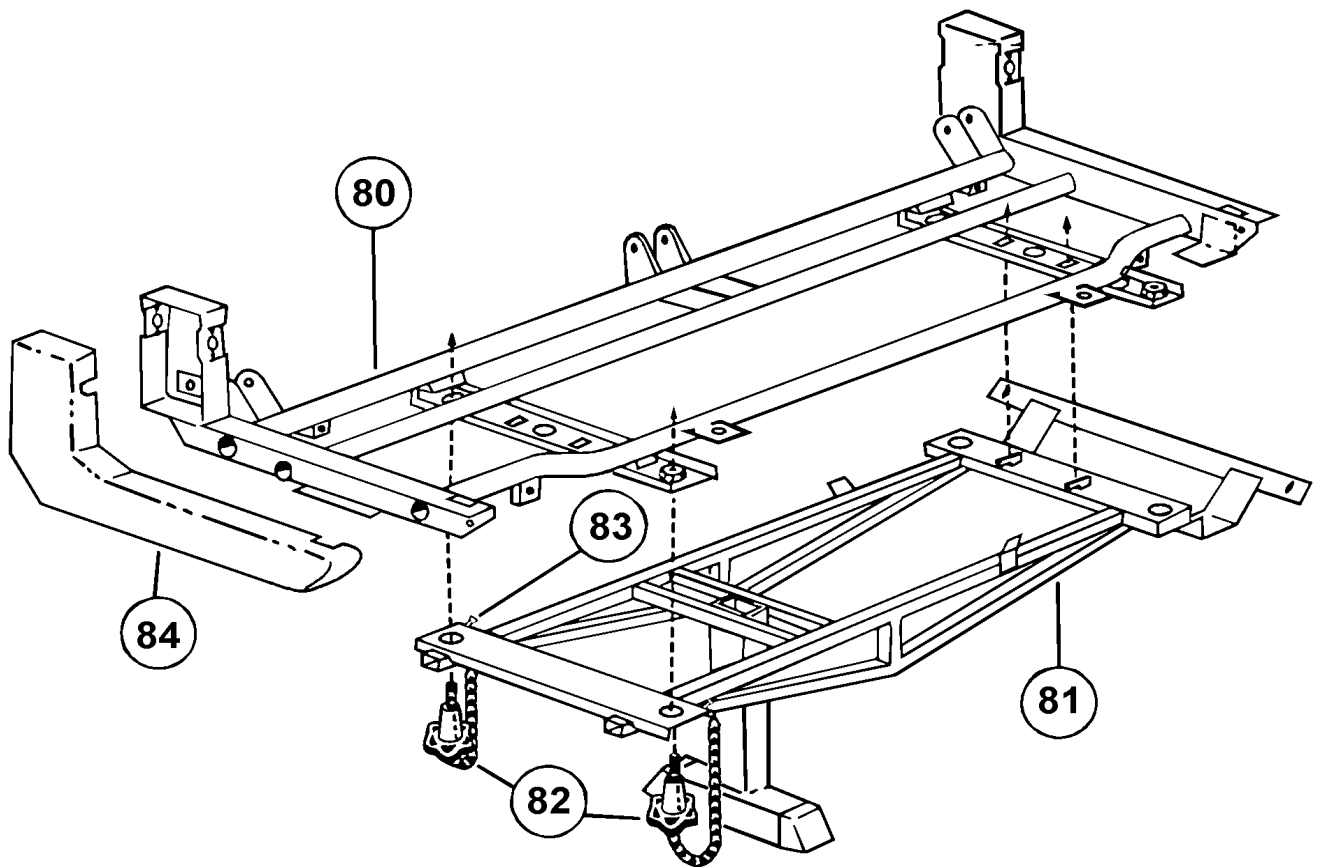


From E-638 To Y-7045

Date:10/2022

PAGE:XL-1826-00

PASSENGER'S SEAT - "NATIONAL" - 4209 & 4210



From E-638 To Y-7045	Date:10/2022	PAGE:XL-1826-00
PASSENGER'S SEAT - "NATIONAL" - 4209 & 4210		

Item#	Part	Description	M T H 4 0	M T H 4 5	M T H 4 5 E	X L 4 0	X L 4 5	N O T E S
		IMPORTANT NOTE:						
		TO ORDER COMPLETE PASSENGER'S SEAT KIT #,						
		SEE THE FINAL VEHICLE RECORD.						
3	863291	PAINTED FRAME ASSY W/FOOTREST BRACKET - L.H.				1	1	
3	864790	PAINTED FRAME ASSY W/FOOTREST BRACKET - R.H.				1	1	
3	Call order desk	PAINTED FRAME ASSY W/O FOOTREST BRACKET - L.H.				1	1	P
3	Call order desk	PAINTED FRAME ASSY W/O FOOTREST BRACKET - R.H.				1	1	P
3	Call order desk	KIT				1	1	PA
5	865988	SCREW TP TR PH #8-32x1/2				2	2	
6	Call order desk	TRIM PANEL - WALL SIDE				2	2	P B
7	864090	TRIM PANEL - AISLE SIDE - CURBSIDE				1	1	
7	864091	TRIM PANEL - AISLE SIDE - STREET SIDE				1	1	
8	860054	ROLL PIN 3/16" X 1/2"				2	2	
9	865648	FOLD DOWN ARM				2	2	B
10	865988	SCREW TP TR PH #8-32x1/2				8	8	
11	192318	BUSHING - WELDED				1	1	
12	866239	BUSHING ARM - P/M				3	3	
13	860055	ROLL PIN 1/4" X 1 1/8"				2	2	
14	860056	WASHER				2	2	
15	860057	SPRING - ARM				2	2	
16	Call order desk	SCREW TC CAP HEX 1/4-20x3/4				1	1	P
17	502600	NUT HEX NYRT 5/16-18 Z050				2	2	
18	Call order desk	SCREW SET HEXS CUP 5/16-18x1 3/4				2	2	P
19	Call order desk	SCREW CAP HEX 5/16-18x1.00 HD				2	2	P
20	500181	SCREW CAP HEX 5/16-18x1 G5 Z050				2	2	
21	863598	ACTUATOR				2	2	
22	500705	NUT HEX 3/8-24 ZP				2	2	
23	Call order desk	WASHER SPHERICAL 3/8"				4	4	P
24	502592	NUT HEX THN 3/8-24x3/32 Z050				2	2	
25	195894	PEDESTRAL CAP				2	2	
NS	500305	SCREW CAP HEX 3/8-16x7/8 G5 Z050				2	2	
NS	500478	WASHER LO SPT .380x.683x.094 Z050				2	2	
NS	500270	WASHER FL .406x1.000x.063 SS				2	2	
NS	362627	PLATE ANCHOR / 3/8-16 BOLT INSIDE TRACK / 1 1/4" X 1 1/4"				2	2	
26	860205	HANDLE BOOT - WALL SIDE				1	1	
27	864618	HANDLE ACTUATOR - WALL SIDE				1	1	
28	195895	KNOB				1	1	
29	864862	HANDLE ACTUATOR - AISLE SIDE				1	1	C
30	Call order desk	SCREW MA TR PH 1/4-20x3/4				1	1	P
31	864394	CABLE ATTACHMENT SPRING CLIP				2	2	
32	Call order desk	SPRING LINK RETURN				2	2	P

From E-638 To Y-7045	Date:10/2022	PAGE:XL-1826-00
PASSENGER'S SEAT - "NATIONAL" - 4209 & 4210		

Item#	Part	Description	M T H 4 0	M T H 4 5	M T H 4 5 E	X L 4 0	X L 4 5	N O T E S
33	864121	ACTUATOR CABLE BRACKET				2	2	
34	863290	OUTPUT & CABLE ASSY 12"				2	2	
34	863803	OUTPUT & CABLE ASSY 26"				2	2	
35	Call order desk	RIVET				2	2	P
36	Call order desk	RIVET				4	4	P
37	862355	SCREW TP TR PH #10x1/2				11	11	
38	Call order desk	TRIM PANEL ASSY				1	1	P B
39	Call order desk	CUSHION FRAME ASSY				2	2	P
39	Call order desk	CUSHION BOARD (3 PASS SEAT)				3	3	P
40	502935	NUT SPR U 5/16-18 .025-.150				1	1	
41	Call order desk	STUD D.O.T.				32	32	P
42	865214	LATEX WEBBING				12	12	
43	866244	TRUARC RETAINING RING				2	2	
44	Call order desk	PIN - CENTER PIVOT - 4209 HIGH BACK / 4210				1	1	P
44	Call order desk	PIN - CENTER PIVOT - 4209/10 W/CTR. FLDG. OR 4209 LOW BACK				1	1	P
44	Call order desk	PIN - CENTER PIVOT - 4209 LOW BACK				1	1	P
45	865989	PIN - PIVOT				2	2	
46	193005	SCREW CAP HEX 1/4-20x2.000				2	2	
47	Call order desk	BACK FRAME ASSY - L.H. - 4209 HIGH BACK				1	1	P
47	Call order desk	BACK FRAME ASSY - R.H. - 4209 HIGH BACK				1	1	P
47	Call order desk	BACK FRAME ASSY - L.H. - 4209 LOW BACK				1	1	P
47	Call order desk	BACK FRAME ASSY - R.H. - 4209 LOW BACK				1	1	P
47	Call order desk	BACK BOARD - INDIVIDUAL (3 PASS SEAT)				3	3	P
48	Call order desk	BACK POLY - 4209A HIGH BACK				2	2	P
48	Call order desk	BACK POLY - 4209A (3 PASS SEAT)				3	3	P
48	Call order desk	BACK POLY - 4209A LOW BACK				2	2	P
49	Call order desk	BACK COVER - 4209A HIGH BACK				2	2	P
49	Call order desk	BACK COVER - 4209A (3 PASS SEAT)				3	3	P
49	Call order desk	BACK COVER - 4209A LOW BACK				2	2	P
50	Call order desk	BACK FRAME ASSY - L.H. 4210 LOW BACK				1	1	P
50	Call order desk	BACK FRAME ASSY - R.H. 4210 LOW BACK				1	1	P
50	Call order desk	BACK FRAME ASSY - L.H. 4210 HIGH BACK				1	1	P
50	862738	BACK FRAME ASSY - R.H. 4210 HIGH BACK				1	1	
50	Call order desk	BACK BOARD - INDIVIDUAL (3 PASS SEAT)				3	3	P
51	860186	SPRING CLIP - HEADREST - 4210				4	4	
52	Call order desk	BUSHING - HEADREST - 4210				4	4	P
53	863770	HEADREST POLY - FLAT - 4210 LOW BACK				1	1	
53	Call order desk	HEADREST POLY - FLAT - 4210 (3 PASS SEAT)				3	3	P
53	863728	HEADREST BOARD - 4210				3	3	
53	863729	HEADREST POLY ASSY - 4210 HIGH BACK				2	2	
54	Call order desk	HEADREST COVER - FLAT - 4210 LOW BACK				2	2	P
54	862739	HEADREST COVER - FLAT - 4210 HIGH BACK / S.C.C.				1	1	

From E-638 To Y-7045	Date:10/2022	PAGE:XL-1826-00
PASSENGER'S SEAT - "NATIONAL" - 4209 & 4210		

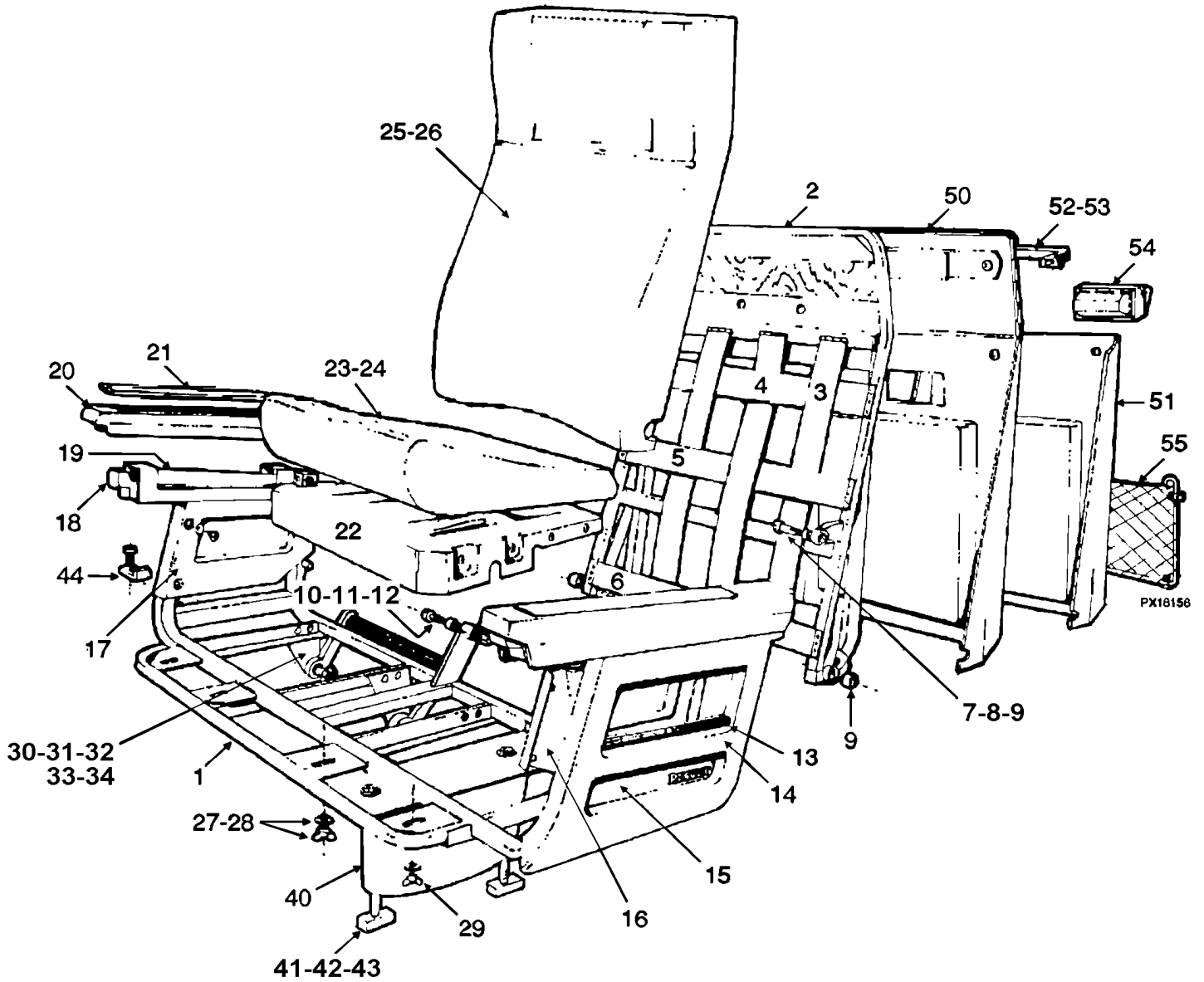
Item#	Part	Description	M T H 4 0	M T H 4 5	M T H 4 5 E	X L 4 0	X L 4 5	N O T E S
		A) FOR SEAT PRIO MARCH 1997						
		B) A.R. = POSTITION AND COLOR						
		C) RELEASE HANDLE WITH KNOB USED ON AISLE SIDE STANDARD SEAT AND BOTH SIDES OF REVERSIBLE SEAT						
		1) NOT SOLD SEPARATELY						
		P) CALL ORDER DESK FOR SPECIFIC APPLICATION (V.I.N.)						

From E-638 To H-284

Date:10/2022

PAGE:XL-1826-01

PASSENGER'S SEAT - "STANDARD & DELUXE"



From E-638 To H-284		Date:10/2022	PAGE:XL-1826-01			
PASSENGER'S SEAT - "STANDARD & DELUXE"						
Item#	Part	Description	M T H 4 0	M T H 4 5	M T H 4 5 E	N O T E S
		EXCEPTIONALLY FOR VEHICLES F-933 & F-939				
		SEE 96" PARTS MANUAL				
	362829	SEAT ASSY, L.H. STANDARD 40"			1	
	362825	SEAT ASSY, L.H. STANDARD 42"			1	
	362830	SEAT ASSY, R.H. STANDARD 40"			1	
	362826	SEAT ASSY, R.H. STANDARD 42"			1	
	362821	SEAT ASSY, R.H. DELUXE 42"			1	
	362822	SEAT ASSY, L.H. DELUXE 42"			1	
	363274	SEAT ASSY, THREE PASSENGER			1	
1	361386	. BASE ASSY, R.H. To E-729			1	
1	362177	. BASE ASSY, R.H. From E-730			1	
1	361389	. BASE ASSY, L.H. To E-729			1	
1	362176	. BASE ASSY, L.H. From E-730			1	
1	361473	. BASE ASSY, LOUNGE SEAT / THREE PASSENGER			1	
1	361631	. BASE ASSY, LOUNGE SEAT / TWO PASSENGER			1	
2	Call order desk	. BACKREST ASSY, R.H.			1	P
2	Call order desk	. BACKREST ASSY, L.H.			1	P
2	Call order desk	. BACKREST ASSY CENTRAL FIXED LOUNGE SEAT			1	P
2	361391	. . BACKREST R.H.			1	
2	361392	. . BACKREST L.H.			1	
2	361475	. . BACKREST CENTRAL FIXED LOUNGE SEAT			1	
3	360186	. . STRAP VERTICAL			3	
4	361513	. . STRAP UPPER			1	
4	361485	. . PANEL, CLOSING/ WOOD			1	
5	361514	. . STRAP CENTRAL			1	
6	361515	. . STRAP LOWER			1	
6	504003	. . FASTENER RIVET BASE			15	
6	504107	. . RIVET POP DOME OE 1/8x5/16 AL			15	
7	361502	. PIN			2	
8	500920	. WASHER FL .540x1.125x.125 NYL			2	
9	507142	. BUSHING, NYLINER W/SHOULDER (8-L-8-F)			6	
10	500919	. WASHER FL .406x.875x.060 NYL			1	
11	500265	. NUT HEX STO 3/8-16 Z050			1	
12	361629	. SEAT CENTRAL PIVOT			1	
13	362109	. RUBBER COVERING 215MM			1	
14	361723	. CAP, R.H.			1	
14	361724	. CAP, L.H.			1	
15	361480	. DECAL, L.H. SEAT			1	
15	361481	. DECAL, R.H. SEAT			1	
16	361725	. CAP, L.H.			1	

From E-638 To H-284	Date:10/2022	PAGE:XL-1826-01
---------------------	--------------	-----------------

PASSENGER'S SEAT - "STANDARD & DELUXE"

Item#	Part	Description	M T H 4 0	M T H 4 5	M T H 4 5 E	X L 4 0	X L 4 5	N O T E S
16	361726	. CAP, R.H.				1		
17	361727	. CAP, R.H.				1		
17	361728	. CAP, L.H.				1		
17	500333	. SCREW TP OV PH #6x3/4 BK				15		
17	500345	. WASHER FN CKF .187x.500x.090 BR BK				15		
18	XL-1826-40	. ARMREST PASSENGER'S - "STD & DELUXE"						
19	XL-1826-40	. ARMREST PASSENGER'S - "STD & DELUXE"						
20	361373	. ARMREST, L.H.				1		
20	361374	. ARMREST, R.H.				1		
20	500657	. SCREW TC TR PH #10-24x1/2 Z050				2		
20	500964	. WASHER FL .203x.500x.047 Z050				2		
21	361567	. PADDING ASSY				2		
21	361375	. PADDING				1		
21	Call order desk	. TAPE DUAL LOCK 1" X 1 7/8" / BLACK SJ3541				2		P
22	361482	. SUPPORT ASSY / STANDARD				2		
22	361564	. SUPPORT ASSY / STANDARD LOUNGE SEAT				3		
22	361776	. SUPPORT ASSY / DELUXE				2		
22	361786	. SUPPORT ASSY / DELUXE LOUNGE SEAT				3		
22	500322	. RIVET NUT FL OKS 1/4-20x.35x.216				2		
23	361994	. FOAM ASSY, SEATREST / "STANDARD SEAT" To H-238				2		
23	362166	. FOAM ASSY, SEATREST / "STANDARD SEAT" From H-239				2		
23	362167	. FOAM ASSY, SEATREST / "DELUXE SEAT"				2		
24	361813	. COVERING ASSY, L.H. SEATREST / S.C.C. / TISSUS & LEATHERETTE				AR		
24	361814	. COVERING ASSY, R.H. SEATREST / S.C.C. / TISSUS & LEATHERETTE				AR		
24	361816	. COVERING ASSY, L.H. SEATREST / S.C.C. / TISSUS				AR		
24	361817	. COVERING ASSY, R.H. SEATREST / S.C.C. / TISSUS				AR		
24	361820	. COVERING ASSY, L.H. SEATREST / S.C.C. / TISSUS W/DELUXE MODEL				AR		
24	361821	. COVERING ASSY, R.H. SEATREST / S.C.C. / TISSUS W/DELUXE MODEL				AR		
25	361405	. FOAM ASSY, BACKREST 42" HIGHT / "STANDARD SEAT"				2		
25	362019	. FOAM ASSY, BACKREST 40" HIGHT / "STANDARD SEAT"				2		
25	361760	. FOAM ASSY, BACKREST / "DELUXE SEAT"				2		
26	361809	. COVERING ASSY, L.H. BACKREST / S.C.C. / TISSUS & LEATHERETTE				AR		
26	361810	. COVERING ASSY, R.H. BACKREST / S.C.C. / TISSUS & LEATHERETTE				AR		
26	361811	. COVERING ASSY, L.H. BACKREST / S.C.C. / TISSUS				AR		
26	361812	. COVERING ASSY, R.H. BACKREST / S.C.C. / TISSUS				AR		
26	361818	. COVERING ASSY, L.H. BACKREST / S.C.C. / TISSUS W/DELUXE MODEL				AR		
26	361819	. COVERING ASSY, R.H. BACKREST / S.C.C. / TISSUS W/DELUXE MODEL				AR		
26	361348	. BUTTON, ROUND / W/COVERING/ SPECIFY COLOR				AR		
26	361063	. BUTTON, SQUARE / W/COVERING/ SPECIFY COLOR				AR		
27	361734	. SCREW WING				AR		
28	500468	. WASHER FL .281x1.250x.065 Z050				4		
29	500335	. SCREW TH SHR 1/4-20x1 1/4 BZC				AR		

From E-638 To H-284	Date:10/2022	PAGE:XL-1826-01
PASSENGER'S SEAT - "STANDARD & DELUXE"		

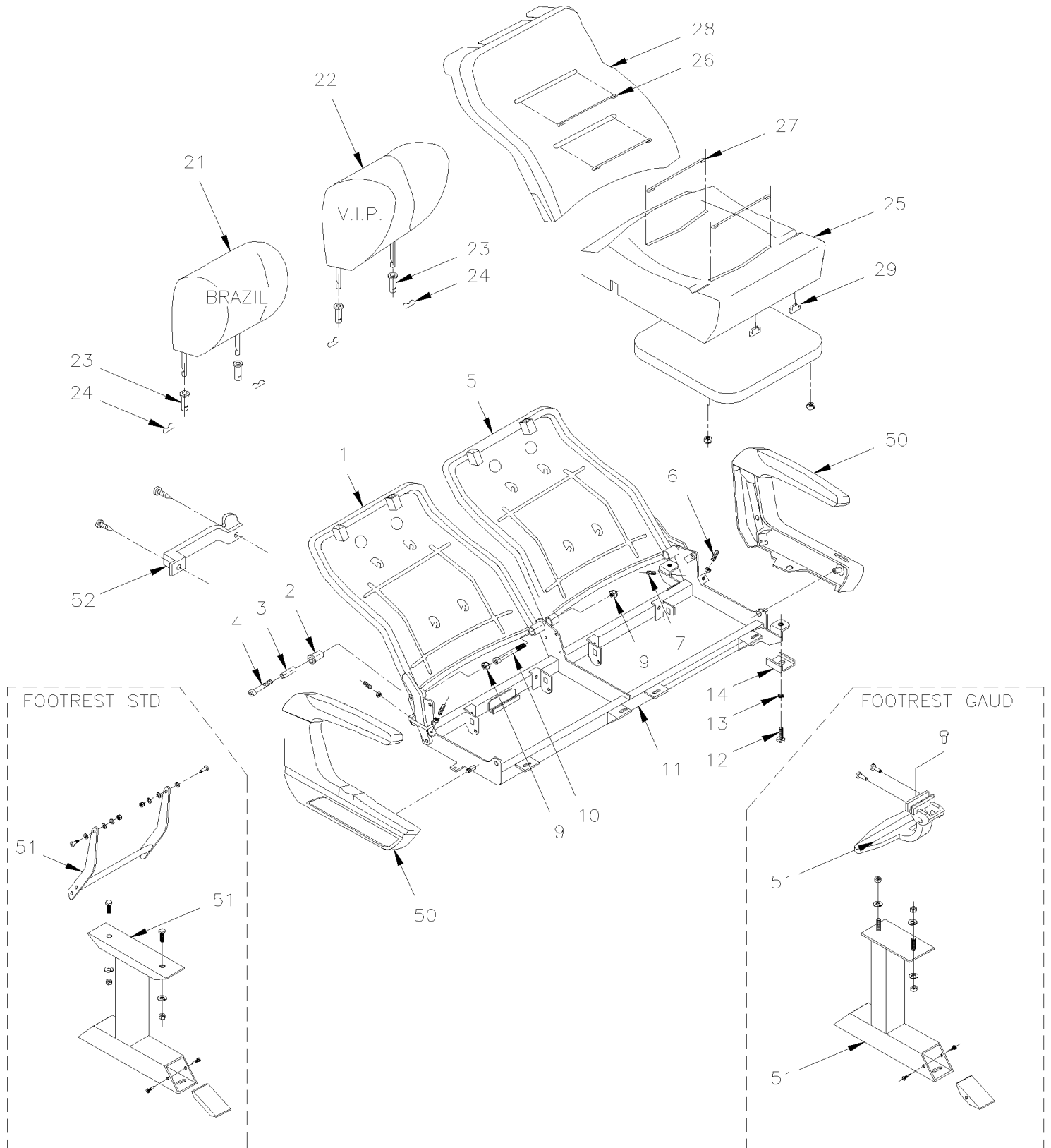
Item#	Part	Description	M T H 4 0	M T H 4 5	M T H 4 5 E	X L 4 0	X L 4 5	N O T E S
30	360753	. FOOTREST SUPPORT				2		
30	500163	. SCREW CAP HEX 1/4-20x3/4 G5 Z050				4		
30	500473	. WASHER LO SPT .262x.489x.062 Z050				4		
30	500769	. NUT HEX 1/4-20 Z050				4		
31	360754	. SCREW / SOCKET				2		
32	502584	. WASHER LO SERR 8.2x26.3x1.8 Z050				2		
33	500777	. NUT HEX STO 5/16-18 Z050				2		
34	361551	. GREY FOOTREST ASSY 11"				1		
40	361466	. PEDESTAL OBLONG / ONE PIECE				1		
40	361497	. PEDESTAL OBLONG / ONE PIECE / W/ROTATING SEAT To E-729				1		
40	362288	. PEDESTAL OBLONG / ONE PIECE / 279MM / 10.98"				2		
41	360873	BOLT 12 1/2 To E-729				2		
41	361700	ROD ASSY 12" / SEAT RETAINER From E-730				2		A
42	500445	WASHER FL .437x1.000x.083 Z050				2		
43	500783	NUT HEX 3/8-16 Z050				2		
44	361547	ANCHOR TO WALL From E-730				2		
NS	500182	SCREW CAP HEX 5/16-18x1 1/4 G5 PT Z050				2		
50	361413	PANEL, BACKREST HIGH RISE / W/O ASHTRAY To F-827				1		
50	361729	PANEL, BACKREST HIGH RISE / W/O ASHTRAY From F-828				1		
50	361730	PANEL, BACKREST HIGH RISE / W/ASHTRAY From F-828				1		
51	361568	PANEL, BACKREST LOW RISE / W/ASHTRAY To F-827				1		
51	361720	PANEL, BACKREST LOW RISE / W/ASHTRAY From F-828				1		
51	361719	PANEL, BACKREST LOW RISE / W/O ASHTRAY From F-828				1		
NS	502665	SCREW TP OV PH #6x3/4 SS EMN				AR		
NS	500345	WASHER FN CKF .187x.500x.090 BR BK				AR		
52	860422	HANDLE				1		
53	860421	HOOK				1		
NS	500360	SCREW TP FL PH #8x1 1/4 BK				2		
54	860423	ASHTRAY				1		
NS	361538	REINFORCEMENT / W/ASHTRAY				1		
54	500353	SCREW TP FL PH #8x3/4 BK				6		
55	361406	MAGAZINE NET / 13" x 8 5/8"				1		
55	500353	. SCREW TP FL PH #8x3/4 BK				4		
55	361733	HEADREST COVER / FABRIC STANDARD SEAT / FIX OVER COVERING				AR		
NS	361643	ROD				AR		A
NS	361645	ROD				AR		A
NS	361670	ANCHOR PLATE				AR		A
		A) VEHICLES FROM F-090 TO G-139 ARE PROVIDED WITH FOLLOWING PEDESTAL ROD						
		P) CALL ORDER DESK FOR SPECIFIC APPLICATION (V.I.N.)						

From E-638 To Y-7045

Date:10/2022

PAGE:XL-1826-05

PASSENGER'S SEAT - "AMAYA" "EUROTECH"

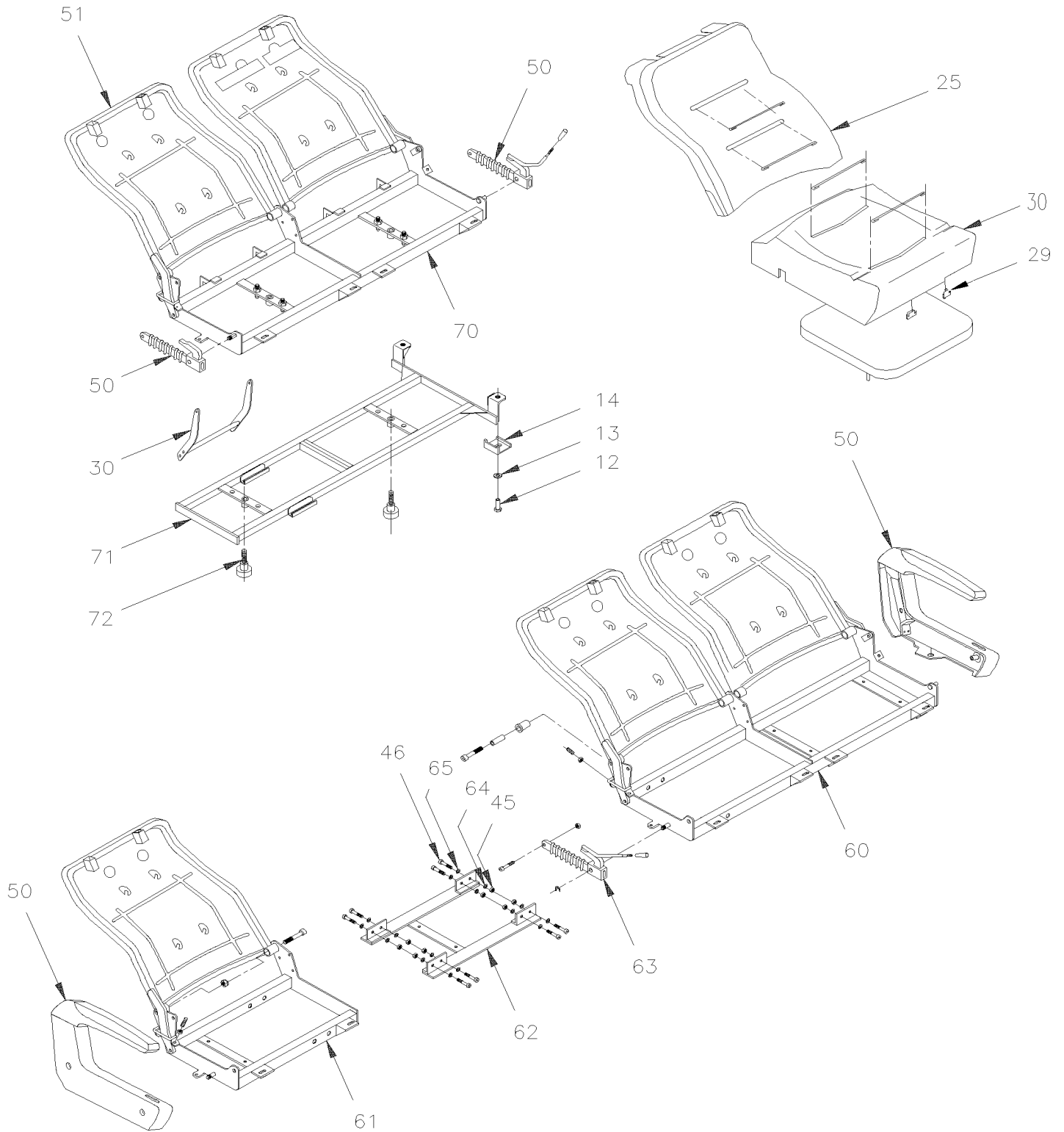


From E-638 To Y-7045

Date:10/2022

PAGE:XL-1826-05

PASSENGER'S SEAT - "AMAYA" "EUROTECH"



From E-638 To Y-7045	Date:10/2022	PAGE:XL-1826-05
----------------------	--------------	-----------------

PASSENGER'S SEAT - "AMAYA" "EUROTECH"

Item#	Part	Description	M T H 4 0	M T H 4 5	M T H 4 5 E	X L 4 0	X L 4 5	N O T E S
		IMPORTANT NOTE:						
		TO ORDER COMPLETE PASSENGER'S SEAT KIT #,						
		SEE THE FINAL VEHICLE RECORD.						
1	Call order desk	BACKREST STRUCTURE R.H.				1	1	P
1	Call order desk	BACKREST STRUCTURE R.H. / W/IND "REI"				1	1	P
2	865560	BUSHING HYTREL				1	1	
3	Call order desk	INSIDE METAL BUSHING				1	1	P
4	70314705	SCREW CAP HEXS M10-1.5x60 G8.8 ZP				1	1	
5	Call order desk	BACKREST STRUCTURE L.H.				1	1	P
5	Call order desk	BACKREST STRUCTURE L.H. / W/IND "REI"				1	1	P
6	Call order desk	LOCK BOLT M6-1x30				1	1	P
7	Call order desk	LOCK BOLT M6-1x20				1	1	P
9	500680	NUT HEX STO M10-1.5 Z050				1	1	
10	502765	SCREW CAP HEXS M10-1.5x100 G8.8 PT ZP				1	1	
11	Call order desk	STRUCTURE R.H. / W/STD FOOTREST				1	1	P
11	Call order desk	STRUCTURE R.H. / W/STD FOOTREST				1	1	P
11	Call order desk	STRUCTURE L.H. / W/STD FOOTREST				1	1	P
11	Call order desk	STRUCTURE L.H. / W/STD FOOTREST				1	1	P
11	Call order desk	STRUCTURE R.H. / W/GAUDI FOOTREST				1	1	P
11	Call order desk	STRUCTURE L.H. / W/GAUDI FOOTREST				1	1	P
11	Call order desk	STRUCTURE R.H. / W/GAUDI FOOTREST & AVION TABLE SEAT				1	1	P
11	Call order desk	STRUCTURE L.H. / W/GAUDI FOOTREST & AVION TABLE SEAT				1	1	P
12	500183	SCREW CAP HEX 5/16-18x1 1/2 G5 PT Z050				1	1	
13	500441	WASHER FL .312x.734x.065 Z050				1	1	
14	863541	BRACKET SUPPORT				1	1	
21	862558	HEADREST FOAM / TYPE "BRAZIL"				1	1	
21	Call order desk	COVERING ASSY S.C.C.				1	1	P
21	863315	HEADREST FOAM / TYPE "BRAZIL" & "EUROTECH"				1	1	
22	862933	HEADREST ASSY / TYPE WINGED "VIP"				1	1	
22	866011	HEADREST FOAM / TYPE WINGED "VIP"				1	1	
22	Call order desk	COVERING ASSY WING TYPE / S.C.C.				1	1	P
23	864810	GUIDE SLIDING				1	1	
24	866204	BACKREST CLIP				1	1	
25	865141	CUSHION FOAM				1	1	
26	Call order desk	BACKREST TUFTING WIRE "EUROTECH" & "BRASIL"				1	1	P
27	Call order desk	COVERING BACKREST ASSY S.C.C. "EUROTECH"				1	1	P
28	Call order desk	BACKREST FOAM				1	1	P
29	864187	FASTENER COVERING				1	1	
31	Call order desk	CUSHION TUFTING WIRE "EUROTECH" & "BRASIL"				1	1	P
33	502716	NUT HEX NYRT 1/4-20				1	1	
49	362627	PLATE ANCHOR / 3/8-16 BOLT INSIDE TRACK / 1 1/4" X 1 1/4"				1	1	

From E-638 To Y-7045	Date:10/2022	PAGE:XL-1826-05
PASSENGER'S SEAT - "AMAYA" "EUROTECH"		

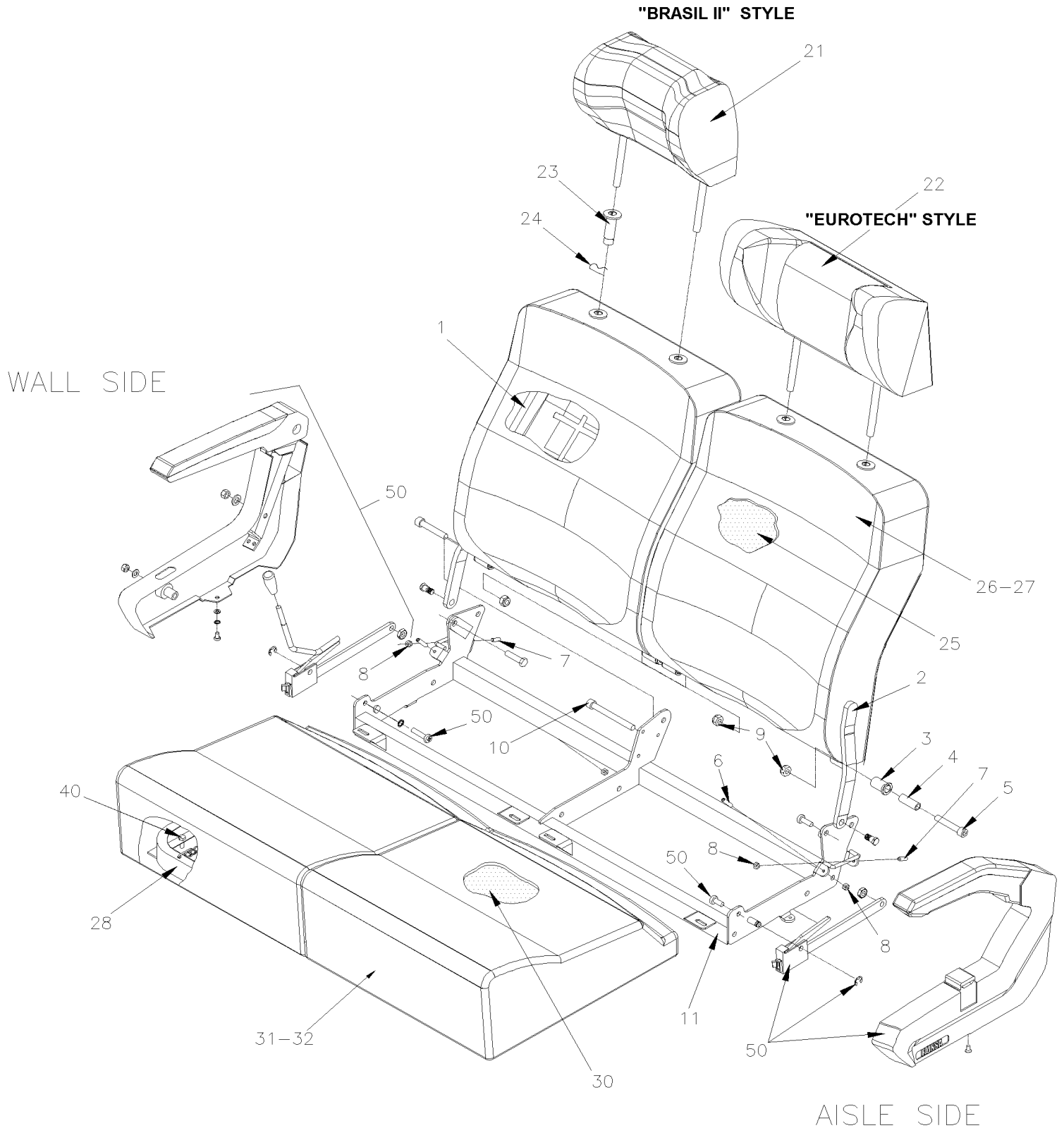
Item#	Part	Description	M T H 4 0	M T H 4 5	M T H 4 5 E	X L 4 0	X L 4 5	N O T E S
50	XL-1826-50	ARMREST PASSENGER'S SEAT - "AMAYA" WITH "EUROTECH"						
50	XL-1826-51	ARMREST PASSENGER'S SEAT - "AMAYA" WITH "BRASIL"						
51	XL-1826-40	ARMREST PASSENGER'S - "STD & DELUXE"						
52	XL-1826-60	ACCESSORIES PASSENGER'S SEAT - "AMAYA"						
60	Call order desk	STRUCTURE DOUBLE / USED W/3 LOUNGE SEAT				1	1	P
61	Call order desk	STRUCTURE SINGLE / USED W/3 LOUNGE SEAT				1	1	P
62	Call order desk	STRUCTURE UNION SEAT / USED W/3 LOUNGE SEAT				1	1	P
63	866004	CENTER MECHANISM				1	1	
64	500446	WASHER FL .531x1.250x.125 Z050				1	1	
65	Call order desk	FLAT WASHER				1	1	P
66	866243	PRESSURE WASHER 7/16" 10MM				1	1	
70	Call order desk	STRUCTURE FRAME ROTATING SEAT				1	1	P
71	Call order desk	STRUCTURE FRAME INFERIOR R.H. / W/STD FOOTREST				1	1	P
71	Call order desk	STRUCTURE FRAME INFERIOR L.H. / W/STD FOOTREST				1	1	P
71	Call order desk	STRUCTURE FRAME INFERIOR R.H. / W/GAUDI FOOTREST				1	1	P
71	Call order desk	STRUCTURE FRAME INFERIOR L.H. / W/GAUDI FOOTREST				1	1	P
72	862156	KNOB / ROTATING SEAT				2	2	
100	323654	SEAT TRACK COVER 12' / EACH SEAT / W/COVERING FLOOR				AR	AR	
100	323963	SEAT TRACK COVER 8' / EACH SEAT / W/COVERING FLOOR				AR	AR	
		P) CALL ORDER DESK FOR SPECIFIC APPLICATION (V.I.N.)						

From E-638 To Y-7045

Date:10/2022

PAGE:XL-1826-06

PASSENGER'S SEAT - "AMAYA" "BRASIL"



From E-638 To Y-7045	Date:10/2022	PAGE:XL-1826-06
----------------------	--------------	-----------------

PASSENGER'S SEAT - "AMAYA" "BRASIL"

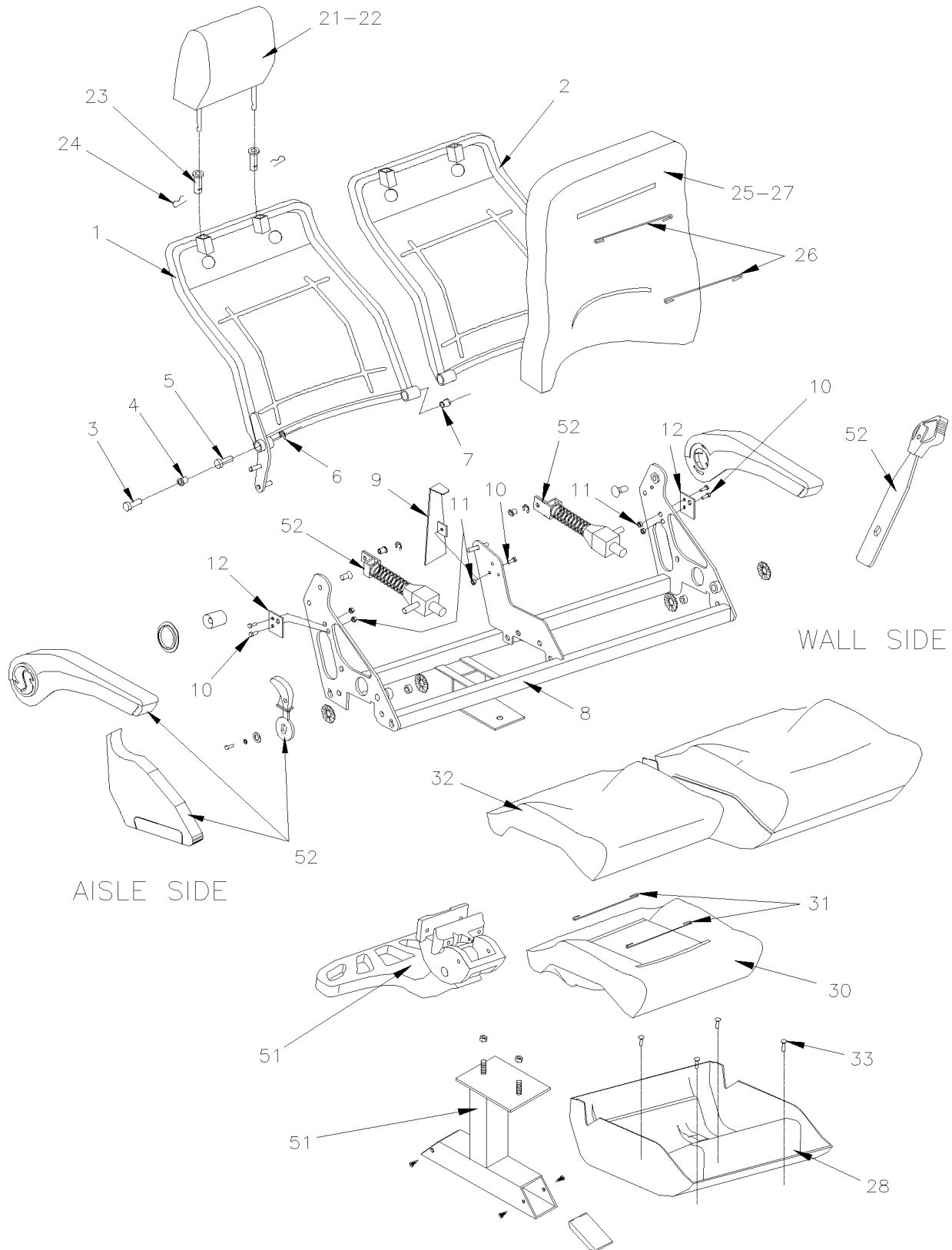
Item#	Part	Description	M T H 4 0	M T H 4 5	M T H 4 5 E	X L 4 0	X L 4 5	N O T E S
		IMPORTANT NOTE:						
		TO ORDER COMPLETE PASSENGER'S SEAT KIT #,						
		SEE THE FINAL VEHICLE RECORD.						
1	868532	BACKREST ASSY R.H.				1	1	
1	865680	. BACKREST STRUCTURE R.H.				1	1	
2	864073	BACKREST ASSY L.H.				1	1	
2	865681	. BACKREST STRUCTURE L.H.				1	1	
3	Call order desk	INSIDE METAL BUSHING				1	1	P
4	865560	BUSHING HYTREL				1	1	
5	70314705	SCREW CAP HEXS M10-1.5x60 G8.8 ZP				2	2	
6	Call order desk	LOCK BOLT M6-1x30				1	1	P
7	Call order desk	LOCK BOLT M6-1x20				1	1	P
8	500609	NUT HEX M6-1.0 Z050				4	4	
9	500680	NUT HEX STO M10-1.5 Z050				1	1	
10	502765	SCREW CAP HEXS M10-1.5x100 G8.8 PT ZP				1	1	
11	Call order desk	STRUCTURE R.H.				1	1	P
11	Call order desk	STRUCTURE L.H.				1	1	P
21	Call order desk	HEADREST FOAM / TYPE "BRAZIL-II"				1	1	P
NS	Call order desk	COVERING HEADREST ASSY "BRAZIL-II" S.C.C.				1	1	P
22	863315	HEADREST FOAM / TYPE "BRAZIL" & "EUROTECH"				1	1	
NS	Call order desk	COVERING HEADREST ASSY "BRAZIL" & EURO S.C.C.				1	1	P
23	864810	GUIDE SLIDING				4	4	
24	866204	BACKREST CLIP				4	4	
25	Call order desk	BACKREST FOAM				2	2	P
26	867775	BACKREST TUFTING WIRE				4	4	
27	Call order desk	COVERING BACKREST ASSY S.C.C.				2	2	P
28	8611003	SEAT FRAME				2	2	
30	860039	CUSHION FOAM				2	2	
31	861716	CUSHION TUFTING WIRE				4	4	
32	Call order desk	COVERING CUSHION ASSY S.C.C.				2	2	P
40	502716	NUT HEX NYRT 1/4-20				4	4	
50	XL-1826-51	ARMREST PASSENGER'S SEAT - "AMAYA" WITH "BRASIL"						
51	XL-1826-60	ACCESSORIES PASSENGER'S SEAT - "AMAYA"						
		P) CALL ORDER DESK FOR SPECIFIC APPLICATION (V.I.N.)						

From E-638 To Y-7045

Date:10/2022

PAGE:XL-1826-08

PASSENGER'S SEAT - "AMAYA" "GAUDI"

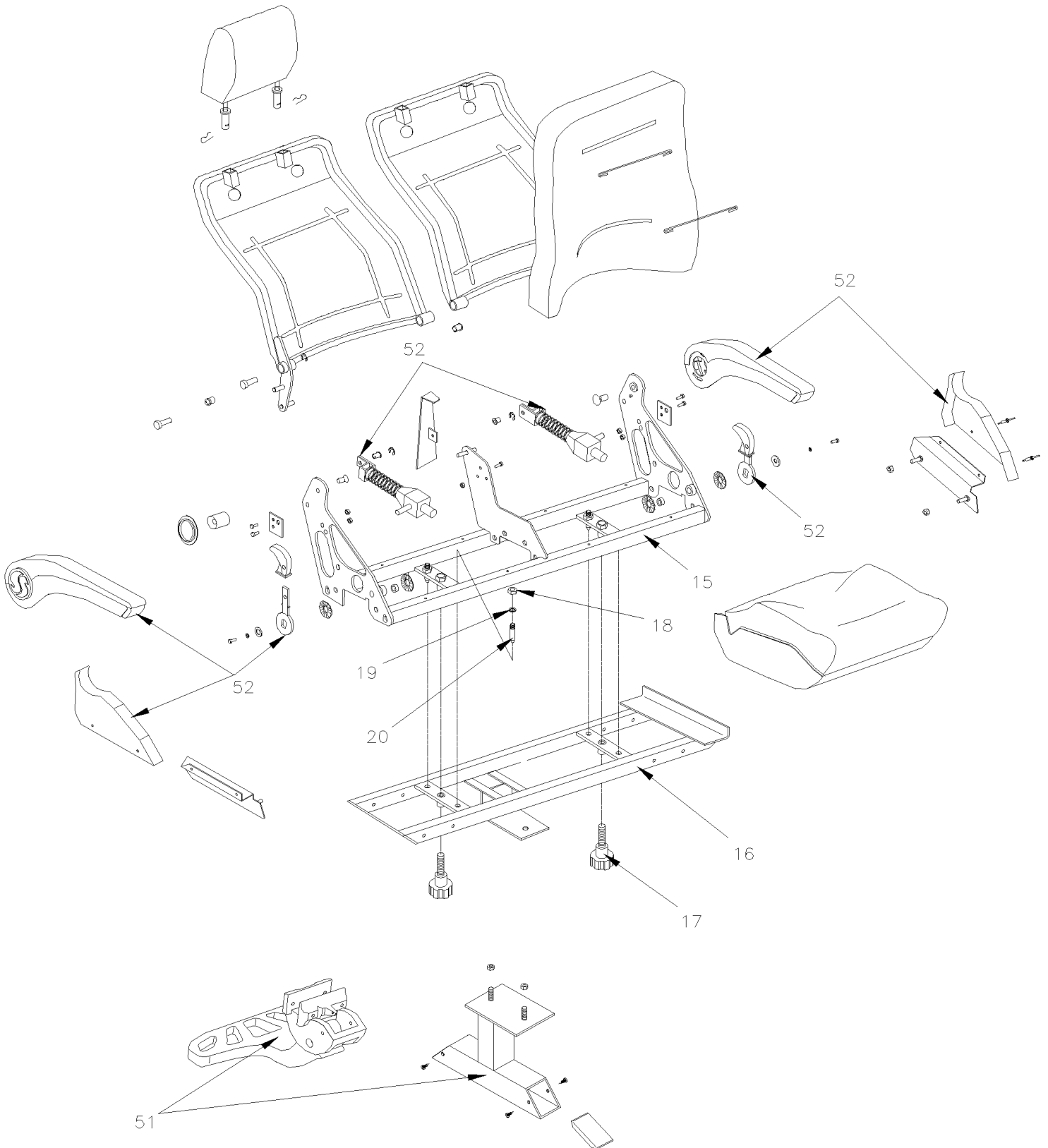


From E-638 To Y-7045

Date:10/2022

PAGE:XL-1826-08

PASSENGER'S SEAT - "AMAYA" "GAUDI"



From E-638 To Y-7045	Date:10/2022	PAGE:XL-1826-08
----------------------	--------------	-----------------

PASSENGER'S SEAT - "AMAYA" "GAUDI"

Item#	Part	Description	M T H 4 0	M T H 4 5	M T H 4 5 E	X L 4 0	X L 4 5	N O T E S
		IMPORTANT NOTE: BEFORE TO						
		ORDER COMPLETE PASSENGER'S SEAT						
		OR COVERING ASSY, HEAD / BACK & CUSHION						
		SEE THE FINAL VEHICLE RECORD						
1	Call order desk	BACKREST R.H.				1	1	P
2	Call order desk	BACKREST L.H.				1	1	P
3	865560	. BUSHING HYTREL				1	1	
4	Call order desk	. INSIDE METAL BUSHING				1	1	P
5	864975	BOLT M10X25MM				2	2	
6	Call order desk	WASHER #9 DIN6799				2	2	P
7	Call order desk	BUSHING CENTER SEPARATOR				2	2	P
8	Call order desk	STRUCTURE L.H. / W/"GAUDI" HR				1	1	P
8	Call order desk	STRUCTURE R.H. / W/"GAUDI" HR				1	1	P
8	Call order desk	STRUCTURE L.H. / W/"GAUDI" SC				1	1	P
9	Call order desk	BACK COVER / W/"GAUDI" HR				1	1	P
9	Call order desk	BACK COVER / W/"GAUDI" SC				1	1	P
10	9415477	SCREW CAP HEX 1/4-20x3/4 ZP				6	6	
11	500769	NUT HEX 1/4-20 Z050				6	6	
12	Call order desk	STOPPER RECLINING 3"				2	2	P
15	Call order desk	STRUCTURE UPPER / REVERSIBLE SEAT / W/"GAUDI" HR				1	1	P
15	Call order desk	STRUCTURE UPPER / REVERSIBLE SEAT / W/"GAUDI" SC				1	1	P
16	Call order desk	STRUCTURE LOWER / REVERSIBLE SEAT				1	1	P
17	862156	KNOB / ROTATING SEAT				2	2	
18	5001570	NUT HEX NYRT M10-1.5 Z050				6	6	
19	866243	PRESSURE WASHER 7/16" 10MM				6	6	
20	Call order desk	GUIDE BOLT				6	6	P
21	Call order desk	HEADREST FOAM / TYPE "GAUDI HR"				1	1	P
22	Call order desk	COVERING HEADREST ASSY "GAUDI" S.C.C.				1	1	P
23	864810	GUIDE SLIDING				2	2	
24	866204	BACKREST CLIP				2	2	
25	Call order desk	BACKREST FOAM / W/"GAUDI"				1	1	P
26	Call order desk	BACKREST TUFTING WIRE / LARGE / W/"GAUDI" & "EUROTECH"				1	1	P
26	Call order desk	BACKREST TUFTING WIRE / SMALL / W/"GAUDI"				1	1	P
27	Call order desk	COVERING BACKREST ASSY / S.C.C. / W/"GAUDI"				1	1	P
28	Call order desk	SEAT SHELL / W/"GAUDI" HR				1	1	P
28	Call order desk	CUSHION FRAME / W/"GAUDI" SC				1	1	P
30	Call order desk	CUSHION FOAM				1	1	P
31	Call order desk	CUSHION TUFTING WIRE				2	2	P
32	Call order desk	COVERING CUSHION ASSY S.C.C.				1	1	P
33	Call order desk	BOLT 6.3x19				4	4	P

From E-638 To Y-7045	Date:10/2022	PAGE:XL-1826-08
----------------------	--------------	-----------------

PASSENGER'S SEAT - "AMAYA" "GAUDI"

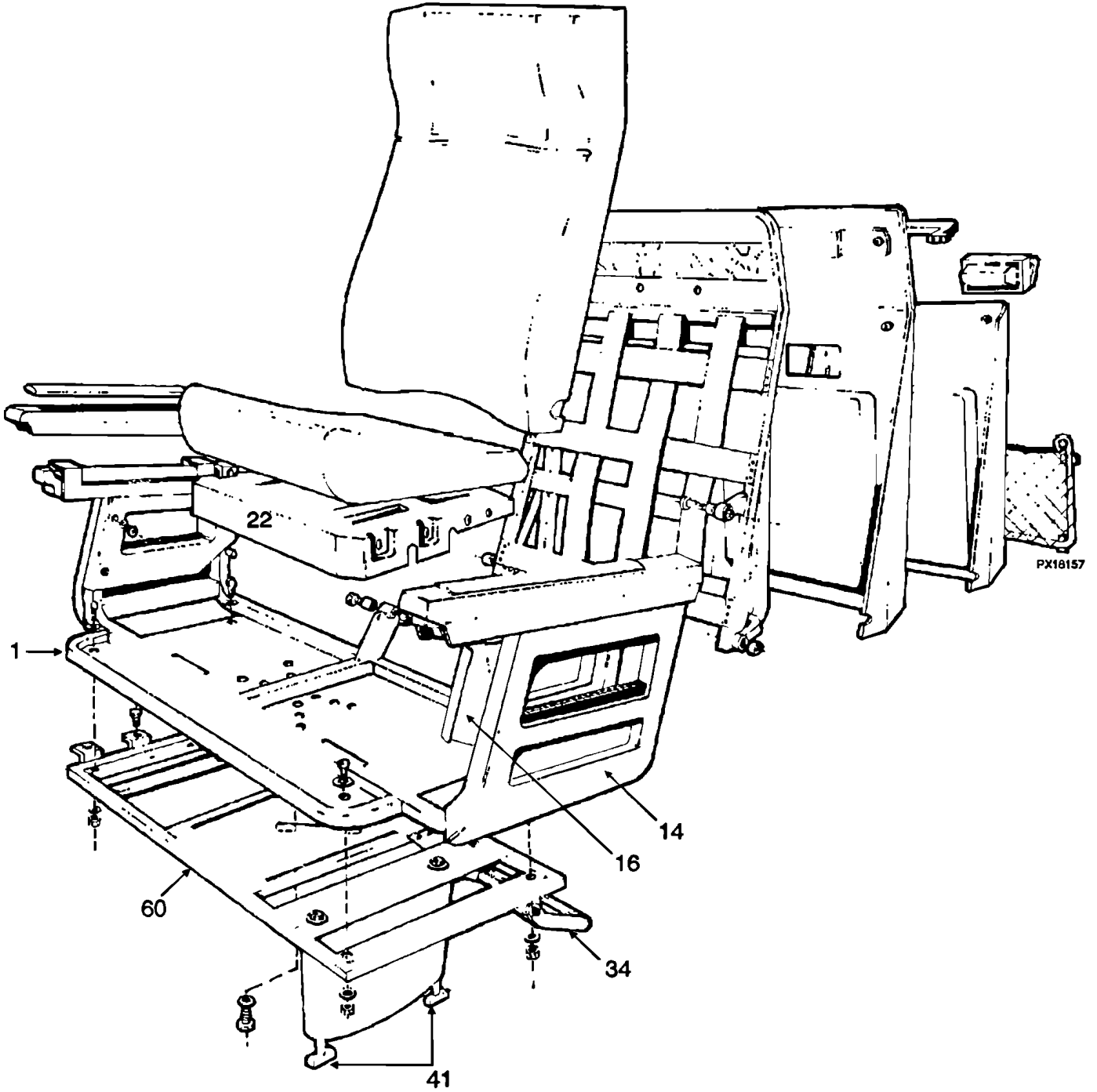
Item#	Part	Description	M T H 4 0	M T H 4 5	M T H 4 5 E	X L 4 0	X L 4 5	N O T E S
34	Call order desk	SEAT FIXING BRACKET				1	1	P
35	Call order desk	BOLT 3.9X13MM				1	1	P
50	XL-1826-60	ACCESSORIES PASSENGER'S SEAT - "AMAYA"						
51	XL-1826-40	ARMREST PASSENGER'S - "STD & DELUXE"						
52	XL-1826-52	ARMREST PASSENGER'S SEAT - "AMAYA" WITH "GAUDI"						
		P) CALL ORDER DESK FOR SPECIFIC APPLICATION (V.I.N.)						

From E-638 To H-284

Date:10/2022

PAGE:XL-1826-10

PASSENGER'S SEAT - ROTATING "STD & DELUXE"



From E-638 To H-284	Date:10/2022	PAGE:XL-1826-10
---------------------	--------------	-----------------

PASSENGER'S SEAT - ROTATING "STD & DELUXE"

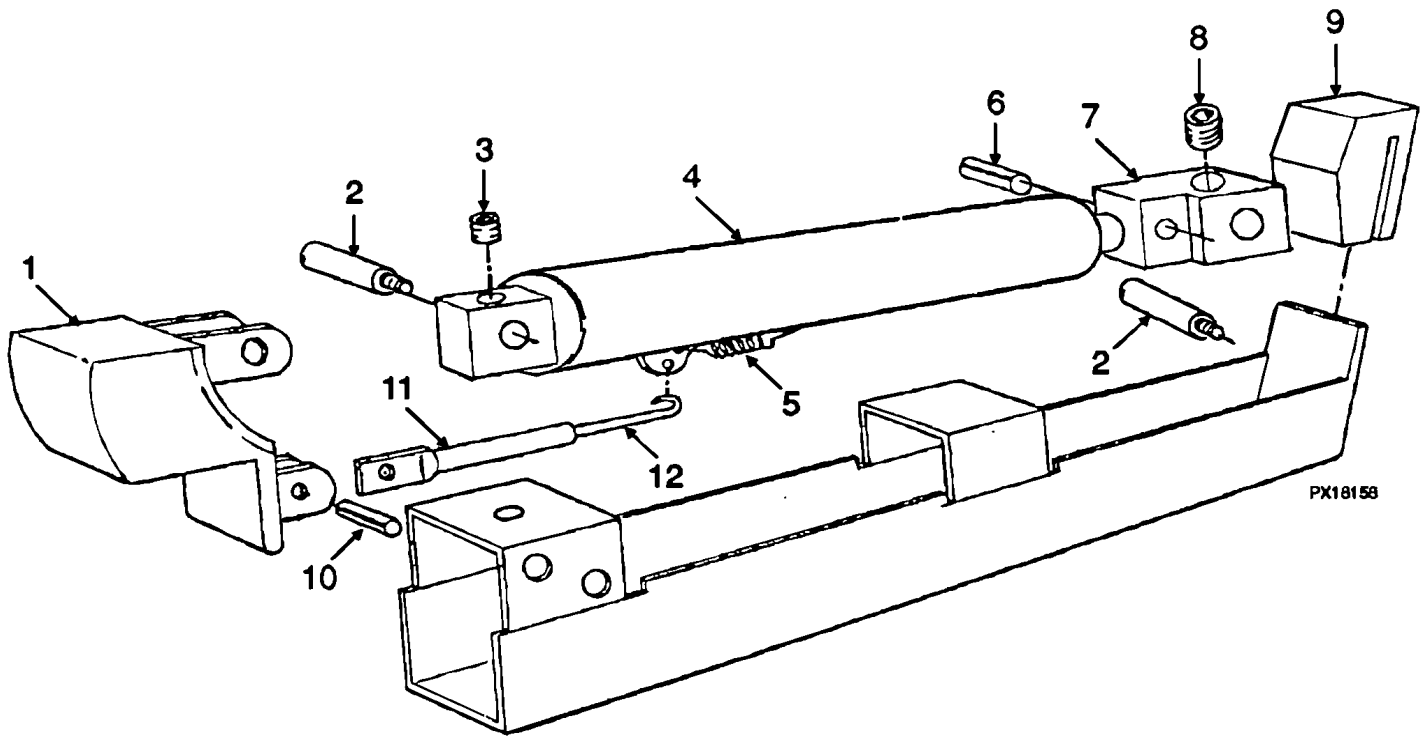
Item#	Part	Description	M T H 4 0	M T H 4 5	M T H 4 5 E	X L 4 0	X L 4 5	N O T E S
	362831	L.H. STANDARD ROTATING SEAT 40"				1		
	362827	L.H. STANDARD ROTATING SEAT 42"				1		
	362832	R.H. STANDARD ROTATING SEAT 40"				1		
	362828	R.H. STANDARD ROTATING SEAT 42"				1		
	362823	L.H. DELUXE ROTATING SEAT				1		
	362824	R.H. DELUXE ROTATING SEAT				1		
1	361555	SWIVEL BASE To E-729				1		
1	361696	SWIVEL BASE From E-730				1		
14	361721	L.H. OUTSIDE CAP From E-730				1		
14	361722	R.H. OUTSIDE CAP From E-730				1		
16	361494	R.H. INSIDE CAP To E-729				1		
16	361504	L.H. INSIDE CAP To E-729				1		
16	361725	CAP, L.H. From E-730				1		
16	361726	CAP, R.H. From E-730				1		
22	361694	SUPPORT ASSY / STANDARD SEAT				2		
22	361783	SUPPORT ASSY / DELUXE SEAT				2		
34	361552	FOOTREST ASSY				2		
40	361497	PEDESTAL OBLONG / ONE PIECE / W/ROTATING SEAT				1		
40	362290	PEDESTAL AISLE SIDE / (TWO PIECES)				2		
41	361702	ROD ASSY 11" / SEAT RETAINER From E-730				2		
44	361496	PEDESTAL OBLONG / ONE PIECE To E-729				1		
45	360872	SCREW CAP HEX 3/8-16 x 12" To E-729				4		
60	361523	R.H. FIXED BASE To E-729				1		
60	361683	R.H. FIXED BASE From E-730				1		
60	361524	L.H. FIXED BASE To E-729				1		
60	361690	L.H. FIXED BASE From E-730				1		
NS	361525	LEVER ASSY To E-729				1		A
NS	505018	KNOB To E-729				1		A
NS	361431	LEVER To E-729				1		A
NS	361533	LOCK / "V" SHAPE To E-729				1		A
NS	361531	LOCKING PLATE To E-729				1		A
NS	502041	SPRING EXTENSION / .250 O.D. x 5.750 x .025 To E-729				1		A
NS	990046	PAD LOCK / LOCK SEAT To E-729				AR		A
NS	361751	DECAL "TO OPERATE.." / FIXED AT WINDOW To E-729				1		A
NS	361752	DECAL "TO OPERATE.." / FIXED AT SEAT STRUCTURE / ENGLISH & FRANCAIS To E-729				1		A
		A) PARTS ARE RELATED WITH MECHANISM FOR LOCKING SEAT						

From E-638 To H-284

Date:10/2022

PAGE:XL-1826-40

ARMREST PASSENGER'S - "STD & DELUXE"



PX18158

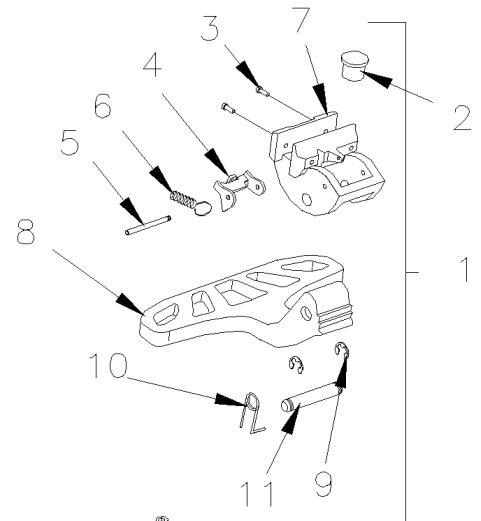
From E-638 To Y-7045

Date:10/2022

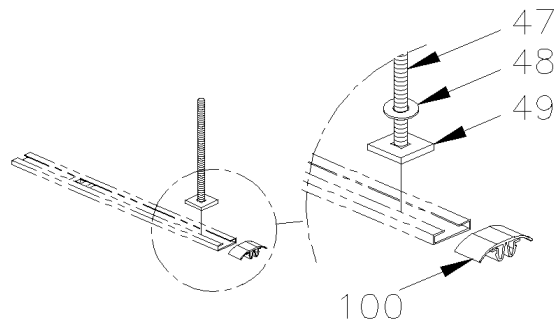
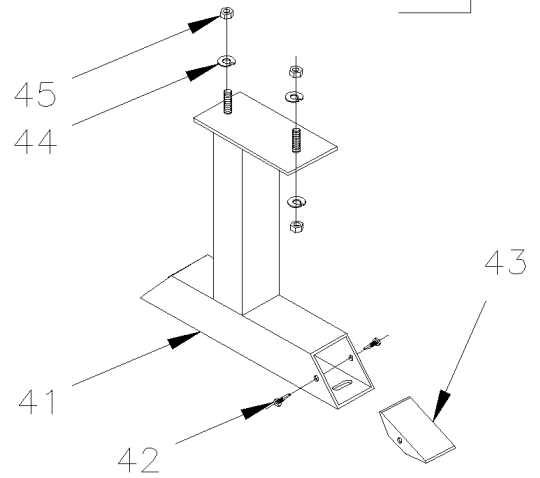
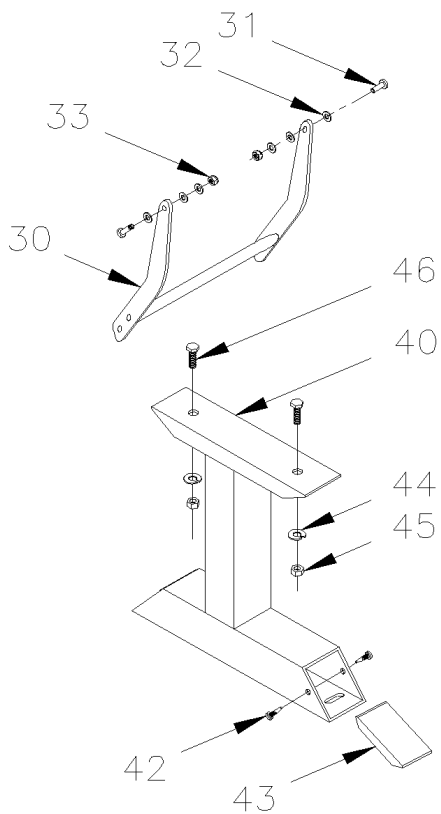
PAGE:XL-1826-41

PASSENGER'S SEAT - "AMAYA" - FOOTREST

FOOTREST GAUDI



FOOTREST STD



From E-638 To Y-7045	Date:10/2022	PAGE:XL-1826-41
PASSENGER'S SEAT - "AMAYA" - FOOTREST		

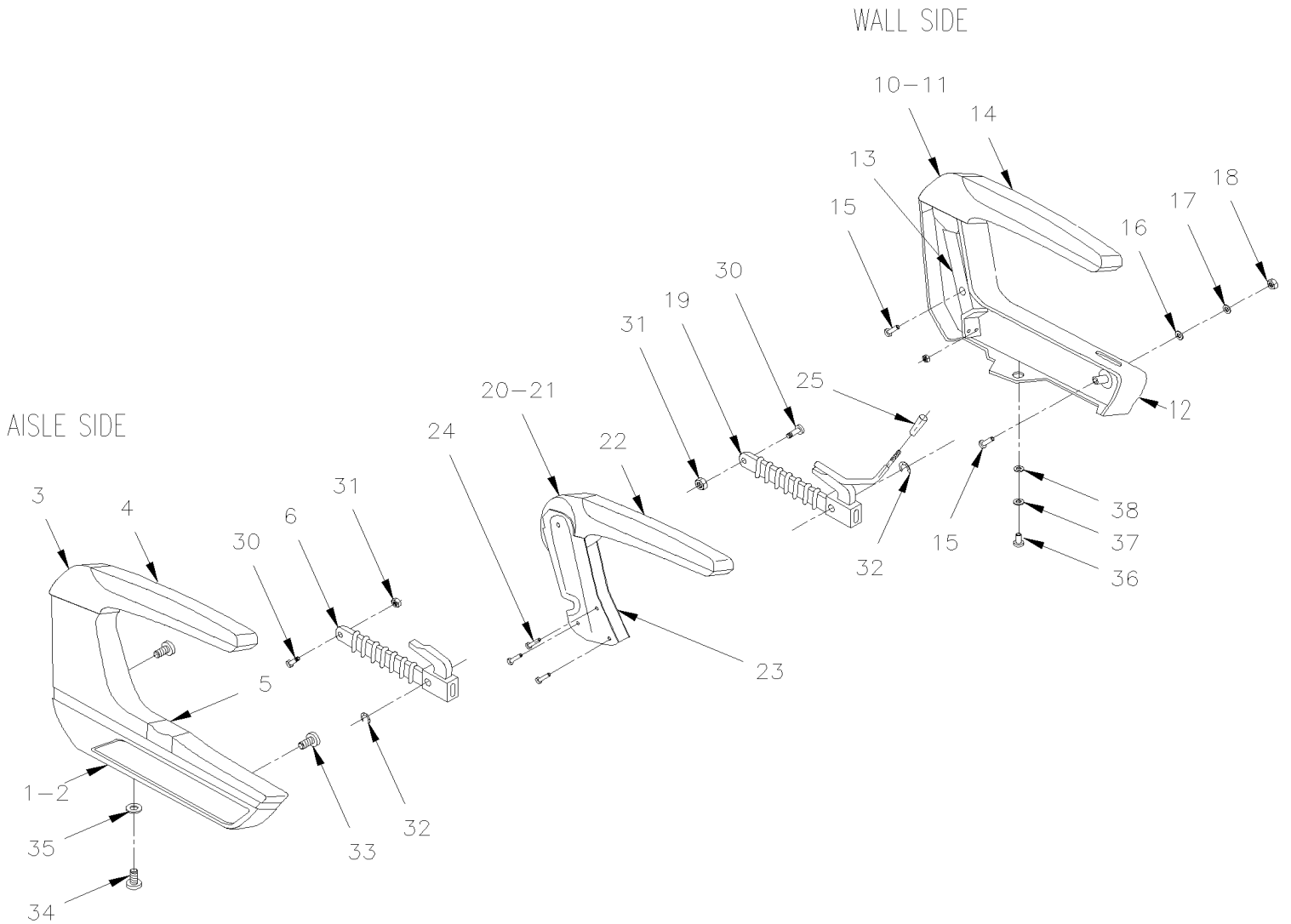
Item#	Part	Description	M T H 4 0	M T H 4 5	M T H 4 5 E	X L 4 0	X L 4 5	N O T E S
1	862224	FOOTREST ASSY W/SPRING / "GAUDI" / ALUMINUM				1	1	A
1	863619	FOOTREST				1	1	A
1	867725	FOOTREST ASSY W/AUTOMATIC RETURN / "STELAM" / PLASTIC				1	1	
1	862714	FOOTREST ASSY W/SPRING / "SIGLIUM" / PLASTIC				1	1	B
2	N.S.S.	RUBBER BUMPER				1	1	1
3	N.S.S.	SCREW CAP HEXS M8-1.25x50 SS				2	2	1
4	N.S.S.	STOPPER				1	1	1
5	N.S.S.	STOPPER AXLE				1	1	1
6	N.S.S.	SPRING				1	1	1
7	N.S.S.	FOOTREST SUPPORT				1	1	1A
8	N.S.S.	FOOTREST				1	1	1
9	N.S.S.	RETAINING RING				2	2	1
10	N.S.S.	SPRING				1	1	1
11	N.S.S.	FOOTREST AXLE				1	1	1
30	863814	FOOTREST STANDARD 10" L x 9" U				1	1	
31	Call order desk	BOLT SPECIAL M8-1.25 x10				2	2	P
32	500441	WASHER FL .312x.734x.065 Z050				2	2	
33	500868	NUT HEX NYRT M8-1.25 Z050				2	2	
40	860116	PEDESTAL ASSY / W STD FOOTREST				1	1	
41	Call order desk	PEDESTAL ASSY / W GAUDI FOOTREST				1	1	P
41	Call order desk	PEDESTAL ASSY / W GAUDI FOOTREST				1	1	P
41	Call order desk	PEDESTAL ASSY / W GAUDI FOOTREST / W/REVERSIBLE "GAUDI" HR				1	1	P
41	Call order desk	PEDESTAL ASSY / W GAUDI FOOTREST / W/REVERSIBLE "GAUDI" SC				1	1	P
41	Call order desk	PEDESTAL ASSY / W GAUDI FLIP-UP SLIDE				1	1	P
42	864028	CLIP CHRISTMAS TREE / BLACK 11MM O.D. x17MM HOLE 4MM				2	2	
43	862585	PEDESTAL CAP / BLACK				1	1	
NS	864028	CLIP CHRISTMAS TREE / BLACK 11MM O.D. x17MM HOLE 4MM				2	2	
44	866243	PRESSURE WASHER 7/16" 10MM				1	1	
45	500256	NUT HEX M10-1.5 Z050				2	2	
46	5001526	SCREW CAP HEX M16-2.0x45 G10.9 DP				2	2	
47	500305	SCREW CAP HEX 3/8-16x7/8 G5 Z050				2	2	
48	500478	WASHER LO SPT .380x.683x.094 Z050				2	2	
49	362627	PLATE ANCHOR / 3/8-16 BOLT INSIDE TRACK / 1 1/4" X 1 1/4"				AR	AR	
100	323654	SEAT TRACK COVER 12' / EACH SEAT / W/COVERING FLOOR				AR	AR	
100	323963	SEAT TRACK COVER 8' / EACH SEAT / W/COVERING FLOOR				AR	AR	
		A) AS SHOWN						
		B) THIS MODEL HAVE FOOTREST SUPPORT DIFFER THAN PICTURE						
		1) NOT SOLD SEPARATELY						
		P) CALL ORDER DESK FOR SPECIFIC APPLICATION (V.I.N.)						

From E-638 To Y-7045

Date:10/2022

PAGE:XL-1826-50

ARMREST PASSENGER'S SEAT - "AMAYA" WITH "EUROTECH"



From E-638 To Y-7045	Date:10/2022	PAGE:XL-1826-50
----------------------	--------------	-----------------

ARMREST PASSENGER'S SEAT - "AMAYA" WITH "EUROTECH"

Item#	Part	Description	M T H 4 0	M T H 4 5	M T H 4 5 E	X L 4 0	X L 4 5	N O T E S
1	865740	ARMREST ASSY R.H.					1	
1	865741	ARMREST ASSY L.H.					1	
2	Call order desk	. ARMREST AISLE SUPPORT L.H.					1	P
2	867850	. ARMREST AISLE SUPPORT R.H.					1	
3	864847	. ARMREST AISLE FRAME L.H.					1	
3	864848	. ARMREST AISLE FRAME R.H.					1	
NS	865534	. AXLE BOLT (ARM PIVOT)					1	
NS	865533	. WASHER CON					1	
4	862939	. ARMREST COVER RUBBER					1	
NS	Call order desk	. BOLT 2.5X26					1	P
5	863361	. PUSH BUTTON					1	
5	863474	. TRACK BUTTON					1	
NS	863475	. SPRING BUTTON					1	
NS	863476	. STOPPER BUTTON					1	
6	862545	. RECLINING MECANISM AILSE SIDE					1	A
10	863645	ARMREST ASSY L.H. / WALL SIDE					1	
10	Call order desk	ARMREST ASSY R.H. / WALL SIDE					1	P
11	866006	. ARMREST WALL FRAME R.H.					1	
11	863381	. ARMREST WALL FRAME L.H.					1	
NS	Call order desk	. WASHER					1	P
NS	866005	. SCREW CAP HEXS M12x30					1	
12	862937	. ARMREST WALL SUPPORT R.H.					1	
12	867851	. ARMREST WALL SUPPORT L.H.					1	
13	863425	. ARMREST REINFORCEMENT					1	
14	862939	. ARMREST COVER RUBBER					1	
NS	Call order desk	. BOLT 2.5X26					1	P
15	Call order desk	. BOLT M8 X 50MM					1	P
15	Call order desk	. SCREW MA CHE PH M8-1.25x45					1	P
16	Call order desk	. WASHER FL 8.4					1	P
17	Call order desk	. WASHER LO INT 8.4					1	P
18	865483	. NUT HEX M8-1.25					1	
19	862218	RECLINING MECANISM WALL SIDE					1	B
20	862544	CENTER ARMREST ASSY / PAINTED ALUMINUM					1	
21	865357	. ARMREST CENTER					1	
NS	865533	. WASHER CON					2	
NS	860170	. BOLT MALE					1	
NS	Call order desk	. BOLT FEMALE					1	P
22	862939	. ARMREST COVER RUBBER					1	
23	Call order desk	. ARMREST CENTER SUPPORT					1	P
24	Call order desk	SCREW MA CHE PH M6x15					1	P
25	862225	KNOB W/ ROUND ROD INSERT MECHANISM (FORMER)					1	
30	866248	BOLT SPECIAL FIXING					1	

From E-638 To Y-7045	Date:10/2022	PAGE:XL-1826-50
ARMREST PASSENGER'S SEAT - "AMAYA" WITH "EUROTECH"		

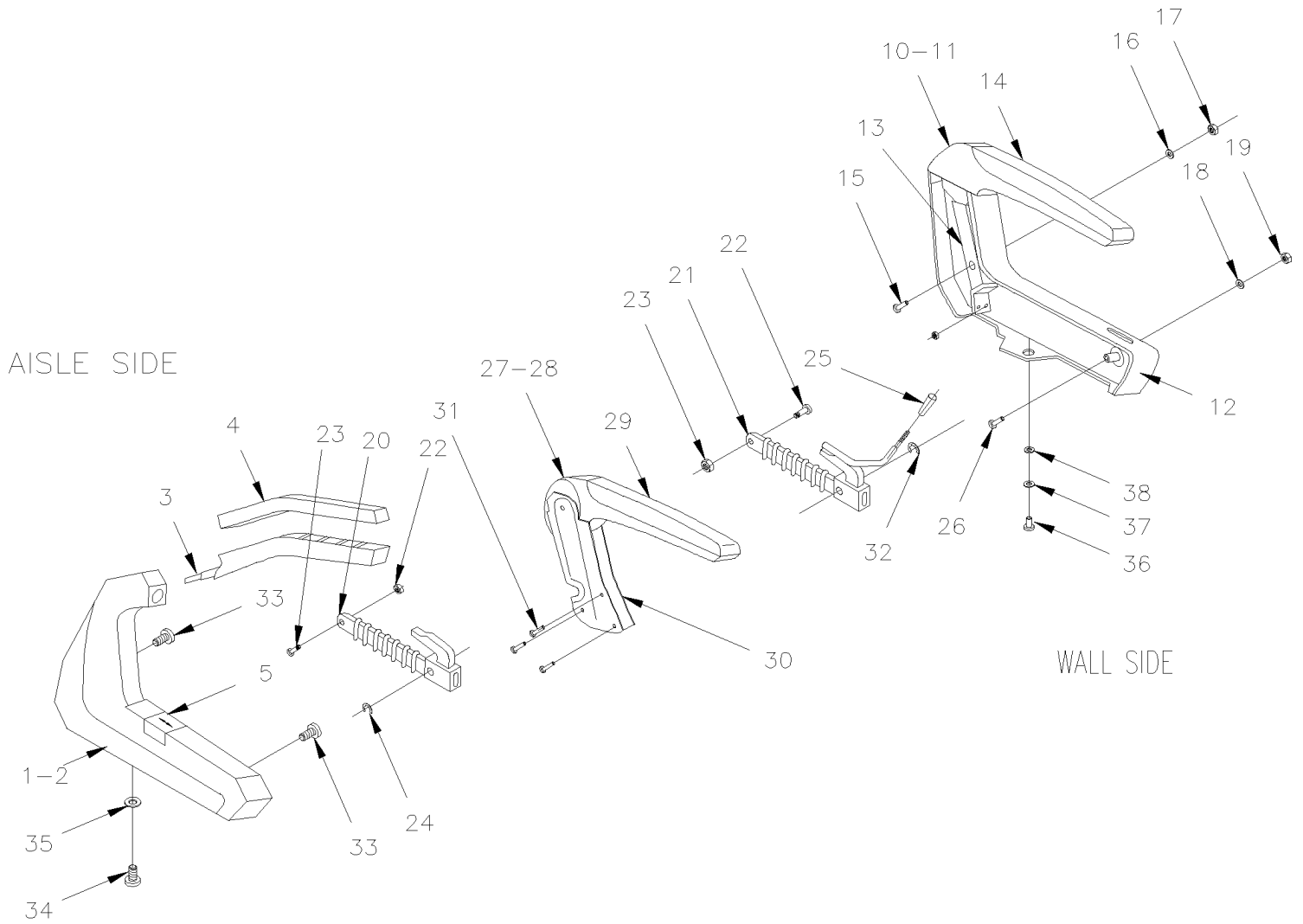
Item#	Part	Description	M T H 4 0	M T H 4 5	M T H 4 5 E	X L 4 0	X L 4 5	N O T E S
31	500256	NUT HEX M10-1.5 Z050					1	
32	Call order desk	WASHER #9 DIN6799					1	P
33	Call order desk	SCREW OVAL HEAD M8-1.25x20					1	P
34	Call order desk	SCREW CAP HEXS M8x20					1	P
35	865515	WASHER FL 6.4					1	
36	Call order desk	SCREW BUT HEXS M6x10					1	P
37	Call order desk	PRESSURE WASHER					1	P
38	Call order desk	WASHER J6.4 DIN 125					1	P
		A) INCLUDE ITEMS # 30,31 & 32						
		B) INCLUDE ITEMS # 25, 30, 31 & 32						
		P) CALL ORDER DESK FOR SPECIFIC APPLICATION (V.I.N.)						

From E-638 To Y-7045

Date:10/2022

PAGE:XL-1826-51

ARMREST PASSENGER'S SEAT - "AMAYA" WITH "BRASIL"



From E-638 To Y-7045	Date:10/2022	PAGE:XL-1826-51
ARMREST PASSENGER'S SEAT - "AMAYA" WITH "BRASIL"		

Item#	Part	Description	M T H 4 0	M T H 4 5	M T H 4 5 E	X L 4 0	X L 4 5	N O T E S
1	863843	ARMREST ASSY R.H.					1	
1	863844	ARMREST ASSY L.H.					1	
1	862934	ARMREST ASSY L.H.					1	
2	867849	. ARMREST AISLE SUPPORT L.H.					1	
2	Call order desk	. ARMREST AISLE SUPPORT R.H.					1	P
3	860128	. ARMREST AISLE FRAME L.H.					1	
3	Call order desk	. ARMREST AISLE FRAME R.H.					1	P
NS	Call order desk	. ARMREST CLIP					1	P
NS	Call order desk	. FIBER ARMREST WASHER					1	P
4	863427	. ARMREST COVER AISLE					1	
5	863361	. PUSH BUTTON					1	
5	863474	. TRACK BUTTON					1	
NS	863475	. SPRING BUTTON					1	
NS	863476	. STOPPER BUTTON					1	
10	863645	ARMREST ASSY L.H. / WALL SIDE					1	
10	Call order desk	ARMREST ASSY R.H. / WALL SIDE					1	P
11	866006	. ARMREST WALL FRAME R.H.					1	
11	863381	. ARMREST WALL FRAME L.H.					1	
NS	Call order desk	. WASHER					1	P
NS	866005	. SCREW CAP HEXS M12x30					1	
12	862937	. ARMREST WALL SUPPORT R.H.					1	
12	867851	. ARMREST WALL SUPPORT L.H.					1	
13	863425	. ARMREST REINFORCEMENT					1	
14	862939	. ARMREST COVER RUBBER					1	
NS	Call order desk	. BOLT 2.5X26					1	P
15	500193	SCREW CAP HEX 3/8-16x1 1/2 G5 Z050					1	
16	500445	WASHER FL .437x1.000x.083 Z050					1	
17	500783	NUT HEX 3/8-16 Z050					1	
18	502507	WASHER LO SPT 8.1x14.8x2.0 Z050					1	
19	502543	NUT HEX M8-1.25 Z050					1	
20	862545	RECLINING MECANISM AILSE SIDE					1	
21	862218	RECLINING MECANISM WALL SIDE					1	
22	866248	. BOLT SPECIAL FIXING					1	
23	500256	. NUT HEX M10-1.5 Z050					1	
24	Call order desk	. SNAP RING					1	P
25	862225	. KNOB W/ ROUND ROD INSERT MECHANISM (FORMER)					1	
26	865486	SCREW MA OV PH M8-1.25x35					1	
27	863743	CENTER ARMREST ASSY / PAINTED SILVER					1	
28	865357	. ARMREST CENTER					1	
NS	865533	. WASHER CON					2	
NS	860170	. BOLT MALE					1	
NS	Call order desk	. BOLT FEMALE					1	P

From E-638 To Y-7045	Date:10/2022	PAGE:XL-1826-51
ARMREST PASSENGER'S SEAT - "AMAYA" WITH "BRASIL"		

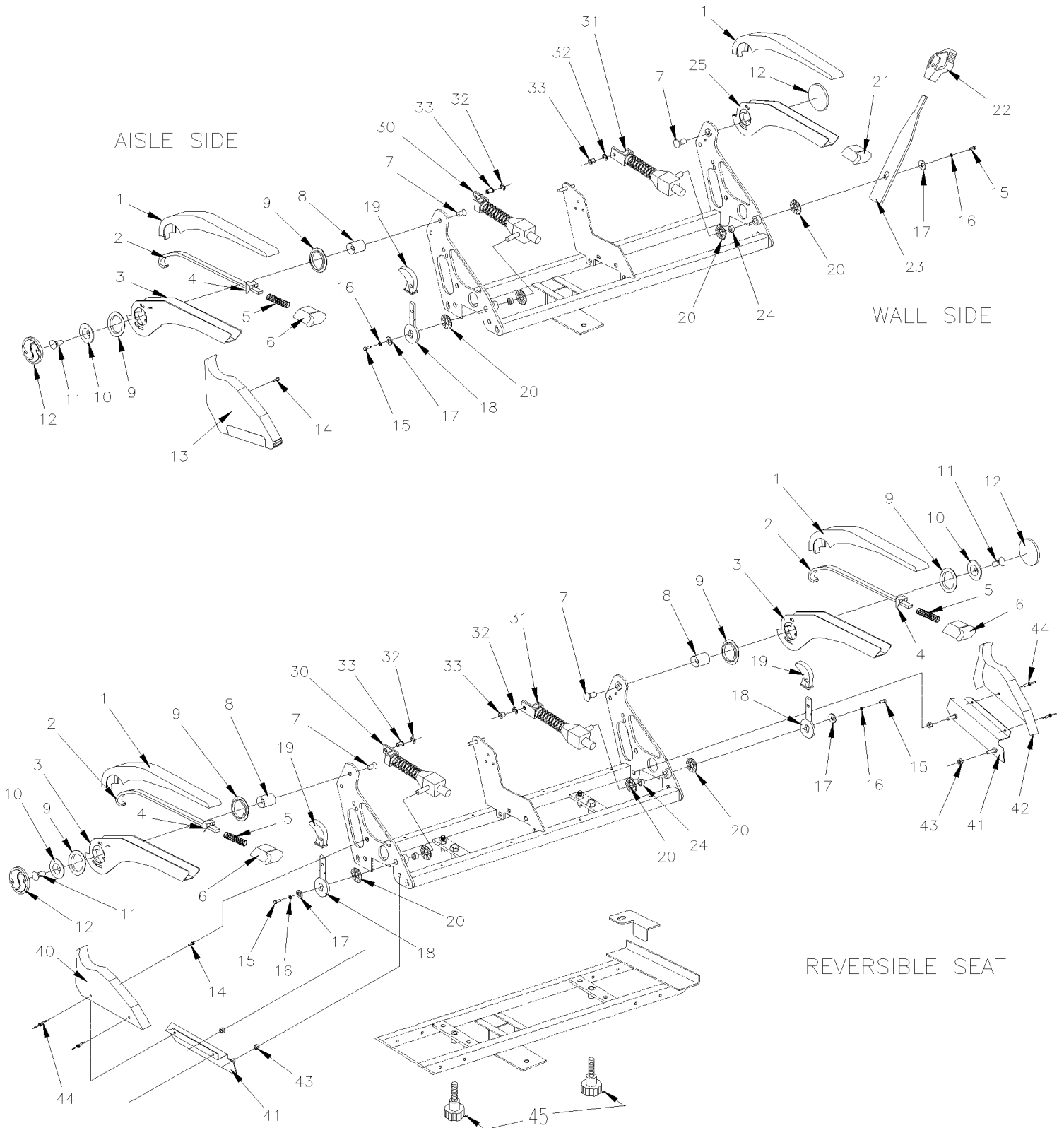
Item#	Part	Description	M T H 4 0	M T H 4 5	M T H 4 5 E	X L 4 0	X L 4 5	N O T E S
29	863539	. ARMREST COVER CENTER					1	
30	Call order desk	. ARMREST CENTER SUPPORT					1	P
31	Call order desk	SCREW MA CHE PH M6x15					1	P
33	Call order desk	SCREW OVAL HEAD M8-1.25x20					1	P
34	N32018	SCREW MA PAN PH M6-1.0x12 BKP					1	
35	865485	SCREW MA OV PH M8-1.25x25					1	
36	502806	SCREW MA FL PH M6-1.0x10 Z050					1	
37	Call order desk	PRESSURE WASHER					1	P
38	Call order desk	WASHER J6.4 DIN 125					1	P
		P) CALL ORDER DESK FOR SPECIFIC APPLICATION (V.I.N.)						

From E-638 To Y-7045

Date:10/2022

PAGE:XL-1826-52

ARMREST PASSENGER'S SEAT - "AMAYA" WITH "GAUDI"



From E-638 To Y-7045	Date:10/2022	PAGE:XL-1826-52
----------------------	--------------	-----------------

ARMREST PASSENGER'S SEAT - "AMAYA" WITH "GAUDI"

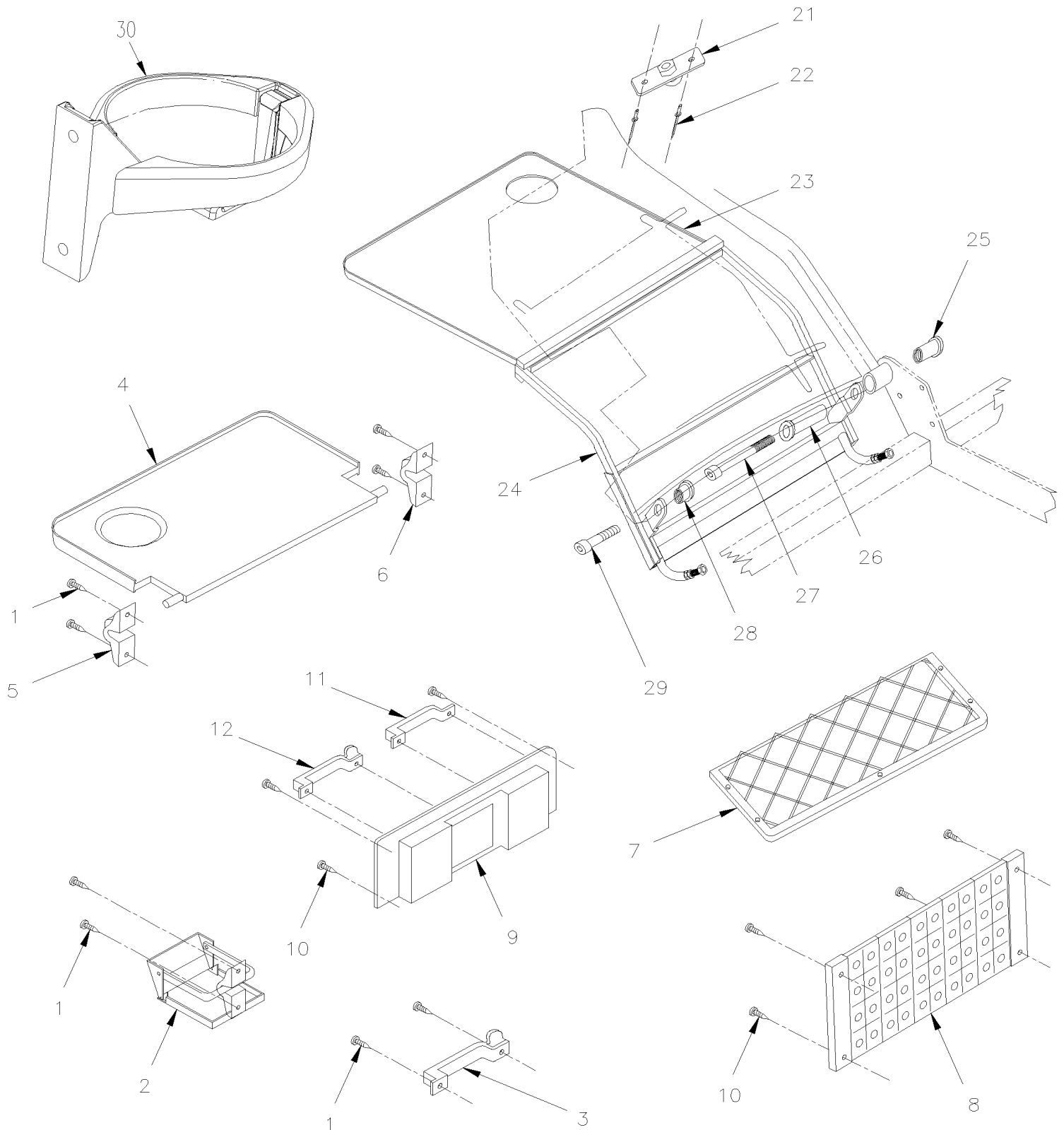
Item#	Part	Description	M T H 4 0	M T H 4 5	M T H 4 5 E	X L 4 0	X L 4 5	N O T E S
		1) NOT SOLD SEPARATELY						
		P) CALL ORDER DESK FOR SPECIFIC APPLICATION (V.I.N.)						

From E-638 To Y-7045

Date:10/2022

PAGE:XL-1826-60

ACCESSORIES PASSENGER'S SEAT - "AMAYA"



From E-638 To Y-7045	Date:10/2022	PAGE:XL-1826-60
ACCESSORIES PASSENGER'S SEAT - "AMAYA"		

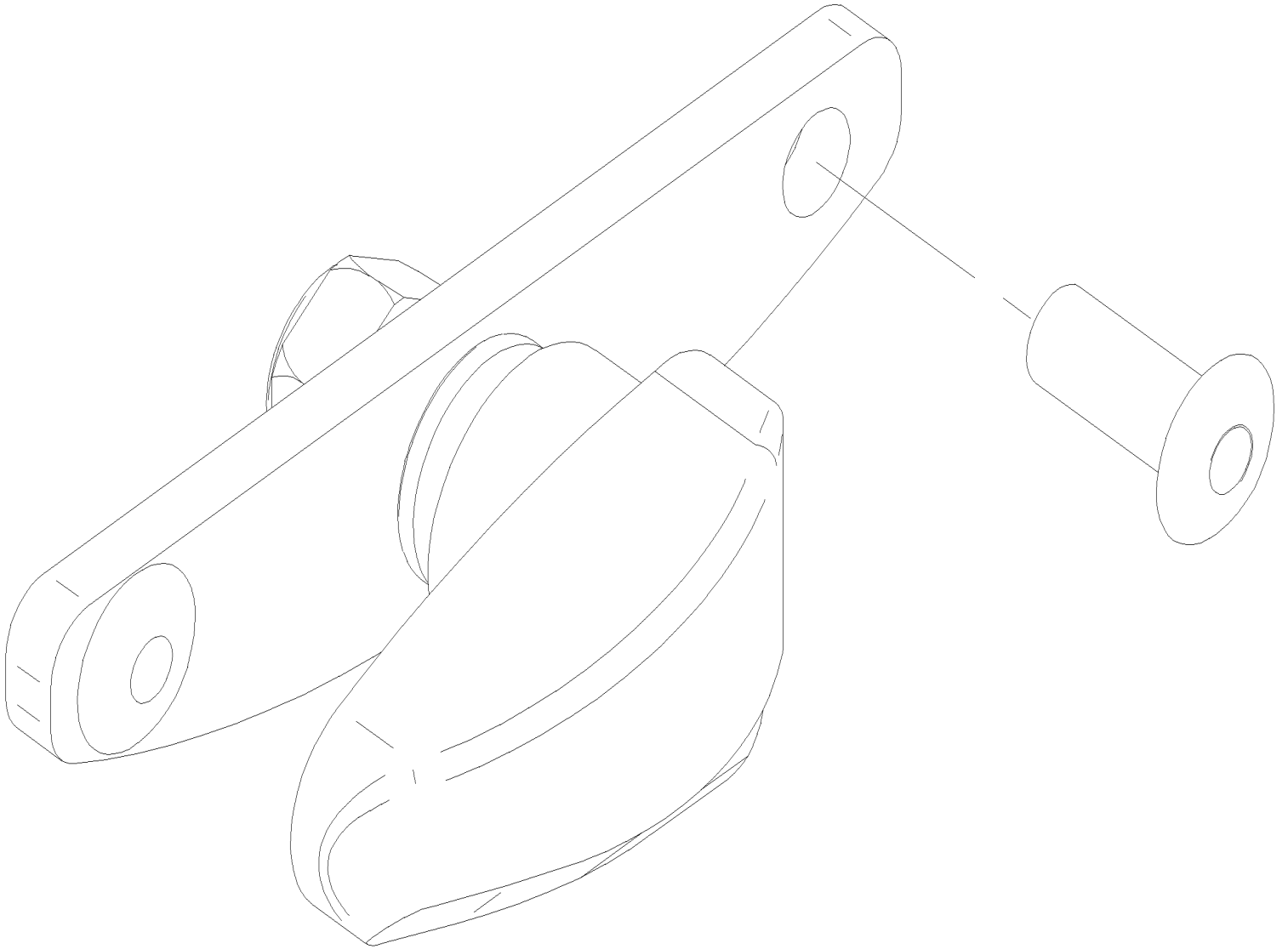
Item#	Part	Description	M T H 4 0	M T H 4 5	M T H 4 5 E	X L 4 0	X L 4 5	N O T E S
1	500936	SCREW TP OV PH #10x1 1/4 ZP				1	1	
2	861923	GLASS HOLDER / W/"AMAYA" / W/2 HOLES FOR SCREW				1	1	A
NS	862932	GLASS HOLDER / W/"AMAYA" / W/3 HOLES FOR SCREW				1	1	
3	860422	HANDLE				1	1	
NS	860421	HOOK				1	1	
4	862774	TABLE STD				1	1	
4	863777	TABLE STD				1	1	
5	N.S.S.	. SUPPORT R.H.				1	1	1
6	N.S.S.	. SUPPORT L.H.				1	1	1
7	861922	MAGAZINE NET 16" x 6 3/4"				1	1	
7	865369	SCREW #10 1 1/4				5	5	
8	861924	MAGAZINE RACK / PLASTIC 310MM x 145MM = GREY 5 BARS				1	1	
9	Call order desk	BASE				1	1	P
10	865369	SCREW #10 1 1/4				1	1	
11	862938	HANDLE				1	1	
12	860422	HANDLE				1	1	
12	860421	HOOK				1	1	
21	863417	KNOB / BLACK				1	1	
21	863418	KNOB / GREY / FORMER				1	1	
22	504126	RIVET POP DOME OE 3/16x5/8 AL				1	1	
23	861920	FOOD TRAY / GREY / W/AIRPLANE TYPE				1	1	
24	864799	FRAME TABLE AIRPLANE TYPE				1	1	
25	864800	SCREW CENTER BUSHING				1	1	
26	864801	CENTER BUSHING				1	1	
27	502765	SCREW CAP HEXS M10-1.5x100 G8.8 PT ZP				1	1	
28	864802	SHORT BUSHING				1	1	
29	70314705	SCREW CAP HEXS M10-1.5x60 G8.8 ZP				1	1	
NS	405795	SUPPORT TABLE, AIRPLANE TYPE / ON GALLEY WALL				1	1	
30	862844	CUP HOLDER, RUSPA, BLACK				AR	AR	
30	863181	CUP HOLDER, RUSPA, BLACK				AR	AR	
31	864860	CUP HOLDER, FLEX, GREY				AR	AR	
		A) AS SHOWN						
		1) NOT SOLD SEPARATELY						
		P) CALL ORDER DESK FOR SPECIFIC APPLICATION (V.I.N.)						

From E-638 To Y-7045

Date:10/2022

PAGE:863418

KNOB / GREY / FORMER

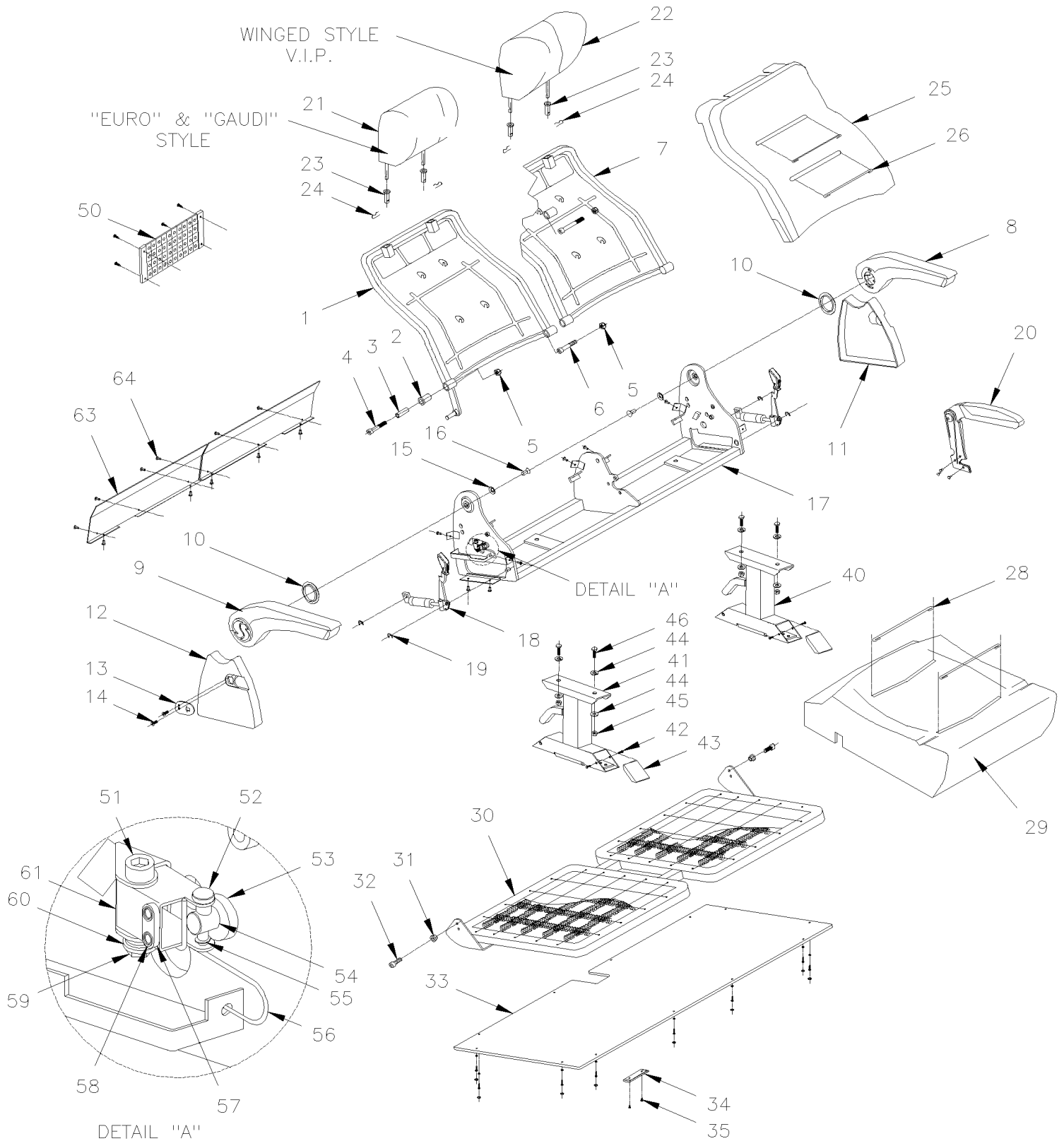


From E-638 To Y-7045

Date:10/2022

PAGE:XL-1826-71

PASSENGER'S SEAT - "AMAYA" - FLIP-UP "GAUDI" HR & SC - W/ W.C.L.



From E-638 To Y-7045	Date:10/2022	PAGE:XL-1826-71
----------------------	--------------	-----------------

PASSENGER'S SEAT - "AMAYA" - FLIP-UP "GAUDI" HR & SC - W/ W.C.L.

Item#	Part	Description	M T H 4 0	M T H 4 5	M T H 4 5 E	X L 4 0	X L 4 5	N O T E S
		IMPORTANT NOTE: BEFORE TO						
		TO ORDER COMPLETE PASSENGER'S SEAT						
		OR COVERING ASSY, HEAD / BACK & CUSHION						
		SEE THE FINAL VEHICLE RECORD.						
1	Call order desk	BACKREST R.H. / W/FLIPPER SEAT & AVION TABLE SEAT					1	P
1	Call order desk	BACKREST R.H. / W/FLIPPER SEAT / W/"GAUDI"					1	P
1	Call order desk	BACKREST R.H. ASSY / W/FLIPPER SEAT / W/"GAUDI" GI					1	P
1	Call order desk	BACKREST SHELL / W/"GAUDI" GI					1	P
2	865560	BUSHING HYTREL					1	
2	Call order desk	BUSHING PLASTIC / W/"GAUDI" SC					1	P
3	Call order desk	INSIDE METAL BUSHING					1	P
3	Call order desk	INSIDE METAL BUSHING / W/"GAUDI" SC					1	P
4	70314705	SCREW CAP HEXS M10-1.5x60 G8.8 ZP					1	
5	500256	NUT HEX M10-1.5 Z050					1	
6	502765	SCREW CAP HEXS M10-1.5x100 G8.8 PT ZP					1	
7	Call order desk	BACKREST L.H. / W/FLIPPER SEAT & AVION TABLE SEAT					1	P
7	Call order desk	BACKREST L.H. / W/FLIPPER SEAT / W/"GAUDI"					1	P
7	Call order desk	BACKREST L.H. ASSY / W/FLIPPER SEAT / W/"GAUDI" GI					1	P
7	Call order desk	BACKREST SHELL / W/"GAUDI" GI					1	P
8	864020	ARMREST ASSY L.H. / W/FLIPPER SEAT					1	
9	864019	ARMREST ASSY R.H. / W/FLIPPER SEAT					1	
10	N.S.S.	PLASTIC BUSHING					1	1
11	865351	CAP PLASTIC L.H. / W/"GAUDI" STATIONARY					1	
11	Call order desk	CAP PLASTIC L.H. / W/"GAUDI" SLIDE					1	P
12	865352	CAP PLASTIC R.H.					1	
13	Call order desk	BLOCK HANDLE					1	P
14	Call order desk	SCREW MA CHE PH M6x15					1	P
15	865543	WASHER #10.5MM DIN5797					1	
16	860111	SCREW CAP FL HEXS M10-1.5x16					1	
17	Call order desk	STRUCTURE R.H. / W/FLIPPER SEAT					1	P
17	Call order desk	STRUCTURE R.H. / W/FLIPPER SEAT					1	P
17	Call order desk	STRUCTURE L.H. / W/FLIPPER SEAT					1	P
17	Call order desk	STRUCTURE R.H. / W/FLIPPER SEAT & AVION TABLE SEAT					1	P
17	Call order desk	STRUCTURE L.H. / W/FLIPPER SEAT & AVION TABLE SEAT					1	P
17	Call order desk	STRUCTURE L.H. / W/FLIPPER SEAT / SLIDE VOIR					1	P
18	863540	RECLINING MECHANISM ASSY AISLE SIDE					1	
. NS	IS-136	. INSTRUCTION SHEET					1	
18	862546	RECLINING MECHANISM ASSY WALL SIDE					1	
. NS	IS-136	. INSTRUCTION SHEET					1	
19	Call order desk	WASHER #9 DIN6799					1	P
20	863352	CENTER ARMREST ASSY / PAINTED CHARCOAL					1	

From E-638 To Y-7045	Date:10/2022	PAGE:XL-1826-71
----------------------	--------------	-----------------

PASSENGER'S SEAT - "AMAYA" - FLIP-UP "GAUDI" HR & SC - W/ W.C.L.

Item#	Part	Description	M T H 4 0	M T H 4 5	M T H 4 5 E	X L 4 0	X L 4 5	N O T E S
20	Call order desk	SCREW MA CHE PH M6x15					1	P
21	863315	HEADREST FOAM / TYPE "BRAZIL" & "EUROTECH"					1	
21	Call order desk	HEADREST FOAM / TYPE "GAUDI HR"					1	P
NS	Call order desk	COVERING HEADREST ASSY "GAUDI" S.C.C.					1	P
22	862933	HEADREST ASSY / TYPE WINGED "VIP"					1	
23	864810	GUIDE SLIDING					1	
24	866204	BACKREST CLIP					1	
25	865141	CUSHION FOAM					1	
25	Call order desk	BACKREST FOAM / W/"GAUDI"					1	P
25	Call order desk	BACKREST FOAM AISLE / W/"GAUDI" GI					1	P
25	Call order desk	BACKREST FOAM WALL / W/"GAUDI" GI					1	P
26	Call order desk	BACKREST TUFTING WIRE "EUROTECH" & "BRASIL					1	P
26	Call order desk	BACKREST TUFTING WIRE / LARGE / W/"GAUDI" & "EUROTECH"					1	P
NS	Call order desk	COVERING BACKREST ASSY S.C.C. / W/"GAUDI"					1	P
27	Call order desk	COVERING BACKREST ASSY S.C.C. / W/"GAUDI" GI					1	P
28	Call order desk	CUSHION TUFTING WIRE "EUROTECH" & "BRASIL					1	P
29	Call order desk	CUSHION FOAM					1	P
NS	Call order desk	COVERING CUSHION ASSY S.C.C. / W/"GAUDI"					1	P
30	865599	CUSHION SET STRUCTURE / STREET SIDE					1	
30	Call order desk	SEAT FRAME ASSY /W/FLIPPER SEAT / STATIONARY / W/"GAUDI"					1	P
30	Call order desk	SEAT FRAME ASSY /W/FLIPPER SEAT / SLIDE / W/"GAUDI"					1	P
31	866191	SWIVEL BUSHING					1	
32	Call order desk	SCREW CAP HEXS M10x25					1	P
33	Call order desk	CAP CUSHION SEAT / W/FLIPPER SEAT					1	P
34	Call order desk	SEAT FIXING BRACKET					1	P
35	Call order desk	BOLT 3.9X13MM					1	P
40	862917	PEDESTAL ASSY R.H. / WFLIPPER SEAT / SLIDE					1	
41	865028	PEDESTAL ASSY L.H. / WFLIPPER SEAT / SLIDE					1	
42	504619	CLIP CHRISTMAS TREE / BLACK 7/32"O.D.x1/2" HOLE 3/16					4	
43	862585	PEDESTAL CAP / BLACK					1	
NS	864028	CLIP CHRISTMAS TREE / BLACK 11MM O.D. x17MM HOLE 4MM					2	
44	866243	PRESSURE WASHER 7/16" 10MM					1	
45	500256	NUT HEX M10-1.5 Z050					1	
46	5001526	SCREW CAP HEX M16-2.0x45 G10.9 DP					1	
50	XL-1826-60	ACCESSORIES PASSENGER'S SEAT - "AMAYA"	1	1	1	1	1	
51	860197	SCREW CAP HEXS M8-1.25x50					1	
52	Call order desk	BLOCKING PIN					1	P
53	865491	REFERENCE BUSHING FM810120J					1	
54	Call order desk	BLOCKING AXLE					1	P
55	Call order desk	WASHER DIN-6799 5MM					1	P
56	Call order desk	SPRING					1	P
57	Call order desk	INSERT					1	P

From E-638 To Y-7045	Date:10/2022	PAGE:XL-1826-71
----------------------	--------------	-----------------

PASSENGER'S SEAT - "AMAYA" - FLIP-UP "GAUDI" HR & SC - W/ W.C.L.

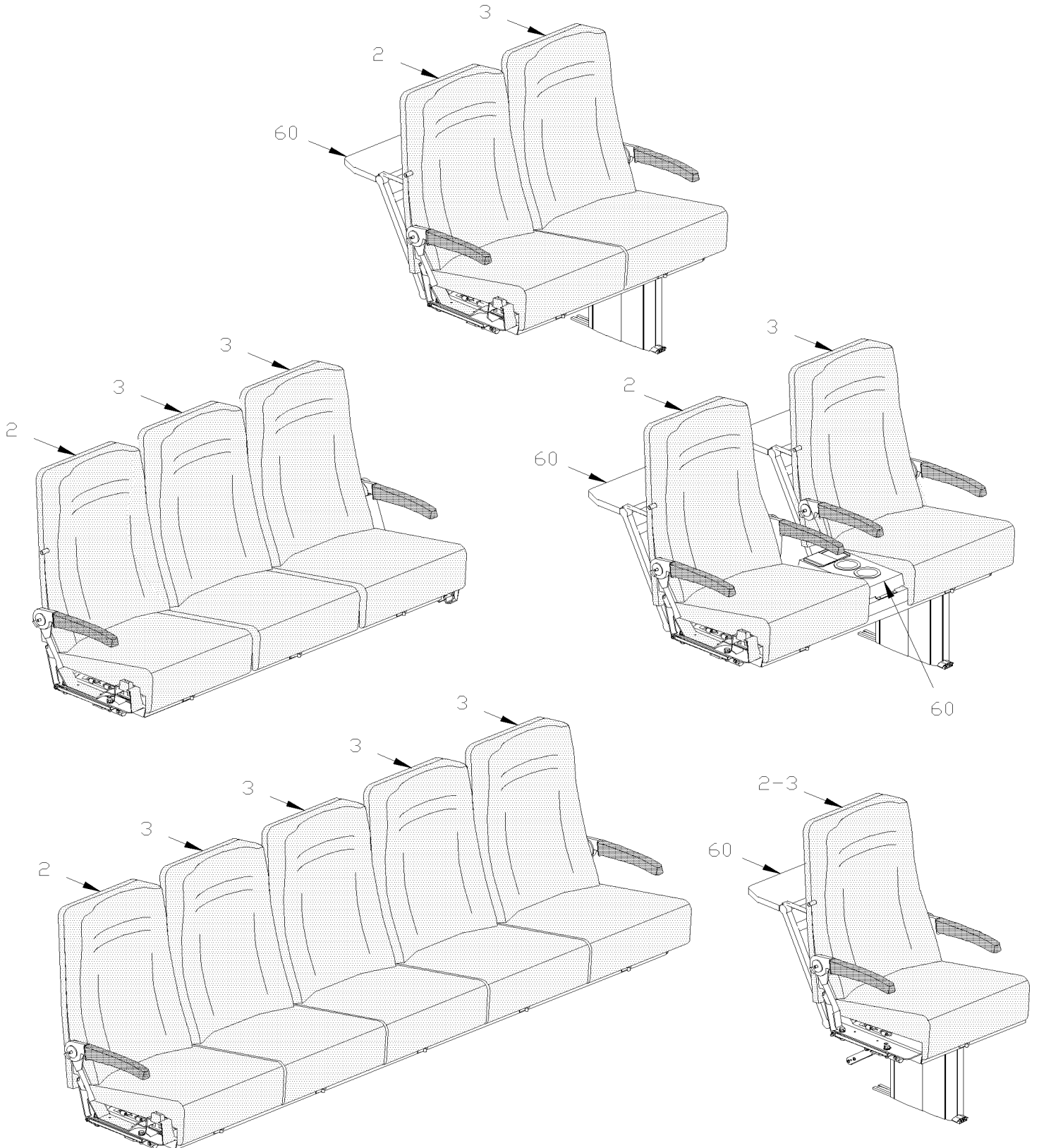
Item#	Part	Description	M T H 4 0	M T H 4 5	M T H 4 5 E	X L 4 0	X L 4 5	N O T E S
58	Call order desk	RIVET					1	P
59	Call order desk	NUT HEX NYRT M8-1.25					1	P
60	Call order desk	ACTION SPRING					1	P
61	Call order desk	POPPER					1	P
63	Call order desk	KICK PLATE BACKREST					1	P
64	504118	RIVET POP DOME OE 3/16x3/8 AL					1	
70	XL-1826-41	PASSENGER'S SEAT - "AMAYA" - FOOTREST						
100	323654	SEAT TRACK COVER 12' / EACH SEAT / W/COVERING FLOOR						AR
100	323963	SEAT TRACK COVER 8' / EACH SEAT / W/COVERING FLOOR						AR
		1) NOT SOLD SEPARATELY						
		P) CALL ORDER DESK FOR SPECIFIC APPLICATION (V.I.N.)						

From H-235 To M-803

Date:10/2022

PAGE:XL-1827-00

PASSENGER'S SEAT - "SILHOUETTE" ALUMINUM

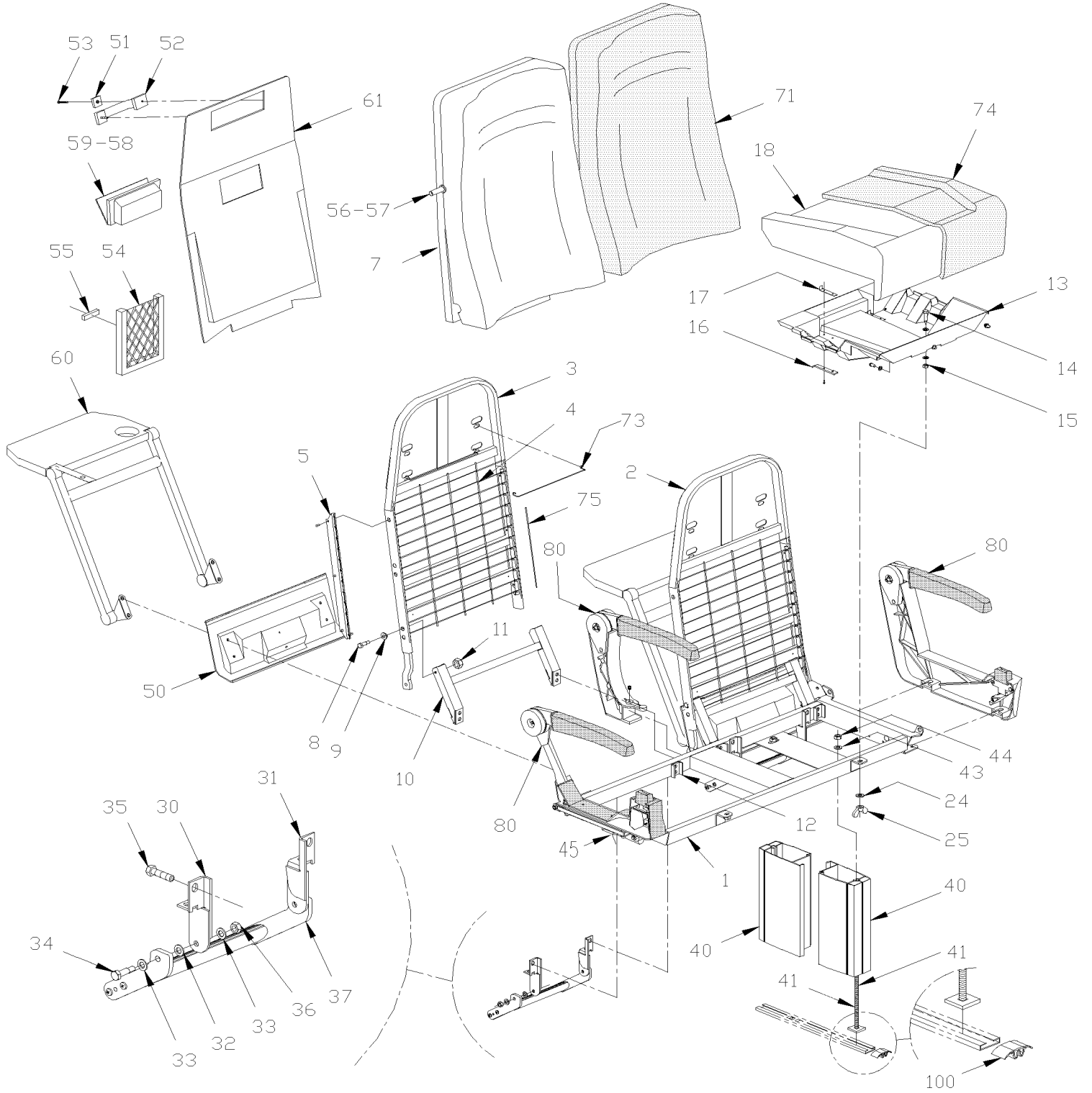


From H-235 To M-803

Date:10/2022

PAGE:XL-1827-00

PASSENGER'S SEAT - "SILHOUETTE" ALUMINUM



From H-235 To M-803	Date:10/2022	PAGE:XL-1827-00
---------------------	--------------	-----------------

PASSENGER'S SEAT - "SILHOUETTE" ALUMINUM

Item#	Part	Description	M T H 4 0	M T H 4 5	M T H 4 5 E	X L 4 0	X L 4 5	N O T E S
	363015	SEAT ASSY PASSENGERS / R.H. V.I.P.				AR		
	363016	SEAT ASSY PASSENGERS / L.H. V.I.P.				AR		
1	362308	. STRUCTURE L.H. / 2 PASSENGERS				1		
1	362309	. STRUCTURE R.H. / 2 PASSENGERS				1		
1	362393	. STRUCTURE REAR / 3 PASSENGERS				1		
1	362530	. STRUCTURE R.H. / 1 PASSENGER				1		
1	362556	. STRUCTURE L.H. / 1 PASSENGER V.I.P.				1		
1	362567	. STRUCTURE R.H. / 2 PASSENGER V.I.P.				1		
1	362629	. STRUCTURE R.H. / 1 PASSENGER V.I.P.				1		
1	362630	. STRUCTURE L.H. / 2 PASSENGERS V.I.P.				1		
2	362451	. BACKREST ASSY / R.H. (INCLUDE ITEM #7)				1		
2	362452	. BACKREST ASSY / L.H. (INCLUDE ITEM #7)				1		
2	362346	. . BACKREST STRUCTURE / R.H.				1		
3	362345	. . BACKREST STRUCTURE / L.H.				1		
4	362374	. . LATTICE				1		
5	362414	. . FIXING / LATTICE				2		
7	362529P	. FOAM ASSY, BACKREST				2		
7	362526	. . FOAM THICK				1		
7	362525	. . FOAM THIN				1		
NS	361965	. FOAM / REAR OF UPPER BACKREST				1		
8	362493	. . SCREW SHR CAP HEX 5/16x.715{1/4-20				2		
9	362325	. . BUSHING NYLON				2		
10	362788	. . SUPPORT				2		
11	500770	. . NUT HEX STO 1/4-20 Z050				2		
12	362475	. SUPPORT "U" SHAPED				4		
NS	500183	. SCREW CAP HEX 5/16-18x1 1/2 G5 PT Z050				8		
NS	500476	. WASHER LO SPT .317x.586x.078 Z050				8		
13	362464P	. SEATREST ASSY W/HOOK / BOTTOM PLASTIC				2		
14	362353	. . SCREW				1		
15	500982	. . NUT HEX JAM 5/16-18 Z050				2		
16	362779	. . BRACKET RETAINER / 3"				2		
17	322780	. . MOULDING "J" FORM / 423MM (16 5/8") / A/A				2		
18	362528P	. FOAM ASSY, SEATREST / "SILHOUETTE"				2		
18	362527	. . FOAM THICK				1		
18	362524	. FOAM THIN				1		
24	500441	. WASHER FL .312x.734x.065 Z050				2		
25	500782	. NUT WING 5/16-18 Z050				2		
30	362380	. SUPPORT R.H.				2		
31	362379	. SUPPORT L.H.				2		
32	502723	. WASHER FL .386x.750x.050 NYL				4		
33	502584	. WASHER LO SERR 8.2x26.3x1.8 Z050				4		
34	360754	. SCREW / SOCKET				4		

From H-235 To M-803			Date:10/2022	PAGE:XL-1827-00				
PASSENGER'S SEAT - "SILHOUETTE" ALUMINUM								
Item#	Part	Description	M T H 4 0	M T H 4 5	M T H 4 5 E	X L 4 0	X L 4 5	N O T E S
35	502628	SCREW CAP BUT HEXS 5/16-18x3/4 CP				4		
NS	502523	RIVET NUT FL OKS 5/16-18 .059-.119				4		A
36	500777	NUT HEX STO 5/16-18 Z050				4		
37	362411	FOOTREST ASSY				2		
40	362288	PEDESTAL OBLONG / ONE PIECE / 279MM / 10.98"				2		
41	361700	ROD ASSY 12" / SEAT RETAINER				2		
43	500445	WASHER FL .437x1.000x.083 Z050				4		
44	500265	NUT HEX STO 3/8-16 Z050				4		
45	362355	ATTACHMENT NUT / "J" SHAPE TO FIX SEAT TO WALL TRACK WALL TRACK				2		
45	364132	ATTACHMENT PLATE / "J" SHAPE TO FIX SEAT TO WALL TRACK WALL TRACK				1		
NS	500829	SCREW CAP HEX M10-1.5x40 G8.8				2		
NS	500257	WASHER LO SPT 10.2x18.1x2.2 Z050				2		
50	362421	FINISH LOWER / AISLE				1		
50	362424	FINISH LOWER / L.H. (WALL SIDE)				1		
50	362425	FINISH LOWER / R.H. (WALL SIDE)				1		
50	362640	FINISH LOWER / L.H. (WALL SIDE)				1		
50	362641	FINISH LOWER / R.H. (WALL SIDE)				1		
NS	362488	REINFORCEMENT TAPER (NORYL)				AR		
51	860421	HOOK				1		
52	860422	HANDLE				1		
53	500360	SCREW TP FL PH #8x1 1/4 BK				2		
54	361406	MAGAZINE NET / 13" x 8 5/8"				2		
55	500353	SCREW TP FL PH #8x3/4 BK				4		
56	362943	STOPPER LONG / WV.I.P. SEAT				1		
56	362942	STOPPER SHORT / W/STANDARD SEAT				1		
57	5001019	SCREW TP OV PH #10x2 EMN				2		
58	361538	REINFORCEMENT / W/ASHTRAY				1		
59	860423	ASHTRAY				1		
NS	500353	SCREW TP FL PH #8x3/4 BK				2		
60	XL-1829-00	. ACCESSORIES PASSENGER'S SEAT - "PREVOST"						
61	362419	PANEL BACKREST / HIGH RISE W/O ASHTRAY				1		
61	362444	PANEL BACKREST / HIGH RISE W/ASHTRAY				1		
61	362489	PANEL BACKREST / LOW RISE W/O ASHTRAY				1		
61	362507	PANEL BACKREST / LOW RISE W/ASHTRAY				1		
NS	500345	WASHER FN CKF .187x.500x.090 BR BK				AR		
NS	502665	SCREW TP OV PH #6x3/4 SS EMN				AR		
71	362460	COVERING BACKREST ASSY / S.C.C. / "SILHOUETTE"				AR		
73	361915	SPRING WIRE 9 3/4" X 3/4" / TO FIX COVERI				2		
NS	362716	ATTACHMENT / ROUND "W" SHAPE TO FIX COVER				4		
74	362462P	COVERING SEATREST ASSY / S.C.C. / ALL W/NORYL TRAY				AR		
75	362416	WIRE 9 1/4" / TO FIX COVERING				2		
80	XL-1827-50	. ARMREST PASSENGER'S - "ALUMINUM"						

From H-235 To M-803	Date:10/2022	PAGE:XL-1827-00
---------------------	--------------	-----------------

PASSENGER'S SEAT - "SILHOUETTE" ALUMINUM

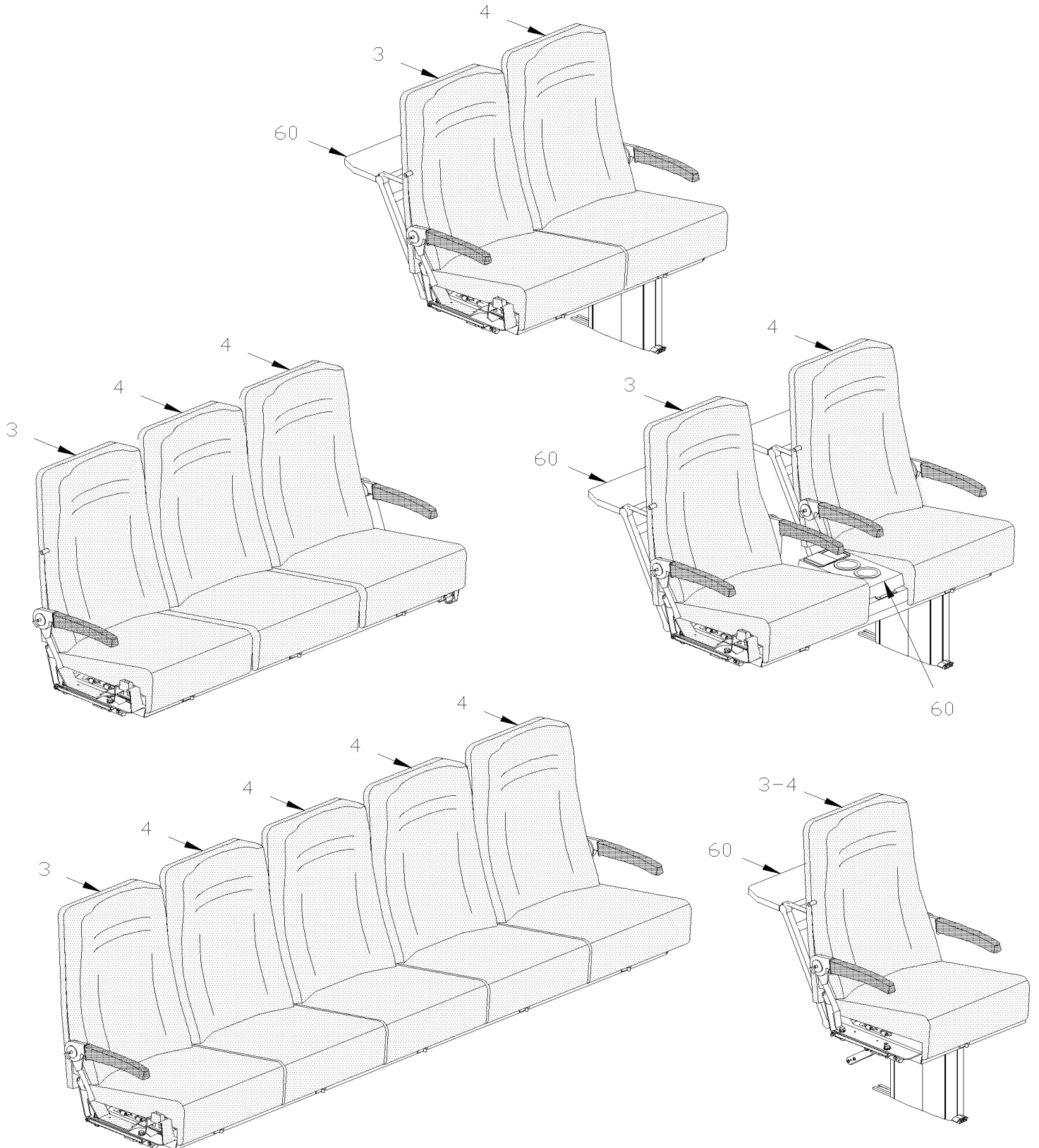
Item#	Part	Description	M T H 4 0	M T H 4 5	M T H 4 5 E	X L 4 0	X L 4 5	N O T E S
100	323654	SEAT TRACK COVER 12' / EACH SEAT / W/COVERING FLOOR				AR		
100	323963	SEAT TRACK COVER 8' / EACH SEAT / W/COVERING FLOOR				AR		
100	361338	SEAT TRACK COVER 12' / EACH SEAT / W/CARPET FLOOR				AR		
100	323655	SEAT TRACK COVER				AR		
		A) FIX ON STRUCTURE						

From M-804 To Y-7045

Date:10/2022

PAGE:XL-1827-01

PASSENGER'S SEAT - "SILHOUETTE" CHARCOAL

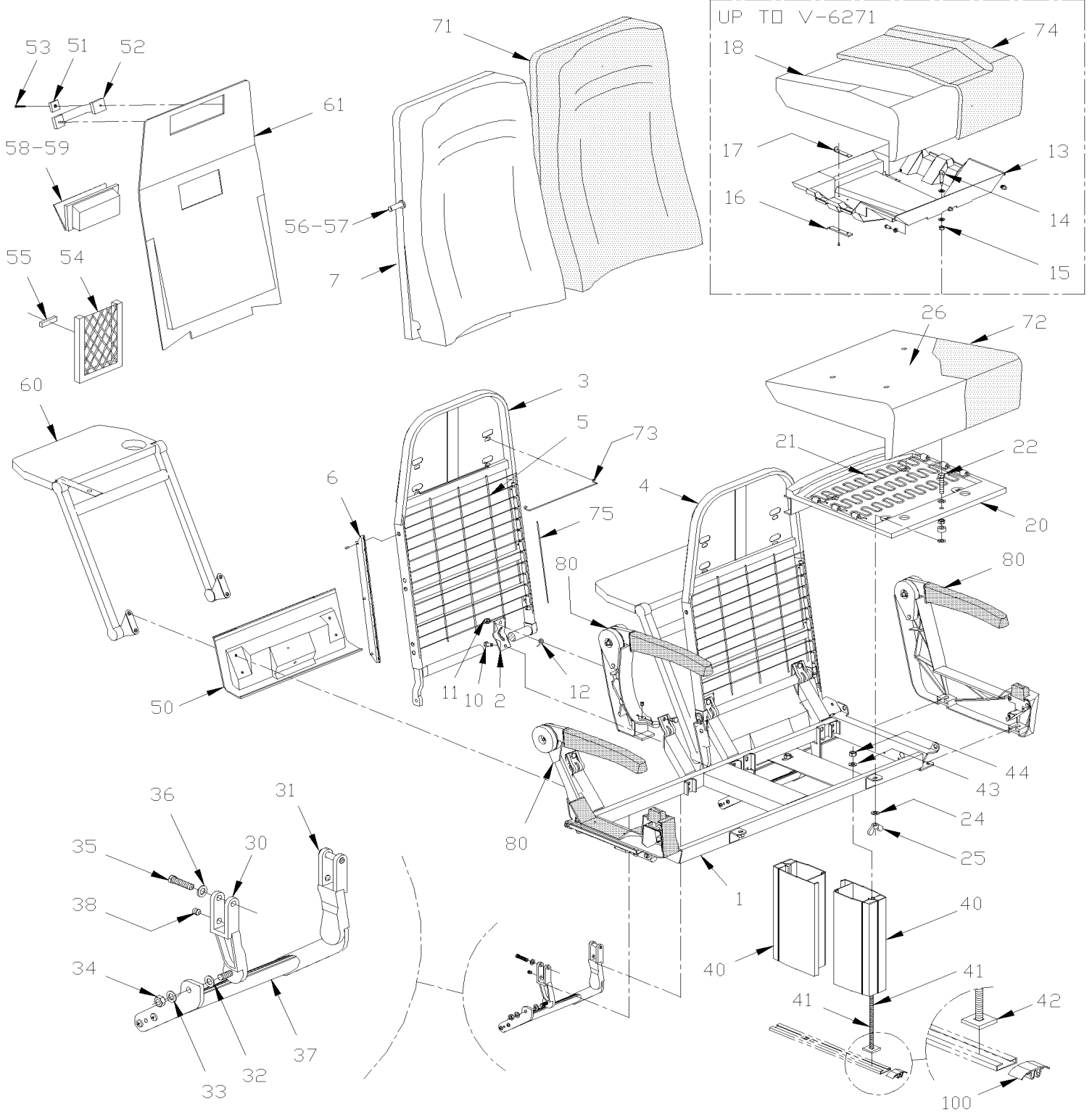


From M-804 To Y-7045

Date:10/2022

PAGE:XL-1827-01

PASSENGER'S SEAT - "SILHOUETTE" CHARCOAL



From M-804 To Y-7045	Date:10/2022	PAGE:XL-1827-01
PASSENGER'S SEAT - "SILHOUETTE" CHARCOAL		

Item#	Part	Description	M T H 4 0	M T H 4 5	M T H 4 5 E	X L 4 0	X L 4 5	N O T E S
	362982	SEAT ASSY L.H. / 2 PASSENGERS To V-6271				AR	AR	
	363651	SEAT ASSY L.H. / 2 PASSENGERS From V-6272				AR	AR	
	362983	SEAT ASSY R.H. / 2 PASSENGERS To V-6271				AR	AR	
	363652	SEAT ASSY R.H. / 2 PASSENGERS From V-6272				AR	AR	
	362984	SEAT ASSY ROTATING / "SILHOUETTE" PAINTED CHARCOAL To V-6271				AR	AR	
	363653	SEAT ASSY ROTATING / "SILHOUETTE" PAINTED CHARCOAL From V-6272				AR	AR	
	362985	SEAT ASSY REAR / 1 PASSENGER To V-6271				AR	AR	
	363654	SEAT ASSY REAR / 2 PASSENGERS From V-6272				AR	AR	
	363655	SEAT ASSY REAR / 3 PASSENGERS From V-6272					AR	
	363656	SEAT ASSY REAR / 5 PASSENGERS From V-6272				AR	AR	
	362988	SEAT ASSY R.H. / 1 PASSENGER V.I.P. To V-6271				AR	AR	
	362989	SEAT ASSY L.H. / 1 PASSENGER V.I.P. To V-6271				AR	AR	
	362986	SEAT ASSY R.H. / 2 PASSENGERS V.I.P. To V-6271				AR	AR	
	362987	SEAT ASSY L.H. / 2 PASSENGERS V.I.P. To V-6271				AR	AR	
1	362688	. STRUCTURE ASSY L.H. / 2 PASSENGERS To R-870				1		
1	363315	. STRUCTURE ASSY L.H. / 2 PASSENGERS From R-871 To V-6271				1	1	
1	363619	. STRUCTURE ASSY L.H. / 2 PASSENGERS From V-6272				1	1	
1	362687	. STRUCTURE ASSY R.H. / 2 PASSENGERS To R-870				1		
1	363314	. STRUCTURE ASSY R.H. / 2 PASSENGERS From R-871 To V-6271				1	1	
1	363618	. STRUCTURE ASSY R.H. / 2 PASSENGERS From V-6272				1	1	
1	362695	. STRUCTURE ASSY / "ROTATING" SEAT To R-870				1		
1	363316	. STRUCTURE ASSY / "ROTATING" SEAT From R-871				1	1	
1	362775	. STRUCTURE ASSY REAR / 1 PASSENGER To R-870				1		
1	363318	. STRUCTURE ASSY REAR / 1 PASSENGER From R-871 To V-6271				1	1	
1	362723	. STRUCTURE ASSY REAR / 3 PASSENGERS From R-871 To V-6271				1		
1	363317	. STRUCTURE ASSY REAR / 3 PASSENGERS From V-6272				1		
1	363417	. STRUCTURE ASSY REAR / 3 PASSENGERS From S-570 To V-6271					1	
1	363620	. STRUCTURE ASSY REAR / 3 PASSENGERS From V-6272					1	
1	363007	. STRUCTURE ASSY REAR / 5 PASSENGERS To R-870				1		
1	363323	. STRUCTURE ASSY REAR / 5 PASSENGERS From R-871 To V-6271				1	1	
1	363621	. STRUCTURE ASSY REAR / 5 PASSENGERS From V-6272				1	1	
1	362859	. STRUCTURE ASSY R.H. / 2 PASSENGERS V.I.P. To R-870				1		
1	363320	. STRUCTURE ASSY R.H. / 2 PASSENGERS V.I.P. From R-871 To V-6271				1	1	
1	362862	. STRUCTURE ASSY R.H. / 2 PASSENGERS V.I.P. To R-870				1		
1	363321	. STRUCTURE ASSY L.H. / 2 PASSENGERS V.I.P. From R-871 To V-6271				1	1	
1	362855	. STRUCTURE ASSY R.H. / 1 PASSENGER V.I.P. To R-870				1		
1	363319	. STRUCTURE ASSY R.H. / 1 PASSENGER V.I.P. From R-871 To V-6271				1	1	
1	362868	. STRUCTURE ASSY L.H. / 1 PASSENGER V.I.P. To R-870				1		
1	363322	. STRUCTURE ASSY L.H. / 1 PASSENGER V.I.P. From R-871 To V-6271				1	1	
2	362661	. COLLAR To R-870				4		
2	363246	. COLLAR From R-871				4	4	
3	363106	. BACKREST ASSY R.H.				1	1	

From M-804 To Y-7045	Date:10/2022	PAGE:XL-1827-01
PASSENGER'S SEAT - "SILHOUETTE" CHARCOAL		

Item#	Part	Description	M T H 4 0	M T H 4 5	M T H 4 5 E	X L 4 0	X L 4 5	N O T E S
4	363105	. BACKREST ASSY L.H.				1	1	
5	362853	. . LATTICE				1	1	
6	362854	. . ATTACHMENT / LATTICE				2	2	
7	362529P	. FOAM ASSY, BACKREST				1	1	
7	362526	. . FOAM THICK				1	1	
7	362525	. . FOAM THIN				1	1	
10	500179	. SCREW CAP HEX 5/16-18x3/4 G5 Z050				4	4	
11	5001113	. NUT HEX JAM NYRT 5/16-18				4	4	
12	363273	. SPRING EYE From R-871				1	1	
13	362464P	. SEATREST ASSY W/HOOK / BOTTOM PLASTIC To V-6271				1	1	
14	362353	. . SCREW To V-6271				1	1	
15	500685	. . NUT HEX NYRT 5/16-18 SS To V-6271				1	1	
16	362779	. . BRACKET RETAINER / 3" To V-6271				2	2	
17	362781	. . BRACKET RETAINER / 2 1/4" To V-6271				2	2	
18	362528P	. FOAM ASSY, SEATREST / "SILHOUETTE"				1	1	
18	362527	. . FOAM THICK				1	1	
18	362524	. . FOAM THIN				1	1	
20	363646	. SEAT FRAME ASSY W/SPRING From V-6272				1	1	
21	363650	. . SPRING From V-6272				3	3	
22	362353	. SCREW From V-6272				1	1	
24	500441	. WASHER FL .312x.734x.065 Z050				2	2	
25	500782	. NUT WING 5/16-18 Z050				2	2	
26	363645	. FOAM From V-6272				1	1	
30	363437	. BRACKET L.H.				1	1	
31	363436	. BRACKET R.H.				1	1	
32	502723	. WASHER FL .386x.750x.050 NYL				2	2	
33	500441	. WASHER FL .312x.734x.065 Z050				2	2	
34	500777	. NUT HEX STO 5/16-18 Z050				2	2	
35	500183	. SCREW CAP HEX 5/16-18x1 1/2 G5 PT Z050				2	2	
36	500476	. WASHER LO SPT .317x.586x.078 Z050				2	2	
37	362928	. FOOTREST ASSY				1	1	
38	502781	. SCREW SET HEXS CUP 5/16-18x1/4				2	2	
40	363517	. PEDESTAL OBLONG / 279MM / 10.98" To V-6156				1	1	
40	363577	. PEDESTAL SQ END / 279MM / 10.98" / 2 PIECES From V-6157				1	1	A
41	5001600	. SCREW CRG 3/8-16x12 G5 Z050				2	2	
42	363085	. PLATE ANCHOR / CARRIAGE BOLT INSIDE TRACK / 1 1/4" X 1 1/4"				2	2	
42	500445	. WASHER FL .437x1.000x.083 Z050				2	2	
43	500445	. WASHER FL .437x1.000x.083 Z050				2	2	
44	500265	. NUT HEX STO 3/8-16 Z050				2	2	
45	362355	. ATTACHMENT NUT / "J" SHAPE TO FIX SEAT TO WALL TRACK WALL TRACK				2	2	
45	364132	. ATTACHMENT PLATE / "J" SHAPE TO FIX SEAT TO WALL TRACK WALL TRACK				1	1	
. NS	500829	. . SCREW CAP HEX M10-1.5x40 G8.8				2	2	

From M-804 To Y-7045		Date:10/2022	PAGE:XL-1827-01
PASSENGER'S SEAT - "SILHOUETTE" CHARCOAL			

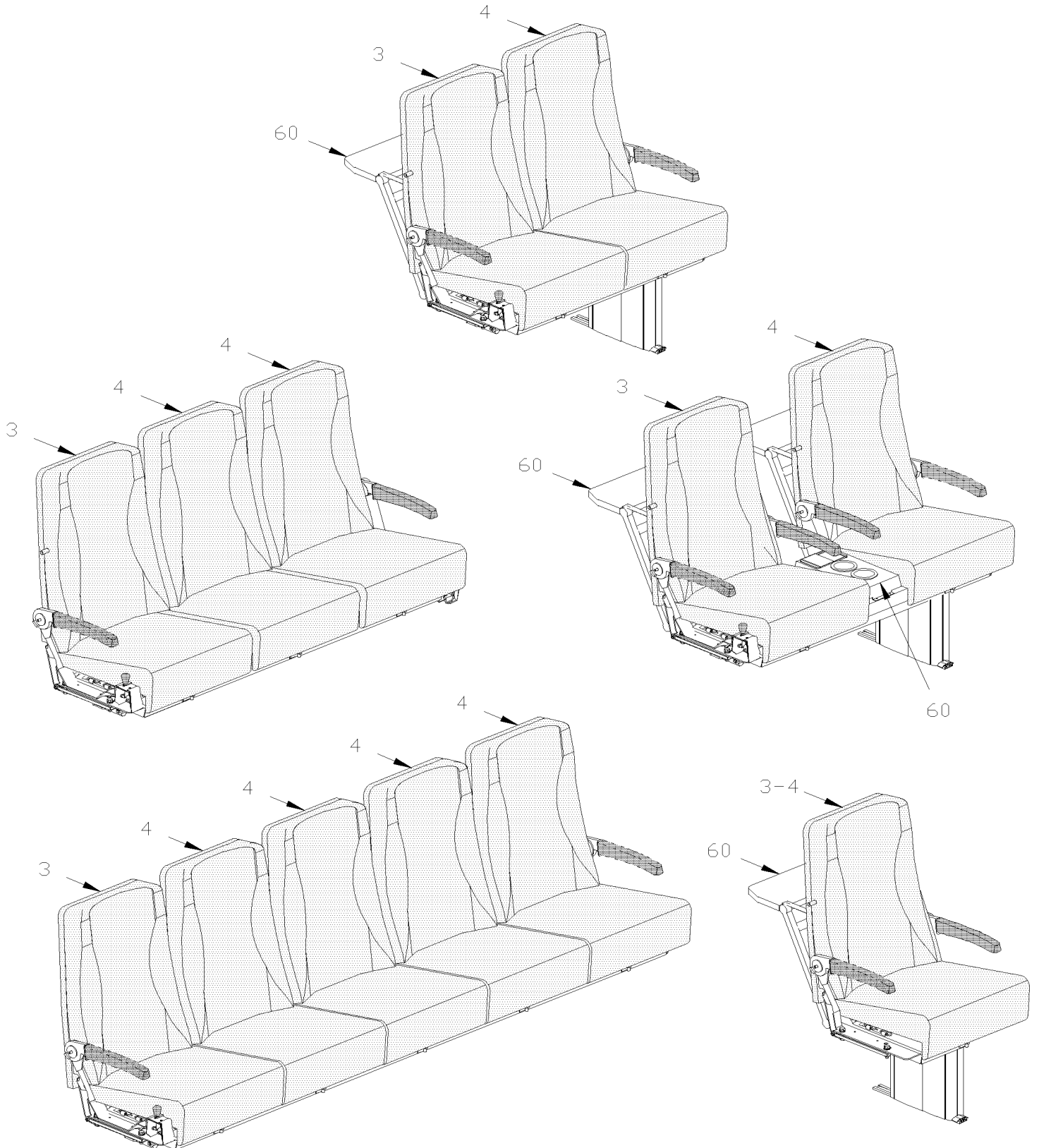
Item#	Part	Description	M T H 4 0	M T H 4 5	M T H 4 5 E	X L 4 0	X L 4 5	N O T E S
NS	500257	WASHER LO SPT 10.2x18.1x2.2 Z050				2	2	
50	362867	FINISHING LOWER / R.H. / NORYL				1	1	
50	362866	FINISHING LOWER / L.H. / NORYL				1	1	
NS	500982	NUT HEX JAM 5/16-18 Z050				2	2	
NS	502777	SCREW SET HEXS CUP 5/16-18x1				2	2	
51	860421	HOOK				1	1	
52	860422	HANDLE				1	1	
53	500360	SCREW TP FL PH #8x1 1/4 BK				2	2	
54	362707	MAGAZINE NET 13" x 6 1/2"				1	1	
54	860809	MAGAZINE NET 14" x 7 1/4"				1	1	
55	500353	SCREW TP FL PH #8x3/4 BK				4	4	
56	362943	STOPPER LONG / WV.I.P. SEAT				1	1	
56	362942	STOPPER SHORT / W/STANDARD SEAT				1	1	
57	5001019	SCREW TP OV PH #10x2 EMN				2	2	
58	361538	REINFORCEMENT / W/ASHTRAY				1	1	
59	860423	ASHTRAY				1	1	
NS	500360	SCREW TP FL PH #8x1 1/4 BK				2	2	
NS	504123	RIVET POP DOME OE 3/32x1/8 AL				1	1	
60	XL-1829-00	ACCESSORIES PASSENGER'S SEAT - "PREVOST"						
61	362850	FINISHING BACKREST / HIGH RISE W/O ASHTRAY NORYL				1	1	
61	362865	FINISHING BACKREST / HIGH RISE W/ ASHTRAY / NORYL				1	1	
61	362849	FINISHING BACKREST / REGULAR / W/O ASHTRAY NORYL				1	1	
61	362864	FINISHING BACKREST / REGULAR / W/ASHTRAY / NORYL				1	1	
NS	500333	SCREW TP OV PH #6x3/4 BK				AR	AR	
NS	500345	WASHER FN CKF .187x.500x.090 BR BK				AR	AR	
71	362870P	COVERING ASSY, BACKREST / S.C.C.				1	1	
72	363676	COVERING SEATREST ASSY / S.C.C. / ALL NEW W/SPRING From V-6272				1	1	
73	361915	SPRING WIRE 9 3/4" X 3/4" / TO FIX COVERI				1	1	
NS	362716	ATTACHMENT / ROUND "W" SHAPE TO FIX COVER				4	4	
NS	504474	HOG RING				12	12	
74	362462P	COVERING SEATREST ASSY / S.C.C. / ALL W/NORYL TRAY To V-6271				1	1	
75	362416	WIRE 9 1/4" / TO FIX COVERING				2	2	
80	XL-1827-51	ARMREST PASSENGER'S - "CHARCOAL"						
100	323654	SEAT TRACK COVER 12' / EACH SEAT / W/COVERING FLOOR				AR	AR	
100	323963	SEAT TRACK COVER 8' / EACH SEAT / W/COVERING FLOOR				AR	AR	
100	361338	SEAT TRACK COVER 12' / EACH SEAT / W/CARPET FLOOR				AR	AR	
		A) THIS PEDESTAL HAVE SQUARE END						

From R-890 To Y-7045

Date:10/2022

PAGE:XL-1827-02

PASSENGER'S SEAT - "ULTRA"

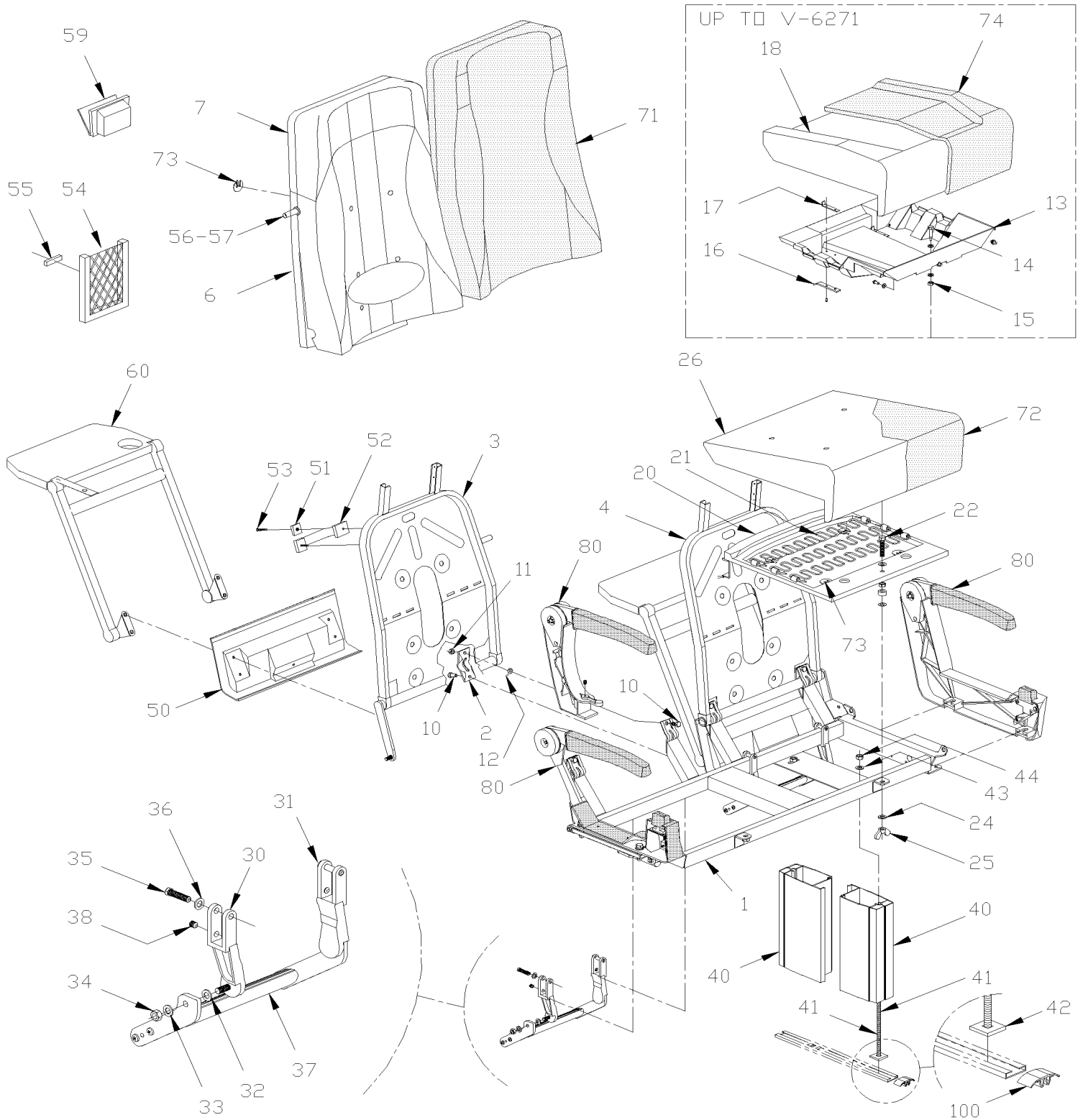


From R-890 To Y-7045

Date:10/2022

PAGE:XL-1827-02

PASSENGER'S SEAT - "ULTRA"



From R-890 To Y-7045	Date:10/2022	PAGE:XL-1827-02
----------------------	--------------	-----------------

PASSENGER'S SEAT - "ULTRA"

Item#	Part	Description	M T H 4 0	M T H 4 5	M T H 4 5 E	X L 4 0	X L 4 5	N O T E S
	363401	SEAT ASSY L.H. / 2 PASSENGERS / 42" HIGH To V-6271				AR	AR	
	363663	SEAT ASSY L.H. / 2 PASSENGERS / 42" HIGH From V-6272				AR	AR	
	363664	SEAT ASSY R.H. / 2 PASSENGERS / 42" HIGH From V-6272				AR	AR	
	363404	SEAT ASSY ROTATING / "ULTRA" PAINTED CHARCOAL To V-6271				AR	AR	
	363665	SEAT ASSY ROTATING / "ULTRA" PAINTED CHARCOAL From V-6272				AR	AR	
	363667	SEAT ASSY REAR / 2 PASSENGERS / 42" HIGH From V-6272				AR	AR	
	363668	SEAT ASSY REAR / 5 PASSENGERS / 42" HIGH From V-6272				AR	AR	
	363448	SEAT ASSY L.H. / 1 PASSENGER V.I.P. / 42" HIGH				1	1	
	363449	SEAT ASSY R.H. / 1 PASSENGER V.I.P. / 42" HIGH				1	1	
	363446	SEAT ASSY L.H. / 2 PASSENGERS V.I.P./ 42" HIGH				1	1	
	363447	SEAT ASSY R.H. / 2 PASSENGERS V.I.P./ 42" HIGH				1	1	
1	363315	. STRUCTURE ASSY L.H. / 2 PASSENGERS To V-6271				1	1	
1	363619	. STRUCTURE ASSY L.H. / 2 PASSENGERS From V-6272				1	1	
1	363314	. STRUCTURE ASSY R.H. / 2 PASSENGERS To V-6271				1	1	
1	363618	. STRUCTURE ASSY R.H. / 2 PASSENGERS From V-6272				1	1	
1	363316	. STRUCTURE ASSY / "ROTATING" SEAT				1	1	
1	362723	. STRUCTURE ASSY REAR / 3 PASSENGERS To V-6271				1		
1	363317	. STRUCTURE ASSY REAR / 3 PASSENGERS From V-6272				1		
1	363417	. STRUCTURE ASSY REAR / 3 PASSENGERS From S-570 To V-6271					1	
1	363620	. STRUCTURE ASSY REAR / 3 PASSENGERS From V-6272					1	
1	363323	. STRUCTURE ASSY REAR / 5 PASSENGERS To V-6271				1	1	
1	363621	. STRUCTURE ASSY REAR / 5 PASSENGERS From V-6272				1	1	
1	363319	. STRUCTURE ASSY R.H. / 1 PASSENGER V.I.P.				1	1	
1	363322	. STRUCTURE ASSY L.H. / 1 PASSENGER V.I.P.				1	1	
1	363320	. STRUCTURE ASSY R.H. / 2 PASSENGERS V.I.P.				1	1	
1	363321	. STRUCTURE ASSY L.H. / 2 PASSENGERS V.I.P.				1	1	
2	363246	. COLLAR				4	4	
3	363180	. BACKREST R.H.				1	1	
4	363181	. BACKREST L.H.				1	1	B
6	363186	. FOAM BACKREST THICK				1	1	
6	363252	. FOAM BACKREST THIN W/42"				1	1	
6	363350	. FOAM BACKREST THIN W/40"				1	1	
7	363348	. FOAM ASSY, HEADREST 40" HIGHT / "ULTRA"				1	1	
7	363251	. FOAM ASSY, HEADREST 42" HIGHT / "ULTRA"				1	1	
NS	500583	. SCREW TP PAN PH #6x1/2 Z050				4	4	
NS	500240	. WASHER LO EXT .195x.410x.025 Z050				4	4	
10	5001336	. SCREW CAP HEXF SERR 5/16-18x3/4 Z050				8	8	
11	5001113	. NUT HEX JAM NYRT 5/16-18				8	8	
12	363273	. SPRING EYE				4	4	
13	362464P	. SEATREST ASSY W/HOOK / BOTTOM PLASTIC To V-6271				1	1	
14	362353	. . SCREW To V-6271				1	1	
15	500685	. . NUT HEX NYRT 5/16-18 SS To V-6271				1	1	

From R-890 To Y-7045	Date:10/2022	PAGE:XL-1827-02
PASSENGER'S SEAT - "ULTRA"		

Item#	Part	Description	M T H 4 0	M T H 4 5	M T H 4 5 E	X L 4 0	X L 4 5	N O T E S
16	362779	. BRACKET RETAINER / 3" To V-6271				1	1	
17	362781	. BRACKET RETAINER / 2 1/4" To V-6271				1	1	
18	362666	. FOAM ASSY, SEATREST / "TOURISMO & ULTRA" To V-6271				1	1	
20	363646	. SEAT FRAME ASSY W/SPRING From V-6272				1	1	
21	363650	. SPRING From V-6272				3	3	
22	362353	. SCREW From V-6272				2	2	
24	500441	. WASHER FL .312x.734x.065 Z050				2	2	
25	500782	. NUT WING 5/16-18 Z050				2	2	
26	363645	. FOAM From V-6272				1	1	
30	363437	. BRACKET L.H.				1	1	
31	363436	. BRACKET R.H.				1	1	
32	502723	. WASHER FL .386x.750x.050 NYL				2	2	
33	500441	. WASHER FL .312x.734x.065 Z050				2	2	
34	500777	. NUT HEX STO 5/16-18 Z050				2	2	
35	500183	. SCREW CAP HEX 5/16-18x1 1/2 G5 PT Z050				2	2	
36	500476	. WASHER LO SPT .317x.586x.078 Z050				2	2	
37	362928	. FOOTREST ASSY				1	1	
38	502781	. SCREW SET HEXS CUP 5/16-18x1/4				2	2	
40	363577	. PEDESTAL SQ END / 279MM / 10.98" / 2 PIECES				2	2	
41	5001600	. SCREW CRG 3/8-16x12 G5 Z050				2	2	
42	363085	. PLATE ANCHOR / CARRIAGE BOLT INSIDE TRACK / 1 1/4" X 1 1/4"				1	1	
43	500445	. WASHER FL .437x1.000x.083 Z050				2	2	
44	362355	. ATTACHMENT NUT / "J" SHAPE TO FIX SEAT TO WALL TRACK WALL TRACK				2	2	
44	364132	. ATTACHMENT PLATE / "J" SHAPE TO FIX SEAT TO WALL TRACK WALL TRACK				1	1	
. NS	500829	. SCREW CAP HEX M10-1.5x40 G8.8				2	2	
. NS	500257	. WASHER LO SPT 10.2x18.1x2.2 Z050				2	2	
50	362866	. FINISHING LOWER / L.H. / NORYL				1	1	
50	362867	. FINISHING LOWER / R.H. / NORYL				1	1	
51	860421	. HOOK				1	1	
52	860422	. HANDLE				1	1	
NS	505229	. SPACER 3/8 I.D. X 3/8 LG				2	2	
53	502521	. SCREW TC OV PH #8-32x1 BK				2	2	
54	362707	. MAGAZINE NET 13" x 6 1/2"				1	1	
54	860809	. MAGAZINE NET 14" x 7 1/4"				1	1	
55	500353	. SCREW TP FL PH #8x3/4 BK				4	4	
56	362943	. STOPPER LONG / WV.I.P. SEAT				1	1	
56	362942	. STOPPER SHORT / W/STANDARD SEAT				1	1	
57	5001019	. SCREW TP OV PH #10x2 EMN				1	1	
NS	5001116	. NUT SPR U #10A .025-.062				1	1	
59	860625	. ASHTRAY / METAL To W-6320				1	1	
59	861277	. ASHTRAY / PLASTIC From W-6321				1	1	
NS	860626	. SUPPORT ASHTRAY / PLASTIC To W-6320				1	1	

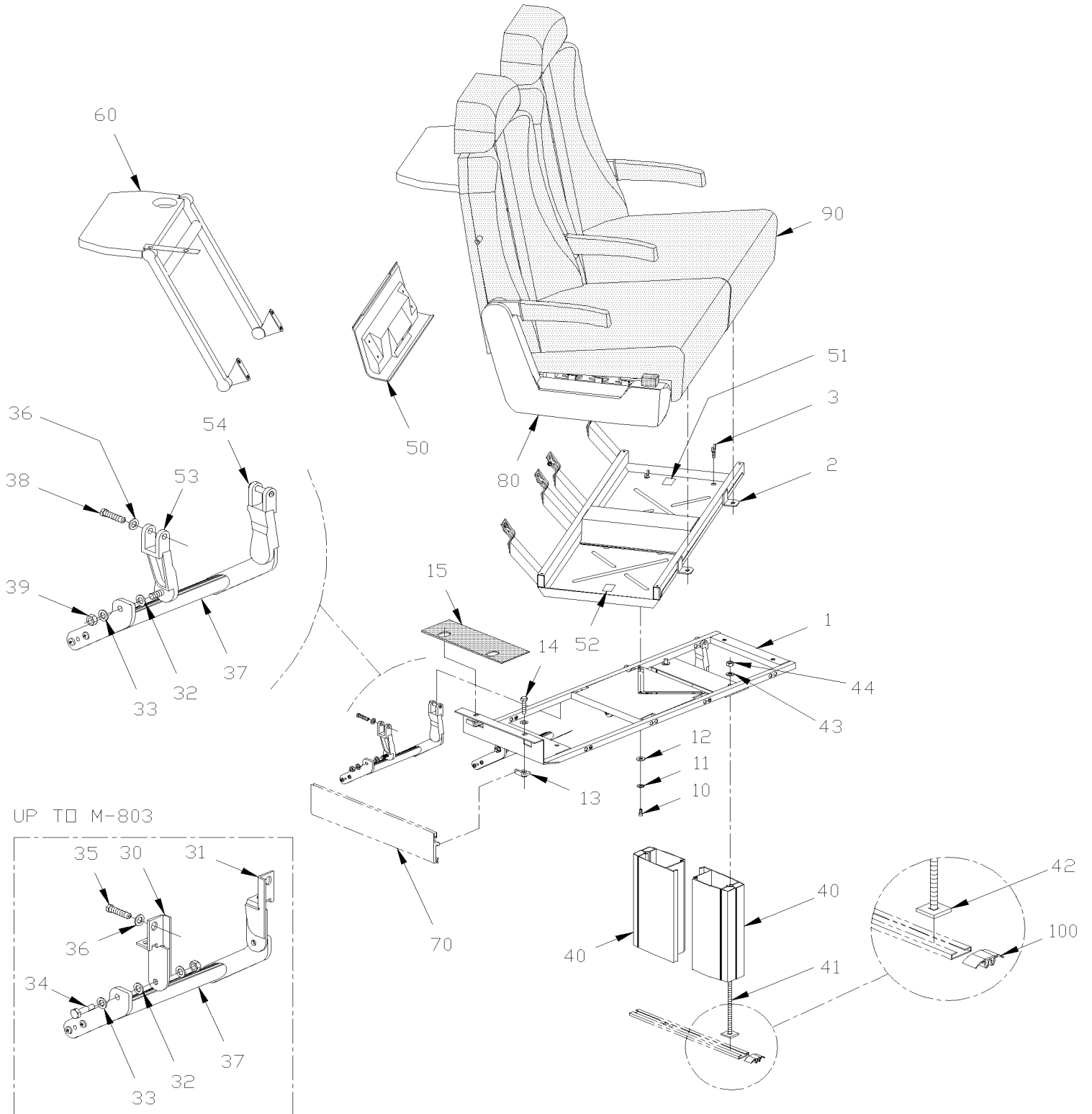
From R-890 To Y-7045		Date:10/2022	PAGE:XL-1827-02					
PASSENGER'S SEAT - "ULTRA"								
Item#	Part	Description	M T H 4 0	M T H 4 5	M T H 4 5 E	X L 4 0	X L 4 5	N O T E S
60	XL-1829-00	. ACCESSORIES PASSENGER'S SEAT - "PREVOST"						
71	Call order desk	. COVERING BACKREST ASSY / S.C.C. W/40" HIGHT / "ULTRA"				1	1	P
71	363254P	. COVERING ASSY, BACKREST / S.C.C. W/42" HIGHT				1	1	
72	363676	. COVERING SEATREST ASSY / S.C.C. / ALL NEW W/SPRING From V-6272				1	1	
73	362716	. ATTACHMENT / ROUND "W" SHAPE TO FIX COVER				8	8	
NS	682259	. SEALANT TAPE / CLEAR / 1/32"x1 1/2"x65' / 1795				AR	AR	
74	362462P	. COVERING SEATREST ASSY / S.C.C. / ALL W/NORYL TRAY To V-6271				1	1	
80	XL-1827-51	. ARMREST PASSENGER'S - "CHARCOAL"						
100	323654	. SEAT TRACK COVER 12' / EACH SEAT / W/COVERING FLOOR				AR	AR	
100	361338	. SEAT TRACK COVER 12' / EACH SEAT / W/CARPET FLOOR				AR	AR	
100	323963	SEAT TRACK COVER 8' / EACH SEAT / W/COVERING FLOOR				AR	AR	
		B) QTY OF 2 WITH 3 PASSENGERS REAR SEAT AND QTY OF 4 WITH 5 PASSENGERS REAR SEAT						
		P) CALL ORDER DESK FOR SPECIFIC APPLICATION (V.I.N.)						

From H-235 To Y-7045

Date:10/2022

PAGE:XL-1827-10

PASSENGER'S SEAT - ROTATING



From H-235 To Y-7045	Date:10/2022	PAGE:XL-1827-10
----------------------	--------------	-----------------

PASSENGER'S SEAT - ROTATING

Item#	Part	Description	M T H 4 0	M T H 4 5	M T H 4 5 E	X L 4 0	X L 4 5	N O T E S
		THIS PAGE SHOWS ONLY PARTS RELATED						
		WITH ROTATING SEAT. ALLS						
		OTHERS PARTS ARE ILLUSTRATED IN PAGES						
	362811	SEAT ASSY ROTATING / "SILHOUETTE" PAINTED ALUMINUM To M-803				AR		
NS	362984	SEAT ASSY ROTATING / "SILHOUETTE" PAINTED CHARCOAL From M-804 To V-6271				AR	AR	
NS	363653	SEAT ASSY ROTATING / "SILHOUETTE" PAINTED CHARCOAL From V-6272				AR	AR	
NS	362816	SEAT ASSY ROTATING / "TOURISMO" / 42" PAINTED ALUMINUM To M-803				AR		
	362992	SEAT ASSY ROTATING / "TOURISMO" / 42" PAINTED CHARCOAL From M-804 To P-687				AR	AR	
NS	363198	SEAT ASSY ROTATING / "TOURISMO II" / 42" PAINTED CHARCOAL From P-688 To V-6271				AR	AR	
NS	363659	SEAT ASSY ROTATING / "TOURISMO II" / 42" PAINTED CHARCOAL From V-6272				AR	AR	
NS	363404	SEAT ASSY ROTATING / "ULTRA" PAINTED CHARCOAL To V-6271				AR	AR	
NS	363665	SEAT ASSY ROTATING / "ULTRA" PAINTED CHARCOAL From V-6272				AR	AR	
1	362340	MOUNTING BASE ASSY / "ROTATING" SEAT				1	1	
2	362331	STRUCTURE ASSY / "ROTATING" SEAT To M-803				1		
2	362695	STRUCTURE ASSY / "ROTATING" SEAT From M-804 To R-870				1		
2	363316	STRUCTURE ASSY / "ROTATING" SEAT From R-871				1	1	
3	361734	SCREW WING				1	1	
10	500162	SCREW CAP HEX 1/4-20x1/2 G5 Z050				1	1	
11	500473	WASHER LO SPT .262x.489x.062 Z050				1	1	
12	500462	WASHER FL .343x1.500x.083 SS				1	1	
13	362333	ATTACHMENT NUT / "L" SHAPE TO FIX SEAT TO WALL TRACK WALL TRACK				2	2	
14	500182	SCREW CAP HEX 5/16-18x1 1/4 G5 PT Z050				2	2	
15	362405	RUBBER PROTECTOR PAD				1	1	
30	362403	SUPPORT R.H, FOOTREST W/"SILHOUETTE" To M-803				2		
31	362400	SUPPORT L.H, FOOTREST W/"SILHOUETTE" To M-803				2		
32	502723	WASHER FL .386x.750x.050 NYL				4	4	
33	502584	WASHER LO SERR 8.2x26.3x1.8 Z050				4	4	
34	360754	SCREW / SOCKET To M-803				2		
35	502628	SCREW CAP BUT HEXS 5/16-18x3/4 CP To M-803				2		
NS	502523	RIVET NUT FL OKS 5/16-18 .059-.119 To M-803				2		
36	500476	WASHER LO SPT .317x.586x.078 Z050				2	2	
37	362411	FOOTREST ASSY To M-803				1		
37	362928	FOOTREST ASSY From M-804				1	1	
38	500183	SCREW CAP HEX 5/16-18x1 1/2 G5 PT Z050				2	2	
39	500777	NUT HEX STO 5/16-18 Z050 From M-804				2	2	
40	362936	PEDESTAL OBLONG / W/ROTATING SEAT / 224MM / 8 81" To T-5763				2		
40	363516	PEDESTAL OBLONG / W/ROTATING SEAT / 224MM / 8 81" From T-5764 To V-6156				2	2	
40	363579	PEDESTAL SQ END / W/ROTATING SEAT / 224MM 8.81" From V-6157				2	2	A
41	362406	ROD ASSY 9 3/4" / SEAT RETAINER To N-494				2		
41	5001078	SCREW CRG 3/8-16x9 3/4 Z050 From N-495				2	2	

From H-235 To Y-7045	Date:10/2022	PAGE:XL-1827-10
PASSENGER'S SEAT - ROTATING		

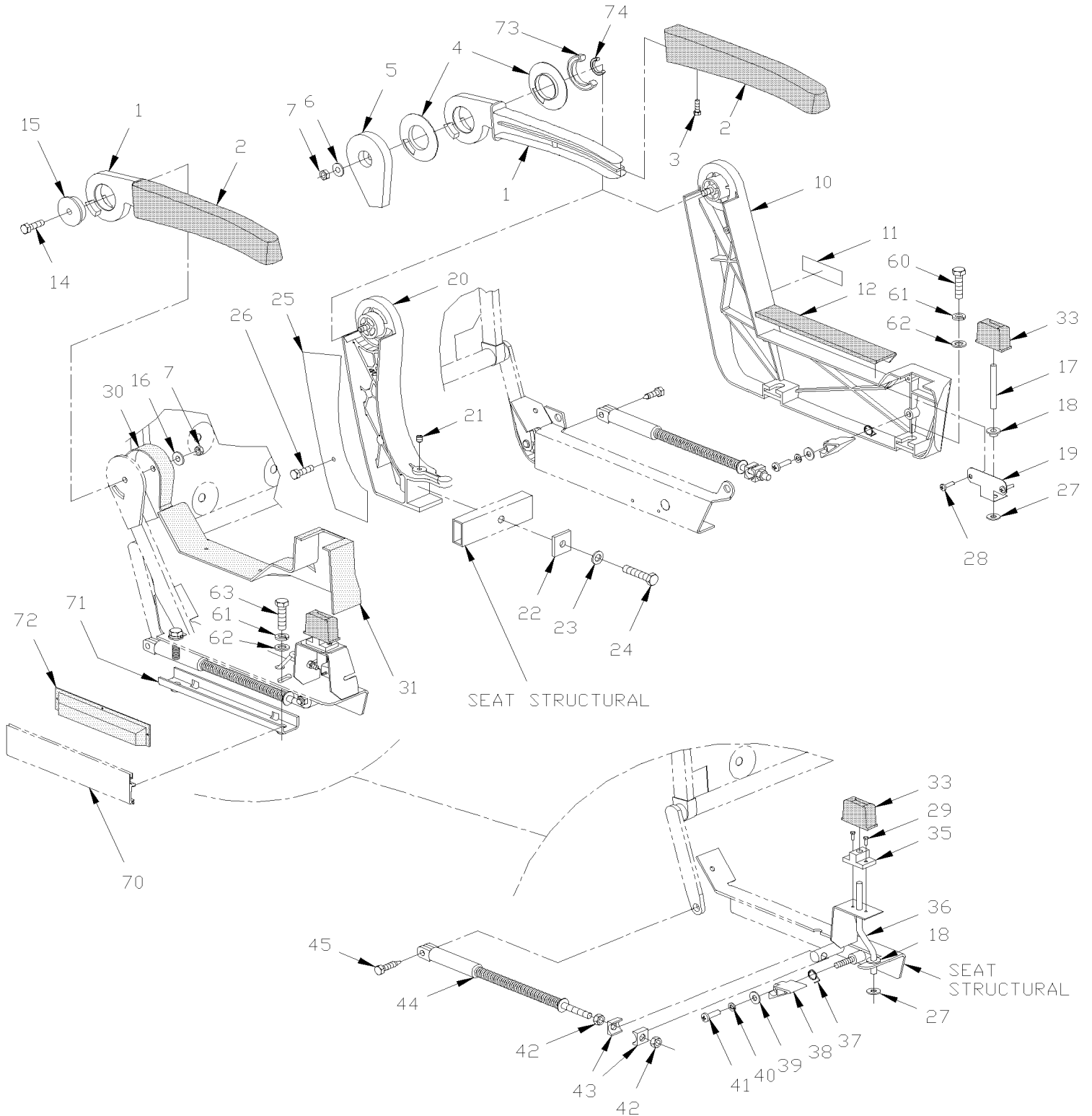
Item#	Part	Description	M T H 4 0	M T H 4 5	M T H 4 5 E	X L 4 0	X L 4 5	N O T E S
42	363085	PLATE ANCHOR / CARRIAGE BOLT INSIDE TRACK / 1 1/4" X 1 1/4" From N-495				2	2	
43	500265	NUT HEX STO 3/8-16 Z050				2	2	
44	362410	WASHER				2	2	
50	362702	FINISHING LOWER R.H.				1	1	
50	362701	FINISHING LOWER L.H.				1	1	
51	361752	DECAL "TO OPERATE.." / FIXED AT SEAT STRUCTURE / ENGLISH & FRANCAIS				1	1	
52	361751	DECAL "TO OPERATE.." / FIXED AT WINDOW				1	1	
53	363439	BRACKET L.H. From M-804				2	2	
54	363438	BRACKET R.H. From M-804				2	2	
60	XL-1829-00	ACCESSORIES PASSENGER'S SEAT - "PREVOST"						
70	XL-2221-10	DUCTING HEATER & A/C						
80	XL-1827-50	ARMREST PASSENGER'S - "ALUMINUM"						
80	XL-1827-51	ARMREST PASSENGER'S - "CHARCOAL"						
90	XL-1827-00	PASSENGER'S SEAT - "SILHOUETTE" ALUMINUM						
90	XL-1827-01	PASSENGER'S SEAT - "SILHOUETTE" CHARCOAL						
90	XL-1827-02	PASSENGER'S SEAT - "ULTRA"						
90	XL-1828-00	PASSENGER'S SEAT - "TOURISMO I"						
90	XL-1828-01	PASSENGER'S SEAT - "TOURISMO II"						
100	323654	SEAT TRACK COVER 12' / EACH SEAT / W/COVERING FLOOR				AR	AR	
100	323963	SEAT TRACK COVER 8' / EACH SEAT / W/COVERING FLOOR				AR	AR	
100	361338	SEAT TRACK COVER 12' / EACH SEAT / W/CARPET FLOOR				AR	AR	
100	323655	SEAT TRACK COVER				AR	AR	
		A) THIS PEDESTAL HAVE SQUARE END						

From H-235 To M-803

Date:10/2022

PAGE:XL-1827-50

ARMREST PASSENGER'S - "ALUMINUM"



From H-235 To M-803		Date:10/2022	PAGE:XL-1827-50
ARMREST PASSENGER'S - "ALUMINUM"			

Item#	Part	Description	M T H 4 0	M T H 4 5	M T H 4 5 E	X L 4 0	X L 4 5	N O T E S
1	362545	ARMREST R.H. / V.I.P.				2		
1	362546	ARMREST L.H. / V.I.P.				2		
1	362637	ARMREST / LONG				3		
2	362316	COVERING ARMREST / LONG				1		
2	362541	COVERING ARMREST / V.I.P.				1		
3	500686	SCREW TP OV PH #6x1/2 BK				1		
NS	500345	WASHER FN CKF .187x.500x.090 BR BK				1		
4	362307	. SPACER PLASTIC / FRICTION DISK				2		
5	362636	CLOSING				1		
6	502510	WASHER FL .375x.875x.083				1		
7	500777	NUT HEX STO 5/16-18 Z050				1		
10	362455P	SIDE CASTING ASSY L.H. / PAINTED GREY ALUMINUM				1		
10	362456P	SIDE CASTING ASSY R.H. / PAINTED GREY ALUMINUM				1		
10	362638	. CASTING SIDE / R.H. / GREY ALUMINUM				1		
10	362639	. CASTING SIDE / L.H. / GREY ALUMINUM				1		
11	361918	. DECAL "PREVOST"				1		
12	362417	. COVERING RUBBER / R.H. 240.4MM				1		
12	362485	. COVERING RUBBER / L.H. 240.4MM				1		
14	500182	SCREW CAP HEX 5/16-18x1 1/4 G5 PT Z050				1		
15	362315	WASHER RETAINING W/FLANGED 40.26MM O.D. X 44.5 MM O.D.				1		
16	502510	WASHER FL .375x.875x.083				1		
17	362388	. ROD				1		
18	362325	. BUSHING NYLON				1		
19	362385	. PLATE ANGLE				1		
20	362706	SUPPORT / CENTRAL ARMREST				1		
21	502781	SCREW SET HEXS CUP 5/16-18x1/4				1		
22	362711	PLATE TIGHTENING / SEAT				1		
23	500476	WASHER LO SPT .317x.586x.078 Z050				1		
24	500185	SCREW CAP HEX 5/16-18x2 1/4 G5 Z050				1		
25	362600	PLATE / W/V.I.P. CENTRAL SUPPORT / GREY ALUM. To M-089				1		
26	500654	SCREW TC BDG PH #8-32x1/2 Z050				2		
27	502601	. NUT SPR PO RND 7/16				1		
28	500611	. SCREW TC PAN PH #10-24x1/2 Z050				2		
29	500638	SCREW TP PAN PH #8x1/2 Z050				4		
30	362697	COVER R.H. / NORYL / WINDOW SIDE				1		
30	362712	COVER L.H. / NORYL / WINDOW SIDE				1		
31	362371	GUARD L.H. / MECHANISM				1		
31	362398	GUARD R.H. / MECHANISM				1		
31	362580	GUARD R.H. / MECHANISM / V.I.P.				1		
31	362633	GUARD L.H. / MECHANISM / V.I.P.				1		
33	362318	. BUTTON ORANGE				1		
35	362675	GUIDE				1		

From H-235 To M-803		Date:10/2022	PAGE:XL-1827-50
ARMREST PASSENGER'S - "ALUMINUM"			

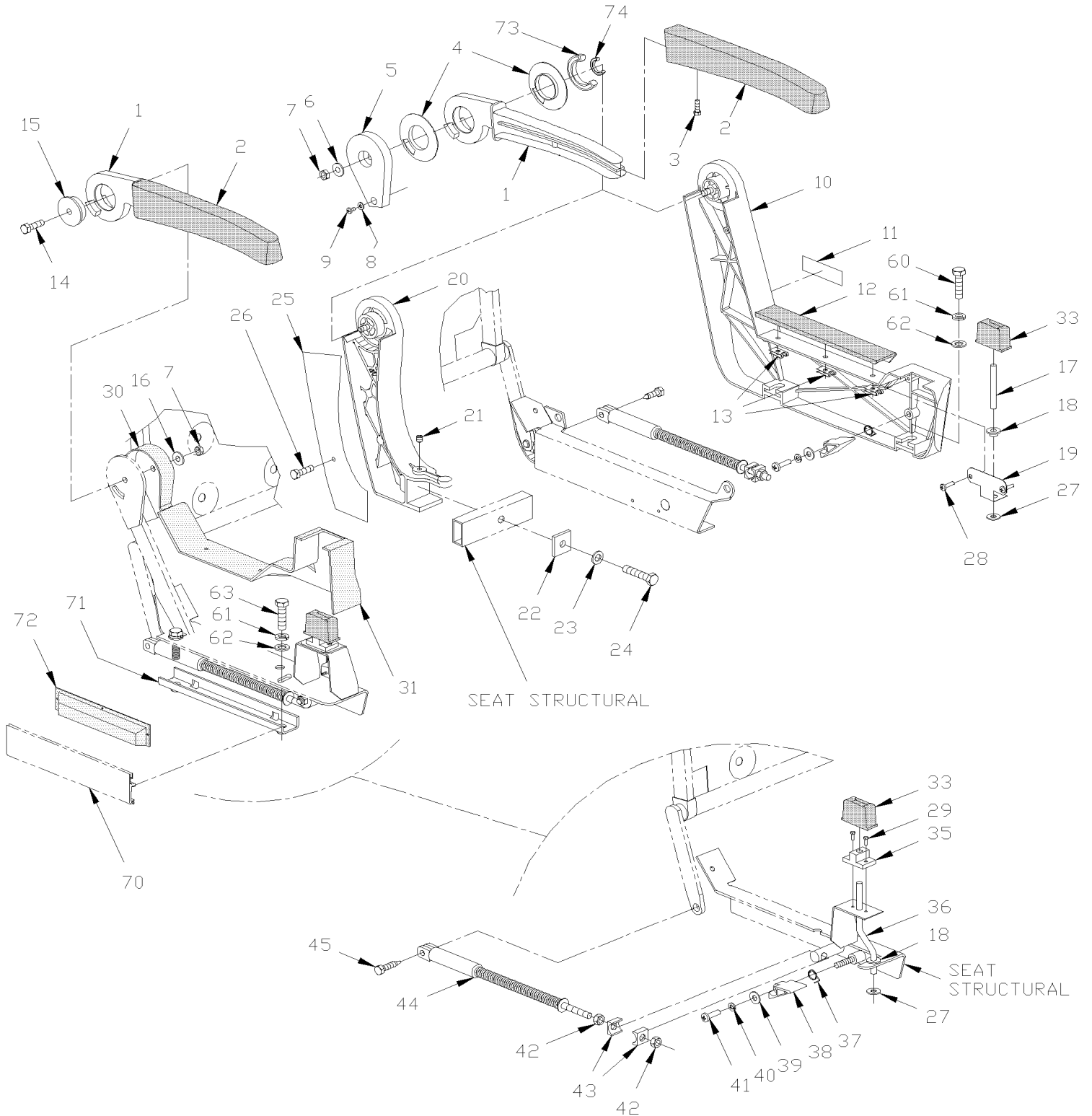
Item#	Part	Description	M T H 4 0	M T H 4 5	M T H 4 5 E	X L 4 0	X L 4 5	N O T E S
36	362395	ROD LONG				1		
37	362357	. SPRING, TORSION / L.H. / .500 I.D. x .230 x				1		
37	362358	. SPRING, TORSION / R.H. / .500 I.D. x .230 x				1		
38	362319	. LEVER				1		
39	500593	. WASHER FL .200x.437x.036 BR				1		
40	500470	. WASHER LO SPT .193x.334x.047 Z050				1		
41	500386	. SCREW MA RND PH #10-24x1/2 Z050				1		
42	500956	NUT HEX JAM 3/8-24 Z050				4		
42	502592	NUT HEX THN 3/8-24x3/32 Z050				2		
43	362659	JOINT BALL				4		
NS	500445	WASHER FL .437x1.000x.083 Z050				2		A
NS	504061	GROMMET / .4375x.687x.062x.312x.937				2		A
NS	362803	COVER BALL JOINT				4		A
44	860592	CYLINDER				1		
45	362354	SCREW "SPECIAL / TO FIX BACKREST				1		
60	500183	SCREW CAP HEX 5/16-18x1 1/2 G5 PT Z050				1		
61	500476	WASHER LO SPT .317x.586x.078 Z050				2		
62	502510	WASHER FL .375x.875x.083				2		
63	500183	SCREW CAP HEX 5/16-18x1 1/2 G5 PT Z050				2		
70	XL-2221-10	DUCTING HEATER & A/C						
71	362355	ATTACHMENT NUT / "J" SHAPE TO FIX SEAT TO WALL TRACK WALL TRACK				2		
71	364132	ATTACHMENT PLATE / "J" SHAPE TO FIX SEAT TO WALL TRACK WALL TRACK				1		
. NS	500829	. SCREW CAP HEX M10-1.5x40 G8.8				2		
. NS	500257	. WASHER LO SPT 10.2x18.1x2.2 Z050				2		
72	362579	CAP FINISHING / WALL / V.I.P.				1		
73	362876	. SLIDE INSERT PLASTIC / LONG 242 DEG				1		
73	362941	. SLIDE INSERT PLASTIC / LONG 150 DEG				1		C
74	362512	. SPRING COMPRESSION / .312 O.D. x 3.75 x .070				1		
		A) ON SILHOUETTE MODEL ONLY WE USE 2 GROMMETS AND 2 WASHERS						
		C) WITH CENTRAL ARMREST ONLY						

From M-804 To Y-7045

Date:10/2022

PAGE:XL-1827-51

ARMREST PASSENGER'S - "CHARCOAL"



From M-804 To Y-7045	Date:10/2022	PAGE:XL-1827-51
ARMREST PASSENGER'S - "CHARCOAL"		

Item#	Part	Description	M T H 4 0	M T H 4 5	M T H 4 5 E	X L 4 0	X L 4 5	N O T E S
1	362939	ARMREST / LONG To V-6271				3	3	
1	363597	ARMREST / SHORT From V-6272				3	3	
1	362933	ARMREST L.H. / V.I.P.				2	2	
1	362934	ARMREST R.H. / V.I.P.				2	2	
2	362316	COVERING ARMREST / LONG				1		
2	363624	COVERING ARMREST / LONG To V-6271				1	1	
2	363598	COVERING ARMREST / SHORT From V-6272				1	1	
2	362541	COVERING ARMREST / V.I.P.				1	1	
2	363425	FOAM COVERING ARMREST V.I.P.				AR	AR	
NS	363638	ARMREST COVERING "TISSUS" W/STD ARMREST / SPECIFY COLOR To V-6271						
NS	363637	ARMREST COVERING "TISSUS" W/V.I.P. ARMREST / SPECIFY COLOR To V-6271						
3	500686	SCREW TP OV PH #6x1/2 BK				1	1	
NS	500345	WASHER FN CKF .187x.500x.090 BR BK				1	1	
4	362877	. SPACER PLASTIC / FRICTION DISK To V-6271				1	1	
4	363575	. SPACER PLASTIC / FRICTION DISK From V-6272				1	1	
5	362913	CLOSING / GREY CHARCOAL To V-6271				2	2	
5	363440	CLOSING / GREY CHARCOAL From V-6154 To V-6271				2	2	A
5	362913	CLOSING / GREY CHARCOAL				2	2	V
5	363565	CLOSING L.H. / GREY CHARCOAL From V-6272				1	1	
5	363566	CLOSING R.H. / GREY CHARCOAL From V-6272				1	1	
6	502510	WASHER FL .375x.875x.083				1	1	
7	5001113	NUT HEX JAM NYRT 5/16-18				1	1	
8	500658	SCREW TC PAN PH #10-24x3/4 Z050				1	1	
9	500740	NUT HEX CSL 7/8-14				1	1	
10	363391	SIDE CASTING ASSY L.H. / PAINTED CHARCOAL To V-6271				1	1	
10	363702	SIDE CASTING ASSY L.H. / PAINTED CHARCOAL From V-6272				1	1	
10	363392	SIDE CASTING ASSY R.H. / PAINTED CHARCOAL To V-6271				1	1	
10	363703	SIDE CASTING ASSY R.H. / PAINTED CHARCOAL From V-6272				1	1	
10	362873	. SIDE L.H. / CASTING PAINTED CHARCOAL To V-6271				1	1	
10	363568	. SIDE L.H. / CASTING PAINTED CHARCOAL From V-6272				1	1	
10	363434	. SIDE L.H. / CASTING PAINTED CHARCOAL / W/ROAD SHOW SYSTEM To V-6271				1	1	
10	362874	. SIDE R.H. / CASTING PAINTED CHARCOAL To V-6271				1	1	
10	363567	. SIDE R.H. / CASTING PAINTED CHARCOAL From V-6272				1	1	
10	363433	. SIDE R.H. / CASTING PAINTED CHARCOAL / W/ROAD SHOW SYSTEM To V-6271				1	1	
11	362907	. DECAL / "PREVOST"				1	1	
12	362871	. COVERING L.H.				1	1	
12	362971	. COVERING R.H.				1	1	
13	502776	. NUT PUSH RND ARC 1/8				3	3	
13	509814	. NUT PUSH RND ARC 3/16				3	3	
14	500182	SCREW CAP HEX 5/16-18x1 1/4 G5 PT Z050				1	1	
15	362315	WASHER RETAINING W/FLANGED 40.26MM O.D. X 44.5 MM O.D.				1	1	
16	500441	WASHER FL .312x.734x.065 Z050				1	1	

From M-804 To Y-7045	Date:10/2022	PAGE:XL-1827-51
ARMREST PASSENGER'S - "CHARCOAL"		

Item#	Part	Description	M T H 4 0	M T H 4 5	M T H 4 5 E	X L 4 0	X L 4 5	N O T E S
17	362388	. ROD				1	1	
18	362325	. BUSHING NYLON				1	1	
19	362385	. PLATE ANGLE				1	1	
20	362904	SUPPORT / CENTRAL ARMREST / PAINTED CHARCOAL To V-6271				1	1	
NS	363564	SUPPORT / CENTRAL ARMREST / PAINTED CHARCOAL From V-6272				1	1	
21	502781	SCREW SET HEXS CUP 5/16-18x1/4				1	1	
22	362711	PLATE TIGHTENING / SEAT				1	1	
23	500476	WASHER LO SPT .317x.586x.078 Z050				1	1	
24	500185	SCREW CAP HEX 5/16-18x2 1/4 G5 Z050				1	1	
25	362927	PLATE / W/V.I.P. CENTRAL SUPPORT / CHARCOAL				1	1	
26	500654	SCREW TC BDG PH #8-32x1/2 Z050				2	2	
27	502601	. NUT SPR PO RND 7/16				1	1	
28	500611	. SCREW TC PAN PH #10-24x1/2 Z050				2	2	
29	5001312	SCREW TP TR PH #8x5/8 Z050				1	1	
30	362697	COVER R.H. / NORYL / WINDOW SIDE				1	1	
30	362712	COVER L.H. / NORYL / WINDOW SIDE				1	1	
31	362371	GUARD L.H. / MECHANISM				1	1	
31	363427	GUARD R.H. / MECHANISM / W/ROAD SHOW SYSTEM				1	1	
31	362398	GUARD R.H. / MECHANISM				1	1	
31	363426	GUARD L.H. / MECHANISM / W/ROAD SHOW SYSTEM				1	1	
31	362580	GUARD R.H. / MECHANISM / V.I.P.				1	1	
31	363428	GUARD L.H. / MECHANISM / V.I.P. W/ROAD SHOW SYSTEM				1	1	
31	362633	GUARD L.H. / MECHANISM / V.I.P.				1	1	
31	363429	GUARD R.H. / MECHANISM / V.I.P. W/ROAD SHOW SYSTEM				1	1	
33	362318	. BUTTON ORANGE				1	1	
35	362675	GUIDE				1	1	
36	362395	ROD LONG				1	1	
37	362357	. SPRING, TORSION / L.H. / .500 I.D. x .230 x				1	1	
37	362358	. SPRING, TORSION / R.H. / .500 I.D. x .230 x				1	1	
38	362319	. LEVER				1	1	
39	500593	. WASHER FL .200x.437x.036 BR				1	1	
40	500470	. WASHER LO SPT .193x.334x.047 Z050				1	1	
41	500386	SCREW MA RND PH #10-24x1/2 Z050				1	1	
42	500956	NUT HEX JAM 3/8-24 Z050				4	4	
42	502592	NUT HEX THN 3/8-24x3/32 Z050				2	2	
43	362659	JOINT BALL				4	4	
NS	362803	. COVER BALL JOINT				2	2	
44	860592	CYLINDER				1	1	
45	362354	SCREW "SPECIAL / TO FIX BACKREST				2	2	
60	500183	SCREW CAP HEX 5/16-18x1 1/2 G5 PT Z050				2	2	
61	500476	WASHER LO SPT .317x.586x.078 Z050				2	2	
62	502510	WASHER FL .375x.875x.083				2	2	

From M-804 To Y-7045	Date:10/2022	PAGE:XL-1827-51
----------------------	--------------	-----------------

ARMREST PASSENGER'S - "CHARCOAL"

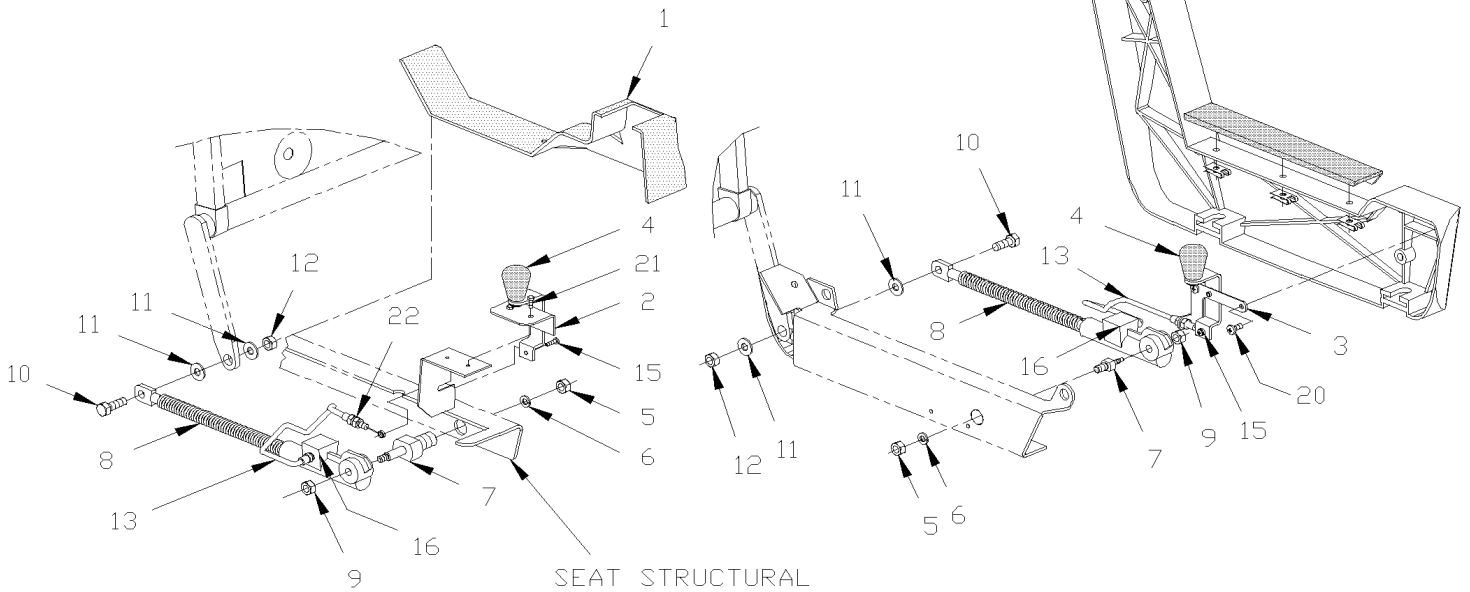
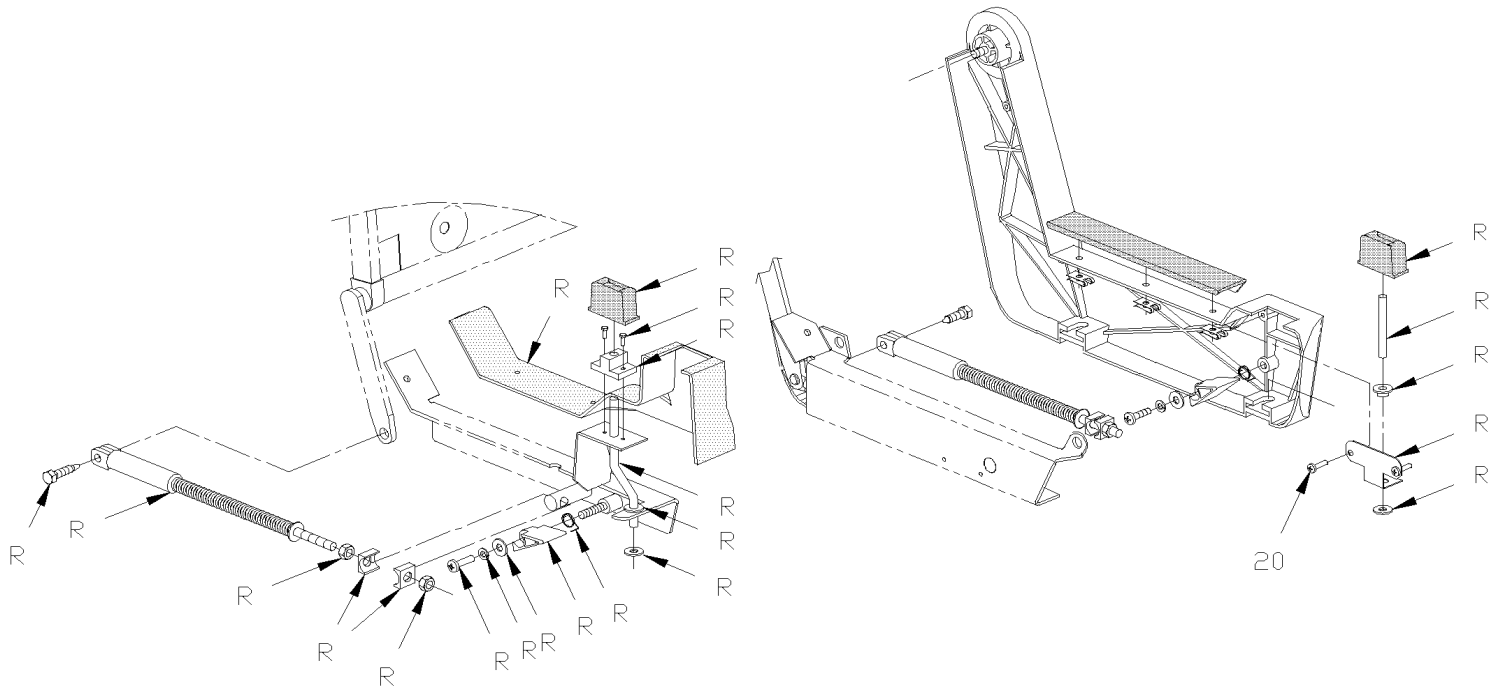
Item#	Part	Description	M T H 4 0	M T H 4 5	M T H 4 5 E	X L 4 0	X L 4 5	N O T E S
63	500183	SCREW CAP HEX 5/16-18x1 1/2 G5 PT Z050				2	2	
70	XL-2221-10	DUCTING HEATER & A/C						
71	362355	ATTACHMENT NUT / "J" SHAPE TO FIX SEAT TO WALL TRACK WALL TRACK To X-6999				2	2	
71	363821	ATTACHMENT PLATE / "J" SHAPE TO FIX SEAT TO WALL TRACK WALL TRACK From X-7000				1	1	
. NS	500183	. SCREW CAP HEX 5/16-18x1 1/2 G5 PT Z050 From X-7000				2	2	
. NS	500942	. WASHER LO SPT 8.1x14.8x2.0 N500 From X-7000				2	2	
71	364132	ATTACHMENT PLATE / "J" SHAPE TO FIX SEAT TO WALL TRACK WALL TRACK				1	1	
. NS	500829	. SCREW CAP HEX M10-1.5x40 G8.8				2	2	
. NS	500257	. WASHER LO SPT 10.2x18.1x2.2 Z050				2	2	
72	362579	CAP FINISHING / WALL / V.I.P.				1	1	
73	362941	SLIDE INSERT PLASTIC / LONG 150 DEG				3	3	
73	363571	SLIDE INSERT PLASTIC / LONG 125 DEG				1	1	
73	362941	SLIDE INSERT PLASTIC / LONG 150 DEG				1	1	V
73	362876	. SLIDE INSERT PLASTIC / LONG 242 DEG To V-6271				1	1	
NS	363570	. STOPPER SHORT / ALUMINUM				1	1	A
NS	363569	. STOPPER LONG / ALUMINUM				1	1	A
74	362512	. SPRING COMPRESSION / .312 O.D. x 3.75 x .070				1	1	
NS	363573	KIT, REINFORCEMENT ARMREST				AR	AR	
. NS	SB-9617	. SEE SERVICE BULLETIN				1	1	
		A) THOSE PARTS ARE RELATED W/ SB9617 INCLUDE IN KIT #363573, THIS KIT ARE OEM FROM V-6154 TO V-6272						
		V) WITH V.I.P. SEAT ONLY						

From H-235 To Y-7045

Date:10/2022

PAGE:XL-1827-99

ARMREST PASSENGER'S - "RETROFIT"

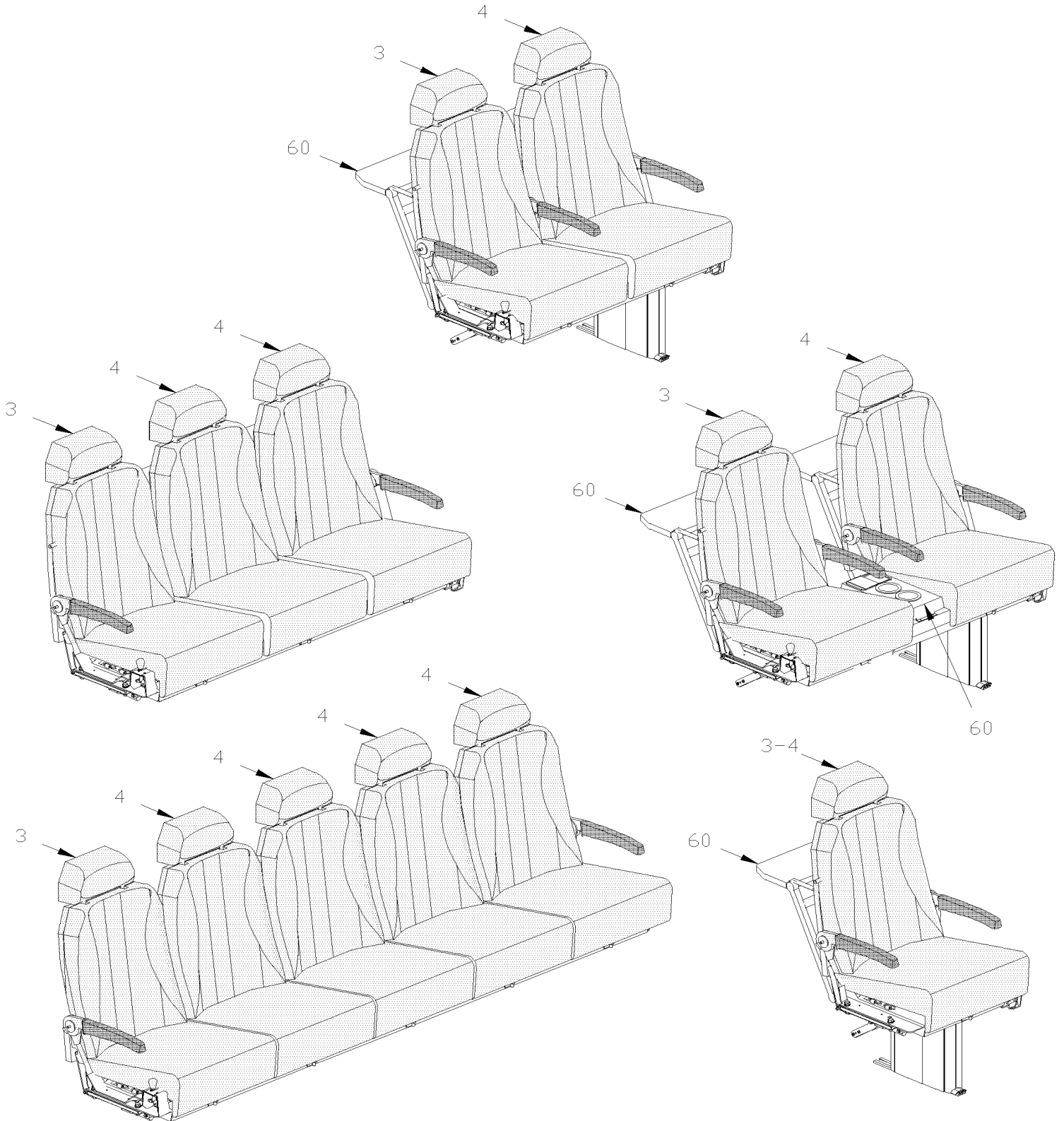


From K-847 To P-687

Date:10/2022

PAGE:XL-1828-00

PASSENGER'S SEAT - "TOURISMO I"

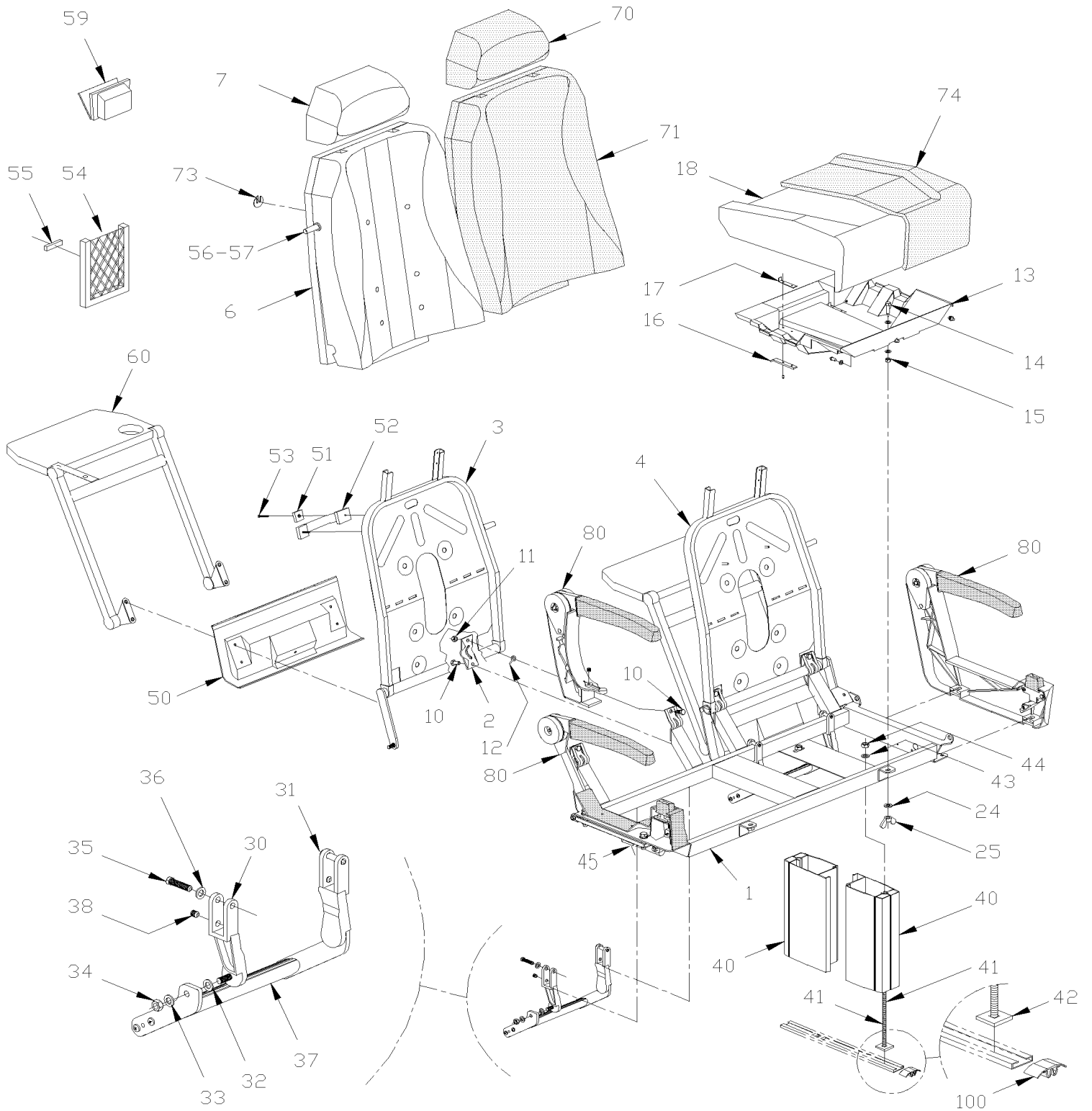


From K-847 To P-687

Date:10/2022

PAGE:XL-1828-00

PASSENGER'S SEAT - "TOURISMO I"



From K-847 To P-687		Date:10/2022	PAGE:XL-1828-00
---------------------	--	--------------	-----------------

PASSENGER'S SEAT - "TOURISMO I"

Item#	Part	Description	M T H 4 0	M T H 4 5	M T H 4 5 E	X L 4 0	X L 4 5	N O T E S
	362818P	SEAT ASSY R.H. / 2 PASSENGERS / 42" HIGH To M-803				AR		A
	362817P	SEAT ASSY L.H. / 2 PASSENGERS / 42" HIGH To M-803				AR		A
	362819	SEAT ASSY REAR / 1 PASSENGER / 42" HIGH To M-803				AR		A
	362816	SEAT ASSY ROTATING / "TOURISMO" / 42" PAINTED ALUMINUM To M-803				AR		A
	362990	SEAT ASSY R.H. / 2 PASSENGERS / 42" HIGH From M-804				AR		B
	362991	SEAT ASSY L.H. / 2 PASSENGERS / 42" HIGH From M-804				AR		B
	362992	SEAT ASSY ROTATING / "TOURISMO" / 42" PAINTED CHARCOAL From M-804				AR		B
	362993	SEAT ASSY REAR / 1 PASSENGER / 42" HIGH From M-804				AR		B
1	362687	. STRUCTURE ASSY R.H. / 2 PASSENGERS				1		
1	362688	. STRUCTURE ASSY L.H. / 2 PASSENGERS				1		
1	362695	. STRUCTURE ASSY / "ROTATING" SEAT				1		
1	362723	. STRUCTURE ASSY REAR / 3 PASSENGERS				1		
1	362775	. STRUCTURE ASSY REAR / 1 PASSENGER				1		
1	363007	. STRUCTURE ASSY REAR / 5 PASSENGERS				1		
2	362661	. COLLAR				4		
3	362692	. BACKREST R.H.				1		
4	362693	. BACKREST L.H.				1		
6	362662	. FOAM ASSY, BACKREST / "TOURISMO I"				1		
7	362663	. FOAM ASSY, HEADREST 42" HIGHT / "TOURISMO"				1		
7	362753	. FOAM ASSY, HEADREST 40" HIGHT / "TOURISMO"				1		
NS	500240	. WASHER LO EXT .195x.410x.025 Z050				4		
NS	500583	. SCREW TP PAN PH #6x1/2 Z050				4		
10	500179	. SCREW CAP HEX 5/16-18x3/4 G5 Z050				8		
11	5001113	. NUT HEX JAM NYRT 5/16-18				8		
12	363273	. SPRING EYE				8		
13	362464P	. SEATREST ASSY W/HOOK / BOTTOM PLASTIC				1		
14	362353	. . SCREW				1		
15	500685	. . NUT HEX NYRT 5/16-18 SS				1		
16	362779	. . BRACKET RETAINER / 3"				2		
17	362781	. . BRACKET RETAINER / 2 1/4"				2		
18	362666	. FOAM ASSY, SEATREST / "TOURISMO & ULTRA"				1		
24	500441	. WASHER FL .312x.734x.065 Z050				2		
25	500782	. NUT WING 5/16-18 Z050				2		
30	362784	. SUPPORT L.H. To M-803				1		
30	362932	. SUPPORT L.H. From M-804				1		
31	362786	. SUPPORT R.H. To M-803				1		
31	362930	. SUPPORT R.H. From M-804				1		
32	502723	. WASHER FL .386x.750x.050 NYL				2		
33	500441	. WASHER FL .312x.734x.065 Z050				2		
34	500777	. NUT HEX STO 5/16-18 Z050				2		
35	500183	. SCREW CAP HEX 5/16-18x1 1/2 G5 PT Z050				2		
36	500476	. WASHER LO SPT .317x.586x.078 Z050				2		

From K-847 To P-687	Date:10/2022	PAGE:XL-1828-00
---------------------	--------------	-----------------

PASSENGER'S SEAT - "TOURISMO I"

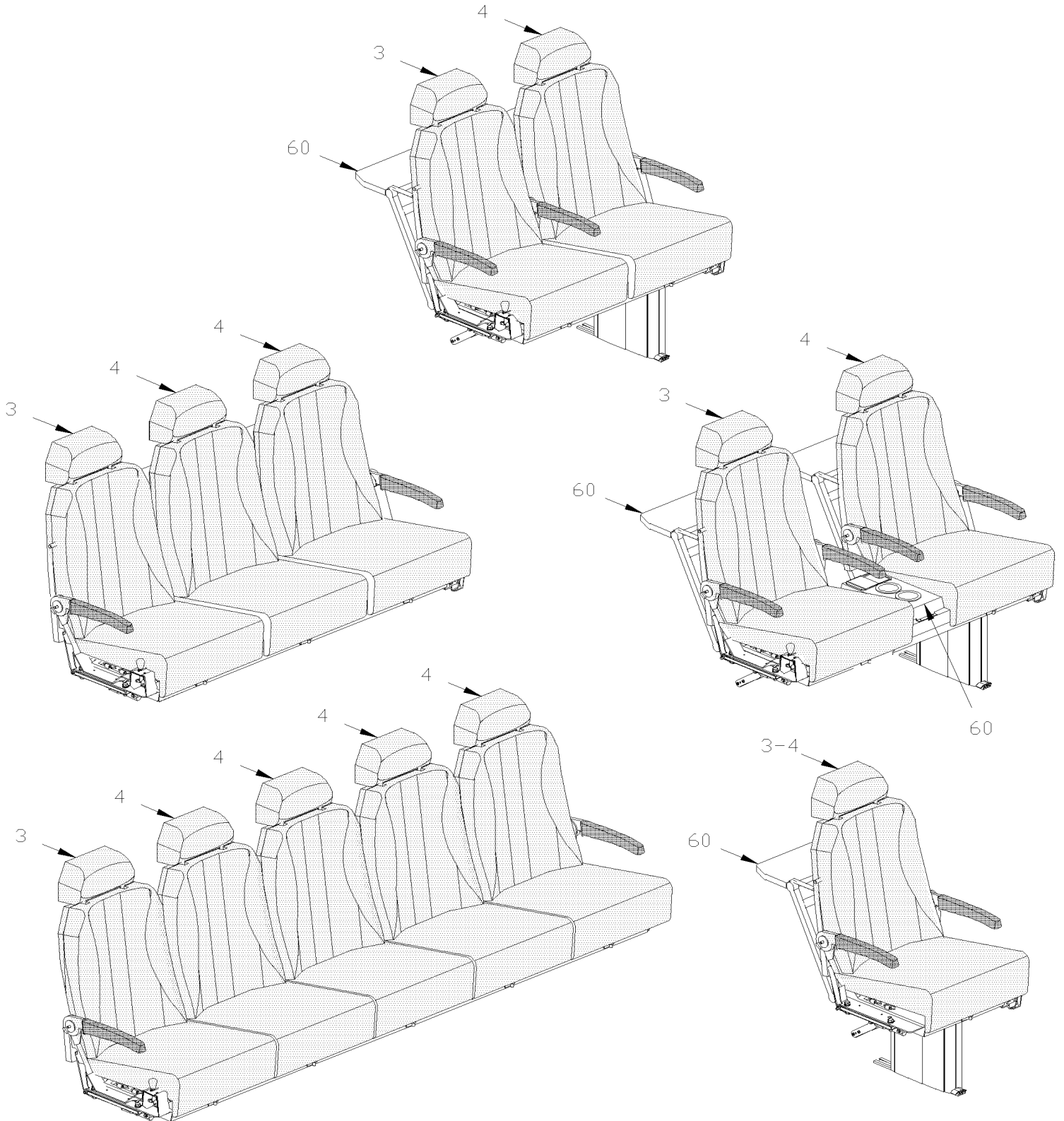
Item#	Part	Description	M T H 4 0	M T H 4 5	M T H 4 5 E	X L 4 0	X L 4 5	N O T E S
		A) SEATS ARE ASSY WITH SIDE CASTING ARMREST SEAT ONLY PAINTED GREY ALUM.						
		B) SEATS ARE ASSY WITH SIDE CASTING ARMREST SEAT ONLY PAINTED CHARCOAL						

From P-688 To Y-7045

Date:10/2022

PAGE:XL-1828-01

PASSENGER'S SEAT - "TOURISMO II"

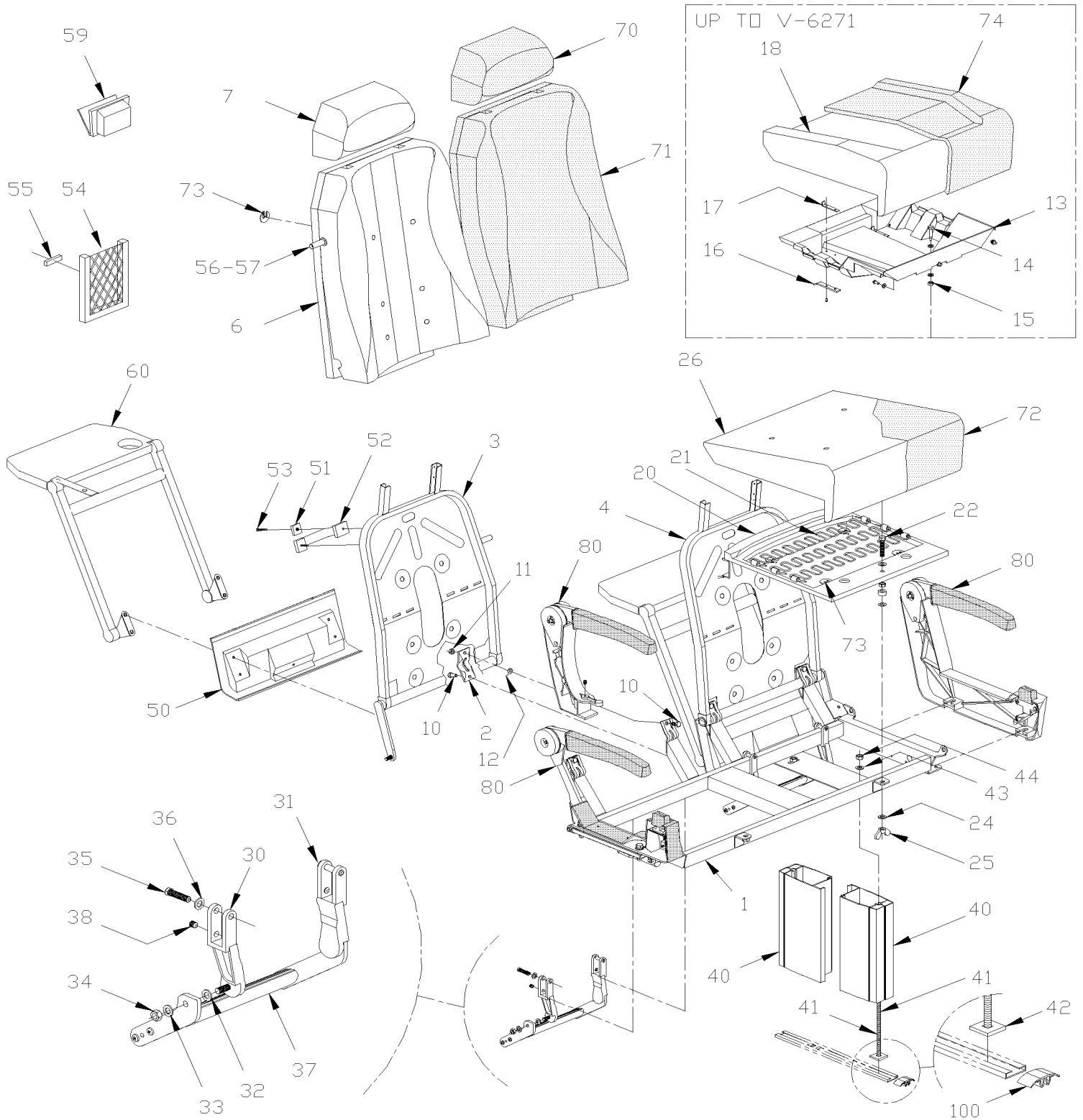


From P-688 To Y-7045

Date:10/2022

PAGE:XL-1828-01

PASSENGER'S SEAT - "TOURISMO II"



From P-688 To Y-7045	Date:10/2022	PAGE:XL-1828-01
PASSENGER'S SEAT - "TOURISMO II"		

Item#	Part	Description	M T H 4 0	M T H 4 5	M T H 4 5 E	X L 4 0	X L 4 5	N O T E S
	363196	SEAT ASSY R.H. / 2 PASSENGERS / 42" HIGH To V-6271				AR	AR	
	363658	SEAT ASSY R.H. / 2 PASSENGERS / 42" HIGH From V-6272				AR	AR	
	363197	SEAT ASSY L.H. / 2 PASSENGERS / 42" HIGH To V-6271				AR	AR	
	363657	SEAT ASSY L.H. / 2 PASSENGERS / 42" HIGH From V-6272				AR	AR	
	363201	SEAT ASSY REAR / 2 PASSENGERS / 42" HIGH To V-6271				AR	AR	
	363661	SEAT ASSY REAR / 2 PASSENGERS / 42" HIGH From V-6272				AR	AR	
	363202	SEAT ASSY REAR / 3 PASSENGERS / 42" HIGH To V-6271				AR	AR	
	363660	SEAT ASSY REAR / 3 PASSENGERS / 42" HIGH From V-6272				AR	AR	
	363203	SEAT ASSY REAR / 5 PASSENGERS / 42" HIGH To V-6271				AR	AR	
	363662	SEAT ASSY REAR / 5 PASSENGERS / 42" HIGH From V-6272				AR	AR	
1	362687	. STRUCTURE ASSY R.H. / 2 PASSENGERS To R-870				1	1	
1	363314	. STRUCTURE ASSY R.H. / 2 PASSENGERS From R-871 To V-6271				1	1	
1	363618	. STRUCTURE ASSY R.H. / 2 PASSENGERS From V-6272				1	1	
1	362688	. STRUCTURE ASSY L.H. / 2 PASSENGERS To R-870				1	1	
1	363315	. STRUCTURE ASSY L.H. / 2 PASSENGERS From R-871 To V-6271				1	1	
1	363619	. STRUCTURE ASSY L.H. / 2 PASSENGERS From V-6272				1	1	
1	363417	. STRUCTURE ASSY REAR / 3 PASSENGERS To V-6271				1	1	
1	363620	. STRUCTURE ASSY REAR / 3 PASSENGERS From V-6272				1	1	
1	363323	. STRUCTURE ASSY REAR / 5 PASSENGERS To V-6271				1	1	
1	363621	. STRUCTURE ASSY REAR / 5 PASSENGERS From V-6272				1	1	
2	362661	. COLLAR To R-870				1	1	
2	363246	. COLLAR From R-871				1	1	
3	363180	. BACKREST R.H.				1	1	
4	363181	. BACKREST L.H.				1	1	C
6	363178P	. FOAM ASSY, BACKREST / "TOURISMO II "				1	1	
6	363186	. . FOAM BACKREST THICK				1	1	
6	363177	. . FOAM BACKREST THIN				1	1	
6	363174	. . FOAM THIN, OBLONG 4" X 13" APPROX				1	1	
7	363156	. FOAM ASSY, HEADREST 42" HIGHT / "TOURISMO II "				1	1	
7	362753	. FOAM ASSY, HEADREST 40" HIGHT / "TOURISMO"				1	1	
NS	5001312	. SCREW TP TR PH #8x5/8 Z050				4	4	
10	5001336	. SCREW CAP HEXF SERR 5/16-18x3/4 Z050				4	4	
11	5001113	. NUT HEX JAM NYRT 5/16-18				4	4	
12	363273	. SPRING EYE From R-871				4	4	
13	362464P	. SEATREST ASSY W/HOOK / BOTTOM PLASTIC To V-6271				1	1	
14	362353	. . SCREW To V-6271				1	1	
15	500685	. . NUT HEX NYRT 5/16-18 SS To V-6271				1	1	
16	362779	. . BRACKET RETAINER / 3" To V-6271				2	2	
17	362780	. . WASHER FL .137x.250 GA 24 SS To V-6271				2	2	
18	362666	. FOAM ASSY, SEATREST / "TOURISMO & ULTRA" To V-6271				1	1	
20	363646	. SEAT FRAME ASSY W/SPRING From V-6272				1	1	
21	363650	. . SPRING From V-6272				3	3	

From P-688 To Y-7045		Date:10/2022	PAGE:XL-1828-01
PASSENGER'S SEAT - "TOURISMO II"			

Item#	Part	Description	M T H 4 0	M T H 4 5	M T H 4 5 E	X L 4 0	X L 4 5	N O T E S
22	362353	. . SCREW From V-6272				1	1	
23	500685	. NUT HEX NYRT 5/16-18 SS From V-6272				1	1	
24	500826	. WASHER LO EXT .320x.610x.034 ZP From V-6272				1	1	
25	500782	. NUT WING 5/16-18 Z050 From V-6272				2	2	
26	363645	. FOAM From V-6272				2	2	
30	363437	. BRACKET L.H.				1	1	
31	363436	. BRACKET R.H.				1	1	
32	502723	. WASHER FL .386x.750x.050 NYL				2	2	
33	500441	. WASHER FL .312x.734x.065 Z050				2	2	
34	500777	. NUT HEX STO 5/16-18 Z050				2	2	
35	5001375	. SCREW CAP HEX M10-1.5x18 SS				2	2	
36	500476	. WASHER LO SPT .317x.586x.078 Z050				2	2	
37	362928	. FOOTREST ASSY				1	1	
38	502781	. SCREW SET HEXS CUP 5/16-18x1/4				2	2	
40	362935	. PEDESTAL OBLONG / 279MM / 10.98" To T-5753				2	2	
40	363517	. PEDESTAL OBLONG / 279MM / 10.98" From T-5754 To V-6157				2	2	
40	363577	. PEDESTAL SQ END / 279MM / 10.98" / 2 PIECES From V-6158				2	2	
41	5001600	. SCREW CRG 3/8-16x12 G5 Z050				2	2	
42	363085	. PLATE ANCHOR / CARRIAGE BOLT INSIDE TRACK / 1 1/4" X 1 1/4"				1	1	
43	500445	. WASHER FL .437x1.000x.083 Z050				2	2	
44	500265	. NUT HEX STO 3/8-16 Z050				2	2	
45	362355	. ATTACHMENT NUT / "J" SHAPE TO FIX SEAT TO WALL TRACK WALL TRACK				2	2	
45	364132	. ATTACHMENT PLATE / "J" SHAPE TO FIX SEAT TO WALL TRACK WALL TRACK				1	1	
. NS	500829	. . SCREW CAP HEX M10-1.5x40 G8.8				2	2	
. NS	500257	. . WASHER LO SPT 10.2x18.1x2.2 Z050				2	2	
50	362867	. FINISHING LOWER / R.H. / NORYL To Y-7336				1	1	
50	362866	. FINISHING LOWER / L.H. / NORYL To Y-7336				1	1	
51	860421	. HOOK				1	1	
52	860422	. HANDLE				1	1	
53	500871	. SCREW TP OV PH #8x1 BK				2	2	
54	860809	. MAGAZINE NET 14" x 7 1/4"				1	1	
55	500353	. SCREW TP FL PH #8x3/4 BK				4	4	
56	5001019	. SCREW TP OV PH #10x2 EMN				1	1	
56	5001016	. SCREW CAP HEX M10-1.5x90 G8.8 Z050				1	1	
57	362942	. STOPPER SHORT / W/STANDARD SEAT				1	1	
57	362943	. STOPPER LONG / WV.I.P. SEAT				1	1	
59	861277	. ASHTRAY / PLASTIC				1	1	
NS	502778	. SCREW TP FL PH #6x2 BK				2	2	
NS	860626	. SUPPORT ASHTRAY / PLASTIC				1	1	
60	XL-1829-00	ACCESSORIES PASSENGER'S SEAT - "PREVOST"						
70	363162P	. COVERING HEADREST 40" ASSY / S.C.C. / "TOURISMO II "				1	1	
70	363167P	. COVERING HEADREST 42" ASSY / S.C.C. / "TOURISMO II "				1	1	

From P-688 To Y-7045	Date:10/2022	PAGE:XL-1828-01
----------------------	--------------	-----------------

PASSENGER'S SEAT - "TOURISMO II"

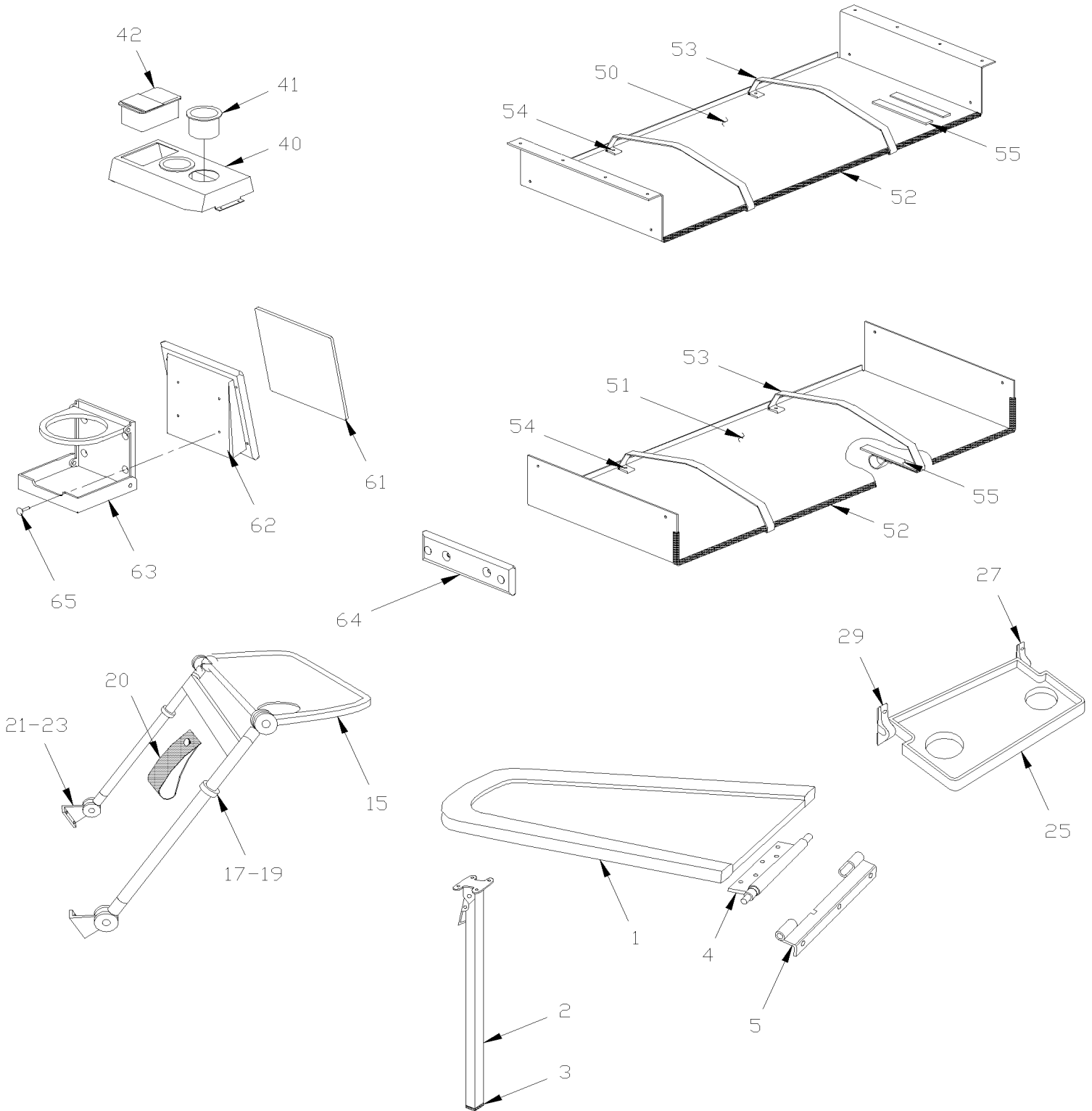
Item#	Part	Description	M T H 4 0	M T H 4 5	M T H 4 5 E	X L 4 0	X L 4 5	N O T E S
71	363172P	. COVERING BACKREST ASSY / S.C.C. / "TOURISMO II "				1	1	
72	363676	. COVERING SEATREST ASSY / S.C.C. / ALL NEW W/SPRING From V-6272				1	1	
73	362716	. ATTACHMENT / ROUND "W" SHAPE TO FIX COVER				8	8	
74	362462P	. COVERING SEATREST ASSY / S.C.C. / ALL W/NORYL TRAY To V-6271				1	1	
80	XL-1827-51	ARMREST PASSENGER'S - "CHARCOAL"						
100	361338	SEAT TRACK COVER 12' / EACH SEAT / W/CARPET FLOOR				AR	AR	
100	323654	SEAT TRACK COVER 12' / EACH SEAT / W/COVERING FLOOR				AR	AR	
100	323963	SEAT TRACK COVER 8' / EACH SEAT / W/COVERING FLOOR				AR	AR	
		C) QTY OF 2 WITH 3 PASSENGERS REAR SEAT AND QTY OF 4 WITH 5 PASSENGERS REAR SEAT						

From E-638 To Y-7045

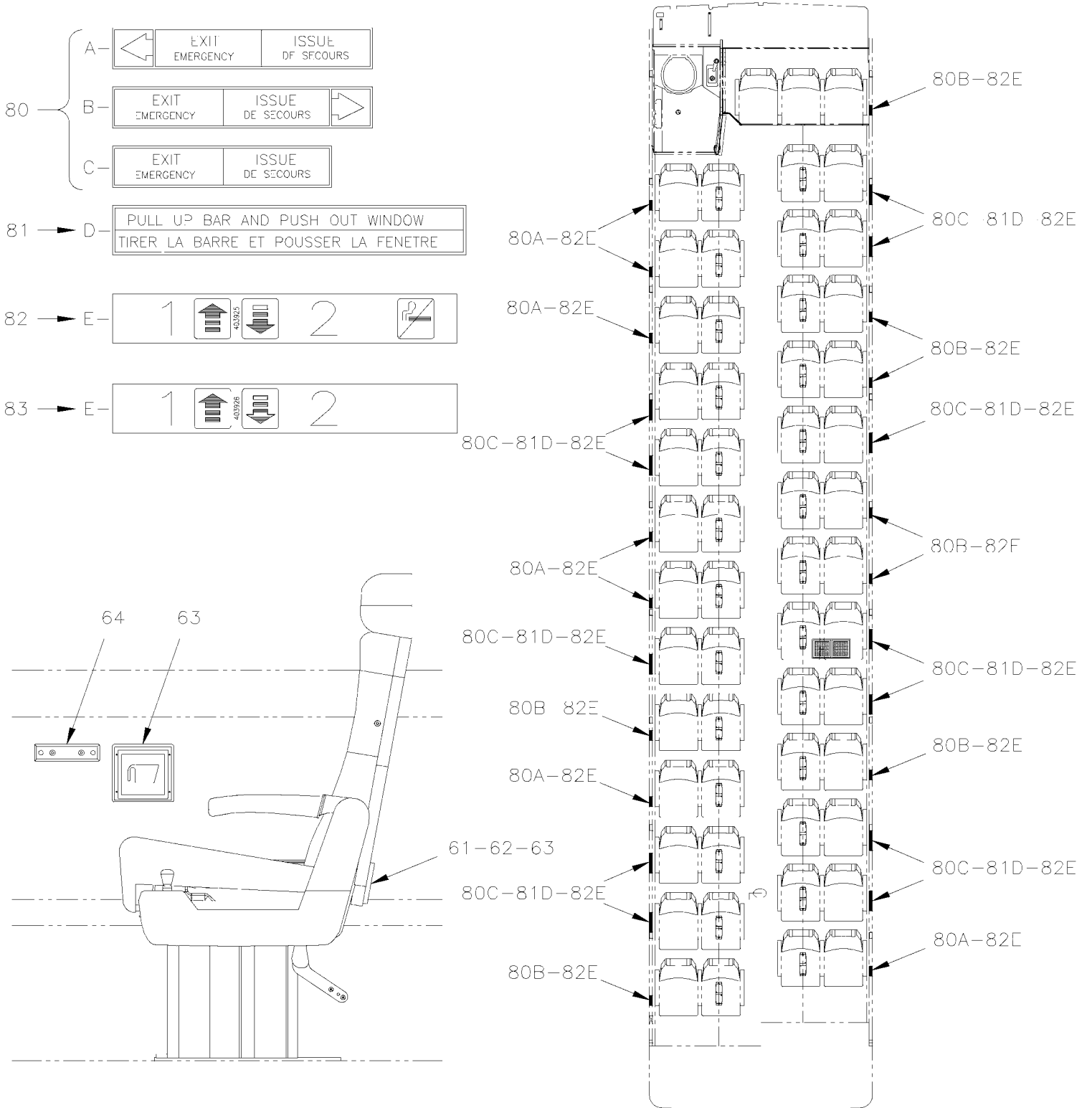
Date:10/2022

PAGE:XL-1829-00

ACCESSORIES PASSENGER'S SEAT - "PREVOST"



From E-638 To Y-7045	Date:10/2022	PAGE:XL-1829-00
ACCESSORIES PASSENGER'S SEAT - "PREVOST"		



From E-638 To Y-7045	Date:10/2022	PAGE:XL-1829-00
----------------------	--------------	-----------------

ACCESSORIES PASSENGER'S SEAT - "PREVOST"

Item#	Part	Description	M T H 4 0	M T H 4 5	M T H 4 5 E	X L 4 0	X L 4 5	N O T E S
1	362215P	TABLE ASSY / "FORMICA" & LEATHERETTE SPECIFY COLOR				1		
1	Call order desk	TABLE ASSY / "FORMICA" & LEATHERETTE V.I.P. 2 PASSENGER				1	1	P
1	Call order desk	TABLE ASSY / "FORMICA" & LEATHERETTE V.I.P. 1 PASSENGER				1	1	P
1	363207	TABLE ASSY / GREY PLASTIC COVERING W/2 GLASS HOLDER To X-6875				1	1	
1	363796	TABLE ASSY / GREY ABS COVERING W/4 GLASS 857MM From X-6876				1	1	
. NS	364187	. TABLE TOP ASSY W/OUT HARDWARE From X-6876				1	1	
1	363185	. COVERING W/2 GLASS HOLDER / GREY To X-6875				1	1	
1	363795	. COVERING W/4 GLASS HOLDER / MEDIUM GREY 857MM From X-6876				1	1	
2	361432	. LEG (MODIFIED)				1	1	
2	860333	. . LEG 25 1/8" / 639.8MM				1	1	
3	860718	. . . GLIDE SQUARE END 1 X 1 X TUBE 13 GA / P				1	1	
4	360255	. HINGE / TABLE SECTION				1	1	
. A	360620	. . ROD LOCK				1	1	
. B	363604	. . SPRING COMPRESSION / .500 O.D. x 6.25 x .062				1	1	
. C	505221	. . SPRING, PIN 1/8 X 3/8				1	1	
NS	500841	. SCREW TP PAN PH #14x3/4 Z050				9	9	
NS	506006	. TAPE RUB ADH1 CC POL 3/8" x 1 1/4" x 20' / GREY 2520				AR	AR	
NS	360325	. DECAL "INSTALLATION OF CARD TABLE...." "BILINGUAL"				1	1	
5	361658	HINGE / WALL SECTION 1 1/8"x1 5/16" ANGLE				1	1	
NS	360622	ENVELOPE ASSY TABLE				1	1	
NS	500136	SCREW MA OV PH 1/4-20x1 1/2 SS EMN				3	3	
		UTILITY TABLE						
15	363035	TABLE / W/SILHOUETTE SEAT ONLY To M-803				AR		
NS	362925	SPACER ADAPTOR / TRAIANGLE SHAPE To M-803				2		
15	362924	TABLE / W/"TOURISMO II" & "ULTRA" From M-804 To V-6110				1	1	
15	363611	TABLE / W/"TOURISMO II" & "ULTRA" / BLACK From V-6111				1	1	
15	363423	STRAP / 145MM				1	1	
15	363464	WASHER RETAINER				1	1	
15	500583	SCREW TP PAN PH #6x1/2 Z050				1	1	
17	363036	SPACER				4	4	
NS	860859	NYLON BUSHING / LOWER HINGE				2	2	
19	500552	SCREW TP OV PH #6x3/4 Z050				4	4	
20	363423	STRAP / 145MM				1	1	
20	363464	WASHER RETAINER				1	1	
20	500583	SCREW TP PAN PH #6x1/2 Z050				1	1	
21	502526	SCREW TC BDG PH #12-24x3/4 Z050				4	4	
23	502646	WASHER LO INT .129x.280x.021 ZP				4	4	
		UTILITY SHELF / W/"TOURISMO II" & "ULTRA"						

From E-638 To Y-7045	Date:10/2022	PAGE:XL-1829-00
----------------------	--------------	-----------------

ACCESSORIES PASSENGER'S SEAT - "PREVOST"

Item#	Part	Description	M T H 4 0	M T H 4 5	M T H 4 5 E	X L 4 0	X L 4 5	N O T E S
25	860657	SHELF				1	1	
27	860659	ATTACHMENT				2	2	
NS	860892	PIVOT ASSY				2	2	
29	500871	SCREW TP OV PH #8x1 BK				4	4	
		V.I.P PASSENGER'S SEAT CENTER CONSOLE						
40	363519	CENTER CONSOLE V.I.P./ PLAIN				1	1	
40	363235	CENTER CONSOLE V.I.P. W/GLASS HOLDER To T-5914				1	1	
40	363557	CENTER CONSOLE V.I.P./ W/2 GLASS HOLDER From T-5915				1	1	
40	362576	CENTER CONSOLE V.I.P./ W/2 GLASS HOLDER & ASHTRAY To T-5914				1	1	
40	363558	CENTER CONSOLE V.I.P./ W/2 GLASS HOLDER & ASHTRAY From T-5915				1	1	
40	363608	CENTER CONSOLE V.I.P./ W/2 SELECTOR HEAD SET From T-5915				1	1	
40	363983	CENTER CONSOLE V.I.P./ W/2 GLASS HOLDER & 2 SELECTOR HEAD SET From T-5915				1	1	
41	900675	GLASS HOLDER, PLASTIC BLACK From T-5915				1	1	
42	900518	ASHTRAY				1	1	
NS	363079	KIT FOR RETROFIT TABLE / SPACER WALL AND STRUCTURE				AR	AR	
NS	IS-91077	SEE INSTRUCTION SHEET				1	1	
50	364021	SUPPORT ASSY CARD TABLE UPPER 900MM				1	1	
NS	364020	SUPPORT UPPER				1	1	
51	364024	SUPPORT ASSY CARD TABLE LOWER 900MM				1	1	
NS	364023	SUPPORT LOWER				1	1	
52	506025	RUBBER CHANNEL / 1/18" x 5/16" INT "U" SHAPE / SQUARE C.T.L.				AR	AR	
53	364022	STRAP RETAINER				2	2	
54	504113	RIVET POP DOME CLE 3/16x1/4 AL				2	2	
55	506756	VELCRO / LOOP ADHESIF 1" x 75'				AR	AR	
61	363897	PLATE				AR	AR	
62	363518	SUPPORT				AR	AR	
63	900527	GLASS HOLDER				AR	AR	
63	900788	GLASS HOLDER				AR	AR	
NS	860642	GLASS HOLDER / W/"AMAYA" / W/2 HOLES FOR SCREW				1		
64	860875	TRASH BAG, SUPPORT / BLACK FIXED TO WALL				AR	AR	
64	863976	TRASH BAG, SUPPORT / GREY FIXED TO WALL				AR	AR	
NS	861107	TRASH BAG / BOX OF 5000				AR	AR	
65	502664	SCREW TP PAN PH #8x1 SS EMN				4	4	
80	400543	DECAL, "EMERGENCY EXIT" W/RED ARROW / ENGLISH & FRANCAIS				AR	AR	
NS	401572	DECAL / EMERGENCY EXIT / REAR LOCALIZATION // ENGLISH				AR	AR	
NS	401573	DECAL / EMERGENCY EXIT / FRONT LOCALIZATION / ENGLISH				AR	AR	
NS	401574	DECAL / EMERGENCY EXIT / FRONT LOCALIZATION / FRENCH				AR	AR	
NS	401575	DECAL / EMERGENCY EXIT / REAR LOCALIZATION / FRENCH				AR	AR	

From E-638 To Y-7045	Date:10/2022	PAGE:XL-1829-00
ACCESSORIES PASSENGER'S SEAT - "PREVOST"		

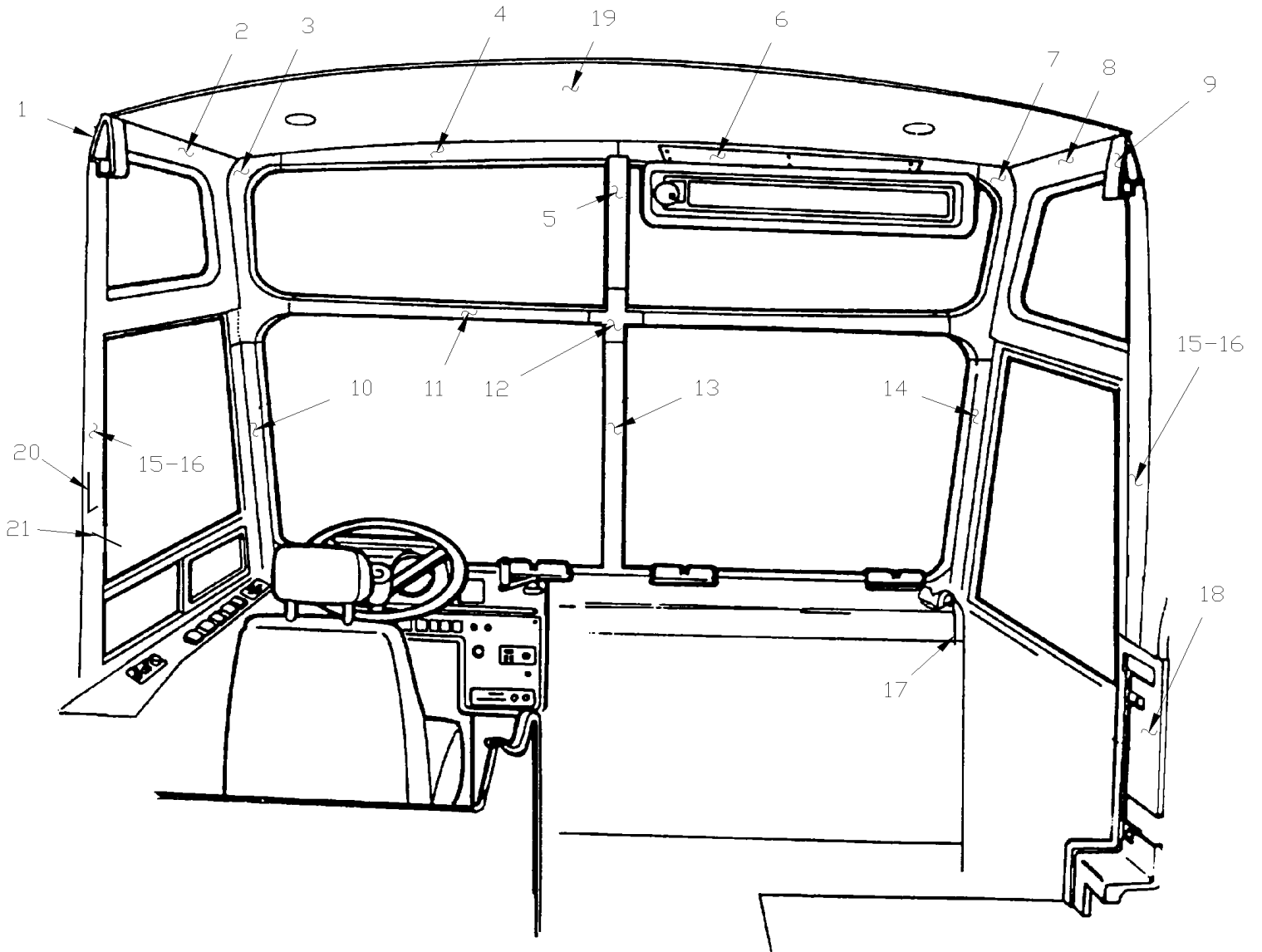
Item#	Part	Description	M T H 4 0	M T H 4 5	M T H 4 5 E	X L 4 0	X L 4 5	N O T E S
81	400544	DECAL "PULL UP BAR & PUSH OUT WINDOW" / ENGLISH & FRANCAIS				AR	AR	
82	403548	DECAL / SEAT NUMBER (1-52) W/NO SMOKING WARNING / EVEN NO., AISLE SIDE				AR	AR	
82	403549	DECAL / SEAT NUMBER (1-52) W/NO SMOKING WARNING / ODD NO., AISLE SIDE				AR	AR	
NS	403358	DECAL / NO SMOKING				AR	AR	
83	402935	DECAL / SEAT NUMBER (1-52) / ODD NUMBER, AISLE SIDE				AR	AR	
83	402936	DECAL / SEAT NUMBER (1-52) / EVEN NUMBER, AISLE SIDE				AR	AR	
		P) CALL ORDER DESK FOR SPECIFIC APPLICATION (V.I.N.)						

From E-638 To Y-7045

Date:10/2022

PAGE:XL-1832-00

FRONT FINISHING CAP - "LE MIRAGE"



From E-638 To Y-7045	Date:10/2022	PAGE:XL-1832-00
FRONT FINISHING CAP - "LE MIRAGE"		

Item#	Part	Description	M T H 4 0	M T H 4 5	M T H 4 5 E	X L 4 0	X L 4 5	N O T E S
1	311074	CAP, L.H. From H-285 To T-5937				1	1	
NS	311127	ANGLE / TO FIX CAP				1	1	
NS	321225	CAP, L.H. / PARCEL RACK & WINDOW CAP To F-827				1		
NS	321661	CAP, L.H. / PARCEL RACK & WINDOW CAP From F-828				1	1	
2	321160	CAP, L.H. To F-827	1			1		
2	321624	CAP, L.H. From F-828	1	1	1	1	1	
3	321620	CAP, L.H. SIDE UPPER WINDSHIELD From F-828				1	1	
3	321620	CAP, L.H. SIDE UPPER WINDSHIELD From F-828 To H-284	1					
3	322397	CAP, L.H. SIDE UPPER WINDSHIELD From H-285	1	1	1			
NS	322406	SHIM, SPACER REAR OF CAP	1	1	1	1	1	
4	321354	CAP, L.H. To F-827	1			1		
4	321633	CAP, L.H. TOP UPPER WINDSHIELD From F-828	1	1	1	1	1	
5	321155	CAP, CENTER W/O SIGN To F-827	1			1		
5	321628	CAP, CENTER W/SIGN ELECTRICAL From F-828	1	1	1	1	1	
5	322350	CAP, CENTER W/SIGN MECHANICAL From F-828				1	1	
5	321628	CAP, CENTER W/SIGN ELECTRICAL From F-828				1	1	
6	340559	CAP, R.H. W/O SIGN	1	1	1	1	1	
6	321158	CAP, R.H. W/SIGN MECHANICAL To F-827				1		
6	321634	CAP, R.H. W/SIGN MECHANICAL From F-828				1	1	
NS	340558	COVER CLOSING W/SIGN MECHANICAL From F-828				1	1	
7	321149	CAP, R.H. To F-827				1	1	
7	321621	CAP, R.H. SIDE UPPER WINDSHIELD From F-828	1	1	1	1	1	
NS	322406	SHIM, SPACER REAR OF CAP	1	1	1	1	1	
8	321142	CAP, R.H. To F-827				1	1	
8	321625	CAP, R.H. From F-828	1	1	1	1	1	
9	311073	CAP, R.H. From H-285 To T-5937				1	1	
9	321226	CAP, R.H. / PARCEL RACK & WINDOW CAP To F-827				1		
NS	321662	CAP, R.H. / PARCEL RACK & WINDOW CAP From F-828				1	1	
NS	311127	ANGLE / TO FIX CAP				1	1	
10	321152	CAP, L.H. POST To F-827	1			1		
10	321631	CAP, L.H. POST From F-828				1	1	
10	321631	CAP, L.H. POST From F-828 To H-284	1					
10	322348	CAP, L.H. POST From H-285	1	1	1			
11	321627	CAP, L.H. & R.H. From F-828	2	2	2	2	2	
12	321153	CAP, JUNCTION To F-827	1			1		
12	321630	CAP, JUNCTION From F-828	1	1	1	1	1	
13	321154	CAP, CENTER To F-827	1			1		
13	321629	CAP, CENTER From F-828	1	1	1	1	1	
14	321151	CAP, R.H. POST To F-827	1			1		
14	321632	CAP, R.H. POST From F-828	1	1	1	1	1	
15	321172	CAP, POST #1 R.H. W/MIRAGE To F-827				1		
15	321171	CAP, POST #1 L.H. W/MIRAGE To F-827				1		

From E-638 To Y-7045		Date:10/2022	PAGE:XL-1832-00
FRONT FINISHING CAP - "LE MIRAGE"			

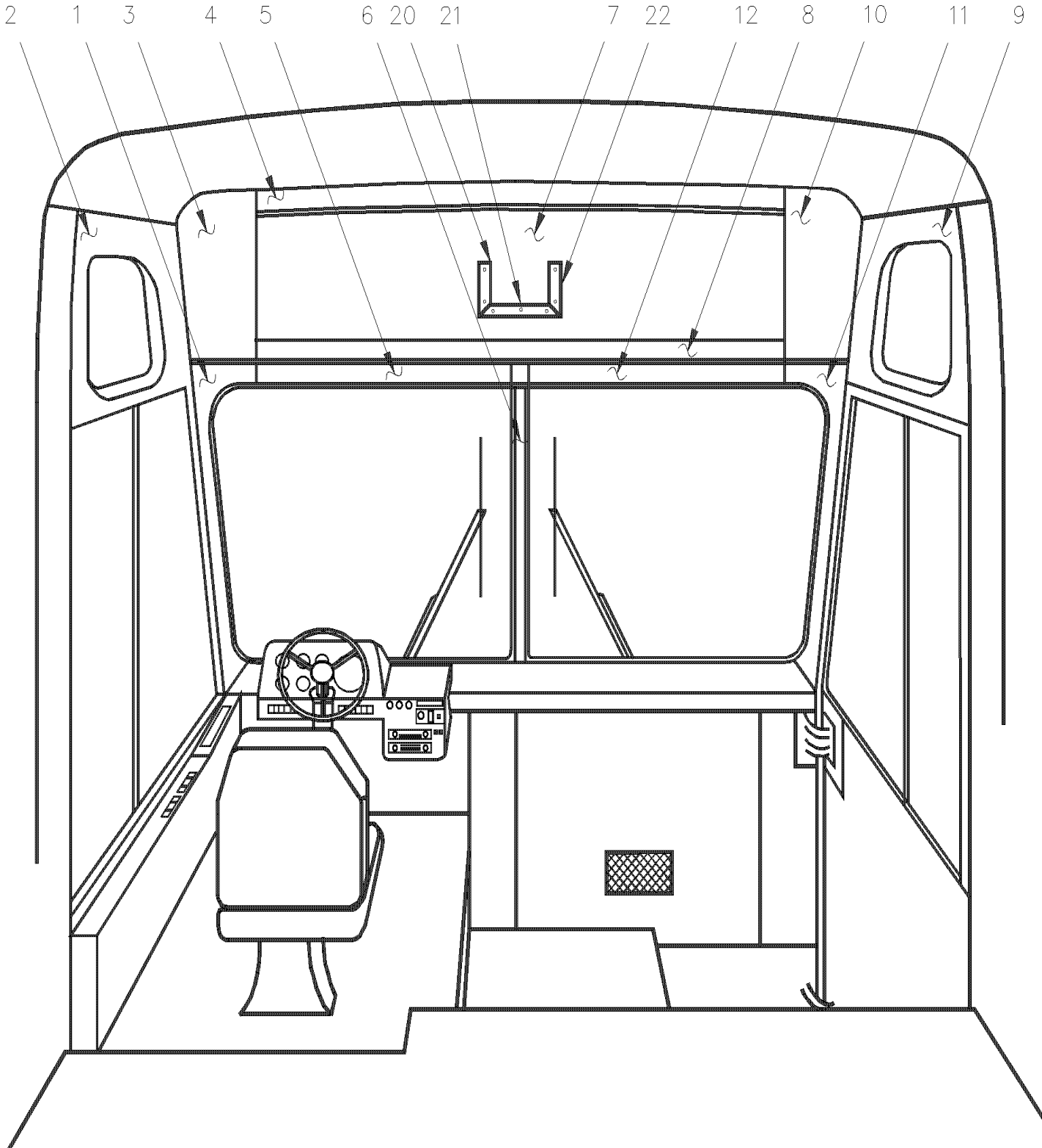
Item#	Part	Description	M T H 4 0	M T H 4 5	M T H 4 5 E	X L 4 0	X L 4 5	N O T E S
15	321664	CAP, POST #1 L.H. W/MIRAGE From F-828				1	1	
15	321663	CAP, POST #1 R.H. W/MIRAGE From F-828				1	1	
15	321869	CAP, POST #1 R.H. W/ASTRAL				1		
15	321870	CAP, POST #1 L.H. W/ASTRAL				1		
16	321878P	STRIP ASSY, 44 5/8" LG / W/COVERING S.C.C.				1	1	
16	321919P	STRIP ASSY, 44 1/8" LG / W/COVERING S.C.C.				1	1	C
NS	506318	. TAPE DUAL LOCK 1" x 150' / BLACK SJ3541	AR	AR	AR	AR	AR	
NS	504325	. FASTENER CLIP NYLON				5	5	
NS	320619	. STRIP				1	1	
17	321635	CAP, R.H. DASH	1	1	1	1	1	
18	XL-1810-00	MODESTY PANEL R.H.						
19	XL-1837-50	CEILING PANELS & MOULDING - MTH						
19	XL-1837-01	CEILING PANELS & MOULDING - BUS						
20	900297	HOOK / COAT				1	1	
NS	500333	SCREW TP OV PH #6x3/4 BK				2	2	
21	404928	STRAP COAT RETAINING				1	1	
21	500964	WASHER FL .203x.500x.047 Z050				1	1	
21	504003	FASTENER RIVET BASE				1	1	
21	500435	SCREW TP FL PH #6x1 Z050				1	1	
NS	IS19921	BELT CUTTER INSTALLATION IN THE DRIVER AREA				1	1	
. NS	860584	. BELT CUTTER				1	1	
. NS	7770495	. 3M DUAL LOCK VELCRO				1	1	
. NS	IS-19921	. SEE INSTRUCTION SHEET				1	1	
. NS	FI-19921	. VOIR FEUILLE D'INSTRUCTION				1	1	
NS	0691001	DECAL EMISSION WARNING CALIFORNIA	1	1	1	1	1	A
		A) REGULATIONS OF CALIFORNIA						
		C) FIRST WINDOW						

From X-6945 To Y-7045

Date:10/2022

PAGE:XL-1832-01

FRONT FINISHING CAP - "GO TRANSIT"

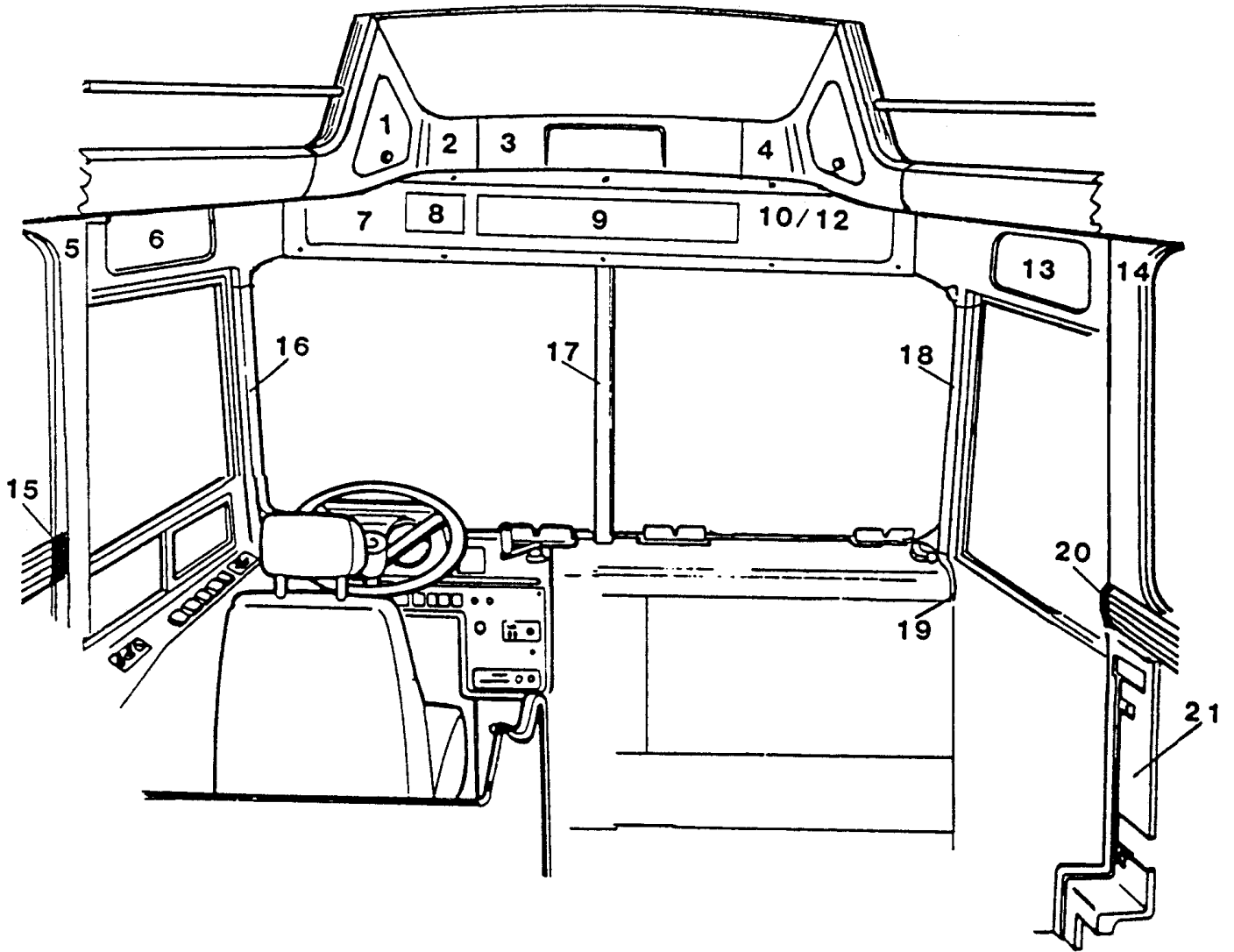


From E-638 To J-429

Date:10/2022

PAGE:XL-1832-10

FRONT FINISHING CAP - "PREVOST XL"



From E-638 To J-429		Date:10/2022	PAGE:XL-1832-10
FRONT FINISHING CAP - "PREVOST XL"			

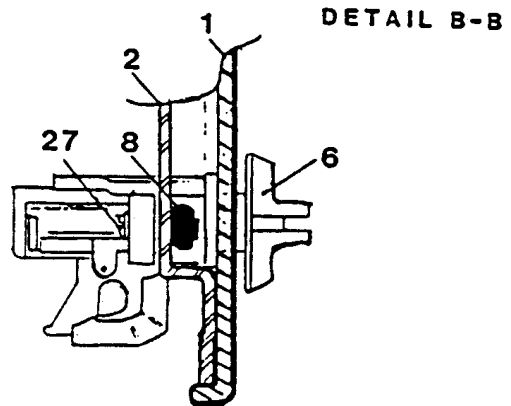
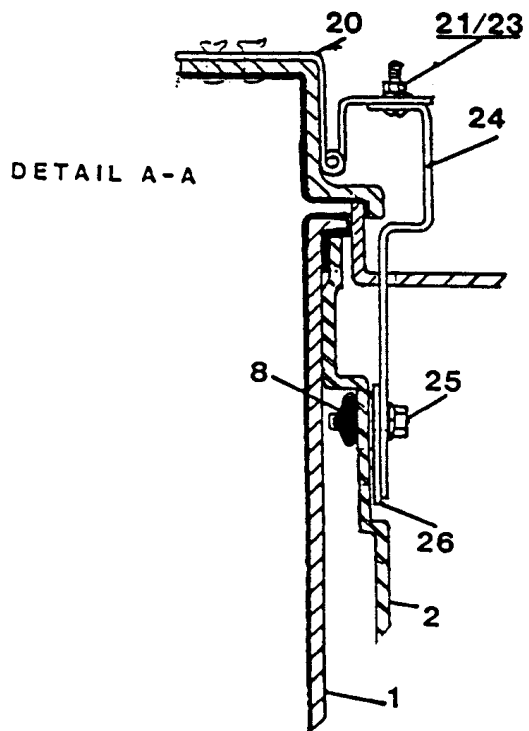
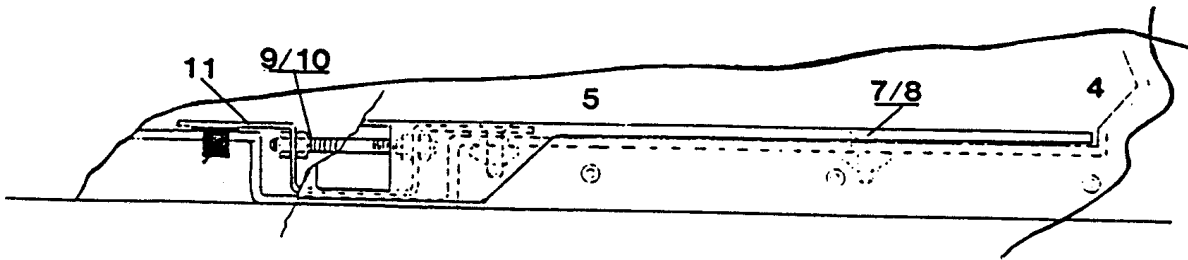
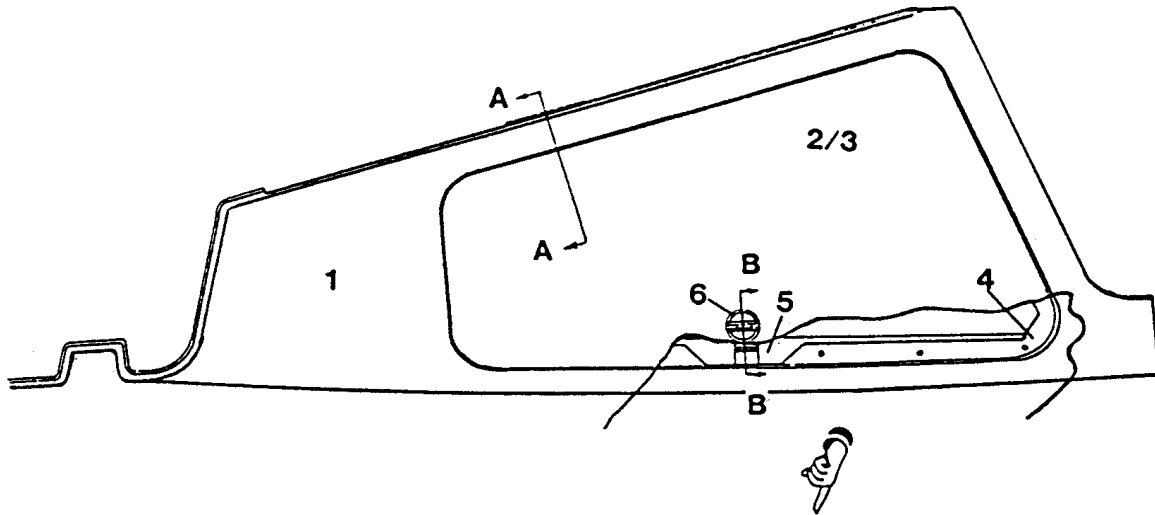
Item#	Part	Description	M T H 4 0	M T H 4 5	M T H 4 5 E	X L 4 0	X L 4 5	N O T E S
1	XL-1832-15	DRIVER'S COMPARTMENT - "PREVOST XL"						
2	340443	CAP, L.H.				1		
3	340445	CAP, CENTER				1		
4	340444	CAP, R.H.				1		
5	320967	CAP, L.H. 1ST WINDOW To F-827				1		
5	321614	CAP, L.H. 1ST WINDOW From F-828				1		
6	320391	CAP, L.H. To F-827				1		
6	320533	CAP, L.H. From F-828				1		
7	Call order desk	CAP, DESTINATION SIGN To F-827				1		P
7	320583	CAP, DESTINATION SIGN From F-828				1		
8	Call order desk	DOOR, L.H. To F-827				1		P
8	Call order desk	DOOR, L.H. From F-828				1		P
9	Call order desk	DOOR, R.H. To F-827				1		P
9	320581	DOOR, R.H. From F-828				1		
10	N.P.N.	SCREW / TO FIX PANEL					AR	4
11	504399	WASHER RETAINER SNAP CAP #10					AR	
12	504400	SNAP CAP #10 FINISHING BLACK					AR	
13	340554	CAP, R.H. To F-827				1		
13	340392	CAP, R.H. From F-828				1		
14	320966	CAP, R.H. 1ST WINDOW To F-827				1		
14	321615	CAP, R.H. 1ST WINDOW From F-828				1		
15	321101	CAP, L.H. END RAIL				1		
15	321619	CAP, L.H. END RAIL From F-828				1		
16	320996	CAP, L.H. POST To F-827				1		
16	321617	CAP, L.H. POST From F-828				1		
17	321307	CAP, CENTER To F-827				1		
17	321622	CAP, CENTER From F-828				1		
18	320997	CAP, R.H. POST To F-827				1		
18	321616	CAP, R.H. POST From F-828				1		
19	321635	CAP, R.H. DASH				1		
20	320965	CAP, R.H. END RAIL To F-827				1		
20	321618	CAP, R.H. END RAIL From F-828				1		
NS	0691001	DECAL EMISSION WARNING CALIFORNIA	1	1	1	1	1	A
		A) REGULATIONS OF CALIFORNIA						
		4) NO PARTS NUMBER						
		P) CALL ORDER DESK FOR SPECIFIC APPLICATION (V.I.N.)						

From E-638 To J-429

Date:10/2022

PAGE:XL-1832-15

DRIVER'S COMPARTMENT - "PREVOST XL"



From E-638 To J-429	Date:10/2022	PAGE:XL-1832-15
DRIVER'S COMPARTMENT - "PREVOST XL"		

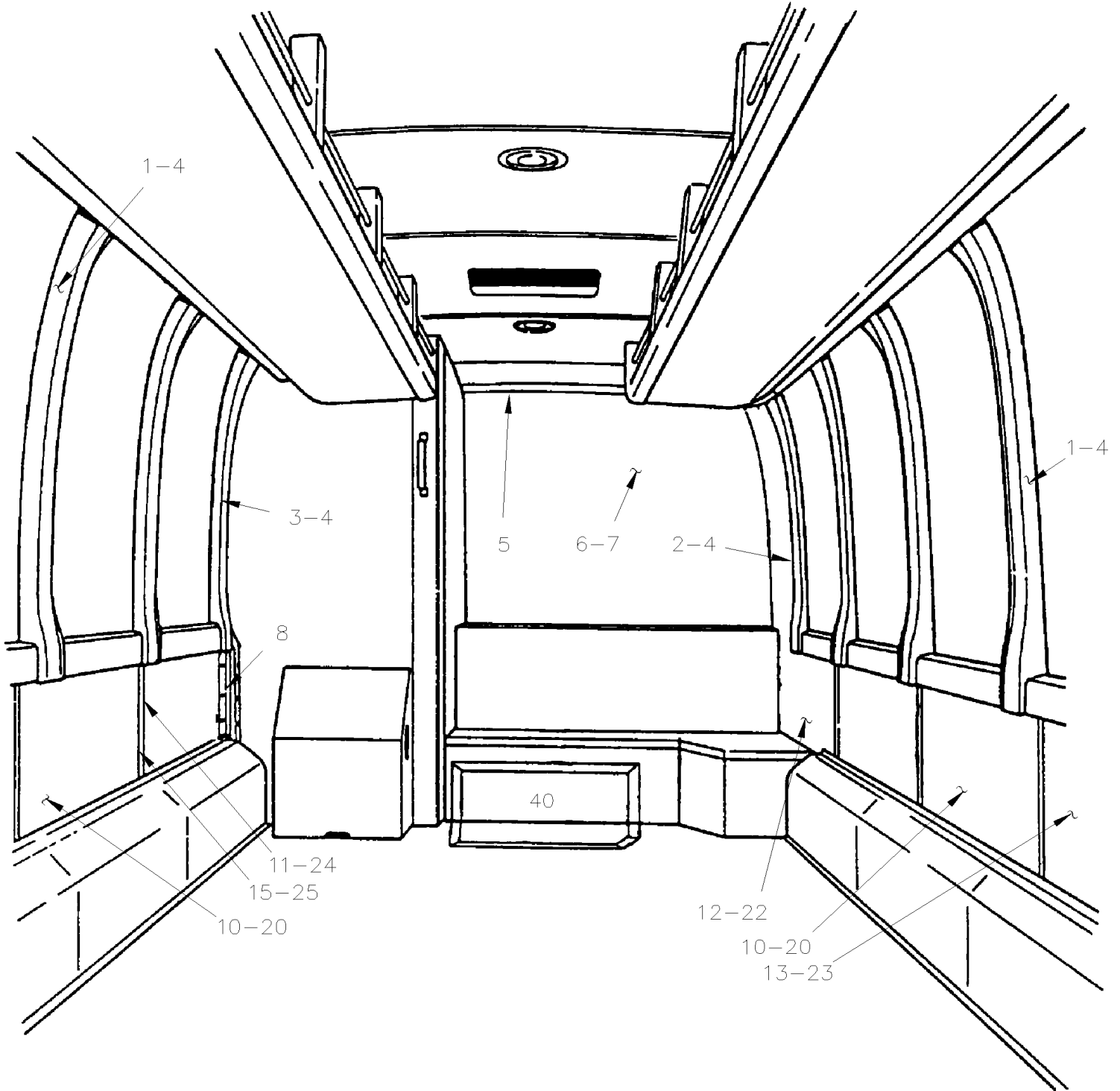
Item#	Part	Description	M T H 4 0	M T H 4 5	M T H 4 5 E	X L 4 0	X L 4 5	N O T E S
1	340444	CAP, R.H.				1		
1	340443	CAP, L.H.				1		
2	340461	PANEL DOOR R.H. / OUTSIDE SECTION W/O COVERING				1		
2	340462	PANEL DOOR L.H. / OUTSIDE SECTION W/O COVERING				1		
3	340466	PANEL DOOR L.H. / INSIDE SECTION				1		
3	340465	PANEL DOOR R.H. / INSIDE SECTION				1		
4	340447	BOX, R.H. INSIDE				1		
4	340446	BOX, L.H. INSIDE				1		
NS	500513	SCREW TP CAP HEXW FL #14x1 BK				AR		
NS	340467	SUPPORT / REAR OF BOX				1		
5	340463	MOULDING, FINISHING				1		
6	504392	LATCH				1		
6	N.S.S.	. KEY				1		1
7	500511	SCREW MA FL PH #10-32x3/4 ZP				4		
8	500439	NUT WELL #10-32x.518				AR		
9	500700	NUT HEX #10-32 Z050				4		
10	340493	CATCH, STUD				1		
11	340517	CATCH, ADJUSTMENT				1		
20	340518	HINGE				2		
21	500564	SCREW MA RND PH #8-32x3/4 Z050				4		
22	500764	NUT HEX #8-32 Z050				4		
23	500470	WASHER LO SPT .193x.334x.047 Z050				4		
24	340526	HINGE ADAPTOR				2		
25	500512	SCREW CAP HEXF #10-32x1/2 ZP				AR		
26	340519	SPACER				AR		
27	500510	SCREW MA BDG PH #10-32x3/4 SS EMN				1		
		1) NOT SOLD SEPARATELY						

From E-638 To Y-7045

Date:10/2022

PAGE:XL-1834-00

REAR FINISHING CAP - "LE MIRAGE"

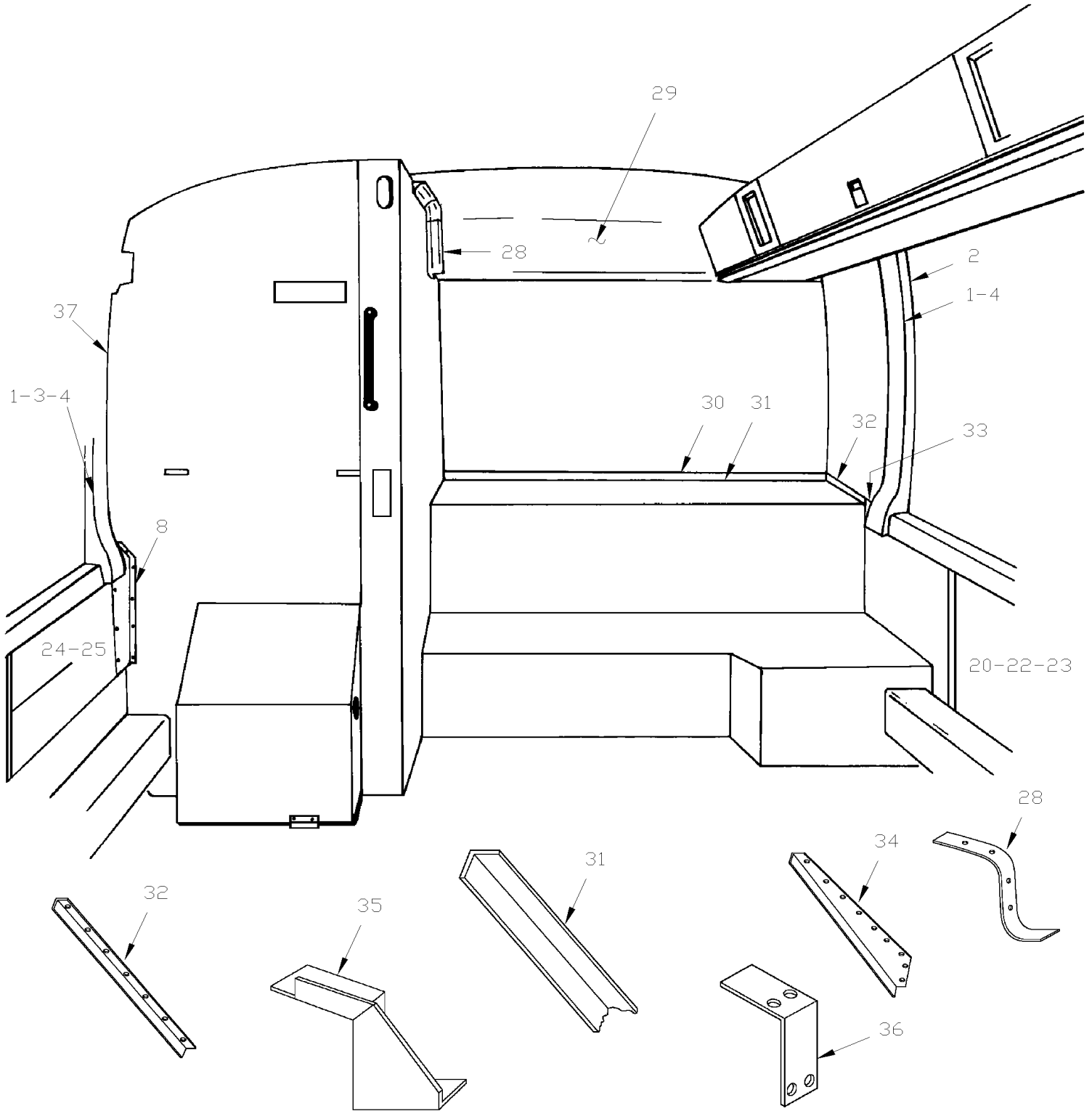


From E-638 To Y-7045

Date:10/2022

PAGE:XL-1834-00

REAR FINISHING CAP - "LE MIRAGE"



From E-638 To Y-7045	Date:10/2022	PAGE:XL-1834-00
REAR FINISHING CAP - "LE MIRAGE"		

Item#	Part	Description	M T H 4 0	M T H 4 5	M T H 4 5 E	X L 4 0	X L 4 5	N O T E S
1	321866	POST CAP, CHARCOAL "ASTRAL"				20		
1	320638	POST CAP, BEIGE To F-827				20		
1	322398	POST CAP, CHARCOAL From F-828				18		
1	322398	POST CAP, CHARCOAL From F-828					21	
1	326970	POST CAP From X-6945				1		
2	321867	POST CAP, L.H. REAR				1		
3	321868	POST CAP, R.H. REAR				1		
4	321878P	STRIP ASSY, 44 5/8" LG / W/COVERING S.C.C.				20		
NS	321919P	STRIP ASSY, 44 1/8" LG / W/COVERING S.C.C.				2	2	A
NS	504325	. FASTENER CLIP NYLON				5		
NS	320619	. STRIP				1		
4	790392	. RUBBER BLOCK ADJUSTEMENT 1" x 5/16" x 1/8" 80DURO				6	6	
5	340468	CAP UPPER REAR To F-827				1		
6	340451	CAP, REAR L.H. FIBER L.GREY To H-284				1		
6	340451	CAP, REAR L.H. FIBER L.GREY	1	1	1			
6	340871	CAP, REAR L.H. FIBER CHARCOAL From T-5747	1	1	1			H
7	340450	CAP, REAR R.H. FIBER L.GREY To H-284				1		
7	340450	CAP, REAR R.H. FIBER L.GREY	1	1	1			
7	340906	CAP, REAR R.H. FIBER CHARCOAL From T-5747	1	1	1			H
NS	291221	PLATE / TO FIX REAR CAP	2	2	2			
NS	340594	ANGLE / TO FIX CAP / 3/4" X 7"	1	1	1			
NS	340595	ANGLE / TO FIX REAR CAP / 3/4" X 7"	1	1	1			
NS	340641	MOULDING CAP / SS 1092MM (39 3/4")	1	1	1			
NS	340642	MOULDING RETAINER / 1067MM (42")	1	1	1			
NS	500626	SCREW TP OV PH #8x3/4 Z050	13	13	13			
NS	500464	WASHER FN CKF .210x.540 SS	13	13	13			
8	321556	CAP R.H. FINISHING				1		
10	321295	PANEL ASSY / CARPET #2 TO 8 L.H & R.H.				14		E
11	321300	PANEL ASSY / CARPET #9 R.H.				1		E
12	321299	PANEL ASSY / CARPET #9 L.H.				1		E
13	321298	PANEL ASSY / CARPET #1 L.H.				1		E
14	321102	MOULDING FIXATION 13 1/2"				16		E
15	321495	MOULDING CAP / SS 349MM (76 1/8")				16		E
20	Call order desk	PANEL ASSY / FORMICA #2 TO 8 L.H & R.H.				14		P F
20	Call order desk	PANEL ASSY / FORMICA #2 TO 8 L.H & R.H.					17	P F
20	322092P	PANEL ASSY / CARPET #2 TO 8 L.H & R.H.				14		F
20	322092P	PANEL ASSY / CARPET #2 TO 8 L.H & R.H.					17	F
20	322083P	PANEL ASSY / TISSUS #2 TO 8 L.H & R.H.				14		F
20	322083P	PANEL ASSY / TISSUS #2 TO 8 L.H & R.H.					17	F
NS	321453	. MOULDING "J" FORM / 1179MM (46 3/8") / F/F				1	1	F
NS	Call order desk	. PANEL ONLY				1	1	P F
21	Call order desk	PANEL ASSY / FORMICA #1 FRONT R.H.				1		P F

From E-638 To Y-7045	Date:10/2022	PAGE:XL-1834-00
REAR FINISHING CAP - "LE MIRAGE"		

Item#	Part	Description	M T H 4 0	M T H 4 5	M T H 4 5 E	X L 4 0	X L 4 5	N O T E S
21	323452P	PANEL ASSY / FORMICA #1 FRONT R.H.					1	F
21	322090P	PANEL ASSY / CARPET #1 FRONT R.H.				1	1	F
21	322081P	PANEL ASSY / TISSUS #1 FRONT R.H.				1	1	F
NS	321452	. MOULDING "J" FORM / 868MM (34 3/16") / F/F				1	1	F
NS	Call order desk	. PANEL ONLY				1	1	PF
22	322101P	PANEL ASSY / FORMICA #9 FRONT L.H.				1		F
22	322094P	PANEL ASSY / CARPET #9 FRONT L.H.				1		F
22	322085P	PANEL ASSY / TISSUS #9 FRONT L.H.				1		F
NS	321454	. MOULDING "J" FORM / 1112MM (43 15/16") / F/F				1		F
NS	Call order desk	. PANEL ONLY				1		PF
22	Call order desk	PANEL ASSY / FORMICA #10 REAR R.H.					1	PF
22	Call order desk	PANEL ASSY / CARPET #10 REAR R.H.					1	PF
22	Call order desk	PANEL ASSY / TISSUS #10 REAR R.H.					1	PF
NS	Call order desk	. PANEL ONLY / 8 3/8"					1	PF
23	Call order desk	PANEL ASSY / FORMICA #1 FRONT L.H.				1		PF
NS	323451P	PANEL ASSY / FORMICA #1 FRONT L.H.					1	F
23	322096P	PANEL ASSY / CARPET #1 FRONT L.H.				1	1	F
23	322087P	PANEL ASSY / TISSUS #1 FRONT L.H.				1	1	F
NS	321455	. MOULDING "J" FORM / 957MM (37 11/16") / F/F				1	1	F
NS	Call order desk	. PANEL ONLY				1	1	PF
24	321306	MOULDING RETAINER / 349MM (13 3/4")				16		
25	321305	MOULDING CAP / SS 355MM (14")				16		
NS	321807	WOOD SPACER 1/4" X 1 1/2" X 10"/ WALL & STRUCTURE				3	3	
NS	324704	WOOD SPACER 1/4" X 32 MM X 32MM				37		B
NS	324704	WOOD SPACER 1/4" X 32 MM X 32MM					42	B
NS	324705	WOOD SPACER 3/8" X 32MM X 32MM				37		B
NS	324705	WOOD SPACER 3/8" X 32MM X 32MM					42	B
NS	322871	WOOD SPACER 1/2" X 32MM X 32MM				37		B
NS	322871	WOOD SPACER 1/2" X 32MM X 32MM					43	B
26	340713	CAP UPPER From H-285 To J-603				1		
27	340712	CAP CENTER From H-285 To J-603				1		
28	340711	CAP LOWER From H-285 To J-603				1		
28	402984	MOULDING FINISHING S.S. From J-604				1	1	
NS	500632	SCREW TP OV PH #8x1 1/2 Z050				AR	AR	
29	340673	CAP, REAR / FIBERGLASS / GRAY W/O LAVATORY From H-285				1	1	
29	340685	CAP, REAR / FIBERGLASS / GRAY From H-285				1	1	G
29	340856	CAP, REAR / FIBERGLASS / GRAY				1		D
29	340895	CAP, REAR / FIBERGLASS / GRAY					1	D
29	340896	CAP, REAR / FIBERGLASS / GRAY					1	D
29	340932	CAP, REAR / FIBERGLASS / GRAY					1	T
29	340993	CAP, REAR / FIBERGLASS / GRAY				1		L
NS	291221	PLATE / TO FIX REAR CAP	2	2	2			

From E-638 To Y-7045	Date:10/2022	PAGE:XL-1834-00
REAR FINISHING CAP - "LE MIRAGE"		

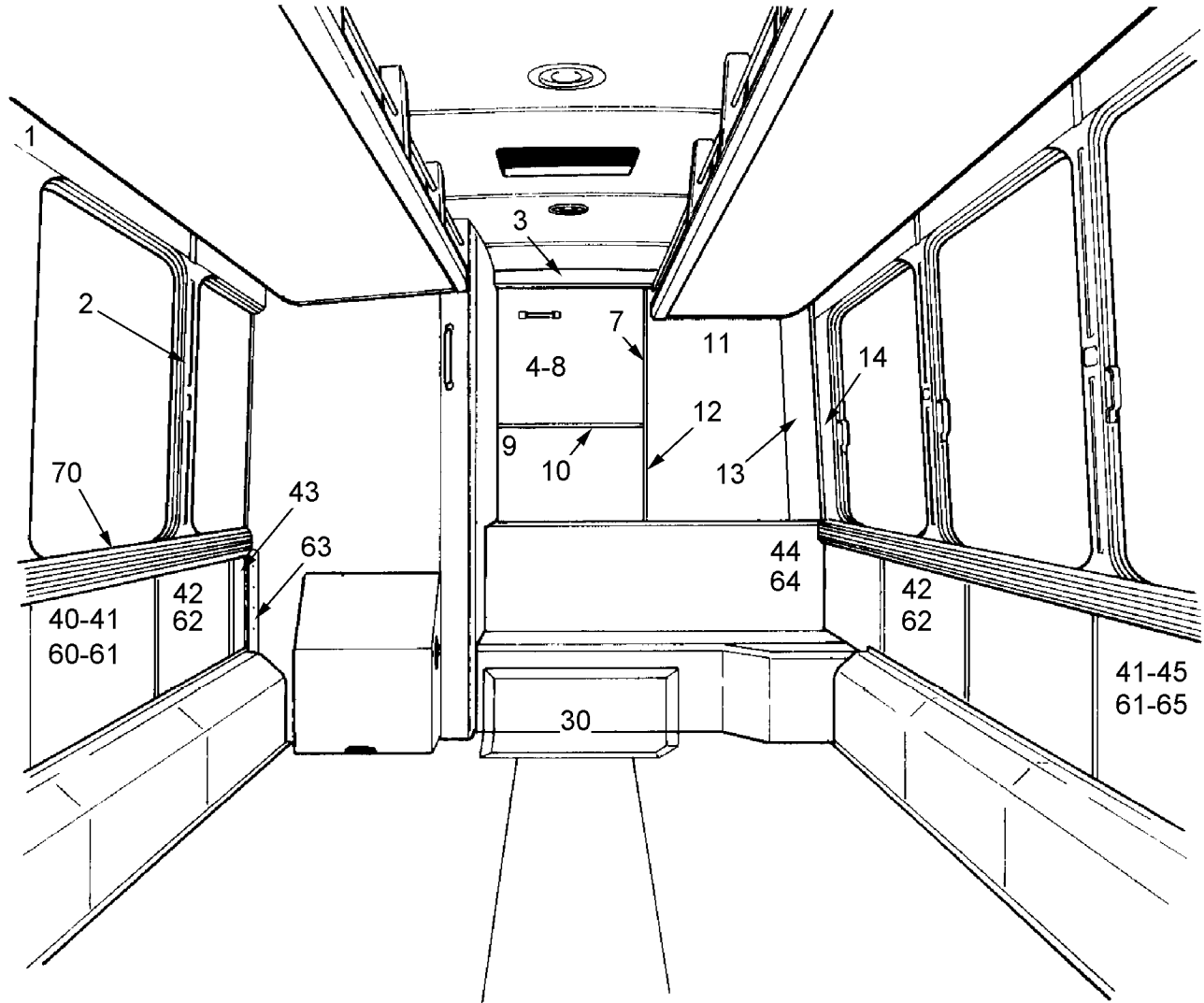
Item#	Part	Description	M T H 4 0	M T H 4 5	M T H 4 5 E	X L 4 0	X L 4 5	N O T E S
NS	340594	ANGLE / TO FIX CAP / 3/4" X 7"	1	1	1			
NS	340595	ANGLE / TO FIX REAR CAP / 3/4" X 7"	1	1	1			
NS	340641	MOULDING CAP / SS 1092MM (39 3/4")	1	1	1			
NS	340642	MOULDING RETAINER / 1067MM (42")	1	1	1			
NS	500626	SCREW TP OV PH #8x3/4 Z050	13	13	13			C
NS	500464	WASHER FN CKF .210x.540 SS	13	13	13			C
30	340709	MOULDING				1	1	
30	340784	MOULDING				1		L
31	340697	SUPPORT / BEHING INTERIOR REAR CAP				1	1	
32	340699	SUPPORT / BEHING INTERIOR REAR CAP				1	1	
33	340692	SUPPORT / BEHING INTERIOR REAR CAP				1	1	
34	340698	SUPPORT / BEHING INTERIOR REAR CAP				1	1	
37	324199	CAP FINISHING (PLASTIC) OUTSIDE OF LAVATORY				1		D
40	XL-1838-00	FLOOR & COVERING - BUS						
		A) FIRST WINDOW						
		B) WALL & STRUCTURE						
		C) TO FIX REAR CAP						
		D) W/ SERIES 60						
		E) THOSE PARTS ARE RELATED WITH COACH BUILT WITHOUT SEAT TRACK						
		F) THOSE PARTS ARE RELATED WITH COACH BUILT WITH SEAT TRACKS						
		G) W/ SERIES 92						
		H) USE WITH REAR CAMERA						
		L) WITH REAR AUXILLIARY A/C SYSTEM						
		T) W/OUT LAVATORY						
		P) CALL ORDER DESK FOR SPECIFIC APPLICATION (V.I.N.)						

From E-638 To J-429

Date:10/2022

PAGE:XL-1834-10

REAR FINISHING CAP - "PREVOST XL"



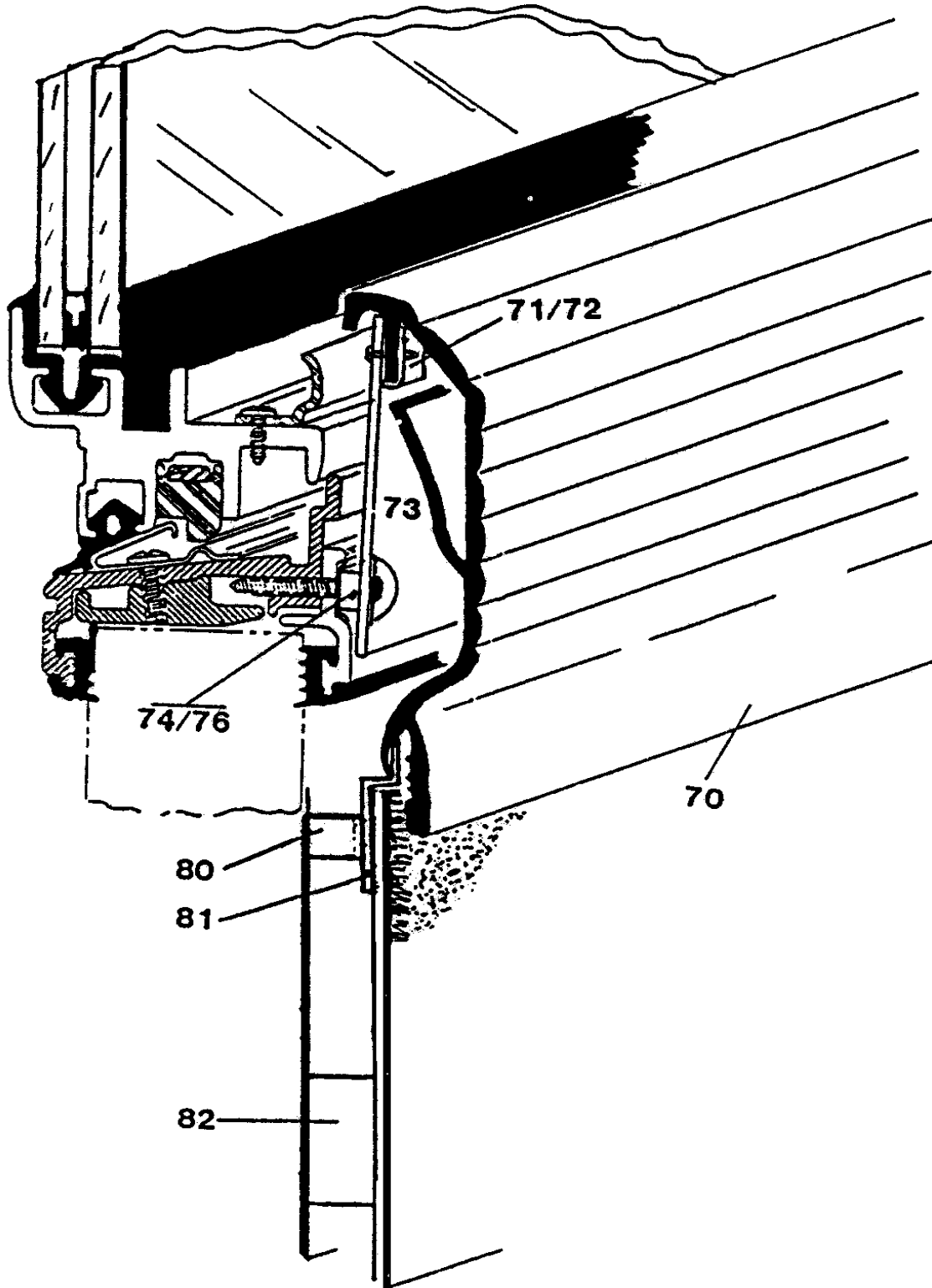
40/45 UP TO E-745 W/OUT SEAT TRACKS
60/65 FROM E-746 W/SEAT TRACKS

From E-638 To J-429

Date:10/2022

PAGE:XL-1834-10

REAR FINISHING CAP - "PREVOST XL"



From E-638 To J-429		Date:10/2022	PAGE:XL-1834-10
REAR FINISHING CAP - "PREVOST XL"			

Item#	Part	Description	M T H 4 0	M T H 4 5	M T H 4 5 E	X L 4 0	X L 4 5	N O T E S
1	310542	CAP, UPPER WINDOW To F-827				12		
1	310759	CAP, UPPER WINDOW From F-828				12		
2	320904	CAP, BETWEEN WINDOW From F-828				10		
2	321613	CAP, BETWEEN WINDOW To F-827				10		
3	321227	CAP, FINISHING 63 3/4"				1		
NS	321206	ANGLE / TO FIX CAP / 62"				1		
4	321773	DOOR ASSY W/GALLEY / FORMICA / 15 1/2" X 25 5/8"				1		
4	321772	DOOR ASSY W/GALLEY / CAPET / 15 1/2" X 25 5/8"				1		
4	Call order desk	DOOR ASSY W/O COVERING 34" X 26" To K-652				1		P
4	Call order desk	DOOR ASSY W/O COVERING 34" X 34" From K-653				1		P
4	500641	. SCREW TP PAN PH #8x3/4 Z050				4		
NS	850019	. INSULATION PAD NOISE 1/4" x 15' x 54" / BLACK / BARYMAT (324183)				AR		
NS	321457	. RENFORT To K-652				1		
NS	323264	. RENFORT From K-653				1		
5	860422	HANDLE				1		
NS	860421	HOOK				1		
7	321222	HINGE 26" To K-652				1		
7	323260	HINGE 24 1/8" From K-653				1		
8	780180	LOCK CYLINDER W/KEY / "VIRO"				1		
. NS	780501	. KEY				1		
8	780806	LOCK CYLINDER W/KEY / "VIRO"				1		
. NS	780501	. KEY				1		
8	289549	PIVOT LOCK ACTUATOR 42.4MM / W/11MM OFFSET				1		S
NS	321458	CATCH / FIXED ON LAVATORY WALL				1		
9	321769	PANEL ASSY 14" X 15 3/4" CARPET W/GALLEY				1		
9	321770	PANEL ASSY 14" X 15 3/4" FORMICA W/GALLEY				1		
9	Call order desk	PANEL ASSY 14" X 33 1/8" SPECIFY COLOR To K-652				1		P
9	Call order desk	PANEL ASSY 15 7/8" X 33 1/8" SPECIFY COLOR From K-653				1		P
10	321782	MOULDING 16 3/4" W/GALLET				1		
10	321216	MOULDING 34"				1		
NS	321223	PLATE / 2" X 10" / TO FIX # 9 & 10				1		
11	321776	PANEL ASSY 26 1/2" X 37 1/2" FORMICA W/GALLEY				1		
11	321775	PANEL ASSY 26 1/2" X 37 1/2" CARPET W/GALLEY				1		
11	Call order desk	PANEL ASSY 32" X 40" SPECIFY COLOR				1		P
NS	321208	ANGLE / TO FIX # 9 & 12 / 65"				1		
12	321217	MOULDING 13 7/16" To K-652				1		
12	323261	MOULDING 15 5/16" From K-653				1		
12	321781	MOULDING 26 9/16" / UPPER W/GALLEY				1		
12	321783	MOULDING 13 11/16" / LOWER W/GALLEY				1		
13	340399	PANEL SIDE To F-827				1		
13	340555	PANEL SIDE From F-828				1		
14	320966	CAP, R.H. 1ST WINDOW To F-827				1		

From E-638 To J-429		Date:10/2022	PAGE:XL-1834-10
REAR FINISHING CAP - "PREVOST XL"			

Item#	Part	Description	M T H 4 0	M T H 4 5	M T H 4 5 E	X L 4 0	X L 4 5	N O T E S
14	321615	CAP, R.H. 1ST WINDOW From F-828				1		
30	XL-1838-00	FLOOR & COVERING - BUS						
40	321286	PANEL ASSY / FORMICA #1 R.H. To E-745				1		A
40	321285	PANEL ASSY / CARPET #1 R.H. To E-745				1		A
41	Call order desk	PANEL ASSY / FORMICA #9 L.H. To E-745				1		PA
42	321202	PANEL ASSY / FORMICA #2 TO 8 L.H & R.H. To E-745				14		A
42	Call order desk	PANEL ASSY / CARPET #2 TO 8 L.H & R.H. To E-745				14		PA
43	321053	PANEL ASSY / CARPET #9 W/O LAVATORY To E-745				1		A
43	321056	PANEL ASSY / CARPET #9 W/LAVATORY To E-745				1		A
43	321044	PANEL ASSY / FORMICA #9 W/LAVATORY To E-745				1		A
43	321093	MOULDING, UPPER W/CARPET "Z" SHAPE W/LAVATORY To E-745				1		A
43	321094	MOULDING, UPPER W/CARPET "Z" SHAPE W/O LAVATORY To E-745				1		A
44	Call order desk	PANEL ASSY / CARPET #9 L.H. To E-745				1		PA
60	Call order desk	PANEL ASSY / TISSUS #1 R.H. From E-746				1		PB
60	Call order desk	PANEL ASSY / CARPET #1 R.H. From E-746				1		PB
60	Call order desk	PANEL ASSY / FORMICA #1 R.H. From E-746				1		PB
NS	321452	. MOULDING "J" FORM / 868MM (34 3/16") / F/F From E-746				1		B
NS	Call order desk	. PANEL ONLY From E-746				1		PB
61	Call order desk	PANEL ASSY / TISSUS #2 TO 8 L.H. & R.H. From E-746				14		PB
61	Call order desk	PANEL ASSY / CARPET #2 TO 8 L.H & R.H. From E-746				14		PB
61	Call order desk	PANEL ASSY / FORMICA #2 TO 8 L.H & R.H. From E-746				14		PB
NS	321453	. MOULDING "J" FORM / 1179MM (46 3/8") / F/F From E-746				1		B
NS	Call order desk	. PANEL ONLY From E-746				1		PB
62	321479	MOULDING CAP / SS 327MM (12 7/8") From E-746				15		B
62	321480	MOULDING RETAINER / 314MM (12 3/8") From E-746				15		B
62	321474	PANEL FLOOR #5 From E-746				1		B
63	321555	MOULDING, FINISHING W/LAVATORY From E-746				1		B
64	Call order desk	PANEL ASSY / TISSUS #9 L.H. From E-746				1		PB
64	Call order desk	PANEL ASSY / CARPET #9 L.H. From E-746				1		PB
64	Call order desk	PANEL ASSY / FORMICA #9 L.H. From E-746				1		PB
NS	321454	. MOULDING "J" FORM / 1112MM (43 15/16") / F/F From E-746				1		B
NS	Call order desk	. PANEL ONLY From E-746				1		PB
65	Call order desk	PANEL ASSY / TISSUS #1 L.H. From E-746				1		PB
65	Call order desk	PANEL ASSY / CARPET #1 L.H. From E-746				1		PB
65	Call order desk	PANEL ASSY / FORMICA #1 L.H. From E-746				1		PB
NS	321455	. MOULDING "J" FORM / 957MM (37 11/16") / F/F From E-746				1		B
NS	Call order desk	. PANEL ONLY From E-746				1		PB
70	320959	MOULDING, LOWER WINDOWS 69"				11		
70	320963	MOULDING, LOWER WINDOWS 81"				1		
NS	320965	CAP, R.H. END RAIL				2		
NS	321101	CAP, L.H. END RAIL				1		
71	500981	NUT SPR U #10-23/32x5/8				AR		

From E-638 To J-429	Date:10/2022	PAGE:XL-1834-10
REAR FINISHING CAP - "PREVOST XL"		

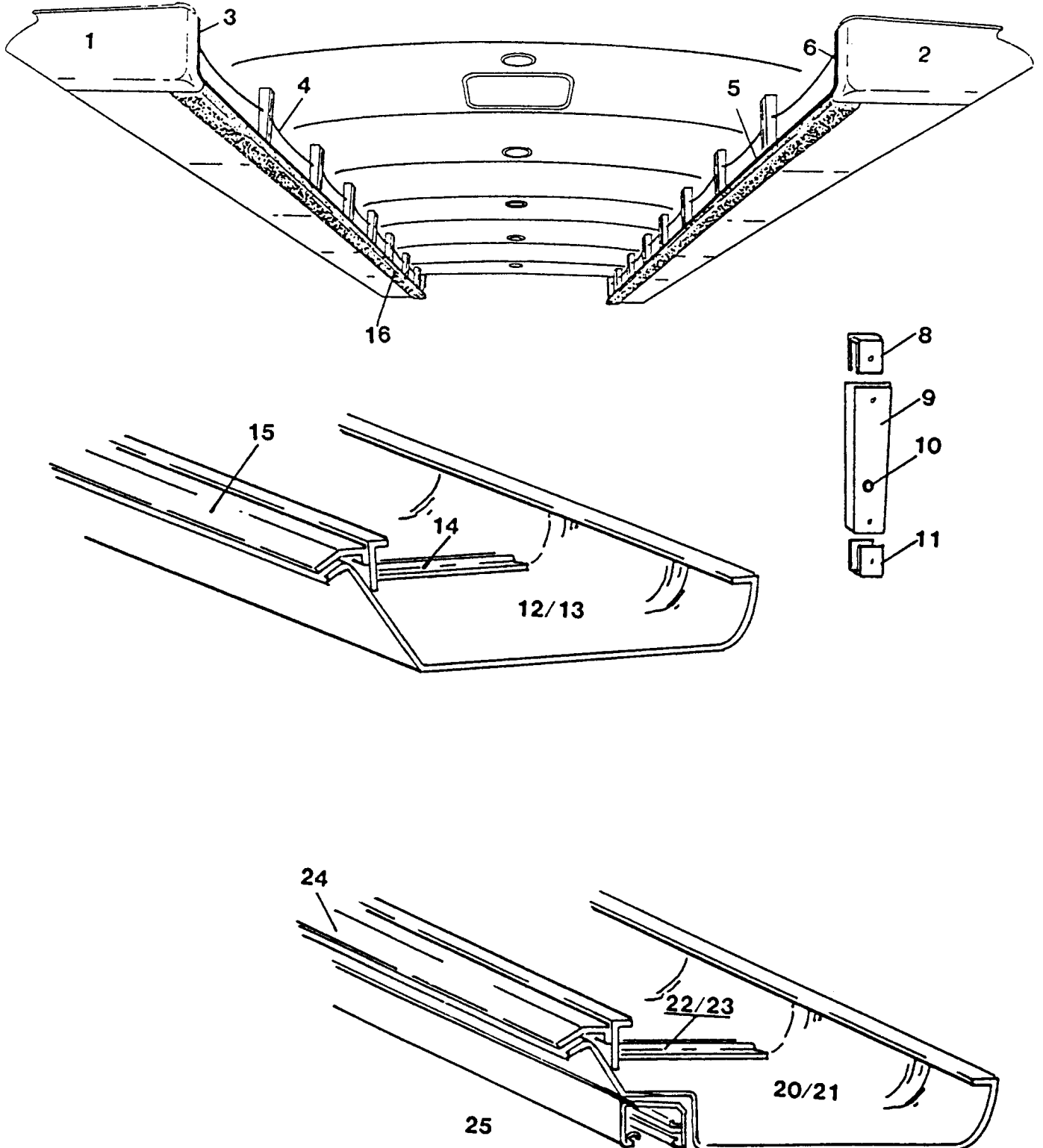
Item#	Part	Description	M T H 4 0	M T H 4 5	M T H 4 5 E	X L 4 0	X L 4 5	N O T E S
72	500613	SCREW TP PAN PH #10x1/2 Z050				AR		
73	321117	GRILL, LOWER WINDOWS 35"				1		
73	320960	GRILL, LOWER WINDOWS 65"				11		
74	321119	SHIM, LOWER WINDOWS 28"				1		
74	320961	SHIM, LOWER WINDOWS 54"				11		
75	500617	SCREW TP PAN PH #8x1 Z050				AR		
76	500989	WASHER FL .219x.875x.062 Z050				AR		
		A) THOSE PARTS ARE RELATED WITH COACH BUILT WITHOUT SEAT TRACKS						
		B) THOSE PARTS ARE RELATED WITH COACH BUILT WITH SEAT TRACKS						
		S) REQUIERED ONLY IN SERVICE IF YOU NEED TO CHANGE YOUR OLD CYLINDER LOCK # 780180						
		P) CALL ORDER DESK FOR SPECIFIC APPLICATION (V.I.N.)						

From E-638 To H-284

Date:10/2022

PAGE:XL-1836-00

PARCEL RACK - "LE MIRAGE"



From E-638 To H-284		Date:10/2022	PAGE:XL-1836-00
PARCEL RACK - "LE MIRAGE"			

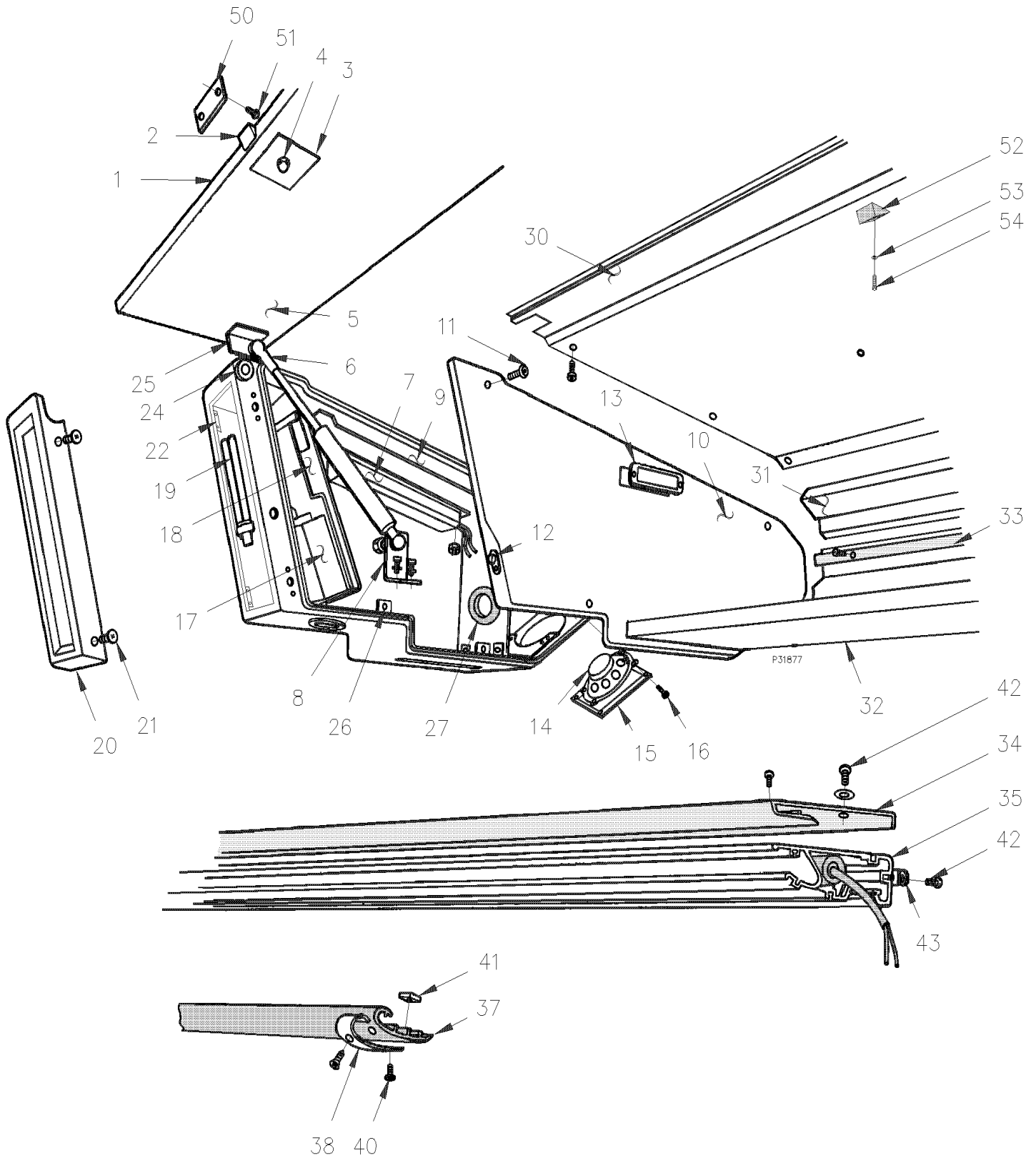
Item#	Part	Description	M T H 4 0	M T H 4 5	M T H 4 5 E	X L 4 0	X L 4 5	N O T E S
		P) CALL ORDER DESK FOR SPECIFIC APPLICATION (V.I.N.)						

From H-285 To V-6249

Date:10/2022

PAGE:XL-1836-01

PARCEL RACK - "LE MIRAGE" - W/DOORS



From H-285 To V-6249	Date:10/2022	PAGE:XL-1836-01
PARCEL RACK - "LE MIRAGE" - W/DOORS		

Item#	Part	Description	M T H 4 0	M T H 4 5	M T H 4 5 E	X L 4 0	X L 4 5	N O T E S
1	311347	DOOR ASSY / 1534MM To V-6240				11	11	
1	312321	DOOR ASSY / 1534MM From V-6241				11	11	
1	311733	DOOR ASSY / 1396MM To V-6240					1	
1	312326	DOOR ASSY / 1396MM From V-6241					1	
1	311529	DOOR ASSY / W/LARGE LOCK / 1534MM To T-5878				AR	AR	
1	312065	DOOR ASSY / W/SMALL LOCK / 1534MM From T-5879 To V-6240				AR	AR	
1	312327	DOOR ASSY / W/LOCK / 1534MM From V-6241				AR	AR	
1	311349	DOOR, PARCEL RACK / 670MM To V-6240				1		
1	312322	DOOR, PARCEL RACK / 670MM From V-6241				1		
1	311528	DOOR, PARCEL RACK / W/LARGE LOCK / 670MM To T-5878				AR	AR	
1	312066	DOOR, PARCEL RACK / W/SMALL LOCK / 670MM From T-5879 To V-6240				AR	AR	
1	312328	DOOR, PARCEL RACK / W/LOCK / 670MM From V-6241				AR	AR	
1	311539	DOOR ASSY / L.H. REAR / 646MM				1	1	
1	311350	DOOR, PARCEL RACK / 400MM To V-6240				1	1	
1	312323	DOOR, PARCEL RACK / 400MM From V-6241				1	1	
1	504527	. BUMPER PLUG / .625ODx.312THx.250HOLEx.125				2		
2	810082	. HANDLE / W/LOCK / LARGE MODEL To T-5878				1	1	
2	810085	. HANDLE / W/LOCK / SMALL MODEL From T-5879				1	1	
2	810075	. HANDLE / W/O KEY				1	1	A
NS	810084	. . KEY / (CH751)				1	1	
4	500772	. NUT HEX CAP 1/4-20 NP				1	1	
4	500995	. NUT HEX CAP #10-32 Z050				1	1	
4	502580	. NUT HEX CAP M5-0.8 ZP				1	1	
NS	502564	. WASHER LO SPT 6.1x11.8x1.6 Z050				1	1	
NS	500468	. WASHER FL .281x1.250x.065 Z050				3	3	
5	311062	. PIVOT / DOOR To V-6240				2	2	
5	Call order desk	. PIVOT / DOOR From V-6241				2	2	P
NS	500344	. SCREW MA RND PH M4-0.7x12 Z050				2	2	
NS	311760	RAIL SUPPORT / 1563MM					1	B
6	980020	CYLINDER GAZ / 244/164MM C/C / 35LBS				AR	AR	C
6	980021	CYLINDER GAZ / 244/164MM C/C / 20LBS				AR	AR	
NS	980016	NUT, CYLINDER RETAINER				AR	AR	
NS	500874	WASHER FL 8.4x17.0x1.6 Z050				AR	AR	
NS	502509	WASHER LO INT 8.4x15.0x0.8 Z050				AR	AR	
NS	980015	BALL STUD / W/10 MM X M8-1.25 / 29.18 MM				AR	AR	
7	330215	BALLAST ASSY / 24 VOLTS To V-6180				AR	AR	
7	330331	BALLAST ASSY / 24 VOLTS From V-6181				1	1	
7	330214	BALLAST ASSY / 24 VOLTS To V-6180				AR	AR	
7	330330	BALLAST ASSY / 24 VOLTS From V-6181				1	1	
NS	311070	SUPPORT "V" SHAPE / UPPER 2 BALLAST				1	1	
NS	500441	WASHER FL .312x.734x.065 Z050				AR	AR	
NS	500770	NUT HEX STO 1/4-20 Z050				AR	AR	

From H-285 To V-6249	Date:10/2022	PAGE:XL-1836-01
PARCEL RACK - "LE MIRAGE" - W/DOORS		

Item#	Part	Description	M T H 4 0	M T H 4 5	M T H 4 5 E	X L 4 0	X L 4 5	N O T E S
NS	063068	CABLE ASSY / TO USE W/110V BALLAST ONLY				1	1	
8	311118	BRACKET / LOWER				AR	AR	
NS	500611	SCREW TC PAN PH #10-24x1/2 Z050				AR	AR	
NS	500470	WASHER LO SPT .193x.334x.047 Z050				AR	AR	
9	311055	BOX FIBERGLASS / #2 TO #8 L.H. & #8 R.H. To T-5937				6	6	
9	311868	BOX FIBERGLASS / #2 TO #8 L.H. & #8 R.H. From T-5938				6	6	
9	311037	BOX FIBERGLASS / #2 TO #7 R.H. / (AS SHOWN) To T-5937				6	6	
9	312009	BOX FIBERGLASS / #2 TO #7 R.H. / (AS SHOWN) From T-5938				6	6	
9	311162	BOX FIBERGLASS / #1 R.H. To T-5937				1	1	
9	312010	BOX FIBERGLASS / #1 R.H. From T-5938				1	1	
9	310988	BOX FIBERGLASS / #1 L.H. To T-5937				1	1	
9	312008	BOX FIBERGLASS / #1 L.H. From T-5938				1	1	
NS	311906	BOX FIBERGLASS / #1 L.H. / (W/AMPLI INSIDE) From T-5687					1	
NS	504118	RIVET POP DOME OE 3/16x3/8 AL				AR	AR	
NS	500147	WASHER FL SQ .187x.625x.063				AR	AR	D
NS	502523	RIVET NUT FL OKS 5/16-18 .059-.119				AR	AR	
NS	311171	WASHER / TO FIX PARCEL RACK				AR	AR	
NS	500182	SCREW CAP HEX 5/16-18x1 1/4 G5 PT Z050				AR	AR	
10	311173	COVER ASSY, R.H. / W/CORD To T-5937				AR	AR	
10	312096	COVER ASSY, R.H. / W/CORD From T-5938				AR	AR	
10	311174	COVER ASSY, L.H. / W/CORD To T-5937				AR	AR	
10	312106	COVER ASSY, L.H. / W/CORD From T-5938				AR	AR	
10	311103	. COVER, R.H.				1	1	E
10	311102	. COVER, L.H.				1	1	E
10	311122	COVER ASSY, R.H. / W/LIGHT & DOOR (AS SHOWN) To T-5937				AR	AR	
10	312108	COVER ASSY, R.H. / W/LIGHT & DOOR (AS SHOWN) From T-5938				AR	AR	
10	311123	COVER ASSY, L.H. / W/LIGHT & DOOR To T-5937				AR	AR	
10	312107	COVER ASSY, L.H. / W/LIGHT & DOOR From T-5938				AR	AR	
10	310994	. COVER, R.H. / W/DOOR				1	1	
10	310998	. COVER, L.H. / W/DOOR				1	1	
11	500816	. SCREW TP OV PH #8x1/2 SS410				AR	AR	
11	500464	. WASHER FN CKF .210x.540 SS				AR	AR	
12	561563	. SWITCH / S.P.S.T. / N.C.				1	1	
NS	500689	. NUT HEX #6-32 Z050				1	1	
NS	500467	. WASHER LO INT .138x.275x.019 Z050				1	1	
NS	500663	. SCREW MA FL PH #6-32x3/4 ZP				1	1	
13	430312	. LENS				1	1	
13	430314	. LAMP ASSY				1	1	
NS	560144	. BULB / 1.6WATT-24VOLTS / SAE# 1820				1	1	
NS	430316	. SEAL				1	1	
NS	061967	. CABLE ASSY / LIGHT & SWITCH				1	1	
NS	506268	. TAPE RUB ADH1 URE 3/8" x 1/2" x 25' / GREY 1820				AR	AR	

From H-285 To V-6249	Date:10/2022	PAGE:XL-1836-01
PARCEL RACK - "LE MIRAGE" - W/DOORS		

Item#	Part	Description	M T H 4 0	M T H 4 5	M T H 4 5 E	X L 4 0	X L 4 5	N O T E S
14	XL-2315-10	SOUND SYSTEM & ACCESSORIES						
NS	403960	SPACER ADAPTOR / PLASTIC BLACK				1	1	
NS	311438	ATTACHMENT PLATE / TO FIX SPEAKER				1	1	
15	XL-2315-10	SOUND SYSTEM & ACCESSORIES						
16	500617	SCREW TP PAN PH #8x1 Z050				AR	AR	
17	330220	BALLAST ASSY / 24 VOLTS				AR	AR	
18	311005	SUPPORT REAR BALLAST To T-5762				8	8	
NS	311003	SUPPORT LOWER / USE ON L.H. SIDE To T-5762				8	8	
18	311994	SUPPORT REAR BALLAST From T-5763				16	16	
NS	500638	SCREW TP PAN PH #8x1/2 Z050				1	1	
NS	500989	WASHER FL .219x.875x.062 Z050				1	1	
19	830108	TUBE / 7WATT / PL7				AR	AR	
20	311045	LENS COVER ASSY / TO USE W/CORD To L-606				AR		
20	311153	LENS COVER ASSY / TO USE W/CORD To L-606				AR		
20	311461	LENS COVER ASSY / TO USE W/CORD From L-607				AR	AR	
NS	311462	LENS COVER ASSY / TO USE W/DOOR From L-607				AR	AR	
20	312146	LENS COVER "SPECIAL"				1	1	X
20	311458	. LENS To L-606				1		
NS	311460	. LENS From L-607				1	1	
21	500124	SCREW TP TR PH #8x1/2 SS				AR	AR	
22	311076	ATTACHMENT LOWER / TO FIX ITEM #20 TO 9				4	4	
24	502514	WASHER SHR .440 ID NYL				2	2	
NS	502623	WASHER FL .443x.750x.125 NYL				2	2	
NS	504586	WASHER FL SPACER .450x.625x.875 NYL				AR	AR	
24	312277	BUSHING NYLON / TO USE W/LAST L.H. DOOR				1	1	
25	311093	BRACKET / UPPER				AR	AR	
NS	500470	WASHER LO SPT .193x.334x.047 Z050				AR	AR	
NS	502529	SCREW MA BDG PH M5-0.8x12 BZC				AR	AR	
26	311075	ATTACHMENT / TO FIX COVER				AR	AR	
27	310999	PLATE ASSY / SPEAKER & BALLAST				1	1	
NS	311001	. INSULATING, NOISE				1	1	
NS	311000	. PLATE, ACOUSTIC				1	1	
NS	504460	. GROMMET / 1.500x1.750x.062x.437x2.125				1	1	
NS	310992	ANGLE, BRACKET / TO FIX PLATE				AR	AR	
28	504453	GROMMET / 1.500x1.750x.250x.625x2.125				1	1	
30	310991	TOP / #1 R.H. / 1727MM To T-5937				1	1	
30	311831	TOP / #1 R.H. / 1727MM From T-5938 To V-6132				1	1	
30	312223	TOP / #1 R.H. / 1727MM From V-6133				1	1	
30	310993	TOP / #1 L.H. / 1727MM To T-5937				1	1	
30	311832	TOP / #1 L.H. / 1727MM From T-5938 To V-6132				1	1	
30	312225	TOP / #1 L.H. / 1727MM From V-6133				1	1	
30	310990	TOP / 1650MM #2 TO 5 R.H. & L.H. To T-5937				8	8	

From H-285 To V-6249	Date:10/2022	PAGE:XL-1836-01
PARCEL RACK - "LE MIRAGE" - W/DOORS		

Item#	Part	Description	M T H 4 0	M T H 4 5	M T H 4 5 E	X L 4 0	X L 4 5	N O T E S
30	311827	TOP / 1650MM #2 TO 5 R.H. & L.H. From T-5938 To V-6132				8	8	
30	312217	TOP / 1650MM #2 TO 5 R.H. & L.H. From V-6133				8	8	
30	311047	TOP / 844MM #6 R.H. To T-5937				1		
30	311833	TOP / 844MM #6 R.H. From T-5938 To V-6132				1		
30	312226	TOP / 844MM #6 R.H. From V-6133				1		
30	311595	TOP / 524MM #6 R.H. From R-823 To T-5937				1	1	F
30	311098	TOP / 1702MM #6 L.H. To T-5937				1		
30	311834	TOP / 1702MM #6 L.H. From T-5938 To V-6132				1		
30	312228	TOP / 1702MM #6 L.H. From V-6133				1		
30	311738	TOP / 1514MM #6 R.H. & L.H. To T-5937					2	
30	311830	TOP / 1514MM #6 R.H. & L.H. From T-5938 To V-6132					2	
30	312221	TOP / 1514MM #6 R.H. & L.H. From V-6133					2	
30	311826	TOP / #7 R.H. / 524MM From T-5938 To V-6132					1	
30	312159	TOP / #7 R.H. / 524MM From V-6133					1	
30	311098	TOP / 1702MM #7 L.H. To T-5937					1	
30	311834	TOP / 1702MM #7 L.H. From T-5938 To V-6132					1	
30	312228	TOP / 1702MM #7 L.H. From V-6133					1	
30	312243	INSULATING / TOP PANEL & STRUCTURE 1371.6MM From V-6133					13	
NS	507300	HOLE PLUG BUTTON / 2.000 O.D. WHITE				1	1	G
NS	504248	RIVET CHY Q PRDG 3/16x1/4 SS				AR	AR	
NS	500147	WASHER FL SQ .187x.625x.063				AR	AR	D
NS	504118	RIVET POP DOME OE 3/16x3/8 AL				AR	AR	
31	311085	HOOK / RIVETED TO PARCEL RACK				5	5	
31	311086	RAIL SUPPORT / #3 R.H. / 2520MM				1	1	
31	311734	RAIL SUPPORT / #4 R.H. / 3183MM					1	
31	311735	RAIL SUPPORT / #4 R.H. / 2114MM					1	
31	311597	RAIL SUPPORT / #5 R.H. / 250MM				1		
NS	500659	SCREW TC PAN PH #10-32x1 Z050				AR	AR	
32	311428	PANEL / #1 L.H. To T-5937				1	1	
32	311818	PANEL / #1 L.H. From T-5938				1	1	
32	311429	PANEL / #1 R.H. To T-5937				1	1	
32	311819	PANEL / #1 R.H. From T-5938				1	1	
32	312308	PANEL / #1 R.H. W/INDEPENDANT SUSPENISION From T-5873				1	1	
32	311430	PANEL / #1 R.H. / W/W.C.L.				1	1	
32	311425	PANEL / #2 TO 5 L.H. & #2 TO 4 R.H. To T-5937				7		
32	311815	PANEL / #2 TO 5 L.H. & #2 TO 4 R.H. From T-5938				7		
32	311425	PANEL / #2 TO 5 L.H. & R.H. To T-5937					8	
32	311815	PANEL / #2 TO 5 L.H. & R.H. From T-5938					8	
32	311431	PANEL / #2 R.H. / W/W.C.L.				1	1	
32	311427	PANEL / #5 R.H. To T-5937				1		
32	311817	PANEL / #5 R.H. From T-5938				1		

From H-285 To V-6249	Date:10/2022	PAGE:XL-1836-01
PARCEL RACK - "LE MIRAGE" - W/DOORS		

Item#	Part	Description	M T H 4 0	M T H 4 5	M T H 4 5 E	X L 4 0	X L 4 5	N O T E S
32	311591	PANEL / #5 R.H. From R-823 To T-5937				1		F
32	311822	PANEL / #5 R.H. From T-5938				1		F
32	311736	PANEL / #6 L.H. To T-5937					1	
32	311814	PANEL / #6 L.H. From T-5938					1	
32	311426	PANEL / #6 L.H. To T-5937				1		
32	311816	PANEL / #6 L.H. From T-5938				1		
32	311737	PANEL / #6 R.H. To T-5937					1	
32	311873	PANEL / #6 R.H. From T-5938					1	
32	311426	PANEL / #7 L.H. To T-5937					1	
32	311816	PANEL / #7 L.H. From T-5938					1	
32	311755	RAIL SUPPORT / #6 R.H. / 1659MM					1	
32	810034	CARPET OZITE / S.L. 12 FT WIDE				AR	AR	
32	5001304	SCREW TC CAP HEXW SLT #12-24x5/8 ZP				AR	AR	
32	500964	WASHER FL .203x.500x.047 Z050				AR	AR	
NS	5001245	SCREW TC CAP HEXW SLT #12-24x1/2 Z050				AR	AR	
NS	500989	WASHER FL .219x.875x.062 Z050				AR	AR	
33	311092	MOULDING / ALUMINIUM 620MM (24 3/8") To T-5937				1		
33	311759	MOULDING / ALUMINIUM 1348MM (53") To T-5937					1	
33	311091	MOULDING / ALUMINIUM 1484MM (58 7/16") To T-5937				1	1	
33	311271	MOULDING / ALUMINIUM 360MM (14 3/16") To T-5937				1	1	
33	502526	SCREW TC BDG PH #12-24x3/4 Z050 To T-5937				AR	AR	
34	310996	EXTRUSION PLASTIC / 364" APROX				AR	AR	
34	311618	EXTRUSION PLASTIC / 40' To S-591					1	
34	311779	EXTRUSION PLASTIC / 40' From S-592					1	
34	311669	EXTRUSION PLASTIC / 36' To S-591				1		
34	311839	EXTRUSION PLASTIC / 36' From S-592				1		
34	Call order desk	EXTRUSION PLASTIC / 96" (SERVICE)				1	1	P
35	311049	HAND RAIL & LIGHTING CHANEL / 208 13/16" To S-591				1		
35	311572	HAND RAIL & LIGHTING CHANEL / 208 13/16" From S-592 To T-5937				1		
35	311881	HAND RAIL & LIGHTING CHANEL / 208 13/16" From T-5938				1		
35	311044	HAND RAIL & LIGHTING CHANEL / 198 11/32" To S-591				1		
35	311571	HAND RAIL & LIGHTING CHANEL / 198 11/32" From S-592 To T-5937				1		
35	311880	HAND RAIL & LIGHTING CHANEL / 198 11/32" From T-5938				1		
35	311119	HAND RAIL & LIGHTING CHANEL / 165" APROX To S-591				1		
35	311573	HAND RAIL & LIGHTING CHANEL / 165" APROX From S-592 To T-5937				1		
35	311883	HAND RAIL & LIGHTING CHANEL / 165" APROX From T-5938				1		
35	311732	HAND RAIL & LIGHTING CHANEL / 268 13/16" To S-591					1	
35	311762	HAND RAIL & LIGHTING CHANEL / 268 13/16" From S-592 To T-5937					1	
35	311885	HAND RAIL & LIGHTING CHANEL / 268 13/16" From T-5938					1	
35	311723	HAND RAIL & LIGHTING CHANEL / 215 29/32" To S-591					1	

From H-285 To V-6249	Date:10/2022	PAGE:XL-1836-01
PARCEL RACK - "LE MIRAGE" - W/DOORS		

Item#	Part	Description	M T H 4 0	M T H 4 5	M T H 4 5 E	X L 4 0	X L 4 5	N O T E S
35	311761	HAND RAIL & LIGHTING CHANEL / 215 29/32" From S-592					1	
NS	Call order desk	HAND RAIL & LIGHTING CHANEL From T-5938				AR	AR	P
NS	311389	END CLOSED AT REAR END				1	1	
NS	311250	ROD / TO JOINT HAND RAIL EXTRUSION				AR	AR	
NS	311251	PLATE / TO JOINT HAND RAIL EXTRUSION				AR	AR	
NS	504114	RIVET POP DOME OE 3/16x1/4 AL				AR	AR	
36	500989	WASHER FL .219x.875x.062 Z050				AR	AR	
36	500909	WASHER FL .805x1.780x.112 SS				AR	AR	
37	311617	EXTRUSION RUBBER / 492" To S-591				AR	AR	
37	311778	EXTRUSION RUBBER / 492" From S-592				AR	AR	
38	311095	SUPPORT / RAIL / S.L.				2	2	
41	311152	SPACER				4	4	
50	311530	PLATE, CATCH / TO USE W/DOOR, W/LOCK To T-5878				1	1	
50	311068	PLATE, CATCH / TO USE W/DOOR, W/O LOCK From T-5879				1	1	
50	311068	PLATE, CATCH / TO USE W/DOOR, W/O LOCK				1	1	
NS	311352	SPACER / TO USE W/PLATE CATCH IF REQUIRE				AR	AR	
51	500650	SCREW TC PAN PH #6-32x3/8 ZP				AR	AR	
52	292322	SILENT BLOCK				1	1	
53	311559	CONICAL WASHER / TO FIX BLOCK				2	2	
54	502664	SCREW TP PAN PH #8x1 SS EMN				2	2	I
55	XL-0655-01	INTERIOR LIGHTING						
57	061969	CABLE ASSY / PARCEL RACK CURBSIDE To P-576				1		
57	063334	CABLE ASSY / PARCEL RACK CURBSIDE From P-577 To T-5680				1		
57	064130	CABLE ASSY / PARCEL RACK CURBSIDE From T-5681				1		
57	061970	CABLE ASSY / PARCEL RACK STREETSIDE To P-576				1		
57	063335	CABLE ASSY / PARCEL RACK STREETSIDE From P-577 To T-5680				1		
57	064131	CABLE ASSY / PARCEL RACK STREETSIDE From T-5681				1		
57	062189	CABLE ASSY R.H. / W.C.L. REAR SECTION				1		
57	062196	CABLE ASSY R.H. / W.C.L. FRONT SECTION				1		
57	063987	CABLE ASSY / PARCEL RACK CURBSIDE To T-5680					1	
57	064136	CABLE ASSY / PARCEL RACK CURBSIDE From T-5681					1	
57	063988	CABLE ASSY / PARCEL RACK STREETSIDE To T-5680					1	
57	064137	CABLE ASSY / PARCEL RACK STREETSIDE From T-5681					1	
58	311083	RAIL SUPPORT / #1 TO 4 L.H. & 1 TO 3 R.H. / 2045MM				9	9	
58	311084	RAIL SUPPORT / #4 R.H. / 1197MM W/SERIES 71 & 92				1	1	
58	311596	RAIL SUPPORT / 927MM / #4 R.H. / W/SERIES 60				1		
58	311758	RAIL SUPPORT / #4 R.H. / 2451MM					1	
58	311760	RAIL SUPPORT / 1563MM					1	J
		FOLLOWING PARTS ARE RELATED WITH						
		CORD INSTALLATION						

From H-285 To V-6249	Date:10/2022	PAGE:XL-1836-01
PARCEL RACK - "LE MIRAGE" - W/DOORS		

Item#	Part	Description	M T H 4 0	M T H 4 5	M T H 4 5 E	X L 4 0	X L 4 5	N O T E S
NS	506066	CORD, RUBBER EXTRUSION NEO 7/16" O.D. / C.T.L.				AR	AR	
NS	311155	. CORD, RUBBER 26"				1	1	
. NS	506066	. . CORD, RUBBER EXTRUSION NEO 7/16" O.D. / C.T.L.				AR	AR	
NS	311154	. CORD, RUBBER 59"				12	12	
. NS	506066	. . CORD, RUBBER EXTRUSION NEO 7/16" O.D. / C.T.L.				AR	AR	
NS	311154	CORD, RUBBER 59"					13	
. NS	506066	. . CORD, RUBBER EXTRUSION NEO 7/16" O.D. / C.T.L.					AR	
NS	311155	CORD, RUBBER 26"					1	
. NS	506066	. . CORD, RUBBER EXTRUSION NEO 7/16" O.D. / C.T.L.					AR	
NS	504452	CLAMP "E-Z CLIP" / "TUBE-O" / 7/16" / HC9-7				AR	AR	K
NS	502525	WASHER FL .484x.750x.031 Z050				AR	AR	L
NS	504422	HOLE PLUG BUTTON / .625 O.D. WHITE				1	1	M
NS	504346	SNAP-IN PLUG / .500 O.D.				1	1	
		FOLLOWING PARTS ARE RELATED WITH						
		CLOSING PANEL BETWEEN						
		RH PARCEL RACK AND LAVATORY WALL						
NS	311231	FRONT COVER R.H. / NORYL GREY BOX & LAVATORY WALL				1		
NS	311647	CLOSING PANEL				1	1	
NS	311576	SUPPORT "U" SHAPE / TO FIX FRONT COVER				1	1	
NS	500124	SCREW TP TR PH #8x1/2 SS				AR	AR	
NS	Call order desk	FINISHING PANEL ASSY / UNDER PARCEL RACK R.H. LEATHERETTE / SPECIFY COL				1	1	P
NS	Call order desk	FINISHING PANEL ASSY / UNDER PARCEL RACK R.H. TISSUS / SPECIFY COLOR				1	1	P
NS	311578	. PANEL ALUMINIUM 75MM				1	1	
NS	500616	SCREW TP FL PH #10x3/4 Z050				5	5	
NS	500465	WASHER FN CKF .278x.729x.119 SS				5	5	
NS	500582	SCREW TP PAN PH #8x3/8 Z050				AR	AR	
		FOLLOWING PARTS ARE RELATED WITH						
		INSTALLATION OF FRONT COVER OF						
		RH & LH PARCEL RACK						
NS	312114	FINISHING CAP NORYL GREY, L.H. From T-5938				1	1	
NS	312115	FINISHING CAP NORYL GREY, R.H. From T-5938				1	1	
NS	311116P	CUSHION, PROTECTOR LH To S-537				1		
NS	311114	. ALUMINIUM PANEL ASSY W/SCREW / R.H. To S-537				1		
NS	311115	. FOAM To S-537				1		
NS	311569	COVER ASSY R.H. / W/GREY LEATHERETTE COVERING To S-537				1		
NS	311056	. END, FIBERGLASS, R.H. To S-537				1		
NS	311802	COVER FIBERGLASS, R.H. From S-538 To T-5937				1	1	

From H-285 To V-6249	Date:10/2022	PAGE:XL-1836-01
PARCEL RACK - "LE MIRAGE" - W/DOORS		

Item#	Part	Description	M T H 4 0	M T H 4 5	M T H 4 5 E	X L 4 0	X L 4 5	N O T E S
NS	312175	COVER FIBERGLASS, R.H. From T-5938				1	1	
NS	311117P	CUSHION, PROTECTOR RH. To S-537				1		
NS	311120	. ALUMINIUM PANEL ASSY W/SCREW / L.H. To S-537				1		
NS	311115	. FOAM To S-537				1		
NS	311570	COVER ASSY L.H. / W/GREY LEATHERETTE COVERING To S-537				1		
NS	311057	. END, FIBERGLASS, L.H. To S-537				1		
NS	311803	COVER FIBERGLASS, L.H. From S-538 To T-5937				1	1	
NS	312176	COVER FIBERGLASS, L.H. From T-5938				1	1	
NS	402493	BRACKET				1	1	N
NS	402371	OUTLET, MICROPHONE				1	1	
NS	402490	CABLE ASSY / MICRO OUTLET ON L.H. PARCEL RACK / 163"				1	1	
NS	5001145	SCREW TP BDG PH #6x1 BK				AR	AR	
NS	311127	ANGLE / TO FIX CAP				1	1	
NS	500576	SCREW TC PAN PH #6-32x1/2 Z050				4	4	
		FOLLOWING PARTS ARE RELATED WITH						
		CLOSING PANEL BETWEEN						
		L.H. PARCEL RACK AND WALL						
NS	311065	FRONT COVER L.H. / NORYL GREY 10 7/8" REAR CAP & PARCEL RACK.				1	1	
NS	Call order desk	FINISHING PANEL ASSY / UNDER PARCEL RACK L.H. LEATHERETTE / SPECIFY COL WIDE 54MM To T-5937				1	1	P
NS	Call order desk	FINISHING PANEL ASSY / UNDER PARCEL RACK L.H. TISSUS / SPECIFY COLOR WIDE 54MM To T-5937				1	1	P
NS	Call order desk	FINISHING PANEL ASSY / UNDER PARCEL RACK L.H. LEATHERETTE / SPECIFY COL WIDE 54MM From T-5938				1	1	P
NS	Call order desk	FINISHING PANEL ASSY / UNDER PARCEL RACK L.H. TISSUS / SPECIFY COLOR WIDE 54MM From T-5938				1	1	P
NS	311404	. PANEL ALUMINUM 54MM				1	1	
NS	500616	SCREW TP FL PH #10x3/4 Z050				AR	AR	
NS	500465	WASHER FN CKF .278x.729x.119 SS				AR	AR	
NS	506318	TAPE DUAL LOCK 1" x 150' / BLACK SJ3541				AR	AR	
NS	311100	ANGLE / TO FIX PANEL L.H.				3	3	
NS	500124	SCREW TP TR PH #8x1/2 SS				2	2	
NS	504114	RIVET POP DOME OE 3/16x1/4 AL				4	4	
NS	500147	WASHER FL SQ .187x.625x.063				4	4	
		A) SMALL MODEL						
		B) #6 L.H.						
		C) TO USE W/1534MM DOOR						
		D) (TO FIX PARCEL RACK)						
		E) W/CORD						
		F) WITH SERIE 60						
		G) FOR RADIO ANTENNA HOLE						

From H-285 To V-6249	Date:10/2022	PAGE:XL-1836-01
PARCEL RACK - "LE MIRAGE" - W/DOORS		

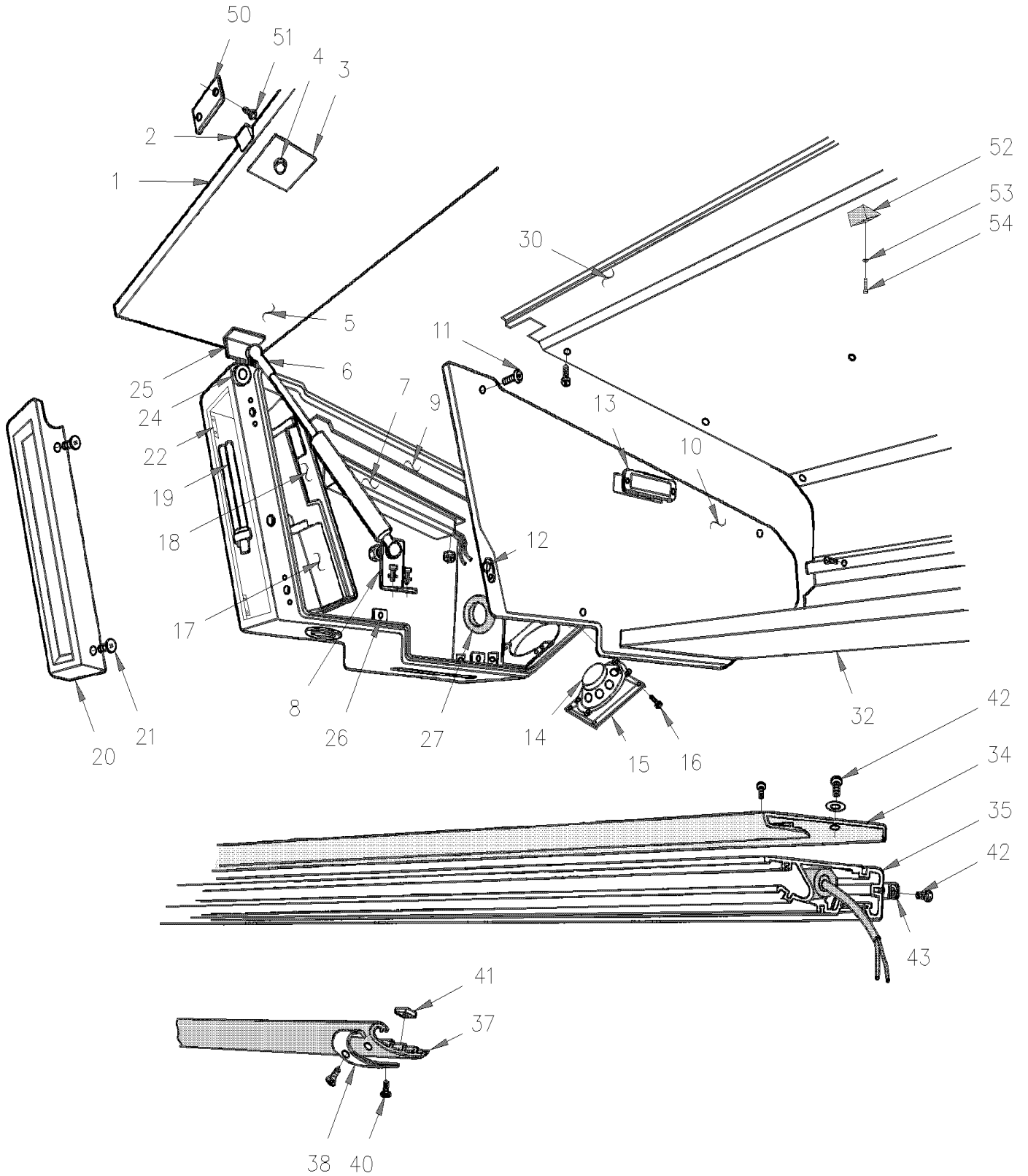
Item#	Part	Description	M T H 4 0	M T H 4 5	M T H 4 5 E	X L 4 0	X L 4 5	N O T E S
		I) TO FIX GLASS HOLDER						
		J) #6 R.H.						
		K) (TO FIX CORD IN PARCEL RACK)						
		L) TO FIX RUBBER CORD						
		M) (TO USE W/CORD)						
		N) TO FIX MICRO OUTLET						
		X) DOOR ASSY W/SINGLE ACTION UPPER LOCK, INCLUDING CABLE LH SIDE OF LENS AND DOOR ON R.H. SIDE OF LENS						
		P) CALL ORDER DESK FOR SPECIFIC APPLICATION (V.I.N.)						

From V-6250 To Y-7045

Date:10/2022

PAGE:XL-1836-02

PARCEL RACK - "LE MIRAGE" - W/DOORS



From V-6250 To Y-7045	Date:10/2022	PAGE:XL-1836-02
PARCEL RACK - "LE MIRAGE" - W/DOORS		

Item#	Part	Description	M T H 4 0	M T H 4 5	M T H 4 5 E	X L 4 0	X L 4 5	N O T E S
1	312321	DOOR ASSY / 1534MM					11	
1	312323	DOOR, PARCEL RACK / 400MM					1	
1	312326	DOOR ASSY / 1396MM					2	
1	312327	DOOR ASSY / W/LOCK / 1534MM					AR	
1	312328	DOOR, PARCEL RACK / W/LOCK / 670MM	1	1	1	1	1	
1	504527	. BUMPER PLUG / .625ODx.312THx.250HOLEx.125				2	2	
2	810075	. HANDLE / W/O KEY				1	1	S
2	810085	. HANDLE / W/LOCK / SMALL MODEL				1	1	
2	N.S.S.	. . KEY / SMALL				1	1	1
4	500995	. NUT HEX CAP #10-32 Z050				1	1	
5	Call order desk	. PIVOT / DOOR				2	2	P
5	500344	. SCREW MA RND PH M4-0.7x12 Z050				2	2	
6	980020	CYLINDER GAZ / 244/164MM C/C / 35LBS				AR	AR	T
6	980021	CYLINDER GAZ / 244/164MM C/C / 20LBS				AR	AR	
NS	500874	WASHER FL 8.4x17.0x1.6 Z050				AR	AR	
NS	502509	WASHER LO INT 8.4x15.0x0.8 Z050				AR	AR	
NS	980015	BALL STUD / W/10 MM X M8-1.25 / 29.18 MM				AR	AR	
NS	980016	NUT, CYLINDER RETAINER				AR	AR	
7	330331	BALLAST ASSY / 24 VOLTS				AR	AR	
NS	500441	WASHER FL .312x.734x.065 Z050				AR	AR	U
NS	500770	NUT HEX STO 1/4-20 Z050				AR	AR	U
9	312257	FRAME BOX STEEL				14		
9	312257	FRAME BOX STEEL					16	
NS	500441	WASHER FL .312x.734x.065 Z050				AR	AR	
NS	500770	NUT HEX STO 1/4-20 Z050				AR	AR	U
NS	504118	RIVET POP DOME OE 3/16x3/8 AL				AR	AR	V
NS	506338	RUBBER CHANNEL / 1/16" x 1/4" INT "U" SHAPE / ROUND C.T.L.				AR	AR	W
NS	312364	WASHER / TO FIX PARCEL RACK	AR	AR	AR	AR	AR	
10	312295	COVER ASSY, R.H.				7	7	A
10	312295	COVER ASSY, R.H.					8	A
10	312296	COVER ASSY, L.H.				6		A
10	312296	COVER ASSY, L.H.					7	A
10	312294	COVER ASSY, R.H. / W/LIGHT & DOOR (AS SHOWN)				7		
. NS	312256	. COVER R.H. / W/LIGHT HOLE				1		
10	312294	COVER ASSY, R.H. / W/LIGHT & DOOR (AS SHOWN)					8	
. NS	312256	. COVER R.H. / W/LIGHT HOLE					1	
10	312297	COVER ASSY, L.H. / W/LIGHT & DOOR				6		
. NS	312274	. COVER L.H. / W/LIGHT HOLE				1		
10	312297	COVER ASSY, L.H. / W/LIGHT & DOOR					7	
. NS	312274	. COVER L.H. / W/LIGHT HOLE					1	
10	312298	COVER ASSY, R.H. FRONT				1	1	
10	312299	COVER ASSY, L.H. FRONT & R.H. REAR				2	2	

From V-6250 To Y-7045	Date:10/2022	PAGE:XL-1836-02
PARCEL RACK - "LE MIRAGE" - W/DOORS		

Item#	Part	Description	M T H 4 0	M T H 4 5	M T H 4 5 E	X L 4 0	X L 4 5	N O T E S
NS	506268	. TAPE RUB ADH1 URE 3/8" x 1/2" x 25' / GREY 1820				AR	AR	
11	500626	. SCREW TP OV PH #8x3/4 Z050				AR	AR	
12	561563	. SWITCH / S.P.S.T. / N.C.				1	1	
NS	500467	. WASHER LO INT .138x.275x.019 Z050				1	1	
NS	500663	. SCREW MA FL PH #6-32x3/4 ZP				1	1	
NS	500689	. NUT HEX #6-32 Z050				1	1	
13	XL-0655-01	. INTERIOR LIGHTING						
NS	061967	. CABLE ASSY / LIGHT & SWITCH				1	1	
NS	403960	SPACER ADAPTOR / PLASTIC BLACK				1	1	
14	XL-2315-01	SOUND SYSTEM - INSTALLATION						
14	XL-2315-11	SOUND SYSTEM & ACCESSORIES - "R.E.I."						
15	XL-2315-21	SOUND SYSTEM ENTERTAINMENT MODULE "R.E.I."						
15	XL-2315-31	SOUND SYSTEM - "KARAOKE" - "R.E.I."						
16	502664	SCREW TP PAN PH #8x1 SS EMN				AR	AR	
17	330332	BALLAST ASSY / 24 VOLTS				AR	AR	
18	312283	SUPPORT REAR BALLAST				1	1	
NS	500638	SCREW TP PAN PH #8x1/2 Z050				1	1	X
NS	500438	WASHER FL .187x.437x.050 Z050				1	1	
19	830108	TUBE / 7WATT / PL7				AR	AR	
20	311461	LENS COVER ASSY / TO USE W/CORD				AR	AR	A
20	311462	LENS COVER ASSY / TO USE W/DOOR				AR	AR	
20	312146	LENS COVER "SPECIAL"				AR	AR	C
NS	311460	. LENS				1	1	
21	500124	SCREW TP TR PH #8x1/2 SS				AR	AR	
24	311544	BUSHING NYLON / TO USE W/LAST L.H. DOOR				2	2	
NS	502514	WASHER SHR .440 ID NYL				2	2	
NS	502623	WASHER FL .443x.750x.125 NYL				2	2	
NS	504586	WASHER FL SPACER .450x.625x.875 NYL				AR	AR	
25	311093	BRACKET / UPPER				AR	AR	
NS	500470	WASHER LO SPT .193x.334x.047 Z050				AR	AR	
NS	502529	SCREW MA BDG PH M5-0.8x12 BZC				AR	AR	
27	504453	GROMMET / 1.500x1.750x.250x.625x2.125				1	1	
NS	312300	PLATE, ACOUSTIC				1	1	
NS	404525	INSULATING, NOISE				AR	AR	
30	312223	TOP / #1 R.H. / 1727MM				1	1	
30	312225	TOP / #1 L.H. / 1727MM				1	1	
30	312217	TOP / 1650MM #2 TO 5 R.H. & L.H.				8	8	
30	312226	TOP / 844MM #6 R.H.				1		
30	312228	TOP / 1702MM #6 L.H.				1		
30	312221	TOP / 1514MM #6 R.H. & L.H.					2	
30	312159	TOP / #7 R.H. / 524MM					1	
30	312228	TOP / 1702MM #7 L.H.					1	

From V-6250 To Y-7045	Date:10/2022	PAGE:XL-1836-02
PARCEL RACK - "LE MIRAGE" - W/DOORS		

Item#	Part	Description	M T H 4 0	M T H 4 5	M T H 4 5 E	X L 4 0	X L 4 5	N O T E S
NS	312243	INSULATING / TOP PANEL & STRUCTURE 1371.6MM				13	13	
NS	500147	WASHER FL SQ .187x.625x.063				AR	AR	
NS	504118	RIVET POP DOME OE 3/16x3/8 AL				AR	AR	V
NS	504248	RIVET CHY Q PRDG 3/16x1/4 SS				AR	AR	V
NS	507300	HOLE PLUG BUTTON / 2.000 O.D. WHITE				AR	AR	
NS	311254	RAIL SUPPORT / 3321 MM / C.T.L.				AR	AR	
NS	500659	SCREW TC PAN PH #10-32x1 Z050				AR	AR	Y
32	311818	PANEL / #1 L.H.				1	1	
32	311819	PANEL / #1 R.H.				1	1	
32	312308	PANEL / #1 R.H.	1	1	1	1	1	
32	311815	PANEL / #2 TO 5 L.H. & #2 TO 4 R.H.				7		
32	311815	PANEL / #2 TO 5 L.H. & R.H.					8	
32	311817	PANEL / #5 R.H.				1		D
32	311822	PANEL / #5 R.H.				1		
32	311816	PANEL / #6 L.H.				1		
32	311814	PANEL / #6 L.H.					1	
32	311873	PANEL / #6 R.H.					1	
32	311816	PANEL / #7 L.H.					1	
34	311779	EXTRUSION PLASTIC / 40'				AR	AR	
35	311886	HAND RAIL & LIGHTING CHANEL / 198" APROX				AR	AR	
35	311887	HAND RAIL & LIGHTING CHANEL / 165" APROX				AR	AR	
35	311888	HAND RAIL & LIGHTING CHANEL				AR	AR	
NS	311250	ROD / TO JOINT HAND RAIL EXTRUSION				AR	AR	
NS	311251	PLATE / TO JOINT HAND RAIL EXTRUSION				AR	AR	
NS	311389	END CLOSED AT REAR END				1	1	
37	311778	EXTRUSION RUBBER / 492"				AR	AR	
38	311095	SUPPORT / RAIL / S.L.				AR	AR	
40	500654	SCREW TC BDG PH #8-32x1/2 Z050				AR	AR	
41	311152	SPACER				3	3	
42	5001304	SCREW TC CAP HEXW SLT #12-24x5/8 ZP				AR	AR	
42	502526	SCREW TC BDG PH #12-24x3/4 Z050				AR	AR	
50	311068	PLATE, CATCH / TO USE W/DOOR, W/O LOCK				1	1	
50	311530	PLATE, CATCH / TO USE W/DOOR, W/LOCK				1	1	
NS	311352	SPACER / TO USE W/PLATE CATCH IF REQUIRE				AR	AR	
51	500650	SCREW TC PAN PH #6-32x3/8 ZP				AR	AR	
52	292322	SILENT BLOCK				1	1	
53	311559	CONICAL WASHER / TO FIX BLOCK				2	2	
54	502664	SCREW TP PAN PH #8x1 SS EMN				2	2	Z
57	064137	CABLE ASSY / PARCEL RACK STREETSIDE To W-6493					1	
57	064681	CABLE ASSY / PARCEL RACK STREETSIDE From W-6494 To X-6827					1	
57	065032	CABLE ASSY / PARCEL RACK STREETSIDE From X-6828					1	
57	064136	CABLE ASSY / PARCEL RACK CURBSIDE To W-6493					1	

From V-6250 To Y-7045	Date:10/2022	PAGE:XL-1836-02
PARCEL RACK - "LE MIRAGE" - W/DOORS		

Item#	Part	Description	M T H 4 0	M T H 4 5	M T H 4 5 E	X L 4 0	X L 4 5	N O T E S
57	064680	CABLE ASSY / PARCEL RACK CURBSIDE From W-6494 To X-6827					1	
57	065031	CABLE ASSY / PARCEL RACK CURBSIDE From X-6828					1	
57	064131	CABLE ASSY / PARCEL RACK STREETSIDE To W-6493				1		
57	064683	CABLE ASSY / PARCEL RACK STREETSIDE From W-6494 To X-6827				1		
57	065034	CABLE ASSY / PARCEL RACK STREETSIDE From X-6828				1		
57	064130	CABLE ASSY / PARCEL RACK CURBSIDE To W-6493				1		
57	064682	CABLE ASSY / PARCEL RACK CURBSIDE From W-6494 To X-6827				1		
57	065033	CABLE ASSY / PARCEL RACK CURBSIDE From X-6828				1		
		FOLLOWING PARTS ARE RELATED WITH						
		CORD INSTALLATION						
NS	506066	CORD, RUBBER EXTRUSION NEO 7/16" O.D. / C.T.L.				AR	AR	
NS	311421	. CORD, RUBBER 15"				AR	AR	
NS	311155	. CORD, RUBBER 26"				1	1	
. NS	506066	. . CORD, RUBBER EXTRUSION NEO 7/16" O.D. / C.T.L.				AR	AR	
NS	311154	. CORD, RUBBER 59"				12		
. NS	506066	. . CORD, RUBBER EXTRUSION NEO 7/16" O.D. / C.T.L.				AR		
NS	311154	. CORD, RUBBER 59"					13	
. NS	506066	. . CORD, RUBBER EXTRUSION NEO 7/16" O.D. / C.T.L.					AR	
NS	502525	WASHER FL .484x.750x.031 Z050				AR	AR	
NS	504452	CLAMP "E-Z CLIP" / "TUBE-O" / 7/16" / HC9-7				AR	AR	
		FOLLOWING PARTS ARE RELATED						
		WITH CLOSING PANEL BETWEEN						
		RH PARCEL RACK AND LAVATORY WALL						
NS	311231	FRONT COVER R.H. / NORYL GREY BOX & LAVATORY WALL				1	1	
NS	311399	ANGLE / TO FIX FRONT COVER				1	1	
NS	311576	SUPPORT "U" SHAPE / TO FIX FRONT COVER				1	1	
NS	500124	SCREW TP TR PH #8x1/2 SS				AR	AR	
NS	Call order desk	FINISHING PANEL ASSY / UNDER PARCEL RACK R.H. LEATHERETTE / SPECIFY COL				1	1	P
NS	Call order desk	FINISHING PANEL ASSY / UNDER PARCEL RACK R.H. TISSUS / SPECIFY COLOR				1	1	P
NS	311578	. PANEL ALUMINUM 75MM				1	1	
NS	500616	SCREW TP FL PH #10x3/4 Z050	5	5	5	5	5	
NS	500465	WASHER FN CKF .278x.729x.119 SS	5	5	5	5	5	
NS	500582	SCREW TP PAN PH #8x3/8 Z050	AR	AR	AR	AR	AR	
		FOLLOWING PARTS ARE RELATED						
		WITH CLOSING PANEL BETWEEN						
		L.H. PARCEL RACK AND WALL						

From V-6250 To Y-7045	Date:10/2022	PAGE:XL-1836-02
PARCEL RACK - "LE MIRAGE" - W/DOORS		

Item#	Part	Description	M T H 4 0	M T H 4 5	M T H 4 5 E	X L 4 0	X L 4 5	N O T E S
NS	311065	FRONT COVER L.H. / NORYL GREY 10 7/8" REAR CAP & PARCEL RACK.				1	1	
NS	Call order desk	FINISHING PANEL ASSY / UNDER PARCEL RACK L.H. LEATHERETTE / SPECIFY COL				1	1	P
NS	Call order desk	FINISHING PANEL ASSY / UNDER PARCEL RACK L.H. TISSUS / SPECIFY COLOR				1	1	P
NS	311404	. PANEL ALUMINUM 54MM				1	1	
NS	500616	SCREW TP FL PH #10x3/4 Z050				AR	AR	
NS	500465	WASHER FN CKF .278x.729x.119 SS				AR	AR	
NS	506318	TAPE DUAL LOCK 1" x 150' / BLACK SJ3541				AR	AR	
NS	311100	ANGLE / TO FIX PANEL L.H.				3	3	
NS	500124	SCREW TP TR PH #8x1/2 SS				2	2	
NS	504114	RIVET POP DOME OE 3/16x1/4 AL				4	4	
NS	500147	WASHER FL SQ .187x.625x.063				4	4	
		FOLLOWING PARTS ARE RELATED WITH						
		INSTALLATION OF FRONT COVER OF						
		RH & LH PARCEL RACK						
NS	312114	FINISHING CAP NORYL GREY, L.H.				1	1	
NS	312115	FINISHING CAP NORYL GREY, R.H.				1	1	
NS	312175	COVER FIBERGLASS, R.H.				1	1	
NS	312176	COVER FIBERGLASS, L.H.				1	1	
NS	402493	BRACKET				1	1	N
NS	402371	OUTLET, MICROPHONE				1	1	
NS	402490	CABLE ASSY / MICRO OUTLET ON L.H. PARCEL RACK / 163"				1	1	
NS	5001145	SCREW TP BDG PH #6x1 BK				AR	AR	
NS	311127	ANGLE / TO FIX CAP				1	1	
NS	500576	SCREW TC PAN PH #6-32x1/2 Z050				4	4	
		A) PARTS ARE USE W/INSTALLATION W/CORD						
		C) THIS LENS COVER IT USE WITH INSTALLATION W/CORD ON LH SIDE OF LENS & A DOOR ON RH SIDE OF LENS.						
		D) WITH SERIE 50						
		N) TO FIX MICRO OUTLET						
		S) SMALL MODEL						
		T) TO USE W/1534MM DOOR						
		V) TO FIX PARCEL RACK						
		W) SUPPORT						
		X) TO FIX SUPPORT						
		Y) TO FIX PARCEL RACK TO RAIL						
		Z) TO FIX BLOCK						
		1) NOT SOLD SEPARATELY						

From V-6250 To Y-7045	Date:10/2022	PAGE:XL-1836-02
-----------------------	--------------	-----------------

PARCEL RACK - "LE MIRAGE" - W/DOORS

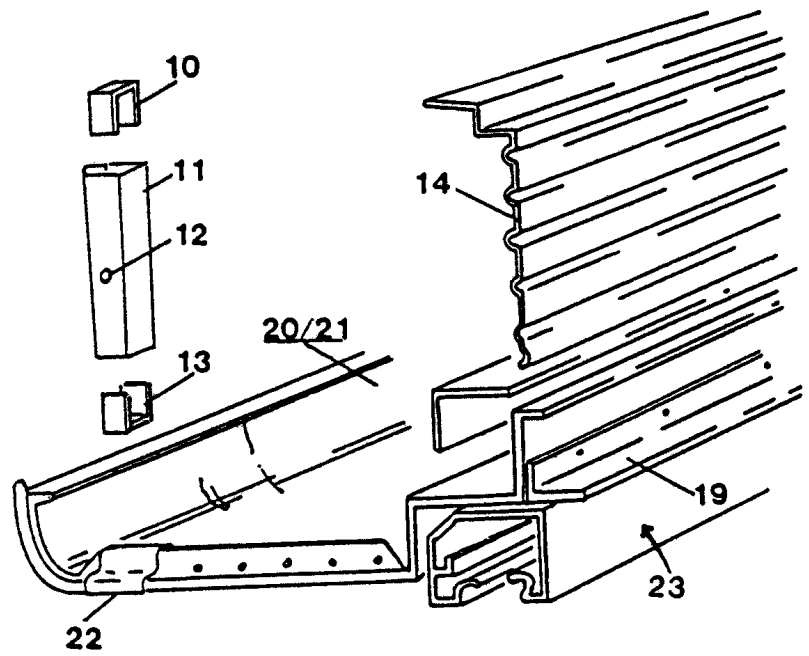
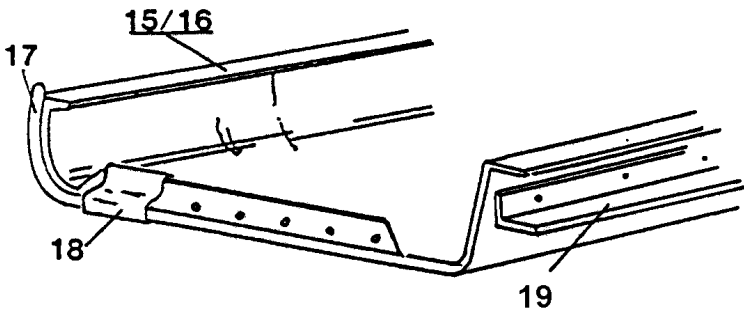
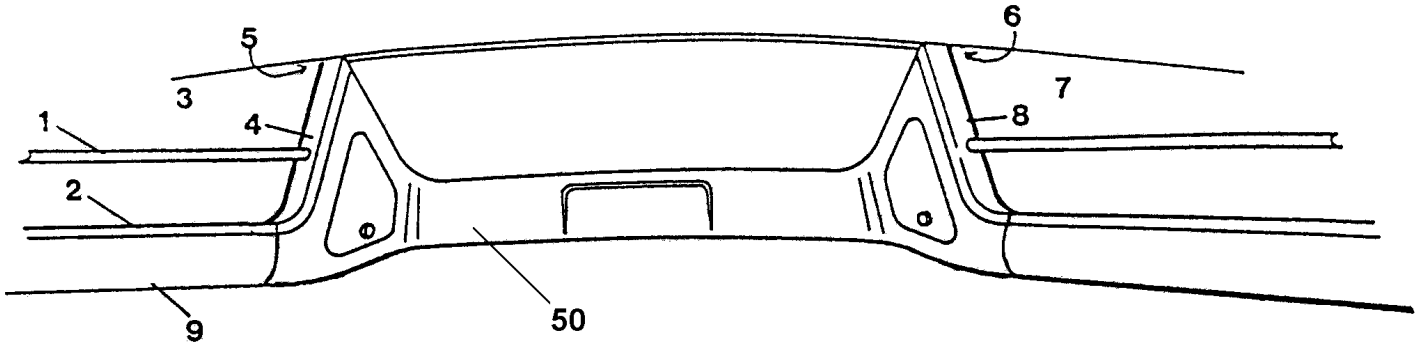
Item#	Part	Description	M T H 4 0	M T H 4 5	M T H 4 5 E	X L 4 0	X L 4 5	N O T E S
		P) CALL ORDER DESK FOR SPECIFIC APPLICATION (V.I.N.)						

From E-638 To J-429

Date:10/2022

PAGE:XL-1836-10

PARCEL RACK - "PREVOST XL"



From E-638 To J-429	Date:10/2022	PAGE:XL-1836-10
PARCEL RACK - "PREVOST XL"		

Item#	Part	Description	M T H 4 0	M T H 4 5	M T H 4 5 E	X L 4 0	X L 4 5	N O T E S
1	506066	CORD, RUBBER EXTRUSION NEO 7/16" O.D. / C.T.L.				AR		
NS	310720	CAP, FINISHING / (ON LAVATORY WALL)				1		
NS	502525	WASHER FL .484x.750x.031 Z050				AR		
NS	504452	CLAMP "E-Z CLIP" / "TUBE-O" / 7/16" / HC9-7				AR		
2	310527	MOULDING, FINISHING / PVC 14' CTL				4		
NS	340401	ANGLE 2 1/2" X 1 1/2"				2		A
3	310551	PLATE, COVERING To E-745				1		
3	310649	PLATE, COVERING From E-746				1		
NS	310789	ANGLE 18' X 1 1/2"				2		B
4	310607	MOULDING, L.H. PVC				1		
5	310613	BRACKET, L.H.				1		
6	310614	BRACKET. R.H.				1		
7	Call order desk	PLATE, CLOSING To E-745				1		P
7	310650	PLATE, CLOSING From E-746				1		
NS	310789	ANGLE 18' X 1 1/2"				2		B
8	310608	MOULDING, R.H. PVC				1		
9	Call order desk	PROTECTOR CUSHION 69" SPECIFY COLOR				1		P
9	Call order desk	PROTECTOR CUSHION 22" SPECIFY COLOR				1		P
9	Call order desk	PROTECTOR CUSHION 94" SPECIFY COLOR				7		P
10	310087	BRACKET, UPPER				14		
11	310624	POS GRAY To E-745				14		
11	310641	POST BLACK From E-746 To H-284				14		
11	311027	POST BLACK From H-285				14		
12	504085	SNAP BUSHING / .500x.718x.406				28		
13	310085	BRACKET, LOWER				14		
14	310541	MOULDING, FINISHING To E-745				17		
14	310680	MOULDING, FINISHING From E-746 To F-827				17		
14	310760	MOULDING, FINISHING From F-828				17		
15	310546	RACK, SECTION 69" To E-745				1		
15	310543	RACK, SECTION 22" To E-745				1		
15	310544	RACK, SECTION 94" To E-745				4		
16	810034	CARPET OZITE / S.L. 12 FT WIDE				AR		
17	860206	TRIM S.L.				AR		
17	310547	ATTACHMENT PLATE / RACK 3 1/2" X 7/8"				AR		
18	310548	CAP, PROTECTOR To E-745				10		
19	310675	ANGLE, #4 R.H.				1		
19	310709	ANGLE, #3 R.H.				1		
19	310710	ANGLE, #2 R.H.				1		
19	310711	ANGLE, #1 R.H.				1		
19	310708	ANGLE, #1 L.H.				1		
19	310707	ANGLE, #2 L.H.				1		
19	310706	ANGLE, #3 L.H.				1		

From E-638 To J-429	Date:10/2022	PAGE:XL-1836-10
PARCEL RACK - "PREVOST XL"		

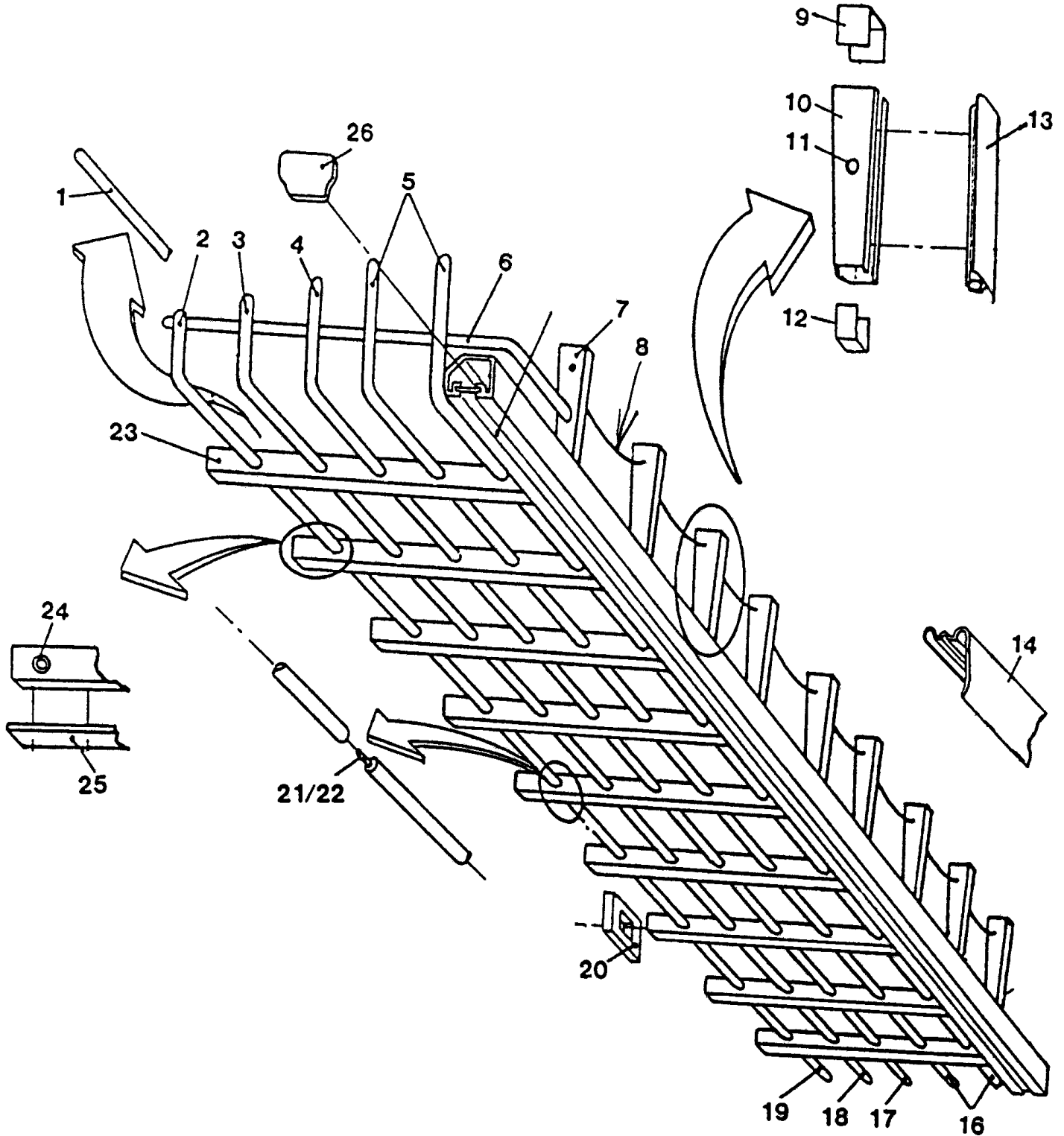
Item#	Part	Description	M T H 4 0	M T H 4 5	M T H 4 5 E	X L 4 0	X L 4 5	N O T E S
19	310676	ANGLE, #4 L.H.				1		
19	310674	ANGLE, #5 / L.H. / USE ONLY W/O FRESH WATER TANK				1		
20	310673	RACK, SECTION 22"				1		
20	310672	RACK, SECTION 69"				1		
20	310671	RACK, SECTION 94"				4		
22	310777	CAP, PROTECTOR #6 L.H.				1		
22	310778	CAP, PROTECTOR #6 .R.H				1		
22	310678	CAP, PROTECTOR #1 TO 5				8		
23	310669	TRACK, READING LIGHT 204"				AR		
23	310691	TRACK, READING LIGHT 146"				AR		
50	XL-1832-15	DRIVER'S COMPARTMENT - "PREVOST XL"						
		A) TO FIX 1ST RACK TO FRONT DRIVER COMPARTMENT						
		B) TO FIX CLOSING PLATE TO CEILING						
		P) CALL ORDER DESK FOR SPECIFIC APPLICATION (V.I.N.)						

From E-638 To J-565

Date:10/2022

PAGE:XL-1836-20

PARCEL RACK - "ASTRAL XL"

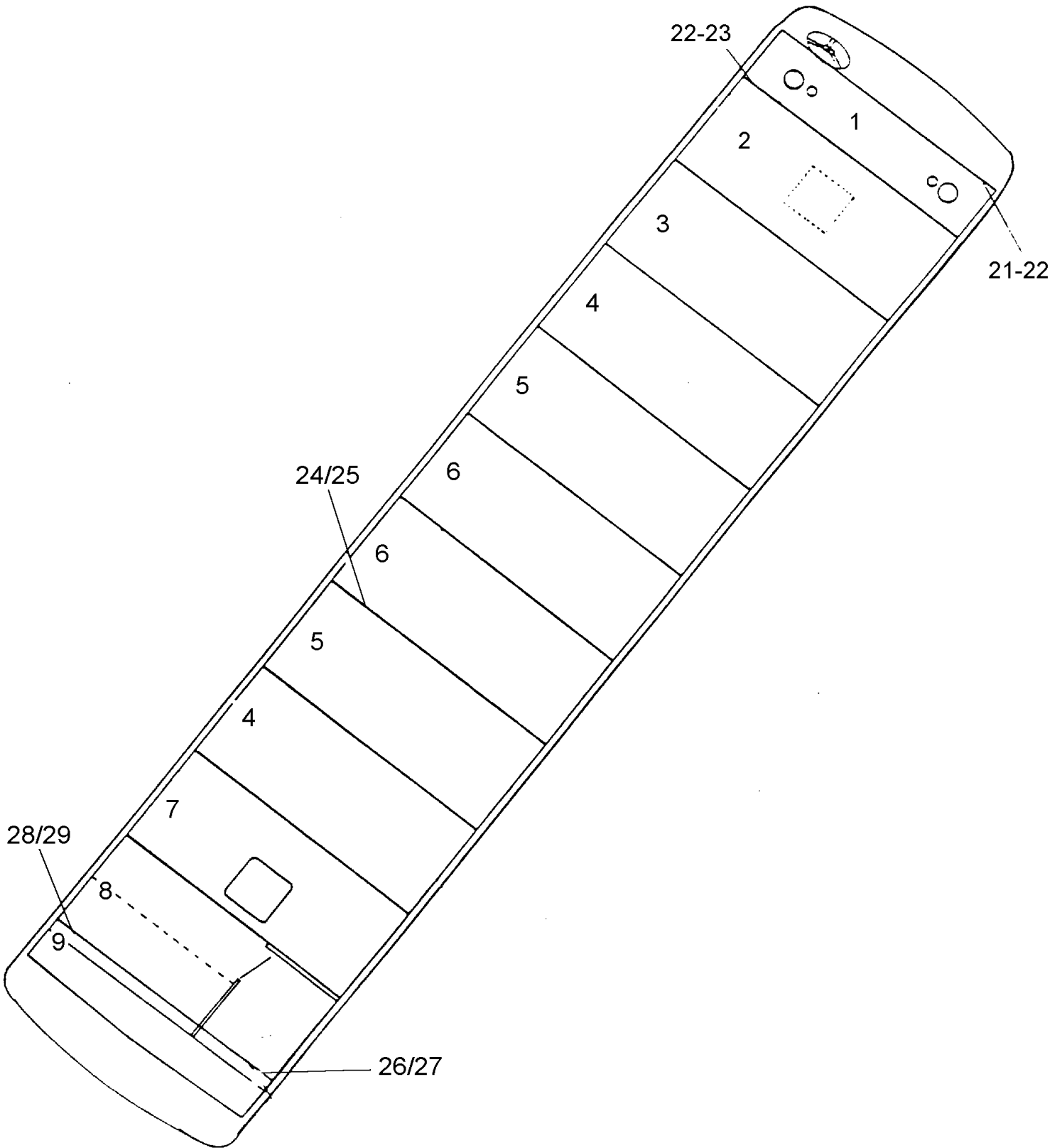


From E-638 To H-284

Date:10/2022

PAGE:XL-1837-00

CEILING PANELS & MOULDING - BUS



From E-638 To H-284		Date:10/2022	PAGE:XL-1837-00
CEILING PANELS & MOULDING - BUS			

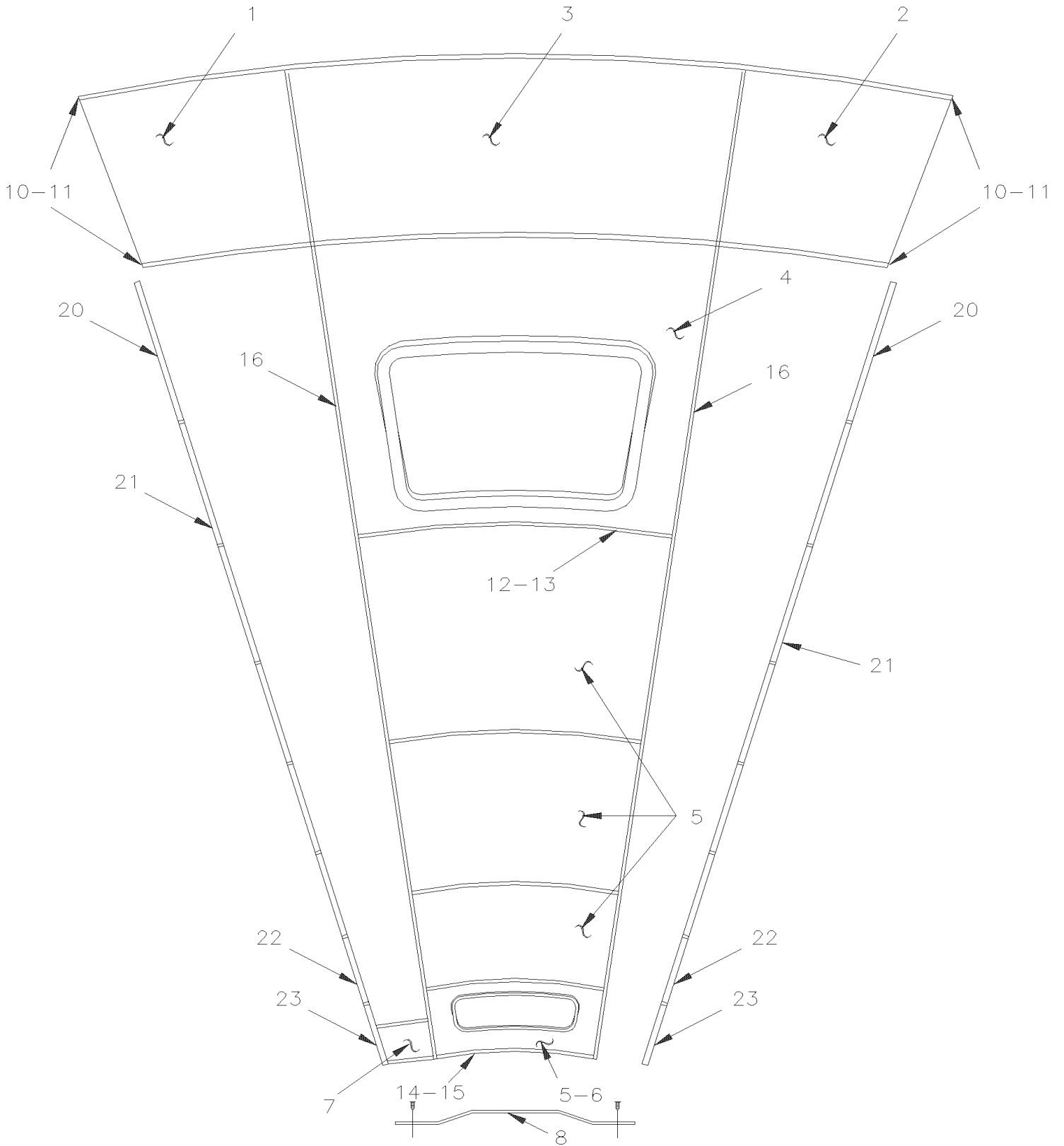
Item#	Part	Description	M T H 4 0	M T H 4 5	M T H 4 5 E	X L 4 0	X L 4 5	N O T E S
1	340430	PANEL, FRONT To H-284				1		
2	340426	PANEL, #1				1		
2	Call order desk	PANEL, #1 V.I.P.				1		P
3	340527	PANEL, #2 W/O EXIT & W/SPEAKER HOLES				1		
3	Call order desk	PLATE CLOSING To F-827				1		P
3	340579	PANEL, #2 W/EXIT & W/O SPEAKER HOLES From F-828				1		
3	340529	PANEL, #2 W/EXIT				1		
3	340569	PANEL, #2 W/EXIT				1		
3	340601	PANEL, #2 V.I.P. W/EXIT				1		
4	340428	PANEL				2		A
4	340599	PANEL				2		B
5	340530	PANEL, #4 & 7				2		
5	340600	PANEL, #4 & 7 V.I.P.				2		
6	340528	PANEL, #5 & 6				1		
6	340599	PANEL				1		C
7	340425	PANEL, #9 W/EXIT & W/O SPEAKER HOLES To F-827				1		
7	340578	PANEL, #9 W/EXIT & W/O SPEAKER HOLES From F-828				1		
7	340531	PANEL, #9 W/EXIT To F-827				1		
7	340568	PANEL, #9 W/EXIT				1		
7	340598	PANEL, #9 W/EXIT				1		D
8	304532	PANEL, #10 W/LAVATORY				1		
8	340597	PANEL, #10 W/O LAVATORY				1		D
9	340429	PANEL, REAR				1		
20	340572	MOULDING RETAINER / 1898MM (74 3/4")				1		
21	340573	MOULDING CAP 75 1/4"				1		
22	340570	MOULDING RETAINER / 1959MM (77 1/8")				1		
23	340571	MOULDING CAP / SS 1982MM (78")				1		
NS	509648	. MOULDING CAP / SS 2165MM (85 1/4")				AR		
24	340485	MOULDING RETAINER / 1905MM (75")				9		
25	340484	MOULDING CAP / SS 1933MM (76 1/8")				9		
26	340574	MOULDING RETAINER / 574MM (19")				1		
27	340575	MOULDING CAP / SS 533MM (21")				1		
28	340576	MOULDING RETAINER / 1372MM (54")				1		
29	340577	MOULDING CAP / SS 1422MM (56")				1		
29	509648	. MOULDING CAP / SS 2165MM (85 1/4")				AR		
NS	509649	. MOULDING RETAINER / 2165MM (85 1/4")				AR		
NS	509049	MOULDING ASSY 144" C.T.L.				AR		
		A) FOR PANEL #3 & 8						
		B) FOR PANEL #3 & 8 V.I.P						

From E-638 To H-284	Date:10/2022	PAGE:XL-1837-00
---------------------	--------------	-----------------

CEILING PANELS & MOULDING - BUS

Item#	Part	Description	M T H 4 0	M T H 4 5	M T H 4 5 E	X L 4 0	X L 4 5	N O T E S
		C) FOR PANEL #5 & 6 V.I.P						
		D) WITH V.I.P. SEAT						
		P) CALL ORDER DESK FOR SPECIFIC APPLICATION (V.I.N.)						

From H-285 To Y-7045	Date:10/2022	PAGE:XL-1837-01
CEILING PANELS & MOULDING - BUS		



From H-285 To Y-7045	Date:10/2022	PAGE:XL-1837-01
CEILING PANELS & MOULDING - BUS		

Item#	Part	Description	M T H 4 0	M T H 4 5	M T H 4 5 E	X L 4 0	X L 4 5	N O T E S
1	340674	PANEL, L.H.				1	1	
2	340675	PANEL, R.H.				1	1	
3	Call order desk	PANEL, CENTER TISSUS / SPECIFY COLOR				1	1	P
3	340671	PANEL, CENTER FIBERGLASS				1	1	
4	340672	PANEL				1	1	A
4	Call order desk	PANEL				1	1	PB
4	340679	PANEL, #1 FIBERGLASS / W/EXIT				1	1	
4	Call order desk	PANEL #1 TISSUS / W/EXIT SPECIFY COLOR				1	1	P
5	Call order desk	PANEL				3		PC
5	Call order desk	PANEL					4	P
5	340672	PANEL				3		D
5	340672	PANEL					4	
6	340680	PANEL, #5 FIBERGLASS				1	1	
6	Call order desk	PANEL, #5 TISSUS SPECIFY COLOR				1	1	P
6	340888	PANEL, #6 FIBERGLASS					1	
6	340890P	PANEL, #6 TISSUS SPECIFY COLOR					1	
6	Call order desk	PANEL, #6 TISSUS SPECIFY COLOR / W/EXIT					1	P
7	340677	PANEL, LAVATORY				1		F
7	340857	PANEL, LAVATORY				1	1	G
8	340827	BRACKET, SS				5	5	E
NS	506318	TAPE DUAL LOCK 1" x 150' / BLACK SJ3541				AR	AR	
10	340708	MOULDING CAP / GREY PLATINE 1981MM / 78" To N-970				2		
10	340843	MOULDING CAP / GREY PLATINE 851MM / 33 1/2" From N-971				2	2	
10	340845	MOULDING CAP / GREY PLATINE 870MM / 34 1/4" From N-971				2	2	
11	340682	MOULDING RETAINER 77 1/8" / S.L. To R-791				2		
11	340851	MOULDING RETAINER / 1956MM (77") From R-792				2	2	
11	340844	MOULDING RETAINER / 841MM (33 1/4") From N-971				2	2	
11	340846	MOULDING RETAINER / 860MM (33 7/8") From N-971				2	2	
12	340683	MOULDING CAP / GREY PLATINE 778MM / 30 5/8"				4	4	
13	340684	MOULDING RETAINER / 800MM (31 1/2")				4	4	
14	340686	MOULDING CAP / GREY PLATINE 825MM / 32 1/2"				1	1	
15	340687	MOULDING RETAINER / 826MM (32 1/2")				1	1	
NS	500576	SCREW TC PAN PH #6-32x1/2 Z050				AR	AR	
16	311077	MOULDING / ALUMINIUM 2019MM (79 1/2")				10	10	
NS	500552	SCREW TP OV PH #6x3/4 Z050				AR	AR	
20	311134	MOULDING CLOSING L.H. 42 1/4" OVER FIXED WINDOW To T-5957				6		
20	311134	MOULDING CLOSING L.H. 42 1/4" OVER FIXED WINDOW To T-5957					7	
20	311133	MOULDING CLOSING R.H. 42 1/4" OVER FIXED WINDOW To T-5957				6	6	
20	312109	MOULDING CLOSING L.H. 1056MM From T-5958				10	10	
20	312113	MOULDING CLOSING R.H. 1056MM From T-5958				10	10	
21	310987	MOULDING CLOSING L.H. 42 1/4" OVER OPENING WINDOW To T-5957				4	4	
21	311071	MOULDING CLOSING R.H. 42 1/4" OVER OPENING WINDOW To T-5957				3		

From H-285 To Y-7045	Date:10/2022	PAGE:XL-1837-01
CEILING PANELS & MOULDING - BUS		

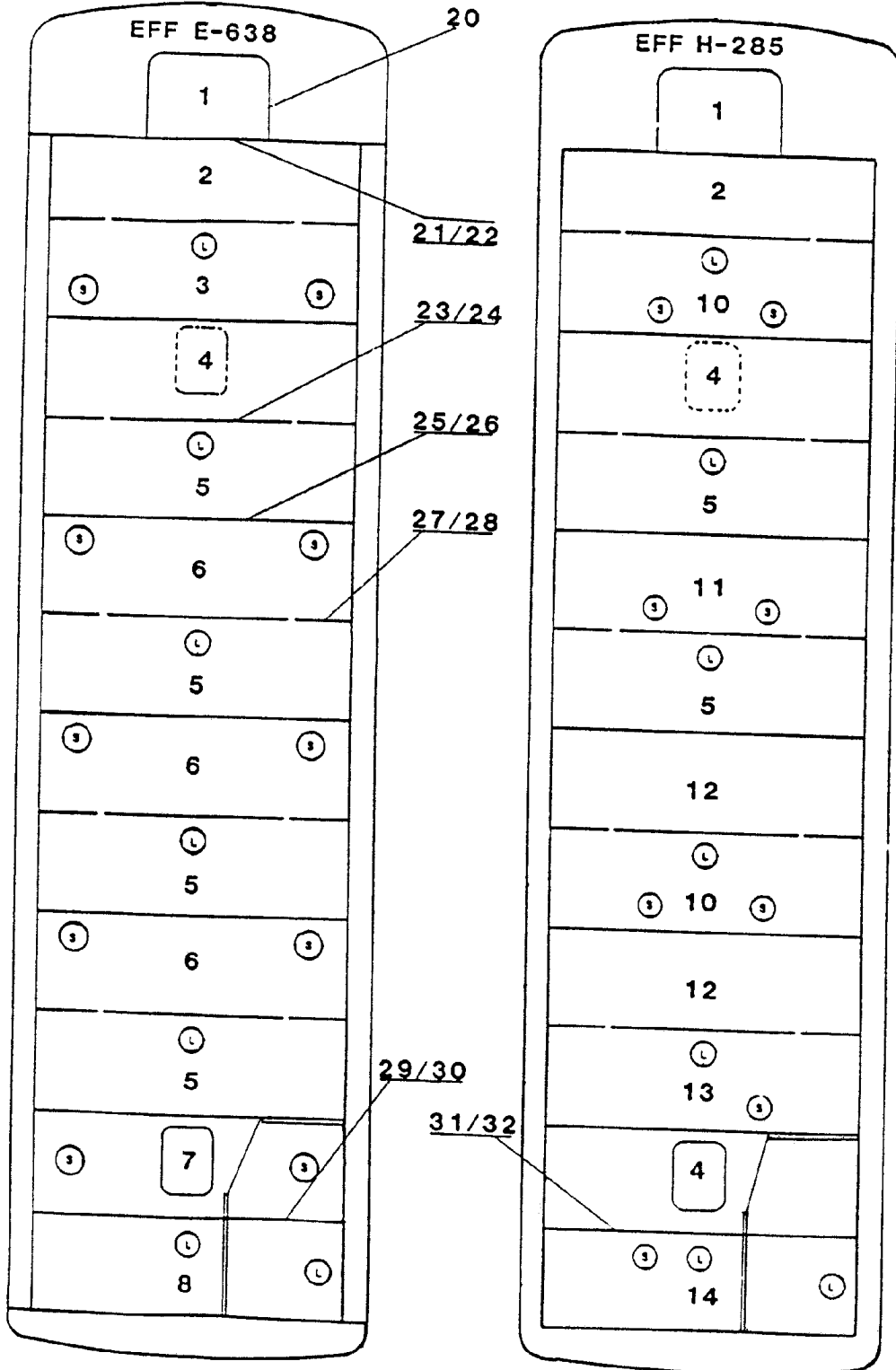
Item#	Part	Description	M T H 4 0	M T H 4 5	M T H 4 5 E	X L 4 0	X L 4 5	N O T E S
21	311071	MOULDING CLOSING R.H. 42 1/4" OVER OPENING WINDOW To T-5957					4	
21	XL-0655-01	INTERIOR LIGHTING						
22	311149	MOULDING CLOSING R.H. 8 3/4" / #10 To T-5957				1		
22	311598	MOULDING CLOSING R.H. 41" / #10 To T-5957				1		F
22	312130	MOULDING CLOSING R.H. / W/SERIE 60 ONLY / 1021MM / #9 From T-5958				1	1	
23	310989	MOULDING CLOSING L.H. 13 1/16" / #11 To T-5957				1		
23	311861	MOULDING CLOSING R.H. 22 1/2" / #11 To T-5957					1	
23	311862	MOULDING CLOSING L.H. 32 7/8" / #12 To T-5957					1	
23	312129	MOULDING CLOSING R.H. / W/SERIE 50 ONLY / 204MM / #10 From T-5958				1		
23	312128	MOULDING CLOSING L.H. 331MM / #11 From T-5958				1	1	
NS	500345	WASHER FN CKF .187x.500x.090 BR BK				AR	AR	
NS	500333	SCREW TP OV PH #6x3/4 BK				AR	AR	
NS	504085	SNAP BUSHING / .500x.718x.406				1	1	
NS	340705	SPACER, WOOD 1/4" X 20" X 1"				2	2	
NS	340706	SPACER, WOOD 1/4" X 48" X 2 1/2"				1		
NS	340707	SPACER, WOOD 1/4" X 45 1/2" X 1"				1		
NS	340860	SPACER, WOOD 1/4" X 56" X 2 1/2"				1	1	
		A) #1 FIBERGLASS						
		B) #1 TISSUS / SPECIFY COLOR						
		C) #2, 3 & 4 / TISSUS SPECIFY COLOR						
		D) #2, 3 & 4 FIBERGLASS						
		E) W/TISSUS PANEL						
		F) W/SERIES 71 & 92						
		G) W/SERIES 60						
		P) CALL ORDER DESK FOR SPECIFIC APPLICATION (V.I.N.)						

From E-638 To J-429

Date:10/2022

PAGE:XL-1837-10

CEILING PANELS & MOULDING "PREVOST XL"



From E-638 To J-429		Date:10/2022	PAGE:XL-1837-10
CEILING PANELS & MOULDING "PREVOST XL"			

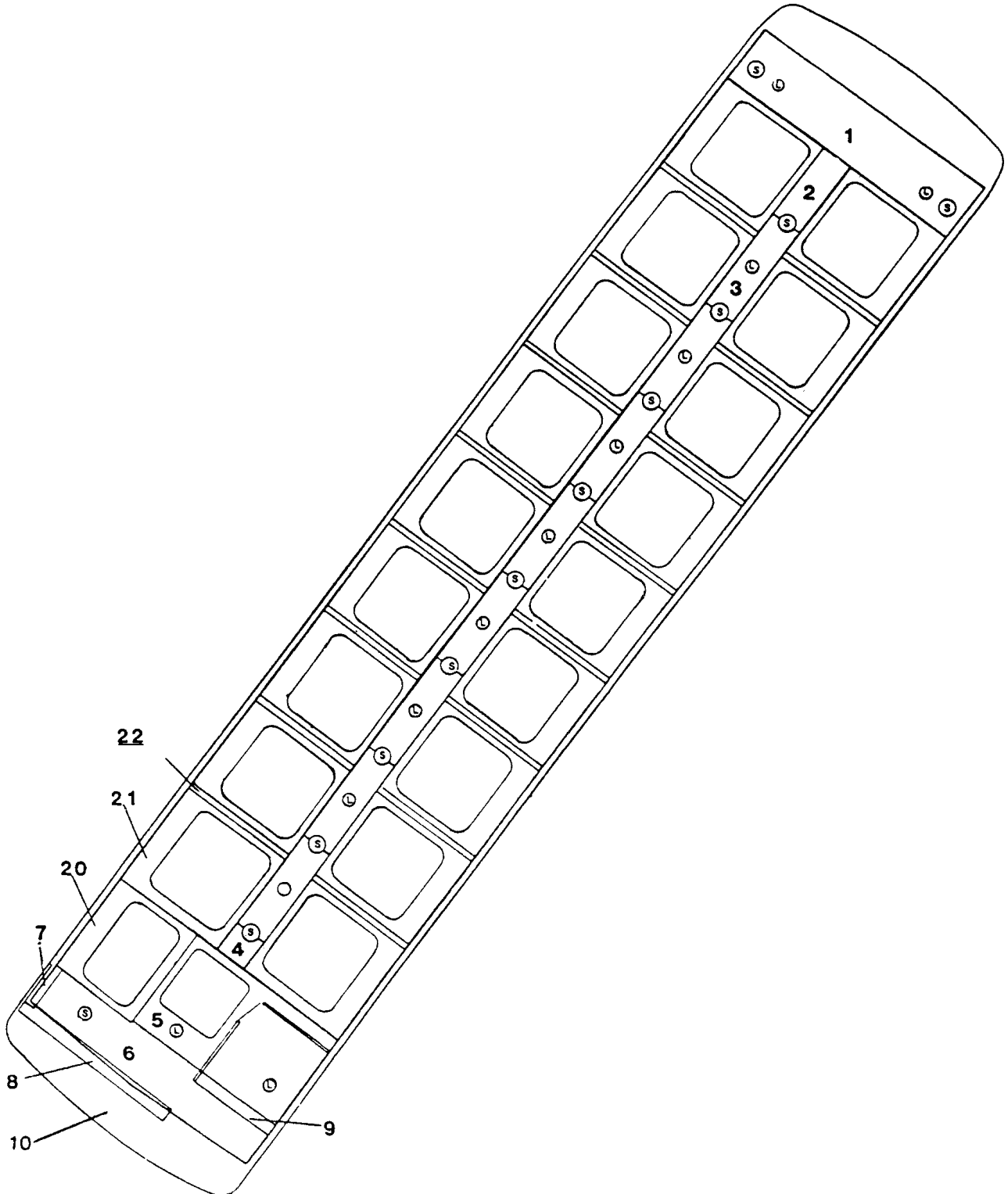
Item#	Part	Description	M T H 4 0	M T H 4 5	M T H 4 5 E	X L 4 0	X L 4 5	N O T E S
1	340469	CEILING PANEL, FRONT				1		
2	340434	CEILING PANEL, #1				1		
3	340435	CEILING PANEL, #2				1		
4	340437	CEILING PANEL, #3				1		
4	340440	CEILING PANEL, #3 W/EXIT To F-829				1		
4	340566	CEILING PANEL, #3 W/EXIT From F-830				1		
5	340438	CEILING PANEL				4		B
6	340439	CEILING PANEL				3		A
7	340436	CEILING PANEL, #11 To F-829				1		
7	340567	CEILING PANEL, #11 From F-830				1		
8	340441	CEILING PANEL, #12				1		
8	340438	CEILING PANEL				1		C
10	340668	CEILING PANEL, #2 & 8				1		
11	340667	CEILING PANEL, #5				1		
12	340670	CEILING PANEL				2		E
13	340666	CEILING PANEL, #10				1		
14	340670	CEILING PANEL				2		D
20	Call order desk	MOULDING 100"				1		P
20	509005	. MOULDING "J" FORM / 2MM INSIDE X 144"				1		
21	340473	MOULDING RETAINER / 991MM (39")				1		
22	340472	MOULDING CAP / SS 1016MM (40")				1		
23	340453	MOULDING RETAINER / 1092MM (43")				5		
24	340452	MOULDING CAP / SS 1117MM (44")				5		
25	340477	MOULDING RETAINER / 2156MM (85 1/4")				6		
26	340476	MOULDING CAP / SS 2165MM (85 1/4")				6		
27	340455	MOULDING RETAINER / 453MM (17 7/8")				10		
28	340454	MOULDING CAP / SS 466MM (18 3/8")				10		
29	340412	MOULDING RETAINER / 605MM (23 7/8")				1		
30	340411	MOULDING CAP / SS 619MM (24 3/8")				1		
		A) CEILING PANEL #5, 7 & 9						
		B) B□CEILINGPANEL, #3, 6, 8 & 10						
		C) W/OUT LAVATORY						
		D) CEILING PANEL, #12						
		E) CEILING PANEL, #7 & 9						
		P) CALL ORDER DESK FOR SPECIFIC APPLICATION (V.I.N.)						

From E-638 To J-565

Date:10/2022

PAGE:XL-1837-20

CEILING PANELS & MOULDING "ASTRAL XL"

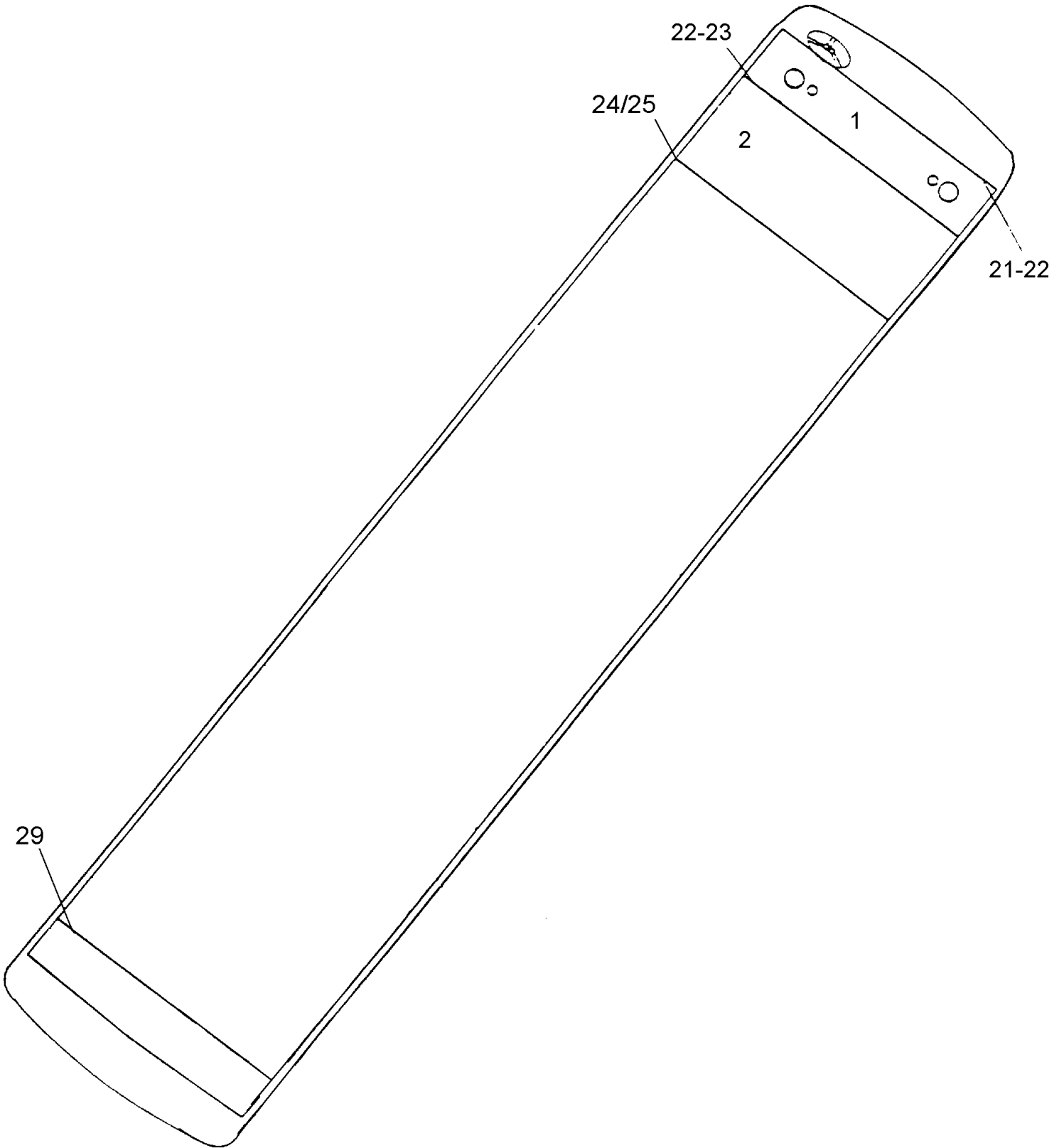


From E-638 To J-565	Date:10/2022	PAGE:XL-1837-20
---------------------	--------------	-----------------

CEILING PANELS & MOULDING "ASTRAL XL"

Item#	Part	Description	M T H 4 0	M T H 4 5	M T H 4 5 E	X L 4 0	X L 4 5	N O T E S
1	Call order desk	PANEL ASSY, FRONT / SPECIFY COLOR To H-284				1		P
1	Call order desk	PANEL ASSY, FRONT From H-285				1		P
2	Call order desk	PANEL ASSY / SPECIFY COLOR & SERIAL NUMBER				1		P
3	Call order desk	PANEL ASSY / SPECIFY COLOR				8		P
4	Call order desk	PANEL / SPECIFY COLOR & SERIAL NUMBER				8		P
5	Call order desk	PANEL REAR / SPECIFY COLOR To H-284				1		P
5	Call order desk	PANEL REAR From H-285				1		P
6	Call order desk	PANEL REAR / SPECIFY COLOR To H-284				1		P
7	340615	PANEL CORNER / SPECIFY COLOR To H-284				1		
8	304617	PANEL / REAR CAP & PANEL #6 To H-284				1		
9	Call order desk	PANEL From H-285				1		P
10	340450	CAP, REAR R.H. FIBER L.GREY To H-284				1		
10	340685	CAP, REAR / FIBERGLASS / GRAY From H-285				1		
20	340613	PANEL, SMALL WINDOW				1		
21	340331	PANEL, LARGE WINDOW				18		
NS	500435	SCREW TP FL PH #6x1 Z050				AR		
22	Call order desk	MOULDING ASSY / ROOF WINDOW SPECIFY COLOR				16		P
NS	504430	. CLIP CHRISTMAS TREE / BLACK 1 1/4"O.D.x1 9/16" HOLE 9/32				4		
NS	340626	. MOULDING 2 1/2" X 44"				1		
NS	340625	. MOULDING 2 1/2" X 44 1/8"				1		
30	850026	INSULATING PAD NOISE ADH1 1" x 54" x 50"				AR		A
30	506191	TAPE RUB ADH1 CC POL 1/8" x 1/4" x 50' / GREY 2520X				AR		A
30	504400	SNAP CAP #10 FINISHING BLACK				6		A
30	504399	WASHER RETAINER SNAP CAP #10				6		A
30	500397	SCREW MA RND SLT 1/4-20x1 ZP				6		A
30	502702	NUT WELL 1/4-20x.630				6		A
30	340664	CAP, CLOSING				1		A
		A) THOSE ITEM ARE RELATED WITH CLOSING PANELS FOR SKY LIGHT						
		P) CALL ORDER DESK FOR SPECIFIC APPLICATION (V.I.N.)						

From E-638 To Y-7045	Date:10/2022	PAGE:XL-1837-50
CEILING PANELS & MOULDING - MTH		

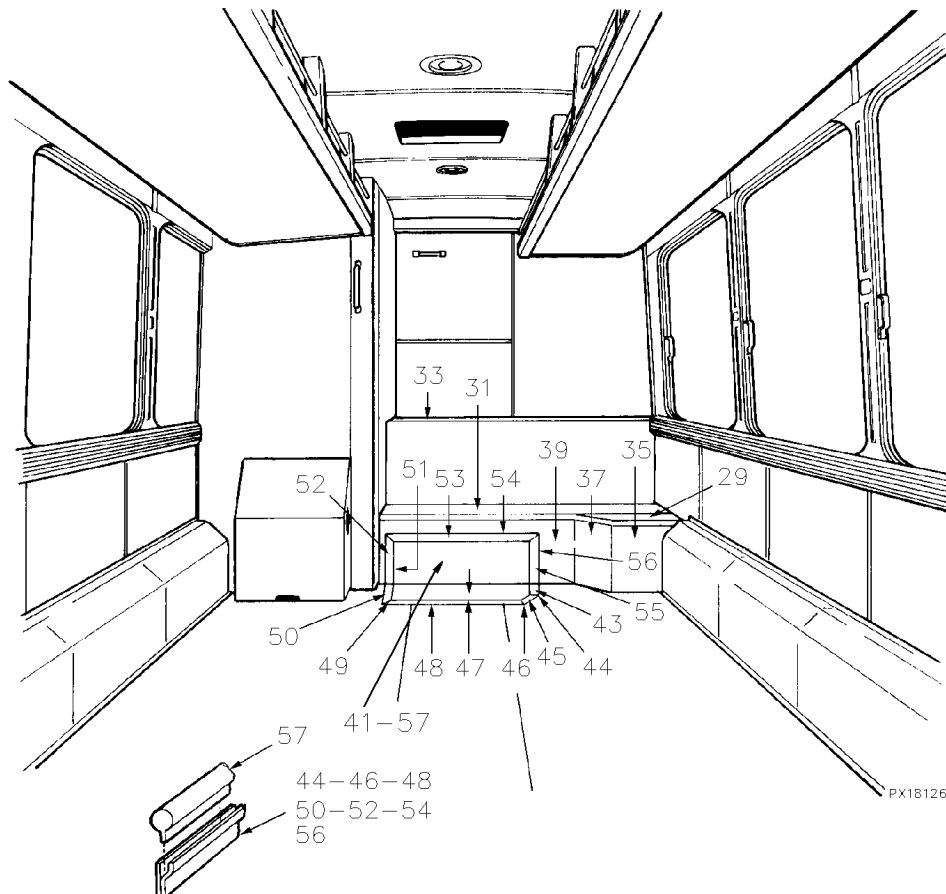
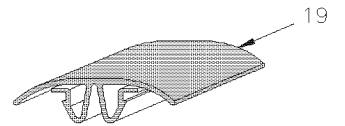
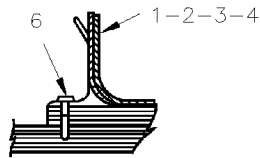
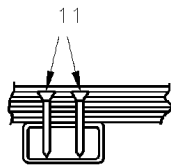
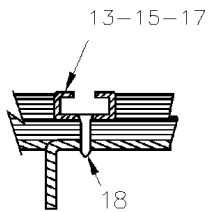
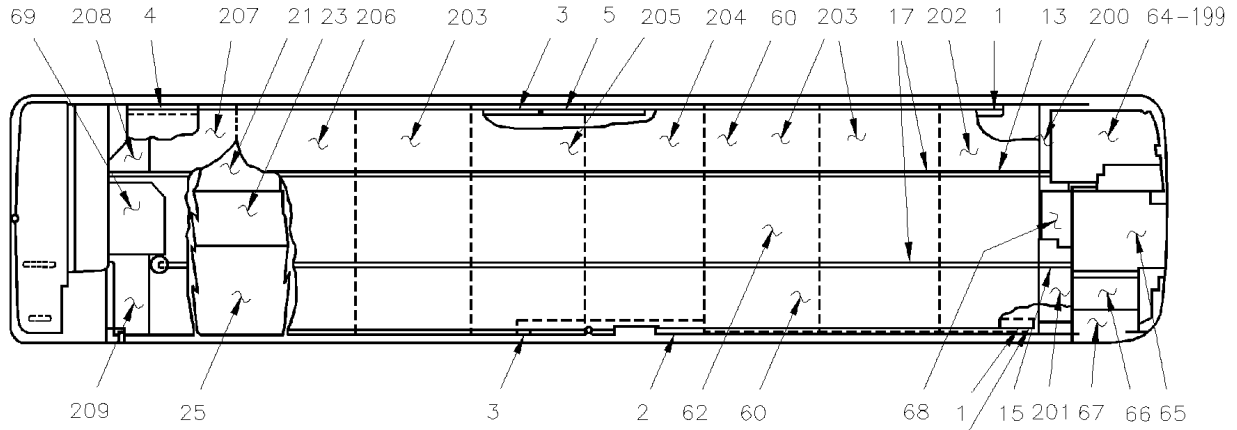


From E-638 To Y-7045

Date:10/2022

PAGE:XL-1838-00

FLOOR & COVERING - BUS



From E-638 To Y-7045	Date:10/2022	PAGE:XL-1838-00
FLOOR & COVERING - BUS		

Item#	Part	Description	M T H 4 0	M T H 4 5	M T H 4 5 E	X L 4 0	X L 4 5	N O T E S
	508068	veneER PLYWOOD / 1/2" THICK 4' X 8'				AR	AR	
	508359	veneER PLYWOOD / 3/4" THICK 4' X 8'				AR	AR	
	850027	INSULATING PAD NOISE ADH2 1/16" x 39" x 48"				AR	AR	
	500506	SCREW WO TR PH #8x7/8				AR	AR	
1	321391	EXTRUSION, ALUMINIUM				2		A
1	324864	EXTRUSION, ALUMINUM 4130MM					2	B
2	321393	EXTRUSION, ALUMINUM / #2 L.H. 50"				1	1	
2	321390	EXTRUSION, ALUMINUM / #2 R.H. 59 3/4"				1		
2	324865	EXTRUSION, ALUMINUM / #2 R.H. 1655MM					1	
3	321392	EXTRUSION, ALUMINUM / #3 L.H. 142 5/8"				1		
3	324864	EXTRUSION, ALUMINUM 4130MM					1	C
3	321391	EXTRUSION, ALUMINIUM				1		D
3	324111	EXTRUSION, ALUMINUM / #3 R.H. W/60 / 3556MM				1		
3	321469	EXTRUSION, ALUMINUM / #3 R.H. 15'					1	
4	321394	EXTRUSION, ALUMINUM / #4 L.H. 18'				1		
4	324110	EXTRUSION, ALUMINUM / #4 L.H. W/60 / 255MM To S-569				1		
4	324901	EXTRUSION, ALUMINUM / #4 L.H. W/60 / 421MM From S-570				1		
4	324866	EXTRUSION, ALUMINUM / #4 L.H. 920MM					1	
6	500879	SCREW TP PAN PH #10x1 Z050				AR	AR	
11	502593	SCREW DR TORX #12x1 3/4				AR	AR	
13	321415	SEAT TRACK 527MM				1		
13	324870	SEAT TRACK 1622MM					1	
15	321416	SEAT TRACK 234.9MM				1		
15	324869	SEAT TRACK 1170MM					1	
17	321369	SEAT TRACK 4572MM				2	2	E
17	323994	SEAT TRACK 3402MM				1		
17	321369	SEAT TRACK 4572MM					1	F
17	323993	SEAT TRACK 3759MM				1		
17	321369	SEAT TRACK 4572MM					1	G
17	324114	SEAT TRACK 4144MM					1	
17	323279	SEAT TRACK 1170MM				1		
17	323278	SEAT TRACK 813MM				1	1	
18	500310	SCREW TC FL PH #10-24x1 1/4 SS410				AR	AR	
19	323963	SEAT TRACK COVER 8' / EACH SEAT / W/COVERING FLOOR				AR	AR	
19	323654	SEAT TRACK COVER 12' / EACH SEAT / W/COVERING FLOOR				AR	AR	
19	361338	SEAT TRACK COVER 12' / EACH SEAT / W/CARPET FLOOR				AR	AR	
21	321232	PANEL / SS / SOUND DAMPENING				1		
23	321234	PANEL / SS / SOUND DAMPENING				1		
25	321233	PANEL / SS / SOUND DAMPENING				1		
29	321176	PANEL ASSY				1		H
31	321175	PANEL ASSY				1		H
33	321962	PANEL ASSY				1		H

From E-638 To Y-7045	Date:10/2022	PAGE:XL-1838-00
FLOOR & COVERING - BUS		

Item#	Part	Description	M T H 4 0	M T H 4 5	M T H 4 5 E	X L 4 0	X L 4 5	N O T E S
35	Call order desk	PANEL ASSY				1		PH
37	321177	PANEL ASSY				1		H
39	321179	PANEL ASSY				1		H
41	321235	DOOR ASSY, ENGINE ACCESS W/O COVERING				1		H
NS	850019	INSULATION PAD NOISE 1/4" x 15' x 54" / BLACK / BARYMAT (324183)	AR	AR	AR	AR	AR	
NS	500643	SCREW TP PAN PH #12x3/4 Z050	18	18	18	18	18	
NS	321203	PANEL WALL	1	1	1	1	1	
NS	321169	PANEL FLOOR	1	1	1	1	1	
NS	320794	FRAME	1	1	1	1	1	
43	320798	MOULDING SS				1		
44	281538	MOULDING RETAINING WEATER STRIP				1		
45	320795	MOULDING SS				1		
46	281539	MOULDING RETAINING WEATER STRIP				1		
47	320796	MOULDING SS				1		
48	281537	MOULDING RETAINING WEATER STRIP				1		
49	320797	MOULDING SS				1		
50	281536	MOULDING RETAINING WEATER STRIP				1		
51	320799	MOULDING SS				1		
52	281540	MOULDING RETAINING WEATER STRIP				1		
53	320800	MOULDING SS				1		
54	281542	MOULDING RETAINING WEATER STRIP				1		
55	320803	MOULDING SS				1		
56	281541	MOULDING RETAINING WEATER STRIP				1		
NS	504340	RIVET POP DOME OE 1/8x3/16 SS				AR		
57	480154	WEATHERSTRIP RUBBER / ADH / RAW MATERIAL				AR		
NS	500561	SCREW MA OV SLT 1/4-20x2 ZP				6		
NS	500641	SCREW TP PAN PH #8x3/4 Z050				AR		
60		FLOOR COVERING SIDE SECTION / 26 1/8" X 33'				AR		
60		FLOOR COVERING SIDE SECTION / 26 1/8" X 38'					AR	
60	506357	COVERING / CODE "A" = 702				2		
60	506710	COVERING / CODE "A" = 702					2	
60	506404	COVERING / CODE "B" = 777				2		
60	506712	COVERING / CODE "B" = 777					2	
60	506380	COVERING / CODE "C" = 653				2		
60	506714	COVERING / CODE "C" = 653					2	
60	506361	COVERING / CODE "D" = 747				2		
60	506716	COVERING / CODE "D" = 747					2	
60	506343	COVERING / CODE "E" = 766				2		
60	506718	COVERING / CODE "E" = 766					2	
60	506451	COVERING / CODE "F" = 604				2		

From E-638 To Y-7045	Date:10/2022	PAGE:XL-1838-00
FLOOR & COVERING - BUS		

Item#	Part	Description	M T H 4 0	M T H 4 5	M T H 4 5 E	X L 4 0	X L 4 5	N O T E S
60	506885	COVERING / CODE "F" = 604					1	
60	506720	COVERING / CODE "F" = 604 From X-6945				2		
60	506582	COVERING / CODE "G" = 758				2		
60	506722	COVERING / CODE "G" = 758					2	
		COVERING / CODE "H" = 630						
60	506368	COVERING / CODE "I" = 895				2		
60	506724	COVERING / CODE "I" = 895					2	
		COVERING / CODE "J" = 602						
		COVERING / CODE "K" = 650						
60	506347	COVERING / CODE "L" = 975				2		
60	506726	COVERING / CODE "L" = 975					2	
60	506597	COVERING / CODE "M" = 793						
		COVERING / CODE "N" = 627						
		COVERING / CODE "O" = 992						
60	506640	COVERING / CODE "P" = 726						
60	506659	COVERING / CODE "Q" = 788				2		
60	506730	COVERING / CODE "Q" = 788					2	
60	506345	COVERING / UNCODE = 637				2		
62		FLOOR COVERING AISLE SECTION / 36 3/8" X 33'				AR		
62		FLOOR COVERING AISLE SECTION / 36 3/8" X 38'					AR	
62	506431	COVERING / CODE "A" = 702				1		
62	506711	COVERING / CODE "A" = 702					1	
62	506432	COVERING / CODE "B" = 777				1		
62	506713	COVERING / CODE "B" = 777					1	
62	506433	COVERING / CODE "C" = 653				1		
62	506715	COVERING / CODE "C" = 653					1	
62	506434	COVERING / CODE "D" = 747				1		
62	506717	COVERING / CODE "D" = 747					1	
62	506435	COVERING / CODE "E" = 766				1		
62	506719	COVERING / CODE "E" = 766					1	
62	506450	COVERING / CODE "F" = 604				1		
62	506721	COVERING / CODE "F" = 604					1	
62	506873	COVERING / CODE "F" = 604 From X-6945				1		
62	506584	COVERING / CODE "G" = 758				1		
62	506723	COVERING / CODE "G" = 758					1	
		COVERING / CODE "H" = 630						
62	506367	COVERING / CODE "I" = 895				1		
62	506725	COVERING / CODE "I" = 895					1	
		COVERING / CODE "J" = 602						
		COVERING / CODE "K" = 650						

From E-638 To Y-7045	Date:10/2022	PAGE:XL-1838-00
FLOOR & COVERING - BUS		

Item#	Part	Description	M T H 4 0	M T H 4 5	M T H 4 5 E	X L 4 0	X L 4 5	N O T E S
62	506346	COVERING / CODE "L" = 975				1		
62	506727	COVERING / CODE "L" = 975					1	
62	506598	COVERING / CODE "M" = 793				1		
62	506602	RIB COVERING / CODE "N" = 627				1		
		COVERING / CODE "O" = 992						
		COVERING / CODE "P" = 726						
62	506660	COVERING / CODE "Q" = 788						
62	506729	COVERING / CODE "Q" = 788						1
64		FLOOR COVERING DRIVER'S SECTION / 36 3/8" X 48"				AR	AR	
64	506436	COVERING / CODE "A" = 702				1	1	
64	506437	COVERING / CODE "B" = 777				1	1	
64	506438	COVERING / CODE "C" = 653				1	1	
64	506439	COVERING / CODE "D" = 747				1	1	
64	506440	COVERING / CODE "E" = 766				1	1	
64	506456	COVERING / CODE "F" = 604				1	1	
64	506468	COVERING / CODE "G" = 758 R.C.A. RUBBER				1	1	
64	506487	COVERING / CODE "H" = 630				1	1	
64	506486	COVERING / CODE "I" = 895				1	1	
64	506488	COVERING / CODE "J" = 602 R.C.A. RUBBER				1	1	
64	506579	COVERING / CODE "K" = 650 R.C.A. RUBBER				1	1	
64	506585	COVERING / CODE "L" = 975				1	1	
64	506591	COVERING / CODE "M" = 793 R.C.A. RUBBER				1	1	
64	506603	COVERING / CODE "N" = 627 R.C.A. RUBBER				1	1	
64	506608	COVERING / CODE "O" = 992 R.C.A. RUBBER				1	1	
		COVERING / CODE "P" = 726 R.C.A. RUBBER						
64	506658	COVERING / CODE "Q" = 788				1	1	
NS	323797	DRIVER'S FLOOR W/MAN TRANS From L-685 To P-740				1		
NS	324002	DRIVER'S FLOOR W/MAN TRANS From P-741				1	1	
NS	323798	DRIVER'S FLOOR W/AUTO TRANS From L-685 To P-740				1		
NS	324003	DRIVER'S FLOOR W/AUTO TRANS From P-741				1	1	
64	323796	DRIVER'S FLOOR W/AUTO TRANS From L-685				1		
NS	324001	DRIVER'S FLOOR W/AUTO TRANS W/R.H. SELECTOR				1	1	
NS	323799	. DAMPING INSULATING 14" X 21"				1	1	
65		FLOOR COVERING UPPER STEPWELL SECTION / 28" X 36"				AR	AR	
65	506443	RIB COVERING / CODE "A" = 702				1	1	
65	506444	RIB COVERING / CODE "B" = 777				1	1	
65	506445	RIB COVERING / CODE "C" = 653				1	1	
65	506446	RIB COVERING / CODE "D" = 747				1	1	

From E-638 To Y-7045	Date:10/2022	PAGE:XL-1838-00
FLOOR & COVERING - BUS		

Item#	Part	Description	M T H 4 0	M T H 4 5	M T H 4 5 E	X L 4 0	X L 4 5	N O T E S
65	506447	RIB COVERING / CODE "E" = 766				1	1	
65	506452	RIB COVERING / CODE "F" = 604				1	1	
65	506469	COVERING / CODE "G" = 758				1	1	
65	506475	RIB COVERING / CODE "H" = 630				1	1	
65	506476	RIB COVERING / CODE "I" = 895				1	1	
65	506492	RIB COVERING / CODE "J" = 602				1	1	
65	506578	RIB COVERING / CODE "K" = 650				1	1	
65	506589	RIB COVERING / CODE "L" = 975				1	1	
65	506595	RIB COVERING / CODE "M" = 793				1	1	
65	506602	RIB COVERING / CODE "N" = 627				1	1	
65	506605	RIB COVERING / CODE "O" = 992				1	1	
		COVERING / CODE "P" = 726 R.C.A. RUBBER						
NS	506654	RIB COVERING / CODE "Q" = 788				1	1	
65	220504	PANEL WOOD, STEPPWELL UPPER FLOOR To M-915				1		
NS	220723	PANEL WOOD, STEPPWELL UPPER FLOOR From M-916				1	1	
NS	220717	PANEL WOOD, DEFROSTER'S FLOOR 7" X 10 3/8" From M-916				1	1	
NS	220716	BLOCK WOOD, UNDER R.H. HEAD LIGHT 5" X 1" From M-916				1	1	
66		STEP TREAD COVERING 2TH / 16" X 11"				AR	AR	
66	506421	STEP TREAD COVERING / CODE "A" = 702 R.C.A. RUBBER				1	1	
66	506422	STEP TREAD COVERING / CODE "B" = 777 R.C.A. RUBBER				1	1	
66	506423	STEP TREAD COVERING / CODE "C" = 653 R.C.A. RUBBER				1	1	
66	506424	STEP TREAD COVERING / CODE "D" = 747 R.C.A. RUBBER				1	1	
66	506425	STEP TREAD COVERING / CODE "E" = 766 R.C.A. RUBBER				1	1	
66	506455	STEP TREAD COVERING / CODE "F" = 604 R.C.A. RUBBER				1	1	
66	506874	STEP TREAD COVERING / CODE "F" = 604 R.C.A. RUBBER From X-6945				1		Z
66	506485	STEP TREAD COVERING / CODE "G" = 758 R.C.A. RUBBER				1	1	
66	506484	STEP TREAD COVERING / CODE "H" = 630 R.C.A. RUBBER				1	1	
66	506483	STEP TREAD COVERING / CODE "I" = 895 R.C.A. RUBBER				1	1	
66	506489	STEP TREAD COVERING / CODE "J" = 602 R.C.A. RUBBER				1	1	
66	506577	STEP TREAD COVERING / CODE "K" = 650 R.C.A. RUBBER				1	1	
NS	506586	STEP TREAD COVERING / CODE "L" = 975 R.C.A. RUBBER				1	1	
NS	506592	STEP TREAD COVERING / CODE "M" = 793 R.C.A. RUBBER				1	1	
		STEP TREAD COVERING / CODE "N" = 627 R.C.A. RUBBER						
NS	506606	STEP TREAD COVERING / CODE "O" = 992 R.C.A. RUBBER				1	1	
		STEP TREAD COVERING / CODE "P" = 726 R.C.A. RUBBER						
NS	506655	STEP TREAD COVERING / CODE "Q" = 788 R.C.A. RUBBER				1	1	
		TO ORDER STEP TREAD 1ST, CUT & READY TO INSTALL ORDER...						
		PART NUMBER 220586 + SUFFIX CODE "?" LETTER UP TO S-461						
		PART NUMBER 324549 + SUFFIX CODE "?" LETTER FROM S-462						

From E-638 To Y-7045	Date:10/2022	PAGE:XL-1838-00
FLOOR & COVERING - BUS		

Item#	Part	Description	M T H 4 0	M T H 4 5	M T H 4 5 E	X L 4 0	X L 4 5	N O T E S
67	506416	STEP TREAD COVERING / CODE "A" = 702 R.C.A. RUBBER				1	1	
67	506417	STEP TREAD COVERING / CODE "B" = 777 R.C.A. RUBBER				1	1	
67	506418	STEP TREAD COVERING / CODE "C" = 653 R.C.A. RUBBER				1	1	
67	506419	STEP TREAD COVERING / CODE "D" = 747 R.C.A. RUBBER				1	1	
67	506420	STEP TREAD COVERING / CODE "E" = 766 R.C.A. RUBBER				1	1	
67	506454	STEP TREAD COVERING / CODE "F" = 604 R.C.A. RUBBER				1	1	
67	506878	STEP TREAD COVERING / CODE "F" = 604 R.C.A. RUBBER From X-6945				1		Z
67	506482	STEP TREAD COVERING / CODE "G" = 758 R.C.A. RUBBER				1	1	
67	506481	STEP TREAD COVERING / CODE "H" = 630 R.C.A. RUBBER				1	1	
67	506480	STEP TREAD COVERING / CODE "I" = 895 R.C.A. RUBBER				1	1	
67	506490	STEP TREAD COVERING / CODE "J" = 602 R.C.A. RUBBER				1	1	
67	506581	STEP TREAD COVERING / CODE "K" = 650 R.C.A. RUBBER				1	1	
67	506587	STEP TREAD COVERING / CODE "L" = 975 R.C.A. RUBBER				1	1	
67	506595	RIB COVERING / CODE "M" = 793				1	1	
		STEP TREAD COVERING / CODE "N" = 627 R.C.A. RUBBER						
67	506607	STEP TREAD COVERING / CODE "O" = 992 R.C.A. RUBBER				1	1	
		STEP TREAD COVERING / CODE "P" = 726 R.C.A. RUBBER						
67	506657	STEP TREAD COVERING / CODE "Q" = 788 R.C.A. RUBBER				1	1	
68		STEP TREAD COVERING AILSE / 11" X 16"				AR	AR	
NS	506426	STEP TREAD COVERING / CODE "A" = 702 R.C.A. RUBBER				1	1	
68	506427	STEP TREAD COVERING / CODE "B" = 777 R.C.A. RUBBER				1	1	
68	506428	STEP TREAD COVERING / CODE "C" = 653 R.C.A. RUBBER				1	1	
68	506429	STEP TREAD COVERING / CODE "D" = 747 R.C.A. RUBBER				1	1	
68	506430	STEP TREAD COVERING / CODE "E" = 766 R.C.A. RUBBER				1	1	
68	506453	STEP TREAD COVERING / CODE "F" = 604 R.C.A. RUBBER				1	1	
68	506875	STEP TREAD COVERING / CODE "F" = 604 R.C.A. RUBBER From X-6945				1		Z
68	506479	STEP TREAD COVERING / CODE "G" = 758 R.C.A. RUBBER				1	1	
68	506478	STEP TREAD COVERING / CODE "H" = 630 R.C.A. RUBBER				1	1	
68	506477	STEP TREAD COVERING / CODE "I" = 895 R.C.A. RUBBER				1	1	
68	506491	STEP TREAD COVERING / CODE "J" = 602 R.C.A. RUBBER				1	1	
68	506580	STEP TREAD COVERING / CODE "K" = 650 R.C.A. RUBBER				1	1	
68	506588	STEP TREAD COVERING / CODE "L" = 975 R.C.A. RUBBER				1	1	
68	506594	STEP TREAD COVERING / CODE "M" = 793 R.C.A. RUBBER				1	1	
		STEP TREAD COVERING / CODE "N" = 627 R.C.A. RUBBER						
68	506604	STEP TREAD COVERING / CODE "O" = 992 R.C.A. RUBBER				1	1	
		STEP TREAD COVERING / CODE "P" = 726 R.C.A. RUBBER						
NS	506656	STEP TREAD COVERING / CODE "Q" = 788				1	1	
69		COVERING FOR ENGINE TRAP REAR / 30" X 60"				AR	AR	

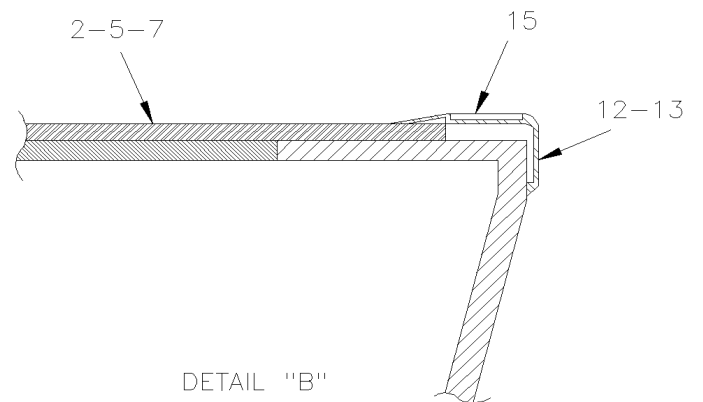
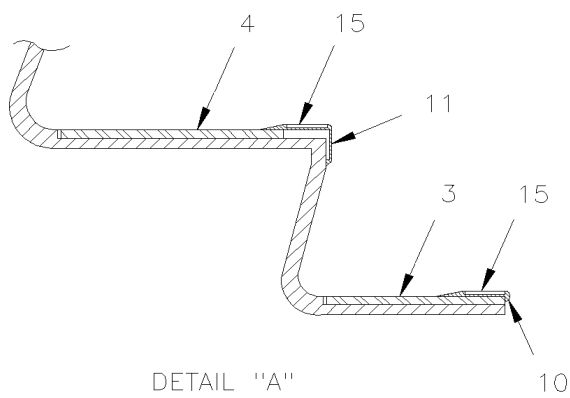
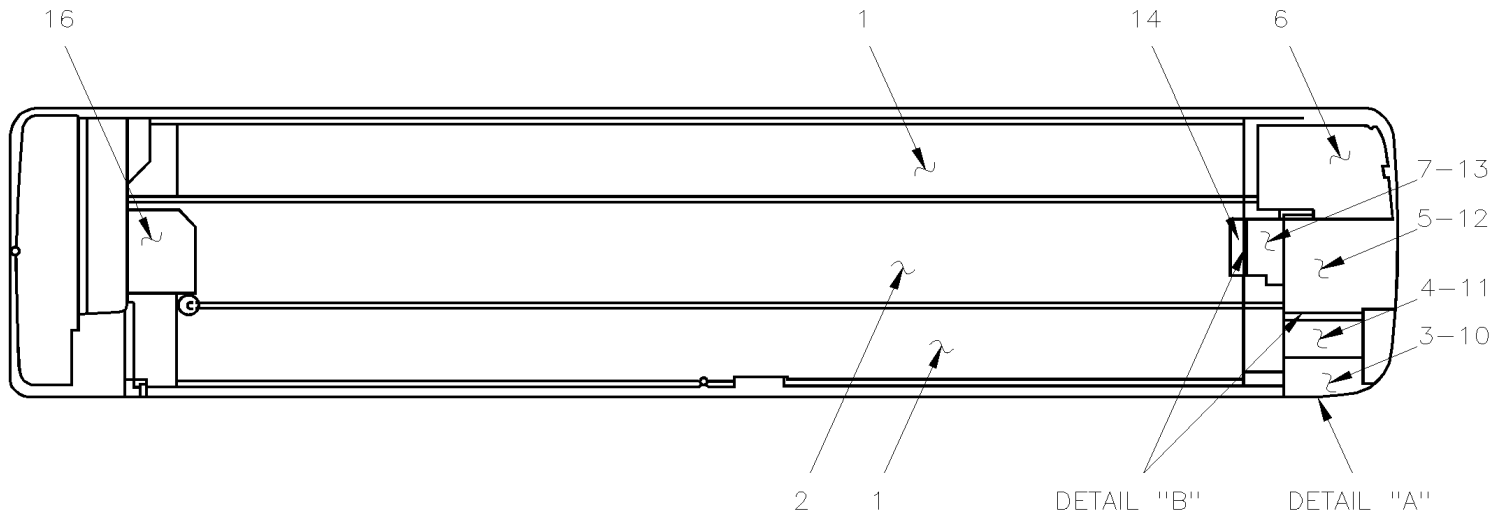
From E-638 To Y-7045	Date:10/2022	PAGE:XL-1838-00
FLOOR & COVERING - BUS		

Item#	Part	Description	M T H 4 0	M T H 4 5	M T H 4 5 E	X L 4 0	X L 4 5	N O T E S
69	506457	COVERING / CODE "A" = 702				1	1	
69	506458	COVERING / CODE "B" = 777				1	1	
69	506459	COVERING / CODE "C" = 653				1	1	
69	506460	COVERING / CODE "D" = 747				1	1	
69	506461	COVERING / CODE "E" = 766				1	1	
NS	506462	COVERING / CODE "F" = 604				1	1	
NS	506583	COVERING / CODE "G" = 758				1	1	
		COVERING / CODE "H" = 630						
NS	506495	COVERING / CODE "I" = 895				1	1	
		COVERING / CODE "J" = 602						
		COVERING / CODE "K" = 650						
NS	506590	COVERING / CODE "L" = 975				1	1	
NS	506596	COVERING / CODE "M" = 793				1	1	
		COVERING / CODE "N" = 627						
		COVERING / CODE "O" = 992						
		COVERING / CODE "P" = 726						
69	506661	COVERING / CODE "Q" = 788				1	1	
NS	680028	GLUE / 15LITERS				AR	AR	W
NS	680030	ADHESIVE ADCHEM #EC847 / 1 Liter				AR	AR	X
NS	680096	SEALANT BUTYL ALUM / GREY / 310ml CARTRIDGE				AR	AR	Y
NS	850019	INSULATION PAD NOISE 1/4" x 15' x 54" / BLACK / BARYMAT (324183)				AR	AR	
NS	850030	INSULATING PAD NOISE ADH1 1" x 54" x 72"				AR	AR	
NS	500659	SCREW TC PAN PH #10-32x1 Z050				AR	AR	
NS	508366	FORMICA BAKER BROWN / 48"X 96"X .100				AR	AR	
NS	850034	INSULATING RIGID / 1" x 4' x 8' / WHITE STYROFOAM				AR	AR	
NS	850035	INSULATING RIGID / 2" x 4' x 8' / WHITE STYROFOAM				AR	AR	
199	211834	DRIVER'S FLOOR From L-685 To P-721				1		
199	212152	DRIVER'S FLOOR From P-722				1	1	
200	321431P	PANEL FLOOR, L.H. / DRIVER'S & #1 L.H. "U" SHAPE				1		
200	324874P	FLOOR, L.H. / DRIVER'S & #1 L.H. "U" SHAPE					1	
200	321432P	PANEL FLOOR, R.H. / STEP & #1 R.H.				1		
200	324875P	PANEL FLOOR, R.H. / STEP & #1 R.H.					1	
201	321373P	PANEL FLOOR #1				1		
201	324876P	PANEL FLOOR #1					1	
NS	321372P	PANEL FLOOR #2, 3 & 6				3		
202	324877P	FLOOR / W/STD SEAT					3	
203	324201P	PANEL FLOOR #4 / AIR RETURN				1		
203	324844P	PANEL FLOOR #4 / AIR RETURN					1	
NS	321474	PANEL FLOOR #5				1		
204	324843P	PANEL FLOOR #5 / AIR RETURN					1	
205	321583P	PANEL FLOOR #7				1		

From E-638 To Y-7045	Date:10/2022	PAGE:XL-1838-00
FLOOR & COVERING - BUS		

Item#	Part	Description	M T H 4 0	M T H 4 5	M T H 4 5 E	X L 4 0	X L 4 5	N O T E S
205	324847P	FLOOR / W/STD SEAT					2	
206	321376P	PANEL FLOOR #8				1		
NS	321430P	PANEL FLOOR #9 L.H.				1		
207	322307P	PANEL FLOOR #9 R.H.				1		
207	324845P	PANEL FLOOR #9					1	
NS	322304	PANEL FLOOR #10 R.H.				1		
208	Call order desk	PANEL FLOOR #10 R.H.					1	P
NS	Call order desk	PANEL FLOOR #11 R.H.					1	P
211	Call order desk	PANEL FLOOR / STEPWELL & #1 FLOOR PANEL 18 7/8" X 3/4"				1		P
211	CODE A	#702 R.C.A. LIGHT BLUE						
211	CODE B	#777 R.C.A. LIGHT CREAM						
211	CODE C	#653 R.C.A. LIGHT GREEN						
211	CODE D	#747 R.C.A. LIGHT BROWN						
211	CODE E	#766 R.C.A. DARK GREY						
211	CODE F	#604 R.C.A. BLACK						
211	CODE G	#758 R.C.A. CREAM						
211	CODE H	#630 R.C.A. BROWN						
211	CODE I	#895 R.C.A. RED						
211	CODE J	#602 R.C.A. ORANGE						
211	CODE K	#650 R.C.A. MAGENTA						
211	CODE L	#975 R.C.A. RED						
211	CODE M	#793 R.C.A. GREEN						
211	CODE O	#992 R.C.A. BLUE						
211	CODE Q	#788 R.C.A. LIGHT GREY						
		A) #1 L.H. & R.H. 148"						
		B) #1 L.H. & R.H.						
		C) #3 L.H.						
		D) #3 R.H. 148" W/50						
		E) #2 L.H. & R.H. 15'						
		F) #2 R.H. 15'						
		G) #3 L.H. 15'						
		H) THOSE ITEMS ARE USED W/O COVERING						
		W) TO FIX COVERING ON WOOD						
		X) TO FIX COVERING ON FIBERGLASS & ALUMINUM						
		Y) TO FIX COVERING ON FIBERGLASS						
		Z) WITH YELLOW NOZZLE						
		P) CALL ORDER DESK FOR SPECIFIC APPLICATION (V.I.N.)						

From E-638 To Y-7045	Date:10/2022	PAGE:XL-1838-01
FLOOR COVERING - "TARAFLEX"		



From E-638 To Y-7045	Date:10/2022	PAGE:XL-1838-01
----------------------	--------------	-----------------

FLOOR COVERING - "TARAFLEX"

Item#	Part	Description	M T H 4 0	M T H 4 5	M T H 4 5 E	X L 4 0	X L 4 5	N O T E S
1		FLOOR COVERING SIDE SECTION / 664MM X 11582MM				X	X	
1	506800	COVERING DARK GREY #8780 PEGASUS				1	1	
1	506856	COVERING RED #6132 RUBIS				1	1	
1	506841	COVERING LIGHT GREY #8779 CYGNUS				1	1	
1	506820	COVERING DARK GREY #8780 PEGASUS				1	1	
1	506825	COVERING LIGHT GREY #8779 CYGNUS				1	1	
1	506849	COVERING RED #6132 RUBIS				1	1	
2		FLOOR COVERING AISLE SECTION / 924MM X 11582MM				X	X	
2	506801	COVERING DARK GREY #8780 PEGASUS				1	1	
2	506857	COVERING RED #6132 RUBIS				1	1	
2	506840	COVERING LIGHT GREY #8779 CYGNUS				1	1	
2	506848	COVERING RED #6132 RUBIS				1	1	
2	506791	COVERING DARK GREY #8780 PEGASUS				1	1	
2	506826	COVERING LIGHT GREY #8779 CYGNUS				1	1	
3		FLOOR COVERING 1ST STEP / 244MM X 687MM WITH CURVE				X	X	
3	506819	COVERING DARK GREY #8780 PEGASUS				1	1	
3	506852	COVERING RED #6132 RUBIS				1	1	
3	506824	COVERING LIGHT GREY #8779 CYGNUS				1	1	
4		FLOOR COVERING 2ND STEP / 270MM X 605MM				X	X	
4	506818	COVERING DARK GREY #8780 PEGASUS				1	1	
4	506853	COVERING RED #6132 RUBIS				1	1	
4	506822	COVERING LIGHT GREY #8779 CYGNUS				1	1	
5		FLOOR COVERING UPPER STEPWELL / 711MM X 914MM				X	X	
5	506793	COVERING DARK GREY #8780 PEGASUS				1	1	
5	506850	COVERING RED #6132 RUBIS				1	1	
5	506821	COVERING LIGHT GREY #8779 CYGNUS				1	1	
6		FLOOR COVERING DRIVER'S SECTION / 1330MM X 1270MM				X	X	
6	506792	COVERING DARK GREY #8780 PEGASUS				1	1	
6	506854	COVERING RED #6132 RUBIS				1	1	
6	506827	COVERING LIGHT GREY #8779 CYGNUS				1	1	

From E-638 To Y-7045	Date:10/2022	PAGE:XL-1838-01
----------------------	--------------	-----------------

FLOOR COVERING - "TARAFLEX"

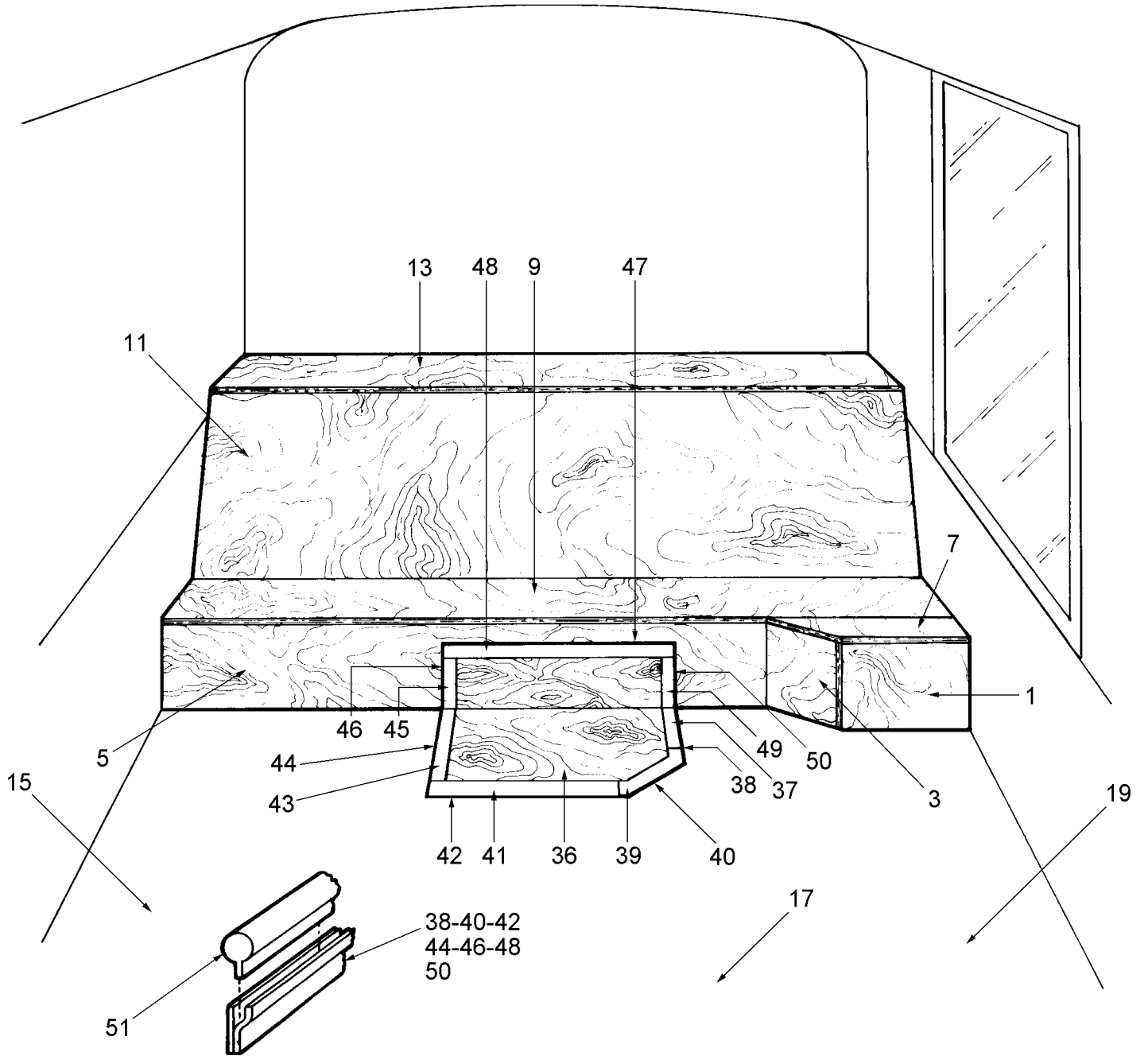
Item#	Part	Description	M T H 4 0	M T H 4 5	M T H 4 5 E	X L 4 0	X L 4 5	N O T E S
7	684654	GLUE CONTACT "SCOTCH-GRIP" / 3M #1357-NEUTRAL 18.9 LITERS				AR	AR	F
7	684655	GLUE CONTACT "SCOTCH-GRIP" / 3M #1357-NEUTRAL 3.8 LITERS				AR	AR	F
7	684685	ADHESIVE SIMSON #ISR 70-03 / 310ml CARTRIDGE				AR	AR	F
10	506812	EXTRUSION "STEPBUS" 692MM / W/CURVE				1	1	
11	506813	EXTRUSION STEPBUS				1	1	
12	506814	EXTRUSION "STEPBUS" 684MM				1	1	
13	506815	EXTRUSION "STEPBUS" 406MM				1	1	
14	506816	EXTRUSION "STEPBUS" 482MM				1	1	
15	506808	WHITE STRIP "STEPBUS" 34MM x 1490MM / BOX OF 20				1	1	
15	5061033	WHITE STRIP "STEPBUS" 34MM x 1490MM / BOX OF 20				1	1	
15	5061280	WHITE STRIP "STEPBUS" 34MM x 1490MM / EACH				1	1	
15	506088	WHITE STRIP "STEPBUS" 34MM x 565MM				1	1	
		FLOOR COVERING / 762MM X 1524MM						
16	506839	COVERING LIGHT GREY #8779 CYGNUS				1	1	
16	506794	COVERING DARK GREY #8780 PEGASUS				1	1	
16	506855	COVERING RED #6132 RUBIS				1	1	
NS	680031	GLUE / 1LITER				1	1	W
NS	680028	GLUE / 15LITERS				1	1	W
		F) TO FIX COVERING ON FIBERGLASS						
		W) TO FIX COVERING ON WOOD						

From E-638 To R-843

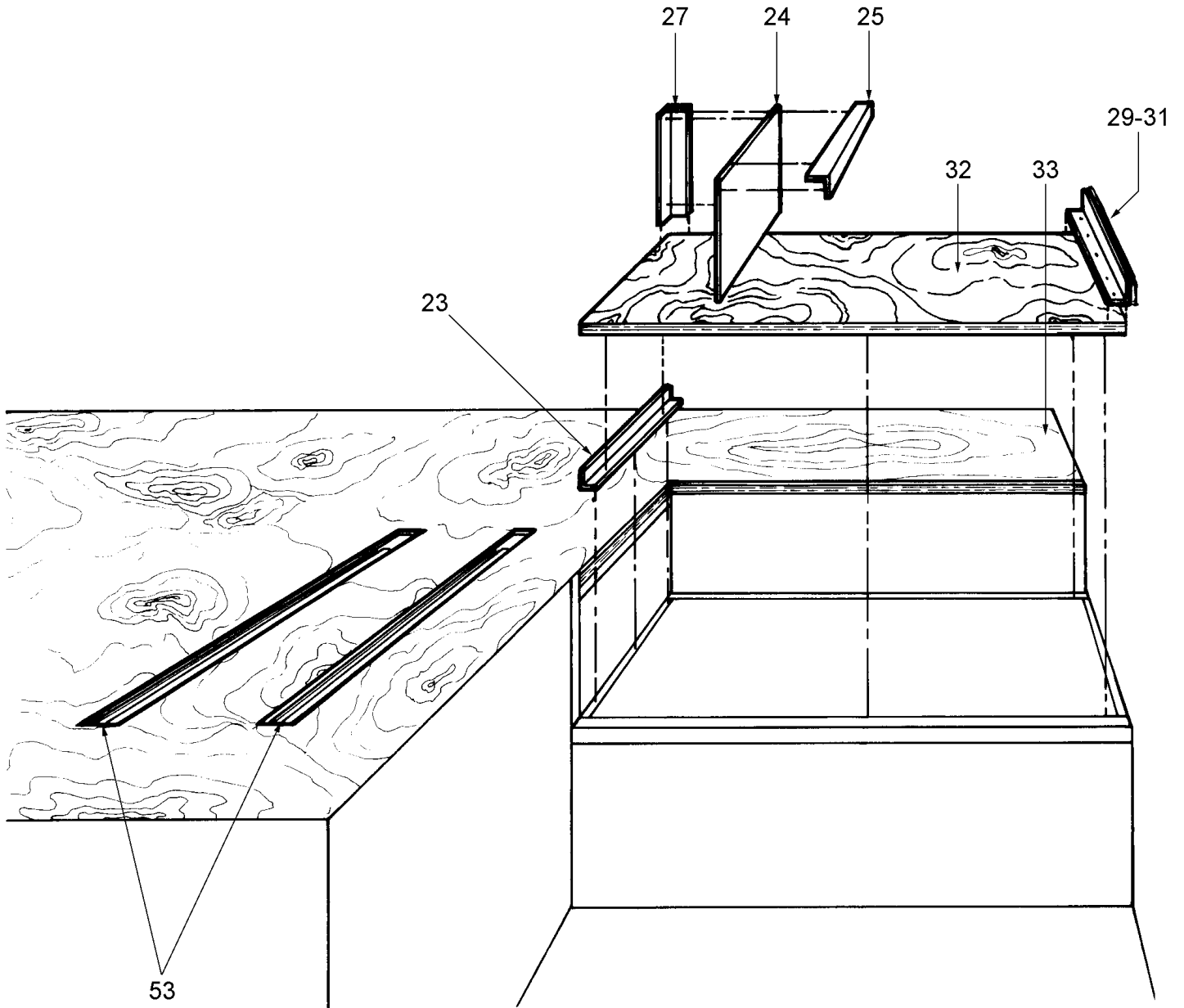
Date:10/2022

PAGE:XL-1838-10

FLOOR - MTH - WITH DETROIT S-92



From E-638 To R-843	Date:10/2022	PAGE:XL-1838-10
FLOOR - MTH - WITH DETROIT S-92		



From E-638 To R-843	Date:10/2022	PAGE:XL-1838-10
FLOOR - MTH - WITH DETROIT S-92		

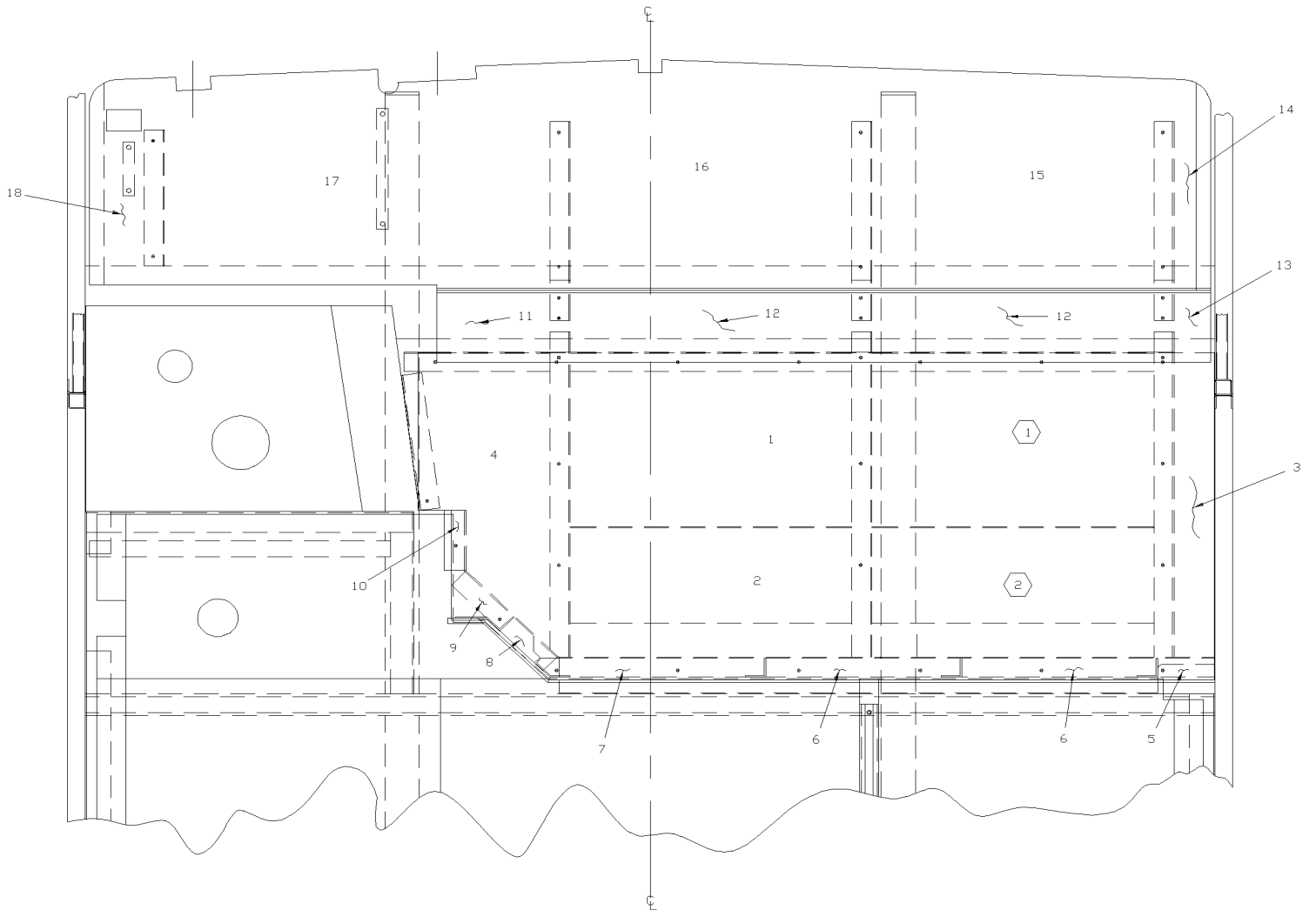
Item#	Part	Description	M T H 4 0	M T H 4 5	M T H 4 5 E	X L 4 0	X L 4 5	N O T E S
1	321178	PANEL, PLYWOOD	1		1			
3	321177	PANEL ASSY	1		1			
5	321314	PANEL, PLYWOOD	1		1			
7	321176	PANEL ASSY	1		1			
9	321945	PANEL, PLYWOOD	1		1			
11	321951	PANEL, PLYWOOD / MTH 80"	1					
11	321954	PANEL, PLYWOOD / MTH 83"	1					
11	321957	PANEL, PLYWOOD / MTH 86"	1		1			
13	323319	PANEL, PLYWOOD / MTH 80"	1					
13	321963	PANEL, PLYWOOD / MTH 83"	1					
13	322078	PANEL, PLYWOOD / MTH 86"	1		1			
15	321233	PANEL / SS / SOUND DAMPENING	1		1			
17	321232	PANEL / SS / SOUND DAMPENING	1		1			
19	321234	PANEL / SS / SOUND DAMPENING	1		1			
23	322041	MOULDING	1		1			
24	220483	PANEL / FINISHING / SS	1		1			
25	322044	MOULDING / MTH 80"	1					
25	322043	MOULDING / MTH 83" & 86"	1		1			
27	322040	MOULDING / MTH 80"	1					
27	322042	MOULDING / MTH 83" & 86"	1		1			
NS	500640	SCREW TP PAN PH #6x3/4 Z050	AR		AR			
29	506007	TAPE RUB ADH1 CC NEO 3/4" x 1" x 10' / BLACK 1220	AR		AR			
31	506302	RUBBER EXTRUSION TRIM SEAL / GRIP .024 / 7/16" HOLLOW BULB C.T.L.	AR		AR			
NS	507295	HOLE PLUG BUTTON / 1.375 O.D. BLACK	1		1			
32	220480	PANEL	1		1			
33	220495	PANEL	1		1			
36	321235	DOOR ASSY, ENGINE ACCESS W/O COVERING	1		1			
NS	500561	SCREW MA OV SLT 1/4-20x2 ZP	6		6			
37	320798	MOULDING SS	1		1			
38	281538	MOULDING RETAINING WEATER STRIP	1		1			
39	320795	MOULDING SS	1		1			
40	281539	MOULDING RETAINING WEATER STRIP	1		1			
41	320796	MOULDING SS	1		1			
42	281537	MOULDING RETAINING WEATER STRIP	1		1			
43	320797	MOULDING SS	1		1			
44	281536	MOULDING RETAINING WEATER STRIP	1		1			
45	320799	MOULDING SS	1		1			
46	281530	MOULDING RETAINING WEATER STRIP	1		1			
47	320800	MOULDING SS	1		1			
48	281542	MOULDING RETAINING WEATER STRIP	1		1			
49	320803	MOULDING SS	1		1			
50	281541	MOULDING RETAINING WEATER STRIP	1		1			

From P-722 To R-843

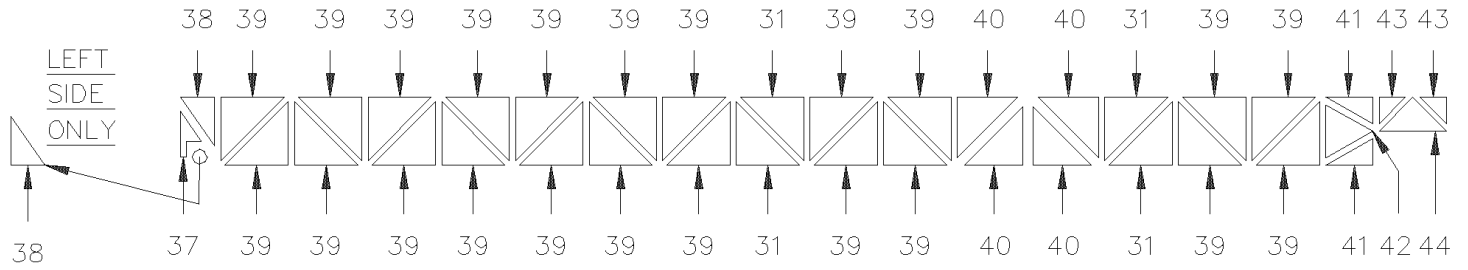
Date:10/2022

PAGE:XL-1838-20

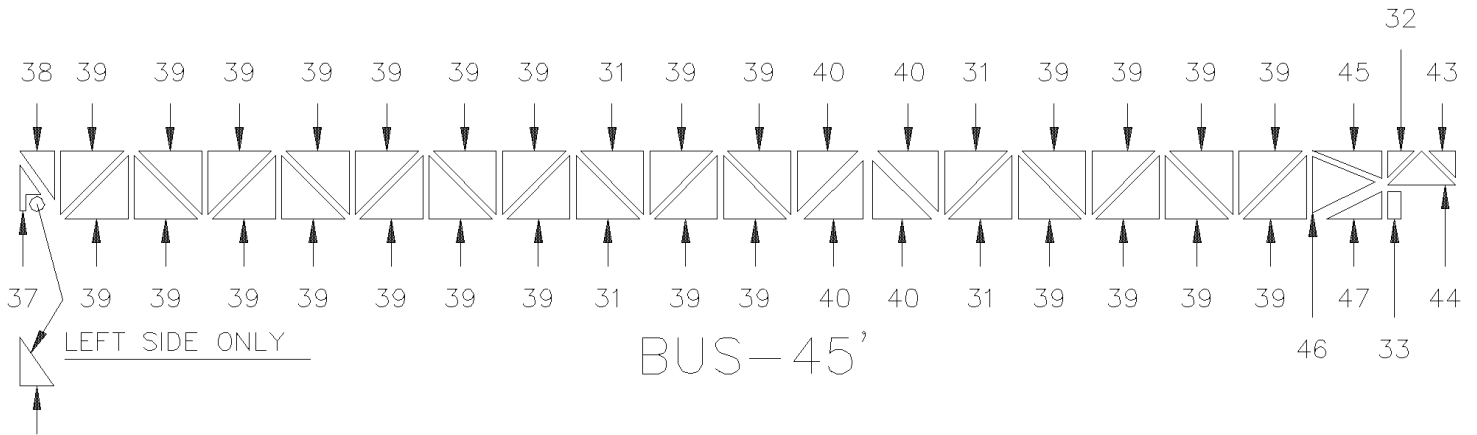
INSULATING REAR LOUNGE SEAT



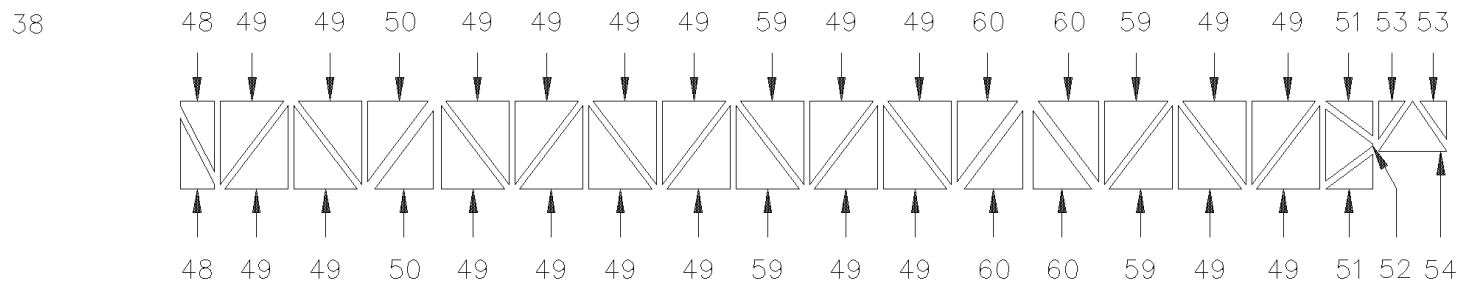
From T-5704 To Y-7045	Date:10/2022	PAGE:XL-1839-00
INSULATING SIDE WALL - LOWER PANEL		



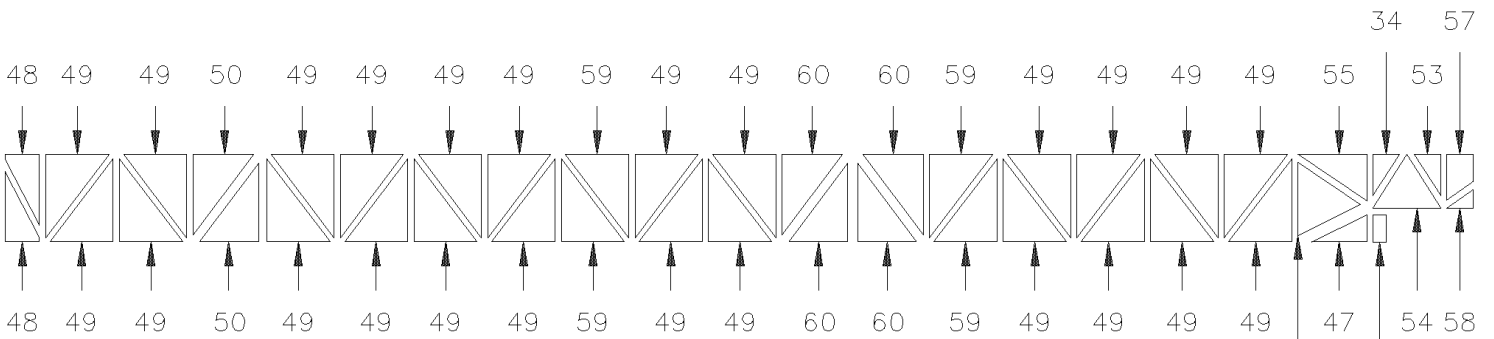
BUS-40'



BUS-45'



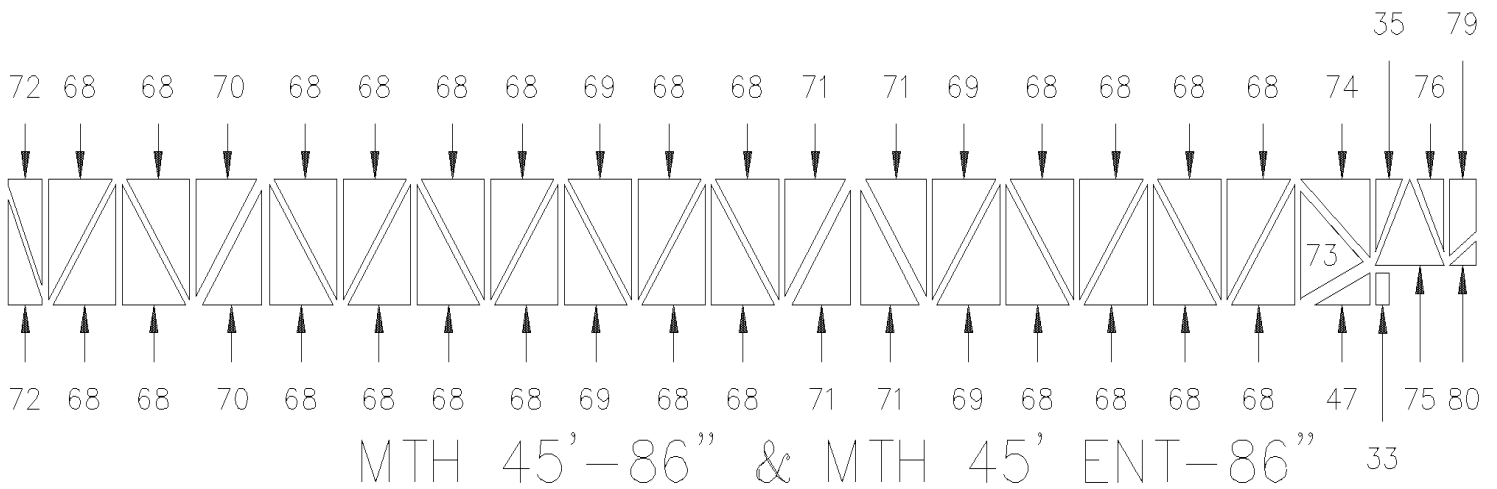
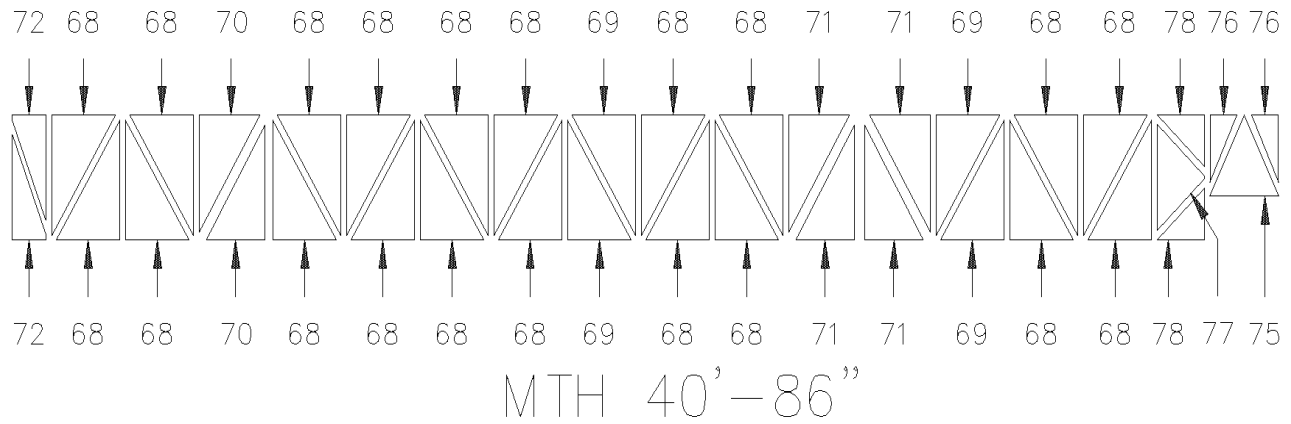
MTH 40'-83"



MTH 45'-83"

NOTE: ALL VIEWS ARE RH FROM INSIDE

From T-5704 To Y-7045	Date:10/2022	PAGE:XL-1839-00
INSULATING SIDE WALL - LOWER PANEL		



NOTE: ALL VIEWS ARE RH FROM INSIDE

From T-5704 To Y-7045	Date:10/2022	PAGE:XL-1839-00
------------------------------	---------------------	------------------------

INSULATING SIDE WALL - LOWER PANEL

Item#	Part	Description	M T H 4 0	M T H 4 5	M T H 4 5 E	X L 4 0	X L 4 5	N O T E S
	350454	KIT INSULATING LOWER SIDE WALL RH				1		
	350455	KIT INSULATING LOWER SIDE WALL LH				1		
	350456	KIT INSULATING LOWER SIDE WALL RH					1	
	350457	KIT INSULATING LOWER SIDE WALL LH					1	
	350458	KIT INSULATING LOWER SIDE WALL LH & RH 83"	2					
	350459	KIT INSULATING LOWER SIDE WALL LH & RH 83"		2				
	350655	KIT INSULATING LOWER SIDE WALL LH & RH 86" From V-6235	2					A
	350656	KIT INSULATING LOWER SIDE WALL LH & RH 86" From V-6235		2	2			B
	350491	KIT INSULATING LOWER SIDE WALL LH		1	1			
31	Call order desk	SIDE INSULATION PANEL				8	8	P
32	350460	SIDE INSULATION PANEL					2	
33	350557	SIDE INSULATION PANEL / RH SIDE ONLY		1	1		1	
33	350556	SIDE INSULATION PANEL / LH SIDE ONLY		1	1		1	
34	350461	SIDE INSULATION PANEL		2				
35	350653	SIDE INSULATION PANEL		1	1			
37	Call order desk	SIDE INSULATION PANEL				1	1	P
38	Call order desk	SIDE INSULATION PANEL					3	P
39	Call order desk	SIDE INSULATION PANEL				22		P
39	Call order desk	SIDE INSULATION PANEL					26	P
40	Call order desk	SIDE INSULATION PANEL				4	4	P
41	Call order desk	SIDE INSULATION PANEL				4		P
42	Call order desk	SIDE INSULATION PANEL				2		P
43	Call order desk	SIDE INSULATION PANEL				4		P
43	Call order desk	SIDE INSULATION PANEL					2	P
44	Call order desk	SIDE INSULATION PANEL				2	2	P
45	Call order desk	SIDE INSULATION PANEL		2				P
46	Call order desk	SIDE INSULATION PANEL		2				P
47	Call order desk	SIDE INSULATION PANEL		2				P
48	Call order desk	SIDE INSULATION PANEL	4	4				P
49	Call order desk	SIDE INSULATION PANEL	40					P
49	Call order desk	SIDE INSULATION PANEL		48				P
50	Call order desk	SIDE INSULATION PANEL	4					P
51	Call order desk	SIDE INSULATION PANEL	4					P
52	Call order desk	SIDE INSULATION PANEL	2					P
53	Call order desk	SIDE INSULATION PANEL	4					P
54	Call order desk	SIDE INSULATION PANEL	2					P
55	Call order desk	SIDE INSULATION PANEL		2				P
56	Call order desk	SIDE INSULATION PANEL		2				P
57	Call order desk	SIDE INSULATION PANEL		2				P
58	Call order desk	SIDE INSULATION PANEL		2				P
59	Call order desk	SIDE INSULATION PANEL	8	8				P
60	Call order desk	SIDE INSULATION PANEL	8	8				P

From T-5704 To Y-7045	Date:10/2022	PAGE:XL-1839-00
INSULATING SIDE WALL - LOWER PANEL		

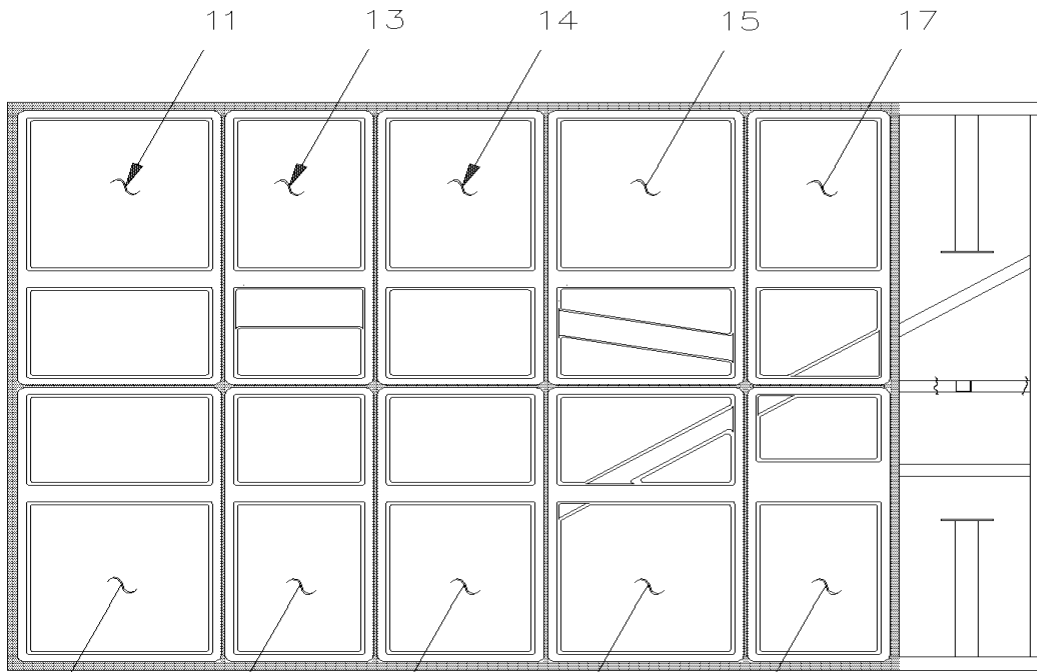
Item#	Part	Description	M T H 4 0	M T H 4 5	M T H 4 5 E	X L 4 0	X L 4 5	N O T E S
68	Call order desk	INSULATING PANEL	40					P
68	Call order desk	INSULATING PANEL		48	48			P
69	Call order desk	INSULATING PANEL	8	8	8			P
70	Call order desk	INSULATING PANEL		4	4			P
71	Call order desk	INSULATING PANEL	8	8	8			P
72	Call order desk	INSULATING PANEL	4	4	4			P
73	Call order desk	INSULATING PANEL		2	2			P
74	Call order desk	INSULATING PANEL		2	2			P
75	Call order desk	INSULATING PANEL	2	2	2			P
76	Call order desk	INSULATING PANEL	4					P
76	Call order desk	INSULATING PANEL		2	2			P
77	Call order desk	INSULATING PANEL	2					P
78	Call order desk	INSULATING PANEL	4					P
79	Call order desk	INSULATING PANEL		2	2			P
80	Call order desk	INSULATING PANEL		2	2			P
NS	850070	ALUMINUM WALL COVERING ADHESIVE / 36" X 438"	2	2	2			
NS	850074	ALUMINUM WALL COVERING ADHESIVE / 26 1/2" X 386"				2		
NS	850071	ALUMINUM WALL COVERING ADHESIVE / 26 1/2" X 446"					2	
		A) FOR VEHICLE MTH-45 86" HEIGHT TO V-6234 USE SAME KIT THAN MTH-45 83" FOR RH SIDE						
		B) FOR VEHICLE MTH-40 86" HEIGHT TO V-6234 USE SAME KIT THAN MTH-40 83"						
		P) CALL ORDER DESK FOR SPECIFIC APPLICATION (V.I.N.)						

From P-722 To Y-7045

Date:10/2022

PAGE:XL-1839-10

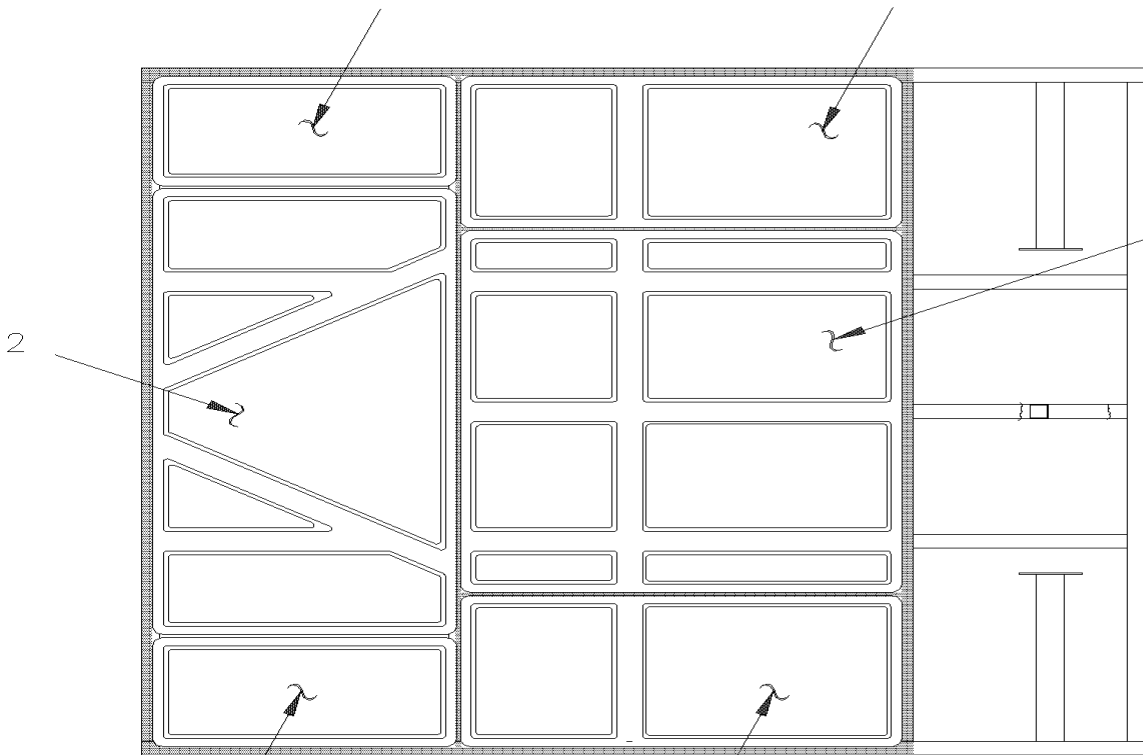
INSULATING FLOOR REAR AXLE



FRONT

BUS 45'
MTH 45'

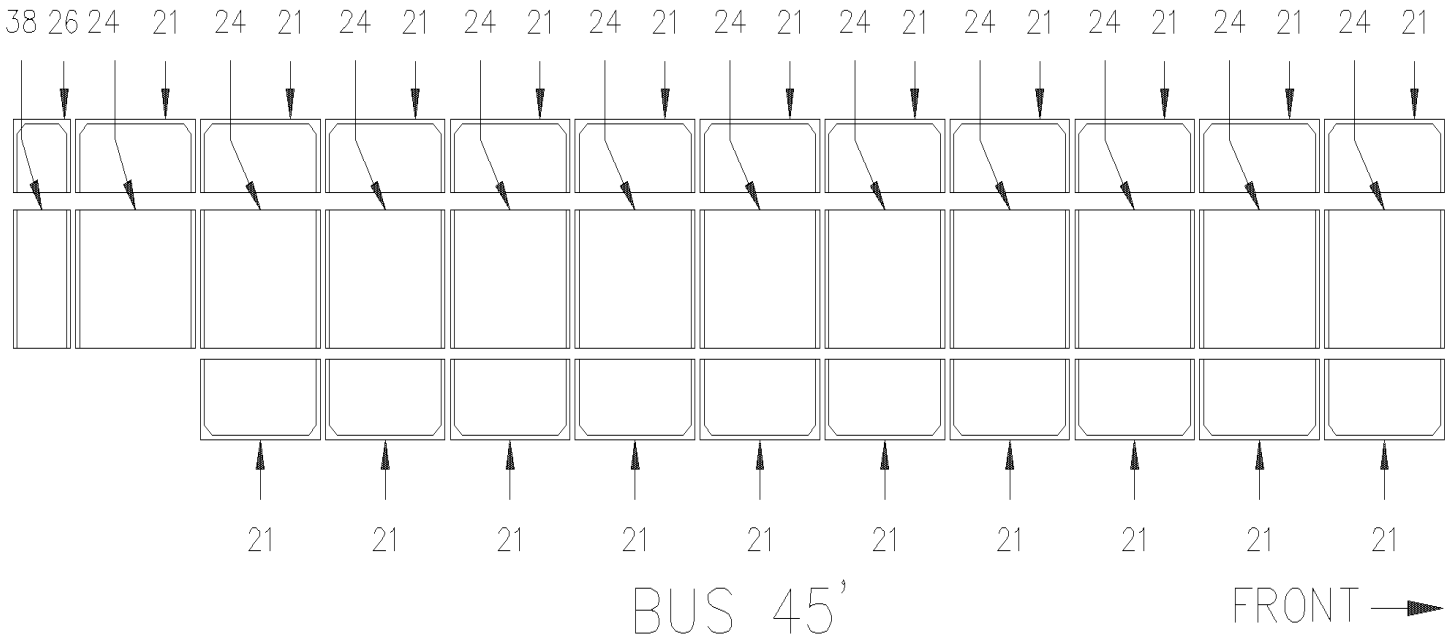
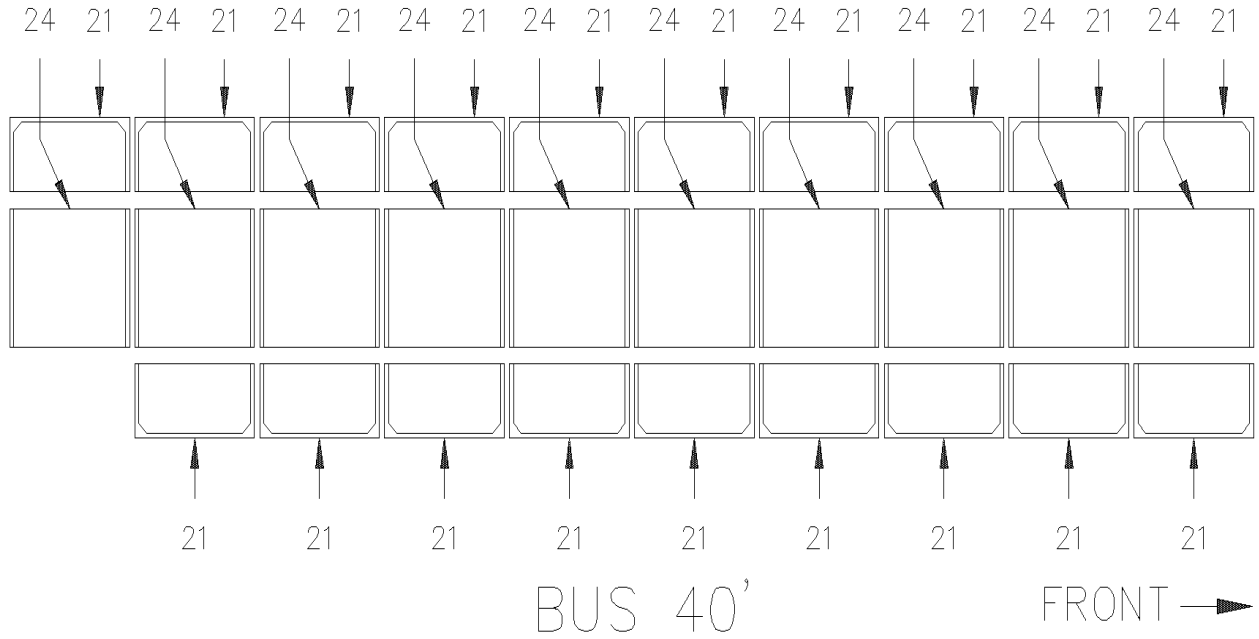
11 12 1 14 16 18 3



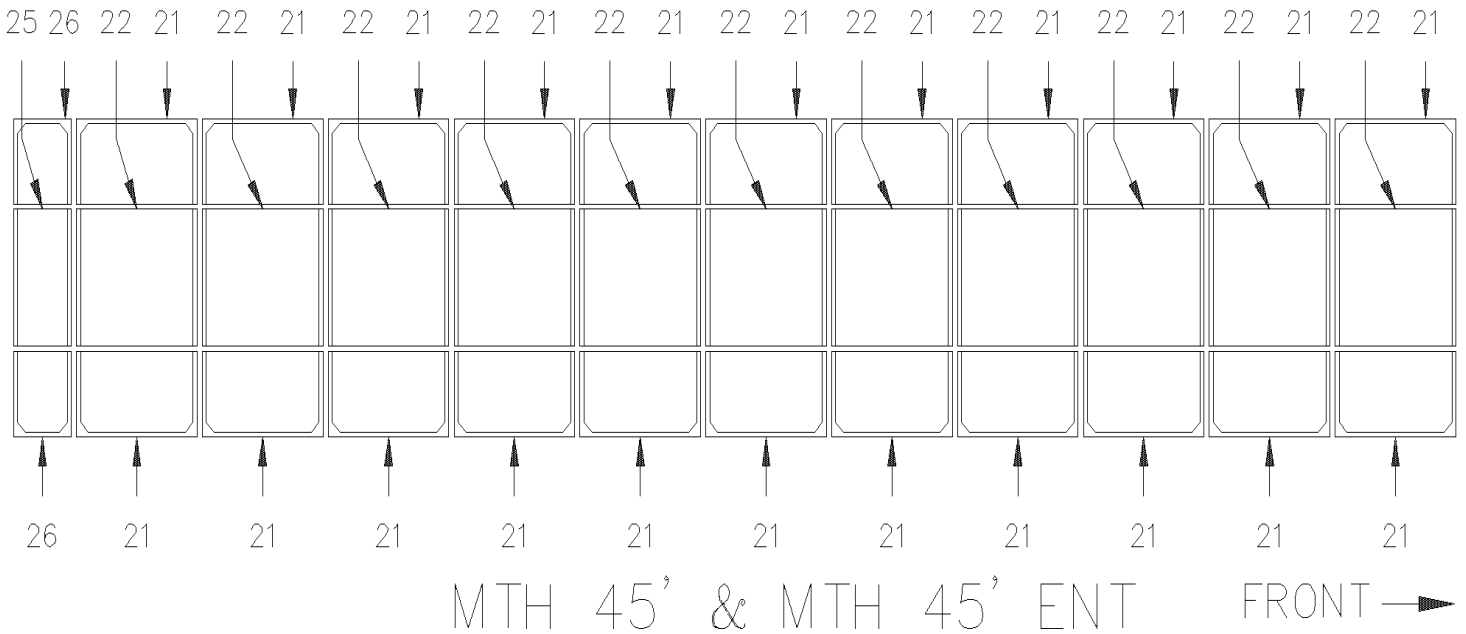
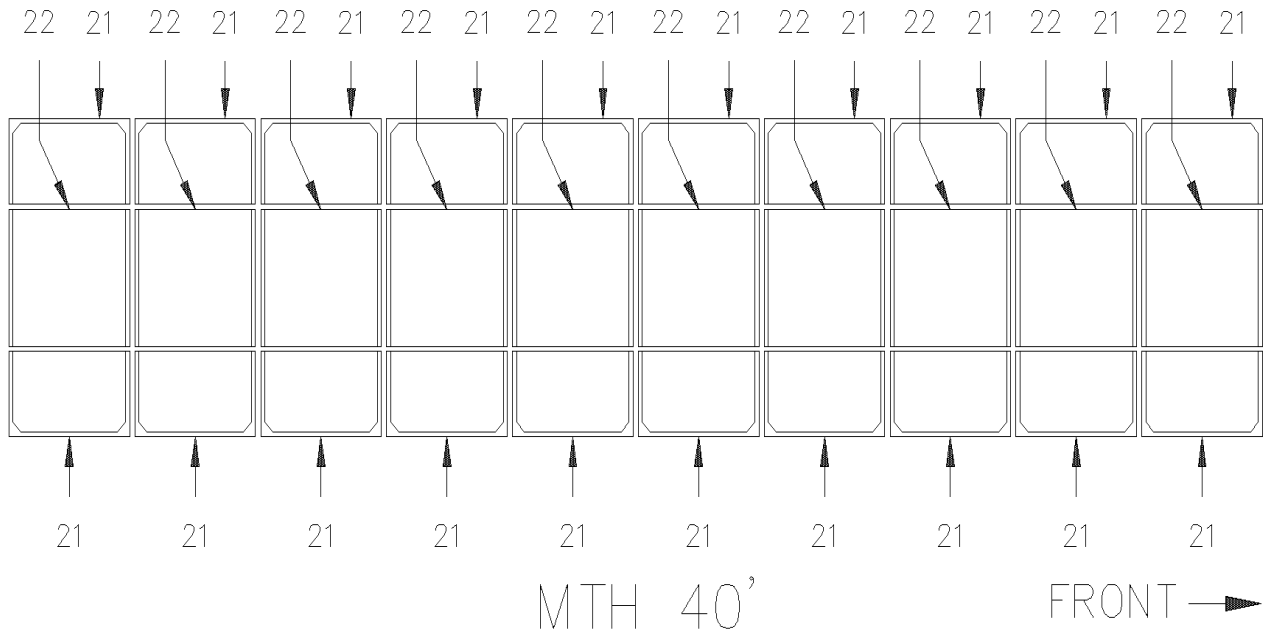
FRONT

BUS 40'
MTH 40'
MTH 45' ENT

From P-716 To Y-7045	Date:10/2022	PAGE:XL-1839-30
INSULATING ROOF PANELS		



From P-716 To Y-7045	Date:10/2022	PAGE:XL-1839-30
INSULATING ROOF PANELS		

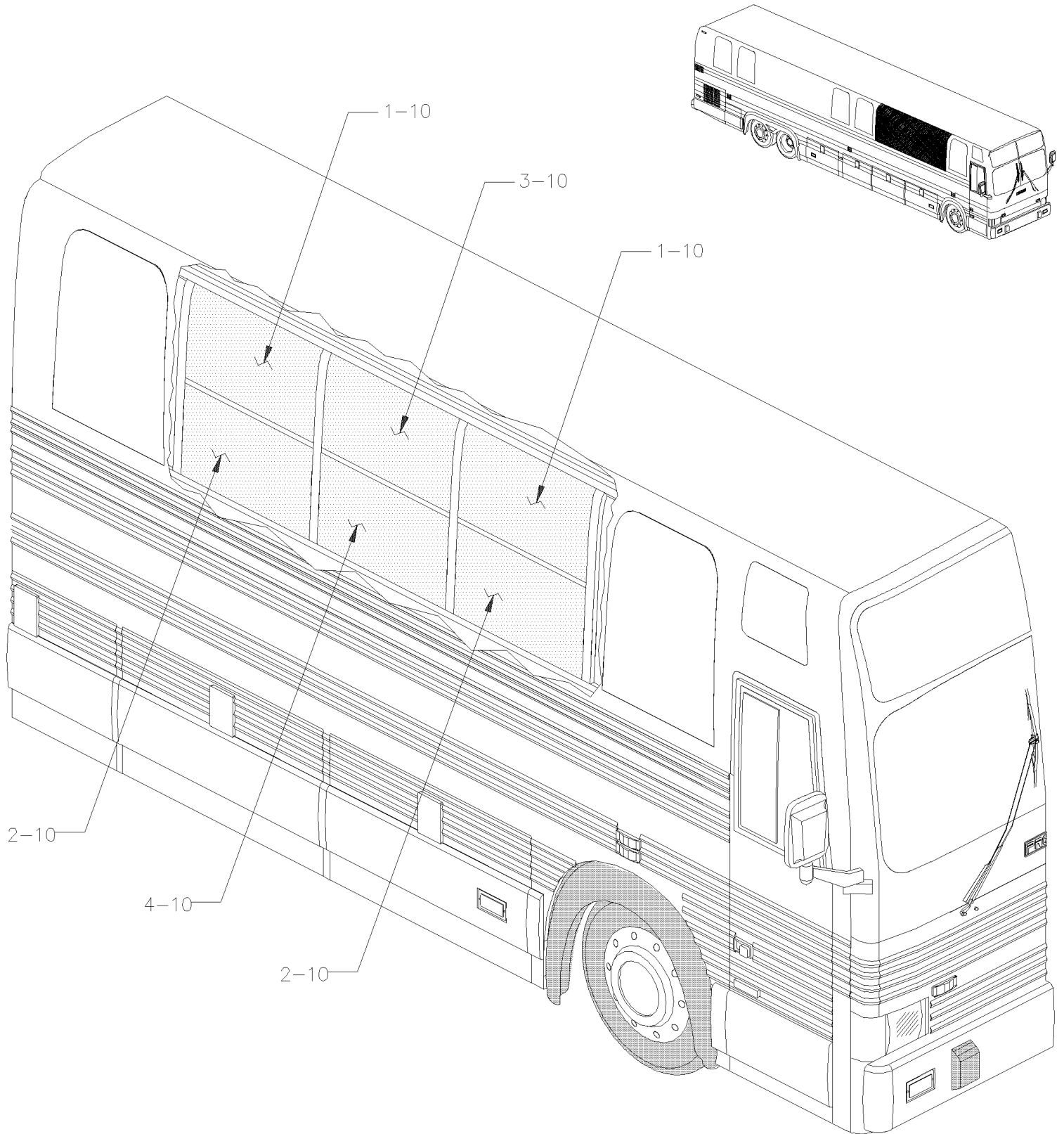


From P-617 To Y-7045

Date:10/2022

PAGE:XL-1839-50

INSULATING SIDE WALL - UPPER PANEL



From P-617 To Y-7045	Date:10/2022	PAGE:XL-1839-50
----------------------	--------------	-----------------

INSULATING SIDE WALL - UPPER PANEL

Item#	Part	Description	M T H 4 0	M T H 4 5	M T H 4 5 E	X L 4 0	X L 4 5	N O T E S
1	N.P.N.	INSULATING PANEL To V-6018	6					4
1	N.P.N.	INSULATING PANEL To V-6018		7	7			4
1	350605	INSULATING PANEL / 938MM WIDE From V-6019	6					
1	350605	INSULATING PANEL / 938MM WIDE From V-6019		7	7			
NS	350446	INSULATING LOCKING STRIP / 33MM WIDE To V-6018	AR	AR	AR			
2	N.P.N.	INSULATING PANEL To V-6018	4					4
2	N.P.N.	INSULATING PANEL To V-6018		6	6			4
2	350607	INSULATING PANEL / 938MM WIDE From V-6019	4					
2	350607	INSULATING PANEL / 938MM WIDE From V-6019		6	6			
3	350444	INSULATING PANEL / 947MM WIDE To V-6018	6					
3	350444	INSULATING PANEL / 947MM WIDE To V-6018		7	7			
3	350606	INSULATING PANEL / 972MM WIDE From V-6019	6					
3	350606	INSULATING PANEL / 972MM WIDE From V-6019		7	7			
NS	350451	INSULATING LOCKING STRIP / 42.5MM WIDE To V-6018	AR	AR	AR			
4	350445	INSULATING PANEL / 947MM WIDE To V-6018	5					
4	350445	INSULATING PANEL / 947MM WIDE To V-6018		6	6			
4	350608	INSULATING PANEL / 972MM WIDE From V-6019	5					
4	350608	INSULATING PANEL / 972MM WIDE From V-6019		6	6			
10	682934	GLUE	AR	AR	AR			
		4) NO PARTS NUMBER						

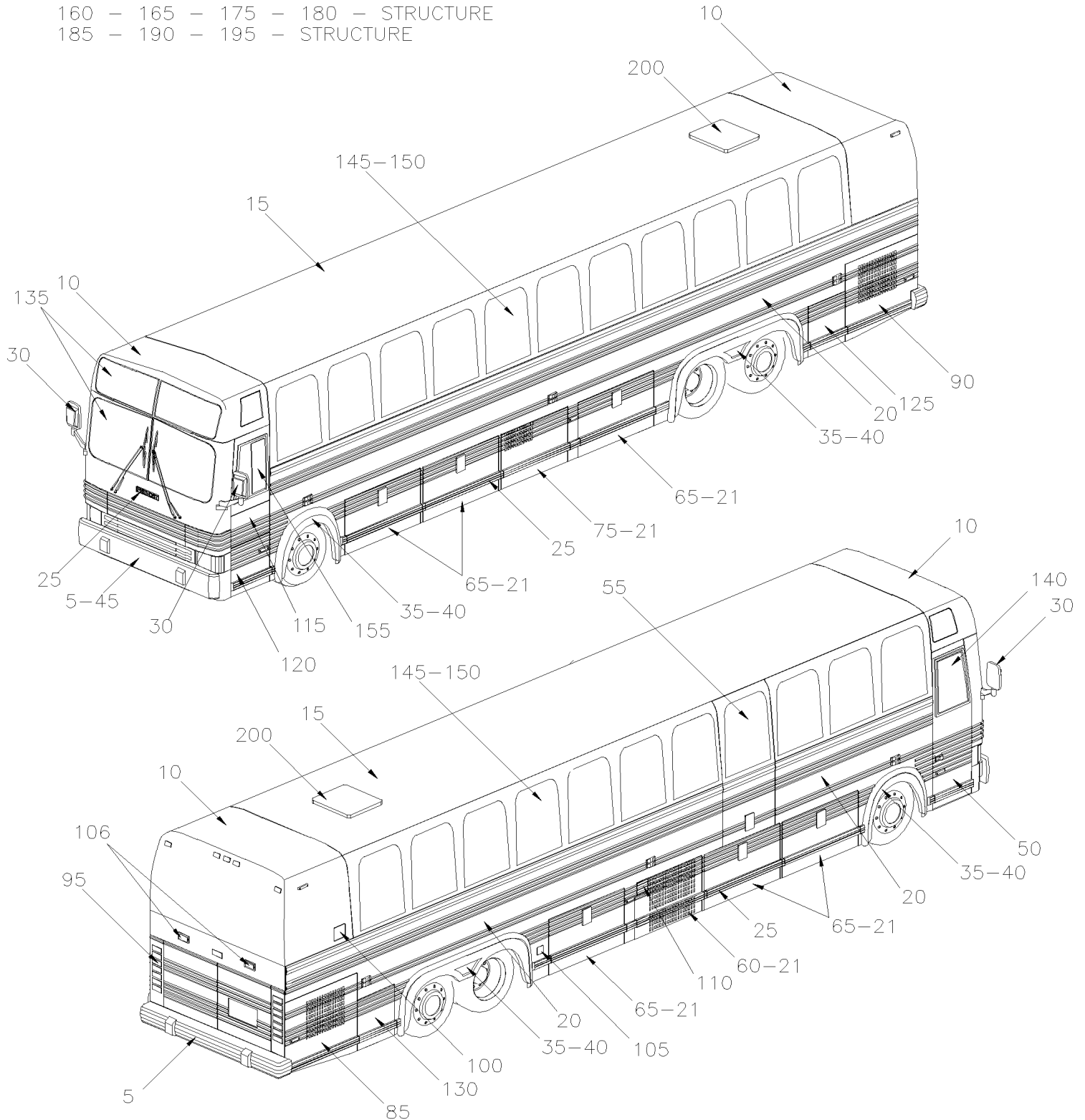
From E-638 To Y-7045

Date:10/2022

PAGE:XL-18-EXT

BODY EXTERIOR

- 70 - BAGGAGE COMPARTMENT PANELS
- 80 - KEY & CYLINDER CODE "FORD"
- 160 - 165 - 175 - 180 - STRUCTURE
- 185 - 190 - 195 - STRUCTURE



From E-638 To Y-7045		Date:10/2022	PAGE:XL-18-EXT
BODY EXTERIOR			

Item#	Part	Description	M T H 4 0	M T H 4 5	M T H 4 5 E	X L 4 0	X L 4 5	N O T E S
5	XL-1850-00	BUMPER FRONT From E-638 To Y-7045						
5	XL-1850-10	BUMPER REAR From E-638 To Y-7045						
5	XL-1850-11	BUMPER REAR - "GO-TRANSIT" From X-6945 To X-7014						
10	XL-1851-00	CAP - FRONT & REAR - INSTALLATION From E-638 To L-684						
10	XL-1851-01	CAP - FRONT & REAR - INSTALLATION From L-685 To Y-7045						
15	XL-1852-00	ROOF PANELS - "LE MIRAGE" From E-638 To T-5804						
15	XL-1852-01	ROOF PANEL - "LE MIRAGE" SINGLE PIECE From T-5805 To Y-7045						
15	XL-1852-10	ROOF PANELS - "PREVOST XL" (MARATHON) From E-638 To J-609						
15	XL-1852-30	ROOF PANELS - "LE MIRAGE" W/TROPICAL From N-498 To N-500						
20	XL-1854-00	SIDE PANELS - BUS From E-638 To Y-7045						
21	XL-1854-10	WEATHERSTRIP & RETAINER - BUS 40' From E-638 To Y-7045						
21	XL-1854-11	WEATHERSTRIP & RETAINER - W.C.L. - "GO-TRANSIT" From X-6945 To X-7014						
21	XL-1854-20	WEATHERSTRIP & RETAINER - MTH 40' & 45' ENT From E-638 To V-6257						
21	XL-1854-21	WEATHERSTRIP & RETAINER - MTH 40' & 45' ENT From V-6258 To Y-7045						
21	XL-1854-30	WEATHERSTRIP & RETAINER - BUS 45' & MTH 45' From P-722 To Y-7045						
21	XL-1854-50	SIDE PANELS - MTH 40' & MTH 45' ENT From E-638 To V-6257						
21	XL-1854-51	SIDE PANELS - MTH 40' & MTH 45' ENT From V-6258 To Y-7045						
21	XL-1854-60	SIDE PANELS - MTH 45' From P-722 To Y-7045						
21	XL-1854-65	PANEL W/CENTRAL DOORS From F-829 To W-6863						
25	XL-1855-00	RUB RAIL - EXTERIOR CREST & TRIMS From E-638 To Y-7045						
30	XL-1856-00	MIRROR "IKI" - MANUAL ADJUSTMENT From E-638 To L-684						
30	XL-1856-20	MIRROR "RAMCO" FLAT GLASS / SILVER PAINTED From L-685 To Y-7045						
30	XL-1856-22	MIRROR "RAMCO" FLAT GLASS / BLACK PAINTED From L-685 To Y-7045						
30	XL-1856-30	MIRROR "RAMCO" 2 GLASSES / SILVER PAINTED From L-685 To Y-7045						
30	XL-1856-32	MIRROR "RAMCO" 2 GLASSES / BLACK PAINTED From L-685 To Y-7045						
30	XL-1856-50	MIRROR "RAMCO" FLAT GLASS / CHROME From L-685 To Y-7045						
30	XL-1856-60	MIRROR "RAMCO" 2 GLASSES / BRIGHT POLISH From L-685 To Y-7045						
30	XL-1856-61	MIRROR "RAMCO" 2 GLASSES / CHROME From L-685 To Y-7045						
35	XL-1857-00	FENDERS From E-638 To Y-7045						
40	XL-1859-00	SPLASH GUARD - FRONT & REAR From E-638 To Y-7045						
45	XL-1860-10	SPARE WHEEL DOOR ASSY From E-638 To Y-7045						
50	XL-1862-00	ENTRANCE DOOR ASSY - BUS (RIVETED) From E-638 To S-461						
50	XL-1862-01	ENTRANCE DOOR ASSY - BUS (GLUED) From S-462 To Y-7045						
50	XL-1862-45	ENTRANCE DOOR MECHANISM - MTH From E-638 To X-6679						
50	XL-1862-50	ENTRANCE DOOR ASSY - MTH (RIVETED) From E-638 To S-461						
50	XL-1862-51	ENTRANCE DOOR ASSY - MTH (GLUED) From S-462 To X-6679						
50	XL-1862-52	ENTRANCE DOOR ASSY - MTH From X-6680 To Y-7045						
50	XL-1862-60	ENTRANCE DOOR FRAME - INSTALLATION From E-638 To Y-7045						
55	XL-1862-80	ENTRANCE DOOR ASSY - W.C.L. - "GO-TRANSIT" From X-6945 To X-7014						
55	XL-1862-82	ENTRANCE DOOR - INSTALLATION - W.C.L. From X-6945 To X-7014						
60	XL-1863-00	CONDENSOR DOOR ASSY - BUS & MTH From E-638 To V-6257						
60	XL-1863-01	CONDENSOR DOOR ASSY - BUS 40' From V-6258 To Y-7045						

From E-638 To Y-7045		Date:10/2022	PAGE:XL-18-EXT
BODY EXTERIOR			

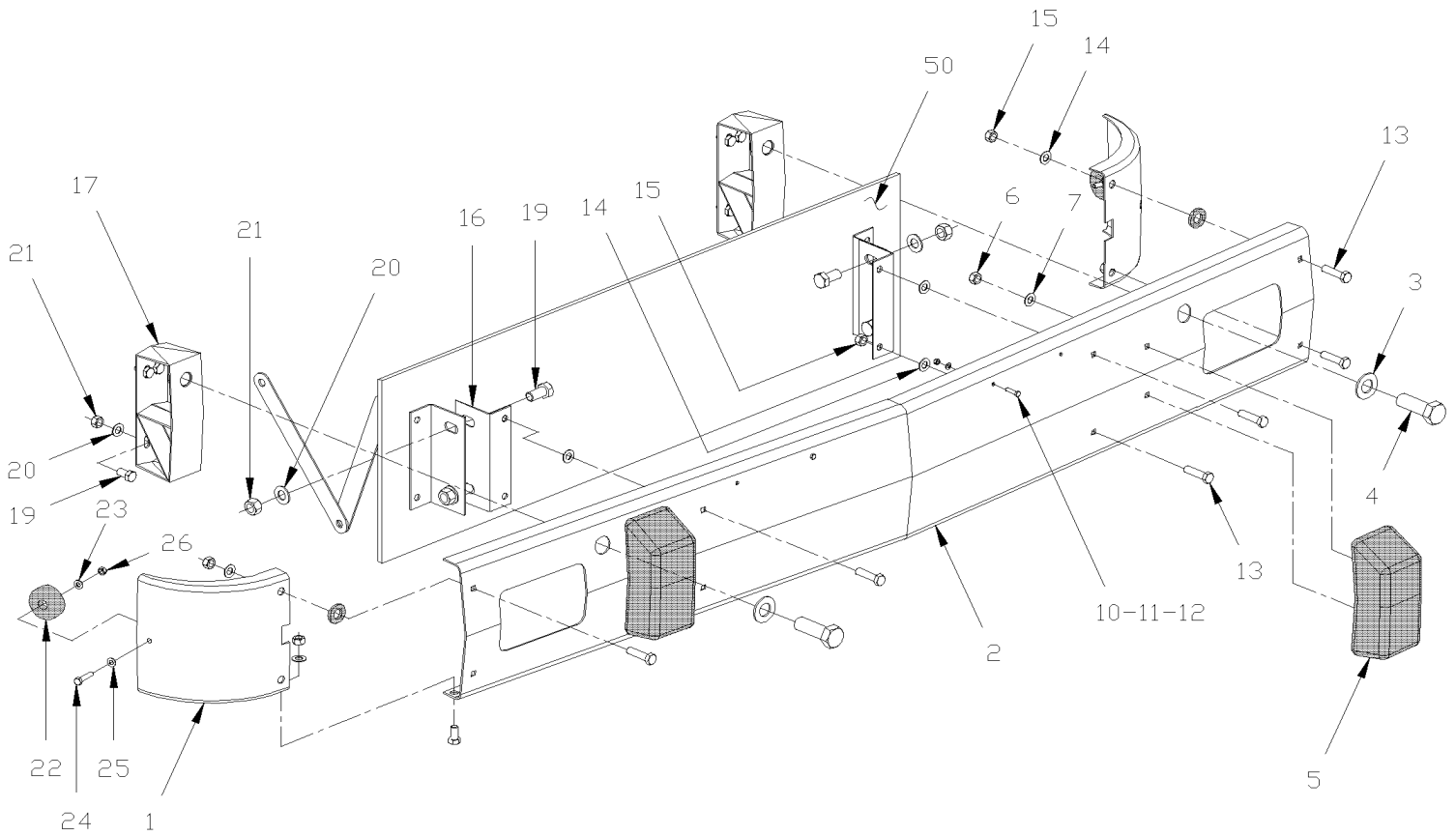
Item#	Part	Description	M T H 4 0	M T H 4 5	M T H 4 5 E	X L 4 0	X L 4 5	N O T E S
60	XL-1863-10	CONDENSOR DOOR ASSY - BUS 45' From S-570 To Y-7045						
60	XL-1863-50	CONDENSOR DOOR ASSY - MTH 45' From P-722 To Y-7045						
60	XL-1863-51	CONDENSOR DOOR ASSY - MTH 40' & 45' ENT From V-6258 To Y-7045						
65	XL-1864-00	BAGGAGE DOOR ASSY From E-638 To Y-7045						
65	XL-1864-50	BAGGAGE DOOR CURDSIDE - "SPECIAL" From P-722 To Y-7045						
65	XL-1864-55	BAGGAGE DOOR CURBSIDE - "SPECIAL" From S-506 To V-6257						
65	XL-1864-56	BAGGAGE DOOR CURBSIDE - "SPECIAL" From V-6258 To Y-7045						
65	XL-1864-60	BAGGAGE DOOR STREETSIDE - "SPECIAL" From S-506 To Y-7045						
65	XL-1864-80	BAGGAGE DOOR - W.C.L."RICON" From X-6945 To X-7014						
70	XL-1865-00	FLOOR BAGGAGE COMPARTMENT From E-638 To Y-7045						
70	XL-1865-10	SEPARATOR PANEL - BAGGAGE COMPARTMENT - BUS From E-638 To Y-7045						
70	XL-1865-20	EVAPORATOR & CONDENSOR WALL From E-638 To V-6257						
70	XL-1865-21	EVAPORATOR & CONDENSOR WALL From V-6258 To Y-7045						
70	XL-1865-50	FLOOR BAY COMPARTMENT - MTH From E-638 To V-6257						
70	XL-1865-51	FLOOR BAY COMPARTMENT - MTH From V-6258 To Y-7045						
70	XL-1865-55	SEPARATOR PANEL - BAGGAGE COMPARTMENT - MTH From P-722 To Y-7045						
70	XL-1865-60	SEPARATOR PANEL - BAGGAGE COMPARTMENT - MTH From E-638 To V-6257						
70	XL-1865-61	SEPARATOR PANEL - BAGGAGE COMPARTMENT - MTH From V-6258 To Y-7045						
75	XL-1866-00	EVAPORATOR DOOR ASSY From E-638 To V-6257						
75	XL-1866-01	EVAPORATOR DOOR ASSY From V-6258 To Y-7045						
80	XL-1867-00	KEY & CYLINDER CODE "FORD" & "NS" From E-638 To Y-7045						
85	XL-1868-00	A/C COMPRESSOR DOOR ASSY From E-638 To S-569						
85	XL-1868-01	A/C COMPRESSOR DOOR ASSY From S-570 To Y-7045						
90	XL-1869-00	RADIATOR DOOR ASSY From E-638 To R-900						
90	XL-1869-01	RADIATOR DOOR ASSY From P-722 To Y-7045						
95	XL-1870-00	ENGINE DOOR ASSY L.H. From E-638 To Y-7045						
95	XL-1870-00	ENGINE DOOR ASSY L.H. From E-638 To S-547						
95	XL-1870-01	ENGINE DOOR ASSY L.H. - W/VENTED HOLES - MTH From S-548 To Y-7045						
95	XL-1870-05	ENGINE DOOR ASSY R.H. From E-638 To Y-7045						
95	XL-1870-05	ENGINE DOOR ASSY R.H. From E-638 To S-547						
95	XL-1870-06	ENGINE DOOR ASSY R.H. - W/VENTED HOLES - MTH From S-548 To Y-7045						
100	XL-1873-00	LAVATORY UTILITY DOOR From E-638 To Y-7045						
105	XL-1874-00	BATTERIES DOOR - MAIN SWITCH From E-638 To Y-7045						
105	XL-1874-10	HEIGHT CONTROL VALVE - ACCESS DOOR From N-463 To Y-7045						
106	XL-1874-20	FILLING DOOR REAR - OIL & WATER From E-638 To Y-7045						
110	XL-1875-00	FUEL TANK FILLING DOOR From E-638 To Y-7045						
115	XL-1878-00	FRONT JUNCTION DOOR ASSY From E-638 To Y-7045						
120	XL-1879-00	FRONT SERVICE DOOR ASSY From E-638 To Y-7045						
125	XL-1879-50	REAR SERVICE DOOR - L.H. SIDE From P-722 To Y-7045						
130	XL-1879-60	REAR SERVICE DOOR - R.H. SIDE From P-722 To Y-7045						
135	XL-1880-00	WINDSHIELD & CHANNEL From E-638 To Y-7045						
140	XL-1882-00	DOOR WINDOW - BUS From E-638 To Y-7045						

From E-638 To Y-7045

Date:10/2022

PAGE:XL-1850-00

BUMPER FRONT



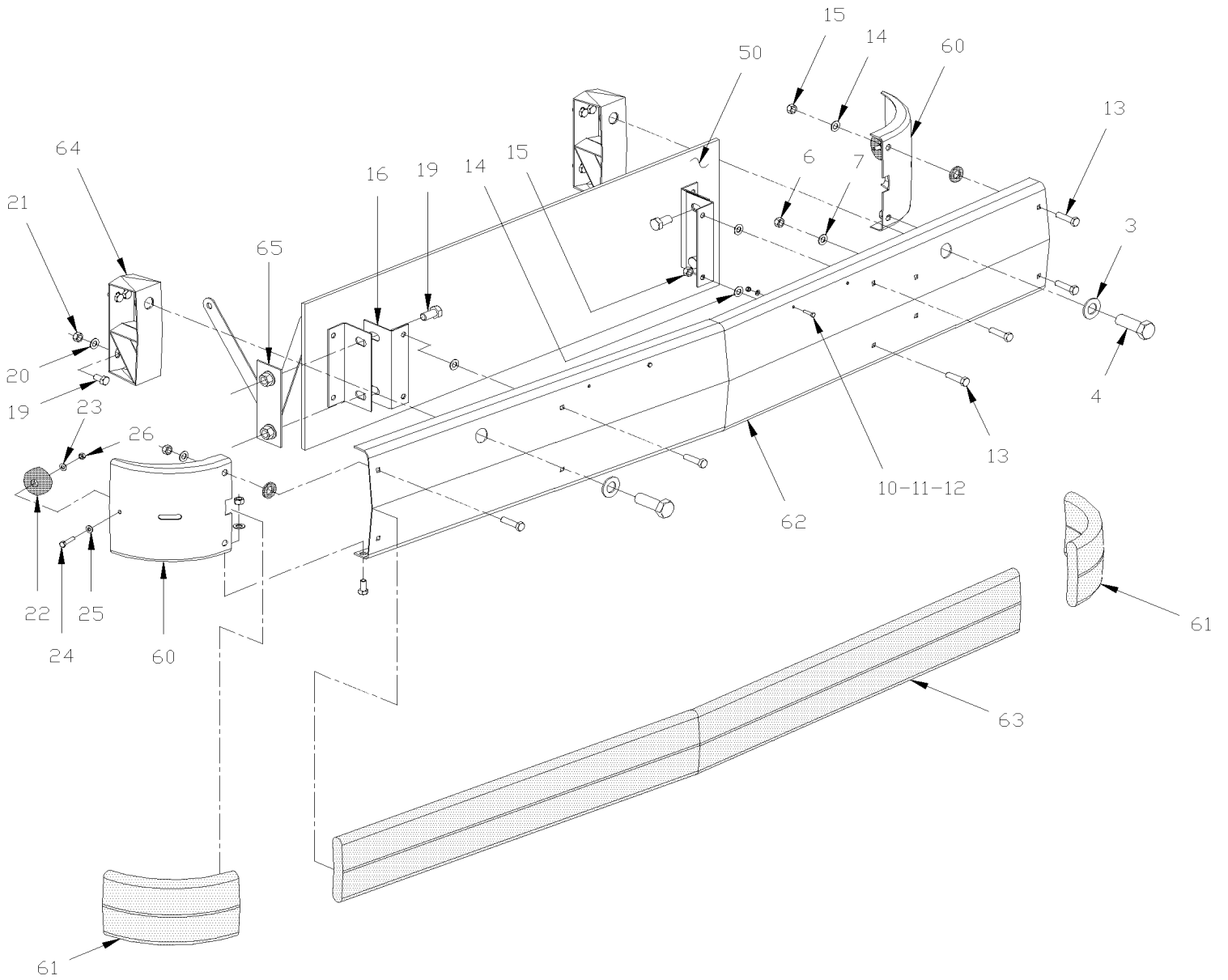
From E-638 To Y-7045

Date:10/2022

PAGE:XL-1850-00

BUMPER FRONT

WITH MCI RUBBER BUMPER



From E-638 To Y-7045	Date:10/2022	PAGE:XL-1850-00
BUMPER FRONT		

Item#	Part	Description	M T H 4 0	M T H 4 5	M T H 4 5 E	X L 4 0	X L 4 5	N O T E S
1	410294	BUMPER / CORNER	2	2	2	2	2	
2	410304	BUMPER / CENTRAL PART	1	1	1	1	1	
2	410302	BUMPER / CENTRAL PART W/ROUND FOG LIGHT To F-827	1			1		
2	410338	BUMPER / CENTRAL PART W/RECTANGULAR FOG LIGHT From F-828	1	1	1	1	1	
3	500997	WASHER FL 1.062x2.500x.125 SS	2	2	2	2	2	
4	410252	SCREW, CAP HEX 1"- 8 x 2" SS	2	2	2	2	2	
5	410267	BUMPER, RUBBER To H-284	2			2		
5	410358	BUMPER, RUBBER From H-285	2	2	2	2	2	
6	500783	NUT HEX 3/8-16 Z050	4	4	4	4	4	
7	500444	WASHER FL .406x.812x.065 Z050	4	4	4	4	4	
10	500556	SCREW MA TR PH 1/4-20x3/4 SS	4	4	4	4	4	
11	500771	NUT HEX 1/4-20 SS	4	4	4	4	4	
12	502570	WASHER LO SPT 6.1x11.8x1.6 SS	AR	AR	AR	AR	AR	
13	500278	SCREW CRG 3/8-16x1 SS	AR	AR	AR	AR	AR	
14	500265	NUT HEX STO 3/8-16 Z050	AR	AR	AR	AR	AR	
15	500444	WASHER FL .406x.812x.065 Z050	AR	AR	AR	AR	AR	
16	410209	BRACKET To K-652	4			4		
16	410452	BRACKET From K-653	4	4	4	4	4	
17	410219	BRACKET ASSY	2	2	2	2	2	
17	410331	BRACKET ASSY / W/TOW HOOK To H-399				2		B
NS	410318	TOW HOOK ASSY R.H. To H-399				1		B
NS	410319	TOW HOOK ASSY L.H. To H-399				1		B
NS	410322	REINFORCEMENT / W/TOW HOOK To H-399				2		B
19	500067	SCREW CAP HEX 7/16-20x1 G5 Z050	AR	AR	AR	AR	AR	
20	500446	WASHER FL .531x1.250x.125 Z050	AR	AR	AR	AR	AR	
21	500714	NUT HEX STO 7/16-20 Z050	AR	AR	AR	AR	AR	
22	504088	BUMPER RUBBER / 2.500 OD x 1.000 TH x.375 HOLE	2	2	2	2	2	
23	410162	SHIM	2	2	2	2	2	
24	500183	SCREW CAP HEX 5/16-18x1 1/2 G5 PT Z050	2	2	2	2	2	
25	500445	WASHER FL .437x1.000x.083 Z050	2	2	2	2	2	
26	500778	NUT HEX 5/16-18 N500	2	2	2	2	2	
50	XL-1860-10	SPARE WHEEL DOOR ASSY						
60	410685	BUMPER / CORNER				2	2	A
61	410686	BUMPER / RUBBER / MODIFIED				2	2	A
61	910032	. BUMPER / RUBBER / (3G-21-31)				1	1	A
62	410684	BUMPER / CENTRAL PART				1	1	A
62	410680	REINFORCEMENT, R.H.				1	1	A
62	410681	REINFORCEMENT, L.H.				1	1	A
63	410682	BUMPER / RUBBER / MODIFIED				1	1	A
63	910033	. BUMPER, RUBBER				1	1	A
64	410695	BRACKET ASSY				2	2	A
65	410687	ANCHOR PLATE W/NUT 7/16-20 / 50MM X 190MM				2	2	A

From E-638 To Y-7045	Date:10/2022	PAGE:XL-1850-00
----------------------	--------------	-----------------

BUMPER FRONT

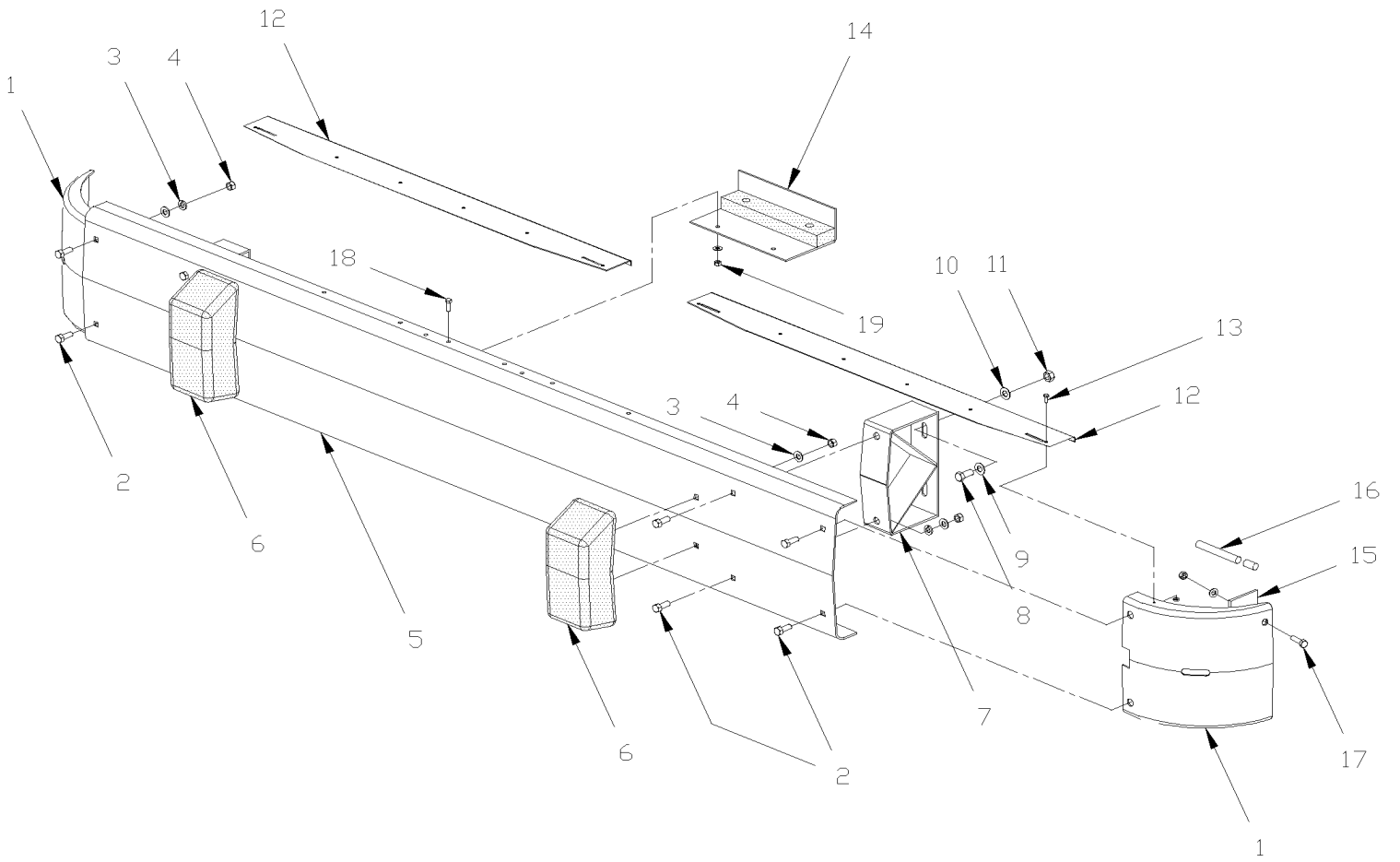
Item#	Part	Description	M T H 4 0	M T H 4 5	M T H 4 5 E	X L 4 0	X L 4 5	N O T E S
		A) THIS ITEM IS RELATED W/BUMPER WITH REINFORCMENT AND M.C.I. RUBBER BUMPER						
		B) BUS WITH "SPECIAL OPTION"						

From E-638 To Y-7045

Date:10/2022

PAGE:XL-1850-10

BUMPER REAR



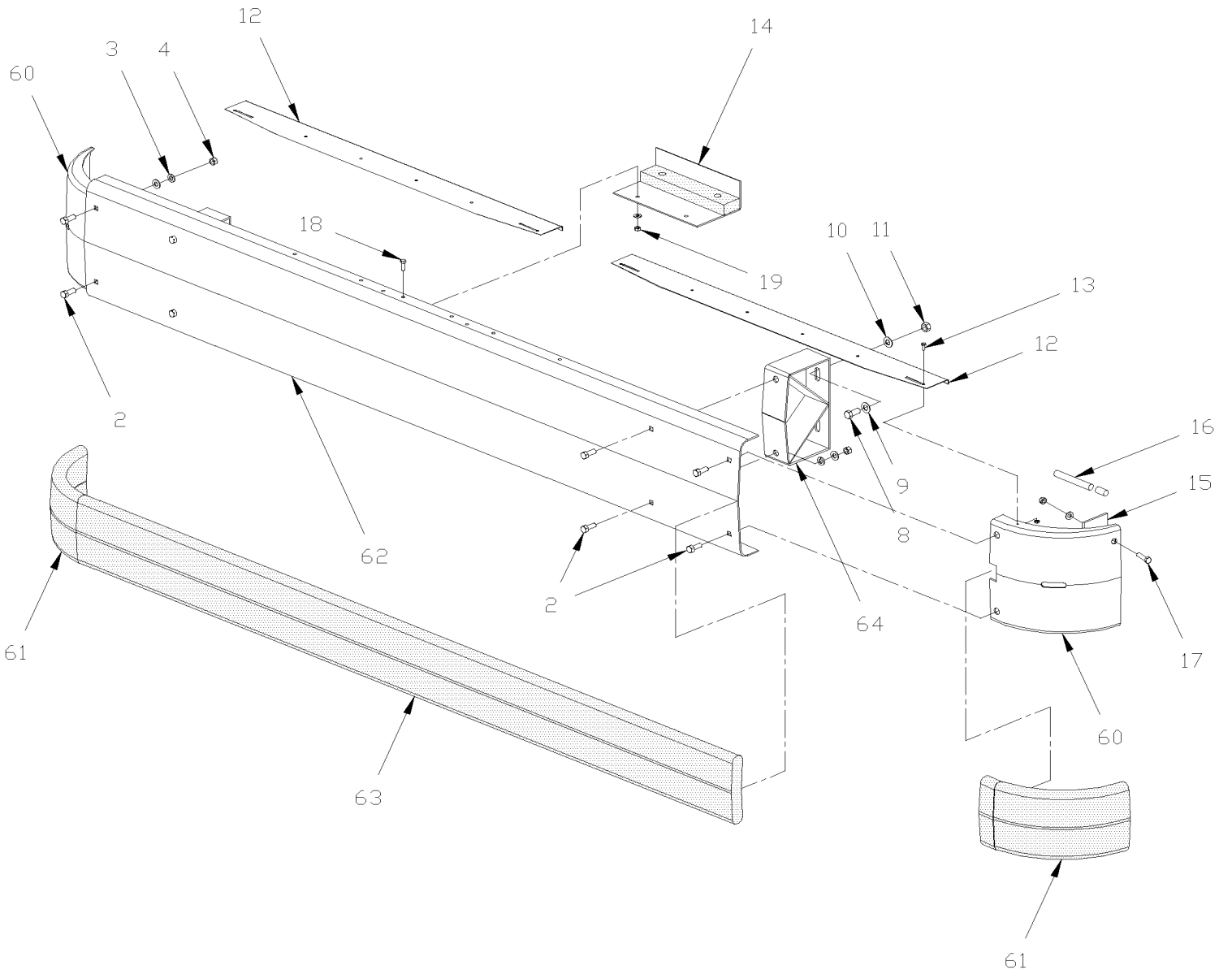
From E-638 To Y-7045

Date:10/2022

PAGE:XL-1850-10

BUMPER REAR

WITH MCI RUBBER BUMPER



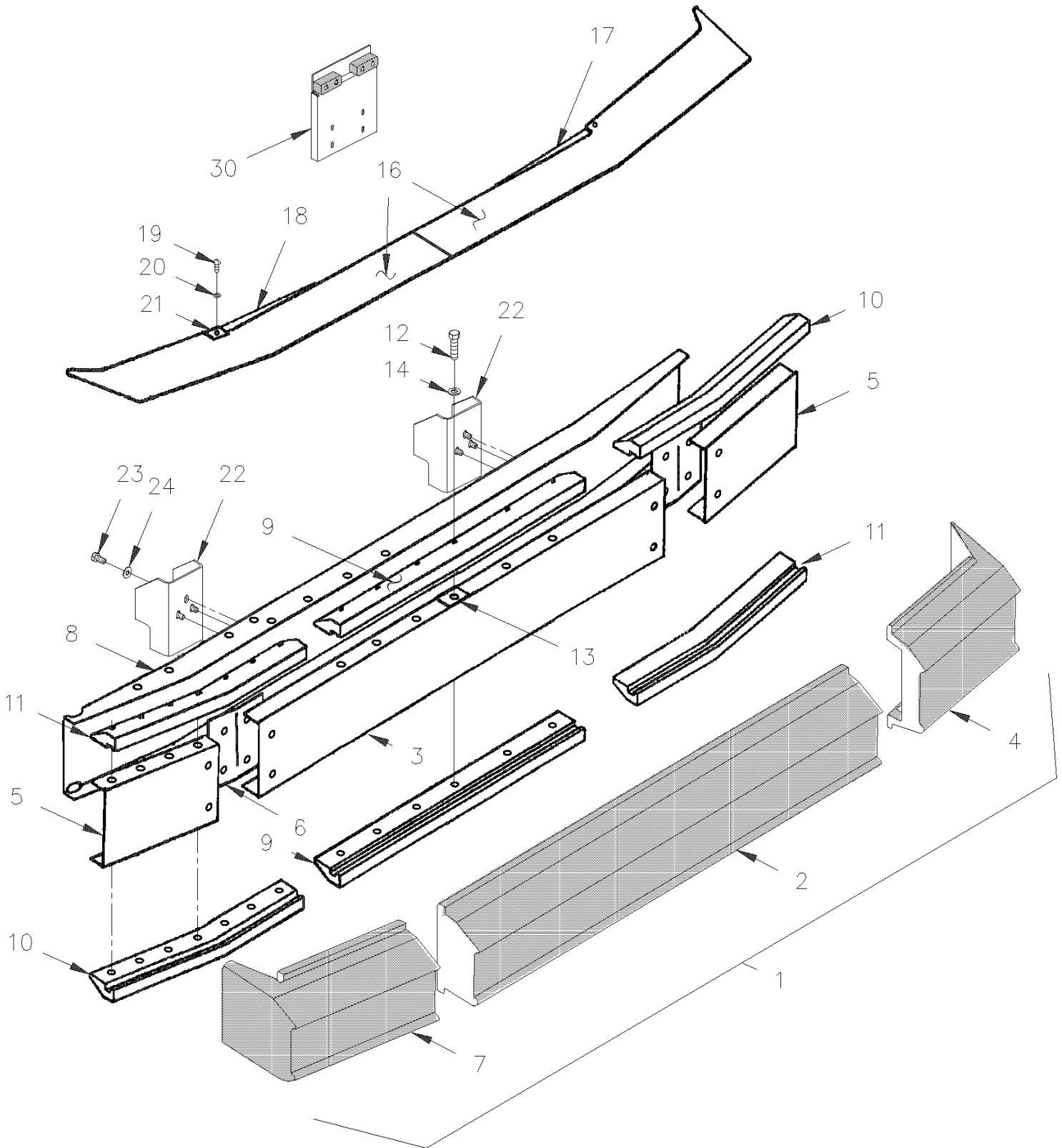
From E-638 To Y-7045			Date:10/2022			PAGE:XL-1850-10		
BUMPER REAR								
Item#	Part	Description	M T H 4 0	M T H 4 5	M T H 4 5 E	X L 4 0	X L 4 5	N O T E S
		A) THIS ITEM IS RELATED WITH BUMPER W/REINFORCMENT AND M.C.I. RUBBER BUMPER						

From X-6945 To X-7014

Date:10/2022

PAGE:XL-1850-11

BUMPER REAR - "GO-TRANSIT"



From X-6945 To X-7014	Date:10/2022	PAGE:XL-1850-11
BUMPER REAR - "GO-TRANSIT"		

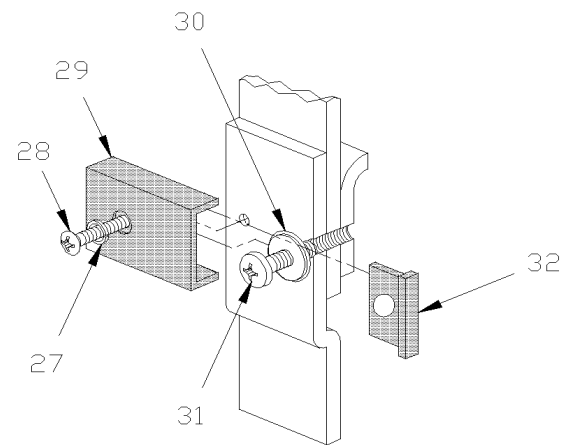
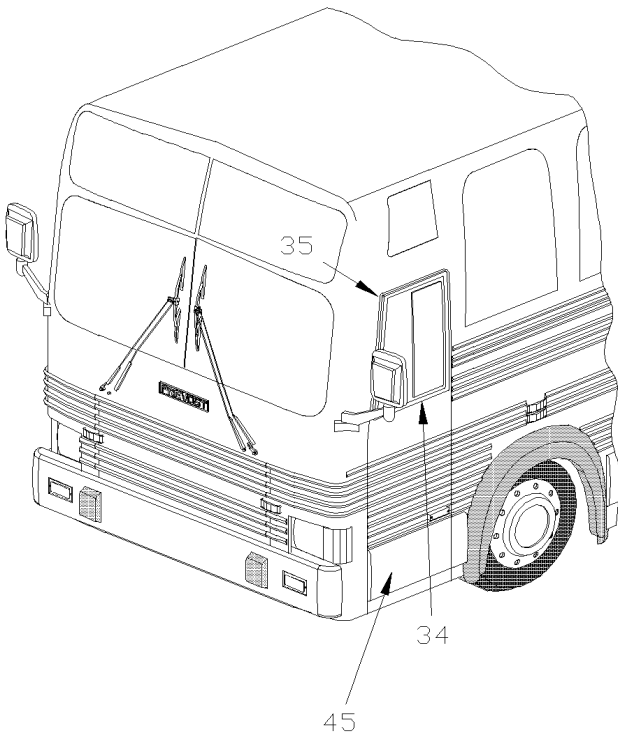
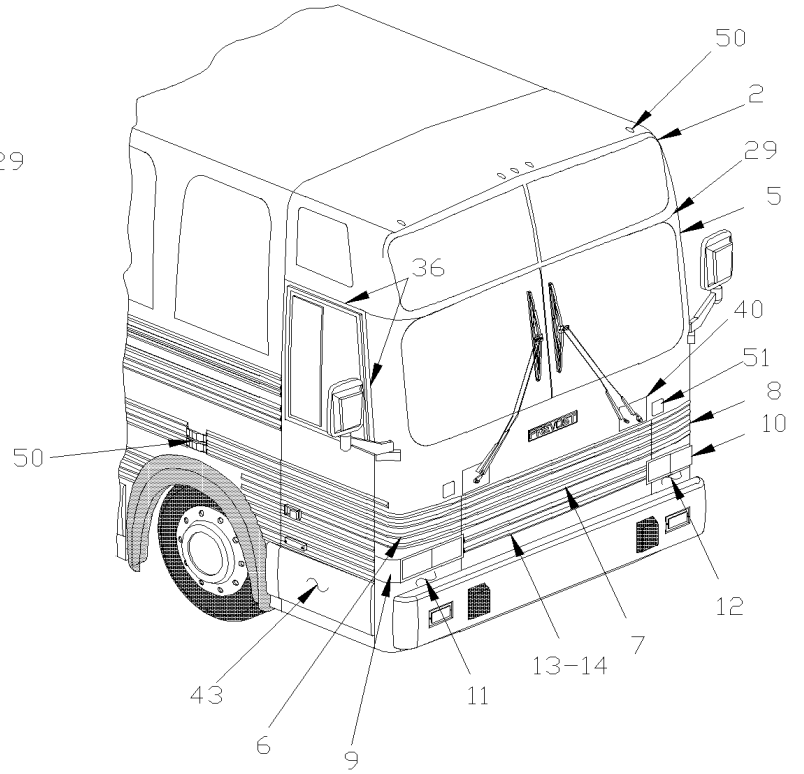
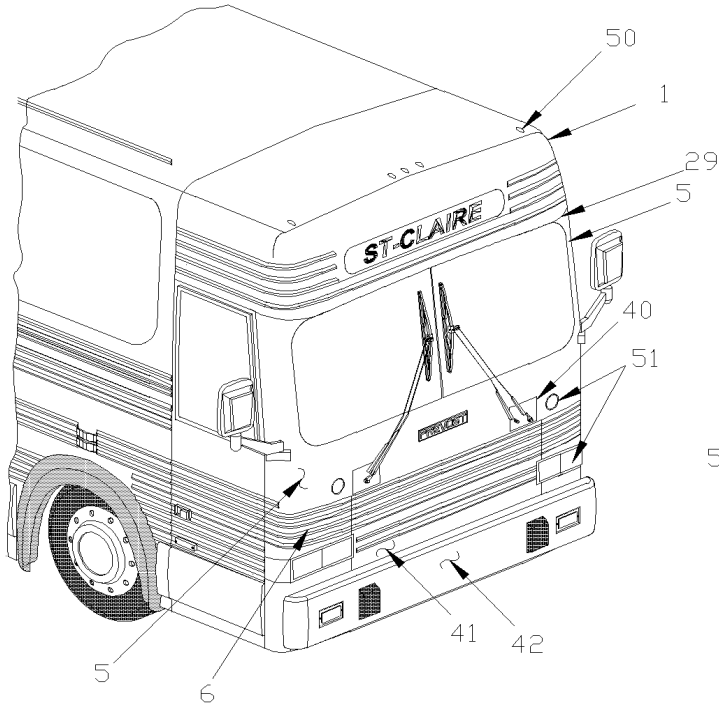
Item#	Part	Description	M T H 4 0	M T H 4 5	M T H 4 5 E	X L 4 0	X L 4 5	N O T E S
1	410742	BUMPER ASSY				1		
2	910010	. MODULE CENTER				1		
3	910013	. PLATE BACK / CENTER				1		
4	410592	. MODULE END / R.H.				1		
5	910016	. PLATE BACK / L.H. & R.H.				2		
6	910015	. SPACER PLASTIC				1		
7	410591	. MODULE END / L.H.				1		
8	910007	. STRUCTURE BACK-UP				1		
9	910014	. CLAMP CENTER				2		
10	910029	. CLAMP END / L.H. TOP & R.H. BOTTOM				2		
11	910028	. CLAMP END / R.H. TOP & L.H. BOTTOM				2		
12	910023	. SCREW CAP HEXF 1/2-13x2 1/4 BKC				38		
13	910024	. NUT RETAINER SPRING				34		
13	910025	. NUT HEXF 1/2-13 BK / 2 EACH CORNER				4		
14	500547	. WASHER FL .484x.750x.031 ZP				42		
15	910031	. SUPPORT W/3 BOLTS				2		A
16	410744	COVER BUMPER REAR LH				1		
16	410750	COVER BUMPER REAR RH				1		
17	410746	BRACKET R.H.				1		
18	410745	BRACKET L.H.				1		
19	502531	SCREW CAP HEX M6-1.0x16 G8.8 Z050				4		
20	502573	WASHER FL 6.4x12.5x1.6 SS				4		
21	502738	NUT SPR U M6-1.0 0.6-4.0				4		
22	410749	BRACKET / WELDED AT STRUCTURE				2		
23	502696	SCREW CAP HEX 1/2-13x1 1/4 G5 ZP				12		A
24	500446	WASHER FL .531x1.250x.125 Z050				12		A
24	500482	WASHER LO SPT .506x.873x.125 Z050				12		A
30	286558	LOWER DOOR STOPPER				1		
30	286559	. STOPPER BRACKET				1		
30	506250	. RUBBER BUMPER				2		
30	5001299	. SCREW MA PAN PH #10-32x3/4 SS				4		
30	502637	. WASHER FL .200x.437x.037 SS				4		
30	500519	. NUT WELL #10-32x.518				4		
		A) BUMPER TO FRAME						

From E-638 To L-684

Date:10/2022

PAGE:XL-1851-00

CAP - FRONT & REAR - INSTALLATION

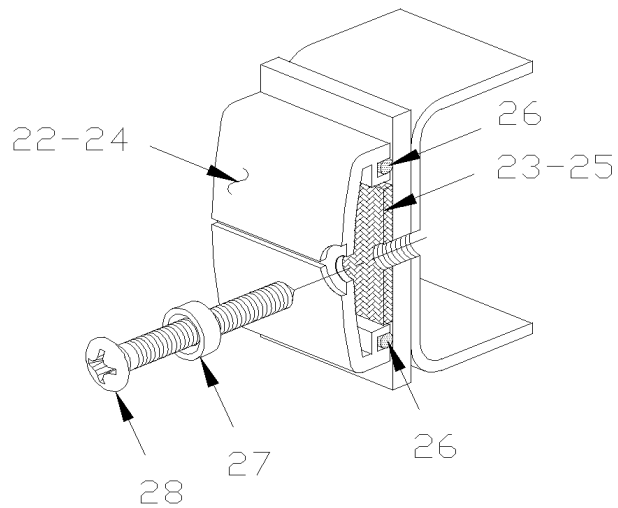
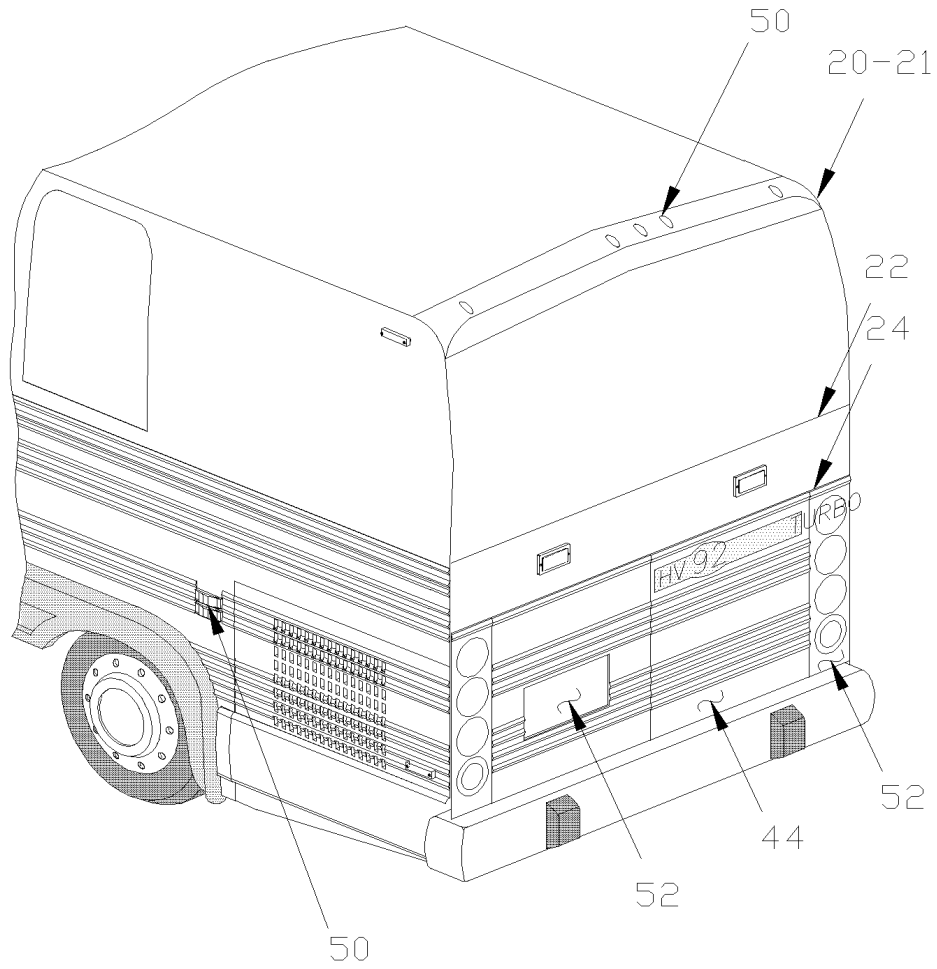


From E-638 To L-684

Date:10/2022

PAGE:XL-1851-00

CAP - FRONT & REAR - INSTALLATION



From E-638 To L-684		Date:10/2022	PAGE:XL-1851-00
CAP - FRONT & REAR - INSTALLATION			

Item#	Part	Description	M T H 4 0	M T H 4 5	M T H 4 5 E	X L 4 0	X L 4 5	N O T E S
1	471431	CAP, FRONT / (MARATHON 96") To J-609	1			1		
2	472365	CAP, FRONT / "LE MIRAGE" / W/UPPER WINDSHIELD & W/SIDE GLASS	1			1		
2	471428	CAP, FRONT / "LEMIRAGE" / W/O UPPER WINDSHIELD & W/O SIDE GLASS	1					
5	471449	PANEL, WINDSHIELD To H-284	1			1		
5	472012	PANEL, WINDSHIELD From H-285	1			1		
6	471583	PANEL, R.H.	1			1		
6	471636	PANEL, R.H. / MTH 80"	1					
6	471715	PANEL, R.H. / MTH 83"	1					
6	471722	PANEL, R.H. / MTH 86"	1					
7	471438	PANEL, CENTER	1			1		
7	471637	PANEL, CENTER / MTH 80"	1					
7	471711	PANEL, CENTER / MTH 83"	1					
7	471727	PANEL, CENTER / MTH 86"	1					
NS	475702	KIT STONE PROTECTOR / VINYL FILM / "XL"	1			1		
8	471582	PANEL, L.H.	1			1		
8	471649	PANEL, L.H. / MTH 80"	1					
8	471714	PANEL, L.H. / MTH 83"	1					
8	471723	PANEL, L.H. / MTH 86"	1					
9	471585	PANEL, R.H. CLOSING HEADLIGHT	1			1		
10	471584	PANEL, L.H. CLOSING HEADLIGHT	1			1		
11	471270	PANEL, R.H. REAR BUMPER	1			1		
12	471271	PANEL, L.H. REAR BUMPER	1			1		
13	490390	TRACK / LICENCE PLATE HOLDER 1524MM To H-284				2		
13	490390	TRACK / LICENCE PLATE HOLDER 1524MM To H-284	AR					
13	490403	TRACK / LICENCE PLATE HOLDER 1377.5MM /10°C From H-285				1		
13	490403	TRACK / LICENCE PLATE HOLDER 1377.5MM /10°C From H-285	AR					
13	490404	TRACK / LICENCE PLATE HOLDER 1333.5MM /10°C From H-285				1		
13	490404	TRACK / LICENCE PLATE HOLDER 1333.5MM /10°C From H-285	AR					
NS	504286	T SCREW 10-24 X 3/4" / SS / PLATE HOLDER	AR			AR		
NS	504285	. T SCREW 10-24 X 3/4" / PLATE HOLDER	AR			AR		
NS	500787	NUT HEX #10-24 SS	AR			AR		
14	250493	GRILL SS 60" / FRONT DEFROSTER AIR INTAKE	1			1		
14	251024	GRILL SS 60" / FRONT DEFROSTER AIR INTAKE	1			1		
NS	371265	SCREEN GRILL 16" x 3 3/8" / AIR INTAKE	1			1		
20	471432	CAP, REAR / "PREVOST XL" To H-284				1		
20	472032	CAP, REAR / "PREVOST XL" From H-285				1		
20	471658	CAP, REAR / "PREVOST XL" To H-284	1					
20	472031	CAP, REAR / "PREVOST XL" From H-285	1					
21	471413	CAP, REAR To H-284				1		
21	472033	CAP, REAR From H-285				1		
21	471632	CAP, REAR To H-284	1					
21	472028	CAP, REAR From H-285	1					

From E-638 To L-684		Date:10/2022	PAGE:XL-1851-00
CAP - FRONT & REAR - INSTALLATION			

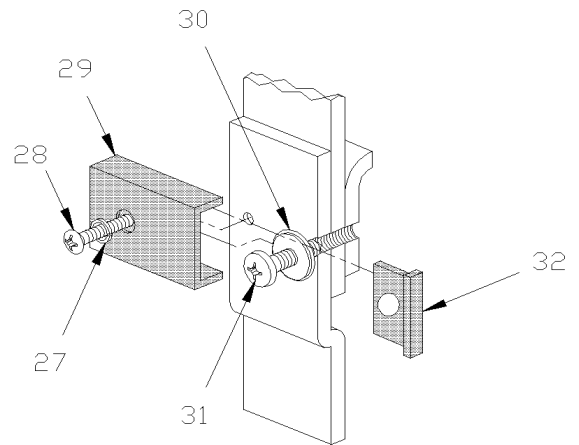
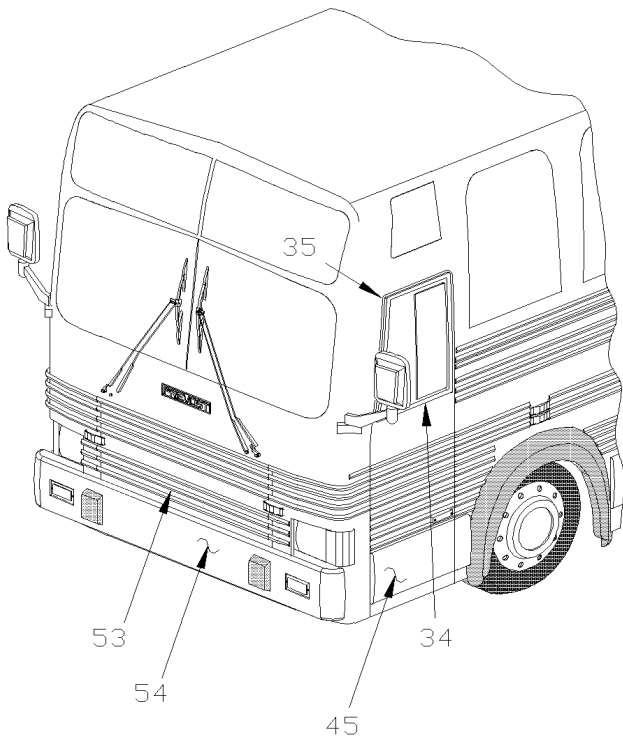
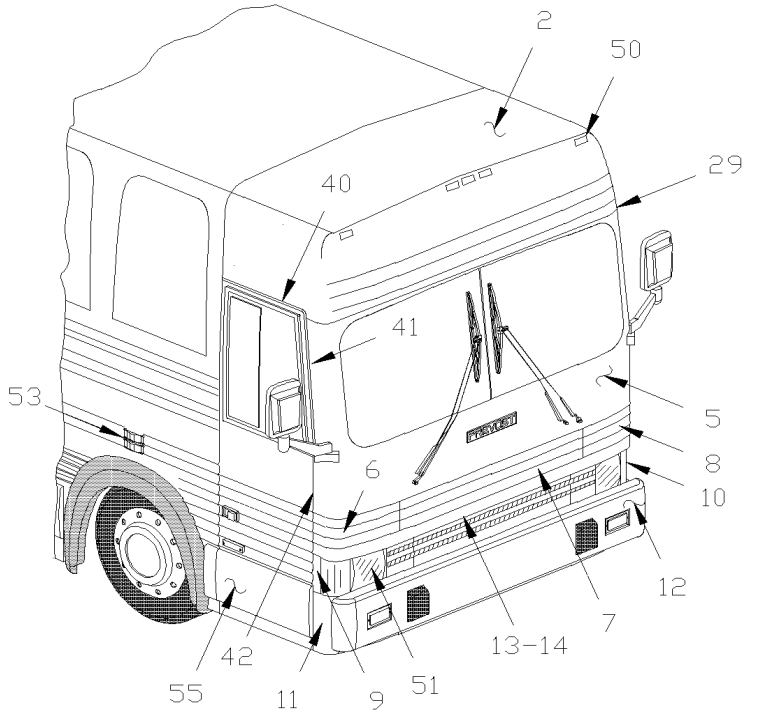
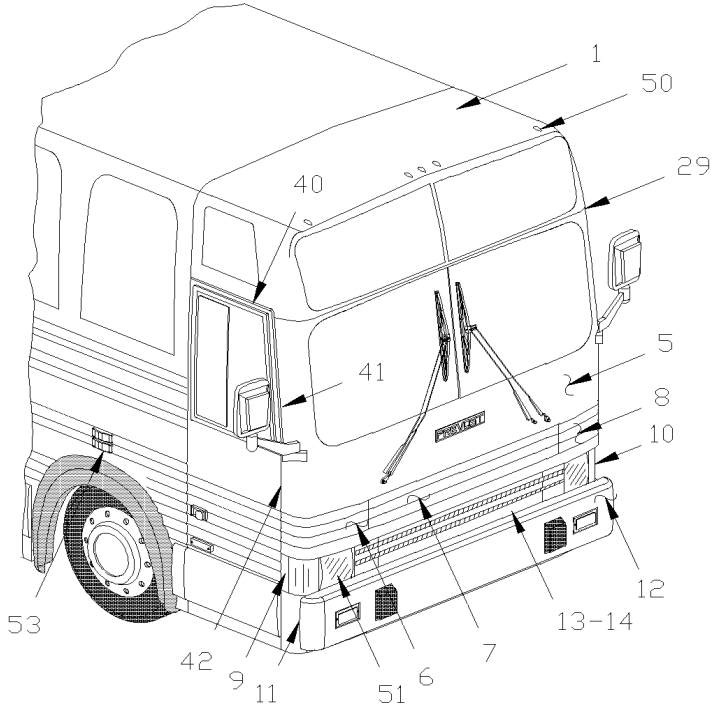
Item#	Part	Description	M T H 4 0	M T H 4 5	M T H 4 5 E	X L 4 0	X L 4 5	N O T E S
21	472566	CAP, REAR / W/CAMERA MODEL "COUNTRY"	1					
22	471460	MOULDING / REAR UPPER 156" / "LE MIRAGE"	1			1		
22	473057	MOULDING / REAR UPPER 98" / "LE MIRAGE"				1		
22	471516	MOULDING / REAR UPPER 165" / "MARATHON 102"/ PRÉVOST XL" To J-429	1			1		A
23	471360	STRIP, FIXATION UPPER / SS 74"	1			1		
23	471464	STRIP, FIXATION UPPER / SS 22"	2			2		
24	471459	MOULDING / REAR LOWER 108" / "LE MIRAGE" & "PRÉVOST XL" 1	1			1		
25	471461	STRIP, FIXATION LOWER / SS 102"	1			1		
26	506324	RUBBER EXTRUSION NEO 1/8" O.D. / C.T.L.	AR			AR		
27	500290	WASHER LO SEAL .142 IDx.080 NYL	AR			AR		
28	500585	SCREW TC OV PH #6-32x1 SS410	AR			AR		
NS	504248	RIVET CHY Q PRDG 3/16x1/4 SS	AR			AR		
29	471518	MOULDING / UPPER WINDSHIELD 100" To J-429	1			1		A
29	471580	MOULDING / UPPER WINDSHIELD 98"	1			1		
30	504390	RETAINER, MOULDING	AR			AR		
31	500414	SCREW TP BDG PH #10x3/4 SS	AR			AR		
32	504391	CAP, END OF MOULDING.	AR			AR		
33	500552	SCREW TP OV PH #6x3/4 Z050	AR			AR		
34	471358	CAP, FIBERGLASS / DRIVER'S WINDOW To J-429	1			1		A
34	471568	CAP, FIBERGLASS / DRIVER'S WINDOW	1			1		
NS	504120	RIVET POP DOME CLE 3/16x1/2 AL	AR			AR		
35	471369	DRIP MOULDING / UPPER WINDOW	1			1		
36	471367	DRIP MOULDING / ENTRANCE DOOR ALUMINUM	1			1		
40	XL-2305-05	WIPER MECHANISM - AIR INSTALLATION						
41	XL-1860-10	SPARE WHEEL DOOR ASSY						
42	XL-1850-00	BUMPER FRONT						
43	XL-1862-00	ENTRANCE DOOR ASSY - BUS (RIVETED)						
43	XL-1862-50	ENTRANCE DOOR ASSY - MTH (RIVETED)						
44	XL-1870-00	ENGINE DOOR ASSY L.H.						
45	XL-1879-00	FRONT SERVICE DOOR ASSY						
50	XL-0662-00	CLEARANCE & MARKER LIGHT						
51	XL-0660-00	HEADLAMP & FRONT DIRECTIONAL LAMPS						
52	XL-0664-00	REAR EXTERIOR LIGHTS & PLATE HOLDER						
		A) USE ONLY WITH "PREVOST XL"						

From L-685 To Y-7045

Date:10/2022

PAGE:XL-1851-01

CAP - FRONT & REAR - INSTALLATION

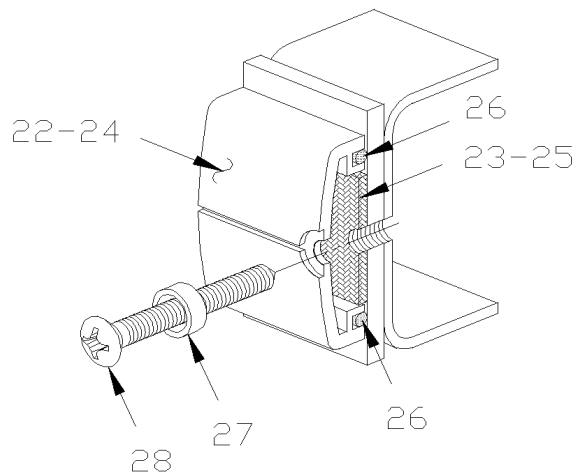
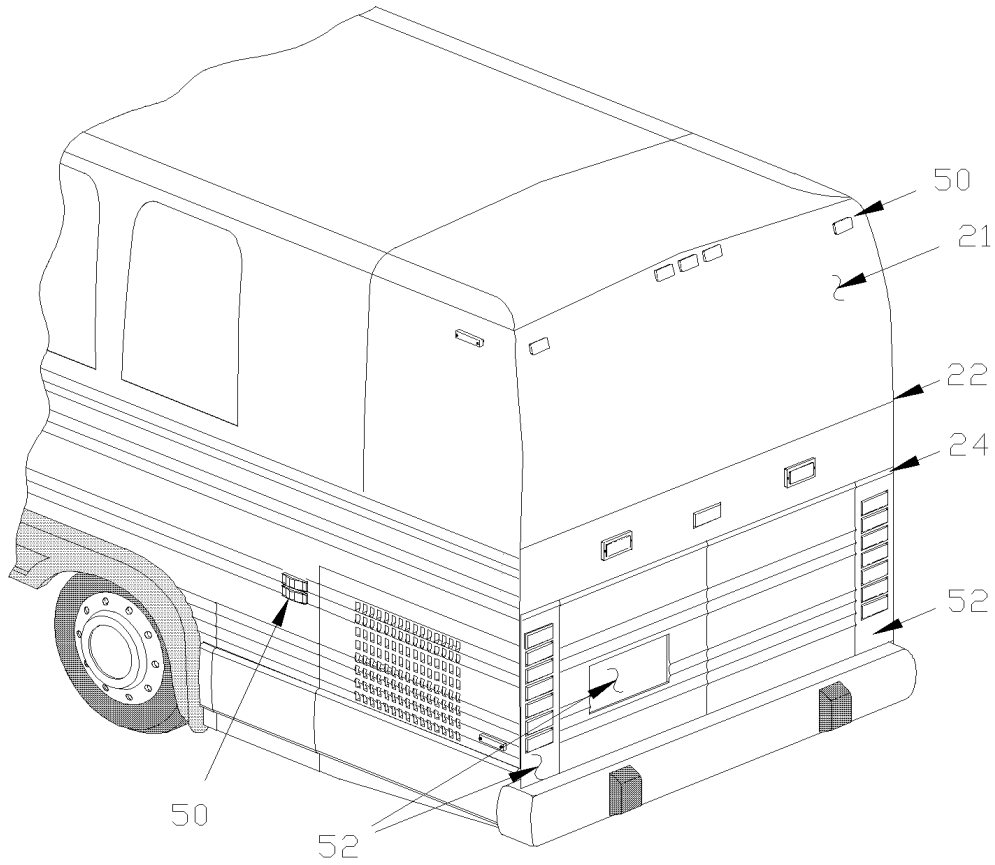


From L-685 To Y-7045

Date:10/2022

PAGE:XL-1851-01

CAP - FRONT & REAR - INSTALLATION



From L-685 To Y-7045	Date:10/2022	PAGE:XL-1851-01
----------------------	--------------	-----------------

CAP - FRONT & REAR - INSTALLATION

Item#	Part	Description	M T H 4 0	M T H 4 5	M T H 4 5 E	X L 4 0	X L 4 5	N O T E S
1	472365	CAP, FRONT / "LE MIRAGE" / W/UPPER WINDSHIELD & W/SIDE GLASS	1	1	1	1	1	
NS	471428	CAP, FRONT / "LEMIRAGE" / W/O UPPER WINDSHIELD & W/O SIDE GLASS	1	1	1			
1	474177	CAP FRONT / LE MIRAGE W/FULL DESTINATION SIGN From X-6945				1		
2	472441	CAP, FRONT "JOUVENCE" To P-647	1	1				
2	472706	CAP, FRONT "JOUVENCE" From P-648 To W-6580	1	1	1			C
2	473725	CAP, FRONT "JOUVENCE" From W-6581	1	1	1			
NS	504120	RIVET POP DOME CLE 3/16x1/2 AL	AR	AR	AR	AR	AR	
5	472451	PANEL, WINDSHIELD / ALUMINUM To V-6003	1	1	1	1	1	
5	473393	PANEL, WINDSHIELD / FIBERGLASS From V-6004 To W-6325	1	1	1	1	1	
5	473584	PANEL, WINDSHIELD / FIBERGLASS From W-6326	1	1	1	1	1	
6	472480	PANEL, R.H. To S-497				1		
6	473020	PANEL, R.H. From S-498				1	1	
6	472473	PANEL, R.H. / MTH 80"	1					
6	472477	PANEL, R.H. / MTH 83" To S-497	1	1				
6	473021	PANEL, R.H. / MTH 83" From S-498	1	1				
6	472475	PANEL, R.H. / MTH 86" To S-497	1	1	1			
6	473022	PANEL, R.H. / MTH 86" From S-498	1	1	1			
7	472524	PANEL, CENTER				1	1	
7	472525	PANEL, CENTER / MTH 80"	1					
7	472503	PANEL, CENTER / MTH 83"	1	1				
7	472526	PANEL, CENTER / MTH 86"	1	1	1			
NS	475702	KIT STONE PROTECTOR / VINYL FILM / "XL"	1	1				
8	472479	PANEL, L.H.				1	1	
8	472474	PANEL, L.H. / MTH 80"	1					
8	472478	PANEL, L.H. / MTH 83"	1	1				
8	472476	PANEL, L.H. / MTH 86"	1	1	1			
9	472484	PANEL, R.H. CLOSING HEADLIGHT To S-497	1	1	1	1		
9	473036	PANEL, R.H. CLOSING HEADLIGHT From S-498	1	1	1	1	1	
10	472483	PANEL, L.H. CLOSING HEADLIGHT	1	1	1	1	1	
11	472481	PANEL, R.H. REAR BUMPER To S-497	1	1	1	1		
11	473018	PANEL, R.H. REAR BUMPER From S-498	1	1	1	1	1	
12	472482	PANEL, L.H. REAR BUMPER	1	1	1	1	1	
13	490250	TRACK / LICENCE PLATE HOLDER 3048MM				AR	AR	
NS	504286	T SCREW 10-24 X 3/4" / SS / PLATE HOLDER				AR	AR	
NS	504285	T SCREW 10-24 X 3/4" / PLATE HOLDER				AR	AR	
NS	500787	NUT HEX #10-24 SS				AR	AR	
14	250493	GRILL SS 60" / FRONT DEFROSTER AIR INTAKE	1	1	1	1	1	
NS	371265	SCREEN GRILL 16" x 3 3/8" / AIR INTAKE	1	1	1	1	1	
21	472495	CAP, REAR				1		
21	473052	CAP, REAR					1	
21	472698	CAP, REAR / WCAMERA MODEL "CONTRY"				1		A
21	473604	CAP, REAR W/O LAVATORY					1	

From L-685 To Y-7045	Date:10/2022	PAGE:XL-1851-01
CAP - FRONT & REAR - INSTALLATION		

Item#	Part	Description	M T H 4 0	M T H 4 5	M T H 4 5 E	X L 4 0	X L 4 5	N O T E S
21	474172	CAP, REAR W/O LAVATORY From X-6945				1		
21	472449	CAP, REAR To P-647	1	1	1			
21	472705	CAP, REAR From P-648 To W-6580	1	1	1			C
21	473726	CAP, REAR From W-6581	1	1	1			
21	472628	CAP, REAR / W/CAMERA MODEL / "BEAVER" To W-6580	1	1	1			C
21	473729	CAP, REAR / W/CAMERA MODEL / "BEAVER" From W-6581	1	1	1			
21	472463	CAP, REAR / W/CAMERA MODEL / "CONTRY" To W-6580	1	1	1			C
21	473727	CAP, REAR / W/CAMERA MODEL / "CONTRY" From W-6581	1	1	1			
21	472557	CAP, REAR / W/CAMERA MODEL / "T.M.E." To W-6580	1	1	1			C
21	473728	CAP, REAR / W/CAMERA MODEL / "T.M.E." From W-6581	1	1	1			
21	473193	CAP, REAR / W/CAMERA MODEL / "MARATHON" From T-5747 To W-6580	1	1	1			C
21	473730	CAP, REAR / W/CAMERA MODEL / "MARATHON" From W-6581	1	1	1			
22	471460	MOULDING / REAR UPPER 156" / "LE MIRAGE" To T-5956	1	1	1	1		
22	473057	MOULDING / REAR UPPER 98" / "LE MIRAGE" To T-5956					2	
22	680532	SEALANT SIKA #221 / GREY / 310ml CARTRIDGE From T-5957	AR	AR	AR	AR	AR	
23	471360	STRIP, FIXATION UPPER / SS 74" To T-5956	1	1	1	1		
23	473058	STRIP, FIXATION UPPER / SS 42" To T-5956					2	
23	471464	STRIP, FIXATION UPPER / SS 22" To T-5956	2	2	2	2	2	
23	680532	SEALANT SIKA #221 / GREY / 310ml CARTRIDGE From T-5957	AR	AR	AR	AR	AR	
24	471459	MOULDING / REAR LOWER 108" / "LE MIRAGE" & "PRÉVOST XL" 1	1	1	1	1	1	
25	471461	STRIP, FIXATION LOWER / SS 102"	1	1	1	1	1	
NS	504248	RIVET CHY Q PRDG 3/16x1/4 SS	AR	AR	AR	AR	AR	
26	506324	RUBBER EXTRUSION NEO 1/8" O.D. / C.T.L.	AR	AR	AR	AR	AR	
27	500290	WASHER LO SEAL .142 IDx.080 NYL	AR	AR	AR	AR	AR	
28	500585	SCREW TC OV PH #6-32x1 SS410	AR	AR	AR	AR	AR	
29	471580	MOULDING / UPPER WINDSHIELD 98"	1	1	1	1	1	
30	504390	RETAINER, MOULDING	AR	AR	AR	AR	AR	
31	500414	SCREW TP BDG PH #10x3/4 SS	AR	AR	AR	AR	AR	
32	504391	CAP, END OF MOULDING.	AR	AR	AR	AR	AR	
NS	500552	SCREW TP OV PH #6x3/4 Z050	AR	AR	AR	AR	AR	
34	471568	CAP, FIBERGLASS / DRIVER'S WINDOW				1	1	
34	471568	CAP, FIBERGLASS / DRIVER'S WINDOW To V-6333	1	1	1			
34	473449	CAP, FIBERGLASS / DRIVER'S WINDOW From V-6334	1	1	1			
NS	504120	RIVET POP DOME CLE 3/16x1/2 AL	AR	AR	AR	AR	AR	
35	471369	DRIP MOULDING / UPPER WINDOW	1	1	1	1	1	
NS	504127	RIVET POP DOME OE 3/16x3/4 AL	AR	AR	AR	AR	AR	
40	471367	DRIP MOULDING / ENTRANCE DOOR ALUMINUM To S-461	1	1	1	1	1	
40	473014	DRIP MOULDING / ENTRANCE DOOR ALUMINUM From S-462	1	1	1	1	1	
41	473015	DRIP MOULDING / 906MM From S-462	1	1	1	1	1	
42	473019	DRIP MOULDING / 1321MM From S-462				1	1	
42	473016	DRIP MOULDING / 1476MM / MTH 83" From S-462	1	1				
42	473017	DRIP MOULDING / 1549MM / MTH 86" From S-462	1	1	1			

From L-685 To Y-7045	Date:10/2022	PAGE:XL-1851-01
CAP - FRONT & REAR - INSTALLATION		

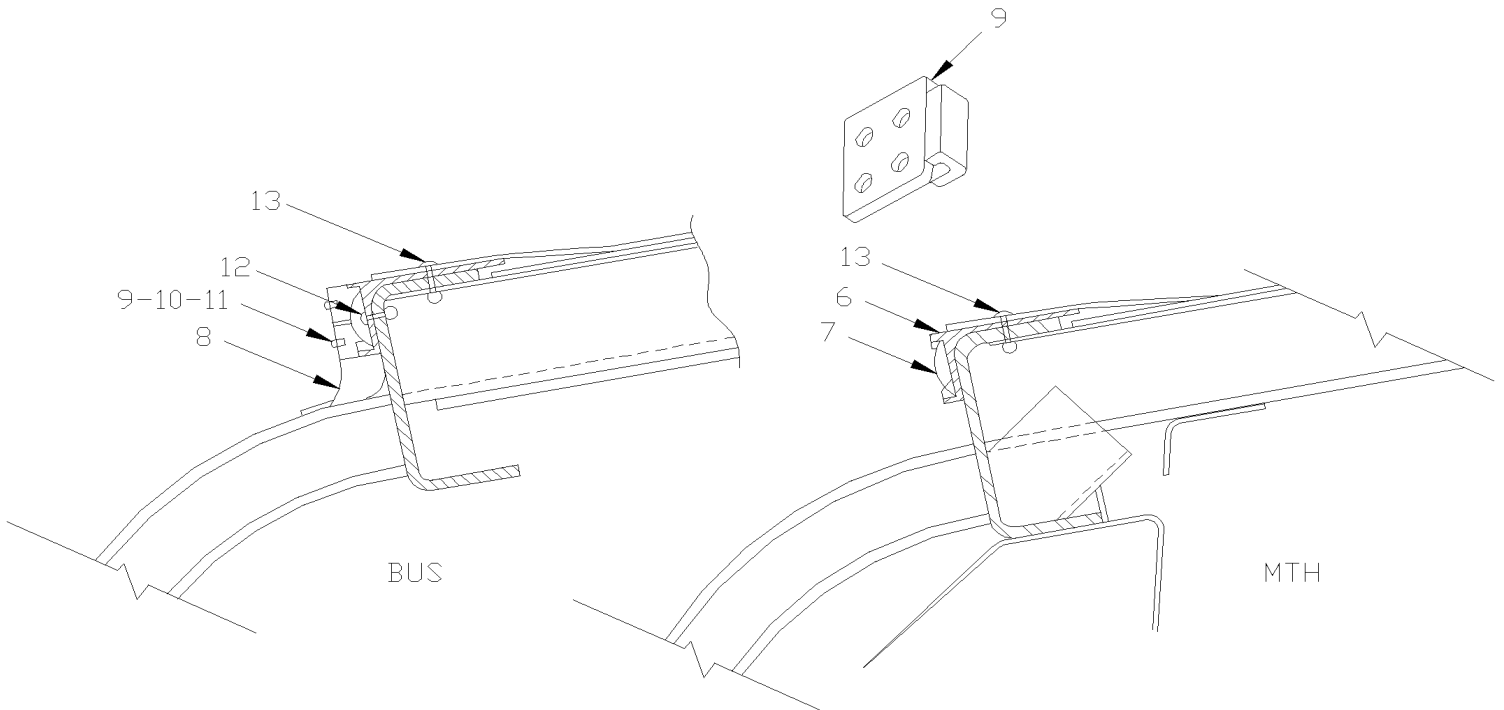
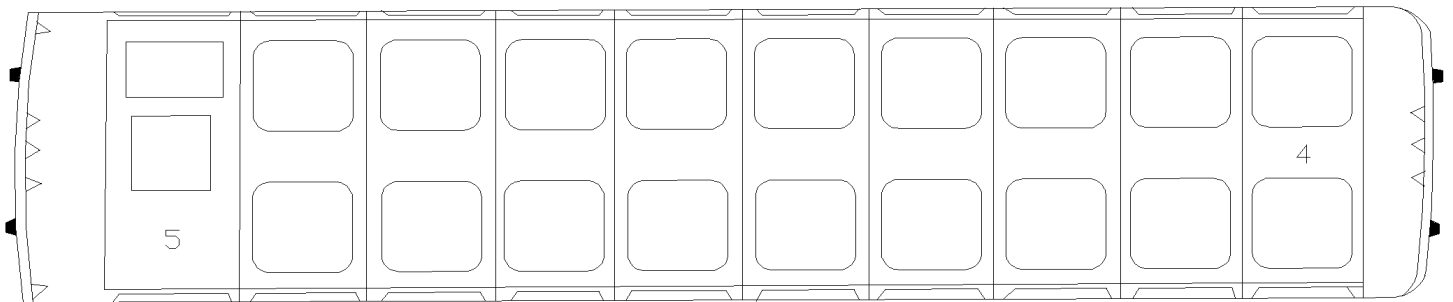
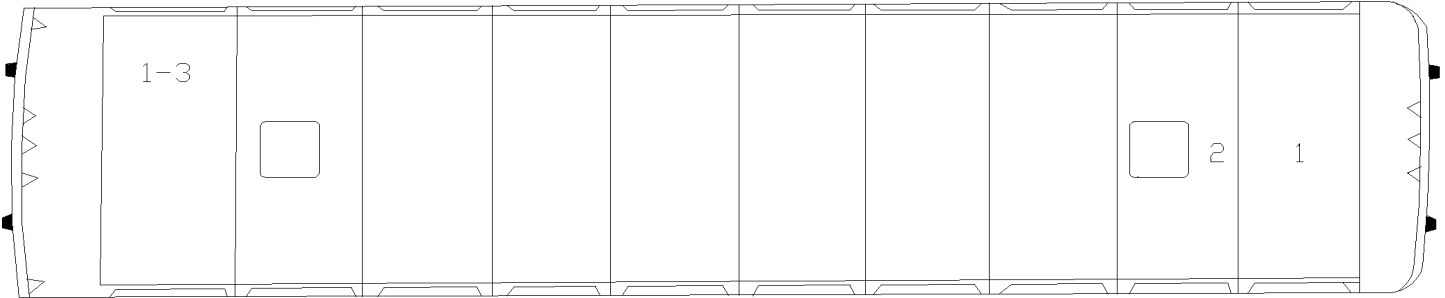
Item#	Part	Description	M T H 4 0	M T H 4 5	M T H 4 5 E	X L 4 0	X L 4 5	N O T E S
45	XL-1879-00	FRONT SERVICE DOOR ASSY						
50	XL-0662-00	CLEARANCE & MARKER LIGHT						
51	XL-0660-01	HEADLAMP & FRONT DIRECTIONAL LAMPS						
52	XL-0664-01	REAR EXTERIOR LIGHTS & PLATE HOLDER						
53	XL-1860-10	SPARE WHEEL DOOR ASSY						
54	XL-1850-00	BUMPER FRONT						
55	XL-1862-00	ENTRANCE DOOR ASSY - BUS (RIVETED)						
55	XL-1862-50	ENTRANCE DOOR ASSY - MTH (RIVETED)						
200	473745	KIT, CLEARANCE LIGHT	1	1	1	1	1	
. NS	IS-97082	. SEE INSTRUCTION SHEET	1	1	1	1	1	
		A) FOR VEHICULE P-604, P-607, P-610, P-613 & P-616						
		C) PRODUCT IMPROVMENT, ASK KIT #473745						

From E-638 To T-5804

Date:10/2022

PAGE:XL-1852-00

ROOF PANELS - "LE MIRAGE"

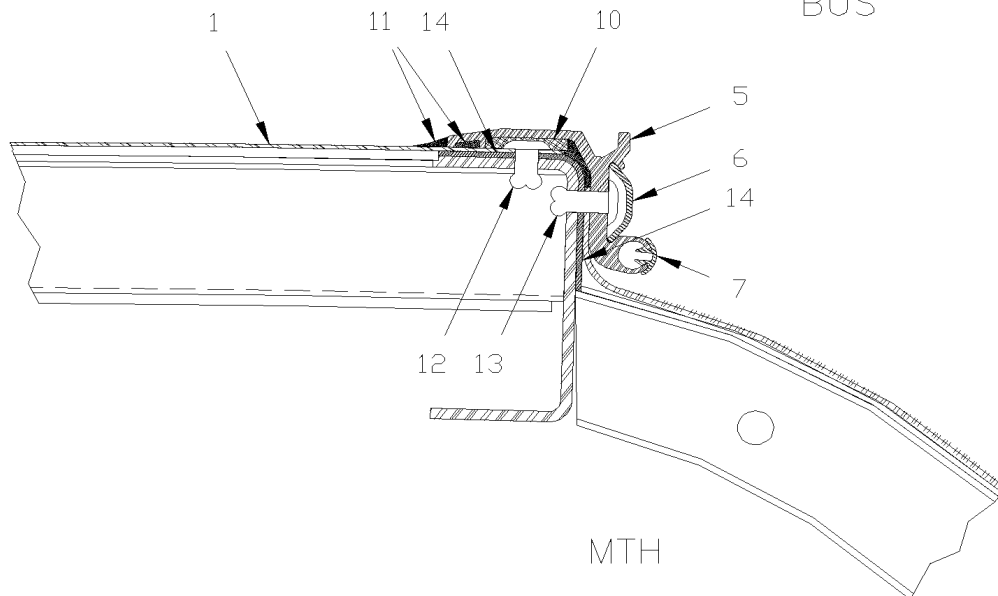
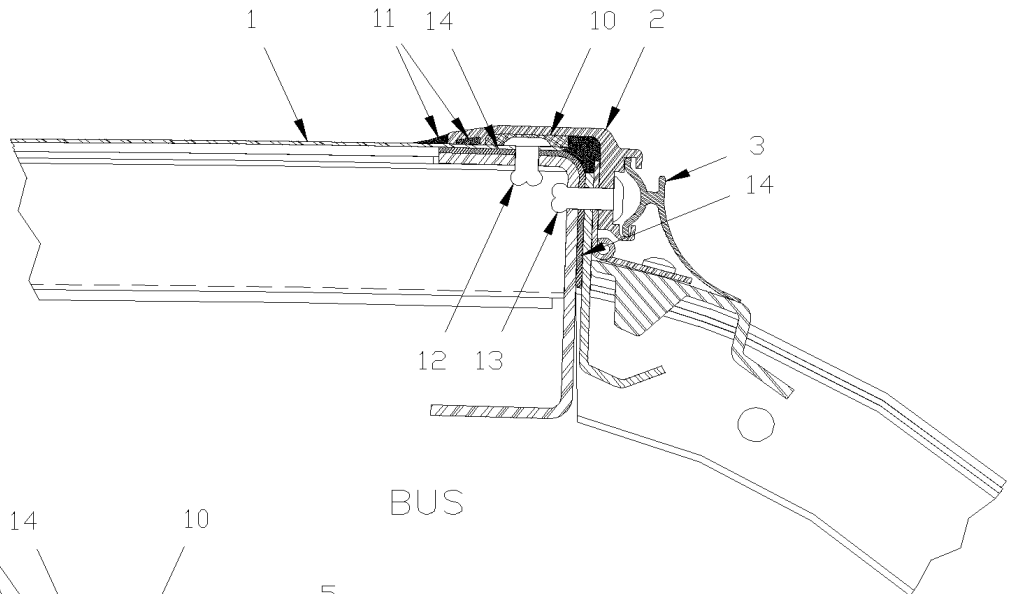
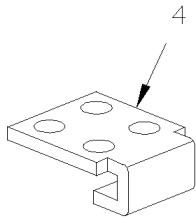
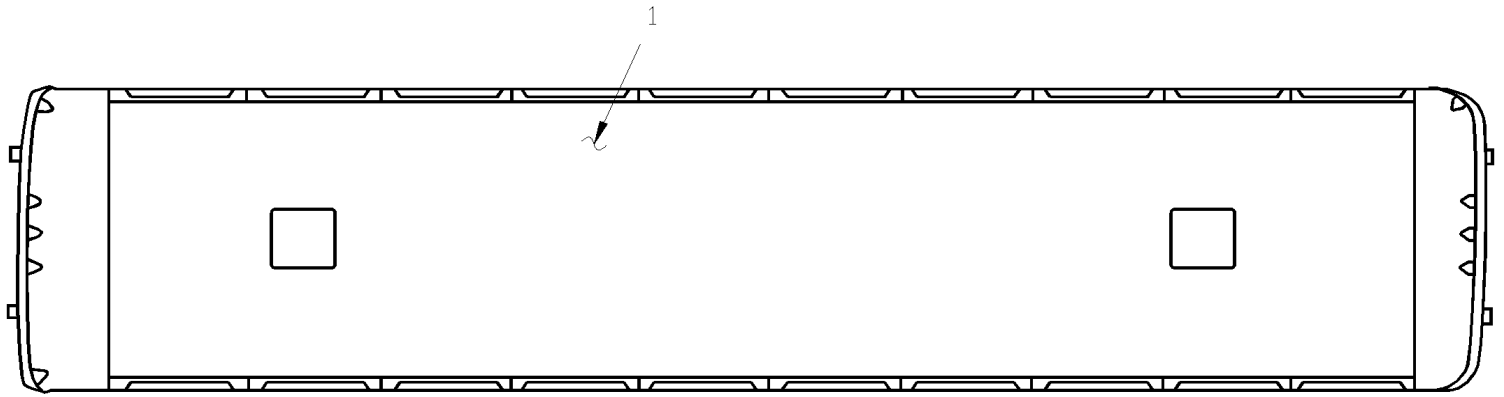


From T-5805 To Y-7045

Date:10/2022

PAGE:XL-1852-01

ROOF PANEL - "LE MIRAGE" SINGLE PIECE

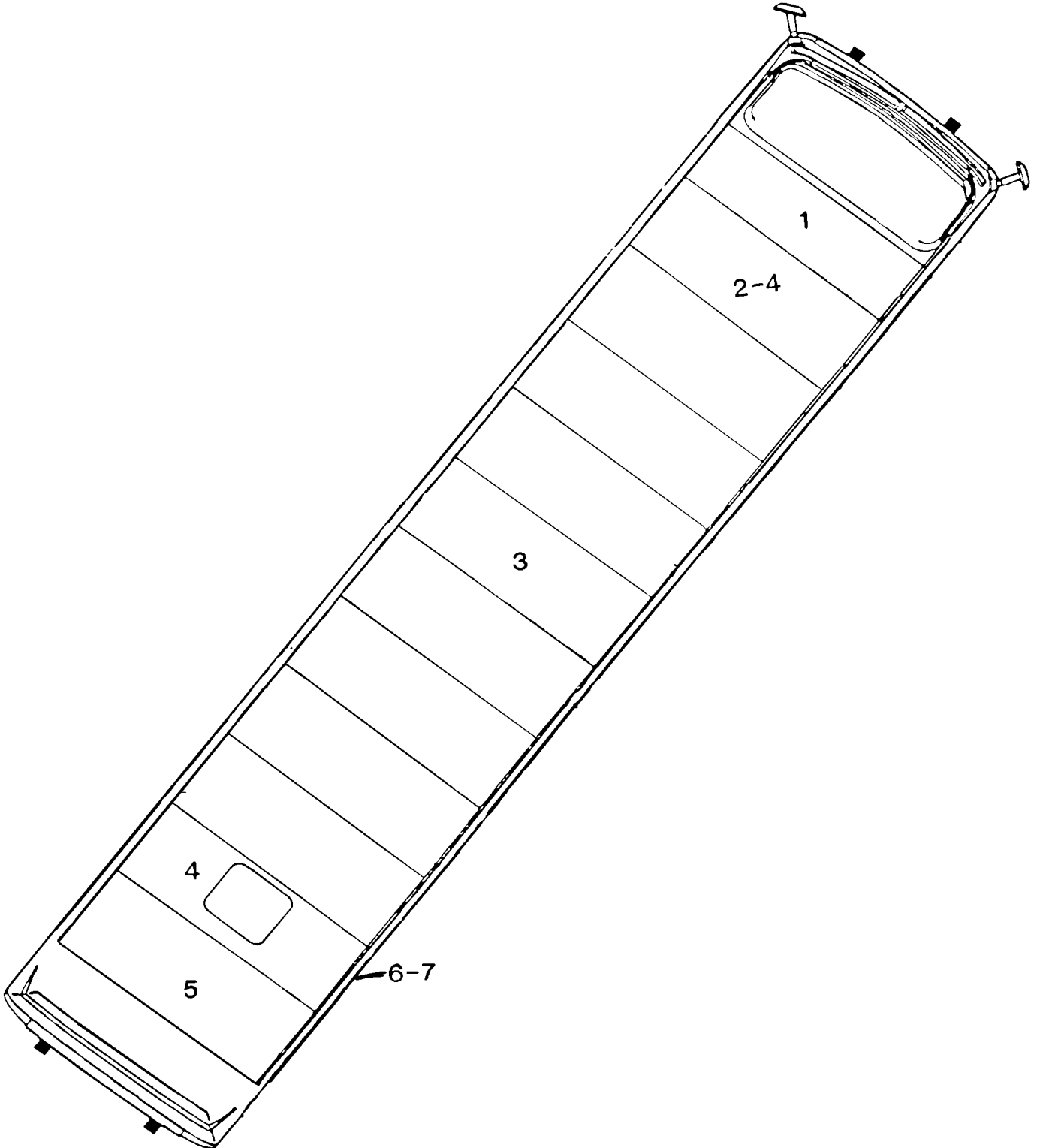


From E-638 To J-609

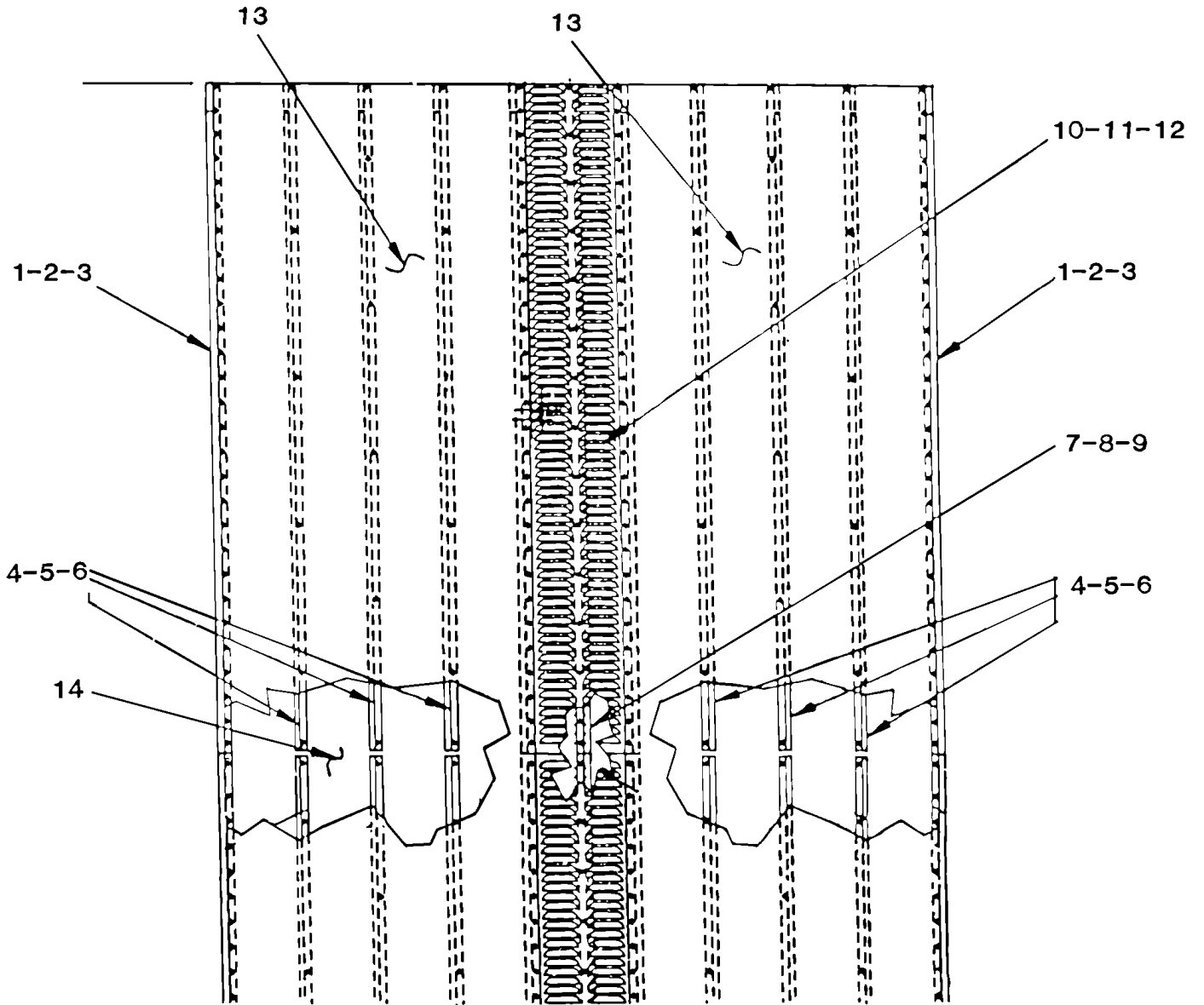
Date:10/2022

PAGE:XL-1852-10

ROOF PANELS - "PREVOST XL" (MARATHON)



From N-498 To N-500	Date:10/2022	PAGE:XL-1852-30
ROOF PANELS - "LE MIRAGE" W/TROPICAL		

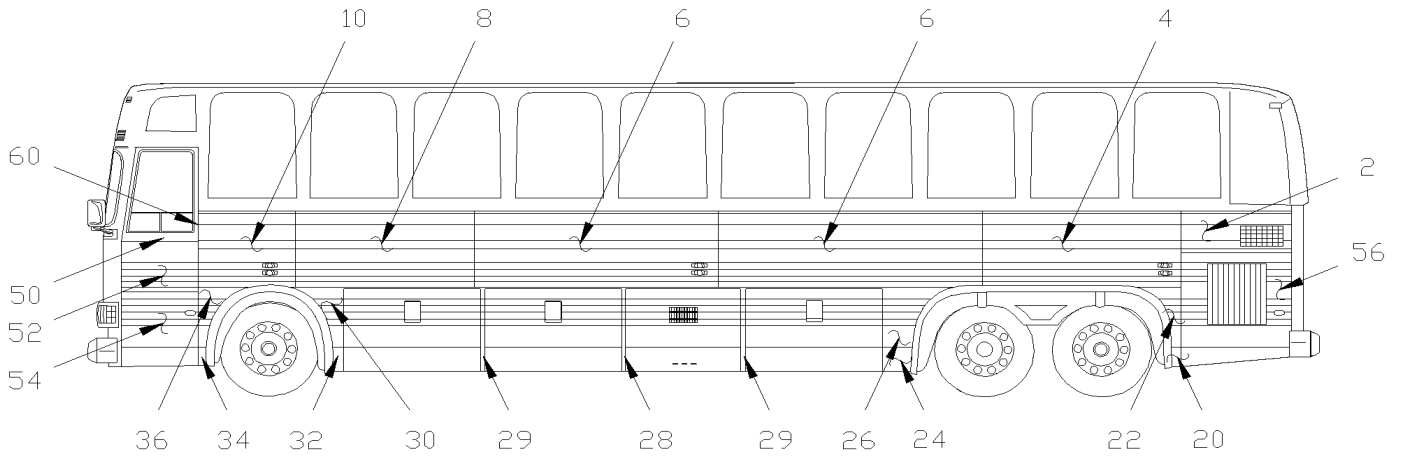


From E-638 To Y-7045

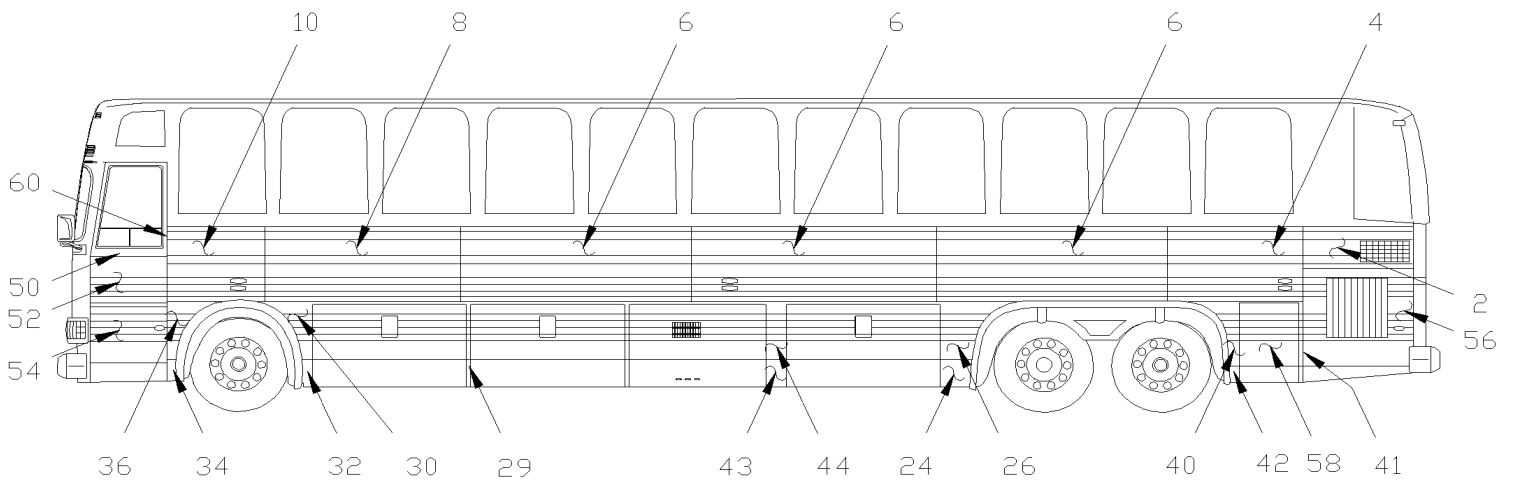
Date:10/2022

PAGE:XL-1854-00

SIDE PANELS - BUS



XL 40'



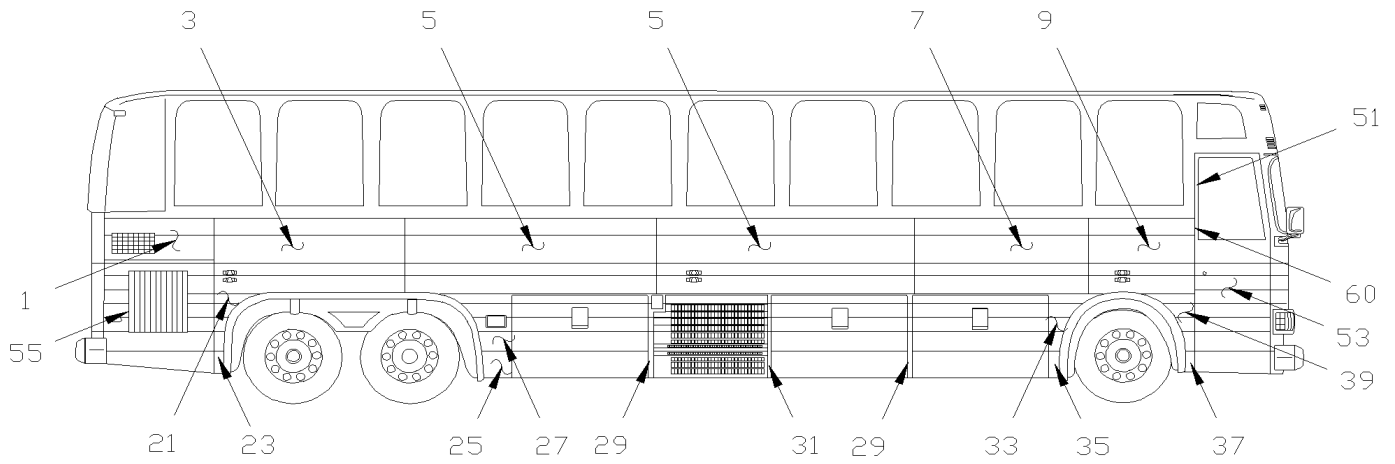
XL 45'

From E-638 To Y-7045

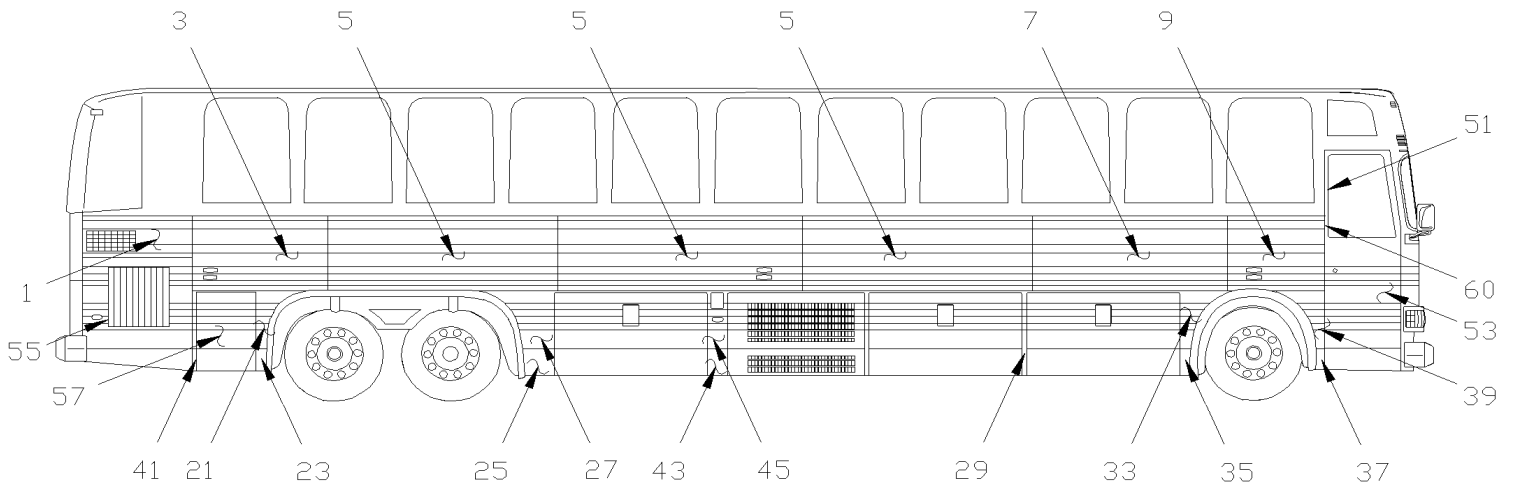
Date:10/2022

PAGE:XL-1854-00

SIDE PANELS - BUS



XL 40'



XL 45'

From E-638 To Y-7045	Date:10/2022	PAGE:XL-1854-00
SIDE PANELS - BUS		

Item#	Part	Description	M T H 4 0	M T H 4 5	M T H 4 5 E	X L 4 0	X L 4 5	N O T E S
1	471103	PANEL, R.H. 45" To X-6903				1		
1	473921	PANEL, R.H. 45" From X-6904				1		
1	473050	PANEL, R.H. 45" To X-6903					1	
1	473919	PANEL, R.H. 45" From X-6904					1	
2	471104	PANEL, L.H. 45" 45" To R-949				1		C
2	472789	PANEL, L.H. 46 1/2" From P-722 To X-6903				1		D
2	473922	PANEL, L.H. 46 1/2" From X-6904				1		
2	473051	PANEL, L.H. 46 1/2" To X-6903					1	
2	473920	PANEL, L.H. 46 1/2" From X-6904					1	
		THE HEIGHT FOR PANELS ITEMS # 3,4,5,8,9 & 10						
		FOLLOWING PANELS ARE 30 1/4" HEIGHT						
3	471587	PANEL, R.H. 89"				1		
3	473049	PANEL, R.H. 54 1/4"					1	
4	471586	PANEL, L.H. 89"				1		C
4	472785	PANEL, L.H. / 87 1/2"				1		D
4	473048	PANEL, L.H. 52 5/8"					1	D
5	471240	PANEL, R.H. 96" x 30 1/4" To T-5762				2		
5	471240	PANEL, R.H. 96" x 30 1/4" To T-5762					3	
5	473323	PANEL, L.H. & R.H. 96" 96" x 30 1/4" From T-5763				2		
5	473323	PANEL, L.H. & R.H. 96" 96" x 30 1/4" From T-5763					3	
5	473582	PANEL, L.H. & R.H. 96" / SERVICE W/OUT RIVETS HOLES				AR	AR	
5	474211	PANEL, R.H. 2129MM From X-6945				1		B
5	474212	PANEL, R.H. 1089MM From X-6945				1		B
6	471290	PANEL, L.H. 96" x 30 1/4" To T-5762				2		
6	473323	PANEL, L.H. & R.H. 96" 96" x 30 1/4" From T-5763				2		
6	473323	PANEL, L.H. & R.H. 96" 96" x 30 1/4" From T-5763					3	
6	473582	PANEL, L.H. & R.H. 96" / SERVICE W/OUT RIVETS HOLES				AR	AR	
7	471239	PANEL, R.H. 72" x 30 1/4"				1	1	
8	471289	PANEL, L.H. 72" x 30 1/4"				1	1	
9	471444	PANEL, R.H. 39 3/4" To G-095				1		
9	471783	PANEL, R.H. 39 3/4" From G-096 To S-569				1		
9	472938	PANEL, R.H. 39 3/4" / STD From S-570				1	1	
9	473904	PANEL, R.H. 39 3/4" / W/AIR DOOR				1	1	A
9	474187	PANEL, R.H. 39 3/4" / W/AIR DOOR From X-6945				1		B
10	471588	PANEL, R.H. 39 3/4" To J-609				1		F
10	471443	PANEL, R.H. 39 3/4"				1	1	
		FOLLOWING MESUREMENT ARE						
		(WIDTH) X (HEIGHT)						

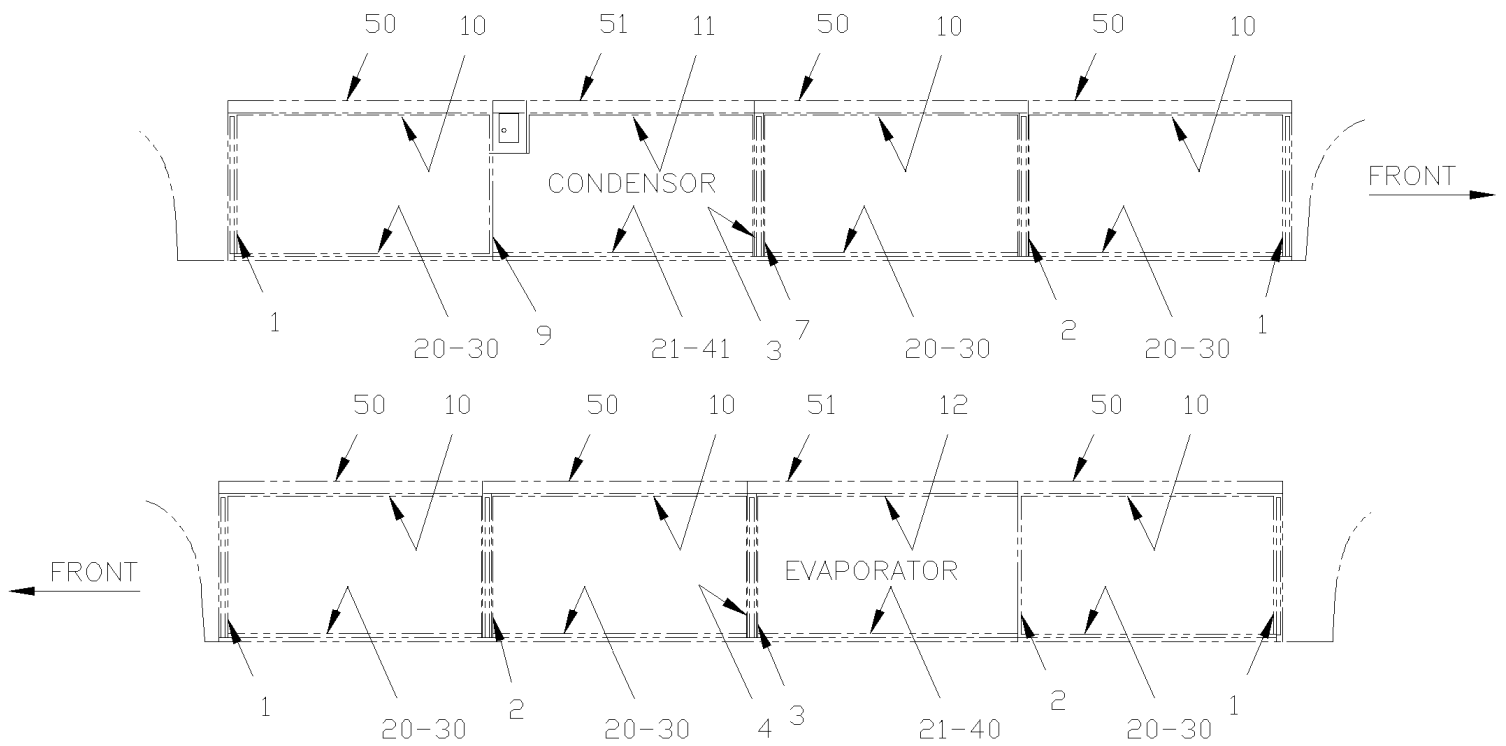
From E-638 To Y-7045	Date:10/2022	PAGE:XL-1854-00
SIDE PANELS - BUS		

Item#	Part	Description	M T H 4 0	M T H 4 5	M T H 4 5 E	X L 4 0	X L 4 5	N O T E S
20	473125	PANEL, L.H. / LOWER PIECE / 83MM X 217MM From S-570				1		
21	471446	PANEL, R.H. 22 1/4" X 35 1/16" / ONE PIECE To S-569				1		
21	473114	PANEL, R.H. / UPPER PIECE / 565MM X 692MM From S-570				1	1	
22	471447	PANEL, L.H. / ONE PIECE / 22 1/4" X 35 3/16" To S-569				1		C
22	472784	PANEL, L.H. / ONE PIECE / 20 3/4" X 33 3/16" To S-569				1		D
22	473120	PANEL, L.H. / UPPER PIECE / 527MM X 692MM From S-570				1		
23	473115	PANEL, R.H. / LOWER PIECE / 121MM X 217MM From S-570				1	1	
24	471613	PANEL, L.H. 354MM X 272MM To S-569				1		
24	473113	PANEL, L.H. 354MM X 267MM From S-570				1	1	
25	471612	PANEL, R.H. 354MM X 272MM To S-569				1		
25	473112	PANEL, R.H. 354MM X 267MM From S-570				1	1	
26	471448	PANEL, L.H. 31 1/8" X 27 3/16"				1		
26	472594	PANEL, L.H. / W/HEIGHT CONTROL VALVE DOOR ACCESS					1	
26	471950	PANEL, L.H. / W/LIGHT / 31 1/8" X 27 3/16"				AR	AR	
27	471445	PANEL, R.H. 31 7/32" X 27 3/16"				1		
27	471619	PANEL, R.H. 31 1/8" X 27 3/16"					1	
27	472593	PANEL, R.H. / W/HEIGHT CONTROL VALVE DOOR ACCESS ACCESS					1	
27	471949	PANEL, R.H. 31 1/8" X 27 3/16" / W/LIGHT				AR	AR	
28	471575	PANEL, L.H. "L" SHAPE / FRONT OF EVAP. DOOR To T-5931				1	1	
28	473382	PANEL, L.H. "L" SHAPE / FRONT OF EVAP. DOOR From T-5932				1	1	
29	471520	FINISHING POST / "U" SHAPE 1 1/2" X 36 3/8"/ 2 BAG. DOORS To T-5931				4		
29	471520	FINISHING POST / "U" SHAPE 1 1/2" X 36 3/8"/ 2 BAG. DOORS To T-5931					2	
29	473384	FINISHING POST / "U" SHAPE 1 1/2" X 36 3/8"/ 2 BAG. DOORS From T-5932				4		
29	473384	FINISHING POST / "U" SHAPE 1 1/2" X 36 3/8"/ 2 BAG. DOORS From T-5932					2	
30	471442	PANEL, L.H. / ONE PIECE / 22 5/8" X 36 13/16" To S-569				1		
30	473118	PANEL, L.H. / UPPER PIECE / 559MM X 692MM From S-570				1	1	
31	471574	PANEL, R.H. "L" SHAPE/FRONT OF CONDENSOR DOOR To T-5931				1	1	
31	473383	PANEL, R.H. "L" SHAPE/FRONT OF CONDENSOR DOOR From T-5932				1	1	
32	473119	PANEL, L.H. / LOWER PIECE / 138MM X 252MM From S-570				1	1	
33	471440	PANEL, R.H. 22 5/8" X 36 13/16" / ONE PIECE To S-569				1		
33	473110	PANEL, R.H. / UPPER PIECE / 573MM X 672MM From S-570				1	1	
34	473117	PANEL, L.H. / LOWER PIECE / 119MM X 212MM From S-570				1	1	
35	473111	PANEL, R.H. / LOWER PIECE / 132MM X 256MM From S-570				1	1	
36	471441	PANEL, L.H. / ONE PIECE / 22" X 34 13/16" To S-569				1		
36	471741	PANEL, L.H. / ONE PIECE / W/110V OUTLET / 22" X 34 13/16" To S-569				1		
36	473128	PANEL, L.H. / UPPER PIECE / W/110V OUTLET / 559MM X 692MM From S-570				1	1	
36	473127	PANEL, L.H. / UPPER PIECE / 559MM X 692MM From S-570				1	1	
37	473108	PANEL, R.H. / LOWER PIECE / 121MM X 212MM From S-570				1	1	
39	471748	PANEL, R.H. 22" X 34 13/16" / ONE PIECE To G-095				1		
39	471439	PANEL, R.H. 22" X 34 13/16" / ONE PIECE From G-096 To P-740				1		C
39	471447	PANEL, L.H. / ONE PIECE / 22 1/4" X 35 3/16" From P-741 To S-569				1		D
39	473109	PANEL, R.H. / UPPER PIECE / 565MM X 692MM From S-570				1	1	

From E-638 To Y-7045	Date:10/2022	PAGE:XL-1854-00
SIDE PANELS - BUS		

Item#	Part	Description	M T H 4 0	M T H 4 5	M T H 4 5 E	X L 4 0	X L 4 5	N O T E S
40	473109	PANEL, R.H. / UPPER PIECE / 565MM X 692MM From S-570					1	
41	284544	PANEL, POST COVER					2	
42	473108	PANEL, R.H. / LOWER PIECE / 121MM X 212MM					1	
43	473130	PANEL, LOWER 200MM X 262MM / S.B.					1	
44	473182	PANEL, L.H. / UPPER PIECE / 200MM X 681MM					1	
45	473129	PANEL, R.H. / UPPER PIECE / 200MM X 681MM					1	
49	XL-1874-10	HEIGHT CONTROL VALVE - ACCESS DOOR						
50	XL-1851-00	CAP - FRONT & REAR - INSTALLATION From E-638 To L-684						
50	XL-1851-01	CAP - FRONT & REAR - INSTALLATION From L-685						
51	471033	MOULDING "Z" SHAPE (TO BE REWORK) To S-569				1		
51	473123	MOULDING 26 1/8" From S-570				1	1	
51	473124	MOULDING 26 1/8" "L" SHAPE From S-570				1	1	
51	473177	MOULDING DOOR FRAME 25 5/8"				1	1	
52	XL-1878-00	FRONT JUNCTION DOOR ASSY						
53	XL-1862-00	ENTRANCE DOOR ASSY - BUS (RIVETED) To S-461						
53	XL-1862-01	ENTRANCE DOOR ASSY - BUS (GLUED) From S-462						
54	XL-1879-00	FRONT SERVICE DOOR ASSY						
55	XL-1868-00	A/C COMPRESSOR DOOR ASSY To S-569						
55	XL-1868-01	A/C COMPRESSOR DOOR ASSY From S-570						
56	XL-1869-00	RADIATOR DOOR ASSY						
56	XL-1869-01	RADIATOR DOOR ASSY						
57	XL-1879-60	REAR SERVICE DOOR - R.H. SIDE						
58	XL-1879-50	REAR SERVICE DOOR - L.H. SIDE						
59	XL-1874-00	BATTERIES DOOR - MAIN SWITCH						
59	XL-1874-10	HEIGHT CONTROL VALVE - ACCESS DOOR						
60	420052	SPACER, PLASTIC "TRIANGULAR" SHAPE REAR OF UPPER PANELS				14		E
60	420052	SPACER, PLASTIC "TRIANGULAR" SHAPE REAR OF UPPER PANELS					16	E
NS	504272	RIVET CHY Q BRAZ 3/16x1/8 SS	AR	AR	AR	AR	AR	
NS	504248	RIVET CHY Q PRDG 3/16x1/4 SS	AR	AR	AR	AR	AR	
NS	504249	RIVET CHY Q PRDG 3/16x3/8 SS	AR	AR	AR	AR	AR	
NS	504250	RIVET CHY Q PRDG 3/16x1/2 SS	AR	AR	AR	AR	AR	
		A) THIS PART IS RELATED W/ENTRANCE DOOR WITH AIR MECHANISM SEE XL-1802-02						
		B) GO TRANSIT						
		C) WITH SERIE 71 & 92						
		D) WITH SERIE 50 & 60						
		E) REAR OF UPPER PANELS						
		F) REAR OF UPPER PANELS						

From E-638 To Y-7045	Date:10/2022	PAGE:XL-1854-10
WEATHERSTRIP & RETAINER - BUS 40'		

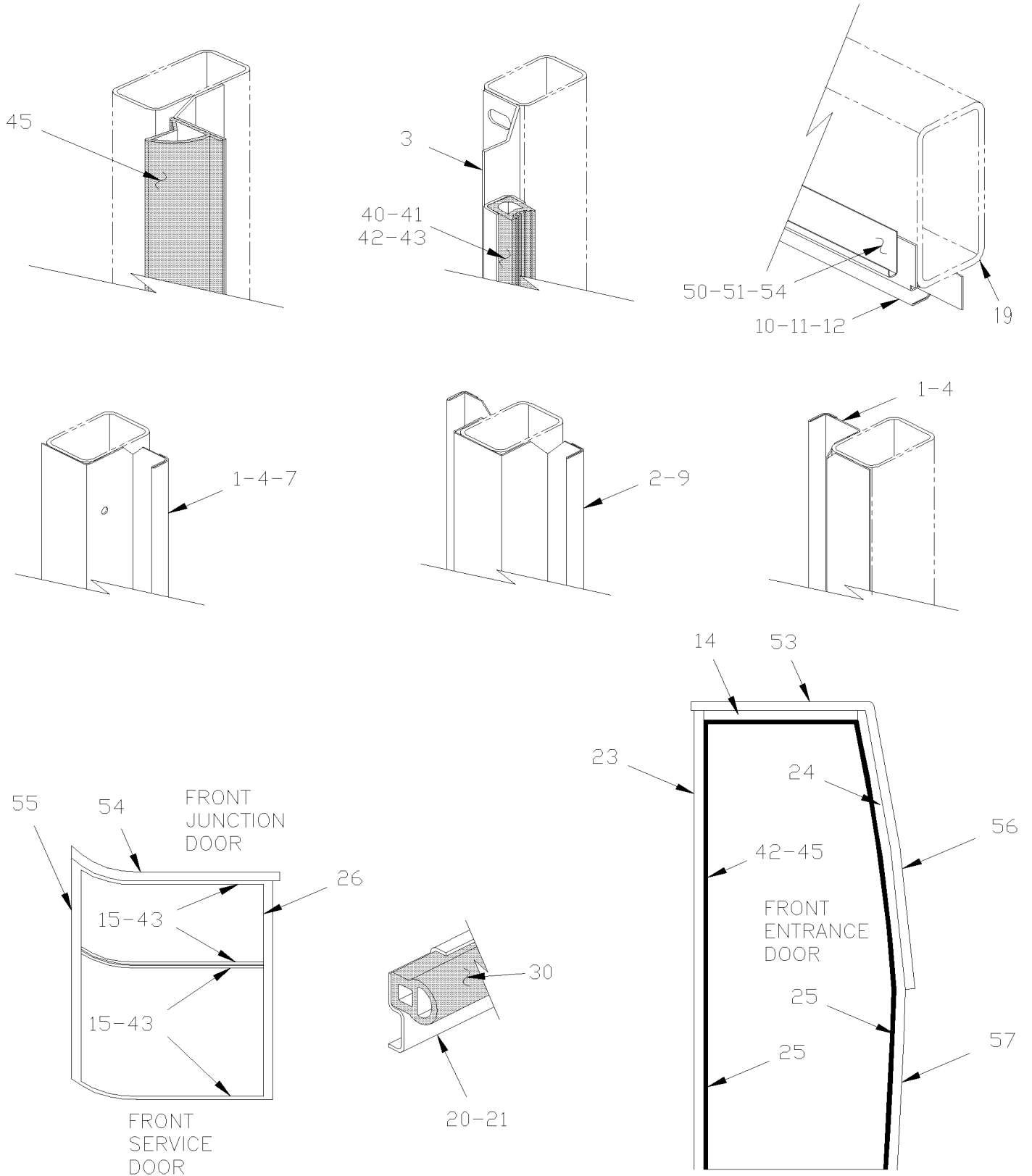


From E-638 To Y-7045

Date:10/2022

PAGE:XL-1854-10

WEATHERSTRIP & RETAINER - BUS 40'



From E-638 To Y-7045	Date:10/2022	PAGE:XL-1854-10
WEATHERSTRIP & RETAINER - BUS 40'		

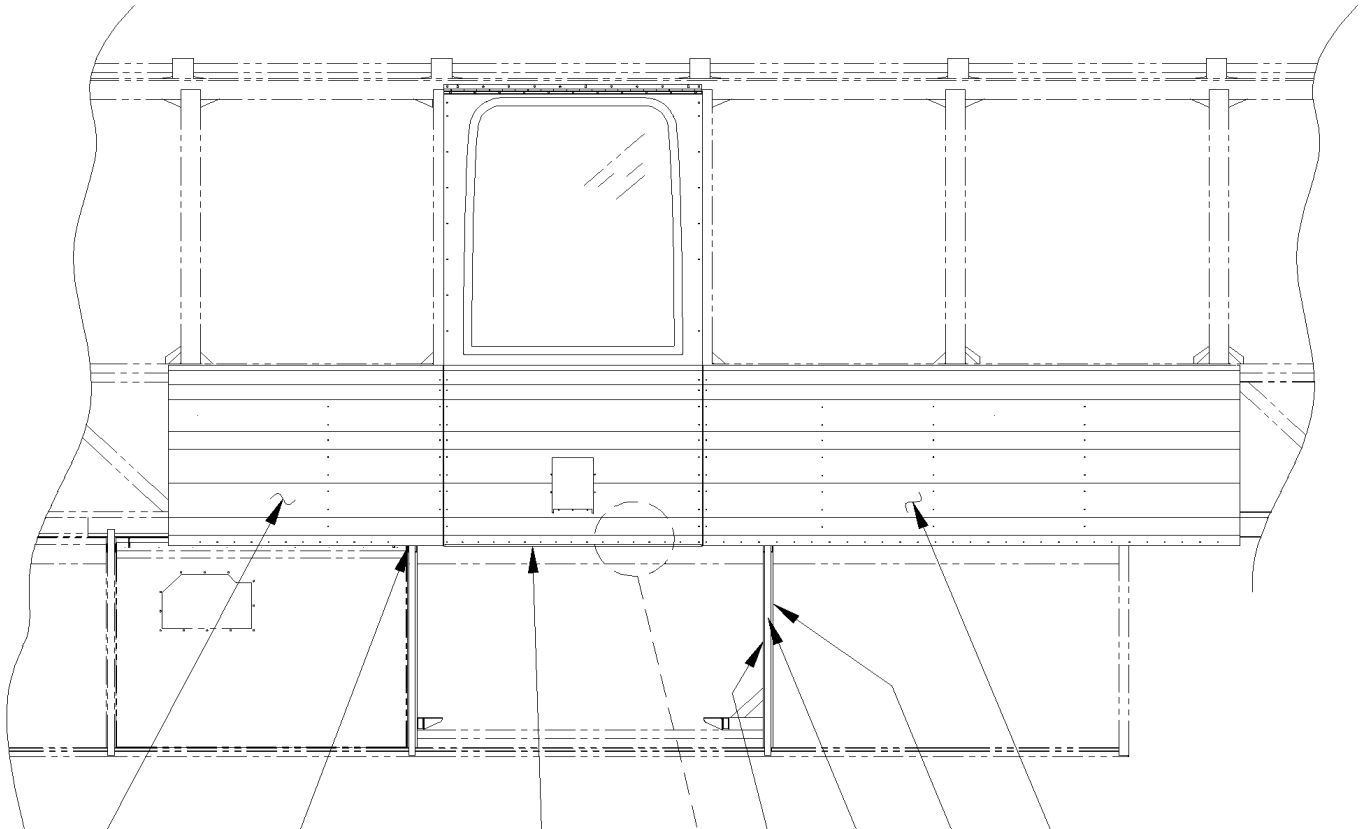
Item#	Part	Description	M T H 4 0	M T H 4 5	M T H 4 5 E	X L 4 0	X L 4 5	N O T E S
1	481013	MOULDING / WEATHERSTRIP RETAINER 838MM To T-5878				6		
1	482222	MOULDING / WEATHERSTRIP RETAINER FRONT From T-5879				8		
2	480979	MOULDING / WEATHERSTRIP RETAINER / DOUBLE TWO BAGGAGE DOOR				3		
3	481050	MOULDING / WEATHERSTRIP RETAINER To R-829				1		
3	482137	MOULDING / WEATHERSTRIP RETAINER From R-830				2		
4	481013	MOULDING / WEATHERSTRIP RETAINER 838MM				1		
7	481255	MOULDING / WEATHERSTRIP RETAINER 838MM				1		
9	480986	MOULDING / WEATHERSTRIP RETAINER / DOUBLE / W/LARGE A/C				1		
10	480976	MOULDING / WEATHERSTRIP RETAINER 1370MM				6		
11	481040	MOULDING / WEATHERSTRIP RETAINER / CONDENSOR				1		
12	481165	MOULDING / WEATHERSTRIP RETAINER / EVAPORATOR				1		
14	280930	MOULDING / WEATHERSTRIP RETAINER 24 1/2" To S-461				1		
15	281595	MOULDING / WEATHERSTRIP RETAINER				4		
19	230481	FORM, UPPER "P" SHAPE (WELDED TO STRUCTURE) 1376MM				4		
19	230482	FORM, UPPER "P" SHAPE (WELDED TO STRUCTURE) 1382MM				4		
20	480849	MOULDING / WEATHERSTRIP RETAINER / WELDED TO STRUCTURE / 1365MM To X-6689				6		
20	483031	MOULDING / WEATHERSTRIP RETAINER / WELDED TO STRUCTURE / 1365MM From X-6690				6		
21	480153	MOULDING / WEATHERSTRIP RETAINER / WELDED TO STRUCTURE / 1149MM To X-6689				2		
21	483030	MOULDING / WEATHERSTRIP RETAINER / WELDED TO STRUCTURE / 1149MM From X-6690				2		
23	280928	MOULDING / WEATHERSTRIP RETAINER 34 3/4" To N-499				1		
23	284280	MOULDING / WEATHERSTRIP RETAINER 34 3/4" From N-500 To S-461				1		
24	280927	MOULDING / WEATHERSTRIP RETAINER 36"				1		
24	280928	MOULDING / WEATHERSTRIP RETAINER 34 3/4"				1		
25	280929	MOULDING / WEATHERSTRIP RETAINER 50 1/2" To N-499				2		
25	284347	MOULDING / WEATHERSTRIP RETAINER 50 1/2" From N-500 To S-461				2		
26	281597	MOULDING / WEATHERSTRIP RETAINER				1		
30	481033	WEATHERSTRIP / W/53" BAGGAGE DOORS				6		
30	485635	WEATHERSTRIP / W/53" BAGGAGE DOORS				6		
NS	480154	. WEATHERSTRIP RUBBER / ADH / RAW MATERIAL				AR		
40	481163	WEATHERSTRIP / EVAPORATOR DOOR				1		
41	481157	WEATHERSTRIP / CONDENSOR DOOR				1		
42	481169	WEATHERSTRIP / ENTRANCE DOOR To S-461				1		
43	481174	WEATHERSTRIP / FRONT COMPARTMENT DOORS				1		
NS	506275	. WEATHERSTRIP RUBBER EPDM CC EXTRUSION / RAW MATERIAL				AR		
45	284713	WEATHERSTRIP / ENTRANCE DOOR From S-462				1		
NS	292418	. RUBBER SEAL EXTRUSION / ADHESIVE / RAW MATERIAL				AR		
50	480978	DRIP MOULDING / W/53" BAGGAGE DOORS				6		
51	480446	DRIP MOULDING / EVAPO & COND 45 3/16"				2		
53	471367	DRIP MOULDING / ENTRANCE DOOR ALUMINUM To S-461				1		
53	473014	DRIP MOULDING / ENTRANCE DOOR ALUMINUM From S-462				1		
54	471279	DRIP MOULDING / FRONT COMPARTMENT DOORS				1		
55	471031	DRIP MOULDING / FRONT COMPARTMENT DOORS				1		

From X-6945 To X-7014

Date:10/2022

PAGE:XL-1854-11

WEATHERSTRIP & RETAINER - W.C.L. - "GO-TRANSIT"



2

DETAIL "A"

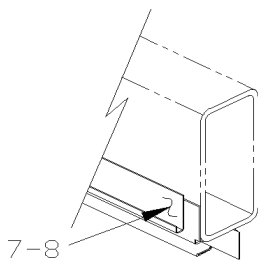
5

6

1

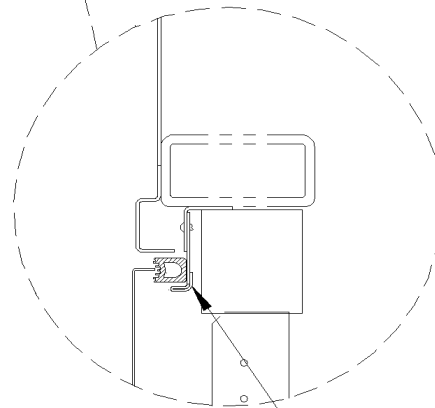
4

3



7-8

DETAIL "A"



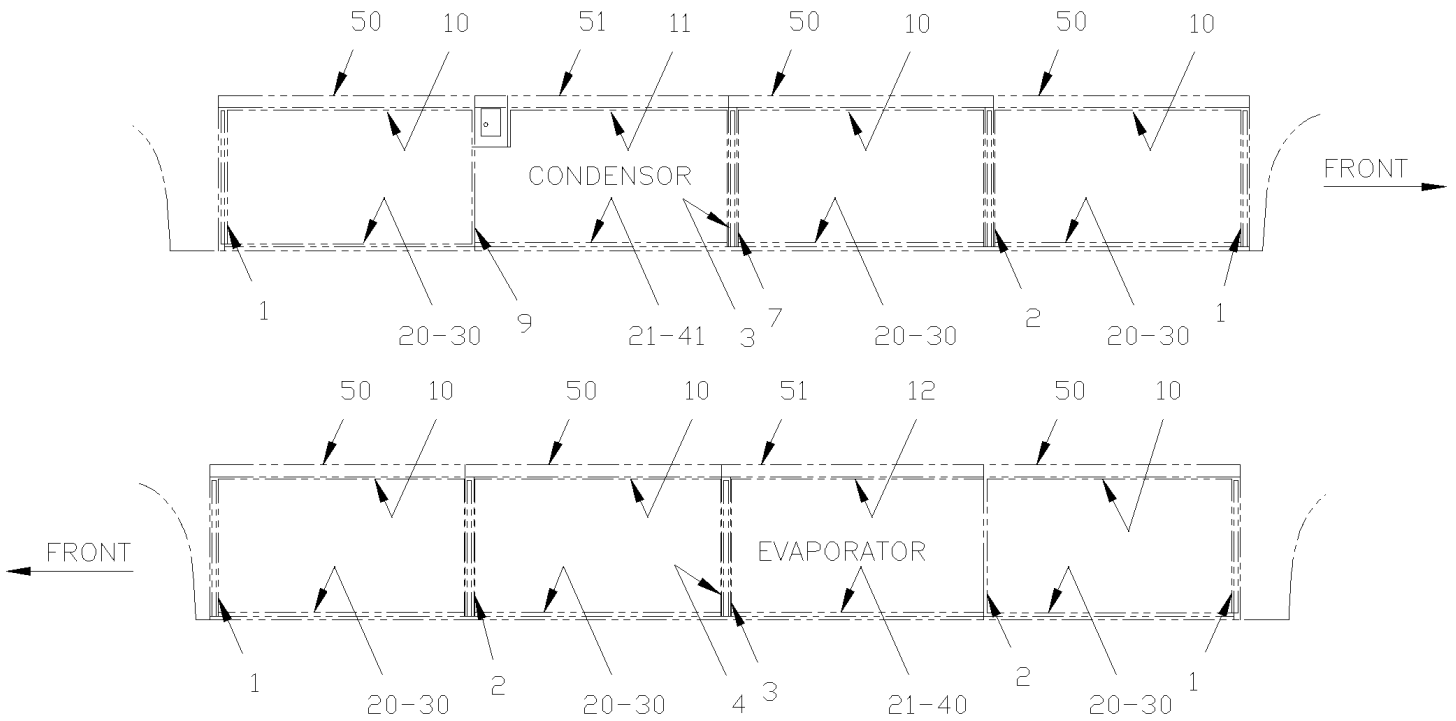
5

From E-638 To V-6257

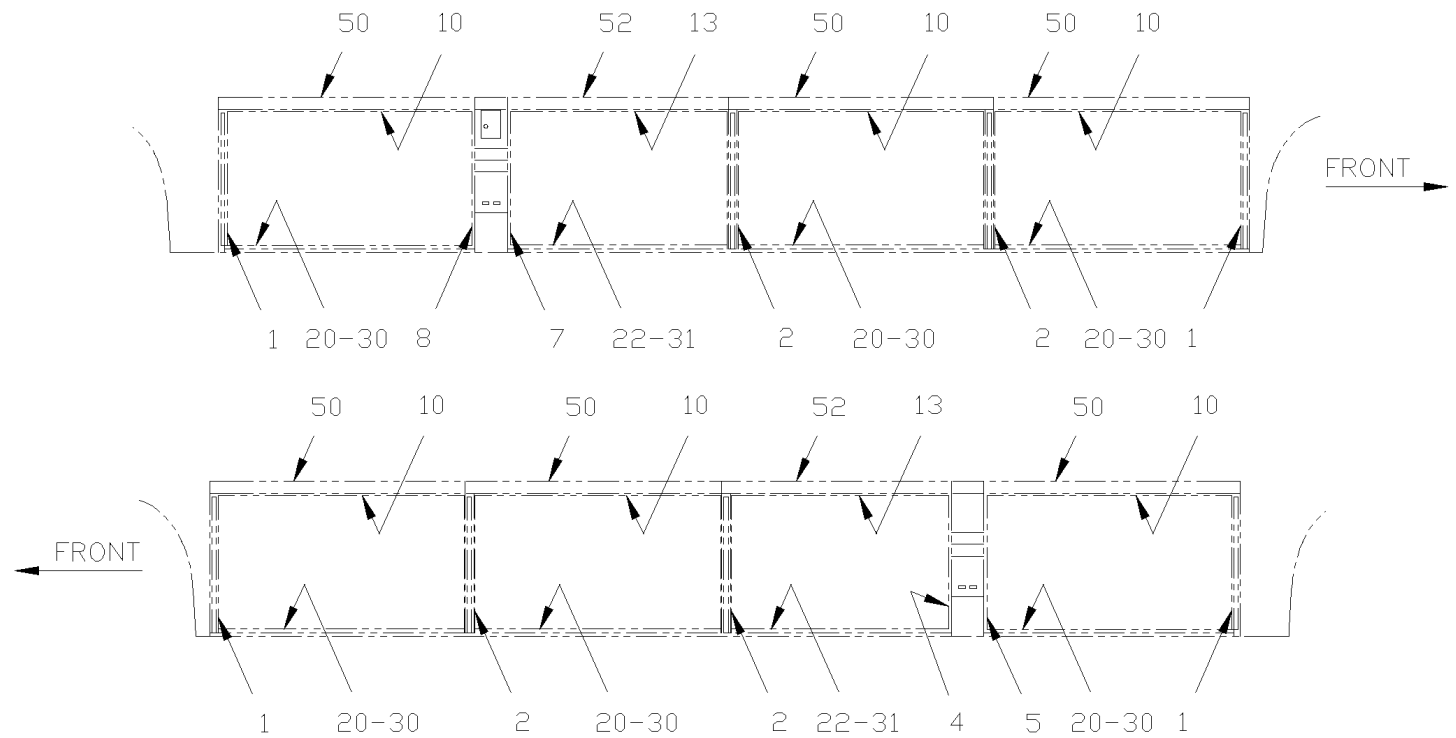
Date:10/2022

PAGE:XL-1854-20

WEATHERSTRIP & RETAINER - MTH 40' & 45' ENT

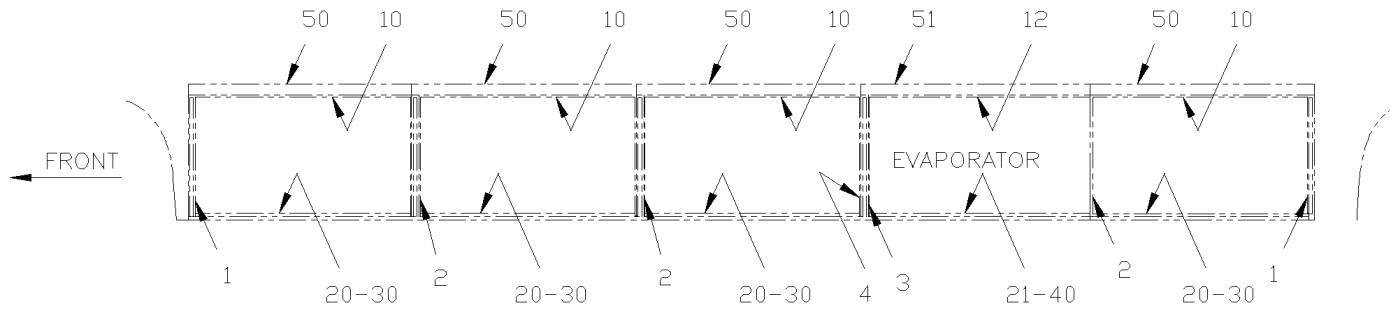
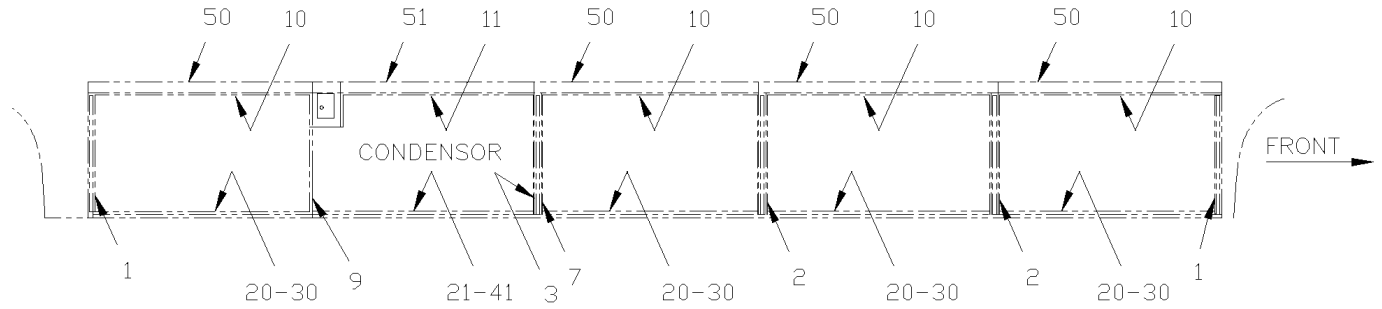


MTH 40' WITH LARGE A/C SYSTEM

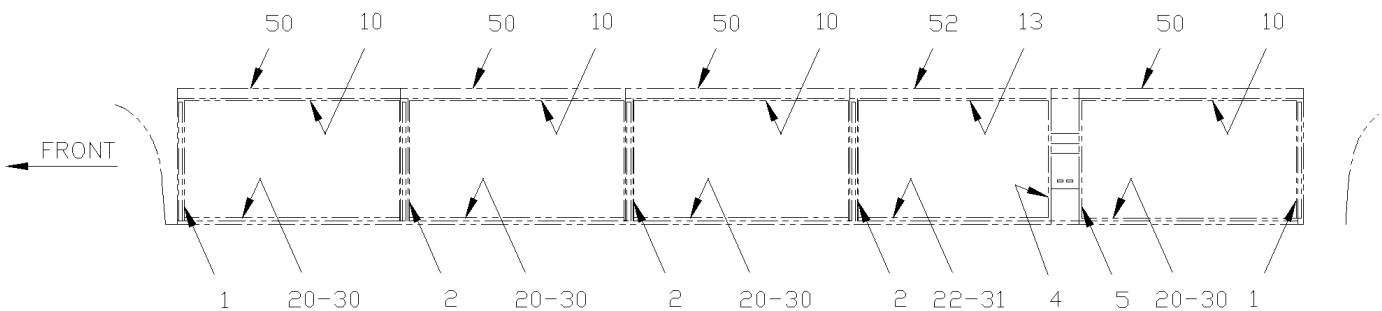
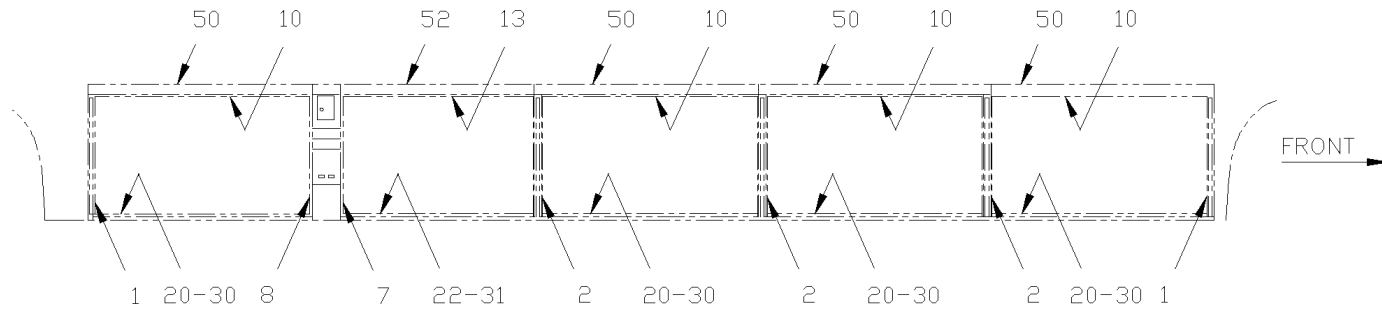


MTH 40' WITH SMALL A/C SYSTEM

From E-638 To V-6257	Date:10/2022	PAGE:XL-1854-20
WEATHERSTRIP & RETAINER - MTH 40' & 45' ENT		



MTH 45' ENT. WITH LARGE A/C SYSTEM



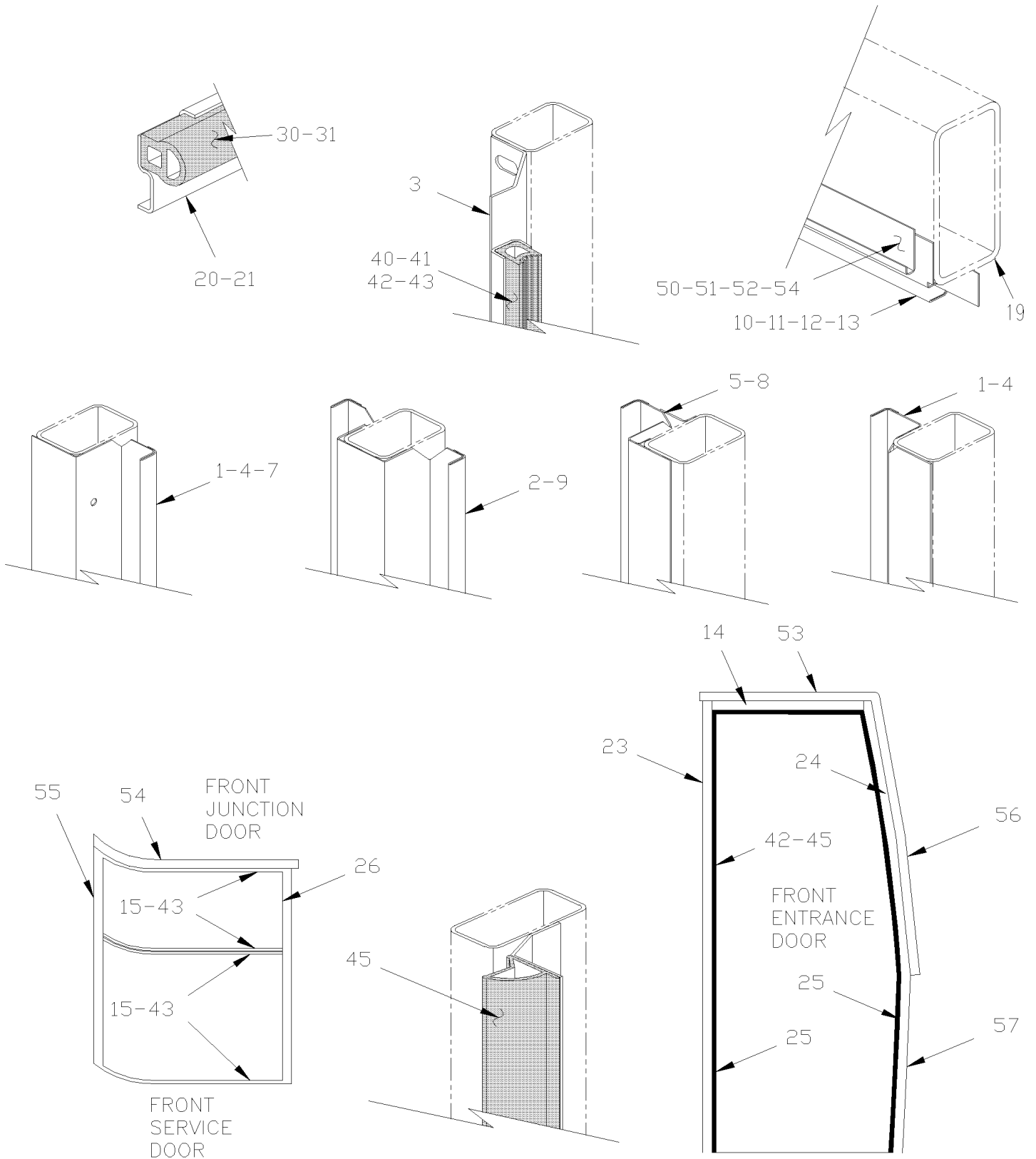
MTH 45' ENT. WITH SMALL A/C SYSTEM

From E-638 To V-6257

Date:10/2022

PAGE:XL-1854-20

WEATHERSTRIP & RETAINER - MTH 40' & 45' ENT



From E-638 To V-6257	Date:10/2022	PAGE:XL-1854-20
WEATHERSTRIP & RETAINER - MTH 40' & 45' ENT		

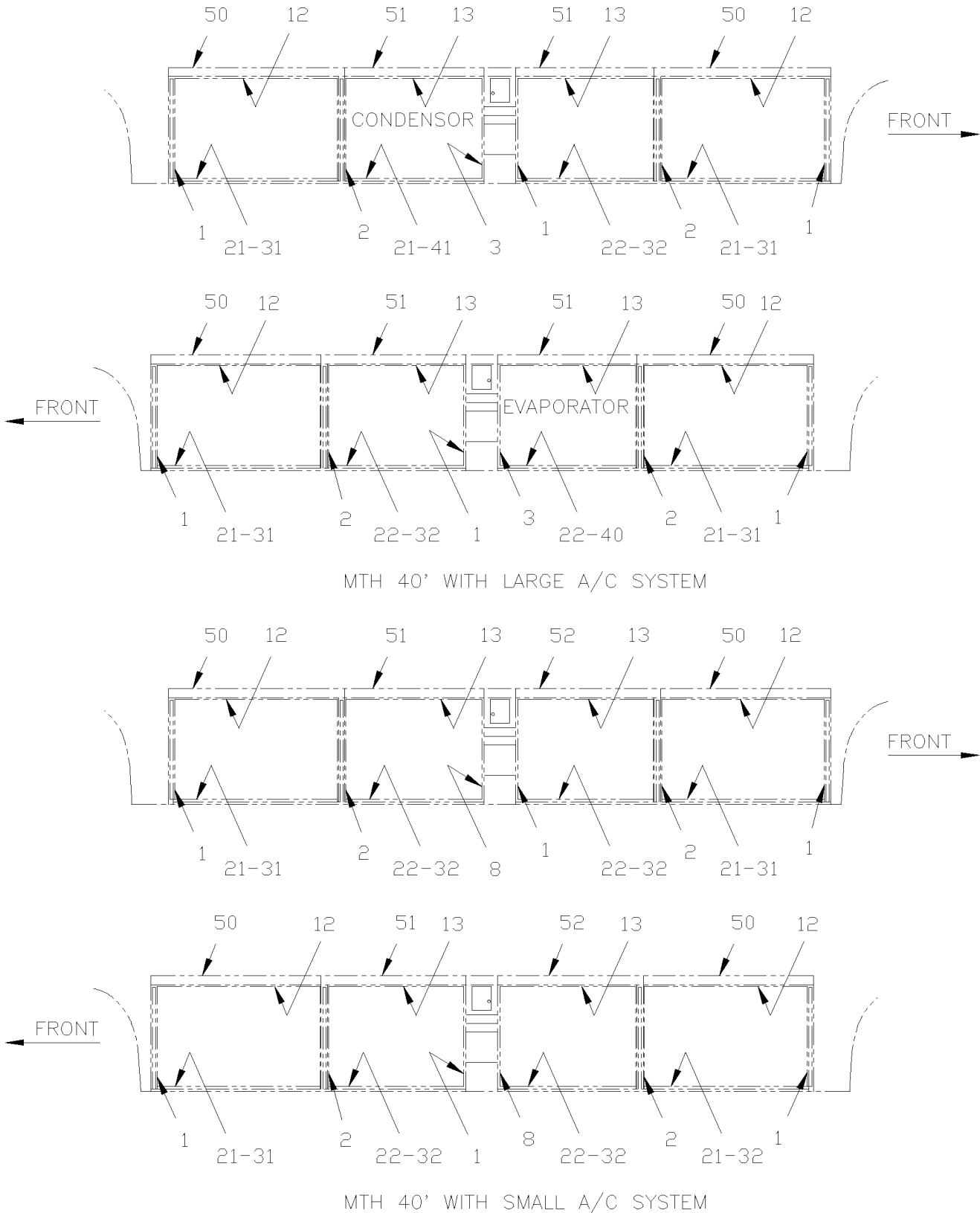
Item#	Part	Description	M T H 4 0	M T H 4 5	M T H 4 5 E	X L 4 0	X L 4 5	N O T E S
1	481013	MOULDING / WEATHERSTRIP RETAINER 838MM To T-5878	6		6			
1	482222	MOULDING / WEATHERSTRIP RETAINER FRONT From T-5879	8		8			
2	480979	MOULDING / WEATHERSTRIP RETAINER / DOUBLE TWO BAGGAGE DOOR	3					
2	480979	MOULDING / WEATHERSTRIP RETAINER / DOUBLE TWO BAGGAGE DOOR			5			
3	481050	MOULDING / WEATHERSTRIP RETAINER To R-829	1		1			
3	482137	MOULDING / WEATHERSTRIP RETAINER From R-830	2		2			
4	481013	MOULDING / WEATHERSTRIP RETAINER 838MM	1		1			
5	481269	MOULDING / WEATHERSTRIP RETAINER / L.H. / 838MM	1		1			
7	481255	MOULDING / WEATHERSTRIP RETAINER 838MM	1		1			
8	481270	MOULDING / WEATHERSTRIP RETAINER / R.H. / 838MM	1		1			
9	480986	MOULDING / WEATHERSTRIP RETAINER / DOUBLE / W/LARGE A/C	1		1			
10	480976	MOULDING / WEATHERSTRIP RETAINER 1370MM	6		6			
11	481040	MOULDING / WEATHERSTRIP RETAINER / CONDENSOR	1		1			
12	481165	MOULDING / WEATHERSTRIP RETAINER / EVAPORATOR	1		1			
13	481105	MOULDING / WEATHERSTRIP RETAINER 990MM	2		2			
14	280930	MOULDING / WEATHERSTRIP RETAINER 24 1/2" To S-461	1		1			
15	281595	MOULDING / WEATHERSTRIP RETAINER	4		4			
19	230481	FORM, UPPER "P" SHAPE (WELDED TO STRUCTURE) 1376MM	4		4			
19	230482	FORM, UPPER "P" SHAPE (WELDED TO STRUCTURE) 1382MM	2		2			
20	480849	MOULDING / WEATHERSTRIP RETAINER / WELDED TO STRUCTURE / 1365MM	6					
20	480849	MOULDING / WEATHERSTRIP RETAINER / WELDED TO STRUCTURE / 1365MM			8			
21	480153	MOULDING / WEATHERSTRIP RETAINER / WELDED TO STRUCTURE / 1149MM	2		2			
22	481243	MOULDING / WEATHERSTRIP RETAINER / WELDED TO STRUCTURE / 984MM	1		1			
23	280928	MOULDING / WEATHERSTRIP RETAINER 34 3/4" To N-499	1		1			
23	284280	MOULDING / WEATHERSTRIP RETAINER 34 3/4" From N-500 To S-461	1		1			
24	280927	MOULDING / WEATHERSTRIP RETAINER 36" To N-499	1		1			
24	280928	MOULDING / WEATHERSTRIP RETAINER 34 3/4" From N-500 To S-461	1		1			
25	280925	MOULDING / WEATHERSTRIP RETAINER 53 1/2" / MTH 80" To S-499	2					
25	284346	MOULDING / WEATHERSTRIP RETAINER 53 1/2" / MTH 80" From N-500 To S-461	2					
25	281643	MOULDING / WEATHERSTRIP RETAINER 56 1/2" / MTH 83" To S-499	2					
25	284345	MOULDING / WEATHERSTRIP RETAINER 56 1/2" / MTH 83" From N-500 To S-461	2					
25	281642	MOULDING / WEATHERSTRIP RETAINER 59 1/2" / MTH 86" To S-499	2		2			
25	284274	MOULDING / WEATHERSTRIP RETAINER 59 1/2" / MTH 86" From N-500 To S-461	2		2			
26	281596	MOULDING / WEATHERSTRIP RETAINER / MTH 80"	1					
26	281676	MOULDING / WEATHERSTRIP RETAINER / MTH 83"	1					
26	281675	MOULDING / WEATHERSTRIP RETAINER / MTH 86"	1		1			
30	481033	WEATHERSTRIP / W/53" BAGGAGE DOORS	6					
30	485635	WEATHERSTRIP / W/53" BAGGAGE DOORS	1					
30	481033	WEATHERSTRIP / W/53" BAGGAGE DOORS			8			
30	485635	WEATHERSTRIP / W/53" BAGGAGE DOORS			8			
31	481137	WEATHERSTRIP / W/38" BAGGAGE DOORS	2		2			
31	485629	WEATHERSTRIP / W/38" BAGGAGE DOORS	2		2			

From V-6258 To Y-7045

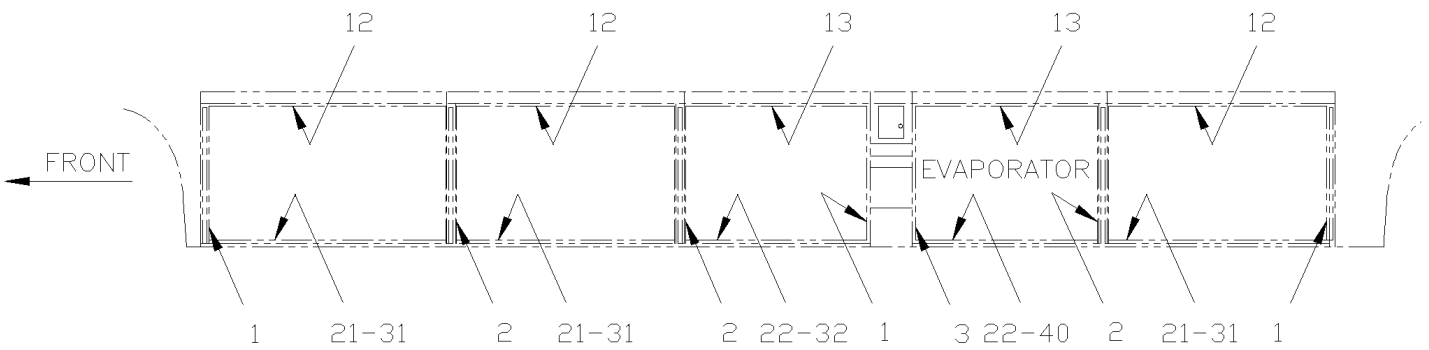
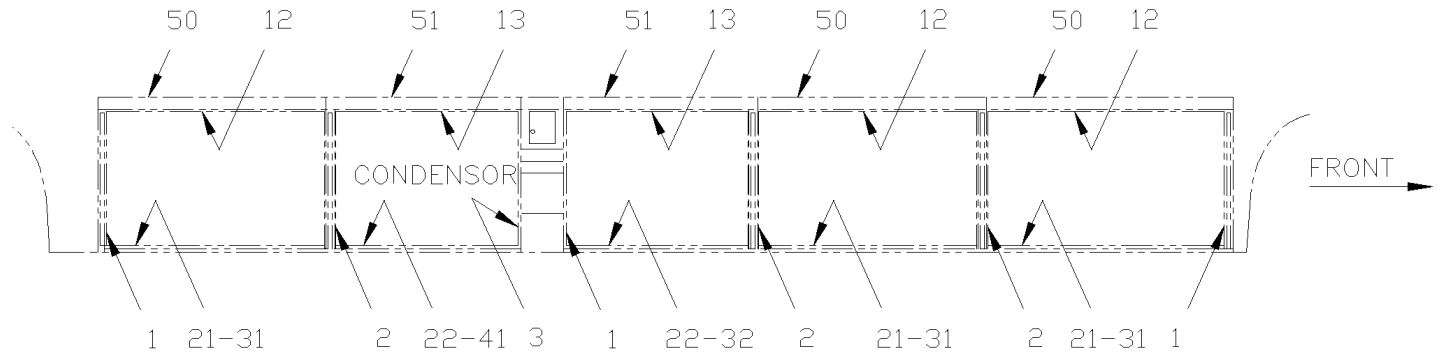
Date:10/2022

PAGE:XL-1854-21

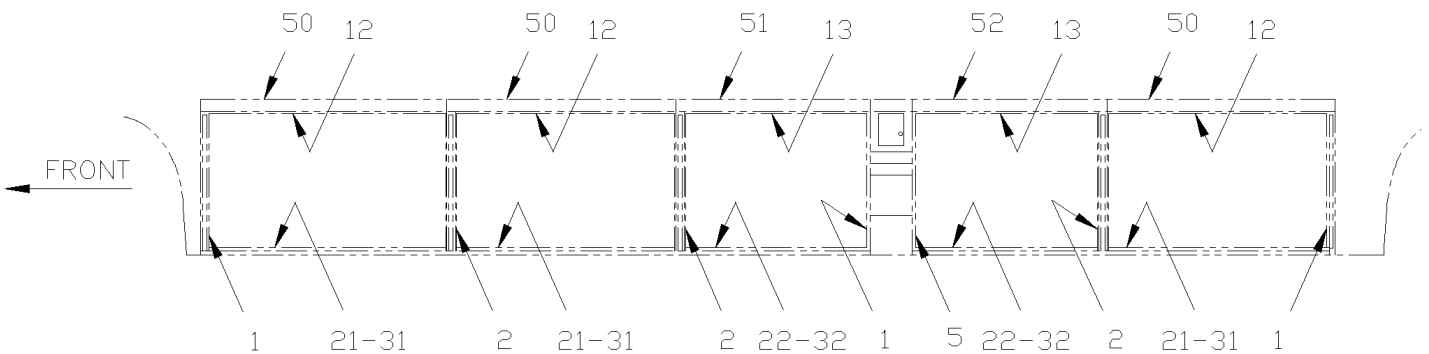
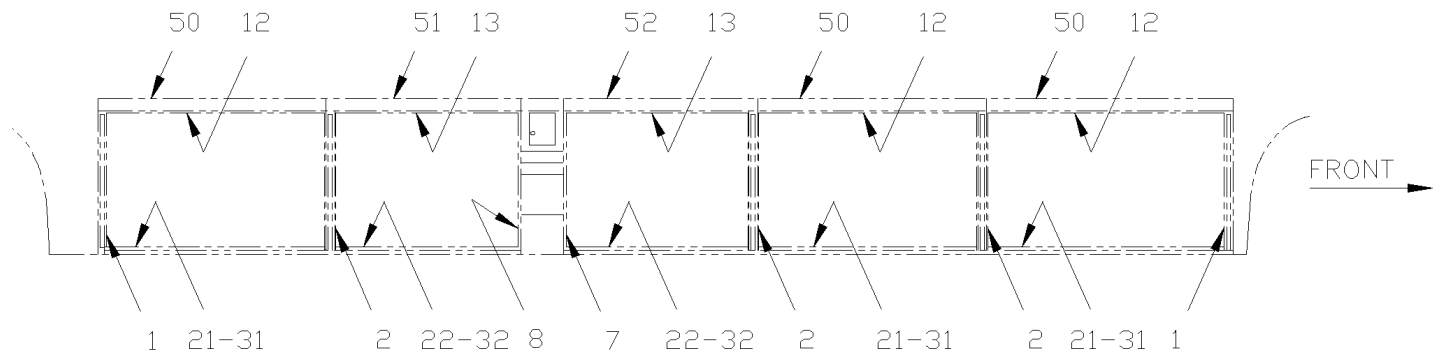
WEATHERSTRIP & RETAINER - MTH 40' & 45' ENT



From V-6258 To Y-7045	Date:10/2022	PAGE:XL-1854-21
WEATHERSTRIP & RETAINER - MTH 40' & 45' ENT		

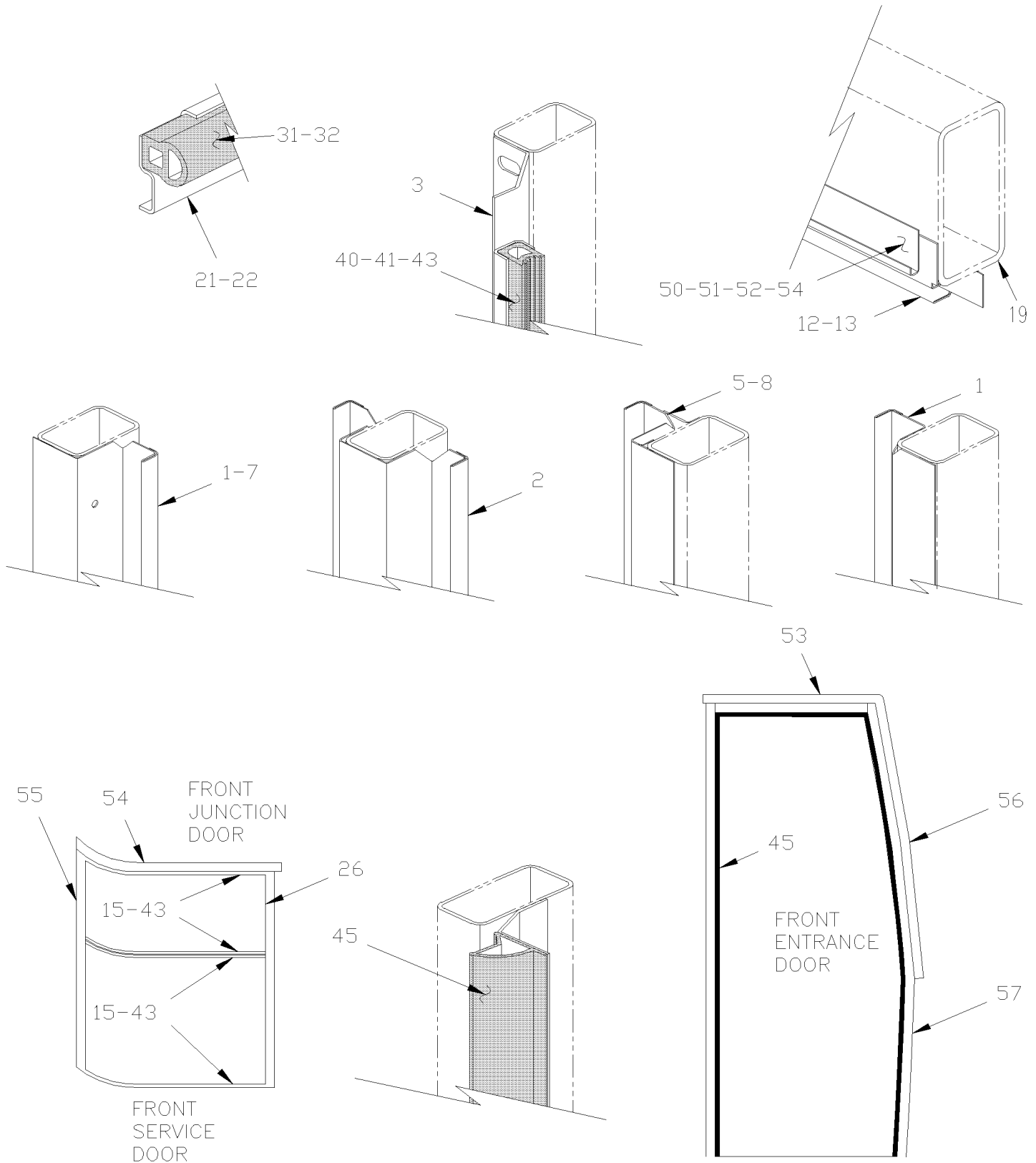


MTH 45' ENT. WITH LARGE A/C SYSTEM



MTH 45' ENT. WITH SMALL A/C SYSTEM

From V-6258 To Y-7045	Date:10/2022	PAGE:XL-1854-21
WEATHERSTRIP & RETAINER - MTH 40' & 45' ENT		

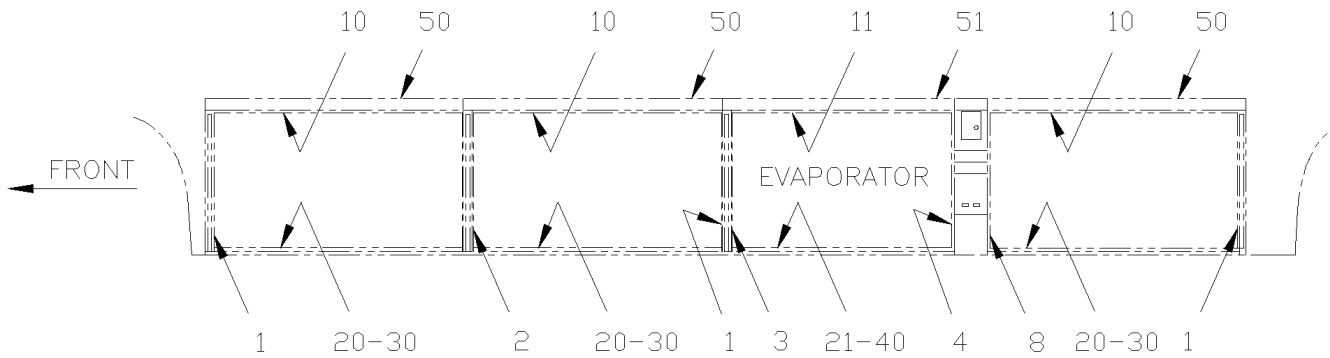
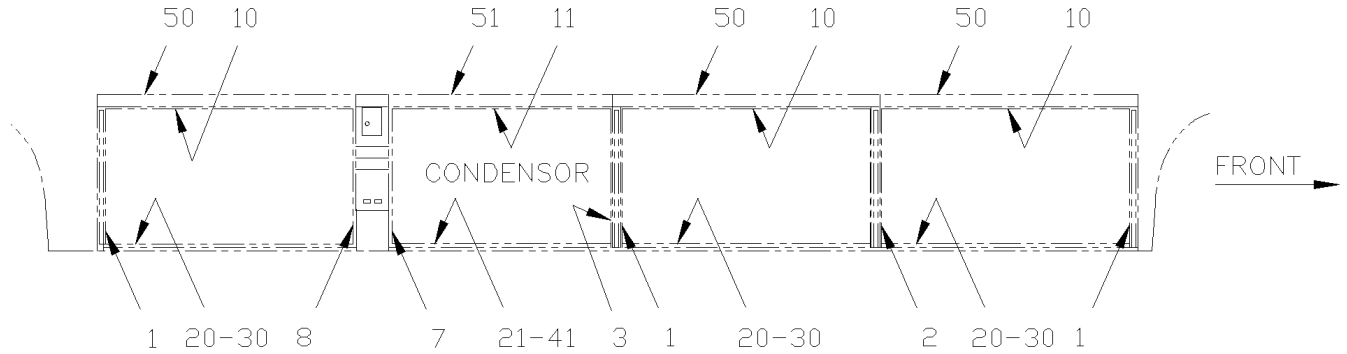


From V-6258 To Y-7045		Date:10/2022	PAGE:XL-1854-21
-----------------------	--	--------------	-----------------

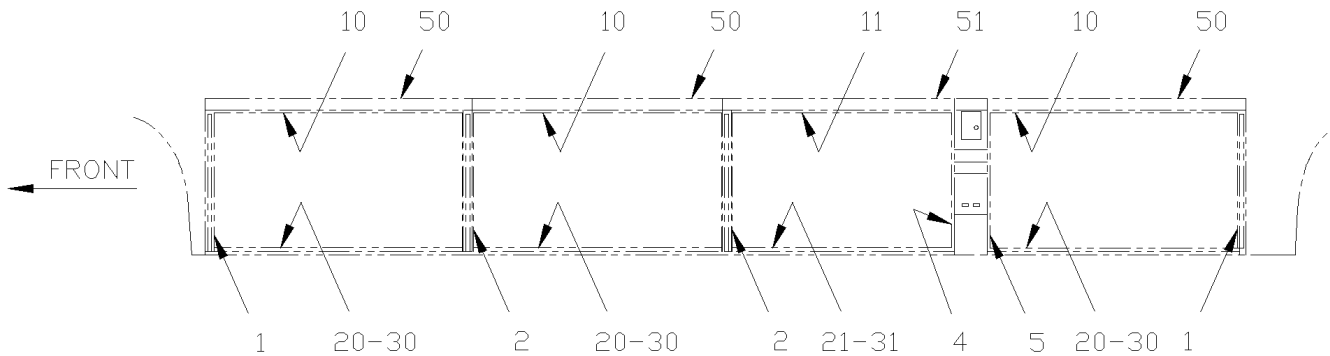
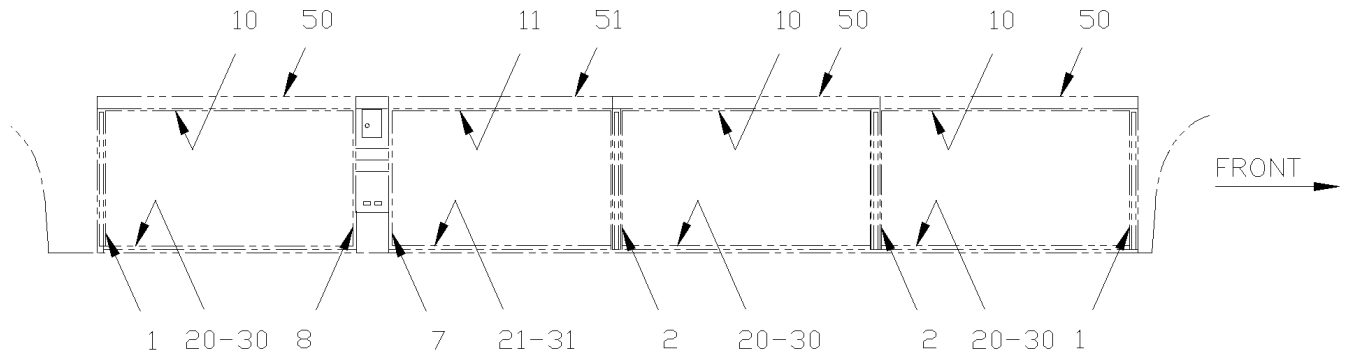
WEATHERSTRIP & RETAINER - MTH 40' & 45' ENT

Item#	Part	Description	M T H 4 0	M T H 4 5	M T H 4 5 E	X L 4 0	X L 4 5	N O T E S
1	482222	MOULDING / WEATHERSTRIP RETAINER FRONT	6		6			
2	480979	MOULDING / WEATHERSTRIP RETAINER / DOUBLE TWO BAGGAGE DOOR	4					
2	480979	MOULDING / WEATHERSTRIP RETAINER / DOUBLE TWO BAGGAGE DOOR			6			
3	482137	MOULDING / WEATHERSTRIP RETAINER	1		1			
5	481269	MOULDING / WEATHERSTRIP RETAINER / L.H. / 838MM			1			
7	481255	MOULDING / WEATHERSTRIP RETAINER 838MM			1			
8	481270	MOULDING / WEATHERSTRIP RETAINER / R.H. / 838MM	1		1			
12	480976	MOULDING / WEATHERSTRIP RETAINER 1370MM	4					
12	480976	MOULDING / WEATHERSTRIP RETAINER 1370MM			6			
13	482492	MOULDING / WEATHERSTRIP RETAINER 1155MM	4		4			
15	281595	MOULDING / WEATHERSTRIP RETAINER	4		4			
19	230481	FORM, UPPER "P" SHAPE (WELDED TO STRUCTURE) 1376MM	4		4			
19	230482	FORM, UPPER "P" SHAPE (WELDED TO STRUCTURE) 1382MM	2		2			
21	480153	MOULDING / WEATHERSTRIP RETAINER / WELDED TO STRUCTURE / 1149MM To X-6689	4					
21	480153	MOULDING / WEATHERSTRIP RETAINER / WELDED TO STRUCTURE / 1149MM To X-6689			6			
21	483031	MOULDING / WEATHERSTRIP RETAINER / WELDED TO STRUCTURE / 1365MM From X-6690	4					
21	483031	MOULDING / WEATHERSTRIP RETAINER / WELDED TO STRUCTURE / 1365MM From X-6690			6			
22	480849	MOULDING / WEATHERSTRIP RETAINER / WELDED TO STRUCTURE / 1365MM To X-6689	4		4			
22	483030	MOULDING / WEATHERSTRIP RETAINER / WELDED TO STRUCTURE / 1149MM From X-6690	4		4			
26	281676	MOULDING / WEATHERSTRIP RETAINER / MTH 83"	1					
26	281675	MOULDING / WEATHERSTRIP RETAINER / MTH 86"	1		1			
31	481033	WEATHERSTRIP / W/53" BAGGAGE DOORS	4					
31	485635	WEATHERSTRIP / W/53" BAGGAGE DOORS	4					
31	481033	WEATHERSTRIP / W/53" BAGGAGE DOORS			6			
31	485635	WEATHERSTRIP / W/53" BAGGAGE DOORS			6			
32	482462	WEATHERSTRIP / W/45" BAGGAGE DOORS	4		4			
32	485630	WEATHERSTRIP / W/45" BAGGAGE DOORS	4		4			
NS	481137	WEATHERSTRIP / W/38" BAGGAGE DOORS			1			
NS	485629	WEATHERSTRIP / W/38" BAGGAGE DOORS			1			
40	481163	WEATHERSTRIP / EVAPORATOR DOOR	1		1			
41	482099	WEATHERSTRIP / CONDENSOR DOOR	1		1			
41	480009	WEATHERSTRIP / CONDENSOR DOOR	1	1	1			
43	481215	WEATHERSTRIP / FRONT COMPARTMENT DOORS / MTH 83"	1					
43	481224	WEATHERSTRIP / FRONT COMPARTMENT DOORS / MTH 86"	1		1			
NS	506275	. WEATHERSTRIP RUBBER EPDM CC EXTRUSION / RAW MATERIAL	AR		AR			
43	280152	. WEATHERSTRIP RUBBER EPDM CC EXTRUSION / RAW MATERIAL	AR		AR			
45	284715	WEATHERSTRIP / ENTRANCE DOOR / MTH 83"	1					
45	287410	WEATHERSTRIP / ENTRANCE DOOR / MTH 83"	1					
45	2800119	WEATHERSTRIP / ENTRANCE DOOR / MTH 83"	1					
45	284716	WEATHERSTRIP / ENTRANCE DOOR / MTH 86" WINDOW SEAL / TRAPEZOIDAL LH /	1		1			
45	287408	WEATHERSTRIP / ENTRANCE DOOR / MTH 86"	1		1			
45	2800117	WEATHERSTRIP / ENTRANCE DOOR / MTH 86"	1		1			

From P-722 To Y-7045	Date:10/2022	PAGE:XL-1854-30
WEATHERSTRIP & RETAINER - BUS 45' & MTH 45'		



BUS 45' & MTH 45' WITH LARGE A/C SYSTEM



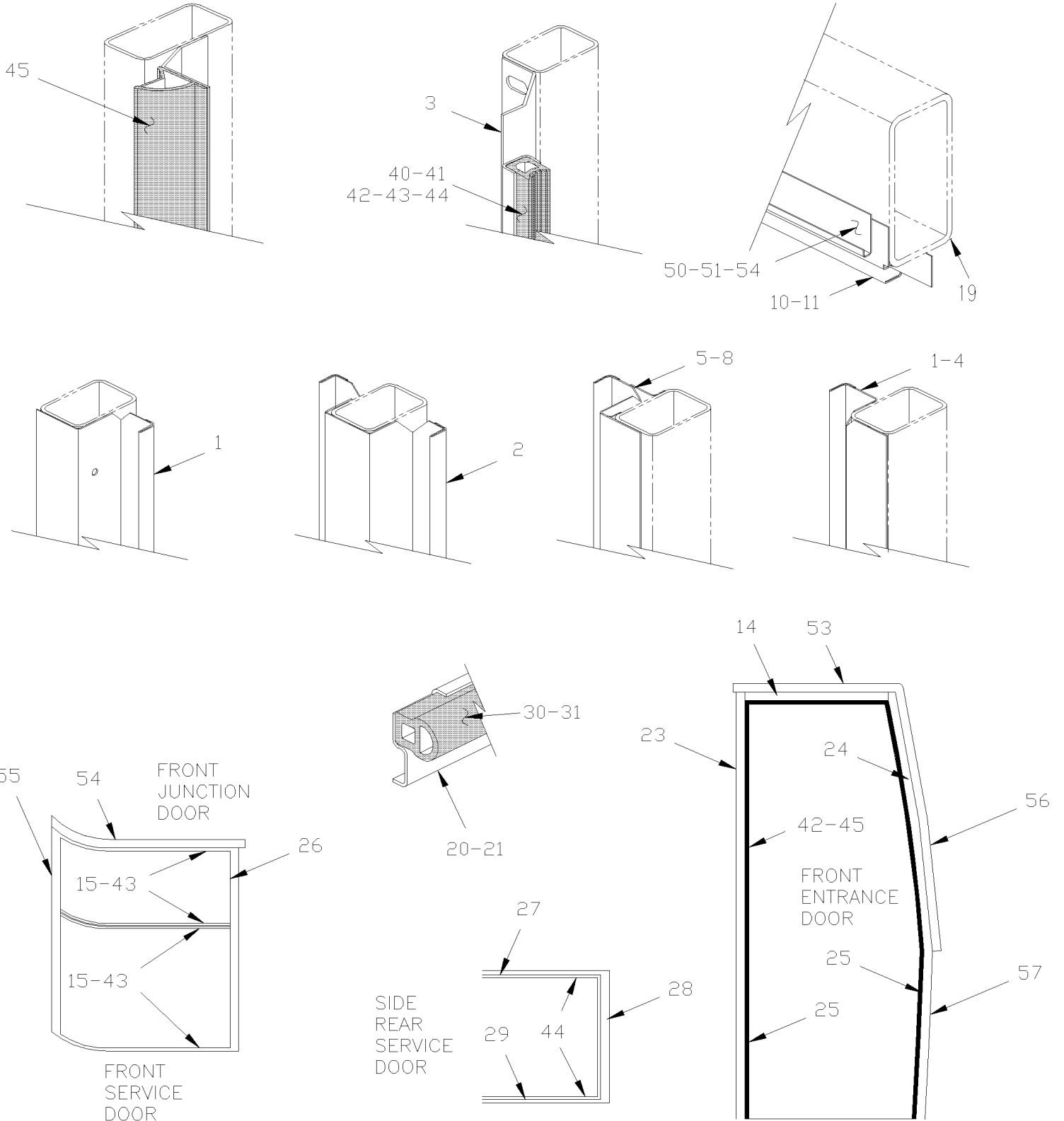
MTH 45' WITH SMALL A/C SYSTEM

From P-722 To Y-7045

Date:10/2022

PAGE:XL-1854-30

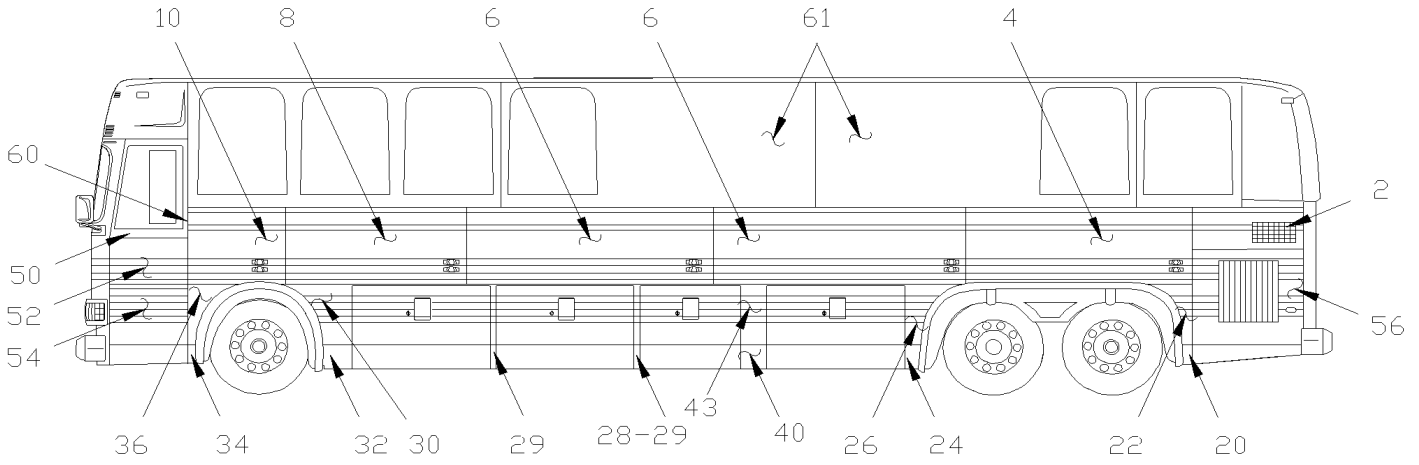
WEATHERSTRIP & RETAINER - BUS 45' & MTH 45'



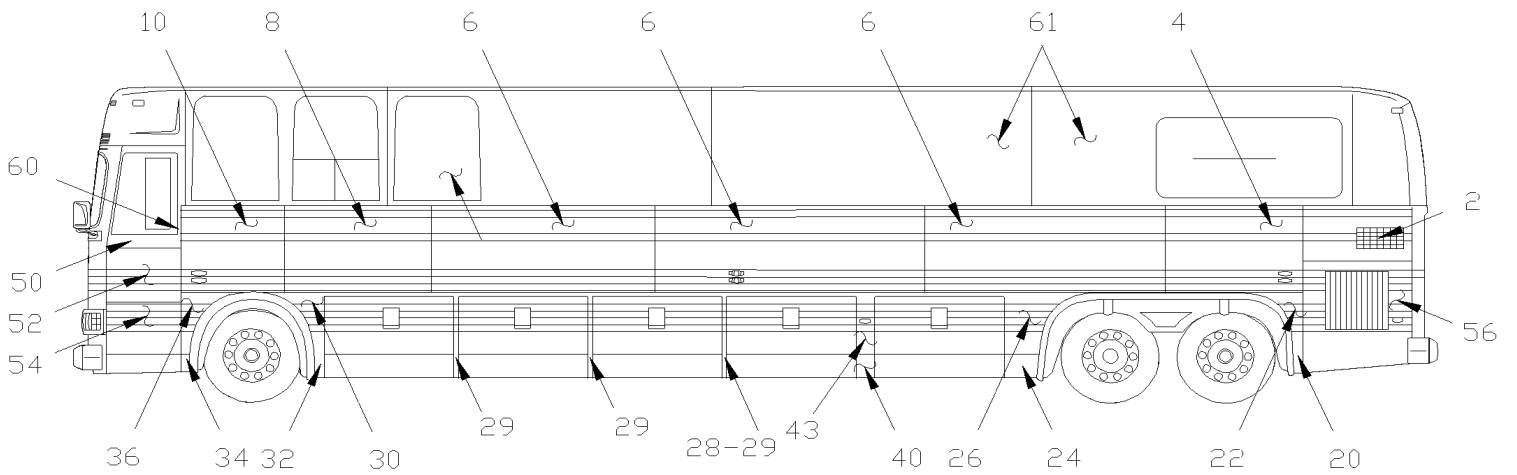
From P-722 To Y-7045	Date:10/2022	PAGE:XL-1854-30
WEATHERSTRIP & RETAINER - BUS 45' & MTH 45'		

Item#	Part	Description	M T H 4 0	M T H 4 5	M T H 4 5 E	X L 4 0	X L 4 5	N O T E S
1	482222	MOULDING / WEATHERSTRIP RETAINER FRONT		5			5	
2	480979	MOULDING / WEATHERSTRIP RETAINER / DOUBLE TWO BAGGAGE DOOR		2			2	
3	481050	MOULDING / WEATHERSTRIP RETAINER To R-829		1				
3	482137	MOULDING / WEATHERSTRIP RETAINER From R-830		1			1	
4	481013	MOULDING / WEATHERSTRIP RETAINER 838MM		1			1	
5	481269	MOULDING / WEATHERSTRIP RETAINER / L.H. / 838MM		1				
7	481255	MOULDING / WEATHERSTRIP RETAINER 838MM		1			1	
8	481270	MOULDING / WEATHERSTRIP RETAINER / R.H. / 838MM		1			1	
10	472680	MOULDING / WEATHERSTRIP RETAINER		6			6	
11	472679	MOULDING / WEATHERSTRIP RETAINER / EVAPORATOR		2			2	
14	280930	MOULDING / WEATHERSTRIP RETAINER 24 1/2" To S-461		1				
15	281595	MOULDING / WEATHERSTRIP RETAINER		4			4	
19	220840	FORM, UPPER "P" SHAPE (WELDED TO STRUCTURE) 1554MM		2			2	
19	220847	FORM, UPPER "P" SHAPE (WELDED TO STRUCTURE) 1548MM		2			2	
19	220848	FORM, UPPER "P" SHAPE (WELDED TO STRUCTURE) 1541MM		2			2	
20	220837	MOULDING / WEATHERSTRIP RETAINER / WELDED TO STRUCTURE / 1536MM To X-6689		6			6	
20	483029	MOULDING / WEATHERSTRIP RETAINER / WELDED TO STRUCTURE / 1536MM From X-6690		6			6	
21	480849	MOULDING / WEATHERSTRIP RETAINER / WELDED TO STRUCTURE / 1365MM To X-6689		2			2	
21	483031	MOULDING / WEATHERSTRIP RETAINER / WELDED TO STRUCTURE / 1365MM From X-6690		2			2	
23	280928	MOULDING / WEATHERSTRIP RETAINER 34 3/4" To N-499		1				
23	284280	MOULDING / WEATHERSTRIP RETAINER 34 3/4" From N-500 To S-461		1				
24	280928	MOULDING / WEATHERSTRIP RETAINER 34 3/4" To S-461		1			1	
25	281643	MOULDING / WEATHERSTRIP RETAINER 56 1/2" / MTH 83" To N-499		2				
25	284345	MOULDING / WEATHERSTRIP RETAINER 56 1/2" / MTH 83" From N-500 To S-461		2				
25	284274	MOULDING / WEATHERSTRIP RETAINER 59 1/2" / MTH 86" From N-500 To S-461		2				
26	281597	MOULDING / WEATHERSTRIP RETAINER					1	
26	281676	MOULDING / WEATHERSTRIP RETAINER / MTH 83"		1				
26	281675	MOULDING / WEATHERSTRIP RETAINER / MTH 86"		1				
27	284546	MOULDING / WEATHERSTRIP RETAINER 549MM		1			1	
28	284545	MOULDING / WEATHERSTRIP RETAINER 806MM		1			1	
29	284547	MOULDING / WEATHERSTRIP RETAINER / WELDED TO STRUCTURE / 549MM		1			1	
30	481988	WEATHERSTRIP / W/60" BAGGAGE DOORS		6			6	
30	485628	WEATHERSTRIP / W/60" BAGGAGE DOORS		6			6	
31	481033	WEATHERSTRIP / W/53" BAGGAGE DOORS		2			2	
NS	485635	WEATHERSTRIP / W/53" BAGGAGE DOORS		2			2	
40	482096	WEATHERSTRIP / EVAPORATOR DOOR		1			1	
41	482099	WEATHERSTRIP / CONDENSOR DOOR		1			1	
41	480009	WEATHERSTRIP / CONDENSOR DOOR		1			1	
42	481217	WEATHERSTRIP / ENTRANCE DOOR / MTH 83" To S-461		1				
42	481220	WEATHERSTRIP / ENTRANCE DOOR / MTH 86" To S-461		1				
43	481174	WEATHERSTRIP / FRONT COMPARTMENT DOORS					1	
43	481215	WEATHERSTRIP / FRONT COMPARTMENT DOORS / MTH 83"		1				

From E-638 To V-6257	Date:10/2022	PAGE:XL-1854-50
SIDE PANELS - MTH 40' & MTH 45' ENT		



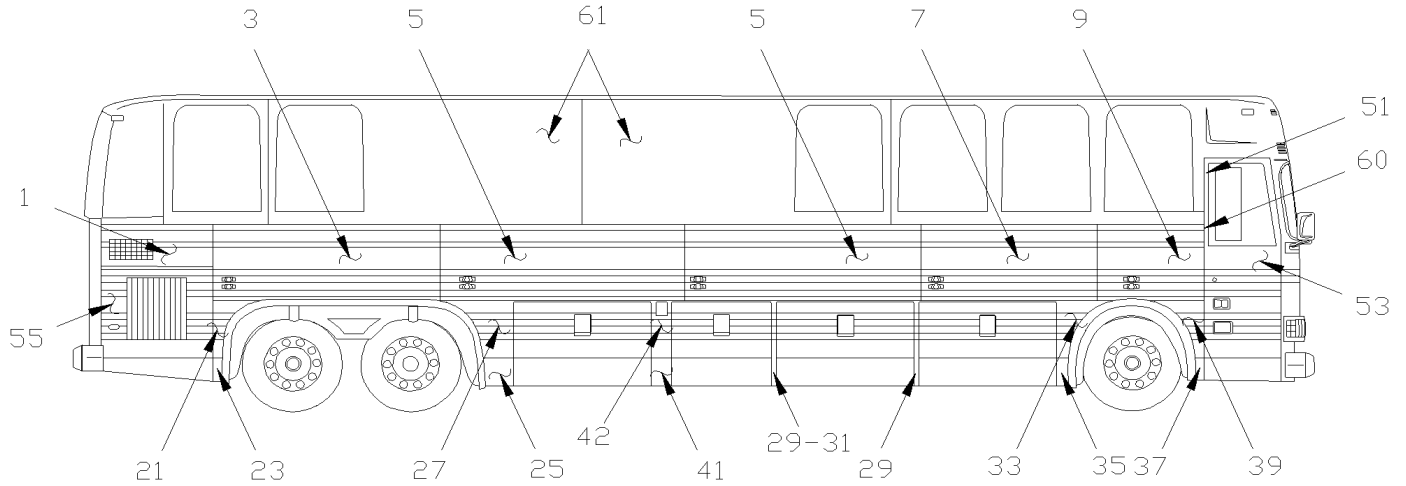
MTH 40'



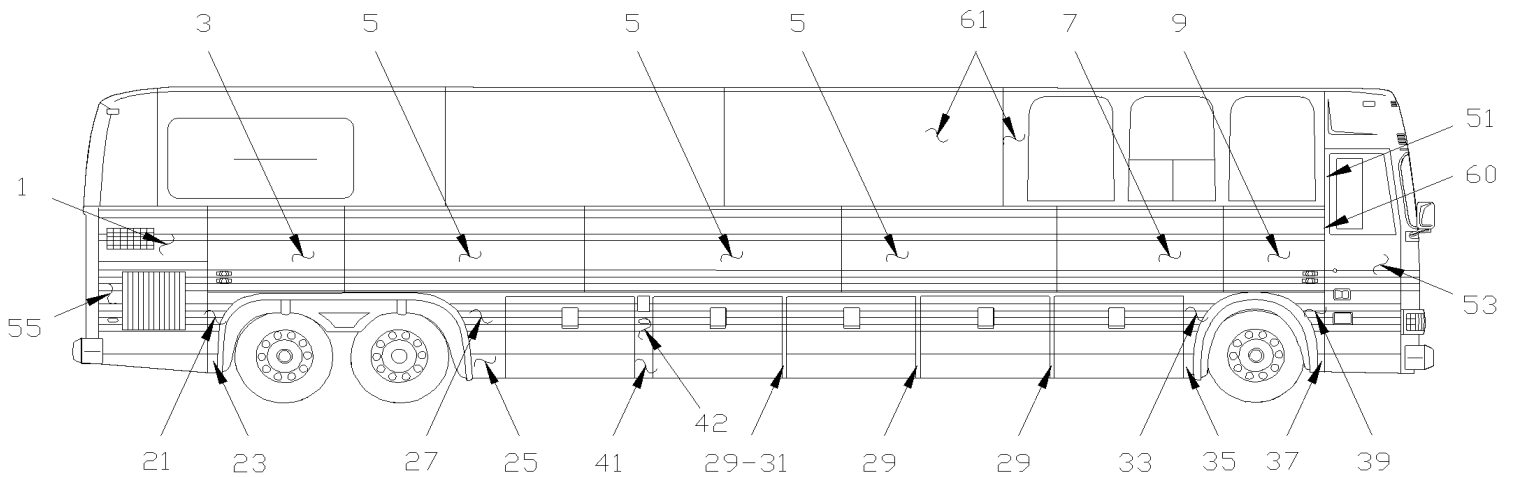
MTH 45' ENT

PICTURE SHOWN SMALL A/C SYSTEM

From E-638 To V-6257	Date:10/2022	PAGE:XL-1854-50
SIDE PANELS - MTH 40' & MTH 45' ENT		



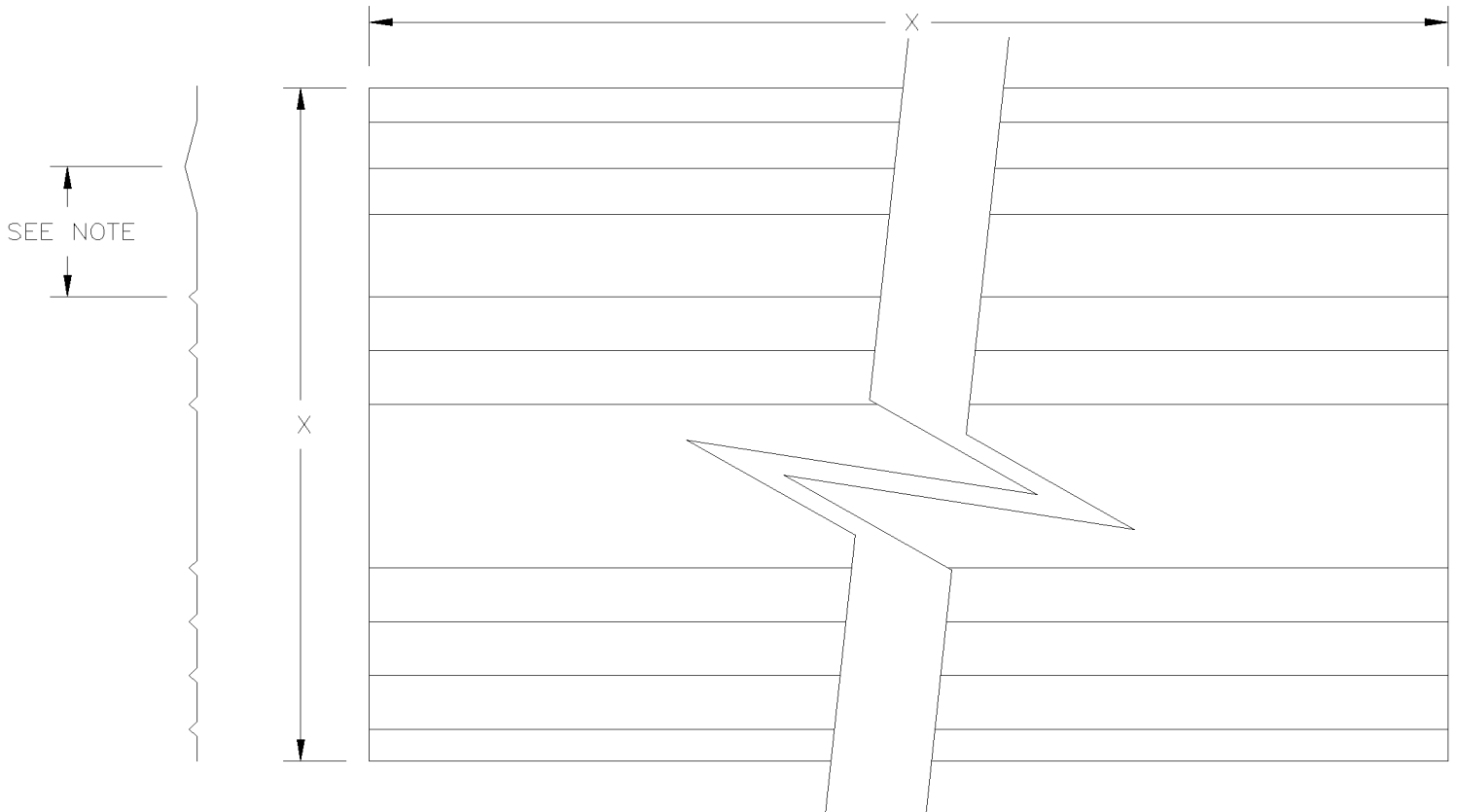
MTH 40'



MTH 45' ENT

PICTURE SHOWN SMALL A/C SYSTEM

From E-638 To V-6257	Date:10/2022	PAGE:XL-1854-50
SIDE PANELS - MTH 40' & MTH 45' ENT		



NOTE: "WARNING" BEFORE ORDERING ITEMS #1 TO #10 FOR VEHICLE BUILT From N-428 Up to S-569 TAKE MEASUREMENT BETWEEN THE TWO FLUTES. TO ORDER MATCHING PANEL THE STANDARD PANEL MEASURES 6 13/16" AND IF YOUR MEASUREMENT IS 6 15/16" YOU NEED TO ADD SUFFIX "X" TO REGULAR PART NUMBER (EX.: ITEM #1 472623X FOR PANEL WITH 6 15/16")

From E-638 To V-6257	Date:10/2022	PAGE:XL-1854-50
SIDE PANELS - MTH 40' & MTH 45' ENT		

Item#	Part	Description	M T H 4 0	M T H 4 5	M T H 4 5 E	X L 4 0	X L 4 5	N O T E S
1	471502	PANEL, R.H. 45" / MTH 80" To N-427	1					
1	472621	PANEL, R.H. 45" / MTH 80" From N-428	1					X
1	471712	PANEL, R.H. 45" / MTH 83" To N-427	1					
1	472623	PANEL, R.H. 45" / MTH 83" From N-428 To S-569	1					X
1	473091	PANEL, R.H. 45" / MTH 83" From S-570	1					
1	471728	PANEL, R.H. 45" / MTH 86" To N-427	1					
1	472625	PANEL, R.H. 45" / MTH 86" From N-428 To S-569	1					X
1	473095	PANEL, R.H. 45" / MTH 86" From S-570	1					
1	472673	PANEL, R.H. 45" / MTH 86" To S-569			1			X
1	473097	PANEL, R.H. 45" / MTH 86" From S-570			1			
2	471501	PANEL, L.H. / MTH 80" / 45" To N-427	1					
2	472622	PANEL, L.H. / MTH 80" / 45" From N-428	1					X
2	471713	PANEL, L.H. / MTH 83" / 45" To N-427	1					
2	472624	PANEL, L.H. / MTH 83" / 45" From N-428 To R-845	1					X
2	472791	PANEL, L.H. / MTH 83" / 46 1/2" From R-846 To S-569	1					X
2	473092	PANEL, L.H. / MTH 83" / 46 1/2" From S-570	1					
2	471729	PANEL, L.H. / MTH 86" / 46 1/2" To N-427	1					
2	472626	PANEL, L.H. / MTH 86" / 45" From N-428 To R-845	1					X
2	472792	PANEL, L.H. / MTH 86" / 46 1/2" From R-846 To S-569	1					
2	473096	PANEL, L.H. / MTH 86" / 46 1/2" From S-570	1					
2	472729	PANEL, L.H. / MTH 86" / 45" From N-428 To R-845			1			X
2	472674	PANEL, L.H. / MTH 86" / 46 1/2" From R-846 To S-569			1			X
2	473098	PANEL, L.H. / MTH 86" / 46 1/2" From S-570			1			
		THE HEIGHT FOR PANELS ITEMS # 3,4,5,8,9 & 10						
		FOLLOWING PANELS ARE 33 1/2" HEIGHT FOR MTH 80"						
		FOLLOWING PANELS ARE 36 1/2" HEIGHT FOR MTH 83"						
		FOLLOWING PANELS ARE 39 1/2" HEIGHT FOR MTH 86"						
3	471646	PANEL, R.H. 89" / MTH 80"	1					
3	471730	PANEL, R.H. 89" / MTH 83"	1					
3	471732	PANEL, R.H. 89" / MTH 86"	1					X
3	472671	PANEL, R.H. 54 1/8" / MTH 86"			1			X
4	471647	PANEL, L.H. / MTH 80" / 89"	1					X
4	471731	PANEL, L.H. / MTH 83" / 89" / W/92	1					X
4	472787	PANEL, L.H. / MTH 83" / 87 1/2" / W/60	1					X
4	471733	PANEL, L.H. / MTH 86" / 89" / W/92	1					X
4	472788	PANEL, L.H. / MTH 86" / 87 1/2" / W/60	1					X
4	472728	PANEL, L.H. / MTH 86" / 54 1/8" / W/60			1			X
4	472672	PANEL, L.H. / MTH 86" / 52 5/8" / W/60			1			X
5	471639	PANEL, R.H. 96" / MTH 80"	1					
5	471734	PANEL, R.H. 96" / MTH 83" To T-5750	2					X

From E-638 To V-6257	Date:10/2022	PAGE:XL-1854-50
SIDE PANELS - MTH 40' & MTH 45' ENT		

Item#	Part	Description	M T H 4 0	M T H 4 5	M T H 4 5 E	X L 4 0	X L 4 5	N O T E S
5	473324	PANEL, L.H. & R.H. 96" / MTH 83" From T-5751	2					
5	471736	PANEL, R.H. 96" / MTH 86" To T-5760	2					X
5	471736	PANEL, R.H. 96" / MTH 86" To T-5760			3			X
5	473325	PANEL, L.H. & R.H. 96" / MTH 86" From T-5761	2		2			
6	471641	PANEL, L.H. / MTH 80" / 96"	1					
6	471735	PANEL, L.H. / MTH 83" / 96" To T-5750	2					X
6	473324	PANEL, L.H. & R.H. 96" / MTH 83" From T-5751	2					
6	471737	PANEL, L.H. / MTH 86" / 96" To T-5760	2					X
6	471737	PANEL, L.H. / MTH 86" / 96" To T-5760			3			X
6	473325	PANEL, L.H. & R.H. 96" / MTH 86" From T-5761	2		2			
7	471638	PANEL, R.H. 72" / MTH 80"	1					
7	471743	PANEL, R.H. 72" / MTH 83"	1					X
7	471738	PANEL, R.H. 72" / MTH 86"	1		1			X
8	471640	PANEL, L.H. / MTH 80" / 72"	1					
8	471473	PANEL, L.H. / MTH 83" / 72"	1					
8	471739	PANEL, L.H. / MTH 86" / 72"	1		1			X
9	471643	PANEL, R.H. 39 3/4" / MTH 80"	1					
9	471678	PANEL, R.H. 39 3/4" / MTH 83"	1					X
9	471726	PANEL, R.H. 39 3/4" / MTH 86"	1		1			X
10	471642	PANEL, L.H. / MTH 80" / 39 3/4"	1					
10	471677	PANEL L.H. 39 3/4" / MTH 83" To V-6333	1					X
10	473578	PANEL L.H. 39 3/4" / MTH 83" From V-6334	1					
10	471724	PANEL L.H. 39 3/4" / MTH 86" To V-6333	1		1			X
10	473579	PANEL L.H. 39 3/4" / MTH 86" From V-6334	1		1			
		FOLLOWING MESUREMENT ARE						
		(WIDTH) X (HEIGHT)						
20	473125	PANEL, L.H. / LOWER PIECE / 83MM X 217MM From S-570	1					
21	471446	PANEL, R.H. 22 1/4" X 35 1/16" / ONE PIECE To S-569	1		1			
21	473114	PANEL, R.H. / UPPER PIECE / 565MM X 692MM From S-570	1		1			
22	472784	PANEL, L.H. / ONE PIECE / 20 3/4" X 33 3/16" To S-569	1		1			
22	473120	PANEL, L.H. / UPPER PIECE / 527MM X 692MM From S-570	1					
23	473115	PANEL, R.H. / LOWER PIECE / 121MM X 217MM From S-570	1		1			
24	471613	PANEL, L.H. 354MM X 272MM To S-569	1		1			
24	473113	PANEL, L.H. 354MM X 267MM From S-570	1		1			
25	471612	PANEL, R.H. 354MM X 272MM To S-569	1		1			
25	473112	PANEL, R.H. 354MM X 267MM From S-570	1		1			
26	471448	PANEL, L.H. 31 1/8" X 27 3/16"	1		1			
26	471950	PANEL, L.H. / W/LIGHT / 31 1/8" X 27 3/16"	1		1			
27	471619	PANEL, R.H. 31 1/8" X 27 3/16"	1		1			
27	471949	PANEL, R.H. 31 1/8" X 27 3/16" / W/LIGHT	1		1			

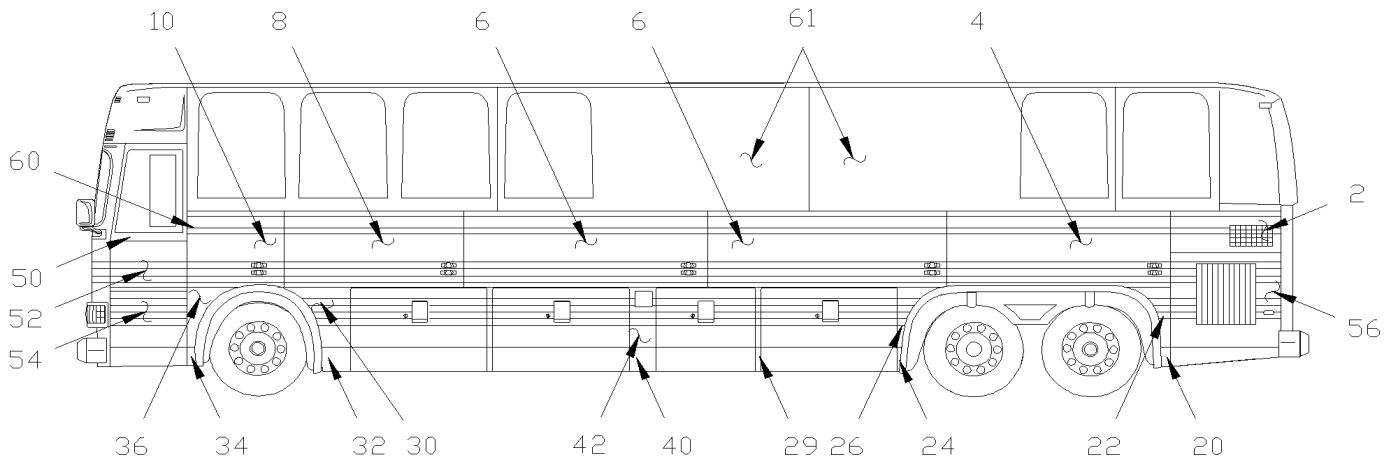
From E-638 To V-6257	Date:10/2022	PAGE:XL-1854-50
SIDE PANELS - MTH 40' & MTH 45' ENT		

Item#	Part	Description	M T H 4 0	M T H 4 5	M T H 4 5 E	X L 4 0	X L 4 5	N O T E S
28	471575	PANEL, L.H. "L" SHAPE / FRONT OF EVAP. DOOR To T-5931	1		1			
28	473382	PANEL, L.H. "L" SHAPE / FRONT OF EVAP. DOOR From T-5932	1		1			
29	471520	FINISHING POST / "U" SHAPE 1 1/2" X 36 3/8"/ 2 BAG. DOORS To T-5951	4					
29	471520	FINISHING POST / "U" SHAPE 1 1/2" X 36 3/8"/ 2 BAG. DOORS To T-5951			8			
29	473384	FINISHING POST / "U" SHAPE 1 1/2" X 36 3/8"/ 2 BAG. DOORS From T-5952	4					
29	473384	FINISHING POST / "U" SHAPE 1 1/2" X 36 3/8"/ 2 BAG. DOORS From T-5952			8			
30	471442	PANEL, L.H. / ONE PIECE / 22 5/8" X 36 13/16" To S-569	1					
30	473118	PANEL, L.H. / UPPER PIECE / 559MM X 692MM From S-570	1					
30	472727	PANEL, L.H. / ONE PIECE / 27 1/8" X 36 13/16" To S-569			1			
30	473133	PANEL, L.H. / UPPER PIECE / 559MM X 692MM From S-570			1			
31	471574	PANEL, R.H. "L" SHAPE/FRONT OF CONDENSOR DOOR To T-5951	1		1			
31	473383	PANEL, R.H. "L" SHAPE/FRONT OF CONDENSOR DOOR From T-5952	1		1			
32	473119	PANEL, L.H. / LOWER PIECE / 138MM X 252MM From S-570	1					
32	473134	PANEL, L.H. / LOWER PIECE / 252MM X 256MM From S-570			1			
33	471440	PANEL, R.H. 22 5/8" X 36 13/16" / ONE PIECE To S-569	1					
33	473110	PANEL, R.H. / UPPER PIECE / 573MM X 672MM From S-570	1					
33	472726	PANEL, R.H. 27 1/8" X 36 13/16" / ONE PIECE To S-569			1			
33	473131	PANEL, R.H. / UPPER PIECE / 689MM X 692MM From S-570			1			
34	473117	PANEL, L.H. / LOWER PIECE / 119MM X 212MM From S-570	1		1			
35	473111	PANEL, R.H. / LOWER PIECE / 132MM X 256MM From S-570	1					
35	473132	PANEL, R.H. / LOWER PIECE / 252MM X 256MM From S-570			1			
36	471611	PANEL, L.H. / ONE PIECE / 22" X 35 1/16" To S-569	1		1			
36	473116	PANEL, L.H. / UPPER PIECE / 559MM X 692MM From S-570	1		1			
37	473108	PANEL, R.H. / LOWER PIECE / 121MM X 212MM From S-570	1		1			
39	471439	PANEL, R.H. 22" X 34 13/16" / ONE PIECE To P-740	1		1			
39	471447	PANEL, L.H. / ONE PIECE / 22 1/4" X 35 3/16" From P-741 To S-569	1		1			
39	473107	PANEL, R.H. / UPPER PIECE / 565MM X 692MM From S-570	1		1			
40	473130	PANEL, LOWER 200MM X 262MM / S.B. From S-570	1		1			C
41	473130	PANEL, LOWER 200MM X 262MM / S.B. From S-570	1		1			C
42	471644	PANEL, R.H. 7 3/8" X 36 3/8" / ONE PIECE To S-569	1		1			
42	473129	PANEL, R.H. / UPPER PIECE / 200MM X 681MM From S-570	1		1			C
43	471645	PANEL, L.H. / ONE PIECE / 7 3/8" X 36 3/8" To S-569	1		1			
43	473184	PANEL, L.H. / UPPER PIECE / 200MM X 681MM From S-570	1		1			C
50	XL-1851-00	CAP - FRONT & REAR - INSTALLATION From E-638 To L-684						
50	XL-1851-01	CAP - FRONT & REAR - INSTALLATION From L-685						
51	471033	MOULDING "Z" SHAPE (TO BE REWORK) To S-569	1		1			
51	473123	MOULDING 26 1/8" From S-570	1		1			
51	473124	MOULDING 26 1/8" "L" SHAPE From S-570	1		1			
52	XL-1878-00	FRONT JUNCTION DOOR ASSY						
53	XL-1862-50	ENTRANCE DOOR ASSY - MTH (RIVETED) To S-461						
53	XL-1862-51	ENTRANCE DOOR ASSY - MTH (GLUED) From S-462 To X-6679						
54	XL-1879-00	FRONT SERVICE DOOR ASSY						

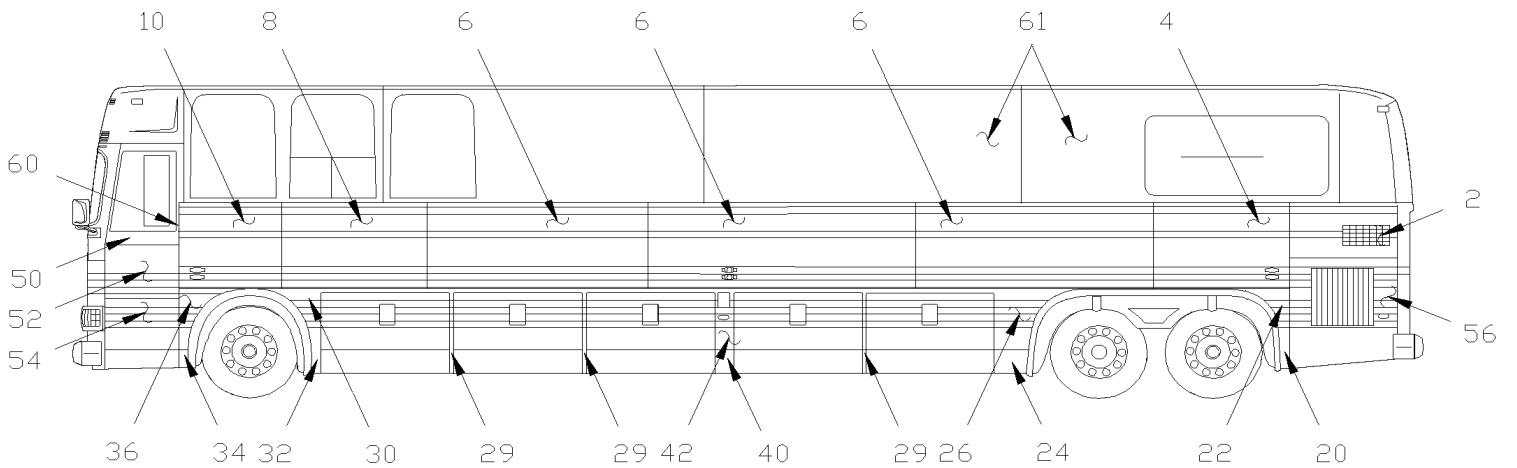
From E-638 To V-6257	Date:10/2022	PAGE:XL-1854-50
SIDE PANELS - MTH 40' & MTH 45' ENT		

Item#	Part	Description	M T H 4 0	M T H 4 5	M T H 4 5 E	X L 4 0	X L 4 5	N O T E S
55	XL-1868-00	A/C COMPRESSOR DOOR ASSY To S-569						
55	XL-1868-01	A/C COMPRESSOR DOOR ASSY From S-570						
56	XL-1869-00	RADIATOR DOOR ASSY To R-900						
56	XL-1869-01	RADIATOR DOOR ASSY From P-722						
58	XL-0663-00	DOCK & CORNERING LIGHT						
59	XL-1874-00	BATTERIES DOOR - MAIN SWITCH						
60	420052	SPACER, PLASTIC "TRIANGULAR" SHAPE REAR OF UPPER PANELS	14					
60	420052	SPACER, PLASTIC "TRIANGULAR" SHAPE REAR OF UPPER PANELS			16			
61	470882	UPPER WALL PANEL 96" & 102" / 1970 TO DATE	10		10			
NS	504272	RIVET CHY Q BRAZ 3/16x1/8 SS	AR	AR	AR	AR	AR	
NS	504248	RIVET CHY Q PRDG 3/16x1/4 SS	AR	AR	AR	AR	AR	
NS	504249	RIVET CHY Q PRDG 3/16x3/8 SS	AR	AR	AR	AR	AR	
NS	504250	RIVET CHY Q PRDG 3/16x1/2 SS	AR	AR	AR	AR	AR	
		C) WITH SMALL A/C						
		X) SEE ATTACHED TEXT ON DRAWING						

From V-6258 To Y-7045	Date:10/2022	PAGE:XL-1854-51
SIDE PANELS - MTH 40' & MTH 45' ENT		

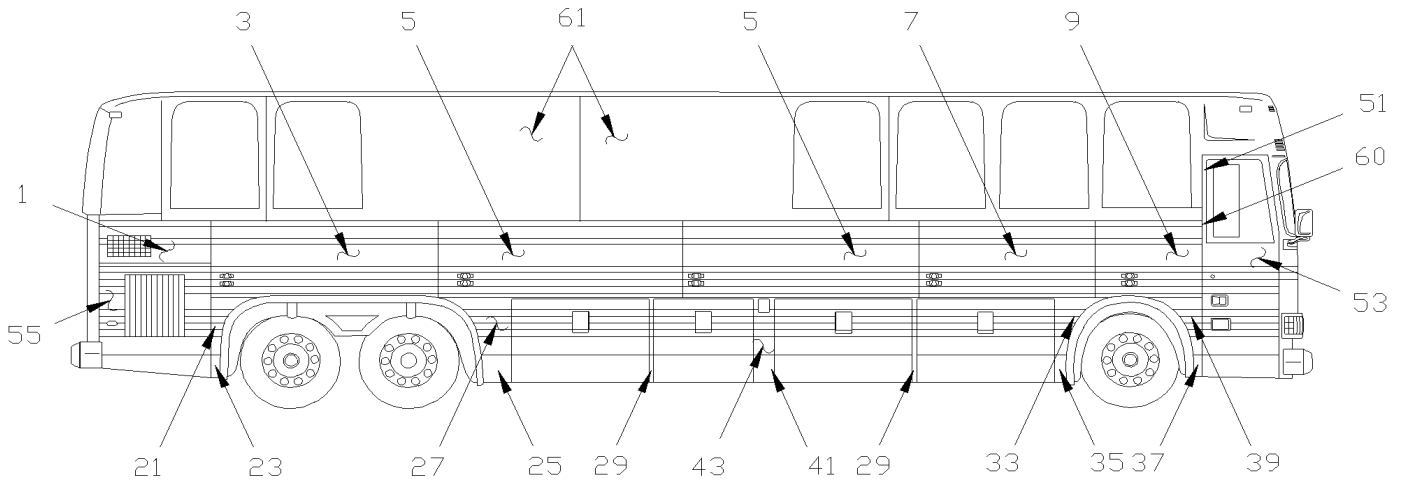


MTH 40'

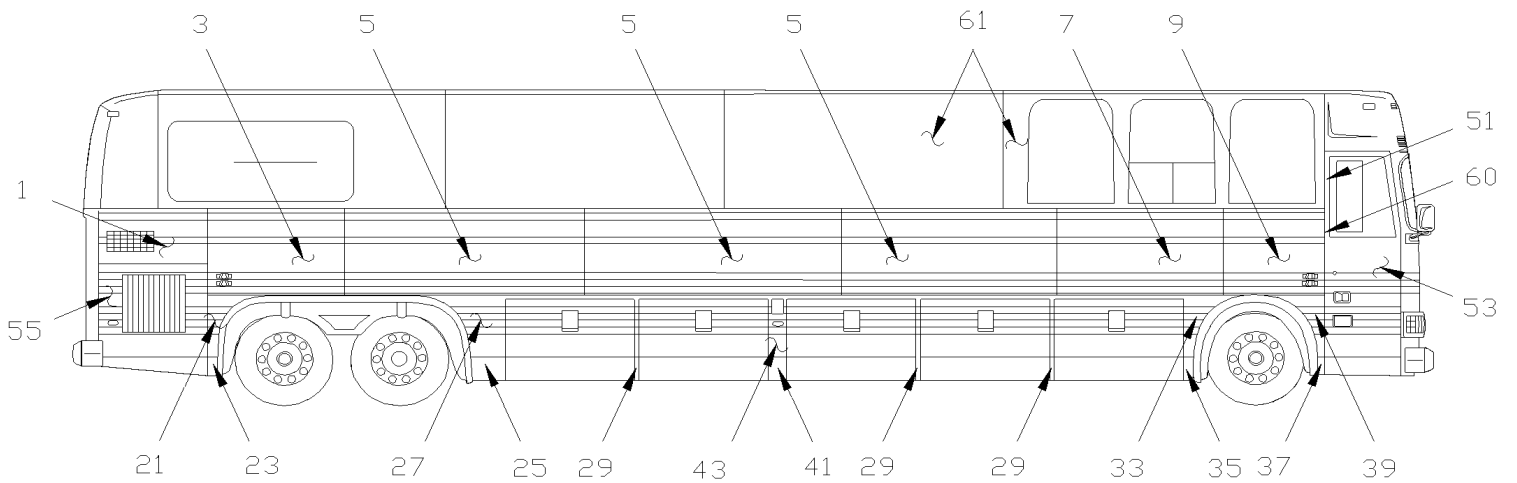


MTH 45' ENT

From V-6258 To Y-7045	Date:10/2022	PAGE:XL-1854-51
SIDE PANELS - MTH 40' & MTH 45' ENT		



MTH 40'



MTH 45' ENT

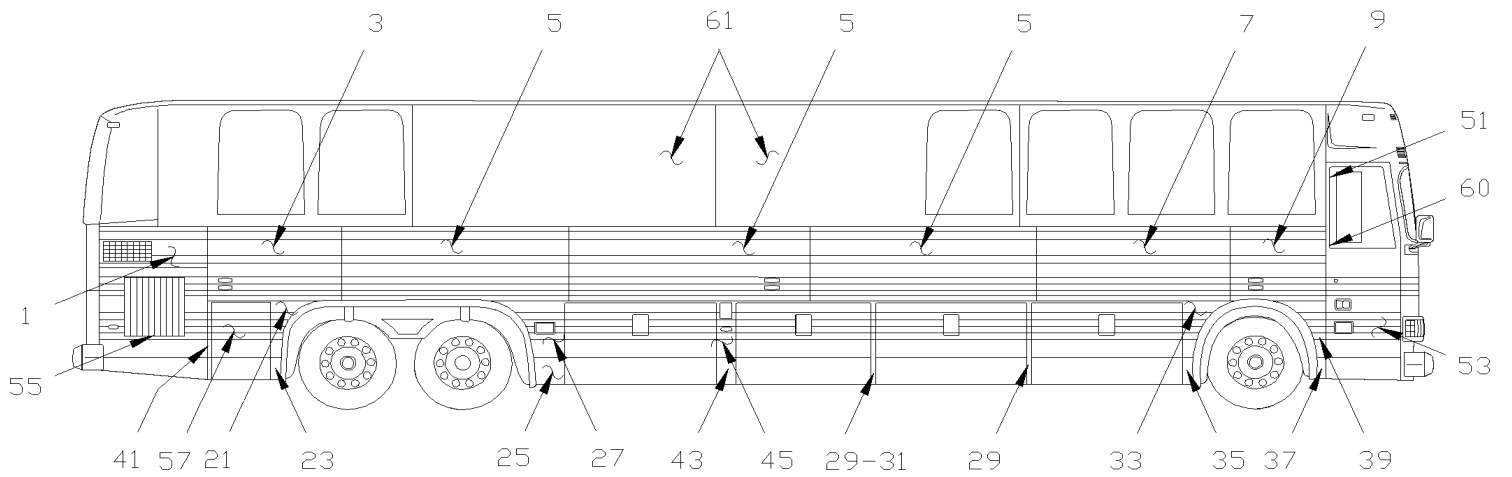
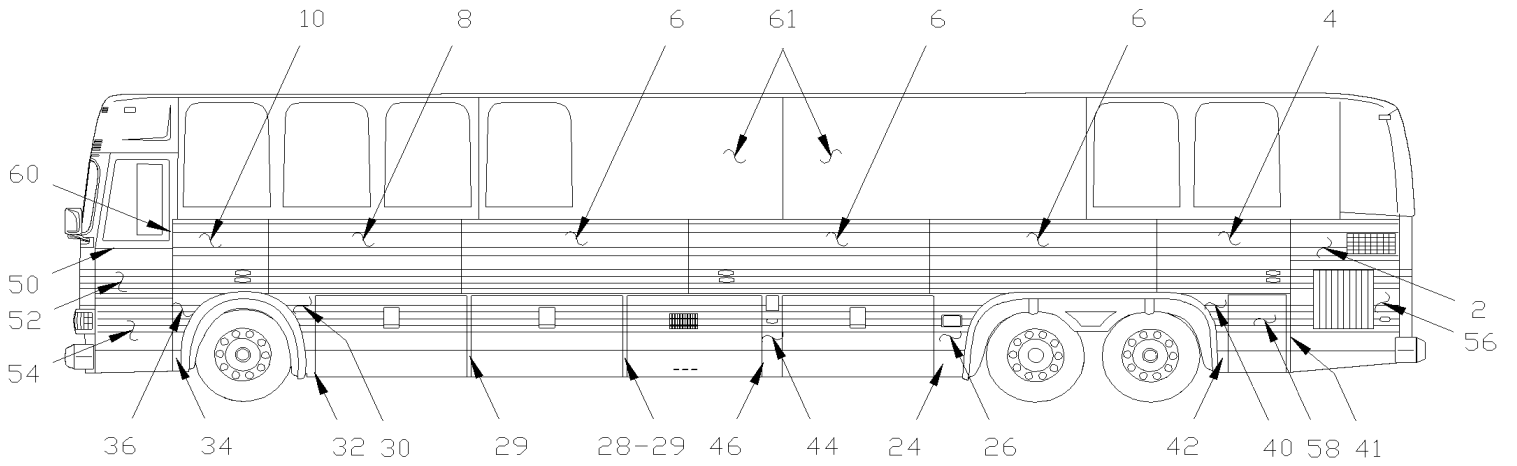
From V-6258 To Y-7045	Date:10/2022	PAGE:XL-1854-51
SIDE PANELS - MTH 40' & MTH 45' ENT		

Item#	Part	Description	M T H 4 0	M T H 4 5	M T H 4 5 E	X L 4 0	X L 4 5	N O T E S
1	473091	PANEL, R.H. 45" / MTH 83"	1					
1	473095	PANEL, R.H. 45" / MTH 86"	1					
1	473097	PANEL, R.H. 45" / MTH 86"			1			
2	473092	PANEL, L.H. / MTH 83" / 46 1/2"	1					
2	473096	PANEL, L.H. / MTH 86" / 46 1/2"	1					
2	473098	PANEL, L.H. / MTH 86" / 46 1/2"			1			
		THE HEIGHT FOR PANELS ITEMS # 3,4,5,8,9 & 10						
		FOLLOWING PANELS ARE 36 1/2" HEIGHT FOR MTH83						
		FOLLOWING PANELS ARE 39 1/2" HEIGHT FOR MTH86						
3	471730	PANEL, R.H. 89" / MTH 83"	1					
3	471732	PANEL, R.H. 89" / MTH 86"	1					
3	472671	PANEL, R.H. 54 1/8" / MTH 86"			1			
4	472787	PANEL, L.H. / MTH 83" / 87 1/2" / W/60	1					
4	472788	PANEL, L.H. / MTH 86" / 87 1/2" / W/60	1					
4	472672	PANEL, L.H. / MTH 86" / 52 5/8" / W/60			1			
5	473324	PANEL, L.H. & R.H. 96" / MTH 83"	2					
5	473325	PANEL, L.H. & R.H. 96" / MTH 86"	2		2			
6	473324	PANEL, L.H. & R.H. 96" / MTH 83"	2					
6	473325	PANEL, L.H. & R.H. 96" / MTH 86"	2		2			
7	471743	PANEL, R.H. 72" / MTH 83"	1					
7	471738	PANEL, R.H. 72" / MTH 86"	1		1			
8	471473	PANEL, L.H. / MTH 83" / 72"	1					
8	471739	PANEL, L.H. / MTH 86" / 72"	1		1			
9	471678	PANEL, R.H. 39 3/4" / MTH 83"	1					
9	471726	PANEL, R.H. 39 3/4" / MTH 86"	1		1			
10	471677	PANEL L.H. 39 3/4" / MTH 83" To V-6333	1					
10	473578	PANEL L.H. 39 3/4" / MTH 83" From V-6334	1					
10	471724	PANEL L.H. 39 3/4" / MTH 86" To V-6333	1		1			
10	473579	PANEL L.H. 39 3/4" / MTH 86" From V-6334	1		1			
		FOLLOWING MESUREMENT ARE						
		(WIDTH) X (HEIGHT)						
20	473125	PANEL, L.H. / LOWER PIECE / 83MM X 217MM	1					
21	473114	PANEL, R.H. / UPPER PIECE / 565MM X 692MM	1		1			
22	473120	PANEL, L.H. / UPPER PIECE / 527MM X 692MM	1					
23	473115	PANEL, R.H. / LOWER PIECE / 121MM X 217MM	1		1			
24	473113	PANEL, L.H. 354MM X 267MM	1		1			
25	473112	PANEL, R.H. 354MM X 267MM	1		1			
26	471448	PANEL, L.H. 31 1/8" X 27 3/16"	1		1			

From V-6258 To Y-7045	Date:10/2022	PAGE:XL-1854-51
SIDE PANELS - MTH 40' & MTH 45' ENT		

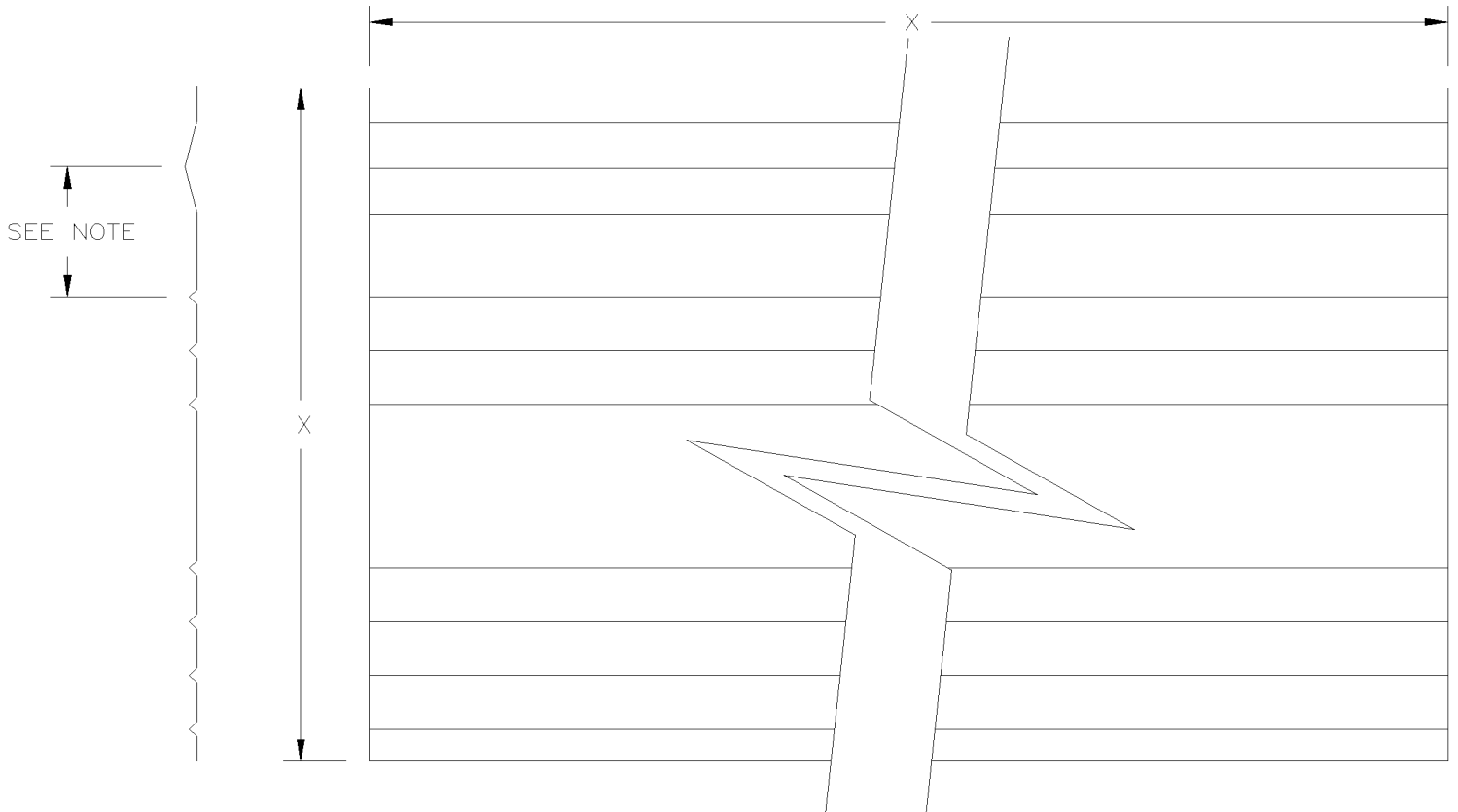
Item#	Part	Description	M T H 4 0	M T H 4 5	M T H 4 5 E	X L 4 0	X L 4 5	N O T E S
26	471950	PANEL, L.H. / W/LIGHT / 31 1/8" X 27 3/16"	1		1			
27	471619	PANEL, R.H. 31 1/8" X 27 3/16"	1		1			
27	471949	PANEL, R.H. 31 1/8" X 27 3/16" / W/LIGHT	1		1			
28	473382	PANEL, L.H. "L" SHAPE / FRONT OF EVAP. DOOR	1		1			
29	473384	FINISHING POST / "U" SHAPE 1 1/2" X 36 3/8"/ 2 BAG. DOORS	4					
29	473384	FINISHING POST / "U" SHAPE 1 1/2" X 36 3/8"/ 2 BAG. DOORS			8			
30	473118	PANEL, L.H. / UPPER PIECE / 559MM X 692MM	1					
30	473133	PANEL, L.H. / UPPER PIECE / 559MM X 692MM			1			
31	473383	PANEL, R.H. "L" SHAPE/FRONT OF CONDENSOR DOOR	1		1			
32	473119	PANEL, L.H. / LOWER PIECE / 138MM X 252MM	1					
32	473134	PANEL, L.H. / LOWER PIECE / 252MM X 256MM			1			
33	473110	PANEL, R.H. / UPPER PIECE / 573MM X 672MM	1					
33	473131	PANEL, R.H. / UPPER PIECE / 689MM X 692MM			1			
34	473117	PANEL, L.H. / LOWER PIECE / 119MM X 212MM	1		1			
35	473111	PANEL, R.H. / LOWER PIECE / 132MM X 256MM	1					
35	473132	PANEL, R.H. / LOWER PIECE / 252MM X 256MM			1			
36	473116	PANEL, L.H. / UPPER PIECE / 559MM X 692MM	1		1			
37	473108	PANEL, R.H. / LOWER PIECE / 121MM X 212MM	1		1			
39	473107	PANEL, R.H. / UPPER PIECE / 565MM X 692MM	1		1			
40	473498	PANEL, LOWER 262MM X 257MM / S.B.	1		1			
41	473498	PANEL, LOWER 262MM X 257MM / S.B.	1		1			
42	473494	PANEL UPPER ASSY / W/FUEL DOOR AND PROTECTOR	1		1			
42	473497	. PANEL 257MM X 690MM	1		1			
42	XL-1875-00	FUEL TANK FILLING DOOR						
43	473473	PANEL UPPER ASSY / W/FUEL DOOR AND PROTECTOR	1		1			
43	473497	. PANEL 257MM X 690MM	1		1			
43	XL-1875-00	FUEL TANK FILLING DOOR						
50	XL-1851-01	CAP - FRONT & REAR - INSTALLATION From L-685						
51	473123	MOULDING 26 1/8"	1					
51	473124	MOULDING 26 1/8" "L" SHAPE						
52	XL-1878-00	FRONT JUNCTION DOOR ASSY						
53	473069	MOULDING, FIBERGLASS / W/O ENTRANCE DOOR / MTH 83"	1					
53	XL-1862-01	ENTRANCE DOOR ASSY - BUS (GLUED)						
54	XL-1879-00	FRONT SERVICE DOOR ASSY						
55	XL-1868-01	A/C COMPRESSOR DOOR ASSY						
56	XL-1869-01	RADIATOR DOOR ASSY						
60	420052	SPACER, PLASTIC "TRIANGULAR" SHAPE REAR OF UPPER PANELS	14					
60	420052	SPACER, PLASTIC "TRIANGULAR" SHAPE REAR OF UPPER PANELS			16			
61	470882	UPPER WALL PANEL 96" & 102" / 1970 TO DATE	10		10			
NS	504272	RIVET CHY Q BRAZ 3/16x1/8 SS	AR	AR	AR	AR	AR	
NS	504248	RIVET CHY Q PRDG 3/16x1/4 SS	AR	AR	AR	AR	AR	
NS	504249	RIVET CHY Q PRDG 3/16x3/8 SS	AR	AR	AR	AR	AR	

From P-722 To Y-7045	Date:10/2022	PAGE:XL-1854-60
SIDE PANELS - MTH 45'		



PICTURE SHOWN SMALL A/C SYSTEM

From P-722 To Y-7045	Date:10/2022	PAGE:XL-1854-60
SIDE PANELS - MTH 45'		



NOTE: "WARNING" BEFORE ORDERING ITEMS #1 TO #10 FOR VEHICLE BUILT From N-428 Up to S-569 TAKE MEASUREMENT BETWEEN THE TWO FLUTES. TO ORDER MATCHING PANEL THE STANDARD PANEL MEASURES 6 13/16" AND IF YOUR MEASUREMENT IS 6 15/16" YOU NEED TO ADD SUFFIX "X" TO REGULAR PART NUMBER (EX.: ITEM #1 472623X FOR PANEL WITH 6 15/16")

From P-722 To Y-7045	Date:10/2022	PAGE:XL-1854-60
SIDE PANELS - MTH 45'		

Item#	Part	Description	M T H 4 0	M T H 4 5	M T H 4 5 E	X L 4 0	X L 4 5	N O T E S
1	472669	PANEL, R.H. 45" / MTH 83" To S-569		1				X
1	473093	PANEL, R.H. 45" / MTH 83" From S-570 To X-6903		1				
1	473910	PANEL, R.H. 45" / MTH 83" From X-6904		1				
1	472673	PANEL, R.H. 45" / MTH 86" To S-569		1				X
1	473097	PANEL, R.H. 45" / MTH 86" From S-570 To X-6903		1				
1	473915	PANEL, L.H. / MTH 86" / 46 1/2" From X-6904		1				
1	473121	PANEL, R.H. 45" / MTH 83" From S-491 To S-491		1				
2	472670	PANEL, L.H. / MTH 83" / 46 1/2" To S-569		1				X
2	473094	PANEL, L.H. / MTH 83" / 46 1/2" From S-570 To X-6903		1				
2	473911	PANEL, L.H. / MTH 83" / 46 1/2" From X-6904		1				
2	472674	PANEL, L.H. / MTH 86" / 46 1/2" To S-569		1				X
2	473098	PANEL, L.H. / MTH 86" / 46 1/2" From S-570 To X-6903		1				
2	473915	PANEL, L.H. / MTH 86" / 46 1/2" From X-6904		1				
2	473122	PANEL, L.H. / MTH 83" / 46 1/2" From S-491 To S-491		1				
		THE HEIGHT FOR PANELS ITEMS # 3,4,5,8,9 & 10						
		FOLLOWING PANELS ARE 36 1/2" HEIGHT FOR MTH 83"						
		FOLLOWING PANELS ARE 39 1/2" HEIGHT FOR MTH 86"						
3	472667	PANEL, R.H. 54 1/8" / MTH 83"		1				X
3	472671	PANEL, R.H. 54 1/8" / MTH 86"		1				X
4	472668	PANEL, L.H. / MTH 83" / 52 5/8"		1				X
4	472672	PANEL, L.H. / MTH 86" / 52 5/8" / W/60		1				X
5	471734	PANEL, R.H. 96" / MTH 83" To T-5750		3				X
5	473324	PANEL, L.H. & R.H. 96" / MTH 83" From T-5751		3				
5	471736	PANEL, R.H. 96" / MTH 86" To T-5760		3				X
5	473325	PANEL, L.H. & R.H. 96" / MTH 86" From T-5761		3				
6	471735	PANEL, L.H. / MTH 83" / 96" To T-5750		3				X
6	473324	PANEL, L.H. & R.H. 96" / MTH 83" From T-5751		3				
6	471737	PANEL, L.H. / MTH 86" / 96" To T-5760		3				X
6	473325	PANEL, L.H. & R.H. 96" / MTH 86" From T-5761		3				
7	471743	PANEL, R.H. 72" / MTH 83"		1				X
7	471738	PANEL, R.H. 72" / MTH 86"		1				X
8	471473	PANEL, L.H. / MTH 83" / 72"		1				X
8	471739	PANEL, L.H. / MTH 86" / 72"		1				X
9	471678	PANEL, R.H. 39 3/4" / MTH 83"		1				X
9	471726	PANEL, R.H. 39 3/4" / MTH 86"		1				X
10	471677	PANEL L.H. 39 3/4" / MTH 83" To V-6333		1				X
10	473578	PANEL L.H. 39 3/4" / MTH 83" From V-6334		1				X
10	471724	PANEL L.H. 39 3/4" / MTH 86" To V-6333		1				
10	473579	PANEL L.H. 39 3/4" / MTH 86" From V-6334		1				X

From P-722 To Y-7045	Date:10/2022	PAGE:XL-1854-60
SIDE PANELS - MTH 45'		

Item#	Part	Description	M T H 4 0	M T H 4 5	M T H 4 5 E	X L 4 0	X L 4 5	N O T E S
		FOLLOWING MESUREMENT ARE						
		(WIDTH) X (HEIGHT)						
21	471446	PANEL, R.H. 22 1/4" X 35 1/16" / ONE PIECE To S-569		1				
21	473114	PANEL, R.H. / UPPER PIECE / 565MM X 692MM From S-570		1				
23	473115	PANEL, R.H. / LOWER PIECE / 121MM X 217MM From S-570		1				
24	471613	PANEL, L.H. 354MM X 272MM To S-569		1				
24	473113	PANEL, L.H. 354MM X 267MM From S-570		1				
25	471612	PANEL, R.H. 354MM X 272MM To S-569		1				
25	473112	PANEL, R.H. 354MM X 267MM From S-570		1				
26	471448	PANEL, L.H. 31 1/8" X 27 3/16"		1				
26	471950	PANEL, L.H. / W/LIGHT / 31 1/8" X 27 3/16"		1				
27	471619	PANEL, R.H. 31 1/8" X 27 3/16"		1				
27	471949	PANEL, R.H. 31 1/8" X 27 3/16" / W/LIGHT		1				
28	471575	PANEL, L.H. "L" SHAPE / FRONT OF EVAP. DOOR To T-5931		1				B
28	473382	PANEL, L.H. "L" SHAPE / FRONT OF EVAP. DOOR From T-5932		1				B
29	471520	FINISHING POST / "U" SHAPE 1 1/2" X 36 3/8"/ 2 BAG. DOORS To T-5951		6				
29	473384	FINISHING POST / "U" SHAPE 1 1/2" X 36 3/8"/ 2 BAG. DOORS From T-5952		6				
30	471442	PANEL, L.H. / ONE PIECE / 22 5/8" X 36 13/16" To S-569		1				
30	473118	PANEL, L.H. / UPPER PIECE / 559MM X 692MM From S-570		1				
31	471574	PANEL, R.H. "L" SHAPE/FRONT OF CONDENSOR DOOR To T-5951		1				B
31	473383	PANEL, R.H. "L" SHAPE/FRONT OF CONDENSOR DOOR From T-5952		1				B
32	473119	PANEL, L.H. / LOWER PIECE / 138MM X 252MM From S-570		1				
33	471440	PANEL, R.H. 22 5/8" X 36 13/16" / ONE PIECE To S-569		1				
33	473110	PANEL, R.H. / UPPER PIECE / 573MM X 672MM From S-570						
34	473117	PANEL, L.H. / LOWER PIECE / 119MM X 212MM From S-570		1				
35	473111	PANEL, R.H. / LOWER PIECE / 132MM X 256MM From S-570		1				
36	471611	PANEL, L.H. / ONE PIECE / 22" X 35 1/16" To S-569		1				
36	473116	PANEL, L.H. / UPPER PIECE / 559MM X 692MM From S-570		1				
37	473108	PANEL, R.H. / LOWER PIECE / 121MM X 212MM From S-570		1				
39	471447	PANEL, L.H. / ONE PIECE / 22 1/4" X 35 3/16" To S-569		1				
39	473107	PANEL, R.H. / UPPER PIECE / 565MM X 692MM From S-570		1				
40	472784	PANEL, L.H. / ONE PIECE / 20 3/4" X 33 3/16" To S-569		1				
40	473120	PANEL, L.H. / UPPER PIECE / 527MM X 692MM From S-570		1				
41	284544	PANEL, POST COVER To S-569		1				
41	473126	PANEL, POST COVER From S-570		2				
42	473125	PANEL, L.H. / LOWER PIECE / 83MM X 217MM From S-570		1				
43	473130	PANEL, LOWER 200MM X 262MM / S.B. From S-570		1				
44	471645	PANEL, L.H. / ONE PIECE / 7 3/8" X 36 3/8" To S-569		1				C
44	473182	PANEL, L.H. / UPPER PIECE / 200MM X 681MM From S-570		1				A
45	471644	PANEL, R.H. 7 3/8" X 36 3/8" / ONE PIECE To S-569		1				A
45	473129	PANEL, R.H. / UPPER PIECE / 200MM X 681MM From S-570		1				A

From P-722 To Y-7045	Date:10/2022	PAGE:XL-1854-60
SIDE PANELS - MTH 45'		

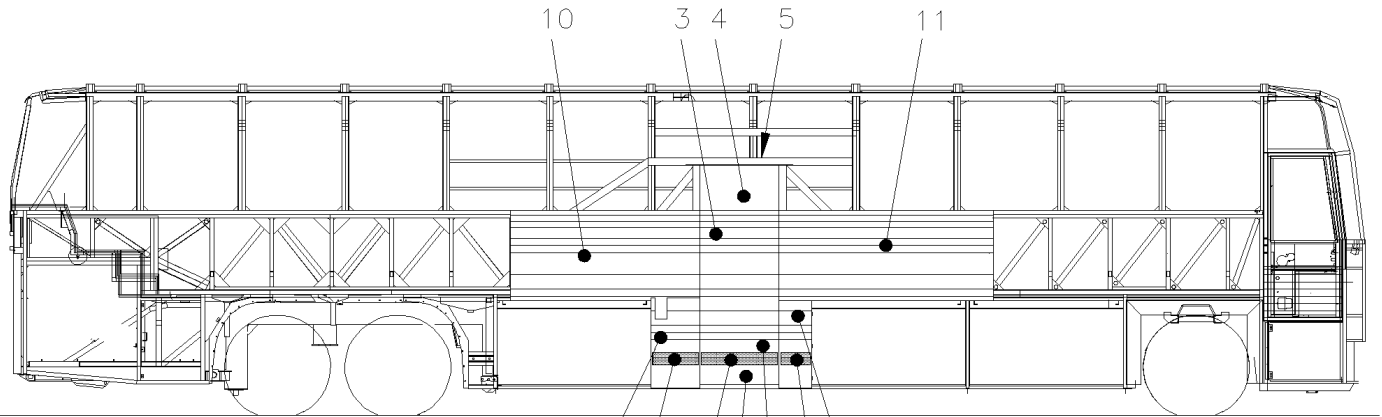
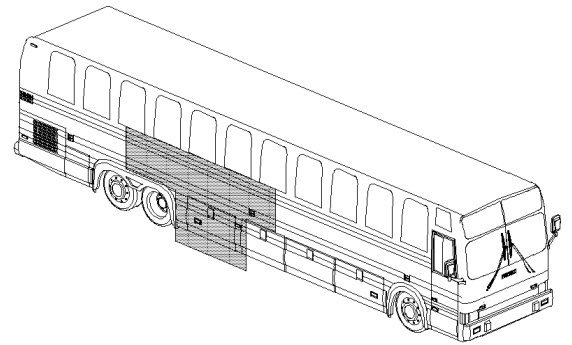
Item#	Part	Description	M T H 4 0	M T H 4 5	M T H 4 5 E	X L 4 0	X L 4 5	N O T E S
46	473130	PANEL, LOWER 200MM X 262MM / S.B. From S-570		1				
50	XL-1851-01	CAP - FRONT & REAR - INSTALLATION From L-685						
51	471033	MOUNDING "Z" SHAPE (TO BE REWORK) To S-569		1				
51	473123	MOULDING 26 1/8" From S-570		1				
NS	473124	MOULDING 26 1/8" "L" SHAPE From S-570		1				
52	XL-1878-00	FRONT JUNCTION DOOR ASSY						
53	XL-1862-50	ENTRANCE DOOR ASSY - MTH (RIVETED) To S-461						
53	XL-1862-51	ENTRANCE DOOR ASSY - MTH (GLUED) From S-462 To X-6679						
53	XL-1862-52	ENTRANCE DOOR ASSY - MTH From X-6680						
54	XL-1879-00	FRONT SERVICE DOOR ASSY						
55	XL-1868-01	A/C COMPRESSOR DOOR ASSY						
56	XL-1869-01	RADIATOR DOOR ASSY						
57	XL-1879-50	REAR SERVICE DOOR - L.H. SIDE						
58	XL-1879-60	REAR SERVICE DOOR - R.H. SIDE						
60	420052	SPACER, PLASTIC "TRIANGULAR" SHAPE REAR OF UPPER PANELS		14				
61	470882	UPPER WALL PANEL 96" & 102" / 1970 TO DATE		10				
NS	504272	RIVET CHY Q BRAZ 3/16x1/8 SS	AR	AR	AR	AR	AR	
NS	504248	RIVET CHY Q PRDG 3/16x1/4 SS	AR	AR	AR	AR	AR	
NS	504249	RIVET CHY Q PRDG 3/16x3/8 SS	AR	AR	AR	AR	AR	
NS	504250	RIVET CHY Q PRDG 3/16x1/2 SS	AR	AR	AR	AR	AR	
		A) WITH FUEL DOOR HOLE						
		B) WITH LARGE A/C						
		C) W/OUT FUEL DOOR HOLE						
		X) SEE ATTACHED TEXT ON DRAWING						

From F-829 To W-6863

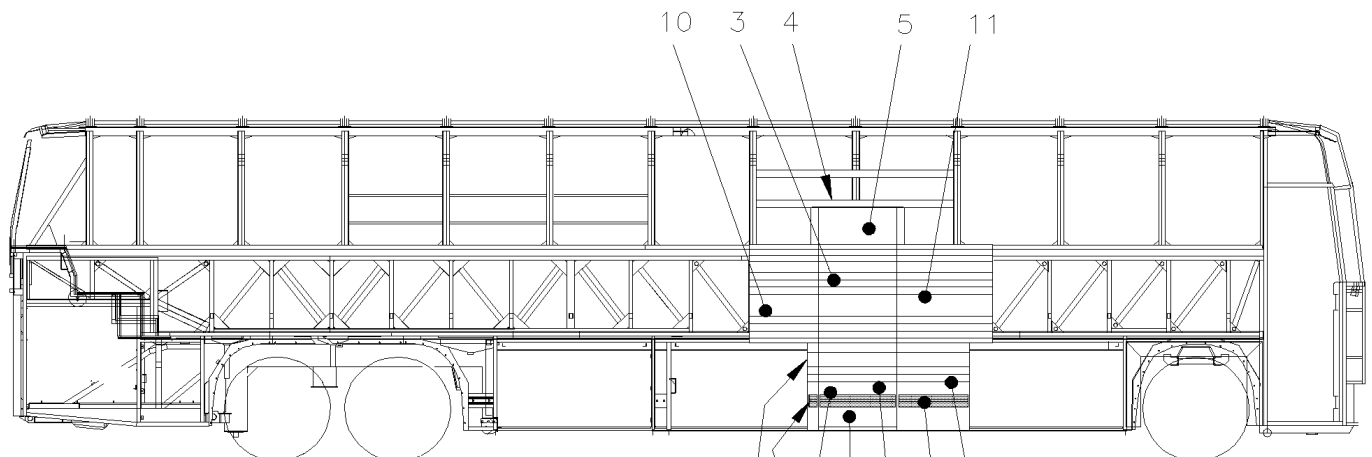
Date:10/2022

PAGE:XL-1854-65

PANEL W/CENTRAL DOORS



J-451 FOR POSITIONING
K-838 FOR POSITIONING
S-462 AS SHOWN



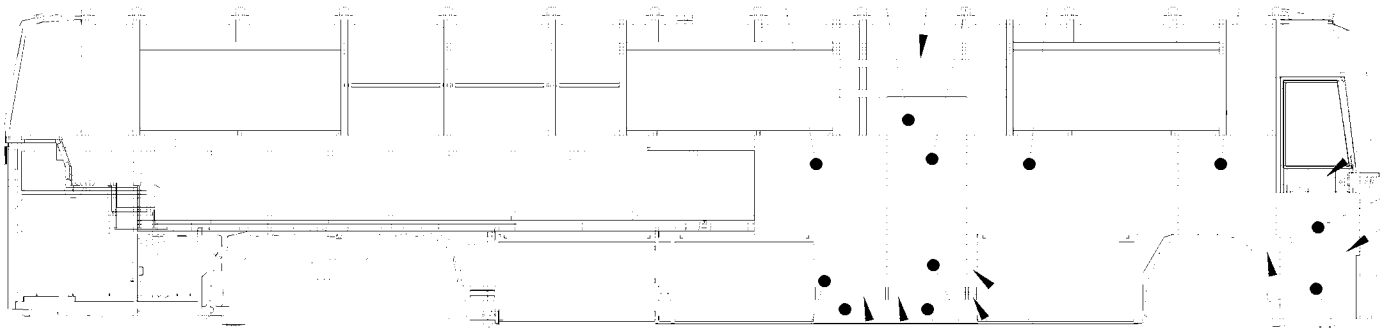
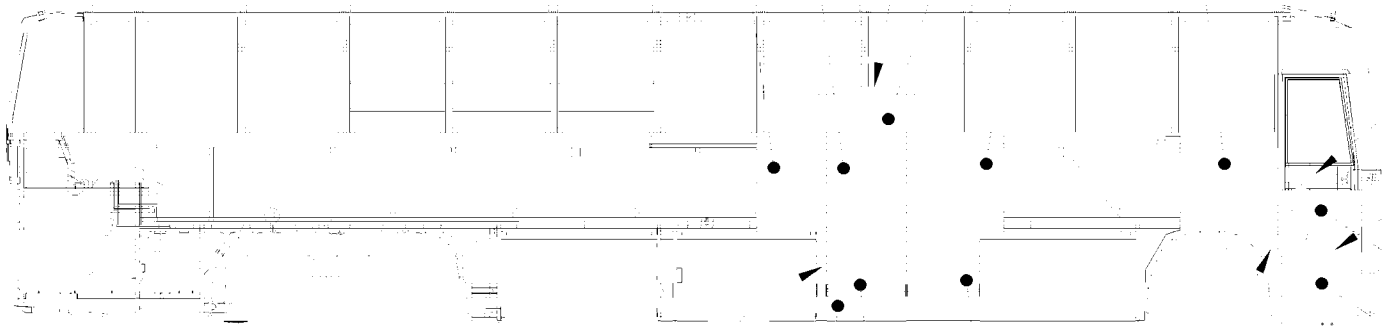
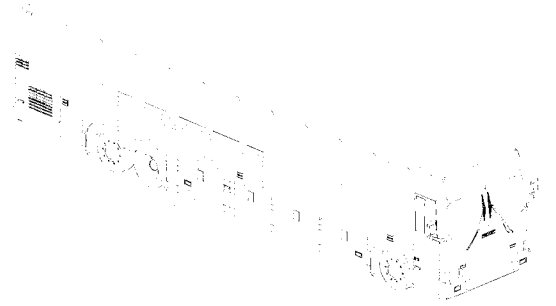
K-752 FOR POSITIONING
S-536 AS SHOWN

From F-829 To W-6863

Date:10/2022

PAGE:XL-1854-65

PANEL W/CENTRAL DOORS

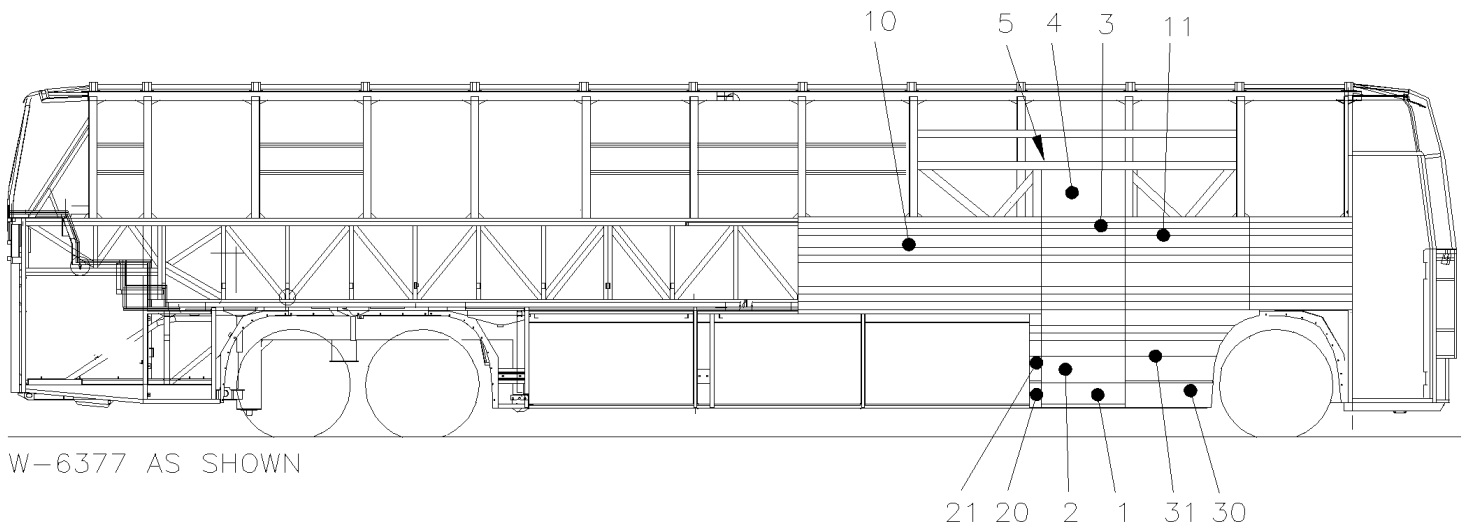
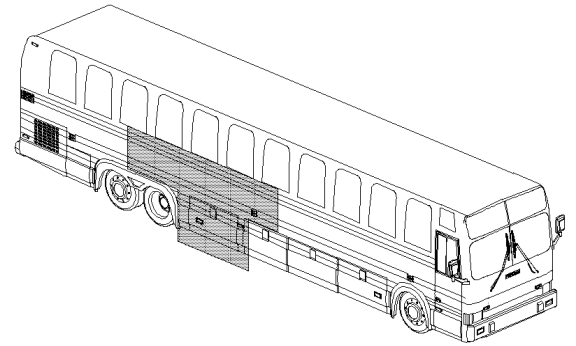


From F-829 To W-6863

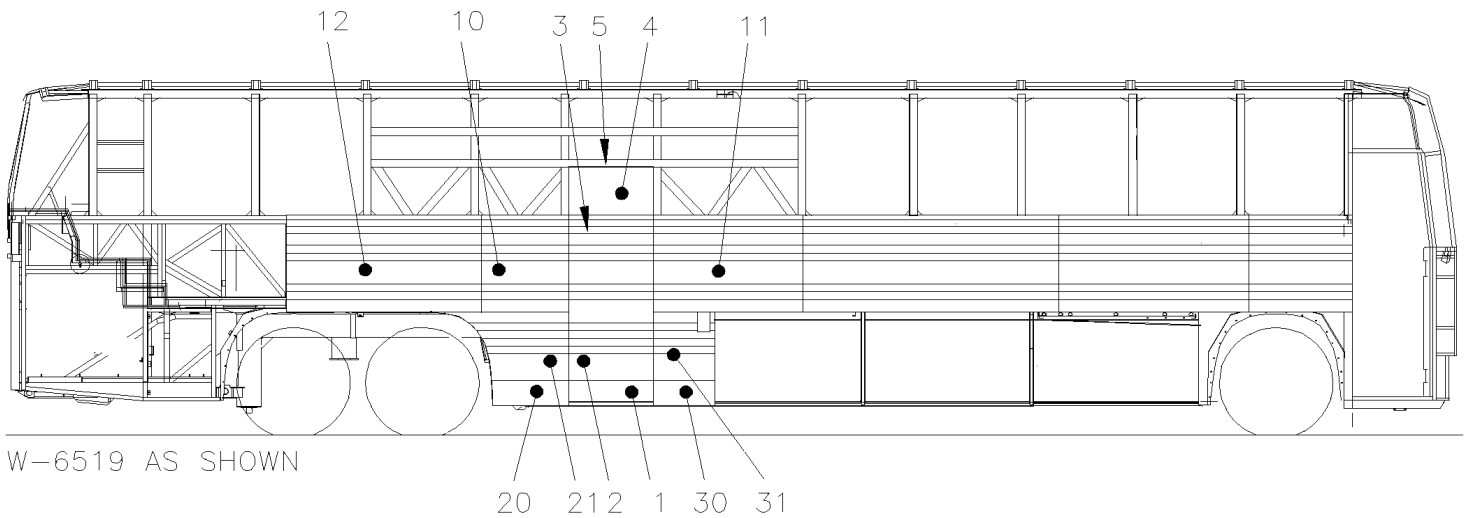
Date:10/2022

PAGE:XL-1854-65

PANEL W/CENTRAL DOORS



W-6377 AS SHOWN



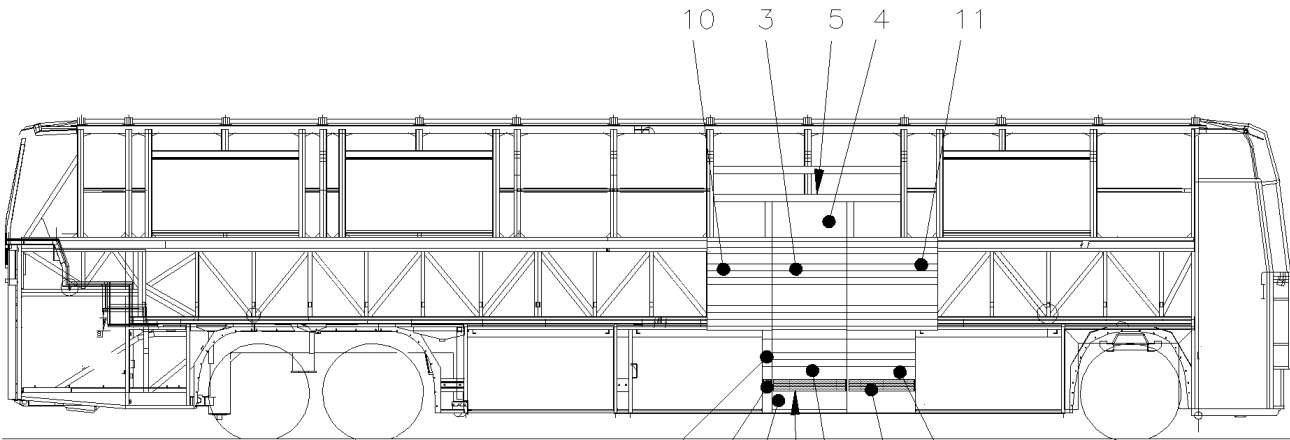
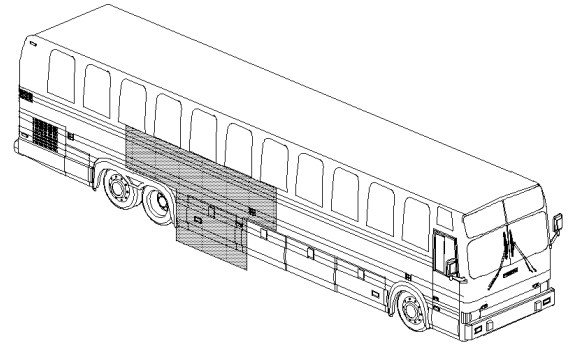
W-6519 AS SHOWN

From F-829 To W-6863

Date:10/2022

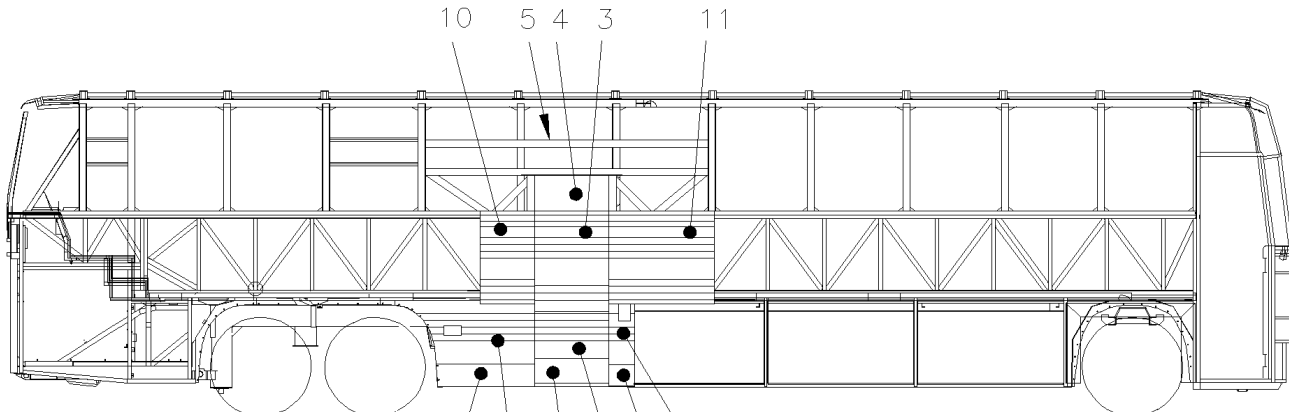
PAGE:XL-1854-65

PANEL W/CENTRAL DOORS



T-5871 AS SHOWN

25 41 1 40 2 42 35



W-6357 AS SHOWN

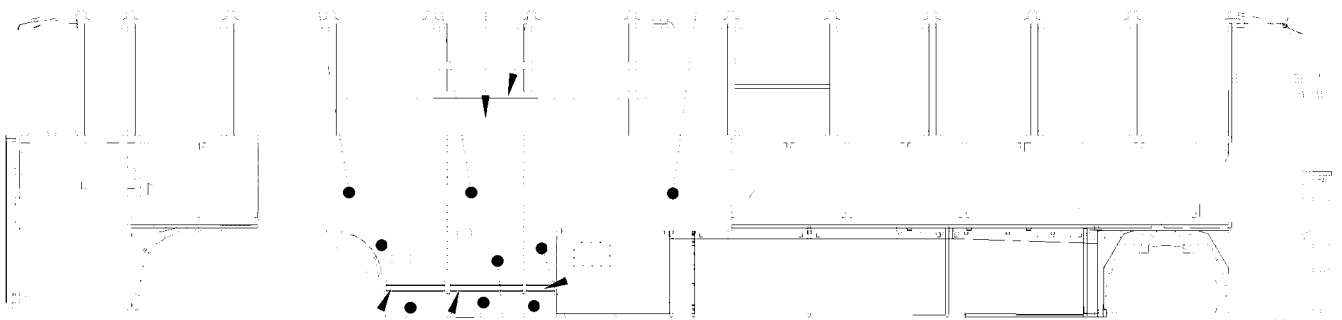
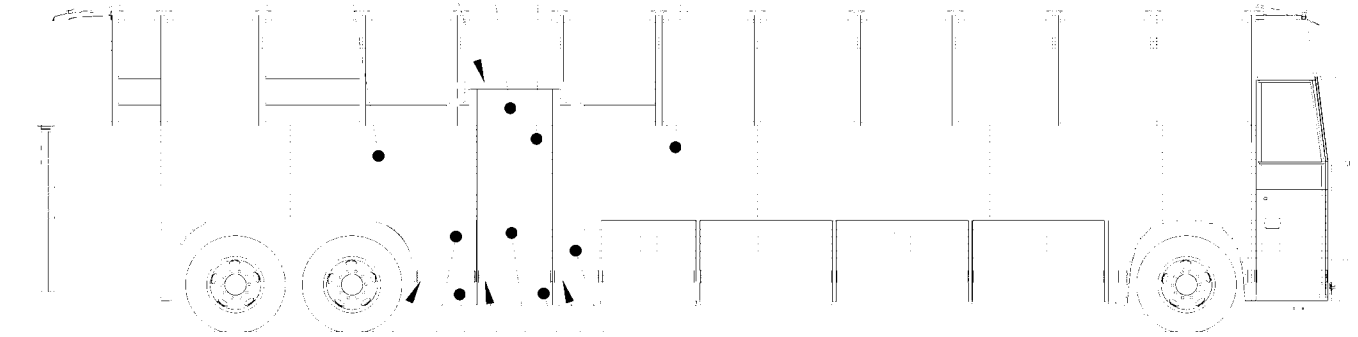
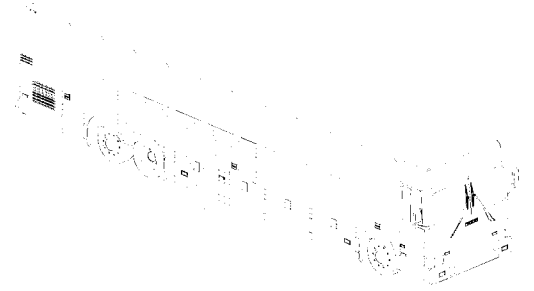
20 21 1 2 30 31

From F-829 To W-6863

Date:10/2022

PAGE:XL-1854-65

PANEL W/CENTRAL DOORS

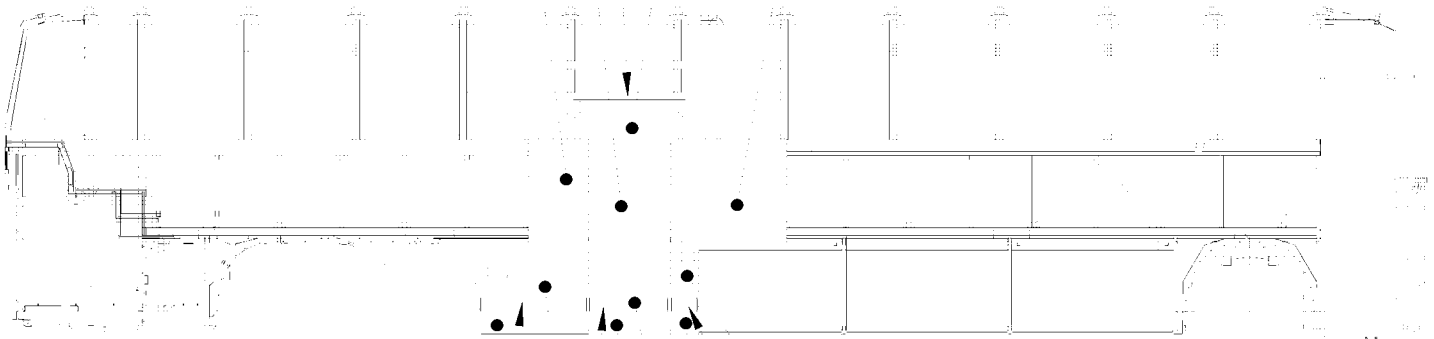
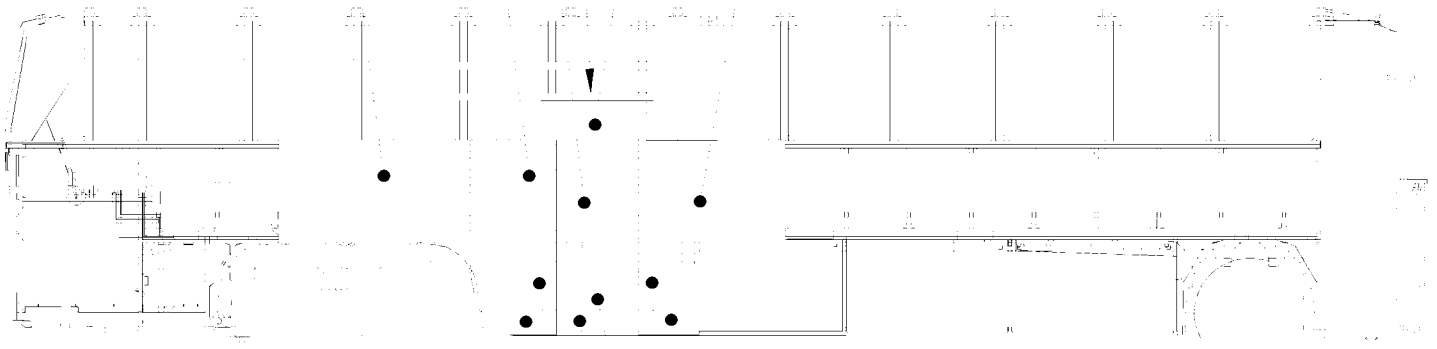
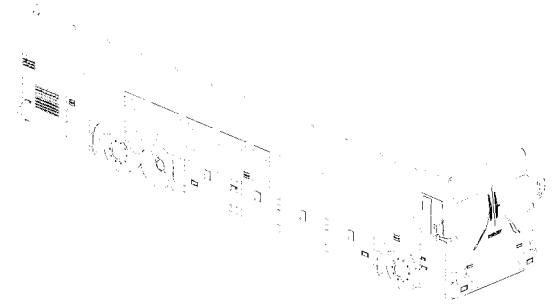


From F-829 To W-6863

Date:10/2022

PAGE:XL-1854-65

PANEL W/CENTRAL DOORS



From F-829 To W-6863	Date:10/2022	PAGE:XL-1854-65
PANEL W/CENTRAL DOORS		

Item#	Part	Description	M T H 4 0	M T H 4 5	M T H 4 5 E	X L 4 0	X L 4 5	N O T E S
		F-829 = MTH 83" WITH DOOR POSITION 4 BAG BAY / W/LARGE A/C	1					
		F-959 = MTH 83" WITH DOOR POSITION 2 BAG BAY / W/LARGE A/C	1					
		G-119 = MTH 83" WITH DOOR POSITION 2 BAG BAY / W/SMALL A/C	1					W
		G-143 = MTH 80" WITH DOOR POSITION 4 BAG BAY / W/SMALL A/C	1					W
		G-186 = MTH 86" WITH DOOR POSITION 2 BAG BAY / W/LARGE A/C	1					
		H-302 = MTH-83 WITH DOOR POSITION 4 BAG BAY / W/LARGE A/C	1					
		J-451 = MTH-83 WITH DOOR POSITION 3 BAG BAY / W/SMALL A/C	1					W
		J-529 = MTH 86" WITH DOOR POSITION 4 BAG BAY / W/LARGE A/C	1					
		K-720 = MTH 80" WITH DOOR POSITION 4 BAG BAY / W/SMALL A/C	1					
		K-752 = MTH 86" WITH DOOR POSITION 2 BAG BAY / W/SMALL A/C	1					W
		K-765 = MTH 83" WITH DOOR POSITION 2 BAG BAY / W/SMALL A/C	1					A
		K-838 = MTH 83" WITH DOOR POSITION 3 BAG BAY / W/SMALL A/C	1					
		R-961 = MTH-86 WITH DOOR POSITION 4 BAG BAY / W/SMALL AC	1					
		R-998 = MTH 86" WITH DOOR POSITION 4 BAG BAY / W/SMALL A/C			1			
		R-404 = MTH-86" WITH DOOR POSITION 4 BAG BAY / W/SMALL A/C			1			
		S-462 = MTH 83" WITH DOOR POSITION 3 BAG BAY / W/SMALL A/C		1				A
		S-536 = MTH 86" WITH DOOR POSITION 2 BAG BAY / W/LARGE A/C		1				
		T-688 = MTH 86" WITH DOOR POSITION 4 BAG BAY / W/SMALL A/C		1				
		T-5820 = MTH 86" WITH DOOR POSITION 2 BAG BAY / W/SMALL A/C		1				A
		T-5863 = MTH 86" WITH DOOR POSITION 2 BAG BAY / W/SMALL A/C		1				A
		T-5871 = MTH 86" WITH DOOR POSITION 2 BAG BAY / W/SMALL A/C		1				
		W-6357 = MTH 86" WITH DOOR POSITION 3 BAG BAY / W/SMALL A/C		1				
		W-6377 = MTH 83" WITH DOOR POSITION 1 BAG BAY / W/SMALL A/C		1				
		W-6519 = MTH 83" WITH DOOR POSITION 3 BAG BAY / W/LARGE A/C		1				
		W-6684 = MTH 86" WITH DOOR POSITION 4 BAG BAY / W/SMALL A/C			1			
		W-6863 = MTH 86" WITH DOOR POSITION 3 BAG BAY / W/SMALL A/C		1				
		ALLS DOOR 30 3/4" WIDE X HEIGHT OF MTH SEE V.I.N.						
1	471779	PANEL LOWER DOOR 30 3/4" X 11"	1	1	1			
2	471778	PANEL CENTER DOOR 30 3/4" X 27 3/16"	1	1	1			
2	473700	PANEL CENTER DOOR / W/HOLE FOR HANDLE 30 3/4" X 27 3/16"	1	1	1			
3	471930	PANEL UPPER DOOR MTH 80" From G-143 To G-143	1					
3	472276	PANEL UPPER DOOR MTH 80" From K-720 To K-720	1					
3	471478	PANEL UPPER DOOR MTH 83"	1	1				
3	472139	PANEL UPPER DOOR MTH 83" / WINDOW HOLE From G-119 To G-119	1					
3	472139	PANEL UPPER DOOR MTH 83" / WINDOW HOLE From J-451 To J-451	1					
3	473696	PANEL UPPER DOOR MTH 83" / W/RECESS FOR HANDL	1	1				
3	472173	PANEL UPPER DOOR MTH 86"	1	1				

From F-829 To W-6863	Date:10/2022	PAGE:XL-1854-65
-----------------------------	---------------------	------------------------

PANEL W/CENTRAL DOORS

Item#	Part	Description	M T H 4 0	M T H 4 5	M T H 4 5 E	X L 4 0	X L 4 5	N O T E S
3	472291	PANEL UPPER DOOR MTH 86" From K-752 To K-752	1					
3	471962	PANEL UPPER DOOR MTH 86" / WINDOW HOLE From G-186 To G-186	1					
3	473697	PANEL UPPER DOOR MTH 86" / W/RECESS FOR HANDL & HOLE FOR CYLINDER KEY	1	1	1			
4	472275	PANEL FLAT UPPER DOOR MTH 80" From K-720 To K-720	1					
4	471931	PANEL FLAT UPPER DOOR MTH 80" / WINDOW HOLE From G-143 To G-143	1					
4	471777	PANEL FLAT UPPER DOOR MTH 83"	1	1				
4	472140	PANEL FLAT UPPER DOOR MTH 83" / WINDOW HOLE From G-119 To G-119	1					
4	472140	PANEL FLAT UPPER DOOR MTH 83" / WINDOW HOLE From J-451 To J-451	1					
4	472178	PANEL FLAT UPPER DOOR MTH 86"	1	1	1			
4	472292	PANEL FLAT UPPER DOOR MTH 86" From K-752 To K-752	1					
4	471961	PANEL FLAT UPPER DOOR MTH 86" / WINDOW HOLE / PRÉVOST XL From G-186 To G-186	1					
5	471938	DRIP MOULDING UPPER CENTRAL DOOR / 36"	1	1	1			
		SEE V.I.N. NUMBER FOR EASY IDENTIFICATION						
		ITEM 10 LOCATED BACKWARD CENTRAL DOOR						
10	471925	PANEL SIDE MTH 80" / BACKWARD DOOR / 16 3/4" From G-143 To G-143	1					
10	472263	PANEL SIDE MTH 80" / BACKWARD DOOR / 35 9/16" From K-720 To K-720	1					
10	471964	PANEL SIDE MTH 83" / BACKWARD DOOR / 58" From G-186 To G-186	1					
10	471800	PANEL SIDE MTH 83" / BACKWARD DOOR / 41 5/16" From H-302 To H-302	1					
10	472129	PANEL SIDE MTH 83" / BACKWARD DOOR / 76 7/8" From J-451 To J-451	1					
10	472315	PANEL SIDE MTH 83" / BACKWARD DOOR / 46 5/8" From K-765 To K-765	1					
10	472129	PANEL SIDE MTH 83" / BACKWARD DOOR / 76 7/8" From K-838 To K-838	1					
10	473078	PANEL SIDE MTH 83" / BACKWARD DOOR From S-462 To S-462		1				
10	473644	PANEL SIDE MTH 83" / BACKWARD DOOR / 89 1/2" From W-6377 To W-6377		1				
10	473746	PANEL SIDE MTH 83" / BACKWARD DOOR / 33 7/8" From W-6519 To W-6519		1				
10	472174	PANEL SIDE MTH 86" / BACKWARD DOOR / 41 9/16" From J-529 To J-529	1					
10	472298	PANEL SIDE MTH 86" / BACKWARD DOOR / 41 1/16" From K-752 To K-752	1					
10	473010	PANEL SIDE MTH 86" / BACKWARD DOOR From R-961 To R-961	1					
10	473154	PANEL SIDE MTH 86" / BACKWARD DOOR / 27 3/16" From S-536 To S-536		1				
10	473154	PANEL SIDE MTH 86" / BACKWARD DOOR / 27 3/16" From T-5820 To T-5820		1				
10	473374	PANEL SIDE MTH 86" / BACKWARD DOOR / 51 1/2" From T-5863 To T-5863		1				
10	473154	PANEL SIDE MTH 86" / BACKWARD DOOR / 27 3/16" From T-5871 To T-5871		1				
10	473300	PANEL SIDE MTH 86" / BACKWARD DOOR / 22 1/2" From T-5688 To T-5688		1				
10	473300	PANEL SIDE MTH 86" / BACKWARD DOOR / 22 1/2" From W-6357 To W-6357		1				
10	474134	PANEL SIDE MTH 86" / BACKWARD DOOR / 33 7/8" From W-6863 To W-6863		1				
10	473010	PANEL SIDE MTH 86" / BACKWARD DOOR From R-998 To R-998			1			
10	473010	PANEL SIDE MTH 86" / BACKWARD DOOR From R-404 To R-404			1			

From F-829 To W-6863	Date:10/2022	PAGE:XL-1854-65
-----------------------------	---------------------	------------------------

PANEL W/CENTRAL DOORS

Item#	Part	Description	M T H 4 0	M T H 4 5	M T H 4 5 E	X L 4 0	X L 4 5	N O T E S
10	473010	PANEL SIDE MTH 86" / BACKWARD DOOR From W-6684 To W-6684			1			
		SEE V.I.N. NUMBER FOR EASY IDENTIFICATION						
		ITEM 11 LOCATED FORWARD CENTRAL DOOR						
11	471926	PANEL SIDE MTH 80" / FORWARD DOOR / 48 1/4" From G-143 To G-143	1					
11	472262	PANEL SIDE MTH 80" / FORWARD DOOR / 30 9/16" From K-720 To K-720	1					
11	471799	PANEL SIDE MTH 83" / FORWARD DOOR / 23 11/16" From H-302 To H-302	1					
11	472128	PANEL SIDE MTH 83" / FORWARD DOOR / 63 5/8" From J-451 To J-451	1					
11	471799	PANEL SIDE MTH 83" / FORWARD DOOR / 23 11/16" From J-529 To J-529	1					
11	472314	PANEL SIDE MTH 83" / FORWARD DOOR / 18 1/2" From K-765 To K-765	1					
11	472128	PANEL SIDE MTH 83" / FORWARD DOOR / 63 5/8" From K-838 To K-838	1					
11	473079	PANEL SIDE MTH 83" / FORWARD DOOR / 84 11/16" From S-462 To S-462		1				
11	473645	PANEL SIDE MTH 83" / FORWARD DOOR / 46" From W-6377 To W-6377		1				
11	473747	PANEL SIDE MTH 83" / FORWARD DOOR / 55 1/4" From W-6519 To W-6519		1				
11	471963	PANEL SIDE MTH 86" / FORWARD DOOR / 77 1/2" From G-186 To G-186	1					
11	472175	PANEL SIDE MTH 86" / FORWARD DOOR / 23 9/16" From J-529 To J-529	1					
11	472295	PANEL SIDE MTH 86" / FORWARD DOOR / 24 1/16" From K-752 To K-752	1					
11	473011	PANEL SIDE MTH 86" / FORWARD DOOR From R-961 To R-961	1					
11	473155	PANEL SIDE MTH 86" / FORWARD DOOR / 37 13/16" From S-536 To S-536		1				
11	473155	PANEL SIDE MTH 86" / FORWARD DOOR / 37 13/16" From T-5820 To T-5820		1				
11	473155	PANEL SIDE MTH 86" / FORWARD DOOR / 37 13/16" From T-5871 To T-5871		1				
11	473375	PANEL SIDE MTH 86" / FORWARD DOOR / 84" From T-5863 To T-5863		1				
11	473301	PANEL SIDE MTH 86" / FORWARD DOOR / 43 11/16" From T-5688 To T-5688		1				
11	473301	PANEL SIDE MTH 86" / FORWARD DOOR / 43 11/16" From W-6357 To W-6357		1				
11	474135	PANEL SIDE MTH 86" / FORWARD DOOR / 55 1/4" From W-6863 To W-6863		1				
11	473011	PANEL SIDE MTH 86" / FORWARD DOOR From R-998 To R-998			1			
11	473011	PANEL SIDE MTH 86" / FORWARD DOOR From R-404 To R-404			1			
11	473863	PANEL SIDE MTH 86" / FORWARD DOOR / 83 1/2" From W-6684 To W-6684			1			
12	471743	PANEL, R.H. 72" / MTH 83" From W-6519 To W-6519		1				
12	474133	PANEL, R.H. 72" / MTH 86" From W-6863 To W-6863		1				
13	473369	PANEL SIDE MTH 86" / #1 FRONT (80 37/64") W/OUT FRT ENTRANCE DOOR From T-5820 To T-5820		1				
13	473369	PANEL SIDE MTH 86" / #1 FRONT (80 37/64") W/OUT FRT ENTRANCE DOOR From T-5863 To T-5863		1				
14	472330	PANEL MTH 83" 22 5/8" X 36 5/16" W/OUT FRT ENTRANCE DOOR From K-765 To K-765	1					
14	473070	PANEL MTH 83" 22 5/8" X 36 5/16" W/OUT FRT ENTRANCE DOOR From S-472 To S-472		1				
14	473070	PANEL MTH 83" 22 5/8" X 36 5/16" W/OUT FRT ENTRANCE DOOR From T-5820 To T-5820		1				
14	473070	PANEL MTH 83" 22 5/8" X 36 5/16" W/OUT FRT ENTRANCE DOOR From T-5863 To T-5863		1				
15	281585	DOOR ASSY W/OUT ENTRANCE DOOR	1	1				
15	283316	DOOR ASSY W/OUT ENTRANCE DOOR W/REFLETOR	1	1				

From F-829 To W-6863	Date:10/2022	PAGE:XL-1854-65
PANEL W/CENTRAL DOORS		

Item#	Part	Description	M T H 4 0	M T H 4 5	M T H 4 5 E	X L 4 0	X L 4 5	N O T E S
. NS	281585	. DOOR ASSY W/OUT ENTRANCE DOOR	1	1				
. NS	930205	. REFLECTOR AMBER 1 15/16" x 4 7/16"	1	1				
. NS	500606	. SCREW MA TR PH #10-24x3/4 SS	2	2				
. NS	500473	. WASHER LO SPT .262x.489x.062 Z050	2	2				
. NS	500786	. NUT HEX #10-24 Z050	2	2				
16	472308	PANEL UPPER / W/O FRONT ENTRANCE From K-765 To K-765	1					
16	473069	MOULDING, FIBERGLASS / W/O ENTRANCE DOOR / MTH 83" From T-5820 To T-5820	1	1	1	1	1	
17	471679	DRIP MOULDING / FRONT COMPARTMENT DOORS / MTH 83"	AR	AR				R
NS	506275	WEATHERSTRIP RUBBER EPDM CC EXTRUSION / RAW MATERIAL	AR	AR				
NS	283172	MOULDING	1	1				
NS	420206	TRIANGULAR PLASTIC ????	AR	AR				
18	473370	PANEL FRONT OF FENDER (53 23/32") W/OUT FRT ENTRANCE DOOR From T-5820 To T-5820		1				
18	473370	PANEL FRONT OF FENDER (53 23/32") W/OUT FRT ENTRANCE DOOR From T-5863 To T-5863		1				
		ITEM 20 & 21 LOCATED BACKWARD CENTRAL DOOR IN TWO PIECES UPPER & LOWER						
20	471978	PANEL LOWER / BACKWARD DOOR / 20" MARATHON XL From G-186 To G-186	1					
20	472020	PANEL LOWER / BACKWARD DOOR / 25 7/16" From H-302 To H-302	1					
20	472020	PANEL LOWER / BACKWARD DOOR / 25 7/16" From J-529 To J-529	1					
20	472265	PANEL LOWER / BACKWARD DOOR / 18 1/32" From K-720 To K-720	1					
20	472999	PANEL LOWER / BACKWARD DOOR / 25 11/16" From R-961 To R-961	1					
20	473302	PANEL LOWER / BACKWARD DOOR / 40 15/15" From T-5688 To T-5688		1				
20	473302	PANEL LOWER / BACKWARD DOOR / 40 15/15" From W-6357 To W-6357		1				
20	473647	PANEL LOWER / BACKWARD DOOR / 4 11/32" From W-6377 To W-6377		1				
20	473749	PANEL LOWER / BACKWARD DOOR / 28 13/16" From W-6519 To W-6519		1				
20	473749	PANEL LOWER / BACKWARD DOOR / 28 13/16" From W-6863 To W-6863		1				
20	472020	PANEL LOWER / BACKWARD DOOR / 25 7/16" From R-998 To R-998			1			
20	472020	PANEL LOWER / BACKWARD DOOR / 25 7/16" From R-404 To R-404			1			
20	473869	PANEL LOWER / BACKWARD DOOR / 25 3/8" From W-6684 To W-6684			1			
21	471977	PANEL UPPER / BACKWARD DOOR / 21 3/16" MARATHON XL From G-186 To G-186	1					
21	472018	PANEL UPPER / BACKWARD DOOR W/OUT LIGHT 42 5/8" From H-302 To H-302	1					
21	472018	PANEL UPPER / BACKWARD DOOR W/OUT LIGHT 42 5/8" From J-529 To J-529	1					
21	472264	PANEL UPPER / BACKWARD DOOR W/OUT LIGHT From K-720 To K-720	1					
21	472998	PANEL UPPER / BACKWARD DOOR W/OUT LIGHT 42 7/8" From R-961 To R-961	1					
21	473304	PANEL UPPER / BACKWARD DOOR W/LIGHT 58 1/8" From T-5688 To T-5688		1				
21	473646	PANEL UPPER / BACKWARD DOOR / 4 11/32" From W-6377 To W-6377		1				
21	473304	PANEL UPPER / BACKWARD DOOR W/LIGHT 58 1/8" From W-6357 To W-6357		1				
21	473748	PANEL UPPER / BACKWARD DOOR W/OUT LIGHT 46" From W-6519 To W-6519		1				
21	473748	PANEL UPPER / BACKWARD DOOR W/OUT LIGHT 46" From W-6863 To W-6863		1				
21	472018	PANEL UPPER / BACKWARD DOOR W/OUT LIGHT 42 5/8" From R-998 To R-998			1			

From F-829 To W-6863	Date:10/2022	PAGE:XL-1854-65
-----------------------------	---------------------	------------------------

PANEL W/CENTRAL DOORS

Item#	Part	Description	M T H 4 0	M T H 4 5	M T H 4 5 E	X L 4 0	X L 4 5	N O T E S
21	472018	PANEL UPPER / BACKWARD DOOR W/OUT LIGHT 42 5/8" From R-404 To R-404			1			
21	473870	PANEL UPPER / BACKWARD DOOR W/LIGHT 42 1/2" From W-6684 To W-6684			1			
		ITEM 25 LOCATED BACKWARD CENTRAL DOOR						
		IN ONE PIECE UPPER & LOWER						
25	472130	PANEL LOWER & UPPER / BACKWARD DOOR From J-451 To J-451	1					
25	472297	PANEL LOWER & UPPER / BACKWARD DOOR / 4 9/16" From K-752 To K-752	1					
25	472318	PANEL LOWER & UPPER / BACKWARD DOOR / 10 1/8" From K-765 To K-765	1					
25	472130	PANEL LOWER & UPPER / BACKWARD DOOR From K-838 To K-838	1					
25	473080	PANEL LOWER & UPPER / BACKWARD DOOR / 19 3/8" From S-462 To S-462		1				
25	473157	PANEL LOWER & UPPER / BACKWARD DOOR / 4 1/4" From S-536 To S-536		1				
25	473157	PANEL LOWER & UPPER / BACKWARD DOOR / 4 1/4" From T-5820 To T-5820		1				
25	473157	PANEL LOWER & UPPER / BACKWARD DOOR / 4 1/4" From T-5871 To T-5871		1				
25	473376	PANEL LOWER & UPPER / BACKWARD DOOR / 28 1/2" From T-5863 To T-5863		1				
		ITEM 30 & 31 LOCATED FORWARD CENTRAL DOOR						
		IN TWO PIECES UPPER & LOWER						
30	471975	PANEL LOWER / FORWARD DOOR / 4 7/16" From G-186 To G-186	1					
30	472019	PANEL LOWER / FORWARD DOOR / 12 13/16" W/LARGE A/C From H-302 To H-302	1					
30	472177	PANEL LOWER / FORWARD DOOR / 13 1/16" W/LARGE A/C From J-529 To J-529	1					
30	473864	PANEL LOWER / FORWARD DOOR / 13 7/64" From W-6684 To W-6684			1			
30	473307	PANEL LOWER / FORWARD DOOR / 10 5/8" From T-5688 To T-5688		1				
30	473307	PANEL LOWER / FORWARD DOOR / 10 5/8" From W-6357 To W-6357		1				
30	473649	PANEL LOWER / FORWARD DOOR / 32 1/2" From W-6377 To W-6377		1				
30	473751	PANEL LOWER / FORWARD DOOR / 22 13/16" From W-6519 To W-6519		1				
30	473751	PANEL LOWER / FORWARD DOOR / 22 13/16" From W-6863 To W-6863		1				
31	471976	PANEL UPPER / FORWARD DOOR / 4 7/16" From G-186 To G-186	1					
31	472021	PANEL UPPER / FORWARD DOOR / 12 13/16" W/LARGE A/C From H-302 To H-302	1					
31	472176	PANEL UPPER / FORWARD DOOR / 13 1/16" W/LARGE A/C From J-529 To J-529	1					
31	473303	PANEL UPPER / FORWARD DOOR / 10 5/8" From T-5688 To T-5688		1				
31	473303	PANEL UPPER / FORWARD DOOR / 10 5/8" From W-6357 To W-6357		1				
31	473648	PANEL UPPER / FORWARD DOOR / 49 5/8" From W-6377 To W-6377		1				
31	473750	PANEL UPPER / FORWARD DOOR / 22 13/16" From W-6519 To W-6519		1				
31	473862	PANEL UPPER / FORWARD DOOR / 9 11/94" From W-6684 To W-6684			1			
31	474136	PANEL UPPER / FORWARD DOOR / 22 3/4" From W-6863 To W-6863		1				
		ITEM 35 LOCATED FORWARD CENTRAL DOOR						
		IN ONE PIECE UPPER & LOWER						

From F-829 To W-6863	Date:10/2022	PAGE:XL-1854-65
----------------------	--------------	-----------------

PANEL W/CENTRAL DOORS

Item#	Part	Description	M T H 4 0	M T H 4 5	M T H 4 5 E	X L 4 0	X L 4 5	N O T E S
35	471928	PANEL LOWER & UPPER / FORWARD DOOR / 12 5/8" From G-143 To G-143	1					
35	472131	PANEL LOWER & UPPER / FORWARD DOOR From J-451 To J-451	1					
35	472267	PANEL LOWER & UPPER / FORWARD DOOR / 26 1/8" From K-720 To K-720	1					
35	472296	PANEL LOWER & UPPER / FORWARD DOOR / 21 9/16" From K-752 To K-752	1					
35	472316	PANEL LOWER & UPPER / FORWARD DOOR / 15 3/4" From K-765 To K-765	1					
35	472362	PANEL LOWER & UPPER / FORWARD DOOR / 5 11/16" From K-838 To K-838	1					
35	473000	PANEL LOWER & UPPER / FORWARD DOOR / 18 1/4" W/SMALL A/C From R-961 To R-961	1					
35	472761	PANEL LOWER & UPPER / FORWARD DOOR / 19 3/8" W/SMALL A/C From R-998 To R-998			1			
35	472761	PANEL LOWER & UPPER / FORWARD DOOR / 19 3/8" W/SMALL A/C From R-404 To R-404			1			
35	473081	PANEL LOWER & UPPER / FORWARD DOOR / 13 1/8" From S-462 To S-462		1				
35	473156	PANEL LOWER & UPPER / FORWARD DOOR / 28 1/2" W/SMALL A/C From S-536 To S-536		1				
35	473156	PANEL LOWER & UPPER / FORWARD DOOR / 28 1/2" W/SMALL A/C From T-5820 To T-5820		1				
35	473156	PANEL LOWER & UPPER / FORWARD DOOR / 28 1/2" W/SMALL A/C From T-5871 To T-5871		1				
35	473377	PANEL LOWER & UPPER / FORWARD DOOR / 4 1/4" From T-5863 To T-5863		1				
40	481030	RAIL ASSY / 29 5/8" / W/CENTRAL DOOR	1	1	1			
41	471982	RAIL ASSY / 20" / BACKWARD CENTRAL DOOR From G-186 To G-186	1					
41	471807	RAIL ASSY / 23 5/8" / BACKWARD CENTRAL DOOR From H-302 To H-302	1					
41	472135	RAIL ASSY / 11 1/4" / BACKWARD CENTRAL DOOR From J-451 To J-451	1					
41	471807	RAIL ASSY / 23 5/8" / BACKWARD CENTRAL DOOR From J-529 To J-529	1					
41	472266	RAIL ASSY / 16 21/32" / BACKWARD CENTRAL DOOR From K-720 To K-720	1					
41	472303	RAIL ASSY / ??" / BACKWARD CENTRAL DOOR From K-752 To K-752	1					
41	472322	RAIL ASSY / 9 7/16" / BACKWARD CENTRAL DOOR From K-765 To K-765	1					
41	472135	RAIL ASSY / 11 1/4" / BACKWARD CENTRAL DOOR From K-838 To K-838	1					
41	473001	RAIL ASSY / 23 7/8" / BACKWARD CENTRAL DOOR From R-961 To R-961	1					
41	473082	RAIL ASSY / 18 1/4" / BACKWARD CENTRAL DOOR From S-462 To S-462		1				
41	482333	RAIL ASSY / 3 3/8" / BACKWARD CENTRAL DOOR From S-536 To S-536		1				
41	473305	RAIL ASSY / 39"3/16" / BACKWARD CENTRAL DOOR From T-5688 To T-5688		1				
41	473385	RAIL ASSY / 27 5/8" / BACKWARD CENTRAL DOOR From T-5863 To T-5863		1				
41	482333	RAIL ASSY / 3 3/8" / BACKWARD CENTRAL DOOR From T-5871 To T-5871		1				
41	471807	RAIL ASSY / 23 5/8" / BACKWARD CENTRAL DOOR From R-998 To R-998			1			
41	471807	RAIL ASSY / 23 5/8" / BACKWARD CENTRAL DOOR From R-404 To R-404			1			
42	471979	RAIL ASSY / 3 3/8" / FORWARD CENTRAL DOOR From G-186 To G-186	1					
42	471810	RAIL ASSY / 11 15/16" / FORWARD CENTRAL DOOR From H-302 To H-302	1					
42	472132	RAIL ASSY / 4 3/4" / FORWARD CENTRAL DOOR From J-451 To J-451	1					
42	471810	RAIL ASSY / 11 15/16" / FORWARD CENTRAL DOOR From J-529 To J-529	1					
42	472270	RAIL ASSY / 24 29/32" / FORWARD CENTRAL DOOR From K-720 To K-720	1					
42	472299	RAIL ASSY / 20 1/2" / FORWARD CENTRAL DOOR From K-752 To K-752	1					
42	472321	RAIL ASSY / 14 29/32" / FORWARD CENTRAL DOOR From K-765 To K-765	1					
42	472132	RAIL ASSY / 4 3/4" / FORWARD CENTRAL DOOR From K-838 To K-838	1					

From F-829 To W-6863	Date:10/2022	PAGE:XL-1854-65
PANEL W/CENTRAL DOORS		

Item#	Part	Description	M T H 4 0	M T H 4 5	M T H 4 5 E	X L 4 0	X L 4 5	N O T E S
42	473002	RAIL ASSY / 17 15/16" / FORWARD CENTRAL DOOR From R-961 To R-961	1					
42	473083	RAIL ASSY / 11 13/16" / FORWARD CENTRAL DOOR From S-462 To S-462		1				
42	482332	RAIL ASSY / 27 5/16" / FORWARD CENTRAL DOOR From S-536 To S-536		1				
42	473306	RAIL ASSY / 9"5/16" / FORWARD CENTRAL DOOR From T-5688 To T-5688		1				
42	473389	RAIL ASSY / 3 3/16" / FORWARD CENTRAL DOOR From T-5863 To T-5863		1				
42	482332	RAIL ASSY / 27 5/16" / FORWARD CENTRAL DOOR From T-5871 To T-5871		1				
42	472762	RAIL ASSY / 18 1/8" / FORWARD CENTRAL DOOR From R-998 To R-998			1			
42	472762	RAIL ASSY / 18 1/8" / FORWARD CENTRAL DOOR From R-404 To R-404			1			
		MISCELLANEOUS PARTS RELATED WITH SOME MTH						
NS	220523	STEPWELL SS ASSY / WELDED	1	1	1			
NS	471998	PANEL LOWER EVAPORATOR 16 1/2" x 10 5/16" From G-186 To G-186	1					
NS	471999	PANEL UPPER / 16 1/2" x 21 1/2" From G-186 To G-186	1					
NS	471929	PANEL LOWER / 32 1/8" X 10 5/16" From G-143 To G-143	1					
NS	471927	PANEL LOWER UP RF R W From G-143 To G-143	1					
		MISCELLANEOUS RETAINER WHEATERSTRIP DOOR MAY BE USED WITH OTHERS VIN						
NS	282014	MOULDING Z UPPER DOOR / MTH 83" From K-765 To K-765	1					
NS	281872	MOULDING 4 21/32 LOWER FRT DOOR / MTH 83" From K-765 To K-765	1					
NS	281873	MOULDING 4 1/4" LOWER FRT BODY / MTH 83" From K-765 To K-765	1					
NS	282499	MOULDING T 77" LOWER FRT BODY / MTH 83" From K-765 To K-765	1					
NS	282500	MOULDING Z 8 7/8" UPPER REAR BODY / MTH 83" From K-765 To K-765	1					
NS	282501	MOULDING L 86" UPPER DOOR / MTH 83" From K-765 To K-765	1					
NS	282380	MOULDING U 29 3/4" LOWER STEP BODY / MTH 83" From K-765 To K-765	1					
NS	282502	MOULDING Z 80 1/4" LOWER BODY REAR / MTH 83" From K-765 To K-765	1					
NS	282503	MOULDING A 8 15/16" UPPER FRT BODY / MTH 83" From K-765 To K-765	1					
NS	283171OLD	MOULDING P 23 1/13" SERVICE DOOR / MTH 83" From K-765 To K-765	1					
NS	282375	MOULDING T 71 1/4" LOWER FRT BODY / MTH 86" From K-752 To K-752	1					
NS	282377	MOULDING A 14 1/16" UPPER FRT BODY / MTH 86" From K-752 To K-752	1					
NS	282378	MOULDING Z 74 1/2" LOWER BODY REAR / MTH 86" From K-752 To K-752	1					
NS	282376	MOULDING L 86 5/16" UPPER DOOR / MTH 86" From K-752 To K-752	1					
NS	282379	MOULDING Z 14 3/4" UPPER REAR BODY / MTH 86" From K-752 To K-752	1					
NS	282930	MOULDING A 11 15/16" UPPER FRT BODY / MTH 86" From J-529 To J-529	1					
NS	282929	MOULDING Z 77 1/4" LOWER BODY REAR / MTH 86" From J-529 To J-529	1					
NS	282928	MOULDING T 74" LOWER FRT BODY / MTH 86" From J-529 To J-529	1					
NS	282932	MOULDING Z 11 7/8" UPPER REAR BODY / MTH 86" From J-529 To J-529	1					
NS	282931	MOULDING L 86 1/16" UPPER DOOR / MTH 86" From J-529 To J-529	1					

From F-829 To W-6863	Date:10/2022	PAGE:XL-1854-65
----------------------	--------------	-----------------

PANEL W/CENTRAL DOORS

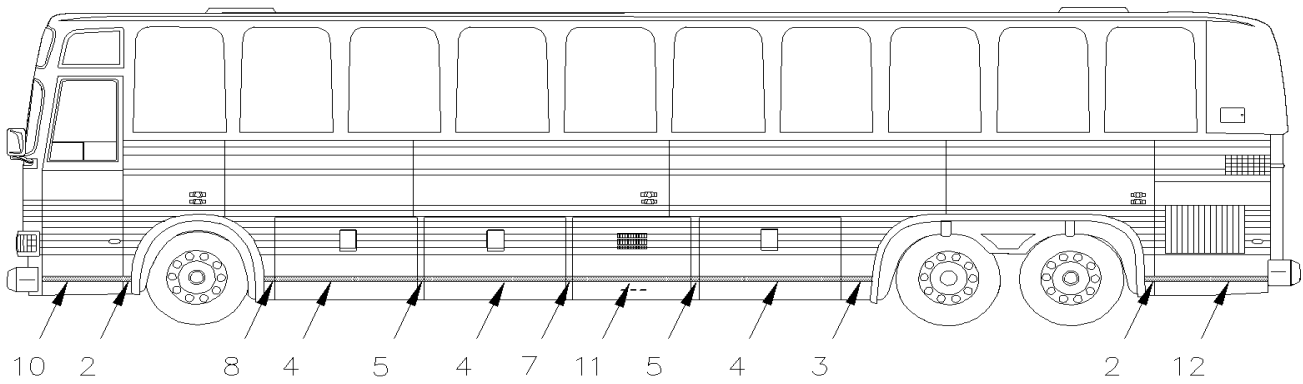
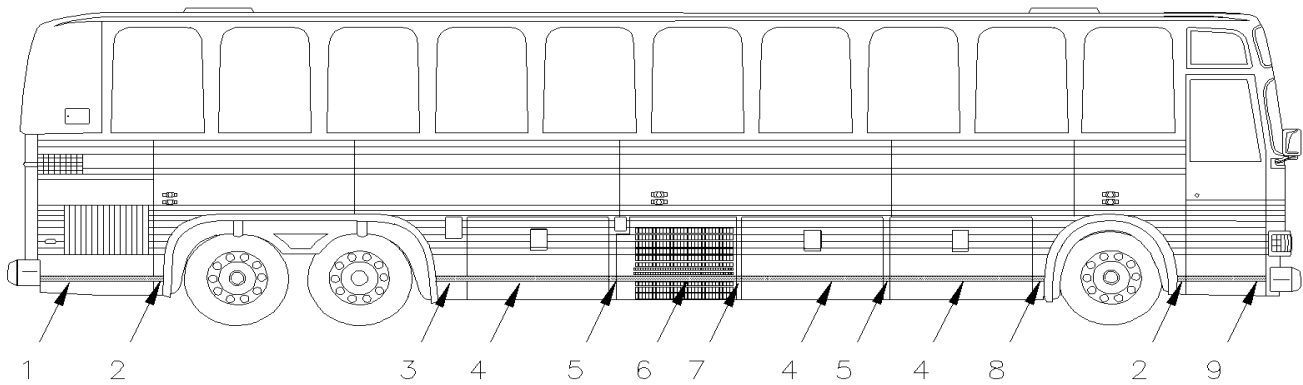
Item#	Part	Description	M T H 4 0	M T H 4 5	M T H 4 5 E	X L 4 0	X L 4 5	N O T E S
NS	283104	MOULDING Z 11 7/8" UPPER REAR BODY / MTH 80" From K-720 To K-720	1					
NS	283103	MOULDING L 86 1/16" UPPER DOOR / MTH 80" From K-720 To K-720	1					
NS	283105	MOULDING Z 77 1/4" LOWER BODY REAR / MTH 80" From K-720 To K-720	1					
NS	283107	MOULDING T 74" LOWER FRT BODY / MTH 80" From K-720 To K-720	1					
NS	283106	MOULDING A 11 15/16" UPPER FRT BODY / MTH 80" From K-720 To K-720	1					
		A) THIS VEHICULE DO NOT HAVE FRONT ENTRANCE DOOR						
		R) THIS PART NEED TO BE REWORK TO FIT CURBSIDE						
		W) DOOR WITH 22" X 22" WINDOW OPENING						

From E-638 To Y-7045

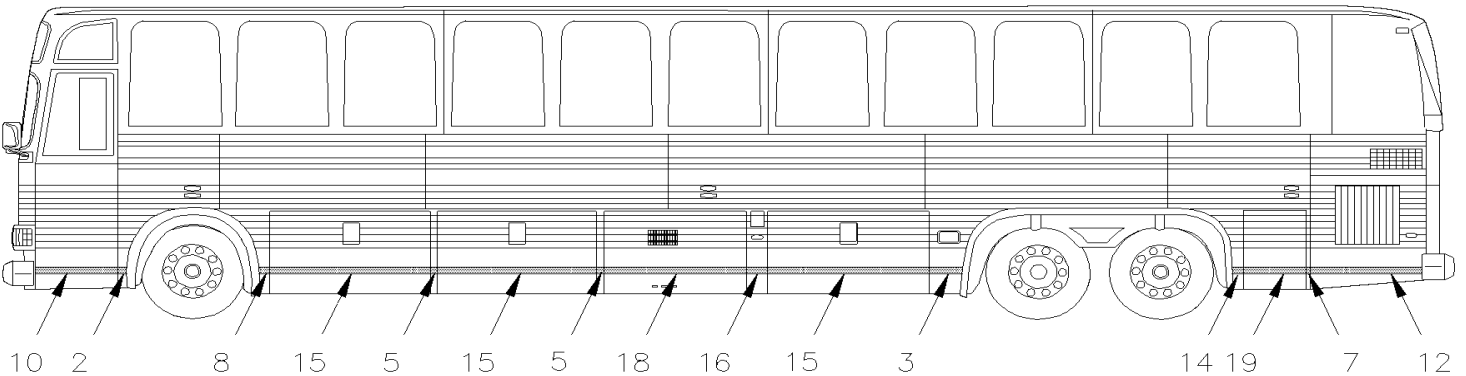
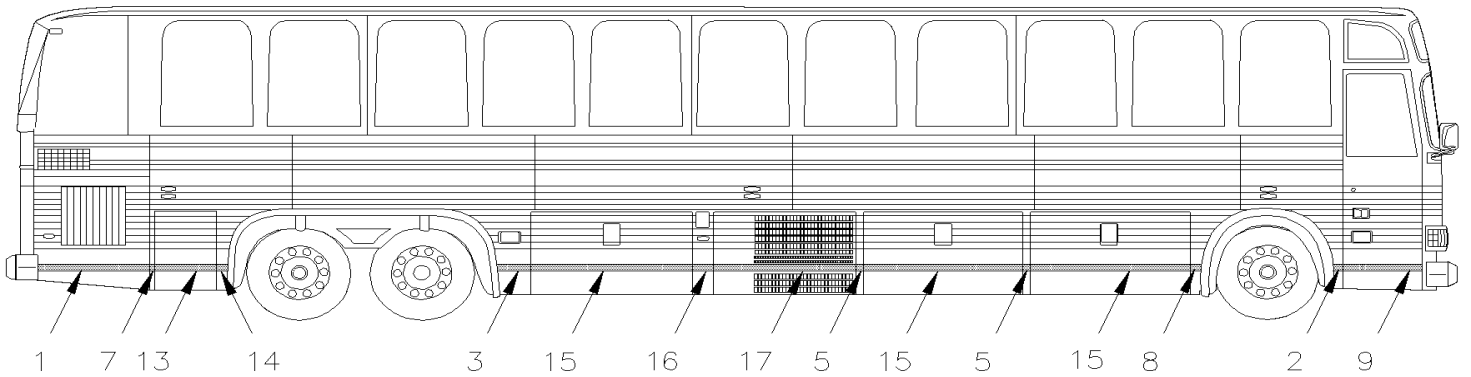
Date:10/2022

PAGE:XL-1855-00

RUB RAIL - EXTERIOR CREST & TRIMS

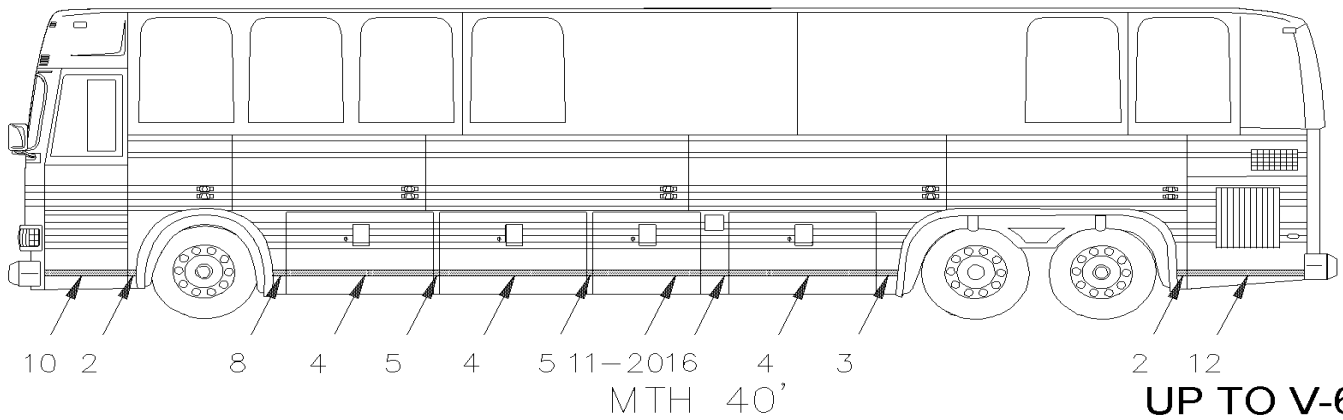
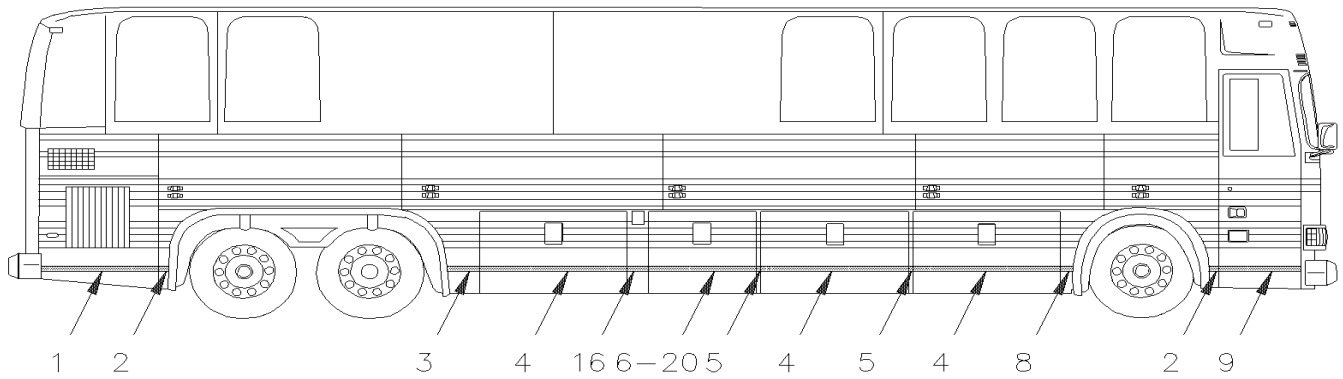


XL 40'

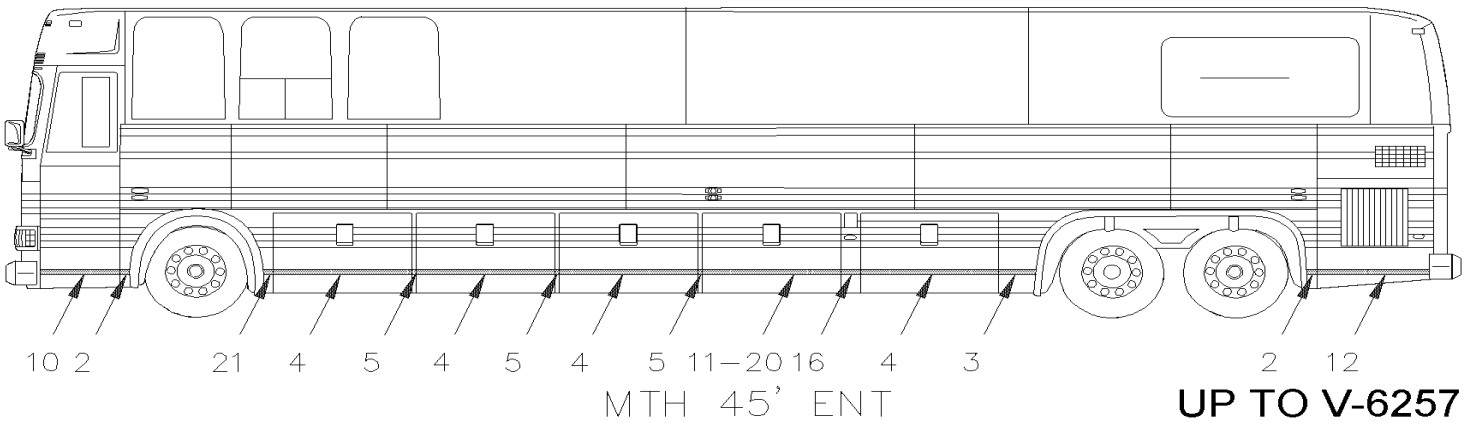
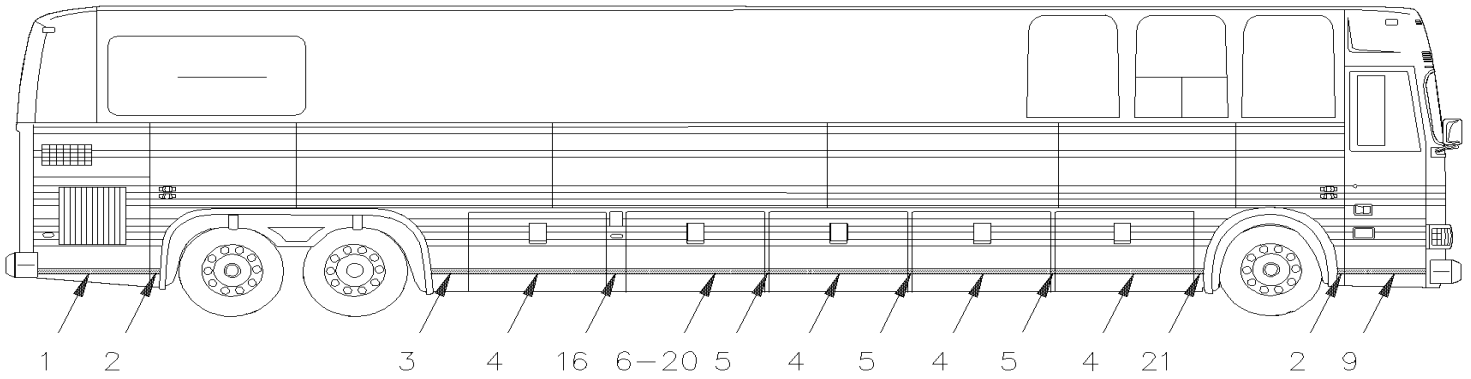


XL 45'

From E-638 To Y-7045	Date:10/2022	PAGE:XL-1855-00
RUB RAIL - EXTERIOR CREST & TRIMS		

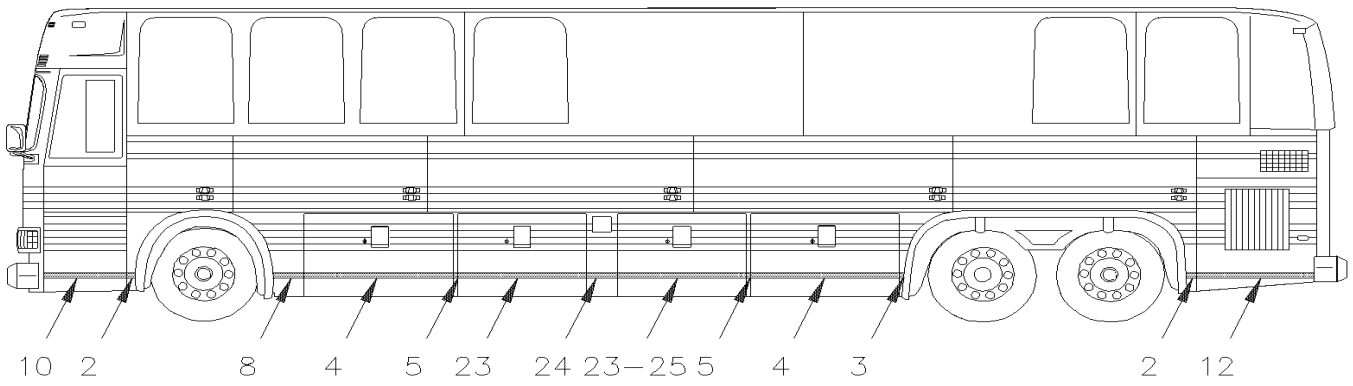
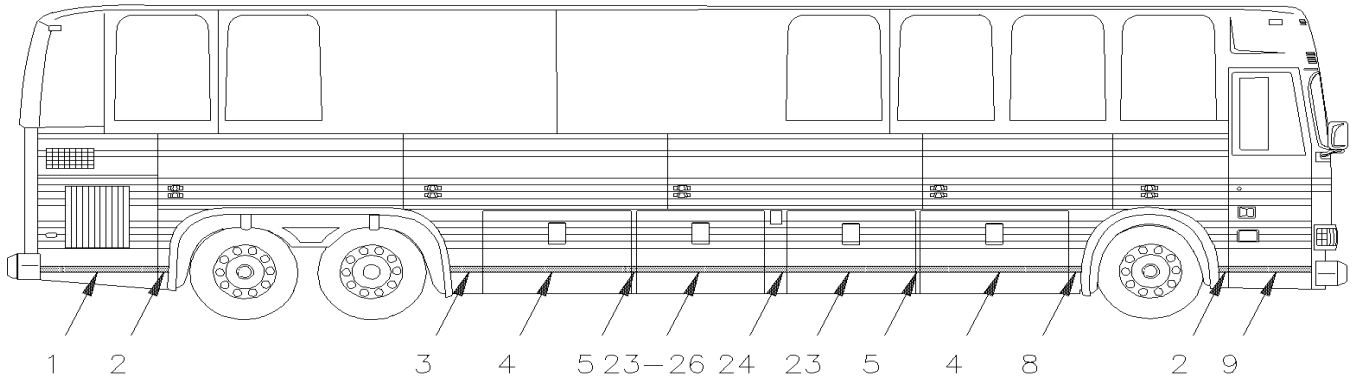


UP TO V-6257



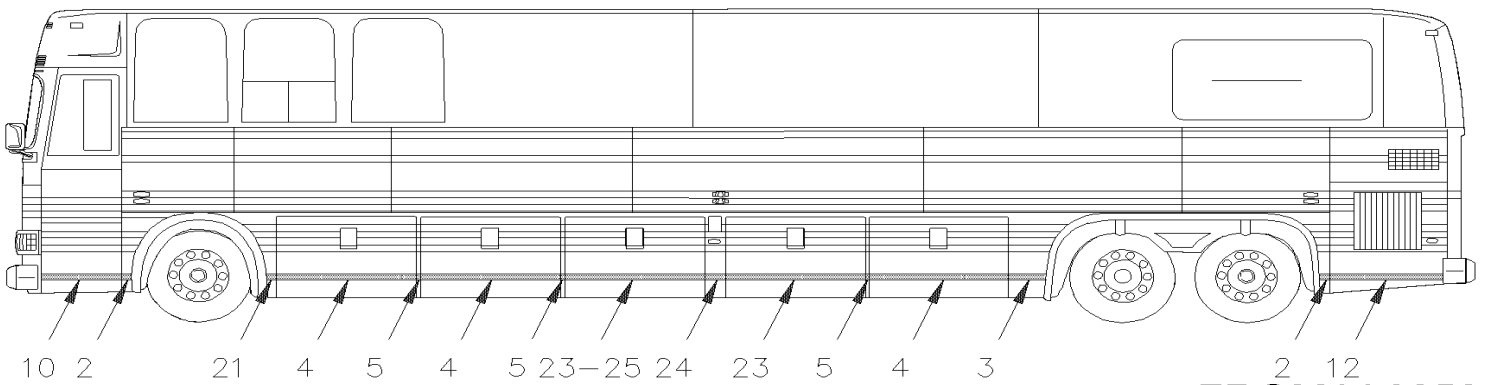
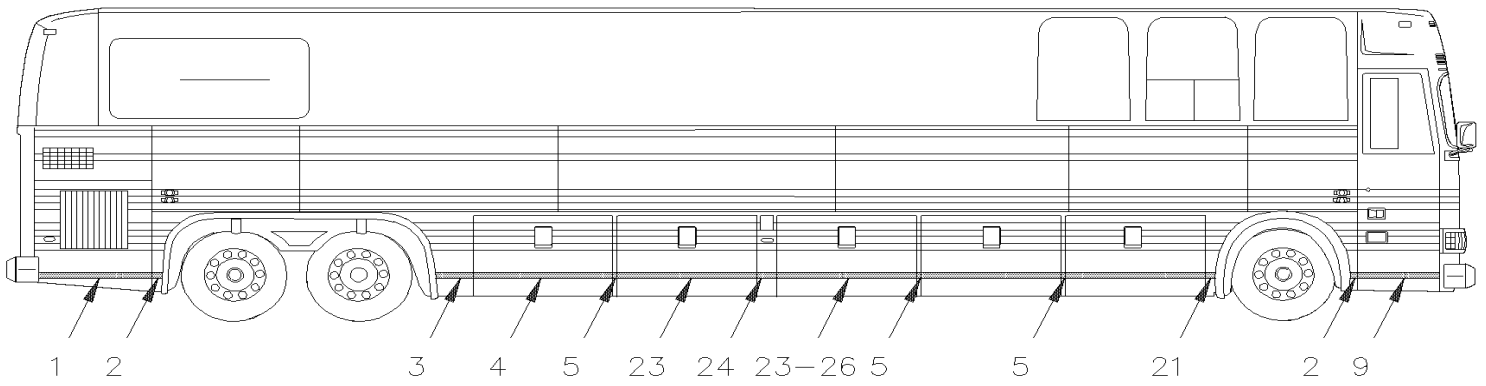
UP TO V-6257

From E-638 To Y-7045	Date:10/2022	PAGE:XL-1855-00
RUB RAIL - EXTERIOR CREST & TRIMS		



MTH 40'

FROM V-6258



MTH 45' ENT

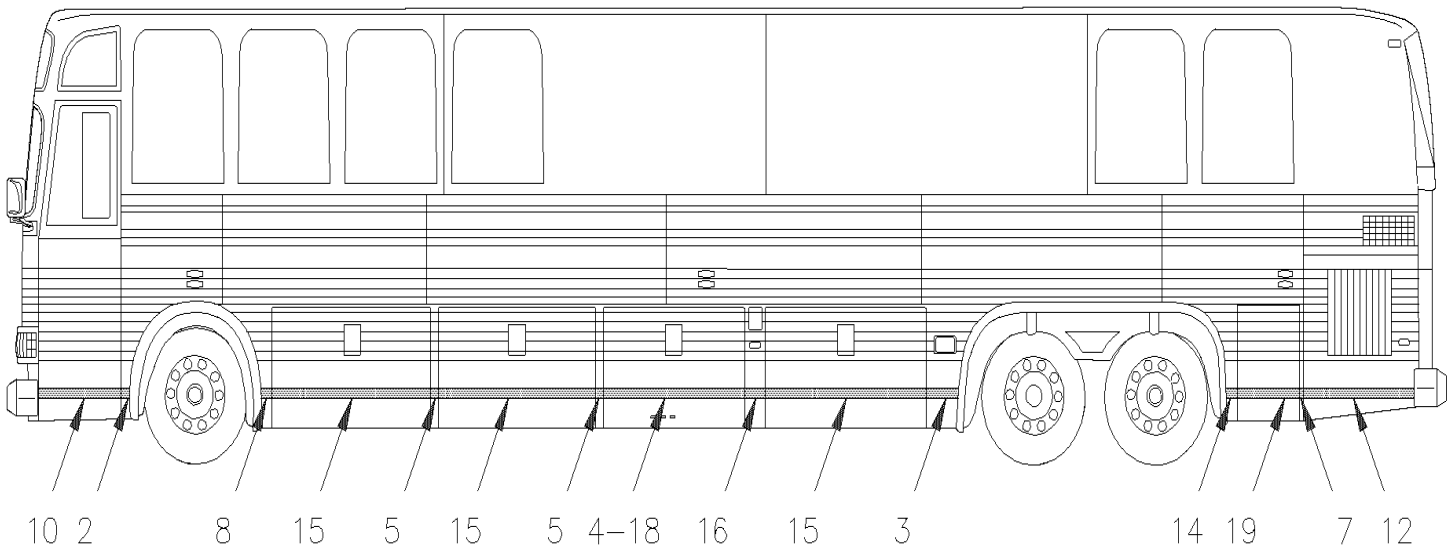
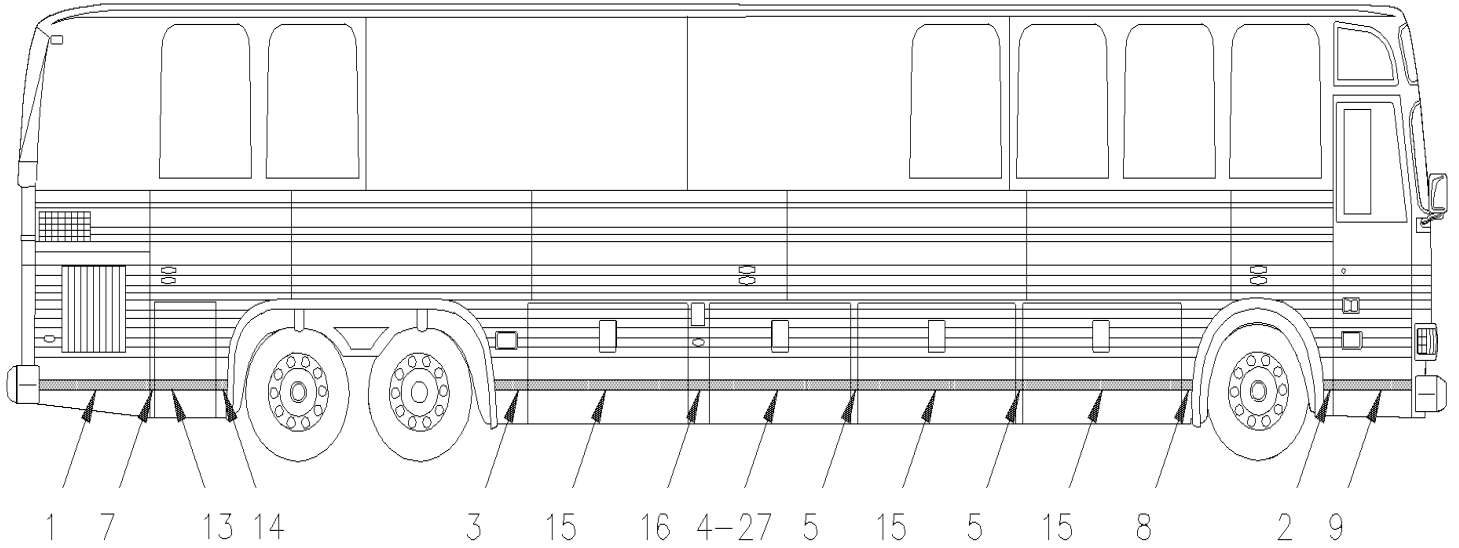
FROM V-6258

From E-638 To Y-7045

Date:10/2022

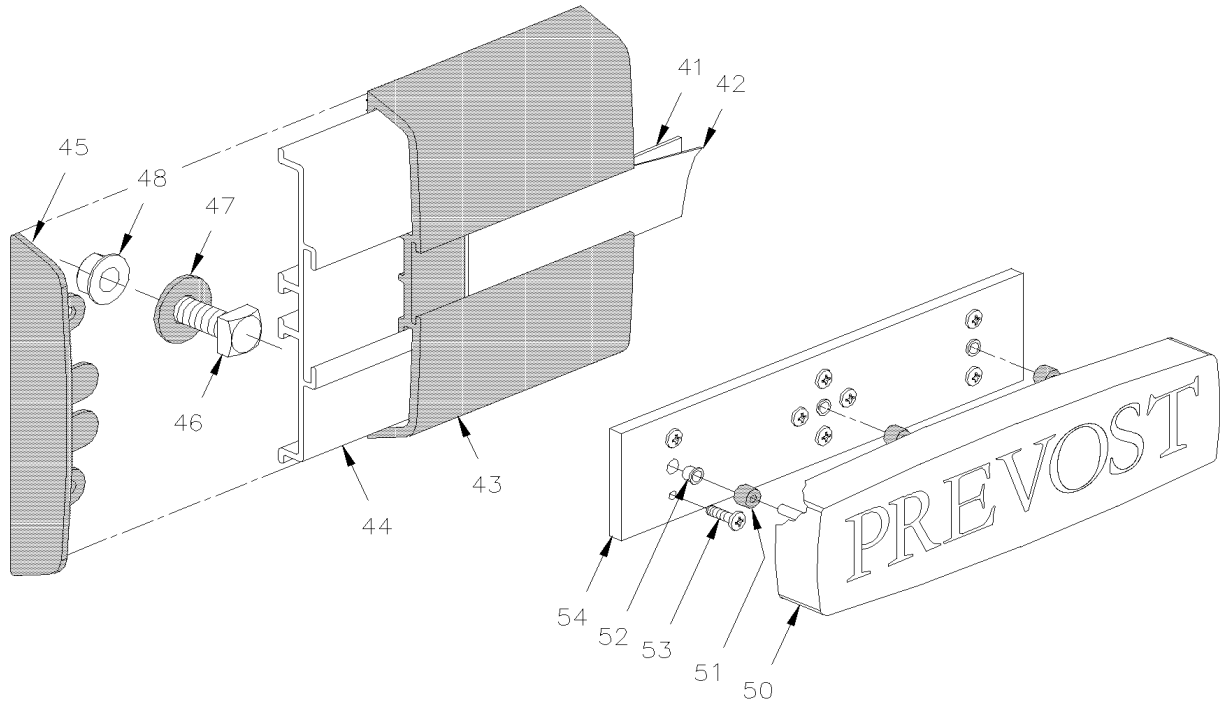
PAGE:XL-1855-00

RUB RAIL - EXTERIOR CREST & TRIMS



MTH 45'

From E-638 To Y-7045	Date:10/2022	PAGE:XL-1855-00
RUB RAIL - EXTERIOR CREST & TRIMS		



PREVOST — 70

- | | |
|-------------------------------|------------------------------------|
| 71 — marathon xl | PREVOST XL — 72 |
| 73 — Le Mirage XL — 74 | Le mirage XL — 75 |
| 76 — astral xl | astral xl — 77 |
| 78 — SV 92 turbo | SV 92 TURBO — 79 |
| 80 — SV 92 TURBO | ANTI-LOCK BRAKE SYSTEM — 81 |
| 82 — SERIES 60 | series 50 — 83 |
| 85 — DBEC - ATEC | ENTERTAINERS — 84 |

From E-638 To Y-7045	Date:10/2022	PAGE:XL-1855-00
RUB RAIL - EXTERIOR CREST & TRIMS		

Item#	Part	Description	M T H 4 0	M T H 4 5	M T H 4 5 E	X L 4 0	X L 4 5	N O T E S
1	281518	RAIL ASSY / 42" 5/8	1		1	1		
2	471592	RAIL ASSY / 3"	4		4	4		A
2	471592	RAIL ASSY / 3"		2			2	A
3	471591	RAIL ASSY / 12"3/16	2	2	2	2	2	
4	480994	RAIL ASSY / 53"1/2 / BAGGAGE DOOR	6			6		
4	480994	RAIL ASSY / 53"1/2 / BAGGAGE DOOR			8			
4	480994	RAIL ASSY / 53"1/2 / BAGGAGE DOOR		2				
5	471551	RAIL ASSY / 1"½ / 2 BAGGAGES DOORS	4	4		4	4	
5	471551	RAIL ASSY / 1"½ / 2 BAGGAGES DOORS			6			
6	480914	RAIL PROTECTOR / SS BLACK TREATED 44 13/16"	1		1	1		
7	471882	DECAL 1" 1/2" WIDE / RAIL IMITATING	2		2	2		
7	471882	DECAL 1" 1/2" WIDE / RAIL IMITATING		4			4	
8	471709	RAIL ASSY / 3"3/4	2	2		2	2	B
9	281520	RAIL ASSY / 29"3/8 / FRONT ENTRANCE DOOR	1	1	1	1	1	
10	281523	RAIL ASSY / 27"½ / FRONT SERVICE DOOR LH	1	1	1	1	1	
11	471534	RAIL ASSY / 44"¾ / EVAPORATOR DOOR				1		
11	471534	RAIL ASSY / 44"¾ / EVAPORATOR DOOR To V-6257	1		1			
12	284488	RAIL ASSY / 44"1/8 / RADIATOR DOOR From P-722	1	1	1	1	1	
12	281518	RAIL ASSY / 42" 5/8	1	1	1	1	1	
12	285950	RAIL PROTECTOR / SS BLACK TREATED 1105MM From W-6562	1	1	1	1	1	
13	284539	RAIL ASSY / 22"5/8 / RH REAR SIDE SERVICE DOO		1			1	
14	473033	RAIL ASSY / 2 5/8"		2			2	
15	481976	RAIL ASSY / 60"1/4 / BAGGAGE DOOR		6			6	
16	471653	RAIL ASSY / 7"3/16 To V-6257	2		2			
16	471653	RAIL ASSY / 7"3/16		1			1	
17	482310	RAIL PROTECTOR / SS BLACK TREATED 53"					1	
18	472774	RAIL ASSY / 53" / EVAPORATOR DOOR		1			1	
19	284536	RAIL ASSY / 21"1/8 / LH REAR SIDE SERVICE DOO		1			1	
20	481081	RAIL ASSY / 38"¾ / BAGGAGE DOOR To V-6257	2		2			
20	482266	RAIL PROTECTOR / SS BLACK TREATED 38" To V-6257			1			D
21	472730	RAIL ASSY / 8"1/4			2			
23	482483	RAIL ASSY / 45"1/16 / BAGGAGE DOOR From V-6258	4		4			
24	473360	RAIL ASSY / 9" From V-6258	2		2			
25	480914	RAIL PROTECTOR / SS BLACK TREATED 44 13/16" From V-6258	1		1			C
26	471534	RAIL ASSY / 44"¾ / EVAPORATOR DOOR From V-6258	1		1			C
27	482091	RAIL PROTECTOR / SS BLACK TREATED 53"		1				C
41	471079	PLATE, BACKING 108"	AR	AR	AR	AR	AR	
42	920007	STRIPE, REFLECTIVE WHITE / 1"¼ X 150'	AR	AR	AR	AR	AR	
42	472179	STRIPE, REFLECTIVE WHITE / 1"¼ X 15'	AR	AR	AR	AR	AR	
42	920008	STRIPE, REFLECTIVE WHITE / 1" X 150' / S.L.	AR	AR	AR	AR	AR	E
43	471546	RUBBER / 90"	AR	AR	AR	AR	AR	
44	471083	SLIDE / 144"	AR	AR	AR	AR	AR	

From E-638 To Y-7045		Date:10/2022	PAGE:XL-1855-00
RUB RAIL - EXTERIOR CREST & TRIMS			

Item#	Part	Description	M T H 4 0	M T H 4 5	M T H 4 5 E	X L 4 0	X L 4 5	N O T E S
45	471545	CLOSING, END	AR	AR	AR	AR	AR	
46	500194	SCREW CAP SQ 3/8-16x1 Z050	AR	AR	AR	AR	AR	
47	471119	SEAL WASHER / RUB RAIL & PANEL	AR	AR	AR	AR	AR	
NS	473378	SEAL WASHER / RUB RAIL & PANEL	AR	AR	AR	AR	AR	
48	500301	NUT HEXF STO 3/8-16 Z050	AR	AR	AR	AR	AR	
NS	490645	KIT CREST "PREVOST"	AR	AR	AR	AR	AR	K
NS	IS-89179	SEE INSTRUCTION SHEET	1	1	1	1	1	K
50	490550	CREST "PREVOST"	1	1	1	1	1	
51	490601	GASKET	3	3	3	3	3	
52	502814	NUT SPR PO TUB .184-.190	3	3	3	3	3	
53	500952	SCREW TP BDG PH #8x1/2 SS	6	6	6	6	6	
54	490592	PLATE, MOUNTING	1	1	1	1	1	
70	490214	CREST "PREVOST" To H-284	2			2		
70	490405	CREST "PREVOST" From H-285 To L-684	2			2		
70	490406	LETTER "P" From H-285 To L-684	1			1		
70	490407	LETTER "R" From H-285 To L-684	1			1		
70	490408	LETTER "E" From H-285 To L-684	1			1		
70	490409	LETTER "V" From H-285 To L-684	1			1		
70	490410	LETTER "O" From H-285 To L-684	1			1		
70	490411	LETTER "S" From H-285 To L-684	1			1		
70	490412	LETTER "T" From H-285 To L-684	1			1		
70	680532	SEALANT SIKA #221 / GREY / 310ml CARTRIDGE	QR	QR	QR	QR	QR	
71	490252	CREST, "MARATHON XL" To G-058	1			1		
72	490353	CREST, "PREVOST XL" From G-059 To H-284	1			1		
72	490414	DECAL, "PREVOST XL" From H-285 To L-684				1		
72	490653	DECAL, "PREVOST XL" SS From H-285 To L-684				1		
73	490181	CREST, "LE MIRAGE" To H-284	1			1		
74	490253	CREST, "XL" To H-284	1			1		
75	490413	DECAL, "LE MIRAGE XL" From H-285 To L-684	1			1		
75	490647	DECAL, "LE MIRAGE XL" SS From L-685	1	1	1	1	1	
75	490666	CREST, "LE MIRAGE XL" / FRONT GRILL From L-685	1	1	1	1	1	
76	490339	CREST, "ASTRAL" To H-284				1		
77	490415	DECAL, "ASTRAL" From H-285 To L-684				1		
77	490652	DECAL, "ASTRAL" SS From L-685				1		
78	490229	CREST, "8V92 TURBO" To H-284	1			1		
79	490419	DECAL, "8V92 TURBO" From H-285 To L-684	1			1		
79	490649	DECAL, "8V92 TURBO" SS From L-685	1		1	1		
80	490650	DECAL, "6V92 TURBO" SS From L-685	1			1		
81	490651	DECAL, "ANTI-LOCK BRAKE SYSTEM"	1	1	1	1	1	
82	490718	DECAL, "SERIES 60" SS	1	1	1	1	1	
83	490800	DECAL, "SERIES 50" SS				1		
84	490723	DECAL, "ENTERTAINERS" SS From P-656			1			

From E-638 To Y-7045	Date:10/2022	PAGE:XL-1855-00
RUB RAIL - EXTERIOR CREST & TRIMS		

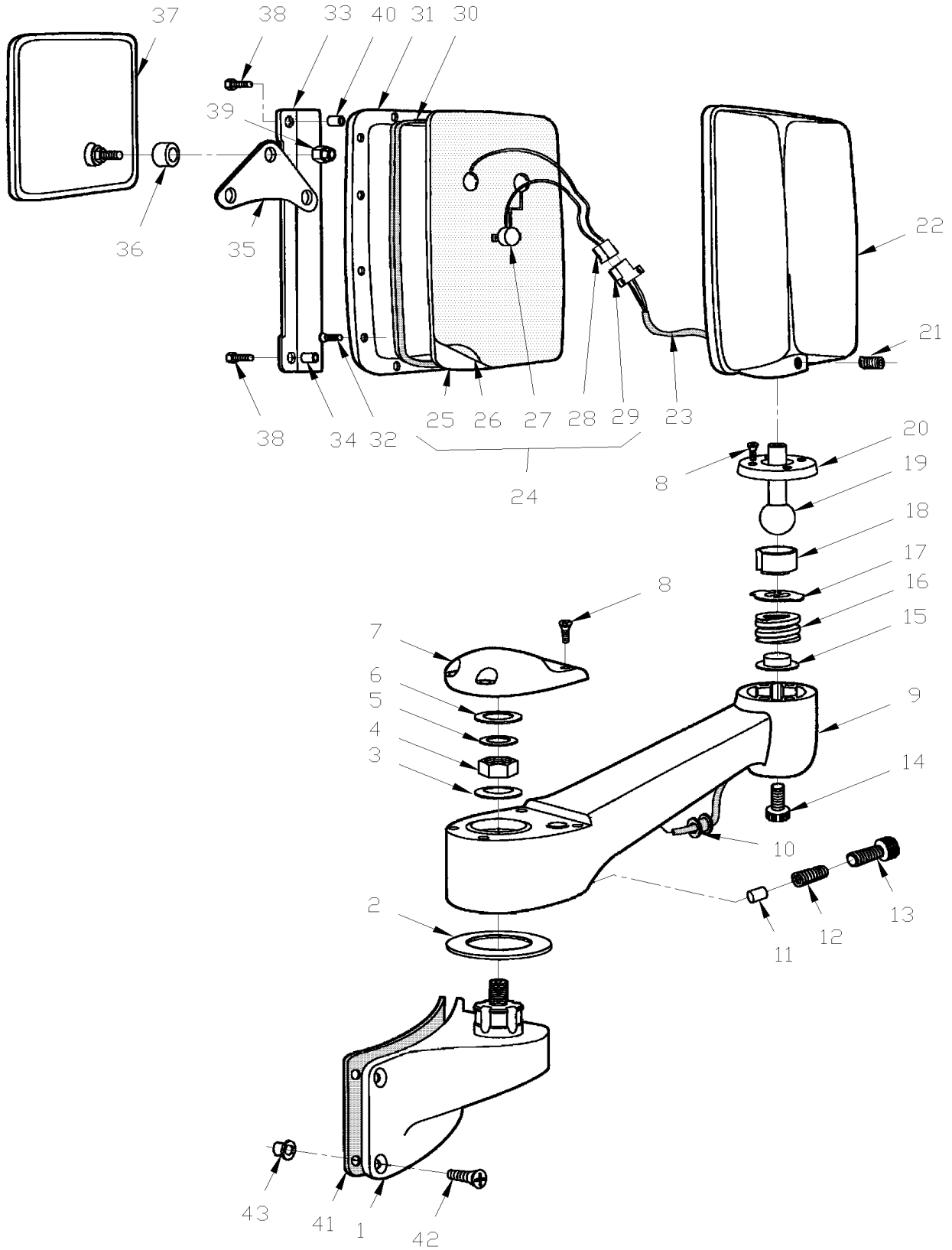
Item#	Part	Description	M T H 4 0	M T H 4 5	M T H 4 5 E	X L 4 0	X L 4 5	N O T E S
85	490418	DECAL, "DDEC-ATEC" From H-285 To L-684	1			1		
85	490648	DECAL, "DDEC-ATEC" SS From L-685	1	1	1	1	1	
		A) FOR SERVICE WE SUGGEST #47-1885 KIT RAIL RUBBER						
		B) FOR SERVICE WE SUGGEST #47-1815 KIT RAIL RUBBER						
		C) FOR MTH WITH LARGE A/C						
		D) WITH GRILL DOOR 38" OPTION						
		E) USE ON CONDENSOR DOOR						
		K) THIS KIT IS FOR RETROFIT CREST FOR VEHICLE Up to L-684, INCLUDE ITEMS #50 TO 54						

From E-638 To L-684

Date:10/2022

PAGE:XL-1856-00

MIRROR "IKI" - MANUAL ADJUSTMENT



From E-638 To L-684		Date:10/2022	PAGE:XL-1856-00
MIRROR "IKI" - MANUAL ADJUSTMENT			

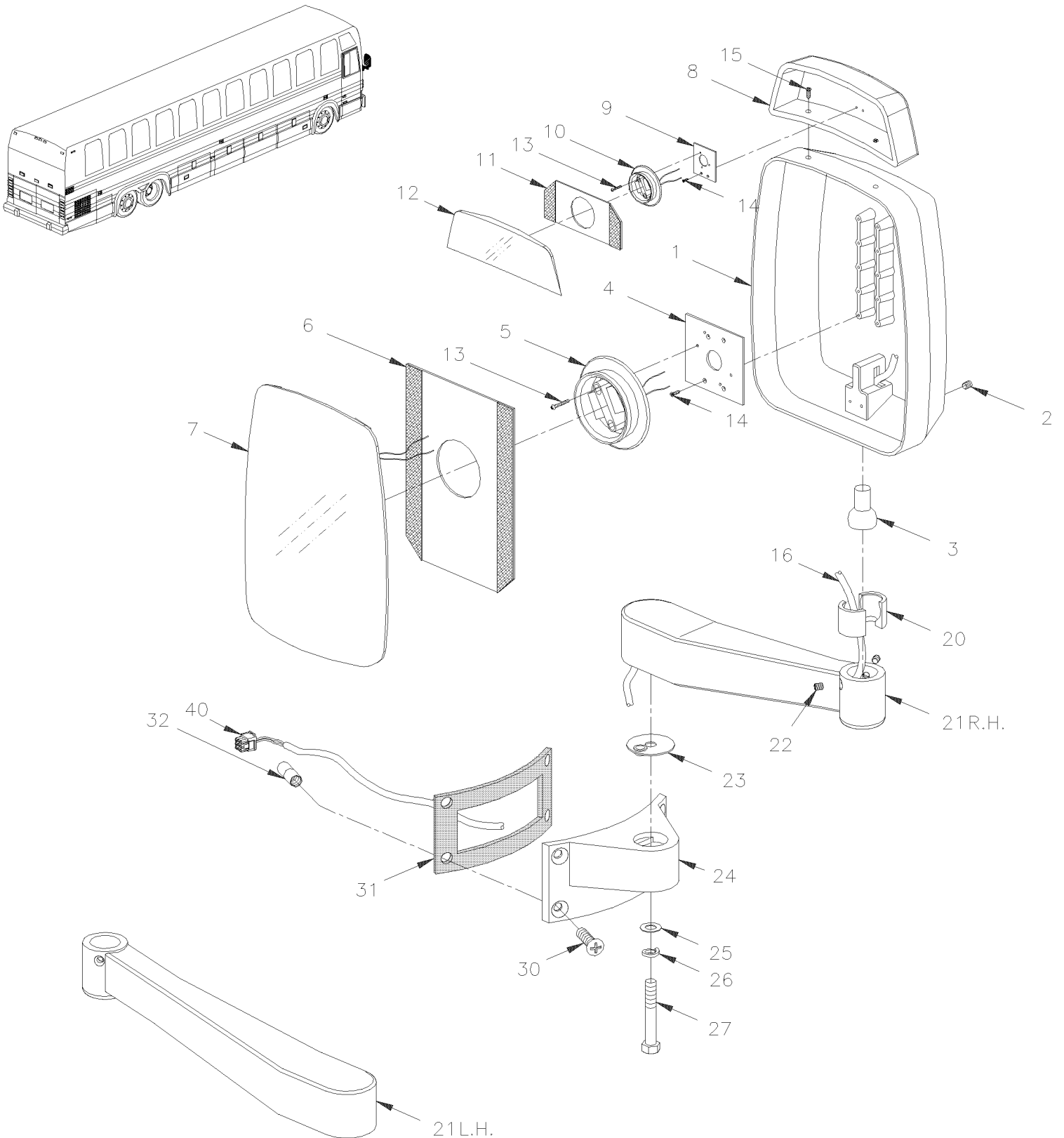
Item#	Part	Description	M T H 4 0	M T H 4 5	M T H 4 5 E	X L 4 0	X L 4 5	N O T E S
	990109	MIRROR R.H. HEATED / ALUMINUM PAINTED	1	1	1	1	1	
	990110	MIRROR L.H. HEATED / ALUMINUM PAINTED	1	1	1	1	1	
	990107	MIRROR R.H. TINTED & HEATED / ALUMINUM PAINTED	1	1	1	1		
	990108	MIRROR L.H. TINTED & HEATED / ALUMINUM PAINTED	1	1	1	1		
NS	560697	PLUG RECEPTACLE / 16-14 / AMP 165429-1	1	1	1	1	1	
NS	560098	TERMINAL SNAP PLUG / 16-14 / INSULATED / AMP 2-324225-1	1	1	1	1	1	
NS	500809	NUT HEX STO M20-2.5 N500	1	1	1	1	1	
1	990130	. SUPPORT / L.H. & R.H. MIRROR ARM	1	1	1	1	1	
2	990090	. SEAT	1	1	1	1	1	
3	990100	. WASHER SPRING	1	1	1	1	1	
4	500336	. NUT HEX M20-2.5 ZP	1	1	1	1	1	
5	990102	. WASHER SPRING	1	1	1	1	1	
7	990128	. CAP ALUMINIUM PAINTED	1	1	1	1	1	
8	502653	. SCREW MA PAN PH M5-0.8x16 SS	8	8	8	8	8	
9	990127	. ARM ALUMINIUM PAINTED	1	1	1	1	1	
10	990103	. GROMMET	1	1	1	1	1	
11	990092	. BUSHING	1	1	1	1	1	
12	990091	. SPRING COMPRESSION / .415 O.D. x 1.162 x .078	1	1	1	1	1	
13	500340	. SCREW CAP HEXS M14-2.0x22 G12.9 ZP	1	1	1	1	1	
14	500338	. SCREW CAP HEXS M10-1.5x20 ZP	1	1	1	1	1	
15	990099	. WASHER	1	1	1	1	1	
16	990093	. SPRING COMPRESSION / 1.353 O.D. x 1.020 x .234	1	1	1	1	1	
16	990101	. WASHER FLAT	1	1	1	1	1	
17	990089	. PLATE	1	1	1	1	1	
18	990088	. STAND	1	1	1	1	1	
19	990087	. BALL STUD	1	1	1	1	1	
20	990125	. STOPPER ALUMINIUM PAINTED	1	1	1	1	1	
21	500341	. SCREW SET HEXS CUP M12-1.75x20	1	1	1	1	1	
22	990123	. BODY L.H.	1	1	1	1	1	
22	990124	. BODY R.H.	1	1	1	1	1	
23	990095	. HARNESS ASSY	1	1	1	1	1	
24	990085	. MIRROR & HEATER ASSY TINTED	1	1	1	1		
24	990084	. MIRROR & HEATER ASSY CLEAR	1	1	1	1	1	
25	990105	. . GLASS MIRROR / TINTED	1	1	1	1		
25	990106	. . GLASS MIRROR / CLEAR	1	1	1	1	1	
26	990096	. . HEATER	1	1	1	1	1	
27	990097	. . THERMOSTAT	1	1	1	1	1	
28	990094	. . CONNECTOR MALE	1	1	1	1	1	
29	990098	. . CONNECTOR FEMALE	1	1	1	1	1	
30	990086	. SEAL	1	1	1	1	1	
31	990122	. RIM	1	1	1	1	1	
32	500342	. SCREW MA PAN PH M4-0.7x16 ZP	10	10	10	10	10	

From L-685 To Y-7045

Date:10/2022

PAGE:XL-1856-20

MIRROR "RAMCO" FLAT GLASS / SILVER PAINTED



From L-685 To Y-7045	Date:10/2022	PAGE:XL-1856-20
MIRROR "RAMCO" FLAT GLASS / SILVER PAINTED		

Item#	Part	Description	M T H 4 0	M T H 4 5	M T H 4 5 E	X L 4 0	X L 4 5	N O T E S
	990223	MIRROR ASSY, L.H. / ELECTRIC / W/CONVEX MANUAL OVER				1	1	
NS	990202	MIRROR ASSY, R.H. / ELECTRIC / W/CONVEX MANUAL OVER				1	1	
1	990380	. HEAD ASSY / ELECTRIC				1	1	
2	502812	. . SCREW SET HEXS CUP 3/8-16X3/8 SS				1	1	
3	990186	. . STUD, BALL				1	1	
4	990272	. . NOTCHED BACK MOUNTING PLATE (2" X 3")				1	1	
5	990220	. . MOTOR 12V / LARGE / BLACK & WHITE / 133MM / 5 1/4" O.D.				1	1	C
. NS	564494	. . . TAB TERMINAL / 20-16 / AMP 63138-1				4	4	C
. NS	G5009096	. . . MOTOR 12V / LARGE / BLACK & WHITE / 133MM / 5 1/4" O.D.				1	1	C
5	990349	. . MOTOR 12V / MEDIUM / BLACK / 108MM / 4 1/4" O.D.				1	1	D
. NS	564494	. . . TAB TERMINAL / 20-16 / AMP 63138-1				4	4	D
6	990268	. . VELCRO PLATE / 8" X 8"				1	1	
7	990199	. . GLASS ASSY W/HEATER 12V				1	1	
8	990203	. . MIRROR ASSY / CONVEX MANUAL				1	1	
9	990295	. . . PLATE, TOP MOTOR MOUNTING				1	1	
10	990275	. . . MECHANISM MANUAL ASSY, SMALL / 75MM / 3" O.D.				1	1	
10	990402	. . . MECHANISM MANUAL ASSY, SMALL / 85MM / 3 5/16" O.D. / W/SNAP				1	1	
11	990269	. . . VELCRO PLATE / 3" X 4"				1	1	
12	990270	. . . GLASS CONVEX ASSY				1	1	
12	990280	. . . GLASS CONVEX ASSY W/HEATER 12V				AR	AR	
12	990339	. . . GLASS CONVEX ASSY W/HEATER 12V				AR	AR	S
13	N.P.N.	. . SCREW TC PAN PH ZP 6-32 X 1 1/8"				3	3	4
14	500660	. . SCREW TC FL PH #6-32x3/8 Z050				3	3	
15	990530	. . SCREW CAP HEX #10-24x1" SS				2	2	
NS	500787	. . NUT HEX #10-24 SS				2	2	
16	990282	. CABLE ASSY W/2 WIRES HEATER ELEMENT				1	1	
20	990187	. CUP, BALL				2	2	
21	990189	. ARM, L.H. / 12" X 5"				1	1	
21	990191	. ARM, R.H. / 15" X 5"				1	1	
22	502812	. SCREW SET HEXS CUP 3/8-16X3/8 SS				2	2	
23	990265	. WASHER ALUMINUM / 2" O.D.				1	1	
23	504082	. . SNAP BUSHING / .125x.312x.312				1	1	
24	990193	. BRACKET, MOUNTING				1	1	
25	500958	. WASHER FL .531x1.062x.095 SS				1	1	
26	N.P.N.	. WASHER, LOCK 1/2" SS				1	1	4
27	990500	. SCREW 1/2-13x2 HHCS SS				1	1	
30	500976	SCREW MA FL PH 5/16-18x1 1/2 SS				4	4	
31	490230	GASKET ADH / FOAM GREY				2	2	
32	500924	NUT AN JK 5/16-18				4	4	
40	561669	CONNECTOR / UNIVERSAL MATE-N-LOK / SH 9C / AMP 1-480706-0				1	1	
NS	562131	SOCKET TERMINAL / 20-14 / AMP 350550-1				9	9	
NS	062781	HARNESS, WIRE / TO FRONT JUNCTION BOX				1	1	

From L-685 To Y-7045	Date:10/2022	PAGE:XL-1856-20
----------------------	--------------	-----------------

MIRROR "RAMCO" FLAT GLASS / SILVER PAINTED

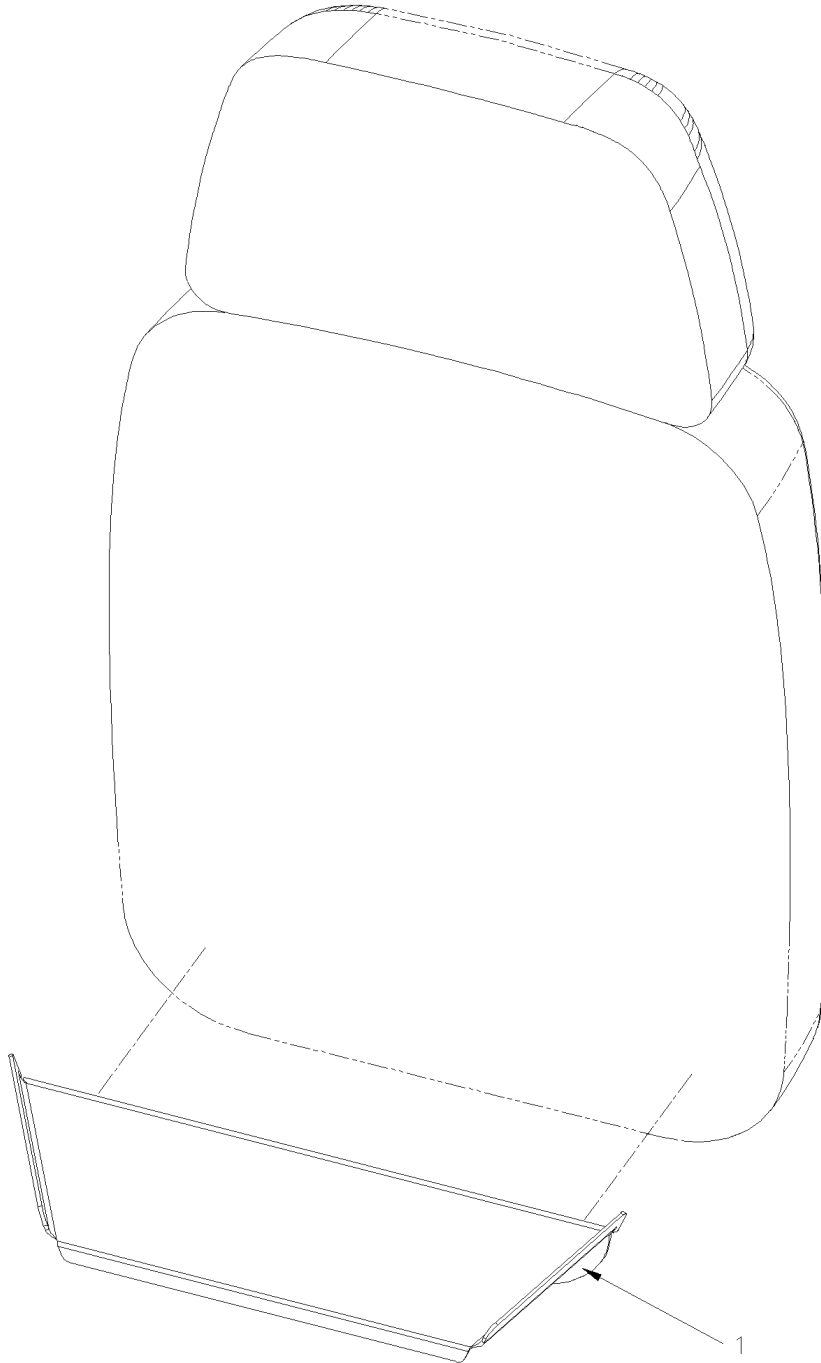
Item#	Part	Description	M T H 4 0	M T H 4 5	M T H 4 5 E	X L 4 0	X L 4 5	N O T E S
NS	062784	HARNESS, WIRE / TO R.H. MIRROR				1	1	
NS	062783	HARNESS, WIRE / TO L.H. MIRROR				1	1	
NS	062917	HARNESS, WIRE / TO SWITCH				1	1	
NS	062782	HARNESS, WIRE / TO SWITCH				1	1	
NS	561670	CONNECTOR / UNIVERSAL MATE-N-LOK / PH 9C / AMP 1-480707-0				1	1	
NS	561671	PIN TERMINAL / 24-18 / AMP 350690-1				9	9	
NS	064904	KIT SEAL 6 HOLES PIN CONNECTOR				AR	AR	
NS	IS-98103	. SEE INSTRUCTION SHEET				1	1	
NS	064905	KIT SEAL 9 HOLES PIN CONNECTOR				AR	AR	
NS	IS-98103	. SEE INSTRUCTION SHEET				1	1	
NS	MI16-28	DRIP EDGE ADDITION ON FRONT MIRRORS / PRODUCT IMPROVMENT				1	1	
		C) USE WITH SERIE 5000 HEAD						
		D) USE WITH SERIE 6000 HEAD						
		S) SNAP MODEL						
		4) NO PARTS NUMBER						

From L-685 To Y-7045

Date:10/2022

PAGE:MI16-28

DRIP EDGE ADDITION ON FRONT MIRRORS / PRODUCT IMPROVMENT

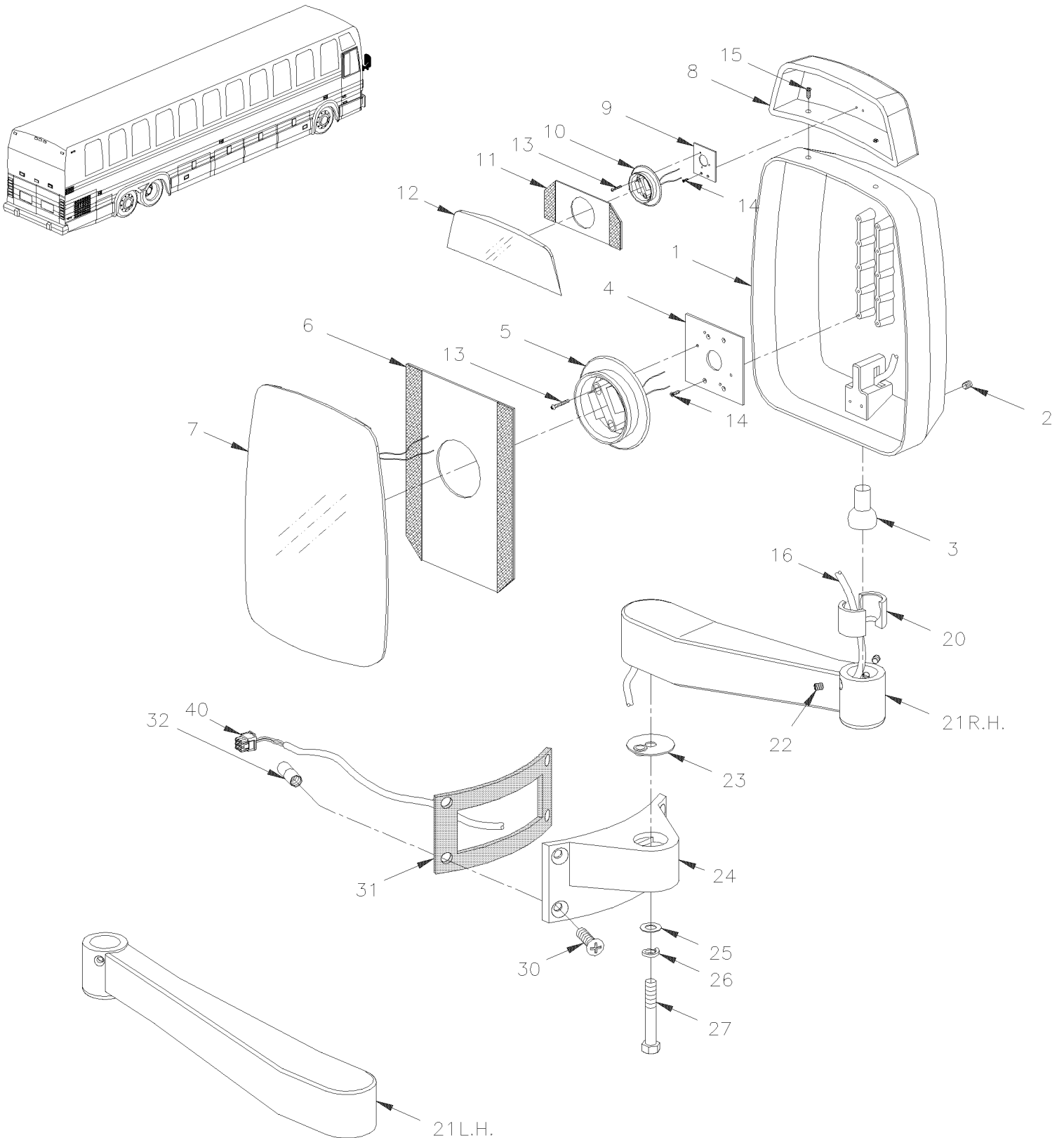


From L-685 To Y-7045

Date:10/2022

PAGE:XL-1856-22

MIRROR "RAMCO" FLAT GLASS / BLACK PAINTED



From L-685 To Y-7045	Date:10/2022	PAGE:XL-1856-22
MIRROR "RAMCO" FLAT GLASS / BLACK PAINTED		

Item#	Part	Description	M T H 4 0	M T H 4 5	M T H 4 5 E	X L 4 0	X L 4 5	N O T E S
	990251	MIRROR ASSY, R.H. / ELECTRIC / W/CONVEX ELEC. OVER				1	1	
	990252	MIRROR ASSY, L.H. / ELECTRIC / W/CONVEX ELEC. OVER				1	1	
1	990298	. HEAD ASSY / ELECTRIC / W/CONVEX MANUAL OVER				1	1	
1	990419	. HEAD ASSY / ELECTRIC / W/CONVEX ELEC. OVER				1	1	
2	502812	. . SCREW SET HEXS CUP 3/8-16X3/8 SS				1	1	
3	990186	. . STUD, BALL				1	1	
4	990272	. . NOTCHED BACK MOUNTING PLATE (2" X 3")				1	1	
5	990220	. . MOTOR 12V / LARGE / BLACK & WHITE / 133MM / 5 1/4" O.D.				1	1	C
. NS	564494	. . . TAB TERMINAL / 20-16 / AMP 63138-1				4	4	C
. NS	G5009096	. . . MOTOR 12V / LARGE / BLACK & WHITE / 133MM / 5 1/4" O.D.				1	1	C
5	990349	. . MOTOR 12V / MEDIUM / BLACK / 108MM / 4 1/4" O.D.				1	1	D
. NS	564494	. . . TAB TERMINAL / 20-16 / AMP 63138-1				4	4	D
6	990268	. . VELCRO PLATE / 8" X 8"				1	1	
7	990199	. . GLASS ASSY W/HEATER 12V				1	1	
8	990297	. MIRROR ASSY / CONVEX ELECTRIC				1	1	
9	990295	. . PLATE, TOP MOTOR MOUNTING				1	1	
10	990219	. . MOTOR 12V / SMALL / BLACK / 85MM / 3 5/16" O.D.				1	1	
. NS	564494	. . . TAB TERMINAL / 20-16 / AMP 63138-1				4	4	
11	990269	. . . VELCRO PLATE / 3" X 4"				1	1	
12	990280	. . GLASS CONVEX ASSY W/HEATER 12V				1	1	
12	990339	. . GLASS CONVEX ASSY W/HEATER 12V				AR	AR	S
13	N.P.N.	. . SCREW TC FL PH ZP 6-32 X 1 1/8"				3	3	4
14	500660	. . SCREW TC FL PH #6-32x3/8 Z050				2	2	
15	990530	. . SCREW CAP HEX #10-24x1" SS				2	2	
NS	500787	. . NUT HEX #10-24 SS				2	2	
16	990282	. . CABLE ASSY W/2 WIRES HEATER ELEMENT				1	1	
20	990187	. CUP, BALL				2	2	
21	990281	. ARM, L.H. / 12" X 5"				1	1	
21	990279	. ARM, R.H. / 15" X 5"				1	1	
22	502812	. SCREW SET HEXS CUP 3/8-16X3/8 SS				2	2	
23	990265	. WASHER ALUMINUM / 2 " O.D.				1	1	
NS	504082	. . SNAP BUSHING / .125x.312x.312				1	1	
24	990278	. BRACKET, MOUNTING				1	1	
25	500958	. WASHER FL .531x1.062x.095 SS				1	1	
26	N.P.N.	. WASHER, LOCK 1/2 SS				1	1	4
27	990500	. SCREW 1/2-13x2 HHCS SS				1	1	
30	500976	SCREW MA FL PH 5/16-18x1 1/2 SS				4	4	
31	490230	GASKET ADH / FOAM GREY				2	2	
32	500924	NUT AN JK 5/16-18				4	4	
40	561669	CONNECTOR / UNIVERSAL MATE-N-LOK / SH 9C / AMP 1-480706-0				1	1	
NS	562131	SOCKET TERMINAL / 20-14 / AMP 350550-1				9	9	
NS	062781	HARNESS, WIRE / TO FRONT JUNCTION BOX				1	1	

From L-685 To Y-7045	Date:10/2022	PAGE:XL-1856-22
MIRROR "RAMCO" FLAT GLASS / BLACK PAINTED		

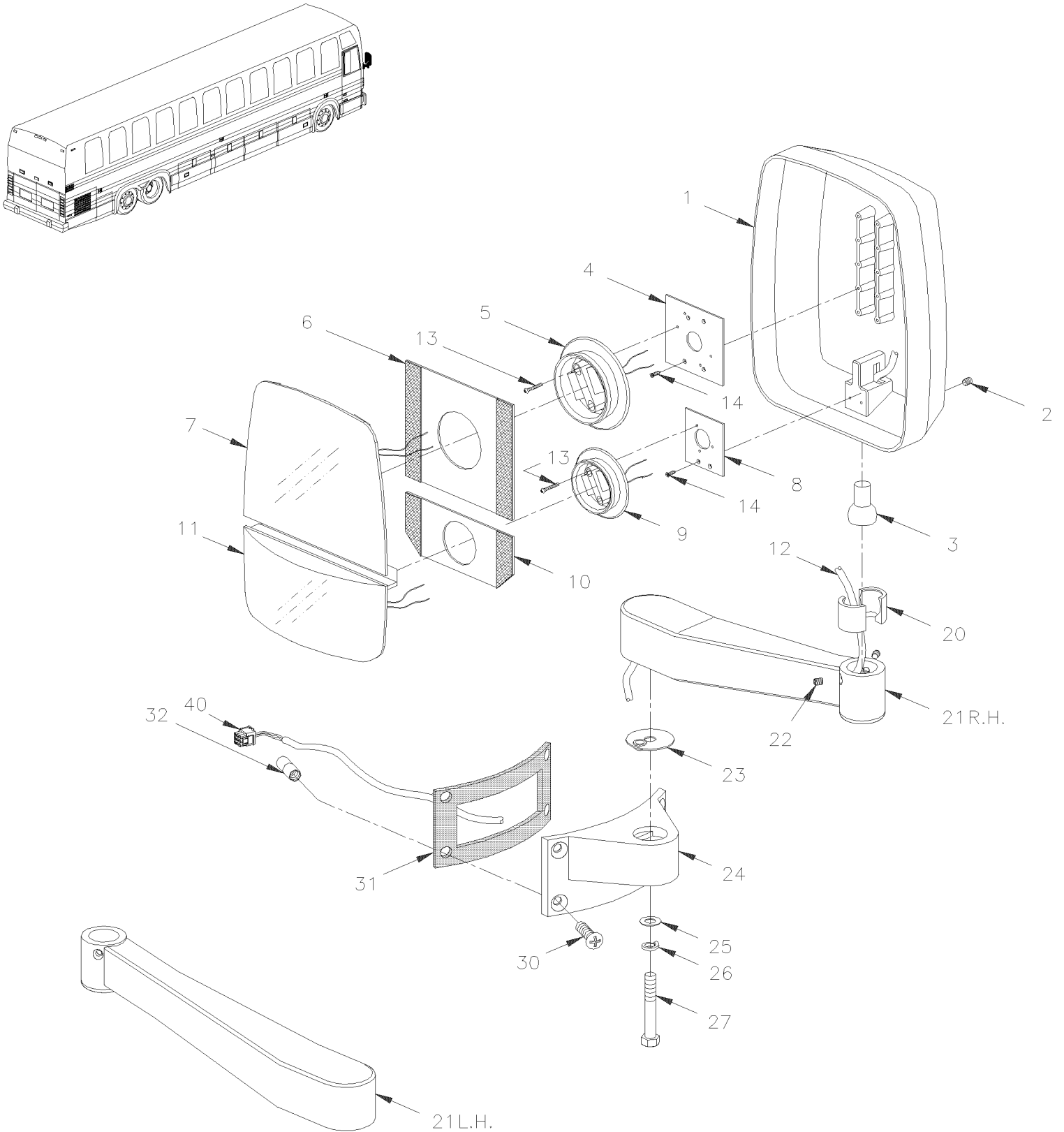
Item#	Part	Description	M T H 4 0	M T H 4 5	M T H 4 5 E	X L 4 0	X L 4 5	N O T E S
NS	062784	HARNESS, WIRE / TO R.H. MIRROR				1	1	
NS	062783	HARNESS, WIRE / TO L.H. MIRROR				1	1	
NS	062782	HARNESS, WIRE / TO SWITCH				1	1	
NS	561670	CONNECTOR / UNIVERSAL MATE-N-LOK / PH 9C / AMP 1-480707-0				1	1	
NS	561671	PIN TERMINAL / 24-18 / AMP 350690-1				9	9	
NS	064904	KIT SEAL 6 HOLES PIN CONNECTOR				AR	AR	
NS	IS-98103	. SEE INSTRUCTION SHEET				1	1	
NS	064905	KIT SEAL 9 HOLES PIN CONNECTOR				AR	AR	
NS	IS-98103	. SEE INSTRUCTION SHEET				1	1	
NS	MI16-28	DRIP EDGE ADDITION ON FRONT MIRRORS / PRODUCT IMPROVMENT				1	1	
		C) USE WITH SERIE 5000 HEAD						
		D) USE WITH SERIE 6000 HEAD						
		S) SNAP MODEL						
		4) NO PARTS NUMBER						

From L-685 To Y-7045

Date:10/2022

PAGE:XL-1856-30

MIRROR "RAMCO" 2 GLASSES / SILVER PAINTED



From L-685 To Y-7045	Date:10/2022	PAGE:XL-1856-30
MIRROR "RAMCO" 2 GLASSES / SILVER PAINTED		

Item#	Part	Description	M T H 4 0	M T H 4 5	M T H 4 5 E	X L 4 0	X L 4 5	N O T E S
	990165	MIRROR ASSY, L.H. / ELECTRIC				1	1	
	990164	MIRROR ASSY, R.H. / ELECTRIC				1	1	
1	990185	. HEAD ASSY / ELECTRIC				1	1	
2	502812	. . SCREW SET HEXS CUP 3/8-16X3/8 SS				1	1	
3	990186	. . STUD, BALL				1	1	
4	990272	. . NOTCHED BACK MOUNTING PLATE (2" X 3")				1	1	
5	990220	. . MOTOR 12V / LARGE / BLACK & WHITE / 133MM / 5 1/4" O.D.				1	1	F
. NS	564494	. . . TAB TERMINAL / 20-16 / AMP 63138-1				4	4	F
. NS	G5009096	. . . MOTOR 12V / LARGE / BLACK & WHITE / 133MM / 5 1/4" O.D.				1	1	F
5	990349	. . MOTOR 12V / MEDIUM / BLACK / 108MM / 4 1/4" O.D.				1	1	C
. NS	564494	. . . TAB TERMINAL / 20-16 / AMP 63138-1				4	4	C
6	990266	. . VELCRO PLATE / 6" X 7"				1	1	
7	990182	. . FLAT GLASS ASSY W/HEATER 12V				1	1	
8	990273	. . POWER CONVEX MOTOR BASE PLATE				1	1	
9	990219	. . MOTOR 12V / SMALL / BLACK / 85MM / 3 5/16" O.D.				1	1	
. NS	564494	. . . TAB TERMINAL / 20-16 / AMP 63138-1				4	4	
10	990267	. . . VELCRO PLATE / 3" X 7"				1	1	
11	990183	. . CONVEX GLASS ASSY W/HEATER 12V				1	1	
11	990338	. . CONVEX GLASS ASSY W/HEATER 12V				AR	AR	S
13	N.P.N.	. . SCREW TC FL PH ZP 6-32 X 1 1/8"				3	3	4
14	500660	. . SCREW TC FL PH #6-32x3/8 Z050				2	2	
20	990187	. CUP, BALL				2	2	
21	990189	. ARM, L.H. / 12" X 5"				1	1	
21	990191	. ARM, R.H. / 15" X 5"				1	1	
22	502812	. SCREW SET HEXS CUP 3/8-16X3/8 SS				2	2	
23	990265	. WASHER ALUMINUM / 2" O.D.				1	1	
NS	504082	. . SNAP BUSHING / .125x.312x.312				1	1	
24	990193	. BRACKET, MOUNTING				1	1	
25	N.P.N.	. WASHER, LOCK 1/2" SS				1	1	4
26	500958	. WASHER FL .531x1.062x.095 SS				1	1	
27	990500	. SCREW 1/2-13x2 HHCS SS				1	1	
30	500976	SCREW MA FL PH 5/16-18x1 1/2 SS				4	4	
31	490230	GASKET ADH / FOAM GREY				2	2	
32	500924	NUT AN JK 5/16-18				4	4	
40	561669	CONNECTOR / UNIVERSAL MATE-N-LOK / SH 9C / AMP 1-480706-0				1	1	
NS	562131	SOCKET TERMINAL / 20-14 / AMP 350550-1				9	9	
NS	062781	HARNESS, WIRE / TO FRONT JUNCTION BOX				1	1	
NS	062784	HARNESS, WIRE / TO R.H. MIRROR				1	1	
NS	062783	HARNESS, WIRE / TO L.H. MIRROR				1	1	
NS	062782	HARNESS, WIRE / TO SWITCH				1	1	
NS	561670	CONNECTOR / UNIVERSAL MATE-N-LOK / PH 9C / AMP 1-480707-0				1	1	
NS	561671	PIN TERMINAL / 24-18 / AMP 350690-1				9	9	

From L-685 To Y-7045	Date:10/2022	PAGE:XL-1856-30
MIRROR "RAMCO" 2 GLASSES / SILVER PAINTED		

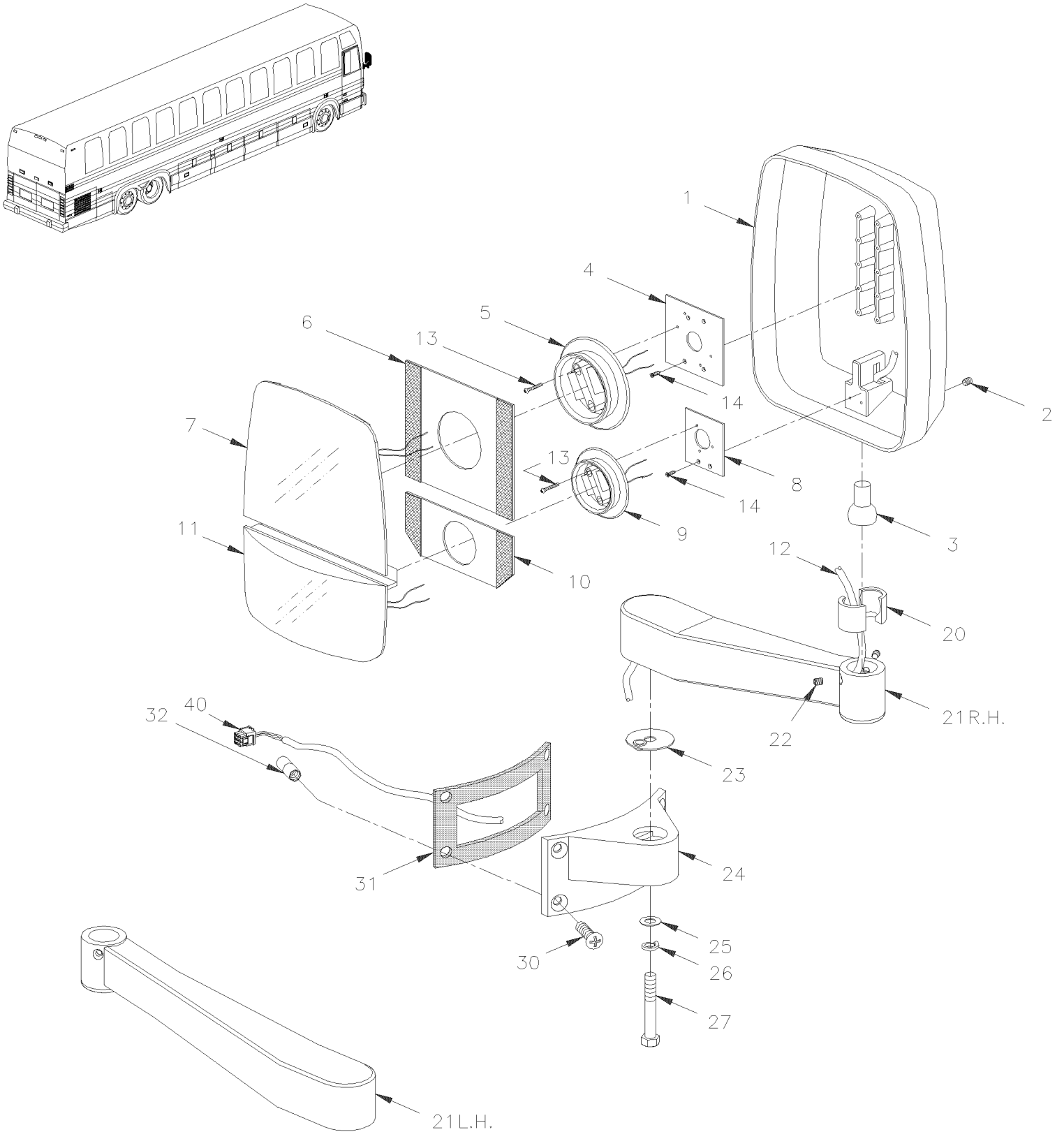
Item#	Part	Description	M T H 4 0	M T H 4 5	M T H 4 5 E	X L 4 0	X L 4 5	N O T E S
NS	064904	KIT SEAL 6 HOLES PIN CONNECTOR				AR	AR	
. NS	IS-98103	. SEE INSTRUCTION SHEET				1	1	
NS	064905	KIT SEAL 9 HOLES PIN CONNECTOR				AR	AR	
. NS	IS-98103	. SEE INSTRUCTION SHEET				1	1	
		C) USE WITH SERIE 6000 HEAD						
		F) USE WITH SERIE 5000 HEAD						
		S) SNAP MODEL						
		4) NO PARTS NUMBER						

From L-685 To Y-7045

Date:10/2022

PAGE:XL-1856-32

MIRROR "RAMCO" 2 GLASSES / BLACK PAINTED



From L-685 To Y-7045	Date:10/2022	PAGE:XL-1856-32
MIRROR "RAMCO" 2 GLASSES / BLACK PAINTED		

Item#	Part	Description	M T H 4 0	M T H 4 5	M T H 4 5 E	X L 4 0	X L 4 5	N O T E S
	990216	MIRROR ASSY, R.H. / ELECTRIC						
	990291	MIRROR ASSY, L.H. / ELECTRIC						
1	990218	. HEAD ASSY / ELECTRIC				1	1	
2	502812	. . SCREW SET HEXS CUP 3/8-16X3/8 SS				1	1	
3	990186	. . STUD, BALL				1	1	
4	990272	. . NOTCHED BACK MOUNTING PLATE (2" X 3")				1	1	
5	990220	. . MOTOR 12V / LARGE / BLACK & WHITE / 133MM / 5 1/4" O.D.				1	1	F
. NS	564494	. . . TAB TERMINAL / 20-16 / AMP 63138-1				4	4	F
. NS	G5009096	. . . MOTOR 12V / LARGE / BLACK & WHITE / 133MM / 5 1/4" O.D.				1	1	F
5	990349	. . MOTOR 12V / MEDIUM / BLACK / 108MM / 4 1/4" O.D.				1	1	C
. NS	564494	. . . TAB TERMINAL / 20-16 / AMP 63138-1				4	4	C
6	990266	. . . VELCRO PLATE / 6" X 7"				1	1	
7	990182	. . FLAT GLASS ASSY W/HEATER 12V				1	1	
8	990273	. . POWER CONVEX MOTOR BASE PLATE				1	1	
9	990219	. . MOTOR 12V / SMALL / BLACK / 85MM / 3 5/16" O.D.				1	1	
. NS	564494	. . . TAB TERMINAL / 20-16 / AMP 63138-1				4	4	
10	990267	. . . VELCRO PLATE / 3" X 7"				1	1	
11	990183	. . CONVEX GLASS ASSY W/HEATER 12V				1	1	
11	990338	. . CONVEX GLASS ASSY W/HEATER 12V				AR	AR	S
12	990282	. . CABLE ASSY W/2 WIRES HEATER ELEMENT				1	1	
13	N.P.N.	. . SCREW TC FL PAN PH ZP 6-32 X 1 1/8"				7	7	4
14	500660	. . SCREW TC FL PH #6-32x3/8 Z050				2	2	
20	990187	. CUP, BALL				2	2	
21	990281	. ARM, L.H. / 12" X 5"				1	1	
NS	990279	. ARM, R.H. / 15" X 5"				1	1	
22	502812	. SCREW SET HEXS CUP 3/8-16X3/8 SS				2	2	
23	990265	. WASHER ALUMINUM / 2 " O.D.				1	1	
NS	504082	. . SNAP BUSHING / .125x.312x.312				1	1	
24	990278	. BRACKET, MOUNTING				1	1	
25	N.P.N.	. WASHER, LOCK 1/2" SS				1	1	4
26	500958	. WASHER FL .531x1.062x.095 SS				1	1	
27	990500	. SCREW 1/2-13x2 HHCS SS				1	1	
30	500976	SCREW MA FL PH 5/16-18x1 1/2 SS				4	4	
31	490230	GASKET ADH / FOAM GREY				1	1	
32	500924	NUT AN JK 5/16-18				4	4	
40	561669	CONNECTOR / UNIVERSAL MATE-N-LOK / SH 9C / AMP 1-480706-0				1	1	
NS	562131	SOCKET TERMINAL / 20-14 / AMP 350550-1				9	9	
NS	062781	HARNESS, WIRE / TO FRONT JUNCTION BOX				1	1	
NS	062784	HARNESS, WIRE / TO R.H. MIRROR				1	1	
NS	062783	HARNESS, WIRE / TO L.H. MIRROR				1	1	
NS	062917	HARNESS, WIRE / TO SWITCH				1	1	
40	062782	HARNESS, WIRE / TO SWITCH				1	1	

From L-685 To Y-7045	Date:10/2022	PAGE:XL-1856-32
MIRROR "RAMCO" 2 GLASSES / BLACK PAINTED		

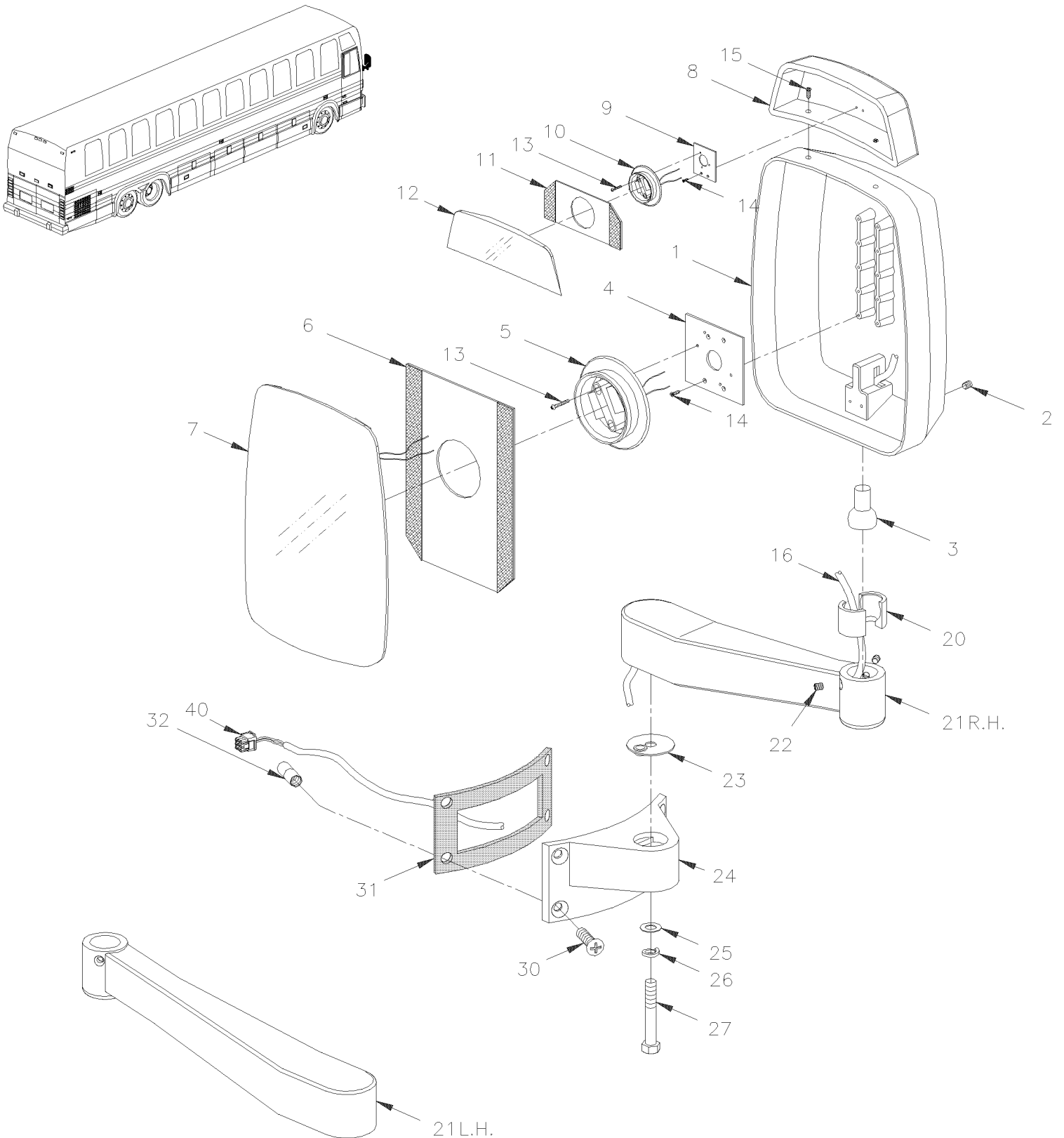
Item#	Part	Description	M T H 4 0	M T H 4 5	M T H 4 5 E	X L 4 0	X L 4 5	N O T E S
NS	561670	CONNECTOR / UNIVERSAL MATE-N-LOK / PH 9C / AMP 1-480707-0				1	1	
NS	561671	PIN TERMINAL / 24-18 / AMP 350690-1				9	9	
NS	064904	KIT SEAL 6 HOLES PIN CONNECTOR				AR	AR	
. NS	IS-98103	. SEE INSTRUCTION SHEET				1	1	
NS	064905	KIT SEAL 9 HOLES PIN CONNECTOR				AR	AR	
. NS	IS-98103	. SEE INSTRUCTION SHEET				1	1	
		C) USE WITH SERIE 6000 HEAD						
		F) USE WITH SERIE 5000 HEAD						
		S) SNAP MODEL						
		4) NO PARTS NUMBER						

From L-685 To Y-7045

Date:10/2022

PAGE:XL-1856-50

MIRROR "RAMCO" FLAT GLASS / CHROME



From L-685 To Y-7045	Date:10/2022	PAGE:XL-1856-50
MIRROR "RAMCO" FLAT GLASS / CHROME		

Item#	Part	Description	M T H 4 0	M T H 4 5	M T H 4 5 E	X L 4 0	X L 4 5	N O T E S
	990254	MIRROR ASSY, L.H. / ELECTRIC / W/CONVEX ELEC. OVER	1	1	1			
	990253	MIRROR ASSY, R.H. / ELECTRIC / W/CONVEX ELEC. OVER	1	1	1			
1	990301	. HEAD ASSY / ELECTRIC	1	1	1			
2	502812	. . SCREW SET HEXS CUP 3/8-16X3/8 SS	1	1	1			
3	990186	. . STUD, BALL	1	1	1			
4	990272	. . NOTCHED BACK MOUNTING PLATE (2" X 3")	1	1	1			
5	990220	. . MOTOR 12V / LARGE / BLACK & WHITE / 133MM / 5 1/4" O.D.	1	1	1			
. NS	564494	. . . TAB TERMINAL / 20-16 / AMP 63138-1	4	4	4			
. NS	G5009096	. . . MOTOR 12V / LARGE / BLACK & WHITE / 133MM / 5 1/4" O.D.	1	1	1			
6	990268	. . VELCRO PLATE / 8" X 8"	1	1	1			
7	990199	. . GLASS ASSY W/HEATER 12V	1	1	1			
8	990302	. MIRROR ASSY / CONVEX ELECTRIC	1	1	1			
9	990295	. . PLATE, TOP MOTOR MOUNTING	1	1	1			
10	990219	. . MOTOR 12V / SMALL / BLACK / 85MM / 3 5/16" O.D.	1	1	1			
. NS	564494	. . . TAB TERMINAL / 20-16 / AMP 63138-1	4	4	4			
11	990269	. . VELCRO PLATE / 3" X 4"	1	1	1			
12	990280	. . GLASS CONVEX ASSY W/HEATER 12V	1	1	1			
12	990339	. . GLASS CONVEX ASSY W/HEATER 12V	AR	AR	AR			S
13	N.P.N.	. . SCREW TC FL PH ZP 6-32 X 1 1/8"	3	3	3			4
14	500660	. . SCREW TC FL PH #6-32x3/8 Z050	2	2	2			
15	990530	. . SCREW CAP HEX #10-24x1" SS	2	2	2			
NS	500787	. . NUT HEX #10-24 SS	2	2	2			
16	990282	. CABLE ASSY W/2 WIRES HEATER ELEMENT	1	1	1			
20	990187	. CUP, BALL	2	2	2			
21	990234	. ARM, R.H. / 15" X 5"	1	1	1			
21	990235	. ARM, L.H. / 12" X 5"	1	1	1			
22	502812	. SCREW SET HEXS CUP 3/8-16X3/8 SS	2	2	2			
23	990265	. WASHER ALUMINUM / 2 " O.D.	1	1	1			
NS	504082	. . SNAP BUSHING / .125x.312x.312	1	1	1			
24	990236	. BRACKET, MOUNTING	1	1	1			
25	500958	. WASHER FL .531x1.062x.095 SS	1	1	1			
26	N.P.N.	. WASHER, LOCK 1/2" SS	1	1	1			4
27	990500	. SCREW 1/2-13x2 HHCS SS	1	1	1			
30	500976	SCREW MA FL PH 5/16-18x1 1/2 SS	4	4	4			
31	490230	GASKET ADH / FOAM GREY	1	1	1			
32	500924	NUT AN JK 5/16-18	4	4	4			
40	561669	CONNECTOR / UNIVERSAL MATE-N-LOK / SH 9C / AMP 1-480706-0	1	1	1			
NS	562131	SOCKET TERMINAL / 20-14 / AMP 350550-1	9	9	9			
NS	062781	HARNESS, WIRE / TO FRONT JUNCTION BOX	1	1	1			
NS	062784	HARNESS, WIRE / TO R.H. MIRROR	1	1	1			
NS	062783	HARNESS, WIRE / TO L.H. MIRROR	1	1	1			
NS	062917	HARNESS, WIRE / TO SWITCH	1	1	1			

From L-685 To Y-7045	Date:10/2022	PAGE:XL-1856-50
----------------------	--------------	-----------------

MIRROR "RAMCO" FLAT GLASS / CHROME

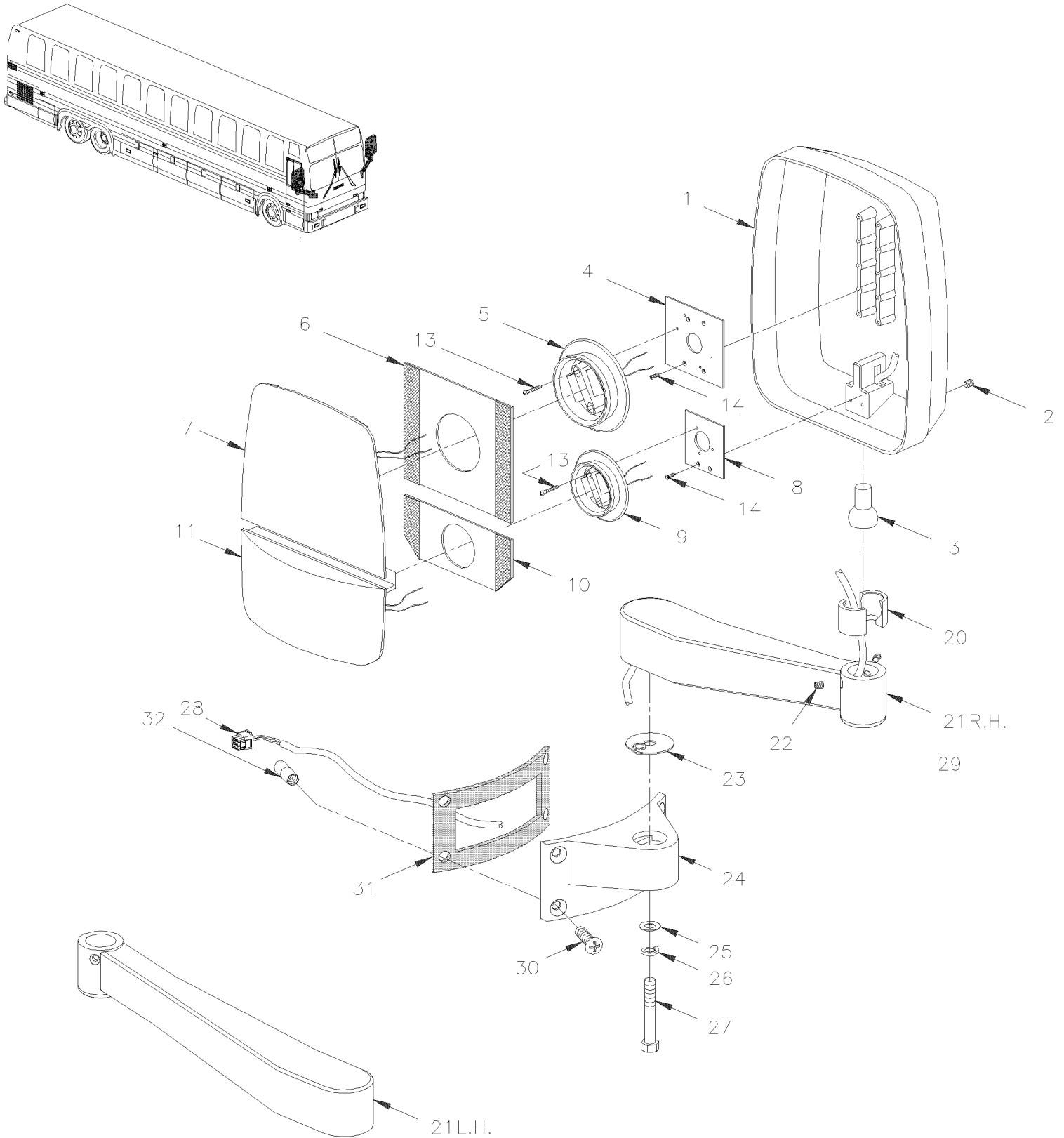
Item#	Part	Description	M T H 4 0	M T H 4 5	M T H 4 5 E	X L 4 0	X L 4 5	N O T E S
NS	561670	CONNECTOR / UNIVERSAL MATE-N-LOK / PH 9C / AMP 1-480707-0	1	1	1			
NS	561671	PIN TERMINAL / 24-18 / AMP 350690-1	9	9	9			
NS	064904	KIT SEAL 6 HOLES PIN CONNECTOR	AR	AR	AR			
. NS	IS-98103	. SEE INSTRUCTION SHEET	1	1	1			
NS	064905	KIT SEAL 9 HOLES PIN CONNECTOR	AR	AR	AR			
. NS	IS-98103	. SEE INSTRUCTION SHEET	1	1	1			
NS	MI16-28	DRIP EDGE ADDITION ON FRONT MIRRORS / PRODUCT IMPROVMENT	1	1	1			
		S) SNAP MODEL						
		4) NO PARTS NUMBER						

From L-685 To Y-7045

Date:10/2022

PAGE:XL-1856-60

MIRROR "RAMCO" 2 GLASSES / BRIGHT POLISH



From L-685 To Y-7045	Date:10/2022	PAGE:XL-1856-60
MIRROR "RAMCO" 2 GLASSES / BRIGHT POLISH		

Item#	Part	Description	M T H 4 0	M T H 4 5	M T H 4 5 E	X L 4 0	X L 4 5	N O T E S
	990162	MIRROR ASSY, L.H. / ELECTRIC	1	1	1			
NS	990163	MIRROR ASSY, R.H. / ELECTRIC	1	1	1			
1	990184	. HEAD ASSY / ELECTRIC	1	1	1			
2	502812	. . SCREW SET HEXS CUP 3/8-16X3/8 SS	1	1	1			
3	990186	. . STUD, BALL	1	1	1			
4	990272	. . NOTCHED BACK MOUNTING PLATE (2" X 3")	1	1	1			
5	990220	. . MOTOR 12V / LARGE / BLACK & WHITE / 133MM / 5 1/4" O.D.	1	1	1			F
. NS	564494	. . . TAB TERMINAL / 20-16 / AMP 63138-1	4	4	4			F
. NS	G5009096	. . . MOTOR 12V / LARGE / BLACK & WHITE / 133MM / 5 1/4" O.D.	1	1	1			F
5	990349	. . MOTOR 12V / MEDIUM / BLACK / 108MM / 4 1/4" O.D.	1	1	1			C
. NS	564494	. . . TAB TERMINAL / 20-16 / AMP 63138-1	4	4	4			C
6	990266	. . VELCRO PLATE / 6" X 7"	1	1	1			
7	990182	. . FLAT GLASS ASSY W/HEATER 12V	1	1	1			
8	990273	. . POWER CONVEX MOTOR BASE PLATE	1	1	1			
9	990219	. . MOTOR 12V / SMALL / BLACK / 85MM / 3 5/16" O.D.	1	1	1			
. NS	564494	. . . TAB TERMINAL / 20-16 / AMP 63138-1	4	4	4			
10	990267	. . VELCRO PLATE / 3" X 7"	1	1	1			
11	990183	. . CONVEX GLASS ASSY W/HEATER 12V	1	1	1			
11	990338	. . CONVEX GLASS ASSY W/HEATER 12V	AR	AR	AR			S
13	N.P.N.	. . SCREW TC FL PH ZP 6-32 X 1 1/8"	3	3	3			4
14	500660	. . SCREW TC FL PH #6-32x3/8 Z050	2	2	2			
20	990187	. CUP, BALL	2	2	2			
21	990188	. ARM, L.H. / 12" X 5"	1	1	1			
NS	990190	. ARM, R.H. / 15" X 5"	1	1	1			
22	502812	. SCREW SET HEXS CUP 3/8-16X3/8 SS	2	2	2			
23	990265	. WASHER ALUMINUM / 2" O.D.	1	1	1			
NS	504082	. . SNAP BUSHING / .125x.312x.312	1	1	1			
24	990192	. BRACKET, MOUNTING	1	1	1			
25	N.P.N.	. WASHER, LOCK 1/2" SS	1	1	1			4
26	500958	. WASHER FL .531x1.062x.095 SS	1	1	1			
27	990500	. SCREW 1/2-13x2 HHCS SS	1	1	1			
30	500976	SCREW MA FL PH 5/16-18x1 1/2 SS	4	4	4			
31	490230	GASKET ADH / FOAM GREY	1	1	1			
32	500924	NUT AN JK 5/16-18	4	4	4			
40	561669	CONNECTOR / UNIVERSAL MATE-N-LOK / SH 9C / AMP 1-480706-0	9	9	9			
NS	562131	SOCKET TERMINAL / 20-14 / AMP 350550-1	1	1	1			
NS	062781	HARNESS, WIRE / TO FRONT JUNCTION BOX	1	1	1			
NS	062784	HARNESS, WIRE / TO R.H. MIRROR	1	1	1			
NS	062783	HARNESS, WIRE / TO L.H. MIRROR	1	1	1			
NS	062917	HARNESS, WIRE / TO SWITCH	1	1	1			
NS	561670	CONNECTOR / UNIVERSAL MATE-N-LOK / PH 9C / AMP 1-480707-0	1	1	1			
NS	561671	PIN TERMINAL / 24-18 / AMP 350690-1	9	9	9			

From L-685 To Y-7045	Date:10/2022	PAGE:XL-1856-60
MIRROR "RAMCO" 2 GLASSES / BRIGHT POLISH		

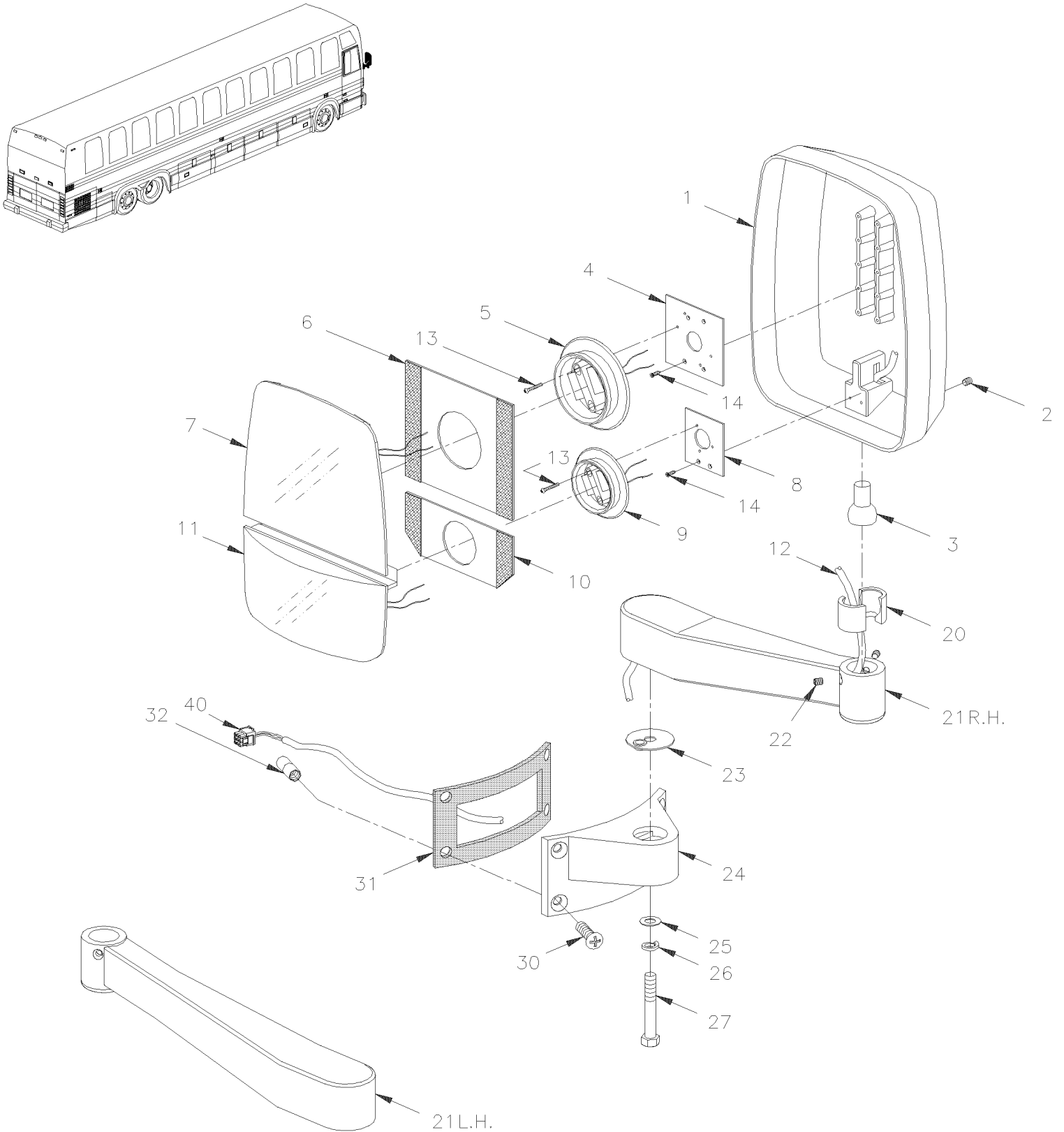
Item#	Part	Description	M T H 4 0	M T H 4 5	M T H 4 5 E	X L 4 0	X L 4 5	N O T E S
NS	064904	KIT SEAL 6 HOLES PIN CONNECTOR	AR	AR	AR			
. NS	IS-98103	. SEE INSTRUCTION SHEET	1	1	1			
NS	064905	KIT SEAL 9 HOLES PIN CONNECTOR	AR	AR	AR			
. NS	IS-98103	. SEE INSTRUCTION SHEET	1	1	1			
		C) USE WITH SERIE 6000 HEAD						
		F) USE WITH SERIE 5000 HEAD						
		S) SNAP MODEL						
		4) NO PARTS NUMBER						

From L-685 To Y-7045

Date:10/2022

PAGE:XL-1856-61

MIRROR "RAMCO" 2 GLASSES / CHROME



From L-685 To Y-7045	Date:10/2022	PAGE:XL-1856-61
MIRROR "RAMCO" 2 GLASSES / CHROME		

Item#	Part	Description	M T H 4 0	M T H 4 5	M T H 4 5 E	X L 4 0	X L 4 5	N O T E S
	990227	MIRROR ASSY, R.H. / ELECTRIC	1	1	1			
	990228	MIRROR ASSY, L.H. / ELECTRIC	1	1	1			
	990259	MIRROR ASSY, L.H. / ELECTRIC / W/CONVEX MANUAL OVER	1	1	1			
	990260	MIRROR ASSY, R.H. / ELECTRIC / W/CONVEX MANUAL OVER	1	1	1			
1	990237	. HEAD ASSY / ELECTRIC	1	1	1			
2	502812	. . SCREW SET HEXS CUP 3/8-16X3/8 SS	1	1	1			
3	990186	. . STUD, BALL	1	1	1			
4	990272	. . NOTCHED BACK MOUNTING PLATE (2" X 3")	1	1	1			
5	990220	. . MOTOR 12V / LARGE / BLACK & WHITE / 133MM / 5 1/4" O.D.	1	1	1			F
. NS	564494	. . . TAB TERMINAL / 20-16 / AMP 63138-1	4	4	4			F
. NS	G5009096	. . . MOTOR 12V / LARGE / BLACK & WHITE / 133MM / 5 1/4" O.D.	1	1	1			F
5	990349	. . MOTOR 12V / MEDIUM / BLACK / 108MM / 4 1/4" O.D.	1	1	1			C
. NS	564494	. . . TAB TERMINAL / 20-16 / AMP 63138-1	4	4	4			C
6	990266	. . VELCRO PLATE / 6" X 7"	1	1	1			
7	990182	. . FLAT GLASS ASSY W/HEATER 12V	1	1	1			
8	990273	. . POWER CONVEX MOTOR BASE PLATE	1	1	1			
9	990219	. . MOTOR 12V / SMALL / BLACK / 85MM / 3 5/16" O.D.	1	1	1			
. NS	564494	. . . TAB TERMINAL / 20-16 / AMP 63138-1	4	4	4			
10	990267	. . VELCRO PLATE / 3" X 7"	1	1	1			
11	990183	. . CONVEX GLASS ASSY W/HEATER 12V	1	1	1			
11	990269	. . VELCRO PLATE / 3" X 4"	1	1	1			
11	990338	. . CONVEX GLASS ASSY W/HEATER 12V	AR	AR	AR			S
13	N.P.N.	. . SCREW TC FL PH ZP 6-32 X 1 1/8"	3	3	3			4
14	500660	. . SCREW TC FL PH #6-32x3/8 Z050	2	2	2			
20	990187	. CUP, BALL	2	2	2			
21	990234	. ARM, R.H. / 15" X 5"	1	1	1			
21	990235	. ARM, L.H. / 12" X 5"	1	1	1			
22	502812	. SCREW SET HEXS CUP 3/8-16X3/8 SS	2	2	2			
23	990265	. WASHER ALUMINUM / 2 " O.D.	1	1	1			
NS	504082	. . SNAP BUSHING / .125x.312x.312	1	1	1			
24	990236	. BRACKET, MOUNTING	1	1	1			
25	N.P.N.	. WASHER, LOCK 1/2" SS	1	1	1			4
26	500958	. WASHER FL .531x1.062x.095 SS	1	1	1			
27	990500	. SCREW 1/2-13x2 HHCS SS	1	1	1			
30	500976	SCREW MA FL PH 5/16-18x1 1/2 SS	4	4	4			
31	490230	GASKET ADH / FOAM GREY	1	1	1			
32	500924	NUT AN JK 5/16-18	4	4	4			
40	561669	CONNECTOR / UNIVERSAL MATE-N-LOK / SH 9C / AMP 1-480706-0	1	1	1			
NS	562131	SOCKET TERMINAL / 20-14 / AMP 350550-1	9	9	9			
NS	062781	HARNESS, WIRE / TO FRONT JUNCTION BOX	2	2	2			
NS	062784	HARNESS, WIRE / TO R.H. MIRROR	1	1	1			
NS	062783	HARNESS, WIRE / TO L.H. MIRROR	1	1	1			

From L-685 To Y-7045	Date:10/2022	PAGE:XL-1856-61
MIRROR "RAMCO" 2 GLASSES / CHROME		

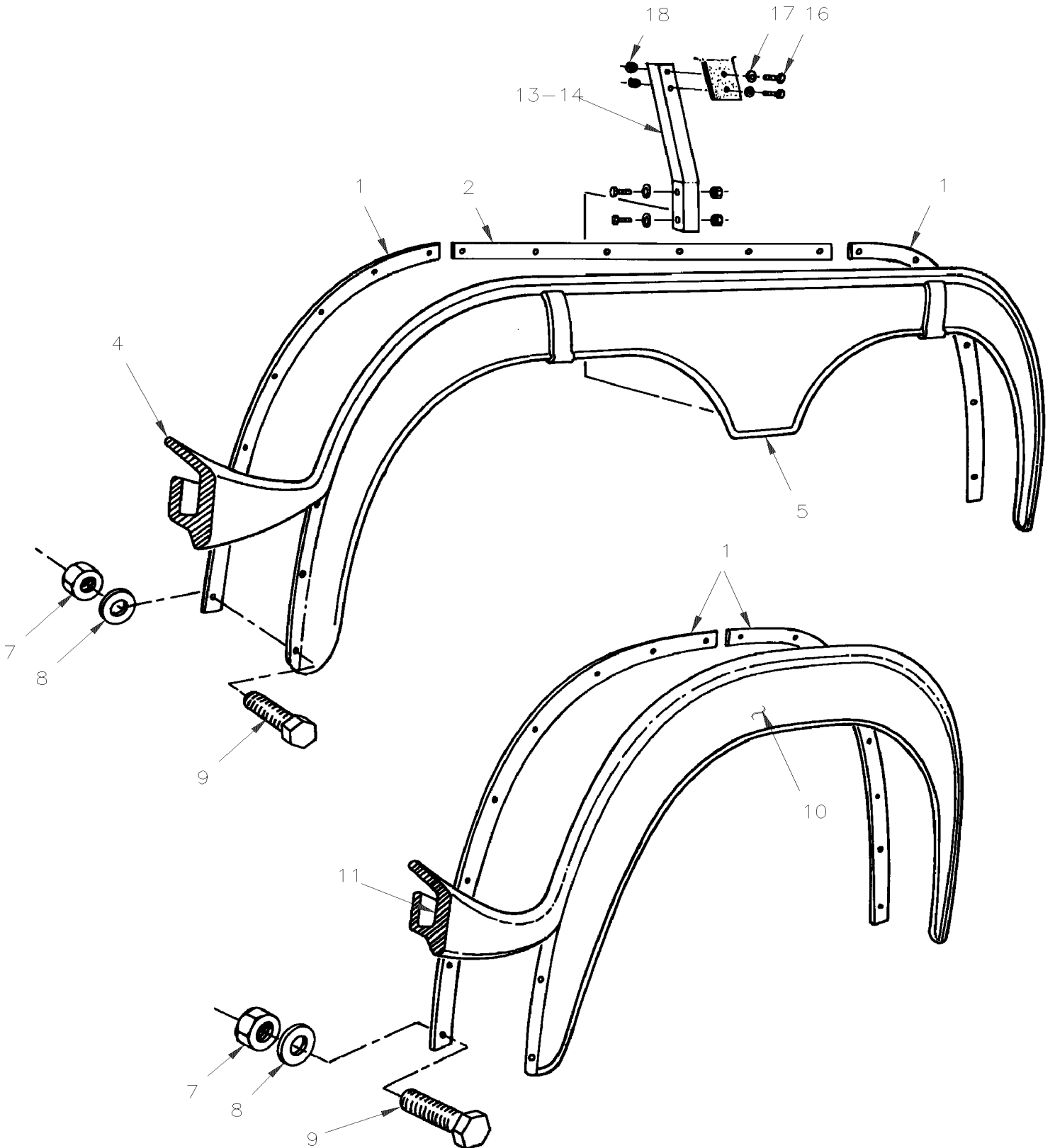
Item#	Part	Description	M T H 4 0	M T H 4 5	M T H 4 5 E	X L 4 0	X L 4 5	N O T E S
NS	062917	HARNESS, WIRE / TO SWITCH	1	1	1			
NS	561670	CONNECTOR / UNIVERSAL MATE-N-LOK / PH 9C / AMP 1-480707-0	1	1	1			
NS	561671	PIN TERMINAL / 24-18 / AMP 350690-1	1	1	1			
41	064904	KIT SEAL 6 HOLES PIN CONNECTOR	AR	AR	AR			
. NS	IS-98103	. SEE INSTRUCTION SHEET	1	1	1			
42	064905	KIT SEAL 9 HOLES PIN CONNECTOR	AR	AR	AR			
. NS	IS-98103	. SEE INSTRUCTION SHEET	1	1	1			
		C) USE WITH SERIE 6000 HEAD						
		F) USE WITH SERIE 5000 HEAD						
		S) SNAP MODEL						
		4) NO PARTS NUMBER						

From E-638 To Y-7045

Date:10/2022

PAGE:XL-1857-00

FENDERS

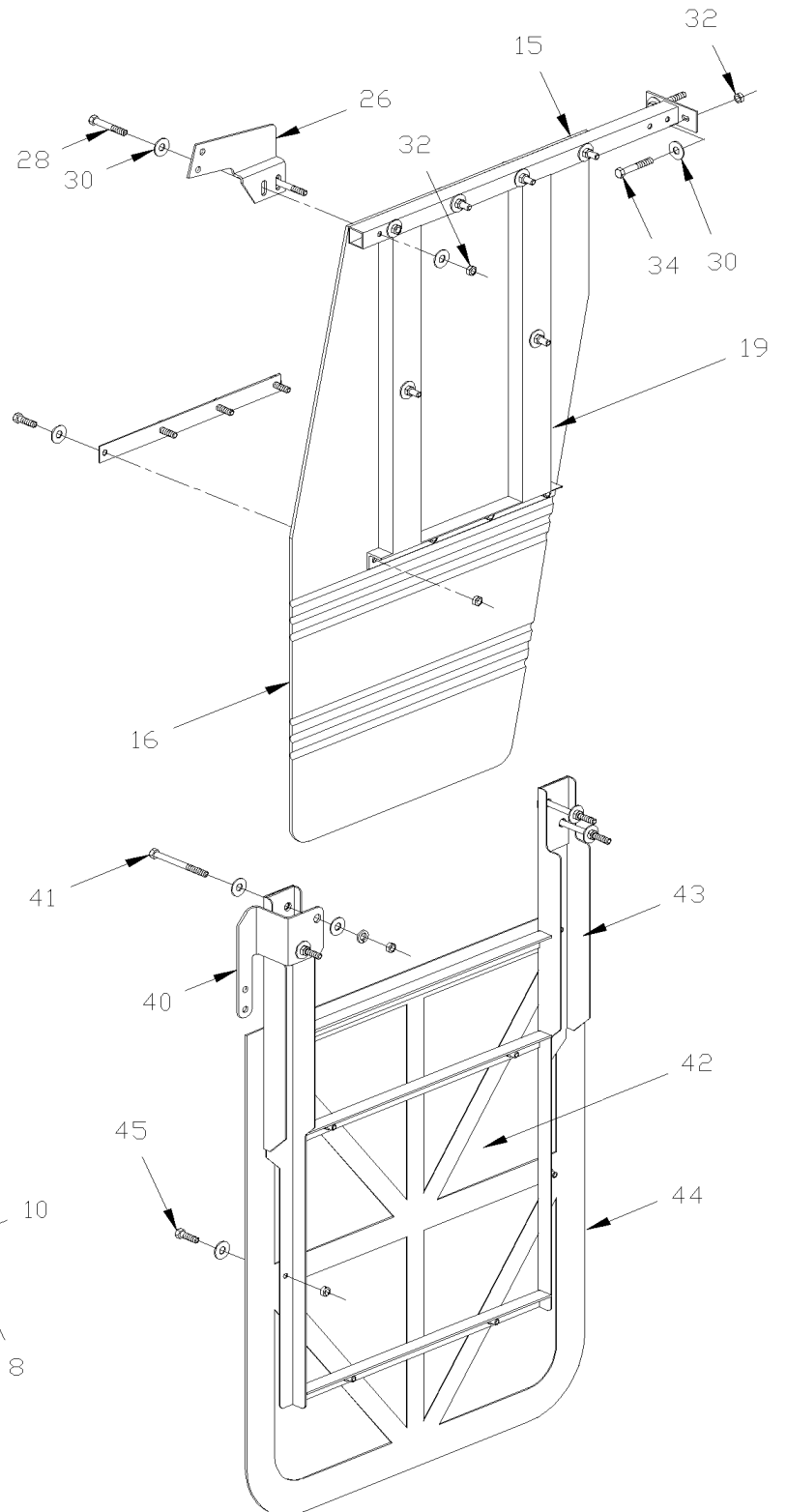
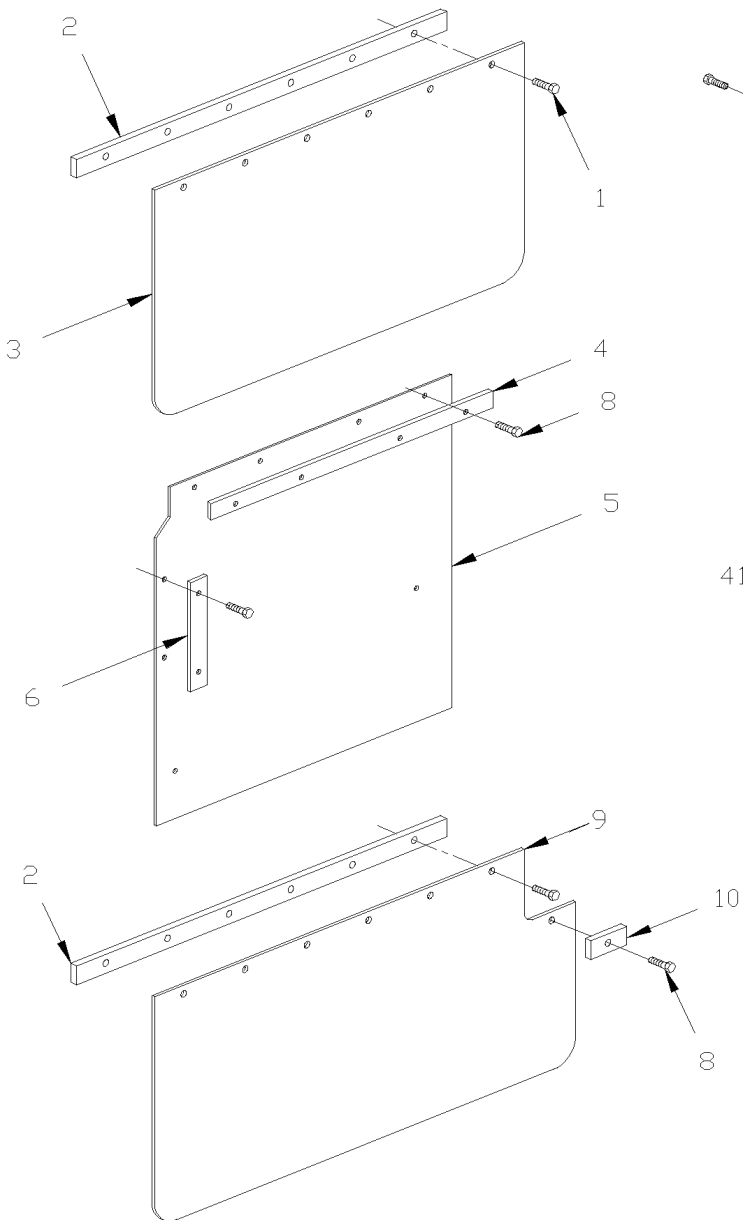
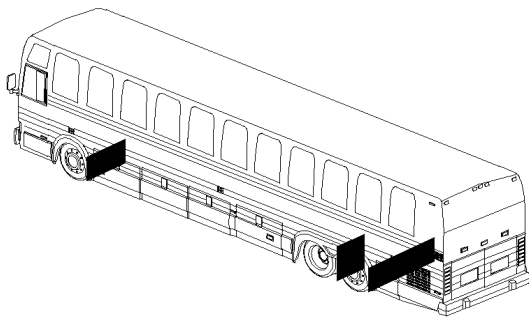


From E-638 To Y-7045

Date:10/2022

PAGE:XL-1859-00

SPLASH GUARD - FRONT & REAR



From E-638 To Y-7045	Date:10/2022	PAGE:XL-1859-00
SPLASH GUARD - FRONT & REAR		

Item#	Part	Description	M T H 4 0	M T H 4 5	M T H 4 5 E	X L 4 0	X L 4 5	N O T E S
1	500165	SCREW CAP HEX 1/4-20x1 G5 Z050	AR	AR	AR	AR	AR	
NS	500769	NUT HEX 1/4-20 Z050	AR	AR	AR	AR	AR	
NS	500473	WASHER LO SPT .262x.489x.062 Z050	AR	AR	AR	AR	AR	
2	460187	STRIP, FIXATION / SS / 20" LG To T-5807	6	6	6	6	6	
2	460189	STRIP, FIXATION / SS 203MM W/2 HOLES From T-5808	4	4	4	4	4	
3	490081	SPLASH GUARD / BEHIND FRONT AXLE 9" X 22"	2	2	2	2	2	
4	460188	STRIP, FIXATION / SS / 23" LG To T-5807	2	2	2	2	2	
4	460189	STRIP, FIXATION / SS 203MM W/2 HOLES From T-5808	4	4	4	4	4	
5	460191	SPLASH GUARD / IN FRONT OF DRIVE AXLE	2	2	2	2	2	
6	460189	STRIP, FIXATION / SS 203MM W/2 HOLES	2	2	2	2	2	
8	500535	SCREW TP CAP HEX #14x3/4 Z050	AR	AR	AR	AR	AR	
NS	500462	WASHER FL .343x1.500x.083 SS	AR	AR	AR	AR	AR	
9	490163	SPLASH GUARD / BEHIND TAG AXLE / 508MM X 356MM To J-652	2			2		
9	460265	SPLASH GUARD / BEHIND TAG AXLE / 730MM X 470MM From J-653 To W-6562	1	1	1	1	1	
9	460396	SPLASH GUARD / BEHIND TAG AXLE CURBSIDE 730MM x 740MM From W-6563	1	1	1	1	1	
9	460323	SPLASH GUARD / BEHIND TAG AXLE / 730MM X 273MM To W-6562	1	1	1	1	1	
9	460397	SPLASH GUARD / BEHIND TAG AXLE STREETSIDE 730MM x 273MM From W-6563	1	1	1	1	1	
10	460266	PLATE / TO FIX GUARD From J-653	2	2	2	2	2	
15	460280	SPLASH GUARD / L.H. / DRIVE & TAG / SMALL From L-516 To S-408	1		1	1		
15	460285	SPLASH GUARD / R.H. / DRIVE & TAG / SMALL From L-516 To S-408	1		1	1		
15	460310	SPLASH GUARD / R.H. / DRIVE & TAG / LARGE From L-516 To S-408				1		
15	460311	SPLASH GUARD / L.H. / DRIVE & TAG / LARGE From L-516 To S-408				1		
15	460320	SPLASH GUARD / L.H. / DRIVE & TAG From P-646 To S-408		1				
15	460321	SPLASH GUARD / R.H. / DRIVE & TAG From P-646 To S-408		1				
16	460304	. PANEL R.H. / LARGE To S-408				1		
16	460302	. PANEL L.H. / LARGE To S-408				1		
16	460283	. PANEL R.H. / SMALL To S-408	1	1	1	1	1	
16	460282	. PANEL L.H. / SMALL To S-408	1	1	1	1	1	
19	460309	. SUPPORT R.H. / LARGE To S-408				1		
19	460307	. SUPPORT L.H. / LARGE To S-408				1		
19	460317	. SUPPORT R.H. From P-646 To S-408		1			1	
19	460319	. SUPPORT L.H. From P-646 To S-408		1			1	
19	460289	. SUPPORT R.H. / SMALL To S-408	1		1	1		
19	460276	. SUPPORT L.H. / SMALL To S-408	1		1	1		
26	460211	BRACKET, R.H. To L-515	1			1		
26	460218	BRACKET, L.H. To L-515	1			1		
26	460287	BRACKET, R.H. From L-516 To S-408	1	1	1	1		
26	460288	BRACKET, L.H. From L-516 To S-408	1	1	1	1		
28	500610	SCREW MA RND PH 1/4x1 3/4 SS	4	4	4	4		
30	500440	WASHER FL .250x.562x.065 Z050	24	24	24	24		
32	500770	NUT HEX STO 1/4-20 Z050	12	12	12	12		
34	500019	SCREW CAP HEX 1/4-28x4 G5 PT ZP		2				

From E-638 To Y-7045		Date:10/2022	PAGE:XL-1859-00
SPLASH GUARD - FRONT & REAR			

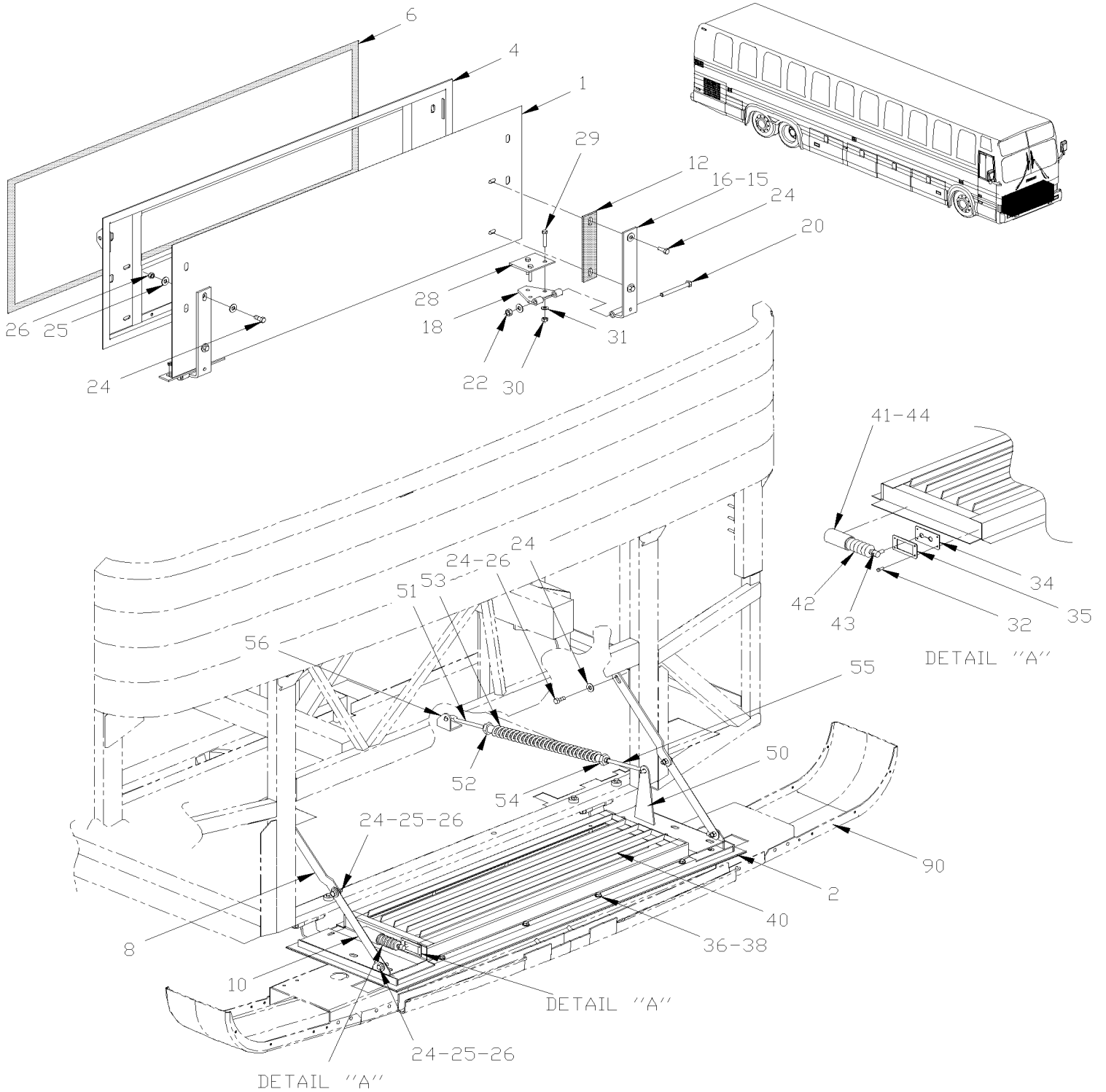
Item#	Part	Description	M T H 4 0	M T H 4 5	M T H 4 5 E	X L 4 0	X L 4 5	N O T E S
34	5001190	SCREW CAP HEX 1/4-20x3/4 SS BK	8		8	8		
34	500690	NUT HEX NYRT 1/4-28 Z050	AR	AR	AR	AR		
40	460340	BRACKET L.H. / TO FIX FENDERS "L" SHAPE From S-409	1	1	1	1	1	
40	460342	BRACKET R.H. / TO FIX FENDERS "L" SHAPE From S-409	1	1	1	1	1	
41	5001185	SCREW CAP HEX M8-1.25x80 SS BK	4	4	4	4	4	
41	5001186	SCREW CAP HEX M8-1.25x90 SS BK	4	4	4	4	4	
NS	5001188	NUT HEX M8-1.25 SS	4	4	4	4	4	
NS	5001161	WASHER LO SPT 8.1x14.8x2.0 SS-304	4	4	4	4	4	
42	460358	SPLASH GUARD / L.H. & R.H. / DRIVE & TAG	2	2	2	2	2	
43	460357	. SUPPORT L.H. & R.H.	1	1	1	1	1	
44	460351	. RUBBER PAD	1	1	1	1	1	
. NS	960015	. RUBBER PAD	1	1	1	1	1	
44	960015	. RUBBER PAD	1	1	1	1	1	
45	502737	. SCREW CAP HEX M6-1.0x25 SS BK	10	10	10	10	10	
NS	502570	. WASHER LO SPT 6.1x11.8x1.6 SS	10	10	10	10	10	
NS	500411	. WASHER FL .260x.697x.050 SS	10	10	10	10	10	
NS	502573	. WASHER FL 6.4x12.5x1.6 SS	10	10	10	10	10	
NS	502565	. NUT HEX M6-1.0 SS	10	10	10	10	10	
NS	460216	SPLASH GUARD ASSY R.H. To L-515	1			1		A
NS	460215	SPLASH GUARD ASSY L.H. To L-515	1			1		A
NS	460217	. PANEL LOWER To L-515	1			1		A
NS	460213	. PANEL UPPER To L-515	1			1		A
		A) THOSE PARTS ARE RELATED WITH SPLASH GUARD ASSY WITH EXTERIOR FRAME						

From E-638 To Y-7045

Date:10/2022

PAGE:XL-1860-10

SPARE WHEEL DOOR ASSY



From E-638 To Y-7045	Date:10/2022	PAGE:XL-1860-10
SPARE WHEEL DOOR ASSY		

Item#	Part	Description	M T H 4 0	M T H 4 5	M T H 4 5 E	X L 4 0	X L 4 5	N O T E S
	281437P	SPARE WHEEL DOOR ASSY / W/PLAIN PANEL To K-652	1			1		
	281963P	SPARE WHEEL DOOR ASSY / W/PLAIN PANEL From K-653	1	1	1	1	1	
	283068	SPARE WHEEL DOOR ASSY / W/PERFORATED To K-652	1					
	281964P	SPARE WHEEL DOOR ASSY / W/PERFORATED From K-653	1	1	1			
1	471437	. PANEL, PLAIN PANEL / RIVETED To K-652	1			1		
1	472196	. PANEL, PLAIN PANEL / RIVETED From K-653 To T-5960	1	1	1	1	1	
1	473394	. PANEL, PLAIN PANEL / GLUED From T-5961	1	1	1	1	1	A
1	471747	. PANEL, PERFORATED / RIVETED To K-652	1					
1	472197	. PANEL, PERFORATED / RIVETED From K-653 To T-5960	1	1	1			
1	473395	. PANEL, PERFORATED / GLUED From T-5961	1	1	1			A
1	473333	. PANEL, "SPECIAL" From T-5726				1	1	B
2	504272	. RIVET CHY Q BRAZ 3/16x1/8 SS	AR	AR	AR	AR	AR	
4	281433	. FRAME To K-652	1			1		
4	282944	. FRAME From K-653	1	1	1	1	1	
4	285382	. FRAME "SPECIAL"				1	1	B
6	506040	. TAPE RUB ADH1 CC EPDM 5/16" x 3/4" x 25' / BLACK OR GREY 144X	AR	AR	AR	AR	AR	
8	281348	. ARM, TIRE DOOR SUPPORT SUPERIOR	2	2	2	2	2	
10	281347	. ARM, TIRE DOOR SUPPORT INFERIOR	2	2	2	2	2	
12	680065	. TAPE COMPOUND / BLACK / 1/32" X 1" X 33' / L163-2400	AR	AR	AR	AR	AR	
15	280340	. HINGE ASSY	2	2	2	2	2	
15	285961	. HINGE ASSY				2	2	C
16	280218	. . HINGE UPPER SECTION	1	1	1	1	1	
16	285962	. . HINGE UPPER SECTION				1	1	C
18	280334	. . HINGE LOWER SECTION	1	1	1	1	1	
20	500080	. . SCREW CAP HEX 7/16-20x4 1/2 G5 Z050	1	1	1	1	1	
22	500714	. . NUT HEX STO 7/16-20 Z050	1	1	1	1	1	
24	500192	. SCREW CAP HEX 3/8-16x1 1/4 G5 Z050	8	8	8	8	8	
25	500444	. WASHER FL .406x.812x.065 Z050	16	16	16	16	16	
26	500265	. NUT HEX STO 3/8-16 Z050	8	8	8	8	8	
28	170403	PLATE, ATTACHMENT	2	2	2	2	2	
29	500278	SCREW CRG 3/8-16x1 SS	6	6	6	6	6	
30	500102	NUT HEX 3/8-16 SS	6	6	6	6	6	
31	502616	WASHER LO SPT 10.2x18.1x2.2 SS	6	6	6	6	6	
32	504340	RIVET POP DOME OE 1/8x3/16 SS	4	4	4			
34	282953	PLATE, CLOSING	1	1	1			
35	282954	GASKET	1	1	1			
36	500441	WASHER FL .312x.734x.065 Z050	8	8	8			
38	500639	SCREW CAP HEXS 5/16-18x7/8 ZP	8	8	8			
40	051570	SHUTTER ASSY	1	1	1			
. NS	550568	. CYLINDER AIR / SHUTTER / W/4" MOUNT	1	1	1			
. NS	550569	. BOOT RUBBER	1	1	1			
. NS	550577	. SPRING EXTENSION / .350 O.D. x 6.875 x .069	1	1	1			

From E-638 To Y-7045	Date:10/2022	PAGE:XL-1860-10
SPARE WHEEL DOOR ASSY		

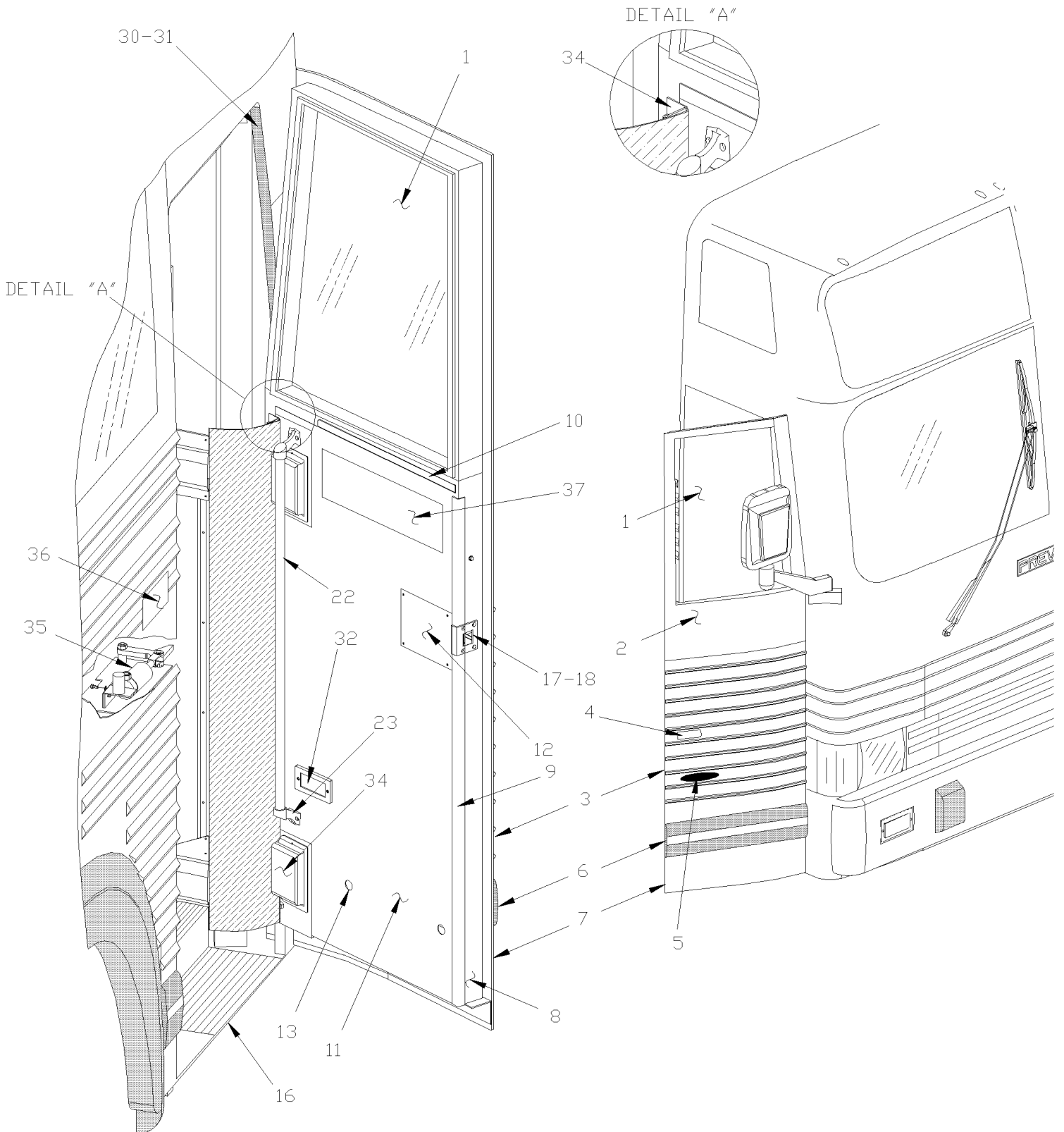
Item#	Part	Description	M T H 4 0	M T H 4 5	M T H 4 5 E	X L 4 0	X L 4 5	N O T E S
. NS	550179	. BUSHING 5/16" I.D. / NYLON	AR	AR	AR			
NS	550577	. SPRING EXTENSION / .350 O.D. x 6.875 x .069	1	1	1			
41	550568	. CYLINDER AIR / SHUTTER / W/4" MOUNT	1	1	1			
42	550569	. . BOOT RUBBER	1	1	1			
43	550179	. . BUSHING 5/16" I.D. / NYLON	1	1	1			
44	641127	MALE ELBOW 45° / NTA FITTING / #4x1/8NPT-M BR	1	1	1			
NS	640996	MALE ELBOW 90° / NTA FITTING / #4x1/8NPT-M BR	1	1	1			
NS	503402	TUBE, NYLON 1/4 O.D. / BLACK S.L.	1	1	1			
50	285236	SPRING ATTACHMENT ASSY From S-616	1	1	1	1	1	D
NS	285156	SPRING ASSY From S-616	1	1	1	1	1	D
51	5001238	. SCREW HOOK 3/8-16x5 ZP From S-616	1	1	1	1	1	D
52	285239	. ADAPTOR L.H. From S-616	1	1	1	1	1	D
53	285159	. SPRING EXTENSION / 1.220 O.D. x 11.61 x .177 From S-616	1	1	1	1	1	D
54	285160	. ADAPTOR R.H. From S-616	1	1	1	1	1	D
55	5001239	. SCREW HOOK 3/8-16x5 LH ZP From S-616	1	1	1	1	1	D
NS	500102	. NUT HEX 3/8-16 SS From S-616	1	1	1	1	1	D
56	285155	ANGLE SUPPORT BUMPER SPRING From S-616	1	1	1	1	1	D
90	XL-1850-00	BUMPER FRONT						
		A) THOSE PANELS REQUIRE INSTALLATION KIT #682444						
		B) THOSE ITEMS ARE USE ON BUS WITH INDEPENDANTE SUSPENSION ONLY						
		C) THOSE ITEMS ARE USE ON BUS WITH REINFORCMENT BUMPER SEE PAGE XL-1850-00						
		D) THOSE PARTS ARE USED FOR SOFT OPENING						

From E-638 To S-461

Date:10/2022

PAGE:XL-1862-00

ENTRANCE DOOR ASSY - BUS (RIVETED)



From E-638 To S-461		Date:10/2022	PAGE:XL-1862-00
ENTRANCE DOOR ASSY - BUS (RIVETED)			

Item#	Part	Description	M T H 4 0	M T H 4 5	M T H 4 5 E	X L 4 0	X L 4 5	N O T E S
	282309	ENTRANCE DOOR ASSY / BUS W/THERMO GLASS				1		
	282308	ENTRANCE DOOR ASSY / BUS W/SINGLE GLASS				1		
1	XL-1882-00	. DOOR WINDOW - BUS						
2	471085	. PANEL UPPER / FIBERGLASS				1		
3	471115	. PANEL UPPER / SS				1		
NS	504272	. RIVET CHY Q BRAZ 3/16x1/8 SS				AR		
4	281257	. HANDLE				1		
5	930205	. REFLECTOR AMBER 1 15/16" x 4 7/16"				1		
6	281520	. RAIL ASSY / 29"3/8 / FRONT ENTRANCE DOOR				1		
7	471116	. PANEL LOWER				1		
NS	504272	. RIVET CHY Q BRAZ 3/16x1/8 SS				AR		
8	281839P	. FRAME ASSY				1		
9	320068	. MOULDING / SS / "J" FORM 57" To G-095				1		
9	321801	. MOULDING / SS / "L" FORM 48" From G-096				1		
10	280362	. MOULDING SS / "Z" FORM 26 3/4" To G-095				1		
10	281757	. MOULDING FINISHING / PLASTIC CHARCOAL From G-096				1		
11	281383	. PANEL FINISHING / FORMICA / BLACK To K-793				1		
11	283067	. PANEL FINISHING / FORMICA / BLACK From K-794				1		
11	Call order desk	. PANEL FINISHING / FORMICA / S.C.C. From K-794				1		P
12	280737	. PANEL ACCESS 152MM X 171MM				1		
13	281424	. PLUG SNAP / PAINTED BLACK				1		
NS	504374	. RIVET POP DOME OE 1/4x1/4 STL				1		
16	281453	MOULDING 28" / SS "C" SHAPE				1		
NS	500786	NUT HEX #10-24 Z050				AR		
NS	500654	SCREW TC BDG PH #8-32x1/2 Z050				AR		
NS	500598	SCREW TC TR PH #6-32x1/2 ZP				AR		
NS	500473	WASHER LO SPT .262x.489x.062 Z050				AR		
17	280397	CATCH / FIXED ON DOOR / FOR AIR LOCK				1		
18	500511	SCREW MA FL PH #10-32x3/4 ZP				4		
NS	500440	WASHER FL .250x.562x.065 Z050				4		
NS	500470	WASHER LO SPT .193x.334x.047 Z050				4		
22	320600	HANDLE GRAB				1		
NS	500658	SCREW TC PAN PH #10-24x3/4 Z050				4		
NS	500542	SCREW SET HEXS CUP #8-32X3/16 SS				2		
23	900334	BRACKET / TO FIX GRAB HANDLE				2		
NS	900335	. SCREW SET HEXS CUP #10-32x3/16				1		
30	481169	WEATHERSTRIP / ENTRANCE DOOR				1		
31	XL-1854-10	WEATHERSTRIP & RETAINER - BUS 40'						
32	XL-0655-00	INTERIOR LIGHTING To H-284						
32	XL-0655-01	INTERIOR LIGHTING From H-285						
34	XL-1862-60	ENTRANCE DOOR FRAME - INSTALLATION						
35	XL-1804-00	ENTRANCE DOOR LOCK - BUS To G-095						

From E-638 To S-461	Date:10/2022	PAGE:XL-1862-00
ENTRANCE DOOR ASSY - BUS (RIVETED)		

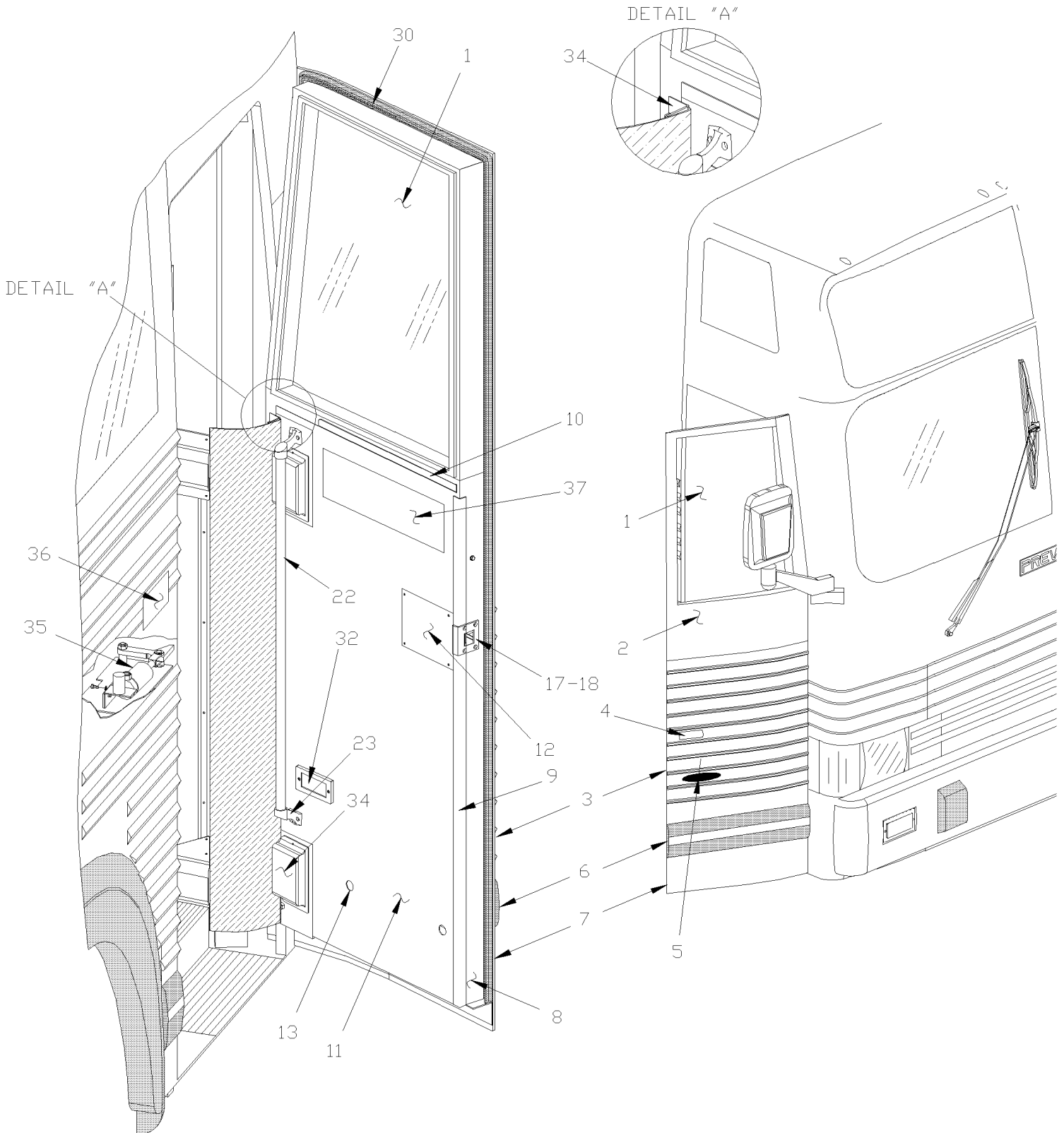
Item#	Part	Description	M T H 4 0	M T H 4 5	M T H 4 5 E	X L 4 0	X L 4 5	N O T E S
35	XL-1804-01	ENTRANCE DOOR LOCK - BUS From G-096						
36	282473	DECAL / "AUTOMATIC DOOR" / HAND OFF / CLEAR / ENGLISH & FRANCAIS				1		
36	284451	DECAL "AUTOMATIC DOOR" / HAND OFF / BLACK				1		
36	284452	DECAL "AUTOMATIC DOOR" / HAND OFF / WHITE				1		
37	400095	DECAL / "WATCH YOUR STEP" / ENGLISH & FRANCAIS				1		
		P) CALL ORDER DESK FOR SPECIFIC APPLICATION (V.I.N.)						

From S-462 To Y-7045

Date:10/2022

PAGE:XL-1862-01

ENTRANCE DOOR ASSY - BUS (GLUED)



From S-462 To Y-7045	Date:10/2022	PAGE:XL-1862-01
ENTRANCE DOOR ASSY - BUS (GLUED)		

Item#	Part	Description	M T H 4 0	M T H 4 5	M T H 4 5 E	X L 4 0	X L 4 5	N O T E S
	284787P	ENTRANCE DOOR ASSY / BUS W/THERMO GLASS				1	1	C
	285001	ENTRANCE DOOR ASSY / BUS W/THERMO GLASS				1	1	
1	XL-1882-00	DOOR WINDOW - BUS						
2	472801	. MOULDING, FIBERGLASS				1	1	
3	472891	. PANEL UPPER				1	1	A
3	474171	. PANEL UPPER From X-6945				1		AB
4	281257	. HANDLE				1	1	
5	930205	. REFLECTOR AMBER 1 15/16" x 4 7/16"				1	1	
6	281520	. RAIL ASSY / 29"3/8 / FRONT ENTRANCE DOOR				1	1	
7	472883	. PANEL LOWER				1	1	
8	284644P	. FRAME ASSY				1	1	
9	321801	. MOULDING / SS / "L" FORM 48"				1	1	
10	284939	. MOULDING FINISHING / PLASTIC CHARCOAL				1	1	
11	284854	. PANEL FINISHING / FORMICA / BLACK				1	1	
11	286548	. PANEL FINISHING From X-6945				1		B
12	280737	. PANEL ACCESS 152MM X 171MM				1	1	
13	504638	. HOLE PLUG BUTTON / 1.000 O.D. BLACK				2	2	
17	280397	CATCH / FIXED ON DOOR / FOR AIR LOCK				1	1	
18	500511	SCREW MA FL PH #10-32x3/4 ZP				4	4	
NS	500440	WASHER FL .250x.562x.065 Z050				4	4	
NS	500470	WASHER LO SPT .193x.334x.047 Z050				4	4	
22	320600	HANDLE GRAB				1	1	
22	326816	HANDLE GRAB From X-6945				1		B
NS	500542	SCREW SET HEXS CUP #8-32X3/16 SS				2	2	
NS	500658	SCREW TC PAN PH #10-24x3/4 Z050				4	4	
23	900334	BRACKET / TO FIX GRAB HANDLE				2	2	
NS	900335	SCREW SET HEXS CUP #10-32x3/16				1	1	
30	284713	WEATHERSTRIP / ENTRANCE DOOR				1	1	
30	287412	WEATHERSTRIP / ENTRANCE DOOR				1	1	
30	2800121	WEATHERSTRIP / ENTRANCE DOOR				1	1	
32	XL-0655-01	INTERIOR LIGHTING						
34	XL-1862-60	ENTRANCE DOOR FRAME - INSTALLATION						
35	XL-1804-01	ENTRANCE DOOR LOCK - BUS						
36	282473	DECAL / "AUTOMATIC DOOR" / HAND OFF / CLEAR / ENGLISH & FRANCAIS				1	1	
36	284451	DECAL "AUTOMATIC DOOR" / HAND OFF / BLACK To W-6321				1	1	
36	285813	DECAL / "AUTOMATIC DOOR" / HAND OFF / ALU / ENGLISH & FRANCAIS From W-6322				1	1	
36	284452	DECAL "AUTOMATIC DOOR" / HAND OFF / WHITE To W-6321				1	1	
37	400095	DECAL / "WATCH YOUR STEP" / ENGLISH & FRANCAIS				1	1	
		FOLLOWING ITEMS ARE RELATED WITH						
		ENTRANCE DOOR WITH LOWER WINDOW From X-6945						

From S-462 To Y-7045	Date:10/2022	PAGE:XL-1862-01
ENTRANCE DOOR ASSY - BUS (GLUED)		

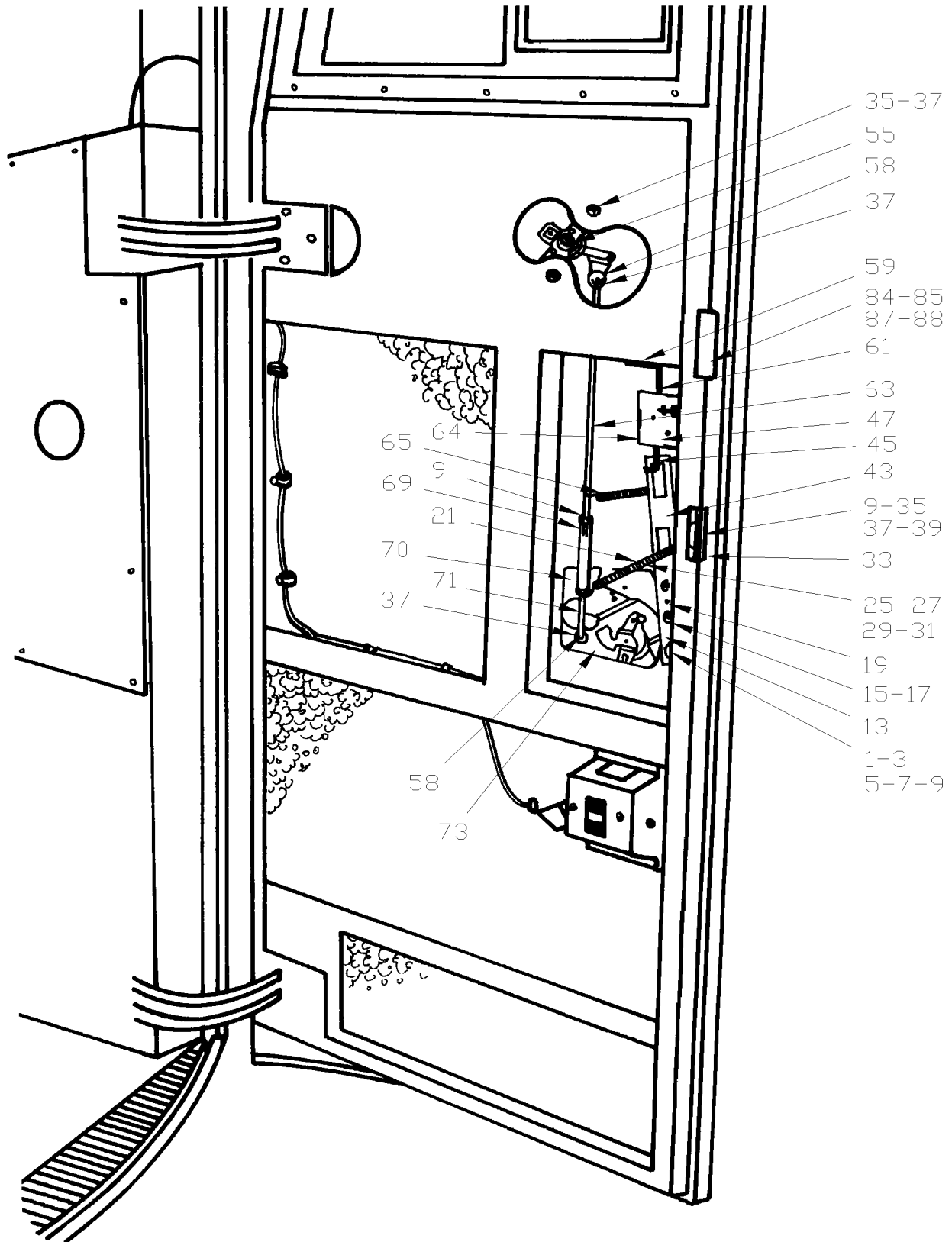
Item#	Part	Description	M T H 4 0	M T H 4 5	M T H 4 5 E	X L 4 0	X L 4 5	N O T E S
NS	286527	FRAME INTERIOR WINDOW				1		
NS	286528	FRAME EXTERIOR WINDOW				1		
NS	506769	TAPE RUB ADH2 CC POL 1/8" x 1/4" x 60' / BLACK H1CC-N-#14				AR		
NS	293229	GLASS WINDOW				1		
NS	5001097	SCREW TC OV PH #6-32x3/4 SS410 BK				1		
NS	500345	WASHER FN CKF .187x.500x.090 BR BK				1		
		A) THOSE PANELS ARE FIXED BY KIT 682444						
		B) THIS PANEL IT USE WITH DOOR "OPTION" WITH LOWER WINDOW						
		C) COMPLETE ASSY WITH 2 HINGES AS SHOWN AT PAGE 1862-60						

From E-638 To X-6679

Date:10/2022

PAGE:XL-1862-45

ENTRANCE DOOR MECHANISM - MTH

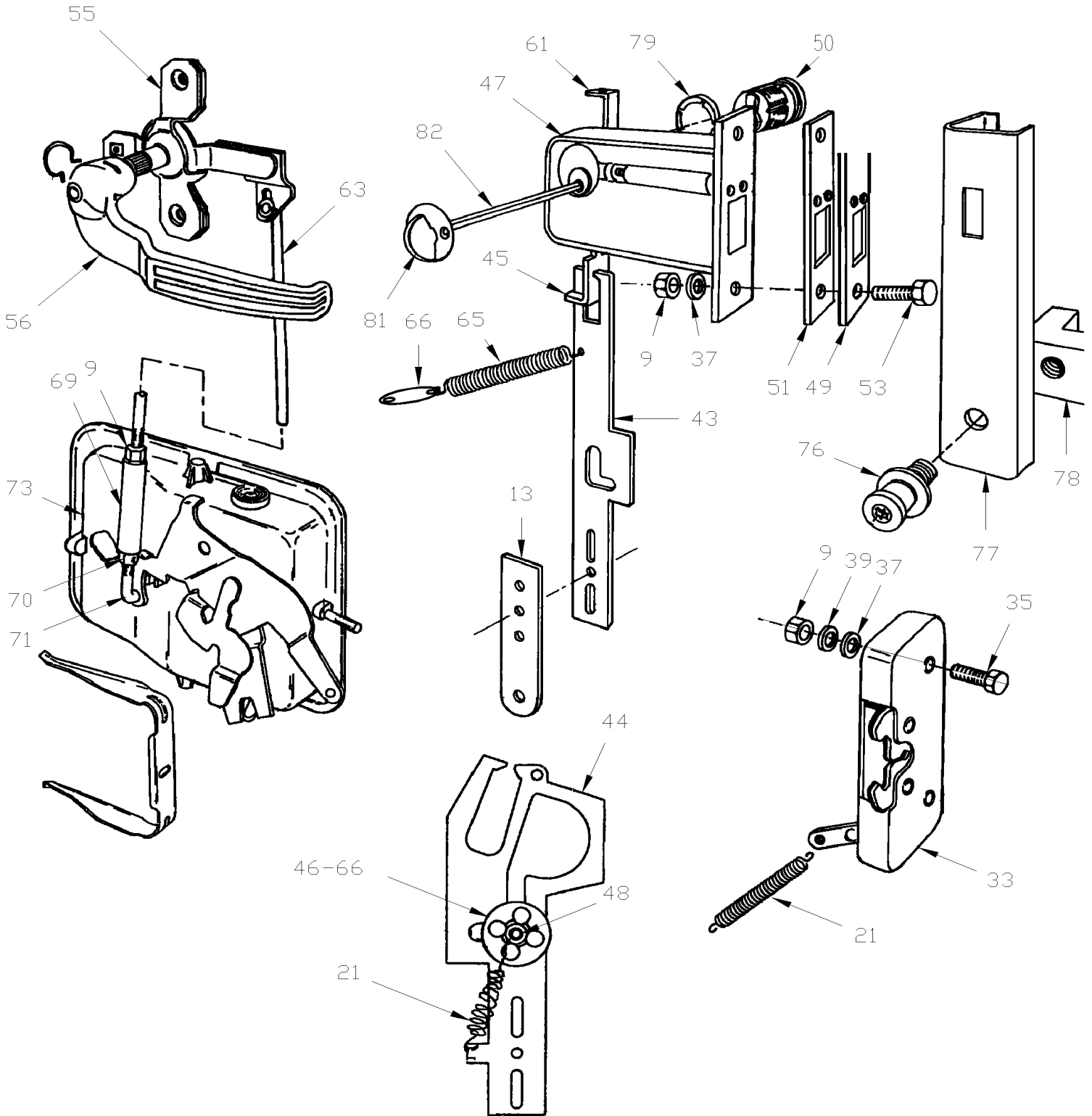


From E-638 To X-6679

Date:10/2022

PAGE:XL-1862-45

ENTRANCE DOOR MECHANISM - MTH



From E-638 To X-6679		Date:10/2022	PAGE:XL-1862-45
ENTRANCE DOOR MECHANISM - MTH			

Item#	Part	Description	M T H 4 0	M T H 4 5	M T H 4 5 E	X L 4 0	X L 4 5	N O T E S
1	500163	SCREW CAP HEX 1/4-20x3/4 G5 Z050	1	1	1			
3	500441	WASHER FL .312x.734x.065 Z050	2	2	2			
5	500473	WASHER LO SPT .262x.489x.062 Z050	1	1	1			
7	281376	RING	1	1	1			
9	500769	NUT HEX 1/4-20 Z050	4	4	4			
13	281336	ARM CONTROL 4 1/2" To N-437	1					
13	284087	ARM CONTROL 4 1/2" From N-438	1	1	1			E
15	500580	SCREW MA RND SLT #8-32x1/2 ZP To N-437	2					
15	500873	SCREW MA RND PH #8-32x3/4 SS BK From N-438	2	2	2			E
17	500438	WASHER FL .187x.437x.050 Z050 To N-437	2	2	2			E
19	500638	SCREW TP PAN PH #8x1/2 Z050 From N-438	1	1	1			
21	502155	SPRING EXTENSION / .250 O.D. x 2.5 x .024 To N-437	1					
21	502183	SPRING EXTENSION / .312 O.D. x .281 x .023 From N-438	1	1	1			E
23	500163	SCREW CAP HEX 1/4-20x3/4 G5 Z050	1	1	1			
25	505222	TAPPED BRASS SPACER 1 LG X 1/4 O.D. / 8-32	1	1	1			
27	500295	SCREW MA BDG SLT #8-32x1 1/2 ZP	1	1	1			
29	500294	WASHER SHR .172x.437x.094 FIB BK	2	2	2			
31	500764	NUT HEX #8-32 Z050	1	1	1			
33	780187	LATCH	1	1	1			A
NS	281374	GUIDE ROD / "Z" SHAPE FIXED AT LATCH / 3 1/4" X 2 3/16" X 5/8" To G-164	1					
35	500167	SCREW CAP HEX 1/4-20x1 1/4 G5 PT Z050 To M-767	4	4	4			
35	502533	SCREW CAP HEX M6-1.0x30 G8.8 Z050 From M-768	4	4	4			
37	500440	WASHER FL .250x.562x.065 Z050	AR	AR	AR			
39	502582	WASHER LO SERR 6.1x16.2x0.9 Z050	2	2	2			
43	281337	ARM CONTROL / W/FRONT / 8 1/2" To N-437	1					
43	282601	ARM CONTROL / W/CENTRAL / 8 3/4" To N-437	1					
44	284103	ARM CONTROL / W/FRONT / 6 3/4" LG From N-438	1					E
44	284105	ARM CONTROL / W/CENTRAL / 6 1/2" LG From N-438	1					E
45	281375	ATTACHMENT ANGLE 1" X 1" To G-163	1					
45	281998	ATTACHMENT ANGLE 1" X 1 1/2" From G-164 To N-437	1	1	1			
45	284086	ATTACHMENT ANGLE 1" X 3 11/16" From N-438 To P-700	1	1	1			
45	284557	ATTACHMENT ANGLE 1" X 3 11/16" From P-701 To S-461	1	1	1			E
45	284938	ATTACHMENT ANGLE 1" X 3 11/16" From S-462	1	1	1			
NS	500284	SCREW MA RND SLT #6-32x5/16 ZP To P-700	2	2	2			
NS	500339	SCREW MA RND PH #6-32x3/4 SS From P-701	2	2	2			B
46	284084	ROLLER From N-438	1	1	1			E
47	281309	LOCK ASSY, MODIFIED W/CYLINDER LOCK & KEYS	1	1	1			
47	780195	. LOCK ASSY, W/CYLINDER LOCK & KEYS NO LONGER AVAILABLE SEE LOCKSMITH	1	1	1			
47	780563	. . CYLINDER LOCK ASSY W/2 KEYS / "CORBIN"	1	1	1			
. NS	780564	. . . KEY / "CORBIN" BLANK	2	2	2			
NS	780564	. . KEY / "CORBIN" BLANK	AR	AR	AR			
48	502643	SCREW MA PAN PH #8-32x1 1/4 Z050	1	1	1			E

From E-638 To X-6679		Date:10/2022	PAGE:XL-1862-45
ENTRANCE DOOR MECHANISM - MTH			

Item#	Part	Description	M T H 4 0	M T H 4 5	M T H 4 5 E	X L 4 0	X L 4 5	N O T E S
NS	500670	NUT HEX NYRT #8-32 Z050	1	1	1			E
49	281334	PLATE STRIKE	1	1	1			
50	XL-1867-00	KEY & CYLINDER CODE "FORD" & "NS"						
51	281335	SPACER GUIDE	1	1	1			
53	500366	SCREW MA FL SLT 1/4-20x1 ZP	2	2	2			
55	281077	MECHANISM ASSY / W/FRONT DOOR To E-708	1					D
55	281425	MECHANISM ASSY / W/FRONT DOOR From E-709 To G-164	1					D
55	282000	MECHANISM ASSY / W/FRONT DOOR From G-165 To J-629	1					
55	282965	MECHANISM ASSY / W/FRONT DOOR From J-630 To M-767	1					
55	283851	MECHANISM ASSY / W/FRONT DOOR From M-768	1	1	1			
55	282061	MECHANISM ASSY / W/CENTRAL DOOR To J-629	1					D
55	283680	MECHANISM ASSY / W/CENTRAL DOOR From J-630 To M-767	1	1	1			
55	283852	MECHANISM ASSY / W/CENTRAL DOOR From M-768	1	1	1			
56	780169	HANDLE INTERIOR	1	1	1			
58	502097	PIN, COTTER 3/32 x 3/4	2	2	2			
59	500883	SCREW TC PAN PH #8-32x3/8 Z050	1	1	1			
61	281985	REINFORCEMENT / ANGLE 4" X 1" To N-516	1					
61	284365	RETAINING PLATE / FIXED OVER LOCK From N-517 To S-497	1	1	1			
NS	285124	RETAINING PLATE / FIXED OVER LOCK From S-498	1	1	1			
63	281399	ROD 15 1/4" From E-709 To G-164	1					
63	282002	ROD 12 3/8" From G-165	1	1	1			
63	282370	ROD 10 1/8" / W/CENTRAL DOOR 86" MTH	1	1	1			
63	282602	ROD 9 5/8" / W/CENTRAL DOOR 83" MTH	1	1	1			
63	283737	ROD 18 1/32" W/SMALL UPPERN CENTRAL DOOR From L-606 To L-606	1	1	1			
NS	281373	PLATE GUIDE ROD / 2 3/4" X 1 1/4" W/3 SLOTS To G-164	1					
NS	281720	PLATE GUIDE ROD / 2 3/4" X 1 1/4" W/3 SLOTS To G-164	1					
64	500284	SCREW MA RND SLT #6-32x5/16 ZP	2	2	2			
65	502183	SPRING EXTENSION / .312 O.D. x .281 x .023	1	1	1			E
66	284102	SPRING ATTACHMENT / TO FIX SPRING TO ROD OR ROLLER	2	2	2			E
69	281006	ROD / COUPLING	1	1	1			
70	500937	NUT HEX LH 1/4-20 ZP	1	1	1			
71	281308	ROD THREADED 3 1/2" LG	1	1	1			
73	281714	HANDLE EXTERIOR / MODIFIED	1	1	1			
73	780188	. HANDLE ASSY	1	1	1			
NS	504596	PLUG BUTTON / .812 O.D. / NICKEL	1	1	1			
76	780189	STRIKER & SHIM	1	1	1			C
77	281019	ATTACHMENT / WELDED ON DOOR FRAME / TO FIX STRIKER PIN MTH FRONT	1	1	1			
78	281091	BLOCK FASTENING / W/STRIKER BOLT	1	1	1			
79	283468	WASHER FINISHING	1	1	1			
79	280937	KNOB ASSY INTERIOR MAY 92	1					
NS	283910	KNOB ASSY INTERIOR MAY 92	1	1	1			
81	780186	. KNOB MAY 92	1					

From E-638 To X-6679	Date:10/2022	PAGE:XL-1862-45
ENTRANCE DOOR MECHANISM - MTH		

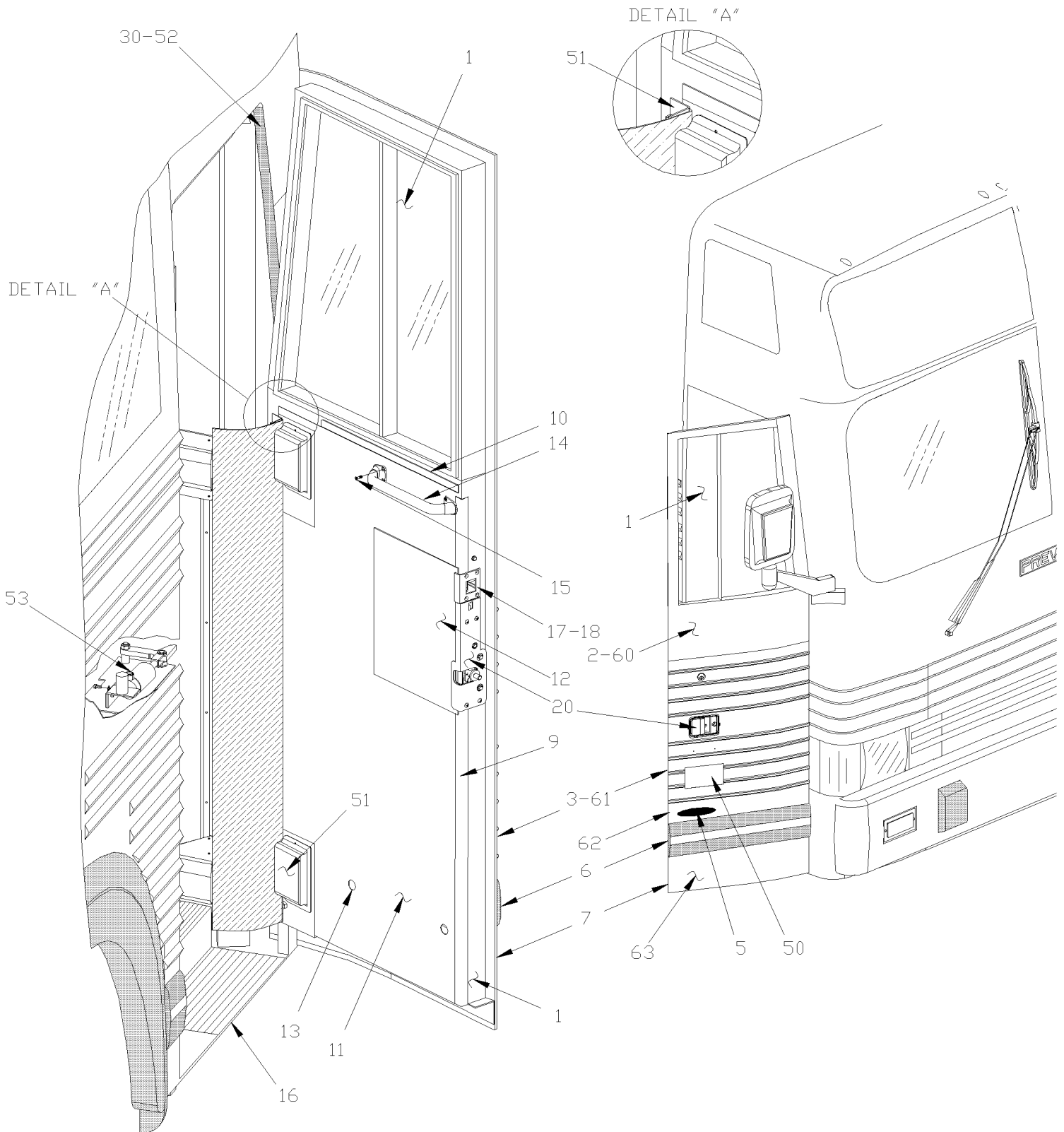
Item#	Part	Description	M T H 4 0	M T H 4 5	M T H 4 5 E	X L 4 0	X L 4 5	N O T E S
81	780494	. KNOB MAY 92	1	1	1			
82	280938	. ROD MAY 92	1					
82	283913	. ROD MAY 92	1	1	1			
82	5001011	. WASHER FL .406x.625x.040 Z050	1	1	1			
82	502094	. PIN, COTTER 1/16 x 1/2 SS	1	1	1			
84	280397	CATCH / FIXED ON DOOR / FOR AIR LOCK	1	1	1			
NS	281821	CATCH / FIXED ON DOOR / FOR AIR LOCK / W/CENTRAL DOOR	AR	AR	AR			
NS	281902	CATCH PLUG / FIXED ON DOOR / FOR W/OUT AIR LOCK	AR	AR	AR			
85	500882	SCREW MA OV SLT #10-32x3/4	4	4	4			
87	500470	WASHER LO SPT .193x.334x.047 Z050	4	4	4			
88	500700	NUT HEX #10-32 Z050	4	4	4			
		A) STRIKER BOX						
		B) TO FIX ATTACMENT						
		C) ON FRAME DOOR						
		D) THESE EXISTING MECHANISMS ARE MOUNTED WITH SCREW 1/4-20 AND SUPERSEDED BY KIT #283903. THE NEW MECHANISMS ARE MOUNTED 1/2" LOWER THAN PREVIOUS.						
		E) FOR VEHICULES UP TO N-437 - TO IMPROVE THE MECHANISMS USE THOSE PARTS						

From E-638 To S-461

Date:10/2022

PAGE:XL-1862-50

ENTRANCE DOOR ASSY - MTH (RIVETED)



From E-638 To S-461	Date:10/2022	PAGE:XL-1862-50
ENTRANCE DOOR ASSY - MTH (RIVETED)		

Item#	Part	Description	M T H 4 0	M T H 4 5	M T H 4 5 E	X L 4 0	X L 4 5	N O T E S
	282437	ENTRANCE DOOR ASSY / MTH 80" To H-254	1					
	282440	ENTRANCE DOOR ASSY / MTH 80" From H-255	1					
	282814	ENTRANCE DOOR ASSY / MTH 80" W/DOCKING LIGHT To H-254	1					
	282817	ENTRANCE DOOR ASSY / MTH 80" W/DOCKING LIGHT From H-255	1					
	282438	ENTRANCE DOOR ASSY / MTH 83" To H-254	1					
	282441	ENTRANCE DOOR ASSY / MTH 83" From H-255	1	1				
	282815	ENTRANCE DOOR ASSY / MTH 83" W/DOCKING LIGHT To H-254	1					
	282818	ENTRANCE DOOR ASSY / MTH 83" W/DOCKING LIGHT From H-255	1	1				
	282439	ENTRANCE DOOR ASSY / MTH 86" To H-254	1					
	282442	ENTRANCE DOOR ASSY / MTH 86" From H-255	1	1	1			
	282816	ENTRANCE DOOR ASSY / MTH 86" W/DOCKING LIGHT To H-254	1					
	282819	ENTRANCE DOOR ASSY / MTH 86" W/DOCKING LIGHT From H-255	1	1	1			
1	XL-1882-50	DOOR WINDOW - MTH To H-254						
1	XL-1882-51	DOOR WINDOW - MTH From H-255						
2	471085	PANEL UPPER / FIBERGLASS	1	1	1			
3	471166	PANEL UPPER / MTH 80"	1					
3	471953	PANEL UPPER / MTH 80" W/DOCKING LAMP	1					
3	471676	PANEL UPPER / MTH 83"	1	1				
3	471952	PANEL UPPER / MTH 83" W/DOCKING LAMP	1	1				
3	471718	PANEL UPPER / MTH 86"	1	1	1			
3	471951	PANEL UPPER / MTH 86" W/DOCKING LAMP	1	1	1			
NS	504272	RIVET CHY Q BRAZ 3/16x1/8 SS	AR	AR	AR			
5	930205	REFLECTOR AMBER 1 15/16" x 4 7/16"	1	1	1			
6	281520	RAIL ASSY / 29"3/8 / FRONT ENTRANCE DOOR	1	1	1			
7	471116	PANEL LOWER	1	1	1			
NS	504272	RIVET CHY Q BRAZ 3/16x1/8 SS	AR	AR	AR			
8	283715	FRAME ASSY / MTH 80"	1					
8	283716	FRAME ASSY / MTH 83"	1	1				
8	283717	FRAME ASSY / MTH 86"	1	1	1			
9	320068	MOULDING / SS / "J" FORM 57"	1	1	1			
10	280362	MOULDING SS / "Z" FORM 26 3/4"	1	1	1			
11	281104	PANEL FINISHING / AL / MTH 80"	1					
11	281737	PANEL FINISHING / AL / MTH 83"	1	1				
11	281738	PANEL FINISHING / AL / MTH 86"	1	1	1			
12	281023	PANEL FINISHING / COVER DOOR MECHANISM	1	1	1			
13	281424	PLUG SNAP / PAINTED BLACK	1	1	1			
NS	504374	RIVET POP DOME OE 1/4x1/4 STL	1	1	1			
14	860295	HANDLE / SHORT	1	1	1			
NS	900308	HANDLE / LONG			1			A
15	500638	SCREW TP PAN PH #8x1/2 Z050	4	4	4			
16	281453	MOULDING 28" / SS "C" SHAPE	1	1	1			
NS	500786	NUT HEX #10-24 Z050	AR	AR	AR			

From E-638 To S-461	Date:10/2022	PAGE:XL-1862-50
ENTRANCE DOOR ASSY - MTH (RIVETED)		

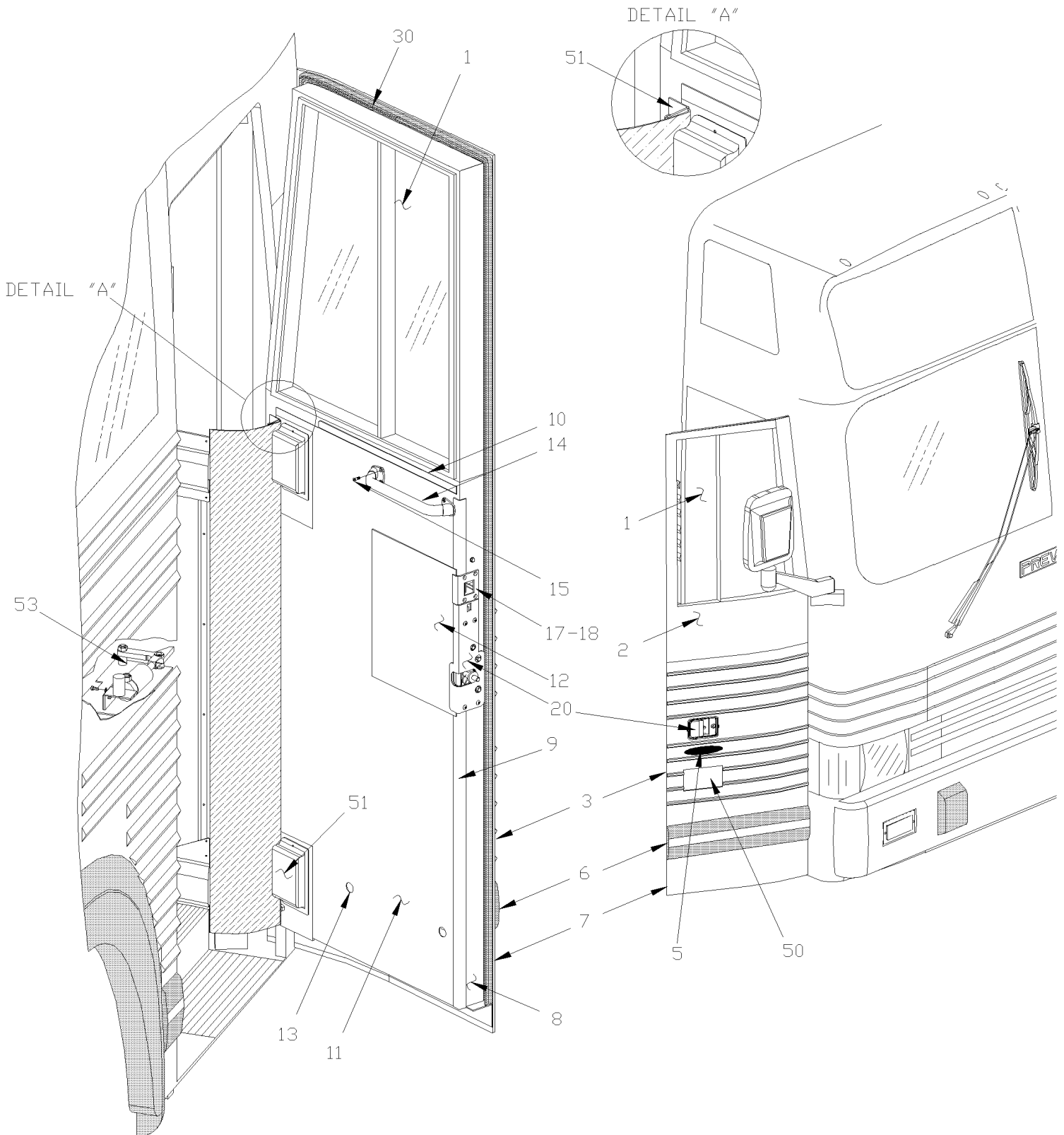
Item#	Part	Description	M T H 4 0	M T H 4 5	M T H 4 5 E	X L 4 0	X L 4 5	N O T E S
NS	500654	SCREW TC BDG PH #8-32x1/2 Z050	AR	AR	AR			
NS	500598	SCREW TC TR PH #6-32x1/2 ZP	AR	AR	AR			
NS	500473	WASHER LO SPT .262x.489x.062 Z050	AR	AR	AR			
17	280397	CATCH / FIXED ON DOOR / FOR AIR LOCK	1	1	1			
18	500511	SCREW MA FL PH #10-32x3/4 ZP	4	4	4			
NS	500440	WASHER FL .250x.562x.065 Z050	4	4	4			
NS	500470	WASHER LO SPT .193x.334x.047 Z050	4	4	4			
20	XL-1862-45	ENTRANCE DOOR MECHANISM - MTH						
NS	281079	MOULDING / NORYL / TO FIX OVER LATCH	1	1	1			
30	481181	WEATHERSTRIP / ENTRANCE DOOR / MTH 80"	1					
30	481217	WEATHERSTRIP / ENTRANCE DOOR / MTH 83"	1	1				
30	481220	WEATHERSTRIP / ENTRANCE DOOR / MTH 86"	1	1	1			
30	480154	. WEATHERSTRIP RUBBER / ADH / RAW MATERIAL	AR	AR	AR			
50	XL-0663-00	DOCK & CORNERING LIGHT						
51	XL-1862-60	ENTRANCE DOOR FRAME - INSTALLATION						
52	XL-1854-10	WEATHERSTRIP & RETAINER - BUS 40'						
53	XL-1804-50	ENTRANCE DOOR LOCK - MTH						
60	472308	PANEL UPPER / W/O FRONT ENTRANCE	1	1				B
61	472330	PANEL MTH 83" 22 5/8" X 36 5/16" W/OUT FRT ENTRANCE DOOR	1	1				B
62	471661	PANEL, UPPER	1	1				B
63	471666	PANEL, LOWER	1	1				B
		A) AS SHOWN						
		B) USE ONLY W/OUT FRONT ENTRANCE DOOR						

From S-462 To X-6679

Date:10/2022

PAGE:XL-1862-51

ENTRANCE DOOR ASSY - MTH (GLUED)



From S-462 To X-6679	Date:10/2022	PAGE:XL-1862-51
ENTRANCE DOOR ASSY - MTH (GLUED)		

Item#	Part	Description	M T H 4 0	M T H 4 5	M T H 4 5 E	X L 4 0	X L 4 5	N O T E S
	285012	ENTRANCE DOOR ASSY / MTH 83" To S-497	1	1				
	285192	ENTRANCE DOOR ASSY / MTH 83" From S-498	1	1				
	285009	ENTRANCE DOOR ASSY / MTH 83" W/DOCKING LIGHT To S-497	1	1				
	285191	ENTRANCE DOOR ASSY / MTH 83" W/DOCKING LIGHT From S-498	1	1				
	285013	ENTRANCE DOOR ASSY / MTH 86" To S-497	1	1	1			
	285193	ENTRANCE DOOR ASSY / MTH 86" From S-498	1	1	1			
	285010	ENTRANCE DOOR ASSY / MTH 86" W/DOCKING LIGHT To S-497	1	1	1			
	285194	ENTRANCE DOOR ASSY / MTH 86" W/DOCKING LIGHT From S-498	1	1	1			
1	XL-1882-51	DOOR WINDOW - MTH To W-6448						
2	472801	. MOULDING, FIBERGLASS	1	1	1			
2	473069	. MOULDING, FIBERGLASS / W/O ENTRANCE DOOR / MTH 83"	1	1				
3	472890	. PANEL UPPER / MTH 83" To S-497	1	1				C
3	473104	. PANEL UPPER / MTH 83" From S-498	1	1				B
3	472885	. PANEL UPPER / MTH 83" W/DOCKING LAMP To S-497	1	1				C
3	473103	. PANEL UPPER / MTH 83" W/DOCKING LAMP From S-498	1	1				B
3	472892	. PANEL UPPER / MTH 86" To S-497	1	1	1			C
3	473105	. PANEL UPPER / MTH 86" From S-498	1	1	1			B
3	472887	. PANEL UPPER / MTH 86" W/DOCKING LAMP To S-497	1	1	1			C
3	473106	. PANEL UPPER / MTH 86" W/DOCKING LAMP From S-498	1	1	1			B
NS	473070	. PANEL MTH 83" 22 5/8" X 36 5/16" W/OUT FRT ENTRANCE DOOR	1	1				
5	930205	. REFLECTOR AMBER 1 15/16" x 4 7/16"	1	1	1			
6	281520	. RAIL ASSY / 29"3/8 / FRONT ENTRANCE DOOR	1	1	1			
7	472883	. PANEL LOWER	1	1	1			
8	284660P	. FRAME ASSY / MTH 83"	1	1				
8	284659P	. FRAME ASSY / MTH 86"	1	1	1			
9	325394	. MOULDING / SS / "J" FORM 6"	1	1	1			
9	325392	. MOULDING / SS / "J" FORM 12 1/2" / MTH 86"	1	1	1			
9	325393	. MOULDING / SS / "J" FORM 9 1/2" / MTH 83"	1	1				
9	325395	. MOULDING / SS / "J" FORM 33"	1	1	1			
9	320068	. MOULDING / SS / "J" FORM 57"	1	1	1			
10	284864	. MOULDING / STAINLESS STEEL / INTERIOR FINISHING	1	1	1			
11	284865	. PANEL FINISHING / AL. / MTH 83"	1	1				
11	284866	. PANEL FINISHING / AL. / MTH 86"	1	1	1			
12	285125	. PANEL FINISHING / TO COVER ENTRANCE DOOR MECHANISM	1	1	1			
13	504638	. HOLE PLUG BUTTON / 1.000 O.D. BLACK	2	2	2			
14	860295	HANDLE / SHORT	1	1	1			
NS	900308	HANDLE / LONG			1			A
15	500638	SCREW TP PAN PH #8x1/2 Z050	4	4	4			
17	280397	CATCH / FIXED ON DOOR / FOR AIR LOCK	1	1	1			
NS	281902	CATCH PLUG / FIXED ON DOOR / FOR W/OUT AIR LOCK	1	1	1			
18	500511	SCREW MA FL PH #10-32x3/4 ZP	4	4	4			
NS	500440	WASHER FL .250x.562x.065 Z050	4	4	4			

From S-462 To X-6679	Date:10/2022	PAGE:XL-1862-51
ENTRANCE DOOR ASSY - MTH (GLUED)		

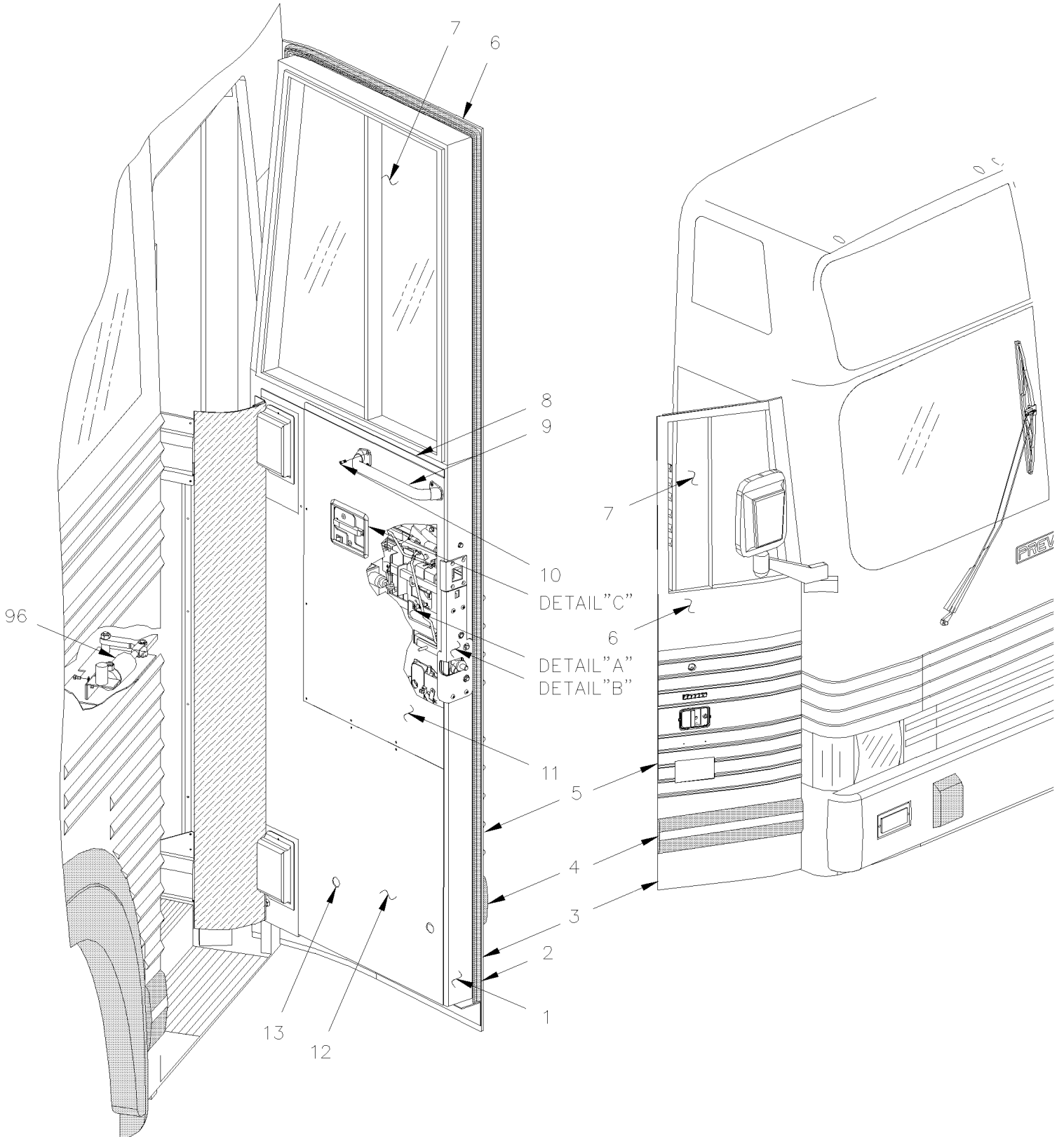
Item#	Part	Description	M T H 4 0	M T H 4 5	M T H 4 5 E	X L 4 0	X L 4 5	N O T E S
NS	500470	WASHER LO SPT .193x.334x.047 Z050	4	4	4			
20	XL-1862-45	ENTRANCE DOOR MECHANISM - MTH						
NS	281079	MOULDING / NORYL / TO FIX OVER LATCH	1	1	1			
30	284715	WEATHERSTRIP / ENTRANCE DOOR / MTH 83"	1	1				
30	287410	WEATHERSTRIP / ENTRANCE DOOR / MTH 83"	1	1				
30	2800119	WEATHERSTRIP / ENTRANCE DOOR / MTH 83"	1	1				
30	284716	WEATHERSTRIP / ENTRANCE DOOR / MTH 86" WINDOW SEAL / TRAPEZOIDAL LH /	1	1	1			
30	287408	WEATHERSTRIP / ENTRANCE DOOR / MTH 86"	1	1	1			
30	2800117	WEATHERSTRIP / ENTRANCE DOOR / MTH 86"	1	1	1			
50	XL-0663-00	DOCK & CORNERING LIGHT						
51	XL-1862-60	ENTRANCE DOOR FRAME - INSTALLATION						
53	XL-1804-50	ENTRANCE DOOR LOCK - MTH						
		A) THIS HANDLE IT USE WITH FINISHING BY "PREVOST"						
		B) THOSE PANEL ARE FIXED BY KIT 682444						
		C) THOSE PANEL HAVE FLUTE UNDER HANDLE						

From X-6680 To Y-7045

Date:10/2022

PAGE:XL-1862-52

ENTRANCE DOOR ASSY - MTH

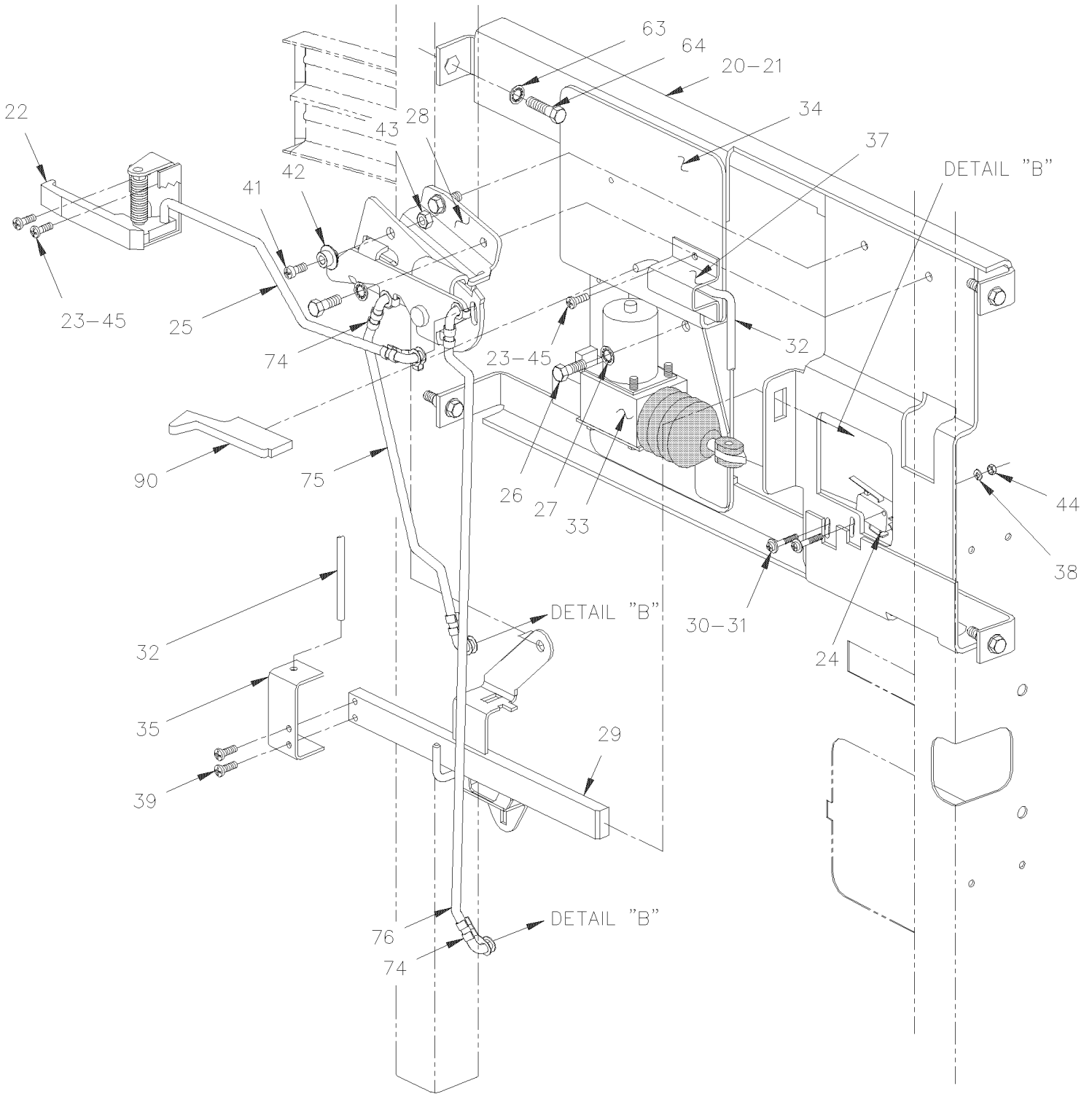


From X-6680 To Y-7045

Date:10/2022

PAGE:XL-1862-52

ENTRANCE DOOR ASSY - MTH



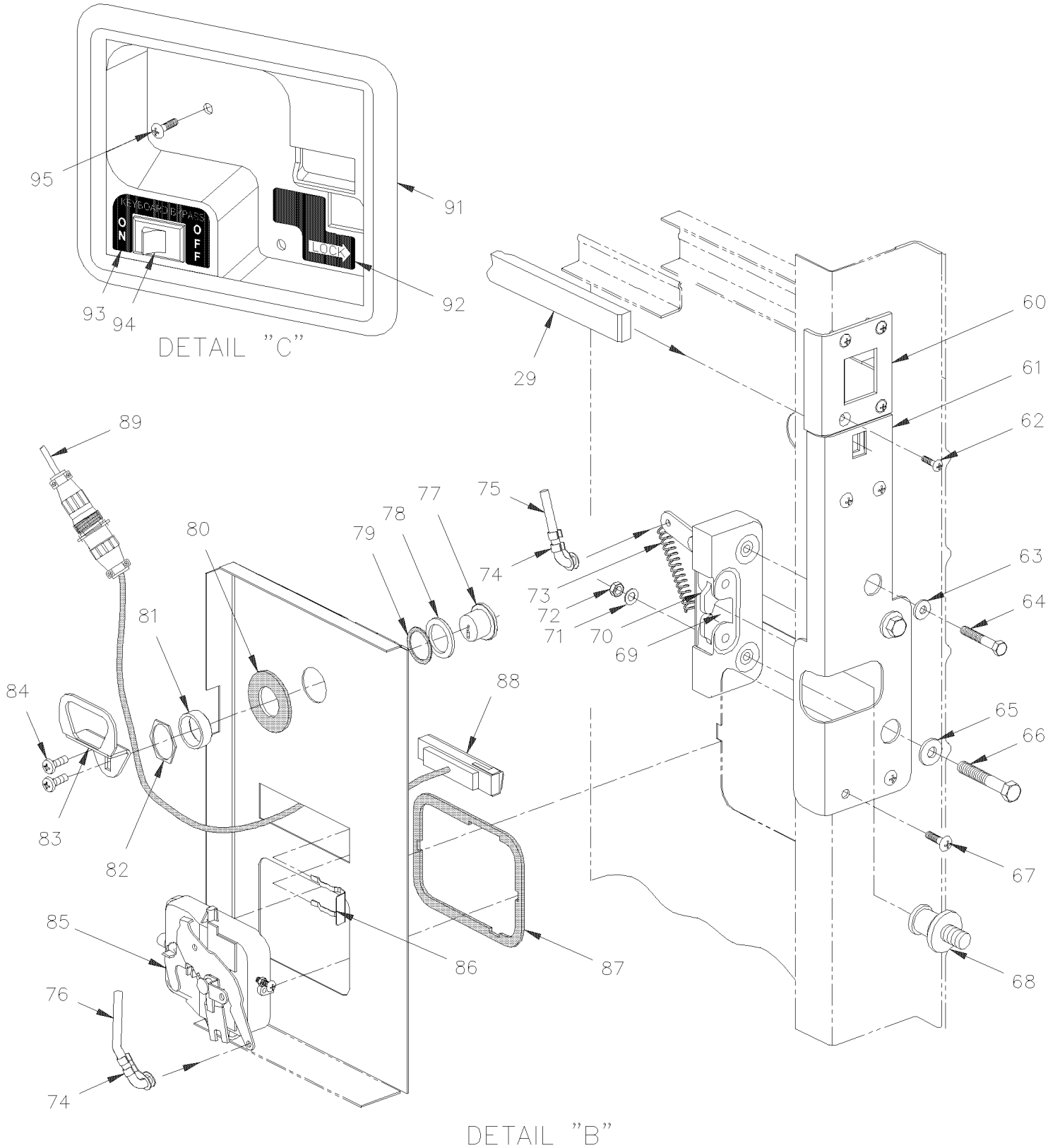
DETAIL "A"

From X-6680 To Y-7045

Date:10/2022

PAGE:XL-1862-52

ENTRANCE DOOR ASSY - MTH



From X-6680 To Y-7045	Date:10/2022	PAGE:XL-1862-52
ENTRANCE DOOR ASSY - MTH		

Item#	Part	Description	MTH40	MTH45	MTH45E	XL40	XL45	NOTES
	285975	ENTRANCE DOOR ASSY / MTH 83"	1	1				
	285974	ENTRANCE DOOR ASSY / MTH 83" W/DOCKING LIGHT	1	1				
	285976	ENTRANCE DOOR ASSY / MTH 86"	1	1	1			
	285977	ENTRANCE DOOR ASSY / MTH 86" W/DOCKING LIGHT	1	1	1			
1	285890P	. FRAME ASSY 83"	1	1				
1	285889P	. FRAME ASSY 86"	1	1	1			
2	284715	. WEATHERSTRIP / ENTRANCE DOOR / MTH 83"	1	1				
2	287410	. WEATHERSTRIP / ENTRANCE DOOR / MTH 83"	1	1				
2	2800119	. WEATHERSTRIP / ENTRANCE DOOR / MTH 83"	1	1				
2	284716	. WEATHERSTRIP / ENTRANCE DOOR / MTH 86" WINDOW SEAL / TRAPEZOIDAL LH /	1	1	1			
2	287408	. WEATHERSTRIP / ENTRANCE DOOR / MTH 86"	1	1	1			
2	2800117	. WEATHERSTRIP / ENTRANCE DOOR / MTH 86"	1	1	1			
3	472883	. PANEL LOWER	1	1	1			
NS	504340	. RIVET POP DOME OE 1/8x3/16 SS	3	3	3			
5	473398	. PANEL UPPER / MTH 83" W/DOCKING LAMP	1	1				B
5	473548	. PANEL UPPER / MTH 83"	1	1				B
5	473549	. PANEL UPPER / MTH 86"	1	1	1			B
5	473547	. PANEL UPPER / MTH 86" W/DOCKING LAMP	1	1	1			B
NS	680025	. CAULKING STRIP 3/16" O.D. X 14'	AR	AR	AR			
NS	682444	. GLUE / METHACRYLATE MA 550	AR	AR	AR			
. NS	IS-93055	. . SEE INSTRUCTION SHEET	1	1	1			
NS	506225	. TAPE RUB ADH1 CC POL 1/16" x 1/4" x 100' / GREY 2520	AR	AR	AR			
NS	680096	. SEALANT BUTYL ALUM / GREY / 310ml CARTRIDGE	AR	AR	AR			
6	472801	. MOULDING, FIBERGLASS	1	1	1			
8	284864	. MOULDING / STAINLESS STEEL / INTERIOR FINISHING	1	1	1			
9	900308	. HANDLE / LONG	1	1	1			
10	500611	. SCREW TC PAN PH #10-24x1/2 Z050	4	4	4			
11	285801	. PANEL FINISHING / TO COVER ENTRANCE DOOR	1	1				
11	286013	. PANEL FINISHING / TO COVER ENTRANCE DOOR MECHANISM W/86"	1	1	1			
12	285686	. PANEL FINISHING / AL. / MTH 83"	1	1				
12	285687	. PANEL FINISHING / AL. / MTH 86"	1	1	1			
13	504373	. PLUG BUTTON / 1.000 O.D. / BARE METAL	3	3	3			
20	285750	. MECHANISM ASSY	1	1	1			
21	285732	. . SUPPORT ASSY	1	1	1			
22	780484	. . LEVER, RELEASE	1	1	1			
23	500654	. . SCREW TC BDG PH #8-32x1/2 Z050	4	4	4			
24	561677	. . MICRO SWITCH	1	1	1			
NS	680066	. . ADHESIVE / ADBOND #5014 / 23.6ML BOTTLE	AR	AR	AR			
25	283387	. . ROD	1	1	1			
26	500472	. . WASHER LO INT .256x.478x.028 Z050	4	4	4			
27	502531	. . SCREW CAP HEX M6-1.0x16 G8.8 Z050	4	4	4			
28	285748	. . SHUTTER, RELEASE ASSY	1	1	1			

From X-6680 To Y-7045	Date:10/2022	PAGE:XL-1862-52
ENTRANCE DOOR ASSY - MTH		

Item#	Part	Description	M T H 4 0	M T H 4 5	M T H 4 5 E	X L 4 0	X L 4 5	N O T E S
29	284079	. . ROD 259MM C/C	1	1	1			
30	5001412	. . SCREW MA CHE PH M3-0.5x20 EMN	2	2	2			
31	500591	. . WASHER FL 4.3x9.0x0.8 Z050	2	2	2			
32	284836	. . ROD	1	1	1			
33	780428	. . LOCK ACTUATOR / 12V	1	1	1			
. NS	562076	. . . CONNECTOR / PACK-CON I / FEMALE HOUSING / 2C / PED 8911772	1	1	1			
33	2810382	. . ACTUATOR SERVICE KIT	1	1	1			
34	284834	. . SUPPORT ACTUATOR	1	1	1			
35	283364	. . TIE	1	1	1			
37	780483	. . CLAMP	1	1	1			
38	502579	. . NUT HEX M3-0.5 NP	2	2	2			
39	500641	. . SCREW TP PAN PH #8x3/4 Z050	2	2	2			
40	502156	. . SPRING EXTENSION / .437 O.D. x 2 x .041	1	1	1			
41	502746	. . SCREW MA PAN PH M5-0.8x20 SS BK	1	1	1			
42	285546	. . STOPPER	1	1	1			
43	502782	. . NUT HEX NYRT M5-0.8 Z050	1	1	1			
44	502691	. . WASHER LO SPT 3.6x6.7x0.8 Z050	2	2	2			
45	680066	. . ADHESIVE / ADBOND #5014 / 23.6ML BOTTLE	AR	AR	AR			
46	504541	. . CLIP ROD 1/4" R.H.	1	1	1			
47	680038	. . THREAD LOCKER LOCTITE #243 / BLUE / 50ml	AR	AR	AR			
50	XL-0663-00	DOCK & CORNERING LIGHT						
60	280397	. . CATCH / FIXED ON DOOR / FOR AIR LOCK	1	1	1			
61	285966	. . FINISHING PLATE	1	1	1			
62	5001435	. . SCREW MA FL PH #10-32x3/4 SS	4	4	4			
63	5001432	. . WASHER LO INT .256x.478x.028 SS 410	1	1	1			
64	5001433	. . SCREW CAP HEX M6-1.0x25 SS	1	1	1			
65	502573	. . WASHER FL 6.4x12.5x1.6 SS	2	2	2			
66	5001436	. . SCREW CAP HEX 1/4-28x1 1/2 SS	2	2	2			
67	5001434	. . SCREW MA TR PH #10-32x3/4 SS	1	1	1			
68	780189	. . STRIKER & SHIM	1	1	1			A
69	500446	. . WASHER FL .531x1.250x.125 Z050	1	1	1			
70	286042	. . REWORK LOCK	1	1	1			
71	502582	. . WASHER LO SERR 6.1x16.2x0.9 Z050	2	2	2			
72	500690	. . NUT HEX NYRT 1/4-28 Z050	2	2	2			
73	502155	. . SPRING EXTENSION / .250 O.D. x 2.5 x .024	1	1	1			
74	504541	. . CLIP ROD 1/4" R.H.	4	4	4			
75	285723	. . RELEASE MECHANISM ROD	1	1	1			
76	285911	. . HANDLE ROD	1	1	1			
77	780430	. . CYLINDER LOCK ASSY W/2 KEYS / "CORBIN"	1	1	1			S
. NS	780562	. . KEY / "CORBIN" BLANK	2	2	2			S
77	780803	. . CYLINDER LOCK ASSY W/2 KEYS / "SCHLAGE" SERVICE	1	1	1			
. NS	780902	. . KEY / "SCHLAGE" BLANK	1	1	1			

From X-6680 To Y-7045	Date:10/2022	PAGE:XL-1862-52
ENTRANCE DOOR ASSY - MTH		

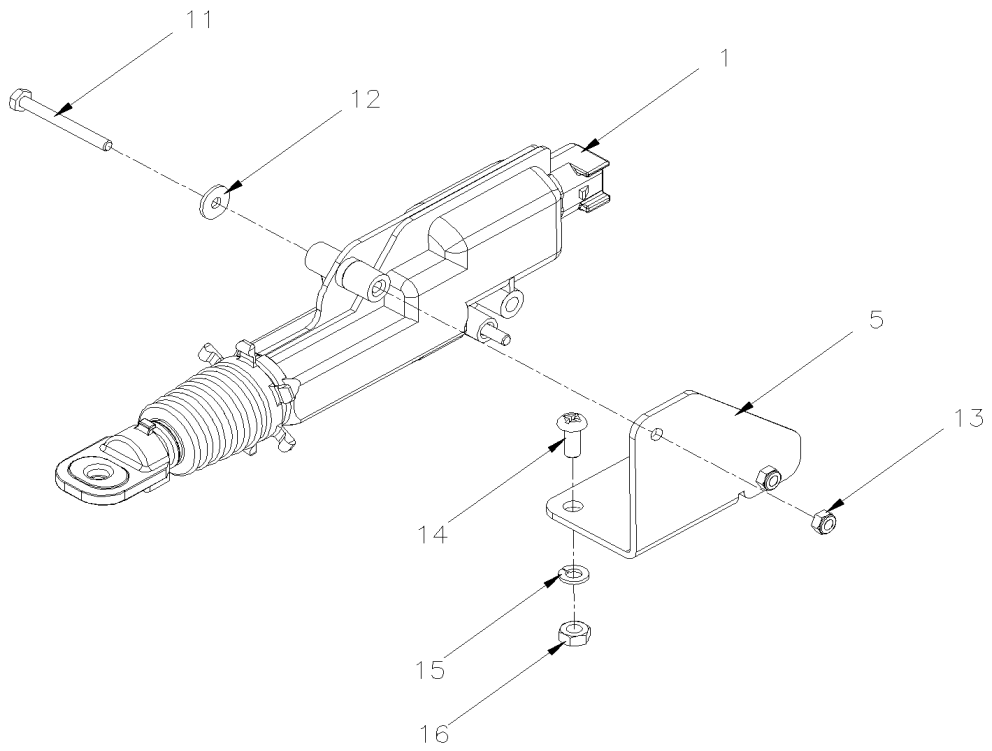
Item#	Part	Description	M T H 4 0	M T H 4 5	M T H 4 5 E	X L 4 0	X L 4 5	N O T E S
NS	780562	. KEY / "CORBIN" BLANK	1	1	1			
78	283468	. WASHER FINISHING	1	1	1			
79	285198	. GASKET	1	1	1			
80	285188	. GASKET	1	1	1			
81	283380	. SPACER / LOCK & NUT	1	1	1			
82	780427	. NUT	1	1	1			
83	285816	. LEVER, TRIANGULAR SHAPE / W/"CORBIN" 18MM OFFSET	1	1	1			
83	289031	. LEVER, TRIANGULAR SHAPE / W/"SCHLAGE" 18MM OFFSET SERVICE	1	1	1			
84	N.S.P.	. SCREW MA FL PH 22 (INCLUDE W/ITEM #77)	1	1	1			2
85	281714	. HANDLE EXTERIOR / MODIFIED	1	1	1			
NS	504596	. PLUG BUTTON / .812 O.D. / NICKEL	1	1	1			
86	780429	. CLIP RETAINER	1	1	1			
87	285187	. GASKET	1	1	1			
88	062709	. KEYBOARD ASSY	1	1	1			
NS	286224	. SHIM	1	1	1			
89	061806	. CABLE ASSY / ENTRANCE DOOR DOCKING LIGHT	1	1	1			
NS	064831	. CABLE KEYLESS MODULE	1	1	1			
NS	504637	. CABLE TIE / 3/16" x 13"	1	1	1			
NS	560503	. CLAMP / 1/4" I.D.	1	1	1			
NS	500641	. SCREW TP PAN PH #8x3/4 Z050	1	1	1			
90	284127	. BUTTON	1	1	1			
91	283777	. BEZEL HANDLE ASSY	1	1	1			
NS	283778	. . BEZEL	1	1	1			
92	283769	. . DECAL / "LOCK"	1	1	1			
93	283768	. . DECAL / "KEYBOARD BYPASS"	1	1	1			
94	062809	. . SWITCH ASSY W/CONNERTOR	1	1	1			
94	562109	. . . SWITCH / ON-ON / S.P.S.T.	1	1	1			
95	500409	. SCREW TP PAN PH #8x1/2 BK	2	2	2			
96	XL-1804-50	ENTRANCE DOOR LOCK - MTH						
		A) FIXED ON STRUCTURAL FRAME						
		B) THOSE PANEL ARE FIXED BY KIT 682444						
		S) THIS MODEL IT OBSOLETED REPLACE BY 780803 WITH NEW LEVER # 289031						
		2) NOT SOLD BY PREVOST (SEE MANUFACTURING PART NUMBER AT END OF DESCRIPTION LINE)						

From X-6680 To Y-7045

Date:10/2022

PAGE:2810382

ACTUATOR SERVICE KIT

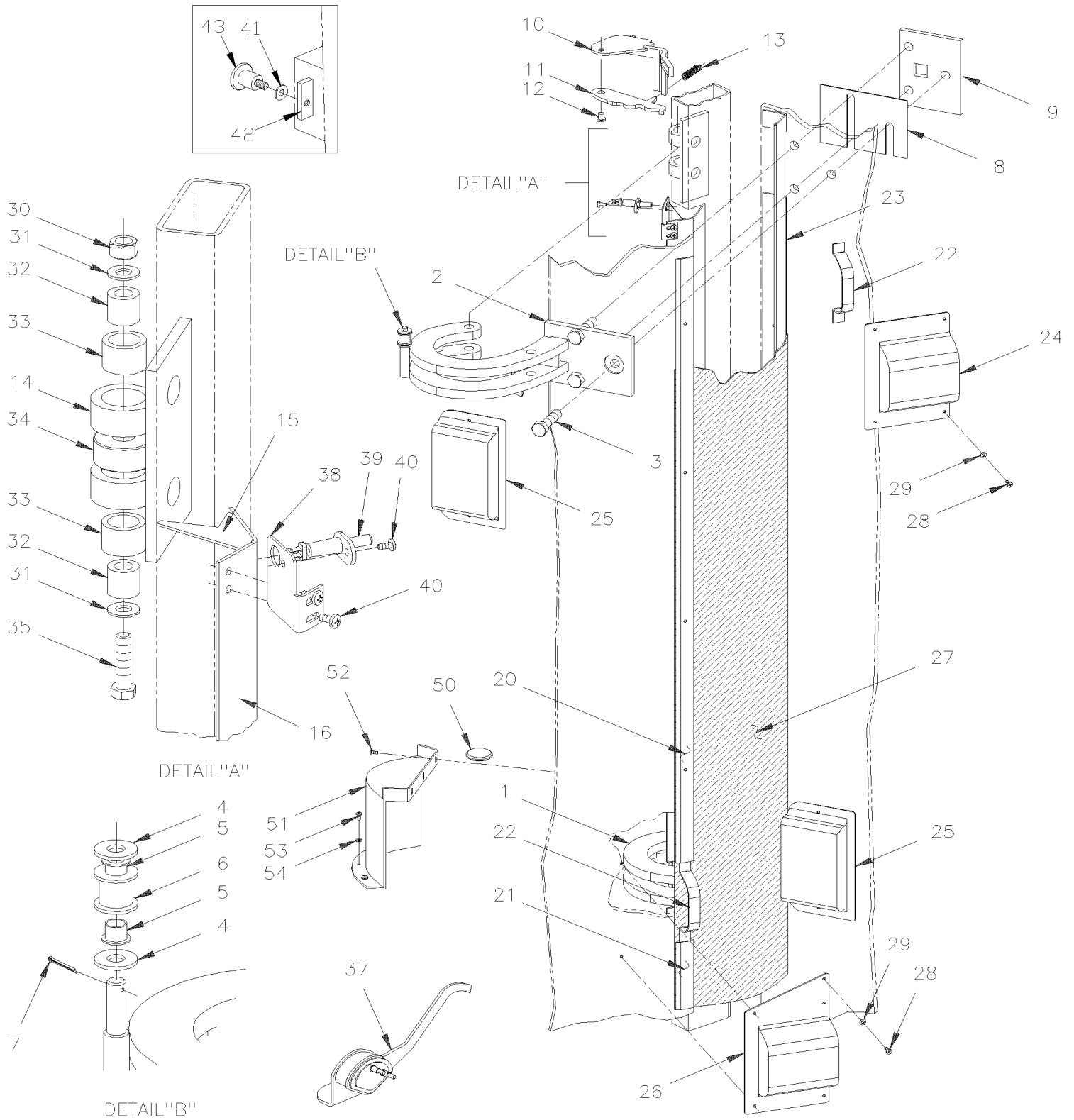


From E-638 To Y-7045

Date:10/2022

PAGE:XL-1862-60

ENTRANCE DOOR FRAME - INSTALLATION



From E-638 To Y-7045	Date:10/2022	PAGE:XL-1862-60
ENTRANCE DOOR FRAME - INSTALLATION		

Item#	Part	Description	M T H 4 0	M T H 4 5	M T H 4 5 E	X L 4 0	X L 4 5	N O T E S
1	281269	HINGE ASSY To G-095	1			1		
1	281759	HINGE ASSY From G-096				1	1	
1	281759	HINGE ASSY	1	1	1			
1	284729	PROTECTOR RUBBER 4 5/8" X 6 1/4" / HINGE & DOOR	1	1	1	1	1	
2	281269	HINGE ASSY To G-095	1			1		
2	281759	HINGE ASSY From G-096				1	1	
2	281759	HINGE ASSY To V-6056	1	1	1			A
2	283874	HINGE ASSY From V-6057 To X-6678	1	1	1			
2	285707	HINGE ASSY From X-6679	1	1	1			
3	500205	SCREW CAP HEX 7/16-14x1 1/2 G8 CP	6	6	6	6	6	
4	500441	WASHER FL .312x.734x.065 Z050	2	2	2	2	2	
5	507301	BUSHING NYLINER From V-6057	2	2	2			
6	284214	ROLLER SS 9.5MM I.D.x14.5 O.D. 19Flx17Th From V-6057	1	1	1			
7	502094	PIN, COTTER 1/16 x 1/2 SS From V-6057	1	1	1			
8	280409	SPACER	4	4	4	4	4	
9	280715	ATTACHMENT HINGE	2	2	2	2	2	
10	283872	BRACE ASSY	1	1	1			A
. NS	283873	. ATTACMENT ASSY	1	1	1			A
. NS	283838	. STOPPER	1	1	1			A
. NS	504543	. RIVET SHR FL 3/8x3/16 STL	1	1	1			A
11	283838	. STOPPER	1	1	1			A
12	504543	. RIVET SHR FL 3/8x3/16 STL	1	1	1			
13	282311	SPRING COMPRESSION / .700 O.D. x 940 x .105	1	1	1			
14	280408	BRACKET ASSY / WELDED ON FRAME	2	2	2	2	2	
15	250450	REINFORCEMENT UPPER & LOWER	2	2	2	2	2	
16	250449	MOULDING LEATHERETTE RETAINER BUS (WELDED)				1	1	
16	250600	MOULDING LEATHERETTE RETAINER MTH 80" (WELD	1					
16	250601	MOULDING LEATHERETTE RETAINER MTH 83" (WELD	1	1				
16	250602	MOULDING LEATHERETTE RETAINER MTH 86" (WELD	1	1	1			
20	320385	MOULDING / SS / 38" / TO FIX LEATHERETTE ON DASH				1	1	
21	320838	MOULDING / SS / 12" / TO FIX LEATHERETTE ON STEP				1	1	
22	320241	MOULDING / AL. / RETAINING LEATHERETTE OVER COVER ON FRAME	2	2	2	2	2	
23	326391	MOULDING ALUMINIUM / TO FIX LEATHERETTE / MTH 83"	1	1				
23	326413	MOULDING ALUMINIUM / TO FIX LEATHERETTE / MTH 86"	1	1	1			
23	320848	MOULDING ALUMINIUM / TO FIX LEATHERETTE /	1	1	1	1	1	
23	500092	SCREW TP OV PH #8x1/2 ZP	6	6	6	6	6	
23	500464	WASHER FN CKF .210x.540 SS	8	8	8	8	8	
23	320245	MOULDING ALUMINIUM / TO FIX LEATHERETTE / MTH 80"	1	1	1	1	1	
23	321754	MOULDING ALUMINIUM / TO FIX LEATHERETTE / MTH 83" To X-6679	1	1				
23	326391	MOULDING ALUMINIUM / TO FIX LEATHERETTE / MTH 83" From X-6680	1	1				
23	321755	MOULDING ALUMINIUM / TO FIX LEATHERETTE / MTH 86" To X-6679	1	1	1			
23	326413	MOULDING ALUMINIUM / TO FIX LEATHERETTE / MTH 86" From X-6680	1	1	1			

From E-638 To Y-7045	Date:10/2022	PAGE:XL-1862-60
ENTRANCE DOOR FRAME - INSTALLATION		

Item#	Part	Description	M T H 4 0	M T H 4 5	M T H 4 5 E	X L 4 0	X L 4 5	N O T E S
24	320289	COVER HINGE / AL. / UPPER / ON FRAME	1	1	1	1	1	
25	320242	COVER HINGE / S.S. / ON DOOR	2	2	2	2	2	
NS	504339	RIVET POP DOME OE 1/8x3/8 SS	18	18	18	18	18	
NS	504340	RIVET POP DOME OE 1/8x3/16 SS	3	3	3	3	3	
26	320243	COVER HINGE / AL. / LOWER / ON FRAME	1	1	1	1	1	
27	285564	COVER LEATHERETTE BLACK ASY / HINGE & DOOR				1	1	
27	285565	COVER LEATHERETTE BLACK ASY / HINGE & DOOR / MTH 83"	1	1	1	1	1	
27	285566	COVER LEATHERETTE BLACK ASY / HINGE & DOOR / MTH 86"	1	1	1	1	1	
27	320246	COVER LEATHERETTE BLACK ASY / HINGE & DOOR				1		
27	860424	. LEATHERETTE / BLACK / S.L.	1	1	1	1	1	
28	500552	SCREW TP OV PH #6x3/4 Z050	AR	AR	AR	AR	AR	
28	500644	SCREW TP OV PH #6x1 ZP	AR	AR	AR	AR	AR	
28	500640	SCREW TP PAN PH #6x3/4 Z050	1	1	1	1	1	
29	500464	WASHER FN CKF .210x.540 SS	AR	AR	AR	AR	AR	
29	500463	WASHER FN CKF .187x.500x.090 BR Z050	9	9	9	9	9	
NS	504107	RIVET POP DOME OE 1/8x5/16 AL	4	4	4	4	4	
NS	504108	RIVET POP DOME OE 1/8x1/2 AL	6	6	6	6	6	
NS	506055	PAD RUB CC PVC 3/8" x 49" x 90" / GREY 2720	AR	AR	AR	AR	AR	
30	500718	NUT HEX STO 1/2-20 Z050	2	2	2	2	2	
31	500446	WASHER FL .531x1.250x.125 Z050	4	4	4	4	4	
32	507047	NEEDLE BEARING	4	4	4	4	4	
32	680739	GREASE SYNTHETIC / RED 20KG	AR	AR	AR	AR	AR	
33	507056	NEEDLE BEARING	4	4	4	4	4	
33	507367	NEEDLE BEARING From X-6945				4		
34	507003	SPACER BEARING To L-430	2			2		
34	283349	SPACER BEARING From L-431	2	2	2	2	2	
35	500103	SCREW CAP HEX 1/2-20x4 1/2 G5 ZP	2	2	2	2	2	
37	060338	SWITCH DOOR LIGHT				1	1	
37	060338	SWITCH DOOR LIGHT To X-6679	1	1	1			
NS	500512	SCREW CAP HEXF #10-32x1/2 ZP	2	2	2	2	2	
NS	500440	WASHER FL .250x.562x.065 Z050	2	2	2	2	2	
38	064502	SWITCH SUPPORT From X-6680	1	1	1			
39	562303	SWITCH / S.P.S.T. / N.C. From X-6680	1	1	1			
40	500582	SCREW TP PAN PH #8x3/8 Z050	2	2	2			
41	500446	WASHER FL .531x1.250x.125 Z050	1	1	1			
42	281091	BLOCK FASTENING / W/STRIKER BOLT	1	1	1			
43	780189	STRIKER & SHIM	1	1	1			
50	504393	SNAP-IN PLUG / 1.200 O.D. To P-808	1	1	1	1	1	
50	504079	PLUG BUTTON / 1.500 O.D. / NICKEL From P-809	1	1	1	1	1	
51	282284	COVER HINGE / BLACK PLASTIC To P-808	1	1	1			
51	284562	COVER HINGE / BLACK PLASTIC From P-809	1	1	1			
NS	506007	TAPE RUB ADH1 CC NEO 3/4" x 1" x 10' / BLACK 1220	1	1	1	1	1	

From E-638 To Y-7045	Date:10/2022	PAGE:XL-1862-60
ENTRANCE DOOR FRAME - INSTALLATION		

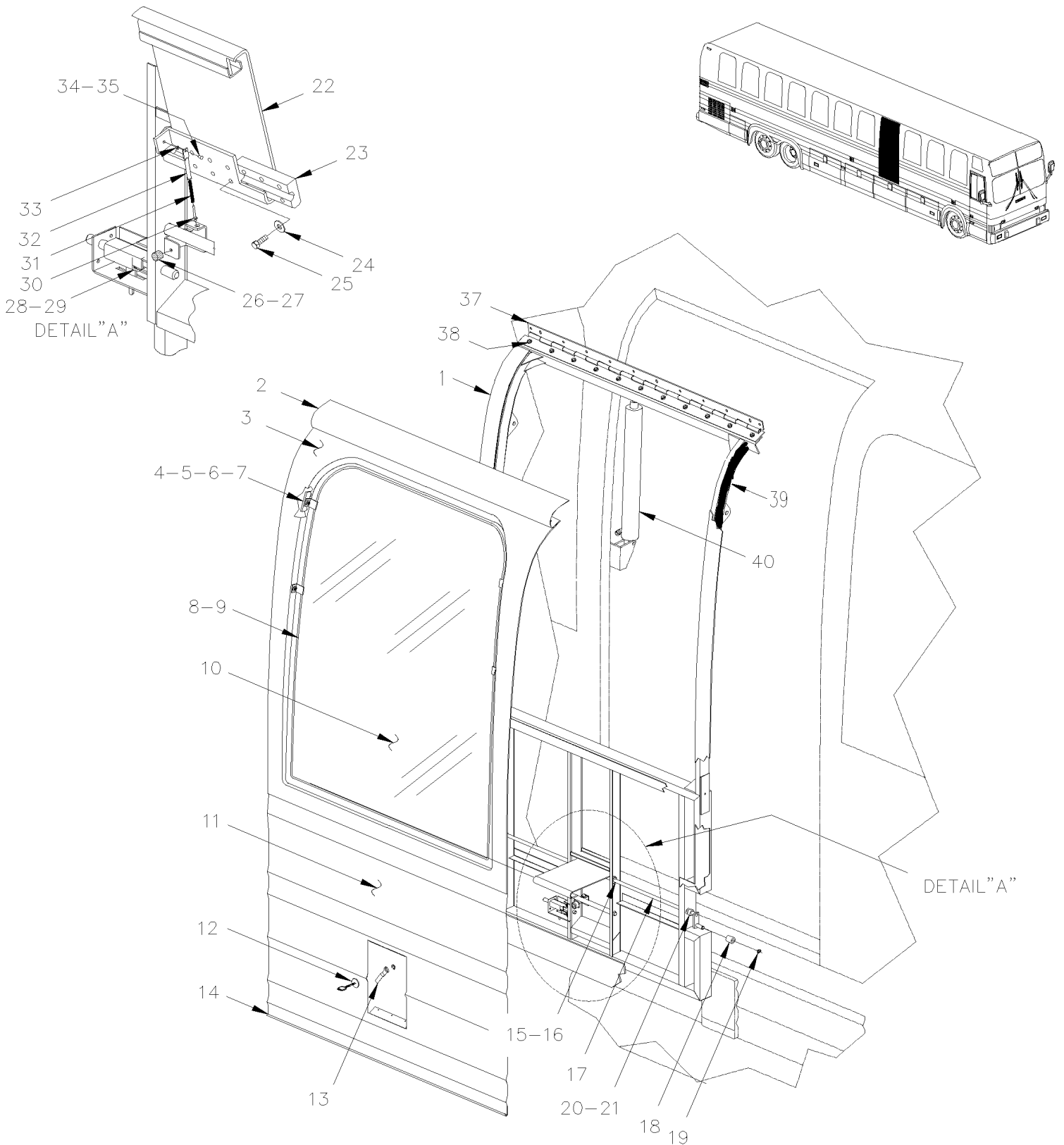
Item#	Part	Description	M T H 4 0	M T H 4 5	M T H 4 5 E	X L 4 0	X L 4 5	N O T E S
52	500387	SCREW MA RND PH #10-24x3/4 Z050	3	3	3	3	3	
NS	500470	WASHER LO SPT .193x.334x.047 Z050	3	3	3	3	3	
NS	502637	WASHER FL .200x.437x.037 SS	1	1	1	1	1	
53	5001119	SCREW TP BDG PH #8x3/4 SS	4	4	4	4	4	
54	500964	WASHER FL .203x.500x.047 Z050	4	4	4	4	4	
NS	504105	RIVET POP DOME OE 1/8x3/16 AL	AR	AR	AR	AR	AR	
NS	285384	KIT, RETROFIT STOPPER & HOLDER To V-6056	AR	AR	AR			
NS	IS-95100	. SEE INSTRUCTION SHEET To V-6056	1	1	1			
		A) FOR PRODUCT IMPROVMENT USE KIT #285384 FOR RETROFIT HOLDER Up to V-6056						

From X-6945 To X-7014

Date:10/2022

PAGE:XL-1862-80

ENTRANCE DOOR ASSY - W.C.L. - "GO-TRANSIT"



From X-6945 To X-7014	Date:10/2022	PAGE:XL-1862-80
ENTRANCE DOOR ASSY - W.C.L. - "GO-TRANSIT"		

Item#	Part	Description	M T H 4 0	M T H 4 5	M T H 4 5 E	X L 4 0	X L 4 5	N O T E S
	Call order desk	DOOR WHEEL CHAIR LIFT ASSY				1		P
1	Call order desk	DOOR WHEEL CHAIR LIFT				1		P
2	271294	PROTECTOR LEATHERETTE				1		
3	293257	FRAME WINDOW				1		
4	290827	RETAINER, STOPPER				1		
5	291688	STOPPER, WINDOW / THERMOS				1		
6	500163	SCREW CAP HEX 1/4-20x3/4 G5 Z050				1		
7	500950	WASHER FL .187x.625x.094 RUB				1		
8	291695	EXTRUSION, RUBBER / THERMOS				1		
9	790226	STRIP, LOCKING / S.L.				1		
10	291563	GLASS, THERMOS 28%				1		
NS	292926	SPACER / W/FIX WINDOW ONLY				1		
11	474210	PANEL DOOR WHEEL CHAIR LIFT				1		
NS	504272	RIVET CHY Q BRAZ 3/16x1/8 SS					AR	
11	680532	SEALANT SIKA #221 / GREY / 310ml CARTRIDGE					AR	
11	680025	CAULKING STRIP 3/16" O.D. X 14'					AR	
NS	506236	TAPE RUB ADH1 CC POL 1/16" x 1/2" x 100' / GREY 2520					AR	
NS	506104	TAPE RUB ADH1 URE 1/8" x 1/2" x 75' / GREY 1820					AR	
12	XL-1867-00	KEY & CYLINDER CODE "FORD" & "NS"						
13	281498	PIVOT LOCK 3/8" OFFSET				1		
14	483221	DRIP MOULDING				1		
15	504650	GROMMET / .375x.625x.062x.313x.875				2		
16	507260	BUSHING NYLINER W/SHOULDER .375x.437x.375x.594				2		
17	483068	LOCK ROD ASSY				1		
18	480478	ROLLER				1		
19	504318	RING RETAINER / EXT .375 x .352 x .025				1		
20	507254	BUSHING NYLINER W/SHOULDER				2		
21	483226	SPACER				2		
22	481358	HANDLE ASSY / S.B.				1		
23	481011	RETAINER ROD / HANDLE / CHROMATE				1		
24	500473	WASHER LO SPT .262x.489x.062 Z050				6		
25	500163	SCREW CAP HEX 1/4-20x3/4 G5 Z050				6		
26	504334	BUMPER RUBBER / .625 OD x .406 TH x .156 HOLE				1		
27	504339	RIVET POP DOME OE 1/8x3/8 SS				2		
28	481564	ROD GUIDE				2		
29	502151	SPRING COMPRESSION / .300 O.D. x 1 x .032				2		
30	481007	ROD ASSY MALE				1		
31	480394	SPRING COMPRESSION / .355 O.D. 3.375 x .063				1		
32	481227	ROD FEMALE				1		
33	502573	WASHER FL 6.4x12.5x1.6 SS				1		
34	481012	BUSHING LEVER				1		
35	504459	RIVET MGLP PRDG 1/4x3/8 SS				1		

From X-6945 To X-7014	Date:10/2022	PAGE:XL-1862-80
ENTRANCE DOOR ASSY - W.C.L. - "GO-TRANSIT"		

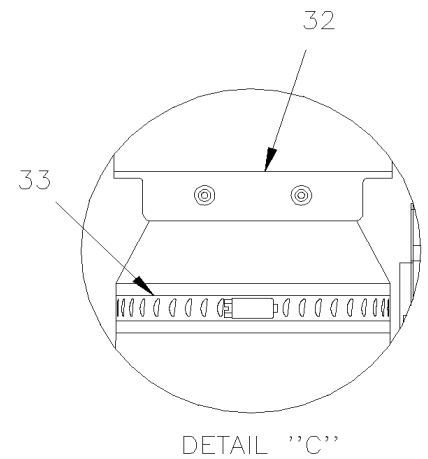
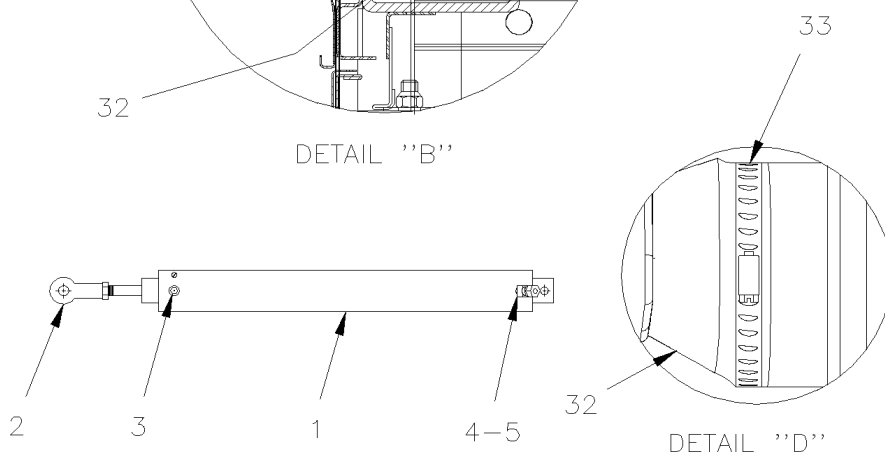
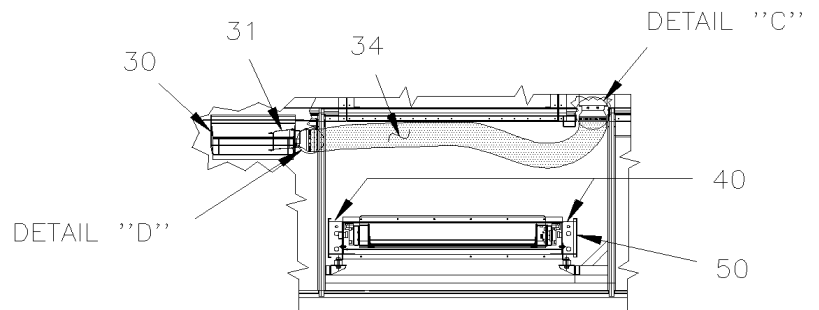
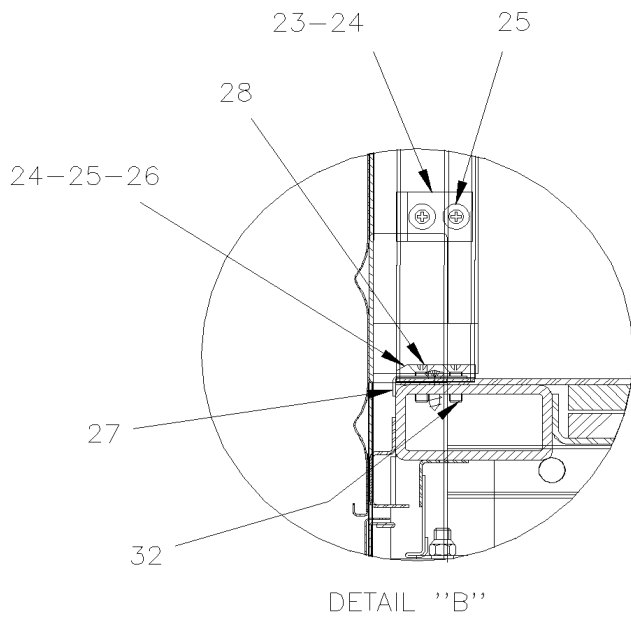
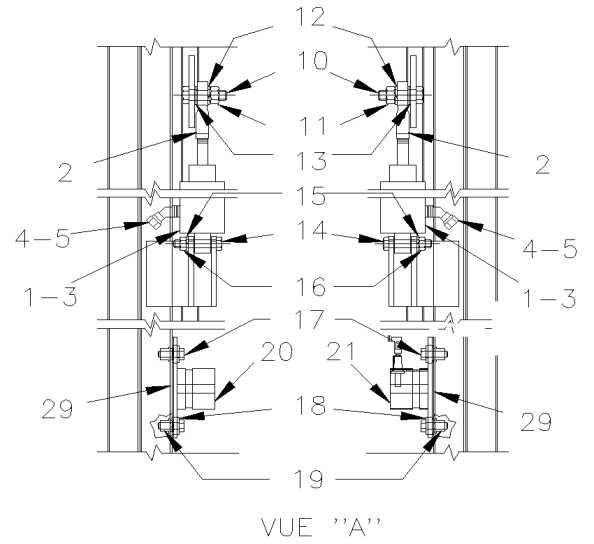
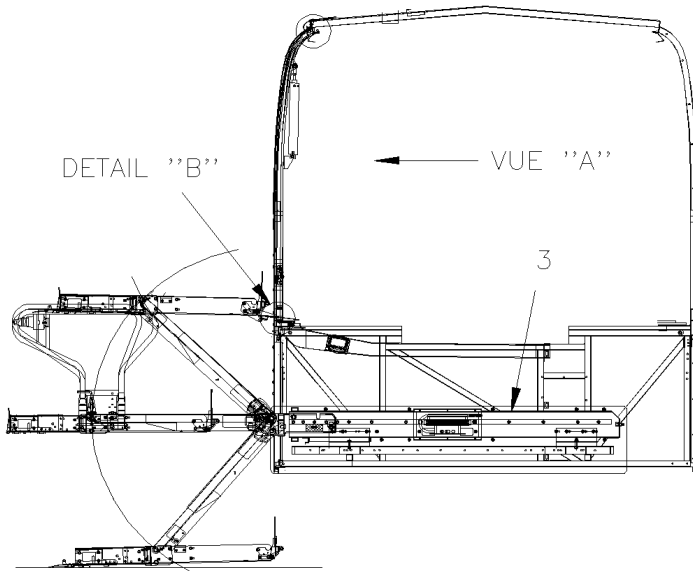
Item#	Part	Description	M T H 4 0	M T H 4 5	M T H 4 5 E	X L 4 0	X L 4 5	N O T E S
37	286628	. HINGE				1		
38	5001182	. NUT HEX NYRT M6-1.0 SS				11		
38	502573	. WASHER FL 6.4x12.5x1.6 SS				11		
39	286539	. RUBBER SEAL EXTRUSION / W.C.L.ENTRANCE DOOR				1		
39	289940	. RUBBER SEAL EXTRUSION / W.C.L.ENTRANCE DOOR				1		
39	288941	. RUBBER SEAL EXTRUSION / W.C.L.ENTRANCE DOOR				1		
39	2800178	. RUBBER SEAL EXTRUSION / W.C.L.ENTRANCE DOOR				1		
40	XL-1862-82	ENTRANCE DOOR - INSTALLATION - W.C.L.						
50	064360	SWITCH MAGNETIC ASSY				1		
51	562303	SWITCH / S.P.S.T. / N.C.				1		
52	560256	SWITCH / OFF-ON / S.P.S.T.				1		
53	562641	MAGNET				1		
		P) CALL ORDER DESK FOR SPECIFIC APPLICATION (V.I.N.)						

From X-6945 To X-7014

Date:10/2022

PAGE:XL-1862-82

ENTRANCE DOOR - INSTALLATION - W.C.L.



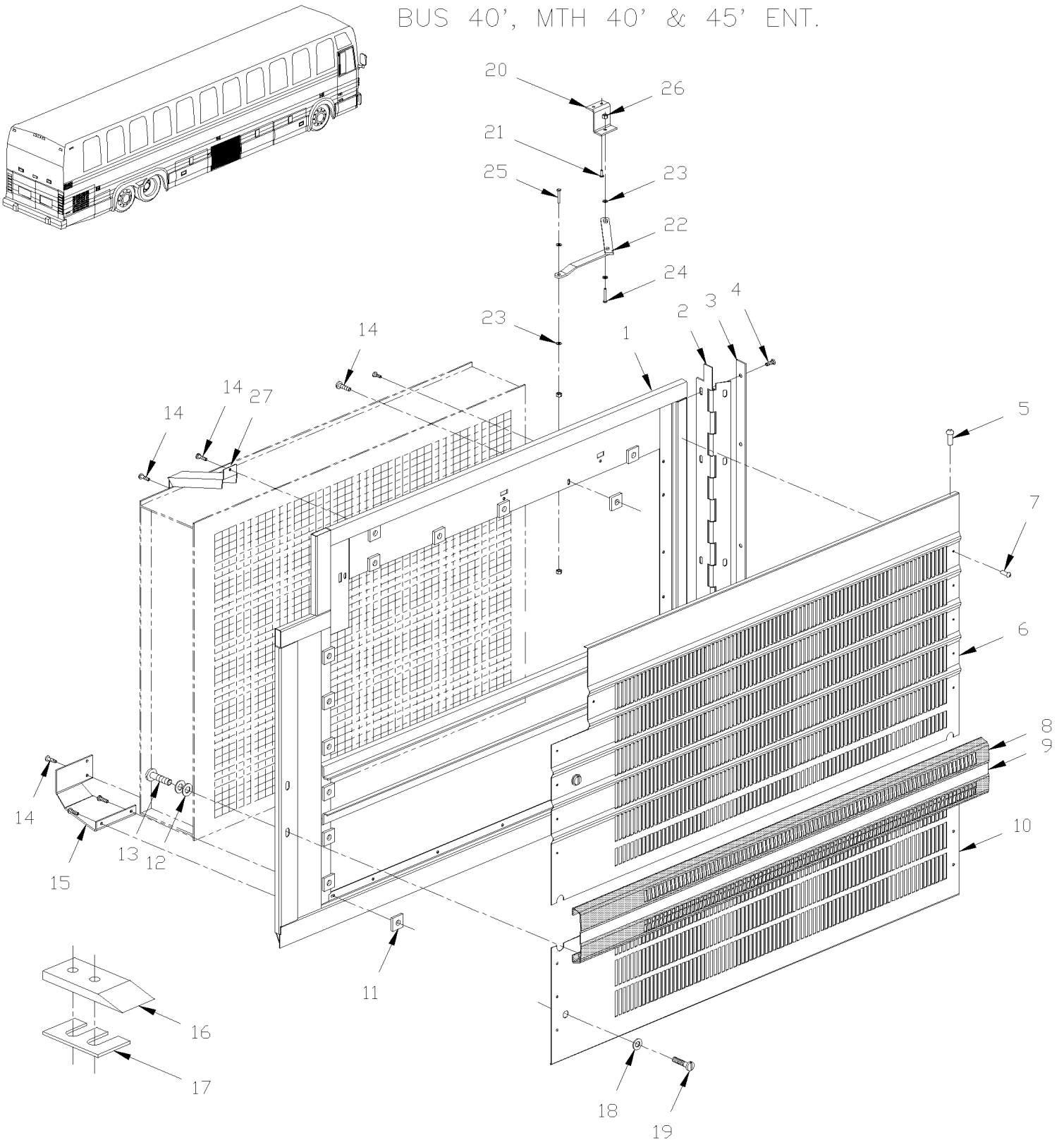
From E-638 To V-6257

Date:10/2022

PAGE:XL-1863-00

CONDENSOR DOOR ASSY - BUS & MTH

BUS 40', MTH 40' & 45' ENT.



From E-638 To V-6257			Date:10/2022		PAGE:XL-1863-00			
CONDENSOR DOOR ASSY - BUS & MTH								
Item#	Part	Description	M T H 4 0	M T H 4 5	M T H 4 5 E	X L 4 0	X L 4 5	N O T E S
		A) NOT INCLUDE, WITH DOOR ASSY						

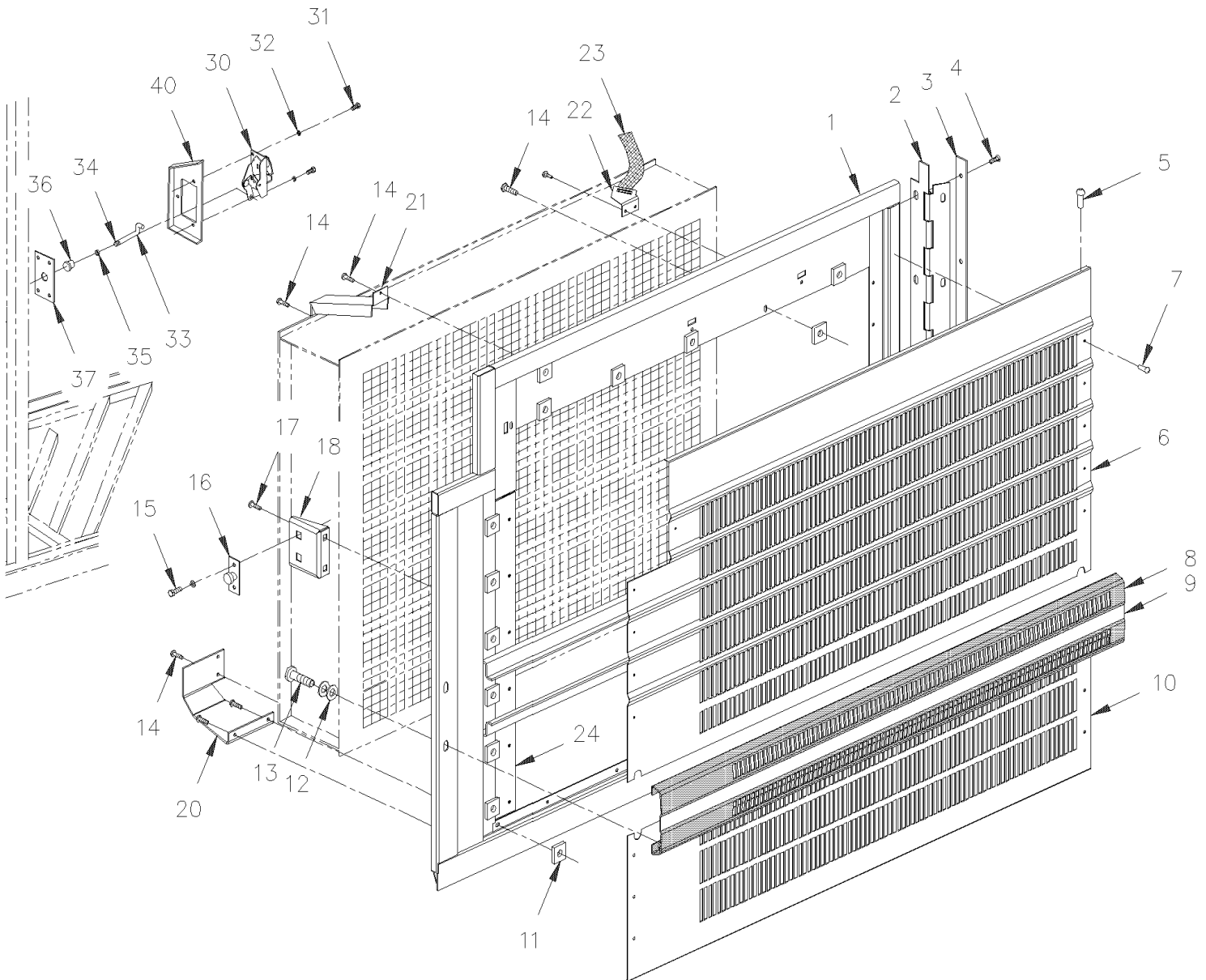
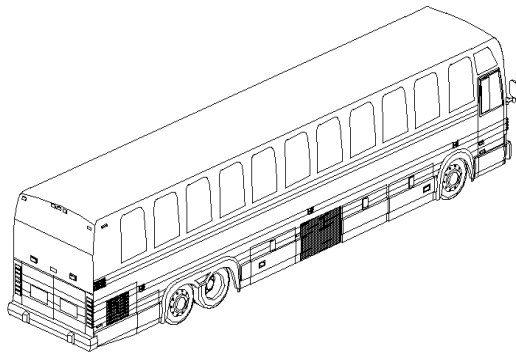
From V-6258 To Y-7045

Date:10/2022

PAGE:XL-1863-01

CONDENSOR DOOR ASSY - BUS 40'

BUS XL 40'



From V-6258 To Y-7045	Date:10/2022	PAGE:XL-1863-01
CONDENSOR DOOR ASSY - BUS 40'		

Item#	Part	Description	M T H 4 0	M T H 4 5	M T H 4 5 E	X L 4 0	X L 4 5	N O T E S
	483282	CONDENSOR DOOR ASSY				1		
1	482359	FRAME ASSY				1		
NS	481047	HINGE PLATE 31"1/16 W/ 5 HOLES 1/4-28				1		
2	480907	HINGE				1		
2	481131	SHIM 2" X 1"1/8 / HINGE SUPPORT				AR		A
3	480910	REINFORCEMENT OF HINGE / THIN 31 1/4" x 1/8 FRAME SIDE				1		
3	481840	REINFORCEMENT OF HINGE / 31 7/8" X GA11 STRUCTURE SIDE				1		A
4	500316	SCREW MA FL PH 1/4-28x3/4 SS				5		
5	504340	RIVET POP DOME OE 1/8x3/16 SS				4		
6	482445	UPPER PANEL				1		
NS	680025	CAULKING STRIP 3/16" O.D. X 14'				AR		
NS	680065	TAPE COMPOUND / BLACK / 1/32" X 1" X 33' / L163-2400				AR		
7	504272	RIVET CHY Q BRAZ 3/16x1/8 SS				AR		
8	480914	RAIL PROTECTOR / SS BLACK TREATED 44 13/16"				1		
9	920008	STRIPE, REFLECTIVE WHITE / 1" X 150' / S.L.				AR		
10	482446	PANEL, LOWER				1		
11	481249	NUT				25		
12	500411	WASHER FL .260x.697x.050 SS				4		
NS	500473	WASHER LO SPT .262x.489x.062 Z050				4		
13	500556	SCREW MA TR PH 1/4-20x3/4 SS				4		
14	500524	SCREW TP PAN PH #12x5/8 SS				AR		
15	500316	SCREW MA FL PH 1/4-28x3/4 SS				2		
NS	502582	WASHER LO SERR 6.1x16.2x0.9 Z050				2		
NS	500692	NUT HEX 1/4-28 Z050				2		
16	780278	PIN, STRIKER STUD				1		
NS	283326	STRIKER PLATE, MOUNTING / 60MM X 25MM				1		
17	500163	SCREW CAP HEX 1/4-20x3/4 G5 Z050				2		
17	502583	WASHER LO SERR 8.15x22.3x1.0 Z050				2		
18	284605	SUPPORT / TO FIX CATCH				1		
20	482452	SUPPORT				1		
21	XL-2255-00	CONDENSOR - INSTALLATION						
22	452813	SUPPORT STRAP RETAINER W/2 SLOTS & 2 HOLES				1		
23	505507	STRAP NYLON 1" WIDE / S.L.				AR		
24	482366	REINFORCEMENT, VERTICAL				1		
30	780282	LOCK SPAGNOLET L.H.				1		
NS	505213	SHIM 1/16" THICK				AR		
NS	505193	SHIM 1/8" THICK				AR		
31	502531	SCREW CAP HEX M6-1.0x16 G8.8 Z050				2		
32	502582	WASHER LO SERR 6.1x16.2x0.9 Z050				2		
33	284596	ROD OPENING 68MM				1		
34	500764	NUT HEX #8-32 Z050				1		
35	504083	SNAP BUSHING / .250x.468.406				1		

From V-6258 To Y-7045	Date:10/2022	PAGE:XL-1863-01
CONDENSOR DOOR ASSY - BUS 40'		

Item#	Part	Description	M T H 4 0	M T H 4 5	M T H 4 5 E	X L 4 0	X L 4 5	N O T E S
36	505504	KNOB, PULL / 8-32				1		
37	482726	CLOSING PLATE 30MM X 50MM / SS				1		
NS	504473	RIVET POP DOME OE 1/8x1/4 SS				4		
NS	481157	WEATHERSTRIP / CONDENSOR DOOR				1		
NS	480154	. WEATHERSTRIP RUBBER / ADH / RAW MATERIAL				AR		
		A) NOT INCLUDE WITH DOOR ASSY						

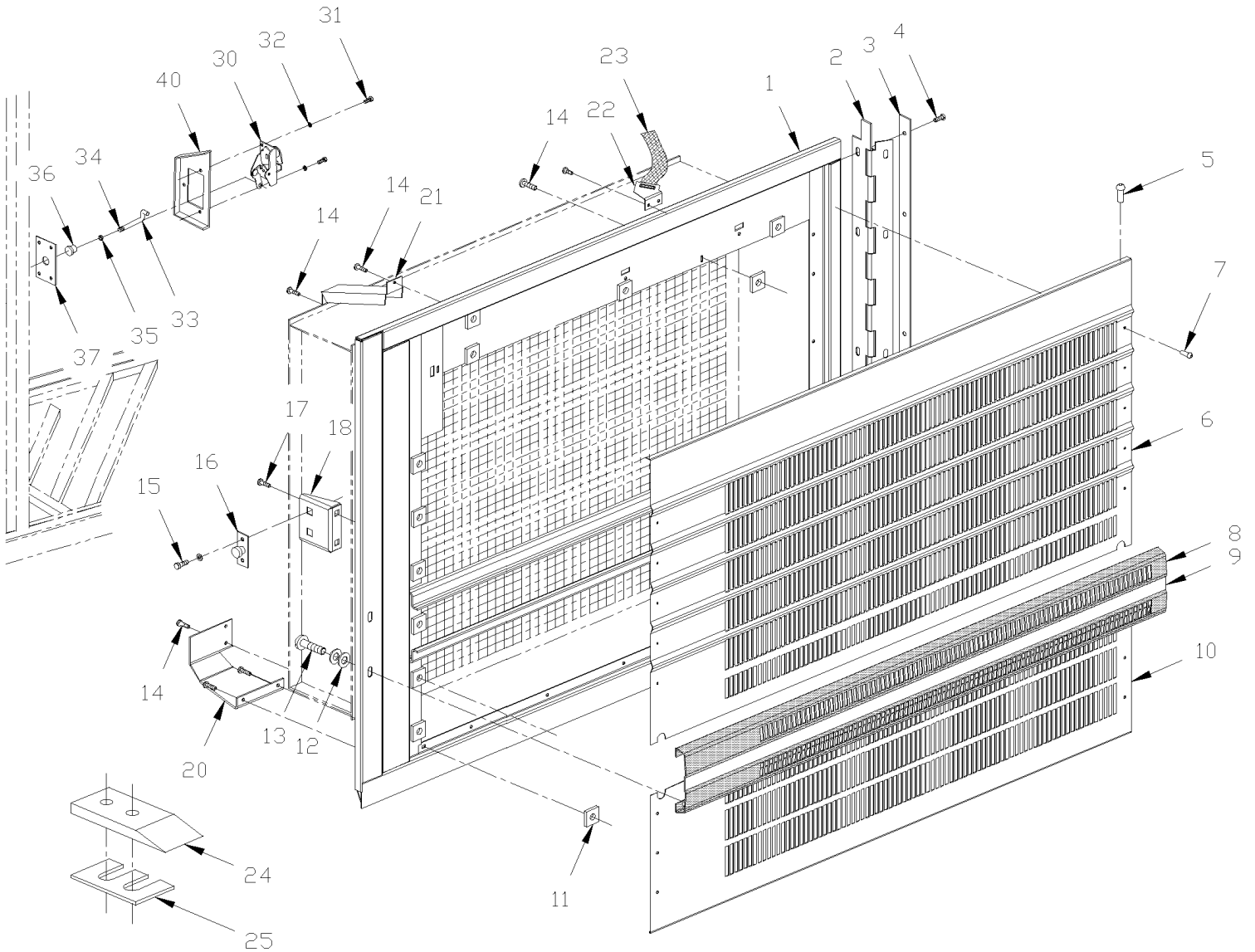
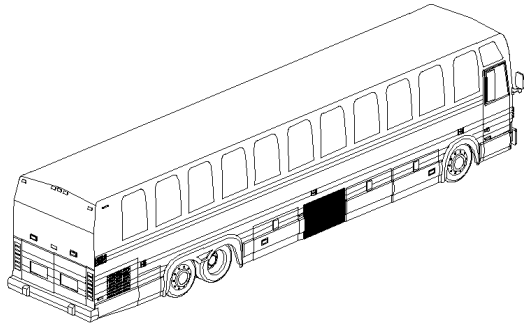
From S-570 To Y-7045

Date:10/2022

PAGE:XL-1863-10

CONDENSOR DOOR ASSY - BUS 45'

BUS 45'



From S-570 To Y-7045	Date:10/2022	PAGE:XL-1863-10
CONDENSOR DOOR ASSY - BUS 45'		

Item#	Part	Description	M T H 4 0	M T H 4 5	M T H 4 5 E	X L 4 0	X L 4 5	N O T E S
	482676	CONDENSOR DOOR ASSY					1	
1	482314	. FRAME ASSY / 1348MM To V-6284					1	
1	482659	. FRAME ASSY / 1354MM From V-6285					1	
NS	481047	. HINGE PLATE 31"1/16 W/ 5 HOLES 1/4-28					1	
2	480907	. HINGE					1	
2	481131	. SHIM 2" X 1"1/8 / HINGE SUPPORT					AR	A
3	480910	. REINFORCEMENT OF HINGE / THIN 31 1/4" x 1/8 FRAME SIDE					1	
NS	481840	. REINFORCEMENT OF HINGE / 31 7/8" X GA11 STRUCTURE SIDE					1	A
4	500316	. SCREW MA FL PH 1/4-28x3/4 SS					5	
5	504340	. RIVET POP DOME OE 1/8x3/16 SS					AR	
6	482308	. PANEL, UPPER To V-6284					1	
6	482661	. PANEL, UPPER From V-6285					1	
NS	680025	CAULKING STRIP 3/16" O.D. X 14'					AR	
6	680065	TAPE COMPOUND / BLACK / 1/32" X 1" X 33' / L163-2400					AR	
7	504272	. RIVET CHY Q BRAZ 3/16x1/8 SS					AR	
8	482663	. RAIL PROTECTOR / SS BLACK TREATED					1	
9	920008	. STRIPE, REFLECTIVE WHITE / 1" X 150' / S.L.					AR	
10	482309	. PANEL, LOWER To V-6284					1	
10	482662	. PANEL, LOWER From V-6285					1	
11	481249	. NUT					AR	
12	500411	. WASHER FL .260x.697x.050 SS					4	
NS	500473	. WASHER LO SPT .262x.489x.062 Z050					4	
13	500556	. SCREW MA TR PH 1/4-20x3/4 SS					4	
14	500524	. SCREW TP PAN PH #12x5/8 SS					AR	
15	500316	. SCREW MA FL PH 1/4-28x3/4 SS					2	
NS	502582	. WASHER LO SERR 6.1x16.2x0.9 Z050					2	
NS	500692	. NUT HEX 1/4-28 Z050					2	
16	780278	. PIN, STRIKER STUD					1	
NS	283326	. STRIKER PLATE, MOUNTING / 60MM X 25MM					1	
17	500163	. SCREW CAP HEX 1/4-20x3/4 G5 Z050					2	
17	502583	. WASHER LO SERR 8.15x22.3x1.0 Z050					2	
18	284605	. SUPPORT / TO FIX CATCH					1	
20	482322	SUPPORT					1	
21	XL-2255-01	CONDENSOR - INSTALLATION						
22	452813	SUPPORT STRAP RETAINER W/2 SLOTS & 2 HOLES					1	
23	505507	STRAP NYLON 1" WIDE / S.L.					AR	
24	480975	BLOCK SUPPORT					1	
25	481055	SHIM / FOR THE BLOCK					1	
NS	500346	SCREW MA FL PH 1/4-20x1 SS BK					2	
NS	500473	WASHER LO SPT .262x.489x.062 Z050					2	
NS	500771	NUT HEX 1/4-20 SS					2	
30	780282	LOCK SPAGNOLET L.H.					1	

From S-570 To Y-7045	Date:10/2022	PAGE:XL-1863-10
CONDENSOR DOOR ASSY - BUS 45'		

Item#	Part	Description	M T H 4 0	M T H 4 5	M T H 4 5 E	X L 4 0	X L 4 5	N O T E S
NS	505213	SHIM 1/16" THICK					AR	
NS	505193	SHIM 1/8" THICK					AR	
31	502531	SCREW CAP HEX M6-1.0x16 G8.8 Z050					2	
32	502582	WASHER LO SERR 6.1x16.2x0.9 Z050					2	
33	284596	ROD OPENING 68MM					1	
34	500764	NUT HEX #8-32 Z050					1	
35	504083	SNAP BUSHING / .250x.468.406					1	
36	505504	KNOB, PULL / 8-32					1	
37	482726	CLOSING PLATE 30MM X 50MM / SS					1	
NS	504473	RIVET POP DOME OE 1/8x1/4 SS					4	
NS	482099	WEATHERSTRIP / CONDENSOR DOOR					1	
37	480009	WEATHERSTRIP / CONDENSOR DOOR					1	
40	284555	LOCK SUPPORT / (WELDED TO STRUCTURE)					1	
		A) NOT INCLUDE WITH DOOR ASSY						

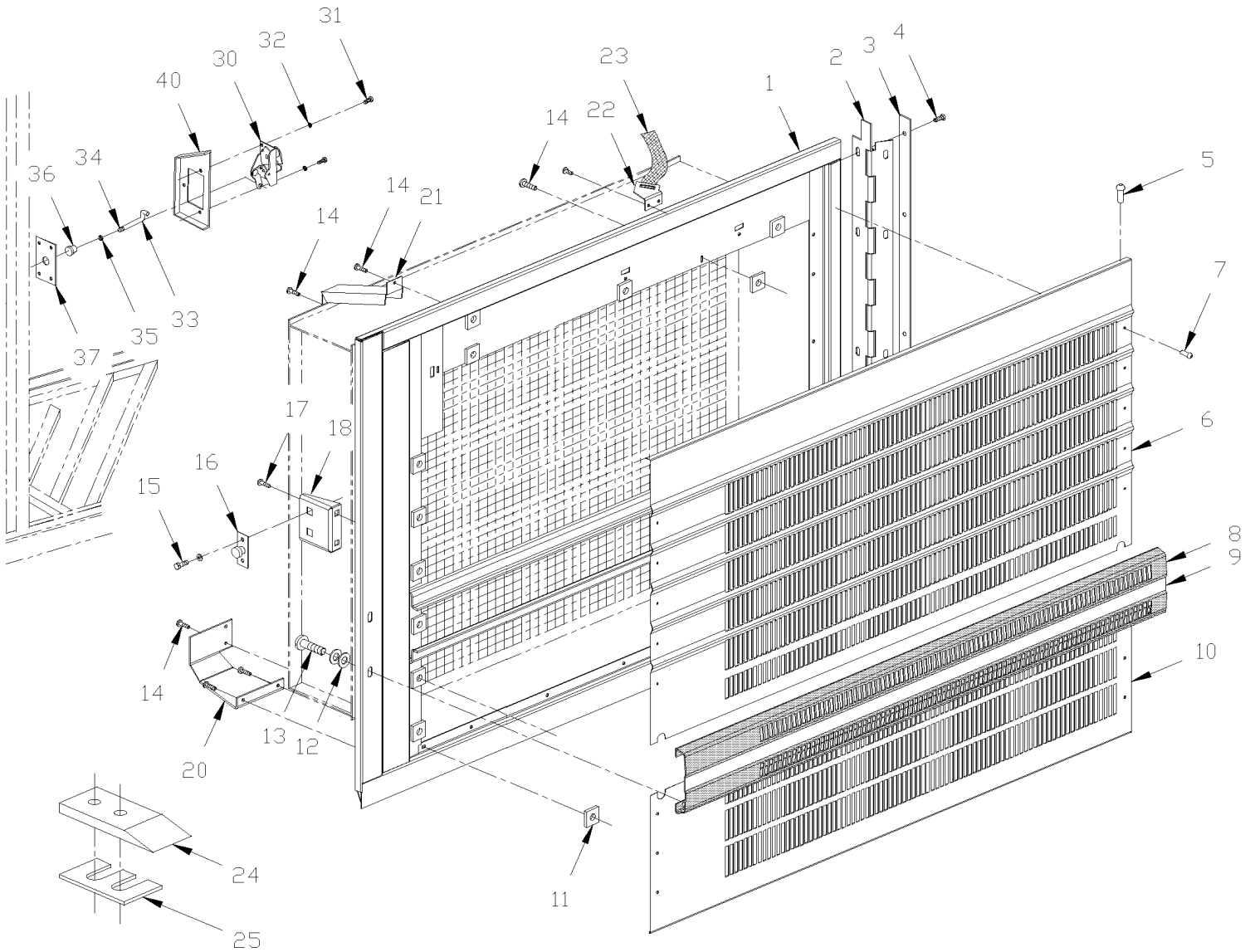
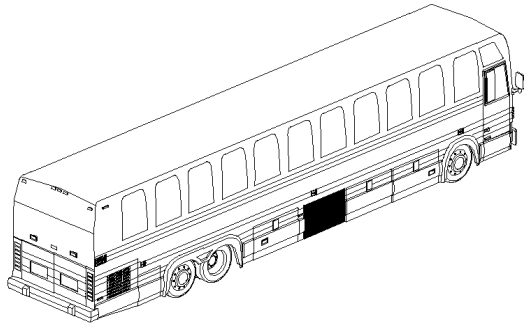
From P-722 To Y-7045

Date:10/2022

PAGE:XL-1863-50

CONDENSOR DOOR ASSY - MTH 45'

MTH 45'



From P-722 To Y-7045	Date:10/2022	PAGE:XL-1863-50
CONDENSOR DOOR ASSY - MTH 45'		

Item#	Part	Description	M T H 4 0	M T H 4 5	M T H 4 5 E	X L 4 0	X L 4 5	N O T E S
	452352P	CONDENSOR DOOR ASSY		1				
1	482089	FRAME ASSY		1				
NS	481047	HINGE PLATE 31"1/16 W/ 5 HOLES 1/4-28		1				
2	480907	HINGE		1				
NS	481131	SHIM 2" X 1"1/8 / HINGE SUPPORT		AR				A
3	480910	REINFORCEMENT OF HINGE / THIN 31 1/4" x 1/8 FRAME SIDE		1				
NS	481840	REINFORCEMENT OF HINGE / 31 7/8" X GA11 STRUCTURE SIDE		1				A
4	500316	SCREW MA FL PH 1/4-28x3/4 SS		5				
5	504340	RIVET POP DOME OE 1/8x3/16 SS		AR				
6	482090	PANEL, UPPER		1				
NS	680025	CAULKING STRIP 3/16" O.D. X 14'		AR				
NS	680065	TAPE COMPOUND / BLACK / 1/32" X 1" X 33' / L163-2400		AR				
7	504272	RIVET CHY Q BRAZ 3/16x1/8 SS		AR				
8	482091	RAIL PROTECTOR / SS BLACK TREATED 53"		1				
9	920008	STRIPE, REFLECTIVE WHITE / 1" X 150' / S.L.		AR				
10	482088	PANEL, LOWER		1				
11	481249	NUT		AR				
12	500411	WASHER FL .260x.697x.050 SS		4				
NS	500473	WASHER LO SPT .262x.489x.062 Z050		4				
13	500556	SCREW MA TR PH 1/4-20x3/4 SS		4				
14	500524	SCREW TP PAN PH #12x5/8 SS		AR				
15	500316	SCREW MA FL PH 1/4-28x3/4 SS		2				
NS	502582	WASHER LO SERR 6.1x16.2x0.9 Z050		2				
NS	500692	NUT HEX 1/4-28 Z050		2				
16	780278	PIN, STRIKER STUD		1				
NS	283326	STRIKER PLATE, MOUNTING / 60MM X 25MM		1				
17	500163	SCREW CAP HEX 1/4-20x3/4 G5 Z050		2				
17	502583	WASHER LO SERR 8.15x22.3x1.0 Z050		2				
18	284605	SUPPORT / TO FIX CATCH		1				
20	482452	SUPPORT		1				
21	XL-2255-00	CONDENSOR - INSTALLATION						
22	452813	SUPPORT STRAP RETAINER W/2 SLOTS & 2 HOLES		1				
23	505507	STRAP NYLON 1" WIDE / S.L.		AR				
24	480975	BLOCK SUPPORT		1				
25	481055	SHIM / FOR THE BLOCK		1				
NS	500346	SCREW MA FL PH 1/4-20x1 SS BK		2				
NS	500473	WASHER LO SPT .262x.489x.062 Z050		2				
NS	500771	NUT HEX 1/4-20 SS		2				
30	780282	LOCK SPAGNOLET L.H.		1				
NS	505213	SHIM 1/16" THICK		AR				
NS	505193	SHIM 1/8" THICK		AR				
31	502531	SCREW CAP HEX M6-1.0x16 G8.8 Z050		2				

From P-722 To Y-7045	Date:10/2022	PAGE:XL-1863-50
CONDENSOR DOOR ASSY - MTH 45'		

Item#	Part	Description	M T H 4 0	M T H 4 5	M T H 4 5 E	X L 4 0	X L 4 5	N O T E S
32	502582	WASHER LO SERR 6.1x16.2x0.9 Z050		2				
33	284596	ROD OPENING 68MM		1				
34	500764	NUT HEX #8-32 Z050		1				
35	504083	SNAP BUSHING / .250x.468.406		1				
36	505504	KNOB, PULL / 8-32		1				
37	482726	CLOSING PLATE 30MM X 50MM / SS		1				
NS	504473	RIVET POP DOME OE 1/8x1/4 SS		4				
NS	482099	WEATHERSTRIP / CONDENSOR DOOR		1				
37	480009	WEATHERSTRIP / CONDENSOR DOOR		1				
		A) NOT INCLUDE WITH DOOR ASSY						

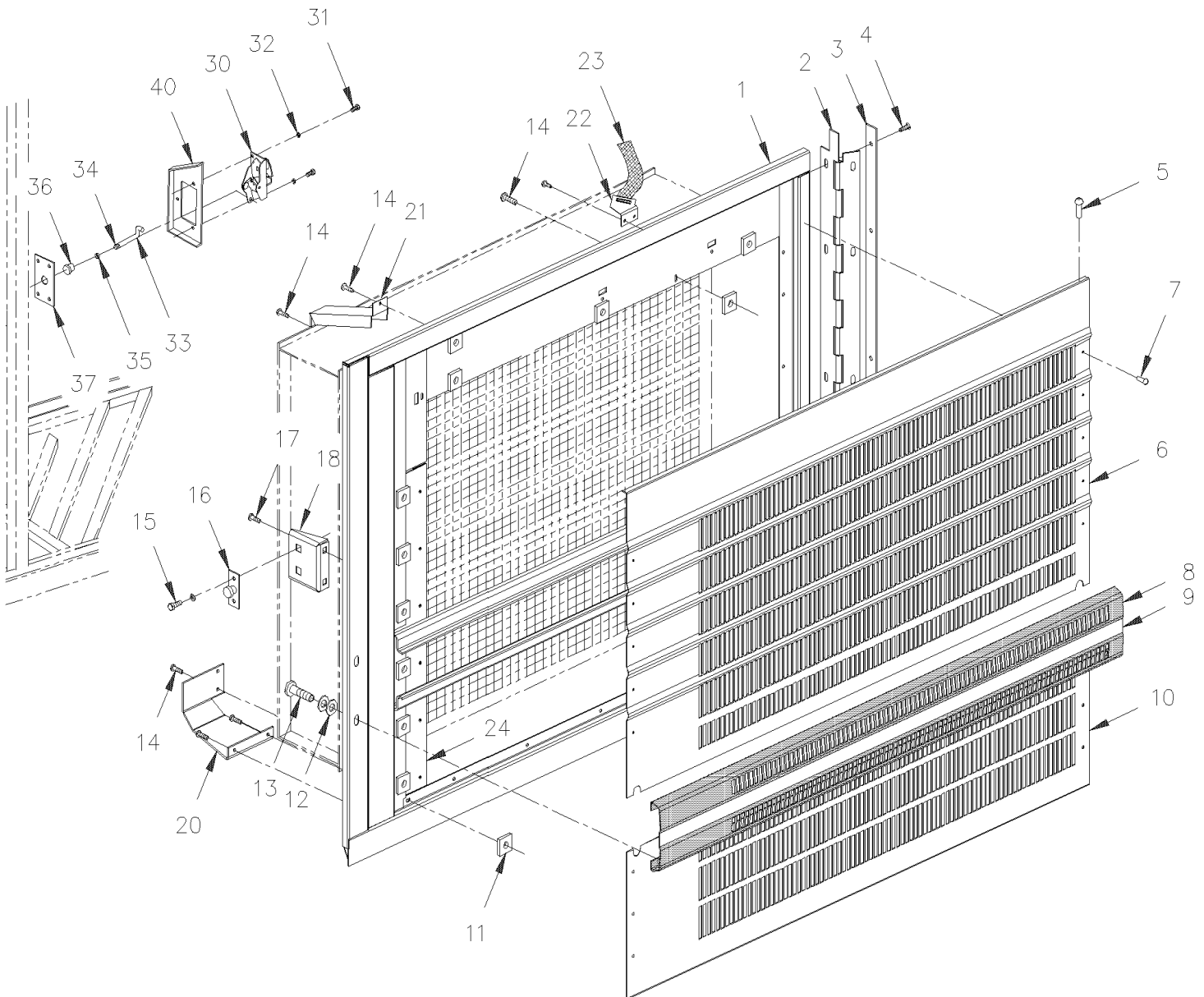
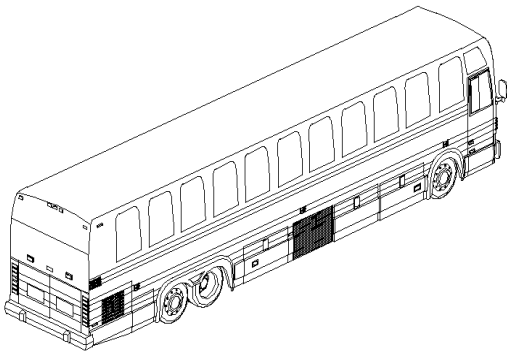
From V-6258 To Y-7045

Date:10/2022

PAGE:XL-1863-51

CONDENSOR DOOR ASSY - MTH 40' & 45' ENT

MTH 40' & 45' ENT



From V-6258 To Y-7045	Date:10/2022	PAGE:XL-1863-51
CONDENSOR DOOR ASSY - MTH 40' & 45' ENT		

Item#	Part	Description	MTH 40	MTH 45	MTH 45 E	XL 40	XL 45	NOTES
	483281	CONDENSOR DOOR ASSY	1		1			
1	482560	FRAME ASSY	1		1			
2	480907	HINGE	1		1			
NS	481131	SHIM 2" X 1"1/8 / HINGE SUPPORT	AR		AR			A
3	481047	HINGE PLATE 31"1/16 W/ 5 HOLES 1/4-28	1		1			
3	480910	REINFORCEMENT OF HINGE / THIN 31 1/4" x 1/8 FRAME SIDE	1		1			
NS	481840	REINFORCEMENT OF HINGE / 31 7/8" X GA11 STRUCTURE SIDE	1		1			A
4	500316	SCREW MA FL PH 1/4-28x3/4 SS	5		5			
5	504340	RIVET POP DOME OE 1/8x3/16 SS	4		4			
6	482559	PANEL UPPER	1		1			
NS	680025	CAULKING STRIP 3/16" O.D. X 14'	AR		AR			
NS	680065	TAPE COMPOUND / BLACK / 1/32" X 1" X 33' / L163-2400	AR		AR			
7	504272	RIVET CHY Q BRAZ 3/16x1/8 SS	17		17			
8	480914	RAIL PROTECTOR / SS BLACK TREATED 44 13/16"	1		1			
9	920008	STRIPE, REFLECTIVE WHITE / 1" X 150' / S.L.	AR		AR			
10	482446	PANEL, LOWER	1		1			
11	481249	NUT	25		25			
12	500411	WASHER FL .260x.697x.050 SS	4		4			
NS	500473	WASHER LO SPT .262x.489x.062 Z050	4		4			
13	500556	SCREW MA TR PH 1/4-20x3/4 SS	4		4			
14	500524	SCREW TP PAN PH #12x5/8 SS	AR		AR			
15	500316	SCREW MA FL PH 1/4-28x3/4 SS	2		2			
NS	502582	WASHER LO SERR 6.1x16.2x0.9 Z050	2		2			
NS	500692	NUT HEX 1/4-28 Z050	2		2			
16	780278	PIN, STRIKER STUD	1		1			
NS	283326	STRIKER PLATE, MOUNTING / 60MM X 25MM	1		1			
17	500163	SCREW CAP HEX 1/4-20x3/4 G5 Z050	2		2			
17	502583	WASHER LO SERR 8.15x22.3x1.0 Z050	2		2			
18	284605	SUPPORT / TO FIX CATCH	1		1			
20	482452	SUPPORT	1		1			
21	XL-2255-00	CONDENSOR - INSTALLATION						
22	452813	SUPPORT STRAP RETAINER W/2 SLOTS & 2 HOLES	1		1			
23	505507	STRAP NYLON 1" WIDE / S.L.	AR		AR			
24	482366	REINFORCEMENT, VERTICAL	1		1			
30	780282	LOCK SPAGNOLET L.H.	1		1			
NS	505213	SHIM 1/16" THICK	AR		AR			
NS	505193	SHIM 1/8" THICK	AR		AR			
31	502531	SCREW CAP HEX M6-1.0x16 G8.8 Z050	2		2			
32	502582	WASHER LO SERR 6.1x16.2x0.9 Z050	2		2			
33	284596	ROD OPENING 68MM	1		1			
34	500764	NUT HEX #8-32 Z050	1		1			
35	504083	SNAP BUSHING / .250x.468.406	1		1			

From V-6258 To Y-7045	Date:10/2022	PAGE:XL-1863-51
CONDENSOR DOOR ASSY - MTH 40' & 45' ENT		

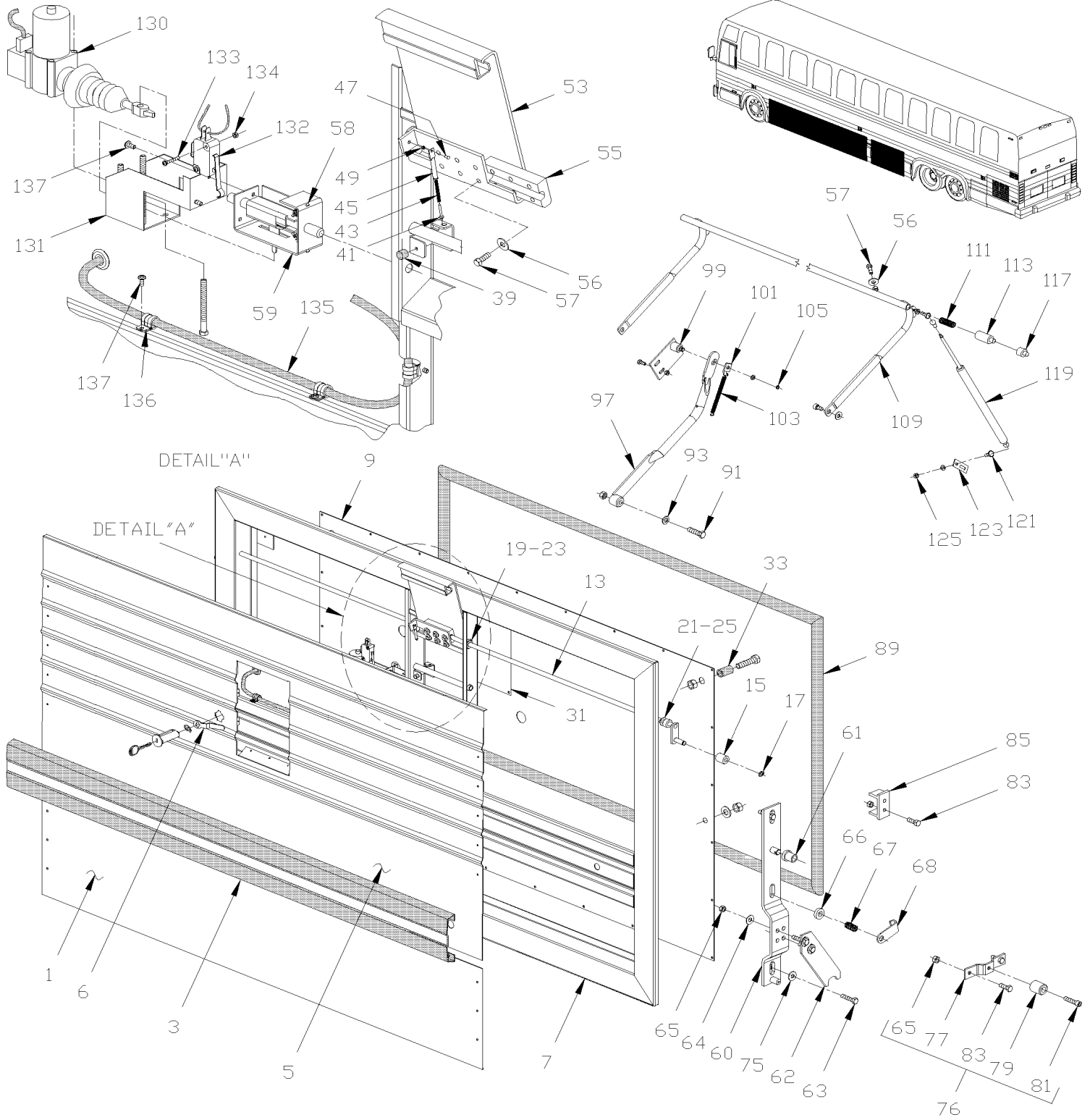
Item#	Part	Description	M T H 4 0	M T H 4 5	M T H 4 5 E	X L 4 0	X L 4 5	N O T E S
36	505504	KNOB, PULL / 8-32	1		1			
37	482726	CLOSING PLATE 30MM X 50MM / SS	1		1			
NS	504473	RIVET POP DOME OE 1/8x1/4 SS	4		4			
NS	481157	WEATHERSTRIP / CONDENSOR DOOR	1		1			
NS	480154	. WEATHERSTRIP RUBBER / ADH / RAW MATERIAL	AR		AR			
		A) NOT INCLUDE WITH DOOR ASSY						

From E-638 To Y-7045

Date:10/2022

PAGE:XL-1864-00

BAGGAGE DOOR ASSY



From E-638 To Y-7045	Date:10/2022	PAGE:XL-1864-00
BAGGAGE DOOR ASSY		

Item#	Part	Description	M T H 4 0	M T H 4 5	M T H 4 5 E	X L 4 0	X L 4 5	N O T E S
		THE FOLLOWING 11 DOOR ARE STANDARD WITH PANEL W/O PERFORATED PANELS. FOR SPECIAL PURPOSE DOOR ASSY REFER TO PERFORATED & SPECIAL PANELS (BOOK PA-1108)						
	481133	DOORS ASSY 38" W/O PERFORATION W/INSULATION To V-6257	2		2			
	481289	DOORS ASSY 38" W/O PERFORATION To V-6257	2		2			
	482120	DOOR ASSY 38" / W/INSULATION, INT PANEL & ELECTRICAL LOCK To V-6257	2		2			
	482791	DOOR ASSY 45" / W/INSULATION From V-6258	2		2			
	485410	DOOR ASSY 53" / W/INSUL & ELECTRIC LOCK / SPECIFIED UPPER & LOWER PANE	AR	AR	AR	AR	AR	S
	481037P	DOOR ASSY 53" / W/INSULATION	6			6		
	481037P	DOOR ASSY 53" / W/INSULATION			8			
	481037P	DOOR ASSY 53" / W/INSULATION		2				
	481230	DOOR ASSY 53" / W/O INSULATION & INT PANEL	6					
	481230	DOOR ASSY 53" / W/O INSULATION & INT PANEL			8			
	481230	DOOR ASSY 53" / W/O INSULATION & INT PANEL		2				
	481288	DOOR ASSY 53" / W/INSULATION	6					
	481288	DOOR ASSY 53" / W/INSULATION			8			
	481288	DOOR ASSY 53" / W/INSULATION		2				
	482119	DOOR ASSY 53" / W/INSULATION, INT PANEL & ELECTRICAL LOCK	6					
	482119	DOOR ASSY 53" / W/INSULATION, INT PANEL & ELECTRICAL LOCK			8			
	482119	DOOR ASSY 53" / W/INSULATION, INT PANEL & ELECTRICAL LOCK		2				
	481489	DOOR ASSY 53" / W/O INSULATION				6		C
	482204	DOOR ASSY 60" / W/O INSULATION & INT PANEL		6			6	
	482206	DOOR ASSY 60" / W/INSULATION, INT PANEL & ELECTRICAL LOCK		6				
	482205	DOOR ASSY 60" / W/INSULATION & INT PANEL		6				
1	471625	. LOWER PANEL 38"	1		1			A
1	482490	. LOWER PANEL 45" / S.B.	1		1			A
1	481003	. LOWER PANEL 53" / S.B.	1	1	1	1		A
1	481994	. LOWER PANEL 60" / S.B.		1			1	A
NS	504272	. RIVET CHY Q BRAZ 3/16x1/8 SS	6	6	6	6	6	
3	481081	. RAIL ASSY / 38"¾ / BAGGAGE DOOR	1		1			
3	482483	. RAIL ASSY / 45"1/16 / BAGGAGE DOOR	1		1			
3	480994	. RAIL ASSY / 53"1/2 / BAGGAGE DOOR	1	1	1	1		
3	481976	. RAIL ASSY / 60"1/4 / BAGGAGE DOOR		1			1	
NS	504433	. SNAP-IN PLUG / 1.090 O.D.	AR	AR	AR	AR	AR	
NS	471119	. SEAL WASHER / RUB RAIL & PANEL	4	4	4	4	4	

From E-638 To Y-7045	Date:10/2022	PAGE:XL-1864-00
BAGGAGE DOOR ASSY		

Item#	Part	Description	M T H 4 0	M T H 4 5	M T H 4 5 E	X L 4 0	X L 4 5	N O T E S
NS	473378	. SEAL WASHER / RUB RAIL & PANEL	4	4	4	4	4	
5	471624	. UPPER PANEL / 38"	1		1			A
5	482457	. UPPER PANEL / 45"	1		1			A
5	481036	. UPPER PANEL / 53"	1	1	1	1		A
5	481993	. UPPER PANEL / 60"		1			1	A
NS	504272	. RIVET CHY Q BRAZ 3/16x1/8 SS	18	18	18	18	18	
6	480939	. PIVOT LOCK 9/16" OFFSET To J-413	1			1		
6	281498	. PIVOT LOCK 3/8" OFFSET	1	1	1	1	1	
7	481077	. FRAME 38"	1		1			
7	482401	. FRAME 45"	1		1			
7	481470	. FRAME 53"	1	1	1	1	1	
7	481490	. FRAME 53"				1		C
7	481980	. FRAME 60"		1			1	
9	471626	. PANEL INTERIOR 38" To L-684	1			1		
9	481785	. PANEL INTERIOR 38" From L-685	1		1			
9	482458	. PANEL INTERIOR 45"	1		1			
9	481004	. PANEL INTERIOR 53" To H-222	1			1		
9	481416	. PANEL INTERIOR 53" From H-223 To L-684	1			1		
9	481786	. PANEL INTERIOR 53" From L-685	1	1	1	1		
9	481977	. PANEL INTERIOR 60"		1			1	
NS	350564	. INSULATING KIT / 38" DOOR To V-6257	AR		AR			
NS	Call order desk	. INSULATING KIT / 45" DOOR From V-6258	AR		AR			P
NS	350565	. INSULATING KIT / 53" DOOR	AR	AR	AR			
NS	350566	. INSULATING KIT / 60" DOOR		AR				
NS	504347	. RIVET POP DOME OE 3/16x1/4 AL	AR	AR	AR	AR	AR	
13	481135	. ROD ASSY LOCK W/38"	2		2			
13	482473	. ROD ASSY LOCK W/45"	2		2			
13	481039	. ROD ASSY LOCK W/53"	2	2	2	2		
13	481975	. ROD ASSY LOCK W/60"		2			2	
13	481086	. . ROD LOCK W/38"	1		1			
13	482475	. . ROD LOCK W/45"	1		1			
13	480995	. . ROD LOCK W/53"	2	2	2	2		
13	481973	. . ROD LOCK W/60"		2			2	
15	480478	. . ROLLER	1	1	1	1	1	
17	504318	. . RING RETAINER / EXT .375 x .352 x .025	1	1	1	1	1	
NS	481308	. PLASTIC COVERING W/38" / W/INSULATION ON DOOR ONLY	1	1	1			
NS	481309	. PLASTIC COVERING W/53" / W/INSULATION ON DOOR ONLY	2	2	2			
NS	482124	. PLASTIC COVERING W/60" / W/INSULATION ON DOOR ONLY		2			2	
NS	560385	. PLASTIC TUBING / 1/2" / CLEAR	AR	AR	AR			
19	504061	. GROMMET / .4375x.687x.062x.312x.937	2	2	2	2	2	
21	507254	. BUSHING NYLINER W/SHOULDER	2	2	2	2	2	
23	507260	. BUSHING NYLINER W/SHOULDER .375x.437x.375x.594	2	2	2	2	2	

From E-638 To Y-7045	Date:10/2022	PAGE:XL-1864-00
BAGGAGE DOOR ASSY		

Item#	Part	Description	M T H 4 0	M T H 4 5	M T H 4 5 E	X L 4 0	X L 4 5	N O T E S
25	505229	SPACER 3/8 I.D. X 3/8 LG	2	2	2	2	2	
31	481044	PANEL ACCESS 5" X 5" To L-684	1			1		
31	481787	PANEL ACCESS 9" X 9" From L-685	1	1	1	1	1	
NS	500582	SCREW TP PAN PH #8x3/8 Z050	4	4	4	4	4	
33	504311	BUMPER RUBBER / 1.500 OD x1.500 TH x.250 HOLE	2	2	2	2	2	
NS	500620	SCREW TP FL PH #10x1 1/2 Z050	2	2	2	2	2	
39	504334	BUMPER RUBBER / .625 OD x .406 TH x .156 HOLE	1	1	1	1	1	
NS	504339	RIVET POP DOME OE 1/8x3/8 SS	1	1	1	1	1	
41	481007	ROD ASSY MALE	1	1	1	1	1	
43	480394	SPRING COMPRESSION / .355 O.D. 3.375 x .063	1	1	1	1	1	
45	481227	ROD FEMALE	1	1	1	1	1	
47	504142	RIVET SOL RND 1/4x3/8 SS	1	1	1	1	1	
49	481012	BUSHING LEVER	1	1	1	1	1	
53	481358	HANDLE ASSY / S.B.	1	1	1	1	1	
53	481494	HANDLE ASSY				1		C
53	481492	PLATE ASSY / (WELDED ON BAGGAGE FRAME IN HANDLE HOLE				1		C
55	481011	RETAINER ROD / HANDLE / CHROMATE	1	1	1	1	1	
56	500473	WASHER LO SPT .262x.489x.062 Z050	6	6	6	6	6	
57	500163	SCREW CAP HEX 1/4-20x3/4 G5 Z050	6	6	6	6	6	
58	481564	ROD GUIDE	2	2	2	2	2	
59	502151	SPRING COMPRESSION / .300 O.D. x 1 x .032	2	2	2	2	2	
NS	480932	BRACKET ASSY	1	1	1	1	1	
NS	480933	BRACKET	1	1	1	1	1	
NS	480935	ROD	1	1	1	1	1	
NS	480937	PLATE, SUPPORT	1	1	1	1	1	
60	480465	PLATE ASSY L.H.	1	1	1	1	1	
60	480466	PLATE ASSY R.H.	1	1	1	1	1	
NS	480463	BRACKET ASSY L.H.	1	1	1	1	1	
NS	480464	BRACKET ASSY R.H.	1	1	1	1	1	
61	507257	BUSHING NYLINER W/SHOULDER	1	1	1	1	1	
62	480498	PLATE LOCK	1	1	1	1	1	
63	500179	SCREW CAP HEX 5/16-18x3/4 G5 Z050	5	5	5	5	5	
64	500441	WASHER FL .312x.734x.065 Z050	1	1	1	1	1	
65	500777	NUT HEX STO 5/16-18 Z050	1	1	1	1	1	
66	481287	SPACER	1	1	1	1	1	
67	480705	SPRING COMPRESSION / .600 O.D. x 1 x .055 CROMAT	1	1	1	1	1	
68	480657	HOOK 68MM	1	1	1	1	1	
NS	500441	WASHER FL .312x.734x.065 Z050	1	1	1	1	1	
NS	500183	SCREW CAP HEX 5/16-18x1 1/2 G5 PT Z050	7	7	7	7	7	
75	500476	WASHER LO SPT .317x.586x.078 Z050	5	5	5	5	5	
NS	504340	RIVET POP DOME OE 1/8x3/16 SS	18	18	18	18	18	
NS	504272	RIVET CHY Q BRAZ 3/16x1/8 SS	14	14	14	14	14	

From E-638 To Y-7045	Date:10/2022	PAGE:XL-1864-00
BAGGAGE DOOR ASSY		

Item#	Part	Description	M T H 4 0	M T H 4 5	M T H 4 5 E	X L 4 0	X L 4 5	N O T E S
NS	506268	. TAPE RUB ADH1 URE 3/8" x 1/2" x 25' / GREY 1820	1	1	1	1	1	
76	480510	PLATE ASSY ANCHOR / ROLLER	2	2	2	2	2	
77	481615	. PLATE ATTACHMENT	1	1	1	1	1	
79	480387	. ROLLER CATCH / LOWER	1	1	1	1	1	
81	502512	. SCREW CAP HEXS 5/16-18x1 1/2 ZP	1	1	1	1	1	
NS	482223	SUPPORT		2				G
NS	500181	SCREW CAP HEX 5/16-18x1 G5 Z050		4				G
NS	5001045	WASHER BEL SPR .331x.827x.098 Z050		4				G
NS	500476	WASHER LO SPT .317x.586x.078 Z050		4				G
NS	502523	RIVET NUT FL OKS 5/16-18 .059-.119		4				G
83	500259	SCREW CAP HEXF SERR 5/16-18x1 ZP	AR	AR	AR	AR	AR	
NS	5001216	SCREW CAP HEXF SERR 5/16-18x1 ZP	AR	AR	AR	AR	AR	
85	480383	STRIKER CATCH To S-649	2	2	2	2	2	
85	482289	STRIKER CATCH From S-650	2	2	2	2	2	
NS	502523	RIVET NUT FL OKS 5/16-18 .059-.119	AR	AR	AR	AR	AR	
89	481137	WEATHERSTRIP / W/38" BAGGAGE DOORS	2		2			
89	485629	WEATHERSTRIP / W/38" BAGGAGE DOORS	2		2			
NS	482462	WEATHERSTRIP / W/45" BAGGAGE DOORS	2		2			
89	485630	WEATHERSTRIP / W/45" BAGGAGE DOORS	2		2			
89	481033	WEATHERSTRIP / W/53" BAGGAGE DOORS	6			6		
89	481033	WEATHERSTRIP / W/53" BAGGAGE DOORS			8			
89	481033	WEATHERSTRIP / W/53" BAGGAGE DOORS		2				
89	485635	WEATHERSTRIP / W/53" BAGGAGE DOORS	AR	AR	AR	AR		
89	481988	WEATHERSTRIP / W/60" BAGGAGE DOORS		6			6	
89	485628	WEATHERSTRIP / W/60" BAGGAGE DOORS		6			6	
89	480154	. WEATHERSTRIP RUBBER / ADH / RAW MATERIAL	AR	AR	AR	AR	AR	
91	500162	SCREW CAP HEX 1/4-20x1/2 G5 Z050	6	6	6	6	6	
93	500473	WASHER LO SPT .262x.489x.062 Z050	6	6	6	6	6	
97	481065	LEVER ASSY	1	1	1	1	1	
97	481062	. LEVER	1	1	1	1	1	
NS	507143	. BUSHING, NYLINER (8-L-12-D)	1	1	1	1	1	
99	481757	. PLATE ATTACHMENT	1	1	1	1	1	
101	480382	. PLATE ATTACHMENT / SPRING	1	1	1	1	1	
103	502056	. SPRING EXTENSION / .437 O.D. X 5.375 x .062	1	1	1	1	1	
105	504477	. RING RETAINER / EXT 14.0 X 13.4 X 1.0MM	1	1	1	1	1	
NS	500496	. WASHER FL .437x.750x.054 Z050	AR	AR	AR	AR	AR	
109	481084	LEVER / W/38"	1		1			
109	482459	LEVER / W/45"	1		1			
109	480961	LEVER / W/53"				1		
109	482277	LEVER / W/53" From S-549	1	1	1			
109	481984	LEVER / W/60" To T-5884		1			1	D
109	482349	LEVER / W/60" From T-5885		1			1	

From E-638 To Y-7045	Date:10/2022	PAGE:XL-1864-00
BAGGAGE DOOR ASSY		

Item#	Part	Description	M T H 4 0	M T H 4 5	M T H 4 5 E	X L 4 0	X L 4 5	N O T E S
109	482237	REINFORCEMENT PLATE To S-548	AR	AR	AR			E
111	502144	SPRING COMPRESSION / .720 O.D. x 2 x .062	1	1	1	1	1	
113	480369	PIVOT	1	1	1	1	1	
NS	5001346	SCREW SET HEXS CONE 1/4-20x3/4	1	1	1	1	1	
117	507141	BUSHING, NYLINER W/SHOULDER (7-L-7-F)	2	2	2	2	2	
119	980014	CYLINDER GAZ / 669/409MM C/C / 190LBS To T-5884	1	1	1	1	1	F
119	980024	CYLINDER GAZ / 669/409MM C/C / 200LBS From T-5885	1	1	1	1	1	
119	192226	CYLINDER GAZ / 669/409MM C/C / 200LBS HD	1	1	1	1	1	
NS	980017	CLIP BALL STUD 10MM RETAINER	2	2	2	2	2	
121	980015	BALL STUD / W/10 MM X M8-1.25 / 29.18 MM	2	2	2	2	2	
123	481088	PLATE CYLINDER ADJUSTEMENT / W/53" & 60"	1	1	1	1	1	
NS	482276	PLATE CYLINDER ADJUSTEMENT FOR OVER LOAD DOOR W/RAIL SS	AR	AR	AR			B
123	481305	PLATE ANGLE CYLINDER ADJUSTEMENT / W/38"	1		1			
123	482723	ANCHOR PLATE / W/45" From W-6454 To W-6561	2		2			
123	482363	SUPPORT CYLINDER / W/45" From W-6454 To W-6561	2		2			
123	482787	SUPPORT ASSY / W/45" From W-6562	2		2			
125	502760	NUT HEX TWAY M8-1.25 Z050	2	2	2	2	2	H
		NEXT FOLLOWING PARTS ARE RELATED WITH ELECTRICAL DOOR LOCK (FOR RETORFIT YOU REQUIRE ONE SET FOR EACH)						
130	780428	LOCK ACTUATOR / 12V	1	1	1		1	
NS	562076	CONNECTOR / PACK-CON I / FEMALE HOUSING / 2C / PED 8911772	1	1	1		1	
130	2810382	ACTUATOR SERVICE KIT	1	1	1		1	
131	481788	BRACKET / TO FIX LOCK ACTUATOR To P-721	1	1	1		1	
131	482109	BRACKET / TO FIX LOCK ACTUATOR From P-722	1	1	1		1	
132	562096	MICRO SWITCH	1	1	1		1	
133	502577	SCREW MA PAN PH M3-0.5x16 ZP	2	2	2		2	
134	502579	NUT HEX M3-0.5 NP	2	2	2		2	
135	062796	CABLE ASSY / ACTUATOR POWER / EACH DOOR	1	1	1		1	
136	560481	CLAMP / 5/8" I.D.	3	3	3		3	
137	500883	SCREW TC PAN PH #8-32x3/8 Z050	6	6	6		6	
NS	062823	CABLE ASSY / FRT JCT PANEL W/DOOR LOCK	1	1	1		1	
NS	062785	CABLE ASSY / FUEL COMP & REAR DOOR To V-6257	1		1			
NS	064473	CABLE ASSY / FUEL COMP & REAR DOOR From V-6258	1		1			
NS	063387	CABLE ASSY / FUEL COMP & REAR DOOR		1			1	
NS	062795	CABLE ASSY / FRT JCT PANEL TO FUEL COMPT To V-6257	1		1			
NS	064471	CABLE ASSY / FRT JCT PANEL TO FUEL COMPT From V-6258	1					
NS	063321	CABLE ASSY / FRT JCT PANEL TO FUEL COMPT To V-6257			1			
NS	064470	CABLE ASSY / FRT JCT PANEL TO FUEL COMPT From V-6258			1			
NS	063361	CABLE ASSY / FRT JCT PANEL TO FUEL COMPT		1			1	

From E-638 To Y-7045	Date:10/2022	PAGE:XL-1864-00
BAGGAGE DOOR ASSY		

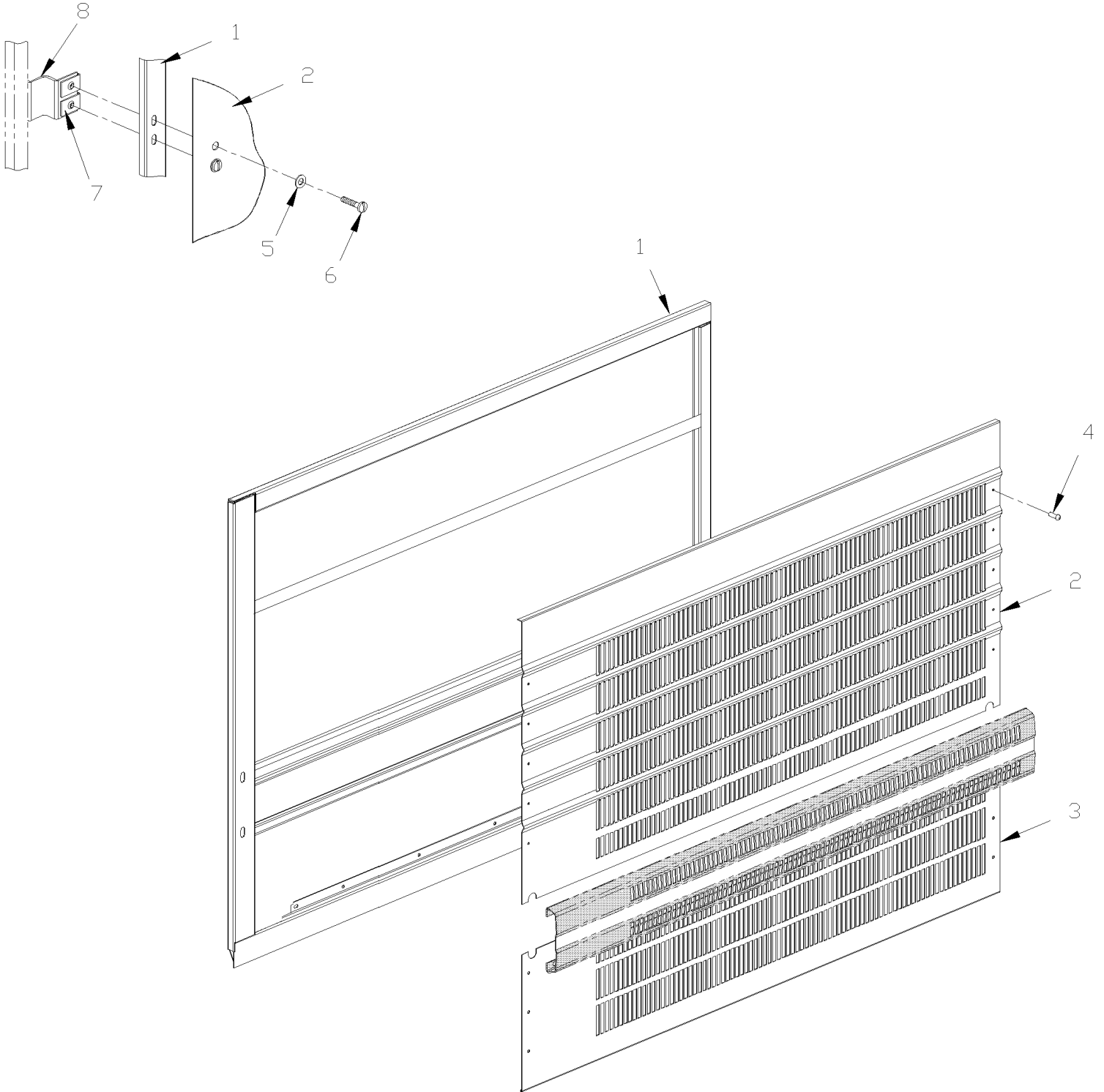
Item#	Part	Description	M T H 4 0	M T H 4 5	M T H 4 5 E	X L 4 0	X L 4 5	N O T E S
150	IS-95064	SEE INSTRUCTION SHEET	1	1	1	1	1	
		A) FOR PANEL WITH PERFORATED SEE CONVERTERS "SPECIAL" BAGGAGES PANELS BOOK #PA-1108 REV. "A"						
		B) THIS PLATE IS USE W/SS RAIL ON BAG. DOOR 53" & 60" INSTALLED BY CONVERTER W/ #980014 PRIOR 01/96						
		C) THOSE ITEM ARE RELATED WITH SPECIAL BAGGAGE DOOR WITH PADLOCK ON HANDLE						
		D) THIS PART IS SUPERSEDED BY 482349. SEE INSTRUCTION SHEET IS-95064 TO COMPLETE THE NEW INSTALLATION.						
		E) TO BE FIXED TO LEVER ARM FOR CYLINDER ATTACHMENT						
		F) THIS PART IS SUPERSEDED BY 980024. SEE INSTRUCTION SHEET IS-95064 TO COMPLETE THE NEW INSTALLATION.						
		G) USE WITH 53" DOOR WITH SMALL A/C						
		H) (TO FIX BALL STUD)						
		S) SERVICE NUMBER "SPECIFIED UPPER & LOWER PANEL" SEE CONVERTER'S SPECIAL BAGGAGES PANEL BOOK #PA-1108 SECTION #5						
		P) CALL ORDER DESK FOR SPECIFIC APPLICATION (V.I.N.)						

From P-722 To Y-7045

Date:10/2022

PAGE:XL-1864-50

BAGGAGE DOOR CURDSIDE - "SPECIAL"



From P-722 To Y-7045	Date:10/2022	PAGE:XL-1864-50
BAGGAGE DOOR CURDSIDE - "SPECIAL"		

Item#	Part	Description	M T H 4 0	M T H 4 5	M T H 4 5 E	X L 4 0	X L 4 5	N O T E S
		BAGGAGE COMPARTMENT DOORS WITH						
		BASICALLY A/C CONDENSOR DOOR LOCK &						
		WITHOUT RAIL AND FIXED WITH SCREWS.						
	482221	GRILLE ASSY 60"		1				
	482220	DOORS ASSY 38" W/3.06 SQF PERFORATED W/PROTECTOR 2.73 SQF PERFO. To V-6257	1		1			
1	482139	. FRAME ASSY / 60"		1				
1	482111	. FRAME ASSY / 38" To V-6257	1		1			
2	482141	. UPPER PANEL 60" W/3.34 SQF PERFORATED		1				
2	472781	. UPPER PANEL 38" W/2.12 SQF PERFORATED To V-6257	1		1			
3	482140	. LOWER PANEL 60" W/1.57 SQF PERFORATED		1				
3	481277	. LOWER PANEL 38" W/0.61 SQF PERFORATED To V-6257	1		1			
4	504272	. RIVET CHY Q BRAZ 3/16x1/8 SS	1	1	1			
5	481092	. WASHER FL .320 I.D.x562 O.D. SS	8	8	8			
6	500566	. SCREW MA RND PH 5/16-18x1 SS	8	8	8			
7	500016	. NUT SPR U 5/16-18	8	8	8			
8	481905	. DOOR STOPPER & RETAINER	8	8	8			
NS	504416	RIVET POP DOME OE 3/16x5/8 SS	16	16	16			A
NS	Call order desk	PANEL FLOOR 53" X 97" / ALUMINUM TO USE IN 53" BAY DOORS	1		1			P
		A) (ANGLE BRACKET TO STRUCTURE)						
		P) CALL ORDER DESK FOR SPECIFIC APPLICATION (V.I.N.)						

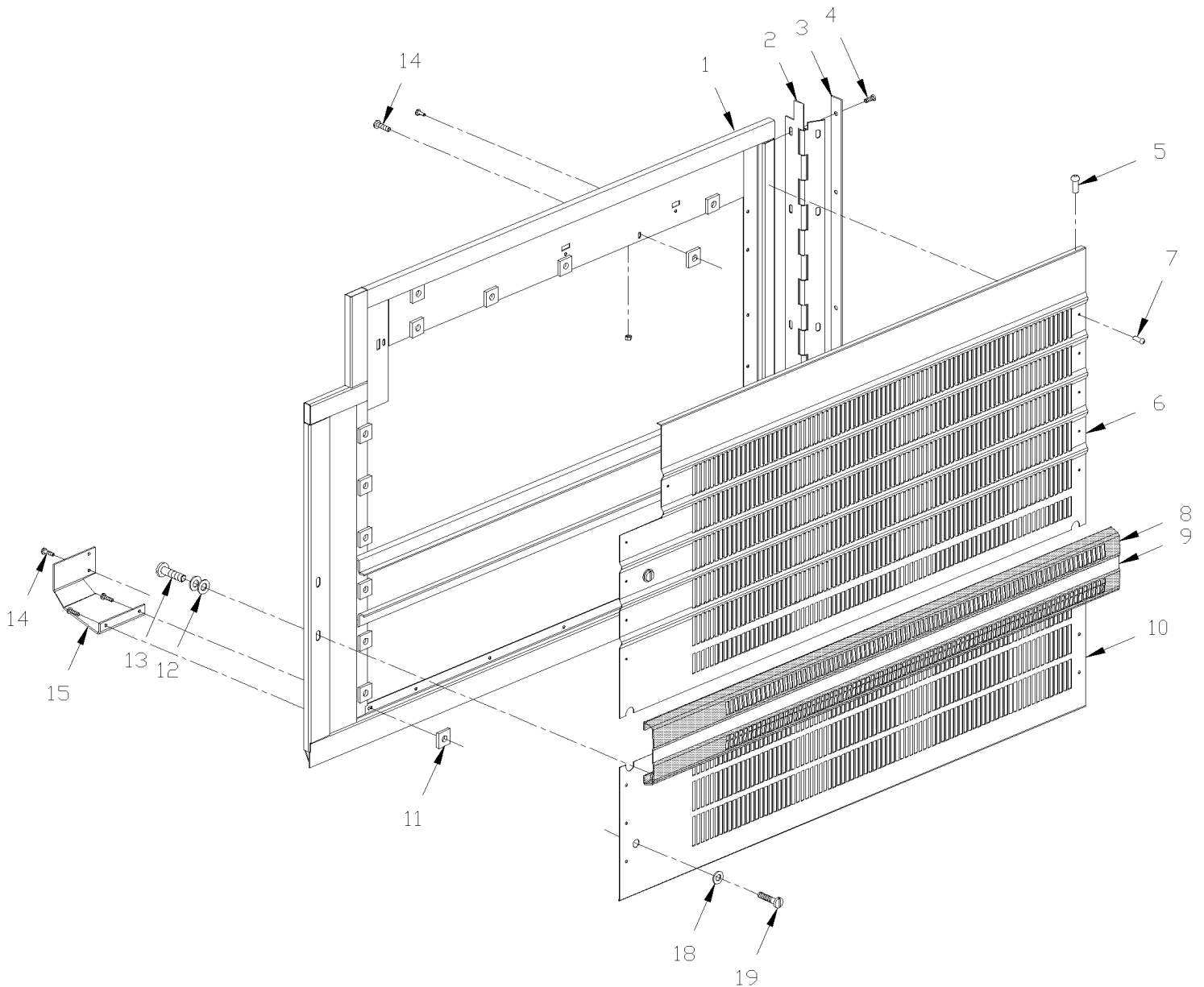
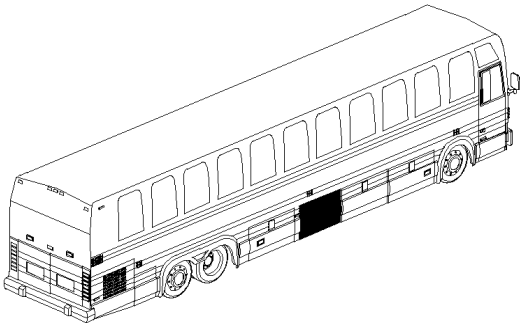
From S-506 To V-6257

Date:10/2022

PAGE:XL-1864-55

BAGGAGE DOOR CURBSIDE - "SPECIAL"

MTH 40' & 45' ENT.

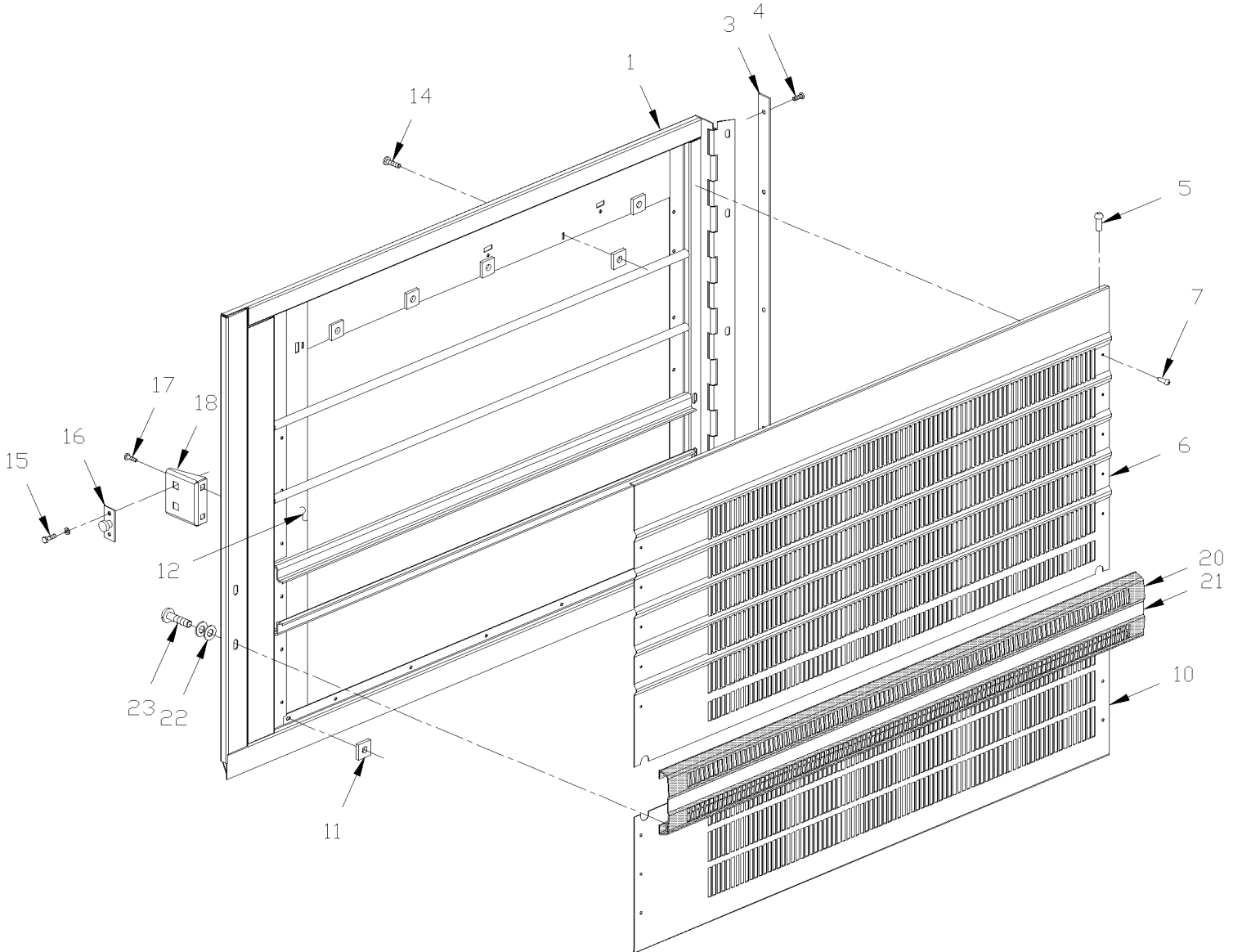


From V-6258 To Y-7045

Date:10/2022

PAGE:XL-1864-56

BAGGAGE DOOR CURBSIDE - "SPECIAL"

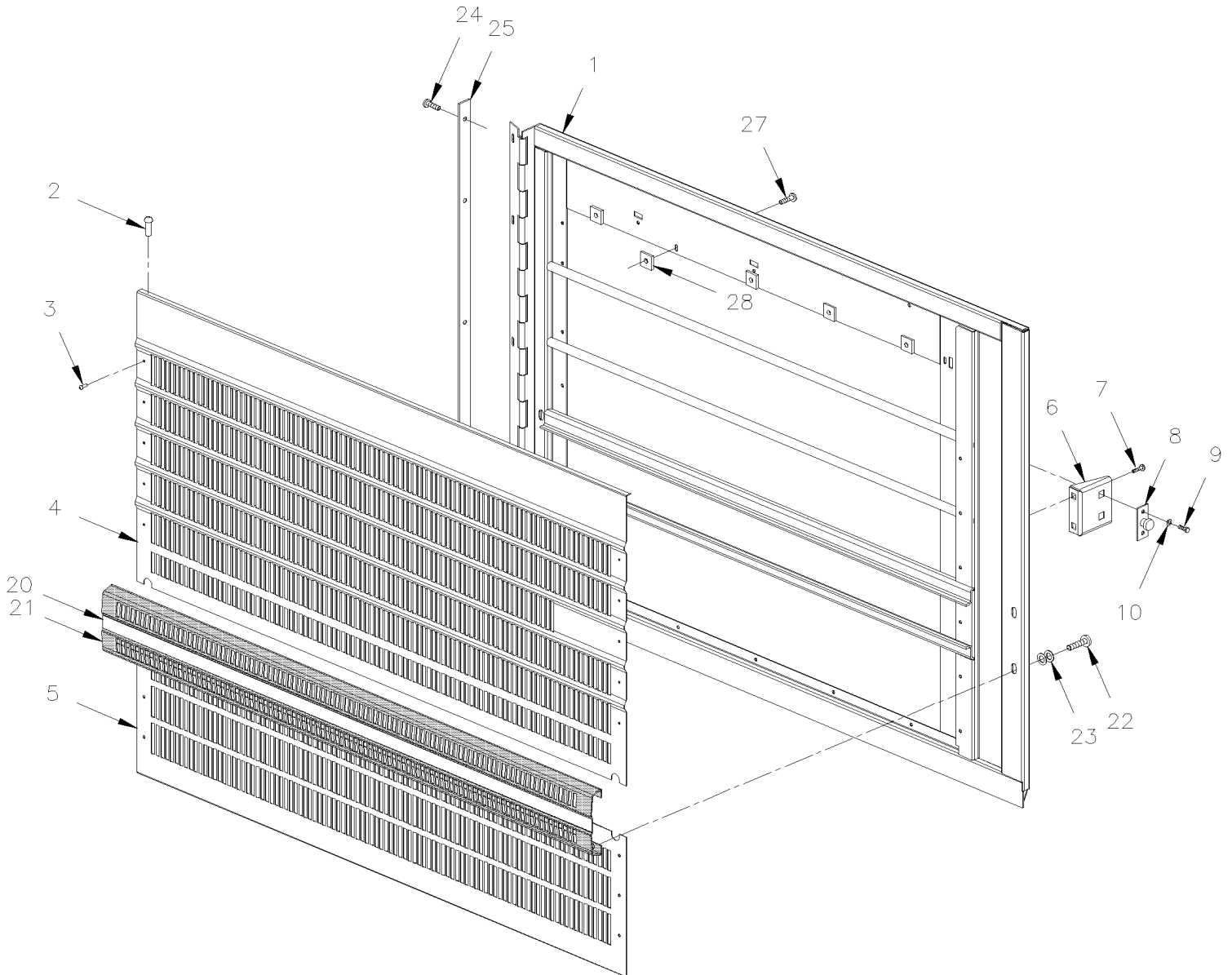


From S-506 To Y-7045

Date:10/2022

PAGE:XL-1864-60

BAGGAGE DOOR STREETSIDE - "SPECIAL"

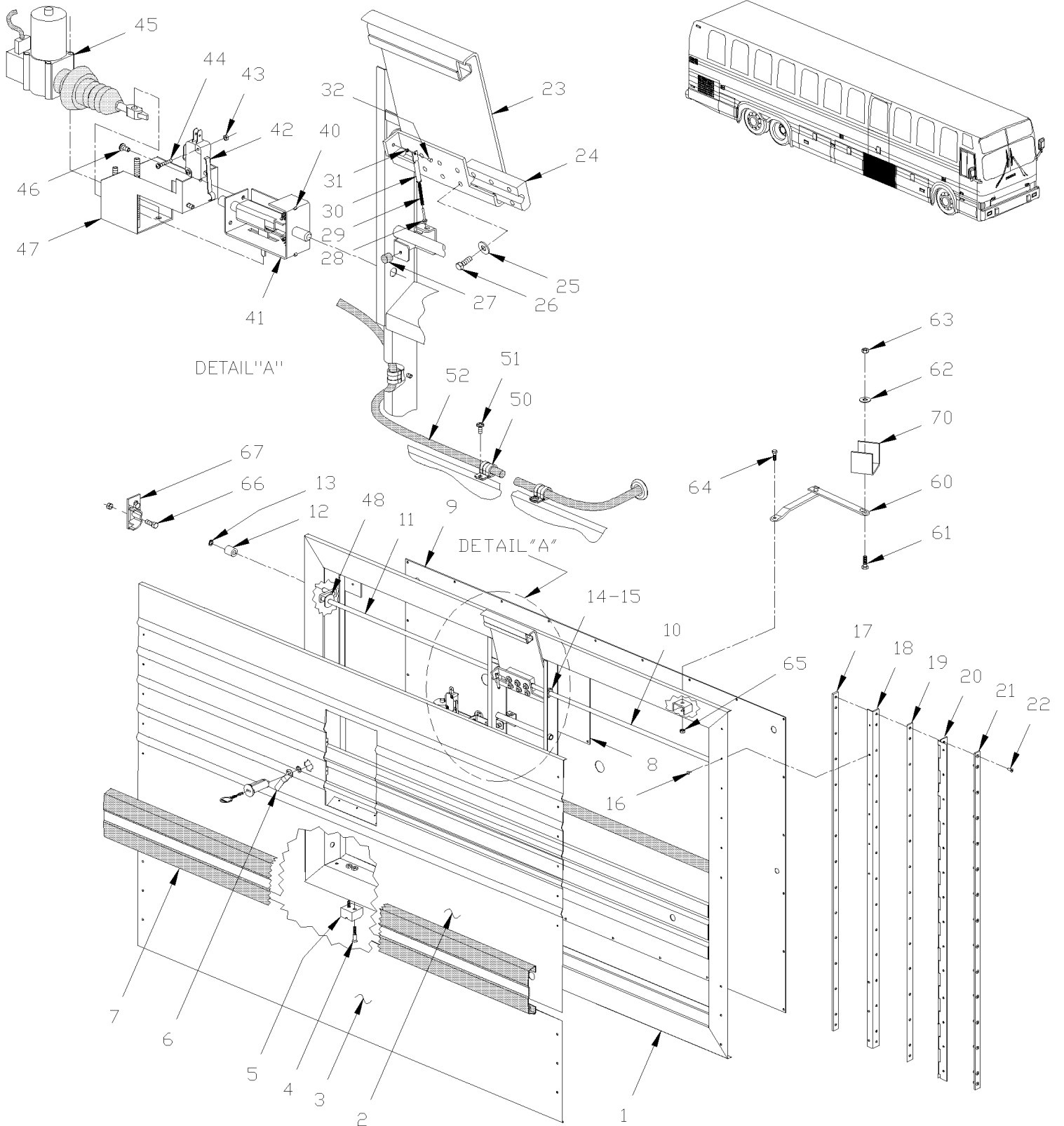


From X-6945 To X-7014

Date:10/2022

PAGE:XL-1864-80

BAGGAGE DOOR - W.C.L."RICON"



From X-6945 To X-7014	Date:10/2022	PAGE:XL-1864-80
BAGGAGE DOOR - W.C.L."RICON"		

Item#	Part	Description	M T H 4 0	M T H 4 5	M T H 4 5 E	X L 4 0	X L 4 5	N O T E S
	483200P	BAGGAGE DOOR ASSY				1		
1	483142	BAGGAGE DOOR FRAME				1		
2	483201	UPPER PANEL				1		
NS	504272	RIVET CHY Q BRAZ 3/16x1/8 SS				AR		
3	483202	LOWER PANEL				1		
NS	504272	RIVET CHY Q BRAZ 3/16x1/8 SS				6		
NS	680025	CAULKING STRIP 3/16" O.D. X 14'				AR		
4	500368	SCREW MA FL SLT 1/4-20x1 1/2 Z050				2		
5	483217	DOOR SUPPORT				1		
NS	483222	SHIM 18GA 35MM x 38.1MM SS				3		
6	281498	PIVOT LOCK 3/8" OFFSET				1		
7	480994	RAIL ASSY / 53"1/2 / BAGGAGE DOOR				1		
NS	500301	NUT HEXF STO 3/8-16 Z050				4		
NS	473378	SEAL WASHER / RUB RAIL & PANEL				4		
NS	500657	SCREW TC TR PH #10-24x1/2 Z050				4		
8	481787	PANEL ACCESS 9" X 9"				1		
NS	500582	SCREW TP PAN PH #8x3/8 Z050				4		
9	483206	INTERIOR PANEL				1		
NS	504347	RIVET POP DOME OE 3/16x1/4 AL				28		
NS	504433	SNAP-IN PLUG / 1.090 O.D.				1		
10	483207	LOCK ROD				1		
11	481039	ROD ASSY LOCK W/53"				2		
11	480995	ROD LOCK W/53"				1		
12	480478	ROLLER				1		
13	504318	RING RETAINER / EXT .375 x .352 x .025				1		
14	504650	GROMMET / .375x.625x.062x.313x.875				2		
15	507260	BUSHING NYLINER W/SHOULDER .375x.437x.375x.594				2		
16	504272	RIVET CHY Q BRAZ 3/16x1/8 SS				18		
17	481131	SHIM 2" X 1"1/8 / HINGE SUPPORT				6		
19	481047	HINGE PLATE 31"1/16 W/ 5 HOLES 1/4-28				1		
20	480907	HINGE				1		
21	480910	REINFORCEMENT OF HINGE / THIN 31 1/4" x 1/8 FRAME SIDE				1		
22	500316	SCREW MA FL PH 1/4-28x3/4 SS				5		
23	481358	HANDLE ASSY / S.B.				1		
24	481011	RETAINER ROD / HANDLE / CHROMATE				1		
25	500473	WASHER LO SPT .262x.489x.062 Z050				6		
26	500163	SCREW CAP HEX 1/4-20x3/4 G5 Z050				6		
27	504334	BUMPER RUBBER / .625 OD x .406 TH x .156 HOLE				1		
NS	504339	RIVET POP DOME OE 1/8x3/8 SS				2		
28	481007	ROD ASSY MALE				1		
29	480394	SPRING COMPRESSION / .355 O.D. 3.375 x .063				1		
30	481227	ROD FEMALE				1		

From X-6945 To X-7014	Date:10/2022	PAGE:XL-1864-80
BAGGAGE DOOR - W.C.L."RICON"		

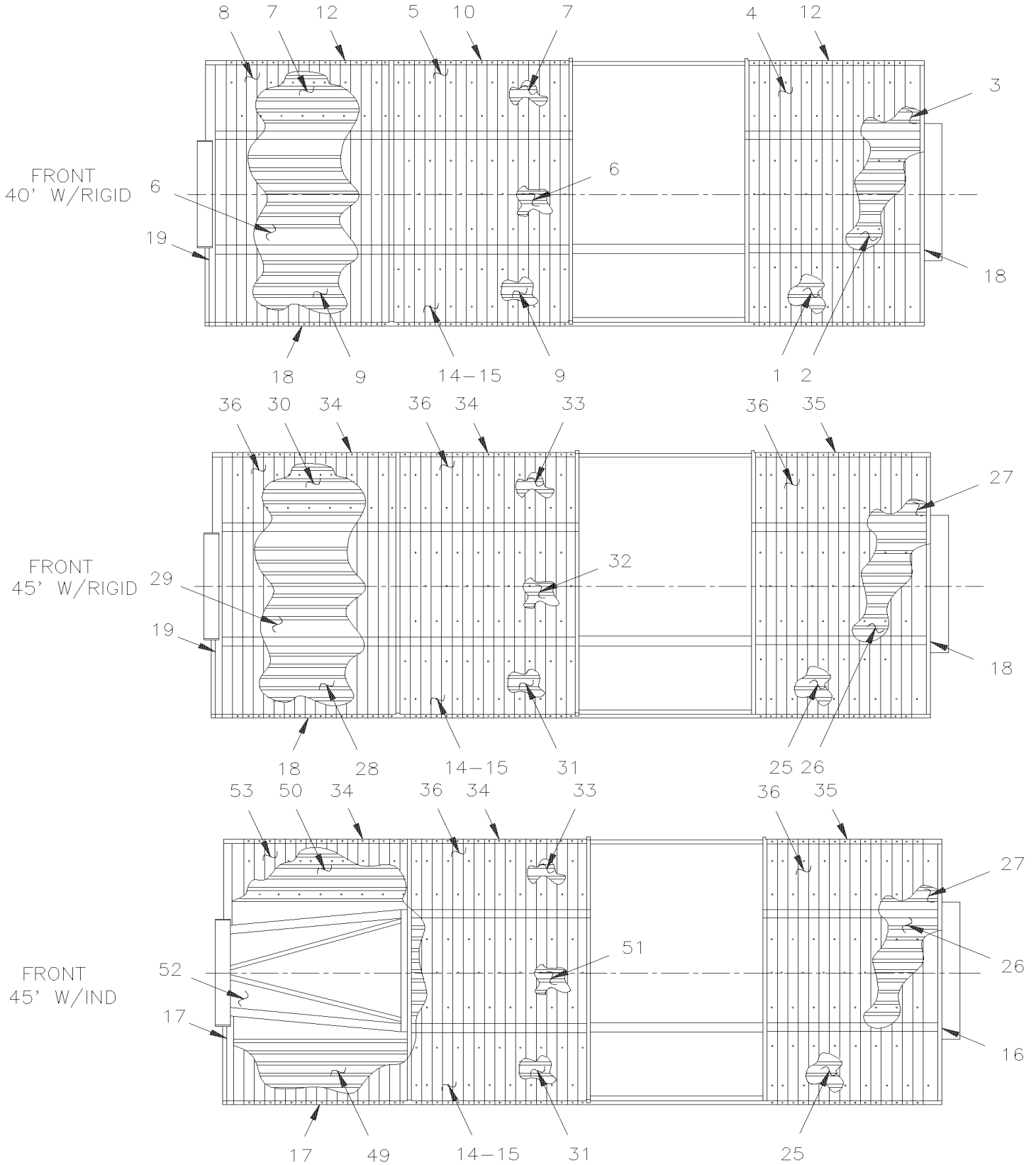
Item#	Part	Description	M T H 4 0	M T H 4 5	M T H 4 5 E	X L 4 0	X L 4 5	N O T E S
31	481012	. BUSHING LEVER				1		
32	504459	. RIVET MGLP PRDG 1/4x3/8 SS				1		
NS	502573	. WASHER FL 6.4x12.5x1.6 SS				1		
40	481564	. ROD GUIDE				2		
41	502151	. SPRING COMPRESSION / .300 O.D. x 1 x .032				2		
42	562096	. MICRO SWITCH				1		
43	502579	. NUT HEX M3-0.5 NP				4		
44	502577	. SCREW MA PAN PH M3-0.5x16 ZP				2		
45	780428	. LOCK ACTUATOR / 12V				1		
. NS	562076	. . CONNECTOR / PACK-CON I / FEMALE HOUSING / 2C / PED 8911772				1		
45	2810382	. ACTUATOR SERVICE KIT				1		
47	482109	. BRACKET / TO FIX LOCK ACTUATOR				1		
48	505229	. SPACER 3/8 I.D. X 3/8 LG				1		
NS	507254	. BUSHING NYLINER W/SHOULDER				1		
50	560481	CLAMP / 5/8" I.D.				3		
52	062796	CABLE ASSY / ACTUATOR POWER / EACH DOOR				1		
60	281444	GUIDE ASSY / L.H. DOOR				1		
61	502780	SCREW CAP HEX M8-1.25x25 SS BK				1		
62	500270	WASHER FL .406x1.000x.063 SS				2		
63	500868	NUT HEX NYRT M8-1.25 Z050				1		
64	502568	SCREW MA PAN PH M6-1.0x20 EMN				1		
65	502511	NUT HEX NYRT M6-1.0 Z050				1		
65	502573	WASHER FL 6.4x12.5x1.6 SS				3		
66	5001216	SCREW CAP HEXF SERR 5/16-18x1 ZP				2		
67	482289	STRIKER CATCH				1		
70	N.P.N.	SUPPORT WELDED TO STRUCTURE				1		4
		4) NO PARTS NUMBER						

From E-638 To Y-7045

Date:10/2022

PAGE:XL-1865-00

FLOOR BAGGAGE COMPARTMENT



From E-638 To Y-7045	Date:10/2022	PAGE:XL-1865-00
FLOOR BAGGAGE COMPARTMENT		

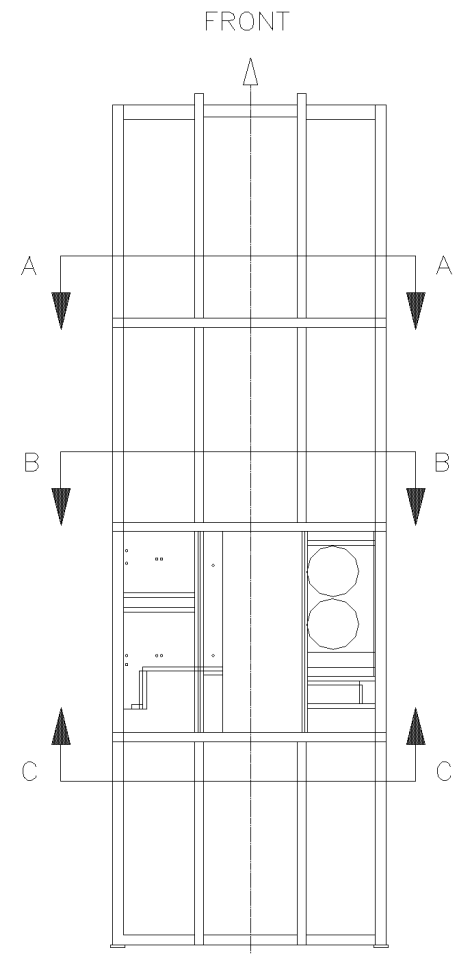
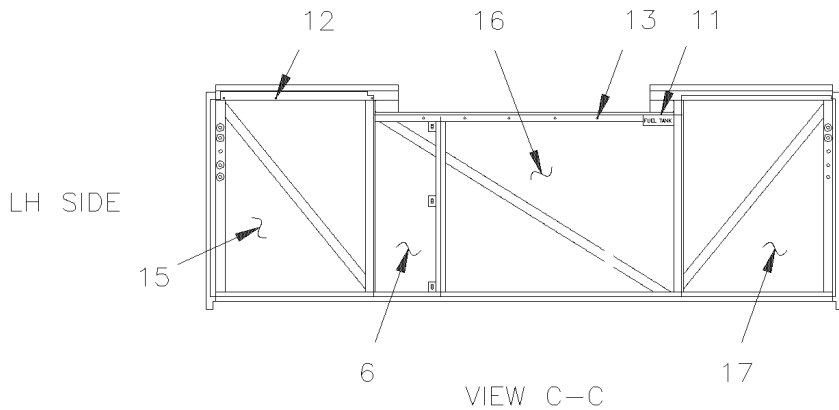
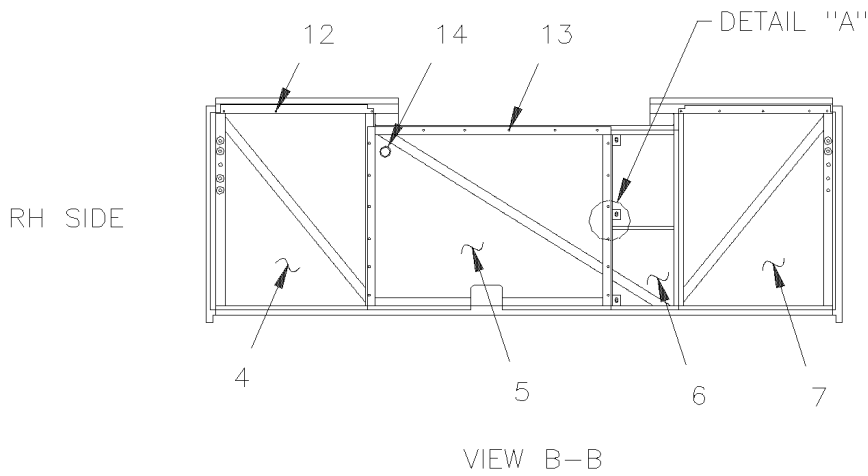
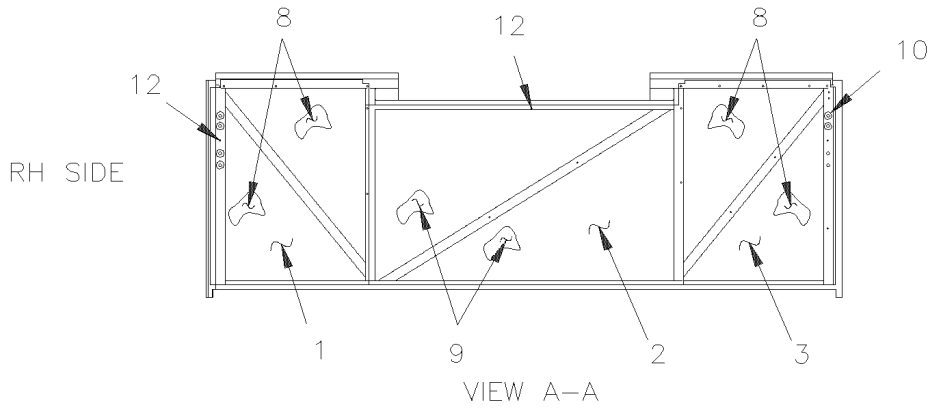
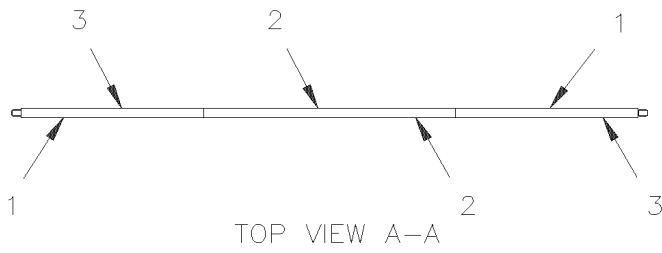
Item#	Part	Description	M T H 4 0	M T H 4 5	M T H 4 5 E	X L 4 0	X L 4 5	N O T E S
1	480881	PANEL UNDERFLOOR REAR L.H.				1		
2	481467	PANEL UNDERFLOOR REAR CENTER				1		
3	480883	PANEL UNDERFLOOR REAR R.H.				1		
4	480864	PANEL FLOOR / 3RD BAGGAGE COMPARTMENT				1		
5	480866	PANEL FLOOR / 2ND BAGGAGE COMPARTMENT				1		
6	480878	PANEL UNDERFLOOR FRONT CENTER				1		
7	480882	PANEL UNDERFLOOR FRONT R.H.				1		
8	480865	PANEL FLOOR / 1ST BAGGAGE COMPARTMENT				1		
9	480880	PANEL UNDERFLOOR FRONT L.H.				1		
10	480862	MOULDING SS / FLOOR PANEL & STRUCTURE 53 1/2"				2		
12	480860	MOULDING SS / FLOOR PANEL & STRUCTURE 53 3/4"				4		
14	505409	RIVET COLLAR HUCK 3/16				AR	AR	
15	505408	PIN MAGNA-GRIP 3/16 SS				AR	AR	
17	504487	RIVET MGLP PRDG 3/16x7/16 SS				AR	AR	
18	504610	RIVET MGLP PRDG 1/4x5/8 SS				AR	AR	
19	504459	RIVET MGLP PRDG 1/4x3/8 SS				AR	AR	
25	482252	PANEL UNDERFLOOR REAR L.H.					1	
26	482240	PANEL UNDERFLOOR REAR CENTER					1	
27	482253	PANEL UNDERFLOOR REAR R.H.					1	
28	482251	PANEL UNDERFLOOR FRONT L.H. / 1ST BAY					1	
29	482241	PANEL UNDERFLOOR FRONT CENTER					1	
30	482275	PANEL UNDERFLOOR FRONT R.H.					1	
31	482254	PANEL UNDERFLOOR FRONT L.H. / 2ND BAY					1	
32	482274	PANEL UNDERFLOOR FRONT CENTER					1	
33	482250	PANEL UNDERFLOOR FRONT R.H. / 2ND BAY					1	
34	482248	MOULDING SS / FLOOR PANEL & STRUCTURE 1537MM					1	
35	482249	MOULDING SS / FLOOR PANEL & STRUCTURE 1530MM					1	
36	482239	PANEL FLOOR / BAGGAGE COMPARTMENT					3	
49	Call order desk	SUPPORT BLOCK					1	P
50	482380	FLOOR, BAGGAGE					1	
51	482386	PANEL UNDERFLOOR FRONT CENTER / 2ND BAY					1	
52	482387	PANEL					1	
53	482771	PANEL FLOOR / BAGGAGE COMPARTMENT					1	
		P) CALL ORDER DESK FOR SPECIFIC APPLICATION (V.I.N.)						

From E-638 To Y-7045

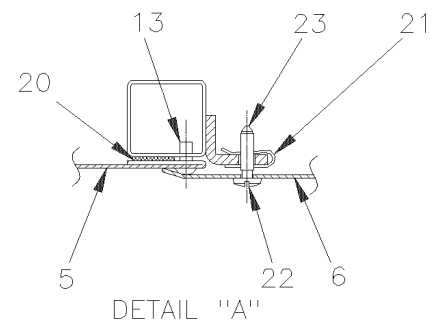
Date:10/2022

PAGE:XL-1865-10

SEPARATOR PANEL - BAGGAGE COMPARTMENT - BUS



BUS 40' &
45'



From E-638 To Y-7045	Date:10/2022	PAGE:XL-1865-10
SEPARATOR PANEL - BAGGAGE COMPARTMENT - BUS		

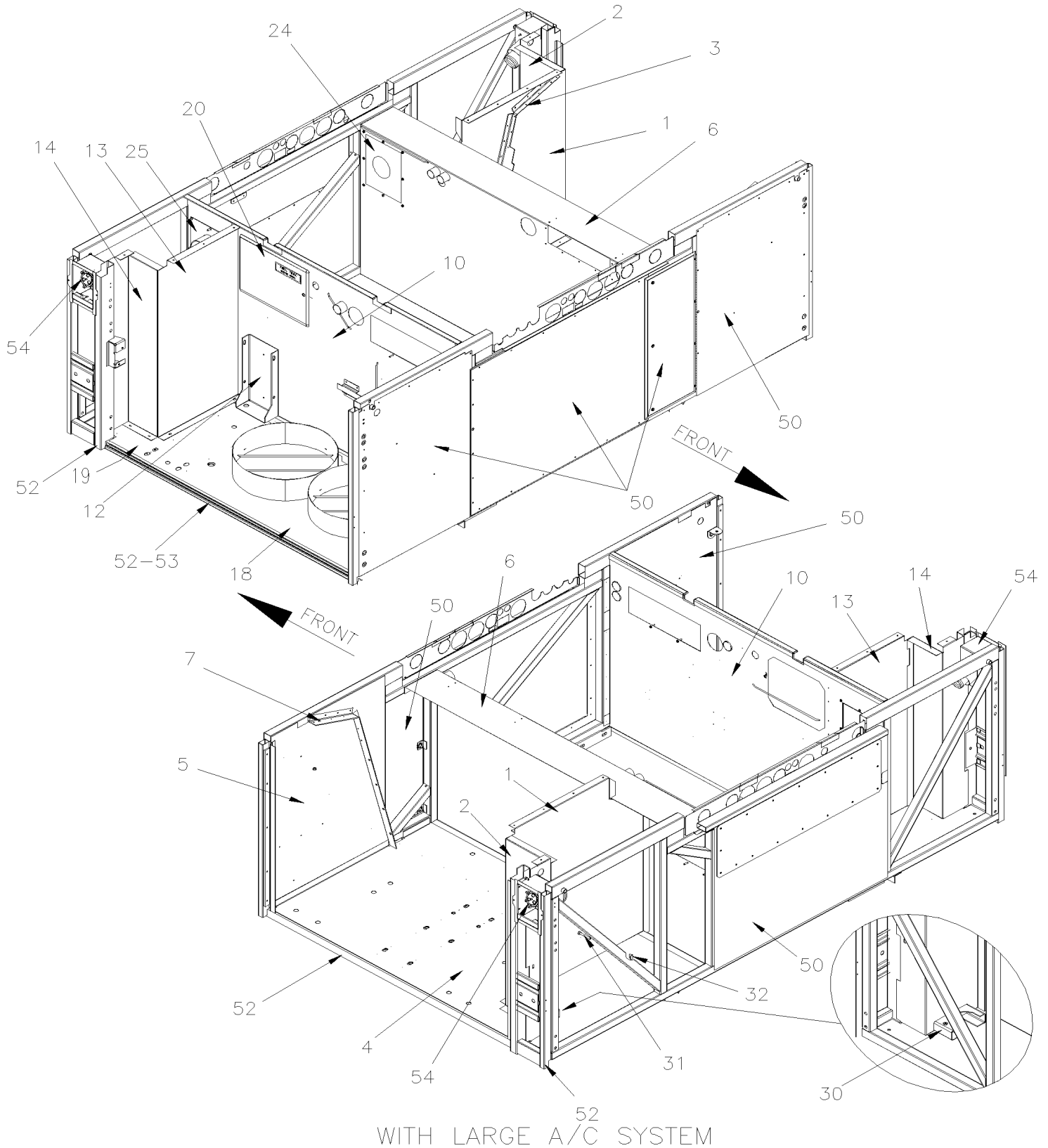
Item#	Part	Description	M T H 4 0	M T H 4 5	M T H 4 5 E	X L 4 0	X L 4 5	N O T E S
1	481199	PANEL SIDE SEPARATOR To T-5878				2	2	
1	482468	PANEL SIDE SEPARATOR From T-5879				2	2	
2	480925	PANEL CENTER SEPARATOR				2	2	
3	481203	PANEL SIDE SEPARATOR				2	2	
4	481199	PANEL SIDE SEPARATOR To T-5878				1	1	A
4	482465	PANEL SIDE SEPARATOR From T-5879				1	1	
5	480927	PANEL FUEL TANK CLOSING				1	1	
5	481176	PANEL FUEL TANK CLOSING ASSY W/CLOSING PANEL				1	1	A
6	480929	PANEL DOOR ASSY W/HINGE				2	2	
7	480921	PANEL SIDE SEPARATOR				1	1	
8	350028	INSULATING PANEL FOAM / CONDENSOR OR EVAPORATOR & BAGGAGE				4	4	
9	350029	INSULATING				2	2	
10	504528	HOLE PLUG BUTTON / .437 O.D. BLACK				1	1	
11	031163	DECAL / "FUEL TANK ACCESS" / ENGLISH				1	1	
12	504347	RIVET POP DOME OE 3/16x1/4 AL				AR	AR	
13	500657	SCREW TC TR PH #10-24x1/2 Z050				24	24	
14	504059	GROMMET / 1.250x1.500x.094x.375x1.875				1	1	
15	480922	PANEL SIDE SEPARATOR To T-5878				1	1	
15	482465	PANEL SIDE SEPARATOR From T-5879				1	1	
16	480927	PANEL FUEL TANK CLOSING				1	1	
17	480921	PANEL SIDE SEPARATOR				1	1	
20	506071	TAPE RUB ADH1 CC POL 1/8" x 1/2" x 50' / GREY 2520X				AR	AR	
21	504377	NUT SPR U 1 1/64x1/2x.109-.161				3	3	
22	504289	WASHER SPR GRIP .437x.020 AL				3	3	
23	504376	SCREW FST SLT #12 18x28.2 STL				3	3	
		A) WITH AUXILIARY FUEL TANK						

From E-638 To V-6257

Date:10/2022

PAGE:XL-1865-20

EVAPORATOR & CONDENSOR WALL

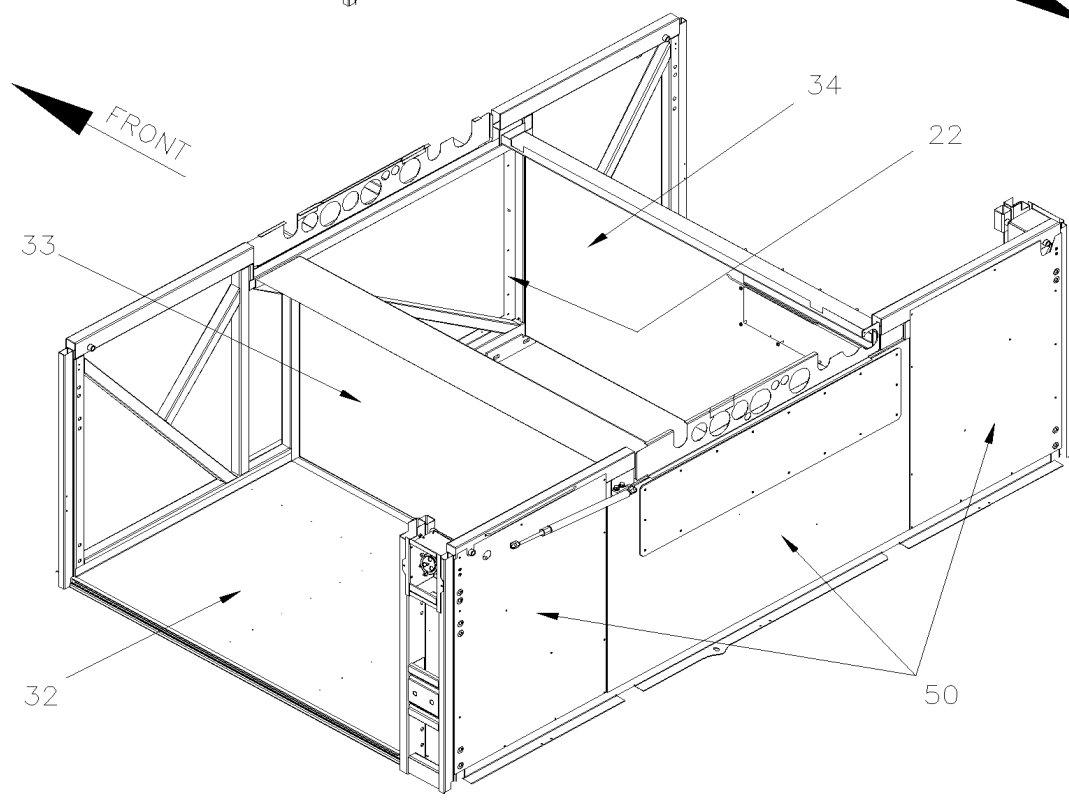
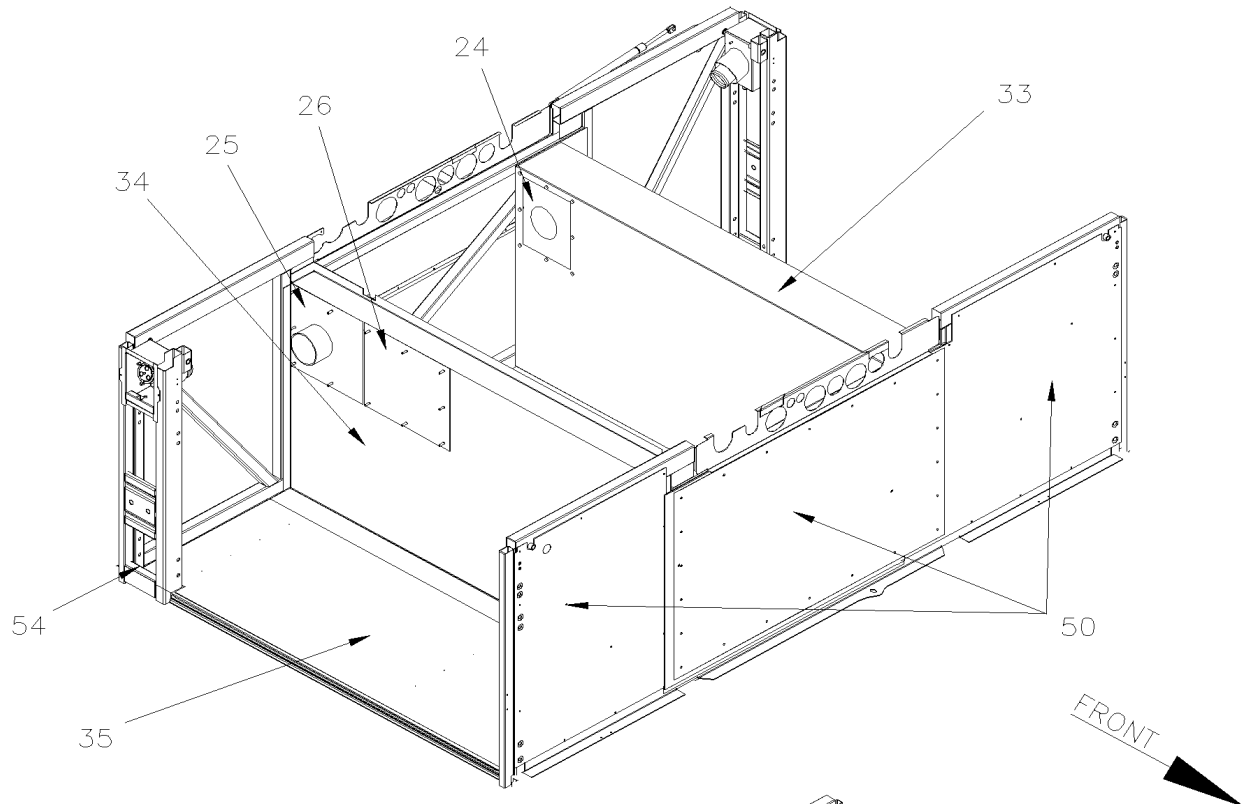


From E-638 To V-6257

Date:10/2022

PAGE:XL-1865-20

EVAPORATOR & CONDENSOR WALL



MTH WITH SMALL A/C SYSTEM

From E-638 To V-6257	Date:10/2022	PAGE:XL-1865-20
EVAPORATOR & CONDENSOR WALL		

Item#	Part	Description	M T H 4 0	M T H 4 5	M T H 4 5 E	X L 4 0	X L 4 5	N O T E S
1	482022	PANEL EVAPORATOR SEPARATOR BACKWARD ONE PIECE From P-646 To P-752		1				
1	482115	PANEL EVAPORATOR SEPARATOR BACKWARD From P-753 To V-6022		1			1	
1	221073	PANEL EVAPORATOR SEPARATOR BACKWARD From V-6023		1			1	
2	482117	ANGLE PANEL CLOSING SEPARATOR From P-753 To V-6022		1			1	
2	221075	ANGLE PANEL CLOSING SEPARATOR From V-6023		1			1	
2	221125	ANGLE PANEL CLOSING SEPARATOR		1				
3	480859	SUPPORT ANGLE / TO FIX HEATER & EVAPO				1	1	
3	480859	SUPPORT ANGLE / TO FIX HEATER & EVAPO To R-857	1		1			
3	482029	SUPPORT ANGLE / TO FIX HEATER & EVAPO From R-858	1		1			
3	482029	SUPPORT ANGLE / TO FIX HEATER & EVAPO From P-722		1				
NS	480857	PANEL UPPER EVAPORATOR SEPARATOR				1	1	
NS	480857	PANEL UPPER EVAPORATOR SEPARATOR To R-857	1		1			
4	480856	EVAPORATOR FLOOR ASSY W/REAR PANEL ONE PIECE To J-644	1			1		
4	481610	EVAPORATOR FLOOR ASSY From J-645 To T-5814	1			1		
4	482512	EVAPORATOR FLOOR ASSY From T-5815 To V-6257				1		
4	482509	EVAPORATOR FLOOR ASSY From T-5815 To V-6257	1		1			
4	482026	EVAPORATOR FLOOR ASSY From S-570 To V-6022					1	
4	221066	EVAPORATOR FLOOR ASSY From V-6023		1			1	
5	482136	PANEL EVAPORATOR WALL FORWARD From R-830		1				
6	480856	EVAPORATOR FLOOR ASSY W/REAR PANEL ONE PIECE To J-644	1			1		
6	481611	REAR VERTICAL PANEL EVAPORATOR From J-645 To N-409	1			1		
6	481916	REAR VERTICAL PANEL EVAPORATOR From N-410 To T-5814	1		1			
6	482211	REAR VERTICAL PANEL EVAPORATOR A REVOIR From N-410 To T-5814	1		1			
6	482027	REAR VERTICAL PANEL EVAPORATOR From P-722 To T-5830		1			1	
6	482425	REAR VERTICAL PANEL EVAPORATOR From T-5831 To V-6022		1			1	
6	221063	REAR VERTICAL PANEL EVAPORATOR From V-6023		1			1	
7	480858	SUPPORT ANGLE / TO FIX HEATER & EVAPO				1	1	
7	480858	SUPPORT ANGLE / TO FIX HEATER & EVAPO To R-857	1		1			
7	452028	DUCT INTAKE ASSY / FIBERGLASS From R-858	1		1			
7	482028	SUPPORT ANGLE / TO FIX HEATER & EVAPO From P-722		1				
8	480855	PANEL SIDE / EVAPORATOR COMPARTMENT ONE PIECE To M-873	1			1		
8	481906	PANEL SIDE / EVAPORATOR COMPARTMENT From M-874	1		1	1		
10	480926	CONDENSOR FLOOR ASSY W/REAR PANEL ONE PIECE To J-642				1		
10	481474	CONDENSOR FLOOR ASSY W/REAR PANEL ONE PIECE To J-642	1					
10	481606	REAR VERTICAL PANEL CONDENSOR From J-643 To N-409				1		
10	481614	REAR VERTICAL PANEL CONDENSOR From J-643 To N-409	1					
10	481915	REAR VERTICAL PANEL CONDENSOR From N-410 To V-6257	1		1			
10	482354	REAR VERTICAL PANEL CONDENSOR NEVER USE VOIR To V-6257	1		1			
10	215295	REAR VERTICAL PANEL CONDENSOR	1	1	1	1	1	
10	482033	REAR VERTICAL PANEL CONDENSOR From P-646 To T-5830		1				
10	482424	REAR VERTICAL PANEL CONDENSOR From T-5831 To V-6022		1				

From E-638 To V-6257	Date:10/2022	PAGE:XL-1865-20
EVAPORATOR & CONDENSOR WALL		

Item#	Part	Description	M T H 4 0	M T H 4 5	M T H 4 5 E	X L 4 0	X L 4 5	N O T E S
10	221069	REAR VERTICAL PANEL CONDENSOR From V-6023		1				
10	482337	REAR VERTICAL PANEL CONDENSOR From S-570 To T-5830					1	
10	482429	REAR VERTICAL PANEL CONDENSOR From T-5831 To V-6022					1	
10	221072	REAR VERTICAL PANEL CONDENSOR From V-6023					1	
12	450886	ANGLE SUPPORT RECEIVER TANK / WELDED TO REAR PANEL / 10" To N-409	2			2		
12	482230	ANGLE SUPPORT RECEIVER TANK / WELDED TO REAR PANEL / 10" From N-410	2	2	2	2	2	
13	482023	PANEL CONDENSOR SEPARATOR BACKWARD ONE PIECE From P-646 To P-752		1				
13	482116	PANEL CONDENSOR SEPARATOR BACKWARD From P-753 To V-6022		1			1	
13	221074	PANEL CONDENSOR SEPARATOR BACKWARD From V-6023 To W-6022		1			1	
14	482118	ANGLE PANEL SEPARATOR From P-753 To V-6022		1			1	
14	221076	ANGLE PANEL SEPARATOR From V-6023		1			1	
15	480923	PANEL SIDE / CONDENSER COMPARTMENT FORWARD	1		1	1		
16	480854	PANEL SIDE / CONDENSER COMPARTMENT BACKWARD /ONE PIECE To N-409	1			1		
16	481907	PANEL SIDE / CONDENSER COMPARTMENT From N-410	1			1		
16	482023	PANEL CONDENSOR SEPARATOR BACKWARD ONE PIECE	1	1	1	1	1	
16	482342	PANEL SIDE / CONDENSER COMPARTMENT	1	1	1	1	1	
18	480926	CONDENSOR FLOOR ASSY W/REAR PANEL ONE PIECE [=] [=] To J-642				1		
18	481474	CONDENSOR FLOOR ASSY W/REAR PANEL ONE PIECE [=] [=] To J-642	1					
18	481605	CONDENSOR FLOOR ASSY 1153MM [=] [=] From J-643 To T-5814	1		1	1		
18	482511	CONDENSOR FLOOR ASSY 1153MM [=] [=] From T-5815 To V-6257	1		1	1		
18	482031	CONDENSOR FLOOR ASSY 1527MM / ONE PIECE [=] [=] From P-646 To V-6022		1				
18	221067	CONDENSOR FLOOR ASSY 1527MM / ONE PIECE [=] [=] From V-6023		1				
NS	220426	SUPPORT ASSY, L.H. FAN / W/CENTRAL A/C SYSTEM [=] [=]	1	1	1	1		
NS	220427	SUPPORT ASSY, R.H. FAN / W/CENTRAL A/C SYSTEM [=] [=]	1	1	1	1		
19	482320	CONDENSOR FLOOR BACKWARD SECTION 635MM X 360MM From P-646 To V-6022		1			1	
19	221068	CONDENSOR FLOOR BACKWARD SECTION 633MM X 358MM From V-6023		1			1	
20	032450	DOOR ACCESS PANEL / FUEL COMPONENT 294MM x 380MM		1			1	H
20	032016	DOOR ACCESS PANEL / FUEL COMPONENT From V-6258	1		1			
20	506268	TAPE RUB ADH1 URE 3/8" x 1/2" x 25' / GREY 1820	AR		AR			I
21	032457	DOOR ACCESS PANEL / FUEL COMPONENT 294MM x 380MM					1	R
21	032667	DOOR ACCESS PANEL / FUEL COMPONENT 294MM x 380MM					1	R
NS	032475	ACCESS DOOR / A/C COMPARTMENT 86MM x 353MM					1	R
22	483340	PANEL FRAME / BACKWARD FUEL TANK From Y-7308		1			1	
22	481471	CLOSING PANEL FUEL TANK / W/AUX TANK 28 3/8" x 39"	1			1		
22	481191	CLOSING PANEL FUEL TANK 28 3/8" x 39" To 5-8487		1			1	
22	483344	PANEL FUEL TANK ACCESS / RIVETED 270MM x 913MM From 5-8488		1			1	
23	485381	PANEL FRAME / FORWARD FUEL TANK 990MM x 766MM To 8-9276	1	1	1	1	1	
23	217961	PANEL FRAME / FORWARD FUEL TANK 990MM x 754MM From 8-9279	1	1	1	1	1	
24	482008	CLOSING PANEL FUEL HOSE ADAPTOR / STREETSIDE 9" x 11 3/8" From P-646 To T-5830		1			1	
24	032081	CLOSING PANEL FUEL HOSE ADAPTOR / STREETSIDE 9" x 11 3/8" From T-5831		1			1	
25	482039	CLOSING PANEL FUEL HOSE ADAPTOR / CURBSIDE 305MM x 222MM GAC From P-646 To T-5830		1			1	L

From E-638 To V-6257	Date:10/2022	PAGE:XL-1865-20
EVAPORATOR & CONDENSOR WALL		

Item#	Part	Description	M T H 4 0	M T H 4 5	M T H 4 5 E	X L 4 0	X L 4 5	N O T E S
25	032082	CLOSING PANEL FUEL HOSE ADAPTOR / CURBSIDE 306MM x 224MM GAC From P-646 To T-5830		1			1	L
25	482201	CLOSING PANEL FUEL HOSE ADAPTOR / CURBSIDE 293MM x 318MM SAC From P-646 To T-5830		1				S
25	032083	CLOSING PANEL FUEL HOSE ADAPTOR / CURBSIDE 293MM x 320MM SAC From T-5831		1				S
26	482202	FUEL ACCESSORIES DOOR PANEL 303MM x 308MM SAC From P-646 To T-5830		1				S
26	032076	FUEL ACCESSORIES DOOR PANEL 293MM x 308MM SAC From T-5831		1				S
26	482040	FUEL ACCESSORIES DOOR PANEL 303MM x 240MM GAC From P-646 To T-5830		1			1	L
26	032084	FUEL ACCESSORIES DOOR PANEL 306MM x 243MM GAC From T-5831		1			1	L
30	211540	SUPPORT JACK / FORMER DEC 2003					1	
30	215539	SUPPORT JACK / CURRENT DEC 2003					1	
30	213593	SUPPORT / JACK ACCESSORIES					1	
31	211887	SUPPORT ACCESSORIES TOOL					1	
NS	211155	ANGLE RETAINER					1	
32	481076	FLOOR & REAR PANEL / EVAPO COMP ONE PIECE W/SMALL A/C SYSTEM To T-5748	1					
32	483420	FLOOR PANEL / EVAPO COMP W/SMALL A/C SYSTEM From 1-7681	1		1			
32	482752	FLOOR PANEL / EVAPO COMP W/SMALL A/C SYSTEM To 1-7680		1				
32	483418	FLOOR PANEL / EVAPO COMP W/SMALL A/C SYSTEM From 1-7681		1				
32	482257	FLOOR PANEL / EVAPO COMP W/CENTRAL DOOR		1				
33	481076	FLOOR & REAR PANEL / EVAPO COMP ONE PIECE W/SMALL A/C SYSTEM To T-5748	1	1	1	1	1	
33	482810	REAR VERTICAL PANEL / EVAPO COMP W/SMALL A/C SYSTEM	1		1			
33	221071	REAR VERTICAL PANEL / EVAPO COMP W/SMALL A/C SYSTEM		1				
33	482256	REAR VERTICAL PANEL / EVAPO COMP W/CENTRAL DOOR		1				
34	482808	REAR VERTICAL PANEL / COND COMP W/SMALL A/C SYSTEM To 9-9615	1		1			
34	483253	REAR VERTICAL PANEL / COND COMP W/SMALL A/C SYSTEM From 9-9616			1			
34	221070	REAR VERTICAL PANEL / COND COMP W/SMALL A/C SYSTEM		1				
34	482335	REAR VERTICAL PANEL / COND COMP W/CENTRAL DOOR		1				
35	482809	FLOOR PANEL / COND COMP W/SMALL A/C SYSTEM To 1-7680	1		1			
35	483419	FLOOR PANEL / COND COMP W/SMALL A/C SYSTEM From 1-7681	1		1			
35	482751	FLOOR PANEL / COND COMP W/SMALL A/C SYSTEM To 1-7680		1				
35	483417	FLOOR PANEL / COND COMP W/SMALL A/C SYSTEM From 1-7681		1				
35	482367	FLOOR PANEL / COND COMP W/CENTRAL DOOR		1				
50	XL-1865-10	SEPARATOR PANEL - BAGGAGE COMPARTMENT - BUS						
50	XL-1865-55	SEPARATOR PANEL - BAGGAGE COMPARTMENT - MTH						
50	XL-1865-60	SEPARATOR PANEL - BAGGAGE COMPARTMENT - MTH						
50	XL-1865-61	SEPARATOR PANEL - BAGGAGE COMPARTMENT - MTH						
51	XL-1865-00	FLOOR BAGGAGE COMPARTMENT						
52	XL-1893-00	BAGGAGE & A/C COMPARTMENT UNDER CONSTRUCTION						
53	XL-1854-10	WEATHERSTRIP & RETAINER - BUS 40'						
53	XL-1854-20	WEATHERSTRIP & RETAINER - MTH 40' & 45' ENT						
54	XL-1875-00	FUEL TANK FILLING DOOR						
55	XL-2220-00	UNDER FLOOR AIR DUCTING						

From E-638 To V-6257	Date:10/2022	PAGE:XL-1865-20
EVAPORATOR & CONDENSOR WALL		

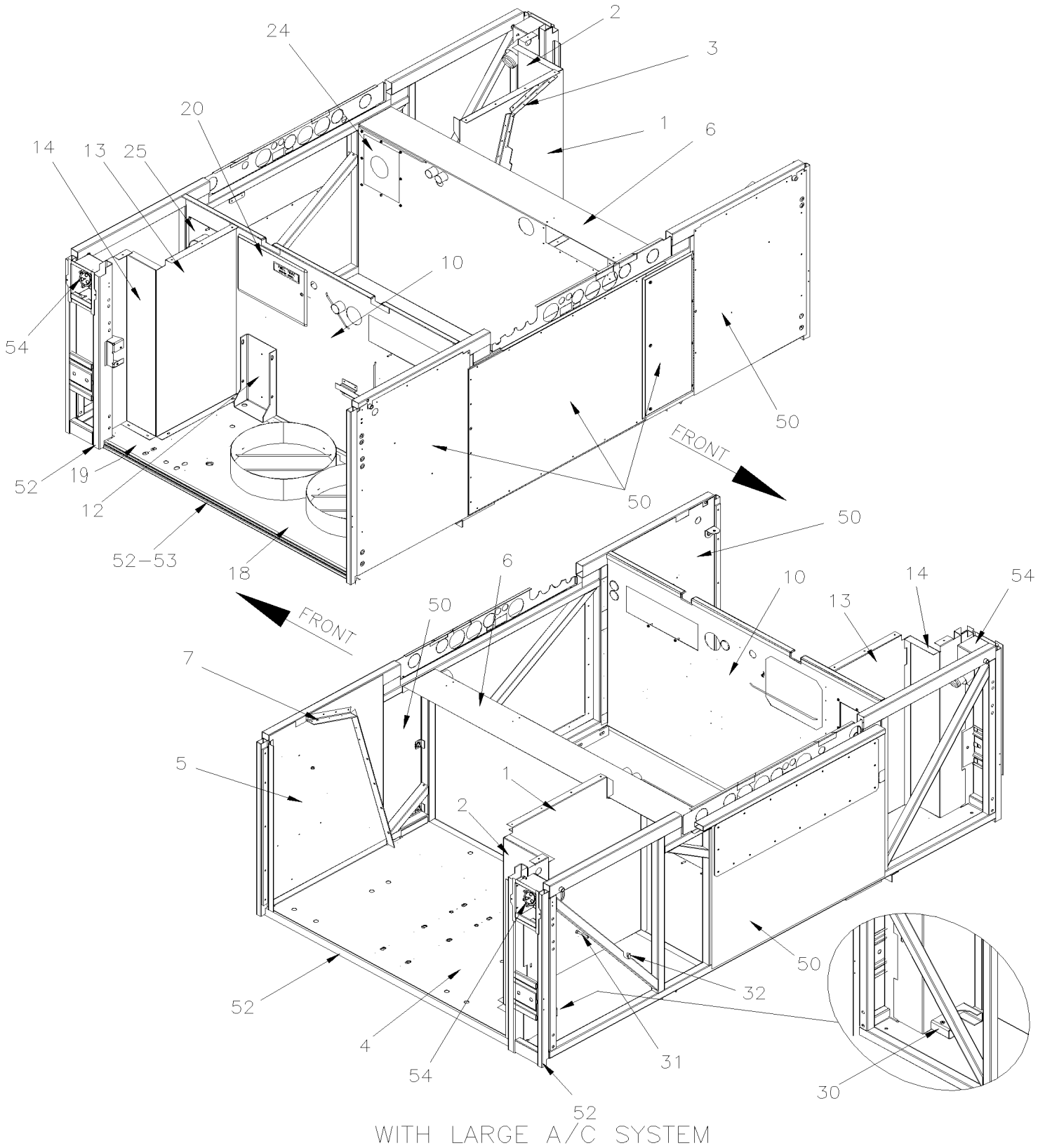
Item#	Part	Description	M T H 4 0	M T H 4 5	M T H 4 5 E	X L 4 0	X L 4 5	N O T E S
		H) THIS DOOR IT HINGED INSTALLATION						
		I) NOT INCLUDE WITH THE ACCESS DOOR						
		L) WITH LARGE A/C SYSTEM						
		R) WITH LARGE A/C SYSTEM						
		S) WITH LARGE A/C SYSTEM						

From V-6258 To Y-7045

Date:10/2022

PAGE:XL-1865-21

EVAPORATOR & CONDENSOR WALL

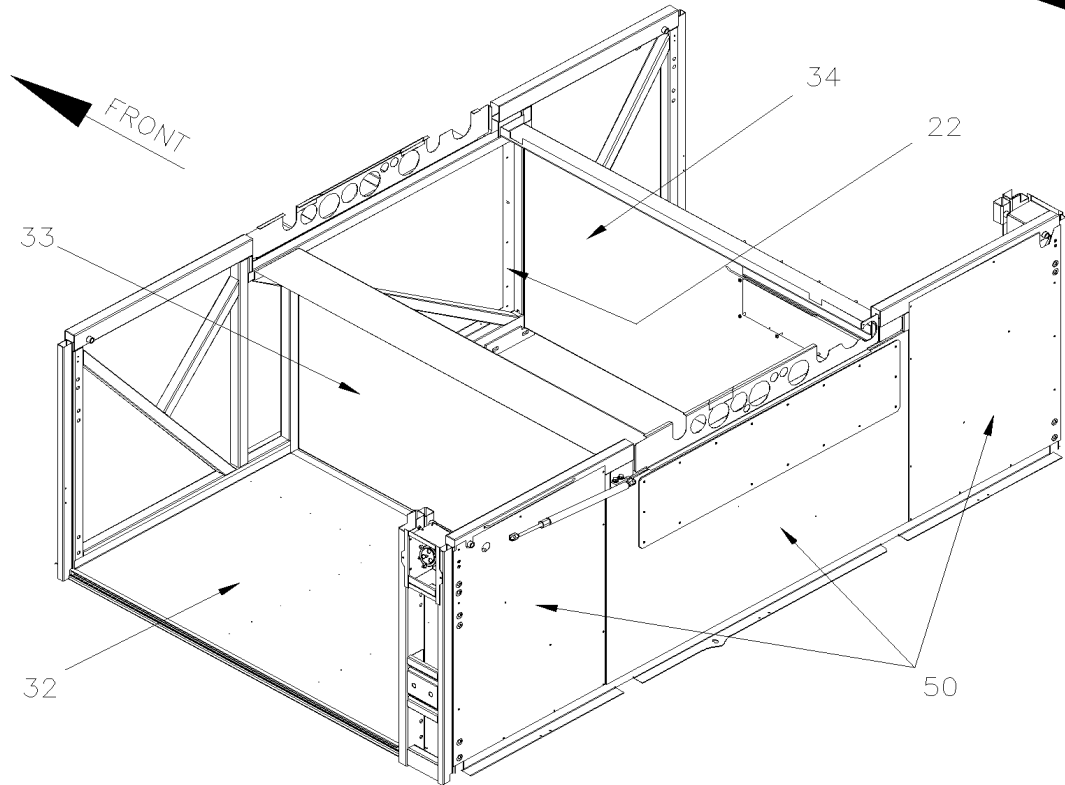
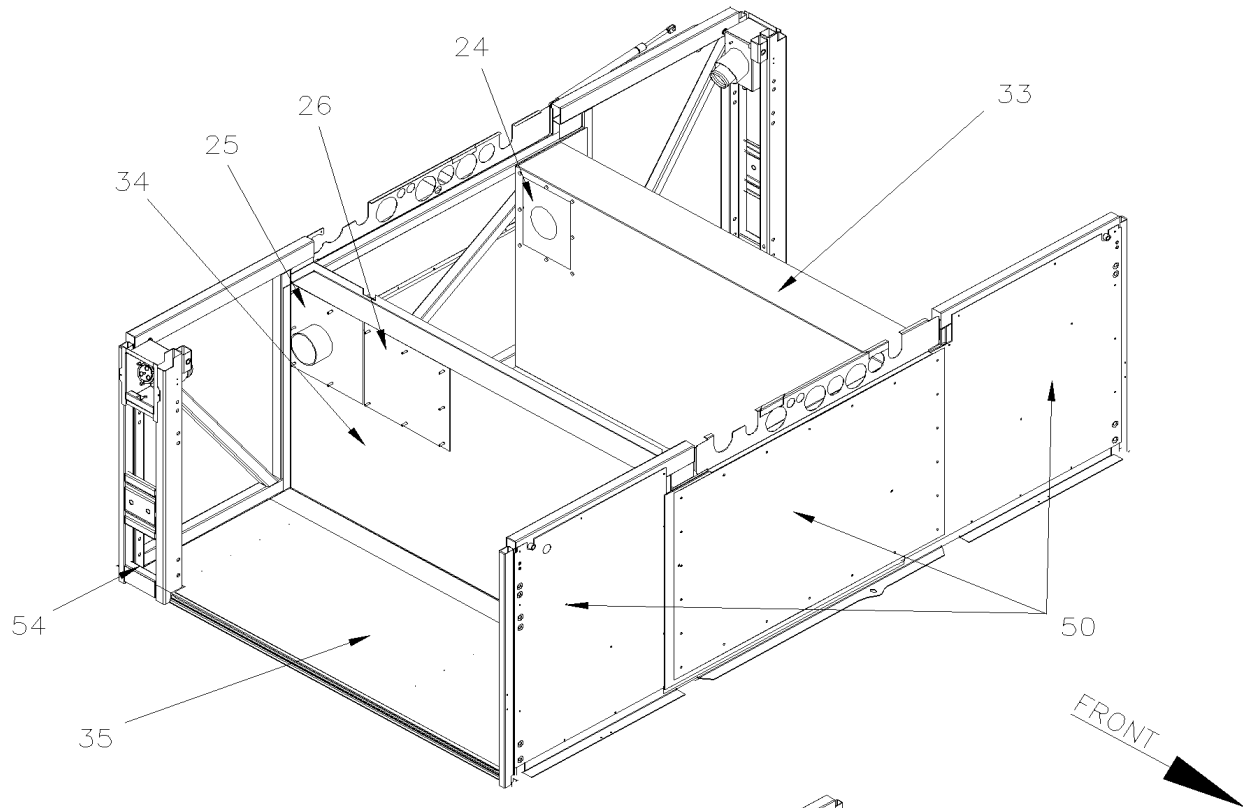


From V-6258 To Y-7045

Date:10/2022

PAGE:XL-1865-21

EVAPORATOR & CONDENSOR WALL



MTH WITH SMALL A/C SYSTEM

From V-6258 To Y-7045		Date:10/2022	PAGE:XL-1865-21
EVAPORATOR & CONDENSOR WALL			

Item#	Part	Description	M T H 4 0	M T H 4 5	M T H 4 5 E	X L 4 0	X L 4 5	N O T E S
1	482022	PANEL EVAPORATOR SEPARATOR BACKWARD ONE PIECE From P-646 To P-752		1				
1	482115	PANEL EVAPORATOR SEPARATOR BACKWARD From P-753 To V-6022		1			1	
1	221073	PANEL EVAPORATOR SEPARATOR BACKWARD From V-6023		1			1	
1	482392	PANEL EVAPORATOR WALL BACKWARD From V-6258	1		1			
2	482117	ANGLE PANEL CLOSING SEPARATOR From P-753 To V-6022		1			1	
2	221075	ANGLE PANEL CLOSING SEPARATOR From V-6023		1			1	
2	221125	ANGLE PANEL CLOSING SEPARATOR		1				
3	480859	SUPPORT ANGLE / TO FIX HEATER & EVAPO				1	1	
3	480859	SUPPORT ANGLE / TO FIX HEATER & EVAPO To V-6257	1		1			
3	482029	SUPPORT ANGLE / TO FIX HEATER & EVAPO From V-6258	1		1			
4	480856	EVAPORATOR FLOOR ASSY W/REAR PANEL ONE PIECE To J-644	1			1		
4	481610	EVAPORATOR FLOOR ASSY From J-645 To T-5814	1			1		
4	482512	EVAPORATOR FLOOR ASSY From T-5815 To V-6257				1		
4	482509	EVAPORATOR FLOOR ASSY From T-5815 To V-6257	1		1			
4	482633	EVAPORATOR FLOOR ASSY From V-6258 To W-6612				1		
4	482436	EVAPORATOR FLOOR ASSY From V-6258 To W-6612	1		1			
4	482746	EVAPORATOR FLOOR ASSY From W-6613				1		
4	482742	EVAPORATOR FLOOR ASSY From W-6613	1		1			
4	482026	EVAPORATOR FLOOR ASSY From S-570 To V-6022					1	
4	221066	EVAPORATOR FLOOR ASSY From V-6023 To W-6612		1			1	
4	482753	EVAPORATOR FLOOR ASSY From W-6613		1			1	
5	482136	PANEL EVAPORATOR WALL FORWARD From R-830		1				
6	480856	EVAPORATOR FLOOR ASSY W/REAR PANEL ONE PIECE To J-644	1			1		
6	481611	REAR VERTICAL PANEL EVAPORATOR From J-645 To N-409	1			1		
6	481916	REAR VERTICAL PANEL EVAPORATOR From N-410 To T-5814	1		1			
6	482211	REAR VERTICAL PANEL EVAPORATOR A REVOIR From N-410 To T-5814	1		1			
6	482356	REAR VERTICAL PANEL EVAPORATOR From V-6258	1		1			
6	482027	REAR VERTICAL PANEL EVAPORATOR From P-722 To T-5830		1				
6	482425	REAR VERTICAL PANEL EVAPORATOR From T-5831 To V-6022		1			1	
6	221063	REAR VERTICAL PANEL EVAPORATOR From V-6023 To V-6285		1			1	
6	213452	REAR VERTICAL PANEL EVAPORATOR From V-6285 To X-6868		1			1	
6	214111	REAR VERTICAL PANEL EVAPORATOR From X-6869		1			1	
7	480858	SUPPORT ANGLE / TO FIX HEATER & EVAPO				1	1	
7	480858	SUPPORT ANGLE / TO FIX HEATER & EVAPO To V-6257	1		1			
7	482028	SUPPORT ANGLE / TO FIX HEATER & EVAPO From V-6258	1		1			
8	480855	PANEL SIDE / EVAPORATOR COMPARTMENT ONE PIECE To M-873	1			1		
8	481906	PANEL SIDE / EVAPORATOR COMPARTMENT From M-874	1		1	1		
10	480926	CONDENSOR FLOOR ASSY W/REAR PANEL ONE PIECE To J-642				1		
10	481474	CONDENSOR FLOOR ASSY W/REAR PANEL ONE PIECE To J-642	1					
10	481606	REAR VERTICAL PANEL CONDENSOR From J-643 To N-409				1		
10	481614	REAR VERTICAL PANEL CONDENSOR From J-643 To N-409	1					

From V-6258 To Y-7045	Date:10/2022	PAGE:XL-1865-21
EVAPORATOR & CONDENSOR WALL		

Item#	Part	Description	M T H 4 0	M T H 4 5	M T H 4 5 E	X L 4 0	X L 4 5	N O T E S
10	481915	. REAR VERTICAL PANEL CONDENSOR From N-410 To V-6257	1		1			
10	482354	. REAR VERTICAL PANEL CONDENSOR NEVER USE VOIR To V-6257	1		1			
10	482307	REAR VERTICAL PANEL CONDENSOR From V-6258 To X-6828	1		1			
10	483027	REAR VERTICAL PANEL CONDENSOR From X-6829	1		1			
10	215295	REAR VERTICAL PANEL CONDENSOR	1	1	1	1	1	
10	482033	. REAR VERTICAL PANEL CONDENSOR From P-646 To T-5830		1				
10	482424	. REAR VERTICAL PANEL CONDENSOR From T-5831 To V-6022		1				
10	221069	. REAR VERTICAL PANEL CONDENSOR From V-6023 To X-6868		1				
10	214110	. REAR VERTICAL PANEL CONDENSOR From X-6869		1				
10	482337	. REAR VERTICAL PANEL CONDENSOR From S-570 To T-5830						1
10	482429	. REAR VERTICAL PANEL CONDENSOR From T-5831 To V-6022						1
10	221072	REAR VERTICAL PANEL CONDENSOR From V-6023 To V-6284						1
10	213443	REAR VERTICAL PANEL CONDENSOR From V-6285 To X-6868						1
10	214109	REAR VERTICAL PANEL CONDENSOR From X-6869						1
12	482230	. ANGLE SUPPORT RECEIVER TANK / WELDED TO REAR PANEL / 10" From P-646		2				2
12	452918	SUPPORT RECEIVER TANK TO REPLACE ABOVE From V-6258	1	1	1	1	1	
12	453060	SUPPORT RECEIVER TANK From S-570 To V-6285						1
12	454044	SUPPORT RECEIVER TANK	1	1	1	1	1	
13	482023	PANEL CONDENSOR SEPARATOR BACKWARD ONE PIECE From P-646 To P-752		1				
13	482116	PANEL CONDENSOR SEPARATOR BACKWARD From P-753 To V-6022		1				1
13	221074	PANEL CONDENSOR SEPARATOR BACKWARD From V-6023 To W-6022		1				1
13	482755	PANEL CONDENSOR SEPARATOR BACKWARD From W-6613	1	1	1	1	1	
14	482118	ANGLE PANEL SEPARATOR From P-753 To V-6022		1				1
14	221076	ANGLE PANEL SEPARATOR From V-6023		1				1
15	480923	PANEL SIDE / CONDENSER COMPARTMENT FORWARD	1		1	1		
16	480854	PANEL SIDE / CONDENSER COMPARTMENT BACKWARD /ONE PIECE To N-409	1			1		
16	481907	PANEL SIDE / CONDENSER COMPARTMENT From N-410	1			1		
16	482023	PANEL CONDENSOR SEPARATOR BACKWARD ONE PIECE	1	1	1	1	1	
16	482342	PANEL SIDE / CONDENSER COMPARTMENT	1	1	1	1	1	
18	480926	CONDENSOR FLOOR ASSY W/REAR PANEL ONE PIECE [=] [=] To J-642					1	
18	481474	CONDENSOR FLOOR ASSY W/REAR PANEL ONE PIECE [=] [=] To J-642	1					
18	481605	CONDENSOR FLOOR ASSY 1153MM [=] [=] From J-643 To T-5814	1		1	1		
18	482511	CONDENSOR FLOOR ASSY 1153MM [=] [=] From T-5815 To V-6257	1		1	1		
18	482031	CONDENSOR FLOOR ASSY 1527MM / ONE PIECE [=] [=] From P-646 To V-6022		1				
18	221067	CONDENSOR FLOOR ASSY 1527MM / ONE PIECE [=] [=] From V-6023 To W-6612		1				
18	482754	CONDENSOR FLOOR ASSY 1524MM / ONE PIECE [=] [=] From W-6613		1				
NS	220426	SUPPORT ASSY, L.H. FAN / W/CENTRAL A/C SYSTEM [=] [=] To V-6257	1	1	1	1		
NS	220427	SUPPORT ASSY, R.H. FAN / W/CENTRAL A/C SYSTEM [=] [=] To V-6257	1	1	1	1		
18	482528	CONDENSOR FLOOR ASSY 1153MM O O From V-6258 To W-6612	1		1	1		
18	482747	CONDENSOR FLOOR ASSY 1150MM O O From W-6613	1		1	1		
18	213446	CONDENSOR FLOOR ASSY 1527MM O O From V-6258 To W-6612		1				1
18	482750	CONDENSOR FLOOR ASSY 1524MM O O From W-6613		1				1

From V-6258 To Y-7045	Date:10/2022	PAGE:XL-1865-21
------------------------------	---------------------	------------------------

EVAPORATOR & CONDENSOR WALL

Item#	Part	Description	M T H 4 0	M T H 4 5	M T H 4 5 E	X L 4 0	X L 4 5	N O T E S
19	482320	CONDENSOR FLOOR BACKWARD SECTION 635MM X 360MM From P-646 To V-6022		1			1	
19	221068	CONDENSOR FLOOR BACKWARD SECTION 633MM X 358MM From V-6023 To V-6258		1			1	
20	032450	DOOR ACCESS PANEL / FUEL COMPONENT 294MM x 380MM		1			1	H
NS	032016	DOOR ACCESS PANEL / FUEL COMPONENT From V-6258	1		1			
20	506268	TAPE RUB ADH1 URE 3/8" x 1/2" x 25' / GREY 1820	AR	AR	AR	AR	AR	I
21	032457	DOOR ACCESS PANEL / FUEL COMPONENT 294MM x 380MM					1	R
21	032667	DOOR ACCESS PANEL / FUEL COMPONENT 294MM x 380MM					1	R
NS	032475	ACCESS DOOR / A/C COMPARTMENT 86MM x 353MM					1	R
22	483340	PANEL FRAME / BACKWARD FUEL TANK From Y-7308		1			1	
22	481471	CLOSING PANEL FUEL TANK / W/AUX TANK 28 3/8" x 39"	1			1		
22	481191	CLOSING PANEL FUEL TANK 28 3/8" x 39" To 5-8487		1			1	
22	483344	PANEL FUEL TANK ACCESS / RIVETED 270MM x 913MM From 5-8488		1			1	
23	485381	PANEL FRAME / FORWARD FUEL TANK 990MM x 766MM To 8-9276	1	1	1	1	1	
23	217961	PANEL FRAME / FORWARD FUEL TANK 990MM x 754MM From 8-9279	1	1	1	1	1	
24	482008	CLOSING PANEL FUEL HOSE ADAPTOR / STREETSIDE 9" x 11 3/8" From P-646 To T-5830		1			1	
24	032081	CLOSING PANEL FUEL HOSE ADAPTOR / STREETSIDE 9" x 11 3/8" From T-5831		1			1	
25	482039	CLOSING PANEL FUEL HOSE ADAPTOR / CURBSIDE 305MM x 222MM GAC From P-646 To T-5830		1			1	L
25	032082	CLOSING PANEL FUEL HOSE ADAPTOR / CURBSIDE 306MM x 224MM GAC From P-646 To T-5830		1			1	L
25	482201	CLOSING PANEL FUEL HOSE ADAPTOR / CURBSIDE 293MM x 318MM SAC From P-646 To T-5830		1				S
25	032083	CLOSING PANEL FUEL HOSE ADAPTOR / CURBSIDE 293MM x 320MM SAC From T-5831		1				S
26	482202	FUEL ACCESSORIES DOOR PANEL 303MM x 308MM SAC From P-646 To T-5830		1				S
26	032076	FUEL ACCESSORIES DOOR PANEL 293MM x 308MM SAC From T-5831		1				S
26	482040	FUEL ACCESSORIES DOOR PANEL 303MM x 240MM GAC From P-646 To T-5830		1			1	L
26	032084	FUEL ACCESSORIES DOOR PANEL 306MM x 243MM GAC From T-5831		1			1	L
30	211540	SUPPORT JACK / FORMER DEC 2003					1	
30	215539	SUPPORT JACK / CURRENT DEC 2003					1	
30	213593	SUPPORT / JACK ACCESSORIES					1	
31	211887	SUPPORT ACCESSORIES TOOL					1	
NS	211155	ANGLE RETAINER					1	
32	482811	FLOOR PANEL / EVAPO COMP W/SMALL A/C SYSTEM To 1-7680	1		1			
32	483420	FLOOR PANEL / EVAPO COMP W/SMALL A/C SYSTEM From 1-7681	1		1			
32	482752	FLOOR PANEL / EVAPO COMP W/SMALL A/C SYSTEM To 1-7680		1				
32	483418	FLOOR PANEL / EVAPO COMP W/SMALL A/C SYSTEM From 1-7681		1				
32	482257	FLOOR PANEL / EVAPO COMP W/CENTRAL DOOR		1				
33	482810	REAR VERTICAL PANEL / EVAPO COMP W/SMALL A/C SYSTEM	1		1			
33	221071	REAR VERTICAL PANEL / EVAPO COMP W/SMALL A/C SYSTEM		1				
33	482256	REAR VERTICAL PANEL / EVAPO COMP W/CENTRAL DOOR		1				
34	482808	REAR VERTICAL PANEL / COND COMP W/SMALL A/C SYSTEM To 9-9615	1		1			
34	483253	REAR VERTICAL PANEL / COND COMP W/SMALL A/C SYSTEM From 9-9616			1			
34	221070	REAR VERTICAL PANEL / COND COMP W/SMALL A/C SYSTEM		1				
34	482335	REAR VERTICAL PANEL / COND COMP W/CENTRAL DOOR		1				

From V-6258 To Y-7045	Date:10/2022	PAGE:XL-1865-21
------------------------------	---------------------	------------------------

EVAPORATOR & CONDENSOR WALL

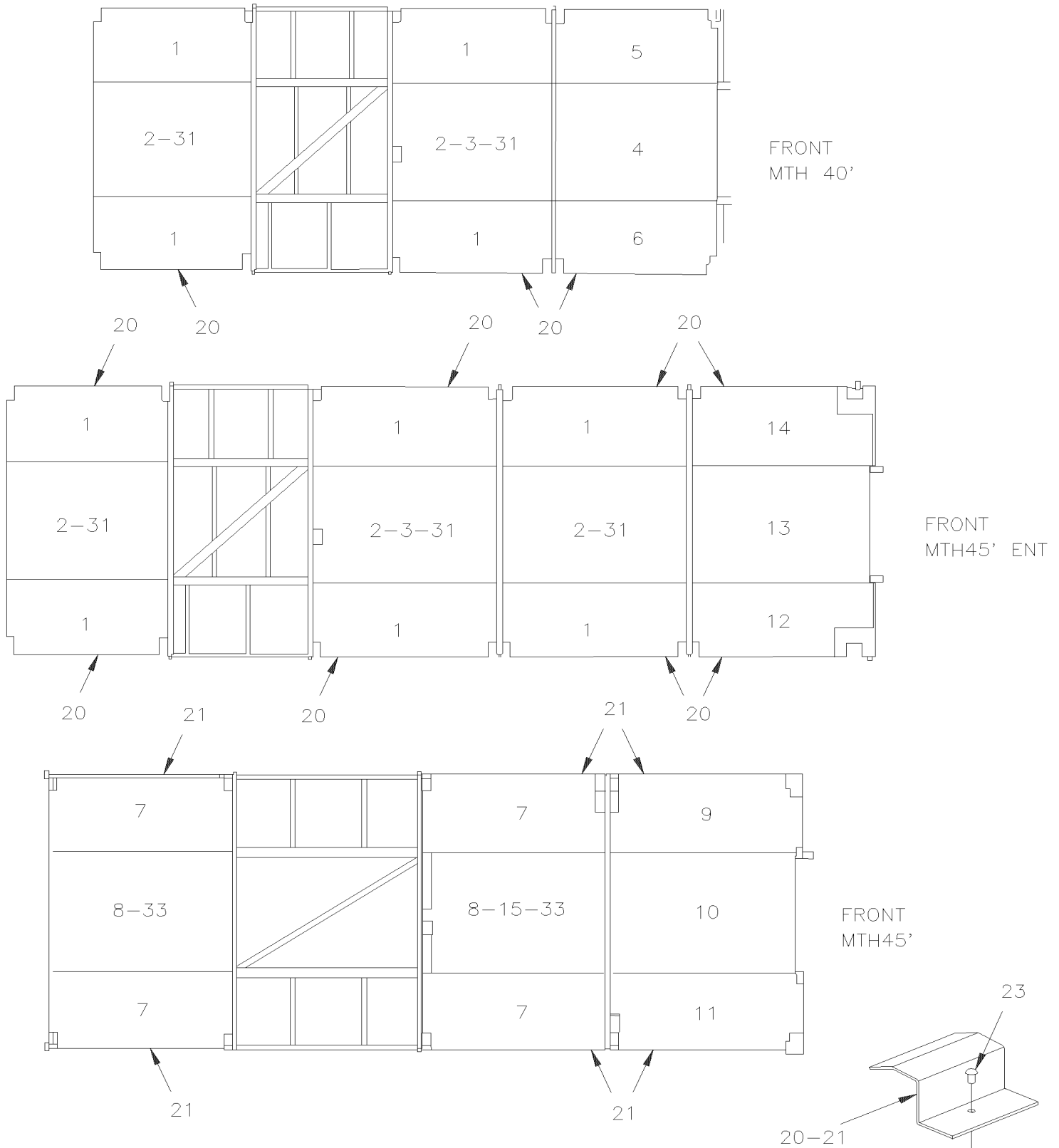
Item#	Part	Description	M T H 4 0	M T H 4 5	M T H 4 5 E	X L 4 0	X L 4 5	N O T E S
35	482809	FLOOR PANEL / COND COMP W/SMALL A/C SYSTEM To 1-7680	1		1			
35	483419	FLOOR PANEL / COND COMP W/SMALL A/C SYSTEM From 1-7681	1		1			
35	482751	FLOOR PANEL / COND COMP W/SMALL A/C SYSTEM To 1-7680		1				
35	483417	FLOOR PANEL / COND COMP W/SMALL A/C SYSTEM From 1-7681		1				
35	482367	FLOOR PANEL / COND COMP W/CENTRAL DOOR		1				
50	XL-1865-10	SEPARATOR PANEL - BAGGAGE COMPARTMENT - BUS						
50	XL-1865-55	SEPARATOR PANEL - BAGGAGE COMPARTMENT - MTH						
50	XL-1865-60	SEPARATOR PANEL - BAGGAGE COMPARTMENT - MTH To V-6257						
50	XL-1865-61	SEPARATOR PANEL - BAGGAGE COMPARTMENT - MTH From V-6258						
51	XL-1865-00	FLOOR BAGGAGE COMPARTMENT						
52	XL-1893-00	BAGGAGE & A/C COMPARTMENT UNDER CONSTRUCTION						
53	XL-1854-10	WEATHERSTRIP & RETAINER - BUS 40'						
53	XL-1854-20	WEATHERSTRIP & RETAINER - MTH 40' & 45' ENT						
54	XL-1875-00	FUEL TANK FILLING DOOR						
55	XL-2220-00	UNDER FLOOR AIR DUCTING						
		H) THIS DOOR IT HINGED INSTALLATION						
		I) NOT INCLUDE WITH THE ACCESS DOOR						
		L) WITH LARGE A/C SYSTEM						
		R) THIS DOOR IT "U" TYPE SUPPORT - RETROFIT INSTALLATION (W.C.L.)						
		S) WITH SMALL A/C SYSTEM						

From E-638 To V-6257

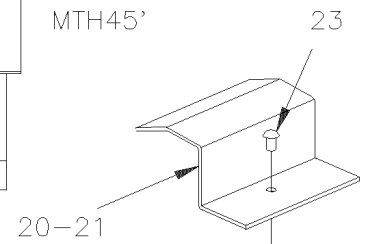
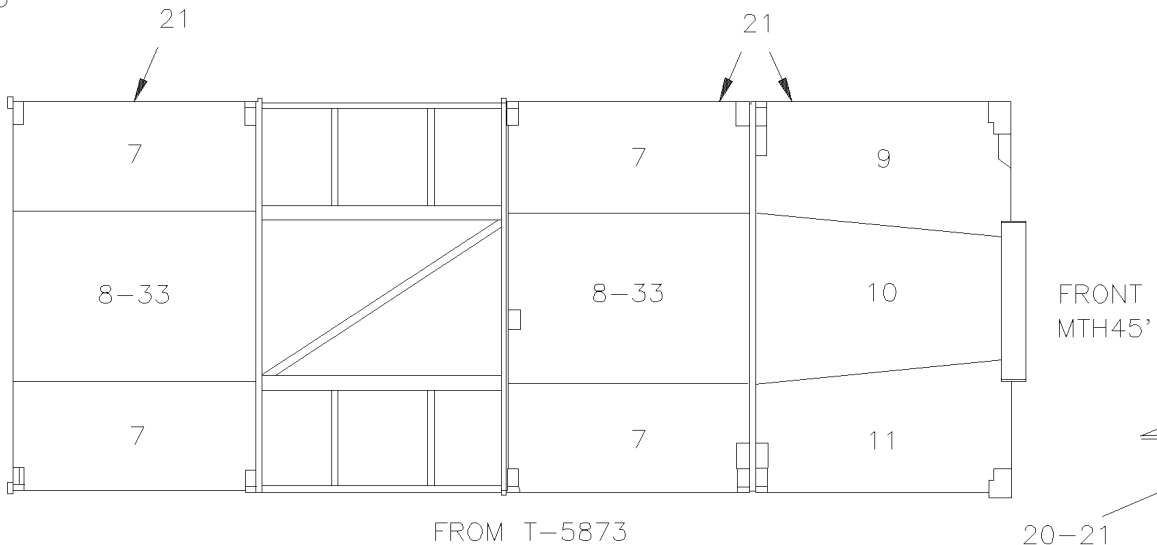
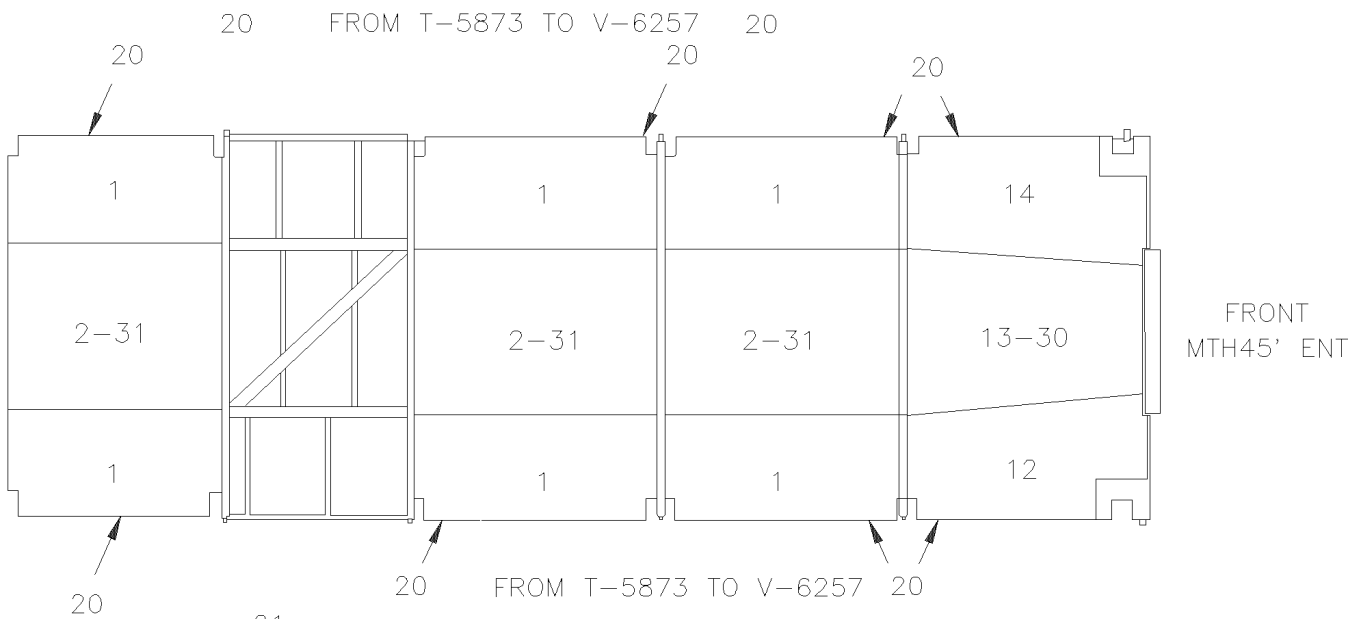
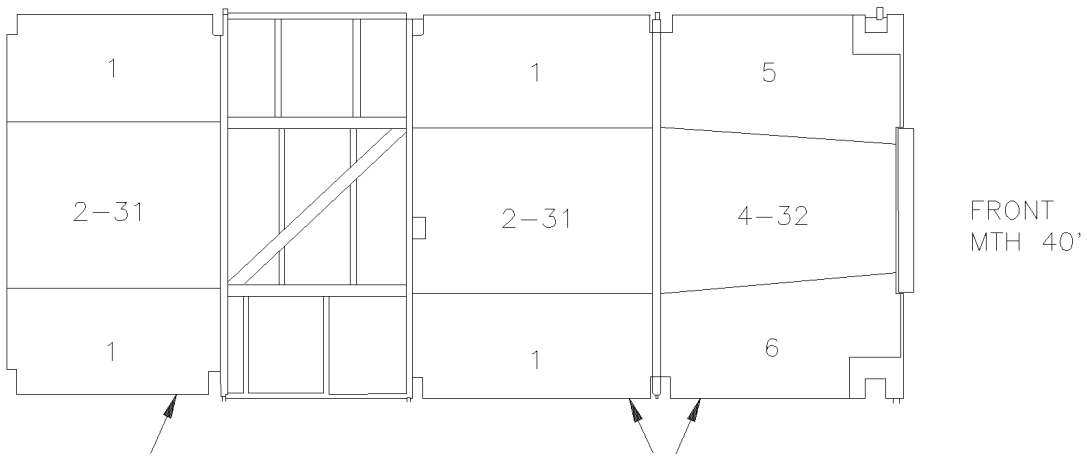
Date:10/2022

PAGE:XL-1865-50

FLOOR BAY COMPARTMENT - MTH



From E-638 To V-6257	Date:10/2022	PAGE:XL-1865-50
FLOOR BAY COMPARTMENT - MTH		



From E-638 To V-6257	Date:10/2022	PAGE:XL-1865-50
FLOOR BAY COMPARTMENT - MTH		

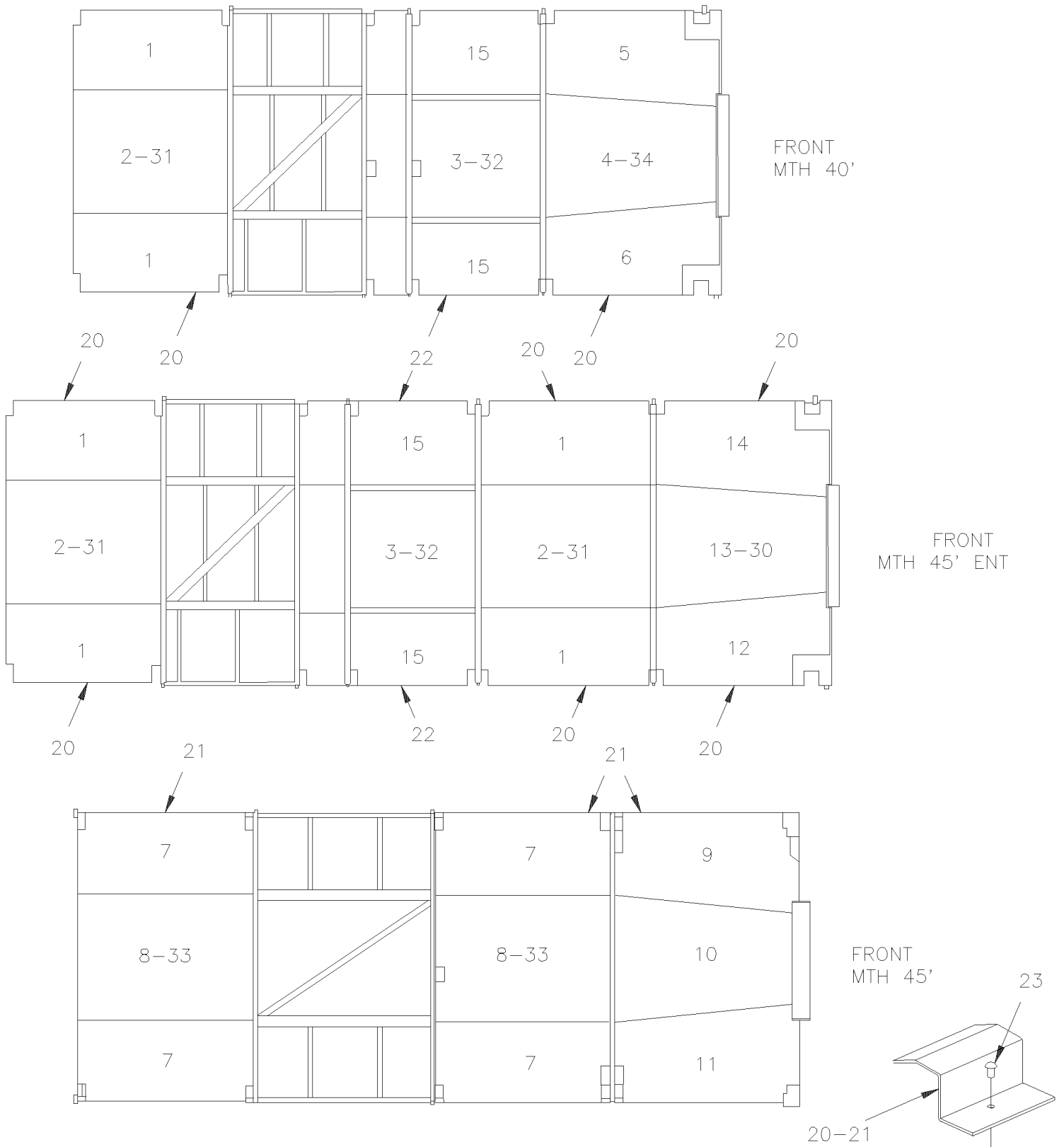
Item#	Part	Description	M T H 4 0	M T H 4 5	M T H 4 5 E	X L 4 0	X L 4 5	N O T E S
1	481097	PANEL FLOOR L.H. & R.H.	4					
1	481097	PANEL FLOOR L.H. & R.H.			6			
2	481098	PANEL FLOOR CENTER	2					
2	481098	PANEL FLOOR CENTER			3			
3	481099	PANEL FLOOR CENTER / W/AUXILIARY FUEL TANK To T-5872	1		1			A
4	481118	PANEL FLOOR CENTER / FRONT To T-5872	1					
4	482500	PANEL FLOOR CENTER / FRONT From T-5873 To V-6257	1					
5	481119	PANEL FLOOR L.H. FRONT To T-5872	1					
5	482502	PANEL FLOOR L.H. FRONT From T-5873 To V-6257	6					
6	481280	PANEL FLOOR R.H. FRONT To T-5872	2					
6	482501	PANEL FLOOR R.H. FRONT From T-5873 To V-6257	1					
7	481958	PANEL FLOOR L.H. & R.H.		6				
8	481959	PANEL FLOOR CENTER		2				
9	481961	PANEL FLOOR L.H. FRONT To T-5872		1				
9	482504	PANEL FLOOR L.H. FRONT From T-5873		1				
10	481960	PANEL FLOOR CENTER / FRONT To T-5872		1				
10	482503	PANEL FLOOR CENTER / FRONT From T-5873		1				
11	481962	PANEL FLOOR R.H. FRONT To T-5872		1				
11	482505	PANEL FLOOR R.H. FRONT From T-5873		1				
12	482019	PANEL FLOOR R.H. FRONT To T-5872			1			
12	482508	PANEL FLOOR R.H. FRONT From T-5873 To V-6257			1			
13	482030	PANEL FLOOR CENTER / FRONT To T-5872			1			
13	482506	PANEL FLOOR CENTER / FRONT From T-5873 To V-6257			1			
14	482018	PANEL FLOOR L.H. FRONT To T-5872			1			A
14	482507	PANEL FLOOR L.H. FRONT From T-5873 To V-6257			1			
15	481971	PANEL FLOOR CENTER / W/AUXILIARY FUEL TANK To T-5872		1				
20	481130	MOULDING FINISHING / "Z" SHAPE / 1235MM / S.B.	6					
20	481130	MOULDING FINISHING / "Z" SHAPE / 1235MM / S.B.			8			
21	481966	MOULDING FINISHING / "Z" SHAPE / 1405MM / S.B.		6				
22	504339	RIVET POP DOME OE 1/8x3/8 SS	40	40	40			
22	680092	SEALANT TAPE BUTYL / GREY / 1/16"x3/4x50' / 71011V1760	AR	AR	AR			
22	500844	SCREW TC FL PH #10-32x1 1/4 Z050	AR	AR	AR			
23	504339	RIVET POP DOME OE 1/8x3/8 SS	AR	AR	AR			
30	482768	PANEL ALLUMINUM 14GA / FLOOR COVERING			1			
31	482114	PANEL ALLUMINUM 14GA / FLOOR COVERING	AR		AR			
32	482766	PANEL ALLUMINUM 14GA / FLOOR COVERING	1					
33	482131	PANEL ALLUMINUM 14GA / FLOOR COVERING		2				
		A) WITH AUXILIARY FUEL TANK						

From V-6258 To Y-7045

Date:10/2022

PAGE:XL-1865-51

FLOOR BAY COMPARTMENT - MTH

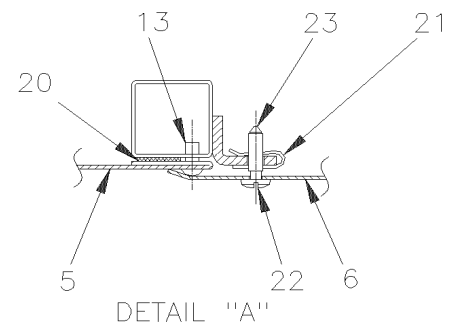
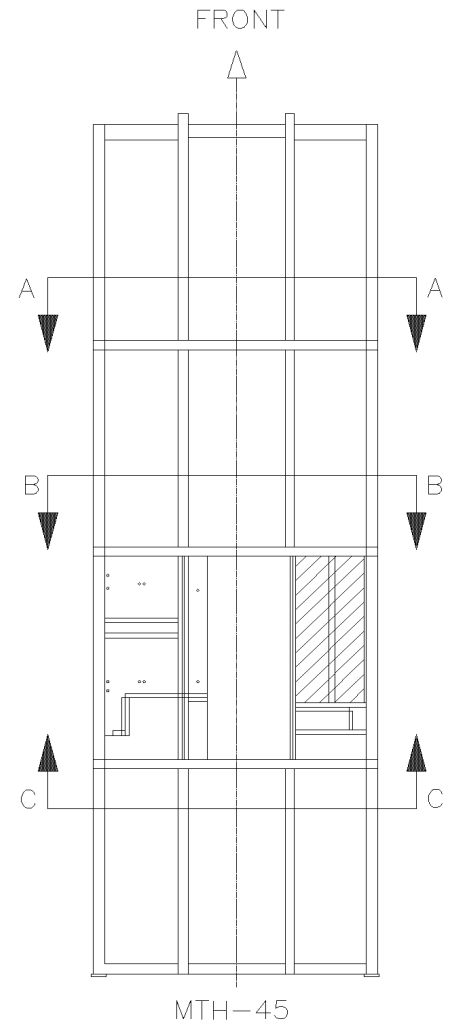
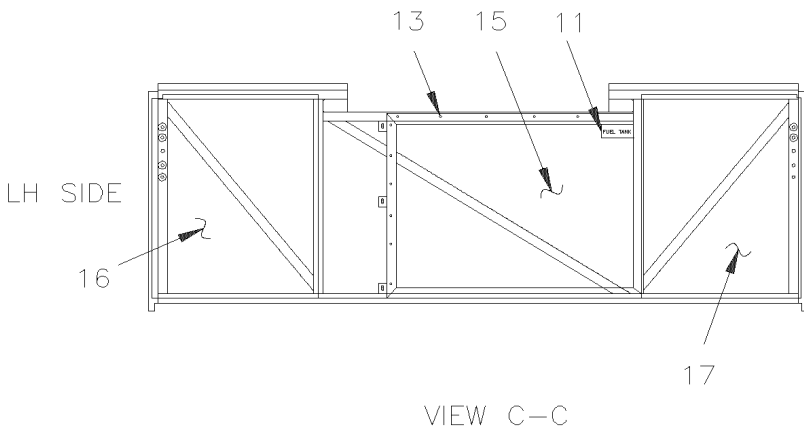
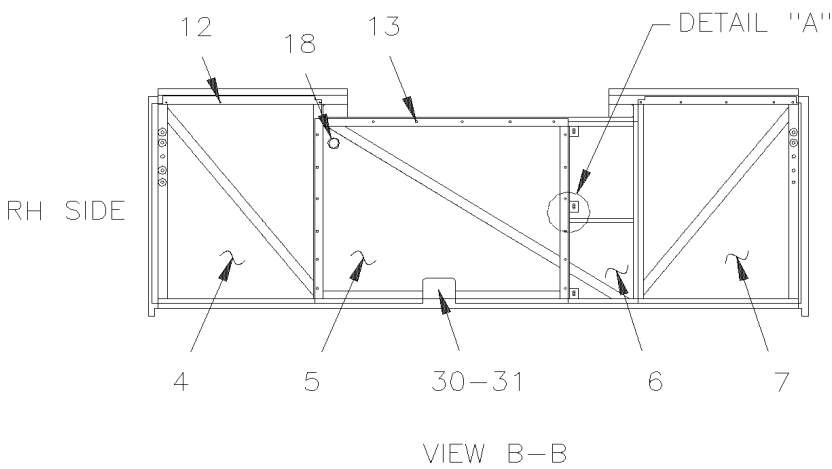
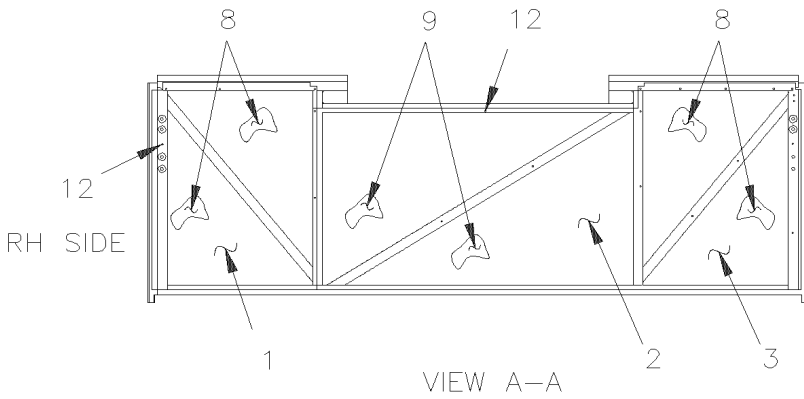
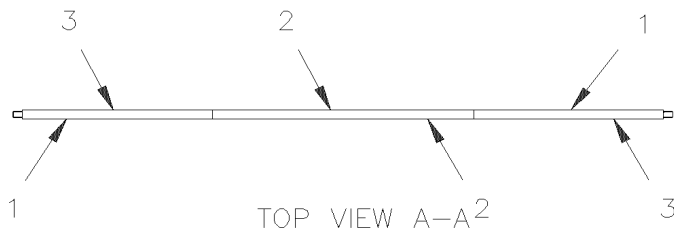


From P-722 To Y-7045

Date:10/2022

PAGE:XL-1865-55

SEPARATOR PANEL - BAGGAGE COMPARTMENT - MTH



From P-722 To Y-7045	Date:10/2022	PAGE:XL-1865-55
SEPARATOR PANEL - BAGGAGE COMPARTMENT - MTH		

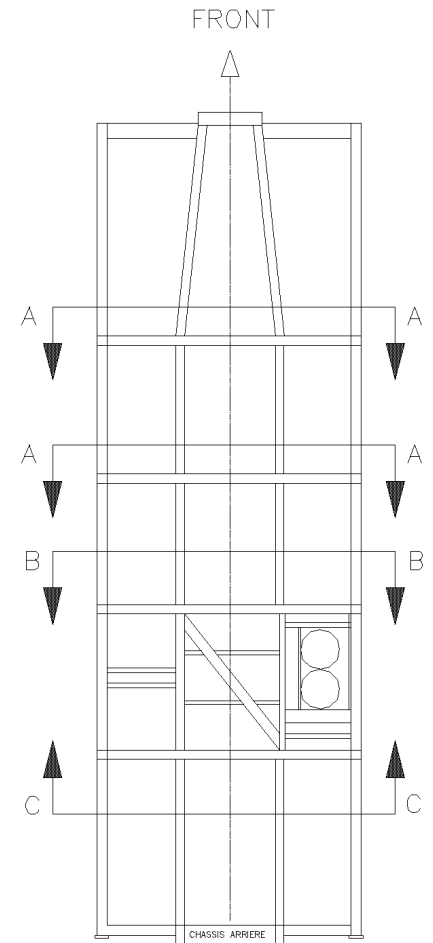
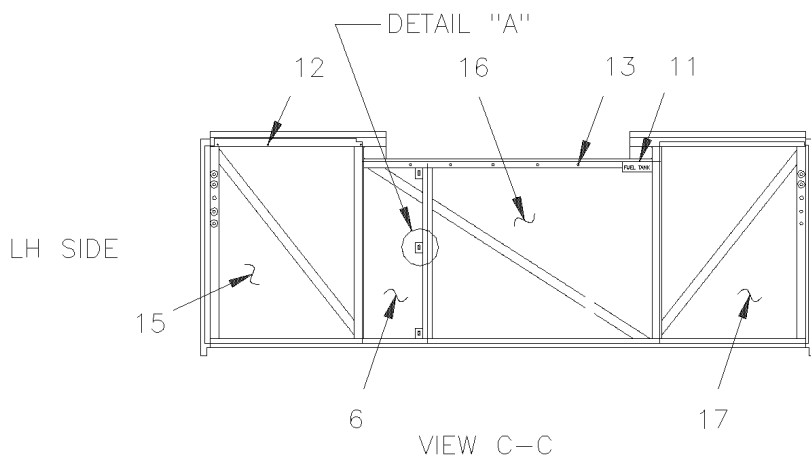
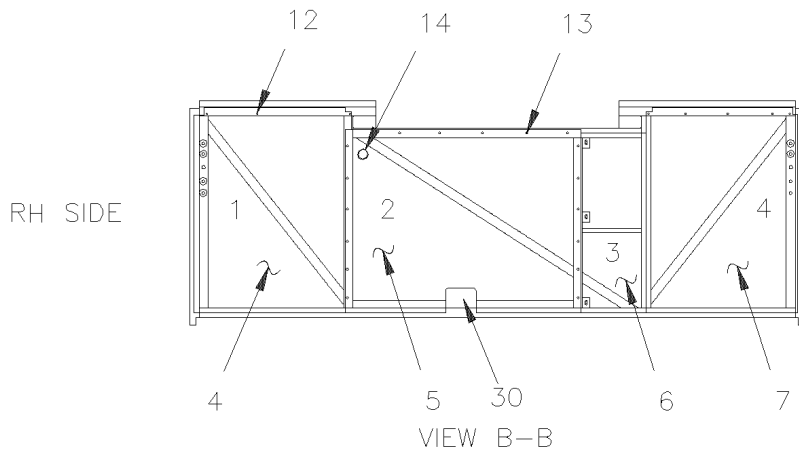
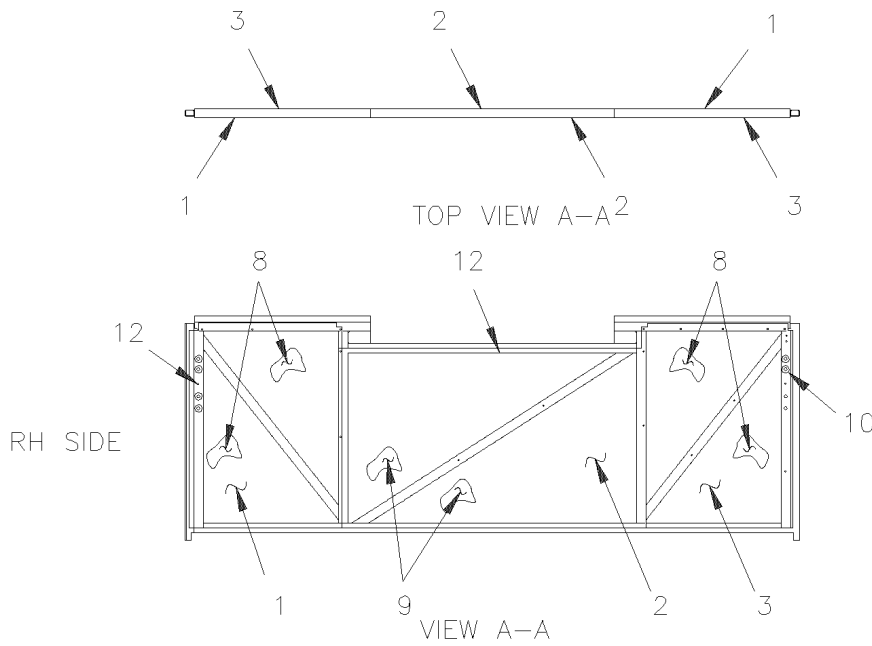
Item#	Part	Description	M T H 4 0	M T H 4 5	M T H 4 5 E	X L 4 0	X L 4 5	N O T E S
1	481195	PANEL SIDE SEPARATOR To T-5878		2				
1	482467	PANEL SIDE SEPARATOR From T-5879		2				
2	481198	PANEL CENTER SEPARATOR		2				
3	481197	PANEL SIDE SEPARATOR To T-5878		2				
3	482582	PANEL SIDE SEPARATOR From T-5879		2				
4	481199	PANEL SIDE SEPARATOR To T-5878		1				A
4	482468	PANEL SIDE SEPARATOR From T-5879		1				
5	481109	PANEL FUEL TANK CLOSING		1				
6	481193	PANEL DOOR ASSY W/HINGE		1				
NS	480928	HINGE / DOOR PANEL 27 1/8" (689MM)		1				
7	481194	PANEL SIDE SEPARATOR		1				
8	350028	INSULATING PANEL FOAM / CONDENSOR OR EVAPORATOR & BAGGAGE		4				
9	350029	INSULATING		2				
10	504528	HOLE PLUG BUTTON / .437 O.D. BLACK		10				
11	031163	DECAL / "FUEL TANK ACCESS" / ENGLISH		1				
12	504347	RIVET POP DOME OE 3/16x1/4 AL		AR				
13	500657	SCREW TC TR PH #10-24x1/2 Z050		48				
14	504059	GROMMET / 1.250x1.500x.094x.375x1.875		AR				
15	480927	PANEL FUEL TANK CLOSING		1				
16	481242	PANEL SIDE SEPARATOR To T-5878		1				B
16	482466	PANEL SIDE SEPARATOR From T-5879		1				B
17	481241	PANEL SIDE SEPARATOR		1				
18	504443	SNAP-IN PLUG / 1.500 O.D.		1				
20	506071	TAPE RUB ADH1 CC POL 1/8" x 1/2" x 50' / GREY 2520X		AR				
21	504377	NUT SPR U 1 1/64x1/2x.109-.161		3				
22	504289	WASHER SPR GRIP .437x.020 AL		3				
23	504376	SCREW FST SLT #12 18x28.2 STL		3				
30	481472	PANEL CLOSING / 6 5/8" x 4 1/2"		1				
31	500654	SCREW TC BDG PH #8-32x1/2 Z050		7				
		A) WITH AUXILIARY FUEL TANK						
		B) WITH SMALL A/C SYSTEM						

From E-638 To V-6257

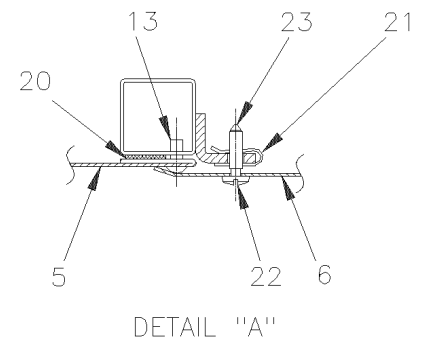
Date:10/2022

PAGE:XL-1865-60

SEPARATOR PANEL - BAGGAGE COMPARTMENT - MTH



MTH 40 & MTH 45S



From E-638 To V-6257	Date:10/2022	PAGE:XL-1865-60
SEPARATOR PANEL - BAGGAGE COMPARTMENT - MTH		

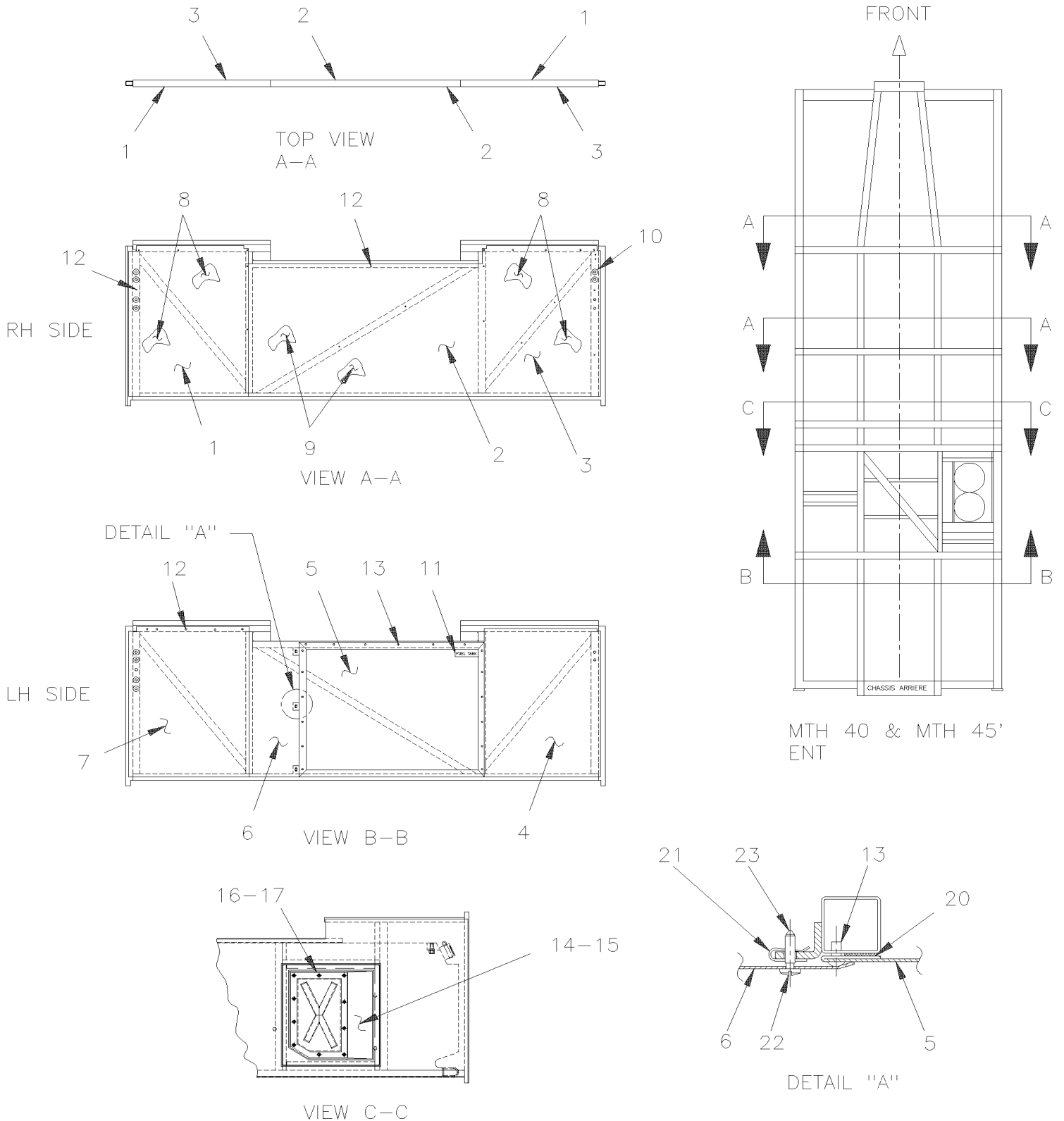
Item#	Part	Description	M T H 4 0	M T H 4 5	M T H 4 5 E	X L 4 0	X L 4 5	N O T E S
1	481195	PANEL SIDE SEPARATOR To T-5878	2					
1	481195	PANEL SIDE SEPARATOR To T-5878			4			
1	482467	PANEL SIDE SEPARATOR From T-5879	2					
1	482467	PANEL SIDE SEPARATOR From T-5879			4			
2	481198	PANEL CENTER SEPARATOR	2		2			
2	481198	PANEL CENTER SEPARATOR	4		4			
3	481197	PANEL SIDE SEPARATOR To T-5878	2					
3	481197	PANEL SIDE SEPARATOR To T-5878			4			
3	482582	PANEL SIDE SEPARATOR From T-5879	2					
3	482582	PANEL SIDE SEPARATOR From T-5879			4			
4	481195	PANEL SIDE SEPARATOR	1		1			
5	481109	PANEL FUEL TANK CLOSING	1		1			
6	481193	PANEL DOOR ASSY W/HINGE	2		2			
7	481194	PANEL SIDE SEPARATOR	1		1			
7	481241	PANEL SIDE SEPARATOR	1		1			A
8	350028	INSULATING PANEL FOAM / CONDENSOR OR EVAPORATOR & BAGGAGE	4		4			
8	350028	INSULATING PANEL FOAM / CONDENSOR OR EVAPORATOR & BAGGAGE	8		8			
9	350029	INSULATING	2		2			
9	350029	INSULATING	4		4			
10	504528	HOLE PLUG BUTTON / .437 O.D. BLACK	1		1			
11	031163	DECAL / "FUEL TANK ACCESS" / ENGLISH	1		1			
12	504347	RIVET POP DOME OE 3/16x1/4 AL	AR		AR			
13	500657	SCREW TC TR PH #10-24x1/2 Z050	24		24			
14	504059	GROMMET / 1.250x1.500x.094x.375x1.875	1		1			
15	481196	PANEL SIDE SEPARATOR To T-5878	1		1			
15	482464	PANEL SIDE SEPARATOR From T-5879	1		1			
16	481191	CLOSING PANEL FUEL TANK 28 3/8" x 39"	1		1			
17	481197	PANEL SIDE SEPARATOR	1		1			
20	506071	TAPE RUB ADH1 CC POL 1/8" x 1/2" x 50' / GREY 2520X	AR		AR			
21	504377	NUT SPR U 1 1/64x1/2x.109-.161	3		3			
22	504289	WASHER SPR GRIP .437x.020 AL	3		3			
23	504376	SCREW FST SLT #12 18x28.2 STL	3		3			
30	481472	PANEL CLOSING / 6 5/8" x 4 1/2"	1		1			
31	030914	BOX ASSY / W/AUXILIARY TANK OPTION	1		1			
32	504272	RIVET CHY Q BRAZ 3/16x1/8 SS	7		7			
		A) WITH SMALL A/C SYSTEM						

From V-6258 To Y-7045

Date:10/2022

PAGE:XL-1865-61

SEPARATOR PANEL - BAGGAGE COMPARTMENT - MTH



From V-6258 To Y-7045	Date:10/2022	PAGE:XL-1865-61
SEPARATOR PANEL - BAGGAGE COMPARTMENT - MTH		

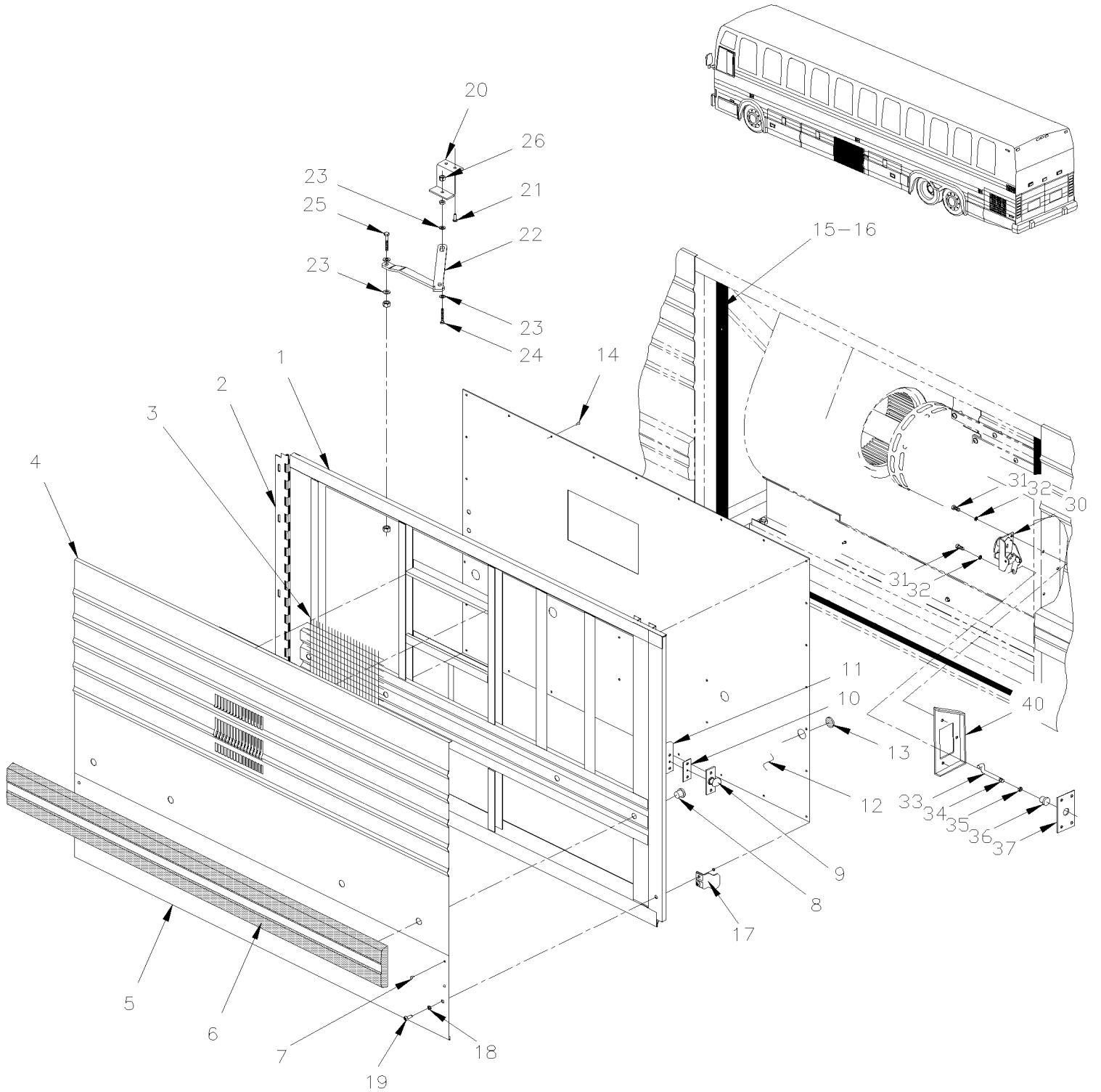
Item#	Part	Description	M T H 4 0	M T H 4 5	M T H 4 5 E	X L 4 0	X L 4 5	N O T E S
1	482467	PANEL SIDE SEPARATOR	2					
1	482467	PANEL SIDE SEPARATOR			4			
2	481198	PANEL CENTER SEPARATOR	4		4			
3	482582	PANEL SIDE SEPARATOR	2					
3	482582	PANEL SIDE SEPARATOR			4			
4	482724	PANEL SIDE SEPARATOR	1		1			
5	481191	CLOSING PANEL FUEL TANK 28 3/8" x 39"	1		1			
6	481193	PANEL DOOR ASSY W/HINGE	1		1			
NS	480928	. HINGE / DOOR PANEL 27 1/8" (689MM)	1		1			
7	482464	PANEL SIDE SEPARATOR	1		1			
8	350028	INSULATING PANEL FOAM / CONDENSOR OR EVAPORATOR & BAGGAGE	4					
8	350028	INSULATING PANEL FOAM / CONDENSOR OR EVAPORATOR & BAGGAGE			8			
9	350029	INSULATING	2		2			
9	350029	INSULATING	4		4			
10	504528	HOLE PLUG BUTTON / .437 O.D. BLACK	8		8			
11	031163	DECAL / "FUEL TANK ACCESS" / ENGLISH	1		1			
12	504347	RIVET POP DOME OE 3/16x1/4 AL	AR		AR			
13	500657	SCREW TC TR PH #10-24x1/2 Z050	24		24			
14	482684	ACCESS PANEL	1		1			A
15	285684	RUBBER SEAL EXTRUSION / ACCESS DOOR / 405MM X 501MM	1		1			A
15	289933	RUBBER SEAL EXTRUSION / ACCESS DOOR / 405MM X 501MM	1		1			A
15	2800147	RUBBER SEAL EXTRUSION / ACCESS DOOR / 405MM X 501MM	1		1			A
16	5001209	SCREW CAP HEX M6-1.0x25 G8.8 Z050	10		10			A
17	500411	WASHER FL .260x.697x.050 SS	AR		AR			A
NS	506466	TAPE RUB ADH1 CC POL 1/16" x 1 1/2" x 100 / GREY 2520	AR		AR			A
20	506071	TAPE RUB ADH1 CC POL 1/8" x 1/2" x 50' / GREY 2520X	AR		AR			
21	504347	RIVET POP DOME OE 3/16x1/4 AL	3		3			
22	504289	WASHER SPR GRIP .437x.020 AL	3		3			
23	504376	SCREW FST SLT #12 18x28.2 STL	3		3			
		A) WITH LARGE A/C SYSTEM						

From E-638 To V-6257

Date:10/2022

PAGE:XL-1866-00

EVAPORATOR DOOR ASSY



From E-638 To V-6257	Date:10/2022	PAGE:XL-1866-00
EVAPORATOR DOOR ASSY		

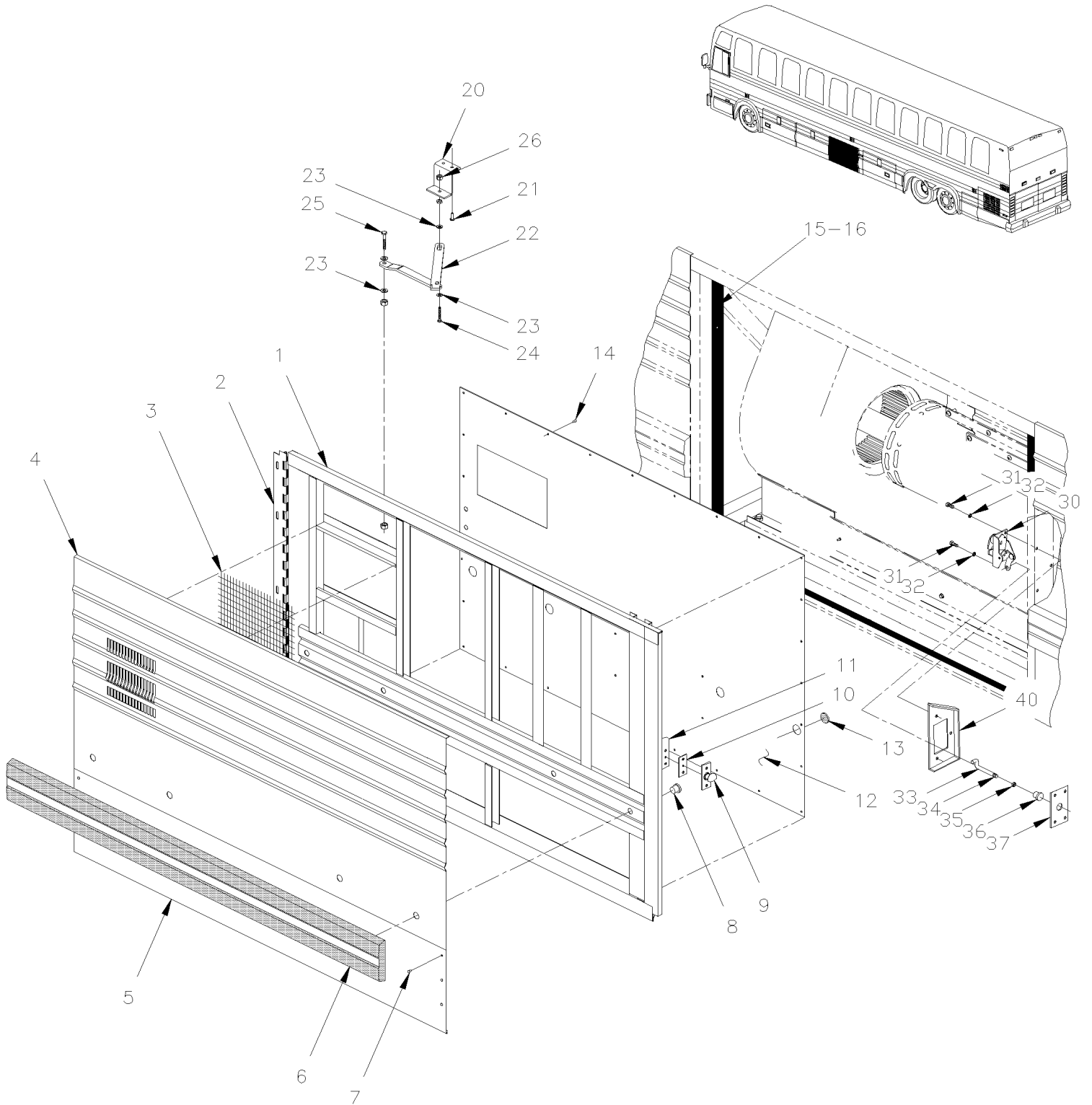
Item#	Part	Description	M T H 4 0	M T H 4 5	M T H 4 5 E	X L 4 0	X L 4 5	N O T E S
	480985P	EVAPORATOR DOOR ASSY To M-873	1			1		
	481903P	EVAPORATOR DOOR ASSY From M-874	1		1	1		
	482075P	EVAPORATOR DOOR ASSY		1			1	
1	480920	FRAME DOOR To M-873	1			1		
1	481904	FRAME DOOR From M-874	1		1	1		
1	482073	FRAME DOOR		1			1	
2	480953	HINGE SS	1	1	1	1	1	
NS	481840	REINFORCEMENT OF HINGE / 31 7/8" X GA11 STRUCTURE SIDE	1	1	1	1	1	
NS	481131	SHIM 2" X 1"1/8 / HINGE SUPPORT	9	9	9	9	9	
NS	500316	SCREW MA FL PH 1/4-28x3/4 SS	5	5	5	5	5	
3	451055	ELIMINATOR MOISTURE / 7¼" x 11 1/8" x 2" 7¼" x 11 1/8" x 2"	1		1	1		
3	871033	ELIMINATOR MOISTURE MESH 7¼" x 11 1/8" x 1/8"		1			1	
NS	480954	SUPPORT / MOISTURE ELIMINATOR	1	1	1	1	1	
NS	504347	RIVET POP DOME OE 3/16x1/4 AL	AR	AR	AR	AR	AR	
NS	500582	SCREW TP PAN PH #8x3/8 Z050	6	6	6	6	6	
4	471527	PANEL UPPER To M-873	1			1		
4	472571	PANEL UPPER From M-874	1		1	1		
4	472775	PANEL UPPER		1			1	
NS	680065	TAPE COMPOUND / BLACK / 1/32" X 1" X 33' / L163-2400	AR	AR	AR	AR	AR	
NS	680025	CAULKING STRIP 3/16" O.D. X 14'	AR	AR	AR	AR	AR	
5	471528	PANEL LOWER To M-873	1			1		
5	472572	PANEL LOWER From M-874	1		1	1		
5	472776	PANEL LOWER		1			1	
6	471534	RAIL ASSY / 44"¾ / EVAPORATOR DOOR	1		1	1		
6	472774	RAIL ASSY / 53" / EVAPORATOR DOOR		1			1	
7	504272	RIVET CHY Q BRAZ 3/16x1/8 SS	18	18	18	18	18	
8	500301	NUT HEXF STO 3/8-16 Z050	4	4	4	4	4	
9	780278	PIN, STRIKER STUD		1			1	
NS	500316	SCREW MA FL PH 1/4-28x3/4 SS		2			2	
NS	502582	WASHER LO SERR 6.1x16.2x0.9 Z050		2			2	
NS	500692	NUT HEX 1/4-28 Z050		2			2	
10	283326	STRIKER PLATE, MOUNTING / 60MM X 25MM		1			1	
11	284556	STRIKER SUPPORT 86 x 25 x 60		1			1	
NS	500163	SCREW CAP HEX 1/4-20x3/4 G5 Z050		2			2	
NS	502583	WASHER LO SERR 8.15x22.3x1.0 Z050		2			2	
12	480957	PANEL INTERIOR	1		1	1		
12	482079	PANEL INTERIOR		1			1	
NS	850034	INSULATING RIGID / 1" x 4' x 8' / WHITE STYROFOAM	AR	AR	AR	AR	AR	
13	504433	SNAP-IN PLUG / 1.090 O.D.	4	4	4	4	4	
14	504347	RIVET POP DOME OE 3/16x1/4 AL	38	38	38	38	38	
15	481163	WEATHERSTRIP / EVAPORATOR DOOR	1		1	1		
15	482096	WEATHERSTRIP / EVAPORATOR DOOR		1			1	

From V-6258 To Y-7045

Date:10/2022

PAGE:XL-1866-01

EVAPORATOR DOOR ASSY



From V-6258 To Y-7045	Date:10/2022	PAGE:XL-1866-01
EVAPORATOR DOOR ASSY		

Item#	Part	Description	M T H 4 0	M T H 4 5	M T H 4 5 E	X L 4 0	X L 4 5	N O T E S
	Call order desk	EVAPORATOR DOOR ASSY					1	PA
	483279	EVAPORATOR DOOR ASSY	1		1	1		
	483280	EVAPORATOR DOOR ASSY		1			1	
1	482589	DOOR FRAME (WELDED)	1		1	1		
1	482569	DOOR FRAME (WELDED)		1			1	
2	481840	REINFORCEMENT OF HINGE / 31 7/8" X GA11 STRUCTURE SIDE	1	1	1	1	1	
NS	482137	MOULDING / WEATHERSTRIP RETAINER	1	1	1	1	1	
NS	481131	SHIM 2" X 1"1/8 / HINGE SUPPORT	9	9	9	9	9	
NS	5001184	SCREW TP PAN PH #12x1/2 SS	7	7	7	7	7	
NS	500316	SCREW MA FL PH 1/4-28x3/4 SS	5	5	5	5	5	
3	452987	GRILL	1	1	1	1	1	
NS	680532	SEALANT SIKA #221 / GREY / 310ml CARTRIDGE	1	1	1	1	1	
4	473400	UPPER PANEL	1		1	1		
4	473399	UPPER PANEL		1			1	
4	473689	UPPER PANEL					1	A
5	473445	PANEL, LOWER / S.B.	1		1	1		
5	473446	PANEL, LOWER / S.B.		1			1	
5	473690	LOWER PANEL					1	A
6	471534	RAIL ASSY / 44" / EVAPORATOR DOOR	1		1	1		
6	472774	RAIL ASSY / 53" / EVAPORATOR DOOR		1			1	
7	504272	RIVET CHY Q BRAZ 3/16x1/8 SS	18	18	18	18	18	
8	500301	NUT HEXF STO 3/8-16 Z050	4	4	4	4	4	
NS	473378	SEAL WASHER / RUB RAIL & PANEL	4	4	4	4	4	
9	780278	PIN, STRIKER STUD	1	1	1	1	1	
NS	500316	SCREW MA FL PH 1/4-28x3/4 SS	2	2	2	2	2	
NS	502582	WASHER LO SERR 6.1x16.2x0.9 Z050	2	2	2	2	2	
NS	500692	NUT HEX 1/4-28 Z050	2	2	2	2	2	
10	283326	STRIKER PLATE, MOUNTING / 60MM X 25MM	1	1	1	1	1	
11	284556	STRIKER SUPPORT 86 x 25 x 60	1	1	1	1	1	
NS	500163	SCREW CAP HEX 1/4-20x3/4 G5 Z050	2	2	2	2	2	
NS	502583	WASHER LO SERR 8.15x22.3x1.0 Z050	2	2	2	2	2	
12	482586	INTERIOR PANEL	1		1	1		
12	482567	INTERIOR PANEL		1			1	
12	482763	INTERIOR PANEL					1	A
13	504433	SNAP-IN PLUG / 1.090 O.D.	4	4	4	4	4	
14	504347	RIVET POP DOME OE 3/16x1/4 AL	37		37	37		
14	504347	RIVET POP DOME OE 3/16x1/4 AL		40			40	
15	481163	WEATHERSTRIP / EVAPORATOR DOOR	1		1	1		
15	482096	WEATHERSTRIP / EVAPORATOR DOOR		1			1	
16	482137	MOULDING / WEATHERSTRIP RETAINER	1	1	1	1	1	
20	481839	SUPPORT ASSY / DOOR GUIDE	1	1	1	1	1	
21	500535	SCREW TP CAP HEX #14x3/4 Z050	2	2	2	2	2	

From V-6258 To Y-7045	Date:10/2022	PAGE:XL-1866-01
EVAPORATOR DOOR ASSY		

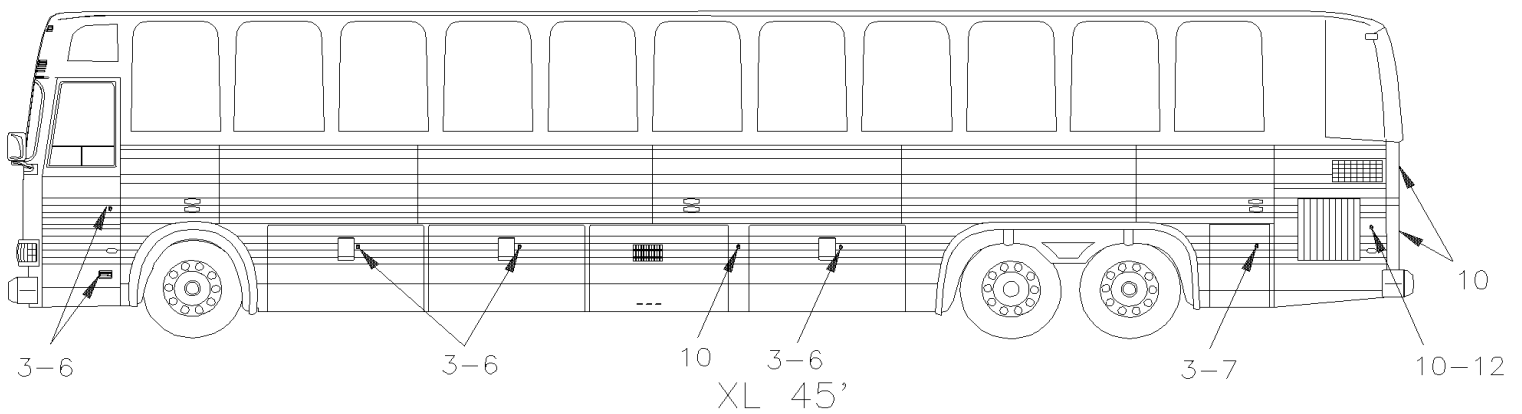
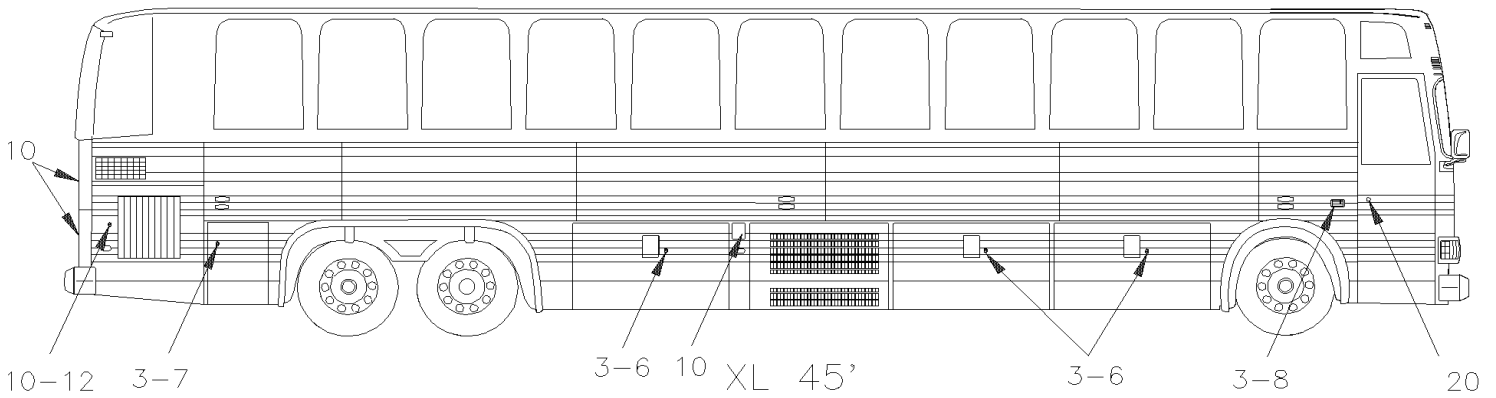
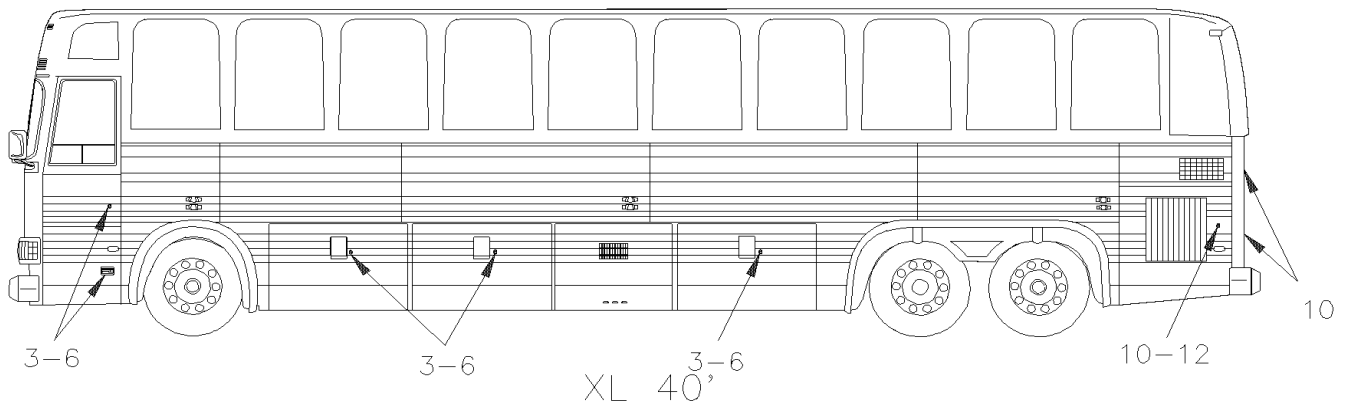
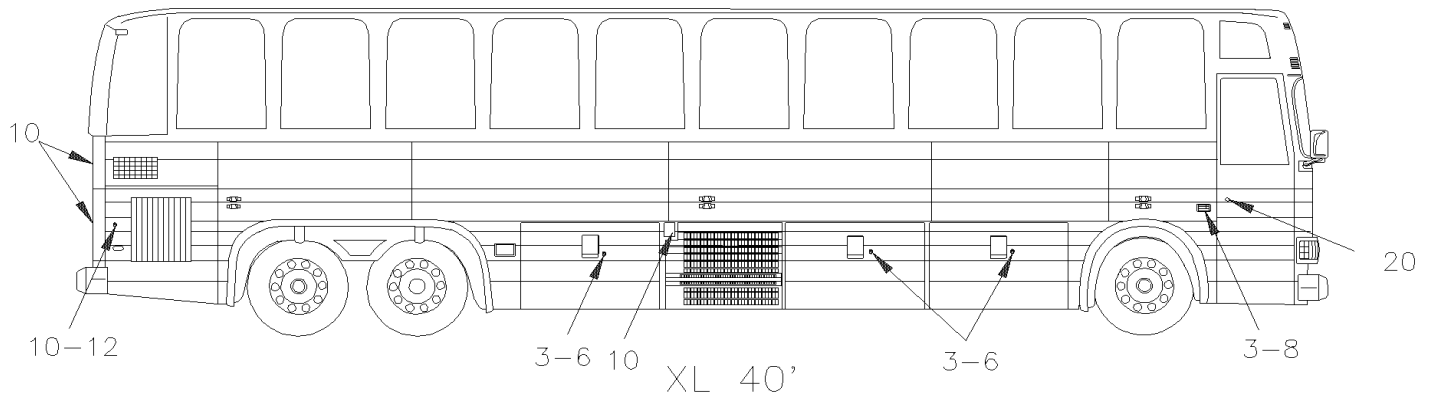
Item#	Part	Description	M T H 4 0	M T H 4 5	M T H 4 5 E	X L 4 0	X L 4 5	N O T E S
22	281445	GUIDE ASSY / R.H. DOOR	1	1	1	1	1	
23	500441	WASHER FL .312x.734x.065 Z050	3	3	3	3	3	
24	500165	SCREW CAP HEX 1/4-20x1 G5 Z050	1	1	1	1	1	
25	500556	SCREW MA TR PH 1/4-20x3/4 SS	1	1	1	1	1	
26	500769	NUT HEX 1/4-20 Z050	2	2	2	2	2	
30	780282	LOCK SPAGNOLET L.H.	1	1	1	1	1	
31	502531	SCREW CAP HEX M6-1.0x16 G8.8 Z050	2	2	2	2	2	
32	502582	WASHER LO SERR 6.1x16.2x0.9 Z050	2	2	2	2	2	
33	284596	ROD OPENING 68MM	1	1	1	1	1	
34	504083	SNAP BUSHING / .250x.468.406	1	1	1	1	1	
35	500764	NUT HEX #8-32 Z050	1	1	1	1	1	
36	505504	KNOB, PULL / 8-32	1	1	1	1	1	
37	482726	CLOSING PLATE 30MM X 50MM / SS	1	1	1	1	1	
NS	504473	RIVET POP DOME OE 1/8x1/4 SS	1	1	1	1	1	
40	284555	LOCK SUPPORT / (WELDED TO STRUCTURE)	1	1	1	1	1	
		A) USE ONLY ON VEHICLE W-6430						
		P) CALL ORDER DESK FOR SPECIFIC APPLICATION (V.I.N.)						

From E-638 To Y-7045

Date:10/2022

PAGE:XL-1867-00

KEY & CYLINDER CODE "FORD" & "NS"

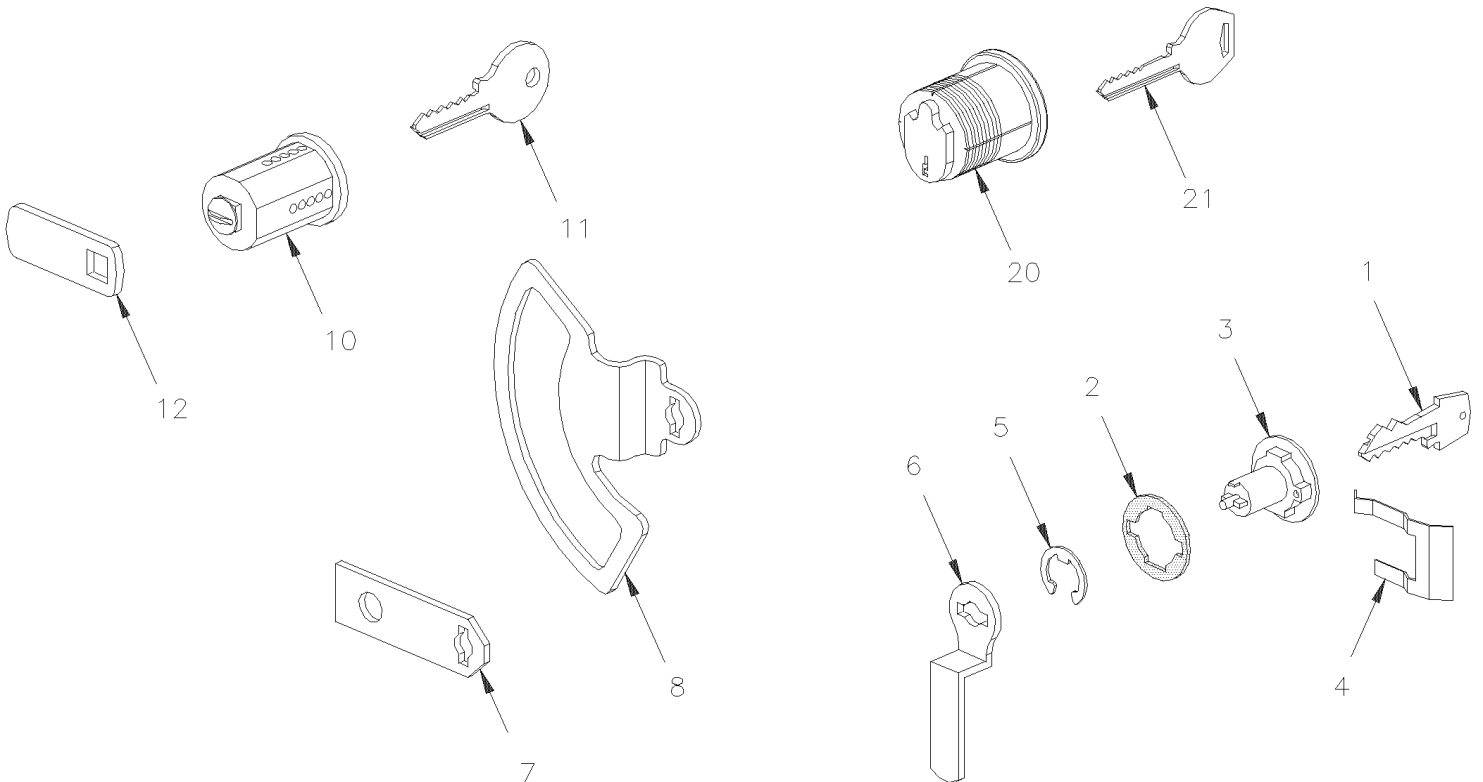
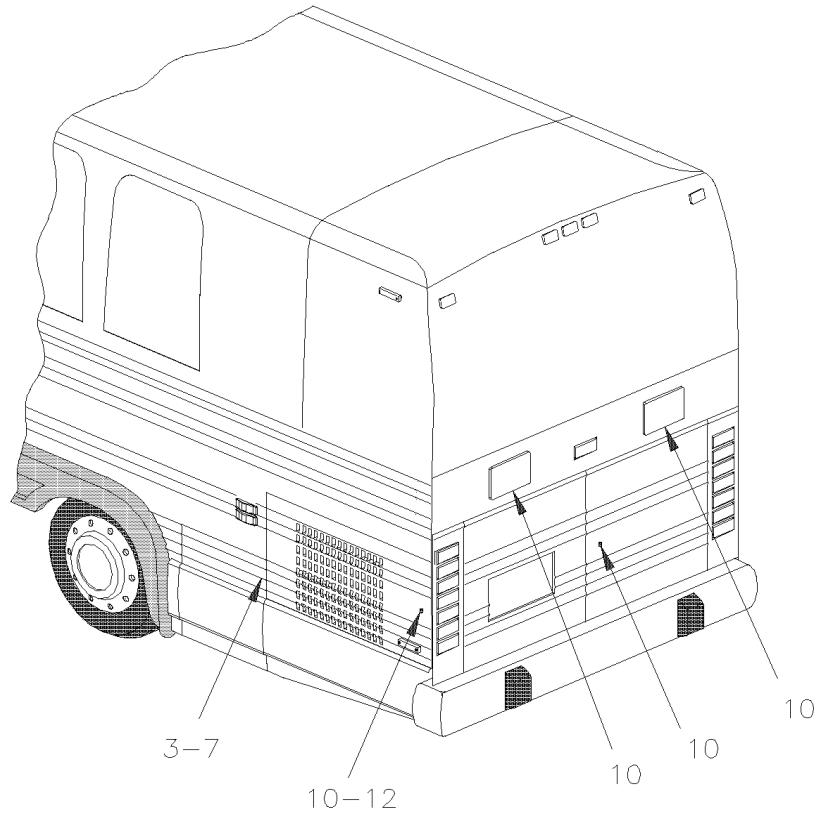


From E-638 To Y-7045

Date:10/2022

PAGE:XL-1867-00

KEY & CYLINDER CODE "FORD" & "NS"



From E-638 To Y-7045	Date:10/2022	PAGE:XL-1867-00
----------------------	--------------	-----------------

KEY & CYLINDER CODE "FORD" & "NS"

Item#	Part	Description	M T H 4 0	M T H 4 5	M T H 4 5 E	X L 4 0	X L 4 5	N O T E S
	780238	KEY BLANK UNCUT	AR	AR	AR	AR	AR	
1	282179	KEY CODE / 00	1	1	1			
1	282180	KEY CODE / 01	1	1	1			
1	282181	KEY CODE / 02	1	1	1			
1	282182	KEY CODE / 03	1	1	1			
1	282183	KEY CODE / 04	1	1	1			
1	282184	KEY CODE / 05	1	1	1			
1	282185	KEY CODE / 06	1	1	1			
1	282186	KEY CODE / 07	1	1	1			
1	282187	KEY CODE / 08	1	1	1			
1	282188	KEY CODE / 09	1	1	1			
1	282189	KEY CODE / 10	1	1	1			
1	282190	KEY CODE / 11	1	1	1			
1	282191	KEY CODE / 12	1	1	1			
1	282192	KEY CODE / 13	1	1	1			
1	282193	KEY CODE / 14	1	1	1			
1	282194	KEY CODE / 15	1	1	1			
1	282195	KEY CODE / 16	1	1	1			
1	282196	KEY CODE / 17	1	1	1			
1	282197	KEY CODE / 18	1	1	1			
1	282198	KEY CODE / 19	1	1	1			
1	282199	KEY CODE / 20	1	1	1			
1	282200	KEY CODE / 21	1	1	1			
1	282201	KEY CODE / 22	1	1	1			
1	282202	KEY CODE / 23	1	1	1			
1	282203	KEY CODE / 24	1	1	1			
1	282204	KEY CODE / 25	1	1	1			
1	282205	KEY CODE / 26	1	1	1			
1	282206	KEY CODE / 27	1	1	1			
1	282207	KEY CODE / 28	1	1	1			
1	282208	KEY CODE / 29	1	1	1			
1	282209	KEY CODE / 30	1	1	1			
1	282210	KEY CODE / 31	1	1	1			
1	282211	KEY CODE / 32	1	1	1			
1	282212	KEY CODE / 33	1	1	1			
1	282213	KEY CODE / 34	1	1	1			
1	282214	KEY CODE / 35	1	1	1			
1	282215	KEY CODE / 36	1	1	1			
1	282216	KEY CODE / 37	1	1	1			
1	282217	KEY CODE / 38	1	1	1			

From E-638 To Y-7045	Date:10/2022	PAGE:XL-1867-00
----------------------	--------------	-----------------

KEY & CYLINDER CODE "FORD" & "NS"

Item#	Part	Description	M T H 4 0	M T H 4 5	M T H 4 5 E	X L 4 0	X L 4 5	N O T E S
1	282218	KEY CODE / 39	1	1	1			
1	282219	KEY CODE / 40	1	1	1			
1	282220	KEY CODE / 41	1	1	1			
1	282221	KEY CODE / 42	1	1	1			
1	282222	KEY CODE / 43	1	1	1			
1	282223	KEY CODE / 44	1	1	1			
1	282224	KEY CODE / 45	1	1	1			
1	282225	KEY CODE / 46	1	1	1			
1	282226	KEY CODE / 47	1	1	1			
1	282227	KEY CODE / 48	1	1	1			
1	282228	KEY CODE / 49	1	1	1			
1	282229	KEY CODE / 50	1	1	1			
1	282230	KEY CODE / 51	1	1	1			
1	282231	KEY CODE / 52	1	1	1			
1	282232	KEY CODE / 53	1	1	1			
1	282233	KEY CODE / 54	1	1	1			
1	282234	KEY CODE / 55	1	1	1			
1	282235	KEY CODE / 56	1	1	1			
1	282236	KEY CODE / 57	1	1	1			
1	282237	KEY CODE / 58	1	1	1			
1	282238	KEY CODE / 59	1	1	1			
1	282239	KEY CODE / 60	1	1	1			
1	282240	KEY CODE / 61	1	1	1			
1	282241	KEY CODE / 62	1	1	1			
1	282242	KEY CODE / 63	1	1	1			
1	282243	KEY CODE / 64	1	1	1			
1	282244	KEY CODE / 65	1	1	1			
1	282245	KEY CODE / 66	1	1	1			
1	282246	KEY CODE / 67	1	1	1			
1	282247	KEY CODE / 68	1	1	1			
1	282248	KEY CODE / 69	1	1	1			
1	282249	KEY CODE / 70	1	1	1			
1	282250	KEY CODE / 71	1	1	1			
1	282251	KEY CODE / 72	1	1	1			
1	282252	KEY CODE / 73	1	1	1			
1	282253	KEY CODE / 74	1	1	1			
1	282254	KEY CODE / 75	1	1	1			
1	282255	KEY CODE / 76	1	1	1			
1	282256	KEY CODE / 77	1	1	1			
1	282257	KEY CODE / 78	1	1	1			
1	282258	KEY CODE / 79	1	1	1			
1	282259	KEY CODE / 80	1	1	1			

From E-638 To Y-7045	Date:10/2022	PAGE:XL-1867-00
KEY & CYLINDER CODE "FORD" & "NS"		

Item#	Part	Description	M T H 4 0	M T H 4 5	M T H 4 5 E	X L 4 0	X L 4 5	N O T E S
2	780237	SEAL RUBBER 1/32" TH	AR	AR	AR	AR	AR	
2	2800032	SEAL RUBBER 1/16" TH SERVICE	AR	AR	AR	AR	AR	
3	282079	CYLINDER LOCK / CODE 00	1	1	1			
3	282080	CYLINDER LOCK / CODE 01	1	1	1			
3	282081	CYLINDER LOCK / CODE 02	1	1	1			
3	282082	CYLINDER LOCK / CODE 03	1	1	1			
3	282083	CYLINDER LOCK / CODE 04	1	1	1			
3	282084	CYLINDER LOCK / CODE 05	1	1	1			
3	282085	CYLINDER LOCK / CODE 06	1	1	1			
3	282086	CYLINDER LOCK / CODE 07	1	1	1			
3	282087	CYLINDER LOCK / CODE 08	1	1	1			
3	282088	CYLINDER LOCK / CODE 09	1	1	1			
3	282089	CYLINDER LOCK / CODE 10	1	1	1			
3	282090	CYLINDER LOCK / CODE 11	1	1	1			
3	282091	CYLINDER LOCK / CODE 12	1	1	1			
3	282092	CYLINDER LOCK / CODE 13	1	1	1			
3	282093	CYLINDER LOCK / CODE 14	1	1	1			
3	282094	CYLINDER LOCK / CODE 15	1	1	1			
3	282095	CYLINDER LOCK / CODE 16	1	1	1			
3	282096	CYLINDER LOCK / CODE 17	1	1	1			
3	282097	CYLINDER LOCK / CODE 18	1	1	1			
3	282098	CYLINDER LOCK / CODE 19	1	1	1			
3	282099	CYLINDER LOCK / CODE 20	1	1	1			
3	282100	CYLINDER LOCK / CODE 21	1	1	1			
3	282101	CYLINDER LOCK / CODE 22	1	1	1			
3	282102	CYLINDER LOCK / CODE 23	1	1	1			
3	282103	CYLINDER LOCK / CODE 24	1	1	1			
3	282104	CYLINDER LOCK / CODE 25	1	1	1			
3	282105	CYLINDER LOCK / CODE 26	1	1	1			
3	282106	CYLINDER LOCK / CODE 27	1	1	1			
3	282107	CYLINDER LOCK / CODE 28	1	1	1			
3	282108	CYLINDER LOCK / CODE 29	1	1	1			
3	282109	CYLINDER LOCK / CODE 30	1	1	1			
3	282110	CYLINDER LOCK / CODE 31	1	1	1			
3	282111	CYLINDER LOCK / CODE 32	1	1	1			
3	282112	CYLINDER LOCK / CODE 33	1	1	1			
3	282113	CYLINDER LOCK / CODE 34	1	1	1			
3	282114	CYLINDER LOCK / CODE 35	1	1	1			
3	282115	CYLINDER LOCK / CODE 36	1	1	1			
3	282116	CYLINDER LOCK / CODE 37	1	1	1			
3	282117	CYLINDER LOCK / CODE 38	1	1	1			
3	282118	CYLINDER LOCK / CODE 39	1	1	1			

From E-638 To Y-7045	Date:10/2022	PAGE:XL-1867-00
KEY & CYLINDER CODE "FORD" & "NS"		

Item#	Part	Description	M T H 4 0	M T H 4 5	M T H 4 5 E	X L 4 0	X L 4 5	N O T E S
3	282119	CYLINDER LOCK / CODE 40	1	1	1			
3	282120	CYLINDER LOCK / CODE 41	1	1	1			
3	282121	CYLINDER LOCK / CODE 42	1	1	1			
3	282122	CYLINDER LOCK / CODE 43	1	1	1			
3	282123	CYLINDER LOCK / CODE 44	1	1	1			
3	282124	CYLINDER LOCK / CODE 45	1	1	1			
3	282125	CYLINDER LOCK / CODE 46	1	1	1			
3	282126	CYLINDER LOCK / CODE 47	1	1	1			
3	282127	CYLINDER LOCK / CODE 48	1	1	1			
3	282128	CYLINDER LOCK / CODE 49	1	1	1			
3	282129	CYLINDER LOCK / CODE 50	1	1	1			
3	282130	CYLINDER LOCK / CODE 51	1	1	1			
3	282131	CYLINDER LOCK / CODE 52	1	1	1			
3	282132	CYLINDER LOCK / CODE 53	1	1	1			
3	282133	CYLINDER LOCK / CODE 54	1	1	1			
3	282134	CYLINDER LOCK / CODE 55	1	1	1			
3	282135	CYLINDER LOCK / CODE 56	1	1	1			
3	282136	CYLINDER LOCK / CODE 57	1	1	1			
3	282137	CYLINDER LOCK / CODE 58	1	1	1			
3	282138	CYLINDER LOCK / CODE 59	1	1	1			
3	282139	CYLINDER LOCK / CODE 60	1	1	1			
3	282140	CYLINDER LOCK / CODE 61	1	1	1			
3	282141	CYLINDER LOCK / CODE 62	1	1	1			
3	282142	CYLINDER LOCK / CODE 63	1	1	1			
3	282143	CYLINDER LOCK / CODE 64	1	1	1			
3	282144	CYLINDER LOCK / CODE 65	1	1	1			
3	282145	CYLINDER LOCK / CODE 66	1	1	1			
3	282146	CYLINDER LOCK / CODE 67	1	1	1			
3	282147	CYLINDER LOCK / CODE 68	1	1	1			
3	282148	CYLINDER LOCK / CODE 69	1	1	1			
3	282149	CYLINDER LOCK / CODE 70	1	1	1			
3	282150	CYLINDER LOCK / CODE 71	1	1	1			
3	282151	CYLINDER LOCK / CODE 72	1	1	1			
3	282152	CYLINDER LOCK / CODE 73	1	1	1			
3	282153	CYLINDER LOCK / CODE 74	1	1	1			
3	282154	CYLINDER LOCK / CODE 75	1	1	1			
3	282155	CYLINDER LOCK / CODE 76	1	1	1			
3	282156	CYLINDER LOCK / CODE 77	1	1	1			
3	282157	CYLINDER LOCK / CODE 78	1	1	1			
3	282158	CYLINDER LOCK / CODE 79	1	1	1			
3	282159	CYLINDER LOCK / CODE 80	1	1	1			
3	282160	CYLINDER LOCK / CODE 81	1	1	1			

From E-638 To Y-7045	Date:10/2022	PAGE:XL-1867-00
----------------------	--------------	-----------------

KEY & CYLINDER CODE "FORD" & "NS"

Item#	Part	Description	M T H 4 0	M T H 4 5	M T H 4 5 E	X L 4 0	X L 4 5	N O T E S
3	282161	CYLINDER LOCK / CODE 82	1	1	1			
3	282162	CYLINDER LOCK / CODE 83	1	1	1			
3	282163	CYLINDER LOCK / CODE 84	1	1	1			
3	282164	CYLINDER LOCK / CODE 85	1	1	1			
3	282165	CYLINDER LOCK / CODE 86	1	1	1			
3	282166	CYLINDER LOCK / CODE 87	1	1	1			
3	282167	CYLINDER LOCK / CODE 88	1	1	1			
3	282168	CYLINDER LOCK / CODE 89	1	1	1			
3	282169	CYLINDER LOCK / CODE 90	1	1	1			
3	282170	CYLINDER LOCK / CODE 91	1	1	1			
3	282171	CYLINDER LOCK / CODE 92	1	1	1			
3	282172	CYLINDER LOCK / CODE 93	1	1	1			
3	282173	CYLINDER LOCK / CODE 94	1	1	1			
3	282174	CYLINDER LOCK / CODE 95	1	1	1			
3	282175	CYLINDER LOCK / CODE 96	1	1	1			
3	282176	CYLINDER LOCK / CODE 97	1	1	1			
3	282177	CYLINDER LOCK / CODE 98	1	1	1			
3	282178	CYLINDER LOCK / CODE 99	1	1	1			
3	284776	CYLINDER LOCK / CODE FA 0648				AR	AR	
3	284839	CYLINDER LOCK / CODE FA 1320 / (43551)				AR	AR	
3	284935	CYLINDER LOCK / CODE AO / FA 1116				AR	AR	
3	780830	CYLINDER LOCK / CODE FA 0150				AR	AR	
3	285021	CYLINDER LOCK / CODE U / FA 0169				AR	AR	
3	285066	CYLINDER LOCK / CODE AT / FA 1486				AR	AR	
3	285496	CYLINDER LOCK / CODE Z / FA 0268				AR	AR	
3	285932	CYLINDER LOCK MODIFIED / CODE FA 0221				AR	AR	
3	285946	CYLINDER LOCK / CODE V / FA 0190				AR	AR	
3	286049	CYLINDER LOCK / CODE AP / FA 1252				AR	AR	
3	286156	CYLINDER LOCK / CODE M / FA 0013				AR	AR	
3	780235	CYLINDER LOCK / CODE FA 0000				1	1	
3	780240	CYLINDER LOCK / CODE FA 0050				1	1	
3	780241	CYLINDER LOCK / CODE FA 0100				1	1	
3	780242	CYLINDER LOCK / CODE FA 0221				1	1	
3	780243	CYLINDER LOCK / CODE FA 0225				1	1	
3	780244	CYLINDER LOCK / CODE FA 0300				1	1	
3	780245	CYLINDER LOCK / CODE FA 0400				1	1	
3	780246	CYLINDER LOCK / CODE FA 0500				1	1	
3	780247	CYLINDER LOCK / CODE FA 0600				1	1	
3	780248	CYLINDER LOCK / CODE FA 0800				1	1	
3	282426	CYLINDER LOCK / CODE FA 1212				1	1	
4	780236	. RETAINER CLIP	1	1	1	1	1	
5	504477	. RING RETAINER / EXT 14.0 X 13.4 X 1.0MM	1	1	1	1	1	

From E-638 To Y-7045	Date:10/2022	PAGE:XL-1867-00
KEY & CYLINDER CODE "FORD" & "NS"		

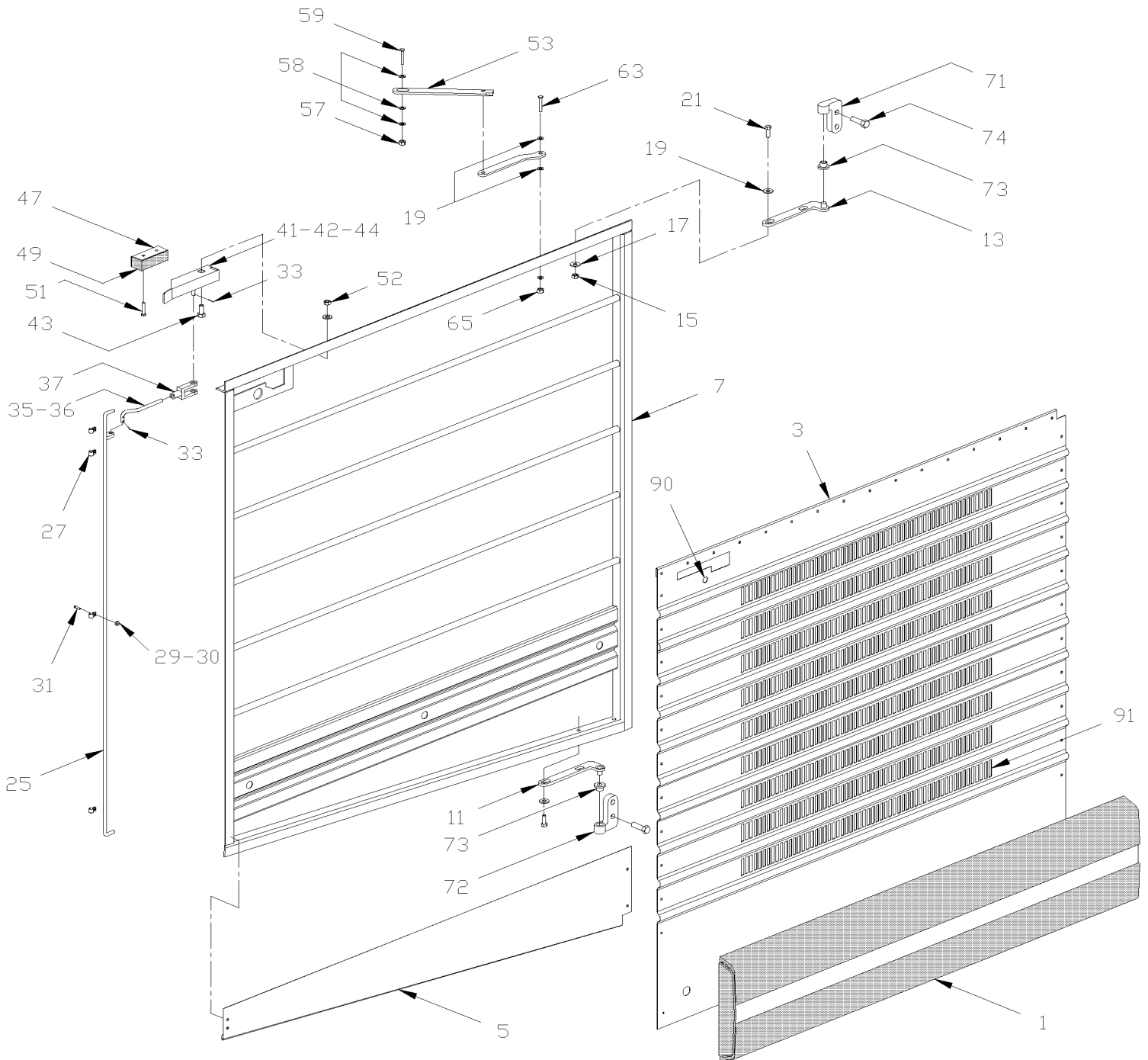
Item#	Part	Description	M T H 4 0	M T H 4 5	M T H 4 5 E	X L 4 0	X L 4 5	N O T E S
6	480939	PIVOT LOCK 9/16" OFFSET To J-413	AR			AR		
6	281498	PIVOT LOCK 3/8" OFFSET From J-414	AR	AR	AR	AR	AR	B
7	284531	PIVOT LOCK ROD		AR			AR	
8	281704	PIVOT LOCK				AR	AR	
10	780180	LOCK CYLINDER W/KEY / "VIRO"	AR	AR	AR	AR	AR	
. NS	780501	. KEY	1	1	1	1	1	
10	780806	LOCK CYLINDER W/KEY / "VIRO"	AR	AR	AR	AR	AR	
. NS	780501	. KEY	1	1	1	1	1	
11	780501	KEY	AR	AR	AR	AR	AR	
12	285277	PIVOT LEVER / 40.5MM		AR			AR	
12	289549	PIVOT LOCK ACTUATOR 42.4MM / W/11MM OFFSET		AR			AR	S
20	780563	CYLINDER LOCK ASSY W/2 KEYS / "CORBIN" To W-6679	1	1	1			
. NS	780564	. KEY / "CORBIN" BLANK To W-6679	2	2	2			
20	780430	CYLINDER LOCK ASSY W/2 KEYS / "CORBIN" From W-6680	1	1	1			SS
. NS	780562	. KEY / "CORBIN" BLANK From W-6680	2	2	2			SS
20	780803	CYLINDER LOCK ASSY W/2 KEYS / "SCHLAGE" SERVICE From W-6680	1	1	1			
. NS	780902	. KEY / "SCHLAGE" BLANK From W-6680	1	1	1			
21	780564	KEY / "CORBIN" BLANK To W-6679	1	1	1			
21	780562	KEY / "CORBIN" BLANK From W-6680	1	1	1			
		B) W/BAGGAGE DOOR						
		S) REQUIERED ONLY IN SERVICE IF YOU NEED TO CHANGE YOUR OLD CYLINDER LOCK # 780180						
		SS) THIS MODEL IT OBSOLETED REPLACE BY 780803 WITH NEW LEVER # 289031						

From E-638 To S-569

Date:10/2022

PAGE:XL-1868-00

A/C COMPRESSOR DOOR ASSY



From E-638 To S-569		Date:10/2022	PAGE:XL-1868-00
A/C COMPRESSOR DOOR ASSY			

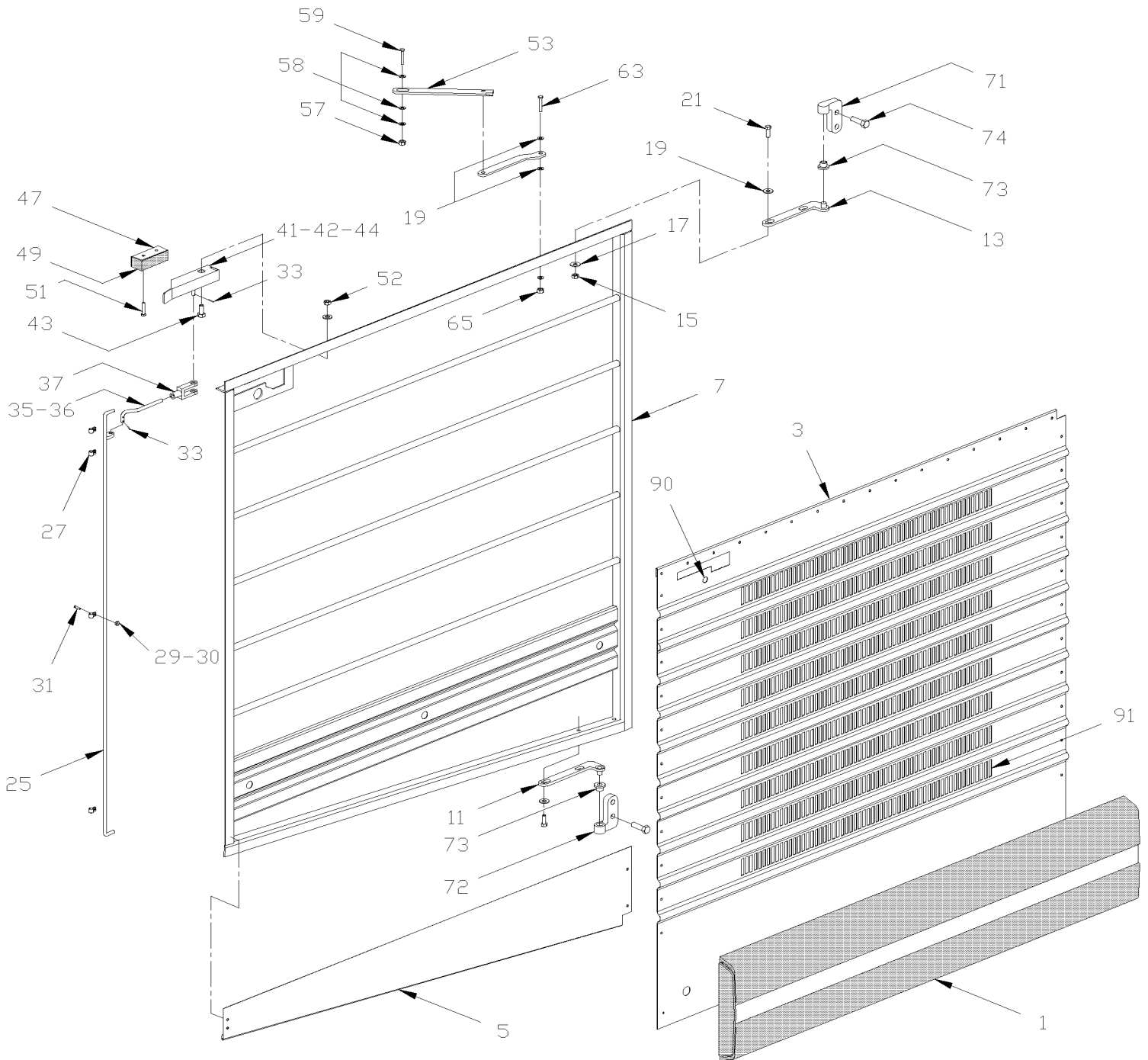
Item#	Part	Description	M T H 4 0	M T H 4 5	M T H 4 5 E	X L 4 0	X L 4 5	N O T E S
	281521	COMPRESSOR DOOR ASSY				1		
	281947	COMPRESSOR DOOR ASSY / W/LOCK				1		
	282884P	COMPRESSOR DOOR ASSY	1	1	1			
	282883P	COMPRESSOR DOOR ASSY / W/LOCK	1	1	1			
1	281518	. RAIL ASSY / 42" 5/8	1	1	1	1		
1	XL-1855-00	. RUB RAIL - EXTERIOR CREST & TRIMS						
3	471207	. PANEL / W/7 ROWS 80				1		
3	471869	. PANEL / W/7 ROWS 80 & LOCK				1		
3	471258	. PANEL / W/7 ROWS 80 To J-534	1					
3	472155	. PANEL / W/9 ROWS 80 From J-535	1	1	1			
3	472440	. PANEL / W/8 ROWS 72 & LOCK From G-101 To G-101	1					
3	471307	. PANEL / W/7 ROWS 80 & LOCK To J-534	1					
3	472154	. PANEL / W/9 ROWS 80 & LOCK From J-535	1	1	1			
5	471206	. PANEL LOWER R.H.	1	1	1	1		
NS	504272	. RIVET CHY Q BRAZ 3/16x1/8 SS	AR	AR	AR	AR		
7	281231	. FRAME To J-534	1			1		
7	282878	. FRAME From J-535	1	1	1	1		
11	280350	. HINGE ASSY To P-753	1	1	1	1		
11	284636	. HINGE ASSY / LOWER / 5 DEG BEND From P-754	1	1	1	1		
13	280349	. HINGE ASSY	1	1	1	1		
15	500692	. NUT HEX 1/4-28 Z050	4	4	4	4		
17	500473	. WASHER LO SPT .262x.489x.062 Z050	4	4	4	4		
19	500441	. WASHER FL .312x.734x.065 Z050	5	5	5	5		
21	500007	. SCREW CAP HEX 1/4-28x3/4 G5 ZP	4	4	4	4		
25	280910	. ROD ASSY R.H.	1	1	1	1		
27	280361	. CLIP / S.Q.	4	4	4	4		
29	500766	. NUT HEX #5-40 ZP	4	4	4	4		
30	502636	. WASHER LO SPT 4.1x7.6x0.9 Z050	4	4	4	4		
31	500377	. SCREW MA RND SLT #5-40x1/2 ZP	4	4	4	4		
33	502094	. PIN, COTTER 1/16 x 1/2 SS	2	2	2	2		
35	280374	. LINK	1	1	1	1		
36	500692	. NUT HEX 1/4-28 Z050	1	1	1	1		
37	030698	. YOKE 1/4-28x1 1/4x1/4Wx17/64	1	1	1	1		
41	281086	. HANDLE ASSY / DOOR W/LOCK	1	1	1	1		
41	280224	. HANDLE ASSY	1	1	1	1		
42	281005	. BUSHING	1	1	1	1		
43	500165	. SCREW CAP HEX 1/4-20x1 G5 Z050	2	2	2	2		
44	470949	. SPACER RUBBER 3/4" O.D. / S.Q.	AR	AR	AR	AR		
47	280577	. BRACKET / TO FIX RUBBER BUMPER	2	2	2	2		
49	506250	. RUBBER BUMPER	2	2	2	2		
51	500659	. SCREW TC PAN PH #10-32x1 Z050	4	4	4	4		
NS	502097	. PIN, COTTER 3/32 x 3/4	2	2	2	2		

From S-570 To Y-7045

Date:10/2022

PAGE:XL-1868-01

A/C COMPRESSOR DOOR ASSY



From S-570 To Y-7045	Date:10/2022	PAGE:XL-1868-01
A/C COMPRESSOR DOOR ASSY		

Item#	Part	Description	M T H 4 0	M T H 4 5	M T H 4 5 E	X L 4 0	X L 4 5	N O T E S
	281947	COMPRESSOR DOOR ASSY / W/LOCK				1	1	
	281521	COMPRESSOR DOOR ASSY				1	1	
	285172	COMPRESSOR DOOR ASSY / W/LOCK	1	1	1			
	285173	COMPRESSOR DOOR ASSY	1	1	1			
1	281518	RAIL ASSY / 42" 5/8	1	1	1	1	1	
1	XL-1855-00	RUB RAIL - EXTERIOR CREST & TRIMS						
3	471207	PANEL / W/7 ROWS 80 To T-5880				1	1	
3	473366	PANEL / W/7 ROWS 80 From T-5881				1	1	
3	471869	PANEL / W/7 ROWS 80 & LOCK To T-5880				1	1	
3	473365	PANEL / W/7 ROWS 80 & LOCK From T-5881				1	1	
3	473100	PANEL / W/9 ROWS 80	1	1	1			
3	473099	PANEL / W/9 ROWS 80 & LOCK To T-5880	1	1	1			
3	473367	PANEL / W/9 ROWS 80 & LOCK From T-5881	1	1	1			
NS	504272	RIVET CHY Q BRAZ 3/16x1/8 SS	42	42	42	42	42	
NS	504340	RIVET POP DOME OE 1/8x3/16 SS	2	2	2	2	2	
NS	506002	TAPE RUB ADH1 CC POL 3/16" x 1/2" x 40' / GREY 2520	AR	AR	AR	AR	AR	
NS	680065	TAPE COMPOUND / BLACK / 1/32" X 1" X 33' / L163-2400	AR	AR	AR	AR	AR	
5	471206	PANEL LOWER R.H.	1	1	1	1	1	
7	282878	FRAME				1	1	
7	285167	FRAME	1	1	1			
11	284636	HINGE ASSY / LOWER / 5 DEG BEND	1	1	1	1	1	A
13	280349	HINGE ASSY	1	1	1	1	1	
15	500692	NUT HEX 1/4-28 Z050	4	4	4	4	4	
17	500473	WASHER LO SPT .262x.489x.062 Z050	4	4	4	4	4	
19	500441	WASHER FL .312x.734x.065 Z050	AR	AR	AR	AR	AR	
21	500007	SCREW CAP HEX 1/4-28x3/4 G5 ZP	4	4	4	4	4	
25	280910	ROD ASSY R.H.	1	1	1	1	1	
27	280361	CLIP / S.Q.	4	4	4	4	4	
29	500766	NUT HEX #5-40 ZP	4	4	4	4	4	
30	502636	WASHER LO SPT 4.1x7.6x0.9 Z050	4	4	4	4	4	
31	500377	SCREW MA RND SLT #5-40x1/2 ZP	4	4	4	4	4	
33	502094	PIN, COTTER 1/16 x 1/2 SS	2	2	2	2	2	
35	285353	LINK	1	1	1	1	1	
36	500692	NUT HEX 1/4-28 Z050	1	1	1	1	1	
37	030698	YOKE 1/4-28x1 1/4x1/4Wx17/64	1	1	1	1	1	
41	280224	HANDLE ASSY	1	1	1	1	1	
41	281086	HANDLE ASSY / DOOR W/LOCK	1	1	1	1	1	
42	281005	BUSHING	1	1	1	1	1	
43	500179	SCREW CAP HEX 5/16-18x3/4 G5 Z050	1	1	1	1	1	
44	470949	SPACER RUBBER 3/4" O.D. / S.Q.	AR	AR	AR	AR	AR	
47	280577	BRACKET / TO FIX RUBBER BUMPER	2	2	2	2	2	
49	506250	RUBBER BUMPER	2	2	2	2	2	

From S-570 To Y-7045	Date:10/2022	PAGE:XL-1868-01
A/C COMPRESSOR DOOR ASSY		

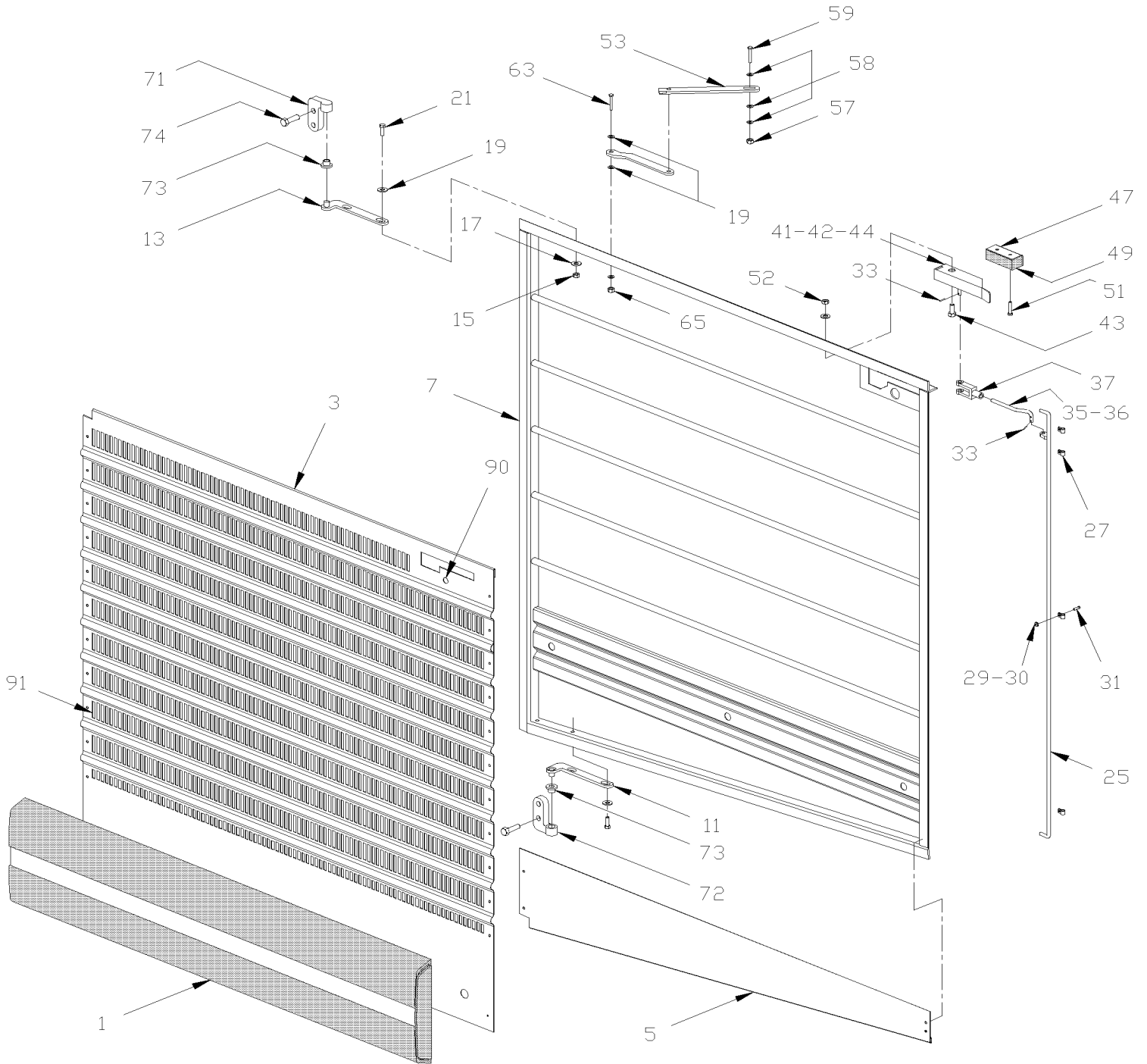
Item#	Part	Description	M T H 4 0	M T H 4 5	M T H 4 5 E	X L 4 0	X L 4 5	N O T E S
51	500659	. SCREW TC PAN PH #10-32x1 Z050	4	4	4	4	4	
52	500770	. NUT HEX STO 1/4-20 Z050	1	1	1	1	1	
53	281445	. GUIDE ASSY / R.H. DOOR	1	1	1	1	1	
57	502716	. NUT HEX NYRT 1/4-20	1	1	1	1	1	
58	500769	. NUT HEX 1/4-20 Z050	1	1	1	1	1	
59	500558	. SCREW MA TR PH 1/4-20x1 SS	1	1	1	1	1	
63	500181	. SCREW CAP HEX 5/16-18x1 G5 Z050	2	2	2	2	2	
65	500924	. NUT AN JK 5/16-18	2	2	2	2	2	
71	780532	. HINGE	1	1	1	1	1	A
72	780531	. HINGE	1	1	1	1	1	
73	284607	. BUSHING, NYLON / (NOT INCLUDE W/HINGE)	2	2	2	2	2	
74	502795	. SCREW CAP FL HEXS 3/8-16x1 1/4 SS	4	4	4	4	4	
90	780180	. . LOCK CYLINDER W/KEY / "VIRO"	1	1	1	1	1	
. NS	780501	. . . KEY	1	1	1	1	1	
90	780806	. . LOCK CYLINDER W/KEY / "VIRO"	1	1	1	1	1	
. NS	780501	. . . KEY	1	1	1	1	1	
NS	285277	. PIVOT LEVER / 40.5MM	1	1	1	1	1	
NS	289557	. PIVOT LEVER / 42.4MM / W/13MM OFFSET	1	1	1	1	1	S
91	282464	PLATE REFLECTOR RETAINING 4 5/16" X 1/2"	1	1	1	1	1	
NS	500606	SCREW MA TR PH #10-24x3/4 SS	2	2	2	2	2	
NS	500470	WASHER LO SPT .193x.334x.047 Z050	2	2	2	2	2	
NS	500786	NUT HEX #10-24 Z050	2	2	2	2	2	
		A) LOWERS REQUIERED ONLY IN SERVICE IF YOU NEED TO CHANGE YOUR OLD CYLINDER LOCK # 780180						
		S) REQUIERED ONLY IN SERVICE IF YOU NEED TO CHANGE YOUR OLD CYLINDER LOCK # 780180						

From E-638 To R-900

Date:10/2022

PAGE:XL-1869-00

RADIATOR DOOR ASSY



From E-638 To R-900	Date:10/2022	PAGE:XL-1869-00
RADIATOR DOOR ASSY		

Item#	Part	Description	M T H 4 0	M T H 4 5	M T H 4 5 E	X L 4 0	X L 4 5	N O T E S
	281517	RADIATOR DOOR ASSY To J-534				1		
	282347P	RADIATOR DOOR ASSY / W/LOCK To J-534				1		
	282468P	RADIATOR DOOR ASSY From J-535				1		
	282462P	RADIATOR DOOR ASSY / W/LOCK From J-535 To R-870				1		
	282466P	RADIATOR DOOR ASSY / W/LOCK From R-871				1		
	282472	RADIATOR DOOR ASSY To R-870	1		1			
	282345P	RADIATOR DOOR ASSY From R-871	1		1			
	282471	RADIATOR DOOR ASSY / W/LOCK To R-870	1		1			
	282856	RADIATOR DOOR ASSY / W/LOCK From R-871	1		1			
1	281518	RAIL ASSY / 42" 5/8	1		1	1		
1	XL-1855-00	RUB RAIL - EXTERIOR CREST & TRIMS						
3	471205	PANEL / W/9 ROWS 72 To G-178				1		
3	471947	PANEL / W/9 ROWS 72 From G-179 To H-284				1		
3	471868	PANEL / W/9 ROWS 72 & LOCK To G-178				1		
3	471945	PANEL / W/9 ROWS 72 & LOCK From G-179 To H-284				1		
3	472007	PANEL / W/12 ROWS 43 From H-285 To R-870				1		
3	472822	PANEL / W/12 ROWS 43 From R-871				1		
3	471948	PANEL / W/11 ROWS 72 & LOCK From G-179 To H-284	1					
3	472006	PANEL / W/12 ROWS 43 & LOCK From H-285 To R-870				1		
3	472821	PANEL / W/12 ROWS 43 & LOCK From R-871				1		
3	471231	PANEL / W/9 ROWS 72 To G-178	1					
3	471946	PANEL / W/9 ROWS 72 From G-179 To H-284	1					
3	472009	PANEL / W/12 ROWS 43 From H-285 To R-870	1		1			
3	472824	PANEL / W/12 ROWS 43 From R-871	1		1			
3	471259	PANEL / W/9 ROWS 72 & LOCK To G-178	1					
3	472008	PANEL / W/12 ROWS 43 & LOCK From H-285 To R-870	1		1			
3	472823	PANEL / W/12 ROWS 43 & LOCK From R-871	1		1			
5	471204	PANEL LOWER	1		1	1		
NS	504272	RIVET CHY Q BRAZ 3/16x1/8 SS	AR	AR	AR	AR		
7	281270	FRAME To G-179	1			1		
7	282314	FRAME From G-178 To J-534	1			1		
7	282882	FRAME / W/6V92 From J-535 To R-870	1			1		
7	284769	FRAME / W/6V92 From R-871				1		
7	282444	FRAME / W/8V92 From J-535 To R-870	1		1	1		
7	284768	FRAME / W/8V92 From R-871	1		1	1		
11	280349	HINGE ASSY To P-753	1		1	1		
11	284636	HINGE ASSY / LOWER / 5 DEG BEND From P-754	1		1	1		
13	280350	HINGE ASSY	1		1	1		
15	500693	SCREW CAP FL HEXS 3/8-16x1 3/4	4		4	4		
17	500473	WASHER LO SPT .262x.489x.062 Z050	4		4	4		
19	500441	WASHER FL .312x.734x.065 Z050	5		5	5		
21	500007	SCREW CAP HEX 1/4-28x3/4 G5 ZP	4		4	4		

From E-638 To R-900	Date:10/2022	PAGE:XL-1869-00
RADIATOR DOOR ASSY		

Item#	Part	Description	M T H 4 0	M T H 4 5	M T H 4 5 E	X L 4 0	X L 4 5	N O T E S
25	280909	ROD ASSY L.H.	1		1	1		
27	280361	CLIP / S.Q.	4		4	4		
29	500766	NUT HEX #5-40 ZP	4		4	4		
30	502636	WASHER LO SPT 4.1x7.6x0.9 Z050	4		4	4		
31	500377	SCREW MA RND SLT #5-40x1/2 ZP	4		4	4		
33	502094	PIN, COTTER 1/16 x 1/2 SS	2		2	2		
35	280374	LINK	1		1	1		
36	500692	NUT HEX 1/4-28 Z050	1		1	1		
37	030698	YOKE 1/4-28x1 1/4x1/4Wx17/64	1		1	1		
41	280223	HANDLE ASSY	1		1	1		
41	281085	HANDLE ASSY / DOOR W/LOCK	1		1	1		
42	281005	BUSHING	1		1	1		
43	500165	SCREW CAP HEX 1/4-20x1 G5 Z050	2		2	2		
44	470949	SPACER RUBBER 3/4" O.D. / S.Q.	AR		AR	AR		
47	280577	BRACKET / TO FIX RUBBER BUMPER	2		2	2		
49	506250	RUBBER BUMPER	2		2	2		
51	500659	SCREW TC PAN PH #10-32x1 Z050	4		4	4		
NS	502097	PIN, COTTER 3/32 x 3/4	2		2	2		
52	500770	NUT HEX STO 1/4-20 Z050	2		2	2		
53	281444	GUIDE ASSY / L.H. DOOR	1		1	1		
57	500769	NUT HEX 1/4-20 Z050	2		2	2		
58	500441	WASHER FL .312x.734x.065 Z050	5		5	5		
59	500558	SCREW MA TR PH 1/4-20x1 SS	2		2	2		
63	500181	SCREW CAP HEX 5/16-18x1 G5 Z050	2		2			
65	500924	NUT AN JK 5/16-18	2		2	2		
71	780028	HINGE To P-753	2		2	2		
71	780531	HINGE From P-754	1		1	1		
72	780027	HINGE To P-753	1		1	1		
72	780532	HINGE From P-754	1		1	1		
73	504218	. BUSHING / NYLON To P-753	1		1	1		
73	284607	BUSHING, NYLON / (NOT INCLUDE W/HINGE) From P-754	1		1	1		
74	502795	SCREW CAP FL HEXS 3/8-16x1 1/4 SS	4		4	4		
90	780180	LOCK CYLINDER W/KEY / "VIRO"	1		1	1		
. NS	780501	. KEY	1		1	1		
90	780806	LOCK CYLINDER W/KEY / "VIRO"	1		1	1		
. NS	780501	. KEY	1		1	1		
NS	285277	PIVOT LEVER / 40.5MM	1		1	1		
NS	289549	PIVOT LOCK ACTUATOR 42.4MM / W/11MM OFFSET	1		1	1		S
91	282464	PLATE REFLECTOR RETAINING 4 5/16" X 1/2"	1		1	1		
NS	500606	SCREW MA TR PH #10-24x3/4 SS	2		2	2		
NS	500470	WASHER LO SPT .193x.334x.047 Z050	2		2	2		
NS	500786	NUT HEX #10-24 Z050	2		2	2		

From E-638 To R-900	Date:10/2022	PAGE:XL-1869-00
---------------------	--------------	-----------------

RADIATOR DOOR ASSY

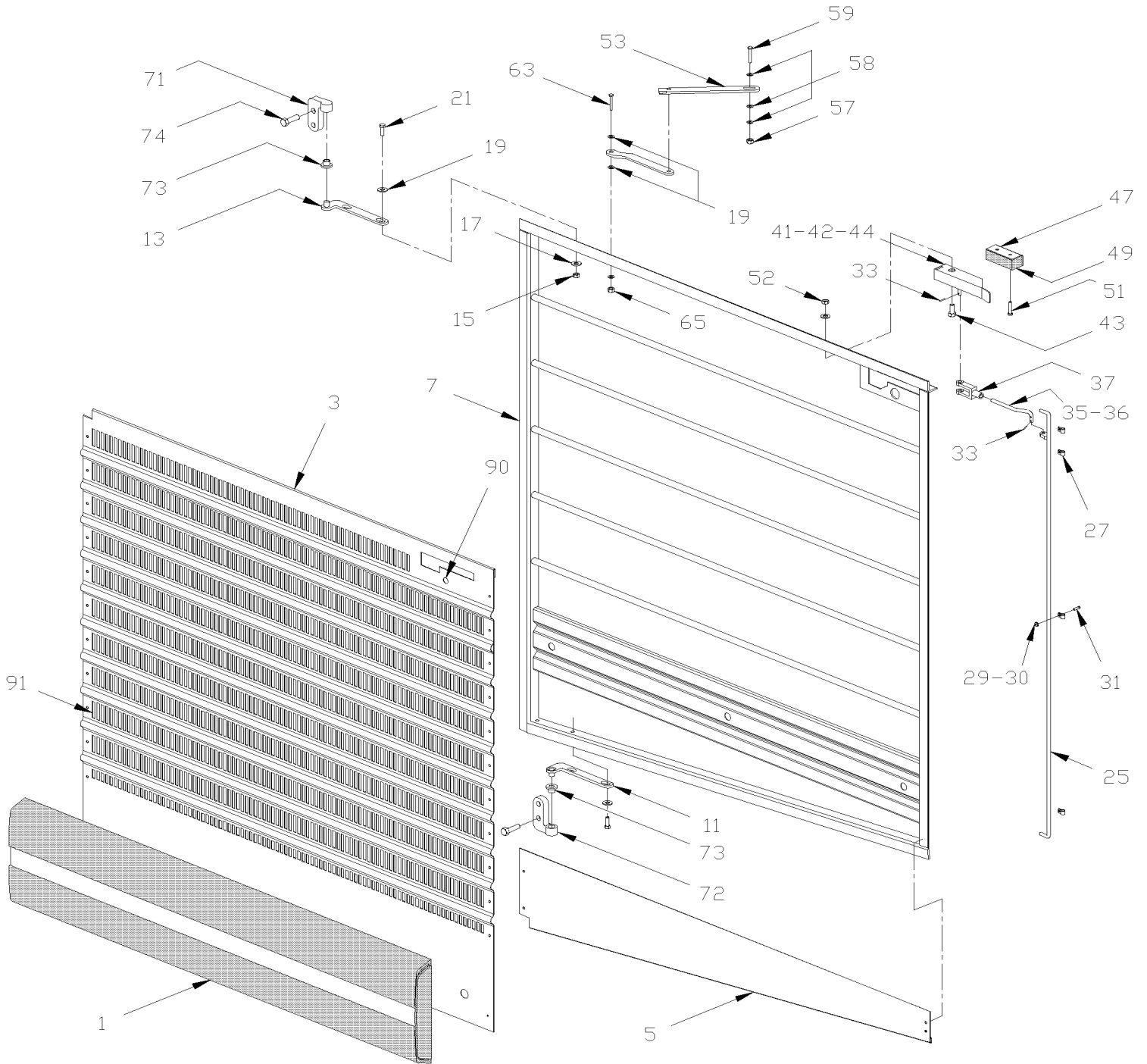
Item#	Part	Description	M T H 4 0	M T H 4 5	M T H 4 5 E	X L 4 0	X L 4 5	N O T E S
		S) REQUIERED ONLY IN SERVICE IF YOU NEED TO CHANGE YOUR OLD CYLINDER LOCK # 780180						

From P-722 To Y-7045

Date:10/2022

PAGE:XL-1869-01

RADIATOR DOOR ASSY



From P-722 To Y-7045	Date:10/2022	PAGE:XL-1869-01
RADIATOR DOOR ASSY		

Item#	Part	Description	M T H 4 0	M T H 4 5	M T H 4 5 E	X L 4 0	X L 4 5	N O T E S
	284493	RADIATOR DOOR ASSY To R-810		1				C
	285175P	RADIATOR DOOR ASSY To S-569	1		1			
	285174P	RADIATOR DOOR ASSY / W/LOCK To S-569	1	1	1			
	285177P	RADIATOR DOOR ASSY From S-570 To T-5786	1		1			
	285176P	RADIATOR DOOR ASSY / W/LOCK From S-570 To W-6581	1	1	1			
	287333	RADIATOR DOOR ASSY W/LOCK From W-6582	1	1	1			A
	284923	RADIATOR DOOR ASSY				1	1	
	284927	RADIATOR DOOR ASSY / W/LOCK				1	1	
1	284488	RAIL ASSY / 44"1/8 / RADIATOR DOOR	1	1	1	1	1	
1	281518	RAIL ASSY / 42" 5/8	1		1		1	
1	285950	RAIL PROTECTOR / SS BLACK TREATED 1105MM From W-6562	1	1				
1	285950	RAIL PROTECTOR / SS BLACK TREATED 1105MM From W-6562			AR			
3	472869	PANEL / W/12 ROWS 45				1	1	
3	472871	PANEL / W/12 ROWS 45 & LOCK				1	1	
3	472713	PANEL / W/12 ROWS 45 To R-810		1				C
3	472779	PANEL / W/12 ROWS 45 From R-811 To S-569	1	1	1			
3	473102	PANEL / W/12 ROWS 45 From S-570 To W-6561	1		1			
3	472778	PANEL / W/12 ROWS 45 & LOCK From R-811 To S-569	1	1	1			
3	473101	PANEL / W/12 ROWS 45 & LOCK From S-570 To W-6561	1	1	1			
3	473761	PANEL / W/12 ROWS 45 & LOCK From W-6562	1	1				
5	472722	PANEL LOWER To R-810		1				C
5	471204	PANEL LOWER From R-811 To S-569	1	1	1			
5	472780	PANEL LOWER From S-570 To W-6561	1	1	1			
5	473762	PANEL LOWER / W/1 ROW 45 From W-6562	1	1	1			
NS	504272	RIVET CHY Q BRAZ 3/16x1/8 SS	AR	AR	AR	AR		
7	284682	FRAME ASSY				1	1	
7	284491	FRAME ASSY To R-810		1				C
7	285168	FRAME ASSY From R-811 To W-6561	1	1	1			
7	285948	FRAME ASSY From W-6562	1	1				
7	285948	FRAME ASSY From W-6562			AR			
11	280349	HINGE ASSY To P-753	1	1	1	1	1	
11	284636	HINGE ASSY / LOWER / 5 DEG BEND From P-754	1	1	1	1	1	
13	280350	HINGE ASSY	1	1	1	1	1	
15	500692	NUT HEX 1/4-28 Z050	4	4	4	4	4	
17	500473	WASHER LO SPT .262x.489x.062 Z050	4	4	4	4	4	
19	500441	WASHER FL .312x.734x.065 Z050	AR	AR	AR	AR	AR	
21	500007	SCREW CAP HEX 1/4-28x3/4 G5 ZP	4	4	4	4	4	
25	280909	ROD ASSY L.H.	1	1	1	1	1	
27	280361	CLIP / S.Q.	4	4	4	4	4	
29	500766	NUT HEX #5-40 ZP	4	4	4	4	4	
30	502636	WASHER LO SPT 4.1x7.6x0.9 Z050	4	4	4	4	4	
31	500377	SCREW MA RND SLT #5-40x1/2 ZP	4	4	4	4	4	

From P-722 To Y-7045	Date:10/2022	PAGE:XL-1869-01
RADIATOR DOOR ASSY		

Item#	Part	Description	M T H 4 0	M T H 4 5	M T H 4 5 E	X L 4 0	X L 4 5	N O T E S
33	502094	. PIN, COTTER 1/16 x 1/2 SS	2	2	2	2	2	
35	285354	. LINK	1	1	1	1	1	
36	500692	. NUT HEX 1/4-28 Z050	1	1	1	1	1	
37	030698	. YOKE 1/4-28x1 1/4x1/4Wx17/64	1	1	1	1	1	
41	280223	. HANDLE ASSY	1	1	1	1	1	
41	281085	. HANDLE ASSY / DOOR W/LOCK	1	1	1	1	1	
42	281005	. BUSHING	1	1	1	1	1	
43	500179	. SCREW CAP HEX 5/16-18x3/4 G5 Z050	1	1	1	1	1	
44	470949	. SPACER RUBBER 3/4" O.D. / S.Q.	AR	AR	AR	AR	AR	
47	280577	BRACKET / TO FIX RUBBER BUMPER	2	2	2	2	2	
49	506250	RUBBER BUMPER	2	2	2	2	2	
51	500659	SCREW TC PAN PH #10-32x1 Z050	4	4	4	4	4	
52	500770	NUT HEX STO 1/4-20 Z050	1	1	1	1	1	
53	281444	GUIDE ASSY / L.H. DOOR	1	1	1	1	1	
53	281378	. ARM ASSY, STRAIGHT W/L.H. GUIDE	1	1	1	1	1	
53	280853	. ARM, BENT	1	1	1	1	1	
53	281128	. RIVET SOL RND 1/4x1/2 / STL CHROMATE	1	1	1	1	1	
57	502716	NUT HEX NYRT 1/4-20	1	1	1	1	1	
58	500769	NUT HEX 1/4-20 Z050	1	1	1	1	1	
59	500558	SCREW MA TR PH 1/4-20x1 SS	1	1	1	1	1	
63	500181	SCREW CAP HEX 5/16-18x1 G5 Z050	2	2	2	2	2	
65	500924	NUT AN JK 5/16-18	2	2	2	2	2	
71	780531	HINGE	1	1	1	1	1	
72	780532	HINGE	1	1	1	1	1	
73	284607	BUSHING, NYLON / (NOT INCLUDE W/HINGE)	2	2	2	2	2	
74	502795	SCREW CAP FL HEXS 3/8-16x1 1/4 SS	4	4	4	4	4	
90	780180	LOCK CYLINDER W/KEY / "VIRO"	1	1	1	1	1	
. NS	780501	. KEY	1	1	1	1	1	
90	780806	LOCK CYLINDER W/KEY / "VIRO"	1	1	1	1	1	
. NS	780501	. KEY	1	1	1	1	1	
NS	285277	PIVOT LEVER / 40.5MM	1	1	1	1	1	
NS	289549	PIVOT LOCK ACTUATOR 42.4MM / W/11MM OFFSET	1	1	1	1	1	S
91	282464	PLATE REFLECTOR RETAINING 4 5/16" X 1/2"	1	1	1	1	1	
NS	500606	SCREW MA TR PH #10-24x3/4 SS	2	2	2	2	2	
NS	500470	WASHER LO SPT .193x.334x.047 Z050	2	2	2	2	2	
NS	500786	NUT HEX #10-24 Z050	2	2	2	2	2	
NS	284489	ANGLE BRACKET / TO FIX DOOR LOWER TO STRUCTURE To R-810		2				C
NS	500510	SCREW MA BDG PH #10-32x3/4 SS EMN To R-810		4				C
NS	5001125	WASHER LO SERR 8.15x22.3x1.0 ZP BK To R-810		4				C
NS	502780	SCREW CAP HEX M8-1.25x25 SS BK To R-810		4				C
NS	506250	RUBBER BUMPER To R-810		2				C
NS	5001139	SCREW CAP HEX M12-1.75x50 NYL To R-810		2				C

From P-722 To Y-7045	Date:10/2022	PAGE:XL-1869-01
RADIATOR DOOR ASSY		

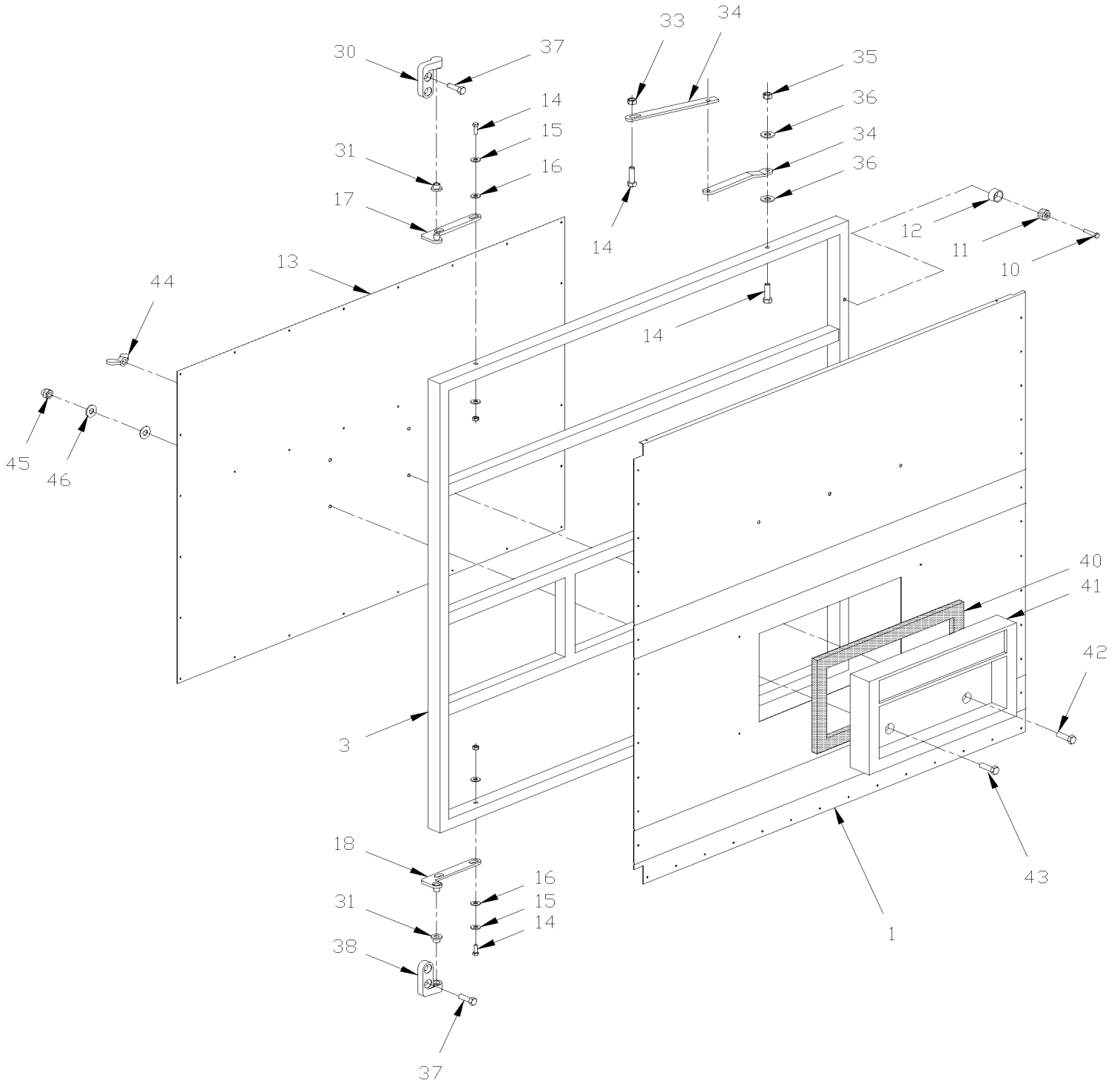
Item#	Part	Description	M T H 4 0	M T H 4 5	M T H 4 5 E	X L 4 0	X L 4 5	N O T E S
		A) WITH 500HP ENGINE						
		C) THOSE PARTS ARE USED WITH RADIATOR DOOR BOLTED ON STRUCTURE FOR VEHICLE UP TO R-810						
		S) REQUIERED ONLY IN SERVICE IF YOU NEED TO CHANGE YOUR OLD CYLINDER LOCK # 780180						

From E-638 To Y-7045

Date:10/2022

PAGE:XL-1870-00

ENGINE DOOR ASSY L.H.



From E-638 To Y-7045	Date:10/2022	PAGE:XL-1870-00
ENGINE DOOR ASSY L.H.		

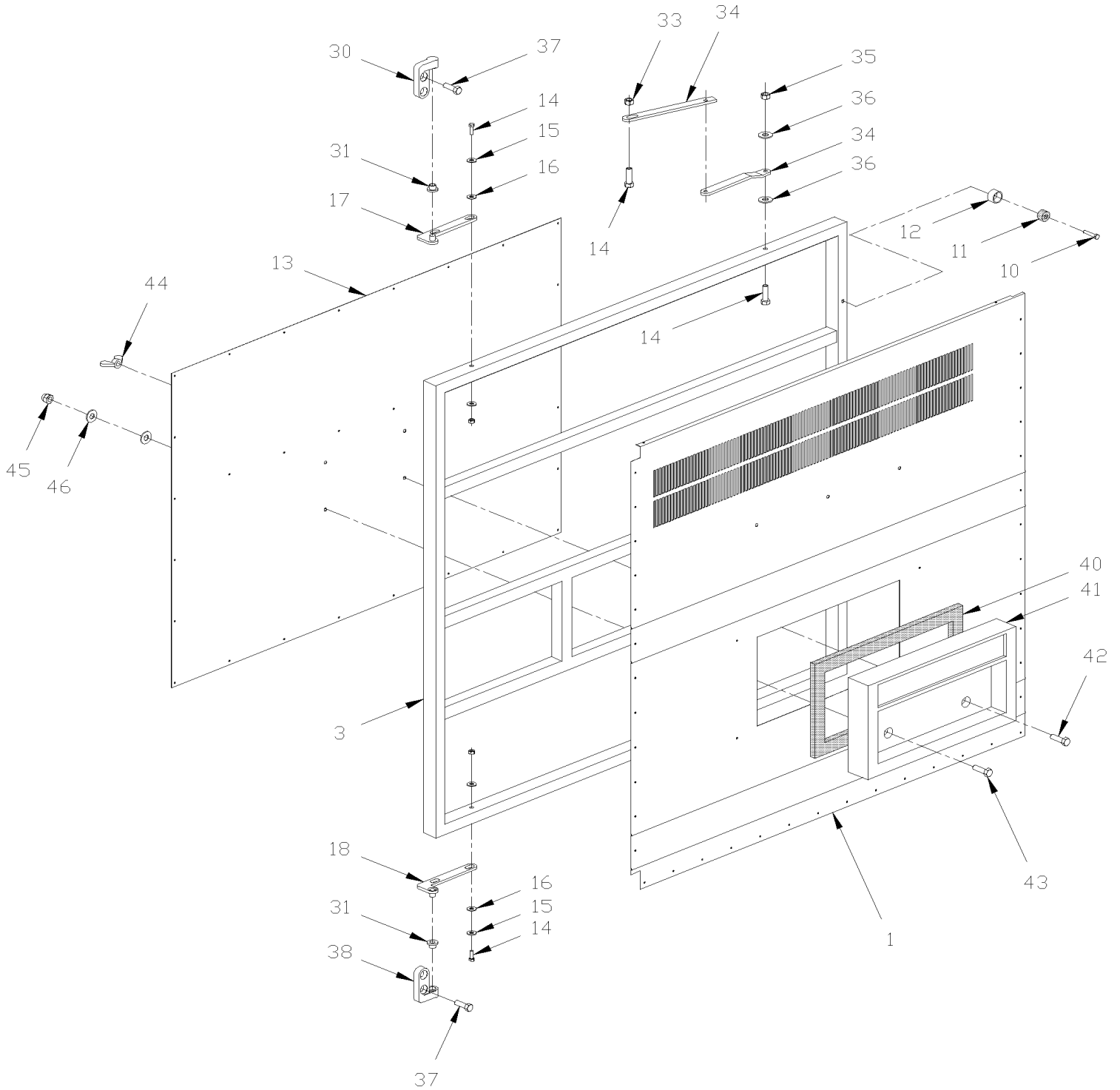
Item#	Part	Description	M T H 4 0	M T H 4 5	M T H 4 5 E	X L 4 0	X L 4 5	N O T E S
	283059	ENGINE DOOR ASSY L.H.	1	1	1	1		
1	471457	. PANEL L.H.	1	1	1	1	1	
NS	680065	. TAPE COMPOUND / BLACK / 1/32" X 1" X 33' / L163-2400	AR	AR	AR	AR	AR	
NS	504272	. RIVET CHY Q BRAZ 3/16x1/8 SS	AR	AR	AR	AR	AR	
NS	504340	. RIVET POP DOME OE 1/8x3/16 SS	AR	AR	AR	AR	AR	
3	281472	. FRAME, L.H.	1	1	1	1	1	
10	500339	. SCREW MA RND PH #6-32x3/4 SS	4	4	4	4	4	
11	504334	. BUMPER RUBBER / .625 OD x .406 TH x .156 HOLE	4	4	4	4	4	
12	500689	. NUT HEX #6-32 Z050	4	4	4	4	4	
13	471481	. PANEL, L.H. / INTERIOR	1	1	1	1	1	
NS	504340	. RIVET POP DOME OE 1/8x3/16 SS	AR	AR	AR	AR	AR	
14	500163	. SCREW CAP HEX 1/4-20x3/4 G5 Z050	AR	AR	AR	AR	AR	
15	500441	. WASHER FL .312x.734x.065 Z050	AR	AR	AR	AR	AR	
16	500473	. WASHER LO SPT .262x.489x.062 Z050	AR	AR	AR	AR	AR	
17	280349	. HINGE ASSY	1	1	1	1		
18	280350	. HINGE ASSY	1	1	1	1		
30	780028	. HINGE To P-753	1	1	1	1		
30	780531	. HINGE From P-754	1	1	1	1	1	
31	504218	. BUSHING / NYLON To P-753	1			1		
31	284607	BUSHING, NYLON / (NOT INCLUDE W/HINGE) From P-754	1	1	1	1	1	
33	500769	NUT HEX 1/4-20 Z050	1	1	1	1	1	
34	281444	GUIDE ASSY / L.H. DOOR	1	1	1	1	1	
35	500777	NUT HEX STO 5/16-18 Z050	1	1	1	1	1	
36	500444	WASHER FL .406x.812x.065 Z050	2	2	2	2	2	
37	502795	SCREW CAP FL HEXS 3/8-16x1 1/4 SS	2	2	2	2	2	
38	780027	HINGE To P-753	1	1	1	1		
38	780532	HINGE From P-754	1	1	1	1	1	
40	490417	RUBBER CHANNEL / 1/18" x 5/16" INT X 58"	1	1	1	1	1	
41	490243	PLATE HOLDER LICENCE To H-284	1			1		
41	490416	PLATE HOLDER LICENCE / (AS SHOWN) From H-285	1	1	1	1	1	
41	490638	PLATE HOLDER F.M.C.A. / PAINTED CHARCOAL	1	1	1			
NS	061092	. CONNECTOR PLUG ASSY 25" / (LICENCE PLATE LIGHT)	1	1	1	1	1	
NS	061297	. CONNECTOR PLUG ASSY 13"	1			1		
NS	930210	. . CONNECTOR ASSY / TRUCK-LITE 94924						1
NS	504061	. GROMMET / .4375x.687x.062x.312x.937	1	1	1	1	1	
NS	504523	. GROMMET / .375x.562x.125x.250x.625	AR	AR	AR	AR	AR	
42	500410	SCREW MA RND SLT 1/4-20x1/2 NYL	AR	AR	AR	AR	AR	
43	500394	SCREW MA TR SLT 1/4-20x1/2 Z050	AR	AR	AR	AR	AR	
44	5001348	NUT WING 1/4-20 NYL	AR	AR	AR	AR	AR	
44	500774	NUT WING 1/4-20 ZP	AR	AR	AR	AR	AR	
45	500772	NUT HEX CAP 1/4-20 NP	AR	AR	AR	AR	AR	
46	500411	WASHER FL .260x.697x.050 SS	AR	AR	AR	AR	AR	

From S-548 To Y-7045

Date:10/2022

PAGE:XL-1870-01

ENGINE DOOR ASSY L.H. - W/VENTED HOLES - MTH

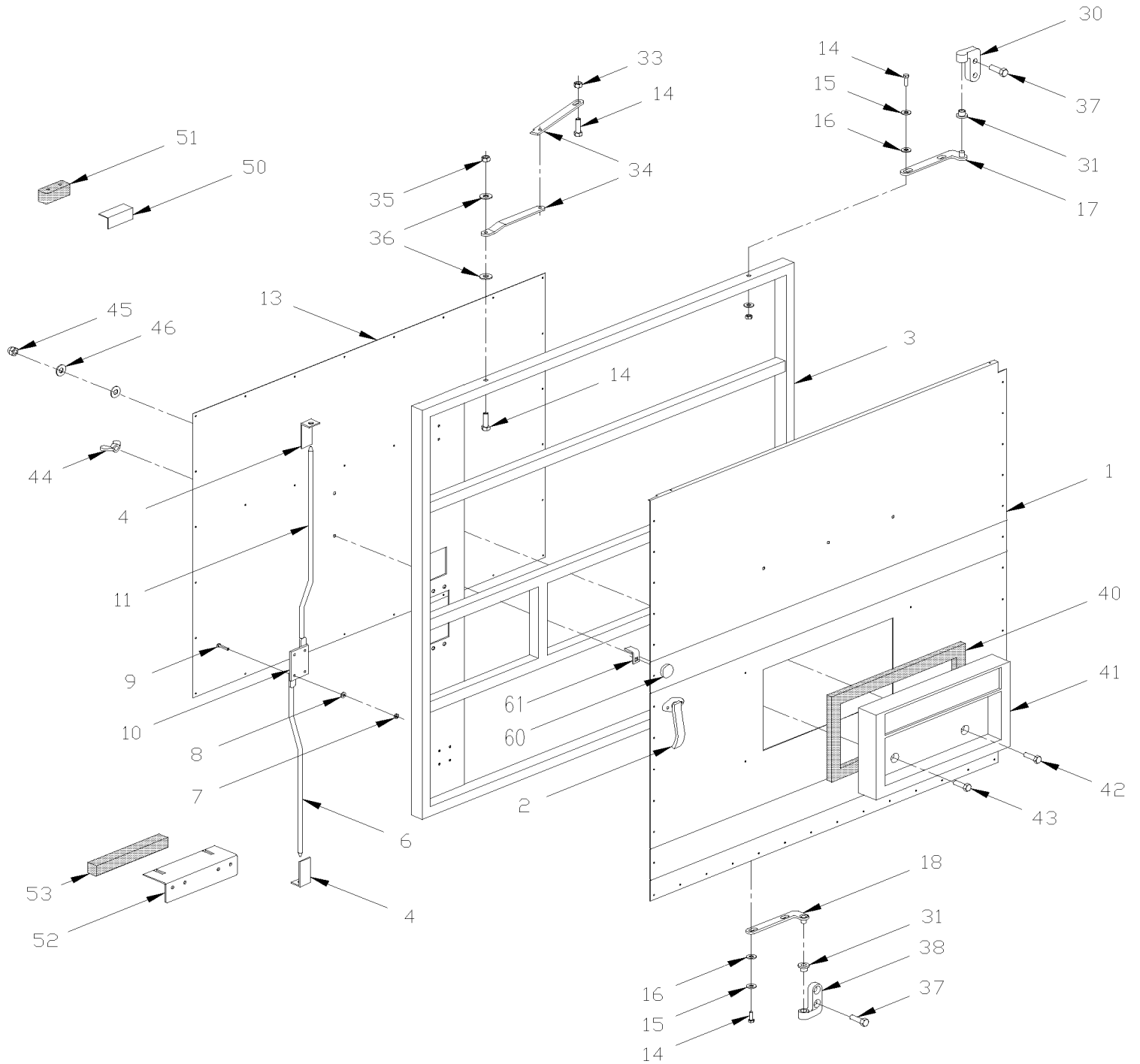


From E-638 To Y-7045

Date:10/2022

PAGE:XL-1870-05

ENGINE DOOR ASSY R.H.



From E-638 To Y-7045	Date:10/2022	PAGE:XL-1870-05
ENGINE DOOR ASSY R.H.		

Item#	Part	Description	M T H 4 0	M T H 4 5	M T H 4 5 E	X L 4 0	X L 4 5	N O T E S
	283055	ENGINE DOOR ASSY R.H.	1	1	1	1	1	
	283764	ENGINE DOOR ASSY R.H. / W/ F.M.C.A.	1	1	1			
	283056	ENGINE DOOR ASSY R.H. / W/LOCK	1	1	1	1	1	
	283763	ENGINE DOOR ASSY R.H. / W/LOCK & W/ F.M.C.A.	1	1	1			
	283057	ENGINE DOOR ASSY R.H. / W/LOCK & W/O PLATE HOLDER	1	1	1			
	283058	ENGINE DOOR ASSY R.H. / W/O PLATE HOLDER	1	1	1			
1	471701	PANEL R.H. / W/LOCK & W/PLATE HOLDER To H-284	1			1		D
1	472024	PANEL R.H. / W/LOCK & W/PLATE HOLDER From H-285 To L-684	1	1	1	1		C
1	472487	PANEL R.H. / W/LOCK & W/PLATE HOLDER From L-685	1	1	1	1	1	A
1	472256	PANEL R.H. / W/LOCK & W/PLATE HOLDER	1	1	1	1	1	B
1	471674	PANEL R.H. / W/LOCK & W/O PLATE HOLDER To H-284	1			1		D
1	472022	PANEL R.H. / W/LOCK & W/O PLATE HOLDER From H-285 To L-684	1					C
1	472485	PANEL R.H. / W/LOCK & W/O PLATE HOLDER From L-685	1	1	1			A
1	472255	PANEL R.H. / W/LOCK & W/O PLATE HOLDER	1	1	1			B
1	471703	PANEL R.H. / W/LOCK & W/O PLATE HOLDER To H-284	1			1		D
1	472025	PANEL R.H. / W/LOCK & W/O PLATE HOLDER From H-285 To L-684	1			1		C
1	472552	PANEL R.H. / W/O LOCK & W/PLATE HOLDER From L-685	1	1	1	1	1	A
1	472488	PANEL R.H. / W/O LOCK & W/PLATE HOLDER	1	1	1	1	1	B
1	471702	PANEL R.H. / W/O LOCK & W/O PLATE HOLDER To H-284	1					D
1	472023	PANEL R.H. / W/O LOCK & W/O PLATE HOLDER From H-285 To L-684	1	1	1			C
1	472486	PANEL R.H. / W/O LOCK & W/O PLATE HOLDER From L-685	1	1	1			A
1	472254	PANEL R.H. / W/O LOCK & W/O PLATE HOLDER	1	1	1			B
NS	680065	TAPE COMPOUND / BLACK / 1/32" X 1" X 33' / L163-2400	AR	AR	AR	AR	AR	
NS	504272	RIVET CHY Q BRAZ 3/16x1/8 SS	AR	AR	AR	AR	AR	
NS	504340	RIVET POP DOME OE 1/8x3/16 SS	AR	AR	AR	AR	AR	
2	780175	HANDLE To J-502	1			1		E
2	780302	HANDLE From J-503	1	1	1	1	1	
3	281568	FRAME, R.H. / W/LOCK	1	1	1	1	1	
3	281466	FRAME, R.H.	1	1	1	1	1	
4	780178	GUIDE	2	2	2	2	2	
4	504447	GROMMET / .375x.500x.062x.312x.625	1	1	1	1	1	O
4	504226	SNAP BUSHING / .391x.578x.406	1	1	1	1	1	O
NS	504248	RIVET CHY Q PRDG 3/16x1/4 SS	8	8	8	8	8	
6	280839	ROD LOWER To X-6860	1	1	1	1	1	
6	286207	ROD LOWER / SS From X-6861	1	1	1	1	1	
NS	502094	PIN, COTTER 1/16 x 1/2 SS	2	2	2	2	2	
NS	285857	SPACER	AR	AR	AR	AR	AR	
7	500423	NUT HEX NYRT #10-32 SS	2	2	2	2	2	
8	500950	WASHER FL .187x.625x.094 RUB	AR	AR	AR	AR	AR	
9	502753	SCREW MA OV PH #10-32x1 SS	2	2	2	2	2	
10	780197	HANDLE, MECHANISM	1	1	1	1	1	
11	281220	ROD UPPER To X-6860	1	1	1	1	1	

From E-638 To Y-7045	Date:10/2022	PAGE:XL-1870-05
ENGINE DOOR ASSY R.H.		

Item#	Part	Description	M T H 4 0	M T H 4 5	M T H 4 5 E	X L 4 0	X L 4 5	N O T E S
11	286206	. ROD UPPER / SS From X-6861	1	1	1	1	1	
11	281571	. ROD UPPER / TO USE W/LOCK "VIRO" To X-7012	1	1	1	1	1	
11	286208	. ROD UPPER / SS / TO USE W/LOCK "VIRO" From X-7013	1	1	1	1	1	
11	285856	. . SPACER 44MM X 52.8MM / 11GA	AR	AR	AR	AR	AR	
13	471482	. PANEL, R.H. / INTERIOR / W/PLATE HOLDER	1	1	1	1	1	
13	471614	. PANEL, R.H. / INTERIOR / W/O PLATE HOLDER	1	1	1			
13	472462	. PANEL, R.H. / INTERIOR / W/F.M.C.A. HOLDER	1	1	1			
NS	504340	. RIVET POP DOME OE 1/8x3/16 SS	AR	AR	AR	AR	AR	
14	500163	. SCREW CAP HEX 1/4-20x3/4 G5 Z050	AR	AR	AR	AR	AR	
15	500441	. WASHER FL .312x.734x.065 Z050	AR	AR	AR	AR	AR	
16	500473	. WASHER LO SPT .262x.489x.062 Z050	AR	AR	AR	AR	AR	
17	280349	. HINGE ASSY	1	1	1	1		
18	280350	. HINGE ASSY	1	1	1	1		
30	780028	. HINGE To P-753	1	1	1	1		
30	780531	. HINGE From P-754	1	1	1	1	1	
31	284607	BUSHING, NYLON / (NOT INCLUDE W/HINGE)	1	1	1	1	1	
33	500769	NUT HEX 1/4-20 Z050	1	1	1	1	1	
34	281445	GUIDE ASSY / R.H. DOOR	1	1	1	1	1	
35	500777	NUT HEX STO 5/16-18 Z050	1	1	1	1	1	
36	500444	WASHER FL .406x.812x.065 Z050	2	2	2	2	2	
37	502795	SCREW CAP FL HEXS 3/8-16x1 1/4 SS	2	2	2	2	2	
38	780027	HINGE To P-753	1	1	1	1		
38	780532	HINGE From P-754	1	1	1	1	1	
40	490417	RUBBER CHANNEL / 1/18" x 5/16" INT X 58"	1	1	1	1	1	
41	490243	PLATE HOLDER LICENCE To H-284	1			1		
41	490416	PLATE HOLDER LICENCE / (AS SHOWN) From H-285	1	1	1	1	1	
41	490638	PLATE HOLDER F.M.C.A. / PAINTED CHARCOAL	1	1	1			
NS	061092	. CONNECTOR PLUG ASSY 25" / (LICENCE PLATE LIGHT)	1	1	1	1	1	
NS	061297	. CONNECTOR PLUG ASSY 13"	1			1		
NS	930210	. . CONNECTOR ASSY / TRUCK-LITE 94924					1	
NS	504061	. GROMMET / .4375x.687x.062x.312x.937	1	1	1	1	1	
NS	504523	. GROMMET / .375x.562x.125x.250x.625	AR	AR	AR	AR	AR	
42	500410	SCREW MA RND SLT 1/4-20x1/2 NYL	AR	AR	AR	AR	AR	
43	500394	SCREW MA TR SLT 1/4-20x1/2 Z050	AR	AR	AR	AR	AR	
44	5001348	NUT WING 1/4-20 NYL	AR	AR	AR	AR	AR	
44	500774	NUT WING 1/4-20 ZP	AR	AR	AR	AR	AR	
45	500772	NUT HEX CAP 1/4-20 NP	AR	AR	AR	AR	AR	
46	500411	WASHER FL .260x.697x.050 SS	AR	AR	AR	AR	AR	
50	280577	BRACKET / TO FIX RUBBER BUMPER	2	2	2	2	2	
51	506250	RUBBER BUMPER	2	2	2	2	2	
NS	500659	SCREW TC PAN PH #10-32x1 Z050	4	4	4	4	4	
52	281648	STOPPER ASSY, LOWER To W-6301	1	1	1	1	1	

From E-638 To Y-7045	Date:10/2022	PAGE:XL-1870-05
ENGINE DOOR ASSY R.H.		

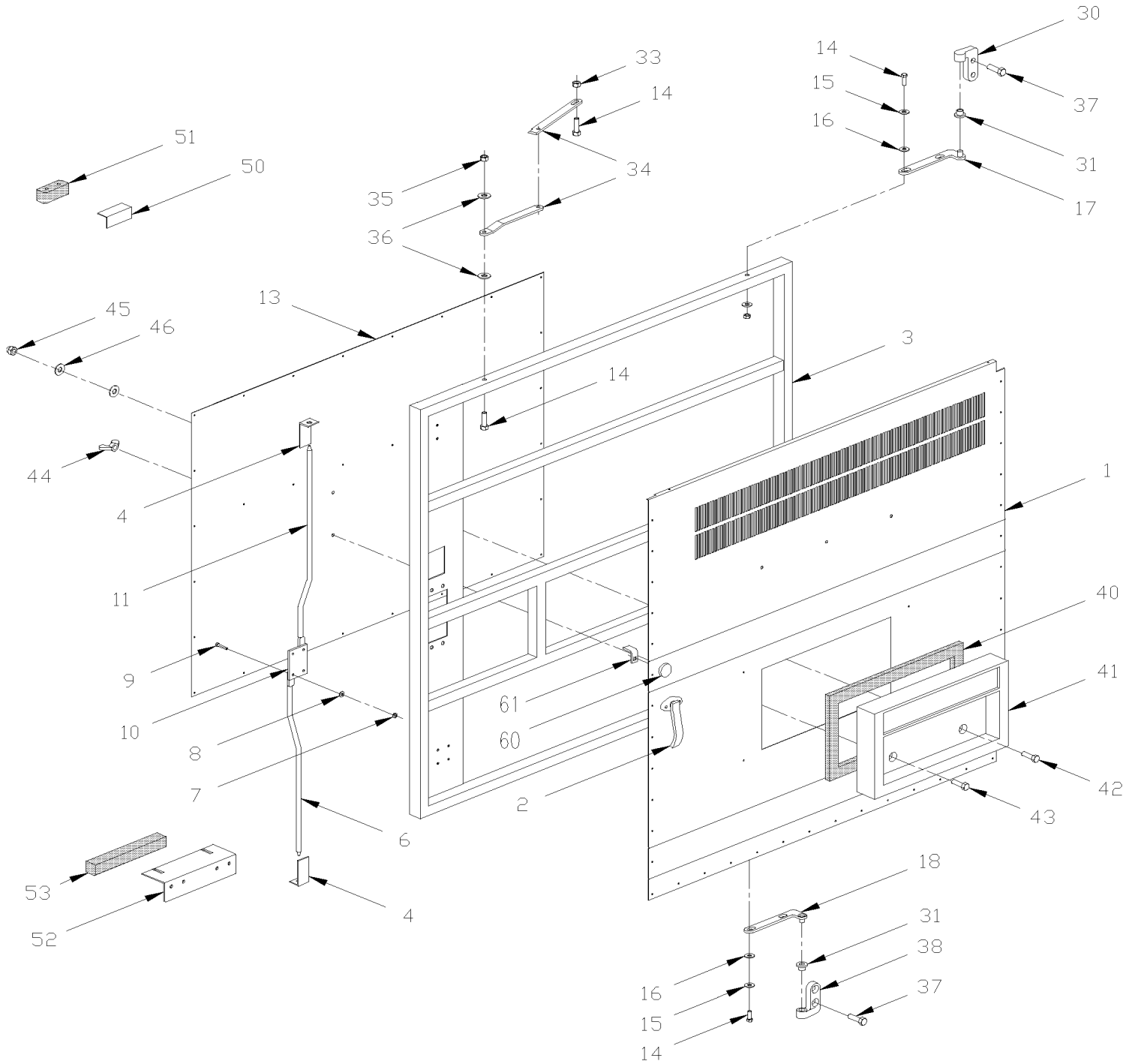
Item#	Part	Description	M T H 4 0	M T H 4 5	M T H 4 5 E	X L 4 0	X L 4 5	N O T E S
52	285807	STOPPER ASSY, LOWER From W-6302	1	1	1	1	1	
52	281649	. STOPPER RUBBER	1	1	1	1	1	
52	285806	. SUPPORT RUBBER BUMPER	1	1	1	1	1	
53	506250	RUBBER BUMPER	2	2	2	2	2	
53	504610	RIVET MGLP PRDG 1/4x5/8 SS To W-6301	4	4	4	4	4	
NS	280961	. BRACKET / TO FIX LOWER RUBBER STOPPER	1	1	1	1	1	
53	5001299	SCREW MA PAN PH #10-32x3/4 SS From W-6302	4	4	4	4	4	N
53	502637	WASHER FL .200x.437x.037 SS From W-6302	4	4	4	4	4	N
53	500519	NUT WELL #10-32x.518 From W-6302	4	4	4	4	4	N
60	780180	LOCK CYLINDER W/KEY / "VIRO"	1	1	1	1	1	
. NS	780501	. KEY	1	1	1	1	1	
60	780806	LOCK CYLINDER W/KEY / "VIRO"	1	1	1	1	1	
. NS	780501	. KEY	1	1	1	1	1	
61	280959	CAM, LOCK ANGLE / 28.6MM x 25.4MM	1	1	1	1	1	
61	289556	CAM, LOCK ANGLE / 28.6MM x 36.4MM	1	1	1	1	1	S
NS	XL-1867-00	KEY & CYLINDER CODE "FORD" & "NS"						
		A) THIS PANEL IS USED WITH CASTING CREST #490550, WITCH ONE HAVE 3 HOLES FOR CREST						
		B) THIS PANEL IS USED WITHOUT HOLES FOR CREST ON DOOR AND THEY USED ON ALLS DOORS ASSY FOR SERVICE.						
		C) THOSE PANELS ARE USED WITH PLASTIC CREST #490405, WITCH ONE HAVE 3 HOLES FOR CREST						
		D) THOSE PANELS ARE USED WITH ALUMINUM CREST 8V92 #490229, WITCH ONE HAVE 3 HOLES FOR CREST						
		E) FOR SERVICE YOU NEED 1 #282933 PLATE, 2 #500908 SCREWS & 2 #500700 NUTS						
		N) TO FIX FRAME						
		O) (SUBSTITUTE)						
		S) REQUIERED ONLY IN SERVICE IF YOU NEED TO CHANGE YOUR OLD CYLINDER LOCK # 780180						

From S-548 To Y-7045

Date:10/2022

PAGE:XL-1870-06

ENGINE DOOR ASSY R.H. - W/VENTED HOLES - MTH



From S-548 To Y-7045	Date:10/2022	PAGE:XL-1870-06
ENGINE DOOR ASSY R.H. - W/VENTED HOLES - MTH		

Item#	Part	Description	M T H 4 0	M T H 4 5	M T H 4 5 E	X L 4 0	X L 4 5	N O T E S
	285358	ENGINE DOOR ASSY R.H. / W/VENT	1	1	1			
	285359	ENGINE DOOR ASSY R.H. / W/VENT & PLATE HOLDER	1	1	1			
	285360	ENGINE DOOR ASSY R.H. / W/VENT & F.M.C.A.	1	1	1			
	285361	ENGINE DOOR ASSY R.H. / W/VENT & LOCK	1	1	1			
	285362	ENGINE DOOR ASSY R.H. / W/VENT, LOCK & PLATE	1	1	1			
	285386	ENGINE DOOR ASSY R.H. / W/VENT, LOCK & F.M.C.	1	1	1			
1	473067	. PANEL, R.H. / W/LOCK & W/PLATE HOLDER	1	1	1			A
1	473071	. PANEL, R.H. / W/LOCK & W/O PLATE HOLDER	1	1	1			A
1	473073	. PANEL, R.H. / W/O LOCK & W/PLATE HOLDER	1	1	1			A
1	473072	. PANEL, R.H. / W/O LOCK & W/O PLATE HOLDER	1	1	1			A
NS	680065	. TAPE COMPOUND / BLACK / 1/32" X 1" X 33' / L163-2400	AR	AR	AR			
NS	504272	. RIVET CHY Q BRAZ 3/16x1/8 SS	AR	AR	AR			
2	780302	. HANDLE	1	1	1			
3	281466	. FRAME, R.H.	1	1	1			
3	281568	. FRAME, R.H. / W/LOCK	1	1	1			
4	780178	. GUIDE	2	2	2			
4	504447	. . GROMMET / .375x.500x.062x.312x.625	1	1	1			N
4	504226	. . SNAP BUSHING / .391x.578x.406	1	1	1			N
NS	504248	. RIVET CHY Q PRDG 3/16x1/4 SS	8	8	8			
6	280839	. ROD LOWER To X-6860	1	1	1			
6	286207	. ROD LOWER / SS From X-6861	1	1	1			
NS	502094	. PIN, COTTER 1/16 x 1/2 SS	2	2	2			
NS	285857	. SPACER	AR	AR	AR			
7	500423	. NUT HEX NYRT #10-32 SS	2	2	2			
8	500950	. WASHER FL .187x.625x.094 RUB	AR	AR	AR			
9	502753	. SCREW MA OV PH #10-32x1 SS	2	2	2			
10	780197	. HANDLE, MECHANISM	1	1	1			
11	281220	. ROD UPPER To X-6860	1	1	1			
11	286206	. ROD UPPER / SS From X-6861	1	1	1			
11	281571	. ROD UPPER / TO USE W/LOCK "VIRO" To X-7012	1	1	1			
11	286208	. ROD UPPER / SS / TO USE W/LOCK "VIRO" From X-7013	1	1	1			
NS	285856	. SPACER 44MM X 52.8MM / 11GA	AR	AR	AR			
13	473075	. PANEL, R.H. / INTERIOR / W/PLATE HOLDER	1	1	1			
13	473076	. PANEL, R.H. / INTERIOR / W/O PLATE HOLDER	1	1	1			
13	473077	. PANEL, R.H. / INTERIOR / W/F.M.C.A. PLATE HOLDER	1	1	1			
NS	504340	. RIVET POP DOME OE 1/8x3/16 SS	AR	AR	AR			
14	500163	SCREW CAP HEX 1/4-20x3/4 G5 Z050	AR	AR	AR			
15	500441	WASHER FL .312x.734x.065 Z050	AR	AR	AR			
16	500473	WASHER LO SPT .262x.489x.062 Z050	AR	AR	AR			
17	280349	HINGE ASSY	1	1	1			
18	280350	HINGE ASSY	1	1	1			
NS	506035	. TAPE RUB ADH1 NEO 1/2" x 1" x 15' / BLACK 1220X	AR	AR	AR			

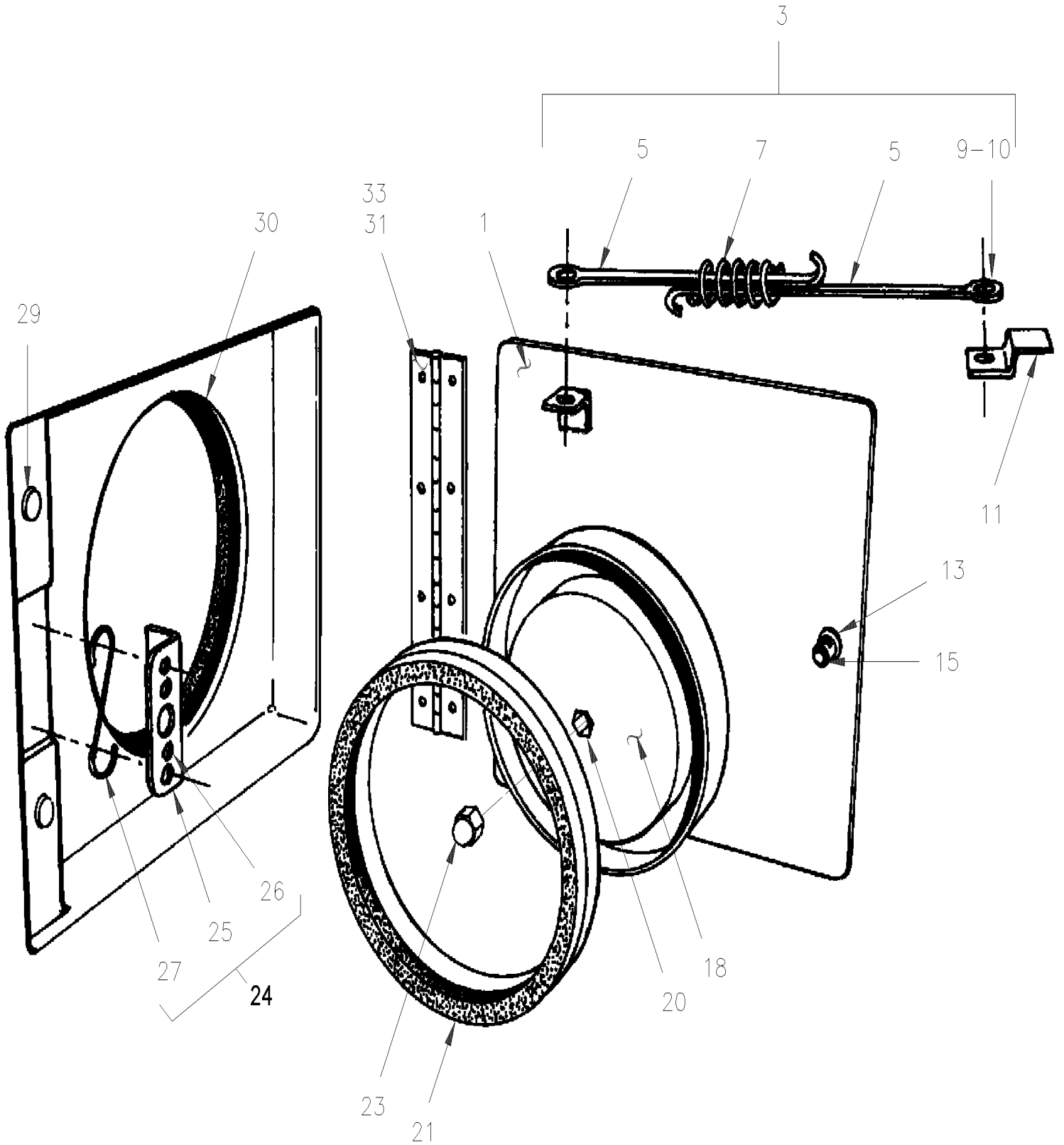
From S-548 To Y-7045	Date:10/2022	PAGE:XL-1870-06
ENGINE DOOR ASSY R.H. - W/VENTED HOLES - MTH		

Item#	Part	Description	M T H 4 0	M T H 4 5	M T H 4 5 E	X L 4 0	X L 4 5	N O T E S
NS	500554	. SCREW MA RND SLT 1/4-20x1/2 SS	AR	AR	AR			
NS	500339	. SCREW MA RND PH #6-32x3/4 SS	AR	AR	AR			
NS	500689	. NUT HEX #6-32 Z050	AR	AR	AR			
30	780532	HINGE	2	2	2			
31	284607	BUSHING, NYLON / (NOT INCLUDE W/HINGE)	1	1	1			
33	500769	NUT HEX 1/4-20 Z050	1	1	1			
34	281445	GUIDE ASSY / R.H. DOOR	1	1	1			
35	500777	NUT HEX STO 5/16-18 Z050	1	1	1			
36	500444	WASHER FL .406x.812x.065 Z050	2	2	2			
37	502795	SCREW CAP FL HEXS 3/8-16x1 1/4 SS	2	2	2			
38	780531	HINGE	2	2	2			
40	490417	RUBBER CHANNEL / 1/18" x 5/16" INT X 58"	1	1	1			
41	490416	PLATE HOLDER LICENCE / (AS SHOWN)	1	1	1			
41	490638	PLATE HOLDER F.M.C.A. / PAINTED CHARCOAL	1	1	1			
NS	061092	. CONNECTOR PLUG ASSY 25" / (LICENCE PLATE LIGHT)	1	1	1			
NS	930210	. . CONNECTOR ASSY / TRUCK-LITE 94924	1	1	1			
NS	504061	. GROMMET / .4375x.687x.062x.312x.937	1	1	1			
NS	504523	. GROMMET / .375x.562x.125x.250x.625	AR	AR	AR			
42	500410	SCREW MA RND SLT 1/4-20x1/2 NYL	AR	AR	AR			
43	500394	SCREW MA TR SLT 1/4-20x1/2 Z050	AR	AR	AR			
44	500774	NUT WING 1/4-20 ZP	AR	AR	AR			
44	5001348	NUT WING 1/4-20 NYL	2	2	2			
45	500772	NUT HEX CAP 1/4-20 NP	AR	AR	AR			
46	500411	WASHER FL .260x.697x.050 SS	AR	AR	AR			
50	280577	BRACKET / TO FIX RUBBER BUMPER	2	2	2			
51	506250	RUBBER BUMPER	2	2	2			
NS	500659	SCREW TC PAN PH #10-32x1 Z050	4	4	4			
NS	281648	STOPPER ASSY, LOWER To W-6301	1	1	1			
NS	285207	PROTECTOR R.H. From W-6302	1	1	1			
52	281649	. STOPPER RUBBER To W-6301	1	1	1			
52	285806	. SUPPORT RUBBER BUMPER	1	1	1			
NS	506250	. RUBBER BUMPER	2	2	2			
NS	504610	. RIVET MGLP PRDG 1/4x5/8 SS To W-6301	4	4	4			
53	5001299	SCREW MA PAN PH #10-32x3/4 SS From W-6302	4	4	4			
53	502637	WASHER FL .200x.437x.037 SS From W-6302	4	4	4			
53	500519	NUT WELL #10-32x.518 From W-6302	4	4	4			
NS	280961	BRACKET / TO FIX LOWER RUBBER STOPPER	1	1	1			
60	780180	LOCK CYLINDER W/KEY / "VIRO"	1	1	1			
. NS	780501	. KEY	1	1	1			
60	780806	LOCK CYLINDER W/KEY / "VIRO"	1	1	1			
. NS	780501	. KEY	1	1	1			
61	280959	CAM, LOCK ANGLE / 28.6MM x 25.4MM	1	1	1			

From S-548 To Y-7045	Date:10/2022	PAGE:XL-1870-06
ENGINE DOOR ASSY R.H. - W/VENTED HOLES - MTH		

Item#	Part	Description	M T H 4 0	M T H 4 5	M T H 4 5 E	X L 4 0	X L 4 5	N O T E S
61	289556	CAM, LOCK ANGLE / 28.6MM x 36.4MM	1	1	1			S
NS	XL-1867-00	KEY & CYLINDER CODE "FORD" & "NS"						
		A) THIS PANELS IS USED WITH CASTING CREST #490550, WITCH ONE HAVE 3 HOLES (SEE PAGE XL-1855-00)						
		N) (SUBSTITUTE)						
		S) REQUIERED ONLY IN SERVICE IF YOU NEED TO CHANGE YOUR OLD CYLINDER LOCK # 780180						

From E-638 To Y-7045	Date:10/2022	PAGE:XL-1873-00
LAVATORY UTILITY DOOR		



From E-638 To Y-7045		Date:10/2022	PAGE:XL-1873-00
LAVATORY UTILITY DOOR			

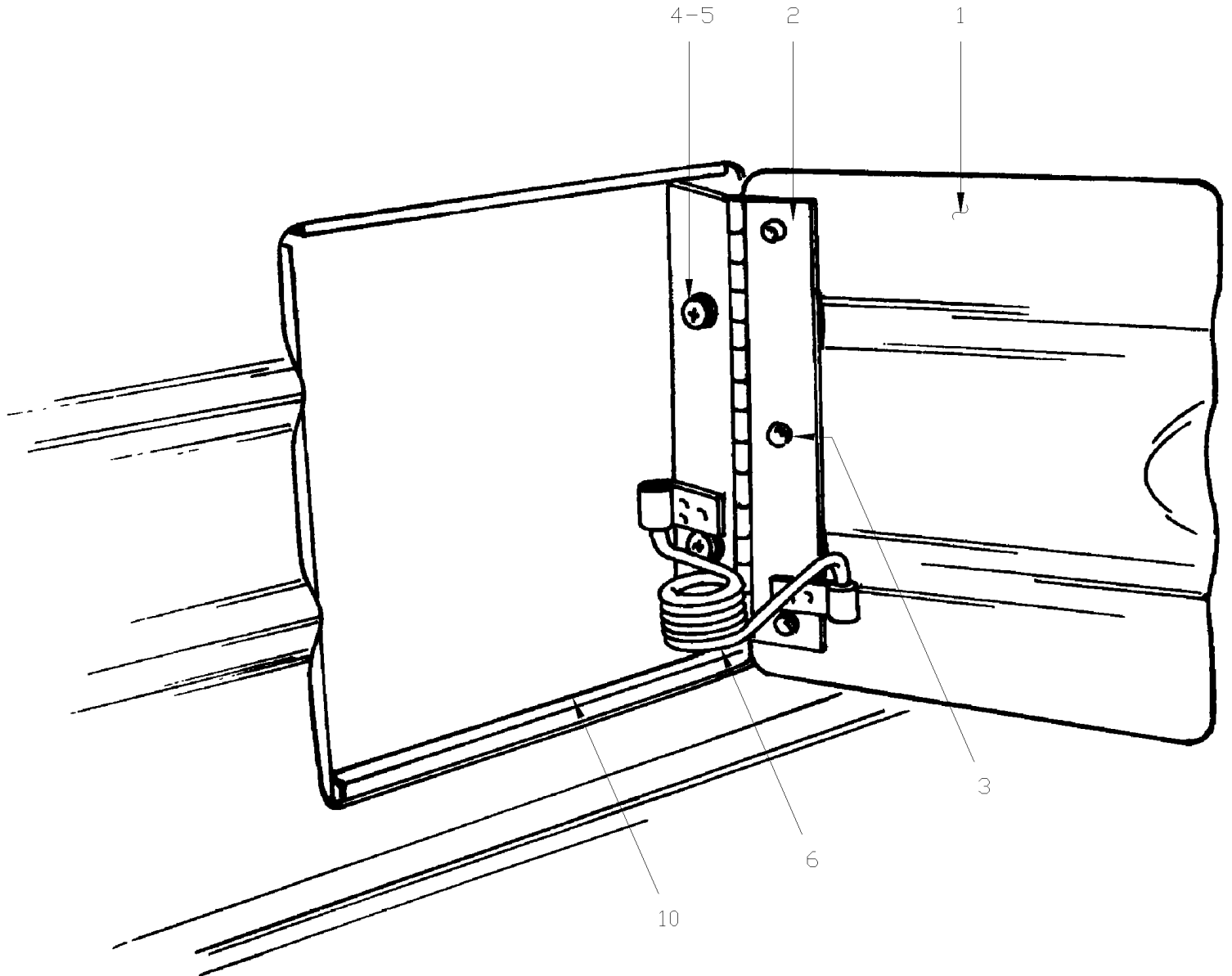
Item#	Part	Description	M T H 4 0	M T H 4 5	M T H 4 5 E	X L 4 0	X L 4 5	N O T E S
	281688	DOOR ASSY / "PREVOST XL" To J-609				1		B
	281136	DOOR ASSY / "LE MIRAGE"				1	1	
1	281735	. DOOR SUBASSY / "PREVOST XL" To J-609				1		B
1	281170	. DOOR SUBASSY / "LE MIRAGE"				1	1	
3	282332	. ROD ASSY				1	1	A
5	281693	. . ROD				2	2	
7	502151	. . SPRING COMPRESSION / .300 O.D. x 1 x .032				1	1	
9	504339	. RIVET POP DOME OE 1/8x3/8 SS				2	2	
10	500437	. WASHER FL .125x.375x.040 Z050				2	2	
11	281694	. ATTACHMENT				1	1	
13	504353	. RETAINER, 5/16"DIA. (DZUS) STUD				1	1	
15	504363	. STUD 5/16 O.D. X 7/16 (DZUS)				1	1	
18	281135	DOOR INSIDE PART / PLASTIC CREAM 6 1/2" O.D. To F-827				1		B
18	281691	DOOR INSIDE PART / PLASTIC CREAM 5 1/2" O.D. From F-828 To J-609				1		B
18	281456	DOOR INSIDE PART / PLASTIC CREAM 6 1/2" O.D. To H-284				1		
18	282469	DOOR INSIDE PART / PLASTIC GREY 6 1/2" O.D. From H-285				1	1	
NS	281403	INSULATING PANEL				1	1	
20	505215	SPACER 10X1 1/8				1	1	
21	506302	RUBBER EXTRUSION TRIM SEAL / GRIP .024 / 7/16" HOLLOW BULB C.T.L.				AR	AR	
23	500995	NUT HEX CAP #10-32 Z050				1	1	
24	281138	SUPPORT & SPRING ASSY				1	1	
25	281139	. SUPPORT				1	1	
26	504340	. RIVET POP DOME OE 1/8x3/16 SS				2	2	
27	504365	. SPRING HOOK / DZUS 5/16				1	1	
29	504362	BUMPER PLUG / .375ODx.3125THx.250HOLEx.125				2	2	
30	509562	WEATHERSEAL SNAP-ON 1/8" / SINGLE LIP / WH / C.T.L.				AR	AR	
31	500437	WASHER FL .125x.375x.040 Z050				7	7	
33	504339	RIVET POP DOME OE 1/8x3/8 SS				7	7	
		A) UP TO F-827 WE USED CHAIN #980001 & TUBE #500383 FOR RETAINER / S.L.						
		B) USE ON "PREVOST XL"						

From E-638 To Y-7045

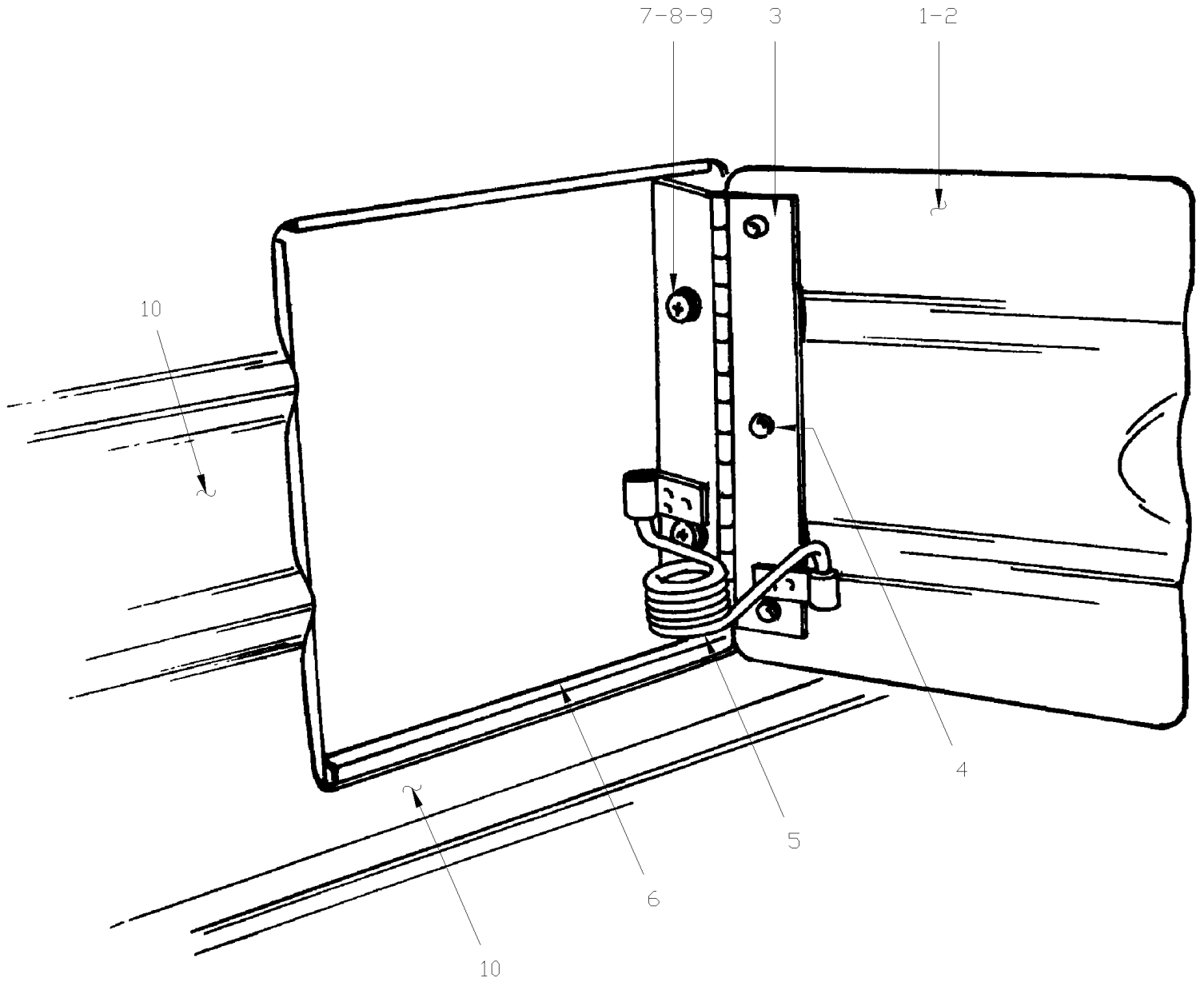
Date:10/2022

PAGE:XL-1874-00

BATTERIES DOOR - MAIN SWITCH



From N-463 To Y-7045	Date:10/2022	PAGE:XL-1874-10
HEIGHT CONTROL VALVE - ACCESS DOOR		

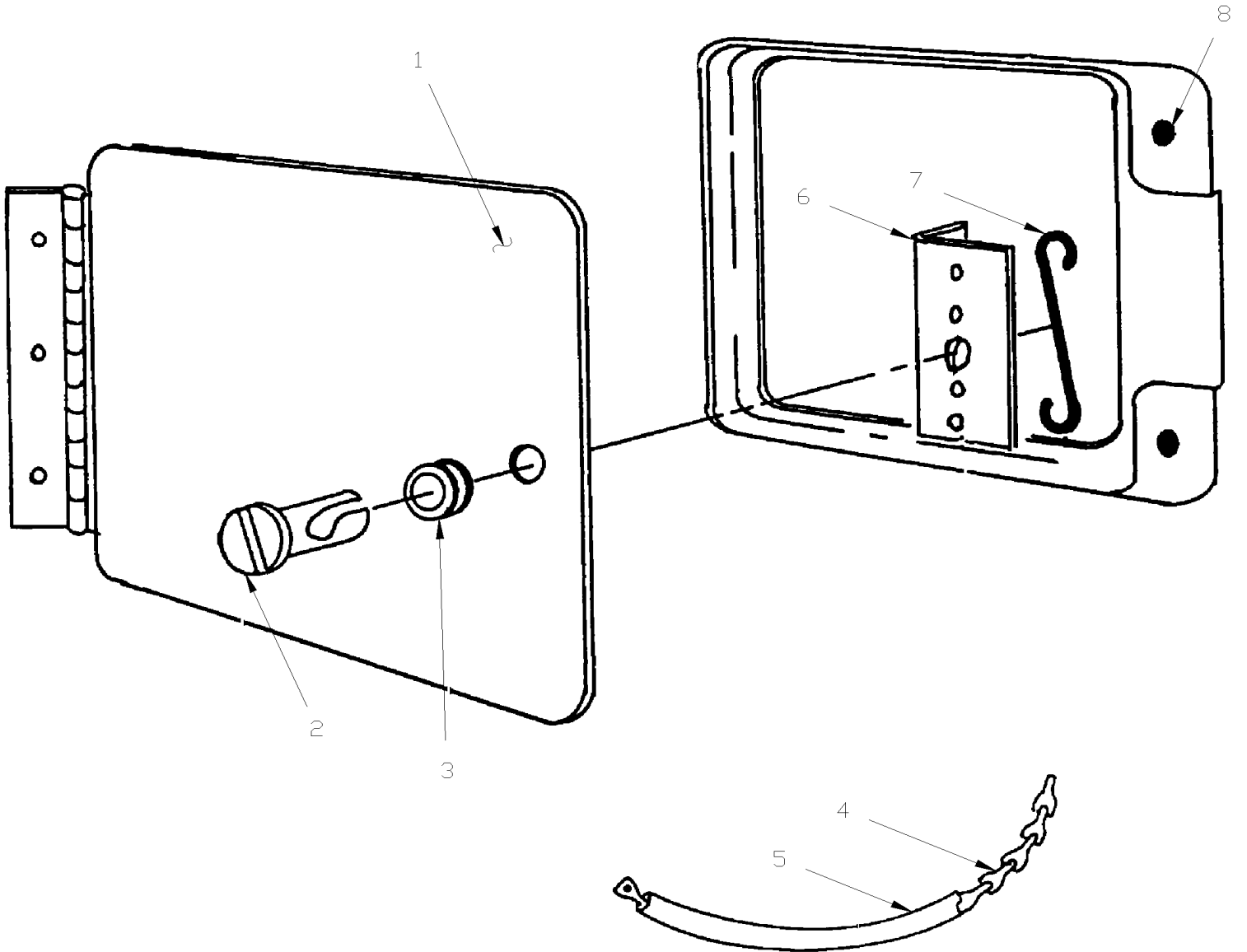


From E-638 To Y-7045

Date:10/2022

PAGE:XL-1874-20

FILLING DOOR REAR - OIL & WATER



From E-638 To Y-7045	Date:10/2022	PAGE:XL-1874-20
FILLING DOOR REAR - OIL & WATER		

Item#	Part	Description	M T H 4 0	M T H 4 5	M T H 4 5 E	X L 4 0	X L 4 5	N O T E S
	281442	DOOR ASSY L.H.	1	1	1	1	1	
	285147	DOOR ASSY L.H. / W/VENTED HOLES	1	1	1			
	281788	DOOR ASSY L.H. / W/LOCK	1	1	1	1	1	
	285142	DOOR ASSY L.H. / W/LOCK & VENTED HOLES	1	1	1			
	281441	DOOR ASSY R.H.	1	1	1	1	1	
	285145	DOOR ASSY R.H. / W/VENTED HOLES	1	1	1			
	281787	DOOR ASSY R.H. / W/LOCK	1	1	1	1	1	
	285141	DOOR ASSY R.H. / W/LOCK & VENTED HOLES	1	1	1			
1	281440	DOOR PANEL SUBASSY L.H.	1	1	1	1	1	
1	285148	DOOR PANEL SUBASSY L.H. / W/VENTED HOLES	1	1	1			
1	281786	DOOR PANEL SUBASSY L.H. / W/LOCK	1	1	1	1	1	
1	285140	DOOR PANEL SUBASSY L.H. / W/LOCK & VENTED HOLES	1	1	1			
1	281171	DOOR PANEL SUBASSY R.H.	1	1	1	1	1	
1	285146	DOOR PANEL SUBASSY R.H. / W/VENTED HOLES	1	1	1			
1	281785	DOOR PANEL SUBASSY R.H. / W/LOCK	1	1	1	1	1	
1	285139	DOOR PANEL SUBASSY R.H. / W/LOCK & VENTED HOLES	1	1	1			
2	504363	STUD 5/16 O.D. X 7/16 (DZUS)	1	1	1	1	1	
3	504353	RETAINER, 5/16"DIA. (DZUS) STUD	1	1	1	1	1	
4	281416	CHAIN 8"	1	1	1	1	1	
NS	980001	CHAIN / S.L	1	1	1	1	1	
5	281419	TUBE CLEAR 7"	1	1	1	1	1	
NS	500383	SCREW MA RND SLT 5/32x1/2 ZP	1	1	1	1	1	
NS	500437	WASHER FL .125x.375x.040 Z050	1	1	1	1	1	
NS	504339	RIVET POP DOME OE 1/8x3/8 SS	1	1	1	1	1	
6	281138	SUPPORT & SPRING ASSY	1	1	1	1	1	
NS	281139	SUPPORT	1	1	1	1	1	
7	504365	SPRING HOOK / DZUS 5/16	1	1	1	1	1	
NS	504340	RIVET POP DOME OE 1/8x3/16 SS	1	1	1	1	1	
8	504362	BUMPER PLUG / .375ODx.3125THx.250HOLEx.125	1	1	1	1	1	
NS	050781	DECAL / COOLANT CAPACITY / 91 LITERS / ENGLISH & FRANCAIS	1	1	1	1	1	
NS	400551	DECAL "OIL...RECOMMENDED"	1	1	1	1	1	
NS	780180	LOCK CYLINDER W/KEY / "VIRO"	1	1	1	1	1	
NS	780501	KEY	1	1	1	1	1	
8	780806	LOCK CYLINDER W/KEY / "VIRO"	1	1	1	1	1	
NS	780501	KEY	1	1	1	1	1	
NS	281782	PIVOT LEVER / 39.67MM / W/.09MM OFFSET	2	2	2	2	2	A
NS	289557	PIVOT LEVER / 42.4MM / W/13MM OFFSET	2	2	2	2	2	AS
NS	780229	TOOL (FOR SET DZUS TYPE A5 "5/16") TTA-5						
		FOLLOWING ITEMS ARE RELATED WITH DOORS WITH						
		SPRING CLOSURE INSTALLATION						

From E-638 To Y-7045	Date:10/2022	PAGE:XL-1874-20
----------------------	--------------	-----------------

FILLING DOOR REAR - OIL & WATER

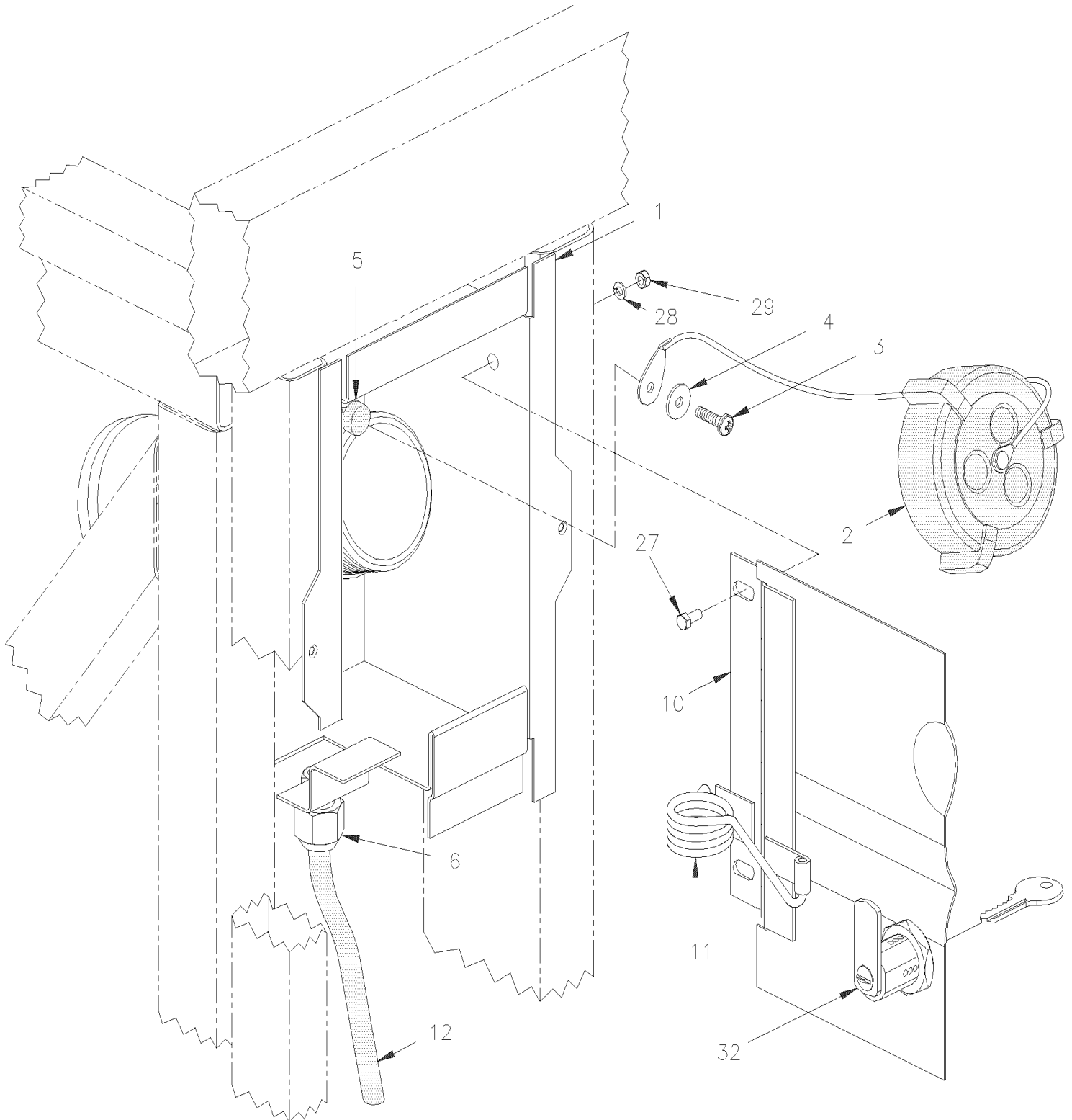
Item#	Part	Description	M T H 4 0	M T H 4 5	M T H 4 5 E	X L 4 0	X L 4 5	N O T E S
NS	284418	DOOR ASSY R.H.				1	1	
NS	284416	DOOR ASSY L.H.				1	1	
NS	284415	. DOOR SUBASSY L.H.				1	1	
NS	284414	. DOOR SUBASSY R.H.				1	1	
NS	284407	HOOK				1	1	
NS	284419	ANGLE				1	1	
NS	502178	SPRING EXTENSION / .500 O.D. x 3.5 x .054				1	1	
NS	500952	SCREW TP BDG PH #8x1/2 SS				2	2	
		A) LOWERS REQUIERED ONLY IN SERVICE IF YOU NEED TO CHANGE YOUR OLD CYLINDER LOCK # 780180						
		S) REQUIERED ONLY IN SERVICE IF YOU NEED TO CHANGE YOUR OLD CYLINDER LOCK # 780180						

From E-638 To Y-7045

Date:10/2022

PAGE:XL-1875-00

FUEL TANK FILLING DOOR



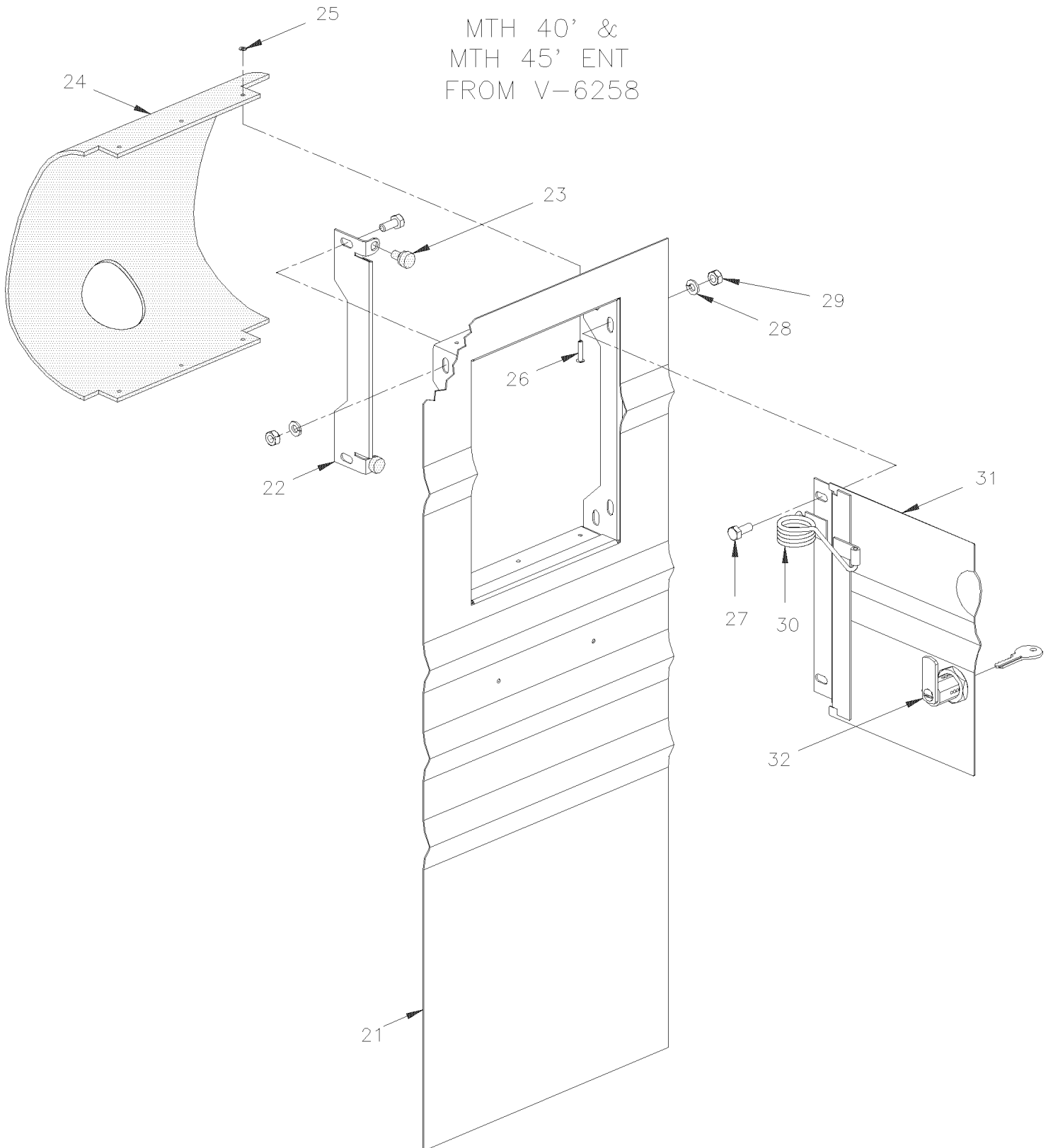
From E-638 To Y-7045

Date:10/2022

PAGE:XL-1875-00

FUEL TANK FILLING DOOR

MTH 40' &
MTH 45' ENT
FROM V-6258



From E-638 To Y-7045	Date:10/2022	PAGE:XL-1875-00
FUEL TANK FILLING DOOR		

Item#	Part	Description	M T H 4 0	M T H 4 5	M T H 4 5 E	X L 4 0	X L 4 5	N O T E S
1	031332	BOX ASSY, R.H.				1		
1	032086	BOX ASSY, L.H. To W-6452				1		
1	032234	BOX ASSY, L.H. From W-6453				1		
1	031331	BOX ASSY, R.H. / W/SMALL A/C SYSTEM To V-6257	1		1			
1	031332	BOX ASSY, R.H. To V-6257	1		1			
1	031795	BOX ASSY, L.H. To T-5829		1			1	
1	032080	BOX ASSY, L.H. From T-5830 To V-6103		1			1	
1	032163	BOX ASSY, L.H. From V-6104 To W-6452		1			1	
1	032232	BOX ASSY, L.H. From W-6453		1			1	
1	031894	BOX ASSY, R.H. To T-5829		1			1	
1	032075	BOX ASSY, R.H. From T-5830 To V-6103		1			1	
1	032162	BOX ASSY, R.H. From V-6104 To W-6452		1			1	
1	032230	BOX ASSY, R.H. From W-6453		1			1	
2	530041	FUEL FILLING CAP / SCREW TYPE CAP To W-6452	1			1		
2	531424	FUEL FILLING CAP / SCREW TYPE CAP From W-6453	1			1		
NS	504436	ATTACHMENT CAP To W-6452	1			1		
NS	504436	ATTACHMENT CAP From W-6453	1			1		
3	500572	SCREW MA TR PH #10-24x1/2 SS BK	1	1	1	1	1	
4	500470	WASHER LO SPT .193x.334x.047 Z050	1	1	1	1	1	
5	470949	SPACER RUBBER 3/4" O.D. / S.Q.	1	1	1	1	1	
6	640989	MALE CONNECTOR / NTA FITTING / #6x1/4NPT-M BR	1	1	1	1	1	
6	641331	MALE CONNECTOR / PUSH-IN FITTING / #6x1/4NPT-M BR	1	1	1	1	1	
10	471472	DOOR ASSY, R.H				1		
10	471472	DOOR ASSY, R.H To V-6257	1		1			
10	471672	DOOR ASSY, R.H. / W/LOCK To V-6257	1		1			
10	473359	DOOR ASSY, R.H.					1	
10	473356	DOOR ASSY, R.H. / W/LOCK / S.B.		1			1	
10	473065	DOOR ASSY, L.H. To T-5829					1	
10	472718	DOOR ASSY, L.H. To T-5829		1				
10	473357	DOOR ASSY, L.H. From T-5830					1	
10	472714	DOOR ASSY, L.H. / W/LOCK To T-5829		1			1	
10	473358	DOOR ASSY, L.H. / W/LOCK / S.B. From T-5830		1			1	
11	031175	SPRING, TORSION / 1 O.D. x .634 x .125	1	1	1	1	1	
12	503472	TUBE, NYLON 3/8 O.D. / GREY S.L.	AR	AR	AR	AR	AR	
NS	500777	NUT HEX STO 5/16-18 Z050	AR	AR	AR	AR	AR	
NS	500181	SCREW CAP HEX 5/16-18x1 G5 Z050	AR	AR	AR	AR	AR	
NS	560481	CLAMP / 5/8" I.D.	1	1	1	1	1	
21	XL-1854-51	SIDE PANELS - MTH 40' & MTH 45' ENT						
22	473469	DOOR STOPPER From V-6258	1		1			
23	504654	BUMPER PLUG / 7/8" X 15/32 X 3/64 From V-6258	2		2			
24	032175	SPLASHGUARD / RUBBER From V-6258	1		1			
25	5001067	WASHER FL .128x.312x.032 SS	6		6			

From E-638 To Y-7045	Date:10/2022	PAGE:XL-1875-00
FUEL TANK FILLING DOOR		

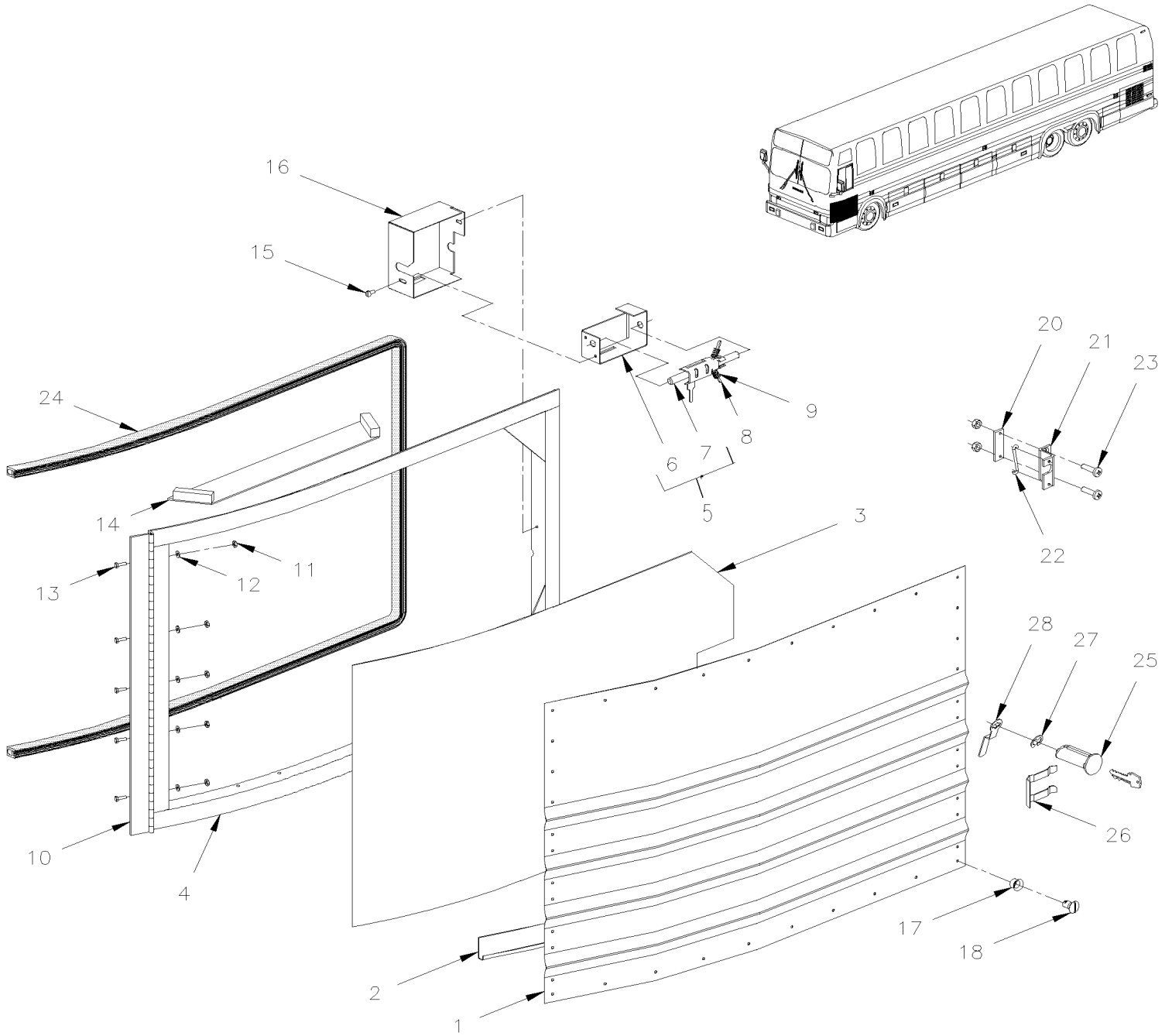
Item#	Part	Description	M T H 4 0	M T H 4 5	M T H 4 5 E	X L 4 0	X L 4 5	N O T E S
26	504473	RIVET POP DOME OE 1/8x1/4 SS	6		6			
27	500148	SCREW MA RND PH #6-32x1/2 SS To W-6452	2	2	2	2	2	
27	5001181	SCREW CAP HEX M6-1.0x12 SS From W-6453	4	4	4	4	4	
28	500470	WASHER LO SPT .193x.334x.047 Z050 To W-6452	2	2	2	2	2	
28	502570	WASHER LO SPT 6.1x11.8x1.6 SS From W-6453	4	4	4	4	4	
29	500689	NUT HEX #6-32 Z050 To W-6452	2	2	2	2	2	
29	502565	NUT HEX M6-1.0 SS From W-6453	4	4	4	4	4	
30	031175	SPRING, TORSION / 1 O.D. x .634 x .125	1	1	1	1	1	
31	473474	DOOR ASSY, R.H. / W/LOCK From V-6258	1		1			
31	473495	REINFORCEMENT / TO FIX AWNING 95MM From V-6258	1		1			
32	780180	LOCK CYLINDER W/KEY / "VIRO"	1	1	1	1	1	
. NS	780501	. KEY	1	1	1	1	1	
32	780806	LOCK CYLINDER W/KEY / "VIRO"	1	1	1	1	1	
. NS	780501	. KEY	1	1	1	1	1	
NS	289549	PIVOT LOCK ACTUATOR 42.4MM / W/11MM OFFSET	1	1	1	1	1	S
NS	530175	VALVE, CHECK 1/8 NPT	1	1	1	1	1	
NS	506048	RUB 1 NYL BLACK 1/16" X3' X 68"	AR	AR	AR	AR	AR	
NS	504381	HOSE CLAMP / 2"3/4-3"5/8 SS / HT-350	1			1		
		S) REQUIRED ONLY IN SERVICE IF YOU NEED TO CHANGE YOUR OLD CYLINDER LOCK # 780180						

From E-638 To Y-7045

Date:10/2022

PAGE:XL-1878-00

FRONT JUNCTION DOOR ASSY



From E-638 To Y-7045		Date:10/2022	PAGE:XL-1878-00
FRONT JUNCTION DOOR ASSY			

Item#	Part	Description	M T H 4 0	M T H 4 5	M T H 4 5 E	X L 4 0	X L 4 5	N O T E S
	281501P	FRONT JUNCTION DOOR ASSY	1	1	1	1	1	
1	471517	. PANEL	1	1	1	1	1	
1	474203	. PANEL From X-6945				1		A
NS	680065	. TAPE COMPOUND / BLACK / 1/32" X 1" X 33' / L163-2400	AR	AR	AR	AR	AR	
NS	504272	. RIVET CHY Q BRAZ 3/16x1/8 SS	AR	AR	AR	AR	AR	
2	420192	. MOULDING DRIP / LOWER / FIXED TO DOOR	1	1	1	1	1	
3	281502	. FORMICA	1	1	1	1	1	
4	281499	. FRAME ASSY	1	1	1	1	1	
5	480932	. . BRACKET ASSY	1	1	1	1	1	
. NS	480933	. . . BRACKET	1	1	1	1	1	
. NS	480935	. . . ROD	1	1	1	1	1	
. NS	480937	. . . PLATE, SUPPORT	1	1	1	1	1	
6	480933	. . . BRACKET	1	1	1	1	1	
7	480935	. . . ROD	1	1	1	1	1	
NS	480937	. . . PLATE, SUPPORT	1	1	1	1	1	
8	481564	. ROD GUIDE	2	2	2	2	2	
9	502151	. SPRING COMPRESSION / .300 O.D. x 1 x .032	2	2	2	2	2	
10	281101	. HINGE	1	1	1	1	1	
11	500689	. NUT HEX #6-32 Z050	5	5	5	5	5	
12	500470	. WASHER LO SPT .193x.334x.047 Z050	5	5	5	5	5	
13	500148	. SCREW MA RND PH #6-32x1/2 SS	5	5	5	5	5	
14	280917	. STRAP ASSY / RETAINING DOOR	1	1	1	1	1	
14	860123	. . WEBBING STRAP 2" / S.L.	2	2	2	2	2	
NS	860139	. . CLIP	2	2	2	2	2	
NS	504339	. RIVET POP DOME OE 1/8x3/8 SS	AR	AR	AR	AR	AR	
NS	500437	. WASHER FL .125x.375x.040 Z050	AR	AR	AR	AR	AR	
15	500582	. SCREW TP PAN PH #8x3/8 Z050	1	1	1	1	1	
16	281496	. BOX	1	1	1	1	1	
17	504387	. RETAINER, 7/16 O.D. DZUS STUD	2	2	2	2	2	
18	504388	. STUD 7/16 O.D. X 7/16 (DZUS)	2	2	2	2	2	
20	481141	PLATE ASSY TIGHTENING	2	2	2	2	2	
21	481046	ATTACHMENT DOOR ASSY	2	2	2	2	2	
NS	480965	. ATTACHMENT	1	1	1	1	1	
22	504389	. HOOK	1	1	1	1	1	
NS	504106	. RIVET POP DOME OE 1/8x1/4 AL	2	2	2	2	2	
23	500346	SCREW MA FL PH 1/4-20x1 SS BK	4	4	4	4	4	
24	XL-1854-10	WEATHERSTRIP & RETAINER - BUS 40'						
25	XL-1867-00	KEY & CYLINDER CODE "FORD" & "NS"						
NS	780237	SEAL RUBBER 1/32" TH	1	1	1	1	1	
26	780236	RETAINER CLIP	1	1	1	1	1	
27	504477	RING RETAINER / EXT 14.0 X 13.4 X 1.0MM	1	1	1	1	1	
28	281498	PIVOT LOCK 3/8" OFFSET	1	1	1	1	1	

From E-638 To Y-7045	Date:10/2022	PAGE:XL-1878-00
----------------------	--------------	-----------------

FRONT JUNCTION DOOR ASSY

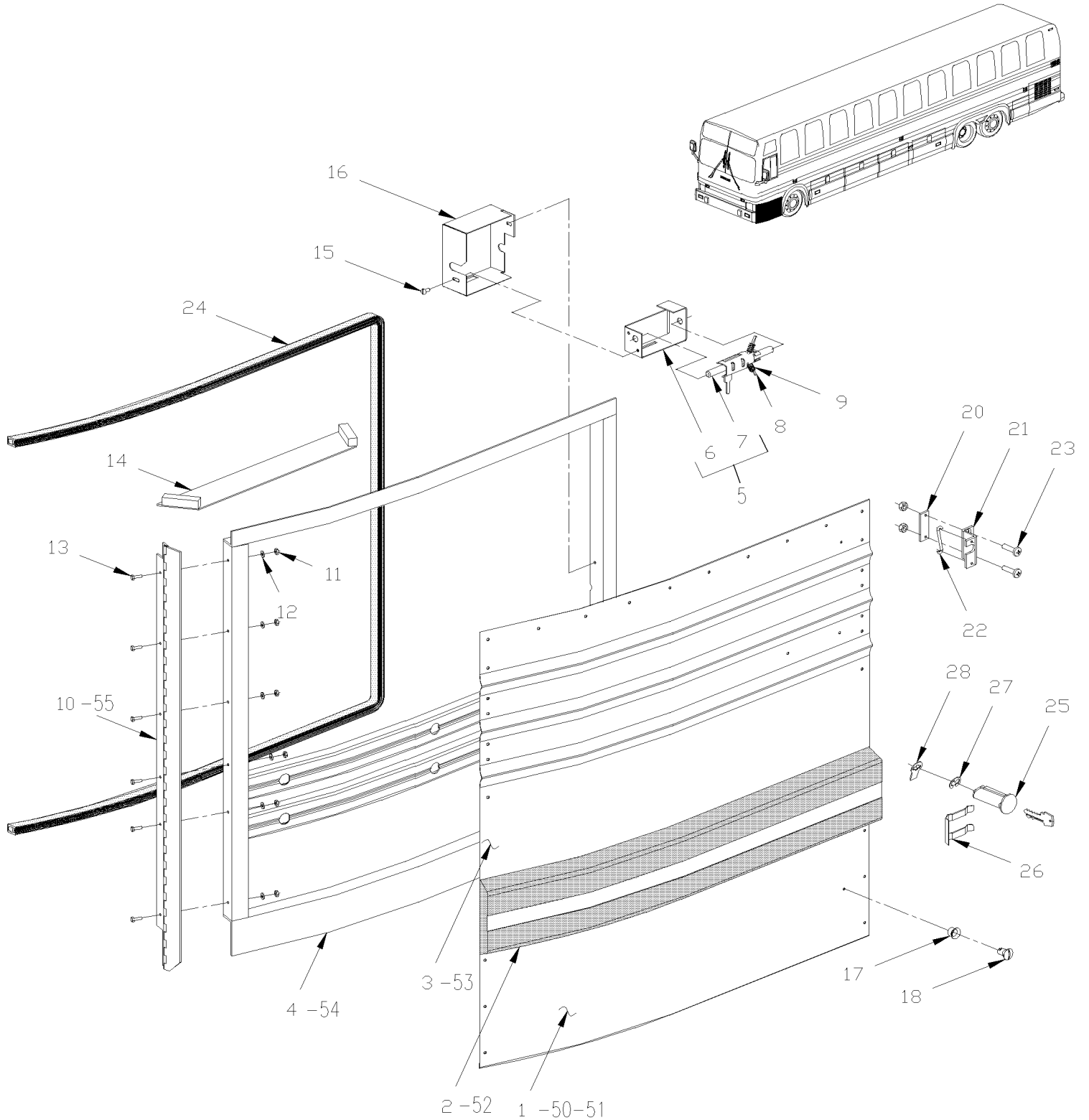
Item#	Part	Description	M T H 4 0	M T H 4 5	M T H 4 5 E	X L 4 0	X L 4 5	N O T E S
		A) THIS PANEL DO NOT HAVE HOLE FOR CYLINDER KEY						

From E-638 To Y-7045

Date:10/2022

PAGE:XL-1879-00

FRONT SERVICE DOOR ASSY



From E-638 To Y-7045	Date:10/2022	PAGE:XL-1879-00
FRONT SERVICE DOOR ASSY		

Item#	Part	Description	M T H 4 0	M T H 4 5	M T H 4 5 E	X L 4 0	X L 4 5	N O T E S
	281497P	FRONT SERVICE DOOR ASSY To K-768				1		A
	281614P	FRONT SERVICE DOOR ASSY From K-769 To L-684				1		B
	283745P	FRONT SERVICE DOOR ASSY From L-685				1	1	C
	281579	FRONT SERVICE DOOR ASSY MTH 80" To K-768	1					A
	283310	FRONT SERVICE DOOR ASSY MTH 80" From K-769 To L-684	1					B
	283757	FRONT SERVICE DOOR ASSY MTH 80" From L-685	1					C
	283311	FRONT SERVICE DOOR ASSY MTH 80" / W/DOCKING From K-769 To L-684	1					B
	283758	FRONT SERVICE DOOR ASSY MTH 80" / W/DOCKING From L-685	1					C
	281641	FRONT SERVICE DOOR ASSY MTH 83" To K-768	1					A
	283312	FRONT SERVICE DOOR ASSY MTH 83" From K-769 To L-684	1					B
	283759	FRONT SERVICE DOOR ASSY MTH 83" From L-685	1	1				C
	283313	FRONT SERVICE DOOR ASSY MTH 83" / W/DOCKING From K-769 To L-684	1					B
	283762	FRONT SERVICE DOOR ASSY MTH 83" / W/DOCKING From L-685	1	1				C
	281647	FRONT SERVICE DOOR ASSY MTH 86" To K-768	1					A
	283314	FRONT SERVICE DOOR ASSY MTH 86" From K-769 To L-684	1					B
	283760	FRONT SERVICE DOOR ASSY MTH 86" From L-685	1	1	1			C
	283315	FRONT SERVICE DOOR ASSY MTH 86" / W/DOCKING From K-769 To L-684	1					B
	283761	FRONT SERVICE DOOR ASSY MTH 86" / W/DOCKING From L-685	1	1	1			C
1	471515	PANEL LOWER	1	1	1	1	1	
NS	680065	TAPE COMPOUND / BLACK / 1/32" X 1" X 33' / L163-2400	AR	AR	AR	AR	AR	
2	281523	RAIL ASSY / 27"½ / FRONT SERVICE DOOR LH	1	1	1	1	1	
3	471513	PANEL UPPER				1	1	
3	474204	PANEL UPPER From X-6945				1		
3	471621	PANEL UPPER / MTH 80"	1					
3	471716	PANEL UPPER / MTH 83"	1	1				
3	471717	PANEL UPPER / MTH 86"	1	1	1			
3	471954	PANEL UPPER / W/DOCKING LAMP / MTH 80"	1					
3	471955	PANEL UPPER / W/DOCKING LAMP / MTH 83"	1	1				
3	471956	PANEL UPPER / W/DOCKING LAMP / MTH 86"	1	1	1			
NS	504272	RIVET CHY Q BRAZ 3/16x1/8 SS	AR	AR	AR	AR	AR	
4	281484	FRAME ASSY To K-768				1		
4	281615	FRAME ASSY From K-769 To L-684				1		
4	283746	FRAME ASSY From L-685				1	1	
4	281578	FRAME ASSY / MTH 80" To K-768	1					A
4	282055	FRAME ASSY / MTH 80" From K-769 To L-684	1					B
4	283751	FRAME ASSY / MTH 80" To L-685	1					C
4	281640	FRAME ASSY / MTH 83" To K-768	1					A
4	282056	FRAME ASSY / MTH 83" From K-769 To L-684	1					B
4	283752	FRAME ASSY / MTH 83" From L-685	1	1				C
4	281644	FRAME ASSY / MTH 86" To K-768	1					A
4	282057	FRAME ASSY / MTH 86" From K-769 To L-684	1					B

From E-638 To Y-7045	Date:10/2022	PAGE:XL-1879-00
FRONT SERVICE DOOR ASSY		

Item#	Part	Description	M T H 4 0	M T H 4 5	M T H 4 5 E	X L 4 0	X L 4 5	N O T E S
4	283748	. FRAME ASSY / MTH 86" From L-685	1	1	1			C
5	480932	. . BRACKET ASSY	1	1	1	1	1	
. NS	480933	. . . BRACKET	1	1	1	1	1	
. NS	480935	. . . ROD	1	1	1	1	1	
. NS	480937	. . . PLATE, SUPPORT	1	1	1	1	1	
6	480933	. . . BRACKET	1	1	1	1	1	
7	480935	. . . ROD	1	1	1	1	1	
NS	480937	. . . PLATE, SUPPORT	1	1	1	1	1	
8	481564	. ROD GUIDE	2	2	2	2	2	
9	502151	. SPRING COMPRESSION / .300 O.D. x 1 x .032	2	2	2	2	2	
10	281099	. HINGE				1	1	
10	281098	. HINGE / MTH 80"	1					
10	281695	. HINGE / MTH 83"	1	1				
10	281696	. HINGE / MTH 86"	1	1	1			
11	500689	. NUT HEX #6-32 Z050	7	7	7	7	7	
12	500470	. WASHER LO SPT .193x.334x.047 Z050	7	7	7	7	7	
13	500148	. SCREW MA RND PH #6-32x1/2 SS	7	7	7	7	7	
14	280917	. STRAP ASSY / RETAINING DOOR	1	1	1	1	1	
14	860123	. . WEBBING STRAP 2" / S.L.	AR	AR	AR	AR	AR	
14	860139	. . CLIP	2	2	2	2	2	
14	504339	. RIVET POP DOME OE 1/8x3/8 SS	1	1	1	1	1	
14	500437	. WASHER FL .125x.375x.040 Z050	1	1	1	1	1	
15	500582	. SCREW TP PAN PH #8x3/8 Z050	2	2	2	2	2	
16	281496	. BOX	1	1	1	1	1	
17	504387	. RETAINER, 7/16 O.D. DZUS STUD	2	2	2	2	2	
18	504388	. STUD 7/16 O.D. X 7/16 (DZUS)	2	2	2	2	2	
NS	560260	SWITCH / S.P.S.T. / N.C.	1	1	1	1	1	
20	481141	PLATE ASSY TIGHTENING	2	2	2	2	2	
21	481046	ATTACHMENT DOOR ASSY	2	2	2	2	2	
21	480965	. ATTACHMENT	1	1	1	1	1	
22	504389	. HOOK	1	1	1	1	1	
NS	504106	. RIVET POP DOME OE 1/8x1/4 AL	2	2	2	2	2	
23	500346	SCREW MA FL PH 1/4-20x1 SS BK	4	4	4	4	4	
24	XL-1854-10	WEATHERSTRIP & RETAINER - BUS 40'						
25	XL-1867-00	KEY & CYLINDER CODE "FORD" & "NS"						
NS	780237	SEAL RUBBER 1/32" TH	1	1	1	1	1	
26	780236	RETAINER CLIP	1	1	1	1	1	
27	504477	RING RETAINER / EXT 14.0 X 13.4 X 1.0MM	1	1	1	1	1	
28	281498	PIVOT LOCK 3/8" OFFSET	1	1	1	1	1	
		FOLLOWING PARTS ARE USED WITH R.H. SERVICE						
		DOOR W/O FRONT ENTRANCE DOOR						

From E-638 To Y-7045	Date:10/2022	PAGE:XL-1879-00
FRONT SERVICE DOOR ASSY		

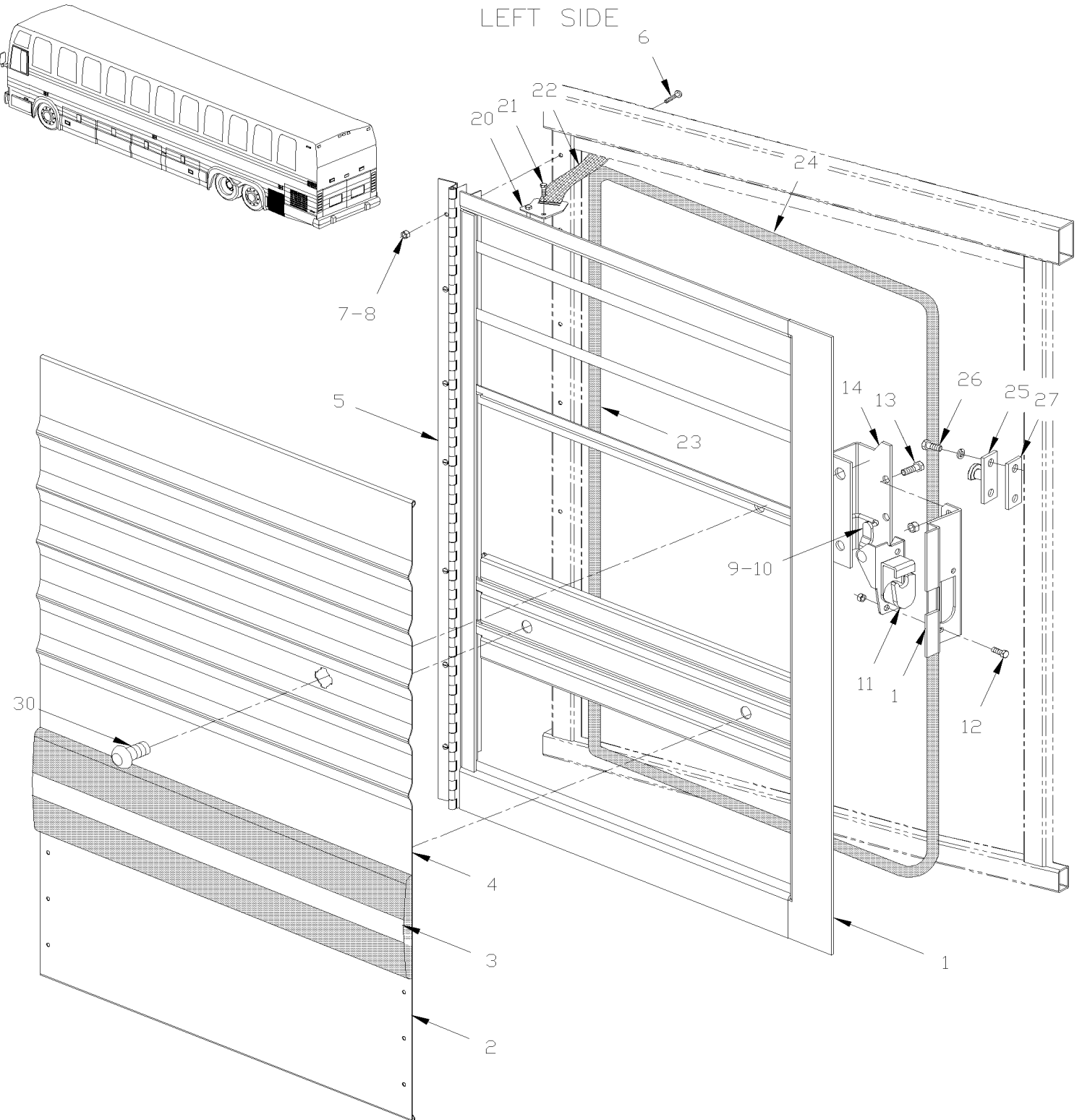
Item#	Part	Description	M T H 4 0	M T H 4 5	M T H 4 5 E	X L 4 0	X L 4 5	N O T E S
50	281585	DOOR ASSY W/OUT ENTRANCE DOOR	1	1				
50	283316	DOOR ASSY W/OUT ENTRANCE DOOR W/REFLETOR	1	1				
. NS	281585	. DOOR ASSY W/OUT ENTRANCE DOOR	1	1				
. NS	930205	. REFLECTOR AMBER 1 15/16" x 4 7/16"	1	1				
. NS	500606	. SCREW MA TR PH #10-24x3/4 SS	2	2				
. NS	500473	. WASHER LO SPT .262x.489x.062 Z050	2	2				
. NS	500786	. NUT HEX #10-24 Z050	2	2				
51	471666	. PANEL, LOWER	1	1				
52	281520	. RAIL ASSY / 29"3/8 / FRONT ENTRANCE DOOR	1	1				
53	471661	. PANEL, UPPER	1	1				
54	281586	. FRAME ASSY	1	1				
55	281100	. HINGE	1	1				
60	XL-0663-00	DOCK & CORNERING LIGHT						
		A) THIS DOOR ASSY IS USE WITH 1 GALLON W/WASHER						
		B) THIS DOOR ASSY IS USE WITH 3 GALLONS W/WASHER						
		C) THIS DOOR ASSY IS USE WITH 4 GALLONS W/WASHER						

From P-722 To Y-7045

Date:10/2022

PAGE:XL-1879-50

REAR SERVICE DOOR - L.H. SIDE



From P-722 To Y-7045	Date:10/2022	PAGE:XL-1879-50
REAR SERVICE DOOR - L.H. SIDE		

Item#	Part	Description	M T H 4 0	M T H 4 5	M T H 4 5 E	X L 4 0	X L 4 5	N O T E S
		THE FOLLOWING DOORS ARE STANDARD WITH						
		PANEL W/O PERFORATED PANELS.						
		FOR SPECIAL PURPOSE DOOR ASSY REFER TO						
		PERFORATED & SPECIAL PANELS (BOOK PA-1108)						
	284535P	REAR SERVICE DOOR ASSY L.H		1			1	
1	284512	FRAME ASSY L.H. To W-6589		1			1	
1	285926	FRAME ASSY L.H. From W-6590		1			1	
2	472733	LOWER PANEL SERVICE DOOR L.H.		1			1	
2	403327	PANEL, LOWER L.H. / W/2 ROWS 64		AR				A
NS	504340	RIVET POP DOME OE 1/8x3/16 SS		2			2	
3	284536	RAIL ASSY / 21"1/8 / LH REAR SIDE SERVICE DOO		1			1	A
NS	473378	SEAL WASHER / RUB RAIL & PANEL		2			2	
NS	500301	NUT HEXF STO 3/8-16 Z050		2			2	
4	472724	UPPER PANEL SERVICE DOOR L.H.					1	
4	473326	UPPER PANEL SERVICE DOOR L.H. W/0.95 SQF PE		AR				A
NS	504272	RIVET CHY Q BRAZ 3/16x1/8 SS		18			18	
NS	506002	TAPE RUB ADH1 CC POL 3/16" x 1/2" x 40' / GREY 2520		AR			AR	
5	284540	HINGE ASSY, R.H. L.H. To W-6589		2			2	
5	285924	HINGE ASSY, R.H. L.H. From W-6590		2			2	
6	500148	SCREW MA RND PH #6-32x1/2 SS		8			8	
7	500689	NUT HEX #6-32 Z050		8			8	
NS	500470	WASHER LO SPT .193x.334x.047 Z050		8			8	
8	284529	ROD, 1 1/4" C/C / W/L.H. DOOR		1			1	
9	780340	CLIP, RETAINER ROD		1			1	
10	284531	PIVOT LOCK ROD		1			1	
11	780283	LOCK SPAGNOLET R.H.		1			1	J
NS	780340	CLIP, RETAINER ROD		1			1	J
12	502531	SCREW CAP HEX M6-1.0x16 G8.8 Z050		2			2	
NS	502582	WASHER LO SERR 6.1x16.2x0.9 Z050		2			2	
13	500163	SCREW CAP HEX 1/4-20x3/4 G5 Z050		3			3	
NS	502583	WASHER LO SERR 8.15x22.3x1.0 Z050		3			3	
14	284533	SUPPORT, LOCK SPAGNOLET / W/L.H. DOOR		1			1	
20	284440	SUPPORT		1			1	
21	504379	RIVET POP DOME OE 3/16x1/4 SS		2			2	
22	505507	STRAP NYLON 1" WIDE / S.L.		AR			AR	
NS	284439	PLATE, STRAP RETAINING / OBLONG 16.5MM x 25.4MM W/2 HOLES		1			1	
23	506004	TAPE RUB ADH1 CC POL 3/8" x 1/2" x 20' / GREY 2520X		AR			AR	
24	482024	WEATHERSTRIP / REAR SERVICE DOOR		1			1	
25	780278	PIN, STRIKER STUD		1			1	
26	500316	SCREW MA FL PH 1/4-28x3/4 SS		2			2	
27	283326	STRIKER PLATE, MOUNTING / 60MM X 25MM		1			1	

From P-722 To Y-7045	Date:10/2022	PAGE:XL-1879-50
REAR SERVICE DOOR - L.H. SIDE		

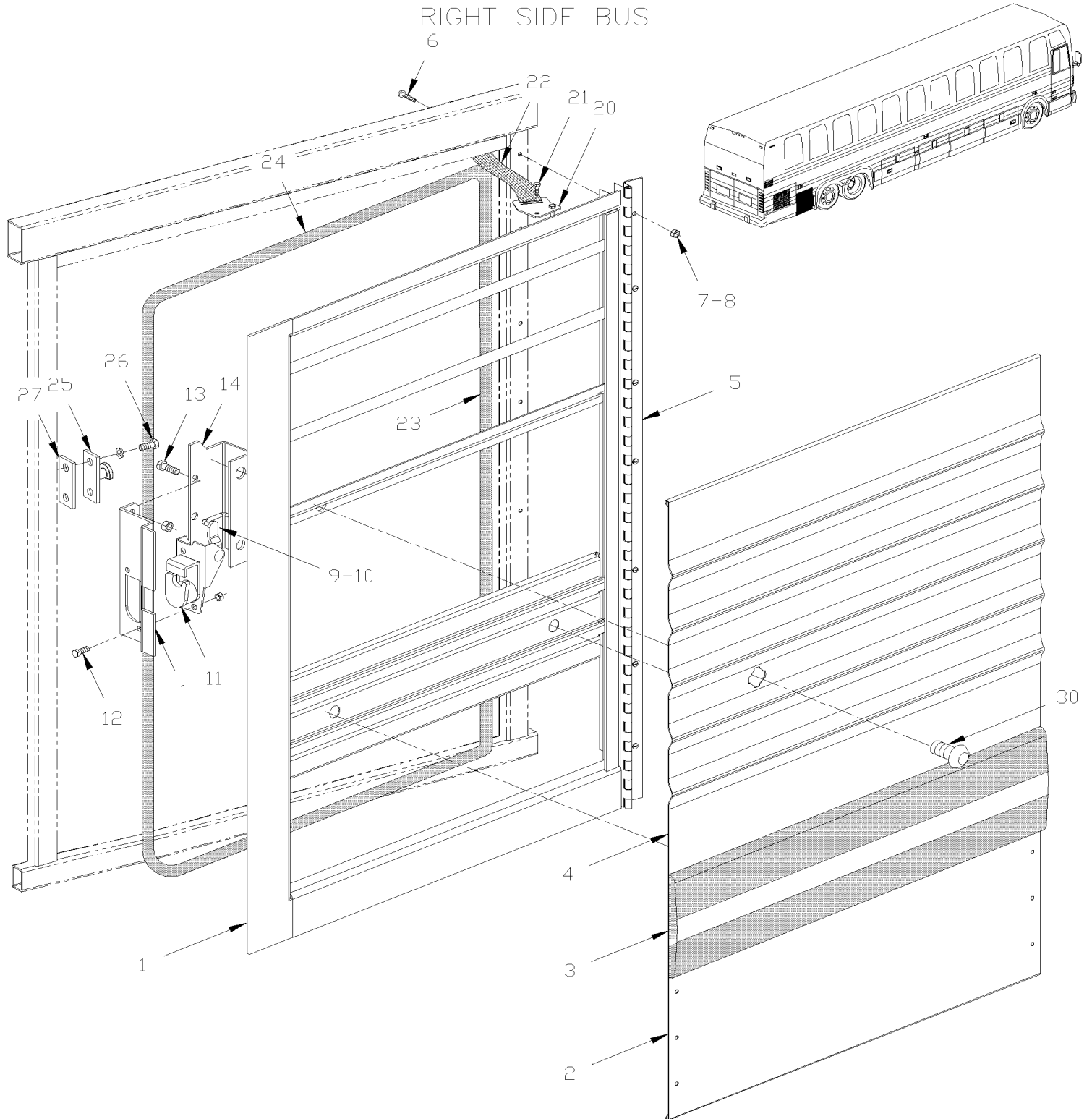
Item#	Part	Description	M T H 4 0	M T H 4 5	M T H 4 5 E	X L 4 0	X L 4 5	N O T E S
30	XL-1867-00	KEY & CYLINDER CODE "FORD" & "NS"						
		A) THIS ITEM IS NOT INCLUDE IN ASSY FOR MTH 45' SEE SPECIAL BAGGAGE PANEL BOOK #PA-1108 REV "A"						
		J) R.H. / (FIXED ON L.H. DOOR)						

From P-722 To Y-7045

Date:10/2022

PAGE:XL-1879-60

REAR SERVICE DOOR - R.H. SIDE



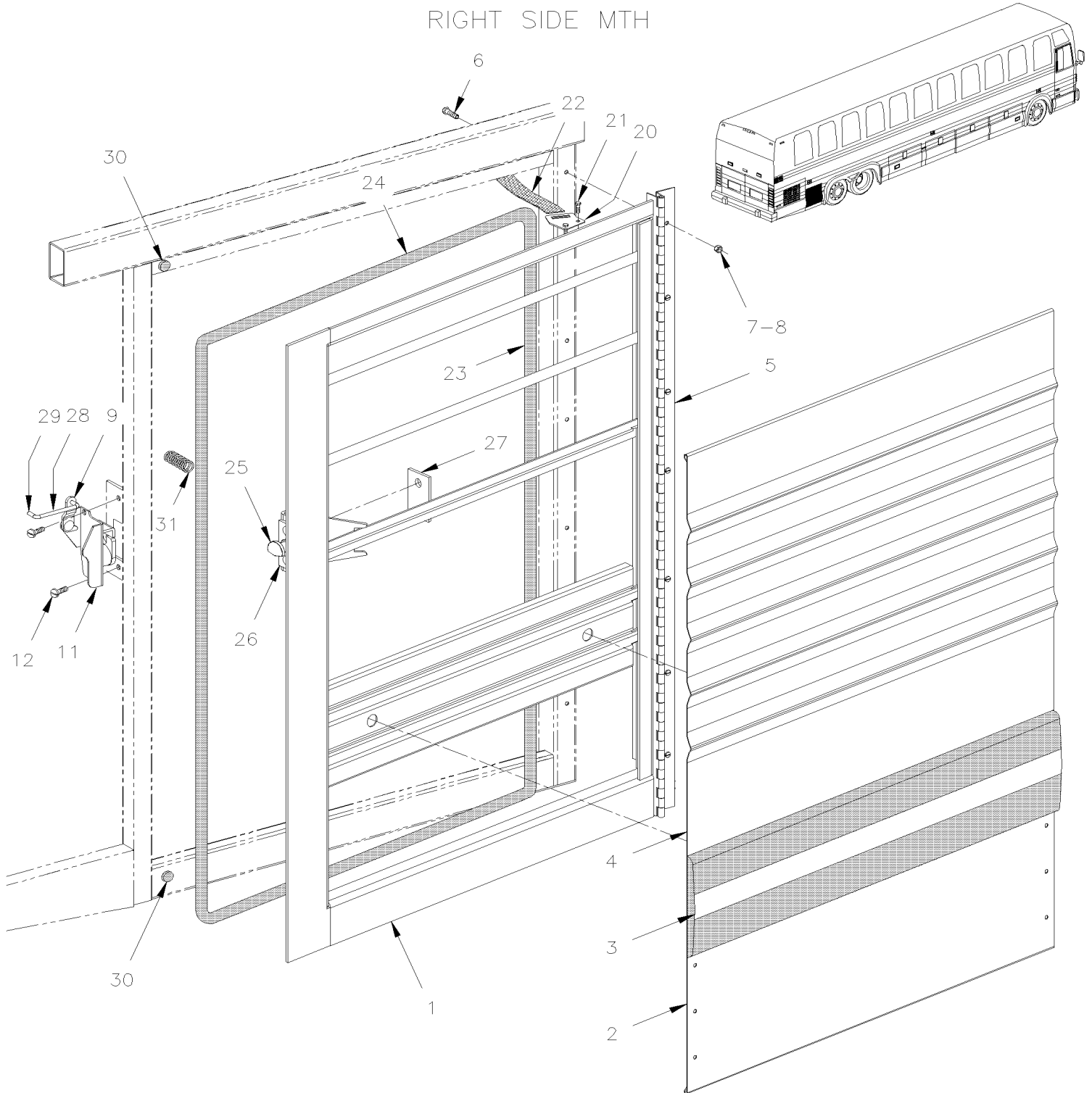
From P-722 To Y-7045

Date:10/2022

PAGE:XL-1879-60

REAR SERVICE DOOR - R.H. SIDE

RIGHT SIDE MTH



From P-722 To Y-7045		Date:10/2022	PAGE:XL-1879-60
REAR SERVICE DOOR - R.H. SIDE			

Item#	Part	Description	M T H 4 0	M T H 4 5	M T H 4 5 E	X L 4 0	X L 4 5	N O T E S
		THE FOLLOWING DOORS ARE STANDARD WITH						
		PANEL W/O PERFORATED PANELS.						
		FOR SPECIAL PURPOSE DOOR ASSY REFER TO						
		PERFORATED & SPECIAL PANELS (BOOK PA-1108)						
	284538P	REAR SERVICE DOOR ASSY R.H		1				
	285231P	REAR SERVICE DOOR ASSY R.H / W/LOCK					1	
1	285217	. FRAME ASSY R.H. To W-6589		1				
1	284527	. FRAME ASSY R.H. From W-6590		1				
1	285927	. FRAME ASSY R.H. To W-6589					1	
1	285928	. FRAME ASSY R.H. From W-6590					1	
2	472734	. LOWER PANEL SERVICE DOOR R.H.		1			1	
2	472928	. LOWER PANEL SERVICE DOOR R.H. W/0.31 SQF PERFORATED AREA		1				A
NS	504340	. RIVET POP DOME OE 1/8x3/16 SS		1			1	
3	284539	. RAIL ASSY / 22"5/8 / RH REAR SIDE SERVICE DOO		1			1	A
NS	473378	. SEAL WASHER / RUB RAIL & PANEL		2			2	
NS	500301	. NUT HEXF STO 3/8-16 Z050		2			2	
4	473150	. UPPER PANEL SERVICE DOOR R.H. W/LOCK					1	
4	472735	. UPPER PANEL SERVICE DOOR R.H.		1				
4	472927	. UPPER PANEL SERVICE DOOR R.H. W/1.03 SQF PE		1				A
NS	504272	. RIVET CHY Q BRAZ 3/16x1/8 SS		18			18	
NS	506002	. TAPE RUB ADH1 CC POL 3/16" x 1/2" x 40' / GREY 2520		AR			AR	
5	284540	. HINGE ASSY, R.H. L.H. To W-6589		2			2	
5	285924	. HINGE ASSY, R.H. L.H. From W-6590		2			2	
6	500148	. SCREW MA RND PH #6-32x1/2 SS		8			8	
7	500689	. NUT HEX #6-32 Z050		8			8	
8	500470	. WASHER LO SPT .193x.334x.047 Z050		1			1	
9	780340	CLIP, RETAINER ROD		1			1	
11	780282	LOCK SPAGNOLET L.H.		1			1	
12	502531	SCREW CAP HEX M6-1.0x16 G8.8 Z050		1			1	
NS	502582	WASHER LO SERR 6.1x16.2x0.9 Z050		2			2	
14	285215	SUPPORT LOCK SPAGNOLET / W/R.H. DOOR					1	
20	284440	SUPPORT		1			1	
21	504379	RIVET POP DOME OE 3/16x1/4 SS		1			1	
22	505507	STRAP NYLON 1" WIDE / S.L.		1			1	
NS	284439	PLATE, STRAP RETAINING / OBLONG 16.5MM x 25.4MM W/2 HOLES		1			1	
NS	504379	RIVET POP DOME OE 3/16x1/4 SS		2			2	
23	506004	TAPE RUB ADH1 CC POL 3/8" x 1/2" x 20' / GREY 2520X		AR			AR	
24	285183	WEATHERSTRIP / R.H. DOOR		1			1	
25	780278	. PIN, STRIKER STUD		1			1	
26	500316	. SCREW MA FL PH 1/4-28x3/4 SS		1			1	
NS	500692	. NUT HEX 1/4-28 Z050		2			2	

From P-722 To Y-7045	Date:10/2022	PAGE:XL-1879-60
REAR SERVICE DOOR - R.H. SIDE		

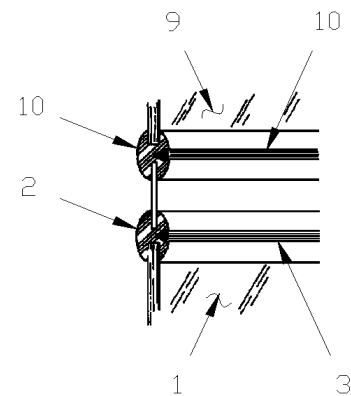
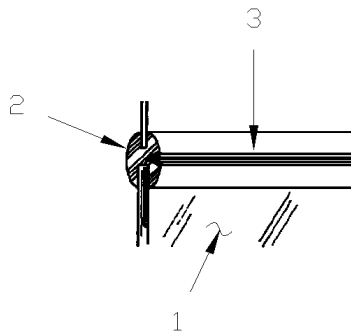
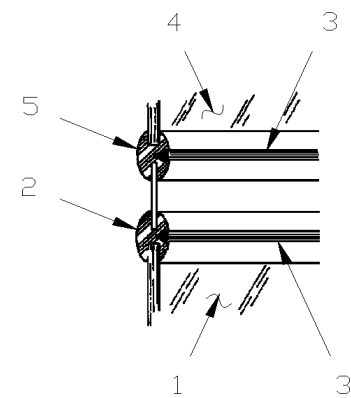
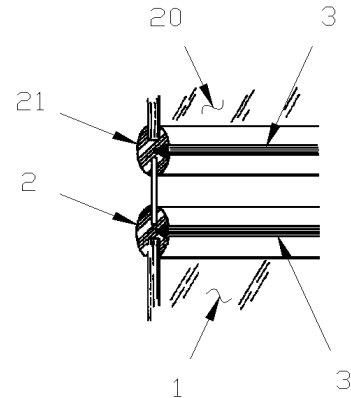
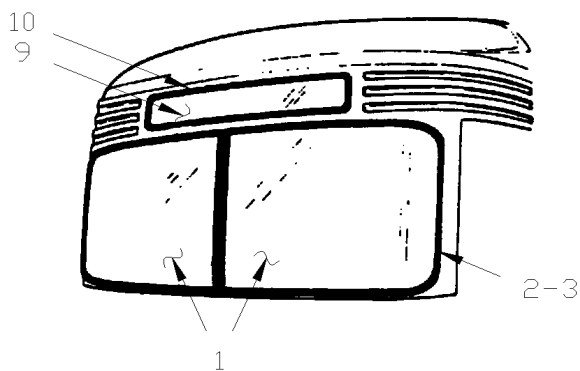
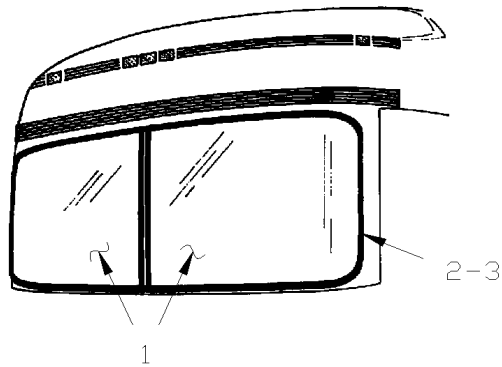
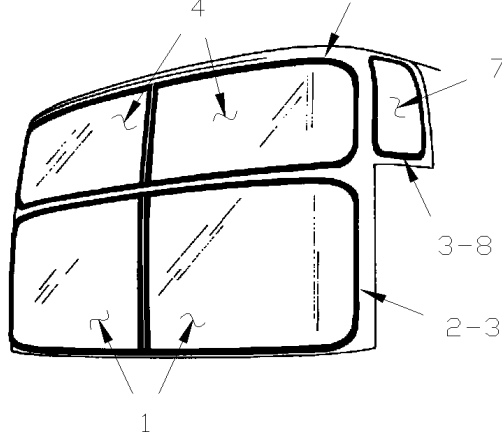
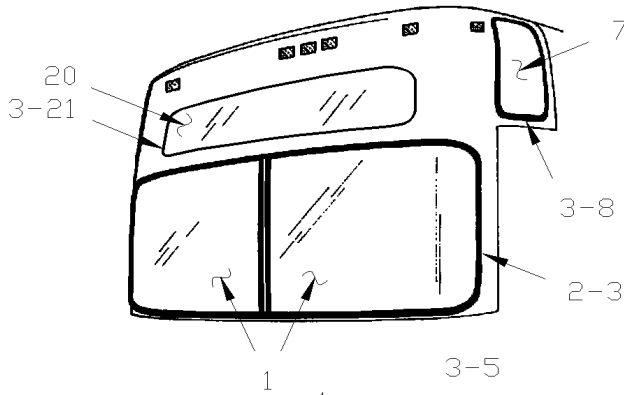
Item#	Part	Description	M T H 4 0	M T H 4 5	M T H 4 5 E	X L 4 0	X L 4 5	N O T E S
NS	502582	. WASHER LO SERR 6.1x16.2x0.9 Z050		2			2	
27	283326	. STRIKER PLATE, MOUNTING / 60MM X 25MM		1			1	
28	282683	ROD / W/R.H. DOOR / 72MM C/C		1				
29	507331	PROTECTOR CAP / BLACK / .137 I.D. x .500		1				
30	504334	BUMPER RUBBER / .625 OD x .406 TH x .156 HOLE		2				
31	660142	SPRING, COMP.		1				
31	381314	RETAINING PLATE		1				
		A) THIS ITEM IS NOT INCLUDE IN ASSY FOR MTH 45' SEE SPECIAL BAGGAGE PANEL BOOK #PA-1108 REV "A"						

From E-638 To Y-7045

Date:10/2022

PAGE:XL-1880-00

WINDSHIELD & CHANNEL

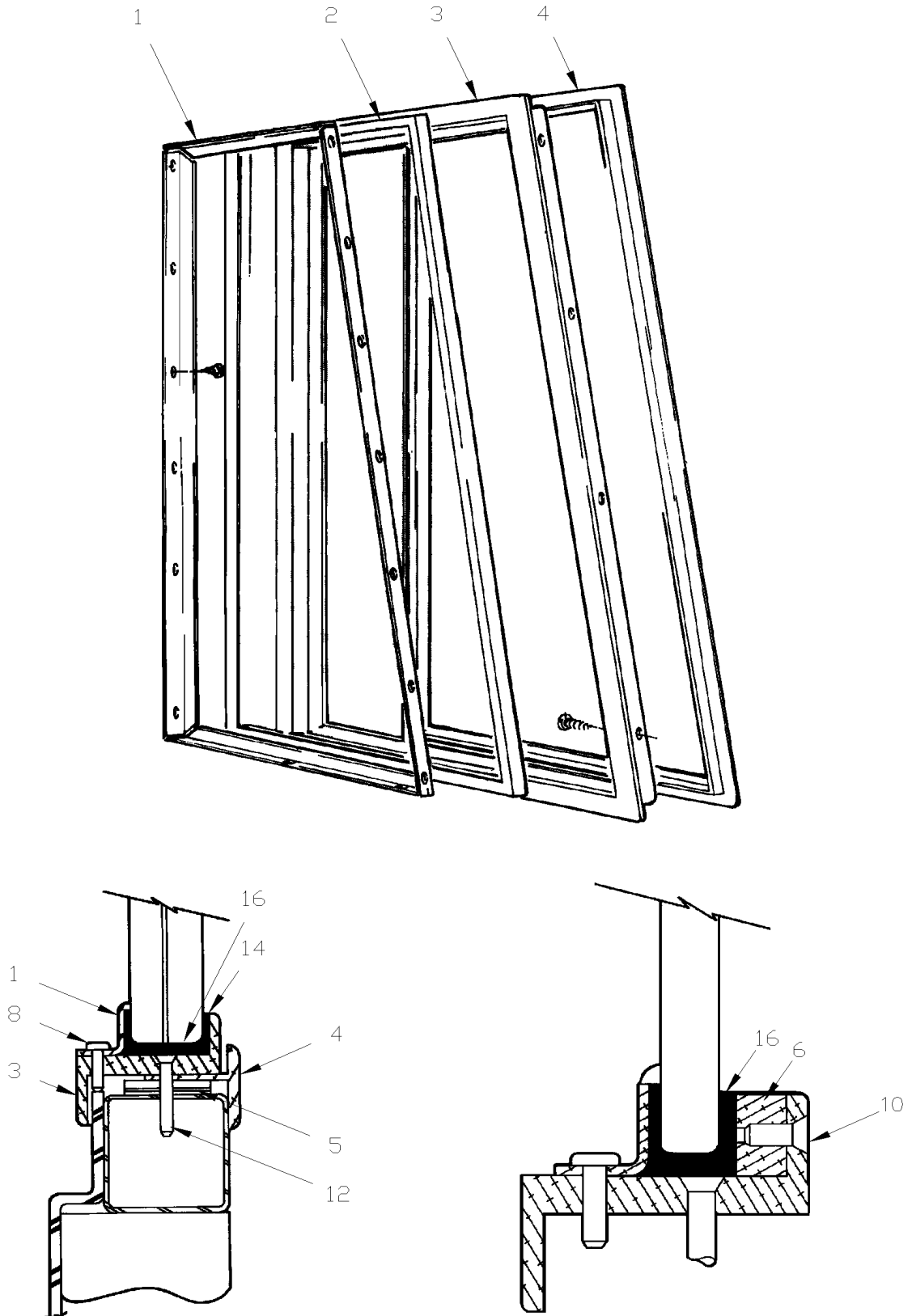


From E-638 To Y-7045

Date:10/2022

PAGE:XL-1882-00

DOOR WINDOW - BUS

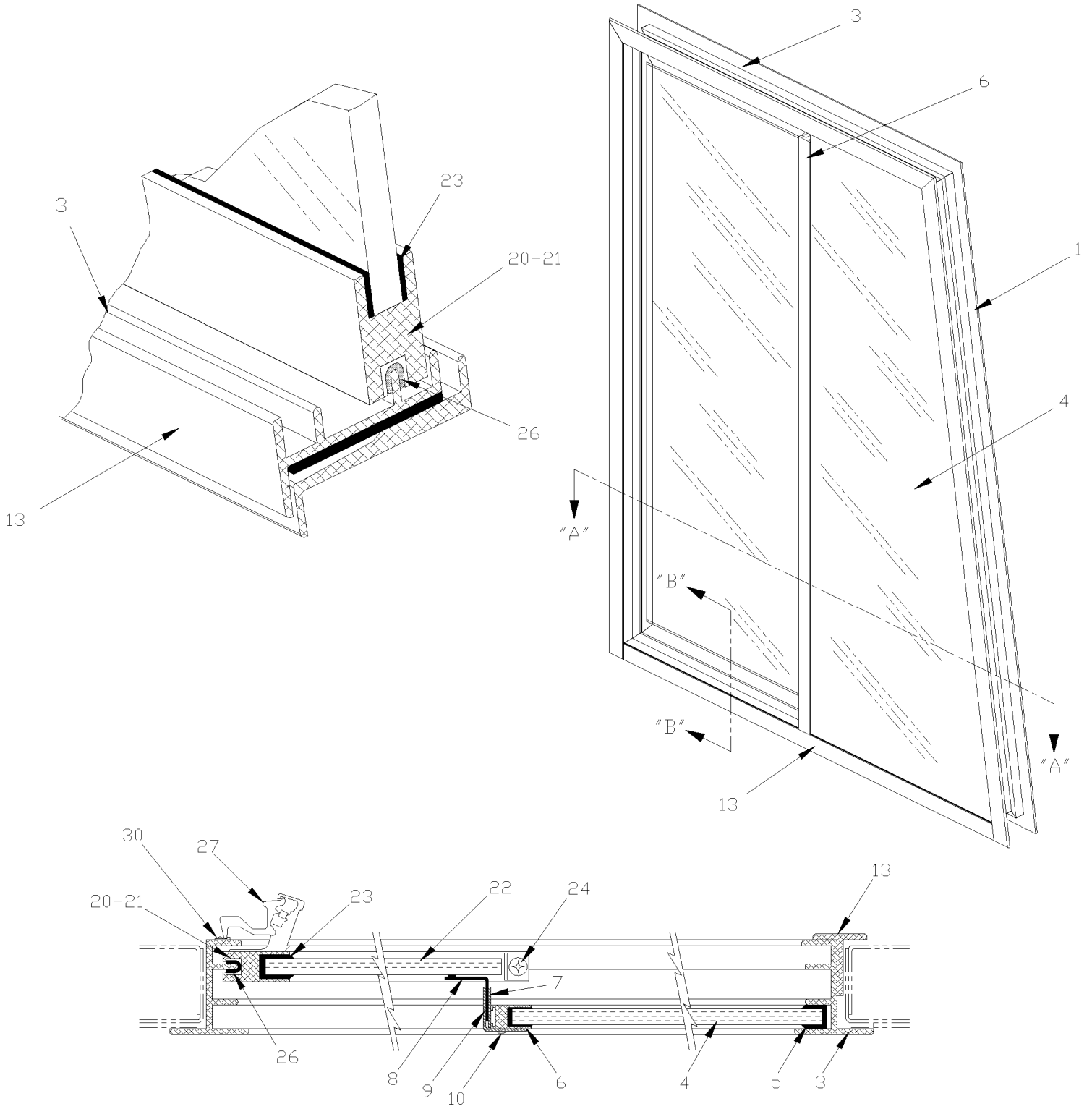


From E-638 To H-254

Date:10/2022

PAGE:XL-1882-50

DOOR WINDOW - MTH



From E-638 To H-254	Date:10/2022	PAGE:XL-1882-50
DOOR WINDOW - MTH		

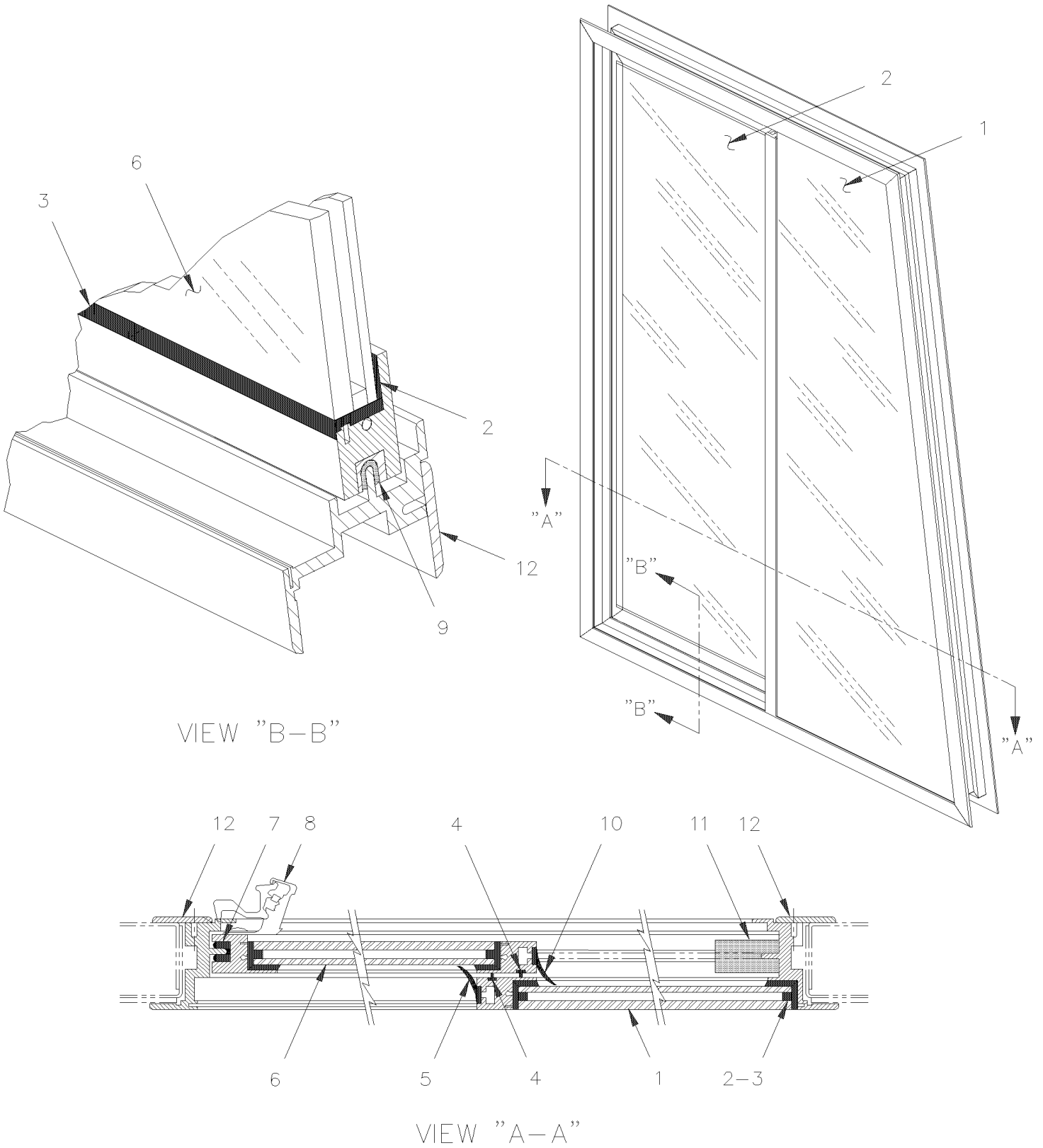
Item#	Part	Description	M T H 4 0	M T H 4 5	M T H 4 5 E	X L 4 0	X L 4 5	N O T E S
1	Call order desk	WINDOWS ASSY / W/SINGLE GLASS To G-158	1					P
1	291604	WINDOWS ASSY / W/SINGLE GLASS From G-159	1					
3	291054	FRAME ASSY To G-158	1					
3	291574	FRAME ASSY From G-159	1					
4	291029	GLASS / FIXED	1					
5	506254	RUBBER EXTRUSION NEO / GLASS FILLER / B / C.T.L.	AR					B
6	291065	CENTER EXTRUSION FIXED	1					
7	291173	MOULDING RETAINER To G-158	1					
7	291584	MOULDING RETAINER From G-159	1					
8	291174	SEAL, RUBBER To G-158	1					
8	291586	SEAL, RUBBER From G-159	1					
9	291172	ANGLE RETAINER SEAL To G-158	1					
9	291585	ANGLE RETAINER SEAL From G-159	1					
10	500417	SCREW TP PAN PH #6x3/8 Z050	AR					
13	291059	FRAME LOWER To G-158	1					
13	291578	FRAME LOWER From G-159	1					
20	Call order desk	SLIDING GLASS ASSY To G-158	1					P
20	291579	SLIDING GLASS ASSY From G-159	1					
21	291060	FRAME ASSY To G-158	1					
21	291581	FRAME ASSY From G-159	1					
22	291579	SLIDING GLASS ASSY	1					
22	261690	GLASS To G-158	1					
23	506254	RUBBER EXTRUSION NEO / GLASS FILLER / B / C.T.L.	AR					B
24	291102	STOPPER UPPER	2					
26	790168	FELT / TO SEAL RETAINING EXTRUSION	2					
27	790299	HANDLE / SLIDING GLASS From G-159	2					
30	291275	SUPPORT, CATCH To G-158	1					A
30	291941	PLATE, STRIKE / REAR SLIDING WINDOW From G-159	1					
31	790235	CATCH, HANDLE To G-158	1					A
32	290874	ANGLE To G-158	2					A
33	500583	SCREW TP PAN PH #6x1/2 Z050 To G-158	2					
NS	293052	KIT WINDOW ASSY, ENTRANCE DOOR	AR					
. NS	IS-97107	. SEE INSTRUCTION SHEET	1					
		A) THIS CATCH IT OBSOLETE USE KIT #291687 FOR RETROFIT						
		B) SOME GLASS ARE THICKER AND WE USE SUGGEST FILLER #506038						
		P) CALL ORDER DESK FOR SPECIFIC APPLICATION (V.I.N.)						

From H-255 To W-6448

Date:10/2022

PAGE:XL-1882-51

DOOR WINDOW - MTH

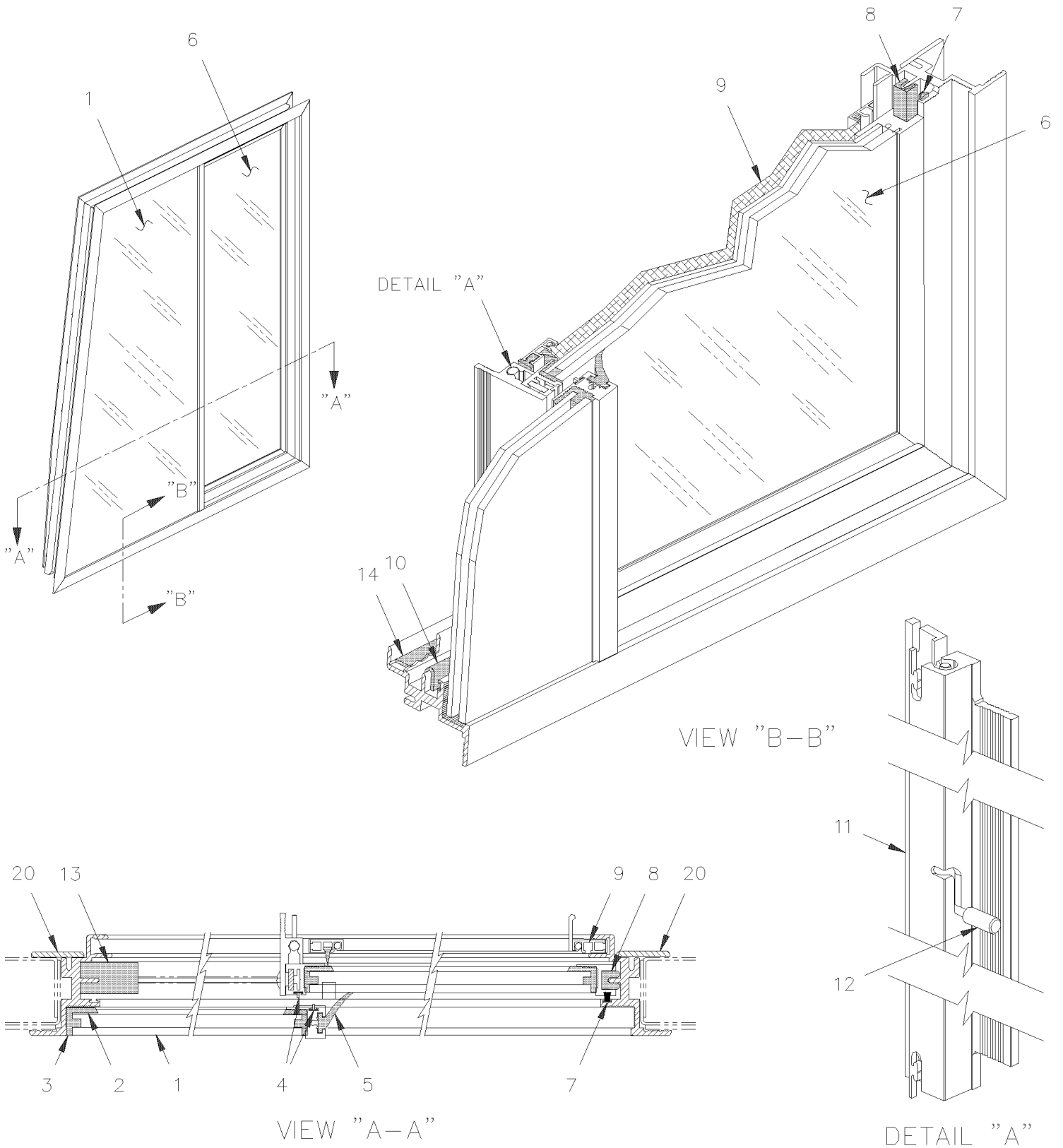


From W-6449 To Y-7045

Date:10/2022

PAGE:XL-1882-52

DOOR WINDOW - MTH



From W-6449 To Y-7045	Date:10/2022	PAGE:XL-1882-52
DOOR WINDOW - MTH		

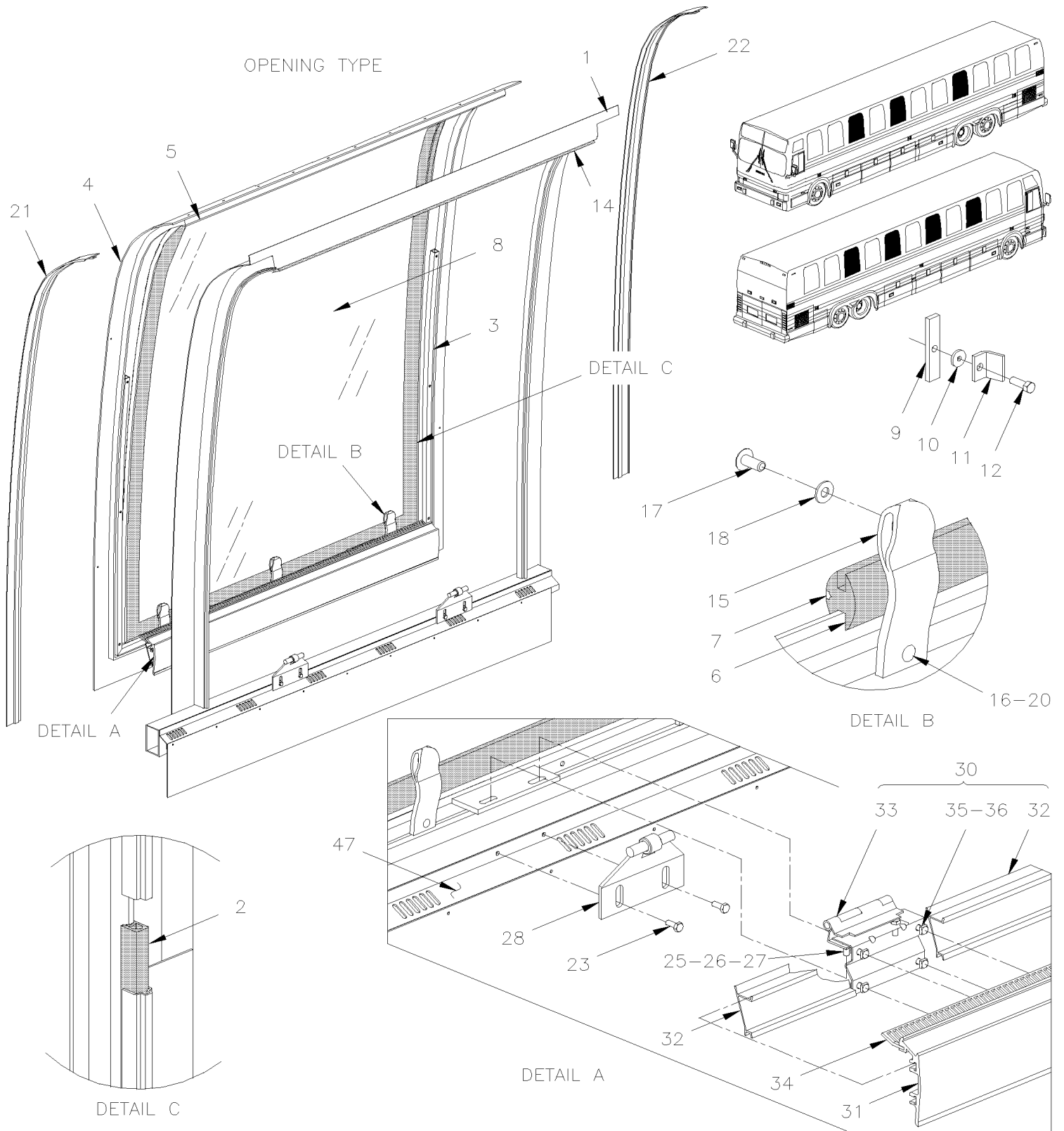
Item#	Part	Description	M T H 4 0	M T H 4 5	M T H 4 5 E	X L 4 0	X L 4 5	N O T E S
	292924	WINDOW ASSY, ENTRANCE DOOR	1	1	1			
1	790434	. GLASS, FIXED / KIT	1	1	1			
2	680565	. TAPE, SEAL 1/2 / BLACK / S.L.	AR	AR	AR			
NS	790324	. SEAL	AR	AR	AR			
3	681092	. ADHESIVE SIKA #255FC / BLACK / 310ml CARTRIDGE	AR	AR	AR			
4	N.P.N.	. SCHLEGEL	AR	AR	AR			4
5	790328	. SEAL / FIXED GLASS	1	1	1			
6	790454	. GLASS, SLIDING	1	1	1			
7		. SCHLEGEL 53"	AR	AR	AR			
8	790347	. SLIDE, FELT / CHANNEL R.H.& L.H. GLASS	1	1	1			
9	790452	. SCREEN	1	1	1			
NS	790462	. CLIP, RETAINING / SCREEN	2	2	2			
10	790334	. SLIDE, FELT / LOWER	1	1	1			
10	790335	. SLIDE, FELT / UPPER	1	1	1			
11	N.P.N.	. HANDLE	1	1	1			4
12	790463	. . KNOB	1	1	1			
12	N.P.N.	. . ROD	1	1	1			4
12	N.P.N.	. . SPRING	1	1	1			4
13	790331	. STOPPER / UPPER RUBBER / SLIDING GLASS	1	1	1			
13	790330	. STOPPER / LOWER RUBBER / SLIDING GLASS	1	1	1			
20	790456	. MOULDING, INSIDE	1	1	1			
		4) NO PARTS NUMBER						

From E-638 To Y-7045

Date:10/2022

PAGE:XL-1884-00

SIDE WINDOW - BUS & MTH - "LE MIRAGE"



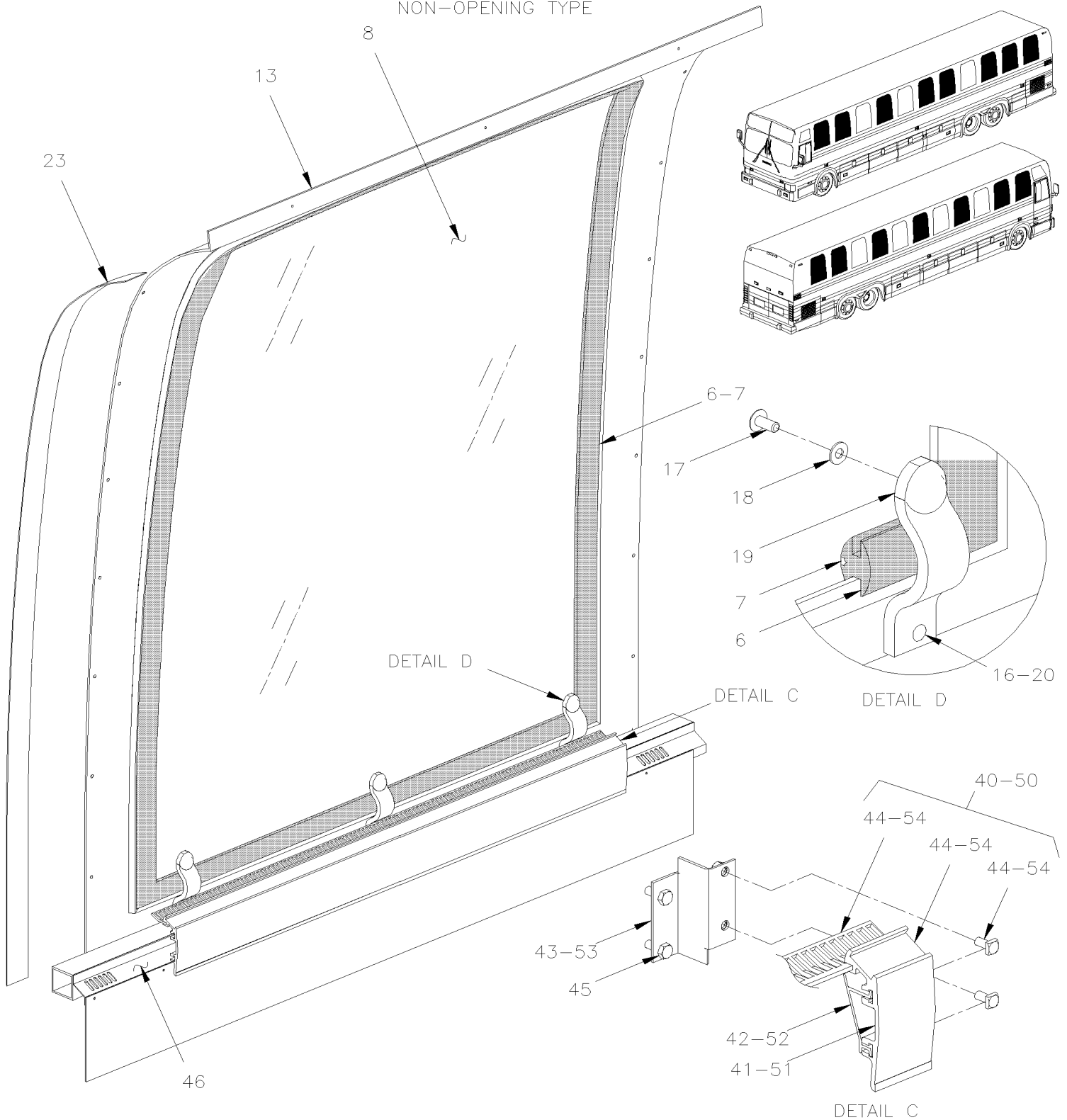
From E-638 To Y-7045

Date:10/2022

PAGE:XL-1884-00

SIDE WINDOW - BUS & MTH - "LE MIRAGE"

NON-OPENING TYPE



From E-638 To Y-7045	Date:10/2022	PAGE:XL-1884-00
SIDE WINDOW - BUS & MTH - "LE MIRAGE"		

Item#	Part	Description	M T H 4 0	M T H 4 5	M T H 4 5 E	X L 4 0	X L 4 5	N O T E S
	291216P	WINDOW ASSY OPENING TYPE / SINGLE GLASS				AR	AR	
	291567P	WINDOW ASSY OPENING TYPE / THERMOS				AR	AR	
	291215P	WINDOW ASSY OPENING TYPE / LUCITE				AR	AR	
	291214P	WINDOW ASSY NON-OPENING TYPE / SINGLE GLASS				AR	AR	
	291566P	WINDOW ASSY NON-OPENING TYPE / THERMOS				AR	AR	
	291213P	WINDOW ASSY NON-OPENING TYPE / LUCITE				AR	AR	
1	291097	. SEALING FRAME, FIBERGLASS				1	1	
2	291132	. WEATHERSTRIP ASSY				1	1	
3	291206	. REINFORCEMENT ASSY				1	1	
4	291098	. WINDOW FRAME, FIBERGLASS				1	1	
5	291210	. HINGE / WINDOW FRAME To P-580				1	1	
6	290264	. EXTRUSION, RUBBER / SINGLE & LUCITE To V-6273	1	1	1	1	1	W
6	292629	. EXTRUSION, RUBBER / SINGLE & LUCITE From V-6274 To X-6920	1	1	1	1	1	
6	293055	. RUBBER EXTRUSION ASSY / SINGLE & LUCITE From X-6921	1	1	1	1	1	
. NS	293059	. . STRIP, LOCKING / S.L. From X-6921	13	13	13	13	13	
6	291695	. EXTRUSION, RUBBER / THERMOS				1	1	
6	291695	. EXTRUSION, RUBBER / THERMOS	1	1	1			
7	790226	. STRIP, LOCKING / S.L. To X-6920	AR	AR	AR	AR	AR	
7	293059	. STRIP, LOCKING / S.L. From X-6921	AR	AR	AR	AR	AR	
8	790174	. GLASS, SINGLE 28%	1	1	1	1	1	
8	291563	. GLASS, THERMOS 28%				1	1	
8	293262	. GLASS, THERMOS 55% From X-6945				1		A
8	291563	. GLASS, THERMOS 28%	AR	AR	AR			
8	790208	. GLASS, LUCITE				1	1	
8	790208	. GLASS, LUCITE	AR	AR	AR			
9	290827	. RETAINER, STOPPER				2	2	
10	500950	. WASHER FL .187x.625x.094 RUB				2	2	
11	291688	. STOPPER, WINDOW / THERMOS				2	2	
11	290959	. STOPPER, WINDOW / LUCITE				2	2	
11	290825	. STOPPER, WINDOW / SINGLE GLASS				2	2	
12	500163	. SCREW CAP HEX 1/4-20x3/4 G5 Z050				2	2	
13	291099	. WINDOW FRAME, FIBERGLASS / NON-OPENING TYPE				1	1	
14	472527	. WEATHERSTRIP 37 1/4" / FRAME & WINDOW / UPPER				1	1	
15	290958	. CLIP ASSY / W/LUCITE				3	3	
16	504117	. RIVET POP DOME CLE 3/16x3/8 AL				3	3	
17	500763	. SCREW MA RND SLT 1/4-20x5/8 SS EMN				3	3	
18	507166	. O-RING 1/4 I.D. X 3/8 O.D.				3	3	
19	290957	. CLIP ASSY / W/LUCITE				3	3	
20	500964	. WASHER FL .203x.500x.047 Z050				3	3	
NS	292926	. SPACER / W/FIX WINDOW ONLY				1	1	
21	291211	MOULDING EXTERIOR / R.H. WINDOW				1	1	
22	291245	MOULDING EXTERIOR / L.H. WINDOW				1	1	

From E-638 To Y-7045	Date:10/2022	PAGE:XL-1884-00
----------------------	--------------	-----------------

SIDE WINDOW - BUS & MTH - "LE MIRAGE"

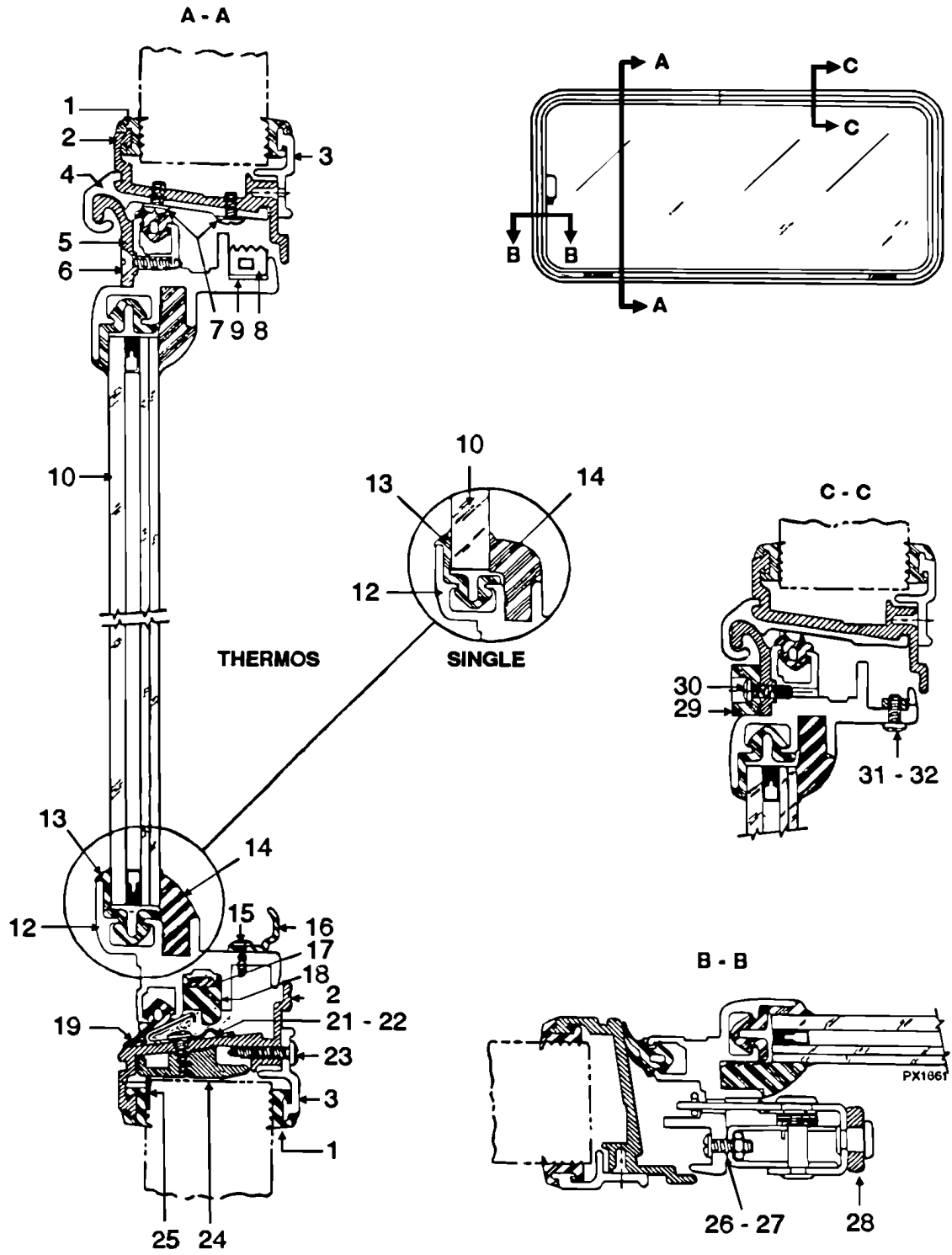
Item#	Part	Description	M T H 4 0	M T H 4 5	M T H 4 5 E	X L 4 0	X L 4 5	N O T E S
		A) WITH VEHICULE "GO TRANSIT" ONLY						
		W) WARNING THIS EXTRUSION IS SUPERSEDED BY 293055 WITH FULL GLASS ONLY OR BY 293201 WITH "AWNING WINDOW"						

From E-638 To J-429

Date:10/2022

PAGE:XL-1884-05

SIDE WINDOW - "PREVOST XL"



From E-638 To J-429	Date:10/2022	PAGE:XL-1884-05
SIDE WINDOW - "PREVOST XL"		

Item#	Part	Description	M T H 4 0	M T H 4 5	M T H 4 5 E	X L 4 0	X L 4 5	N O T E S
	291498	SIDE WINDOW R.H. / LUCITE				1		
	291473	SIDE WINDOW R.H. / THERMOS				1		
	291474	SIDE WINDOW R.H. / SINGLE GLASS				1		
	291441	SIDE WINDOW L.H. / LUCITE				1		
	291423	SIDE WINDOW L.H. / THERMOS				1		
	291295	SIDE WINDOW L.H. / SINGLE GLASS				1		
1	790276	. FRAME SEAL				2		
2	790273	. FRAME OUTER MOUNTING				1		
3	790272	. FRAME RETAINING				1		
4	790274	. HINGE / UPPER PART				1		
5	790275	. HINGE / LOWER PART				1		
6	500434	. SCREW TP FL PH #8x3/4 Z050				12		
7	500599	. SCREW TC TR PH #8-32x3/8 ZP				2		
8	291709	. WEATHERSTRIP ASSY				1		
NS	506275	. WEATHERSTRIP RUBBER EPDM CC EXTRUSION / RAW MATERIAL				AR		
9	680030	. ADHESIVE ADCHEM #EC847 / 1 Liter				AR		
10	790262	. GLASS LUCITE				1		
10	790250	. GLASS THERMOS				1		
10	790249	. GLASS SINGLE				1		
12	790268	. FRAME / R.H. WINDOW				1		
12	790267	. FRAME / L.H. WINDOW				1		
13	790278	. SEAL				1		
14	790271	. SEAL / LUCITE				1		
14	790269	. SEAL / THERMOS				1		
14	790270	. SEAL / SINGLE GLASS				1		
15	500417	. SCREW TP PAN PH #6x3/8 Z050				4		
16	790281	. HANDLE PULL				2		
17	790298	. TIE BAR R.H.				1		
17	790297	. TIE BAR L.H.				1		
17	N.S.S.	. SPRING RETURN				1		1
18	790296	. LOCK NYLON SLIDER				1		
19	790277	. SEAL				1		
21	790279	. SPRING, CATCH				2		
22	500582	. SCREW TP PAN PH #8x3/8 Z050				4		
23	502500	. SCREW TC BDG PH #8-32x1/2 CJ				26		
24	790280	. BLOCK TAPPING				2		
25	680115	. SEALANT TAPE BUTYL / BLACK / 1/16"x1/2"x50' / 71010W1760				AR		
26	500557	. SCREW MA PAN PH #8-32x3/8 SS				2		
27	500764	. NUT HEX #8-32 Z050				2		
28	790266	. HANDLE RELEASE / L.H.				1		
28	790265	. HANDLE RELEASE / R.H.				1		
29	790282	. RUBBER RECESSED				2		

From E-638 To J-429	Date:10/2022	PAGE:XL-1884-05
SIDE WINDOW - "PREVOST XL"		

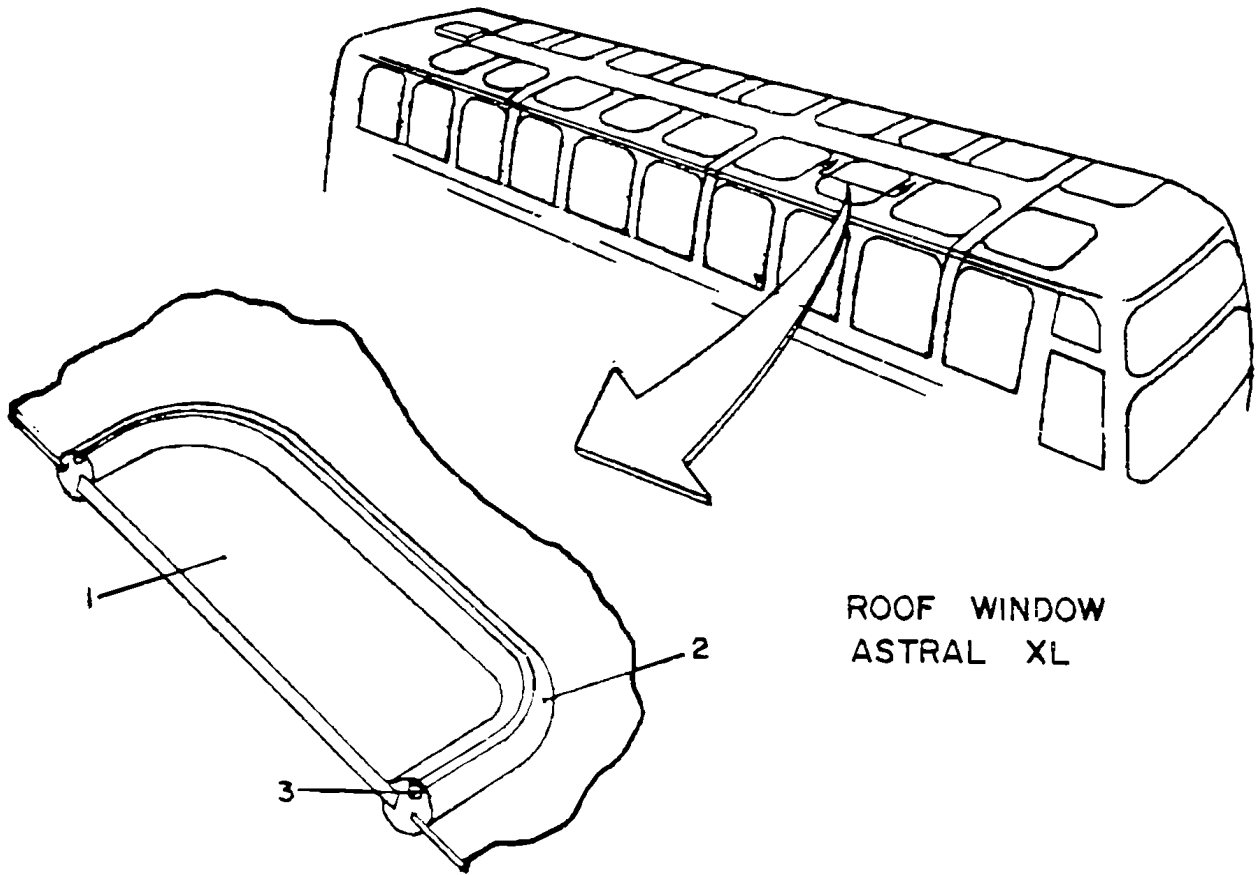
Item#	Part	Description	M T H 4 0	M T H 4 5	M T H 4 5 E	X L 4 0	X L 4 5	N O T E S
30	500641	. SCREW TP PAN PH #8x3/4 Z050				2		
30	680090	. BUTYL SCELLANT 11OZ CARTRIDGE				AR		
31	500557	. SCREW MA PAN PH #8-32x3/8 SS				4		
32	790283	. PLATE				1		
		1) NOT SOLD SEPARATELY						

From E-638 To J-568

Date:10/2022

PAGE:XL-1884-10

ROOF WINDOWS - "ASTRAL XL"



**ROOF WINDOW
ASTRAL XL**

From E-638 To J-568	Date:10/2022	PAGE:XL-1884-10
ROOF WINDOWS - "ASTRAL XL"		

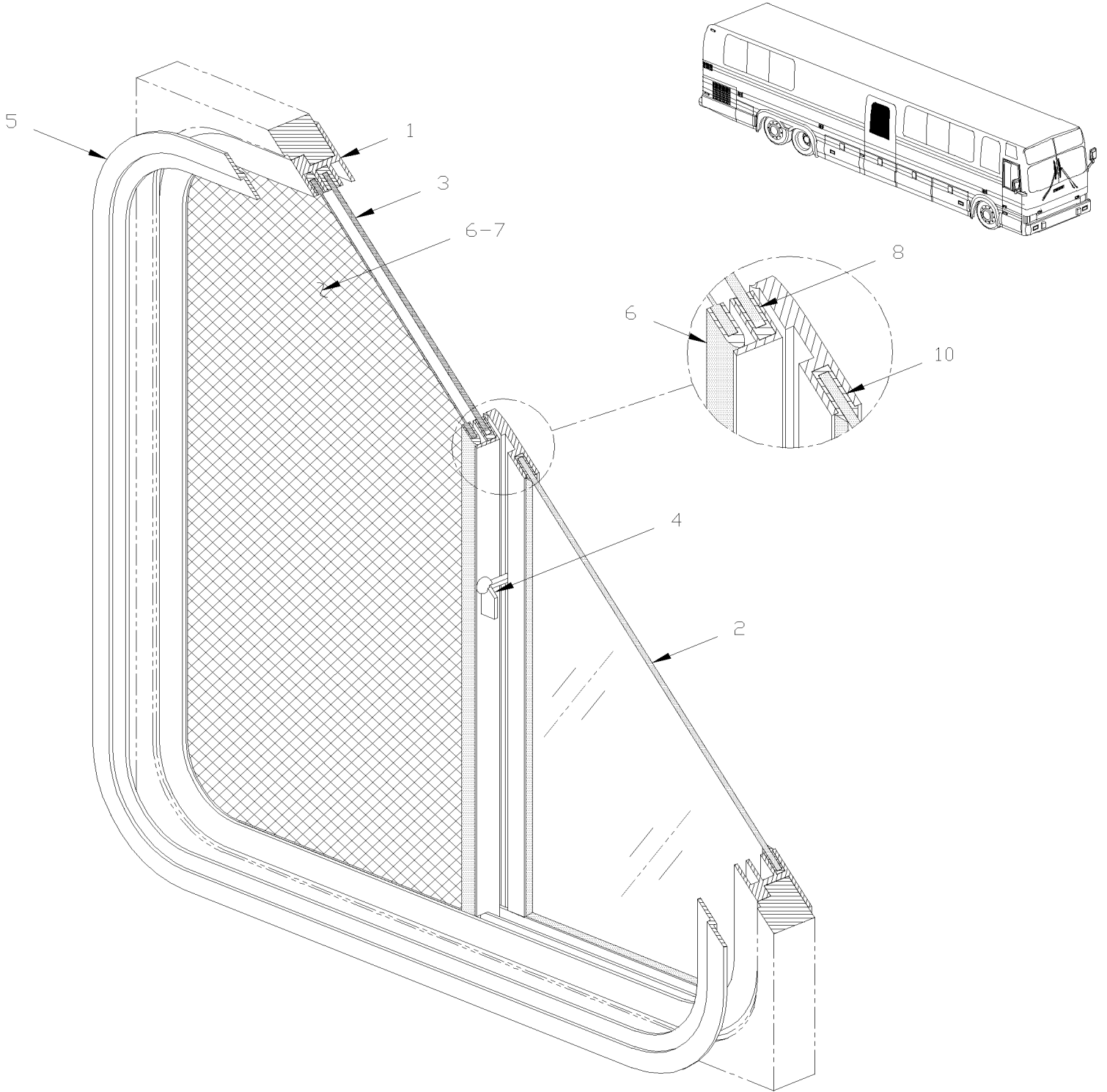
Item#	Part	Description	M T H 4 0	M T H 4 5	M T H 4 5 E	X L 4 0	X L 4 5	N O T E S
1	291334	GLASS 33 9/16" X 30 1/8"				18		
1	291571	GLASS 33 9/16" X 21 9/16"				1		
2	291335	EXTRUSTION - RUBBER STANDARD GLASS				18		
2	291572	EXTRUSTION - RUBBER SMALL GLASS				1		
3	N.P.N.	LOCKING STRIP (SUPPLY WITH 291572)				AR		4
3	N.P.N.	LOCKING STRIP (SUPPLY WITH 291335)				AR		4
		4) NO PARTS NUMBER						

From E-638 To Y-7045

Date:10/2022

PAGE:XL-1884-30

SIDE WINDOW ASSY 22" X 22" - "EXCEL"



From E-638 To Y-7045	Date:10/2022	PAGE:XL-1884-30
SIDE WINDOW ASSY 22" X 22" - "EXCEL"		

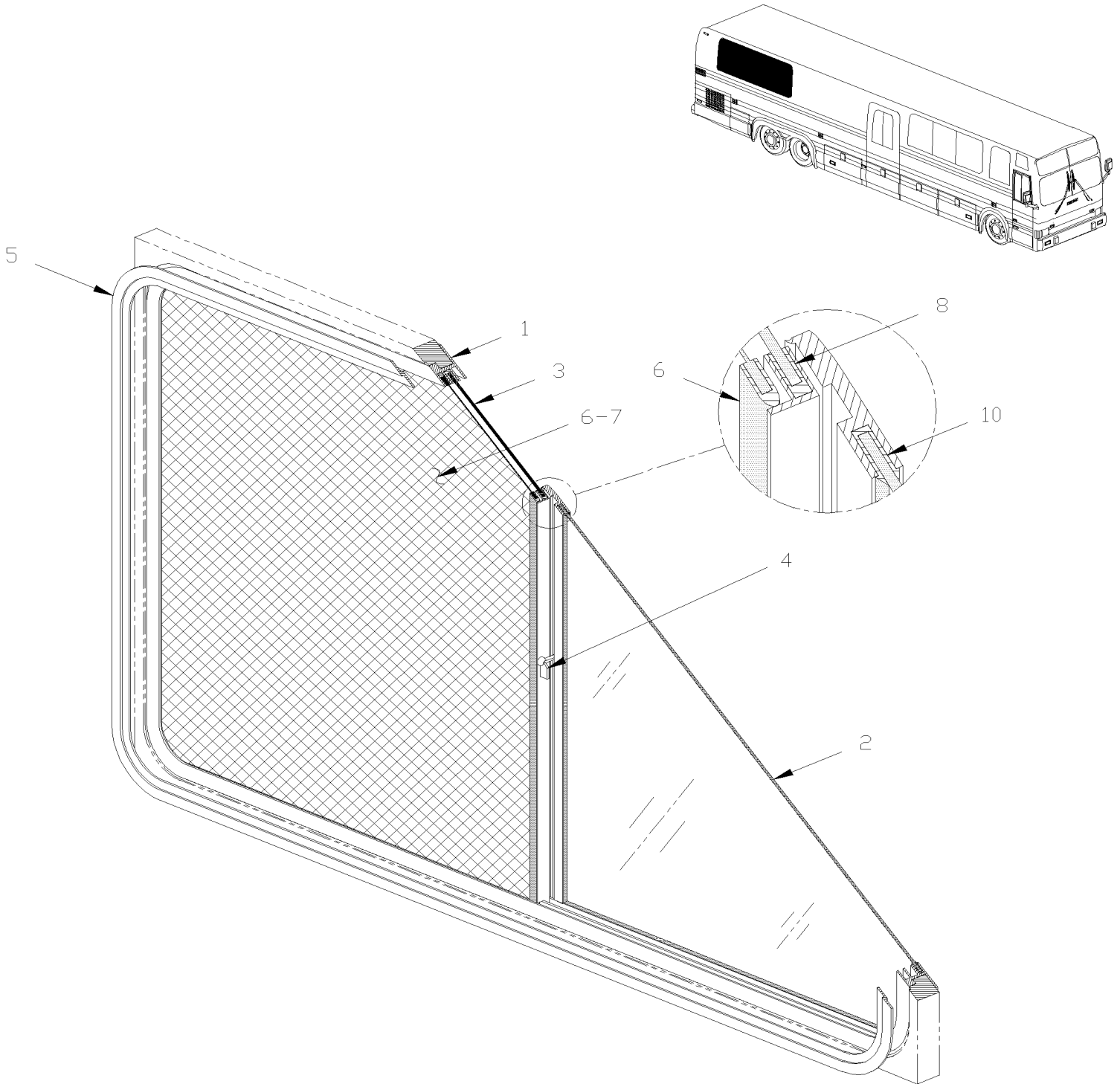
Item#	Part	Description	M T H 4 0	M T H 4 5	M T H 4 5 E	X L 4 0	X L 4 5	N O T E S
1	291916	SIDE WINDOW R.H.	1	1	1			A
1	291917	SIDE WINDOW L.H.	1	1	1			
2	790320	. GLASS, FIXED / 20.77" X 10.08"	1	1	1			
3	790319	. GLASS, SLIDING / 20.88" X 10.23"	1	1	1			
4	790348	. HANDLE, BLACK / PLASTIC	1	1	1			
4	790359	. HANDLE, RED / PLASTIC	1	1	1			
5	790301	. TRIM, INTERIOR	1	1	1			
6	790300	. SCREEN R.H. / 20.50" X 10"	1	1	1			
6	790354	. SCREEN L.H. / 20.50" X 10"	1	1	1			
NS	790381	. TRACK PLASTIC / SCREEN	AR	AR	AR			
7	790321	. CLIP, RETAINER / PLASTIC	2	2	2			
7	790382	. CLIP, RETAINER / STEEL	2	2	2			
8	790380	. FELT, RUN CHANNEL SLIDING G	AR	AR	AR			
NS	291615	TOOL (FOR EMBOSSSED 22" SIDE WINDOW)	AR	AR	AR			
		A) THIS WINDOW IT USE ALSO WITH VEHICULE WITH CENTRAL DOOR						

From E-638 To Y-7045

Date:10/2022

PAGE:XL-1884-31

SIDE WINDOW ASSY 30" X 54" - "EXCEL"

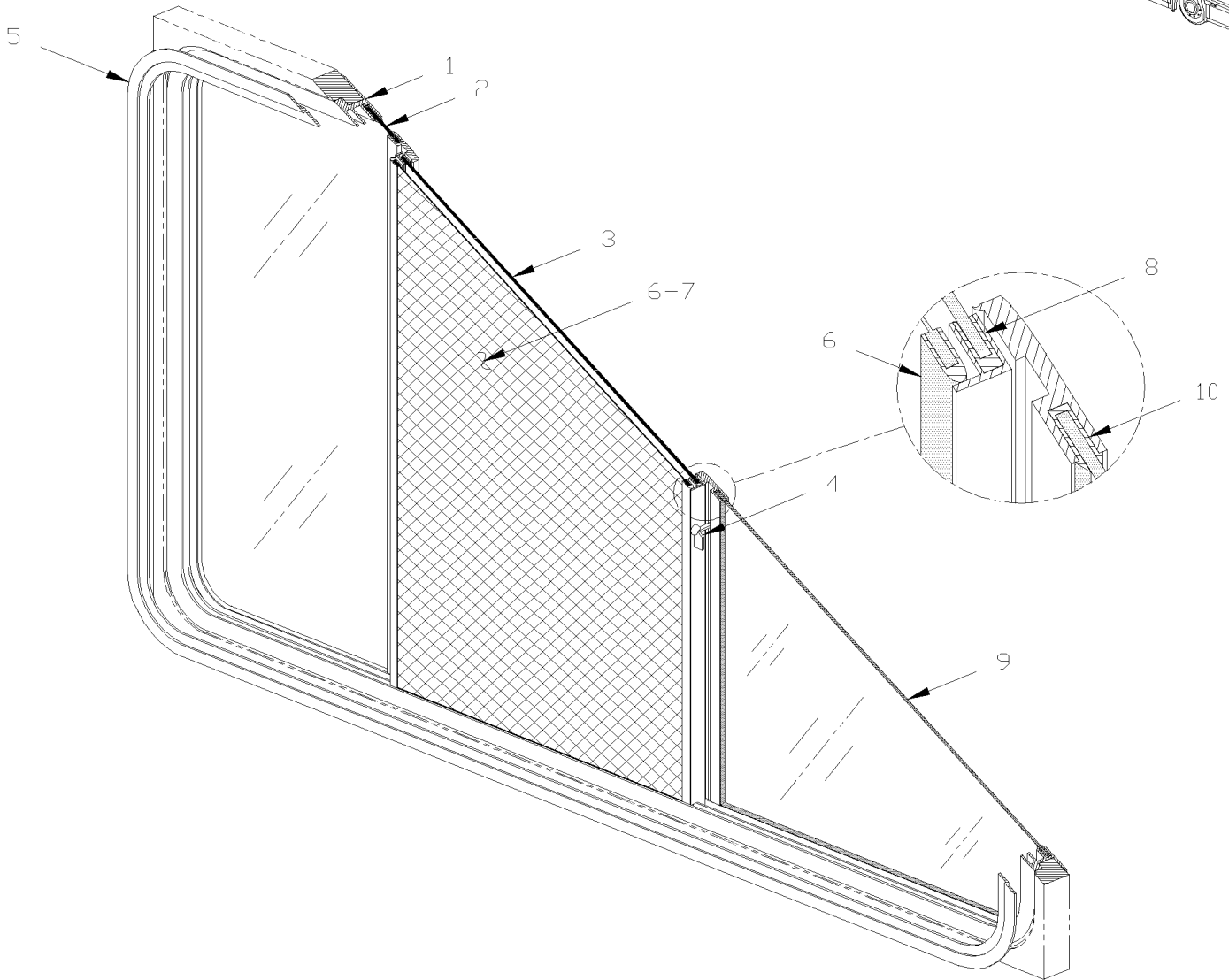
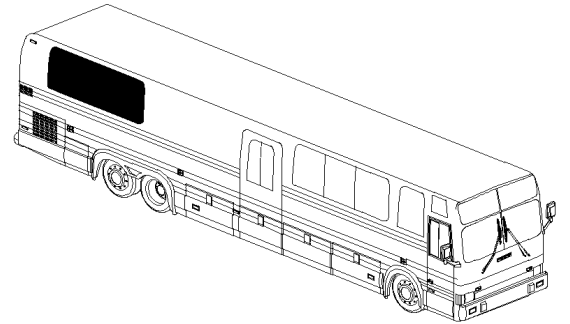


From E-638 To Y-7045

Date:10/2022

PAGE:XL-1884-32

SIDE WINDOW ASSY 30" X 60" - "EXCEL"

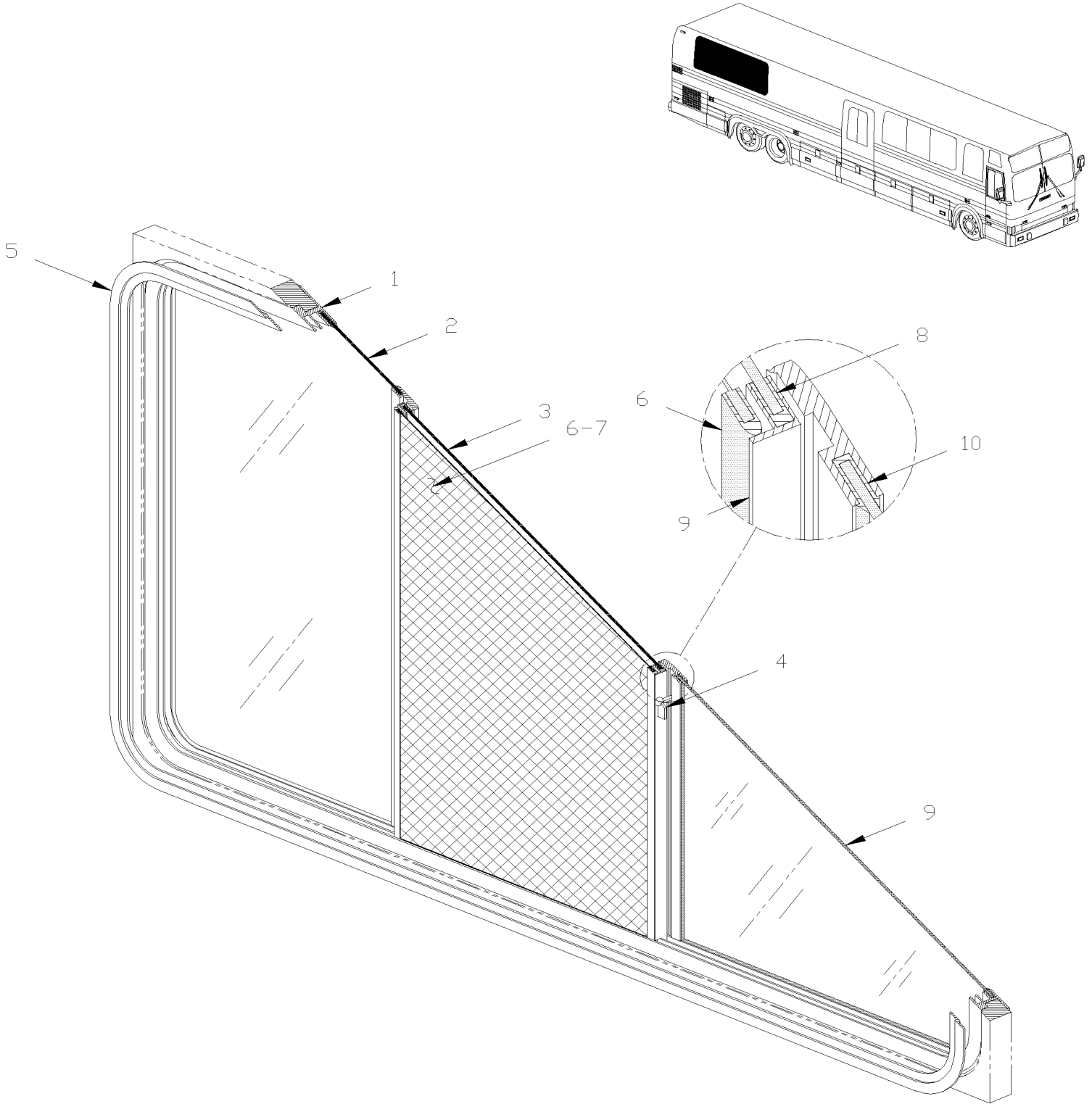


From L-540 To Y-7045

Date:10/2022

PAGE:XL-1884-33

SIDE WINDOW ASSY 30" X 60" - "EXCEL"

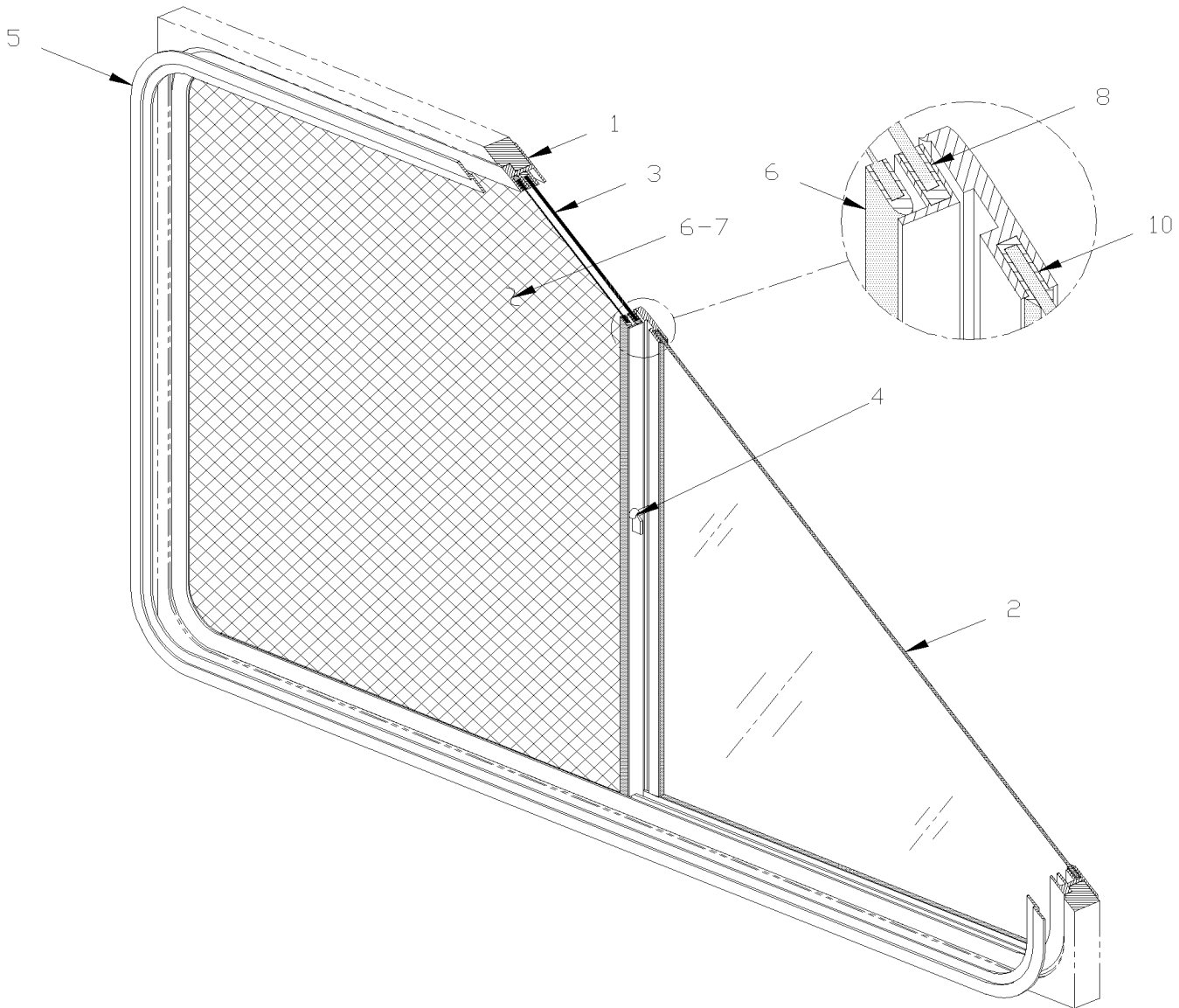
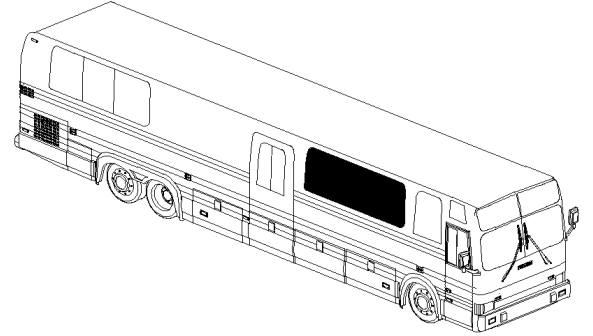


From E-638 To Y-7045

Date:10/2022

PAGE:XL-1884-34

SIDE WINDOW ASSY 30" X 70" - "EXCEL"

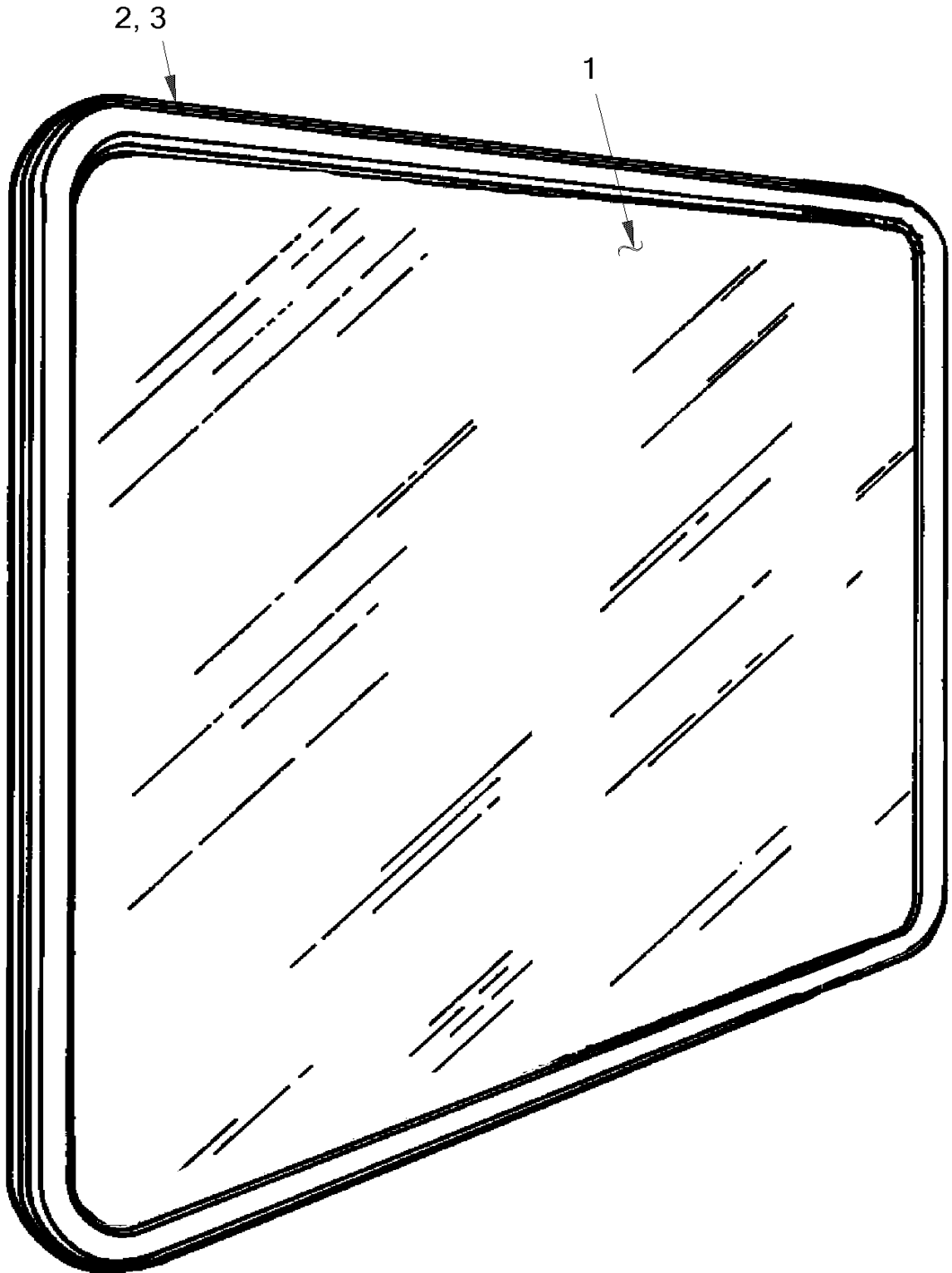


From E-638 To J-429

Date:10/2022

PAGE:XL-1884-35

SIDE WINDOW - MTH W/"LUCITE"

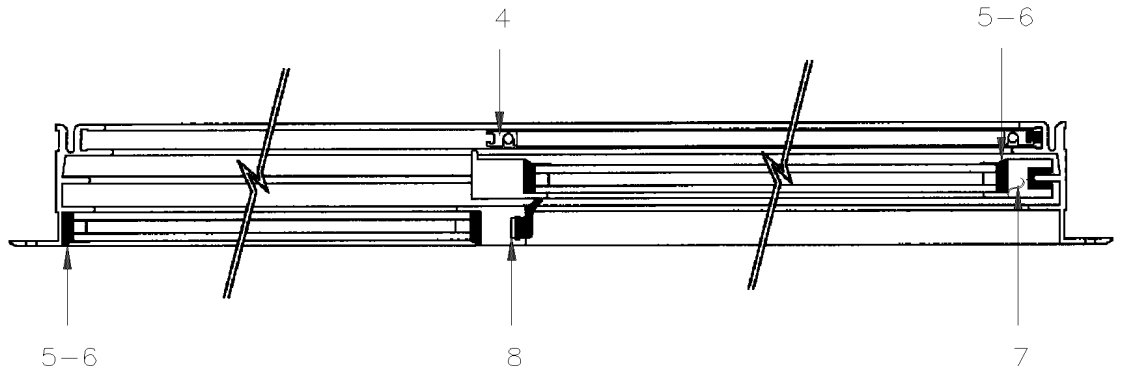
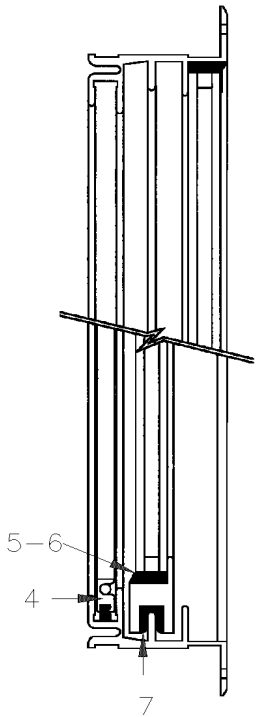
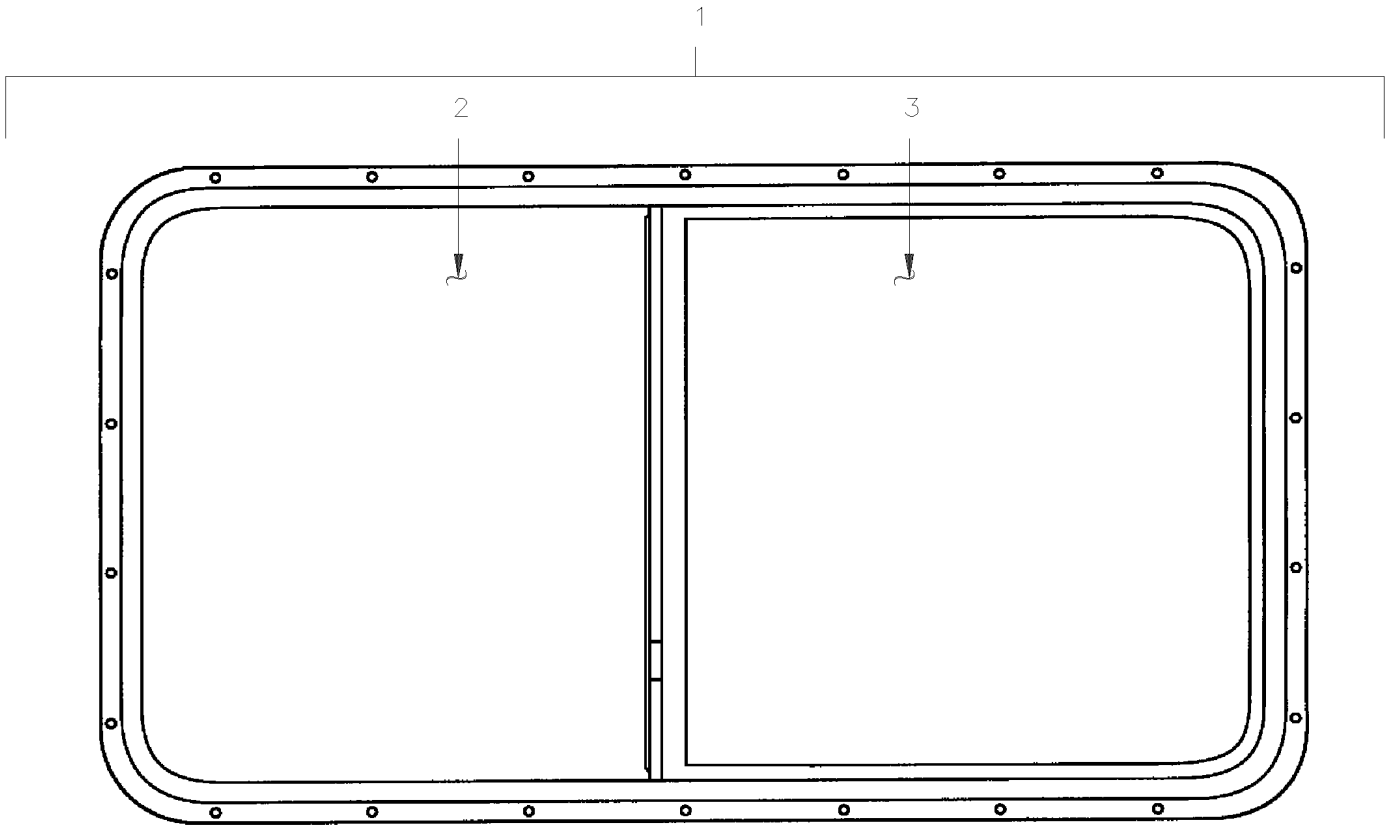


From K-400 To Y-7045

Date:10/2022

PAGE:XL-1884-40

SLIDING WINDOW - MTH - THERMOS "PREVOST"

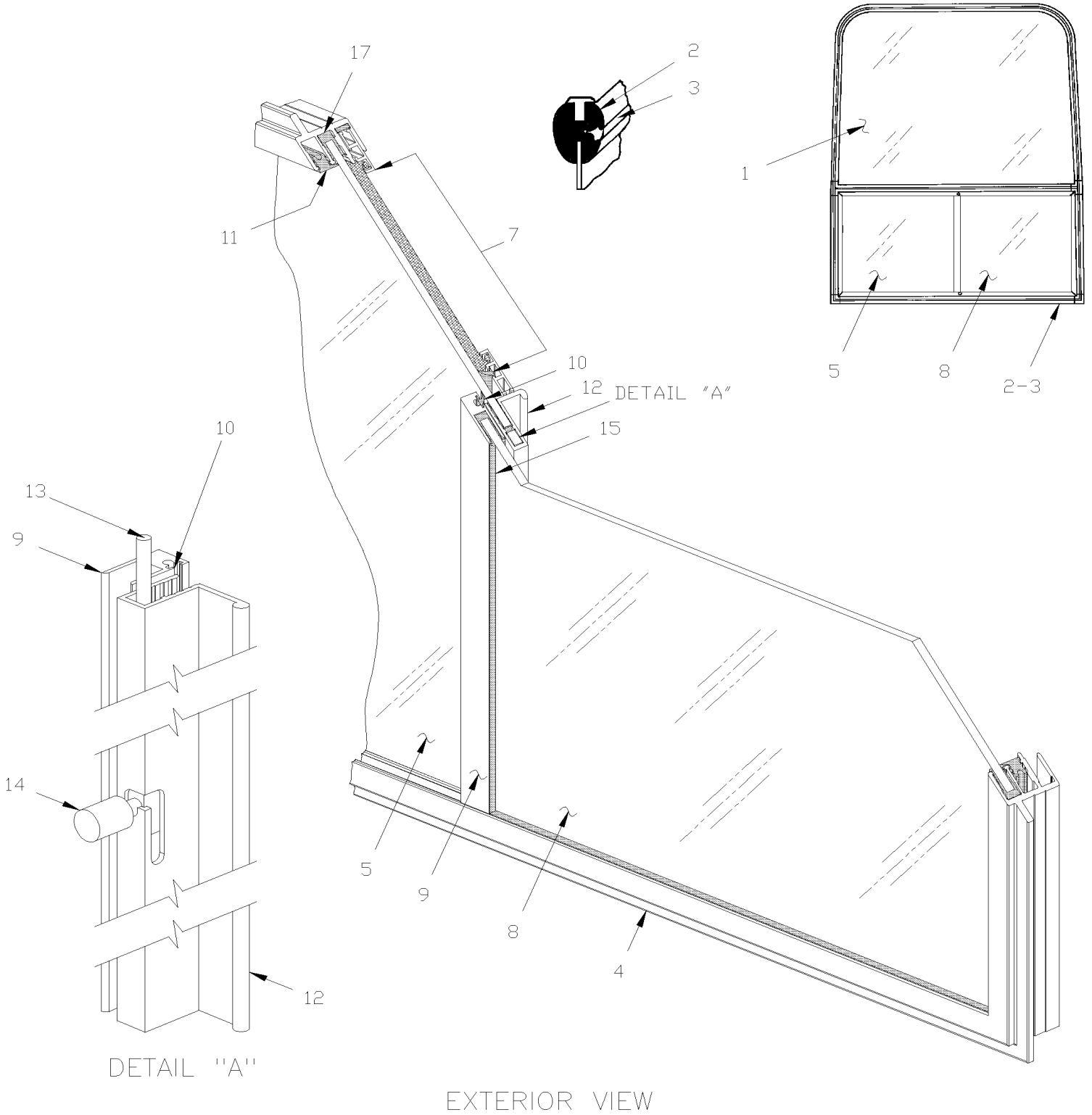


From E-638 To Y-7045

Date:10/2022

PAGE:XL-1884-50

SLIDING WINDOW - MTH - "LE MIRAGE"



From E-638 To Y-7045	Date:10/2022	PAGE:XL-1884-50
SLIDING WINDOW - MTH - "LE MIRAGE"		

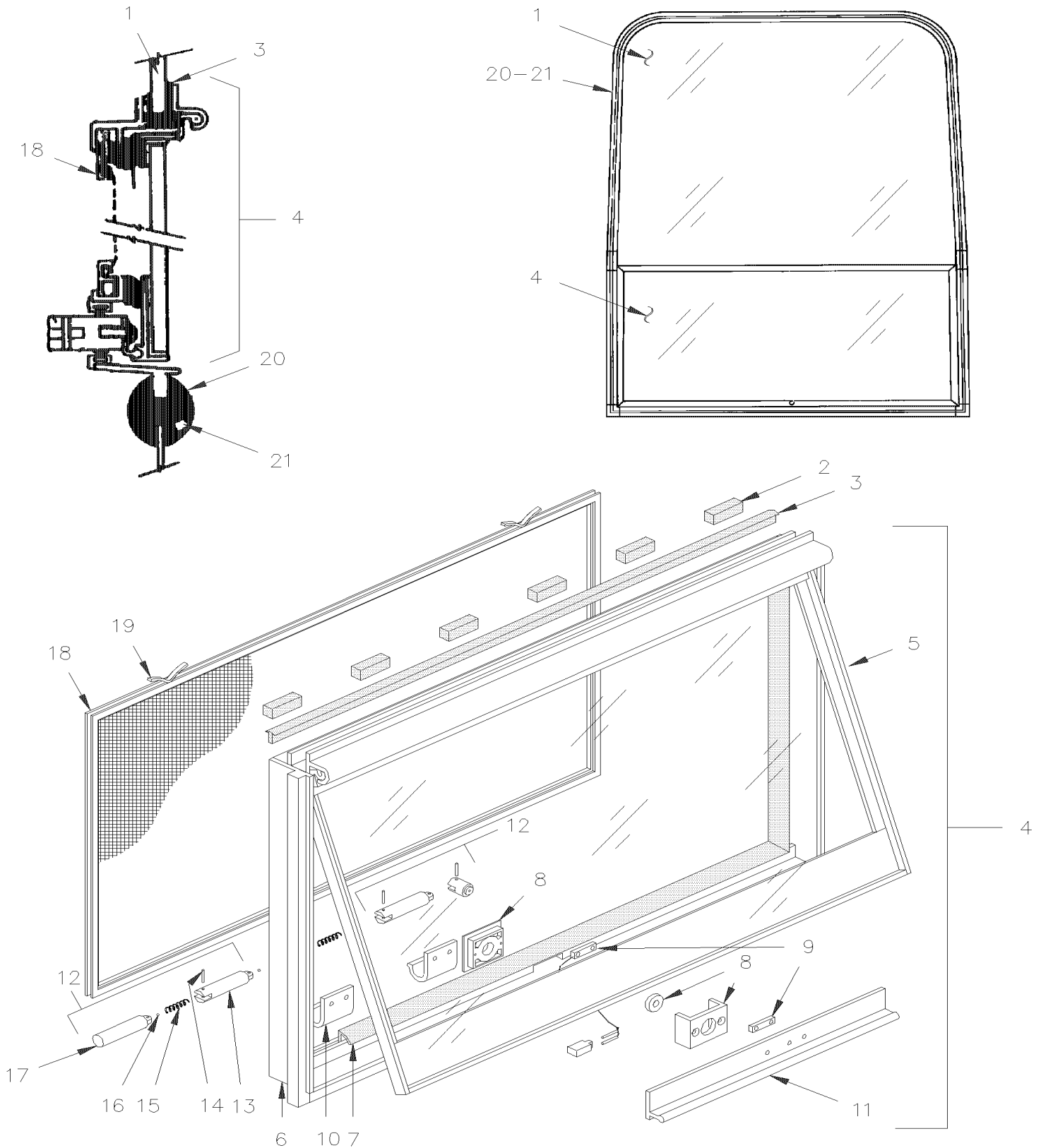
Item#	Part	Description	M T H 4 0	M T H 4 5	M T H 4 5 E	X L 4 0	X L 4 5	N O T E S
1	291642	GLASS, UPPER / SINGLE GLASS	1	1	1			
1	291703	GLASS, UPPER / "LUCITE"	1	1	1			
2	291641	EXTRUSION, RUBBER CHANNEL To X-6895	1	1	1			
2	293116	EXTRUSION, RUBBER CHANNEL From X-6896	1	1	1			
. NS	293059	. STRIP, LOCKING / S.L. From X-6896	15	15	15			
3	790226	STRIP, LOCKING / S.L. To X-6895	18	18	18			
3	293059	STRIP, LOCKING / S.L. From X-6896	18	18	18			
4	291702	WINDOW ASSY, L.H. W/55% To J-653	1					
4	291738	WINDOW ASSY, R.H. W/55% To J-653	1					
4	291908	WINDOW ASSY, L.H. W/9% From J-654 To L-515	1					
4	291909	WINDOW ASSY, R.H. W/9% From J-654 To L-515	1					
4	292088	WINDOW ASSY, L.H. W/9% From L-516 To N-515	1					
4	292089	WINDOW ASSY, R.H. W/9% From L-516 To N-515	1					
4	292361	WINDOW ASSY, L.H. W/9% From N-516	1	1	1			
4	292362	WINDOW ASSY, R.H. W/9% From N-516	1	1	1			
5	790342	. GLASS SLIDING R.H. & L.H. W55% To J-653	1					
5	790405	. GLASS SLIDING ASSY, L.H. W/HANDLE From J-654	1	1	1			
5	790406	. GLASS SLIDING ASSY, R.H. W/HANDLE From J-654	1	1	1			
5	790349	. . GLASS, SLIDING R.H. & L.H. W/9% From J-654	1	1	1			
6	790347	. SLIDE, FELT / CHANNEL R.H.& L.H. GLASS	AR	AR	AR			
7	790344	. SCREEN ASSY L.H.	1	1	1			
7	790345	. SCREEN ASSY R.H.	1	1	1			
NS	790382	. . CLIP, RETAINER / STEEL	2	2	2			
8	790343	. GLASS, FIX R.H. & L.H. / W/55% To J-653	1					
8	790350	. GLASS, FIX R.H. & L.H. / W/9% From J-654	1	1	1			
9	790407	. POST / FIX GLASS L.H. & R.H.	1	1	1			
10	790346	. . SEAL, RUBBER VERTICAL SLIDING	1	1	1			
11	790498	. COVER EXTRUSION	AR	AR	AR			
12	N.S.S.	. HANDLE ASSY, L.H.	1	1	1			1
12	N.S.S.	. HANDLE ASSY, R.H.	1	1	1			1
13	N.P.N.	. . ROD	1	1	1			4
13	N.P.N.	. . SPRING	1	1	1			4
14	790464	. . KNOB	1	1	1			
15	790497	. RUBBER CHANEL	AR	AR	AR			
NS	293842	HANDLE ASSY (TO FIX FRONT GLASS CHANNEL)	1	1	1	1	1	
. NS	293843	. END TIP "PREVOST"	AR	AR	AR	AR	AR	
		1) NOT SOLD SEPARATELY						
		4) NO PARTS NUMBER						

From E-638 To Y-7045

Date:10/2022

PAGE:XL-1884-60

AWNING WINDOW - MTH



From E-638 To Y-7045	Date:10/2022	PAGE:XL-1884-60
AWNING WINDOW - MTH		

Item#	Part	Description	M T H 4 0	M T H 4 5	M T H 4 5 E	X L 4 0	X L 4 5	N O T E S
1	790400	GLASS, UPPER 23 5/16" HIGH To P-732	1	1	1			
1	790425	GLASS, UPPER 21 13/16" HIGH From P-733 To S-468	1	1	1			
1	790440	GLASS, UPPER 21 37/64" HIGH From S-469	1	1	1			
NS	682176	SEALANT SIKA #221 / BLACK / 310ml CARTRIDGE	1	1	1			
2	292357	BLOCK, RUBBER SPACER 1" X 5/16" x 1/ ADHESIVE	6	6	6			
3	292401	FILLER, RUBBER 32" LG INSIDE OF VEHICLE	1	1	1			
4	790408	WINDOW ASSY, AWNING 19 1/2" HIGH To P-732	1	1	1			
4	790426	WINDOW ASSY, AWNING 21" HIGH From P-733	1	1	1			
5	790423	. AWNING GLASS ASSY / W/19 1/2" HIGH To P-732	1	1	1			
5	790427	. AWNING GLASS ASSY / W/21" HIGH From P-733	1	1	1			
5	N.S.S.	. . GLASS	1	1	1			1
6	790419	. FRAME ASSY / W/19 1/2" HIGH To P-732	1	1	1			
6	790429	. FRAME ASSY / W/21" HIGH From P-733	1	1	1			
7	790416	. . SEAL FRAME / W/19 1/2" HIGH To P-732	1	1	1			
7	790428	. . SEAL FRAME / W/21" HIGH From P-733	1	1	1			
8	790421	. . ARTICULATED ARM COLLAR KIT / FELT	1	1	1			
NS	790441	. . NEOPRENE GASKET	1	1	1			
9	562641	. . MAGNET	1	1	1			
9	790415	. . SWITCH MAGNETIC ASSY To T-5996	1	1	1			
9	064360	. . SWITCH MAGNETIC ASSY From T-5997	1	1	1			
NS	562640	. . . SWITCH MAGNETIC From T-5997	1	1	1			
NS	500648	. . SCREW TC BDG PH #6-32x1/4 ZP	4	4	4			
10	790417	. . ARTICULATED ARM RETAINER "J" FORM	2	2	2			
11	790418	. MOUNTING BRACKET ART. ARM	1	1	1			
NS	790413	. SCREW #10-24x13/32	1	1	1			A
12	790420	. ARTICULATED ARM ASSY / 3 SECTIONS	1	1	1			
NS	790448	. ARTICULATED ARM ASSY / 4 SECTIONS	1	1	1			
13	790443	. . MID SECTION ARM	AR	AR	AR			
14	505407	. . SPRING, PIN 1/8 x 1/2 SS	AR	AR	AR			
15	790445	. . SPRING COMPRESSION / .212 O.D. x 1.204 x .035	AR	AR	AR			
16	790444	. . BALL	AR	AR	AR			
17	N.P.N.	. . ROD END / BLACK	1	1	1			4
17	790439	. ROD END / RED / USE W/"EMERGENCY EXIT"	AR	AR	AR			
18	790422	. SCREEN ASSY / W/19 1/2" HIGH To P-732	1	1	1			
18	790430	. SCREEN ASSY / W/21" HIGH From P-733	1	1	1			
19	790321	. . CLIP, RETAINER / PLASTIC	2	2	2			
20	290264	EXTRUSION, RUBBER / SINGLE & LUCITE To X-6895	1	1	1			W
20	293201	EXTRUSION, RUBBER / SINGLE W/AWNING WINDOW From X-6896	1	1	1			
. NS	293059	. STRIP, LOCKING / S.L. From X-6896	13	13	13			
21	790226	STRIP, LOCKING / S.L. To X-6895	AR	AR	AR			
21	293059	STRIP, LOCKING / S.L. From X-6896	AR	AR	AR			
NS	062938	CABLE ASSY / MAIN HARNESS & WINDOW SWITCH	1	1	1			

From E-638 To Y-7045	Date:10/2022	PAGE:XL-1884-60
AWNING WINDOW - MTH		

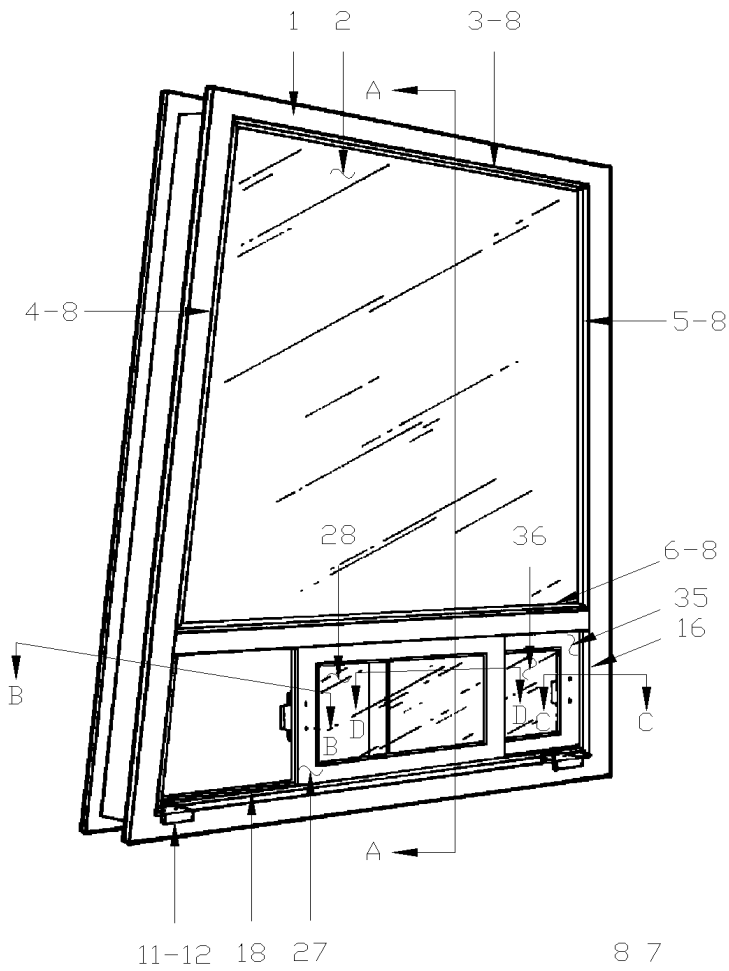
Item#	Part	Description	M T H 4 0	M T H 4 5	M T H 4 5 E	X L 4 0	X L 4 5	N O T E S
NS	403871	DECAL "OPEN ONLY WHEN PARKED"	1	1	1			
		FOR RETROFIT YOU REQUIRE ITEMS #1, 2, 3, 4, 20 & 21						
NS	293842	HANDLE ASSY (TO FIX FRONT GLASS CHANNEL)	1	1	1	1	1	
NS	293843	END TIP "PRÉVOST"	AR	AR	AR	AR	AR	
		A) TO FIX ARTICULATED ARM						
		W) "WARNING" THIS EXTRUSION IS SUPERSEDED BY 293055 WITH FULL GLASS ONLY OR BY 293201 WITH "AWNING WINDOW"						
		1) NOT SOLD SEPARATELY						
		4) NO PARTS NUMBER						

From E-638 To Y-7045

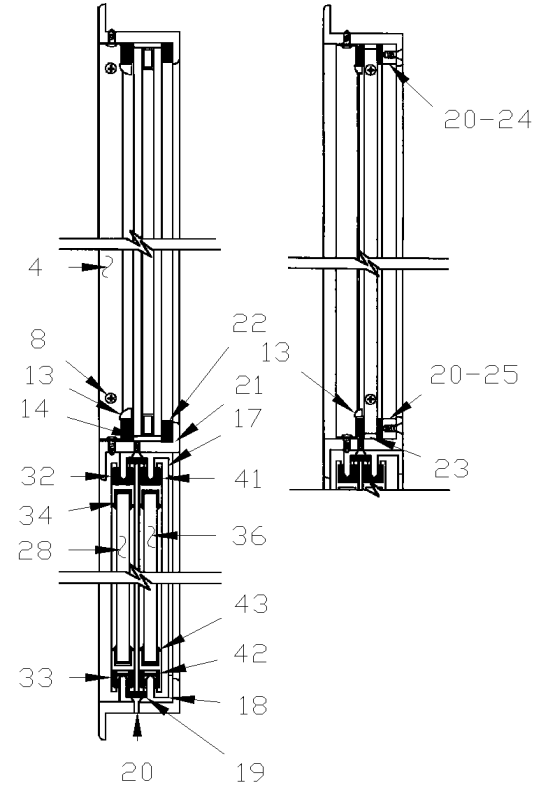
Date:10/2022

PAGE:XL-1886-00

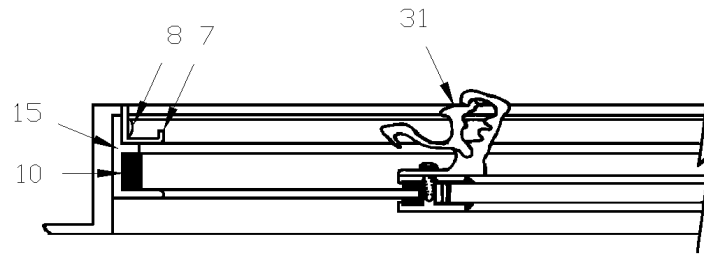
DRIVER'S WINDOW - BUS



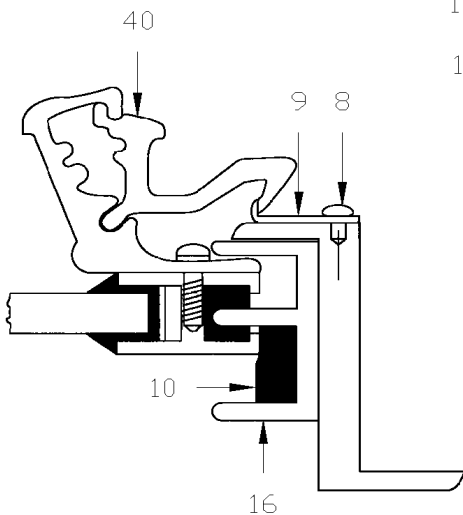
THERMOS TYPE SINGLE GLASS TYPE



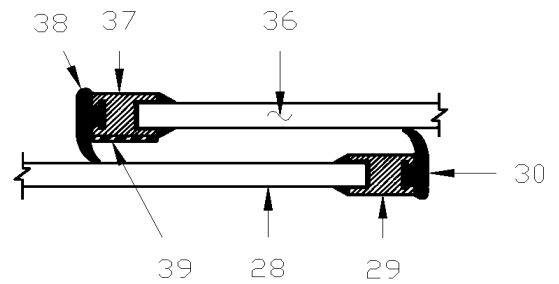
COUPE "A-A"



COUPE "B-B"



COUPE "C-C"



COUPE "D-D"

From E-638 To Y-7045	Date:10/2022	PAGE:XL-1886-00
DRIVER'S WINDOW - BUS		

Item#	Part	Description	M T H 4 0	M T H 4 5	M T H 4 5 E	X L 4 0	X L 4 5	N O T E S
	291697	WINDOW ASSY DRIVER'S / SINGLE				1		
	291698	WINDOW ASSY DRIVER'S / THERMOS				1	1	
NS	290407	WINDOW SUBASSY				1	1	C
1	291542	. FRAME ASSY, EXTERIOR				1	1	
NS	290408	. FRAME ASSY, INTERIOR				1	1	
2	291081	. GLASS, UPPER / SINGLE				1		
2	790190	. GLASS, UPPER / THERMOS				1	1	
3	291587	. MOULDING, UPPER				1	1	
4	291558	. MOULDING, L.H.				1	1	
5	291559	. MOULDING, R.H.				1	1	
6	291560	. MOULDING, LOWER				1	1	
7	291668	. PLATE, STRIKE / FRONT SLIDING WINDOW				1	1	
8	500417	. SCREW TP PAN PH #6x3/8 Z050				28	28	
9	291941	. PLATE, STRIKE / REAR SLIDING WINDOW				1	1	
10	506228	. TAPE RUB ADH1 CC POL 1/4" x 1/2" x 37.5' / GREY 2520X				AR	AR	
11	290690	. DEFLECTOR, WIND				2	2	
12	500647	. SCREW TC PAN PH #4-40x1/4 ZP				4	4	
13	790326	. SEALANT SIKAFLEX #255 / BLACK / S.Q.				AR	AR	
NS	680565	. TAPE, SEAL 1/2 / BLACK / S.L.				AR	AR	
14	506003	. TAPE RUB ADH1 CC POL 3/16" x 3/4" x 40' / GREY 2520X				AR	AR	
15	290873	. EXTRUSION, CLOSING / FRONT SLIDING WINDOW				1	1	
16	290878	. EXTRUSION, CLOSING / REAR SLIDING WINDOW				1	1	
17	291418	. SLIDE, UPPER				1	1	
18	291419	. SLIDE, LOWER				1	1	
19	290139	. FELT 1/2" X 1 3/8"				1	1	
20	500660	. SCREW TC FL PH #6-32x3/8 Z050				10	10	
21	291417	. SEPARATOR, WINDOW				1	1	
22	506002	. TAPE RUB ADH1 CC POL 3/16" x 1/2" x 40' / GREY 2520				AR	AR	
23	506191	. TAPE RUB ADH1 CC POL 1/8" x 1/4" x 50' / GREY 2520X				AR	AR	
24	291239	SPACER / UPPER W/SINGLE GLASS				1		
25	291242	SPACER / LOWER W/SINGLE GLASS				1		
25	291240	SPACER / R.H. W/SINGLE GLASS				1		
25	291241	SPACER / L.H. W/SINGLE GLASS				1		
26	290673	. SLIDING GLASS ASSY, FRONT				1	1	
27	290740	. . FRAME, FRONT SLIDING GLASS / WELDED				1	1	
28	790182	. . GLASS / FRONT SLIDING				1	1	
29	291413	. . EXTRUSION, SEAL RETAINING				1	1	
NS	500434	. . SCREW TP FL PH #8x3/4 Z050				2	2	
30	506024	. . RUBBER EXTRUSION CHANNEL, GREY				1	1	
31	790299	. . HANDLE / SLIDING GLASS				1	1	
NS	500522	. . WASHER FL SEAL .437 ODx.085 SS				2	2	
NS	500764	. . NUT HEX #8-32 Z050				2	2	

From E-638 To Y-7045	Date:10/2022	PAGE:XL-1886-00
DRIVER'S WINDOW - BUS		

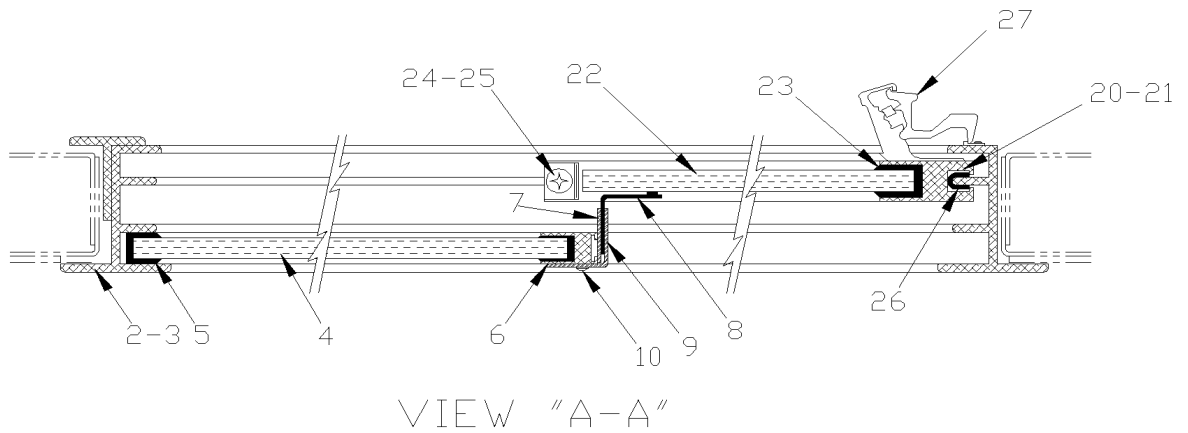
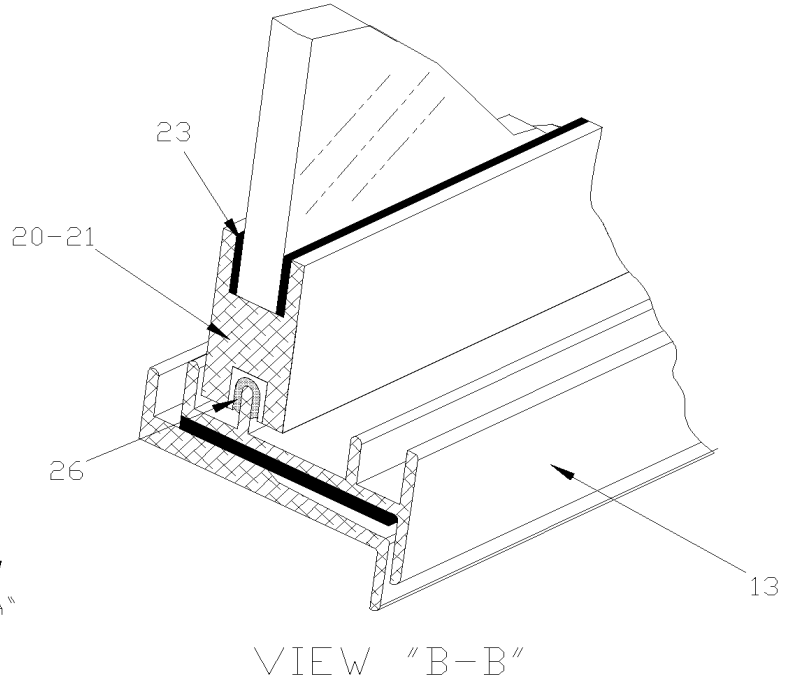
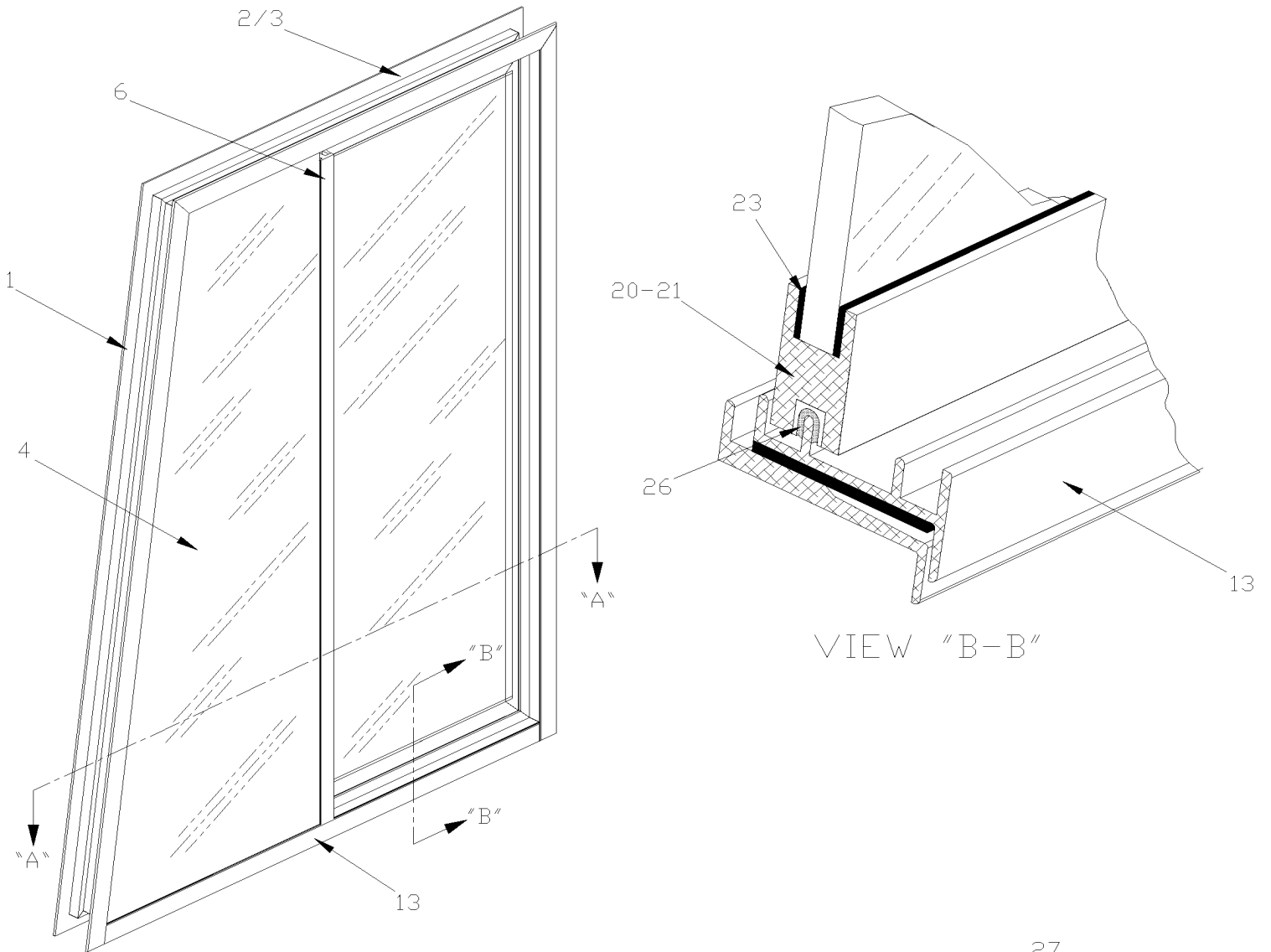
Item#	Part	Description	M T H 4 0	M T H 4 5	M T H 4 5 E	X L 4 0	X L 4 5	N O T E S
NS	500564	. . SCREW MA RND PH #8-32x3/4 Z050				2	2	
32	790149	. . FELT				AR	AR	A
33	291544	. . SLIDE, PLASTIC				1	1	
NS	290233	. . . SLIDE, PLASTIC / S.L.				AR	AR	
34	506254	. . RUBBER EXTRUSION NEO / GLASS FILLER / B / C.T.L.				AR	AR	
34	290674	. . SLIDING GLASS ASSY, REAR				1	1	
35	290741	. . FRAME, REAR SLIDING GLASS / WELDED				1	1	
36	790183	. . GLASS / REAR SLIDING				1	1	
37	291413	. . EXTRUSION, SEAL RETAINING				1	1	
NS	500434	. . SCREW TP FL PH #8x3/4 Z050				2	2	
38	506024	. . RUBBER EXTRUSION CHANNEL, GREY				1	1	
39	790168	. . FELT / TO SEAL RETAINING EXTRUSION				1	1	
40	790299	. . HANDLE / SLIDING GLASS				1	1	
NS	500522	. . WASHER FL SEAL .437 ODx.085 SS				2	2	
NS	500764	. . NUT HEX #8-32 Z050				2	2	
NS	500564	. . SCREW MA RND PH #8-32x3/4 Z050				2	2	
41	790149	. . FELT				AR	AR	B
42	291544	. . SLIDE, PLASTIC				1	1	
NS	290233	. . . SLIDE, PLASTIC / S.L.				AR	AR	
43	506254	. . . RUBBER EXTRUSION NEO / GLASS FILLER / B / C.T.L.				AR	AR	
		A) UPPER & FRONT / S.L						
		B) UPPER & REAR / S.L.						
		C) INCLUDE ITEMS #1,11,15 TO 21 & 2 LOWER SLIDING GLASSES ASSY FRONT & REAR						

From E-638 To H-254

Date:10/2022

PAGE:XL-1886-50

DRIVER'S WINDOW - MTH



From E-638 To H-254	Date:10/2022	PAGE:XL-1886-50
DRIVER'S WINDOW - MTH		

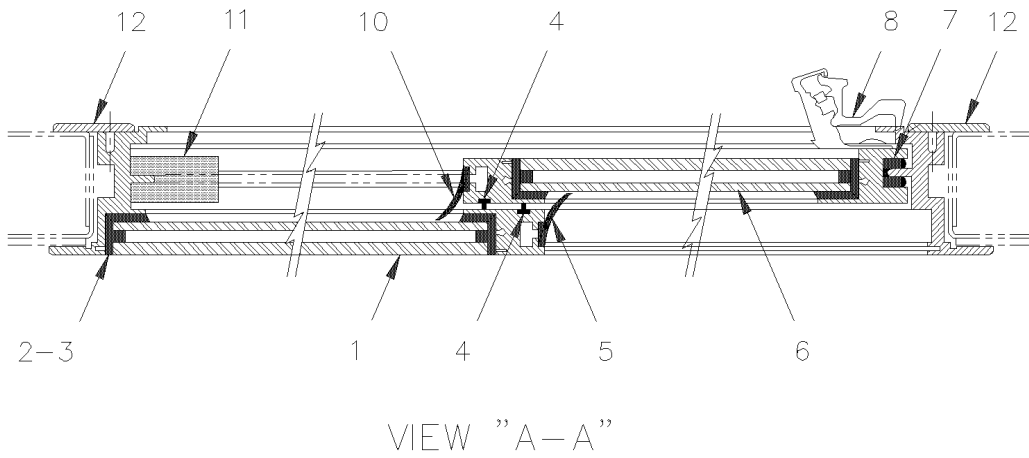
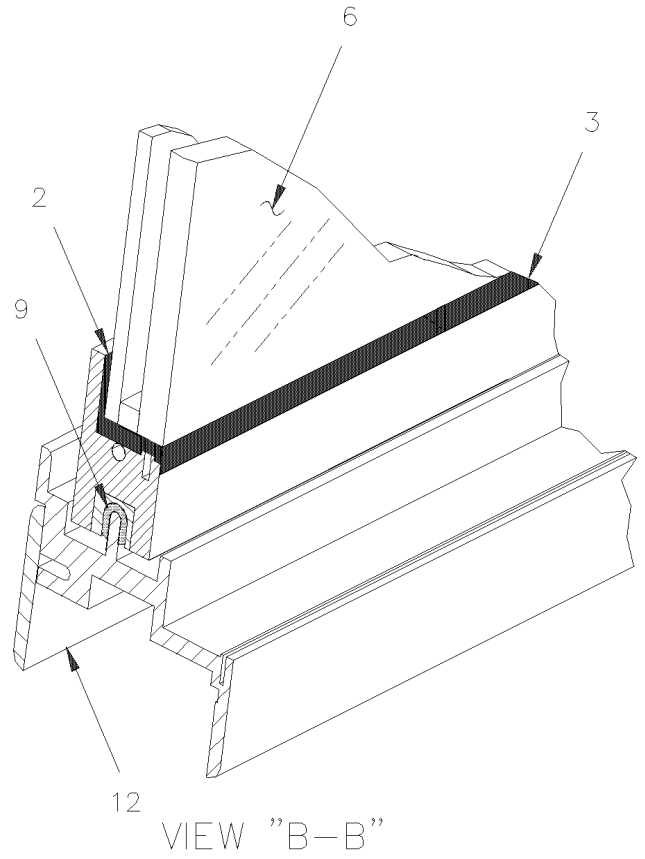
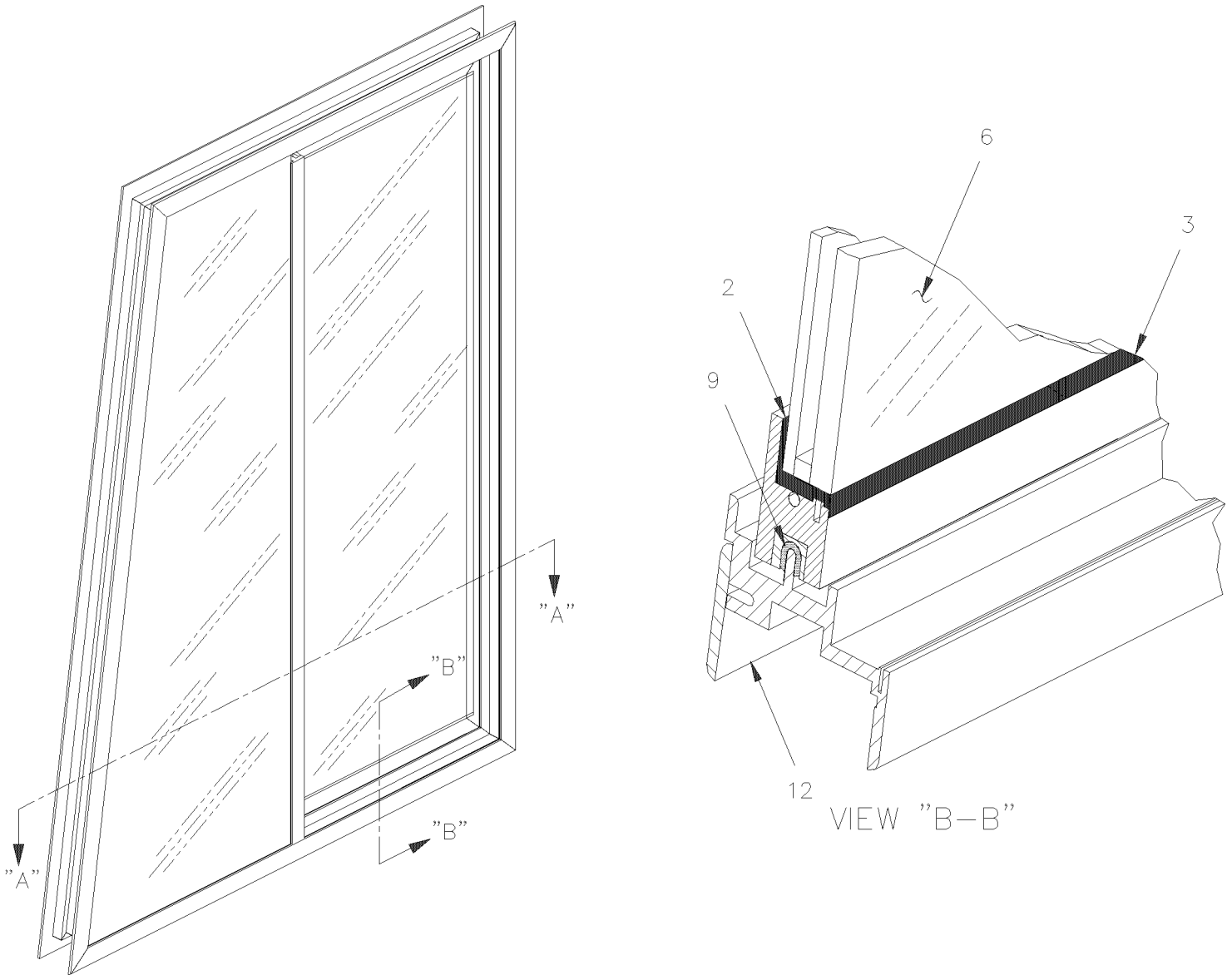
Item#	Part	Description	M T H 4 0	M T H 4 5	M T H 4 5 E	X L 4 0	X L 4 5	N O T E S
1	Call order desk	WINDOW ASSY / W/SINGLE GLASS To G-158	1					P
1	291611	WINDOW ASSY / W/SINGLE GLASS From G-159	1					
2	291022	TRIM INTERIOR / SIDE	1					
NS	291035	TRIM INTERIOR / LOWER	1					
3	291036	FRAME ASSY To G-158	1					
3	291588	FRAME ASSY From G-159	1					
4	291020	GLASS / FIXED	1					
5	506254	RUBBER EXTRUSION NEO / GLASS FILLER / B / C.T.L.	AR					
6	291042	CENTER EXTRUSION FIXED	1					
7	291173	MOULDING RETAINER To G-158	1					
7	291584	MOULDING RETAINER From G-159	1					
8	291174	SEAL, RUBBER To G-158	1					
8	291586	SEAL, RUBBER From G-159	1					
9	291172	ANGLE RETAINER SEAL To G-158	1					
9	291585	ANGLE RETAINER SEAL From G-159	1					
10	500417	SCREW TP PAN PH #6x3/8 Z050	2					
13	291041	FRAME ASSY	1					
20	291024	SLIDING GLASS ASSY	1					
21	291043	FRAME ASSY	1					
22	291021	GLASS / SLIDING	1					
23	506254	RUBBER EXTRUSION NEO / GLASS FILLER / B / C.T.L.	AR					B
24	291102	STOPPER UPPER	2					
25	500417	SCREW TP PAN PH #6x3/8 Z050	2					
26	790168	FELT / TO SEAL RETAINING EXTRUSION	AR					
27	790299	HANDLE / SLIDING GLASS From G-159	2					
30	291275	SUPPORT, CATCH To G-158	1					
30	291941	PLATE, STRIKE / REAR SLIDING WINDOW From G-159	1					
31	790235	CATCH, HANDLE To G-158	1					A
32	290874	ANGLE To G-158	2					
33	500583	SCREW TP PAN PH #6x1/2 Z050 To G-158	2					
		A) THIS CATCH IT OBSOLETE USE KIT #291687 FOR RETROFIT						
		B) SOME GLASS ARE THICKER AND WE SUGGEST FILLER #506038						
		P) CALL ORDER DESK FOR SPECIFIC APPLICATION (V.I.N.)						

From H-255 To W-6448

Date:10/2022

PAGE:XL-1886-51

DRIVER'S WINDOW - MTH

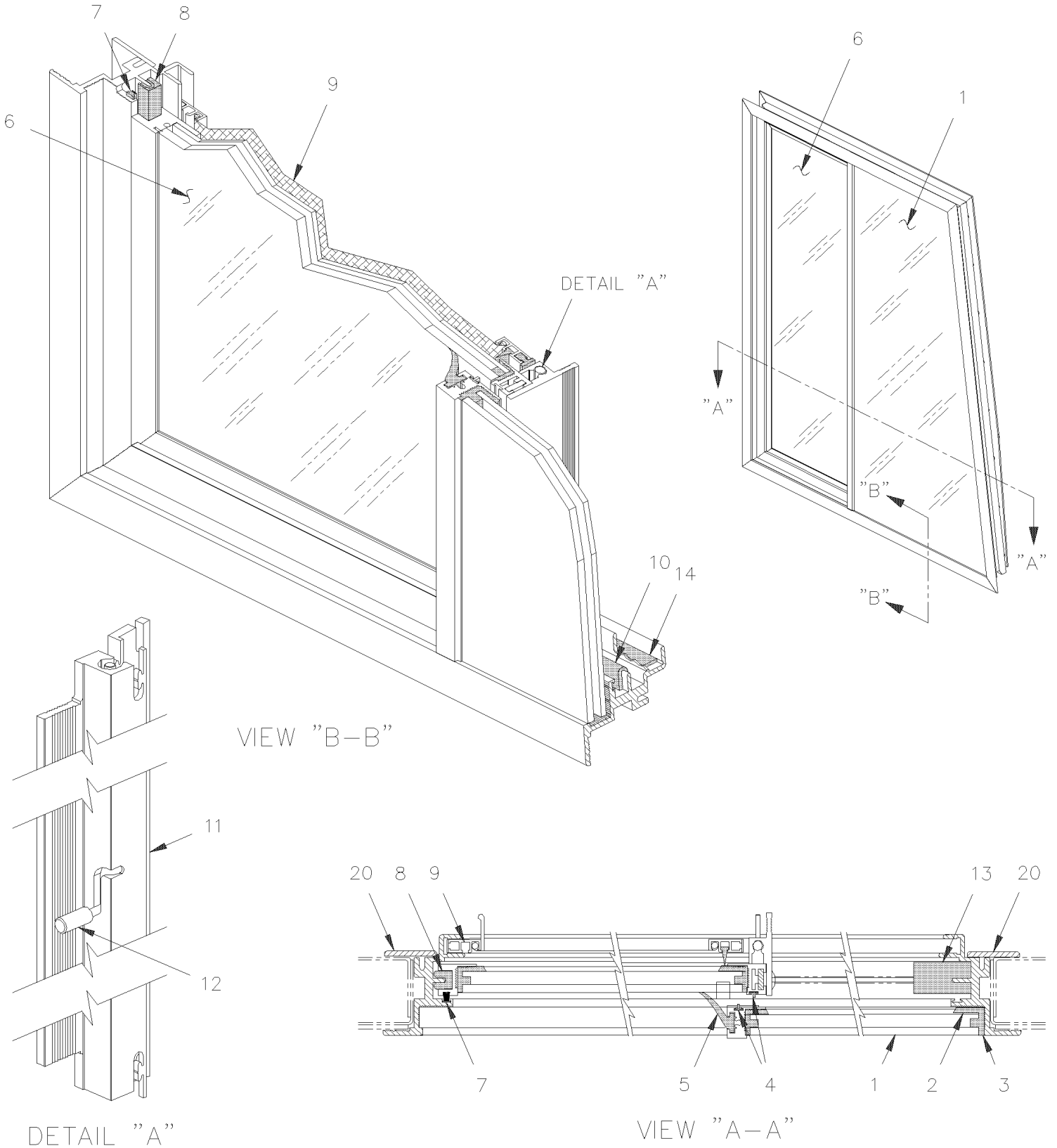


From W-6449 To Y-7045

Date:10/2022

PAGE:XL-1886-52

DRIVER'S WINDOW - MTH



From W-6449 To Y-7045	Date:10/2022	PAGE:XL-1886-52
DRIVER'S WINDOW - MTH		

Item#	Part	Description	M T H 4 0	M T H 4 5	M T H 4 5 E	X L 4 0	X L 4 5	N O T E S
	292923	WINDOW ASSY, DRIVER'S	1	1	1			
1	790432	. GLASS, FIXED / KIT	1	1	1			
2	680565	. TAPE, SEAL 1/2 / BLACK / S.L.	AR	AR	AR			
3	681092	. ADHESIVE SIKA #255FC / BLACK / 310ml CARTRIDGE	AR	AR	AR			
3	790324	. SEAL	AR	AR	AR			
5	790328	. SEAL / FIXED GLASS	1	1	1			
6	790453	. GLASS, SLIDING	1	1	1			
7	790528	. SCHLEGEL BLACK 3/8" (20FT)	AR	AR	AR			
8	790347	. SLIDE, FELT / CHANNEL R.H.& L.H. GLASS	AR	AR	AR			
9	790451	. SCREEN	1	1	1			
NS	790462	. . CLIP, RETAINING / SCREEN	1	1	1			
10	790322	. SLIDE, PLASTIC / LOWER	1	1	1			
NS	790323	. SLIDE, PLASTIC / UPPER (SEE 790322)	1	1	1			
12	790463	. . KNOB	1	1	1			
12	N.P.N.	. . ROD	1	1	1			4
12	N.P.N.	. . SPRING	1	1	1			4
13	790331	. STOPPER / UPPER RUBBER / SLIDING GLASS	1	1	1			
13	790330	. STOPPER / LOWER RUBBER / SLIDING GLASS	1	1	1			
20	790455	. MOULDING, INSIDE	1	1	1			
NS	250930	SPACER SHIM 19MM x 820MM x 11GA	AR	AR	AR			
NS	250931	SPACER SHIM 19MM x 600MM x 11GA	AR	AR	AR			
NS	250932	SPACER SHIM 19MM x 760MM x 11GA TAPER	AR	AR	AR			
		4) NO PARTS NUMBER						

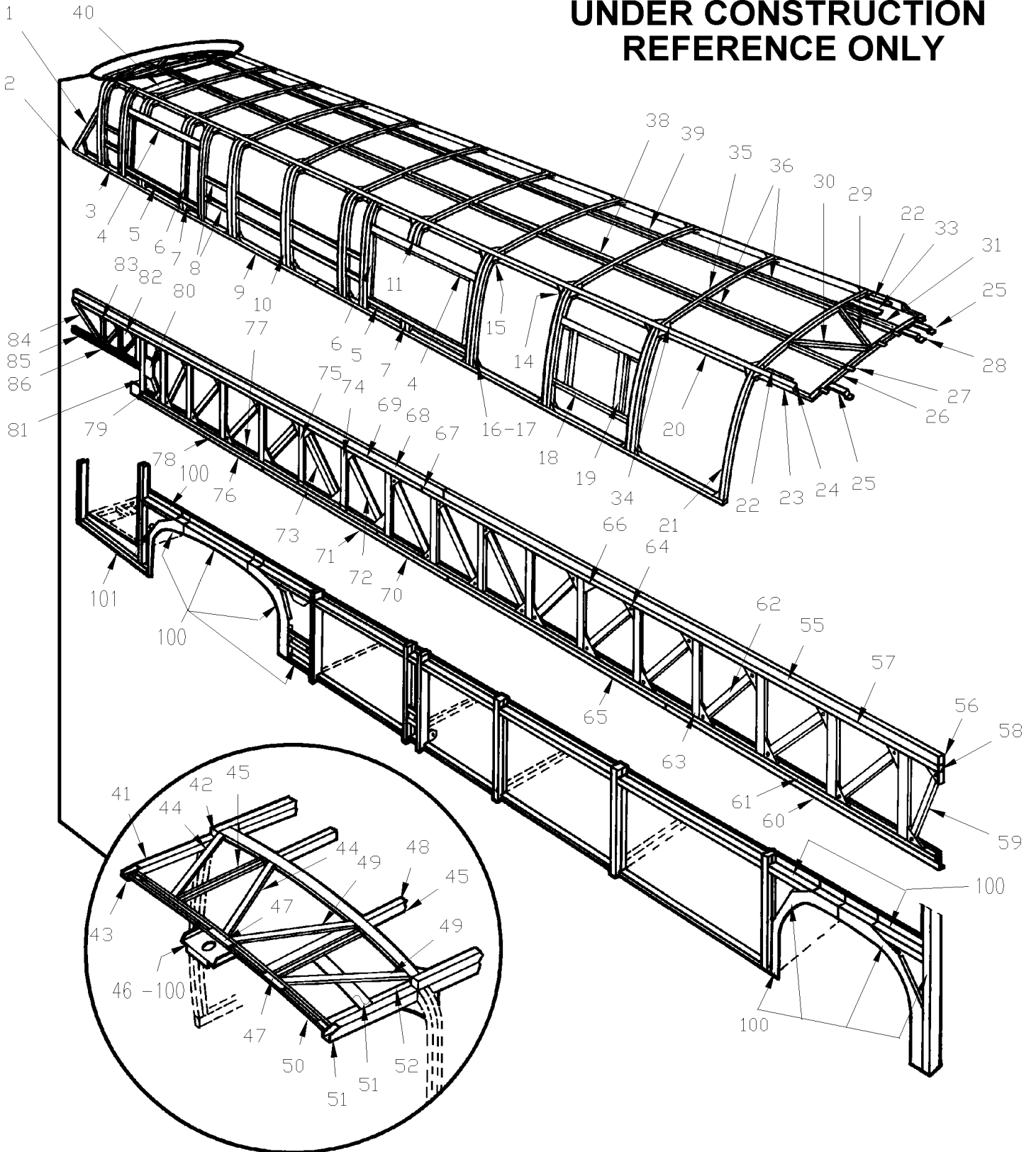
From E-638 To Y-7045

Date:10/2022

PAGE:XL-1890-00

WINDOW, ROOF & SIDE STRUCTURE UNDER CONSTRUCTION

UNDER CONSTRUCTION REFERENCE ONLY



From E-638 To Y-7045	Date:10/2022	PAGE:XL-1890-00
WINDOW, ROOF & SIDE STRUCTURE UNDER CONSTRUCTION		

Item#	Part	Description	M T H 4 0	M T H 4 5	M T H 4 5 E	X L 4 0	X L 4 5	N O T E S
1	290393	POST, REAR R.H. DIAGONAL	1			1		
1	260394	POST, REAR L.H. DIAGONAL	1			1		
2	260391	GUSSET, REAR DIAGONAL / POST	2			2		
3	260260	BRACKET, L.H. INTERIOR FINISHING	1			1		
3	260364	BRACKET, R.H. INTERIOR FINISHING	1			1		
4	291691	REINFORCEMENT ASSY, UPPER/SLIDING & BEAVER COACH TYPE WINDOW	1					
4	291693	REINFORCEMENT ASSY, UPPER / PREVOST XL-TYPE WINDOW	1					
5	291694	REINFORCEMENT, LOWER / SLIDING TYPE WINDOW	1					
5	291711	REINFORCEMENT, LOWER / PREVOST XL-TYPE WINDOW	1					
6	291092	REINFORCEMENT, VERTICAL / Z-SHAPED / EXCEL-TYPE WINDOW	2					
6	292107	REINFORCEMENT, VERTICAL / EXCEL THEMOS - TYPE WINDOW	2					
NS	291893	SHIM / VERTICAL REINFORCEMENT ASSY/EXCEL THERMOS-TYPE WINDOW	8					
NS	504546	RIVET CHY MONOLOK PRDG 1/4x5/8 ZP	8					
6	291727	REINFORCEMENT ASSY, VERTICAL / PREVOST XL-TYPE WINDOW	2					
6	270732	REINFORCEMENT / WINDOW STRUCTURE, W/O WINDOW /COUNTRY COACH	1					
6	270731	REINFORCEMENT / WINDOW STRUCTURE, W/O WINDOW / BEAVER COACH	1					
NS	270730	BRACKET, ANGLE / O BEAVER COACH WINDOW REINFORCEMENT	1					
NS	504109	RIVET POP DOME OE 5/32x3/16 AL	1					
7	291710	REINFORCEMENT / LOWER / PREVOST XL-TYPE WINDOW	1					
8	509340	HRS ANGLE 36W 1/8" x 1" x 1" x 240"	AR			AR		
9	270317	SUPPORT / LOWER WINDOW	2			2		
10	Call order desk	POST / WINDOW, H-SHAPED				20		P
10	Call order desk	POST / WINDOW, H-SHAPED	AR					P
10	Call order desk	KIT, REMOVABLE WINDOW POST / MARATHON COACH	AR					P
NS	270748	. POST, R.H. / WINDOW REMOVABLE / MARATHON COACH	2					
NS	270757	. POST, L.H. / WINDOW REMOVABLE / MARATHON COACH	2					
NS	270765	. KIT, POST REINFORCEMENT GUSSET / MARATHON COACH	1					
NS	270381	REINFORCEMENT, L.H. POST				9		
NS	270381	REINFORCEMENT, L.H. POST	AR					
NS	311042	SUPPORT / PARCEL RACK				21		
11	270479	REINFORCEMENT, CORNER / UPPER WINDOW	AR					
13	270316	SUPPORT / LOWER WINDOW	2			2		
NS	270484	PLATE, CLOSING / LOWER WINDOW SUPPORT	2			2		
14	270301	GUSSET, UPPER / WINDOW POST W/O ADDITIONAL REINFORCEMENT				21		
14	270301	GUSSET, UPPER / WINDOW POST W/O ADDITIONAL REINFORCEMENT	AR					
15	270302	GUSSET, UPPER / WINDOW POST W/ADDITIONAL REINFORCEMENT				21		
15	270302	GUSSET, UPPER / WINDOW POST W/ADDITIONAL REINFORCEMENT	AR					
16	270243	GUSSET / WINDOW LOWER POST REINFORCEMENT / EXTERIOR WALL				83		
16	270243	GUSSET / WINDOW LOWER POST REINFORCEMENT / EXTERIOR WALL	AR					
16	270512	GUSSET / WINDOW LOWER POST REINFORCEMENT / INTERIOR WALL	AR					
17	270292	SUPPORT, HANDLE / ON INTERIOR WALL SIDE W/"LE MIRAGE" NON-				26		
17	270292	SUPPORT, HANDLE / ON INTERIOR WALL SIDE W/"LE MIRAGE" NON-	AR					

From E-638 To Y-7045	Date:10/2022	PAGE:XL-1890-00
WINDOW, ROOF & SIDE STRUCTURE UNDER CONSTRUCTION		

Item#	Part	Description	M T H 4 0	M T H 4 5	M T H 4 5 E	X L 4 0	X L 4 5	N O T E S
18	292323	REINFORCEMENT, UPPER & LOWER / EXCEL WINDOW 22"X22"	2					
19	270406	REINFORCEMENT SIDE / EXCEL WINDOW 22"X22"	2					
20	270377	CHANNEL, ROOF SUPPORT	2			2		
NS	270376	REINFORCEMENT / O ROOF SUPPORT TO ROOF SUPPORT CHANNEL	22			22		
21	270273	POST ASSY / FRONT WINDOW	2			2		
22	270573	SUPPORT / FRONT ROOF	2			2		
23	270386	GUSSET, FRONT	2			2		
24	270457	TUBE ASSY, FRONT R.H.	1			1		
24	270387	TUBE ASSY, FRONT L.H.	1			1		
25	321365	SUPPORT / INTERIOR FINISHING	2			2		
26	270391	TUBE / FRONT FINIHING SUPPORT	1			1		
27	380319	ATTACHMENT, HARNESS	1			1		
28	321550	SUPPORT / INTERIORN FINISHING	1			1		
29	270389	REINFORCEMENT, ROOF / FRONT L.H.	1			1		
30	270388	REINFORCEMENT, ROOF / FRONT R.H.	1			1		
NS	270395	PLATE, CLOSING / ITEM #29 & 30	1			1		
31	270572	TUBE / ROOF SUPPORT	2			2		
33	270418	SUPPORT, ANTENNA	1			1		
34	270243	GUSSET / WINDOW LOWER POST REINFORCEMENT / EXTERIOR WALL	AR			AR		
35	270375P	SUPPORT ASSY / ROOF	11			11		
36	270383	SUPPORT / FRONT ROOF	2			2		
38	270571	SUPPORT / L.H. ROOF	10			10		
39	270570	SUPPORT / R.H. ROOF	10			10		
40	270575	FIXTURE / LAVATORY WALL				1		
41	270424	SUPPORT / REAR ROOF	2			2		
42	270202	PLATE, CLOSING	2			2		
43	270230	SUPPORT / REAR HARNESS	2			2		
44	270393	TUBE, REINFORCEMENT	2			2		
45	270324	REINFORCEMENT / REAR POST	2			2		
46	260368	SUPPORT / REAR TUBE				1		
46	260495	SUPPORT / REAR TUBE	1					
47	270417	PLATE, REINFORCEMENT	2			2		
48	270323	PLATE, LAVATORY WALL SUPPORT				1		
49	270503	TUBE, REINFORCEMENT	2			2		
50	270382	SUPPORT, ROOF	1			1		
51	401245	PLATE, REAR LAVATORY WALL SUPPORT				1		
52	270739	STOPPER, ROOF FINISHING				1		
55	270441	SUPPORT, SIDE STRUCTURE / L.H. & R.H. SIDES / MTH 80" & 86"	2			2		
56	270483	PLATE, CLOSING / SIDE STUCTURE SUPPORT	2			2		
57	230475	TUBE, FRONT UPPER / R.H. & L.H. SIDES	2			2		
58	270484	PLATE, CLOSING / LOWER WINDOW SUPPORT	2			2		
59	230351	TUBE, FRONT MEMBER / L.H. & R.H. SIDES / COACH & 80" MTH	2			2		

From E-638 To Y-7045	Date:10/2022	PAGE:XL-1890-00
WINDOW, ROOF & SIDE STRUCTURE UNDER CONSTRUCTION		

Item#	Part	Description	M T H 4 0	M T H 4 5	M T H 4 5 E	X L 4 0	X L 4 5	N O T E S
59	230274	TUBE, REINFORCEMENT / L.H. & R.H. SIDES/ 83" & 86" MTH	2					
60	230575	SUPPORT, "L" SHAPED FLOOR / R.H. SIDE	1			1		
60	230491	SUPPORT, "L" SHAPED / FLOOR STRUCTURE / L.H. SIDE	1			1		
61	230493	TUBE, FRONT LOWER / L.H. & R.H. SIDES	2			2		
62	230274	TUBE, REINFORCEMENT / L.H. & R.H. SIDES/ 83" & 86" MTH	24			24		
62	230538	TUBE, REINFORCEMENT / L.H. & R.H. SIDES / 83" & 86" MTH	24					
63	230231	TUBE, VERTICAL / L.H. & R.H. SIDES / COACH & 80" MTH	28			28		
63	230541	TUBE, VERTICAL / L.H. & R.H. SIDES / 83" & 86" MTH	28					
NS	230516	SUPPORT, RAIL / WELDED TO TUBE	AR			AR		
64	230250	GUSSET / L.H. & R.H. SIDES	62			62		
65	230593	SUPPORT, "L" SHAPED / FLOOR STRUCTURE / R.H. SIDE	1			1		
65	230491	SUPPORT, "L" SHAPED / FLOOR STRUCTURE / L.H. SIDE	1			1		
66	230246	GUSSET / L.H. & R.H. SIDES	32			32		
67	230283	PLATE, JUNCTION / STRUCTURE SUPPORT JOINT SIDE	4			4		
68	260430	SUPPORT, SIDE STRUCTURE / L.H. & R.H. / MTH 80" & 86"	2			2		
69	230476	PLATE REINFORCEMENT	2			2		
70	230576	SUPPORT, "L" SHAPED FLOOR / R.H. SIDE	1			1		
70	230594	SUPPORT, "L" SHAPED / FLOOR L.H. SIDE	1			1		
71	230473	TUBE, REAR LOWER / L.H. & R.H. SIDES	2			2		
72	230248	TUBE, REINFORCEMENT / L.H. & R.H. SIDES / COACH & MTH 80"	2			2		
72	230537	TUBE, REINFORCEMENT / L.H. & R.H. SIDES / 83" & 86" MTH	2					
73	230477	TUBE, REINFORCEMENT / L.H. & R.H. SIDES / COACH & MTH 80"	2			2		
73	230534	TUBE, REINFORCEMENT / L.H. & R.H. SIDES / 83" & 86" MTH	2					
74	230470	TUBE, VERTICAL / L.H. & R.H. SIDES / COACH & MTH 80"	2			2		
74	230543	TUBE, VERTICAL / L.H. & R.H. SIDES / 83" & 86" MTH	2					
75	230471	TUBE, VERTICAL / L.H. & R.H. SIDES / COACH & MTH 80"	2			2		
75	230539	TUBE, VERTICAL / L.H. & R.H. SIDES / 83" & 86" MTH	2					
76	230577	SUPPORT, "L" SHAPED FLOOR / R.H. SIDE	1			1		
76	230578	SUPPORT, "L" SHAPED FLOOR / L.H. SIDE	1			1		
77	230472	TUBE, LOWER REINFORCEMENT / L.H. & R.H. SIDES	2			2		
78	230595	SUPPORT, "L" SHAPED FLOOR / R.H. SIDE	1			1		
78	230592	SUPPORT, "L" SHAPED / L.H. SIDE	1			1		
79	230258	TUBE, REINFORCEMENT / L.H. & R.H. SIDES / COACH & MTH 80"	4			4		
79	230544	TUBE, REINFORCEMENT / L.H. & R.H. SIDES / 83" & 86" MTH	4					
80	230372	PLATE, REINFORCEMENT / L.H. & R.H. SIDES	2			2		
81	230530	TUBE, REAR VERTICAL / L.H. & R.H. SIDES / COACH & MTH 80"	2			2		
81	230542	TUBE, REAR VERTICAL / L.H. & R.H. SIDES / 83" & 86" MTH	2					
82	230275	TUBE, REINFORCEMENT / L.H. & R.H. SIDES / COACH & MTH 80"	4			4		
83	230540	TUBE, REINFORCEMENT / L.H. & R.H. SIDES / 83" & 86" MTH	4					
84	260140	TUBE, REINFORCEMENT / L.H. & R.H. SIDES / COACH & MTH 80"	2			2		
84	260467	TUBE, REINFORCEMENT / L.H. & R.H. SIDES / 83" & 86" MTH	2					
85	260139	TUBE 45 3/8"	2			2		

From E-638 To Y-7045	Date:10/2022	PAGE:XL-1890-00
WINDOW, ROOF & SIDE STRUCTURE UNDER CONSTRUCTION		

Item#	Part	Description	M T H 4 0	M T H 4 5	M T H 4 5 E	X L 4 0	X L 4 5	N O T E S
86	260313	TUBE, REAR LOWER / L.H. & R.H. SIDES	2			2		
90	230469	ANGLE / SUPPORT REAR FENDER 1/8" 1" x 1" SS	2			2		
91	210209	MOULDING, R.H.	1			1		
91	210225	MOULDING, L.H.	1			1		
92	210196	SUPPORT / R.H. FENDER / FRONT & REAR	2			2		
92	210195	SUPPORT / L.H. FENDER / FRONT & REAR	2			2		
93	210210	SUPPORT / CENTRAL FENDER / R.H. & L.H.	2			2		
94	210198	SUPPORT / R.H. FENDER / FRONT & REAR	2			2		
94	210197	SUPPORT / L.H. FENDER / FRONT & REAR	2			2		
95	210208	MOULDING, R.H.	1			1		
95	210224	MOULDING, L.H.	1			1		
97	471411	REINFORCEMENT, RUB RAIL	2			2		
98	220393	ANGLE, LOWER	2			2		
100	XL-1893-10	SIDE LOWER - STRUCTURE						
101	XL-1894-11	REAR RH - STRUCTURE - WITH DETROIT S-50 & S-60						
101	XL-1894-11	REAR RH - STRUCTURE - WITH DETROIT S-50 & S-60						
		P) CALL ORDER DESK FOR SPECIFIC APPLICATION (V.I.N.)						

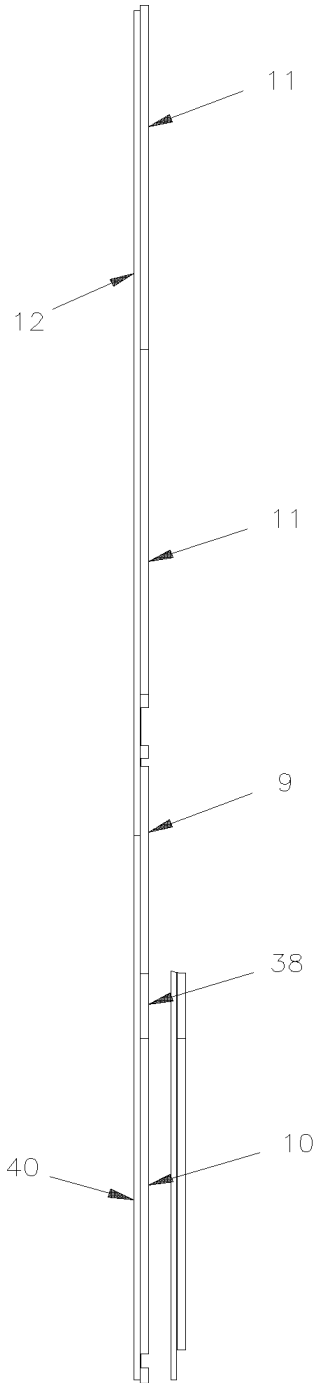
From E-638 To Y-7045

Date:10/2022

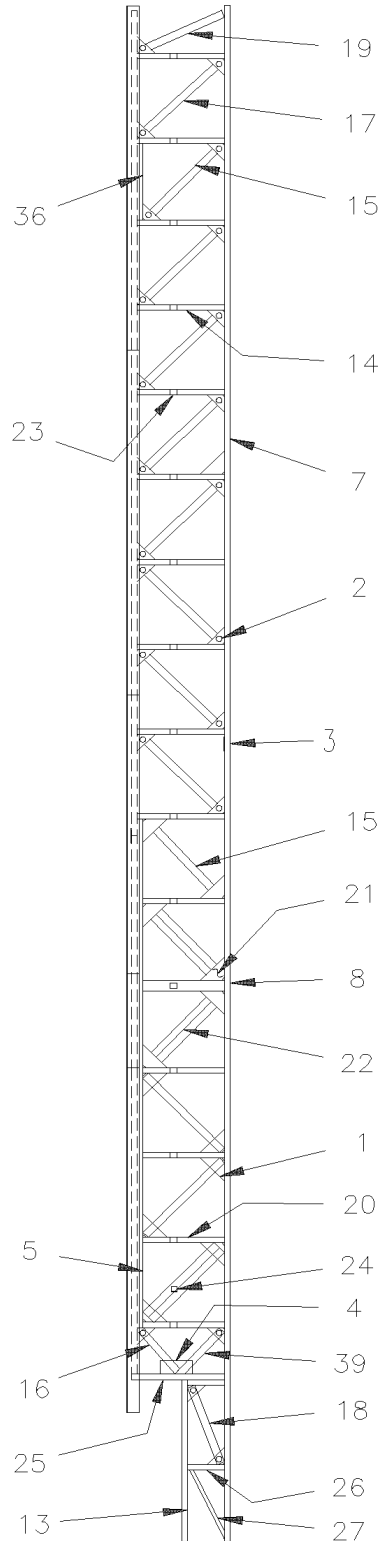
PAGE:XL-1891-00

LOWER WALL STRUCTURE BUS & MTH

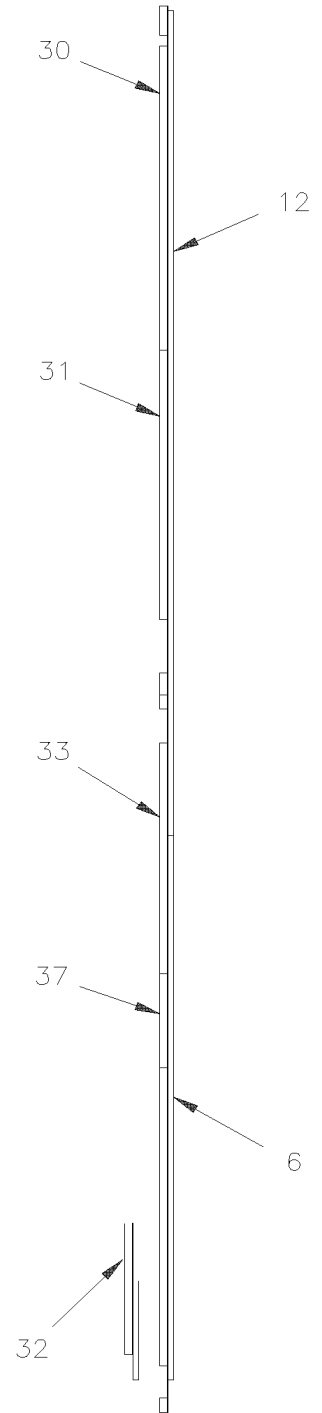
BUS 40' & MTH 40' 80''



TOP VIEW LH



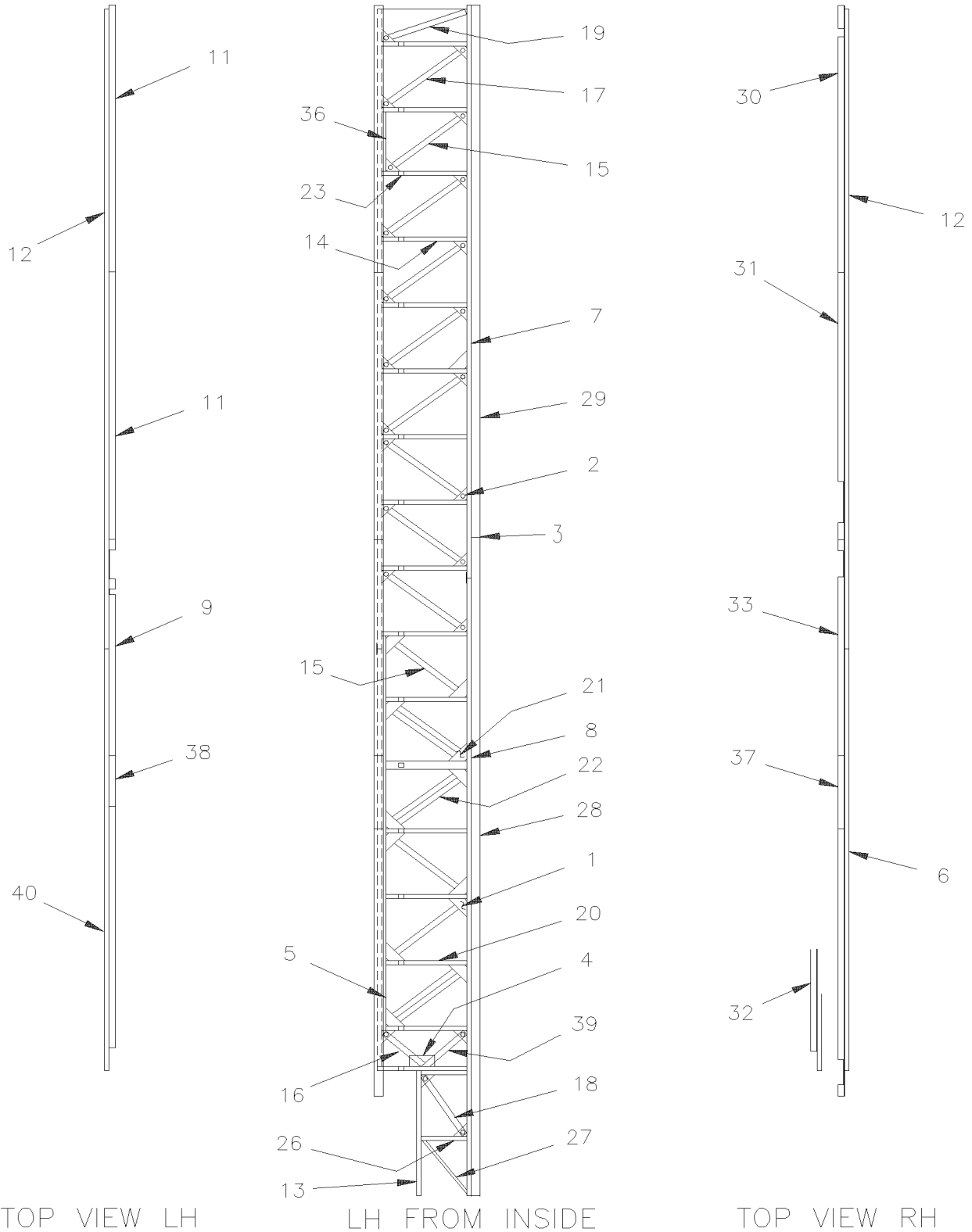
LH FROM INSIDE



TOP VIEW RH

From E-638 To Y-7045	Date:10/2022	PAGE:XL-1891-00
LOWER WALL STRUCTURE BUS & MTH		

MTH 40' - 83'' & 86''



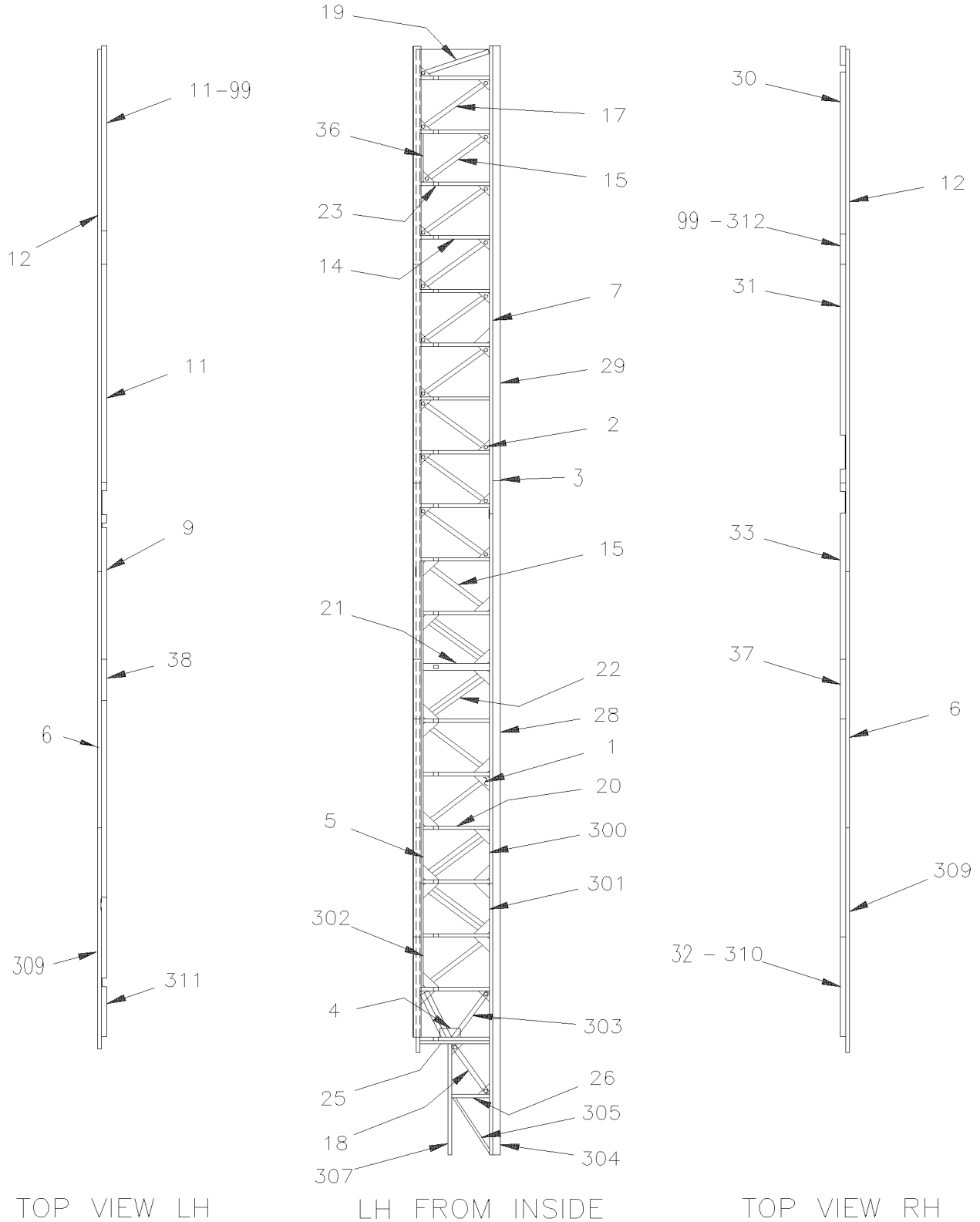
TOP VIEW LH

LH FROM INSIDE

TOP VIEW RH

From E-638 To Y-7045	Date:10/2022	PAGE:XL-1891-00
LOWER WALL STRUCTURE BUS & MTH		

MTH 45' & MTH 45' ENT.



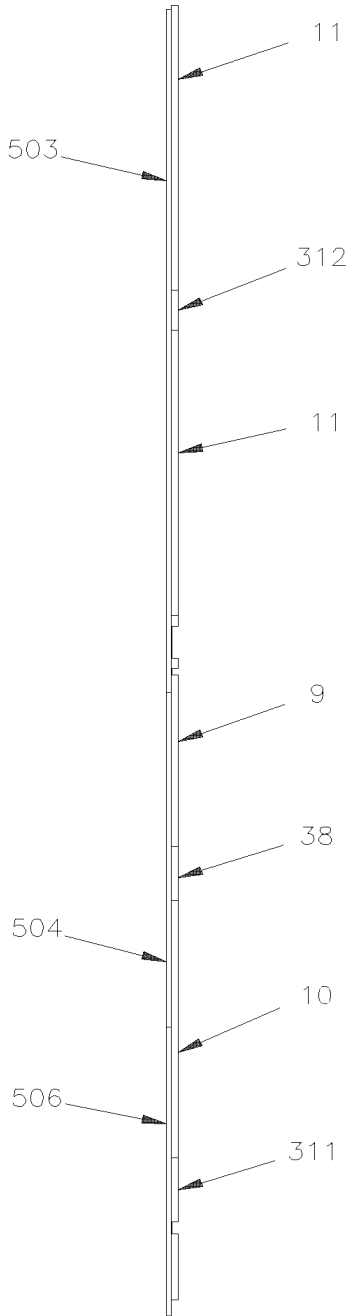
From E-638 To Y-7045

Date:10/2022

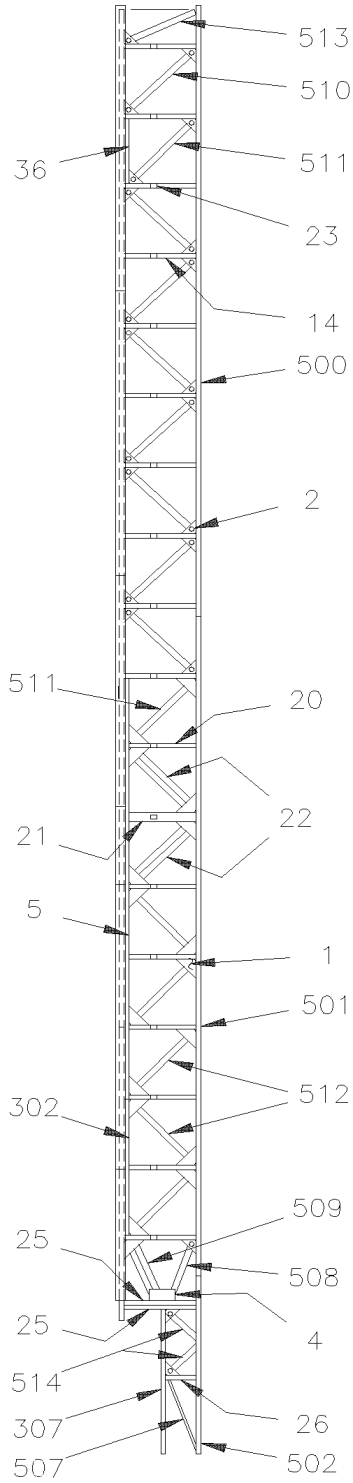
PAGE:XL-1891-00

LOWER WALL STRUCTURE BUS & MTH

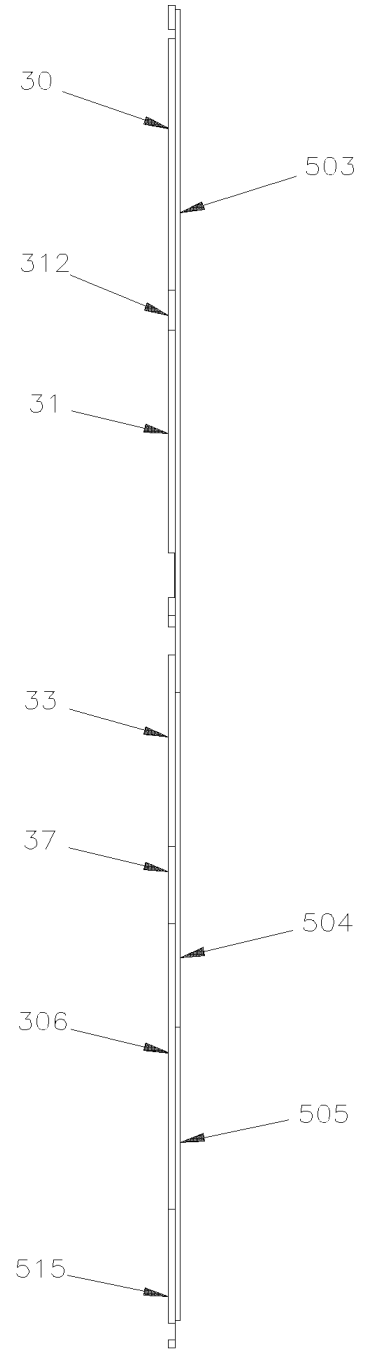
BUS 45'



TOP VIEW LH



LH FROM INSIDE



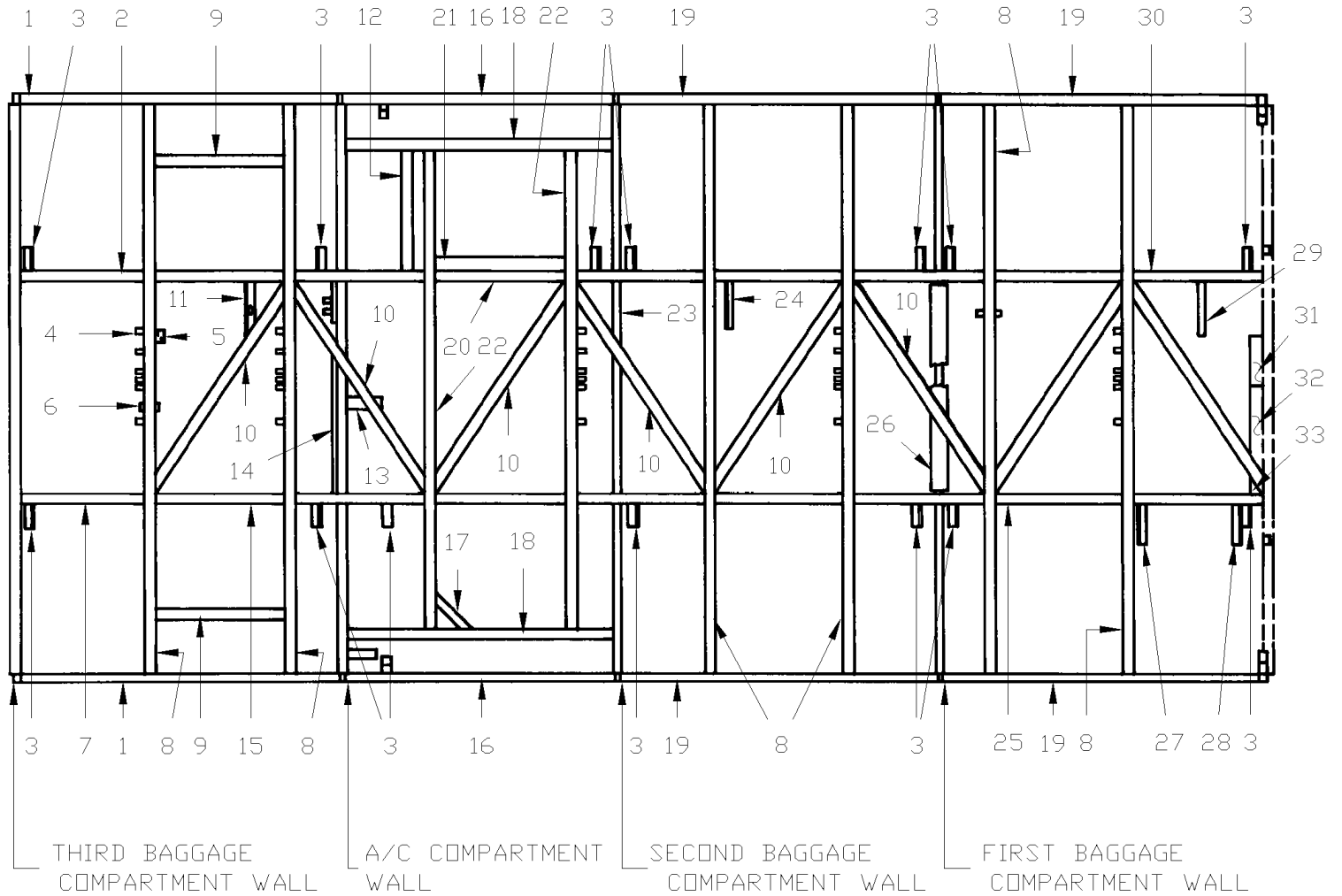
TOP VIEW RH

From E-638 To Y-7045	Date:10/2022	PAGE:XL-1891-00
LOWER WALL STRUCTURE BUS & MTH		

Item#	Part	Description	M T H 4 0	M T H 4 5	M T H 4 5 E	X L 4 0	X L 4 5	N O T E S
1	230246	GUSSET / L.H. & R.H. SIDES	AR	AR	AR	AR	AR	
2	230250	GUSSET / L.H. & R.H. SIDES	AR	AR	AR	AR	AR	
3	230283	PLATE, JUNCTION / STRUCTURE SUPPORT JOINT SIDE	2	2	2	2	2	
NS	231029	BUTT JOINT UPPER TUBE	4	4	4	4	4	
NS	231030	BUTT JOINT LOWER TUBE	4	4	4	4	4	
4	230796	PLATE REINFORCEMENT	2	2	2	2	2	
5	230802	PLATE REINFORCEMENT	1	1	1	1	1	
6	230473	TUBE, REAR LOWER / L.H. & R.H. SIDES	1		1	1		
6	230852	TUBE, REAR LOWER / L.H. & R.H. SIDES		1			1	
7	230475	TUBE, FRONT UPPER / R.H. & L.H. SIDES	1	1	1	1		
8	230476	PLATE REINFORCEMENT	1			1		
9	230594	SUPPORT, "L" SHAPED / FLOOR L.H. SIDE	1	1	1	1	1	
11	230491	SUPPORT, "L" SHAPED / FLOOR STRUCTURE / L.H. SIDE	1		1	1		
11	230491	SUPPORT, "L" SHAPED / FLOOR STRUCTURE / L.H. SIDE		2			2	
12	230493	TUBE, FRONT LOWER / L.H. & R.H. SIDES	2	2	2	2	2	
13	260139	TUBE 45 3/8"	1		1	1		
14	230231	TUBE, VERTICAL / L.H. & R.H. SIDES / COACH & 80" MTH	14			14	14	
14	230541	TUBE, VERTICAL / L.H. & R.H. SIDES / 83" & 86" MTH	14	14	14			
15	230248	TUBE, REINFORCEMENT / L.H. & R.H. SIDES / COACH & MTH 80"	2			2	2	
15	230537	TUBE, REINFORCEMENT / L.H. & R.H. SIDES / 83" & 86" MTH	2	2	2			
16	230800	TUBE REINFORCEMENT	1		1	1		
17	230274	TUBE, REINFORCEMENT / L.H. & R.H. SIDES/ 83" & 86" MTH	1	1	1	1	1	
18	230797	TUBE REINFORCEMENT	2	2	2	2	2	
18	230819	TUBE REINFORCEMENT	2	2	2	2	2	
19	230351	TUBE, FRONT MEMBER / L.H. & R.H. SIDES / COACH & 80" MTH	8			8	8	
19	230274	TUBE, REINFORCEMENT / L.H. & R.H. SIDES/ 83" & 86" MTH	8		8	8		
NS	270484	PLATE, CLOSING / LOWER WINDOW SUPPORT	1	1	1	1	1	
NS	270483	PLATE, CLOSING / SIDE STRUCTURE SUPPORT	1	1	1	1	1	
20	230470	TUBE, VERTICAL / L.H. & R.H. SIDES / COACH & MTH 80"	2			2	2	
20	230543	TUBE, VERTICAL / L.H. & R.H. SIDES / 83" & 86" MTH	2	2	2			
21	230471	TUBE, VERTICAL / L.H. & R.H. SIDES / COACH & MTH 80"	2			2	2	
21	230539	TUBE, VERTICAL / L.H. & R.H. SIDES / 83" & 86" MTH	2	2	2			
22	230534	TUBE, REINFORCEMENT / L.H. & R.H. SIDES / 83" & 86" MTH	2	2	2			
22	230477	TUBE, REINFORCEMENT / L.H. & R.H. SIDES / COACH & MTH 80"	2			2	2	
23	230516	SUPPORT, RAIL / WELDED TO TUBE	AR	AR	AR	AR	AR	
24	311592	SUPPORT, RAIL	1	1	1	1	1	
25	230530	TUBE, REAR VERTICAL / L.H. & R.H. SIDES / COACH & MTH 80"	2			2	2	
25	230542	TUBE, REAR VERTICAL / L.H. & R.H. SIDES / 83" & 86" MTH	2	2	2			
26	260135	TUBE					2	
26	260468	TUBE		2				
27	230798	TUBE REINFORCEMENT				1	1	
28	260430	SUPPORT, SIDE STRUCTURE / L.H. & R.H. / MTH 80" & 86"	2	2	2			

From E-638 To Y-7045	Date:10/2022	PAGE:XL-1892-00
FLOOR STRUCTURE UNDER CONSTRUCTION		

**UNDER CONSTRUCTION
REFERENCE ONLY**



From E-638 To Y-7045	Date:10/2022	PAGE:XL-1892-00
----------------------	--------------	-----------------

FLOOR STRUCTURE UNDER CONSTRUCTION

Item#	Part	Description	M T H 4 0	M T H 4 5	M T H 4 5 E	X L 4 0	X L 4 5	N O T E S
1	230482	FORM, UPPER "P" SHAPE (WELDED TO STRUCTURE) 1382MM	2			2		
2	220511	SUPPORT, REAR L.H. SEAT / MTH W/CENTRAL A/C SYSTEM	1					
2	220410	SUPPORT, REAR L.H. SEAT / MTH SMALL A/C SYSTEM ONLY	1			1		
3	480863	BRACKET, AIR CYLINER / BAGGAGE & SMALL A/C SYSTEM	AR			AR		
4	060452	PLATE, WING SUPPORT				15		
4	060452	PLATE, WING SUPPORT	25					
5	031057	BRACKET, SWITCH SUPPORT / TWO-SPEED GOVERNOR OPTION				1		
6	220507	SUPPORT, CLOSING PANEL				1		
7	220457	SUPPORT, REAR R.H. SEAT				1		
7	220485	SUPPORT, REAR R.H. SEAT	1					
8	170464	SUPPORT, FLOOR	6			6		
9	170594	SUPPORT, FLOOR	2			2		
10	170596	SUPPORT, FLOOR	7			7		
11	070512	SUPPORT ASSY / SHIFT LEVER ROD				1		
12	220382	SUPPORT, AIR TRAP				1		
13	220510	SUPPORT, CENTRAL A/C SYSTEM PIPING	1			1		
14	211686	PLATE ASSY, CLOSING / MANUAL TRANSMISSION				1		
14	211680	PLATE ASSY, CLOSING / AUTOMATIC TRANSMISSION				1		
14	211939	PLATE ASSY, CLOSING / CENTRAL A/C SYSTEM	1					
14	211937	PLATE ASSY, CLOSING / SMALL A/C SYSTEM	1					
15	Call order desk	SUPPORT, REAR R.H. SEAT				1		P
15	220409	SUPPORT, REAR R.H. SEAT	1					
16	230480	FORM, UPPER / CENTRAL A/C SYSTEM	2			2		
16	230528	FORM, UPPER / SMALL A/C SYSTEM	2					
17	451138	SUPPORT, A/C PIPE	1			1		
18	170500	SUPPORT, FLOOR	2			2		
19	230481	FORM, UPPER "P" SHAPE (WELDED TO STRUCTURE) 1376MM	4			4		
20	220456	SUPPORT, CENTER L.H. SEAT	1			1		
21	220381	SUPPORT, AIR TRAP				1		
22	170471	SUPPORT, FLOOR	2			2		
23	211685	PLATE ASSY, CLOSING / MANUAL TRANSMISSION				1		
23	211681	PLATE ASSY, CLOSING / AUTOMATIC TRANSMISSION				1		
23	211938	PLATE ASSY, CLOSING / CENTRAL A/C SYSTEM	1					
23	211936	PLATE ASSY, CLOSING / SMALL A/C SYSTEM	1					
24	070443	SUPPORT, SHIFT LEVER ROD				1		
25	220702	SUPPORT, FRONT R.H. SEAT	1			1		
26	481060	SUPPORT, PLYWOOD	1			1		
27	211009	SUPPORT, L.H. / EMERGENCY REFLECTOR KIT				1		
28	211008	SUPPORT, R.H. / EMERGENCY REFLECTOR KIT				1		
29	070442	SUPPORT, SHIFT LEVER ROD				1		
30	220701	SUPPORT, FRONT L.H. SEAT	1			1		
31	220280	SUPPORT, FRONT / HEATING TUBE	1					

From E-638 To Y-7045	Date:10/2022	PAGE:XL-1892-00
----------------------	--------------	-----------------

FLOOR STRUCTURE UNDER CONSTRUCTION

Item#	Part	Description	M T H 4 0	M T H 4 5	M T H 4 5 E	X L 4 0	X L 4 5	N O T E S
32	141056	SUPPORT, BRAKE HOSE				1		
33	220612	SUPPORT, FRONT / HEATING DUCT	1			1		
		P) CALL ORDER DESK FOR SPECIFIC APPLICATION (V.I.N.)						

From E-638 To Y-7045

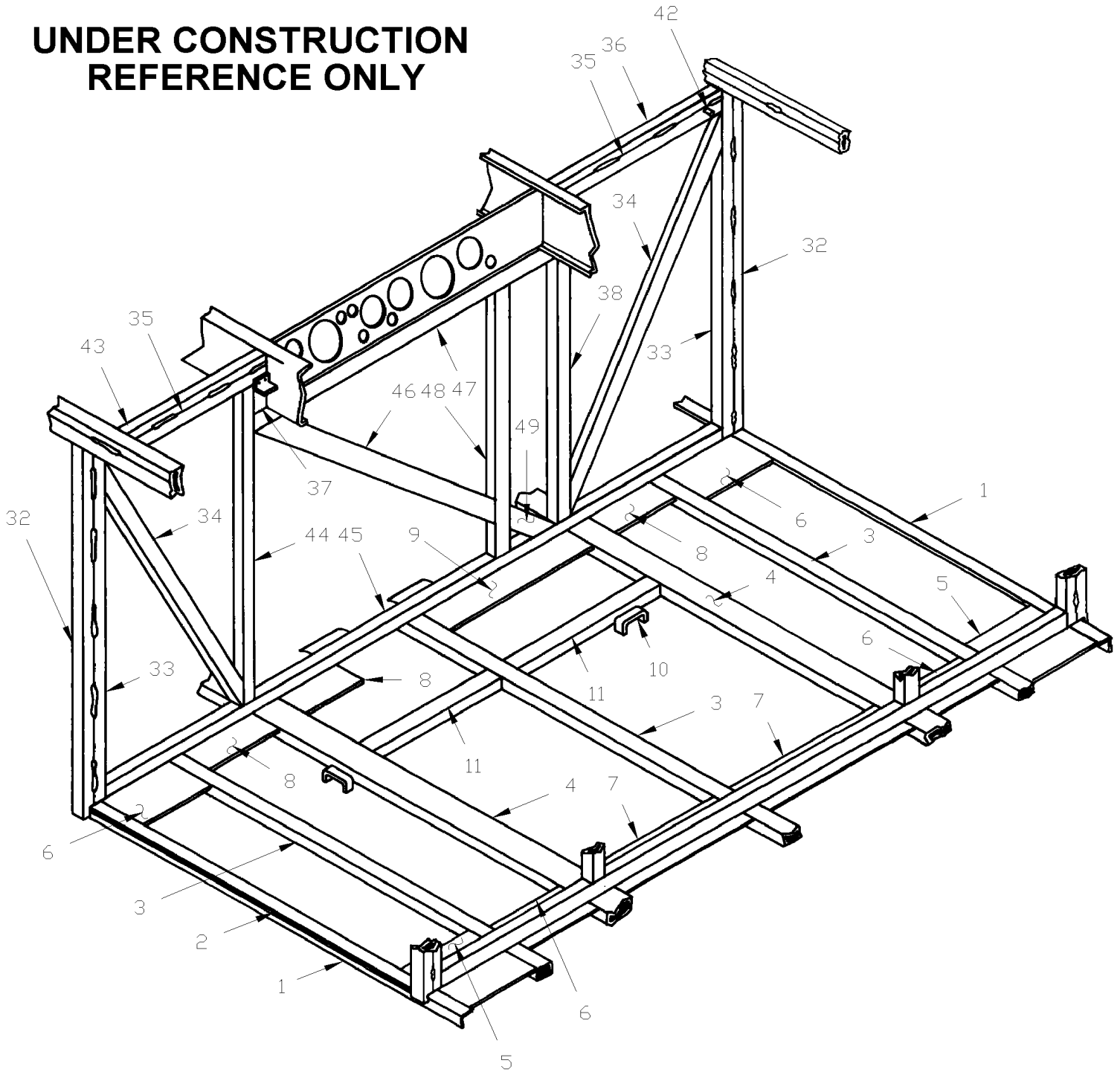
Date:10/2022

PAGE:XL-1893-00

BAGGAGE & A/C COMPARTMENT UNDER CONSTRUCTION

SECOND BAGGAGE COMPARTMENT (MTH SMALL A/C)

**UNDER CONSTRUCTION
REFERENCE ONLY**



From E-638 To Y-7045

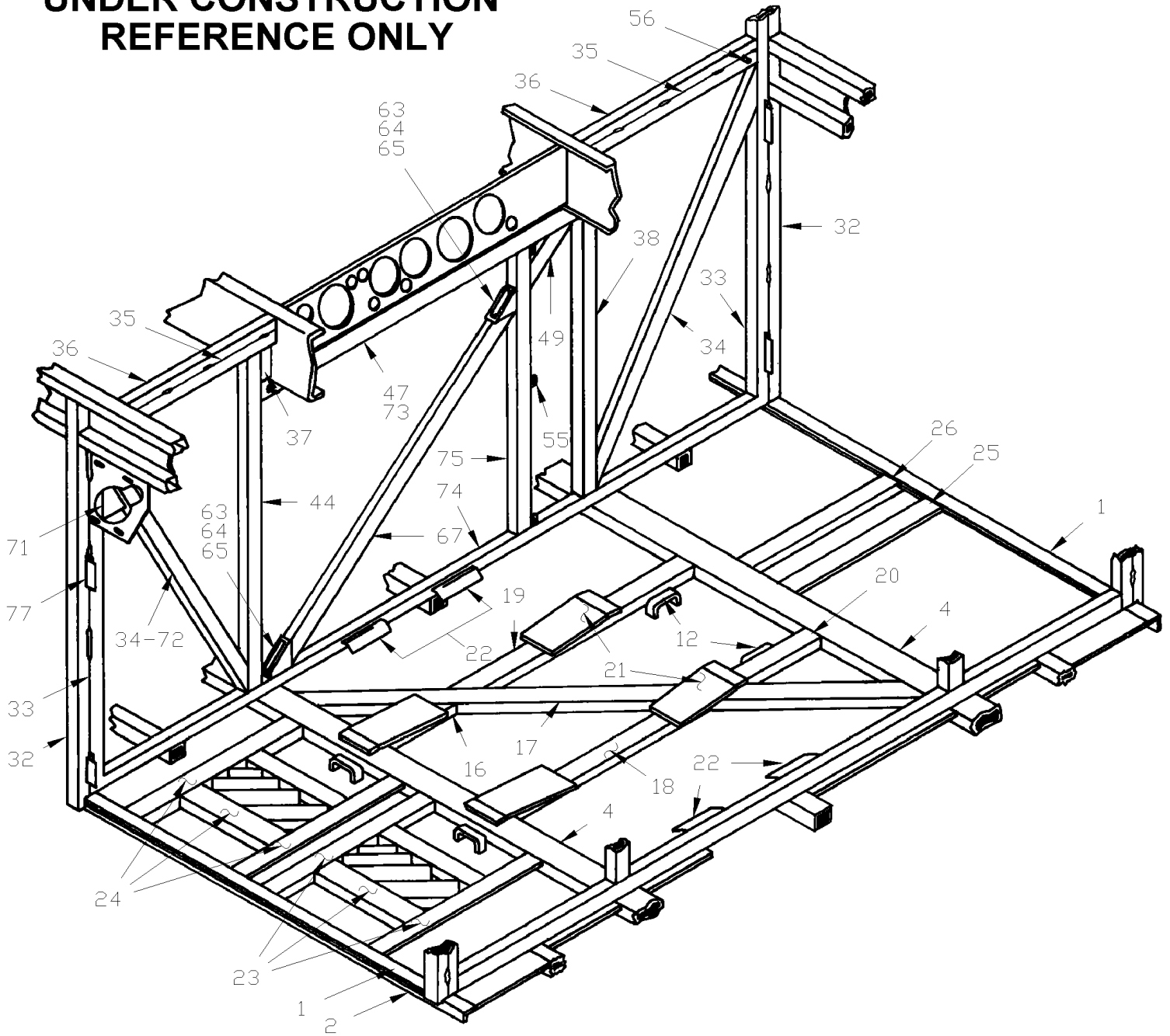
Date:10/2022

PAGE:XL-1893-00

BAGGAGE & A/C COMPARTMENT UNDER CONSTRUCTION

A/C COMPARTMENT (COACH & MTH CENTRAL A/C)

UNDER CONSTRUCTION REFERENCE ONLY



From E-638 To Y-7045

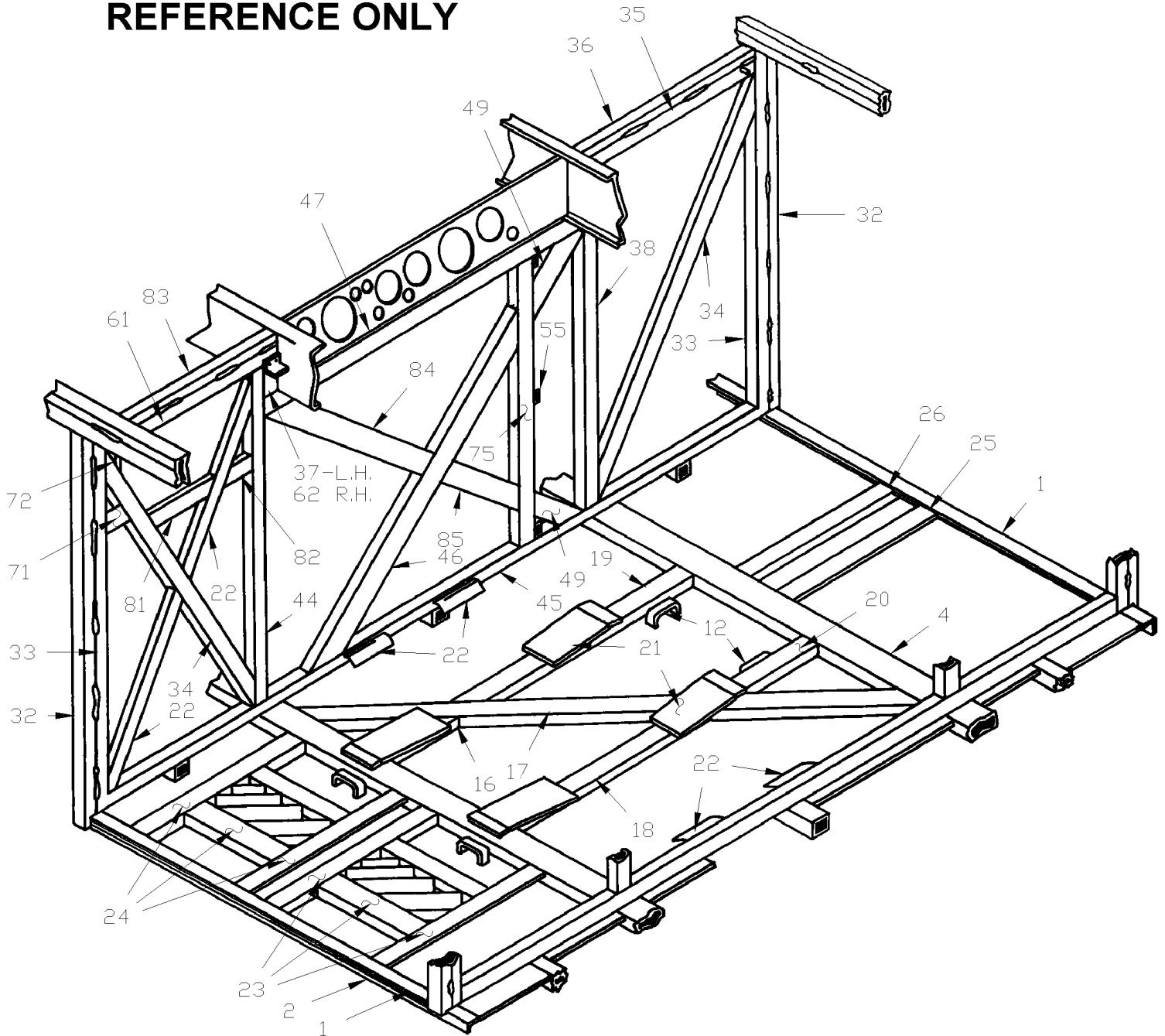
Date:10/2022

PAGE:XL-1893-00

BAGGAGE & A/C COMPARTMENT UNDER CONSTRUCTION

A/C COMPARTMENT (MTH CENTRAL A/C W/ CENTRAL DOOR OPTION)

UNDER CONSTRUCTION REFERENCE ONLY



From E-638 To Y-7045

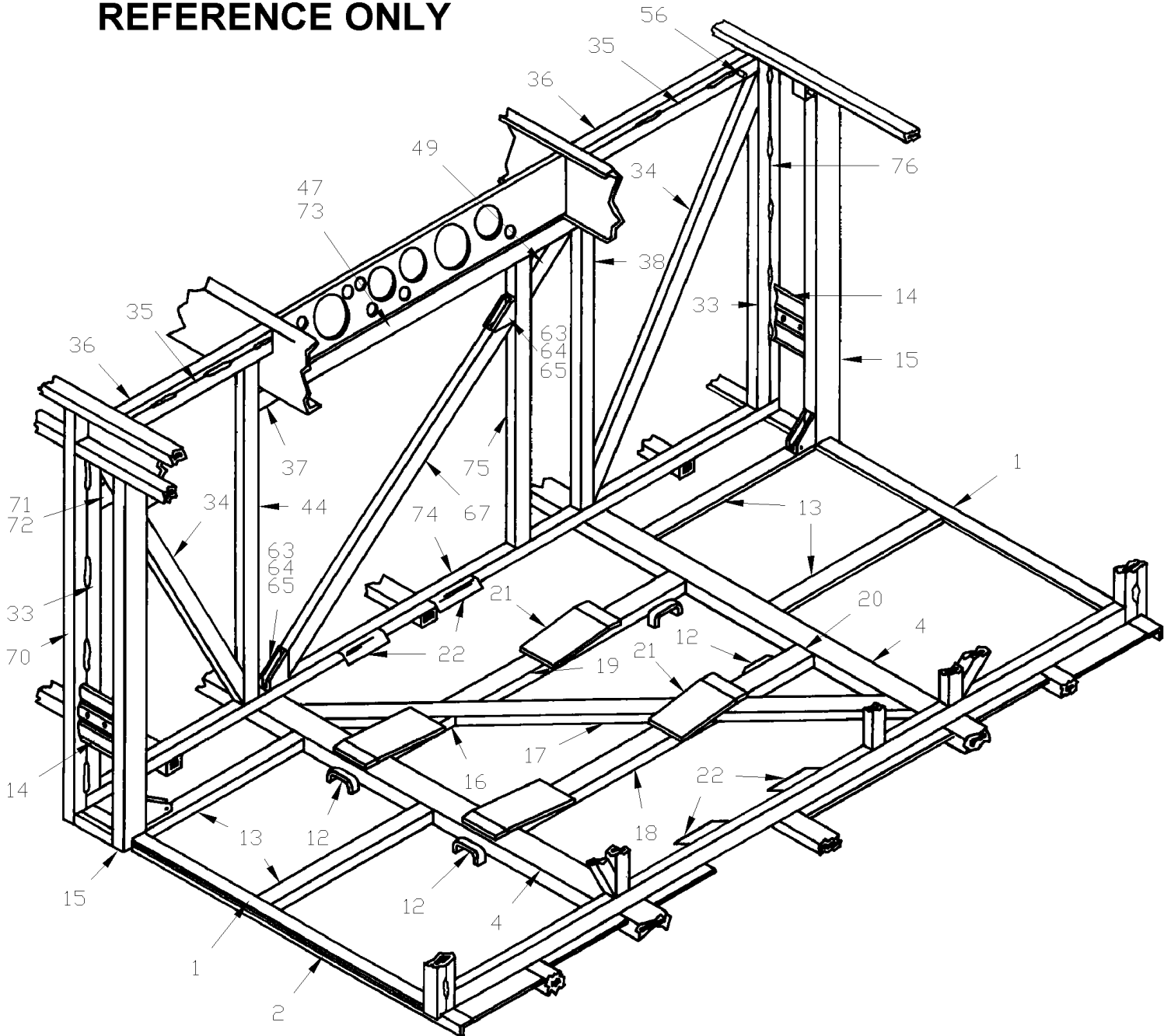
Date:10/2022

PAGE:XL-1893-00

BAGGAGE & A/C COMPARTMENT UNDER CONSTRUCTION

A/C COMPARTMENT (MTH SMALL A/C)

UNDER CONSTRUCTION REFERENCE ONLY



From E-638 To Y-7045

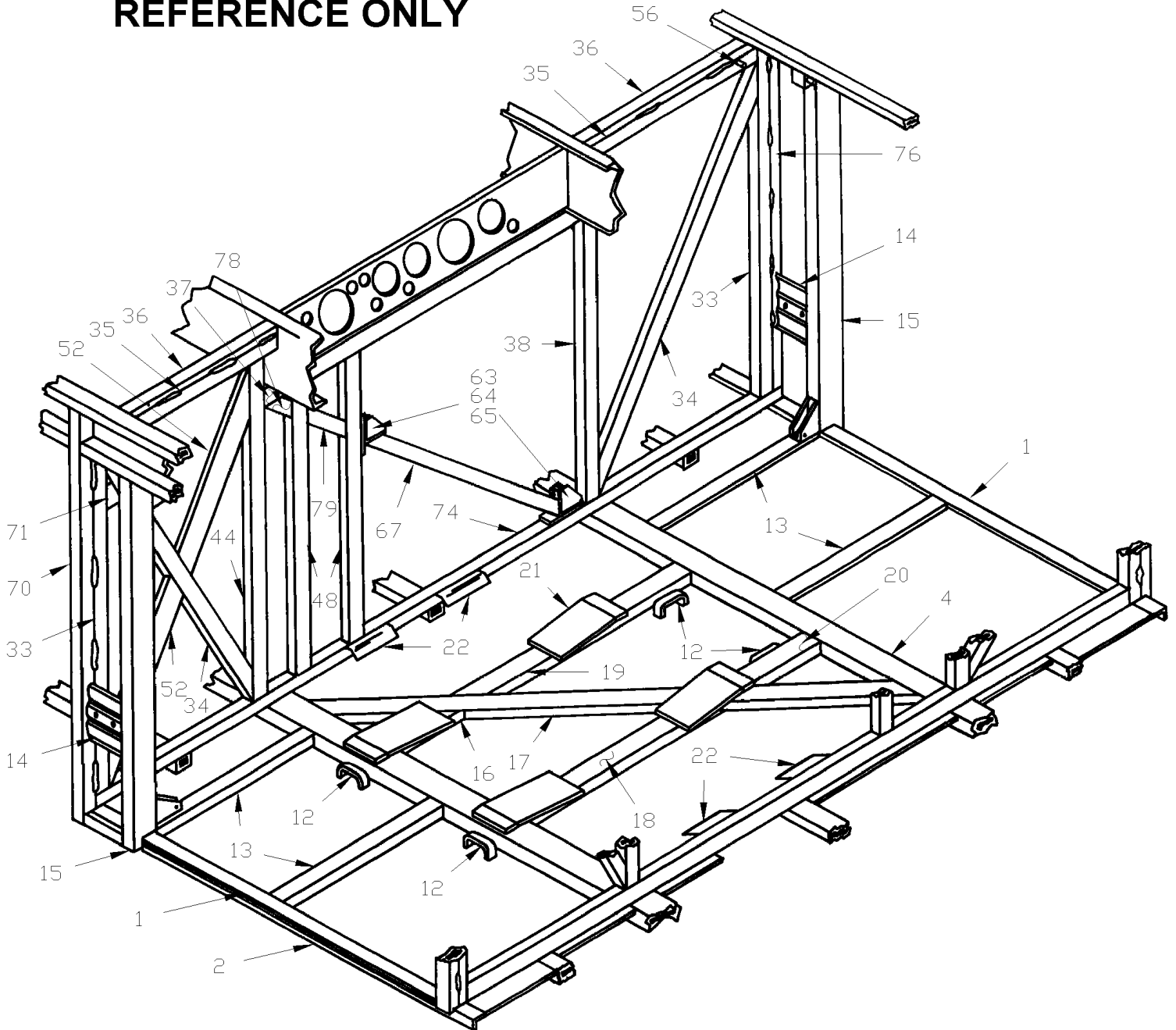
Date:10/2022

PAGE:XL-1893-00

BAGGAGE & A/C COMPARTMENT UNDER CONSTRUCTION

A/C COMPARTMENT (MTH SMALL A/C W/ CENTRAL DOOR OPTION)

UNDER CONSTRUCTION REFERENCE ONLY



From E-638 To Y-7045

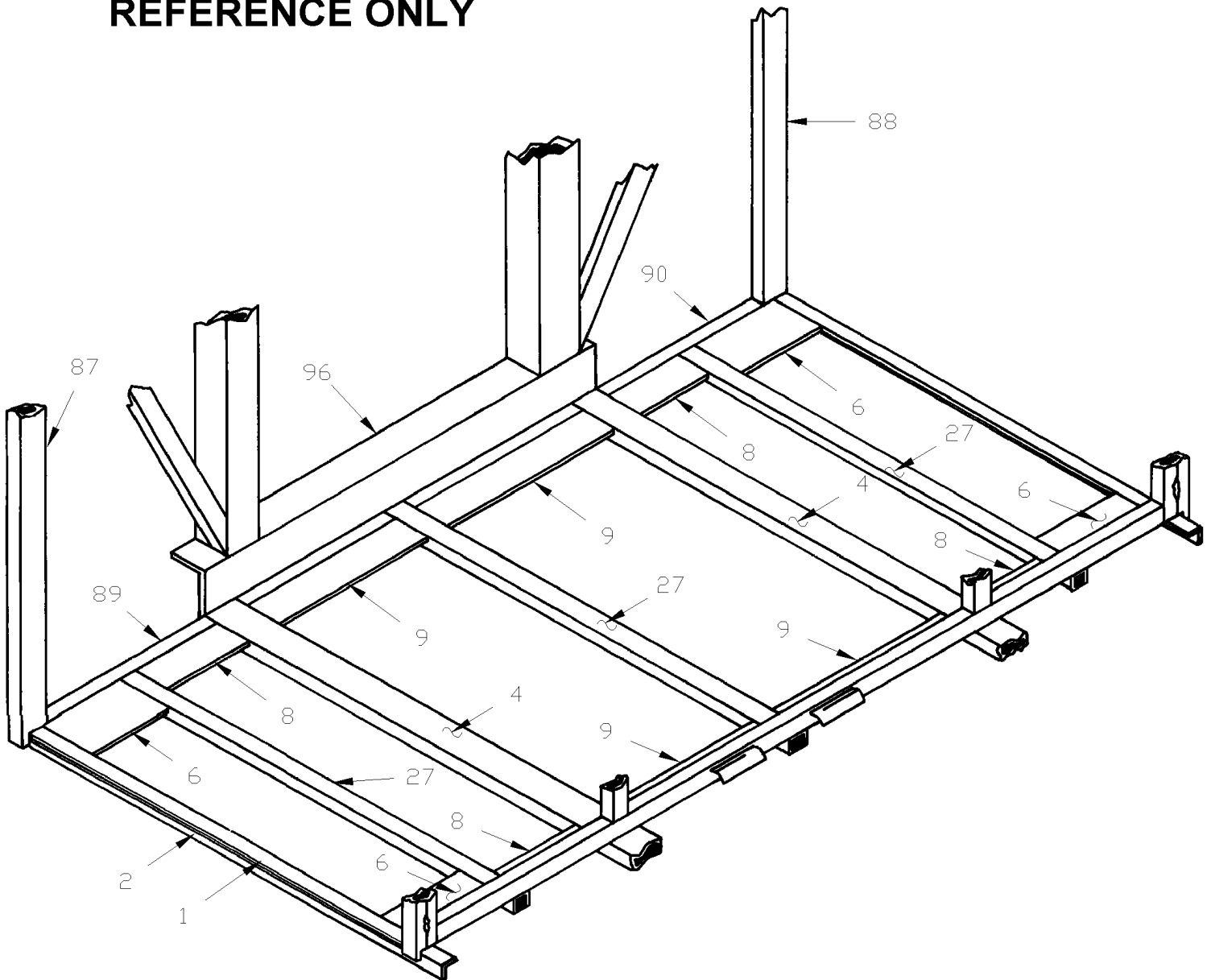
Date:10/2022

PAGE:XL-1893-00

BAGGAGE & A/C COMPARTMENT UNDER CONSTRUCTION

THIRD BAGGAGE COMPARTMENT (COACH & MTH)

**UNDER CONSTRUCTION
REFERENCE ONLY**



From E-638 To Y-7045	Date:10/2022	PAGE:XL-1893-00
BAGGAGE & A/C COMPARTMENT UNDER CONSTRUCTION		

Item#	Part	Description	M T H 4 0	M T H 4 5	M T H 4 5 E	X L 4 0	X L 4 5	N O T E S
1	220153	ANGLE, LOWER SIDE	2			2		
2	480849	MOULDING / WEATHERSTRIP RETAINER / WELDED TO STRUCTURE / 1365MM	6			6		
3	220467	TUBE, REINFORCEMENT / #1 & 2 BAGGAGE COMPARTMENT FLOOR	3					
4	220394	TUBE, CENTRAL STRUCTURE	2			2		
NS	220417	GUSSET/ O SEPARATOR TUBE TO CENTRAL STRUCTURE TUBE	AR			AR		
5	220287	SUPPORT FLOOR 203MM X 299MM	2					
6	220286	SUPPORT FLOOR 101MM X 298MM	10					
7	220465	PLATE, SUPPORT / BAGGAGE COMPARTMENT FLOOR	2					
8	220285	SUPPORT FLOOR 76MM X 298MM	7					
9	220464	SUPPORT FLOOR 76MM X 488MM	5					
10	031138	PLATE / TO FIX 90 GAL AUXILIARY TANK / WELDED TO THE FRAME	AR					
11	220468	BRACKET / TO FIX 90 GAL AUXILIARY TANK / WELDED TO THE FRAME	2					
12	030880	SUPPORT, FUEL TANK	4			4		
13	220479	SUPPORT / W/SMALL A/C SYSTEM	4			4		
14	240171	PLATE, REINFORCEMENT / W/SMALL A/C SYSTEM	2			2		
15	240181	SUPPORT, R.H. DOOR / W/SMALL A/C SYSTEM	1			1		
15	240154	SUPPORT, L.H. DOOR / W/SMALL A/C SYSTEM	1			1		
16	220412	TUBE, SUPPORT / FUEL TANK	1			1		
17	220398	TUBE, SUPPORT / FUEL TANK	1			1		
18	220413	TUBE, SUPPORT / FUEL TANK	1			1		
19	220415	TUBE, SUPPORT / FUEL TANK	1			1		
20	220416	TUBE, SUPPORT / FUEL TANK	1			1		
21	030896	SUPPORT, FUEL TANK	4			4		
22	031314	STOPPER ANGULAR / 90 GAL & 160 GAL TANKS	4			4		
23	220427	SUPPORT ASSY, R.H. FAN / W/CENTRAL A/C SYSTEM	1			1		
24	220426	SUPPORT ASSY, L.H. FAN / W/CENTRAL A/C SYSTEM	1			1		
25	220401	ANGLE SUPPORT 668MM	1			1		
26	220400	ANGLE SUPPORT 668MM	1			1		
27	220466	TUBE 1403MM	3					
30	220700	ANGLE, FRONT R.H.	1			1		
31	220699	ANGLE, FRONT L.H.	1			1		
32	240105	TUBE, VERTICAL SIDE	2			2		
33	240106	TUBE, SUPPORT / DOOR	2			2		
34	240116	TUBE 951MM	2			2		
35	240115	TUBE 738MM x 1 1/2" x 1 1/2"	AR			AR		
36	240124	TUBE 738MM x 1" x 1 1/2"	AR			AR		
37	240117	CLOSING PLATE 51MM X 45MM	AR			AR		
38	240108	TUBE 794MM	AR			AR		
39	240114	TUBE 1374MM	1			1		
40	240113	TUBE 1209MM	1			1		
41	240111	TUBE, SEPARATOR	1			1		
42	480376	ATTACHMENT, DOOR ARM / 63.5MM	2			2		

From E-638 To Y-7045	Date:10/2022	PAGE:XL-1893-00
----------------------	--------------	-----------------

BAGGAGE & A/C COMPARTMENT UNDER CONSTRUCTION

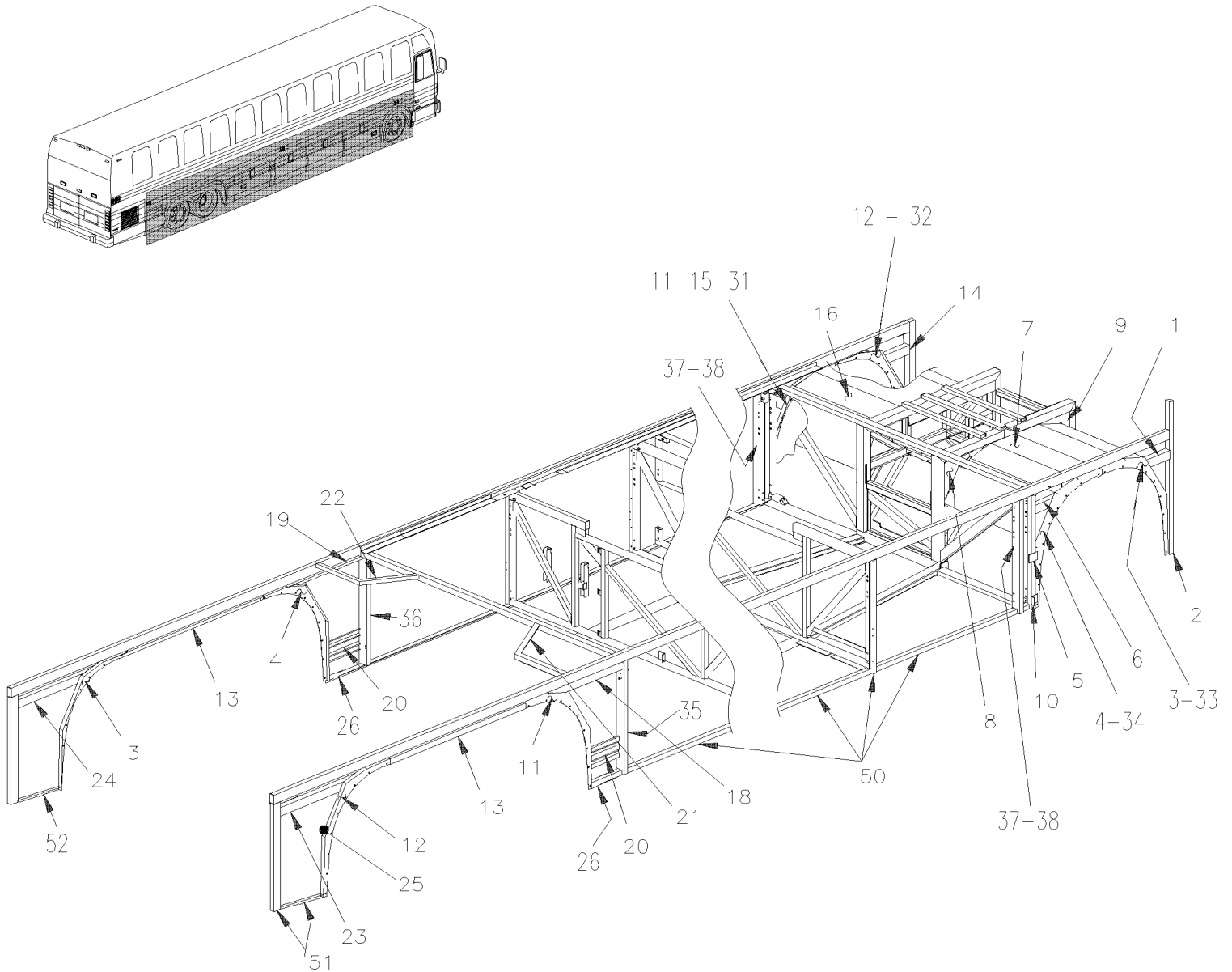
Item#	Part	Description	M T H 4 0	M T H 4 5	M T H 4 5 E	X L 4 0	X L 4 5	N O T E S
43	240179	TUBE, SUPPORT / FLOOR	1			1		
44	240139	TUBE 794MM	1			1		
45	240134	TUBE 2489MM	1			1		
46	240107	TUBE 1073MM	1			1		
47	240128	TUBE, UPPER CENTRAL	1			1		
48	240110	TUBE 705MM	1			1		
49	240109	TUBE 277MM	AR			AR		
52	240199	TUBE, REINFORCEMENT	2					
53	240234	TUBE, VERTICAL SUPPORT	1					
54	240133	TUBE, R.H. SIDE VERTICAL	1			1		
55	240143	ATTACHMENT, ACCESS DOOR	3			3		
56	220424	ATTACHMENT, DOOR ARM / 58.8MM	2			2		
57	240146	TUBE, L.H. SIDE	1			1		
60	240256	TUBE, R.H. SUPPORT / FLOOR	1					
61	240252	TUBE, L.H.SIDE UPPER	1					
62	240254	PLATE, R.H. CLOSING	1					
63	240127	TUBE, ATTACHMENT	2			2		
64	500067	SCREW CAP HEX 7/16-20x1 G5 Z050	4			4		
65	500480	WASHER LO SPT .443x.779x.109 Z050	4			4		
66	240184	TUBE, UPPER CENTRAL	1					
67	240126	TUBE, REINFORCEMENT	1			1		
70	240187	TUBE, R.H. VERTICAL SIDE	1					
71	240147	PLATE, CORNER REINFORCEMENT	1			1		
72	240148	SUPPORT, SECONDARY / O #34TUBE	1			1		
73	500095	SCREW CAP HEX 1/4-20x3/4 SS	1			1		
74	240130	TUBE, SEPARATOR	1			1		
75	240131	TUBE, VERTICAL	1			1		
76	240188	TUBE, L.H. VERTICAL SIDE	1			1		
77	480913	DOOR STOPPER / CONDENSER COMPARTMENT To M-873	4			4		
78	481905	DOOR STOPPER & RETAINER From M-874	4			4		
79	240232	TUBE, REINFORCEMENT / W/SMALL A/C	1			1		
81	240263	TUBE, HORIZONTAL REINFORCEMENT / W/CENTRAL A/C	1					
82	240262	TUBE, HORIZONTAL REINFORCEMENT / W/CENTRAL A/C	1					
83	240253	TUBE, R.H. SUPPORT / FLOOR / W/CENTRAL A/C	1					
84	240249	TUBE, REINFORCEMENT / W/CENTRAL A/C	1					
85	240250	TUBE, REINFORCEMENT W/CENTRAL A/C	1					
87	240261	TUBE, R.H. SUPPORT / DOOR	1			1		
88	240123	POST L.H. 794MM	1			1		
89	220419	SUPPORT, R.H. / FLOOR	1			1		
90	220418	SUPPORT, L.H. / FLOOR	1			1		
96	XL-1893-20	PASSENGER'S FLOOR STRUCTURE / REAR SECTION						

From E-638 To Y-7045

Date:10/2022

PAGE:XL-1893-10

SIDE LOWER - STRUCTURE



From E-638 To Y-7045	Date:10/2022	PAGE:XL-1893-10
SIDE LOWER - STRUCTURE		

Item#	Part	Description	M T H 4 0	M T H 4 5	M T H 4 5 E	X L 4 0	X L 4 5	N O T E S
1	210207	MOULDING FORWARD / CURBESIDE	1	1	1	1	1	
2	230553	TUBE, FRONT CAP JUNCTION / COACH & 80" MTH	1			1	1	
2	230552	TUBE, FRONT CAP JUNCTION / 83" & 86" MTH	1	1	1			
3	210196	SUPPORT / R.H. FENDER / FRONT & REAR	2	2	2	2	2	
4	210198	SUPPORT / R.H. FENDER / FRONT & REAR	2	2	2	2	2	
5	230560	SUPPORT L.H. / TO FIX BELLOW PROTECTOR	2	2	2	2	2	
6	210206	MOULDING BACKWARD / CURBESIDE	1	1	1	1	1	
7	210193	FENDER WHEELHOUSE FRONT CURBSIDE To L-684	1			1		
7	211787	FENDER WHEELHOUSE FRONT CURBSIDE From L-685 To P-721	1			1		R
7	212906	FENDER WHEELHOUSE FRONT CURBSIDE From P-722	1	1	1	1	1	R
8	210518	CLOSING PANEL TRIANGULAR SHAPE BACKWARD	2	2	2	2	2	R
9	210277	CLOSING PANEL TRIANGULAR SHAPE FORWARD	2	2	2	2	2	R
10	210227	ANGLE PLATE CLOSING	2	2	2	2	2	
11	210197	SUPPORT / L.H. FENDER / FRONT & REAR	2	2	2	2	2	
12	210195	SUPPORT / L.H. FENDER / FRONT & REAR	2	2	2	2	2	
13	210210	SUPPORT / CENTRAL FENDER / R.H. & L.H.	2	2	2	2	2	
14	210223	MOULDING FORWARD / STREETSIDE	1	1	1	1	1	
15	210222	MOULDING BACKWARD / STREETSIDE	1	1	1	1	1	
16	210194	FENDER WHEELHOUSE FRONT STREETSIDE To L-684	1			1		
16	211788	FENDER WHEELHOUSE FRONT STREETSIDE From L-685 To P-721	1			1		
16	212149	FENDER WHEELHOUSE FRONT STREETSIDE From P-722	1	1	1	1	1	R
16	212905	FENDER WHEELHOUSE FRONT STREETSIDE From T-5873	1	1	1			I
18	210208	MOULDING, R.H.	1	1	1	1	1	
19	210224	MOULDING, L.H.	1	1	1	1	1	
20	471411	REINFORCEMENT, RUB RAIL	2	2	2	2	2	
21	230558	SUPPORT R.H. / TO FIX BELLOW PROTECTOR	1	1	1	1	1	
22	230560	SUPPORT L.H. / TO FIX BELLOW PROTECTOR	1	1	1	1	1	
23	210209	MOULDING, R.H.	1	1	1	1	1	
24	210225	MOULDING, L.H.	1	1	1	1	1	
25	230469	ANGLE / SUPPORT REAR FENDER 1/8" 1" x 1" SS	2	2	2	2	2	
26	220393	ANGLE, LOWER	2	2	2	2	2	
31	213092	SUPPORT / L.H. FENDER / BACKWARD / W/IND SUSPENSION From T-5873	1	1	1			
32	212938	SUPPORT / L.H. FENDER / FORWARD / W/IND SUSPENSION From T-5873	1	1	1			
33	212982	SUPPORT / R.H. FENDER / FORWARD / W/IND SUSPENSION From T-5873	1	1	1			
34	213091	SUPPORT / R.H. FENDER / BACKWARD / W/IND SUSPENSION From T-5873	1	1	1			
35	240347	POST R.H. 794MM	1	1	1	1	1	
36	240123	POST L.H. 794MM	1	1	1	1	1	
37	240346	POST EXTERIOR	2	2	2	2	2	
38	240122	POST INTERIOR	2	2	2	2	2	
50	XL-1893-00	BAGGAGE & A/C COMPARTMENT UNDER CONSTRUCTION	1	1	1	1	1	
51	XL-1894-05	REAR LH - STRUCTURE	1	1	1	1	1	
52	XL-1894-10	REAR RH - STRUCTURE - WITH DETROIT S-71 & S-92	1	1	1	1	1	

From E-638 To Y-7045	Date:10/2022	PAGE:XL-1893-10
SIDE LOWER - STRUCTURE		

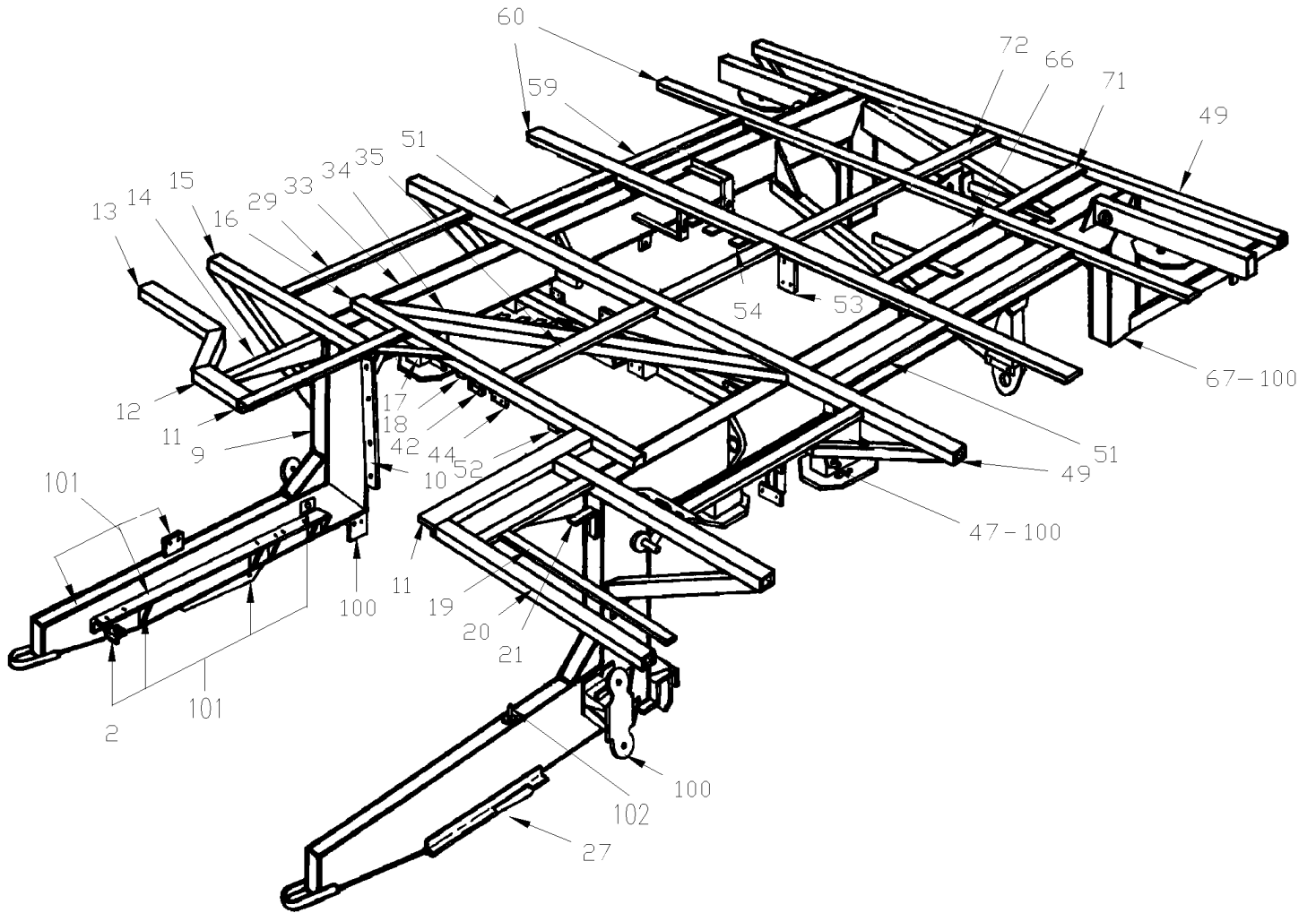
Item#	Part	Description	M T H 4 0	M T H 4 5	M T H 4 5 E	X L 4 0	X L 4 5	N O T E S
		I) WITH INDEPENDANT SUSPENSION						
		R) WITH RIGID SUSPENSION						

From E-638 To P-740

Date:10/2022

PAGE:XL-1893-20

PASSENGER'S FLOOR STRUCTURE / REAR SECTION



From E-638 To P-740	Date:10/2022	PAGE:XL-1893-20
---------------------	--------------	-----------------

PASSENGER'S FLOOR STRUCTURE / REAR SECTION

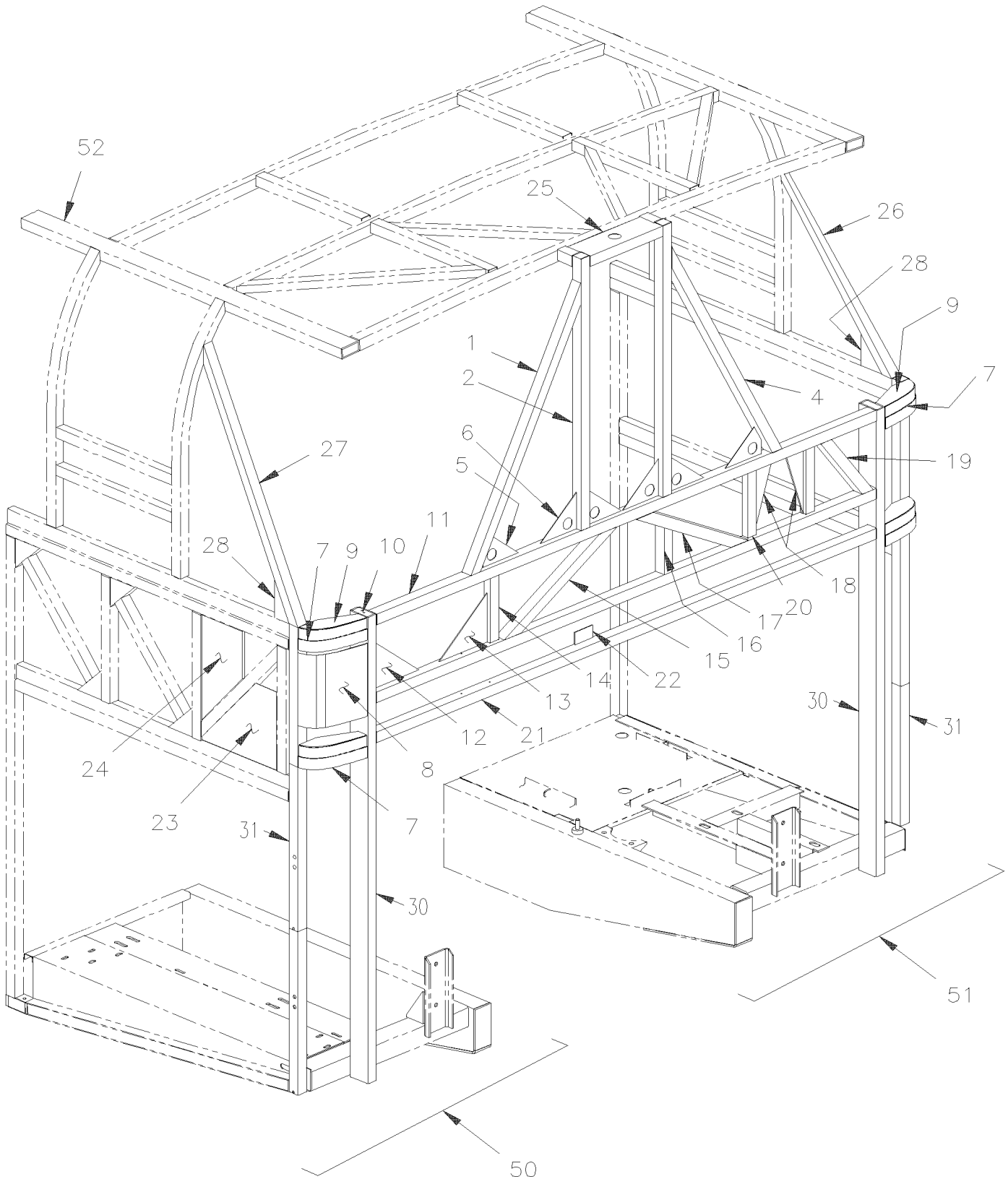
Item#	Part	Description	M T H 4 0	M T H 4 5	M T H 4 5 E	X L 4 0	X L 4 5	N O T E S
2	010942	SUPPORT, ANGLE				2		
9	170271	BEAM, REAR VERTICAL	2			2		
10	011305	PLATE, RETAINING L.H. / ENGINE GUARD	1			1		
NS	011170	PLATE, RETAINING UPPER R.H. / ENGINE GUARD	1			1		
NS	011169	PLATE, RETAINING LOWER R.H. / ENGINE GUARD	1			1		
11	260179	FRAME / ENGINE ACCESS PANEL	2			2		
12	260425	REINFORCEMENT, REAR L.H.	1			1		
13	260178	REINFORCEMENT, REAR L.H.	1			1		
14	260317	SUPPORT, FLOOR	2			2		
15	170491	TUBE, FLOOR SUPPORT	2			2		
16	170486	TUBE 46"	1			1		
17	170503	REINFORCEMENT, FLOOR SUPPORT	1			1		
18	011307	BRACKET, RETAINING / ENGINE GUARD	1			1		
19	210124	SUPPORT, FLOOR	1			1		
20	260437	REINFORCEMENT, R.H.	1			1		
21	140616	SUPPORT, AIR FILTER	1			1		
27	040319	ANGLE SUPPORT / R.H. FLOOR				1		
27	040180	SUPPORT / L.H. MUFFLER PROTECTOR				1		
29	170589	REINFORCEMENT, FLOOR SUPPORT	2			2		
33	171204	BEAM, HORIZONTAL UPPER	2			2		
34	170490	REINFORCEMENT, DIAGONAL / FLOOR	1			1		
35	170593	REINFORCEMENT, CENTRAL / FLOOR	1			1		
42	011348	BRACKET, RETAINING / ENGINE GUARD	1			1		
44	011306	BRACKET, RETAINING / ENGINE GUARD	1			1		
47	171319	SUPPORT, AIR CHAMBER HOSE	2			2		
49	170487	TUBE 98"	2			2		
51	170590	REINFORCEMENT, FLOOR TUBE	3			3		
52	011303	BRACKET, RETAINING / ENGINE GUARD	1			1		
53	140377	PLATE, ANCHOR / QUICK RELEASE VALVE	1			1		
54	061315	PLATE, SUPPORT / HARNESS TUBE				4		
54	061315	PLATE, SUPPORT / HARNESS TUBE	8					
59	170591	REINFORCEMENT, FLOOR TUBE	3			3		
60	170606	TUBE, FLOOR SUPPORT	2			2		
NS	170257	SPACER, FLOOR SUPPORT / TUBE #60	4			4		
66	220445	SUPPORT, SEAT	1			1		
67	170502	BEAM, FRONT R.H. VERTICAL	1			1		
67	170269	BEAM, FRONT L.H. VERTICAL	1			1		
71	220444	SUPPORT, SEAT				2		
71	220444	SUPPORT, SEAT	1					
72	170592	REINFORCEMENT, FLOOR TUBE	1			1		
100	XL-1897-10	REAR SUB-FRAME						
100	XL-1897-11	REAR SUB-FRAME						

From E-638 To Y-7045

Date:10/2022

PAGE:XL-1894-00

REAR CAP - STRUCTURE



From E-638 To Y-7045	Date:10/2022	PAGE:XL-1894-00
REAR CAP - STRUCTURE		

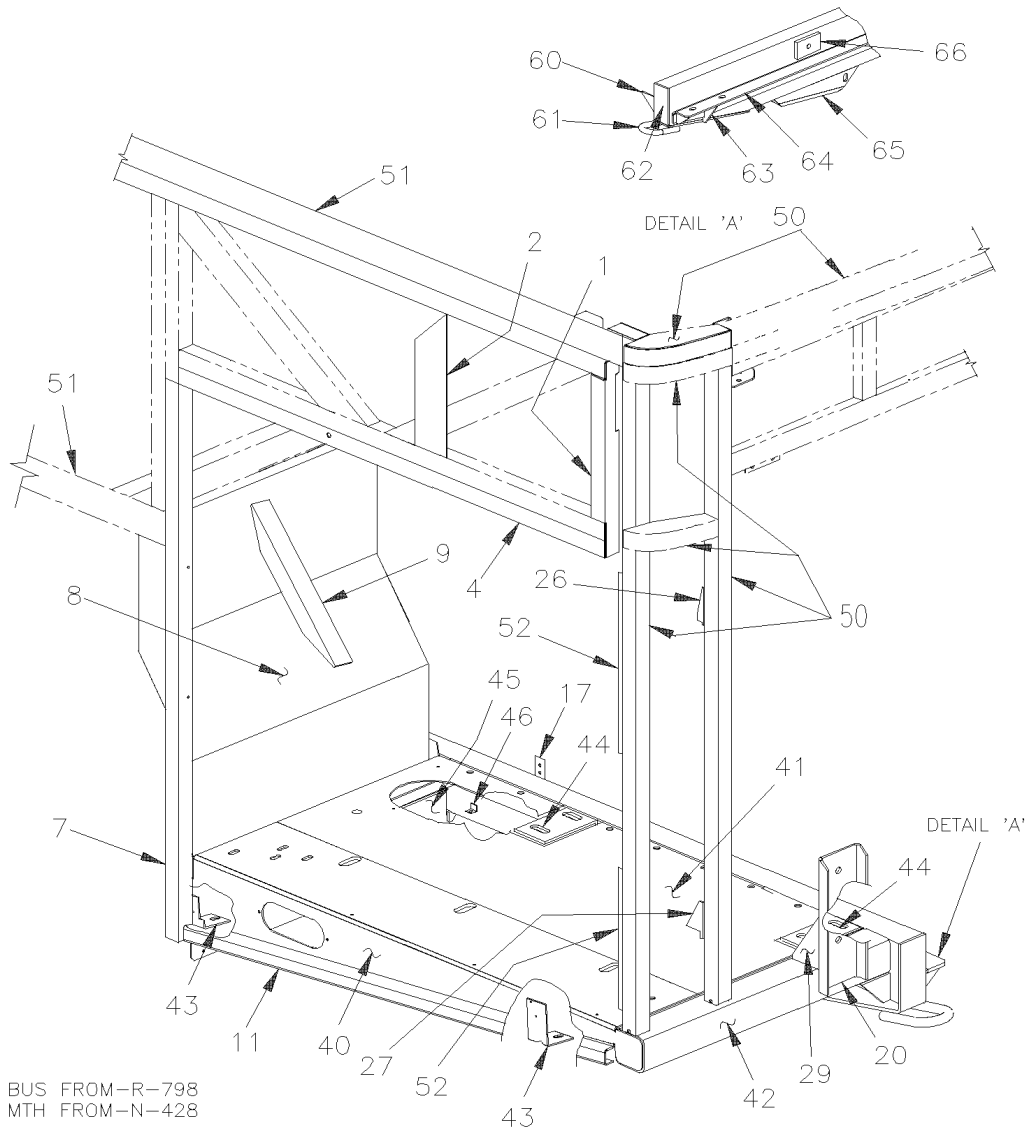
Item#	Part	Description	M T H 4 0	M T H 4 5	M T H 4 5 E	X L 4 0	X L 4 5	N O T E S
1	260494	TUBE, REINFORCEMENT	1	1	1	1	1	
2	260385	TUBE, VERTICAL	2	2	2	2	2	
NS	260386	TUBE 44 3/4" / W/"PREVOST XL" To J-430						
NS	260371	TUBE 33 11/16" / W/"PREVOST XL" To J-430	1			1		
NS	260370	TUBE 25 3/8" / W/"PREVOST XL" To J-430	1			1		
4	260431	TUBE, REINFORCEMENT	1	1	1	1	1	
NS	260335	TUBE 47" / W/"PREVOST XL" To J-430	1			1		
5	260434	GUSSET	2	2	2	2	2	
6	230250	GUSSET / L.H. & R.H. SIDES	4	4	4	4	4	
7	260130	FORM, CORNER	4	4	4	4	4	
8	260131	PLATE, CORNER	2	2	2	2	2	
9	260134	CLOSING PLATE, SUPPORT / REAR LAMP	2	2	2	2	2	
10	260120	PLATE, CLOSING / TUBE 33MM x 33MM	2	2	2	2	2	
11	260401	TUBE, UPPER HORIZONTAL	1	1	1	1	1	
12	260327	GUSSET, L.H.	1	1	1	1	1	
13	260324	GUSSET, R.H.	1	1	1	1	1	
14	260333	TUBE, VERTICAL REINFORCEMENT	3	3	3	3	3	
NS	260586	PLATE REINFORCEMENT STREETSIDE / W/"PREVOST XL" To J-430	1			1		
15	260372	TUBE, REINFORCEMENT	1	1	1	1	1	
16	011064	SUPPORT / WELDED ON FRAME	1	1	1	1	1	
17	360369	TUBE, REINFORCEMENT	1	1	1	1	1	
NS	260585	PLATE REINFORCEMENT CURBSIDE / W/"PREVOST XL" To J-430	1			1		
18	260334	SUPPORT, OIL TANK	2	2	2	2	2	
NS	500258	SCREW WD 5/16-24x1 ZP	4	4	4	4	4	
19	260336	TUBE, REINFORCEMENT	1	1	1	1	1	
20	260387	TUBE, HORIZONTAL	1	1	1	1	1	
21	260387	TUBE, HORIZONTAL	1	1	1	1	1	
22	230547	SUPPORT, VALVE / 83" & 86" MTH	1	1	1	1	1	
23	230457	ANGLE SUPPORT 9 3/4"	2	2	2	2	2	
23	230545	ANGLE SUPPORT 15 3/4"	2	2	2	2	2	
24	230143	PLATE, L.H. CLOSING / LOUNGE SEAT / COACH & MTH 80"	1			1	1	
24	230555	PLATE, L.H. CLOSING / LOUNGE SEAT / MTH 83" & 86"	1	1	1			
NS	230371	PLATE, R.H. CLOSING / LOUNGE SEAT / COACH & MTH 80"	1			1	1	
NS	230556	PLATE, R.H. CLOSING / LOUNGE SEAT / MTH 83" & 86"	1	1	1			
25	260368	SUPPORT / REAR TUBE	1	1	1	1	1	
26	260393	POST, REAR R.H. DIAGONAL	1	1	1	1	1	
27	260394	POST, REAR L.H. DIAGONAL	1	1	1	1	1	
28	260391	GUSSET, REAR DIAGONAL / POST	2	2	2	2	2	
30	260126	TUBE, VERTICAL FRAME / REAR ENGINE DOOR / 1524MM				2	2	
30	260267	TUBE, VERTICAL FRAME / REAR ENGINE DOOR / MTH 80"	2					
30	260449	TUBE, VERTICAL FRAME / REAR ENGINE DOOR / MTH 83"	2	2	2			
30	260451	TUBE, VERTICAL FRAME / REAR ENGINE DOOR / MTH 86"	2	2	2			

From E-638 To Y-7045

Date:10/2022

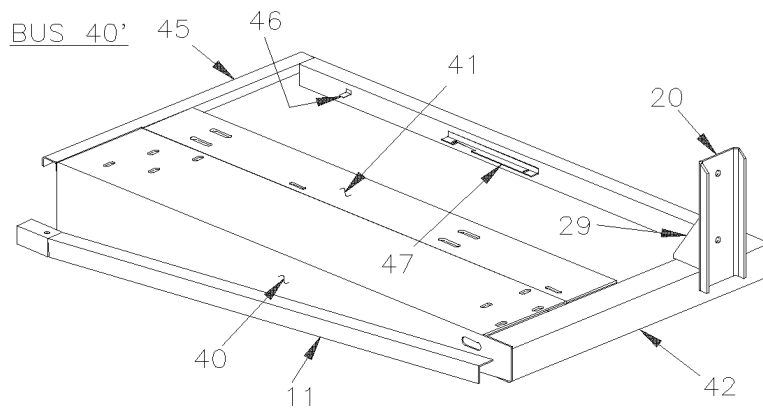
PAGE:XL-1894-05

REAR LH - STRUCTURE



BUS FROM-R-798
MTH FROM-N-428

BUS 40', MTH 40' & MTH 45' ENT.



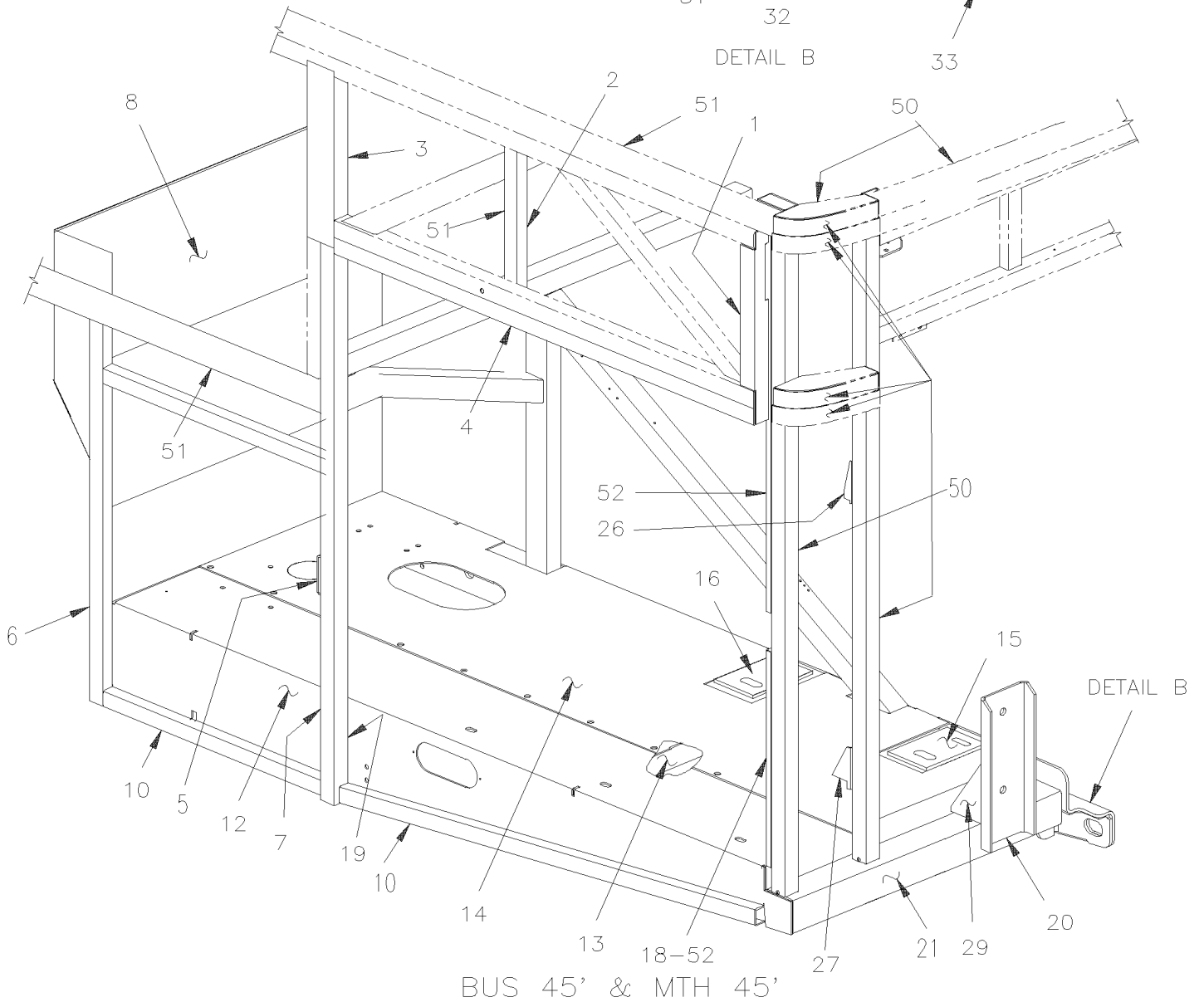
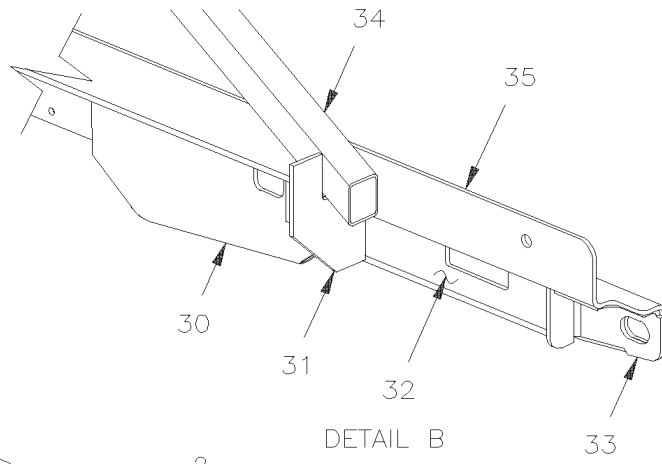
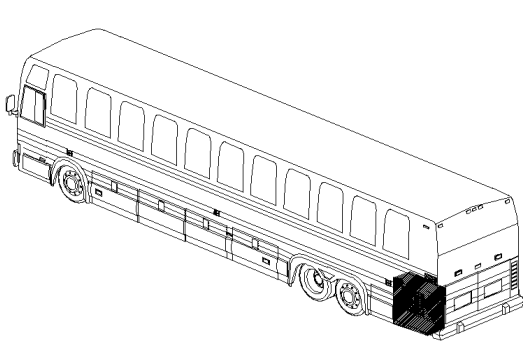
MTH 40' = UP TO N-427
BUS 40' = UP TO R-797

From E-638 To Y-7045

Date:10/2022

PAGE:XL-1894-05

REAR LH - STRUCTURE



From E-638 To Y-7045	Date:10/2022	PAGE:XL-1894-05
REAR LH - STRUCTURE		

Item#	Part	Description	M T H 4 0	M T H 4 5	M T H 4 5 E	X L 4 0	X L 4 5	N O T E S
1	230457	ANGLE SUPPORT 9 3/4"				1	1	
1	230545	ANGLE SUPPORT 15 3/4"	1	1	1			
2	212048	PLATE BUS & MTH 80"	1			1		
2	212047	PLATE MTH 83" & 86"	1	1	1			
4	260139	TUBE 45 3/8" To R-822	1	1	1			
4	260676	TUBE 45" SS From R-823	1	1	1			
5	284534	SUPPORT STRIKER PIN		1			1	
6	260641	TUBE 883MM		1			1	
7	260390	TUBE ASSY, DOOR FRAME / R.H. & L.H.	1	1	1	1		
NS	260221	HINGE REINFORCMENT	2	2	2	2		
8	260453	FENDER ASSY, REAR L.H. To R-797				1		
8	212044	FENDER ASSY, REAR L.H. From R-798 To R-822				1		
8	260453	FENDER ASSY, REAR L.H. To N-427	1					
8	212044	FENDER ASSY, REAR L.H. From N-428 To R-822	1	1	1			
8	260647	FENDER ASSY, REAR L.H. From R-823		1			1	
8	260453	FENDER ASSY, REAR L.H. From R-823	1		1	1		
9	210304	SUPPORT, HEATING PIPE To R-797				1		
9	210304	SUPPORT, HEATING PIPE From R-798				1		
9	210304	SUPPORT, HEATING PIPE To N-427	1					
9	210304	SUPPORT, HEATING PIPE From N-427	1		1			
10	260639	ANGLE 1 1/2" x 1 1/2" X 1827MM SS From P-646		1			1	
11	260388	ANGLE, LOWER / L.H. ENGINE DOOR	1		1	1		
12	260667	SIDE MEMBER RADIATOR FLOOR PANEL From P-646 To W-6561		1				
12	260765	SIDE MEMBER RADIATOR FLOOR PANEL From W-6562		1				
12	260822	SIDE MEMBER RADIATOR FLOOR PANEL		1				
13	260689	ANGLE MUFFLER SUPPORT / BACKWARD / 28 5/8"		1			1	
13	260662	ANGLE MUFFLER SUPPORT / FORWARD / 28 5/8"		1			1	
14	212556	FLOOR FAN RADIATOR From P-646 To R-940		1			1	
14	212602	FLOOR FAN RADIATOR From R-941		1			1	
14	213749	FLOOR FAN RADIATOR From W-6562		1			1	
15	171792	SUPPORT FAN RADIATOR / BACKWARD		1			1	
16	171793	SUPPORT FAN RADIATOR / FORWARD		1			1	
17	371739	BRACKET, HEATER HOSE SUPPORT To R-845	1		1	1		
17	373216	SUPPORT / PIPE RETURN TO WATER PUMP From R-846	1		1	1		
17	212136	SUPPORT / PIPE RETURN TO WATER PUMP From R-798 To R-844	1		1			
17	212054	SUPPORT PIPE WSMALL A/C From N-428 To R-844	1		1			
18	260664	SPACER "J" FORM 984MM To R-822		1			1	
18	260675	SPACER "U" 984MM From R-823		1			1	
19	260663	SPACER "J" FORM 984MM To R-822		1			1	
19	260675	SPACER "U" 984MM From R-823		1			1	
20	410221	SUPPORT, REAR BUMPER	1	1	1	1	1	
21	260640	TUBE 726MM		1			1	

From E-638 To Y-7045	Date:10/2022	PAGE:XL-1894-05
REAR LH - STRUCTURE		

Item#	Part	Description	M T H 4 0	M T H 4 5	M T H 4 5 E	X L 4 0	X L 4 5	N O T E S
26	160276	SUPPORT, POWER STEERING TANK To R-957	1		1	1		
27	051400	SUPPORT, SURGE TANK HOSE	1	1	1	1	1	
28		SUPPORT	1	1	1	1	1	
29	260292	REINFORCEMENT 108MM X 108MM	1	1	1	1	1	
30	171472	PROTECTOR L.H.		1			1	
31	260644	PLATE REINFORCEMENT		1			1	
32	172545	REINFORCEMENT L.H.		1			1	
33	172547	REINFORCEMENT L.H.		1			1	
34	171483	TUBE 1208MM		1			1	
35	172540	BEAM L.H. "Z" FORM		1			1	
40	050602	SIDE MEMBER RADIATOR FLOOR PANEL To R-797	1		1	1		
40	260631	SIDE MEMBER RADIATOR FLOOR PANEL From R-799 To R-822	1		1	1		
40	050602	SIDE MEMBER RADIATOR FLOOR PANEL To N-427	1		1	1		
40	260631	SIDE MEMBER RADIATOR FLOOR PANEL From N-428 To W-6561	1		1	1		
40	260764	SIDE MEMBER RADIATOR FLOOR PANEL From W-6562	1		1	1		
41	051007	PLATE, SUPPORT / FAN GEARBOX To R-797					1	
41	210630	PLATE, SUPPORT / FAN GEARBOX From R-798 To R-822					1	
41	051007	PLATE, SUPPORT / FAN GEARBOX To N-427	1					
41	210630	PLATE, SUPPORT / FAN GEARBOX From N-428 To R-822	1		1			
41	212293	PLATE, SUPPORT / FAN GEARBOX From R-823 To R-857	1		1	1		
41	212554	PLATE, SUPPORT / FAN GEARBOX From R-858 To T-5872	1		1	1		
41	212601	PLATE, SUPPORT / FAN GEARBOX From T-5873 To W-6561	1		1	1		
41	213748	PLATE, SUPPORT / FAN GEARBOX From W-6562	1		1	1		
42	260160	TUBE 656MM	1		1	1		
43	260632	SUPPORT, ANGLE / MUFFLER (WELDED) From R-798					2	
43	260632	SUPPORT, ANGLE / MUFFLER (WELDED) From N-428	2	2	2	2	2	
43	XL-0405-00	MUFFLER - INSTALLATION WITH DETROIT S-92						
43	XL-0405-01	MUFFLER - INSTALLATION WITH DETROIT S-71						
43	XL-0405-02	MUFFLER - INSTALLATION WITH DETROIT S-92, S-50 & S-60						
44	212598	SUPPORT FAN RADIATOR From R-941	2		2	2		
45	260147	CHANNEL, REINFORCEMENT To R-797					1	
45	260634	CHANNEL, REINFORCEMENT From R-798 To R-822					1	
45	260147	CHANNEL, REINFORCEMENT To N-427	1					
45	260634	CHANNEL, REINFORCEMENT From N-428 To R-822	1		1			
45	260669	CHANNEL, REINFORCEMENT From R-823	1		1	1		
46	211564	SUPPORT, ANGLE / MUFFLER (WELDED) From R-798					2	
46	211564	SUPPORT, ANGLE / MUFFLER (WELDED) From N-428	2		2			
47	040180	SUPPORT / L.H. MUFFLER PROTECTOR To R-797					1	
47	040180	SUPPORT / L.H. MUFFLER PROTECTOR To N-427	1		1			
50	XL-1894-00	REAR CAP - STRUCTURE	1	1	1	1	1	
51	XL-1891-00	LOWER WALL STRUCTURE BUS & MTH	1	1	1	1	1	
52	XL-0518-01	RADIATOR SEALING FRAME - W/36" RADIATOR	1	1	1	1	1	

From E-638 To Y-7045	Date:10/2022	PAGE:XL-1894-05
REAR LH - STRUCTURE		

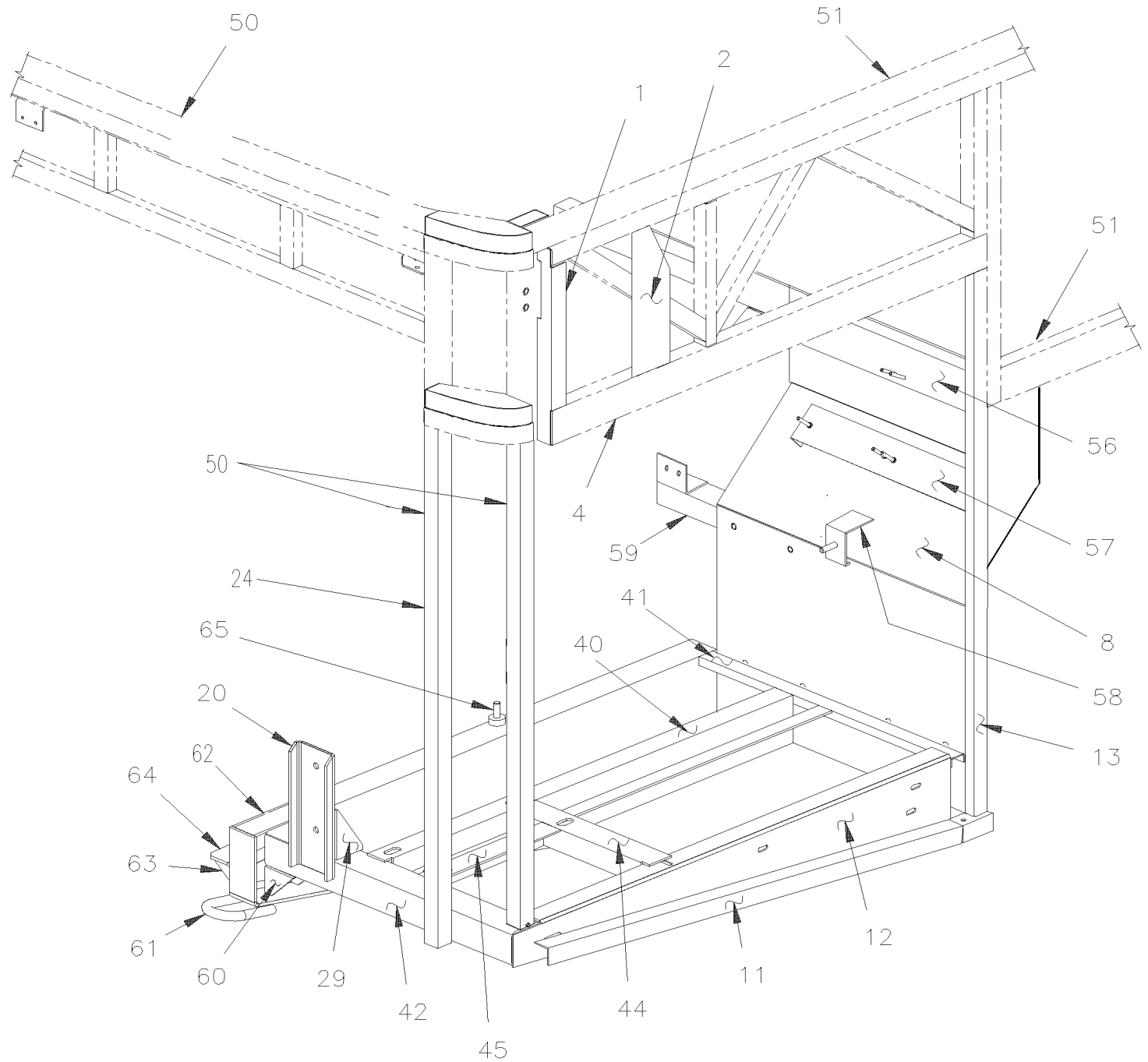
Item#	Part	Description	M T H 4 0	M T H 4 5	M T H 4 5 E	X L 4 0	X L 4 5	N O T E S
52	XL-0518-02	RADIATOR SEALING FRAME - W/39" RADIATOR	1	1	1	1	1	
52	XL-0518-03	RADIATOR SEALING FRAME	1	1	1	1	1	
60	260259	REINFORCEMENT	1		1	1		
61	410293	EYE, TOW	1		1	1		
62	Call order desk	BEAM LOWER ASSY W/CLOSING END	1		1	1		P
63	010795	REINFORCEMENT, LOWER SUPPORT	4		4	4		
NS	010941	SUPPORT /TO FIX PAN WELDED TO FRONT STRUCTURE	2		2	2		
64	010842	SUPPORT, L.H. LOWER	1		1	1		
64	010837	GUIDE, ENGINE CRADLE	1		1	1		
65	011048	PROTECTOR, OIL PAN	1		1	1		
66	010837	GUIDE, ENGINE CRADLE	1		1	1		
		P) CALL ORDER DESK FOR SPECIFIC APPLICATION (V.I.N.)						

From E-638 To R-843

Date:10/2022

PAGE:XL-1894-10

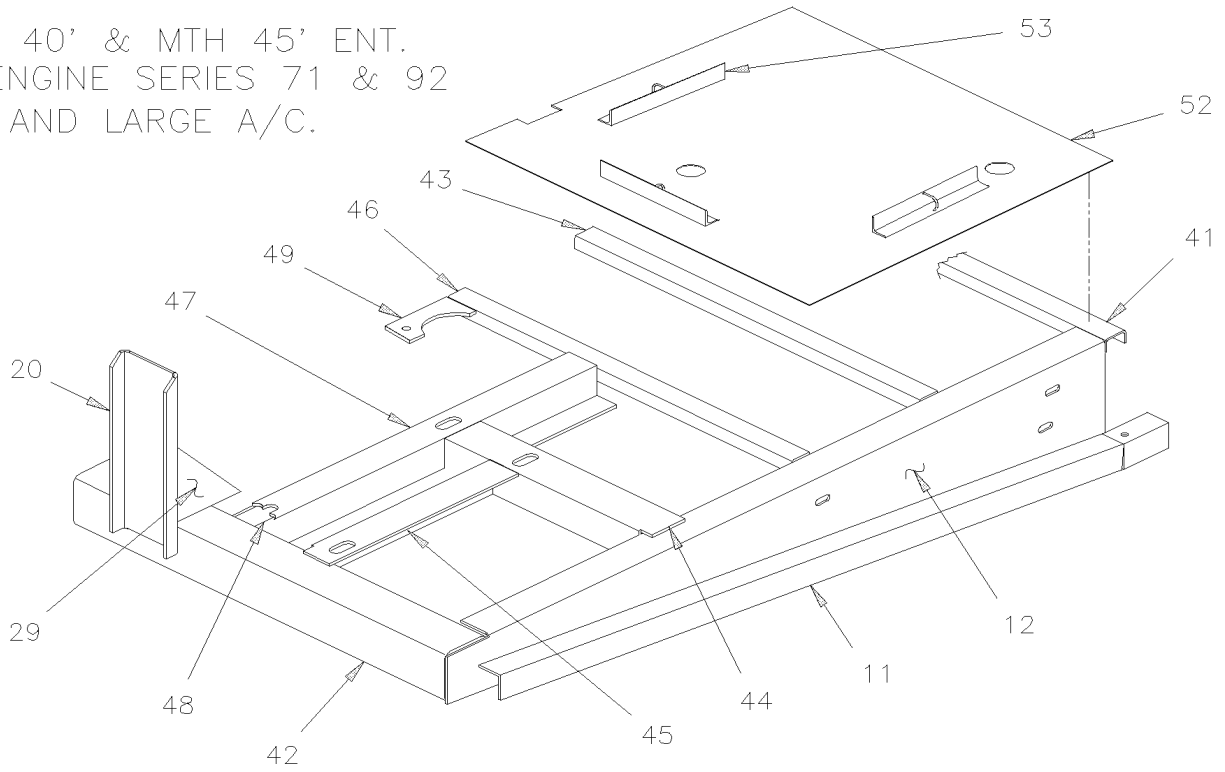
REAR RH - STRUCTURE - WITH DETROIT S-71 & S-92



BUS 40'
WITH ENGINE SERIE 71 & 92

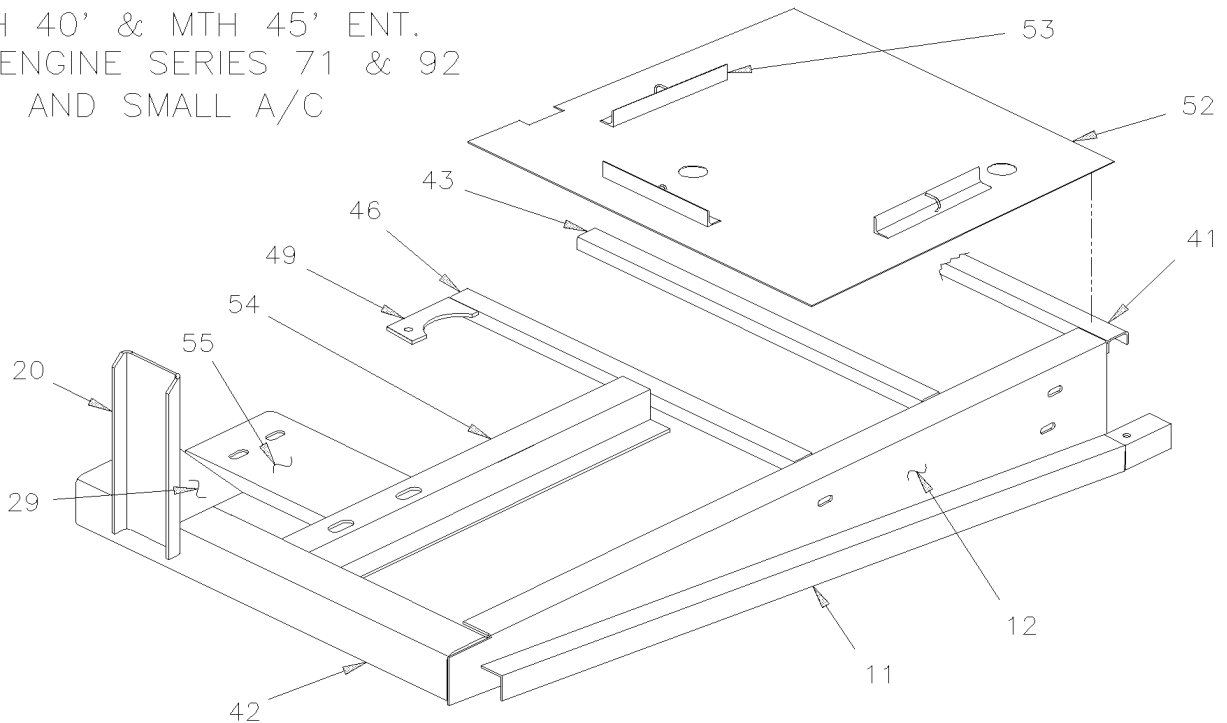
From E-638 To R-843	Date:10/2022	PAGE:XL-1894-10
REAR RH - STRUCTURE - WITH DETROIT S-71 & S-92		

MTH 40' & MTH 45' ENT.
WITH ENGINE SERIES 71 & 92
AND LARGE A/C.



DETAIL "E"

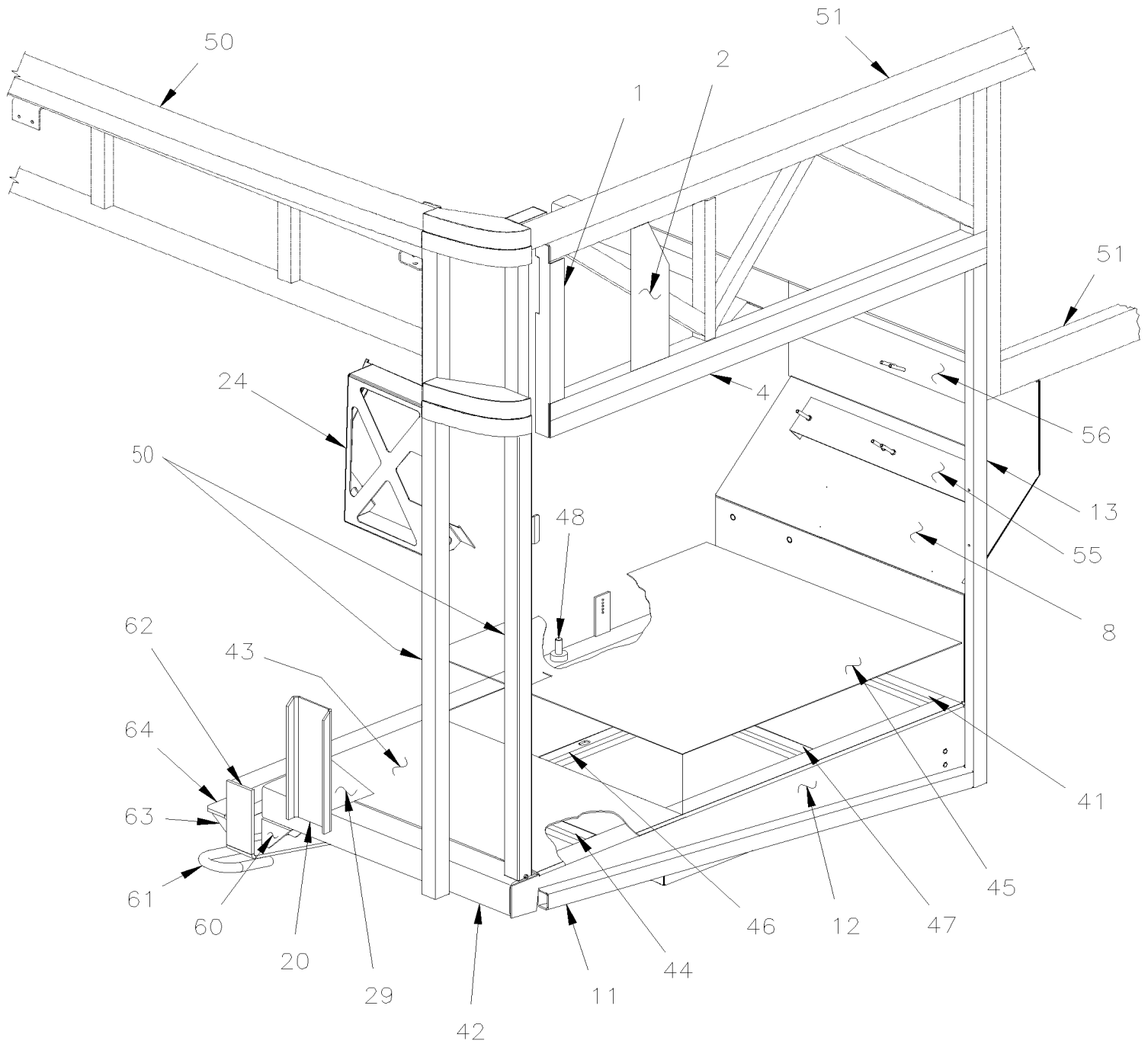
MTH 40' & MTH 45' ENT.
WITH ENGINE SERIES 71 & 92
AND SMALL A/C.



From E-638 To R-843	Date:10/2022	PAGE:XL-1894-10
REAR RH - STRUCTURE - WITH DETROIT S-71 & S-92		

Item#	Part	Description	M T H 4 0	M T H 4 5	M T H 4 5 E	X L 4 0	X L 4 5	N O T E S
		P) CALL ORDER DESK FOR SPECIFIC APPLICATION (V.I.N.)						

From P-741 To Y-7045	Date:10/2022	PAGE:XL-1894-11
REAR RH - STRUCTURE - WITH DETROIT S-50 & S-60		



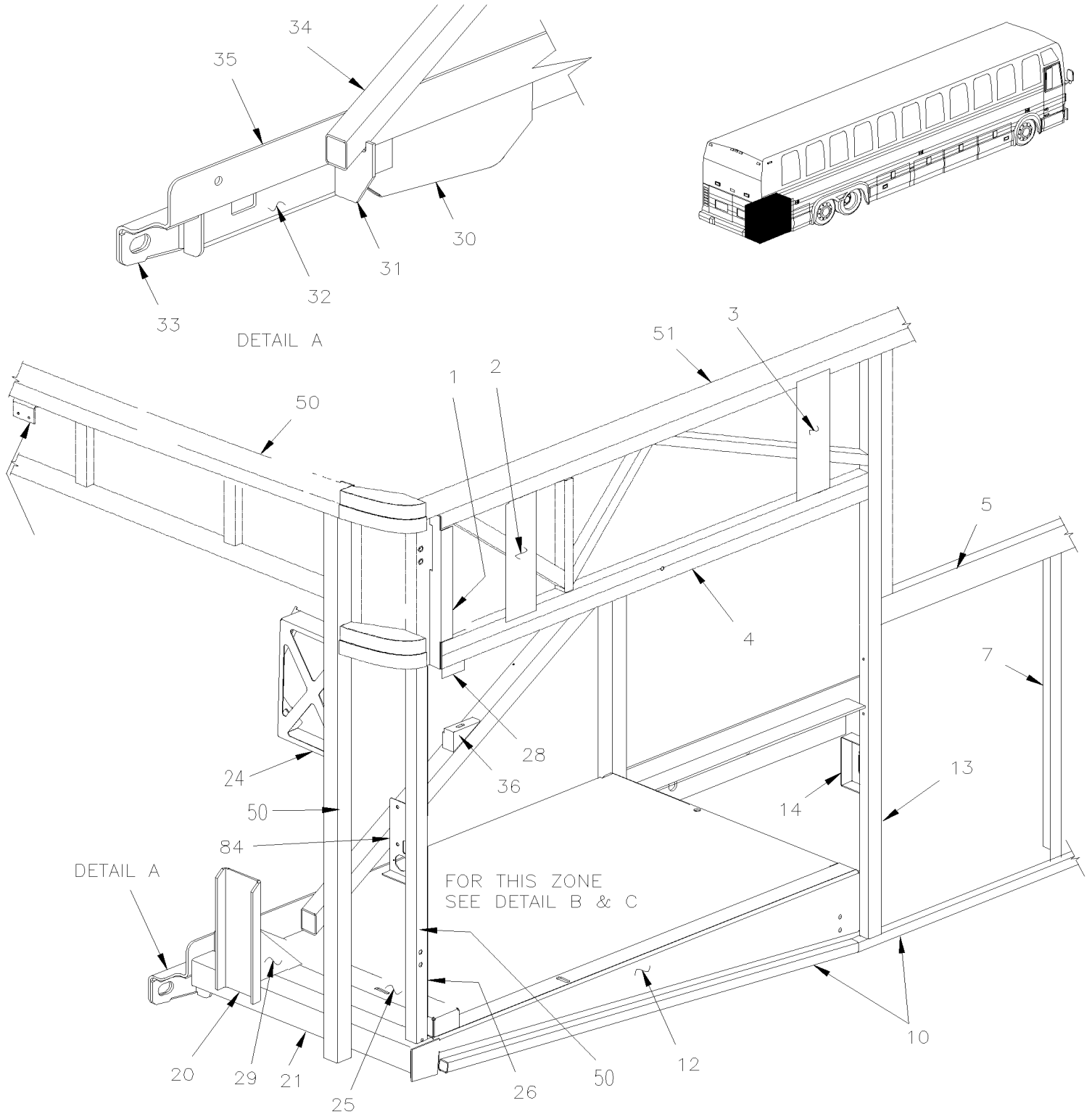
BUS 40' & MTH 40' & MTH 45' ENT.

From P-741 To Y-7045

Date:10/2022

PAGE:XL-1894-11

REAR RH - STRUCTURE - WITH DETROIT S-50 & S-60



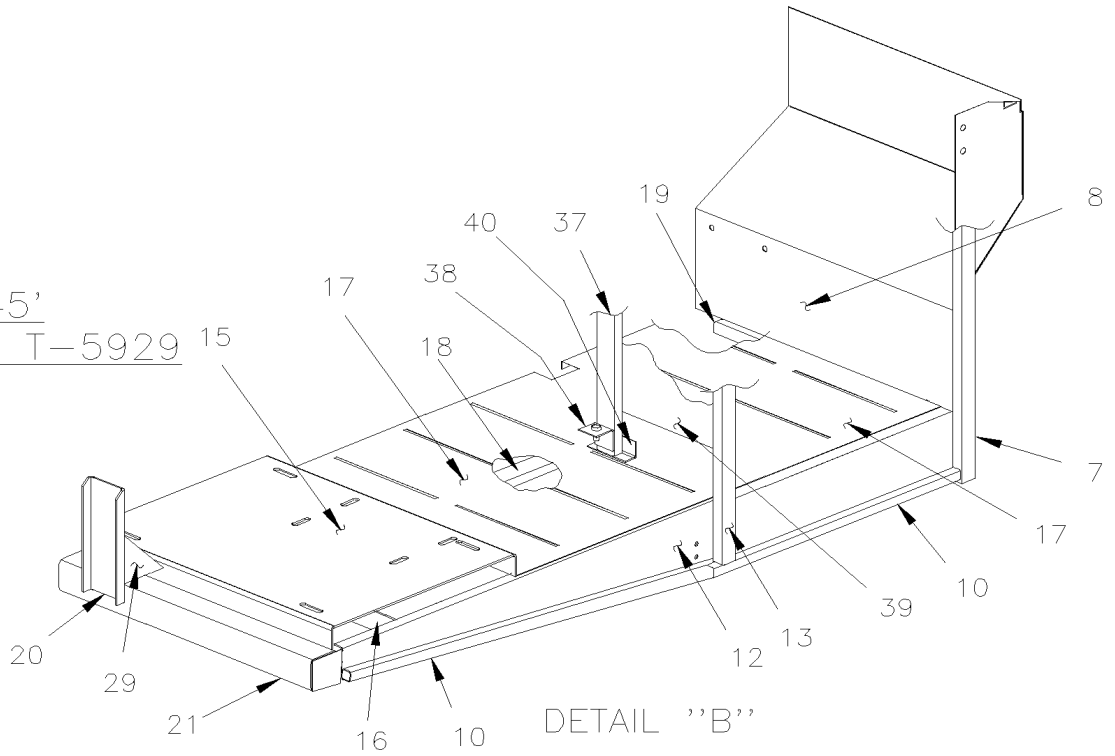
From P-741 To Y-7045

Date:10/2022

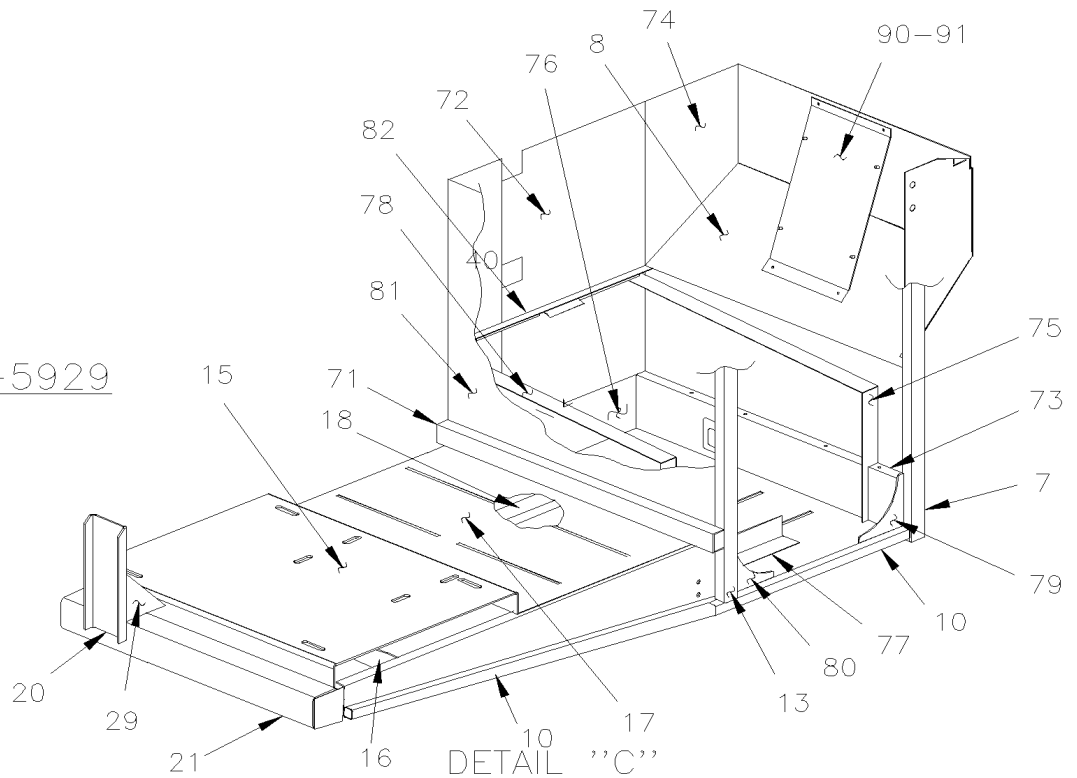
PAGE:XL-1894-11

REAR RH - STRUCTURE - WITH DETROIT S-50 & S-60

MTH-45'
UP TO T-5929



BUS-45'
UP TO T-5929



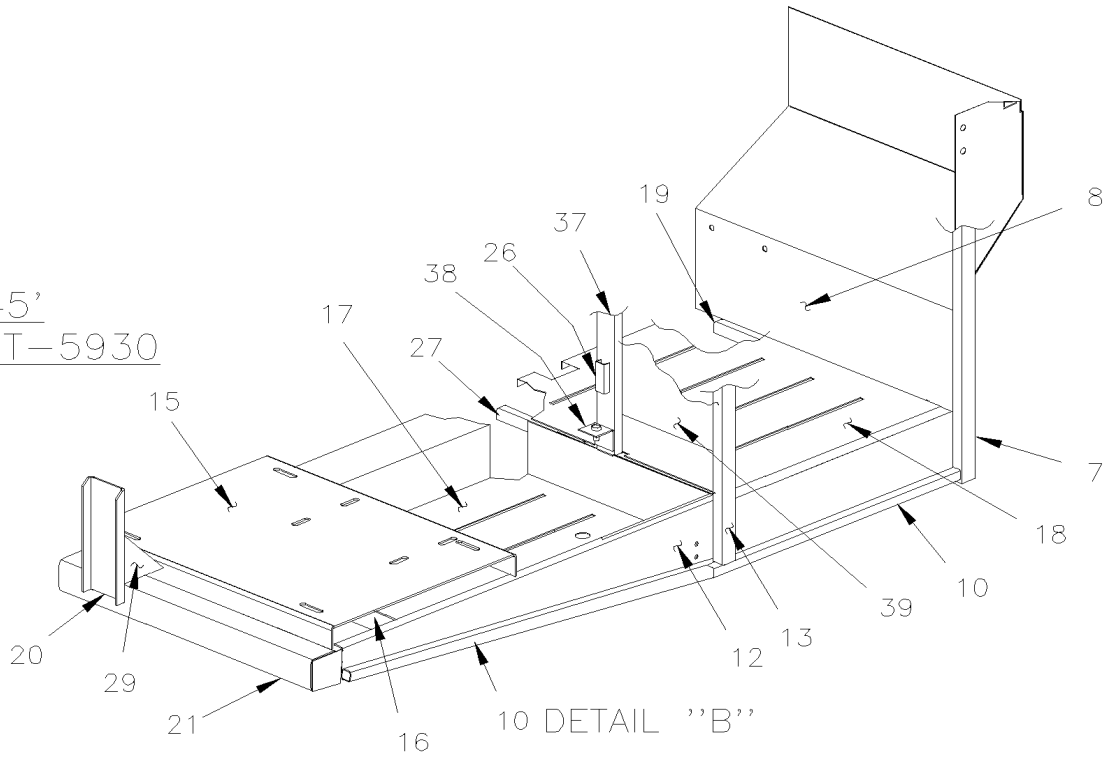
From P-741 To Y-7045

Date:10/2022

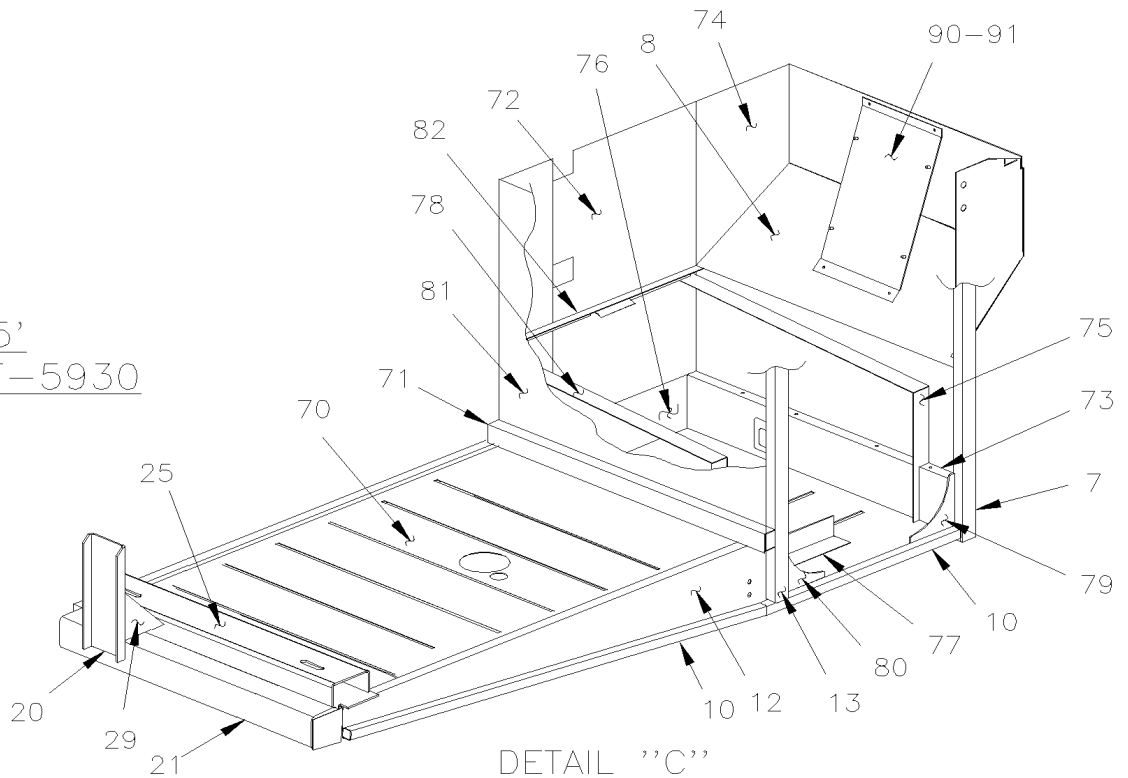
PAGE:XL-1894-11

REAR RH - STRUCTURE - WITH DETROIT S-50 & S-60

MTH-45'
FROM T-5930



BUS-45'
FROM T-5930



From P-741 To Y-7045	Date:10/2022	PAGE:XL-1894-11
REAR RH - STRUCTURE - WITH DETROIT S-50 & S-60		

Item#	Part	Description	M T H 4 0	M T H 4 5	M T H 4 5 E	X L 4 0	X L 4 5	N O T E S
1	230457	ANGLE SUPPORT 9 3/4"				1	1	
1	230545	ANGLE SUPPORT 15 3/4"	1	1	1			
2	212616	PLATE MTH 83" & 86"	1			1		
3	212048	PLATE BUS & MTH 80"	1			1		
4	260139	TUBE 45 3/8"	1		1	1		
4	260678	TUBE 1238.25MM		1			1	
5	212317	FORM ASSY / UPPER DOOR 23 5/8"		1			1	
7	260641	TUBE 883MM		1			1	
8	260452	FENDER ASSY, REAR R.H.	1		1	1		
8	260646	FENDER ASSY, REAR R.H.		1			1	
10	260638	ANGLE 1 1/2" x 1 1/2" X 1827MM SS		1			1	
10	260693	TUBE 1 1/2" X 1 1/2" X 1829MM SS		1			1	
11	260389	ANGLE LOWER 1 1/2" x 1 1/2" x 46 11/16 SS	1	1	1	1	1	
12	260141	SIDE STRUCTURE, R.H. REAR LOWER	1		1	1		
12	260637	SIDE STRUCTURE, R.H. REAR LOWER		1			1	
13	260390	TUBE ASSY, DOOR FRAME / R.H. & L.H.		1			1	
NS	260221	HINGE REINFORCMENT		2			2	
14	284534	SUPPORT STRIKER PIN		1			1	
15	260696	SUPPORT FLOOR A/C COMPRESSOR To T-5929					1	
15	260660	SUPPORT FLOOR A/C COMPRESSOR To X-6903		1				
15	260819	SUPPORT FLOOR A/C COMPRESSOR From X-6804		1				
16	260697	REINFORCEMENT "U" 728MM x 38MM To T-5929					1	
16	260706	REINFORCEMENT "U" 725MM x 44MM To T-5929		1				
17	260702	FLOOR R.H. FOWARD COMPRESSOR From S-570 To T-5929					1	
17	260658	FLOOR R.H. FOWARD COMPRESSOR BATTERIES SECTION From P-646 To T-5929		1				
17	260720	FLOOR BOX R.H. FOWARD COMPRESSOR BATTERIES SECTION From T-5930		1				
18	260661	REINFORCEMENT "U" 47 3/4" x 3" To T-5929		1				
18	260721	FLOOR R.H. / REAR SERVICE COMPARTMENT From T-5930		1				
19	260659	REINFORCEMENT "U" 28 5/8" x 1 1/2" To T-5929		1				
19	260698	REINFORCEMENT "U" 28 5/8" x 1 1/2" From T-5930		1				
20	410221	SUPPORT, REAR BUMPER	1	1	1	1	1	
21	260640	TUBE 726MM		1			1	
24	212051	SUPPORT AIR FILTER	1	1	1	1	1	
25	260715	SUPPORT REAR COMPRESSOR From T-5930 To X-6903					1	
25	260824	SUPPORT REAR COMPRESSOR From X-6904					1	
26	121507	SUPPORT "U" 70MM	1	1	1	1	1	
29	260292	REINFORCEMENT 108MM X 108MM	1	1	1	1	1	
30	171473	PROTECTOR R.H.		1			1	
31	260644	PLATE REINFORCEMENT		1			1	
NS	260718	PLATE REINFORCEMENT		1			1	
32	171476	REINFORCEMENT R.H.		1			1	
33	171469	REINFORCEMENT R.H.		1			1	

From P-741 To Y-7045	Date:10/2022	PAGE:XL-1894-11
REAR RH - STRUCTURE - WITH DETROIT S-50 & S-60		

Item#	Part	Description	M T H 4 0	M T H 4 5	M T H 4 5 E	X L 4 0	X L 4 5	N O T E S
34	171483	TUBE 1208MM		1			1	
35	171444	BEAM R.H. "Z" FORM		1			1	
36	260714	SUPPORT		1			1	
37	212236	TUBE 1" x 2" x 695MM To T-5929	1	1	1	1	1	
38	212232	ANGLE W/BOLT ASSY		1				
39	212234	PANEL To S-569		1				
39	212667	PANEL From S-570 To T-5929		1				
39	260723	PANEL From T-5930		1				
40	212283	ANGLE RETAINER To T-5929		1			1	
41	260148	REINFORCEMENT "U" 659MM x 38MM	1		1	1		
42	260160	TUBE 656MM	1		1	1		
43	260682	SUPPORT FLOOR A/C COMPRESSOR To X-6903	1		1	1		
43	260825	SUPPORT FLOOR A/C COMPRESSOR From X-6904	1		1	1		
44	260712	REINFORCEMENT 653MM x 44MM	1		1	1		
45	260677	FLOOR R.H. / REAR To W-6564	1		1	1		
45	260776	FLOOR R.H. / REAR From W-6565	1		1	1		
46	260679	REINFORCEMENT "U" 708MM x 38MM	1		1	1		
47	260680	REINFORCEMENT "U" 350MM x 38MM	1		1	1		
48	380360	STUD, GROUND (WELDED TO STRUCTURE) 1/2-13	1		1	1		
50	XL-1894-00	REAR CAP - STRUCTURE						
51	XL-1891-00	LOWER WALL STRUCTURE BUS & MTH						
55	212648	SUPPORT UPPER HEATER PIPE	1		1			
56	212647	SUPPORT LOWER HEATER PIPE	1		1			
58	380999	SUPPORT ASSY / BATTERY RETAINING ARM	1		1			
60	260259	REINFORCEMENT	1		1			
61	410293	EYE, TOW	1		1	1		
62	Call order desk	BEAM LOWER ASSY W/CLOSING END	1		1	1		P
63	010795	REINFORCEMENT, LOWER SUPPORT	1		1	1		
64	171474	SUPPORT R.H.	1		1	1		
70	260702	FLOOR R.H. FOWARD COMPRESSOR	1		1	1		
70	260716	FLOOR R.H. / REAR From T-5930					1	
71	260717	SUPPORT SUMP TANK					1	
72	260704	PANEL					1	
73	260698	REINFORCEMENT "U" 28 5/8" x 1 1/2"					1	
74	260705	CLOSING PANEL SIDE FENDER					1	
75	212902	SUPPORT R.H. BATTERIES COVER					1	
76	212886	FLOOR R.H. / BATTERIES COMPARTMENT	1	1	1	1	1	
77	212657	SUPPORT FRONT COVER 523MM	1	1	1	1	1	
78	212901	SUPPORT L.H. BATTERIES COVER	1	1	1	1	1	
79	214304	REINFORCEMENT "TRIANGULAR" 155MM	1	1	1	1	1	
80	260695	REINFORCEMENT "TRIANGULAR" 125MM	1	1	1	1	1	
81	260701	PANEL BACKWARD COMPATRMNT					1	

From P-741 To Y-7045	Date:10/2022	PAGE:XL-1894-11
REAR RH - STRUCTURE - WITH DETROIT S-50 & S-60		

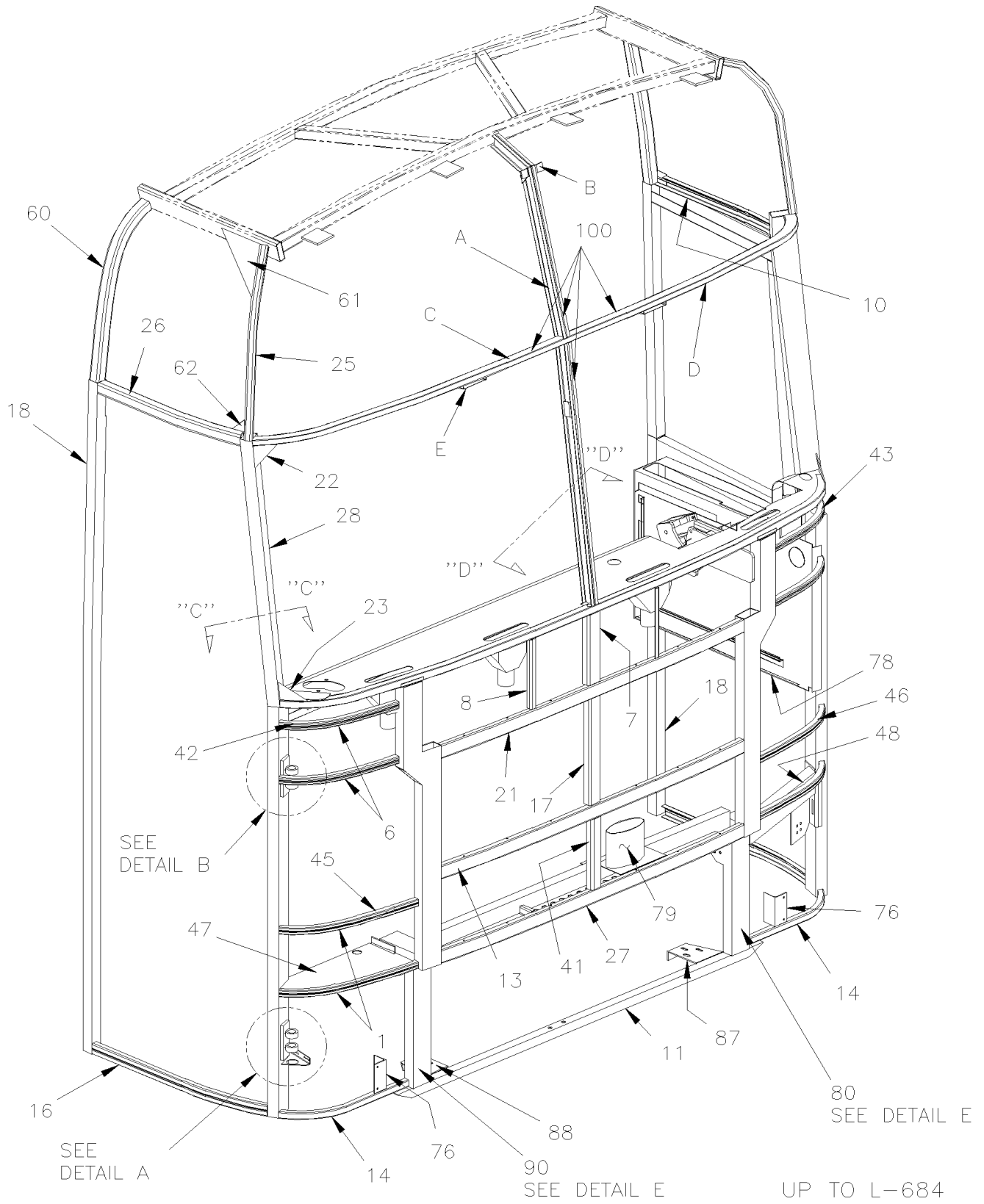
Item#	Part	Description	M T H 4 0	M T H 4 5	M T H 4 5 E	X L 4 0	X L 4 5	N O T E S
81	260839	PANEL BACKWARD COMPATMENT	1	1	1	1	1	
82	212658	SUPPORT BATTERY COVER / BACKWARD	1	1	1	1	1	
90	260721	FLOOR R.H. / REAR SERVICE COMPARTMENT From T-5930	1	1	1	1	1	
90	260686	SUPPORT "VANNER"	1	1	1	1	1	
90	065295	SUPPORT BATERIES CHARGER 110V	1	1	1	1	1	
92	212233	RETAINER BATERIE HOLDER		1				
93	212283	ANGLE RETAINER To T-5929		1			1	
		P) CALL ORDER DESK FOR SPECIFIC APPLICATION (V.I.N.)						

From E-638 To Y-7045

Date:10/2022

PAGE:XL-1895-00

FRONT STRUCTURE

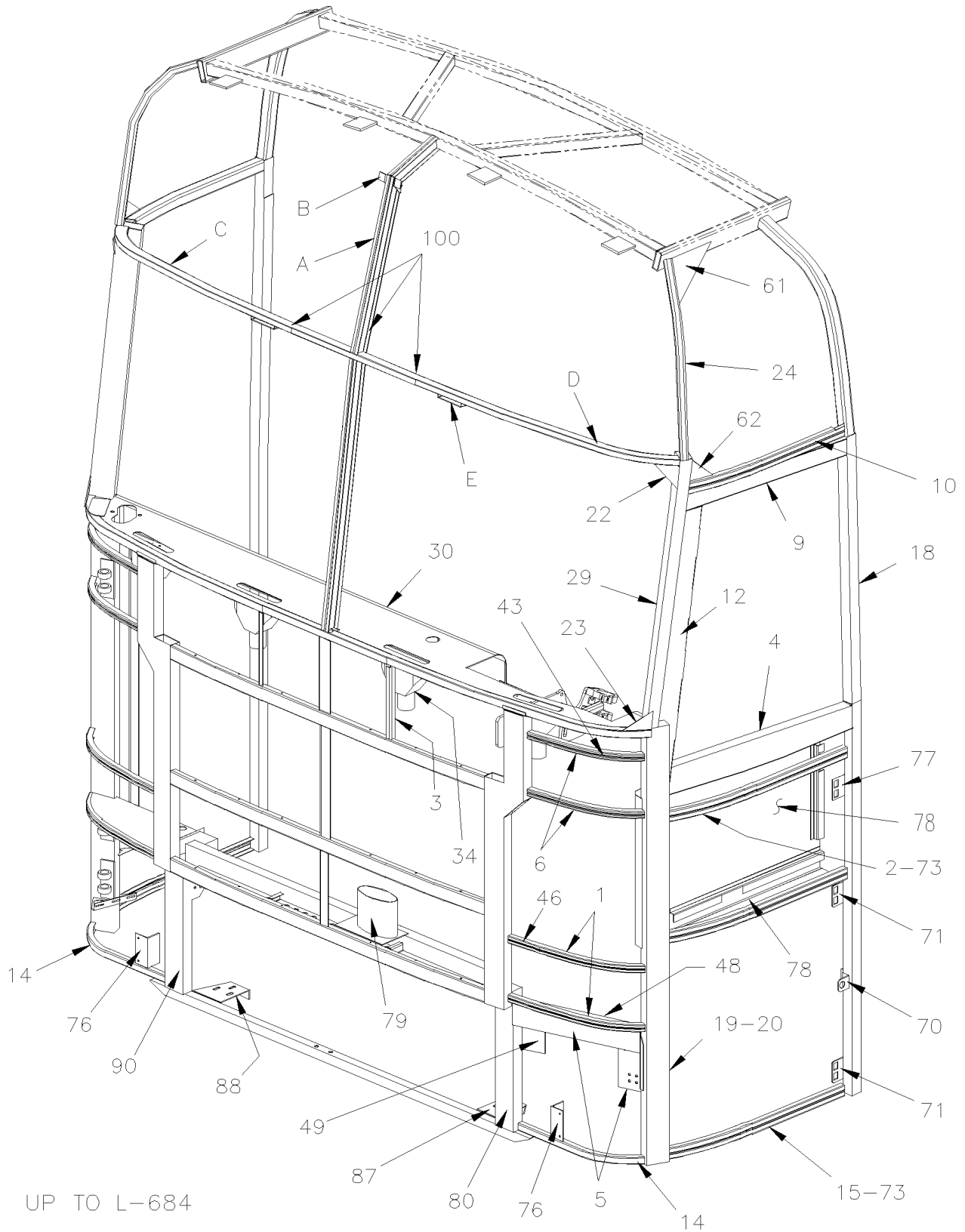


From E-638 To Y-7045

Date:10/2022

PAGE:XL-1895-00

FRONT STRUCTURE

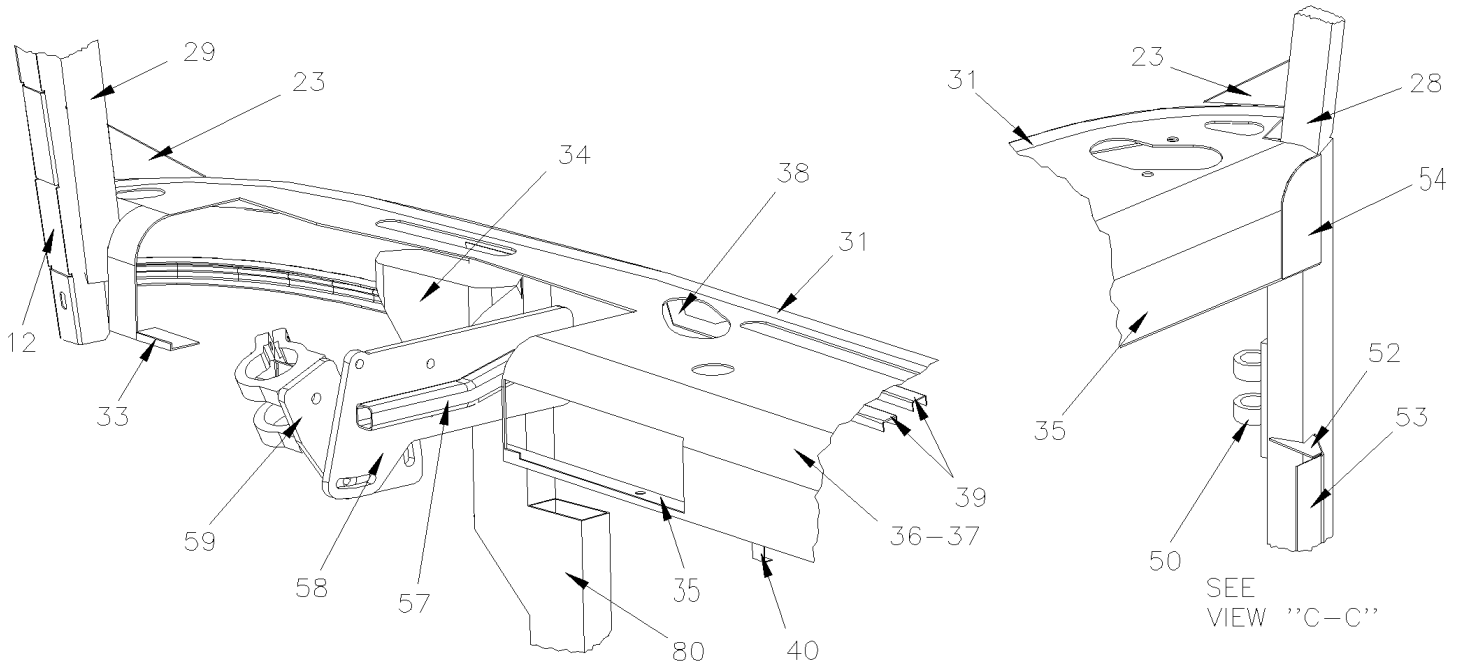


From E-638 To Y-7045

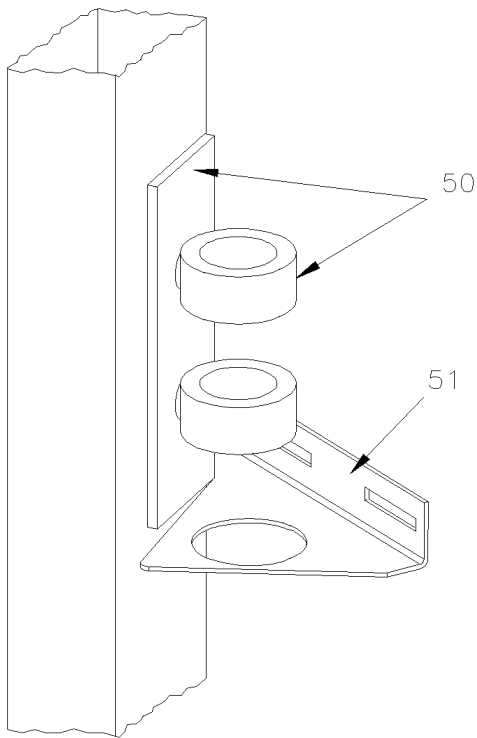
Date:10/2022

PAGE:XL-1895-00

FRONT STRUCTURE

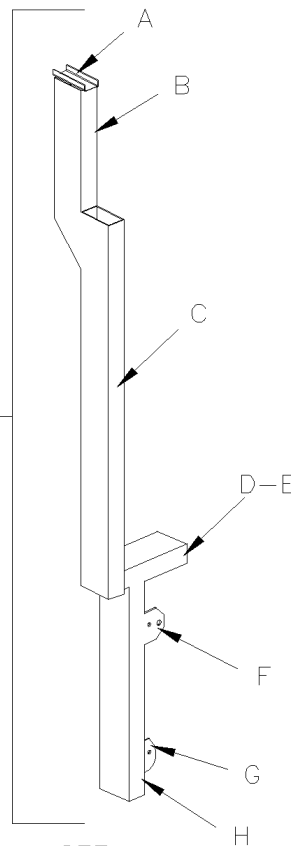


SEE
VIEW "D-D"

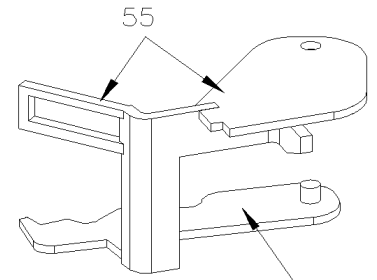


SEE
DETAIL A

UP TO L-684



SEE
DETAIL B



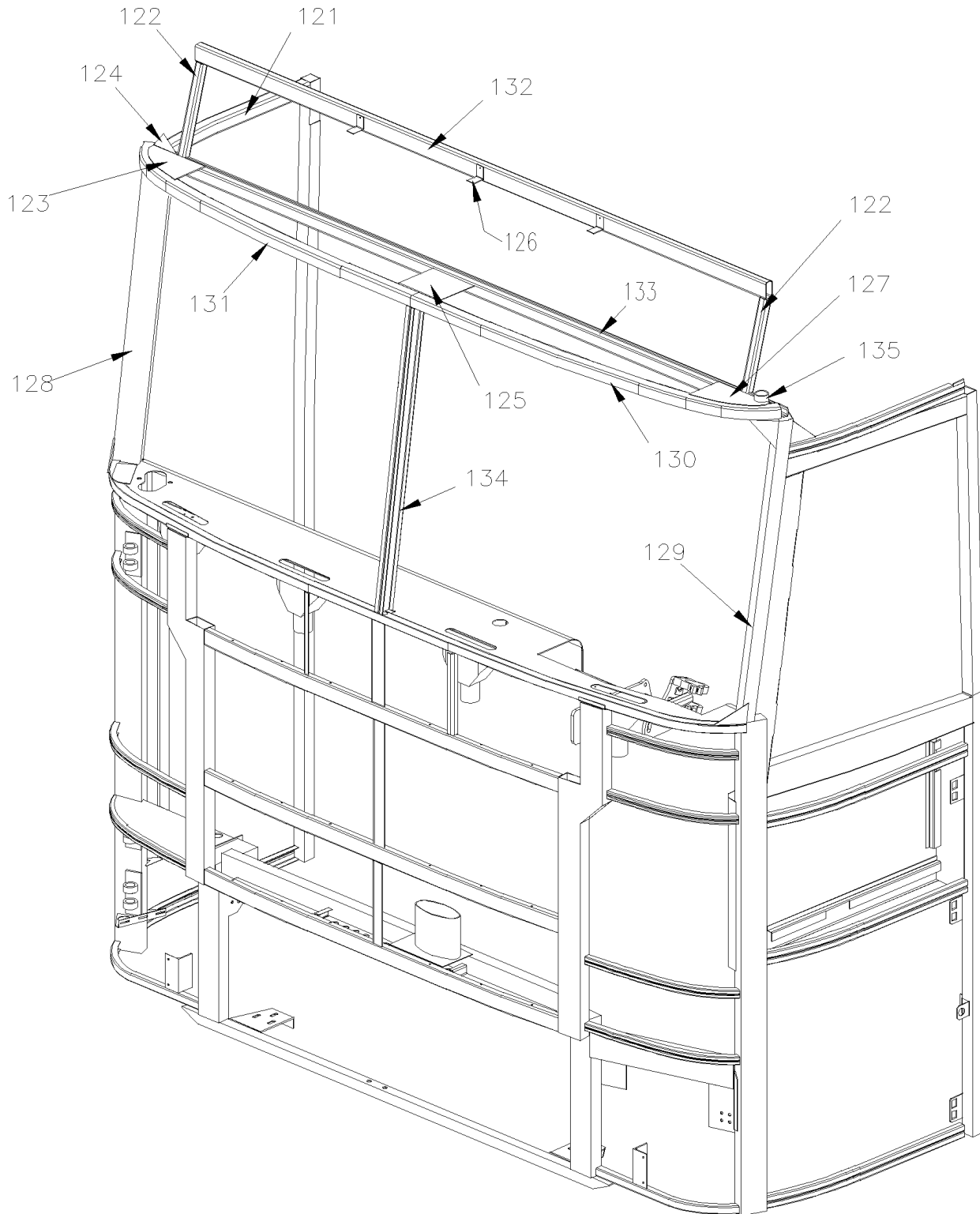
SEE
DETAIL B

From E-638 To Y-7045

Date:10/2022

PAGE:XL-1895-00

FRONT STRUCTURE



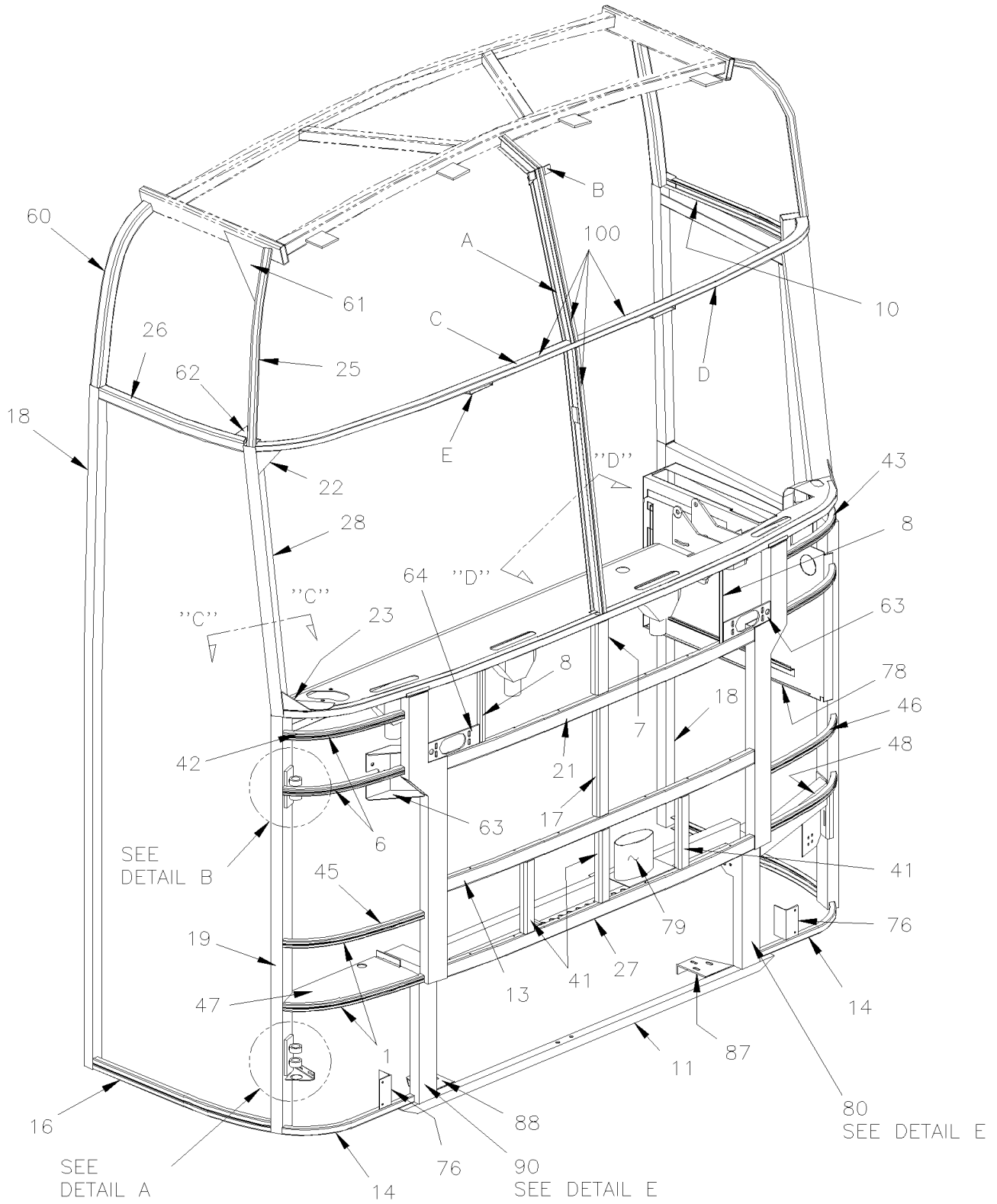
PREVOST "XL" / (MARATHON)
UP TO J-430

From E-638 To Y-7045

Date:10/2022

PAGE:XL-1895-00

FRONT STRUCTURE



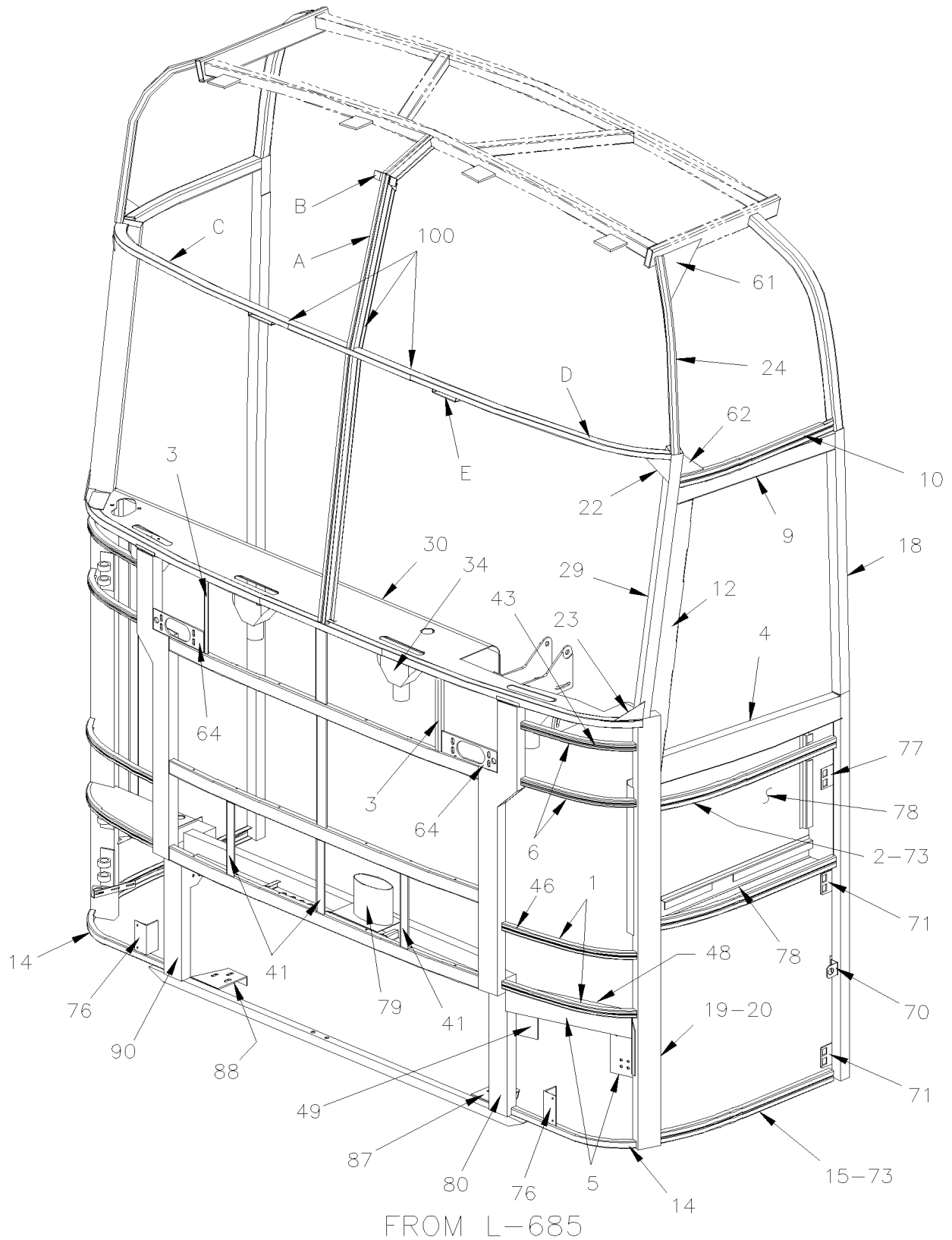
FROM L-685

From E-638 To Y-7045

Date:10/2022

PAGE:XL-1895-00

FRONT STRUCTURE

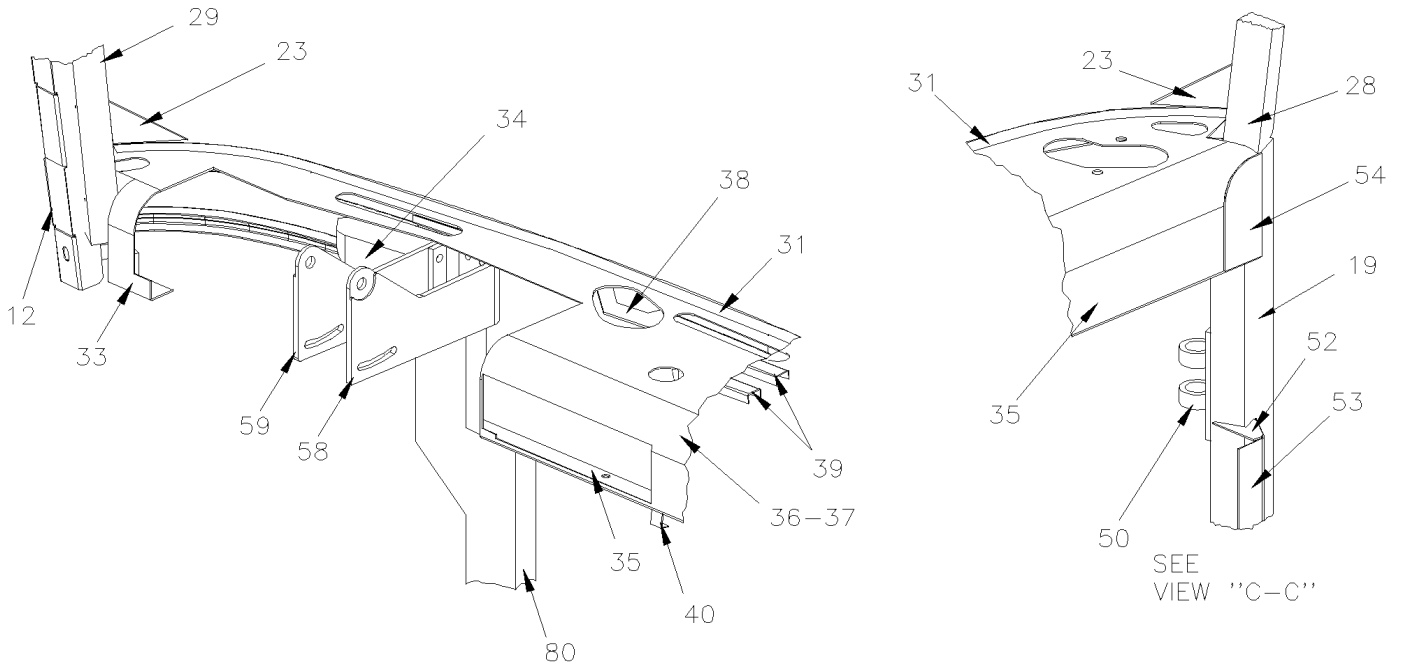


From E-638 To Y-7045

Date:10/2022

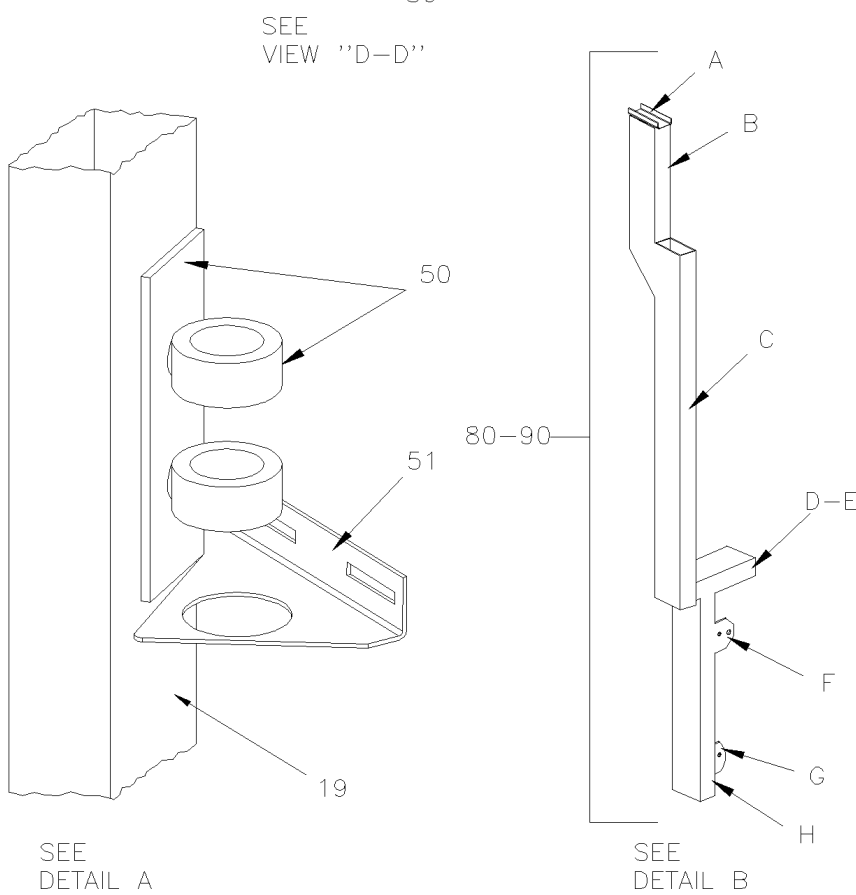
PAGE:XL-1895-00

FRONT STRUCTURE



SEE VIEW "D-D"

SEE VIEW "C-C"



SEE DETAIL B

FROM L-685

From E-638 To Y-7045	Date:10/2022	PAGE:XL-1895-00
FRONT STRUCTURE		

Item#	Part	Description	M T H 4 0	M T H 4 5	M T H 4 5 E	X L 4 0	X L 4 5	N O T E S
	250678	FRONT END ASSY / LE MIRAGE BUS To H-284				1		
	250686P	FRONT END ASSY / LE MIRAGE BUS From H-285 To L-684				1		
	250769	FRONT END ASSY / LE MIRAGE BUS From L-685 To P-723				1		
	250822	FRONT END ASSY / LE MIRAGE BUS From P-724				1	1	
	250679	FRONT END ASSY / "PREVOST XL" BUS To H-284				1		
	250687	FRONT END ASSY / "PREVOST XL" BUS From H-285 To J-430				1		
	250680	FRONT END ASSY / LE MIRAGE MTH-80" To H-284	1					
	250688	FRONT END ASSY / LE MIRAGE MTH-80" From H-285 To L-684	1					
	250770	FRONT END ASSY / LE MIRAGE MTH-80" From L-685 To P-723	1					
	250823	FRONT END ASSY / LE MIRAGE MTH-80" From P-724 To S-419	1					
	250683	FRONT END ASSY / "PREVOST XL" MTH-80" To H-284	1					
	250691	FRONT END ASSY / "PREVOST XL" MTH-80" From H-285 To J-430	1					
	250681	FRONT END ASSY / LE MIRAGE MTH-83" To H-284	1					
	250689	FRONT END ASSY / LE MIRAGE MTH-83" From H-285 To L-684	1					
	250771	FRONT END ASSY / LE MIRAGE MTH-83" From L-685 To P-723	1	1				
	250824	FRONT END ASSY / LE MIRAGE MTH-83" From P-724	1	1				
	250684	FRONT END ASSY / "PREVOST XL" MTH-83" To H-284	1					
	250692	FRONT END ASSY / "PREVOST XL" MTH-83" From H-285 To J-430	1					
	250682	FRONT END ASSY / LE MIRAGE MTH-86" To H-284	1					
	250690	FRONT END ASSY / LE MIRAGE MTH-86" From H-285 To L-684	1					
	250772	FRONT END ASSY / LE MIRAGE MTH-86" From L-685 To P-723	1	1				
	250825	FRONT END ASSY / LE MIRAGE MTH-86" From P-724	1	1	1			
	250685	FRONT END ASSY / "PREVOST XL" MTH-86" To H-284	1					
	250695	FRONT END ASSY / "PREVOST XL" MTH-86" From H-285 To J-430	1					
1	250057	. FORM, CORNER / R.H & L.H. To P-723	4	4	4	4		
1	250057	. FORM, CORNER / R.H & L.H. From P-724	2	2	2	2	2	
2	250111	. FORM, FRONT ELECTRIC PANEL	1	1	1	1	1	
3	250132	. REINFORCMENT R.H. To L-684	1			1		
3	250744	. SUPPORT, R.H. WIPER / MOUNTING PLATE From L-685	1	1	1	1	1	
4	250133	. TUBE, LOWER DRIVER'S WINDOW	1	1	1	1	1	
5	250617	. TUBE REINFORCMENT L.H. ASSY W/PLATES To H-284	1			1		
. NS	250616	. . TUBE 18 1/8" To H-284	1			1		
. NS	250615	. . END PLATE 77/8" x 3 1/8" To H-284	1			1		
. NS	250101	. . REINFORT TRIANGULAR 4" x 4" To H-284	1			1		
. NS	210378	. . ANGLE SUPPORT 1" x 1" x 125MM To H-284	1			1		
. NS	140076	. . SUPPORT MANIFOLD To H-284	1			1		
5	250673	. TUBE REINFORCMENT L.H. ASSY W/PLATES From H-285 To L-684	1			1		
. NS	250616	. . TUBE 18 1/8" From H-285 To L-684	1			1		

From E-638 To Y-7045	Date:10/2022	PAGE:XL-1895-00
-----------------------------	---------------------	------------------------

FRONT STRUCTURE

Item#	Part	Description	M T H 4 0	M T H 4 5	M T H 4 5 E	X L 4 0	X L 4 5	N O T E S
. NS	250615	. END PLATE 77/8" x 3 1/8" From H-285 To L-684	1			1		
. NS	250693	. SUPPORT PLATE 4 3/4" x 5 7/8" From H-285 To L-684	1			1		
. NS	250694	. SUPPORT PLATE 6 1/2" x 8 1/4" From H-285 To L-684	1			1		
5	250750	. TUBE REINFORCMENT L.H. ASSY W/PLATES From L-685 To P-690	1	1	1	1		
. NS	250748	. TUBE 470MM From L-685 To P-690	1	1	1	1		
. NS	250615	. END PLATE 77/8" x 3 1/8" From L-685 To P-690	1	1	1	1		
. NS	250694	. SUPPORT PLATE 6 1/2" x 8 1/4" From L-685 To P-690	1	1	1	1		
5	250792	. TUBE REINFORCMENT L.H. ASSY W/PLATES From P-691	1	1	1	1	1	
. NS	250748	. TUBE 470MM From P-691	1	1	1	1	1	
. NS	250615	. END PLATE 77/8" x 3 1/8" From P-691	1	1	1	1	1	
. NS	250793	. SUPPORT ANGLE 4 1/8" x 2 1/2" x 1 1/2" From P-691	1	1	1	1	1	
6	250285	. FORM, CORNER / R.H. & L.H. To P-723	4			4		
6	250285	. FORM, CORNER / R.H. & L.H. From P-724	2	2	2	2	2	
NS	250760	. ANGLE, R.H. SUPPORT To P-723	1	1	1	1	1	
NS	250761	. ANGLE, L.H. SUPPORT To P-723	1	1	1	1	1	
7	250158	. REINFORCEMENT, CENTRAL 10 7/8" To P-723	1	1	1	1	1	
7	250362	. REINFORCEMENT, CENTRAL 10 11/16" From P-724 To V-6003	1	1	1	1	1	
7	250895	. REINFORCEMENT, CENTRAL 240MM From V-6004	1	1	1	1	1	
8	250382	. REINFORCMENT L.H. To L-684	1			1		
8	250745	. SUPPORT, L.H. WIPER / MOUNTING PLATE From L-685 To V-6003	1	1	1	1	1	
8	250894	. SUPPORT, L.H. WIPER / MOUNTING PLATE From V-6004	1	1	1	1	1	
9	250490	. C-FORM, UPPER DRIVER'S WINDOW	1	1	1	1	1	
9	250611	. C-FORM, UPPER DRIVER'S WINDOW W/REINFORT ANTENNA SUPPORT	1	1	1	1	1	
10	250440	. U-FORM, UPPER DRIVER'S WINDOW	1	1	1	1	1	
10	250916	. U-FORM, UPPER DRIVER'S WINDOW	1	1	1	1	1	
11	250481	. ANGLE, LOWER				1	1	
11	250481	. ANGLE, LOWER To T-5872	1	1	1			
11	250915	. ANGLE, LOWER From T-5873	1	1	1			
12	250441	. SPACER, DRIVER'S WINDOW				1		
12	250441	. SPACER, DRIVER'S WINDOW From G-159 To H-254	1					
12	250712	. SPACER, DRIVER'S WINDOW From G-159 To H-284	1					
12	250644	. SPACER, DRIVER'S WINDOW From H-285 To S-461	1	1	1			
12	250841	. SPACER, DRIVER'S WINDOW From S-462 To S-517	1	1	1			
12	250869	. SPACER, DRIVER'S WINDOW From S-518 To V-6448	1	1	1			
12	250917	. SPACER, DRIVER'S WINDOW From V-6449	1	1	1			
13	250714	. FORM ASSY, FRONT HORIZONTAL From K-677 To P-723	1	1	1	1		
. NS	250715	. REINFORCMENT From K-677 To P-723	1	1	1	1		
. NS	250716	. FORM "C" / 52 1/8" From K-677 To P-723	1	1	1	1		
NS	250751	. BRACKET To P-723	2	2	2	2		
13	250827	. FORM ASSY, FRONT HORIZONTAL From P-724	1	1	1	1	1	
. NS	250486	. FORM "C" / 52 1/8" From P-724	1	1	1	1	1	
. NS	250806	. REINFORCMENT From P-724	1	1	1	1	1	

From E-638 To Y-7045	Date:10/2022	PAGE:XL-1895-00
FRONT STRUCTURE		

Item#	Part	Description	M T H 4 0	M T H 4 5	M T H 4 5 E	X L 4 0	X L 4 5	N O T E S
14	250511	. FORM, CORNER R.H. & L.H. To V-6003	2	2	2	2	2	
14	250889	. FORM, CORNER R.H. & L.H. From V-6004	2	2	2	2	2	
15	280239	. FORM, STEERING COMPARTMENT	1	1	1	1	1	
16	280240	. TUBE, LOWER ENTRANCE DOOR	1	1	1	1	1	
17	250127	. REINFORCEMENT, CENTRAL / COACH 14 3/4" To P-723				1		
17	250804	. REINFORCEMENT, CENTRAL / COACH 278MM From P-724				1	1	
17	250554	. REINFORCEMENT, CENTRAL / MTH 80" To P-723	1					
17	250807	. REINFORCEMENT, CENTRAL / MTH 80" From P-724 To S-419	1					
17	250580	. REINFORCEMENT, CENTRAL / MTH 83" To P-723	1	1				
17	250808	. REINFORCEMENT, CENTRAL / MTH 83" From P-724	1	1				
17	250581	. REINFORCEMENT, CENTRAL / MTH 86" To P-723	1	1	1			
17	250809	. REINFORCEMENT, CENTRAL / MTH 86" From P-724	1	1	1			
18	250282	. TUBE, REAR SIDE				2	2	
18	250324	. TUBE, REAR SIDE / MTH 80" To S-419	2					
18	250582	. TUBE, REAR SIDE / MTH 83"	2	2				
18	250583	. TUBE, REAR SIDE / MTH 86"	2	2	2			
19	250431	. TUBE ASSY, FRONT CORNER / COACH				2	2	
19	250432	. TUBE ASSY, R.H. FRONT CORNER / MTH 80" To S-419	1					
19	250590	. TUBE ASSY, R.H. FRONT CORNER / MTH 83"	1	1				
19	250591	. TUBE ASSY, R.H. FRONT CORNER / MTH 86"	1	1	1			
20	250429	. TUBE ASSY, L.H. FRONT CORNER / MTH 80" To S-419	1					
20	250588	. TUBE ASSY, L.H. FRONT CORNER / MTH 83"	1	1				
20	250589	. TUBE ASSY, L.H. FRONT CORNER / MTH 86"	1	1	1			
21	250768	. FORM ASSY, FRONT HORIZONTAL To P-723	1	1	1	1		
. NS	250486	. . FORM "C" / 52 1/8" To P-723	1	1	1	1		
. NS	250715	. . REINFORCMENT To P-723	1	1	1	1		
21	250827	. FORM ASSY, FRONT HORIZONTAL From P-724	1	1	1	1	1	
. NS	250486	. . FORM "C" / 52 1/8" From P-724	1	1	1	1	1	
. NS	250806	. . REINFORCMENT From P-724	1	1	1	1	1	
22	250298	. REINFORCEMENT, UPPER	2	2	2	2	2	
23	250299	. REINFORCEMENT, LOWER	2	2	2	2	2	
NS	250365	. REINFORCEMENT, LOWER / REAR L.H. POST	1	1	1	1	1	
24	210234	. POST, L.H. UPPER	1	1	1	1	1	
25	210262	. POST, R.H. UPPER	1	1	1	1	1	
NS	210318	. ANGLE / TO FIX DESTINATION SIGN / 1" x 25 1/4"				1	1	
NS	440288	. SUPPORT "U" DESTINATION SIGN ELECTRICAL From S-610				1	1	
26	250618	. TUBE, UPPER ENTRANCE DOOR	1	1	1	1	1	
27	250642	. REINFORCEMENT, LOWER ASSY	1	1	1	1	1	
. NS	250603	. . TUBE RECTANGULAR 1 1/2" x 3" x 51 7/8"	1	1	1	1	1	
. NS	250486	. . FORM "C" / 52 1/8"	1	1	1	1	1	
. NS	250641	. . RIENFORCMENT STREETSIDE	1	1	1	1	1	
. NS	250639	. . REINFORCMENT W/HOLES CENTER PART	1	1	1	1	1	

From E-638 To Y-7045	Date:10/2022	PAGE:XL-1895-00
FRONT STRUCTURE		

Item#	Part	Description	M T H 4 0	M T H 4 5	M T H 4 5 E	X L 4 0	X L 4 5	N O T E S
. NS	250640	. RIENFORCMENT CURBSIDE	1	1	1	1	1	
28	250620	. POST ASSY, R.H. WINDSHIELD	1	1	1	1	1	
29	250619	. POST ASSY, L.H. WINDSHIELD	1	1	1	1	1	
30	250765	. DASH ASSY WELDED BUS XL 102" To V-6003				1	1	
30	250898P	. DASH ASSY WELDED BUS XL 102" From V-6004				1	1	
30	250651	. DASH ASSY WELDED MTH XL 102" From R-971 To V-6003	1	1	1			
30	250899P	. DASH ASSY WELDED MTH XL 102" From V-6004	1	1	1			
31	250886	. LOWER FORM	1	1	1	1	1	
32	250894	. SUPPORT, L.H. WIPER / MOUNTING PLATE	1	1	1	1	1	
33	250885	. ANGLE	1	1	1	1	1	
34	372727	. "Y" DEFLECTOR, AIR / DEFROSTER	4	4	4	4	4	
35	390414	. ANGLE, REINFORCEMENT To X-6686	1	1	1	1	1	
35	251067	. SUPPORT CENTER From X-6687	1	1	1	1	1	
. NS	390414	. ANGLE, REINFORCEMENT From X-6687	1	1	1	1	1	
. NS	064851	. SUPPORT CABLE / (WELDED) From X-6687	2	2	2	2	2	
36	250649	. PLATE, DASHBOARD / COACH				1	1	
37	250648	. PLATE, DASHBOARD / MTH To R-970	1	1	1			
37	250837	. PLATE, DASHBOARD / MTH From R-971	1	1	1			
38	250510	. SUPPORT, HANDLE To V-6003				1	1	
38	250896	. SUPPORT HANDLE From V-6004				1	1	
39	250842	. REINFORCEMENT "U" CHANNEL 1000MM	2	2	2	2	2	
40	061402	. SUPPORT CABLE / (USE W/SCREW) To X-6886	2	2	2	2	2	
40	064851	. SUPPORT CABLE / (WELDED) From X-6687	2	2	2	2	2	
41	250713	. ANGLE, REINFORCEMENT To V-6003				1	1	
41	250805	. ANGLE, REINFORCEMENT From V-6004				3	3	
NS	210308	. PLATE, CLOSING 12 3/4" x 3 3/4"	1	1	1			
42	250810	. REINFORCMENT UPPER R.H. From P-724 To V-6237	1	1	1	1	1	
42	251053	. REINFORCMENT UPPER R.H. From V-6238	1	1	1	1	1	
42	280287	. SWITCH SUPPORT ANGLE 6 13/16" To W-6325				1	1	
42	285823	. SWITCH SUPPORT ANGLE 6 15/16" From W-6326				1	1	
43	250811	. REINFORCMENT UPPER L.H. From P-724 To V-6237	1	1	1	1	1	
43	251052	. REINFORCMENT UPPER L.H. From V-6238	1	1	1	1	1	
45	250800	. FORM, CORNER ASSY / R.H. OVER HEADLAMP From P-724	1	1	1	1	1	
46	250801	. FORM, CORNER ASSY / L.H. OVER HEADLAMP From P-724	1	1	1	1	1	
47	250767	. PLATE, CORNER CLOSING From L-685	1	1	1	1	1	
48	250759	. CURVED CLOSING SHEET, METAL From L-685	1	1	1	1	1	
49	250749	. PLATE, REINFORCEMENT / O L.H. CORNER TUBE From L-685	1	1	1	1	1	
50	280408	. BRACKET ASSY / WELDED ON FRAME	2	2	2	2	2	
51	250826	. SUPPORT From P-809	1	1	1	1	1	
52	250450	. REINFORCEMENT UPPER & LOWER	2	2	2	2	2	
53	250449	. MOULDING LEATHERETTE RETAINER BUS (WELDED)				1	1	

From E-638 To Y-7045	Date:10/2022	PAGE:XL-1895-00
FRONT STRUCTURE		

Item#	Part	Description	M T H 4 0	M T H 4 5	M T H 4 5 E	X L 4 0	X L 4 5	N O T E S
53	250600	. MOULDING LEATHERETTE RETAINER MTH 80" (WELD To S-419	1					
53	250601	. MOULDING LEATHERETTE RETAINER MTH 83" (WELD	1	1	1			
53	250602	. MOULDING LEATHERETTE RETAINER MTH 86" (WELD	1	1	1			
54	250180	. PLATE CLOSING END OF DASH R.H.	1	1	1	1	1	
55	283872	. BRACE ASSY From V-6057	1	1	1	1	1	
. NS	283873	. . ATTACMENT ASSY From V-6057	1	1	1	1	1	
. NS	283838	. . STOPPER From V-6057	1	1	1	1	1	
. NS	504543	. . RIVET SHR FL 3/8x3/16 STL From V-6057	1	1	1	1	1	
56	283838	. STOPPER	1	1	1	1	1	
57	250637	. TUBE, REINFORCEMENT To H-284	1	1	1	1	1	
58	250650	. SUPPORT / (WELDED ON STRUCTURE)	1	1	1	1	1	
59	160487	. SUPPORT, STEERING COLUMN To H-284	1			1		
59	160632	. SUPPORT, STEERING COLUMN From H-285	1	1	1	1	1	
60	210192	. REINFORCEMENT, OVER DOOR To V-6237	1	1	1	1	1	
60	211182	. REINFORCEMENT, OVER DRIVER'S WINDOW To V-6237	1	1	1	1	1	
60	213468	. TUBE FORM OVER DOOR AND DRIVER'S WINDOW From V-6238	2	2	2	2	2	
61	250310	. GUSSET, / UPPER POST	2	2	2	2	2	
62	250608	. GUSSET, R.H. / UPPER POST	1	1	1	1	1	
62	250607	. GUSSET, L.H. / UPPER POST	1	1	1	1	1	
63	250743	. SUPPORT, WIPER MOTOR From L-685 To V-6003	1	1	1	1	1	
63	250893	. SUPPORT, WIPER MOTOR From V-6004	1	1	1	1	1	
64	250746	. PLATE, MOUNTING / WIPER	2	2	2	2	2	
70	380590	. SUPPORT	1	1	1	1	1	
71	481056	. SUPPORT, ANCHOR	1	1	1	1	1	
72	481057	. SUPPORT, ANCHOR	1	1	1	1	1	
73	281595	. MOULDING / WEATHERSTRIP RETAINER	4	4	4	4	4	
74	250746	. PLATE, MOUNTING / WIPER	2	2	2	2	2	
75	283833	. FORM, SERVICE COMPARTMENT	1	1	1	1	1	
76	250090	. ANGLE, REINFORCEMENT / FOG LAMP	2	2	2	2	2	
NS	211880	. SUPPORT RESISTOR	2	2	2	2	2	
77	230512	. WALL ASSY, FRONT ELECTRIC PANEL	1	1	1	1	1	
. NS	230492	. . PANEL CONSOLE	1	1	1	1	1	
. NS	380087	. . MOULDING SUPPORT ELECTRICAL PANEL 12 1/2"	1	1	1	1	1	
. NS	380175	. . MOULDING SUPPORT ELECTRICAL PANEL 25"	2	2	2	2	2	
78	210221	. PANEL BOTTOM ELECTRICAL BOX To S-572	1	1	1	1	1	
78	212976	. PANEL BOTTOM ELECTRICAL BOX From S-573	1	1	1	1	1	
78	211702	. SWITCH SUPPORT "DDEC" 3" x 5" W/2 HOLES From L-507 To P-641	1					
79	371987	. AIR INTAKE ASSY / DEFROSTER To R-879	1	1	1	1	1	
79	373093	. AIR INTAKE ASSY / DEFROSTER From R-880	1	1	1	1	1	
NS	372069	. CLOSING SPACER AIR INLET MTH	1	1	1	1	1	
NS	211954	. REINFORCMENT U 1 1/2 x 2 1/4 x 1 5/8" From L-685				1	1	
80	250598	. POST ASSY, L.H. FRONT / COACH W/REINFORCMENT TO TOOWING To H-284				1		

From E-638 To Y-7045	Date:10/2022	PAGE:XL-1895-00
FRONT STRUCTURE		

Item#	Part	Description	M T H 4 0	M T H 4 5	M T H 4 5 E	X L 4 0	X L 4 5	N O T E S
.	A	250370 . "U" CLOSING UPPER POST 1 5/16 x 3 1/2" To H-284				1		
.	B	250104 . TUBE REC UPPER 14 5/16" To H-284				1		
.	C	250217 . TUBE REC CENTER 24 1/8" To H-284				1		
.	D	250596 . CHANNEL "U" LOWER ASSY W/REINFORCMENT 1 1/2/ x 3" x 17 1/4" To H-284				1		
.	E	250606 . TUBE REC (FLOOR JOINT) 2" To H-284				1		
.	F	281345 . SUPPORT DOOR ARM To H-284				1		
.	G	150122 . PLATE / SPARE CHAIN HOOK RETAINER To H-284				1		
.	H	250433 . PLATE, CLOSING 1 5/16" x 2 5/16" To H-284				1		
80	250373	POST ASSY, L.H. FRONT / COACH To V-6003				1		
.	A	250370 . "U" CLOSING UPPER POST 1 5/16 x 3 1/2" To V-6003				1		
.	B	250104 . TUBE REC UPPER 14 5/16" To V-6003				1		
.	C	250217 . TUBE REC CENTER 24 1/8" To V-6003				1		
.	D	250105 . CHANNEL "U" LOWER 1 1/2/ x 3" x 17 1/4" To V-6003				1		
.	E	250606 . TUBE REC (FLOOR JOINT) 2" To V-6003				1		
.	F	281345 . SUPPORT DOOR ARM To V-6003				1		
.	G	150122 . PLATE / SPARE CHAIN HOOK RETAINER To V-6003				1		
.	H	250433 . PLATE, CLOSING 1 5/16" x 2 5/16" To V-6003				1		
80	250901	POST ASSY, L.H. FRONT / COACH From V-6004				1	1	
.	B	250890 . TUBE REC UPPER 341MM From V-6004				1	1	
.	C	250217 . TUBE REC CENTER 24 1/8" From V-6004				1	1	
.	D	250105 . CHANNEL "U" LOWER 1 1/2/ x 3" x 17 1/4" From V-6004				1	1	
.	E	250606 . TUBE REC (FLOOR JOINT) 2" From V-6004				1	1	
.	F	281345 . SUPPORT DOOR ARM From V-6004				1	1	
.	G	150122 . PLATE / SPARE CHAIN HOOK RETAINER From V-6004				1	1	
.	H	250433 . PLATE, CLOSING 1 5/16" x 2 5/16" From V-6004				1	1	
80	250391	POST ASSY, L.H. FRONT / MTH 80" To S-419	1					
.	A	250370 . "U" CLOSING UPPER POST 1 5/16 x 3 1/2" To S-419	1					
.	B	250104 . TUBE REC UPPER 14 5/16" To S-419	1					
.	C	250393 . TUBE REC CENTER 28 1/8" To S-419	1					
.	D	250105 . CHANNEL "U" LOWER 1 1/2/ x 3" x 17 1/4" To S-419	1					
.	E	250606 . TUBE REC (FLOOR JOINT) 2" To S-419	1					
.	F	281345 . SUPPORT DOOR ARM To S-419	1					
.	G	150122 . PLATE / SPARE CHAIN HOOK RETAINER To S-419	1					
.	H	250433 . PLATE, CLOSING 1 5/16" x 2 5/16" To S-419	1					
80	250902	POST ASSY, L.H. FRONT / MTH 80" SERVICE	1					
.	B	250890 . TUBE REC UPPER 341MM	1					
.	C	250393 . TUBE REC CENTER 28 1/8"	1					
.	D	250105 . CHANNEL "U" LOWER 1 1/2/ x 3" x 17 1/4"	1					
.	E	250606 . TUBE REC (FLOOR JOINT) 2"	1					
.	F	281345 . SUPPORT DOOR ARM	1					
.	G	150122 . PLATE / SPARE CHAIN HOOK RETAINER	1					
.	H	250433 . PLATE, CLOSING 1 5/16" x 2 5/16"	1					

From E-638 To Y-7045			Date:10/2022			PAGE:XL-1895-00		
FRONT STRUCTURE								
Item#	Part	Description	M T H 4 0	M T H 4 5	M T H 4 5 E	X L 4 0	X L 4 5	N O T E S
80	250574	. POST ASSY, L.H. FRONT / MTH 83" To V-6003	1	1				
. A	250370	. "U" CLOSING UPPER POST 1 5/16 x 3 1/2" To V-6003	1	1				
. B	250104	. TUBE REC UPPER 14 5/16" To V-6003	1	1				
. C	250578	. TUBE REC CENTER 30 1/8" To V-6003	1	1				
. D	250105	. CHANNEL "U" LOWER 1 1/2/ x 3" x 17 1/4" To V-6003	1	1				
. E	250606	. TUBE REC (FLOOR JOINT) 2" To V-6003	1	1				
. F	281345	. SUPPORT DOOR ARM To V-6003	1	1				
. G	150122	. PLATE / SPARE CHAIN HOOK RETAINER To V-6003	1	1				
. H	250433	. PLATE, CLOSING 1 5/16" x 2 5/16" To V-6003	1	1				
80	250892	. POST ASSY, L.H. FRONT / MTH 83" From V-6004	1	1				
. B	250890	. TUBE REC UPPER 341MM From V-6004	1	1				
. C	250578	. TUBE REC CENTER 30 1/8" From V-6004	1	1				
. D	250105	. CHANNEL "U" LOWER 1 1/2/ x 3" x 17 1/4" From V-6004	1	1				
. E	250606	. TUBE REC (FLOOR JOINT) 2" From V-6004	1	1				
. F	281345	. SUPPORT DOOR ARM From V-6004	1	1				
. G	150122	. PLATE / SPARE CHAIN HOOK RETAINER From V-6004	1	1				
. H	250433	. PLATE, CLOSING 1 5/16" x 2 5/16" From V-6004	1	1				
. I	250918	. PLATE, CLOSING 72MM x 25MM From V-6004	1	1				
80	250577	. POST ASSY, L.H. FRONT / MTH 86" To V-6003	1	1	1			
. A	250370	. "U" CLOSING UPPER POST 1 5/16 x 3 1/2" To V-6003	1	1	1			
. B	250104	. TUBE REC UPPER 14 5/16" To V-6003	1	1	1			
. C	250579	. TUBE REC CENTER 33 1/8" To V-6003	1	1	1			
. D	250105	. CHANNEL "U" LOWER 1 1/2/ x 3" x 17 1/4" To V-6003	1	1	1			
. E	250606	. TUBE REC (FLOOR JOINT) 2" To V-6003	1	1	1			
. F	281345	. SUPPORT DOOR ARM To V-6003	1	1	1			
. G	150122	. PLATE / SPARE CHAIN HOOK RETAINER To V-6003	1	1	1			
. H	250433	. PLATE, CLOSING 1 5/16" x 2 5/16" To V-6003	1	1	1			
80	250900	. POST ASSY, L.H. FRONT / MTH 86" From V-6004	1	1	1			
. B	250890	. TUBE REC UPPER 341MM From V-6004	1	1	1			
. C	250579	. TUBE REC CENTER 33 1/8" From V-6004	1	1	1			
. D	250105	. CHANNEL "U" LOWER 1 1/2/ x 3" x 17 1/4" From V-6004	1	1	1			
. E	250606	. TUBE REC (FLOOR JOINT) 2" From V-6004	1	1	1			
. F	281345	. SUPPORT DOOR ARM From V-6004	1	1	1			
. G	150122	. PLATE / SPARE CHAIN HOOK RETAINER From V-6004	1	1	1			
. H	250918	. PLATE, CLOSING 72MM x 25MM From V-6004	1	1	1			
NS	213036	. SUPPORT WATER VALVE REAR OF POST W/SMALL A/C From V-6004	1	1	1			
87	170401	. SUPPORT HINGE R.H.	1	1	1	1	1	
88	170402	. SUPPORT HINGE L.H.	1	1	1	1	1	
89	250597	. POST ASSY, R.H. FRONT / COACH W/REINFORCMENT TO TOOWING To H-284				1		
. A	250370	. "U" CLOSING UPPER POST 1 5/16 x 3 1/2" To H-284				1		
. B	250104	. TUBE REC UPPER 14 5/16" To H-284				1		

From E-638 To Y-7045	Date:10/2022	PAGE:XL-1895-00
FRONT STRUCTURE		

Item#	Part	Description	M T H 4 0	M T H 4 5	M T H 4 5 E	X L 4 0	X L 4 5	N O T E S
. C	250217	. . TUBE REC CENTER 24 1/8" To H-284				1		
. D	250595	. . CHANNEL "U" LOWER ASSY W/REINFORCMENT 1 1/2/ x 3" x 17 1/4" To H-284				1		
. E	250521	. . TUBE REC (FLOOR JOINT) 6 3/8" To H-284				1		
. F	281345	. . SUPPORT DOOR ARM To H-284				1		
. G	250747	. . PLATE, CLOSING 1 5/16" x 4 1/8" To H-284				1		
. H	281749	. . ATTACHMENT 45 ANGLE / W/HOLE To H-284				1		
90	250520	. POST ASSY, R.H. FRONT / COACH To V-6003				1		
. A	250370	. . "U" CLOSING UPPER POST 1 5/16 x 3 1/2" To V-6003				1		
. B	250104	. . TUBE REC UPPER 14 5/16" To V-6003				1		
. C	250217	. . TUBE REC CENTER 24 1/8" To V-6003				1		
. D	250105	. . CHANNEL "U" LOWER 1 1/2/ x 3" x 17 1/4" To V-6003				1		
. E	250521	. . TUBE REC (FLOOR JOINT) 6 3/8" To V-6003				1		
. F	281345	. . SUPPORT DOOR ARM To V-6003				1		
. G	250747	. . PLATE, CLOSING 1 5/16" x 4 1/8" To V-6003				1		
. H	281749	. . ATTACHMENT 45 ANGLE / W/HOLE To V-6003				1		
90	250903	. POST ASSY, R.H. FRONT / COACH From V-6004				1	1	
. B	250890	. . TUBE REC UPPER 341MM From V-6004				1	1	
. C	250217	. . TUBE REC CENTER 24 1/8" From V-6004				1	1	
. D	250105	. . CHANNEL "U" LOWER 1 1/2/ x 3" x 17 1/4" From V-6004				1	1	
. E	250521	. . TUBE REC (FLOOR JOINT) 6 3/8" From V-6004				1	1	
. F	281345	. . SUPPORT DOOR ARM From V-6004				1	1	
. G	250747	. . PLATE, CLOSING 1 5/16" x 4 1/8" From V-6004				1	1	
. H	250918	. . PLATE, CLOSING 72MM x 25MM From V-6004				1	1	
90	250548	. POST ASSY, R.H. FRONT / MTH 80" To S-419	1					
. A	250370	. . "U" CLOSING UPPER POST 1 5/16 x 3 1/2" To S-419	1					
. B	250104	. . TUBE REC UPPER 14 5/16" To S-419	1					
. C	250393	. . TUBE REC CENTER 28 1/8" To S-419	1					
. D	250105	. . CHANNEL "U" LOWER 1 1/2/ x 3" x 17 1/4" To S-419	1					
. E	250521	. . TUBE REC (FLOOR JOINT) 6 3/8" To S-419	1					
. F	281345	. . SUPPORT DOOR ARM To S-419	1					
. G	250747	. . PLATE, CLOSING 1 5/16" x 4 1/8" To S-419	1					
90	250904	. POST ASSY, R.H. FRONT / MTH 80" SERVICE	1					
. B	250890	. . TUBE REC UPPER 341MM	1					
. C	250393	. . TUBE REC CENTER 28 1/8"	1					
. D	250105	. . CHANNEL "U" LOWER 1 1/2/ x 3" x 17 1/4"	1					
. E	250521	. . TUBE REC (FLOOR JOINT) 6 3/8"	1					
. F	281345	. . SUPPORT DOOR ARM	1					
. G	250747	. . PLATE, CLOSING 1 5/16" x 4 1/8"	1					
90	250573	. POST ASSY, R.H. FRONT / MTH 83" To V-6003	1	1				
. A	250370	. . "U" CLOSING UPPER POST 1 5/16 x 3 1/2" To V-6003	1	1				
. B	250104	. . TUBE REC UPPER 14 5/16" To V-6003	1	1				
. C	250578	. . TUBE REC CENTER 30 1/8" To V-6003	1	1				

From E-638 To Y-7045	Date:10/2022	PAGE:XL-1895-00
FRONT STRUCTURE		

Item#	Part	Description	M T H 4 0	M T H 4 5	M T H 4 5 E	X L 4 0	X L 4 5	N O T E S
. D	250105	. CHANNEL "U" LOWER 1 1/2" x 3" x 17 1/4" To V-6003	1	1				
. E	250521	. TUBE REC (FLOOR JOINT) 6 3/8" To V-6003	1	1				
. F	281345	. SUPPORT DOOR ARM To V-6003	1	1				
. G	250747	. PLATE, CLOSING 1 5/16" x 4 1/8" To V-6003	1	1				
90	250891	. POST ASSY, R.H. FRONT / MTH 83" From V-6004	1	1				
. B	250890	. TUBE REC UPPER 341MM From V-6004	1	1				
. C	250578	. TUBE REC CENTER 30 1/8" From V-6004	1	1				
. D	250105	. CHANNEL "U" LOWER 1 1/2" x 3" x 17 1/4" From V-6004	1	1				
. E	250521	. TUBE REC (FLOOR JOINT) 6 3/8" From V-6004	1	1				
. F	281345	. SUPPORT DOOR ARM From V-6004	1	1				
. G	250747	. PLATE, CLOSING 1 5/16" x 4 1/8" From V-6004	1	1				
. H	250918	. PLATE, CLOSING 72MM x 25MM From V-6004	1	1				
90	250576	. POST ASSY, R.H. FRONT / MTH 86" To V-6003	1	1	1			
. A	250370	. "U" CLOSING UPPER POST 1 5/16 x 3 1/2" To V-6003	1	1	1			
. B	250104	. TUBE REC UPPER 14 5/16" To V-6003	1	1	1			
. C	250579	. TUBE REC CENTER 33 1/8" To V-6003	1	1	1			
. D	250105	. CHANNEL "U" LOWER 1 1/2" x 3" x 17 1/4" To V-6003	1	1	1			
. E	250521	. TUBE REC (FLOOR JOINT) 6 3/8" To V-6003	1	1	1			
. F	281345	. SUPPORT DOOR ARM To V-6003	1	1	1			
. G	250747	. PLATE, CLOSING 1 5/16" x 4 1/8" To V-6003	1	1	1			
90	250905	. POST ASSY, R.H. FRONT / MTH 86" From V-6004	1	1	1			
. B	250890	. TUBE REC UPPER 341MM From V-6004	1	1	1			
. C	250579	. TUBE REC CENTER 33 1/8" From V-6004	1	1	1			
. D	250105	. CHANNEL "U" LOWER 1 1/2" x 3" x 17 1/4" From V-6004	1	1	1			
. E	250521	. TUBE REC (FLOOR JOINT) 6 3/8" From V-6004	1	1	1			
. F	281345	. SUPPORT DOOR ARM From V-6004	1	1	1			
. G	250747	. PLATE, CLOSING 1 5/16" x 4 1/8" From V-6004	1	1	1			
. H	250918	. PLATE, CLOSING 72MM x 25MM From V-6004	1	1	1			
100	250621P	. STRUCTURE WINDSHIELD SEPARATOR ASSY To W-6385				1	1	
. A	250512	. POST, CENTRAL / WINDSHIELD (ONE PIECE) To W-6385				1	1	
. B	211981	. SUPPORT MIRROR To W-6385				1	1	
. C	250484	. FORM, R.H. LOWER WINDSHIELD To W-6385				1	1	
. D	250495	. FORM, L.H. / UPPER WINDSHIELD To W-6385				1	1	
. E	250487	. SUPPORT, UPPER WINDSHIELD / FORM To W-6385				1	1	
. F	250568	. SUPPORT FINISHING (THIN) To W-6385				1	1	
. G	250569	. SUPPORT FINISHING (THICK) To W-6385				1	1	
100	250906P	. STRUCTURE WINDSHIELD SEPARATOR ASSY From W-6386				1	1	
. A	250911	. POST LOWER CENTRAL / WINDSHIELD From W-6386				1	1	
. B	250897	. SUPPORT MIRROR From W-6386				1	1	
. C	250887	. FORM, R.H. & L.H. / UPPER WINDSHIELD From W-6386				1	1	
. F	250568	. SUPPORT FINISHING (THIN) From W-6386				1	1	

From E-638 To Y-7045	Date:10/2022	PAGE:XL-1895-00
FRONT STRUCTURE		

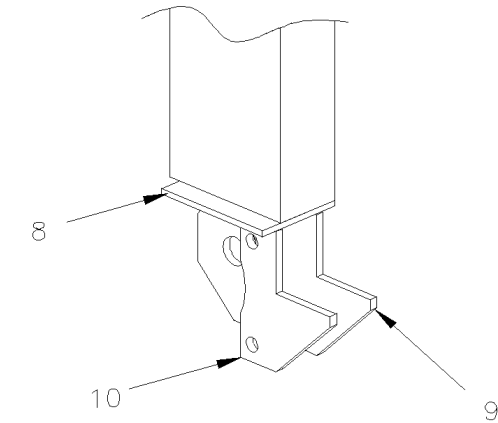
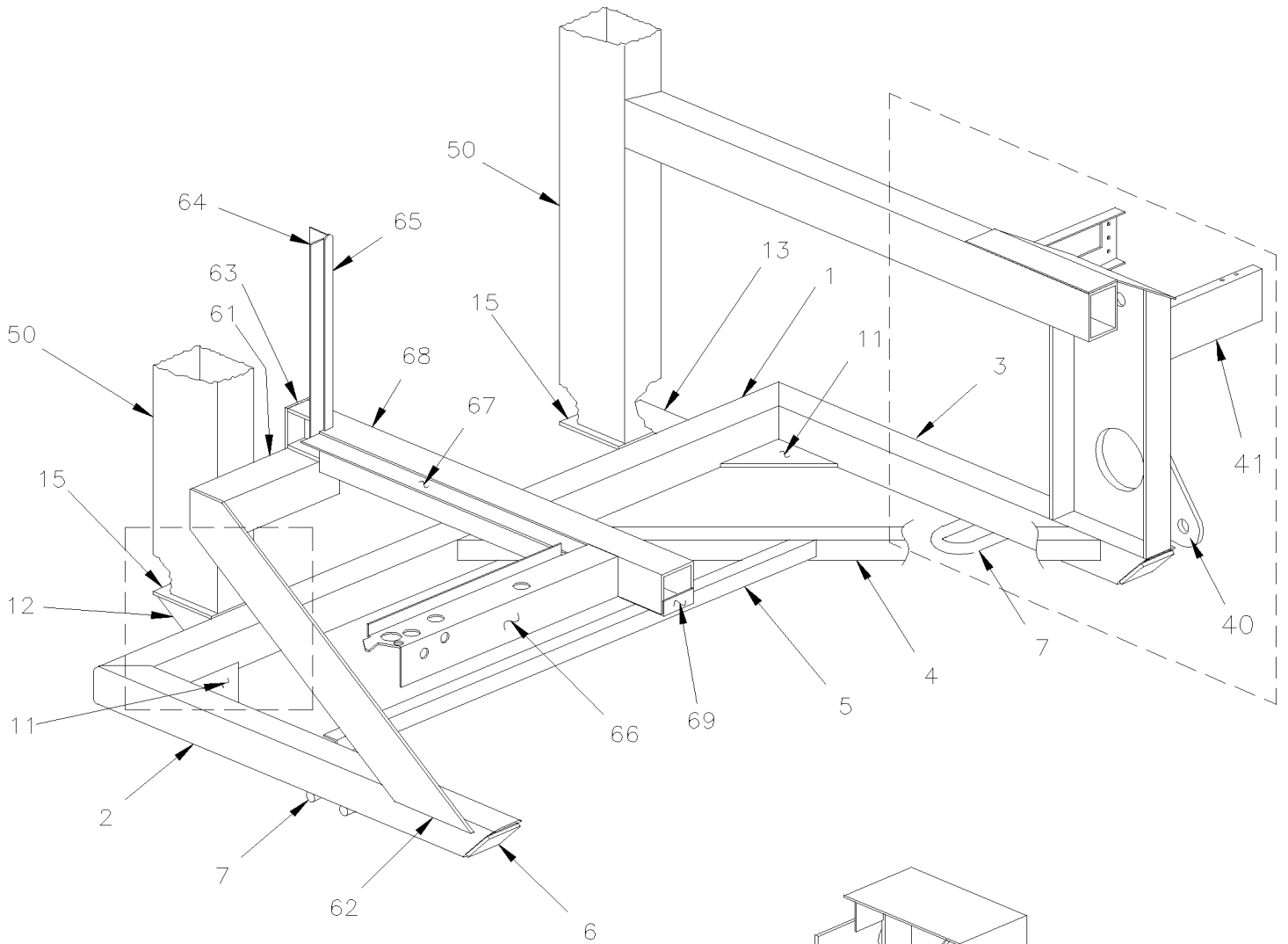
Item#	Part	Description	M T H 4 0	M T H 4 5	M T H 4 5 E	X L 4 0	X L 4 5	N O T E S
. G	250569	. . SUPPORT FINISHING (THICK) From W-6386				1	1	
. A1	250908	. . POST UPPER CENTRAL / WINDSHIELD From W-6386				1	1	
100	250635P	. STRUCTURE WINDSHIELD SEPARATOR ASSY To W-6385	1	1	1			
. A	250512	. . POST, CENTRAL / WINDSHIELD (ONE PIECE) To W-6385	1	1	1			
. B	211981	. . SUPPORT MIRROR To W-6385	1	1	1			
. C	250494	. . FORM, R.H. / UPPER WINDSHIELD To W-6385	1	1	1			
. D	250495	. . FORM, L.H. / UPPER WINDSHIELD To W-6385	1	1	1			
. E	250487	. . SUPPORT, UPPER WINDSHIELD / FORM To W-6385	1	1	1			
100	250907P	. STRUCTURE WINDSHIELD SEPARATOR ASSY From W-6386	1	1	1			
. A	250911	. . POST LOWER CENTRAL / WINDSHIELD From W-6386	1	1	1			
. B	250897	. . SUPPORT MIRROR From W-6386	1	1	1			
. E	250965	. . SUPPORT "HAT" FORM 100MM From W-6386	2	2	2			
. F	250966	. . PLATE SUPPORT From W-6386	2	2	2			
. A1	250908	. . POST UPPER CENTRAL / WINDSHIELD From W-6386	1	1	1			
120		NEXT ITEMS ARE USE WITH	1	1	1	1	1	
		VEHICLE CALLED "MARATHON"						
		WHO CHANGED LATER TO "PREVOST XL"						
121	250272	TUBE, UPPER ENTRANCE DOOR To J-430	1			1		
122	250436	TUBE "PREVOST XL" To J-430	2			2		
123	250466	REINFORCMENT "PREVOST XL" To J-430	1			1		
124	250446	REINFORCMENT "PREVOST XL" To J-430	1			1		
125	250459	PLATE "PREVOST XL" To J-430	1			1		
126	250465	ATTACHMENT "PREVOST XL" To J-430	5			5		
127	250471	REINFORCMENT "PREVOST XL" To J-430	1			1		
128	250478	POST R.H. WINDSHIELD "PREVOST XL" To J-430	1			1		
129	250477	POST L.H. WINDSHIELD "PREVOST XL" To J-430	1			1		
130	250838	FORM UPPER WINDSHIELD R.H. "PREVOST XL" To J-430	1			1		
131	250839	FORM UPPER WINDSHIELD L.H. "PREVOST XL" To J-430	1			1		
132	250513	FORM HORIZONTAL "PREVOST XL" To J-430	1			1		
133	Call order desk	KIT FORM STRUCTURE "PREVOST XL" To J-430	1			1		P
134	250558	POST CENTER WINDSHIELD "PREVOST XL" To J-430	1			1		
135	250472	TUBE 1 1/4" O.D. "PREVOST XL" To J-430	1			1		
		P) CALL ORDER DESK FOR SPECIFIC APPLICATION (V.I.N.)						

From E-638 To Y-7045

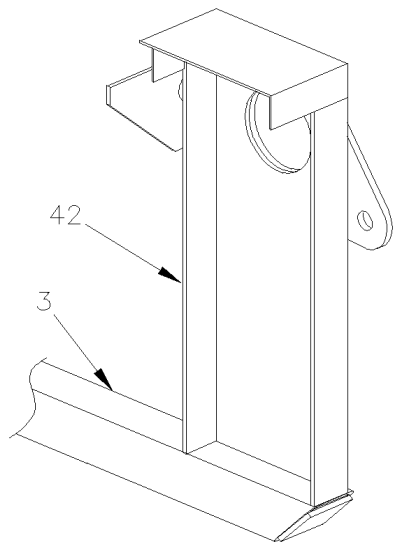
Date:10/2022

PAGE:XL-1895-10

FRONT LOWER STRUCTURE



UP TO R-873

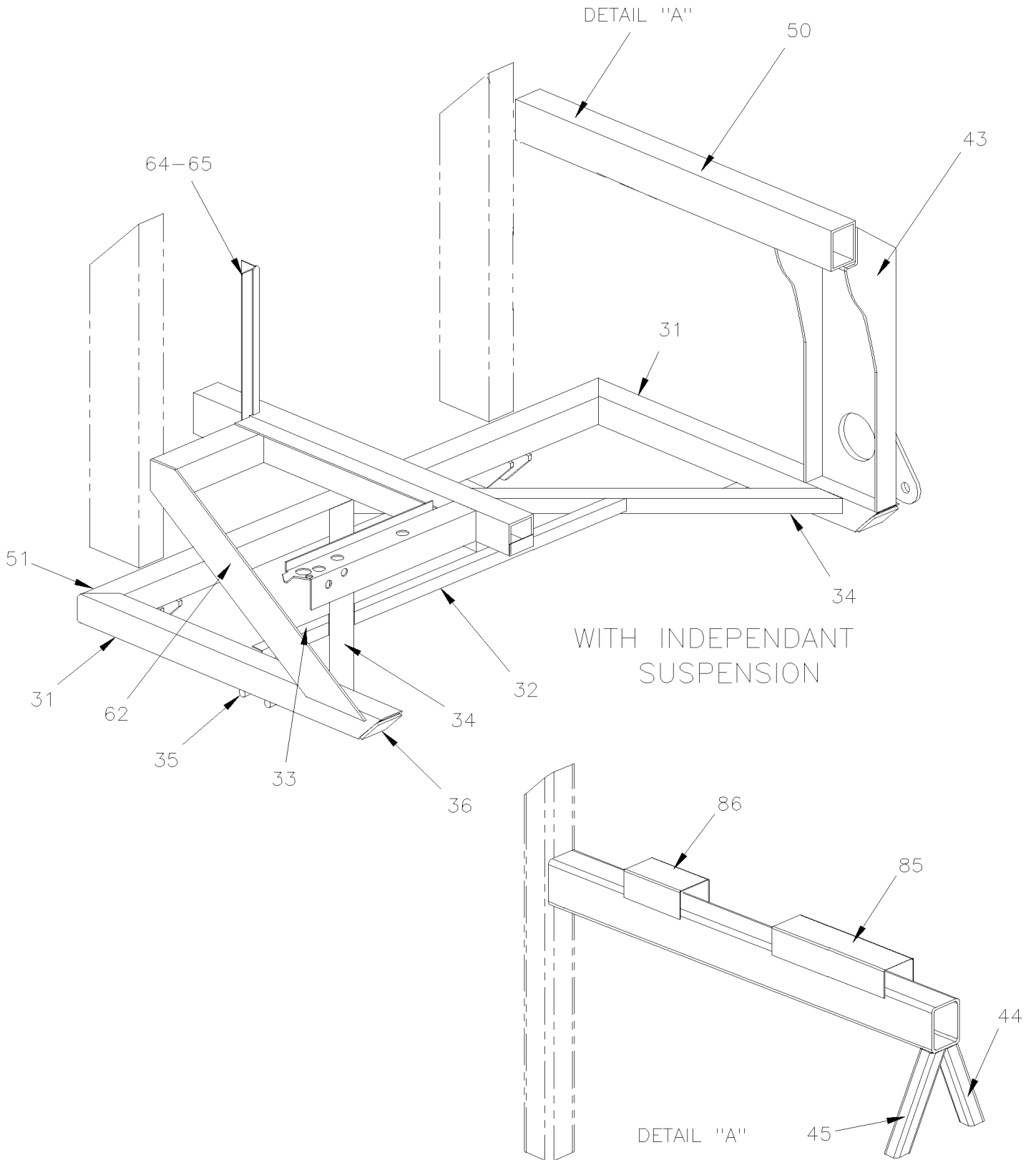


From E-638 To Y-7045

Date:10/2022

PAGE:XL-1895-10

FRONT LOWER STRUCTURE

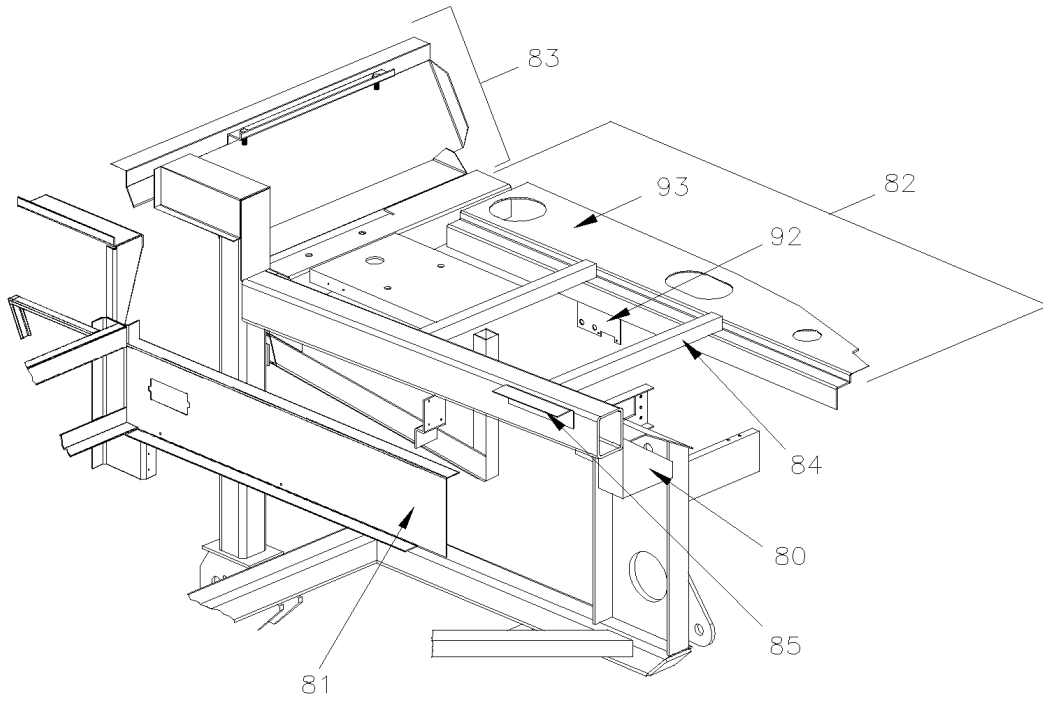


From E-638 To Y-7045

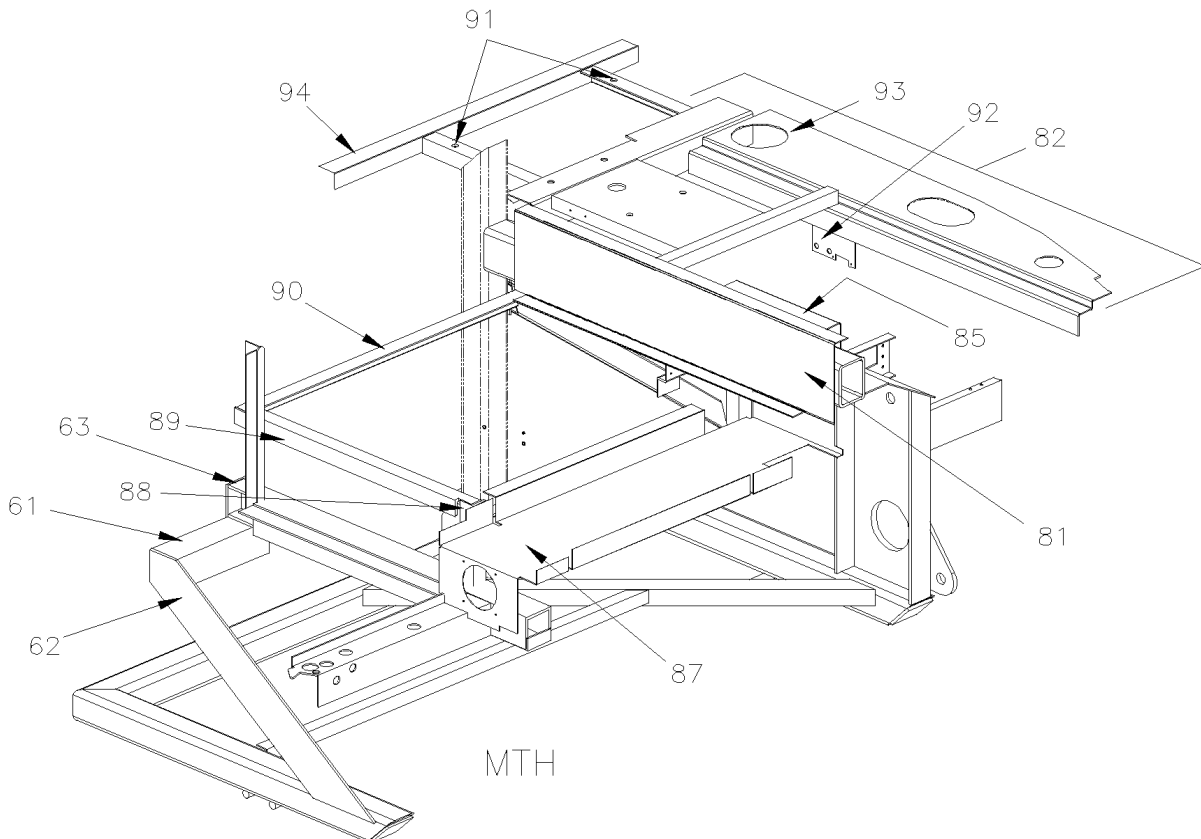
Date:10/2022

PAGE:XL-1895-10

FRONT LOWER STRUCTURE



BUS



MTH

From E-638 To Y-7045	Date:10/2022	PAGE:XL-1895-10
FRONT LOWER STRUCTURE		

Item#	Part	Description	M T H 4 0	M T H 4 5	M T H 4 5 E	X L 4 0	X L 4 5	N O T E S
	Call order desk	STRUCTURE FLOOR ASSY To R-873	1	1	1	1		P
	212381P	STRUCTURE FLOOR ASSY From R-874	1	1	1	1	1	
1	170478	. TUBE REAR	1	1	1	1	1	
2	170292	. TUBE R.H.	1	1	1	1	1	
3	170480	. TUBE L.H.	1	1	1	1	1	
4	170479	. TUBE REINFORCEMENT	1	1	1	1	1	
5	170483	. TUBE REINFORCEMENT To R-873	1	1	1	1		
5	211803	. ANGLE 1047MM From R-874	1	1	1	1	1	
6	170573	. CLOSING PLATE	2	2	2	2	2	
7	410293	. EYE, TOW	2	2	2	2	2	
8	170504	. ATTACHMENT PLATE To R-873	2	2	2	2		
9	130789	. ATTACHMENT / (WELDED TO STRUCTURE) To R-873	2	2	2	2	2	
10	130790	. ATTACHMENT PLATE / BOLT SIDE To R-873	2	2	2	2	2	
11	130591	. REINFORCEMENT 101MM X 152MM From R-874	1	1	1	1	1	
12	260292	. REINFORCEMENT 108MM X 108MM From R-874	4	4	4	4	4	
13	211800	. ATTACHMENT PLATE 8 1/4" & 3 3/8" SIDE x 5 1 From R-874	1	1	1	1	1	
15	010836	. ATTACHMENT PLATE 100MM x 127MM From R-874	2	2	2	2	2	
16	211804	REINFORCEMENT STRIP From P-741	1	1	1	1	1	
30	Call order desk	FRONT LOWER FLOOR STRUCTURE From T-5873	1	1	1			P I
31	171898	. TUBE 874MM From T-5873	2	2	2			I
32	171896	. TUBE 879MM From T-5873	1	1	1			I
33	171897	. TUBE 198MM From T-5873	1	1	1			I
34	171895	. TUBE 986MM From T-5873	2	2	2			I
35	171998	. TOW HOOK From T-5873	2	2	2			I
36	170573	. CLOSING PLATE	2	2	2			I
40	160484	SUPPORT, STEERING GEARBOX / COACH / 21 3/4" To F-827				1		
40	160572	SUPPORT, STEERING GEARBOX / COACH / 21 3/4" From F-828 To K-676				1		
40	160778	SUPPORT, STEERING GEARBOX / COACH / 21 3/4" From H-285 To K-676				1		A
40	160805	SUPPORT, STEERING GEARBOX / COACH / 21 3/4" From K-677 To P-740				1		
40	160526	SUPPORT, STEERING GEARBOX / MTH 80" / 26 5/8" To F-827	1					
40	160573	SUPPORT, STEERING GEARBOX / MTH 80" / 26 5/8" From F-828 To H-284	1					
40	160705	SUPPORT, STEERING GEARBOX / MTH 80" / 26 3/4" From H-285 To P-740	1					
40	160555	SUPPORT, STEERING GEARBOX / MTH 83" & 86" / 29 5/8" To F-827	1					
40	160574	SUPPORT, STEERING GEARBOX / MTH 83" & 86" / 29 3/4" From F-828 To H-284	1					
40	160704	SUPPORT, STEERING GEARBOX / MTH 83" & 86" / 29 3/4" From H-285 To P-740	1					
41	380770	. SUPPORT, "DDEC 1" BOX From H-285 To K-676				1		A
42	160873	SUPPORT, STEERING GEARBOX / COACH / 23 1/2" From P-741				1	1	
42	160877	SUPPORT, STEERING GEARBOX / MTH 83" & 86" / 31 1/2" From P-741 To T-5872	1	1	1			R
43	160980	SUPPORT, STEERING GEARBOX / MTH 83" & 86" From T-5873	1	1	1			I
44	210373	TUBE 8 3/4" / MTH80" To S-419	1					
44	210371	TUBE 11 5/8" / MTH83" & MTH86" From P-724	1	1	1			
45	210372	TUBE 9 3/8" / MTH80" To S-419	1					

From E-638 To Y-7045	Date:10/2022	PAGE:XL-1895-10
FRONT LOWER STRUCTURE		

Item#	Part	Description	M T H 4 0	M T H 4 5	M T H 4 5 E	X L 4 0	X L 4 5	N O T E S
45	210370	TUBE 12 5/16" / MTH83" & MTH86" From P-724	1	1	1			
46	170573	CLOSING PLATE From T-5872	2	2	2			
50	XL-1897-00	FRONT SUB-FRAME	1	1	1	1	1	
51	XL-1897-50	FRONT SUB-FRAME / W/INDEPENDENT SUSPENSION - 16500 LBS	1	1	1	1	1	
61	211792	TUBE 3" x 3" x 100 3/4" From P-724 To T-5772	1	1	1			
61	212783	TUBE 3" x 3" x 386MM From T-5773	1	1	1			
62	230008	REINFORCEMENT, FRONT FRAME 30"				1	1	
62	230696	REINFORCEMENT, FRONT FRAME 32 1/8"	1	1	1			
63	211804	REINFORCEMENT STRIP	1	1	1	1	1	
64	170544	ANGLE 2" X 2" X 3"	1	1	1	1	1	
65	211805	REINFORCEMENT 375MM	1	1	1	1	1	
66	Call order desk	SUPPORT ASSY, ENTRANCE STEPWELL To L-684	1			1		P
66	211837P	SUPPORT ASSY, ENTRANCE STEPWELL From L-685	1	1	1	1	1	
66	250519	. TUBE 21 9/16 1 1/2 x 3 x 21 9/16" To L-684	1	1	1	1	1	
66	211810	. SUPPORT "Z" From L-685	1	1	1	1	1	
67	250156	. PLATE, SUPPORT 28 1/2" ± To L-684	1	1	1	1	1	
670	211836	. PLATE, SUPPORT 27 7/16" ± From L-685	1	1	1	1	1	
68	170568	. TUBE 915MM	1	1	1	1	1	
69	372486	. ANGLE CLOSING PLATE 105MM 29MM	1	1	1	1	1	
80	250604	ANGLE FLOOR SUPPORT				1	1	
81	220515	FLOOR ANGLE SUPPORT ASSY BUS To P-723	1			1		
81	220884	FLOOR ANGLE SUPPORT ASSY BUS From P-724	1	1	1	1	1	
81	220512	FLOOR ANGLE SUPPORT ASSY MTH-80" To P-723	1					
81	220886	FLOOR ANGLE SUPPORT ASSY MTH-80" From P-724 To S-416	1					
81	220516	FLOOR ANGLE SUPPORT ASSY MTH-83" & 86" To P-723	1					
81	220888	FLOOR ANGLE SUPPORT ASSY MTH-83" & 86" From P-724	1	1	1			
NS	210301	ANGLE DRIVER'S FLOOR SUPPORT 12 13/16" To P-723				1		
NS	212253	ANGLE DRIVER'S FLOOR SUPPORT 3 1/2" From P-724				1	1	
NS	210357	ANGLE DRIVER'S FLOOR SUPPORT 15 7/8" To P-723	1					
NS	212254	ANGLE DRIVER'S FLOOR SUPPORT 6 1/2" From P-724	1	1	1			
82	210220	DRIVER'S SEAT FLOOR ASSY To L-684	1			1		
. NS	210316	. ANGLE SUPPORT REAR DRIVER'S FLOOR To L-684	1			1		
. NS	210314	. PLATE DRIVER'S SEAT SUPPORT To L-684	1			1		
. NS	250187	. TUBE FRONT DRIVER' S SUPPORT To L-684	1			1		
. NS	5001235	. NUT HEXF 1/2-20 ZP To L-684	4			4		
. NS	210221	. PANEL BOTTOM ELECTRICAL BOX To L-684	1			1		
. NS	212976	. PANEL BOTTOM ELECTRICAL BOX To L-684	1			1		
. NS	211702	. SWITCH SUPPORT "DDEC" 3" x 5" W/2 HOLES To L-684	1			1		
82	210317	DRIVER'S SEAT FLOOR ASSY From L-685 To W-6644	1	1	1	1	1	
. NS	220486	. ANGLE SUPPORT REAR From L-685 To W-6644	1	1	1	1	1	
. NS	210314	. PLATE DRIVER'S SEAT SUPPORT From L-685 To W-6644	1	1	1	1	1	

From E-638 To Y-7045	Date:10/2022	PAGE:XL-1895-10
FRONT LOWER STRUCTURE		

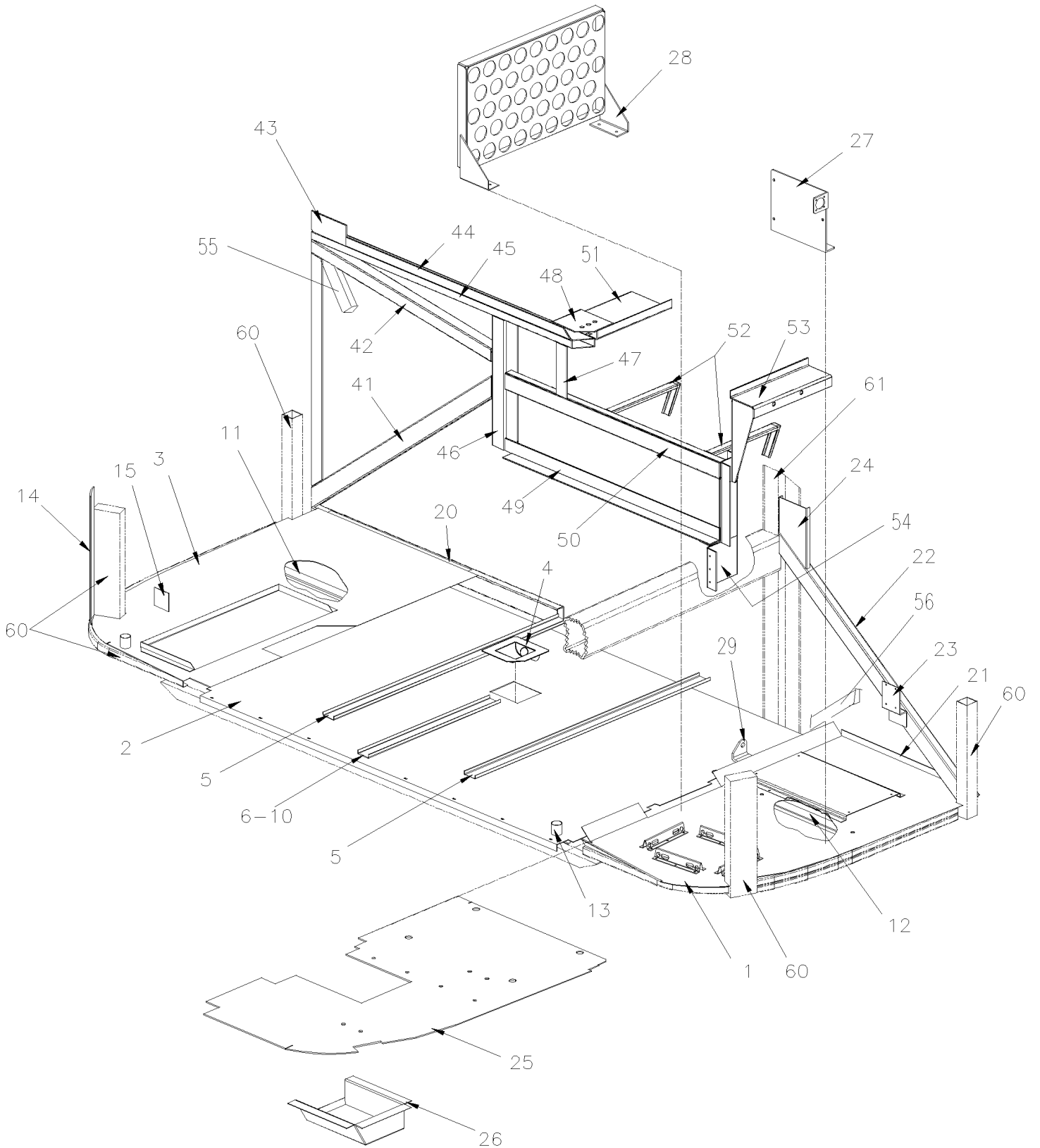
Item#	Part	Description	M T H 4 0	M T H 4 5	M T H 4 5 E	X L 4 0	X L 4 5	N O T E S
. NS	250561	. TUBE FRONT DRIVER' S SUPPORT From L-685 To W-6644	1	1	1	1	1	
. NS	5001235	. NUT HEXF 1/2-20 ZP From L-685 To W-6644	1	1	1	1	1	
82	213841	DRIVER'S SEAT FLOOR ASSY From W-6645	1	1	1	1	1	
. NS	213840	. ANGLE FORM REAR From W-6645	1	1	1	1	1	
. NS	210314	. PLATE DRIVER'S SEAT SUPPORT From W-6645	1	1	1	1	1	
. NS	250561	. TUBE FRONT DRIVER' S SUPPORT From W-6645	1	1	1	1	1	
. NS	5001235	. NUT HEXF 1/2-20 ZP From W-6645	4	4	4	4	4	
83	210205	REAR DRIVER'S BOX ASSY To L-684				1		
. NS	210201	. PANEL REAR DRIVER'S To L-684				1		
. NS	210199	. CLOSING BOX CORNER ANGLE / 3" x 9 1/4" To L-684				1		
. NS	210321	. SUPPORT SAFETY BELT ASSY To L-684				1		
. NS	320611	. FLOOR BOX UPPER PART / 9 5/16" x 3 5/8" To L-684				1		
83	211883	REAR DRIVER'S BOX ASSY From L-685				1	1	
. NS	211882	. PANEL REAR DRIVER'S From L-685				1	1	
. NS	210199	. CLOSING BOX CORNER ANGLE / 3" x 9 1/4" From L-685				1	1	
. NS	210321	. SUPPORT SAFETY BELT ASSY From L-685				1	1	
. NS	320611	. FLOOR BOX UPPER PART / 9 5/16" x 3 5/8" From L-685				1	1	
84	210187	TUBE FRONT DRIVER'S FLOOR SUPPORT To L-684	1	1	1	1	1	
85	211857	ANGLE FLOOR SUPPORT 1 1/2 x 7" From L-685				1	1	
85	170365	SHIM U FRONT DRIVER'S FLOOR SUPPORT 12"	1	1	1			
86	170360	SHIM U REAR DRIVER'S FLOOR SUPPORT 6"	1	1	1			
87	Call order desk	DEFROSTER FLOOR From L-685 To R-917	1	1	1	1	1	P
87	373255	DEFROSTER FLOOR From R-918	1	1	1	1	1	
88	210299	ANGLE 1 1/2" x 1 1/2" x 8"	1	1	1	1	1	
89	211806	ANGLE From L-685	1	1	1	1	1	
90	211807	ANGLE From L-685	1	1	1	1	1	
91	210380	ANGLE SAFETY BELT RETAINER	1	1	1	1	1	
92	211702	SWITCH SUPPORT "DDEC" 3" x 5" W/2 HOLES	1	1	1	1	1	
92	212555	PLATE SUPPORT RETARDER MODULE From R-823	1	1	1			
93	210221	PANEL BOTTOM ELECTRICAL BOX To S-572	1	1	1	1	1	
93	212976	PANEL BOTTOM ELECTRICAL BOX From S-573	1	1	1	1	1	
94	210334	ANGLE FLOOR SUPPORT 1 1/2 x 30 1/2" To T-5772	1	1	1	1	1	
94	212915	TUBE 1 1/2 x 2" x 660MM From T-5773	1	1	1	1	1	I
95	211876	PLATE, CLOSING 3" x 4 13/16" From L-685	1	1	1	1	1	
		A) WITH "DDEC-1"						
		I) WITH INDEPENDANT SUSPENSION						
		R) WITH CRUISE CONTROL WITH MECHANICAL ENGINE						
		P) CALL ORDER DESK FOR SPECIFIC APPLICATION (V.I.N.)						

From E-638 To Y-7045

Date:10/2022

PAGE:XL-1895-50

FRONT FLOOR STRUCTURE



From E-638 To Y-7045	Date:10/2022	PAGE:XL-1895-50
FRONT FLOOR STRUCTURE		

Item#	Part	Description	M T H 4 0	M T H 4 5	M T H 4 5 E	X L 4 0	X L 4 5	N O T E S
1	240183	PANEL, FLOOR STREETSIDE UNDER STEERING BOX From F-828 To L-684	1			1		
1	240257	PANEL, FLOOR STREETSIDE UNDER STEERING BOX From L-685 To P-740	1			1		
. NS	240258	PANEL, FLOOR STREETSIDE From L-685 To P-740	1			1		
. NS	309048	RESERVOIR SUPPORT FOR HOOK / WINDSHIELD WASH. From L-685 To P-740	4			4		
. NS	300243	SUPPORT WINDSHIELD WASHER PUMP From L-685 To P-740	1			1		
1	240264	PANEL, FLOOR STREETSIDE UNDER STEERING BOX From P-741	1	1	1	1	1	
. NS	240265	PANEL, FLOOR STREETSIDE From P-741	1	1	1	1	1	
. NS	309048	RESERVOIR SUPPORT FOR HOOK / WINDSHIELD WASH. From P-741	1	1	1	1	1	
. NS	381438	SUPPORT ELECTRICAL BOX From P-741	1	1	1	1	1	
1	240279	PANEL, FLOOR STREETSIDE UNDER STEERING BOX	1	1	1	1	1	
. NS	240294	PANEL, FLOOR STREETSIDE	1	1	1	1	1	
. NS	309048	RESERVOIR SUPPORT FOR HOOK / WINDSHIELD WASH.	4	4	4	4	4	
. NS	381438	SUPPORT ELECTRICAL BOX	1	1	1	1	1	
. NS	500182	SCREW CAP HEX 5/16-18x1 1/4 G5 PT Z050	1	1	1	1	1	
2	240119	PANEL, CENTRAL SECTION To L-684	1			1		
2	211794	PANEL, CENTRAL SECTION From L-685 To P-722				1		
2	212169	PANEL, CENTRAL SECTION From P-723				1	1	
2	213093	PANEL, CENTRAL SECTION From W-6494					1	I
2	211813	PANEL, CENTRAL SECTION From L-685 To P-690	1	1	1			
2	212168	PANEL, CENTRAL SECTION From P-691 To T-5872	1	1	1			
2	212750	PANEL, CENTRAL SECTION "MARATHON" From P-691 To T-5872	1	1	1			R
2	212809	PANEL, CENTRAL SECTION From T-5873	1	1	1			I
2	213207	PANEL, CENTRAL SECTION "MARATHON" From T-5873	1	1	1			I
2	213093	PANEL, CENTRAL SECTION From T-5873			1		1	IS
3	240178	PANEL, FLOOR CURBSIDE ASSY To S-497				1		
. NS	240175	PANEL, FLOOR CURBSIDE To S-497				1		
. NS	240100	REINFORCMENT AIR HORN BOX To S-497				1		
. NS	240236	PIPE 1" O.D. x 2 3/8" To S-497				1		
3	212612	PANEL, FLOOR CURBSIDE ASSY From S-498 To V-6100				1	1	
. NS	212613	PANEL, FLOOR CURBSIDE From S-498 To V-6100				1	1	
. NS	240100	REINFORCMENT AIR HORN BOX From S-498 To V-6100				1	1	
. NS	240236	PIPE 1" O.D. x 2 3/8" From S-498 To V-6100				1	1	
3	213333	PANEL, FLOOR CURBSIDE ASSY From V-6101				1	1	
. NS	213335	PANEL, FLOOR CURBSIDE From V-6101				1	1	
. NS	240100	REINFORCMENT AIR HORN BOX From V-6101				1	1	
3	240227	PANEL, FLOOR CURBSIDE ASSY To S-497	1					
. NS	240228	PANEL, FLOOR CURBSIDE To S-497	1					
. NS	240226	REINFORCMENT ELECTRICAL BOX To S-497	1					
. NS	240236	PIPE 1" O.D. x 2 3/8" To S-497	1					
3	212614	PANEL, FLOOR CURBSIDE ASSY From S-498 To V-6100	1	1	1			
. NS	212615	PANEL, FLOOR CURBSIDE From S-498 To V-6100	1	1	1			
. NS	240226	REINFORCMENT ELECTRICAL BOX From S-498 To V-6100	1	1	1			

From E-638 To Y-7045	Date:10/2022	PAGE:XL-1895-50
FRONT FLOOR STRUCTURE		

Item#	Part	Description	M T H 4 0	M T H 4 5	M T H 4 5 E	X L 4 0	X L 4 5	N O T E S
. NS	240236	. PIPE 1" O.D. x 2 3/8" From S-498 To V-6100	1	1	1			
3	213332	PANEL, FLOOR CURBSIDE ASSY From V-6101	1	1	1			
. NS	213334	. PANEL, FLOOR CURBSIDE From V-6101	1	1	1			
. NS	240226	. REINFORCMENT ELECTRICAL BOX From V-6101	1	1	1			
4	240023	DRAIN ASSY				1	1	
NS	590109	DRAIN BOOT 1" I.D. X 5" / AS SHOWN				1	1	
5	150118	SUPPORT GUIDE 34" / SPARE WHEEL To P-740				2		
6	211795	SUPPORT GUIDE 17 3/8" / SPARE WHEEL From P-741				1	1	
10	211798	ANGLE SUPPORT 16" From P-741				1	1	
11	250195	ANGLE SUPPORT 20 7/8" To S-497	1	1	1	1	1	
11	212632	ANGLE SUPPORT 20 7/8" From S-498	1	1	1	1	1	
12	250191	ANGLE SUPPORT 20 7/16"	1	1	1	1	1	
13	211843	TUBE ASSY 1 1/2 O.D. x 1 3/4"	1	1	1	1	1	
. NS	211842	. TUBE 1 1/2 O.D. x 1 3/4"	1	1	1	1	1	
. NS	211844	. PIN 1/4 x 1/1/2"	1	1	1	1	1	
14	250764	PLATE CLOSING TO FIX HINGE CAP 2 1/2" x 14 13/16" From P-646	1	1	1			
15	250528	PLATE CLOSING TO FIX HINGE CAP 2" x 5" To P-808	1	1	1			
15	250828	PLATE CLOSING TO FIX HINGE CAP 2" x 5" From P-809	1	1	1			
19	285155	ANGLE SUPPORT BUMPER SPRING From S-616	1	1	1	1	1	
20	170132	FORM "J" SHAPE R.H. FLOOR SUPPORT 21 11/16"			1	1	1	
20	170132	FORM "J" SHAPE R.H. FLOOR SUPPORT 21 11/16" To T-5872	1	1				
20	171882	FORM "J" SHAPE R.H. FLOOR SUPPORT 530MM				1	1	I
20	171882	FORM "J" SHAPE R.H. FLOOR SUPPORT 530MM From T-5873	1	1				
21	170131	FORM "J" SHAPE L.H. FLOOR SUPPORT 21 11/16"			1	1	1	
21	170131	FORM "J" SHAPE L.H. FLOOR SUPPORT 21 11/16" To T-5872	1	1				
21	171881	FORM "J" SHAPE L.H. FLOOR SUPPORT 530MM				1	1	I
21	171881	FORM "J" SHAPE L.H. FLOOR SUPPORT 530MM From T-5873	1	1				
22	211879	TUBE, REINFORCEMENT	1	1	1	1	1	
22	213002	TUBE ASSY W/AIR FILTER SUPPORT 1" x 2" x 447MM	1	1	1	1	1	I
23	212151	SUPPORT ACCESSORIES AIR FILTER To T-5789				1	1	
23	213158	SUPPORT ACCESSORIES AIR FILTER From T-5790				1	1	
24	212155	SUPPORT LEVEL LOW PANEL From P-646 To W-6644	1	1	1			
24	213825	SUPPORT LEVEL LOW PANEL From W-6645	1	1	1			
25	240176	PANEL, FLOOR STREETSIDE UNDER STEERING BOX To F-827	1			1		
26	160571	PROTECTOR BOX / UNDER STEERING BOX From F-828 To L-684	1			1		
27	063546	SUPPORT ECU "WORLD" TRANS From P-740 To W-6490	1	1	1	1	1	
27	064662	SUPPORT ECU "WORLD" TRANS From W-6491	1	1	1	1	1	
28	160577	PROTECTOR ASSY To L-684	1			1		
29	285155	ANGLE SUPPORT BUMPER SPRING From s-616	1	1	1	1	1	
40	210383P	MEMBER ASSY To L-684				1		
40	Call order desk	MEMBER ASSY From L-685				1	1	P
40	Call order desk	MEMBER ASSY To L-684	1					P

From E-638 To Y-7045	Date:10/2022	PAGE:XL-1895-50
FRONT FLOOR STRUCTURE		

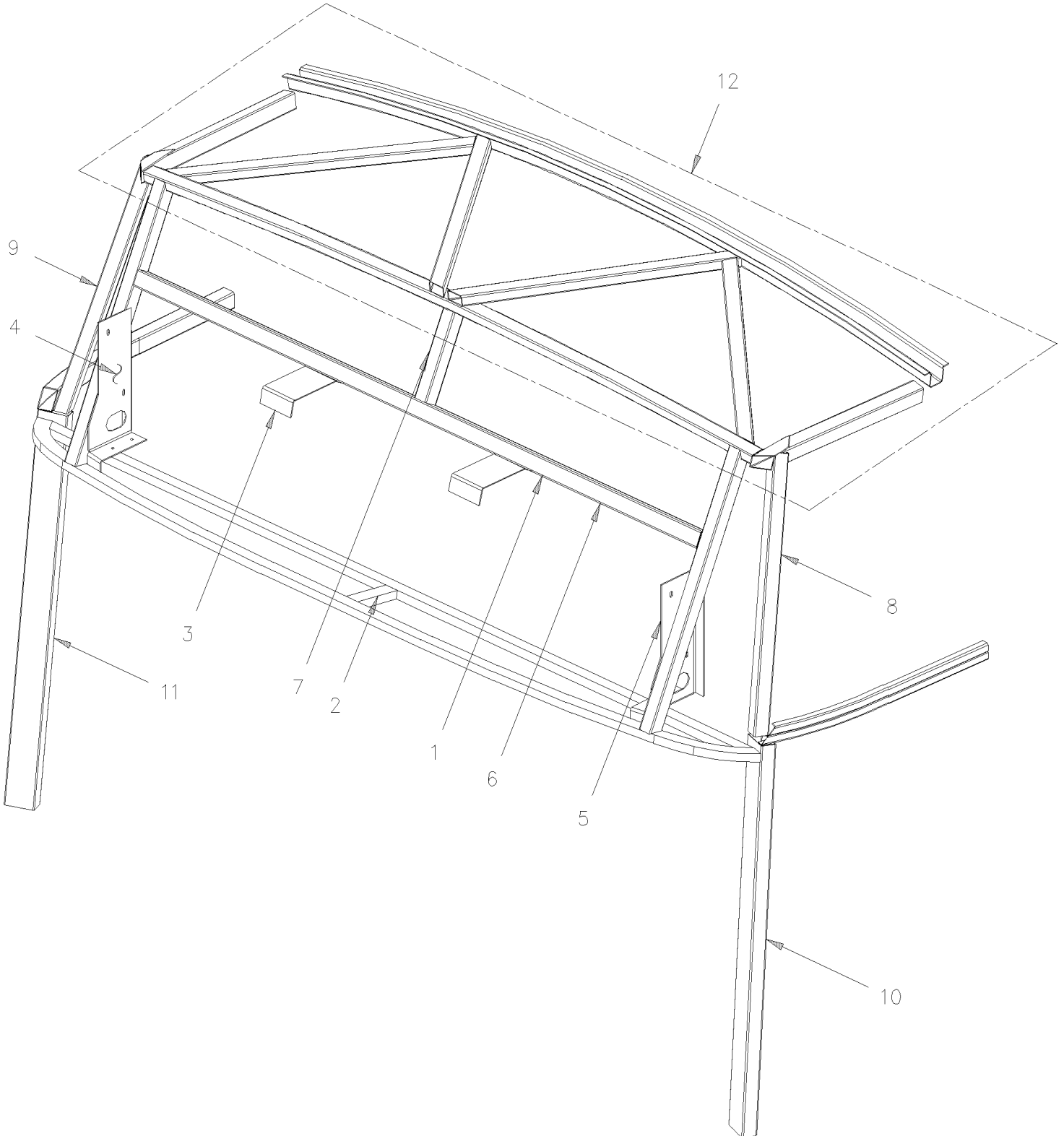
Item#	Part	Description	M T H 4 0	M T H 4 5	M T H 4 5 E	X L 4 0	X L 4 5	N O T E S
41	210071	. TUBE 35 ½"	1	1	1	1	1	
41	212893	. TUBE 35 ½" From T-5773	1	1	1	1	1	
42	170268	. TUBE 26 7/16"	1	1	1	1	1	
43	210310	. SUPPORT DOOR LOCK				1	1	
44	250546	. TUBE 32 3/8"				1	1	
44	250556	. TUBE 37" To L-684	1					
45	170539	. TUBE 39"	1	1	1	1	1	
46	170494	. TUBE 15"	1	1	1	1	1	
47	250525	. ANGLE 6" To L-684	1	1	1	1	1	
47	211895	. TUBE 6" From L-685	1	1	1	1	1	
48	281469	. SUPPORT MODESTY PANEL				1	1	
49	250526	. ANGLE 31"				1	1	
50	250524	. ANGLE 31"				1	1	
50	211896	. TUBE 31"				1	1	
51	210218	. FLOOR SUPPORT				1	1	
52	220422	. SUPPORT STEPFLOOR To L-684				2	2	
52	211894	. SUPPORT STEPFLOOR From L-685				2	2	
53	211982	SUPPORT, CORNER				1	1	
54	211872	SUPPORT				1	1	
55	212912	TUBE 1" x 2" x 1180MM From T-5773	1	1	1			I
56	212914	TUBE ASSY W/VALVE SUPPORT & BOLTS 1 ½ x 2 x 1140MM From T-5773	1	1	1			I
NS	213019	VALVE SUPPORT From T-5773	1	1	1			I
60	XL-1895-00	FRONT STRUCTURE						
61	XL-1895-10	FRONT LOWER STRUCTURE						
		I) WITH INDEPENDANT SUSPENSION						
		R) WITH RIGID SUSPENSION						
		S) WITH SPARE TIRE						
		P) CALL ORDER DESK FOR SPECIFIC APPLICATION (V.I.N.)						

From X-6945 To X-7014

Date:10/2022

PAGE:XL-1895-99

FRONT ROOF STRUCTURE - "GO-TRANSIT"

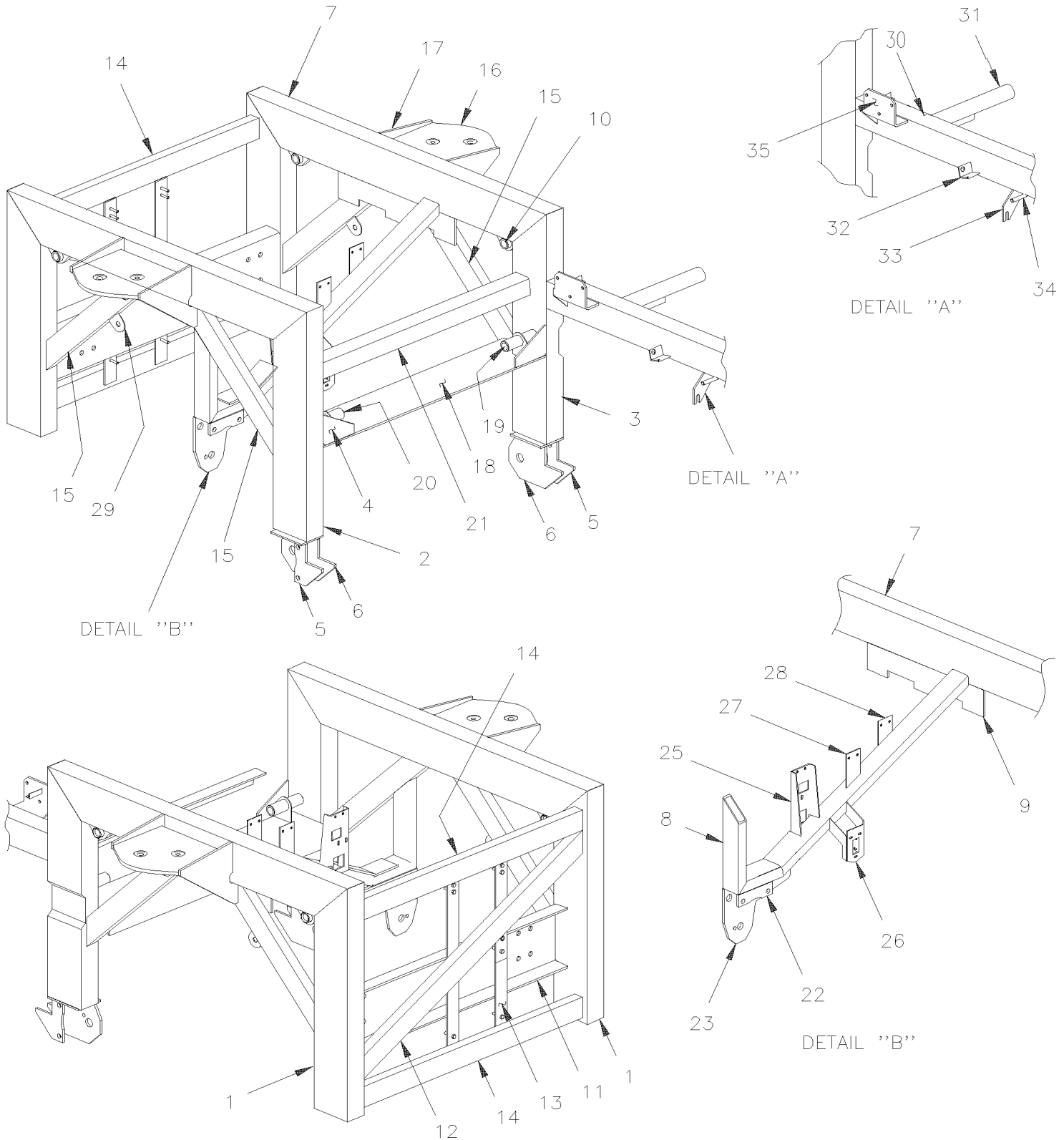


From E-638 To L-684

Date:10/2022

PAGE:XL-1897-00

FRONT SUB-FRAME



From E-638 To L-684	Date:10/2022	PAGE:XL-1897-00
FRONT SUB-FRAME		

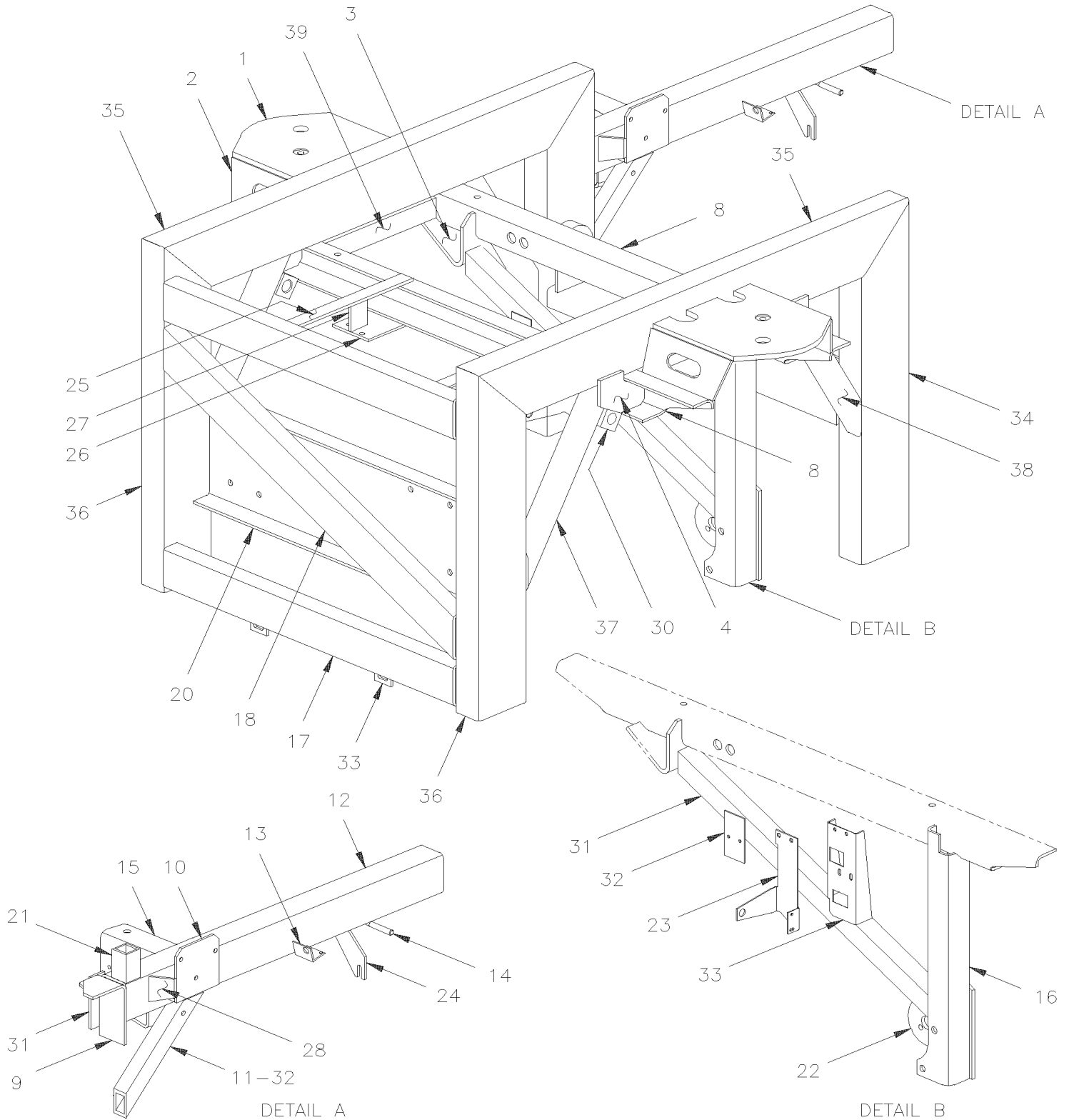
Item#	Part	Description	M T H 4 0	M T H 4 5	M T H 4 5 E	X L 4 0	X L 4 5	N O T E S
	171306	FRONT SUB-FRAME ASSY / BUS W/MAN TRANS				1		
	171308	FRONT SUB-FRAME ASSY / BUS W/AUTO TRANS				1		
	171309	FRONT SUB-FRAME ASSY / MTH 80"	1					
	171310	FRONT SUB-FRAME ASSY / MTH 83" & MTH 86"	1					
1	170493	. BEAM, REAR R.H. & L.H.	2			2		
2	170147	. BEAM, FRONT VERTICAL R.H. & L.H.	1			1		
3	170588	. BEAM, FRONT VERTICAL L.H.	1			1		
4	170797	. REINFORCEMENT 5 1/2" X 4 3/8"	2			2		
5	130790	. ATTACHMENT PLATE / BOLT SIDE	2			2		
6	130789	. ATTACHMENT / (WELDED TO STRUCTURE)	2			2		
7	170146	. BEAM, CENTRAL R.H. & L.H.	2			2		
8	170526	. SUPPORT ASSY	1			1		
9	170501	. PLATE	2			2		
10	130844	. ATTACHMENT / SHOCK ABSORBER W/FLAT PIN SHOCK To H-284	4			4		
10	130973	. ATTACHMENT / SHOCK ABSORBER W/TAPER PIN SHOCK From H-285	4			4		
11	131016	. SUPPORT TORSION BAR	1			1		
12	170475	. REINFORCEMENT	1			1		
13	170476	. SUPPORT ASSY 15 1/4" / W/1 AIR TANK	2			2		
13	170981	. SUPPORT ASSY 26 7/8" / W/2 AIR TANK	2			2		
14	170489	. REINFORCEMENT	2			2		
NS	210182	. CLOSING PANEL TOP OF SUB FRAME	1			1		
15	170459	. REINFORCEMENT	4			4		
16	170531	. PLATE AIR BELLOW	2			2		
17	170532	. REINFORCEMENT	4			4		
18	130793	. SUPPORT / "L" FORM	1			1		
NS	210190	. CLOSING PANEL UPPER SUB FRAME W/HOLE FOR CONNECTORS	1			1		
NS	210191	. CLOSING PANEL LOWER SUB FRAME SPARE COMPART	1			1		
19	130814	. ATTACHMENT LH / (WELDED TO STRUCTURE)	1			1		
20	130820	. ATTACHMENT RH / (WELDED TO STRUCTURE)	1			1		
21	170510	. ANGLE	1			1		
22	120502	. ANCHOR PLATE / PREVOST PIN	1			1		
23	120995	. PLATE	1			1		
25	171147	. SUPPORT, FAST KNEELING VALVE	1			1		
26	171258	. SUPPORT / FRONT HEIGHT CONTROL VALVE / (WELDED TO STRUCTURE)	1			1		
27	140978	. SUPPORT VALVE RELEASE	1			1		
28	171243	. SUPPORT	1			1		
29	140339	. PLATE ANCHOR / BRAKE HOSE	2			2		
30	170545	. TUBE 38 3/4"	1			1		
30	170283	. SUPPORT				1		
31	020371	. SUPPORT / CLUTCH TRANSFER				1		
32	031184	. SUPPORT, ACCELERATOR WIRE	1			1		
33	030751	. BRACKET	1			1		

From L-685 To Y-7045

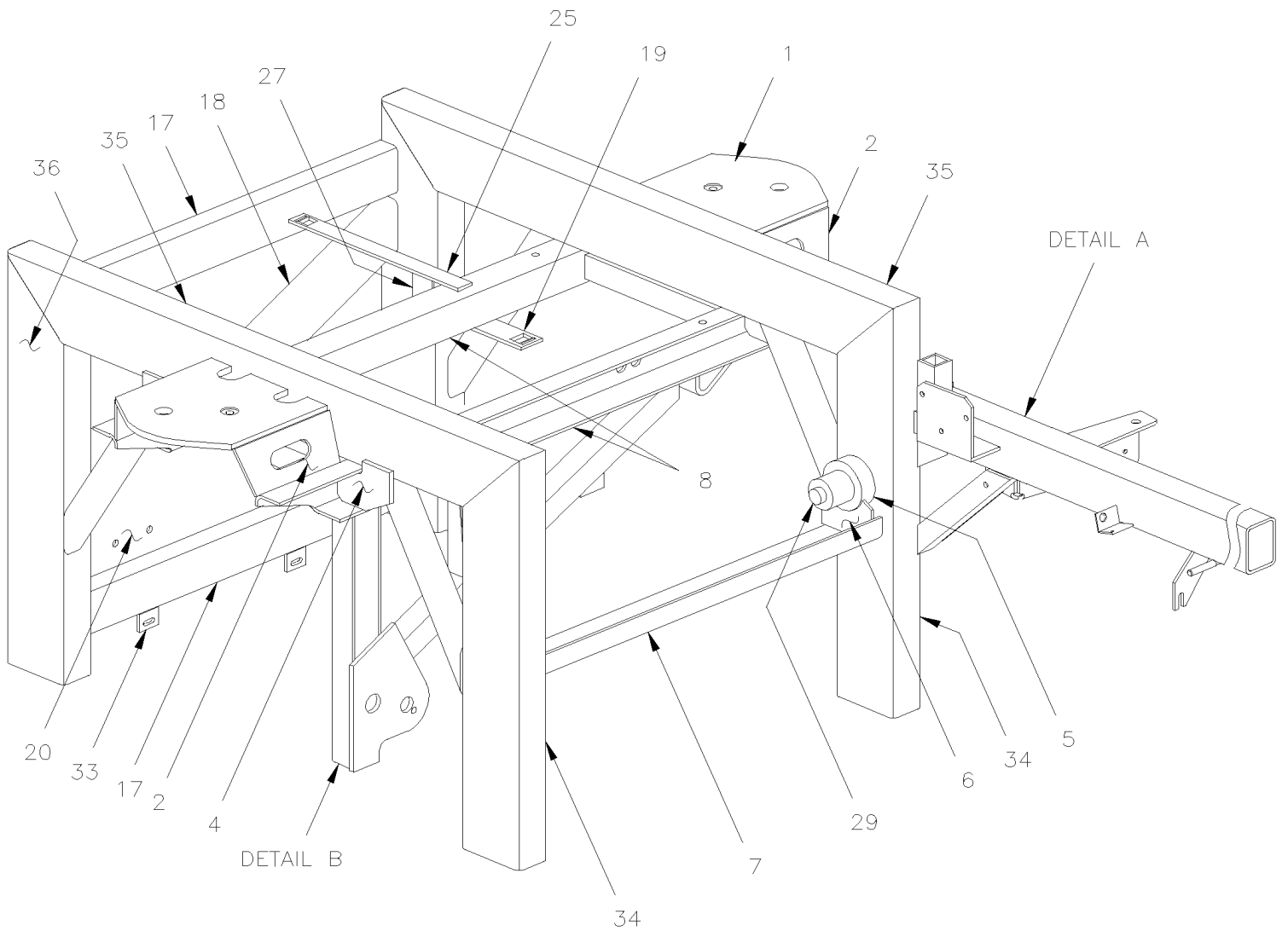
Date:10/2022

PAGE:XL-1897-01

FRONT SUB-FRAME / W/ BEAM RIGID SUSPENSION



From L-685 To Y-7045	Date:10/2022	PAGE:XL-1897-01
FRONT SUB-FRAME / W/I BEAM RIGID SUSPENSION		



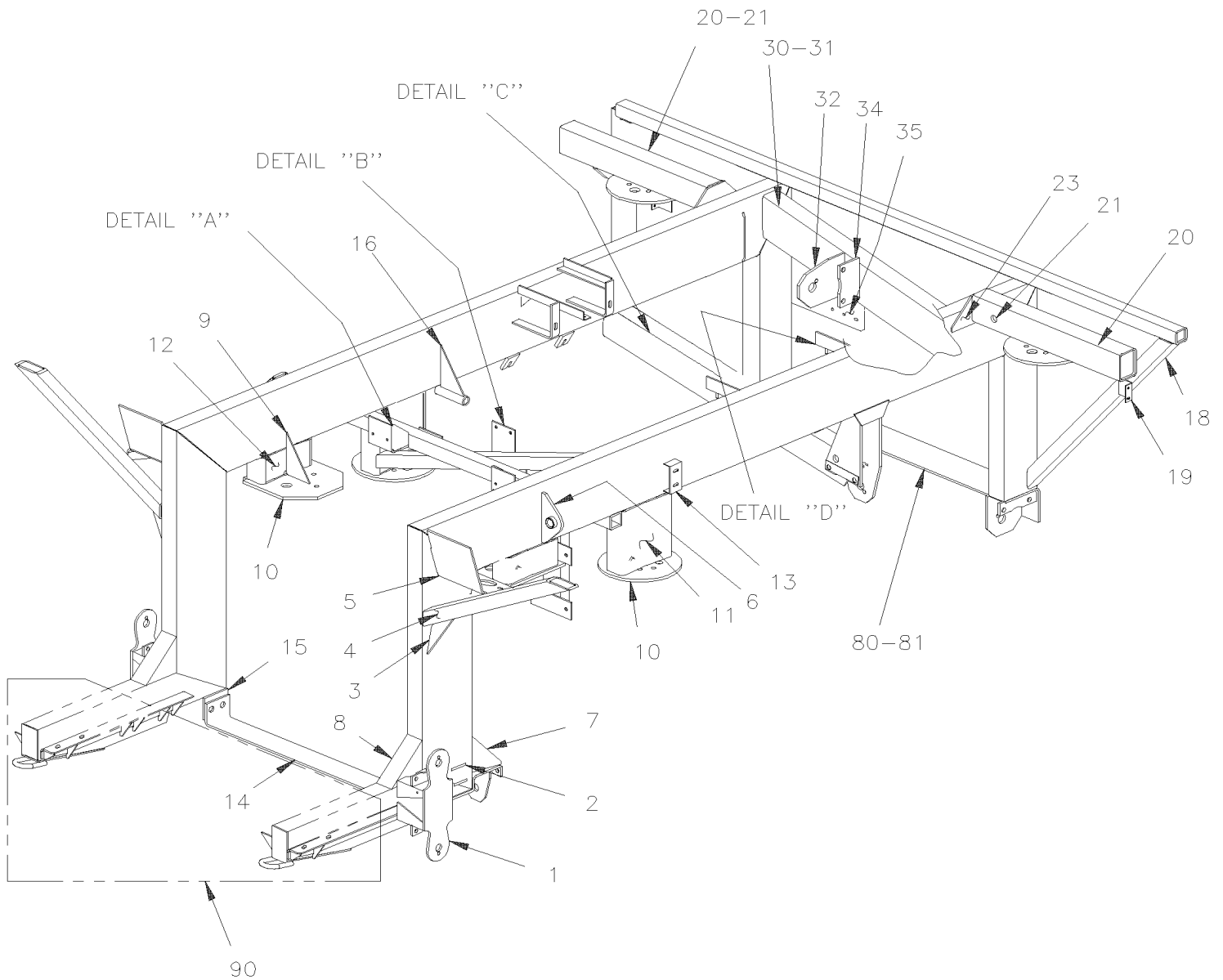
From L-685 To Y-7045	Date:10/2022	PAGE:XL-1897-01
FRONT SUB-FRAME / W/I BEAM RIGID SUSPENSION		

Item#	Part	Description	M T H 4 0	M T H 4 5	M T H 4 5 E	X L 4 0	X L 4 5	N O T E S
	Call order desk	FRONT SUB-FRAME ASSY	1	1	1	1	1	P
1	171268	. PLATE, SUPPORT / AIR SPRING	2	2	2	2	2	
2	171289	. PLATE, REINFORCEMENT	4	4	4	4	4	
3	171288	. BRACKET, VALVE TUBE	1	1	1	1	1	
4	171282	. PLATE, REINFORCEMENT / AIR SPRING SUPPORT	4	4	4	4	4	
5	171293	. BRACKET, RADIUS ROD	1	1	1	1	1	
6	171305	. REINFORCEMENT	1	1	1	1	1	
7	171284	. REINFORCEMENT, FRONT / Z-SHAPED	1	1	1	1	1	
8	171285	. BEAM, SIDE	2	2	2	2	2	
9	171292	. PLATE, REINFORCEMENT	1	1	1	1	1	
10	070754	. SUPPORT, SHIFTER HOUSING				1		M
11	210307	. SUPPORT, AIR HOSE	1	1	1	1	1	
12	170545	. TUBE 38 3/4"	1	1	1	1	1	
13	031184	. SUPPORT, ACCELERATOR WIRE	1			1		A
14	030417	. AXIS, THREADED / ACCELERATOR LEVER	1			1		A
15	171466	. SUPPORT / BRAKE VALVE	1	1	1	1	1	
16	171295	. BEAM, VERTICAL LOWER	1	1	1	1	1	
17	171279	. TUBE, REINFORCEMENT / UPPER & LOWER	2	2	2	2	2	
18	171278	. TUBE	1	1	1	1	1	
19	171275	. REINFORCEMENT	2	2	2	2	2	
20	171280	. CHANNEL, SUPPORT	1	1	1	1	1	
21	170544	. ANGLE 2" X 2" X 3"	1			1		A
22	171286	. PLATE, VERTICAL LOWER BEAM	1	1	1	1	1	
23	171269	. SUPPORT / FRONT HEIGHT CONTROL VALVE / (WELDED TO STRUCTURE) To N-523	1			1		
23	171427	. SUPPORT / FRONT HEIGHT CONTROL VALVE / (WELDED TO STRUCTURE) From N-524 To V-6252	1	1	1	1	1	
23	172114	. SUPPORT / FRONT HEIGHT CONTROL VALVE From V-6253	1	1	1	1	1	S
24	030751	. BRACKET	1			1		R
25	171273	. SUPPORT, UPPER ACCESSORY TANK	2	2	2	2	2	
26	171324	. SUPPORT, LOWER ACCESSORY TANK	2	2	2	2	2	
27	171274	. REINFORCEMENT / ACCESSORY TANK SUPPORT	2	2	2	2	2	
28	070753	. REINFORCEMENT				1		M
29	130760	. STUD 2 3/4" X 1 1/4-12 BOTH END	1	1	1	1	1	
30	171032	. SUPPORT 1"-14 / SHOCK ABSORBER / 55MM	2	2	2	2	2	
31	171287	. TUBE, SUPPORT VALVE	1	1	1	1	1	
32	171270	. SUPPORT, SUSPENSION VALVE	1	1	1	1	1	
33	171147	. SUPPORT, FAST KNEELING VALVE To T-5710	1	1	1	1	1	
33	171843	. SUPPORT, FAST KNEELING VALVE From T-5711	1	1	1	1	1	
34	170147	. BEAM, FRONT VERTICAL R.H. & L.H.	2	2	2	2	2	
35	170146	. BEAM, CENTRAL R.H. & L.H.	2	2	2	2	2	
36	170493	. BEAM, REAR R.H. & L.H.	2	2	2	2	2	
37	171291	. TUBE, REINFORCEMENT / REAR R.H. & L.H.	2	2	2	2	2	
38	171290	. TUBE, REINFORCEMENT / FRONT R.H. & L.H.	2	2	2	2	2	

From L-685 To Y-7045	Date:10/2022	PAGE:XL-1897-01
FRONT SUB-FRAME / W/I BEAM RIGID SUSPENSION		

Item#	Part	Description	M T H 4 0	M T H 4 5	M T H 4 5 E	X L 4 0	X L 4 5	N O T E S
39	171294	. TUBE, REINFORCEMENT	2	2	2	2	2	
50	212375	RADIUS ROR SUPPORT ASSY	1	1	1	1	1	
50	212376	. TUBE 2 3/8 O.D. X 934MM	1	1	1	1	1	
51	212377	. SUPPORT	2	2	2	2	2	
52	212018	. PIN AXLE	2	2	2	2	2	
53	212378	REINFORCEMENT	2	2	2	2	2	
54	211802	REINFORCEMENT	2	2	2	2	2	
55	212379	REINFORCEMENT	2	2	2	2	2	
56	212380	CLOSING PLATE BAGGAGE TUBE	2	2	2	2	2	
60	XL-1893-00	BAGGAGE & A/C COMPARTMENT UNDER CONSTRUCTION						
		A) WITH FUEL PEDAL W/CABLE						
		M) WITH MANUAL TRANSMISSION						
		R) WITH CRUISE CONTROL WITH MECHANICAL ENGINE						
		S) AS SHOWN						
		P) CALL ORDER DESK FOR SPECIFIC APPLICATION (V.I.N.)						

From E-638 To P-740	Date:10/2022	PAGE:XL-1897-10
REAR SUB-FRAME		

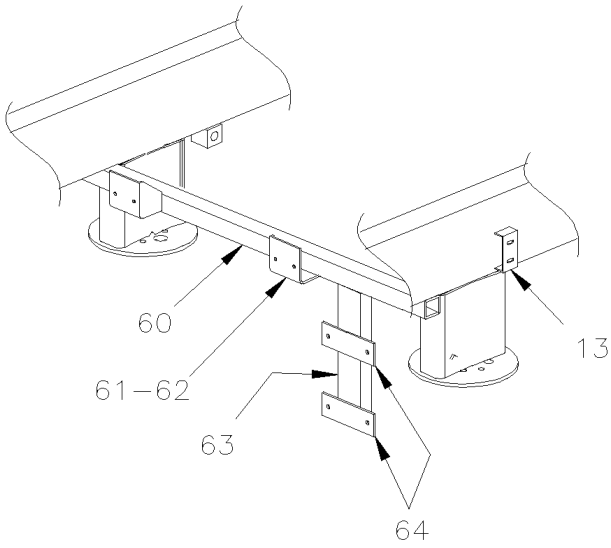


From E-638 To P-740

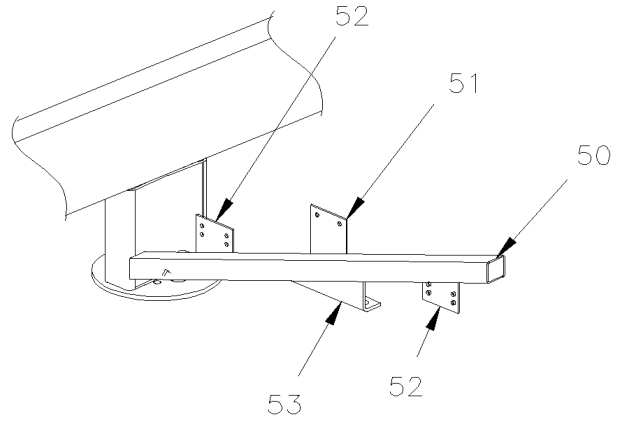
Date:10/2022

PAGE:XL-1897-10

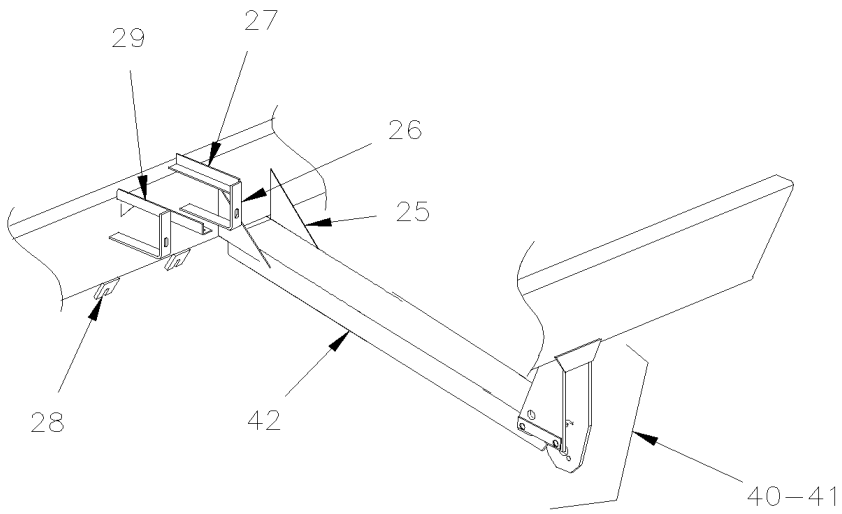
REAR SUB-FRAME



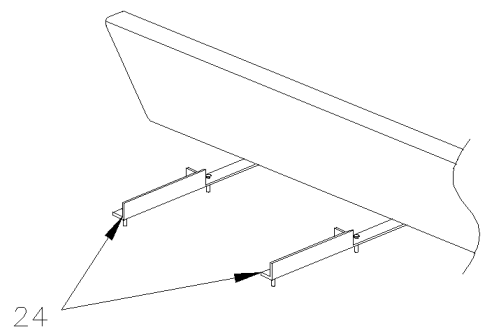
DETAIL "A"



DETAIL "B"



DETAIL "C"



DETAIL "D"

From E-638 To P-740	Date:10/2022	PAGE:XL-1897-10
REAR SUB-FRAME		

Item#	Part	Description	M T H 4 0	M T H 4 5	M T H 4 5 E	X L 4 0	X L 4 5	N O T E S
1	120524	SUPPORT ASSY / (WELDED TO STRUCTURE)	2			2		
2	170564	REINFORCEMENT, RADIUS ROD RETAINING PLATE	4			4		
3	170448	GUSSET, FLOOR TUBE REINFORCEMENT	2			2		
4	170261	TUBE 738MM	2			2		
5	120521	BRACKET / L.H. To N-542	1			1		
5	171388	BRACKET / L.H. From N-543	1			1		
5	120522	BRACKET / R.H. To N-542	1			1		
5	171387	BRACKET / R.H. From N-543	1			1		
6	130766	BRACKET L.H. & R.H. / TO FIX SHOCK ABSORBER W/FLAT PIN SHOCK To H-284	2			2		
6	Call order desk	SUPPORT From H-285 To H-417	1			1		P
6	170971	SUPPORT From H-285 To H-417	1			1		
6	131005	ATTACHMENT / SHOCK ABSORBER R.H. W/TAPER PIN SHOCK From H-418	1			1		
6	131006	ATTACHMENT / SHOCK ABSORBER L.H. W/TAPER PIN SHOCK From H-418	1			1		
7	130957	ATTACHMENT LATERAL ROD ASSY	1			1		
8	170256	REINFORCEMENT, CORNER	1			1		
9	130591	REINFORCEMENT 101MM X 152MM	2			2		
10	130944	BELLOW PLATE To N-563	6			6		
10	131356	BELLOW PLATE From N-564	6			6		
11	130800	TUBE 3" X 9" X 8"	2			2		
12	130801	TUBE 3" X 9" X 3 1/4"	2			2		
13	460210	SUPPORT / SPLASH GUARD	2			2		
14	070561	BAR PROTECTOR (HARDENED)	1			1		
15	070564	SUPPORT ASSY / TRANSMISSION PROTECTION BAR	2			2		
16	130794	ATTACHMENT / SHOCK ABSORBER W/FLAT PIN SHOCK To H-284	2			2		
16	130974	ATTACHMENT / SHOCK ABSORBER W/TAPER PIN SHOCK From H-285	2			2		
18	170262	TUBE 986MM	2			2		
19	130489	SUPPORT, L.H. / HEIGHT CONTROL VALVE	1			1		
19	130490	SUPPORT, R.H. / HEIGHT CONTROL VALVE	1			1		
20	130791	TUBE ASSY L.H. / BELLOW SUPPORT W/FLAT PIN SHOCK To H-284	1			1		
20	130792	TUBE ASSY R.H. / BELLOW SUPPORT W/FLAT PIN SHOCK To H-284	1			1		
20	130975	TUBE ASSY L.H. / BELLOW SUPPORT W/TAPER PIN SHOCK From H-285 To N-563	1					
20	130976	TUBE ASSY R.H. / BELLOW SUPPORT W/TAPER PIN SHOCK From H-285 To N-563	1					
20	171384	TUBE ASSY L.H. / BELLOW SUPPORT W/TAPER PIN SHOCK From N-564	1					
20	171383	TUBE ASSY R.H. / BELLOW SUPPORT W/TAPER PIN SHOCK From N-564	1					
21	130786	. ATTACHMENT / SHOCK ABSORBER (ROUND WELDED) W/FLAT PIN SHOCK To H-284	1			1		
21	130969	. ATTACHMENT / SHOCK ABSORBER (ROUND WELDED) W/TAPER PIN SHOCK From H-285 To P-558				1		
21	130969	. ATTACHMENT / SHOCK ABSORBER (ROUND WELDED) W/TAPER PIN SHOCK From H-285 To N-563	1					
21	171032	. SUPPORT 1"-14 / SHOCK ABSORBER / 55MM From P-559				1		
21	171032	. SUPPORT 1"-14 / SHOCK ABSORBER / 55MM From N-564	1					
23	170254	. ATTACHMENT PLATE	1			1		
24	140609	SUPPORT, AIR TANK	2			2		
25	120815	GUSSET	2			2		

From E-638 To P-740	Date:10/2022	PAGE:XL-1897-10
---------------------	--------------	-----------------

REAR SUB-FRAME

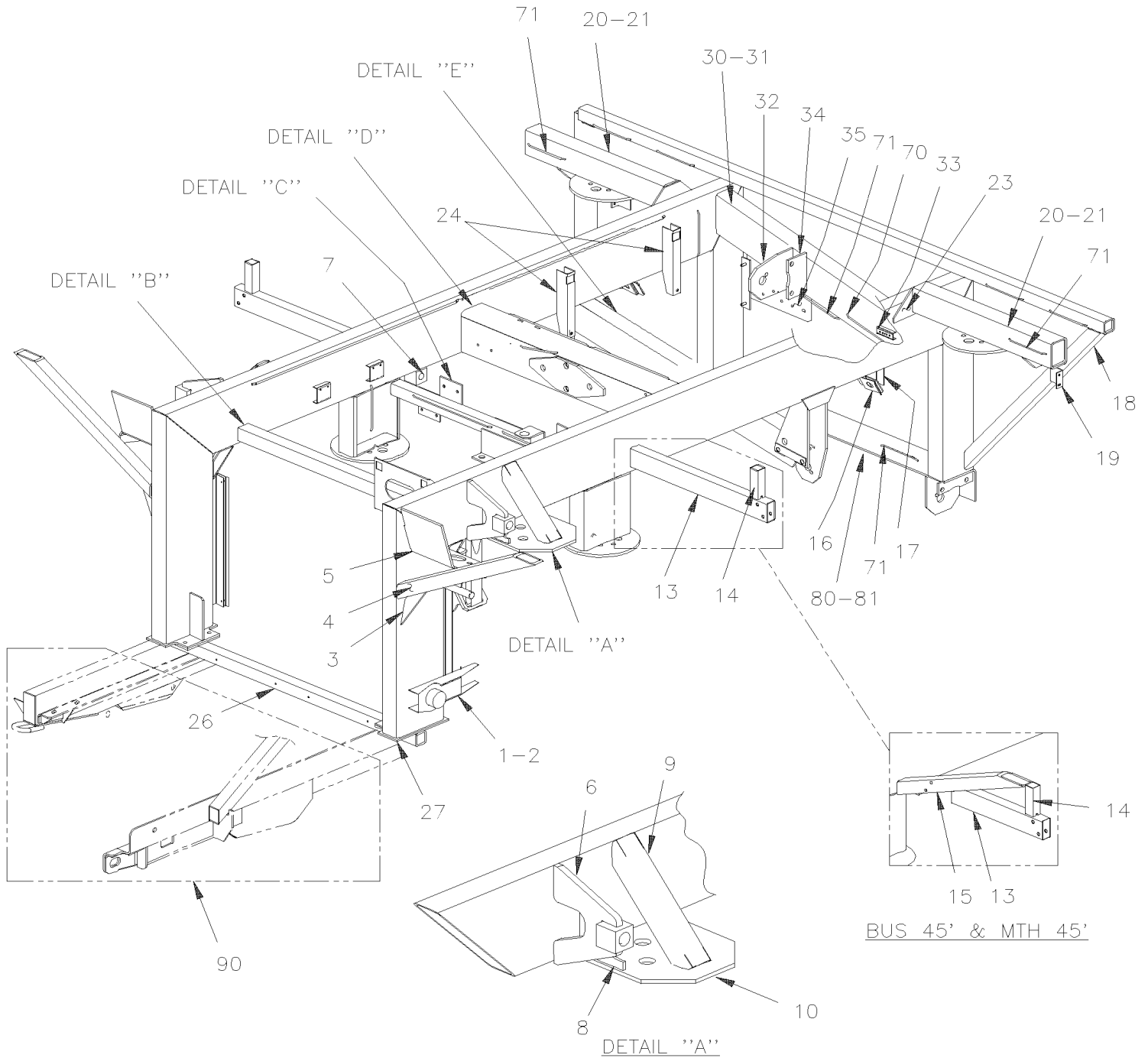
Item#	Part	Description	M T H 4 0	M T H 4 5	M T H 4 5 E	X L 4 0	X L 4 5	N O T E S
26	140972	SUPPORT, VERTICAL / AIR TANK	2			2		
27	140970	SUPPORT, UPPER / AIR TANK	1			1		
28	140971	PLATE, ANCHOR / AIR TANK	2			2		
29	070446	SUPPORT / SHIFTER ROD TRANS MANUAL				1		
30	121108	BEAM, RADIUS ROD SUPPORT To M-978	1			1		
30	121223	BEAM, RADIUS ROD SUPPORT From M-979	1			1		
31	130799	. TUBE 42 7/16"	1			1		
32	121107	ATTACHMENT PLATE STUD SIDE To M-978	1			1		
32	121224	ATTACHMENT PLATE STUD SIDE From M-979	1			1		
34	121106	ATTACHMENT PLATE BOLT SIDE To M-978	1			1		
34	121225	ATTACHMENT PLATE BOLT SIDE From M-979	1			1		
35	171461	SUPPORT From N-564	1			1		
40	120858	ATTACHMENT LATERAL ROD ASSY	1			1		
41	120548	REINFORCMENT PLATE 6 1/2" X 2 1/2"	1			1		
42	120814	TUBE 1080MM / 42 5/8"	1			1		
50	170488	TUBE 42 5/8"	1			1		
51	140337	SUPPORT, RELAY VALVE	1			1		
52	171312	SUPPORT, BULKHEAD ASSY / W/O ABS OPTION	2			2		
53	080037	SUPPORT, DRIVING SHAFT	1			1		
60	170486	TUBE 46"	1			1		
61	171313	REINFORCMENT	1			1		
62	171314	SUPPORT VALVE	1			1		
63	140447	SUPPORT, ANCHOR PLATE / AIR DRYER	1			1		
64	140448	PLATE, ANCHOR / AIR DRYER	2			2		
80	120816	REAR RADIUS ROD ATTACHMENT ANGLE ASSY	1			1		
81	XL-1610-00	REAR AXLE - INSTALL SUSPENSION						
90	XL-1894-05	REAR LH - STRUCTURE						
NS	173332	rear side frame lh 96" bus / with bellow plat	1	1	1	1	1	
NS	173333	rear side frame rh 96" bus / with bellow plat	1	1	1	1	1	
		P) CALL ORDER DESK FOR SPECIFIC APPLICATION (V.I.N.)						

From P-741 To Y-7045

Date:10/2022

PAGE:XL-1897-11

REAR SUB-FRAME

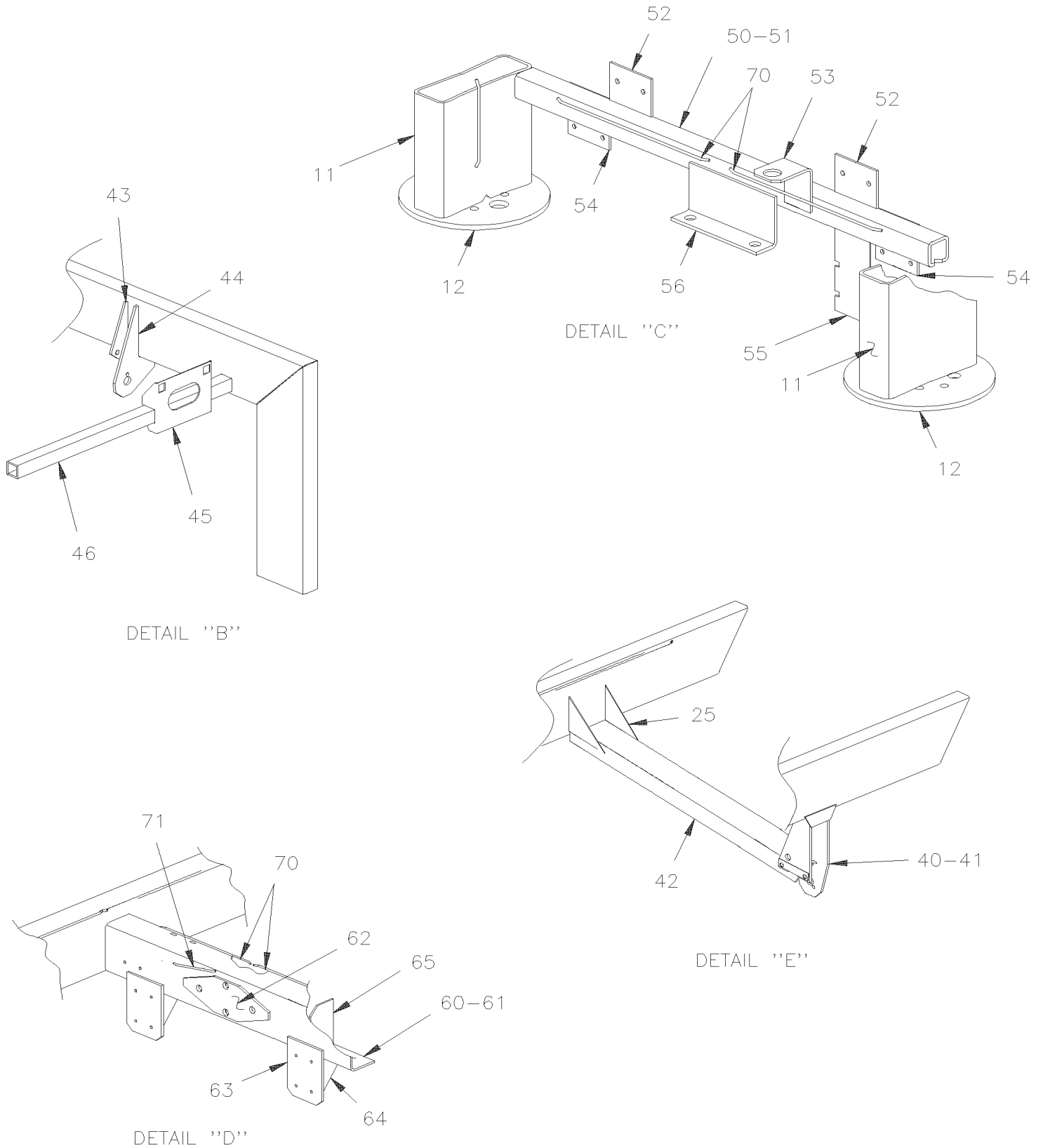


From P-741 To Y-7045

Date:10/2022

PAGE:XL-1897-11

REAR SUB-FRAME



From P-741 To Y-7045	Date:10/2022	PAGE:XL-1897-11
REAR SUB-FRAME		

Item#	Part	Description	M T H 4 0	M T H 4 5	M T H 4 5 E	X L 4 0	X L 4 5	N O T E S
1	171451	PIN ATTACHMENT / SUSPENSION ROD		2			2	
1	171049	PIN ATTACHMENT / SUSPENSION ROD From R-846	2		2			
2	171452	PLATE REINFORCEMENT L.H.		1			1	
2	171454	PLATE REINFORCEMENT R.H.		1			1	
2	171574	PLATE REINFORCEMENT From R-846	2		2			
2	171051	PLATE REINFORCEMENT From R-846	1		1			
3	170448	GUSSET, FLOOR TUBE REINFORCEMENT	2	2	2	2	2	
4	170261	TUBE 738MM	2	2	2	2	2	
5	171387	BRACKET / R.H. To R-844	1	1	1	1		
5	171728	BRACKET / R.H. From R-845 To X-6689	1	1	1	1	1	
5	Call order desk	BRACKET / R.H. From X-6690	1	1	1	1	1	P
5	171388	BRACKET / L.H. To R-844	1	1	1	1	1	
5	171727	BRACKET / L.H. From R-845 To X-6689	1	1	1	1		
5	Call order desk	BRACKET / L.H. From X-6690	1	1	1	1	1	P
6	171386	SUPPORT SHOCK ASSY To Y-7037	1	1	1	1	1	
. NS	171396	. ATTACHMENT / SHOCK ABSORBER (ROUND WELDED) W/TAPER PIN SHOCK To Y-7037	1	1	1	1	1	
6	Call order desk	SUPPORT SHOCK ASSY From Y-7038	2	2	2	2	2	P
7	171385	. SUPPORT To Y-7037	1	1	1	1	1	
7	171032	. SUPPORT 1"-14 / SHOCK ABSORBER / 55MM From Y-7038	1	1	1	1	1	
8	171392	REINFORCEMENT	4	4	4	4	4	
9	171389	REINFORCEMENT "U" 329MM	2	2	2	2	2	
10	171390	SUPPORT	2	2	2	2	2	
11	131572	SUPPORT	1	1	1	1	1	
12	131356	BELLOW PLATE	2	2	2	2	2	
13	212606	TUBE 430MM		2			2	
13	212581	TUBE 675MM	2		2			
14	212605	TUBE 111MM		2			2	
14	212580	TUBE 162MM	2		2			
15	171505	TUBE 635MM		2			2	
16	214381	SUPPORT PROTECTOR BELLOW	1	1	1	1	1	
17	172147	SUPPORT "U" / AIR TANK / 263MM	2	2	2	2	2	
18	170262	TUBE 986MM	2	2	2	2	2	
19	172428	SUPPORT VALVE HEIGHT CONTROL	2	2	2	2	2	
19	171163	SUPPORT VALVE HEIGHT CONTROL To W-6352	2	2	2	2	2	
19	172084	SUPPORT VALVE HEIGHT CONTROL From W-6353	2	2	2	2	2	
19	172117	VALVE SUPPORT PLATE 62MM X 155MM / W/BATERIES IN BAG COMPT.			2			
19	121426	SUPPORT VALVE HEIGHT CONTROL / CURBSIDE From T-5873 To W-6352	1	1	1	1	1	
20	171398	TUBE	2	2	2	2	2	
21	171032	SUPPORT 1"-14 / SHOCK ABSORBER / 55MM	2	2	2	2	2	
23	170254	ATTACHMENT PLATE	2	2	2	2	2	
24	171600	SUPPORT "U" / AIR TANK / 250MM	2	2	2	2	2	
25	120815	GUSSET	2	2	2	2	2	

From P-741 To Y-7045	Date:10/2022	PAGE:XL-1897-11
----------------------	--------------	-----------------

REAR SUB-FRAME

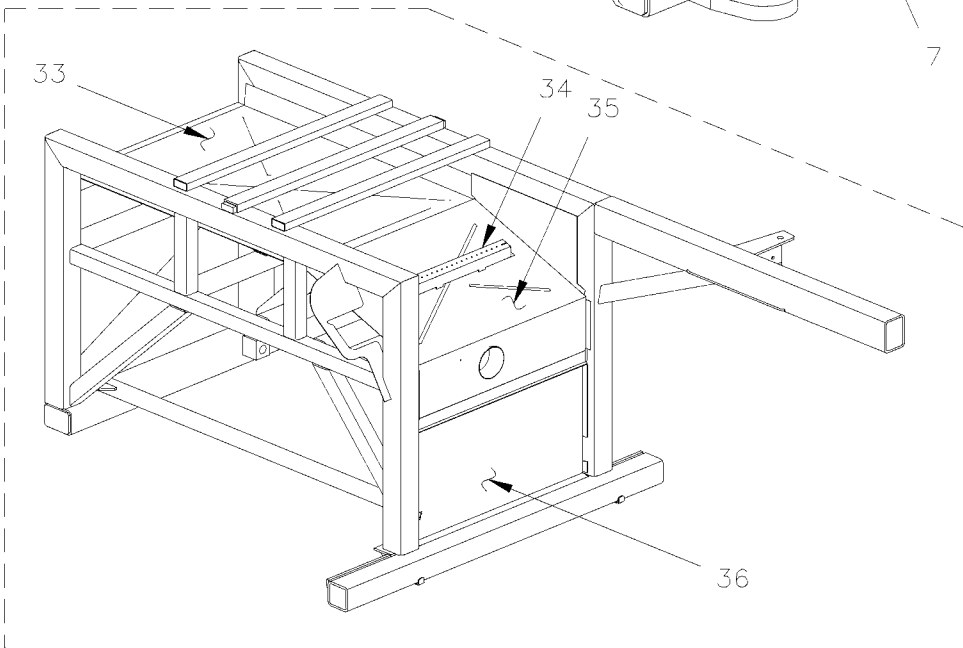
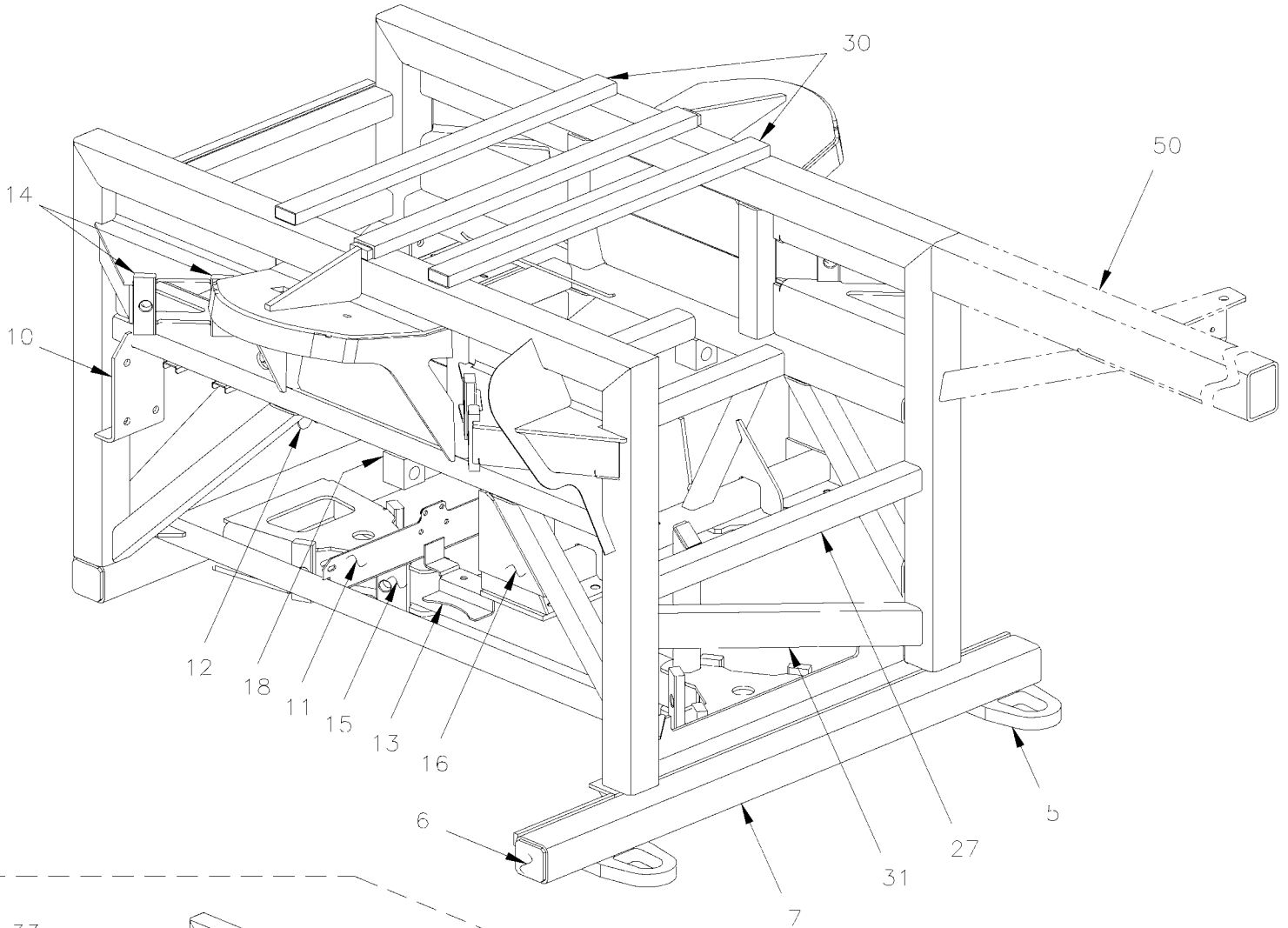
Item#	Part	Description	M T H 4 0	M T H 4 5	M T H 4 5 E	X L 4 0	X L 4 5	N O T E S
		I) WITH INDEPENDANT SUSPENSION						
		R) WITH RIGID SUSPENSION						
		1) NOT SOLD SEPARATELY						
		P) CALL ORDER DESK FOR SPECIFIC APPLICATION (V.I.N.)						

From T-5873 To Y-7045

Date:10/2022

PAGE:XL-1897-50

FRONT SUB-FRAME / W/INDEPENDENT SUSPENSION - 16500 LBS

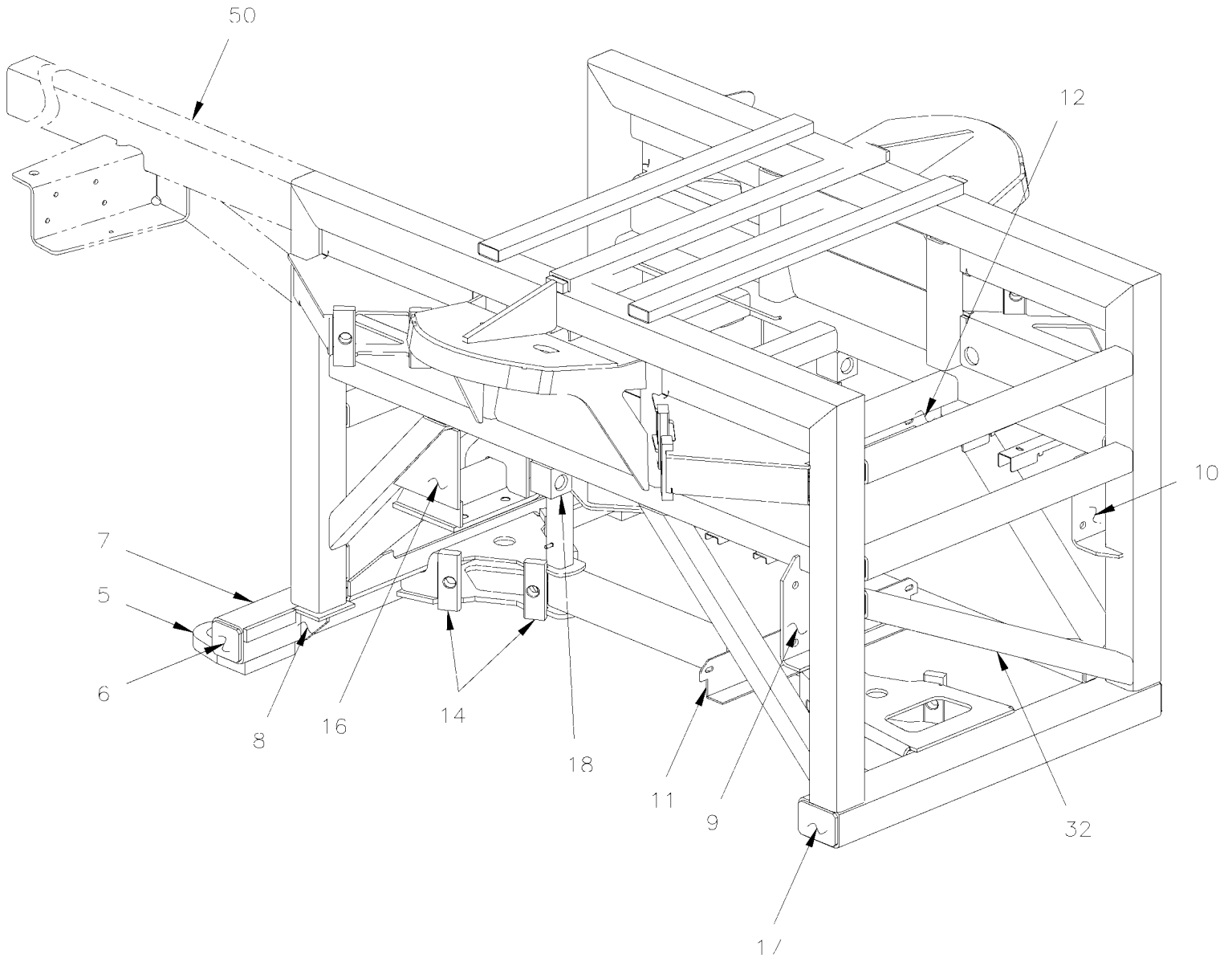


From T-5873 To Y-7045

Date:10/2022

PAGE:XL-1897-50

FRONT SUB-FRAME / W/INDEPENDENT SUSPENSION - 16500 LBS



From T-5873 To Y-7045	Date:10/2022	PAGE:XL-1897-50
FRONT SUB-FRAME / W/INDEPENDENT SUSPENSION - 16500 LBS		

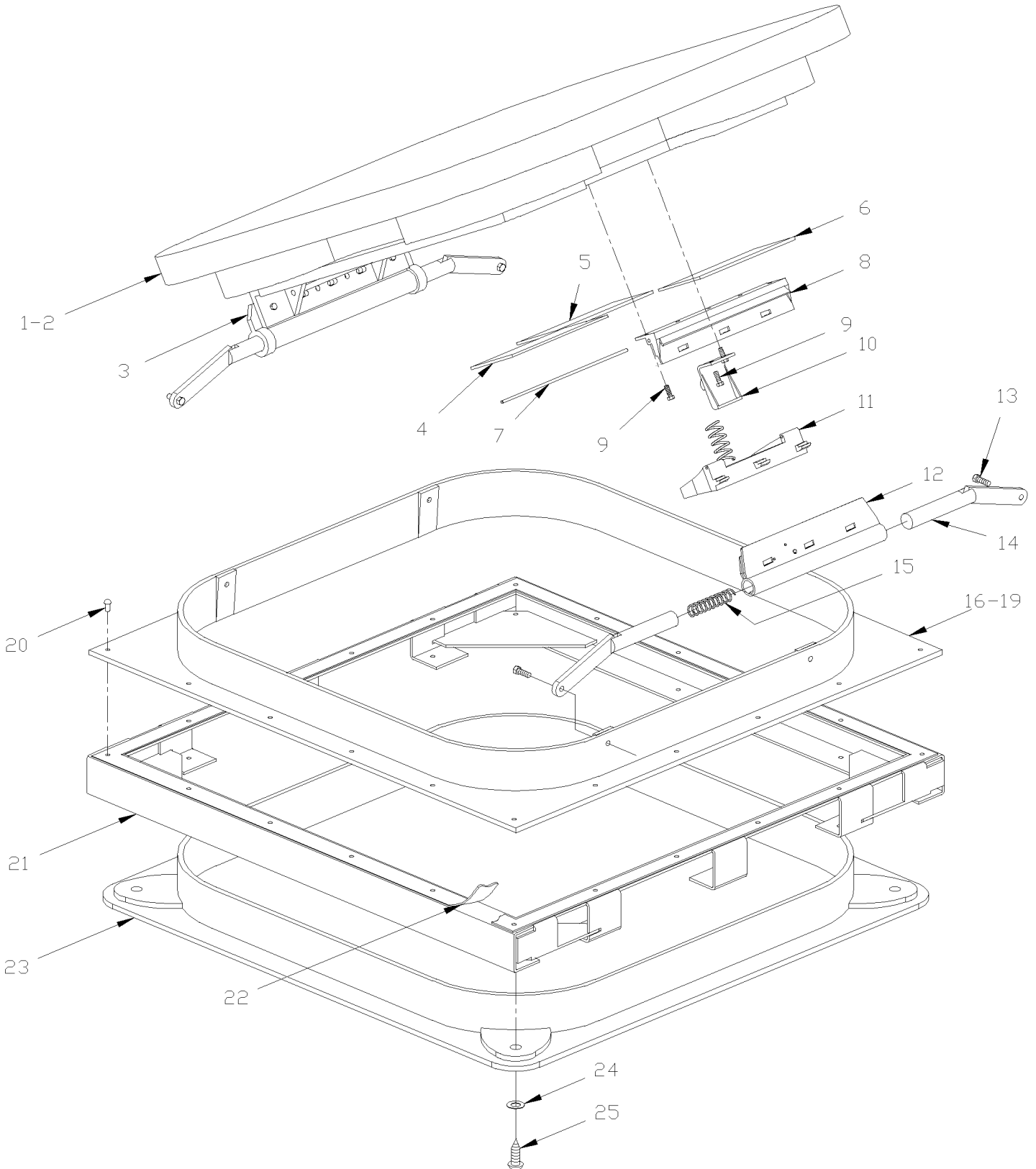
Item#	Part	Description	M T H 4 0	M T H 4 5	M T H 4 5 E	X L 4 0	X L 4 5	N O T E S
	172301P	FRONT SUB-FRAME ASSY / XL-II MTH W/IND 16500	1	1	1			M
5	171991	. ATTACHMENT / TOWING	2	2	2		2	
6	220944	. CLOSING PLATE 67MM X 67MM	2	2	2		2	
7	172082	. TUBE 1095MM	1	1	1		1	
8	171709	. REINFORCEMENT	2	2	2		2	
9	171908	. ATTACHMENT SWAY BAR STREETSIDE	1	1	1		1	
10	171718	. ATTACHMENT SWAY BAR CURBSIDE	1	1	1		1	
11	171942	. SUPPORT AIR TANK / LOWER	1	1	1		1	
12	171815	. SUPPORT AIR TANK / UPPER	1	1	1		1	
13	172193	. SUPPORT AIR TANK / LOWER	1	1	1		1	
14	171789	. ATTACHMENT 38MM WIDE	14	14	14		14	
15	171710	. ATTACHMENT 57MM WIDE	2	2	2		2	
16	171856	. REINFORCEMENT	2	2	2		2	
17	171888	. CLOSING PLATE 67MM X 92MM	2	2	2		2	
18	110627	. ATTACHMENT PIN 1"-14 / SHOCK ABSORBER / 50.8MM LONG	2	2	2		2	
27	171712	. TUBE 661MM	5	5	5		5	
30	171886	. TUBE 785MM	2	2	2		2	
30	172410	. U-BEAM 1" X 2" X 788MM	1	1	1		1	
31	172432	. TUBE 721MM	1	1	1		1	
32	171713	. TUBE 779MM	1	1	1		1	
33	212774	. PANEL CENTRAL BACKWARD	1	1	1		1	
34	172235	. SUPPORT PIPE & HARNESS	1	1	1		1	
35	172305	PANEL CENTRAL FORWARD	1	1	1		1	
36	214762	PANEL CENTRAL FRONT LOWER / W/SPARE TIRE					1	
36	212773	PANEL CENTRAL FRONT LOWER	1	1	1			
36	213208	CLOSING PANEL REAR TIRE	1	1	1			M
50	XL-1895-50	FRONT FLOOR STRUCTURE						
XL-28	172522P	FRONT SUB-FRAME ASSY / XL-II BUS W/IND 16500					1	
		M) WITH "MARATHON" CONVERTER'S						

From E-638 To Y-7045

Date:10/2022

PAGE:XL-1898-00

ESCAPE HATCH - INSTALLATION



From E-638 To Y-7045	Date:10/2022	PAGE:XL-1898-00
ESCAPE HATCH - INSTALLATION		

Item#	Part	Description	M T H 4 0	M T H 4 5	M T H 4 5 E	X L 4 0	X L 4 5	N O T E S
1	950040	HATCH ASSY / 19" X 21" BEIGE To F-878	1			1		
1	950059	HATCH ASSY / 23" X 23" BEIGE From F-879 To H-284	1			1		
1	950091	HATCH ASSY / 23" X 23" GREY From H-285 To P-729	1	1	1	1		
1	950209	HATCH ASSY / 23" X 23" GREY From P-730 To W-6346	1	1	1	1	1	
1	950291	HATCH ASSY / 23" X 23" GREY From W-6347	1	1	1	1	1	B
2	950069	. SEAL, GASKET KIT	1	1	1	1	1	
3	N.S.S.	. HINGE	1	1	1	1	1	1
4	291263	. DECAL / "EMERGENCY..." / ENGLISH & FRANCAIS	1	1	1	1	1	
5	403696	. DECAL / BRAILLE / EMERGENCY EXIT ONLY / ENGLISH & FRANCAIS	1	1	1	1	1	
5	403651	. DECAL, "EMERGEGENCY... JAPAN"	1	1	1	1	1	
5	291265	. DECAL, "INSTRUCTION... FRENCH..."	1	1	1	1	1	
6	291264	. DECAL, "SORTIE D'URGENCE..."	1	1	1	1	1	
7	950046	. DECAL "EMERGENCY..."	1	1	1	1	1	
8	790238	. BASE, RELEASE / BEIGE To H-284	1			1		
8	790373	. BASE, RELEASE / GREY From H-285	1	1	1	1	1	
9	N.S.P.	. SCREW	AR	AR	AR	AR	AR	2
10	790236	. TAB, BLACK	1	1	1	1	1	
11	790237	. HANDLE, RELEASE W/SPRING / BEIGE To H-284	1			1		
11	790371	. HANDLE, RELEASE W/SPRING / GREY From H-285	1	1	1	1	1	
12	790239	. HINGE, RELEASE / WHITE To H-284	1			1		
12	790375	. HINGE, RELEASE / GREY From H-285	1	1	1	1	1	
13	790372	. SCREW SHR HEXS 7/16x3/16 {5/16-18	4	4	4	4	4	
14	790436	. LINK & LEVER ASSY	4	4	4	4	4	
15	790435	. SPRING COMPRESSION / .549 O.D. x 2.590 To W-6346	4	4	4	4	4	
15	790449	. SPRING COMPRESSION / .549 O.D. x 2.590 x .078 From W-6347	4	4	4	4	4	
16	950205	. FRAME ASSY, EXTERIOR FIBERGLASS / 23" X 23" GREY From N-491	1	1	1	1	1	
NS	680532	SEALANT SIKA #221 / GREY / 310ml CARTRIDGE	1	1	1	1	1	
19	291258	FRAME ASSY, EXTERIOR FIBERGLASS / 19" X 21" To F-878	1			1		
19	291223	. FRAME, FIBERGLASS To F-878	1			1		
19	291256	. GASKET RUBBER To F-878	1			1		
19	509562	. WEATHERSEAL SNAP-ON 1/8" / SINGLE LIP / WH / C.T.L. To F-878	AR			AR		
19	291885	FRAME ASSY, EXTERIOR FIBERGLASS / 23" X 23" From F-879 To N-490	1			1		
20	504546	RIVET CHY MONOLOK PRDG 1/4x5/8 ZP	AR	AR	AR	AR	AR	
21	291253	FRAME ASSY, MOUNTING 19" X 21" To F-878	1			1		
21	291595	FRAME ASSY, MOUNTING 23" X 23" From F-879 To P-603	1	1	1	1		
21	292398	FRAME ASSY, MOUNTING 23" X 23" From P-604	1	1	1	1	1	
22	680093	SEALANT TAPE BUTYL / GREY / 1/16"x1 1/2"x50' /71079B11760	AR	AR	AR	AR	AR	
23	291222	MOULDING, INTERIOR 19" X 21" BEIGE To F-878	1			1		
23	291536	MOULDING, INTERIOR 23" X 23" BEIGE From F-879 To H-284	1			1		
23	291594	MOULDING, INTERIOR 23" X 23" BLACK From F-921 To J-568				1		A
23	291720	MOULDING, INTERIOR 23" X 23" GREY From H-285	1	1	1	1	1	
24	504399	WASHER RETAINER SNAP CAP #10	4	4	4	4	4	

From E-638 To Y-7045	Date:10/2022	PAGE:XL-1898-00
ESCAPE HATCH - INSTALLATION		

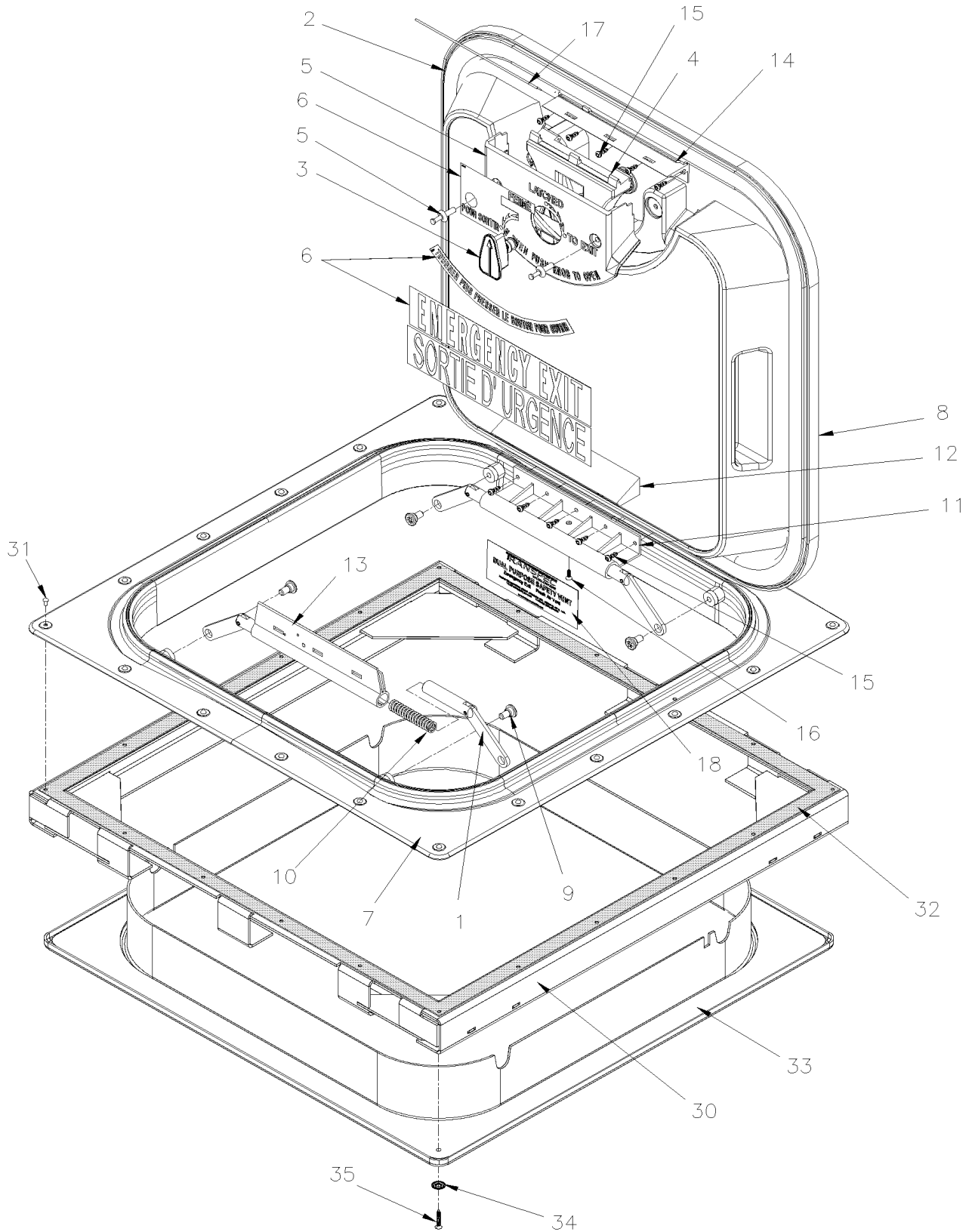
Item#	Part	Description	M T H 4 0	M T H 4 5	M T H 4 5 E	X L 4 0	X L 4 5	N O T E S
25	500641	SCREW TP PAN PH #8x3/4 Z050	4	4	4	4	4	
NS	504400	SNAP CAP #10 FINISHING BLACK	4	4	4	4	4	
		A) WITH "ASTRAL"						
		B) A WITH "ASTRAL" B THIS HATCH INCLUDE ITEM #16						
		1) NOT SOLD SEPARATELY						
		2) NOT SOLD BY PREVOST (SEE MANUFACTURING PART NUMBER AT END OF DESCRIPTION LINE)						

From E-638 To Y-7045

Date:10/2022

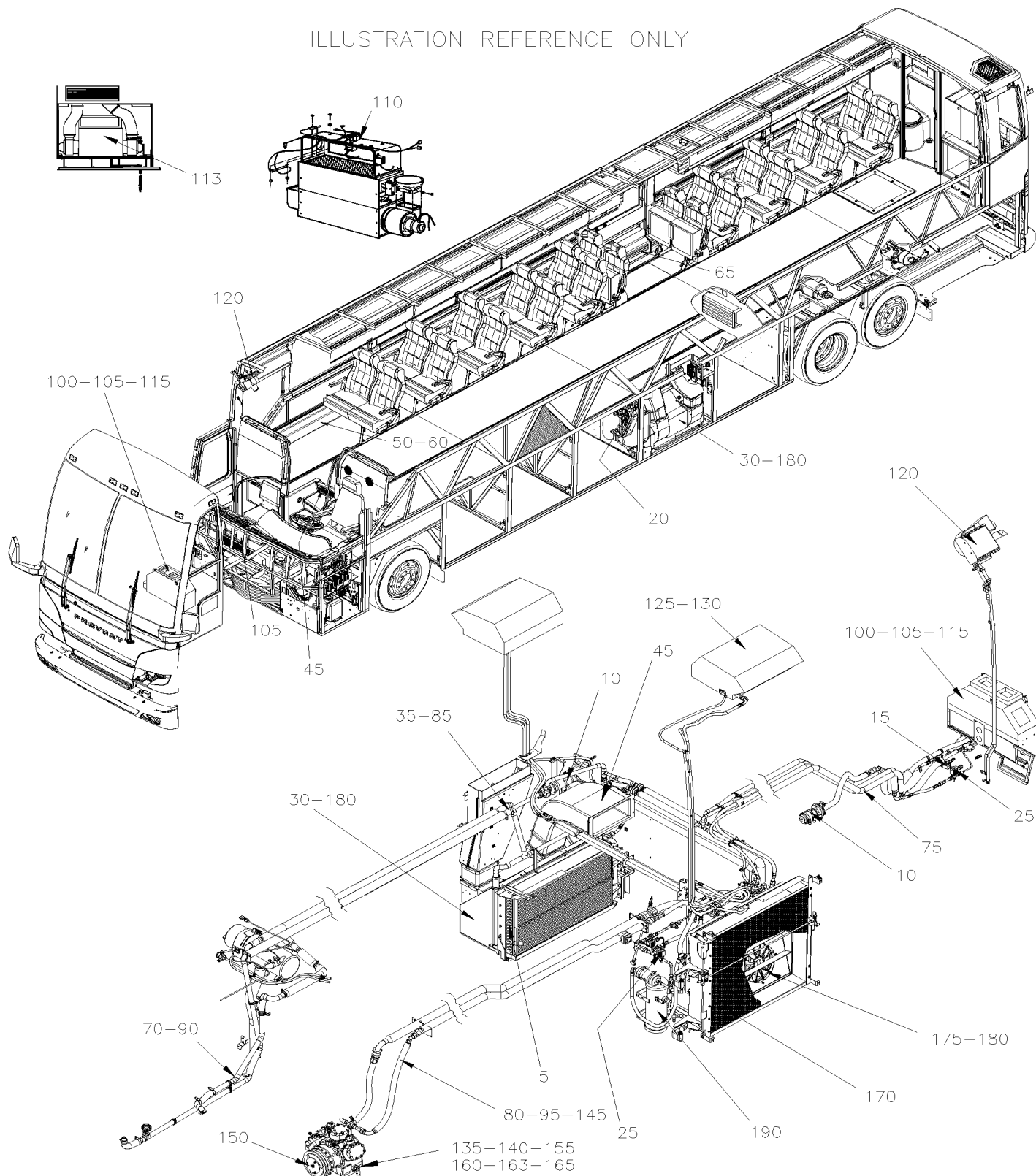
PAGE:XL-1898-99

ESCAPE HATCH - INSTALLATION / SERVICE



	Date:10/2022	XL-22
HEATING & AIR CONDITIONING		

ILLUSTRATION REFERENCE ONLY



		Date:10/2022	XL-22					
HEATING & AIR CONDITIONING								
Item#	Part	Description	M T H 4 0	M T H 4 5	M T H 4 5 E	X L 4 0	X L 4 5	N O T E S
5	XL-2205-00	HEATER & EVAPORATOR COIL - INSTALLATION From E-638 To Y-7045						
10	XL-2206-00	WATER PUMP #870871 From E-638 To S-475						
10	XL-2206-01	WATER PUMP #871032 From P-722 To Y-7045						
10	XL-2206-02	WATER PUMP #871052 & #871204 From S-476 To Y-7045						
10	XL-2206-99	WATER PUMP #871342 SEALLESS / SERVICE From E-638 To Y-7045						
15	XL-2207-00	WATER VALVE - W/MAIN HEATER & A/C From E-638 To Y-7045						
15	XL-2207-11	WATER VALVE - DRIVER'S From E-638 To Y-7045						
15	XL-2207-20	WATER VALVE - BYPASS W/WATER HEATER From S-476 To Y-7045						
20	XL-2208-00	A/C EXPANSION VALVE From E-638 To Y-7045						
25	XL-2208-10	REFRIGERANT SOLENOID VALVE From E-638 To Y-7045						
30	XL-2210-00	HEATER & EVAPORATOR BLOWER - INSTALLATION From E-638 To Y-7045						
35	XL-2210-10	WATER PUMP & FILTER - INSTALLATION From E-638 To Y-7045						
45	XL-2220-00	UNDER FLOOR AIR DUCTING From E-638 To Y-7045						
50	XL-2221-10	DUCTING HEATER & A/C From E-775 To Y-7045						
60	XL-2221-50	ENTRANCE STEP DE-ICER From H-285 To Y-7045						
70	XL-2222-01	HEATER LINE REAR SECTION - BUS From R-846 To Y-7045						
75	XL-2222-11	A/C LINE & PIPING - CENTRAL A/C SYSTEM - WITH DETROIT S-60 From R-934 To Y-7045						
80	XL-2222-15	A/C LINE REAR SECTION W/05G From E-638 To Y-7045						
85	XL-2222-20	LINE & PIPING / SMALL HEATING SYSTEM From E-638 To R-843						
85	XL-2222-21	HEATER LINE & PIPING - CENTRAL SYSTEM - WITH DETROIT S-60 From P-722 To Y-7045						
85	XL-2222-22	LINE & PIPING / SMALL HEATING SYSTEM - WITH DETROIT S-60 From P-722 To Y-7045						
90	XL-2222-30	HEATER LINE REAR SECTION - MTH From P-646 To Y-7045						
95	XL-2222-51	SMALL A/C LINES & HOSES - R-12/R134A WITH DETROIT S-92 From E-638 To R-933						
95	XL-2222-52	SMALL A/C LINES & HOSES WITH DETROIT S-60 From R-823 To Y-7045						
100	XL-2225-00	DRIVER'S HEATER & DEFROSTER ASSY From E-638 To F-827						
100	XL-2225-01	DRIVER'S HEATER & DEFROSTER ASSY From F-828 To G-118						
100	XL-2225-02	DRIVER'S HEATER & DEFROSTER ASSY From G-119 To M-888						
100	XL-2225-03	DRIVER'S HEATER & DEFROSTER ASSY From M-916 To Y-7045						
105	XL-2230-00	DEFROSTER - INSTALLATION From E-638 To F-827						
105	XL-2230-01	DEFROSTER - INSTALLATION From F-828 To Y-7045						
110	XL-2230-10	A/C AUXILIARY UNIT ASSY From J-479 To Y-7045						
113	XL-2235-00	REAR AUXILLIARY A/C SYSTEM - INSTALLATION From J-479 To Y-7045						
115	XL-2240-00	BLOWER & MOTOR ASSY - "AURORA" From F-828 To R-799						
115	870844	BLOWER & MOTOR ASSY - "M.C.C." "CW" / FAN END From R-800 To Y-7045						
135	XL-2245-00	A/C COMPRESSOR 05G - INSTALLATION - WITH DETROIT S-71 & S-92 From E-638 To R-933						
135	XL-2245-01	A/C COMPRESSOR 05G - INSTALLATION - WITH DETROIT S-60 From P-722 To Y-7045						
140	XL-2245-10	A/C COMPRESSOR SMALL - INSTALLATION WITH DETROIT S-71 & S-92 From E-638 To R-843						
140	XL-2245-11	A/C COMPRESSOR SMALL - INSTALLATION WITH DETROIT S-60 From P-722 To R-822						A
140	XL-2245-12	A/C COMPRESSOR SMALL - INSTALLATION WITH DETROIT S-60 From R-823 To Y-7045						
145	XL-2245-50	A/C AUXILIARY LINE & PIPING From J-479 To Y-7045						
150	XL-2246-00	A/C CLUTCH 05G - SHAFT MOUNTED From E-638 To H-370						
150	XL-2246-01	A/C CLUTCH 05G - HOUSING MOUNTED From H-371 To Y-7045						

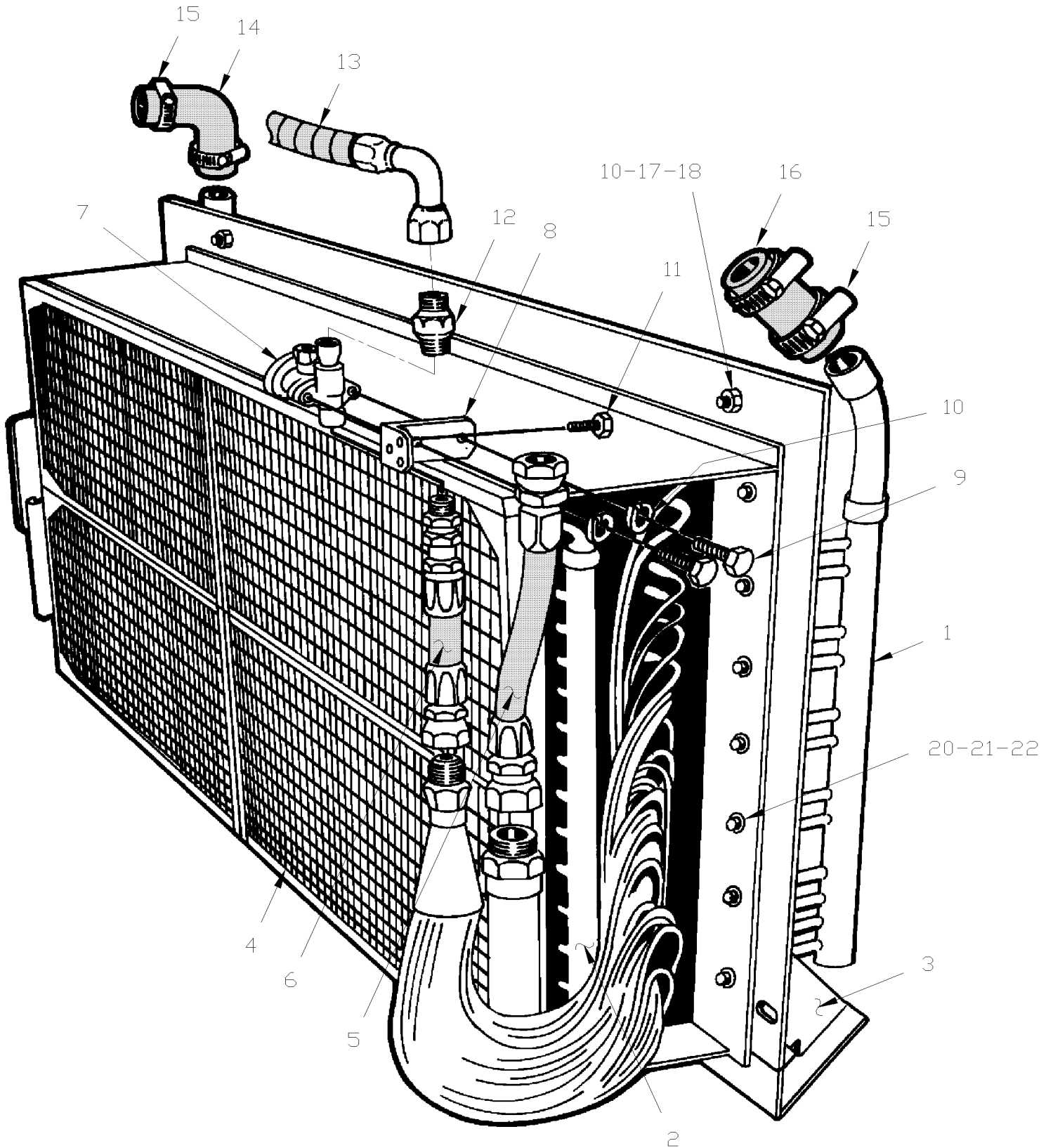
		Date:10/2022	XL-22					
HEATING & AIR CONDITIONING								
Item#	Part	Description	M T H 4 0	M T H 4 5	M T H 4 5 E	X L 4 0	X L 4 5	N O T E S
155	XL-2250-00	A/C COMPRESSOR ASSY 05G - THREE PORT From E-638 To Y-7045						
155	XL-2250-01	A/C COMPRESSOR ASSY 05G - TWIN PORT / SERVICE From E-638 To Y-7045						
160	XL-2250-15	A/C ELECTRIC UNLOADER - W/05G COMPRESSOR From E-638 To Y-7045						
163	XL-2250-50	A/C CROMPRESSOR "TECHUMSEH" From E-638 To Y-7045						
165	XL-2251-00	GASKET - 05G A/C COMPRESSOR From E-638 To Y-7045						
170	XL-2255-00	CONDENSOR - INSTALLATION From E-638 To Y-7045						
170	XL-2255-01	CONDENSOR - INSTALLATION From S-570 To Y-7045						
170	XL-2255-10	CONDENSOR - INSTALLATION - AUXILIARY A/C From J-479 To R-860						
170	XL-2255-50	CONDENSOR - INSTALLATION SMALL A/C SYSTEM DETROIT S-71 & S-92 From E-638 To R-843						
170	XL-2255-51	CONDENSOR - INSTALLATION SMALL A/C SYSTEM DETROIT S-60 From P-722 To Y-7045						
175	XL-2260-00	CONDENSOR FAN - INSTALLATION W/1 MOTORS From E-638 To Y-7045						
175	XL-2260-01	CONDENSOR FAN - INSTALLATION W/4 MOTORS From S-570 To T-5884						
175	XL-2260-05	CONDENSOR FAN - INSTALLATION From V-6258 To Y-7045						
175	XL-2260-99	CONDENSOR 4 FANS - INSTALLATION "RETROFIT" From E-638 To Y-7045						
180	XL-2265-00	MOTOR - EVAPORATOR & CONDENSOR - "BALDOR" From E-638 To E-729						
180	XL-2265-01	MOTOR - EVAPORATOR & CONDENSOR - "PREVOST" - T-19 From E-730 To T-5953						
180	XL-2265-02	MOTOR - EVAPORATOR & CONDENSOR - "PREVOST" - T-17 From T-5954 To Y-7045						
180	XL-2265-19	MOTOR - EVAPORATOR & CONDENSOR - "BRUSHLESS" / SERVICE From E-638 To Y-7045						
180	XL-2265-50	MOTOR - CONDENSOR - "PREVOST" - TF-12 From V-6258 To Y-7045						
180	XL-2265-97	MOTOR - CONDENSOR "BRUSHLESS" / SERVICE From V-6258 To Y-7045						
180	XL-2265-98	MOTOR - CONDENSOR - "PREVOST" - T114 / SERVICE From V-6258 To Y-7045						
180	XL-2265-99	MOTOR - CONDENSOR - "PREVOST" - T11G / SERVICE From V-6258 To Y-7045						
190	XL-2270-00	RECEIVER TANK & FILTER DRYER WITH R-12 From E-638 To R-933						
190	XL-2270-01	RECEIVER TANK & FILTER DRYER WITH R-134A From R-934 To Y-7045						
190	XL-2270-02	RECEIVER TANK & FILTER DRYER WITH R-134A From R-934 To Y-7045						
		A) OBSELET REPLACE SEE PAGE XL-2245-12						

From E-638 To Y-7045

Date:10/2022

PAGE:XL-2205-00

HEATER & EVAPORATOR COIL - INSTALLATION



From E-638 To Y-7045	Date:10/2022	PAGE:XL-2205-00
----------------------	--------------	-----------------

HEATER & EVAPORATOR COIL - INSTALLATION

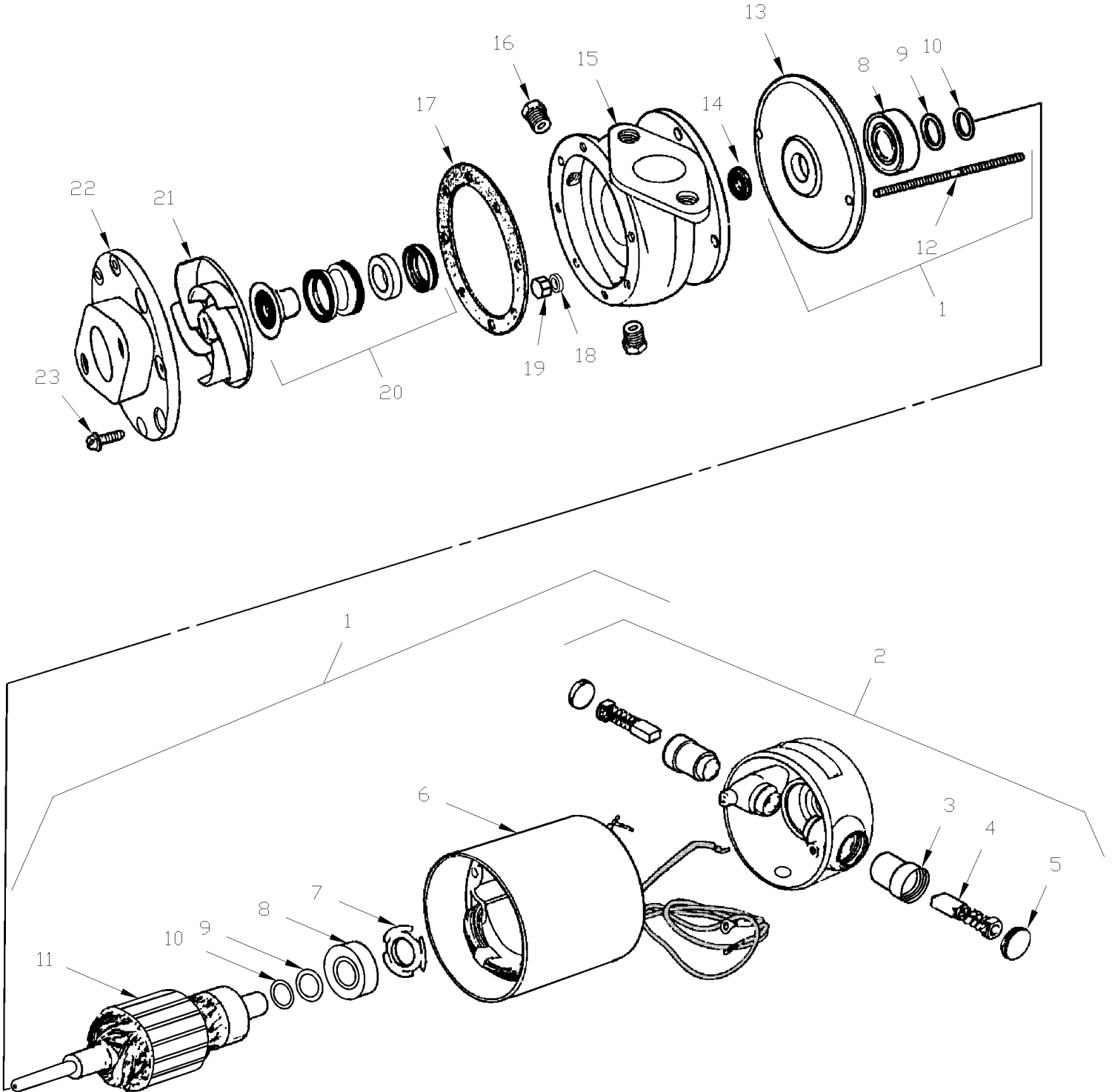
Item#	Part	Description	M T H 4 0	M T H 4 5	M T H 4 5 E	X L 4 0	X L 4 5	N O T E S
		A) TUBE & HEATER COIL						
		C) FROM R-934 FOR BUS & R-960 FOR MTH. AND USE TOO WITH CONVERTING A/C SYSTEM KIT FROM R12 FOR R134A SEE INSTRUCTION SHEET IS-94087, IS-94088 AND IS-94089						
		E) ON PARCEL RACK WITH S-490 ONLY						

From E-638 To S-475

Date:10/2022

PAGE:XL-2206-00

WATER PUMP #870871



From E-638 To S-475	Date:10/2022	PAGE:XL-2206-00
WATER PUMP #870871		

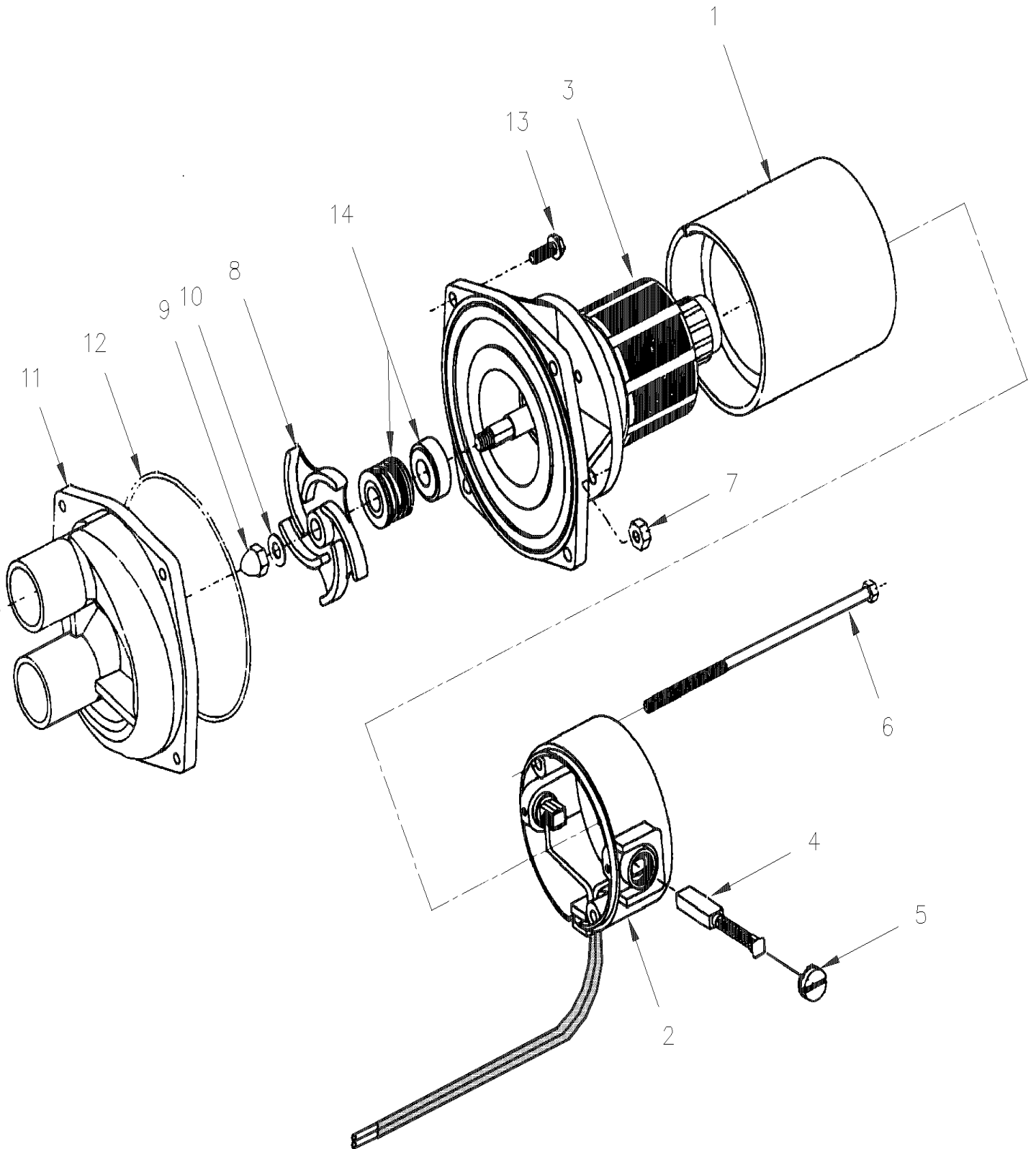
Item#	Part	Description	M T H 4 0	M T H 4 5	M T H 4 5 E	X L 4 0	X L 4 5	N O T E S
	870871	WATER PUMP ASSY / 24V / (22023)	1	1	1	1		R
1	870467	. MOTOR ASSY / 24V	1	1	1	1		
2	N.S.P.	. . HEAD ASSY (#22948)	1	1	1	1		2
3	N.S.P.	. . . BRUSH HOLDER (#2909)	2	2	2	2		2
4	870438	. . . BRUSH	2	2	2	2		
5	560727	. . . CAP BRUSH 7/8" (FORMER)	2			2		
5	870889	. . . CAP BRUSH 3/4" (CURRENT)	2	2	2	2		
6	N.S.P.	. . STATER ASSY (#25888)	1	1	1	1		2
7	560732	. . WASHER THRUST	1	1	1	1		
8	560731	. . BEARING	2	2	2	2		
9	560733	. . SPACER	2	2	2	2		
10	N.S.S.	. . RING SNAP	2	2	2	2		1
11	N.S.P.	. . ARMATURE ASSY (#26036)	1	1	1	1		2
12	N.S.P.	. . STUD CASE #10-32 (#21608)	2	2	2	2		2
13	N.S.P.	. . COVER (#21607)	1	1	1	1		2
14	870440	. SLINGER	1	1	1	1		
15	N.S.P.	. CARRIER / PUMP (#21586)	1	1	1	1		2
16	501303	. PLUG SQUARE HEAD / PIPE FITTING / 1/8NPT-M BR	2	2	2	2		
17	870439	. GASKET / CARRIER	1	1	1	1		
18	500470	. WASHER LO SPT .193x.334x.047 Z050	2	2	2	2		
19	500700	. NUT HEX #10-32 Z050	2	2	2	2		
20	870437	. KIT SEAL	1	1	1	1		
21	870436	. IMPELLER	1	1	1	1		
22	N.S.P.	. FLANGE ADAPTOR (#21634)	1	1	1	1		2
23	N.S.P.	. SCREW #8-32 X 1/2 / BRASS	8	8	8	8		2
NS	561566	CONNECTOR / WEATHER PACK / PH 2C / BLACK / PED 12010973	1	1	1	1		
NS	561568	PIN TERMINAL / 16-14 / PED 12089305	2	2	2	2		
NS	561786	CABLE SEAL / GRAY / PED 15324980	2	2	2	2		
NS	870441	GASKET PUMP INLET & OUTLET	2	2	2	2		
		R) THOSE PUMP MAY BE SUPPERSEDED BY KIT #374027 WITH "SEALLESS PUMP" SEE PAGE XL-2206-99						
		1) NOT SOLD SEPARATELY						
		2) NOT SOLD BY PREVOST (SEE MANUFACTURING PART NUMBER AT END OF DESCRIPTION LINE)						

From P-722 To Y-7045

Date:10/2022

PAGE:XL-2206-01

WATER PUMP #871032



From P-722 To Y-7045	Date:10/2022	PAGE:XL-2206-01
WATER PUMP #871032		

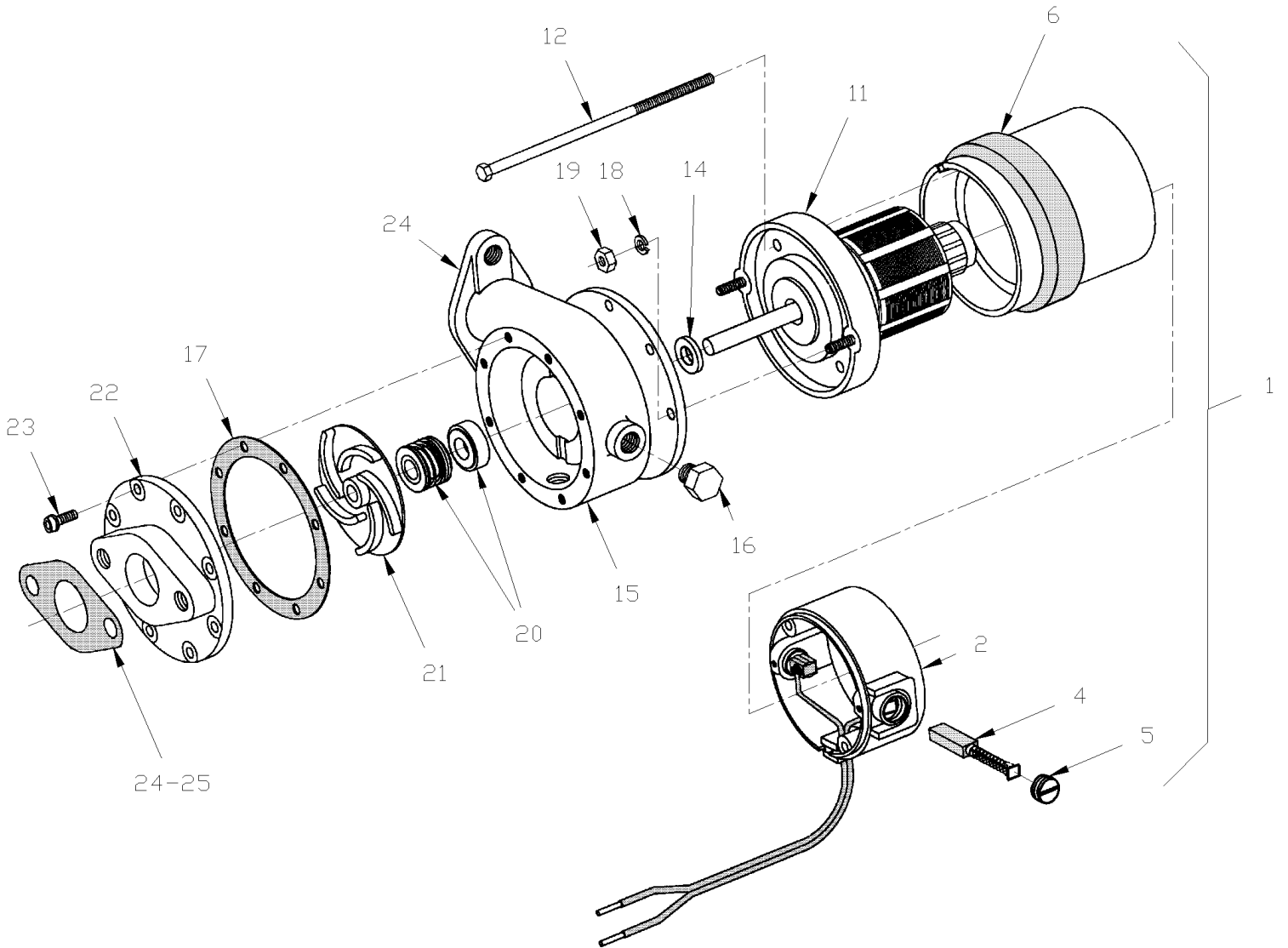
Item#	Part	Description	M T H 4 0	M T H 4 5	M T H 4 5 E	X L 4 0	X L 4 5	N O T E S
	064174	PUMP WATER ASSY WITH CONNECTOR	1	1	1			
	561566	. CONNECTOR / WEATHER PACK / PH 2C / BLACK / PED 12010973	1	1	1			
	561568	. PIN TERMINAL / 16-14 / PED 12089305	1	1	1			
	561786	. CABLE SEAL / GRAY / PED 15324980	2	2	2			
	871032	. WATER PUMP ASSY / 24V / (29232)	1	1	1			
1	N.S.P.	. . STATOR ASSY (28840)	1	1	1			2
2	N.S.P.	. . HEAD ASSY (28836)	1	1	1			2
2	N.S.S.	. . BRUSH HOLDER	2	2	2			1
3	N.S.P.	. . ARMATURE ADAPTOR ASSY (28839)	1	1	1			2
3	N.S.S.	. . . BEARING	2	2	2			1
4	871062	. . BRUSH	2	2	2			
5	871063	. . CAP BRUSH	2	2	2			
6	N.S.P.	. . STUD CASE #10-32 X 5"	2	2	2			2
NS	500470	. . WASHER LO SPT .193x.334x.047 Z050	2	2	2			
7	500700	. . NUT HEX #10-32 Z050	2	2	2			
8	871066	. IMPELLER	1	1	1			
10	871068	. GASKET PUMP	2	2	2			
11	871047	. COVER	1	1	1			
12	871065	. O-RING	1	1	1			
13	N.S.P.	. SCREW #8-32 X 1/2 / BRASS	8	8	8			2
14	871064	. KIT SEAL	1	1	1			
14	N.S.P.	. MOTOR ASSY / (28748)	1	1	1			2
NS	482045	SUPPORT WATER PUMP To V-6257	1	1	1			
15	482616	SUPPORT WATER PUMP From V-6258	1	1	1			
		1) NOT SOLD SEPARATELY						
		2) NOT SOLD BY PREVOST (SEE MANUFACTURING PART NUMBER AT END OF DESCRIPTION LINE)						

From S-476 To Y-7045

Date:10/2022

PAGE:XL-2206-02

WATER PUMP #871052 & #871204



From S-476 To Y-7045		Date:10/2022	PAGE:XL-2206-02
WATER PUMP #871052 & #871204			

Item#	Part	Description	M T H 4 0	M T H 4 5	M T H 4 5 E	X L 4 0	X L 4 5	N O T E S
	372536	PUMP WATER ASSY W/CONNECTORS, RUBBER ADH &	1	1	1			A R
NS	504026	. HOSE CLAMP / 2"13/16-3"3/4 SS / HS-52	2	2	2			
NS	506728	. TAPE RUB ADH1 NEO 1/4" x 3/4" x 10' / BLACK	AR	AR	AR			
	373222	. PUMP WATER ASSY W/CONNECTORS				1	1	B
NS	561566	. . CONNECTOR / WEATHER PACK / PH 2C / BLACK / PED 12010973				1	1	
NS	561568	. . PIN TERMINAL / 16-14 / PED 12089305				2	2	
NS	561786	. . CABLE SEAL / GRAY / PED 15324980				2	2	
	871052	. . WATER PUMP ASSY / 24V / (28689) To S-559	1	1	1	1	1	
	871204	. . WATER PUMP ASSY / 24V / (31726) From S-560	1	1	1	1	1	C
1		. . . MOTOR ASSY (28538)	1	1	1	1	1	
2	N.S.P.	. . . HEAD ASSY (28884)	1	1	1	1	1	2
2	N.S.S.	. . . BRUSH HOLDER	2	2	2	2	2	1
4	871062	. . . BRUSH	2	2	2	2	2	
5	871063	. . . CAP BRUSH	2	2	2	2	2	
6	N.S.P.	. . . STATOR ASSY (28883)	1	1	1	1	1	2
11	N.S.P.	. . . ARMATURE ADAPTOR ASSY (28882)	1	1	1	1	1	2
11	N.S.S.	. . . BEARING	2	2	2	2	2	1
12	N.S.S.	. . . STUD CASE #10-32 X 5"	2	2	2	2	2	1
14	870440	. . SLINGER	1	1	1	1	1	
15	N.S.P.	. . CARRIER / PUMP (21586)	1	1	1	1	1	2
16	501303	. . PLUG SQUARE HEAD / PIPE FITTING / 1/8NPT-M BR	2	2	2	2	2	
17	870439	. . GASKET / CARRIER	1	1	1	1	1	
17	871205	. . GASKET / CARRIER	1	1	1	1	1	D
18	500470	. . WASHER LO SPT .193x.334x.047 Z050	2	2	2	2	2	
19	500700	. . NUT HEX #10-32 Z050	2	2	2	2	2	
20	870437	. . KIT SEAL	1	1	1	1	1	
20	871310	. . KIT SEAL	AR	AR	AR	AR	AR	D
21	870436	. . IMPELLER	1	1	1	1	1	
22	N.S.P.	. . FLANGE ADAPTOR (21634)	1	1	1	1	1	2
23	N.S.P.	. . SCREW #8-32 X 1/2 / BRASS	8	8	8	8	8	2
24	870441	GASKET PUMP INLET & OUTLET	2	2	2	2	2	
25	871207	QUAD RING From S-560	AR	AR	AR	AR	AR	
		A) WITH SMALL SYSTEM / UNDER DRIVER'S FLOOR						
		B) WITH LARGE SYSTEM / IN EVAPORATOR COMPARTMENT						
		C) THIS PUMP IS USED IN SERVICE ONLY						
		D) THIS SEAL USE ONLY WITH PUMP #871204						
		R) THOSE PUMP MAY BE SUPPERSEDED BY KIT #374027 WITH "SEALLESS PUMP" SEE PAGE XL-2206-99						
		1) NOT SOLD SEPARATELY						
		2) NOT SOLD BY PREVOST (SEE MANUFACTURING PART NUMBER AT END OF DESCRIPTION LINE)						

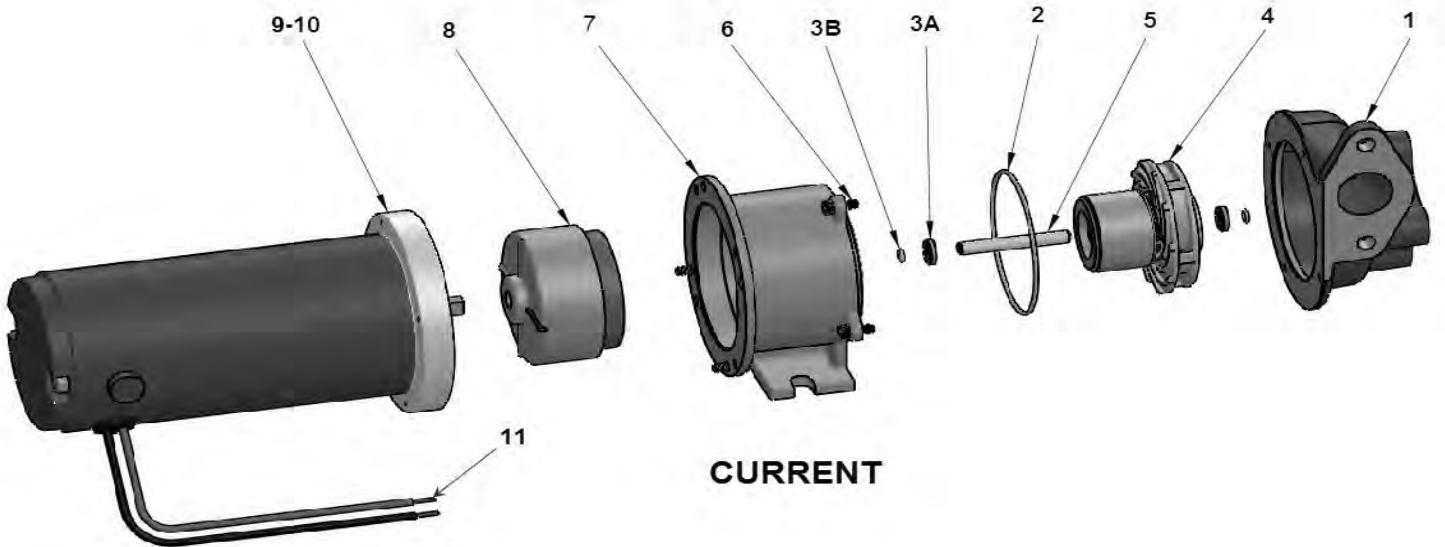
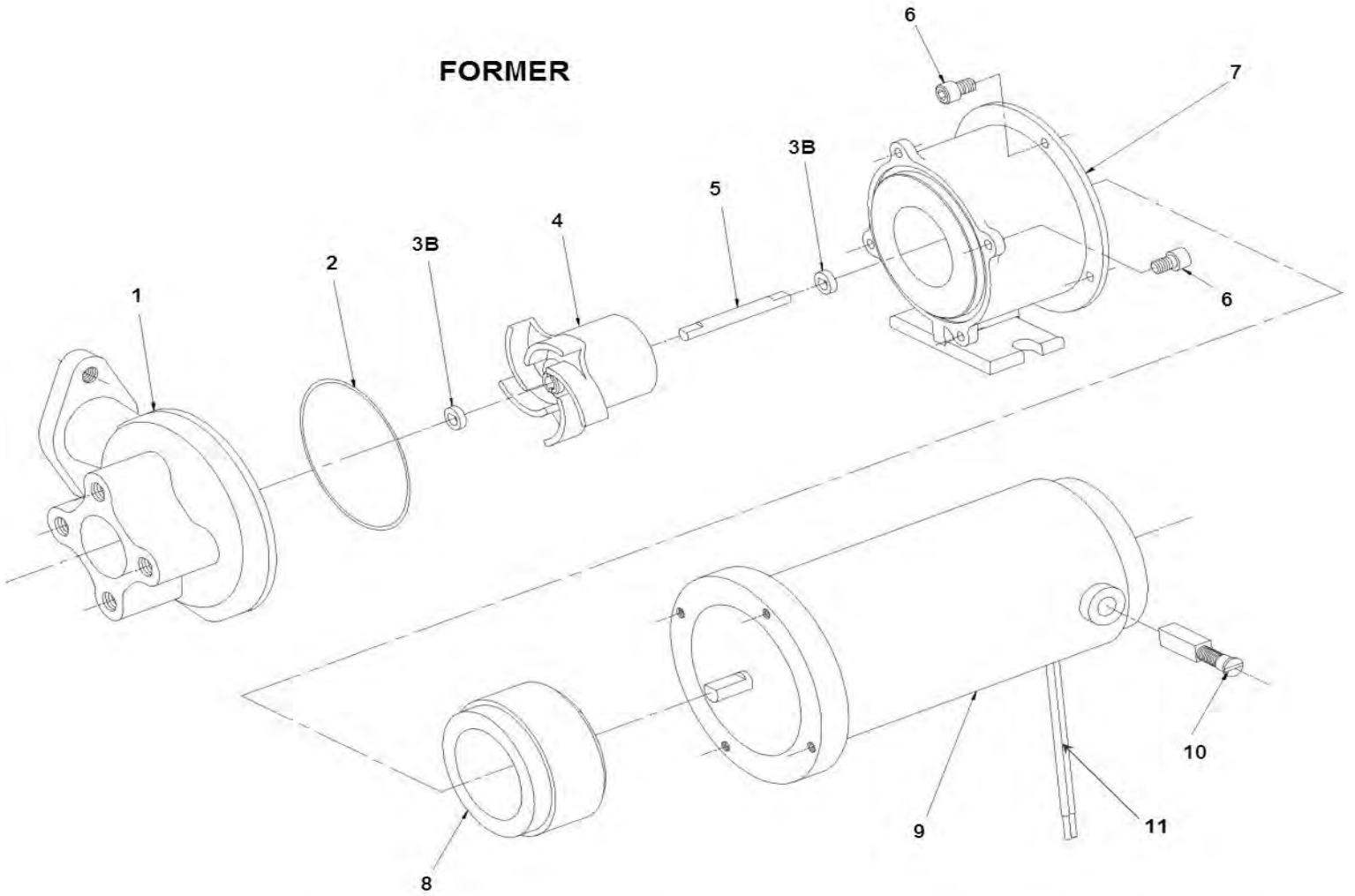
From E-638 To Y-7045

Date:10/2022

PAGE:XL-2206-99

WATER PUMP #871342 SEALLESS / SERVICE

FORMER



CURRENT

From E-638 To Y-7045	Date:10/2022	PAGE:XL-2206-99
WATER PUMP #871342 SEALLESS / SERVICE		

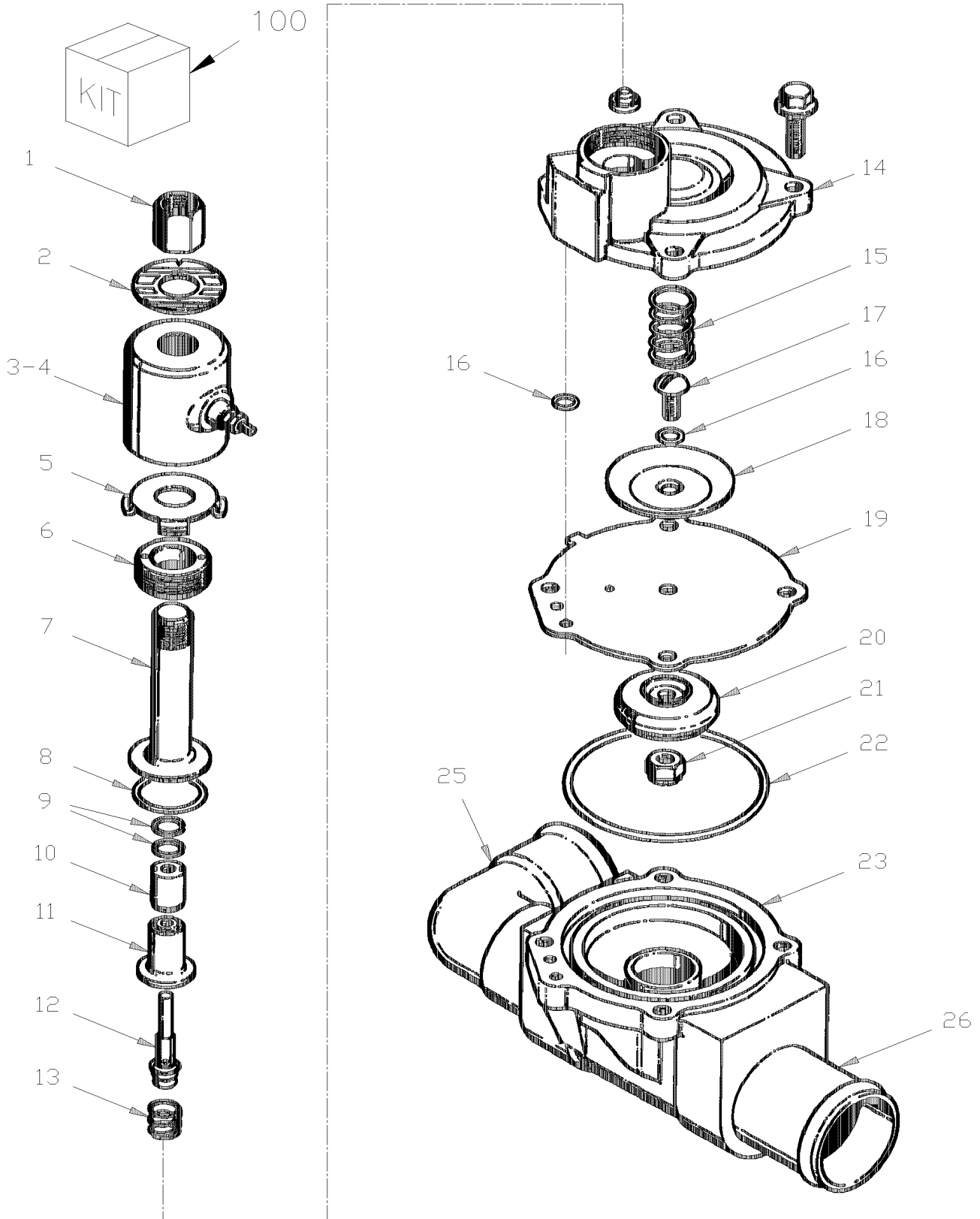
Item#	Part	Description	M T H 4 0	M T H 4 5	M T H 4 5 E	X L 4 0	X L 4 5	N O T E S
	374032	PUMP WATER ASSY WITH CONNECTOR / SEALLESS MODEL	1	1	1	1	1	
	871414	. WATER PUMP ASSY / 24V / SEALLESS / "MP PUMPS"	1	1	1	1	1	A
	871342	. WATER PUMP ASSY / 24V / SEALLESS / "MP PUMPS"	1	1	1	1	1	
1	N.S.S.	. HOUSING	1	1	1	1	1	1
2	871236	. O-RING	1	1	1	1	1	
3A	870138	. O-RING	2	2	2	2	2	C
3B	871239	. WASHER SS	2	2	2	2	2	F
3B	Call order desk	. WASHER THRUST	2	2	2	2	2	P C
4	871240	. ROTOR ASSY	1	1	1	1	1	F
NS	870117	. ROTOR ASSY	1	1	1	1	1	C
5	871241	. SHAFT SS	1	1	1	1	1	C
5	Call order desk	. SHAFT SS	1	1	1	1	1	P F
6	G1094056	. SCREW CAP HEXS 8-32x3/8	8	8	8	8	8	
7	G1094057	. ADAPTOR	1	1	1	1	1	
8	871242	. DRIVE MAGNET	1	1	1	1	1	
9	871322	. MOTOR ASSY 24V	1	1	1	1	1	
10	871323	. BRUSH	2	2	2	2	2	
11	561566	. CONNECTOR / WEATHER PACK / PH 2C / BLACK / PED 12010973	1	1	1	1	1	
NS	561568	. PIN TERMINAL / 16-14 / PED 12089305	2	2	2	2	2	
NS	561786	. CABLE SEAL / GRAY / PED 15324980	2	2	2	2	2	
NS	374027	KIT, RETROFIT SEALLESS WATER PUMP	1	1	1	1	1	
NS	374053	WATER PUMP ASSY W/SUPPORT / W/"XL" / MTH	1	1	1	1	1	
. NS	IS-03044	. SEE INSTRUCTION SHEET	1	1	1	1	1	
		A) THIS PUMP IS PACKAGING INDIVIDUALLY WITHOUT ELECTRICAL CONNECTORS						
		C) CURRENT						
		F) FORMER						
		1) NOT SOLD SEPARATELY						
		P) CALL ORDER DESK FOR SPECIFIC APPLICATION (V.I.N.)						

From E-638 To Y-7045

Date:10/2022

PAGE:XL-2207-00

WATER VALVE - W/MAIN HEATER & A/C



From E-638 To Y-7045	Date:10/2022	PAGE:XL-2207-00
----------------------	--------------	-----------------

WATER VALVE - W/MAIN HEATER & A/C

Item#	Part	Description	M T H 4 0	M T H 4 5	M T H 4 5 E	X L 4 0	X L 4 5	N O T E S
	371798	WATER VALVE ASSY	1	1	1	1	1	E
	870808	. VALVE WATER	1			1		A E C
NS	870873	. VALVE WATER / 24 V	1	1	1	1	1	E
	374669	. VALVE WATER / 24 V / ASSY	1	1	1	1	1	E
1	870866	. . NUT, SKINNER VALVE COIL MOUNT	1	1	1	1	1	
2	N.S.S.	. . NAMEPLATE	1	1	1	1	1	1
3	N.S.S.	. . HOUSING	1	1	1	1	1	1
4	870865	. . COIL 24V	1	1	1	1	1	
5	N.S.S.	. . FLUX PLATE	1	1	1	1	1	1
6	N.S.S.	. . FLANGE	1	1	1	1	1	1
7	870968	. . SLEEVE ASSY	1	1	1	1	1	
8	870853	. . SEAL FLANGE	1	1	1	1	1	
9	870854	. . SNUBBER	1	1	1	1	1	
10	870855	. . PLUNGER ASSY	1	1	1	1	1	
11	N.S.S.	. . STOP	1	1	1	1	1	1
12	870852	. . SEAL RETAINER	1	1	1	1	1	
13	870851	. . SPRING	1	1	1	1	1	
14	N.S.S.	. . COVER	1	1	1	1	1	1
15	870856	. . SPRING	1	1	1	1	1	
16	870857	. . O-RING	1	1	1	1	1	
17	N.S.S.	. . SCREW	1	1	1	1	1	1
18	N.S.S.	. . SUPPORT PLATE	1	1	1	1	1	1
19	870859	. . DIAPHRAGM	1	1	1	1	1	
20	870860	. . SEAL	1	1	1	1	1	
21	N.S.S.	. . LOCK NUT	1	1	1	1	1	1
22	870822	. . O-RING	1	1	1	1	1	
23	N.S.S.	. . BODY	1	1	1	1	1	1
25	370817	HOSE ELBOW ADAPTOR	1			1		A
26	370818	HOSE ADAPTOR	1			1		A
NS	371725	SUPPORT / WATER VALVE	1	1	1	1	1	
49	374830	WATER VALVE ASSY	1	1	1	1	1	
100	870864	KIT REPAIR	1			1		A C
100	870876	KIT REPAIR	1	1	1	1	1	
. NS	870875	. DIAPHRAGM	1	1	1	1	1	
		A) FORMER						
		C) TO EASY INDENTIFICATION, THE FORMER WATER VALVE BODY ITEM #23 ARE THREADED, WHERE AS THE CURRENT MODEL IS WELDED WITH ITEM #25 & 26						
		E) 870873 NO LONGER AVAILABLE REPLACE BY 374830						

From E-638 To Y-7045	Date:10/2022	PAGE:XL-2207-00
----------------------	--------------	-----------------

WATER VALVE - W/MAIN HEATER & A/C

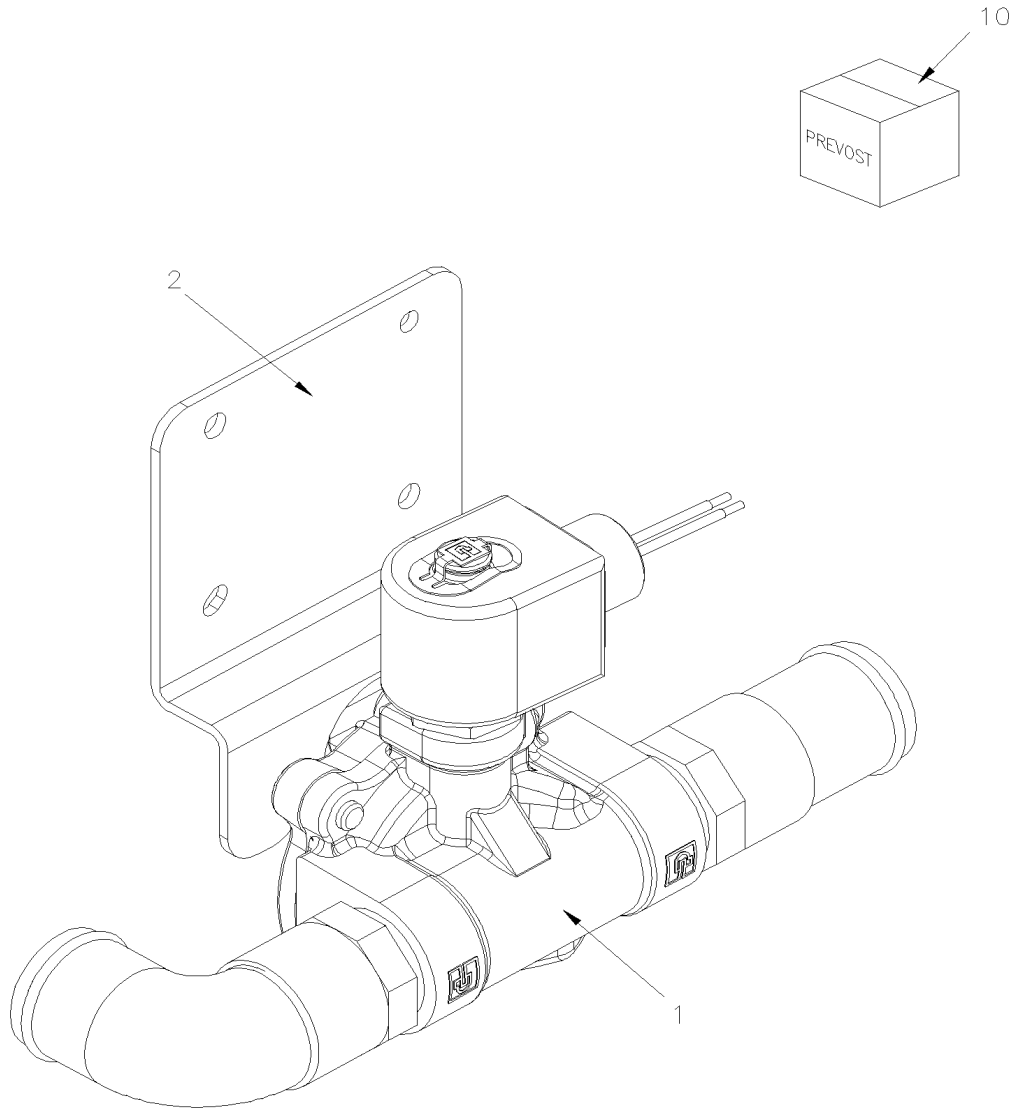
Item#	Part	Description	M T H 4 0	M T H 4 5	M T H 4 5 E	X L 4 0	X L 4 5	N O T E S
		1) NOT SOLD SEPARATELY						

From E-638 To Y-7045

Date:10/2022

PAGE:374830

WATER VALVE ASSY

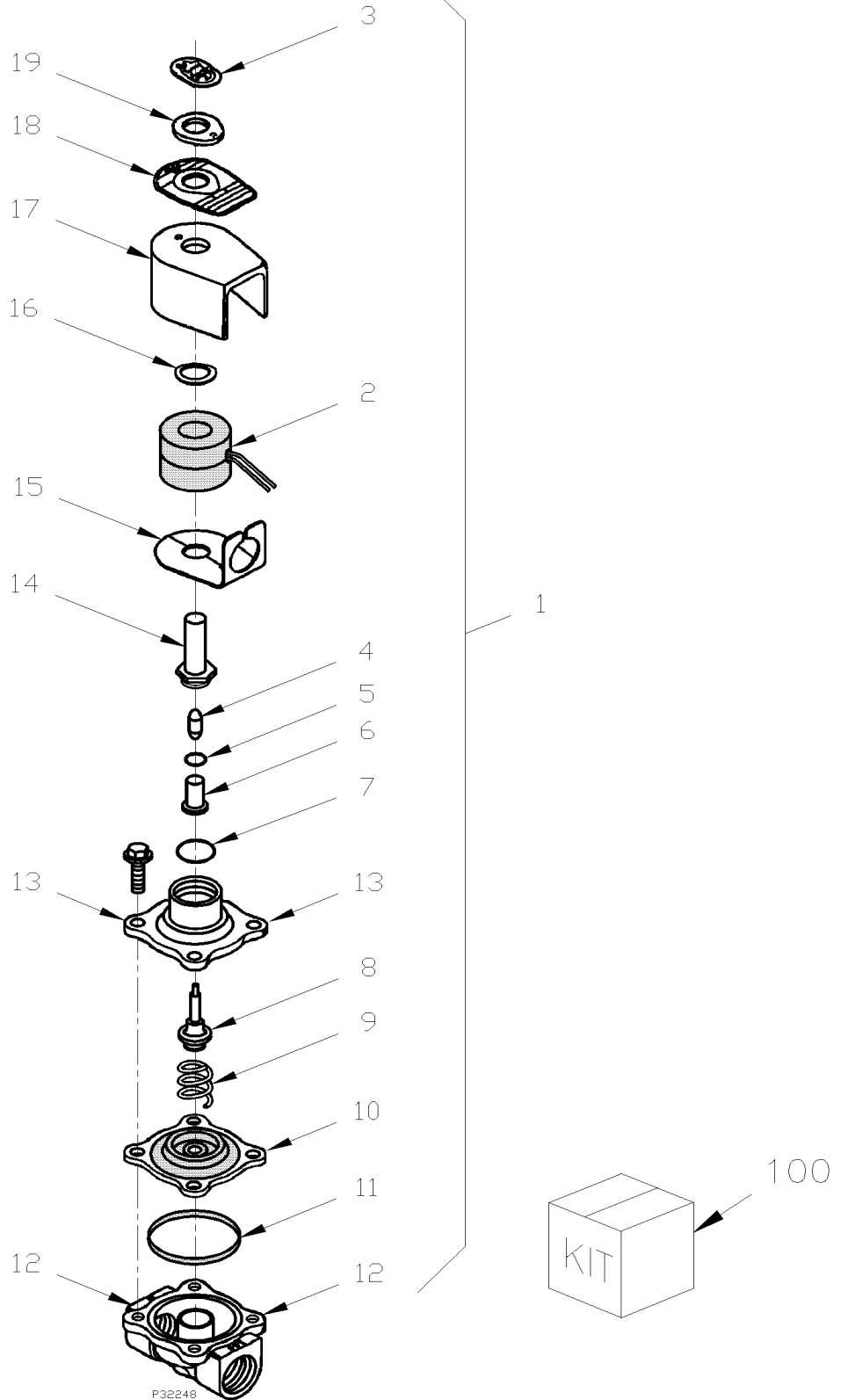


From E-638 To Y-7045

Date:10/2022

PAGE:XL-2207-11

WATER VALVE - DRIVER'S



From E-638 To Y-7045	Date:10/2022	PAGE:XL-2207-11
WATER VALVE - DRIVER'S		

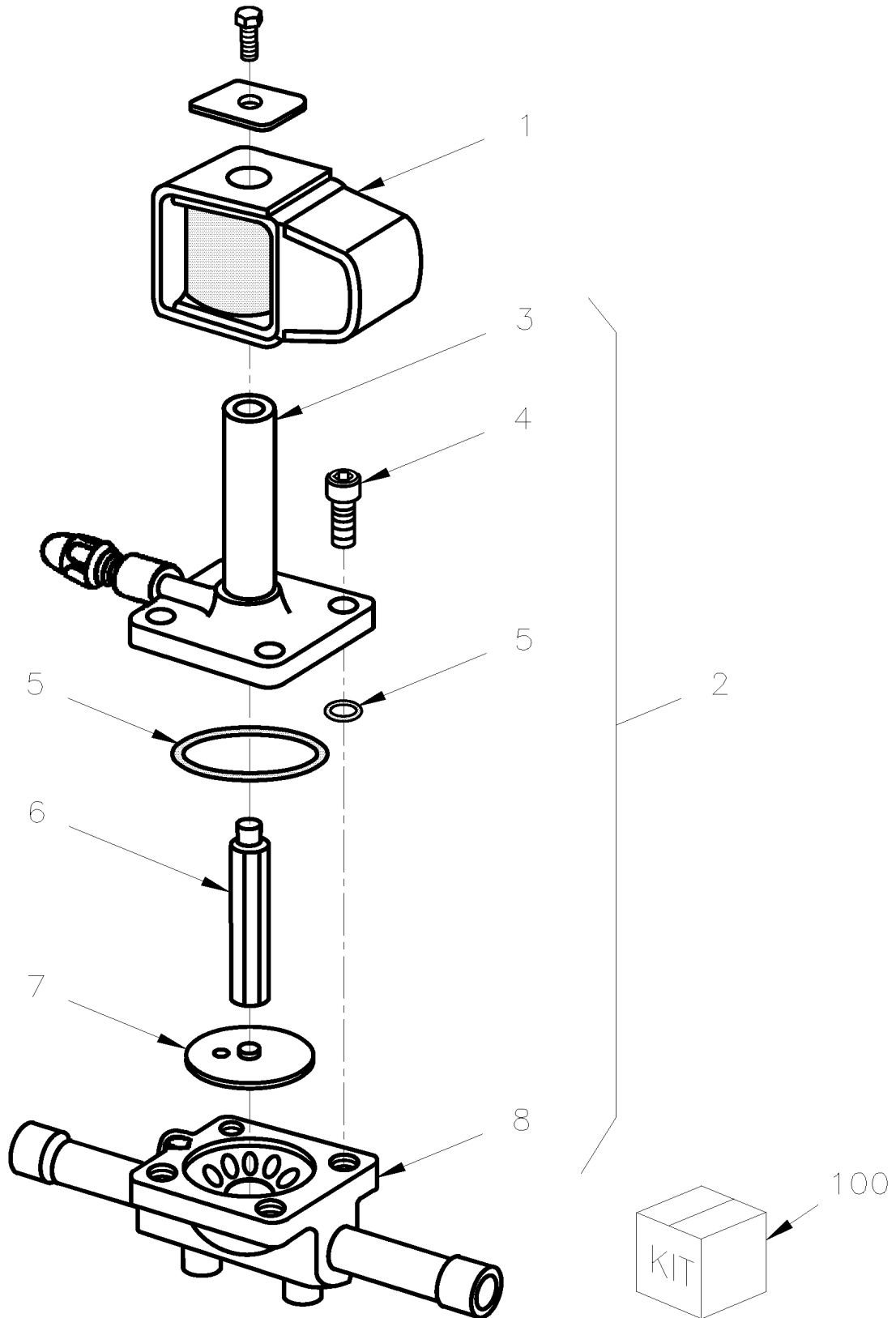
Item#	Part	Description	M T H 4 0	M T H 4 5	M T H 4 5 E	X L 4 0	X L 4 5	N O T E S
1	870812	VALVE WATER ASSY / 24 V	1	1	1	1	1	
2	870960	. COIL 24V	1	1	1	1	1	
3	N.S.S.	. RETAINING CLIP	1	1	1	1	1	1
4	N.S.S.	. CORE	1	1	1	1	1	1
5	N.S.S.	. PLUG NUT GASKET	1	1	1	1	1	1
6	N.S.S.	. PLUG NUT ASSY	1	1	1	1	1	1
7	N.S.S.	. GASKET	1	1	1	1	1	1
8	N.S.S.	. DISC HOLDER	1	1	1	1	1	1
9	N.S.S.	. SPRING	1	1	1	1	1	1
10	N.S.S.	. DIAPHRAGM	1	1	1	1	1	1
11	N.S.S.	. GASKET	1	1	1	1	1	1
12	N.S.S.	. BODY	1	1	1	1	1	1
13	N.S.S.	. VALVE BONNET	1	1	1	1	1	1
14	N.S.S.	. SOLENOID BASE	1	1	1	1	1	1
15	N.S.S.	. HOUSING	1	1	1	1	1	1
16	N.S.S.	. SPRING WASHER	1	1	1	1	1	1
17	N.S.S.	. COVER	1	1	1	1	1	1
18	N.S.S.	. NAMEPLATE	1	1	1	1	1	1
19	N.S.S.	. SPACER	1	1	1	1	1	1
100	870872	KIT REPAIR	AR	AR	AR	AR	AR	
		1) NOT SOLD SEPARATELY						

From S-476 To Y-7045

Date:10/2022

PAGE:XL-2207-20

WATER VALVE - BYPASS W/WATER HEATER



From S-476 To Y-7045	Date:10/2022	PAGE:XL-2207-20
WATER VALVE - BYPASS W/WATER HEATER		

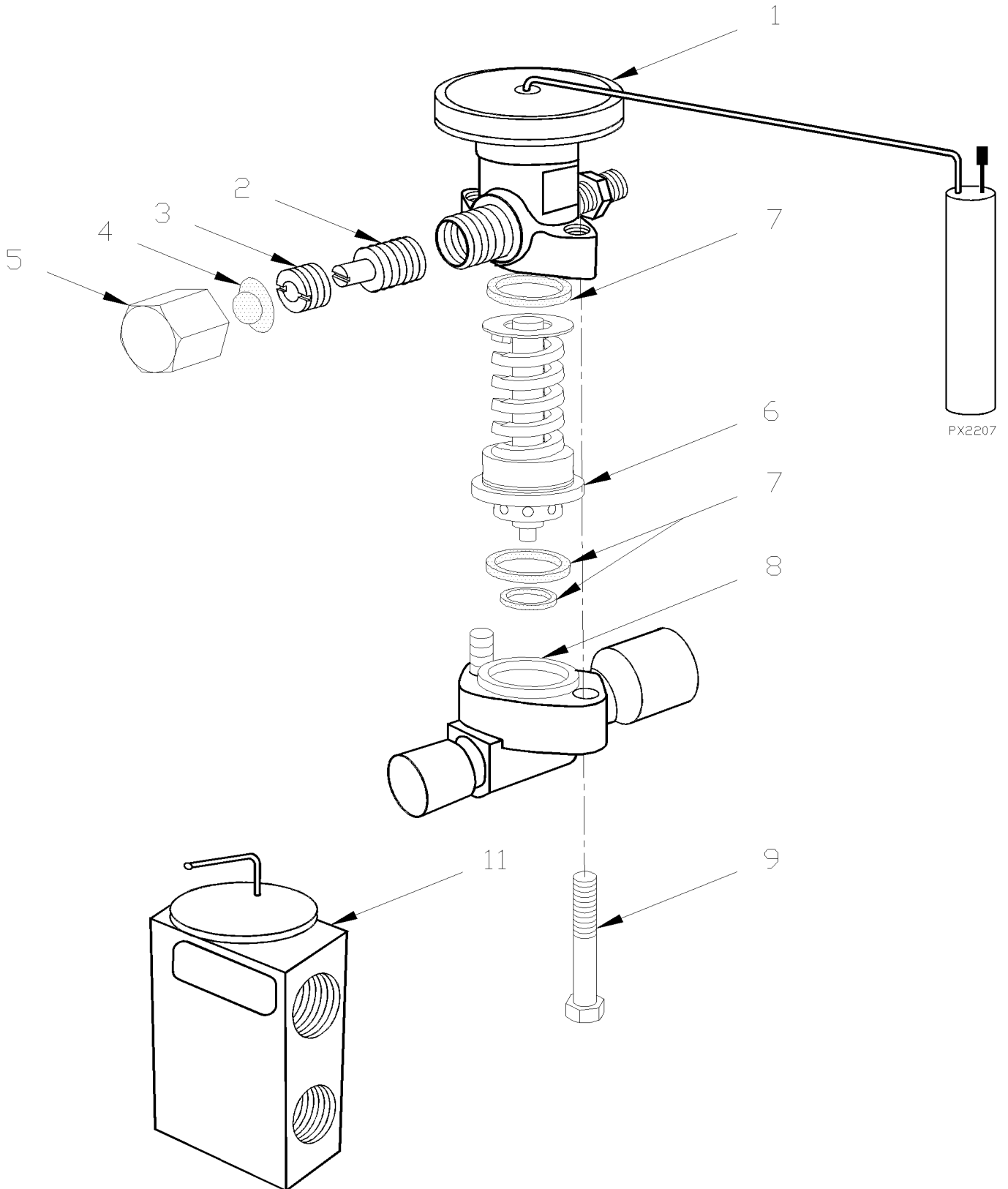
Item#	Part	Description	M T H 4 0	M T H 4 5	M T H 4 5 E	X L 4 0	X L 4 5	N O T E S
	373310	WATER BY-PASS VALVE ASSY / W/TUBE & CONNECTOR						A
1	950055	. COIL 24V				1	1	F
1	950953	. COIL 24V / SERVICE				1	1	C
NS	561690	. CONNECTOR / WEATHER PACK / SH 2C / BLACK / PED 12015792				1	1	
NS	561689	. SOCKET TERMINAL / 20-18 / PED 12089188				2	2	
NS	561565	. CABLE SEAL / GREEN / PED 15324982				2	2	
2	870886	. VALVE WATER BYPASS				1	1	S
2	950952	. VALVE WATER BYPASS / SERVICE				1	1	
3	N.S.S.	. . BONNET & ENCLOSING TUBE ASSY				1	1	1
4	500238	. . SCREW CAP HEXS 1/4-20x3/4 ZP				4	4	
5	N.S.S.	. . O-RING				1	1	1
6	N.S.S.	. PLUNGER ASSY				1	1	1
7	N.S.S.	. . DIAPRAGM ASSY				1	1	1
8	N.S.S.	. . BODY				1	1	1
NS	503198	. COPPER TUBE .875" O.D. x .045" x 240"				AR	AR	
100	870980	KIT REPAIR				AR	AR	F
		A) W/TUBE & CONNECTO						
		C) USE OMLY WITH SERVICE VALVE # 950952						
		F) USED ONLY WITH FORMER VALVE 870886						
		S) THIS VALVE IT SUPPERSEDED BY # 950952 WITH COIL 950953						
		1) NOT SOLD SEPARATELY						

From E-638 To Y-7045

Date:10/2022

PAGE:XL-2208-00

A/C EXPANSION VALVE



From E-638 To Y-7045	Date:10/2022	PAGE:XL-2208-00
A/C EXPANSION VALVE		

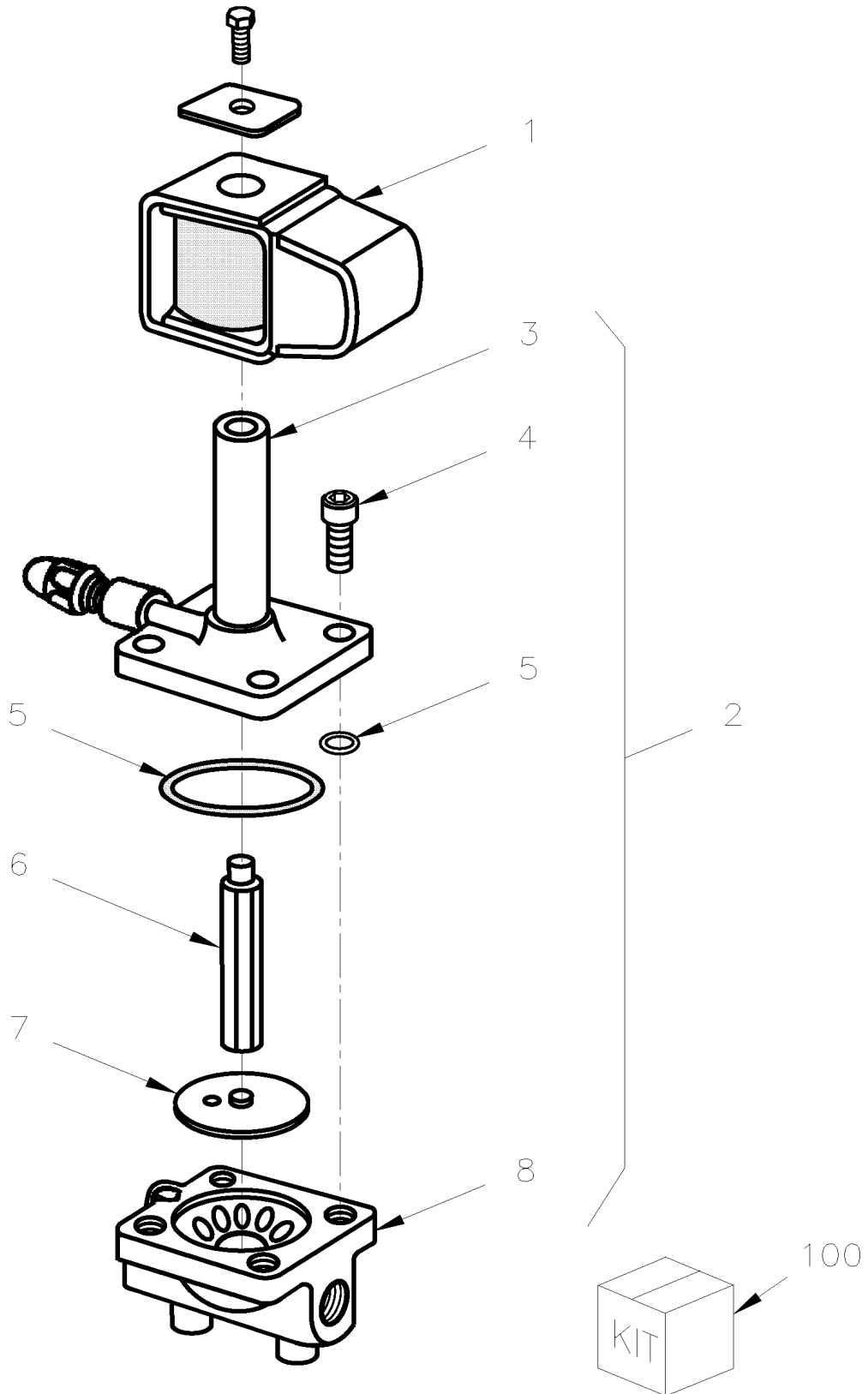
Item#	Part	Description	M T H 4 0	M T H 4 5	M T H 4 5 E	X L 4 0	X L 4 5	N O T E S
	450934	VALVE, EXPANSION ASSY W/R-12 To R-933	1			1		
	452540	VALVE, EXPANSION ASSY W/R-134A From R-934	1	1	1	1	1	
	870881	VALVE, EXPANSION 7 1/2 TON / R-12 To R-933	1	1	1	1	1	
	950237	VALVE, EXPANSION 7 1/2 TON / R-134A From R-934	1			1		
1	870592	ELEMENT POWER R-12 To F-827	1			1		C
1	870587	ELEMENT POWER R-12 To R-933	1			1		
1	950241	ELEMENT POWER R134A From R-934	1	1	1	1	1	
2	870622	ADJUSTING STEM & PACKING ASSY	1	1	1	1	1	
3	870621	NUT PACKING	1	1	1	1	1	
4	N.S.S.	SEAL	1	1	1	1	1	1
5	870619	NUT CAP	1	1	1	1	1	
6	870883	CAGE ASSY & SPRING / B8B To R-933	1			1		
6	950242	CAGE ASSY & SPRING / B7B From R-934	1	1	1	1	1	
6	950258	CAGE ASSY & SPRING / B3B To F-827	1			1		C
7	870709	SET GASKET	1	1	1	1	1	
8	N.S.S.	FLANGE BODY To R-933	1			1		1
8	870687	FLANGE BODY From R-934	1	1	1	1	1	
9	500034	SCREW CAP HEX 5/16-24x2 1/2 G5 ZP To R-933	2			2		
9	500054	SCREW CAP HEX 3/8-24x2 1/2 G5 ZP From R-934	2	2	2	2	2	
NS	450905	SUPPORT / EXPANSION VALVE	1	1	1	1	1	
NS	505201	SPACER BUSHING 3/8 I.D. X 9/19 O.D. X 7/8 L	1	1	1	1	1	
11	950058	VALVE, EXPANSION / DRIVER'S W/R-12 From F-828 To R-933	1			1		
11	950221	VALVE, EXPANSION / DRIVER'S W/R134A From R-934	1	1	1	1	1	
NS	507279	O-RING / ORS FITTING / #8 NEO	1	1	1	1	1	
11	680091	TAPE INSULATING / 1/8" x 2" x 30' / BLACK PT-1	1	1	1	1	1	
		C) THOSE PARTS ARE USE WITH DRIVER'S HEATER WITH R-12 AT PAGE XL-2225-00						
		1) NOT SOLD SEPARATELY						

From E-638 To Y-7045

Date:10/2022

PAGE:XL-2208-10

REFRIGERANT SOLENOID VALVE



From E-638 To Y-7045		Date:10/2022	PAGE:XL-2208-10
REFRIGERANT SOLENOID VALVE			

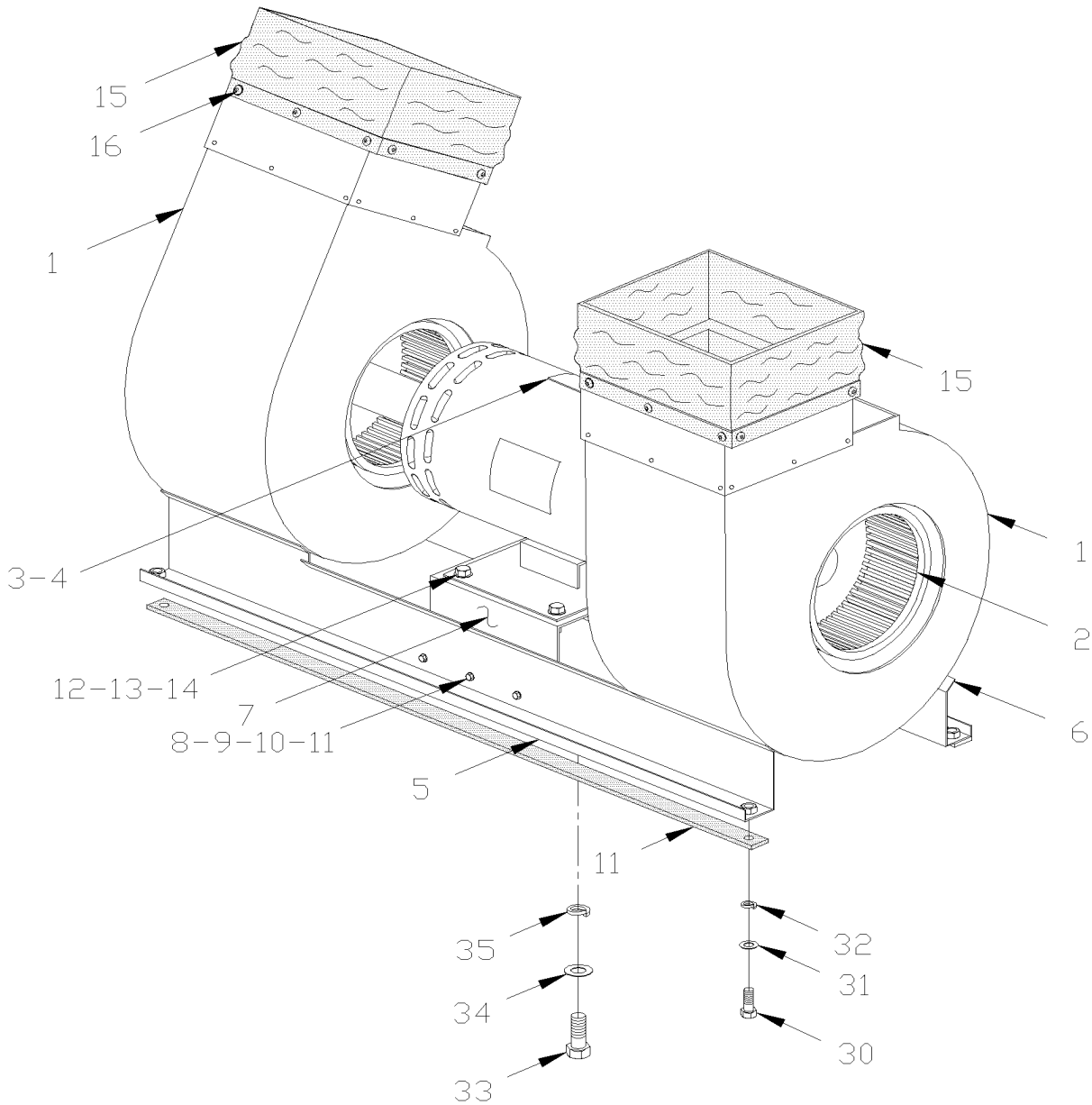
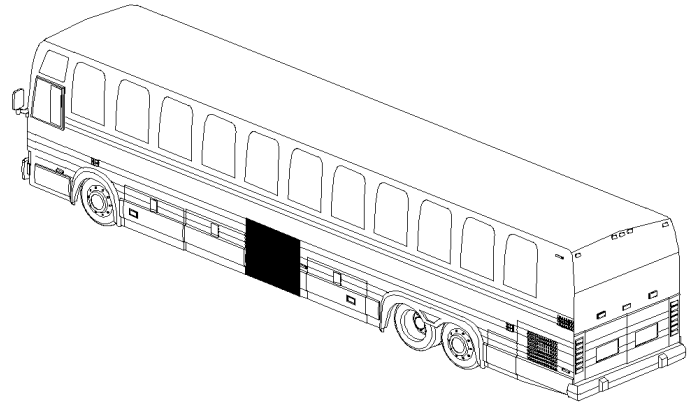
Item#	Part	Description	M T H 4 0	M T H 4 5	M T H 4 5 E	X L 4 0	X L 4 5	N O T E S
	450906	VALVE ASSY / REFRIGERANT SOLENOID To L-684	1			1		D
	451058	VALVE ASSY / REFRIGERANT SOLENOID To F-827	1					
	451067	VALVE ASSY / REFRIGERANT SOLENOID To F-827	1					E
	450268	VALVE ASSY / REFRIGERANT SOLENOID To F-827				1		A
	451096	VALVE ASSY / REFRIGERANT SOLENOID From F-828				1	1	A
	451097	VALVE ASSY / REFRIGERANT SOLENOID From F-828 To R-822	1		1			A
	452440	VALVE ASSY / REFRIGERANT SOLENOID From R-823 To T-5872	1	1	1			A
	452670	VALVE ASSY / REFRIGERANT SOLENOID From T-5873	1	1	1			B
	452772	VALVE ASSY / REFRIGERANT SOLENOID				1	1	B
NS	450266	. SUPPORT / REFRIGERANT SOLENOID VALVE To L-684	1			1		D
NS	450292	. SUPPORT / REFRIGERANT SOLENOID VALVE				1	1	
NS	451059	. SUPPORT / REFRIGERANT SOLENOID VALVE	1	1	1			
NS	560434	. CONNECTOR 1/2" PIPE	1	1	1	1	1	
NS	561030	. CONNECTOR / 56 SERIES / MALE BLADE HOUS 2C / BLACK / PED 2977763	1	1	1	1	1	
NS	561031	. MALE BLADE TERMINAL / 16-14 / PED 2971962	1	1	1	1	1	
NS	500160	. SCREW CAP HEX #10-24x1/2 Z050	2	2	2	2	2	
1	950055	. COIL 24V / PRODUCTION	1	1	1	1	1	F
1	950953	. COIL 24V / SERVICE OCT 2006	1	1	1	1	1	G
2	950054	. VALVE REFRIGERANT SOLENOID / 3/8" NPT	1	1	1	1	1	S
2	958212	. VALVE REFRIGERANT SOLENOID / 1/2" NPT	1	1	1	1	1	
2	501534	. BUSHING REDUCER / PIPE FITTING / 1/2NPT-Mx3/8NPT-F BR	2	2	2	2	2	
3	N.S.S.	. . BONNET & ENCLOSING TUBE ASSY	1	1	1	1	1	1
4	500238	. . SCREW CAP HEXS 1/4-20x3/4 ZP	4	4	4	4	4	
5	N.S.S.	. . O-RING	1	1	1	1	1	1
6	N.S.S.	. . PLUNGER ASSY	1	1	1	1	1	1
7	N.S.S.	. . DIAPRAGM ASSY	1	1	1	1	1	1
8	N.S.S.	. . BODY	1	1	1	1	1	1
100	950056	KIT REPAIR / PRODUCTION	AR	AR	AR	AR	AR	F
		A) IN SPARE COMPARTMENT						
		B) IN SPARE COMPARTMENT WITH INDEPENDANT SUSPENSIO						
		D) IN CONDENSOR COMPARTMENT						
		E) IN SPARE COMPARTMENT WITH SMALL A/C SYSTEM						
		F) USED ONLY WITH FORMER VALVE 950054						
		G) USED ONLY WITH VALVE 958212						
		S) THIS VALVE IS NO LONGER AVAILABLE USE 958212 WITH 950953 & 2X501534						
		1) NOT SOLD SEPARATELY						

From E-638 To Y-7045

Date:10/2022

PAGE:XL-2210-00

HEATER & EVAPORATOR BLOWER - INSTALLATION



From E-638 To Y-7045		Date:10/2022	PAGE:XL-2210-00
HEATER & EVAPORATOR BLOWER - INSTALLATION			

Item#	Part	Description	M T H 4 0	M T H 4 5	M T H 4 5 E	X L 4 0	X L 4 5	N O T E S
	450849P	MOTOR & BLOWER	1	1	1	1	1	A
	871008	. HOUSING FAN ASSY / HOUSING DEFLECTOR & BLOW	2	2	2	2	2	
1	870828	. . HOUSING DEFLECTOR & BLOWER	1	1	1	1	1	
2	870827	. . BLOWER WHEEL	1	1	1	1	1	
NS	870879	. . DEFLECTOR / "J" SHAPE	1	1	1	1	1	
3	XL-2265-00	. MOTOR - EVAPORATOR & CONDENSOR - "BALDOR" To F-960						
3	XL-2265-01	. MOTOR - EVAPORATOR & CONDENSOR - "PREVOST" - T-19 From F-961 To T-5953						
3	XL-2265-02	. MOTOR - EVAPORATOR & CONDENSOR - "PREVOST" - T-17 From T-5954						
4	451131	. KEY SQ 3/16" x 3/16"x 2 7/8"	2	2	2	2	2	
NS	451125	. BASE ASSY To X-6784	1	1	1	1	1	
NS	453336	. BASE ASSY From X-6785	1	1	1	1	1	
5	452094	. . SUPPORT To X-6784	1	1	1	1	1	
5	453287	. . SUPPORT From X-6785	1	1	1	1	1	
6	452090	. . SUPPORT To X-6784	1	1	1	1	1	
6	453286	. . SUPPORT From X-6785	1	1	1	1	1	
7	452207	. . BASE SUB ASSY To T-5889	1	1	1	1	1	B
7	452894	. . BASE SUB ASSY From T-5890 To X-6784	1	1	1	1	1	
7	453283	. . BASE SUB ASSY From X-6785	1	1	1	1	1	
NS	500297	. . . NUT WD FLRET 5/16-24	4	4	4	4	4	H
NS	500296	. . . NUT WD FLRET 3/8-24	4	4	4	4	4	H
8	500977	. . SCREW CAP HEX #10-24x5/8 ZP	6	6	6	6	6	
9	500767	. . NUT HEX #10-24 Z050	6	6	6	6	6	
10	500438	. . WASHER FL .187x.437x.050 Z050	6	6	6	6	6	
11	506071	. . TAPE RUB ADH1 CC POL 1/8" x 1/2" x 50' / GREY 2520X	AR	AR	AR	AR	AR	
NS	506207	. . TAPE RUB ADH1 CC POL 3/16" x 1" x 50' / GREY 2520X	AR	AR	AR	AR	AR	
12	500050	. SCREW CAP HEX 3/8-24x1 1/2G5 ZP To T-5889	4	4	4	4	4	B
12	500025	. SCREW CAP HEX 5/16-24x1 G5 ZP From T-5890	4	4	4	4	4	C
13	500478	. WASHER LO SPT .380x.683x.094 Z050 To T-5889	4	4	4	4	4	
13	504641	. WASHER SHR .315 ID NYL	4	4	4	4	4	
14	451173	SHIM 1/8" TH.	AR	AR	AR	AR	AR	
14	451172	SHIM .074" TH.	AR	AR	AR	AR	AR	
14	451124	SHIM 3/8" TH.	AR	AR	AR	AR	AR	
15	450967	FLEXIBLE DUCT 76MM HEIGHT	2	2	2	2	2	
16	500657	SCREW TC TR PH #10-24x1/2 Z050	AR	AR	AR	AR	AR	
16	500964	WASHER FL .203x.500x.047 Z050	AR	AR	AR	AR	AR	
30	500025	SCREW CAP HEX 5/16-24x1 G5 ZP	4	4	4	4	4	
32	500985	WASHER FL .343x.875x.125 Z050	4	4	4	4	4	
33	500046	SCREW CAP HEX 3/8-24x1 G5 Z050	4	4	4	4	4	
35	500445	WASHER FL .437x1.000x.083 Z050	4	4	4	4	4	
NS	453121	KIT ELECTRICAL INSULATION EVAP. MOTOR						
. NS	IS-96010	. SEE INSTRUCTION SHEET						

From E-638 To Y-7045	Date:10/2022	PAGE:XL-2210-00
----------------------	--------------	-----------------

HEATER & EVAPORATOR BLOWER - INSTALLATION

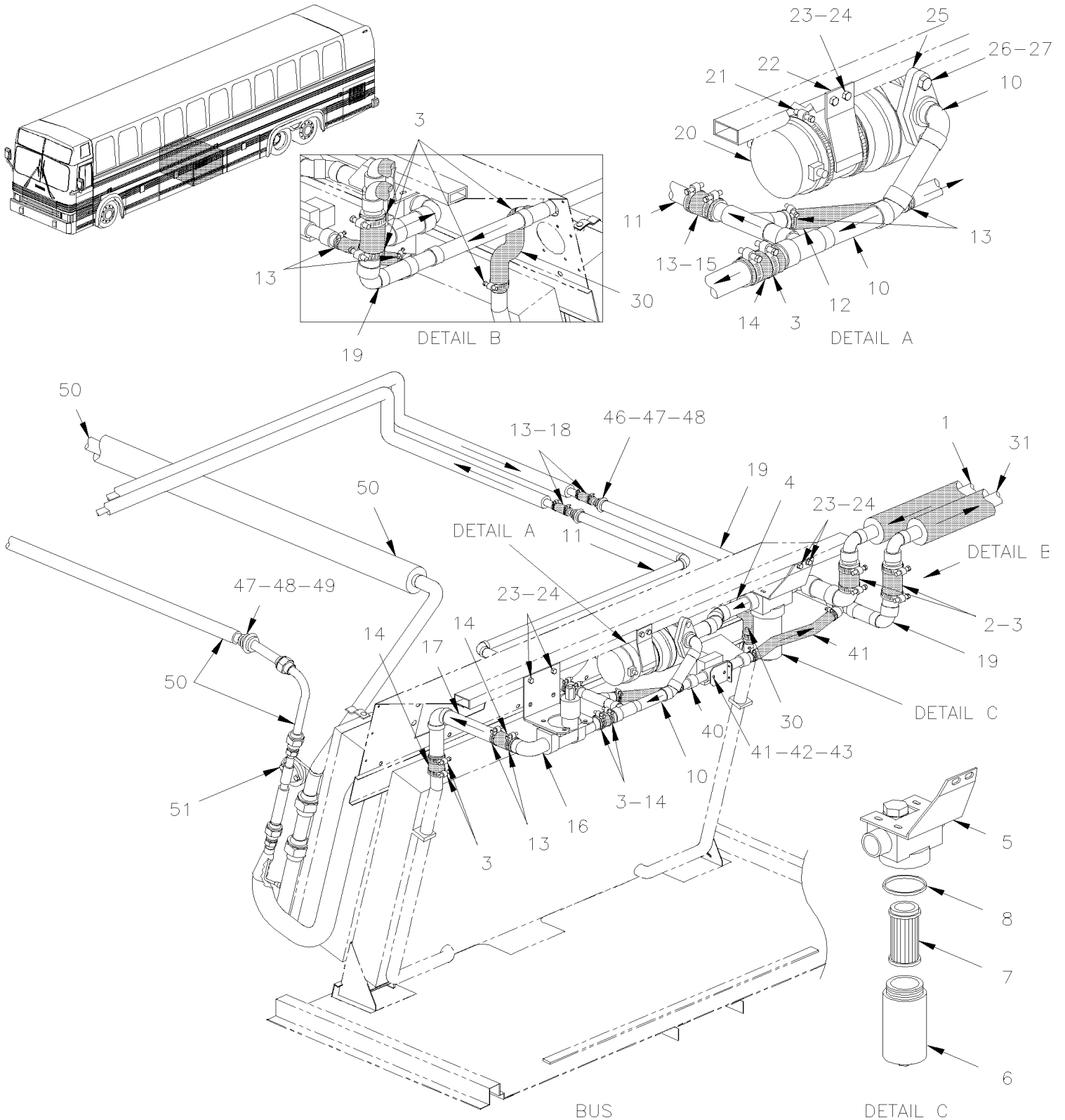
Item#	Part	Description	M T H 4 0	M T H 4 5	M T H 4 5 E	X L 4 0	X L 4 5	N O T E S
		A) THIS PART NUMBER INCLUDED MOTOR , SEE PAGE 2265-01 & 2265-02						
		B) FOR PRODUCT IMPROVMENT BEARING LIFE FOR VEHICLE WITH 3/8" SCREW PRIOR T-5890 USE KIT #453088						
		C) FOR PRODUCT IMPROVMENT BEARING LIFE FOR VEHICLE W/5/16" SCREW FROM T-5890 TO V-6175 USE KIT #453121						
		H) (WELDED)						

From E-638 To Y-7045

Date:10/2022

PAGE:XL-2210-10

WATER PUMP & FILTER - INSTALLATION

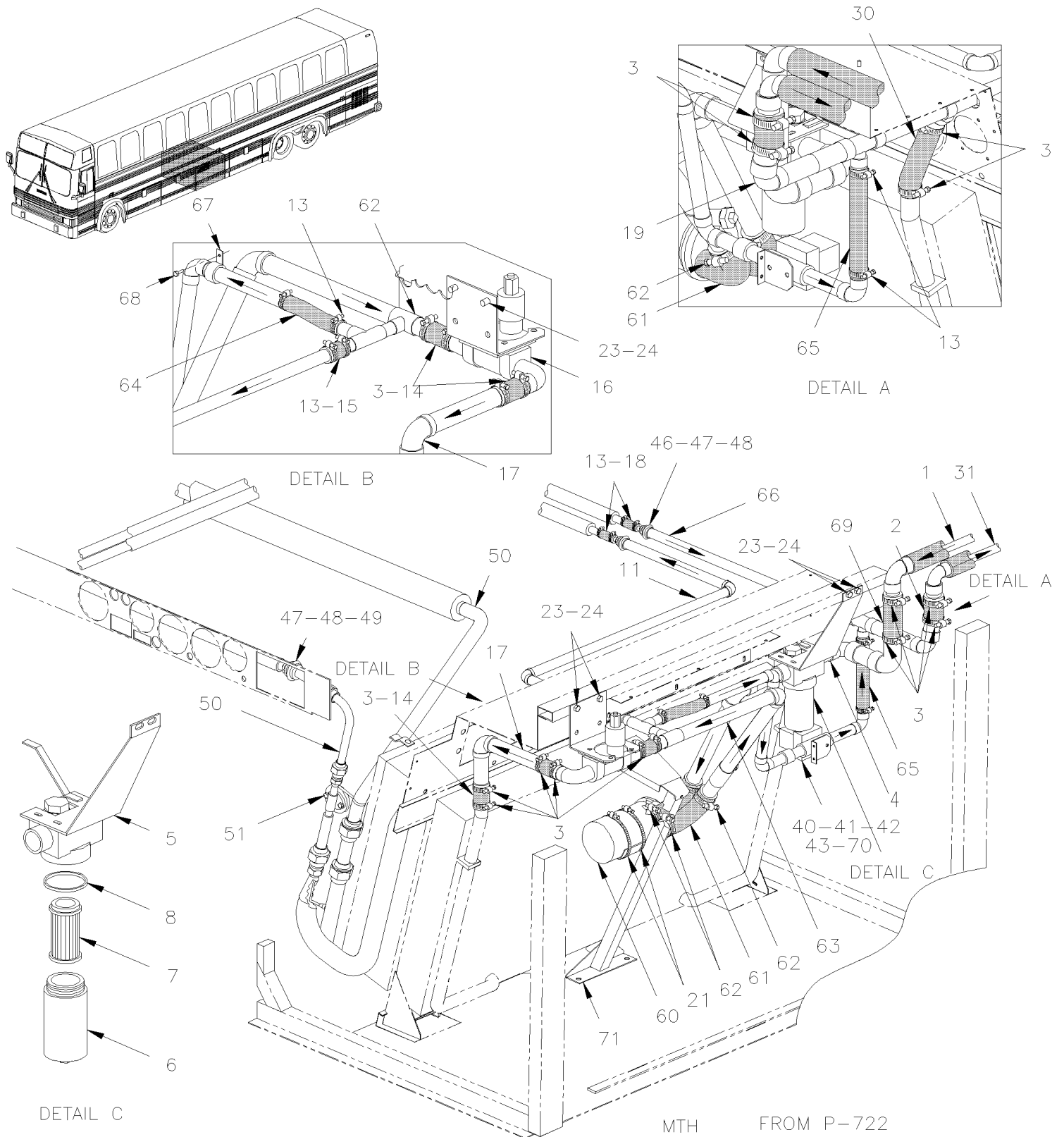


From E-638 To Y-7045

Date:10/2022

PAGE:XL-2210-10

WATER PUMP & FILTER - INSTALLATION



MTH

FROM P-722

From E-638 To Y-7045		Date:10/2022	PAGE:XL-2210-10
WATER PUMP & FILTER - INSTALLATION			

Item#	Part	Description	M T H 4 0	M T H 4 5	M T H 4 5 E	X L 4 0	X L 4 5	N O T E S
1	Call order desk	PIPE ASSY HEATING / FEED LINE From P-722		1			1	P
1	371729	TUBE ASSY HEATING / FEED LINE To R-797	1		1	1		
1	372893	TUBE ASSY HEATING / FEED LINE From R-798 To R-844	1		1	1		
1	Call order desk	PIPE ASSY HEATING / RETURN LINE From R-845	1		1			P
2	371855	HOSE 1 3/8" I.D. 3"					2	
2	371855	HOSE 1 3/8" I.D. 3"	1	1	1			
3	504657	HOSE CLAMP / 1"1/16-2" C.T. 9424	AR	AR	AR	AR	AR	
4	373013	FILTER ASSY W/TUBE From P-722		1				E
4	373333	FILTER ASSY W/TUBE From V-6258	1		1	1		C
4	372866	FILTER ASSY W/TUBE From M-899 To V-6257	1			1		B G
4	373329	FILTER ASSY W/TUBE From S-570					1	D
4	371985	FILTER ASSY W/TUBE To M-898	1			1		A F
5	372862	SUPPORT / WATER FILTER From M-899					1	
5	372994	SUPPORT / WATER FILTER	1	1	1			
5	373111	SUPPORT / WATER FILTER From V-6258	1		1			
5	372862	SUPPORT / WATER FILTER From M-899	1			1		
5	372994	SUPPORT / WATER FILTER From S-446	1		1			
5	372060	SUPPORT / WATER FILTER To M-898	1			1		F
5	871028	FILTER "PARKER" ASSY	1	1	1	1	1	
5	870834	FILTER "PUROLATOR" To M-898	1			1		F
6	871043	BOWL From M-899	1	1	1	1	1	
7	871029	CARTRIDGE From M-899	1	1	1	1	1	
7	870835	CARTRIDGE To M-898	1			1		F
8	871044	SEAL BOWL From M-899	2	2	2	2	2	
8	870841	GASKET To M-898	1			1		F
10	371744	PIPE ASSY / WATER PUMP OUTLET					1	B
10	373307	PIPE ASSY / WATER PUMP OUTLET					1	C
11	371746	TUBE ASSY / TO DRIVER'S HEATER	1	1	1	1	1	
12	372191	HOSE / PIPE & BYPASS / 7/8" I.D. 10"					2	
13	504646	HOSE CLAMP / 11/16"-1"1/4 / C.T. 9412					4	
14	051383	HOSE / W/CENTRAL A/C SYSTEM / 1 3/8" I.D. X 150MM		2			2	
15	372053	HOSE 7/8" I.D. X 6.5"		1			1	
16	XL-2207-00	WATER VALVE - W/MAIN HEATER & A/C						
17	371745	PIPE ASSY / WATER VALVE OUTLET & HEATER	1	1	1	1	1	
18	371532	HOSE 7/8" I.D. 6"	2	2	2	2	2	
19	373308	RETURN JCT TUBE ASSY / W/BYPASS VALVE					1	
20	XL-2206-00	WATER PUMP #870871 To S-475						
20	XL-2206-02	WATER PUMP #871052 & #871204 From S-476						
21	504025	HOSE CLAMP / 2"5/16-3"1/4 SS / HS-44	2	2	2	2	2	
22	372779	SUPPORT WATER PUMP To S-475	1		1	1		
22	373309	SUPPORT WATER PUMP From S-476 To V-6257	1		1	1	1	
22	373429	SUPPORT / WATER PUMP From V-6258	1		1	1	1	

From E-638 To Y-7045	Date:10/2022	PAGE:XL-2210-10
WATER PUMP & FILTER - INSTALLATION		

Item#	Part	Description	M T H 4 0	M T H 4 5	M T H 4 5 E	X L 4 0	X L 4 5	N O T E S
23	500536	SCREW TP HEXW SLT #14x1 ZP					6	
24	500473	WASHER LO SPT .262x.489x.062 Z050					6	
25	870441	GASKET PUMP INLET & OUTLET					1	
NS	871207	QUAD RING					1	A
26	500497	SCREW CAP HEXS 3/8-16x3/4 ZP					4	
27	500478	WASHER LO SPT .380x.683x.094 Z050					4	
30	372131	ELBOW 90° REDUCER 1 1/8" I.D.W/3 1/4" x 1 3/8 I.D. W 5 1/4" C/C					1	
31	Call order desk	PIPE ASSY HEATING / RETURN LINE /W/"SLIDE-OUT" From P-722		1			1	PE
31	Call order desk	PIPE ASSY HEATING / RETURN LINE From R-845	2		2	2		PE
31	371893	PIPE ASSY HEATING / RETURN LINE To R-797	1		1	1		
31	372887	PIPE ASSY HEATING / RETURN LINE From N-428	1		1			D
31	372896	PIPE ASSY HEATING / RETURN LINE From N-428 To R-846	1		1			D
31	372887	PIPE ASSY HEATING / RETURN LINE From R-798 To R-844				1		
31	372896	PIPE ASSY HEATING / RETURN LINE From R-798 To R-844				1		
40	XL-2207-20	WATER VALVE - BYPASS W/WATER HEATER						
41	373311	SUPPORT / BY-PASS VALVE		1			1	
42	500162	SCREW CAP HEX 1/4-20x1/2 G5 Z050					1	
43	502709	WASHER FL .260x.687x.050 XLN BK					1	
44	500638	SCREW TP PAN PH #8x1/2 Z050					2	
45	500470	WASHER LO SPT .193x.334x.047 Z050					2	
46	504383	CUFF END BELLOW / 7/8" I.D. x 1 1/2" x 2 1/4"					2	
47	504022	HOSE CLAMP / 3/4"-1"3/4 SS / HS-20					4	
48	451075	PROTECTOR HOSE SPLIT / 7/8" O.D. x 3"					2	
49	504384	CUFF END BELLOW / 1 1/4" I.D. x 1 3/4" x 4"					2	
50	XL-2222-11	A/C LINE & PIPING - CENTRAL A/C SYSTEM - WITH DETROIT S-60						
51	XL-2208-00	A/C EXPANSION VALVE						
60	XL-2206-01	WATER PUMP #871032						
61	372131	ELBOW 90° REDUCER 1 1/8" I.D.W/3 1/4" x 1 3/8 I.D. W 5 1/4" C/C	2	2	2			
62	504451	HOSE CLAMP STEPLESS SPRING SS / OETIKER / 1.3-1.6	2	2	2			
63	373744	PIPE ASSY / WATER PUMP OUTLET From P-476	1		1			C
63	373744	PIPE ASSY / WATER PUMP OUTLET From P-722		1				C
63	373051	PIPE ASSY / WATER PUMP OUTLET	1	1	1			B
64	373134	HOSE /WATER VALVE & HEATER / 7/8" I.D. 229MM	1	1	1			
65	371554	HOSE 7/8" I.D. X 7.5"		1				
65	371533	HOSE 7/8" I.D. X 5.25"	1		1			
66	373749	RETURN JCT TUBE ASSY / W/BYPASS VALVE		1				
66	372136	RETURN JCT TUBE ASSY / W/O BYPASS VALVE		1				
67	952633	CLAMP / 7/8" I.D.		1				
68	500642	SCREW TP PAN PH #10x3/4 Z050		3				
69	371858	HOSE 1 3/8" I.D. 7"	1	1	1			
70	373748	SUPPORT / BY-PASS VALVE		1				
71	482045	SUPPORT WATER PUMP From P-646 To S-445		1				

From E-638 To Y-7045	Date:10/2022	PAGE:XL-2210-10
WATER PUMP & FILTER - INSTALLATION		

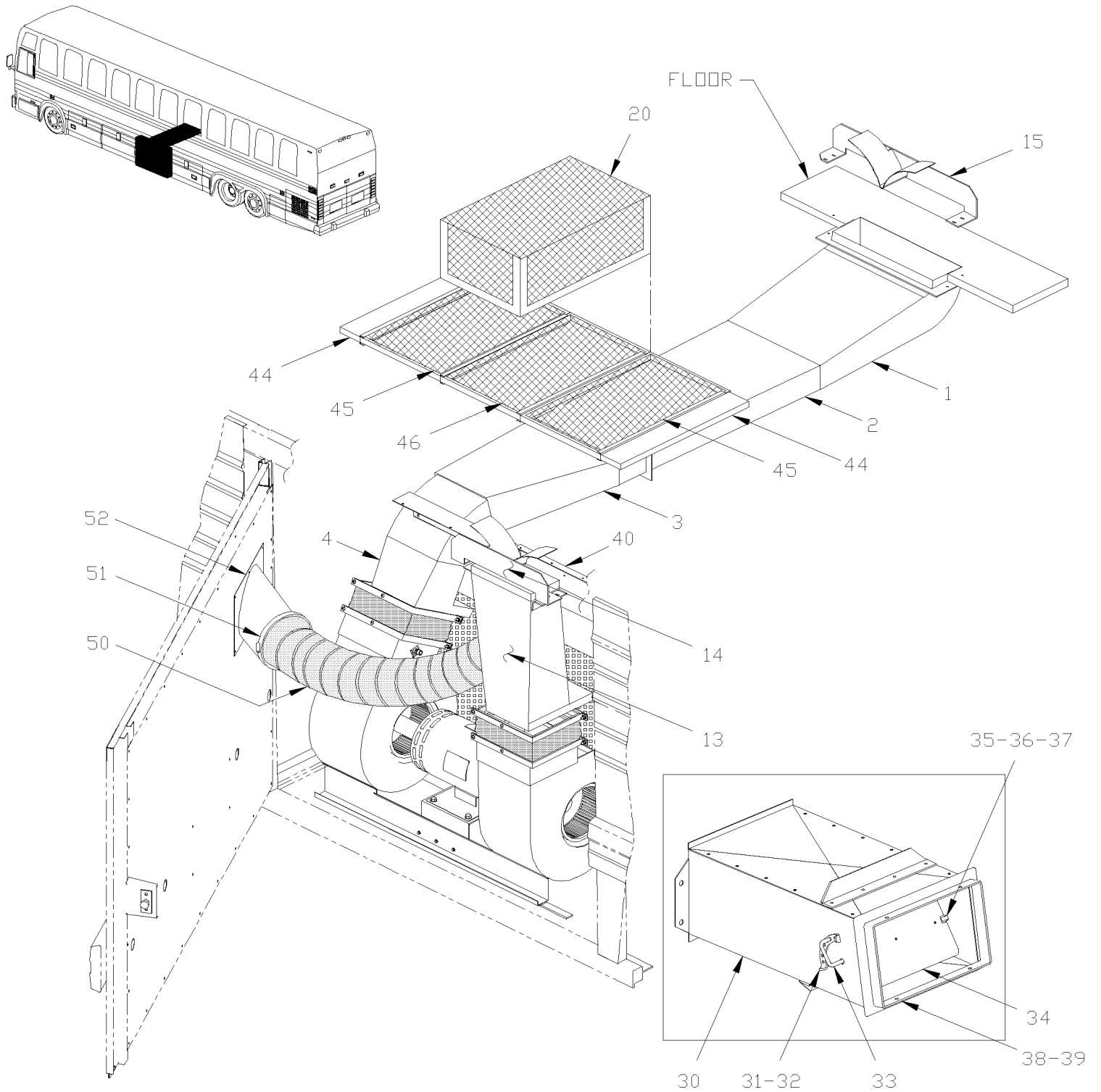
Item#	Part	Description	M T H 4 0	M T H 4 5	M T H 4 5 E	X L 4 0	X L 4 5	N O T E S
71	482045	SUPPORT WATER PUMP From S-446 To V-6257	1		1			
71	482616	SUPPORT WATER PUMP From V-6258	1	1	1			
		A) INLET SIDE						
		B) WITHOUT BYPASS WATER VALVE						
		C) WITH BY-PASS WATER VALVE						
		D) WITH 8V-92 500HP						
		E) WITH SERIES 60						
		F) THIS PART IS RELATED WITH THE WATER FILTER Up to M-898, NOW THIS FILTER IS SUPERSEDED BY ASSY #372866						
		G) AS SHOWN						
		P) CALL ORDER DESK FOR SPECIFIC APPLICATION (V.I.N.)						

From E-638 To Y-7045

Date:10/2022

PAGE:XL-2220-00

UNDER FLOOR AIR DUCTING



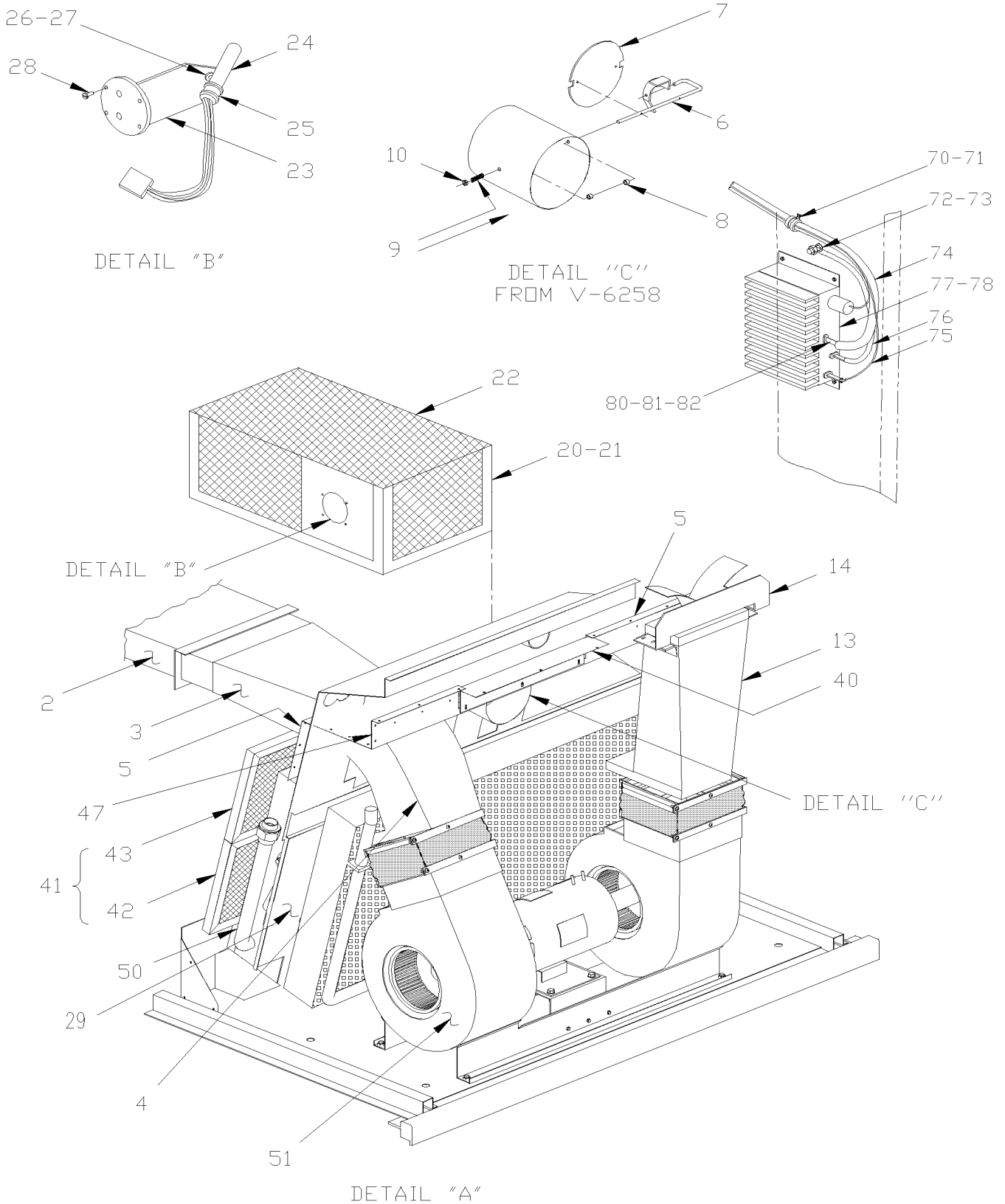
UP TO V-6257

From E-638 To Y-7045

Date:10/2022

PAGE:XL-2220-00

UNDER FLOOR AIR DUCTING



From E-638 To Y-7045	Date:10/2022	PAGE:XL-2220-00
UNDER FLOOR AIR DUCTING		

Item#	Part	Description	M T H 4 0	M T H 4 5	M T H 4 5 E	X L 4 0	X L 4 5	N O T E S
1	451038	DUCT ASSY	1	1	1	1	1	
1	453442	DUCT ASSY W/TRANSITION & DEFLECTOR From X-6945				1		H
NS	451036	FIBERGLASS BOTTOM DUCT To R-859	1	1	1	1	1	
NS	451085	FIBERGLASS BOTTOM DUCT From R-860	1	1	1	1	1	
NS	451037	COVER TOP	1	1	1	1	1	
NS	451087	DEFLECTOR ASSY	1	1	1	1	1	
NS	451120	BRACKET, REINFORCEMENT / TO FIX AIR DEFLECTOR From R-860	1	1	1	1	1	
2	450834	DUCT / FUEL TANK COMPARTMENT	1	1	1	1	1	
3	450863	DUCT To V-6257	1	1	1	1	1	
3	452806	DUCT ASSY From V-6258		1			1	
4	450856	DUCT , L.H. OUTLET EVAPORATOR FAN	1	1	1	1	1	
5	480857	PANEL UPPER EVAPORATOR SEPARATOR To V-6257	1		1	1		
5	453058	PANEL ASSY W/DAMPER / UPPER EVAPORATOR From V-6258				1	1	
5	453047	PANEL ASSY W/DAMPER / UPPER EVAPORATOR From V-6258	1	1	1			
5	452576	. DEFLECTOR / OUTPUT DUCT LH & RH From V-6258				1		
5	452568	. PIPE ASSY RETURN A/C From V-6258	1	1	1			
6	452945	. PIVOT From V-6258	1	1	1	1	1	
NS	504107	. RIVET POP DOME OE 1/8x5/16 AL From V-6258	2	2	2	2	2	
7	452943	. DAMPER From V-6258	1	1	1	1	1	
8	504083	. SNAP BUSHING / .250x.468.406 From V-6258	2	2	2	2	2	
9	502146	. SPRING COMPRESSION / .437 O.D. x .750 x .047 From V-6258	1	1	1	1	1	
10	500770	. NUT HEX STO 1/4-20 Z050 From V-6258	1	1	1	1	1	
13	451080	DUCT, R.H. OUTLET / EVAPORATOR FAN To M-724	1			1		
13	451118	DUCT, R.H. OUTLET / EVAPORATOR FAN From M-725 To V-6257	1	1	1	1	1	
NS	452878	DUCT, R.H. OUTLET / EVAPORATOR FAN From V-6258	1	1	1	1	1	
14	452089	DEFLECTOR ASSY / EVAPORATOR SIDE From M-725 To V-6257	1	1	1	1	1	
NS	451120	BRACKET, REINFORCEMENT / TO FIX AIR DEFLECTOR To V-6257	1	1	1	1	1	
NS	500888	NUT AN JK #10-24 To V-6257	2	2	2	2	2	
NS	500607	SCREW MA TR PH #10-24x1 SS To V-6257	2	2	2	2	2	
14	453056	DEFLECTOR ASSY / EVAPORATOR SIDE From S-570 To V-6284	1	1	1	1	1	
14	453362	DEFLECTOR ASSY / EVAPORATOR SIDE From V-6285	1	1	1	1	1	
15	453052	DEFLECTOR ASSY / CONDENSOR SIDE From S-570 To V-6284	1	1	1	1	1	
15	453363	DEFLECTOR ASSY / CONDENSOR SIDE From V-6285	1	1	1	1	1	
NS	451071	COVER / FIBERGLASS / AIR RETURN BOX To V-6257				1		
20	450440	BOX ASSY / AIR RETURN To E-729	1			1		
20	451042	BOX ASSY / AIR RETURN From E-730 To V-6157	1	1	1	1	1	
20	453030	BOX ASSY / AIR RETURN From V-6158	1	1	1	1	1	
21	450441	. BASE / AIR RETURN To E-729	1	1	1	1	1	
21	451043	. BASE / AIR RETURN From E-730 To V-6157	1	1	1	1	1	
21	453032	. BASE / AIR RETURN From V-6158	1	1	1	1	1	
22	450442	. GRILL / AIR RETURN BOX To E-729				1		
22	451044	. GRILL / AIR RETURN BOX From E-730 To V-6157	1	1	1	1	1	

From E-638 To Y-7045	Date:10/2022	PAGE:XL-2220-00
UNDER FLOOR AIR DUCTING		

Item#	Part	Description	M T H 4 0	M T H 4 5	M T H 4 5 E	X L 4 0	X L 4 5	N O T E S
22	453031	. GRILL / AIR RETURN BOX From V-6158	1	1	1	1	1	
23	450596	. SUPPORT / TEMPERATURE SENSOR To V-6157	1	1	1	1	1	
23	453033	. SUPPORT / TEMPERATURE SENSOR From V-6158	1	1	1	1	1	
24	870868	. SENSOR MAIN HEATER / TEMPERATURE CONTROL	1	1	1	1	1	
25	952629	. CLAMP / 5/8" I.D.	1	1	1	1	1	
26	500837	. NUT SPR U 1/4-20 .064-.125	1	1	1	1	1	
27	500786	. NUT HEX #10-24 Z050	1	1	1	1	1	
28	500638	. SCREW TP PAN PH #8x1/2 Z050	2	2	2	2	2	
29	480859	SUPPORT ANGLE / TO FIX HEATER & EVAPO	1		1	1		
29	480858	SUPPORT ANGLE / TO FIX HEATER & EVAPO	1		1	1		
30	450871	DUCT ASSY To R-829	1		1	1		
30	452389	DUCT ASSY From R-830 To V-6257	1	1	1	1	1	
31	450894	. PIVOT To V-6257	1	1	1	1	1	
32	504083	. SNAP BUSHING / .250x.468.406 To V-6257				2		
32	504083	. SNAP BUSHING / .250x.468.406 To V-6257	3		3			
32	504083	. SNAP BUSHING / .250x.468.406 To V-6257		1			1	
33	450866	. ADJUSTMENT To V-6257	1	1	1	1	1	
34	450869	. DAMPER To V-6257				1		
NS	504107	. RIVET POP DOME OE 1/8x5/16 AL To V-6257	3		3	3		
NS	504107	. RIVET POP DOME OE 1/8x5/16 AL To V-6257		1			1	
35	502146	. SPRING COMPRESSION / .437 O.D. x .750 x .047 To V-6257	1	1	1	1	1	
36	500440	. WASHER FL .250x.562x.065 Z050 To V-6257	1	1	1	1	1	
37	500770	. NUT HEX STO 1/4-20 Z050 To V-6257	1	1	1	1	1	
38	450878	SEAL WHEATHERSTRIP ASSY	1	1	1	1	1	
38	450889	SEAL WHEATHERSTRIP ASSY	1	1	1	1	1	
39	452378	RETAINER FRAME / PLASTIC GREY From R-830 To V-6257	1	1	1	1	1	
40	482032	CLOSING PANEL ASSY From P-646 To S-445		1				
40	482219	CLOSING PANEL ASSY From S-446	1	1	1			
41	870697	FILTER 20" x 37" To S-569				1		
41	870697	FILTER 20" x 37" To K-714	1					
42	372550	FILTER LOWER 10" X 37" From K-715 To N-512	1					B
42	372919	FILTER LOWER 10" X 37" From N-513 To S-445	1		1			
42	373338	FILTER LOWER 10" X 37" From S-570				1		
42	373337	FILTER LOWER 10" X 37" From S-570					1	
43	372549	FILTER UPPER 10" X 37" From K-715 To N-512	1					B
43	372918	FILTER UPPER 10" X 37" From N-513 To S-445	1		1			
43	373336	FILTER UPPER 10" X 37" From S-570				1	1	
NS	Call order desk	. SOUND INSULATION From K-715 To S-445	AR		AR			P A
NS	871069	. FILTER 10" x 37 From S-570	AR		AR			A
44	482047	PANEL ASSY W/SLIDING TRACK From P-646		2				
44	482047	PANEL ASSY W/SLIDING TRACK From S-446	2		2			
45	482049	FILTER ASSY W/SLIDING TRACK & RIVET From P-646		2				

From E-638 To Y-7045	Date:10/2022	PAGE:XL-2220-00
UNDER FLOOR AIR DUCTING		

Item#	Part	Description	M T H 4 0	M T H 4 5	M T H 4 5 E	X L 4 0	X L 4 5	N O T E S
45	482049	FILTER ASSY W/SLIDING TRACK & RIVET From S-446	2		2			
46	482048	FILTER ASSY W/CLOSING PANEL From P-646 To S-445		1				C
46	871034	FILTER 13" x 21" From S-446	1	1	1			
50	452988	HOSE 6" I.D. 38" From V-6258	1	1	1	1	1	
51	504324	HOSE CLAMP / 4"1/2-6"1/2 SS / HS-96 From V-6258	1	1	1	1	1	
52	452947	HOSE ADAPTOR, EVAPORATOR DOOR From V-6258	1	1	1	1	1	
70	560480	CLAMP / 1/2" I.D.	AR	AR	AR			
70	560484	CLAMP / 1" I.D.	AR	AR	AR			
71	500638	SCREW TP PAN PH #8x1/2 Z050	AR	AR	AR			
72	500998	NUT HEX 1/2-13 BR	1	1	1			
73	500857	WASHER LO INT .512x.900x.045 Z050	1	1	1			
74	063841	CABLE / SPEED CONTROL & MOTOR #0A	1	1	1			G
74	062578	CABLE / SPEED CONTROL & MOTOR #0A	1	1	1			F
75	063840	CABLE / SPEED CONTROL & MOTOR #166B	1	1	1			G
75	062580	CABLE / SPEED CONTROL & MOTOR #166B	1	1	1			F
76	063625	CABLE / GROUND & SPEED CONTROL #0	1	1	1			
77	870967	CONTROL SPEED To S-487	1	1	1			D
77	871060	CONTROL SPEED From S-488 To V-6063	1	1	1			D
77	871086	CONTROL SPEED From V-6064	1	1	1			
78	500535	SCREW TP CAP HEX #14x3/4 Z050	AR	AR	AR			
80	502531	SCREW CAP HEX M6-1.0x16 G8.8 Z050	3	3	3			
81	502621	NUT HEX STO M6-1.0 Z050	3	3	3			
82	500440	WASHER FL .250x.562x.065 Z050	3	3	3			
100	064371P	KIT, SPEED CONTROL	AR	AR	AR			
. NS	IS-96101	. SEE INSTRUCTION SHEET	1	1	1			
		A) THOSE FILTER DO NOT INCLUDE HANDLE & TRACK						
		B) THOSE FILTER COULD BE USE IN RETROFIT FOR EASY REMOVED IN BAGGAGE COMPARTMENT FOR MTH Up to K-714						
		C) THIS FILTER ASSY INCLUDE COVER #482031						
		D) FOR SERVICE YOU REQUIRE ONE 064371P KIT SPEED CONTROL						
		F) FORMER						
		G) CURRENT						
		H) WITH W.C.L. DOOR ONLY						
		P) CALL ORDER DESK FOR SPECIFIC APPLICATION (V.I.N.)						

From E-775 To Y-7045

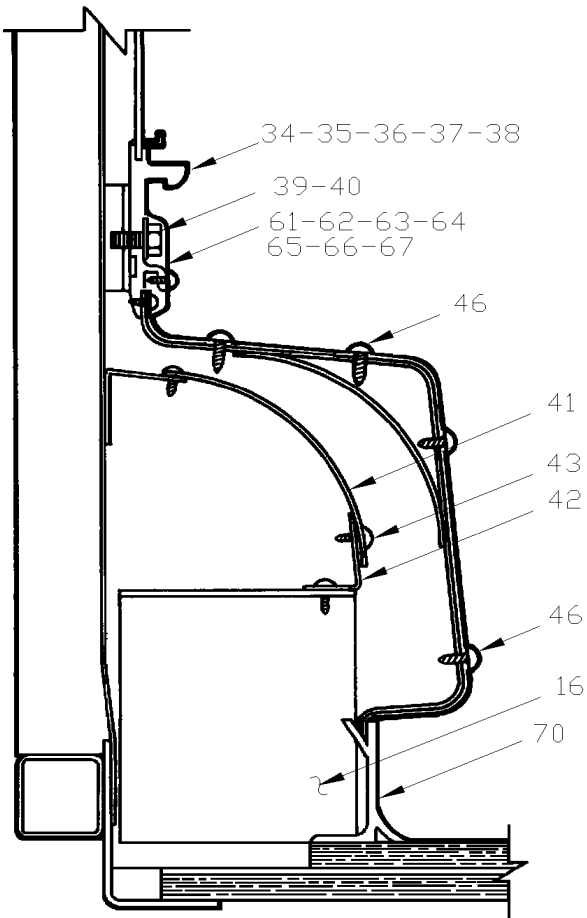
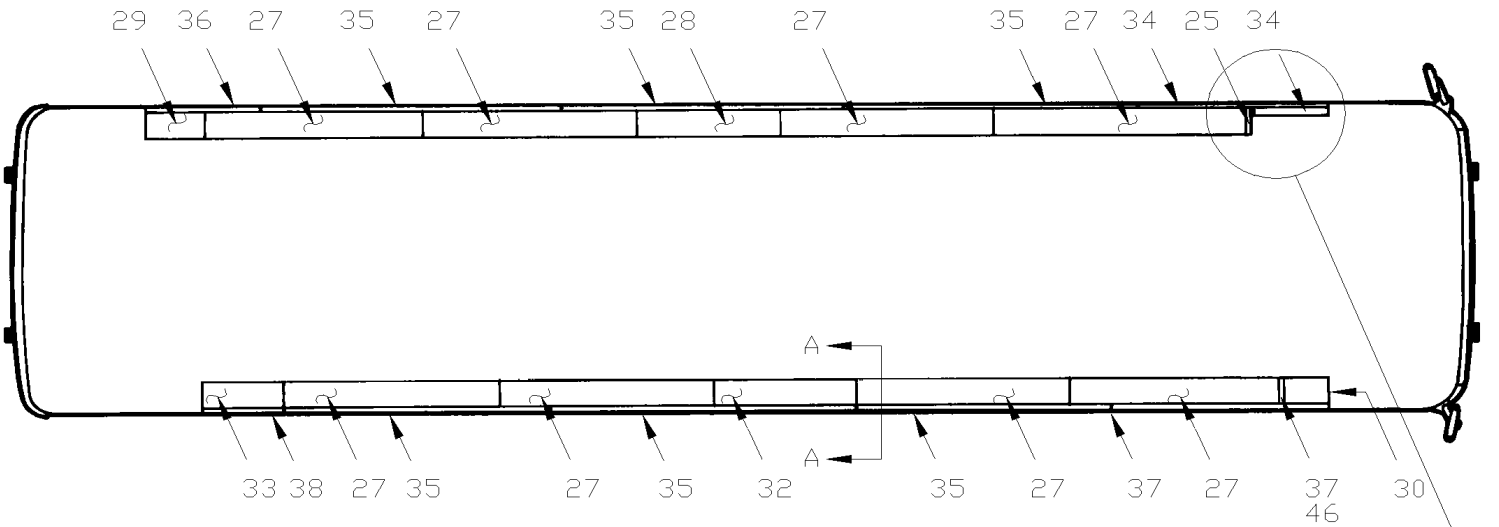
Date:10/2022

PAGE:XL-2221-10

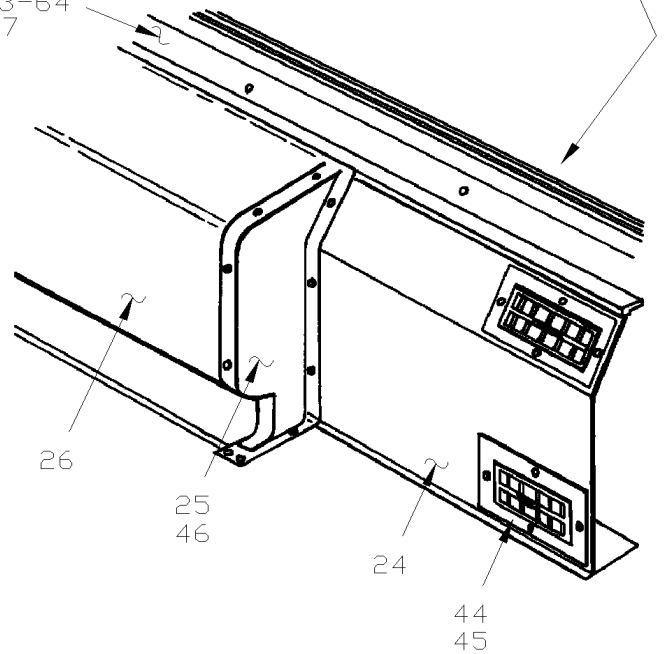
DUCTING HEATER & A/C

AIR DUCT TOP VIEW (COACH)

FRONT →



61-62-63-64
65-66-67



COUPE "A-A"

From E-775 To Y-7045

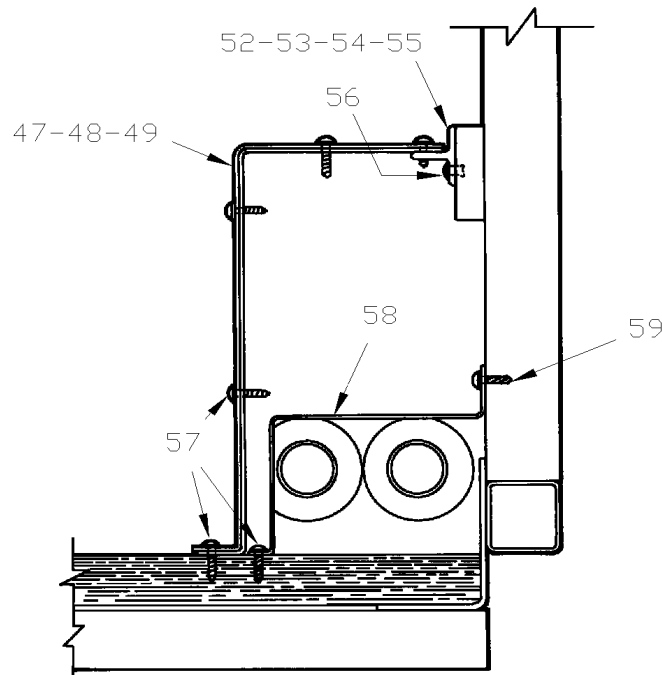
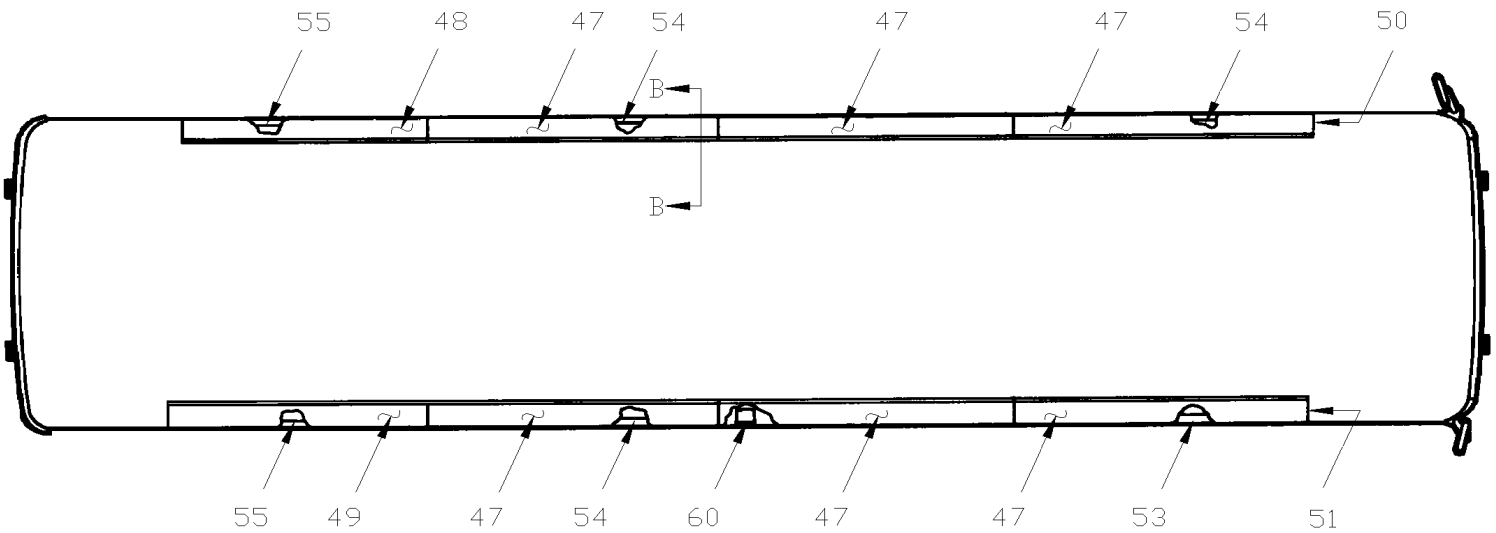
Date:10/2022

PAGE:XL-2221-10

DUCTING HEATER & A/C

AIR DUCT TOP VIEW (MTH)

FRONT →



COUPE "B-B"

From E-775 To Y-7045	Date:10/2022	PAGE:XL-2221-10
DUCTING HEATER & A/C		

Item#	Part	Description	M T H 4 0	M T H 4 5	M T H 4 5 E	X L 4 0	X L 4 5	N O T E S
24	371896	DUCT / #1 L.H. / 26 3/4"				1	1	
25	371871	CAP, L.H. FRONT CLOSING / L.H. AIR DUCT				1	1	
NS	371921	ANGLE REINFORCEMENT / TO FIX CAP				1	1	
26	371870	DUCT / #2 L.H. / 83 3/4"				1	1	
27	371852	DUCT / #3,4,5 L.H. & #2,3,5,6 R.H. / 71 5/8"				7		
27	371852	DUCT / #3,4,5 L.H. & #2,3,5,6 R.H. / 71 5/8"					1	
27	325119	DUCT / #3 L.H. / 48"					1	
28	322700	DUCT / #4 L.H. 1750MM					1	
28	372172	DUCT / #4 L.H. / 48"				1		
29	371869	DUCT / #6 L.H. / 15 7/8"				1		
29	373059	DUCT / #6 L.H. / W/SERIES 60 / 212.73MM				1		
29	373317	DUCT / #6 L.H. / W/SERIES 50 / 360.73MM				1		
NS	506025	RUBBER CHANNEL / 1/18" x 5/16" INT "U" SHAPE / SQUARE C.T.L.				AR	AR	
30	371895	DUCT / #1 R.H. / (DOOR LOCK COVER) / 15 5/8"				1	1	
31	371872	CAP, R.H. FRONT CLOSING / R.H. AIR DUCT				1	1	
32	324947	DUCT / #2 R.H. / 48"					1	
32	372173	DUCT / #4 R.H. / 48"				1		
32	324860	DUCT / #4 R.H. / 2007MM					1	
33	371812	DUCT / #7 R.H. / 685.8MM				1		
33	373060	DUCT / #7 R.H. / W/SERIES 50 & 60 / 482.6MM				1		
NS	506025	RUBBER CHANNEL / 1/18" x 5/16" INT "U" SHAPE / SQUARE C.T.L.				AR	AR	
34	321384	RAIL, UPPER 61 3/8" / #1 L.H. To P-558				1		
34	323950	RAIL, UPPER 61 3/8" / #1 L.H. From P-559				1	1	
35	321446	RAIL, UPPER 94 5/16" / #2,3,4 L.H. & R.H. To P-558				6		
35	323954	RAIL, UPPER 94 5/16" / #2,3,4 L.H. & R.H. From P-559				6	6	
36	321387	RAIL, UPPER 38 7/8" / #5 L.H. To P-558				1		
36	323953	RAIL, UPPER 38 7/8" / #5 L.H. From P-559				1		
37	321386	RAIL, UPPER 60 1/2" / #1 R.H. To P-558				1		
37	323952	RAIL, UPPER 60 1/2" / #1 R.H. From P-559				1	1	
38	321385	RAIL, UPPER 25 13/16" / #5 L.H. To P-558				1		
38	Call order desk	DEFLECTOR, UPPER From P-559				1		P
38	324112	RAIL, UPPER / #5 L.H. / W/SERIES 50 & 60 / 452MM				1		
38	324822	RAIL, UPPER / #5 L.H. / 2327MM					1	
38	324823	RAIL, UPPER / #5 R.H. / 1976MM					1	
38	321470	RAIL, UPPER 96" / ALUMINUM EXTRUSION / C.T.				AR	AR	
39	500517	SCREW TC CAP HEXW 5/16-18x3/4 Z050				43		
40	500476	WASHER LO SPT .317x.586x.078 Z050				43		
41	372169	DEFLECTOR, R.H. AIR				1		
41	372170	DEFLECTOR, L.H. AIR				1		
42	372171	SUPPORT, ANGLE / TO FIX DEFLECTORS				4	4	
43	500654	SCREW TC BDG PH #8-32x1/2 Z050				AR	AR	
44	371914	LOUVER, AIR				2	2	

From E-775 To Y-7045	Date:10/2022	PAGE:XL-2221-10
DUCTING HEATER & A/C		

Item#	Part	Description	M T H 4 0	M T H 4 5	M T H 4 5 E	X L 4 0	X L 4 5	N O T E S
45	500409	SCREW TP PAN PH #8x1/2 BK				8	8	
46	500640	SCREW TP PAN PH #6x3/4 Z050				AR	AR	
47	371712	AIR DUCT 2438MM	6					
47	371712	AIR DUCT 2438MM		8	8			
48	371713	DUCT / #4 L.H. / 86 7/8" To N-427	1					
48	373202	DUCT / #4 L.H. / 86 7/8" From N-428	1					
NS	373001	DUCT / L.H. REAR 1281MM		1	1			
48	372900	DUCT / #4 L.H. W/92 / 81 7/8" From N-428	1					
48	372989	DUCT / #4 L.H. W/92 / 46 7/8" From N-428			1			
49	371714	DUCT / R.H. REAR 90 3/4"	1					
49	373002	DUCT / #5 R.H. 1418MM		1	1			
49	373001	DUCT / L.H. REAR 1281MM			1			
49	372990	DUCT / #4 R.H. 55 3/4"			1			
NS	506025	RUBBER CHANNEL / 1/18" x 5/16" INT "U" SHAPE / SQUARE C.T.L.	AR	AR	AR			
NS	506236	TAPE RUB ADH1 CC POL 1/16" x 1/2" x 100' / GREY 2520	AR	AR	AR			
50	371716	CAP L.H. / FRONT	1	1	1			
51	371715	CAP R.H. / FRONT	1	1	1			
52	372586	"T" SUPPORT, AIR DUCT 143 1/2"	1	1	1			B
53	372585	"T" SUPPORT, AIR DUCT 139 3/4"	1	1	1			
54	372583	"T" SUPPORT, AIR DUCT 70 7/8"	2					
54	372583	"T" SUPPORT, AIR DUCT 70 7/8"		3				
54	372999	"T" SUPPORT, AIR DUCT 141 1/2"			3			
55	372584	"T" SUPPORT, AIR DUCT 157 1/8"	1					E
55	372586	"T" SUPPORT, AIR DUCT 143 1/2"			1			F C
55	372901	"T" SUPPORT, AIR DUCT 3864MM			1			E
56	504379	RIVET POP DOME OE 3/16x1/4 SS	37					
56	504379	RIVET POP DOME OE 3/16x1/4 SS		45	45			
57	500641	SCREW TP PAN PH #8x3/4 Z050	70		70			
57	500641	SCREW TP PAN PH #8x3/4 Z050		104				
58	372005	SUPPORT / TUBE	6					
58	372005	SUPPORT / TUBE		7	7			
59	500654	SCREW TC BDG PH #8-32x1/2 Z050	70					
59	500654	SCREW TC BDG PH #8-32x1/2 Z050		74	74			
60	321412	PROTECTOR / FLOOR AIR INLET	2	2	2			
NS	320186	AIR GRILL & SPACER 48"LG / BELOW WINDOW	9					
NS	320186	AIR GRILL & SPACER 48"LG / BELOW WINDOW		10	10			
NS	504105	RIVET POP DOME OE 1/8x3/16 AL	124					D
NS	504105	RIVET POP DOME OE 1/8x3/16 AL		138	138			
NS	500437	WASHER FL .125x.375x.040 Z050	124					
NS	500437	WASHER FL .125x.375x.040 Z050		138	138			
61	321428	MOULDING 96" / COVER CABLE / #3,4,5 R.H.				3		
61	321428	MOULDING 96" / COVER CABLE / #3,4,5 R.H.					4	

From E-775 To Y-7045	Date:10/2022	PAGE:XL-2221-10
DUCTING HEATER & A/C		

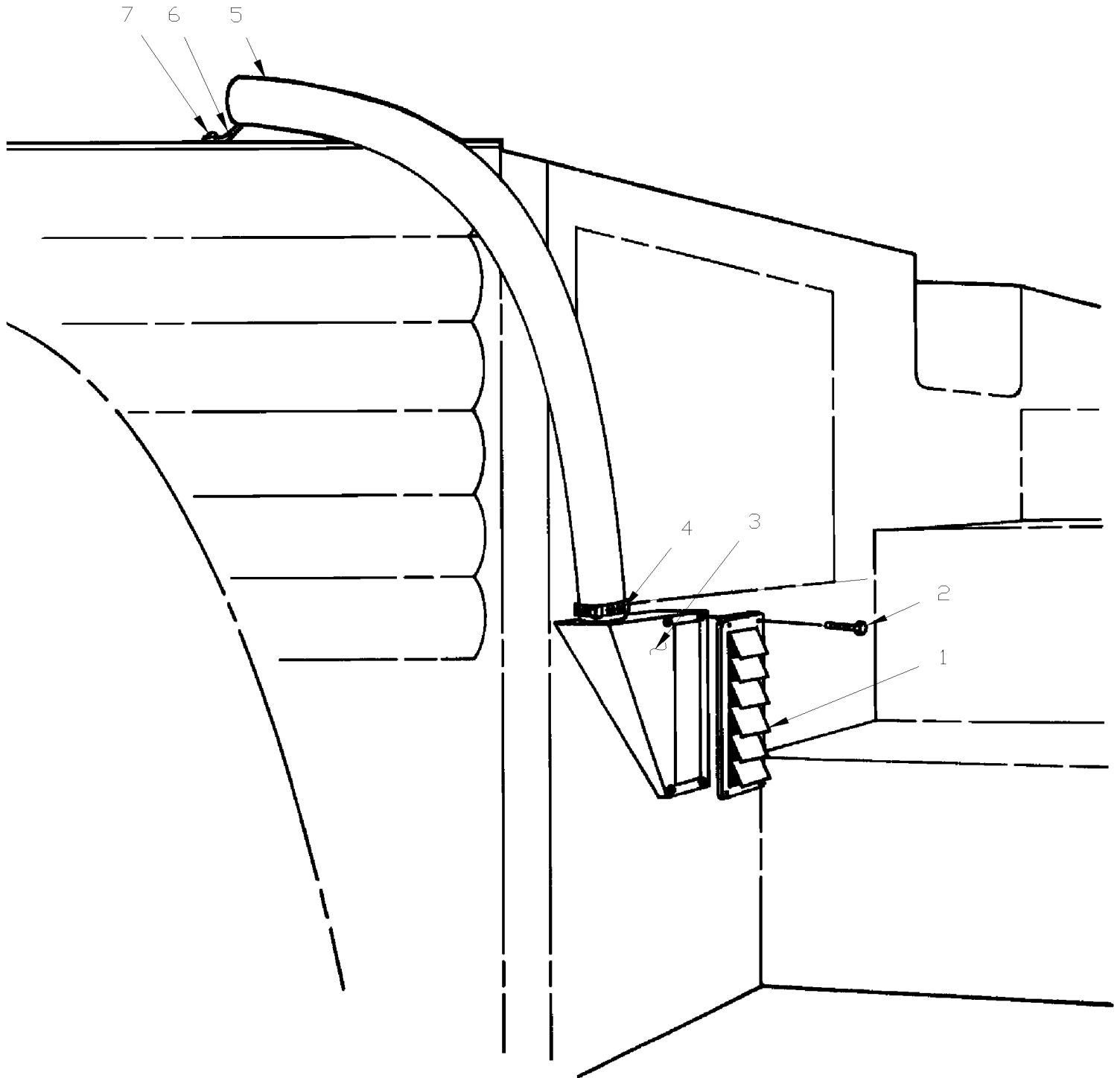
Item#	Part	Description	M T H 4 0	M T H 4 5	M T H 4 5 E	X L 4 0	X L 4 5	N O T E S
62	321597	MOULDING 71 1/4" / COVER CABLE / #1 R.H.				1		
62	324120	MOULDING 60 3/8" / COVER CABLE / #1 R.H.				1		F
63	321598	MOULDING 13" / COVER CABLE / #1 R.H. & #5 L.H.				2		
63	451038	DUCT ASSY	1	1	1	1	1	
63	324858	MOULDING 24 3/8" / COVER CABLE / #1 R.H.					1	
64	321651	MOULDING 96" / COVER CABLE / #1 L.H.				1	1	
65	321652	MOULDING 96" / COVER CABLE / #2 L.H.				1	1	
66	321653	MOULDING 96" / COVER CABLE / #3 L.H.				1		
66	324854	MOULDING 96" / COVER CABLE / #3 L.H.					1	
67	324855	MOULDING 96" / COVER CABLE / #3 L.H.					1	
67	321654	MOULDING 95 1/4" / COVER CABLE / #4 L.H.				1		
67	324856	MOULDING 52" / COVER CABLE / #4 L.H.					1	
NS	325056	PROTECTOR MOULDING				AR	AR	
70	XL-1838-00	FLOOR & COVERING - BUS						
NS	371318	DEFLECTOR To E-745				2		G
NS	371345	DEFLECTOR, L.H. SIDE OF DEFLECTOR ABOVE To E-745				2		G
NS	371346	DEFLECTOR, R.H. SIDE OF DEFLECTOR ABOVE To E-745				2		G
NS	371312	DUCT / #1 TO 7 L.H. & #3 TO 9 R.H. / 48" To E-745				7		G
NS	371313	DUCT / #8 L.H. / 36" To E-745				1		G
NS	371797	DUCT / #1 R.H. / 16 7/8" To E-745				1		G
NS	371316	DUCT / #2 R.H. / 27" To E-745				1		G
NS	371378	DUCT L.H. CLOSING To E-745				1		G
NS	370227	ANGLE 48" / FINISHING TO OF DUCT To E-745				16		G
		B) L.H. FRONT / AIR DUCT						
		C) R.H. REAR / AIR DUCT						
		D) TO FIX GRILL						
		E) WITH SERIES 92						
		F) WITH SERIES 60						
		G) THOSE PARTS ARE USE FOR A INSTALLATION W/O SEAT TRACK ON VEHICULES UP TO E-745						
		P) CALL ORDER DESK FOR SPECIFIC APPLICATION (V.I.N.)						

From H-285 To Y-7045

Date:10/2022

PAGE:XL-2221-50

ENTRANCE STEP DE-ICER

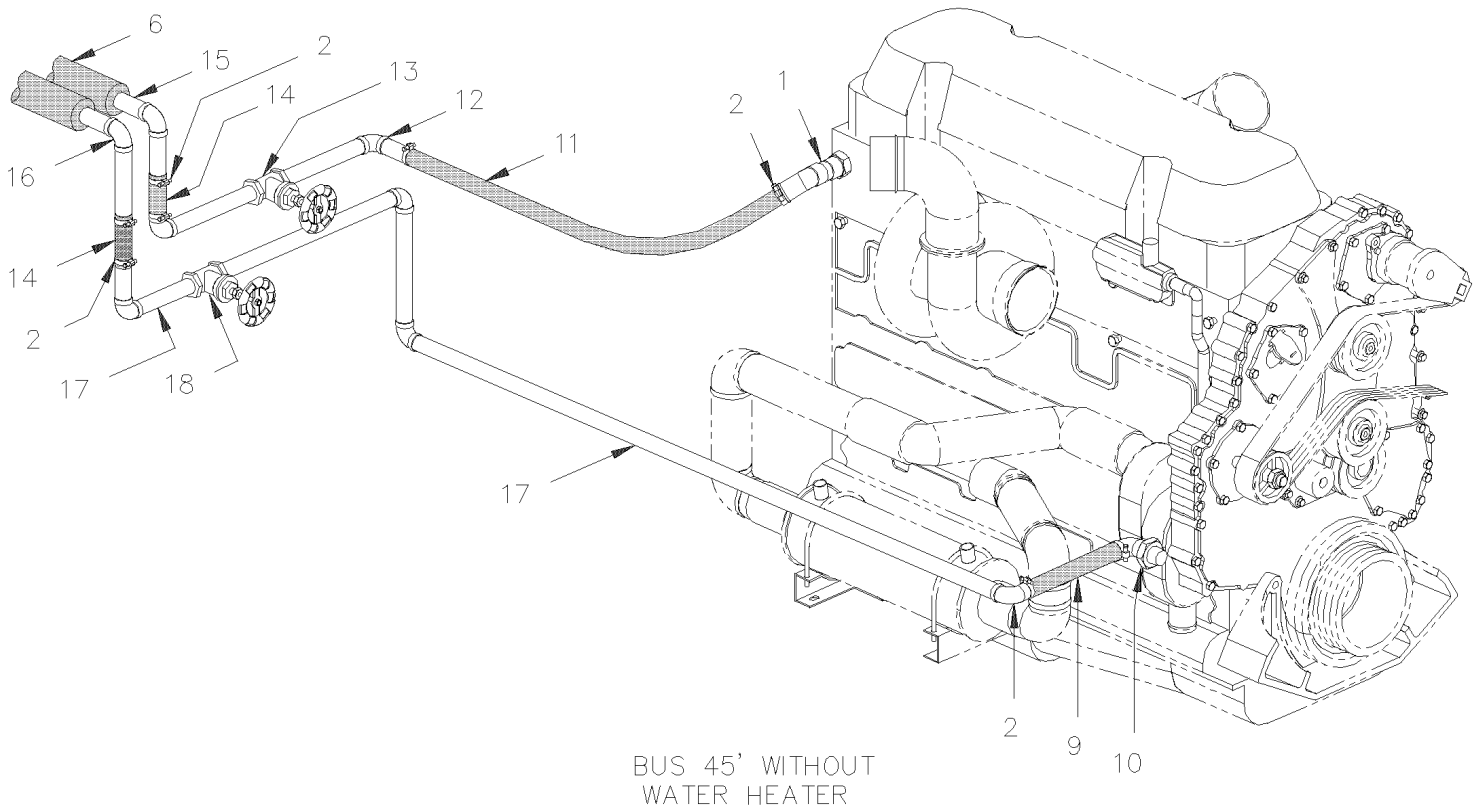
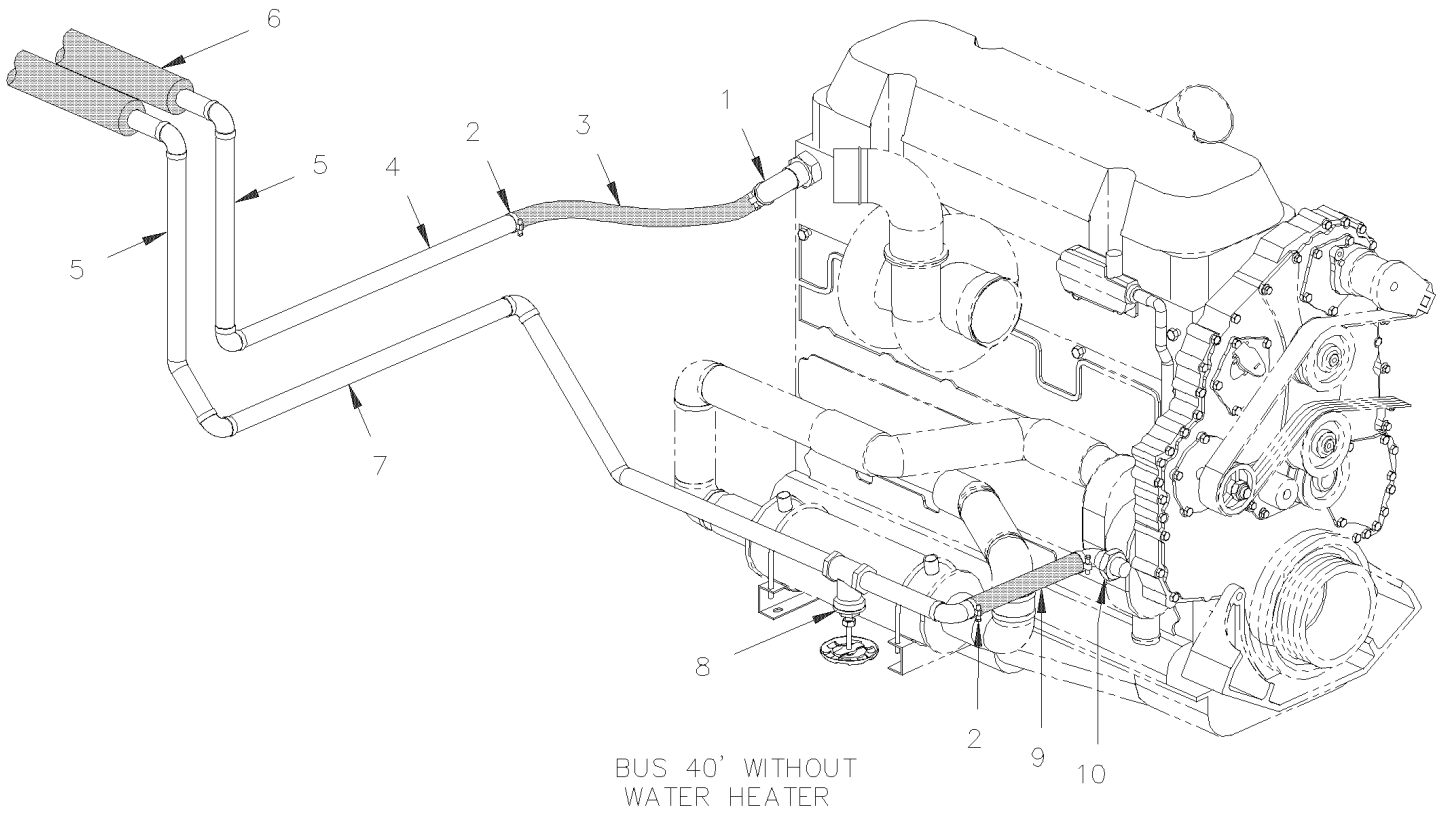


From R-846 To Y-7045

Date:10/2022

PAGE:XL-2222-01

HEATER LINE REAR SECTION - BUS

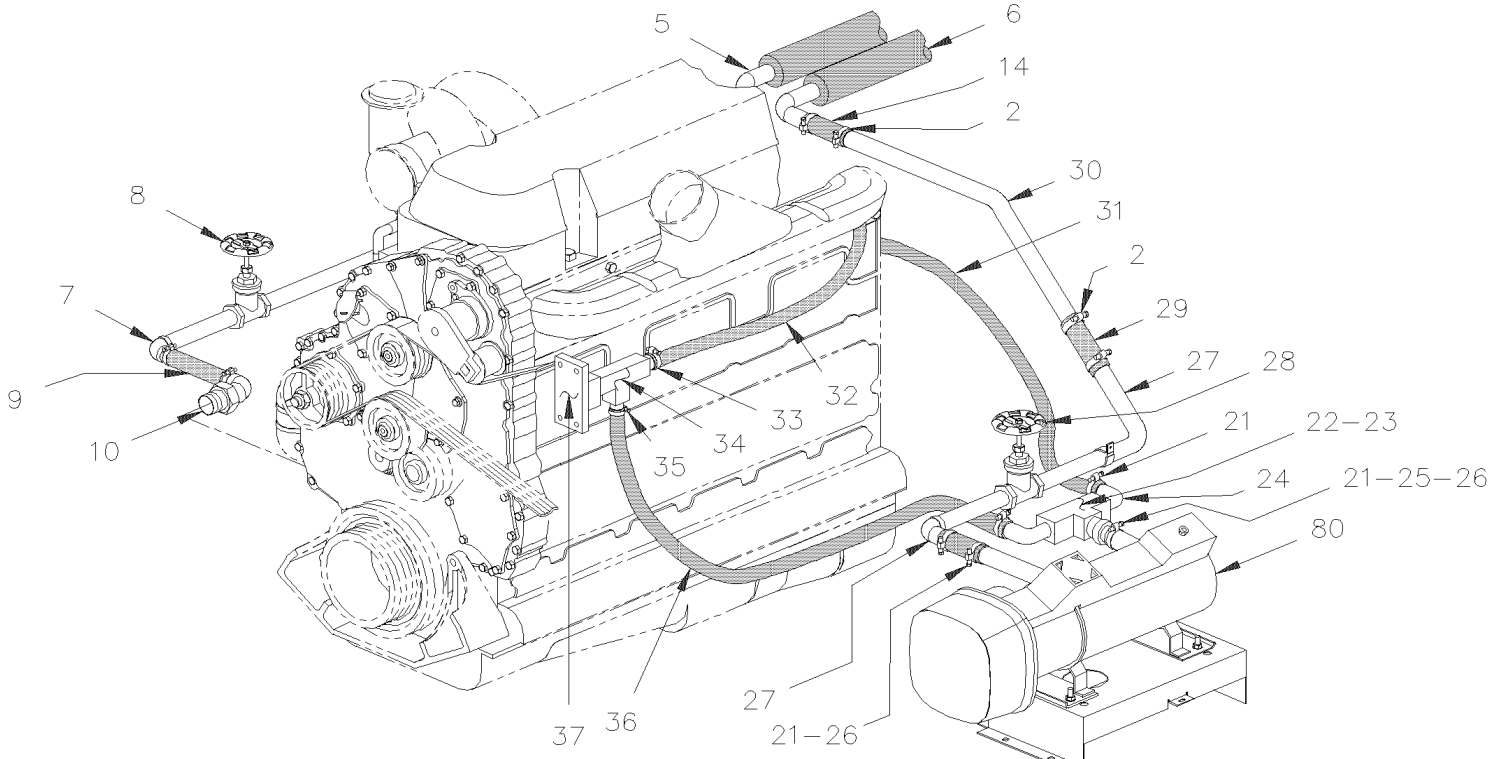


From R-846 To Y-7045

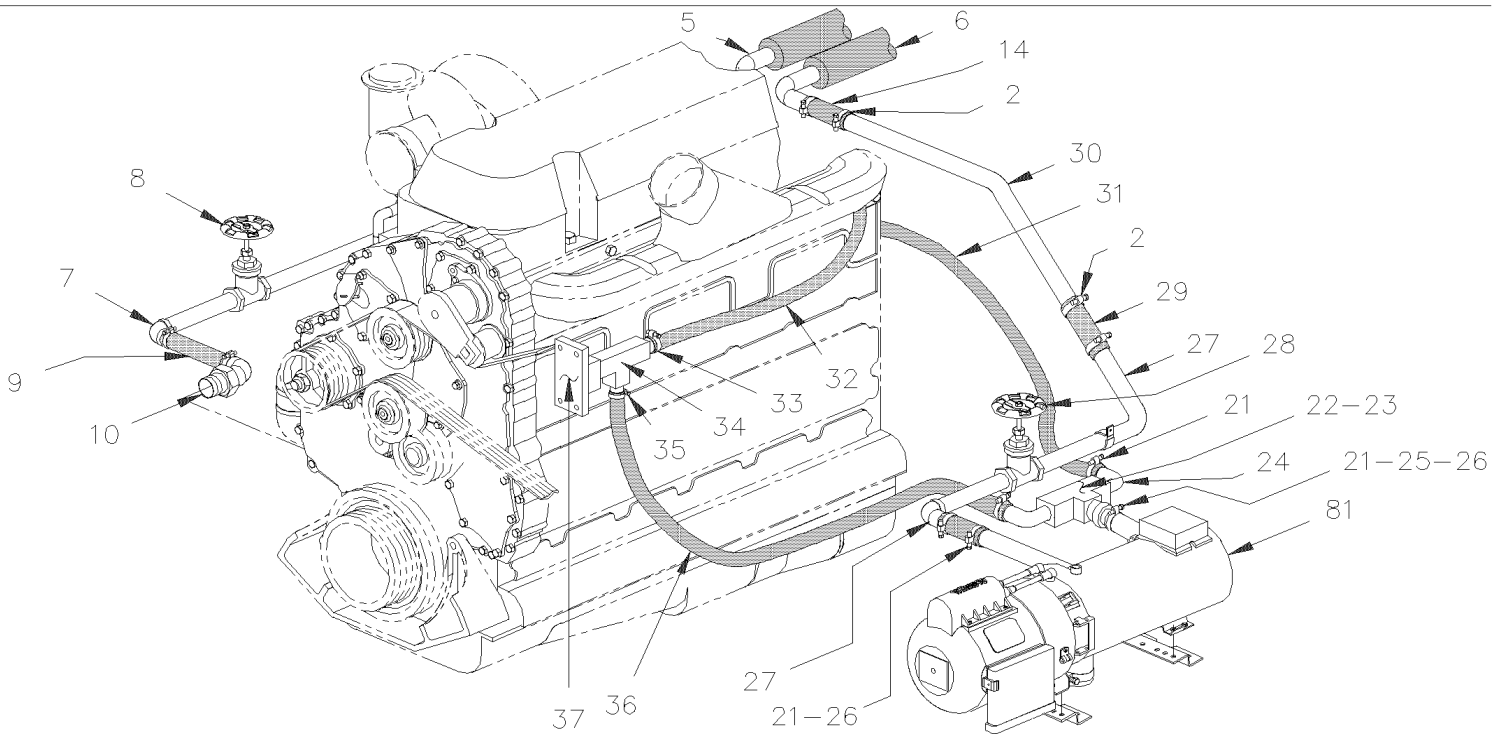
Date:10/2022

PAGE:XL-2222-01

HEATER LINE REAR SECTION - BUS



BUS 40' WITH
"ESPAR" 40 000 B.T.U.



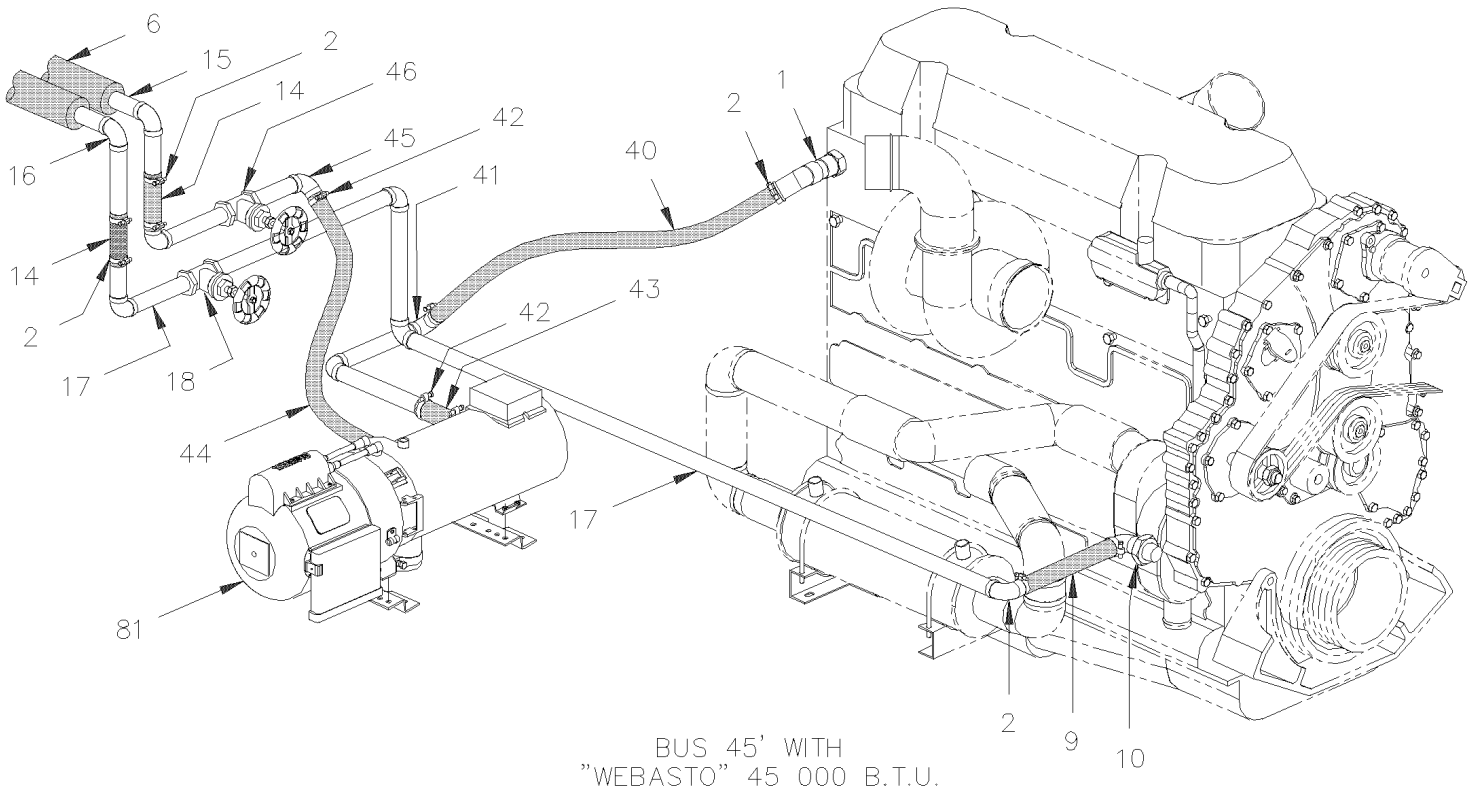
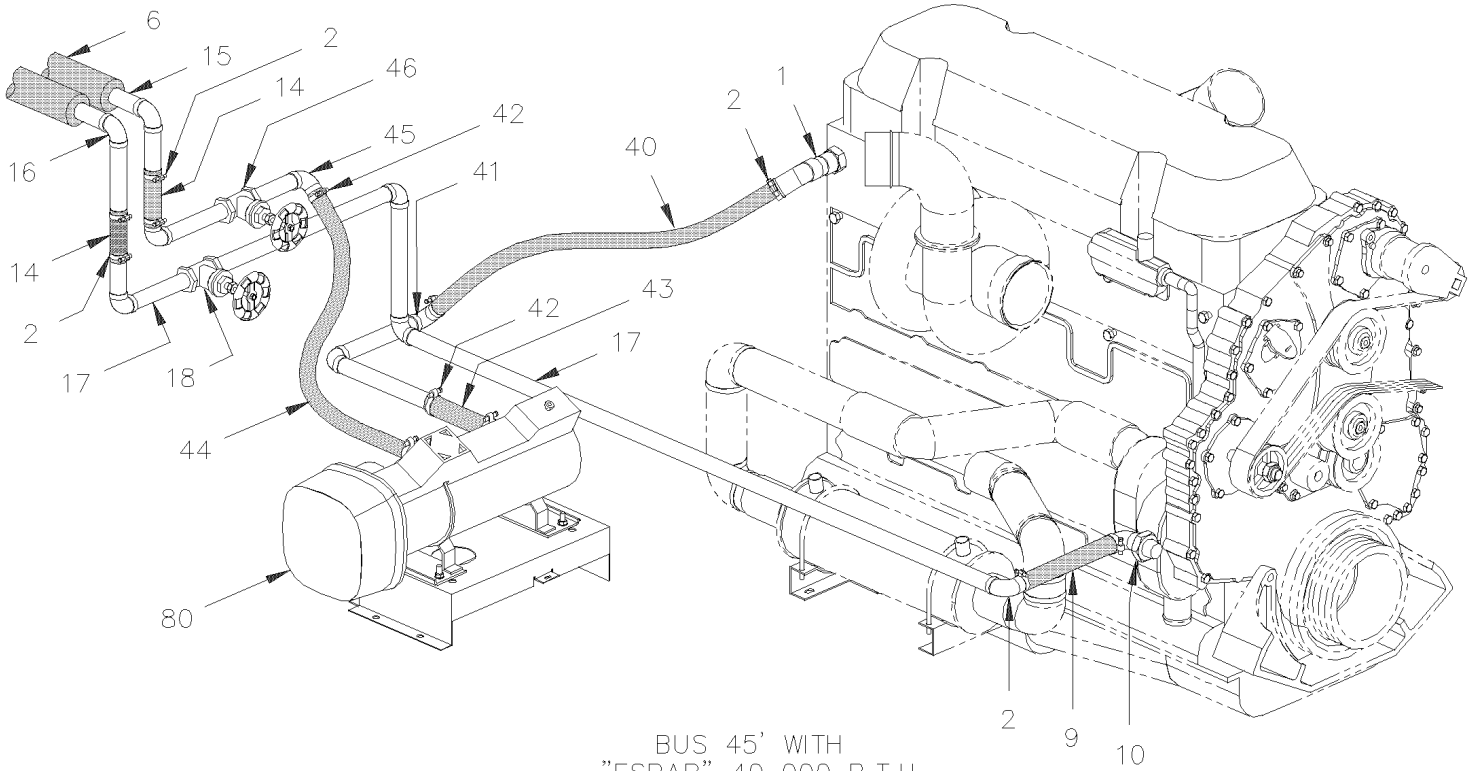
BUS 40' WITH
"WEBASTO" 45 000 B.T.U.

From R-846 To Y-7045

Date:10/2022

PAGE:XL-2222-01

HEATER LINE REAR SECTION - BUS

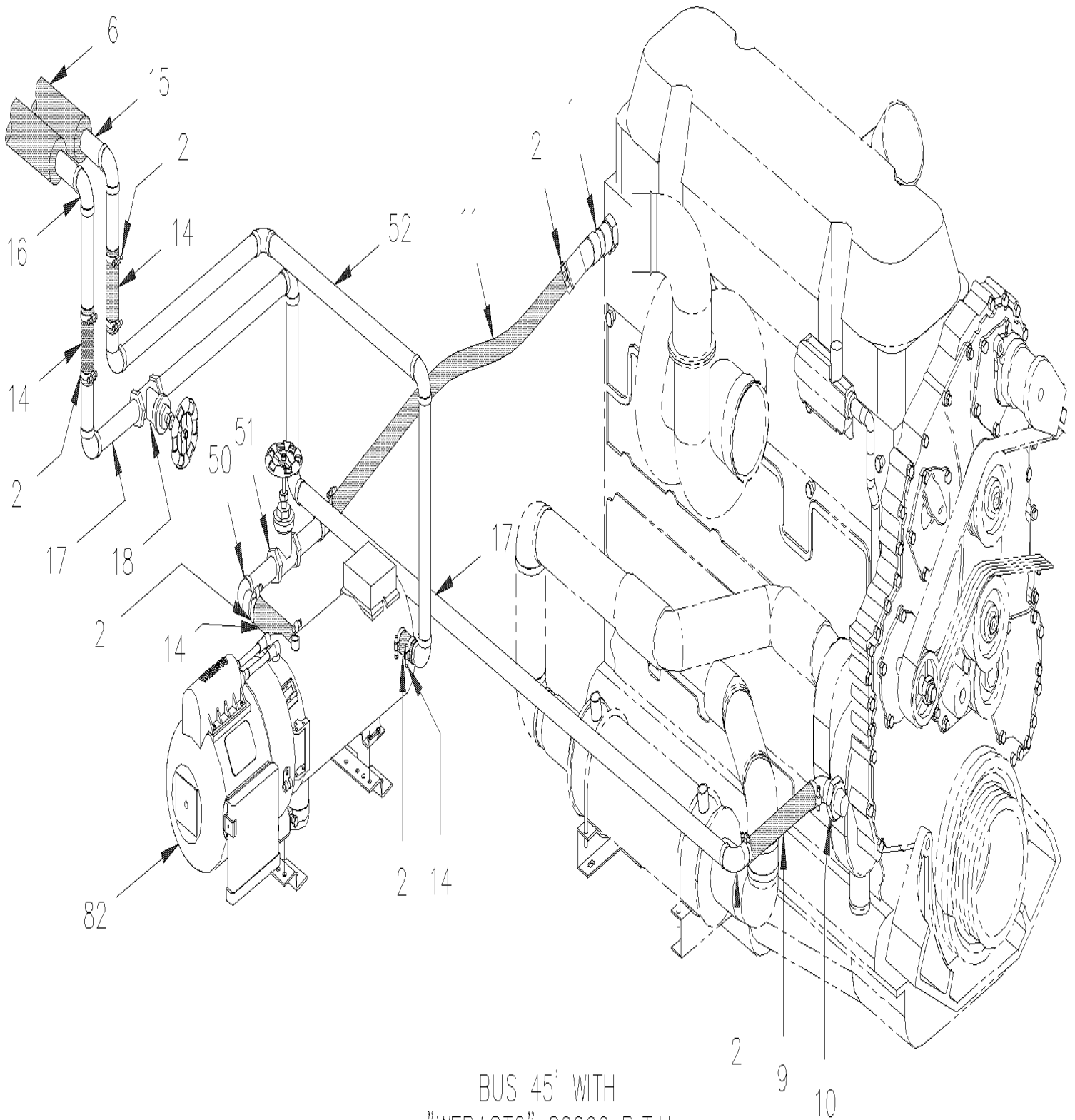


From R-846 To Y-7045

Date:10/2022

PAGE:XL-2222-01

HEATER LINE REAR SECTION - BUS



BUS 45' WITH
"WEBASTO" 80000 B.T.U.

From R-846 To Y-7045	Date:10/2022	PAGE:XL-2222-01
HEATER LINE REAR SECTION - BUS		

Item#	Part	Description	M T H 4 0	M T H 4 5	M T H 4 5 E	X L 4 0	X L 4 5	N O T E S
1	373040	ADAPTOR ELBOW 45° / CYLINDER HEAD EXIT				1	1	
2	504657	HOSE CLAMP / 1"1/16-2" C.T. 9424				AR	AR	
3	372995	HOSE 3/4" I.D. 1100MM				1		
4	373101	PIPE / W/O HEATER				1		
5	Call order desk	PIPE ASSY HEATING / RETURN LINE				2		P
6	506242	PIPE INSULATING / 1 3/8" I.D. X 1/2" TH. X 72 / APT13812				AR	AR	
7	373079	PIPE RETURN / ENGINE WATER PUMP				1		
8	501861	. GATE VALVE 1 1/4" (WELDED)				1	1	
9	371858	HOSE 1 3/8" I.D. 7"				1	1	
10	372958	ADAPTOR ELBOW 90° / WATER PUMP INLET				1	1	
11	373287	HOSE / ENGINE OUTLET / 1 3/8" I.D. 914MM					1	
12	373052	PIPE ASSY HEATING / FEED LINE					1	
13	501861	. GATE VALVE 1 1/4" (WELDED)					1	
14	371855	HOSE 1 3/8" I.D. 3"				1		
14	371855	HOSE 1 3/8" I.D. 3"					2	
15	Call order desk	PIPE ASSY HEATING / FEED LINE					1	P
16	Call order desk	PIPE ASSY HEATING / RETURN LINE /W/"SLIDE-OUT"					1	P
17	373014	PIPE RETURN / ENGINE WATER PUMP					1	
18	501861	. GATE VALVE 1 1/4" (WELDED)					1	
21	504319	HOSE CLAMP / 1"-1"1/2 SS / E.T. 16				6		
22	373290	FITTING "Y" ASSY				1		
23	501472	. FEMALE UNION TEE / PIPE FITTING / 1/2NPT-Fx1/2NPT-Fx1/2NPT-F BR				1		
24	5011038	. MALE ELBOW 90° / BEADED HOSE BARB / #12x1/2NPT-M				2		
25	507605	. MALE CONNECTOR / HOSE BARB FITTING / #12x1/2NPT-M BR				1		
25	373088	SUPPORT / "Z" SHAPE UNDER FITTING				1		
26	403641	HOSE 3/4" I.D. 53MM				2		
27	373102	PIPE				1		
28	501861	. GATE VALVE 1 1/4" (WELDED)				1		
29	371858	HOSE 1 3/8" I.D. 7"				1		
30	373085	COPPER PIPE CENTRAL A/C				1		
30	373150	COPPER PIPE DRIVER'S A/C				1	1	
34	501473	. MALE RUN TEE / PIPE FITTING / 1/2NPT-Mx1/2NPT-Fx1/2NPT-F BR				1	1	
35	507605	MALE CONNECTOR / HOSE BARB FITTING / #12x1/2NPT-M BR				1		
36	373115	HOSE 3/4" I.D. 914MM				1		
37	XL-1205-12	AIR COMPRESSOR - "TU-FLO 750" - WITH DETROIT S-60						
40	373359	HOSE 1 3/8" I.D. 762MM					1	
. NS	503392	. HOSE SILICONE 4PLY 1 3/8" I.D. x 4'					AR	
. NS	505111	. COIL PROTECTOR / PLASTIC / #22					AR	
41	373095	PIPE ASSY / WATER HEATER INLET					1	
42	504020	HOSE CLAMP / 9/16"-1"1/4 SS / HS-12					2	
43	403641	HOSE 3/4" I.D. 53MM					1	
44	373481	HOSE 3/4" I.D. 533MM					1	

From R-846 To Y-7045	Date:10/2022	PAGE:XL-2222-01
HEATER LINE REAR SECTION - BUS		

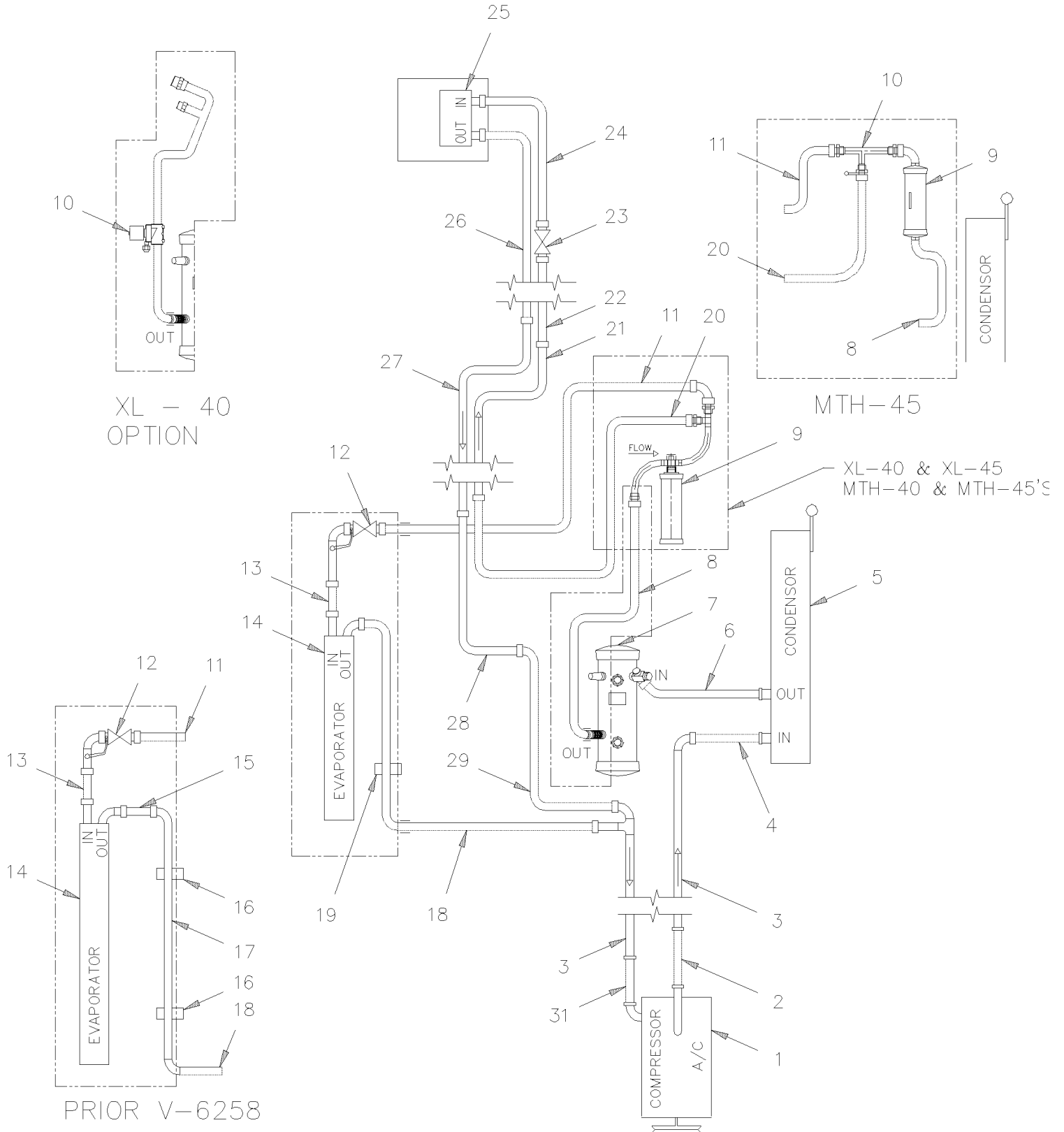
Item#	Part	Description	M T H 4 0	M T H 4 5	M T H 4 5 E	X L 4 0	X L 4 5	N O T E S
45	373094	PIPE					1	
46	501861	. GATE VALVE 1 1/4" (WELDED)					1	
50	373042	PIPE					1	
51	501861	. GATE VALVE 1 1/4" (WELDED)					1	
52	373041	PIPE					1	
80	871085	WATER HEATER - "WEBASTO" 45,000 B.T.U.						
81	871077	WATER HEATER - "ESPAR" 41,000 B.T.U.						
82	871036	WATER HEATER - "WEBASTO" 80,000 B.T.U.						
		P) CALL ORDER DESK FOR SPECIFIC APPLICATION (V.I.N.)						

From R-934 To Y-7045

Date:10/2022

PAGE:XL-2222-11

A/C LINE & PIPING - CENTRAL A/C SYSTEM - WITH DETROIT S-60



From R-934 To Y-7045	Date:10/2022	PAGE:XL-2222-11
A/C LINE & PIPING - CENTRAL A/C SYSTEM - WITH DETROIT S-60		

Item#	Part	Description	M T H 4 0	M T H 4 5	M T H 4 5 E	X L 4 0	X L 4 5	N O T E S
1	XL-2250-00	A/C COMPRESSOR ASSY 05G - THREE PORT						
1	XL-2250-01	A/C COMPRESSOR ASSY 05G - TWIN PORT / SERVICE						
2	XL-2245-01	A/C COMPRESSOR 05G - INSTALLATION - WITH DETROIT S-60						
3	XL-2222-15	A/C LINE REAR SECTION W/05G	1	1	1	1	1	
4	450940	HOSE ASSY / W/R-12 / #16 61 3/4" To R-933	1	1	1	1	1	
4	452530	HOSE ASSY / W/R-134a / #16 1569MM From R-934	1	1	1	1		
4	452773	HOSE ASSY / W/R-134a / #16 1760MM From R-934 To V-6284					1	
NS	505182	. COIL PROTECTOR / PLASTIC / #16	AR	AR	AR	AR	AR	
NS	501802	. O-RING / ORS FITTING / #16 NEO	1	1	1	1	1	
5	XL-2255-00	CONDENSOR - INSTALLATION						
5	XL-2255-01	CONDENSOR - INSTALLATION						
6	450941	HOSE ASSY / W/R-12 / #12 71" To R-933	1	1	1	1		
6	452787	HOSE ASSY / W/R-12 / #16 1760MM					1	A
6	452533	HOSE ASSY / #12 1803MM From R-934		1		1		
6	452774	HOSE ASSY / #12 2121MM To V-6284					1	
6	453048	HOSE ASSY / #12 2350MM From V-6285					1	
6	452940	HOSE ASSY / #12 1750MM From R-934	1		1	1		
NS	505182	. COIL PROTECTOR / PLASTIC / #16	AR	AR	AR	AR	AR	
NS	501801	. O-RING / ORS FITTING / #8 NEO	1	1	1	1	1	
NS	507169	. O-RING 1/2 I.D.	1	1	1	1	1	E
7	XL-2270-01	RECEIVER TANK & FILTER DRYER WITH R-134A						
8	450923	HOSE ASSY / W/R-12 / #10 44" 1/2" To R-933	1	1	1	1		
8	452553	HOSE ASSY / #12 785MM From R-934 To V-6257	1		1	1		
8	453083	HOSE ASSY / #12 800MM From V-6258	1		1	1		
8	452553	HOSE ASSY / #12 785MM From R-934		1				
8	452786	HOSE ASSY / #12 406.7MM To V-6284					1	
8	453083	HOSE ASSY / #12 800MM From V-6285					1	
8		HOSE NOT USE WITH "GO-TRANSIT"				1		
8		SEE PAGE XL-2270-02				1		
10	XL-2270-01	RECEIVER TANK & FILTER DRYER WITH R-134A						
10	XL-2208-10	REFRIGERANT SOLENOID VALVE						F
11	450921	HOSE ASSY / W/R-12 / #12 52" To R-933	1	1	1	1		
11	452534	HOSE ASSY / #12 1311MM To V-6257	1		1	1		
11	452890	HOSE ASSY / #12 1340MM From V-6258	1		1	1		
11	452534	HOSE ASSY / #12 1311MM From R-934 To V-6284					1	
11	452890	HOSE ASSY / #12 1340MM From V-6285					1	
11	452534	HOSE ASSY / #12 1311MM From R-934		1				
11	453461	HOSE ASSY / #12 1417MM				1		F
12	XL-2208-00	A/C EXPANSION VALVE						
13	450918	HOSE ASSY / W/R-12 / #12 4 1/2" To R-933	1	1	1	1		

From R-934 To Y-7045		Date:10/2022	PAGE:XL-2222-11
A/C LINE & PIPING - CENTRAL A/C SYSTEM - WITH DETROIT S-60			

Item#	Part	Description	M T H 4 0	M T H 4 5	M T H 4 5 E	X L 4 0	X L 4 5	N O T E S
13	452532	HOSE ASSY / #12 114MM From R-934	1	1	1	1	1	
14	XL-2205-00	HEATER & EVAPORATOR COIL - INSTALLATION	1	1	1	1	1	
15	450919	HOSE ASSY / W/R-12 / #20 254MM To R-933	1	1	1	1		
15	452527	HOSE ASSY / #20 254MM From R-934	1	1	1	1	1	
16	450908	SUPPORT / REFRIGERANT TUBE To V-6257	2		2	2		
17	450907	TUBE ASSY, REFRIGERANT / LOW PRESSURE To V-6257	1		1	1		
18	450920	HOSE ASSY / W/R-12 / #20 56 1/4" To R-933	1	1	1	1		
18	452526	HOSE ASSY / #20 1429MM From R-934 To V-6257	1		1	1		
18	452556	HOSE ASSY / #20 95" From V-6258	1		1	1		
18	452764	HOSE ASSY / #20 2420MM From R-934					1	A
18	452556	HOSE ASSY / #20 95" From R-934 To X-6868		1			1	
18	453347	HOSE ASSY / #20 84" From X-6869		1			1	
NS	504442	CUFF END BELLOW / 1 1/4" I.D. x 3 1/2" x 4 1/2" From X-6869		1			1	
19	452395	SUPPORT HOSE	1	1	1	1	1	
20	452536	HOSE ASSY / #10 1372MM From R-934 To V-6258	1		1	1		
20	452890	HOSE ASSY / #12 1340MM From V-6258	1		1	1		
20	452536	HOSE ASSY / #10 1372MM From S-570 To V-6284					1	
20	452890	HOSE ASSY / #12 1340MM From V-6285					1	
20	452536	HOSE ASSY / #10 1372MM From R-934 To S-570		1				
20	452671	HOSE ASSY / TO FRONT DRIVER/W/R-134a / #10 5670MM From S-570		1				
21	451113	TUBE ASSY, A/C PRESSURE				1		
21	452339	TUBE ASSY, A/C PRESSURE		1			1	
21	453073	TUBE ASSY, A/C VACUUM	1	1	1	1	1	
21	452669	TUBE ASSY, A/C VACUUM From V-6258	1		1			
21	451113	TUBE ASSY, A/C PRESSURE To V-6257	1		1			B
22	451093	HOSE ASSY / W/R-12 / #6 14" To R-933	1	1	1	1	1	
22	452538	HOSE ASSY / PIPE & VALVE / W/R-134a / #6 356MM		1			1	
22	452884	HOSE ASSY / #10 5390MM From V-6258	1	1	1	1	1	
22	452538	HOSE ASSY / PIPE & VALVE / W/R-134a / #6 356MM From R-934 To V-6257	1		1			
22	452775	HOSE ASSY / #10 7200MM From V-6258			1			
22	452884	HOSE ASSY / #10 5390MM				1		G
22	452671	HOSE ASSY / TO FRONT DRIVER/W/R-134a / #10 5670MM					1	G
22	453460	HOSE ASSY / #10 5467MM From X-6945				1		F
23	XL-2208-10	REFRIGERANT SOLENOID VALVE						
24	451094	HOSE ASSY / W/R-12 / #6 65" To R-933	1		1	1		
24	452539	HOSE ASSY / VALVE & EVAPORATOR / #6 1651MM From R-934	1	1	1	1	1	
25	XL-2208-00	A/C EXPANSION VALVE						
26	452535	HOSE ASSY / #10 2184MM				1	1	
26	451095	HOSE ASSY / W/R-12 / #10 86" To R-933	1		1	1		
26	452535	HOSE ASSY / #10 2184MM To T-5872	1	1	1			
26	452672	HOSE ASSY / EXPANSION VALVE OUTLET / #10 6120MM From T-5873		1				
26	452885	HOSE ASSY / #10 5790MM From T-5873	1					

From R-934 To Y-7045	Date:10/2022	PAGE:XL-2222-11
A/C LINE & PIPING - CENTRAL A/C SYSTEM - WITH DETROIT S-60		

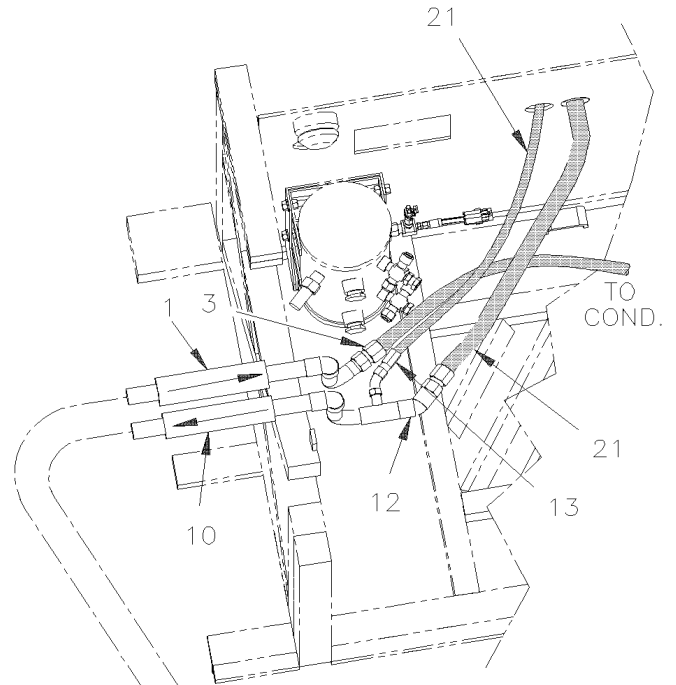
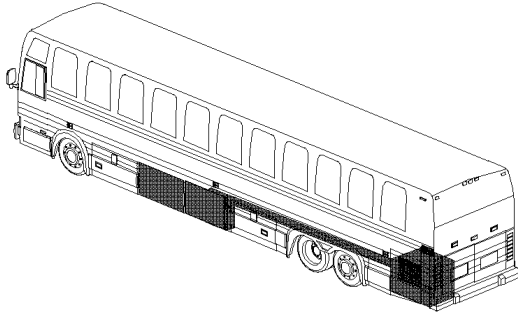
Item#	Part	Description	M T H 4 0	M T H 4 5	M T H 4 5 E	X L 4 0	X L 4 5	N O T E S
26	452776	HOSE ASSY / #10 6800MM From T-5873			1			
26	452885	HOSE ASSY / #10 5790MM				1		G
26	452672	HOSE ASSY / EXPANSION VALVE OUTLET / #10 6120MM					1	G
27	452340	TUBE ASSY, A/C VACUUM From R-934 To T-5872		1				D
27	451101	TUBE ASSY, A/C VACUUM To V-6257	1		1	1		C
27	451102	TUBE ASSY, A/C VACUUM To V-6257	1		1	1		C
27	453062	TUBE ASSY From V-6258				1		
27	452340	TUBE ASSY, A/C VACUUM To V-6192		1			1	
27	453061	TUBE ASSY, A/C VACUUM					1	
27	452340	TUBE ASSY, A/C VACUUM From V-6192					1	
28	451101	TUBE ASSY, A/C VACUUM To V-6258				1		
28	453073	TUBE ASSY, A/C VACUUM From V-6258				1		
28	452340	TUBE ASSY, A/C VACUUM To V-6192					1	
28	453073	TUBE ASSY, A/C VACUUM From V-6193					1	
28	452669	TUBE ASSY, A/C VACUUM From V-6193					1	
28	453073	TUBE ASSY, A/C VACUUM To V-6257	1		1	1		
28	452669	TUBE ASSY, A/C VACUUM From V-6258	1		1			
28	452340	TUBE ASSY, A/C VACUUM From R-934 To T-5872		1				D
28	452669	TUBE ASSY, A/C VACUUM From T-5873		1				
29	451414	HOSE ASSY / W/R-12 / #12 14 1/2" To R-933	1	1	1	1	1	
29	452531	HOSE ASSY / #12 368MM From R-934 To V-6257	1		1	1		
29	453344	HOSE ASSY / #12 343MM From V-6258	1		1	1		
29	452531	HOSE ASSY / #12 368MM From R-934		1			1	
31	XL-2245-01	A/C COMPRESSOR 05G - INSTALLATION - WITH DETROIT S-60						
		A) THIS ITEMS ARE USED WITH R-12 ON SPECIAL COACH						
		B) FOR VEHICLE FROM V-6258 WE REPLACE THIS PIPE BY HOSE ITEM #22 LONGER, THAN ILLUSTRATION						
		C) FOR VEHICLE FROM V-6258 WE REPLACE THIS PIPE BY HOSE ITEM #26 LONGER THAN ILLUSTRATION						
		D) FOR VEHICLE FROM T-5873 WE REPLACE PIPE BY HOSE #26 LONGER THAN ILLUSTRATION						
		E) HOSE & RECEIVER TANK						
		F) FOR VEHICLE "GO-TRANSIT"						
		G) WITH INDEPENDANT SUSPENSION						

From E-638 To Y-7045

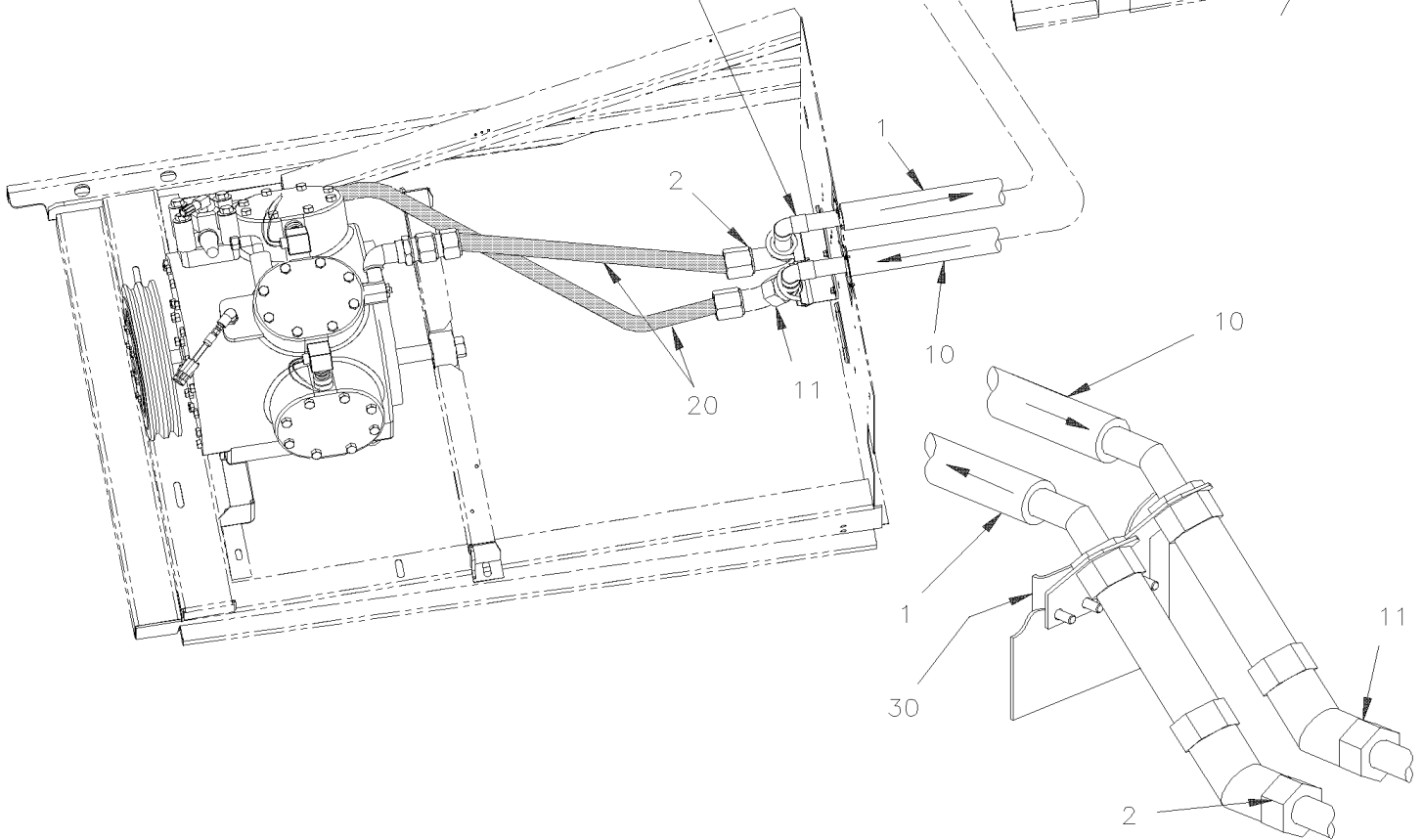
Date:10/2022

PAGE:XL-2222-15

A/C LINE REAR SECTION W/05G



DETAIL "A"

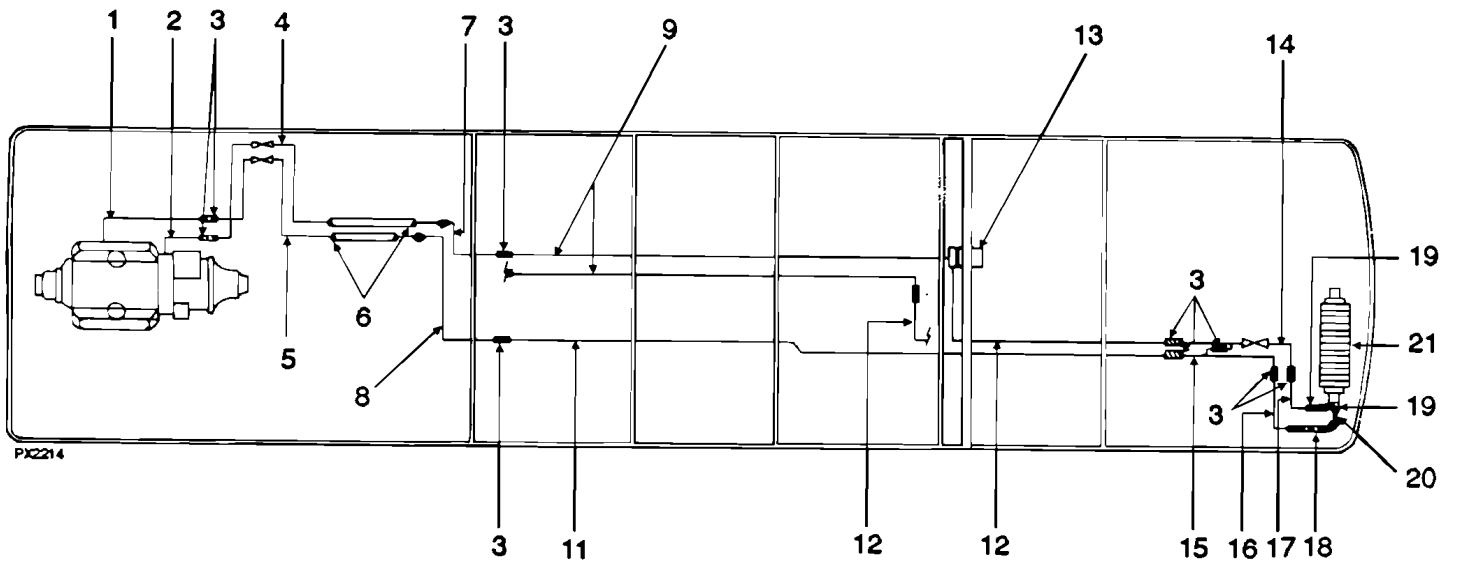


DETAIL "A"

From E-638 To Y-7045	Date:10/2022	PAGE:XL-2222-15
A/C LINE REAR SECTION W/05G		

Item#	Part	Description	M T H 4 0	M T H 4 5	M T H 4 5 E	X L 4 0	X L 4 5	N O T E S
1	Call order desk	TUBE ASSY, PRESSURE A/C COMPRESSOR	1		1	1		P
1	Call order desk	TUBE ASSY, PRESSURE A/C COMPRESSOR					1	P
1	Call order desk	TUBE ASSY, PRESSURE A/C COMPRESSOR		1				P
2	501718	ADAPTER JIC @ BRAZE W/O-RING // #16JIC-Mx#18BRAZE-F BR	1			1		
. NS	501802	. O-RING / ORS FITTING / #16 NEO	1			1		
3	501718	ADAPTER JIC @ BRAZE W/O-RING // #16JIC-Mx#18BRAZE-F BR	1			1		
. NS	501802	. O-RING / ORS FITTING / #16 NEO	1			1		
10	Call order desk	TUBE ASSY, VACUUM / A/C COMPRESSOR	1		1	1		P
10	452710	TUBE ASSY, VACUUM / A/C COMPRESSOR To X-6868					1	
10	Call order desk	TUBE ASSY, VACUUM / A/C COMPRESSOR From X-6869					1	P
10	452342	TUBE ASSY, VACUUM / A/C COMPRESSOR To X-6868		1				
10	Call order desk	TUBE ASSY, VACUUM / A/C COMPRESSOR From X-6869		1				P
11	501717	ADAPTER JIC @ BRAZE W/O-RING // #20JIC-Mx#22BRAZE-F BR	1			1		
. NS	501803	. O-RING / ORS FITTING / #20 NEO	1			1		
12	501717	ADAPTER JIC @ BRAZE W/O-RING // #20JIC-Mx#22BRAZE-F BR	1			1		
. NS	501803	. O-RING / ORS FITTING / #20 NEO	1			1		
13	501980	MALE ELBOW 45° / JIC 37° FITTING / #12JIC-Mx3/4NPT-M STL	1			1		
20	XL-2245-00	A/C COMPRESSOR 05G - INSTALLATION - WITH DETROIT S-71 & S-92						
20	XL-2245-01	A/C COMPRESSOR 05G - INSTALLATION - WITH DETROIT S-60						
21	XL-2270-00	RECEIVER TANK & FILTER DRYER WITH R-12 To R-933						
21	XL-2270-01	RECEIVER TANK & FILTER DRYER WITH R-134A From R-934						
30	210482	RETAINING BAR	4			4		
		P) CALL ORDER DESK FOR SPECIFIC APPLICATION (V.I.N.)						

From E-638 To R-843	Date:10/2022	PAGE:XL-2222-20
LINE & PIPING / SMALL HEATING SYSTEM		

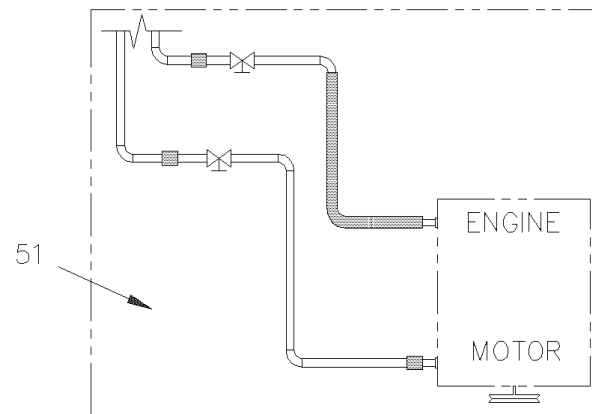
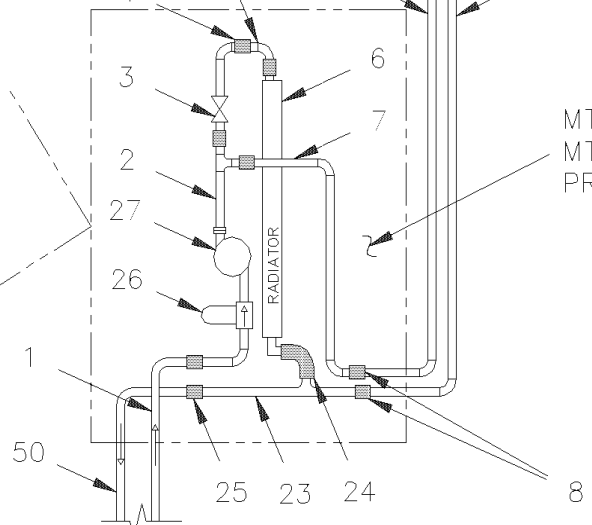
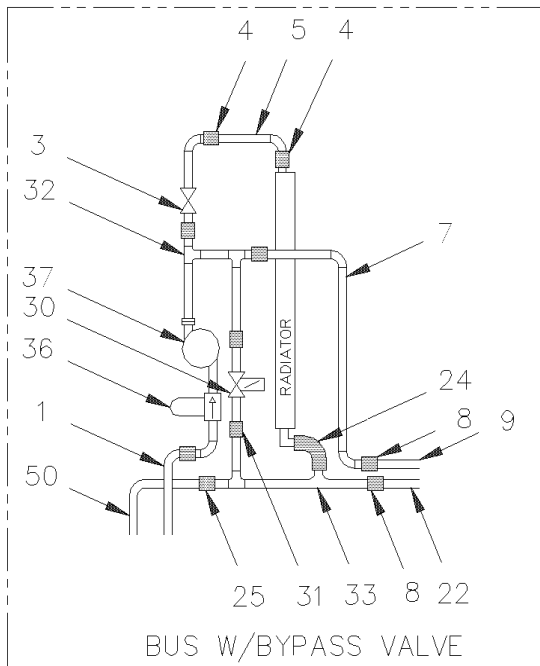
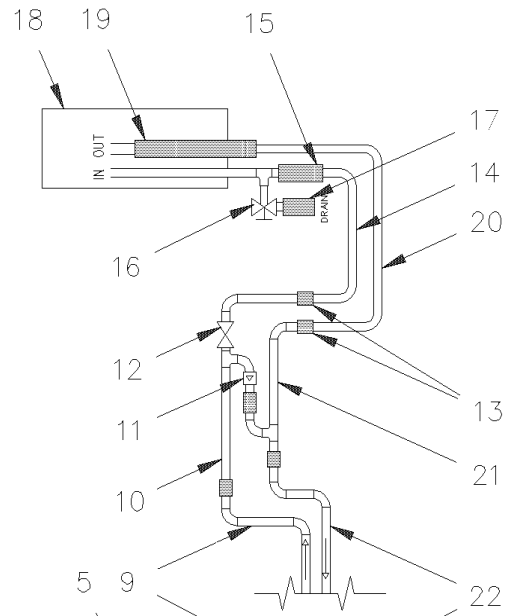
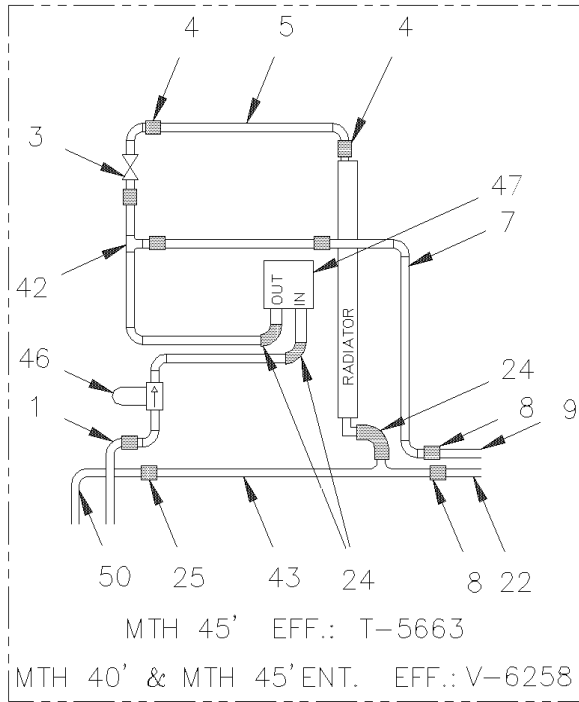


From P-722 To Y-7045

Date:10/2022

PAGE:XL-2222-21

HEATER LINE & PIPING - CENTRAL SYSTEM - WITH DETROIT S-60



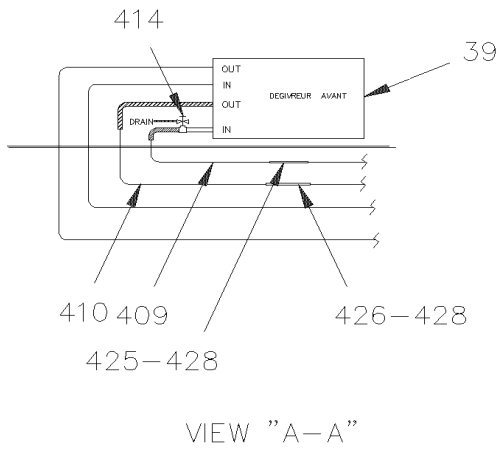
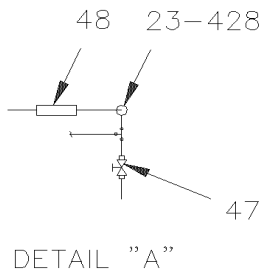
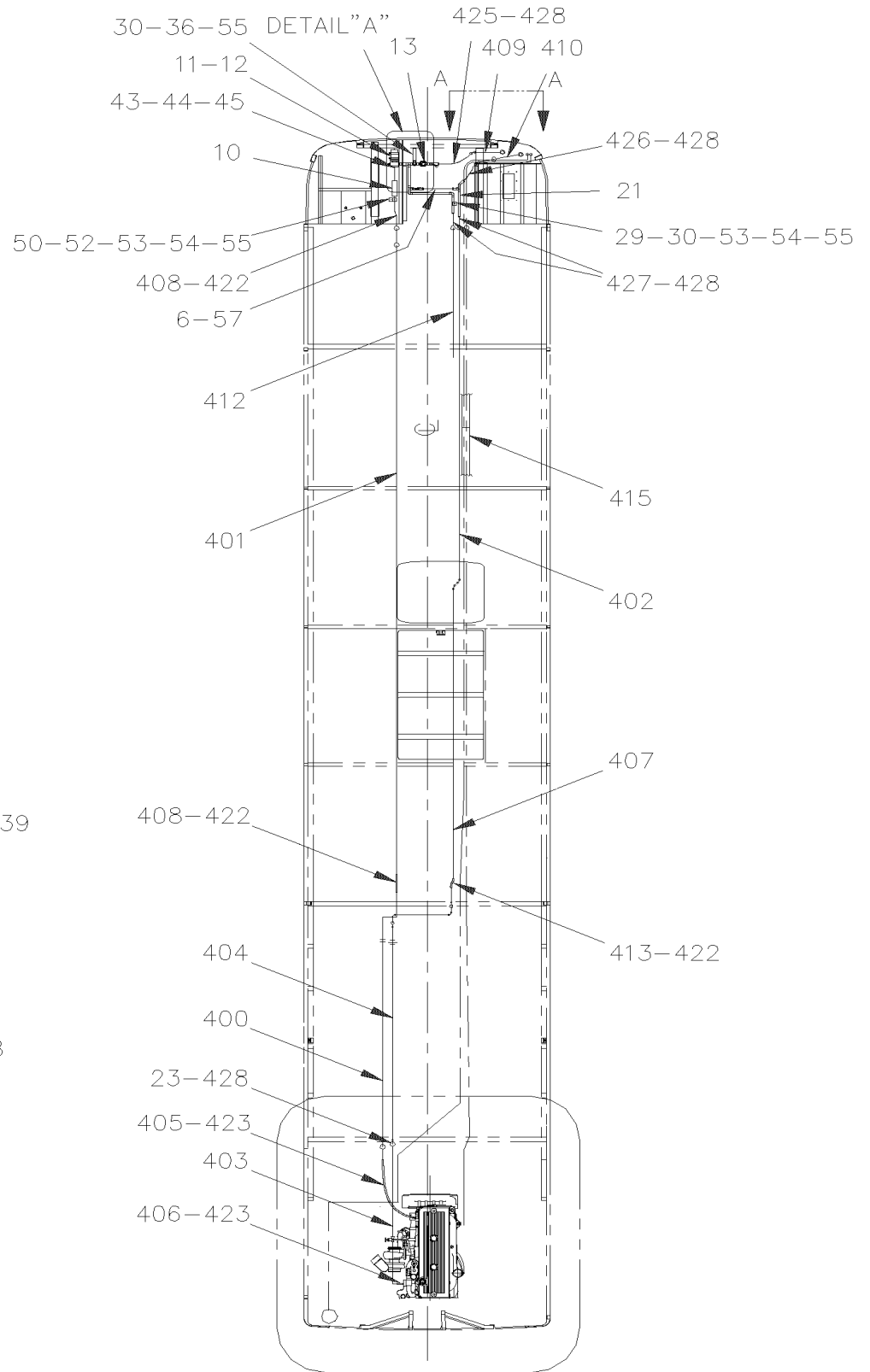
From P-722 To Y-7045	Date:10/2022	PAGE:XL-2222-21
HEATER LINE & PIPING - CENTRAL SYSTEM - WITH DETROIT S-60		

Item#	Part	Description	M T H 4 0	M T H 4 5	M T H 4 5 E	X L 4 0	X L 4 5	N O T E S
1	Call order desk	PIPE ASSY HEATING / RETURN LINE	1		1	1		P S
1	372029	PIPE ASSY HEATING / FEED LINE		1			1	
2	371744	PIPE ASSY / WATER PUMP OUTLET				1	1	C
2	371744	PIPE ASSY / WATER PUMP OUTLET To V-6257	1		1			
3	XL-2207-00	WATER VALVE - W/MAIN HEATER & A/C						
4	051383	HOSE / W/CENTRAL A/C SYSTEM / 1 3/8" I.D. X 150MM	2	2	2	2	2	
5	371745	PIPE ASSY / WATER VALVE OUTLET & HEATER	1	1	1	1	1	
6	XL-2205-00	HEATER & EVAPORATOR COIL - INSTALLATION						
7	371746	TUBE ASSY / TO DRIVER'S HEATER	1	1	1	1	1	
8	371532	HOSE 7/8" I.D. 6"	2	2	2	2	2	
9	372816	TUBE ASSY, HEATING	1			1		
9	373194	TUBE ASSY, HEATING		1			1	
9	373196	TUBE ASSY, HEATING			1			
10	372814	TUBE ASSY, DEFROSTER	1	1	1	1	1	
11	870807	STRAINER FILTER, WATER 1" 1/4" N.P.T.	1	1	1	1	1	
12	XL-2207-11	WATER VALVE - DRIVER'S						
13	372053	HOSE 7/8" I.D. X 6.5"	2	2	2	2	2	
14	372755	TUBE ASSY	1	1	1	1	1	
15	372751	HOSE 3/4" I.D.				1	1	
15	372758	HOSE 3/4" I.D. 19"	1		1			
16	372537	DRAIN ASSY From L-685 To R-949	1	1	1	1	1	
16	501023	. DRAIN VALVE 1/4NPTM 3/8TUBE From L-685 To R-949	1	1	1	1	1	
16	373264	DRAIN ASSY To V-6100	1	1	1	1	1	
17	560384	PLASTIC TUBING / 3/8" / CLEAR	AR	AR	AR	AR	AR	
NS	504656	BUMPER PLUG / 3/8X41/64X1/4	1	1	1	1	1	
18	XL-2225-03	DRIVER'S HEATER & DEFROSTER ASSY						
19	372750	HOSE 3/4" I.D.				1	1	
19	372759	HOSE 3/4" I.D.	1	1	1			
20	372843	TUBE ASSY	1	1	1	1	1	
20	372754	TUBE ASSY	1	1	1	1	1	
21	372815	TUBE ASSY, DEFROSTER	1	1	1	1	1	
22	372817	TUBE ASSY, HEATING	1			1		
22	373197	TUBE ASSY, HEATING			1			
22	373192	TUBE ASSY, HEATING		1			1	
23	372136	RETURN JCT TUBE ASSY / W/O BYPASS VALVE	1	1	1	1	1	
24	372131	ELBOW 90° REDUCER 1 1/8" I.D.W/3 1/4" x 1 3/8 I.D. W 5 1/4" C/C	1	1	1	1	1	Q
25	371855	HOSE 1 3/8" I.D. 3"	2	2	2	2	2	
26	XL-2210-10	WATER PUMP & FILTER - INSTALLATION						
26	372866	FILTER ASSY W/TUBE To V-6257	1		1			
27	XL-2206-02	WATER PUMP #871052 & #871204						
30	373110	WATER BYPASS VALVE /. (2222-00 & 20)				1	1	
31	372191	HOSE / PIPE & BYPASS / 7/8" I.D. 10"				2	2	

From P-722 To Y-7045	Date:10/2022	PAGE:XL-2222-21
HEATER LINE & PIPING - CENTRAL SYSTEM - WITH DETROIT S-60		

Item#	Part	Description	M T H 4 0	M T H 4 5	M T H 4 5 E	X L 4 0	X L 4 5	N O T E S
32	373307	PIPE ASSY / WATER PUMP OUTLET				1	1	B
33	373308	RETURN JCT TUBE ASSY / W/BYPASS VALVE				1	1	O
36	372866	FILTER ASSY W/TUBE				1		
36	373329	FILTER ASSY W/TUBE					1	
37	XL-2206-02	WATER PUMP #871052 & #871204						
42	373051	PIPE ASSY / WATER PUMP OUTLET From V-6258	1		1			
43	373316	RETURN JCT TUBE ASSY / W/O BYPASS VALVE From V-6258	1		1			
43	373316	RETURN JCT TUBE ASSY / W/O BYPASS VALVE		1				
46	373013	FILTER ASSY W/TUBE		1				
46	373333	FILTER ASSY W/TUBE From V-6258	1		1			
47	XL-2206-01	WATER PUMP #871032						
50	Call order desk	PIPE ASSY HEATING / RETURN LINE	1		1			P T
50	Call order desk	PIPE ASSY HEATING / RETURN LINE /W/"SLIDE-OUT"		1			1	P
51	XL-2222-01	HEATER LINE REAR SECTION - BUS						
51	XL-2222-30	HEATER LINE REAR SECTION - MTH						
		B) W/ WATER BYPASS VALVE						
		C) W/O WATER BYPASS VALVE						
		O) W/BYPASS VALVE						
		Q) TUBE & HEATER COIL						
		S) FEED LINE						
		T) RETURN LINE						
		P) CALL ORDER DESK FOR SPECIFIC APPLICATION (V.I.N.)						

From P-722 To Y-7045	Date:10/2022	PAGE:XL-2222-22
LINE & PIPING / SMALL HEATING SYSTEM - WITH DETROIT S-60		



From P-722 To Y-7045	Date:10/2022	PAGE:XL-2222-22
LINE & PIPING / SMALL HEATING SYSTEM - WITH DETROIT S-60		

Item#	Part	Description	M T H 4 0	M T H 4 5	M T H 4 5 E	X L 4 0	X L 4 5	N O T E S
	504291	HOSE CLAMP / 1"1/8-1"3/4 SS / E.T. 20	AR	AR	AR			
10	372841	PIPE ASSY W/FILTER	1	1	1			
11	372536	PUMP WATER ASSY W/CONNECTORS, RUBBER ADH &	1	1	1			
12	504235	HOSE CLAMP / 3"9/16"-4"1/2 SS / HS-64	2	2	2			
13	372845	PUMP OUTLET	1	1	1			
13	373368	VALVE ASSY	1	1	1			
21	372835	PIPE ASSY W/O PUMP	1	1	1			
21	373369	HOSE W/PUMP	1	1	1			
23	371531	HOSE 7/8 I.D. X 4"	1	1	1			
23	372053	HOSE 7/8" I.D. X 6.5"	1	1	1			
29	451129	BRACKET	1	1	1			
30	560484	CLAMP / 1" I.D.	3	3	3			
36	373370	BRACKET	1	1	1			
39	Call order desk	DEFROSTER	1	1	1			P
43	870441	GASKET PUMP INLET & OUTLET	2	2	2			
44	870885	HEX CAP SCREW 3/8-16	4	4	4			
45	500478	WASHER LO SPT .380x.683x.094 Z050	4	4	4			
47	372844	VALVE ASSY	1	1	1			
48	372853	PIPE ASSY W/FILTER	1	1	1			
50	372879	HOSE BRACKET	1	1	1			
52	560912	CLAMP / 1"1/4 I.D.	1	1	1			
53	500564	SCREW MA RND PH #8-32x3/4 Z050	1	1	1			
54	500764	NUT HEX #8-32 Z050	AR	AR	AR			
55	500841	SCREW TP PAN PH #14x3/4 Z050	AR	AR	AR			
57	373371	HOSE 7/8" I.D. 355MM	1	1	1			
400	372969	PIPE	1	1	1			
401	372966	PIPE	1	1	1			
402	372968	PIPE	1	1	1			
403	373066	PIPE / ENGINE INLET	1	1	1			
404	372963	PIPE	1	1	1			
405	373287	HOSE / ENGINE OUTLET / 1 3/8" I.D. 914MM	1	1	1			
406	373236	HOSE / ENGINE INLET / 1 3/8" I.D. 195MM	1	1	1			
407	504350	CLAMP / 1"5/16 I.D.	15	15	15			
408	372830	HOSE 1 1/8" I.D. 10 3/4"	2	2	2			
409	372755	TUBE ASSY	1	1	1			
410	372843	TUBE ASSY	1	1	1			
412	372839	PIPE	1	1	1			
413	371534	HOSE 7/8" I.D. X 9"	1	1	1			
414	373264	DRAIN ASSY	1	1	1			
415	504016	CABLE TIE / 5/16" X 14"1/2	6	6	6			
416	372036	HOSE 3/4" I.D. 5.25"	1	1	1			
422	504291	HOSE CLAMP / 1"1/8-1"3/4 SS / E.T. 20	6	6	6			

From P-722 To Y-7045	Date:10/2022	PAGE:XL-2222-22
----------------------	--------------	-----------------

LINE & PIPING / SMALL HEATING SYSTEM - WITH DETROIT S-60

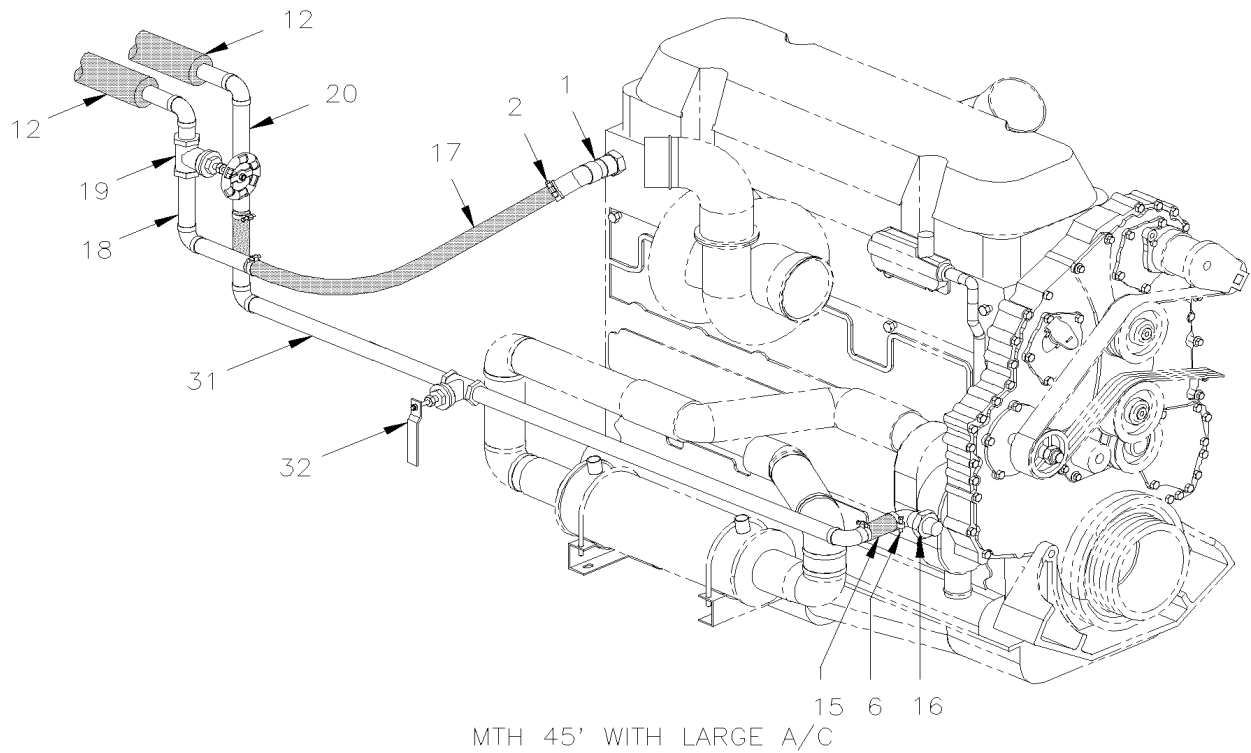
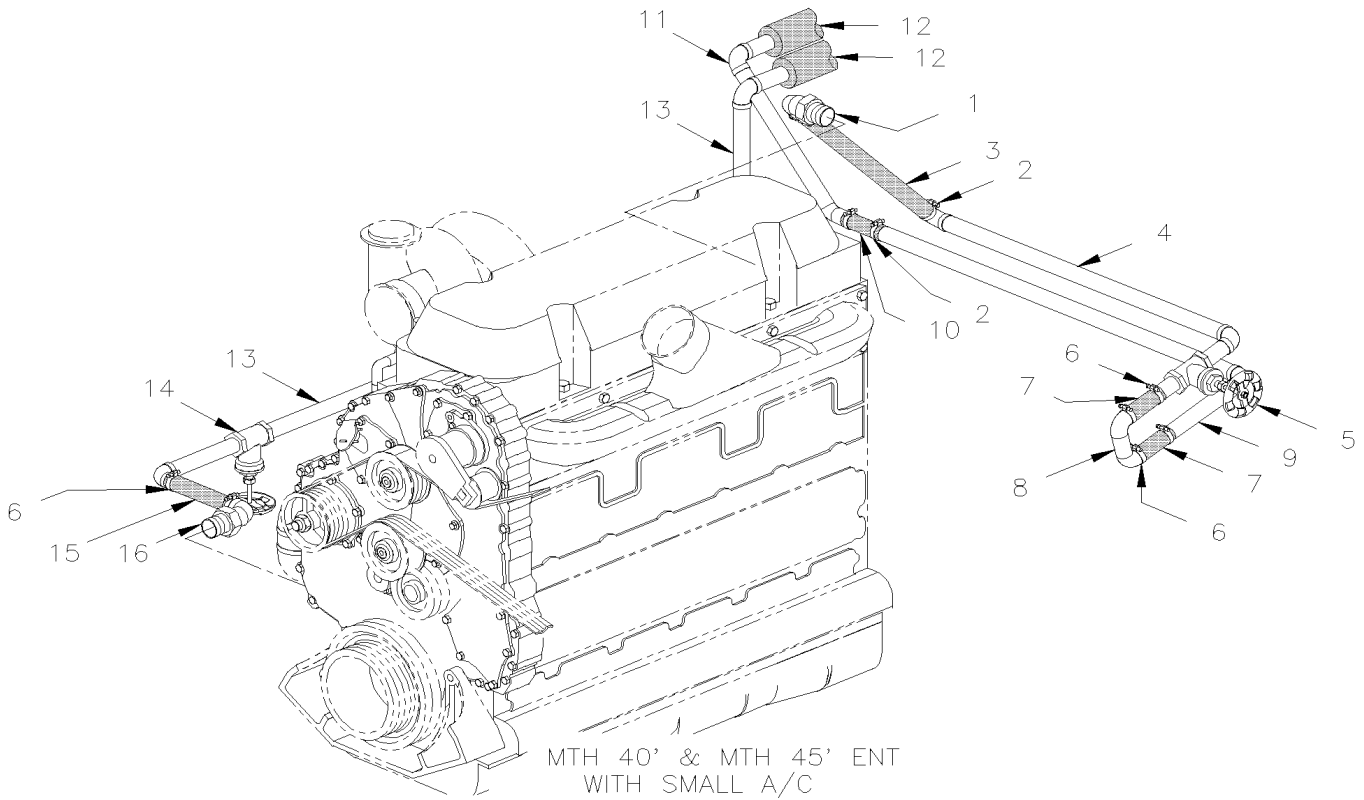
Item#	Part	Description	M T H 4 0	M T H 4 5	M T H 4 5 E	X L 4 0	X L 4 5	N O T E S
423	504560	HOSE CLAMP / 1"1/4-2"1/8 / C.T. 200	4	4	4			
425	372837	HOSE 7/8" I.D. 16 1/2"	1	1	1			
426	371554	HOSE 7/8" I.D. X 7.5"	1	1	1			
427	372053	HOSE 7/8" I.D. X 6.5"	2	2	2			
428	504319	HOSE CLAMP / 1"-1"1/2 SS / E.T. 16	14	14	14			
		P) CALL ORDER DESK FOR SPECIFIC APPLICATION (V.I.N.)						

From P-646 To Y-7045

Date:10/2022

PAGE:XL-2222-30

HEATER LINE REAR SECTION - MTH

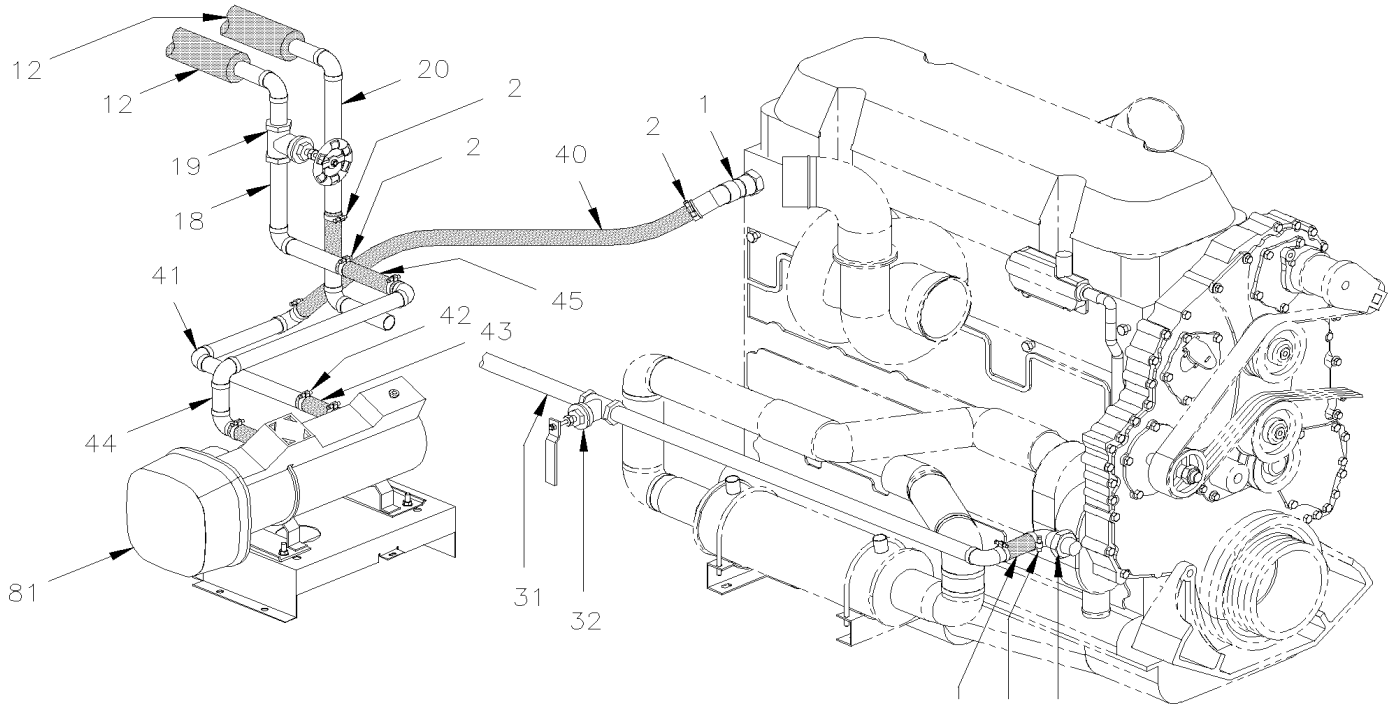


From P-646 To Y-7045

Date:10/2022

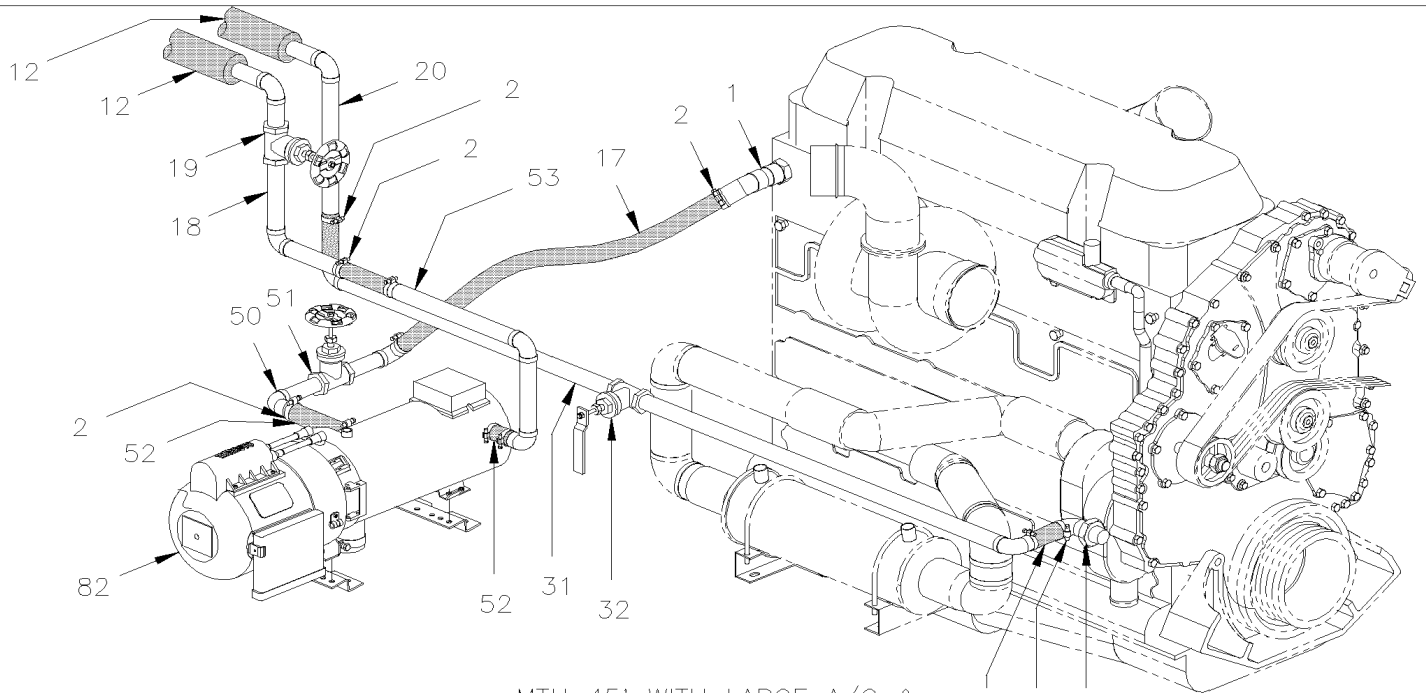
PAGE:XL-2222-30

HEATER LINE REAR SECTION - MTH



MTH 45' WITH LARGE A/C &
"ESPAR" 40 000 B.T.U.

15 6 16



MTH 45' WITH LARGE A/C &
"WEBASTO" 80 000 B.T.U.

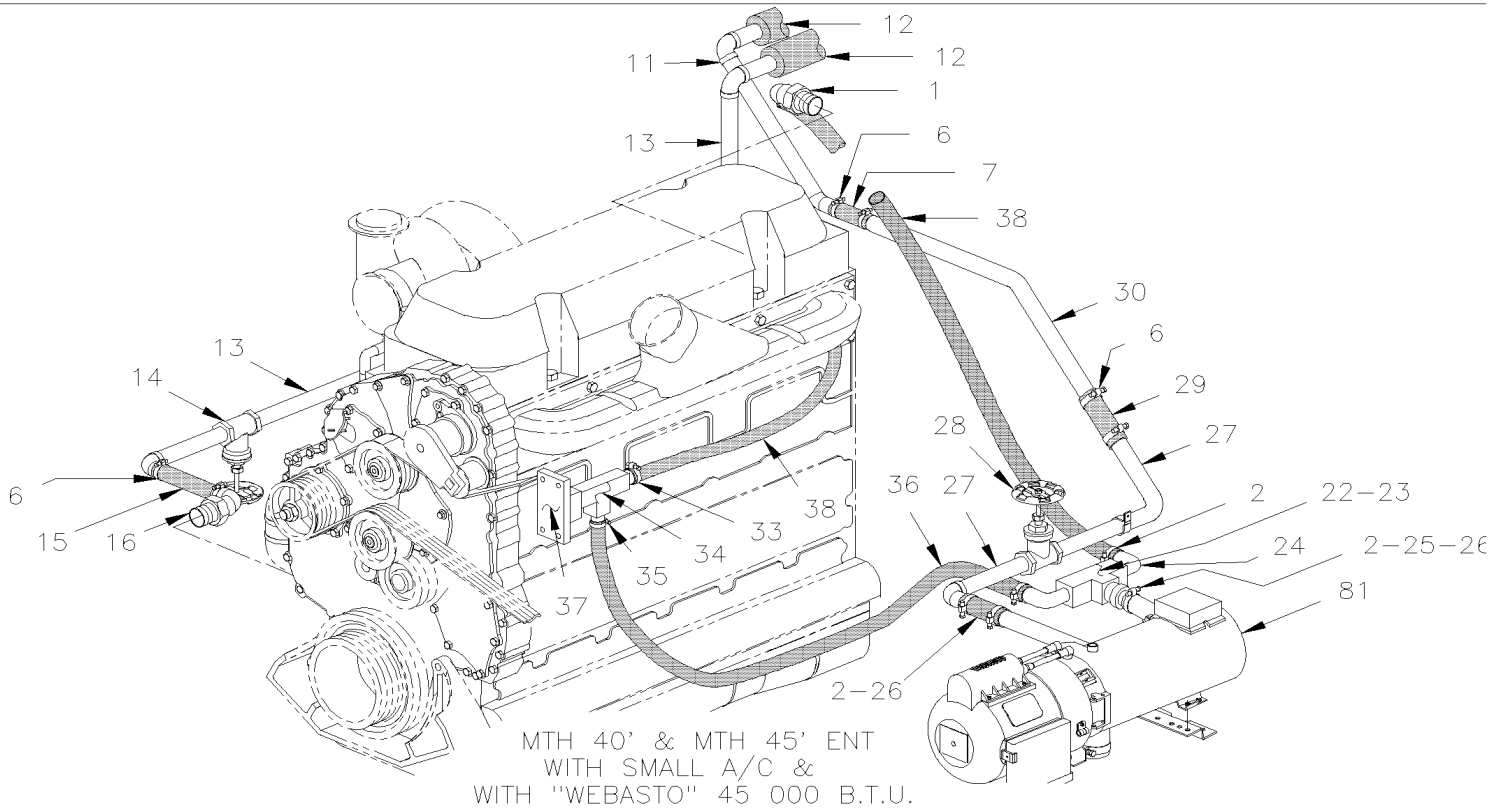
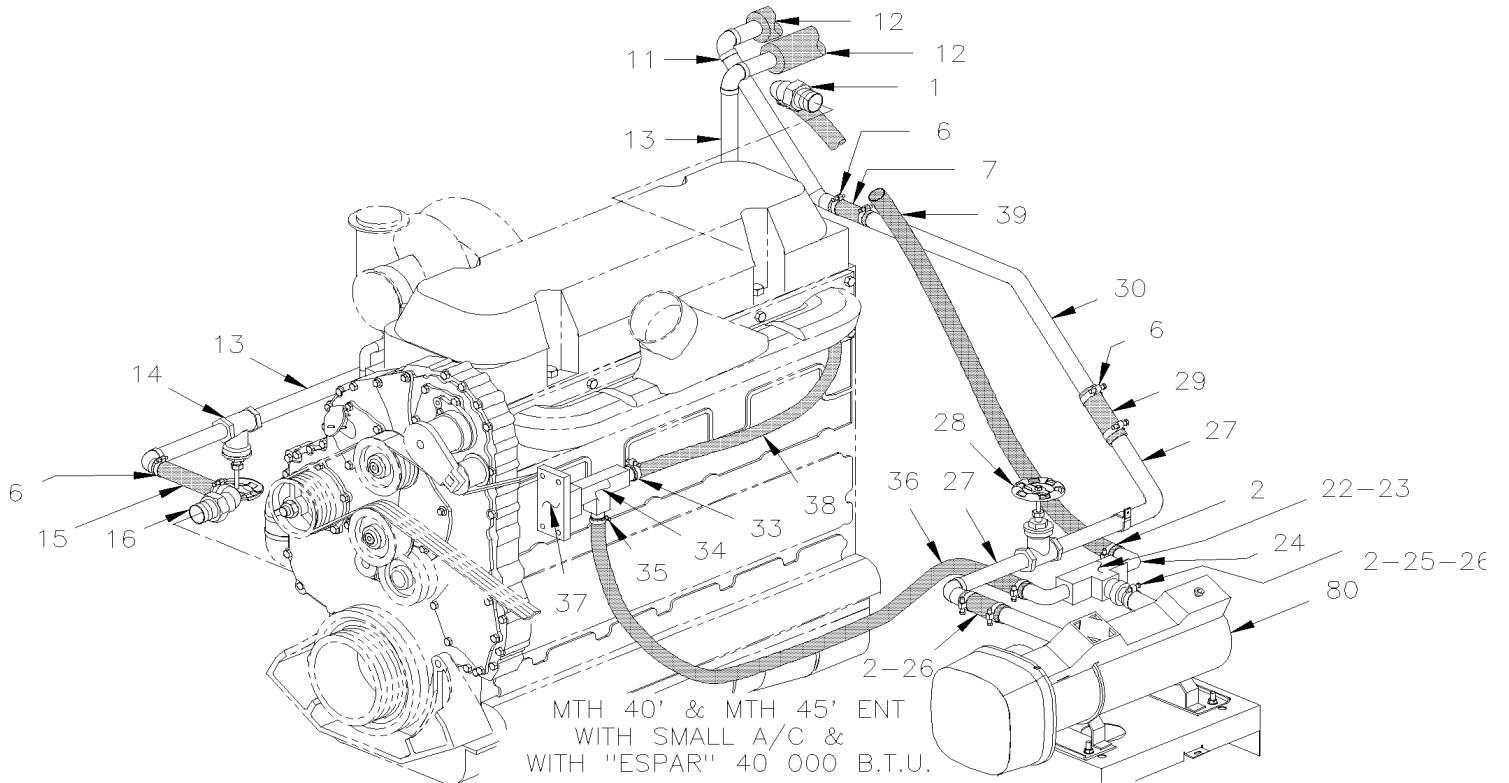
15 6 16

From P-646 To Y-7045

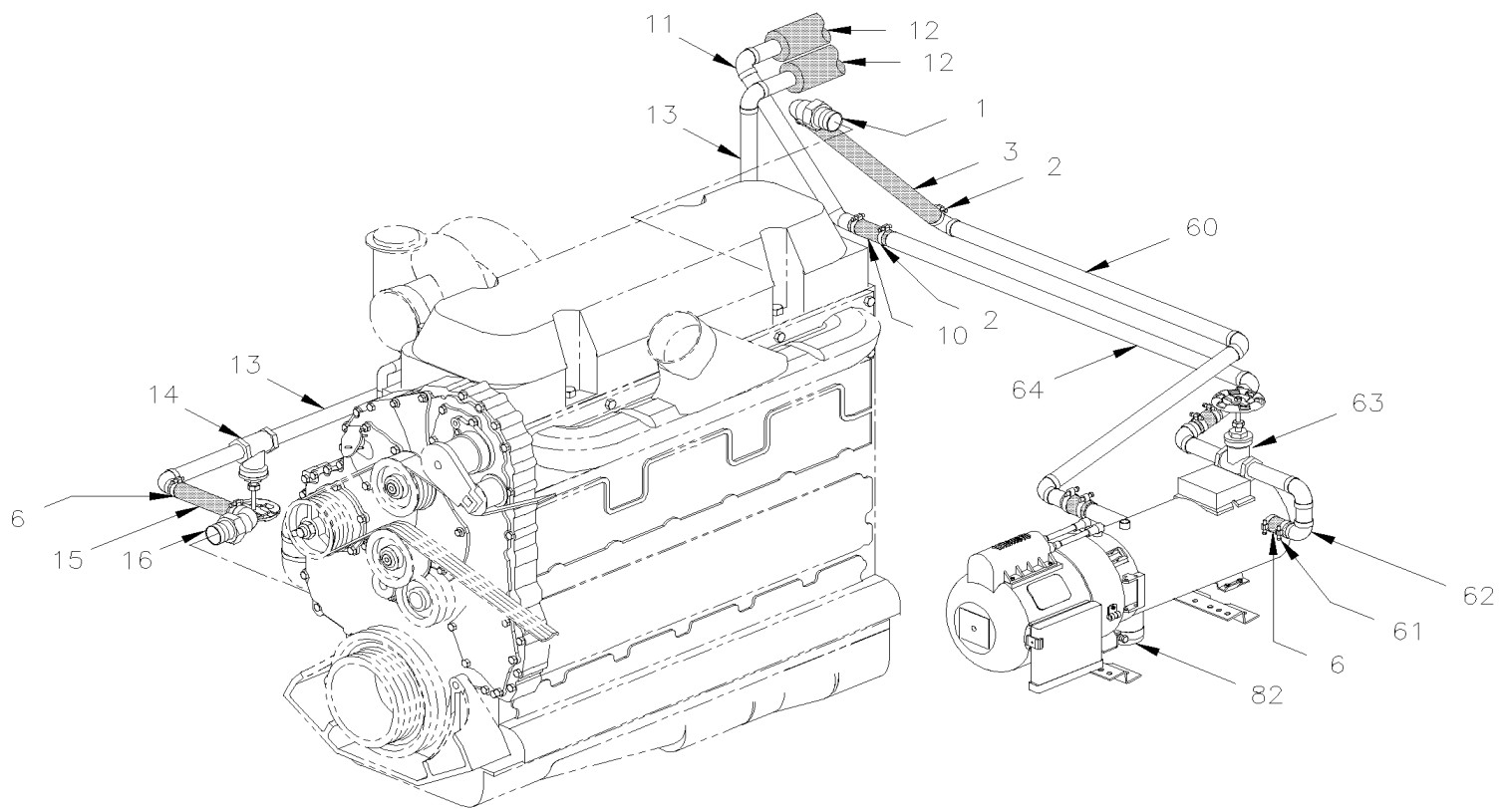
Date:10/2022

PAGE:XL-2222-30

HEATER LINE REAR SECTION - MTH



From P-646 To Y-7045	Date:10/2022	PAGE:XL-2222-30
HEATER LINE REAR SECTION - MTH		



MTH 40' & MTH 45' ENT
WITH SMALL A/C &
WITH "WEBASTO" 80000 B.T.U.

From P-646 To Y-7045	Date:10/2022	PAGE:XL-2222-30
HEATER LINE REAR SECTION - MTH		

Item#	Part	Description	M T H 4 0	M T H 4 5	M T H 4 5 E	X L 4 0	X L 4 5	N O T E S
1	373217	ADAPTOR ELBOW 90° / CYLINDER HEAD EXIT / STD	1		1			B
1	372957	ADAPTOR ELBOW 90° / CYLINDER HEAD EXIT	1		1			A
1	373040	ADAPTOR ELBOW 45° / CYLINDER HEAD EXIT		1				
2	504319	HOSE CLAMP / 1"-1"1/2 SS / E.T. 16	6		6			
3	373298	HOSE 1 3/8" I.D. 216MM	1	1	1			
4	373224	PIPE	1		1			
5	501861	GATE VALVE 1 1/4" (WELDED)	1		1			
6	504657	HOSE CLAMP / 1"1/16-2" C.T. 9424	AR	AR	AR			
7	371855	HOSE 1 3/8" I.D. 3"	2		2			
8	373225	PIPE "U" SHAPE	1		1			
9	373167	PIPE	1		1			C
9	373226	PIPE	1		1			D
10	371217	HOSE 1 1/8" I.D. X 4"	1		1			C
10	371855	HOSE 1 3/8" I.D. 3"	1		1			C
11	373398	PIPE	1		1			C
11	373472	PIPE			1			E
12	506242	PIPE INSULATING / 1 3/8" I.D. X 1/2" TH. X 72 / APT13812	AR	AR	AR			
13	373399	PIPE	1		1			C
13	373473	PIPE			1			E
13	373572	CLOSING PLATE			1			F
14	501861	GATE VALVE 1 1/4" (WELDED)	1		1			
15	373145	HOSE 1 3/8" I.D. 260MM	1		1			
16	372958	ADAPTOR ELBOW 90° / WATER PUMP INLET	1	1	1			
17	373287	HOSE / ENGINE OUTLET / 1 3/8" I.D. 914MM		1				
18	373396	PIPE		1				
19	501861	GATE VALVE 1 1/4" (WELDED)		1				
20	373397	PIPE		1				
20	373502	PIPE		1				F
21	373236	HOSE / ENGINE INLET / 1 3/8" I.D. 195MM		1				
22	373290	FITTING "Y" ASSY	1		1			
23	501472	FEMALE UNION TEE / PIPE FITTING / 1/2NPT-Fx1/2NPT-Fx1/2NPT-F BR	1		1			
24	5011038	MALE ELBOW 90° / BEADED HOSE BARB / #12x1/2NPT-M	2		2			
25	507605	MALE CONNECTOR / HOSE BARB FITTING / #12x1/2NPT-M BR	1		1			
NS	373088	SUPPORT / "Z" SHAPE UNDER FITTING	1		1			
26	403641	HOSE 3/4" I.D. 53MM	2		2			
27	373102	PIPE	1		1			
28	501861	GATE VALVE 1 1/4" (WELDED)	1		1			
29	371858	HOSE 1 3/8" I.D. 7"	1		1			
30	373085	COPPER PIPE CENTRAL A/C	1		1			
30	373150	COPPER PIPE DRIVER'S A/C	1		1			
31	373066	PIPE / ENGINE INLET		1				
32	501958	GATE VALVE 7/8" (WELDED)		1				

From P-646 To Y-7045	Date:10/2022	PAGE:XL-2222-30
HEATER LINE REAR SECTION - MTH		

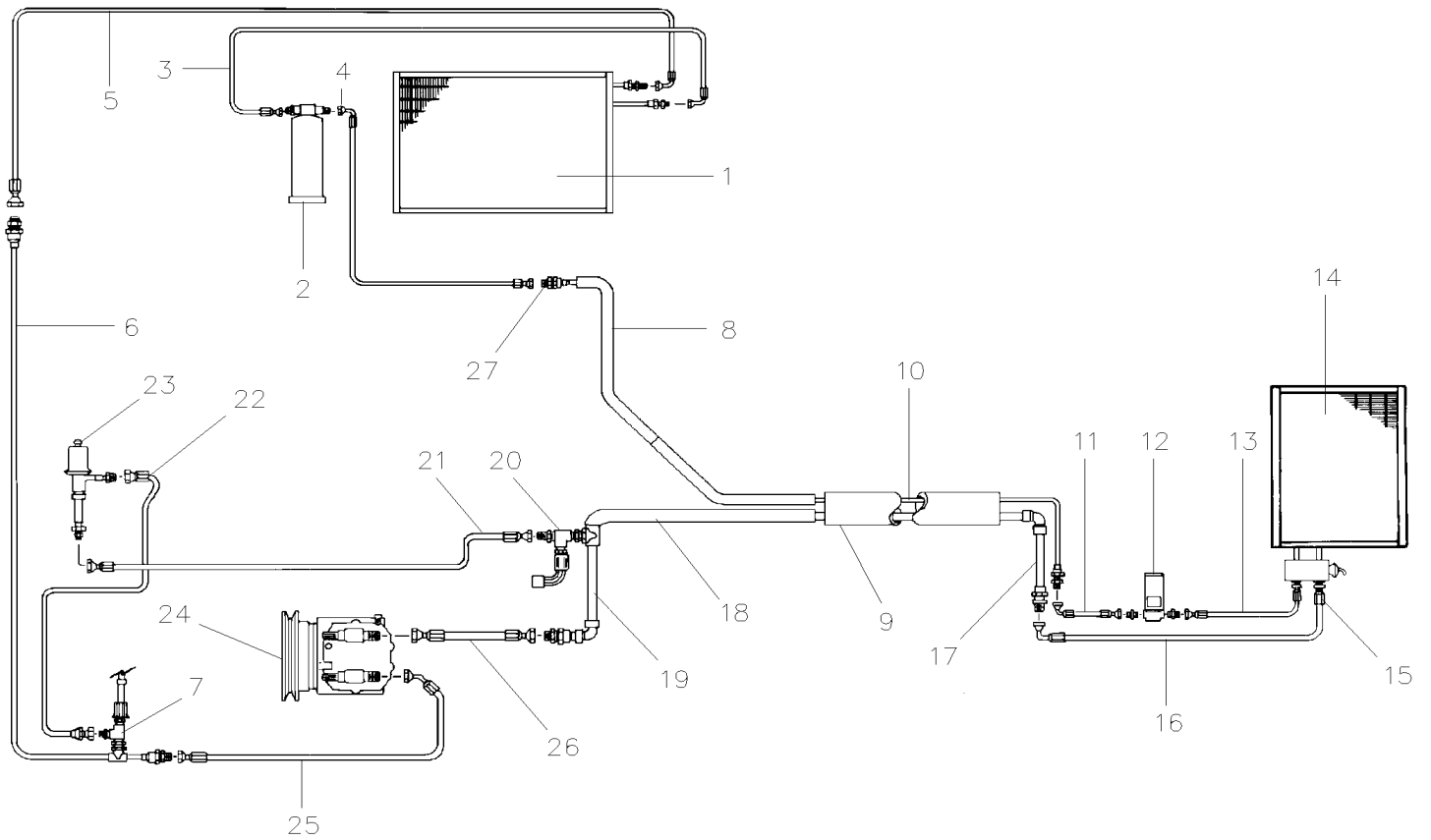
Item#	Part	Description	M T H 4 0	M T H 4 5	M T H 4 5 E	X L 4 0	X L 4 5	N O T E S
34	501473	MALE RUN TEE / PIPE FITTING / 1/2NPT-Mx1/2NPT-Fx1/2NPT-F BR	1		1			
35	507605	MALE CONNECTOR / HOSE BARB FITTING / #12x1/2NPT-M BR	1		1			
36	373115	HOSE 3/4" I.D. 914MM	1		1			
37	XL-1205-12	AIR COMPRESSOR - "TU-FLO 750" - WITH DETROIT S-60						
38	503523	HOSE SILICONE 1PLY 3/4" I.D. x 100' / S.L.	3		3			
39	503392	HOSE SILICONE 4PLY 1 3/8" I.D. x 4'	1		1			
40	373359	HOSE 1 3/8" I.D. 762MM		1				
. NS	503392	. HOSE SILICONE 4PLY 1 3/8" I.D. x 4'		AR				
. NS	505111	. COIL PROTECTOR / PLASTIC / #22		AR				
41	373095	PIPE ASSY / WATER HEATER INLET		1				
42	504020	HOSE CLAMP / 9/16"-1"1/4 SS / HS-12		2				
43	403641	HOSE 3/4" I.D. 53MM		1				
44	373245	PIPE		1				
45	051383	HOSE / W/CENTRAL A/C SYSTEM / 1 3/8" I.D. X 150MM		1				
50	373042	PIPE		1				
51	501861	GATE VALVE 1 1/4" (WELDED)		1				
52	373483	HOSE REDUCER / 1 1/2" I.D.x1 3/8" I.D. x 76MM		2				
52	871099	HOSE REDUCER 1 1/2" I.D. X 1 3/8" I.D. x 127M / SILICONE		1				
53	373041	PIPE		1				
60	373169	PIPE	1		1			
61	373485	HOSE REDUCER / 1 1/2" I.D.x1 3/8" I.D.x105MM	2		2			
62	373172	PIPE	1		1			
63	501861	GATE VALVE 1 1/4" (WELDED)	1		1			
64	373167	PIPE	1		1			
80	871085	WATER HEATER - "WEBASTO" 45,000 B.T.U.						
81	871077	WATER HEATER - "ESPAR" 41,000 B.T.U.						
82	871036	WATER HEATER - "WEBASTO" 80,000 B.T.U.						
		A) WITH 40000 & 45000 BTU						
		B) WITH 80000 BTU						
		C) WITH SMALL A/C						
		D) WITH LARGE A/C						
		E) MTH-45S WITH BATTERIE INSTALLATION IN BAGGAGE COMPARTMENT & LARGE A/C						
		F) MTH-45S WITH CENTRAL DOOR IN 5TH BAGGAGE COMPARTMENT & SMALL A/C						

From E-638 To R-933

Date:10/2022

PAGE:XL-2222-51

SMALL A/C LINES & HOSES - R-12/R134A WITH DETROIT S-92



From E-638 To R-933	Date:10/2022	PAGE:XL-2222-51
SMALL A/C LINES & HOSES - R-12/R134A WITH DETROIT S-92		

Item#	Part	Description	M T H 4 0	M T H 4 5	M T H 4 5 E	X L 4 0	X L 4 5	N O T E S
1	XL-2255-10	CONDENSOR - INSTALLATION - AUXILIARY A/C						
2	950048	DRYER, RECEIVER TANK	1		1			A
2	950220	DRYER, RECEIVER TANK	1		1			B
NS	451510	SUPPORT / DRYER	1		1			
NS	500923	SCREW TC CAP HEX 1/4-20x3/4 Z050	2		2			
NS	504025	HOSE CLAMP / 2"5/16-3"1/4 SS / HS-44	2		2			
3	450823	HOSE ASSY / #6 85"	1		1			A
3	452662	HOSE ASSY / #6 2159MM	1		1			B
4	450824	HOSE ASSY / #6 32"	1		1			A
4	452665	HOSE ASSY / #6 813MM	1		1			B
5	450822	HOSE ASSY / #8 73"	1		1			A
5	452664	HOSE ASSY / #8 1854MM	1		1			B
6	451304	TUBE ASSY / HI-SIDE To L-649	1		1			A
6	452083	TUBE ASSY / HI-SIDE From L-650	1		1			A
7	450593	. PRESSURE SWITCH N.C. 275-225/ YELLOW 20SP001EB275K225K To L-649	1		1			A
7	452080	. PRESSURE SWITCH N.C. 275-225 20SP001EB275K225K From L-650	1		1			A
7	452405	PRESSURE SWITCH N.C. 320-245 20SP001MB320K245R	1		1			B
7	950030	SCHRADER VALVE 1/8NPT-M	1		1			B
8	506215	PIPE INSULATING / 1/2" I.D. X 1/2" TH. X 72" / APT01212	AR		AR			
9	506283	PIPE INSULATING / 1 5/8" I.D. X 1/2" TH. X 72" / APT15812	AR		AR			
10	451956	TUBE ASSY REFRIGERANT / PRESSURE	1		1			
11	451093	HOSE ASSY / W/R-12 / #6 14"	1		1			A
11	452538	HOSE ASSY / PIPE & VALVE / W/R-134a / #6 356MM	1		1			B
11	452233	HOSE ASSY / WATER VALVE INLET / #6 154"	1		1			A
12	XL-2208-10	REFRIGERANT SOLENOID VALVE To R-822						
13	451094	HOSE ASSY / W/R-12 / #6 65"	1		1			A
13	452539	HOSE ASSY / VALVE & EVAPORATOR / #6 1651MM	1		1			B
14	XL-2225-01	DRIVER'S HEATER & DEFROSTER ASSY To G-118						
14	XL-2225-02	DRIVER'S HEATER & DEFROSTER ASSY From G-119 To M-915						
14	XL-2225-03	DRIVER'S HEATER & DEFROSTER ASSY From M-916						
15	XL-2208-00	A/C EXPANSION VALVE						
16	451095	HOSE ASSY / W/R-12 / #10 86"	1		1			A
16	452535	HOSE ASSY / #10 2184MM	1		1			B
16	452235	HOSE ASSY / EXPANSION VALVE OUTLET / #10 225"	1		1			
17	451099	TUBE ASSY / LOW PRESSURE	1		1			A
17	452237	TUBE ASSY REFRIGERANT / LOW PRESSURE	1		1			B
18	506276	PIPE INSULATING / 7/8" I.D. X 1/2" TH. X 72" / APT07812	AR		AR			
19	451424	TUBE ASSY, LOW PRESSURE	1		1			
20	450594	PRESSURE SWITCH N.O. 30-5 / WHITE 20SP001AA030C005C To L-684	1		1			A
20	452081	PRESSURE SWITCH N.O. 30-5 20SP001AA030C005C From L-685	1		1			A
20	452406	PRESSURE SWITCH N.O. 30-15 20SP001MA030C015C	1		1			B
21	451426	HOSE ASSY / LOW PRESSURE (BY-PASS) / 81 1/4"	1		1			A

From E-638 To R-933		Date:10/2022	PAGE:XL-2222-51
SMALL A/C LINES & HOSES - R-12/R134A WITH DETROIT S-92			

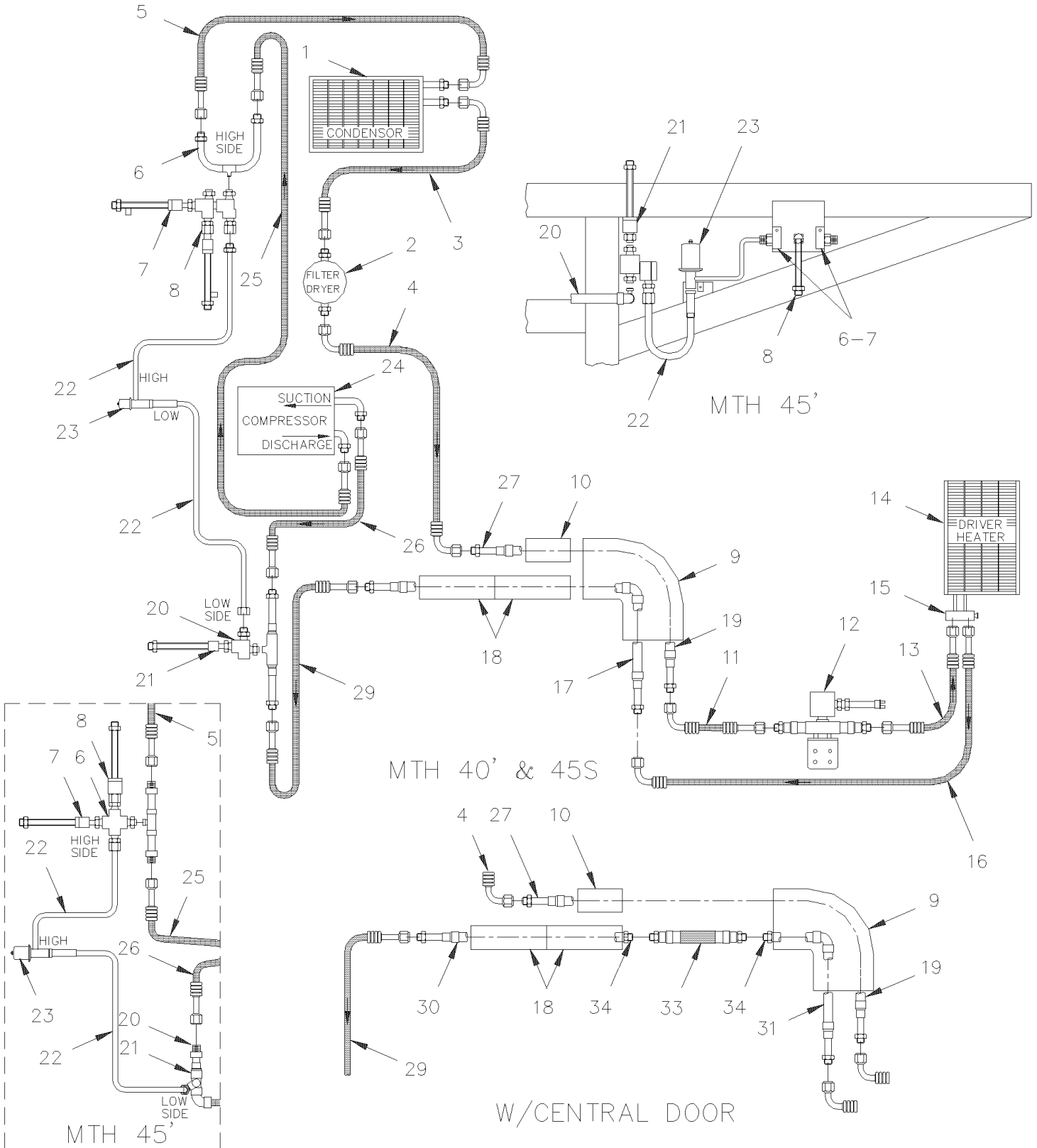
Item#	Part	Description	M T H 4 0	M T H 4 5	M T H 4 5 E	X L 4 0	X L 4 5	N O T E S
21	Call order desk	HOSE ASSY / LOW PRESSURE (BY-PASS) / 2064MM	1		1			P B
22	451212	HOSE ASSY / HIGH SIDE / #4 10"	1		1			A
22	452666	HOSE ASSY / HIGH SIDE / #4 254MM	1		1			B
23	451215	VALVE ASSY BY-PASS	1		1			A
24	XL-2245-10	A/C COMPRESSOR SMALL - INSTALLATION WITH DETROIT S-71 & S-92						
24	XL-2250-50	A/C CROMPRESSOR "TECHUMSEH"						
24	950234	GAUGE ADAPTOR ASSY / W/RED CAP FOR R-134A / DISCHARGE SIDE (ALUMINUM)	1		1			B
24	950235	GAUGE ADAPTOR ASSY / W/BLUE CAP FOR R-134A / SUCTION SIDE (ALUMINUM)	1		1			B
25	451145	HOSE ASSY / COMPRESSOR OUTLET / W/R-12 #8 50"	1		1			A
25	452663	HOSE ASSY / COMPRESSOR OUTLET / W/R-134a / #8 1270MM	1		1			B
26	451146	HOSE ASSY / LOW PRESSURE / 25 3/4"	1		1			A
26	452668	HOSE ASSY / LOW PRESSURE / 654MM	1		1			B
27	450819	ADAPTOR ASSY	1		1			
		A) W/R-12						
		B) W/R134A						
		P) CALL ORDER DESK FOR SPECIFIC APPLICATION (V.I.N.)						

From R-823 To Y-7045

Date:10/2022

PAGE:XL-2222-52

SMALL A/C LINES & HOSES WITH DETROIT S-60



From R-823 To Y-7045	Date:10/2022	PAGE:XL-2222-52
SMALL A/C LINES & HOSES WITH DETROIT S-60		

Item#	Part	Description	M T H 4 0	M T H 4 5	M T H 4 5 E	X L 4 0	X L 4 5	N O T E S
1	950018	CONDENSOR COIL	1	1	1			
1	IS14130	RETROFIT KIT FOR OBSOLETE CONDENSORS 950018 & 950335	1	1	1			
2	950048	DRYER, RECEIVER TANK	1	1	1			D
2	950220	DRYER, RECEIVER TANK	1	1	1			A
NS	451510	SUPPORT / DRYER	1		1			
NS	452375	SUPPORT RECEIVER TANK		1				
NS	500923	SCREW TC CAP HEX 1/4-20x3/4 Z050	2	2	2			B
NS	504025	HOSE CLAMP / 2"5/16-3"1/4 SS / HS-44	2	2	2			
3	452357	HOSE ASSY / #6 720MM	1	1	1			
3	452601	TUBE ASSY / LOW PRESSURE To S-409	1	1	1			
3	452681	HOSE ASSY / #6 720MM To S-409		1				
3	452432	HOSE ASSY / CONDENSER & RECEIVER / #6 2070MM From R-823 To W-6561	1					C
NS	507278	O-RING / ORS FITTING / #4 NEO From R-823 To W-6561	2					C
3	455167	HOSE ASSY / CONDENSER & RECEIVER / #6 2070MM From R-823 To W-6561	1					C S
NS	507278	O-RING / ORS FITTING / #4 NEO From R-823 To W-6561	2					C S
3	453166	HOSE ASSY / CONDENSER & RECEIVER / #6 3740MM From W-6562	1					
NS	507278	O-RING / ORS FITTING / #4 NEO From W-6562	2					
3	455188	HOSE ASSY / CONDENSER & RECEIVER / #6 3740MM From W-6562	1					S
NS	507278	O-RING / ORS FITTING / #4 NEO From W-6562	2					S
3	452583	HOSE ASSY / CONDENSER & RECEIVER / #6 688MM From S-410 To W-6561		1				
NS	507278	O-RING / ORS FITTING / #4 NEO From S-410 To W-6561		2				
3	455175	HOSE ASSY / CONDENSER & RECEIVER / #6 688MM From S-410 To W-6561		1				S
NS	507278	O-RING / ORS FITTING / #4 NEO From S-410 To W-6561		2				S
3	453170	HOSE ASSY / CONDENSER & RECEIVER / #6 1100MM From W-6562		1				
NS	507278	O-RING / ORS FITTING / #4 NEO From W-6562		2				
3	455191	HOSE ASSY / CONDENSER & RECEIVER / #6 1100MM From W-6562		1				S
NS	507278	O-RING / ORS FITTING / #4 NEO From W-6562		2				S
3	452432	HOSE ASSY / CONDENSER & RECEIVER / #6 2070MM From R-823 To X-6831			1			
NS	507278	O-RING / ORS FITTING / #4 NEO From R-823 To X-6831			2			
3	455167	HOSE ASSY / CONDENSER & RECEIVER / #6 2070MM From R-823 To X-6831			1			S
NS	507278	O-RING / ORS FITTING / #4 NEO From R-823 To X-6831			2			S
3	453166	HOSE ASSY / CONDENSER & RECEIVER / #6 3740MM From X-6832			1			
NS	507278	O-RING / ORS FITTING / #4 NEO From X-6832			2			
3	455188	HOSE ASSY / CONDENSER & RECEIVER / #6 3740MM From X-6832			1			S
NS	507278	O-RING / ORS FITTING / #4 NEO From X-6832			2			S
4	452358	HOSE ASSY / DRYER OUTLET / W/R-12 / #6 533MM To S-409		1				
4	452682	HOSE ASSY / DRYER OUTLET / W/R-134a / #6 533MM To S-409		1				
4	452435	HOSE ASSY / DRYER OUTLET / W/R-134a / #6 2153MM From S-410 To W-6561	1					
NS	507278	O-RING / ORS FITTING / #4 NEO From S-410 To W-6561	2					
4	455168	HOSE ASSY / DRYER OUTLET / W/R-134a / #6 2153MM From S-410 To W-6561	1					S
NS	507278	O-RING / ORS FITTING / #4 NEO From S-410 To W-6561	2					S
4	453167	HOSE ASSY / DRYER OUTLET / W/R-134a / #6 3450MM From W-6562	1					

From R-823 To Y-7045	Date:10/2022	PAGE:XL-2222-52
SMALL A/C LINES & HOSES WITH DETROIT S-60		

Item#	Part	Description	M T H 4 0	M T H 4 5	M T H 4 5 E	X L 4 0	X L 4 5	N O T E S
. NS	507278	. O-RING / ORS FITTING / #4 NEO From W-6562	2					
4	455189	HOSE ASSY / DRYER OUTLET / W/R-134a / #6 3450MM From W-6562	1					S
. NS	507278	. O-RING / ORS FITTING / #4 NEO From W-6562	2					S
4	452585	HOSE ASSY / DRYER OUTLET / W/R-134a / #6 473MM From S-410 To X-6776		1				
. NS	507278	. O-RING / ORS FITTING / #4 NEO From S-410 To X-6776		2				
4	455177	HOSE ASSY / DRYER OUTLET / W/R-134a / #6 473MM From S-410 To X-6776		1				S
. NS	507278	. O-RING / ORS FITTING / #4 NEO From S-410 To X-6776		2				S
4	453313	HOSE ASSY / DRYER OUTLET / W/R-134a / #6 1664MM From X-6777		1				
. NS	507278	. O-RING / ORS FITTING / #4 NEO From X-6777		2				
4	455209	HOSE ASSY / DRYER OUTLET / W/R-134a / #6 1664MM From X-6777		1				S
. NS	507278	. O-RING / ORS FITTING / #4 NEO From X-6777		2				S
4	452435	HOSE ASSY / DRYER OUTLET / W/R-134a / #6 2153MM From S-410 To X-6831			1			
. NS	507278	. O-RING / ORS FITTING / #4 NEO From S-410 To X-6831			2			
4	455168	HOSE ASSY / DRYER OUTLET / W/R-134a / #6 2153MM From S-410 To X-6831			1			S
. NS	507278	. O-RING / ORS FITTING / #4 NEO From S-410 To X-6831			2			S
4	453167	HOSE ASSY / DRYER OUTLET / W/R-134a / #6 3450MM From X-6832			1			
. NS	507278	. O-RING / ORS FITTING / #4 NEO From X-6832			2			
4	455189	HOSE ASSY / DRYER OUTLET / W/R-134a / #6 3450MM From X-6832			1			S
. NS	507278	. O-RING / ORS FITTING / #4 NEO From X-6832			2			S
5	452356	HOSE ASSY /COND INLET & HI-SIDE / W/R-12 / #8 360MM To S-409		1				
5	452680	HOSE ASSY /COND INLET & HI-SIDE / W/R-134a/ #8 360MM To S-409		1				
5	452431	HOSE ASSY /COND INLET & HI-SIDE / W/R-134a/ #8 2080MM From R-823 To W-6561	1					
. NS	507343	. O-RING / ORS FITTING / #8 NEO From R-823 To W-6561	2					
5	455166	HOSE ASSY /COND INLET & HI-SIDE / W/R-134a/ #8 2080MM From R-823 To W-6561	1					S
. NS	507343	. O-RING / ORS FITTING / #8 NEO From R-823 To W-6561	2					S
5	453147	HOSE ASSY /COND INLET & HI-SIDE / W/R-134a/ #8 4200MM From W-6562	1					
. NS	507343	. O-RING / ORS FITTING / #8 NEO From W-6562	2					
5	455187	HOSE ASSY /COND INLET & HI-SIDE / W/R-134a/ #8 4200MM From W-6562	1					S
. NS	507343	. O-RING / ORS FITTING / #8 NEO From W-6562	2					S
5	452582	HOSE ASSY /COND INLET & HI-SIDE / W/R-134a/ #8 457MM From S-410 To W-6561		1				
. NS	507343	. O-RING / ORS FITTING / #8 NEO From S-410 To W-6561		2				
5	455174	HOSE ASSY /COND INLET & HI-SIDE / W/R-134a/ #8 457MM From S-410 To W-6561		1				S
. NS	507343	. O-RING / ORS FITTING / #8 NEO From S-410 To W-6561		2				S
5	453169	HOSE ASSY /COND INLET & HI-SIDE / W/R-134a/ #8 860MM From W-6562		1				
. NS	507343	. O-RING / ORS FITTING / #8 NEO From W-6562		2				
5	455190	HOSE ASSY /COND INLET & HI-SIDE / W/R-134a/ #8 860MM From W-6562		1				S
. NS	507343	. O-RING / ORS FITTING / #8 NEO From W-6562		2				S
5	452431	HOSE ASSY /COND INLET & HI-SIDE / W/R-134a/ #8 2080MM From R-823 To X-6831			1			
. NS	507343	. O-RING / ORS FITTING / #8 NEO From R-823 To X-6831			2			
5	455166	HOSE ASSY /COND INLET & HI-SIDE / W/R-134a/ #8 2080MM From R-823 To X-6831			1			S
. NS	507343	. O-RING / ORS FITTING / #8 NEO From R-823 To X-6831			2			S
5	453147	HOSE ASSY /COND INLET & HI-SIDE / W/R-134a/ #8 4200MM From X-6832			1			

From R-823 To Y-7045	Date:10/2022	PAGE:XL-2222-52
SMALL A/C LINES & HOSES WITH DETROIT S-60		

Item#	Part	Description	M T H 4 0	M T H 4 5	M T H 4 5 E	X L 4 0	X L 4 5	N O T E S
. NS	507343	. O-RING / ORS FITTING / #8 NEO From X-6832			2			
5	455187	HOSE ASSY /COND INLET & HI-SIDE / W/R-134a/ #8 4200MM From X-6832			1			S
. NS	507343	. O-RING / ORS FITTING / #8 NEO From X-6832			2			S
6	452353	TUBE ASSY / HI-SIDE W/R-12 To S-409		1				
6	452578	TUBE ASSY / HI-SIDE W/R134A From S-410 To T-5788		1				
6	452833	TUBE ASSY / HI-SIDE W/R134A From T-5789 To X-6939		1				
6	453383	TUBE ASSY / HI-SIDE W/R134A From X-6940		1				
6	452427	TUBE ASSY / HI-SIDE W/R-134A / "U" SHAPE From R-823 To T-5788	1		1			
6	452834	TUBE ASSY / HI-SIDE W/R-134A / "U" SHAPE From T-5789 To X-6939	1		1			
6	453384	TUBE ASSY / HI-SIDE W/R-134A / "U" SHAPE From X-6940	1		1			
7	452080	. PRESSURE SWITCH N.C. 275-225 20SP001EB275K225K To S-409		1				
7	452405	. PRESSURE SWITCH N.C. 320-245 20SP001MB320K245R From S-410 To X-6939	1	1	1			A
7	453380	. PRESSURE SWITCH N.C. 350-245 20PS001MB350K245R From X-6940	1	1	1			
8	452832	. PRESSURE SWITCH N.O. 170-130 20SP001MA170J130J From T-5789	1	1	1			
NS	950030	. SCHRADER VALVE 1/8NPT-M	1	1	1			A
NS	950249	. SCHRADER VALVE 1/4NPT-M From T-5789	1	1	1			
9	506283	PIPE INSULATING / 1 5/8" I.D. X 1/2" TH. X 72 / APT15812	AR	AR	AR			
10	506215	PIPE INSULATING / 1/2" I.D. X 1/2" TH. X 72" / APT01212	AR	AR	AR			
11	452438	HOSE ASSY / PIPE & VALVE / W/R-134a / #6 310MM	1	1	1			
. NS	507278	. O-RING / ORS FITTING / #4 NEO	2	2	2			
11	455170	HOSE ASSY / PIPE & VALVE / W/R-134a / #6 310MM	1	1	1			S
. NS	507278	. O-RING / ORS FITTING / #4 NEO	2	2	2			S
12	XL-2208-10	REFRIGERANT SOLENOID VALVE						
13	451094	HOSE ASSY / W/R-12 / #6 65" To R-959	1	1	1			
13	452539	HOSE ASSY / VALVE & EVAPORATOR / #6 1651MM From R-960 To S-409	1	1	1			
13	452441	HOSE ASSY / VALVE & EVAPORATOR / #6 1575MM From S-410	1	1	1			
. NS	507278	. O-RING / ORS FITTING / #4 NEO From S-410	2	2	2			
13	455172	HOSE ASSY / VALVE & EVAPORATOR / #6 1575MM From S-410	1	1	1			S
. NS	507278	. O-RING / ORS FITTING / #4 NEO From S-410	2	2	2			S
14	XL-2225-03	DRIVER'S HEATER & DEFROSTER ASSY						
15	XL-2208-00	A/C EXPANSION VALVE						
16	451095	HOSE ASSY / W/R-12 / #10 86" To R-959		1				
16	452535	HOSE ASSY / #10 2184MM From R-960 To S-409		1				
16	452439	HOSE ASSY / EXPANSION VALVE OUTLET / #12 2030MM From S-410	1	1	1			
. NS	507344	. O-RING / ORS FITTING / #10 NEO From S-410	2	2	2			
16	455171	HOSE ASSY / EXPANSION VALVE OUTLET / #12 2030MM From S-410	1	1	1			S
. NS	507344	. O-RING / ORS FITTING / #10 NEO From S-410	2	2	2			S
17	452265	TUBE ASSY / LOW PRESSURE W/R-12 To S-409		1				
17	452580	TUBE ASSY / LOW PRESSURE W/R134A From S-410 To T-5788		1				
17	452850	TUBE ASSY / LOW PRESSURE W/R134A From T-5789		1				
17	452425	TUBE ASSY / LOW PRESSURE W/R134A	1		1			
18	506276	PIPE INSULATING / 7/8" I.D. X 1/2" TH. X 72 / APT07812	AR	AR	AR			

From R-823 To Y-7045	Date:10/2022	PAGE:XL-2222-52
SMALL A/C LINES & HOSES WITH DETROIT S-60		

Item#	Part	Description	M T H 4 0	M T H 4 5	M T H 4 5 E	X L 4 0	X L 4 5	N O T E S
19	452424	TUBE ASSY	1	1	1			
20	452577	TUBE ASSY W/LOW PRESSURE SWITCH To T-5788		1				
20	452843	TUBE ASSY W/LOW PRESSURE SWITCH From T-5789		1				
20	452426	TUBE ASSY W/LOW PRESSURE SWITCH To T-5788	1		1			
20	452841	TUBE ASSY W/LOW PRESSURE SWITCH From T-5789	1		1			
21	452081	. PRESSURE SWITCH N.O. 30-5 20SP001AA030C005C To S-409	1	1	1			
21	452406	. PRESSURE SWITCH N.O. 30-15 20SP001MA030C015C From S-410 To T-5788		1				
21	452831	. PRESSURE SWITCH N.O. 30-5 20SP001MA030C005C From T-5789	1	1	1			
22	451215	VALVE ASSY BY-PASS To S-409		1				
22	452586	VALVE, BYPASS ASSY / W/R134A "U" SHAPE From S-410		1				
22	452434	VALVE, BYPASS ASSY / W/R134A From R-823	1		1			
23	950065	. BY-PASS VALVE From R-823	1		1			
NS	5011080	MALE CONNECTOR / ORS FITTING / #6ORS-Mx1/4NPT-M STL	1	1	1			L
NS	5011082	ADAPTOR / ORS@COPPER TUBE / #6ORS-Fx#6COPPER TUBE	1	1	1			L
NS	5011079	MALE CONNECTOR / ORS FITTING / #4ORS-Mx1/4NPT-M STL	1	1	1			H
NS	5011081	ADAPTOR / ORS@COPPER TUBE / #4ORS-Fx#4COPPER TUBE	1	1	1			H
24	XL-2245-12	A/C COMPRESSOR SMALL - INSTALLATION WITH DETROIT S-60						
24	XL-2250-50	A/C CROMPRESSOR "TECHUMSEH"						
25	452355	HOSE ASSY / W/R-22 / #8 1257MM To S-409		1				
25	452679	HOSE ASSY / W/R-134a / #8 1257MM To S-409		1				
25	452581	HOSE ASSY / COMPRESSOR OUTLET / W/R-134a / #8 1050MM From S-410 To X-6922		1				
. NS	507343	. O-RING / ORS FITTING / #8 NEO From S-410 To X-6922		2				
25	455327	HOSE ASSY / COMPRESSOR OUTLET / W/R-134a / #8 1050MM From S-410 To X-6922		1				S
. NS	507343	. O-RING / ORS FITTING / #8 NEO From S-410 To X-6922		2				S
25	453409	HOSE ASSY / #8 1055MM From X-6923		1				
. NS	507343	. O-RING / ORS FITTING / #8 NEO From X-6923		2				
. NS	950358	. PROTECTOR CAP LOW PRESSURE PORT / "TUBE-O" From X-6923		1				
25	455225	HOSE ASSY / #8 1055MM From X-6923		1				S
. NS	507343	. O-RING / ORS FITTING / #8 NEO From X-6923		2				S
. NS	950358	. PROTECTOR CAP LOW PRESSURE PORT / "TUBE-O" From X-6923		1				S
25	452430	HOSE ASSY / W/R-134a / #8 1300MM To X-6922	1		1			
. NS	507343	. O-RING / ORS FITTING / #8 NEO To X-6922	2		2			
25	455328	HOSE ASSY / W/R-134a / #8 1300MM To X-6922	1		1			S
. NS	507343	. O-RING / ORS FITTING / #8 NEO To X-6922	2		2			S
25	453410	HOSE ASSY / #8 1350MM From X-6923	1		1			
. NS	507343	. O-RING / ORS FITTING / #8 NEO From X-6923	2		2			
. NS	950358	. PROTECTOR CAP LOW PRESSURE PORT / "TUBE-O" From X-6923	1		1			
25	455226	HOSE ASSY / #8 1350MM From X-6923	1		1			S
. NS	507343	. O-RING / ORS FITTING / #8 NEO From X-6923	2		2			S
. NS	950358	. PROTECTOR CAP LOW PRESSURE PORT / "TUBE-O" From X-6923	1		1			S
26	452264	HOSE ASSY / W/R-12 / #12 921MM To S-409		1				
26	452678	HOSE ASSY / W/R-134a / #12 921MM To S-409		1				

From R-823 To Y-7045	Date:10/2022	PAGE:XL-2222-52
SMALL A/C LINES & HOSES WITH DETROIT S-60		

Item#	Part	Description	M T H 4 0	M T H 4 5	M T H 4 5 E	X L 4 0	X L 4 5	N O T E S
26	452584	HOSE ASSY / COMPRESSOR INLET/W/R-134a / #12 871MM From S-410 To T-5788		1				
. NS	507344	. O-RING / ORS FITTING / #10 NEO From S-410 To T-5788		2				
26	455176	HOSE ASSY / COMPRESSOR INLET/W/R-134a / #12 871MM From S-410 To T-5788		1				S
. NS	507344	. O-RING / ORS FITTING / #10 NEO From S-410 To T-5788		2				S
26	452849	HOSE ASSY / COMPRESSOR INLET/W/R-134a / #12 654MM From T-5789 To X-6922		1				
. NS	507344	. O-RING / ORS FITTING / #10 NEO From T-5789 To X-6922		2				
26	455331	HOSE ASSY / COMPRESSOR INLET/W/R-134a / #12 654MM From T-5789 To X-6922		1				
. NS	507344	. O-RING / ORS FITTING / #10 NEO From T-5789 To X-6922		2				
26	453408	HOSE ASSY / COMPRESSOR INLET/W/R-134a / #12 654MM From X-6923		1				
. NS	507344	. O-RING / ORS FITTING / #10 NEO From X-6923		2				
. NS	950367	. PROTECTOR CAP HIGH PRESSURE PORT / "TUBE-O" From X-6923		1				
26	455224	HOSE ASSY / COMPRESSOR INLET/W/R-134a / #12 654MM From X-6923		1				S
. NS	507344	. O-RING / ORS FITTING / #10 NEO From X-6923		2				S
. NS	950367	. PROTECTOR CAP HIGH PRESSURE PORT / "TUBE-O" From X-6923		1				S
26	452428	HOSE ASSY / W/R-134a / #12 1610MM To X-6922	1		1			
. NS	507344	. O-RING / ORS FITTING / #10 NEO To X-6922	2		2			
26	455333	HOSE ASSY / W/R-134a / #12 1610MM To X-6922	1		1			S
. NS	507344	. O-RING / ORS FITTING / #10 NEO To X-6922	2		2			S
26	453411	HOSE ASSY / #12 1690MM From X-6923	1		1			
. NS	507344	. O-RING / ORS FITTING / #10 NEO From X-6923	2		2			
. NS	950367	. PROTECTOR CAP HIGH PRESSURE PORT / "TUBE-O" From X-6923	1		1			
26	455227	HOSE ASSY / #12 1690MM From X-6923	1		1			S
. NS	507344	. O-RING / ORS FITTING / #10 NEO From X-6923	2		2			S
. NS	950367	. PROTECTOR CAP HIGH PRESSURE PORT / "TUBE-O" From X-6923	1		1			S
27	450819	ADAPTOR ASSY To S-409		1				
27	452437	PIPE ASSY From S-410	1	1	1			
NS	452588	HOSE ASSY / #8 1829MM	1	1	1			W
27	455178	HOSE ASSY / #8 1829MM	1	1	1			S W
29	452436	HOSE ASSY / LOW PRES. TUBE & LOW / #12 2153MM	1		1			
. NS	507344	. O-RING / ORS FITTING / #10 NEO	2		2			
29	455169	HOSE ASSY / LOW PRES. TUBE & LOW / #12 2153MM	1		1			S
. NS	507344	. O-RING / ORS FITTING / #10 NEO	2		2			S
30	452591	TUBE ASSY / LOW PRESSURE	1		1			
31	452589	TUBE ASSY / LOW PRESSURE	1					
31	452601	TUBE ASSY / LOW PRESSURE			1			
31	452893	TUBE ASSY / LOW PRESSURE / W/OUT ENTRANCE		1				
33	452590	HOSE ASSY / TUBES / #12 3770MM	1		1			
. NS	507280	. O-RING / ORS FITTING / #12 NEO	2		2			
33	455179	HOSE ASSY / TUBES / #12 3770MM	1		1			S
. NS	507280	. O-RING / ORS FITTING / #12 NEO	2		2			S
34	5011099	ADAPTER "TUBE-O" @ BRAZE / #12TUBE-O-Mx#14 BR	2		2			
NS	373306	DECAL (R-134A)	1	1	1			

From R-823 To Y-7045	Date:10/2022	PAGE:XL-2222-52
SMALL A/C LINES & HOSES WITH DETROIT S-60		

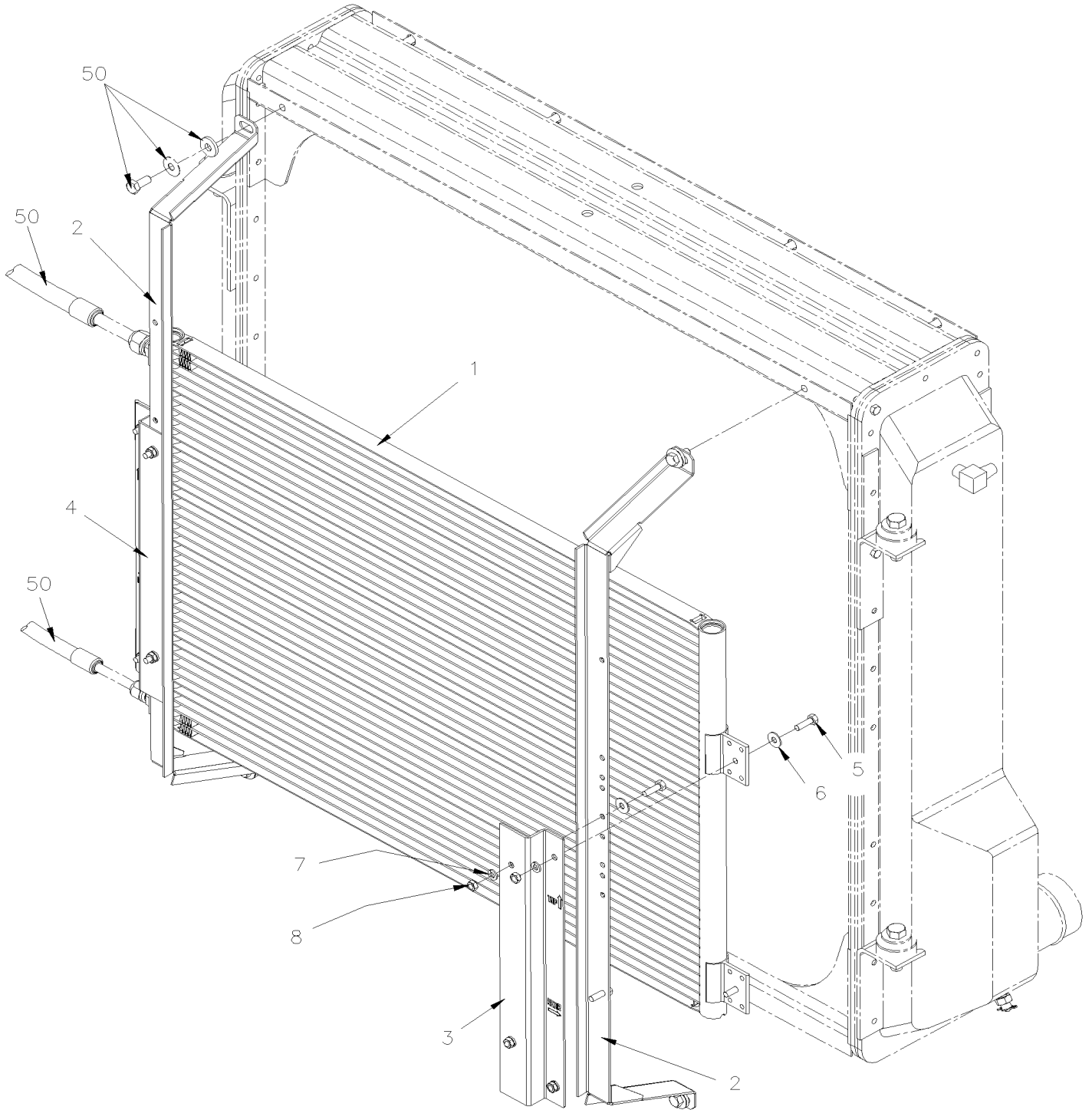
Item#	Part	Description	M T H 4 0	M T H 4 5	M T H 4 5 E	X L 4 0	X L 4 5	N O T E S
NS	452874	DECAL / NOMINALE CHARGE 6LBS 10 OZ From T-5851 To V-6208		1	1			
NS	452875	DECAL / NOMINALE CHARGE 6LBS 2 OZ From T-5851 To V-6208	1					
NS	453065	DECAL R-134A WITH NOMINALE CHARGE 6LBS 10 OZ From V-6209		1	1			
NS	453064	DECAL R-134A WITH NOMINALE CHARGE 6LBS 2 OZ From V-6209	1					
110	451956	TUBE ASSY REFRIGERANT / PRESSURE To S-409		1				
110	452424	TUBE ASSY From S-410	1	1	1			
119	451424	TUBE ASSY, LOW PRESSURE	1	1	1	1	1	
121	452360	HOSE ASSY / W/R-12 / #6 940MM To S-409				1		
121	452683	HOSE ASSY / W/R-134a / #6 960MM To S-409				1		
122	452539	HOSE ASSY / VALVE & EVAPORATOR / #6 1651MM To S-409	1	1	1	1	1	
122	452684	HOSE ASSY / W/R-134a / #4 254MM To S-409	1	1	1	1	1	
		A) WITH R134A						
		B) TO FIX SUPPORT						
		C) CONDENSER & RECEIVER DRYER / W/R134A						
		D) WITH R-12						
		H) TO FIX BYPASS TO HIGH PRESSURE SIDE						
		L) TO FIX BYPASS TO LOW PRESSURE SIDE						
		S) SERVICE						
		W) WITH CENTRAL DOOR						

From R-823 To Y-7045

Date:10/2022

PAGE:IS14130

RETROFIT KIT FOR OBSOLETE CONDENSORS 950018 & 950335

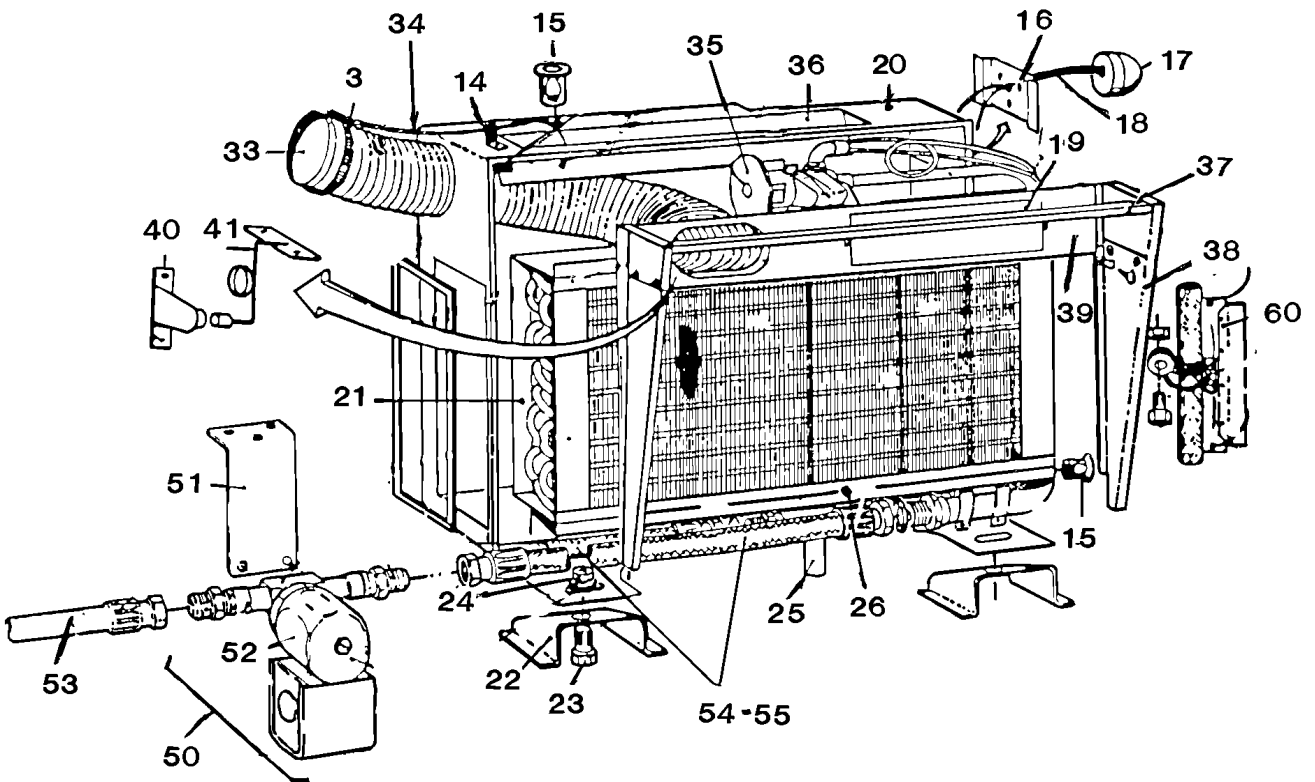
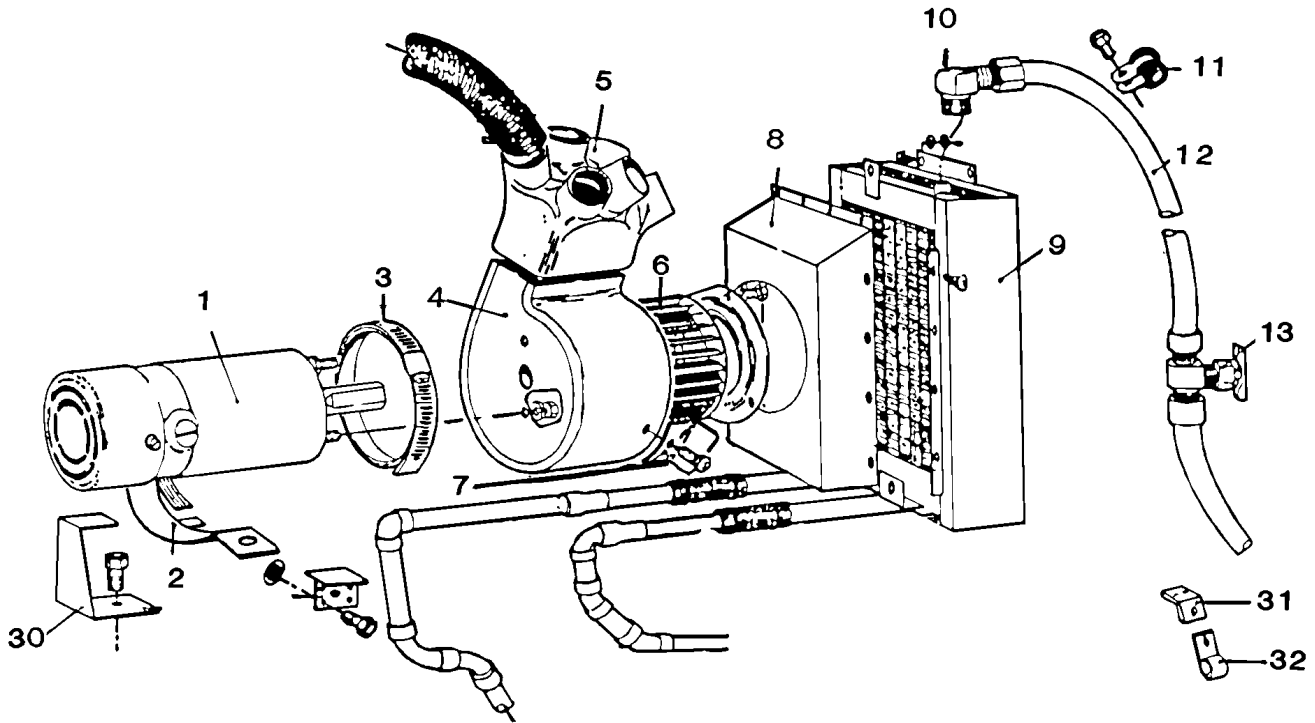


From E-638 To F-827

Date:10/2022

PAGE:XL-2225-00

DRIVER'S HEATER & DEFROSTER ASSY



From E-638 To F-827		Date:10/2022	PAGE:XL-2225-00
---------------------	--	--------------	-----------------

DRIVER'S HEATER & DEFROSTER ASSY

Item#	Part	Description	M T H 4 0	M T H 4 5	M T H 4 5 E	X L 4 0	X L 4 5	N O T E S
	371104	DEFROSTER & A/C	1			1		
1	560445	MOTOR 24V						
. NS	870438	BRUSH	2			2		
. NS	560727	CAP BRUSH 7/8" (FORMER)	2			2		
. NS	870889	CAP BRUSH 3/4" (CURRENT)	2			2		
. NS	560731	BEARING	2			2		
2	560503	CLAMP / 1/4" I.D.	1			1		
3	504235	HOSE CLAMP / 3"9/16"-4"1/2 SS / HS-64	1			1		
4	870326	HOUSING	1			1		
5	371258	DIFFUSER	1			1		
6	870335	BLOWER WHEEL	1			1		
7	450926	ANGLE, ATTACHMENT 5"	1			1		
7	450927	ANGLE, ATTACHMENT 2"	1			1		
8	371105	BOX, ATTACHMENT	1			1		
9	870699	HEATER COIL	1			1		
10	501093	MALE CONNECTOR / COMPRESSION FITTING / #4x1/8NPT-M BR	1			1		
11	560872	CLAMP / 1"1/16 I.D.	AR			AR		
12	503402	TUBE, NYLON 1/4 O.D. / BLACK S.L.	AR			AR		
14	371129	SUPPORT DASH CONTROL	1			1		
15	500548	NUT AN JK 1/4-20	6			6		
16	380248	SUPPORT, BELL ALARM	1			1		
17	560369	BELL ALARM / PRODUCTION	1			1		
18	060572	HARNES ASSY	1			1		
19	450281	DOOR, VALVE ACCESS	1			1		
20	371259	BOX	1			1		
21	870494	EVAPORATOR COIL	1			1		
NS	870662	FILTER 13" x 19"	1			1		
22	450099	SUPPORT	2			2		
23	500164	SCREW CAP HEX 1/4-20x3/4 G8 BR	2			2		
24	500769	NUT HEX 1/4-20 Z050	2			2		
24	500473	WASHER LO SPT .262x.489x.062 Z050	2			2		
24	500441	WASHER FL .312x.734x.065 Z050	2			2		
25	450106	DRAIN TUBE	1			1		
26	450100	SUPPORT LOWER "Z" SHAPE 21"	1			1		
28	506264	TAPE RUB ADH1 URE 3/4" x 1" x 12.5' / GREY 1820X	AR			AR		
29	506268	TAPE RUB ADH1 URE 3/8" x 1/2" x 25' / GREY 1820	AR			AR		
30	371130	SUPPORT	1			1		
31	371922	SUPPORT	3			3		
32	560483	CLAMP / 7/8" I.D.	3			3		
33	503434	HOSE FLEXIBLE / AIR DUCT 4" I.D. X 12' / RUBBER	AR			AR		
34	XL-0645-50	DASHBOARD - CONSOLE R.H.						
35	XL-2208-00	A/C EXPANSION VALVE						

From E-638 To F-827		Date:10/2022	PAGE:XL-2225-00
---------------------	--	--------------	-----------------

DRIVER'S HEATER & DEFROSTER ASSY

Item#	Part	Description	M T H 4 0	M T H 4 5	M T H 4 5 E	X L 4 0	X L 4 5	N O T E S
36	450203	DOOR ASSY / AIR INLET	1			1		
NS	450111	HINGE / AIR INLET	1			1		
37	450110	ANGLE / AIR INLET TOP 19 7/8" X 5/8"	1			1		
38	450114	MEMBER R.H. / AIR INLET	1			1		
38	450113	MEMBER L.H. / AIR INLET	1			1		
39	450276	PLATE / AIR INLET CONTROL	1			1		
40	450105	ANGLE / RETAINER SPRING	1			1		
41	371135	SPRING, TORSION / .562 I.D. x .061	1			1		
50	450268	VALVE ASSY / REFRIGERANT SOLENOID				1		
50	451067	VALVE ASSY / REFRIGERANT SOLENOID	1					A
50	451058	VALVE ASSY / REFRIGERANT SOLENOID	1					B
51	450292	. SUPPORT / REFRIGERANT SOLENOID VALVE				1		
51	451059	. SUPPORT / REFRIGERANT SOLENOID VALVE	1					
52	950054	. VALVE REFRIGERANT SOLENOID / 3/8" NPT	1			1		S
52	958212	. VALVE REFRIGERANT SOLENOID / 1/2" NPT	1			1		
52	501534	. BUSHING REDUCER / PIPE FITTING / 1/2NPT-Mx3/8NPT-F BR	2			2		
53	450293	HOSE ASSY #12 12 1/2"	1			1		A C
53	452651	HOSE ASSY #12 318MM	1			1		A D
53	451062	HOSE ASSY #10 11 1/4"	1					B C
53	452656	HOSE ASSY #10 286MM	1					B D
54	450192	HOSE ASSY #12 17"	1			1		A C
54	452650	HOSE ASSY #12 432MM	1			1		A D
54	451063	HOSE ASSY #10 17"	1					B C
54	452655	HOSE ASSY #10 432MM	1					B D
NS	501829	O-RING / ORS FITTING / #12 NEO	1			1		
55	450210	HOSE ASSY #10 32"	1			1		A C
55	452652	HOSE ASSY #10 1029MM	1					A D
55	451064	HOSE ASSY #12 32"	1					B C
55	452657	HOSE ASSY #12 813MM	1					B D
NS	501801	O-RING / ORS FITTING / #8 NEO	1			1		
60	380493	RESISTOR ASSY 4 OHMS 300 W	1			1		
NS	560863	. DIODE / 12AMPS / CATHODE STUD	3			3		
NS	560045	. RESISTOR / 4 OHMS / 300 W	1			1		
NS	380294	. BUS BAR / W/3 HOLES / 7/8" C/C	1			1		
NS	380049	. COLLAR (CENTER OF RESISTOR)	1			1		
NS	380242	. SUPPORT	1			1		
		A) WITH LARGE A/C						
		B) WITH SMALL A/C						
		C) WITH R-12						

From E-638 To F-827	Date:10/2022	PAGE:XL-2225-00
---------------------	--------------	-----------------

DRIVER'S HEATER & DEFROSTER ASSY

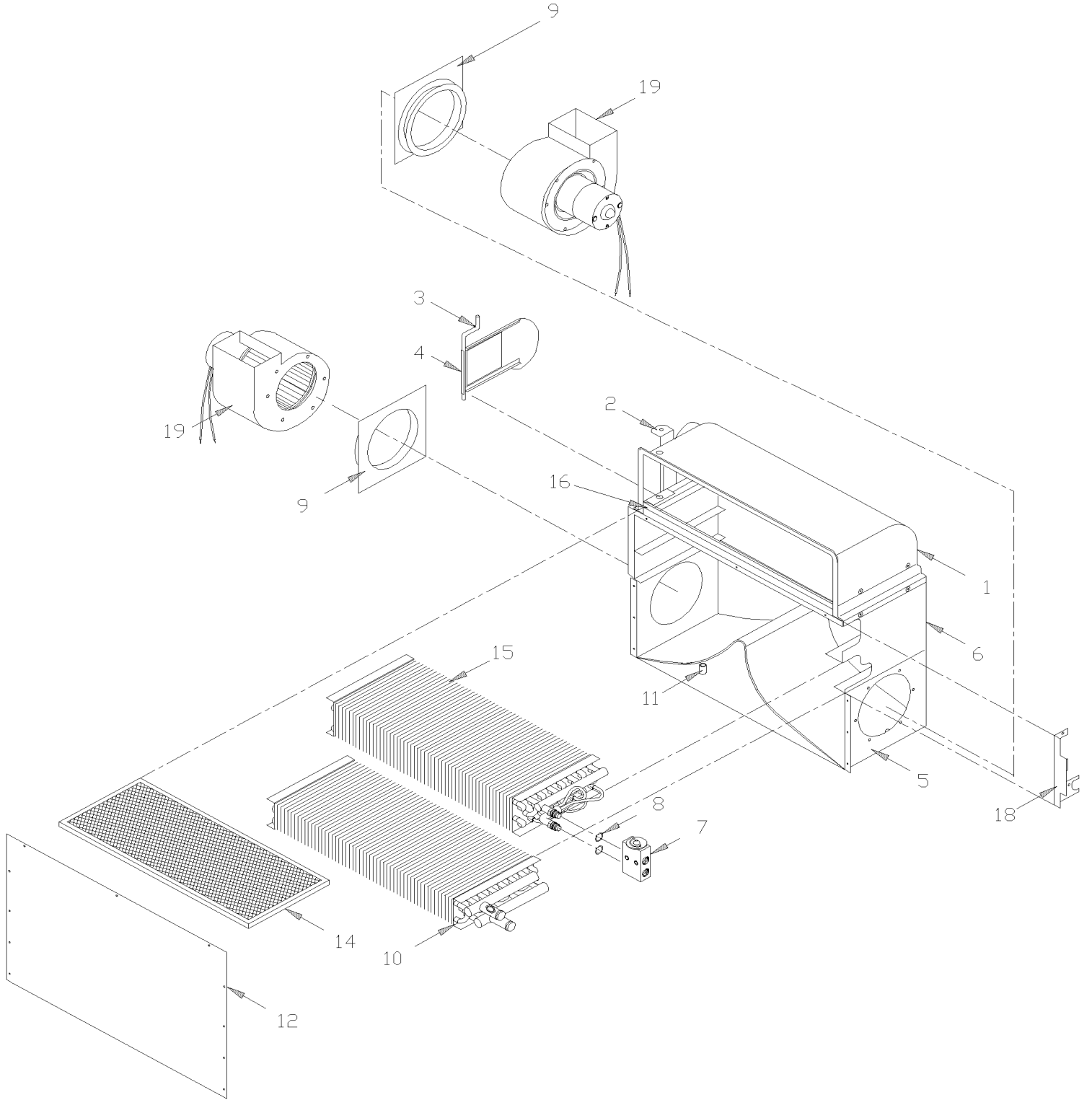
Item#	Part	Description	M T H 4 0	M T H 4 5	M T H 4 5 E	X L 4 0	X L 4 5	N O T E S
		D) WITH R134A						
		S) THIS VALVE IS NO LONGER AVAILABLE USE 958212 WITH 950953 & 2X501534						

From F-828 To G-118

Date:10/2022

PAGE:XL-2225-01

DRIVER'S HEATER & DEFROSTER ASSY

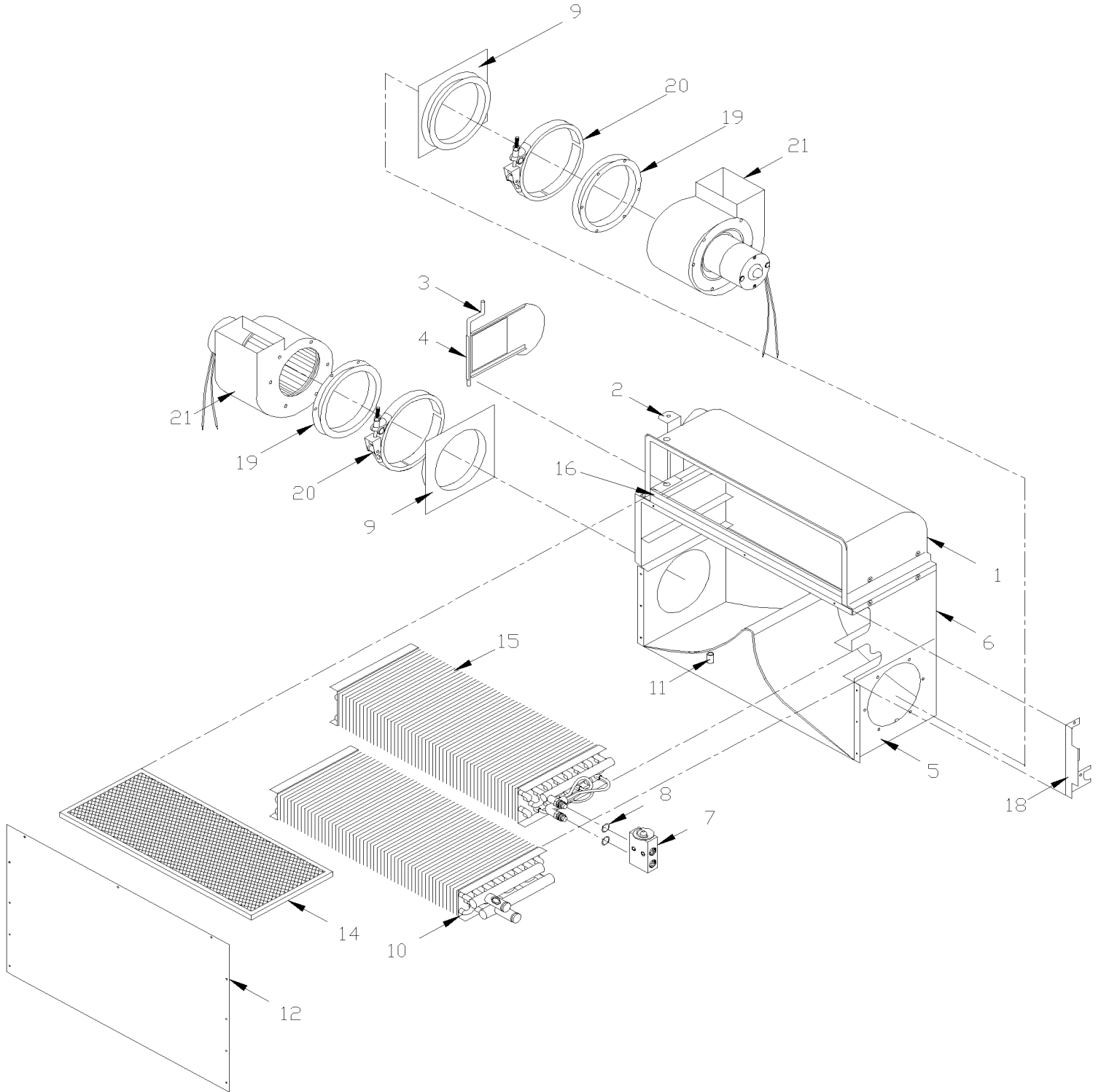


From G-119 To M-888

Date:10/2022

PAGE:XL-2225-02

DRIVER'S HEATER & DEFROSTER ASSY

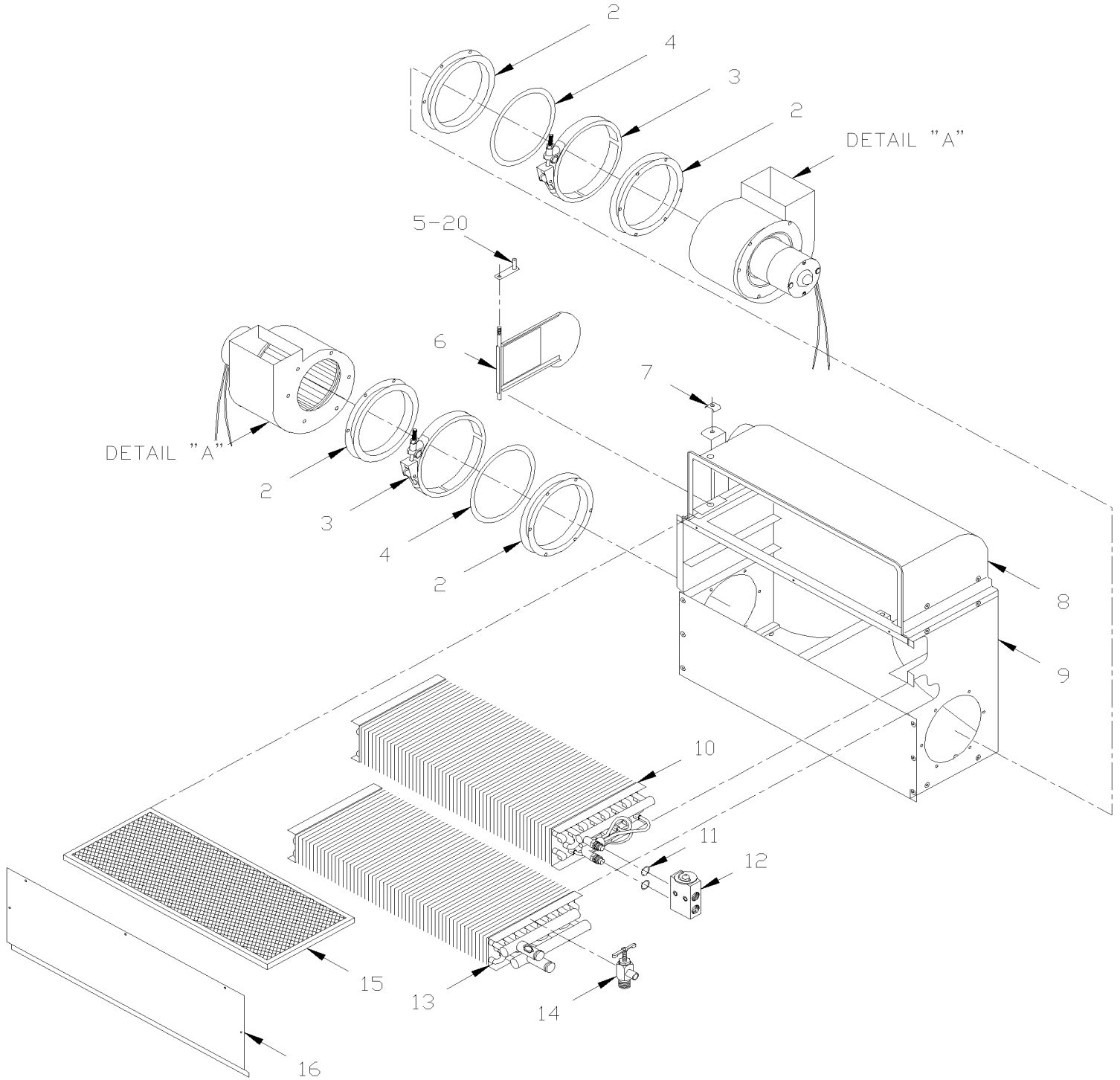


From M-916 To Y-7045

Date:10/2022

PAGE:XL-2225-03

DRIVER'S HEATER & DEFROSTER ASSY

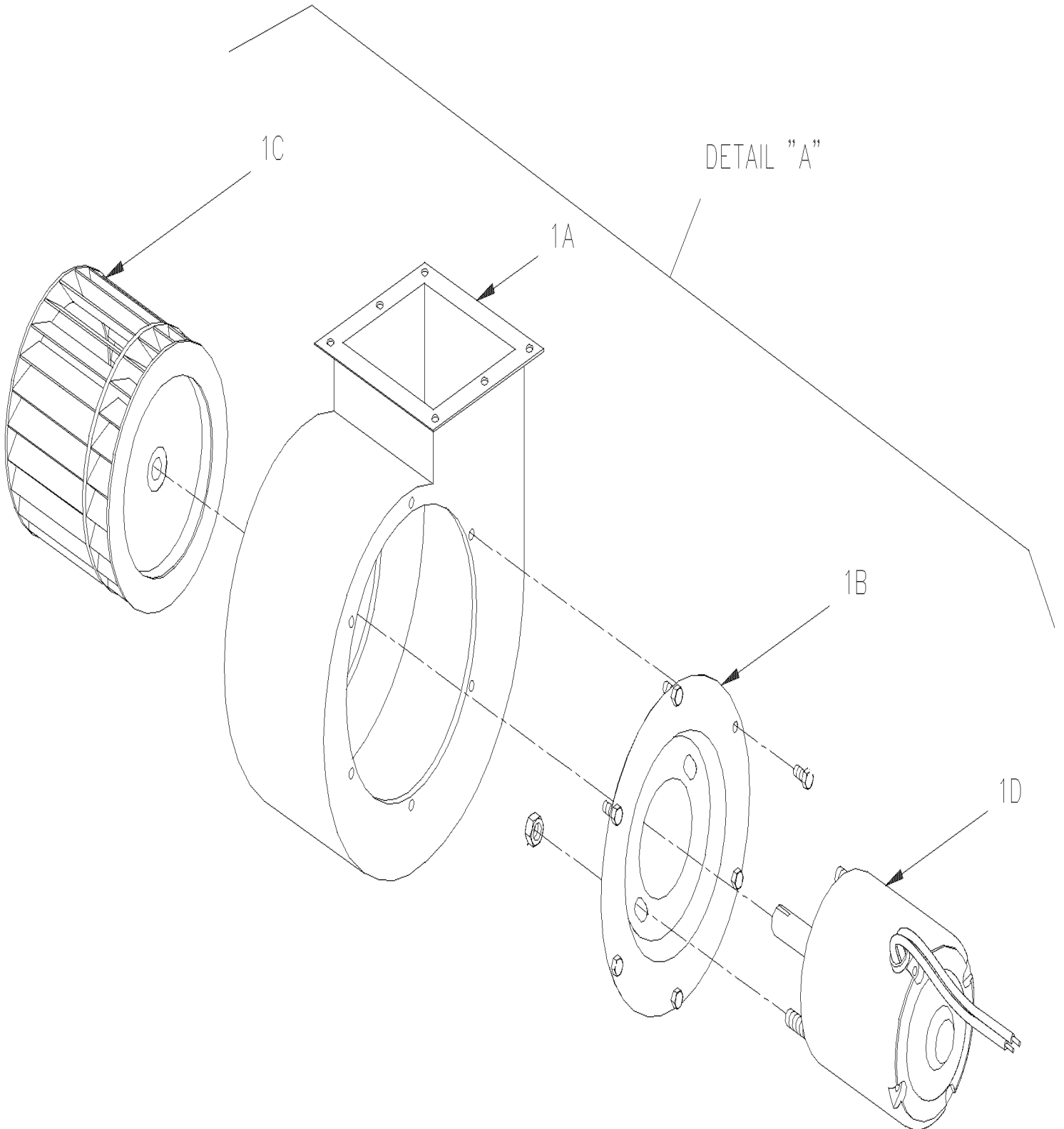


From M-916 To Y-7045

Date:10/2022

PAGE:XL-2225-03

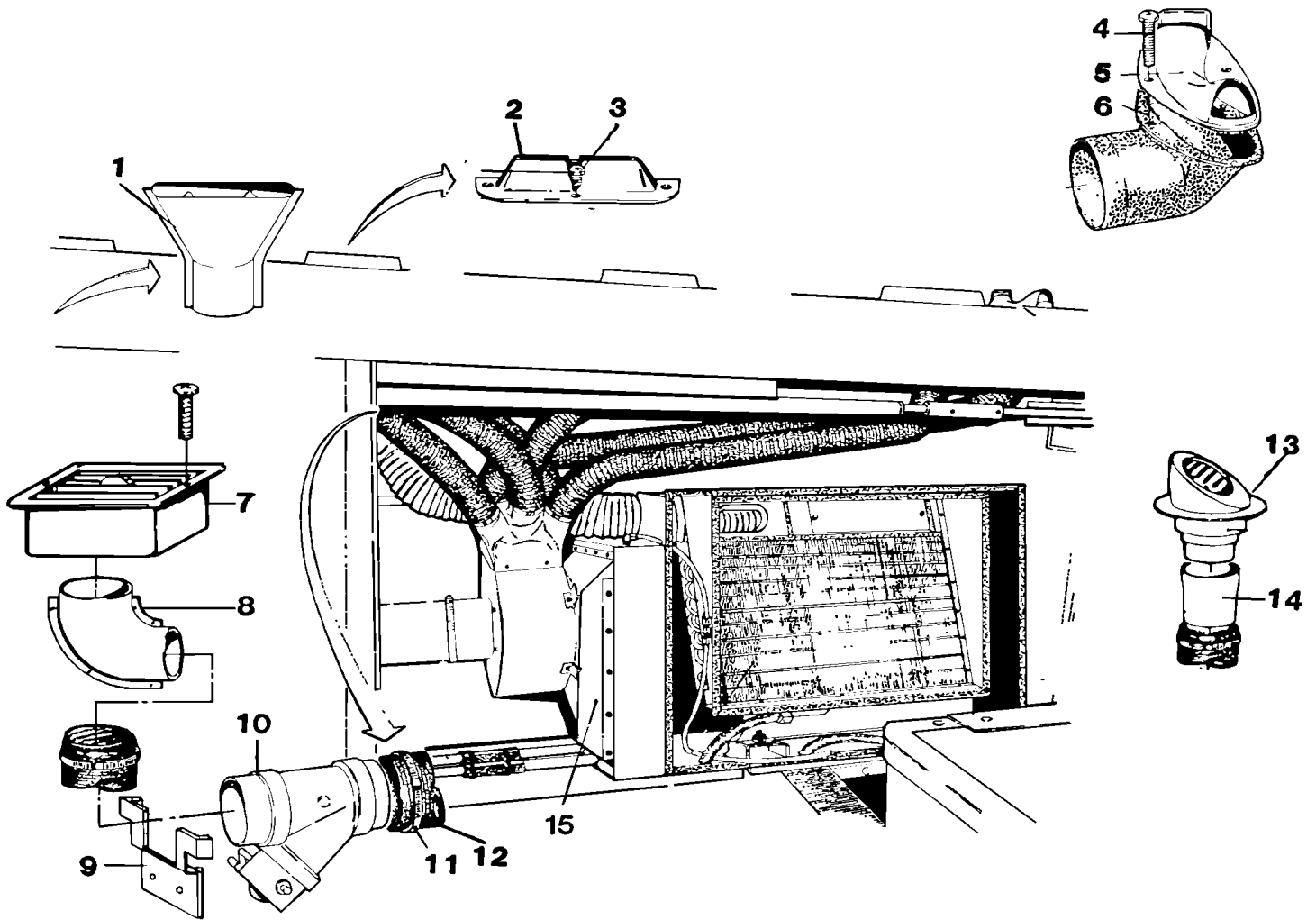
DRIVER'S HEATER & DEFROSTER ASSY



From M-916 To Y-7045	Date:10/2022	PAGE:XL-2225-03
DRIVER'S HEATER & DEFROSTER ASSY		

Item#	Part	Description	M T H 4 0	M T H 4 5	M T H 4 5 E	X L 4 0	X L 4 5	N O T E S
	871007	DEFROSTER & A/C UNIT ASSY / W/R12	1	1	1	1	1	
	871048	DEFROSTER & A/C UNIT ASSY / W/R134A To V-6100	1	1	1	1	1	
	871087	DEFROSTER & A/C UNIT ASSY / W/R134A From V-6101	1	1	1	1	1	
1A	871018	. HOUSING BLOWER	1	1	1	1	1	
1B	871020	. PLATE MOUNTING / MOTOR	1	1	1	1	1	
1C	871017	. BLOWER WHEEL / STEEL	1	1	1	1	1	
1D	562167	. MOTOR ASSY / 24V	1	1	1	1	1	
2	871021	. RING MOUNTING / FAN	4	4	4	4	4	
3	504432	. V-CLAMP / 6" I.D.	2	2	2	2	2	
4	N.P.N.	. SPACER-RING	2	2	2	2	2	4
5	871023	. PIVOT CABLE / FRESH AIR DAMPER	1	1	1	1	1	
6	871022	. DAMPER FRESH AIR	1	1	1	1	1	
NS	871025	. BUSHING / CABLE PIVOT	1	1	1	1	1	
7	871024	. CLAMP CABLE	1	1	1	1	1	
8	871016	. PLENUM PLASTIC	1	1	1	1	1	
9	871015	. CASING ASSY / COMPOSITE MATERIAL	1	1	1	1	1	
10	950057	. COIL EVAPORATOR	1	1	1	1	1	
11	507279	. O-RING / ORS FITTING / #8 NEO	2	2	2	2	2	C
12	XL-2208-00	. A/C EXPANSION VALVE						
13	870839	. COIL HEATER To V-6100	1	1	1	1	1	
13	871094	. COIL HEATER From V-6101	1	1	1	1	1	
14	501023	. . DRAIN VALVE 1/4NPTM 3/8TUBE	1	1	1	1	1	
15	870840	. FILTER 7//16" x 8" x 18 7/8" (former)	1	1	1	1	1	
15	871049	. FILTER 1/4" x 8" x 18 3/4"	1	1	1	1	1	
16	871026	. COVER	1	1	1	1	1	
20	372460	WIRE ASSY / FRESH AIR	1	1	1	1	1	
NS	500925	. NUT SPR PO RND 1/4	1	1	1	1	1	D
NS	373264	DRAIN ASSY To V-6100	1	1	1	1	1	
NS	501472	. FEMALE UNION TEE / PIPE FITTING / 1/2NPT-Fx1/2NPT-Fx1/2NPT-F BR To V-6100	1	1	1	1	1	
NS	501316	. BUSHING REDUCER / PIPE FITTING / 1/2NPT-Mx1/4NPT-F BR To V-6100	1	1	1	1	1	
NS	507605	. MALE CONNECTOR / HOSE BARB FITTING / #12x1/2NPT-M BR To V-6100	2	2	2	2	2	
NS	501023	. DRAIN VALVE 1/4NPTM 3/8TUBE To V-6100	1	1	1	1	1	
NS	451070	CABLE CONTROL ASSY / FRESH AIR / 42"	1	1	1	1	1	
		C) FOR 1/2 TUBE FITTING						
		D) (RETAINING WIRE CONTROL)						
		4) NO PARTS NUMBER						

From E-638 To F-827	Date:10/2022	PAGE:XL-2230-00
DEFROSTER - INSTALLATION		

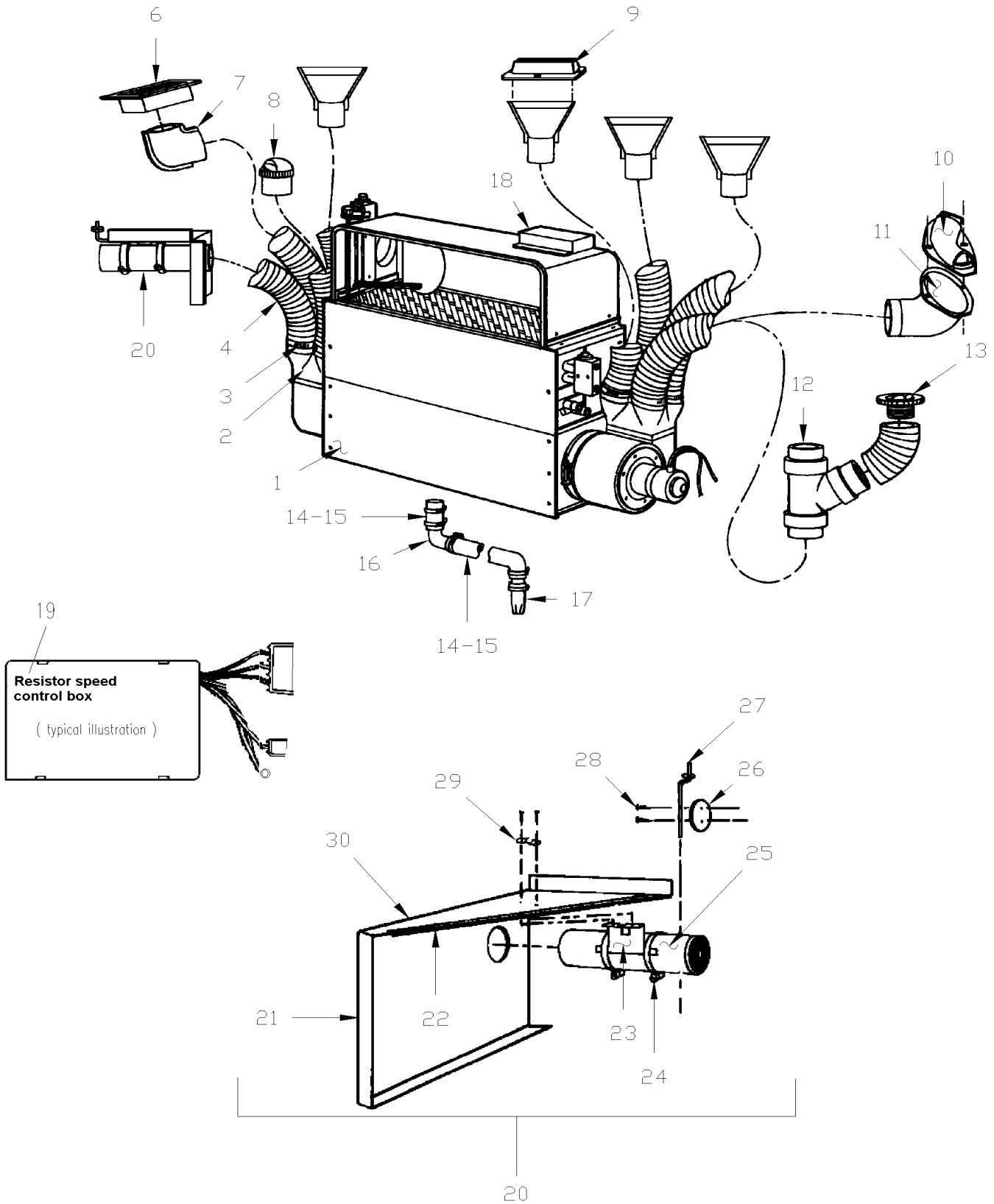


From F-828 To Y-7045

Date:10/2022

PAGE:XL-2230-01

DEFROSTER - INSTALLATION



From F-828 To Y-7045	Date:10/2022	PAGE:XL-2230-01
DEFROSTER - INSTALLATION		

Item#	Part	Description	M T H 4 0	M T H 4 5	M T H 4 5 E	X L 4 0	X L 4 5	N O T E S
1	XL-2225-01	DRIVER'S HEATER & DEFROSTER ASSY To G-118						
1	XL-2225-02	DRIVER'S HEATER & DEFROSTER ASSY From G-119 To M-915						
1	XL-2225-03	DRIVER'S HEATER & DEFROSTER ASSY From M-916						
2	371982	OUTLET ASSY, AIR From F-828 To M-888			2	2		
2	372774	OUTLET ASSY, AIR From M-889 To V-6100	2	2	2	2	2	
2	372885	OUTLET ASSY, AIR From V-6101	2	2	2	2	2	
NS	500798	SCREW TP PAN PH #4-3/8 ZP	8	8	8	8	8	
NS	502649	WASHER LO EXT .141x.320x.022 Z050	8	8	8	8	8	
3	504024	HOSE CLAMP / 1"13/16"-2"3/4 SS / HS-36	AR	AR	AR	AR	AR	
4	503031	HOSE FLEXIBLE / AIR DUCT 2 1/2" I.D. X 12' RUBBER	AR	AR	AR	AR	AR	
6	450962	DEFLECTOR, AIR / L.H. CONSOLE	1	1	1	1	1	
7	450925	ADAPTOR, ELBOW / L.H. CONSOLE AIR DEFLECTOR	1	1	1	1	1	
NS	500638	SCREW TP PAN PH #8x1/2 Z050	2	2	2	2	2	
NS	500814	SCREW TP BDG PH #6x3/4 BK	2	2	2	2	2	
NS	451575	BRACKET / L.H. CONSOLE AIR DEFLECTOR HOSE	1	1	1	1	1	
8	870843	DEFLECTOR, AIR	1	1	1	1	1	
9	372761	DEFLECTOR, AIR / WINDSHIELD	4	4	4	4	4	
NS	371794	SEAL, AIR DEFLECTOR	2	2	2	2	2	
NS	500409	SCREW TP PAN PH #8x1/2 BK	12	12	12	12	12	
NS	372240	DEFLECTOR, EXTENSOR / FLAT	AR	AR	AR			
NS	372072	DEFLECTOR, EXTENSOR / CURVED R.H.	AR	AR	AR			
10	370501	DEFLECTOR, R.H. AIR				1	1	
11	370495	ADAPTOR / AIR DEFLECTOR R.H.				1	1	
NS	500556	SCREW MA TR PH 1/4-20x3/4 SS				2	2	A
12	372762	Y TUBE ASSY / AIR DEFLECTOR From M-768	1	1	1			
13	950033	AIR DEFLECTOR To M-767	1					
13	871011	LOUVER, ADJUSTABLE / ROUND 3" O.D. / 2" HOSE ADAPTOR From M-768	2	2	2			
14	503538	TUBE, PVC / 1" I.D. / S.L.	AR	AR	AR	AR	AR	
15	504021	HOSE CLAMP / 1 1/16"-1 1/2" SS / HS-16	5	5	5	5	5	
16	507583	UNION ELBOW 90° / HOSE BARB FITTING / #16x#16 PLAS	1	1	1	1	1	
17	503503	DRAIN BOOT 1" I.D. X 4 1/2" / FLAT	1	1	1	1	1	
18	871030	CONTROL SPEED / DEFROSTER MOTOR From L-535 To R-992	1	1	1	1		
18	871059	CONTROL SPEED / DEFROSTER MOTOR From R-993	1	1	1	1	1	
NS	870868	SENSOR MAIN HEATER / TEMPERATURE CONTROL	1	1	1	1	1	
NS	560481	CLAMP / 5/8" I.D.	1	1	1	1	1	
19	061371	RESISTOR ASSY / (SPEED CONTROL) / DEFROSTER MOTOR To F-828				1		
20	390923	TUBE ASSY / AIR DEFLECTOR W/SUPPORT To N-979				1		
20	391517	TUBE ASSY / AIR DEFLECTOR W/SUPPORT From N-980				1	1	
NS	391450	TUBE ASSY / AIR DEFLECTOR W/SUPPORT / MTH 83" From N-980	1	1				
NS	391449	TUBE ASSY / AIR DEFLECTOR W/SUPPORT / MTH 86" From N-980	1	1	1			
21	390916	. SUPPORT, LOWER DASHBOARD / COACH & MTH 86"	1	1	1	1	1	
NS	390500	. SUPPORT, LOWER DASHBOARD / MTH 83"	1					

From F-828 To Y-7045	Date:10/2022	PAGE:XL-2230-01
DEFROSTER - INSTALLATION		

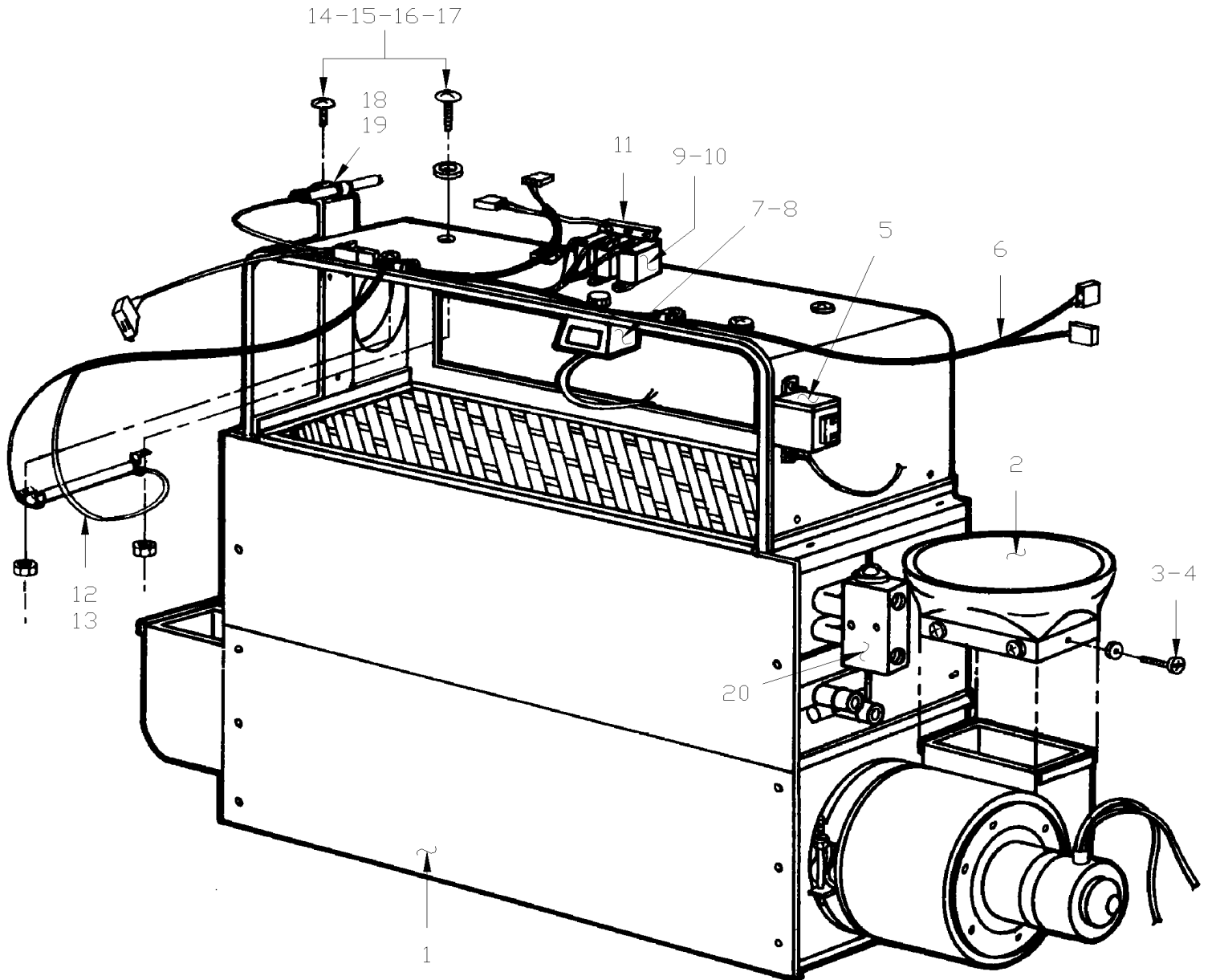
Item#	Part	Description	M T H 4 0	M T H 4 5	M T H 4 5 E	X L 4 0	X L 4 5	N O T E S
22	380630	. WEATHERSEAL SNAP-ON 1/8" / 10 1/2"	1	1	1	1	1	
23	372778	. BRACKET/TO FIX AIR DEFLECTOR TUBE TO LOWER	1	1	1	1	1	
24	504024	. HOSE CLAMP / 1"13/16"-2"3/4 SS / HS-36	2	2	2	2	2	
25	372782	. TUBE, PLASTIC	1	1	1	1	1	
26	370973	. DAMPER, AIR DEFLECTOR	1	1	1	1	1	
27	372780	. LEVER, DAMPER	1	1	1	1	1	
28	500583	. SCREW TP PAN PH #6x1/2 Z050	2	2	2	2	2	C
29	504351	. WIRE CLAMP / 5/32" I.D. / 750-F3	1	1	1	1	1	
NS	500582	. SCREW TP PAN PH #8x3/8 Z050	2	2	2	2	2	
30	401640	. SUPPORT, ANGLE / RADIO / TRIANGULAR SHAPE				1	1	
		A) TO FIX ADAPTOR TO R.H						
		C) TO FIX DAMPER TO LEVER						

From J-479 To Y-7045

Date:10/2022

PAGE:XL-2230-10

A/C AUXILIARY UNIT ASSY



From J-479 To Y-7045	Date:10/2022	PAGE:XL-2230-10
A/C AUXILIARY UNIT ASSY		

Item#	Part	Description	M T H 4 0	M T H 4 5	M T H 4 5 E	X L 4 0	X L 4 5	N O T E S
	451686	AUXILIARY A/C UNIT / W/R12 To M-915				1		
	452099	AUXILIARY A/C UNIT / W/R12 From M-916				1		
. NS	871007	. DEFROSTER & A/C UNIT ASSY / W/R12 From M-916				1		
	452706	AUXILIARY A/C UNIT / W/R134A From S-450 To V-6100				1	1	
. NS	871087	. DEFROSTER & A/C UNIT ASSY / W/R134A From S-450 To V-6100				1	1	
	453039	AUXILIARY A/C UNIT / W/R134A From V-6101 To X-6818				1	1	A
	Call order desk	AUXILIARY A/C UNIT / W/R134A From X-6919				1	1	P
1	XL-2225-02	DRIVER'S HEATER & DEFROSTER ASSY To M-915						
1	XL-2225-03	DRIVER'S HEATER & DEFROSTER ASSY From M-916						
NS	451680	. ANGLE SUPPORT SIDE / TO FIX UNIT				1	1	
NS	451679	. ANGLE SUPPORT REAR / TO FIX UNIT				1	1	
NS	452812	. CLOSING PLATE / (UNDER EXPANTION VALVE) /				1	1	
2	Call order desk	. FAN OUTLET To M-915				2		P
2	452098	. FAN OUTLET From M-916 To S-449				2	2	
2	452853	. FAN, OUTLET From S-450				2	2	
3	500798	. SCREW TP PAN PH #4-3/8 ZP				8	8	
4	502649	. WASHER LO EXT .141x.320x.022 Z050				8	8	
5	950035	. THERMOSTAT To X-6818				1	1	A
6	062287	. CABLE ASSY				1	1	
NS	062286	. HARNESS ASSY / A/C TO REAR JUNCTION BOX To X-6618				1	1	
6	064937	. HARNESS ASSY / A/C TO REAR JUNCTION BOX From X-6619				1	1	
7	870863	. CONTROL, TEMPERATURE / (FORMER)				1	1	
. NS	562576	. . CONNECTOR / PH 6C / BURNDY 41035-00				1	1	
7	871074	. CONTROL, TEMPERATURE To X-6818				1	1	A
. NS	M185-11	. . MAINTENANCE INFORMATION To X-6818				1	1	A
. NS	562576	. . CONNECTOR / PH 6C / BURNDY 41035-00 To X-6818				1	1	A
8	505306	. KNOB, POINTER				1	1	
9	560829	. BREAKER 10AMPS / 24V /				2	2	
10	560827	. BREAKER 6AMPS / 24V /				1	1	
NS	500133	. SCREW TP RND PH #6x3/8 ZP				6	6	
11	380294	. BUS BAR / W/3 HOLES / 7/8" C/C				1	1	
12	062289	. RESISTOR ASSY 2 OHMS 50 W				2	2	
12	561884	. . RESISTOR / 2 OHMS / 50 W				1	1	
13	561883	. SUPPORT RESISTOR				2	2	
14	500564	. SCREW MA RND PH #8-32x3/4 Z050				6	6	
15	500438	. WASHER FL .187x.437x.050 Z050				4	4	
16	500470	. WASHER LO SPT .193x.334x.047 Z050				5	5	
17	500764	. NUT HEX #8-32 Z050				5	5	
18	870868	. SENSOR MAIN HEATER / TEMPERATURE CONTROL				1	1	
19	560480	. CLAMP / 1/2" I.D.				1	1	
NS	372042	. SUPPORT / TO FIX SENSOR TO UNIT				1	1	
20	451692	. SOLENOID VALVE ASSY To S-400				1		

From J-479 To Y-7045	Date:10/2022	PAGE:XL-2230-10
A/C AUXILIARY UNIT ASSY		

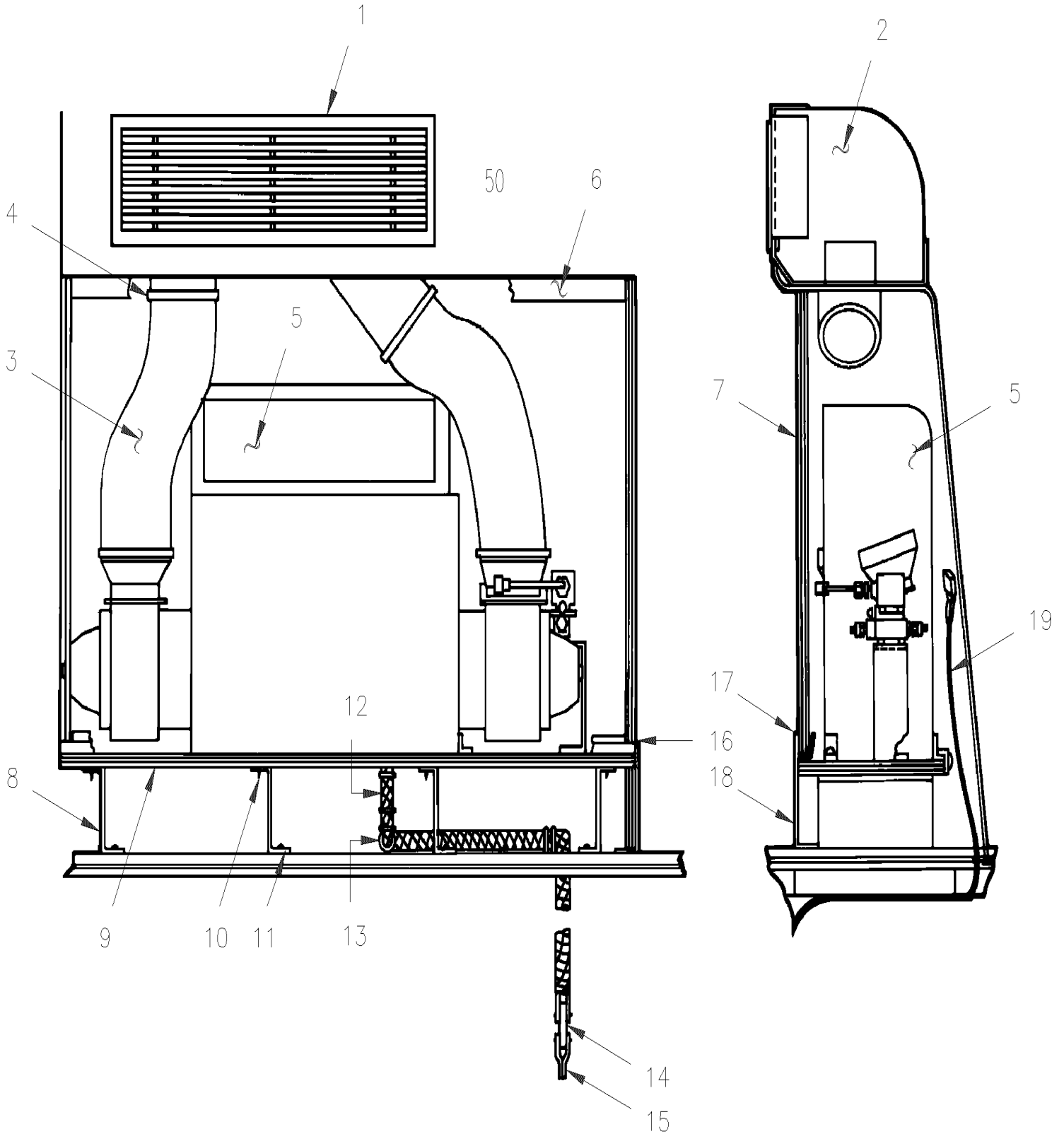
Item#	Part	Description	M T H 4 0	M T H 4 5	M T H 4 5 E	X L 4 0	X L 4 5	N O T E S
20	950054	. . VALVE REFRIGERANT SOLENOID / 3/8" NPT To S-400				1		S
20	958212	. . VALVE REFRIGERANT SOLENOID / 1/2" NPT To S-400				1		
20	501534	. . BUSHING REDUCER / PIPE FITTING / 1/2NPT-Mx3/8NPT-F BR To S-400				2		
20	451694	. . SUPPORT SOLENOID VALVE To S-400				1		
		A) FOR PRODUCT IMPROVMENT USE JUMPER WIRE #064954 FOR CONTROL BY DRIVER'S						
		S) THIS VALVE IS NO LONGER AVAILABLE USE 958212 WITH 950953 & 2X501534						
		P) CALL ORDER DESK FOR SPECIFIC APPLICATION (V.I.N.)						

From J-479 To Y-7045

Date:10/2022

PAGE:XL-2235-00

REAR AUXILLIARY A/C SYSTEM - INSTALLATION

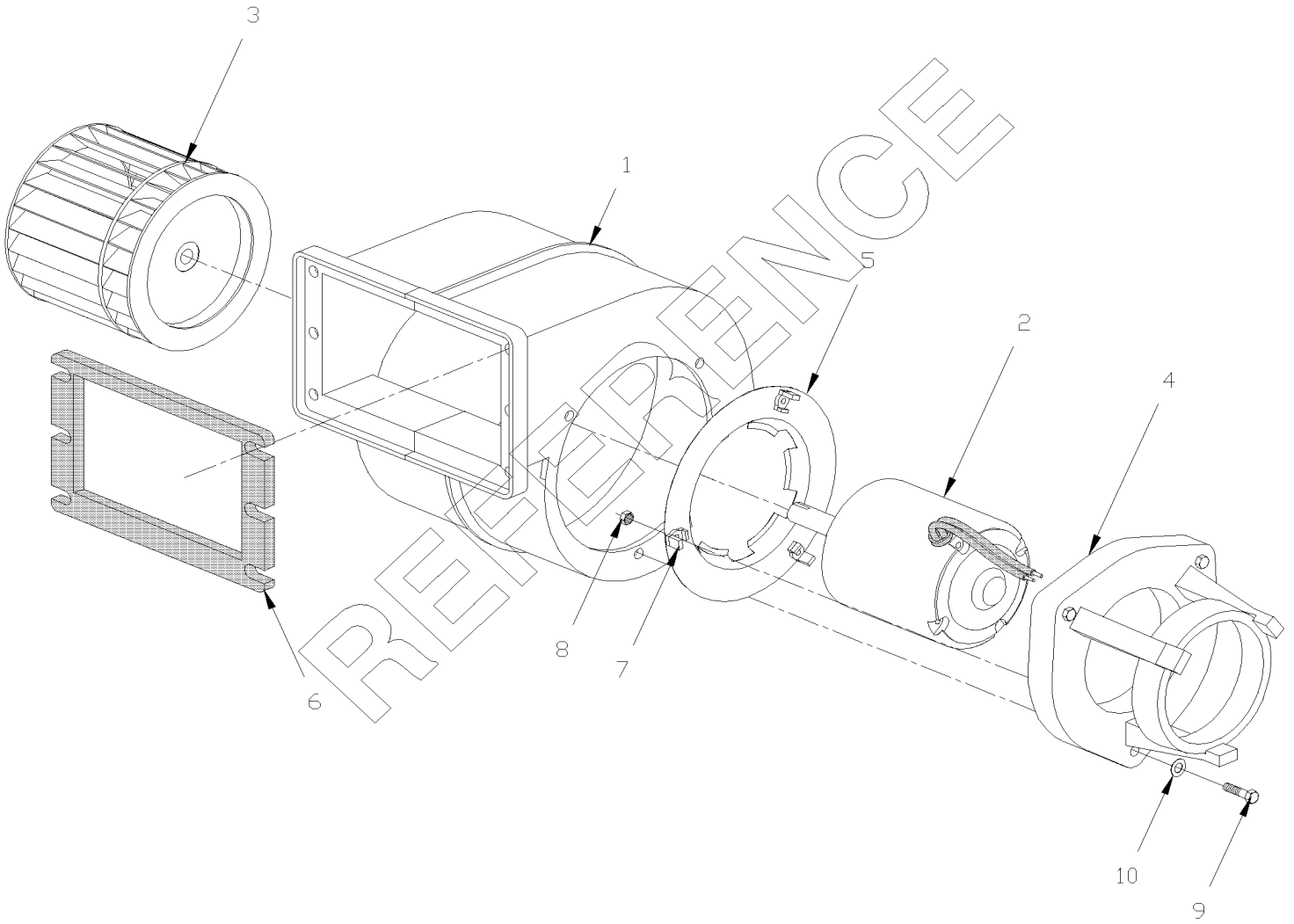


From F-828 To R-799

Date:10/2022

PAGE:XL-2240-00

BLOWER & MOTOR ASSY - "AURORA"

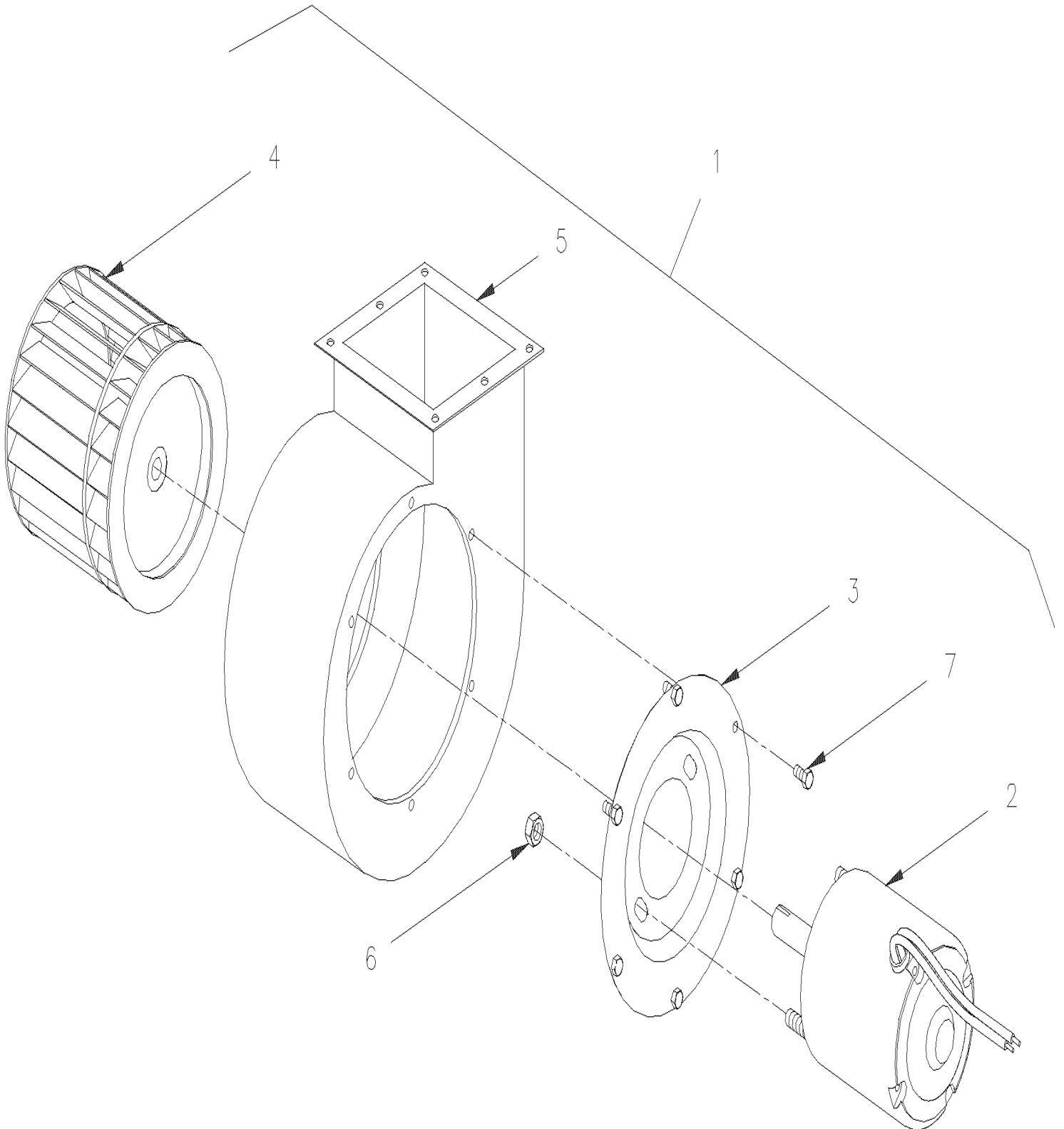


From R-800 To Y-7045

Date:10/2022

PAGE:870844

BLOWER & MOTOR ASSY - "M.C.C." "CW" / FAN END

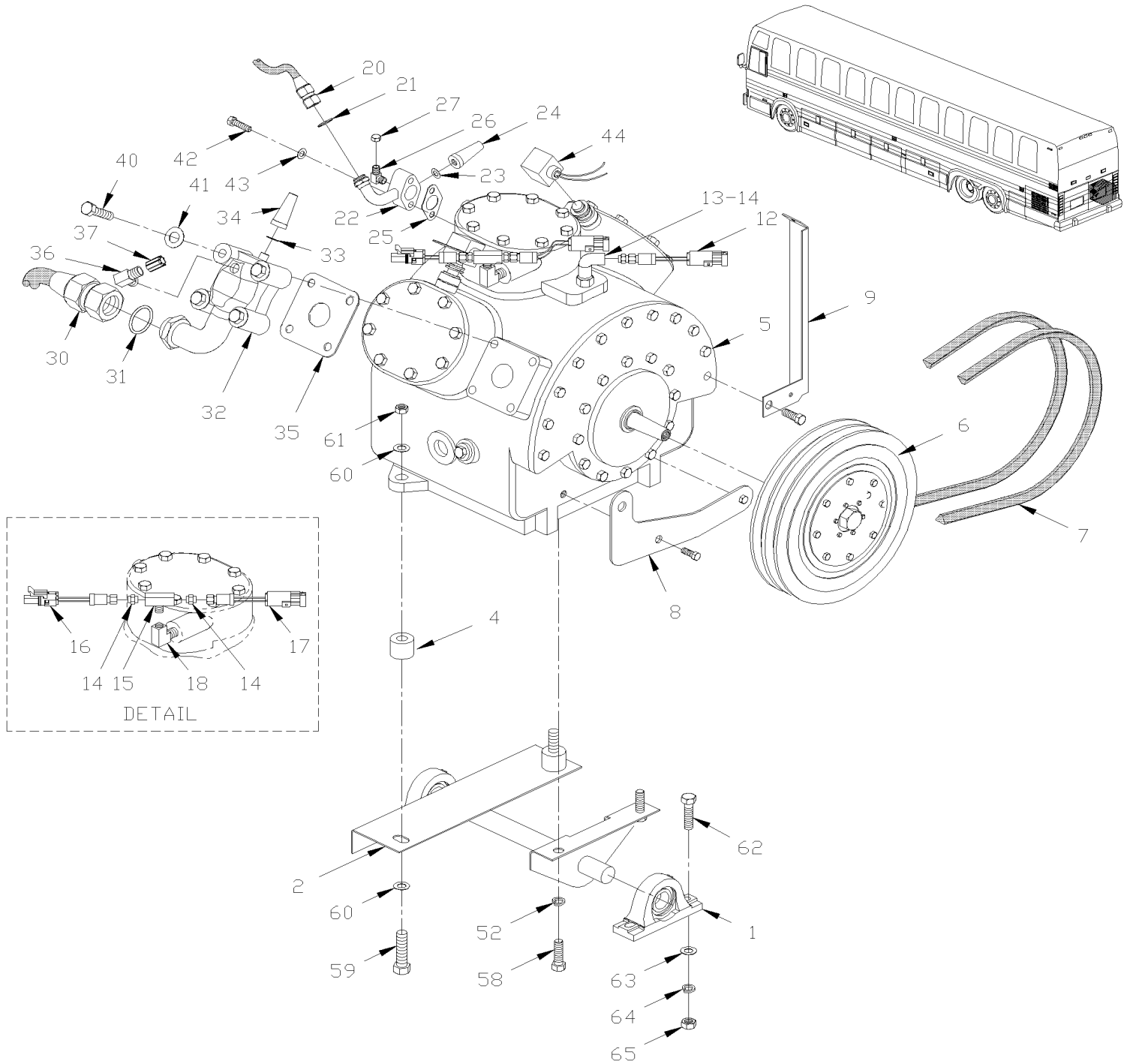


From E-638 To R-933

Date:10/2022

PAGE:XL-2245-00

A/C COMPRESSOR 05G - INSTALLATION - WITH DETROIT S-71 & S-92



From E-638 To R-933	Date:10/2022	PAGE:XL-2245-00
A/C COMPRESSOR 05G - INSTALLATION - WITH DETROIT S-71 & S-92		

Item#	Part	Description	M T H 4 0	M T H 4 5	M T H 4 5 E	X L 4 0	X L 4 5	N O T E S
1	507010	PILLOW BLOCK (SY 1 1/2 TF)	2		2	2		
1	501500	. GREASE FITTING 90° / 1/4-28	1		1	1		
1	372920	SHIM 16G 48MM X 187MM	AR		AR	AR		
2	371696	SUPPORT	1		1	1		
4	371695	SLEEVE SPACER	2		2	2		
5	XL-2250-00	A/C COMPRESSOR ASSY 05G - THREE PORT	1	1	1	1	1	
5	XL-2250-01	A/C COMPRESSOR ASSY 05G - TWIN PORT / SERVICE	1	1	1	1	1	
6	XL-2246-00	A/C CLUTCH 05G - SHAFT MOUNTED To H-370						
6	XL-2246-01	A/C CLUTCH 05G - HOUSING MOUNTED From H-371						
7	XL-0120-00	DRIVE PULLEY & BELTS - WITH DETROIT S-71 & S-92						
8	371700	BRACKET / BELT TENSIONER CYLINDER To H-370	1			1		
8	371702	BRACKET / BELT TENSIONER CYLINDER From H-371	1		1	1		
NS	060625	SUPPORT / TO FIX CLUTCH HARNESS ON CYL HEAD To K-728	1		1	1		
NS	500191	SCREW CAP HEX 3/8-16x1 G5 Z050	2		2	2		
9	062626	SUPPORT "L" SHAPE / TO FIX CLUTCH HARNESS From K-729	1		1	1		
12	450591	PRESSURE SWITCH N.O. 30-15 / YELLOW 20SP001AA030C015C To L-684	1			1		A
12	452082	PRESSURE SWITCH N.O. 30-15 20SP001AA030C015C From L-685	1		1	1		A
12	452406	PRESSURE SWITCH N.O. 30-15 20SP001MA030C015C	1		1	1		B
13	501332	STREET ELBOW 90° / PIPE FITTING / 1/4NPT-Mx1/4NPT-F BR	1		1	1		
14	950030	SCHRADER VALVE 1/8NPT-M	3		3	3		A
14	950249	SCHRADER VALVE 1/4NPT-M	3		3	3		B
15	501894	MALE BRANCHE TEE / PIPE FITTING / 1/4NPT-Fx1/4NPT-Fx1/4NPT-M BR	1		1	1		
16	450593	PRESSURE SWITCH N.C. 275-225/ YELLOW 20SP001EB275K225K To L-684	1			1		A
16	452080	PRESSURE SWITCH N.C. 275-225 20SP001EB275K225K From L-685	1		1	1		A
16	452405	PRESSURE SWITCH N.C. 320-245 20SP001MB320K245R	1		1	1		B
17	452421	PRESSURE SWITCH N.O. 280-220 20SP001MA280K220R	1		1	1		B
18	501332	STREET ELBOW 90° / PIPE FITTING / 1/4NPT-Mx1/4NPT-F BR	1		1	1		
20	450765	HOSE ASSY #16 32 1/2" To G-178	1			1		A
20	452658	HOSE ASSY / #16 826MM To G-178	1			1		B
20	451201	HOSE ASSY / #16 24" From G-179	1		1	1		A
20	505182	. COIL PROTECTOR / PLASTIC / #16	AR		AR	AR		
20	503056	. HOSE 1540-16 / FREON R-12	AR		AR	AR		A
20	503595	. HOSE FC-558-16 / FREON R-134a	AR		AR	AR		B
20	501608	. FEMALE CONNECTOR SWIVEL / JIC 37° FITTING / #16JIC-Fx#16 STL	2		2	2		
21	501802	O-RING / ORS FITTING / #16 NEO	2		2	2		
22	450763	VALVE ASSY / DISCHARGE W/R12, R22 & R134A	1		1	1		
. NS	501037	. MALE ELBOW 90° / SAE 45° FITTING / #4FL-Mx1/4NPT-M BR	1		1	1		
. NS	501700	. CAP NUT / SAE 45° FITTING / #4FL-F BR	1		1	1		
22	870748	. VALVE DISCHARGE / W/R12 & R22	1		1	1		
23	870751	. GASKET	1		1	1		
24	870752	. GASKET, CAP SEAL	1		1	1		
25	870753	GASKET / DISCHARGE VALVE	1		1	1		

From E-638 To R-933	Date:10/2022	PAGE:XL-2245-00
A/C COMPRESSOR 05G - INSTALLATION - WITH DETROIT S-71 & S-92		

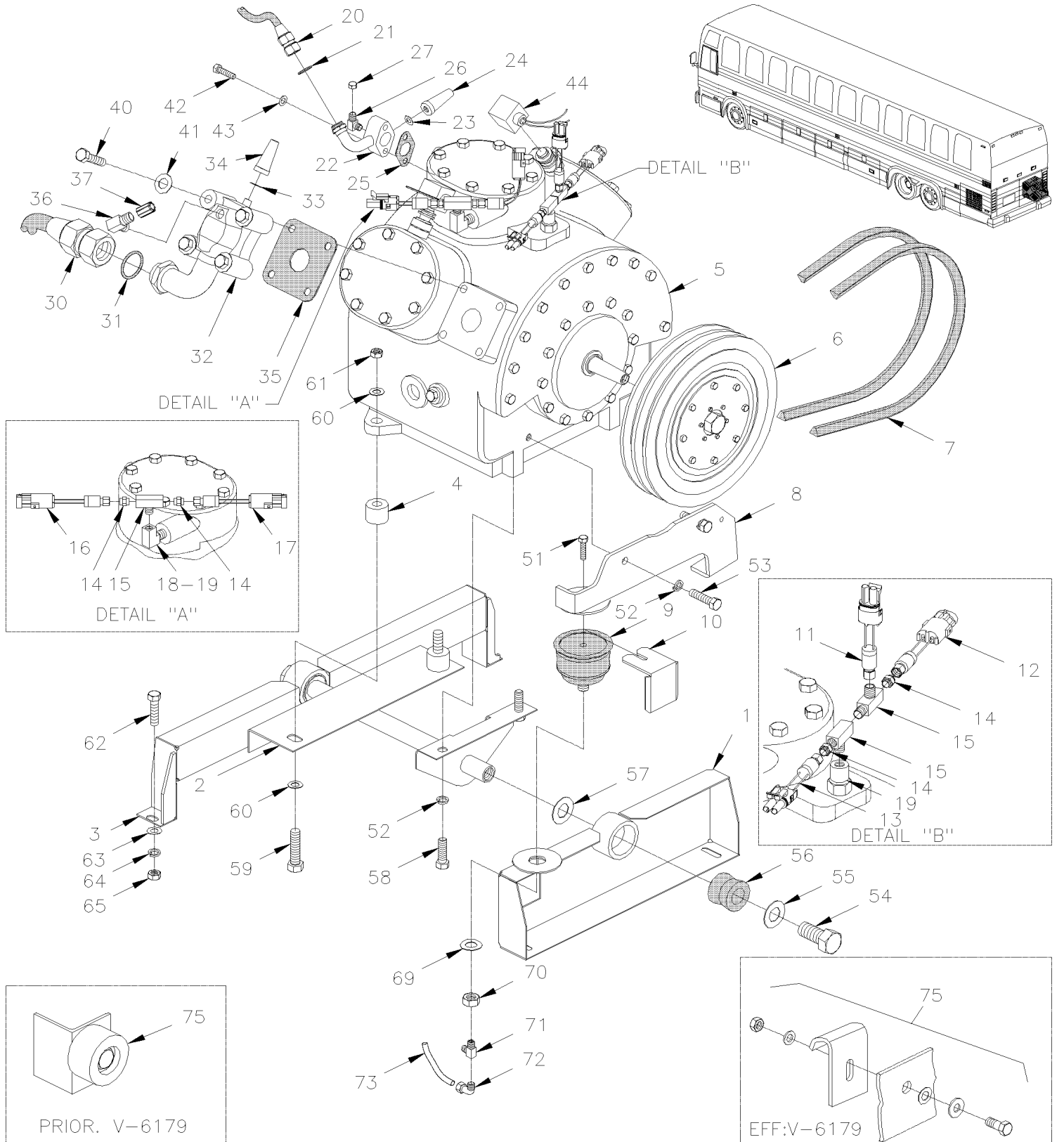
Item#	Part	Description	M T H 4 0	M T H 4 5	M T H 4 5 E	X L 4 0	X L 4 5	N O T E S
26	501036	MALE ELBOW 90° / SAE 45° FITTING / #4FL-Mx1/8NPT-M BR	1		1	1		
26	5011133	ELBOW 90° 1/8 NPT X M15 / W/R134A	1		1	1		B
27	501700	CAP NUT / SAE 45° FITTING / #4FL-F BR	1		1	1		
30	450761	HOSE ASSY / #20 41"	1		1	1		
30	503057	HOSE 1540-20 / FREON R-12	AR		AR	AR		
30	501343	FEMALE CONNECTOR SWIVEL / JIC 37° FITTING / #20JIC-Fx#20 ZP	2		2	2		
30	505182	COIL PROTECTOR / PLASTIC / #16	AR		AR	AR		
31	501803	O-RING / ORS FITTING / #20 NEO	2		2	2		
32	450764	VALVE ASSY / SUCTION / W/R12, R22 & R-134A	1		1	1		
NS	501037	MALE ELBOW 90° / SAE 45° FITTING / #4FL-Mx1/4NPT-M BR	1		1	1		
NS	501700	CAP NUT / SAE 45° FITTING / #4FL-F BR	1		1	1		
32	870747	VALVE SUCTION / W/R12	1		1	1		
33	870751	GASKET	1		1	1		
34	870752	GASKET, CAP SEAL	1		1	1		
35	870754	GASKET / SUCTION VALVE	1		1	1		
36	501037	MALE ELBOW 90° / SAE 45° FITTING / #4FL-Mx1/4NPT-M BR	1		1	1		A
36	5011131	ELBOW 90° 1/4 NPT X M13 / W/R134A	1		1	1		B
37	501700	CAP NUT / SAE 45° FITTING / #4FL-F BR	1		1	1		
40	870755	SCREW CAP HEX 1/2-13x2 1/2 G5 ZP	4		4	4		
41	870756	GASKET	4		4	4		
42	870877	SCREW CAP HEX 5/16-18x2 G5 ZP	2		2	2		
43	870750	GASKET	2		2	2		
52	500478	WASHER LO SPT .380x.683x.094 Z050	1		1	1		
58	500192	SCREW CAP HEX 3/8-16x1 1/4 G5 Z050	2		2	2		
59	500096	SCREW CAP HEX 1/2-20x3 G5 Z050	1		1	1		
60	500446	WASHER FL .531x1.250x.125 Z050	4		4	4		
61	500718	NUT HEX STO 1/2-20 Z050	2		2	2		
62	502549	SCREW CAP HEX M10-1.5x35 G8.8 Z050	4		4	4		
63	500445	WASHER FL .437x1.000x.083 Z050	4		4	4		
65	500680	NUT HEX STO M10-1.5 Z050	4		4	4		
		A) WITH R-12						
		B) WITH R134A						

From P-722 To Y-7045

Date:10/2022

PAGE:XL-2245-01

A/C COMPRESSOR 05G - INSTALLATION - WITH DETROIT S-60



From P-722 To Y-7045	Date:10/2022	PAGE:XL-2245-01
A/C COMPRESSOR 05G - INSTALLATION - WITH DETROIT S-60		

Item#	Part	Description	M T H 4 0	M T H 4 5	M T H 4 5 E	X L 4 0	X L 4 5	N O T E S
1	452731	SUPPORT ASSY To V-6139	1	1	1	1	1	
1	453041	SUPPORT ASSY From V-6140	1	1	1	1	1	
1	452789	SUPPORT ASSY / W/50 To V-6139				1		
1	453042	SUPPORT ASSY / W/50 From V-6140				1		
2	452733	SUPPORT ASSY	1	1	1	1	1	
3	452732	SUPPORT ASSY / W/60	1	1	1	1		
3	452827	SUPPORT ASSY / W/60 To X-6903					1	
3	453312	SUPPORT ASSY / W/60 From X-6904					1	
3	452790	SUPPORT ASSY / W/50	1			1	1	
4	452268	SLEEVE SPACER	2	2	2	2	2	
5	XL-2250-00	A/C COMPRESSOR ASSY 05G - THREE PORT						
5	XL-2250-01	A/C COMPRESSOR ASSY 05G - TWIN PORT / SERVICE						
6	XL-2246-01	A/C CLUTCH 05G - HOUSING MOUNTED						
7	XL-0120-01	DRIVE PULLEY & BELTS - WITH DETROIT S-50						
8	452258	TENSIONER FOR BELLOW To V-6139	1	1	1	1	1	
8	453040	TENSIONER FOR BELLOW From V-6140	1	1	1	1	1	
9	950208	BELLOW ASSY / BELT TENSIONER / 3" O.D.	1	1	1	1	1	
NS	504695	HOSE CLAMP STEPLESS SPRING SS / OETIKER / 2.9-3.3	1	1	1	1	1	
10	453059	BELLOW PROTECTOR From V-6179	1	1	1	1	1	
11	950246	PRESSURE SWITCH N.C. 25-37 LO-UNLOAD W/WIRE BLACK	1	1	1	1	1	
12	452406	PRESSURE SWITCH N.O. 30-15 20SP001MA030C015C To T-5788	1	1	1	1	1	
12	452831	PRESSURE SWITCH N.O. 30-5 20SP001MA030C005C From T-5789	1	1	1	1	1	
13	950245	PRESSURE SWITCH N.C. 20-30 LO-UNLOAD W/WIRE BLACK	1	1	1	1	1	
14	950249	SCHRADER VALVE 1/4NPT-M	1	1	1	1	1	
15	501894	MALE BRANCHE TEE / PIPE FITTING / 1/4NPT-Fx1/4NPT-Fx1/4NPT-M BR	1	1	1	1	1	
16	452405	PRESSURE SWITCH N.C. 320-245 20SP001MB320K245R To X-6939	1	1	1	1	1	
16	453380	PRESSURE SWITCH N.C. 350-245 20PS001MB350K245R From X-6940	1	1	1	1	1	
17	950244	PRESSURE SWITCH N.O. 275-220 HI-UNLOAD W/WIRE GREEN	1	1	1	1	1	
NS	950250	HARNESS CABLE ASSY / SWITCHES & CLUTCH	1	1	1	1	1	
18	501332	STREET ELBOW 90° / PIPE FITTING / 1/4NPT-Mx1/4NPT-F BR	1	1	1	1	1	
19	5011184	FEMALE CONNECTOR / PIPE @ ORB / 1/4NPT-Fx#4ORB-M STL	AR	AR	AR	AR	AR	
20	452765	HOSE ASSY / W/R-12 / #16 630MM					1	D
20	452529	HOSE ASSY / DISCHARGE W/R-134a / #16 510MM				1		
20	452625	HOSE ASSY / DISCHARGE W/R-134a / #16 485MM		1				
20	452725	HOSE ASSY / DISCHARGE W/R-134a / #16 630MM					1	
20	452554	HOSE ASSY / DISCHARGE W/R-134a / #16 610MM	1		1			
20	503595	HOSE FC-558-16 / FREON R-134a	AR	AR	AR	AR	AR	
20	501608	FEMALE CONNECTOR SWIVEL / JIC 37° FITTING / #16JIC-Fx#16 STL	2	2	2	2	2	
20	505182	COIL PROTECTOR / PLASTIC / #16	AR	AR	AR	AR	AR	
21	501802	O-RING / ORS FITTING / #16 NEO	2	2	2	2	2	
22	950267	VALVE ASSY / DISCHARGE / W/R134A	1	1	1	1	1	A
22	950281	VALVE ASSY / DISCHARGE / W/R134A	1	1	1	1	1	

From P-722 To Y-7045	Date:10/2022	PAGE:XL-2245-01
A/C COMPRESSOR 05G - INSTALLATION - WITH DETROIT S-60		

Item#	Part	Description	M T H 4 0	M T H 4 5	M T H 4 5 E	X L 4 0	X L 4 5	N O T E S
23	870751	. GASKET	1	1	1	1	1	
24	870752	. GASKET, CAP SEAL	1	1	1	1	1	
25	870753	GASKET / DISCHARGE VALVE	1	1	1	1	1	
26	5011133	ELBOW 90° 1/8 NPT X M15 / W/R134A	1	1	1	1	1	
NS	5011134	GAUGE ADAPTOR ASSY M15 / W/BLACK CAP W/R134A	1	1	1	1	1	
27	950287	SCHROUDER CAP / HIGH PRESSURE	1	1	1	1	1	
28	5011184	FEMALE CONNECTOR / PIPE @ ORB / 1/4NPT-Fx#4ORB-M STL	AR	AR	AR	AR	AR	
30	452763	HOSE ASSY / W/R-12 / #20 1040MM					1	D
30	452555	HOSE ASSY / SUCTION W/R-134a / #20 1041MM		1			1	
30	452528	HOSE ASSY / SUCTION W/R-134a / #20 1040MM				1		
30	453353	HOSE ASSY / SUCTION W/R-134a / #20 1100MM	1		1			
30	503600	HOSE FC-558-20 / FREON R-134a	AR	AR	AR	AR	AR	
30	501343	FEMALE CONNECTOR SWIVEL / JIC 37° FITTING / #20JIC-Fx#20 ZP	2	2	2	2	2	
31	501803	O-RING / ORS FITTING / #20 NEO	2	2	2	2	2	
32	950265	VALVE ASSY / SUCTION / W/R134A	1	1	1	1	1	A
33	870751	. GASKET	1	1	1	1	1	
34	870752	. GASKET, CAP SEAL	1	1	1	1	1	
35	870754	GASKET / SUCTION VALVE	1	1	1	1	1	
36	5011131	ELBOW 90° 1/4 NPT X M13 / W/R134A	1	1	1	1	1	
NS	5011132	GAUGE ADAPTOR ASSY M13 / W/BLACK CAP W/R134A	1	1	1	1	1	
37	950288	SCHROUDER CAP / LOW PRESSURE	1	1	1	1	1	
40	870755	SCREW CAP HEX 1/2-13x2 1/2 G5 ZP	4	4	4	4	4	
41	870756	GASKET	4	4	4	4	4	
42	870877	SCREW CAP HEX 5/16-18x2 G5 ZP	2	2	2	2	2	
43	870750	GASKET	2	2	2	2	2	
44	XL-2250-15	A/C ELECTRIC UNLOADER - W/05G COMPRESSOR						
45	501037	MALE ELBOW 90° / SAE 45° FITTING / #4FL-Mx1/4NPT-M BR	1	1	1	1	1	
NS	5011184	FEMALE CONNECTOR / PIPE @ ORB / 1/4NPT-Fx#4ORB-M STL	AR	AR	AR	AR	AR	
51	500845	SCREW CAP HEX 5/16-18x1/2 G5 Z050	1	1	1	1	1	
52	500478	WASHER LO SPT .380x.683x.094 Z050	2	2	2	2	2	
53	500191	SCREW CAP HEX 3/8-16x1 G5 Z050	2	2	2	2	2	B
54	500225	SCREW CAP HEX 5/8-11x1 G5 Z050	2	2	2	2	2	
55	5001151	WASHER CON 16.5x50.0x4.5 ZP	2	2	2	2	2	
56	630062	BUSHING / RUBBER / (ONE PIECE) 2" x 1.005" I.D.	2	2	2	2	2	
57	500997	WASHER FL 1.062x2.500x.125 SS	2	2	2	2	2	
58	500192	SCREW CAP HEX 3/8-16x1 1/4 G5 Z050	2	2	2	2	2	
59	500096	SCREW CAP HEX 1/2-20x3 G5 Z050	2	2	2	2	2	
60	500446	WASHER FL .531x1.250x.125 Z050	4	4	4	4	4	
61	500718	NUT HEX STO 1/2-20 Z050	2	2	2	2	2	
62	502549	SCREW CAP HEX M10-1.5x35 G8.8 Z050	5	5	5	5	5	
64	502616	WASHER LO SPT 10.2x18.1x2.2 SS	5	5	5	5	5	
65	500680	NUT HEX STO M10-1.5 Z050	5	5	5	5	5	

From P-722 To Y-7045	Date:10/2022	PAGE:XL-2245-01
A/C COMPRESSOR 05G - INSTALLATION - WITH DETROIT S-60		

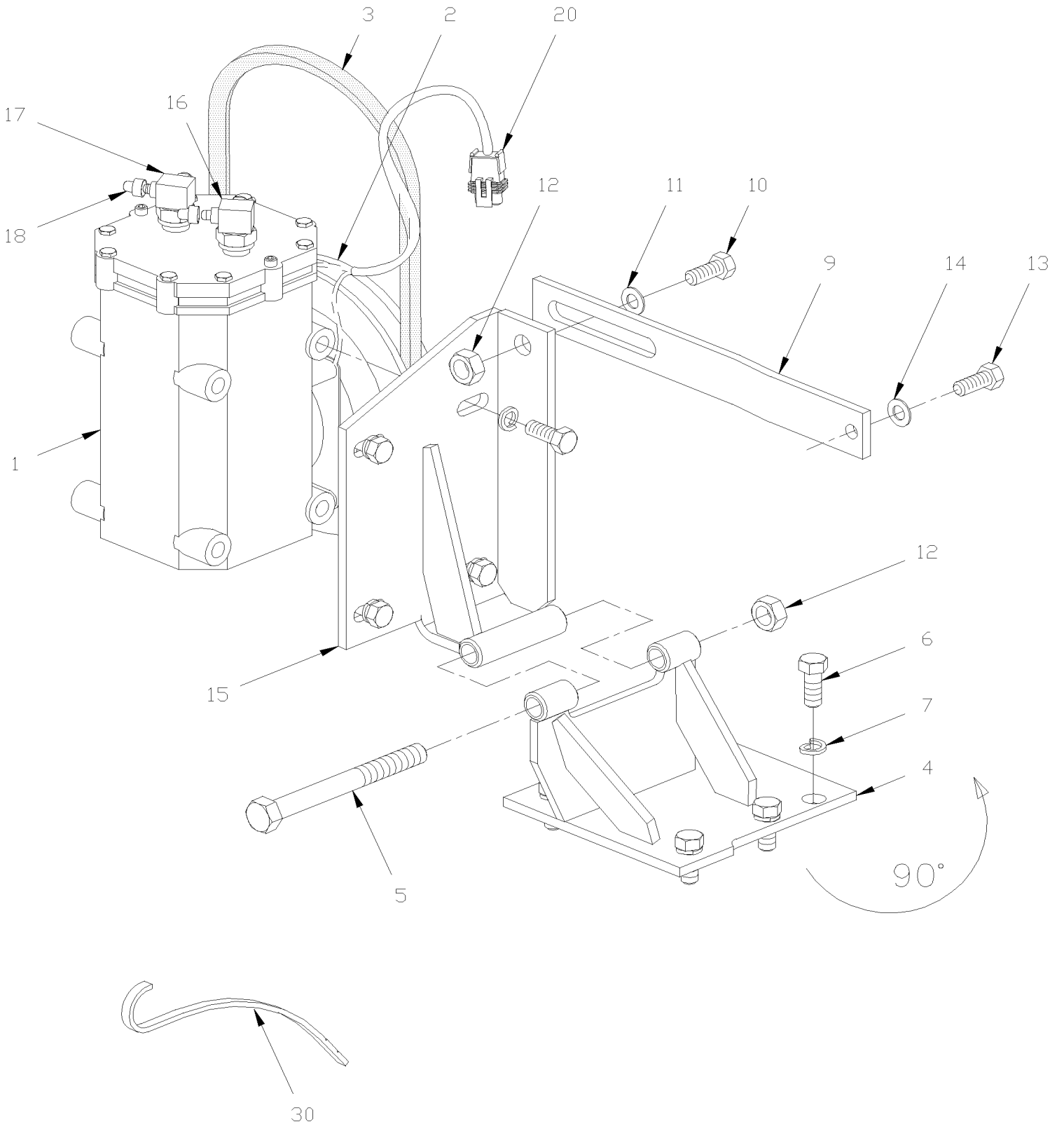
Item#	Part	Description	M T H 4 0	M T H 4 5	M T H 4 5 E	X L 4 0	X L 4 5	N O T E S
69	5001150	WASHER FL 17.0x30.0x3.0 N500	1	1	1	1	1	
70	500792	NUT HEX 5/8-11 Z050	1	1	1	1	1	
71	501707	ADAPTER TEE / SAE 45° FITTING / #4FL-Mx1/8NPT-Mx1/8NPT-F BR	1	1	1	1	1	
72	641369	MALE ELBOW 90° NON-SWIVEL / PUSH-IN FITTING / #4x1/8NPT-M BR	1	1	1	1	1	
73	503402	TUBE, NYLON 1/4 O.D. / BLACK S.L.	AR	AR	AR	AR	AR	
75	XL-0120-02	DRIVE PULLEY & BELTS - WITH DETROIT S-60 To X-6903						
75	XL-0120-03	DRIVE PULLEY & BELTS - W/2 "BOSCH" From X-6904						
		A) USE SAME VALVE W/R-12						
		B) TO FIX TENSIONER						
		D) THOSE ITEMS ARE USE WITH R-12 ON SPECIAL BUS #????						

From E-638 To R-843

Date:10/2022

PAGE:XL-2245-10

A/C COMPRESSOR SMALL - INSTALLATION WITH DETROIT S-71 & S-92



From E-638 To R-843	Date:10/2022	PAGE:XL-2245-10
A/C COMPRESSOR SMALL - INSTALLATION WITH DETROIT S-71 & S-92		

Item#	Part	Description	M T H 4 0	M T H 4 5	M T H 4 5 E	X L 4 0	X L 4 5	N O T E S
1	950078	A/C COMPRESSOR ASSY "TECUMSEH" / R-12	1		1	1		
1	950219	A/C COMPRESSOR ASSY "TECUMSEH" / R-134A	1		1	1		
1	950393	A/C COMPRESSOR ASSY "CCI" / R-134A	1		1	1		S
2	950079	PULLEY ASSY W/COIL 24V	1		1	1		
NS	550186	KEY 1/4" X 1/4" X 1 1/4"	1	1	1	1	1	
3	506463	V-BELT / AX-55 9012-20553	1		1	1		
4	451151	SUPPORT / FIXED TO ENGINE To J-478	1			1		
4	451644	SUPPORT / FIXED TO ENGINE From J-479	1		1	1		
5	500106	SCREW CAP HEX 1/2-20x6 G5 PT Z050	1		1	1		
6	500202	SCREW CAP HEX 7/16-14x1 G5 ZP	4		4	4		
7	500480	WASHER LO SPT .443x.779x.109 Z050	4		4	4		
NS	500445	WASHER FL .437x1.000x.083 Z050	4		4	4		
NS	500192	SCREW CAP HEX 3/8-16x1 1/4 G5 Z050	2		2	2		
NS	500478	WASHER LO SPT .380x.683x.094 Z050	2		2	2		
NS	500444	WASHER FL .406x.812x.065 Z050	2		2	2		
9	451158	BAR TENSIONER To N-427	1		1	1		
9	452241	BAR TENSIONER From N-428	1		1	1		
10	500091	SCREW CAP HEX 1/2-20x1 3/4 G5 ZP	1		1	1		
11	500446	WASHER FL .531x1.250x.125 Z050	2		2	2		
12	500718	NUT HEX STO 1/2-20 Z050	2		2	2		
13	500192	SCREW CAP HEX 3/8-16x1 1/4 G5 Z050	1		1	1		
14	500478	WASHER LO SPT .380x.683x.094 Z050	1		1	1		
15	451147	SUPPORT / PART OF COMPRESSOR	1		1	1		
NS	500191	SCREW CAP HEX 3/8-16x1 G5 Z050	4		4	4		
NS	500478	WASHER LO SPT .380x.683x.094 Z050	4		4	4		
NS	500444	WASHER FL .406x.812x.065 Z050	4		4	4		
16	950077	VALVE ASSY / SUCTION / W/O-RING 5/8" / W/"TECUMSEH" COMPRESSOR	1		1	1		
17	950076	VALVE ASSY / DISCHARGE / W/O-RING 1/2" / W/"TECUMSEH" COMPRESSOR	1		1	1		
NS	950368	ADAPTOR FITTING / O-RING PORT TO ROTOLOCK	2		2	2		A
NS	950369	SEAL TEFLON / O-RING PORT TO ROTOLOCK	2		2	2		A
NS	950383	SEAL TEFLON / O-RING PORT TO ROTOLOCK	2		2	2		A
18	950157	. CAP VALVE / PROTECTOR / STEEL	1		1	1		
20	561566	CONNECTOR / WEATHER PACK / PH 2C / BLACK / PED 12010973	1		1	1		
20	561568	PIN TERMINAL / 16-14 / PED 12089305	2		2	2		
20	561565	CABLE SEAL / GREEN / PED 15324982	2		2	2		
30	451144	OIL DIPSTICK / (REQUIRED TO CHANGE)	1			1		
NS	451150	KIT, RETROFIT SMALL A/C COMPRESSOR "TECHUMSED / INSTEAD OF "DELCO" ON 6V OR	1					B
NS	451645	KIT RETROFIT / SMALL A/C COMPRESSOR "TECHUMSE / INSTEAD OF "DELCO" ON 6V OR	1					B
		A) SOME COMPRESSOR MODEL REQUIRES ALL THOSE ITEMS TO INSTALL SERVICING VALVE INLET AND OUTLET						

From E-638 To R-843	Date:10/2022	PAGE:XL-2245-10
---------------------	--------------	-----------------

A/C COMPRESSOR SMALL - INSTALLATION WITH DETROIT S-71 & S-92

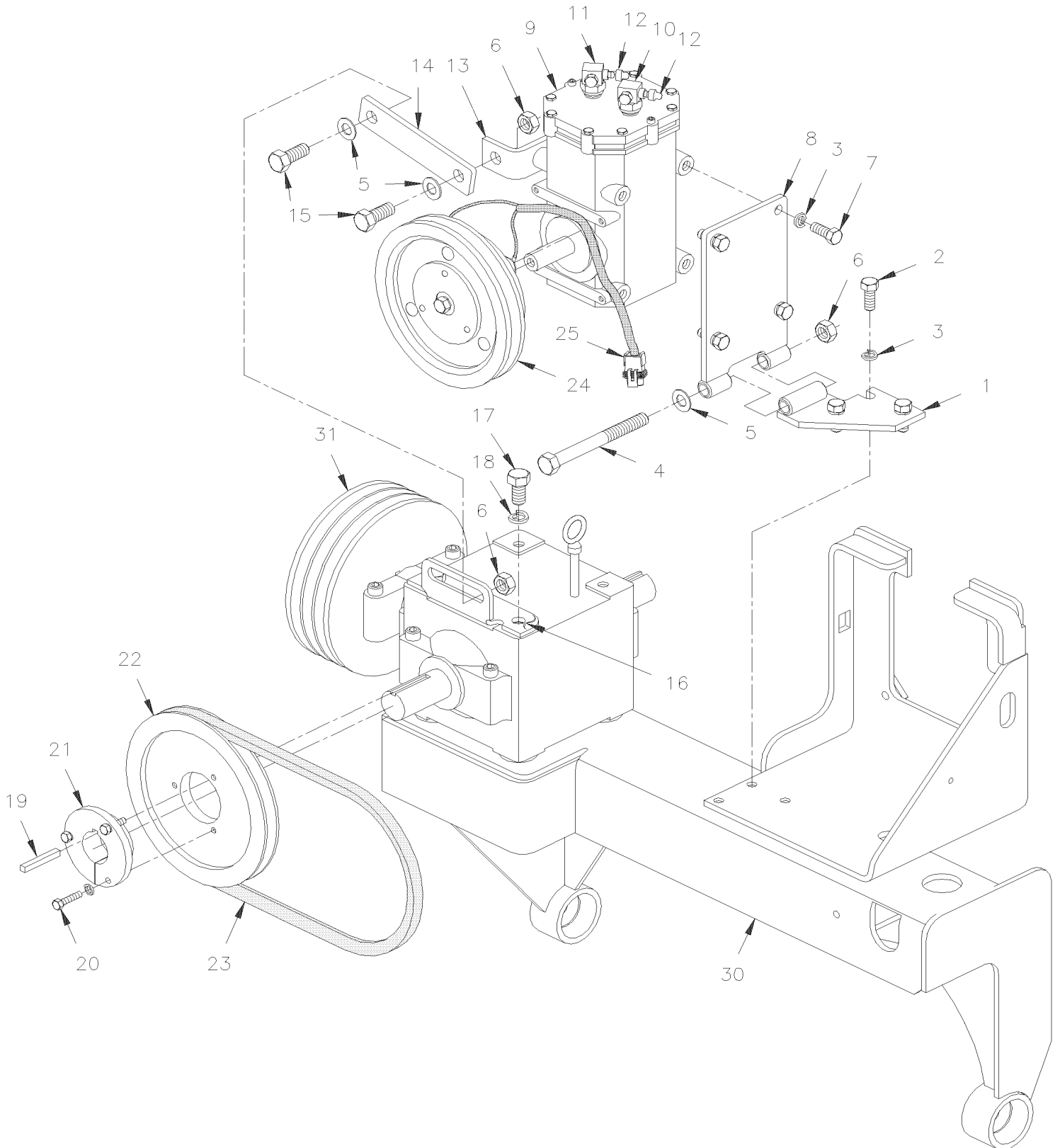
Item#	Part	Description	M T H 4 0	M T H 4 5	M T H 4 5 E	X L 4 0	X L 4 5	N O T E S
		B) INCLUDES ITEMS #1, 4, 9, 15, 16, 17 WITH HARDWARE						
		S) SERVICE AFTERMARKET						

From R-823 To Y-7045

Date:10/2022

PAGE:XL-2245-12

A/C COMPRESSOR SMALL - INSTALLATION WITH DETROIT S-60



From R-823 To Y-7045	Date:10/2022	PAGE:XL-2245-12
A/C COMPRESSOR SMALL - INSTALLATION WITH DETROIT S-60		

Item#	Part	Description	M T H 4 0	M T H 4 5	M T H 4 5 E	X L 4 0	X L 4 5	N O T E S
1	452444	PIVOT ASSY / SUPPORT	1	1	1	1	1	
2	502559	SCREW CAP HEX M10-1.5x25 G8.8 Z050	3	3	3	3	3	
3	500257	WASHER LO SPT 10.2x18.1x2.2 Z050	9	9	9	9	9	
4	500105	SCREW CAP HEX 1/2-20x5 1/2 G5 ZP	1	1	1	1	1	
5	571351	WASHER, 1/2" I.D. FLAT	5	5	5	5	5	
6	500718	NUT HEX STO 1/2-20 Z050	5	5	5	5	5	
7	500191	SCREW CAP HEX 3/8-16x1 G5 Z050	6	6	6	6	6	
8	452471	PIVOT ASSY / COMPRESSOR	1	1	1	1	1	
9	950219	A/C COMPRESSOR ASSY "TECUMSEH" / R-134A	1	1	1	1	1	
9	950393	A/C COMPRESSOR ASSY "CCI" / R-134A	1	1	1	1	1	
10	950076	VALVE ASSY / DISCHARGE / W/O-RING 1/2" / W/"TECUMSEH" COMPRESSOR	1	1	1	1	1	
10	950235	GAUGE ADAPTOR ASSY / W/BUE CAP FOR R-134A / SUCTION SIDE (ALUMINUM)	1	1	1	1	1	
NS	950368	ADAPTOR FITTING / O-RING PORT TO ROTOLOCK	2	2	2	2	2	B
NS	950369	SEAL TEFLON / O-RING PORT TO ROTOLOCK	2	2	2	2	2	B
NS	950383	SEAL TEFLON / O-RING PORT TO ROTOLOCK	2	2	2	2	2	B
11	950077	VALVE ASSY / SUCTION / W/O-RING 5/8" / W/"TECUMSEH" COMPRESSOR	1	1	1	1	1	
11	950234	GAUGE ADAPTOR ASSY / W/RED CAP FOR R-134A / DISCHARGE SIDE (ALUMINUM)	1	1	1	1	1	
12	950157	. CAP VALVE / PROTECTOR / STEEL	1	1	1	1	1	
13	452433	TENSIONNER SUPPORT To W-6487	1	1	1	1	1	A
NS	453122	TENSIONNER SUPPORT From W-6488	1	1	1	1	1	
14	452442	TENSIONNER	2	2	2	2	2	
15	500086	SCREW CAP HEX 1/2-20x1 1/4 G5 Z050	4	4	4	4	4	
16	452443	TENSIONER BRACKET / GEARBOX	2	2	2	2	2	
17	500213	SCREW CAP HEX 1/2-13x1 G5 Z050	4	4	4	4	4	
18	500482	WASHER LO SPT .506x.873x.125 Z050	4	4	4	4	4	
19	550186	KEY 1/4" X 1/4" X 1 1/4"	1	1	1	1	1	
20	500167	SCREW CAP HEX 1/4-20x1 1/4 G5 PT Z050	3	3	3	3	3	
NS	500473	WASHER LO SPT .262x.489x.062 Z050	3	3	3	3	3	
21	950230	CONE BUSHING 1 1/4 I.D X 2 1/8 O.D. X 3 5/16	1	1	1	1	1	
22	950211	PULLEY DRIVE 7.15 O.D. / SINGLE "V"	1	1	1	1	1	
23	506685	V-BELT / A-35 9002-2035	1	1	1	1	1	
24	950079	PULLEY ASSY W/COIL 24V	1	1	1	1	1	
25	561566	CONNECTOR / WEATHER PACK / PH 2C / BLACK / PED 12010973	1	1	1	1	1	
NS	561568	PIN TERMINAL / 16-14 / PED 12089305	2	2	2	2	2	
NS	561565	CABLE SEAL / GREEN / PED 15324982	2	2	2	2	2	
30	XL-0520-03	FAN DRIVE - INSTALLATION WITH DETROIT S-50 & S-60						
31	XL-0520-03	FAN DRIVE - INSTALLATION WITH DETROIT S-50 & S-60						
NS	451144	OIL DIPSTICK / (REQUIRED TO CHANGE)	1	1	1	1	1	
		A) FOR PRODUCT IMPROVMENT CHANGE SUPPORT FOR 453122 & 452442 + SCREW,WASHER & NUT						

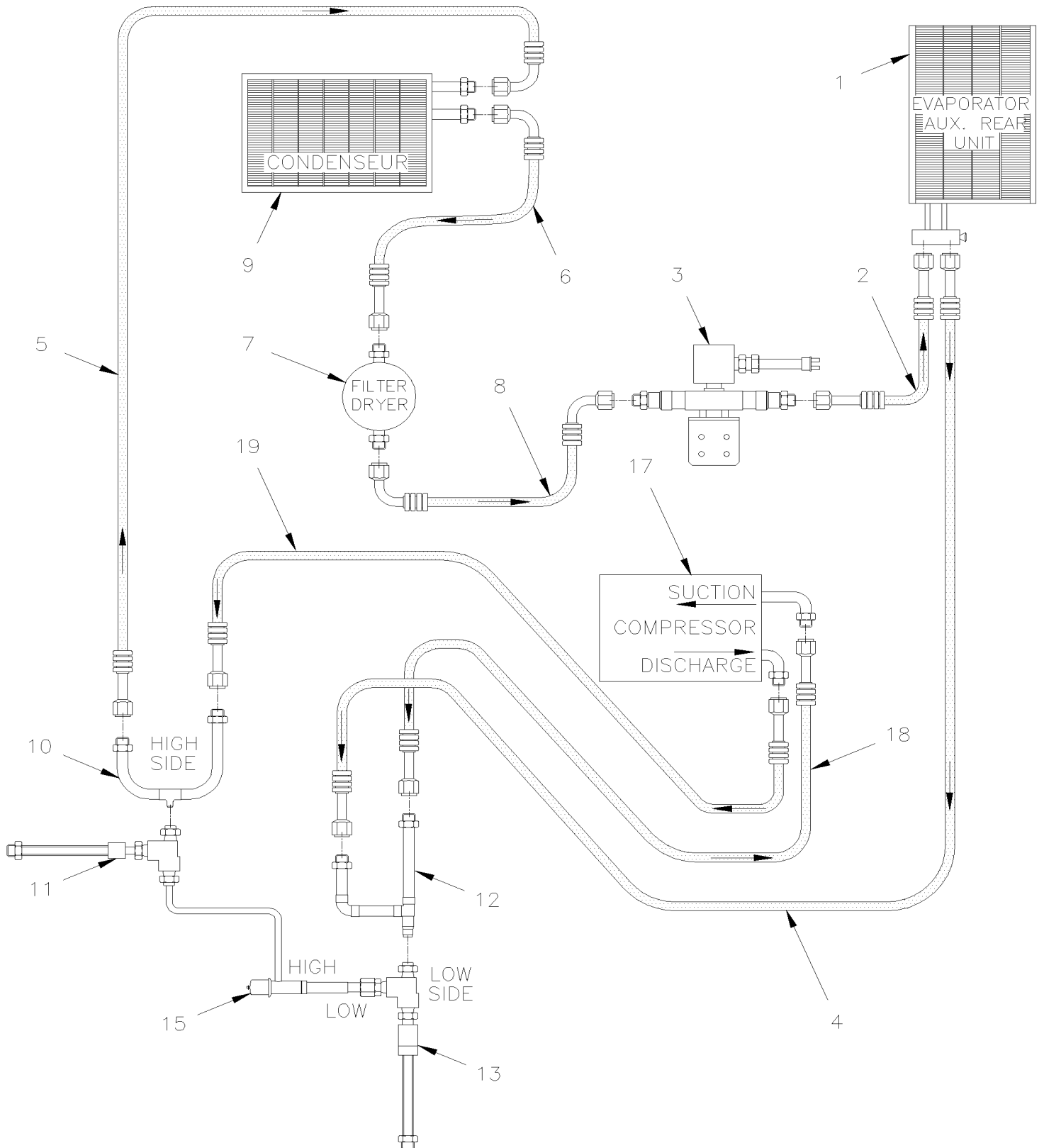
From R-823 To Y-7045		Date:10/2022		PAGE:XL-2245-12		
A/C COMPRESSOR SMALL - INSTALLATION WITH DETROIT S-60						
Item#	Part	Description	M T H 4 0	M T H 4 5	M T H 4 5 E	N O T E S
		B) SOME COMPRESSOR MODEL REQUIRES ALL THOSE ITEMS TO INSTALL SERVICING VALVE INLET AND OUTLET				

From J-479 To Y-7045

Date:10/2022

PAGE:XL-2245-50

A/C AUXILIARY LINE & PIPING

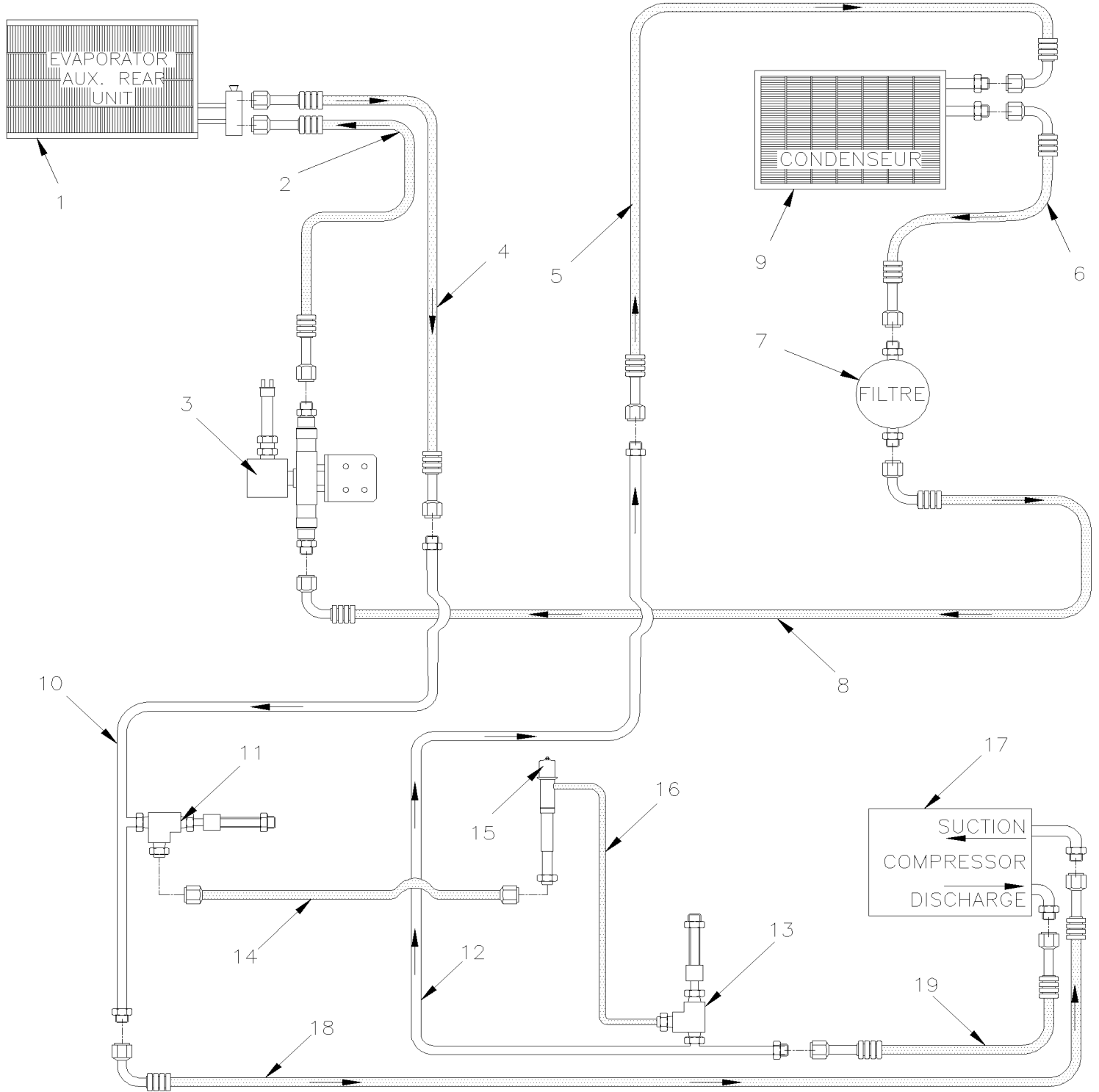


From J-479 To Y-7045

Date:10/2022

PAGE:XL-2245-50

A/C AUXILIARY LINE & PIPING



From J-479 To Y-7045	Date:10/2022	PAGE:XL-2245-50
A/C AUXILIARY LINE & PIPING		

Item#	Part	Description	M T H 4 0	M T H 4 5	M T H 4 5 E	X L 4 0	X L 4 5	N O T E S
1	XL-2230-10	A/C AUXILIARY UNIT ASSY						
2	451652	HOSE ASSY / CONDENSER TO SOLENOID / #6 14"				1		R
2	452698	HOSE ASSY / CONDENSER TO SOLENOID / #6 356MM				1	1	U
3	950054	VALVE REFRIGERANT SOLENOID / 3/8" NPT				1	1	F
3	958212	VALVE REFRIGERANT SOLENOID / 1/2" NPT	1	1	1	1	1	
3	950953	COIL 24V / SERVICE	1	1	1	1	1	
3	501534	BUSHING REDUCER / PIPE FITTING / 1/2NPT-Mx3/8NPT-F BR	2	2	2	2	2	
4	451654	HOSE ASSY / EVAPORATOR TO LOW SIDE TUBE / #10 60"				1		R
4	452514	HOSE ASSY / EVAPORATOR TO LOW SIDE TUBE / #10 1200MM				1	1	U
. NS	507344	. O-RING / ORS FITTING / #10 NEO				2	2	U
4	455173	HOSE ASSY / EVAPORATOR TO LOW SIDE TUBE / #10 1200MM				1	1	EU
. NS	507344	. O-RING / ORS FITTING / #10 NEO				2	2	EU
5	450822	HOSE ASSY / #8 73"				1		R
5	452431	HOSE ASSY /COND INLET & HI-SIDE / W/R-134a/ #8 2080MM				1	1	U
. NS	507343	. O-RING / ORS FITTING / #8 NEO				2	2	U
5	455166	HOSE ASSY /COND INLET & HI-SIDE / W/R-134a/ #8 2080MM				1	1	EU
. NS	507343	. O-RING / ORS FITTING / #8 NEO				2	2	EU
6	450823	HOSE ASSY / #6 85"				1		R
6	452432	HOSE ASSY / CONDENSER & RECEIVER / #6 2070MM				1	1	U Q
. NS	507278	. O-RING / ORS FITTING / #4 NEO				2	2	U Q
6	455167	HOSE ASSY / CONDENSER & RECEIVER / #6 2070MM	1	1	1	1	1	EU Q
. NS	507278	. O-RING / ORS FITTING / #4 NEO	2	2	2	2	2	EU Q
7	950048	DRYER, RECEIVER TANK				1		R
7	950220	DRYER, RECEIVER TANK				1	1	U
8	451650	HOSE ASSY / SOLENOID VALVE TO RECEIVER TANK / #6 85"				1		R
8	452697	HOSE ASSY / SOLENOID VALVE TO RECEIVER TANK / #6 1550MM				1	1	U
9	451671	CONDENSER / W/R-12				1		
9	452445P	CONDENSER / W/R134A				1	1	
10	451304	TUBE ASSY / HI-SIDE To L-649				1		R
10	452083	TUBE ASSY / HI-SIDE From L-650				1		R
10	453038	TUBE ASSY / HI-SIDE / "U" SHAPE					1	A
10	452427	TUBE ASSY / HI-SIDE W/R-134A / "U" SHAPE To X-6939				1	1	
10	453382	TUBE ASSY / HI-SIDE W/R-134A From X-6940				1	1	
11	450593	. PRESSURE SWITCH N.C. 275-225/ YELLOW 20SP001EB275K225K To L-684				1		R
11	452080	. PRESSURE SWITCH N.C. 275-225 20SP001EB275K225K From L-685				1	1	A
11	452405	. PRESSURE SWITCH N.C. 320-245 20SP001MB320K245R To X-6939				1	1	U
11	453380	. PRESSURE SWITCH N.C. 350-245 20PS001MB350K245R From X-6940				1	1	
12	451659	TUBE ASSY / LOW SIDE W/R-12 To L-649				1		
12	452084	TUBE ASSY / LOW SIDE W/R-12 From L-650				1		
12	452513	TUBE ASSY / LOW SIDE W/R134A To T-5788				1	1	
NS	452842	TUBE ASSY / LOW SIDE W/R134A "U" SHAPE From T-5789				1	1	
13	450594	. PRESSURE SWITCH N.O. 30-5 / WHITE 20SP001AA030C005C To L-684				1		R

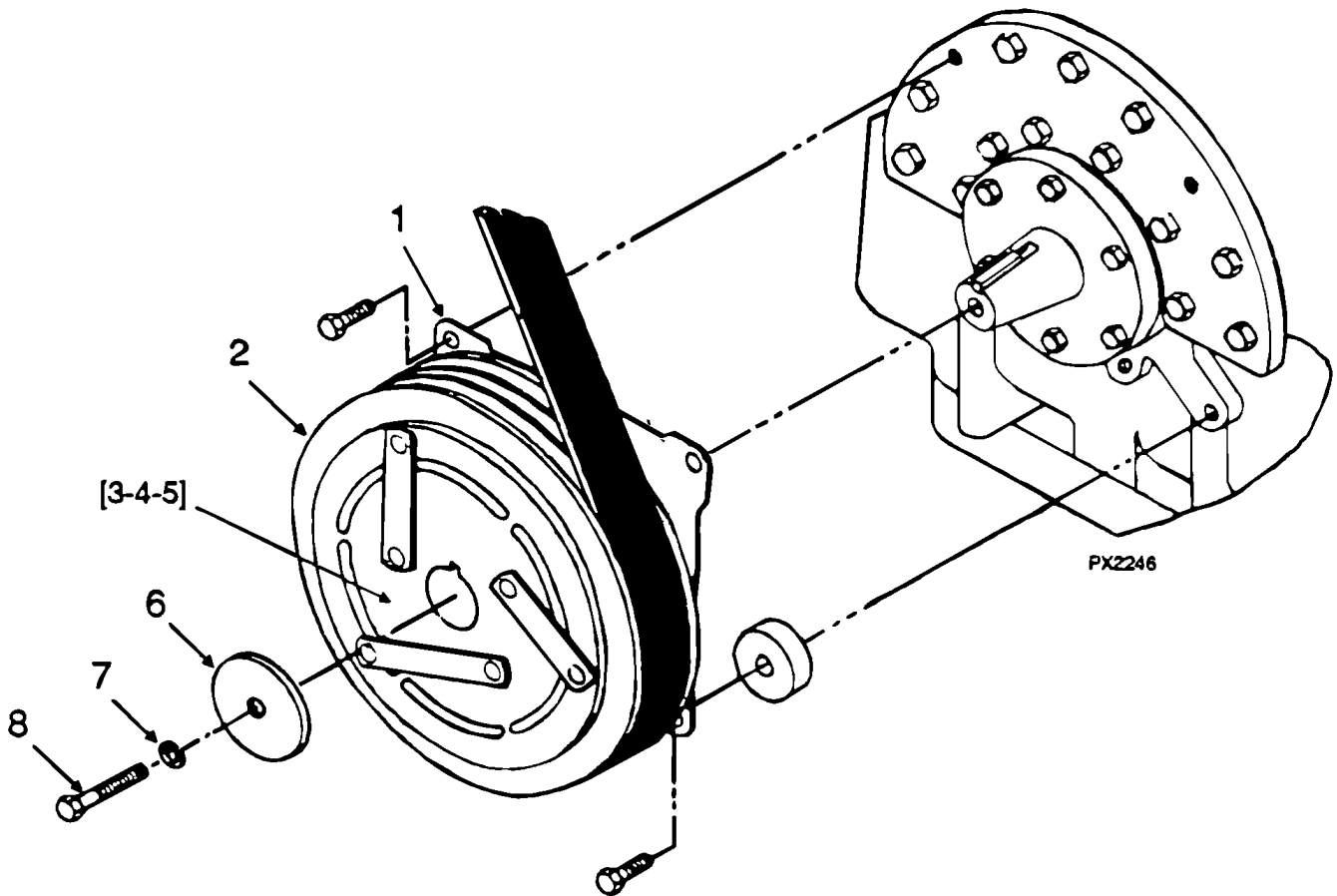
From J-479 To Y-7045	Date:10/2022	PAGE:XL-2245-50
A/C AUXILIARY LINE & PIPING		

Item#	Part	Description	M T H 4 0	M T H 4 5	M T H 4 5 E	X L 4 0	X L 4 5	N O T E S
13	452081	. PRESSURE SWITCH N.O. 30-5 20SP001AA030C005C From L-685 To T-5788				1	1	
13	452831	. PRESSURE SWITCH N.O. 30-5 20SP001MA030C005C From T-5789				1	1	
NS	950249	. SCHRADER VALVE 1/4NPT-M From T-5789				1	1	U
14	451661	HOSE /LOW SIDE TUBE TO BYPASS VALVE / #6 10"				1		
15	451215	VALVE ASSY BY-PASS				1		R
15	452512	VALVE, BYPASS W/R134A				1	1	
NS	5011079	MALE CONNECTOR / ORS FITTING / #4ORS-Mx1/4NPT-M STL				1	1	B
NS	5011081	ADAPTOR / ORS@COPPER TUBE / #4ORS-Fx#4COPPER TUBE				1	1	B
NS	5011080	MALE CONNECTOR / ORS FITTING / #6ORS-Mx1/4NPT-M STL				1	1	C
NS	5011082	ADAPTOR / ORS@COPPER TUBE / #6ORS-Fx#6COPPER TUBE				1	1	C
16	451725	HOSE ASSY / HI-SIDE TUBE TO BYPASS VALVE / #4 6 1/2"				1		
17	062285	HARNESS / SMALL A/C COMPRESSOR / W/SERIES 92				1		
17	063874	HARNESS / SMALL A/C COMPRESSOR / W/SERIES 60				1	1	
18	451655	HOSE ASSY / #12 53 1/2"				1		R
18	452428	HOSE ASSY / W/R-134a / #12 1610MM				1		S
. NS	507344	. O-RING / ORS FITTING / #10 NEO				2		S
18	455333	HOSE ASSY / W/R-134a / #12 1610MM	1	1	1	1	1	ES
. NS	507344	. O-RING / ORS FITTING / #10 NEO	2	2	2	2	2	ES
18	453411	HOSE ASSY / #12 1690MM				1		
. NS	507344	. O-RING / ORS FITTING / #10 NEO				2		
. NS	950367	. PROTECTOR CAP HIGH PRESSURE PORT / "TUBE-O"				1		
18	455227	HOSE ASSY / #12 1690MM				1		
. NS	507344	. O-RING / ORS FITTING / #10 NEO				2		
. NS	950367	. PROTECTOR CAP HIGH PRESSURE PORT / "TUBE-O"				1		
19	451658	HOSE ASSY / #8 53"				1		
19	452430	HOSE ASSY / W/R-134a / #8 1300MM				1	1	T
. NS	507343	. O-RING / ORS FITTING / #8 NEO				2	2	T
19	455328	HOSE ASSY / W/R-134a / #8 1300MM				1	1	ET
. NS	507343	. O-RING / ORS FITTING / #8 NEO				2	2	ET
19	453410	HOSE ASSY / #8 1350MM				1	1	
. NS	507343	. O-RING / ORS FITTING / #8 NEO				2	2	
. NS	950358	. PROTECTOR CAP LOW PRESSURE PORT / "TUBE-O"				1	1	
19	455226	HOSE ASSY / #8 1350MM				1	1	E
. NS	507343	. O-RING / ORS FITTING / #8 NEO				2	2	E
. NS	950358	. PROTECTOR CAP LOW PRESSURE PORT / "TUBE-O"				1	1	E
19	453413	HOSE ASSY / #8 1500MM				1	1	
. NS	507343	. O-RING / ORS FITTING / #8 NEO				2	2	
19	455228	HOSE ASSY / #8 1500MM				1	1	E
. NS	507343	. O-RING / ORS FITTING / #8 NEO				2	2	E
NS	373306	DECAL (R-134A)				1	1	
NS	452877	DECAL / NOMINALE CHARGE 3LBS 8 OZ From T-5851 To V-6208				1	1	
NS	453063	DECAL R-134A WITH NOMINALE CHARGE 3LBS 8OZ From V-6209				1	1	

From J-479 To Y-7045	Date:10/2022	PAGE:XL-2245-50
A/C AUXILIARY LINE & PIPING		

Item#	Part	Description	M T H 4 0	M T H 4 5	M T H 4 5 E	X L 4 0	X L 4 5	N O T E S
		A) FOR COACH EQUIPPED W/R12 ONLY						
		B) TO FIX BYPASS TO HIGH PRESSURE SIDE						
		C) TO FIX BYPASS TO LOW PRESSURE SIDE						
		E) SERVICE						
		F) THIS VALVE IS NO LONGER AVAILABLE USE 958212 WITH 950953 & 2X501534						
		Q) CONDENSER OUT TO RECEIVER TANK W/R134A						
		R) W/R-12						
		S) LOW SIDE TUBE TO COMPRESSOR						
		T) HI-SIDE TUBE TO COMPRESSOR						

From E-638 To H-370	Date:10/2022	PAGE:XL-2246-00
A/C CLUTCH 05G - SHAFT MOUNTED		



From E-638 To H-370	Date:10/2022	PAGE:XL-2246-00
---------------------	--------------	-----------------

A/C CLUTCH 05G - SHAFT MOUNTED

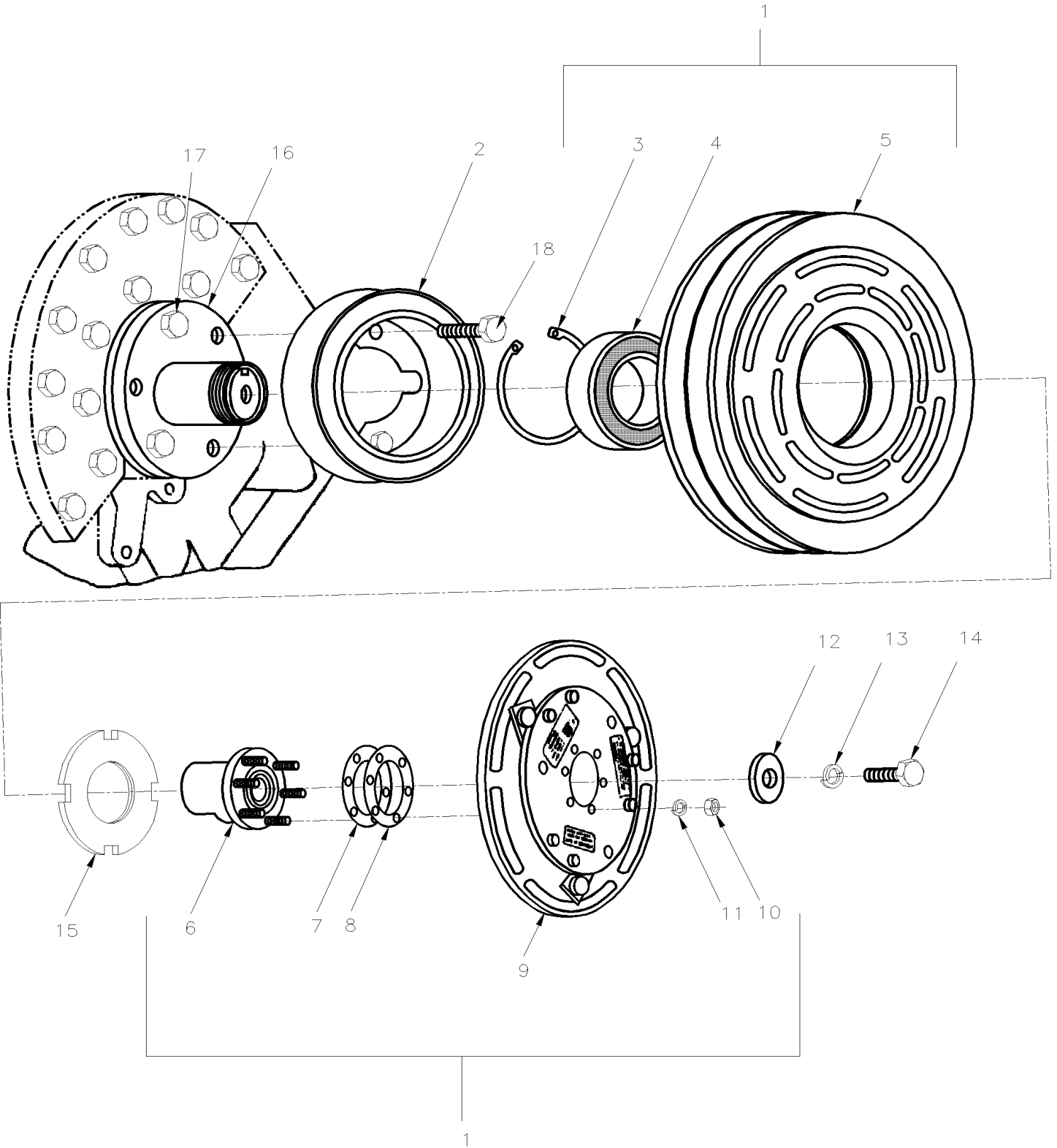
Item#	Part	Description	M T H 4 0	M T H 4 5	M T H 4 5 E	X L 4 0	X L 4 5	N O T E S
	870749	CLUTCH ASSY SHAFT MOUNTED / 24V DC 9" DIA. 2-C GROOVES	1			1		A
1	870802	. COIL 24 VOLT	1			1		
2	870801	. PULLEY	1			1		
3	870804	. CIRCLIP INTERNAL	1			1		
4	870803	. BEARING	1			1		
5	870805	. CIRCLIP EXTERNAL	1			1		
6	870784	WASHER 13/32" I.D. X 1 1/2" O.D. X 3/16" TH	1			1		
7	500478	WASHER LO SPT .380x.683x.094 Z050	1			1		
8	500191	SCREW CAP HEX 3/8-16x1 G5 Z050	1			1		
		A) THIS CLUTCH ASSY IS OBSOLETE, USE SHAFT SEAL KIT #950102 & HOUSING MOUNTED CLUTCH KIT #950094 / SEE PAGE XL-2246-01						

From H-371 To Y-7045

Date:10/2022

PAGE:XL-2246-01

A/C CLUTCH 05G - HOUSING MOUNTED



From H-371 To Y-7045	Date:10/2022	PAGE:XL-2246-01
A/C CLUTCH 05G - HOUSING MOUNTED		

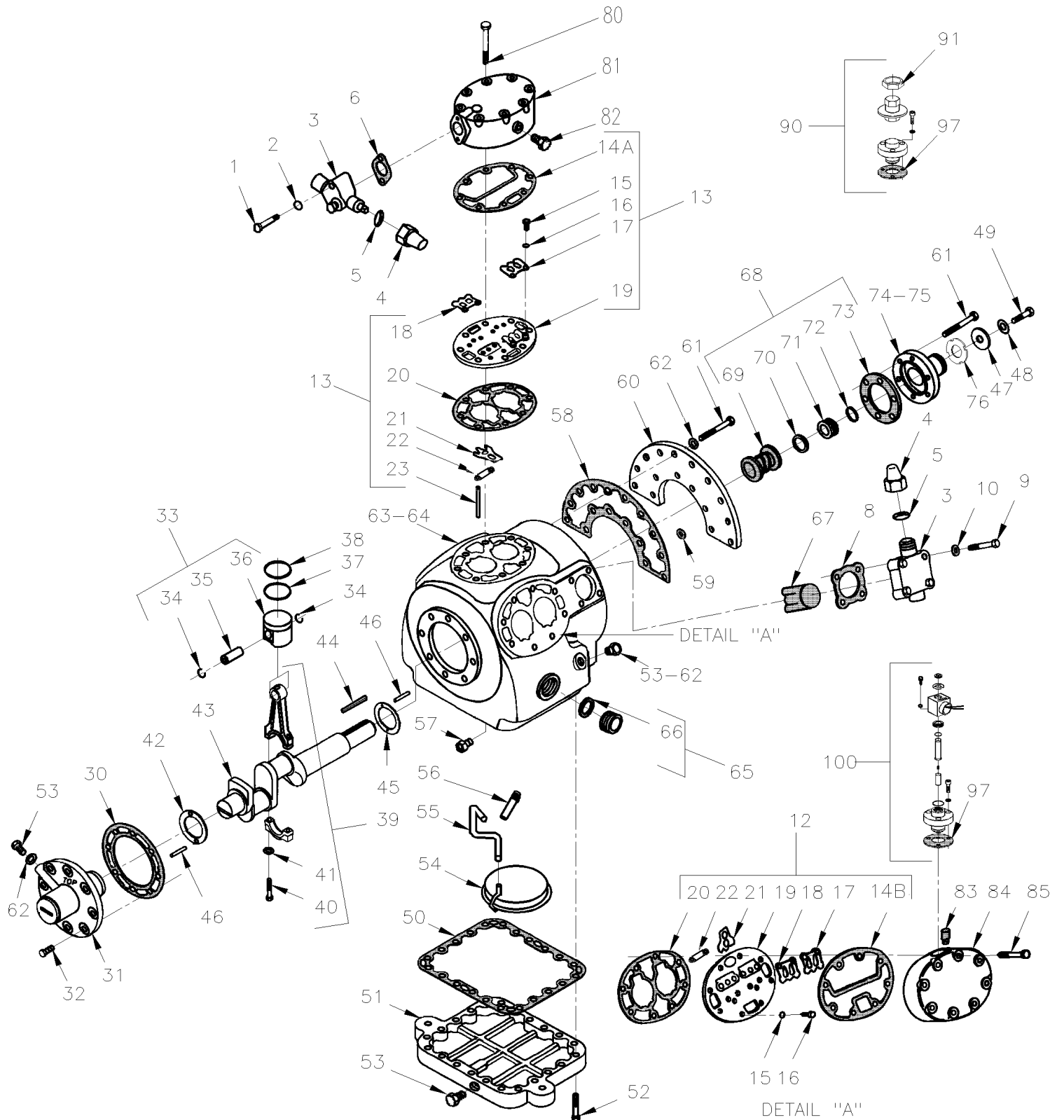
Item#	Part	Description	M T H 4 0	M T H 4 5	M T H 4 5 E	X L 4 0	X L 4 5	N O T E S
1	950094	CLUTCH HOUSING-MOUNTED/24V DC 9" DIA 2C GROOVE	1	1	1	1	1	B
1	950204	CLUTCH HOUSING-MOUNTED/24V DC 9" DIA 2B GROOVE	1	1	1	1	1	C
2	950156	COIL 24V	1	1	1	1	1	A
3	950146	. CIRCLIP INTERNAL	1	1	1	1	1	
4	950141	. BEARING	1	1	1	1	1	
5	N.S.S.	. PULLEY	1	1	1	1	1	1
6	N.S.S.	. HUB DRIVE	1	1	1	1	1	1
7	950104	. SHIM 0.010	1	1	1	1	1	
8	950103	. SHIM 0.020	5	5	5	5	5	
9	N.S.S.	. ARMATURE	1	1	1	1	1	1
10	500769	. NUT HEX 1/4-20 Z050	6	6	6	6	6	
11	500473	. WASHER LO SPT .262x.489x.062 Z050	6	6	6	6	6	
NS	561813	CONNECTOR / SURE-SEAL / FEMALE HOUSING 2C / ITT CANNON 120-1804-000	1	1	1	1	1	
NS	561023	PIN TERMINAL / 18-14 / ITT CANNON 030-2196-001	1	1	1	1	1	
NS	561024	SOCKET TERMINAL / 18-14 / ITT CANNON 031-1267-001	1	1	1	1	1	
NS	561815	CLAMP W/ 2 / ITT CANNON 029-0263-000	1	1	1	1	1	
12	870784	WASHER 13/32" I.D. X 1 1/2" O.D. X 3/16" TH	1	1	1	1	1	
13	500478	WASHER LO SPT .380x.683x.094 Z050	1	1	1	1	1	
14	870785	SCREW CAP HEX 3/8-24x7/8 G8 ZP	1	1	1	1	1	
15	950093	NUT / W/HUB MOUNTING ONLY	1	1	1	1	1	
16	950092	HUB HOUSING MOUNT	1	1	1	1	1	
16	950408	HUB HOUSING MOUNT W/GROOVE FOR TWIN PORT	1	1	1	1	1	
NS	950409	. SEAL, LIP, SHAFT SEAL / W/TWIN PORT ONLY	1	1	1	1	1	
NS	870795	. GASKET, HUB BEARING	1	1	1	1	1	
17	500192	SCREW CAP HEX 3/8-16x1 1/4 G5 Z050	6	6	6	6	6	
18	186679	SCREW CAP HEX 3/8-16x1 1/4 G8 ZP	1	1	1	1	1	
NS	950105	SOCKET / TOOL FOR INSTALLATION						
NS	950106	PUSHER ROTOR / TOOL						
NS	950107	SPANNER WRENCH / TOOL						
		A) THIS COIL IS NOT INCLUDE W/ 950204						
		B) W/ SERIES 71 & 92						
		C) W/ SERIES 50 & 60						
		1) NOT SOLD SEPARATELY						

From E-638 To Y-7045

Date:10/2022

PAGE:XL-2250-00

A/C COMPRESSOR ASSY 05G - THREE PORT



From E-638 To Y-7045	Date:10/2022	PAGE:XL-2250-00
A/C COMPRESSOR ASSY 05G - THREE PORT		

Item#	Part	Description	M T H 4 0	M T H 4 5	M T H 4 5 E	X L 4 0	X L 4 5	N O T E S
	950138	A/C COMPRESSOR ASSY / W/37 C.F.M. / W/O OIL & ACCESSORIES	1	1	1	1	1	
	952643	A/C COMPRESSOR ASSY / W/37 C.F.M. / REMAN / W/O OIL & ACCESSORIES	1	1	1	1	1	
	950263	A/C COMPRESSOR ASSY / W/41 C.F.M. / W/O OIL & ACCESSORIES	1	1	1	1	1	
NS	950298D	A/C COMPRESSOR ASSY / W/41 C.F.M. / REMAN / W/O OIL & ACCESSORIES						
1	870877	. SCREW CAP HEX 5/16-18x2 G5 ZP	2	2	2	2	2	
2	870750	. GASKET	2	2	2	2	2	
3	XL-2245-00	A/C COMPRESSOR 05G - INSTALLATION - WITH DETROIT S-71 & S-92						
3	XL-2245-01	A/C COMPRESSOR 05G - INSTALLATION - WITH DETROIT S-60						
4	870446	. . CAP SEAL	1	1	1	1	1	
5	870752	. . . GASKET, CAP SEAL	1	1	1	1	1	
6	870753	. GASKET / DISCHARGE VALVE	1	1	1	1	1	
8	870754	. GASKET / SUCTION VALVE	1	1	1	1	1	
9	870755	. SCREW CAP HEX 1/2-13x2 1/2 G5 ZP	4	4	4	4	4	
10	870756	. GASKET	4	4	4	4	4	
12	870796	. VALVE PLATE ASSY / SIDE BANK	4	4	4	4	4	
12	950325	. VALVE PLATE ASSY / SIDE BANK	4	4	4	4	4	
12	870800	. . CHECK VALVE ASSY / UNLOADER	2	2	2	2	2	
13	870759	. VALVE PLATE ASSY / CENTER BANK	1	1	1	1	1	
13	950324	. VALVE PLATE ASSY / CENTER BANK	1	1	1	1	1	
14A	870760	. . GASKET, CENTER CYLINDER HEAD	1	1	1	1	1	
14B	870797	. . GASKET, L.H & R.H CYLINDER HEAD	1	1	1	1	1	
15	870761	. . SCREW CAP HEXS 1/4-28 x 3/8"	4	4	4	4	4	
16	500473	. . WASHER LO SPT .262x.489x.062 Z050	4	4	4	4	4	
17	870762	. . VALVE STOP DISCHARGE	2	2	2	2	2	
18	870763	. . VALVE DISCHARGE	2	2	2	2	2	
19	N.S.S.	. . PLATE VALVE	1	1	1	1	1	1
20	870764	. . GASKET, VALVE PLATE	1	1	1	1	1	
21	950276	. . VALVE SUCTION	2	2	2	2	2	
22	870766	. . SPRING / SUCTION VALVE	2	2	2	2	2	
23	870767	. PIN DOWEL VALVE PLATE	4	4	4	4	4	
30	870771	. GASKET / OIL PUMP	1	1	1	1	1	
31	870772	. OIL PUMP ASSY / LOW SPEED	1	1	1	1	1	
31	950286	. OIL PUMP ASSY / (LOW PROFIL)	1	1	1	1	1	
32	500192	. SCREW CAP HEX 3/8-16x1 1/4 G5 Z050	8	8	8	8	8	
33	870773	. PISTON & PIN ASSY / STANDARD / W/37 CFM	6	6	6	6	6	
33	950272	. PISTON & PIN ASSY / STANDARD / W/41 CFM	6	6	6	6	6	
33	870814	. PISTON & PIN ASSY/.020" OVERSIZE / W/37 CFM	AR	AR	AR	AR	AR	
33	950274	. PISTON & PIN ASSY/.020" OVERSIZE / W/41 CFM	AR	AR	AR	AR	AR	

From E-638 To Y-7045	Date:10/2022	PAGE:XL-2250-00
A/C COMPRESSOR ASSY 05G - THREE PORT		

Item#	Part	Description	M T H 4 0	M T H 4 5	M T H 4 5 E	X L 4 0	X L 4 5	N O T E S
34	N.S.S.	. . RETAINER	2	2	2	2	2	1
35	N.S.S.	. . PIN	1	1	1	1	1	1
36	N.S.S.	. . PISTON SINGLE RING	1	1	1	1	1	1
37	870774	. RING / W/DOUBLE RING PISTON ONLY	6	6	6	6	6	
38	870775	. RING COMPRESSION / STANDARD	6	6	6	6	6	
38	870815	. RING COMPRESSION / .020" OVERSIZE	6	6	6	6	6	
39	870776	. CONNECTING ROD & CLIP ASSY / STANDARD	6	6	6	6	6	
39	870816	. CONNECTING ROD & CLIP ASSY / .010" OVERSIZE	6	6	6	6	6	
NS	870767	. . PIN DOWEL VALVE PLATE	2	2	2	2	2	
40	870777	. . BOLT	2	2	2	2	2	
41	500440	. . WASHER FL .250x.562x.065 Z050	1	1	1	1	1	
42	870778	. WASHER THRUST / PUMP END	1	1	1	1	1	
43	870779	. CRANKSHAFT ASSY / W/37 CFM	1	1	1	1	1	
43	950273	. CRANKSHAFT ASSY / W/41 CFM	1	1	1	1	1	
44	870780	. KEY CRANKSHAFT / W/SHAFT-MOUNTED CLUTCH	1	1	1	1	1	
44	950140	. KEY CRANKSHAFT / W/HOUSING-MOUNTED CLUTCH	1	1	1	1	1	
45	870781	. WASHER THRUST	1	1	1	1	1	
46	870782	. PIN STRAIGHT 1/8" DIA. X 1/2"	2	2	2	2	2	
NS	870783	. PIN STRAIGHT .094" X 5/16"	2	2	2	2	2	
47	870784	. WASHER 13/32" I.D. X 1 1/2" O.D. X 3/16" TH	1	1	1	1	1	
48	500478	. WASHER LO SPT .380x.683x.094 Z050	1	1	1	1	1	
49	870785	. SCREW CAP HEX 3/8-24x7/8 G8 ZP	1	1	1	1	1	
50	870786	. GASKET, BOTTOM PLATE	1	1	1	1	1	
51	950444	. PLATE BOTTOM	1	1	1	1	1	
52	500191	. SCREW CAP HEX 3/8-16x1 G5 Z050	22	22	22	22	22	
53	950303	. PLUG, O-RING / (CURRENT)	2	2	2	2	2	
54	870787	. SCREEN ASSY / OIL FILTER	1	1	1	1	1	
55	870788	. TUBE / OIL SUCTION	1	1	1	1	1	
56	870789	. VALVE / OIL RELIEF	1	1	1	1	1	
57	870790	. CHECK VALVE ASSY / OIL RETURN	2	2	2	2	2	
58	870791	. GASKET, SHAFT END COVER	1	1	1	1	1	
59	950139	. WASHER .393x.622x.031	2	2	2	2	2	
60	870792	. FLANGE	1	1	1	1	1	
61	500192	. SCREW CAP HEX 3/8-16x1 1/4 G5 Z050	21	21	21	21	21	
62	950139	. WASHER .393x.622x.031	21	21	21	21	21	
63	N.S.S.	. CRANKCASE	1	1	1	1	1	1
64	950283	. . BEARING, MAIN SEAL END	1	1	1	1	1	
65	870768	. SIGHT GLASS ASSY	2	2	2	2	2	
66	870769	. . GASKET, SIGHT GLASS	2	2	2	2	2	
67	870770	. STRAINER SUCTION	1	1	1	1	1	
68	870793	. SHAFT SEAL ASSY / W/SHAFT-MOUNTED CLUTCH	1	1	1	1	1	
68	950327	. SHAFT SEAL ASSY / W/HOUSING-MOUNTED CLUTCH	1	1	1	1	1	

From E-638 To Y-7045	Date:10/2022	PAGE:XL-2250-00
A/C COMPRESSOR ASSY 05G - THREE PORT		

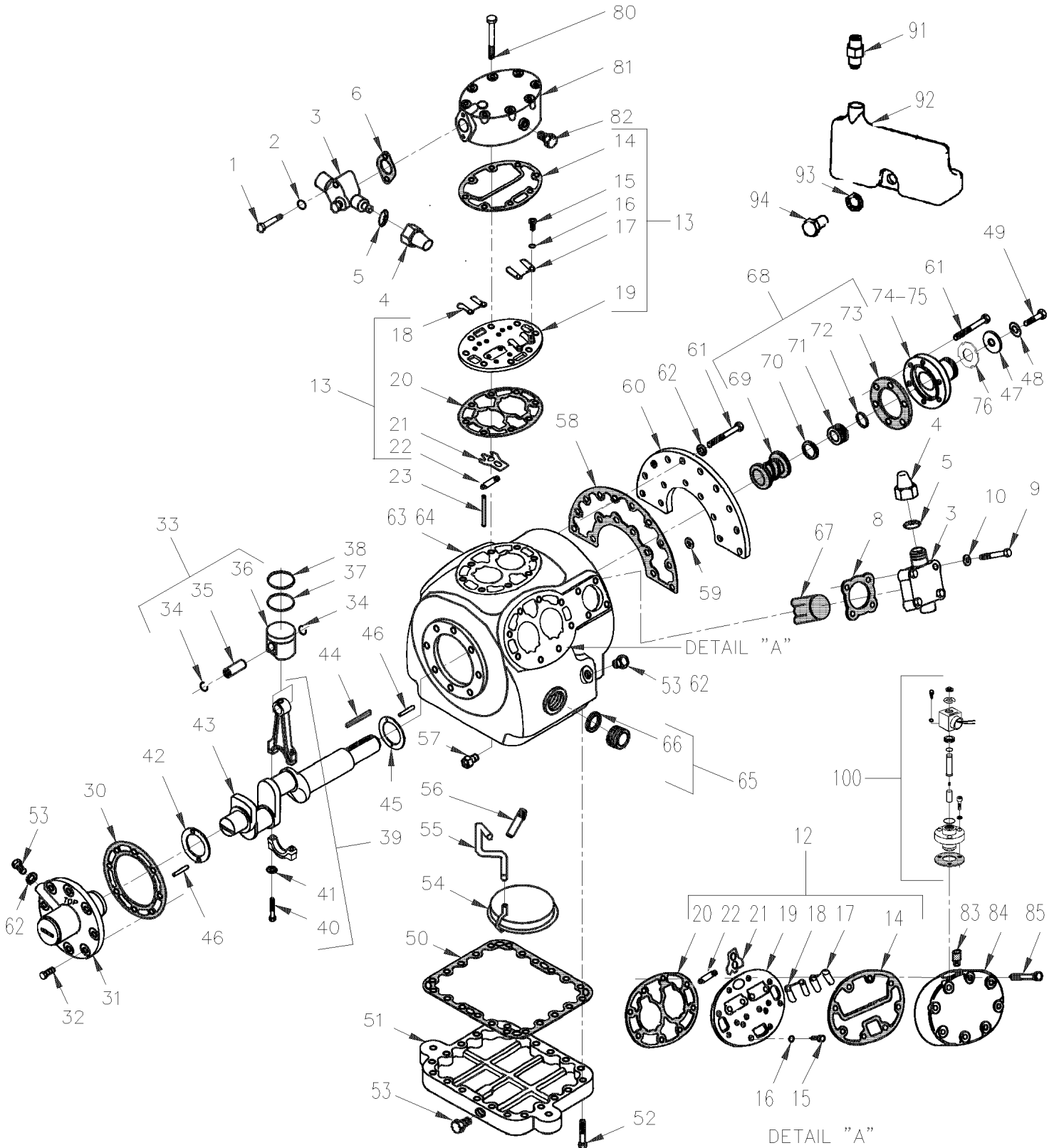
Item#	Part	Description	M T H 4 0	M T H 4 5	M T H 4 5 E	X L 4 0	X L 4 5	N O T E S
69	N.S.S.	. . SEAL / SHAFT	1	1	1	1	1	1
70	870794	. . RING CARBON	1	1	1	1	1	
71	N.S.S.	. . RING WEAR	1	1	1	1	1	1
72	N.S.S.	. . O-RING	1	1	1	1	1	1
73	870795	. . GASKET, HUB BEARING	1	1	1	1	1	
74	950092	. HUB HOUSING MOUNT	1	1	1	1	1	
75	N.S.S.	. . RING FELT & RETAINING	1	1	1	1	1	1
76	950093	. NUT / W/HUB MOUNTING ONLY	1	1	1	1	1	
80	G1091280	. SCREW CAP HEX 3/8-16 X 3"1/4	8	8	8	8	8	
81	870757	. HEAD CYLINDER / CENTER BANK	1	1	1	1	1	
82	501303	. PLUG SQUARE HEAD / PIPE FITTING / 1/8NPT-M BR	1	1	1	1	1	
83	870799	. STRAINER	1	1	1	1	1	
84	870798	HEAD CYLINDER / UNLOADER	1	1	1	1	1	
85	502694	SCREW CAP HEX 3/8-16x3 1/4 G5 ZP	1	1	1	1	1	
90	870817	UNLOADER PRESSURE / MECHANICAL / W/R12 To R-934	1	1	1	1	1	M
91	950206	NUT HEX To R-934	1	1	1	1	1	N
97	870820	GASKET, UNLOADER	1	1	1	1	1	
100	XL-2250-15	A/C ELECTRIC UNLOADER - W/05G COMPRESSOR						
NS	950236	REFRIGERANT OIL POE / USE W/134A (4LITER)	AR	AR	AR	AR	AR	
		M) THIS UNLOADER ARE MECANICAL AND USE ONLY WITH FREON R-12 ONLY						
		N) USED WITH MECHANICAL UNLOADER ONLY						
		1) NOT SOLD SEPARATELY						

From E-638 To Y-7045

Date:10/2022

PAGE:XL-2250-01

A/C COMPRESSOR ASSY 05G - TWIN PORT / SERVICE



From E-638 To Y-7045	Date:10/2022	PAGE:XL-2250-01
----------------------	--------------	-----------------

A/C COMPRESSOR ASSY 05G - TWIN PORT / SERVICE

Item#	Part	Description	M T H 4 0	M T H 4 5	M T H 4 5 E	X L 4 0	X L 4 5	N O T E S
	950401	A/C COMPRESSOR ASSY REBUILT / W/41 C.F.M W/O ACCESSORIES TWIN PORT						
1	870877	. SCREW CAP HEX 5/16-18x2 G5 ZP	2	2	2	2	2	
2	870750	. GASKET	2	2	2	2	2	
3	XL-2245-00	A/C COMPRESSOR 05G - INSTALLATION - WITH DETROIT S-71 & S-92						
3	XL-2245-01	A/C COMPRESSOR 05G - INSTALLATION - WITH DETROIT S-60						
4	870446	. . CAP SEAL	1	1	1	1	1	
5	870752	. . . GASKET, CAP SEAL	1	1	1	1	1	
6	950425	. GASKET / DISCHARGE VALVE / (METAL)	1	1	1	1	1	
8	950423	. GASKET / SUCTION VALVE / (METAL)	1	1	1	1	1	
9	870755	. SCREW CAP HEX 1/2-13x2 1/2 G5 ZP	4	4	4	4	4	
10	870756	. GASKET	4	4	4	4	4	
12	950415	. VALVE PLATE ASSY / SIDE BANK / W/TWIN PORT ONLY	2	2	2	2	2	
NS	870800	. . CHECK VALVE ASSY / UNLOADER	2	2	2	2	2	
13	950414	. VALVE PLATE ASSY / CENTER BANK / W/TWIN PORT ONLY	1	1	1	1	1	
14	950421	. . GASKET, CYLINDER HEAD / W/TWIN PORT ONLY	1	1	1	1	1	
15	870761	. . SCREW CAP HEXS 1/4-28 x 3/8"	4	4	4	4	4	
16	500473	. . WASHER LO SPT .262x.489x.062 Z050	4	4	4	4	4	
17	950416	. . VALVE DISCHARGE / W/TWIN PORT ONLY	2	2	2	2	2	
18	950417	. . BACKER VALVE DISCHARGE / W/TWIN PORT ONLY	2	2	2	2	2	
19	N.S.S.	. . PLATE VALVE	1	1	1	1	1	1
20	950420	. . GASKET, VALVE PLATE / W/TWIN PORT ONLY	1	1	1	1	1	
21	950418	. . VALVE SUCTION / W/TWIN PORT ONLY	2	2	2	2	2	
22	950419	. . SPRING / SUCTION VALVE / W/TWIN PORT ONLY	2	2	2	2	2	
23	870767	. PIN DOWEL VALVE PLATE	4	4	4	4	4	
30	870771	. GASKET / OIL PUMP	1	1	1	1	1	
31	950403	. OIL PUMP ASSY / W/TWIN PORT ONLY	1	1	1	1	1	
32	500192	. SCREW CAP HEX 3/8-16x1 1/4 G5 Z050	8	8	8	8	8	
33	950272	. PISTON & PIN ASSY / STANDARD / W/41 CFM	6	6	6	6	6	
33	950274	. PISTON & PIN ASSY/.020" OVERSIZE / W/41 CFM	6	6	6	6	6	
34	N.S.S.	. . RETAINER	2	2	2	2	2	1
35	N.S.S.	. . PIN	1	1	1	1	1	1
36	N.S.S.	. . PISTON SINGLE RING	1	1	1		1	1
37	870774	. RING / W/DOUBLE RING PISTON ONLY	6	6	6	6	6	
38	870775	. RING COMPRESSION / STANDARD	6	6	6	6	6	
38	870815	. RING COMPRESSION / .020" OVERSIZE	6	6	6	6	6	
39	870776	. CONNECTING ROD & CLIP ASSY / STANDARD	6	6	6	6	6	
39	870816	. CONNECTING ROD & CLIP ASSY / .010" OVERSIZE	6	6	6	6	6	
NS	870767	. . PIN DOWEL VALVE PLATE	2	2	2	2	2	
40	870777	. . BOLT	2	2	2	2	2	
41	500440	. . WASHER FL .250x.562x.065 Z050	1	1	1	1	1	
42	870778	. WASHER THRUST / PUMP END	1	1	1	1	1	

From E-638 To Y-7045		Date:10/2022	PAGE:XL-2250-01
A/C COMPRESSOR ASSY 05G - TWIN PORT / SERVICE			

Item#	Part	Description	M T H 4 0	M T H 4 5	M T H 4 5 E	X L 4 0	X L 4 5	N O T E S
43	950406	. CRANKSHAFT ASSY / W/41 CFM / W/TWIN PORT ONLY	1	1	1	1	1	
44	950140	. KEY CRANKSHAFT / W/HOUSING-MOUNTED CLUTCH	1	1	1	1	1	
45	870781	. WASHER THRUST	1	1	1	1	1	
46	870782	. PIN STRAIGHT 1/8" DIA. X 1/2"	2	2	2	2	2	
NS	870783	. PIN STRAIGHT .094" X 5/16"	2	2	2	2	2	
47	870784	. WASHER 13/32" I.D. X 1 1/2" O.D. X 3/16" TH	1	1	1	1	1	
48	500478	. WASHER LO SPT .380x.683x.094 Z050	1	1	1	1	1	
49	870785	. SCREW CAP HEX 3/8-24x7/8 G8 ZP	1	1	1	1	1	
50	950402	. GASKET, BOTTOM PLATE / (METAL)	1	1	1	1	1	
51	950444	. PLATE BOTTOM	1	1	1	1	1	
52	500191	. SCREW CAP HEX 3/8-16x1 G5 Z050	22	22	22	22	22	
53	950303	. PLUG, O-RING / (CURRENT)	2	2	2	2	2	
54	870787	. SCREEN ASSY / OIL FILTER	1	1	1	1	1	
55	870788	. TUBE / OIL SUCTION	1	1	1	1	1	
56	870789	. VALVE / OIL RELIEF	1	1	1	1	1	
57	870790	. CHECK VALVE ASSY / OIL RETURN	2	2	2	2	2	
58	950412	. GASKET, SHAFT END COVER / W/TWIN PORT ONLY	1	1	1	1	1	
59	950139	. WASHER .393x.622x.031	2	2	2	2	2	
60	870792	. FLANGE	1	1	1	1	1	
61	500192	. SCREW CAP HEX 3/8-16x1 1/4 G5 Z050	21	21	21	21	21	
62	950139	. WASHER .393x.622x.031	21	21	21	21	21	
63	N.S.S.	. CRANKCASE	1	1	1	1	1	1
64	950283	. BEARING, MAIN SEAL END	1	1	1	1	1	
65	870768	. SIGHT GLASS ASSY	2	2	2	2	2	
66	870769	. GASKET, SIGHT GLASS	2	2	2	2	2	
67	870770	. STRAINER SUCTION	1	1	1	1	1	
68	950407	. SHAFT SEAL ASSY / W/HOUSING-MOUNTED CLUTCH / W/TWIN PORT ONLY	1	1	1	1	1	
69	N.S.S.	. SEAL / SHAFT	1	1	1	1	1	1
70	870794	. RING CARBON	1	1	1	1	1	
71	N.S.S.	. RING WEAR	1	1	1	1	1	1
72	N.S.S.	. O-RING	1	1	1	1	1	1
73	870795	. GASKET, HUB BEARING	1	1	1	1	1	
74	950408	. HUB HOUSING MOUNT W/GROOVE FOR TWIN PORT	1	1	1	1	1	
NS	950409	. SEAL, LIP, SHAFT SEAL / W/TWIN PORT ONLY	1	1	1	1	1	
NS	870795	. GASKET, HUB BEARING	1	1	1	1	1	
75	950409	. SEAL, LIP, SHAFT SEAL / W/TWIN PORT ONLY	1	1	1	1	1	
76	950093	. NUT / W/HUB MOUNTING ONLY	1	1	1	1	1	
80	G1091280	. SCREW CAP HEX 3/8-16 X 3"1/4	8	8	8	8	8	
81	870757	. HEAD CYLINDER / CENTER BANK	1	1	1	1	1	
82	501303	. PLUG SQUARE HEAD / PIPE FITTING / 1/8NPT-M BR	1	1	1	1	1	
83	870799	. STRAINER	1	1	1	1	1	
84	950426	. HEAD CYLINDER / UNLOADER / W/TWIN PORT ONLY	1	1	1	1	1	

From E-638 To Y-7045	Date:10/2022	PAGE:XL-2250-01
A/C COMPRESSOR ASSY 05G - TWIN PORT / SERVICE		

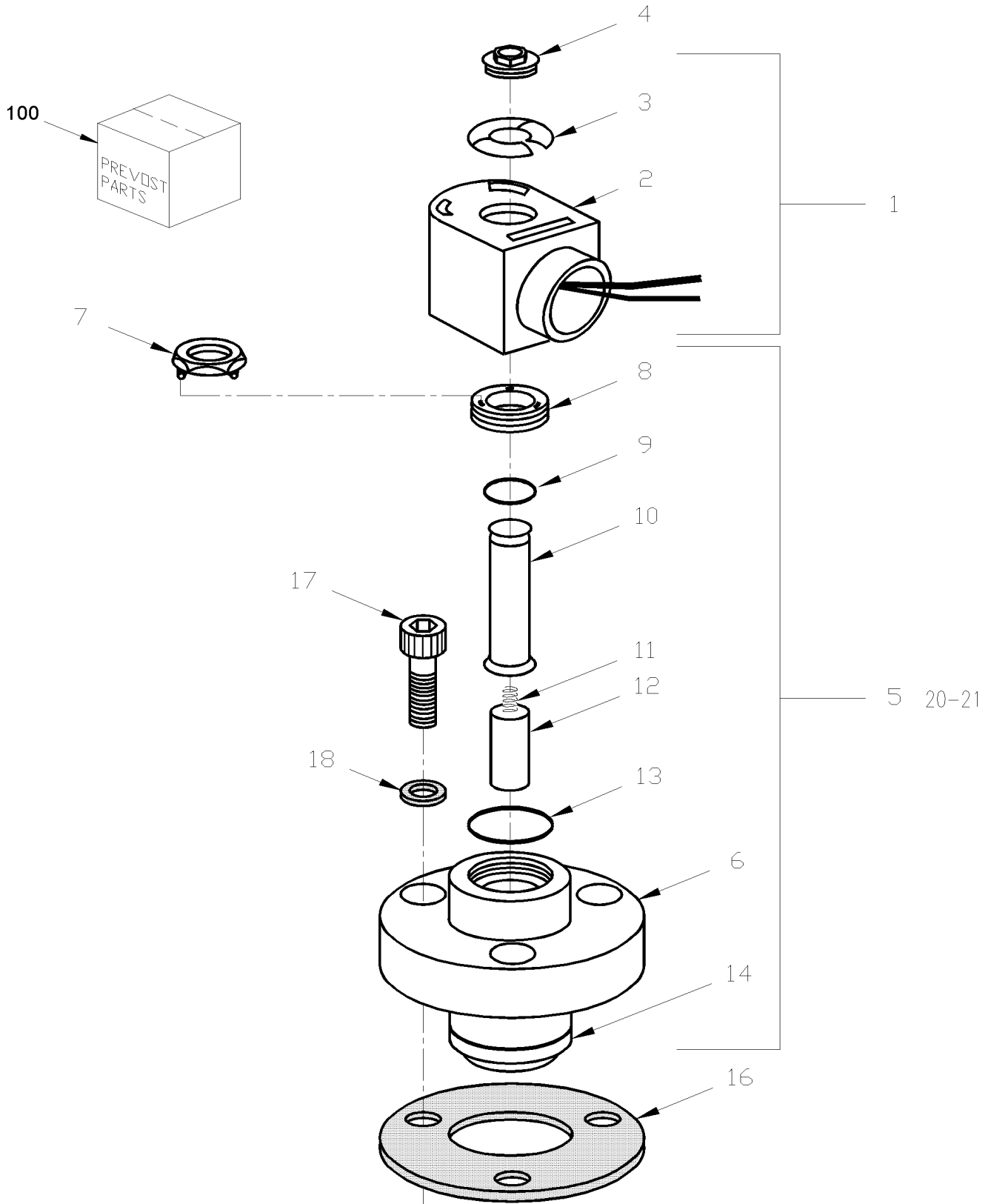
Item#	Part	Description	M T H 4 0	M T H 4 5	M T H 4 5 E	X L 4 0	X L 4 5	N O T E S
85	502694	SCREW CAP HEX 3/8-16x3 1/4 G5 ZP	1	1	1	1	1	
91	950410	ACCESS VALVE / W/TWIN PORT ONLY	1	1	1	1	1	
92	950411	RESERVOIR / W/TWIN PORT ONLY	1	1	1	1	1	
93	500856	WASHER LO INT .384x.692x.040 ZP	1	1	1	1	1	
94	950967	SCREW CAP HEX 3/8-16 X 3/4 G8	1	1	1	1	1	
100	XL-2250-15	A/C ELECTRIC UNLOADER - W/05G COMPRESSOR						
NS	950236	REFRIGERANT OIL POE / USE W/134A (4LITER)	AR	AR	AR	AR	AR	
		1) NOT SOLD SEPARATELY						

From E-638 To Y-7045

Date:10/2022

PAGE:XL-2250-15

A/C ELECTRIC UNLOADER - W/05G COMPRESSOR



From E-638 To Y-7045	Date:10/2022	PAGE:XL-2250-15
A/C ELECTRIC UNLOADER - W/05G COMPRESSOR		

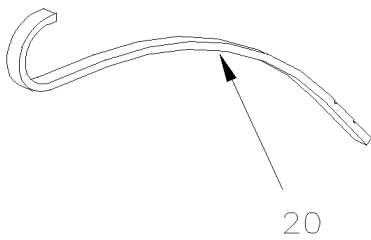
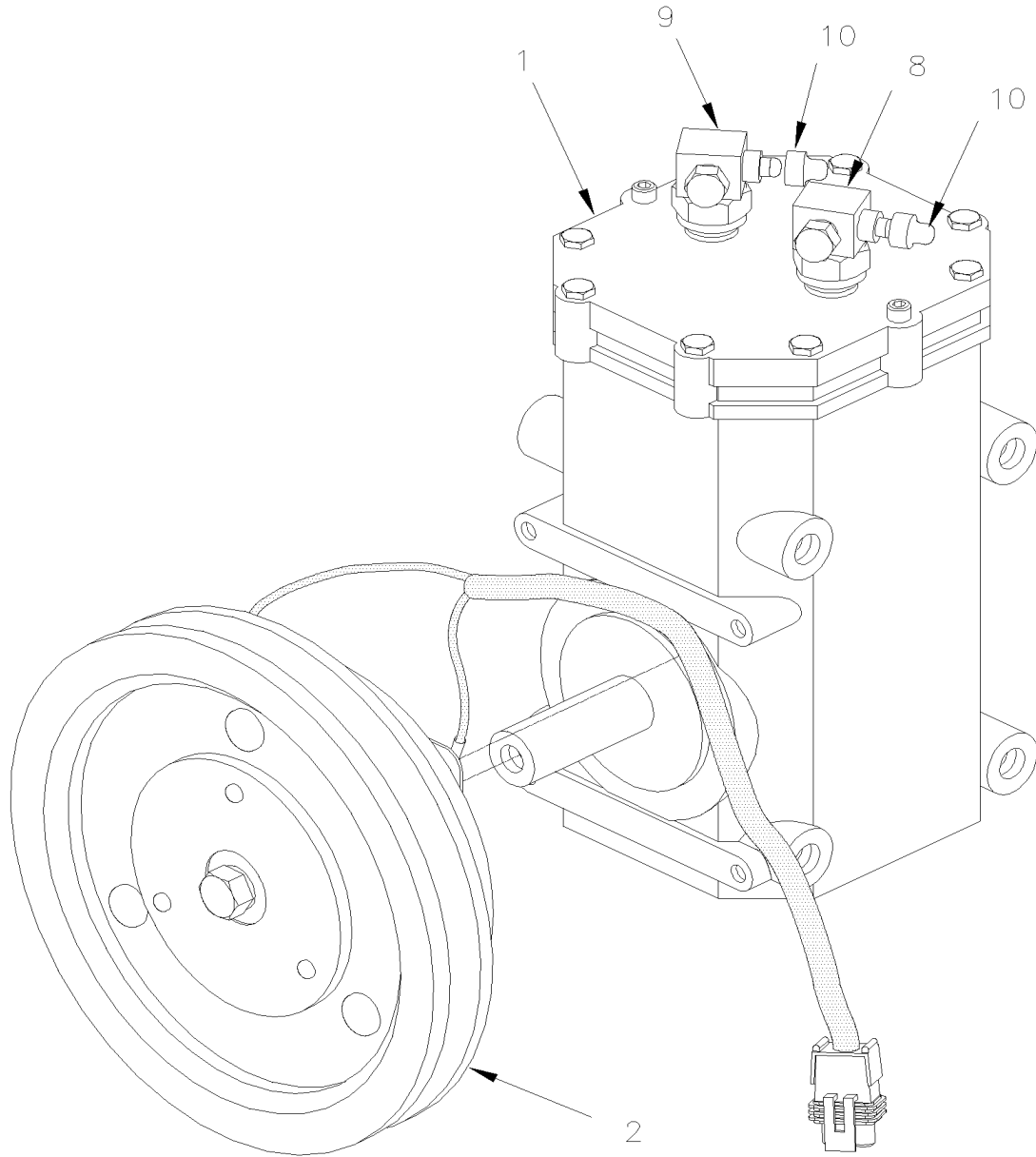
Item#	Part	Description	M T H 4 0	M T H 4 5	M T H 4 5 E	X L 4 0	X L 4 5	N O T E S
	063969	COIL ASSY W/CONNECTOR	2	2	2	2	2	
1	950096	. COIL 24V	1	1	1	1	1	
2	N.S.S.	. . COIL	1	1	1	1	1	1
3	N.S.S.	. . NAMEPLATE / VOLTAGE	1	1	1	1	1	1
4	N.S.S.	. . CAP, SNAP	1	1	1	1	1	1
4	N.S.S.	. . CAP, SNAP	1	1	1	1	1	1
NS	561812	. . CONNECTOR / SURE-SEAL / MALE HOUSING 2C / ITT CANNON 120-1807-000	1	1	1	1	1	
NS	561023	. . PIN TERMINAL / 18-14 / ITT CANNON 030-2196-001	1	1	1	1	1	
NS	561024	. . SOCKET TERMINAL / 18-14 / ITT CANNON 031-1267-001	1	1	1	1	1	
NS	561815	CLAMP W/ 2 / ITT CANNON 029-0263-000	AR	AR	AR	AR	AR	A
5	950095	BODY / UNLOADER VALVE	1	1	1	1	1	
6	N.S.S.	. BODY, VALVE	1	1	1	1	1	1
7	N.S.S.	. NUT / FOR REMOVING OR REPLACING TUBE COLLAR	1	1	1	1	1	1
8	N.S.S.	. COLLAR / TUBE	1	1	1	1	1	1
9	N.S.S.	. O-RING	1	1	1	1	1	1
10	N.S.S.	. TUBE	1	1	1	1	1	1
11	N.S.S.	. SPRING, PLUNGER	1	1	1	1	1	1
12	N.S.S.	. PLUNGER	1	1	1	1	1	1
13	N.S.S.	. O-RING	1	1	1	1	1	1
14	870818	. RING, PISTON	1	1	1	1	1	
16	870820	GASKET, UNLOADER	1	1	1	1	1	
17	5001415	SCREW CAP HEXS 1/4-28x3/4	3	3	3	3	3	
18	950305	GASKET / W/ALLEN BOLT	3	3	3	3	3	
20	870817	UNLOADER PRESSURE / MECHANICAL / W/R12	2	2	2	2	2	C
21	950206	NUT HEX	1	1	1	1	1	D
100	950413	KIT, STEM REPAIR	1	1	1	1	1	B
		A) TO RETAINING CONNECTOR TO WIRING HARNESS						
		B) INCLUDE ITEMS # 7,10,11,12 & 13						
		C) THIS UNLOADER ARE MECANICAL AND USE ONLY WITH FREON R-12 ONLY						
		D) USED WITH MECHANICAL UNLOADER ONLY						
		1) NOT SOLD SEPARATELY						

From E-638 To Y-7045

Date:10/2022

PAGE:XL-2250-50

A/C CROMPRESSOR "TECHUMSEH"



From E-638 To Y-7045	Date:10/2022	PAGE:XL-2250-50
A/C CROMPRESSOR "TECHUMSEH"		

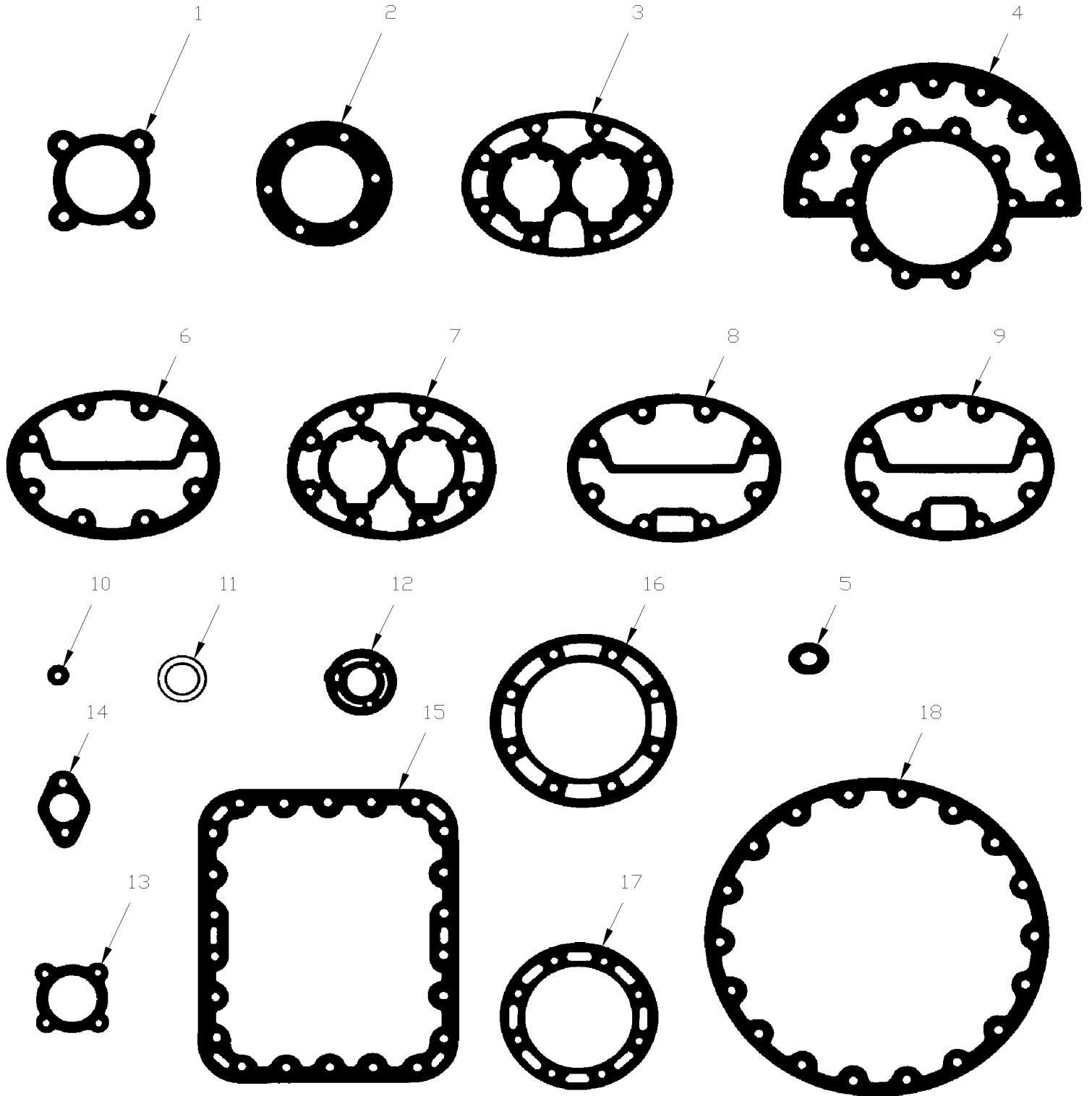
Item#	Part	Description	M T H 4 0	M T H 4 5	M T H 4 5 E	X L 4 0	X L 4 5	N O T E S
1	950078	A/C COMPRESSOR ASSY "TECUMSEH" / R-12	1	1	1	1	1	
1	950219	A/C COMPRESSOR ASSY "TECUMSEH" / R-134A	1	1	1	1	1	
1	950393	A/C COMPRESSOR ASSY "CCI" / R-134A	1	1	1	1	1	S
2	950079	PULLEY ASSY W/COIL 24V	1	1	1	1	1	
NS	550186	KEY 1/4" X 1/4" X 1 1/4"	1	1	1	1	1	
3	N.S.S.	. FIELD ASSY	1	1	1	1	1	1
4	N.S.S.	. HEX WASHER HEAD CAP SCREW SELF LOCK 1/4-20X3/4	4	4	4	4	4	1
5	N.S.S.	. PULLEY ASSY	1	1	1	1	1	1
6	N.S.S.	. WASHER FL	1	1	1	1	1	1
7	N.S.S.	. SCREW CAP HEX SELF LOCK 5/16-24X1 1/4	1	1	1	1	1	1
8	950076	VALVE ASSY / DISCHARGE / W/O-RING 1/2" / W/"TECUMSEH" COMPRESSOR	1	1	1	1	1	
NS	950368	ADAPTOR FITTING / O-RING PORT TO ROTOLOCK	2	2	2	2	2	A
NS	950369	SEAL TEFLON / O-RING PORT TO ROTOLOCK	2	2	2	2	2	A
NS	950383	SEAL TEFLON / O-RING PORT TO ROTOLOCK	2	2	2	2	2	A
9	950077	VALVE ASSY / SUCTION / W/O-RING 5/8" / W/"TECUMSEH" COMPRESSOR	1	1	1	1	1	
10	950157	. CAP VALVE / PROTECTOR / STEEL	1	1	1	1	1	
NS	950236	REFRIGERANT OIL POE / USE W/134A (4LITER)	AR	AR	AR	AR	AR	
20	451144	OIL DIPSTICK / (REQUIRED TO CHANGE)	1	1	1	1	1	
		A) SOME COMPRESSOR MODEL REQUIRES ALL THOSE ITEMS TO INSTALL SERVICING VALVE INLET AND OUTLET						
		S) SERVICE AFTERMARKET						
		1) NOT SOLD SEPARATELY						

From E-638 To Y-7045

Date:10/2022

PAGE:XL-2251-00

GASKET - 05G A/C COMPRESSOR



From E-638 To Y-7045	Date:10/2022	PAGE:XL-2251-00
GASKET - 05G A/C COMPRESSOR		

Item#	Part	Description	M T H 4 0	M T H 4 5	M T H 4 5 E	X L 4 0	X L 4 5	N O T E S
	870829	KIT GASKET	1	1	1	1	1	
1	870754	GASKET / SUCTION VALVE	1	1	1	1	1	
2	870795	GASKET, HUB BEARING	1	1	1	1	1	
3	870764	GASKET, VALVE PLATE	3	3	3	3	3	
4	N.S.S.	GASKET, END FLANGE	1	1	1	1	1	1
5	870791	GASKET, SHAFT END COVER	2	2	2	2	2	
6	N.S.S.	GASKET, LEFT & RIGHT CYLINDER HEAD - STANDARDS	2	2	2	2	2	1
7	N.S.S.	GASKET, VALVE PLATE	3	3	3	3	3	1
8	870760	GASKET, CENTER CYLINDER HEAD	1	1	1	1	1	
9	870797	GASKET, L.H & R.H CYLINDER HEAD	2	2	2	2	2	
10	N.S.S.	GASKET, OIL SUPPLY TUBE	1	1	1	1	1	1
11	870769	GASKET, SIGHT GLASS	2	2	2	2	2	
12	870820	GASKET, UNLOADER	2	2	2	2	2	
13	N.S.S.	GASKET, OIL PUMP COVER	1	1	1	1	1	1
14	870753	GASKET / DISCHARGE VALVE	2	2	2	2	2	
15	870786	GASKET, BOTTOM PLATE	1	1	1	1	1	
16	870771	GASKET / OIL PUMP	1	1	1	1	1	
17	N.S.S.	GASKET, SHAFT	1	1	1	1	1	1
18	N.S.S.	GASKET, MOTOR END COVER	1	1	1	1	1	1
NS	870791	GASKET, SHAFT END COVER	1	1	1	1	1	
		1) NOT SOLD SEPARATELY						

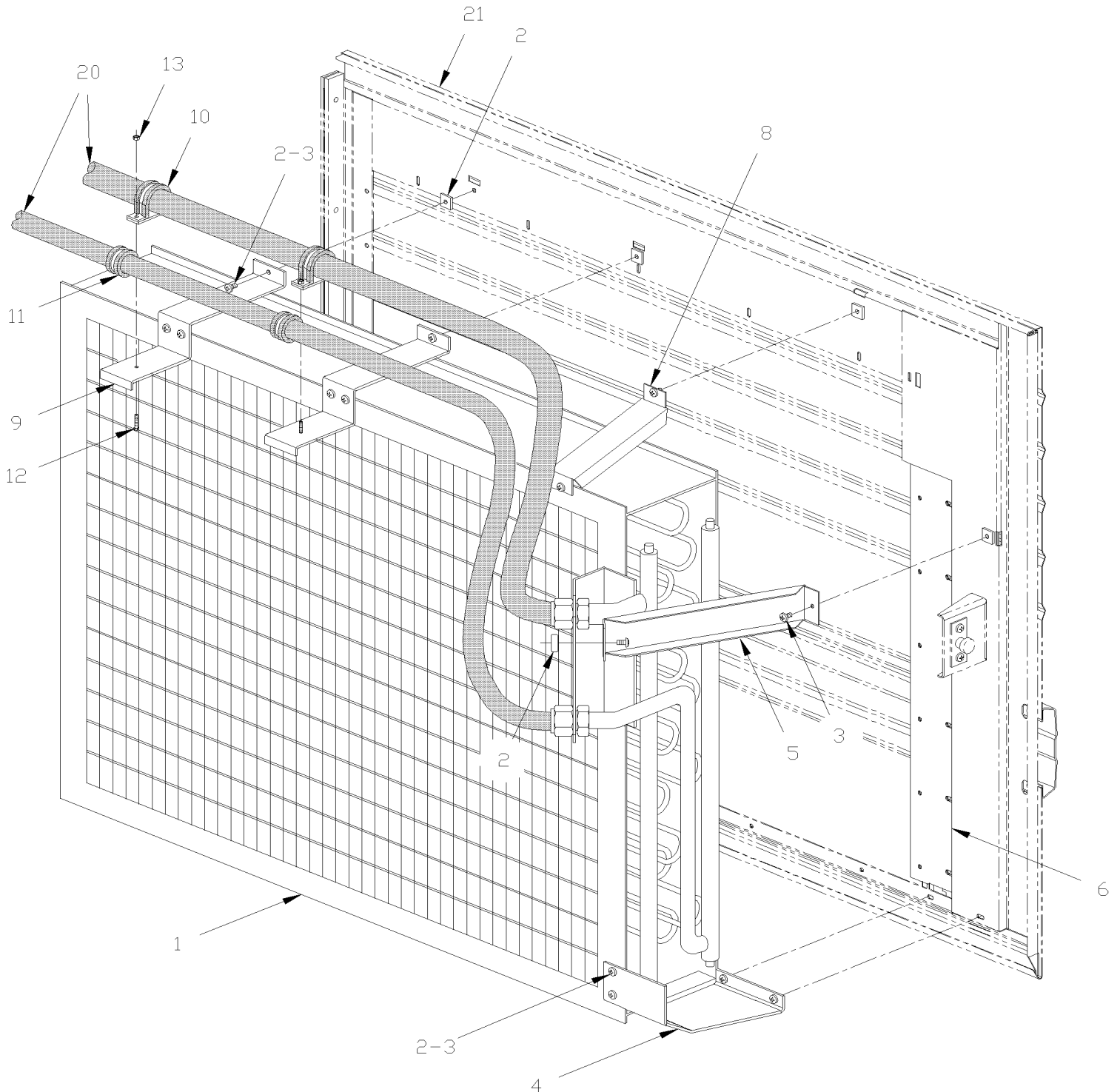
From E-638 To Y-7045

Date:10/2022

PAGE:XL-2255-00

CONDENSOR - INSTALLATION

BUS 40', MTH 40', MTH 45' & MTH 45' ENT



From E-638 To Y-7045	Date:10/2022	PAGE:XL-2255-00
CONDENSOR - INSTALLATION		

Item#	Part	Description	M T H 4 0	M T H 4 5	M T H 4 5 E	X L 4 0	X L 4 5	N O T E S
1	870654	CONDENSOR ALUMINUM 36 1/2" x 28" x 6"	1	1	1	1		
. NS	501802	. O-RING / ORS FITTING / #16 NEO	1	1	1	1		
. NS	501829	. O-RING / ORS FITTING / #12 NEO	1	1	1	1		
1	870729	CONDENSOR COPPER 36 1/2" x 28" x 6"	1	1	1	1		
. NS	501802	. O-RING / ORS FITTING / #16 NEO	1	1	1	1		
. NS	501829	. O-RING / ORS FITTING / #12 NEO	1	1	1	1		
1	453277	CONDENSOR ALUMINUM / W/BLACK E-COAT 36 1/2" x 28" x 6"	1	1	1	1		
. NS	501802	. O-RING / ORS FITTING / #16 NEO	1	1	1	1		
. NS	501829	. O-RING / ORS FITTING / #12 NEO	1	1	1	1		
1	870729	CONDENSOR COPPER 36 1/2" x 28" x 6"	1	1	1	1		
. NS	501802	. O-RING / ORS FITTING / #16 NEO	1	1	1	1		
. NS	501829	. O-RING / ORS FITTING / #12 NEO	1	1	1	1		
1	453276	CONDENSOR COPPER / W/BLACK E-COAT 36 1/2" x 28" x 6"	1	1	1	1		
. NS	501802	. O-RING / ORS FITTING / #16 NEO	1	1	1	1		
. NS	501829	. O-RING / ORS FITTING / #12 NEO	1	1	1	1		
NS	370357	DECAL "CLEAN REGULARY"	1	1	1	1		
2	481249	NUT	39	39	39	39		
3	500524	SCREW TP PAN PH #12x5/8 SS	39	39	39	39		
4	480909	REINFORCEMENT, LOWER	1	1	1	1		
5	481054	REINFORCEMENT, SIDE	1	1	1	1		
6	480912	REINFORCEMENT, VERTICAL	1	1	1	1		
8	480908	REINFORCEMENT, UPPER	1	1	1	1		
9	450970	SUPPORT / HOSE CLAMP	2	2	2	2		
10	504458	CLAMP / 1 5/8" I.D.	2	2	2	2		
11	560872	CLAMP / 1"1/16 I.D.	2	2	2	2		
NS	501801	O-RING / ORS FITTING / #8 NEO	1	1	1	1		A
NS	507169	O-RING 1/2 I.D.	1	1	1	1		B
NS	501802	O-RING / ORS FITTING / #16 NEO	2	2	2	2		A
12	500603	SCREW CAP HEX SLT #10-24x2 Z050	2	2	2	2		
13	500767	NUT HEX #10-24 Z050	2	2	2	2		
20	XL-2222-11	A/C LINE & PIPING - CENTRAL A/C SYSTEM - WITH DETROIT S-60						
21	XL-1863-00	CONDENSOR DOOR ASSY - BUS & MTH To V-6257						
21	XL-1863-01	CONDENSOR DOOR ASSY - BUS 40' From V-6258						
21	XL-1863-51	CONDENSOR DOOR ASSY - MTH 40' & 45' ENT From V-6258						
21	XL-1863-50	CONDENSOR DOOR ASSY - MTH 45'						
		A) HOSE & CONDENSER						
		B) TO HOSE #11 / HOSE & RECEIVER TANK						

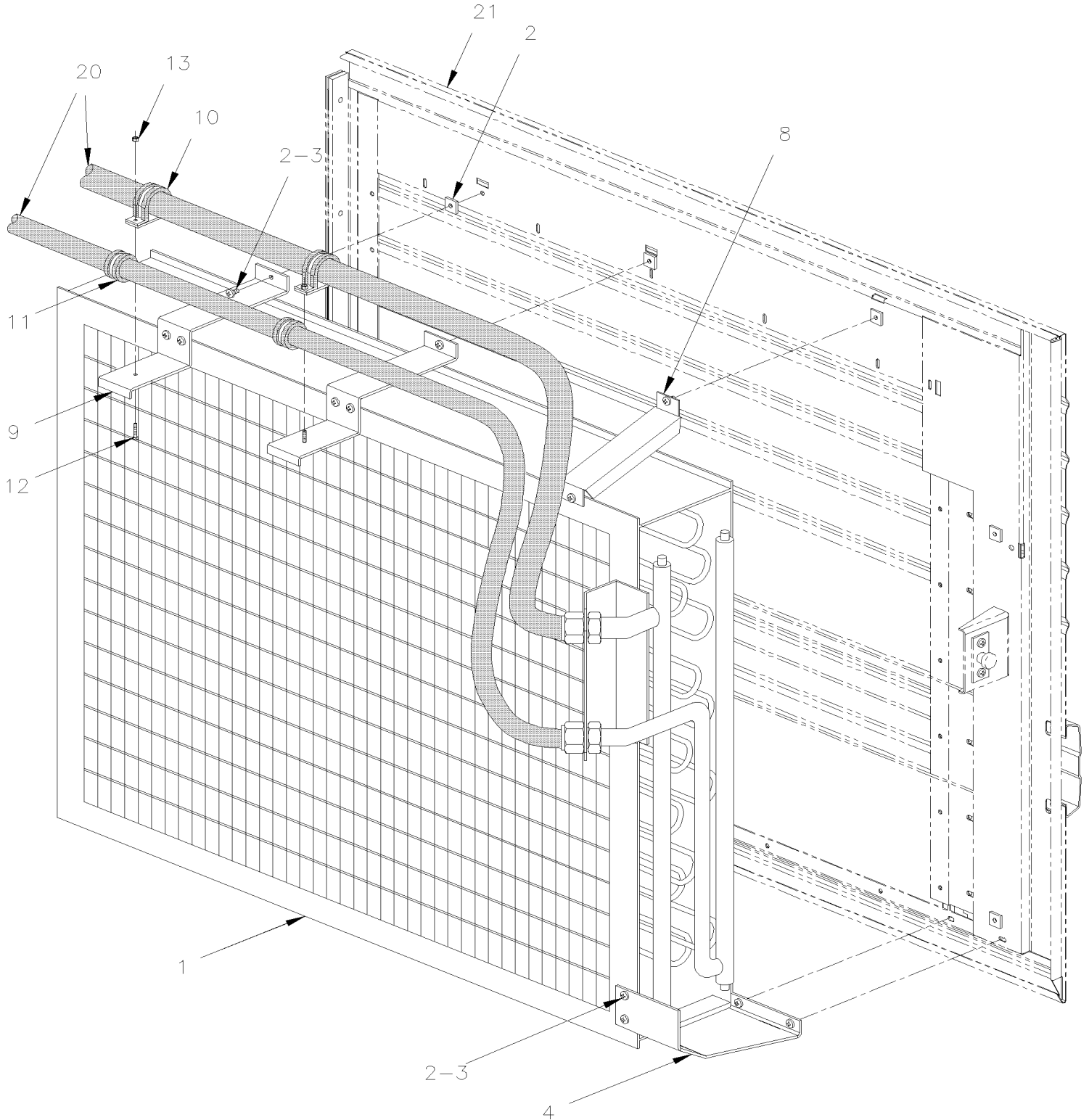
From S-570 To Y-7045

Date:10/2022

PAGE:XL-2255-01

CONDENSOR - INSTALLATION

BUS 45'



From S-570 To Y-7045	Date:10/2022	PAGE:XL-2255-01
CONDENSOR - INSTALLATION		

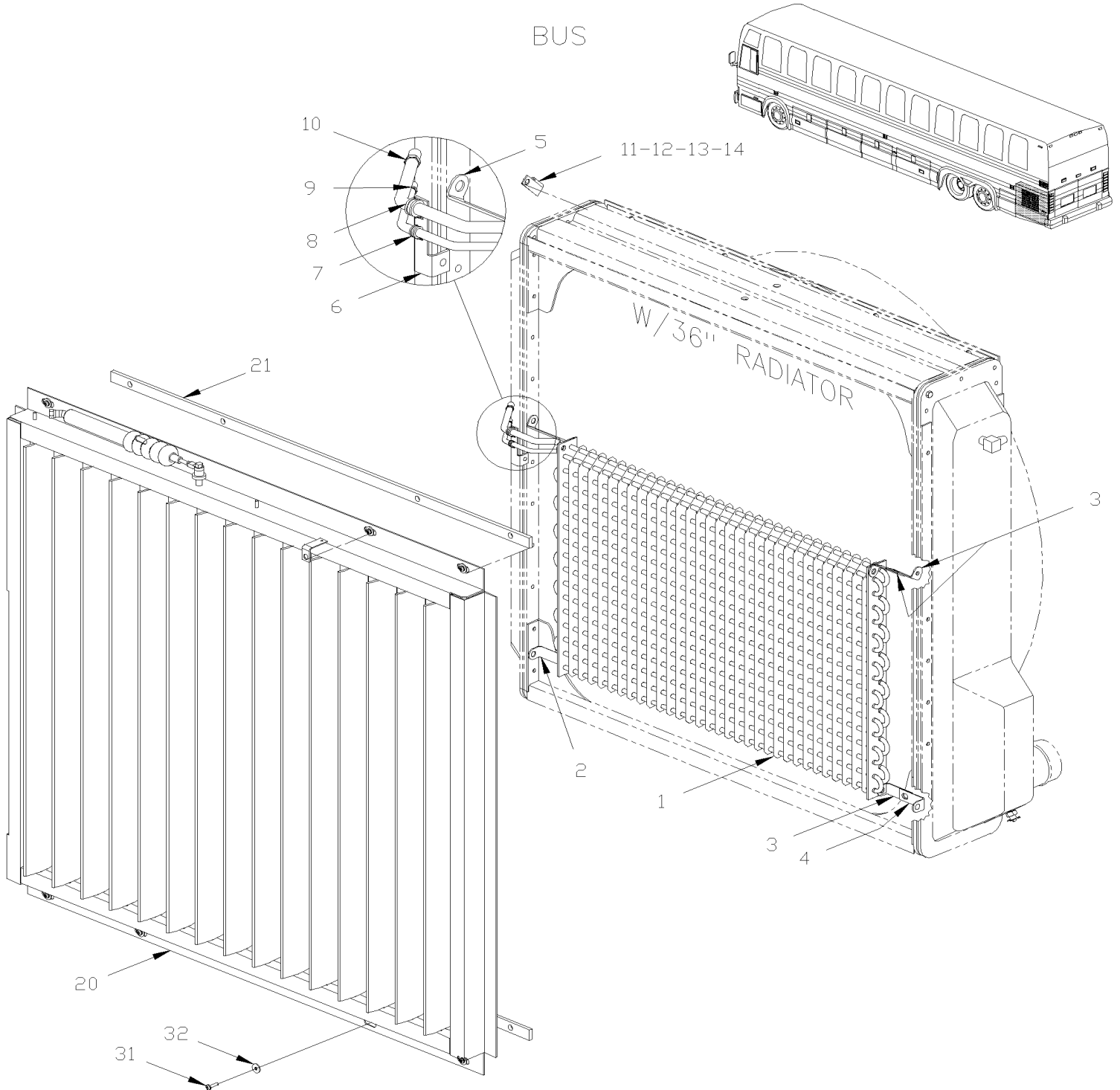
Item#	Part	Description	M T H 4 0	M T H 4 5	M T H 4 5 E	X L 4 0	X L 4 5	N O T E S
1	950259	CONDENSOR ALUMINUM					1	
. NS	501802	. O-RING / ORS FITTING / #16 NEO					1	
. NS	501829	. O-RING / ORS FITTING / #12 NEO					1	
1	950260	CONDENSOR COPPER					1	
. NS	501802	. O-RING / ORS FITTING / #16 NEO					1	
. NS	501829	. O-RING / ORS FITTING / #12 NEO					1	
1	453279	CONDENSOR ALUMINUM / W/BLACK E-COAT					1	
. NS	501802	. O-RING / ORS FITTING / #16 NEO					1	
. NS	501829	. O-RING / ORS FITTING / #12 NEO					1	
1	950260	CONDENSOR COPPER					1	
. NS	501802	. O-RING / ORS FITTING / #16 NEO					1	
. NS	501829	. O-RING / ORS FITTING / #12 NEO					1	
1	453278	CONDENSOR COPPER / W/BLACK E-COAT					1	
. NS	501802	. O-RING / ORS FITTING / #16 NEO					1	
. NS	501829	. O-RING / ORS FITTING / #12 NEO					1	
NS	370357	DECAL "CLEAN REGULARY"					1	
2	481249	NUT					37	
3	5001087	SCREW TP BDG PH #10x1/2 SS					37	
4	482322	SUPPORT					1	
8	480908	REINFORCEMENT, UPPER					1	
9	452782	SUPPORT / HOSE CLAMP To V-6284					2	
9	450970	SUPPORT / HOSE CLAMP From V-6285					2	A
10	561569	CLAMP / 1 3/8 I.D.					2	
11	560872	CLAMP / 1"1/16 I.D.					2	
12	500603	SCREW CAP HEX SLT #10-24x2 Z050					2	
13	500767	NUT HEX #10-24 Z050					2	
20	XL-2222-11	A/C LINE & PIPING - CENTRAL A/C SYSTEM - WITH DETROIT S-60						
21	XL-1863-10	CONDENSOR DOOR ASSY - BUS 45'						
		A) AS SHOWN						

From J-479 To R-860

Date:10/2022

PAGE:XL-2255-10

CONDENSOR - INSTALLATION - AUXILIARY A/C

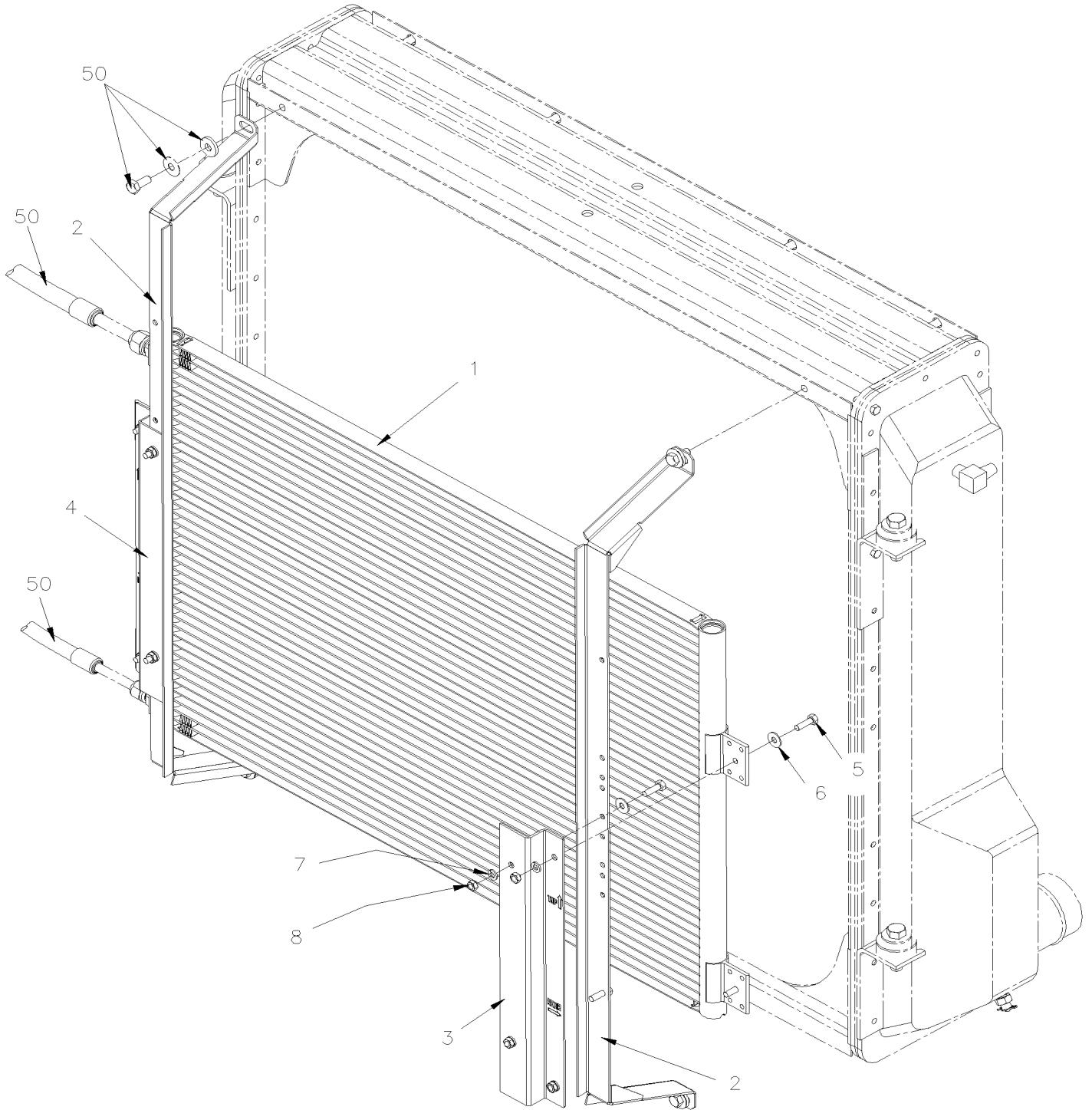


From J-479 To R-860

Date:10/2022

PAGE:IS14130

RETROFIT KIT FOR OBSOLETE CONDENSORS 950018 & 950335

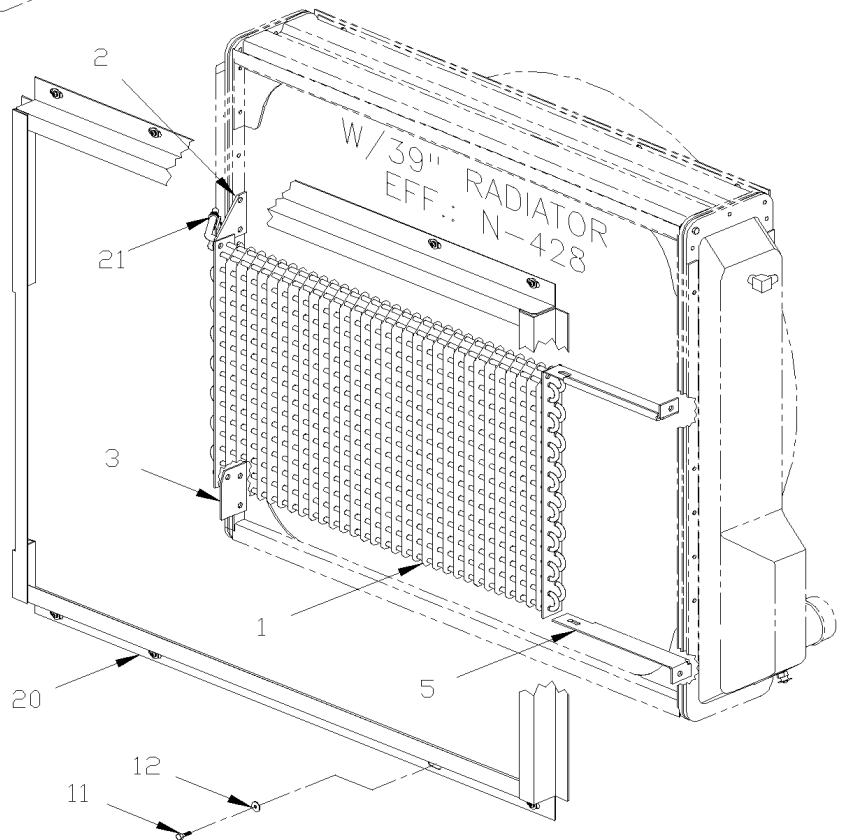
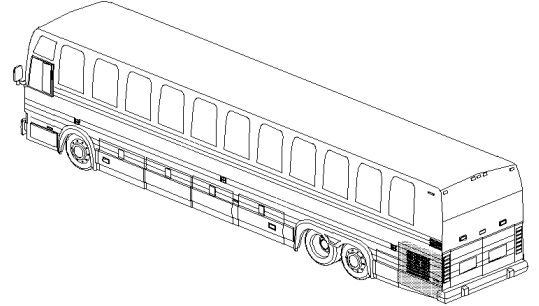
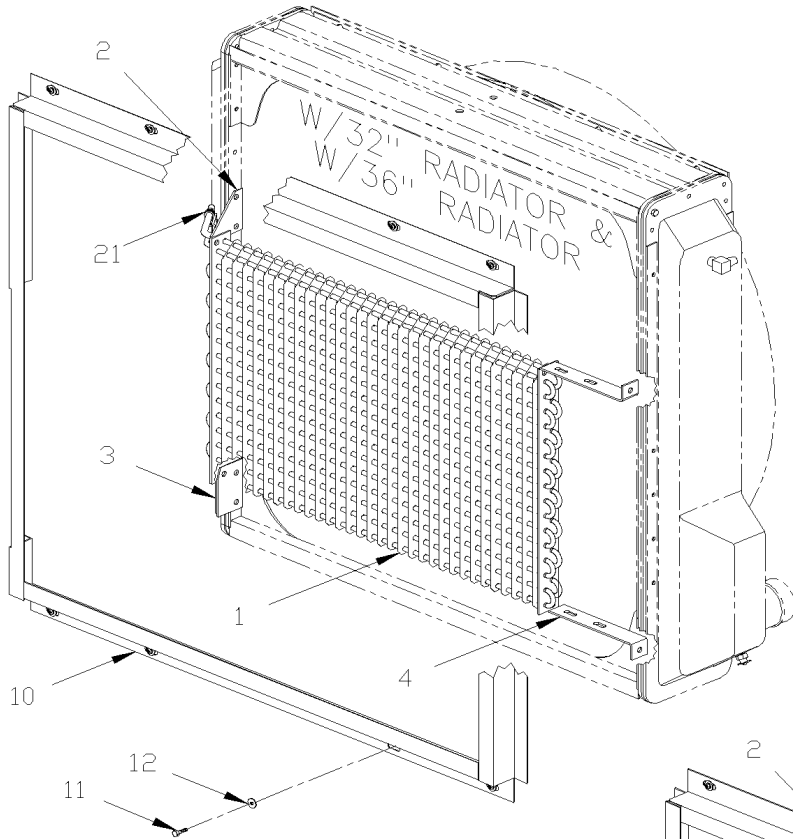


From E-638 To R-843

Date:10/2022

PAGE:XL-2255-50

CONDENSOR - INSTALLATION SMALL A/C SYSTEM DETROIT S-71 & S-92

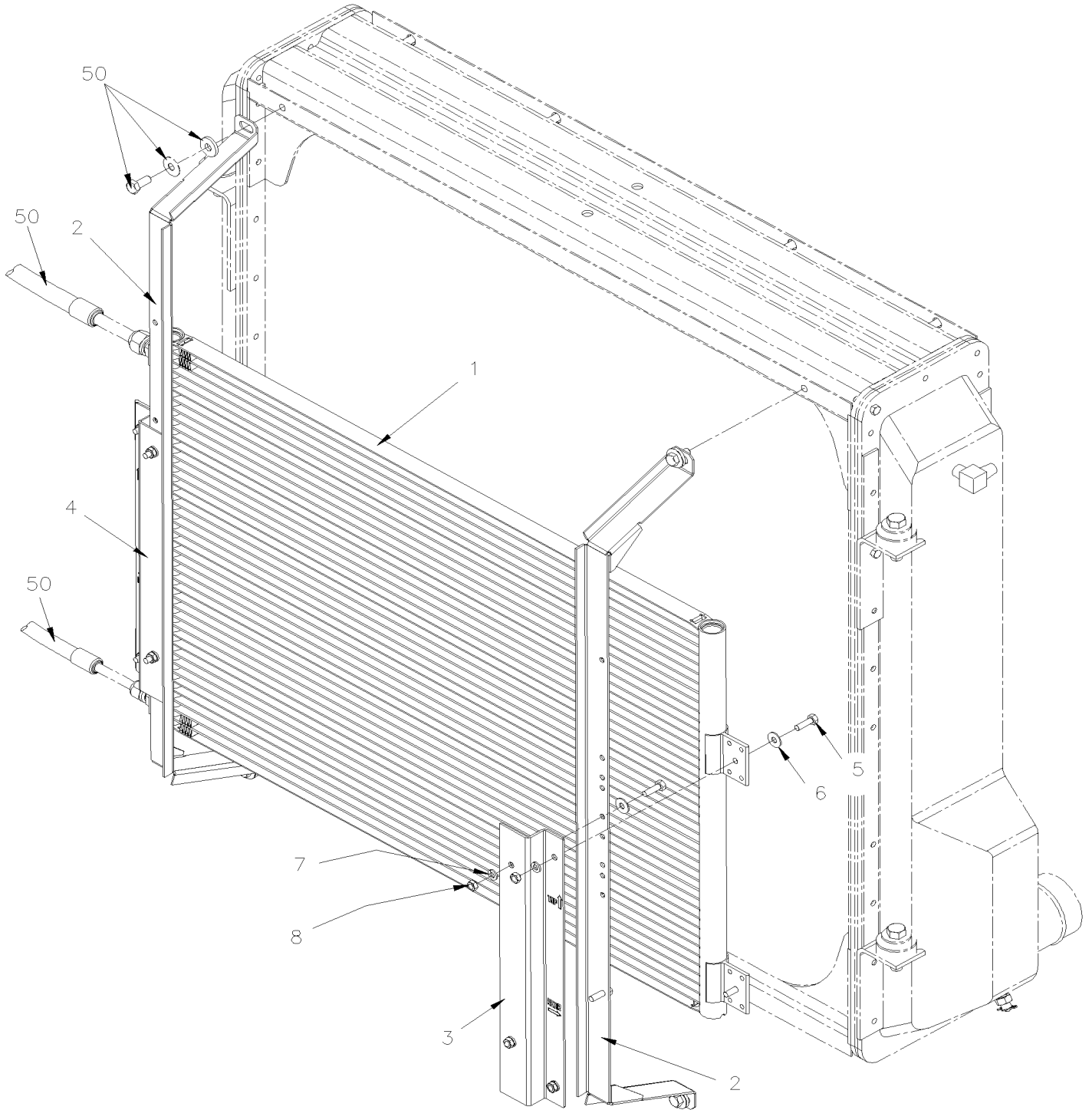


From E-638 To R-843

Date:10/2022

PAGE:IS14130

RETROFIT KIT FOR OBSOLETE CONDENSORS 950018 & 950335

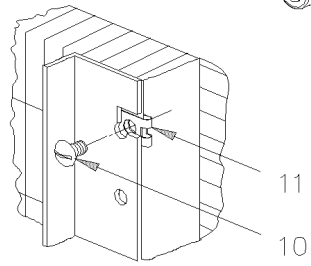
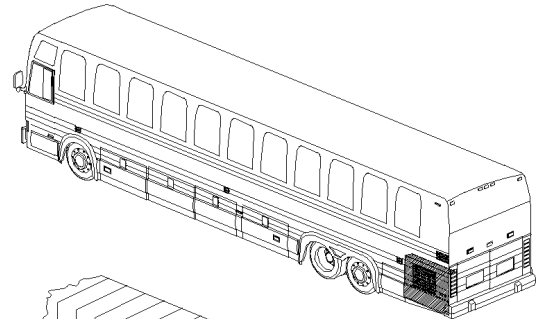
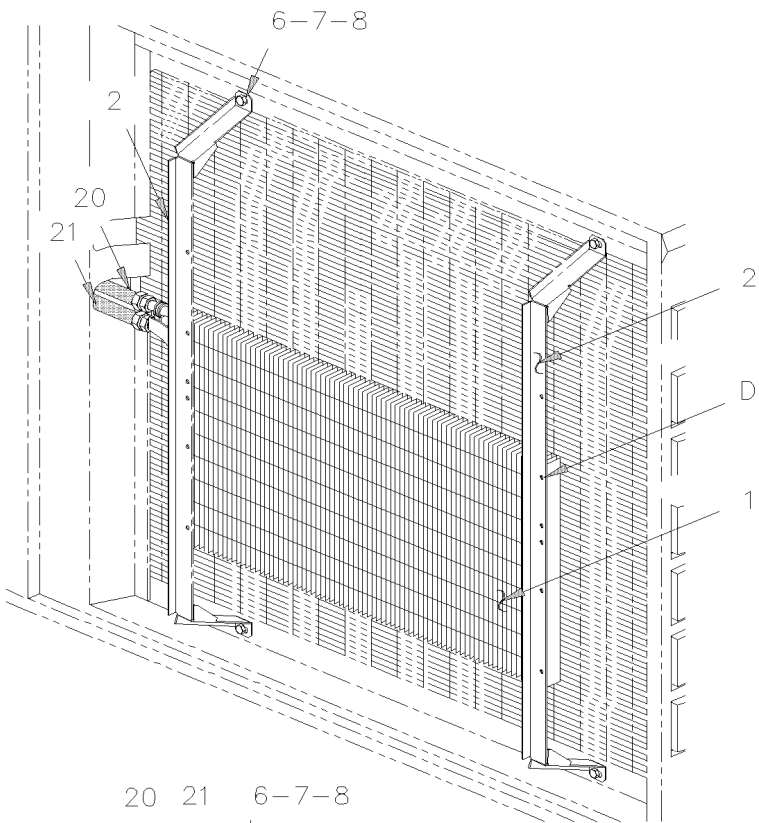


From P-722 To Y-7045

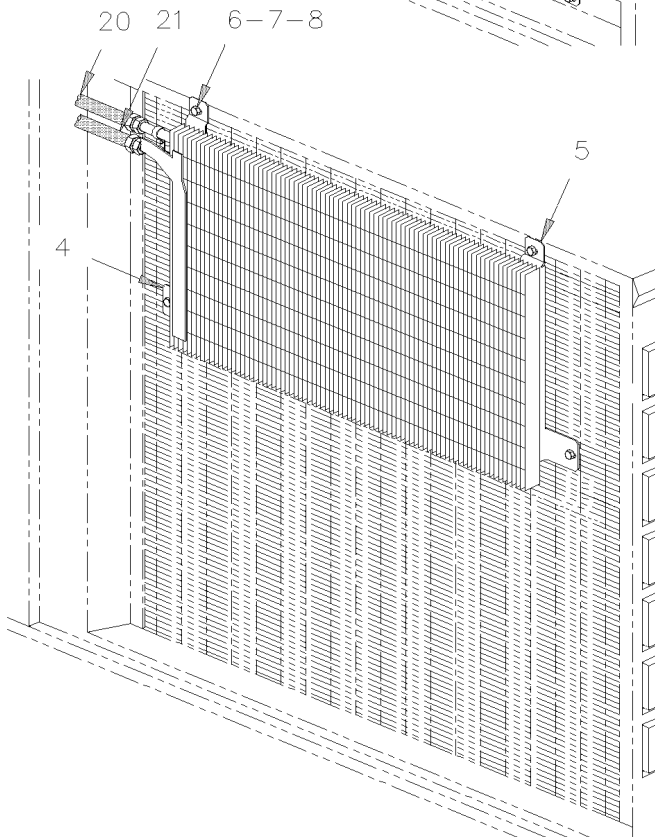
Date:10/2022

PAGE:XL-2255-51

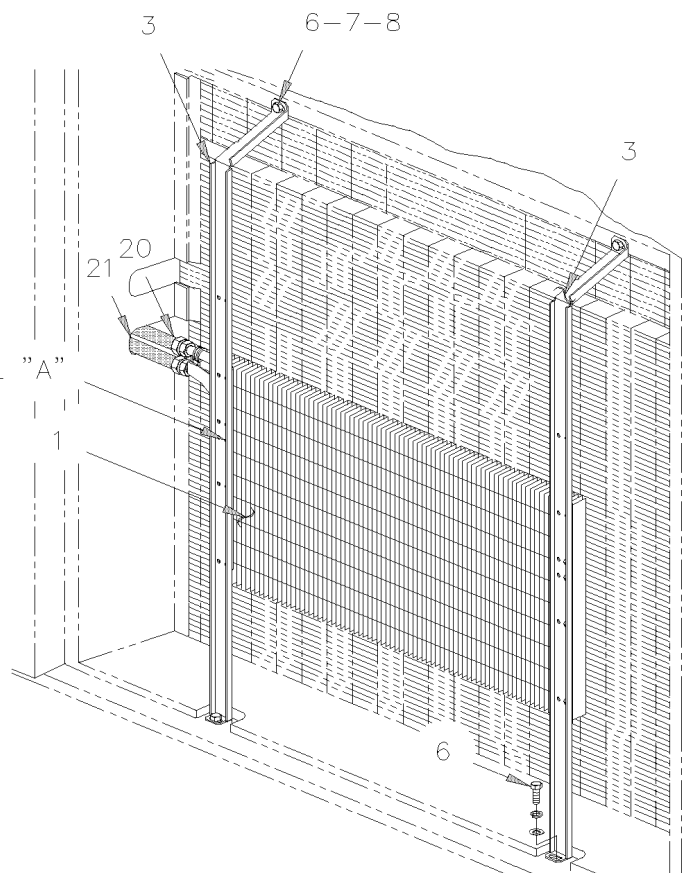
CONDENSOR - INSTALLATION SMALL A/C SYSTEM DETROIT S-60



DETAIL "A"



DETAIL "A"



From P-722 To Y-7045	Date:10/2022	PAGE:XL-2255-51
CONDENSOR - INSTALLATION SMALL A/C SYSTEM DETROIT S-60		

Item#	Part	Description	M T H 4 0	M T H 4 5	M T H 4 5 E	X L 4 0	X L 4 5	N O T E S
1	950018	CONDENSOR COIL	1	1	1	1	1	
1	IS14130	RETROFIT KIT FOR OBSOLETE CONDENSORS 950018 & 950335	1	1	1	1	1	
2	051988	SUPPORT To X-6703			2	2	2	
2	052258	SUPPORT From X-6704			2	2	2	
3	052118	SUPPORT From T-5749 To W-6561	2	2				
4	453138	SUPPORT FORWARD From W-6562	1	1				
5	453181	SUPPORT BACKWARD From W-6562	1	1				
6	500179	SCREW CAP HEX 5/16-18x3/4 G5 Z050	4	4	4	4	4	
7	502583	WASHER LO SERR 8.15x22.3x1.0 Z050	4	4	4	4	4	
8	500985	WASHER FL .343x.875x.125 Z050	4	4	4	4	4	
10	5001087	SCREW TP BDG PH #10x1/2 SS	6	6	6	6	6	
11	500981	NUT SPR U #10-23/32x5/8	6	6	6	6	6	
20	452431	HOSE ASSY /COND INLET & HI-SIDE / W/R-134a/ #8 2080MM	1		1	1	1	
. NS	507343	. O-RING / ORS FITTING / #8 NEO	2		2	2	2	
20	455166	HOSE ASSY /COND INLET & HI-SIDE / W/R-134a/ #8 2080MM	1		1	1	1	S
. NS	507343	. O-RING / ORS FITTING / #8 NEO	2		2	2	2	S
20	453169	HOSE ASSY /COND INLET & HI-SIDE / W/R-134a/ #8 860MM To W-6561		1				
. NS	507343	. O-RING / ORS FITTING / #8 NEO To W-6561		2				
20	455190	HOSE ASSY /COND INLET & HI-SIDE / W/R-134a/ #8 860MM To W-6561		1				S
. NS	507343	. O-RING / ORS FITTING / #8 NEO To W-6561		2				S
20	453147	HOSE ASSY /COND INLET & HI-SIDE / W/R-134a/ #8 4200MM From W-6562		1				
. NS	507343	. O-RING / ORS FITTING / #8 NEO From W-6562		2				
20	455187	HOSE ASSY /COND INLET & HI-SIDE / W/R-134a/ #8 4200MM From W-6562		1				S
. NS	507343	. O-RING / ORS FITTING / #8 NEO From W-6562		2				S
NS	505181	. COIL PROTECTOR / PLASTIC / #8	AR	AR	AR	AR	AR	
NS	560479	CLAMP / 3/8" I.D.	1	1	1	1	1	
21	452432	HOSE ASSY / CONDENSER & RECEIVER / #6 2070MM	1		1	1	1	
. NS	507278	. O-RING / ORS FITTING / #4 NEO	2		2	2	2	
21	455167	HOSE ASSY / CONDENSER & RECEIVER / #6 2070MM	1		1	1	1	S
. NS	507278	. O-RING / ORS FITTING / #4 NEO	2		2	2	2	S
21	453170	HOSE ASSY / CONDENSER & RECEIVER / #6 1100MM To W-6561		1				
. NS	507278	. O-RING / ORS FITTING / #4 NEO To W-6561		2				
21	455191	HOSE ASSY / CONDENSER & RECEIVER / #6 1100MM To W-6561		1				S
. NS	507278	. O-RING / ORS FITTING / #4 NEO To W-6561		2				S
21	453166	HOSE ASSY / CONDENSER & RECEIVER / #6 3740MM From W-6562		1				
. NS	507278	. O-RING / ORS FITTING / #4 NEO From W-6562		2				
21	455188	HOSE ASSY / CONDENSER & RECEIVER / #6 3740MM From W-6562		1				S
. NS	507278	. O-RING / ORS FITTING / #4 NEO From W-6562		2				S
NS	505181	. COIL PROTECTOR / PLASTIC / #8	AR	AR	AR	AR	AR	
NS	560480	CLAMP / 1/2" I.D.	1	1	1	1	1	
NS	500638	SCREW TP PAN PH #8x1/2 Z050	2	2	2	2	2	

From P-722 To Y-7045	Date:10/2022	PAGE:XL-2255-51
----------------------	--------------	-----------------

CONDENSOR - INSTALLATION SMALL A/C SYSTEM DETROIT S-60

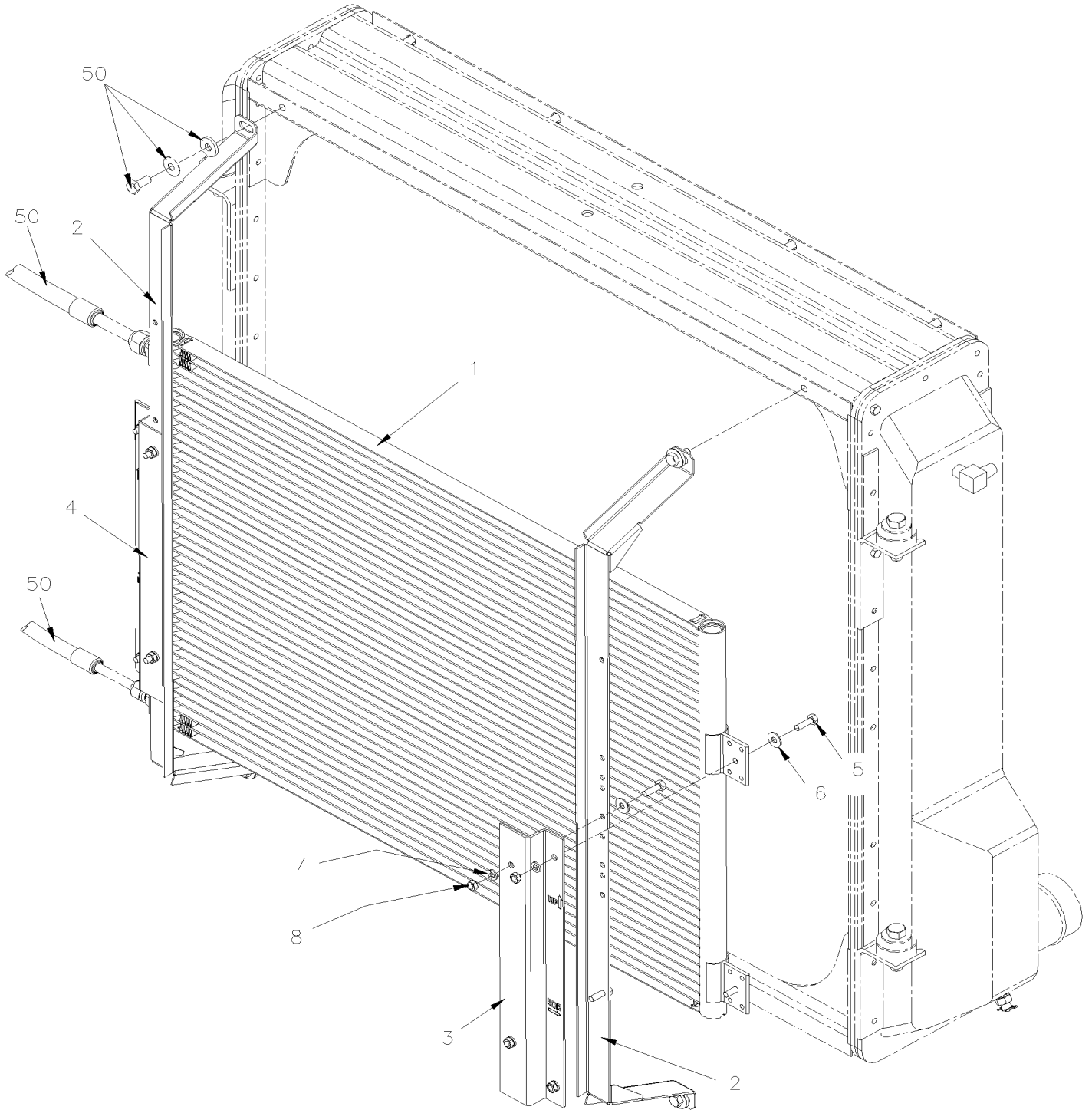
Item#	Part	Description	M T H 4 0	M T H 4 5	M T H 4 5 E	X L 4 0	X L 4 5	N O T E S
		S) SERVICE						

From P-722 To Y-7045

Date:10/2022

PAGE:IS14130

RETROFIT KIT FOR OBSOLETE CONDENSORS 950018 & 950335

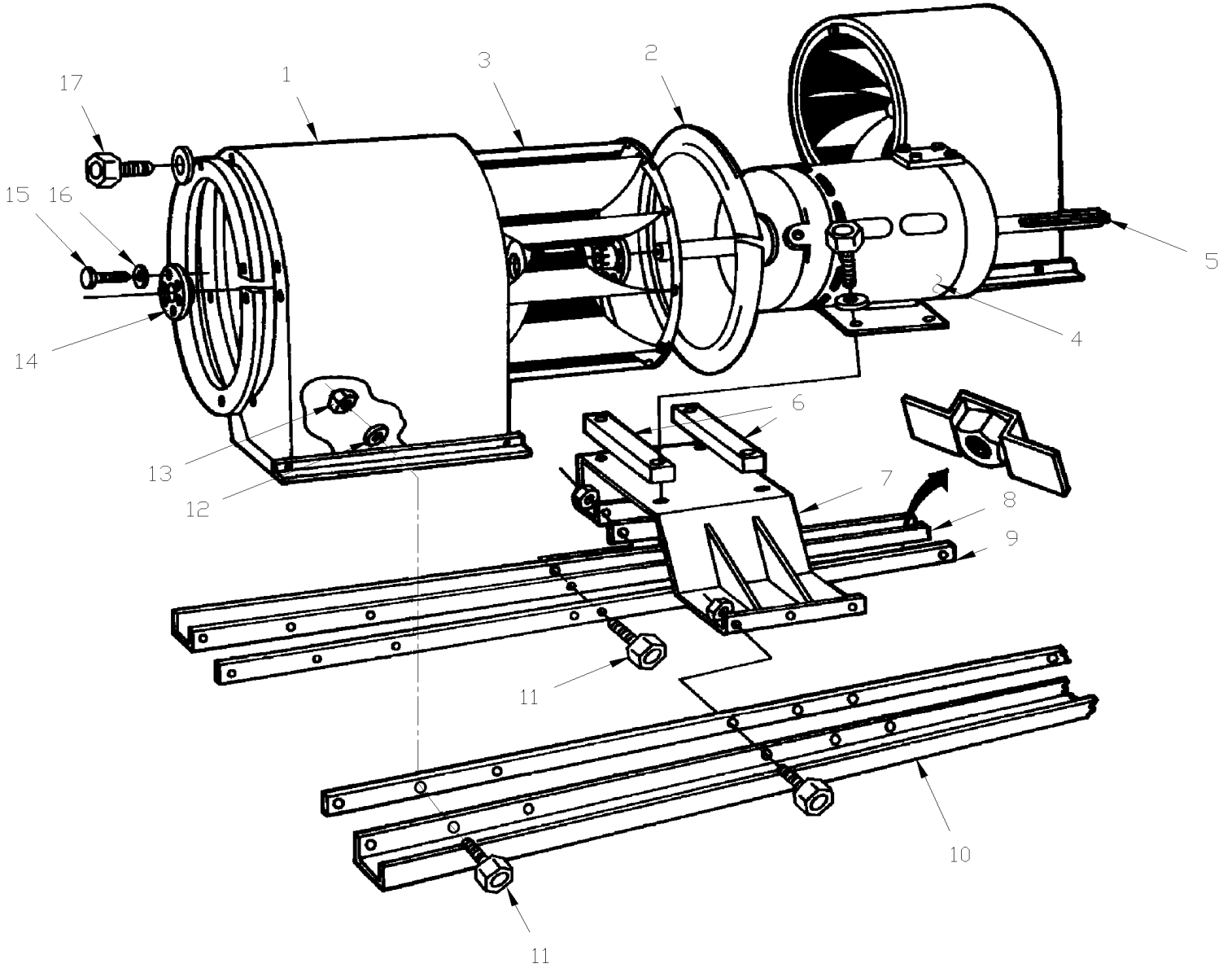


From E-638 To Y-7045

Date:10/2022

PAGE:XL-2260-00

CONDENSOR FAN - INSTALLATION W/1 MOTORS



From E-638 To Y-7045	Date:10/2022	PAGE:XL-2260-00
CONDENSOR FAN - INSTALLATION W/1 MOTORS		

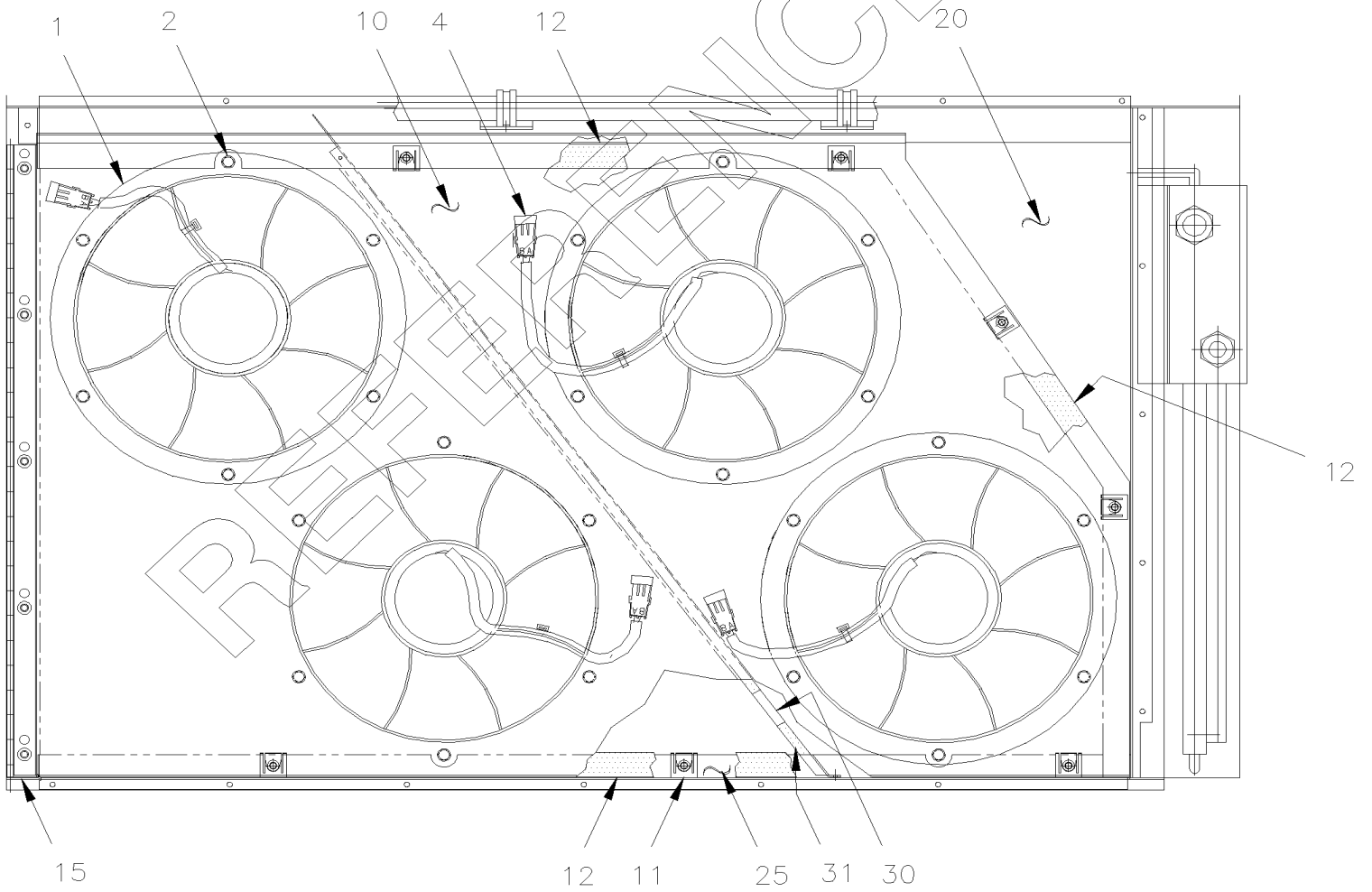
Item#	Part	Description	M T H 4 0	M T H 4 5	M T H 4 5 E	X L 4 0	X L 4 5	N O T E S
	450801P	FAN ASSY / W/HOUSING & SUPPORT	1	1	1	1		
1	450622	. HOUSING, FAN / ALUMINUM To J-584	2			2		
1	451717	. HOUSING, FAN / SS From J-585	2	2	2	2		
2	450627	. VENTURI	4	4	4	4		
2	506104	. TAPE RUB ADH1 URE 1/8" x 1/2" x 75' / GREY 1820	AR	AR	AR	AR		
3	870478	. BLOWER WHEEL	2	2	2	2		
4	XL-2265-01	. MOTOR - EVAPORATOR & CONDENSOR - "PREVOST" - T-19 To T-5953						
4	XL-2265-02	. MOTOR - EVAPORATOR & CONDENSOR - "PREVOST" - T-17 From T-5954						
5	451131	. KEY SQ 3/16" x 3/16"x 2 7/8"	2	2	2	2		
5	500050	. SCREW CAP HEX 3/8-24x1 1/2G5 ZP	4	4	4	4		
5	500546	. WASHER LO EXT .384x.694x.040 Z050	4	4	4	4		
6	451124	. SHIM 3/8" TH.	2	2	2	2		
6	451172	. SHIM .074" TH.	AR	AR	AR	AR		
6	451173	. SHIM 1/8" TH.	AR	AR	AR	AR		
7	450935	. SUPPORT ASSY / FAN MOTOR	1	1	1	1		
7	452095	. . SUPPORT / FAN MOTOR	1	1	1	1		
7	500296	. . . NUT WD FLRET 3/8-24	4	4	4	4		A
7	500297	. . . NUT WD FLRET 5/16-24	4	4	4	4		A
8	452092	. . SUPPORT, REAR / FAN	1	1	1	1		
8	500297	. . . NUT WD FLRET 5/16-24	2	2	2	2		A
9	506071	. . TAPE RUB ADH1 CC POL 1/8" x 1/2" x 50' / GREY 2520X	AR	AR	AR	AR		
10	452091	. SUPPORT, FRONT / FAN	1	1	1	1		
10	500297	. . NUT WD FLRET 5/16-24	2	2	2	2		A
11	500977	. SCREW CAP HEX #10-24x5/8 ZP	15	15	15	15		
12	500964	. WASHER FL .203x.500x.047 Z050	15	15	15	15		
13	500767	. NUT HEX #10-24 Z050	15	15	15	15		
14	870481	. COLLAR	4	4	4	4		
15	500010	. SCREW CAP HEX 1/4-28x1 G5 PT ZP	12	12	12	12		
16	500473	. WASHER LO SPT .262x.489x.062 Z050	12	12	12	12		
17	500884	. SCREW DR HEXW SLT #10x1/2 ZP	16	16	16	16		
		A) (WELDED)						

From S-570 To T-5884

Date:10/2022

PAGE:XL-2260-01

CONDENSOR FAN - INSTALLATION W/4 MOTORS

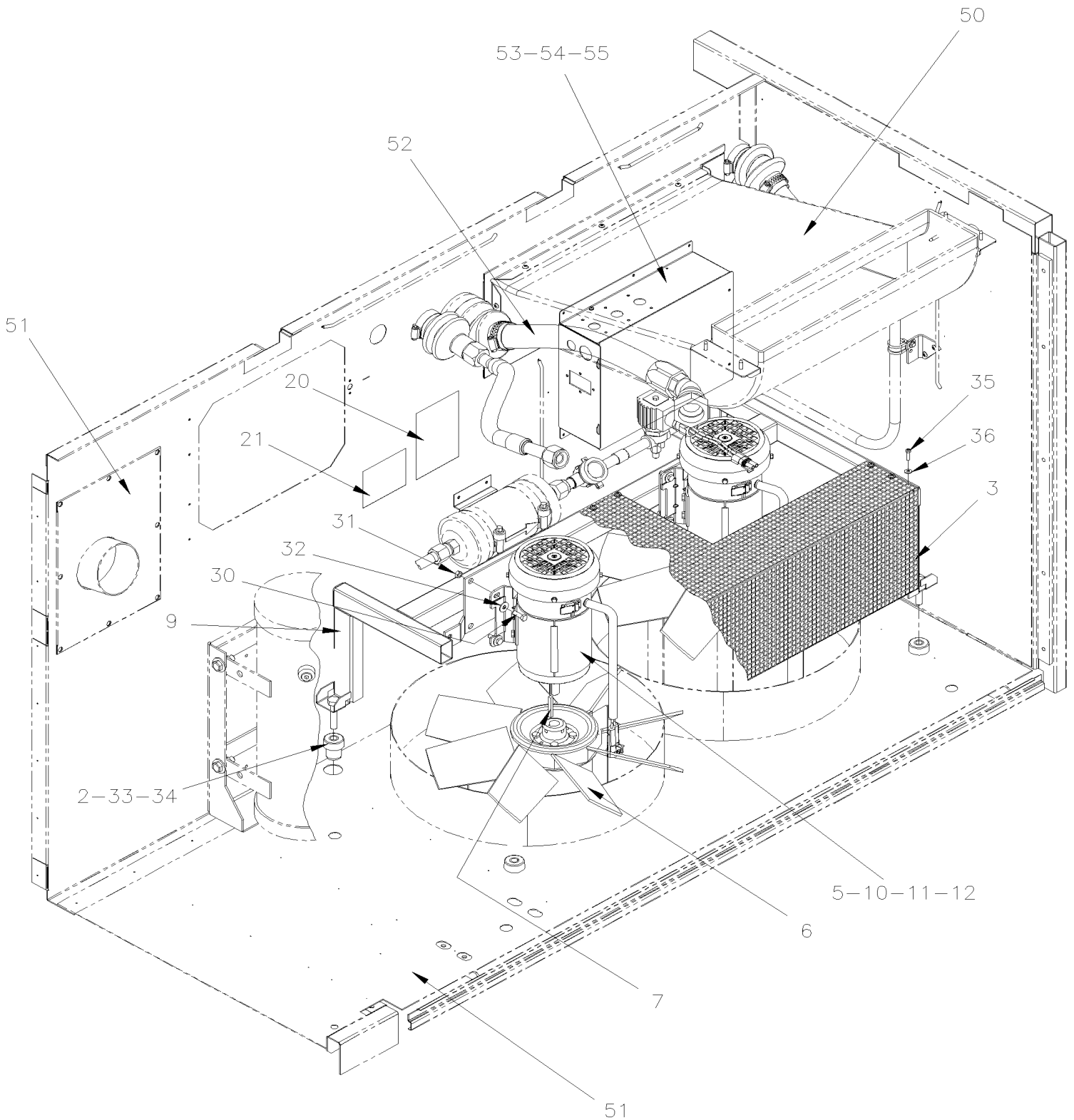


From V-6258 To Y-7045

Date:10/2022

PAGE:XL-2260-05

CONDENSOR FAN - INSTALLATION

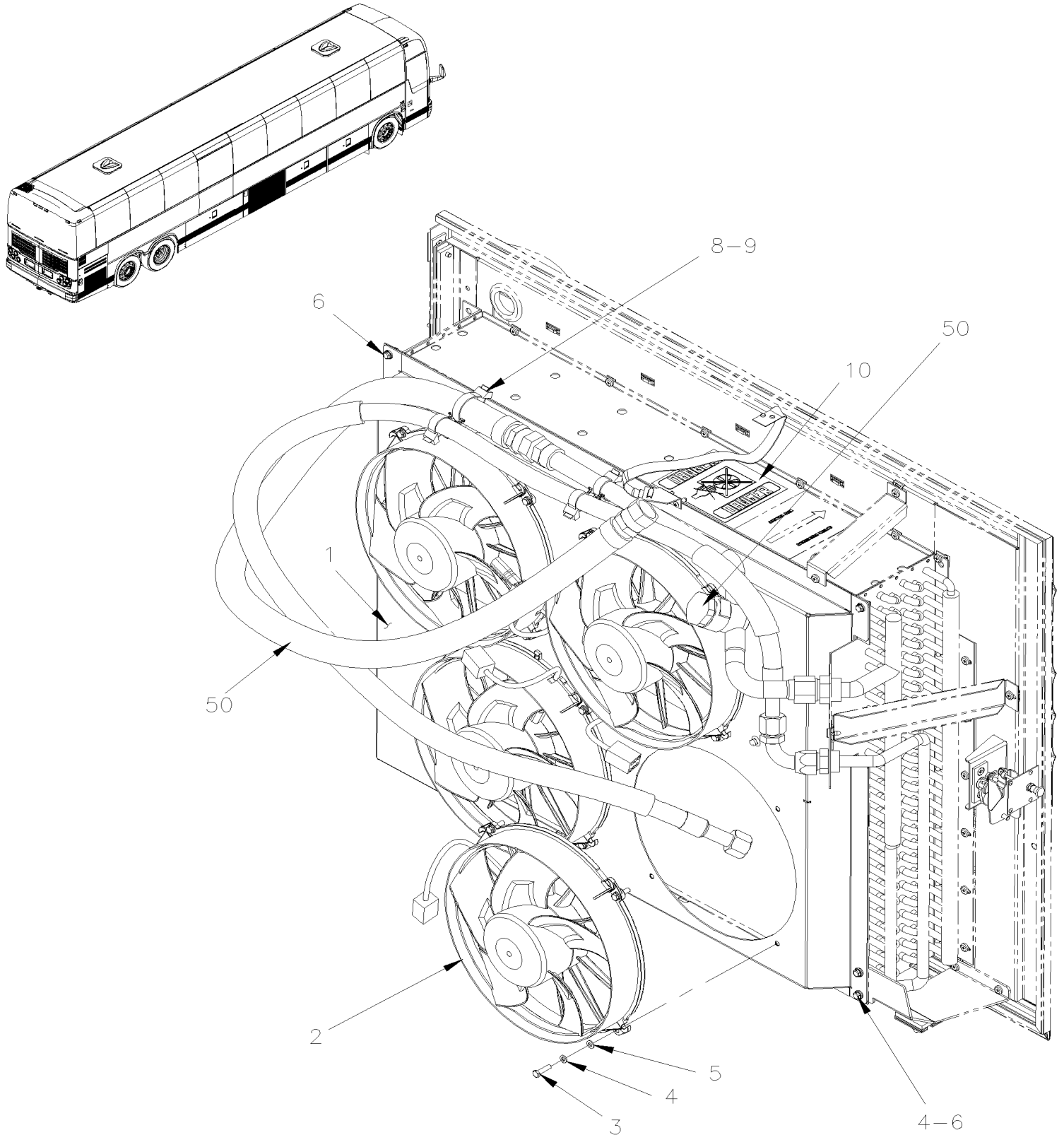


From E-638 To Y-7045

Date:10/2022

PAGE:XL-2260-99

CONDENSOR 4 FANS - INSTALLATION "RETROFIT"



From E-638 To Y-7045	Date:10/2022	PAGE:XL-2260-99
----------------------	--------------	-----------------

CONDENSOR 4 FANS - INSTALLATION "RETROFIT"

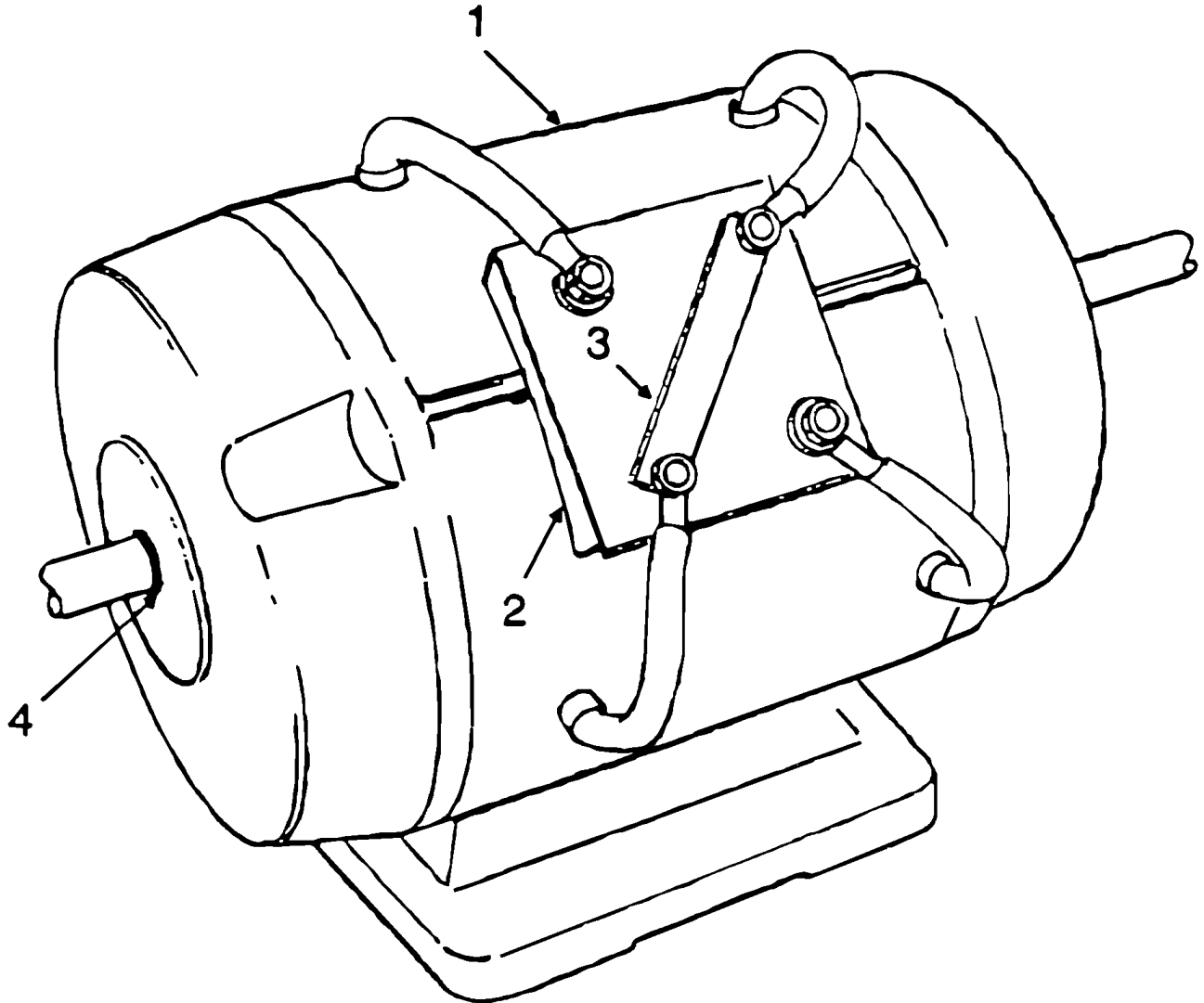
Item#	Part	Description	M T H 4 0	M T H 4 5	M T H 4 5 E	X L 4 0	X L 4 5	N O T E S
		THIS LIST ARE FOR REFERENCE ONLY						
1	454264	SHROUD FAN					1	B
1	455153	SHROUD FAN	1	1	1	1		
2	563461	CONDENSOR FAN ASSY 24V	4	4	4	4	4	
. NS	563691	. CONNECTOR / JUNIOR POWER TIMER / SH 6C / AMP 1-963212-1	1	1	1	1	1	
2	565881	CONDENSOR FAN ASSY 24V	4	4	4	4	4	
. NS	563691	. CONNECTOR / JUNIOR POWER TIMER / SH 6C / AMP 1-963212-1	1	1	1	1	1	
3	5001433	SCREW CAP HEX M6-1.0x25 SS	18	18	18	18	18	
4	502570	WASHER LO SPT 6.1x11.8x1.6 SS	20	20	20	20	20	
5	502573	WASHER FL 6.4x12.5x1.6 SS	18	18	18	18	18	
6	5001730	SCREW CAP HEXF M6-1.0x16 G10.9 N500	5	5	5	5	5	
NS	5001654	WASHER FL 6.4x17.0x3.0 SS	3	3	3	3	3	
NS	5001182	NUT HEX NYRT M6-1.0 SS	3	3	3	3	3	
7	509815	TIE MOUNT / ATTACHMENT W/TREE MOUNT	4	4	4	4	4	
8	509490	ATTACHMENT DOUBLE USE WITH CABLE TIE	2	2	2	2	2	
9	509491	CABLE TIE / 13MM x 383MM	4	4	4	4	4	
10	402792	DECAL / "DANGER" SHUT DOWN A/C BEFORE SERVI. / ENGLISH & FRANCAIS	1	1	1	1	1	
10	405637	DECAL / "DANGER" SHUT DOWN A/C BEFORE SERVI. / ENGLISH & SPANISH	1	1	1	1	1	
10	370357	DECAL "CLEAN REGULARY"	1	1	1	1	1	
		TO COMPLETE YOU NEED FOLLOWING ITEMS						
11	066875	CABLE RJB TO CONDENSOR FANS & FUEL SENSOR	1	1	1	1	1	A
11	563691	. CONNECTOR / JUNIOR POWER TIMER / SH 6C / AMP 1-963212-1	4	4	4	4	4	
11	563692	. SOCKET TERMINAL / 20-16 / AMP 964285-2	24	24	24	24	24	
NS	563145	. SEAL PLUG / NATURAL / AMP 828922-1	24	24	24	24	24	
11	562590	. WIRE CABLE 18 / RED / TXL	AR	AR	AR	AR	AR	
11	562587	. WIRE CABLE 18 / BLACK / TXL	AR	AR	AR	AR	AR	
50	XL-2270-01	RECEIVER TANK & FILTER DRYER WITH R-134A						
50	XL-2270-02	RECEIVER TANK & FILTER DRYER WITH R-134A	1	1	1	1		
		A) WHIT THIS CABLE YOU MAY BE USE ONLY FANS MOTORS SECTIONS OR ORDER CONNECTORS BELOOW SEPARATELY						
		B) FOR BUS XL-45 YOU RQUIRE TO BE CUT IN CENTER WITH OVERLAPS 47MM WITH RIVETS ON TOTAL LENGTH						

From E-638 To E-729

Date:10/2022

PAGE:XL-2265-00

MOTOR - EVAPORATOR & CONDENSOR - "BALDOR"



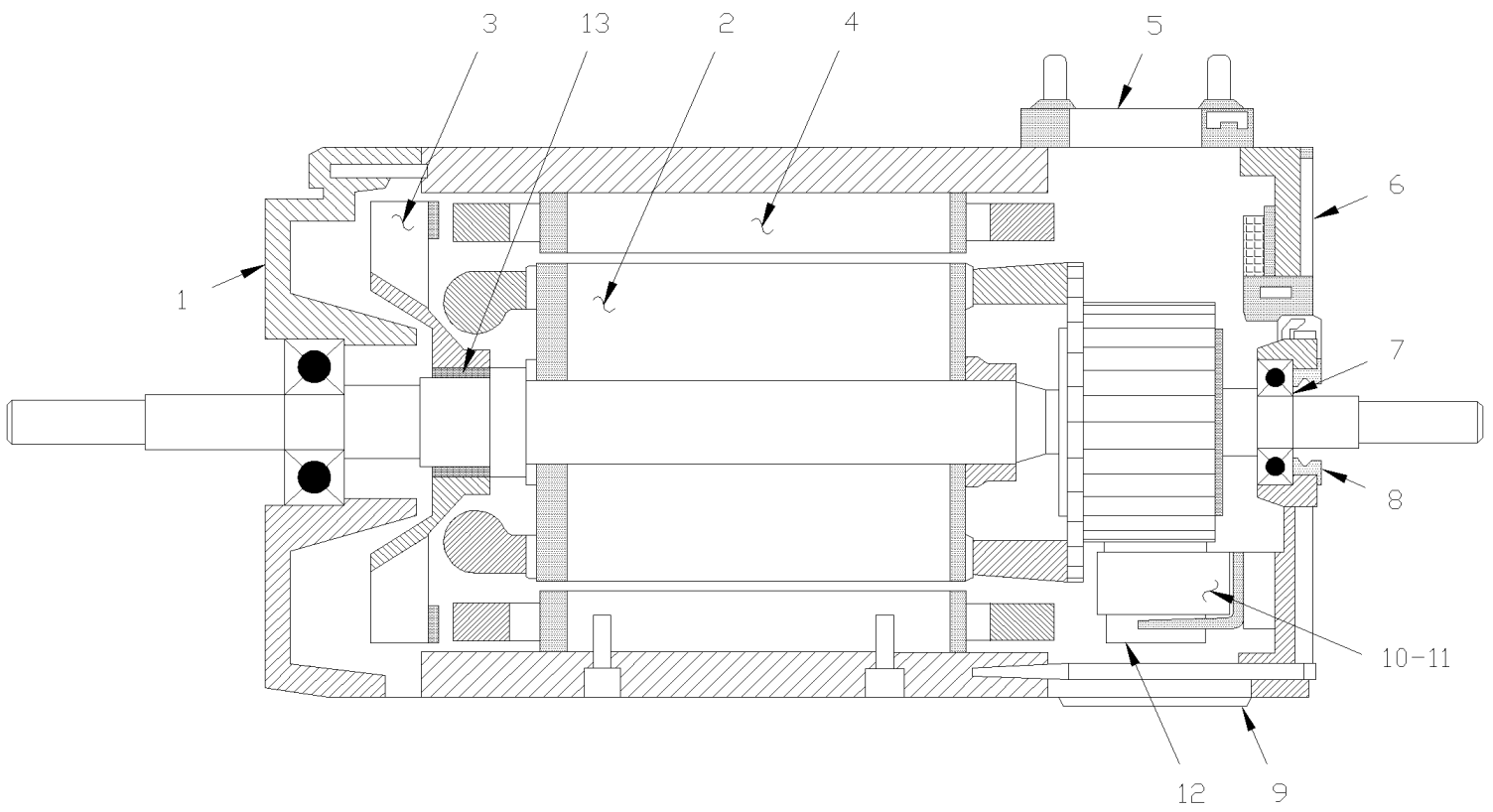
PX2245

From E-730 To T-5953

Date:10/2022

PAGE:XL-2265-01

MOTOR - EVAPORATOR & CONDENSOR - "PREVOST" - T-19

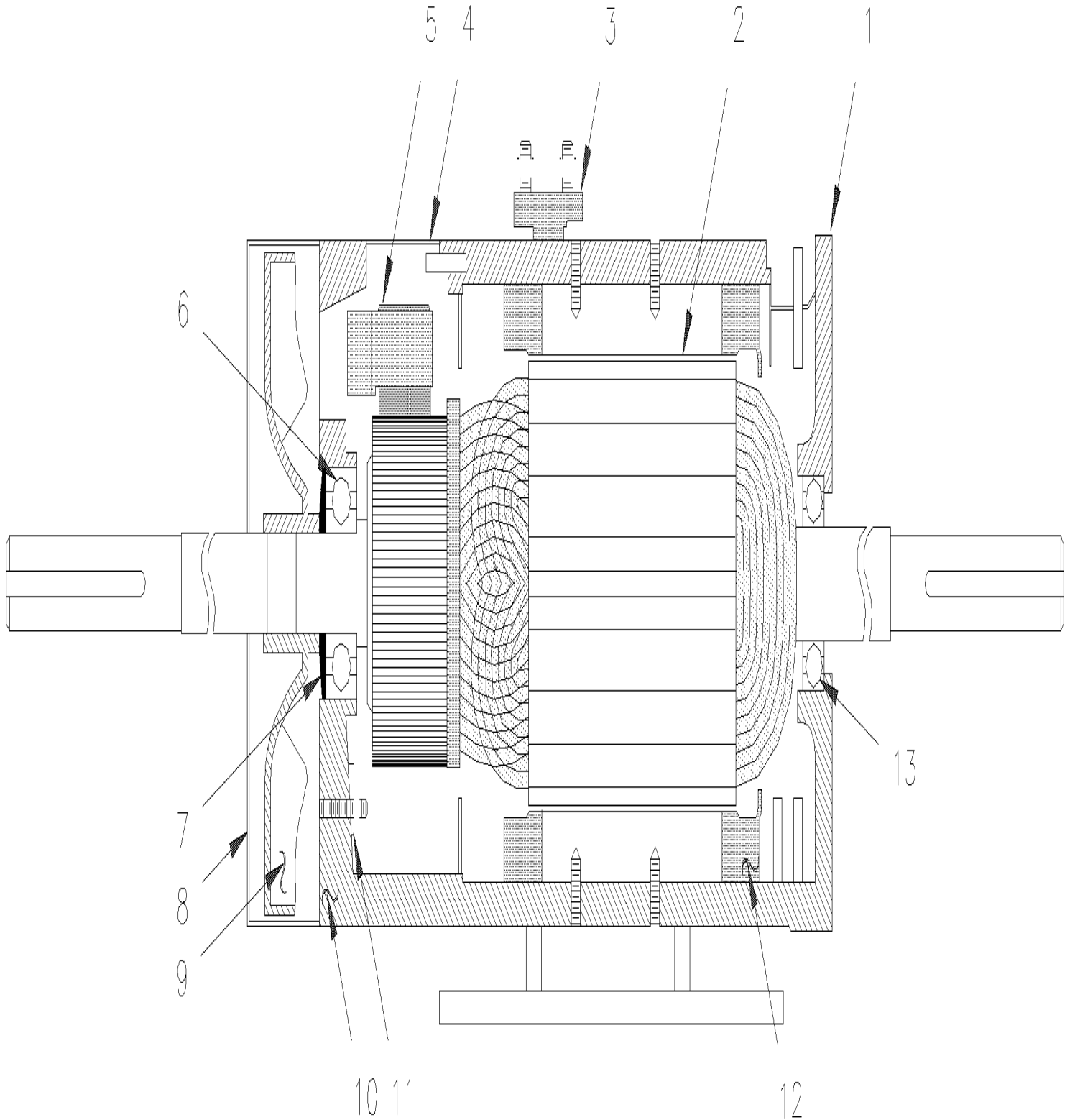


From T-5954 To Y-7045

Date:10/2022

PAGE:XL-2265-02

MOTOR - EVAPORATOR & CONDENSOR - "PREVOST" - T-17



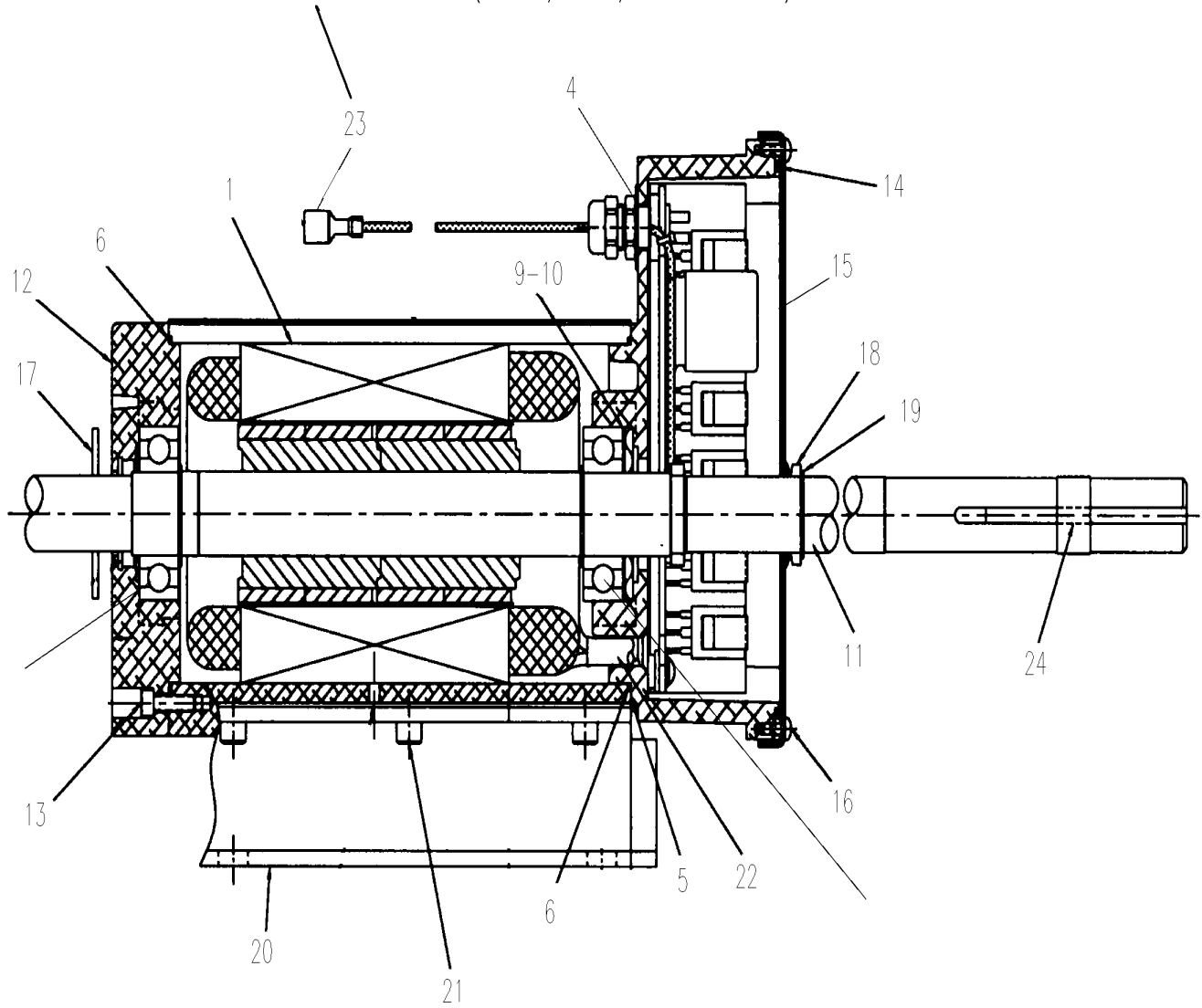
From E-638 To Y-7045

Date:10/2022

PAGE:XL-2265-19

MOTOR - EVAPORATOR & CONDENSOR - "BRUSHLESS" / SERVICE

NOTE.: IN REPLACEMENT OF FORMER MOTOR MODEL YOU REQUIRE THOSE PARTS
TO MODIFIED ITEM # 23 ONE OF EACH (561577,561578, 561786 & 563623)



From E-638 To Y-7045	Date:10/2022	PAGE:XL-2265-19
----------------------	--------------	-----------------

MOTOR - EVAPORATOR & CONDENSOR - "BRUSHLESS" / SERVICE

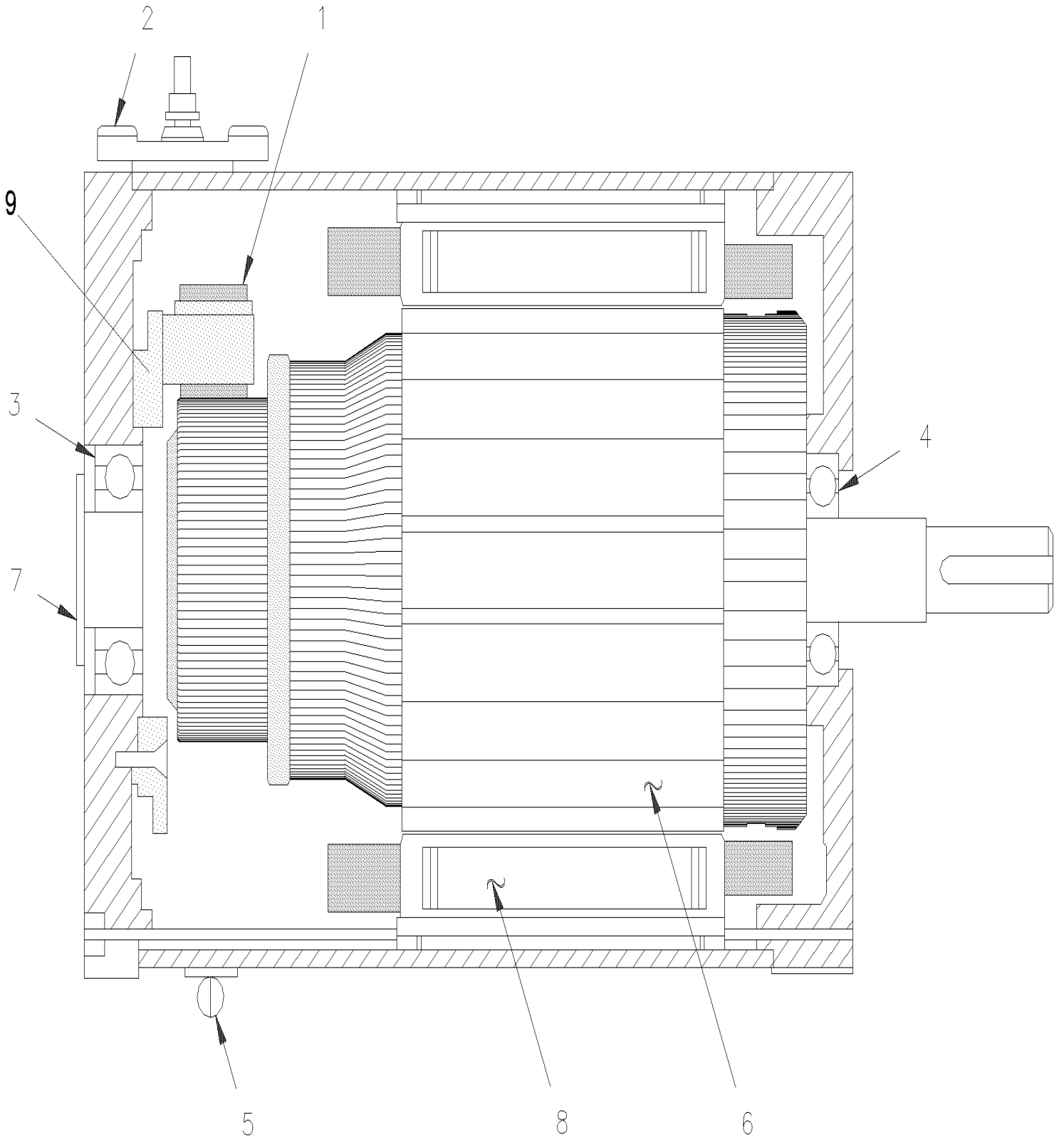
Item#	Part	Description	M T H 4 0	M T H 4 5	M T H 4 5 E	X L 4 0	X L 4 5	N O T E S
	563586	MOTOR EVAPORATOR BRUSHLESS / (E-50348-0A)	1	1	1	1	1	S
	564216	MOTOR EVAPORATOR BRUSHLESS / 2 SPEEDS	1	1	1	1	1	
		"WARNING" - "WARNING" -"WARNING" - "WARNING"						
		THE FOLLOWING PARTS NUMBER ARE NOT						
		"PREVOST" NUMBER AND IT NOT IN S.A.P. SYSTEM						
		THEY ARE O.E.M. MFG NUMBER						
1	Call order desk	MOTOR ASSY / COMPLETE	1	1	1	1	1	P
4	564621	CONTROLLER ASSEMBLY	1	1	1	1	1	
5	Call order desk	GASKET	1	1	1	1	1	P
6	Call order desk	O-RING 3.989" x .070"	1	1	1	1	1	P
7	Call order desk	SCREW MA PAN 8-32 x ?	1	1	1	1	1	P
8	Call order desk	HEAT-SHRINK TUBING	1	1	1	1	1	P
9	Call order desk	WAVE SPRING	1	1	1	1	1	P
10	Call order desk	SHIM	1	1	1	1	1	P
11	Call order desk	SHAFT / ROTOR ASSY W/KEYS	1	1	1	1	1	P
12	Call order desk	ENDBELL	1	1	1	1	1	P
13	Call order desk	SCREW MA PAN 8-32 x .875"	1	1	1	1	1	P
14	Call order desk	O-RING SEAL	1	1	1	1	1	P
15	Call order desk	COVER	1	1	1	1	1	P
16	Call order desk	SCREW MA PAN #6-32	1	1	1	1	1	P
17	Call order desk	SLINGER	1	1	1	1	1	P
18	Call order desk	V-SEAL	1	1	1	1	1	P
19	Call order desk	EXTERNAL RETAINING RING	1	1	1	1	1	P
20	Call order desk	BASE PLATE	1	1	1	1	1	P
21	Call order desk	SCREW CAP HEXS 1/4-20 x ?	1	1	1	1	1	P
22	Call order desk	TUBING	1	1	1	1	1	P
23	Call order desk	TERMINAL (0.032 X 0.25)	1	1	1	1	1	P
24	Call order desk	KEY SQUARE 3/16" x 3"	1	1	1	1	1	P
30	032937	KIT / SHAFT SHIELD	1	1	1	1	1	S
. NS	033188	SHIELD / SHAFT	1	1	1	1	1	S
. NS	500443	SCREW TP PAN PH #8x1/2 N500	5	5	5	5	5	S
. NS	IS-10125	SEE INSTRUCTION SHEET	1	1	1	1	1	S
		S) USE WITH OLD MOTOR 563586 WITHOUT SEAL ON THE SHAFT						
		P) CALL ORDER DESK FOR SPECIFIC APPLICATION (V.I.N.)						

From V-6258 To Y-7045

Date:10/2022

PAGE:XL-2265-50

MOTOR - CONDENSOR - "PREVOST" - TF-12



From V-6258 To Y-7045	Date:10/2022	PAGE:XL-2265-50
MOTOR - CONDENSOR - "PREVOST" - TF-12		

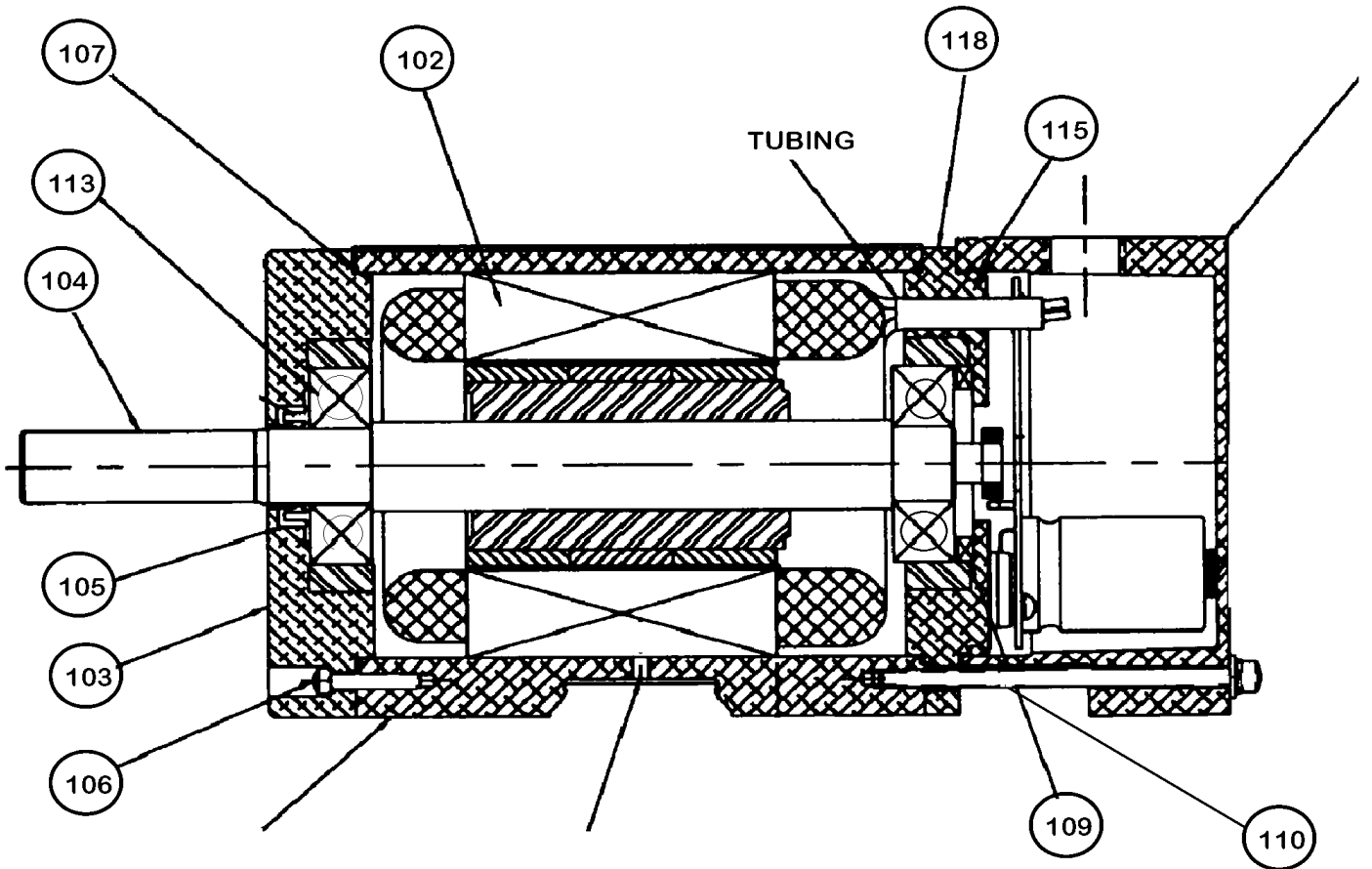
Item#	Part	Description	M T H 4 0	M T H 4 5	M T H 4 5 E	X L 4 0	X L 4 5	N O T E S
	562579	MOTOR / .57 HP / 1950 RPM / MODEL TF-12 / W/2" SHAFT	2		2	2	2	AB
1	561914	. BRUSH	4		4	4	4	
2	561913	. BOARD, TERMINAL	1		1	1	1	
3	507226	. BALL BEARING	1		1	1	1	
4	507308	. BALL BEARING	1		1	1	1	
5	562097	. STRAP ASSY W/HOOK	1		1	1	1	
6	563119	. ARMATURE / TF12 / W/2" SHAFT	1		1	1	1	
7	562653	. CAP PROTECTOR	1		1	1	1	
8	563121	. FIELD COIL ASSY	1		1	1	1	
9	563072	. COVER ASSY / WITH BRUSH HOLDER	1		1	1	1	
NS	562545	. . SPRING, TORSION / .875 O.D. x .317 x .0	4		4	4	4	
50	453626	KIT RETROFIT MOTOR T11G (UP TO 1-7825)	1	1	1	1	1	
. NS	IS-00051	. SEE INSTRUCTION SHEET	1	1	1	1	1	
51	066644	KIT RETROFIT MOTOR T114 W/CONNECTORS / W/2" SHAFT	1	1	1	1	1	
52	563595	PIN TERMINAL / 12-10 / PED 12052139	2	2	2	2	2	
53	563596	SOCKET TERMINAL / 12 / PED 12065197	2	2	2	2	2	
54	563597	CABLE SEAL / PURPLE / PED 15324990	4	4	4	4	4	
55	563599	CAP LOCK CONNECTOR / GRAY / PED 12020833	1	1	1	1	1	
56	563600	CONNECTOR / METRI-PACK 480 / 2C PH / PED 12052613	1	1	1	1	1	
57	563601	CONNECTOR / METRI-PACK 480 / 2C SH / PED 12065863	1	1	1	1	1	
58	563602	SECONDARY LOCK / METRI-PACK 480 / 2C / BLACK / PED 12059897	2	2	2	2	2	
		A) THIS MOTOR IT SUPERSEDED BY KIT 453626						
		B) THIS MOTORS IT SUPPERSEDED BY KIT # 066644						

From V-6258 To Y-7045

Date:10/2022

PAGE:XL-2265-97

MOTOR - CONDENSOR "BRUSHLESS" / SERVICE

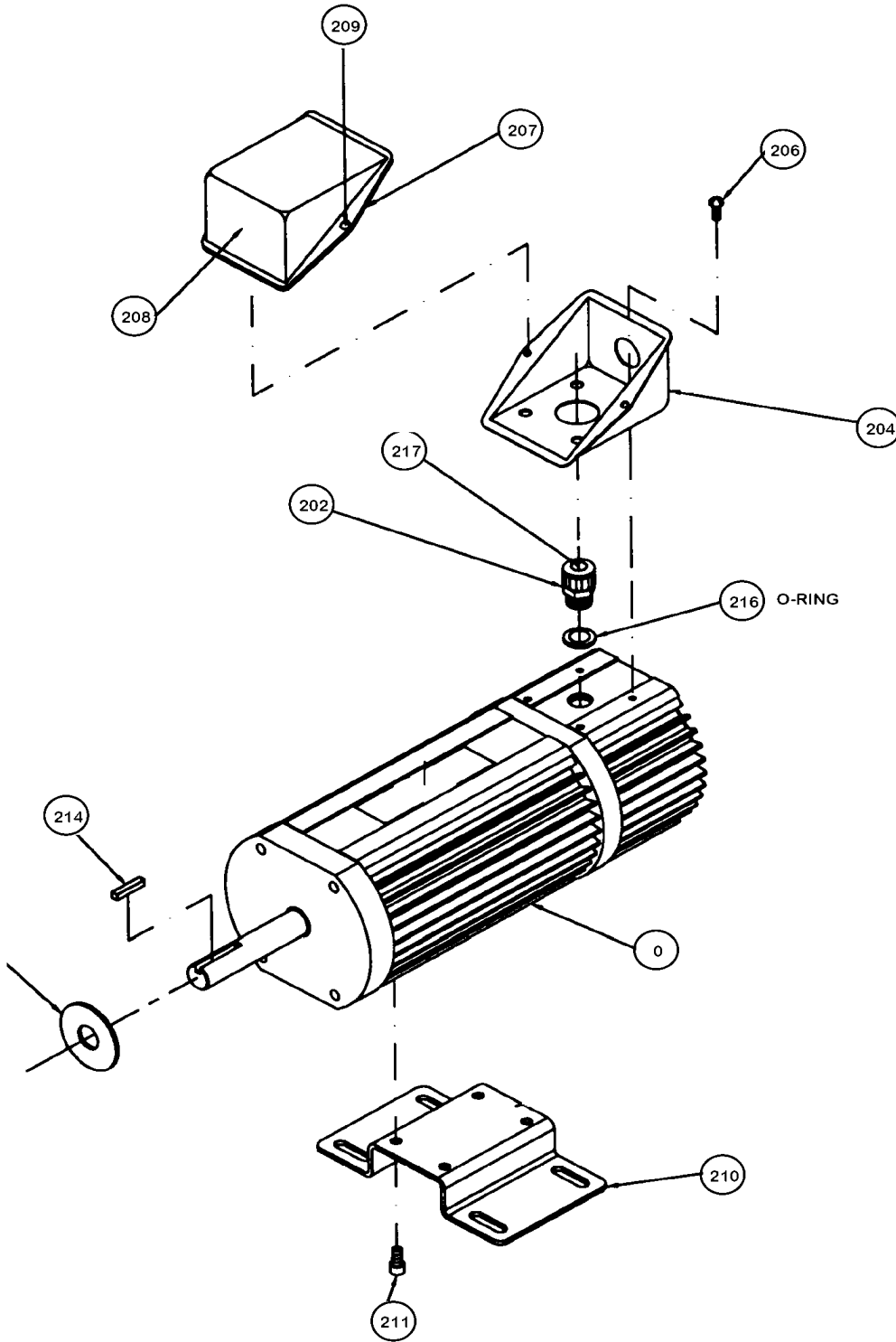


From V-6258 To Y-7045

Date:10/2022

PAGE:XL-2265-97

MOTOR - CONDENSOR "BRUSHLESS" / SERVICE

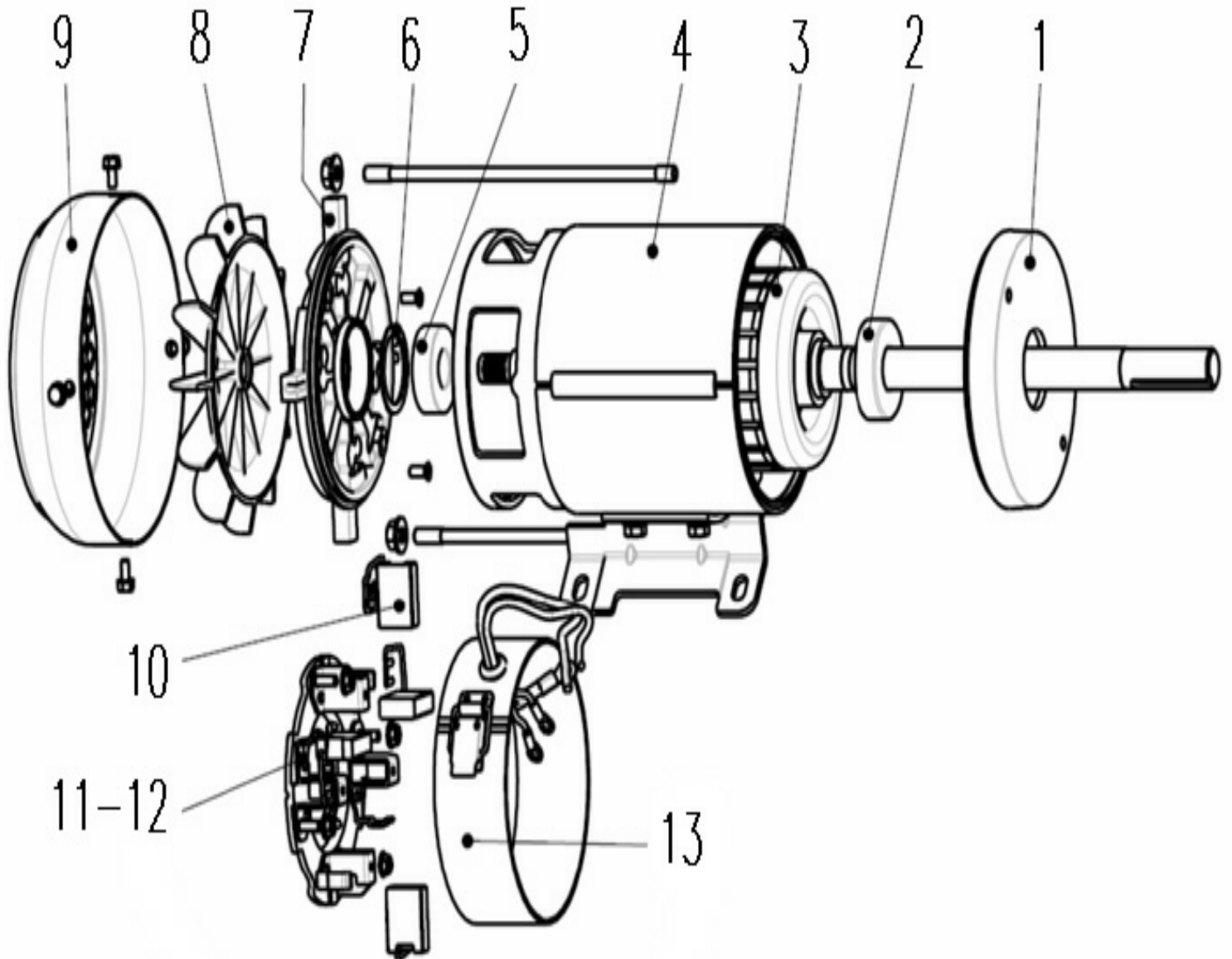


From V-6258 To Y-7045	Date:10/2022	PAGE:XL-2265-97
-----------------------	--------------	-----------------

MOTOR - CONDENSOR "BRUSHLESS" / SERVICE

Item#	Part	Description	M T H 4 0	M T H 4 5	M T H 4 5 E	X L 4 0	X L 4 5	N O T E S
	563585	MOTOR CONDENSOR BRUSHLESS / (E-50599-0)	2	2	2	2	2	
102	Call order desk	. STATOR/HOUSING ASSY	1	1	1	1	1	P
103	Call order desk	. REAR ENDBELL	1	1	1	1	1	P
104	Call order desk	. SHAFT / ROTOR ASSY W/BEARING & KEY	1	1	1	1	1	P
105	19510465	. LIP SEAL	1	1	1	1	1	
106	19501109	. SCREW MA PAN 8-32 x .875"	4	4	4	4	4	
107	19504444	. O-RING 3.989" x .070"	2	2	2	2	2	
109	N8885731	. SHIM 1.56" I.D. x 2.04 O.D.	1	1	1	1	1	
110	N8885730	. WAVE SPRING	1	1	1	1	1	
113	19501284	. BEARING	2	2	2	2	2	
115	N8885727	. O-RING 3.737" x .103"	2	2	2	2	2	
116	Call order desk	. ELECTRONICS HOUSING	1	1	1	1	1	P
118	Call order desk	. ENDCAP / ELECTRONICS ASSY	1	1	1	1	1	P
120	19512159	. WASHER FLAT #10	4	4	4	4	4	
121	Call order desk	. WASHER LOCK #10	1	1	1	1	1	P
122	Call order desk	. SCREW FIL HEAD #10	1	1	1	1	1	P
125	Call order desk	. SCREW CAP HEXS 10-24 x .062"	1	1	1	1	1	P
202	Call order desk	. STRAIN-RELIEF KIT	1	1	1	1	1	P
204	19501285	. JUNCTION BOX / (BOTTOM HALF)	1	1	1	1	1	
206	Call order desk	. SCREW MA PAN 10-24	1	1	1	1	1	P
207	Call order desk	. GASKET JCT BOX	1	1	1	1	1	P
208	19501283	. JUNCTION BOX / (TOP HALF)	1	1	1	1	1	
209	19501282	. SCREW 6-32	2	2	2	2	2	
210	Call order desk	. BASE PLATE	1	1	1	1	1	P
211	Call order desk	. SCREW CAP HEXS 1/4-20 x ?	1	1	1	1	1	P
214	Call order desk	. KEY	1	1	1	1	1	P
		P) CALL ORDER DESK FOR SPECIFIC APPLICATION (V.I.N.)						

From V-6258 To Y-7045	Date:10/2022	PAGE:XL-2265-98
MOTOR - CONDENSOR - "PREVOST" - T114 / SERVICE		



From V-6258 To Y-7045		Date:10/2022	PAGE:XL-2265-98
MOTOR - CONDENSOR - "PREVOST" - T114 / SERVICE			

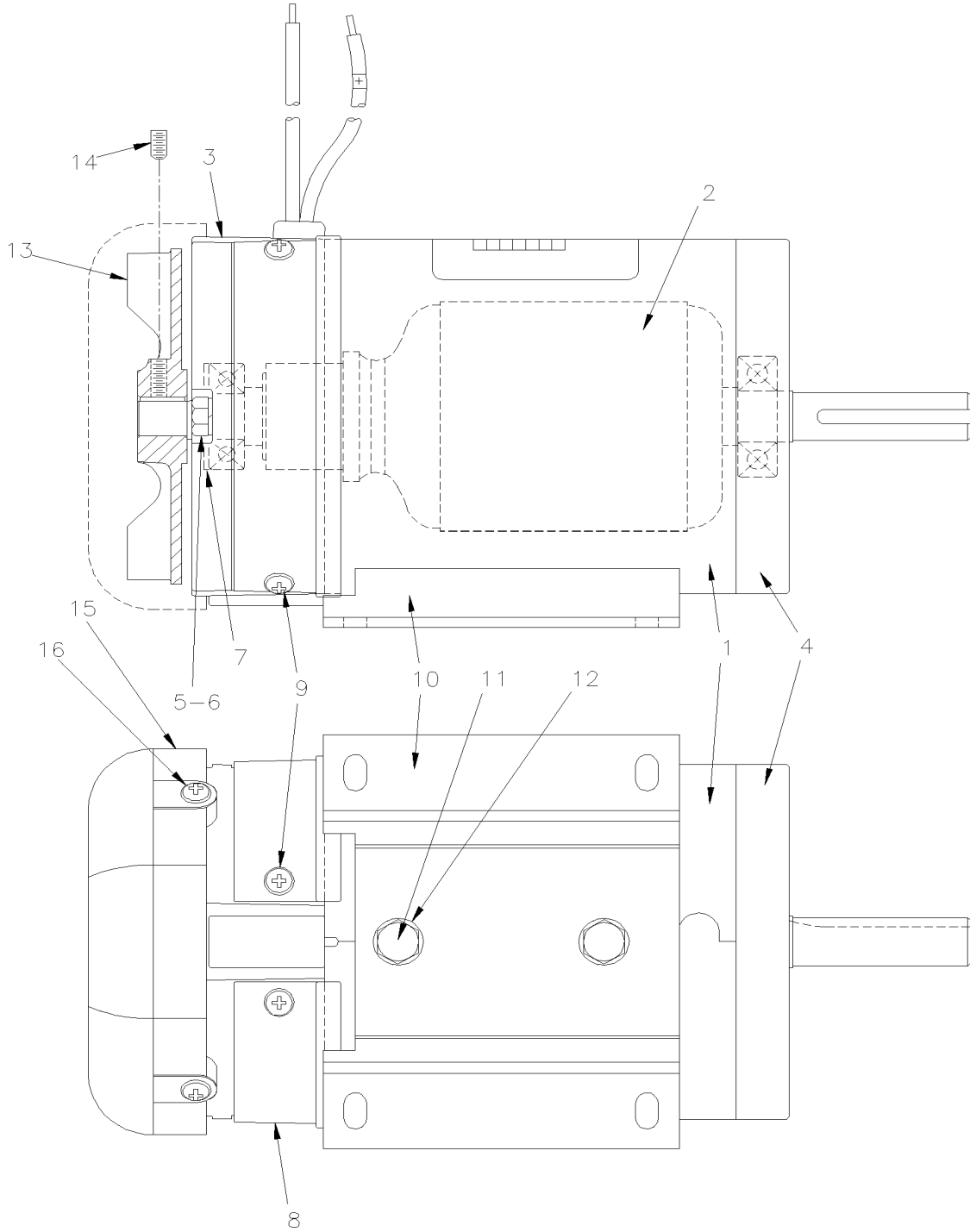
Item#	Part	Description	M T H 4 0	M T H 4 5	M T H 4 5 E	X L 4 0	X L 4 5	N O T E S
	Call order desk	MOTOR / .57 HP / 1950 RPM / MODEL T114 / W/2" SHAFT & CONNECTORS	1	1	1	1	1	P
	563454	. MOTOR / .57 HP / 1950 RPM / MODEL T114 / W/2" SHAFT / US MOTOR	2	2	2	2	2	C
	560424	. MOTOR / .57 HP / 1950 RPM // W/2" SHAFT / SCOTT DC SERVICE	2	2	2	2	2	C
1	563729	. . COVER						
2	560974	. . BALL BEARING	1	1	1	1	1	
3	563726	. . ARMATURE / T114 / W/2" SHAFT						
4	563727	. . PERMANENT MAGNET / ASSY W/CASE						
5	0907240	. . BALL BEARING	1	1	1	1	1	
6	N.P.N.	. . PRELOAD WASHER	1	1	1	1	1	4
7	563728	. . COVER COMMUTATOR END						
8	563730	. . FAN						
9	563732	. . COVER FAN PROTECTOR						
10	561914	. . BRUSH	4	4	4	4	4	
11	563111	. . BRUSH HOLDER ASSY	1	1	1	1	1	
12	562545	. . . SPRING, TORSION / .875 O.D. x .317 x .0	4	4	4	4	4	
13	563731	. . PROTECTOR GRILL						
NS	563595	. PIN TERMINAL / 12-10 / PED 12052139	2	2	2	2	2	
NS	563596	. SOCKET TERMINAL / 12 / PED 12065197	2	2	2	2	2	
NS	563597	. CABLE SEAL / PURPLE / PED 15324990	4	4	4	4	4	
NS	563599	. CAP LOCK CONNECTOR / GRAY / PED 12020833	1	1	1	1	1	
NS	563600	. CONNECTOR / METRI-PACK 480 / 2C PH / PED 12052613	1	1	1	1	1	
NS	563601	. CONNECTOR / METRI-PACK 480 / 2C SH / PED 12065863	1	1	1	1	1	
NS	563602	. SECONDARY LOCK / METRI-PACK 480 / 2C / BLACK / PED 12059897	2	2	2	2	2	
		C) SERVICE PARTS OF MOTOR ARE NOT INTERCHANGEABLE BETWEEN 563454 AND 560424						
		4) NO PARTS NUMBER						
		P) CALL ORDER DESK FOR SPECIFIC APPLICATION (V.I.N.)						

From V-6258 To Y-7045

Date:10/2022

PAGE:560424

MOTOR / .57 HP / 1950 RPM // W/2" SHAFT / SCOTT DC



From V-6258 To Y-7045	Date:10/2022	PAGE:560424
MOTOR / .57 HP / 1950 RPM // W/2" SHAFT / SCOTT DC		

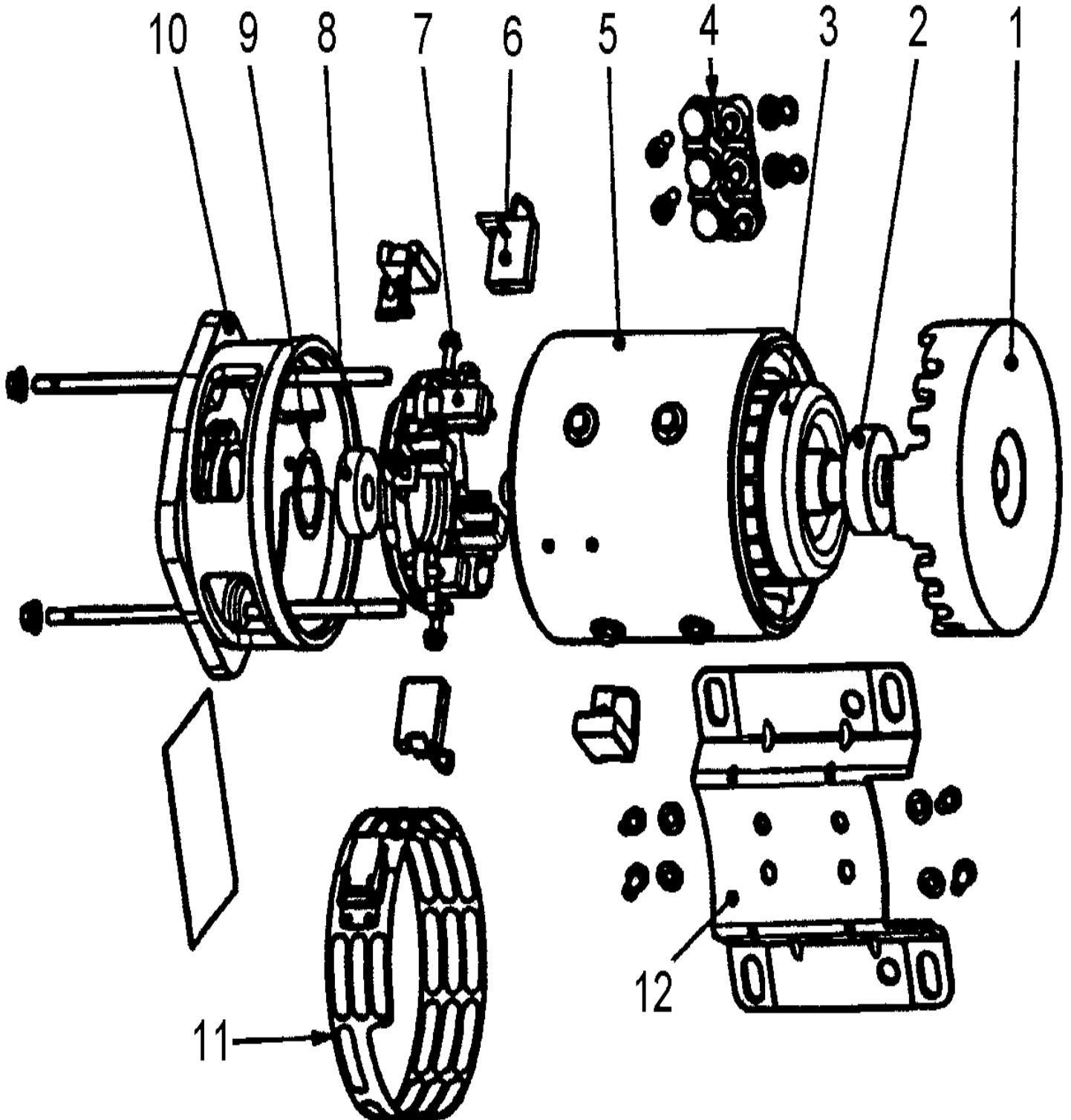
Item#	Part	Description	M T H 4 0	M T H 4 5	M T H 4 5 E	X L 4 0	X L 4 5	N O T E S
1	Call order desk	FRAME ASSEMBLY	1	1	1	1	1	P
2	Call order desk	ARMATURE ASSEMBLY	1	1	1	1	1	P
3	Call order desk	BRUSH END ASSEMBLY	1	1	1	1	1	P
3	560423	. BRUSH	1	1	1	1	1	
4	Call order desk	DRIVE END CAP	1	1	1	1	1	P
5	Call order desk	SCREW CAP HEX 1/4-20x6 3/4	2	2	2	2	2	P
6	Call order desk	WASHER LOCK SPRING 1/4	2	2	2	2	2	P
7	Call order desk	WASHER SPRING	1	1	1	1	1	P
8	Call order desk	BRUSH ACCESS COVER	2	2	2	2	2	P
9	Call order desk	SCREW MA PAN PH #10-32x3/8	1	1	1	1	1	P
10	Call order desk	BASE	1	1	1	1	1	P
11	Call order desk	SCREW CAP HEX 5/16-18x1/2	2	2	2	2	2	P
12	Call order desk	WASHER LO INT 5/16	2	2	2	2	2	P
13	Call order desk	FAN 12 BLADES	1	1	1	1	1	P
14	Call order desk	SCREW SET HEXS CUP #10-32x3/8	1	1	1	1	1	P
15	Call order desk	FAN COVER W/VENT SLOTS	1	1	1	1	1	P
16	Call order desk	SCREW MA PAN PH #10-32x3/4	4	4	4	4	4	P
		P) CALL ORDER DESK FOR SPECIFIC APPLICATION (V.I.N.)						

From V-6258 To Y-7045

Date:10/2022

PAGE:XL-2265-99

MOTOR - CONDENSOR - "PREVOST" - T11G / SERVICE



From V-6258 To Y-7045		Date:10/2022	PAGE:XL-2265-99
MOTOR - CONDENSOR - "PREVOST" - T11G / SERVICE			

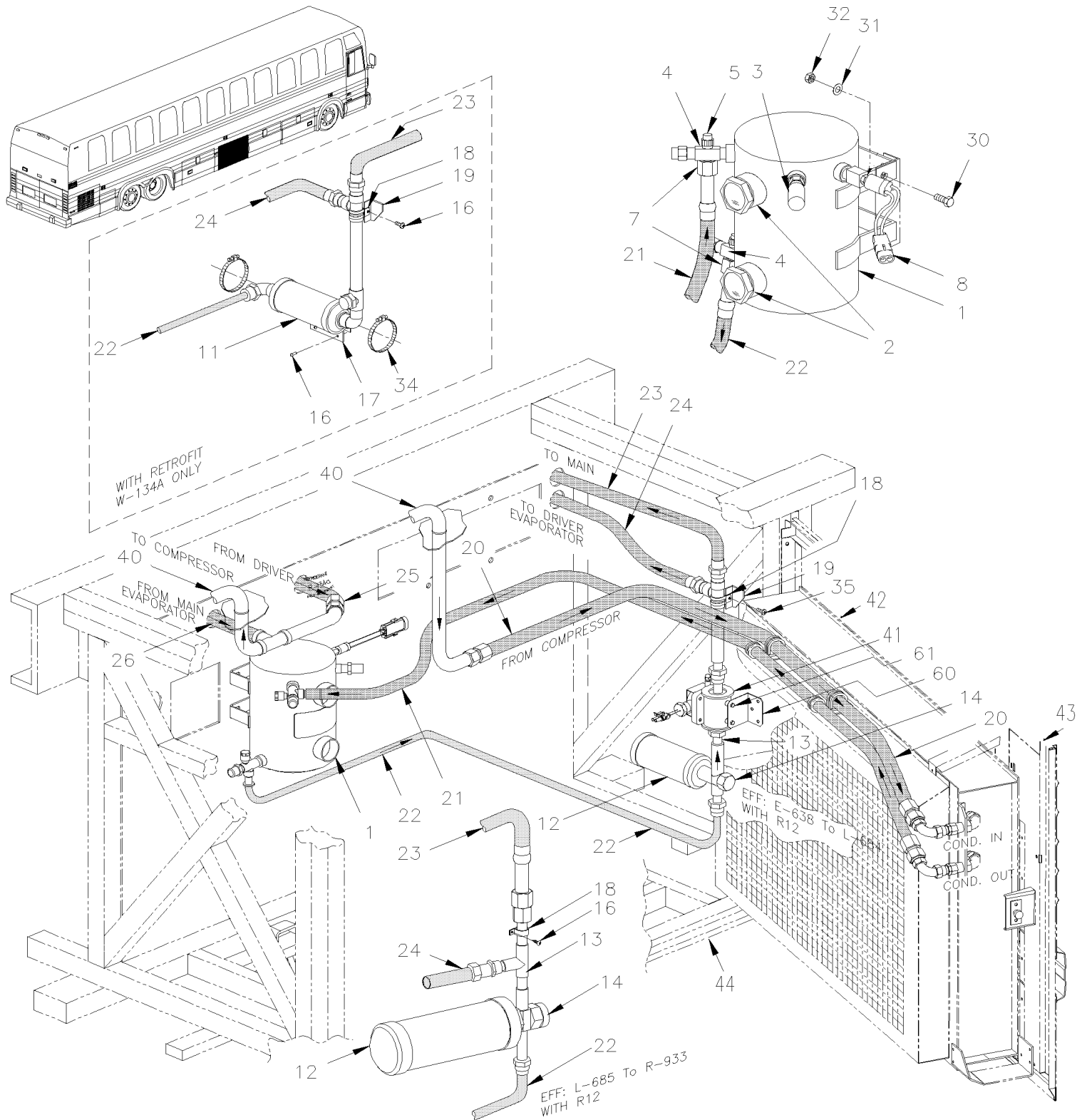
Item#	Part	Description	M T H 4 0	M T H 4 5	M T H 4 5 E	X L 4 0	X L 4 5	N O T E S
	563051	MOTOR / .57 HP / 1950 RPM / MODEL TF-11G / W/2" SHAFT	2	2	2	2	2	A
1	563114	. COVER	1	1	1	1	1	
2	507226	. BALL BEARING	1	1	1	1	1	
3	563112	. ARMATURE / T11G / W/2" SHAFT	1	1	1	1	1	
4	563117	. BLOCK TERMINAL	1	1	1	1	1	
5	563110	. FIELD COIL ASSY	1	1	1	1	1	
6	561914	. BRUSH	4	4	4	4	4	
7	563111	. BRUSH HOLDER ASSY	1	1	1	1	1	
7	562545	. . SPRING, TORSION / .875 O.D. x .317 x .0	4	4	4	4	4	
8	560974	. BALL BEARING	1	1	1	1	1	
9	561211	. WASHER SPRING	1	1	1	1	1	
10	563113	. COVER COMUTATOR END	1	1	1	1	1	
11	563116	. GRILL PROTECTOR	1	1	1	1	1	
12	563115	. REMOVABLE SOCKET	1	1	1	1	1	
NS	453625	KIT RETROFIT MOTOR / W/2" SHAFT	AR	AR	AR	AR	AR	
. NS	IS-00051	. SEE INSTRUCTION SHEET	1	1	1	1	1	
51	066644	KIT RETROFIT MOTOR T114 W/CONNECTORS / W/2" SHAFT	AR	AR	AR	AR	AR	
52	563595	PIN TERMINAL / 12-10 / PED 12052139	2	2	2	2	2	
53	563596	SOCKET TERMINAL / 12 / PED 12065197	2	2	2	2	2	
54	563597	CABLE SEAL / PURPLE / PED 15324990	4	4	4	4	4	
55	563599	CAP LOCK CONNECTOR / GRAY / PED 12020833	1	1	1	1	1	
56	563600	CONNECTOR / METRI-PACK 480 / 2C PH / PED 12052613	1	1	1	1	1	
57	563601	CONNECTOR / METRI-PACK 480 / 2C SH / PED 12065863	1	1	1	1	1	
58	563602	SECONDARY LOCK / METRI-PACK 480 / 2C / BLACK / PED 12059897	2	2	2	2	2	
		A) THIS MOTORS IT SUPPERSEDED BY KIT # 066644						

From E-638 To R-933

Date:10/2022

PAGE:XL-2270-00

RECEIVER TANK & FILTER DRYER WITH R-12



From E-638 To R-933	Date:10/2022	PAGE:XL-2270-00
RECEIVER TANK & FILTER DRYER WITH R-12		

Item#	Part	Description	M T H 4 0	M T H 4 5	M T H 4 5 E	X L 4 0	X L 4 5	N O T E S
1	871002	RECEIVER TANK ASSY To P-749	1		1	1		
1	871045	RECEIVER TANK ASSY From P-750	1	1	1	1		
. NS	871001	. SIGHT GLASS ASSY 1 NPT From P-750	2	2	2	2		
2	870768	. SIGHT GLASS ASSY To L-684	2			2		
2	871001	. SIGHT GLASS ASSY 1 NPT From L-685	2	2	2	2		
2	370496	DECAL (R-12)	1	1	1	1		
NS	373306	DECAL (R-134A)	AR	AR	AR	AR		A
3	870581	VALVE, SAFETY 340 PSI	1	1	1	1		
3	870890	VALVE, SAFETY 450 PSI	1	1	1	1		A
4	950023	VALVE ASSY / SERVICE / OUTLET	1	1	1	1		
4	950024	VALVE ASSY / SERVICE / INLET	1	1	1	1		
5	501700	. CAP NUT / SAE 45° FITTING / #4FL-F BR	AR	AR	AR	AR		
7	507169	. O-RING 1/2 I.D.	1	1	1	1		
8	062644	PRESSURE SWITCH N.O. 120-90 20SP001AA120G090E From L-685	1	1	1	1		
8	950155	. PRESSURE SWITCH N.O. 120-90	1	1	1	1		
8	561566	. CONNECTOR / WEATHER PACK / PH 2C / BLACK / PED 12010973	1	1	1	1		
8	561568	. PIN TERMINAL / 16-14 / PED 12089305	2	2	2	2		
8	561786	. CABLE SEAL / GRAY / PED 15324980	2	2	2	2		
11	452524	FILTER DRYER ASSY	1	1	1	1		AS
. NS	950231	. FILTER DRYER	1	1	1	1		AS
12	870647	FILTER DRYER ASSY / W/R12 & R22	1	1	1	1		
. NS	951196	. O-RING TEFLON 1 3/8" I.D. x 1 5/8" O.D.	1	1	1	1		
13	450906	VALVE ASSY / REFRIGERANT SOLENOID To L-684	1			1		
13	452076	MOISTURE INDICATOR ASSY From L-685	1	1	1	1		
14	870646	. MOISTURE INDICATOR	1	1	1	1		
14	950029	. . CAP, MOISTURE INDICATOR	1	1	1	1		
15	XL-2208-10	REFRIGERANT SOLENOID VALVE						
16	500642	SCREW TP PAN PH #10x3/4 Z050	4	4	4	4		
17	506061	RUB NEO 3/16" x 4' X 52"	1	1	1	1		
18	504350	CLAMP / 1"5/16 I.D.	1	1	1	1		
19	452077	ANGLE SUPPORT, FILTER ASSY From L-685	1	1	1	1		
20	450940	HOSE ASSY / W/R-12 / #16 61 3/4"	1		1	1		
21	450941	HOSE ASSY / W/R-12 / #12 71"	1	1	1	1		
21	452533	HOSE ASSY / #12 1803MM	1	1	1	1		A
21	505182	. COIL PROTECTOR / PLASTIC / #16	AR	AR	AR	AR		
22	450923	HOSE ASSY / W/R-12 / #10 44" 1/2"	1	1	1	1		
22	452643	HOSE ASSY / W/R-134a / #10 785MM	1	1	1	1		
23	450921	HOSE ASSY / W/R-12 / #12 52"	1	1	1	1		
23	452534	HOSE ASSY / #12 1311MM	AR	AR	AR	AR		A
23	505182	. COIL PROTECTOR / PLASTIC / #16	AR	AR	AR	AR		
24	450922	HOSE ASSY / #10 13 1/4"	1	1	1	1		
24	452653	HOSE ASSY / #10 13 1/4"	1	1	1	1		A

From E-638 To R-933		Date:10/2022	PAGE:XL-2270-00
RECEIVER TANK & FILTER DRYER WITH R-12			

Item#	Part	Description	M T H 4 0	M T H 4 5	M T H 4 5 E	X L 4 0	X L 4 5	N O T E S
24	451114	HOSE ASSY / W/R-12 / #10 54"	1	1	1	1		
24	452536	HOSE ASSY / #10 1372MM	1	1	1	1		A
24	506267	PIPE INSULATING / 1 1/8" I.D. X 1/2" TH. X / APT11812	AR	AR	AR	AR		
25	451414	HOSE ASSY / W/R-12 / #12 14 1/2" To R-933	1		1	1		
26	450920	HOSE ASSY / W/R-12 / #20 56 1/4" To R-933	1		1	1		
30	500181	SCREW CAP HEX 5/16-18x1 G5 Z050	4	4	4	4		
31	500476	WASHER LO SPT .317x.586x.078 Z050	4	4	4	4		
32	500778	NUT HEX 5/16-18 N500	4	4	4	4		
34	370718	STRAP / TO FIX DRYER	1	1	1	1		
35	500510	SCREW MA BDG PH #10-32x3/4 SS EMN	1	1	1	1		
35	500470	WASHER LO SPT .193x.334x.047 Z050	1	1	1	1		
35	500765	NUT HEX #10-32 BR	1	1	1	1		
40	XL-2222-15	A/C LINE REAR SECTION W/05G						
41	XL-2208-10	REFRIGERANT SOLENOID VALVE						
42	XL-2255-00	CONDENSOR - INSTALLATION						
43	XL-1863-00	CONDENSOR DOOR ASSY - BUS & MTH						
43	XL-1863-50	CONDENSOR DOOR ASSY - MTH 45'						
44	XL-1893-00	BAGGAGE & A/C COMPARTMENT UNDER CONSTRUCTION						
45	XL-1865-21	EVAPORATOR & CONDENSOR WALL						
60	450266	SUPPORT / REFRIGERANT SOLENOID VALVE To L-684	1			1		
61	500438	WASHER FL .187x.437x.050 Z050 To L-684	2			2		
61	500470	WASHER LO SPT .193x.334x.047 Z050 To L-684	2			2		
61	500160	SCREW CAP HEX #10-24x1/2 Z050 To L-684	2			2		
NS	452620	KIT, ELEC, UNLOADER & PRESS, SWITCHES / From E-638 to R-933 From E-638 To R-933	1	1	1	1		
NS	IS-94087	SEE INSTRUCTION SHEET From E-638 To R-933	1	1	1	1		
NS	IS-94088	SEE INSTRUCTION SHEET From E-638 To R-933	1	1	1	1		
NS	IS-94089	SEE INSTRUCTION SHEET From E-638 To R-933	1	1	1	1		
NS	452726	KIT, EXPANTION VALVE & FILTER DRIER / From E-638 to H-277 From E-638 To H-277	1			1		
NS	IS-94089	SEE INSTRUCTION SHEET From E-638 To H-277	1			1		
NS	452621	KIT, EXPANTION VALVE & FILTER DRIER / From H-278 to R-933 From F-828 To R-933	1	1	1	1		
NS	IS-94087	SEE INSTRUCTION SHEET From F-828 To R-933	1	1	1	1		
NS	IS-94088	SEE INSTRUCTION SHEET From F-828 To R-933	1	1	1	1		
NS	452660	KIT, A/C HOSES AND O-RING / BUS 40' & MTH 40 From E-638 To F-827	1			1		
NS	IS-94088	SEE INSTRUCTION SHEET From E-638 To F-827	1			1		
NS	IS-94089	SEE INSTRUCTION SHEET From E-638 To F-827	1			1		
NS	452622	KIT, A/C HOSES AND O-RING / BUS 40' / From F-828 From H-278 To R-933				1		
NS	IS-94087	SEE INSTRUCTION SHEET From H-278 To R-933				1		
NS	452623	KIT, A/C HOSES AND O-RING / MTH 40' & MTH 45' ENT From H-278 To R-933	1		1			
NS	IS-94087	SEE INSTRUCTION SHEET From H-278 To R-933	1		1			
NS	452630	KIT, A/C HOSES AND O-RING / MTH 45' From P-746 To R-933		1				
NS	IS-94087	SEE INSTRUCTION SHEET From P-746 To R-933		1				

From E-638 To R-933	Date:10/2022	PAGE:XL-2270-00
---------------------	--------------	-----------------

RECEIVER TANK & FILTER DRYER WITH R-12

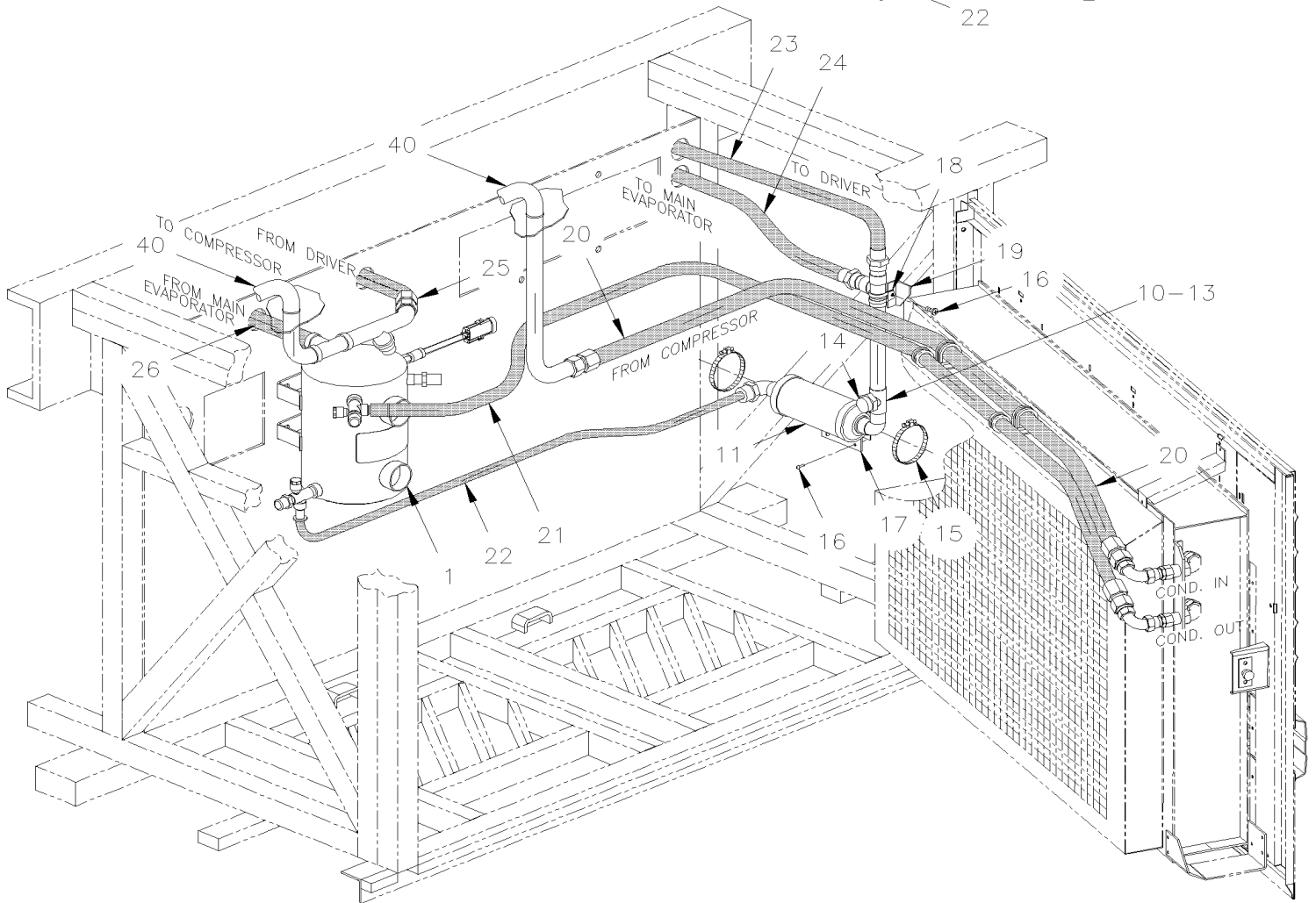
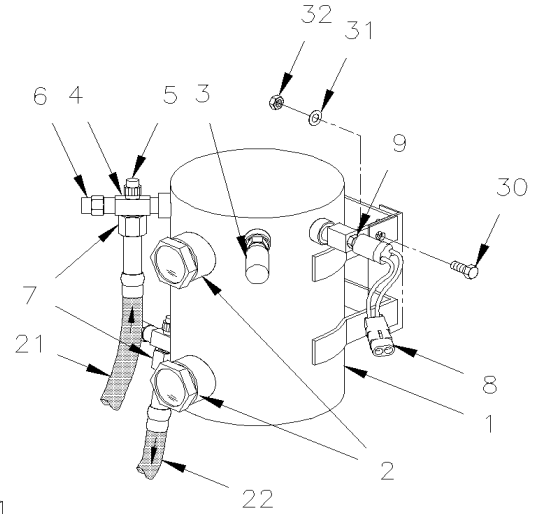
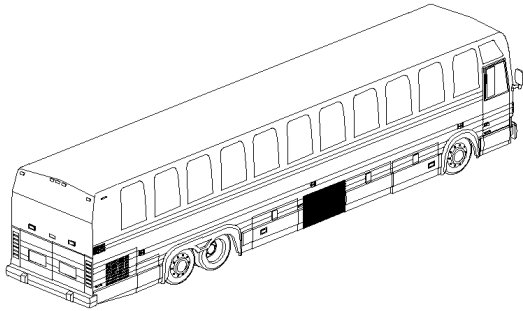
Item#	Part	Description	M T H 4 0	M T H 4 5	M T H 4 5 E	X L 4 0	X L 4 5	N O T E S
NS	950243	A/C COMPRESSOR ASSY 05G / W41 .C.F.M. W/ALLS ACCESSORIES From P-646 To R-933	1		1	1		
NS	950238	A/C COMPRESSOR ASSY 05G / W41 .C.F.M. W/ALLS ACCESSORIES From E-638 To R-933	1	1	1	1	1	
		A) THOSE ITEMS ARE USED ONLY WITH CONVERTING A/C SYSTEM KIT FROM REFRIGERANT R-12 TO R-134A SEE INSTRUCTIONS SHEET IS-94087, IS-94088 AND IS-94089						
		S) AS SHOWN						

From R-934 To Y-7045

Date:10/2022

PAGE:XL-2270-01

RECEIVER TANK & FILTER DRYER WITH R-134A



From R-934 To Y-7045	Date:10/2022	PAGE:XL-2270-01
RECEIVER TANK & FILTER DRYER WITH R-134A		

Item#	Part	Description	M T H 4 0	M T H 4 5	M T H 4 5 E	X L 4 0	X L 4 5	N O T E S
1	871045	RECEIVER TANK ASSY		1				
. NS	871001	. SIGHT GLASS ASSY 1 NPT		2				
2	871001	. SIGHT GLASS ASSY 1 NPT		2				
3	870890	VALVE, SAFETY 450 PSI		1				
4	950228	VALVE ASSY / SERVICE / INLET & OUTLET		2				
. NS	950284	. CAP / PROTECTOR / FOR GAUGE		1				
. NS	507169	. O-RING 1/2 I.D.		1				
5	950285	. CAP VALVE / PROTECTOR / PLASTIC		1				
6	950284	. CAP / PROTECTOR / FOR GAUGE		1				
7	507169	O-RING 1/2 I.D.		2				
8	062643	PRESSURE SWITCH N.O. 170-130 20SP001AA170J130J To T-5788		1				
8	452832	PRESSURE SWITCH N.O. 170-130 20SP001MA170J130J From T-5789		1				
9	950249	SCHRADER VALVE 1/4NPT-M From T-5789		1				
10	452542	FILTER DRYER ASSY		1				AS
. NS	950231	. FILTER DRYER		1				AS
10	453595	FILTER DRYER ASSY / W/ELECTRICAL SOLENOID		1				B
. NS	950231	. FILTER DRYER		1				B
11	950231	. FILTER DRYER		1				
13	950232	. MOISTURE INDICATOR		1				
14	950029	. . CAP, MOISTURE INDICATOR		1				
15	504025	HOSE CLAMP / 2"5/16-3"1/4 SS / HS-44		2				
16	500642	SCREW TP PAN PH #10x3/4 Z050		AR				
17	452547	BRACKET, FILTER		1				
18	504350	CLAMP / 1"5/16 I.D.		1				
19	452077	ANGLE SUPPORT, FILTER ASSY		1				
NS	500510	SCREW MA BDG PH #10-32x3/4 SS EMN		1				
NS	500470	WASHER LO SPT .193x.334x.047 Z050		1				
NS	500765	NUT HEX #10-32 BR		1				
20	452530	HOSE ASSY / W/R-134a / #16 1569MM		1				
21	452533	HOSE ASSY / #12 1803MM		1				
22	452553	HOSE ASSY / #12 785MM		1				
23	452536	HOSE ASSY / #10 1372MM		1				
24	452534	HOSE ASSY / #12 1311MM		1				
25	452531	HOSE ASSY / #12 368MM To X-6868		1				
25	453462	HOSE ASSY / #12 368MM From X-6869		1				
26	452556	HOSE ASSY / #20 95" To X-6868		1				
26	453347	HOSE ASSY / #20 84" From X-6869		1				
. NS	504442	. CUFF END BELLOW / 1 1/4" I.D. x 3 1/2" x 4 1/2" From X-6869		1				
NS	505182	. COIL PROTECTOR / PLASTIC / #16		AR				
30	500181	SCREW CAP HEX 5/16-18x1 G5 Z050		4				
31	500476	WASHER LO SPT .317x.586x.078 Z050		4				
32	500778	NUT HEX 5/16-18 N500		4				

From R-934 To Y-7045	Date:10/2022	PAGE:XL-2270-01
----------------------	--------------	-----------------

RECEIVER TANK & FILTER DRYER WITH R-134A

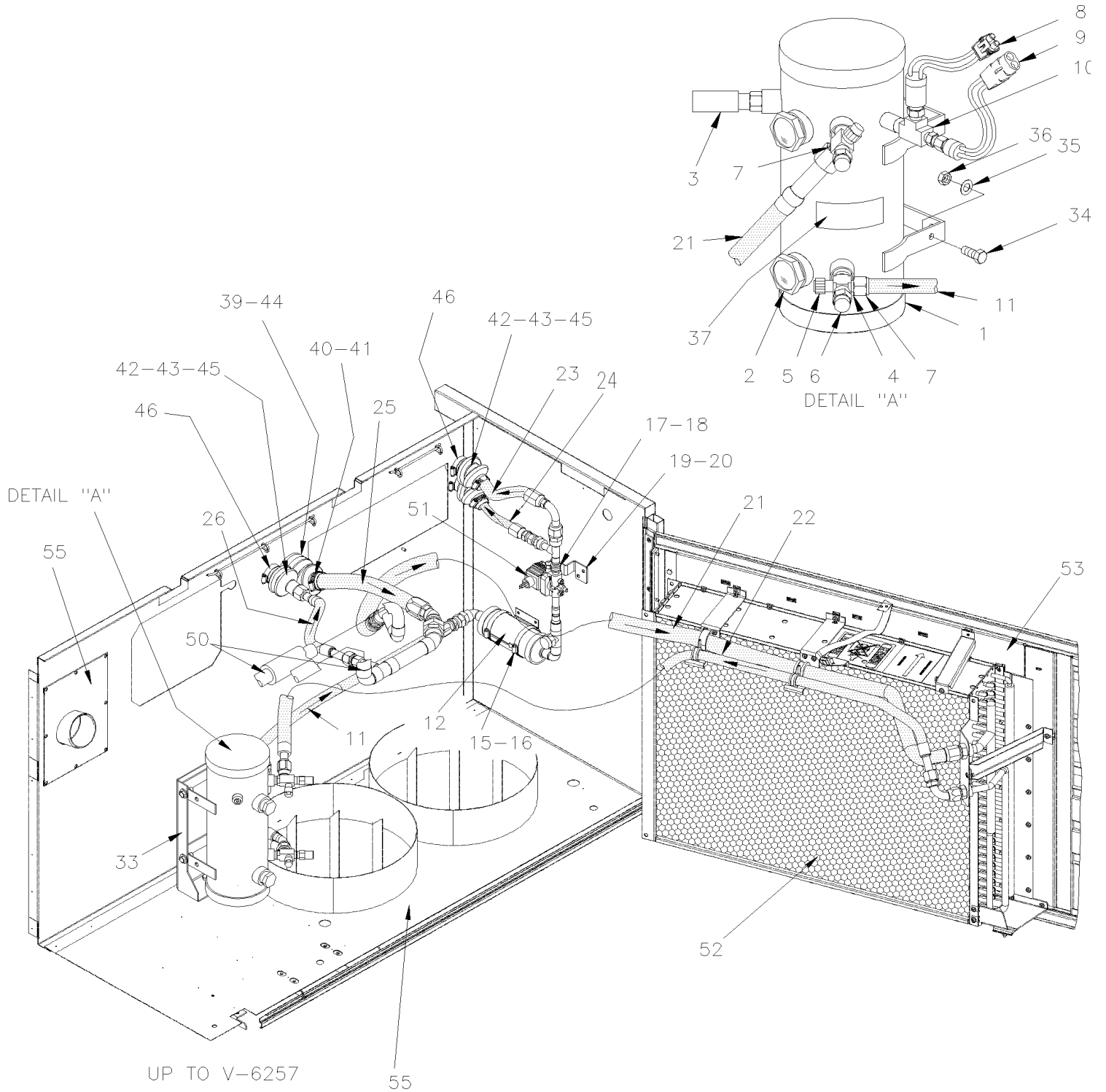
Item#	Part	Description	M T H 4 0	M T H 4 5	M T H 4 5 E	X L 4 0	X L 4 5	N O T E S
40	XL-2222-11	A/C LINE & PIPING - CENTRAL A/C SYSTEM - WITH DETROIT S-60						
50	373306	DECAL (R-134A) From R-934 To T-5850		1				
50	452876	DECAL / NOMINAL CHARGE 24LBS From T-5851 To V-6208		1				
50	453066	DECAL R134A / NOMINAL CHARGE 24 LBS // ENGLISH & FRANCAIS From V-6209		1				
50	454180	DECAL R134A / NOMINAL CHARGE 24 LBS // ENGLISH & SPANISH From V-6209		1				
NS	WB00-03	SEE WARRANTY BULLETIN						
70	453596	. FILTER DRYER ASSY / W/ELECTRICAL SOLENOID	1	1	1	1	1	
70	064932	. CABLE ASSY TO CONNECTED AT SOLONOID	1	1	1	1	1	
70	950262	. FILTER DRYER ASSY / W/R134a	1	1	1	1	1	
. NS	951196	. . O-RING TEFLON 1 3/8" I.D. x 1 5/8" O.D.	1	1	1	1	1	
70	504069	. GROMMET / .281x.375x.062x.250x.562	1	1	1	1	1	
		A) FOR PRODUCT IMPROVMENT USE FILTER DRYER #453595 WITH CABLE #064932 FOR A/C COMPRESSOR						
		B) USE WITH CABLE #064932 IN RETROFIT ONLY SEE WB00-03						
		S) FOR PRODUCT IMPROVMENT USE FILTER DRYER #453595 WITH CABLE #064932 FOR A/C COMPRESSOR						

From R-934 To Y-7045

Date:10/2022

PAGE:XL-2270-02

RECEIVER TANK & FILTER DRYER WITH R-134A

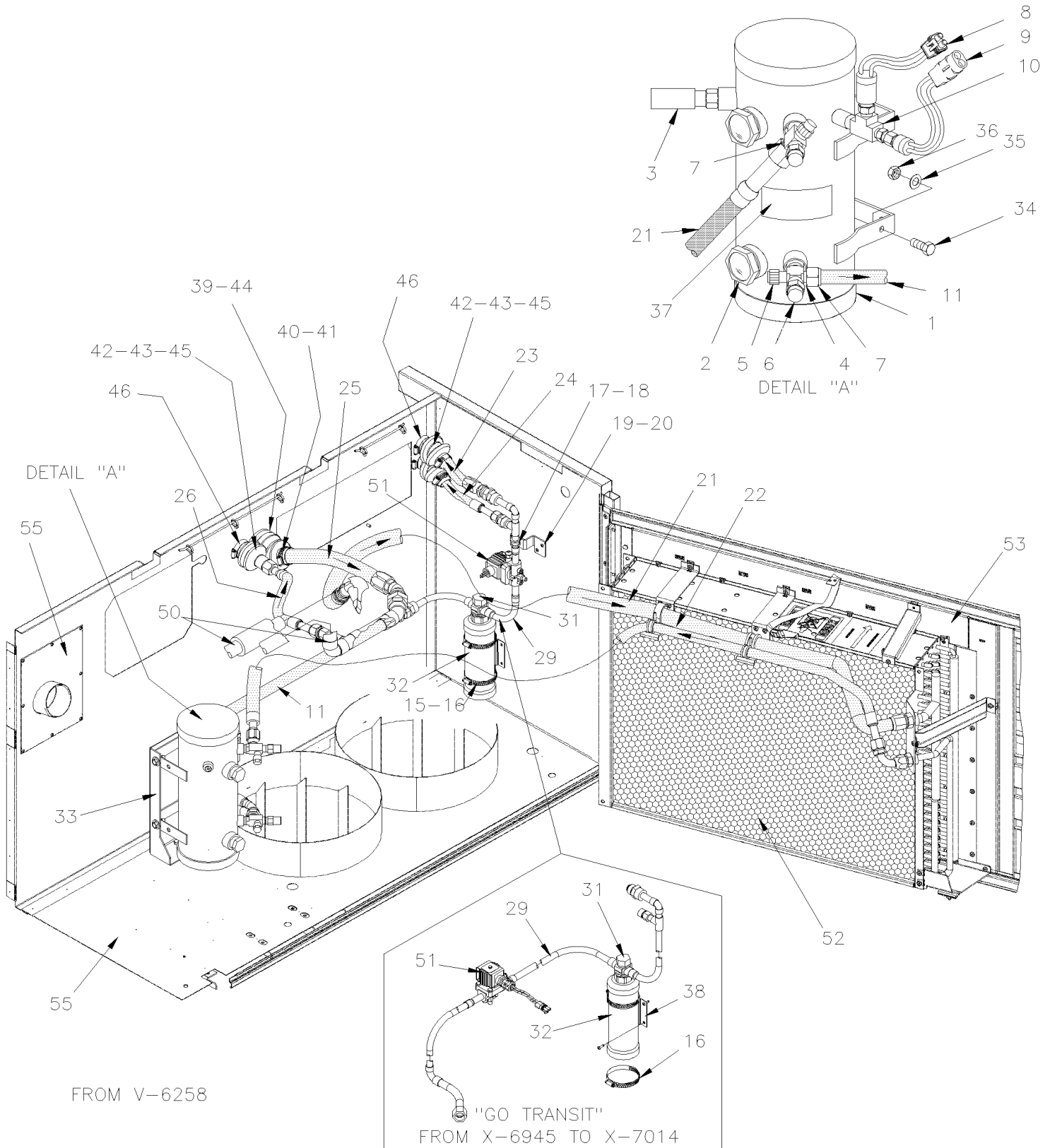


From R-934 To Y-7045

Date:10/2022

PAGE:XL-2270-02

RECEIVER TANK & FILTER DRYER WITH R-134A



From R-934 To Y-7045	Date:10/2022	PAGE:XL-2270-02
RECEIVER TANK & FILTER DRYER WITH R-134A		

Item#	Part	Description	M T H 4 0	M T H 4 5	M T H 4 5 E	X L 4 0	X L 4 5	N O T E S
1	950261	RECEIVER TANK ASSY	1		1	1	1	
. NS	950428	. SIGHTGLASS / W/BALL 1NPT-M (FORMER)	1		1	1	1	
. NS	951198	. SIGHTGLASS / W/BALL 1 1/4NPT-F (CURRENT)	1		1	1	1	
2	871001	. SIGHT GLASS ASSY 1 NPT	2		2	2	2	
3	870890	VALVE, SAFETY 450 PSI	1		1	1	1	
3	870581	VALVE, SAFETY 340 PSI					1	A
4	950228	VALVE ASSY / SERVICE / INLET & OUTLET	2		2	2	2	
. NS	950284	. CAP / PROTECTOR / FOR GAUGE	1		1	1	1	
. NS	507169	. O-RING 1/2 I.D.	1		1	1	1	
4	950024	VALVE ASSY / SERVICE / INLET					2	A
5	950285	CAP VALVE / PROTECTOR / PLASTIC	1		1	1	1	
6	950284	CAP / PROTECTOR / FOR GAUGE	1		1	1	1	
7	507169	O-RING 1/2 I.D.	2		2	2	2	
8	062643	PRESSURE SWITCH N.O. 170-130 20SP001AA170J130J To T-5788	1		1	1	1	
8	452832	PRESSURE SWITCH N.O. 170-130 20SP001MA170J130J From T-5789	1		1	1	1	
9	062644	PRESSURE SWITCH N.O. 120-90 20SP001AA120G090E	1		1	1	1	
10	501338	MALE RUN TEE / PIPE FITTING / 1/4NPT-Mx1/4NPT-Fx1/4NPT-F BR	1		1	1	1	
NS	950249	SCHRADER VALVE 1/4NPT-M	2		2	2	2	
11	452786	HOSE ASSY / #12 406.7MM From S-570 To V-6284					1	
11	453083	HOSE ASSY / #12 800MM From V-6285					1	
11	452553	HOSE ASSY / #12 785MM To V-6257	1		1	1		
11	453083	HOSE ASSY / #12 800MM From V-6258	1		1	1		
NS	507370	O-RING #10	1		1	1	1	
12	452542	FILTER DRYER ASSY To V-6257				1	1	C
. NS	950231	. FILTER DRYER To V-6257				1	1	C
12	452542	FILTER DRYER ASSY From R-960 To V-6257	1		1			C
. NS	950231	. FILTER DRYER From R-960 To V-6257	1		1			C
12	453595	FILTER DRYER ASSY / W/ELECTRICAL SOLENOID SERVICE From R-934 To V-6257	1		1	1	1	W S
. NS	950231	. FILTER DRYER From R-934 To V-6257	1		1	1	1	W S
NS	064932	CABLE ASSY TO CONNECTED AT SOLONOID From R-934 To V-6257	1		1	1	1	W
NS	504069	GROMMET / .281x.375x.062x.250x.562 From R-934 To V-6257	1		1	1	1	W
15	452547	BRACKET, FILTER	1		1	1	1	
16	504025	HOSE CLAMP / 2"5/16-3"1/4 SS / HS-44	2		2	2	2	
17	952641	CLAMP / 1 5/16" I.D.	1		1	1	1	
18	500588	SCREW CAP HEX M4-0.7x20 G8.8 Z050	1		1	1	1	
NS	502834	WASHER LO SPT 4.1x7.6x0.9 N500	1		1	1	1	
NS	500438	WASHER FL .187x.437x.050 Z050	1		1	1	1	
NS	500590	NUT HEX NYRT M4-0.7 Z050	1		1	1	1	
19	452077	ANGLE SUPPORT, FILTER ASSY	1		1	1	1	
19	454654	ANGLE SUPPORT, FILTER ASSY	1		1	1	1	
20	500957	SCREW TP BDG PH #10x3/4 N500	2		2	2	2	
21	452786	HOSE ASSY / #12 406.7MM To V-6284					1	

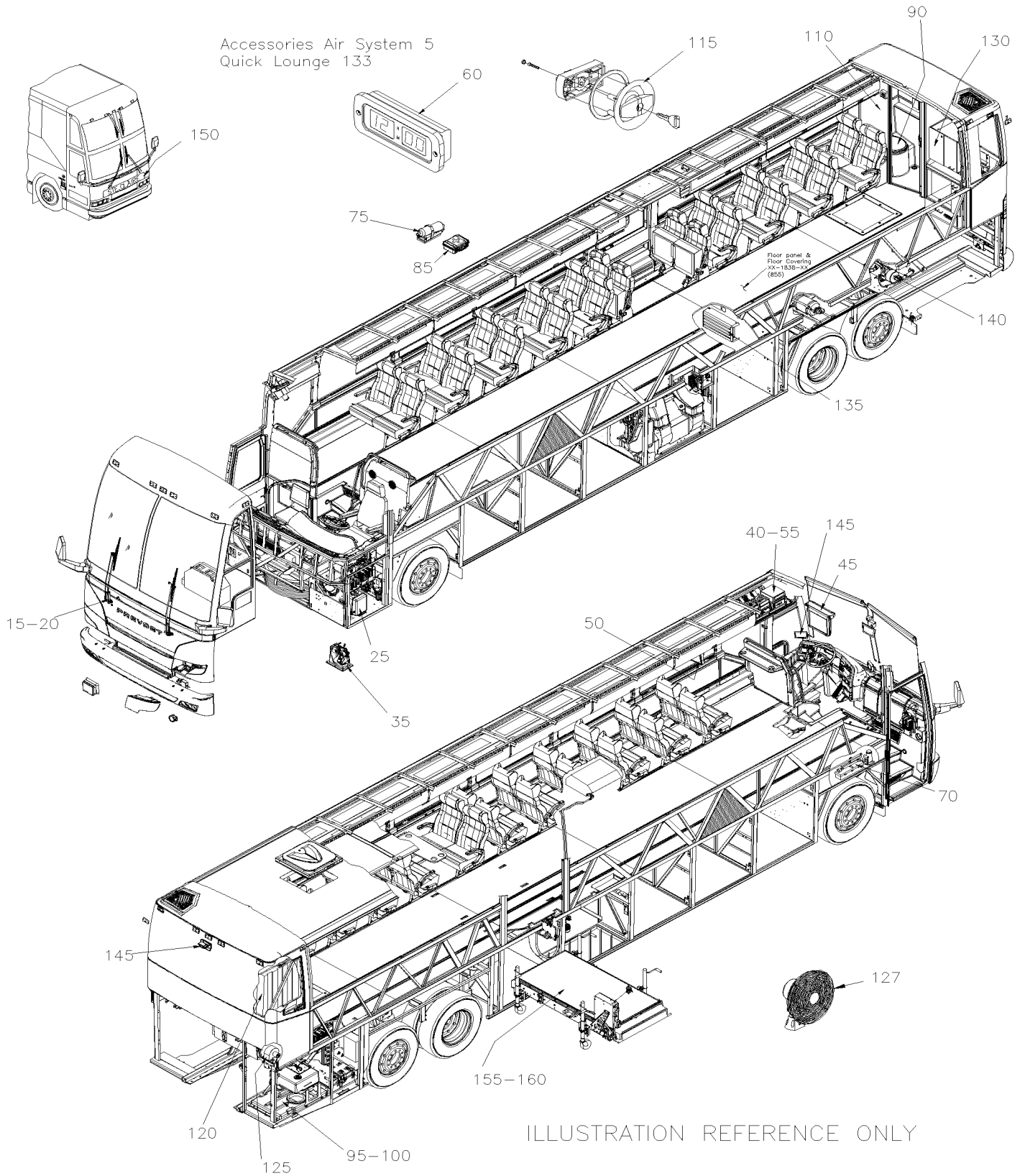
From R-934 To Y-7045	Date:10/2022	PAGE:XL-2270-02
RECEIVER TANK & FILTER DRYER WITH R-134A		

Item#	Part	Description	M T H 4 0	M T H 4 5	M T H 4 5 E	X L 4 0	X L 4 5	N O T E S
21	452773	HOSE ASSY / W/R-134a / #16 1760MM From V-6285					1	
21	452530	HOSE ASSY / W/R-134a / #16 1569MM	1		1	1		
NS	501802	O-RING / ORS FITTING / #16 NEO	1		1	1	1	
NS	507169	O-RING 1/2 I.D.	1		1	1	1	
22	452774	HOSE ASSY / #12 2121MM To V-6284					1	
22	453048	HOSE ASSY / #12 2350MM From V-6285					1	
22	452940	HOSE ASSY / #12 1750MM	1		1	1		
22	Call order desk	PLUMBING					1	P
23	452536	HOSE ASSY / #10 1372MM	1		1	1	1	
24	452534	HOSE ASSY / #12 1311MM To V-6284					1	
24	452890	HOSE ASSY / #12 1340MM From V-6285					1	
24	452534	HOSE ASSY / #12 1311MM To V-6257	1		1	1		
24	452890	HOSE ASSY / #12 1340MM From V-6258	1		1	1		
25	452526	HOSE ASSY / #20 1429MM				1		
25	452556	HOSE ASSY / #20 95" To X-6868					1	
25	453347	HOSE ASSY / #20 84" From X-6869					1	
NS	504442	CUFF END BELLOW / 1 1/4" I.D. x 3 1/2" x 4 1/2" From X-6869					1	
25	452556	HOSE ASSY / #20 95"	1		1			
26	452531	HOSE ASSY / #12 368MM From V-6284 To X-6868	1		1		1	
26	453462	HOSE ASSY / #12 368MM From X-6869	1		1		1	
29	452766P	FILTER DRYER ASSY From S-570 To V-6284					1	C
29	452823P	FILTER DRYER ASSY From V-6285					1	C
29	452823P	FILTER DRYER ASSY From V-6258	1		1			
29	453596	FILTER DRYER ASSY / W/ELECTRICAL SOLENOID SERVICE From V-6285					1	W S
29	Call order desk	FILTER DRYER ASSY / W/ELECTRICAL SOLENOID "GO-TRANSIT" From X-6945 To X-7014				1		P
NS	064932	CABLE ASSY TO CONNECTED AT SOLONOID From S-570 To Y-7045	1		1		1	W
NS	504069	GROMMET / .281x.375x.062x.250x.562 From S-570 To Y-7045	1		1		1	W
31	870646	MOISTURE INDICATOR	1		1	1	1	
32	950262	FILTER DRYER ASSY / W/R134a	1		1	1	1	
NS	951196	O-RING TEFLON 1 3/8" I.D. x 1 5/8" O.D.	1		1	1	1	
33	454044	SUPPORT RECEIVER TANK	1		1	1	1	
34	500065	SCREW CAP HEX M10-1.5x30 G10.9 DP	4		4	4	4	
35	500897	WASHER FL .437x1.000x.083 N500	4		4	4	4	
36	5001760	NUT HEXF STO M10-1.5 G8 ZP	6		6	6	6	
37	453066	DECAL R134A / NOMINAL CHARGE 24 LBS // ENGLISH & FRANCAIS	1		1	1	1	
37	454180	DECAL R134A / NOMINAL CHARGE 24 LBS // ENGLISH & SPANISH	1		1	1	1	
38	452547	BRACKET, FILTER	1	1	1	1	1	
39	504442	CUFF END BELLOW / 1 1/4" I.D. x 3 1/2" x 4 1/2"	1		1	1	1	
40	504026	HOSE CLAMP / 2"13/16-3"3/4 SS / HS-52	1		1	1	1	
41	504022	HOSE CLAMP / 3/4"-1"3/4 SS / HS-20	1		1	1	1	
42	372103	PROTECTOR HOSE SPLIT / 1 1/8" O.D. x 3"	3		3	3	3	
43	504016	CABLE TIE / 5/16" X 14"1/2	AR		AR	AR	AR	

From R-934 To Y-7045	Date:10/2022	PAGE:XL-2270-02
RECEIVER TANK & FILTER DRYER WITH R-134A		

Item#	Part	Description	M T H 4 0	M T H 4 5	M T H 4 5 E	X L 4 0	X L 4 5	N O T E S
44	451075	PROTECTOR HOSE SPLIT / 7/8" O.D. x 3"	1		1	1	1	
45	504384	CUFF END BELLOW / 1 1/4" I.D. x 1 3/4" x 4"	3		3	3	3	
46	504024	HOSE CLAMP / 1"13/16"-2"3/4 SS / HS-36	6		6	6	6	
50	XL-2222-15	A/C LINE REAR SECTION W/05G						
51	XL-2208-10	REFRIGERANT SOLENOID VALVE						
52	XL-2255-00	CONDENSOR - INSTALLATION						
52	XL-2255-01	CONDENSOR - INSTALLATION						
53	XL-1863-00	CONDENSOR DOOR ASSY - BUS & MTH To V-6257						
53	XL-1863-01	CONDENSOR DOOR ASSY - BUS 40' From V-6258						
53	XL-1863-10	CONDENSOR DOOR ASSY - BUS 45'						
53	XL-1863-50	CONDENSOR DOOR ASSY - MTH 45'						
53	XL-1863-51	CONDENSOR DOOR ASSY - MTH 40' & 45' ENT						
55	XL-1865-21	EVAPORATOR & CONDENSOR WALL						
59	GO-TRANSIT	X-6945, 54, 56,63,65,69,71,75,79,81,85,88,90 98,7002,05,08,12 & X-7014						
		A) FOR COACH EQUIPPED WITH R-12 ONLY						
		C) FOR PRODUCT IMPROVMENT XL-45 Up to V-6284 & XL-40, MTH-40, MTH-45S Up to V-6257 USE FILTER DRYER #453595 WITH CABLE #064932, FOR XL-45" From V-6285 & XL-40, MTH-40, MTH-45S From V-6258 USE FILTER DRYER #453596, CABLE #064932						
		S) AS SHOWN						
		W) WITH WARRRANTY BULLETIN # WB 00-03						
		P) CALL ORDER DESK FOR SPECIFIC APPLICATION (V.I.N.)						

	Date:10/2022	XL-23
ACCESSORIES		



		Date:10/2022	XL-23					
ACCESSORIES								
Item#	Part	Description	M T H 4 0	M T H 4 5	M T H 4 5 E	X L 4 0	X L 4 5	N O T E S
5	XL-2300-01	ACCESSORIES AIR SYSTEM From P-722 To Y-7045						
15	XL-2305-00	LOWER WINDSHIELD WIPER From E-638 To L-684						
15	XL-2305-01	LOWER WINDSHIELD WIPER From L-685 To Y-7045						
20	XL-2305-05	WIPER MECHANISM - AIR INSTALLATION From E-638 To L-684						
20	XL-2305-10	WIPER MECHANISM - ELECTRIC INSTALLATION From L-685 To Y-7045						
25	XL-2305-20	WINDSHIELD WASHER - INSTALLATION From E-638 To Y-7045						
35	XL-2310-00	HORN - INSTALLATION From E-638 To Y-7045						
40	XL-2315-00	SOUND SYSTEM - INSTALLATION From E-638 To H-284						
40	XL-2315-01	SOUND SYSTEM - INSTALLATION From H-285 To T-5883						
40	XL-2315-10	SOUND SYSTEM & ACCESSORIES From E-638 To T-5883						
40	XL-2315-11	SOUND SYSTEM & ACCESSORIES - "R.E.I." From T-5884 To Y-7045						
40	XL-2315-21	SOUND SYSTEM ENTERTAINMENT MODULE "R.E.I." From T-5884 To Y-7045						
40	XL-2315-31	SOUND SYSTEM - "KARAOKE" - "R.E.I." From T-5884 To Y-7045						
40	XL-2315-50	POWERVERTER - 12/110 VOLTS / VIDEO & GALLEY From J-417 To T-5883						
40	XL-2315-60	ROOF ANTENNA & VIDEO WIRING DIAGRAM From J-417 To T-5883						
40	XL-2315-61	ROOF ANTENNA & WIRING "R.E.I." From T-5884 To Y-7045						
45	XL-2317-00	FRONT MONITOR - VIDEO From J-417 To N-970						
45	XL-2317-01	FRONT MONITOR - VIDEO From N-971 To T-5883						
45	XL-2317-02	FRONT MONITOR - VIDEO - "R.E.I." From T-5884 To Y-7045						
50	XL-2317-10	SIDE MONITOR - VIDEO From J-417 To N-970						
50	XL-2317-11	SIDE MONITOR - VIDEO From N-971 To T-5883						
50	XL-2317-12	SIDE MONITOR - VIDEO - "R.E.I." From T-5884 To Y-7045						
55	XL-2317-20	VIDEO VHS PLAYER - INSTALLATION From J-417 To T-5583						
55	XL-2317-21	VIDEO VHS PLAYER - INSTALLATION "R.E.I." From T-5884 To Y-7045						
60	XL-2318-00	CLOCK (DIGITAL) From E-638 To Y-7045						
70	XL-2320-00	JACK & FLARE KIT - INSTALLATION From E-638 To Y-7045						
75	XL-2320-30	EXTINGUISHER - INSTALLATION From E-638 To Y-7045						
85	XL-2320-40	FIRST AID KIT & AXE - INSTALLATION From E-638 To Y-7045						
90	XL-2325-00	LAVATORY - ACCESSORIES From E-638 To Y-7045						
95	XL-2326-00	TOILET PUMP ASSY From E-638 To Y-7045						
100	XL-2327-00	SUMP TANK - S/S From E-638 To T-5929						
100	XL-2327-01	SUMP TANK - PLASTIC From T-5930 To Y-7045						
110	XL-2328-00	LAVATORY WALL - INSTALLATION From E-638 To Y-7045						
110	XL-2328-05	LAVATORY WALL - INSTALLATION "MARATHON" & "PREVOST XL" From E-638 To J-609						
115	XL-2329-00	LAVATORY DOOR LOCK & SWITCH From E-638 To Y-7045						
120	XL-2330-00	WATER & SUMP TANK - INSTALLATION From E-638 To Y-7045						
125	XL-2337-00	LAVATORY FAN - INSTALLATION From E-638 To P-582						
125	XL-2337-01	LAVATORY FAN - INSTALLATION From P-583 To Y-7045						
127	XL-2340-00	WINDSHIELD FAN From E-638 To Y-7045						
130	XL-2345-00	GALLEY ASSY From E-638 To Y-7045						
130	XL-2345-10	GALLEY ACCESSORIES From E-638 To Y-7045						
133	XL-2345-20	QUICK LOUNGE From E-638 To Y-7045						

		Date:10/2022	XL-23					
ACCESSORIES								
Item#	Part	Description	M T H 4 0	M T H 4 5	M T H 4 5 E	X L 4 0	X L 4 5	N O T E S
135	XL-2345-30	GALLEY ELECTRICAL PANEL - W/ICE BOX From E-638 To Y-7045						
135	XL-2345-31	GALLEY ELECTRICAL PANEL - W/MINI-CHEF From E-638 To Y-7045						
135	XL-2345-99	110 VOLT - OUTLET / "RETROFIT" From E-638 To Y-7045				1	1	
140	871097	WATER HEATER - "ESPAR" 41,000 B.T.U. From P-722 To Y-7045						
140	XL-2350-10	WATER HEATER - INSTALLATION From P-722 To Y-7045						
145	XL-2355-00	BACK-UP CAMERA & MONITOR - INSTALLATION From P-604 To S-630						
145	XL-2355-20	BACK-UP CAMERA & MONITOR - INSTALLATION From S-631 To Y-7045						
150	XL-2360-00	MONOGRAM ASSY & LETTERS From E-638 To Y-7045						
155	XL-2370-10	W.C.L. - DECAL From X-6945 To X-7014						
160	XL-2380-00	W.C.L. "RICON" - INSTALLATION - "GO TRANSIT" From X-6945 To X-7014						
160	XL-2380-05	W.C.L. "RICON" MODEL "F9A" From X-6945 To X-7014						
160	XL-2380-10	W.C.L. "RICON" - LIFT ENCLOSURE ASSY MODEL "F9A" From X-6945 To X-7014						
160	XL-2380-20	W.C.L. "RICON" - PLATFORM ASSY MODEL "F9A" From X-6945 To X-7014						
160	XL-2380-30	W.C.L. "RICON" - TRAVELING FRAME ASSY MODEL "F9A" From X-6945 To X-7014						
160	XL-2380-40	W.C.L. "RICON" - CARRIAGE ASSY MODEL "F9A" From X-6945 To X-7014						
160	XL-2380-50	W.C.L. "RICON" - BRIDGE PLATE ASSY 9" MODEL "F9A" From X-6945 To X-7014						
160	XL-2380-60	W.C.L. "RICON" - PUMP INSTALLATION MODEL "F9A" From X-6945 To X-7014						
160	XL-2380-65	W.C.L. "RICON" - PUMP ASSY MODEL "F9A" From X-6945 To X-7014						

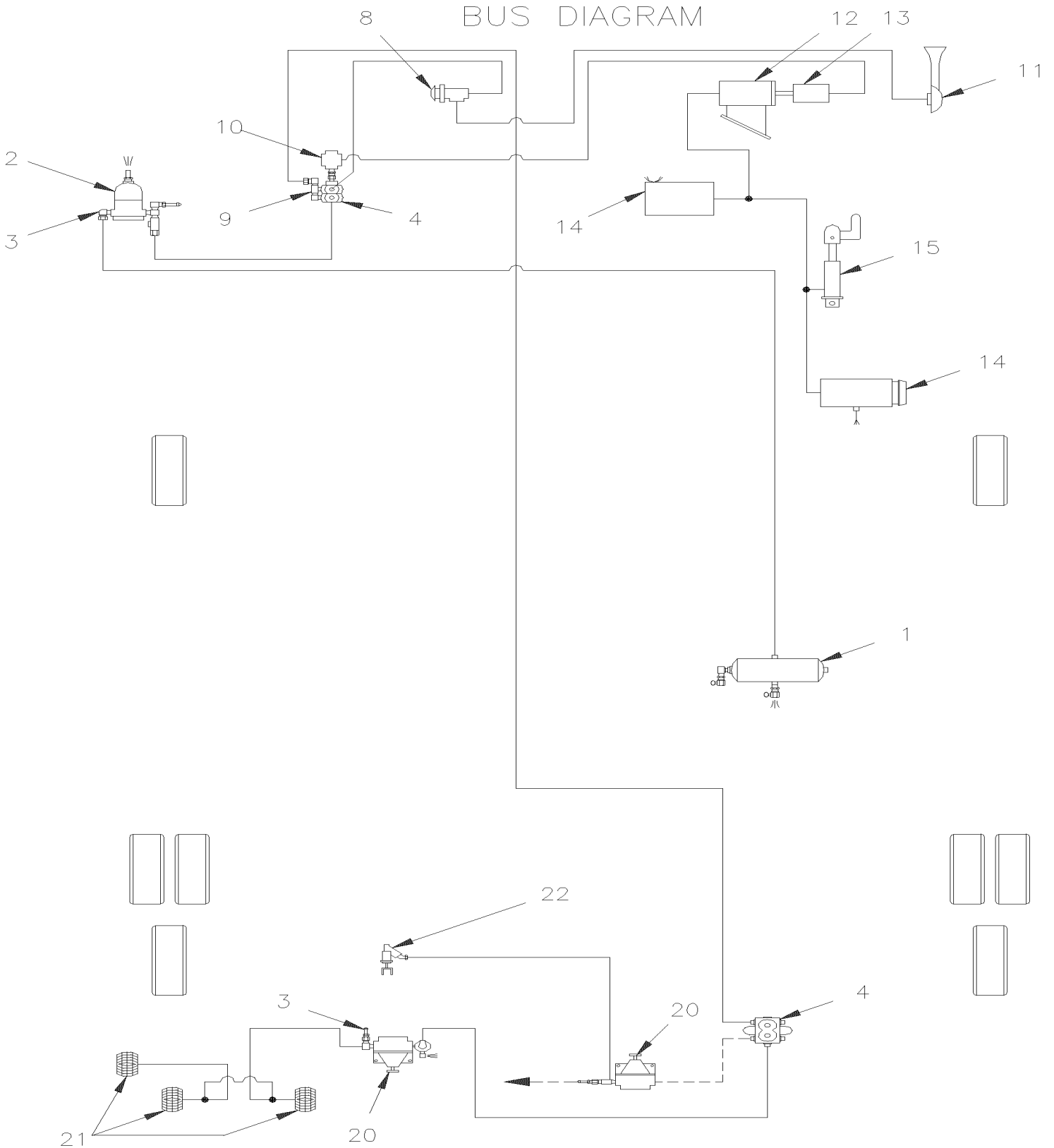
From P-722 To Y-7045

Date:10/2022

PAGE:XL-2300-01

ACCESSORIES AIR SYSTEM

BUS DIAGRAM



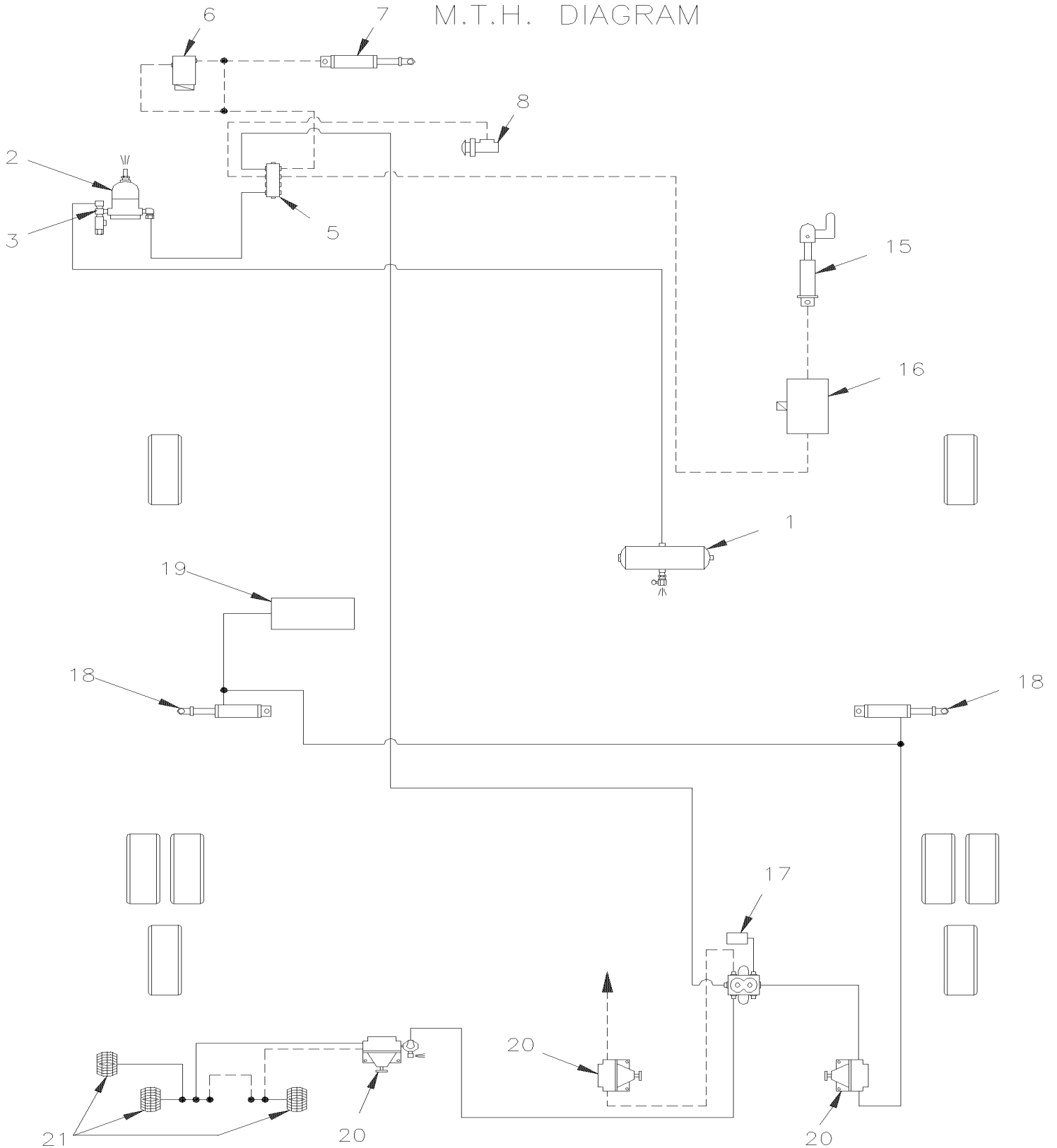
From P-722 To Y-7045

Date:10/2022

PAGE:XL-2300-01

ACCESSORIES AIR SYSTEM

M.T.H. DIAGRAM



From P-722 To Y-7045	Date:10/2022	PAGE:XL-2300-01
ACCESSORIES AIR SYSTEM		

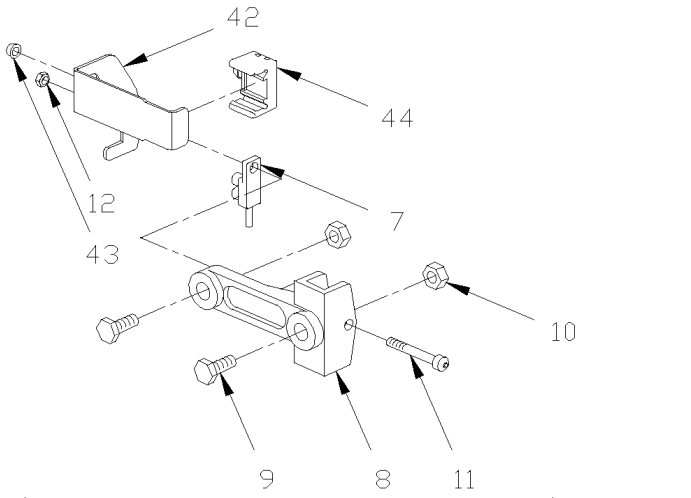
Item#	Part	Description	M T H 4 0	M T H 4 5	M T H 4 5 E	X L 4 0	X L 4 5	N O T E S
1	140868	AIR TANK / W/END LOWER DRAIN 1228 IN° / 8" O.D. X 26"	1	1	1	1	1	
2	640080	AIR FILTER ASSY To T-5789	1	1	1	1	1	
2	641338	AIR FILTER ASSY From T-5790	1	1	1	1	1	
3	640488	VALVE, AIR FILL 1/8" NPT	1	1	1	1	1	
. NS	650164	. CAP VALVE / CHROME	1	1	1	1	1	
4	640055	MANIFOLD / PIPE FITTING / 7 PORTS 1/4NPT-F STL		1	1	1	1	
6	N.P.N.	AIR CONTROL VALVE / SUPPLIER BY CONVERTER FOR FRONT SHUTTER	1	1	1			4
7	550568	CYLINDER AIR / SHUTTER / W/4" MOUNT	1	1	1			
8	640128	VALVE HORN HV-3	1	1	1	1	1	
11	640093	HORN AIR				1	1	
12	780312	VALVE, 3 WAYS CONTROL				1	1	
13	780233	VALVE, CONTROL / FCP2				1	1	
14	780232	VALVE, CONTROL / MJV-2 1/8" NPT				2	2	
15	780213	CYLINDER AIR	1	1	1	1	1	
16	560930	VALVE SOLENOID N.C. 24 VOLTS	1	1	1			
. NS	060851	. CONNECTOR ASSY	1	1	1			
17	641351	VALVE, 3 WAYS, 2 POSITIONS N.C. / W/TAG UNLOA To T-5872		1				
17	XL-1650-10	CYLINDER ASSY - STABILISATOR To T-5872						
19	131243	MANIFOLD VALVE ASSY To T-5872		1				
20	640938	AIR PRESSURE REGULATOR To W-6460	1	1	1	1	1	
20	641437	AIR PRESSURE REGULATOR 1/4" NPT / PLASTIC From W-6461	1	1	1	1	1	
21	950208	BELLOW ASSY / BELT TENSIONER / 3" O.D.	3	3	3	3	3	
. NS	504695	. HOSE CLAMP STEPLESS SPRING SS / OETIKER / 2.9-3.3	1	1	1	1	1	
22	XL-0220-00	CLUTCH CYLINDER - "POWER ASSISTED"						
		4) NO PARTS NUMBER						

From E-638 To L-684

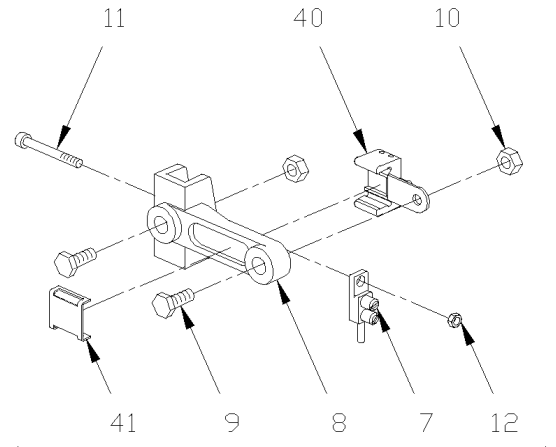
Date:10/2022

PAGE:XL-2305-00

LOWER WINDSHIELD WIPER



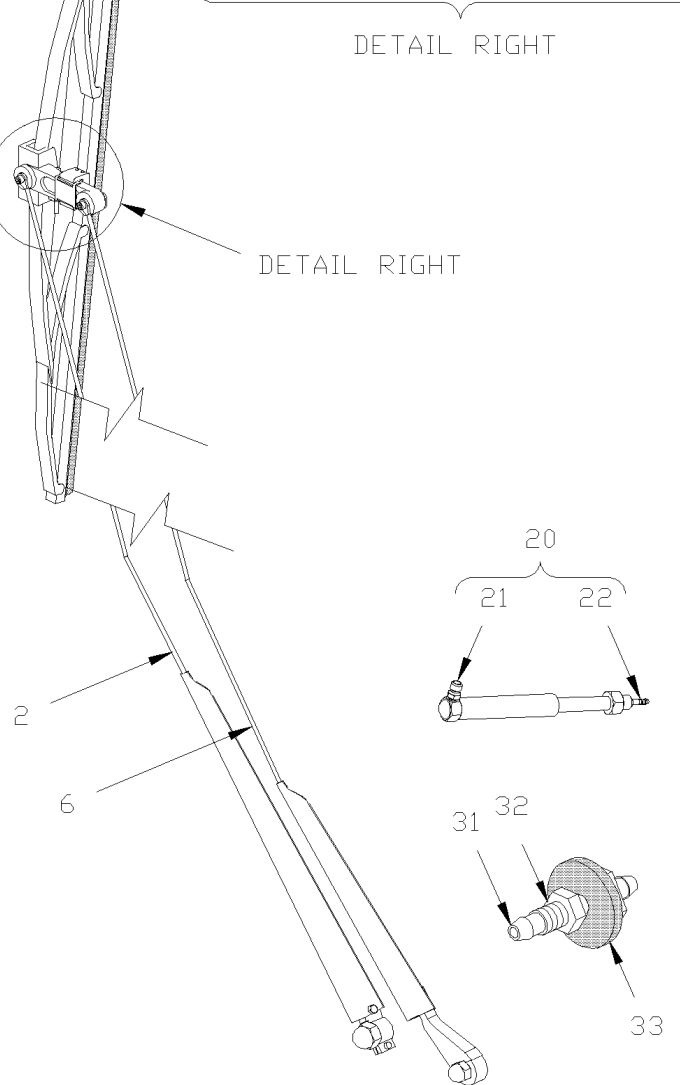
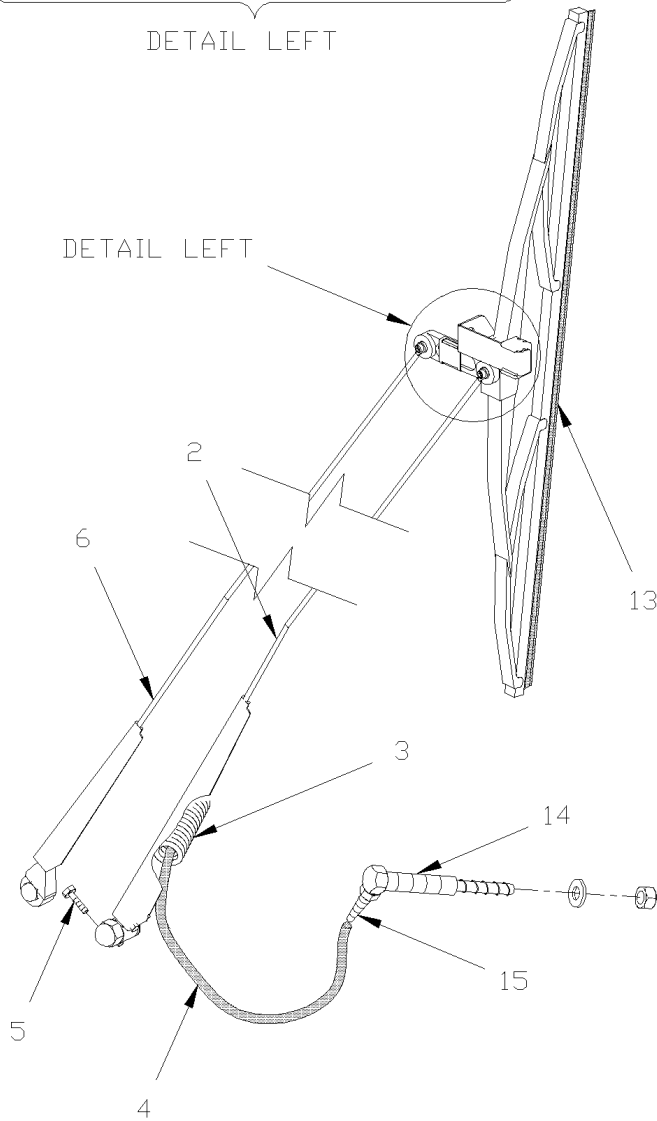
DETAIL LEFT



DETAIL RIGHT

DETAIL LEFT

DETAIL RIGHT



From E-638 To L-684	Date:10/2022	PAGE:XL-2305-00
LOWER WINDSHIELD WIPER		

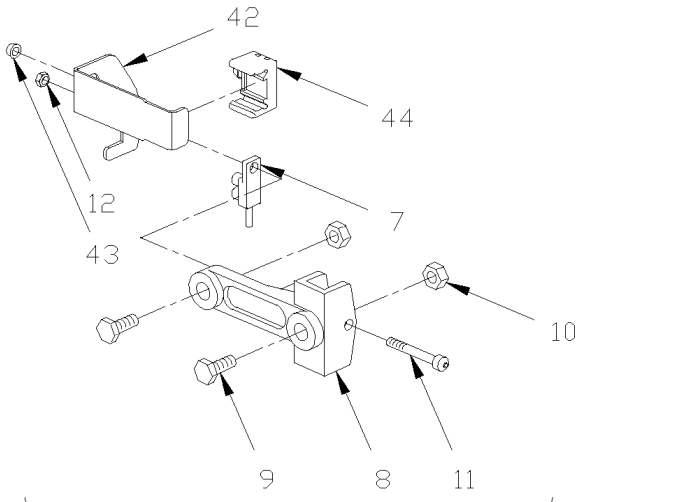
Item#	Part	Description	M T H 4 0	M T H 4 5	M T H 4 5 E	X L 4 0	X L 4 5	N O T E S
	800236	WIPER ARM ASSY 31" C/C / W/PLASTIC LINK (102" MODEL)	2			2		
2	800237	. WIPER ARM / MAIN 31" C/C	1			1		
3	800296	. . SPRING EXTENSION / .528 O.D. x 5.225 x .105	1			1		
4	300292	. . HOSE #2 54"	1			1		
NS	300106	. . HOSE #2 30"	AR			AR		
NS	300250	. . HOSE #2 33"	AR			AR		
NS	300107	. . HOSE #2 42"	AR			AR		
NS	300269	. . HOSE #2 50'	AR			AR		
NS	800227	. . HOSE WINDSHIELD WASHER WIPER ARM 100 FT	AR			AR		
5	10539188	. . SCREW CAP HEX 1/4-28x1 G8 BK	1			1		
6	800238	. WIPER ARM / IDLER 31" C/C	1			1		
7	800241	. NOZZLE, WINDSHIELD WASHER	1			1		
8	800242	. LINK ASSY	1			1		
9	800243	. . SCREW SHR CAP HEX 1/4x33/64{10-32	2			2		
10	500423	. . NUT HEX NYRT #10-32 SS	2			2		
11	800244	. . SCREW #4-40 / SADDLE LINK	1			1		
12	500425	. . NUT HEX NYRT #4-40 SS	1			1		
13	800234	BLADE ASSY, WIPER 20"	1			1		
NS	800315	. RUBBER BLADE REFILL	1			1		
NS	800180	. CLIP / RETAINER END	2			2		
14	800266	ADAPTOR ASSY 90 DEG / #2 TO #2 WET ARM	2			2		B
15	800317	. ADAPTOR HOSE #2 (ALUMINUM)	2			2		
20	800319	NOZZLE, WINDSHIELD WASHER ASSY / FIX ON BODY	2			2		
21	800323	. JET	1			1		
22	500699	. NUT HEX 5/16-24 Z050	1			1		
31	300469	ADAPTOR HOSE #3 / WET ARM M8-1.25 x 44MM	2			2		A
32	502543	NUT HEX M8-1.25 Z050	2			2		A
33	502220	WASHER FL .375x1.000x.125 RUB	2			2		A
NS	300474	NOZZLE, WINDSHIELD WASHER / "BOSCH" / MODIFIED	2			2		A
40	800330	. NOZZLE, WINDSHIELD WASHER / "BOSCH"	1			1		A
41	300473	CLIP RETAINER / NOZZLE W/W "BOSCH"	1			1		A
42	300487	SUPPORT NOZZLE ASSY	1			1		A
43	504529	GROMMET / .250x.375x.062x.281x.625	1			1		A
44	800330	NOZZLE, WINDSHIELD WASHER / "BOSCH"	1			1		A
		A) THIS COMPONENTS ARE REQUIRE FOR USE "BOSCH" NOZZLE						
		B) FOR PRODUCT IMPROVMENT YOU REQUIRE ONE KIT #300317						

From L-685 To Y-7045

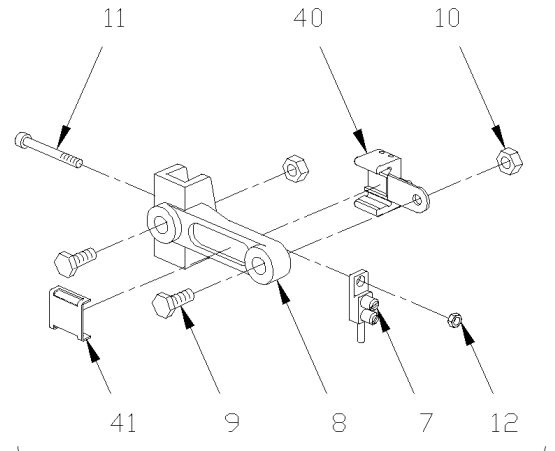
Date:10/2022

PAGE:XL-2305-01

LOWER WINDSHIELD WIPER



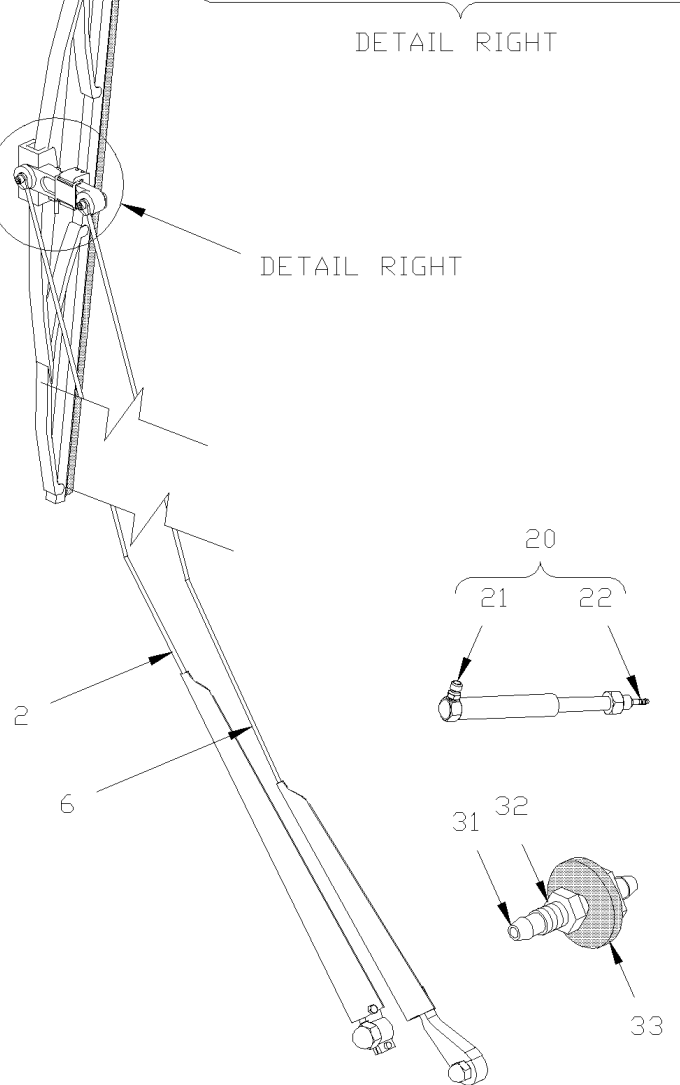
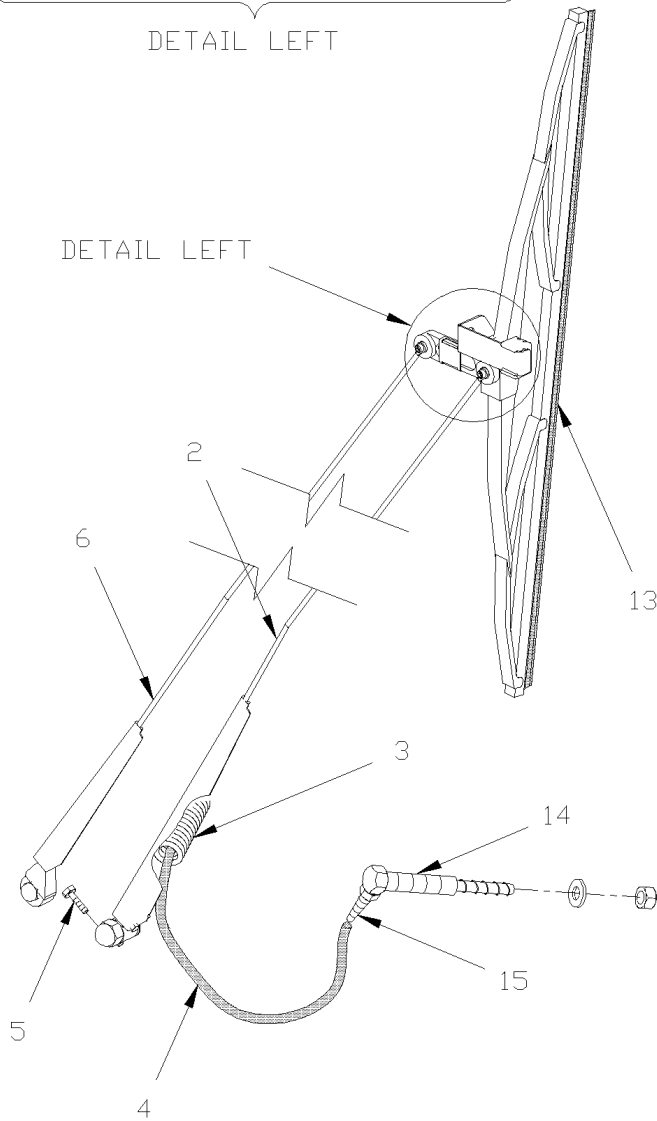
DETAIL LEFT



DETAIL RIGHT

DETAIL LEFT

DETAIL RIGHT



From L-685 To Y-7045	Date:10/2022	PAGE:XL-2305-01
LOWER WINDSHIELD WIPER		

Item#	Part	Description	M T H 4 0	M T H 4 5	M T H 4 5 E	X L 4 0	X L 4 5	N O T E S
	800306	WIPER ARM ASSY 31" C/C / W/PLASTIC LINK (102" MODEL)	2	2	2	2	2	
2	800237	. WIPER ARM / MAIN 31" C/C	1	1	1	1	1	
3	800312	. . SPRING EXTENSION / .528 O.D. x 5.41 x .118	1	1	1	1	1	
4	300292	. . HOSE #2 54"	1	1	1	1	1	A
NS	300106	. . HOSE #2 30"	AR	AR	AR	AR	AR	
NS	300250	. . HOSE #2 33"	AR	AR	AR	AR	AR	
NS	300107	. . HOSE #2 42"	AR	AR	AR	AR	AR	
NS	300269	. . HOSE #2 50'	AR	AR	AR	AR	AR	
NS	800227	. . HOSE WINDSHIELD WASHER WIPER ARM 100 FT	AR	AR	AR	AR	AR	
5	10539188	. . SCREW CAP HEX 1/4-28x1 G8 BK	1	1	1	1	1	
6	800238	. WIPER ARM / IDLER 31" C/C	1	1	1	1	1	
7	800318	. NOZZLE, WINDSHIELD WASHER	1	1	1	1	1	
8	800308	. LINK ASSY	1	1	1	1	1	
9	800243	. SCREW SHR CAP HEX 1/4x33/64{10-32	2	2	2	2	2	
10	500423	. NUT HEX NYRT #10-32 SS	2	2	2	2	2	
11	800309	. SCREW #10-32x.390 SS	1	1	1	1	1	
12	500423	. NUT HEX NYRT #10-32 SS	1	1	1	1	1	
13	800284	WIPER BLADE ASSY 22"	1	1	1	1	1	
. NS	800383	. RUBBER BLADE REFILL / (ONLY) WIPER REFILL 22"	1	1	1	1	1	
NS	191104	WIPER BLADE ASSY 22" ALTERNATIVE PART	1	1	1	1	1	
. NS	800316	. RUBBER BLADE REFILL / (ONLY) WIPER REFILL 22"	1	1	1	1	1	
. NS	800180	. CLIP / RETAINER END	2	2	2	2	2	
14	800266	ADAPTOR ASSY 90 DEG / #2 TO #2 WET ARM To W-6370	2	2	2	2	2	B
14	800321	ADAPTOR ASSY 90 DEG / #3 TO #2 WET ARM From W-6371	2	2	2	2	2	
15	800317	. ADAPTOR HOSE #2 (ALUMINUM)	1	1	1	1	1	
20	800319	NOZZLE, WINDSHIELD WASHER ASSY / FIX ON BODY	2	2	2	2	2	
21	800323	. JET	1	1	1	1	1	
22	500699	. NUT HEX 5/16-24 Z050	1	1	1	1	1	
31	300469	ADAPTOR HOSE #3 / WET ARM M8-1.25 x 44MM	1	1	1	1	1	C
32	5001188	NUT HEX M8-1.25 SS	1	1	1	1	1	C
33	502820	WASHER FL .187x1.000x.125 RUB BK	1	1	1	1	1	C
40	300474	NOZZLE, WINDSHIELD WASHER / "BOSCH" / MODIFIED	2	2	2	2	2	C
40	800330	. NOZZLE, WINDSHIELD WASHER / "BOSCH"	1	1	1	1	1	C
41	300473	CLIP RETAINER / NOZZLE W/W "BOSCH"	1	1	1	1	1	C
42	300487	SUPPORT NOZZLE ASSY	1	1	1	1	1	C
43	504529	GROMMET / .250x.375x.062x.281x.625	1	1	1	1	1	C
44	800330	NOZZLE, WINDSHIELD WASHER / "BOSCH"	1	1	1	1	1	C
		A) SEE THE FIVE LAST ITEM OF THIS LISTING TO KNOW THE POSSIBILITY OF LENGHT						
		B) FOR PRODUCT IMPROVMENT YOU REQUIRE ONE KIT #300317						

From L-685 To Y-7045	Date:10/2022	PAGE:XL-2305-01
----------------------	--------------	-----------------

LOWER WINDSHIELD WIPER

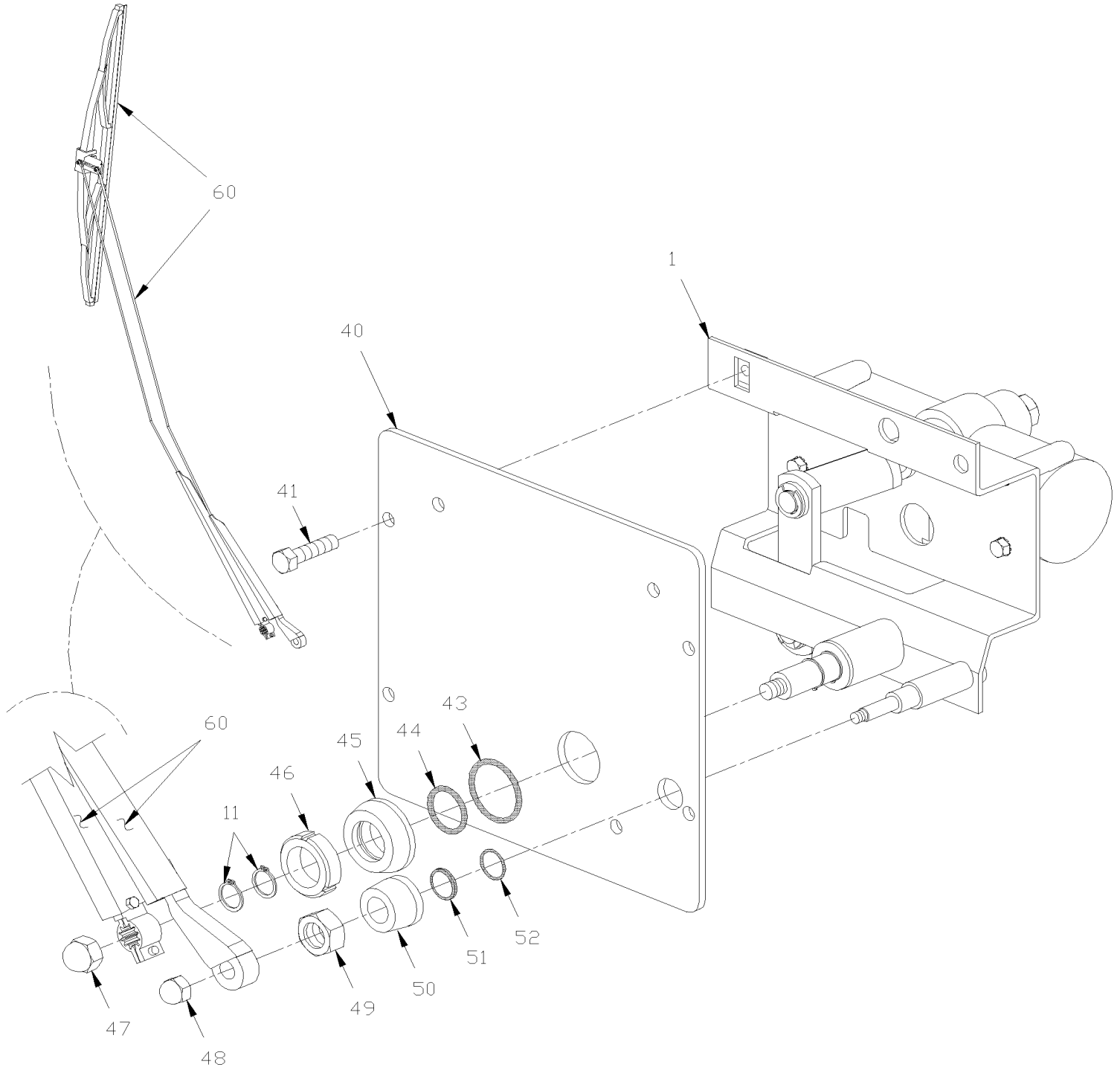
Item#	Part	Description	M T H 4 0	M T H 4 5	M T H 4 5 E	X L 4 0	X L 4 5	N O T E S
		C) THIS COMPONENTS ARE REQUIRE FOR USE "BOSCH" NOZZLE						

From E-638 To L-684

Date:10/2022

PAGE:XL-2305-05

WIPER MECHANISM - AIR INSTALLATION

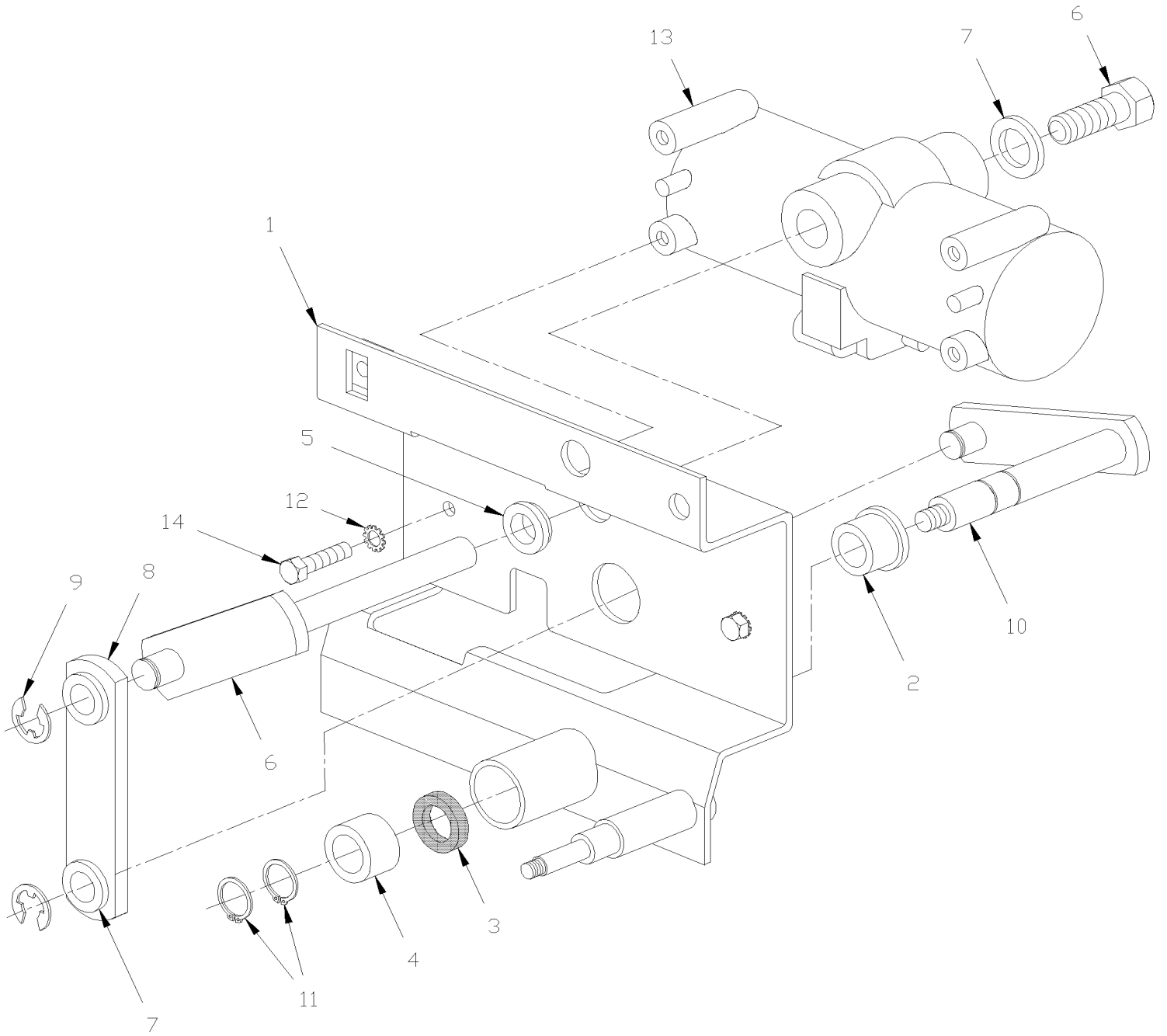


From E-638 To L-684

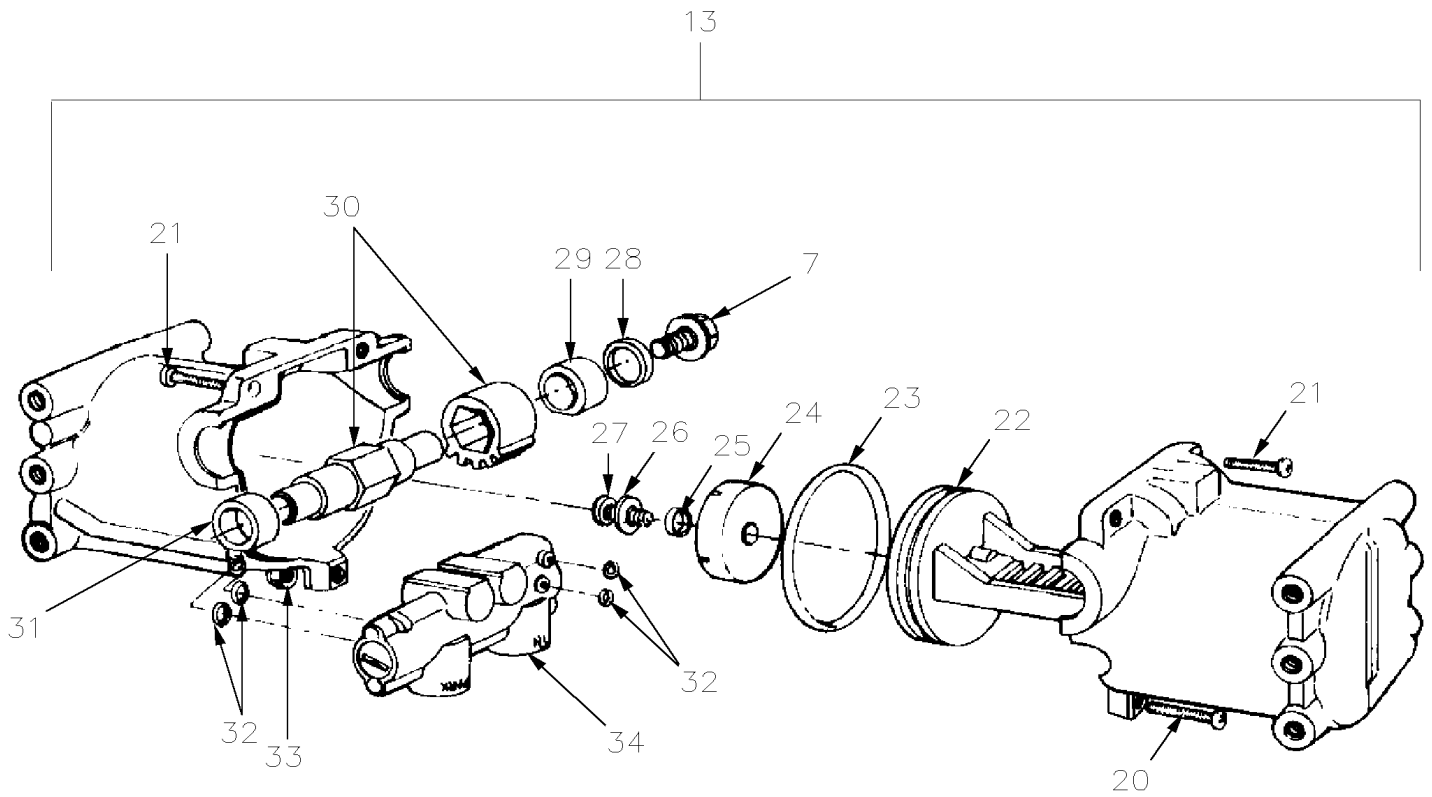
Date:10/2022

PAGE:XL-2305-05

WIPER MECHANISM - AIR INSTALLATION



From E-638 To L-684	Date:10/2022	PAGE:XL-2305-05
WIPER MECHANISM - AIR INSTALLATION		



UP TO K-845

From E-638 To L-684		Date:10/2022	PAGE:XL-2305-05
---------------------	--	--------------	-----------------

WIPER MECHANISM - AIR INSTALLATION

Item#	Part	Description	M T H 4 0	M T H 4 5	M T H 4 5 E	X L 4 0	X L 4 5	N O T E S
	800271	MOTOR / W/BRACKET ASSY L.H. To K-845	1			1		
	800272	MOTOR / W/BRACKET ASSY R.H. To K-845	1			1		
	800299	MOTOR / W/BRACKET ASSY L.H. From K-846	1			1		
	800300	MOTOR / W/BRACKET ASSY R.H. From K-846	1			1		
1	800163	. BRACKET, MOUNTING ASSY L.H.	1			1		
1	800164	. BRACKET, MOUNTING ASSY R.H.	1			1		
2	800274	. . BUSHING FLANGE 5/8" I.D. X 7/8" O.D. X 3/4" L	1			1		
3	800276	. . V-RING	1			1		
4	800125	. . BUSHING 5/8" I.D. X 7/8" O.D. X 5/8" L	1			1		
5	800275	. . BUSHING FLANGE 5/8" I.D. X 7/8" O.D. X 1	1			1		
6	800087	. SHAFT, IDLER L.H. / 2" C/C	1			1		
6	800197	. SHAFT, IDLER R.H. / 2" C/C	1			1		
6	800134	. . SCREW / W/LOCK	1			1		
7	800133	. . WASHER, BACK-UP	1			1		
8	800013	. ARM, LINKAGE ASSY	1			1		
9	800198	. RING, RETAINER	2			2		
10	800245	. SHAFT, MAIN 3 1/4" C/C	1			1		
11	504512	. . RING RETAINER / EXT .625 x .588 x .037" / SS	2			2		
12	500826	. WASHER LO EXT .320x.610x.034 ZP	4			4		
13	800269	. MOTOR, WIPER ASSY L.H. (AS SHOWN) To K-845	1			1		
13	800268	. MOTOR, WIPER ASSY R.H. (AS SHOWN) To K-845	1			1		
13	800301	. MOTOR, WIPER ASSY L.H. (THROW AWAY TYPE) From K-846	1			1		
13	800302	. MOTOR, WIPER ASSY R.H. (THROW AWAY TYPE) From K-846	1			1		
14	500165	. SCREW CAP HEX 1/4-20x1 G5 Z050	4			4		
20	800260	. . SCREW To K-845	1			1		
21	800256	. . SCREW To K-845	2			2		
22	800250	. . PISTON, RACK To K-845	1			1		
23	800251	. . . O-RING To K-845	2			2		
24	800252	. . . BUMPER, RUBBER To K-845	2			2		
25	800253	. . . SLEEVE To K-845	2			2		
26	800254	. . . WASHER To K-845	2			2		
27	800255	. . . SCREW To K-845	1			1		
28	800264	. . SPACER To K-845	1			1		
29	800263	. . BEARING, REAR To K-845	1			1		
30	800262	. . GEAR & SLEEVE To K-845	1			1		
31	800261	. . BEARING, FRONT To K-845	1			1		
32	800258	. . O-RING To K-845	1			1		
33	800257	. . NUT, STOP To K-845	1			1		
34	800259	. . VALVE, EXHAUST To K-845	1			1		
34	800291	. . . ADAPTOR EXHAUST VENT To K-845	1			1		
NS	800267	REPAIR KIT / MOTOR #800268 & #800269 To K-845	1			1		
NS	800270	GREASE WHITE / 1 OZ. / AIR WIPER MOTOR To K-845	1			1		

From E-638 To L-684		Date:10/2022	PAGE:XL-2305-05
---------------------	--	--------------	-----------------

WIPER MECHANISM - AIR INSTALLATION

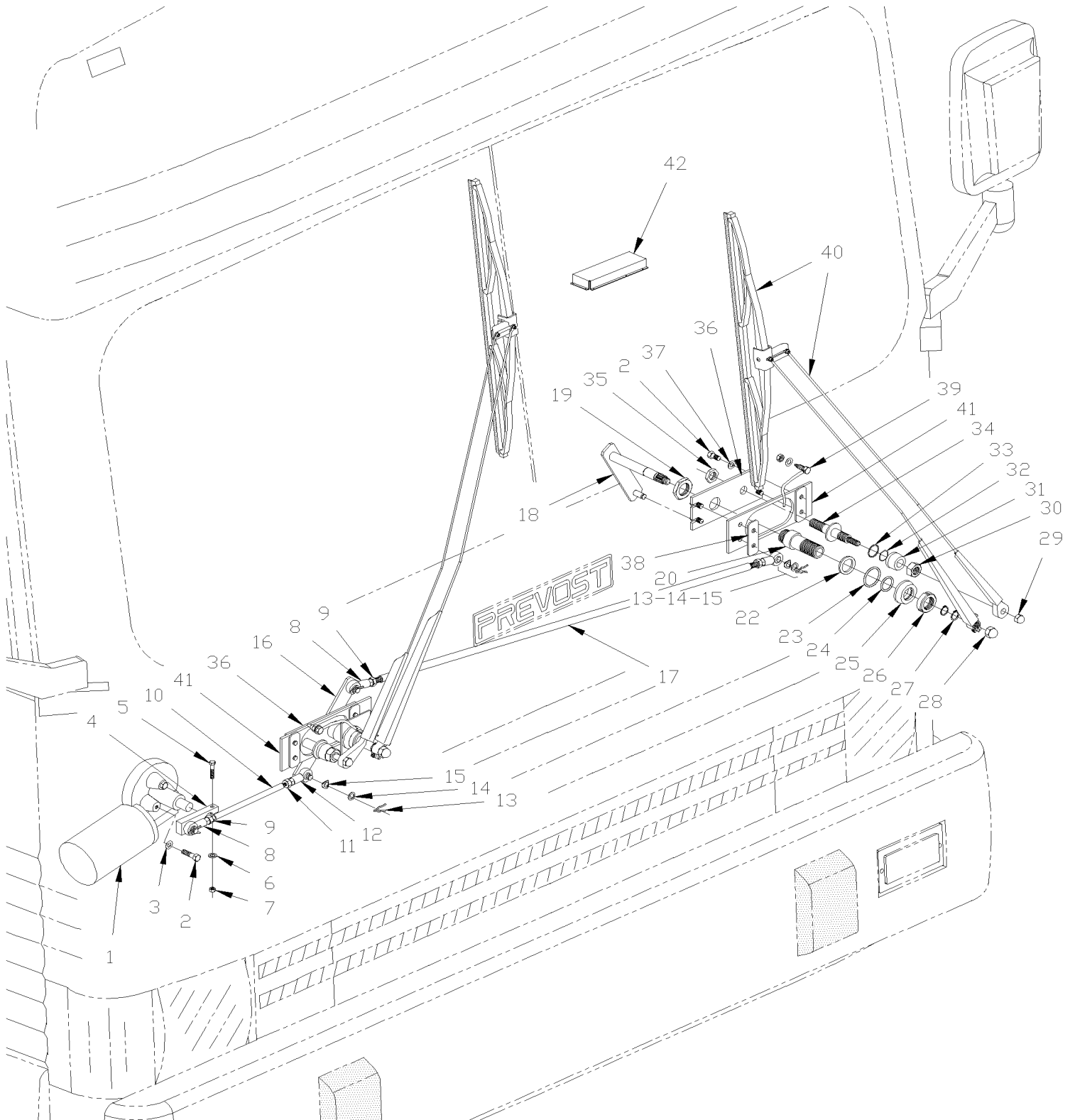
Item#	Part	Description	M T H 4 0	M T H 4 5	M T H 4 5 E	X L 4 0	X L 4 5	N O T E S
40	300068	MOUNTING PLATE L.H. & R.H.	1			1		
NS	300069	GASKET 1/4x9 1/16 x 9 3/16	1			1		
41	500558	SCREW MA TR PH 1/4-20x1 SS	8			8		
43	507320	O-RING 1 1/8" I.D. X 1/8"	2			2		B
44	507321	O-RING 1 5/8" I.D. X 1/8"	2			2		B
45	300062	SPACER	2			2		A
45	300271	SPACER	2			2		B
46	800064	NUT SPANNER 1 1/8-18 / PLASTIC	2			2		
47	800062	NUT HEX CAP 3/8-24 BK	2			2		
48	800078	NUT HEX CAP 1/4-28 BK	2			2		
49	800079	NUT HEX 5/8-18 BK	2			2		
50	300061	SPACER	2			2		A
50	300279	SPACER	2			2		B
51	507318	O-RING 5/8" I.D. X 1/16"	2			2		B
52	507324	O-RING 3/4" I.D. X 1/16"	2			2		B
NS	561179	VALVE SOLENOID N.C. 24 VOLTS	1			1		C
. NS	060851	. CONNECTOR ASSY	1			1		C
60	XL-2305-00	LOWER WINDSHIELD WIPER						
		A) FORMER						
		B) CURRENT						
		C) THIS VALVE UNDER DRIVER'S FLOOR IN STEERING COMPARTMENT FOR CUT AIR ON ACCESORIES TANK ON PARKING						

From L-685 To Y-7045

Date:10/2022

PAGE:XL-2305-10

WIPER MECHANISM - ELECTRIC INSTALLATION



From L-685 To Y-7045	Date:10/2022	PAGE:XL-2305-10
WIPER MECHANISM - ELECTRIC INSTALLATION		

Item#	Part	Description	M T H 4 0	M T H 4 5	M T H 4 5 E	X L 4 0	X L 4 5	N O T E S
1	800304	MOTOR WIPER ASSY / 24V / NIDEC	1	1	1	1	1	A
1	300506	KIT, MOTOR WIPER BOSCH SERVICE	1	1	1	1	1	
NS	IS-00151A	SEE INSTRUCTION SHEET	1	1	1	1	1	
2	500544	SCREW CAP HEX M8-1.25x30 G8.8 Z050	3	3	3	3	3	
3	502583	WASHER LO SERR 8.15x22.3x1.0 Z050	3	3	3	3	3	
4	300184	LEVER / MOTOR	1	1	1	1	1	
5	502533	SCREW CAP HEX M6-1.0x30 G8.8 Z050	1	1	1	1	1	
6	502564	WASHER LO SPT 6.1x11.8x1.6 Z050	1	1	1	1	1	
7	502565	NUT HEX M6-1.0 SS	1	1	1	1	1	
8	502174	ROD END MALE 3/8-24 / 3/8 I.D.	3	3	3	3	3	
9	500956	NUT HEX JAM 3/8-24 Z050	3	3	3	3	3	
10	300251	ROD, R.H. / R.H. WIPER	1	1	1	1	1	
11	5001039	NUT HEX JAM LH 3/8-24 Z050	1	1	1	1	1	
12	502186	ROD END MALE L.H. 3/8-24-L.H./ 3/8 I.D.	1	1	1	1	1	
13	502185	PIN HAIR CUTTER .062 X 9/32	4	4	4	4	4	
14	500905	WASHER SPR WAVE .750x.015	4	4	4	4	4	
15	5001011	WASHER FL .406x.625x.040 Z050	4	4	4	4	4	
16	300213	SHAFT, R.H. / R.H. WIPER	1	1	1	1	1	
17	300223	ROD. L.H. THREAD / L.H. WIPER To P-749	1	1	1	1	1	
17	300290	ROD. L.H. & R.H. THREAD / L.H. WIPER From P-750	1	1	1	1	1	
18	300212	SHAFT, L.H. / L.H. WIPER	1	1	1	1	1	
NS	680739	GREASE SYNTHETIC / RED 20KG	AR	AR	AR	AR	AR	
19	502821	NUT HEX JAM 1 1/8-18 Z050	1	1	1	1	1	
20	300218	TUBE ASSY. THREADED / W/BUSHING	2	2	2	2	2	
20	300217	TUBE, TREADED	2	2	2	2	2	
NS	800125	BUSHING 5/8" I.D. X 7/8" O.D. X 5/8" L	2	2	2	2	2	
NS	800276	V-RING	1	1	1	1	1	
23	507321	O-RING 1 5/8" I.D. X 1/8" From M-937	2	2	2	2	2	
24	507320	O-RING 1 1/8" I.D. X 1/8" From M-937	2	2	2	2	2	
25	300062	SPACER To M-936	2	2	2	2	2	
25	300271	SPACER From M-937	2	2	2	2	2	
26	800064	NUT SPANNER 1 1/8-18 / PLASTIC	2	2	2	2	2	
27	504512	RING RETAINER / EXT .625 x .588 x .037" / SS	2	2	2	2	2	
28	800062	NUT HEX CAP 3/8-24 BK	2	2	2	2	2	
29	800078	NUT HEX CAP 1/4-28 BK	2	2	2	2	2	
30	800079	NUT HEX 5/8-18 BK	2	2	2	2	2	
30	300061	SPACER To N-468	2	2	2	2	2	
30	300279	SPACER From N-469 To S-569	2	2	2	2	2	
30	300301	SPACER From S-570	2	2	2	2	2	
31	300301	SPACER From S-570	2	2	2	2	2	
32	507318	O-RING 5/8" I.D. X 1/16" To N-468	2	2	2	2	2	
32	507324	O-RING 3/4" I.D. X 1/16" From N-469 To S-469	2	2	2	2	2	

From L-685 To Y-7045	Date:10/2022	PAGE:XL-2305-10
WIPER MECHANISM - ELECTRIC INSTALLATION		

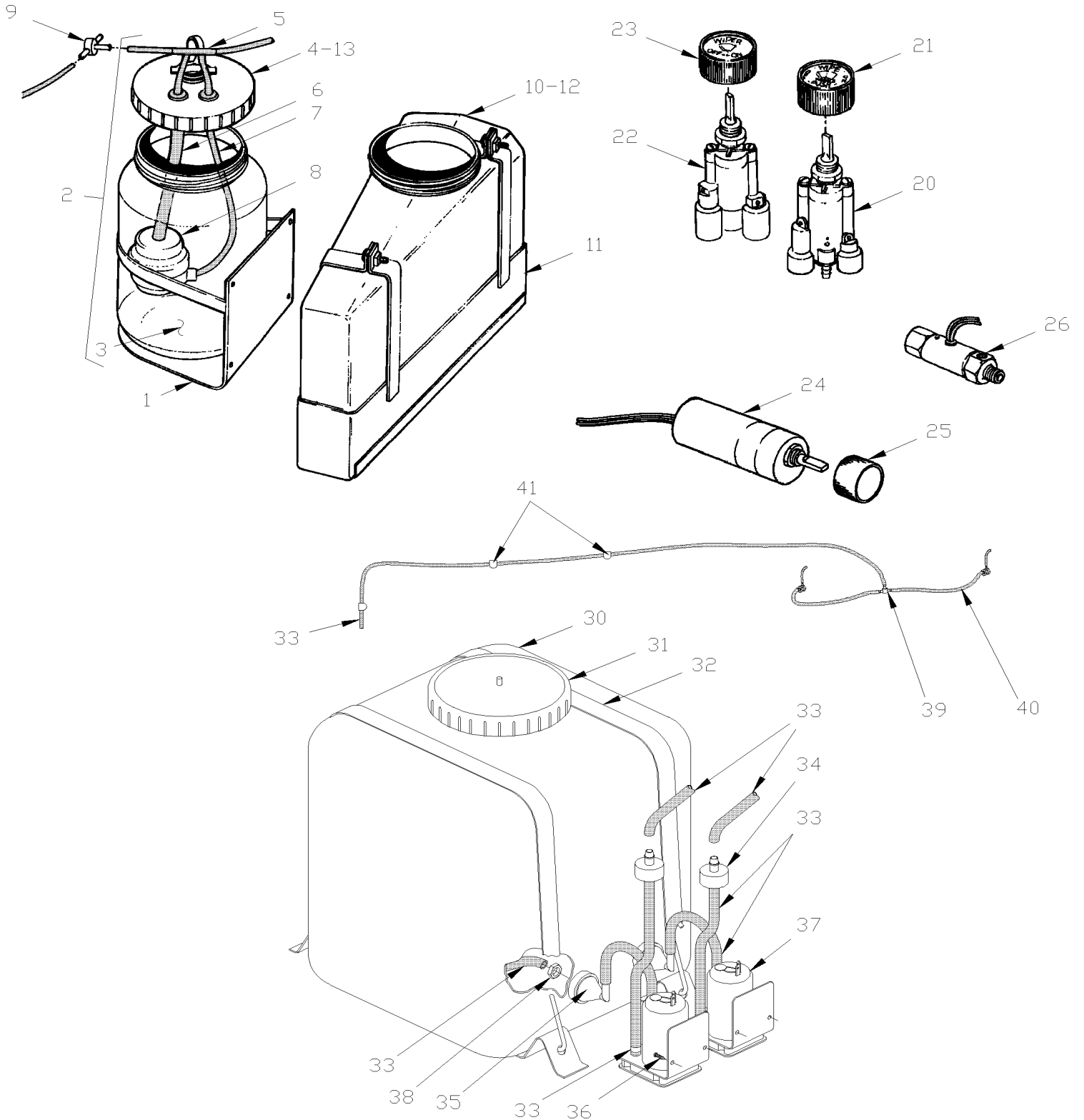
Item#	Part	Description	M T H 4 0	M T H 4 5	M T H 4 5 E	X L 4 0	X L 4 5	N O T E S
33	507303	O-RING 1/2" I.D. FLAT FACE From S-570	2	2	2	2	2	
34	300221	SECONDARY SHAFT IDLE ARM To N-468	1	1	1	1	1	
34	300281	SECONDARY SHAFT IDLE ARM From N-469	1	1	1	1	1	
35	502822	NUT HEX JAM THN 5/8-18x3/16 Z050	1	1	1	1	1	
36	300208	PLATE, MOUNTING	1	1	1	1	1	
37	502583	WASHER LO SERR 8.15x22.3x1.0 Z050	8	8	8	8	8	
38	300206	PLATE, THREADED	4	4	4	4	4	
NS	300471	SPACER	AR	AR	AR	AR	AR	
39	XL-2305-01	LOWER WINDSHIELD WIPER						
40	502790	SCREW CAP HEX M8-1.25x20 G8.8 Z050	8	8	8	8	8	
41	250746	PLATE, MOUNTING / WIPER	1	1	1	1	1	
42	300245	BOX, PROTECTION / L.H. WIPER SHAFT	1	1	1	1	1	
NS	062845	CABLE ASSY / WIPER MOTOR	1	1	1	1	1	
NS	800293	GENERATOR, PULSE / FOR WIPER MOTOR	1	1	1	1	1	
NS	300506	KIT, MOTOR WIPER BOSCH	AR	AR	AR	AR	AR	
NS	IS-00151A	SEE INSTRUCTION SHEET	1	1	1	1	1	
		A) THIS MOTOR IS SUPERSEDED BY KIT #300506						

From E-638 To Y-7045

Date:10/2022

PAGE:XL-2305-20

WINDSHIELD WASHER - INSTALLATION



From E-638 To Y-7045	Date:10/2022	PAGE:XL-2305-20
----------------------	--------------	-----------------

WINDSHIELD WASHER - INSTALLATION

Item#	Part	Description	M T H 4 0	M T H 4 5	M T H 4 5 E	X L 4 0	X L 4 5	N O T E S
	800232	TANK ASSY 1 GALLON To L-684	1			1		
1	800178	. SUPPORT To L-684	1			1		
2	800277	. TANK ASSY To L-684	1			1		
3	800182	. . TANK To L-684	1			1		
4	800168	. . COVER ASSY To L-684	1			1		
5	800291	. . ADAPTOR EXHAUST VENT To L-684	1			1		
6	800208	. . TUBE To L-684	1			1		
7	800207	. . HOSE To L-684	1			1		
8	800170	. DIAPHRAGM ASSY To L-684	1			1		
9	800206	UNION TEE / HOSE BARB FITTING / #2x#2x5/32 PLAS To L-684	1			1		
10	800246	TANK ASSY 3 GALLONS To L-684	1			1		
11	800247	. SUPPORT To L-684	1			1		
12	800248	. TANK ASSY To L-684	1			1		
13	800249	. COVER ASSY / W/DIAPHRAGM To L-684	1			1		
NS	800291	. . ADAPTOR EXHAUST VENT To L-684	1			1		
15	N.S.S.	. . TUBE To L-684	1			1		1
16	N.S.S.	. . HOSE To L-684	1			1		1
NS	800170	. . DIAPHRAGM ASSY To L-684	1			1		
NS	800206	UNION TEE / HOSE BARB FITTING / #2x#2x5/32 PLAS To L-684	1			1		
20	800229	VALVE ASSY / L.H. CONTROL & WINDSHIELD WASHER To L-684	1			1		
21	800231	. KNOB To L-684	1			1		
22	800230	VALVE ASSY / R.H. CONTROL To L-684	1			1		
23	800175	. KNOB To L-684	1			1		
24	800297	CONTROL VALVE / W/INTERMITENT WIPER To L-684	1			1		
25	800305	. KNOB To L-684	1			1		
26	800298	VALVE, SOLENOID / W/INTERMITENT WIPER To L-684	1			1		
NS	300182	SUPPORT / VALVE INTERMITENT To L-684	1			1		
30	800285	TANK, WINDSHIELD WASHER From L-685	1	1	1	1	1	
31	800286	COVER ASSY W/PLUG From L-685	1	1	1	1	1	
32	504483	TIE RUBBER BELT, W/HOOK 23" From L-685	2	2	2	2	2	
33	503002	HOSE / EPDM 5/32" I.D. / S.L. From L-685	AR	AR	AR	AR	AR	
34	800288	VALVE, CHECK From L-685	1	1	1	1	1	
35	800292	ELBOW, MALE CONNECTOR From L-685	1	1	1	1	1	
36	500393	SCREW TC PAN PH #10-24x3/8 Z050 From L-685	2	2	2	2	2	
37	800314	PUMP WINDSHIELD WASHER From L-685	1	1	1	1	1	
NS	300160	SUPPORT, PUMP From L-685	1	1	1	1	1	
38	5001188	NUT HEX M8-1.25 SS From L-685	1	1	1	1	1	
39	800206	UNION TEE / HOSE BARB FITTING / #2x#2x5/32 PLAS From L-685 To W-6366	1	1	1	1	1	B
39	800322	UNION TEE / HOSE BARB FITTING / 5/32x5/32x5/32 PLAS From W-6367	1	1	1	1	1	
40	800227	HOSE WINDSHIELD WASHER WIPER ARM 100 FT From L-685	AR	AR	AR	AR	AR	A
40	300106	HOSE #2 30"						
40	300250	HOSE #2 33"						

From E-638 To Y-7045	Date:10/2022	PAGE:XL-2305-20
----------------------	--------------	-----------------

WINDSHIELD WASHER - INSTALLATION

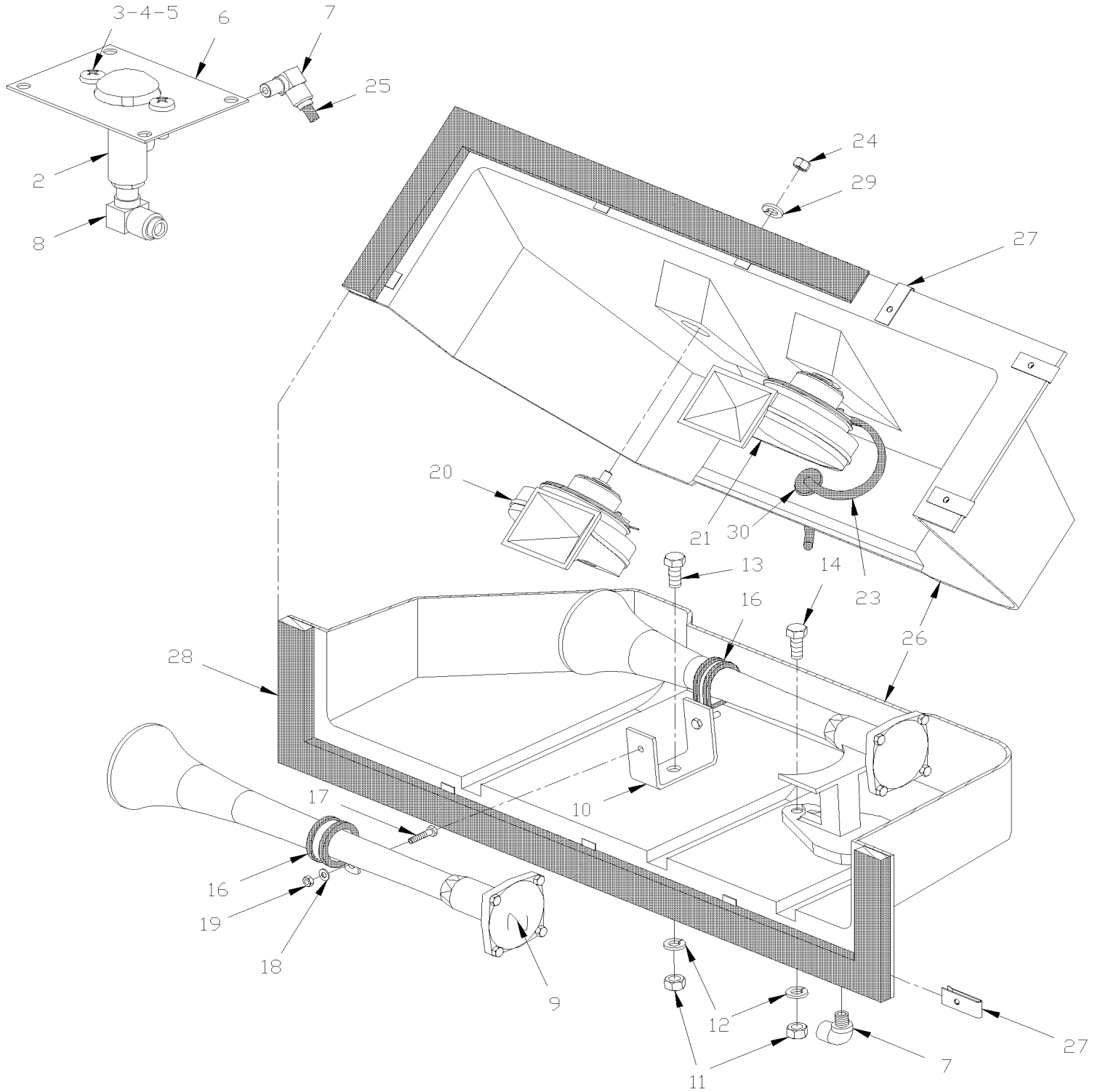
Item#	Part	Description	M T H 4 0	M T H 4 5	M T H 4 5 E	X L 4 0	X L 4 5	N O T E S
40	300107	HOSE #2 42"						
40	300292	HOSE #2 54"						
40	300269	HOSE #2 50'						
		A) SEE THE LAST FIVE ITEMS OF THIS LISTING TO SEE OTHER LENGHT AVAILABLE						
		B) FOR PRODUCT IMPROVMENT YOU REQUIRE ON KIT #300317						
		1) NOT SOLD SEPARATELY						

From E-638 To Y-7045

Date:10/2022

PAGE:XL-2310-00

HORN - INSTALLATION



From E-638 To Y-7045	Date:10/2022	PAGE:XL-2310-00
HORN - INSTALLATION		

Item#	Part	Description	M T H 4 0	M T H 4 5	M T H 4 5 E	X L 4 0	X L 4 5	N O T E S
1	140188	HORN VALVE ASSY				1	1	
2	640128	. VALVE HORN HV-3				1	1	
3	500556	. SCREW MA TR PH 1/4-20x3/4 SS				2	2	
4	500769	. NUT HEX 1/4-20 Z050				2	2	
5	500473	. WASHER LO SPT .262x.489x.062 Z050				2	2	
6	140372	. PLATE / HORN VALVE				1	1	
7	640996	. MALE ELBOW 90° / NTA FITTING / #4x1/8NPT-M BR				2	2	
8	640997	. MALE ELBOW 90° / NTA FITTING / #4x1/4NPT-M BR				1	1	
9	640093	HORN AIR				1	1	
9	641081	. MOUNTING COUPLING				1	1	
9	640974	. GROMMET				1	1	
10	141120	SUPPORT / AIR HORN				1	1	
NS	141122	REINFORCEMENT				1	1	
11	500778	NUT HEX 5/16-18 N500				2	2	
12	500476	WASHER LO SPT .317x.586x.078 Z050				2	2	
13	500179	SCREW CAP HEX 5/16-18x3/4 G5 Z050				1	1	
14	500182	SCREW CAP HEX 5/16-18x1 1/4 G5 PT Z050				1	1	
NS	141121	REINFORCEMENT				1	1	
15	560912	CLAMP / 1"1/4 I.D.				1	1	
16	560484	CLAMP / 1" I.D.				1	1	
17	500564	SCREW MA RND PH #8-32x3/4 Z050				2	2	
18	500470	WASHER LO SPT .193x.334x.047 Z050				2	2	
19	500764	NUT HEX #8-32 Z050				2	2	
20	560379	HORN, ELECTRIC / LOW "F" / 24 VOLTS / "DELCO" To M-957	1			1		A
20	562133	HORN, ELECTRIC / LOW 360HZ / 12V From M-958	1	1	1	1	1	
20	563015	HORN, ELECTRIC / LOW 405HZ / 12V "FIAM" SERVICE From M-958	1	1	1	1	1	
20	563028	HORN, ELECTRIC / LOW 335HZ / 24V "FIAM" SERVICE	1	1	1	1	1	
21	563029	HORN, ELECTRIC / HIGH 400HZ / 24V "FIAM" SERVICE	1	1	1	1	1	
21	560380	HORN, ELECTRIC / HIGH "A" / 24 VOLTS / "DELCO To M-957	1			1		B
21	562132	HORN, ELECTRIC / HIGH 450HZ / 12V From M-958	1	1	1	1	1	
21	563023	HORN, ELECTRIC / HIGH 485HZ / 12V "FIAM" SERVICE From M-958	1	1	1	1	1	
23	061483	WIRE ASSY, YELLOW / ELECTRIC HORN	1	1	1	1	1	
23	061484	WIRE ASSY, BLACK / ELECTRIC HORN To M-957	1	1	1	1	1	
23	063206	HARNES / HORN & CONNECTOR From M-958 To X-7034	1	1	1			
23	065256	HARNES / HORN & CONNECTOR From X-7035	1	1	1			
23	063205	HARNES / HORN & CONNECTOR From M-958 To X-7034				1	1	
23	065257	HARNES / HORN & CONNECTOR From X-7035				1	1	
24	560575	NUT HEX SPRING STEEL To X-7034	2	2	2	2	2	
24	502581	NUT HEX M6-1.0 Z050 From X-7035	2	2	2	2	2	
25	503402	TUBE, NYLON 1/4 O.D. / BLACK S.L.				AR	AR	
26	140328	BOX FIBERGLASS / YELLOW / AIR ELECTRIC HORN To F-044				1		
26	141100	BOX, PLASTIC / BLACK / AIR & ELECTRIC HORNS From F-045				1	1	

From E-638 To Y-7045	Date:10/2022	PAGE:XL-2310-00
HORN - INSTALLATION		

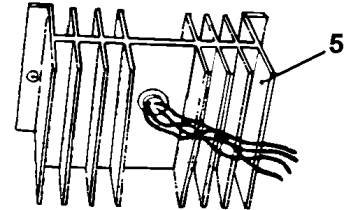
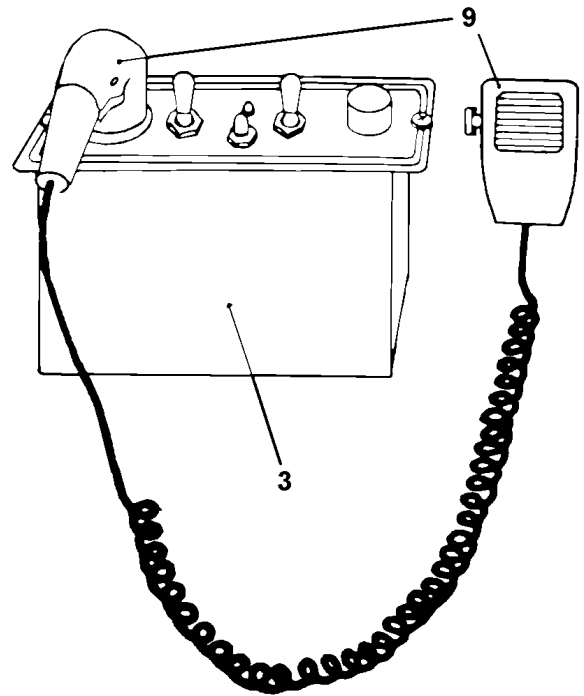
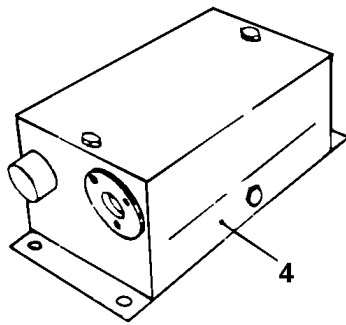
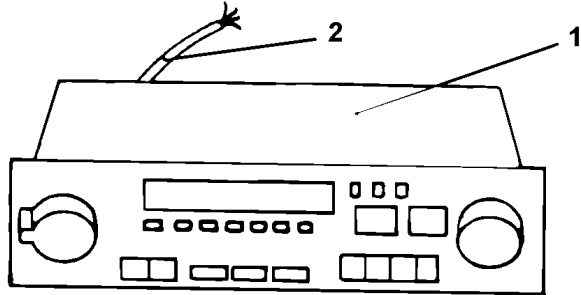
Item#	Part	Description	M T H 4 0	M T H 4 5	M T H 4 5 E	X L 4 0	X L 4 5	N O T E S
26	141124	BOX, PLASTIC / BLACK / ELECTRIC HORN From F-045 To H-300	1					
26	141161	BOX, PLASTIC / BLACK / ELECTRIC HORN From H-301	1	1	1			
27	500252	NUT SPR U #10-24 .156-.187	12	12	12	12	12	
28	506282	TAPE RUB ADH1 CC POL 3/8" x 1" x 20' / GREY 2520	AR	AR	AR	AR	AR	
29	500489	WASHER LO INT .894x1.410x.060 Z050 From X-7035	2	2	2	2	2	
30	504070	GROMMET / .375x.625x.156x.406x1.000	1	1	1	1	1	
NS	065313	HORN, KIT ELECTRIC / LOW / 24 VOLTS / "FIAM"	1	1	1	1	1	
. NS	IS-99152	. SEE INSTRUCTION SHEET	1	1	1	1	1	
NS	065314	HORN, KIT ELECTRIC / HIGH / 24 VOLTS / "FIAM"	1	1	1	1	1	
. NS	IS-99152	. SEE INSTRUCTION SHEET	1	1	1	1	1	
NS	141473	HORN ASSY W/BOX 24V / MTH & H3-40 V.I.P. To L-684	1					C
NS	141537	HORN ASSY W/BOX 12V / MTH XL From L-685	1	1	1			C
		A) THIS HORN IS SUPERSEDED BY KIT 065313						
		B) THIS HORN IS SUPERSEDED BY KIT 065314						
		C) INCLUDES ITEMS 20, 21, 23, 26, 27 & 28						

From E-638 To H-284

Date:10/2022

PAGE:XL-2315-00

SOUND SYSTEM - INSTALLATION



From E-638 To H-284	Date:10/2022	PAGE:XL-2315-00
SOUND SYSTEM - INSTALLATION		

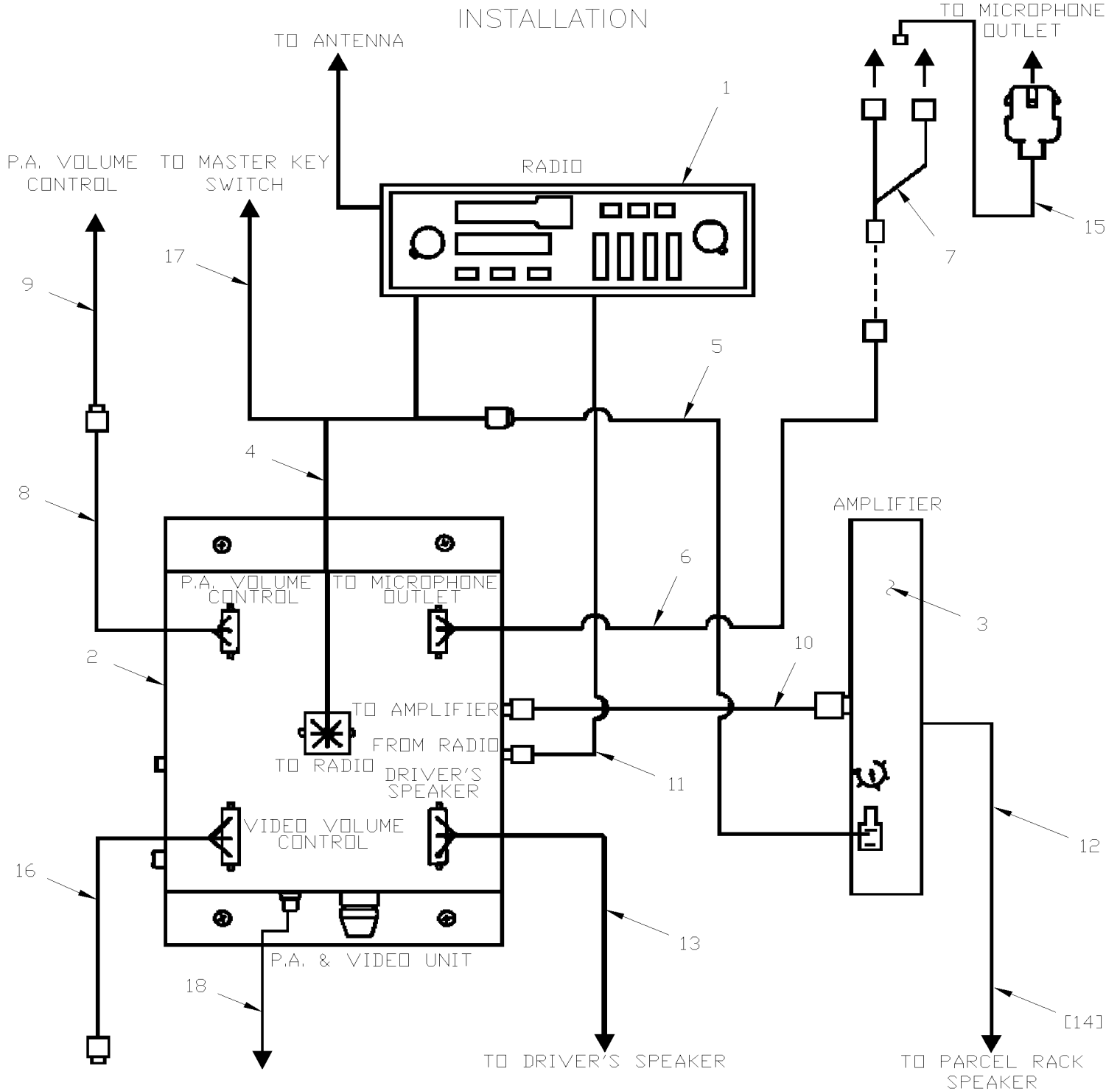
Item#	Part	Description	M T H 4 0	M T H 4 5	M T H 4 5 E	X L 4 0	X L 4 5	N O T E S
1	900467	RADIO / "MOBILE PAGE" MODEL R-522				1		
1	900451	RADIO / "MOBILE PAGE" MODEL R-750				1		
2	900450	CABLE ASSY / RADIO & P/A REMOTE				1		
3	900452	P/A REMOTE SYSTEM / W/R-750 To E-781				1		
3	900466	P/A REMOTE SYSTEM / W/R-750 From E-782				1		
NS	401911	SPACER, MOUNTING / W/P/A #900466 ONLY				1		
3	900473	P/A SYSTEM / W/R-522 RADIO ONLY				1		
4	900214	P/A UNIT / W/O RADIO MODEL 470C				1		
NS	401620	RELAY MODIFIED / TO USE W/ #900214				1		
5	900462	CONVERTER 24/12V				1		A
5	900512	CONVERTED ASSY				1		B
NS	900464	CONNECTOR, SHELL / W/P/A				AR		
NS	900442	CONNECTOR, FEMALE / W/P/A				AR		
NS	900475	CONNECTOR, MALE / W/P/A				AR		
9	XL-2315-10	SOUND SYSTEM & ACCESSORIES						
		A) FORMER						
		B) CURRENT						

From H-285 To T-5883

Date:10/2022

PAGE:XL-2315-01

SOUND SYSTEM - INSTALLATION



From H-285 To T-5883		Date:10/2022	PAGE:XL-2315-01
SOUND SYSTEM - INSTALLATION			

Item#	Part	Description	M T H 4 0	M T H 4 5	M T H 4 5 E	X L 4 0	X L 4 5	N O T E S
1	900498	RADIO "BLAUPUNKT" / "DENVER" To K-783				1		
1	900601	RADIO "BLAUPUNKT" / "CALGARY" From K-784 To M-891				1		
1	900644	RADIO "BLAUPUNKT" / "PHOENIX" From M-892 To P-640				1		
1	900681	RADIO "BLAUPUNKT" / "DAYTONA" From P-641 To R-828				1		
1	900690	RADIO "BLAUPUNKT" / "CHEYENNE" From R-829 To S-446				1		
1	900730	RADIO "BLAUPUNKT" MODEL "LEXINGTON" CM84 From S-447				1	1	
NS	900781	. REMOVABLE FACE OF RADIO "LEXINGTON"				1	1	
1	901063	RADIO "BLAUPUNKT" / "DAYTONA BEACH" C-51				1	1	S
1	901090	RADIO "BLAUPUNKT" / "ST-LOUIS" C-32				1	1	S
1	900764	RADIO "BLAUPUNKT" / "VENTURA" AM/FM/CD / OPTION				AR	AR	
NS	063064	CABLE / RADIO & FRT JCT PANEL #46A From M-892 To P-640				1		
1	900944	RADIO "BLAUPUNKT" / "MELBOURNE" C-30				AR	AR	
NS	900663	ADAPTOR / RADIO & ANTENNA CABLE / MOTOROLA MALE to EURO FEMA				1	1	
2	900495	P/A UNIT / W/O BACKGROUND MUSIC To J-584				1		A
2	900513	P/A UNIT / W/BACKGROUND MUSIC To J-584				1		A
2	900580	P/A UNIT / W/O BACKGROUND MUSIC From J-585 To L-569				1		A
2	900581	P/A UNIT / W/BACKGROUND MUSIC From J-585 To L-569				1		A
2	900610	AMPLIFIER, P/A & VIDEO From L-570 To T-5711				1	1	D
2	900795	AMPLIFIER, P/A & VIDEO From T-5712				1	1	
NS	500638	SCREW TP PAN PH #8x1/2 Z050				4	4	
3	900504	AMPLIFIER "BLAUPUNK" 60 WATTS (BPA 415A) To J-470				1		E
3	900542	AMPLIFIER "BLAUPUNK" 80 WATTS (BPA 420) From J-471 To N-486				1		E
3	900665	AMPLIFIER "BLAUPUNK" 120 WATTS (BQA 120) From N-487 To S-446				1		E
3	900744	AMPLIFIER "SONY" 4 X 20 WATTS / (XM2042) From S-447				2	2	E
3	901023	AMPLIFIER "RCF" 4 x 20 WATTS				1	1	S
NS	500638	SCREW TP PAN PH #8x1/2 Z050				4	4	
NS	403977	SUPPORT AMPLI To T-5686					1	
NS	504632	SPACER NYLON From T-5687					4	
NS	502654	SCREW CAP HEX M4-0.7x45 G8.8 Z050 From T-5687					4	
NS	064089	CABLE ASSY / SWITCH RH PANEL To T-5686					1	
NS	064181	WIRE ASSY / AMPLI & ROOF From T-5687					1	
4	062749	CABLE ASSY MASTER / P/A 12VOLTS / 24" To M-892				1		
4	402375	CABLE ASSY / MASTER / P/A 12 VOLTS / 30' From M-893 To M-941				1		
4	063048	CABLE ASSY / MASTER / P/A 12 VOLTS / 30' From M-942 To P-640				1		
4	403670	CABLE ASSY / MASTER / P/A 12 VOLTS / 30' From P-641 To S-489				1		
4	403879	CABLE ASSY / MASTER / P/A 12 VOLTS / 30' From S-490				1	1	
5	402387	CABLE ASSY / POWER TO AMPLIFIER / 18" To S-446				1		
5	403912	CABLE ASSY / POWER TO AMPLIFIER / 18" From S-447				1		
5	403929	CABLE ASSY / POWER TO AMPLIFIER / 126" From S-497					1	
6	402399	CABLE ASSY / TO Y JCT MICRO OUTLET / 75" To N-490				1		
6	403530	CABLE ASSY W/5 JCT MICRO OUTLET / 75" From N-491 To S-489				1		
6	403878	CABLE ASSY W/5 JCT MICRO OUTLET / 75" From S-490				1	1	

From H-285 To T-5883	Date:10/2022	PAGE:XL-2315-01
SOUND SYSTEM - INSTALLATION		

Item#	Part	Description	M T H 4 0	M T H 4 5	M T H 4 5 E	X L 4 0	X L 4 5	N O T E S
7	402404	CABLE ASSY / Y-JUNCTION To N-490				1		
7	403529	Y JCT ADAPTOR / W/5 MICRO OUTLET From N-491				AR	AR	
8	402374	CABLE ASSY / TO P/A VOLUME CONTROL / 26"				1	1	
9	402373	CONTROL VOLUME / P/A				1	1	
10	900539	SPECIAL WIRE CABLE 8 PIN DIN MALE - 7 PD MALE (36")				1	1	
NS	403804	CABLE ASSY / 7 PINS X 8 PINS 146"					1	
NS	403917	CABLE ASSY / 8 PINS SOCKET X 4 RCA / 2 P/A / 7" From S-447				2	2	
NS	900735	ADAPTOR "Y" RCA / 1F/2M / 4"				4	4	B
11	062608	CABLE ASSY / SWITCH RH PANEL / WITH RADIO From K-785 To N-490				1		
11	403531	CABLE ASSY / P/A & RADIO From N-491 To R-828				1		
11	403774	CABLE ASSY / 7 PINS SOCKET X 4 RCA / 51" From R-829				1		
11	403774	CABLE ASSY / 7 PINS SOCKET X 4 RCA / 51" From R-829					2	
12	402419	CABLE ASSY / TO PARCEL RACK SPEAKERS To S-446				1		
12	403913	CABLE ASSY / TO PARCEL RACK SPEAKERS From S-447				1		
13	402386	CABLE ASSY 3" / "Y" JCT TO DRIVER'S SPEAKER "PREVOST XL" ONLY To J-429				1		
13	402448	CABLE ASSY / TO DRIVER'S SPEAKER / 131" To P-556				1		
13	063333	CABLE ASSY / TO DRIVER'S SPEAKER / 131" From P-557				1		
14	402388	CABLE ASSY / TO SPEAKER L.H. "PREVOST XL" ONLY To J-429				1		
14	402389	CABLE ASSY / TO SPEAKER R.H. "PREVOST XL" ONLY To J-429				1		
15	402372	CABLE ASSY / MICRO OUTLET ON R.H. CONSOLE / 32"				1	1	
15	402402	CABLE ASSY / MICRO OUTLET ON L.H. CONSOLE / 42"				1	1	
15	402401	CABLE ASSY / MICRO OUTLET ON DRIVER'S GUARD / 78"				1	1	
15	403370	CABLE ASSY / MICRO OUTLET ON DRIVER'S GUARD 128"				1	1	
15	402400	CABLE ASSY / MICRO OUTLET ON R.H.MODESTY PANEL / 108"				1	1	
15	402490	CABLE ASSY / MICRO OUTLET ON L.H. PARCEL RACK / 163"				1		
15	403950	CABLE ASSY / MICRO OUTLET ON L.H. PARCEL RACK / 223"					1	
15	402414	CABLE ASSY 360" / MICRO OUTLET ON A/C DUCT				1	1	
15	402403	CABLE ASSY / MICRO OUTLET ON LAVATORY WALL / 552"				1		
15	403951	CABLE ASSY / MICRO OUTLET ON LAVATORY WALL / 611"					1	
16	403221	CONTROL VOLUME / VIDEO / L.H. CONSOLE To N-516				1		
16	403604	CONTROL VOLUME / VIDEO / L.H. CONSOLE From N-517				1	1	
17	402391	CABLE ASSY / 12V FROM CONVERTER 24/12 / 90" To K-728				1		
17	402492	CABLE ASSY / 12V FROM JCT PANEL / 110" From K-729 To N-490				1		
17	403533	CABLE ASSY / 12V FROM JCT PANEL / 136" From N-491 To P-640				1		
17	403671	CABLE ASSY / 12V FROM JCT PANEL / 136" From P-641				1	1	
18	900653	CABLE ASSY / AUDIO/VIDEO TO PA				1	1	
NS	900512	CONVERTED ASSY To K-728				1		C
NS	402391	CABLE ASSY / 12V FROM CONVERTER 24/12 / 90" To K-728				1		C
NS	402390	CABLE ASSY / CONVERTER TO FRT JCT PANEL / 90" To K-728				1		C
NS	500418	SCREW MA RND SLT #8-32x1 ZP To K-728				4		C
NS	402589	SPACER 1/2" TH To K-728				2		C

From H-285 To T-5883	Date:10/2022	PAGE:XL-2315-01
SOUND SYSTEM - INSTALLATION		

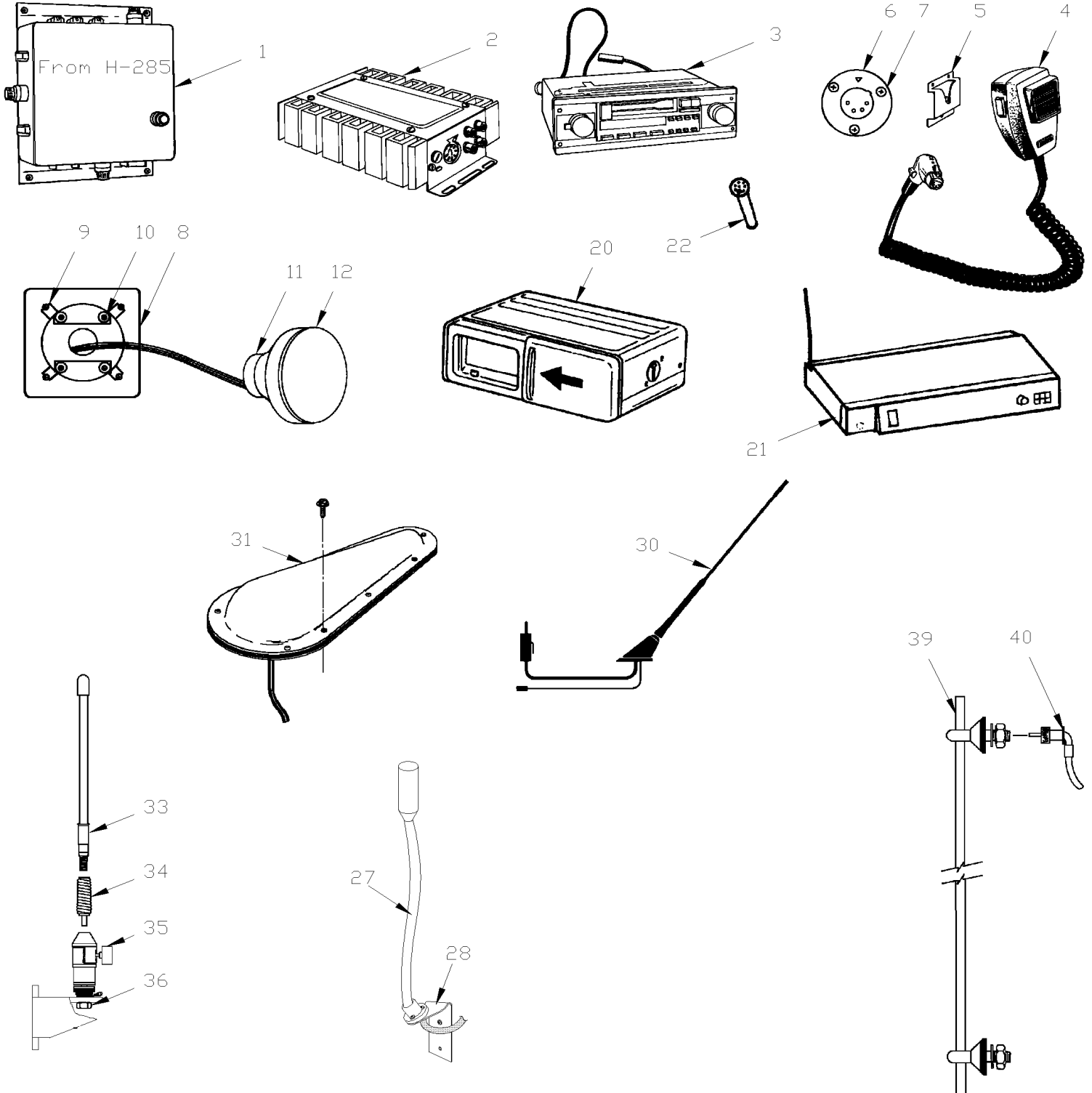
Item#	Part	Description	M T H 4 0	M T H 4 5	M T H 4 5 E	X L 4 0	X L 4 5	N O T E S
NS	820021	SPACER 3/8" TH / NYLON To K-728				4		C
NS	500222	SCREW CAP HEX 9/16-12x1 1/4 G5 ZP To K-728				4		C
NS	403274	KIT, P.A. VIDEO AMPLIFIER	AR	AR	AR	AR	AR	
NS	IS-89217	SEE INSTRUCTION SHEET	1	1	1	1	1	
NS	404476	KIT, PA REI	AR	AR	AR	AR	AR	
NS	IS-95084	SEE INSTRUCTION SHEET	1	1	1	1	1	
NS	404524	KIT AUDIO AMPLIFIER (FORMER)	AR	AR	AR	AR	AR	
NS	IS-96185	SEE INSTRUCTION SHEET	1	1	1	1	1	
NS	405219	KIT AUDIO AMPLIFIER (CURRENT)	AR	AR	AR	AR	AR	
NS	IS-00206	SEE INSTRUCTION SHEET	1	1	1	1	1	
		A) THOSE P/A ARE OBSOLETE, USE RETROFIT KIT #403274 SEE INSTRUCTION SHEET IS-89217						
		B) AMPLI & CABLE						
		C) THOSE PARTS ARE RELATED WITH 24V DC CONVERTER 12V DC / LOCATED UNDER DRIVER'S FLOOR IN STEERING COMPARTMENT						
		D) THOSE AMPLIFIER ARE OBSOLETE, USE RETROFIT KIT #404476 SEE INSTRUCTION SHEET IS-95084						
		E) THOSE AMPLIFIER ARE OBSOLETE, USE RETROFIT KIT #405219 SEE INSTRUCTION SHEET IS-00206						
		S) SERVICE ONLY						

From E-638 To T-5883

Date:10/2022

PAGE:XL-2315-10

SOUND SYSTEM & ACCESSORIES

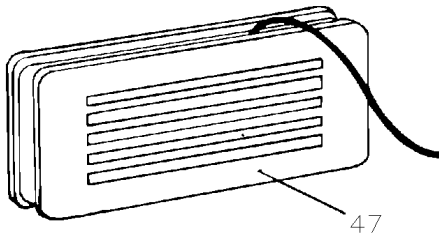
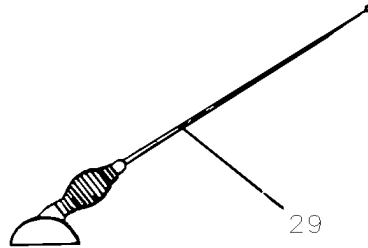
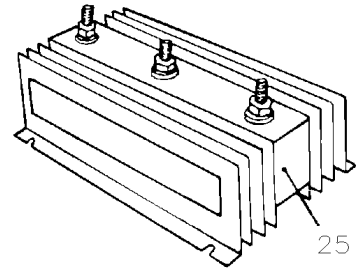
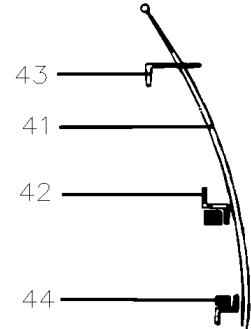
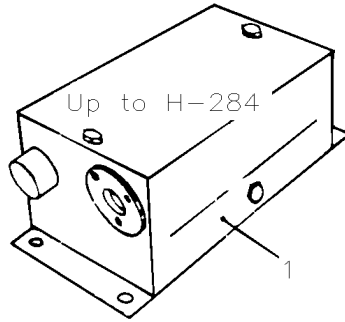
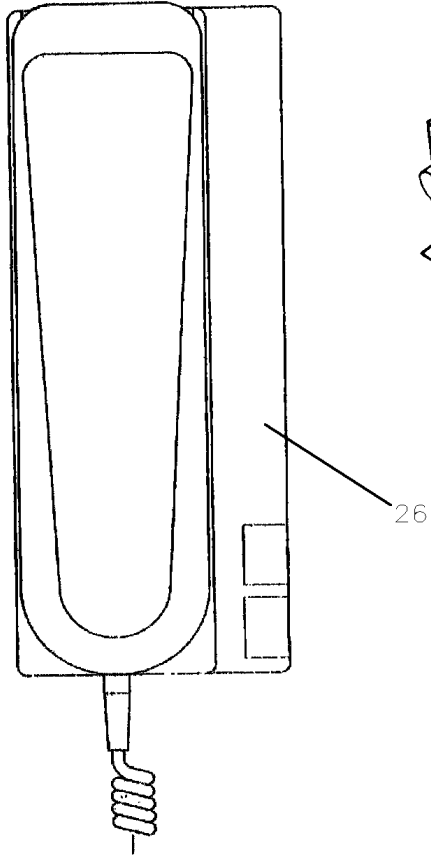


From E-638 To T-5883

Date:10/2022

PAGE:XL-2315-10

SOUND SYSTEM & ACCESSORIES



From E-638 To T-5883		Date:10/2022	PAGE:XL-2315-10
SOUND SYSTEM & ACCESSORIES			

Item#	Part	Description	M T H 4 0	M T H 4 5	M T H 4 5 E	X L 4 0	X L 4 5	N O T E S
1	900214	P/A UNIT / W/O RADIO MODEL 470C To H-284				1		
1	900495	P/A UNIT / W/O BACKGROUND MUSIC From H-285 To J-584				1		
1	900513	P/A UNIT / W/BACKGROUND MUSIC From H-285 To J-584				1		
1	900580	P/A UNIT / W/O BACKGROUND MUSIC From J-585 To L-569				1		
1	900581	P/A UNIT / W/BACKGROUND MUSIC From J-585 To L-569				1		
1	900610	AMPLIFIER, P/A & VIDEO From L-570 To T-5711				1	1	B
NS	900795	AMPLIFIER, P/A & VIDEO From T-5712				1	1	
2	900504	AMPLIFIER "BLAUPUNK" 60 WATTS (BPA 415A) From H-285 To J-470				1		C
2	900542	AMPLIFIER "BLAUPUNK" 80 WATTS (BPA 420) From J-471 To N-486				1		C
2	900665	AMPLIFIER "BLAUPUNK" 120 WATTS (BQA 120) From N-487 To S-446				1		C
2	900744	AMPLIFIER "SONY" 4 X 20 WATTS / (XM2042) From S-447				2	2	C
2	901023	AMPLIFIER "RCF" 4 x 20 WATTS				1	1	S
3	XL-2315-00	SOUND SYSTEM - INSTALLATION To H-284						
3	XL-2315-01	SOUND SYSTEM - INSTALLATION From H-285						
4	900290	MICROPHONE / W/6' CORD / "MIDWEST" / TYPE C.B.				1	1	
NS	900721	CONNECTOR MICROPHONE 90° / R4F				1	1	
NS	900900	CABLE MICROPHONE 10' / "REI"				1	1	
4	900366	MICROPHONE / W/10' CORD / "MIDWEST" / TYPE C.B.				1	1	
NS	900721	CONNECTOR MICROPHONE 90° / R4F				1	1	
NS	900900	CABLE MICROPHONE 10' / "REI"				1	1	
4	900721	CONNECTOR MICROPHONE 90° / R4F				1	1	
NS	401175	EXTENSION HARNESS 10' To H-284				1		
5	900437	BRACKET, MOUNTING / MICROPHONE				1	1	
NS	500656	SCREW TP OV PH #6x3/4 SS				3	3	
6	402371	OUTLET, MICROPHONE				1	1	
6	900247	OUTLET / MICROPHONE				1	1	
NS	400686	ADAPTOR, PLATE CLEAR PLASTIC 3"x3" / TO USE W/OUTLET ON PARCEL RACK				1	1	
NS	500663	SCREW MA FL PH #6-32x3/4 ZP				3	3	
NS	402493	BRACKET				1	1	J
NS	560835	SPECIAL WIRE CABLE 22 / 4 WIRES, 2 SHIELDED To H-284				AR		
7	500641	SCREW TP PAN PH #8x3/4 Z050				3	3	
7	504339	RIVET POP DOME OE 1/8x3/8 SS				3	3	
8	XL-1812-00	MODESTY PANEL L.H.						
9	502811	NUT SPR J #8A-B .168-.198				8	8	
NS	500360	SCREW TP FL PH #8x1 1/4 BK				8	8	
10	500643	SCREW TP PAN PH #12x3/4 Z050				8	8	
NS	500440	WASHER FL .250x.562x.065 Z050				8	8	
11	900304	SPEAKER To H-284				AR		
11	900393	SPEAKER To H-284				AR		
11	900480	SPEAKER ASSY				AR		
11	900479	SPEAKER "ASTRAL"				1		
11	900502	SPEAKER From H-285 To L-965				18		

From E-638 To T-5883	Date:10/2022	PAGE:XL-2315-10
SOUND SYSTEM & ACCESSORIES		

Item#	Part	Description	M T H 4 0	M T H 4 5	M T H 4 5 E	X L 4 0	X L 4 5	N O T E S
11	900609	SPEAKER From L-964 To P-576				18		
11	900674	SPEAKER / DRIVER'S / KIT OF 2 W/GRILLES From P-577				1	1	
11	900673	SPEAKER From P-577 To S-470				18		
11	900742	SPEAKER / PARCEL RACK From S-471 To T-5680				18	18	
11	900765	SPEAKER / 5 1/4" From T-5681				18	18	
NS	900479	SPEAKER "ASTRAL" To H-284				9		T
NS	403960	SPACER ADAPTOR / PLASTIC BLACK From S-471				AR	AR	
12	900305	PROTECTOR, SPEAKER BLACK To H-284				AR		
12	900381	PROTECTOR, SPEAKER WHITE To H-284				AR		
12	310793	GRILL FOR SPEAKER "ASTRAL"				AR		
12	900503	GRILLE / SPEAKER From H-285 To L-968				18		
12	900608	GRILLE / SPEAKER From L-969 To P-576				18		
12	900674	SPEAKER / DRIVER'S / KIT OF 2 W/GRILLES From P-577				1	1	
12	900669	GRILLE / SPEAKER From P-577 To S-470				18		
12	900743	GRILLE / SPEAKER From S-471 To T-5680				18	18	
12	900766	GRILLE / SPEAKER / PARCEL RACK From T-5681				18	18	
NS	500617	SCREW TP PAN PH #8x1 Z050				AR	AR	
20	900713	CD CHARGER / 10 DISCS / "BLAUPUNKT" CDC A02 To S-446				1		
20	900732	CD CHARGER / 10 DISCS / "BLAUPUNKT" CDC M5 From S-447 To T-5779				1	1	
20	900797	CD CHARGER / 10 DISCS / "BLAUPUNKT" CDC M7 From T-5780				1	1	
21	900723	RECEIVER, WIRELESS MICROPHONE 171.90 MHZ				1	1	
21	900725	RECEIVER, WIRELESS MICROPHONE 185.15 MHZ				1	1	
21	900727	RECEIVER, WIRELESS MICROPHONE 209.15 MHZ				1	1	
21	900729	RECEIVER, WIRELESS MICROPHONE 215.20 MHZ				1	1	
NS	506493	TAPE DUAL LOCK 1/2" x 150' / BLACK SJ3541				AR	AR	K
NS	900776	NOISE SUPPRESSOR FILTER 12 AMPS / "MAGNADYNE"				1	1	
NS	403887	CABLE ASSY / RECEIVER & P/A				1	1	
22	900722	MICROPHONE, WIRELESS 171.90 MHZ				1	1	
22	900724	MICROPHONE, WIRELESS 185.15 MHZ				1	1	
22	900726	MICROPHONE, WIRELESS 209.15 MHZ				1	1	
22	900728	MICROPHONE, WIRELESS 215.20 MHZ				1	1	
NS	900712	SUPPORT MICROPHONE				1	1	
NS	502735	SCREW MA BDG PH #10-32x1 SS BK				2	2	
NS	500519	NUT WELL #10-32x.518				2	2	
26	403379	INTERPHONE ASSY / W/CONNECTOR				1	1	
26	900638	INTERPHONE				1	1	
26	062232	CABLE ASSY / REAR & FRONT				1	1	
26	900639	. INTERPHONE MASTER				1	1	
26	403380	INTERPHONE MASTER ASSY / W/CONNECTOR				1	1	
27	900456	KIT, MICROPHONE / W/GOOSE NECK STAND To H-284				AR	AR	
27	900319	BASE / GOOSE THREADED				1	1	
27	900318	. GOOSE NECK 18"				1	1	

From E-638 To T-5883		Date:10/2022	PAGE:XL-2315-10
SOUND SYSTEM & ACCESSORIES			

Item#	Part	Description	M T H 4 0	M T H 4 5	M T H 4 5 E	X L 4 0	X L 4 5	N O T E S
27	900317	. GOOSE NECK 14"				1	1	
27	900321	. SUPPORT, MICROPHONE				1	1	
28	401841	SUPPORT				1	1	
NS	500557	SCREW MA PAN PH #8-32x3/8 SS				3	3	
NS	500022	WASHER LO INT .168x.340x.023 Z050				3	3	
NS	500501	NUT HEX CAP #8-32 SS				3	3	
NS	504234	SPRING CLIP 5/16"				1	1	I
NS	500576	SCREW TC PAN PH #6-32x1/2 Z050				2	2	
NS	504223	GROMMET RUBBER 3/8" I.D.				1	1	
29	900431	ROOF ANTENNA				1	1	
NS	900468	CABLE, ANTENNA EXTENSION / 3'				AR	AR	
NS	900203	CABLE, ANTENNA EXTENSION / 4'				AR	AR	
29	900546	CABLE, ANTENNA EXTENSION / 13' 2"				AR	AR	
29	900774	CABLE, ANTENNA EXTENSION / 12'				AR	AR	
30	900661	ANTENNA, RADIO / W/AMPLIFIER				1	1	A
. NS	901068	. ANTENNA STICK / REPLACEMENT				1	1	A
NS	900663	ADAPTOR / RADIO & ANTENNA CABLE / MOTOROLA MALE to EURO FEMA				1	1	
NS	900775	Y RADIO ANTENNA CABLE / TO USE W/2 RADIOS				AR	AR	
NS	507300	HOLE PLUG BUTTON / 2.000 O.D. WHITE				1	1	
30	404698	KIT ANTENNA REPLACEMENT				AR	AR	
. NS	900661	. ANTENNA, RADIO / W/AMPLIFIER				1	1	
. . NS	901068	. . ANTENNA STICK / REPLACEMENT				1	1	
. NS	IS-97051	. SEE INSTRUCTION SHEET				1	1	
31	900668	ANTENNA ASSY / CELLULAR / "TEARDROP"				1	1	
33	900359	ANTENNA C.B. To H-284				1		
33	Call order desk	COAXIAL CABLE To H-284				1		P
NS	Call order desk	OUTLET 12V To H-284				1		P
33	900472	ANTENNA ASSY / C.B. / 25"				1	1	
34	900469	SPRING EXTENSION / .828 O.D. x 3.010 X .104 W/3/8				1	1	
35	900471	BRACKET, MOUNTING				1	1	
35	404109	BRACKET, MOUNTING				1	1	
NS	500444	WASHER FL .406x.812x.065 Z050				1	1	
NS	500544	SCREW CAP HEX M8-1.25x30 G8.8 Z050				2	2	
36	500050	SCREW CAP HEX 3/8-24x1 1/2G5 ZP				1	1	
NS	500479	WASHER LO INT .448x.789x.040 Z050				1	1	
NS	5001242	WASHER SHR .375x.110 NYL				2	2	
NS	900470	CABLE COAXIAL 18 FEET				1	1	
NS	061803	CABLE ASSY / 12V POWER SOURCE C.B.				1	1	
39	900599	ANTENNA, ROOF / "M.C.I." STYLE				1	1	
40	900600	CABLE, CONNECTOR 90° / ROOF ANTENNA				1	1	
40	900428	CABLE, STRAIGHT CONNECTOR / FRONT WINDSHIELD				1	1	
41	900070	ANTENNA To H-284				1		

From E-638 To T-5883	Date:10/2022	PAGE:XL-2315-10
SOUND SYSTEM & ACCESSORIES		

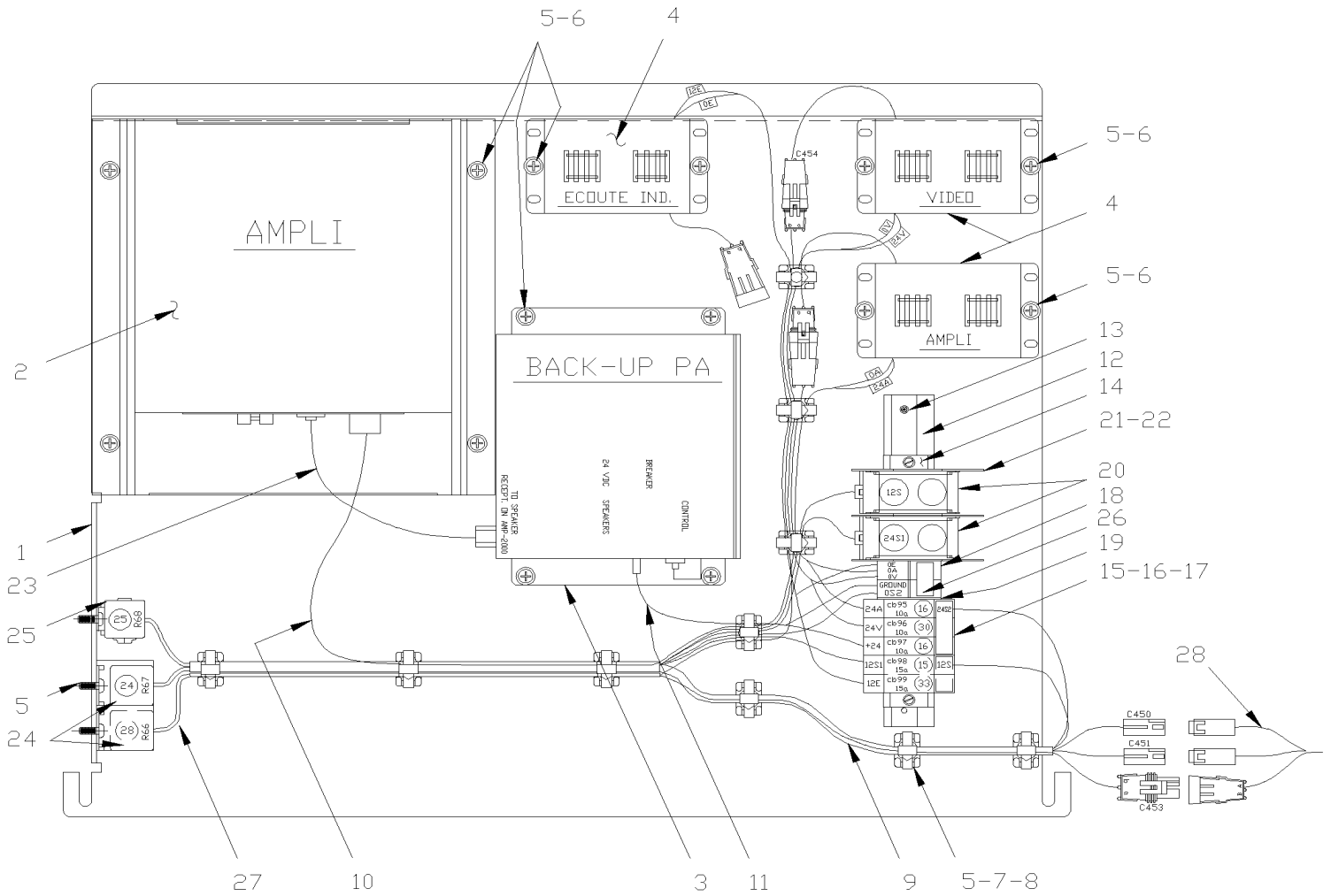
Item#	Part	Description	M T H 4 0	M T H 4 5	M T H 4 5 E	X L 4 0	X L 4 5	N O T E S
41	900599	ANTENNA, ROOF / "M.C.I." STYLE				1	1	
41	900600	CABLE, CONNECTOR 90° / ROOF ANTENNA				1	1	
NS	900468	CABLE, ANTENNA EXTENSION / 3'				AR	AR	
NS	900203	CABLE, ANTENNA EXTENSION / 4'				AR	AR	
NS	900546	CABLE, ANTENNA EXTENSION / 13' 2"				AR	AR	
NS	900774	CABLE, ANTENNA EXTENSION / 12'				AR	AR	
NS	900775	Y RADIO ANTENNA CABLE / TO USE W/2 RADIOS				AR	AR	
NS	507300	HOLE PLUG BUTTON / 2.000 O.D. WHITE				1	1	L
42	490179	SUPPORT LOWER To H-284				1		
43	490067	SUPPORT ASSY UPPER To H-284				1		
44	630002	BUSHING / RUBBER / (TWO PIECES) 1" x 1.005" I.D. To H-284				2		
47	900429	SPEAKER EXTERIOR To H-284				1		
NS	404476	KIT, PA REI				AR	AR	
NS	IS-95084	SEE INSTRUCTION SHEET				1	1	
NS	404524	KIT AUDIO AMPLIFIER (FORMER)				AR	AR	
NS	IS-96185	SEE INSTRUCTION SHEET				1	1	
NS	405219	KIT AUDIO AMPLIFIER (CURRENT)				AR	AR	
NS	IS-00206	SEE INSTRUCTION SHEET				1	1	
NS	404763	KIT CD CHARGER REPLACEMENT				1	1	
NS	IS-98168	SEE INSTRUCTION SHEET				1	1	
		A) THIS ANTENNA REQUIRES ADAPTOR #900663 CONNECT ELECTRICAL WIRE TO 12 VOLT IGNITION						
		B) THOSE AMPLIFIER ARE OBSOLETE, USE RETROFIT KIT #404476 SEE INSTRUCTION SHEET IS-95084						
		C) THOSE AMPLIFIER ARE OBSOLETE, USE RETROFIT KIT #405219 SEE INSTRUCTION SHEET IS-00203						
		I) TO FIX GOOSE NECK TO POST						
		J) TO USE W/OUTLET ON PARCEL RACK						
		K) TO FIX RECEIVER						
		L) FOR RADIO ANTENNA HOLE						
		S) SERVICE ONLY						
		T) MODEL "ASTRAL"						
		P) CALL ORDER DESK FOR SPECIFIC APPLICATION (V.I.N.)						

From T-5884 To Y-7045

Date:10/2022

PAGE:XL-2315-11

SOUND SYSTEM & ACCESSORIES - "R.E.I."

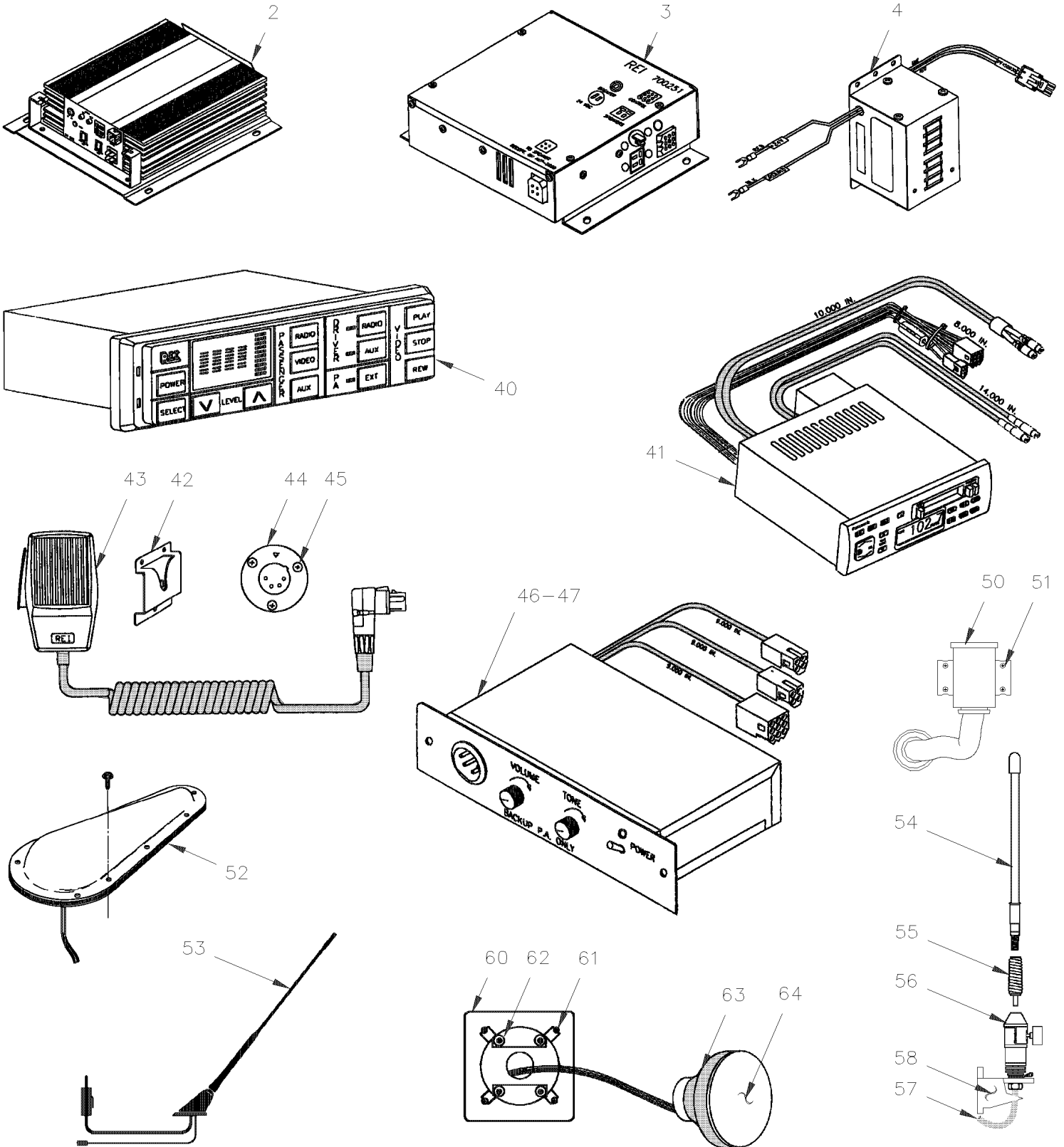


From T-5884 To Y-7045

Date:10/2022

PAGE:XL-2315-11

SOUND SYSTEM & ACCESSORIES - "R.E.I."



From T-5884 To Y-7045	Date:10/2022	PAGE:XL-2315-11
SOUND SYSTEM & ACCESSORIES - "R.E.I."		

Item#	Part	Description	M T H 4 0	M T H 4 5	M T H 4 5 E	X L 4 0	X L 4 5	N O T E S
		PA & AMPLI PLATE ASSY / SOUND SYSTEM				1	1	E
1	404296	. PLATE MOUNTING				1	1	E
2	900802	. AMPLI AUDIO & VIDEO / SYST 2000				1	1	F
3	900805	. AMPLI 2000 BACK-UP P/A				1	1	
4	404225	. NOISE FILTER / P/A, VIDEO & HOOKUP INDIVIDU / 450030				AR	AR	
5	500657	. SCREW TC TR PH #10-24x1/2 Z050				AR	AR	
6	500964	. WASHER FL .203x.500x.047 Z050				AR	AR	
7	504013	. TIE MOUNT / 1/4" X 1/4" I.D.				10	10	
8	504637	. CABLE TIE / 3/16" x 13"				AR	AR	
9	404252	. CABLE ASSY / MASTER				1	1	
10	404256	. CABLE ASSY / FILTER & AMPLI / 28"				1	1	
11	404255	. CABLE ASSY / 24V POWER / 13"				1	1	
12	380885	. RAIL SUPPORT / 225MM				1	1	
13	504006	. RIVET POP CK OE 1/8x5/16 AL				3	3	
14	561729	. STOPPER				2	2	
15	561793	. BREAKER 15AMPS / 24V /				1	1	
16	561792	. BREAKER 10AMPS / 24V /				2	2	
17	380887	. BUS BAR / W/3 HOLES 38MM				2	2	
NS	381236	. DUMMY ASSY W/SCREW				1	1	
17	502531	. SCREW CAP HEX M6-1.0x16 G8.8 Z050				3	3	
18	561726	. BLOCK JUNCTION				2	2	
19	561728	. END CLOSING				1	1	
20	561727	. SCREW MA PAN PH				2	2	
21	561731	. COVER SUPPORT				3	3	
22	561732	. COVER / PROTECTOR / 2 BLOCKS				1	1	
23	404291	. CABLE ASSY / MASTER P/A & BACK-UP P/A / 12"				1	1	
24	561707	. RELAY 24V S.P.D.T. W/RESISTOR /				2	2	
25	561991	. RELAY 24V S.P.S.T. / 70 AMPS N.O.				1	1	
26	380886	. BUS BAR / W/2 HOLES 25MM				2	2	
27	404284	CABLE ASSY / VIDEO FILTERS VCP & AMPLI				1	1	
28	404876	CABLE ASSY / DASH & PLATE IN BAGGAGE	1	1	1	1	1	
40	900803	CONTROL HEAD / "R.E.I." SYSTEM 2000				1	1	
. NS	563064	. BULB (CONTROL HEAD GREEN) / 12VOLTS / 2700				1	1	
41	900811	RADIO "PANASONIC" CQ-45RECU / AM/FM/CAS / 700493 To V-6023				1	1	
NS	900854	RADIO "PANASONIC" CQ-E15EUC / AM/FM/CAS / 700512 From V-6024 To X-6803				1	1	
41	900917	RADIO "PANASONIC" CQ-R 115 SEUC / 700590 From X-6804				1	1	
41	900870	RADIO "PANASONIC" CQ-DP720-EUC / AM/FM/CD / 700542 To W-6590				1	1	
41	900891	RADIO "PANASONIC" CQ-DP930-EUC / AM/FM/CD / 700574 From W-6591				1	1	
42	900437	BRACKET, MOUNTING / MICROPHONE				1	1	
NS	500638	SCREW TP PAN PH #8x1/2 Z050				3	3	
43	900808	MICROPHONE / W/6' CORD / "REI" TYPE C.B.				1	1	
. NS	900721	. CONNECTOR MICROPHONE 90° / R4F				1	1	

From T-5884 To Y-7045	Date:10/2022	PAGE:XL-2315-11
SOUND SYSTEM & ACCESSORIES - "R.E.I."		

Item#	Part	Description	M T H 4 0	M T H 4 5	M T H 4 5 E	X L 4 0	X L 4 5	N O T E S
43	900829	MICROPHONE / W/10' CORD / "REI" TYPE C.B.				1	1	
. NS	900721	. CONNECTOR MICROPHONE 90° / R4F				1	1	
. NS	900900	. CABLE MICROPHONE 10' / "REI"				1	1	
43	901286	MICROPHONE / W/10' CORD / "REI" TYPE C.B.				1	1	
. NS	900721	. CONNECTOR MICROPHONE 90° / R4F				1	1	
. NS	900900	. CABLE MICROPHONE 10' / "REI"				1	1	
43	7770304	HANDS FREE MICROPHONE				1	1	
44	404226	OUTLET, MICROPHONE / 12" W/CONNECTOR				AR	AR	
44	900247	. OUTLET / MICROPHONE				1	1	
NS	404239	CABLE ASSY / "Y" FOR MICROPONE 9" / 1F/2M				1	1	
45	504108	RIVET POP DOME OE 1/8x1/2 AL				3	3	
46	900804	MODULE-2000 BACKUP P/A				1	1	
47	404186	CONSOLE BACK-UP P/A				1	1	
47	XL-0628-00	CHIME BELL - INSTALLATION						
NS	5001015	SCREW TP BDG PH #6x1/2 SS BK				2	2	
NS	500422	NUT SPR U #6-32 .110-.120 SS				2	2	B
50	064195	POWER OUTLET 12V ASSY				1	1	
50	562408	. POWER OUTLET 12V ASSY				1	1	
NS	561491	LIGHTER ASSY / 12V				1	1	
NS	561492	. POP OUT 12V				1	1	
NS	860625	ASHTRAY / METAL				1	1	
NS	861277	ASHTRAY / PLASTIC				1	1	
50	860626	SUPPORT ASHTRAY / PLASTIC				1	1	
50	502778	SCREW TP FL PH #6x2 BK				2	2	C
51	5001015	SCREW TP BDG PH #6x1/2 SS BK				4	4	
52	900668	ANTENNA ASSY / CELLULAR / "TEARDROP"				1	1	
53	900661	ANTENNA, RADIO / W/AMPLIFIER				1	1	
. NS	901068	. ANTENNA STICK / REPLACEMENT				1	1	
NS	900663	ADAPTOR / RADIO & ANTENNA CABLE / MOTOROLA MALE to EURO FEMA				1	1	
NS	900775	Y RADIO ANTENNA CABLE / TO USE W/2 RADIOS				AR	AR	
54	900472	ANTENNA ASSY / C.B. / 25"				1	1	
55	900469	SPRING EXTENSION / .828 O.D. x 3.010 X .104 W/3/8				1	1	
56	404109	BRACKET, MOUNTING				1	1	
NS	500050	SCREW CAP HEX 3/8-24x1 1/2G5 ZP				1	1	
NS	5001242	WASHER SHR .375x.110 NYL				2	2	
NS	500444	WASHER FL .406x.812x.065 Z050				1	1	
NS	500479	WASHER LO INT .448x.789x.040 Z050				1	1	
NS	500544	SCREW CAP HEX M8-1.25x30 G8.8 Z050				2	2	
57	900470	CABLE COAXIAL 18 FEET				1	1	
58	403575	ANTENNA SUPPORT				1	1	
60	XL-1812-00	MODESTY PANEL L.H.						
61	502811	NUT SPR J #8A-B .168-.198				8	8	

From T-5884 To Y-7045	Date:10/2022	PAGE:XL-2315-11
SOUND SYSTEM & ACCESSORIES - "R.E.I."		

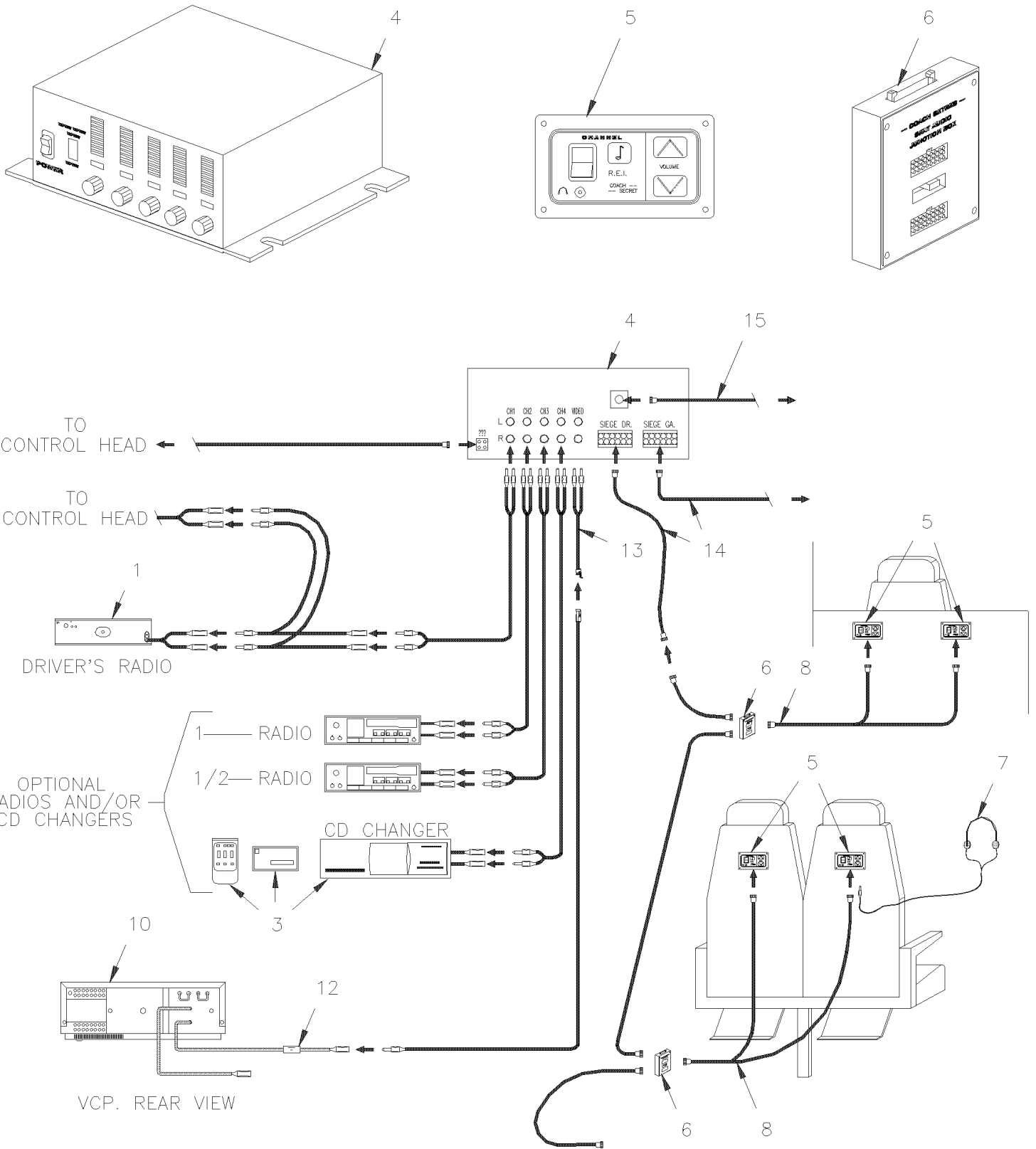
Item#	Part	Description	M T H 4 0	M T H 4 5	M T H 4 5 E	X L 4 0	X L 4 5	N O T E S
		A) SOLD ALSO IN KIT 900887						
		B) TO FIX PROTECTOR & PA						
		C) TO FIX ASHTRAY						
		D) TO FIX GOOSE NECK TO POST						
		E) THIS PLATE ARE LOCALIZED IN 1ST L.H. BAGGAGE COMPARTMENT						
		F) THIS AMPLI IT SUPPERSEDED BY #901056 + #405320 + #405321 + 405319 + 405314 & 901491						
		H) FOR SERVICE ONLY						

From T-5884 To Y-7045

Date:10/2022

PAGE:XL-2315-21

SOUND SYSTEM ENTERTAINMENT MODULE "R.E.I."



From T-5884 To Y-7045	Date:10/2022	PAGE:XL-2315-21
SOUND SYSTEM ENTERTAINMENT MODULE "R.E.I."		

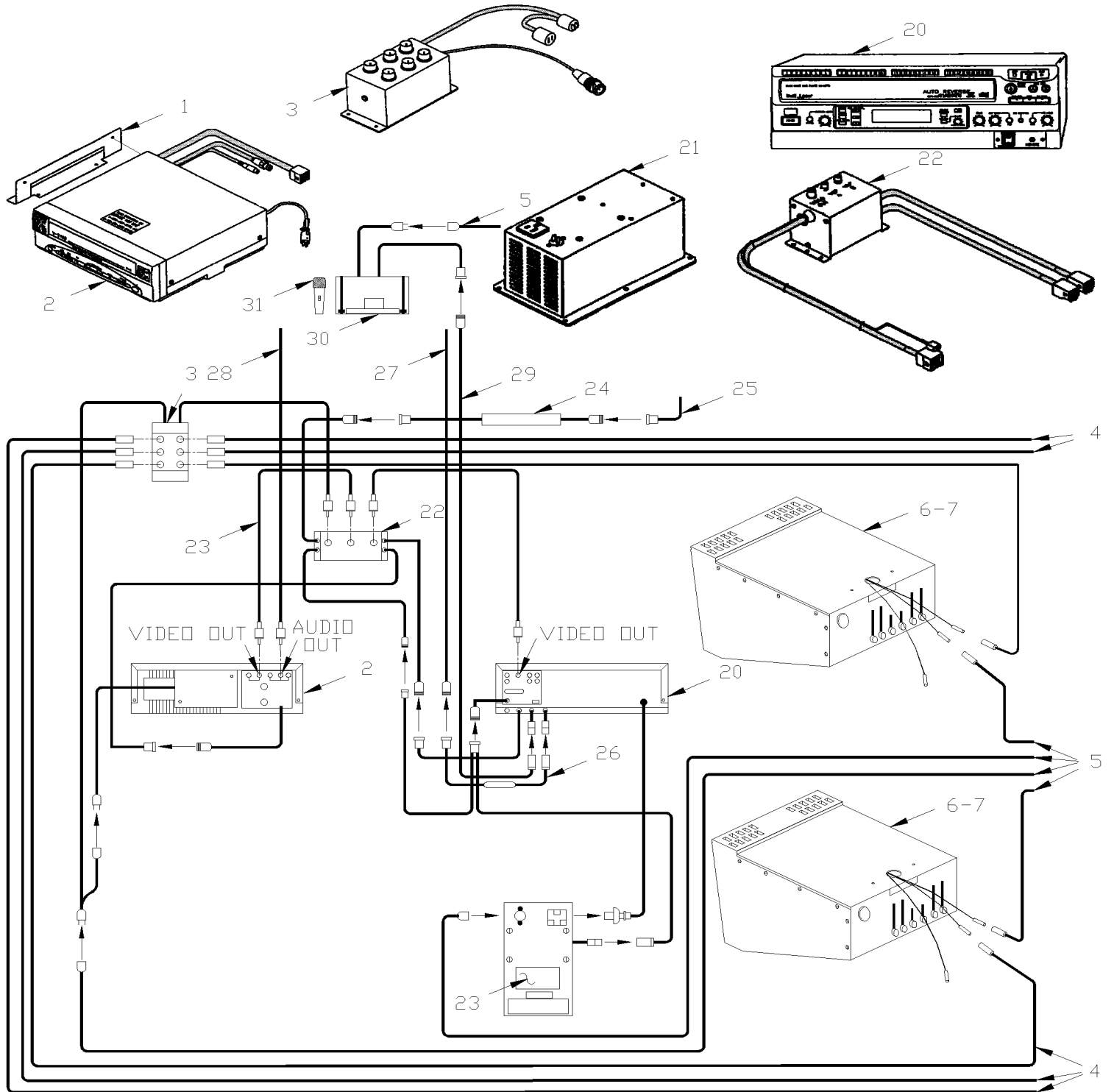
Item#	Part	Description	M T H 4 0	M T H 4 5	M T H 4 5 E	X L 4 0	X L 4 5	N O T E S
		A) VCP & ENTERTAINMENT CTRL MODULE						
		B) ENTERTAINMENT CTRL MODULE CONTROL MODULE & L.H. & R.H. SIDE JCT BOX						
		C) (FOR OTHER LENGTH SEE ITEM #5 AT SOUND SYSTEM - "KARAOKE" - "R.E.I.")						
		D) ENTERTAINMENT CONTROL MODULE / (SUPLIED W/VCP)						
		4) NO PARTS NUMBER						

From T-5884 To Y-7045

Date:10/2022

PAGE:XL-2315-31

SOUND SYSTEM - "KARAOKE" - "R.E.I."



From T-5884 To Y-7045	Date:10/2022	PAGE:XL-2315-31
SOUND SYSTEM - "KARAOKE" - "R.E.I."		

Item#	Part	Description	M T H 4 0	M T H 4 5	M T H 4 5 E	X L 4 0	X L 4 5	N O T E S
1	900823	VCP R.H. ADAPTOR BRACKET				1	1	
1	900824	VCP L.H. ADAPTOR BRACKET				1	1	
2	900806	VIDEO V-2100 VCP, SYS 2000 24V				1	1	
3	900807	VIDEO DISTRIBUTION AMPLI W/BNC				1	1	
4	404232	CABLE ASSY COAX / RG-59 / 10' / 510443				AR	AR	
4	404233	CABLE ASSY COAX / RG-59 / 15' / 511062				AR	AR	
4	404234	CABLE ASSY COAX / RG-59 / 20' / 510407				AR	AR	
4	404235	CABLE ASSY COAX / RG-59 / 24' / 510414				AR	AR	
4	404236	CABLE ASSY COAX / RG-59 / 33' / 510928				AR	AR	
4	404237	CABLE ASSY COAX / RG-59 / 44' / 510929				AR	AR	
5	404244	CABLE ASSY / 24V POWER / 10'				AR	AR	RC
5	404245	CABLE ASSY / 24V POWER / 15'				AR	AR	RC
5	404246	CABLE ASSY / 24V POWER / 20'				AR	AR	RC
5	404247	CABLE ASSY / 24V POWER / 25'				AR	AR	RC
5	404248	CABLE ASSY / 24V POWER / 30'				AR	AR	RC
5	404249	CABLE ASSY / 24V POWER / 35'				AR	AR	RC
5	404250	CABLE ASSY / 24V POWER / 40'				AR	AR	RC
6	404306	MONITOR SLIDE BRACKET				AR	AR	
. NS	900862	. KEY MONITOR LOCK				1	1	
7	900809	MONITOR 2000 24V				AR	AR	
7	400316	KIT CENTRAL MONITOR LCD				1	1	
7	400321	KIT PARCEL RACK MONITOR LCD				1	1	
20	900815	KARAOKE "R.E.I."				AR	AR	
21	900816	INVERTER 100W / W/KARAOKE "R.E.I."				1	1	
22	900817	DUAL VCP MODULE / USE W/KARAOKE				1	1	
23	404380	CABLE ASSY RCA / M/M / USE WITH 2 VIDEOS / 510300				1	1	B
24	900830	KARAOKE & VCP / VIDEO FILTER				1	1	
25	404283	CABLE ASSY / FILTER VCP & CONTROL HEAD / 20'				1	1	
26	900831	KARAOKE & MICROPHONE AUDIO ISO TRANSFORMER				1	1	
27	404302	CABLE ASSY 20' / 510520 /				1	1	
28	900783	CABLE RCA / 2M/2M / 10'				1	1	
29	404302	CABLE ASSY 20' / 510520 /				1	1	
30	900813	RECEIVER WIRELESS MICROPHONE / 170.305 MHZ To X-6927				1	1	C
. NS	900892	. ANTENNA CABLE / REAR OF RECEIVER To X-6927				1	1	C
30	900952	RECEIVER WIRELESS MICROPHONE / 16-CHANNEL From X-6928				1	1	A
. NS	901300	. ANTENNA RIGID / REAR OF RECEIVER From X-6928				1	1	A
31	900812	MICROPHONE, WIRELESS KIT / 170.305 MHZ To X-6927				1	1	C
31	900954	MICROPHONE, WIRELESS / 16 CHANNEL From X-6928				1	1	A
. NS	685199	. BATTERY 1.5V / TYPE "AA" / RECHARGEABLE From X-6928				AR	AR	A
NS	900712	SUPPORT MICROPHONE To X-6927				1	1	
NS	900953	STATION WIRELESS BATTERY CHARGING 16 CHANNEL From X-6928				1	1	
32	064280	KIT, RETROFIT WIRELESS MICROPHONE / COMPLETE				1	1	

From T-5884 To Y-7045	Date:10/2022	PAGE:XL-2315-31
SOUND SYSTEM - "KARAOKE" - "R.E.I."		

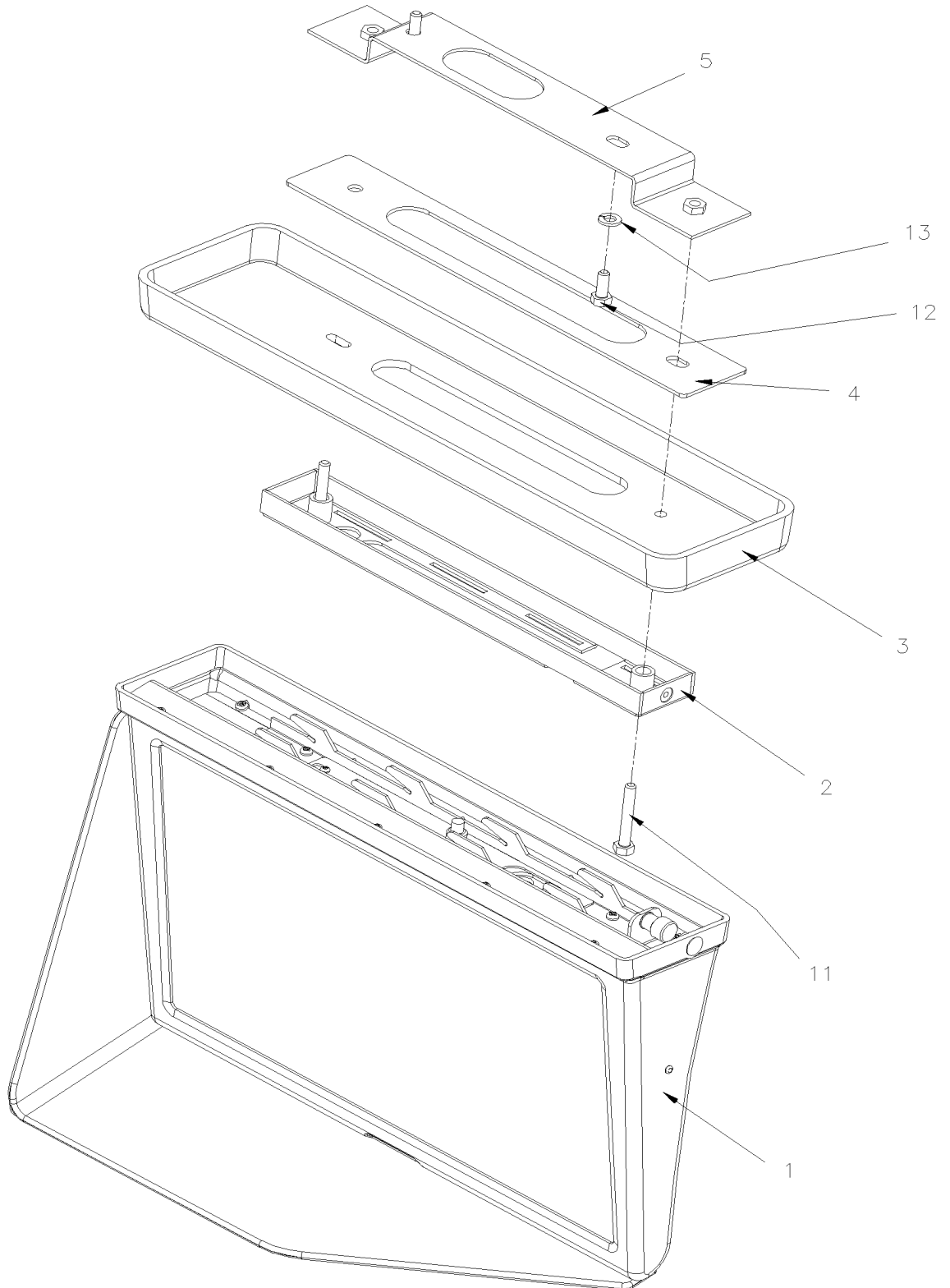
Item#	Part	Description	M T H 4 0	M T H 4 5	M T H 4 5 E	X L 4 0	X L 4 5	N O T E S
. NS	900951	. KIT, WIRELESS MICRO 16 CHANNEL / SERVICE ONLY				1	1	
. . NS	900953	. . STATION WIRELESS BATTERY CHARGING 16 CHANNEL				1	1	
. . NS	900954	. . MICROPHONE, WIRELESS / 16 CHANNEL				1	1	
. . . NS	685199	. . . BATTERY 1.5V / TYPE "AA" / RECHARGEABLE				AR	AR	
. . NS	900955	. . CABLE ASSY / CHARGER ADAPTOR 4'				1	1	
. . NS	900956	. . CABLE ASSY / ADAPTOR POWER 18"				1	1	
. . NS	900957	. . CABLE ASSY / ADAPTOR WIRING 18"				1	1	
. NS	064273	. WIRING HARNESS RECEIVER & MICRO				1	1	
. NS	064274	. WIRING HARNESS / RECEIVER FEEDING				1	1	
. NS	064275	. WIRING HARNESS / RECEIVER FEEDING BEFORE 95				1	1	
. NS	860489	. VELCRO / HOOK BLACK / 3/4" X 75'				AR	AR	
. NS	860490	. VELCRO / LOOP BLACK / 3/4" X 75'				AR	AR	
. NS	IS-96901	. SEE INSTRUCTION SHEET				1	1	
NS	900951	KIT, WIRELESS MICRO 16 CHANNEL / SERVICE ONLY				AR	AR	
. NS	900953	. STATION WIRELESS BATTERY CHARGING 16 CHANNEL				1	1	
. NS	900954	. MICROPHONE, WIRELESS / 16 CHANNEL				1	1	
. . NS	685199	. . BATTERY 1.5V / TYPE "AA" / RECHARGEABLE				AR	AR	
. NS	900955	. CABLE ASSY / CHARGER ADAPTOR 4'				1	1	
. NS	900956	. CABLE ASSY / ADAPTOR POWER 18"				1	1	
. NS	900957	. CABLE ASSY / ADAPTOR WIRING 18"				1	1	
		A) 170,3 MHZ TO 174,8 MHZ						
		B) W/KARAOKE						
		C) THOSE PARTS ARE SUPERSEDED BY KIT #900951						
		RC) CABLE W/R.E.I. MONITOR USE W/CON 1 # 562554						

From T-5884 To Y-7045

Date:10/2022

PAGE:400316

KIT CENTRAL MONITOR LCD

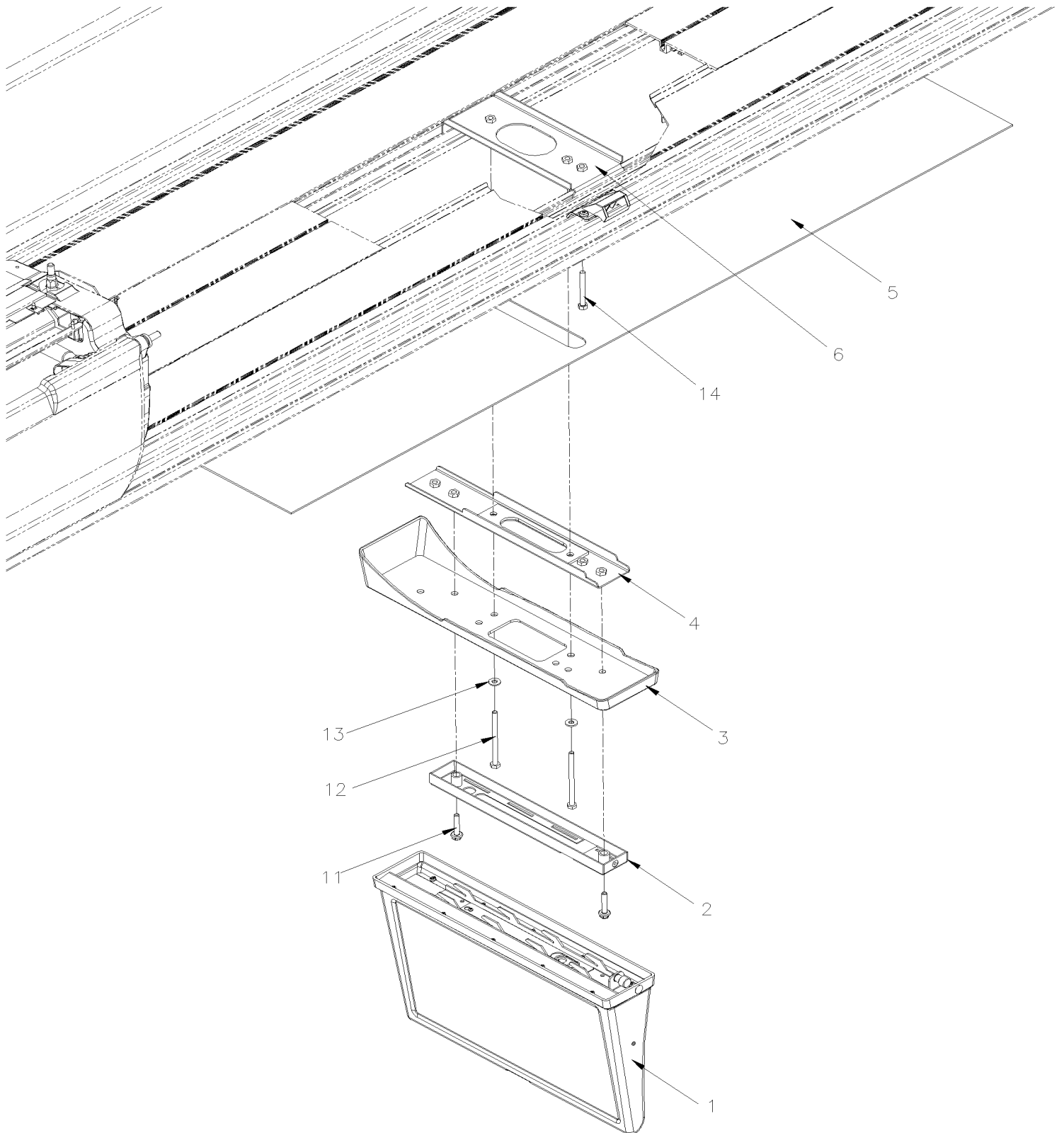


From T-5884 To Y-7045

Date:10/2022

PAGE:400321

KIT PARCEL RACK MONITOR LCD

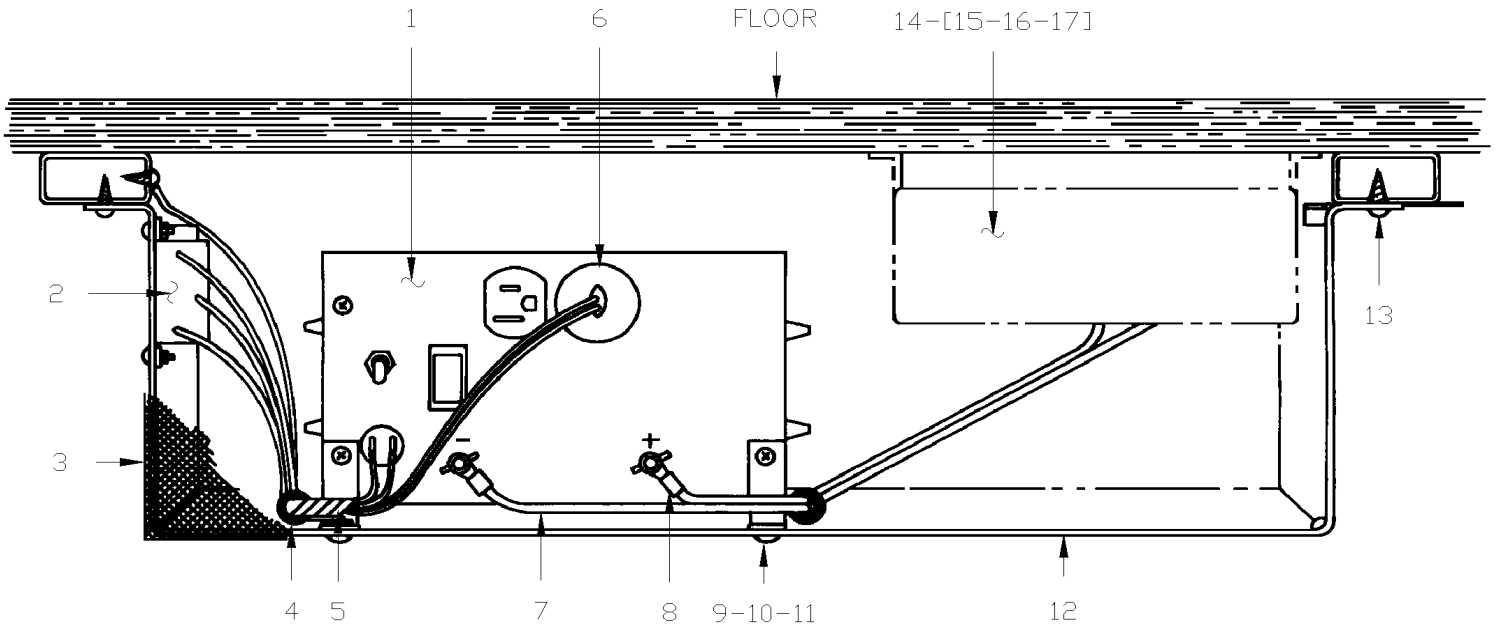


From J-417 To T-5883

Date:10/2022

PAGE:XL-2315-50

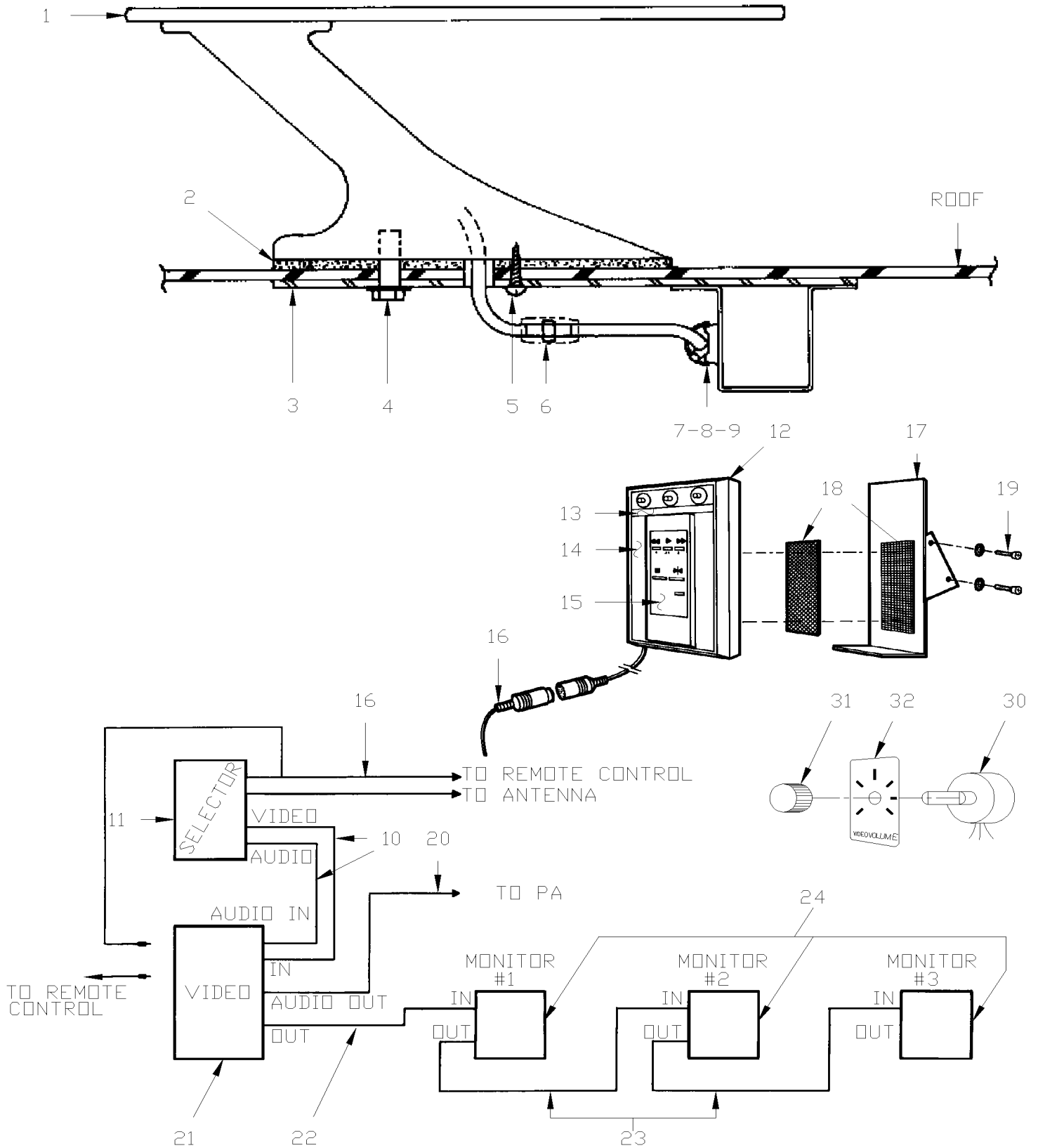
POWERVERTER - 12/110 VOLTS / VIDEO & GALLEY



From J-417 To T-5883	Date:10/2022	PAGE:XL-2315-50
POWERVERTER - 12/110 VOLTS / VIDEO & GALLEY		

Item#	Part	Description	M T H 4 0	M T H 4 5	M T H 4 5 E	X L 4 0	X L 4 5	N O T E S
	403571	POWERVERTER ASSY / 12/110 V 750 WATTS				1	1	
1	561935	. POWERVERTER ASSY / 12/110 V 500 WATTS (FORM				1		
1	562292	. POWERVERTER ASSY / 12/110 V 750 WATTS				1	1	
NS	562472	. . FUSE / ATC 40 AMPS ORANGE				1	1	
2	900592	FILTER, NOISE / 10A-120V				1		
2	500386	SCREW MA RND PH #10-24x1/2 Z050				2		
2	500786	NUT HEX #10-24 Z050				2		
2	500470	WASHER LO SPT .193x.334x.047 Z050				2		
3	402899	. COVER				1	1	
3	500798	. SCREW TP PAN PH #4-3/8 ZP				4	4	
4	560480	. CLAMP / 1/2" I.D.				4	4	
5	062716	. CABLE ASSY, 110V / POWERVERTER TO VHS To N-970				1		
5	063241	. CABLE ASSY, 110V / POWERVERTER TO VHS From N-971 To P-730				1		
5	063369	. CABLE ASSY, 110V / POWERVERTER TO VHS From P-731 To S-553				1		
5	064006	. CABLE ASSY, 110V / POWERVERTER TO VHS From S-554				1	1	
5	562120	. . FUSE / 2 AMPS / 3AG-2				2	2	
NS	064123	CABLE 110 V / JCT PANEL & INVERTER / 3050MM				1	1	
6	560933	. CONNECTOR / 15 AMPS / HUBBELL 5266-C				1	1	
7	062623	. CABLE ASSY #0 / INVERTER & EQUALIZER / 22" To P-970				1		
8	062624	. CABLE ASSY #12 / INVERTER & EQUALIZER / 22" To P-970				1		
9	500510	. SCREW MA BDG PH #10-32x3/4 SS EMN				4	4	
10	500700	. NUT HEX #10-32 Z050				4	4	
11	500470	. WASHER LO SPT .193x.334x.047 Z050				4	4	
12	402900	. SUPPORT, POWERVERTER				1	1	
13	500592	. SCREW TP FL PH #8x1 ZP				6	6	
14	561936	EQUALIZER "VANNER" 20 AMPS				1		
15	062149	CABLE ASSY #0 To N-970				1		
16	062134	CABLE ASSY #12V To N-970				1		
17	062133	CABLE ASSY #24V To N-970				1		
NS	504421	GROMMET / .625x.875x.187x.437x1.125				1	1	
NS	560271	RELAY SOLENOID 12V S.P.S.T. N.O.				1	1	A
NS	060798	DIODE ASSY				1	1	
NS	063299	CABLE ASSY				1	1	B
NS	381485	STRAP / TO FIX POWERVERTER				1	1	
NS	381493	STOPPER / TO FIX POWERVERTER				2	2	
		A) W/#562292 ONLY						
		B) MAGNETIC SWITCH & POWERVERTER						

From J-417 To T-5883	Date:10/2022	PAGE:XL-2315-60
ROOF ANTENNA & VIDEO WIRING DIAGRAM		

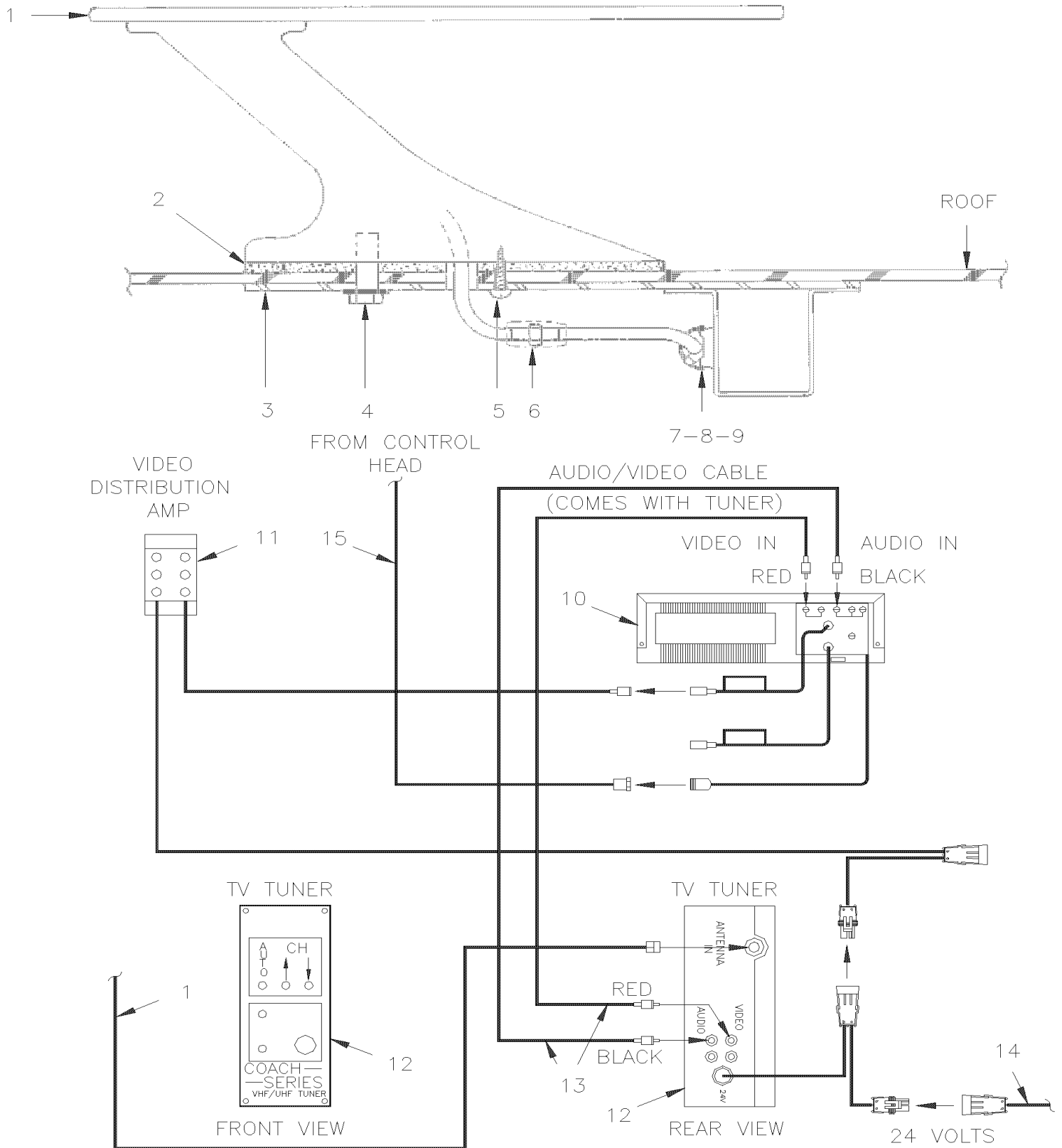


From J-417 To T-5883	Date:10/2022	PAGE:XL-2315-60
----------------------	--------------	-----------------

ROOF ANTENNA & VIDEO WIRING DIAGRAM

Item#	Part	Description	M T H 4 0	M T H 4 5	M T H 4 5 E	X L 4 0	X L 4 5	N O T E S
		A) BUS W/6" TV ANTENNA						
		P) CALL ORDER DESK FOR SPECIFIC APPLICATION (V.I.N.)						

From T-5884 To Y-7045	Date:10/2022	PAGE:XL-2315-61
ROOF ANTENNA & WIRING "R.E.I."		



From T-5884 To Y-7045	Date:10/2022	PAGE:XL-2315-61
ROOF ANTENNA & WIRING "R.E.I."		

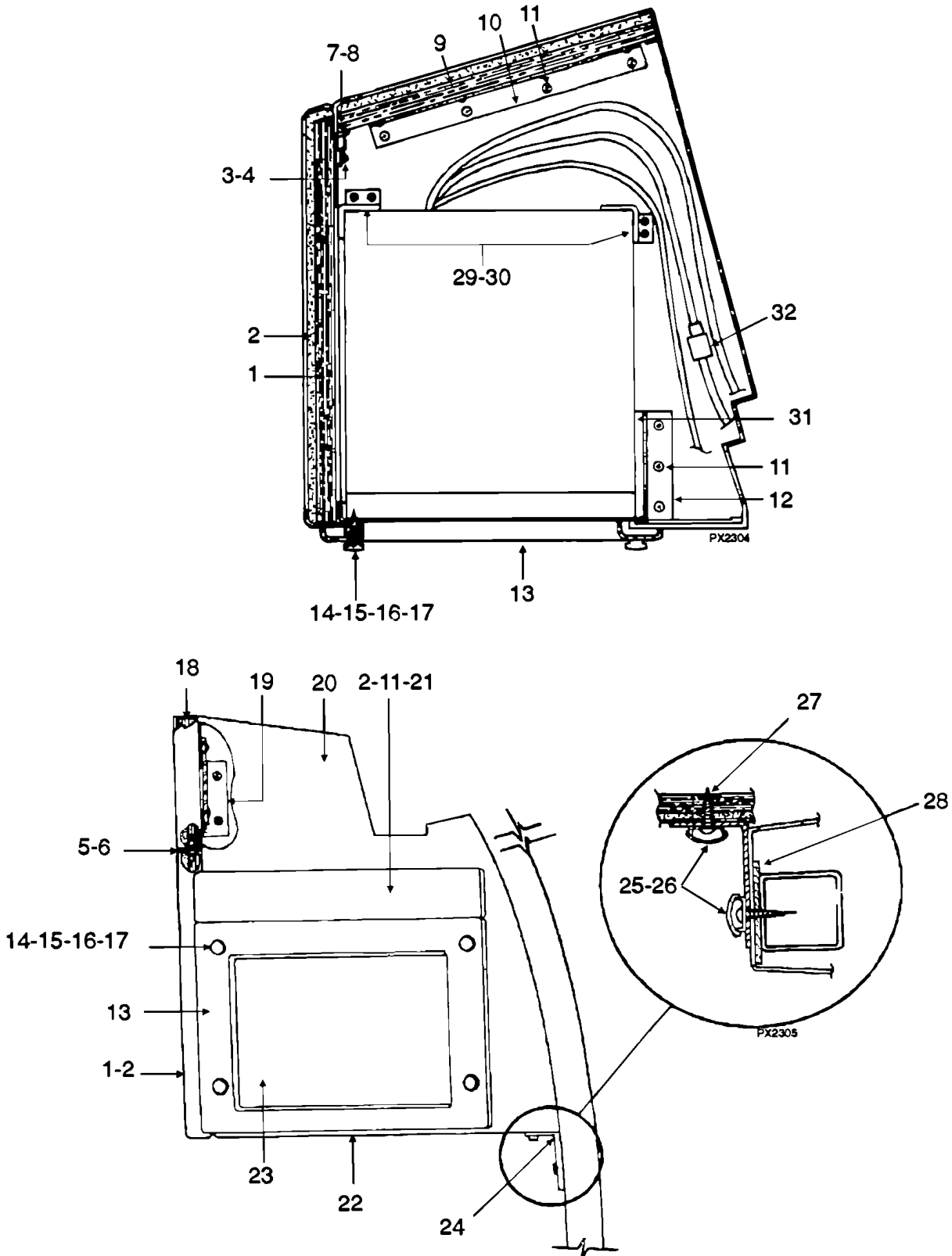
Item#	Part	Description	M T H 4 0	M T H 4 5	M T H 4 5 E	X L 4 0	X L 4 5	N O T E S
1	900617	ANTENNA, ROOF / "WINTENNA" MODEL 720 6"				1	1	
1	900794	ANTENNA, ROOF / "WINTENNA" MODEL 2 3/4"				1	1	
NS	403355	DECAL / VEHICLE HEIGHT 11' 9"				1	1	A
2	403298	GASKET, ANTENNA				1	1	
3	403293	PLATE, REINFORCEMENT / ROOF				1	1	
4	500048	SCREW CAP HEX 3/8-24x1 1/4 G5 ZP				1	1	
5	500617	SCREW TP PAN PH #8x1 Z050				1	1	
6	560786	SHRINK TUBING / .500" - .250" / BLACK / ALPHA FIT-300-1/2-4B				AR	AR	
7	504006	RIVET POP CK OE 1/8x5/16 AL				4	4	
8	504013	TIE MOUNT / 1/4" X 1/4" I.D.				4	4	
9	504012	CABLE TIE / 3/16" X 6"1/2				4	4	
10	900806	VIDEO V-2100 VCP, SYS 2000 24V				1	1	
11	900807	VIDEO DISTRIBUTION AMPLI W/BNC				1	1	
12	900814	TUNER TV 24V				1	1	
13	900785	. CABLE RCA / 2M/2M / 10'				1	1	
14	404255	CABLE ASSY / 24V POWER / 13"				1	1	
15	404283	CABLE ASSY / FILTER VCP & CONTROL HEAD / 20'				1	1	
		A) BUS W/6" TV ANTENNA						

From J-417 To N-970

Date:10/2022

PAGE:XL-2317-00

FRONT MONITOR - VIDEO



From J-417 To N-970	Date:10/2022	PAGE:XL-2317-00
---------------------	--------------	-----------------

FRONT MONITOR - VIDEO

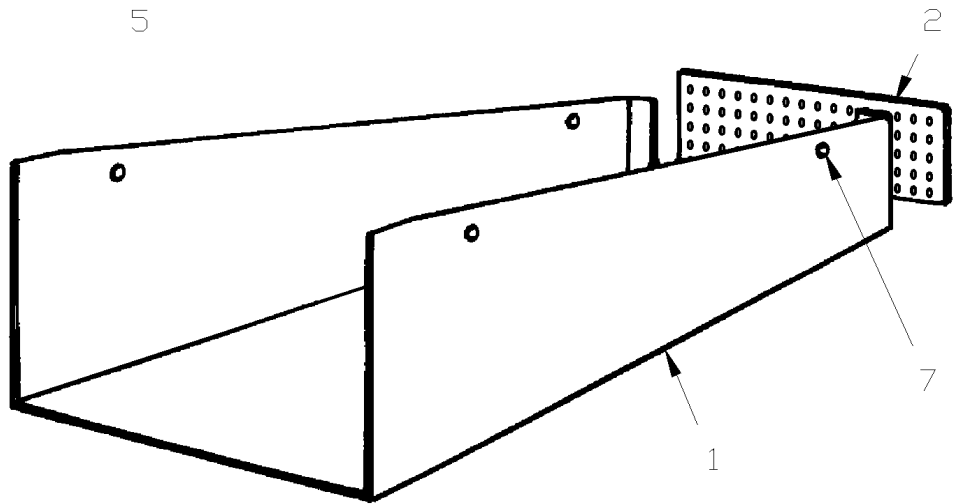
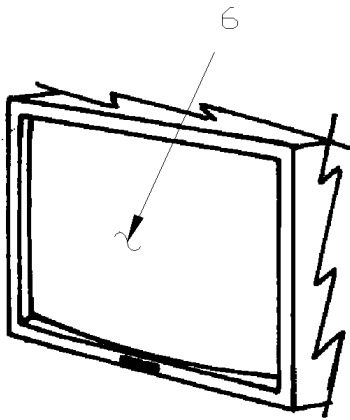
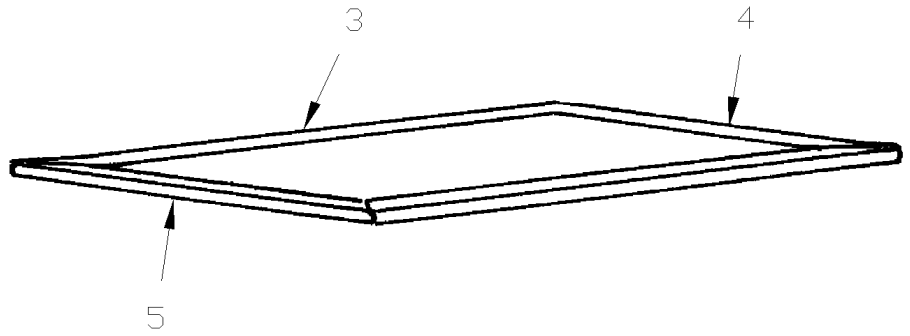
Item#	Part	Description	M T H 4 0	M T H 4 5	M T H 4 5 E	X L 4 0	X L 4 5	N O T E S
		S) REQUIERED ONLY IN SERVICE IF YOU NEED TO CHANGE YOUR OLD CYLINDER LOCK # 780180						

From N-971 To T-5883

Date:10/2022

PAGE:XL-2317-01

FRONT MONITOR - VIDEO



From N-971 To T-5883	Date:10/2022	PAGE:XL-2317-01
----------------------	--------------	-----------------

FRONT MONITOR - VIDEO

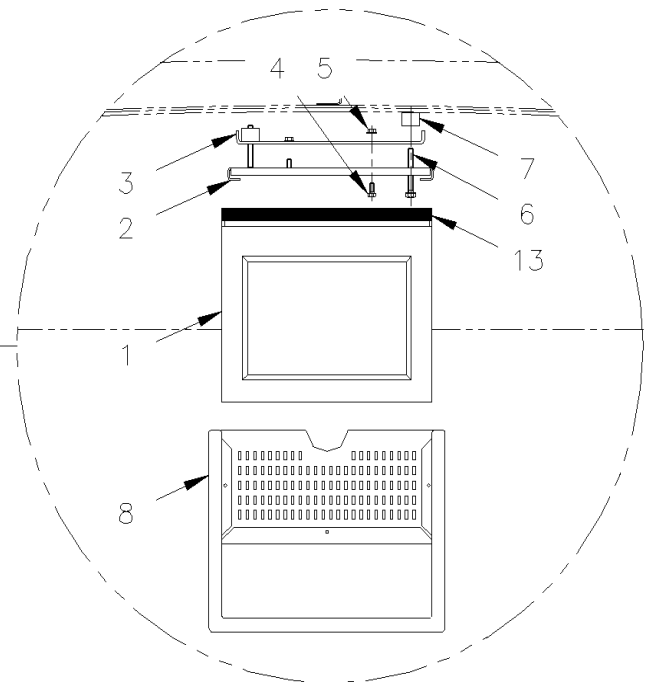
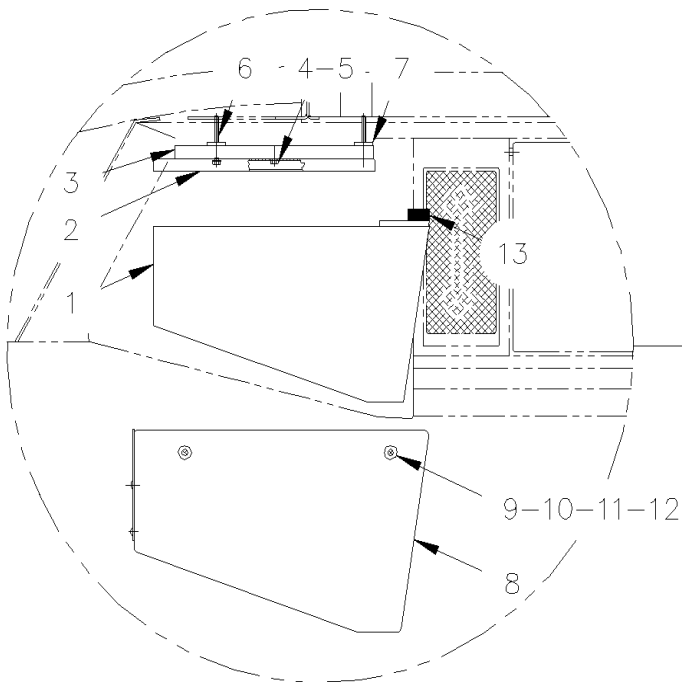
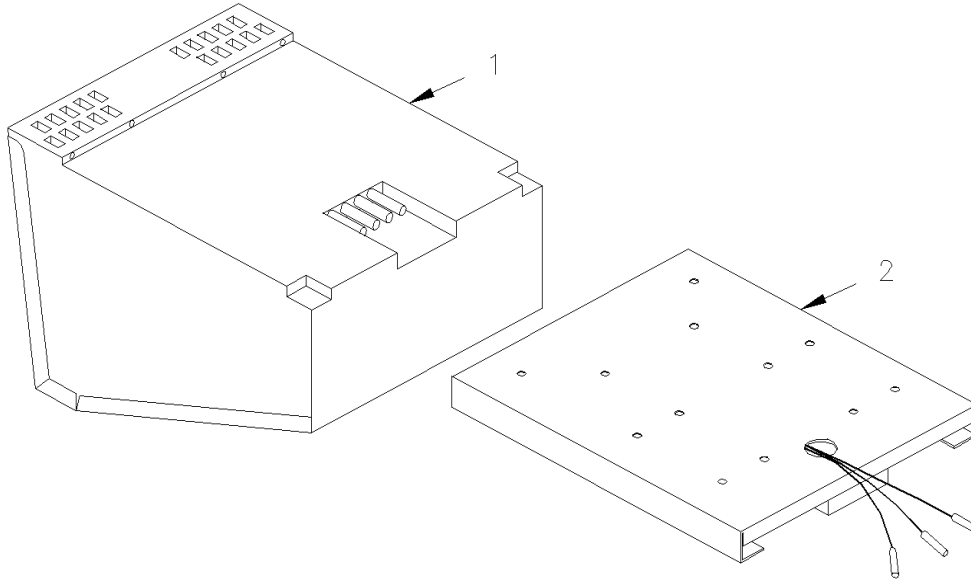
Item#	Part	Description	M T H 4 0	M T H 4 5	M T H 4 5 E	X L 4 0	X L 4 5	N O T E S
	403246P	FRONT MONITOR RECEPTACLE ASSY W/MONITOR / SPECIFY COLOR				1	1	B
	403518P	FRONT MONITOR RECEPTACLE ASSY / SPECIFY COL				1	1	
1	403519	. . BOX ASSY				1	1	
1	506247	. . PAD RUB CC EPDM 1/4" x 40" x 54" / GREY 1440				AR	AR	
2	403510	. . GRILLE				1	1	
2	500814	. . SCREW TP BDG PH #6x3/4 BK				3	3	
3	403520P	. . SUPPORT ASSY, FRONT / TOP MONITOR / SPECI COLOR				1	1	
3	403521	. . . SUPPORT				1	1	
4	403517	. SPACER / SUPPORT & CEILING				1	1	
5	403515	. SPACER / SUPPORT & CEILING				1	1	
NS	502684	. RIVET NUT FL OKS 1/4-20 .119-.179				3	3	G
NS	500636	. SCREW MA RND PH 1/4-20x1 1/2 EMN				3	3	
6	403500	. MONITOR ASSY / MODEL ST-1000M				1	1	A
7	504400	. SNAP CAP #10 FINISHING BLACK				7	7	
NS	504399	. WASHER RETAINER SNAP CAP #10				7	7	
NS	500879	. SCREW TP PAN PH #10x1 Z050				4	4	
NS	403497	. SPACER				4	4	F
		A) 06-1996 PANASONIC MODEL (ST-1000) CAME OBSOLETE AND HAS BEEN SUPERSED BY #404473 "DSC" MODEL CMD-10						
		B) THIS CHANGE AFFECT FRONT MONITOR RECEPTACLE BOX FOR COMPLETE ASSY CHOSE #404473P						
		F) SUPPORT & CEILING						
		G) W/ITEM 45 & 47						

From T-5884 To Y-7045

Date:10/2022

PAGE:XL-2317-02

FRONT MONITOR - VIDEO - "R.E.I."

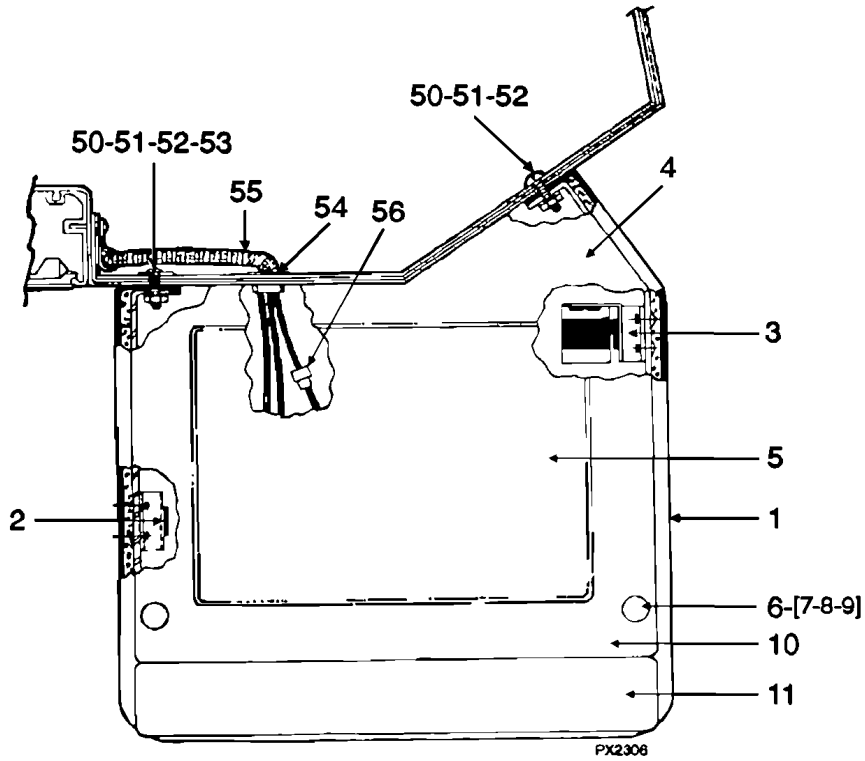


From T-5884 To Y-7045	Date:10/2022	PAGE:XL-2317-02
FRONT MONITOR - VIDEO - "R.E.I."		

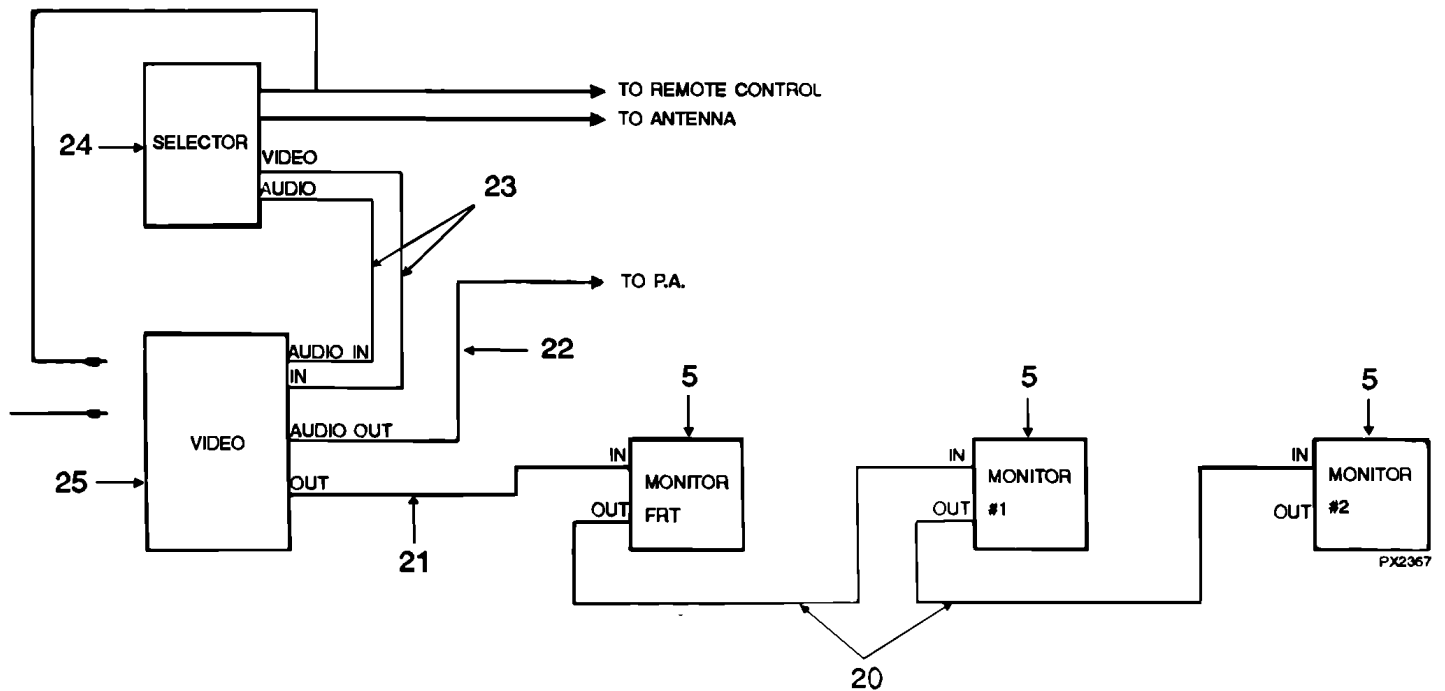
Item#	Part	Description	M T H 4 0	M T H 4 5	M T H 4 5 E	X L 4 0	X L 4 5	N O T E S
1	900809	MONITOR 2000 24V				1	1	
2	404306	MONITOR SLIDE BRACKET				1	1	
. NS	900862	. KEY MONITOR LOCK				1	1	
NS	900862	. KEY MONITOR LOCK				1	1	
3	404423P	SUPPORT ASSY W/COVERING				1	1	
4	500659	SCREW TC PAN PH #10-32x1 Z050				6	6	
5	500470	WASHER LO SPT .193x.334x.047 Z050				6	6	
6	500162	SCREW CAP HEX 1/4-20x1/2 G5 Z050				4	4	
7	500770	NUT HEX STO 1/4-20 Z050				4	4	
8	404370P	BOX COVER ASSY / W/TISSUS / S.C.C.				1	1	
8	404369	. BOX				1	1	
NS	404371	. GRILLE				1	1	
NS	500409	. SCREW TP PAN PH #8x1/2 BK				3	3	
9	500640	SCREW TP PAN PH #6x3/4 Z050				4	4	
10	504399	WASHER RETAINER SNAP CAP #10				4	4	
11	504400	SNAP CAP #10 FINISHING BLACK				4	4	
12	403497	SPACER				4	4	A
20	XL-2317-21	VIDEO VHS PLAYER - INSTALLATION "R.E.I."						
		A) SUPPORT & CEILING						

From J-417 To N-970	Date:10/2022	PAGE:XL-2317-10
SIDE MONITOR - VIDEO		

SIDE BOX & MONITOR



MONITOR CABLE SCHEME

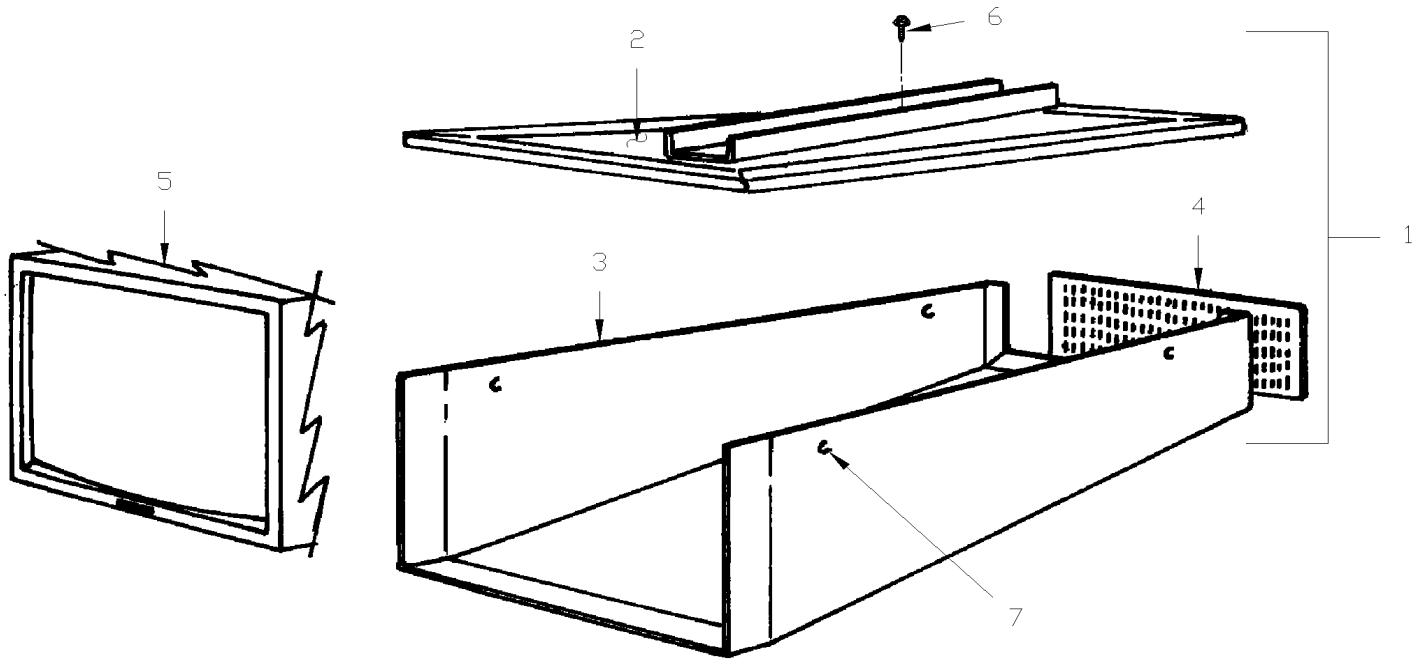


From J-417 To N-970	Date:10/2022	PAGE:XL-2317-10
SIDE MONITOR - VIDEO		

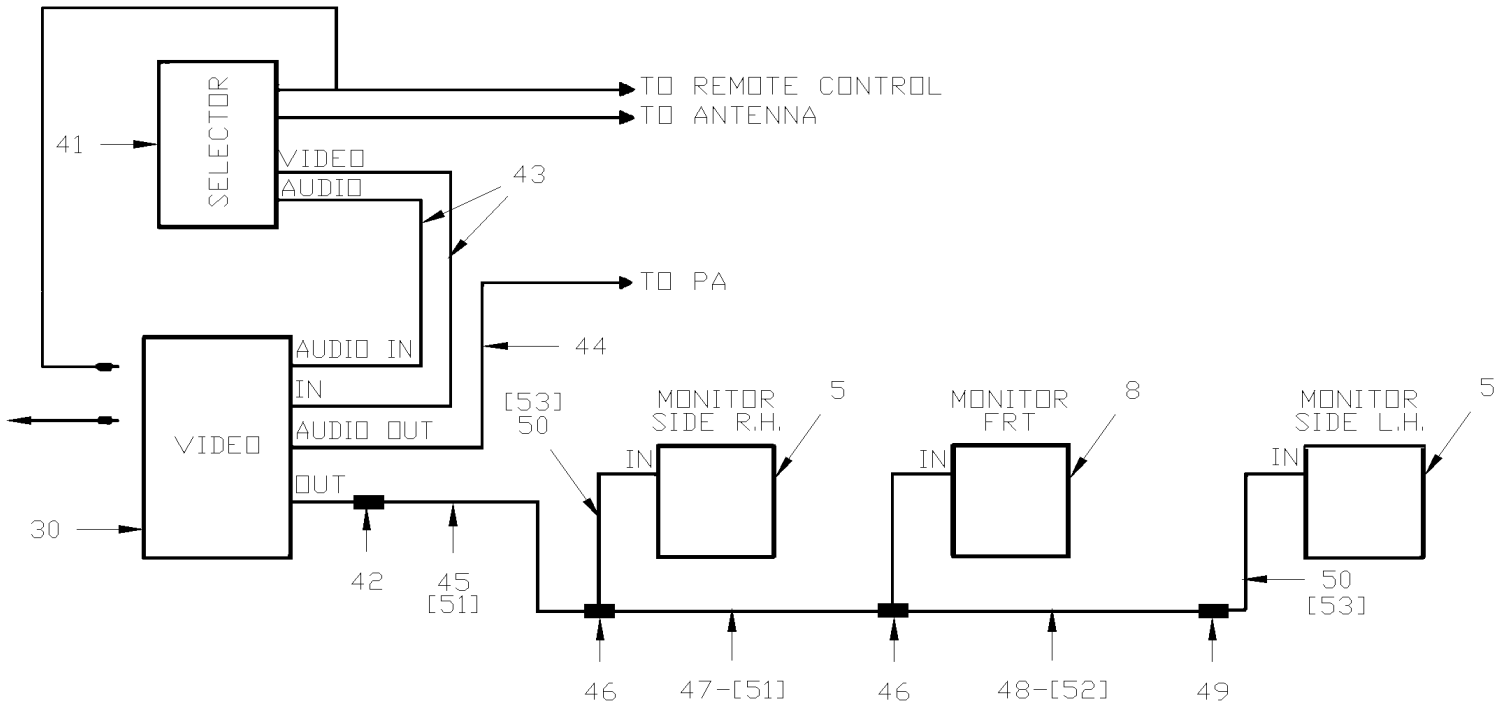
Item#	Part	Description	M T H 4 0	M T H 4 5	M T H 4 5 E	X L 4 0	X L 4 5	N O T E S
1	403002P	BOX ASSY, R.H. / SPECIFY COLOR				1		
1	403408P	BOX ASSY, L.H. / SPECIFY COLOR				1		
2	403244	. STOPPER / LOWER				1		
3	403245	. STOPPER / UPPER / W/R.H. BOX				1		
3	403414	. STOPPER / UPPER / W/L.H. BOX				1		
3	506001	. TAPE RUB ADH1 CC POL 1/8" x 3/4" x 50' / GREY 2520X				AR		
4	402956	. BRACKET, R.H. BOX				1		
4	403413	. BRACKET, L.H. BOX				1		
5	900614	MONITOR ASSY / MODEL ST-1000M				3		
6	504400	SNAP CAP #10 FINISHING BLACK				4		
7	504399	WASHER RETAINER SNAP CAP #10				4		
8	500575	SCREW TP PAN PH #8x1 1/4				4		
9	505229	SPACER 3/8 I.D. X 3/8 LG				4		
10	402951	RIM, FRONT MONITOR				1		
11	402974	PROTECTOR				1		
20	561762	SPECIAL WIRE CABLE 22 / COAXLE AWN RG-59/U To L-530				AR		
NS	561938	CONNECTOR / RCA To L-530				AR		
NS	561716	CONNECTOR / BNC / PLUG / CABLE / AMP 221265-2 To L-530				AR		
NS	561722	CONNECTOR / BNC / FEMALE / CABLE / AMP 221295-1 To L-530				AR		
20	402943	CABLE ASSY / EACH MONITOR From L-531				1		
NS	062733	CABLE ASSY / 110V AC / EACH MONITOR From L-531				1		
21	402813	CABLE ASSY / 110V AC / VIDEO & ALL MONITOR To L-530				1		
NS	402814	CABLE ASSY / 110V AC / POWERVERTER & CABLE ABOVE To L-530				1		
NS	561134	FUSE / 1 AMP / MLD-1 (SLOW BLOW) To L-530				1		
21	402942	CABLE ASSY / VIDEO OUT TO MONITOR From L-531				1		
22	900576	CABLE ASSY / VIDEO & P/A / W2 RCA PLUG MALE / 40' To L-530				1		
NS	561933	SPECIAL WIRE CABLE / 7 PIN DIN To L-530				1		
NS	900577	CABLE ASSY / SELECTOR SWITCH & AMPLIFIER / 18" To L-530				1		
NS	561934	SWITCH / ON - ON / 4 P.D.T. To L-530				1		
NS	830123	LED RED / 24VOLTS / L-41-1301-5100A To L-530				1		
NS	900574	CONTROL, VOLUME / IN PARCEL RACK To L-530				1		
NS	402815	CABLE ASSY / VIDEO & DASH PANEL To L-530				1		
22	062719	CABLE ASSY / VIDEO AUDIO TO P.A. From L-531				1		
23	900616	CABLE ASSY / VIDEO & SELECTOR From L-531				1		
24	403289	SELECTOR, CHANNEL From L-531				1		
25	XL-2317-20	VIDEO VHS PLAYER - INSTALLATION						
50	5001027	SCREW MA PAN PH #10-32x1 SS EMN				AR		
51	500470	WASHER LO SPT .193x.334x.047 Z050				AR		
52	500700	NUT HEX #10-32 Z050				AR		
53	402985	PLATE, REINFORCEMENT				2		
54	504500	SNAP BUSHING / .766x1.125x.453				4		
55	562116	CONVOLUTED TUBING / SLIT / BLACK & GRAY / .500"				AR		

From N-971 To T-5883	Date:10/2022	PAGE:XL-2317-11
SIDE MONITOR - VIDEO		

SIDE BOX & MONITOR



MONITOR CABLE SCHEME



From N-971 To T-5883	Date:10/2022	PAGE:XL-2317-11
SIDE MONITOR - VIDEO		

Item#	Part	Description	M T H 4 0	M T H 4 5	M T H 4 5 E	X L 4 0	X L 4 5	N O T E S
1	403309P	BOX ASSY / MONITOR ASSY, R.H. / SPECIFY COLOR / PRODUCTION				AR	AR	B
1	404478	BOX ASSY / MONITOR ASSY, R.H. / SPECIFY COLOR / SERVICE				AR	AR	
1	403512P	BOX ASSY / MONITOR ASSY, L.H. / SPECIFY COLOR / PRODUCTION				AR	AR	B
1	404211P	BOX ASSY / MONITOR ASSY, L.H. / SPECIFY COLOR / SERVICE				AR	AR	
2	403502P	. ATTACHMENT, R.H. / SPECIFY COLOR				1	1	
2	403513P	. ATTACHMENT, L.H. / SPECIFY COLOR				1	1	
2	403514	. . ATTACHMENT, L.H.				1	1	
2	403503	. . ATTACHMENT, R.H.				1	1	
2	403507	. . SPACER / W/R.H. & L.H. ATTACHMENT				2	2	
3	403508P	. BOX COVER ASSY / SPECIFY COLOR				1	1	
3	403509	. . BOX COVER				1	1	
4	403510	. . GRILLE				1	1	
4	500814	. . SCREW TP BDG PH #6x3/4 BK				3	3	
5	403501	. MONITOR ASSY / MODEL ST-1000M / 110VOLTS				1	1	B
5	404211	. MONITOR ASSY / MODEL SONY ADM-10B / 24VOLTS				1	1	C
6	5001054	. SCREW CAP BUT HEXS M10-1.5x50 G10.9 ZP				3	3	
6	500445	. WASHER FL .437x1.000x.083 Z050				3	3	
6	500556	. SCREW MA TR PH 1/4-20x3/4 SS				4	4	
6	504399	. WASHER RETAINER SNAP CAP #10				4	4	
7	504400	. SNAP CAP #10 FINISHING BLACK				4	4	
7	403497	. SPACER				4	4	
7	500879	. SCREW TP PAN PH #10x1 Z050				4	4	
8	XL-2317-01	FRONT MONITOR - VIDEO						
30	XL-2317-20	VIDEO VHS PLAYER - INSTALLATION						
41	XL-2315-60	ROOF ANTENNA & VIDEO WIRING DIAGRAM						
42	562207	CONNECTOR / BNC / FEMALE / RCA MALE / AMP 12343				1	1	
43	900616	CABLE ASSY / VIDEO & SELECTOR				1	1	
NS	900777	CONNECTOR BNC PLUG TO RCA ADAPTOR / ELEC 21-142-0				1	1	
NS	561267	WIRE MARKER / LETTER "A" / S.L.				2	2	
NS	561288	WIRE MARKER / LETTER "V" / S.L.				2	2	
44	900653	CABLE ASSY / AUDIO/VIDEO TO PA				1	1	
45	403409	CABLE ASSY (VIDEO) / VIDEO TO TEE JACK / 1400MM				1	1	
46	562197	CONNECTOR / BNC / FEMALE "T" / AMP 221988-1				2	2	A
47	403412	CABLE ASSY (VIDEO) / MONITOR TO MONITOR 2300MM				1	1	A
48	403411	CABLE ASSY (VIDEO) / MONITOR TO MONITOR 6000MM To S-569				1		
48	403780	CABLE ASSY (VIDEO) / FRONT MONITOR TO SIDE MONITOR 4500MM From S-570				1	1	
49	562083	CONNECTOR / BNC / FEMALE JOINT / AMP 221551-1				AR	AR	
NS	900670	CONNECTOR / BNC / PLUG 75 OHMS / AMP 12210				1	1	
50	403411	CABLE ASSY (VIDEO) / MONITOR TO MONITOR 6000MM				AR	AR	A
50	403412	CABLE ASSY (VIDEO) / MONITOR TO MONITOR 2300MM				AR	AR	A
50	403479	CABLE ASSY (VIDEO) / MONITOR TO MONITOR 3800MM				1	1	A
50	403780	CABLE ASSY (VIDEO) / FRONT MONITOR TO SIDE MONITOR 4500MM				1	1	A

From N-971 To T-5883	Date:10/2022	PAGE:XL-2317-11
----------------------	--------------	-----------------

SIDE MONITOR - VIDEO

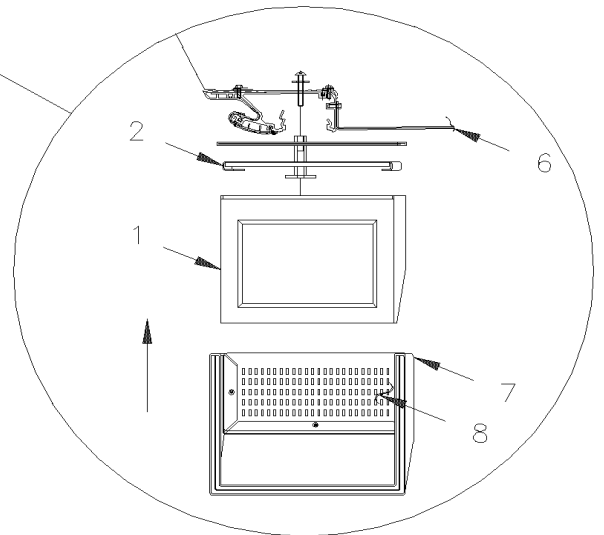
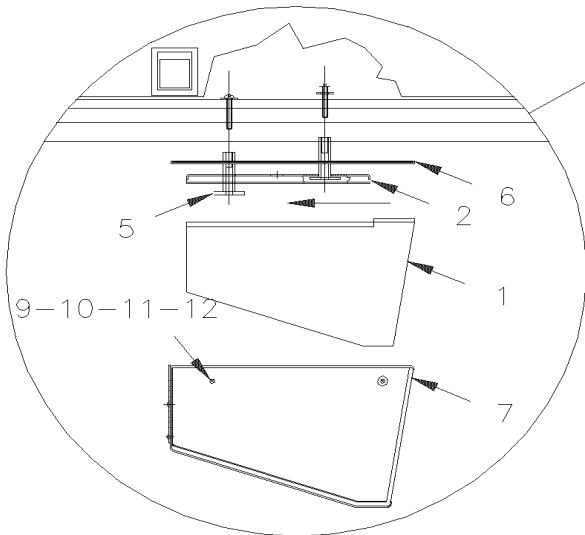
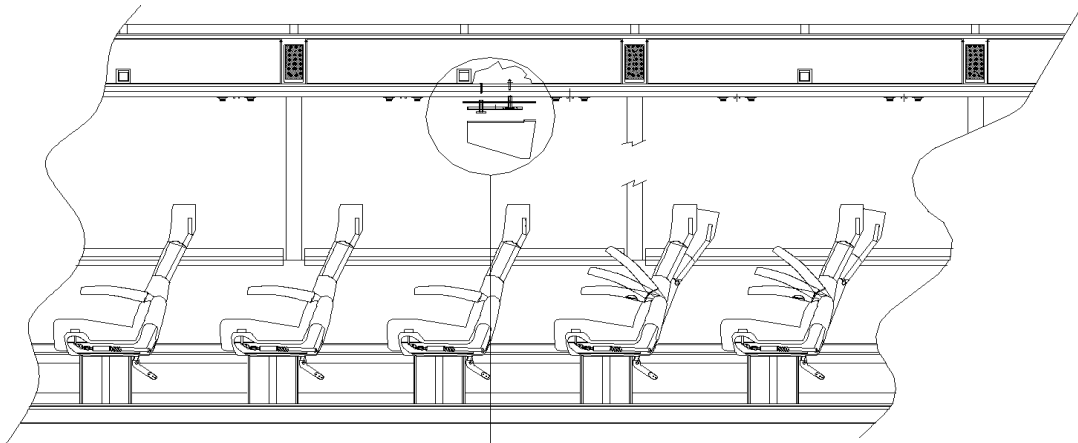
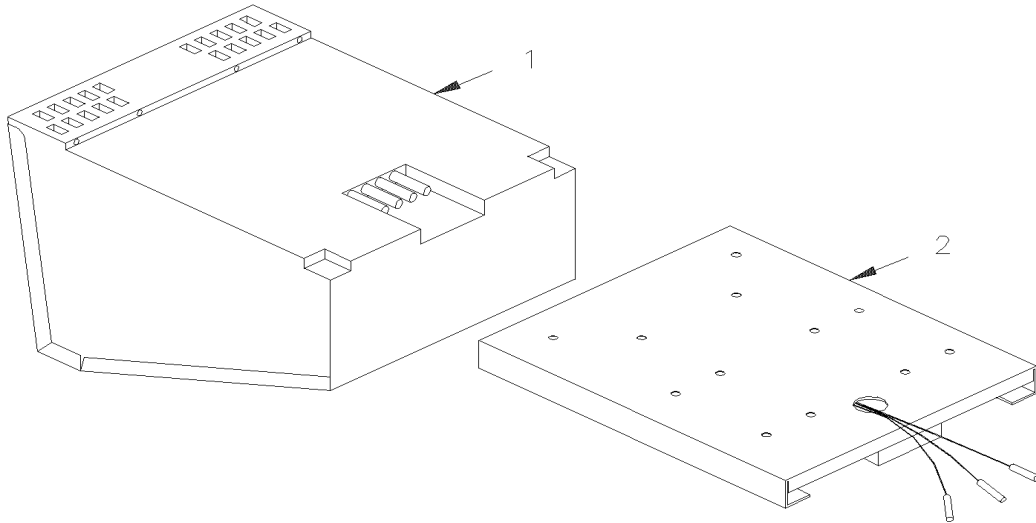
Item#	Part	Description	M T H 4 0	M T H 4 5	M T H 4 5 E	X L 4 0	X L 4 5	N O T E S
51	063145	CABLE ASSY 110V / VIDEO TO FRONT MONITOR & SIDE MONITOR SIDE MONITOR To S-569				1		
51	064037	CABLE ASSY 110V / VIDEO TO FRONT MONITOR & SIDE MONITOR SIDE MONITOR From S-570				1	1	
52	063144	CABLE ASSY 110V / FRONT MONITOR TO SIDE MONITOR / 6100MM To S-569				1		
53	063143	CABLE ASSY 110V / MONITOR & MONITOR 3700MM To S-569				1		
53	063735	CABLE ASSY 110V / MONITOR & MONITOR 4400MM From S-570				1	1	A
NS	063991	CABLE ASSY 12V / BATTERY COMP & INVERTER				1		
NS	064006	CABLE ASSY, 110V / POWERVERTER TO VHS				1		
NS	064123	CABLE 110 V / JCT PANEL & INVERTER / 3050MM				1	1	
		A) FOR EACH ADDITIONAL MONITOR YOU NEED 1 JACK, 1 VIDEO CABLE & 1 110V CABLE (VERIFY LENGHT FOR CABLE)						
		B) IN JUNE 1996 "PANASONIC" MODEL ST-1000M BECAME OBSOLETE. PART HAS BEEN SUPERSEDED BY MONITOR 404211 "D.S.C." MODEL CMD-10 AND IF YOU CHANGE FOR NEW MODEL YOU REQUIRE ASSY WITH BOX IT LARGER ONE SEE ITEM #1						
		C) MONITOR ASSY PANASONIC CMD-10 REPLACE BY SONY ADM-10B						

From T-5884 To Y-7045

Date:10/2022

PAGE:XL-2317-12

SIDE MONITOR - VIDEO - "R.E.I."



FRONT VIEW

From T-5884 To Y-7045	Date:10/2022	PAGE:XL-2317-12
SIDE MONITOR - VIDEO - "R.E.I."		

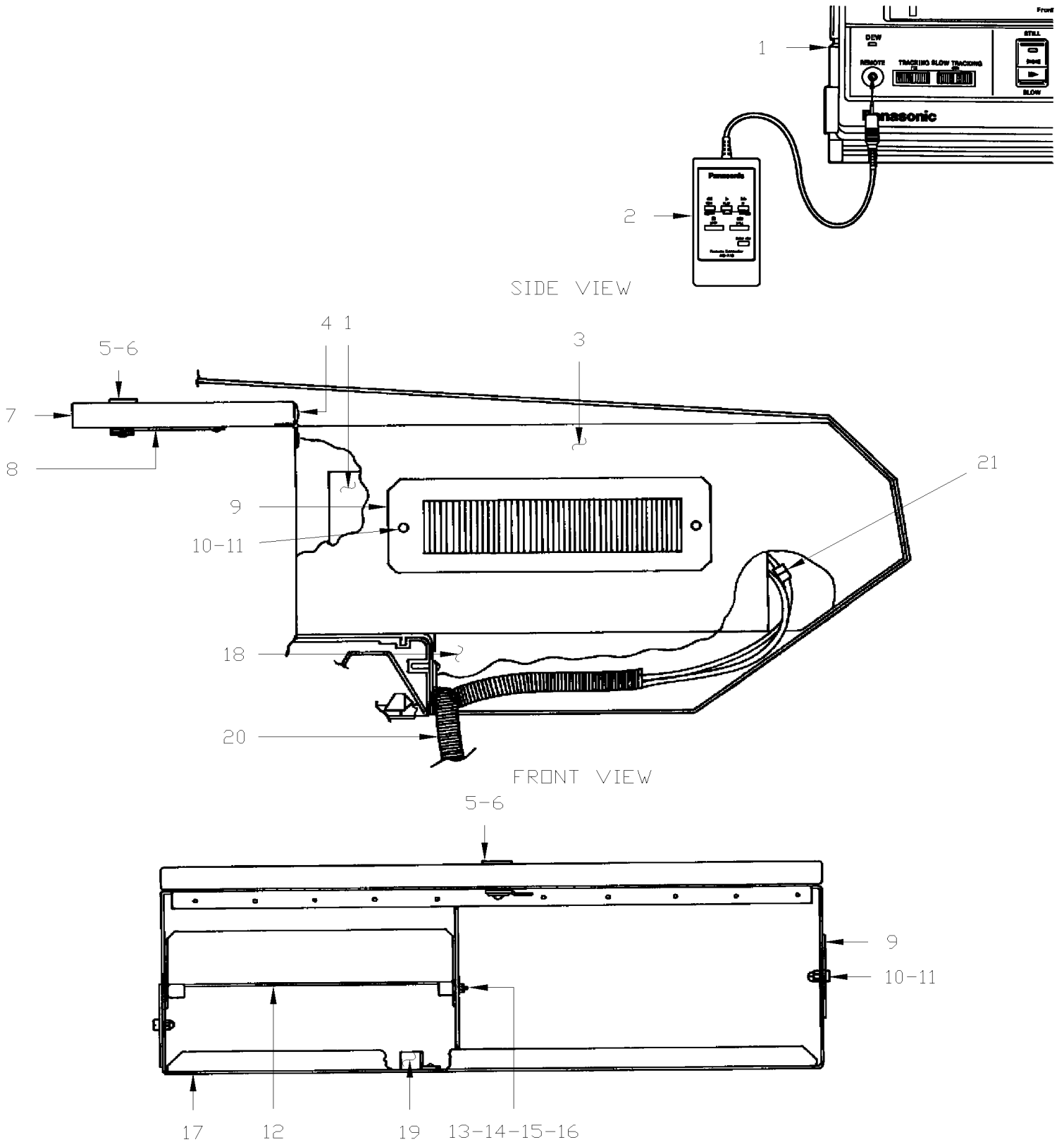
Item#	Part	Description	M T H 4 0	M T H 4 5	M T H 4 5 E	X L 4 0	X L 4 5	N O T E S
1	900809	MONITOR 2000 24V				AR	AR	
2	404306	MONITOR SLIDE BRACKET				AR	AR	
. NS	900862	. KEY MONITOR LOCK				1	1	
NS	900867	DIGITAL CLOCK				1	1	
3	5001054	SCREW CAP BUT HEXS M10-1.5x50 G10.9 ZP				2	2	
4	500445	WASHER FL .437x1.000x.083 Z050				2	2	
5	404346	SUPPORT BOX COVER / VIDEO "R.E.I."				1	1	
6	404388P	COVER ASSY				1	1	
7	404370P	BOX COVER ASSY / W/TISSUS / S.C.C.				1	1	
7	404369	. BOX				1	1	
8	404371	. GRILLE				1	1	
NS	500409	. SCREW TP PAN PH #8x1/2 BK				3	3	
9	500640	SCREW TP PAN PH #6x3/4 Z050				4	4	
10	504399	WASHER RETAINER SNAP CAP #10				4	4	
11	504400	SNAP CAP #10 FINISHING BLACK				4	4	
12	403497	SPACER				4	4	A
20	XL-2317-21	VIDEO VHS PLAYER - INSTALLATION "R.E.I."						
		A) SUPPORT & CEILING						

From J-417 To T-5583

Date:10/2022

PAGE:XL-2317-20

VIDEO VHS PLAYER - INSTALLATION



From J-417 To T-5583		Date:10/2022	PAGE:XL-2317-20
----------------------	--	--------------	-----------------

VIDEO VHS PLAYER - INSTALLATION

Item#	Part	Description	M T H 4 0	M T H 4 5	M T H 4 5 E	X L 4 0	X L 4 5	N O T E S
1	900567	VIDEO CASSETTE PLAYER VHS / MODEL AG-1000 To S-553				1		
1	900737	VIDEO CASSETTE PLAYER VHS / MODEL AG-5210 From S-554				1	1	
NS	900622	CASSETTE VIDEO / QUALITE OPTIMALE - FRENCH				AR	AR	
NS	900623	CASSETTE VIDEO / COMMITMENT TO LASTING QUALITY - ENGLISH				AR	AR	
2	900612	CONTROL REMOTE				1	1	
NS	403201	SUPPORT, REMOTE CONTROL / W/O ANTENNA				1	1	
NS	403297	SUPPORT, REMOTE CONTROL / W/ANTENNA				1	1	
NS	500353	SCREW TP FL PH #8x3/4 BK				2	2	
NS	502620	WASHER FN CK .203x.531 BK				2	2	
3	403291P	BOX ASSY / VIDEO / SPECIFY COLOR To S-553				1		
3	404053P	BOX ASSY / VIDEO / SPECIFY COLOR From S-554				1	1	
4	403281	. HINGE				1	1	
4	502611	. SCREW TP FL PH #6x1/2 Z050				6	6	
4	504105	. RIVET POP DOME OE 1/8x3/16 AL				24	24	
5	780180	. LOCK CYLINDER W/KEY / "VIRO"				1	1	
. NS	780501	. . KEY				1	1	
5	780806	. LOCK CYLINDER W/KEY / "VIRO"				1	1	
. NS	780501	. . KEY				1	1	
6	281782	. PIVOT LEVER / 39.67MM / W/.09MM OFFSET				1	1	
6	289557	. PIVOT LEVER / 42.4MM / W/13MM OFFSET				1	1	S
7	403280	. DOOR / WOOD				1	1	
7	900569	. MOULDING, PLASTIC				1	1	
8	403215	. DECAL / WARNING - ENGLISH To S-553				1		
8	404054	. DECAL / WARNING - ENGLISH From S-554				1	1	
8	403216	. DECAL / AVERTISSEMENT - FRENCH To S-553				1		
8	404053	. DECAL / AVERTISSEMENT - FRENCH From S-554				1	1	
9	402959	. GRILLE ASSY To S-553				1		
9	403018	. GRILLE ASSY From S-554				1	1	
10	502524	. NUT HEX M4-0.7 Z050 To L-530				2		
10	5001048	. SCREW MA RND PH #10-24x3/8 ZP From L-531				4	4	
11	502336	. WASHER LOCK M4 To L-530				2		
11	500891	. NUT HEX CAP #10-24 Z050 From L-531				4	4	
12	403283	. SHELF / W/TV ANTENNA				1	1	
13	402737	. REINFORCEMENT / DOOR LOCK				1	1	
14	502787	. SCREW MA PAN PH M3-0.5x10 ZP				2	2	
15	502578	. WASHER FL 3.2x7.0x0.5 Z050				2	2	A
16	502579	. NUT HEX M3-0.5 NP				2	2	
17	403207	. BRACKET, ANGLE / BOTTOM				1	1	
17	506228	. TAPE RUB ADH1 CC POL 1/4" x 1/2" x 37.5' / GREY 2520X				AR	AR	
18	403290P	BASE ASSY / VIDEO / SPECIFY COLOR				1	1	
18	403284	. BASE				1	1	
19	403279	. STOPPER				1	1	

From J-417 To T-5583	Date:10/2022	PAGE:XL-2317-20
----------------------	--------------	-----------------

VIDEO VHS PLAYER - INSTALLATION

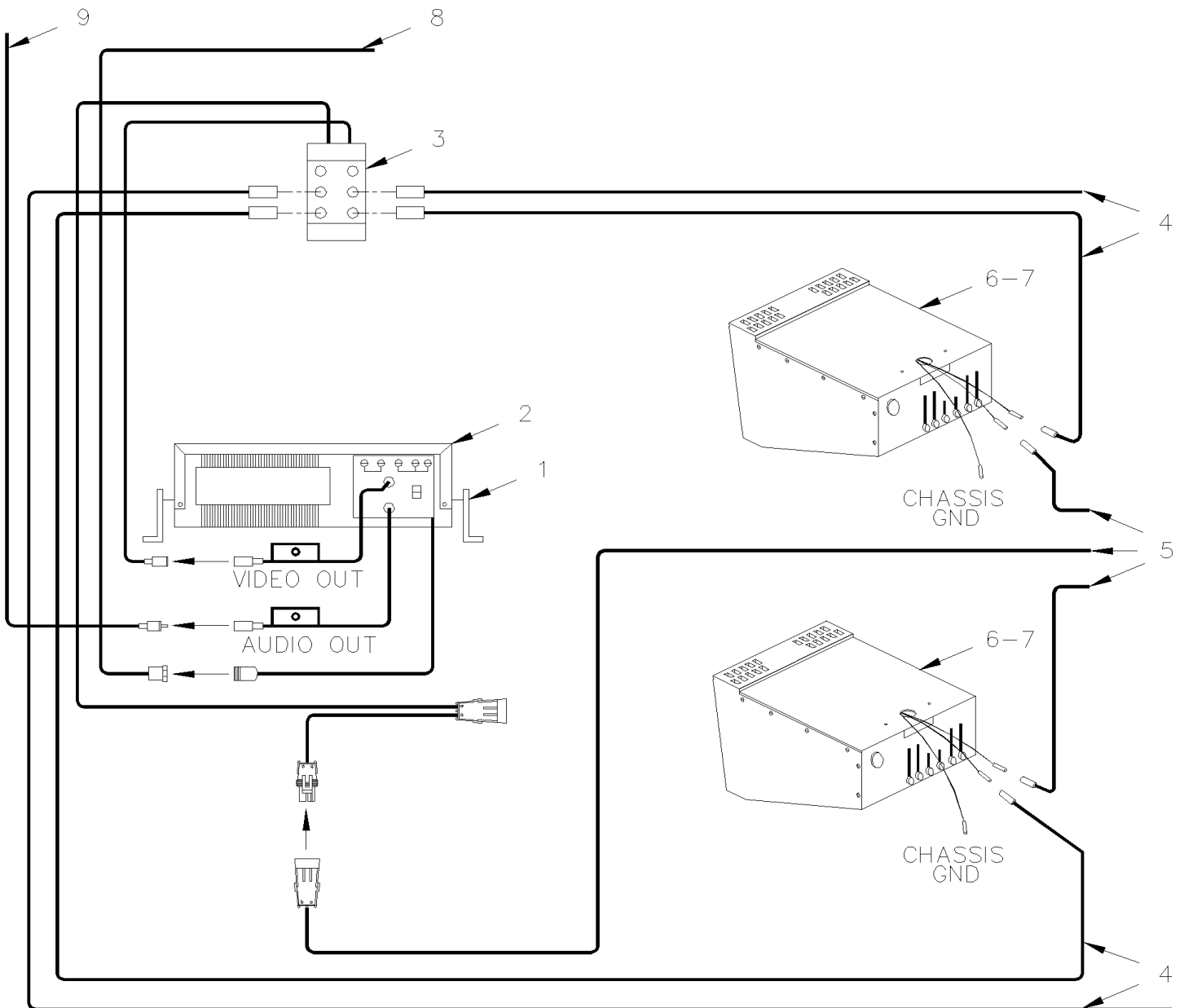
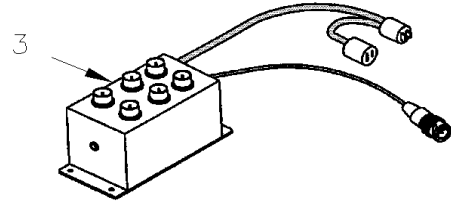
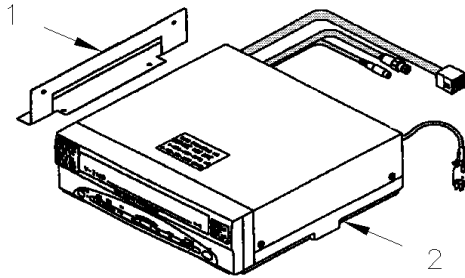
Item#	Part	Description	M T H 4 0	M T H 4 5	M T H 4 5 E	X L 4 0	X L 4 5	N O T E S
20	562116	CONVOLUTED TUBING / SLIT / BLACK & GRAY / .500"				AR	AR	
21	561932	CONNECTOR / 15 AMPS / HUBBELL 5269-C				2	2	
		A) TO FIX SELECTOR SHELF						
		S) REQUIERED ONLY IN SERVICE IF YOU NEED TO CHANGE YOUR OLD CYLINDER LOCK # 780180						

From T-5884 To Y-7045

Date:10/2022

PAGE:XL-2317-21

VIDEO VHS PLAYER - INSTALLATION "R.E.I."

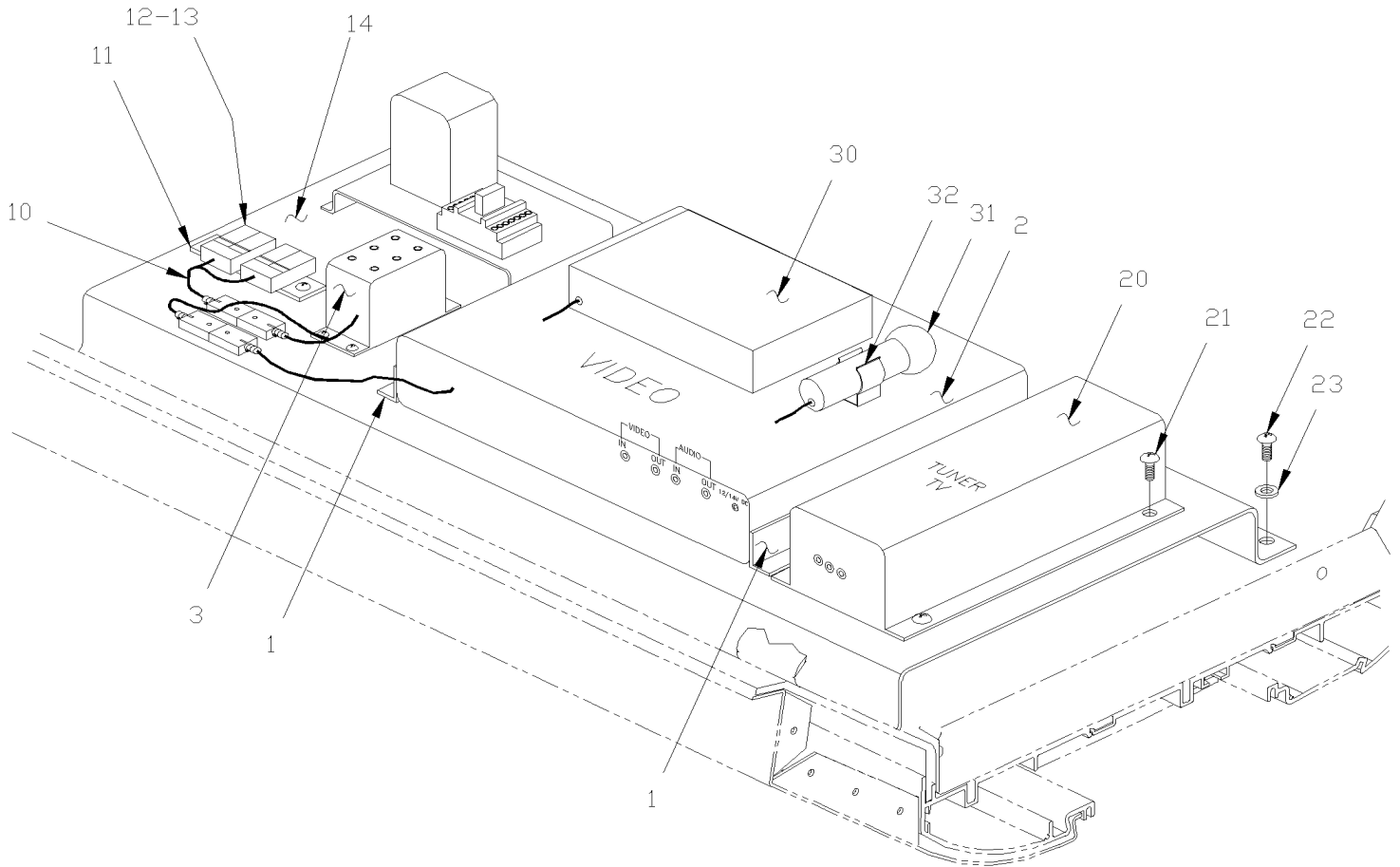
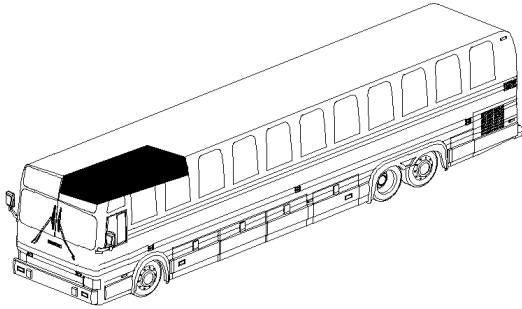


From T-5884 To Y-7045

Date:10/2022

PAGE:XL-2317-21

VIDEO VHS PLAYER - INSTALLATION "R.E.I."



PARCEL RACK

From T-5884 To Y-7045	Date:10/2022	PAGE:XL-2317-21
VIDEO VHS PLAYER - INSTALLATION "R.E.I."		

Item#	Part	Description	M T H 4 0	M T H 4 5	M T H 4 5 E	X L 4 0	X L 4 5	N O T E S
1	900823	VCP R.H. ADAPTOR BRACKET				1	1	
1	900824	VCP L.H. ADAPTOR BRACKET				1	1	
2	900806	VIDEO V-2100 VCP, SYS 2000 24V				1	1	
NS	900884	SWITCH VIDEO / USE WITH 2 VIDEO				1	1	
NS	404380	CABLE ASSY RCA / M/M / USE WITH 2 VIDEOS / 510300				1	1	
3	900807	VIDEO DISTRIBUTION AMPLI W/BNC				1	1	
4	404232	CABLE ASSY COAX / RG-59 / 10' / 510443				AR	AR	
4	404233	CABLE ASSY COAX / RG-59 / 15' / 511062				AR	AR	
4	404234	CABLE ASSY COAX / RG-59 / 20' / 510407				AR	AR	
4	404235	CABLE ASSY COAX / RG-59 / 24' / 510414				AR	AR	
4	404236	CABLE ASSY COAX / RG-59 / 33' / 510928				AR	AR	
4	404237	CABLE ASSY COAX / RG-59 / 44' / 510929				AR	AR	
5	404244	CABLE ASSY / 24V POWER / 10'				AR	AR	RC
5	404245	CABLE ASSY / 24V POWER / 15'				AR	AR	RC
5	404246	CABLE ASSY / 24V POWER / 20'				AR	AR	RC
5	404247	CABLE ASSY / 24V POWER / 25'				AR	AR	RC
5	404248	CABLE ASSY / 24V POWER / 30'				AR	AR	RC
5	404249	CABLE ASSY / 24V POWER / 35'				AR	AR	RC
5	404250	CABLE ASSY / 24V POWER / 40'				AR	AR	RC
6	404306	MONITOR SLIDE BRACKET				AR	AR	
NS	900862	KEY MONITOR LOCK				1	1	
7	900809	MONITOR 2000 24V				AR	AR	
8	404283	CABLE ASSY / FILTER VCP & CONTROL HEAD / 20'				1	1	
9	900783	CABLE RCA / 2M/2M / 10'				1	1	
10	404255	CABLE ASSY / 24V POWER / 13"				1	1	
11	380904	RAIL SUPPORT / 80MM				1	1	
12	561726	BLOCK JUNCTION				4	4	
12	381813	BUS BAR / W/2 HOLES 25MM				1	1	
13	561728	END CLOSING				1	1	
14	404588	MOUNTING PLATE				1	1	
NS	404589	PROTECTOR VIDEO BOX				1	1	
20	900814	TUNER TV 24V				1	1	
21	500654	SCREW TC BDG PH #8-32x1/2 Z050				4	4	
22	500841	SCREW TP PAN PH #14x3/4 Z050				6	6	
23	500441	WASHER FL .312x.734x.065 Z050				6	6	
30	900813	RECEIVER WIRELESS MICROPHONE / 170.305 MHZ To X-6927				1	1	B
NS	900892	ANTENNA CABLE / REAR OF RECEIVER To X-6927				1	1	B
30	900952	RECEIVER WIRELESS MICROPHONE / 16-CHANNEL From X-6928				1	1	A
NS	901300	ANTENNA RIGID / REAR OF RECEIVER From X-6928				1	1	A
31	900812	MICROPHONE, WIRELESS KIT / 170.305 MHZ To X-6927				1	1	B
31	900954	MICROPHONE, WIRELESS / 16 CHANNEL From X-6928				1	1	A
NS	685199	BATTERY 1.5V / TYPE "AA" / RECHARGEABLE From X-6928				AR	AR	A

From T-5884 To Y-7045	Date:10/2022	PAGE:XL-2317-21
-----------------------	--------------	-----------------

VIDEO VHS PLAYER - INSTALLATION "R.E.I."

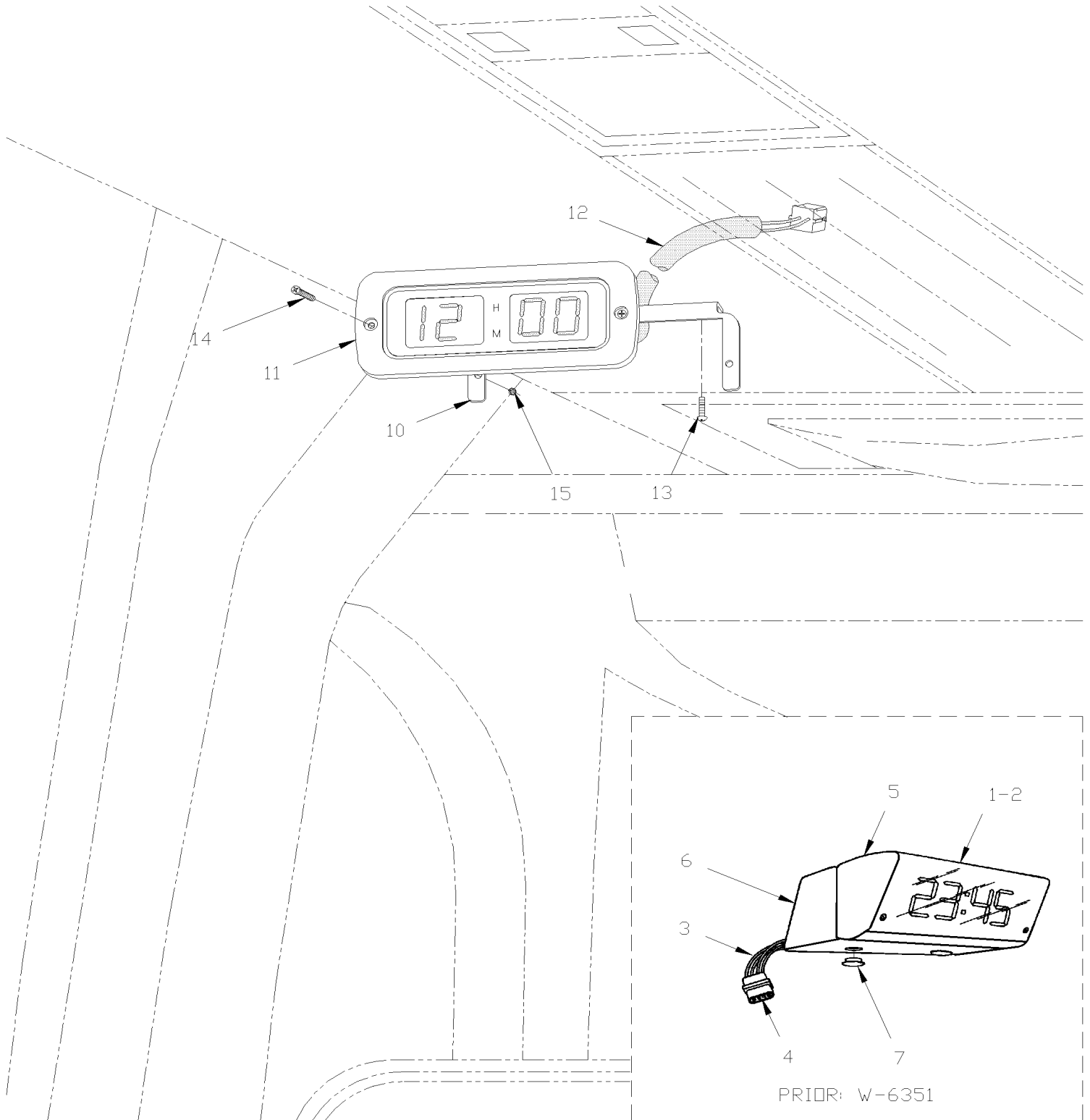
Item#	Part	Description	M T H 4 0	M T H 4 5	M T H 4 5 E	X L 4 0	X L 4 5	N O T E S
32	900712	SUPPORT MICROPHONE To X-6927				1	1	
32	900953	STATION WIRELESS BATTERY CHARGING 16 CHANNEL From X-6928				1	1	
33	064280	KIT, RETROFIT WIRELESS MICROPHONE / COMPLETE				1	1	
. NS	900951	. KIT, WIRELESS MICRO 16 CHANNEL / SERVICE ONLY				1	1	
. . NS	900953	. . STATION WIRELESS BATTERY CHARGING 16 CHANNEL				1	1	
. . NS	900954	. . MICROPHONE, WIRELESS / 16 CHANNEL				1	1	
. . . NS	685199	. . . BATTERY 1.5V / TYPE "AA" / RECHARGEABLE				AR	AR	
. . NS	900955	. . CABLE ASSY / CHARGER ADAPTOR 4'				1	1	
. . NS	900956	. . CABLE ASSY / ADAPTOR POWER 18"				1	1	
. . NS	900957	. . CABLE ASSY / ADAPTOR WIRING 18"				1	1	
. NS	064273	. WIRING HARNESS RECEIVER & MICRO				1	1	
. NS	064274	. WIRING HARNESS / RECEIVER FEEDING				1	1	
. NS	064275	. WIRING HARNESS / RECEIVER FEEDING BEFORE 95				1	1	
. NS	860489	. VELCRO / HOOK BLACK / 3/4" X 75'				AR	AR	
. NS	860490	. VELCRO / LOOP BLACK / 3/4" X 75'				AR	AR	
. NS	IS-96901	. SEE INSTRUCTION SHEET				1	1	
NS	900951	KIT, WIRELESS MICRO 16 CHANNEL / SERVICE ONLY				AR	AR	
. NS	900953	. STATION WIRELESS BATTERY CHARGING 16 CHANNEL				1	1	
. NS	900954	. MICROPHONE, WIRELESS / 16 CHANNEL				1	1	
. . NS	685199	. . BATTERY 1.5V / TYPE "AA" / RECHARGEABLE				AR	AR	
. NS	900955	. CABLE ASSY / CHARGER ADAPTOR 4'				1	1	
. NS	900956	. CABLE ASSY / ADAPTOR POWER 18"				1	1	
. NS	900957	. CABLE ASSY / ADAPTOR WIRING 18"				1	1	
		A) 170,3 MHZ TO 174,8 MHZ						
		B) THOSE PARTS ARE SUPERSEDED BY KIT #900951						
		RC) CABLE W/R.E.I. MONITOR USE W/CON 1 # 562554						

From E-638 To Y-7045

Date:10/2022

PAGE:XL-2318-00

CLOCK (DIGITAL)



From E-638 To Y-7045	Date:10/2022	PAGE:XL-2318-00
CLOCK (DIGITAL)		

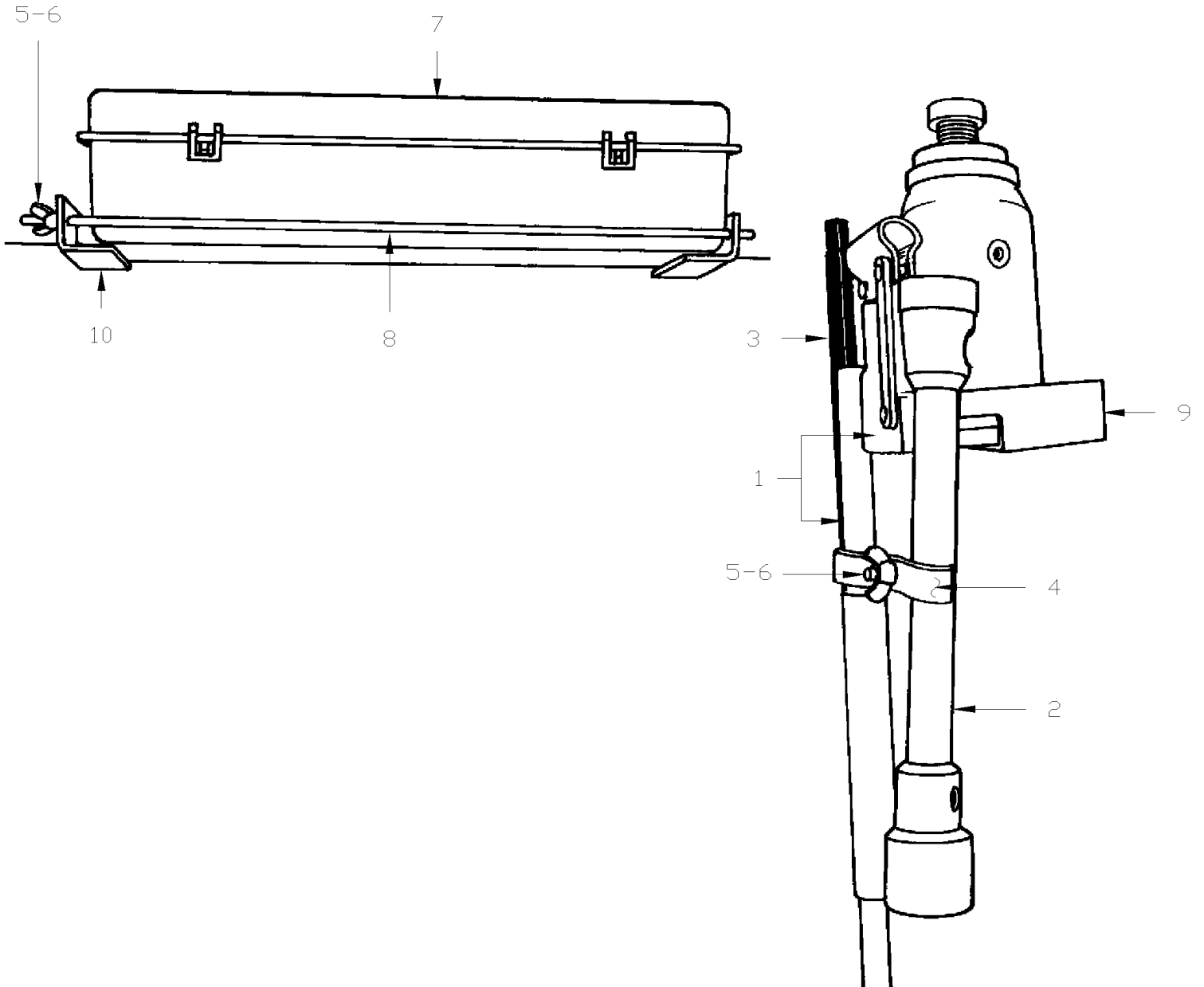
Item#	Part	Description	M T H 4 0	M T H 4 5	M T H 4 5 E	X L 4 0	X L 4 5	N O T E S
	401860	DIGITAL CLOCK ASSY To W-6350				1	1	
1	401847	. SUPPORT To W-6350				1	1	
2	900457	. DIGITAL CLOCK To W-6350				1	1	
3	560851	. CONNECTOR / COM. MATE-N-LOCK / PH 4C / AMP 1-480426-0 To W-6350				1	1	
4	560901	. PIN TERMINAL / 20-14 / AMP 60620-1 To W-6350				4	4	
5	500560	SCREW MA PAN PH M4-0.7x6 Z050 To W-6350				4	4	
NS	502636	WASHER LO SPT 4.1x7.6x0.9 Z050 To W-6350				1	1	
10	404546	SUPPORT From W-6351				1	1	
11	404547	DIGITAL CLOCK / 12HRS From W-6351				1	1	
11	404551	DIGITAL CLOCK / 24HRS From W-6351				1	1	
NS	900867	. DIGITAL CLOCK From W-6351				1	1	
NS	561476	. CONNECTOR / (.062) / SH 4C / MOLEX 03-06-1044 From W-6351				1	1	
NS	561478	. SOCKET TERMINAL / 24-18 / MOLEX 02-06-1103 From W-6351				3	3	
11	562387	CONVOLUTED TUBING / SLIT / BLACK / .250" From W-6351				AR	AR	
12	064199	CABLE ASSY / CLOCK & FRONT JCT PANEL From W-6351				1	1	
13	500409	SCREW TP PAN PH #8x1/2 BK From W-6351				3	3	
14	500260	SCREW TC FL PH #8-32x3/4 BK From W-6351				2	2	
15	500670	NUT HEX NYRT #8-32 Z050 From W-6351				2	2	
NS	401848	ATTACHMENT / "PREVOST XL" = (MARATHON)				1		A
NS	061298	CABLE ASSY / DIGITAL CLOCK 24V				1		A
NS	500286	NUT WELL #6-32				4		A
NS	500339	SCREW MA RND PH #6-32x3/4 SS				4		A
		A) THOSE ITEM ARE RELATED WITH "PREVOST XL" INSTALLATION						

From E-638 To Y-7045

Date:10/2022

PAGE:XL-2320-00

JACK & FLARE KIT - INSTALLATION



From E-638 To Y-7045	Date:10/2022	PAGE:XL-2320-00
JACK & FLARE KIT - INSTALLATION		

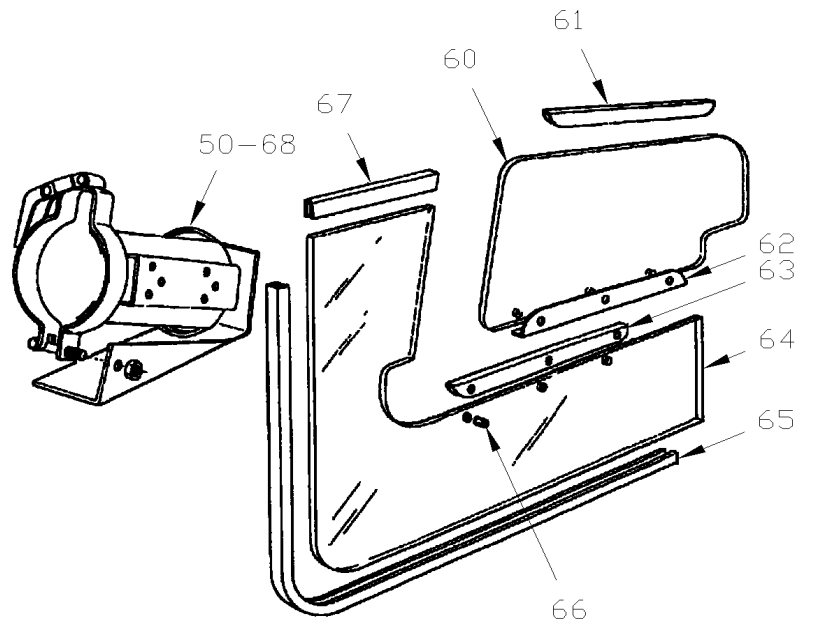
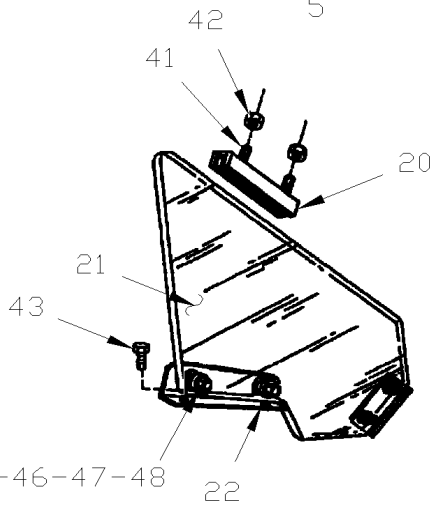
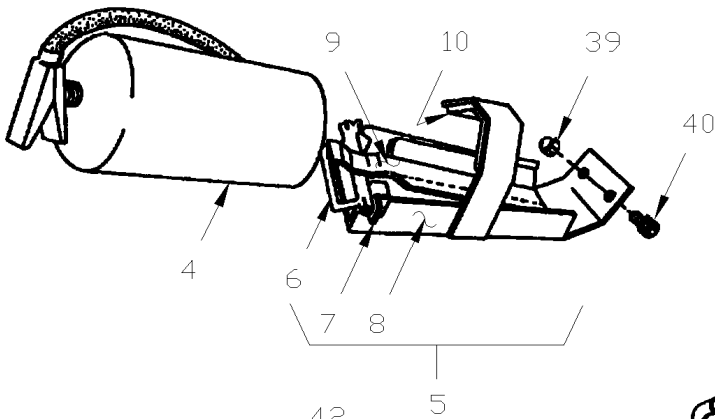
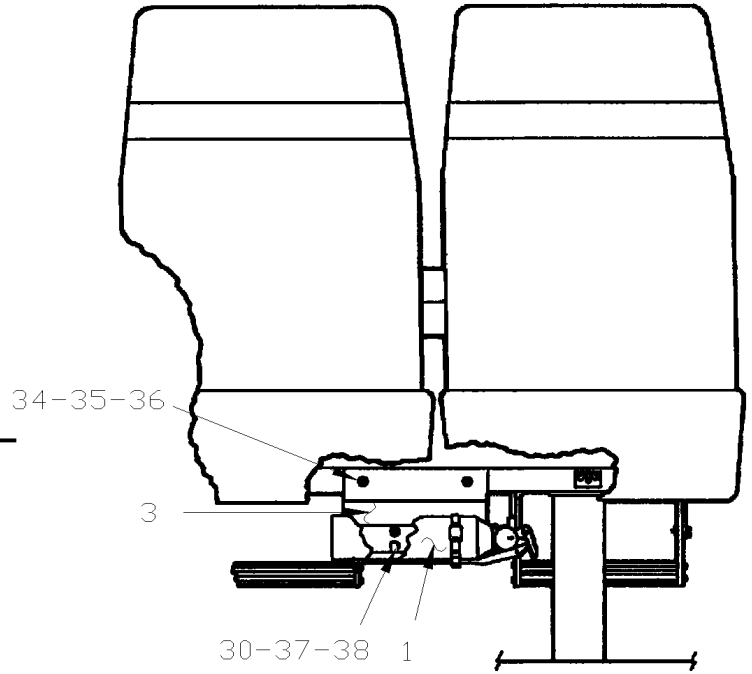
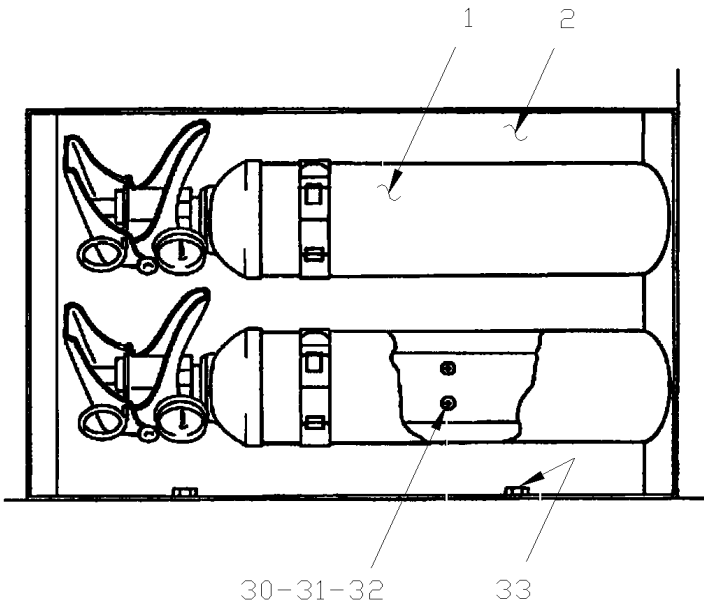
Item#	Part	Description	M T H 4 0	M T H 4 5	M T H 4 5 E	X L 4 0	X L 4 5	N O T E S
1	505062	JACK, 12TONS To K-768	1			1		
1	505505	JACK, 12TONS From K-769	1	1	1	1	1	
2	690001	WRENCH, WHEEL NUT 1 1/2" & 13/16 SQUARE	1	1	1	1	1	
2	690005	WRENCH, WHEEL 33 MM From X-6945 To X-7014				1		
3	690002	HANDLE, W/WRENCH WHEEL NUT	1	1	1	1	1	
4	210275	BRACKET, RETAINING / HANDLE & WRENCH	1	1	1	1	1	
NS	210264	SUPPORT / (WELDED TO STRUCTURE)				1	1	
5	500782	NUT WING 5/16-18 Z050	2	2	2	2	2	
6	502584	WASHER LO SERR 8.2x26.3x1.8 Z050	2	2	2	2	2	
7	930140	FLARE KIT, TRIANGULAR To L-569	1			1		
7	930283	FLARE KIT, TRIANGULAR From L-570	1	1	1	1	1	
7	930442	FLARE KIT, TRIANGULAR	1	1	1	1	1	S
8	210280	ROD, RETAINING / FLARE KIT	1	1	1	1	1	
9	210263	SUPPORT, JACK / WELDED TO STRUCTURE To K-768				1		
9	211525	SUPPORT, JACK / WELDED TO STRUCTURE From K-769				1	1	
9	210959	SUPPORT, JACK / BOLTED TO STRUCTURE To K-768	1					
9	211528	SUPPORT, JACK / BOLTED TO STRUCTURE From K-769	1	1	1			
10	210279	SUPPORT, L.H. / WELDED TO STRUCTURE To L-569	1			1		
10	210278	SUPPORT, R.H. / WELDED TO STRUCTURE To L-569	1			1		
10	211010	SUPPORT, FLARE KIT / BOLTED TO STRUCTURE				1	1	
10	211220	SUPPORT, FLARE KIT / BOLTED TO STRUCTURE				1	1	S
10	410556	KEY (FOR FRONT BUMPER NUT) From X-6945 To X-7014				1		
. NS	410545	. KEY From X-6945 To X-7014				1		
. NS	410557	. RUBBER From X-6945 To X-7014				1		
		S) SERVICE						

From E-638 To Y-7045

Date:10/2022

PAGE:XL-2320-30

EXTINGUISHER - INSTALLATION



From E-638 To Y-7045		Date:10/2022	PAGE:XL-2320-30
EXTINGUISHER - INSTALLATION			

Item#	Part	Description	M T H 4 0	M T H 4 5	M T H 4 5 E	X L 4 0	X L 4 5	N O T E S
1	900042	EXTINGUISHER 2 LBS To R-842	2	2	2	2		
1	900234	EXTINGUISHER 2.5 LBS To R-842	2	2	2	2		
1	900702	EXTINGUISHER 2.5 LBS / W/PLASTIC HANDLE From R-843	2	2	2	2		
2	320615	SUPPORT ASSY / EXTINGUISHER To R-842	1	1	1	1		
2	324391	SUPPORT ASSY / EXTINGUISHER From R-843	1	1	1	1		
3	322632	SUPPORT ASSY / EXTINGUISHER To R-842	2	2	2	2		
3	324349	SUPPORT ASSY / EXTINGUISHER From R-843	2	2	2	2		
NS	470949	SPACER RUBBER 3/4" O.D. / S.Q.				2	2	
NS	900651	EXTINGUISHER 20 LBS				1	1	
NS	403465	SUPPORT / FOR EXTINGUISHER 20 LBS / UNDER SEAT				1	1	
4	900449	EXTINGUISHER 10 LBS				1	1	
NS	900618	SUPPORT				1	1	
4	900618	SUPPORT				1	1	
5	403581	SUPPORT ASSY / 10 LBS INTINGUISHER / IN PARCEL RACK				1	1	
6	402575	HANDLE ASSY / TILTING SUPPORT				1	1	
7	402571	CLIP, SPRING				2	2	
8	402569	BRACKET ASSY / TILTING SUPPORT				1	1	
9	402567	SUPPORT, TILTING				1	1	
9	505188	PIN, SPRING 1/4" X 7/8"				1	1	
9	470949	SPACER RUBBER 3/4" O.D. / S.Q.				2	2	
10	506235	TAPE RUB ADH1 PVC.NITRIL 1/2" x 1" x 15' / BLACK 1210				AR	AR	
20	402555	FIXTURE, UPPER				2	2	
21	402541	GUARD, PLEXIGLASS				1	1	
22	402553	FIXTURE, LOWER				2	2	
30	500572	SCREW MA TR PH #10-24x1/2 SS BK				8	8	
31	500470	WASHER LO SPT .193x.334x.047 Z050				8	8	
32	500786	NUT HEX #10-24 Z050				8	8	
33	500535	SCREW TP CAP HEX #14x3/4 Z050				4	4	
34	500559	SCREW MA TR PH 1/4-20x1 1/2 SS EMN				4	4	
35	500468	WASHER FL .281x1.250x.065 Z050				4	4	
36	500770	NUT HEX STO 1/4-20 Z050				4	4	
37	500964	WASHER FL .203x.500x.047 Z050				8	8	
38	500767	NUT HEX #10-24 Z050				8	8	
39	500772	NUT HEX CAP 1/4-20 NP				2	2	
40	500394	SCREW MA TR SLT 1/4-20x1/2 Z050				2	2	
41	500510	SCREW MA BDG PH #10-32x3/4 SS EMN				4	4	
42	500519	NUT WELL #10-32x.518				4	4	
43	500657	SCREW TC TR PH #10-24x1/2 Z050				2	2	
44	500607	SCREW MA TR PH #10-24x1 SS				4	4	
45	500891	NUT HEX CAP #10-24 Z050				6	6	
46	900251	BUSHING, RUBBER				8	8	
47	400380	SPACER 5/16 O.D. x 17/32" x 18GA				4	4	

From E-638 To Y-7045	Date:10/2022	PAGE:XL-2320-30
EXTINGUISHER - INSTALLATION		

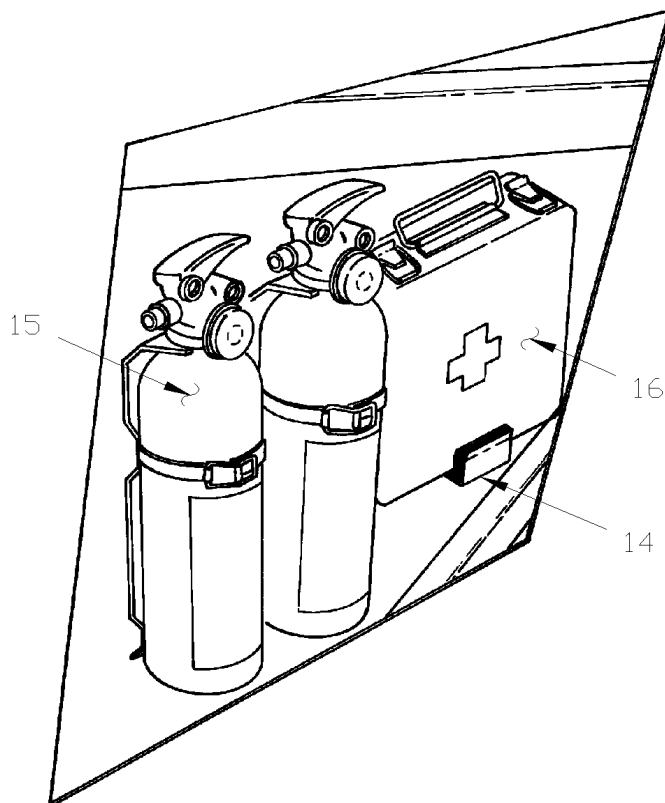
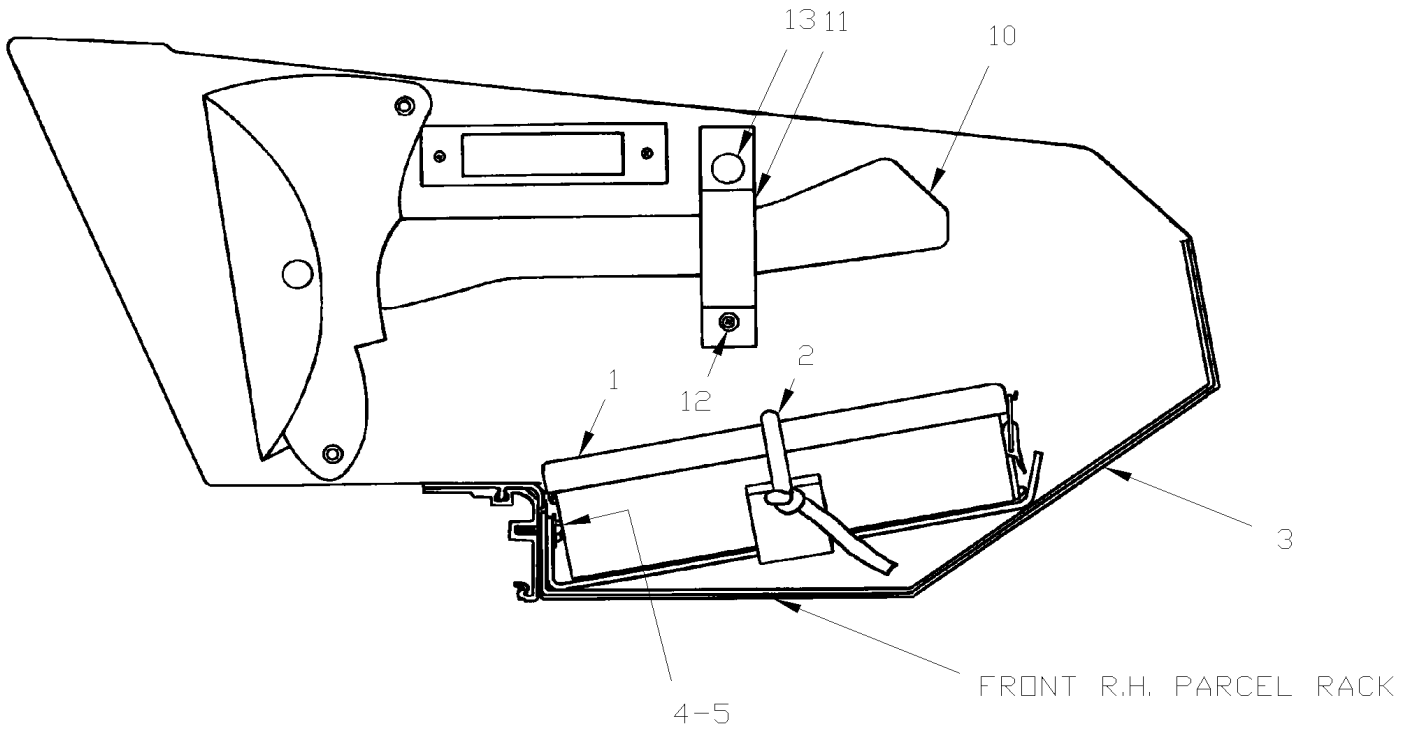
Item#	Part	Description	M T H 4 0	M T H 4 5	M T H 4 5 E	X L 4 0	X L 4 5	N O T E S
47	505539	SPACER 5/16 O.D. x 17/32" x 18GA				4	4	
48	500989	WASHER FL .219x.875x.062 Z050				4	4	
50	401821	SUPPORT / FOR EXTINGUISHER 10 LBS				AR	AR	
NS	323290	DECAL / FIRE EXTINGUISHER				1	1	
NS	407693	DECAL "FIRE EXTINGUISHER INSIDE" GREY				1	1	
NS	402763	DECAL / UNDER SEAT EXTINGUISHER				1	1	
60	401789	PLEXIGLASS / INSIDE PARCEL RACK To F-828				2		A
61	401792	ATTACHMENT, UPPER To F-828				1		A
62	401793	ATTACHMENT, LOWER To F-828				1		A
63	401785	ATTACHMENT, LOWER To F-828				1		A
64	401789	PLEXIGLASS / INSIDE PARCEL RACK To F-828				2		A
65	401784	MOULDING To F-828				1		A
66	400380	SPACER 5/16 O.D. x 17/32" x 18GA To F-828				AR		A
66	505539	SPACER 5/16 O.D. x 17/32" x 18GA To F-828				AR		A
NS	900251	BUSHING, RUBBER To F-828				AR		A
NS	500607	SCREW MA TR PH #10-24x1 SS To F-828				AR		A
NS	500891	NUT HEX CAP #10-24 Z050 To F-828				AR		A
67	401787	ATTACHMENT, UPPER To F-828				1		A
68	401821	SUPPORT / FOR EXTINGUISHER 10 LBS To F-828				1		A
NS	401869	PLEXIGLASS, UPPER / OTHER SIDE OF EXTINGUISHER To F-828				2		A
NS	401871	ATTACHMENT, UPPER / W/#401869 To F-828				1		A
NS	401893	ATTACHMENT, LOWER / W/#401869 To F-828				1		A
NS	950052	AIR FILTER CLEANER 24V To F-828				1		A
72	N.P.N.	. FILTER CARTRIDGE To F-828				1		4 A
		A) USE WITH "PREVOST XL" MODEL						
		4) NO PARTS NUMBER						

From E-638 To Y-7045

Date:10/2022

PAGE:XL-2320-40

FIRST AID KIT & AXE - INSTALLATION



From E-638 To Y-7045	Date:10/2022	PAGE:XL-2320-40
FIRST AID KIT & AXE - INSTALLATION		

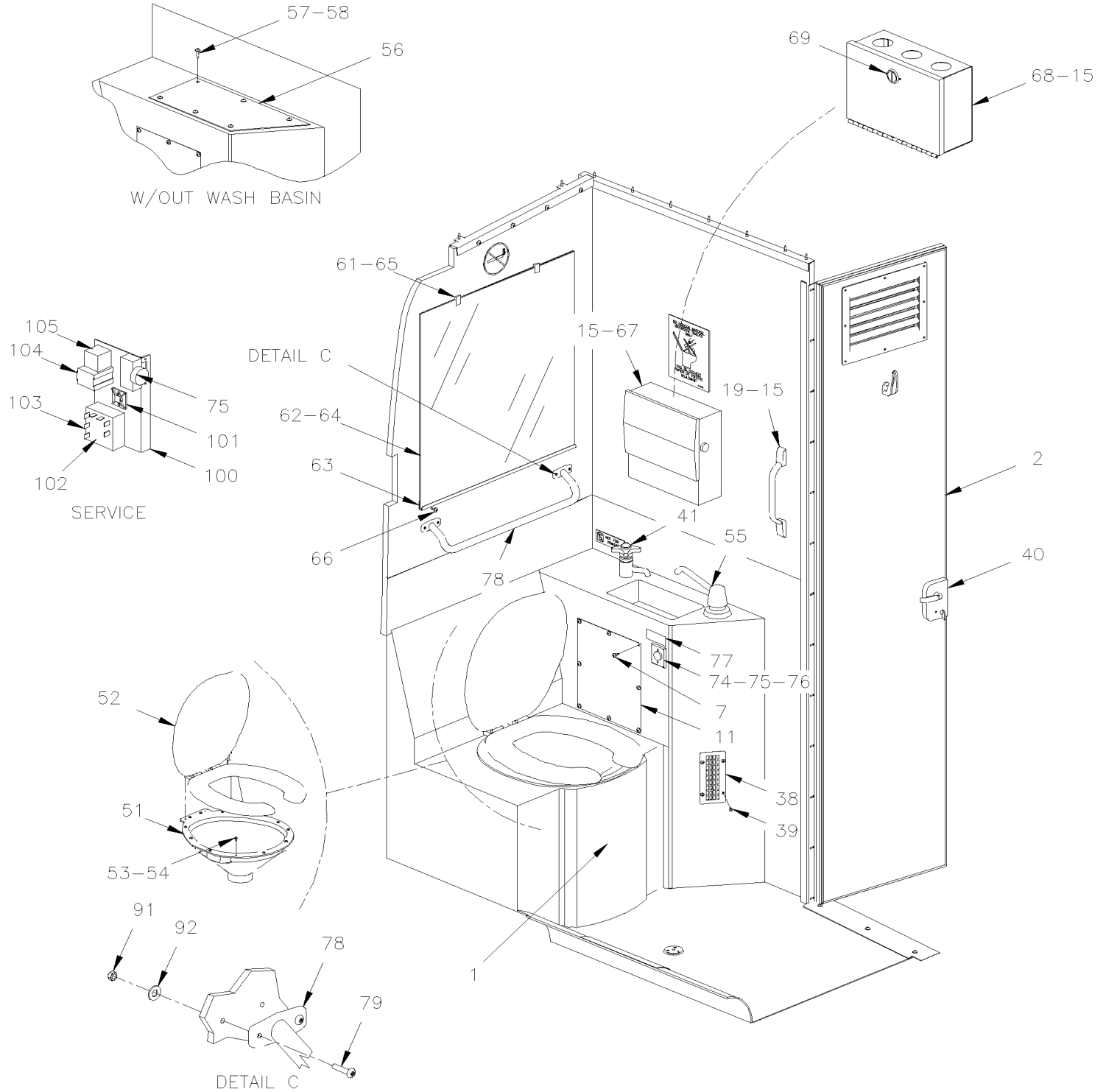
Item#	Part	Description	M T H 4 0	M T H 4 5	M T H 4 5 E	X L 4 0	X L 4 5	N O T E S
1	900014	KIT, FIRST AID (SMALL)				1	1	
1	900289	KIT, FIRST AID (LARGE) / MODEL #36				1	1	
1	900767	KIT, FIRST AID (EXTRA LARGE) / W / W.C.L.				1	1	
NS	323292	DECAL / FIRST AID				1	1	
NS	195889	KIT "EMERGENCY CLEANING" BIOHAZARD CASE OF 25				AR	AR	
NS	19503251	KIT "EMERGENCY CLEANING" STANDARD				AR	AR	
2	506621	STRAP, RUBBER / S.L.				AR	AR	
3	323606	SUPPORT ASSY / W/FIRST AID KIT (SMALL) / 165MM				1	1	
3	323608	SUPPORT ASSY / W/FIRST AID KIT (LARGE) / 350MM				1	1	
4	502526	SCREW TC BDG PH #12-24x3/4 Z050				2	2	
5	500989	WASHER FL .219x.875x.062 Z050				2	2	
10	900046	FIRE AXE				1	1	
NS	323291	DECAL / AXE				1	1	
11	403582	STRAP / TO FIX AXE				1	1	
NS	506236	TAPE RUB ADH1 CC POL 1/16" x 1/2" x 100' / GREY 2520				AR	AR	
12	504106	RIVET POP DOME OE 1/8x1/4 AL				1	1	
NS	500157	WASHER FL .125x.375x.032 SS				3	3	
13	504003	FASTENER RIVET BASE				3	3	
NS	504107	RIVET POP DOME OE 1/8x5/16 AL				1	1	
NS	320505	DECAL / FIRST AID & FIRE EXTINGUISHER To K-727				1		
NS	323290	DECAL / FIRE EXTINGUISHER From K-728				1	1	
NS	407693	DECAL "FIRE EXTINGUISHER INSIDE" GREY				1	1	
NS	323292	DECAL / FIRST AID From K-728				1	1	
NS	323291	DECAL / AXE				1	1	
14	401624	SUPPORT ASSY, FIRST AID To H-284				1		
14	402392	SUPPORT ASSY, FIRST AID From H-285				1	1	
14	401634	SUPPORT ASSY, FIRST AID & AXLE To H-284				1		
14	402395	SUPPORT ASSY, FIRST AID & AXLE From H-285				1	1	
15	XL-2320-30	EXTINGUISHER - INSTALLATION						
16	900014	KIT, FIRST AID (SMALL)				1	1	
NS	900453	KIT, EXTRA LARGE To F-828				1		A
NS	900454	FLARE KIT 15 MINUTES To F-828				1		A
NS	900455	TOOL BOX ASSY To F-828				1		A
NS	401830	AXLE / MODIFIED To F-828				1		A
NS	402590	DECAL / FIRE EXTINGUISHER / 2 ARROWS To F-828				1		A
		A) USE WITH "PREVOST XL" MODEL						

From E-638 To Y-7045

Date:10/2022

PAGE:XL-2325-00

LAVATORY - ACCESSORIES

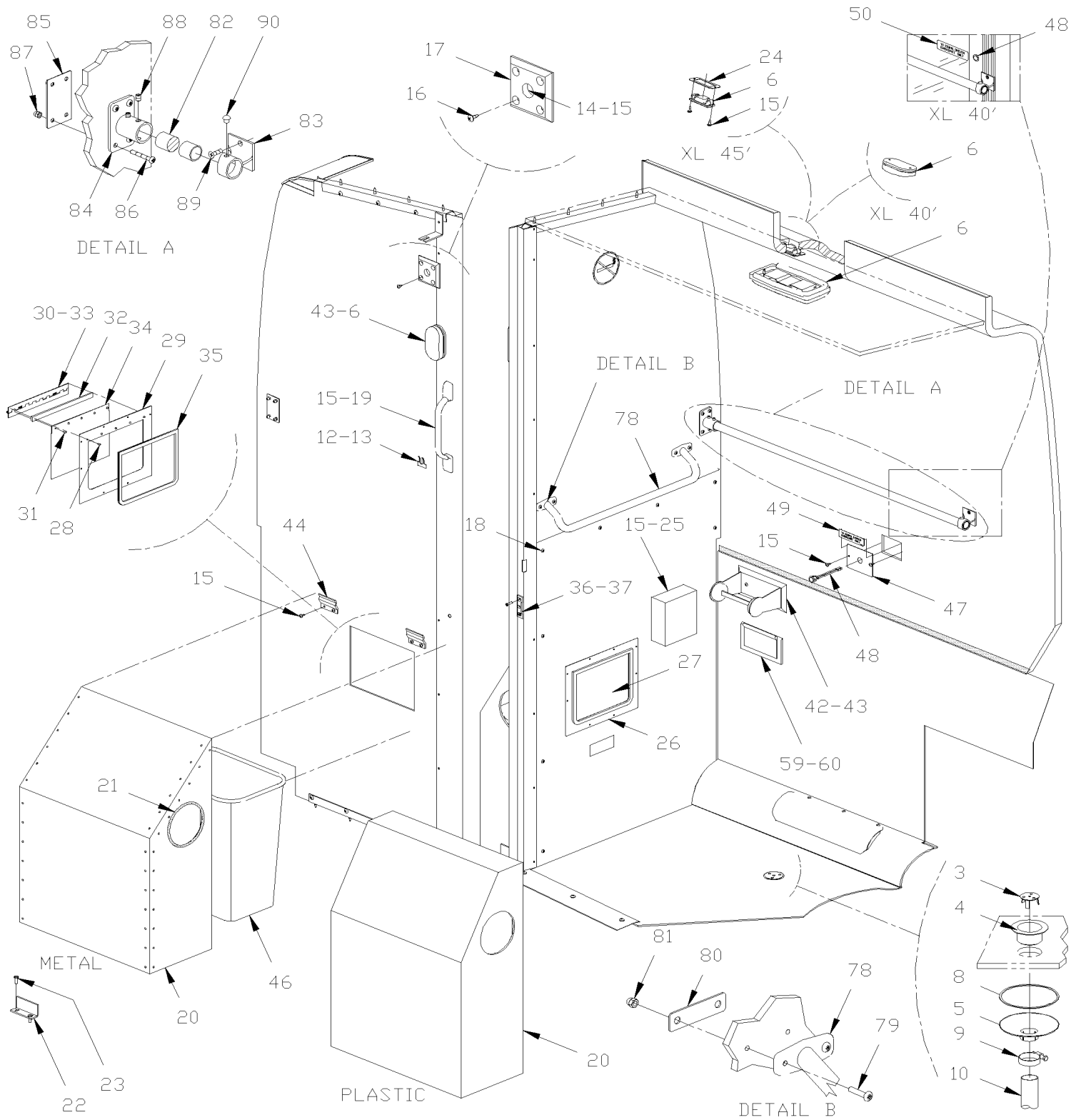


From E-638 To Y-7045

Date:10/2022

PAGE:XL-2325-00

LAVATORY - ACCESSORIES



From E-638 To Y-7045	Date:10/2022	PAGE:XL-2325-00
LAVATORY - ACCESSORIES		

Item#	Part	Description	M T H 4 0	M T H 4 5	M T H 4 5 E	X L 4 0	X L 4 5	N O T E S
1	400608	TOILET FIBERGLASS ASSY / "YELLOW" To F-827				1		
1	401931	TOILET FIBERGLASS ASSY / "DARK GREY" From F-828 To H-284				1		
1	402436	TOILET FIBERGLASS ASSY / "LIGHT GREY" From H-285				1		B
1	403684	TOILET FIBERGLASS ASSY / "LIGHT GREY" / W/60 To S-516				1		C
1	404108	TOILET FIBERGLASS ASSY / "LIGHT GREY" / W/60 From S-517 To T-5929				1	1	C
1	404326	TOILET FIBERGLASS ASSY / "LIGHT GREY" / W/60 From T-5930				1	1	C
2	XL-2328-00	LAVATORY WALL - INSTALLATION						
3	401927	GRILLE ASSY, STRAINER				1	1	
4	900219	STRAINER ASSY, FLOOR				1	1	
NS	680025	CAULKING STRIP 3/16" O.D. X 14'				AR	AR	
5	900861	PIGTAIL / DRAIN TUBE				1	1	
6	XL-0655-00	INTERIOR LIGHTING To H-284						
6	XL-0655-01	INTERIOR LIGHTING From H-285						
7	500583	SCREW TP PAN PH #6x1/2 Z050				8	8	
8	401737	SEAL PLASTIC 1 11/16" I.D.				1	1	
9	504023	HOSE CLAMP / 1"5/16-2"1/4 SS / HS-28				1	1	
10	590285	DRAIN BOOT 2" I.D. X 6" / FLAT To T-5899				1	1	
10	590109	DRAIN BOOT 1" I.D. X 5" / AS SHOWN From T-5900				1	1	
11	400807	PLATE, CLOSING				1	1	
12	500417	SCREW TP PAN PH #6x3/8 Z050				2	2	
13	900437	BRACKET, MOUNTING / MICROPHONE				1	1	
13	900501	BRACKET, MOUNTING / MICROPHONE				1	1	
13	900859	BRACKET, MOUNTING / MICROPHONE				1	1	
14	402371	OUTLET, MICROPHONE To T-5883				1	1	
14	404226	OUTLET, MICROPHONE / 12" W/CONNECTOR From T-5884				1	1	
14	561477	CONNECTOR / (.062) / PH 4C / MOLEX 03-06-2044 To T-5883				1	1	
NS	562507	CONNECTOR / (.093) / PH 4C / MOLEX 03-09-2049 From T-5884				1	1	
15	500641	SCREW TP PAN PH #8x3/4 Z050				AR	AR	
16	500663	SCREW MA FL PH #6-32x3/4 ZP				4	4	
17	400686	ADAPTOR, PLATE CLEAR PLASTIC 3"x3" / TO USE W/OUTLET ON PARCEL RACK				1	1	
18	500552	SCREW TP OV PH #6x3/4 Z050				12	12	
19	900308	HANDLE / LONG				1	1	
20	400801	CONTAINER, WASTE To W-6436				1	1	
20	404450	COVER, BASKET From W-6437				1	1	
20	403275	CONTAINER, WASTE / SPACE-SAVING MODEL / W/49 PASSENGERS				1	1	
21	509558	WEATHERSEAL SNAP-ON 1/8" / SINGLE LIP / WH / C.T.L.				AR	AR	O
22	400860	ANGLE / TO FIX DUSTBIN TO FLOOR / 3"				1	1	
23	500841	SCREW TP PAN PH #14x3/4 Z050				2	2	
24	324944	PLATE				1	1	
25	401905	DISPENSER / TOILET PAPER / (WHITE)				1	1	
25	900083	DISPENSER / TOILET PAPER / (CHROME)				1	1	
25	900494	. KEY, PAPER BOX				1	1	

From E-638 To Y-7045	Date:10/2022	PAGE:XL-2325-00
LAVATORY - ACCESSORIES		

Item#	Part	Description	M T H 4 0	M T H 4 5	M T H 4 5 E	X L 4 0	X L 4 5	N O T E S
NS	900085	PAPER, TOILET / BOX OF 96 PACK				AR	AR	
26	500640	SCREW TP PAN PH #6x3/4 Z050				12	12	
27	400768	TRAP ASSY, ACCESS				1	1	
28	504339	. RIVET POP DOME OE 1/8x3/8 SS				5	5	
29	400742	. FRAME / WASTE CONTAINER TRAP				1	1	
30	400739	. SPRING, TORSION / .375 I.D. x .437 x .032				2	2	
31	504104	. RIVET POP DOME OE 1/8x1/8 SS				5	5	
32	400740	. SPACER / HINGE				1	1	
33	400741	. HINGE / WASTE CONTAINER ACCESS TRAP				1	1	
34	400743	. TRAP, ACCESS / WASTE CONTAINER				1	1	
35	509558	. WEATHERSEAL SNAP-ON 1/8" / SINGLE LIP / WH / C.T.L.				AR	AR	
NS	404634	CLOSING PLATE / TO USE W/O WASTE CONTAINER				1	1	
36	400706	CATCH PLATE 7/8" X 4 1/4"				1	1	
37	500354	SCREW MA FL SLT #10-24x1/2 ZP				2	2	
37	500786	NUT HEX #10-24 Z050				2	2	
38	404103	GRILLE 160MM X 70MM SS From S-598				1	1	
39	500638	SCREW TP PAN PH #8x1/2 Z050 From S-598				4	4	
40	XL-2329-00	LAVATORY DOOR LOCK & SWITCH						
41	XL-2330-00	WATER & SUMP TANK - INSTALLATION						
42	900656	DISPENSER / TOILET PAPER ASSY (TO USE W/STD) ROLL)				1	1	
NS	900657	PAPER, TOILET / ROLL S.Q.				AR	AR	
43	500642	SCREW TP PAN PH #10x3/4 Z050				2	2	
44	400859	BRACKET, RETAINING / TO FIX CONTAINER TO WALL To W-6436				2	2	
44	404459	BRACKET, RETAINING / TO FIX CONTAINER TO WALL From W-6437				2	2	
46	900605	TRASH CAN / BLACK PLASTIC				1	1	
47	325061	PLATE / SS / SUPPORT / EMERGENCY SWITCH (2" X 3")					1	
48	401896	KNOB EMERGENCY				1	1	
48	561124	. SWITCH / S.P.S.T. / N.O. / RED PUSH BUTTON				1	1	
NS	380951	SUPPORT, BUZZER / UNDER DASHBOARD				1	1	E
NS	561957	BUZZER, LAVATORY / UNDER DASHBOARD				1	1	E
49	325062	DECAL / "TO SIGNAL DRIVER..." / BILINGUAL					1	
49	325063	DECAL / "TO SIGNAL DRIVER EMERGENCY"					1	
50	400129	PLATE, ENGRAVED / "TO SIGNAL DRIVER EMERGENCY ONLY"				1		
50	400580	PLATE, ENGRAVED / "TO SIGNAL DRIVER..." / BILINGUAL				1		
51	400670	BOWL ASSY, TOILET / LIGHT YELLW To F-827				1		
51	401932	BOWL ASSY, TOILET / LIGHT GREY From F-828 To H-284				1		
51	402437	BOWL ASSY, TOILET / GREY From H-285 To S-499				1		
51	404110	BOWL ASSY, TOILET / GREY From S-500				1	1	
51	900337	. BOWL ASSY, TOILET / W/SS LAVATORY To S-499				1		
51	900768	. BOWL ASSY, TOILET / W/SS LAVATORY From S-500				1	1	
. NS	900759	. . SPRING / TRAP From S-500				1	1	
. NS	900760	. . TRAP From S-500				1	1	

From E-638 To Y-7045	Date:10/2022	PAGE:XL-2325-00
LAVATORY - ACCESSORIES		

Item#	Part	Description	M T H 4 0	M T H 4 5	M T H 4 5 E	X L 4 0	X L 4 5	N O T E S
NS	900759	. . SPRING / TRAP				1	1	
NS	900760	. . TRAP				1	1	
NS	401794	ADAPTOR / W/SS LAVATORY				1		
52	900338	SEAT & COVER ASSY, TOILET / "BEMIS"				1	1	
NS	504427	NUT WELL 1/4-20				2	2	
NS	500610	SCREW MA RND PH 1/4x1 3/4 SS				2	2	
53	500574	SCREW MA TR PH #10-24x1 1/4 SS				12	12	
54	500888	NUT AN JK #10-24				12	12	
55	900084	DISPENSER / SOAP				1	1	
NS	19501055	SOAP BASE ANGLED COUNTER MOUNT ROUND 2" O.D. / WHITE				AR	AR	
NS	19503252	SOAP BASE ANGLED COUNTER MOUNT ROUND 2" O.D. / BLACK				AR	AR	
NS	19501054	SOAP BASE 12° ANGLED COUNTER MOUNT ROUND 2" 5/8" / BLACK				AR	AR	
NS	19503186	HAND SANITIZER WATERLESS ALCOHOLIC SCREWABLE BOTTLE				AR	AR	
NS	19503185	HAND SANITIZER WATERLESS NON-ALCOHOLIC SCREWABLE BOTTLE				AR	AR	
NS	19503187	HAND & FACE REFRESHER TOWELLETTES				AR	AR	
56	402002	PLATE COVERING, WASHBASIN FORMICA				1	1	
56	404197	PLATE COVERING, WASHBASIN S.S.				1	1	
57	500465	WASHER FN CKF .278x.729x.119 SS				6	6	
58	500552	SCREW TP OV PH #6x3/4 Z050				6	6	
59	860129	ASHTRAY				1	1	
60	500626	SCREW TP OV PH #8x3/4 Z050				2	2	
61	500495	SCREW TP PAN PH #6x1 Z050				4	4	
62	506071	TAPE RUB ADH1 CC POL 1/8" x 1/2" x 50' / GREY 2520X				AR	AR	
62	506236	TAPE RUB ADH1 CC POL 1/16" x 1/2" x 100' / GREY 2520				AR	AR	
63	401134	MOULDING, RETAINING / MIRROR				1	1	
64	402398	MIRROR ASSY / REAR WALL				1	1	
65	504049	CLIP, RETAINING / MIRROR				4	4	
66	500614	SCREW TP FL PH #6x3/4 Z050				4	4	
67	900327	DISPENSER / PAPER TOWELS				1	1	
. NS	900494	. KEY, PAPER BOX				1	1	
. NS	901290	. LOCK, PAPER BOX				1	1	
NS	900328	TOWEL, PAPER				AR	AR	
68	401760	DISPENSER / WET TOWELS				1	1	
68	402026	. BOX				1	1	
69	900447	. LOCK				1	1	
69	900659	. . KEY				1	1	
NS	500525	. SCREW MA RND SLT #5-40x1/2 SS				2	2	
NS	500555	. NUT HEX #5-40 SS				2	2	
NS	502649	. WASHER LO EXT .141x.320x.022 Z050				2	2	
NS	502556	. WASHER FL 4.3x9.0x0.8 SS				4	4	
69	900588	TISSUS / WET PAPER				AR	AR	
74	500614	SCREW TP FL PH #6x3/4 Z050				4	4	

From E-638 To Y-7045	Date:10/2022	PAGE:XL-2325-00
LAVATORY - ACCESSORIES		

Item#	Part	Description	M T H 4 0	M T H 4 5	M T H 4 5 E	X L 4 0	X L 4 5	N O T E S
75	900349	PUSH BUTTON, OPERATOR				1	1	A
75	900602	PUSH BUTTON / OPERATOR				1	1	
76	900348	SWITCH, TIMER				1	1	A
76	900350	BRACKET, MOUNTING				1	1	A
NS	061358	CABLE ASSY				1	1	
NS	504226	SNAP BUSHING / .391x.578x.406				1	1	
77	900351	PLATE, ENGRAVED / "TO FLUSH..." BILINGUAL				1	1	
78	900309	HANDLE To M-938				1		
79	500136	SCREW MA OV PH 1/4-20x1 1/2 SS EMN To M-938				2		
80	401256	PLATE, REINFORCEMENT / TO FIX HANDLE To M-938				2		
81	500772	NUT HEX CAP 1/4-20 NP To M-938				2		
82	403537	TUBE 752MM From M-939				1		
82	403697	TUBE 956MM					1	
83	900334	BRACKET / TO FIX GRAB HANDLE From M-939				1	1	
84	900331	BRACKET, MOUNTING / FRONT WALL HANDRAIL TUBE From M-939				1	1	
85	403538	PLATE, FIXTURE / INTERIOR HANDRAIL From M-939				1	1	
86	5001071	SCREW MA OV PH #10-32x1 1/2 Z050 From M-939				4	4	
87	500995	NUT HEX CAP #10-32 Z050 From M-939				4	4	
88	500870	SCREW SET HEXS CUP 1/4-28x3/16 From M-939				2	2	
89	500616	SCREW TP FL PH #10x3/4 Z050 From M-939				2	2	
90	504340	RIVET POP DOME OE 1/8x3/16 SS From M-939				1	1	
91	500769	NUT HEX 1/4-20 Z050				4	4	
92	500440	WASHER FL .250x.562x.065 Z050				4	4	
NS	900329	CHEMICAL PACK / "INCA GOLD" / S.Q.				AR	AR	
	 NEXT PACK ARE NO-FORMALDEHYDE						
NS	900654	CHEMICAL PACK / "INCA" FORMULE 104 / S.Q.				AR	AR	
NS	900655	CHEMICAL PACK / "TIMSEN-AIR" / (BOX OF 960)				AR	AR	
NS	403678	CHEMICAL PACK / "TIMSEN-AIR" / (BOX OF 40)				AR	AR	
NS	900893	CHEMICAL PACK / "CELESTE INDUSTRIE" / S.Q.				AR	AR	
NS	900894	CHEMICAL PACK / "CELESTE INDUSTRIE" / (BOX OF 100)				AR	AR	
NS	065896	KIT, RETROFIT / FLUSH PUMP W/1 SWITCH				1	1	
NS	IS-02112	. SEE INSTRUCTION SHEET				1	1	
100	382030	. FLUSH PUMP SWITCH ASSY From SERVICE				1	1	
100	382031	. SUPPORT From SERVICE				1	1	
101	562679	. 4 WAY ADH. BACKED MOUNTS 1.000 x 1.000 x .160 From SERVICE				1	1	
102	563327	. TIME DELAY OFF From SERVICE				1	1	
103	065830	. RESISTOR ASSY 1M OHMS 1/2 W From SERVICE				1	1	
104	065830	. RESISTOR ASSY 1M OHMS 1/2 W From SERVICE				1	1	
105	563332	. RELAY 24V S.P.D.T. W/RESISTOR / "VOLVO" (20374662) From SERVICE				1	1	

From E-638 To Y-7045	Date:10/2022	PAGE:XL-2325-00
LAVATORY - ACCESSORIES		

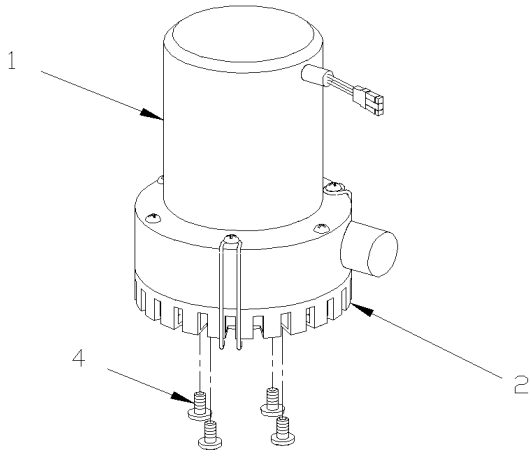
Item#	Part	Description	M T H 4 0	M T H 4 5	M T H 4 5 E	X L 4 0	X L 4 5	N O T E S
		A) THESE TIMER & SUPPORT ARE SUPERSEDED BY KIT #065896						
		B) WITH SERIES 50						
		C) WITH SERIES 60						
		E) UNDER DASH PANEL						
		O) ONLY USE WITH METAL COVER						

From E-638 To Y-7045

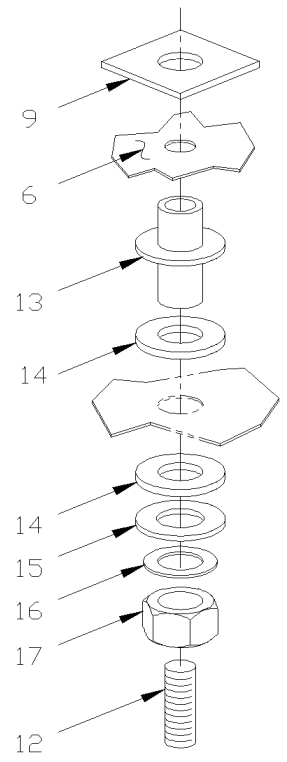
Date:10/2022

PAGE:XL-2326-00

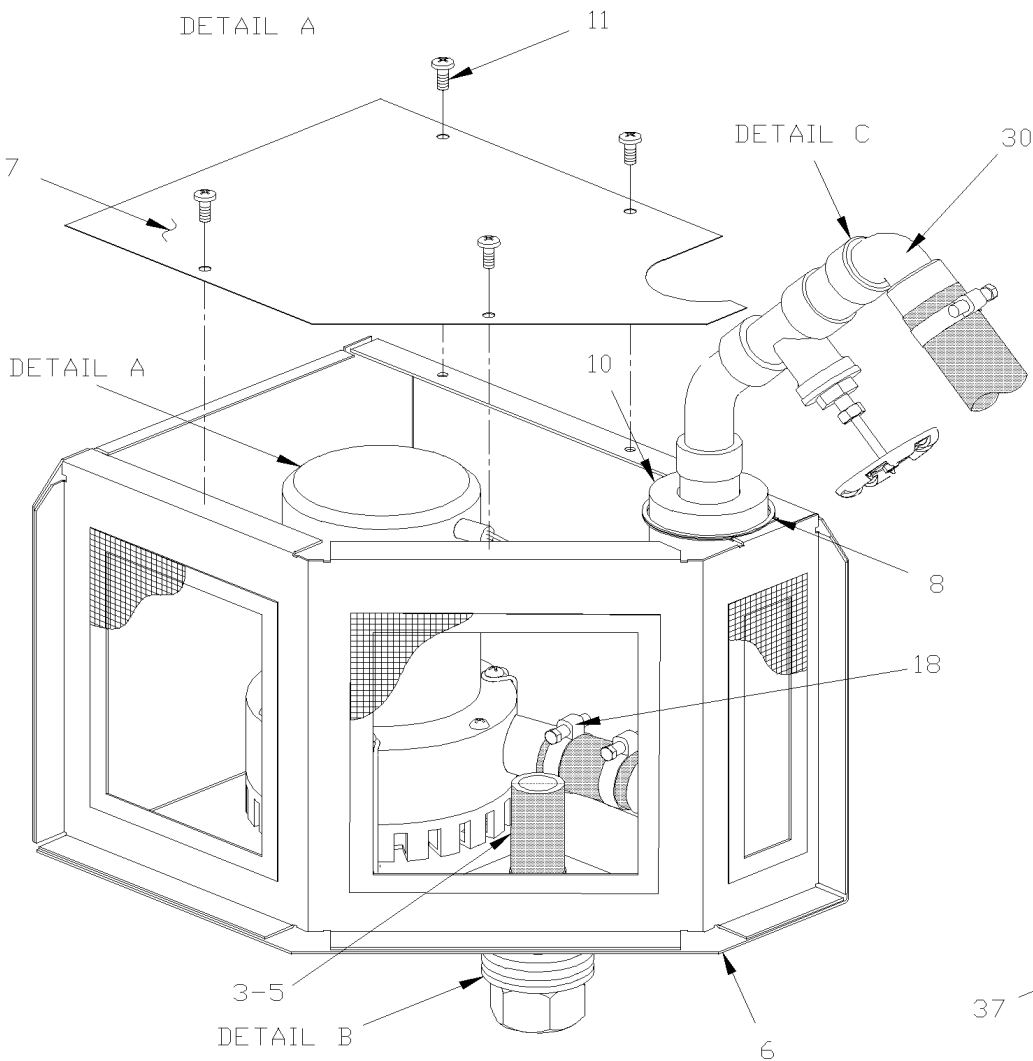
TOILET PUMP ASSY



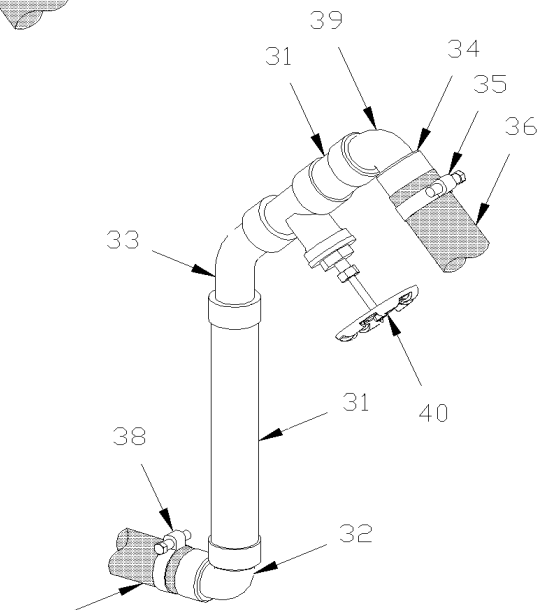
DETAIL A



DETAIL B



DETAIL B



DETAIL C

From E-638 To Y-7045	Date:10/2022	PAGE:XL-2326-00
TOILET PUMP ASSY		

Item#	Part	Description	M T H 4 0	M T H 4 5	M T H 4 5 E	X L 4 0	X L 4 5	N O T E S
1	900446	PUMP TOILET To H-228				1		D
1	900496	PUMP TOILET From H-229 To X-6966				1	1	D
1	900960	PUMP TOILET From X-6967				1	1	
2	900549	. BASE, STRAINER To X-6966				1	1	
2	901421	. BASE, STRAINER From X-6967				1	1	
2	900550	. IMPELLER, PUMP To X-6966				1	1	
2	900551	. SEAL, PUMP To X-6966				1	1	
3	504319	HOSE CLAMP / 1"-1"1/2 SS / E.T. 16				1	1	
4	500952	SCREW TP BDG PH #8x1/2 SS				4	4	
5	503455	HOSE RADIATOR / 7/8" I.D. X 3' / "GREEN STRIPE"				AR	AR	
6	400809	WALL, PUMP PROTECTOR To T-5671				1	1	
6	404130	BOX From T-5672 To X-6966				1	1	
6	404915	BOX From X-6967				1	1	
7	400925	COVER ASSY To J-460				1		C
7	402655	COVER ASSY From J-461 To T-5671				1	1	
7	404133	COVER ASSY From T-5672				1	1	
7	402662	. COVER, WELDED From J-461 To T-5671				1	1	
7	506260	. RUBBER EXTRUSION NEO / 1/2" HOLLOW BULB C.T.L. From J-461 To T-5671				1	1	
8	402755	SEAL, SPONGE RUBBER / 3/4" THICK To T-5671				1	1	
8	506338	RUBBER CHANNEL / 1/16" x 1/4" INT "U" SHAPE / ROUND C.T.L. From T-5672				AR	AR	
NS	680096	SEALANT BUTYL ALUM / GREY / 310ml CARTRIDGE				AR	AR	
9	402652	SEAL, RUBBER / LEVEL TUBE / 1/16" THICK / S.D.				1	1	
10	402653	SEAL, RUBBER / TUBE & COVER				1	1	
10	506267	. PIPE INSULATING / 1 1/8" I.D. X 1/2" TH. X / APT11812				AR	AR	
11	500524	SCREW TP PAN PH #12x5/8 SS				4	4	
12	501426	NIPPLE / PIPE FITTING / 1/2NPT-Mx1/2NPT-Mx2 1/2 STL				1	1	
13	401748	FLANGE ASSY				1	1	A
13	408251	FLANGE ASSY SERVICE				1	1	
14	400296	SEAL NEOPRENE				2	2	
15	500456	WASHER FL 1.062x2.000x.134 Z050				1	1	
16	500491	WASHER LO INT 1.019x1.637x.067 Z050				1	1	
17	500746	NUT HEX JAM 1-14 Z050				1	1	A
17	5001709	NUT HEX JAM LH 1-14 ZP SERVICE				1	1	
18	504413	HOSE CLAMP / 1"1/16-2" SS / HAS-24				1	1	
30	401815	TUBE ASSY / PUMP TO BOWL / W/SS CABINET				1		
30	401799	TUBE ASSY / PUMP TO BOWL / W/HOSE To H-228				1		
30	402377	TUBE ASSY W/GATE VALVE From H-229				1	1	
31	503198	. COPPER TUBE .875" O.D. x .045" x 240" From H-229				AR	AR	
32	501222	. FEMALE ELBOW 90° SHORT RADIUS / COPPER TUBE / 1Fx3/4F From H-229				1	1	
33	501863	. STREET ELBOW 45° / COPPER TUBE / 3/4Mx3/4F From H-229				1	1	
34	501193	. COUPLING REDUCER / COPPER TUBE / 3/4Fx1/2F From H-229				1	1	
35	504019	. HOSE CLAMP / 9/16"-1"1/16 SS / HS-10				1	1	

From E-638 To Y-7045	Date:10/2022	PAGE:XL-2326-00
TOILET PUMP ASSY		

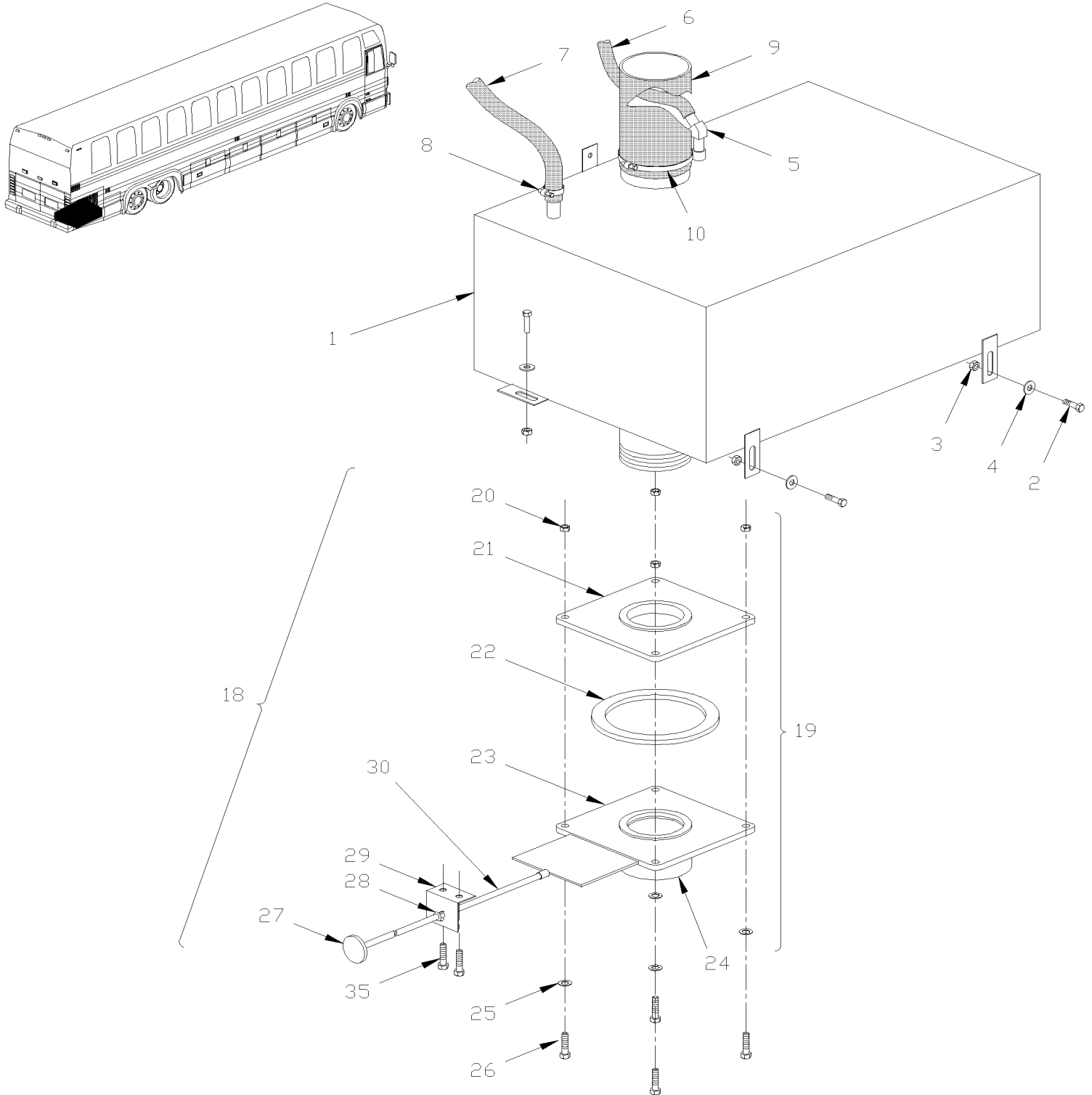
Item#	Part	Description	M T H 4 0	M T H 4 5	M T H 4 5 E	X L 4 0	X L 4 5	N O T E S
36	900220	. TUBE PVC / 5/8" I.D. / S.L.				1	1	
37	050937	. HOSE / W/O BYPASS VALVE / 1 1/8" I.D. X 3"				1	1	
38	504022	. HOSE CLAMP / 3/4"-1"3/4 SS / HS-20 From H-229				1	1	
39	501217	. STREET ELBOW 90° SHORT RADIUS / COPPER TUBE / 3/4Mx3/4F From H-229				1	1	
40	501958	. GATE VALVE 7/8" (WELDED) From H-229				1	1	
100	405088	KIT LAVATORY FLUSH PUMP				1	1	
. NS	IS-99029	. SEE INSTRUCTION SHEET				1	1	
101	402659	KIT PUMP COVER				1		
		A) IF YOU REPLACE 401748 BY 408251 YOU NEED THE NUT 5001709						
		C) FOR A BETTER OPERATING SYSTEM PREVOST SUGGEST YOU TO ORDER COVER PROTECTOR KIT #402659						
		D) THIS PUMP IS OBSOLETE IT SUPERSEED BY KIT #405088						

From E-638 To T-5929

Date:10/2022

PAGE:XL-2327-00

SUMP TANK - S/S

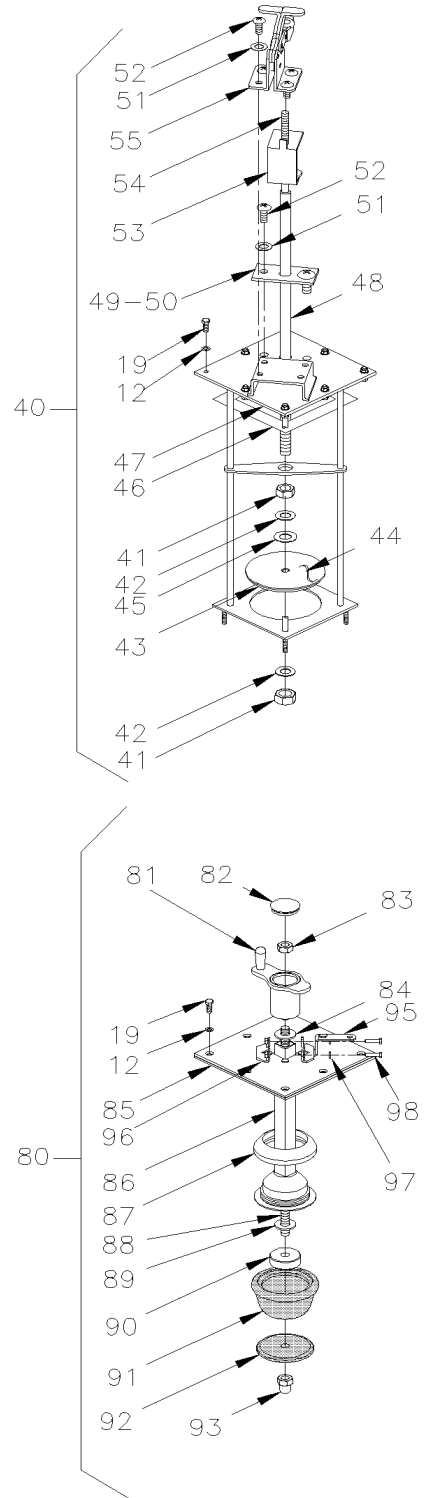
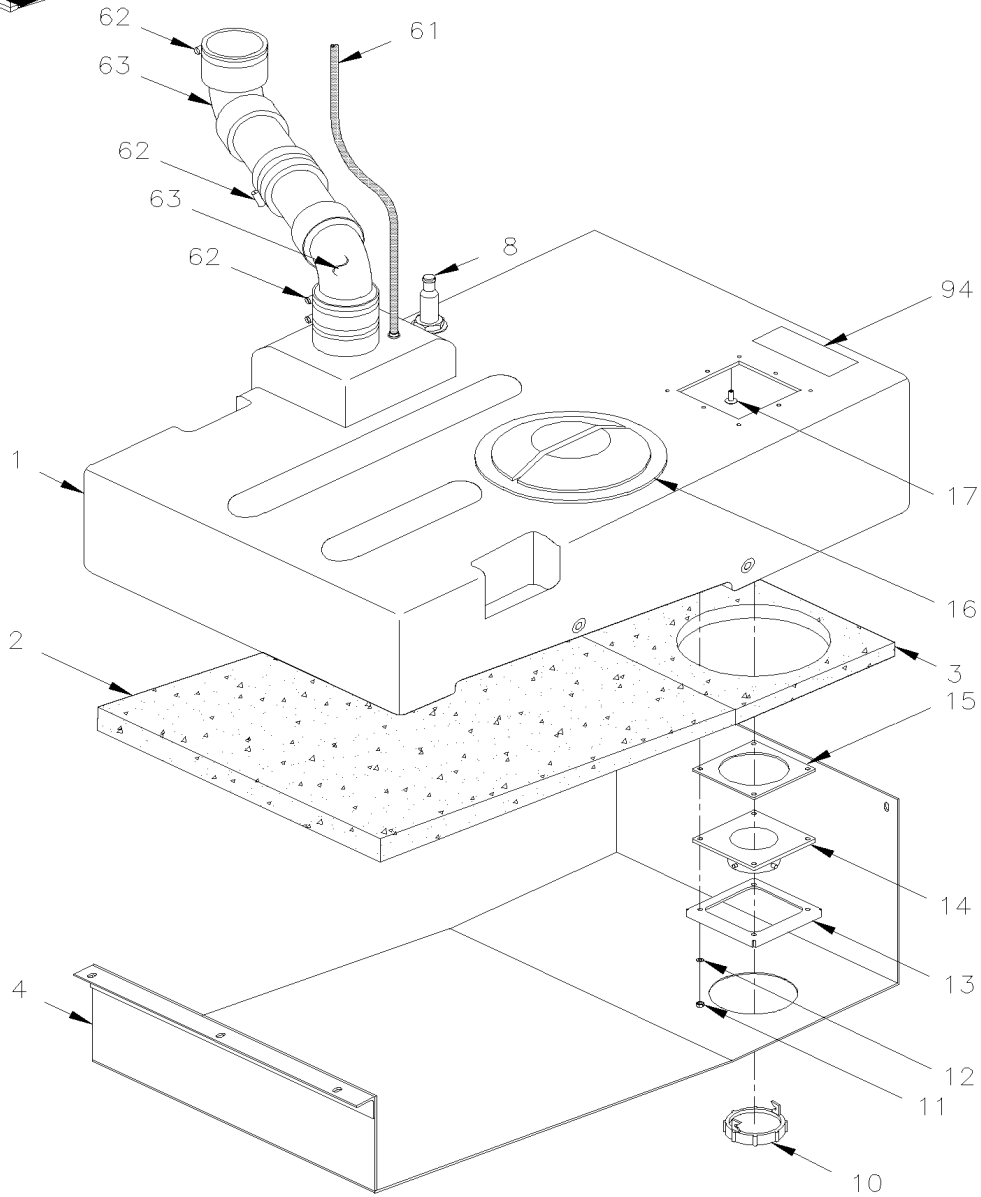
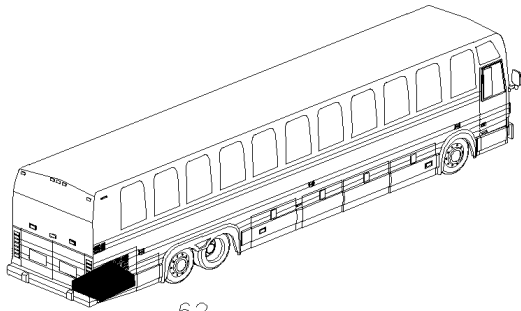


From T-5930 To Y-7045

Date:10/2022

PAGE:XL-2327-01

SUMP TANK - PLASTIC



From T-5930 To Y-7045	Date:10/2022	PAGE:XL-2327-01
SUMP TANK - PLASTIC		

Item#	Part	Description	M T H 4 0	M T H 4 5	M T H 4 5 E	X L 4 0	X L 4 5	N O T E S
1	404218	SUMP TANK To X-7030					1	
1	404872	SUMP TANK From X-7031					1	
. NS	IS-99004	. SEE INSTRUCTION SHEET From X-7031					1	
. NS	D400291	. EMPTYING PLUG INSTALLATION From X-7031					1	
2	404340	INSULATOR PANEL					1	
3	404341	INSULATOR PANEL					1	
4	404335	BOTTOM PANEL					1	
8	900280	THRU HULL, CONNECTOR / PLASTIC					1	
NS	409038	GASKET					1	
10	900520	CAP					1	
11	502511	NUT HEX NYRT M6-1.0 Z050					4	
12	502564	WASHER LO SPT 6.1x11.8x1.6 Z050					12	
NS	502582	WASHER LO SERR 6.1x16.2x0.9 Z050					4	
13	404373	PLATE					1	
13	404972	PLATE / TO FIXING EMTYING PLUG					1	B
14	900522	HOSE ADAPTOR / BAYONET FLANGE					1	
15	404342	GASKET					1	
16	900825	8" CLOSED LID C/W RIM					1	
17	5001182	NUT HEX NYRT M6-1.0 SS					2	
19	502563	SCREW CAP HEX M6-1.0x12 G8.8 Z050					12	
40	404148P	EMPTYING TRAP DOOR					1	A
41	500875	. NUT HEX M12-1.75 SS					1	
42	500958	. WASHER FL .531x1.062x.095 SS					2	
43	404156	. GASKET					1	
NS	681285	. ADHESIVE					AR	
44	404100	. CAP					1	
45	404432	. O-RING					1	
46	404136	. GASKET					1	
47	404394	. FRAME (WELDED)					1	
48	404144	. CENTER ROD					1	
49	404396	. PLATE					1	
NS	680096	. SEALANT BUTYL ALUM / GREY / 310ml CARTRIDGE					AR	
50	507290	. MOLYTHANE SEAL POLYPAK					1	
51	502564	. WASHER LO SPT 6.1x11.8x1.6 Z050					6	
52	502526	. SCREW TC BDG PH #12-24x3/4 Z050					8	
53	404182	. HOOK					1	
54	504644	. PROTECTOR CAP / BLACK / .281 I.D. x .500					1	
55	900834	. LOCK LEVER					1	
61	503406	TUBE, NYLON 1/2 O.D. / GREEN S.L.					AR	
62	503532	UNION / ABS PIPE / 3Fx3F NEO					3	
63	404324	TUBE ASSY / ABS					2	
NS	404325	SEAL PLASTIC 4" I.D. / PIPE & FLOOR					1	

From T-5930 To Y-7045	Date:10/2022	PAGE:XL-2327-01
-----------------------	--------------	-----------------

SUMP TANK - PLASTIC

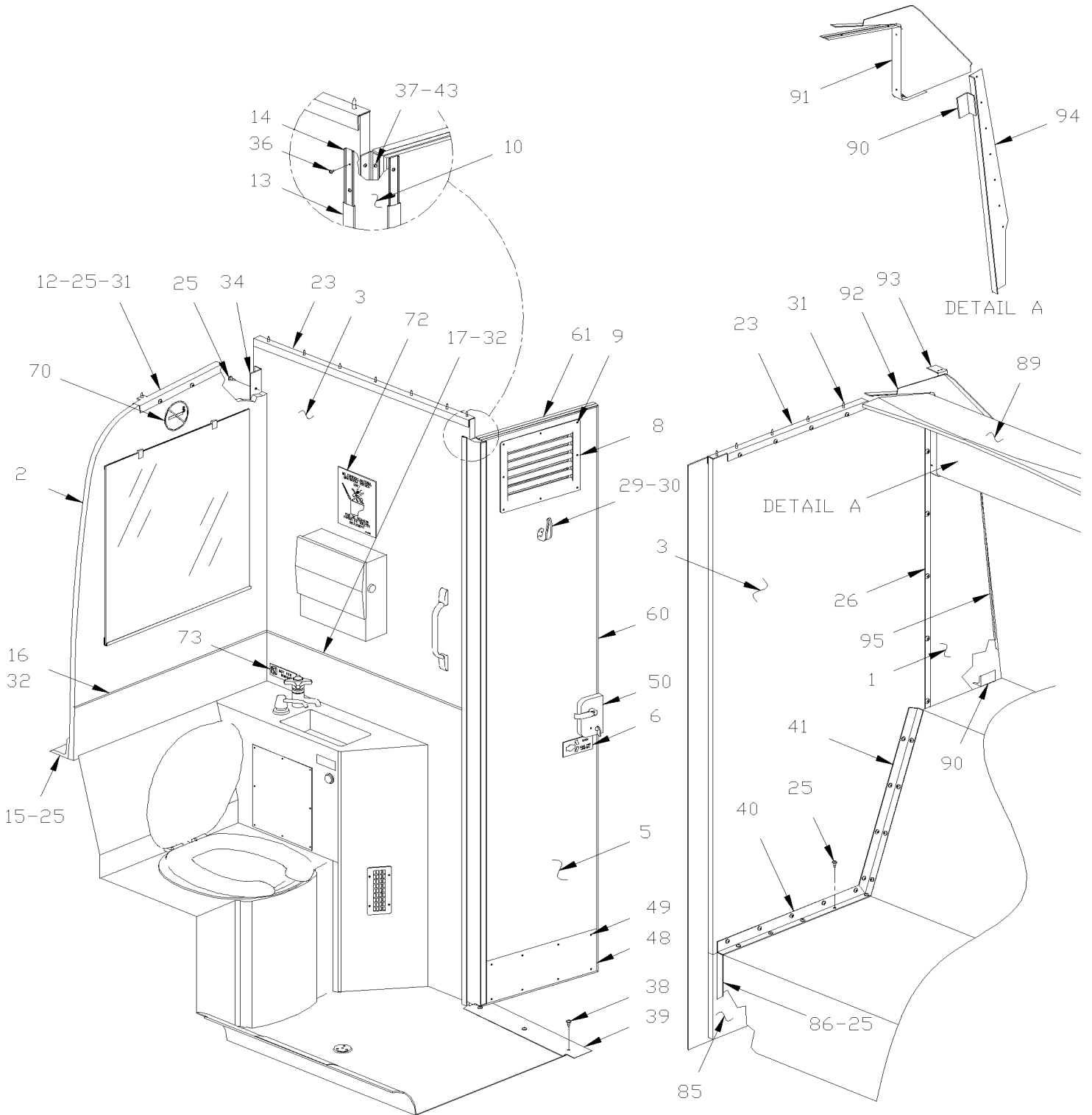
Item#	Part	Description	M T H 4 0	M T H 4 5	M T H 4 5 E	X L 4 0	X L 4 5	N O T E S
		A) FOR PRODUCT IMPROVMENT ASK KIT #409990P FOR INSTALLATION SEE DIAGRAM D-400291						
		B) USE AND INCLUDE WITH LIT #409990P						
		C) USE WITH PLASTIC TUBE #86						
		D) USE WITH STAINLESS STEEL TUBE #86						

From E-638 To Y-7045

Date:10/2022

PAGE:XL-2328-00

LAVATORY WALL - INSTALLATION

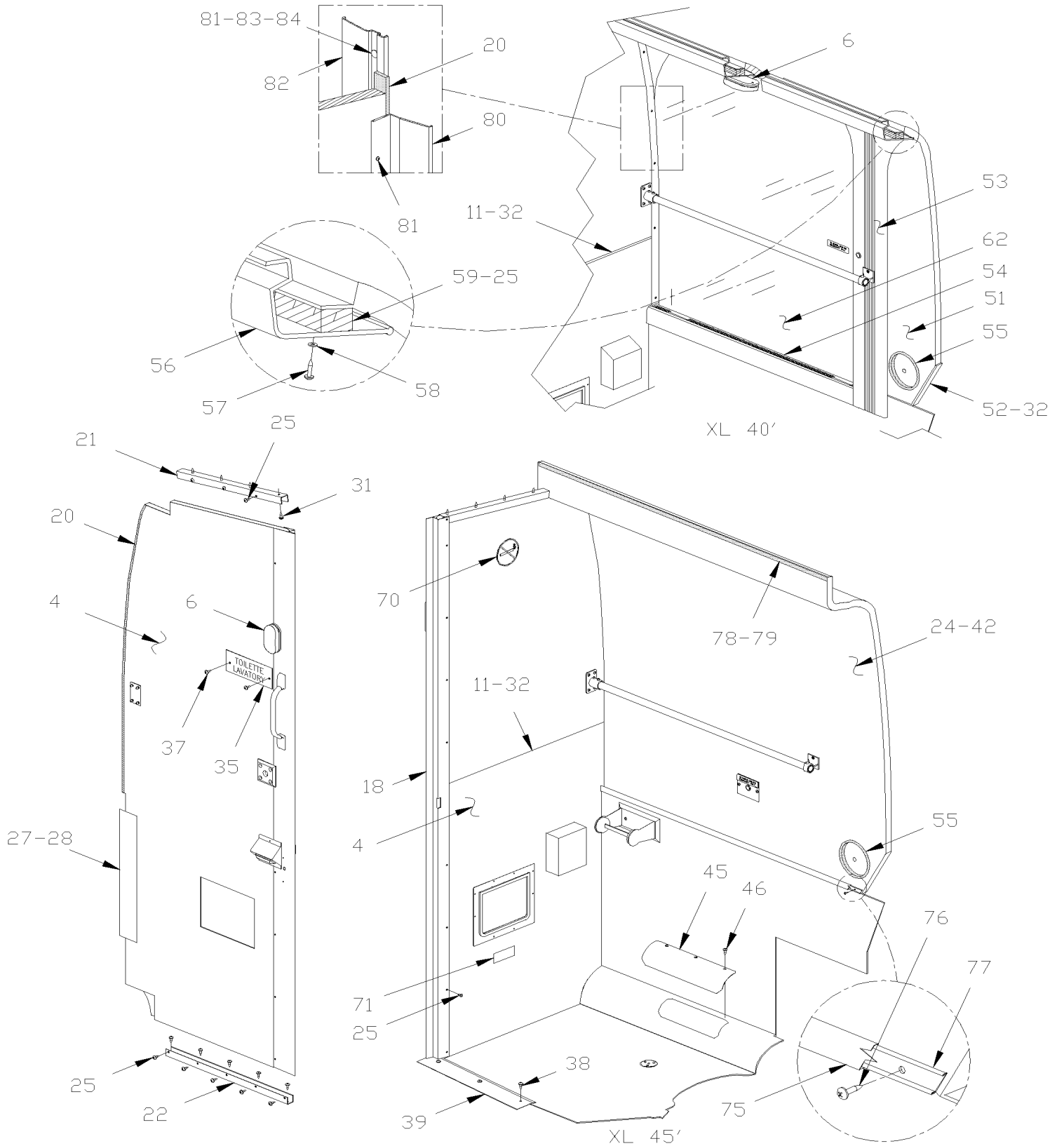


From E-638 To Y-7045

Date:10/2022

PAGE:XL-2328-00

LAVATORY WALL - INSTALLATION



From E-638 To Y-7045		Date:10/2022	PAGE:XL-2328-00
LAVATORY WALL - INSTALLATION			

Item#	Part	Description	M T H 4 0	M T H 4 5	M T H 4 5 E	X L 4 0	X L 4 5	N O T E S
1	402098P	PANEL ASSY / FORMICA / SPECIFY COLOR To H-284				1		
1	Call order desk	PANEL ASSY / CARPET / SPECIFY COLOR To H-284				1		P
1	Call order desk	PANEL ASSY / TISSUS / SPECIFY COLOR To H-284				1		P
1	402438P	PANEL ASSY / FORMICA / SPECIFY COLOR From H-285				1	1	
1	402441P	PANEL ASSY / CARPET / SPECIFY COLOR From H-285				1	1	
1	Call order desk	PANEL ASSY / TISSUS / SPECIFY COLOR From H-285				1	1	P
2	Call order desk	WALL, REAR To H-284				1		P
2	402426P	WALL, REAR From H-285				1	1	
3	402428P	WALL ASSY, SIDE / FORMICA / SPECIFY COLOR				1		
3	Call order desk	WALL ASSY, SIDE / FORMICA / SPECIFY COLOR				1		PA
3	Call order desk	WALL ASSY, SIDE / CARPET / SPECIFY COLOR				1		PA
3	Call order desk	WALL ASSY, SIDE / TISSUS / SPECIFY COLOR				1		PA
3	Call order desk	WALL ASSY, SIDE / FORMICA / SPECIFY COLOR					1	PA
3	Call order desk	WALL ASSY, SIDE / CARPET / SPECIFY COLOR					1	PA
3	407618	WALL ASSY, SIDE / CARPET / SPECIFY COLOR From X-6996 To X-6996					1	
3	Call order desk	WALL ASSY, SIDE / TISSUS / SPECIFY COLOR					1	PA
4	Call order desk	WALL, FRONT To H-284				1		P
4	Call order desk	WALL, FRONT From H-285				1		P
4	403754P	WALL, FRONT				1		A
4	Call order desk	WALL, FRONT					1	P
5	401720P	LAVATORY DOOR ASSY / FORMICA / SPECIFY COLOR				1		
5	Call order desk	LAVATORY DOOR ASSY / FORMICA / SPECIFY COLOR / W/GRILL				1		P
5	Call order desk	LAVATORY DOOR ASSY / FORMICA / SPECIFY COLOR / "ASTRAL"				1		P
5	Call order desk	LAVATORY DOOR ASSY / FORMICA / SPECIFY COLOR / "ASTRAL" / W/GRILL				1		P
5	403756P	LAVATORY DOOR ASSY / FORMICA / SPECIFY COLOR				1	1	A
6	400524	DECAL / "LOCK"				1	1	
8	372388	GRILL, AIR To S-569				1		
8	409054	FRAME / AIR GRILL To S-569				2		
8	373291	GRILL, VENT From S-570				2	2	
9	500409	SCREW TP PAN PH #8x1/2 BK				AR	AR	
10	401172	LEATHERETTE 4 1/4"X79 1/2" / BEIGE To F-827				1		
10	402435	LEATHERETTE 4 1/4"X79 1/2" / GRAY From F-828				1	1	
11	400884	MOULDING "J" FORM / 762MM (30") / A/A				1		
11	403744	MOULDING "J" FORM / 673MM (26 1/2") / F/F				1		A
11	403972	MOULDING "J" FORM / 660MM (26") / F/F					1	
11	401158	MOULDING "J" FORM / 279MM (11") / A/A To R-822				1		
12	401136	MOULDING 20 1/2" / "U" SHAPE				1		F
12	404034	MOULDING 20 1/2" / "U" SHAPE				1	1	A
13	401171	MOULDING CAP / SS 2020MM (79 1/2")				2	2	
14	401564	MOULDING RETAINER / 2007MM (79")				2	2	
15	400719	ANGLE, RETAINING / BEHIND REAR WALL / 30"				1	1	
16	400886	MOULDING "J" FORM / 788MM (31") / A/A				1		

From E-638 To Y-7045	Date:10/2022	PAGE:XL-2328-00
LAVATORY WALL - INSTALLATION		

Item#	Part	Description	M T H 4 0	M T H 4 5	M T H 4 5 E	X L 4 0	X L 4 5	N O T E S
16	403973	MOULDING "J" FORM / 760MM (29 15/16") / F/F					1	
NS	404537	SPACER WOOD				1	1	
17	400886	MOULDING "J" FORM / 788MM (31") / A/A				1	1	
17	400887	MOULDING "J" FORM / 635MM (25") / A/A				1	1	
18	400705	MOULDING, DOOR To H-284				1		
18	402449	MOULDING, DOOR From H-285				1		
18	403685	MOULDING, DOOR				1	1	A
NS	506001	TAPE RUB ADH1 CC POL 1/8" x 3/4" x 50' / GREY 2520X				AR	AR	
20	506264	TAPE RUB ADH1 URE 3/4" x 1" x 12.5' / GREY 1820X				AR	AR	
21	401040	MOULDING 23" / "U" SHAPE				1		
21	403701	MOULDING 17 3/4" / "U" SHAPE				1	1	A
22	401041	MOULDING 23" / "U" SHAPE				1		
22	403700	MOULDING / "U" SHAPE 533MM				1	1	A
23	401042	MOULDING 23" / "U" SHAPE				1		
23	403702	MOULDING 35" / "U" SHAPE				1	1	A
24	324943	PANEL, FINISHING 50" / GRAY					1	
NS	500583	SCREW TP PAN PH #6x1/2 Z050					20	
NS	506282	TAPE RUB ADH1 CC POL 3/8" x 1" x 20' / GREY 2520					AR	
25	500641	SCREW TP PAN PH #8x3/4 Z050				AR	AR	
26	340131	CHANNEL 44 3/4" / "Z" SHAPE To H-284				1		
26	340688	CHANNEL 32" / "Z" SHAPE From H-285				1	1	
27	400725	ANGLE, RETAINING 23"				1	1	
NS	500620	SCREW TP FL PH #10x1 1/2 Z050				2	2	
28	401173	ANGLE, RETAINING 12"				1	1	
29	900297	HOOK / COAT				1	1	
30	500626	SCREW TP OV PH #8x3/4 Z050				2	2	
31	504127	RIVET POP DOME OE 3/16x3/4 AL				AR	AR	
32	500552	SCREW TP OV PH #6x3/4 Z050				AR	AR	
34	401409	ANGLE / TO FIX SIDE PANEL TO REAR WALL / 40"				1	1	
35	400173	PLATE, ENGRAVED (LAVATORY)				1	1	
35	400576	PLATE, ENGRAVED (TOILETTE - LAVATORY)				1	1	
36	500583	SCREW TP PAN PH #6x1/2 Z050				AR	AR	
37	500614	SCREW TP FL PH #6x3/4 Z050				AR	AR	
38	500640	SCREW TP PAN PH #6x3/4 Z050				12	12	
39	400738	PROTECTOR, FLOOR / 20"				1		
39	403705	PROTECTOR, FLOOR 494MM				1	1	A
40	401043	MOULDING 5 1/2" / "U" SHAPE				1		
40	403703	MOULDING 24 1/4"					1	
41	401125	MOULDING 19 7/8" / "U" SHAPE				1		
41	403704	MOULDING 19" / "U" SHAPE					1	
NS	401126	PLATE				1	1	
42	500614	SCREW TP FL PH #6x3/4 Z050				AR	AR	

From E-638 To Y-7045	Date:10/2022	PAGE:XL-2328-00
LAVATORY WALL - INSTALLATION		

Item#	Part	Description	M T H 4 0	M T H 4 5	M T H 4 5 E	X L 4 0	X L 4 5	N O T E S
43	780134	HINGE NP .040 X 3/4 X 3/4 X 72"				1	1	
45	400874	PLATE, ACCESS / TOILET HEATING TUBE				1	1	
46	500638	SCREW TP PAN PH #8x1/2 Z050				5	5	
48	403608	PROTECTOR PANEL SS 18"1/4 X 4"				1	1	
49	500952	SCREW TP BDG PH #8x1/2 SS				6	6	
50	XL-2329-00	LAVATORY DOOR LOCK & SWITCH						
51	320806	PANEL, FINISHING 14 1/8" / BEIGE To F-827				1		
51	322402	PANEL, FINISHING 14 1/8" / GRAY From F-828				1		
51	324123	PANEL, FINISHING 13" / GRAY				1		A
52	401145	MOULDING PLASTIC / "L" SHAPE 8"X12" / BEIGE To H-284				1		
52	402427	MOULDING PLASTIC / "L" SHAPE 8"X12" / GRAY From H-285 To X-6875				1		
52	404751	ANGLE, FINISHING From X-6876				1		
NS	680030	ADHESIVE ADCHEM #EC847 / 1 Liter				AR		
53	321364	CAP, FINISHING POST To F-827				1		
53	322403	CAP, FINISHING POST From F-828				1		
NS	470949	SPACER RUBBER 3/4" O.D. / S.Q.				2		
NS	790392	RUBBER BLOCK ADJUSTEMENT 1" x 5/16" x 1/8" 80DURO				4		
54	291513	HANDLE ASSY / W/LAVATORY				1		
54	292459	HANDLE ASSY / W/LAVATORY				1		A
NS	500613	SCREW TP PAN PH #10x1/2 Z050				2		
55	XL-1873-00	LAVATORY UTILITY DOOR						
NS	509562	WEATHERSEAL SNAP-ON 1/8" / SINGLE LIP / WH / C.T.L.				AR	AR	
56	340127	MOULDING CAP / BEIGE To F-827				1		
56	340686	MOULDING CAP / GREY PLATINE 825MM / 32 1/2" From F-828				1		
56	340700	MOULDING CAP ASSY W/LIGHT 45" / W/50 & 60				1		B
56	340689	. MOULDING CAP 45" / GRAY / W/50 & 60				1		B
56	340867	MOULDING CAP ASSY W/LIGHT 52"				1		
56	340858	. MOULDING CAP 52" / GRAY				1		
NS	509562	WEATHERSEAL SNAP-ON 1/8" / SINGLE LIP / WH / C.T.L.				AR		
NS	509558	WEATHERSEAL SNAP-ON 1/8" / SINGLE LIP / WH / C.T.L.				AR		
NS	680030	ADHESIVE ADCHEM #EC847 / 1 Liter				AR		
57	500632	SCREW TP OV PH #8x1 1/2 Z050				4		
58	500464	WASHER FN CKF .210x.540 SS				4		
59	340369	SPACER, WOOD / BEHIND CAP				1		
60	401489	MOULDING "J" FORM / 1898MM (74 3/4") / A/A				2	2	C
60	402884	MOULDING "J" FORM / 1897MM (74 3/4") / A/A				2	2	D
60	403609	MOULDING "J" FORM / 1785MM (70 1/4") / A/A				2	2	C E
61	401490	MOULDING "J" FORM / 463MM (18 1/4") / A/A				2	2	C
61	401309	MOULDING "J" FORM / 463MM (18 1/4") / A/A				2	2	D
62	900212	FILM, WINDOW ADHESIVE / 18" X 20 YARDS To L-657				AR		
62	401317	. FILM, WINDOW ADHESIVE / 18"X84" To L-657				1		
62	900619	FILM, WINDOW ADHESIVE / 45" X 10 YARDS From L-658				AR		

From E-638 To Y-7045		Date:10/2022	PAGE:XL-2328-00
LAVATORY WALL - INSTALLATION			

Item#	Part	Description	M T H 4 0	M T H 4 5	M T H 4 5 E	X L 4 0	X L 4 5	N O T E S
62	403345	. FILM, WINDOW ADHESIVE / 45"X36" From L-658				1		
70	900313	DECAL / "NO SMOKING" / 2 3/4" O.D.				2	2	
71	400746	DECAL / "WASTE" / ENGLISH & FRANCAIS				1	1	
72	401956	DECAL "NO FOREIGN MATERIAL..." / ENGLISH				1	1	
72	400583	DECAL "NO FOREIGN MATERIAL..." / ENGLISH & FRANCAIS				1	1	
72	406184	DECAL "NO FOREIGN MATERIAL..." / ENGLISH & SPANISH				1	1	
73	400127	DECAL "DO NOT DRINK THIS WATER" / ENGLISH				1	1	
73	400578	DECAL "DO NOT DRINK THIS WATER" / BILINGUAL				1	1	
75	324986	MOULDING CAP / SS 1933MM (76 1/8")					1	
76	500583	SCREW TP PAN PH #6x1/2 Z050						AR
77	324987	MOULDING RETAINER / 1180MM (46 7/16")					1	
NS	506071	TAPE RUB ADH1 CC POL 1/8" x 1/2" x 50' / GREY 2520X						AR
78	404035	ANGLE 1260MM					1	
79	500417	SCREW TP PAN PH #6x3/8 Z050						AR
80	324197	CAP FINISHING (PLASTIC) INSIDE OF LAVATORY				1		
81	500640	SCREW TP PAN PH #6x3/4 Z050					AR	
82	324199	CAP FINISHING (PLASTIC) OUTSIDE OF LAVATORY				1		
83	504403	SNAP CAP #8 FINISHING BLACK					AR	
84	504412	WASHER RETAINER SNAP CAP #8					AR	
85	402074P	PANEL ASSY				1		
86	401727	MOULDING 11" / "U" SHAPE				1		
89	XL-1834-00	REAR FINISHING CAP - "LE MIRAGE"						
90	340130	ANGLE / TO FIX REAR SIDE WALL				2	2	
NS	500638	SCREW TP PAN PH #8x1/2 Z050				4	4	
NS	500464	WASHER FN CKF .210x.540 SS				4	4	
91	402984	MOULDING FINISHING S.S.				1	1	
NS	500952	SCREW TP BDG PH #8x1/2 SS				4	4	
92	402726	BRACE REAR CAP				1	1	
93	402945	BRACKET				1	1	
NS	504476	RIVET POP DOME OE 3/16x1/4 STL				4	4	
94	340698	SUPPORT / BEHING INTERIOR REAR CAP				1	1	
NS	504379	RIVET POP DOME OE 3/16x1/4 SS					AR	AR
NS	500638	SCREW TP PAN PH #8x1/2 Z050					AR	AR
95	402680	CORD FINISHING / WALL & REAR CAP				1	1	
		A) USE WITH AUXILIARY SWITCH FOR LAVATORY LIGHTING						
		B) WITH SERIES 50 & 60						
		C) USE WITH DOOR WITH CARPET						
		D) USE WITH DOOR WITH TISSUS						
		E) USE WITH BOTTOM PROTECTOR PLATE						

From E-638 To Y-7045	Date:10/2022	PAGE:XL-2328-00
----------------------	--------------	-----------------

LAVATORY WALL - INSTALLATION

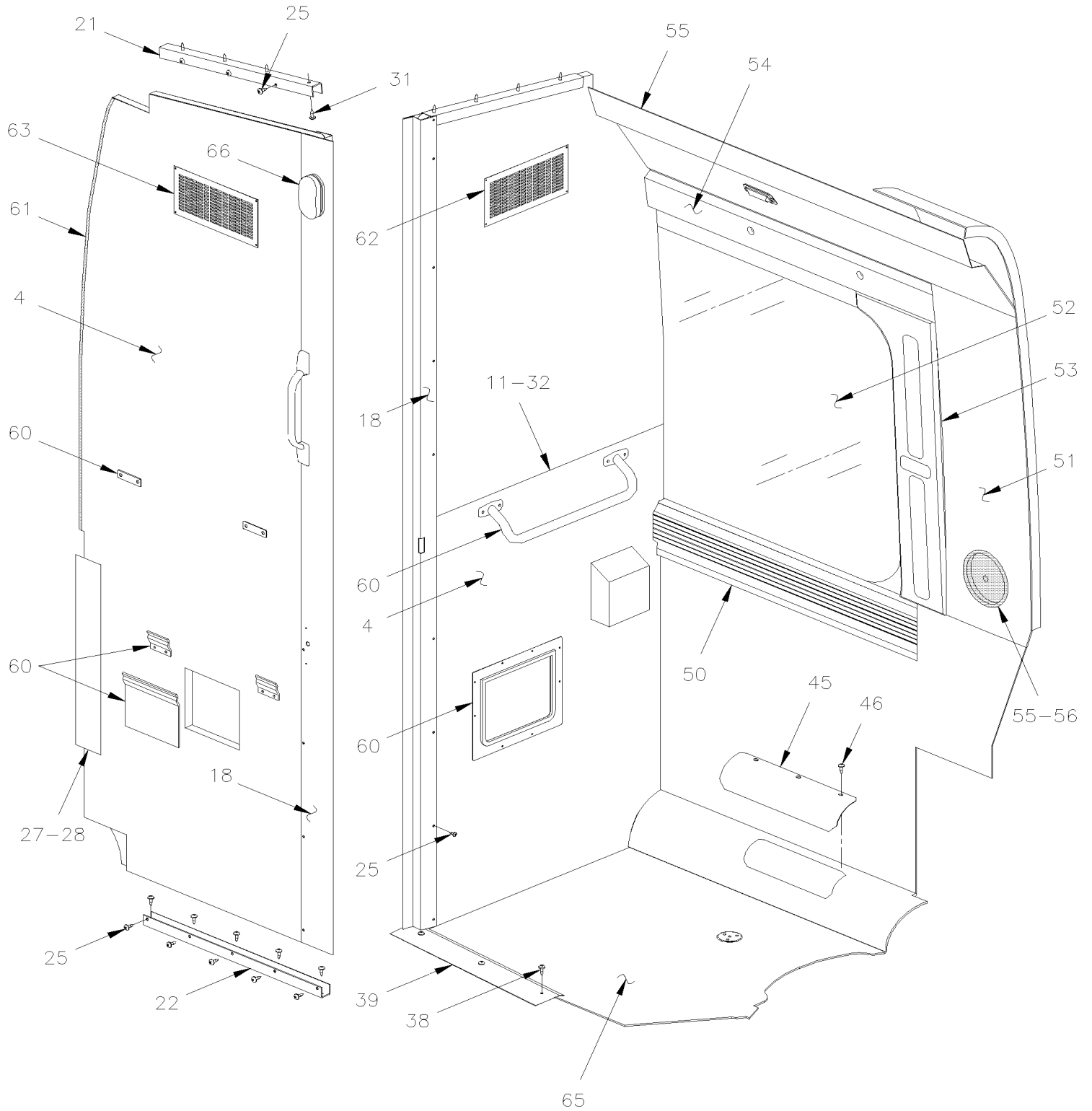
Item#	Part	Description	M T H 4 0	M T H 4 5	M T H 4 5 E	X L 4 0	X L 4 5	N O T E S
		F) WITH SERIES 71 & 92						
		P) CALL ORDER DESK FOR SPECIFIC APPLICATION (V.I.N.)						

From E-638 To J-609

Date:10/2022

PAGE:XL-2328-05

LAVATORY WALL - INSTALLATION "MARATHON" & "PREVOST XL"

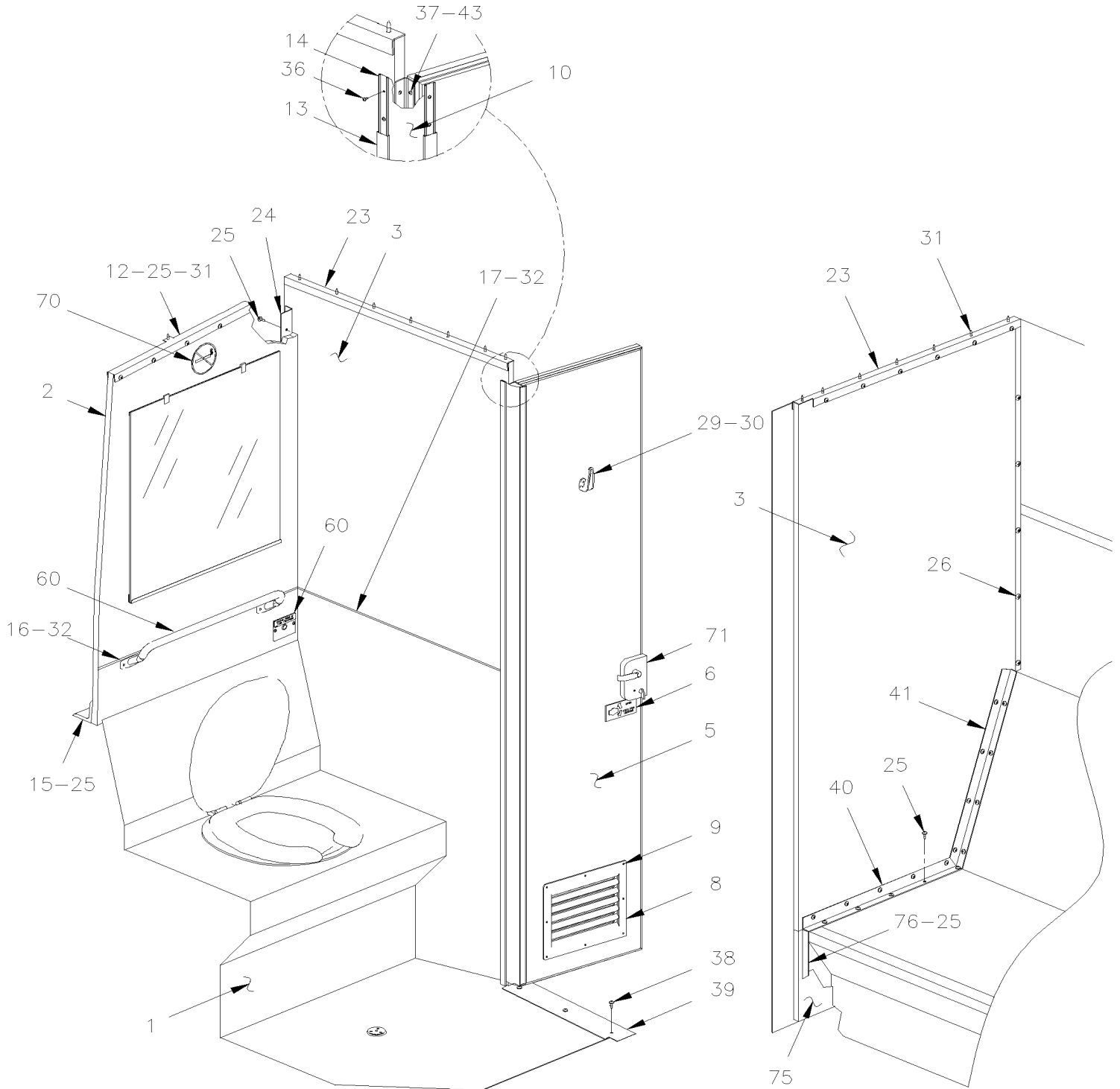


From E-638 To J-609

Date:10/2022

PAGE:XL-2328-05

LAVATORY WALL - INSTALLATION "MARATHON" & "PREVOST XL"



From E-638 To J-609	Date:10/2022	PAGE:XL-2328-05
LAVATORY WALL - INSTALLATION "MARATHON" & "PREVOST XL"		

Item#	Part	Description	M T H 4 0	M T H 4 5	M T H 4 5 E	X L 4 0	X L 4 5	N O T E S
1	401790	TOILET, STAINLESS STEEL				1		A
2	Call order desk	WALL REAR				1		P
3	Call order desk	WALL ASSY / SIDE / FORMICA / SPECIFY COLOR				1		P
4	Call order desk	WALL, FRONT / W/O VENT HOLE				1		P
4	Call order desk	WALL, FRONT / W/VENT HOLE				1		P
5	Call order desk	DOOR ASSY, LAVATORY				1		P
6	400524	DECAL / "LOCK"				1		
8	372388	GRILL, AIR				1		
NS	409054	FRAME / AIR GRILL				2		
9	500409	SCREW TP PAN PH #8x1/2 BK				16		
10	401172	LEATHERETTE 4 1/4"X79 1/2" / BEIGE				AR		
10	402435	LEATHERETTE 4 1/4"X79 1/2" / GRAY				AR		
11	400884	MOULDING "J" FORM / 762MM (30") / A/A				1		
NS	401158	MOULDING "J" FORM / 279MM (11") / A/A				1		
12	401136	MOULDING 20 1/2" / "U" SHAPE				1		
13	401171	MOULDING CAP / SS 2020MM (79 1/2")				2		
14	401564	MOULDING RETAINER / 2007MM (79")				2		
15	400719	ANGLE, RETAINING / BEHIND REAR WALL / 30"				1		
16	400886	MOULDING "J" FORM / 788MM (31") / A/A				1		
17	400887	MOULDING "J" FORM / 635MM (25") / A/A				1		
NS	509005	MOULDING "J" FORM / 2MM INSIDE X 144"				AR		
18	401846	MOULDING DOOR				1		
NS	506001	TAPE RUB ADH1 CC POL 1/8" x 3/4" x 50' / GREY 2520X				AR		
NS	500640	SCREW TP PAN PH #6x3/4 Z050				AR		
21	401412	MOULDING 23" / "U" SHAPE				1		
22	401041	MOULDING 23" / "U" SHAPE				1		
23	401636	MOULDING 23" / "U" SHAPE				1		
24	401409	ANGLE / TO FIX SIDE PANEL TO REAR WALL / 40"				1		
25	500641	SCREW TP PAN PH #8x3/4 Z050				AR		
26	340688	CHANNEL 32" / "Z" SHAPE				1		
27	400725	ANGLE, RETAINING 23"				1		
28	401173	ANGLE, RETAINING 12"				1		
29	900297	HOOK / COAT				1		
30	500626	SCREW TP OV PH #8x3/4 Z050				1		
31	504127	RIVET POP DOME OE 3/16x3/4 AL				AR		
32	500552	SCREW TP OV PH #6x3/4 Z050				AR		
32	500613	SCREW TP PAN PH #10x1/2 Z050				AR		
36	500583	SCREW TP PAN PH #6x1/2 Z050				AR		
37	500614	SCREW TP FL PH #6x3/4 Z050				AR		
38	500640	SCREW TP PAN PH #6x3/4 Z050				AR		
39	400738	PROTECTOR, FLOOR / 20"				1		
40	401043	MOULDING 5 1/2" / "U" SHAPE				1		

From E-638 To J-609	Date:10/2022	PAGE:XL-2328-05
---------------------	--------------	-----------------

LAVATORY WALL - INSTALLATION "MARATHON" & "PREVOST XL"

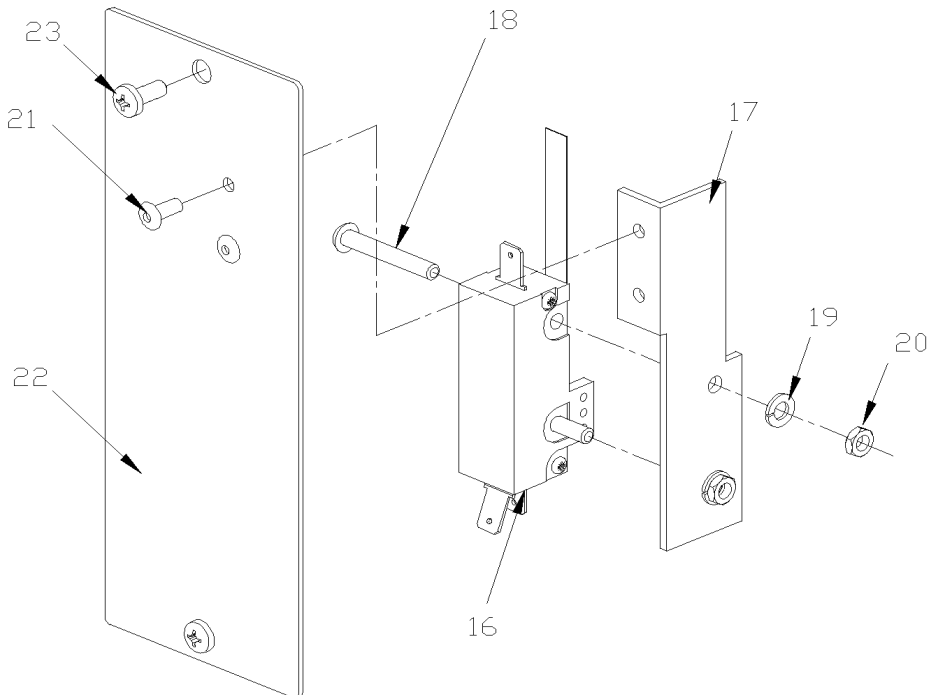
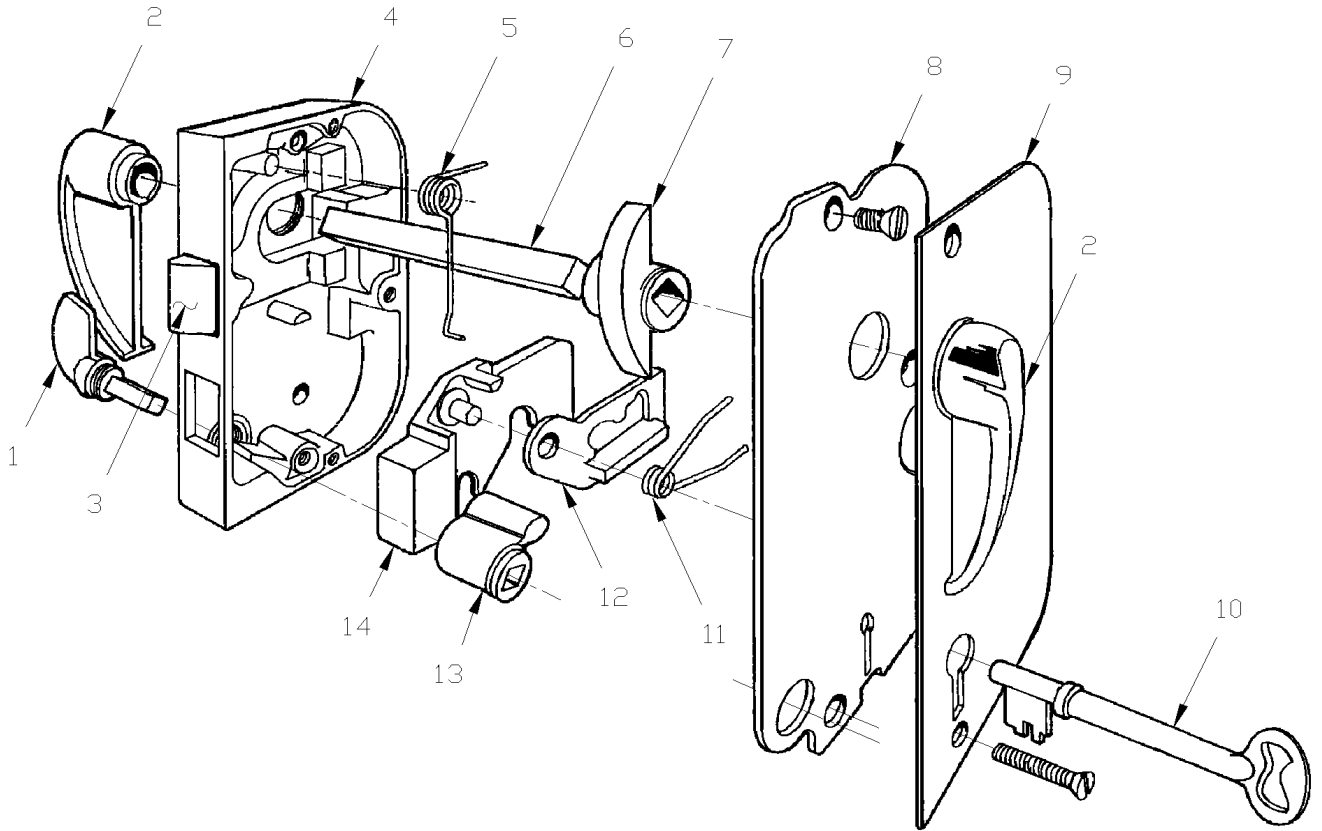
Item#	Part	Description	M T H 4 0	M T H 4 5	M T H 4 5 E	X L 4 0	X L 4 5	N O T E S
41	401125	MOULDING 19 7/8" / "U" SHAPE				1		
43	780134	HINGE NP .040 X 3/4 X 3/4 X 72"				1		
45	400874	PLATE, ACCESS / TOILET HEATING TUBE				1		
46	500638	SCREW TP PAN PH #8x1/2 Z050				5		
50	320963	MOULDING, LOWER WINDOWS 81"				1		
51	320806	PANEL, FINISHING 14 1/8" / BEIGE To F-827				1		
51	322402	PANEL, FINISHING 14 1/8" / GRAY From F-828				1		
NS	470749	RUBBER SPACER ROUND / REAR OF PANEL				AR		
52	900212	FILM, WINDOW ADHESIVE / 18" X 20 YARDS				AR		
52	401317	FILM, WINDOW ADHESIVE / 18"X84"				1		
53	321614	CAP, L.H. 1ST WINDOW				1		
54	310759	CAP, UPPER WINDOW				1		
55	401483	MOULDING, CAP BEIGE				1		
NS	500626	SCREW TP OV PH #8x3/4 Z050				AR		
NS	500464	WASHER FN CKF .210x.540 SS				AR		
NS	340369	SPACER, WOOD / BEHIND CAP				1		
55	XL-1873-00	LAVATORY UTILITY DOOR						
56	509562	WEATHERSEAL SNAP-ON 1/8" / SINGLE LIP / WH / C.T.L.				AR		
60	XL-2325-00	LAVATORY - ACCESSORIES						
61	506264	TAPE RUB ADH1 URE 3/4" x 1" x 12.5' / GREY 1820X				AR		
62	401776	GRILL 9 7/8" X 4 5/8" / SS				1		
63	401777	GRILL 9 7/8" X 4 5/8" / BLACK				1		
65	401858	FLOOR COVERING / ANTI SKID / FLOOR LONG SECTION / W/SS CABINET ONLY				1		
65	401859	FLOOR COVERING / ANTI SKID / FLOOR LONG SECTION / W/SS CABINET ONLY				1		
65	506349	COVERING, FLOOR				AR		
66	XL-0655-00	INTERIOR LIGHTING						
70	900313	DECAL / "NO SMOKING" / 2 3/4" O.D.				1		
71	XL-2325-00	LAVATORY - ACCESSORIES						
75	402074P	PANEL ASSY				1		
76	401727	MOULDING 11" / "U" SHAPE				1		
		A) AS SHOWN FOR FIBERGLASS MODEL SEE PAGE XL-2325-00						
		P) CALL ORDER DESK FOR SPECIFIC APPLICATION (V.I.N.)						

From E-638 To Y-7045

Date:10/2022

PAGE:XL-2329-00

LAVATORY DOOR LOCK & SWITCH



From E-638 To Y-7045	Date:10/2022	PAGE:XL-2329-00
LAVATORY DOOR LOCK & SWITCH		

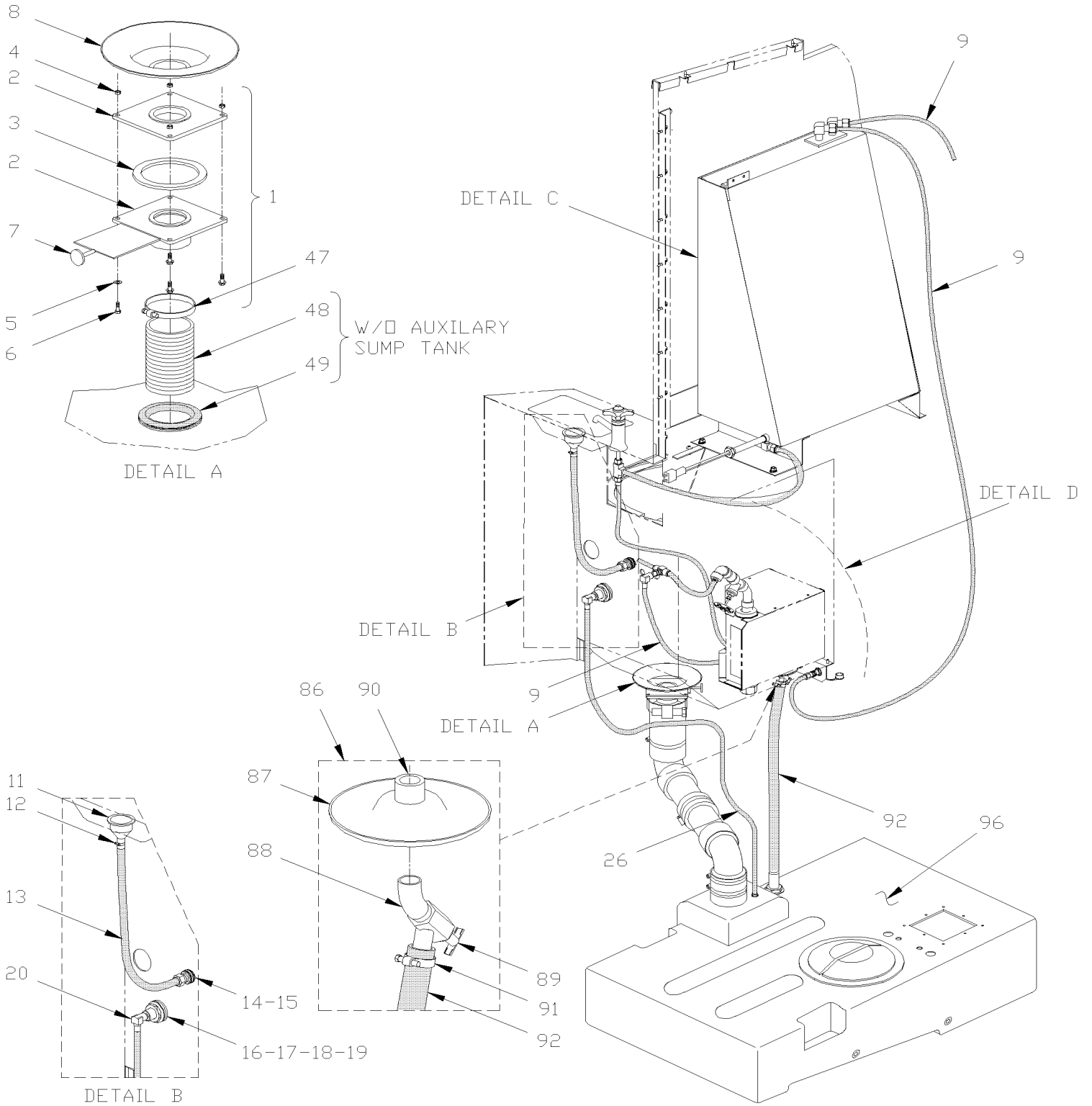
Item#	Part	Description	M T H 4 0	M T H 4 5	M T H 4 5 E	X L 4 0	X L 4 5	N O T E S
	900375	LOCK ASSY, DOOR				1	1	
NS	500887	SCREW MA FL PH #8-32x1 1/4 SS				3	3	A
1	900629	THUMB, PIECE				1	1	
2	900630	HANDLE, DOOR				2	2	
3	900631	BOLT, LATCH				1	1	
4	N.S.S.	CASE (ONLY)				1	1	1
5	900632	SPRING, TORSION / .348 I.D. x .275 x .055				1	1	
6	N.S.S.	ROD, SQUARE 5/16" X S.L.				AR	AR	1
7	900633	FOLLOWER				1	1	
8	N.S.S.	COVER, CASE				1	1	1
NS	500272	SCREW MA FL PH #8-32x1/2 ZP				3	3	
9	900634	ESCUTCHEON ASSY				1	1	
10	900299	KEY / LAVATORY DOOR "ADAMS & WESTLAKE"				1	1	
11	900635	SPRING, TORSION / .305 I.D. x .162 x .050				1	1	
12	900636	TUMBLER				1	1	
13	900637	FOLLOWER / THUMB PIECE				1	1	
14	N.S.S.	BOLT, DEAD				1	1	1
15	400764	SWITCH ASSY				1	1	
16	560725	MICRO SWITCH				1	1	
17	400765	SUPPORT / MICRO SWITCH				1	1	
18	500380	SCREW MA RND SLT #5-40x1 BZC				2	2	
19	500470	WASHER LO SPT .193x.334x.047 Z050				1	1	
20	500766	NUT HEX #5-40 ZP				2	2	
21	504105	RIVET POP DOME OE 1/8x3/16 AL				2	2	
22	400766	PLATE, CLOSING				1	1	
22	402741	DECAL "VEROULLER"				1	1	
22	402743	DECAL "LOCK FOR LIGHTING"				1	1	
NS	405207	PLATE, CLOSING / 100MM x 57MM				1	1	B
22	563083	SWITCH / OFF-ON / S.P.S.T. / BLACK				1	1	B
23	500653	SCREW TC PAN PH #8-32x1/4 Z050				2	2	
		A) TO FIX LOCK ASSY TO DOOR						
		B) USE WITH AUXILIARY SWITCH						
		1) NOT SOLD SEPARATELY						

From E-638 To Y-7045

Date:10/2022

PAGE:XL-2330-00

WATER & SUMP TANK - INSTALLATION

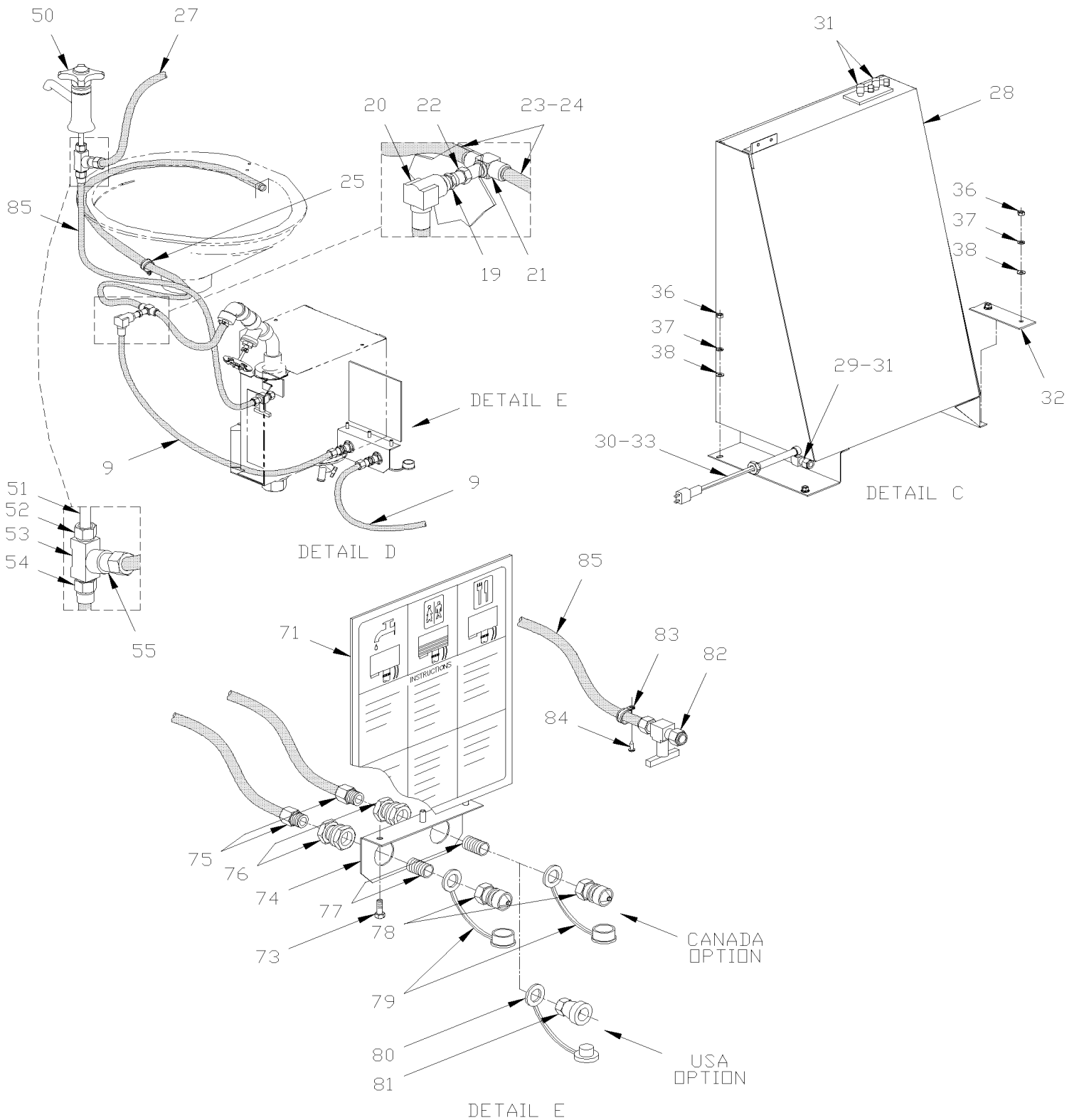


From E-638 To Y-7045

Date:10/2022

PAGE:XL-2330-00

WATER & SUMP TANK - INSTALLATION



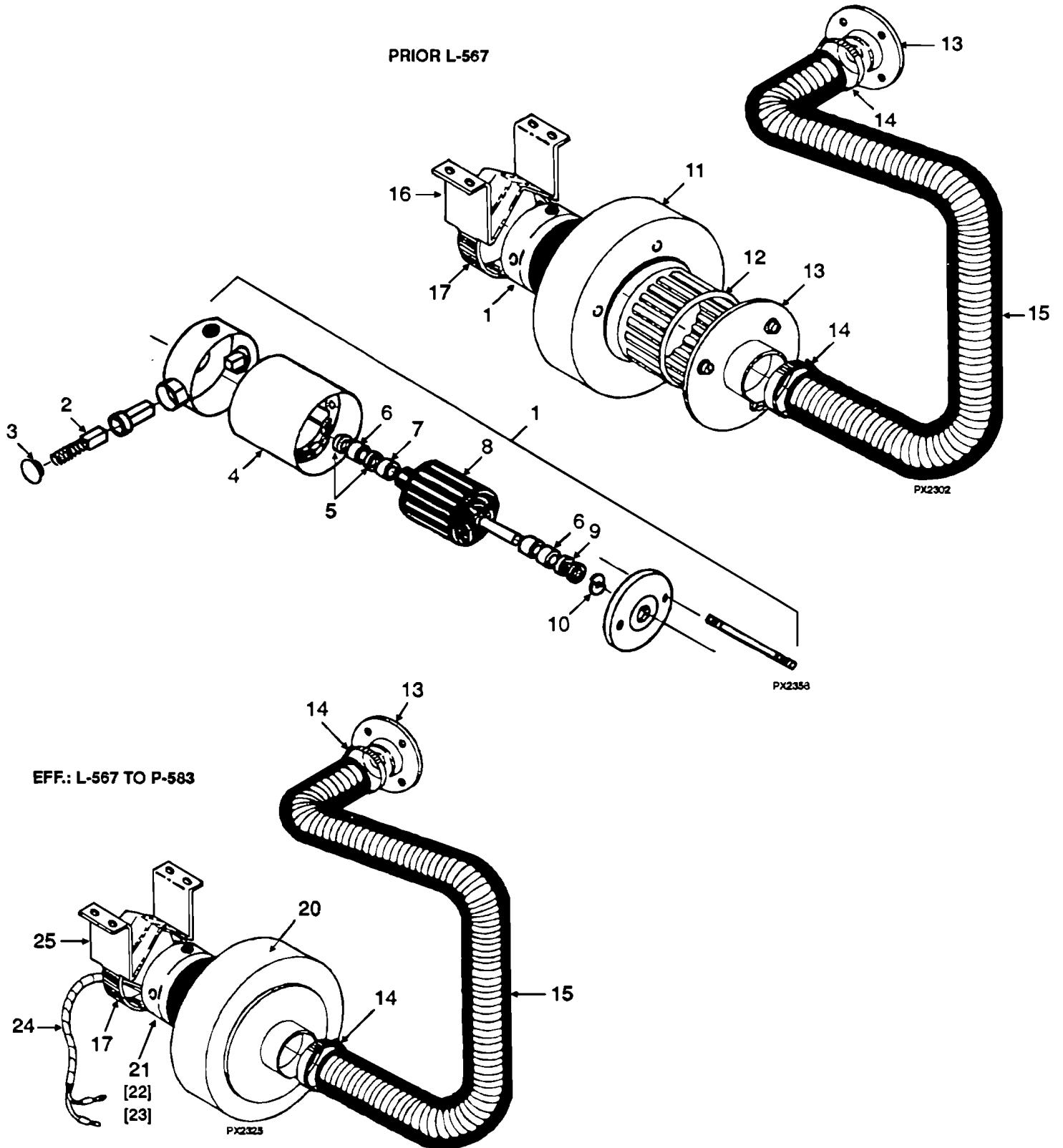
From E-638 To Y-7045	Date:10/2022	PAGE:XL-2330-00
WATER & SUMP TANK - INSTALLATION		

Item#	Part	Description	M T H 4 0	M T H 4 5	M T H 4 5 E	X L 4 0	X L 4 5	N O T E S
1	402667	THREADED VALVE ASSY W/HANDLE				1		
1	403682	THREADED VALVE ASSY W/SS HANDLE				1	1	
2	900197	. THREADED VALVE ASSY W/PLASTIC HANDLE				1	1	
2	900346	. . FITTING, THREADED VALVE				1	1	
2	900347	. . FITTING, THREADED VALVE				1	1	
3	900330	. . SEAL				2	2	
4	500769	. . NUT HEX 1/4-20 Z050				4	4	
5	500411	. . WASHER FL .260x.697x.050 SS				4	4	
6	500994	. . SCREW CAP HEX 1/4-20x1 3/4 G5 PT Z050				4	4	
7	403109	. HANDLE, THREADED VALVE / STANLESS STEEL				1	1	
7	680038	. THREAD LOCKER LOCTITE #243 / BLUE / 50ml				AR	AR	
8	401254	SEAL, PLASTIC 3 3/8" I.D. /UP. VALVE & FLOOR To T-5929				1	1	
8	404325	SEAL PLASTIC 4" I.D. / PIPE & FLOOR From T-5930				1	1	
9	503488	TUBE, NYLON 1/2 O.D. / BLACK S.L./				AR	AR	
11	900509	STRAINER / WASHBASIN				1	1	
12	504019	HOSE CLAMP / 9/16"-1"1/16 SS / HS-10				2	2	
13	503006	HOSE 5/8" I.D. 50' / S.L.				AR	AR	
14	900280	THRU HULL, CONNECTOR / PLASTIC				1	1	
15	409038	GASKET				1	1	
16	400296	SEAL NEOPRENE				1	1	
17	500491	WASHER LO INT 1.019x1.637x.067 Z050				1	1	
18	500456	WASHER FL 1.062x2.000x.134 Z050				1	1	
19	640863	BULKHEAD COUPLING / PIPE FITTING / 3/8NPT-Fx3/8NPT-F STL				2	2	
20	641376	MALE ELBOW 90° NON-SWIVEL / PUSH-IN FITTING / #8x3/8NPT-M BR				2	2	
21	501626	MALE BRANCH TEE/ COMPRESSION FITTING / #6x#6x1/4NPT-M BR				1	1	
22	501314	BUSHING REDUCER / PIPE FITTING / 3/8NTP-Mx1/4NPT-F BR				1	1	
23	503404	TUBE, NYLON 3/8 O.D. / BLACK S.L.				2	2	
24	503405	INSERT / NTA FITTING / #6 SS				1	1	
25	952625	CLAMP / 3/8" I.D.				2	2	
26	503406	TUBE, NYLON 1/2 O.D. / GREEN S.L.				AR	AR	
27	503488	TUBE, NYLON 1/2 O.D. / BLACK S.L./				AR	AR	
28	401612	WATER TANK ASSY				1	1	
28	401591	. WATER TANK WELDED / SS				1	1	
29	400696	. . COUPLING, BULK				1	1	
30	501304	. PLUG SQUARE HEAD / PIPE FITTING / 1/4NPT-M BR				1	1	
31	641376	. MALE ELBOW 90° NON-SWIVEL / PUSH-IN FITTING / #8x3/8NPT-M BR				3	3	
32	401131	PLATE ATTACH				1	1	
33	560709	HEATER, WATER To L-684				1		
33	562018	HEATER, WATER From L-685				1	1	
36	500778	NUT HEX 5/16-18 N500				4	4	
37	500476	WASHER LO SPT .317x.586x.078 Z050				4	4	
38	500473	WASHER LO SPT .262x.489x.062 Z050				4	4	

From E-638 To Y-7045	Date:10/2022	PAGE:XL-2330-00
WATER & SUMP TANK - INSTALLATION		

Item#	Part	Description	M T H 4 0	M T H 4 5	M T H 4 5 E	X L 4 0	X L 4 5	N O T E S
47	504235	HOSE CLAMP / 3"9/16"-4"1/2 SS / HS-64				2	2	
48	503039	HOSE FLEXIBLE / 3 1/2" I.D. X 10'				AR	AR	
49	509558	WEATHERSEAL SNAP-ON 1/8" / SINGLE LIP / WH / C.T.L.				AR	AR	
50	900582	FAUCET				1	1	
51	501176	FITTING STRAIGHT #8BBX				1	1	
52	501314	BUSHING REDUCER / PIPE FITTING / 3/8NPT-Mx1/4NPT-F BR				1	1	
53	501527	FEMALE UNION TEE / PIPE FITTING / 3/8NPT-Fx3/8NPT-Fx3/8NPT-F BR				1	1	
54	640875	MALE CONNECTOR / AB FITTING / #6x3/8NPT-M BR				1	1	
55	641376	MALE ELBOW 90° NON-SWIVEL / PUSH-IN FITTING / #8x3/8NPT-M BR				1	1	
71	400969	DECAL / "FILL INSTRUCTION" / ENGLISH & FRANCAIS				1	1	
73	500613	SCREW TP PAN PH #10x1/2 Z050				5	5	
74	400378	SUPPORT				1	1	
75	640873	MALE CONNECTOR / AB FITTING / #8x1/2NPT-M BR				2	2	
76	501796	BULKHEAD COUPLING / PIPE FITTING / 1/2NPT-Fx1/2NPT-Fx1 1/2 BR				2	2	
77	501424	NIPPLE / PIPE FITTING / 1/2NPT-Mx1/2NPT-Mx1 1/8 BR				2	2	
78	900323	NIPPLE / QUICK DISCONNECT "B SERIES" / #10x1/2NPT-F BR				2	2	A
78	900323	NIPPLE / QUICK DISCONNECT "B SERIES" / #10x1/2NPT-F BR				1	1	B
79	900326	DUST CAP / QUICK DISCONNECT "B SERIES" / #10 VINYL				2	2	A
79	900326	DUST CAP / QUICK DISCONNECT "B SERIES" / #10 VINYL				1	1	B
80	900325	DUST PLUG / QUICK DISCONNECT "B SERIES" / #8 VINYL				1	1	B
81	900324	COUPLER / QUICK DISCONNECT "B SERIES" / #8x1/2NPT-F BR				1	1	B
82	501791	NEEDLE VALVE 3/8 TUBE 3/8 TUBE				1	1	
83	952625	CLAMP / 3/8" I.D.				AR	AR	
84	500641	SCREW TP PAN PH #8x3/4 Z050				AR	AR	
85	503404	TUBE, NYLON 3/8 O.D. / BLACK S.L.				AR	AR	
86	402917	DRAIN VALVE ASSY / WATER TANK				1	1	
87	401253	SEAL, PLASTIC 3/4" I.D.				1	1	
88	501330	STREET ELBOW 45° / PIPE FITTING / 3/8NPT-Mx3/8NPT-F BR				1	1	
89	501531	DRAIN VALVE 3/8 NPT M x 5/8 HOSE				1	1	
90	501534	BUSHING REDUCER / PIPE FITTING / 1/2NPT-Mx3/8NPT-F BR				1	1	
91	504019	HOSE CLAMP / 9/16"-1"1/16 SS / HS-10				1	1	
92	900220	TUBE PVC / 5/8" I.D. / S.L.				AR	AR	
96	XL-2327-00	SUMP TANK - S/S To T-5929						C
96	XL-2327-01	SUMP TANK - PLASTIC From T-5930						
NS	680098	THREAD SEALANT LOCTITE #567 / WHITE / 250ml				1	1	
		A) CANADA OPTION						
		B) USA OPTION						
		C) ONLY USE ON BUS XL-40 FROM T-5930						

From E-638 To P-582	Date:10/2022	PAGE:XL-2337-00
LAVATORY FAN - INSTALLATION		



From E-638 To P-582		Date:10/2022	PAGE:XL-2337-00
LAVATORY FAN - INSTALLATION			

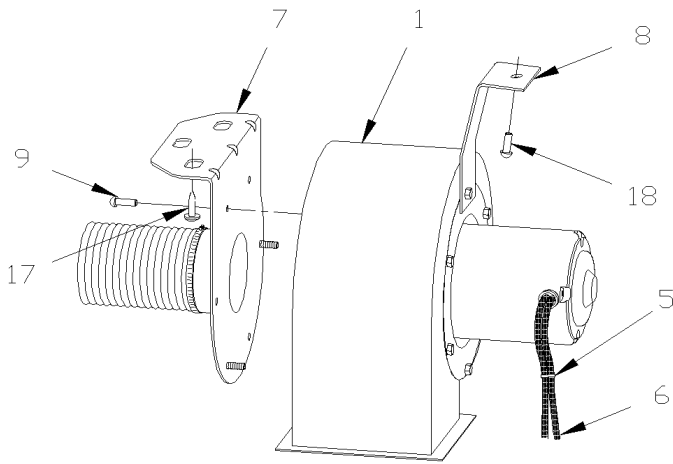
Item#	Part	Description	M T H 4 0	M T H 4 5	M T H 4 5 E	X L 4 0	X L 4 5	N O T E S
	560437	FAN ASSY 24V To L-566				1		
1	N.S.S.	. MOTOR ASSY To L-566				1		1
2	561220	. BRUSH To L-566				2		
3	561221	. CAP, BRUSH INT THREAD To L-566				1		
3	561808	. CAP, BRUSH EXT THREAD To L-566				1		
4	561222	. SHELL & FIELD ASSY To L-566				1		
5	561223	. WASHER, THRUST To L-566				1		
6	561224	. BEARING To L-566				1		
7	561225	. WASHER To L-566				1		
8	561226	. ARMATURE ASSY To L-566				1		
9	561227	. WASHER To L-566				1		
10	561228	. SPRING THRUST WASHER To L-566				1		
11	560976	. HOUSING To L-566				1		
12	560975	. WHEEL, FAN To L-566				1		
13	400632	FLANGE HOSE ADAPTOR / FIXED TO LAVATORY				1		
14	504026	HOSE CLAMP / 2"13/16-3"3/4 SS / HS-52				2		
15	503031	HOSE FLEXIBLE / AIR DUCT 2 1/2" I.D. X 12' / RUBBER				AR		
16	401159	. SUPPORT / FAN ASSY To L-566				1		
17	504525	HOSE CLAMP / 2"3/4-3"5/8 SS / HTM-350L				1		
20	403200	FAN ASSY From L-567 To P-582				1		
21	562038	. MOTOR ASSY / W/FAN WHEEL From L-567 To P-582				1		
21	N.S.S.	. . WHEEL, FAN From L-567 To P-582				1		1
22	403088	. CAP PROTECTOR From L-567 To P-582				1		
23	504062	. GROMMET / .4375x.687x.125x.375x.937 From L-567 To P-582				1		
24	062704	. CABLE ASSY From L-567 To P-582				1		
25	403089	SUPPORT / TO FIX FAN ASSY From L-567 To P-582				1		
26	403611	BLOWER ASSY LAVATORY From P-583				1	1	
. NS	IS-92035	. SEE INSTRUCTION SHEET From P-583				1	1	
		1) NOT SOLD SEPARATELY						

From P-583 To Y-7045

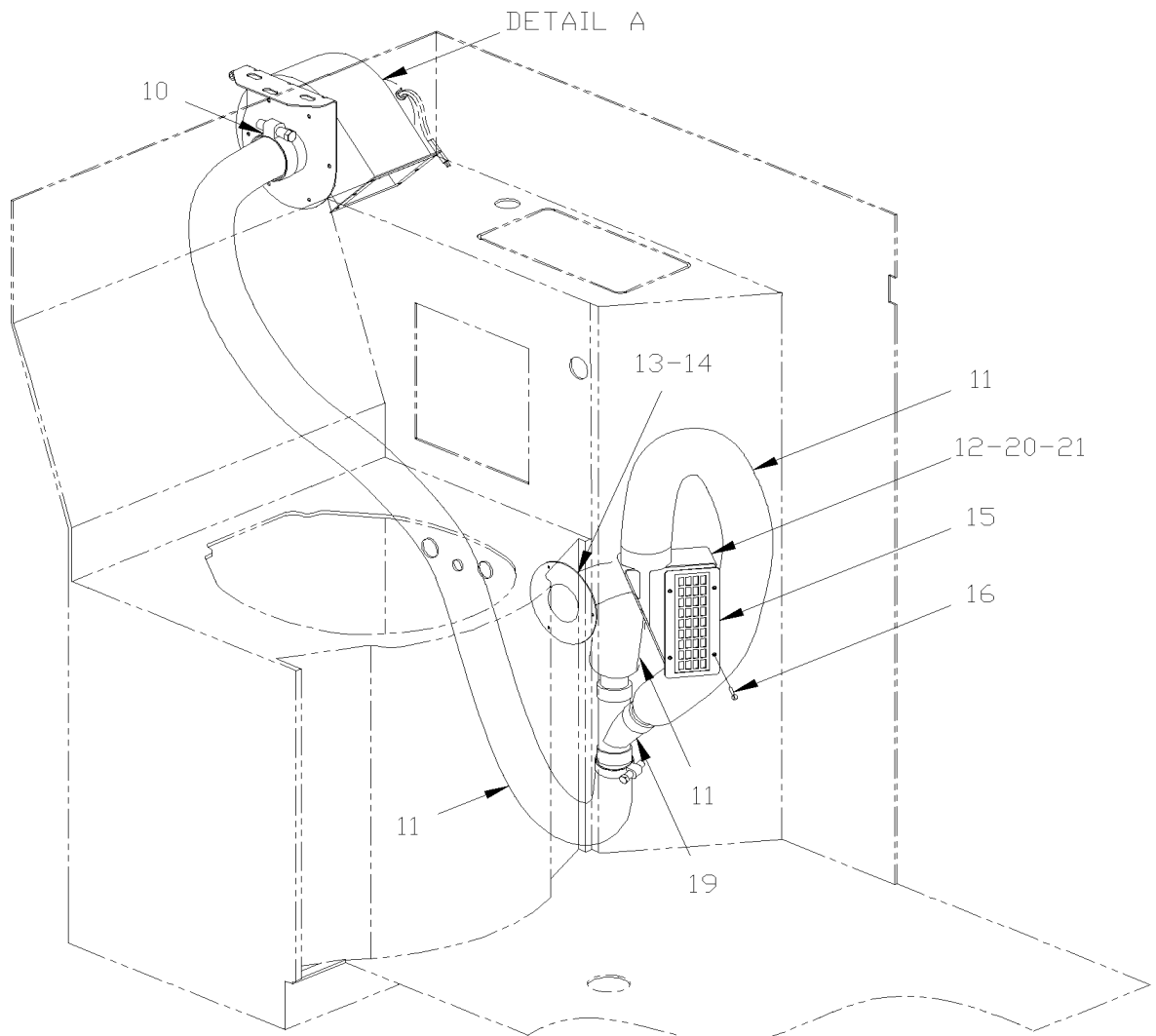
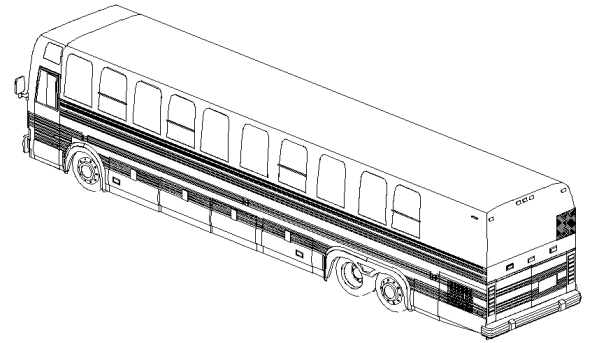
Date:10/2022

PAGE:XL-2337-01

LAVATORY FAN - INSTALLATION



DETAIL A

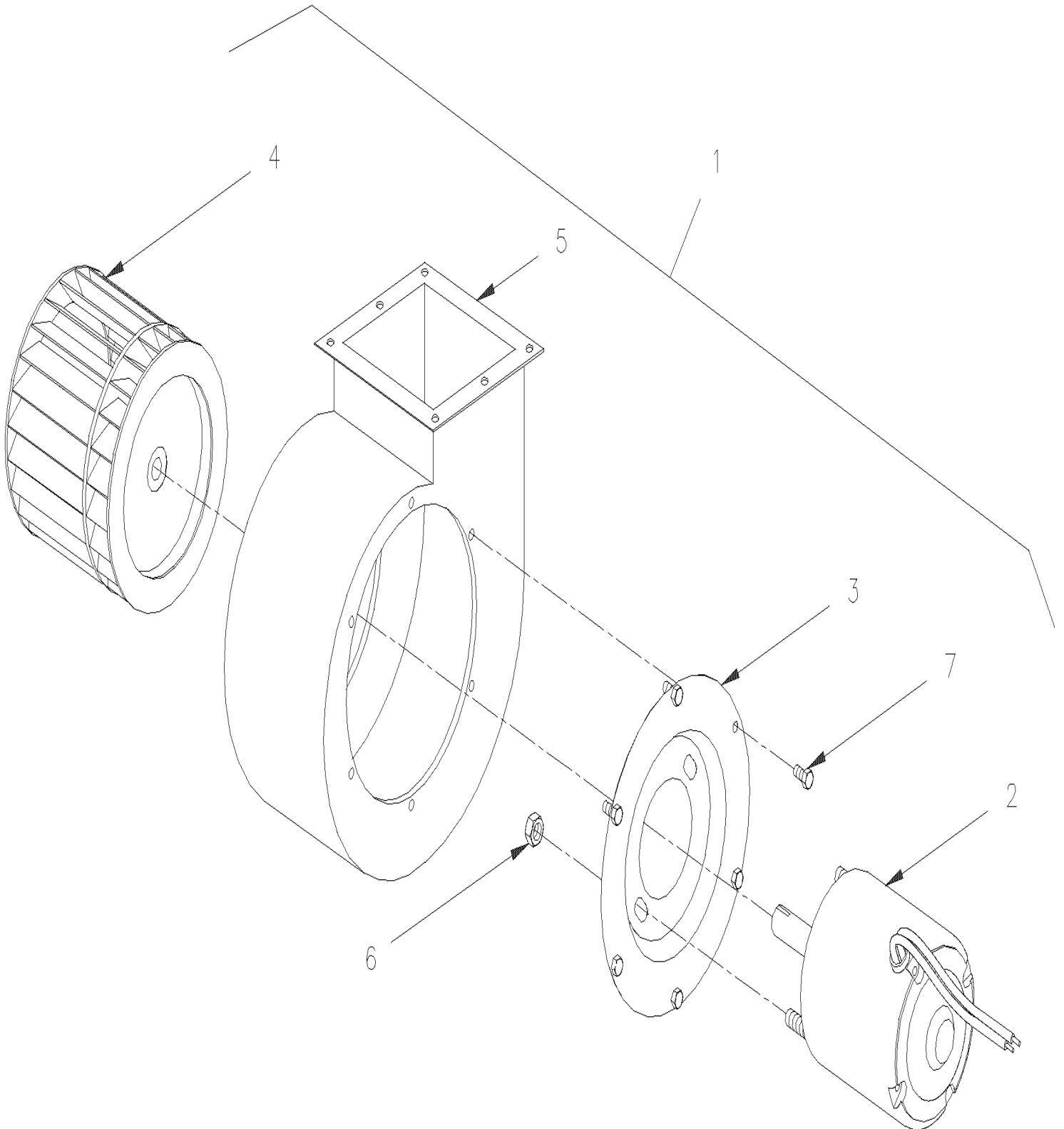


From P-583 To Y-7045

Date:10/2022

PAGE:870844

BLOWER & MOTOR ASSY - "M.C.C." "CW" / FAN END

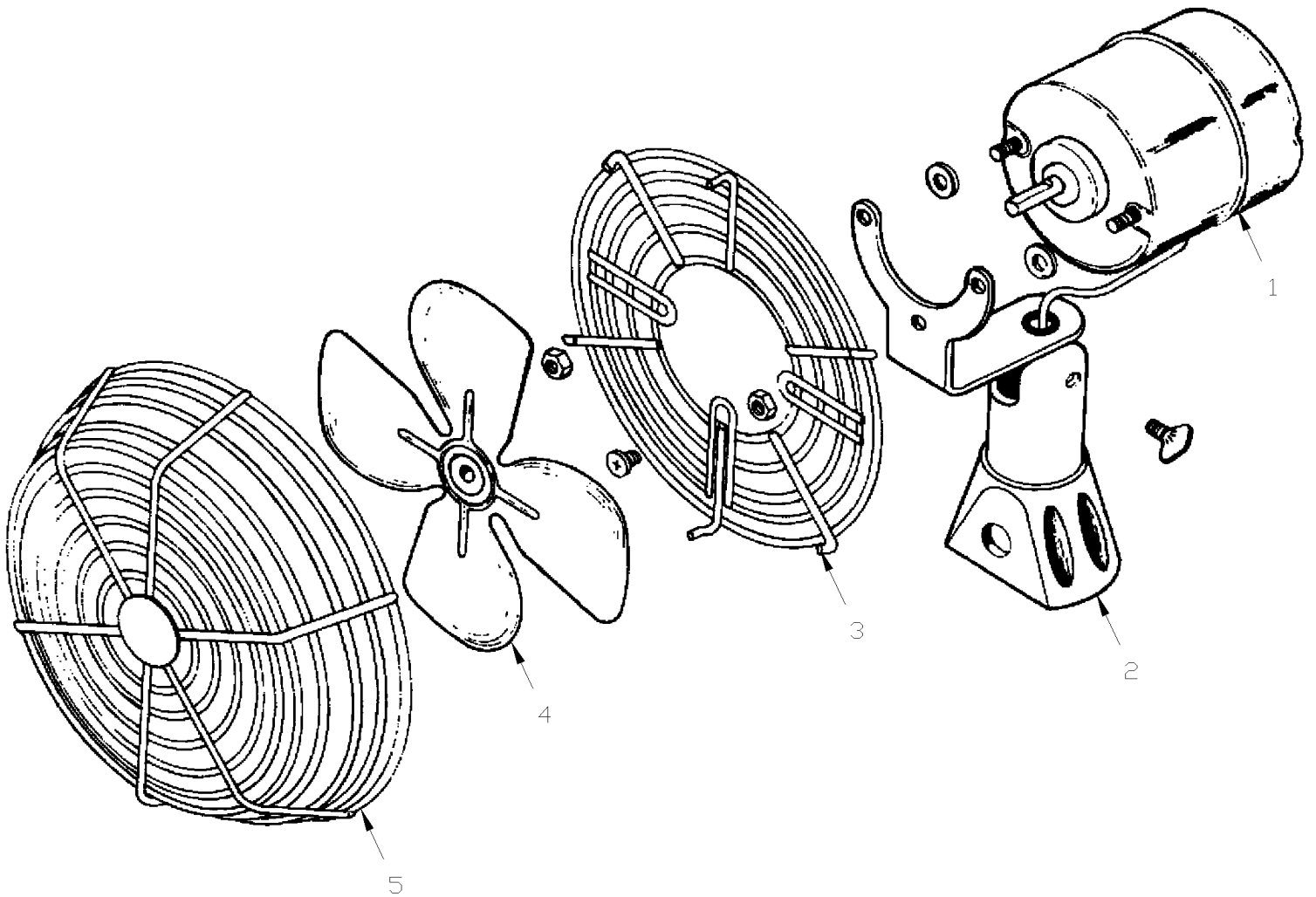


From E-638 To Y-7045

Date:10/2022

PAGE:XL-2340-00

WINDSHIELD FAN



From E-638 To Y-7045	Date:10/2022	PAGE:XL-2340-00
WINDSHIELD FAN		

Item#	Part	Description	M T H 4 0	M T H 4 5	M T H 4 5 E	X L 4 0	X L 4 5	N O T E S
	870347	WINDSHIELD FAN ASSY 24 VOLTS				AR	AR	
NS	870349	WINDSHIELD FAN ASSY 12 VOLTS				AR	AR	
1	N.S.S.	. MOTOR 24 VOLTS				1	1	1
1	N.S.S.	. MOTOR 12 VOLTS				1	1	1
2	N.S.S.	. BASE ASSY				1	1	1
3	N.S.S.	. GRILL				1	1	1
4	870348	. FAN ASSY				1	1	
5	N.S.S.	. GRILLE				1	1	1
5	N.S.S.	. RHEOSTAT				1	1	1
		1) NOT SOLD SEPARATELY						

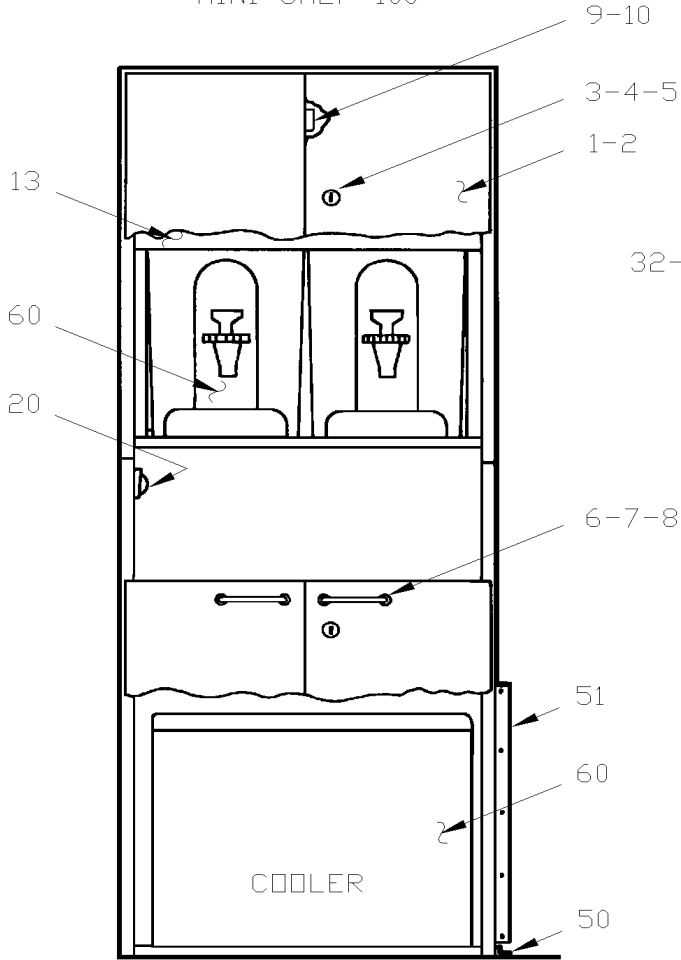
From E-638 To Y-7045

Date:10/2022

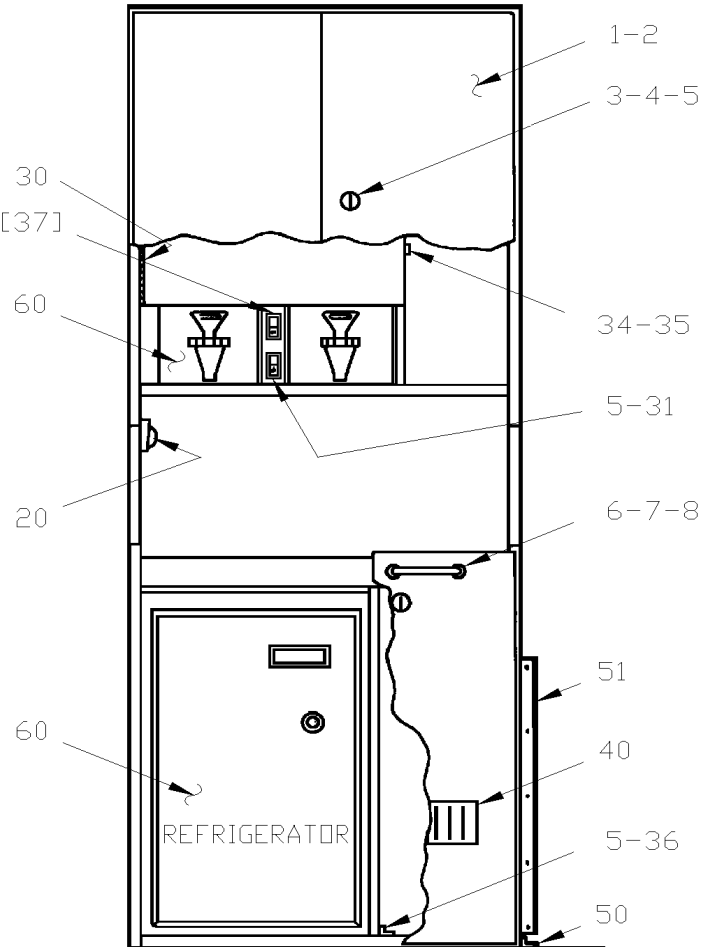
PAGE:XL-2345-00

GALLEY ASSY

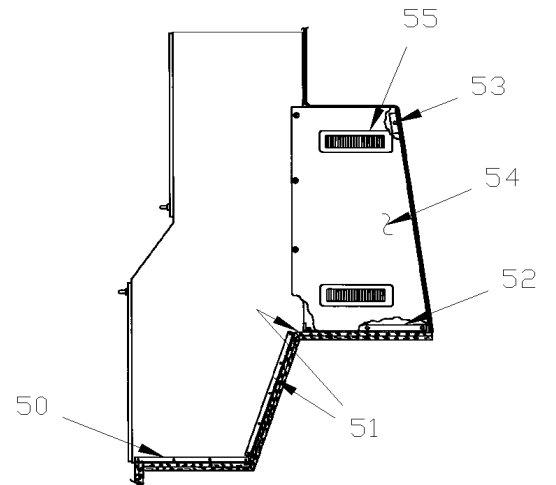
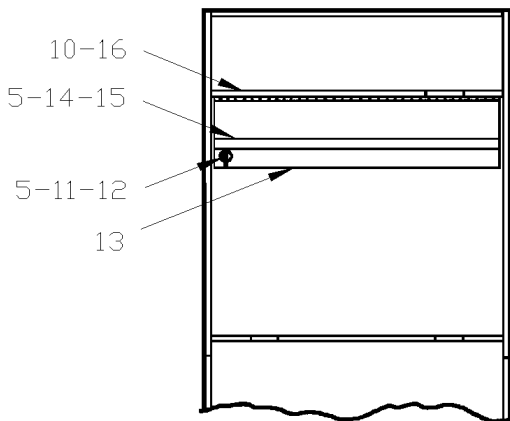
"MINI-CHEF 100"



"MINI-CHEF 200"



"MINI-CHEF 100" (DOOR OPEN)

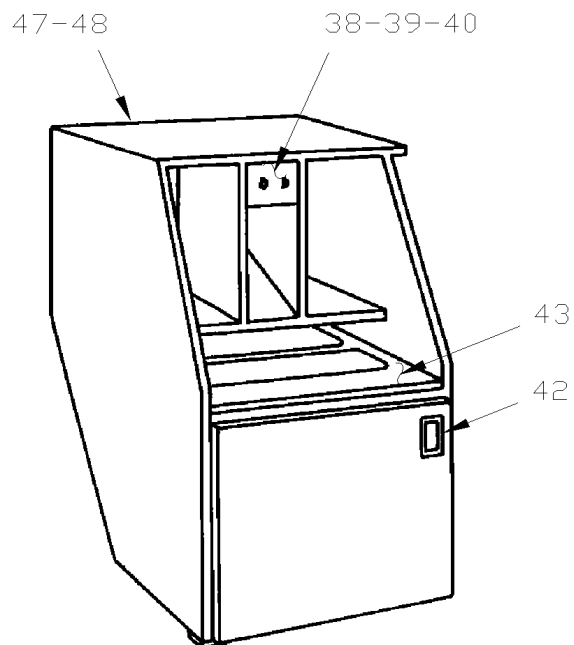
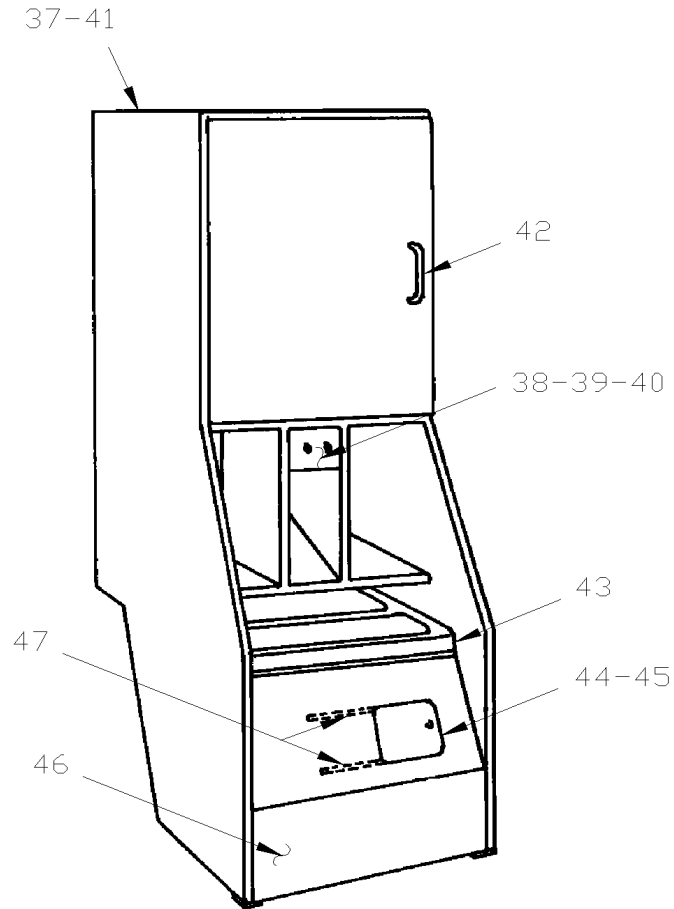


From E-638 To Y-7045

Date:10/2022

PAGE:XL-2345-00

GALLEY ASSY



From E-638 To Y-7045	Date:10/2022	PAGE:XL-2345-00
GALLEY ASSY		

Item#	Part	Description	M T H 4 0	M T H 4 5	M T H 4 5 E	X L 4 0	X L 4 5	N O T E S
	402873P	GALLEY "MINI-CHEF 101" ASSY 63" HIGH / W/COOLER				1	1	A
NS	402874P	GALLEY "MINI-CHEF 101" ASSY 63" HIGH / W/REFRIGERATOR 1.2 CU. FT				1	1	A
NS	402875P	GALLEY "MINI-CHEF 201" ASSY 63" HIGH / W/COOLER				1	1	A
NS	402876P	GALLEY "MINI-CHEF 201" ASSY 63" HIGH / W/REFRIGERATOR 1.2 CU. FT				1	1	A
1	N.S.S.	DOOR ASSY / GALLEY "MINI-CHEF"				4	4	1
2	900569	MOULDING, PLASTIC				AR	AR	
2	900587	HINGE, DOOR / GALLEY				8	8	
2	900514	PLATE, MOUNTING / HINGE				8	8	
2	500626	SCREW TP OV PH #8x3/4 Z050				AR	AR	
3	780180	LOCK CYLINDER W/KEY / "VIRO"				1	1	
NS	780501	KEY				1	1	
3	780806	LOCK CYLINDER W/KEY / "VIRO"				1	1	
NS	780501	KEY				1	1	
NS	289549	PIVOT LOCK ACTUATOR 42.4MM / W/11MM OFFSET				AR	AR	S
4	402737	REINFORCEMENT / DOOR LOCK				2	2	F
5	500583	SCREW TP PAN PH #6x1/2 Z050				AR	AR	
6	900568	HANDLE / DOOR				4	4	
7	500645	SCREW TP OV PH #8x1 1/4 Z050				8	8	
8	500464	WASHER FN CKF .210x.540 SS				8	8	
9	402738	PLATE, RETAINING / DOOR				4	4	
10	502611	SCREW TP FL PH #6x1/2 Z050				AR	AR	
11	504502	LATCH ASSY, DOOR				1	1	
12	402827	ANGLE, RETAINING / LATCH				1	1	
13	403249	PLATE, CLOSING				1	1	
13	506004	TAPE RUB ADH1 CC POL 3/8" x 1/2" x 20' / GREY 2520X				AR	AR	
14	403250	MOULDING CAP / GREY PLATINE 524MM / 20 5/8"				AR	AR	
15	403251	MOULDING RETAINER / 514MM (20 1/4")				AR	AR	
16	403248	HINGE / DOOR				1	1	
20	830124	LAMP ASSY				1	1	
20	561942	BULB / 10WATT-24VOLTS / SAE# 6429				AR	AR	
30	402828	HINGE, DOOR				1	1	
30	900621	LATCH ASSY				1	1	
30	403321	SPACER / LATCH & SHELF				1	1	
31	402736	SUPPORT / SWITCH GALLEY SS 349.25MM x 38.1MM				1	1	
32	561468	SWITCH / OFF-ON S.P.S.T.				2	2	
33	063019	INSERT / GREEN / L.H. CONTAINER (GALLEY)				1	1	
33	063020	INSERT / GREEN / R.H. CONTAINER (GALLEY)				1	1	
34	403081	HOOK / DOOR				1	1	
35	500656	SCREW TP OV PH #6x3/4 SS				2	2	
36	402849	ANGLE, RETAINING				2	2	

From E-638 To Y-7045	Date:10/2022	PAGE:XL-2345-00
GALLEY ASSY		

Item#	Part	Description	M T H 4 0	M T H 4 5	M T H 4 5 E	X L 4 0	X L 4 5	N O T E S
NS	062386	CABLE ASSY / REAR OF GALLEY & REAR JCT PANEL				1	1	
NS	062432	CABLE ASSY / COMPRESSOR & CHARGER				1	1	
37	401211P	GALLEY ASSY 61" HIGH / W/ICE BOX & HOT LIQUID DISPENSER				1	1	
NS	401929P	GALLEY ASSY 57 1/2" HIGH / W/ICE BOX & HOT LIQUID DISPENSER				1	1	
38	400745	. COMMUTATOR PLATE				1	1	
39	560638	. SWITCH / OFF-ON / D.P.S.T.				2	2	
40	830092	. PILOT LIGHT RED / 24 VOLTS				2	2	
40	400317	. OCTOGONAL BOX ASSY / REAR				2	2	
40	400978	. . OCTOGONAL BOX				1	1	
40	900649	. . CONNECTOR ASSY / FOR HOT LIQUID DISPENSOR				1	1	
40	061852	. CABLE ASSY				1	1	
40	560407	. SWITCH MAGNETIC / 24V S.P.S.T. / 50AMPS N.O.				1	1	
40	560828	. BREAKER 8AMPS / 24V /				2	2	
40	402300	. DECAL "WIRING DIAGRAM"				1	1	
40	560422	. BLOCK, TERMINAL / 1 STUD 3/8-16 / BLACK				1	1	
41	Call order desk	GALLEY SUBASSY, 61" HIGH / W/ICE BOX & HOT LIQUID DISPENSER/						P
NS	Call order desk	GALLEY SUBASSY, 57 1/2" HIGH / W/ICE BOX HOT LIQUID DISPENSER						P
42	900390	. . HANDLE				1	1	
42	900425	. . CATCH ASSY				1	1	
42	900514	. . PLATE, MOUNTING / HINGE				2	2	
42	900389	. . HINGE, DOOR				2	2	
42	900391	. . CUP DISPENSER / CUP / LONG				1	1	
42	900249	. . . CUP / 100 UNIT PACK				AR	AR	
43	400821	. . DRAIN PAN ASSY / BEIGE				1	1	
44	401009	. DOOR, SLIDING				1	1	
45	505018	. . KNOB				1	1	
46	401008	. COVER				1	1	
47	401011	. MOULDING "J" FORM / 438MM (17 1/4") / A/A				2	2	
47	401117	DECAL / "ICE ONLY, GLACE SEULEMENT"				1	1	
47	401184P	GALLEY ASSY 31 1/4" HIGH / ICE BOX,						A
47		REFRIGERATOR & HOT LIQUID DISPENSER (INC. 38 TO 43)				1	1	
47	400745	. COMMUTATOR PLATE				1	1	
47	560638	. SWITCH / OFF-ON / D.P.S.T.				2	2	
47	830092	. PILOT LIGHT RED / 24 VOLTS				2	2	
47	400317	. OCTOGONAL BOX ASSY / REAR				2	2	
47	400978	. . OCTOGONAL BOX				1	1	
47	900649	. . CONNECTOR ASSY / FOR HOT LIQUID DISPENSOR				1	1	
47	061852	. . CABLE ASSY				1	1	
47	560407	. . SWITCH MAGNETIC / 24V S.P.S.T. / 50AMPS N.O.				1		
47	560407	. . SWITCH MAGNETIC / 24V S.P.S.T. / 50AMPS N.O.					2	
47	560828	. . BREAKER 8AMPS / 24V /				2	2	
47	402300	. . DECAL "WIRING DIAGRAM"				1	1	

From E-638 To Y-7045	Date:10/2022	PAGE:XL-2345-00
GALLEY ASSY		

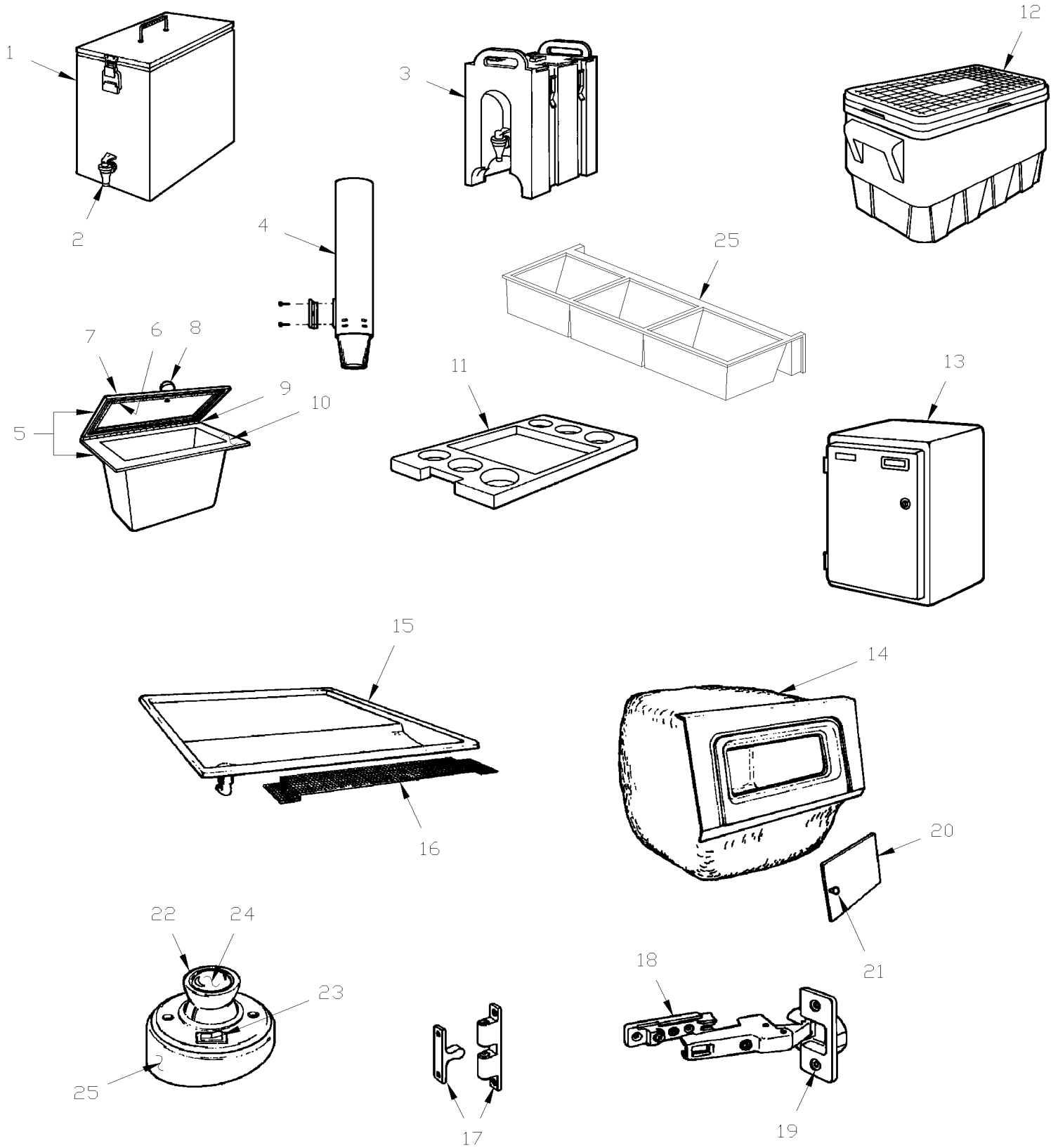
Item#	Part	Description	M T H 4 0	M T H 4 5	M T H 4 5 E	X L 4 0	X L 4 5	N O T E S
47	560422	. . BLOCK, TERMINAL / 1 STUD 3/8-16 / BLACK				1	1	
48	Call order desk	GALLEY SUBASSY 31 1/4" HIGH / W/ICE BOX & HOT LIQUID DISPENSOR						P A
48	900390	. . HANDLE				1	1	
48	900425	. . CATCH ASSY				1	1	
48	900514	. . PLATE, MOUNTING / HINGE				2	2	
48	900389	. . HINGE, DOOR				2	2	
48	900391	. . CUP DISPENSER / CUP / LONG				1	1	
48	900249	. . . CUP / 100 UNIT PACK				AR	AR	
48	400821	. . DRAIN PAN ASSY / BEIGE				1	1	
48	400877	ANGLE, FINISHING / FRONT GALLEY				1	1	
NS	900280	THRU HULL, CONNECTOR / PLASTIC				1	1	
50	402260	ANGLE / TO FIX GALLEY				1	1	
51	402838	ANGLE / TO FIX GALLEY				2	2	
52	402836	ANGLE / TO FIX CLOSING PANEL				1	1	
53	402839	ANGLE / TO FIX CLOSING PANEL				1	1	
54	Call order desk	PANEL ASSY, SIDE 14 1/4"X43" / SPECIFY COLOR				1		P
NS	Call order desk	PANEL ASSY, SIDE 18 1/4"X31 7/8" (AS SHOWN) / SPECIFY COLOR From H-285						P
55	402959	. GRILLE ASSY To L-530				2	2	
55	502524	. NUT HEX M4-0.7 Z050 To L-530				4	4	
55	502636	. WASHER LO SPT 4.1x7.6x0.9 Z050				4	4	
NS	500686	SCREW TP OV PH #6x1/2 BK				AR	AR	
55	500345	WASHER FN CKF .187x.500x.090 BR BK				AR	AR	
NS	504106	RIVET POP DOME OE 1/8x1/4 AL				AR	AR	
NS	500638	SCREW TP PAN PH #8x1/2 Z050				AR	AR	
60	XL-2345-10	GALLEY ACCESSORIES						
		A) REFRIGERATOR, COOLER ICE BOX & HOT LIQUID DSPENSOR ARE NOT INCLUDED IN ASSEMBLY SEE XL-2345-10						
		F) DOOR LOCK						
		S) REQUIERED ONLY IN SERVICE IF YOU NEED TO CHANGE YOUR OLD CYLINDER LOCK # 780180						
		1) NOT SOLD SEPARATELY						
		P) CALL ORDER DESK FOR SPECIFIC APPLICATION (V.I.N.)						

From E-638 To Y-7045

Date:10/2022

PAGE:XL-2345-10

GALLEY ACCESSORIES



From E-638 To Y-7045	Date:10/2022	PAGE:XL-2345-10
GALLEY ACCESSORIES		

Item#	Part	Description	M T H 4 0	M T H 4 5	M T H 4 5 E	X L 4 0	X L 4 5	N O T E S
1	403640	DISPENSER ASSY / HOT LIQUID				2	2	
1	900488	. DISPENSER, HOT LIQUID				1	1	
2	900677	. SPIGOT ASSY / W/PLASTIC WING NUT				1	1	
2	900483	. SPIGOT ASSY / 1/2 NPT W/900488				1	1	
2	900678	. ADAPTOR / SPIGOT & CONTAINER				1	1	
2	900426	. PLUG, 3 PINS MALE				1	1	
2	900427	. SWITCH, TEMPERATURE				1	1	
2	900676	. GASKET COVER				1	1	
2	780318	. CAP PROTECTOR CLOSED / BLACK SERIES PS				1	1	
2	403639	. ADAPTOR, ON COVER FOR SAFETY CAP				1	1	
3	900583	CONTAINER, LIQUID				2	2	
3	900677	. SPIGOT ASSY / W/PLASTIC WING NUT				1	1	
4	402826	DISPENSER, CUP / MODIFIED SHORT				1	1	
4	900391	CUP DISPENSER / CUP / LONG				1	1	
NS	900249	CUP / 100 UNIT PACK				AR	AR	
5	402732	ICE CONTAINER ASSY To X-6875				2	2	
5	404755	ICE CONTAINER ASSY From X-6876				2	2	
6	402734	. COVER, ICE CONTAINER To X-6875				1	1	
6	404750	. COVER, ICE CONTAINER From X-6876				1	1	
7	506002	. TAPE RUB ADH1 CC POL 3/16" x 1/2" x 40' / GREY 2520				AR	AR	
8	505018	. KNOB				1	1	
8	500541	. SCREW MA FL PH 1/4-20x1/2 SS BK				1	1	
9	402829	HINGE, COVER				1	1	
10	402731	. CONTAINER, ICE To X-6875				1	1	
10	404749	. CONTAINER, ICE From X-6876				1	1	
11	403243	TRAY, SERVICE To X-6875				1	1	
11	404752	TRAY, SERVICE From X-6876				1	1	
12	900585	COOLER 23 LITERS				1	1	
13	900301	REFRIGERATOR "NORCOLD" 2.5 CU. FT MODEL DE-251A / 12V / W/ICE BOX				1		
13	900578	REFRIGERATOR "NORCOLD" 2.5 CU. FT MODEL DE-251E / 12V / W/ICE BOX				1		
13	900741	REFRIGERATOR "NORCOLD" 2.5 CU. FT MODEL DE-351 120/12 V W/ICE BOX				1	1	
13	900340	REFRIGERATOR "NORCOLD" 4 CU. FT MODEL DE-400 / 24V / W/ICE BOX				1		
13	900434	REFRIGERATOR "SAIL KOOL" 4 CU. FT MODEL				1		
13	900579	REFRIGERATOR "NORCOLD" 4 CU. FT MODEL DE-400 / 120/12V / W/ICE BOX To S-489				1		
NS	900738 FORMER	REFRIGERATOR "NORCOLD" 4 CU. FT MODEL DE-390 From S-490				1	1	
. NS	901539	. HINGE ASSY From S-490				1	1	
NS	900584	REFRIGERATOR "FRENSELE" 1.2 CU. FT / W/GALLEY "MINI-CHEF"				1	1	
13	900231	COMPRESSOR, 12 VOLTS, REFRIGERATOR / W/900301 ONLY				1		
13	900232	COMPRESSOR, 24 VOLTS, REFRIGERATOR / W/900340 ONLY				1		
NS	900586	COMPRESSOR, 24 VOLTS, REFRIGERATOR / W/900584 ONLY				1	1	
14	400989	ICE BOX ASSY				1	1	
15	400821	DRAIN PAN ASSY / BEIGE				1	1	

From E-638 To Y-7045	Date:10/2022	PAGE:XL-2345-10
GALLEY ACCESSORIES		

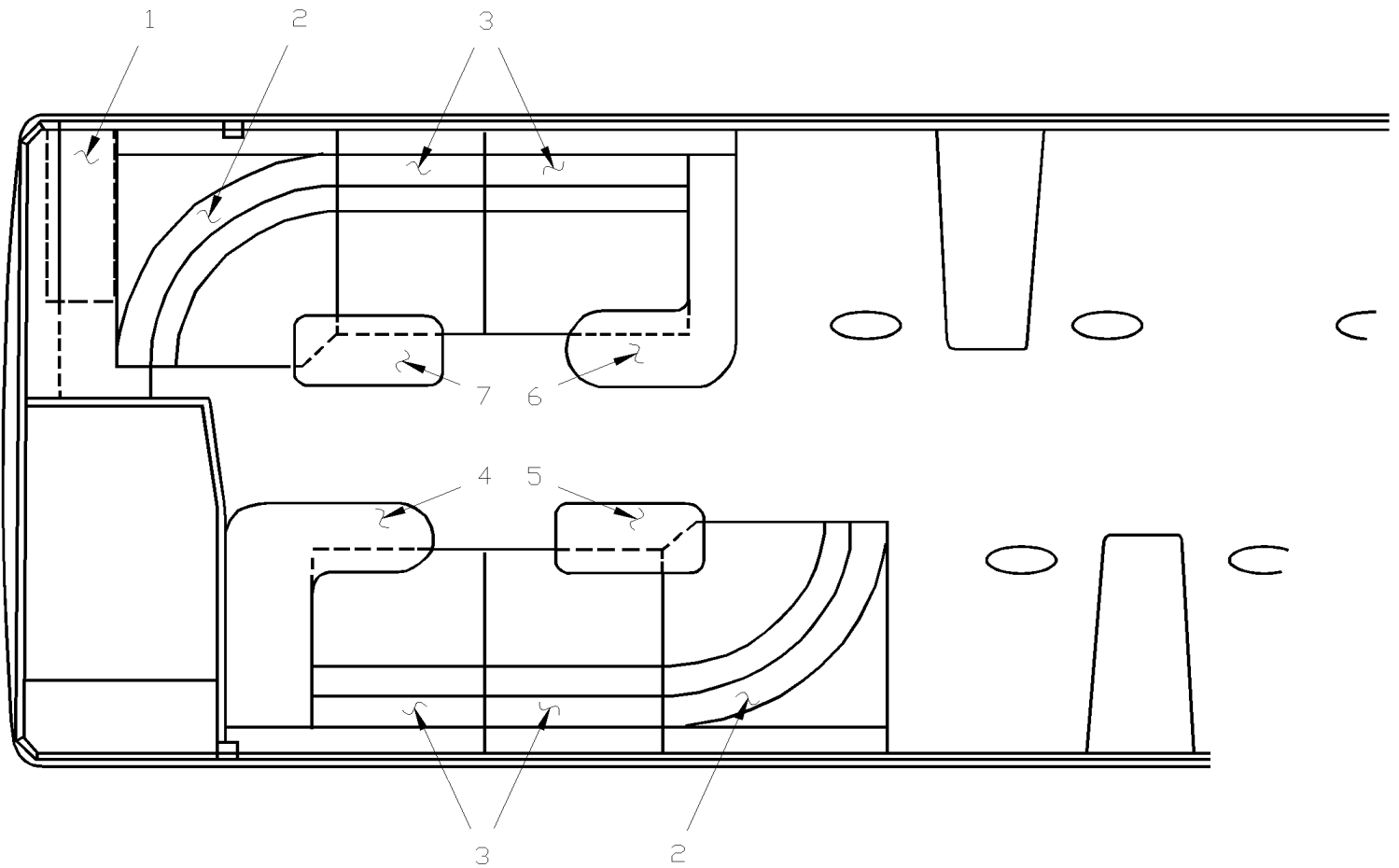
Item#	Part	Description	M T H 4 0	M T H 4 5	M T H 4 5 E	X L 4 0	X L 4 5	N O T E S
16	400806	GRILLE DRAIN SS 466.7MM x 96MM				1	1	
NS	900280	THRU HULL, CONNECTOR / PLASTIC				1	1	
17	900425	CATCH ASSY				1	1	
18	900514	PLATE, MOUNTING / HINGE				2	2	
19	900389	HINGE, DOOR				2	2	
20	401009	DOOR, SLIDING				1	1	
21	505018	KNOB				1	1	
22	830074	LAMP ASSY, W/SWITCH To H-284				1		
23	560913	. SWITCH / OFF-ON / S.P.D.T. / BLACK To H-284				1		
24	560131	. BULB / 21WATT-24VOLTS / SAE# 307 To H-284				1		
25	330105	SPACER, WOOD To H-284				1		
26	404485	BIN W/3 SEPARATOR				1	1	
100	403463	DISPENSER / HOT LIQUID				1		A
100	504488	. RIVET MGLP PRDG 3/16x17/64 SS				4		A
100	403462	. CAP, SAFETY / ON COVER				1		AC
101	900210	. DISPENSER, HOT LIQUID (FORMER)				1		AB
101	900488	. DISPENSER, HOT LIQUID				1		A
101	900384	. GASKET / SPIGOT & CONTAINER W/900210				1		A
102	900322	. SPIGOT ASSY / PUSH BUTTON W/900210				1		A
102	900483	. SPIGOT ASSY / 1/2 NPT W/900488				1		A
102	900384	. . GASKET / SPIGOT & CONTAINER W/900210				1		A
102	900385	. . SPRING W/900210				1		A
102	900387	. . BUTTON, OUTER W/900210				1		A
102	900386	. BUTTON, INNER W/900210				1		A
102	900383	. . O-RING W/900210				1		A
102	900421	. GASKET, COVER W/900210				1		A
102	900426	. PLUG, 3 PINS MALE				1		A
102	900427	. SWITCH, TEMPERATURE				1		A
		A) THOSE ITEM ARE RELATED WITH HOT LIQUID DISPENSER USED Up to DECEMBER 1993						
		B) THIS HOT LIQUID DISPENSER HAS OUSH BUTTON VALVE.						
		C) FOR RETROFIT SAFETY CAP USE KIT #403464						

From E-638 To Y-7045

Date:10/2022

PAGE:XL-2345-20

QUICK LOUNGE



From E-638 To Y-7045	Date:10/2022	PAGE:XL-2345-20
QUICK LOUNGE		

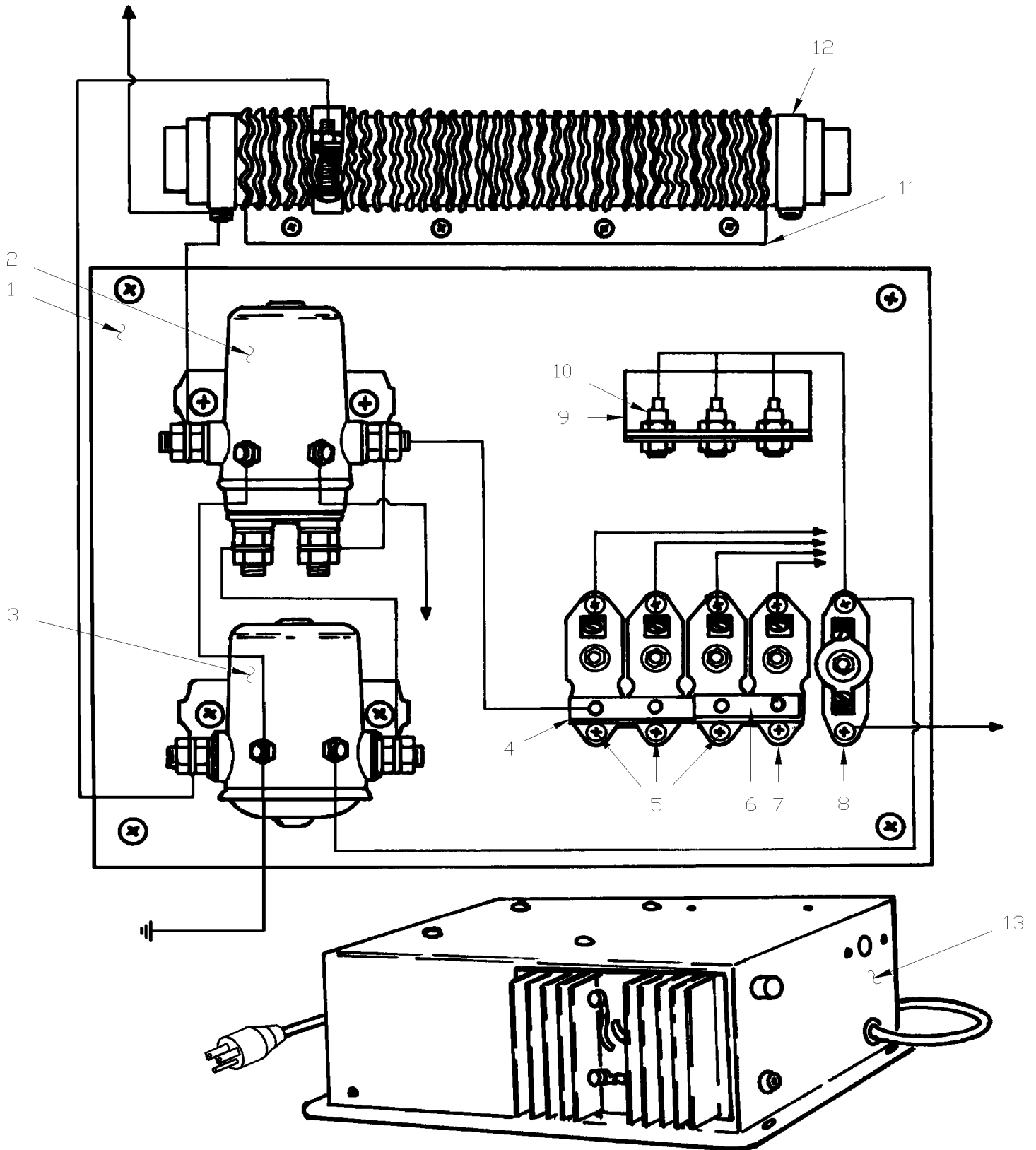
Item#	Part	Description	M T H 4 0	M T H 4 5	M T H 4 5 E	X L 4 0	X L 4 5	N O T E S
1	860701	CLOSING PANEL				1	1	
2	860653	SEAT ASSY / CORNER MODULE / S.C.C.				1	1	
3	860654	SEAT ASSY / S.C.C.				2	2	
4	860702	TABLE ASSY				1	1	
5	860655	TABLE ASSY				1	1	
6	860697	TABLE ASSY				1	1	
7	860703	TABLE ASSY				1	1	
NS	900675	. GLASS HOLDER, PLASTIC BLACK				AR	AR	
NS	IS-91770	SEE INSTRUCTION SHEET				AR	AR	
NS	FI-91770	FEUILLE D'INSTRUCTION / POUR INSTALLATION SALON "FRANCAIS"				AR	AR	
		IF YOU HAVE TO MOVE CARD TABLE TO						
		INSTALL A QUICK LOUNGE, ORDER KIT #363079						
		TO COMPLETE INSTALLATION.						
NS	Call order desk	CLOSING COVER L.H.				1	1	P
NS	362318	BUTTON ORANGE				2	2	
NS	362355	ATTACHMENT NUT / "J" SHAPE TO FIX SEAT TO WALL TRACK WALL TRACK To X-6999				2	2	
10	364132	ATTACHMENT PLATE / "J" SHAPE TO FIX SEAT TO WALL TRACK WALL TRACK From X-7000				1	1	
. NS	500829	. SCREW CAP HEX M10-1.5x40 G8.8 From X-7000				2	2	
. NS	500257	. WASHER LO SPT 10.2x18.1x2.2 Z050 From X-7000				2	2	
NS	362515	SUPPORT ASSY				1	1	
NS	363491	SUPPORT ASSY				1	1	
11	500183	SCREW CAP HEX 5/16-18x1 1/2 G5 PT Z050				2	2	
NS	500345	WASHER FN CKF .187x.500x.090 BR BK To R-399				4	4	
NS	500444	WASHER FL .406x.812x.065 Z050				6	6	
NS	500445	WASHER FL .437x1.000x.083 Z050				2	2	
NS	500476	WASHER LO SPT .317x.586x.078 Z050				2	2	
NS	500686	SCREW TP OV PH #6x1/2 BK				6		
NS	502513	SCREW TP CAP HEX 5/16x1 Z050				8	8	
NS	504416	RIVET POP DOME OE 3/16x5/8 SS				8	8	A
		A) (ANGLE BRACKET TO STRUCTURE)						
		P) CALL ORDER DESK FOR SPECIFIC APPLICATION (V.I.N.)						

From E-638 To Y-7045

Date:10/2022

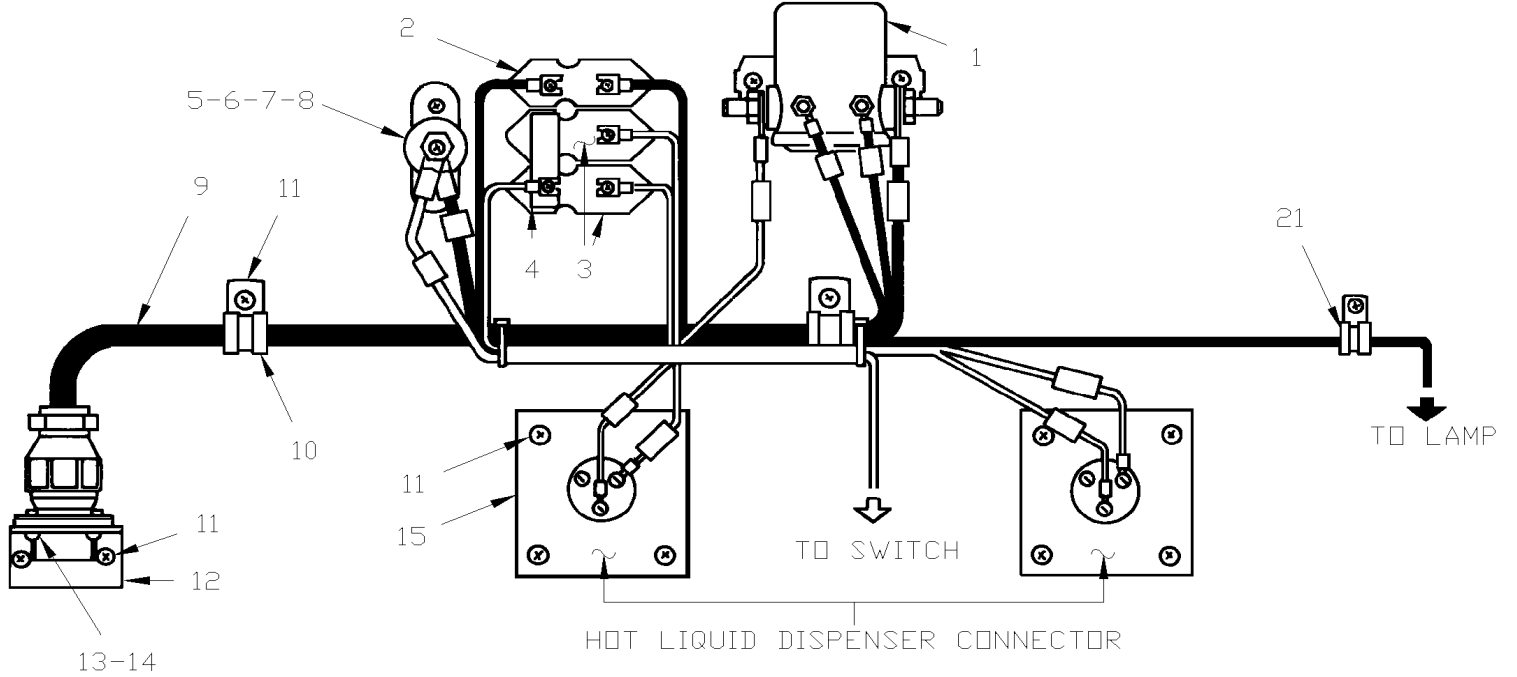
PAGE:XL-2345-30

GALLEY ELECTRICAL PANEL - W/ICE BOX

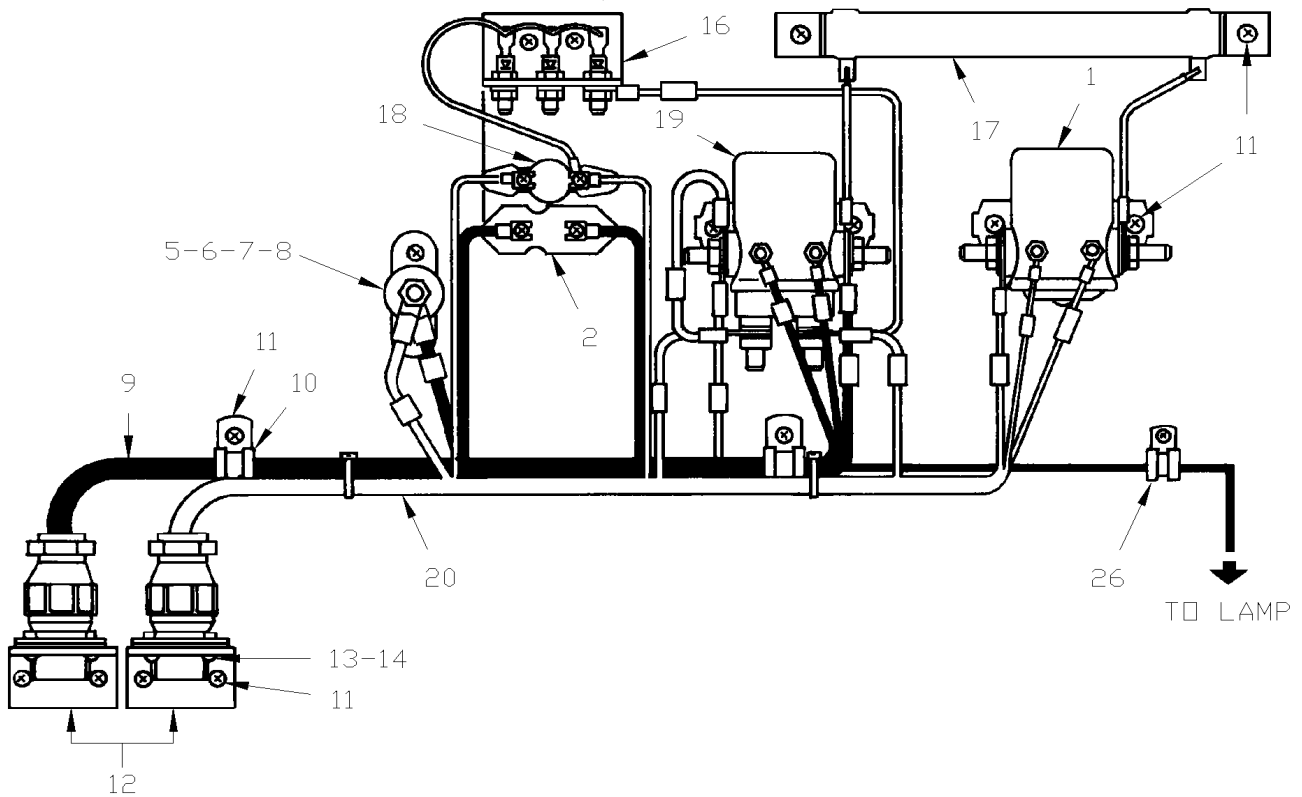


From E-638 To Y-7045	Date:10/2022	PAGE:XL-2345-31
GALLEY ELECTRICAL PANEL - W/MINI-CHEF		

GALLEY W/ HOT LIQUID DISPENSER



GALLEY W/ REFRIGERATOR

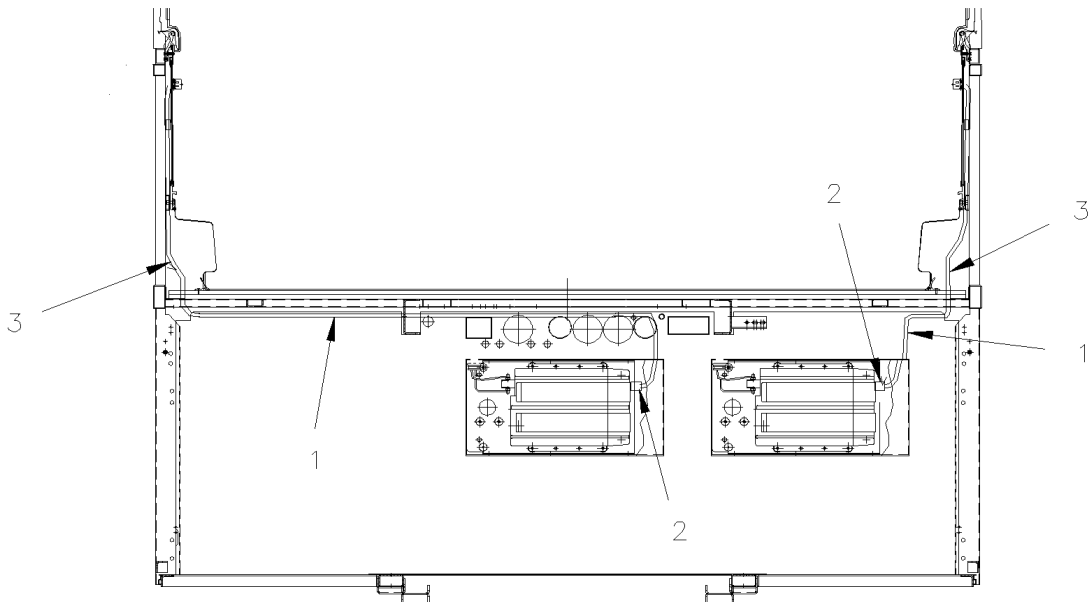
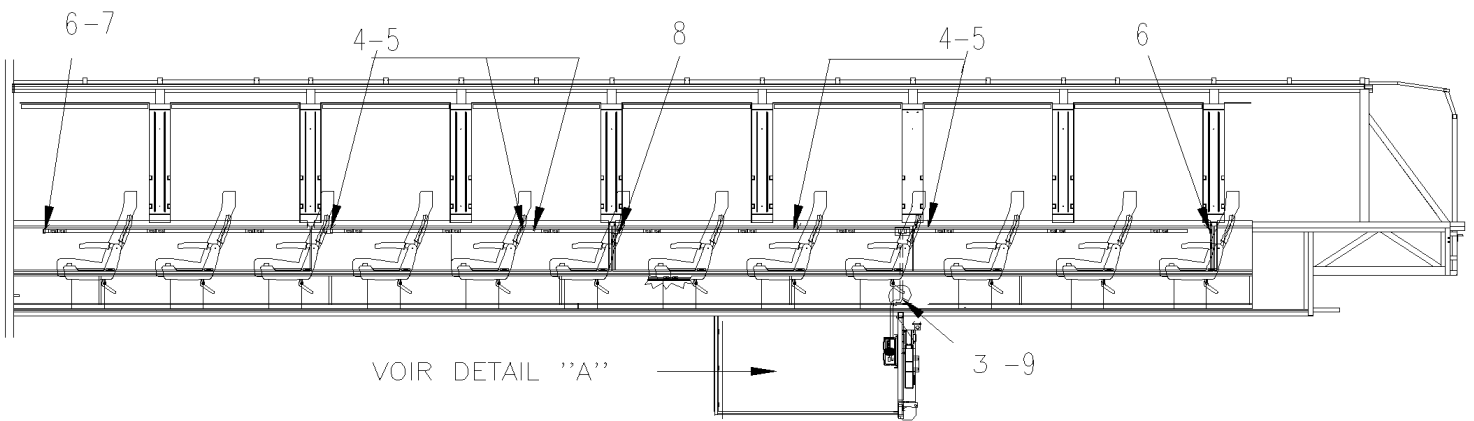
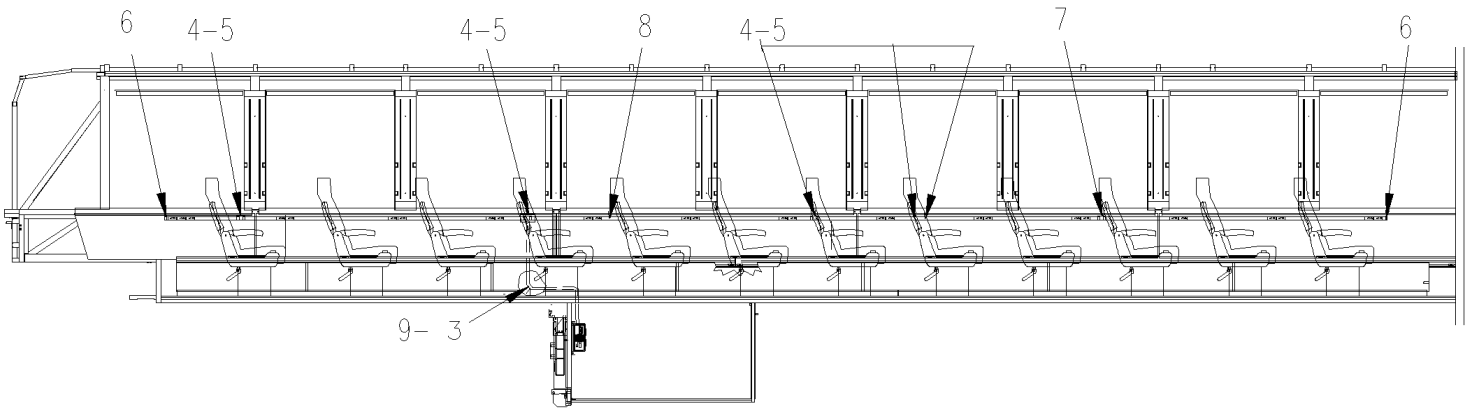


From E-638 To Y-7045

Date:10/2022

PAGE:XL-2345-99

110 VOLT - OUTLET / "RETROFIT"



DETAIL "A"

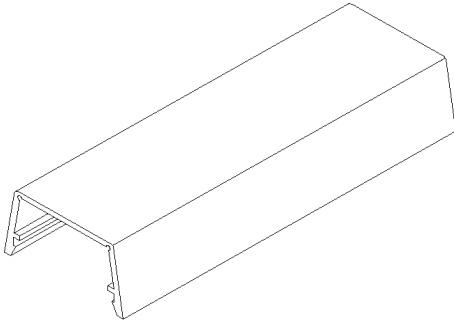
From E-638 To Y-7045

Date:10/2022

PAGE:XL-2345-99

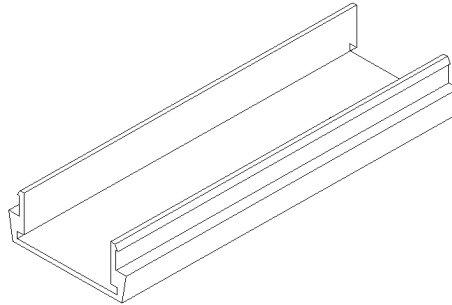
110 VOLT - OUTLET / "RETROFIT"

564151



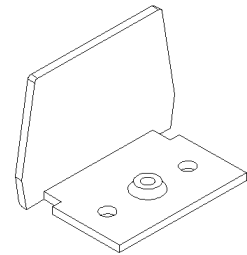
COVER ALUMINIUM
RACEWAY 110V

564152



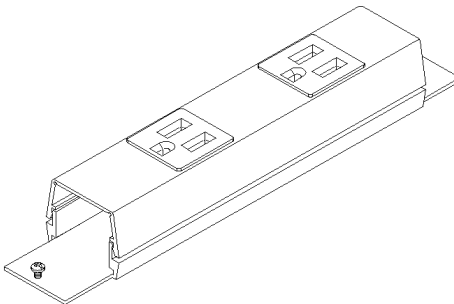
BASE ALUMINIUM
RACEWAY 110V

564153



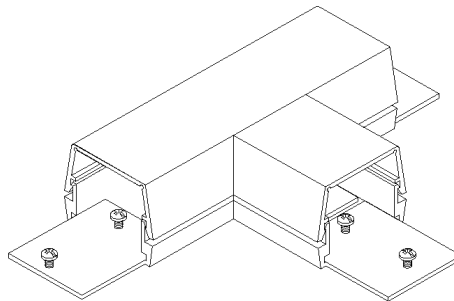
BLANK END FITTING
RACEWAY 110V

564154



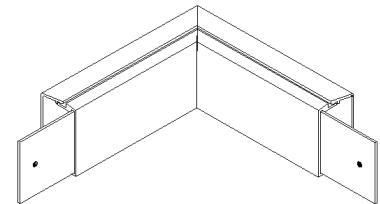
RECEPTACLE DOUBLE
RACEWAY 110V

564155



TEE
RACEWAY 110V

564156



ELNOW
RACEWAY 110V

From E-638 To Y-7045

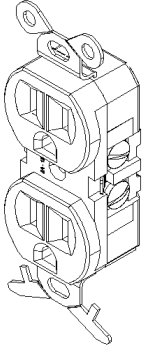
Date:10/2022

PAGE:XL-2345-99

110 VOLT - OUTLET / "RETROFIT"

562657

WHITE



PLUG DOUBLE
OUTLET 110V

562659

WHITE

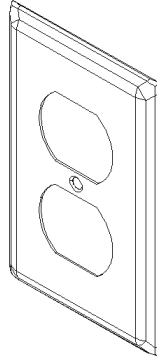
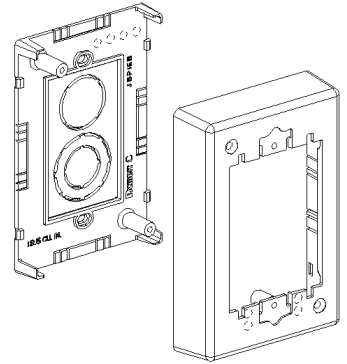


PLATE OUTLET 110V

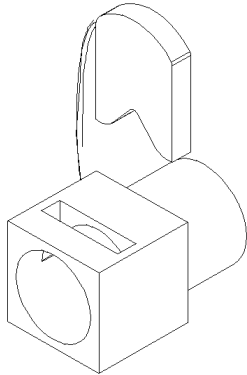
564129

WHITE



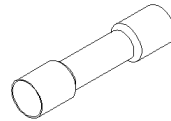
RECEPTACLE BOX
OUTLET 110V

564467



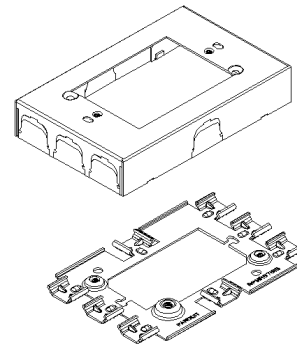
CONNECTOR IBERVILLE

563624



563848

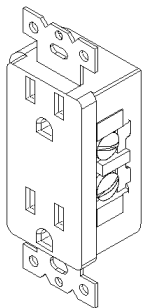
WHITE



RECEPTACLE BOX
OUTLET 110V

563846

WHITE



PLUG DOUBLE
OUTLET 110V

563847

WHITE

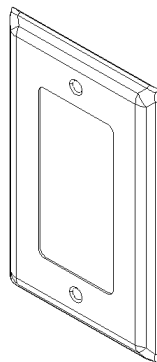


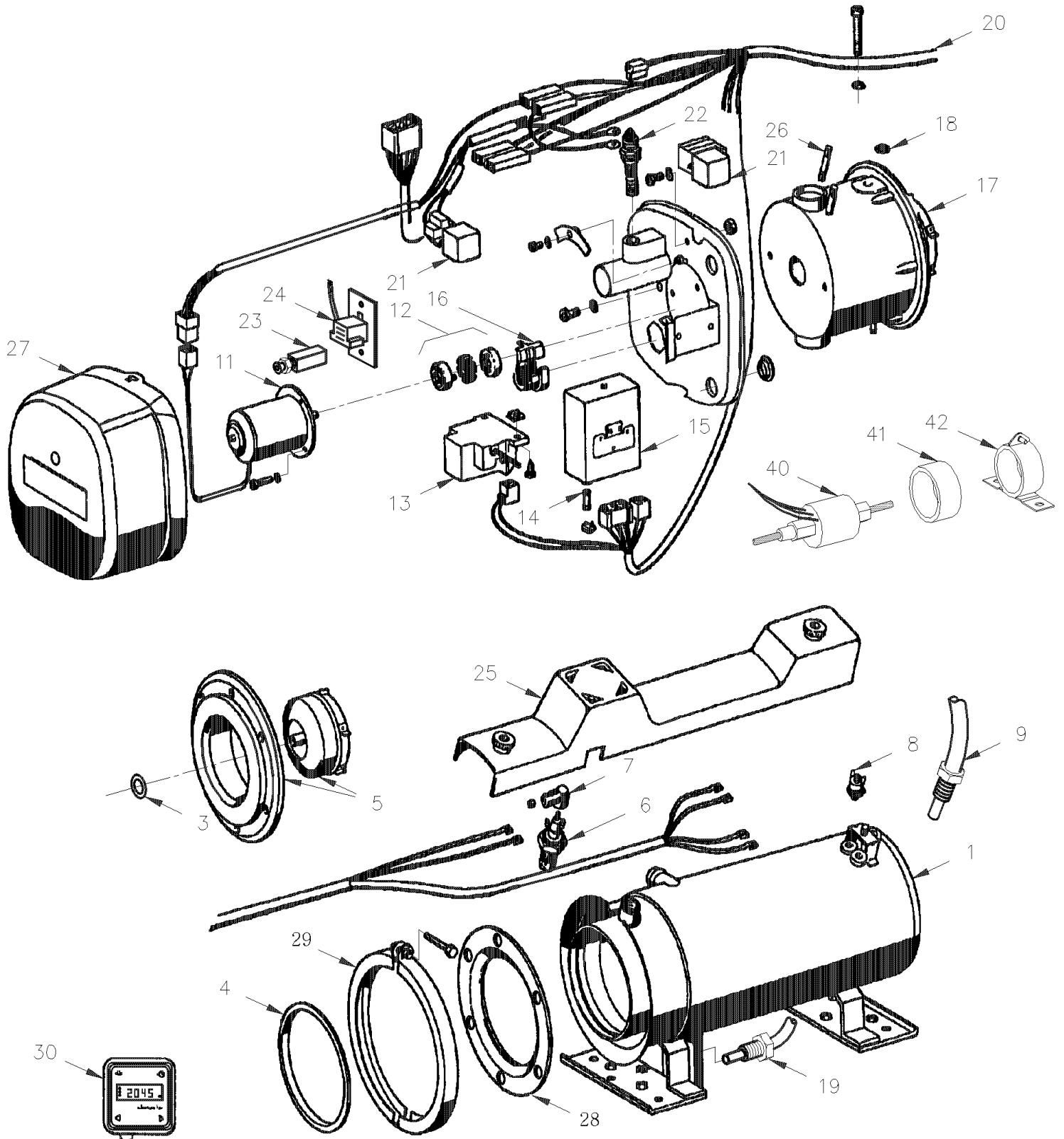
PLATE OUTLET 110V

From P-722 To Y-7045

Date:10/2022

PAGE:871097

WATER HEATER - "ESPAR" 41,000 B.T.U.



From P-722 To Y-7045	Date:10/2022	PAGE:871097
----------------------	--------------	-------------

WATER HEATER - "ESPAR" 41,000 B.T.U.

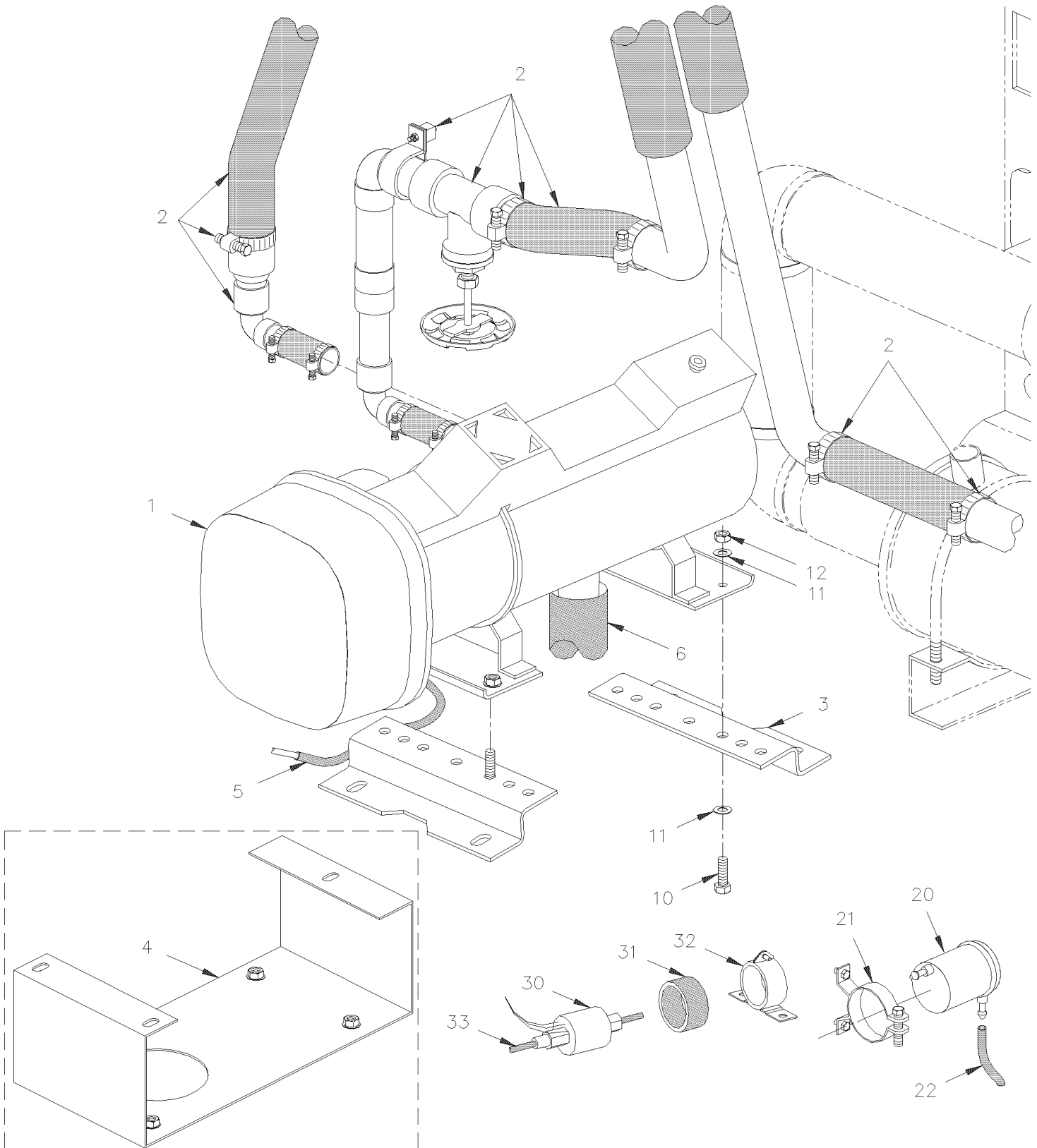
Item#	Part	Description	M T H 4 0	M T H 4 5	M T H 4 5 E	X L 4 0	X L 4 5	N O T E S
		A) WHEN IT'S THE FIRST ATOMIZER REPLACED, USE CONVERSION KIT #870984						

From P-722 To Y-7045

Date:10/2022

PAGE:XL-2350-10

WATER HEATER - INSTALLATION

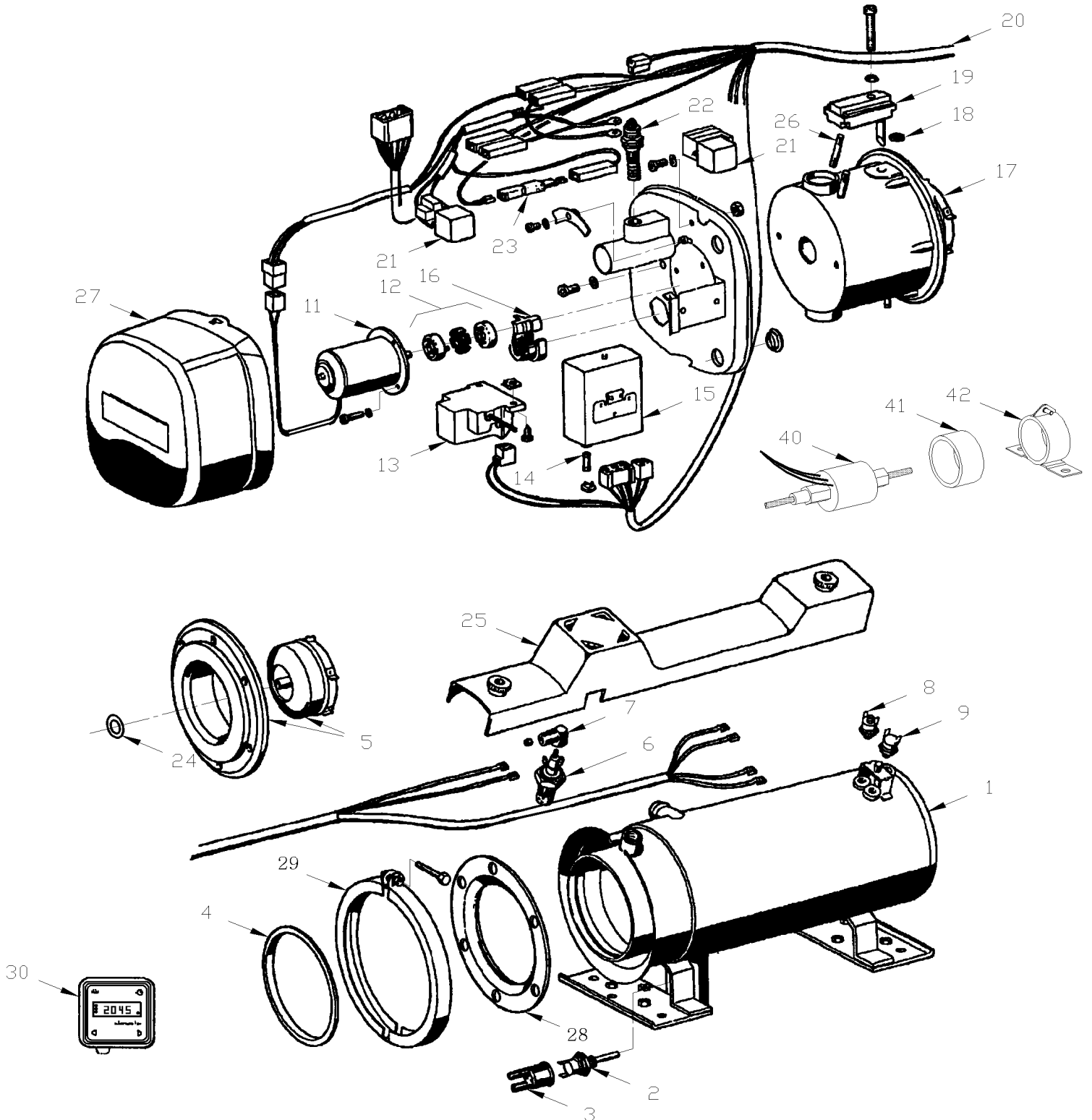


From P-722 To Y-7045

Date:10/2022

PAGE:870969

WATER HEATER - "ESPAR" 40,000 B.T.U.



From P-722 To Y-7045	Date:10/2022	PAGE:870969
----------------------	--------------	-------------

WATER HEATER - "ESPAR" 40,000 B.T.U.

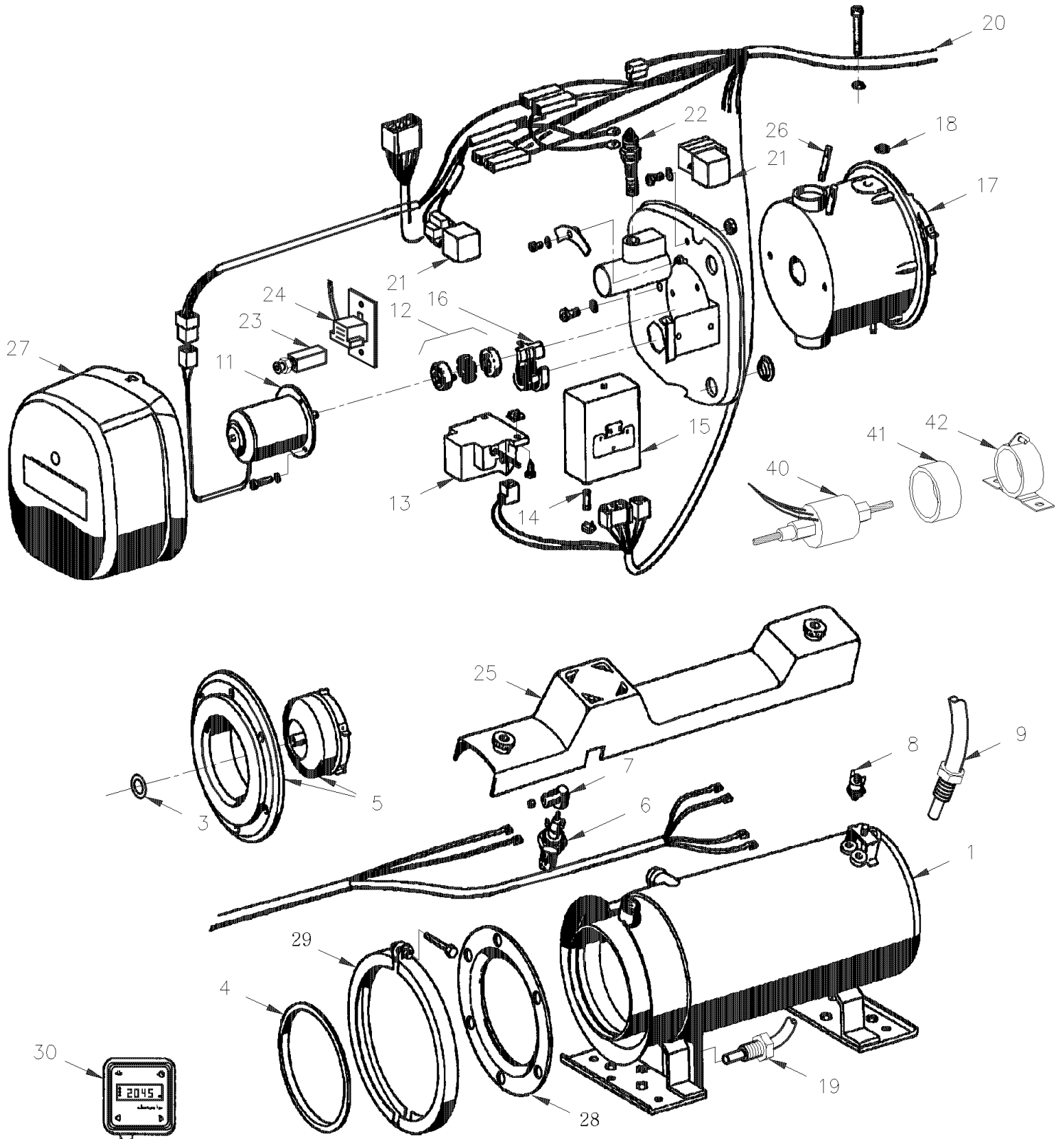
Item#	Part	Description	M T H 4 0	M T H 4 5	M T H 4 5 E	X L 4 0	X L 4 5	N O T E S
		A) WHEN IT'S FIRST ATOMIZER REPLACED, USE CONVERSION KIT #870984						
		B) L.H. CONSOLE						

From S-640 To V-6234

Date:10/2022

PAGE:871077

WATER HEATER - "ESPAR" 41,000 B.T.U.



From S-640 To V-6234	Date:10/2022	PAGE:871077
WATER HEATER - "ESPAR" 41,000 B.T.U.		

Item#	Part	Description	M T H 4 0	M T H 4 5	M T H 4 5 E	X L 4 0	X L 4 5	N O T E S
		A) WHEN IT'S THE FIRST ATOMIZER REPLACED, USE CONVERSION KIT #870984						

From P-604 To S-630

Date:10/2022

PAGE:XL-2355-00

BACK-UP CAMERA & MONITOR - INSTALLATION

ILLUSTRATION NOT

AVAILABLE AT TIME OF

PRINTING

From P-604 To S-630	Date:10/2022	PAGE:XL-2355-00
---------------------	--------------	-----------------

BACK-UP CAMERA & MONITOR - INSTALLATION

Item#	Part	Description	M T H 4 0	M T H 4 5	M T H 4 5 E	X L 4 0	X L 4 5	N O T E S
1	990287	BACK-UP CAMERA - "CLARION"				1	1	
		FOLLOWING ITEMS ARE USED INSIDE OF VEHICLE						
2	490833	PROTECTOR, CAMERA				1	1	
3	490832	PLATE, FIXATION / (INSIDE OF REAR CAP)				1	1	
4	504665	GROMMET / .375x.593x.046x.125x.593x.046				1	1	
5	502737	SCREW CAP HEX M6-1.0x25 SS BK				3	3	
6	502570	WASHER LO SPT 6.1x11.8x1.6 SS				3	3	A
7	502573	WASHER FL 6.4x12.5x1.6 SS						A
10	990248	BACK-UP CAMERA - "CLARION"				1	1	
NS	990226	MONITOR - "CLARION" / 12VOLTS				1	1	
12	064074	CABLE ASSY / MONITOR CABLE				1	1	
13	490808	SUPPORT MONITOR				1	1	
14	490811	SPACER / POST & SUPPORT				1	1	
15	500659	SCREW TC PAN PH #10-32x1 Z050				3	3	B
15	504399	WASHER RETAINER SNAP CAP #10				3	3	
15	504400	SNAP CAP #10 FINISHING BLACK				3	3	
16	5001000	SCREW MA BDG PH #8-32x5/8 SS				2	2	C
NS	500670	NUT HEX NYRT #8-32 Z050				2	2	
NS	500438	WASHER FL .187x.437x.050 Z050				2	2	
NS	504412	WASHER RETAINER SNAP CAP #8				2	2	
NS	504403	SNAP CAP #8 FINISHING BLACK				2	2	
		FOLLOWING ITEMS ARE USED WITH FRONT VIDEO CAMERA						
NS	900914	FRONT CAMERA				1	1	
NS	900913	CABLE ASSY / VIDEO & FRONT CAMERA				1	1	
NS	900912	CABLE ASSY / FRONT CAMERA				1	1	
NS	404696	SUPPORT / CAMERA				1	1	
NS	900866	CABLE RCA / 1M/1M / 25'				1	1	
NS	900758	ADAPTOR "Y" RCA / 1F/2M / 9"				1	1	
NS	900671	ADAPTOR "Y" RCA / 1M/2F / 4"				2	2	
NS	490854	KIT BACKUP CAMERA REPLACEMENT				1	1	
NS	IS-98087	SEE INSTRUCTION SHEET				1	1	
50	063946	KIT REMPLACEMENT BACK UP CAMERA MONITOR SONY BY CLARION						
NS	IS-94079	SEE INSTRUCTION SHEET	1	1	1	1	1	

From P-604 To S-630	Date:10/2022	PAGE:XL-2355-00
---------------------	--------------	-----------------

BACK-UP CAMERA & MONITOR - INSTALLATION

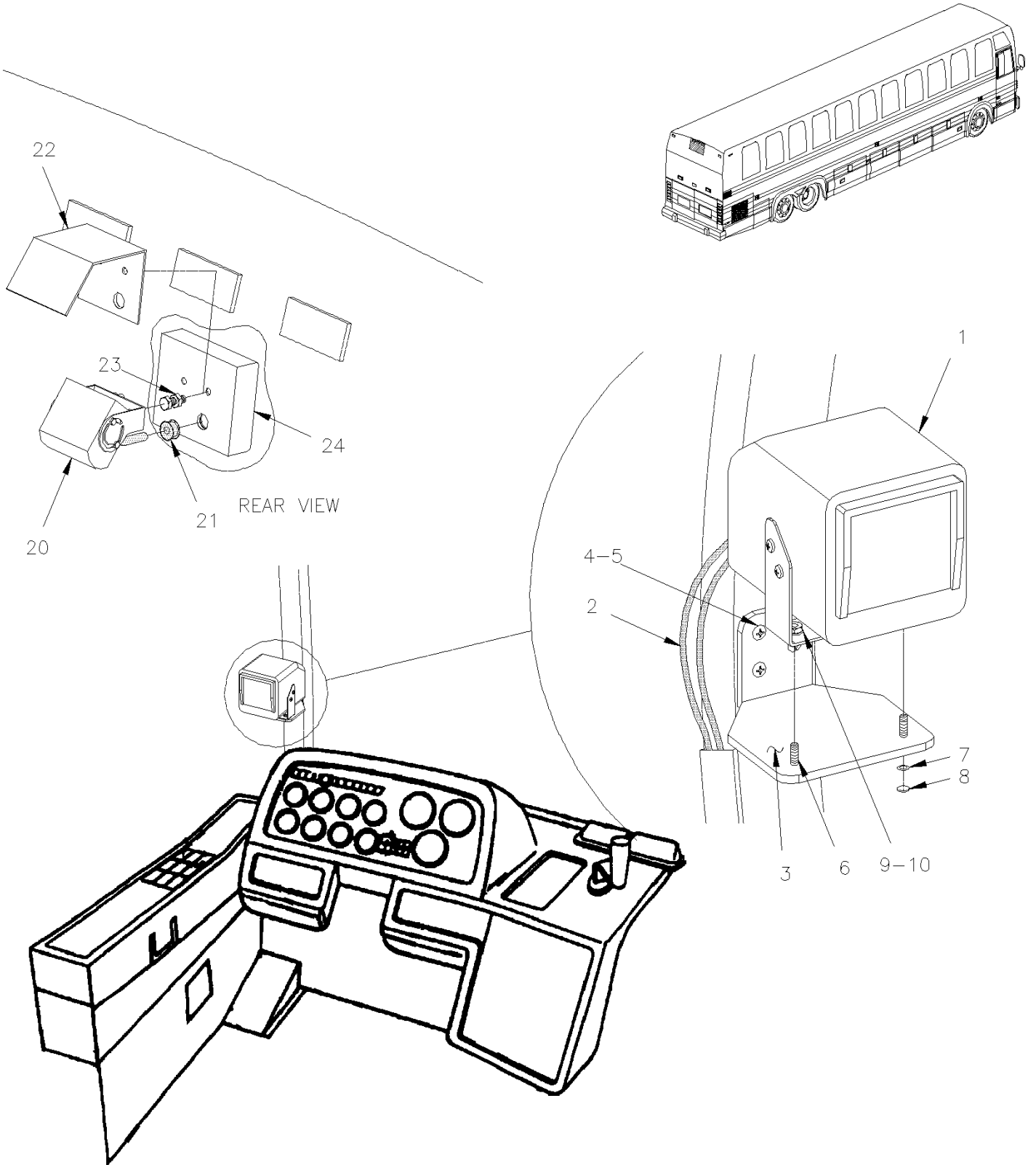
Item#	Part	Description	M T H 4 0	M T H 4 5	M T H 4 5 E	X L 4 0	X L 4 5	N O T E S
		A) TO FIX PROTECTOR						
		B) TO FIX SUPPORT						
		C) TO FIX MONITOR						

From S-631 To Y-7045

Date:10/2022

PAGE:XL-2355-20

BACK-UP CAMERA & MONITOR - INSTALLATION



From S-631 To Y-7045	Date:10/2022	PAGE:XL-2355-20
BACK-UP CAMERA & MONITOR - INSTALLATION		

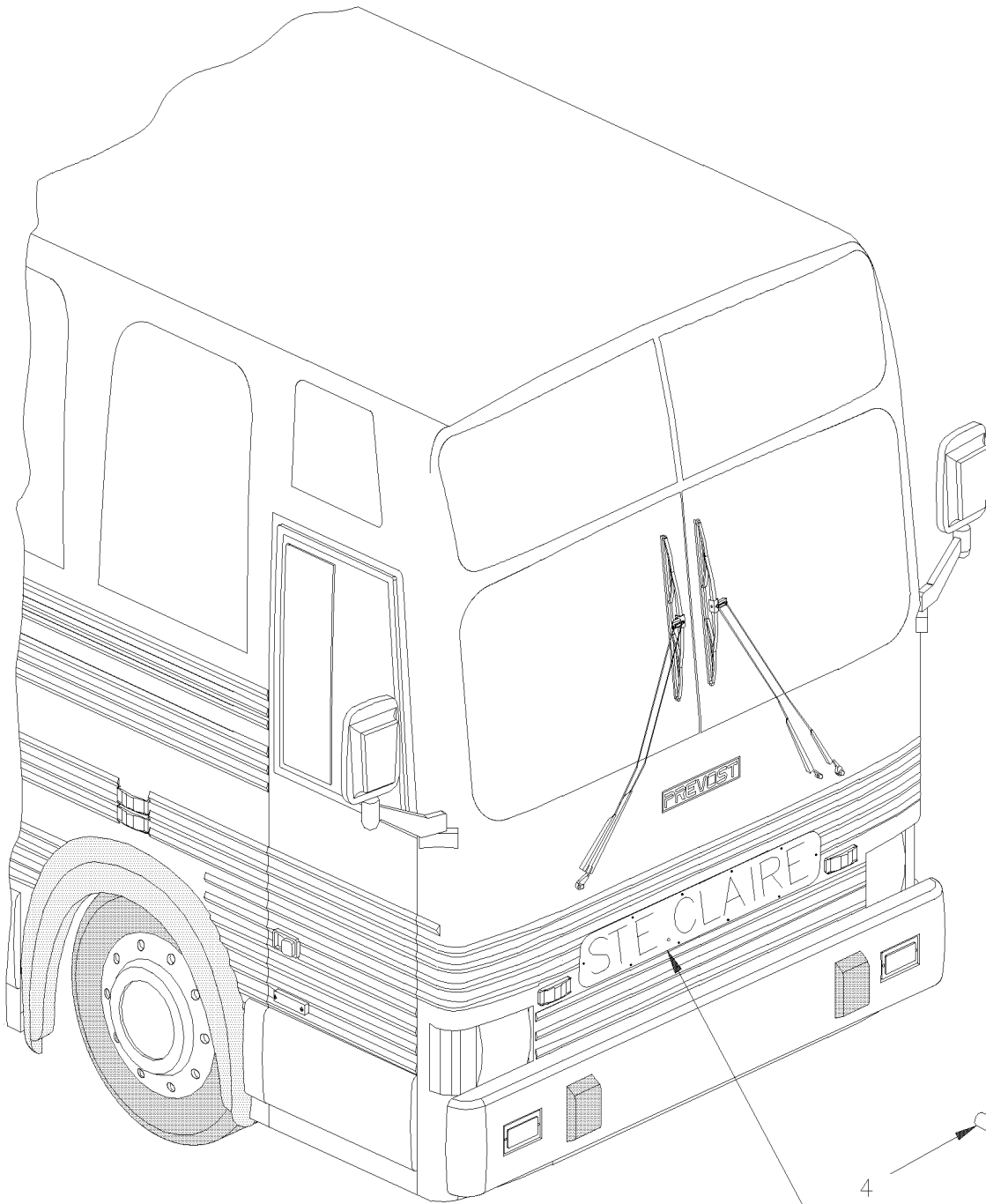
Item#	Part	Description	M T H 4 0	M T H 4 5	M T H 4 5 E	X L 4 0	X L 4 5	N O T E S
1	990226	MONITOR - "CLARION" / 12VOLTS To X-6905				1	1	
1	990334	MONITOR - "CLARION" / BLACK & WHITE 12 VOLT From X-6906				1	1	
2	064065	CABLE ASSY To X-6905				1	1	
. NS	990257	. CABLE MONITOR "CLARION" To X-6905				1	1	
. NS	560851	. CONNECTOR / COM. MATE-N-LOCK / PH 4C / AMP 1-480426-0 To X-6905				1	1	
2	065063	CABLE ASSY / BACK-UP MONITOR From X-6906				1	1	
. NS	990335	. CABLE MONITOR "CLARION" From X-6906				1	1	
. NS	560851	. CONNECTOR / COM. MATE-N-LOCK / PH 4C / AMP 1-480426-0 From X-6906				1	1	
. NS	504397	. GROMMET / .750x1.062x.062x1.375 From X-6906				1	1	
. NS	N.P.N.	. CABLE ASSY / BACK-UP MONITOR From X-6906				AR	AR	4
NS	064074	CABLE ASSY / MONITOR CABLE				1	1	
3	490808	SUPPORT MONITOR				1	1	
3	490811	SPACER / POST & SUPPORT				1	1	
3	506322	TAPE RUB ADH2 POL .045" x 1" x 223' / WHITE 4085				AR	AR	
4	500659	SCREW TC PAN PH #10-32x1 Z050				3	3	
5	504399	WASHER RETAINER SNAP CAP #10				3	3	
5	504400	SNAP CAP #10 FINISHING BLACK				3	3	
6	5001000	SCREW MA BDG PH #8-32x5/8 SS				2	2	
7	504412	WASHER RETAINER SNAP CAP #8				2	2	
8	504403	SNAP CAP #8 FINISHING BLACK				2	2	
9	500438	WASHER FL .187x.437x.050 Z050				2	2	
10	500670	NUT HEX NYRT #8-32 Z050				2	2	
20	990303	BACK-UP CAMERA - "CLARION" / BLACK & WHITE				1	1	
21	504625	GROMMET / .250x.750x.250x.437x1.000				1	1	
22	490853	PROTECTOR, CAMERA				1	1	
23	502737	SCREW CAP HEX M6-1.0x25 SS BK				3	3	
NS	502573	WASHER FL 6.4x12.5x1.6 SS				3	3	
NS	502570	WASHER LO SPT 6.1x11.8x1.6 SS				3	3	
24	490852	PLATE, FIXATION / (INSIDE OF REAR CAP)				1	1	
NS	680532	SEALANT SIKA #221 / GREY / 310ml CARTRIDGE				AR	AR	
NS	680038	THREAD LOCKER LOCTITE #243 / BLUE / 50ml				AR	AR	
		4) NO PARTS NUMBER						

From E-638 To Y-7045

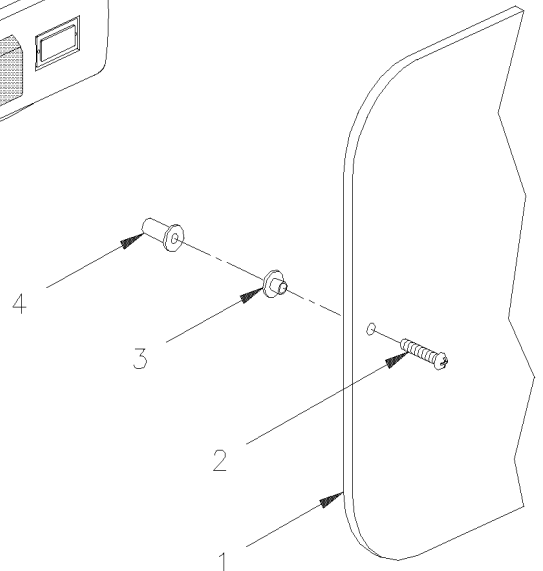
Date:10/2022

PAGE:XL-2360-00

MONOGRAM ASSY & LETTERS



THIS MONOGRAM IS ONLY AN EXAMPLE



From E-638 To Y-7045	Date:10/2022	PAGE:XL-2360-00
MONOGRAM ASSY & LETTERS		

Item#	Part	Description	M T H 4 0	M T H 4 5	M T H 4 5 E	X L 4 0	X L 4 5	N O T E S
		BEFORE ORDERING "MONOGRAM" OR "DECAL"						
		PLEASE SPECIFY NAME...						
NS	490392	DECAL / ON BAGGAGE DOOR "OWNER & OPERATOR ICC # & ETC...."				1	1	
NS	490247	MONOGRAM ASSY / FRONT BLACK W/DIE CAST ALUMINUM LETTER						
NS	490260P	MONOGRAM ASSY / FRONT BLACK W/ACRYLIC LETTER (WHITE OR GREY)						
NS	490262	. MONOGRAM PLATE, BLACK PLASTIC / 9 3/4" X 82 5/8"				1	1	
NS	Call order desk	MONOGRAM AUXILIARY ASSY / FRONT BLACK W/ACRYLIC LETTER WHITE						P
NS	490200	. MONOGRAM PLATE, BLACK PLASTIC / 9 3/4" X 46 W/ONE END SQUAR				1	1	
NS	Call order desk	MONOGRAM ASSY / FRONT WHITE W/ACRYLIC LETTER BLACK						P
NS	490426	. MONOGRAM PLATE, WHITE PLASTIC / 9 3/4" X 8 5/8"				1	1	
NS	490716P	MONOGRAM ASSY / FRONT RED W/ACRYLIC LETTER GREY				1	1	
NS	490700	. MONOGRAM PLATE, RED PLASTIC / 9 3/4" X 82 5/8"				1	1	
NS	490680P	MONOGRAM ASSY / FRONT CLEAR W/PAINT LETTER OR "SCOTCH"						
NS	490681	. MONOGRAM PLATE, CLEAR PLASTIC / 9 3/4" X 82 5/8"				1	1	
NS	502735	SCREW MA BDG PH #10-32x1 SS BK				10	10	
NS	500519	NUT WELL #10-32x.518				10	10	
NS	900251	BUSHING, RUBBER				10	10	A
NS	680130	GLUE / TO FIX ACRYLIC LETTER TO MONOGRAM 1 Liter				AR	AR	
NS	490277	LETTER "A" / ALUMINUM DIE CAST						
NS	490307	LETTER "A" / ACRYLIC WHITE						
NS	490608	LETTER "A" / ACRYLIC GREY						
NS	490393	LETTER "A" / ACRYLIC RED						
NS	490429	LETTER "A" / ACRYLIC BLACK						
NS	490278	LETTER "B" / ALUMINUM DIE CAST						
NS	490308	LETTER "B" / ACRYLIC WHITE						
NS	490609	LETTER "B" / ACRYLIC GREY						
NS	490279	LETTER "C" / ALUMINUM DIE CAST						
NS	490309	LETTER "C" / ACRYLIC WHITE						
NS	490610	LETTER "C" / ACRYLIC GREY						
NS	490394	LETTER "C" / ACRYLIC RED						
NS	490280	LETTER "D" / ALUMINUM DIE CAST						
NS	490310	LETTER "D" / ACRYLIC WHITE						
NS	490611	LETTER "D" / ACRYLIC GREY						
NS	490281	LETTER "E" / ALUMINUM DIE CAST						
NS	490311	LETTER "E" / ACRYLIC WHITE						
NS	490612	LETTER "E" / ACRYLIC GREY						
NS	490395	LETTER "E" / ACRYLIC RED						
NS	490430	LETTER "E" / ACRYLIC BLACK						
NS	490282	LETTER "F" / ALUMINUM DIE CAST						

From E-638 To Y-7045	Date:10/2022	PAGE:XL-2360-00
MONOGRAM ASSY & LETTERS		

Item#	Part	Description	M T H 4 0	M T H 4 5	M T H 4 5 E	X L 4 0	X L 4 5	N O T E S
NS	490312	LETTER "F" / ACRYLIC WHITE						
NS	490613	LETTER "F" / ACRYLIC GREY						
NS	490283	LETTER "G" / ALUMINUM DIE CAST						
NS	490313	LETTER "G" / ACRYLIC WHITE						
NS	490614	LETTER "G" / ACRYLIC GREY						
NS	490431	LETTER "G" / ACRYLIC BLACK						
NS	490284	LETTER "H" / ALUMINUM DIE CAST						
NS	490314	LETTER "H" / ACRYLIC WHITE						
NS	490615	LETTER "H" / ACRYLIC GREY						
NS	490306	LETTER "I" / ALUMINUM DIE CAST						
NS	490336	LETTER "I" / ACRYLIC WHITE						
NS	490616	LETTER "I" / ACRYLIC GREY						
NS	490285	LETTER "J" / ALUMINUM DIE CAST						
NS	490315	LETTER "J" / ACRYLIC WHITE						
NS	490617	LETTER "J" / ACRYLIC GREY						
NS	490286	LETTER "K" / ALUMINUM DIE CAST						
NS	490316	LETTER "K" / ACRYLIC WHITE						
NS	490618	LETTER "K" / ACRYLIC GREY						
NS	490287	LETTER "L" / ALUMINUM DIE CAST						
NS	490317	LETTER "L" / ACRYLIC WHITE						
NS	490619	LETTER "L" / ACRYLIC GREY						
NS	490396	LETTER "L" / ACRYLIC RED						
NS	490288	LETTER "M" / ALUMINUM DIE CAST						
NS	490318	LETTER "M" / ACRYLIC WHITE						
NS	490620	LETTER "M" / ACRYLIC GREY						
NS	490289	LETTER "N" / ALUMINUM DIE CAST						
NS	490319	LETTER "N" / ACRYLIC WHITE						
NS	490621	LETTER "N" / ACRYLIC GREY						
NS	490397	LETTER "N" / ACRYLIC RED						
NS	490290	LETTER "O" / ALUMINUM DIE CAST						
NS	490320	LETTER "O" / ACRYLIC WHITE						
NS	490622	LETTER "O" / ACRYLIC GREY						
NS	490398	LETTER "O" / ACRYLIC RED						
NS	490432	LETTER "O" / ACRYLIC BLACK						
NS	490291	LETTER "P" / ALUMINUM DIE CAST						
NS	490321	LETTER "P" / ACRYLIC WHITE						
NS	490597	LETTER "P" / ACRYLIC GREY						
NS	490292	LETTER "Q" / ALUMINUM DIE CAST						
NS	490322	LETTER "Q" / ACRYLIC WHITE						
NS	490624	LETTER "Q" / ACRYLIC GREY						
NS	490293	LETTER "R" / ALUMINUM DIE CAST						
NS	490323	LETTER "R" / ACRYLIC WHITE						

From E-638 To Y-7045	Date:10/2022	PAGE:XL-2360-00
MONOGRAM ASSY & LETTERS		

Item#	Part	Description	M T H 4 0	M T H 4 5	M T H 4 5 E	X L 4 0	X L 4 5	N O T E S
NS	490625	LETTER "R" / ACRYLIC GREY						
NS	490399	LETTER "R" / ACRYLIC RED						
NS	490433	LETTER "R" / ACRYLIC BLACK						
NS	490294	LETTER "S" / ALUMINUM DIE CAST						
NS	490324	LETTER "S" / ACRYLIC WHITE						
NS	490626	LETTER "S" / ACRYLIC GREY						
NS	490295	LETTER "T" / ALUMINUM DIE CAST						
NS	490325	LETTER "T" / ACRYLIC WHITE						
NS	490599	LETTER "T" / ACRYLIC GREY						
NS	490400	LETTER "T" / ACRYLIC RED						
NS	490296	LETTER "U" / ALUMINUM DIE CAST						
NS	490326	LETTER "U" / ACRYLIC WHITE						
NS	490628	LETTER "U" / ACRYLIC GREY						
NS	490434	LETTER "U" / ACRYLIC BLACK						
NS	490297	LETTER "V" / ALUMINUM DIE CAST						
NS	490327	LETTER "V" / ACRYLIC WHITE						
NS	490629	LETTER "V" / ACRYLIC GREY						
NS	490435	LETTER "V" / ACRYLIC BLACK						
NS	490298	LETTER "W" / ALUMINUM DIE CAST						
NS	490328	LETTER "W" / ACRYLIC WHITE						
NS	490598	LETTER "W" / ACRYLIC GREY						
NS	490299	LETTER "X" / ALUMINUM DIE CAST						
NS	490329	LETTER "X" / ACRYLIC WHITE						
NS	490631	LETTER "X" / ACRYLIC GREY						
NS	490300	LETTER "Y" / ALUMINUM DIE CAST						
NS	490330	LETTER "Y" / ACRYLIC WHITE						
NS	490632	LETTER "Y" / ACRYLIC GREY						
NS	490436	LETTER "Y" / ACRYLIC BLACK						
NS	490301	LETTER "Z" / ALUMINUM DIE CAST						
NS	490331	LETTER "Z" / ACRYLIC WHITE						
NS	490633	LETTER "Z" / ACRYLIC GREY						
NS	490302	AND "&" / ALUMINUM DIE CAST						
NS	490332	AND "&" / ACRYLIC WHITE						
NS	490634	AND "&" / ACRYLIC GREY						
NS	490303	DOT "." / ALUMINUM DIE CAST						
NS	490333	DOT "." / ACRYLIC WHITE						
NS	490635	DOT "." / ACRYLIC GREY						
NS	490304	DASH "-" / ALUMINUM DIE CAST						
NS	490334	DASH "-" / ACRYLIC WHITE						
NS	490636	DASH "-" / ACRYLIC GREY						
NS	490305	COMA "," / ALUMINUM DIE CAST						
NS	490335	COMA "," / ACRYLIC WHITE						

From E-638 To Y-7045	Date:10/2022	PAGE:XL-2360-00
----------------------	--------------	-----------------

MONOGRAM ASSY & LETTERS

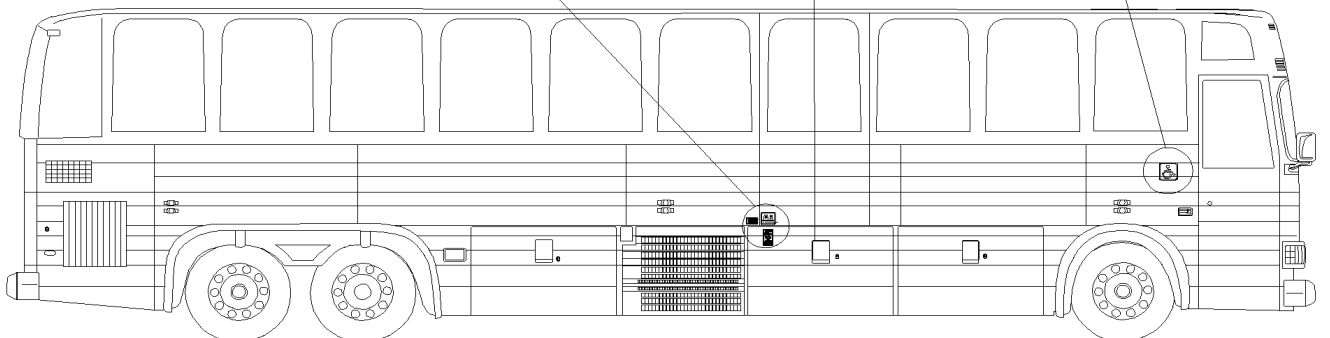
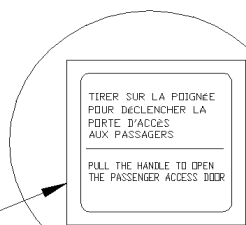
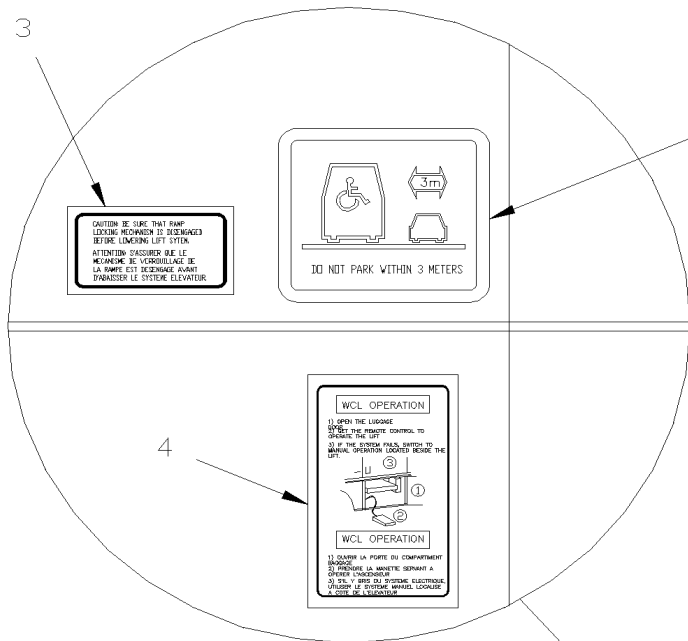
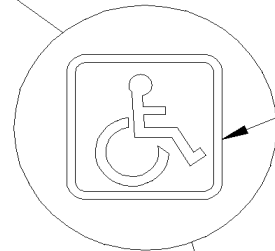
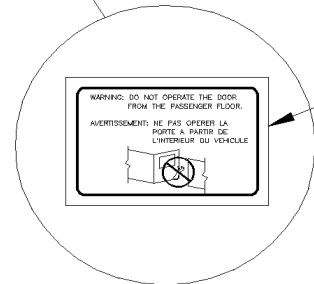
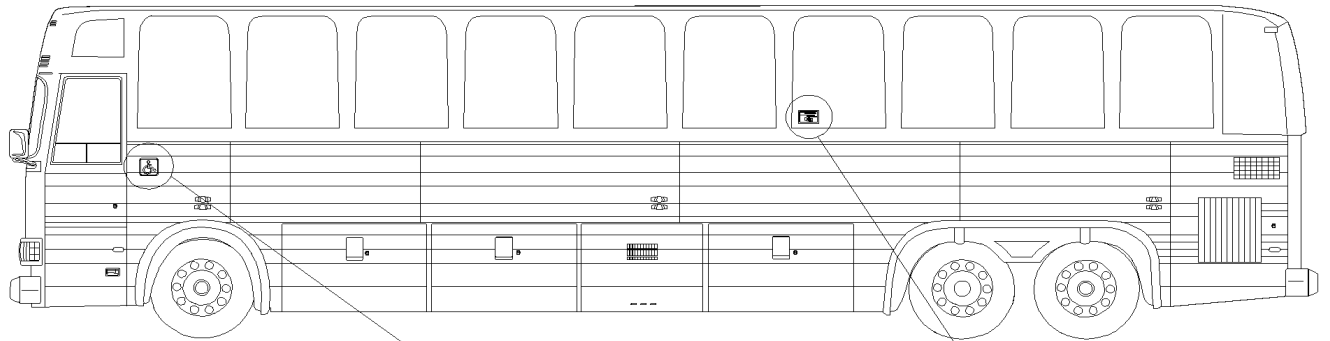
Item#	Part	Description	M T H 4 0	M T H 4 5	M T H 4 5 E	X L 4 0	X L 4 5	N O T E S
NS	490637	COMA " / ACRYLIC GREY						
		A) BODY & MONOGRAM						
		P) CALL ORDER DESK FOR SPECIFIC APPLICATION (V.I.N.)						

From X-6945 To X-7014

Date:10/2022

PAGE:XL-2370-10

W.C.L. - DECAL

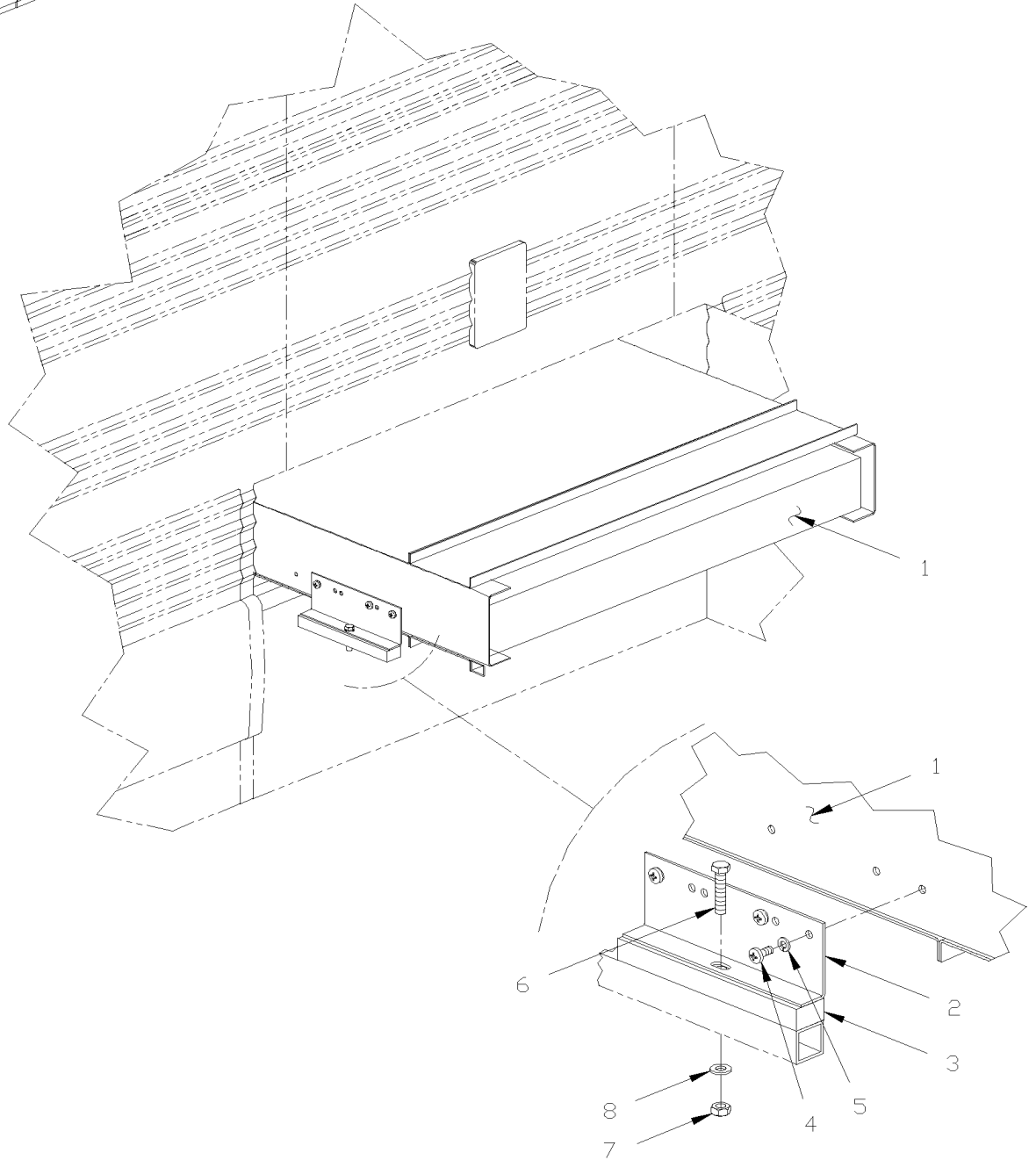
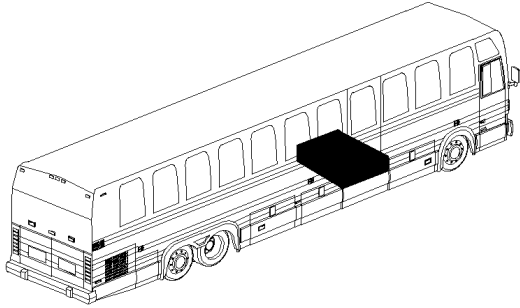


From X-6945 To X-7014

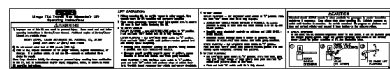
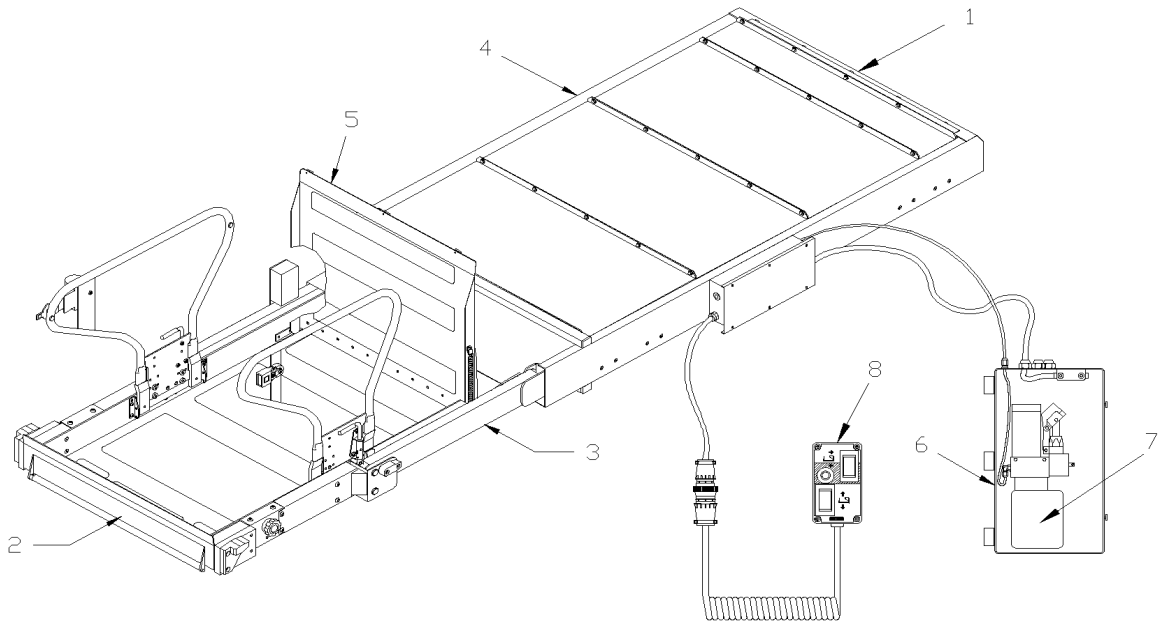
Date:10/2022

PAGE:XL-2380-00

W.C.L. "RICON" - INSTALLATION - "GO TRANSIT"



From X-6945 To X-7014	Date:10/2022	PAGE:XL-2380-05
W.C.L. "RICON" MODEL "F9A"		



OPERATING INSTRUCTION DECAL
(PN 10102)



PART OF SERIAL
NUMBER STICKER
(ONLY RICON
REPLACEABLE)



ECLIPSE/MIRAGE
PATENT NO. DECAL
(PN 32-10-170)



PART OF SERIAL
NUMBER DECAL



WARNING
DECAL
(PN 26217)



MANUAL OPERATION
ROLLSTOP DECAL
(PN 26207)



MAXIMUM LOAD
DECAL
(PN 26213)



RICON LOGO DECAL
(PN 32-10-158)



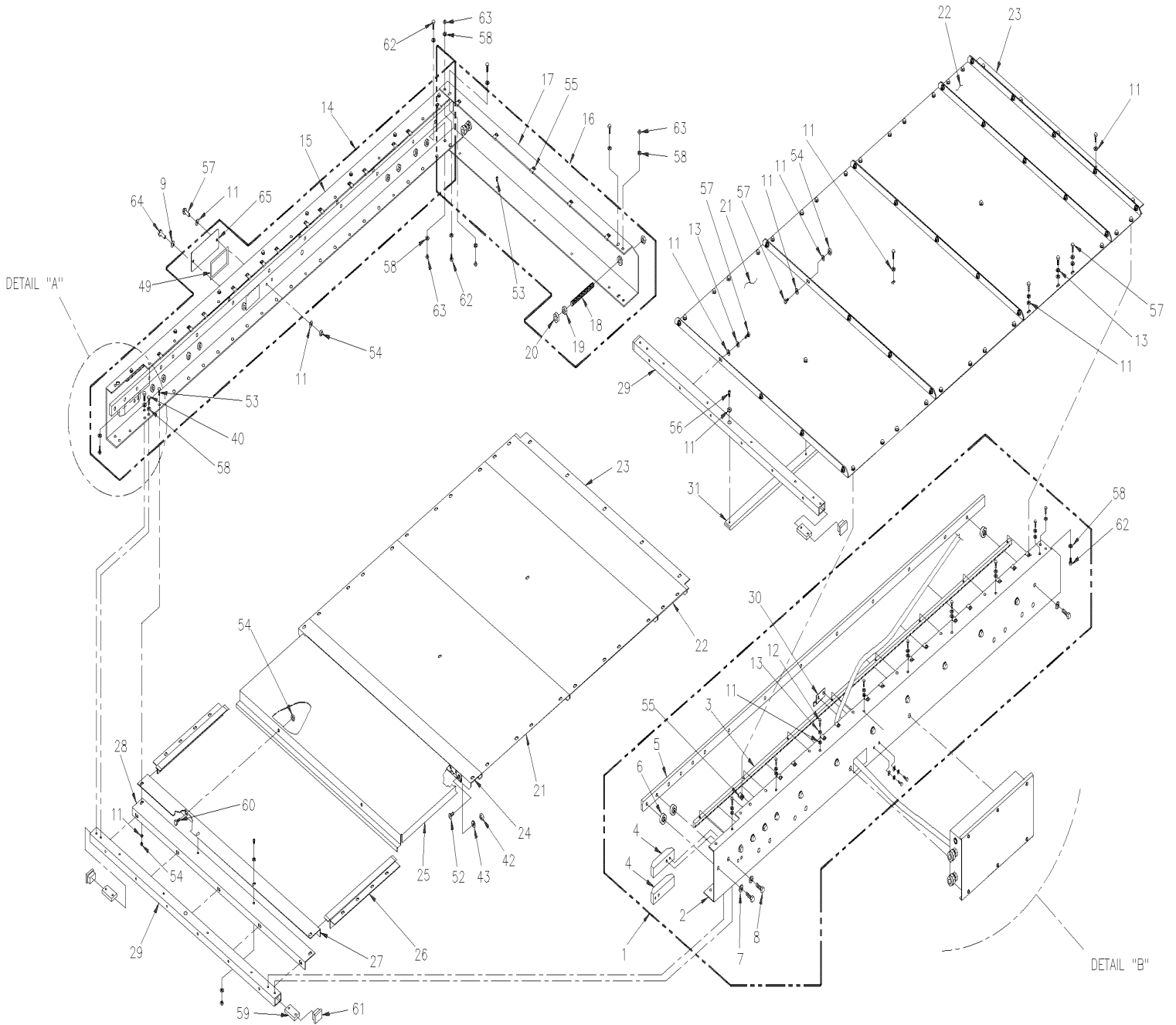
RICON LOGO DECAL
(PN 32-10-158)

From X-6945 To X-7014

Date:10/2022

PAGE:XL-2380-10

W.C.L. "RICON" - LIFT ENCLOSURE ASSY MODEL "F9A"

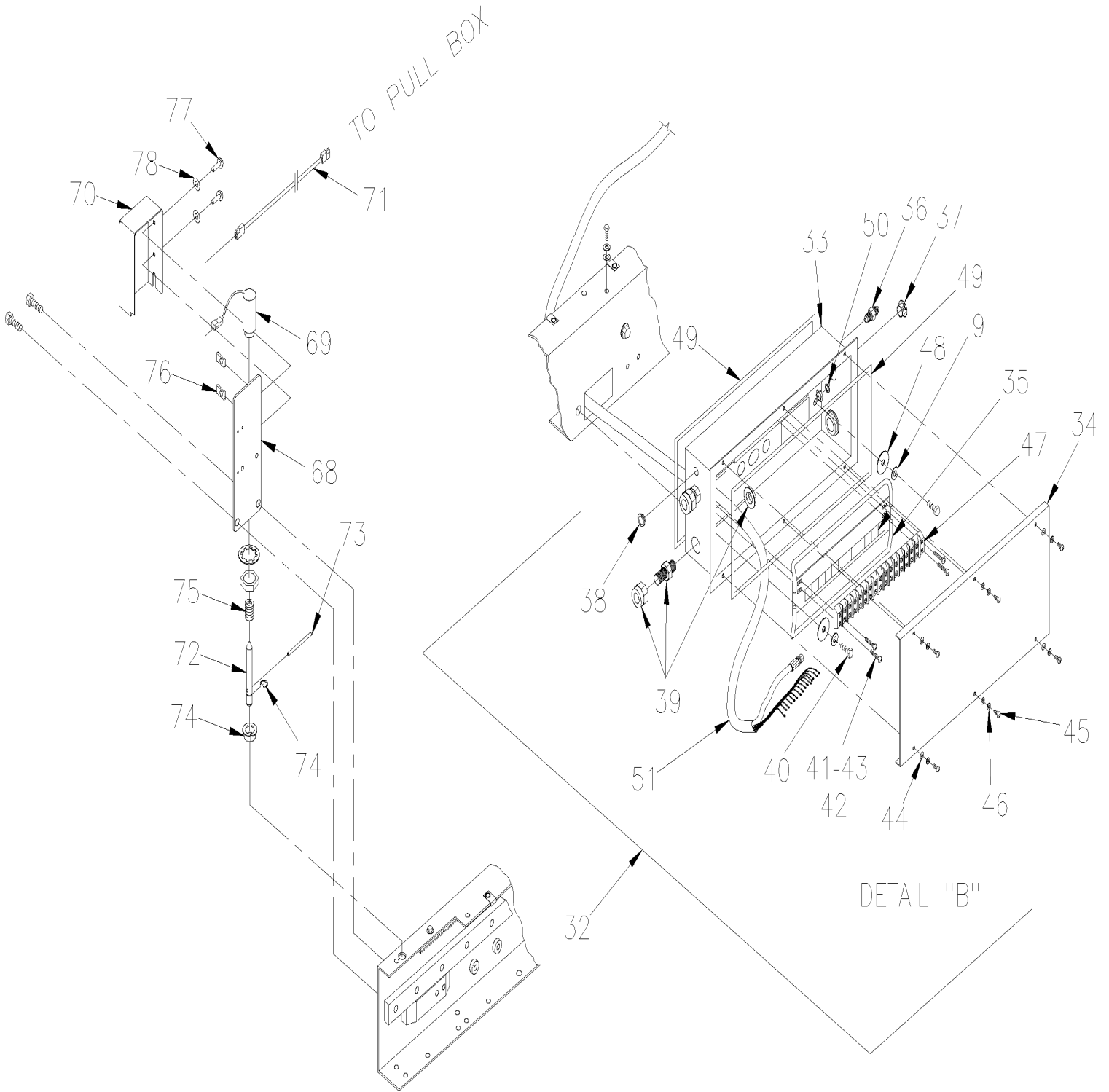


From X-6945 To X-7014

Date:10/2022

PAGE:XL-2380-10

W.C.L. "RICON" - LIFT ENCLOSURE ASSY MODEL "F9A"



From X-6945 To X-7014	Date:10/2022	PAGE:XL-2380-10
W.C.L. "RICON" - LIFT ENCLOSURE ASSY MODEL "F9A"		

Item#	Part	Description	M T H 4 0	M T H 4 5	M T H 4 5 E	X L 4 0	X L 4 5	N O T E S
1	Call order desk	CHANNEL / MTG FRAME / 78.81 / RH MECH ASSY				1		P
2	Call order desk	CHANNEL / MTG FRAME / 78.81 / RH WELD ASSY				1		P
3	863006	GEAR RACK				2		
4	862109	STOP BLOCK				2		
4	862110	STOP BLOCK				2		
5	862993	RAIL, GUIDE, CARRIAGE				2		
6	Call order desk	SPACER .40THK				28		P
7	500270	WASHER FL .406x1.000x.063 SS				28		
8	Call order desk	SCREW CAP HEX 3/8-16x1.00 SS				1		P
9	500035	WASHER LO SPT .317x.586x.078 SS				14		
11	500411	WASHER FL .260x.697x.050 SS				AR		
12	5001315	SCREW CAP HEX 1/4-20x1 SS				16		
13	502570	WASHER LO SPT 6.1x11.8x1.6 SS				58		
14	Call order desk	CHANNEL / MTG FRAME / 78.81 / LH MECH ASSY				1		P
15	Call order desk	CHANNEL / MTG FRAME / 78.81 / LH WELD ASSY				1		P
16	Call order desk	CHANNEL / MTG FRAME / REAR ASSY				1		P
17	Call order desk	CHANNEL / MTG FRAME / REAR WELD ASSY				1		P
18	Call order desk	SOC SET 1/2-20x2.00 FLAT POINT / SS				2		P
19	Call order desk	NUT HEX THN 1/2-20				4		P
20	863008	BUMPER, CARRIAGE STOP				2		
21	Call order desk	COVER / 19.98"				5		P
22	Call order desk	COVER / 6.67"				2		P
23	Call order desk	BRACKET / COVER MOUNTING				2		P
24	Call order desk	BRACKET / ACCESS DOOR MOUNTING				1		P
25	Call order desk	PANEL / BOTTOM ACCESS COVER / TRIAN LIFT				1		P
26	Call order desk	BRACKET / ACCESS DOOR SIDE SHIELD / WELD ASSY				2		P
27	Call order desk	FLANGE / ACCESS DOOR ADJUSTEMENT				1		P
28	Call order desk	FLANGE / ACCESS DOOR MOUNTING				1		P
29	862998	TUBE, FORWARD CROSSMEMBER				2		
30	Call order desk	BRACKET / HOSE/CABLE CLAMP ASSEMBLY				1		P
31	Call order desk	RAIL / CARRIAGE GUIDE / SW				1		P
32	Call order desk	PULL BOX / MECHANICAL ASSY				1		P
33	Call order desk	BOX / PULL BOX				1		P
34	Call order desk	COVER / PULL BOX				1		P
35	Call order desk	TIE BAR / PULL BOX / WELD ASSY				1		P
36	863086	FITTING, BUN, 1/4J, 2.08L				1		
37	N8889990	HOLE PLUG HEYCO				1		
38	Call order desk	PLUG / 0.43 - 0.45 DIA / UP TO .06 THK / BLK				1		P
39	Call order desk	STRAIN RELIEF / STRE THRU LIQ TIGHT				3		P
40	Call order desk	SCREW CAP HEX 5/16-18x5/8 G5				10		P
41	Call order desk	SCREW CAP BUT #10-24x7/8 SS				4		P
42	5001180	NUT HEX NYRT #10-24 SS				9		

From X-6945 To X-7014	Date:10/2022	PAGE:XL-2380-10
W.C.L. "RICON" - LIFT ENCLOSURE ASSY MODEL "F9A"		

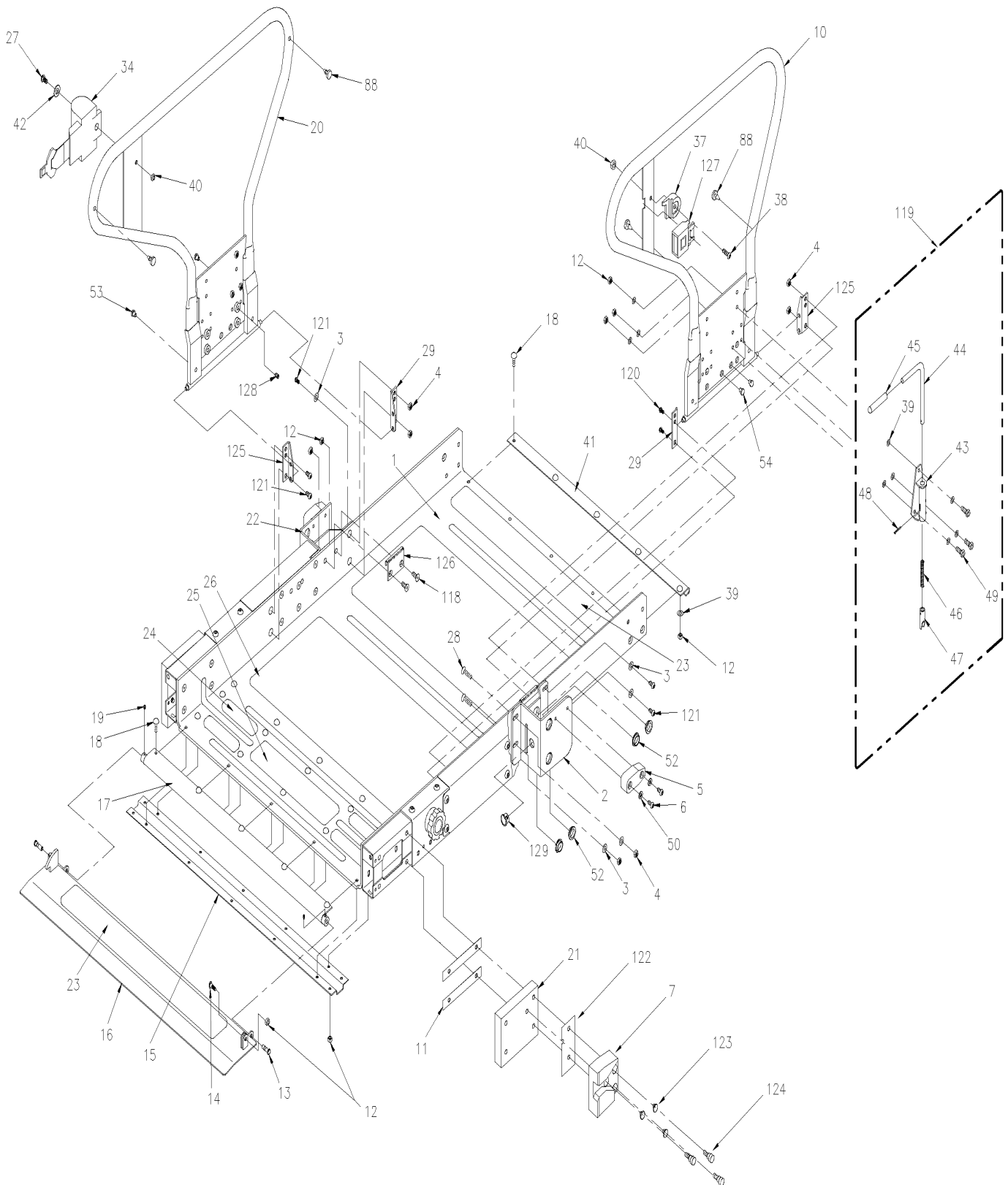
Item#	Part	Description	M T H 4 0	M T H 4 5	M T H 4 5 E	X L 4 0	X L 4 5	N O T E S
43	Call order desk	WASHER FL #10 SS				13		P
44	Call order desk	WASHER FL #8 SS				6		P
45	Call order desk	SCREW CAP BUT #8-32x1/2 SS				6		P
46	Call order desk	WASHER LO SPT #8 SS				6		P
47	Call order desk	TERMINAL STRIP / 15 THERM				1		P
48	Call order desk	WASHER LO SPT 7/16 SS				2		P
49	506465	TAPE RUB ADH1 CC NEO 1/8" x 1/4" x 60' / BLACK 1220				AR		
50	N8886025	WASHER LO EXT 7/16 SS				1		
51	Call order desk	HARNESS MAIN / WITH HYDRAULIC				1		P
52	Call order desk	SCREW CAP CK HEXS #10-24x1/2 SS				5		P
53	Call order desk	SCREW CRG 1/4-20x5/8 SS				39		P
54	5001251	NUT HEX NYRT 1/4-20 SS				56		
55	500837	NUT SPR U 1/4-20 .064-.125				36		
56	Call order desk	SCREW CAP BUT HEXS 1/4-20x5/8 SS				3		P
57	N8886004	SCREW CAP HEX 1/4-20x5/8 SS				AR		
58	Call order desk	WASHER FL 5/16 SS				14		P
59	Call order desk	PLATE FORWARD CROSS MEMBER MOUNTING				4		P
60	Call order desk	SCREW CAP HEX 1/4-20x3/4 SS				2		P
61	868230	CAP RECTANGLE / BLACK				4		
62	Call order desk	SCREW CAP HEX 5/16-18x3/4 SS				4		P
63	500685	NUT HEX NYRT 5/16-18 SS				4		
64	Call order desk	SCREW CAP HEX 5/16-18x1/2 SS				1		P
65	Call order desk	PLATE / PLUG / ENCLOSURE				1		P
68	Call order desk	BRACKET-WASSY / STOW LOCK F9A				1		P
69	862111	SOLENOID / 24V STO LOC.3 + 1lb @ 1"				1		
70	Call order desk	COVER STOW LOCK MIRAGE				1		P
71	862112	HARNESS - L PULL BOX TO STOW LOCK				1		
72	Call order desk	PIN-STOW LOCK / MIRAGE				1		P
73	Call order desk	PIN SS 5/32x2.50				1		P
74	Call order desk	BUSHING-FLANGE .50x.25				1		P
		P) CALL ORDER DESK FOR SPECIFIC APPLICATION (V.I.N.)						

From X-6945 To X-7014

Date:10/2022

PAGE:XL-2380-20

W.C.L. "RICON" - PLATFORM ASSY MODEL "F9A"

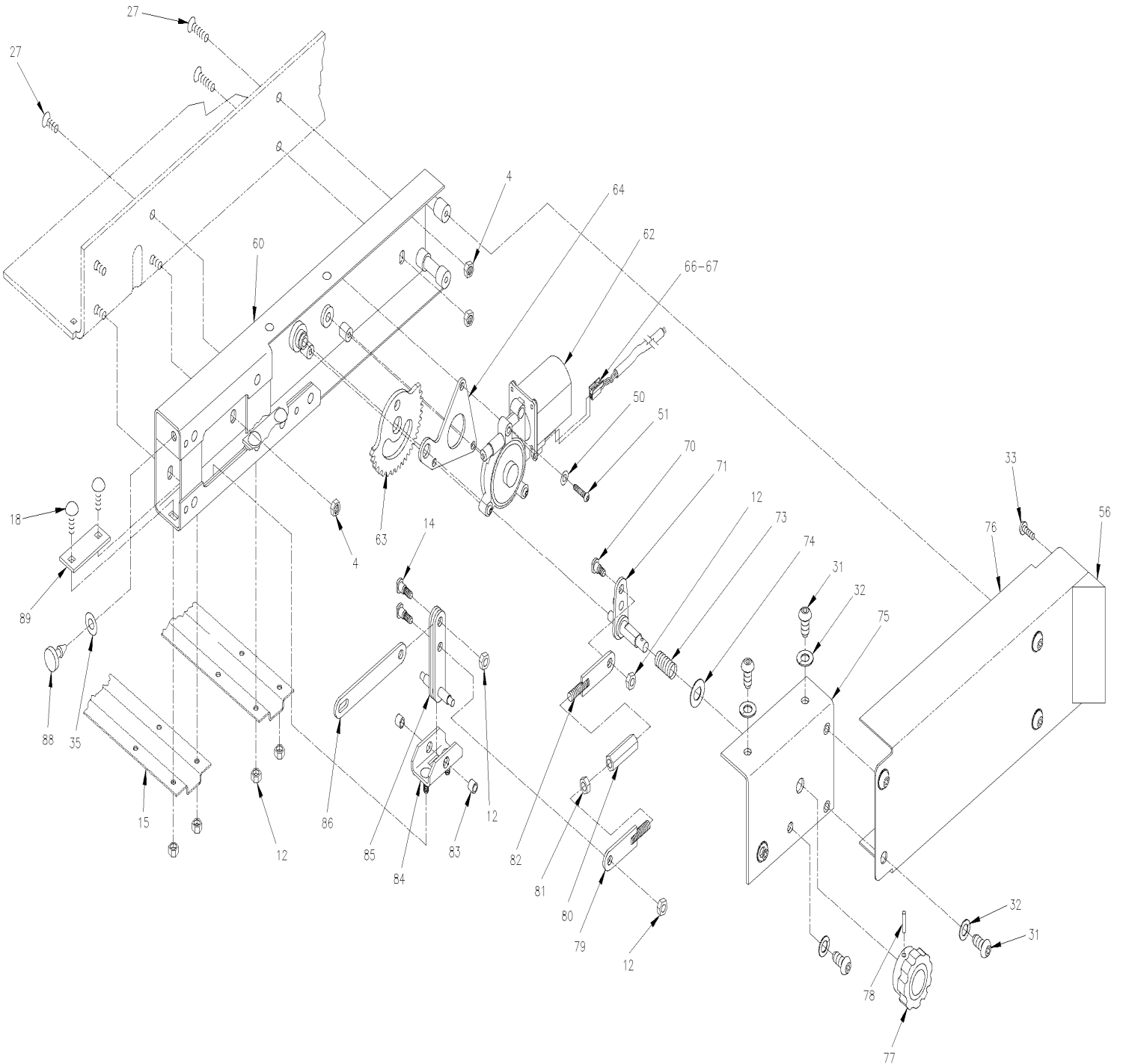


From X-6945 To X-7014

Date:10/2022

PAGE:XL-2380-20

W.C.L. "RICON" - PLATFORM ASSY MODEL "F9A"

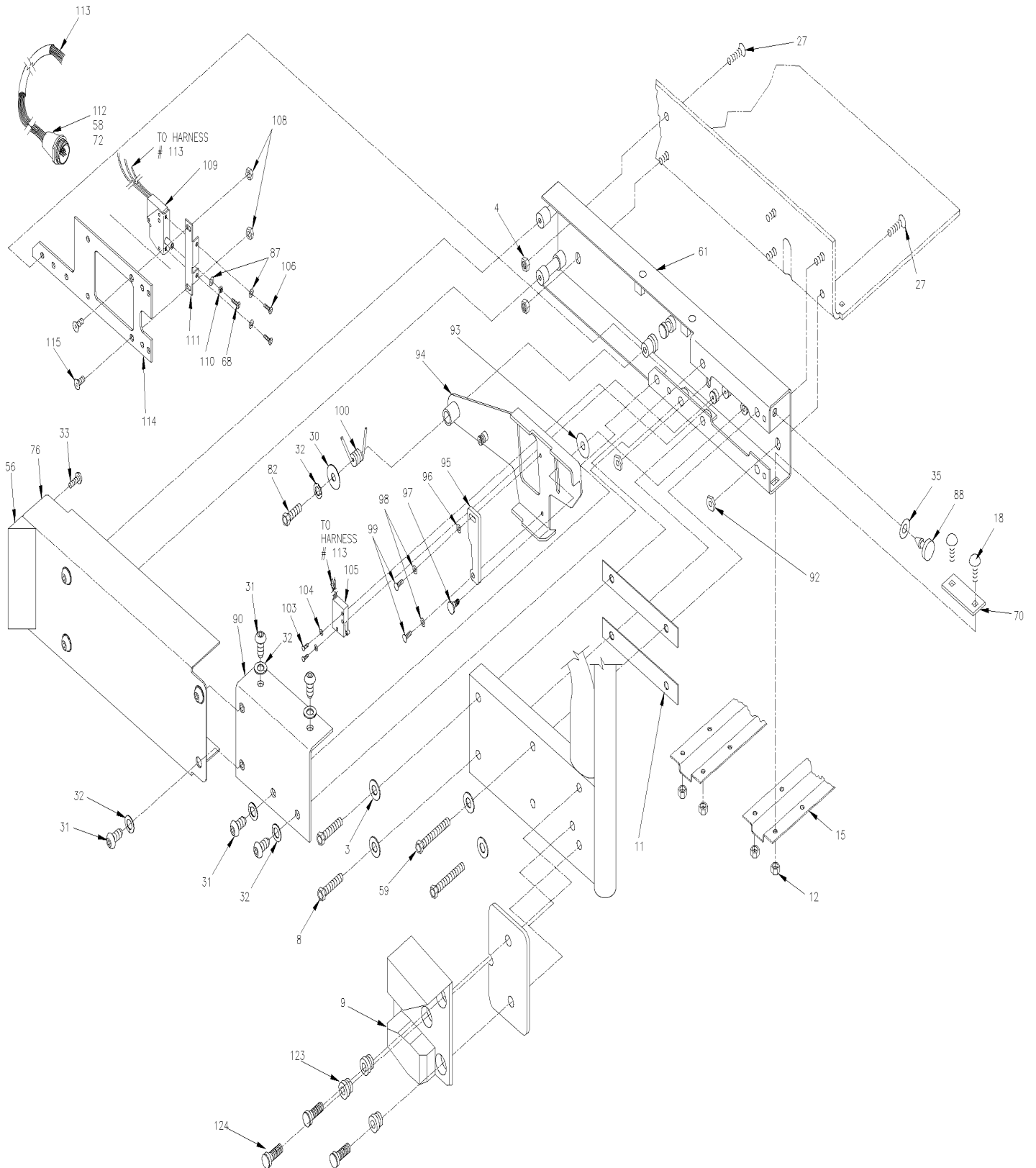


From X-6945 To X-7014

Date:10/2022

PAGE:XL-2380-20

W.C.L. "RICON" - PLATFORM ASSY MODEL "F9A"



From X-6945 To X-7014	Date:10/2022	PAGE:XL-2380-20
W.C.L. "RICON" - PLATFORM ASSY MODEL "F9A"		

Item#	Part	Description	M T H 4 0	M T H 4 5	M T H 4 5 E	X L 4 0	X L 4 5	N O T E S
1	Call order desk	PLATFORM 32.25x47.00				1		P
2	866132	BRACKET-WASSY / PLATFORM PIVOT RH				1		
3	Call order desk	WASHER FL .32x.75x.08 SS				20		P
4	500685	NUT HEX NYRT 5/16-18 SS				AR		
5	862113	STOW GUIDE				2		
6	Call order desk	SCREW CAP BUT HEXS 1/4-20x3/4 SS				4		P
7	862114	BLOCK / PLAFORM GUIDE / RH				1		
8	Call order desk	SCREW CAP HEX 5/16-18x1 1/2 SS				4		P
9	862115	BLOCK / PLAFORM GUIDE / LH				1		
10	Call order desk	HANDRAIL WELD ASSEMBLY / FOLDING / RH				1		P
10	Call order desk	HANDRAIL WELD ASSEMBLY / FOLDING / RH				1		P
11	Call order desk	SHIM HANDRAIL .50THK				4		P
12	500771	NUT HEX 1/4-20 SS				47		
13	Call order desk	PIN-CLEVIS SS 5/16x1.00				2		P
14	N8886020	SCREW SHR .250x.313				3		
15	Call order desk	STIFFENER / RIB / PRS / SW				2		P
16	Call order desk	ROLLSTOP WELD ASSY / PRS / SW				1		P
17	863649	STIFFENER, TUBE, PRS. PIVOT, WELD ASSY., SW				1		
18	Call order desk	SCREW CRG 1/4-20x3/4 SS				31		P
19	Call order desk	SCREW SET HEXS SS 1/4-20x1/4 1/4-20x1/4 SS				2		P
20	Call order desk	HANDRAIL WELD ASSEMBLY / FOLDING / LH				1		P
21	Call order desk	COVER-WASSY / RS				2		P
21	Call order desk	COVER-WASSY / RS				2		P
22	866133	BRACKET-WASSY / PLATFORM PIVOT LH				1		
23	863621	SAFETY TREAD / 25.50x3.0 / SAFETY YELLOW				2		
24	863017	SAFETY TREAD / 5.5x1.5 / SAFETY YELLOW				4		
25	863016	SAFETY TREAD / 12.75x3.0 / SAFETY YELLOW				1		
26	863620	SAFETY TREAD / 25.50x12 / OCEAN GREY				2		
27	Call order desk	SCREW CAP CK HEXS 5/16-18x3/4 SS				9		P
28	Call order desk	SCREW CAP CK HEXS 5/16-18x1.00 SS				8		P
29	Call order desk	BRACKET-HANDRAIL PIVOT RH				2		P
30	Call order desk	WASHER LO SPT 7/16 SS				1		P
31	Call order desk	SCREW CAP BUT HEXS 5/16-18x1/2 SS				16		P
32	Call order desk	WASHER LO SPT 5/16 SS				17		P
33	Call order desk	SCREW MA PH #8-32x1/16 SS				4		P
34	862116	RETRACTOR-RESTRAINT BELT				1		
35	500975	WASHER FL .378x.620x.094 NYL				2		
37	860137	BLOCK-BUCKLE MOUNT				1		
38	Call order desk	SCREW CAP BUT HEXS 5/16-18x1 3/8 SS				1		P
39	N8885992	WASHER FL .250 SS				23		
40	Call order desk	NUT HEX CAP 5/16-18 SS				2		P
41	Call order desk	STIFFENER / PLATFORM REAR / SW-T				1		P

From X-6945 To X-7014	Date:10/2022	PAGE:XL-2380-20
W.C.L. "RICON" - PLATFORM ASSY MODEL "F9A"		

Item#	Part	Description	M T H 4 0	M T H 4 5	M T H 4 5 E	X L 4 0	X L 4 5	N O T E S
42	Call order desk	WASHER COUNTER SINK				1		P
43	Call order desk	BRACKET-WASSY / LATCH				2		P
45	Call order desk	CAP-VINYL YLW .375-2.5 BLK LETTER.				2		P
46	N.S.S.	SPRING 2.5X.50X.52				2		1
47	864174	KIT LATCH ASSY				2		
48	Call order desk	ROLL PIN SS 1/8x1.00				2		P
49	Call order desk	SCREW CAP HEX 1/4-20x3/4 SS				6		P
50	502570	WASHER LO SPT 6.1x11.8x1.6 SS				10		
51	Call order desk	SCREW CAP BUT HEXS 1/4-20x.1 1/8 SS				2		P
52	863018	BEARING, FLANGED, 3/4I.D. X 1/4W				8		
53	195003	BUMPER-RUBBER .50X.31X.31				2		
54	Call order desk	BUMPER-RUBBER				3		P
56	Call order desk	BLOCK-PRS COVER				2		P
58	Call order desk	PIN MALE TAPE 66098-7 / (BAG OF TEN)				6		P
59	Call order desk	SCREW CAP HEX 5/16-18x2.00 SS				4		P
60	Call order desk	CHANNEL-WASSY / HOUSING / PRS / RH				1		P
60	Call order desk	CHANNEL-WASSY / HOUSING / SHORT PRS / RH				1		P
61	Call order desk	CHANNEL-WASSY / HOUSING / PRS / LH				1		P
61	Call order desk	CHANNEL-WASSY / HOUSING / SHORT PRS / RH				1		P
62	862117	KIT MOTOR, 24V W/HARDAWARE				1		
63	867628	GEAR PRS				1		
64	Call order desk	PLATE / KEEPER / PRS / GEAR				1		P
66	19518250	TERMINAL CONNECTOR-2 CIRCUIT / PACK-CON				1		
67	Call order desk	TERMINAL / PACK-CON SERIE 1 / HD FEM				1		P
68	Call order desk	SCREW MA PAN PH #6-32x5/8 SS				1		P
70	862208	BOLT-SHOULDER PRS				1		
71	862207	RELEASE TRIGGER / WELD ASSY / PRS				1		
72	Call order desk	STRAIN RELIEF				1		P
73	867693	SPRING / MANUAL RELEASE TRIGGER / PRS				1		
74	867694	WASHER 1/2 D/SHAPE 1.00X.30				1		
75	Call order desk	BRACKET / MANUAL RELEASE RH / WELD ASSY				1		P
76	Call order desk	COVER/ PRS SW				2		P
77	862210	KNOB KIT				1		
77	862118	. KNOB / PWR ROLL STOP / MIRAGE				1		
78	862119	. ROLL PIN SS 1/8x1 1/4				1		
79	863623	LINK / GEAR / WELD ASSEMBLY / RH				1		
80	863622	LINK / HEX ADJUSTABLE / PRS				1		
81	5001189	NUT HEX 5/16-18 SS				1		
82	863624	LINK / GEAR / WELD ASSEMBLY / LH THD				1		
83	Call order desk	BUSHING / PIVOT SHAFT / PRS				2		P
84	Call order desk	BRACKET / MTG / COMP LINK / WELD ASSY				1		P
85	Call order desk	LINK COMPENSATOR / WELD ASSY / PRS				1		P

From X-6945 To X-7014	Date:10/2022	PAGE:XL-2380-20
W.C.L. "RICON" - PLATFORM ASSY MODEL "F9A"		

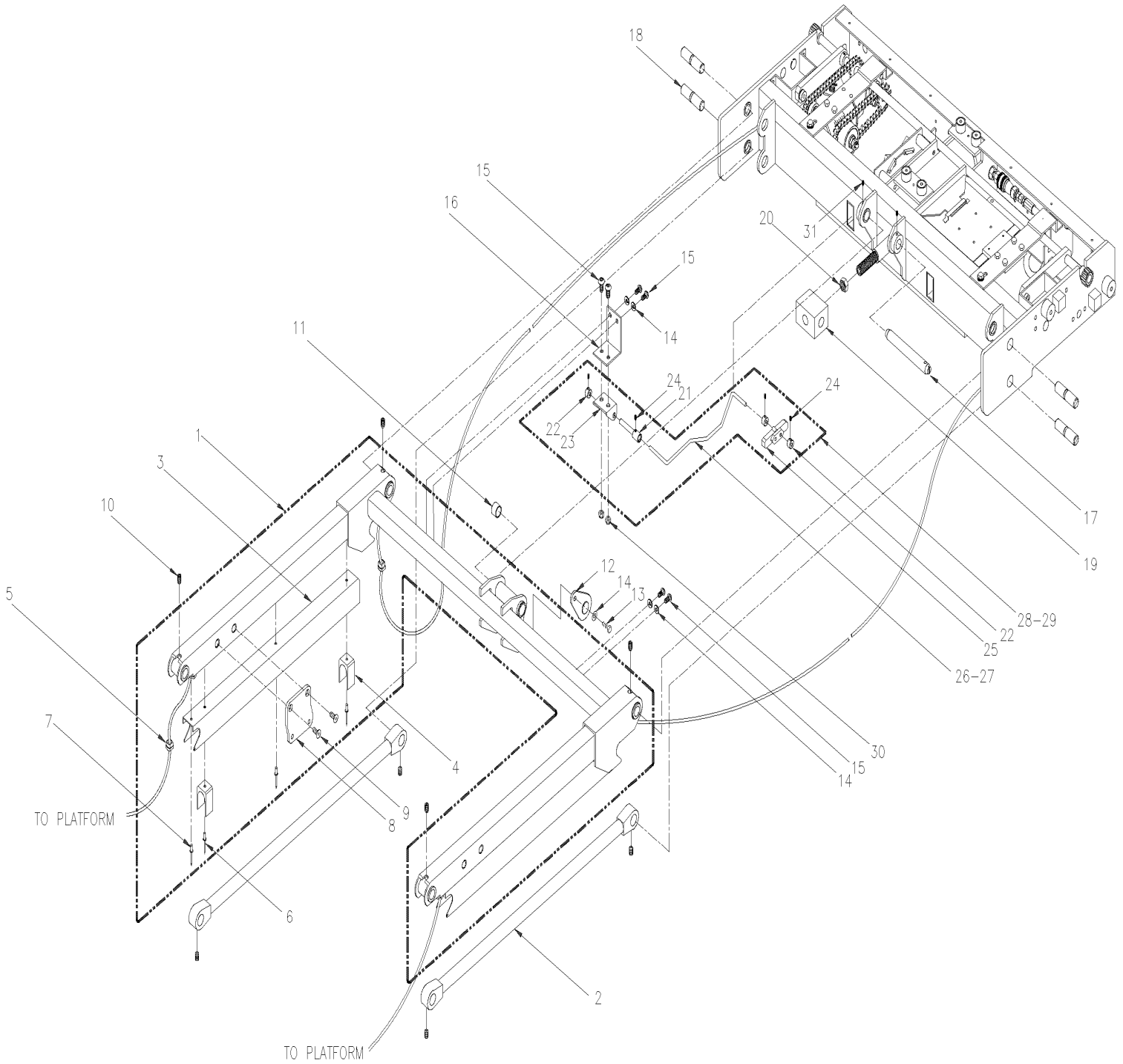
Item#	Part	Description	M T H 4 0	M T H 4 5	M T H 4 5 E	X L 4 0	X L 4 5	N O T E S
		A) INCLUDE ITEMS 58, 68, 72, 87, 105, 108, 109, 110, 111, 112 & 113						
		1) NOT SOLD SEPARATELY						
		P) CALL ORDER DESK FOR SPECIFIC APPLICATION (V.I.N.)						

From X-6945 To X-7014

Date:10/2022

PAGE:XL-2380-30

W.C.L. "RICON" - TRAVELING FRAME ASSY MODEL "F9A"



From X-6945 To X-7014	Date:10/2022	PAGE:XL-2380-30
W.C.L. "RICON" - TRAVELING FRAME ASSY MODEL "F9A"		

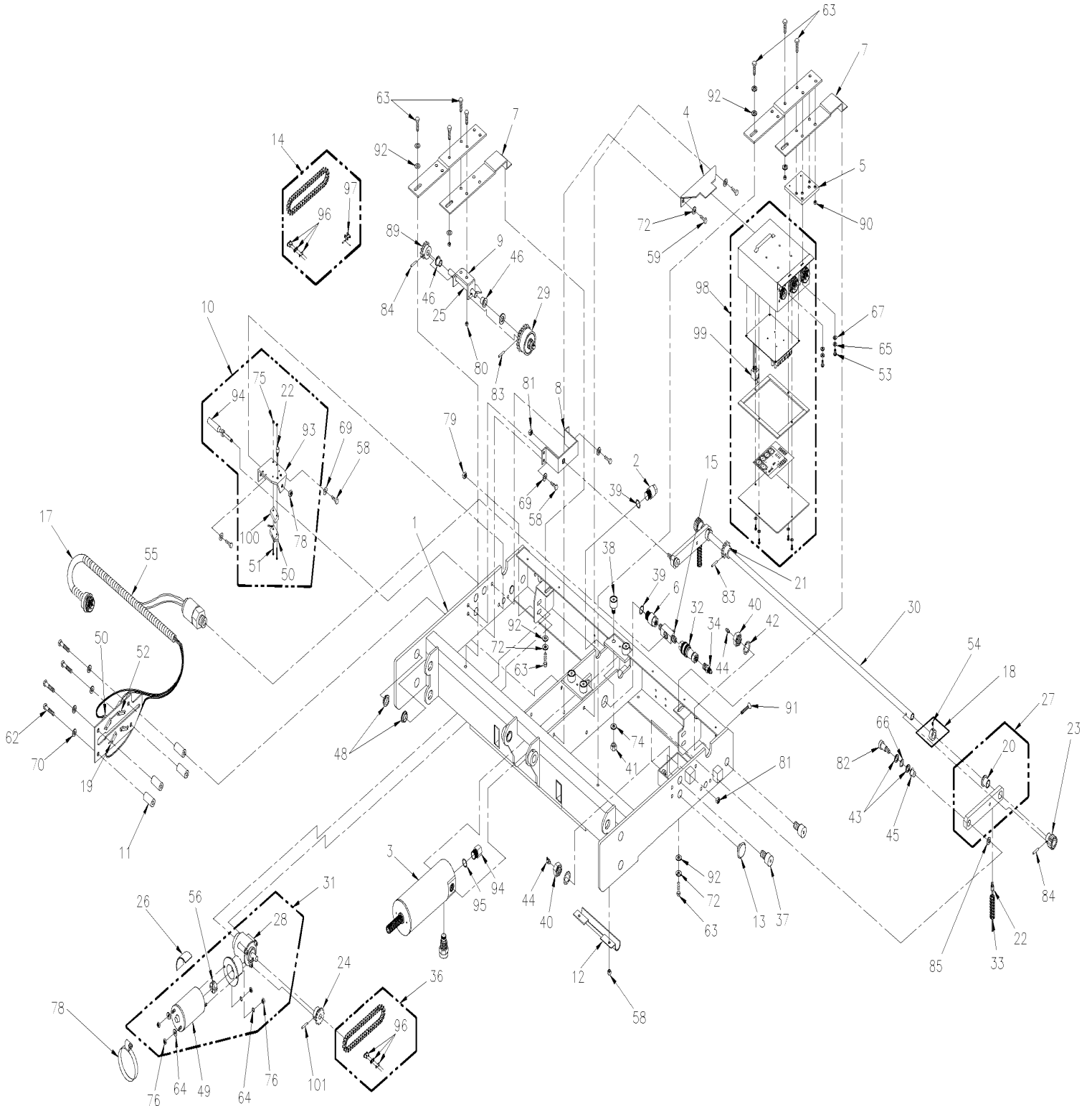
Item#	Part	Description	M T H 4 0	M T H 4 5	M T H 4 5 E	X L 4 0	X L 4 5	N O T E S
1	862125	LIFTING FRAME-ASSY / 43.00 CENTERS / EXT				1		
2	862126	ARM-WASSY / LOWER / 43.00 CENTERS				2		
3	Call order desk	COVER-ARM 30.313 CENTERS				2		P
4	Call order desk	BLOCK-ARM GUIDE				4		P
5	Call order desk	STRAIN RELIEF				4		P
6	Call order desk	RIVET STEEL 3/16x5/8				4		P
7	Call order desk	RIVET STEEL 3/16x3/8				4		P
8	Call order desk	PLATE-BRIDGE PLATE ACTUATOR MOUNT				2		P
9	Call order desk	SCREW CAP FL HEXS 1/4-20x5/8				4		P
10	Call order desk	SCREW SET HEXS SS 5/16-18x.50 5/16-18x1/2 SS				8		P
11	862127	BEARING DU / .75x.875x.63				6		
12	862212	KIT KEEPER PLATE				1		
13	Call order desk	SCREW CAP HEX 5/16-18x5/8 SS				2		P
14	Call order desk	WASHER LO SPT 5/16 SS				6		P
15	Call order desk	SCREW CAP BUT 5/16-18x5/8 SS				6		P
16	Call order desk	BRACKET-ACTUATOR ROD PIVOT / EXT				1		P
17	863055	PIN, .75D X 6.0L				1		
18	862128	PIN-PIVOT / LIFTING FRAME				4		
19	196113	TRUNNION-CYLINDER				1		
20	Call order desk	NUT HEX JAM 3/4-16 SS				1		P
21	Call order desk	COLLAR-ACTUATOR ROD				1		P
22	Call order desk	COLLAR .25x.63x.38				3		P
23	Call order desk	BRACKET-F9000 SERIES ELCT SYSTEM				1		P
24	Call order desk	SCREW SET HEXS SS 10-32x1/4 #10-32x1/4 SS				6		P
25	Call order desk	BLOCK-SWITCH ACTUATOR CAM				1		P
26	Call order desk	ROD-SWITCH CAM ACTUATOR LH				1		P
27	Call order desk	ROD-SWITCH CAM ACTUATOR RH				1		P
28	862129	SWITCH ACTUATOR ASSY / LH				1		
29	862130	SWITCH ACTUATOR ASSY / RH				1		
30	Call order desk	NUT HEX THN 5/16-18 NYL				2		P
31	Call order desk	SCREW SET HEXS SS 1/4-20x1/4 1/4-20x1/4 SS				2		P
		P) CALL ORDER DESK FOR SPECIFIC APPLICATION (V.I.N.)						

From X-6945 To X-7014

Date:10/2022

PAGE:XL-2380-40

W.C.L. "RICON" - CARRIAGE ASSY MODEL "F9A"



From X-6945 To X-7014	Date:10/2022	PAGE:XL-2380-40
W.C.L. "RICON" - CARRIAGE ASSY MODEL "F9A"		

Item#	Part	Description	M T H 4 0	M T H 4 5	M T H 4 5 E	X L 4 0	X L 4 5	N O T E S
1	Call order desk	CARRIAGE-WASSY STANDARD				1		P
2	Call order desk	FITTING / PIVOT				1		P
3	862131	CYLINDER / HYDRAULIC / WO/INTERNAL POT				1		
4	Call order desk	BRACKET-CARRIAGE ELECT BOX MTG				1		P
6	863583	KIT, FITTING, PIVOT ¼ NPT, WITH O-RING				1		
7	863068	BRACKET, IDLER SHAFT, REAR				2		
8	Call order desk	BRACKET-ASSY / DRIVE SHAFT ARM / PIVOT				2		P
9	Call order desk	SUPPORT / WASSY / IDLER SHAFT				1		P
10	862211	MICRO SWITCH ASSY				2		
11	Call order desk	SPACER-SWITCH PLATE / STAND OFF				3		P
12	Call order desk	CLAMP-HARNES				1		P
13	Call order desk	BUTTON / CARRIAGE / GUIDE				2		P
14	862132	CHAIN DRIVE / PRIMARY; TRAIN LIFT				1		
15	863583	KIT, FITTING, PIVOT ¼ NPT, WITH O-RING				1		
16	Call order desk	SWITCH PLATE				1		P
17	862133	HARNES-ASSY SWITCH PLATE UP TO SEPT 99				1		
17	862134	HARNES-ASSY SWITCH PLATE W/PRESSURE SWITCH FROM SEPT 99				1		
18	Call order desk	COLLAR SET SCREW				2		P
19	862135	BLOCK / SWITCH RETAINER / PLASTIC				4		
20	Call order desk	BEARING DU .625x.719x.38				2		P
21	862136	SPOCKET 12 TEETH #35 .625 BORE				1		
22	862137	BUTTON / SPRING SUPPROT				2		
23	862138	GEAR 1.125PD / .63 FACE W/HUB				2		
24	862139	SPOCKET 8 TEETH #35 .5 BORE				1		
25	862140	SHAFT / INTERMEDIATE DRIVE .50x5.00				1		
26	Call order desk	GASKET / RUBBER 1/8x1/2				1		P
27	Call order desk	LINK / DRIVE SHAFT / PIVOT / ASSY				2		P
28	862141	GEAR BOX / RATIO 24:1				1		
29	862142	CLUTCH / TORQUE LIMIT RICON				1		
30	862143	SHAFT / FINAL DRIVE - DS200				1		
31	862144	GEAR-MOTOR ASSY 24V				1		
32	863236	FITTING / QUICK-DISCONNECT 1/4				1		
33	862145	SPRING COMPRESSION .44x2.1				2		
34	863732	ADAPTOR STRAIGHT 1/4NPT-1/4JIC MALE				1		
36	862132	CHAIN DRIVE / PRIMARY; TRAIN LIFT				1		
37	Call order desk	CAM FOLLOWER 1 1/4x3/4 CRWND				4		P
38	N8886024	CAM FOLLOWER 1.00x5/8 / 7/16-20				4		
39	863582	O-RING / NITRILE .644x.87				2		
40	863733	NUT HEX JAM 3/16				5		
41	Call order desk	NUT HEX JAM 7/16-20				4		P
42	863734	WASHER LO INT 3/4				4		
43	Call order desk	WASHER NYL				4		P

From X-6945 To X-7014	Date:10/2022	PAGE:XL-2380-40
W.C.L. "RICON" - CARRIAGE ASSY MODEL "F9A"		

Item#	Part	Description	M T H 4 0	M T H 4 5	M T H 4 5 E	X L 4 0	X L 4 5	N O T E S
44	863735	FITTING / GREASE / 65DEG / PRESS-IN				4		
45	Call order desk	BUSHING NY LINER .50x.50				2		P
46	862146	BUSHING 12 EDU08 3/4x1/2				2		
47	Call order desk	BUSHING 12 FDU08 1x1/2				1		P
48	863018	BEARING, FLANGED, 3/4I.D. X 1/4W				8		
49	862147	MOTOR-1/4HP / 24VDC / SHORT SHAFT				1		
50	862122	LIMIT SWITCH / SEALED / PRS				1		
51	Call order desk	SCREW MA PAN PH #4-40x1 1/8				4		P
52	Call order desk	SCREW MA PAN PH #4-40x1.00 ZP				8		P
53	Call order desk	SCREW MA PAN PH #8-32x1/2 SS				2		P
54	Call order desk	SCREW SET HEXS 10-24x1/4 #10-24x1/4				2		P
55	561482	CONVOLUTED TUBING / UNSLIT / BLACK / .500"				4		
56	Call order desk	COUPLING-ACTUATOR				1		P
58	N.P.N.	SCREW CAP HEX SS 1/4-20X1/2				10		4
59	Call order desk	SCREW CAP HEX 5/16-18x1/2 SS				2		P
61	Call order desk	SCREW CAP HEX 5/16-18x7/8 G5				1		P
62	Call order desk	SCREW CAP HEX 5/16-18x2 1/2 G5				3		P
63	Call order desk	SCREW CAP HEX 5/16-18x3/4 SS				4		P
64	Call order desk	WASHER LO INT #10				4		P
65	Call order desk	WASHER LO SPT #8 SS				2		P
66	Call order desk	WASHER SPR WAVE 1/2				2		P
67	Call order desk	WASHER FL #8 SS				22		P
69	N8885992	WASHER FL .250 SS				10		
70	Call order desk	WASHER FL 5/16				3		P
72	Call order desk	WASHER LO SPT 5/16 SS				10		P
74	N8886025	WASHER LO EXT 7/16 SS				4		
75	500425	NUT HEX NYRT #4-40 SS				4		
76	Call order desk	NUT HEX #10-32				4		P
78	5001352	NUT HEX NYRT 1/4-20 SS				2		
79	Call order desk	NUT HEX 5/16-18 SS				2		P
80	500685	NUT HEX NYRT 5/16-18 SS				2		
81	Call order desk	NUT HEX NYRT 3/8-16				2		P
82	862148	BOLT-SHOULDER 1/2x3/4				2		
83	862149	PIN "SPIROL" 5/32x1 1/4				2		
84	862150	PIN "SPIROL" 5/32x1.00				3		
85	Call order desk	WASHER .578x1.06x.310 NYL				2		P
86	Call order desk	CLUTCH / TORQUE LIMITING WARNER				1		P
90	500685	NUT HEX NYRT 5/16-18 SS				4		
91	Call order desk	SCREW CAP FL HEXS 1/4-20x5/8				2		P
92	Call order desk	WASHER FL .32x.75x.08 SS				AR		P
93	Call order desk	BRACKET-PLUNGER / MICRO SWITCH				3		P
94	863234	PLUG 3/4-16 CAV / O-RING SEAL / HEX HD				1		

From X-6945 To X-7014	Date:10/2022	PAGE:XL-2380-40
W.C.L. "RICON" - CARRIAGE ASSY MODEL "F9A"		

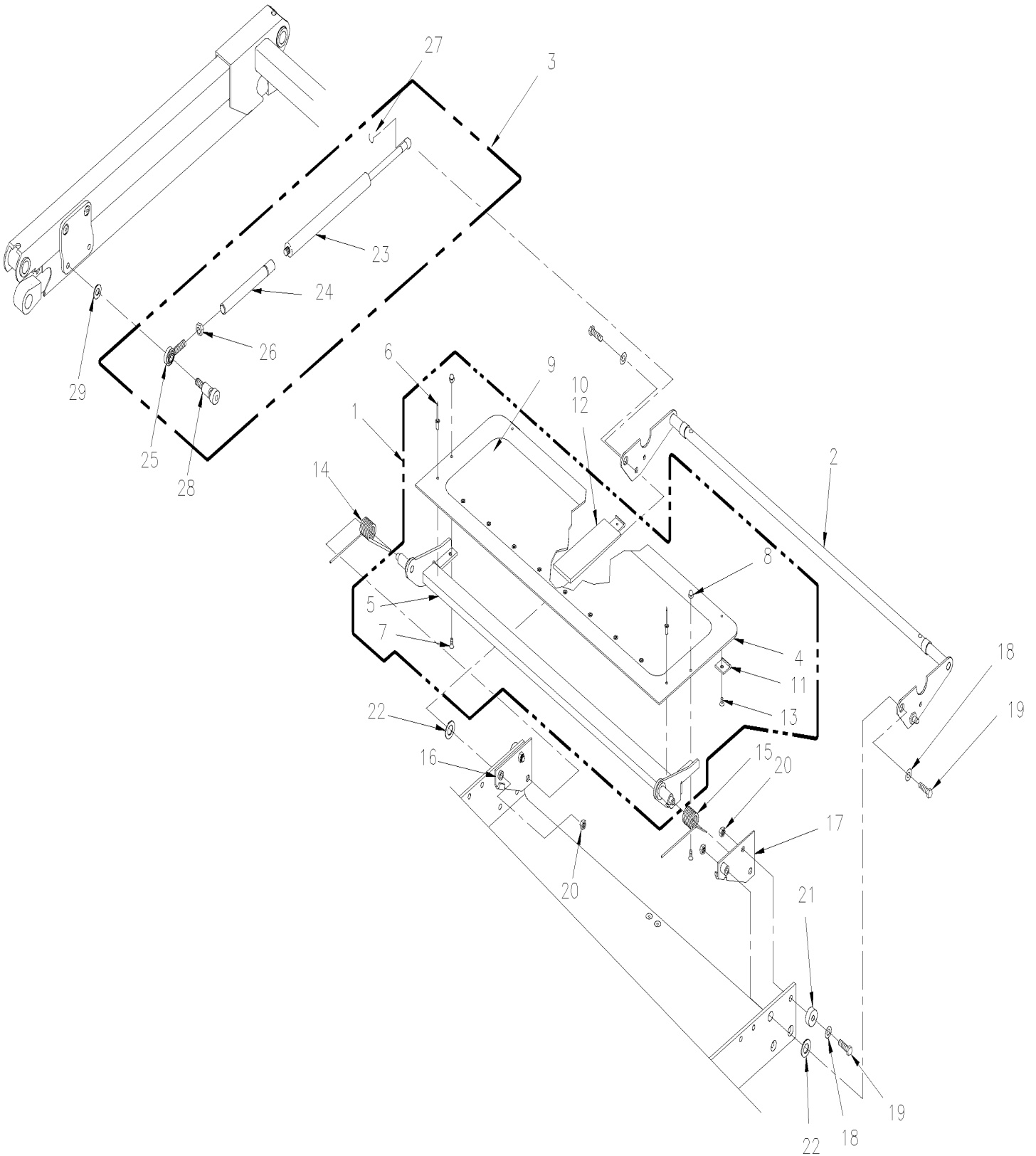
Item#	Part	Description	M T H 4 0	M T H 4 5	M T H 4 5 E	X L 4 0	X L 4 5	N O T E S
NS	862209	SPRING				1		
95	863235	SPACER-IMMEDIATE DRIVE				1		
96	862151	LINK-MASTER NICKEL #35				2		
97	862152	OFFSET-LINK #35 - 1/2 LINK				1		
99	862153	RELAY 12V				1		
100	Call order desk	BRACKET / ALUM-LIMIT SWITCH				1		P
101	862154	ROLL PIN 5/32x3/4						
		4) NO PARTS NUMBER						
		P) CALL ORDER DESK FOR SPECIFIC APPLICATION (V.I.N.)						

From X-6945 To X-7014

Date:10/2022

PAGE:XL-2380-50

W.C.L. "RICON" - BRIDGE PLATE ASSY 9" MODEL "F9A"



From X-6945 To X-7014	Date:10/2022	PAGE:XL-2380-50
W.C.L. "RICON" - BRIDGE PLATE ASSY 9" MODEL "F9A"		

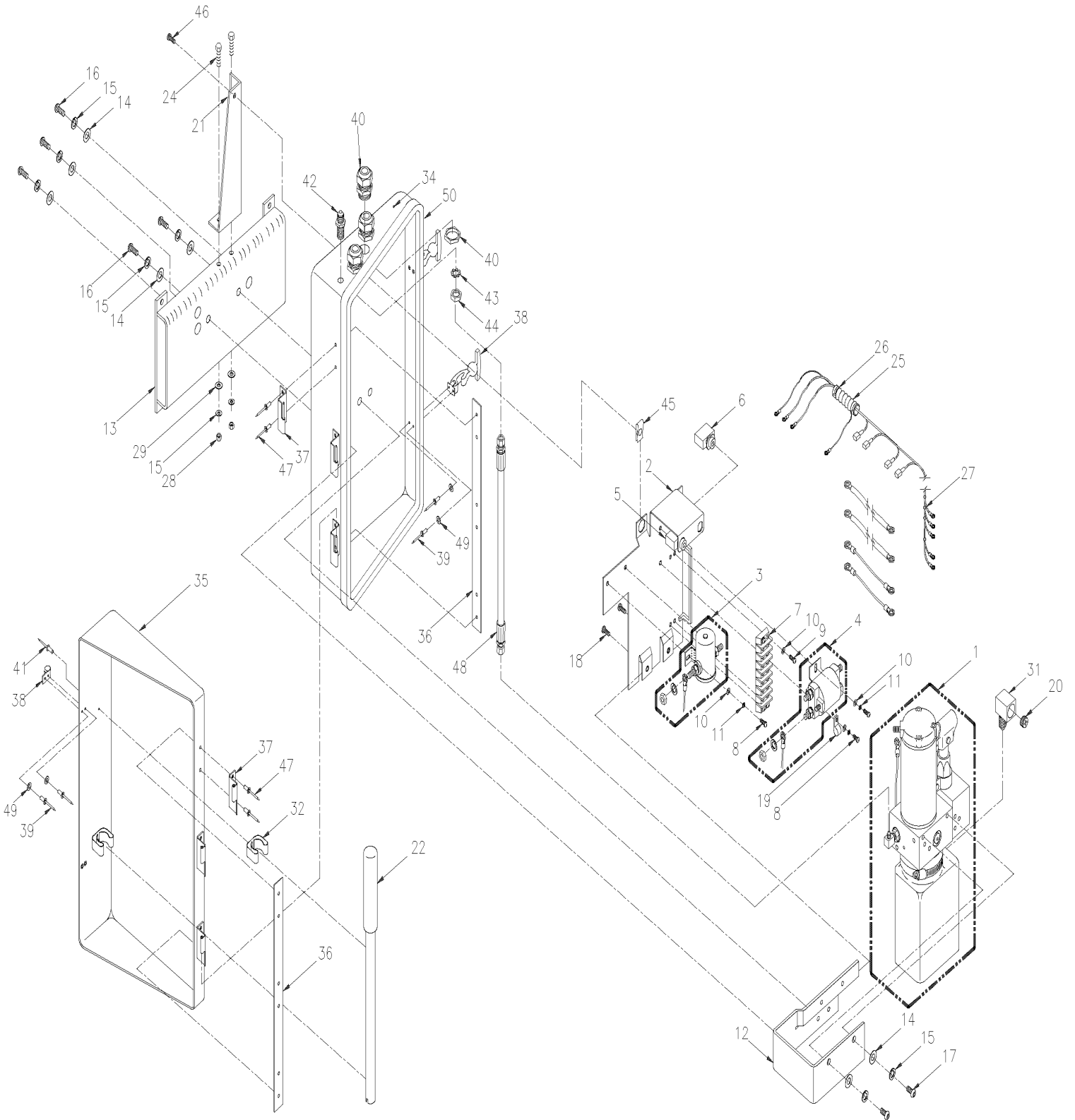
Item#	Part	Description	M T H 4 0	M T H 4 5	M T H 4 5 E	X L 4 0	X L 4 5	N O T E S
1	860058	BRIDGEPLATE ASSEMBLY 9"				1		
2	8611004	STIRUP-W-ASSY / BRIDGEPLATE				1		
3	Call order desk	ROD-ASSY / BRIDGEPLATE ACTUATOR 26" UTS				2		P
3	196586	KIT, ACTUATOR ROD ASSEMBLY, BRIDGEPLATE				2		
4	860335	PLATE-BRIDGE BLANK 9.00"				1		
5	Call order desk	ASSY., WELD B-PLATE SUPPORT				1		P
6	Call order desk	RIVET-BLIND AL 3/16x3/8				10		P
7	Call order desk	SCREW CAP CK HEXS #10-24x1/2 SS				2		P
8	Call order desk	NUT HEX CAP #10-24				2		P
9	860341	SAFETY TREAD / 25.560x7.00 / SAFETY YELLOW				1		
10	860343	BLOCK-BRIDGEPLATE GUIDE / BUMPER				1		
11	860346	SKID-BRIDGEPLATE				3		
12	860347	TAPE-ADHESIVE / TRANSFER 10MILx 1" WIDE				AR		
13	Call order desk	SCREW MA FL PH #10-24x1/4				3		P
14	863106	SPRING, BRIDGEPLATE RETURN, LH				1		
15	863105	SPRING, BRIDGEPLATE RETURN, RH				1		
16	Call order desk	BRACKET-B-PLATE MOUNT / LH				1		P
17	Call order desk	BRACKET-B-PLATE MOUNT / RH				1		P
18	Call order desk	WASHER FL .32x.59x.06 SS				4		P
19	Call order desk	SCREW CAP HEX 5/16-18x1 1/4 SS				4		P
20	Call order desk	NUT HEX NYRT 5/16-18 SS				4		P
21	Call order desk	BUSHING .75x.32x.38				2		P
22	Call order desk	WASHER FL .578x1.067x.062 NYL				2		P
23	862155	SPRING-PNEUMATIC 100LBF 16.75"				2		
24	861709	ROD-ASSY / B-PLATE ACTUATOR 26" UTS				1		
24	Call order desk	ROD-ASSY / B-PLATE ACTUATOR 18.5"-23.5" UTS				1		P
25	Call order desk	ROD END-(M) LT THD R1700				2		P
26	Call order desk	NUT HEX LH 3/8-24				2		P
27	980017	CLIP BALL STUD 10MM RETAINER				2		
28	Call order desk	SCREW CAP HEX 5/16-18x1/2 SS				2		P
29	Call order desk	STANDOFF-BRIDGEPLATE ACTUATOR				2		P
		P) CALL ORDER DESK FOR SPECIFIC APPLICATION (V.I.N.)						

From X-6945 To X-7014

Date:10/2022

PAGE:XL-2380-60

W.C.L. "RICON" - PUMP INSTALLATION MODEL "F9A"



From X-6945 To X-7014	Date:10/2022	PAGE:XL-2380-60
W.C.L. "RICON" - PUMP INSTALLATION MODEL "F9A"		

Item#	Part	Description	M T H 4 0	M T H 4 5	M T H 4 5 E	X L 4 0	X L 4 5	N O T E S
1	XL-2380-65	W.C.L. "RICON" - PUMP ASSY MODEL "F9A"						
2	Call order desk	PLATE-WASSY / SOLENOID				1		P
3	862100	SOLENOID / SP 24V				1		
4	862101	SOLENOID-24V DP LARGE				1		
5	862102	CIRCUIT BREAKER / 8AMP				1		
6	862103	CIRCUIT BREAKER / 30AMPS				1		
6	860986	CIRCUIT BREAKER / 50AMPS				1		
7	Call order desk	TERMINAL STRIP / 10-18GA				1		P
8	Call order desk	SCREW MA PH #10-32x5/16 SS				4		P
9	Call order desk	SCREW MA PH #10-32x3/4				4		P
10	Call order desk	WASHER FL #10 SS				8		P
11	N8885969	WASHER LO SPT .193 SS				4		
12	Call order desk	BRACKET-PUMP MOUNTING				1		P
13	Call order desk	BRACKET-WASSY / PUMP MOUNTING				1		P
14	Call order desk	WASHER FL .32x.75x.08 SS				7		P
15	Call order desk	WASHER LO SPT 5/16 SS				11		P
16	Call order desk	SCREW CAP BUT HEXS 5/16-24x3/4 SS				5		P
17	Call order desk	SCREW CAP BUT HEXS 5/16-18x3/4 SS				2		P
18	Call order desk	SCREW CAP BUT HEXS #10-32x1/2 SS				2		P
19	Call order desk	CLAMP / CABLE-3/8				1		P
20	863095	PLUG, BREATHER, RESERVOIR				1		
21	Call order desk	BRACKET-STIFFENER				1		P
22	868483	HANDLE-MANUAL BACKUP PUMP				1		
24	Call order desk	SCREW CAP HEX 5/16-18x3/4 SS				2		P
25	561482	CONVOLUTED TUBING / UNSLIT / BLACK / .500"				AR		
26	504012	CABLE TIE / 3/16" X 6"1/2				2		
27	504012	CABLE TIE / 3/16" X 6"1/2				9		
28	502600	NUT HEX NYRT 5/16-18 Z050				2		
29	5001189	NUT HEX 5/16-18 SS				2		
31	Call order desk	FITTING-STREET ELBOW / FEMALE				1		P
32	504585	SPRING CLIP 3/4"				2		
34	Call order desk	BASE-PUMP ENCLOSURE				1		P
35	Call order desk	DOOR-PUMP ENCLOSURE				1		P
36	Call order desk	PLATE REINFORCEMENT-PUMP ENCLOSURE				2		P
37	Call order desk	HINGE SS 2.50x2.00				6		P
38	Call order desk	LATCH / DRAW-FLEXIBLE-HANDLE				2		P
39	504431	RIVET POP DOME OE 1/8x3/8 AL				8		
40	Call order desk	STRAIN RELIEF / STRE THRU LIQ TIGHT				3		P
41	504247	RIVET POP DOME OE 5/32x3/8 AL				2		
42	863086	FITTING, BUN, 1/4J, 2.08L				1		
43	N8886025	WASHER LO EXT 7/16 SS				1		
44	Call order desk	NUT HEX JAM 7/16-20				1		P

From X-6945 To X-7014	Date:10/2022	PAGE:XL-2380-60
W.C.L. "RICON" - PUMP INSTALLATION MODEL "F9A"		

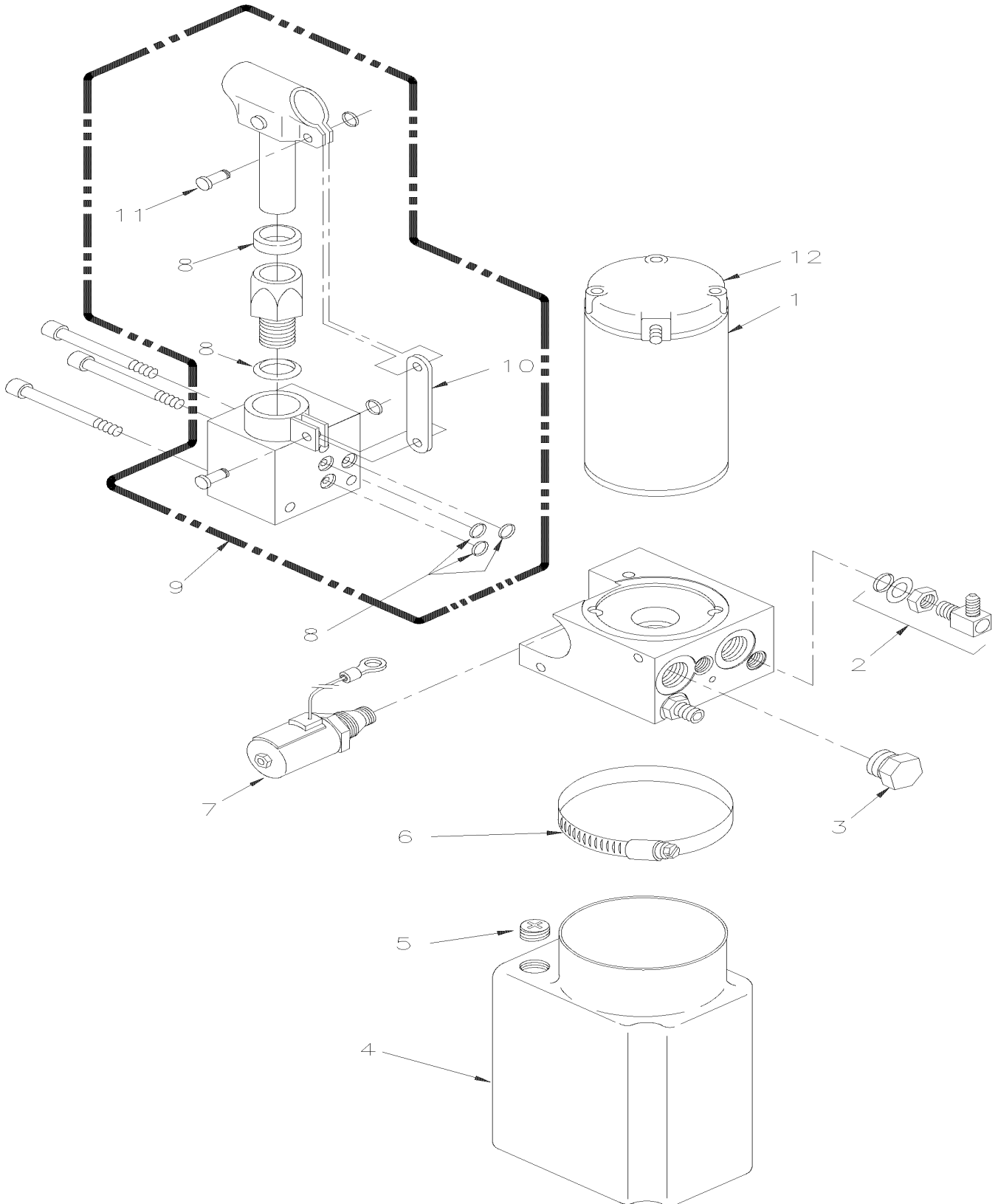
Item#	Part	Description	M T H 4 0	M T H 4 5	M T H 4 5 E	X L 4 0	X L 4 5	N O T E S
45	500837	NUT SPR U 1/4-20 .064-.125				1		
46	Call order desk	SCREW CAP BUT HEXS 1/4-20x3/4 SS				1		P
47	504120	RIVET POP DOME CLE 3/16x1/2 AL				12		
48	Call order desk	HOSE-ASSY / 11"x 1/4JIC x1/4JIC				1		P
49	Call order desk	WASHER FL #8				8		P
50	Call order desk	SEAL / DOOR-7/16X53/64				AR		P
		P) CALL ORDER DESK FOR SPECIFIC APPLICATION (V.I.N.)						

From X-6945 To X-7014

Date:10/2022

PAGE:XL-2380-65

W.C.L. "RICON" - PUMP ASSY MODEL "F9A"



Date:10/2022

PAGE:ABBREVIATIONS

ABBREVIATIONS

Item#	Part	Description	QTY	Notes
A	ABS	ANTILOCK BRAKING SYSTEM		
A	ADH1	ONE SIDE ADHESIVE		
A	ADH2	TWO SIDE ADHESIVE		
A	AR	AS REQUIRED		
A	ASSY	ASSEMBLY		
B	BDG	BINDING		
B	BEL	BELLEVILLE		
B	BOW	BOWED		
B	BR	BRASS		
B	BRAZ	BRAZIER		
B	BRZ	BRONZE		
B	BUT	BUTTON		
B	BZC	BRIGHT ZINC CHROMATE		
C	C.E.	COMMUTATOR END		
C	C.T.	CONSTANT TORQUE		
C	C/C	CENTER/CENTER		
C	CC	CLOSED CELL		
C	CCW	COUNTERCLOCKWISE		
C	CEB	CUFF END BELLOW		
C	CHE	CHEESE		
C	CHR	CHROME		
C	CHY	CHERRY		
C	CK	COUNTERSUNK		
C	CKD	CLOSED KEYED		
C	CKF	COUNTERSUNK FLUSH		
C	CKS	CLOSED KEYLESS		
C	CLE	CLOSE END		
C	CON	CONCAVE		
C	CONV	CONVOLUTED TUBING		
C	COP	COPPER		
C	CP	CADMIUM PLATED		
C	CPG	COUPLING		
C	CPV	CAPTIVE		
C	CRG	CARRIAGE		
C	CRS	COLD ROLLED STEEL		
C	CSL	CASTLE		
C	CT	CONSTANT TORQUE		
C	CW	CLOCKWISE		
C	CYL.	CYLINDER		
D	D.E.	DRIVE END		
D	D.P.D.T.	DOUBLE POLE DOUBLE THROW		
D	DIA.	DIAMETER		
D	DIFF	DIFFERENTIAL		
D	DOB	DIAMETER OVER BALLS		
D	DR	DRILL		
D	DRV	DRIVE		
D	DW	DOUBLE WAVE		
E	ECU	ELECTRONIC CONTROL UNIT		
E	EFF	EFFECTIVE		
E	EMN	EMRALON		

Date:10/2022

PAGE:ABBREVIATIONS

ABBREVIATIONS

Item#	Part	Description	QTY	Notes
E	ENG.	ENGINE		
E	EXT	EXTERNAL		
F	F	FEMALE		
F	FER	FERRULE		
F	FFB	FLAT FACE BOWED		
F	FH	FITTING HOSE		
F	FIB	FIBER		
F	FIL	FILLISTER		
F	FL	FLAT		
F	FLRET	FLOATING RETAINER		
F	FN	FINISHING		
F	FORM	FORMICA		
F	FRT	FRONT		
F	FT	FULLY THREADED		
G	G500	MAGNI 565 GRAY / 500 HOURS SALT SPRAY		
G	GAL	GALVANISED		
G	GND	GROUND		
H	H.P.	HIGH PRESSURE		
H	HD	HEAVY DUTY		
H	HEX	HEXAGONAL		
H	HEXF	HEXAGONAL FLANGE		
H	HEXH	HEXAGONAL HEAVY		
H	HEXS	HEXAGONAL SOCKET		
H	HEXW	HEXAGONAL WASHER		
H	HI	HIGH		
H	HK	HOOK		
H	HRS	HOT ROLLED STEEL		
H	HVAC	HEATING, VENTILATION & AIR CONDITIONING		
H	HYD	HYDRAULIC		
I	I.D.	INSIDE DIAMETER		
I	INS	INSERT		
I	INT	INTERNAL		
J	JCT	JUNCTION		
L	L.P.	LOW PRESSURE		
L	LED	LIGHT-EMITTING DIODE		
L	LGE	LARGE		
L	LH	LEFT HAND		
L	LO	LOCK		
L	LUGG.	LUGGAGE		
M	M	MALE		
M	M & F	MALE & FEMALE		
M	MA	MACHINE		
M	MAX	MAXIMUM		
M	MGLP	MAGNA-LOK		
M	MIN	MINIMUM		
M	MNB	MONOBOLT		
M	MNL	MONEL		
N	N.C.	NORMALY CLOSE		
N	N.O.	NORMALY OPEN		
N	N.P.N.	NO PARTS NUMBER		

Date:10/2022

PAGE:ABBREVIATIONS

ABBREVIATIONS

Item#	Part	Description	QTY	Notes
N	N.S.P.	NOT SOLD AT PREVOST		
N	N.S.S.	NOT SOLD SEPARATELY		
N	N/A	NOT AVAILABLE		
N	N500	MAGNI 565 BLACK / 500 HOURS SALT SPRAY		
N	NEG.	NEGATIVE		
N	NEO	NEOPRENE		
N	NERB	NEOPRENE & BRASS		
N	NIT	NITRILE		
N	NP	NICKEL PLATED		
N	NPT	NATIONAL PIPE THREAD		
N	NS	NOT SHOWN		
N	NYAL	NYLON & ALUMINIUM		
N	NYL	NYLON		
N	NYRT	NYLON INSERT		
O	O.D.	OUTSIDE DIAMETER		
O	O.S.	OVERSIZE		
O	OE	OPEN END		
O	OKD	OPEN KEYED		
O	OKS	OPEN KEYLESS		
O	OPT.	OPTION		
O	OV	OVAL		
P	PH	PHILIPS		
P	PHB	PHOSPHOR BRONZE		
P	PHC	PHOSPHATE COATING		
P	PLAS	PLASTIC		
P	PLEX	PLEXIGLASS		
P	PO	PUSH-ON		
P	POL	POLYETHYLENE		
P	POLCAR	POLYCARBONATE		
P	POLY	POLYPROPYLENE		
P	POLYA	POLYAMIDE		
P	POLYP	POLYPROPYLENE		
P	POS.	POSITIVE		
P	PRDG	PROTRUDING		
P	PROT	PROTECTIVE		
P	PT	PARTIALLY THREADED		
R	RBP	RUBBER BUMPER		
R	RCT	RECEPTACLE		
R	REC	RECTANGULAR		
R	RES	RECESS		
R	RET	RETANING / RETAINER		
R	RH	RIGHT HAND		
R	RND	ROUND		
R	RR	REAR		
R	RUB	RUBBER		
R	RVT	RIVET		
S	S.C.C.	SPECIFY COLOR CODE		
S	S.D.	SPECIFY DIMENSION		
S	S.L.	SPECIFY LENGHT		
S	S.P.D.T	SINGLE POLE DOUBLE THROW		

Date:10/2022

PAGE:ABBREVIATIONS

ABBREVIATIONS

Item#	Part	Description	QTY	Notes
S	S.P.S.T	SINGLE POLE SINGLE THROW		
S	SB	SATIN BLEND		
S	SCT	SECTION		
S	SERR	SERRATED		
S	SG	SPRING GUARD		
S	SHR	SHOULDER		
S	SLE	SLEEVE		
S	SLO	SELF LOCKING		
S	SLT	SLOTTED		
S	SM	SMALL		
S	SOL	SOLID		
S	SPE	SPECIAL		
S	SPR	SPRING		
S	SPT	SPLIT		
S	SQ	SQUARE		
S	SQS	SQUARE SOCKET		
S	SS	STAINLESS STEEL		
S	STD	STANDARD		
S	STL	STEEL		
S	STO	STOVER		
S	SW	SWIVEL		
S	SWL FITT.	SWIVEL FITT		
T	TC	THREAD CUTTING		
T	TH	THICKNESS		
T	TP	TAPPING		
T	TPG	TAPPING		
T	TR	TRUSS		
T	TRANS.	TRANSMISSION		
T	TWAY	TWO WAY LOCK		
T	TXV	THERMAL EXPANSION VALVE		
U	U.S.	UNDERSIZE		
V	VAC	VEHICLE ACCELERATION CONTROL		
W	W	WITH		
W	W.S.	WAVE SEAL		
W	W/O	WITHOUT		
W	WD	WELDED		
W	WIND.	WINDOW		
W	WO	WOOD		
W	WOC	WITHOUT CERAMIC		
X	XX-XXXX-XX	SEE PAGE		
Y	YZP	YELLOW ZINC PLATED		
Z	Z050	ZINC PLATED		
Z	ZG603	ZINC IRON BLACK		
Z	ZP	ZINC PLATED		
N	N_A	NOT AVAILABLE		
W	W_O	WITHOUT		
C	C_C	CENTER/CENTER		
A	ABBREVIATIC	ABBREVIATIONS		