

# Driver's Handbook

Safety Seat Belts  
Volvo 9700 US/CAN

**VOLVO**

# Foreword

This manual is intended to help the driver understand how to operate and properly take care of the safety seat belts equipped on the Volvo 9700/CAN bus. The information in this manual applies to vehicles built January 2008 and later. Please keep this manual in the vehicle at all times.

**Note:** Illustrations in this manual are used for reference only and may differ slightly from the actual vehicle. However, key components addressed in this document are represented as accurately as possible.

The National Highway Traffic Safety Administration (NHTSA) and Prevost should be informed immediately if you believe that the vehicle has a defect that could cause a crash, injury or death.

Contact NHTSA by calling the Auto Safety Hotline at 1 (888) 327-4236, by writing to NHTSA, U.S. Department of Transportation, Washington, DC 20590, by TTY at 1 (800) 424-9153, or visit their website at [www.nhtsa.dot.gov](http://www.nhtsa.dot.gov).

## Volvo Bus Corporation

Göteborg, Sweden

**Order number: PV776-88913363**

© 2009 Volvo Bus Corporation, Göteborg, Sweden

All rights reserved. No part of this publication may be reproduced, stored in retrieval system, or transmitted in any forms by any means, electronic, mechanical, photocopying, recording or otherwise, without the prior written permission of Volvo Bus Corporation

---

# Contents

<b>Safety Seat Belts</b> .....	1
Introduction .....	1
General .....	2
Operating the Safety Belt .....	4
Inspection .....	5
Important Facts About Safety Belts in Buses .....	8

---

# Safety Information

**IMPORTANT:** Before driving this vehicle, be certain that you have read and that you fully understand each and every step of the driving and handling information in this manual. Be certain that you fully understand and follow all safety warnings.

IT IS IMPORTANT THAT THE FOLLOWING INFORMATION BE READ, UNDERSTOOD AND ALWAYS FOLLOWED.

The following types of advisories are used throughout this manual:



## DANGER

Danger indicates an unsafe practice that could result in serious personal injury or death. A danger advisory banner is in **white** type on a **black** background with a **black** border.



## WARNING

Warning indicates an unsafe practice that could result in personal injury. A warning advisory banner is in **black** type on a **gray** background with a **black** border.



## CAUTION

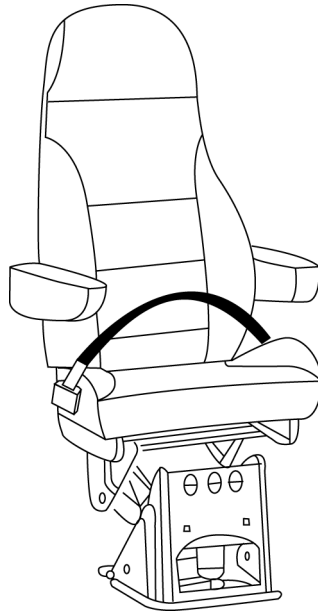
Caution indicates an unsafe practice that could result in damage to the product. A caution advisory is in **black** type on a **white** background with a **black** border.

**Note:** Note indicates a procedure, practice, or condition that must be followed in order for the vehicle or component to function in the manner intended.

## Introduction

This booklet of Operating Instructions is intended to help the driver about how to operate properly and take care of the safety seat belts

Safety belt assemblies installed in this vehicle meet FMVSS 209, “Type 1” and “Type 2” they are recommended for all persons weighing over 25 kg (50 lb).



T8014321

## 2 Safety Seat Belts

---

### General



Safety belts must be properly worn at all times by the driver and all passengers while the vehicle is in motion. Failure to do so can result in serious personal injury or death in the event of sudden stop or collision.



Fasten the safety belt before starting to drive. Trying to fasten the safety belt while the vehicle is moving may lead to an accident, causing serious personal injury or death.

A child restraint system should also be provided for each child weighing 25 kg (50 lb) or less. It should meet the requirements of FMVSS213, "Child Restraint System". Carefully read and follow all manufacturer's instructions on installation and use. Make certain the child remains in the restraint system at all times while the vehicle is in motion.

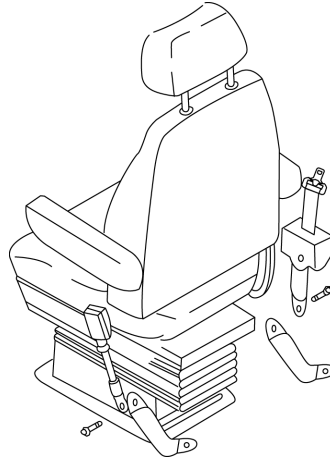
Safety belts must be worn by the driver and all passengers at all times. Before adjusting or fastening the safety belt, move the seat forward or rearward and adjust the seat height as necessary. Sit erect and adjust the seat cushion and seat back for a comfortable driving position. In the event of a collision, a correct driving position maximizes the effectiveness of the safety belt.

There are both Federal and State laws governing the use of safety belts. As laws differ from state to state, make yourself familiar with the current rules.



T8014322

Tether straps are installed on all suspension/type seats. Tether straps help secure the seat to the floor and are intended to restrain the seat and safety belt in case of an accident or sudden stop. The tether are no adjustable and do not need any adjustment.



T8014323

## 4 Safety Seat Belts

### Operating the Safety Belt

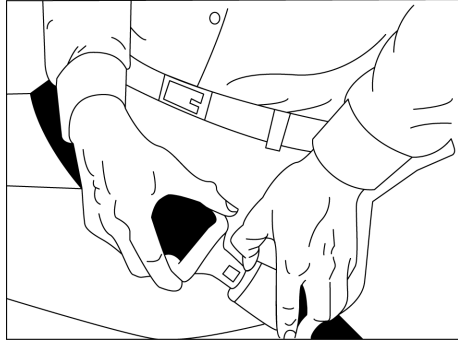
To fasten the safety belt, pull the belt out from the retractor and insert the latch into the buckle. Verify proper lock of the latch by pulling on the latch

Adjust the slack by pulling on the top part of the belt until the lower part, or the part that crosses the lap, is snugly adjusted. Release the top part and let the retractor pull the belt in.

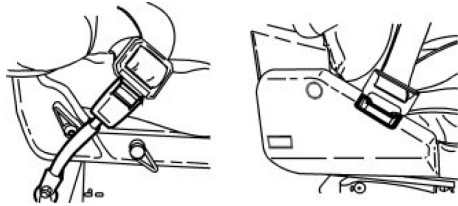
The lap portion of the safety belt should be worn low across the pelvic region (hip bone) and adjusted snugly. Never adjust the lap belt across the abdomen. A push button on the buckle is used to release the safety latch by pushing in the button release on the buckle.

The buckle portion of the safety belt system is different depending on the seat option chosen. The national standard and comfort seat has separate buckle that is attached to a floor anchor by seat strap. This seat strap is not adjustable, and does not need to be adjusted.

The buckle for the seat is bolted to the front division wall.



T8014324



T8014325



## Inspection



### DANGER

Failure to properly inspect and maintain the safety belts can cause serious personal injury or death.



### DANGER

It is critical that any time a vehicle has been involved in an accident, the entire safety belt system must be replaced in the vehicle if they were in use at the time of the accident. Failure to replace the safety belt system may result in serious injury or death



### DANGER

A damaged safety belt, whether visibly damaged or not, could result in serious personal injury in the event of an accident. The safety belt systems should be replaced at least every five years.



### DANGER

Do not bleach or re/dye the color webbing because it may cause a severe loss of belt strength. This loss of strength could allow the safety belt to break under stress, thus resulting in severe personal injury or death.

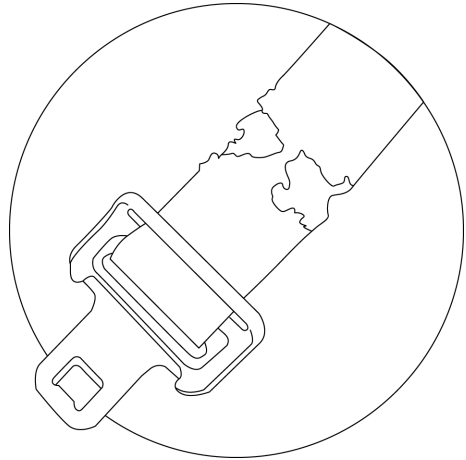
Check the belts, buckles, latch plates, retractors, anchorages, and guide loops to ensure that they are working properly. Look for loose/damage parts (without disassembling) that could keep the restraint system from working properly. If the safety belt, retractor and hardware were in use during a collision, they must be repaired if necessary. If there is any doubt about the restraint system's effectiveness, replace the entire safety belt assembly.

## 6 Safety Seat Belts

---

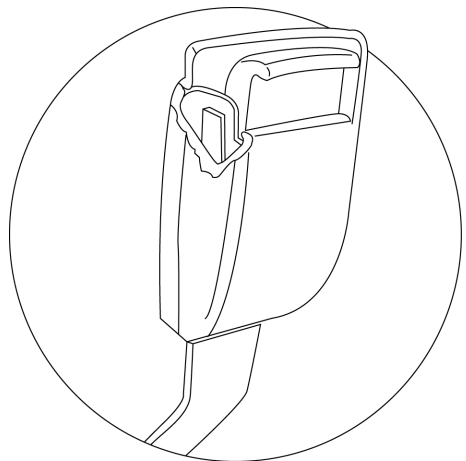
The following maintenance guidelines detail how to inspect safety belts and tethers for cuts, fraying, extreme or unusual wear of the webbing, etc., and damage of the buckle, retractor, hardware or other factors which indicate that the safety belt system replacement is necessary.

Check the web wear at the buckle/latch area. The webbing must be closely examined to determine if there are any cuts, fraying or extreme wear in the webbing. Cuts, fraying or excessive wear would indicate the need for replacement of the safety belt system.



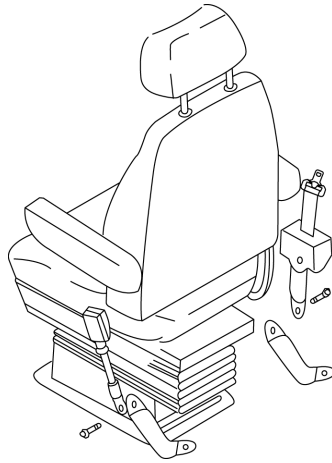
T8014326

Check the buckle by inserting the latch and verifying proper operation. Determine if the latch plate is worn or deformed. Check the buckle and latch casing for cracks or breakage



T8014327

If the tethers are being used to anchor the safety belts to the floor, make sure that they are properly attached to the seat. Tethers must also be inspected for web wear and proper tightness of mounting hardware



T8014323

All hardware for safety belt mounting points should be evaluated for corrosion. All attachment points of the system should be checked for tightness of mounting hardware.

Check the web in areas exposed to ultra-violet rays from the sun or extreme dust or dirt. If the original color of the web in these areas is extremely faded, the physical strength of this web may be deteriorated. If this condition exists, replace the safety belt system.

## 8 Safety Seat Belts

---

### Important Facts About Safety Belts in Buses

The high mileage associated with buses and the potential exposure of this safety belt to severe environmental conditions make it crucial to inspect the seat belt system regularly. It is recommended that the system be inspected every 24, 000 km (15,000 miles) or more often if the vehicle is exposed to severe environmental or vocational conditions. Any safety belt system that shows cuts, fraying, extreme or unusual wear, significant discolorations due to ultra-violet ray exposure, dusty-dirty conditions, abrasion to the safety belt webbing or damage to the buckle, latch plate, retractor, hardware or any other obvious problem should be replaced immediately, regardless of the mileage.

Once replacement of the safety belt has been determined necessary, be certain that it is replaced only with a Volvo original replacement safety belt. See your authorized Volvo or for Prevost supported vehicles, in Prevost service center/provider for replacement. Replace it only with the exact same design that the vehicle was equipped with. If the inspection indicates that any other part of the safety belt system requires replacement, the entire belt system must be replaced. It is vitally important that all components are mounted back in the same positions as the original components that were removed. This will maintain the design integrity of the mounting points for the safety belt assembly.



**VOLVO**

**Volvo Bus Corporation**

Göteborg, Sweden