

PREVOST

COACH MANUFACTURER

PARTS MANUAL

H3-41/45 & VIP-45

PA1210

10-2022

H3-41, H3-45 & V.I.P. 45 PARTS MANUAL

General information

A. Vehicle Identification Number (V.I.N.)

Each time spare parts have to be ordered, you must refer to your vehicle identification number serial number. In order to understand the meaning of this number, please refer to the following:

2 P C H 3 3 4 9 5 R 1 0 1 012

H = VEHICLE MODEL

9 = VEHICLE LENGHT

R = MODEL YEAR

012 = SEQUENCE NUMBER

2 P C H 3 3 4 9 3 W 1 0 1 2287

H = VEHICLE MODEL

9 = VEHICLE LENGHT

W = MODEL YEAR

2287 = SEQUENCE NUMBER

Vehicle Model

This manual covers vehicle model H3-41, H3-45 coaches and VIP bus shells.

H	H3-41 and H3-45 Coaches
V	V.I.P. Bus shell

Vehicle Length

1	41 feet	9	45 feet
----------	---------	----------	---------

Model Year

YEAR	CODE	YEAR	CODE	YEAR	CODE
1994	R	1997	V	2000	Y
1995	S	1998	W	2001	1
1996	T	1999	X	2002	2

Sequence Number

This number represents the sequence the vehicle has followed on the assembly line.

B. Effective

This manual covers information for vehicles from the first H3-41, H3-45 and VIP model year to the sequence number **R-012** to **2-4416**.

The heading of each page in this manual refers to an effective serial number and in the parts description, you may find additional information on the effective of a specific part to a serial number (refer to FROM).

In the description, you may also remark the expression UP TO which means that a component is effective to the vehicles manufactured before the specified serial number (refer to UP TO).

PARTS MANUAL

C. Illustrations

An exploded view is conveniently located at the beginning of each section and is meant to assist the user in identifying parts and components.

The illustrations show the typical construction of the different assemblies and , in all cases, may not reproduced the full detail or exact shape of parts shown, however, they represent parts which have same or similar function.

D. General

The information, illustrations and components/system descriptions contained in this manual are correct at time of publication. Prévost Car Inc., however, maintains a policy of continuous improvement of its product without imposing upon itself any obligation to install them on products previously manufactured.

Prévost Car Inc., reserves the right at any time to discontinue or change specifications, designs, features, models or equipment without incurring obligation.

PARTS MANUAL

E. Parts and Service Center

CANADA

Canadian Parts Customer Service 2955-A Watt Street Québec, Québec Canada, G1X 3W1	Toll free phone: 1 (800) 463-8876 Tel.: (418) 654-0174 Fax: (800) 939-0133 Fax: (418) 658-1723	Service Center British Columbia 11911 No. 5 Road Richmond, British Columbia Canada, V7A 4E9	Tel.: (604) 940-3306 Fax: (604) 940-3384
Service Center 850 Chemin Olivier Saint-Nicolas, Quebec Canada G7A 2N1	Toll free phone: 1 866 870-2046 Tel.: (418) 831-2046 Fax: (418) 831-7432	Service Ontario 8301-A Keele Street Vaughan, Ontario Canada, L4K 1Z6	Tel.: (905) 738-0881 Fax: (905) 738-0891
Service Center Alberta 292 MacDonald Crescent Fort McMurray, Alberta Canada T9H 4B6	Tel.: (780) 792-9526 Fax: (780) 743-0983		

UNITED STATES

US Parts Customer Service 2250 Point Blvd., Suite 410 Elgin, IL USA, 60123	Toll free phone 1 800 799-9938 Main office (847) 844-7680 Parts 1 800 621-5519	Prevost Parts & Service Center 800 South Cartwright Street Goodlettsville, TN USA, 37072	Toll free phone 1 877 299-8881 Main office (615) 299-8881 Fax: (615) 299-8816 After-Hours (615) 519-1372 Parts Emergency
Prevost Parts & Service Center 3384 De Forest Circle Mira Loma, CA USA, 91752	Toll free phone 1 800 421-9958 Main office (951) 360-2550 Fax: (951) 360-2560 After-Hours (951) 314-0226 Parts Emergency	Prevost Parts & Service Center 201 South Avenue South Plainfield, NJ USA, 07080	Toll free phone 1 800 223-0830 Main office (908) 222-7211 Fax: (908) 222-7304 Fax parts (908) 222-7305 After-Hours (201) 315-4064 Parts Emergency
Prevost Parts & Service Center 6821 Central Avenue, Newark, CA USA, 94560	Main office (310) 283-1852 After-Hours: (951) 314-0226 Parts Emergency	Prevost Parts & Service Center 15200 Frye Road Fort Worth, TX USA, 76155-2702	Service/Parts 1 866 773-8678 Main office (817) 685-0250 Fax : (817) 685-0460 After-Hours (817) 271-8653 Parts Emergency
Prevost Parts & Service Center 6931 Business Park Blvd North Jacksonville, FL USA, 32256	Toll free phone 1 800 874-7740 Main office (904) 886-4555 Fax: (904) 886-0092 After-Hours (904) 412-8023 Parts Emergency	Prevost Parts & Service Center 11851 Cutten Road Houston, TX USA, 77066	Service/Parts 1 877 602-0273 Main office (713) 849-8562 Fax: (281) 315-1571 After-Hours (346) 333-5520 Parts Emergency
Prevost Parts & Service Center 1300 Green Forest Court Winter Garden, FL USA, 34787	Toll free phone 1 866 726-6235 Main office (407) 554-0196 After-Hours: (407) 259-5720 Parts Emergency	Prevost Parts & Service Center 3715 N. Carnation St. Franklin Park, IL USA, 60131	Main office (847) 778-7475 Fax: (847) 737-2242 After-Hours 1 800 463-7738 Parts Emergency

PARTS MANUAL

KEY & ABBREVIATIONS

(XXXX-XX)	SEE PAGE	N/A	NOT AVAILABLE
<>	BETWEEN	NEG.	NEGATIVE
°	DEGREE	N.O.	NORMALLY OPEN
#	NUMBER	N.C.	NORMALLY CLOSE
??	INFORMATION NOT AVAILABLE AT TIME OF PUBLICATION	N.P.N.	NO PARTS NUMBER
ABS	ANTILOCK BRAKING SYSTEM	NPT	NATIONAL PIPE THREAD
AR	AS REQUIRED	NS	NOT SHOWN
ASSY	ASSEMBLY	N.S.P.	NOT SOLD AT PREVOST (SEE MANUFACTURING PART NUMBER AT THE END OF DESCRIPTION LINE)
CCW	COUNTERCLOCKWISE	N.S.S.	NOT SOLD SEPARATELY
C.E.	COMMUTATOR END	O.D.	OUTSIDE DIAMETER
CHR	CHROME	OPT.	OPTION
CW	CLOCKWISE	O.S.	OVERSIZE
CYL.	CYLINDER	PH	PHILLIPS
C/C	CENTER/CENTER	POS.	POSITIVE
D.E.	DRIVE END	RR	REAR
DIA.	DIAMETER	S.C.C.	SPECIFY COLOR CODE
DIFF.	DIFFERENTIAL	SCT	SECTION
D.P.D.T.	DOUBLE POLE DOUBLE THROW	S.D.	SPECIFY DIMENSION
ECU	ELECTRONIC CONTROL UNIT	S.L.	SPECIFY LENGHT
EDU	ELECTRONIC DISTRIBUTOR UNIT	SM	SMALL
EFF	EFFECTIVE	S.P.S.T.	SINGLE POLE SINGLE THROW
ENG.	ENGINE	S.P.D.T.	SINGLE POLE DOUBLE THROW
EXT	EXTERNAL	S.Q.	SPECIFY QUANTITY
FR	FRONT	SS	STAINLESS STEEL
GND	GROUND	STD	STANDARD
HD	HEAD	STO	STOVER
HEX	HEXAGONAL	SW	SWIVEL
H.P.	HIGH PRESSURE	SWL FITT.	SWIVEL FITTING
HVAC	HEATING, VENTILATION & AIR CONDITIONING	TPG	TAPING
HYD	HYDRAULIC	TH	THICKNESS
I.D.	INSIDE DIAMETER	TRANS.	TRANSMISSION
INT	INTERNAL	TXV	THERMAL EXPANSION VALVE
JCT	JUNCTION	U.S.	UNDERSIZE
LED	LIGHT-EMITTING DIODE	W	WITH
L.P.	LOW PRESSURE	W/O	WITHOUT
LUGG.	LUGGAGE	WIND.	WINDOW
M & F	MALE & FEMALE	ZP	ZINC PLATED

PARTS MANUAL

MEASUREMENT EQUIVALENTS

Fraction - Inches (dec.) - Millimeter

25.4mm = 1 inch

1mm = .03937 inch

fraction	decimal	mm	fraction	decimal	mm
1/64	0.0156	0.397	33/64	0.5156	13.097
1/32	0.0313	0.794	17/32	0.5313	13.494
-	0.0394	1	35/64	0.5469	13.891
3/64	0.0469	1.191	-	0.5512	14
1/16	0.0625	1.588	9/16	0.5625	14.288
5/64	0.0781	1.984	37/64	0.5781	14.684
-	0.0787	2	-	0.5906	15
3/32	0.0938	2.381	19/32	0.5938	15.081
7/64	0.1093	2.778	39/64	0.6094	15.478
-	0.1181	3	5/8	0.6250	15.875
1/8	0.1250	3.175	-	0.6299	16
9/64	0.1406	3.572	41/64	0.6406	16.272
5/32	0.1563	3.969	21/32	0.6563	16.669
-	0.1575	4	-	0.6693	17
11/64	0.1719	4.366	43/64	0.6719	17.066
3/16	0.1875	4.762	11/16	0.6875	17.462
-	0.1969	5	45/64	0.7031	17.859
13/64	0.2031	5.159	-	0.7087	18
7/32	0.2188	5.556	23/32	0.7188	18.256
15/64	0.2344	5.953	47/64	0.7344	18.653
-	0.2362	6	-	0.7480	19
1/4	0.2500	6.350	3/4	0.7500	19.050
17/64	0.2656	6.747	49/64	0.7656	19.447
-	0.2756	7	25/32	0.7813	19.844
9/32	0.2813	7.144	-	0.7874	20
19/64	0.2969	7.541	51/64	0.7969	20.241
5/16	0.3125	7.938	13/16	0.8125	20.638
-	0.3150	8	-	0.8268	21
21/64	0.3281	8.334	53/64	0.8281	21.034
11/32	0.3438	8.731	27/32	0.8438	21.431
-	0.3543	9	55/64	0.8594	21.828
23/64	0.3594	9.128	-	0.8661	22
3/8	0.3750	9.525	7/8	0.8750	22.225
25/64	0.3906	9.922	57/64	0.8096	22.622
-	0.3937	10	-	0.9055	23
13/32	0.4063	10.319	29/32	0.9063	23.019
27/64	0.4219	10.716	59/64	0.9219	23.416
-	0.4331	11	15/16	0.9375	23.812
7/16	0.4375	11.112	-	0.9449	24
29/64	0.4531	11.509	61/64	0.9531	24.209
15/32	0.4688	11.906	31/32	0.9688	24.606
-	0.4724	12	-	0.9843	25
31/64	0.4844	12.303	63/64	0.9844	25.003
12	0.5000	12.700	1/1	1	25.400
-	0.5118	13	-	-	-

PARTS MANUAL

TABLE OF CONTENTS

GENERAL	00
ENGINE	01
CLUTCH	02
FUEL	03
EXHAUST	04
COOLING	05
ELECTRICAL	06
TRANSMISSION	07
PROPELLER SHAFT	09
FRONT AXLE	10
REAR AXLE	11
BRAKE	12
WHEEL, HUBS & TIRES	13
STEERING	14
SUSPENSION	16
BODY	18
HEATING & AIR CONDITIONING	22
ACCESSORIES	23
WHEEL CHAIR LIFT	25

PARTS MANUAL

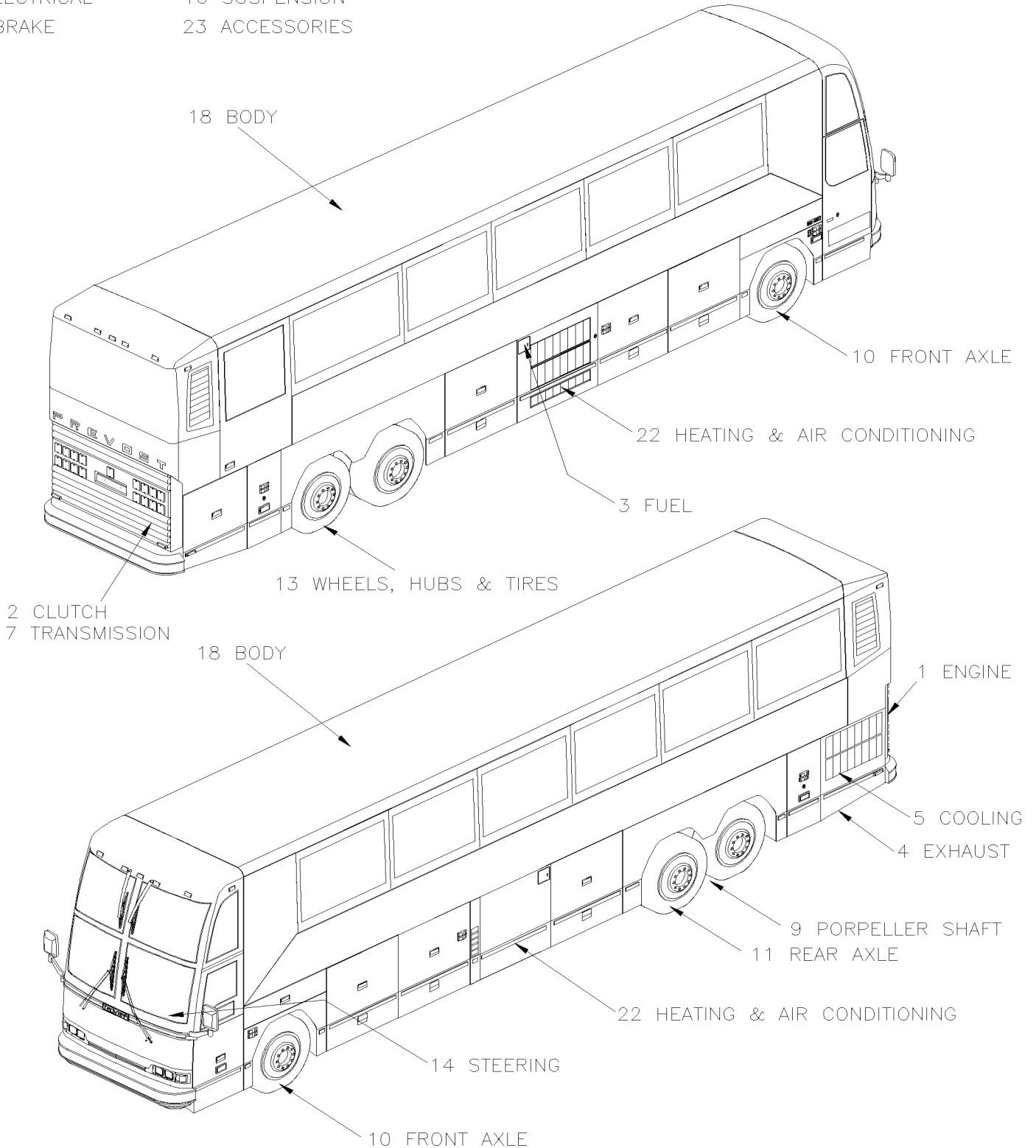
To have more information about fast moving parts, place an order for the book PA-1105 to your nearest parts order desk.

Thank you!

	Date:10/2022	PAGE: H3-1994 @ 2002
H3-41, H3-45 & VIP-45 / 1994 - 2002 / VIN FROM R-012 TO 2-4416		

6 ELECTRICAL
12 BRAKE

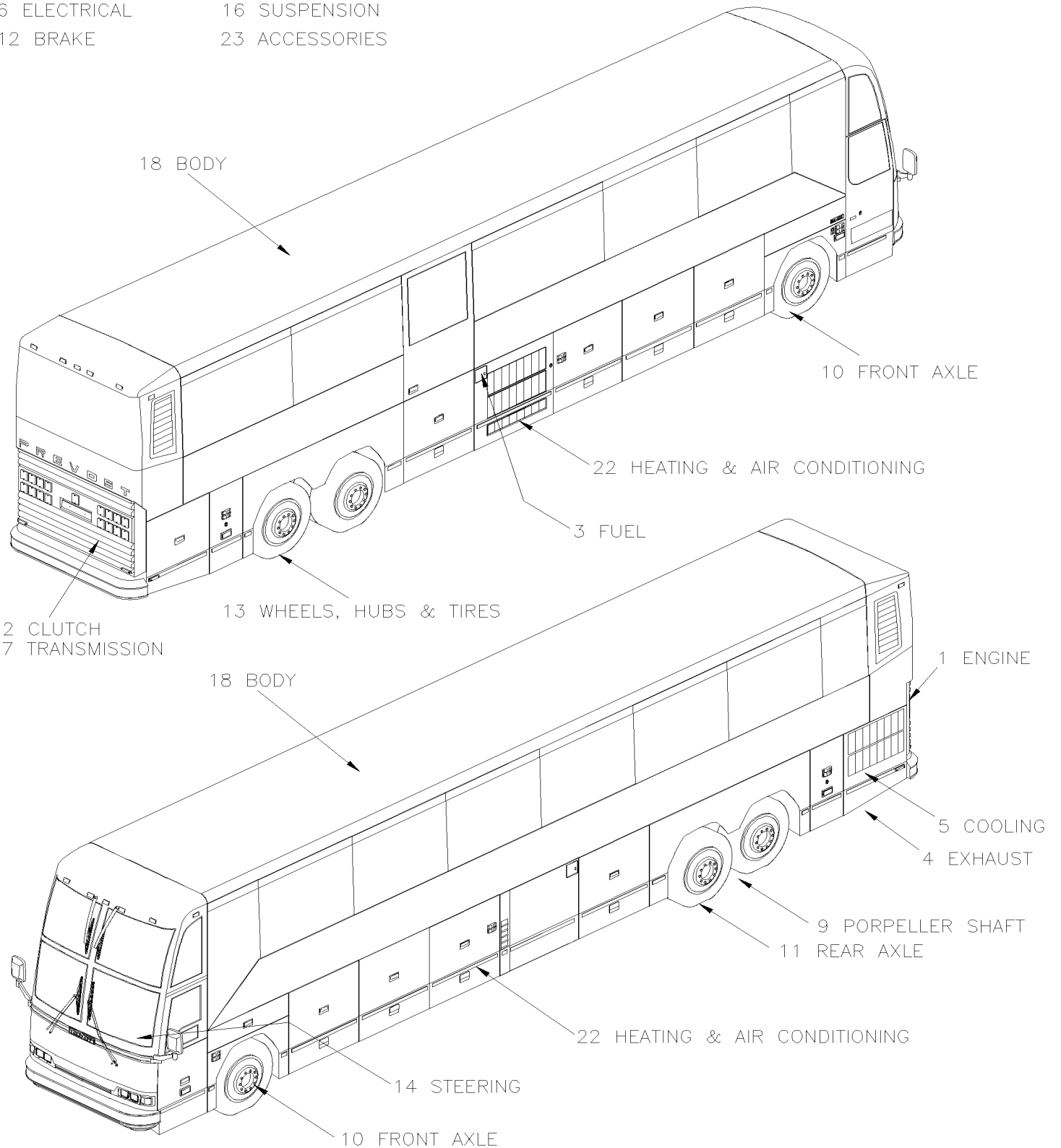
16 SUSPENSION
23 ACCESSORIES



	Date:10/2022	PAGE: H3-1994 @ 2002
H3-41, H3-45 & VIP-45 / 1994 - 2002 / VIN FROM R-012 TO 2-4416		

6 ELECTRICAL
12 BRAKE

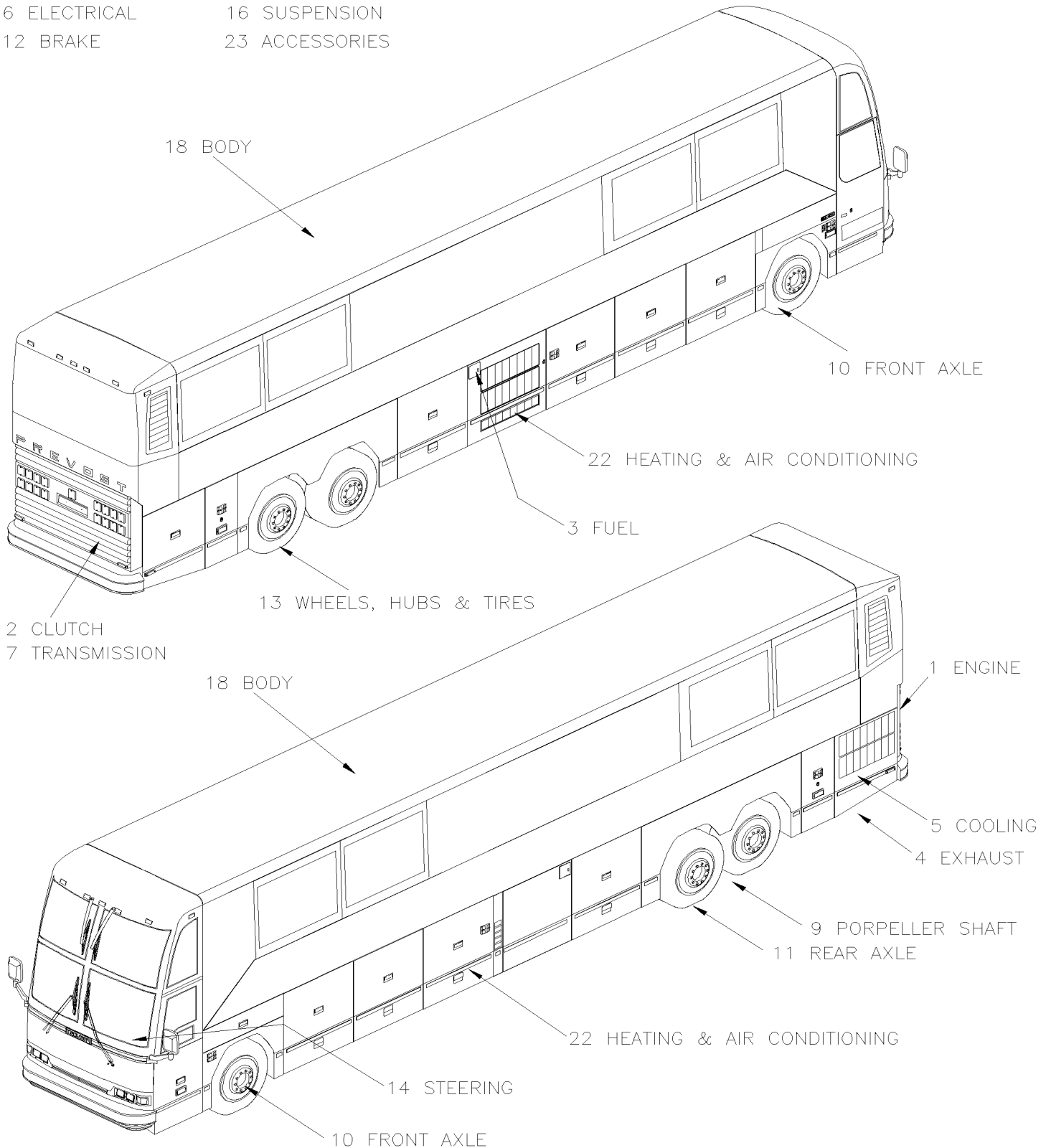
16 SUSPENSION
23 ACCESSORIES



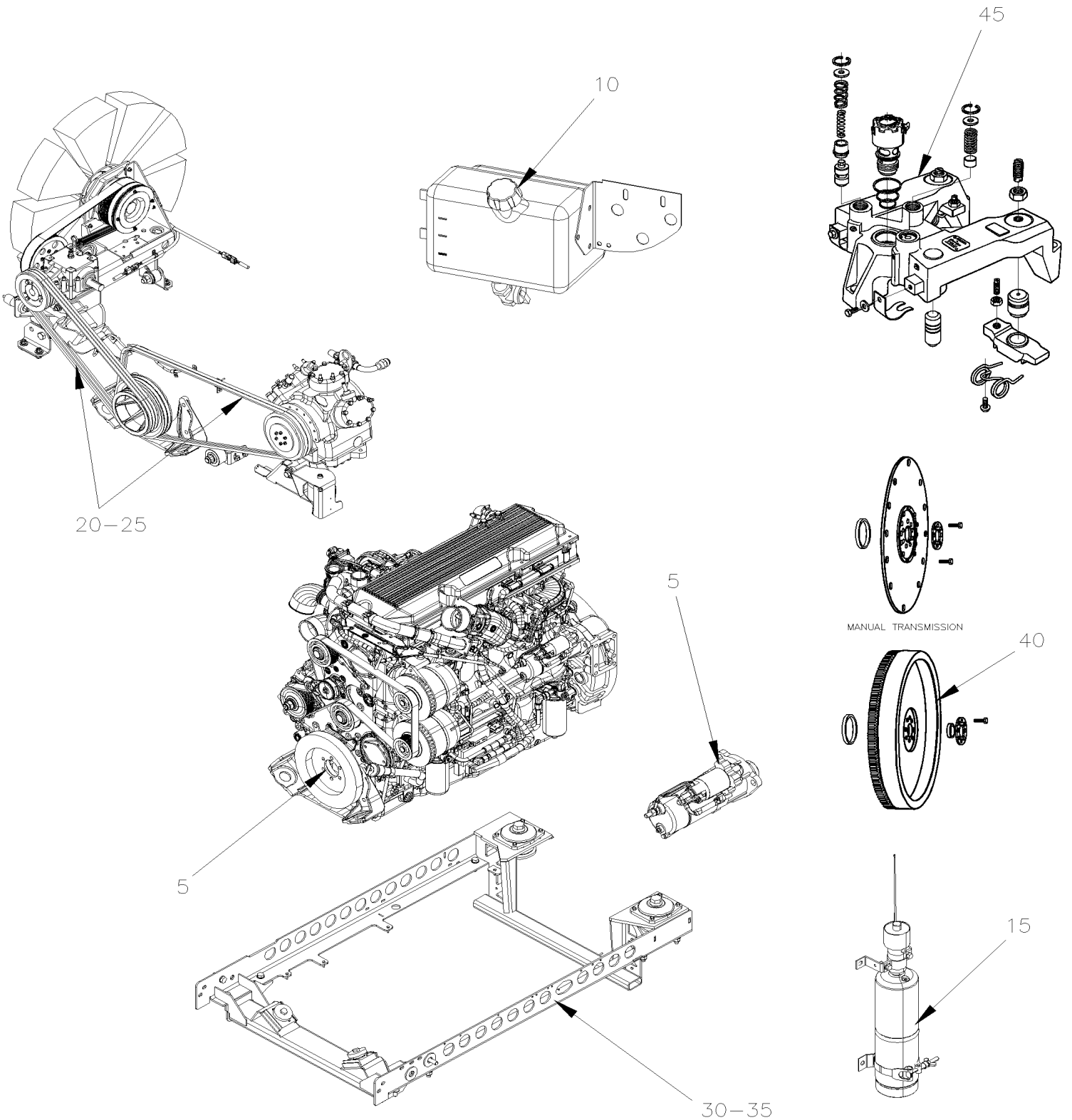
	Date:10/2022	PAGE: H3-1994 @ 2002
H3-41, H3-45 & VIP-45 / 1994 - 2002 / VIN FROM R-012 TO 2-4416		

6 ELECTRICAL
12 BRAKE

16 SUSPENSION
23 ACCESSORIES



	Date:10/2022	H3-01
ENGINE		



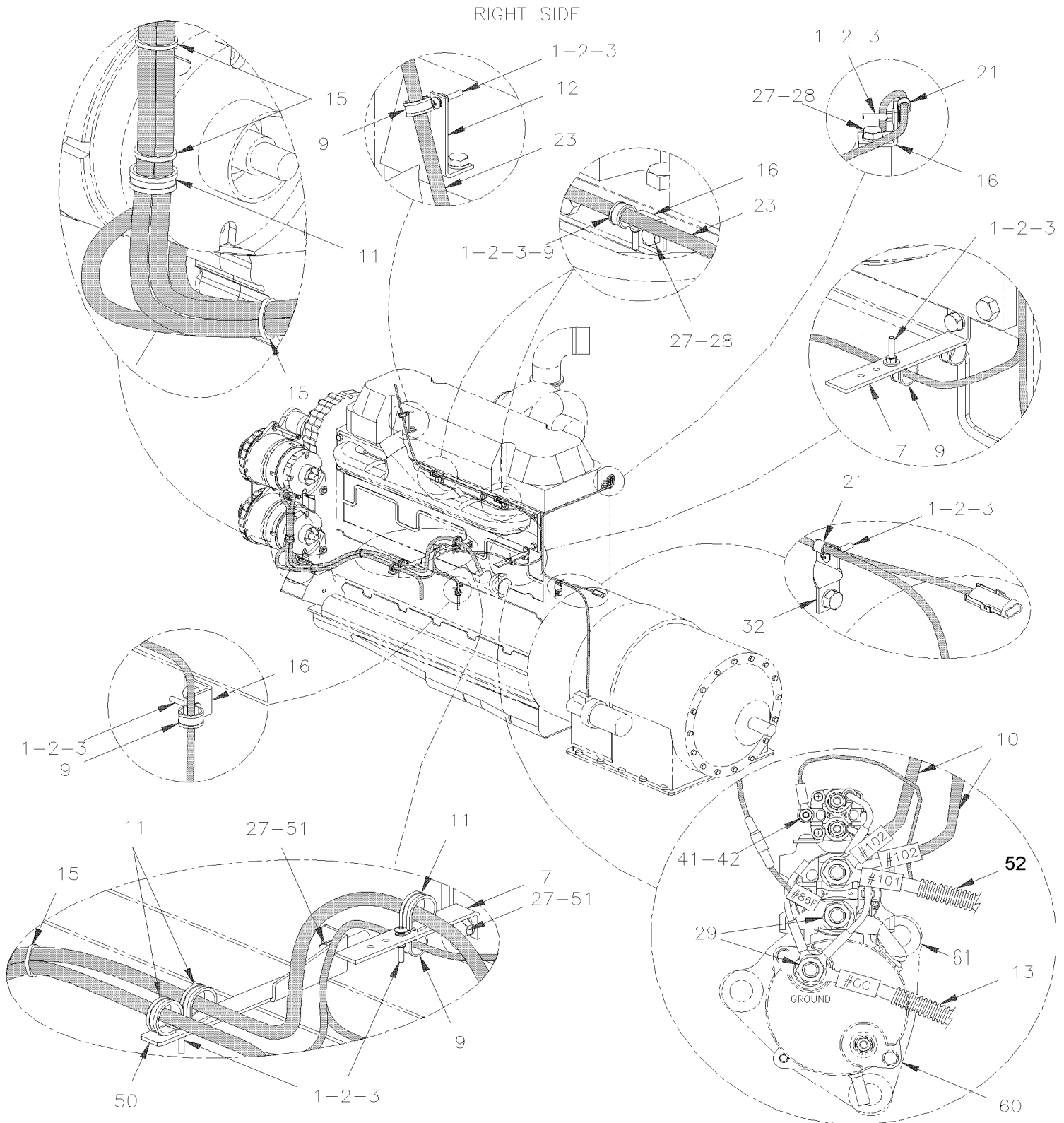
		Date:10/2022	H3-01			
ENGINE						
Item#	Part	Description	H 3 4 1	H 3 4 5	V I P 4 5	N O T E S
5	H3-0100-00	ENGINE WIRING HARNESS - INSTALLATION From R-012 To 2-4416				
10	H3-0105-01	ENGINE OIL RESERVOIR - STEEL From R-012 To 2-4416				
10	H3-0105-02	ENGINE OIL RESERVOIR - PLASTIC From T-1612 To 2-4416				
15	H3-0116-00	STARTING AID - INSTALLATION From R-012 To 2-4416				
20	H3-0120-01	DRIVE PULLEY & BELTS - BUS From R-012 To X-2900				
20	H3-0120-02	DRIVE PULLEY & BELTS - W/2 "BOSCH" From X-2901 To 2-4416				
20	H3-0120-50	DRIVE PULLEY & BELTS - V.I.P. From R-012 To 1-4160				
20	H3-0120-51	DRIVE PULLEY & BELTS - V.I.P. From 1-4161 To 2-4416				
25	H3-0125-01	BELTS TENSIONERS - WITH DETROIT S-60 From R-012 To 2-4416				
30	H3-0150-01	ENGINE CRADLE - WITH DETROIT S-60 From R-012 To 2-4416				
35	H3-0155-10	ENGINE TRANSMISSION GUARD & AIR SHIELD From R-012 To 2-4416				
40	H3-0160-00	FLYWHEEL - WITH MANUAL TRANS From R-012 To 2-4416				
45	H3-0165-01	JACOB'S - ENGINE BRAKE - WITH DETROIT S-60 From R-012 To 2-4416				

From R-012 To 2-4416

Date:10/2022

PAGE:H3-0100-00

ENGINE WIRING HARNESS - INSTALLATION



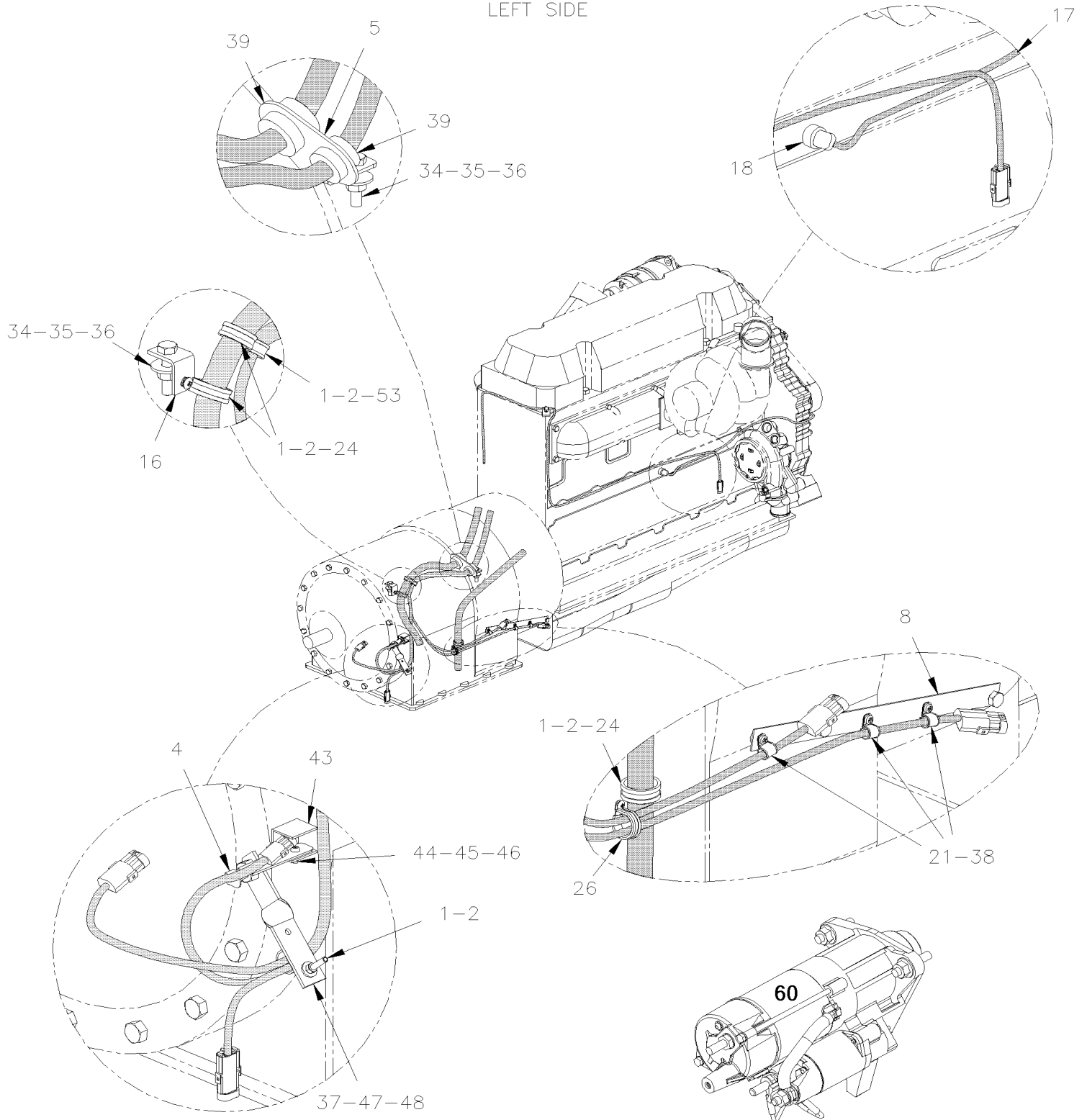
From R-012 To 2-4416

Date:10/2022

PAGE:H3-0100-00

ENGINE WIRING HARNESS - INSTALLATION

LEFT SIDE



From R-012 To 2-4416	Date:10/2022	PAGE:H3-0100-00
ENGINE WIRING HARNESS - INSTALLATION		

Item#	Part	Description	H 3 4 1	H 3 4 5	V I P 4 5	N O T E S
1	500574	SCREW MA TR PH #10-24x1 1/4 SS	AR	AR	AR	
2	500786	NUT HEX #10-24 Z050	AR	AR	AR	
3	500440	WASHER FL .250x.562x.065 Z050	AR	AR	AR	
4	504637	CABLE TIE / 3/16" x 13"	AR	AR	AR	
5	071035	SUPPORT CABLE HARNESS / W/2 HOLES / WTEC III	1	1	1	
6	065697	SUPPORT HARNESS / LONG	1	1	1	
7	010667	SUPPORT	2	2	2	
8	071029	SUPPORT CABLE / STRAP 298MM	1	1	1	
9	952631	CLAMP / 3/4" I.D.	6	6	6	
10	064740	CABLE ASSY W/ALTERNATOR # 102-2/0	2	2	2	
11	952637	CLAMP / 1"1/16 I.D.	3	3	3	
12	070368	SUPPORT	1	1	1	
13	062214	CABLE ASSY # 0C	1	1	1	
NS	062212	CABLE ASSY # 0B	1	1	1	
15	504016	CABLE TIE / 5/16" X 14"1/2	1	1	1	
16	061025	SUPPORT	1	1	1	
17	063295	CABLE ASSY / 110V BLOCK HEATER ENGINE SECTION	1	1	1	
18	560410	BLOCK HEATER	1	1	1	
19	5002254	WASHER FL .500X.750X.062, SS302	AR	AR	AR	
20	684013	RUBBER PROTECTOR / COLOR GUARD 14.5oz	AR	AR	AR	
21	952625	CLAMP / 3/8" I.D.	2	2	2	
22	065027	CABLE GROUND ALT "BOSCH"	2	2	2	
NS	065729	CABLE GROUND ALT "DELCO" From 3-4460	2	2	2	
22	065685	CABLE ASSY / ECU & "DELCO" 50DN			1	
23	064618	CABLE ASSY / ENGINE COMPT ACCESSORIES To X-3310	1	1	1	
23	065224	CABLE ASSY / ENGINE COMPT ACCESSORIES From X-3311	1	1	1	
23	064728	CABLE ASSY / ENGINE COMPT ACCESSORIES To X-3310			1	A
23	065225	CABLE ASSY / ENGINE COMPT ACCESSORIES From X-3311			1	A
24	952635	CLAMP / 1" I.D.	3	3	3	
25	500257	WASHER LO SPT 10.2x18.1x2.2 Z050	AR	AR	AR	
26	060025	CLAMP / 5/8" I.D / W/HOLE 13/32"	1	1	1	
NS	952629	. CLAMP / 5/8" I.D.	1	1	1	
26	952629	CLAMP / 5/8" I.D.	2	2	2	
27	502559	SCREW CAP HEX M10-1.5x25 G8.8 Z050	AR	AR	AR	
28	500441	WASHER FL .312x.734x.065 Z050	AR	AR	AR	
29	500482	WASHER LO SPT .506x.873x.125 Z050	AR	AR	AR	
30	500857	WASHER LO INT .512x.900x.045 Z050	AR	AR	AR	
31	500850	SCREW CAP HEX M12-1.75X25 G8.8 Z050	AR	AR	AR	
32	061027	SUPPORT 2"1/2 LG	1	1	1	
33	500860	NUT HEX M12-1.75 Z050	AR	AR	AR	
34	502549	SCREW CAP HEX M10-1.5x35 G8.8 Z050	AR	AR	AR	
35	500680	NUT HEX STO M10-1.5 Z050	AR	AR	AR	

From R-012 To 2-4416	Date:10/2022	PAGE:H3-0100-00
ENGINE WIRING HARNESS - INSTALLATION		

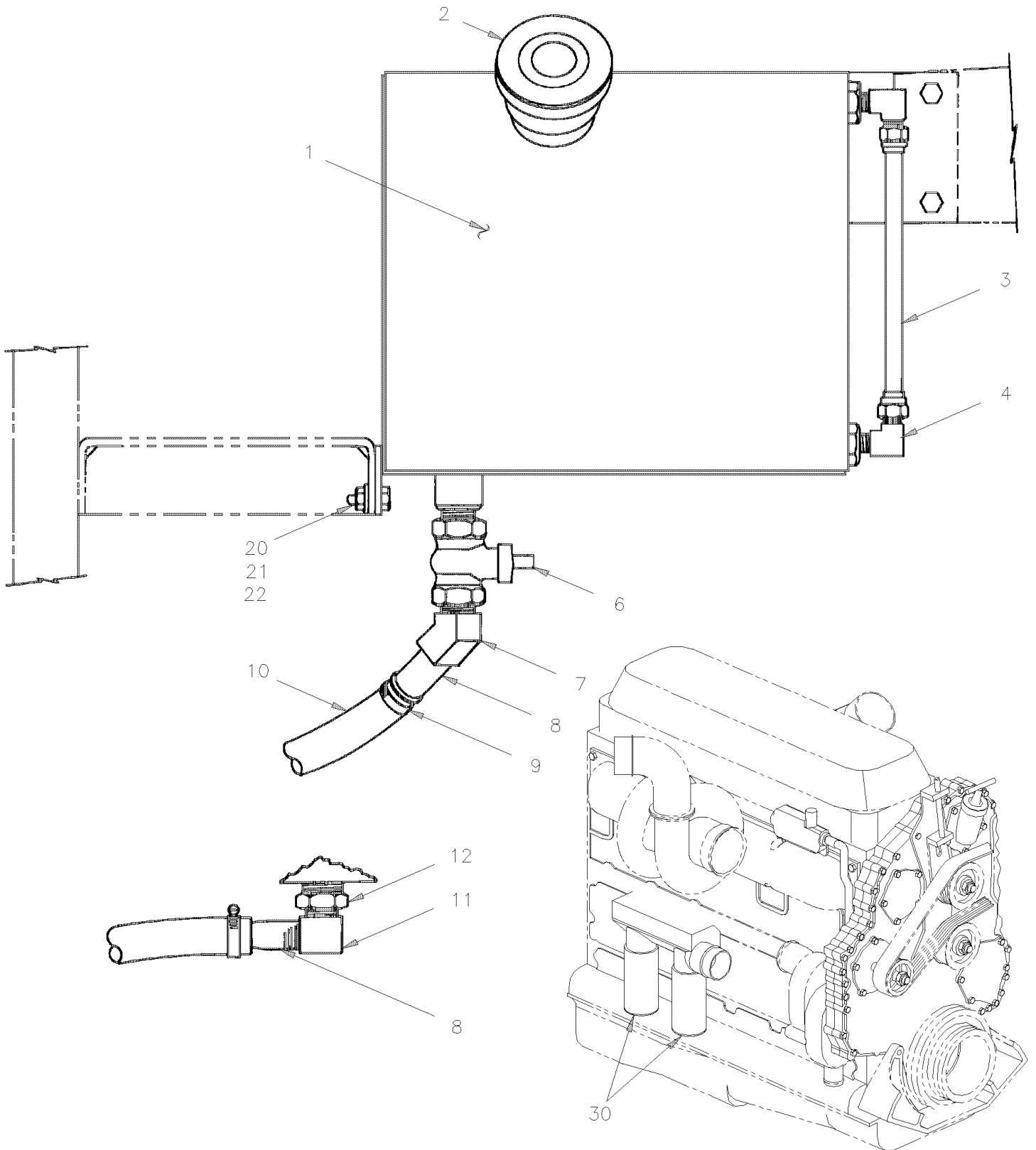
Item#	Part	Description	H 3 4 1	H 3 4 5	V I P 4 5	N O T E S
36	502644	WASHER FL 10.5x30.0x2.5 Z050	AR	AR	AR	
37	061129	SUPPORT FLAT TWISTED / TUBE DIPSTICK	1	1	1	
38	5001036	SCREW MA PAN PH M4-0.7x10 Z050	AR	AR	AR	
39	064716	CABLE ASSY / TRANS & SPEED SWITCH To Y-4035	1	1	1	R
39	065330	CABLE ASSY / TRANS & SPEED SWITCH / W/RETARDER From Y-4036	1	1	1	R
39	064716	CABLE ASSY / TRANS & SPEED SWITCH To Y-4008	1	1	1	O
39	065331	CABLE ASSY / TRANS & SPEED SWITCH / W/O RETARDER From Y-4009	1	1	1	O
40	064942	CABLE ASSY / W/2 "BOSCH" 140 AMPS	1	1	1	
41	502561	NUT HEX M5-0.8 Z050	AR	AR	AR	
42	504601	CLAMP / 5/16" I.D. x .375 HOLE	1	1	1	R
43	065398	SUPPORT RETARDER TEMPERATURE SENSOR	1	1	1	R
44	500344	SCREW MA RND PH M4-0.7x12 Z050	AR	AR	AR	R
45	502524	NUT HEX M4-0.7 Z050	AR	AR	AR	R
46	502636	WASHER LO SPT 4.1x7.6x0.9 Z050	AR	AR	AR	R
47	071097	PROTECTOR SUPPORT SS 102MM X 90MM	1	1	1	R
48	071096	PROTECTOR SUPPORT SS ANGLE SHAPE 61MM X 73MM	1	1	1	O
50	065697	SUPPORT HARNESS / LONG	1	1	1	
50	952627	CLAMP / 1/2" I.D.	3	3	3	
50	H3-0155-10	ENGINE TRANSMISSION GUARD & AIR SHIELD				
51	500257	WASHER LO SPT 10.2x18.1x2.2 Z050	AR	AR	AR	
52	063621	CABLE ASSY / RELAY BATTERY & STARTOR #101 To X-3310	1	1	1	
52	065231	CABLE ASSY SW24V TO STARTER From X-3311	1	1	1	
60	510485	STARTER MOTOR / 24V 42MT "DELCO"	1	1	1	F
60	510004	STARTER MOTOR / W/RELAY	1	1	1	
. NS	510011	. RELAY KIT	1	1	1	
. NS	510015	. SOLENOID KIT	1	1	1	
61	5001668	SCREW CB 12POINT 5/8-11x2 1/4	3	3	3	
NS	502884	WASHER LO SPT 16.2x27.4x3.5 N500	3	3	3	
71	N.S.P.	AIR TANK / 1228 IN° / 8" O.D. X 26" From Y-3810 To 6-0429	1	1		2 A
NS	012260	KIT, RETROFIT STARTOR "MELCO"	1	1	1	
. NS	IS-02053C	. SEE INSTRUCTION SHEET	1	1	1	
123	VB123	QAXC PARTS	1	1	1	
		A) WITH SMALL A/C				
		F) FOR PRODUCT IMPROVEMENT, ASK KIT #012260 AND SEE INSTRUCTION SHEET				
		O) W/O RETARDER				
		R) WITH RETARDER				
		2) NOT SOLD BY PREVOST (SEE MANUFACTURING PART NUMBER AT END OF DESCRIPTION LINE)				

From R-012 To 2-4416

Date:10/2022

PAGE:H3-0105-01

ENGINE OIL RESERVOIR - STEEL



From R-012 To 2-4416	Date:10/2022	PAGE:H3-0105-01
ENGINE OIL RESERVOIR - STEEL		

Item#	Part	Description	H 3 4 1	H 3 4 5	V I P 4 5	N O T E S
		NOTE: VEHICLES H3-41 AND H3-45 ARE EFFECTIVE				
		FROM R-012 UP TO T-1611.				
		FOR THE V.I.P., IT CONTINUES UP TO 2-4416.				
1	180180	TANK ASSY / W/ 3/4" VALVE To T-1611	1	1		
1	180180	TANK ASSY / W/ 3/4" VALVE			1	
2	680006	. CAP, VENTED To T-1611	1	1		
2	680006	. CAP, VENTED			1	
3	503254	CLEAR TUBE PVC 1/4 To T-1611	AR	AR		
3	503254	CLEAR TUBE PVC 1/4			AR	
4	501135	MALE ELBOW 90° / POLY-TITE FITTING / #6x3/8NPT-M BR To T-1611	2	2		
4	501135	MALE ELBOW 90° / POLY-TITE FITTING / #6x3/8NPT-M BR			2	
NS	501064	. SLEEVE / POLY-TITE FITTING / #6 PLAS To T-1611	1	1		
NS	501064	. SLEEVE / POLY-TITE FITTING / #6 PLAS			1	
6	5011045	VALVE 3/4" To T-1611	2	2		
6	5011045	VALVE 3/4"			2	
NS	5011053	PLUG CAP HEX / PIPE FITTING / 3/4NPT-F To T-1611	1	1		
NS	5011053	PLUG CAP HEX / PIPE FITTING / 3/4NPT-F			1	
7	507339	STREET ELBOW 90° / PIPE FITTING / 3/4NPT-Mx3/4NPT-F BR To T-1611	2	2		
7	507339	STREET ELBOW 90° / PIPE FITTING / 3/4NPT-Mx3/4NPT-F BR			2	
8	501896	ADAPTER / COPPER @ PIPE / 3/4Fx3/4NPT-M To T-1611	2	2		
8	501896	ADAPTER / COPPER @ PIPE / 3/4Fx3/4NPT-M			2	
9	504021	HOSE CLAMP / 11/16"-1"1/2 SS / HS-16 To T-1611	2	2		
9	504021	HOSE CLAMP / 11/16"-1"1/2 SS / HS-16			2	
10	503547	HOSE / RUBBER #12 / S.L. To T-1611	AR	AR		
10	503547	HOSE / RUBBER #12 / S.L.			AR	
11	507339	STREET ELBOW 90° / PIPE FITTING / 3/4NPT-Mx3/4NPT-F BR To T-1611	1	1		
11	507339	STREET ELBOW 90° / PIPE FITTING / 3/4NPT-Mx3/4NPT-F BR			1	
20	502631	SCREW CAP HEX M6-1.0x20 G8.8 Z050 To T-1611	4	4		
20	502631	SCREW CAP HEX M6-1.0x20 G8.8 Z050			4	
21	500440	WASHER FL .250x.562x.065 Z050 To T-1611	4	4		
21	500440	WASHER FL .250x.562x.065 Z050			4	
22	502621	NUT HEX STO M6-1.0 Z050 To T-1611	4	4		
22	502621	NUT HEX STO M6-1.0 Z050			4	
NS	403536	DECAL "OIL SPEC" / ENGLISH & FRANCAIS To T-1611	1	1		
NS	403536	DECAL "OIL SPEC" / ENGLISH & FRANCAIS			1	
NS	011166	DECAL / V.I.N. To T-1611	1	1		
NS	011166	DECAL / V.I.N.			1	
NS	010511	DECAL "AIR VALVE POSITION ON-OFF" To T-1611	1	1		
NS	010511	DECAL "AIR VALVE POSITION ON-OFF"			1	
30	510458	OIL FILTER, CARTRIDGE / PF-2100 / ENGINE / W/SERIES 60	2	2	2	

From R-012 To 2-4416		Date:10/2022	PAGE:H3-0105-01
----------------------	--	--------------	-----------------

ENGINE OIL RESERVOIR - STEEL

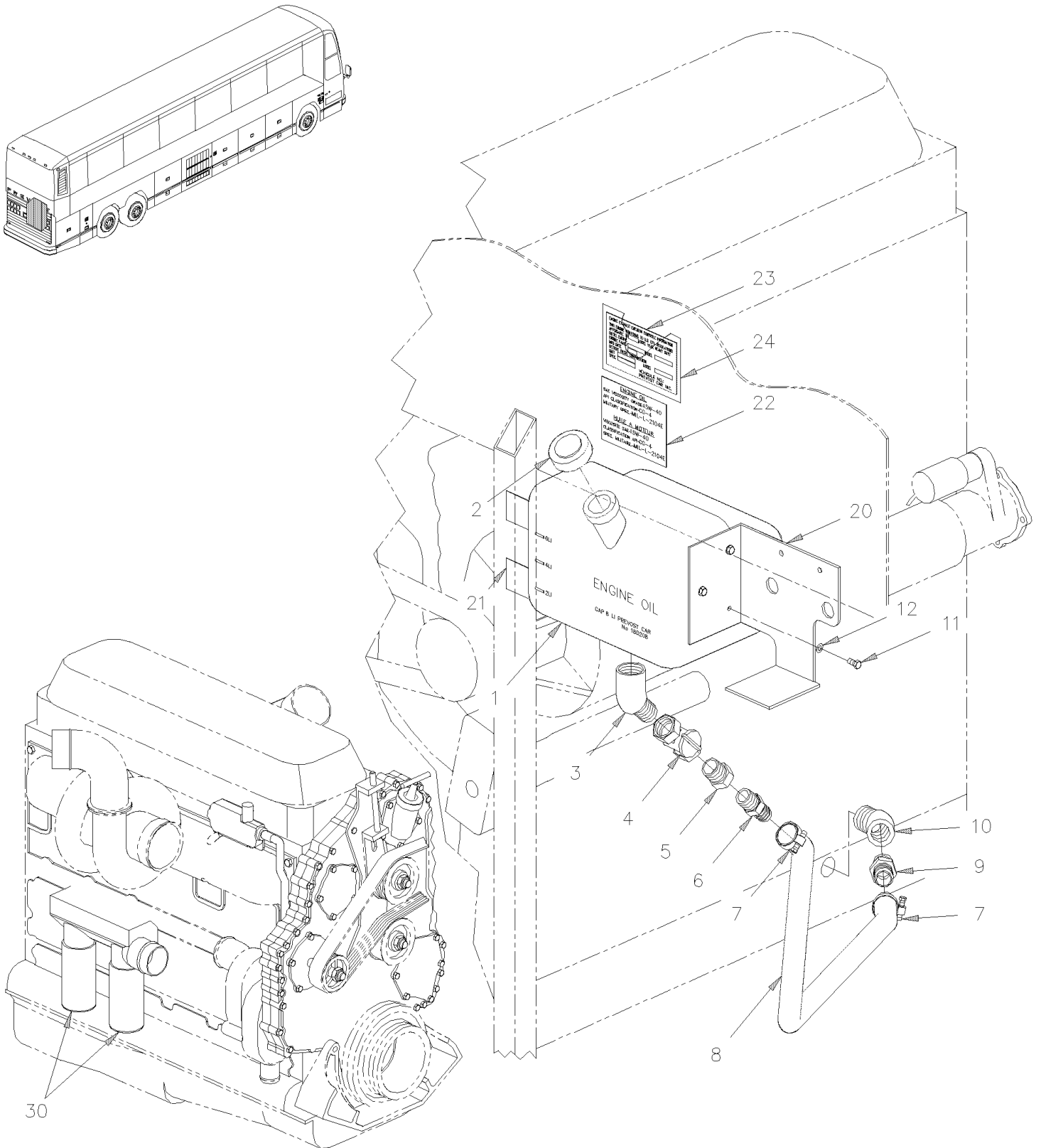
Item#	Part	Description	H 3 4 1	H 3 4 5	V I P 4 5	N O T E S

From T-1612 To 2-4416

Date:10/2022

PAGE:H3-0105-02

ENGINE OIL RESERVOIR - PLASTIC



From T-1612 To 2-4416	Date:10/2022	PAGE:H3-0105-02
ENGINE OIL RESERVOIR - PLASTIC		

Item#	Part	Description	H 3 4 1	H 3 4 5	V I P 4 5	N O T E S
1	180208	TANK OIL	1	1		
2	683107	CAP To W-2205	1	1		
2	683477	CAP From W-2206	1	1		
3	5011051	STREET ELBOW 45° / PIPE FITTING / 3/4NPT-Mx3/4NPT-F BR	1	1		
4	5011045	VALVE 3/4"	1	1		
5	501462	BUSHING REDUCER / PIPE FITTING / 3/4NTP-Mx1/2NPT-F BR	1	1		
6	507605	MALE CONNECTOR / HOSE BARB FITTING / #12x1/2NPT-M BR	1	1		
7	504020	HOSE CLAMP / 9/16"-1"1/4 SS / HS-12	2	2		
8	180197	HOSE #16 1270MM	1	1		
8	503547	. HOSE / RUBBER #12 / S.L.	AR	AR		
9	501462	BUSHING REDUCER / PIPE FITTING / 3/4NTP-Mx1/2NPT-F BR	1	1		
NS	507605	MALE CONNECTOR / HOSE BARB FITTING / #12x1/2NPT-M BR	1	1		
10	5011051	STREET ELBOW 45° / PIPE FITTING / 3/4NPT-Mx3/4NPT-F BR	1	1		
11	502531	SCREW CAP HEX M6-1.0x16 G8.8 Z050	6	6		
12	500411	WASHER FL .260x.697x.050 SS	1	1		
12	502564	WASHER LO SPT 6.1x11.8x1.6 Z050	6	6		
20	H3-1894-00	REAR STRUCTURE				
21	H3-1894-00	REAR STRUCTURE				
22	403536	DECAL "OIL SPEC" / ENGLISH & FRANCAIS	1	1		
23	011166	DECAL / V.I.N.	1	1		
24	681277	PROTECTOR TAPE / C.T.L.	AR	AR		
30	510458	OIL FILTER, CARTRIDGE / PF-2100 / ENGINE / W/SERIES 60	2	2		

From R-012 To 2-4416

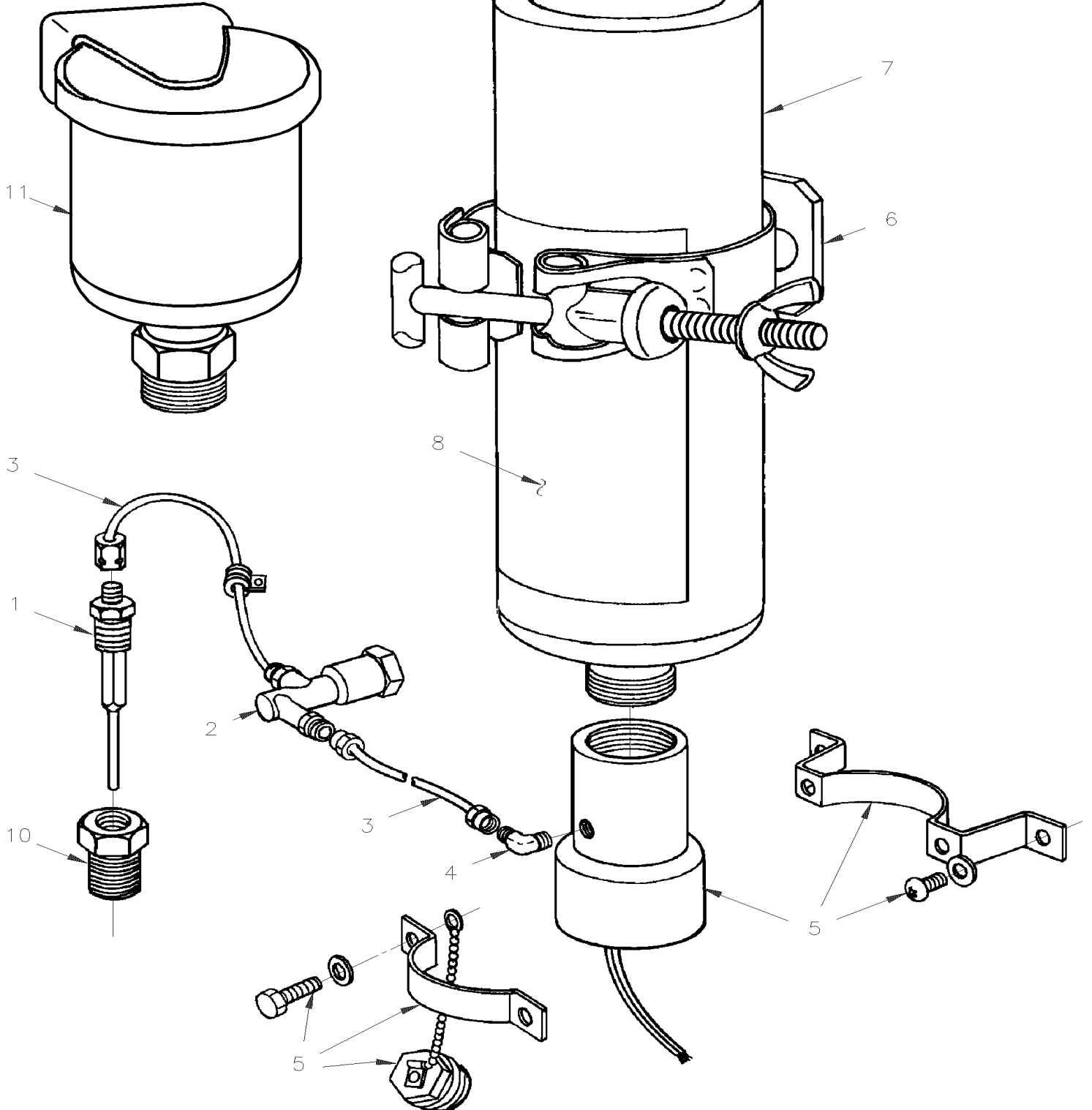
Date:10/2022

PAGE:H3-0116-00

STARTING AID - INSTALLATION

MANUAL

AUTOMATIC



From R-012 To 2-4416	Date:10/2022	PAGE:H3-0116-00
STARTING AID - INSTALLATION		

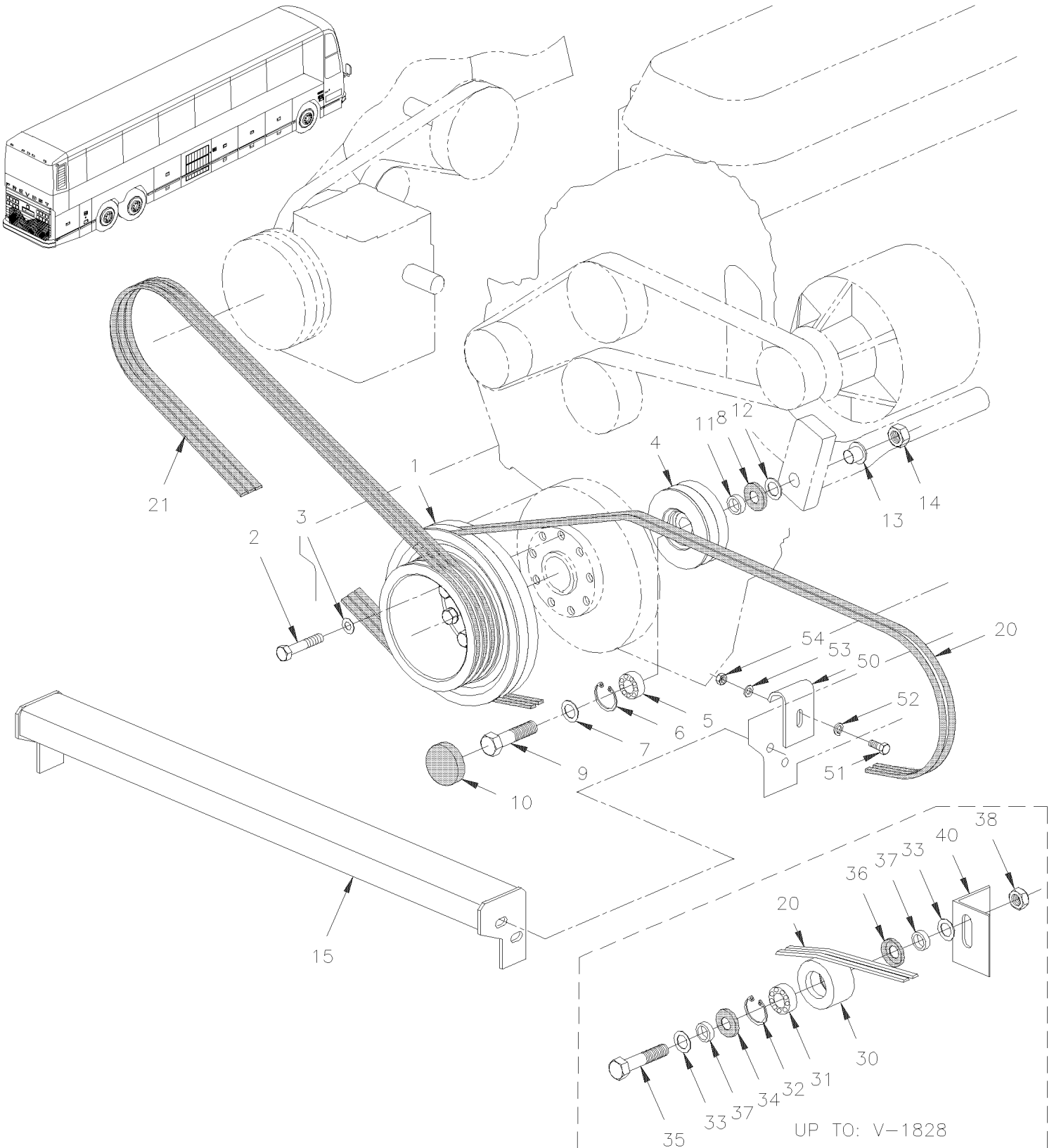
Item#	Part	Description	H 3 4 1	H 3 4 5	V I P 4 5	N O T E S
1	510170	ATOMIZER To 1-2589	1	1	1	
2	510169	THERMACLOZ From 1-2590	1	1	1	
3	503536	TUBE, NYLON 1/8 O.D. / BLACK S.L. From 4-5628	AR	AR	AR	
4	510171	ELBOW 90°	1	1	1	
5	011338	VALVE ASSY W/CONNECTOR	1	1	1	
5	510167	. VALVE	1	1	1	
6	510166	CLAMP CYLINDER	1	1	1	
NS	011437	SUPPORT / BOLTED ON FRAME	2	2	2	
6	502790	SCREW CAP HEX M8-1.25x20 G8.8 Z050	4	4	4	
6	502507	WASHER LO SPT 8.1x14.8x2.0 Z050	4	4	4	
6	502543	NUT HEX M8-1.25 Z050	4	4	4	
7	510173	CYLINDER DIESEL STARTING FUEL	1	1	1	
8	510172	DECAL	1	1	1	
NS	500165	SCREW CAP HEX 1/4-20x1 G5 Z050	2	2	2	A
10	501534	BUSHING REDUCER / PIPE FITTING / 1/2NPT-Mx3/8NPT-F BR	1	1	1	
NS	561471	SWITCH / OFF-M/ON W/LOCK S.P.S.T. To W-2284	1	1	1	
NS	561123	. BULB / 1 WATT-24VOLTS / SAE# 2741 To W-2284	1	1	1	
NS	061409	WIRING ASSY / REAR JCT BOX & VALVE To W-2284	1	1	1	
NS	062987	INSERT / GREEN / ETHER To W-2284	1	1	1	
NS	562698	SWITCH / OFF-M/ON / D.P.S.T. / W/GREEN LED From W-2285	1	1	1	
NS	562734	CAP / ETHER From W-2285	1	1	1	
NS	011437	SUPPORT / BOLTED ON FRAME	2	2	2	
		A) CYLINDER CLAMP				

From R-012 To X-2900

Date:10/2022

PAGE:H3-0120-01

DRIVE PULLEY & BELTS - BUS



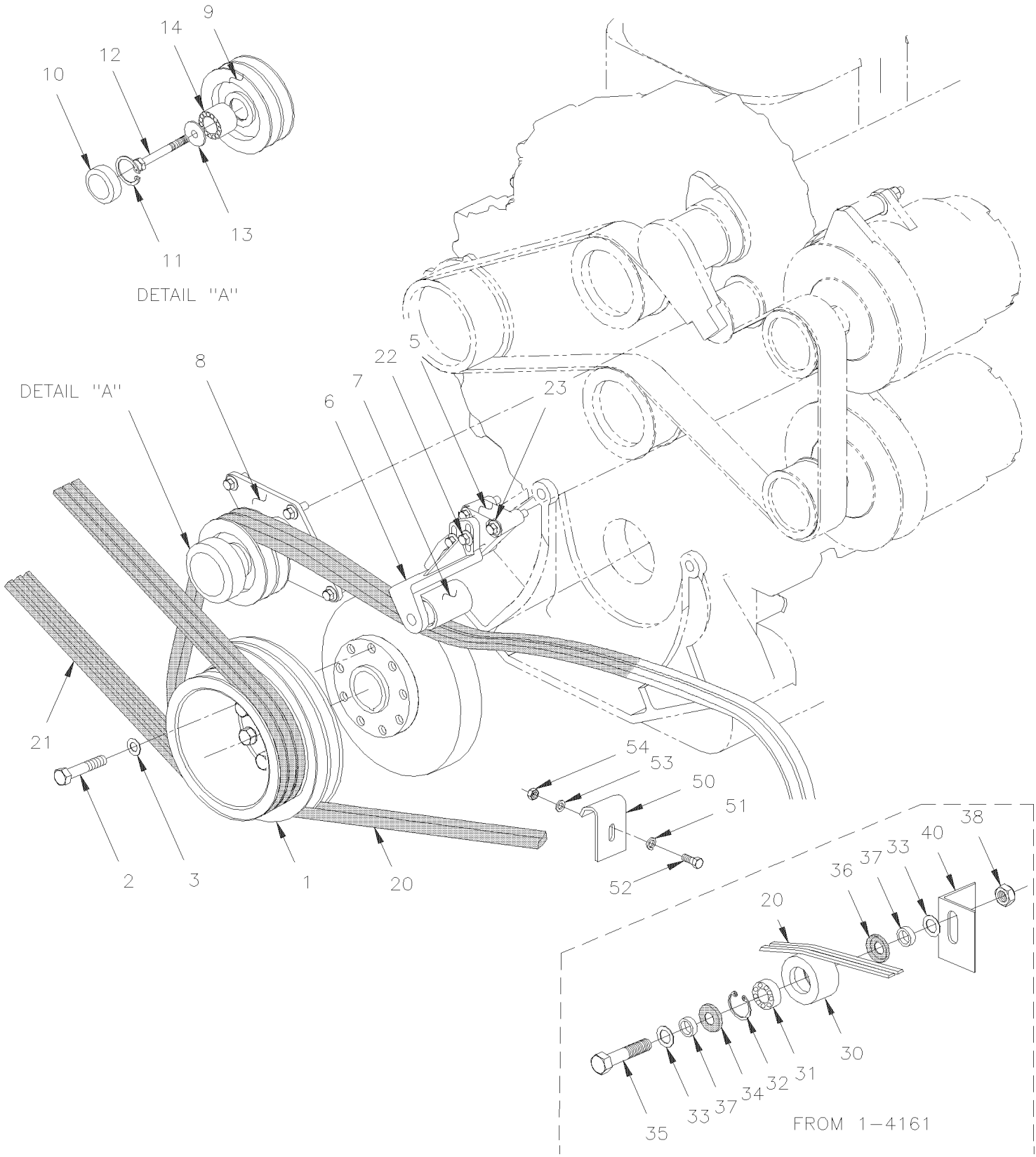
From R-012 To X-2900	Date:10/2022	PAGE:H3-0120-01
DRIVE PULLEY & BELTS - BUS		

Item#	Part	Description	H 3 4 1	H 3 4 5	V I P 4 5	N O T E S
1	011584	PULLEY W/60 (2V X 11" O.D. + 3V X 8" O.D. / BOLTED ON HUB	1	1		
2	N.S.P.	BOLT 9/16-18 X 2 1/2" / (8929222)	9	9		2
3	N.S.P.	WASHER SPECIAL 9/16" / (5133981)	9	9		2
4	452250	PULLEY, 5" O.D. DIA. To W-2082	1	1		B
4	453078	PULLEY ASSY W/BEARING & SEAL / 5" O.D. X 2V	1	1		
4	453075	. PULLEY / 5" O.D. X 2V From W-2083	1	1		
5	507340	. BALL BEARING 20 ID x 52 OD x 22.2 W	1	1		
6	504095	. RING RETAINER / INT 2.00 x 2.12 x .062	1	1		
7	502558	WASHER FL 21.0x37.0x3.0 G500	1	1		
8	507360	SEAL From V-2083	1	1		
NS	680500	GREASE MERITOR / 400GR From W-2083	1	1		
9	5001124	SCREW CAP HEX M20-2.5x80 G8.8 ZP	1	1		
10	453076	CAP, DUST From W-2083	1	1		
11	051895	SPACER 20MM I.D. X 9MM TH To W-2082	1	1		
11	052205	SPACER 20MM I.D. X 12.5MM TH From W-2083 To X-2900	1	1		
11	052219	SPACER 20MM I.D. X 19.44MM TH From X-2901	1	1		
12	5001205	WASHER FL .875x1.375x.047	AR	AR		
13	452276	CENTERING BUSHING, FLANGE	1	1		
14	500809	NUT HEX STO M20-2.5 N500	1	1		
15	H3-0150-01	ENGINE CRADLE - WITH DETROIT S-60				
20	506664	V-BELT / BX-97 / SET OF 2 9212-0390	2	2		
20	506752	V-BELT / BX-96 / SET OF 2 9013-2096	2	2		T
20	506197	SUPER V-BELT / 2B-97 9093-2097	AR	AR		A
21	506691	V-BELT / AX-73 9012-2073 To X-3306	3	3		
21	506748	V-BELT / AX-72 9012-2072 From X-3307	3	3		
NS	453630	KIT, PULLEY ASSY W/ANGLE SUPPORT	AR	AR		
. NS	IS-96114A	. SEE INSTRUCTION SHEET	1	1		
29	454186	KIT, PULLEY ASSY W/ANGLE SUPPORT / SERIES "H" SERVICE	AR	AR		
30	052010	PULLEY SERVICE To V-1827	1	1		C
30	052208	PULLEY ASSY W/BEARING & SEAL / 43MM x 78MM	1	1		
30	052207	. PULLEY BELT TENSIONER / 43MM x 78MM O.D. From V-1828	1	1		
31	507340	. BALL BEARING 20 ID x 52 OD x 22.2 W	1	1		
32	504095	. RING RETAINER / INT 2.00 x 2.12 x .062	1	1		
33	5001205	. WASHER FL .875x1.375x.047 To V-1827	AR	AR		
34	507361	. SEAL	1	1		
35	5001124	SCREW CAP HEX M20-2.5x80 G8.8 ZP	1	1		
36	507360	SEAL	1	1		
37	051895	SPACER 20MM I.D. X 9MM TH To V-1827	1	1		
37	052205	SPACER 20MM I.D. X 12.5MM TH From V-1828	2	2		
38	500809	NUT HEX STO M20-2.5 N500	1	1		
40	011623	ANGLE SUPPORT / (WELDED TO ENGINE CRADLE) To V-1827	1	1		
40	052393	ANGLE SUPPORT / BOLTED TO ENGINE CRADLE	1	1		E

From R-012 To X-2900	Date:10/2022	PAGE:H3-0120-01
DRIVE PULLEY & BELTS - BUS		

Item#	Part	Description	H 3 4 1	H 3 4 5	V I P 4 5	N O T E S
40	454184	ANGLE SUPPORT / BOLTED TO ENGINE CRADLE / SERIES "H" SERVICE	AR	AR		
50	452981	BELT PROTECTOR From V-1828 To V-1964	1	1		D
50	453077	BELT PROTECTOR From V-1965	1	1		D
51	502559	SCREW CAP HEX M10-1.5x25 G8.8 Z050	1	1		
52	500445	WASHER FL .437x1.000x.083 Z050	2	2		
53	500257	WASHER LO SPT 10.2x18.1x2.2 Z050	1	1		
54	500256	NUT HEX M10-1.5 Z050	1	1		
		A) THIS BELT IS "HI-POWER BAND"				
		B) FOR IMPROVE LIFE BEARING CHANGE PULLEY BY #453078				
		C) FOR IMPROVE BEARING LIFE CHANGE PULLEY BY #052208				
		D) FOR PRODUCT IMPROVMENT USE KIT #453630 & SEE INSTRUCTION SHEET				
		E) INCLUDED IN ASSY #453709. THIS ASSY IS INCLUDED IN KIT #453630				
		T) WITH THERMO KING COMPRESSOR				
		2) NOT SOLD BY PREVOST (SEE MANUFACTURING PART NUMBER AT END OF DESCRIPTION LINE)				

From X-2901 To 2-4416	Date:10/2022	PAGE:H3-0120-02
DRIVE PULLEY & BELTS - W/2 "BOSCH"		



From X-2901 To 2-4416	Date:10/2022	PAGE:H3-0120-02
DRIVE PULLEY & BELTS - W/2 "BOSCH"		

Item#	Part	Description	H 3 4 1	H 3 4 5	V I P 4 5	N O T E S
1	011584	PULLEY W/60 (2V X 11" O.D. + 3V X 8" O.D. / BOLTED ON HUB	1	1		
2	N.S.P.	BOLT 9/16-18 X 2"1/2 / (8929222)	9	9		2
3	N.S.P.	WASHER SPECIAL 9/16" / (5133981)	9	9		2
5	N.S.P.	ADAPTOR SNUBBER MOUNTING / (23522934)	1	1		2
6	012063	SNUBBER ASSY	1	1		
6	N.S.P.	. SUPPORT / (23522973)	2	2		2
7	N.S.P.	. ROLLER / (23512825)	2	2		2
7	N.S.P.	. BEARING / (907394)	2	2		2
8	N.S.P.	PULLEY ASSY IDLER / (23519391)	1	1		2
8	N.S.P.	. SUPPORT / (23519388)	1	1		2
9	N.S.P.	. PULLEY / (23519290)	1	1		2
10	N.S.P.	. PROTECTOR CAP / (05107293)	1	1		2
11	N.S.P.	. SNAP RING / (23519223)	1	1		2
12	N.S.P.	. BOLT / (2350562)	1	1		2
13	N.S.P.	. WASHER / (23518224)	1	1		2
14	N.S.P.	. BEARING DBL ROW / (30BGS1D53) / (23518189)	1	1		2
20	506681	V-BELT / BX-100 9013-2100	1	1		
21	506691	V-BELT / AX-73 9012-2073 To X-3183	3	3		
21	506748	V-BELT / AX-72 9012-2072 From X-3184	3	3		
22	N.S.P.	PULLEY IDLER 12G / 5"1/4O.D. / (23520994)	1	1		2
23	N.S.P.	SCREW	1	1		2
30	052208	PULLEY ASSY W/BEARING & SEAL / 43MM x 78MM	1	1		
30	052207	. PULLEY BELT TENSIONER / 43MM x 78MM O.D.	1	1		
31	507340	. BALL BEARING 20 ID x 52 OD x 22.2 W	1	1		
32	504095	. RING RETAINER / INT 2.00 x 2.12 x .062	1	1		
33	5001205	. WASHER FL .875x1.375x.047	1	1		
34	507361	. SEAL	1	1		
35	5001124	SCREW CAP HEX M20-2.5x80 G8.8 ZP	1	1		
36	507360	SEAL	1	1		
37	052205	SPACER 20MM I.D. X 12.5MM TH	1	1		
38	500809	NUT HEX STO M20-2.5 N500	1	1		
40	052393	ANGLE SUPPORT / BOLTED TO ENGINE CRADLE	1	1		B
50	453077	BELT PROTECTOR To 1-4161	1	1		A
51	500445	WASHER FL .437x1.000x.083 Z050 To 1-4161	2	2		
52	502559	SCREW CAP HEX M10-1.5x25 G8.8 Z050 To 1-4161	1	1		
53	500257	WASHER LO SPT 10.2x18.1x2.2 Z050 To 1-4161	1	1		
54	500256	NUT HEX M10-1.5 Z050 To 1-4161	1	1		
NS	453630	KIT, PULLEY ASSY W/ANGLE SUPPORT SERVICE	1	1		
. NS	IS-96114A	. SEE INSTRUCTION SHEET	1	1		

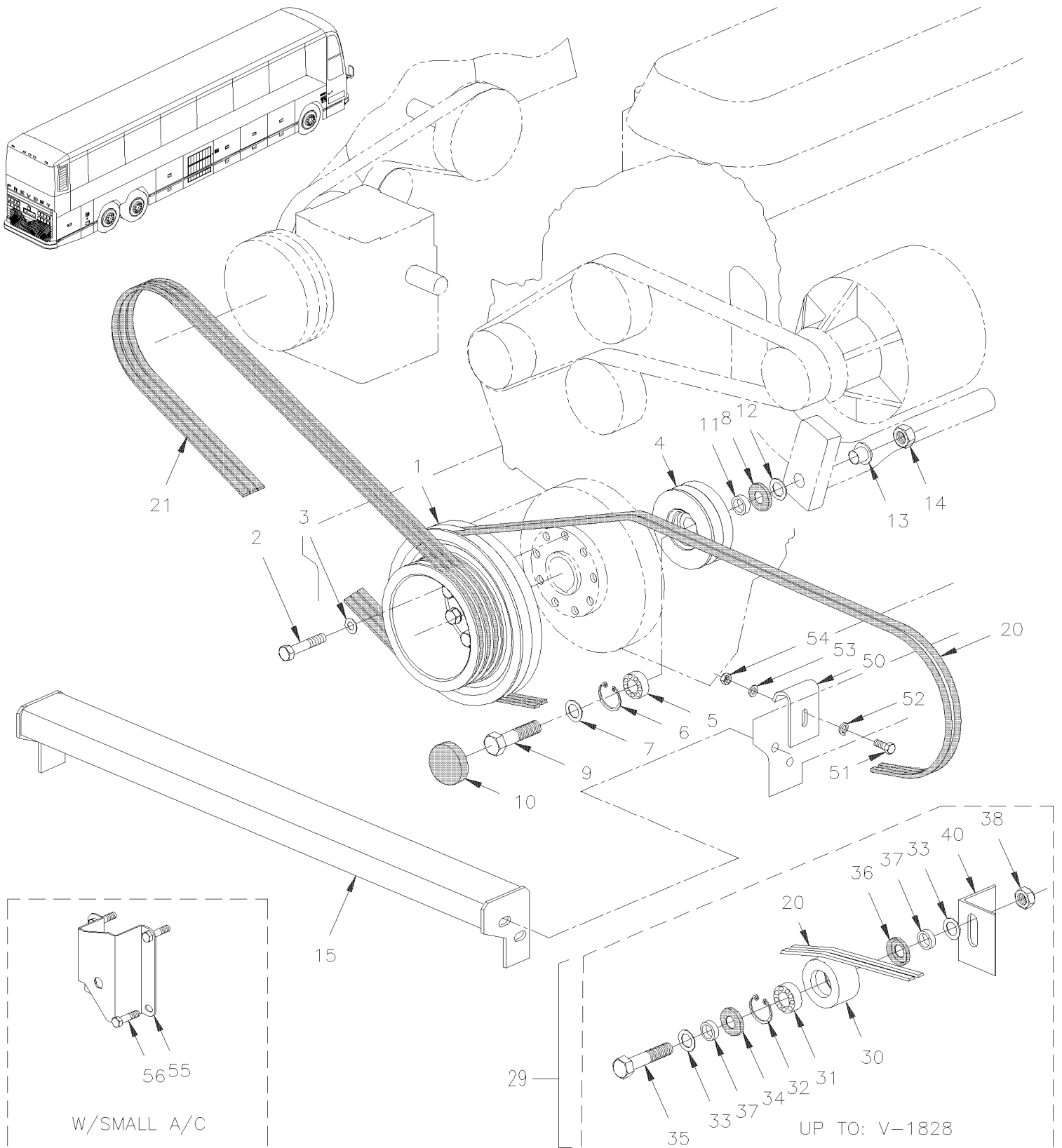
From X-2901 To 2-4416		Date:10/2022	PAGE:H3-0120-02			
DRIVE PULLEY & BELTS - W/2 "BOSCH"						
Item#	Part	Description	H 3 4 1	H 3 4 5	V I P 4 5	N O T E S
		A) FOR PRODUCT IMPROVMENT USE KIT #453630 & SEE INSTRUCTION SHEET				
		B) INCLUDED IN ASSY #453709. THIS ASSY IS INCLUDED IN KIT #453630				
		2) NOT SOLD BY PREVOST (SEE MANUFACTURING PART NUMBER AT END OF DESCRIPTION LINE)				

From R-012 To 1-4160

Date:10/2022

PAGE:H3-0120-50

DRIVE PULLEY & BELTS - V.I.P.



From R-012 To 1-4160	Date:10/2022	PAGE:H3-0120-50
DRIVE PULLEY & BELTS - V.I.P.		

Item#	Part	Description	H 3 4 1	H 3 4 5	V I P 4 5	N O T E S
1	011584	PULLEY W/60 (2V X 11" O.D. + 3V X 8" O.D. / BOLTED ON HUB			1	
2	N.S.P.	BOLT 9/16-18 X 2 1/2" / (8929222)			9	2
3	N.S.P.	WASHER SPECIAL 9/16" / (5133981)			9	2
4	452250	PULLEY, 5" O.D. DIA. To W-2082			1	B
4	453078	PULLEY ASSY W/BEARING & SEAL / 5" O.D. X 2V			1	
4	453075	. PULLEY / 5" O.D. X 2V From W-2083			1	
5	507340	. BALL BEARING 20 ID x 52 OD x 22.2 W			1	
6	504095	. RING RETAINER / INT 2.00 x 2.12 x .062			1	
7	502558	WASHER FL 21.0x37.0x3.0 G500			1	
8	507360	SEAL From V-2083			1	
NS	680500	GREASE MERITOR / 400GR From W-2083			1	
9	5001124	SCREW CAP HEX M20-2.5x80 G8.8 ZP			1	
9	983296	SCREW CAP HEX M20-2.5x90 G10.9 ZP			1	
10	453076	CAP, DUST From W-2083			1	
11	051895	SPACER 20MM I.D. X 9MM TH To W-2082			1	
11	052205	SPACER 20MM I.D. X 12.5MM TH From W-2083 To X-2900			1	
11	052219	SPACER 20MM I.D. X 19.44MM TH From X-2901			1	
12	5001205	WASHER FL .875x1.375x.047			AR	
13	452276	CENTERING BUSHING, FLANGE			1	
14	500809	NUT HEX STO M20-2.5 N500			1	
15	H3-0150-01	ENGINE CRADLE - WITH DETROIT S-60				
20	506664	V-BELT / BX-97 / SET OF 2 9212-0390			2	
20	506752	V-BELT / BX-96 / SET OF 2 9013-2096			2	
20	506197	SUPER V-BELT / 2B-97 9093-2097			AR	A
20	506708	V-BELT / BX-77 9013-2077			2	G
20	506787	V-BELT / BX-80 / SET OF 2 9212-0401			1	G
21	506691	V-BELT / AX-73 9012-2073			3	
NS	453630	KIT, PULLEY ASSY W/ANGLE SUPPORT			1	
. NS	IS-96114A	. SEE INSTRUCTION SHEET			1	
29	454186	KIT, PULLEY ASSY W/ANGLE SUPPORT / SERIES "H" SERVICE			AR	
30	052010	PULLEY To V-1827			1	C
30	052208	. PULLEY ASSY W/BEARING & SEAL / 43MM x 78MM			1	
30	052207	. . PULLEY BELT TENSIONER / 43MM x 78MM O.D. From V-1828			1	
31	507340	. . BALL BEARING 20 ID x 52 OD x 22.2 W			1	
32	504095	. . RING RETAINER / INT 2.00 x 2.12 x .062			1	
33	5001205	. . WASHER FL .875x1.375x.047			AR	
34	507361	. . SEAL			1	
35	5001124	. SCREW CAP HEX M20-2.5x80 G8.8 ZP			1	
36	507360	. SEAL			1	
37	051895	. SPACER 20MM I.D. X 9MM TH			1	
37	052205	. SPACER 20MM I.D. X 12.5MM TH From V-1828			2	
38	500809	. NUT HEX STO M20-2.5 N500			1	

From R-012 To 1-4160	Date:10/2022	PAGE:H3-0120-50
DRIVE PULLEY & BELTS - V.I.P.		

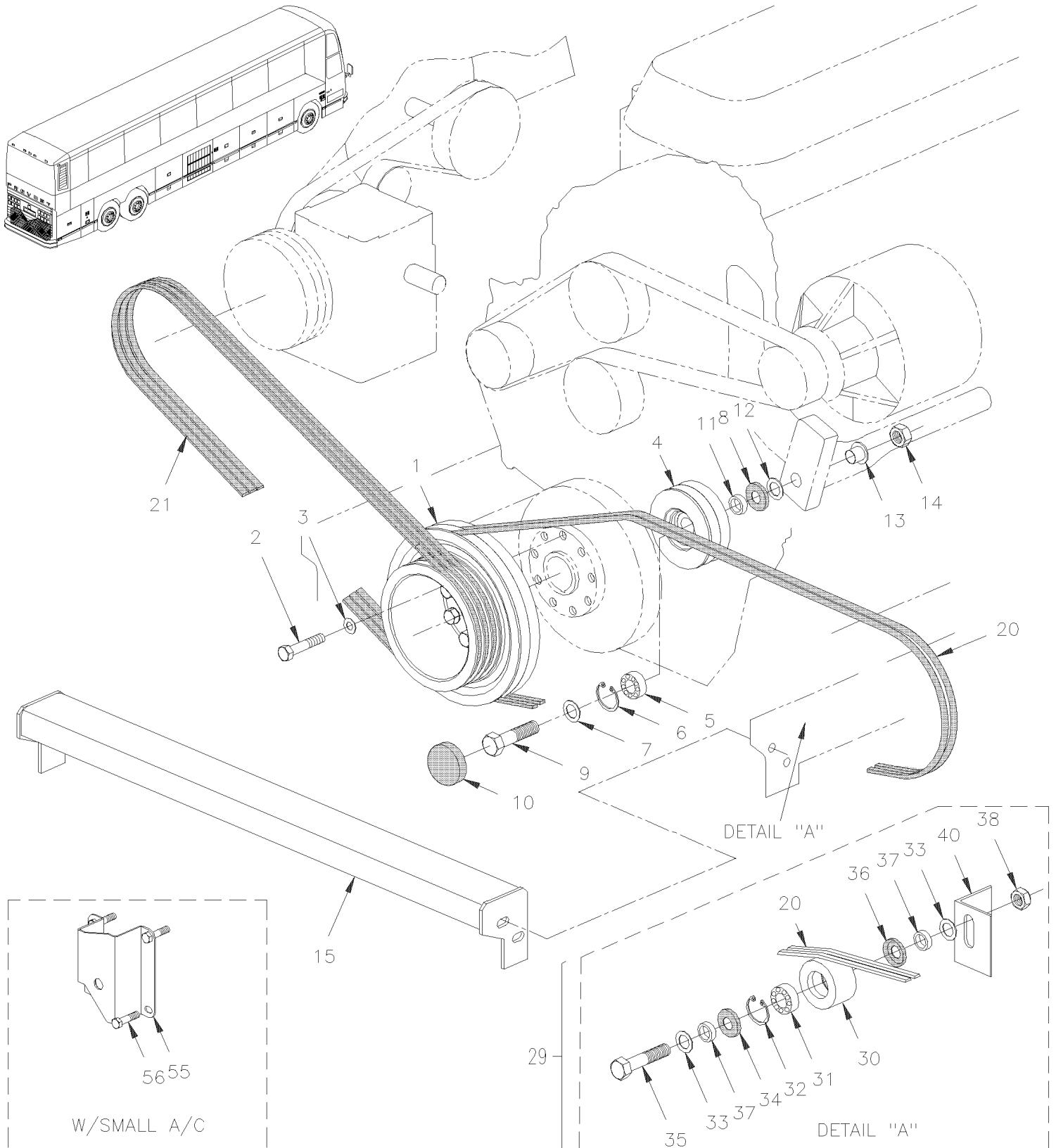
Item#	Part	Description	H 3 4 1	H 3 4 5	V I P 4 5	N O T E S
40	011623	. ANGLE SUPPORT / (WELDED TO ENGINE CRADLE) To V-1827			1	
40	052393	. ANGLE SUPPORT / BOLTED TO ENGINE CRADLE			1	E
40	454184	. ANGLE SUPPORT / BOLTED TO ENGINE CRADLE / SERIES "H" SERVICE			AR	F
50	452981	BELT PROTECTOR From V-1828 To V-1964			1	D
50	453077	BELT PROTECTOR From V-1965			1	D
51	502559	SCREW CAP HEX M10-1.5x25 G8.8 Z050			1	
52	500445	WASHER FL .437x1.000x.083 Z050			2	
53	500257	WASHER LO SPT 10.2x18.1x2.2 Z050			1	
54	500256	NUT HEX M10-1.5 Z050			1	
55	452785	SUPPORT IDLER PULLEY / SS / W/SMALL A/C To X-2786			1	
55	453307	SUPPORT IDLER PULLEY / STEEL / W/SMALL A/C From X-2787			1	
56	500080	SCREW CAP HEX 7/16-20x4 1/2 G5 Z050			2	
		A) THIS BELT IS "HI-POWER BAND"				
		B) FOR IMPROVE LIFE BEARING CHANGE PULLEY BY #453078				
		C) FOR IMPROVE BEARING LIFE CHANGE PULLEY BY #052208				
		D) FOR PRODUCT IMPROVMENT USE KIT #453630 & SEE INSTRUCTION SHEET				
		E) INCLUDED IN ASSY #453709. THIS ASSY IS INCLUDED IN KIT #453630				
		F) INCLUDED IN KIT #454186				
		G) WITH SMALL 24V-140 AMP "BOSCH" ALTERNATOR				
		2) NOT SOLD BY PREVOST (SEE MANUFACTURING PART NUMBER AT END OF DESCRIPTION LINE)				

From 1-4161 To 2-4416

Date:10/2022

PAGE:H3-0120-51

DRIVE PULLEY & BELTS - V.I.P.



From 1-4161 To 2-4416	Date:10/2022	PAGE:H3-0120-51
DRIVE PULLEY & BELTS - V.I.P.		

Item#	Part	Description	H 3 4 1	H 3 4 5	V I P 4 5	N O T E S
1	011584	PULLEY W/60 (2V X 11" O.D. + 3V X 8" O.D. / BOLTED ON HUB			1	
2	N.S.P.	BOLT 9/16-18 X 2 1/2" / (8929222)			9	2
3	N.S.P.	WASHER SPECIAL 9/16" / (5133981)			9	2
4	453078	PULLEY ASSY W/BEARING & SEAL / 5" O.D. X 2V			1	
4	453075	. PULLEY / 5" O.D. X 2V			1	
5	507340	. BALL BEARING 20 ID x 52 OD x 22.2 W			1	
6	504095	. RING RETAINER / INT 2.00 x 2.12 x .062			1	
7	502558	WASHER FL 21.0x37.0x3.0 G500			1	
8	507360	SEAL			1	
NS	680500	GREASE MERITOR / 400GR			1	
9	5001124	SCREW CAP HEX M20-2.5x80 G8.8 ZP			1	
9	983296	SCREW CAP HEX M20-2.5x90 G10.9 ZP			1	
10	453076	CAP, DUST			1	
11	052219	SPACER 20MM I.D. X 19.44MM TH			1	
12	5001205	WASHER FL .875x1.375x.047			AR	
13	452276	CENTERING BUSHING, FLANGE			1	
14	500809	NUT HEX STO M20-2.5 N500			1	
15	H3-0150-01	ENGINE CRADLE - WITH DETROIT S-60				
20	506664	V-BELT / BX-97 / SET OF 2 9212-0390			2	
20	506752	V-BELT / BX-96 / SET OF 2 9013-2096			2	
20	506197	SUPER V-BELT / 2B-97 9093-2097			AR	A
20	506787	V-BELT / BX-80 / SET OF 2 9212-0401			1	
20	506708	V-BELT / BX-77 9013-2077			2	
NS	506683	V-BELT / BX-31 9013-2031			1	B
21	506691	V-BELT / AX-73 9012-2073			3	
30	052208	PULLEY ASSY W/BEARING & SEAL / 43MM x 78MM			1	
30	052207	. PULLEY BELT TENSIONER / 43MM x 78MM O.D.			1	
31	507340	. BALL BEARING 20 ID x 52 OD x 22.2 W			1	
32	504095	. RING RETAINER / INT 2.00 x 2.12 x .062			1	
33	5001205	. WASHER FL .875x1.375x.047			AR	
34	507361	. SEAL			1	
35	5001124	SCREW CAP HEX M20-2.5x80 G8.8 ZP			1	
36	507360	SEAL			1	
37	051895	SPACER 20MM I.D. X 9MM TH			1	
37	052205	SPACER 20MM I.D. X 12.5MM TH			2	
38	500809	NUT HEX STO M20-2.5 N500			1	
40	052393	ANGLE SUPPORT / BOLTED TO ENGINE CRADLE			1	
55	453307	SUPPORT IDLER PULLEY / STEEL / W/SMALL A/C			1	
56	500080	SCREW CAP HEX 7/16-20x4 1/2 G5 Z050			2	

From 1-4161 To 2-4416	Date:10/2022	PAGE:H3-0120-51
DRIVE PULLEY & BELTS - V.I.P.		

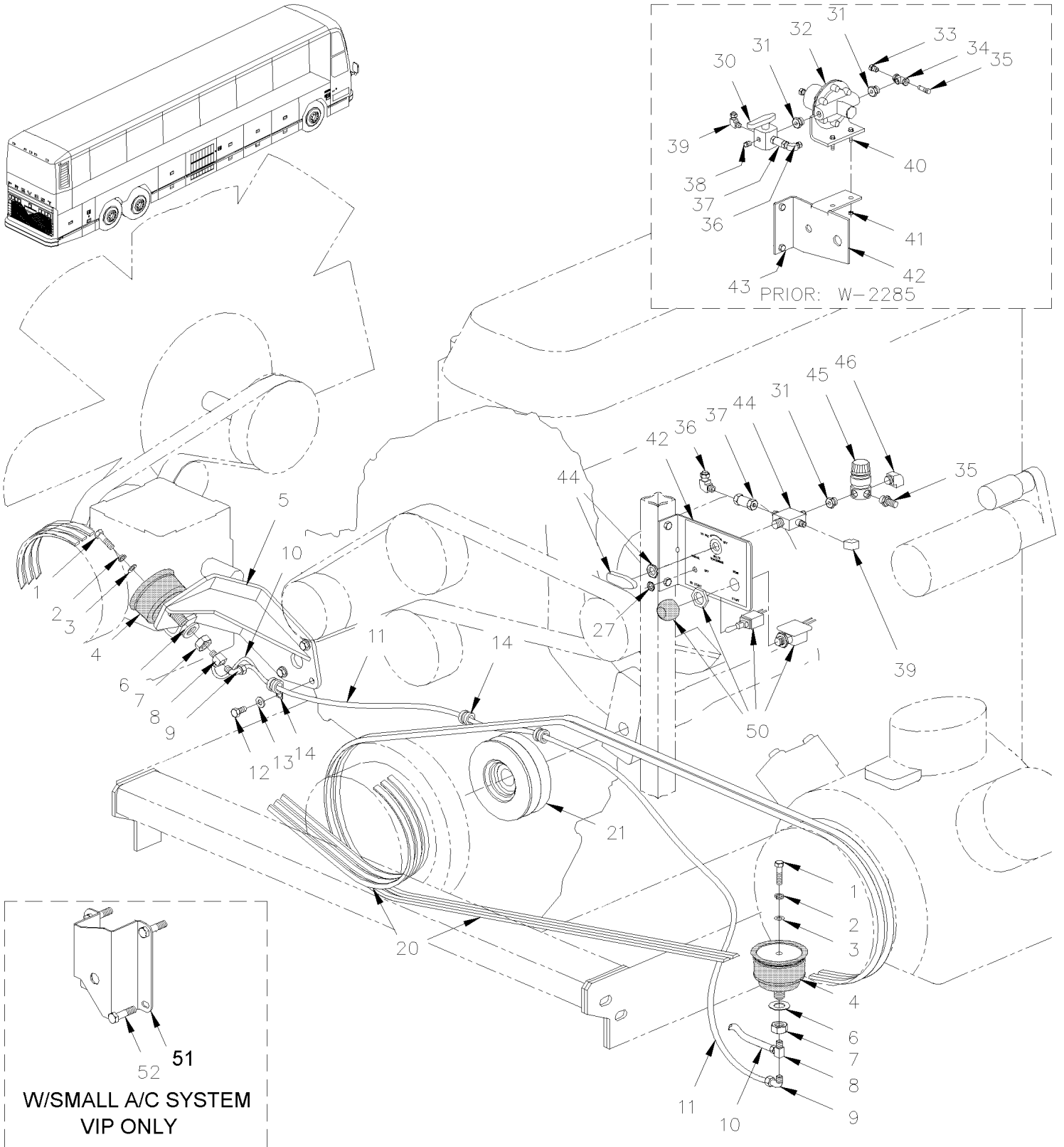
Item#	Part	Description	H 3 4 1	H 3 4 5	V I P 4 5	N O T E S
		A) THIS BELT IS "HI-POWER BAND"				
		B) THIS BELT IS "HI-POWER BAND"				
		2) NOT SOLD BY PREVOST (SEE MANUFACTURING PART NUMBER AT END OF DESCRIPTION LINE)				

From R-012 To 2-4416

Date:10/2022

PAGE:H3-0125-01

BELTS TENSIONERS - WITH DETROIT S-60



From R-012 To 2-4416	Date:10/2022	PAGE:H3-0125-01
BELTS TENSIONERS - WITH DETROIT S-60		

Item#	Part	Description	H 3 4 1	H 3 4 5	V I P 4 5	N O T E S
1	500179	SCREW CAP HEX 5/16-18x3/4 G5 Z050	2	2	2	
2	500482	WASHER LO SPT .506x.873x.125 Z050	2	2	2	
3	500441	WASHER FL .312x.734x.065 Z050	2	2	2	
4	950208	BELLOW ASSY / BELT TENSIONER / 3" O.D.	1	1	1	
. NS	504695	. HOSE CLAMP STEPLESS SPRING SS / OETIKER / 2.9-3.3	1	1	1	
5	052050	SUPPORT BELLOW TENTIONER To 2-4417	1	1	1	
5	059055	SUPPORT BELLOW TENSIONER From 2-4418	1	1	1	
6	5001150	WASHER FL 17.0x30.0x3.0 N500	1	1	1	
7	500792	NUT HEX 5/8-11 Z050	1	1	1	
8	501707	ADAPTER TEE / SAE 45° FITTING / #4FL-Mx1/8NPT-Mx1/8NPT-F BR	1	1	1	
9	640996	MALE ELBOW 90° / NTA FITTING / #4x1/8NPT-M BR	1	1	1	
9	641127	MALE ELBOW 45° / NTA FITTING / #4x1/8NPT-M BR	2	2	2	
10	503402	TUBE, NYLON 1/4 O.D. / BLACK S.L.	AR	AR	AR	
11	052041	HOSE ASSY TEFLON #4 1230MM To X-2900	1	1		
11	052316	HOSE ASSY TEFLON #4 1278 MM From X-2901	1	1		
11	140658	HOSE ASSY TEFLON #4 1456MM			1	C
11	052041	HOSE ASSY TEFLON #4 1230MM			1	B
12	500069	SCREW CAP HEX M8-1.25x16 G10.9 DP	3	3	3	
13	500874	WASHER FL 8.4x17.0x1.6 Z050	3	3	3	
14	504601	CLAMP / 5/16" I.D. x .375 HOLE	3	3	3	
20	H3-0120-01	DRIVE PULLEY & BELTS - BUS To X-2900				
20	H3-0120-02	DRIVE PULLEY & BELTS - W/2 "BOSCH" From X-2901				
20	H3-0120-50	DRIVE PULLEY & BELTS - V.I.P. To 1-4160				
20	H3-0120-51	DRIVE PULLEY & BELTS - V.I.P. From 1-4161				
21	H3-0120-01	DRIVE PULLEY & BELTS - BUS To X-2900				
21	H3-0120-02	DRIVE PULLEY & BELTS - W/2 "BOSCH" From X-2901				
21	H3-0120-50	DRIVE PULLEY & BELTS - V.I.P. To 1-4160				
21	H3-0120-51	DRIVE PULLEY & BELTS - V.I.P. From 1-4161				
30	5011013	VALVE, 4 WAYS CONTROL To W-2284	1	1	1	
NS	5011113	. SEAL LOWER To W-2284	1	1	1	
NS	5011114	. SEAL UPPER To W-2284	1	1	1	
NS	010511	DECAL "AIR VALVE POSITION ON-OFF" To V-1856	1	1	1	
30	011894	DECAL "BELT TENSIONER" From V-1857	1	1	1	
31	501650	NIPPLE REDUCER HEX / PIPE FITTING / 1/4NPT-Mx1/8NPT-Mx1 3/16 BR	2	2	2	
32	640938	AIR PRESSURE REGULATOR To W-2284	1	1	1	
33	640987	MALE CONNECTOR / NTA FITTING / #4x1/8NPT-M BR To W-2284	1	1	1	
34	501336	FEMALE UNION TEE / PIPE FITTING / 1/8NPT-Fx1/8NPT-Fx1/8NPT-F BR To W-2284	1	1	1	
35	640488	VALVE, AIR FILL 1/8" NPT	1	1	1	
. NS	650164	. CAP VALVE / CHROME	1	1	1	
36	641074	FEMALE ELBOW 90° / NTA FITTING / #4x1/8NPT-F BR	1	1	1	
37	530175	VALVE, CHECK 1/8 NPT	1	1	1	
38	5011013	VALVE, 4 WAYS CONTROL To W-2284	1	1	1	

From R-012 To 2-4416	Date:10/2022	PAGE:H3-0125-01
BELTS TENSIONERS - WITH DETROIT S-60		

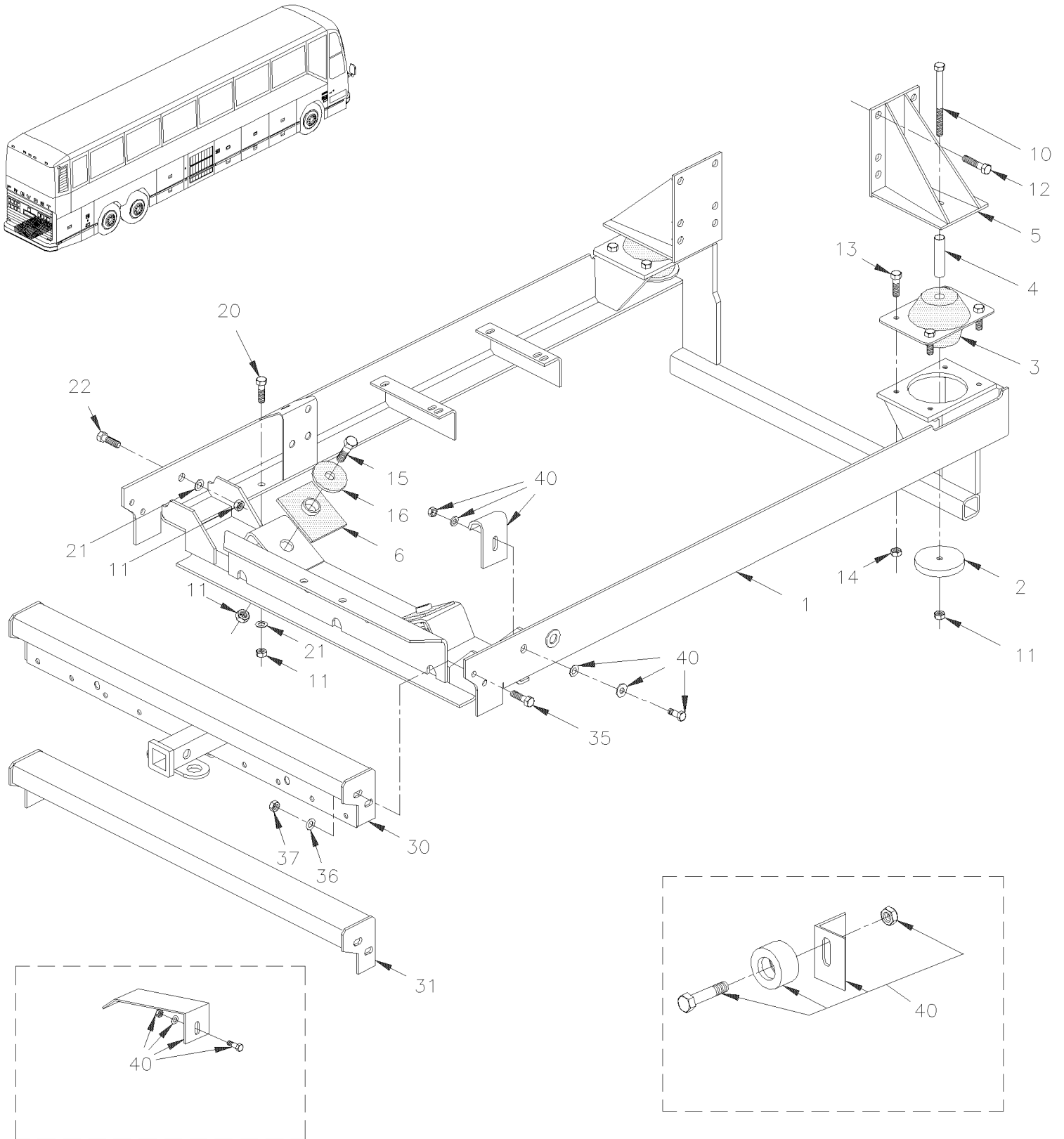
Item#	Part	Description	H 3 4 1	H 3 4 5	V I P 4 5	N O T E S
39	501331	STREET ELBOW 90° / PIPE FITTING / 1/8NPT-Mx1/8NPT-F BR	1	1	1	
40	502631	SCREW CAP HEX M6-1.0x20 G8.8 Z050	2	2	2	
41	502511	NUT HEX NYRT M6-1.0 Z050	2	2	2	
42	011609	PLATE SWITCH SUPPORT To T-1583	1	1	1	
42	064298	PLATE SWITCH SUPPORT From T-1584 To T-1611	1	1	1	
42	064304	PLATE SWITCH SUPPORT From T-1612 To W-2284	1	1	1	
42	064539	PLATE SWITCH SUPPORT / W/2 SWITCHES From W-2285	1	1	1	
NS	064540	DECAL / "MOTOR SWITCH REGULATOR" / 50PSI From W-2285	1	1	1	
43	502663	SCREW MA BDG PH #10-32x1 SS EMN	1	1	1	
NS	502564	WASHER LO SPT 6.1x11.8x1.6 Z050	2	2	2	
44	641417	VALVE, 3 WAYS 1/8NPT-Fx1/8NPT-Fx1/8NPT-F BR	1	1	1	
. NS	642014	. HANDLE / RED	1	1	1	
44	642161	VALVE, 3 WAYS 1/8NPT-Fx1/8NPT-Fx1/8NPT-F BR / SERVICE	1	1	1	
. NS	642014	. HANDLE / RED	1	1	1	
45	641437	AIR PRESSURE REGULATOR 1/4" NPT / PLASTIC From W-2285 To X-2672	1	1	1	
45	641438	NUT From W-2285 To X-2672	1	1	1	
45	641472	AIR PRESSURE REGULATOR 1/4" NPT / COPPER From X-2673	1	1	1	
NS	064906	CABLE ASSY / A/C CLUTCH & PRESSURE SWITCH	1	1	1	A
NS	452449	PRESSURE SWITCH N.O. 60-35 20SP001AA060E035E	1	1	1	A
46	640997	MALE ELBOW 90° / NTA FITTING / #4x1/4NPT-M BR From W-2285	1	1	1	
50	H3-0665-11	SWITCHES, LIGHTS, AJAR - UNDER FLOOR To W-2284				
50	H3-0665-12	SWITCHES, LIGHTS, AJAR - UNDER FLOOR From W-2285				
51	452785	SUPPORT IDLER PULLEY / SS / W/SMALL A/C To X-2786			1	
51	453307	SUPPORT IDLER PULLEY / STEEL / W/SMALL A/C From X-2787			1	
52	500080	SCREW CAP HEX 7/16-20x4 1/2 G5 Z050			2	
		A) W/LOW AIR PRES. ON BELT TENSIONER FOR CUT OFF A/C COMP CLUTCH W/X-2731,35,37,38,39,43,56,58 & X-2760				
		B) WITH LARGE A/C				
		C) WITH SMALL A/C				

From R-012 To 2-4416

Date:10/2022

PAGE:H3-0150-01

ENGINE CRADLE - WITH DETROIT S-60



From R-012 To 2-4416	Date:10/2022	PAGE:H3-0150-01
ENGINE CRADLE - WITH DETROIT S-60		

Item#	Part	Description	H 3 4 1	H 3 4 5	V I P 4 5	N O T E S
1	011717P	CRADLE ASSY To V-1721	1	1		A
1	011893	CRADLE ASSY From V-1722 To Y-3900	1	1		
1	012030P	CRADLE ASSY From Y-3901	1	1		
1	410604P	CRADLE ASSY To Y-3900			1	C
1	012029P	CRADLE ASSY / WTRAILER HITCH From Y-3901			1	D
1	015994	. ENGINE CRADLE FIXING / From Y-3901	1	1	1	
2	011662	WASHER, INSULATOR / R.H. & L.H.	2	2	2	
3	510456	INSULATOR, RUBBER	2	2	2	
4	011629	SPACER BUSHING	2	2	2	
5	011586	SUPPORT, R.H. / W/S-60	1	1	1	
5	011585	SUPPORT, L.H.	1	1	1	
6	510484	INSULATOR, RUBBER MOUNT SQUARE	2	2	2	
10	5001051	SCREW CAP HEX M16-2.0x160 G8.8 Z050	2	2	2	
11	500781	NUT HEX STO M16-2.0 DP	AR	AR	AR	
12	500817	SCREW CAP HEX 5/8-11x1 3/4 G5 Z050	12	12	12	
13	502549	SCREW CAP HEX M10-1.5x35 G8.8 Z050	8	8	8	
14	500680	NUT HEX STO M10-1.5 Z050	8	8	8	
15	502545	SCREW CAP HEX M16-2.0x80 G8.8 Z050	2	2	2	
16	510428	INSULATOR, RUBBER MOUNT ROUND	2	2	2	
16	012153	SPACER SHIM 1/8" From 1-4321			AR	E
16	012154	SPACER SHIM 1/16" From 1-4321			AR	E
20	502544	SCREW CAP HEX M16-2.0x40 G8.8 Z050	2	2	2	
21	500846	WASHER FL 17.0x50.0x3.0 Z050	6	6	6	
22	500776	SCREW CAP HEX M16-2.0x110 G8.8 Z050	2	2	2	
30	410576	PROTECTOR ASSY / W/TRAILER HITCH To Y-3900			1	C
NS	410616	PROTECTOR ASSY / W/TRAILER HITCH "PINTLE HOOK" / (T-1548)		AR		
30	410778	PROTECTOR ASSY / W/TRAILER HITCH From Y-3901			1	B
31	410577	PROTECTOR ASSY / WITHOUT TRAILER HITCH	1	1		
35	502731	SCREW CAP HEX M12-1.75x40 G8.8 Z050	4	4		
35	502544	SCREW CAP HEX M16-2.0x40 G8.8 Z050			4	
36	500446	WASHER FL .531x1.250x.125 Z050	4	4		
36	5001150	WASHER FL 17.0x30.0x3.0 N500			4	
37	500811	NUT HEX STO M12-1.75 G500	4	4		
37	500781	NUT HEX STO M16-2.0 DP			4	
40	H3-0120-01	DRIVE PULLEY & BELTS - BUS From R-012 To X-2900				
40	H3-0120-02	DRIVE PULLEY & BELTS - W/2 "BOSCH" From X-2901				
40	H3-0120-50	DRIVE PULLEY & BELTS - V.I.P. To 1-4160				
40	H3-0120-51	DRIVE PULLEY & BELTS - V.I.P. From 1-4161				
		FOR RETROFIT A 20000LBS TRAILER HITCH				
		YOU REQUIRE NEXT FOLLOWING KIT				

From R-012 To 2-4416	Date:10/2022	PAGE:H3-0150-01
ENGINE CRADLE - WITH DETROIT S-60		

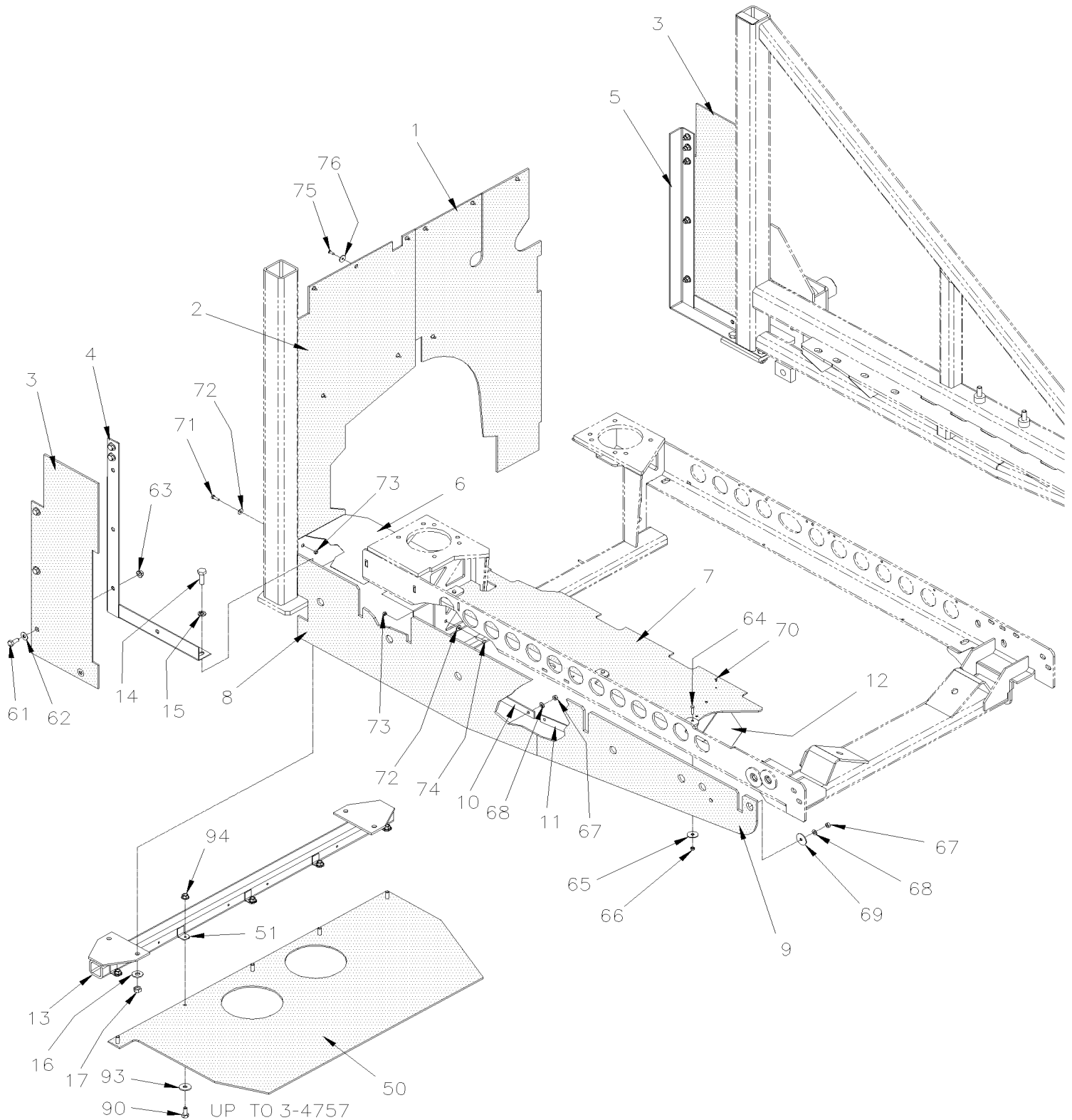
Item#	Part	Description	H 3 4 1	H 3 4 5	V I P 4 5	N O T E S
40	410806	KIT TRAILER HITCH / UPGRADE TO 20000LBS			AR	
. NS	IS-99092A	. SEE INSTRUCTION SHEET			1	
NS	012155	KIT, SPACER FOR ENGINE MOUNT			AR	
. NS	IS-01108	. SEE INSTRUCTION SHEET			1	
		A) PRIOR V-1722 CRADLE ARE USE WITH PULLEY BELT PROTECTOR. SEE PULLEY 052010 AT PAGE H3-0125-01				
		B) REQUIRE ENGINE CRADLE # 012029P				
		C) 10000LBS CERTIFIED				
		D) READY TO RECEIVE 20000LBS TRAILER HITCH / REQUIRE ORDER SEPARATELY				
		E) FOR PRODUCT IMPROVEMENT ASK FOR KIT #012155 Up To 1-4320				

From R-012 To 2-4416

Date:10/2022

PAGE:H3-0155-10

ENGINE TRANSMISSION GUARD & AIR SHIELD

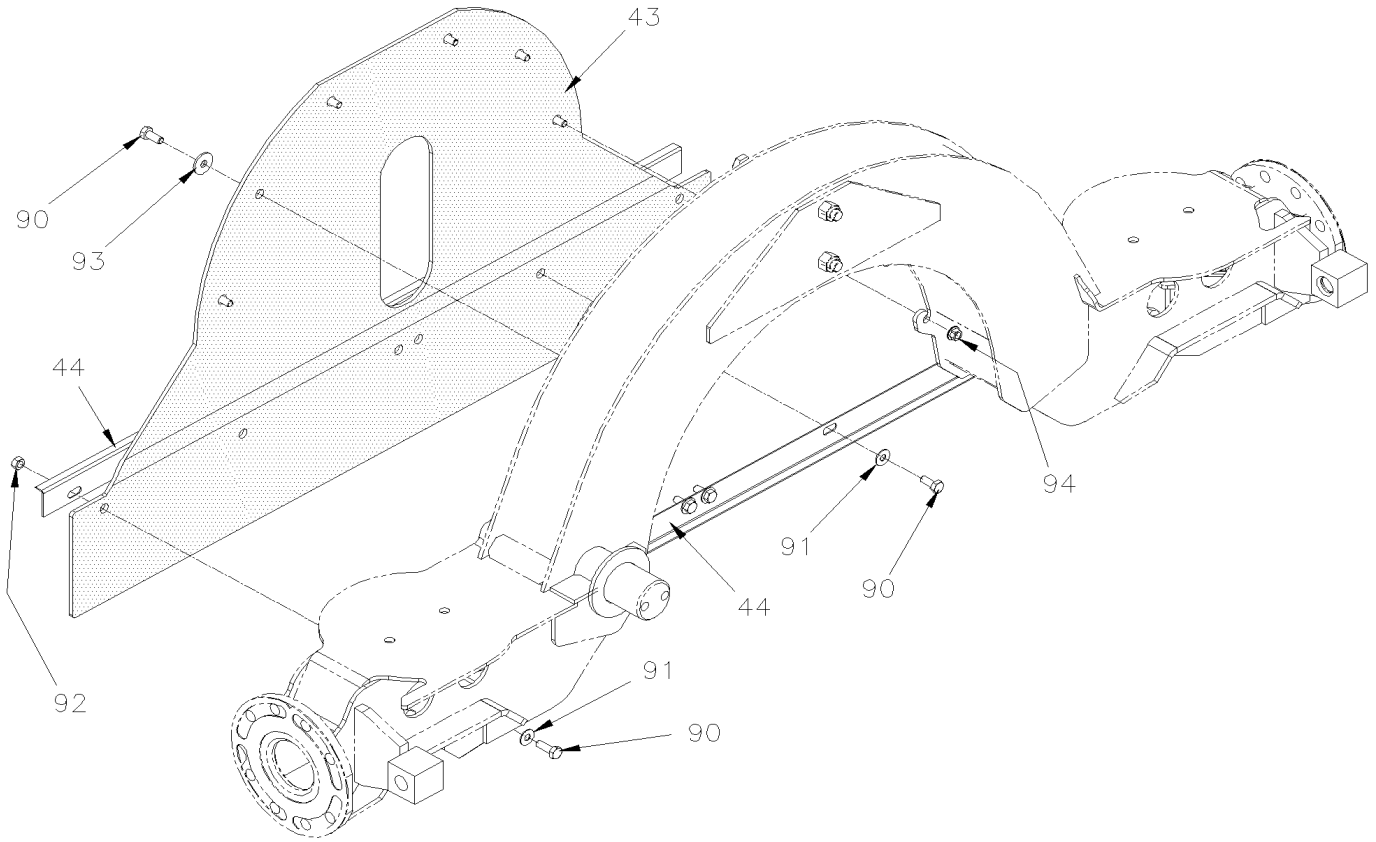


From R-012 To 2-4416

Date:10/2022

PAGE:H3-0155-10

ENGINE TRANSMISSION GUARD & AIR SHIELD



From R-012 To 2-4416	Date:10/2022	PAGE:H3-0155-10
ENGINE TRANSMISSION GUARD & AIR SHIELD		

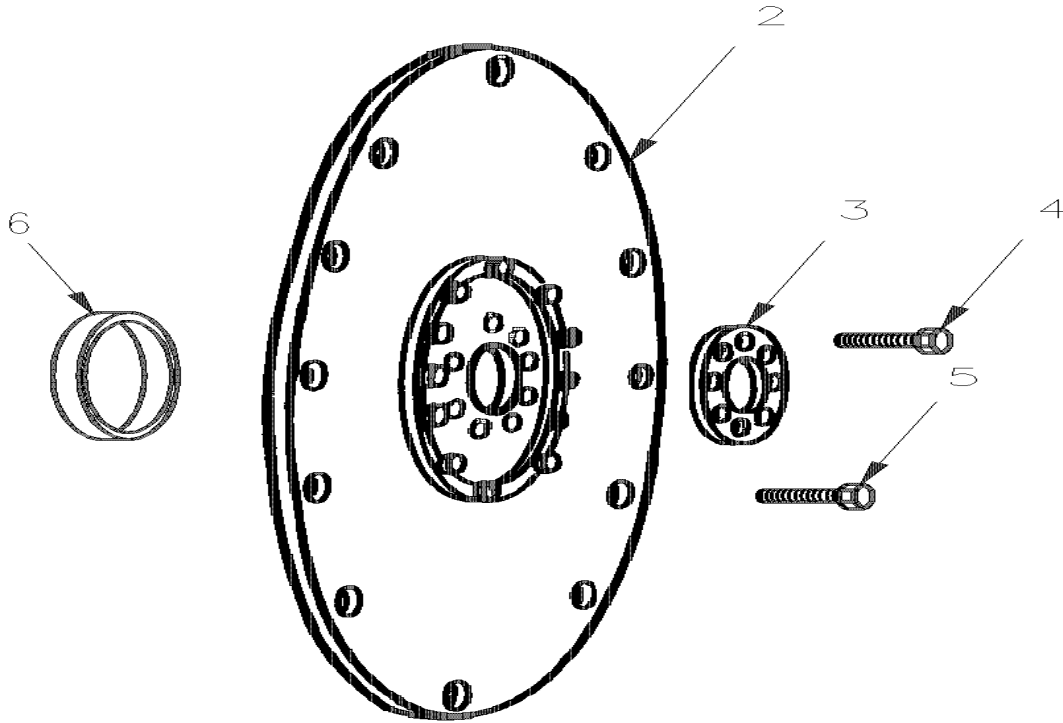
Item#	Part	Description	H 3 4 1	H 3 4 5	V I P 4 5	N O T E S
1	011724	PROTECTOR R.H. / W/O RETARDER	1	1	1	
1	011733	PROTECTOR R.H. / W/RETARDER	1	1	1	
2	011723	PROTECTOR L.H.	1	1	1	
4	071099	SUPPORT L.H.	1	1	1	
5	071098	SUPPORT R.H.	1	1	1	
6	012001	AIR SHIELD BOX SS	1	1	1	
7	012428	AIR SHIELD / W/O RETARDER	1	1	1	
7	012184	AIR SHIELD / W/RETARDER	1	1	1	
7	011999	AIR SHIELD	1	1	1	
8	052374	AIR SHIELD / FORWARD	1	1	1	
9	052376	AIR SHIELD / BACKWARD	1	1	1	
10	052377	PLATE ATTACHMENT 872MM	1	1	1	
11	052391	PLATE ATTACHMENT 600MM	1	1	1	
12	012301	DEFLECTOR PROTECTOR SS 110MM x 215MM / ENGINE COOLANT PIPE	1	1	1	O W
13	171605	BAR, TRANSMISSION PROTECTOR	1	1	1	
14	502731	SCREW CAP HEX M12-1.75x40 G8.8 Z050	4	4	4	
15	500482	WASHER LO SPT .506x.873x.125 Z050	4	4	4	
16	500446	WASHER FL .531x1.250x.125 Z050	4	4	4	
17	500860	NUT HEX M12-1.75 Z050	4	4	4	
43	071072	PROTECTOR To W-2389	1	1	1	
43	071134	PROTECTOR From W-2390	1	1	1	
44	071073	RENFORT To W-2564	2	2	2	
44	071150	RENFORT From W-2565	2	2	2	
49		FOR PRODUCT IMPROVEMENT FOR TRANS GUARD	1	1	1	
49		ASK FOR KIT # 071076 FOR VIN From W-2186	1	1	1	
50	071076	KIT RETROFIT SUPPORT & PLATE	1	1	1	
50	071124	. PROTECTOR / UNDER MOTOR LOWER	1	1	1	
51	071125	. ANGLE SUPPORT	5	5	5	
52	052381	KIT RETROFIT AIR SHIELD	1	1	1	
. NS	IS-99123	. SEE INSTRUCTION SHEET	1	1	1	
. NS	052374	. AIR SHIELD / FORWARD	1	1	1	
. NS	052376	. AIR SHIELD / BACKWARD	1	1	1	
. NS	052377	. PLATE ATTACHMENT 872MM	2	2	2	
61	502804	SCREW CAP HEX M10-1.5x25 G8.8 N500	12	12	12	
62	500270	WASHER FL .406x1.000x.063 SS	12	12	12	
63	502216	NUT HEXF M10-1.5 SS	12	12	12	
64	502737	SCREW CAP HEX M6-1.0x25 SS BK	3	3	3	
65	5001467	WASHER FL .343x1.250x.062 SS18-8	3	3	3	
66	5001182	NUT HEX NYRT M6-1.0 SS	3	3	3	

From R-012 To 2-4416	Date:10/2022	PAGE:H3-0155-10
ENGINE TRANSMISSION GUARD & AIR SHIELD		

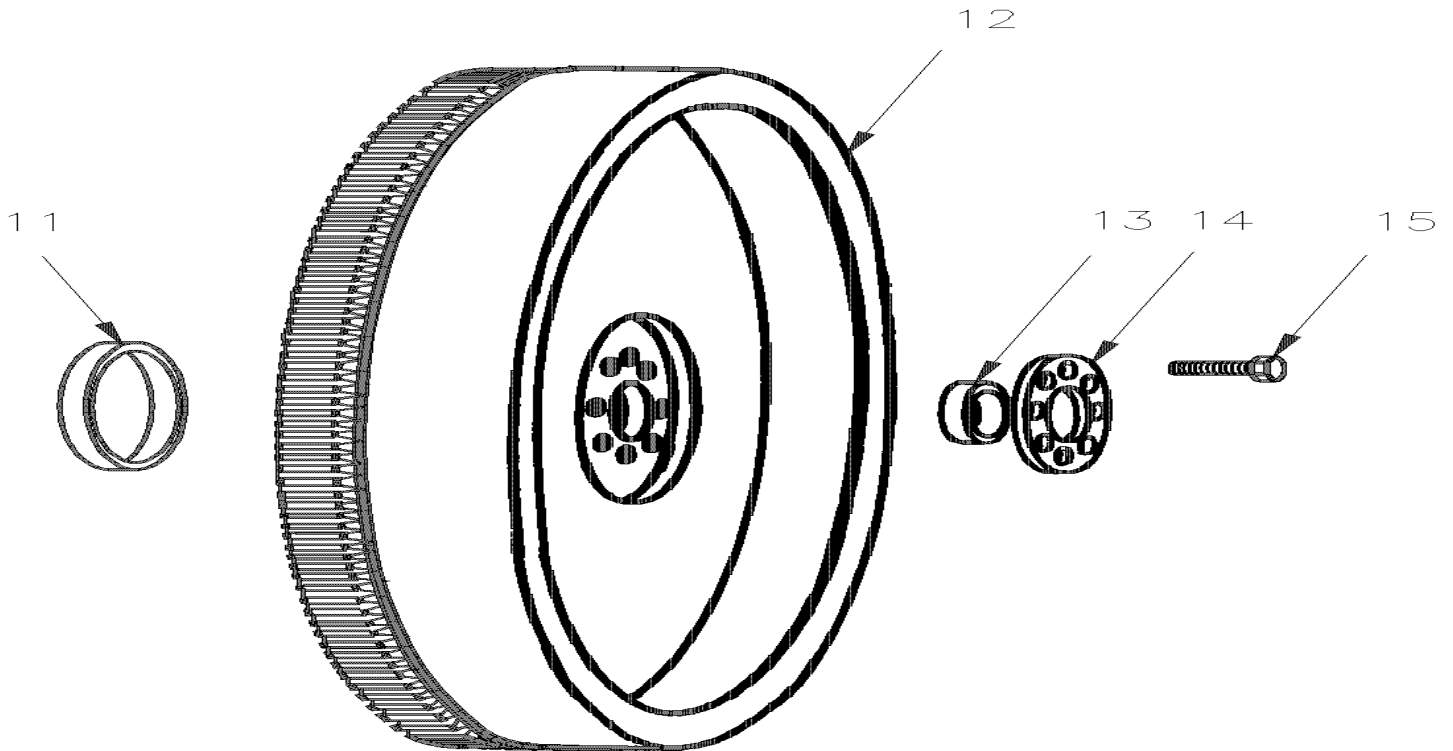
Item#	Part	Description	H 3 4 1	H 3 4 5	V I P 4 5	N O T E S
67	502847	NUT HEX NYRT M8-1.25 N500	8	8	8	
68	5001341	WASHER FL 8.4x17.0x1.6 SS	8	8	8	
69	500462	WASHER FL .343x1.500x.083 SS	1	1	1	
70	504339	RIVET POP DOME OE 1/8x3/8 SS	3	3	3	
71	502622	SCREW CAP HEX M6-1.0x20 SS BK	2	2	2	
72	500411	WASHER FL .260x.697x.050 SS	4	4	4	
73	5001182	NUT HEX NYRT M6-1.0 SS	4	4	4	
74	502686	SCREW CAP HEX M6-1.0x30 SS BK	2	2	2	
75	500957	SCREW TP BDG PH #10x3/4 N500	9	9	9	
76	500805	WASHER FL .218x.875x.062 N500	9	9	9	
90	5001231	SCREW CAP HEX M10-1.5x25 SS	12	12	12	
91	500270	WASHER FL .406x1.000x.063 SS	6	6	6	
92	500680	NUT HEX STO M10-1.5 Z050	6	6	6	
93	5001417	WASHER FL 11.0x34.0x3.0 SS	6	6	6	
94	502216	NUT HEXF M10-1.5 SS	6	6	6	
		O) WITHOUT RETARDER				
		W) WITH RETARDER				

From R-012 To 2-4416	Date:10/2022	PAGE:H3-0160-00
FLYWHEEL - WITH MANUAL TRANS		

AUTOMATIC TRANSMISSION



MANUAL TRANSMISSION



From R-012 To 2-4416	Date:10/2022	PAGE:H3-0160-00
FLYWHEEL - WITH MANUAL TRANS		

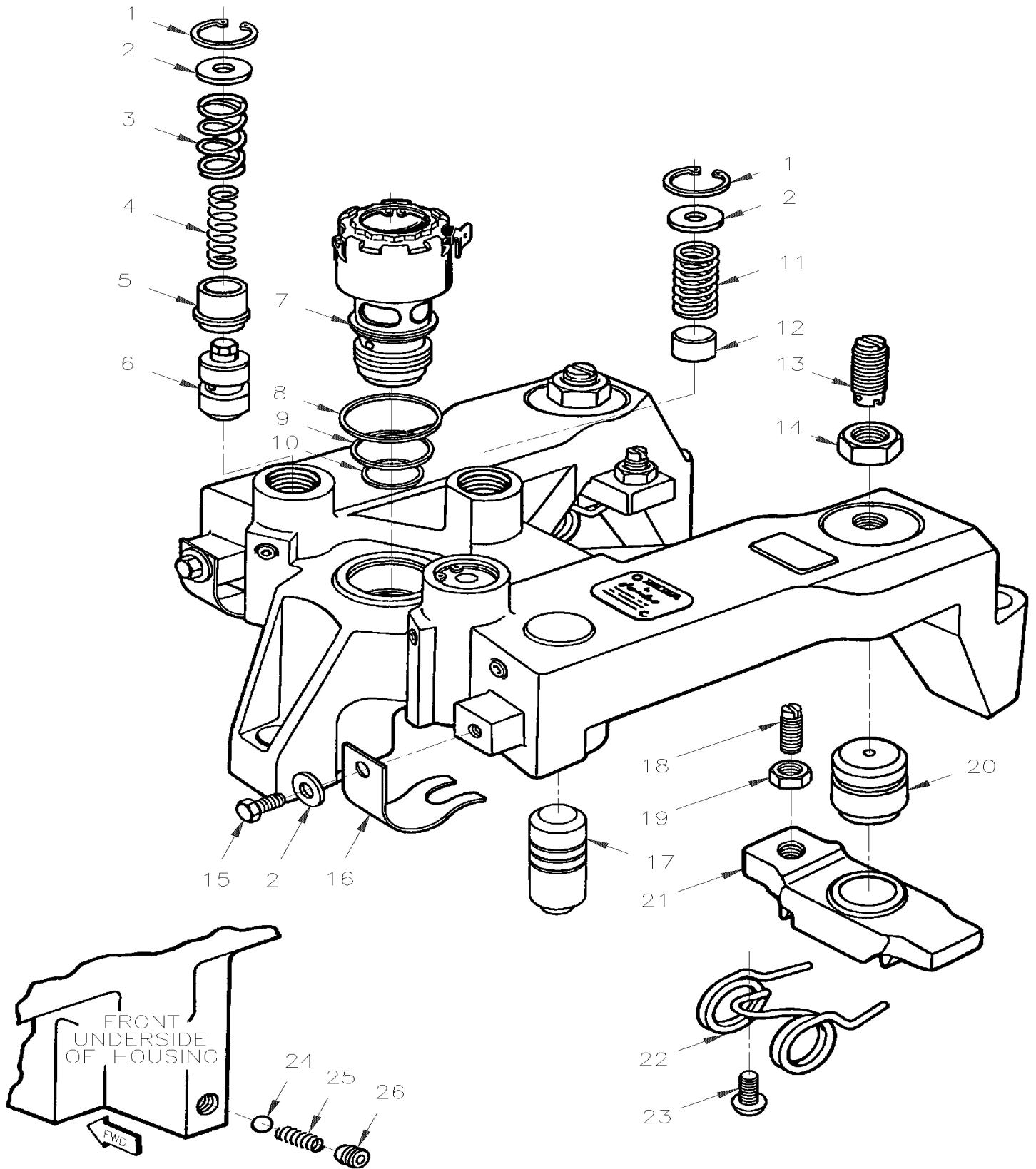
Item#	Part	Description	H 3 4 1	H 3 4 5	V I P 4 5	N O T E S
		SERIES 60 WITH AUTOMATIC TRANSMISSION				
	571728	KIT AUTO TRANS ADAPTOR FOR SERIES 60	1	1	1	
2	N.S.P.	. PLATE FLEXIBLE 29513005	3	3	3	2
3	N.S.P.	. WEARPLATE 29514029	1	1	1	2
4	510476	. SCREW CAP HEX / FLEX PLATE / 9/16-18 X 1 3/4"	12	12	12	
4	510937	. SCREW PATCH LOCK M5-0.8x14	2	2	2	
4		. HUB ADAPTOR 29510823	1	1	1	
NS	295131006	RING GEAR ADAPTOR ASSY / W/AUTOMATIC TRANS	1	1	1	
5	5001217	SCREW CAP HEX M8-1.25x20 G10.9	12	12	12	
6	N.S.P.	SEAL OIL / FORMER ENGINE (BELOW 430XXX APROX) 23516969	1	1	1	2
6	N.S.P.	SEAL OIL 23519651	1	1	1	2
		SERIES 60 WITH "ZF" TRANSMISSION				
11	N.S.P.	SEAL OIL / FORMER ENGINE (BELOW 430XXX APROX) 23516969	1	1	1	2
11	N.S.P.	SEAL OIL 23519651	1	1		2
12	N.S.P.	FLYWHEEL 23529418	1	1		2
13	507113	BALL BEARING	1	1		
14	510225	PLATE SCUFF	1	1		
15	510476	SCREW CAP HEX / FLEX PLATE / 9/16-18 X 1 3/4"	12	12		
		2) NOT SOLD BY PREVOST (SEE MANUFACTURING PART NUMBER AT END OF DESCRIPTION LINE)				

From R-012 To 2-4416

Date:10/2022

PAGE:H3-0165-01

JACOB'S - ENGINE BRAKE - WITH DETROIT S-60

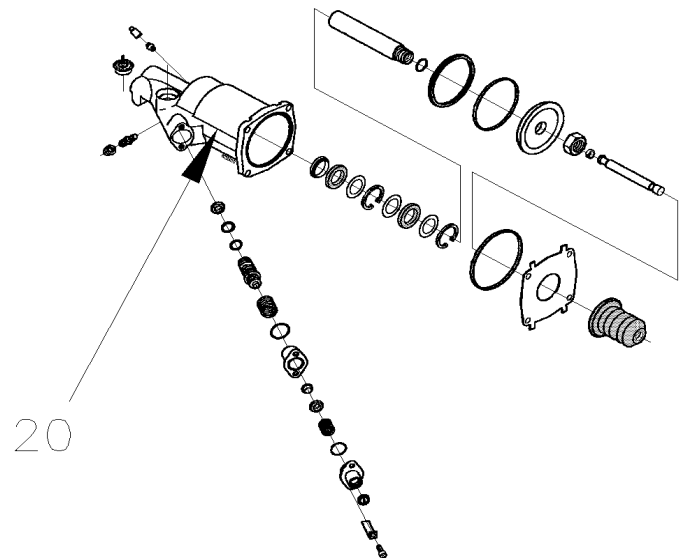
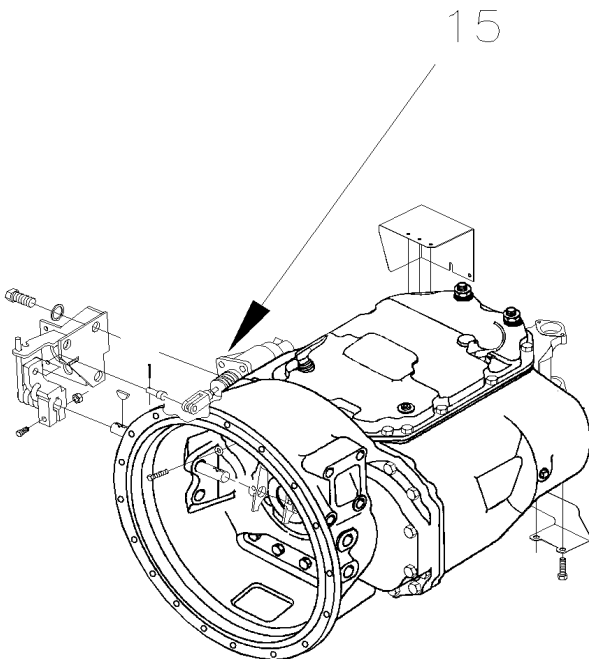
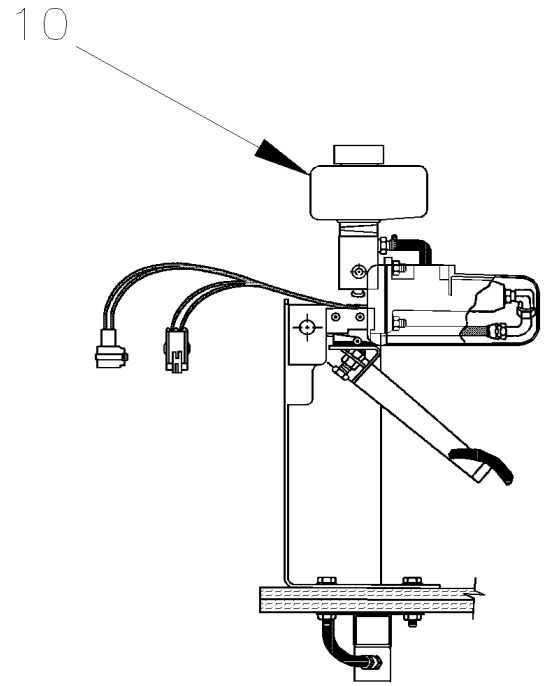
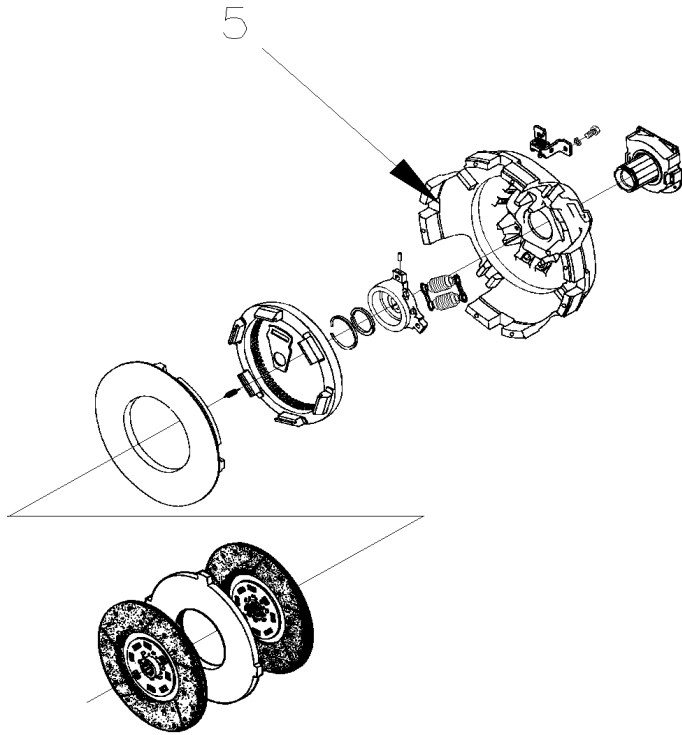


From R-012 To 2-4416	Date:10/2022	PAGE:H3-0165-01
JACOB'S - ENGINE BRAKE - WITH DETROIT S-60		

Item#	Part	Description	H 3 4 1	H 3 4 5	V I P 4 5	N O T E S
	N.S.P.	HOUSING ASSY - 12 VOLTS (#017122)	3	3	3	2
1	N.S.P.	. RETAINING RING (#012991)	3	3	3	2
2	N.S.P.	. COVER (#016505)	5	5	5	2
3	N.S.P.	. STOP SPRING (#001519)	2	2	2	2
4	N.S.P.	. SPRING (GREEN) (#001518)	2	2	2	2
5	N.S.P.	. COLLAR (#016557)	2	2	2	2
6	N.S.P.	. CONTROL VALVE (011930)	2	2	2	2
7	N.S.P.	. SOLENOID VALVE (#016440)	1	1	1	2
8	510411	. SEAL RING / UPPER	1	1	1	
9	510412	. SEAL RING / CENTER	1	1	1	
10	510413	. SEAL RING / LOWER	1	1	1	
11	N.S.P.	. SPRING (#012990)	1	1	1	2
12	N.S.P.	. PISTON - ACCUMULATOR (#012983)	1	1	1	2
13	N.S.P.	. RESET SCREW ASSY (#015931)	2	2	2	2
14	N.S.P.	. HEX NUT (#011395)	2	2	2	2
15	N.S.P.	. SCREW (#001492)	2	2	2	2
16	N.S.P.	. FLAT SPRING (#016535)	2	2	2	2
17	N.S.P.	. MASTER PISTON (#012981)	2	2	2	2
18	N.S.P.	. ADJUSTING SCREW (#011426)	2	2	2	2
19	N.S.P.	. HEX NUT (#001026)	2	2	2	2
20	N.S.P.	. SLAVE PISTON (#017048)	2	2	2	2
21	N.S.P.	. BRIDGE (#016771)	2	2	2	2
22	N.S.P.	. TORSION SPRING (#016812)	2	2	2	2
23	N.S.P.	. BUTTONHEAD SCREW (#012996)	2	2	2	2
24	N.S.P.	. BALL (#001021)	2	2	2	2
25	N.S.P.	. BALL CHECK SPRING (#011720)	1	1	1	2
26	N.S.P.	. PIPE PLUG (#008888)	1	1	1	2
26	N.S.P.	SOLOINOID HARNESS EXTERNAL (#017393)	1	1	1	2
26	N.S.P.	SOLOINOID HARNESS INTERNAL (#017392)	1	1	1	2
26	N.S.P.	FILLER GAUGE .040 LASH / TO USE W/11.1 LITER (#017277)	AR	AR	AR	2
26	N.S.P.	FILLER GAUGE .020 LASH / TO USE W/12.7 LITER (#017277)	AR	AR	AR	2
		2) NOT SOLD BY PREVOST (SEE MANUFACTURING PART NUMBER AT END OF DESCRIPTION LINE)				

	Date:10/2022	H3-02
CLUTCH		

Clutch Cylinder Tube 25



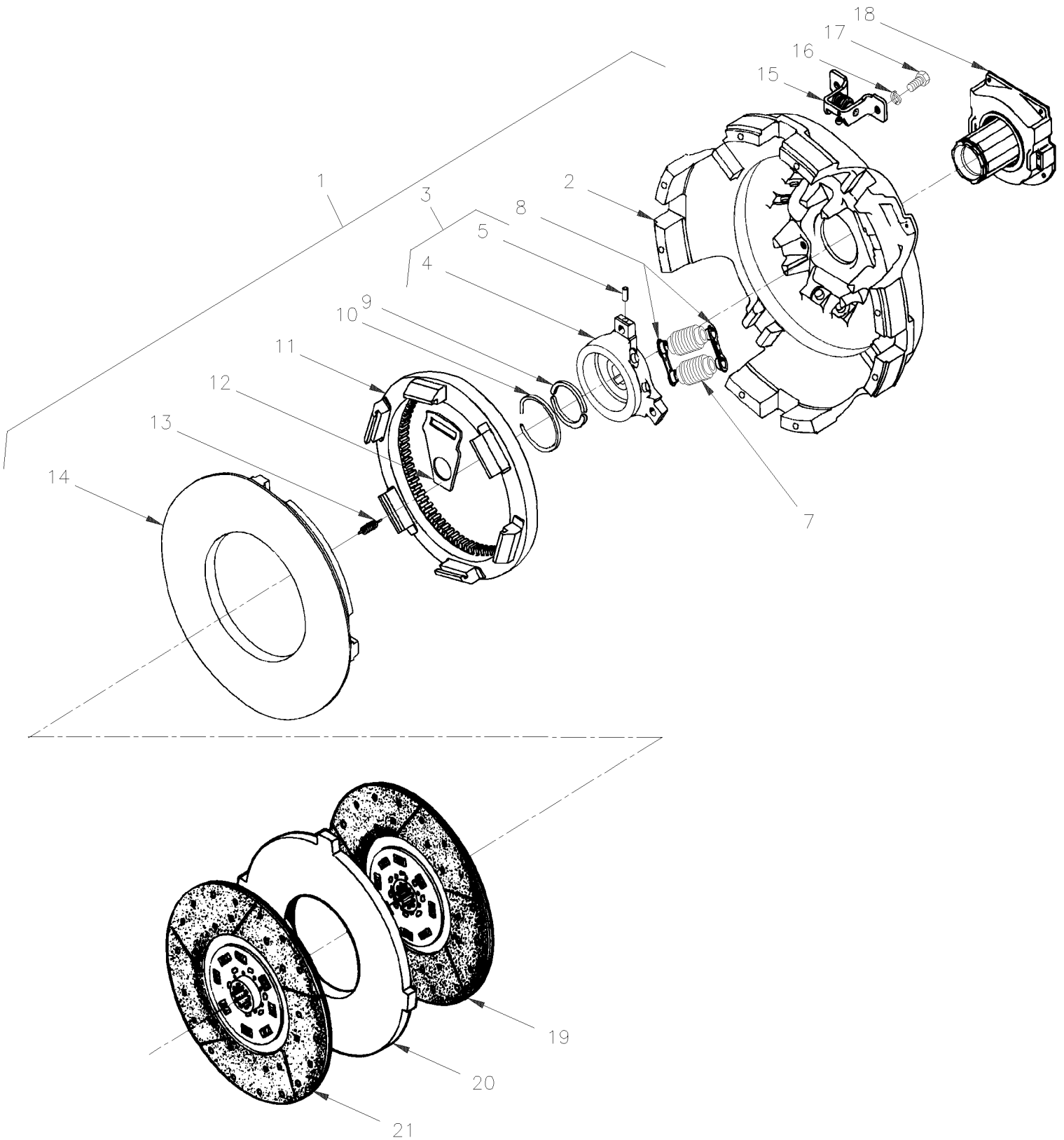
		Date:10/2022	H3-02			
CLUTCH						
Item#	Part	Description	H 3 4 1	H 3 4 5	V I P 4 5	N O T E S
5	H3-0205-01	CLUTCH PRESSURE PLATE ASSY - WITH DETROIT S-60 From R-012 To Y-3881				
5	H3-0205-02	CLUTCH PRESSURE PLATE ASSY - "EATON" & WITH DETROIT S-60 From W-2589 To 1-4147				
10	H3-0210-11	CLUTCH PEDAL - "POWER ASSISTED" From R-012 To Y-3881				
15	H3-0215-11	CLUTCH CONTROL - REAR SECTION - "POWER" From R-012 To Y-3881				
15	H3-0215-12	CLUTCH CONTROL - REAR SECTION - "EATON" From W-2589 To 1-4147				
20	H3-0220-00	CLUTCH CYLINDER - "POWER ASSISTED" From R-012 To Y-3881				
25	H3-0225-00	CLUTCH CYLINDER TUBE - INSTALLATION From W-2589 To Y-3881				

From R-012 To Y-3881

Date:10/2022

PAGE:H3-0205-01

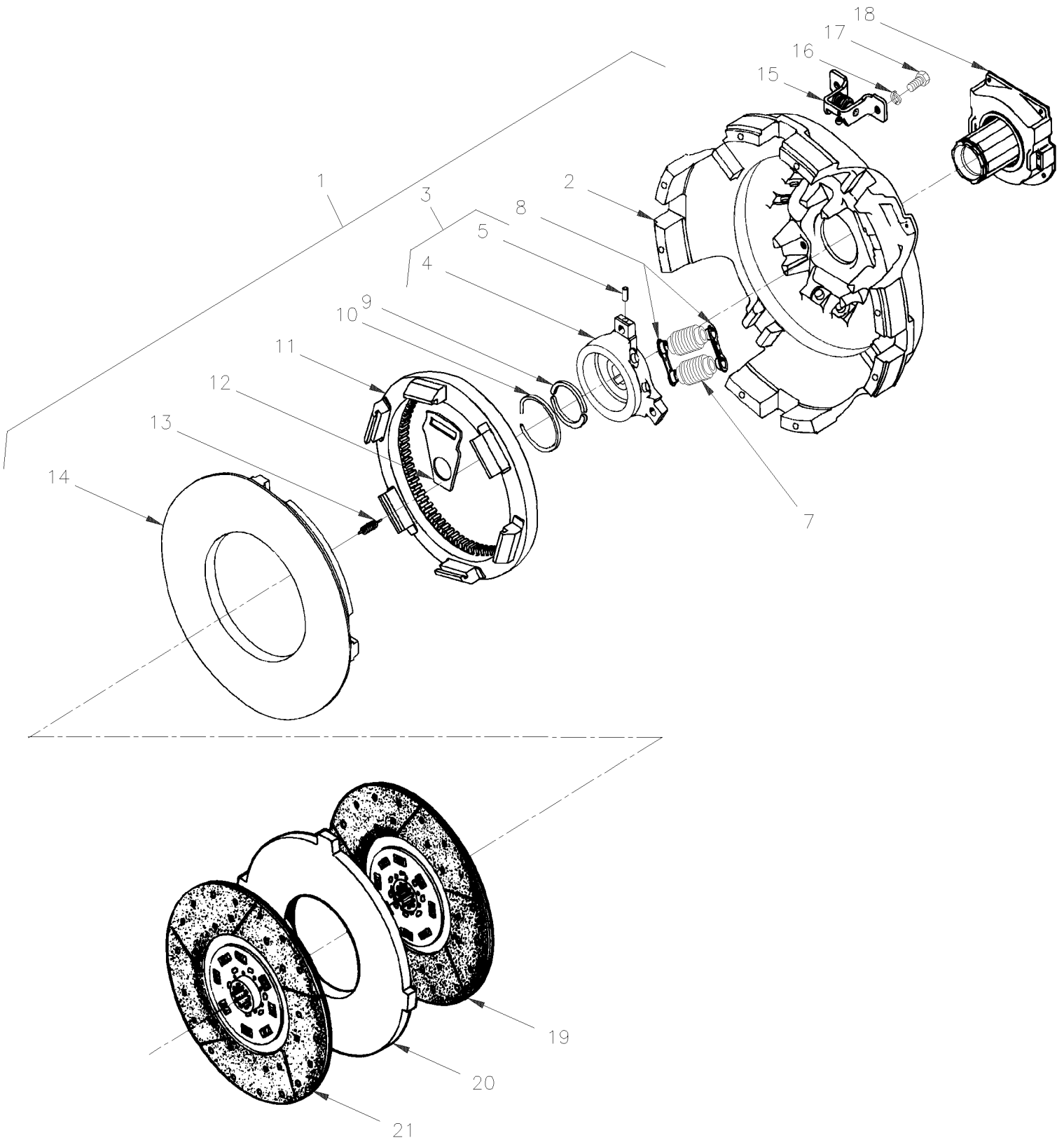
CLUTCH PRESSURE PLATE ASSY - WITH DETROIT S-60



From R-012 To Y-3881	Date:10/2022	PAGE:H3-0205-01
CLUTCH PRESSURE PLATE ASSY - WITH DETROIT S-60		

Item#	Part	Description	H 3 4 1	H 3 4 5	V I P 4 5	N O T E S
	520147	CLUTCH ASSY / W/SERIES 60	1	1		
1	520150	. COVER ASSY / W/60	1	1		
2	N.S.S.	. . RING FLYWHEEL	1	1		1
3	N.S.S.	. . RETAINER & SPRING SLEEVE ASSY	1	1		1
4	N.S.S.	. . . RETAINER / RELEASE SLEEVE	1	1		1
5	N.S.S.	. . . SLEEVE SPRING	1	1		1
7	N.S.S.	. . SPRING PRESSURE	6	6		1
8	N.S.S.	. . PIVOT SPRING	6	6		1
9	N.S.S.	. . RING RELEASE SLEEVE	2	2		1
10	N.S.S.	. . RING SNAP	1	1		1
11	N.S.S.	. . RING ADJUSTING	1	1		1
12	N.S.S.	. . LEVER	6	6		1
13	N.S.S.	. . SPRING RETURN	4	4		1
14	N.S.S.	. . PLATE PRESSURE	1	1		1
15	520137	. . ADJUSTER ASSY	1	1		
16	N.S.S.	. . WASHER LOCK	2	2		1
17	N.S.S.	. . BOLT	2	2		1
18	520107	. . RELEASE BEARING & SLEEVE ASSY	1	1		
19	520151	. DISC ASSY FRONT DRIVEN / W/60	1	1		
20	520153	. PLATE CENTER / W/60	1	1		
21	520152	. DISC ASSY REAR DRIVEN / W/60	1	1		
NS	520090	. CLUTCH BRAKE	1	1		
NS	510476	SCREW CAP HEX / FLEX PLATE / 9/16-18 X 1 3/4"	12	12		
		1) NOT SOLD SEPARATELY				

From W-2589 To 1-4147	Date:10/2022	PAGE:H3-0205-02
CLUTCH PRESSURE PLATE ASSY - "EATON" & WITH DETROIT S-60		



From W-2589 To 1-4147	Date:10/2022	PAGE:H3-0205-02
CLUTCH PRESSURE PLATE ASSY - "EATON" & WITH DETROIT S-60		

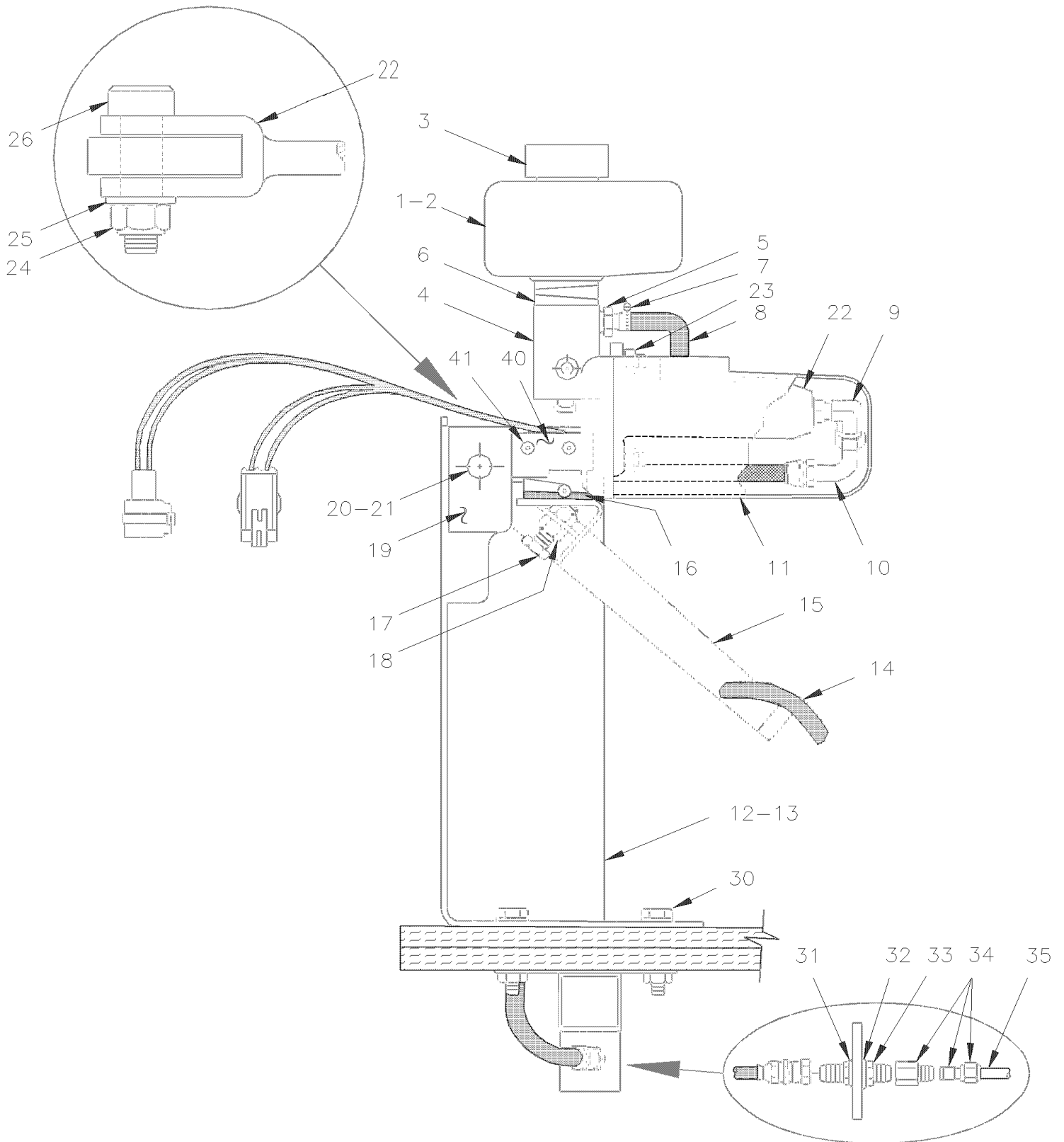
Item#	Part	Description	H 3 4 1	H 3 4 5	V I P 4 5	N O T E S
	520161	CLUTCH ASSY / "EATON"	1	1		
1	520164	. COVER ASSY / "EATON"	1	1		
2	N.S.S.	. . RING FLYWHEEL	1	1		1
3	N.S.S.	. . RETAINER & SPRING SLEEVE ASSY	1	1		1
4	N.S.S.	. . . RETAINER / RELEASE SLEEVE	1	1		1
5	N.S.S.	. . . SLEEVE SPRING	1	1		1
7	N.S.S.	. . SPRING PRESSURE	6	6		1
8	N.S.S.	. . PIVOT SPRING	6	6		1
9	N.S.S.	. . RING RELEASE SLEEVE	2	2		1
10	N.S.S.	. . RING SNAP	1	1		1
11	N.S.S.	. . RING ADJUSTING	1	1		1
12	N.S.S.	. . LEVER	6	6		1
13	N.S.S.	. . SPRING RETURN	4	4		1
14	N.S.S.	. . PLATE PRESSURE	1	1		1
15	520110	. . ADJUSTER ASSY	1	1		
16	N.S.S.	. . WASHER LOCK	2	2		1
17	N.S.S.	. . BOLT	2	2		1
18	520107	. . RELEASE BEARING & SLEEVE ASSY	1	1		
19	520165	. DISC ASSY FRONT & REAR / W/"EATON"	1	1		
20	520166	. PLATE CENTER / W/60 & W/"EATON"	1	1		
21	520165	. DISC ASSY FRONT & REAR / W/"EATON"	1	1		
NS	520090	. CLUTCH BRAKE	1	1		
NS	520168	CLUTCH BRAKE "QUICK CONNECT"	1	1		
NS	510476	SCREW CAP HEX / FLEX PLATE / 9/16-18 X 1 3/4"	12	12		
		1) NOT SOLD SEPARATELY				

From R-012 To Y-3881

Date:10/2022

PAGE:H3-0210-11

CLUTCH PEDAL - "POWER ASSISTED"



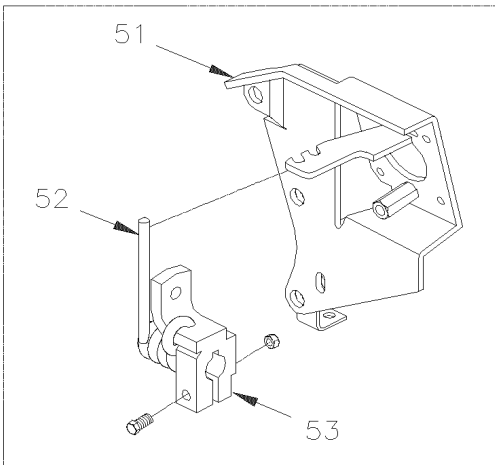
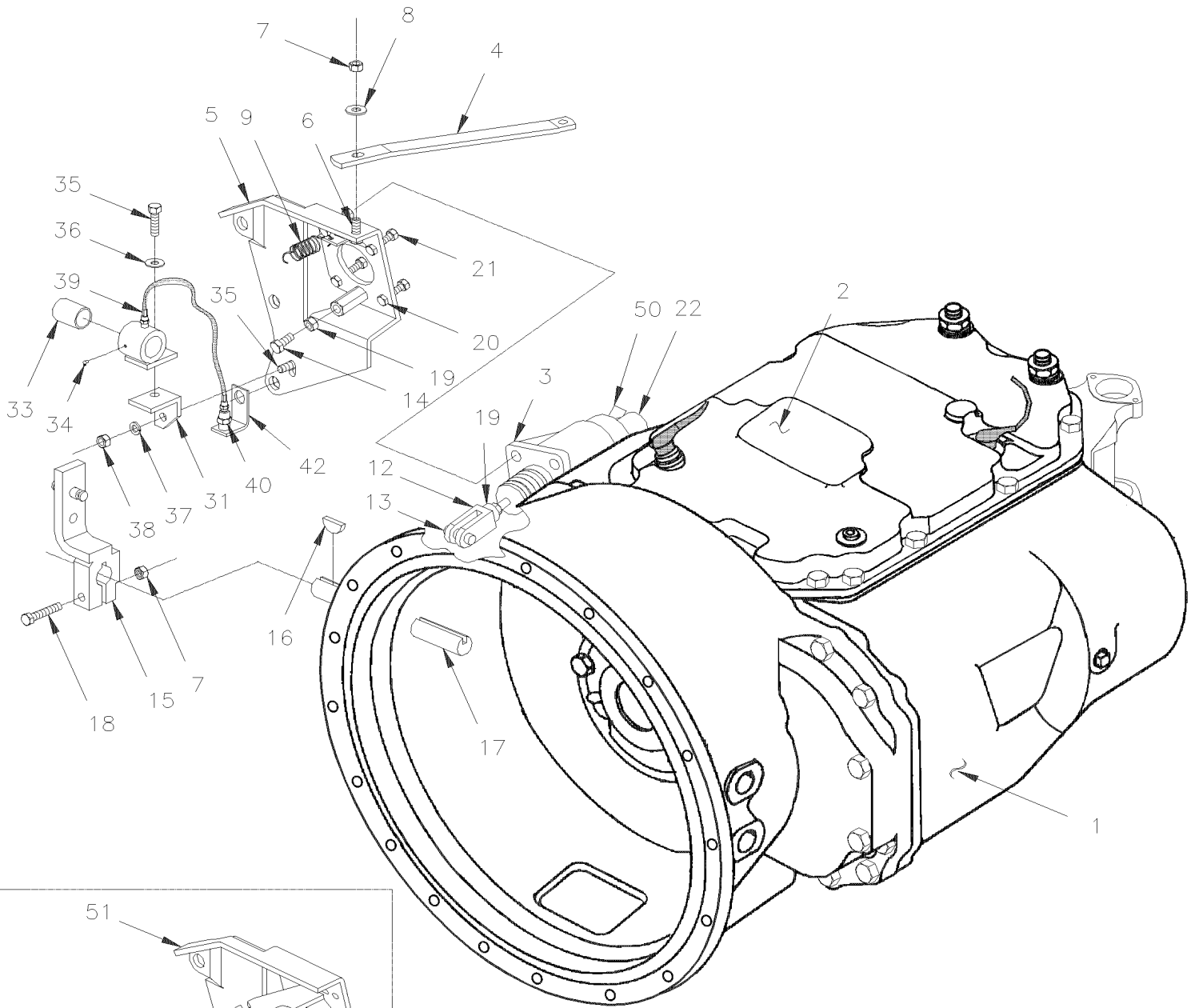
From R-012 To Y-3881	Date:10/2022	PAGE:H3-0210-11
CLUTCH PEDAL - "POWER ASSISTED"		

Item#	Part	Description	H 3 4 1	H 3 4 5	V I P 4 5	N O T E S
	020424	PEDAL ASSY To W-2284	1	1		
	020451P	PEDAL ASSY From W-2285	1	1		
1	020420	. RESERVOIR ASSY To W-2284	1	1		
2	520142	. . RESERVOIR	1	1		
3	520143	. . CAP	1	1		
NS	520144	. . FILTER	1	1		
4	020415	. . SUPPORT, RESERVOIR To 1-4145	1	1		
4	020463	. . SUPPORT, RESERVOIR From 1-4146	1	1		
NS	507320	. . O-RING 1 1/8" I.D. X 1/8"	1	1		
5	5011048	. . MALE CONNECTOR / HOSE BARB FITTING / #5x1/4NPT-M BR	1	1		
6	520145	. CLAMP	1	1		
6	502692	. NUT HEXF STO M8-1.25 Z050	1	1		
7	504014	. HOSE CLAMP / 1/4"-5/8" SS / HM-4	2	2		
8	020416	. HOSE #6 250MM	1	1		
NS	503583	. . HOSE SILICONE 3/8" I.D. x 25' / S.L.	AR	AR		
9	5011046	. MALE ELBOW 90° / JIC 37° FITTING / #6JIC-Mx#5ORB-M STL	1	1		
10	020423	. HOSE ASSY TEFLON #6 580MM	1	1		
NS	503065	. . HOSE TEFLON #6 / S.L.	AR	AR		
NS	501595	. . FEMALE CONNECTOR SWIVEL / JIC 37° FITTING / TEFLON / #6JIC-Fx#6 STL	1	1		
NS	501946	. . FEMALE ELBOW 90° / JIC 37°/SAE45° FITTING / TEFLON / #6JIC-F/FL-Fx#6 STL	1	1		
NS	560479	. CLAMP / 3/8" I.D.	1	1		
11	020419	. COVER, PLASTIC To W-2284	1	1		
11	020450	. COVER, PLASTIC From W-2285	1	1		
NS	500564	. SCREW MA RND PH #8-32x3/4 Z050	2	2		
NS	504412	. WASHER RETAINER SNAP CAP #8	2	2		
NS	504403	. SNAP CAP #8 FINISHING BLACK	2	2		
12	020393P	. PEDAL SUB-ASSY	1	1		
13	020394	. SUPPORT	1	1		
14	520126	. . RUBBER PAD	1	1		
15	020395	. . PEDAL, LEVER	1	1		
16	070697	. . RUBBER BUMPER	1	1		
17	500829	. . SCREW CAP HEX M10-1.5x40 G8.8	1	1		
18	500256	. . NUT HEX M10-1.5 Z050	1	1		
19	020400	. . PIVOT ASSY	1	1		
NS	502790	. . SCREW CAP HEX M8-1.25x20 G8.8 Z050	1	1		
20	520141	. . BEARING, NYLON	1	1		
21	520125	. . SPRING, TORSION / .950 I.D. X 1.5 x .136	1	1		
22	520139	. . CYLINDER	1	1		
23	502589	. . SCREW CAP HEX M8-1.25x25 G8.8 Z050	2	2		
NS	502543	. . NUT HEX M8-1.25 Z050	2	2		
NS	5001003	. . WASHER LO SPT 8.1x12.7x2.0 Z050	2	2		
24	500868	. . NUT HEX NYRT M8-1.25 Z050	2	2		

From R-012 To Y-3881	Date:10/2022	PAGE:H3-0210-11
CLUTCH PEDAL - "POWER ASSISTED"		

Item#	Part	Description	H 3 4 1	H 3 4 5	V I P 4 5	N O T E S
25	500874	. . WASHER FL 8.4x17.0x1.6 Z050	2	2		
26	5001128	. . SCREW SHR HEXS 10x20 {M8-1.25	1	1		
30	500072	. SCREW CAP HEX M10-1.5x45 G10.9 Z050	3	3		
NS	500444	. WASHER FL .406x.812x.065 Z050	3	3		
NS	500478	. WASHER LO SPT .380x.683x.094 Z050	3	3		
30	020437	. DECAL "MAX"	1	1		
31	502539	WASHER FL 15.0x28.0x2.5 ZP	1	1		
32	500520	WASHER LO INT .576x.985x.045 ZP	2	2		
33	5011005	BULKHEAD MALE CONNECTOR / JIC 37° FITTING / #6JIC-Mx1/4NPT-M STL	1	1		
34	5011006	FEMALE CONNECTOR / JIC 37° FITTING / #5JIC-Mx1/4NPT-F STL	1	1		
35	503560	COPPER TUBE .312" O.D. x .032" x 600"	AR	AR		
40	063614	SWITCH ASSY, / JACOB'S & CRUISE CONTROL	1	1		
41	500762	SCREW MA PAN PH #5-40x1 1/4 ZP	2	2		A
NS	500766	NUT HEX #5-40 ZP	2	2		A
NS	502649	WASHER LO EXT .141x.320x.022 Z050	2	2		A
NS	500437	WASHER FL .125x.375x.040 Z050	2	2		
		A) TO FIX SWITCH				

From R-012 To Y-3881	Date:10/2022	PAGE:H3-0215-11
CLUTCH CONTROL - REAR SECTION - "POWER"		



EFF.: V-2078

From R-012 To Y-3881	Date:10/2022	PAGE:H3-0215-11
CLUTCH CONTROL - REAR SECTION - "POWER"		

Item#	Part	Description	H 3 4 1	H 3 4 5	V I P 4 5	N O T E S
1	H3-0720-00	TRANSMISSION MANUAL 6 SPEEDS - PS130-6B				
1	H3-0720-01	TRANSMISSION MANUAL 7 SPEEDS - PS145-7A				
2	H3-0710-05	SHIFTER LEVER ASSY - REAR To V-2077				
2	H3-0710-06	SHIFTER LEVER ASSY - REAR From V-2078				
3	H3-0220-00	CLUTCH CYLINDER - "POWER ASSISTED"				
4	020403	RENFORT, BRACKET / W/6 SPEEDS	1	1		
5	020402	SUPPORT ASSY / CYLINDER W/6 SPEEDS To V-2077	1	1		A
5	020431	SUPPORT ASSY / CYLINDER W/7 SPEEDS To V-2077	1	1		A
NS	5001170	SCREW CAP HEX 3/4-10x1 1/4 G5 Z050	5	5		
NS	500488	WASHER LO SPT .760x1.271x.188 Z050	3	3		
6	502655	SCREW CAP HEX M10-1.5x25 SS BK	1	1		
7	500680	NUT HEX STO M10-1.5 Z050	2	2		
8	502644	WASHER FL 10.5x30.0x2.5 Z050	1	1		
9	502217	SPRING EXTENSION / .750 O.D. x 3.25 x .085 To V-2077	2	2		A
NS	502616	WASHER LO SPT 10.2x18.1x2.2 SS	2	2		
NS	500985	WASHER FL .343x.875x.125 Z050	2	2		
12	020405	CLEVIS YOKE M10 X 48 C/L X 14 W X 13 O.D.	1	1		
13	502036	PIN, CLEVIS 1/2 x 1 5/8 BZC	1	1		
NS	502102	PIN, COTTER 1/8 x 1	1	1		
14	500829	SCREW CAP HEX M10-1.5x40 G8.8	1	1		
15	020433	LEVER, CLUTCH SHAFT 71MM C/C To V-2077	1	1		A
16	505154	KEY, WOODRUFF #18 / 1/8" X 1 1/8"	1	1		
17	020377	CLUTCH SHAFT 1"X 9" 11/16"	1	1		
18	502680	SCREW CAP HEX M10-1.5x50 SS	1	1		
19	500256	NUT HEX M10-1.5 Z050	2	2		
20	502651	SCREW CAP HEX M8-1.25x35 G8.8 Z050	4	4		
20	500544	SCREW CAP HEX M8-1.25x30 G8.8 Z050	1	1		
NS	500874	WASHER FL 8.4x17.0x1.6 Z050	8	8		
21	500868	NUT HEX NYRT M8-1.25 Z050	6	6		
22	5011111	MALE ELBOW 90° / JIC 37° FITTING / #6JIC-MxM14-1.5-M STL	1	1		
. NS	N.P.N.	. O-RING	1	1		4
. NS	N.P.N.	. WASHER RET	1	1		4
30	020382	SUPPORT / TO FIX W/HOUSING TRANSMISSION SCREW	1	1		
31	020386	ANGLE / TO FIX SUPPORT & BUSHING ASSY	1	1		
32	020388	BUSHING ASSY	1	1		
33	570075	. BUSHING	1	1		
34	501495	GREASE FITTING 90° / 1/8 NPT	1	1		
35	502559	SCREW CAP HEX M10-1.5x25 G8.8 Z050	2	2		
36	500496	WASHER FL .437x.750x.054 Z050	2	2		
37	500822	WASHER LO SPT 10.2x18.1x2.2 ZP	2	2		
38	500256	NUT HEX M10-1.5 Z050	2	2		
39	020307	HOSE ASSY / #4 14"	2	2		

From R-012 To Y-3881	Date:10/2022	PAGE:H3-0215-11
CLUTCH CONTROL - REAR SECTION - "POWER"		

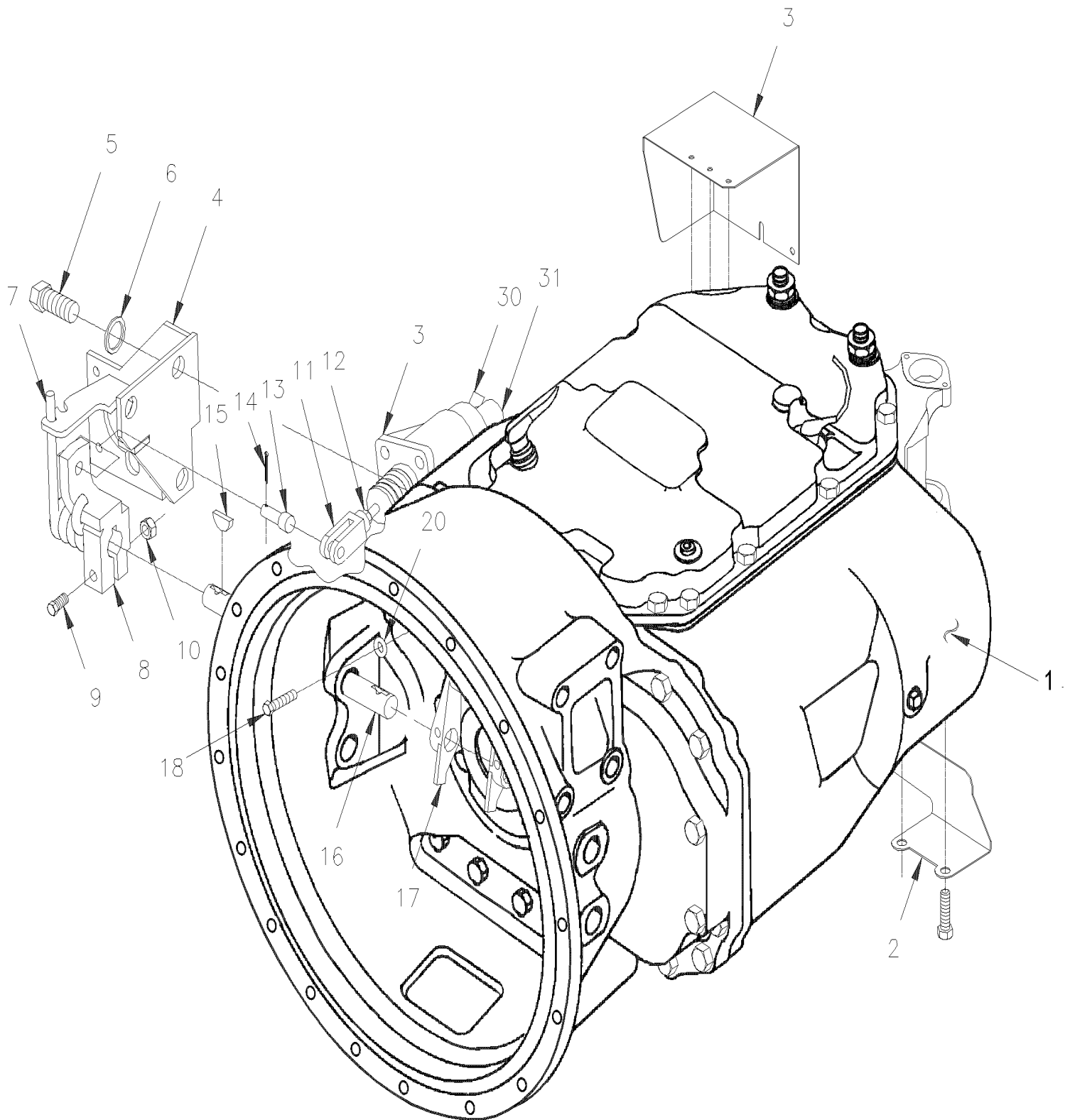
Item#	Part	Description	H 3 4 1	H 3 4 5	V I P 4 5	N O T E S
40	501317	COUPLING / PIPE FITTING / 1/8NPT-Fx1/8NPT-F BR	2	2		
NS	500445	WASHER FL .437x1.000x.083 Z050	2	2		
42	020304	SUPPORT / GREASE TUBE	2	2		
50	5011110	MALE CONNECTOR / JIC 37° FITTING / #6JIC-MxM16-1.5-M STL	1	1		
. NS	641297	. O-RING 13.1MM I.D. X 2.6 TH	1	1		
. NS	641298	. WASHER FL 17MM I.D x 22MM O.D. x 1.5MM	1	1		
NS	010619	HOSE ASSY TEFLON #6 1240MM	1	1		E
51	020448	SUPPORT ASSY / CYLINDER W/6 SPEEDS From V-2078	1	1		
51	020442	SUPPORT ASSY / CYLINDER W/7 SPEEDS From V-2078	1	1		
52	020439	SPRING, TORSION / 1.339 I.D. x 2.088 x .281 From V-2078	2	2		
53	020441	LEVER ASSY From V-2078	1	1		
		A) FOR PRODUCT IMPROVMENT USE ITEMS #51, 52 & 53				
		E) CYLINDER & REGULATOR				
		4) NO PARTS NUMBER				

From W-2589 To 1-4147

Date:10/2022

PAGE:H3-0215-12

CLUTCH CONTROL - REAR SECTION - "EATON"



From W-2589 To 1-4147	Date:10/2022	PAGE:H3-0215-12
CLUTCH CONTROL - REAR SECTION - "EATON"		

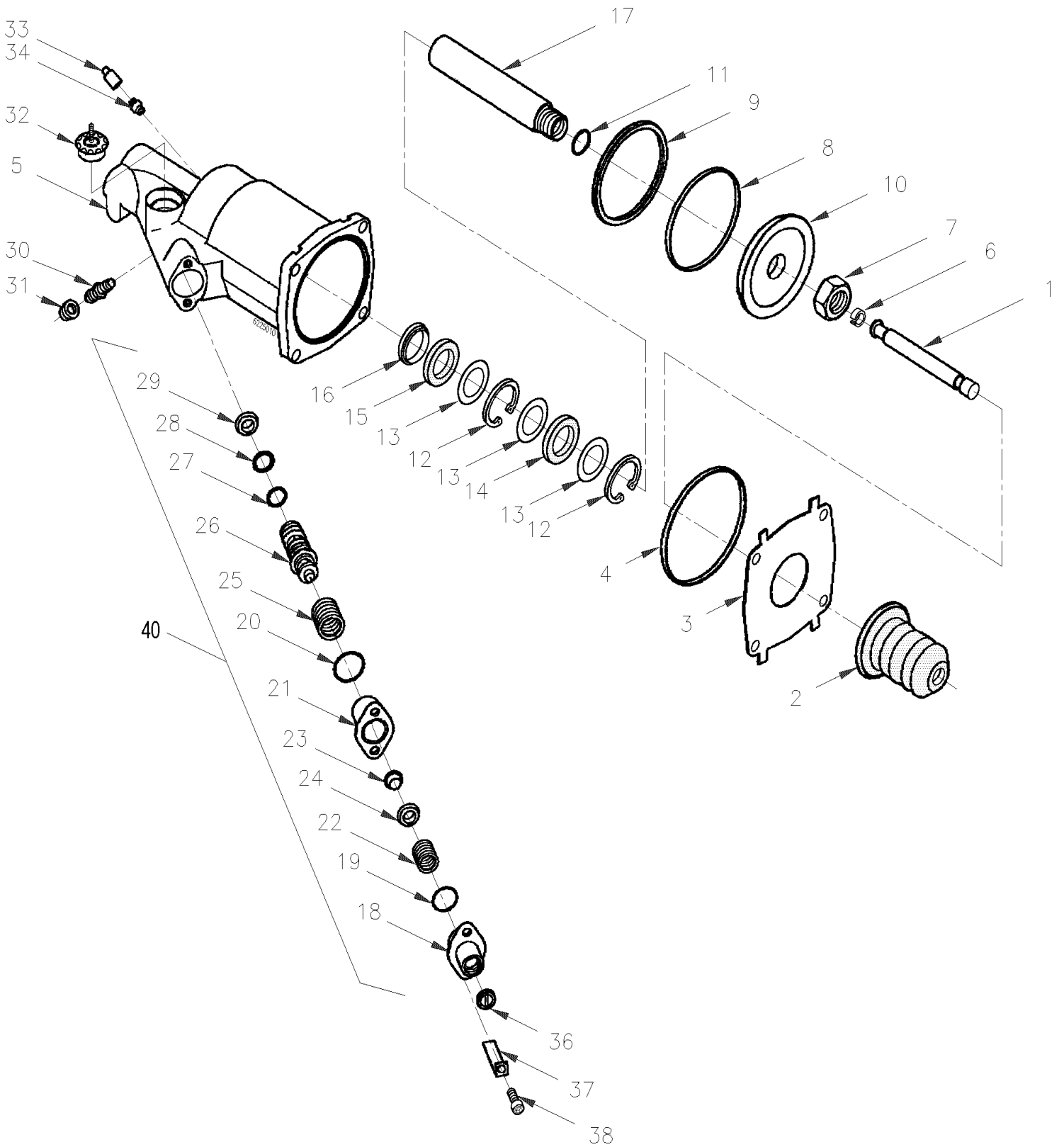
Item#	Part	Description	H 3 4 1	H 3 4 5	V I P 4 5	N O T E S
1	571729	TRANSMISSION RTAO-14710B-AS	1	1		
2	071141	PROTECTOR	1	1		
3	071144	PROTECTOR	1	1		
4	020454	SUPPORT ASSY / CYLINDER W/10 SPEEDS "EATON"	1	1		
5	5001170	SCREW CAP HEX 3/4-10x1 1/4 G5 Z050	5	5		
6	500488	WASHER LO SPT .760x1.271x.188 Z050	5	5		
7	020439	SPRING, TORSION / 1.339 I.D. x 2.088 x .281	1	1		
8	020441	LEVER ASSY	1	1		
NS	505154	KEY, WOODRUFF #18 / 1/8" X 1 1/8"	1	1		
9	500821	SCREW CAP HEX 3/8-16x2 1/4 G5 ZP	1	1		
10	500265	NUT HEX STO 3/8-16 Z050	1	1		
11	020405	CLEVIS YOKE M10 X 48 C/L X 14 W X 13 O.D.	1	1		
12	500256	NUT HEX M10-1.5 Z050	1	1		
13	503036	HOSE (GREEN STRIPE) 2 3/4" I.D. x 3'	1	1		
14	502102	PIN, COTTER 1/8 x 1	1	1		
15	505154	KEY, WOODRUFF #18 / 1/8" X 1 1/8"	1	1		
16	020464	SHAFT 8.921"	1	1		
17	570172	YOKE CLUTCH RELEASE	1	1		
18	570199	SCREW	1	1		
19	500480	WASHER LO SPT .443x.779x.109 Z050	1	1		
20	570030	KEY WASHER	1	1		
21	570369	CLUTCH SHAFT 1" X 5 3/4"	1	1		
30	5011110	MALE CONNECTOR / JIC 37° FITTING / #6JIC-MxM16-1.5-M STL	1	1		
. NS	641297	. O-RING 13.1MM I.D. X 2.6 TH	1	1		
. NS	641298	. WASHER FL 17MM I.D x 22MM O.D. x 1.5MM	1	1		
31	5011047	MALE CONNECTOR / JIC 37° FITTING / #6JIC-MxM14-1.5-M STL	1	1		
. NS	N.P.N.	. O-RING	1	1		4
. NS	N.P.N.	. WASHER RET	1	1		4
50	H3-0220-00	CLUTCH CYLINDER - "POWER ASSISTED"				
		4) NO PARTS NUMBER				

From R-012 To Y-3881

Date:10/2022

PAGE:H3-0220-00

CLUTCH CYLINDER - "POWER ASSISTED"



From R-012 To Y-3881	Date:10/2022	PAGE:H3-0220-00
CLUTCH CYLINDER - "POWER ASSISTED"		

Item#	Part	Description	H 3 4 1	H 3 4 5	V I P 4 5	N O T E S
	020422	CYLINDER ASSY / BLACK PAINTED	1	1		
	520138	. CYLINDER ASSY	1	1		
1	520157	. . PISTON ROD	1	1		
2	520159	. . BOOT	1	1		
3	520160	. . COVER	1	1		
4	N.S.S.	. . O-RING 93 X 2.62MM	1	1		1
5	N.S.S.	. . HOUSING	1	1		1
6	520158	. . RETAINING RING	1	1		
7	N.S.S.	. . NUT	1	1		1
8	N.S.S.	. . GUIDE	1	1		1
9	N.S.S.	. . SEAL	1	1		1
10	N.S.S.	. . PISTON	1	1		1
11	N.S.S.	. . O-RING	1	1		1
12	N.S.S.	. . RETAINING RING	1	1		1
13	N.S.S.	. . WASHER	1	1		1
14	N.S.S.	. . SEAL (AIR SIDE GREEN)	1	1		1
15	N.S.S.	. . SEAL (FLUID SIDE BLUE)	1	1		1
16	N.S.S.	. . PLASTIC GUIDE	1	1		1
17	N.S.S.	. . PISTON ROD	1	1		1
18	N.S.S.	. . SLEEVE	1	1		1
19	N.S.S.	. . O-RING 19.1 X 1.6MM	1	1		1
20	N.S.S.	. . O-RING 23 X 2MM	1	1		1
21	N.S.S.	. . SLEEVE	1	1		1
22	N.S.S.	. . SPRING	1	1		1
23	N.S.S.	. . VALVE PLUNGER	1	1		1
24	N.S.S.	. . PLASTIC GUIDE	1	1		1
25	N.S.S.	. . SPRING	1	1		1
26	N.S.S.	. . REACTION PISTON	1	1		1
27	N.S.S.	. . O-RING 14.3 X 2.4MM	1	1		1
28	N.S.S.	. . O-RING 13 X 3MM	1	1		1
29	N.S.S.	. . SEAL (BLACK)	1	1		1
30	N.S.S.	. . BLEEDER	1	1		1
31	N.S.S.	. . BLEEDER	1	1		1
32	N.S.S.	. . EXHAUST VALVE	1	1		1
33	N.S.S.	. . PROTECTOR CAP	1	1		1
34	N.S.S.	. . BLEEDER	1	1		1
36	N.S.P.	. . FILTER	1	1		2
37	N.S.P.	. . TAG IDENTIFICATION	1	1		2
38	N.S.P.	. . SCREW	1	1		2
NS	520146	REPAIR KIT	AR	AR		B
40	520149	REPAIR KIT	AR	AR		A

From R-012 To Y-3881	Date:10/2022	PAGE:H3-0220-00
CLUTCH CYLINDER - "POWER ASSISTED"		

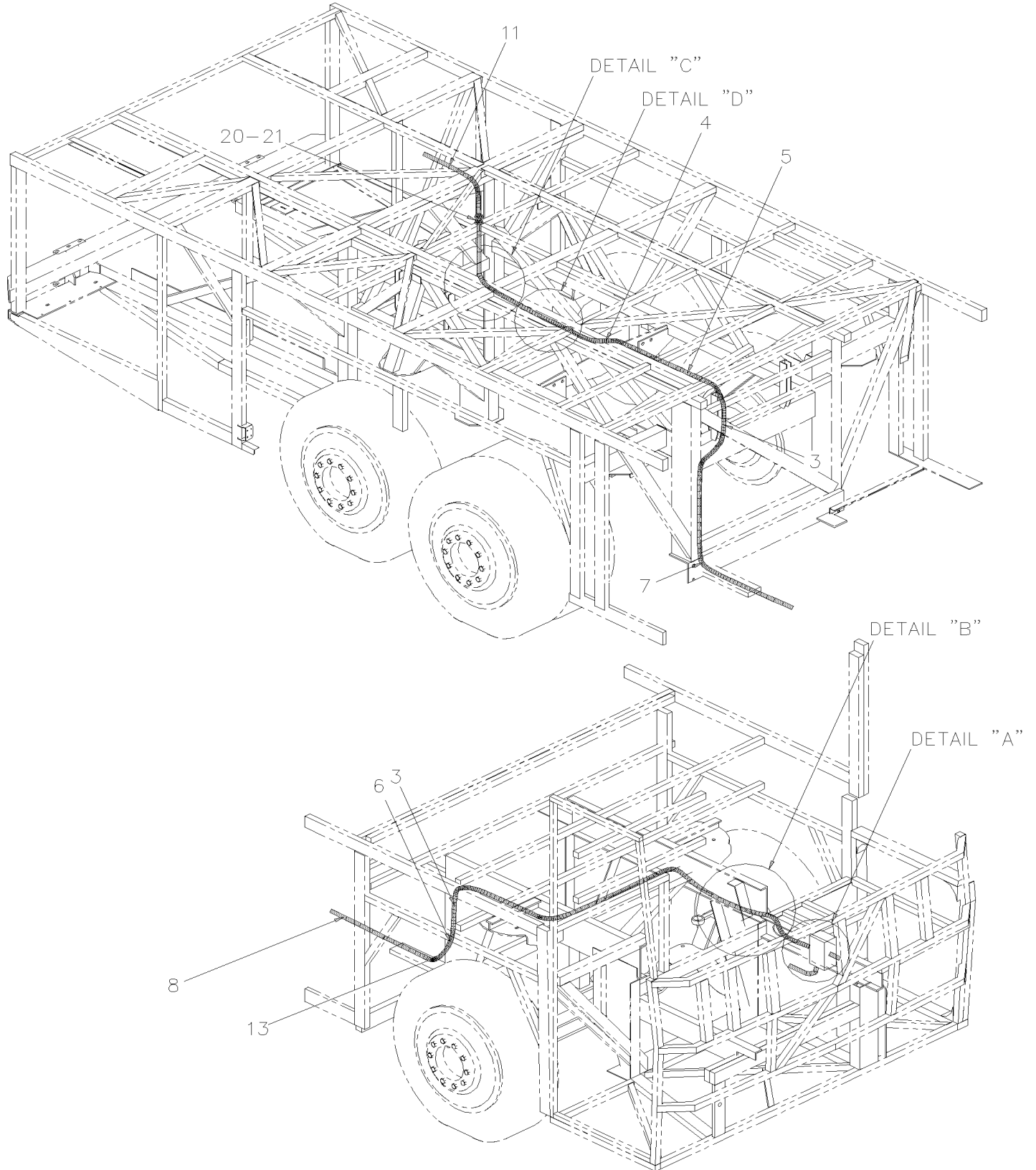
Item#	Part	Description	H 3 4 1	H 3 4 5	V I P 4 5	N O T E S
NS	520163	COUPLER / QUICK DISCONNECT "TEMA" / #2x 1/8NPT-F BR	AR	AR		
		A) INCLUDE ITEMS #18,19,20,21,22,23,24,25,26,27,28,29 & 36				
		B) INCLUDE ITEMS #2,4,8,9,14,15,19,20,23,24,27,28,29 & 32				
		1) NOT SOLD SEPARATELY				
		2) NOT SOLD BY PREVOST (SEE MANUFACTURING PART NUMBER AT END OF DESCRIPTION LINE)				

From W-2589 To Y-3881

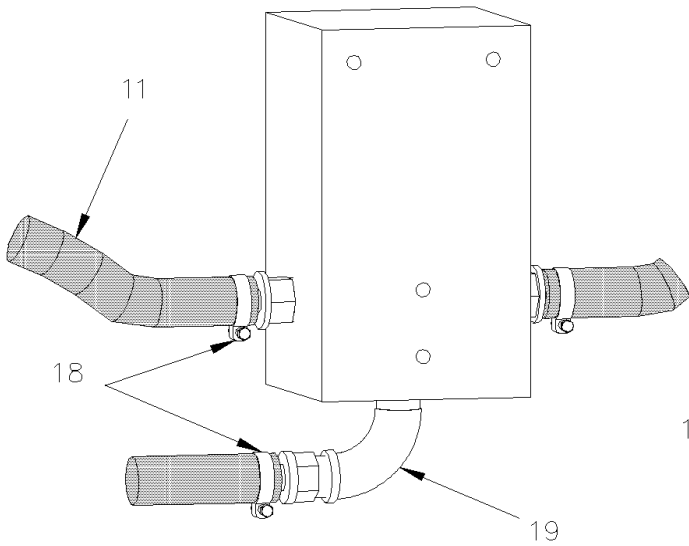
Date:10/2022

PAGE:H3-0225-00

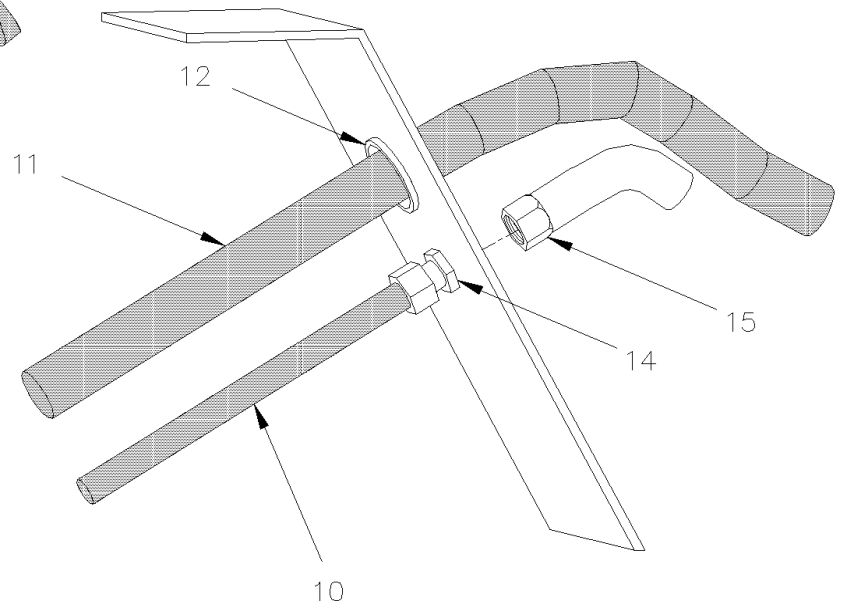
CLUTCH CYLINDER TUBE - INSTALLATION



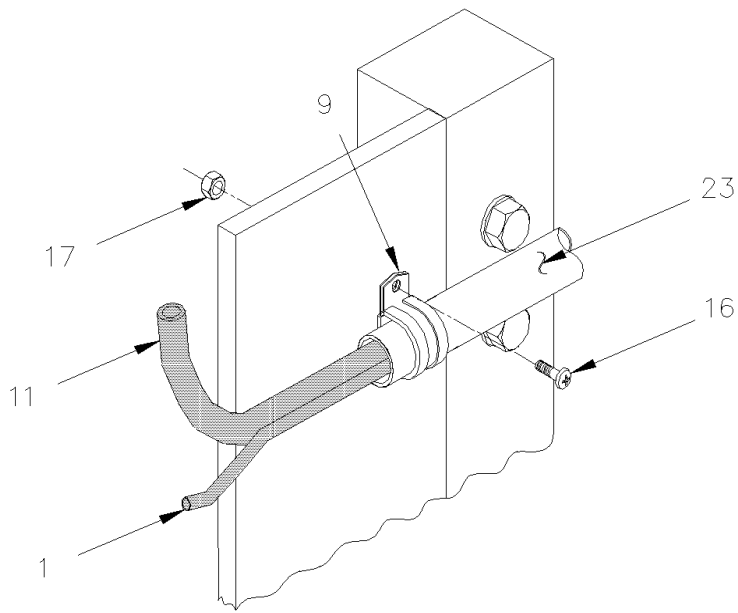
From W-2589 To Y-3881	Date:10/2022	PAGE:H3-0225-00
CLUTCH CYLINDER TUBE - INSTALLATION		



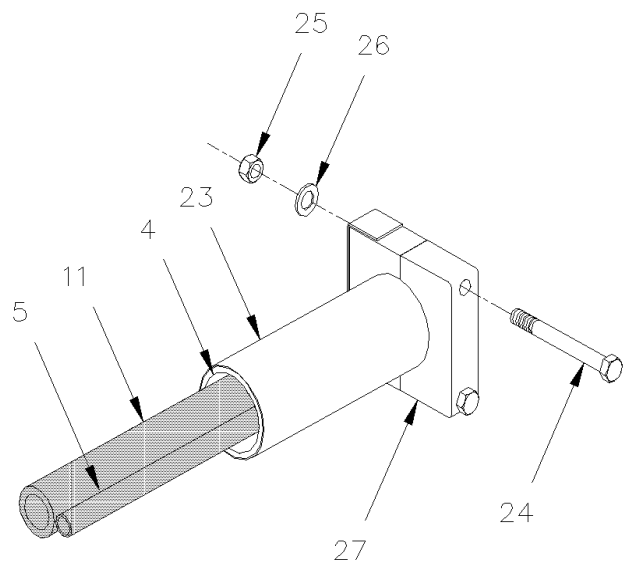
DETAIL "A"



DETAIL "B"



DETAIL "C"



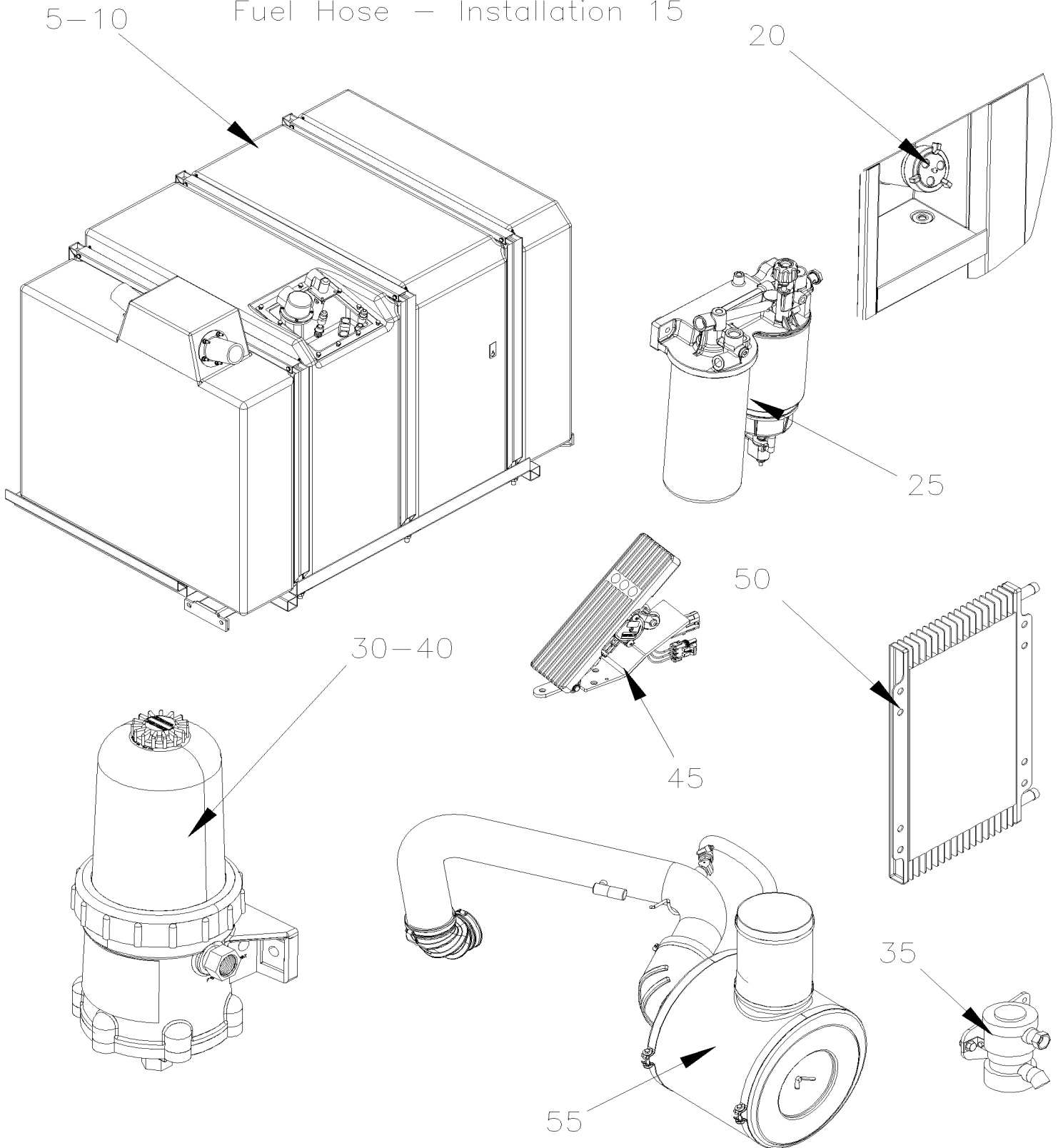
DETAIL "D"

From W-2589 To Y-3881	Date:10/2022	PAGE:H3-0225-00
CLUTCH CYLINDER TUBE - INSTALLATION		

Item#	Part	Description	H 3 4 1	H 3 4 5	V I P 4 5	N O T E S
1	071089	HOSE ASSY TEFLON #6 355MM	1	1		
2	5011172	ADAPTER FERULOK @ JIC / #6x#6JIC-M SS	1	1		
3	071145	SPLIT HOSE	2	2		
4	071146	SPLIT HOSE 425MM	1	1		
5	Call order desk	OIL CONDUCT LINE	1	1		P
6	071148	SPLIT HOSE 670MM	1	1		
7	5011175	UNION ELBOW 90° / FERULOK FITTING / #6x#6 STL	1	1		
8	503633	TUBE ROUND STANLESS 304 3/8" O.D. x .035 x 264"	1	1		
9	560872	CLAMP / 1"1/16 I.D.	1	1		
10	071153	OIL CONDUCT LINE	1	1		
11	503673	HOSE 1/2" I.D. 50'	1	1		
12	504534	GROMMET / .875x1.250x.187x.562x1.625	1	1		
13	5011173	UNION / FERULOK FITTING / #6x#6 STL	1	1		
14	500520	WASHER LO INT .576x.985x.045 ZP	1	1		
15	071108	HOSE ASSY TEFLON #6 1700MM	1	1		
16	500574	SCREW MA TR PH #10-24x1 1/4 SS	1	1		
17	500767	NUT HEX #10-24 Z050	1	1		
18	504018	HOSE CLAMP / 7/16"-1" SS / HS-8	3	3		
19	071090	ADAPTOR, HEATING H.G.S.	1	1		
20	500613	SCREW TP PAN PH #10x1/2 Z050	7	7		
21	560483	CLAMP / 7/8" I.D.	7	7		
22	504024	HOSE CLAMP / 1"13/16"-2"3/4 SS / HS-36	1	1		
23	504637	CABLE TIE / 3/16" x 13"	32	32		
24	502769	SCREW CAP HEX M6-1.0x70 G10.9 DP	10	10		
25	502511	NUT HEX NYRT M6-1.0 Z050	10	10		
26	500441	WASHER FL .312x.734x.065 Z050	10	10		
27	504679	CLAMP SIMPLE ASS / 1 1/4 I.D.	5	5		
		P) CALL ORDER DESK FOR SPECIFIC APPLICATION (V.I.N.)				

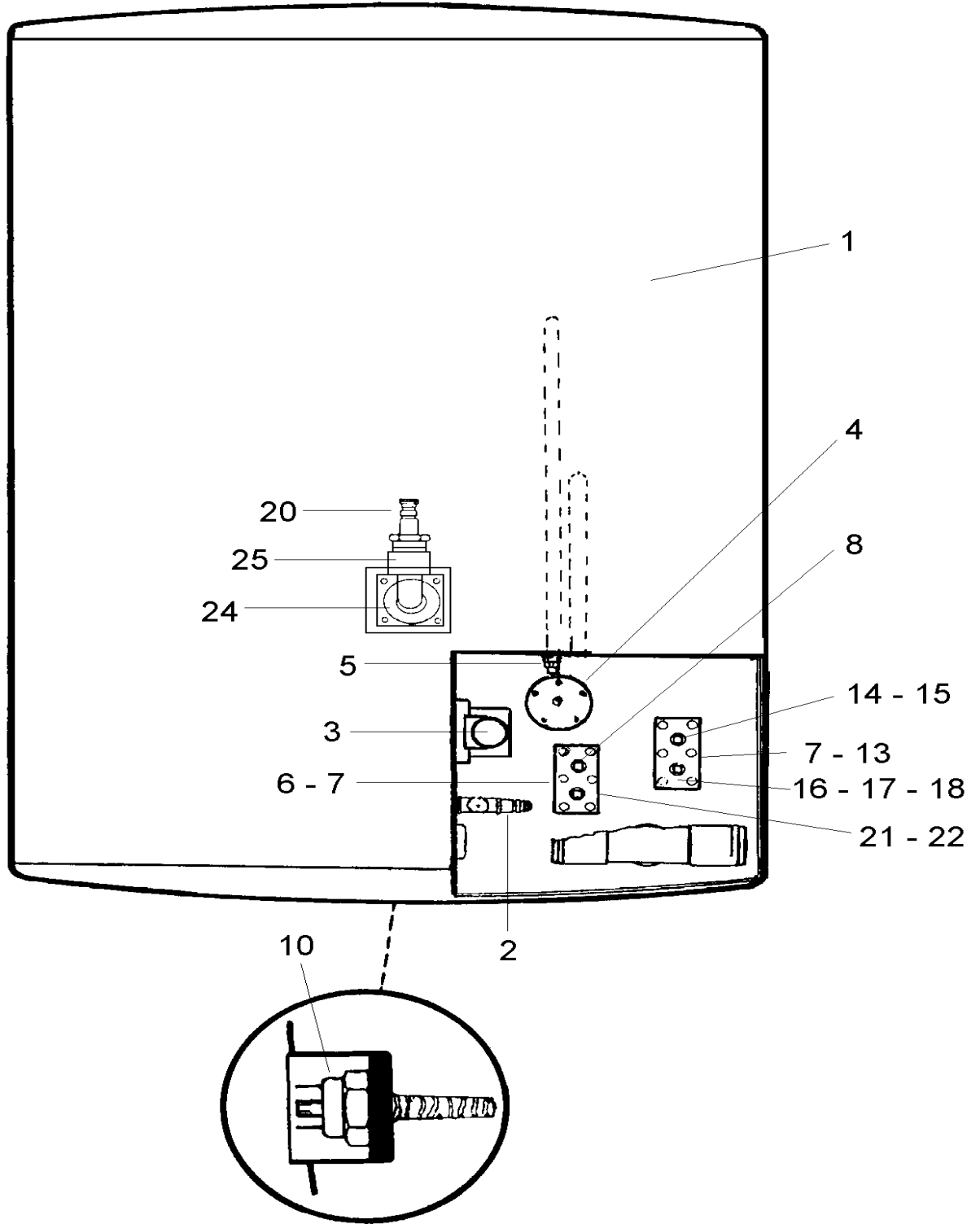
	Date:10/2022	H3-03
FUEL		

5-10 Fuel Hose – Installation 15



		Date:10/2022	H3-03			
FUEL						
Item#	Part	Description	H 3 4 1	H 3 4 5	V I P 4 5	N O T E S
5	H3-0305-00	FUEL TANK STAINLESS STEEL 235 GALLONS From R-012 To S-283				
5	H3-0305-01	FUEL TANK PLASTIC 230 GALLONS From S-284 To 2-4416				
10	H3-0306-00	FUEL TANK - INSTALLATION (STAINLESS STEEL) From R-012 To S-283				
10	H3-0306-01	FUEL TANK - INSTALLATION (PLASTIC) From S-284 To 2-4416				
15	H3-0310-01	FUEL HOSE - INSTALLATION From R-012 To 2-4416				
20	H3-0310-10	FUEL FILLING CAP From R-012 To 2-4416				
25	H3-0311-01	FUEL FILTER - PRIMARY & SECONDARY From R-012 To 2-4416				
30	H3-0311-15	FUEL FILTER / "PRO 380E" From R-012 To X-2602				
30	H3-0311-16	FUEL FILTER / "PRO 382" From X-2603 To 2-4416				
35	H3-0312-00	FUEL PUMP - AUXILIARY From S-216 To 2-4416				
40	H3-0312-10	FUEL PRO - INSTALLATION From W-2285 To 2-4416				
45	H3-0315-11	ACCELERATOR PEDAL - ELECTRONIC DDEC II From R-012 To S-099				
45	H3-0315-12	ACCELERATOR PEDAL - ELECTRONIC DDEC III From S-100 To 2-4416				
50	H3-0316-00	FUEL COOLER - INSTALLATION From S-284 To V-1714				
50	H3-0316-01	FUEL COOLER - INSTALLATION From V-1715 To 2-4416				
55	H3-0330-01	AIR FILTER & INTAKE - INSTALLATION From R-012 To 2-4416				

From R-012 To S-283	Date:10/2022	PAGE:H3-0305-00
FUEL TANK STAINLESS STEEL 235 GALLONS		



From R-012 To S-283	Date:10/2022	PAGE:H3-0305-00
FUEL TANK STAINLESS STEEL 235 GALLONS		

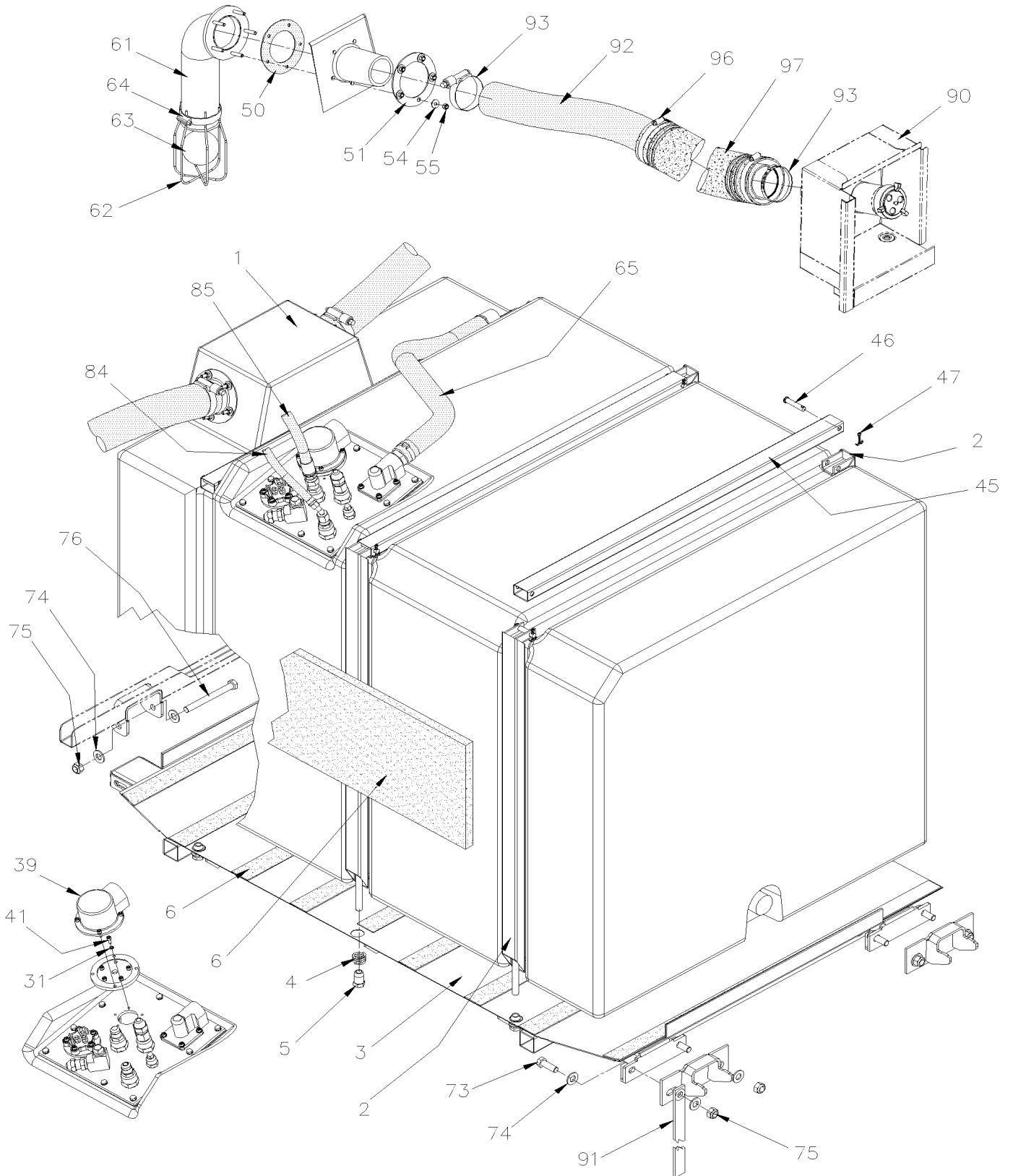
Item#	Part	Description	H 3 4 1	H 3 4 5	V I P 4 5	N O T E S
	031676	FUEL TANK ASSY SS / 235 GALLONS US	1	1	1	A
1	Call order desk	. FUEL TANK SS / 235 GALLONS US	1	1	1	PA
1	Call order desk	. FUEL TANK SS / 235 GALLONS US	1	1	1	P
3	530156	. VALVE PRESSURE	1	1	1	
. NS	531427	. . GASKET / (SMALL)	1	1	1	
. NS	531428	. . GASKET / (LARGE)	1	1	1	
3	500273	. SCREW CAP HEXS #10-24x7/8 ZP	22	22	22	
3	500593	. WASHER FL .200x.437x.036 BR	22	22	22	
4	530204	. SENSOR, FUEL LEVEL / W/SS STEEL TANK	1	1	1	
4	030379	. GASKET, FUEL SENSOR WHITE NITRILE	1	1	1	
5	030995	. TUBE ASSY / 18 1/2" / FUEL RETURN				
5	030861	. GASKET	2	2	2	
6	031521	. TUBE ASSY / PUMP	1	1	1	
7	030977	. . PLATE	1	1	1	
8	Call order desk	. . TUBE, PROTECTOR	1	1	1	P
8	031061	. . ADAPTOR 1/2 X 3/4"-16	1	1	1	
8	504019	. . HOSE CLAMP / 9/16"-1"1/16 SS / HS-10	1	1	1	
8	Call order desk	. . TUBE	1	1	1	P
8	501966	. PLUG HEXS / PIPE FITTING / 1/2NPT-M STL	1	1	1	
10	530159	. SENSOR PROBE "LOW-FUEL"	1	1	1	
13	031616	. TUBE ASSY / W/AUXILIARY EXIT	1	1	1	
14	Call order desk	. . TUBE ASSY	1	1	1	P
15	501316	. . BUSHING REDUCER / PIPE FITTING / 1/2NPT-Mx1/4NPT-F BR	1	1	1	
15	030977	. . PLATE	1	1	1	
16	031061	. . ADAPTOR 1/2 X 3/4"-16	1	1	1	
17	N.S.S.	. . TUBE	1	1	1	1
17	504019	. . HOSE CLAMP / 9/16"-1"1/16 SS / HS-10	1	1	1	
18	501053	. . CAP NUT / SAE 45° FITTING / #8FL-F BR	1	1	1	
20	030827	. NIPPLE	1	1	1	
21	031125	. TUBE ASSY 3 1/4" / FUEL RETURN / AUXILIARY TANK	1	1	1	
22	501053	. CAP NUT / SAE 45° FITTING / #8FL-F BR	1	1	1	
24	531366	VALVE ASSY, LEVEL CONTROL	1	1	1	
25	501605	BUSHING REDUCER / PIPE FITTING / 1NPT-Mx1/2NPT-F STL	1	1	1	
25	500143	. SCREW CAP HEXS #10-24x1/2 N500	4	4	4	
NS	032001P	FUEL TANK ASSY / COMPLETE WITH FLOOR ASSY	AR	AR	AR	
51	032044	FUEL COOLER KIT TO USE WITH PLASTIC TANK	AR	AR	AR	
. NS	IS-95004	. SEE INSTRUCTION SHEET	1	1	1	
52	505056	ANTISTATIC STRAP / UNDER STRUCTURE	1	1	1	

From R-012 To S-283	Date:10/2022	PAGE:H3-0305-00
---------------------	--------------	-----------------

FUEL TANK STAINLESS STEEL 235 GALLONS

Item#	Part	Description	H 3 4 1	H 3 4 5	V I P 4 5	N O T E S
		A) FOR REPLACEMENT WITH PLASTIC FUEL TANK YOU REQUIRE 1 # 032001P FUEL TANK ASSY WITH FLOOR AND KIT FOR FUEL COOLER # 032044				
		1) NOT SOLD SEPARATELY				
		P) CALL ORDER DESK FOR SPECIFIC APPLICATION (V.I.N.)				

From S-284 To 2-4416	Date:10/2022	PAGE:H3-0305-01
FUEL TANK PLASTIC 230 GALLONS		

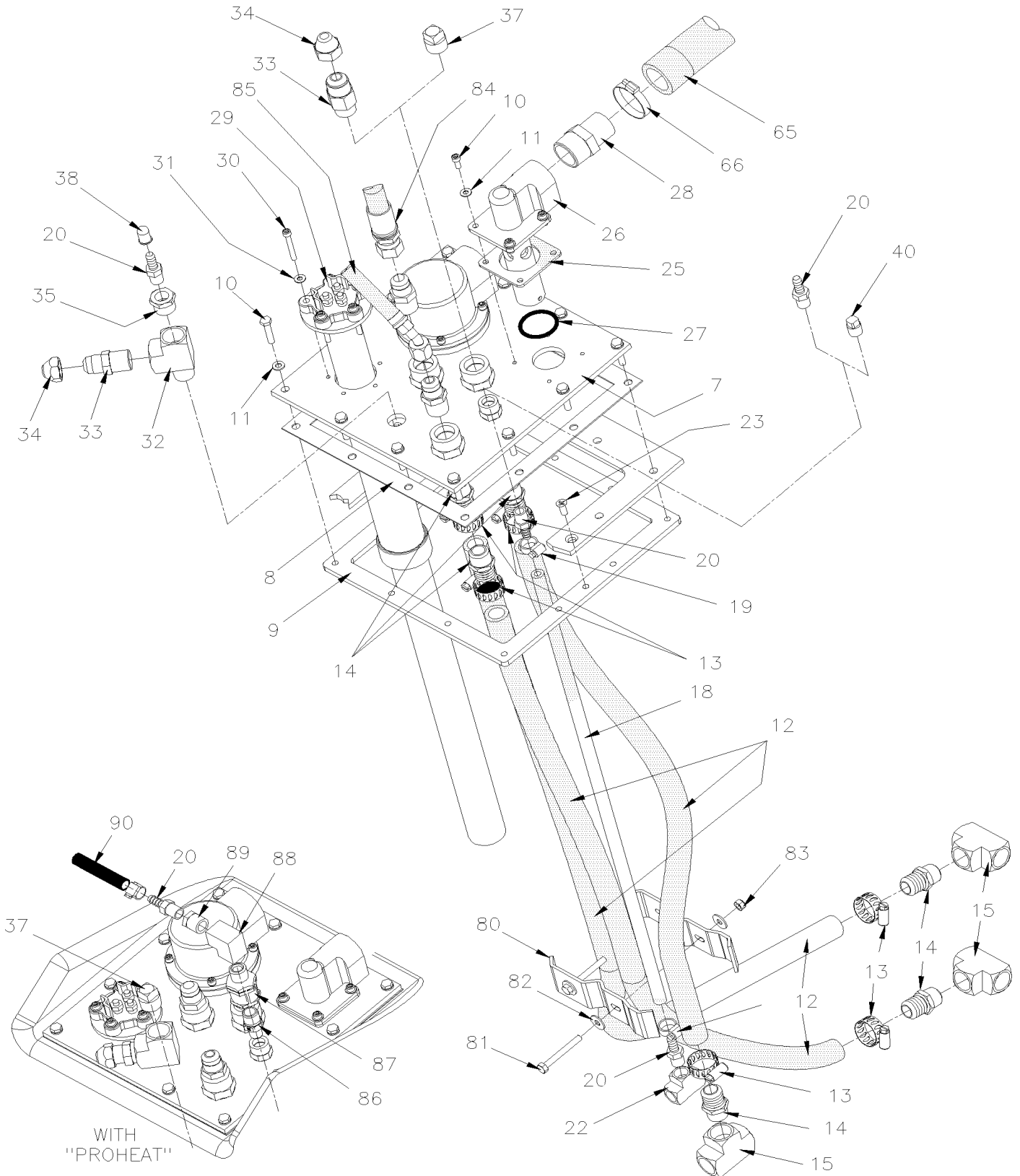


From S-284 To 2-4416

Date:10/2022

PAGE:H3-0305-01

FUEL TANK PLASTIC 230 GALLONS



From S-284 To 2-4416	Date:10/2022	PAGE:H3-0305-01
FUEL TANK PLASTIC 230 GALLONS		

Item#	Part	Description	H 3 4 1	H 3 4 5	V I P 4 5	N O T E S
	032001P	FUEL TANK ASSY / COMPLETE WITH FLOOR ASSY	1	1	1	
	032143	FUEL TANK ASSY / W/OUT FLOOR & STRAP	1	1	1	
1	032481	FUEL TANK / 230 GALLONS US	1	1	1	C
NS	030009	FUEL TANK / SERVICE KIT	1	1	1	
NS	030007	FUEL TANK / 222 GALLONS US	1	1	1	
NS	033959	MAIN PLATE / RECTANGULAR SHAPE	1	1	1	
NS	032956	GASKET / RECTANGULAR SHAPE 250 x 190 MM	1	1	1	
NS	033962	INTERIOR FRAME ASSY / RECTANGULAR SHAPE	1	1	1	
NS	032938	GASKET	2	2	2	
NS	5001392	WASHER FL 6.0x12.0x1.5 COP	10	10	10	
NS	507356	O-RING	1	1	1	
NS	531419	GASKET, FUEL SENSOR	1	1	1	
NS	531427	GASKET / (SMALL)	1	1	1	
NS	531428	GASKET / (LARGE)	1	1	1	
NS	531443	GASKET / VALVE CONTROL LEVEL	1	1	1	
NS	5001941	SCREW CAP HEX M12-1.75x120 G10.9 N500	2	2	2	
NS	500806	SCREW CAP HEX M12-1.75X35 G10.9 G500	4	4	4	
NS	500811	NUT HEX STO M12-1.75 G500	6	6	6	
NS	500958	WASHER FL .531x1.062x.095 SS	12	12	12	
NS	030082	SPACER "U" 3.175MM	4	4	4	
NS	030083	SPACER "U" 0.953MM	4	4	4	
NS	IS-14076	SEE INSTRUCTION SHEET	1	1	1	
NS	FI-14076	VOIR FEUILLE D'INSTRUCTION	1	1	1	
2	032188	STRAP RETAINER / LONG	2	2	2	A
2	032445	ATTACHMENT ASSY / 871MM	2	2	2	
2	032180	STRAP RETAINER / SHORT	1	1	1	A
2	032444	ATTACHMENT ASSY / 817MM	1	1	1	
3	032631	REMOVABLE FLOOR	1	1	1	
3	032066	REMOVABLE FLOOR	1	1	1	
NS	682462	ADHESIVE SIKA #252 / BLACK / 310ml CARTRIDGE	AR	AR	AR	
4	502210	SPRING COMPRESSION / .975 O.D. x 1.250 x .125	6	6	6	
5	031930	NUT HEX SPECIAL M12-1.75 ST	6	6	6	
6	506758	TAPE RUB ADH1 NEO 1/16"X 1 1/2"X50'	AR	AR	AR	
7	032191	MAIN PLATE	1	1		
7	032190	MAIN PLATE			1	
7	032770	MAIN PLATE	1	1	1	
8	032014	GASKET	1	1	1	
9	031988	INSIDE FRAME	1	1	1	
10	502686	SCREW CAP HEX M6-1.0x30 SS BK	12	12	12	
11	5001392	WASHER FL 6.0x12.0x1.5 COP	12	12	12	
12	531417	HOSE / 2556 / #10 X 48"	2	2	2	
12	531454	HOSE / 2556 / #10 X 25 1/2" AUX	AR	AR	AR	

From S-284 To 2-4416	Date:10/2022	PAGE:H3-0305-01
FUEL TANK PLASTIC 230 GALLONS		

Item#	Part	Description	H 3 4 1	H 3 4 5	V I P 4 5	N O T E S
13	504019	. . HOSE CLAMP / 9/16"-1"1/16 SS / HS-10	4	4	4	
14	501942	. . MALE CONNECTOR / PUSH-LOK FITTING / 1/2NPT-Mx#10 BR	4	4	4	
15	501472	. . FEMALE UNION TEE / PIPE FITTING / 1/2NPT-Fx1/2NPT-Fx1/2NPT-F BR	2	2	2	
18	531453	. . HOSE / 2556 / #4 X 25 1/2"	1	1		
19	504014	. . HOSE CLAMP / 1/4"-5/8" SS / HM-4	2	2	2	
20	507602	. . MALE CONNECTOR / PUSH-LOK FITTING / 1/4NPT-Mx#4 BR	1	1	1	
NS	5011064	. . MALE CONNECTOR / HOSE BARB FITTING / #3x1/4NPT-M BR AUX	AR	AR		
22	501618	. . MALE CONNECTOR / SAE 45° FITTING / #6FL-Mx1/2NPT-M BR	1	1	1	
23	5001198	. . SCREW MA FL PH M6-1.0x16 Z050	2	2	2	
25	531443	. . GASKET / VALVE CONTROL LEVEL	1	1	1	
26	504701	. . VALVE, FUEL TANK LEVEL CONTROL	1	1	1	
26	531459	. . VALVE, FUEL TANK LEVEL CONTROL EMCO	1	1		B
. NS	530212	. . . GASKET / VALVE CONTROL LEVEL	1	1		B
27	507356	. . O-RING	1	1	1	
28	501205	. . ADAPTER / COPPER @ PIPE / 1Mx1NPT-M	1	1	1	
29	531404	. . SENSOR, FUEL LEVEL / 31¼" / W/PLASTIC TAN	1	1	1	
30	5011135	. . SCREW CAP HEXS #10-24x1 1/2 N500	5	5	5	
31	500593	. . WASHER FL .200x.437x.036 BR	5	5	5	
32	501473	. . MALE RUN TEE / PIPE FITTING / 1/2NPT-Mx1/2NPT-Fx1/2NPT-F BR	1	1	1	
33	501616	. . MALE CONNECTOR / SAE 45° FITTING / #8FL-Mx1/2NPT-M BR	1	1	1	
34	501337	. . FEMALE UNION TEE / PIPE FITTING / 1/4NPT-Fx1/4NPT-Fx1/4NPT-F BR	1	1	1	
34	501053	. . CAP NUT / SAE 45° FITTING / #8FL-F BR			1	
35	501316	. . BUSHING REDUCER / PIPE FITTING / 1/2NPT-Mx1/4NPT-F BR	1	1	1	E
37	501306	. . PLUG SQUARE HEAD / PIPE FITTING / 1/2NPT-M BR	2	2	2	
38	680733	. . CAP PROTECTOR (NO-THREADED)	AR	AR	AR	
39	530156	. . VALVE PRESSURE	1	1	1	
. NS	531427	. . . GASKET / (SMALL)	1	1	1	
. NS	531428	. . . GASKET / (LARGE)	1	1	1	
40	501304	. . PLUG SQUARE HEAD / PIPE FITTING / 1/4NPT-M BR	1	1	1	
41	500143	. . SCREW CAP HEXS #10-24x1/2 N500	5	5	5	
45	032443	. . TRANSVERSAL CROSS BAR / 833.5 MM	3	3	3	
46	502121	. . PIN, CLEVIS 3/8 x 1.625 BZC	6	6	6	
47	502102	. . PIN, COTTER 1/8 x 1	6	6	6	
50	031804	. . GASKET	2	2	2	
50	032938	. . GASKET	2	2	2	
51	032436	. . PLATE EXTERIOR	2	2	2	
54	502511	. . NUT HEX NYRT M6-1.0 Z050	10	10	10	
55	500411	. . WASHER FL .260x.697x.050 SS	10	10	10	
61	032437	. . TUBE BALL RETAINER	2	2	2	
61	032914	. . TUBE BALL RETAINER	2	2	2	
62	032438	. . BASKET	2	2	2	
63	032439	. . BALL 2 3/4" O.D. To 6-0441	1	1	1	

From S-284 To 2-4416	Date:10/2022	PAGE:H3-0305-01
FUEL TANK PLASTIC 230 GALLONS		

Item#	Part	Description	H 3 4 1	H 3 4 5	V I P 4 5	N O T E S
63	032657	. BALL 70MM O.D. From 6-0442	2	2	2	
63	032871	. BALL 77MM O.D.	2	2	2	S
64	504293	. HOSE CLAMP / 2"5/16-3"1/4 SS / E.T. 44	2	2	2	
65	032415	. HOSE #16 X 28" LG	1	1	1	
. NS	503579	. . HOSE 1" I.D. X 50' / "GREEN STRIPE"	AR	AR	AR	
NS	504637	. CABLE TIE / 3/16" x 13"	1	1	1	
66	504021	. HOSE CLAMP / 11/16"-1"1/2 SS / HS-16	1	1	1	
73	500806	. SCREW CAP HEX M12-1.75X35 G10.9 G500	4	4	4	
74	500958	. WASHER FL .531x1.062x.095 SS	12	12	12	
75	5001695	. NUT HEX NYRT M12-1.75 Z050	6	6	6	
76	500889	. SCREW CAP HEX M12-1.75x120 G8.8 G500	2	2	2	
80	032240	. HOLDING PLATE / TO HOLD TUBE To 8-1043	2	2	2	
80	032779	. HOLDING PLATE / TO HOLD TUBE From 7-0671	2	2	2	
81	502656	. SCREW CAP HEX M6-1.0x50 SS	2	2	2	
82	500411	. WASHER FL .260x.697x.050 SS	4	4	4	
83	5001182	. NUT HEX NYRT M6-1.0 SS	2	2	2	
84	031914	HOSE ASSY / #10 6300MM To V-1714	1	1	1	
84	032144	HOSE ASSY / #8 6402MM From V-1715	1	1	1	
85	032038	HOSE ASSY / #6 2071MM To V-1714	1	1	1	
85	032102	HOSE ASSY / #6 7622MM From V-1715	1	1	1	
86	501749	NIPPLE REDUCER HEX / PIPE FITTING / 3/8NPT-Mx1/4NPT-Mx1 13/32 BR	1	1		
87	530042	CHECK VALVE 3/8 NPT	1	1		
88	509863	FEMALE ELBOW 90° / PIPE FITTING / 3/8NPT-Fx3/8NPT-F BR	1	1		
89	501314	BUSHING REDUCER / PIPE FITTING / 3/8NPT-Mx1/4NPT-F BR	1	1		
90	H3-1875-00	FUEL TANK FILLING DOOR				
91	505056	ANTISTATIC STRAP / UNDER STRUCTURE	1	1		
92	031852	HOSE 2 1/2" I.D. x 670MM R.H. To V-1735	1	1	1	
92	032157	HOSE 2 1/2" I.D. x 702MM R.H. From V-1736	1	1	1	
92	031587	HOSE 2 1/2" I.D. x 5843MM R.H. To V-1735	1	1	1	
92	032042	HOSE 2 1/2" I.D. x 1143MM L.H. From V-1736	1	1	1	
93	504562	HOSE CLAMP / 2"3/4-3"5/8 / C.T. 350	2	2	2	
93	504696	HOSE CLAMP EAR / 2.968"-3.090"	2	2	2	
96	504235	HOSE CLAMP / 3"9/16"-4"1/2 SS / HS-64	2	2	2	
97	032568	HOSE FLEXIBLE 3 1/2" I.D. X 530MM	1	1	1	
97	032539	HOSE FLEXIBLE 3 1/2" I.D. X 350MM	1	1	1	
97	032697	HOSE FLEXIBLE 3 1/2" I.D. X 626MM	1	1	1	
100	032446	KIT, RETROFIT FUEL TANK STRAP To 3-4579	1	1	1	
. NS	IS-00038A	. SEE INSTRUCTION SHEET To 3-4579	1	1	1	
100	032259	KIT, BRACE FOR HOSE From S-284 To W-2358	1	1	1	
. NS	IS-97121	. SEE INSTRUCTION SHEET From S-284 To W-2358				
100	032127	KIT, RETROFIT PICK-UP TUBE (SERIES H3) From T-1310 To T-1522	1	1	1	

From S-284 To 2-4416	Date:10/2022	PAGE:H3-0305-01
FUEL TANK PLASTIC 230 GALLONS		

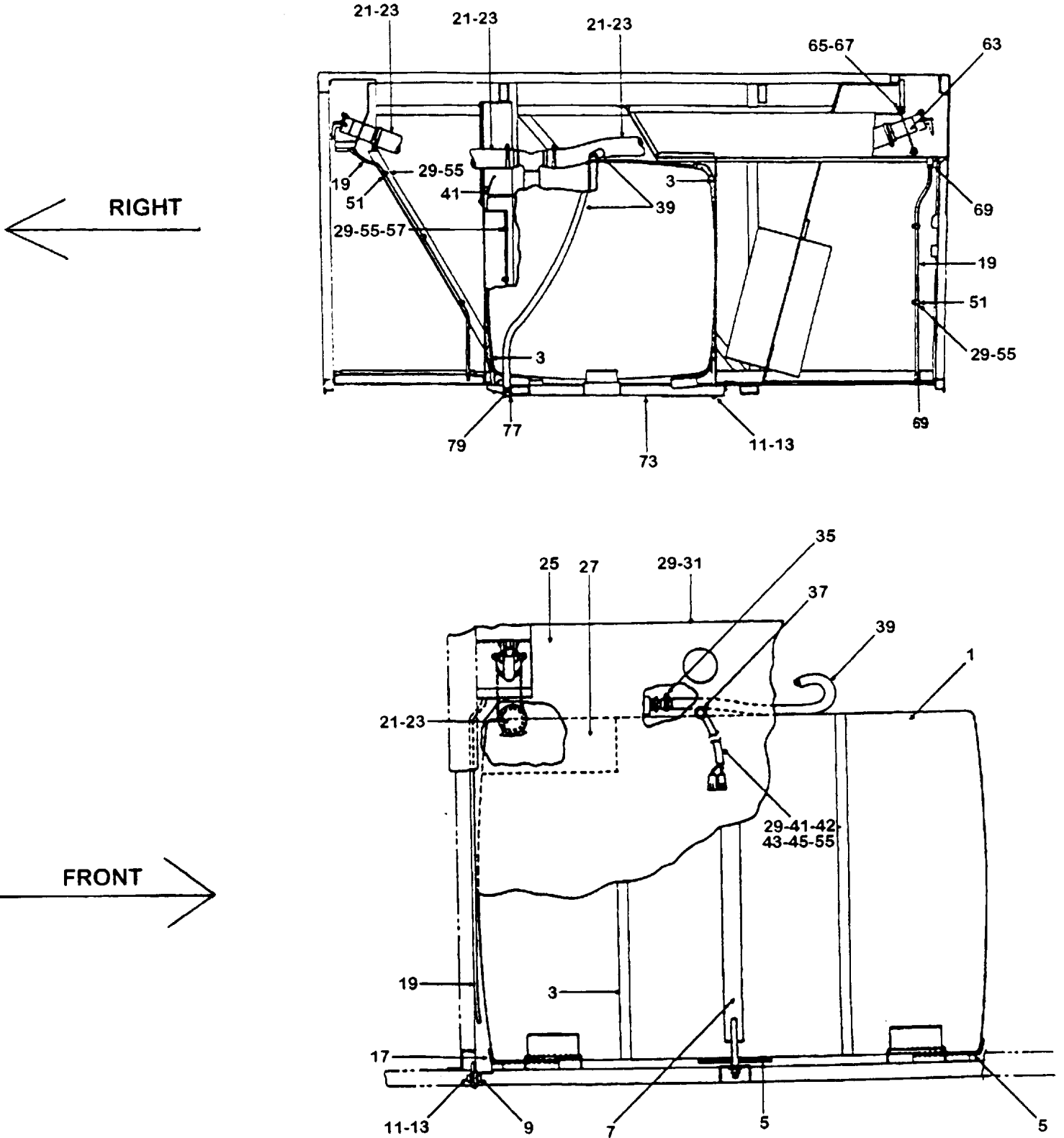
Item#	Part	Description	H 3 4 1	H 3 4 5	V I P 4 5	N O T E S
. NS	WB96-06	. SEE WARRANTY BULLETIN From T-1310 To T-1522	1	1	1	
100	032453	KIT FUEL CHECK VALVE "H"	1	1	1	
. NS	IS-98080	. SEE INSTRUCTION SHEET				
		A) FOR PRODUCT IMPROVEMENT USE KIT # 032446				
		B) WITH "EMCO" WEATON FILLER PIPE				
		C) FUEL TANK 032481 IS NO LONGER AVILABLE ORDER FUEL TANK KIT 030009				
		E) W/100000 BTU WATER HEAT.				
		S) SERVICE				

From R-012 To S-283

Date:10/2022

PAGE:H3-0306-00

FUEL TANK - INSTALLATION (STAINLESS STEEL)

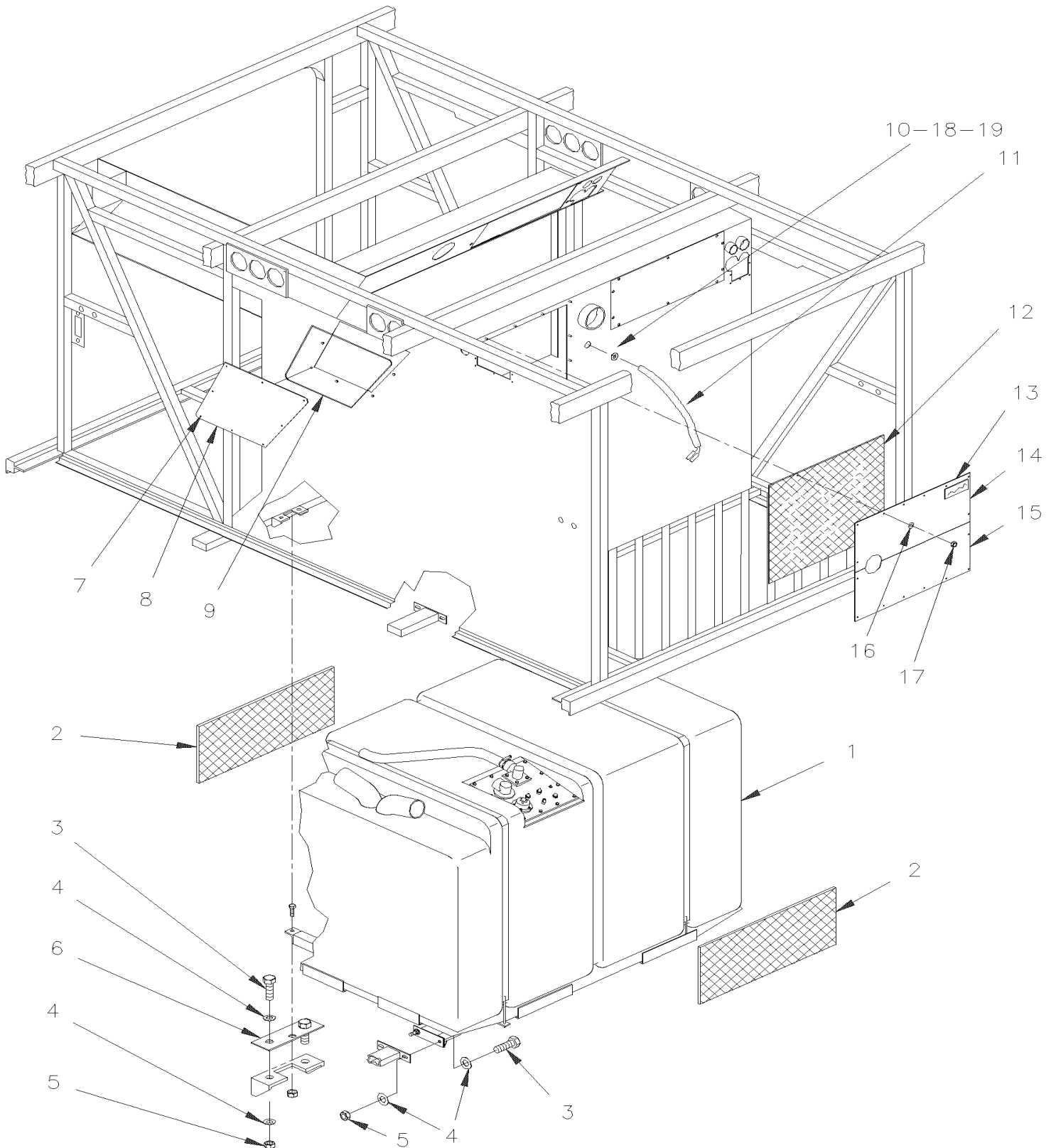


From S-284 To 2-4416

Date:10/2022

PAGE:H3-0306-01

FUEL TANK - INSTALLATION (PLASTIC)



From S-284 To 2-4416	Date:10/2022	PAGE:H3-0306-01
FUEL TANK - INSTALLATION (PLASTIC)		

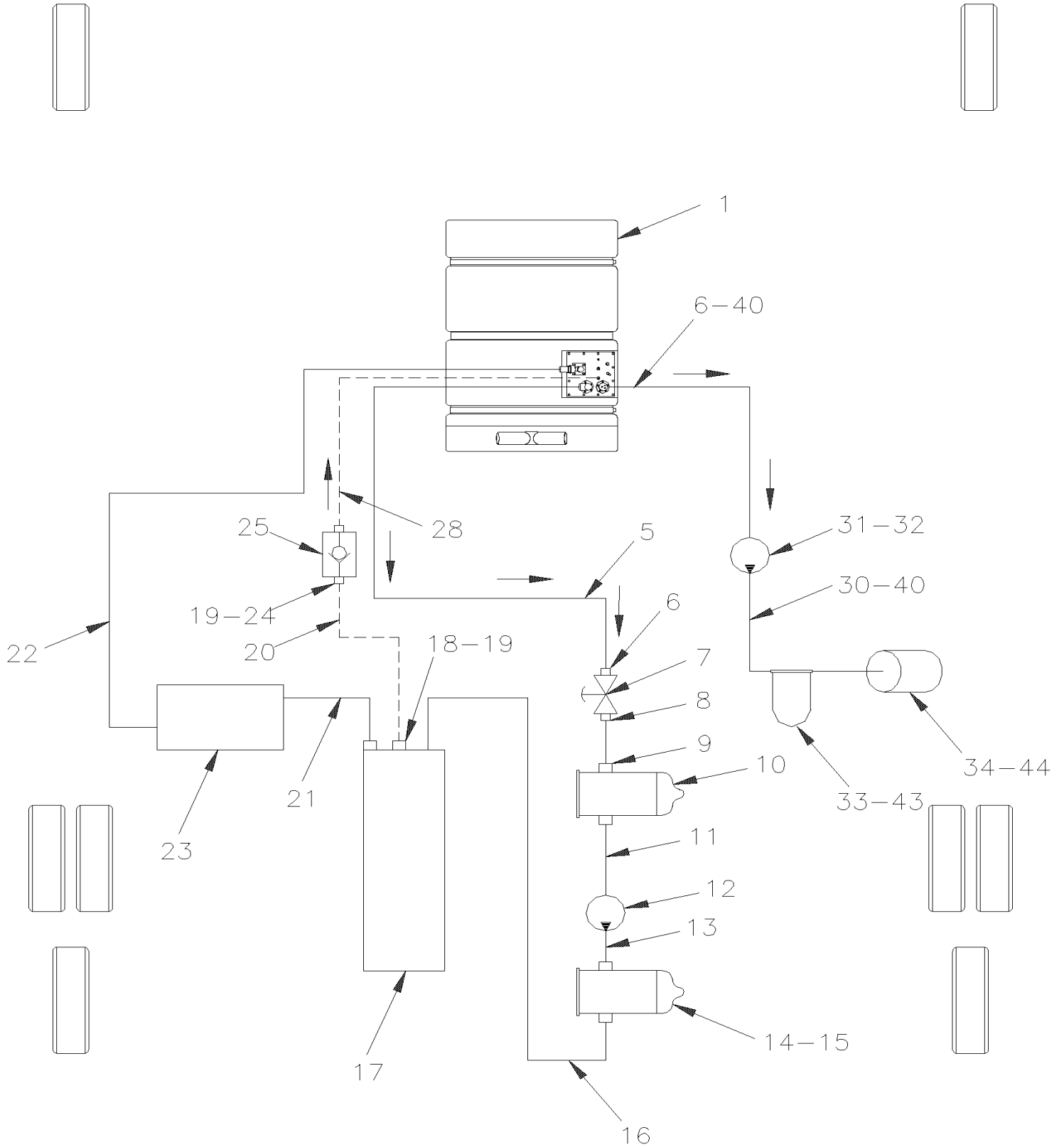
Item#	Part	Description	H 3 4 1	H 3 4 5	V I P 4 5	N O T E S
1	H3-0305-01	FUEL TANK PLASTIC 230 GALLONS	1	1	1	
2	506757	TAPE RUB ADH1 NEO 3/4" x 10" x 25 1/2" / BLACK 1220	2	2	2	
3	500806	SCREW CAP HEX M12-1.75X35 G10.9 G500	AR	AR	AR	
4	500958	WASHER FL .531x1.062x.095 SS	AR	AR	AR	
5	500811	NUT HEX STO M12-1.75 G500	AR	AR	AR	
6	031565	BOTTOM PLATE	1	1	1	
7	504248	RIVET CHY Q PRDG 3/16x1/4 SS	AR	AR	AR	
8	482355	ACCESS PANEL	1	1	1	
9	506338	RUBBER CHANNEL / 1/16" x 1/4" INT "U" SHAPE / ROUND C.T.L.	AR	AR	AR	
10	504066	GROMMET / .687x1.000x.062x.375x1.312	1	1	1	
11	064116	CABLE ASSY / TO FUEL TANK	1	1	1	
12	031723	INSULATOR To V-2062	AR	AR	AR	
13	031163	DECAL / "FUEL TANK ACCESS" / ENGLISH	1	1	1	
13	032561	DECAL / "FUEL TANK ACCESS" / ENGLISH & SPANISH	1	1	1	
14	031725	ACCESS PANEL To V-2062	1	1	1	
15	031724	ACCESS PANEL To V-2062	1	1	1	
16	502556	WASHER FL 4.3x9.0x0.8 SS To V-2062	AR	AR	AR	
17	502557	NUT HEX NYRT M4-0.7 SS To V-2062	AR	AR	AR	
18	680096	SEALANT BUTYL ALUM / GREY / 310ml CARTRIDGE	AR	AR	AR	
19	680066	ADHESIVE / ADBOND #5014 / 23.6ML BOTTLE	AR	AR	AR	

From R-012 To 2-4416

Date:10/2022

PAGE:H3-0310-01

FUEL HOSE - INSTALLATION



From R-012 To 2-4416	Date:10/2022	PAGE:H3-0310-01
FUEL HOSE - INSTALLATION		

Item#	Part	Description	H 3 4 1	H 3 4 5	V I P 4 5	N O T E S
1	H3-0305-00	FUEL TANK STAINLESS STEEL 235 GALLONS To S-283	1	1	1	
1	H3-0305-01	FUEL TANK PLASTIC 230 GALLONS From S-284	1	1	1	
5	031914	HOSE ASSY / #10 6300MM To V-1714	1	1	1	
5	032144	HOSE ASSY / #8 6402MM From V-1715	1	1	1	
6	501616	MALE CONNECTOR / SAE 45° FITTING / #8FL-Mx1/2NPT-M BR	1	1	1	
7	530096	BALL VALVE 1/2" NPT 1/2 NPT F x 1/2 NPT F	1	1	1	
8	501333	STREET ELBOW 90° / PIPE FITTING / 3/8NPT-Mx3/8NPT-F BR	1	1	1	
8	501534	BUSHING REDUCER / PIPE FITTING / 1/2NPT-Mx3/8NPT-F BR	1	1	1	
8	501322	NIPPLE HEX / PIPE FITTING / 3/8NPT-Mx3/8NPT-Mx1 13/32 BR	1	1	1	
9	501333	STREET ELBOW 90° / PIPE FITTING / 3/8NPT-Mx3/8NPT-F BR	1	1	1	
10	530052	FILTER ASSY PRIMARY	1	1	1	
11	N.S.P.	HOSE ASSY / PRIMARY & FUEL PUMP / (23509154)	1	1	1	2
12	N.S.P.	FUEL PUMP / SUPPLY W/MOTOR	1	1	1	2
13	N.S.P.	HOSE ASSY / FUEL PUMP & SECONDARY/ (23505202)	1	1	1	2
14	530051	FILTER ASSY SECONDARY	1	1	1	
15	N.S.P.	VALVE, BALL 1/2" NPT	1	1	1	2
16	N.S.P.	HOSE ASSY / SECONDARY & ENGINE / (8929841)	1	1	1	2
		ENGINE CYLINDER HEAD				
		RESTRICTION FITTING				
19	501032	MALE CONNECTOR / SAE 45° FITTING / #8FL-Mx3/8NPT-M BR To S-283	2	2	2	
20	160180	HOSE ASSY / #8 508MM To S-283	1	1	1	
NS	503417	. HOSE #FC-300 HYDRAULIC / #8 S.L. To S-283	AR	AR	AR	
NS	501594	. FEMALE ELBOW 90° SHORT DROP/ JIC 37° FITTING/ #8JIC-Fx#8 STL To S-283	1	1	1	
NS	501785	. FEMALE CONNECTOR SWIVEL / JIC 37° FITTING / #8JIC-Fx#8 ZP To S-283	1	1	1	
20	501839	. FEMALE ELBOW 45° SHORT DROP/ JIC 37° FITTING/ #8JIC-Fx#8 ZP To S-283	1	1	1	
21	032037	HOSE ASSY / #6 2491MM From S-284 To V-1714	1	1	1	
21	032101	HOSE ASSY / FROM CYLINDER HEAD / #6 2552MM From V-1715	1	1	1	
22	032038	HOSE ASSY / #6 2071MM From S-284 To V-1714	1	1	1	
22	032102	HOSE ASSY / #6 7622MM From V-1715	1	1	1	
23	H3-0316-00	FUEL COOLER - INSTALLATION From S-284 To V-1714	1	1	1	
23	H3-0316-01	FUEL COOLER - INSTALLATION From V-1715	1	1	1	
24	501032	MALE CONNECTOR / SAE 45° FITTING / #8FL-Mx3/8NPT-M BR To S-283	1	1	1	
25	530042	CHECK VALVE 3/8 NPT To V-1714	1	1	1	
25	531415	CHECK VALVE From V-1715	1	1	1	
NS	031927	SUPPORT, BULKHEAD CONNECTOR To S-283	1	1	1	
NS	640863	BULKHEAD COUPLING / PIPE FITTING / 3/8NPT-Fx3/8NPT-F STL To S-283	1	1	1	
28	031912	HOSE ASSY / #8 5385MM To S-283	1	1	1	
NS	501597	. FEMALE CONNECTOR SWIVEL / SAE 45° FITTING / #8FL-Fx#8 ZP To S-283	1	1	1	
28	505110	. COIL PROTECTOR / PLASTIC / #12 To S-283	AR	AR	AR	
		... FOLLOWING PARTS ARE RELATED WITH				
		... WATER HEATER 40,000 BTU "ESPAR"				

From R-012 To 2-4416	Date:10/2022	PAGE:H3-0310-01
FUEL HOSE - INSTALLATION		

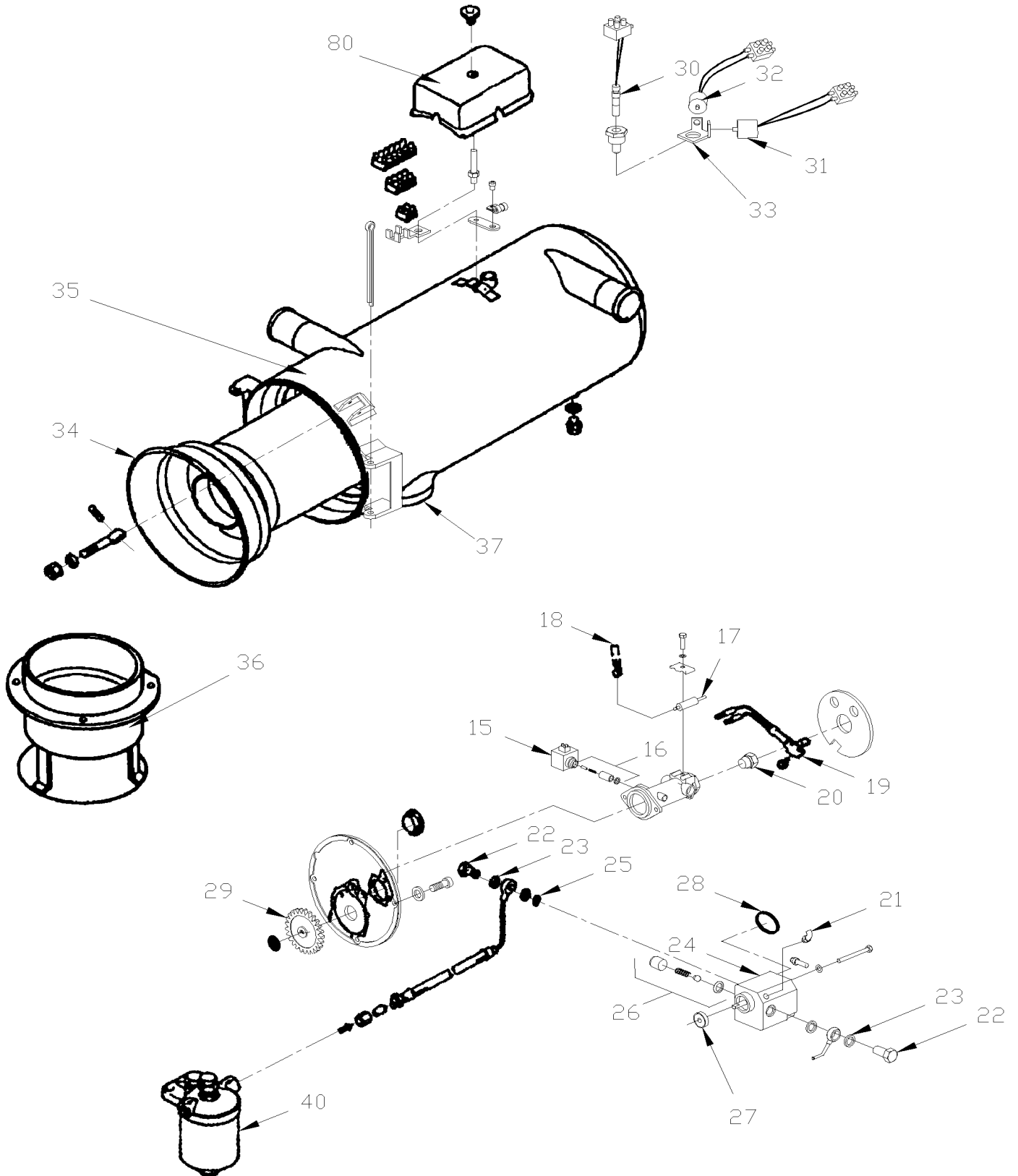
Item#	Part	Description	H 3 4 1	H 3 4 5	V I P 4 5	N O T E S
	 WATER HEATER 41,000 BTU "ESPAR"				
30	870977	HOSE 3.2MM I.D. 25' / S.L.	AR	AR	AR	
NS	504014	HOSE CLAMP / 1/4"-5/8" SS / HM-4	4	4	4	
31	870973	PUMP FUEL	1	1	1	
32	870971	SUPPORT, PUMP	1	1	1	
NS	870972	RING, RUBBER	1	1	1	
NS	500896	SCREW TC FL PH #8-32x5/8 Z050	2	2	2	A
34	870969	WATER HEATER - "ESPAR" 40,000 B.T.U.	1	1	1	
34	871097	WATER HEATER - "ESPAR" 41,000 B.T.U.				
	 FOLLOWING PARTS ARE USED WITH				
	 WATER HEATER 45,000 BTU "WEBASTO"				
34	 WATER HEATER 80,000 BTU "WEBASTO"	1	1	1	
40	503411	HOSE / 2556 / #4 X 50'	AR	AR	AR	
NS	504230	HOSE CLAMP / 3/8"-7/8" SS / HS-6	4	4	4	
43	871037	FILTER, FUEL	1	1	1	
NS	871038	SUPPORT, FILTER FUEL	1	1	1	
44	871036	WATER HEATER - "WEBASTO" 80,000 B.T.U.			1	B
44	871085	WATER HEATER - "WEBASTO" 45,000 B.T.U.	1	1		C
45	871036	WATER HEATER - "WEBASTO" 80,000 B.T.U.	1	1		
45	871085	WATER HEATER - "WEBASTO" 45,000 B.T.U.	1	1		
		A) TO FIX SUPPORT FUEL PUMP				
		B) 80,000 BTU "WEBASTO"				
		C) 45,000 BTU "WEBASTO"				
		2) NOT SOLD BY PREVOST (SEE MANUFACTURING PART NUMBER AT END OF DESCRIPTION LINE)				

From R-012 To 2-4416

Date:10/2022

PAGE:871036

WATER HEATER - "WEBASTO" 80,000 B.T.U.

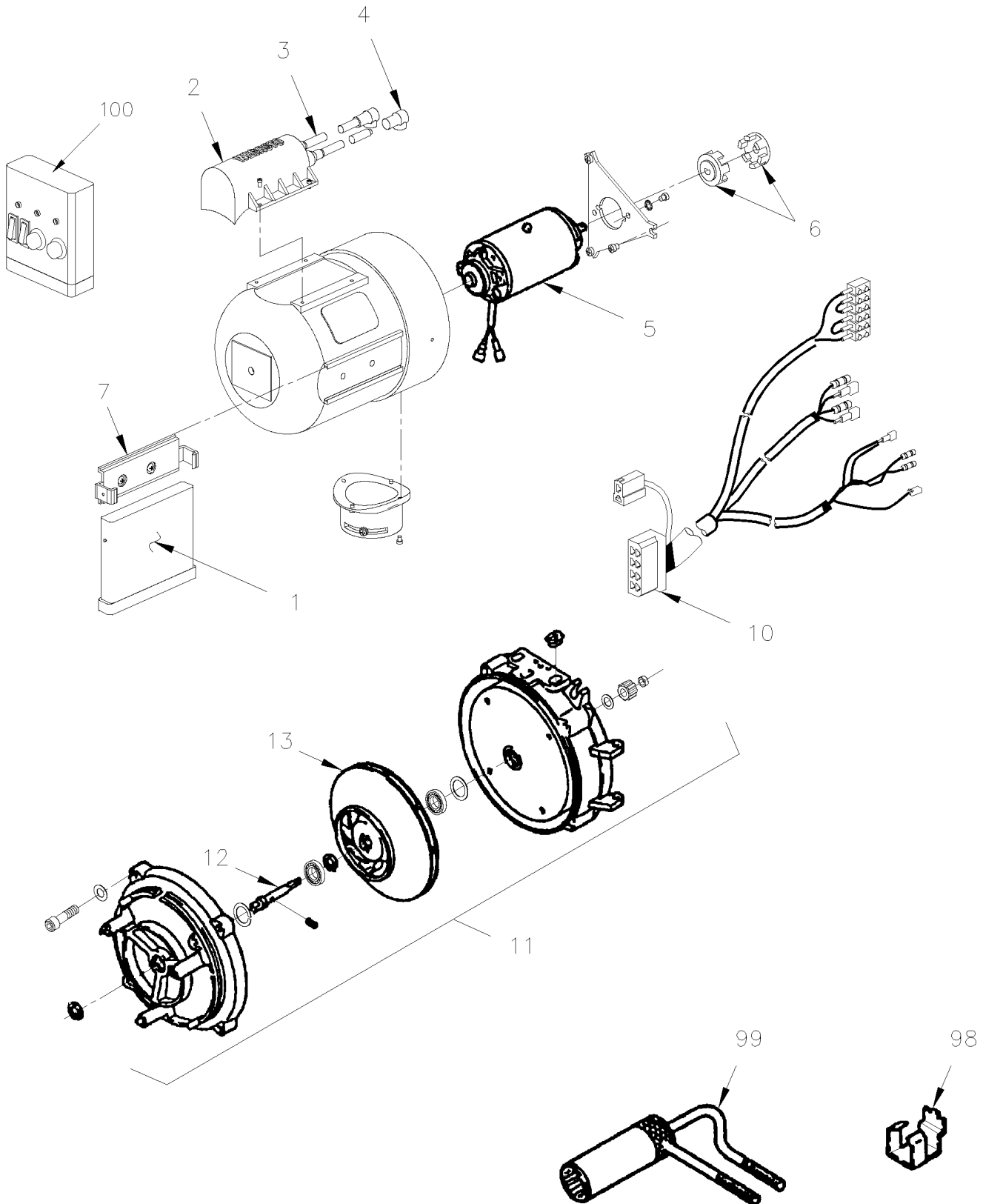


From R-012 To 2-4416

Date:10/2022

PAGE:871036

WATER HEATER - "WEBASTO" 80,000 B.T.U.



From R-012 To 2-4416	Date:10/2022	PAGE:871036
WATER HEATER - "WEBASTO" 80,000 B.T.U.		

Item#	Part	Description	H 3 4 1	H 3 4 5	V I P 4 5	N O T E S
		WATER HEATER - "WEBASTO" 80,000 B.T.U.	1	1	1	
	N25810	WATER HEATER - "WEBASTO" 80,000 B.T.U.				
NS	871309	BURNER HEAD ASSY 24V / DBW 2020	1	1	1	
1	870909	. CONTROL UNIT 24V	1	1	1	A
. NS	561186	. . CONNECTOR / FASTIN-FASTON (.250) / RH 6C / AMP 925276-0	1	1	1	A
. NS	561597	. . CONNECTOR / 56 SERIES / TAB RH 2C / BROWN / PED 2965981	1	1	1	A
. NS	562363	. . CONNECTOR / FASTIN-FASTON (.250) / RH 8C / AMP 163007	1	1	1	A
2	870910	. COIL, IGNITION	1	1	1	
3	870911	. . SOCKET	2	2	2	
4	870912	. . CABLE, HIGH TENSION / S.L.	AR	AR	AR	
5	870913	. MOTOR ASSY / 24V	1	1	1	
6	870939	. CLUTCH	2	2	2	
7	N8883051	. CLIP CONTROL UNIT	1	1	1	
10	870914	. WIRING HARNESS / W/TERMINAL BLOCK 6 C	1	1	1	
11	870915	. KIT, MOUNTING SHAFT	1	1	1	
12	870916	. SHAFT	1	1	1	
13	G1017453	. ROTOR TURBINE	1	1	1	
15	870917	. SOLONOID VALVE / 24V	1	1	1	
16	870919	. . UNLOADER POWER ASSY	1	1	1	
17	870920	. ELECTRODE, IGNITION	2	2	2	
18	870921	. PLUG / ELECTRODE	2	2	2	
19	870922	. CELL, PHOTOELECTRIC	1	1	1	
20	870918	. NOZZLE 0.80GPH	1	1	1	
20	871316	NOZZLE 0.35GPH	AR	AR	AR	
20	871126	NOZZLE 0.40GPH	AR	AR	AR	
20	192271	NOZZLE 0.65GPH / PACK OF 12	AR	AR	AR	
20	G5007384	NOZZLE 0.65GPH	AR	AR	AR	
20	G1017473	NOZZLE 0.65GPH	AR	AR	AR	
20	871291	NOZZLE 0.85GPH	AR	AR	AR	
21	870928	. PIPE, HIGH PRESSURE	1	1	1	
22	870929	. BANJO BOLT / M10-1.0	2	2	2	
23	870923	. BANJO WASHER / M10	4	4	4	
24	870930	. PUMP FUEL	1	1	1	
25	870924	. . FILTER	1	1	1	
26	870925	. . VALVE, PRESSURE CONTROL	1	1	1	
27	870926	. . GASKET	1	1	1	
28	870927	. . GASKET, RING	1	1	1	
29	870931	. SPUR GEAR	1	1	1	
30	870932	. FUSE THERMO 138°C (YELLOW)	1	1	1	
31	870933	. RELEASE, THERMO 117°C (GREEN)	1	1	1	
32	870934	. CONTROL THERMOSTAT 75°C GREEN & RED	1	1	1	
33	870935	. ANGLE BRACKET	1	1	1	

From R-012 To 2-4416	Date:10/2022	PAGE:871036
WATER HEATER - "WEBASTO" 80,000 B.T.U.		

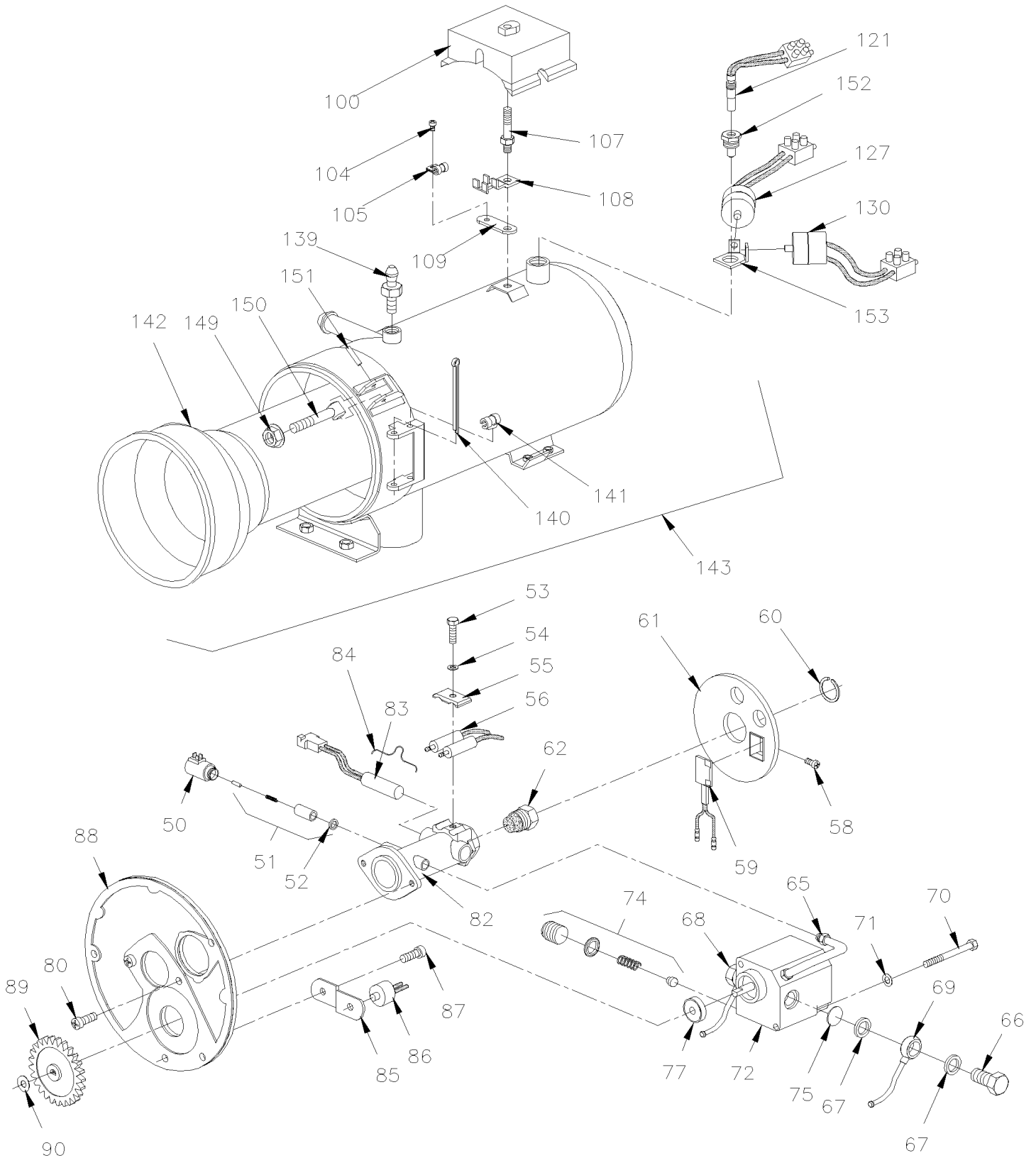
Item#	Part	Description	H 3 4 1	H 3 4 5	V I P 4 5	N O T E S
34	871057	. CHAMBER, COMBUSTION / W/80,000 BTU	1	1	1	
35	871251	. HEAT EXCHANGER	1	1	1	
36	870940	. PIPE, OUTLET	1	1	1	
37	871039	EXHAUST PIPE SS 70MM O.D. X 1000MM	1	1	1	
		SEE WATER HEATER - INSTALLATION				
80	N8883102	CAP	1	1	1	
98	870937	GAUGE / IGNITION ELECTRODE	1	1	1	
99	870938	BOX WRENCH / HIGH PRESSURE NOZZLE	1	1	1	
100	871319	TESTING GEAR TOOL	AR	AR	AR	
NS	871246	KIT, RETROFIT W/HEATER CONTROL BOX WATERTIGHT	AR	AR	AR	
NS	192273	KIT NOZZLE W/OVERHEAT FUSE / DBW 2020	AR	AR	AR	B
NS	065744	KIT, RETROFIT BOX W/EXTENSION CABLE AND SUPP.	AR	AR	AR	
NS	192274	KIT, MOTOR 24V W/BEARING, NOZZLE & O.H. FUSE / DBW 2020	AR	AR	AR	
NS	192269	KIT, ELECTRICAL REBUILT COMPONENTS 24V / DBW 2020 & DBW 300	AR	AR	AR	C
		A) FOR PRODUCT IMPROVMENT USE KIT #871246 FOTR EXTEND WIRE CABLE BETWEEN CONTROL BOX AND WATER HEATER OR USE KIT #065744 FOR FIXED UNIT CONTROL BOX IN WATERPROOF BOX				
		B) INCLUDES 2 ITEMS #20 & 30				
		C) INCLUDES ITEMS #1, 2, 3, 4, 10, 17, 19 & MORE				

From R-012 To 2-4416

Date:10/2022

PAGE:871085

WATER HEATER - "WEBASTO" 45,000 B.T.U.

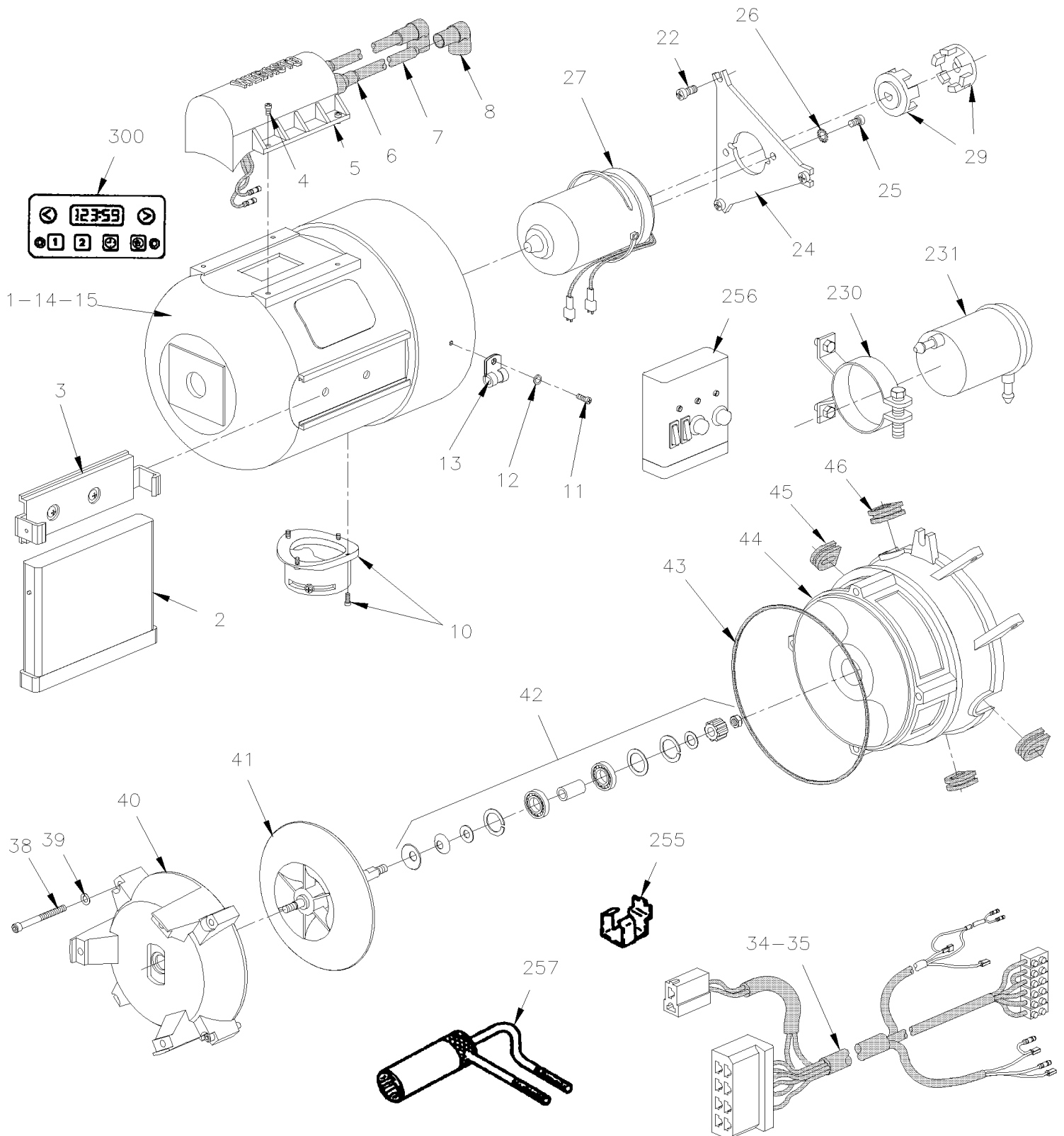


From R-012 To 2-4416

Date:10/2022

PAGE:871085

WATER HEATER - "WEBASTO" 45,000 B.T.U.



From R-012 To 2-4416	Date:10/2022	PAGE:871085
WATER HEATER - "WEBASTO" 45,000 B.T.U.		

Item#	Part	Description	H 3 4 1	H 3 4 5	V I P 4 5	N O T E S
		WATER HEATER - "WEBASTO" 45,000 B.T.U.	1	1	1	
1	871376	. BURNER HEAD ASSY / 24V / DBW 2010	1	1	1	
2	870909	. CONTROL UNIT 24V	1	1	1	A
. NS	561186	. . CONNECTOR / FASTIN-FASTON (.250) / RH 6C / AMP 925276-0	1	1	1	A
. NS	561597	. . CONNECTOR / 56 SERIES / TAB RH 2C / BROWN / PED 2965981	1	1	1	A
. NS	562363	. . CONNECTOR / FASTIN-FASTON (.250) / RH 8C / AMP 163007	1	1	1	A
3	N8883051	. CLIP CONTROL UNIT	1	1	1	
4	G1017468	. SCREW M3.5x14	4	4	4	
5	871119	. COIL, WATER HEATER IGNITER 24V	1	1	1	
5	191768	. COIL, WATER HEATER IGNITER 12V	1	1	1	
6	870911	. SOCKET	2	2	2	
7	870912	. CABLE, HIGH TENSION / S.L.	AR	AR	AR	
8	G1017515	. BOOT PLUG	2	2	2	
10	G1017415	. INTAKE SOCKET	1	1	1	
11	G1093260	. SCREW M4x12	4	4	4	
12	G1017467	. WASHER SERRATED A4.3	4	4	4	
13	G1093261	. CLAMP	1	1	1	
14	G1017517	. PROTECTOR CAP W/LABEL	1	1	1	
15	G1017565	. . DECAL "DANGER"	2	2	2	
22	502529	. SCREW MA BDG PH M5-0.8x12 BZC	3	3	3	
22	G1017423	. SCREW W/WASHER AM5x12	3	3	3	
24	G1093262	. FLANGE	1	1	1	
25	500344	. SCREW MA RND PH M4-0.7x12 Z050	2	2	2	
25	G1093260	. SCREW M4x12	2	2	2	
26	G1017467	. WASHER SERRATED A4.3	2	2	2	
27	871120	. MOTOR ASSY / 24V	1	1	1	
27	191771	. MOTOR ASSY / 12V	1	1	1	
27	G1017520	. MOTOR ASSY / 24V	1	1	1	
29	871121	. CLUTCH HALF	2	2	2	
29	G1017518	. CLUTCH HALF	2	2	2	
34	871122	. HARNESS, CABLE 4 WAYS	1	1	1	
35	871123	. HARNESS, CABLE 6 WAYS	1	1	1	
35	G1017522	. CABLE HARNESS 6W	1	1	1	
36	G1017427	. TERMINAL BLOCK 6W	1	1	1	
36	G101742	. TERMINAL BLOCK 4W	1	1	1	
38	G1017546	. SCREW CAP HEXS M5x35	4	4	4	
39	G1017547	. SPRING WASHER	4	4	4	
40	G1017523	. MOTOR SUPPORT	1	1	1	
41	871124	. IMPELLER WITH SHAFT	1	1	1	
41	G1017524	. IMPELLER WITH SHAFT	1	1	1	
42	871125	. PARTS FOR SHAFT MOUNTING	1	1	1	
42	G1017525	. PARTS FOR SHAFT MOUNTING	1	1	1	

From R-012 To 2-4416	Date:10/2022	PAGE:871085
WATER HEATER - "WEBASTO" 45,000 B.T.U.		

Item#	Part	Description	H 3 4 1	H 3 4 5	V I P 4 5	N O T E S
43	871392	. SEALING RING	1	1	1	
43	G1093264	. SEALING RING	1	1	1	
44	871393	. BLOWER HOUSING	1	1	1	
44	G1093265	. BLOWER HOUSING	1	1	1	
45	871394	. GROMMET L.H. SIDE	2	2	2	
45	G1017527	. GROMMET L.H. SIDE	2	2	2	
46	871395	. GROMMET R.H. SIDE	2	2	2	
46	G1017528	. GROMMET R.H. SIDE	2	2	2	
50	870917	. SOLONOID VALVE / 24V	1	1	1	
50	G1017456	. SOLONOID VALVE / 24V	1	1	1	
50	192305	. SOLONOID VALVE / 12V	1	1	1	
50	G1093266	. SOLONOID VALVE / 12V	1	1	1	
51	870919	. UNLOADER POWER ASSY	1	1	1	
52	871297	. . GASKET	1	1	1	
53	502531	. SCREW CAP HEX M6-1.0x16 G8.8 Z050	1	1	1	
53	G1017437	. SCREW CAP HEX	1	1	1	
54	G1017470	. SPRING WASHER	1	1	1	
55	G1017461	. CLAMP	1	1	1	
56	870920	. ELECTRODE, IGNITION	2	2	2	
58	500560	. SCREW MA PAN PH M4-0.7x6 Z050	1	1	1	
58	G1017474	. SCREW MA PAN PH M4x6	1	1	1	
59	870922	. CELL, PHOTOELECTRIC	1	1	1	
60	G1017475	. RETAINING RING	1	1	1	
60	G1017475	. RETAINING RING	1	1	1	
61	191679	. DISC	1	1	1	
62	871316	. NOZZLE 0.35GPH	1	1	1	
62	871126	. NOZZLE 0.40GPH	1	1	1	
62	G1017532	. NOZZLE 0.40GPH	1	1	1	
62	192271	. NOZZLE 0.65GPH / PACK OF 12	AR	AR	AR	
62	G5007384	. NOZZLE 0.65GPH	AR	AR	AR	
62	G1017473	. NOZZLE 0.65GPH	AR	AR	AR	
62	871291	. NOZZLE 0.85GPH	AR	AR	AR	
65	870928	. PIPE, HIGH PRESSURE	1	1	1	
66	870929	. BANJO BOLT / M10-1.0	1	1	1	
67	870923	. BANJO WASHER / M10	4	4	4	
68	G1017533	. FUEL LINE / (FEED LINE PRESSURE)	1	1	1	
69	G1017534	. FUEL LINE / (RETURN)	1	1	1	
70	G1017441	. SCREW CAP HEXS M4x30	2	2	2	
71	G1017442	. SPRING WASHER	2	2	2	
72	871127	. FUEL PUMP	1	1	1	
72	G1093267	. FUEL PUMP	1	1	1	
74	870925	. . VALVE, PRESSURE CONTROL	1	1	1	

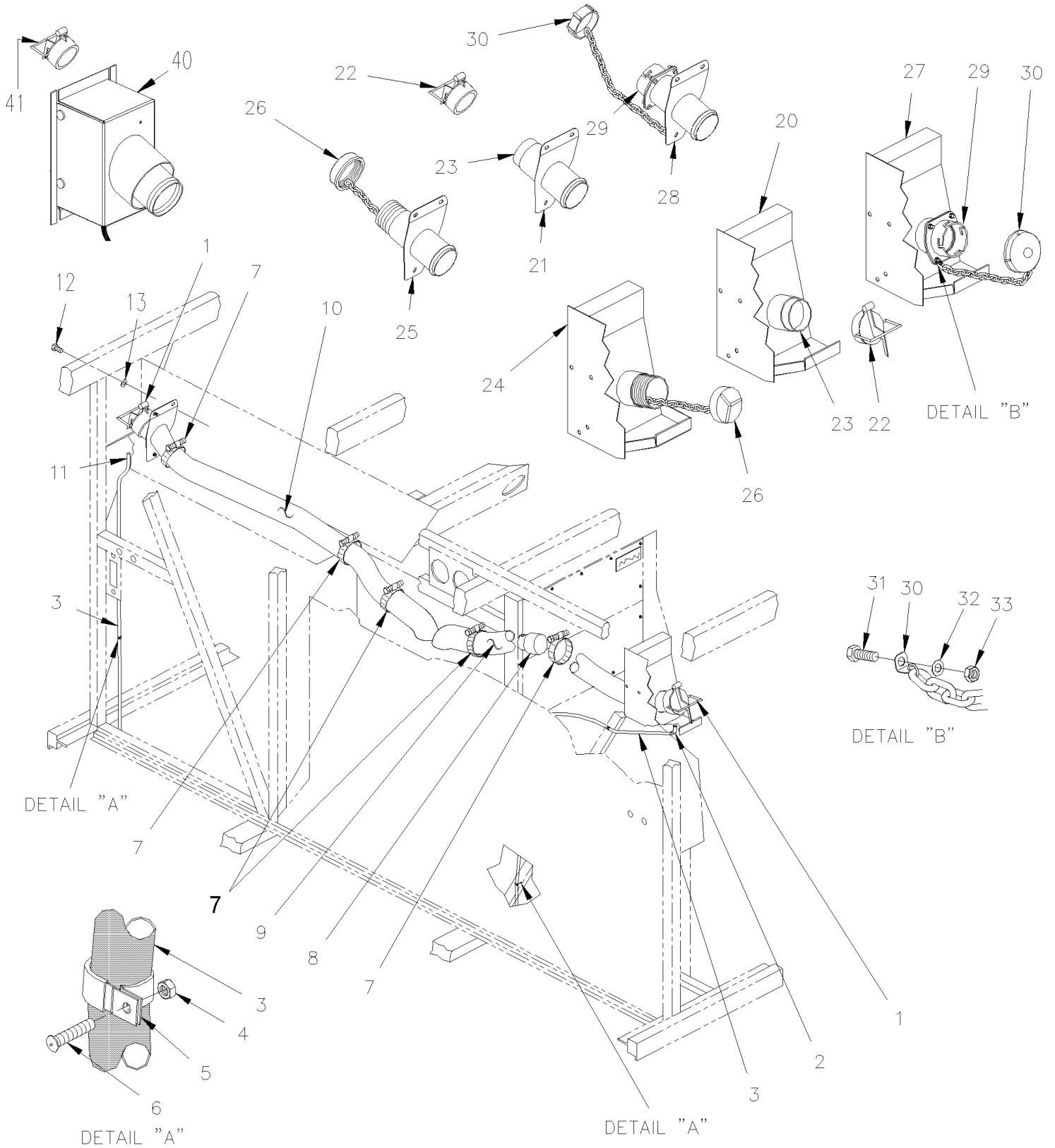
From R-012 To 2-4416	Date:10/2022	PAGE:871085
WATER HEATER - "WEBASTO" 45,000 B.T.U.		

Item#	Part	Description	H 3 4 1	H 3 4 5	V I P 4 5	N O T E S
75	870924	. . FILTER	1	1	1	
77	870926	. . GASKET	1	1	1	
80	G1017424	. SCREW W/WASHER AM5x12	2	2	2	
82	G5007387	. NOZZLE HOLDER	1	1	1	
82	N8883089	. NOZZLE HOLDER	1	1	1	
83	G1017530	. HEATING ELEMENT	1	1	1	
84	N8883147	. HOLDING STRAP	1	1	1	
85	G1017417	. BRACKET	1	1	1	
86	G1093269	. NOZZLE PRE-HEAT THERMOSTAT	1	1	1	
87	G1017423	. SCREW W/WASHER AM5x12	4	4	4	
88	G1017536	. NOZZLE HOLDER PLATE	1	1	1	
89	870931	. SPUR GEAR	1	1	1	
90	G1017439	. RETAINING RING	1	1	1	
NS	G1017537	. GREASE ISOFLEX LDS 18	1	1	1	
100	N8883102	. CAP	1	1	1	
104	G1017549	. SCREW M4x8	1	1	1	
105	G1017538	. CLAMP	1	1	1	
107	G1017487	. SCREW	1	1	1	
108	G1017488	. BRACKET	1	1	1	
109	G1017489	. JOINT	1	1	1	
121	870932	. FUSE THERMO 138°C (YELLOW)	1	1	1	
127	870934	. CONTROL THERMOSTAT 75°C GREEN & RED	1	1	1	
128	G1093271	. CONTROL THERMOSTAT 70°C WHITE & ORANGE	1	1	1	
130	870933	. RELEASE, THERMO 117°C (GREEN)	1	1	1	
139	G1093273	. BLEEDING VALVE	1	1	1	
140	G1017550	. SECURRING CUTTER PIN	1	1	1	
141	G1017541	. CABLE CLAMP	1	1	1	
142	871128	. CHAMBER, COMBUSTION	1	1	1	
142	G1017540	. CHAMBER, COMBUSTION	1	1	1	
143	G1017542	. HEAT EXCHANGER ASSY	1	1	1	
149	5001110	. NUT HEXF M6-1.0 Z050	2	2	2	
149	G1017551	. NUT W/WASHER	2	2	2	
150	G1093275	. EYE BOLT AM6x45	2	2	2	
151	G1017553	. SLOTTED PIN	2	2	2	
152	G1017428	. PLUG	2	2	2	
153	870935	. ANGLE BRACKET	1	1	1	
153	G1017479	. ANGLE BRACKET	1	1	1	
230	871038	SUPPORT, FILTER FUEL	1	1	1	
231	871037	FILTER, FUEL	1	1	1	
251	871096	EXHAUST PIPE FLEXIBLE 38MM O.D. X 1000MM	1	1	1	
255	870937	GAUGE / IGNITION ELECTRODE	1	1	1	
256	871319	TESTING GEAR TOOL	AR	AR	AR	

From R-012 To 2-4416	Date:10/2022	PAGE:871085
WATER HEATER - "WEBASTO" 45,000 B.T.U.		

Item#	Part	Description	H 3 4 1	H 3 4 5	V I P 4 5	N O T E S
256	N8887040	TESTING GEAR TOOL	1	1	1	
257	870938	BOX WRENCH / HIGH PRESSURE NOZZLE	1	1	1	
257	N8887748	BOX WRENCH / HIGH PRESSURE NOZZLE	1	1	1	
258	N8887750	FUEL PRESSURE GAUGE	1	1	1	
259	G1093411	MAINTENANCE MANUAL PAPER	1	1	1	
300		SEE LATERAL CONSOL	1	1	1	
NS	871246	KIT, RETROFIT W/HEATER CONTROL BOX WATERTIGHT	AR	AR	AR	
NS	065744	KIT, RETROFIT BOX W/EXTENSION CABLE AND SUPP.	AR	AR	AR	
		A) FOR PRODUCT IMPROVMENT USE KIT #871246 FOTR EXTEND WIRE CABLE BETWEEN CONTROL BOX AND WATER HEATER OR USE KIT #065744 FOR FIXED UNIT CONTROL BOX IN WATERPROOF BOX				

From R-012 To 2-4416	Date:10/2022	PAGE:H3-0310-10
FUEL FILLING CAP		



From R-012 To 2-4416	Date:10/2022	PAGE:H3-0310-10
FUEL FILLING CAP		

Item#	Part	Description	H 3 4 1	H 3 4 5	V I P 4 5	N O T E S
		CAP FILLING / SEE DETAIL				
2	641366	MALE ELBOW 45° NON-SWIVEL / PUSH-IN FITTING / #6x1/4NPT-M BR	1	1	1	
3	503404	TUBE, NYLON 3/8 O.D. / BLACK S.L.	AR	AR	AR	
4	502557	NUT HEX NYRT M4-0.7 SS	5	5	5	
5	560479	CLAMP / 3/8" I.D.	AR	AR	AR	
6	502587	STUD WD WOC M4-0.7x25 SS	5	5	5	
7	504381	HOSE CLAMP / 2"3/4-3"5/8 SS / HT-350	4	4	4	
8	032088	CHECK VALVE To 1-4214	2	2	2	
NS	032089	. CHECK VALVE, RUBBER To 1-4214	1	1	1	
NS	031897	. ANGLE To 1-4214	1	1	1	
NS	504340	. RIVET POP DOME OE 1/8x3/16 SS To 1-4214	1	1	1	
NS	500432	. SCREW TC PAN PH #8-32x3/4 Z050 To 1-4214	1	1	1	
9	031852	HOSE 2 1/2" I.D. x 670MM To V-1735	1	1	1	
9	032157	HOSE 2 1/2" I.D. x 702MM From V-1736	1	1	1	
9	032042	HOSE 2 1/2" I.D. x 1143MM To V-1735	1	1	1	
9	032158	HOSE 2 1/2" I.D. x 1175MM From V-1736	1	1	1	
NS	503475	. HOSE / FUEL / 2 1/2" I.D. / S.L.	AR	AR	AR	
10	504562	HOSE CLAMP / 2"3/4-3"5/8 / C.T. 350	2	2	2	
11	641331	MALE CONNECTOR / PUSH-IN FITTING / #6x1/4NPT-M BR	2	2	2	
12	502563	SCREW CAP HEX M6-1.0x12 G8.8 Z050	AR	AR	AR	
13	502582	WASHER LO SERR 6.1x16.2x0.9 Z050	AR	AR	AR	
20	031722	FILLING CAP BOX ASSY R.H. / HINGE TYPE CAP To V-1735	1	1	1	
20	032273	FILLING CAP BOX ASSY R.H. / SCREW TYPE CAP From W-2488 To X-2861			1	B
21	031728	FILLING CAP ASSY L.H. / HINGE TYPE CAP To V-1735	1	1	1	
22	530015	. FUEL FILLING CAP / HINGE TYPE CAP	1	1	1	
. NS	531408	. . SEAL GASKET	1	1	1	
. NS	531409	. . RETAINER RING GASKET	1	1	1	
. NS	680446	. . GLUE ADHESIVE / TO FIX CAP	AR	AR	AR	
NS	531408	. . SEAL GASKET To V-1735	1	1	1	
NS	531409	. . RETAINER RING GASKET To V-1735	1	1	1	
23	680446	. GLUE ADHESIVE / TO FIX CAP To V-1735	AR	AR	AR	
24	032153	FILLING CAP BOX ASSY R.H. / SCREW TYPE CAP From V-1736 To V-1960	1	1	1	
24	032196	FILLING CAP BOX ASSY R.H. / SCREW TYPE CAP From V-1961 To W-2276	1	1	1	
24	032273	FILLING CAP BOX ASSY R.H. / SCREW TYPE CAP From W-2277	1	1	1	
25	032155	FILLING CAP ASSY L.H. / SCREW TYPE CAP From V-1736 To W-2276	1	1	1	
25	032227	FILLING CAP ASSY L.H. / SCREW TYPE CAP From W-2277	1	1	1	
26	530041	FUEL FILLING CAP / SCREW TYPE CAP To W-2276	1	1	1	
26	531424	FUEL FILLING CAP / SCREW TYPE CAP From W-2277	1	1	1	
		OPTION FUEL FILLING CAP (EMCO WHEATON)				
27	032064	FILLING CAP BOX ASSY R.H. / "EMCO WHEATON" TYPE To V-1960	1	1		

From R-012 To 2-4416	Date:10/2022	PAGE:H3-0310-10
FUEL FILLING CAP		

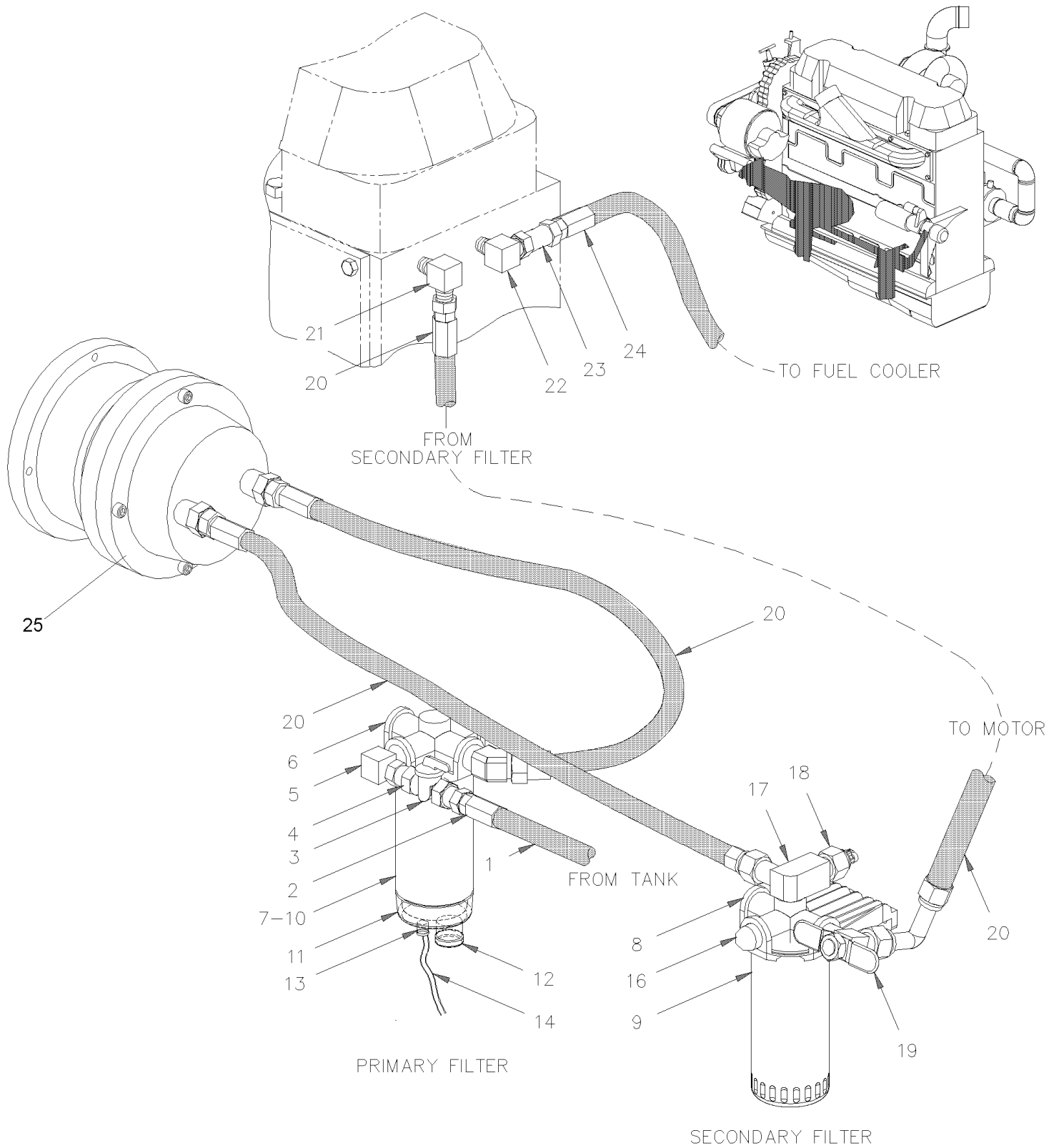
Item#	Part	Description	H 3 4 1	H 3 4 5	V I P 4 5	N O T E S
27	032224	FILLING CAP BOX ASSY R.H. / "EMCO WHEATON" TYPE From V-1961	1	1		
28	032062	FILLING CAP ASSY L.H. / "EMCO WHEATON" TYPE	1	1		
29	531413	. ADAPTOR	1	1		
30	531412	. FUEL FILLING CAP / "EMCO WHEATON" TYPE	1	1		
31	502737	. SCREW CAP HEX M6-1.0x25 SS BK	AR	AR		
32	502564	. WASHER LO SPT 6.1x11.8x1.6 Z050	AR	AR		
33	500609	. NUT HEX M6-1.0 Z050	AR	AR		
40	213902	FILLING CAP BOX ASSY L.H. From W-2488 To X-2861			1	B
40	213967	FILLING CAP BOX ASSY L.H. & R.H. / HINGE TYPE CAP From X-2862			2	B
41	530015	. FUEL FILLING CAP / HINGE TYPE CAP From X-2862			1	
. NS	531408	. . SEAL GASKET From X-2862			1	
. NS	531409	. . RETAINER RING GASKET From X-2862			1	
. NS	680446	. . GLUE ADHESIVE / TO FIX CAP From X-2862			AR	
		B) WITH SMALL A/C				

From R-012 To 2-4416

Date:10/2022

PAGE:H3-0311-01

FUEL FILTER - PRIMARY & SECONDARY



From R-012 To 2-4416	Date:10/2022	PAGE:H3-0311-01
FUEL FILTER - PRIMARY & SECONDARY		

Item#	Part	Description	H 3 4 1	H 3 4 5	V I P 4 5	N O T E S
1	031914	HOSE ASSY / #10 6300MM To V-1713				
1	032144	HOSE ASSY / #8 6402MM To V-1714				
2	501034	MALE CONNECTOR / SAE 45° FITTING / #10FL-Mx1/2NPT-M BR	1	1	1	
3	530096	BALL VALVE 1/2" NPT 1/2 NPT F x 1/2 NPT F	1	1	1	
4	501322	NIPPLE HEX / PIPE FITTING / 3/8NPT-Mx3/8NPT-Mx1 13/32 BR	1	1	1	
NS	501534	BUSHING REDUCER / PIPE FITTING / 1/2NPT-Mx3/8NPT-F BR	1	1	1	
5	501333	STREET ELBOW 90° / PIPE FITTING / 3/8NPT-Mx3/8NPT-F BR	1	1	1	E
5	501305	PLUG SQUARE HEAD / PIPE FITTING / 3/8NPT-M BR	AR	AR	AR	
6	530052	FILTER ASSY PRIMARY	1	1	1	
6	510157	. COVER / W/PRIMARY FILTER	1	1	1	
7	510137	. FUEL FILTER, CARTRIDGE / T-915 / PRIMARY	1	1	1	
8	530051	FILTER ASSY SECONDARY	1	1	1	
8	510344	. COVER / W/SECONDARY FILTER	1	1	1	
9	510128	. FUEL FILTER, CARTRIDGE / TP-916 / SECONDARY	1	1	1	
10	531390	CARTRIDGE / W/WATER SEPARATOR FILTER	1	1	1	A
11	531389	BOWL PLASTIC	1	1	1	
12	531397	. DRAIN VALVE & SEAL	1	1	1	
NS	531398	. O-RING	1	1	1	
13	531391	SENSOR / WATER LEVEL	1	1	1	
14	063715	CABLE ASSY / ENGINE ACC. & WATER SEPARATOR	1	1	1	
NS	561566	. CONNECTOR / WEATHER PACK / PH 2C / BLACK / PED 12010973	1	1	1	
NS	561565	. CABLE SEAL / GREEN / PED 15324982	2	2	2	
NS	561567	. PIN TERMINAL / 20-18 / PED 12089040	2	2	2	
NS	560483	CLAMP / 7/8" I.D.	1	1	1	D
16	950249	SCHRADER VALVE 1/4NPT-M	1	1	1	
17	N.S.P.	ELBOW ADAPTOR FUEL PRESSURE / (23505246-247)	1	1	1	2
18	N.S.P.	FUEL TEMP SENSOR / (23518092)	1	1	1	2
19	N.S.P.	BALL VALVE (23526109)	1	1	1	2
20	H3-0310-01	FUEL HOSE - INSTALLATION	1	1	1	
21	N.S.P.	ELBOW / (23513205)	1	1	1	2
22	N.S.P.	ELBOW / RESTRICTION / (8929725)	1	1	1	2
23	531415	CHECK VALVE From S-284	1	1	1	
24	160180	HOSE ASSY / #8 508MM To S-283	1	1	1	
24	032037	HOSE ASSY / #6 2491MM From S-284 To V-1714	1	1	1	
24	032101	HOSE ASSY / FROM CYLINDER HEAD / #6 2552MM From V-1715	1	1	1	
25	N.S.P.	FUEL PUMP / SUPPLY W/MOTOR (23517845)	1	1	1	2
		A) FOR FILTER CARTRIDGE WATER SEPARATOR W/O PROBE SENSOR & PLASTIC BOWL USE PART #531407				
		D) FOR CABLE				
		E) W/PRIMARY				

From R-012 To 2-4416	Date:10/2022	PAGE:H3-0311-01
----------------------	--------------	-----------------

FUEL FILTER - PRIMARY & SECONDARY

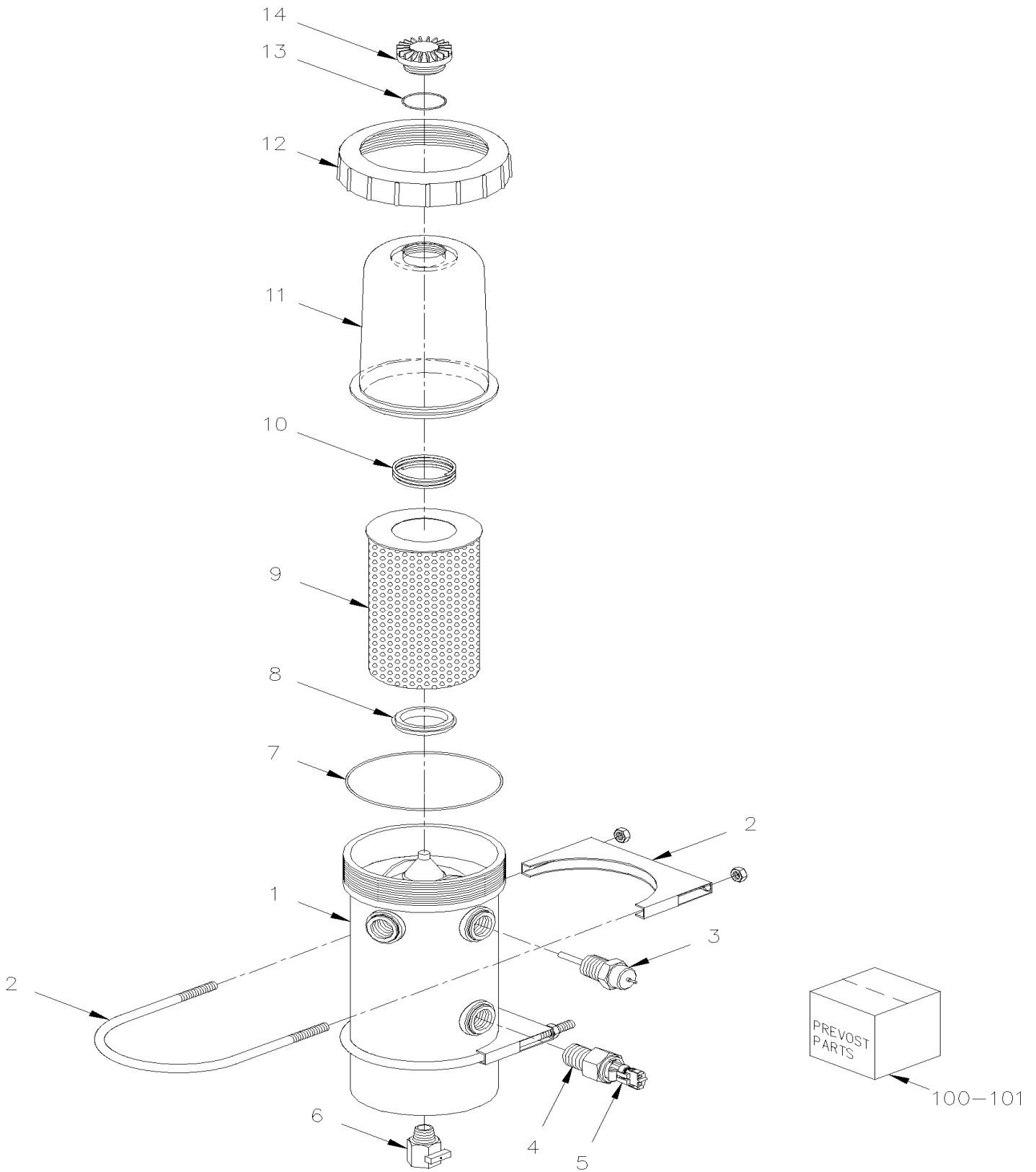
Item#	Part	Description	H 3 4 1	H 3 4 5	V I P 4 5	N O T E S
		2) NOT SOLD BY PREVOST (SEE MANUFACTURING PART NUMBER AT END OF DESCRIPTION LINE)				

From R-012 To X-2602

Date:10/2022

PAGE:H3-0311-15

FUEL FILTER / "PRO 380E"



From R-012 To X-2602	Date:10/2022	PAGE:H3-0311-15
FUEL FILTER / "PRO 380E"		

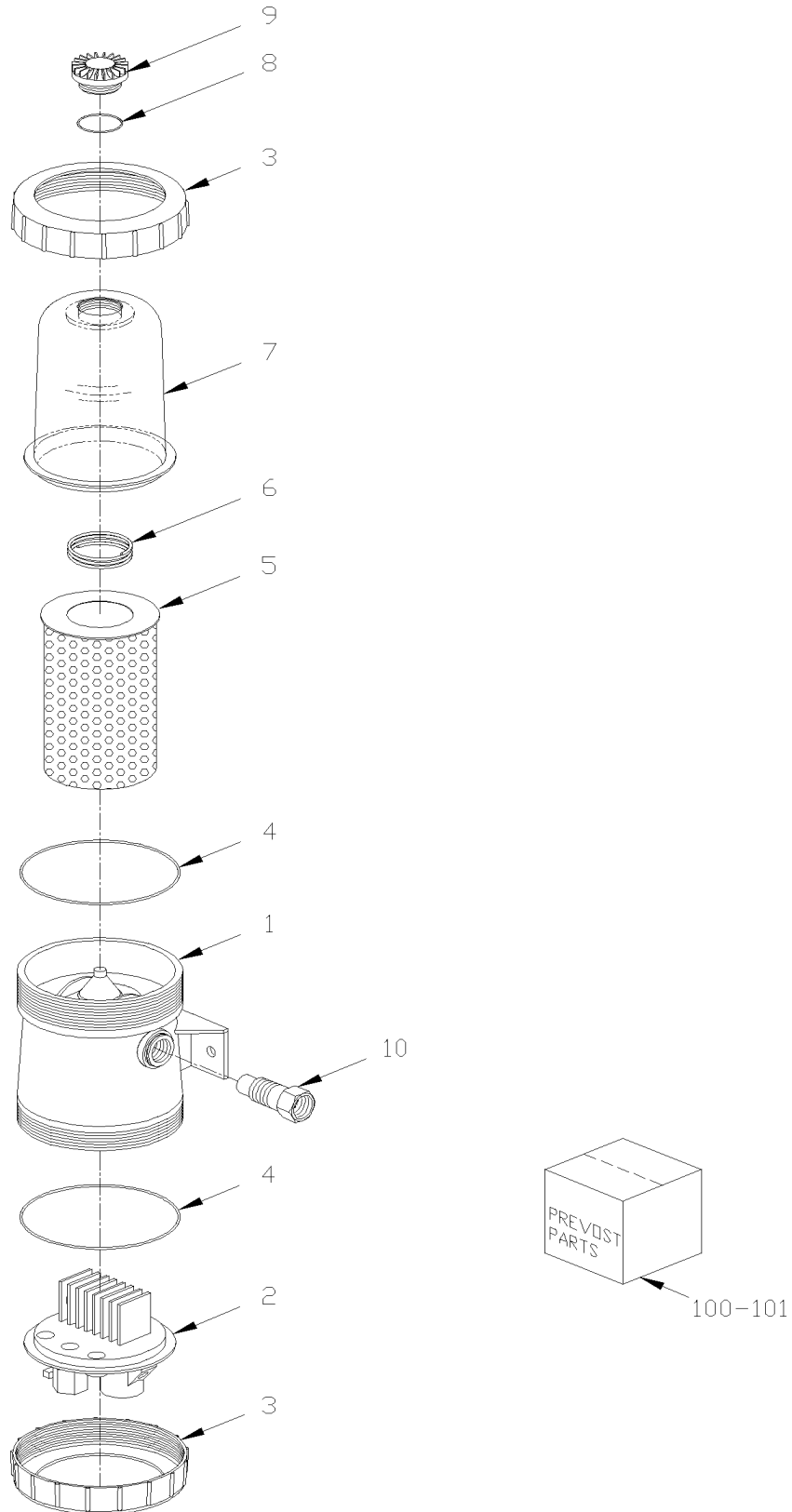
Item#	Part	Description	H 3 4 1	H 3 4 5	V I P 4 5	N O T E S
	531418	FILTER ASSY "FUEL PRO 380E" / 24 VOLTS	1	1	1	
1	N.S.S.	. BODY	1	1	1	1
2	N.S.P.	. V-CLAMP / (23516796)	2	2	2	2
3	N.S.P.	. PRE-HEATER 24 VOLTS / (23517428)	1	1	1	2
4	N.S.P.	. CHECK VALVE / (23518325)	1	1	1	2
5	N.S.P.	. . THERMO SWITCH / (23517426)	1	1	1	2
6	N.S.P.	. DRAIN VALVE / (23518327)	1	1	1	2
7	N.S.S.	. SEAL COVER	1	1	1	1
8	N.S.S.	. GROMMET FILTER SEAL / (23514050)	1	1	1	1
9	531437	. FILTER FUEL ELEMENT /	1	1	1	
10	531440	. SPRING	1	1	1	
11	531438	. COVER, FILTER ELEMENT	1	1	1	
12	531441	. COLLAR, COVER	1	1	1	
13	N.S.S.	. SEAL CAP VENT	1	1	1	1
14	531439	. CAP VENT	1	1	1	
14	N.S.P.	. HARNESS THERMOSWITCH / (23517425)	1	1	1	2
100	531442	O-RING SET	1	1	1	A
. A	DAV380048	. ANTI TAMPER SEAL	1	1	1	A
. B	3946027	. O-RING	1	1	1	A
101	N.S.S.	CHECK VALVE REPAIR KIT / (23518326)	1	1	1	1
		A) INCLUDE ITEM #7 & 13				
		1) NOT SOLD SEPARATELY				
		2) NOT SOLD BY PREVOST (SEE MANUFACTURING PART NUMBER AT END OF DESCRIPTION LINE)				

From X-2603 To 2-4416

Date:10/2022

PAGE:H3-0311-16

FUEL FILTER / "PRO 382"



From X-2603 To 2-4416	Date:10/2022	PAGE:H3-0311-16
FUEL FILTER / "PRO 382"		

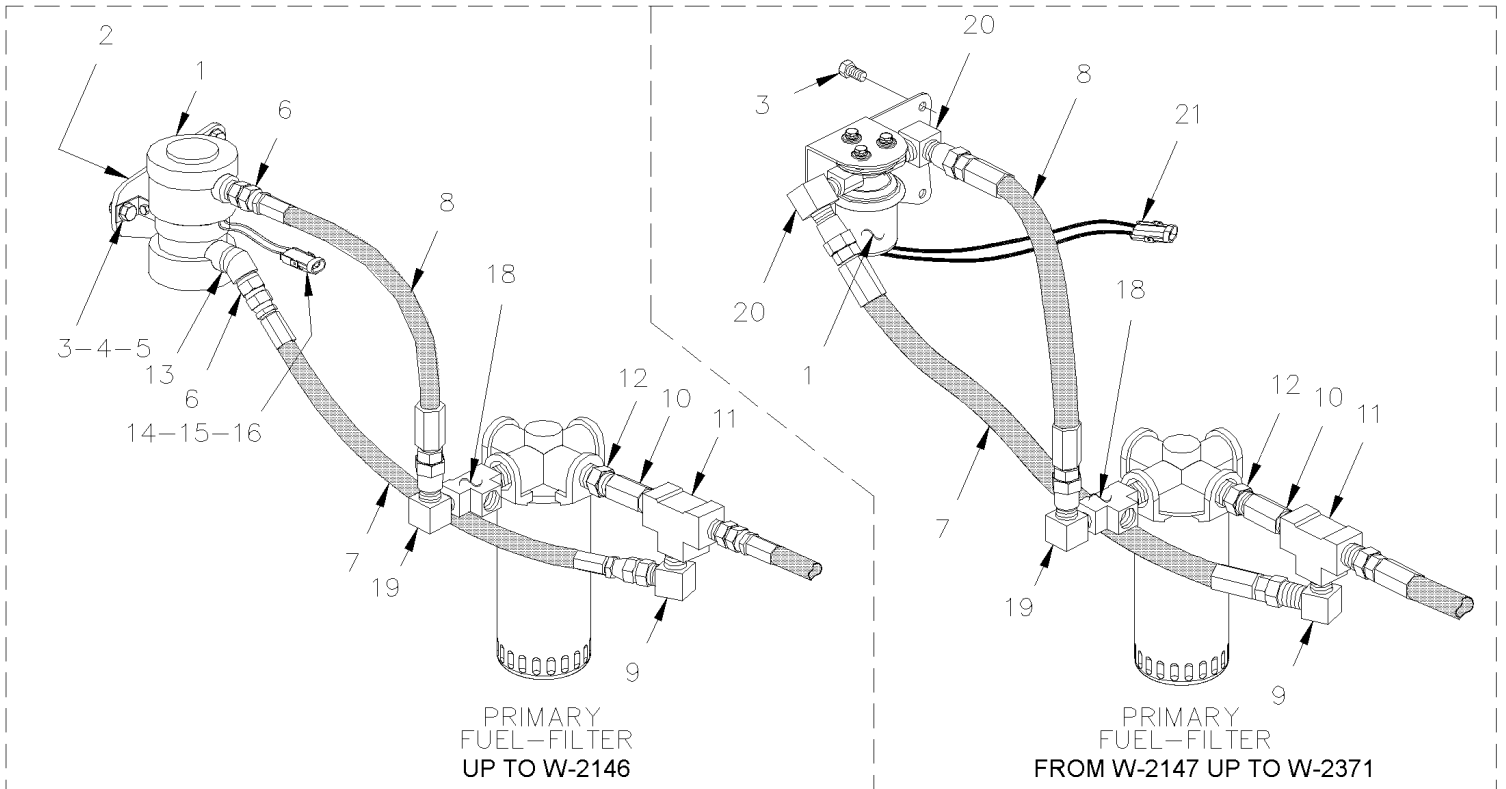
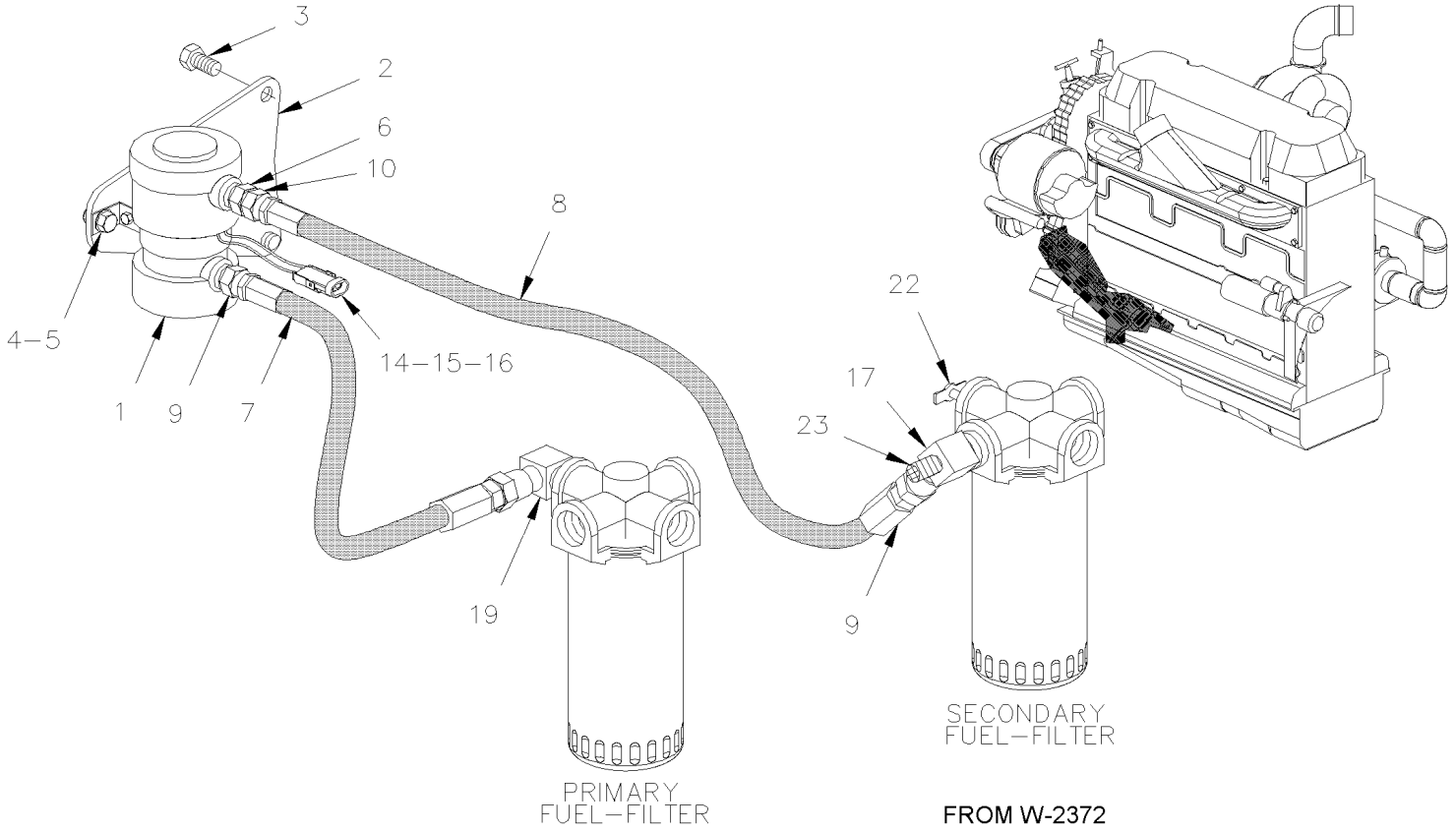
Item#	Part	Description	H 3 4 1	H 3 4 5	V I P 4 5	N O T E S
	531448	FILTER ASSY "FUEL PRO 382" / W/HEATER ELEMENT	1	1	1	
1	N.S.S.	. BODY CASTING	1	1	1	1
2	N.S.S.	. FLUID HEATER BASE	1	1	1	1
3	531441	. COLLAR, COVER	2	2	2	
4	N.S.S.	. SEAL COVER	2	2	2	1
5	531437	. FILTER FUEL ELEMENT /	1	1	1	
6	531440	. SPRING	1	1	1	
7	531438	. COVER, FILTER ELEMENT	1	1	1	
8	N.S.S.	. SEAL CAP VENT	1	1	1	1
9	531439	. CAP VENT	1	1	1	
10	N.S.P.	. CHECK VALVE / (23518325)	2	2	2	2
NS	500190	SCREW CAP HEX 3/8-16x3/4 G5 Z050	2	2	2	
NS	5001396	NUT SPR FL REC 3/8-16 .69x.91	2	2	2	
NS	500935	WASHER FL .390x1.500x.083	2	2	2	
NS	500265	NUT HEX STO 3/8-16 Z050	2	2	2	
100	531442	O-RING SET	1	1	1	A
. A	DAV380048	. ANTI TAMPER SEAL	1	1	1	A
. B	3946027	. O-RING	1	1	1	A
101	N.S.P.	CHECK VALVE REPAIR KIT / (23518326)	1	1	1	2
		A) INCLUDE ITEM #4 & 8				
		1) NOT SOLD SEPARATELY				
		2) NOT SOLD BY PREVOST (SEE MANUFACTURING PART NUMBER AT END OF DESCRIPTION LINE)				

From S-216 To 2-4416

Date:10/2022

PAGE:H3-0312-00

FUEL PUMP - AUXILIARY



From S-216 To 2-4416	Date:10/2022	PAGE:H3-0312-00
FUEL PUMP - AUXILIARY		

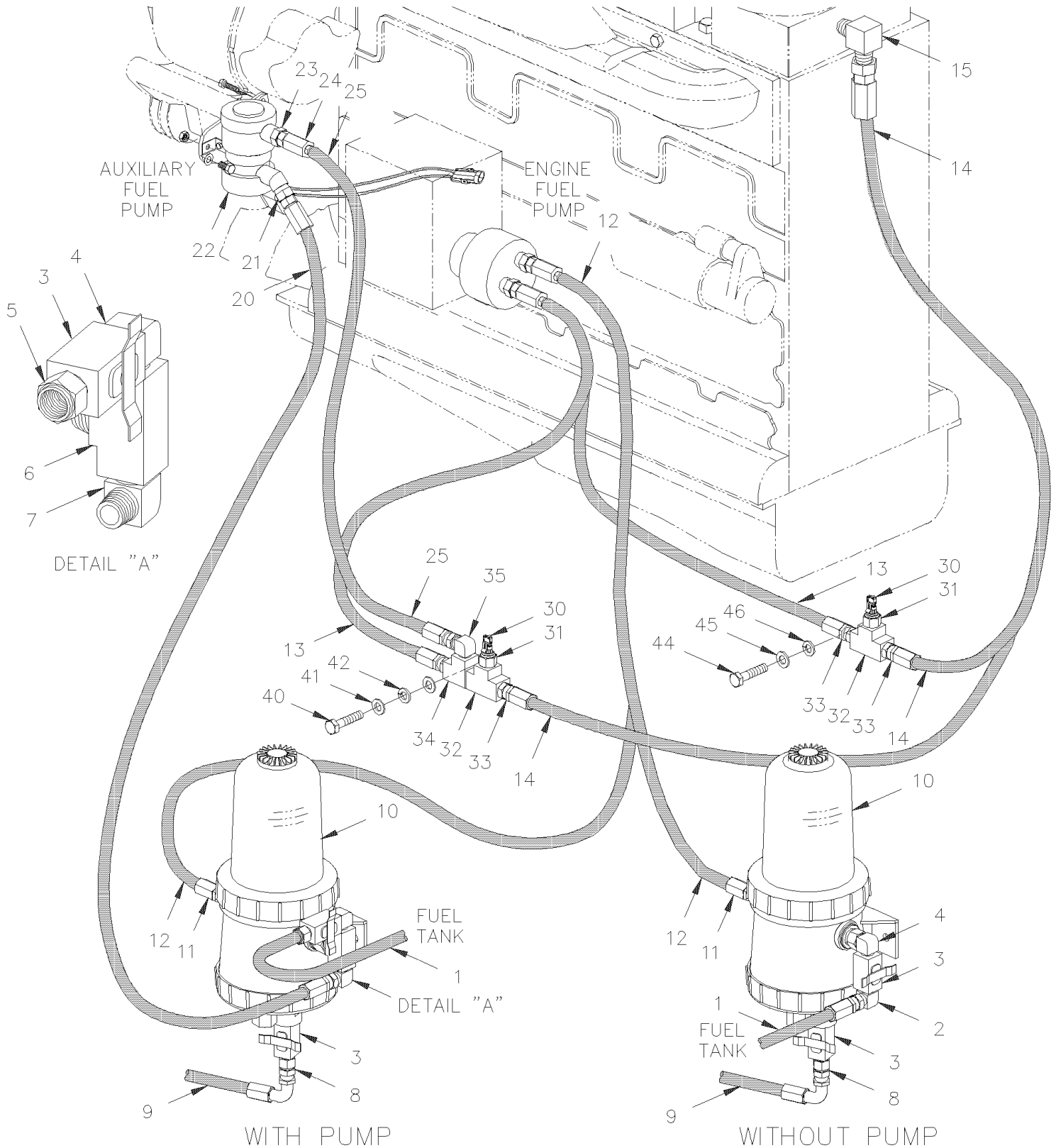
Item#	Part	Description	H 3 4 1	H 3 4 5	V I P 4 5	N O T E S
1	531388	FUEL PUMP ELECTRICAL To W-2146	1	1	1	
1	531436	FUEL PUMP ELECTRICAL From W-2147 To W-2371	1	1	1	
1	531388	FUEL PUMP ELECTRICAL From W-2372	1	1	1	
2	032020	SUPPORT To W-2146	1	1	1	
2	032237	SUPPORT From W-2147 To W-2371	1	1	1	
2	032254	SUPPORT From W-2372	1	1	1	
3	502790	SCREW CAP HEX M8-1.25x20 G8.8 Z050	2	2	2	
3	502651	SCREW CAP HEX M8-1.25x35 G8.8 Z050	2	2	2	
4	500874	WASHER FL 8.4x17.0x1.6 Z050	4	4	4	
5	500868	NUT HEX NYRT M8-1.25 Z050	4	4	4	
6	5011057	MALE CONNECTOR / JIC 37° FITTING / #8JIC-Mx1/4NPT-M STL To W-2371	2	2	2	
6	501749	NIPPLE REDUCER HEX / PIPE FITTING / 3/8NPT-Mx1/4NPT-Mx1 13/32 BR From W-2372	1	1	1	
7	032003	HOSE ASSY / #8 238MM To W-2146	1	1	1	
7	032239	HOSE ASSY / #8 370MM From W-2147 To W-2371	1	1	1	
7	032266	HOSE ASSY / #6 267MM From W-2372	1	1	1	
8	032021	HOSE ASSY / #8 212MM	1	1	1	
8	032275	HOSE ASSY / #6 756MM From W-2372	1	1	1	
9	5011061	MALE ELBOW 90° / JIC 37° FITTING / #8JIC-Mx1/2NPT-M STL To 2-4328	1	1	1	
9	501719	MALE ELBOW 90° / JIC 37° FITTING / #8JIC-Mx1/2NPT-M BR From 2-4329	1	1	1	
10	531405	CHECK VALVE 1/2 NPT	1	1	1	
11	501472	FEMALE UNION TEE / PIPE FITTING / 1/2NPT-Fx1/2NPT-Fx1/2NPT-F BR	1	1	1	
12	501810	ADAPTER / PIPE FITTING / 3/8NPT-Mx1/2NPT-F STL	1	1	1	
13	501329	STREET ELBOW 45° / PIPE FITTING / 1/4NPT-Mx1/4NPT-F BR	1	1	1	
14	501566	MALE ELBOW 45° / COPPER TUBE / 1Mx1M	1	1	1	
15	561568	PIN TERMINAL / 16-14 / PED 12089305	2	2	2	
16	561565	CABLE SEAL / GREEN / PED 15324982	2	2	2	
18	501699	MALE RUN TEE / PIPE FITTING / 3/8NPT-Mx3/8NPT-Fx3/8NPT-F BR	1	1	1	
19	501587	MALE ELBOW 90° / JIC 37° FITTING / #8JIC-Mx3/8NPT-M STL	1	1	1	
20	501332	STREET ELBOW 90° / PIPE FITTING / 1/4NPT-Mx1/4NPT-F BR From W-2147	2	2	2	
21	064579	CABLE ASSY From W-2147	1	1	1	
NS	032268	KIT INSTALLATION FUEL PUMP	1	1	1	
. NS	IS-97114	. SEE INSTRUCTION SHEET	1	1	1	
NS	032257	KIT INSTALLATION FUEL PUMP	1	1	1	A
. NS	IS-97114	. SEE INSTRUCTION SHEET				A
NS	064824	KIT SWITCH FUEL PUMP INSTALLATION	1	1	1	
. NS	IS-97114	. SEE INSTRUCTION SHEET	1	1	1	
NS	032833	KIT, RETROFIT AUX FUEL PUMP	1	1	1	
. NS	IS-08003	. SEE INSTRUCTION SHEET	1	1	1	
		A) TO USE WITH FUEL PRO FILTER				

From W-2285 To 2-4416

Date:10/2022

PAGE:H3-0312-10

FUEL PRO - INSTALLATION



From W-2285 To 2-4416	Date:10/2022	PAGE:H3-0312-10
FUEL PRO - INSTALLATION		

Item#	Part	Description	H 3 4 1	H 3 4 5	V I P 4 5	N O T E S
1	032144	HOSE ASSY / #8 6402MM	1	1	1	
2	5011061	MALE ELBOW 90° / JIC 37° FITTING / #8JIC-Mx1/2NPT-M STL From 2-4328	1	1	1	
2	501719	MALE ELBOW 90° / JIC 37° FITTING / #8JIC-Mx1/2NPT-M BR To 2-4329	1	1	1	
3	530096	BALL VALVE 1/2" NPT 1/2 NPT F x 1/2 NPT F	1	1	1	
4	501908	MALE ELBOW 90° / PIPE FITTING / 1/2NPT-Mx1/2NPT-M STL From 2-4328	1	1	1	
4	501713	MALE ELBOW 90° / PIPE FITTING / 1/2NPT-Mx1/2NPT-M BR To 2-4329	1	1	1	
5	501616	MALE CONNECTOR / SAE 45° FITTING / #8FL-Mx1/2NPT-M BR	1	1	1	
6	507556	MALE BRANCHE TEE / PIPE FITTING / 1/2NPT-Fx1/2NPT-Fx1/2NPT-M BR	1	1	1	
7	5011056	MALE ELBOW 90° / JIC 37° FITTING / #6JIC-Mx1/2NPT-M STL From 2-4328	1	1	1	
7	501716	MALE ELBOW 90° / JIC 37° FITTING / #6JIC-Mx1/2NPT-M BR To 2-4329	1	1	1	
8	501591	MALE CONNECTOR / JIC 37° FITTING / #6JIC-Mx1/2NPT-M STL	1	1	1	
9	032132	HOSE ASSY / DRAIN #6 460MM	1	1	1	
10	H3-0311-15	FUEL FILTER / "PRO 380E" To X-2602	1	1	1	
10	H3-0311-16	FUEL FILTER / "PRO 382" From X-2603	1	1	1	
11	501739	MALE CONNECTOR / JIC 37° FITTING / #8JIC-Mx1/2NPT-M STL	1	1	1	
12	031833	HOSE ASSY / #8 813MM	1	1	1	
12	161082	HOSE ASSY / #8 622MM	1	1	1	C
13	N.S.P.	HOSE ASSY /FUEL PUMP & JUCTION / (23505202)	1	1	1	2
14	N.S.P.	HOSE ASSY / JUNCTION & ENGINE / (8929841)	1	1	1	2
15	N.S.P.	ELBOW 90° / (23513205)	1	1	1	2
20	032277	HOSE ASSY / #6 968MM To W-2371	1	1	1	B
20	032276	HOSE ASSY / #6 1220MM From W-2372	1	1	1	C
21	501687	MALE CONNECTOR / JIC 37° FITTING / #6JIC-Mx1/4NPT-M STL	1	1	1	
22	H3-0312-00	FUEL PUMP - AUXILIARY	1	1	1	
23	501749	NIPPLE REDUCER HEX / PIPE FITTING / 3/8NPT-Mx1/4NPT-Mx1 13/32 BR	1	1	1	
24	531415	CHECK VALVE	1	1	1	
25	032275	HOSE ASSY / #6 756MM	1	1	1	
30	N.S.P.	FUEL TEMP SENSOR / (23518092)	1	1	1	2
31	501314	BUSHING REDUCER / PIPE FITTING / 3/8NTP-Mx1/4NPT-F BR	1	1	1	
32	501527	FEMALE UNION TEE / PIPE FITTING / 3/8NPT-Fx3/8NPT-Fx3/8NPT-F BR	1	1	1	
33	501617	MALE CONNECTOR / SAE 45° FITTING / #6FL-Mx3/8NPT-M BR	1	1	1	
34	501699	MALE RUN TEE / PIPE FITTING / 3/8NPT-Mx3/8NPT-Fx3/8NPT-F BR	1	1	1	
35	5011066	MALE ELBOW 90° / JIC 37° FITTING / #6JIC-Mx3/8NPT-M STL	1	1	1	
40	502559	SCREW CAP HEX M10-1.5x25 G8.8 Z050	1	1	1	
41	500257	WASHER LO SPT 10.2x18.1x2.2 Z050	1	1	1	
42	500935	WASHER FL .390x1.500x.083	1	1	1	
NS	070368	SUPPORT	1	1	1	
NS	560481	CLAMP / 5/8" I.D.	1	1	1	
NS	500774	NUT WING 1/4-20 ZP	1	1	1	
NS	500786	NUT HEX #10-24 Z050	1	1	1	
NS	500470	WASHER LO SPT .193x.334x.047 Z050	1	1	1	
44	500072	SCREW CAP HEX M10-1.5x45 G10.9 Z050	1	1	1	

From W-2285 To 2-4416	Date:10/2022	PAGE:H3-0312-10
-----------------------	--------------	-----------------

FUEL PRO - INSTALLATION

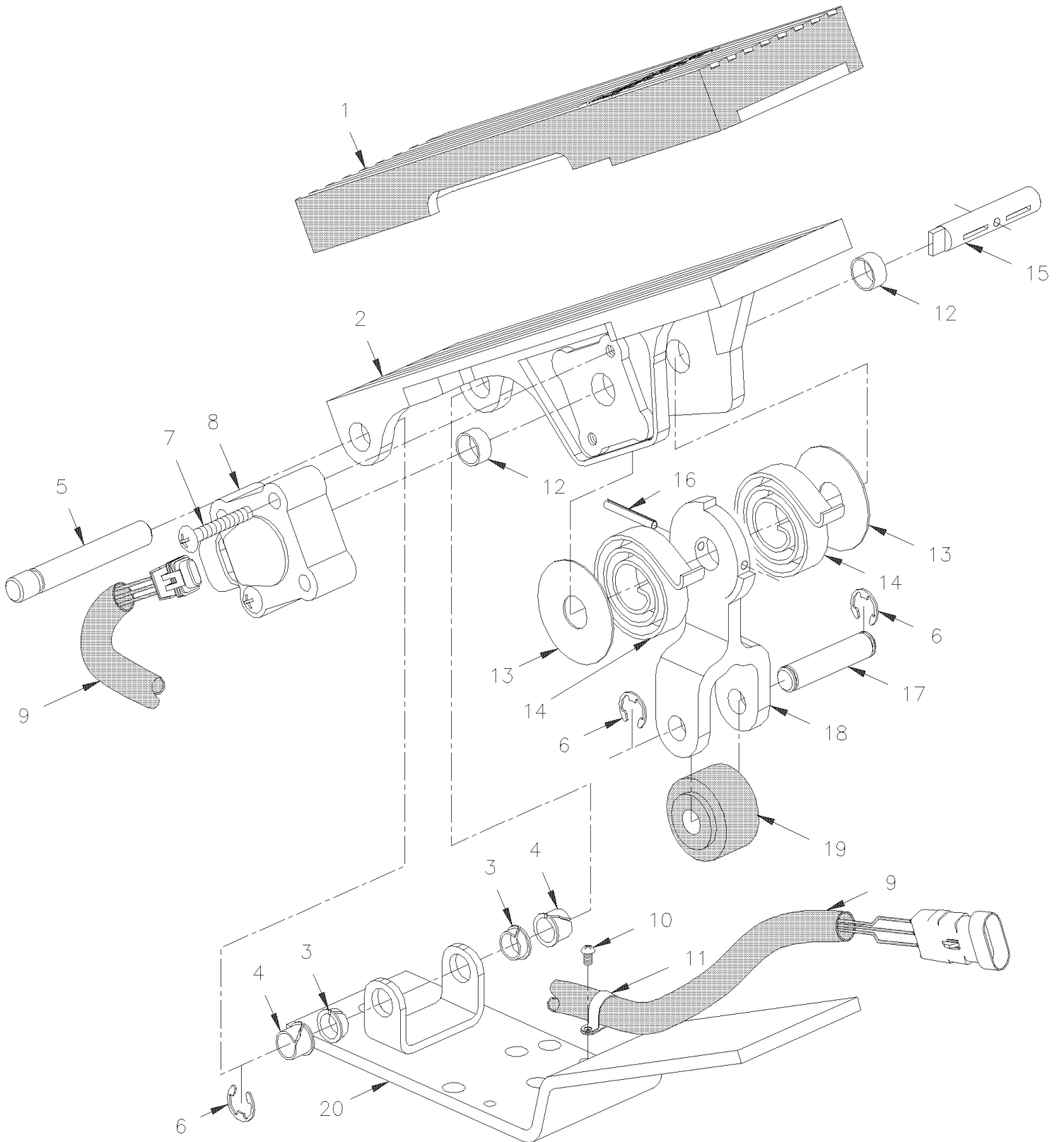
Item#	Part	Description	H 3 4 1	H 3 4 5	V I P 4 5	N O T E S
45	500257	WASHER LO SPT 10.2x18.1x2.2 Z050	1	1	1	
46	500935	WASHER FL .390x1.500x.083	1	1	1	
NS	032109	SUPPORT To X-2604	1	1	1	
NS	500446	WASHER FL .531x1.250x.125 Z050	1	1	1	
		B) USE WITH MODEL FUEL PRO 382				
		C) USE WITH MODEL FUEL PRO 380E WITH KIT #032257				
		2) NOT SOLD BY PREVOST (SEE MANUFACTURING PART NUMBER AT END OF DESCRIPTION LINE)				

From R-012 To S-099

Date:10/2022

PAGE:H3-0315-11

ACCELERATOR PEDAL - ELECTRONIC DDEC II



From R-012 To S-099		Date:10/2022	PAGE:H3-0315-11
ACCELERATOR PEDAL - ELECTRONIC DDEC II			

Item#	Part	Description	H 3 4 1	H 3 4 5	V I P 4 5	N O T E S
	530177	ACCELERATOR PEDAL ASSY	1	1	1	E
	531400	ACCELERATOR PEDAL ASSY / SERVICE ONLY	1	1	1	E
1	141212	. THREADLE COVER / W/STEEL BACKING	1	1	1	E
1	531401	. THREADLE COVER	1	1	1	E
NS	Call order desk	. SCREW TC TR PH #10-32x1/2	2	2	2	P
2	N.S.S.	. THREADLE	1	1	1	1
3	N.S.S.	. BUSHING, INNER	2	2	2	1
4	507260	. BUSHING NYLINER W/SHOULDER .375x.437x.375x.594	2	2	2	
5	N.S.S.	. PIN, THREADLE	1	1	1	1
6	N.S.S.	. SNAP RING 5/16" I.D.	3	3	3	1
7	500427	. SCREW MA RND PH #10-32x1 1/4 ZP	2	2	2	
8	N.S.S.	. POTENTIOMETER	1	1	1	1
8	531395	. POTENTIOMETER PEDAL SENSOR 0-5V	1	1	1	B
9	N8887087	. WIRE HARNESS	1	1	1	
10	500883	. SCREW TC PAN PH #8-32x3/8 Z050	2	2	2	
11	N.S.S.	. CLIP	2	2	2	1
12	N.S.S.	. BUSHING, GARLOCK	1	1	1	1
13	N.S.S.	. THRUST, WASHER-OUTER	2	2	2	1
13	N.S.S.	. THRUST, WASHER-INNER	2	2	2	1
14	N.S.S.	. SPRING	2	2	2	1
15	N.S.S.	. SHAFT SENSOR DRIVE	1	1	1	1
15	N.S.P.	. BEARING (#99-R-6)	1	1	1	2
16	505208	. SPRING, PIN 1/8 X 7/8	1	1	1	
17	N.S.S.	. ROLLER PIN	1	1	1	1
18	N.S.S.	. LEVER, THREADLE	1	1	1	1
19	N.S.S.	. ROLLER	1	1	1	1
20	531462	. BASE PLATE / (includes item #5)	1	1	1	
NS	530209	ACCELERATOR PEDAL ASSY	1	1	1	A
26	531393	KIT REPAIR / LOWER THREADLE PIN				C
26	531394	KIT REPAIR / ROLLER				D
		A) W/OUT ITEMS 3, 4, 5 & 20				
		B) INCLUDED ITEMS 7, 9 & 11				
		C) INCLUDES ITEMS 3, 4, 5 & 6				
		D) INCLUDES ITEMS 6, 17 & 19				
		E) FOR AN EASY IDENTIFICATION MODEL 530177 HAS COVERING RUBBER 9" 1/4 AND MODEL 531400 HAS 9" 7/8				
		1) NOT SOLD SEPARATELY				
		2) NOT SOLD BY PREVOST (SEE MANUFACTURING PART NUMBER AT END OF DESCRIPTION LINE)				

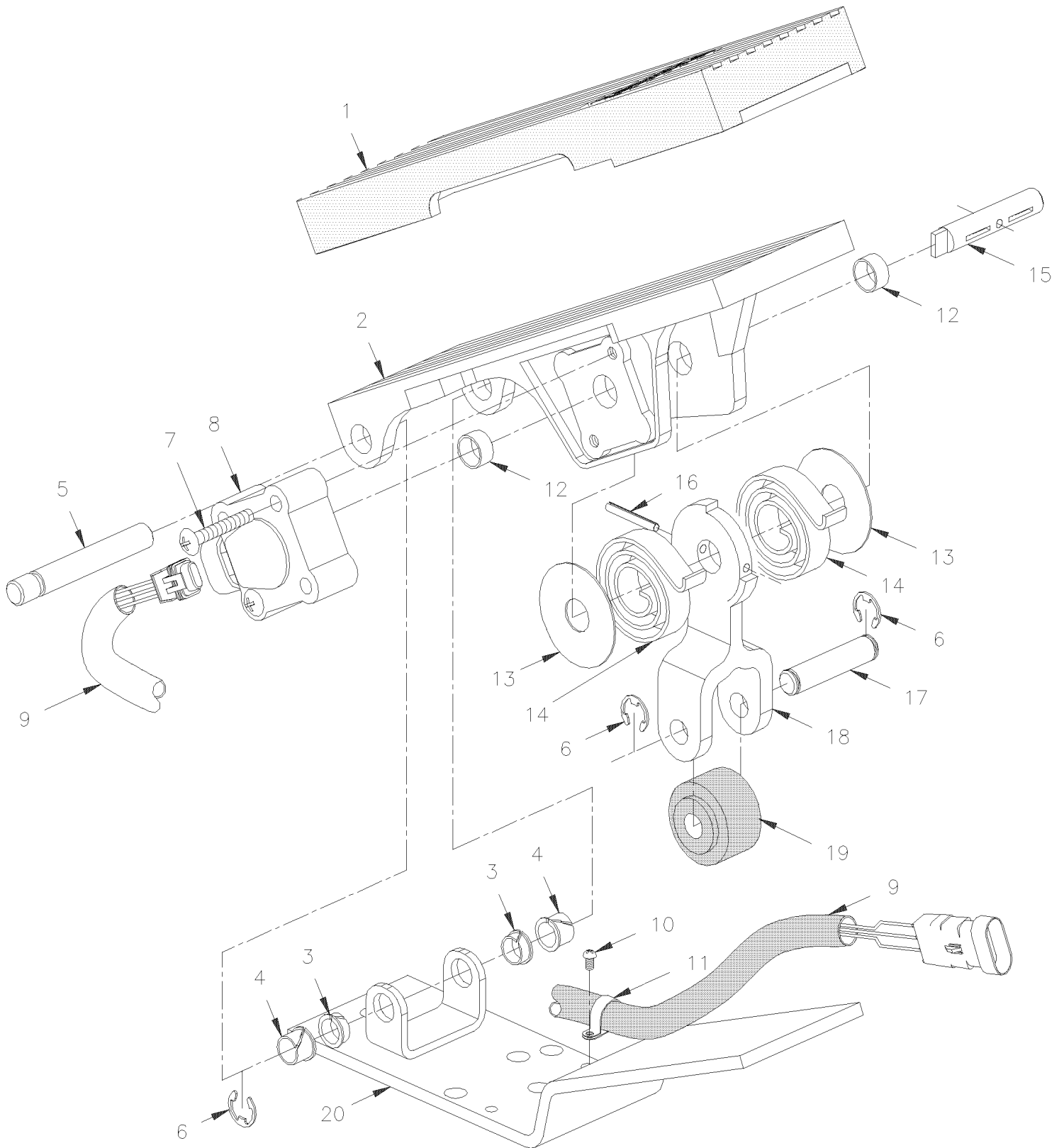
From R-012 To S-099			Date:10/2022	PAGE:H3-0315-11			
ACCELERATOR PEDAL - ELECTRONIC DDEC II							
Item#	Part	Description	H 3 4 1	H 3 4 5	V I P 4 5	N O T E S	
		P) CALL ORDER DESK FOR SPECIFIC APPLICATION (V.I.N.)					

From S-100 To 2-4416

Date:10/2022

PAGE:H3-0315-12

ACCELERATOR PEDAL - ELECTRONIC DDEC III



From S-100 To 2-4416	Date:10/2022	PAGE:H3-0315-12
ACCELERATOR PEDAL - ELECTRONIC DDEC III		

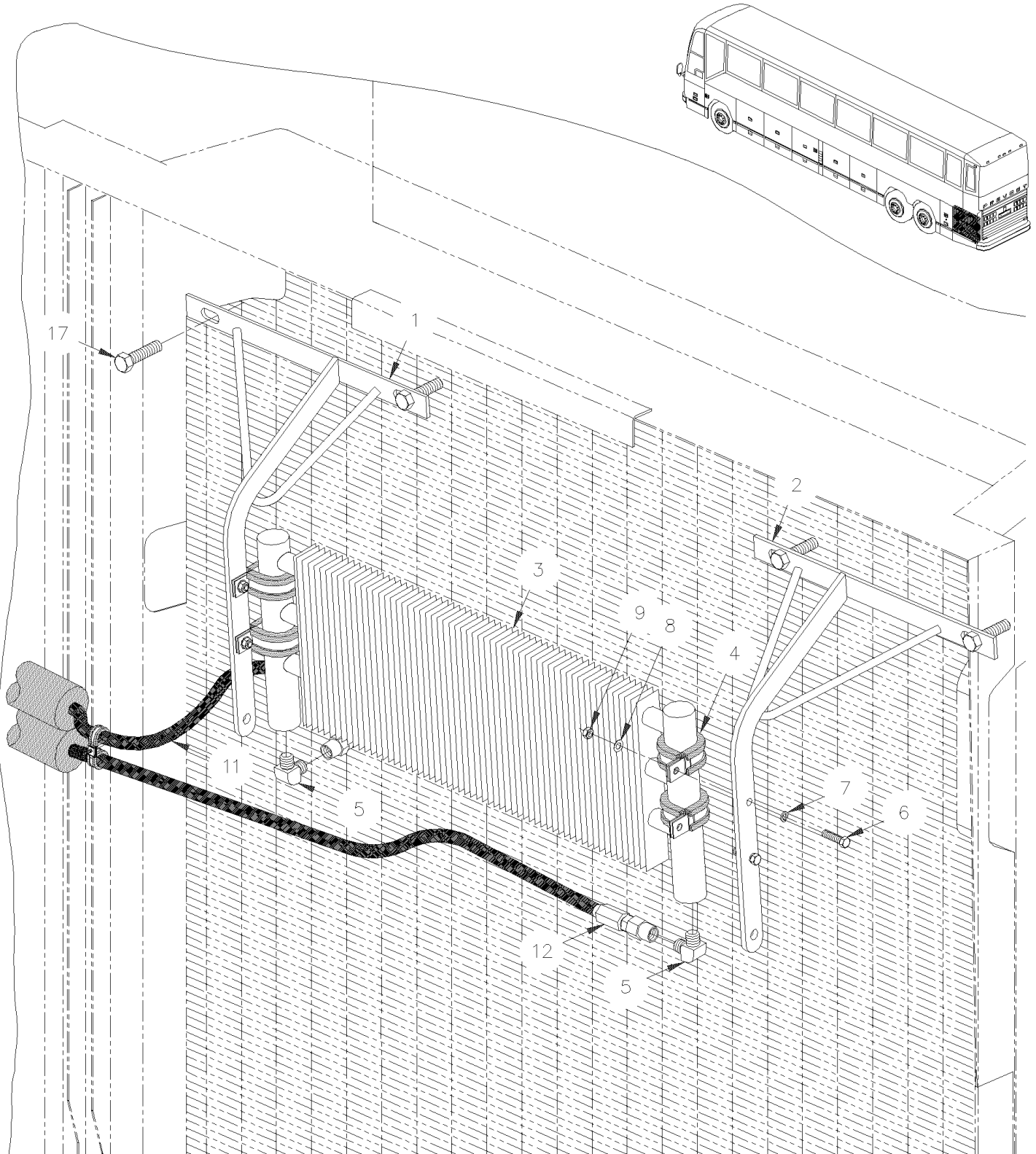
Item#	Part	Description	H 3 4 1	H 3 4 5	V I P 4 5	N O T E S
	531399	ACCELERATOR PEDAL ASSY / SERVICE ONLY To X-3319	1	1	1	
	531455	ACCELERATOR PEDAL ASSY From X-3320	1	1	1	
1	531401	. THREADLE COVER	1	1	1	
2	N.S.S.	. THREADLE	1	1	1	1
3	N.S.S.	. BUSHING, INNER	2	2	2	1
4	507260	. BUSHING NYLINER W/SHOULDER .375x.437x.375x.594	2	2	2	
5	N.S.S.	. PIN, THREADLE	1	1	1	1
6	N.S.S.	. RING, SNAP 5/16" I.D.	3	3	3	1
7	500427	. SCREW MA RND PH #10-32x1 1/4 ZP	2	2	2	
8	531402	. POTENTIOMETER PEDAL SENSOR 0-5V	1	1	1	
9	N8887087	. WIRE HARNESS From X-3320	1	1	1	
10	500883	. . SCREW TC PAN PH #8-32x3/8 Z050	2	2	2	
11	N.S.S.	. . CLIP	2	2	2	1
12	N.S.S.	. BUSHING, GARLOCK	2	2	2	1
13	N.S.S.	. THRUST, WASHER-OUTER	2	2	2	1
13	N.S.S.	. THRUST, WASHER-INNER	2	2	2	1
14	N.S.S.	. SPRING	2	2	2	1
15	N.S.S.	. SHAFT SENSOR DRIVE	1	1	1	1
16	505208	. SPRING, PIN 1/8 X 7/8	1	1	1	
17	N.S.S.	. ROLLER, PIN	1	1	1	1
18	N.S.S.	. LEVER, THREADLE	1	1	1	1
19	N.S.S.	. ROLLER	1	1	1	1
20	531462	. BASE PLATE / (includes item #5)	1	1	1	
NS	531393	KIT REPAIR / LOWER THREADLE PIN	1	1	1	A
NS	531394	KIT REPAIR / ROLLER	1	1	1	B
		A) INCLUDES ITEMS 3, 4, 5, 6				
		B) INCLUDES ITEMS 6, 18, 19				
		1) NOT SOLD SEPARATELY				

From S-284 To V-1714

Date:10/2022

PAGE:H3-0316-00

FUEL COOLER - INSTALLATION



From S-284 To V-1714	Date:10/2022	PAGE:H3-0316-00
FUEL COOLER - INSTALLATION		

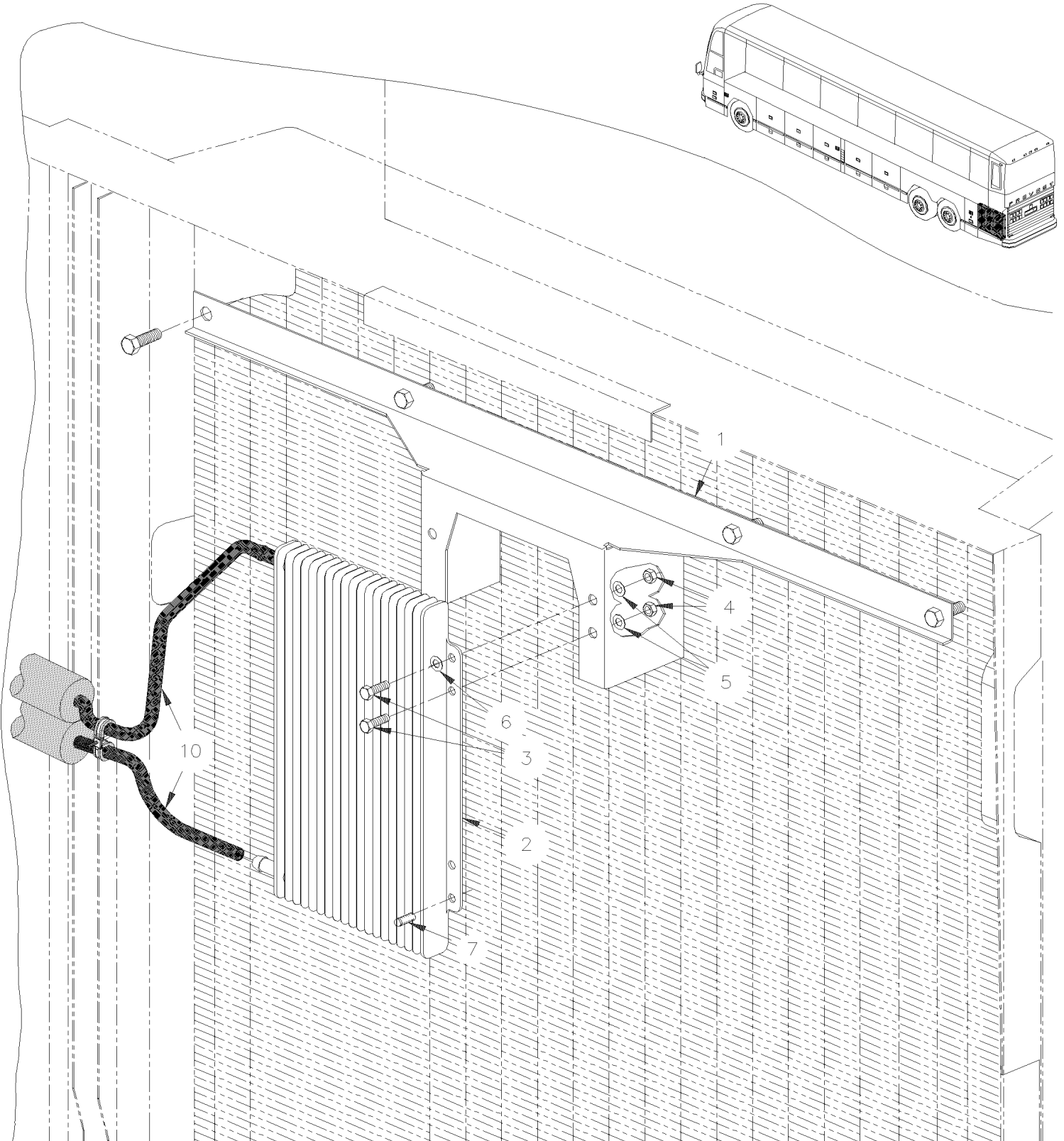
Item#	Part	Description	H 3 4 1	H 3 4 5	V I P 4 5	N O T E S
	051925	COOLER ASSY, FUEL	1	1	1	
1	051917	. SUPPORT L.H.	1	1	1	
2	051918	. SUPPORT R.H.	1	1	1	
3	950109	. COOLER ASSY	1	1	1	
4	560483	. CLAMP / 7/8" I.D.	4	4	4	
5	5011056	. MALE ELBOW 90° / JIC 37° FITTING / #6JIC-Mx1/2NPT-M STL	2	2	2	
6	502746	. SCREW MA PAN PH M5-0.8x20 SS BK	4	4	4	
7	500240	. WASHER LO EXT .195x.410x.025 Z050	4	4	4	
8	500964	. WASHER FL .203x.500x.047 Z050	4	4	4	
9	502561	. NUT HEX M5-0.8 Z050	4	4	4	
NS	680098	. THREAD SEALANT LOCTITE #567 / WHITE / 250ml	AR	AR	AR	
11	032037	HOSE ASSY / #6 2491MM	1	1	1	
11	501933	. FEMALE CONNECTOR SWIVEL / JIC 37° FITTING / #6JIC-Fx#6 ZP	1	1	1	
11	501827	. MALE ELBOW 90° SWIVEL / INVERTED FLARE / #6IFL-Mx#6 ZP	1	1	1	
11	503582	. HOSE #FC-300 HYDRAULIC / #6 S.L.	AR	AR	AR	
12	032038	HOSE ASSY / #6 2071MM	1	1	1	
12	501933	. FEMALE CONNECTOR SWIVEL / JIC 37° FITTING / #6JIC-Fx#6 ZP	1	1	1	
12	501826	. MALE CONNECTOR SWIVEL / INVERTED FLARE / #6IFL-Mx#6 ZP	1	1	1	
12	503582	. HOSE #FC-300 HYDRAULIC / #6 S.L.	AR	AR	AR	
NS	032043	INSULATING HOSE	AR	AR	AR	
NS	560482	CLAMP / 3/4" I.D. / W/HOLE 3/16"	AR	AR	AR	
NS	500786	NUT HEX #10-24 Z050	AR	AR	AR	
NS	500387	SCREW MA RND PH #10-24x3/4 Z050	AR	AR	AR	
NS	500470	WASHER LO SPT .193x.334x.047 Z050	AR	AR	AR	
NS	032044	FUEL COOLER KIT TO USE WITH PLASTIC TANK	1	1	1	
. NS	IS-95004	. SEE INSTRUCTION SHEET	1	1	1	

From V-1715 To 2-4416

Date:10/2022

PAGE:H3-0316-01

FUEL COOLER - INSTALLATION



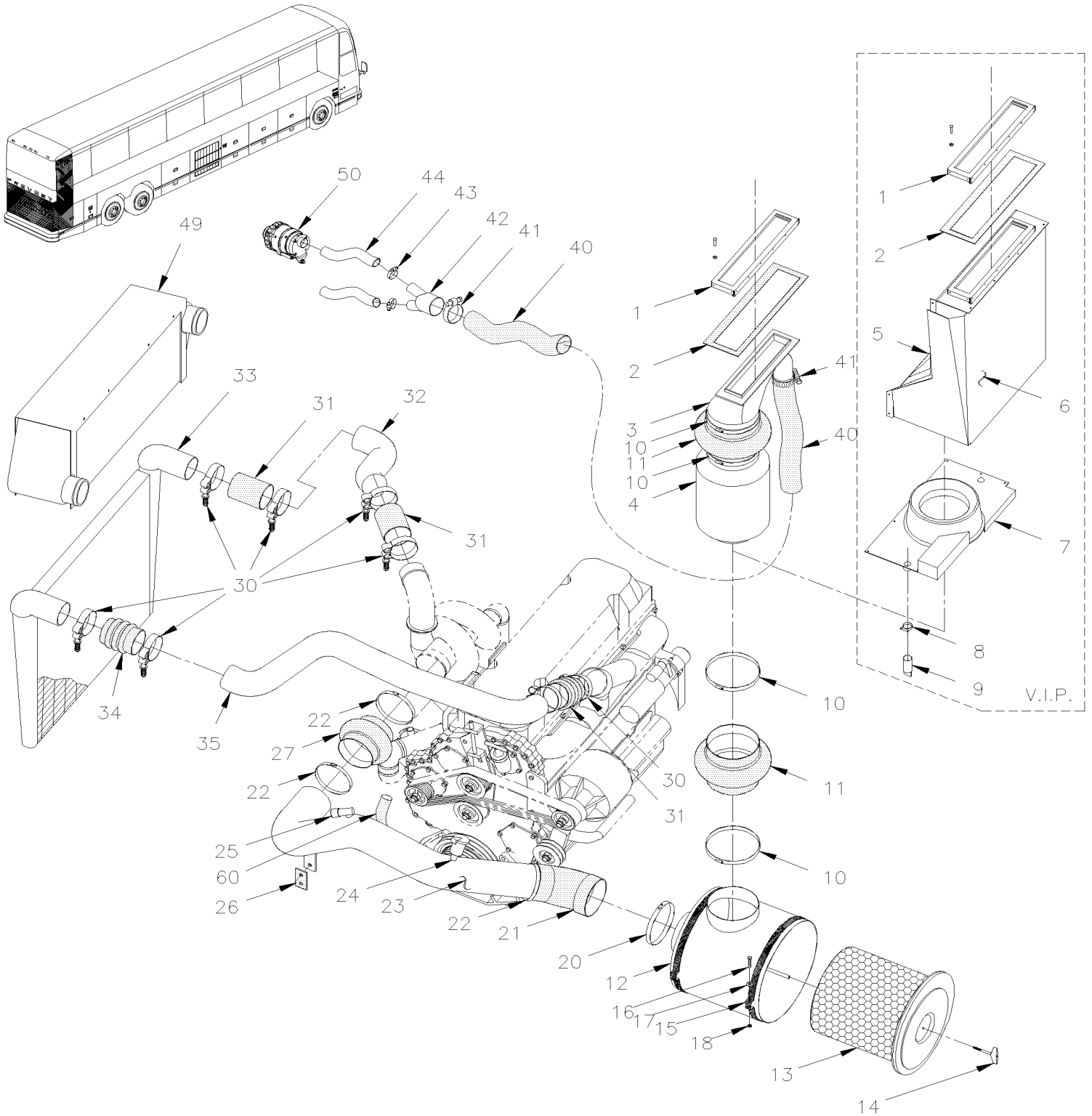
From V-1715 To 2-4416		Date:10/2022	PAGE:H3-0316-01			
FUEL COOLER - INSTALLATION						
Item#	Part	Description	H 3 4 1	H 3 4 5	V I P 4 5	N O T E S
1	032130	SUPPORT / FUEL COOLER To W-2242	1	1		A
1	032242	SUPPORT / FUEL COOLER From W-2243	1	1		
1	032140	SUPPORT / FUEL COOLER To W-2242			1	A
1	032243	SUPPORT / FUEL COOLER / W/470HP ENGINE From W-2243 To W-2457			1	
1	032265	SUPPORT / FUEL COOLER / W/AIR COOLER OVER RAD & LARGE A/C From X-2458			1	
1	032264	SUPPORT / FUEL COOLER / W/AIR COOLER OVER RAD & SMALL A/C From X-2458			1	
2	531422	FUEL COOLER	1	1	1	
3	502563	SCREW CAP HEX M6-1.0x12 G8.8 Z050	4	4	4	
4	502565	NUT HEX M6-1.0 SS	4	4	4	
5	502570	WASHER LO SPT 6.1x11.8x1.6 SS	4	4	4	
6	502768	WASHER FL RUB .312x.625x.125 NEO To W-2242	2	2	2	
7	504362	BUMPER PLUG / .375ODx.3125THx.250HOLEx.125 To W-2242	2	2	2	
10	H3-0310-01	FUEL HOSE - INSTALLATION				
NS	032244	KIT, SPACER From V-1715 To W-2147	1	1	1	
. NS	032241	. SPACER W/2 HOLES 43MM x 19MM From V-1715 To W-2147	2	2	2	
		A) FOR PRODUCT IMPROVMENT USE KIT #032244 FOR VEHICLE FROM V-1715 TO W-2147				

From R-012 To 2-4416

Date:10/2022

PAGE:H3-0330-01

AIR FILTER & INTAKE - INSTALLATION



From R-012 To 2-4416	Date:10/2022	PAGE:H3-0330-01
AIR FILTER & INTAKE - INSTALLATION		

Item#	Part	Description	H 3 4 1	H 3 4 5	V I P 4 5	N O T E S
1	472247	GASKET / REAR CAR & DUCT	1	1	1	
2	472246	FRAME CHANNEL SS / TO FIX GASKET	1	1	1	
NS	500989	WASHER FL .219x.875x.062 Z050	AR	AR		D
NS	504487	RIVET MGLP PRDG 3/16x7/16 SS	AR	AR		D
3	031535	DUCT / AIR INTAKE To V-1648	1	1		
3	032126	DUCT / AIR INTAKE From V-1649 To W-2366	1	1		
3	032260	DUCT / AIR INTAKE From W-2367 To X-2900	1	1		
3	032307	DUCT / AIR INTAKE W/ALT HOSE ADAPTOR OPEN From X-2901	1	1		
4	530207	SEPARATOR	1	1		
. NS	531484	. DRAIN BOOT 3" I.D.	1	1		
5	031649	AIR INTAKE ASSY			1	
NS	031639	ANGLE SUPPORT AIR FILTER / (FIXED AT TUBE)			1	
6	031643	PANEL BACKWARD / AIR INTAKE			1	
NS	680114	SEALANT TAPE BUTYL / BLACK / 1/16"x3/4"x50' / 75211E760			AR	
7	031642	ADAPTOR			1	
NS	500641	SCREW TP PAN PH #8x3/4 Z050			34	
NS	502701	WASHER FL .172x.750x.031			34	
8	504021	HOSE CLAMP / 11/16"-1"1/2 SS / HS-16			2	
9	590109	DRAIN BOOT 1" I.D. X 5" / AS SHOWN			2	
10	504415	HOSE CLAMP / 7"1/4-9"1/4 SS / HS-152	4	4		
10	504415	HOSE CLAMP / 7"1/4-9"1/4 SS / HS-152			2	
11	530210	HOSE FLEXIBLE / 8" O.D. x 125MM	2	2		
11	530210	HOSE FLEXIBLE / 8" O.D. x 125MM			1	
12	530206	FILTER AIR 18"	1	1	1	
13	530197	. ELEMENT AIR FILTER 18"	1	1	1	
14	531420	. NUT WING 1/2-13 NY	1	1	1	
15	031465	STRAP MOUNTING / W/18" AIR FILTER	2	2	2	
16	500183	SCREW CAP HEX 5/16-18x1 1/2 G5 PT Z050	2	2	2	
17	500441	WASHER FL .312x.734x.065 Z050	2	2	2	
18	500777	NUT HEX STO 5/16-18 Z050	2	2	2	
20	504229	HOSE CLAMP / 6"1/2-8"1/2 SS / HS-100	1	1	1	
21	530169	ELBOW 45° DEGRES / REDUCER 7" X 6"	1	1	1	
22	504324	HOSE CLAMP / 4"1/2-6"1/2 SS / HS-96	3	3	3	
23	031826	PIPE 5 1/2" O.D. / AIR FILTER & TURBO To W-2134	1	1	1	C
23	032217	PIPE 5 1/2" O.D. / AIR FILTER & TURBO From W-2135 To X-2900	1	1	1	
23	032429	PIPE 5 1/2" O.D. / AIR FILTER & TURBO From X-2901	1	1	1	
24	510022	CUP ETHER	1	1	1	
25	530161	GAUGE AIR RESTRICTION 20" H2O 1/8" NPT	1	1	1	
26	040366	MUFFLER CONNECTION From W-2135 To X-2900	1	1	1	
26	040535	MUFFLER CONNECTION From X-2901	1	1	1	
27	530102	REDUCER RUBBER / 5 1/2" X 5" DIA.	1	1	1	
27	531368	ELBOW REDUCER 90°	1	1		

From R-012 To 2-4416	Date:10/2022	PAGE:H3-0330-01
AIR FILTER & INTAKE - INSTALLATION		

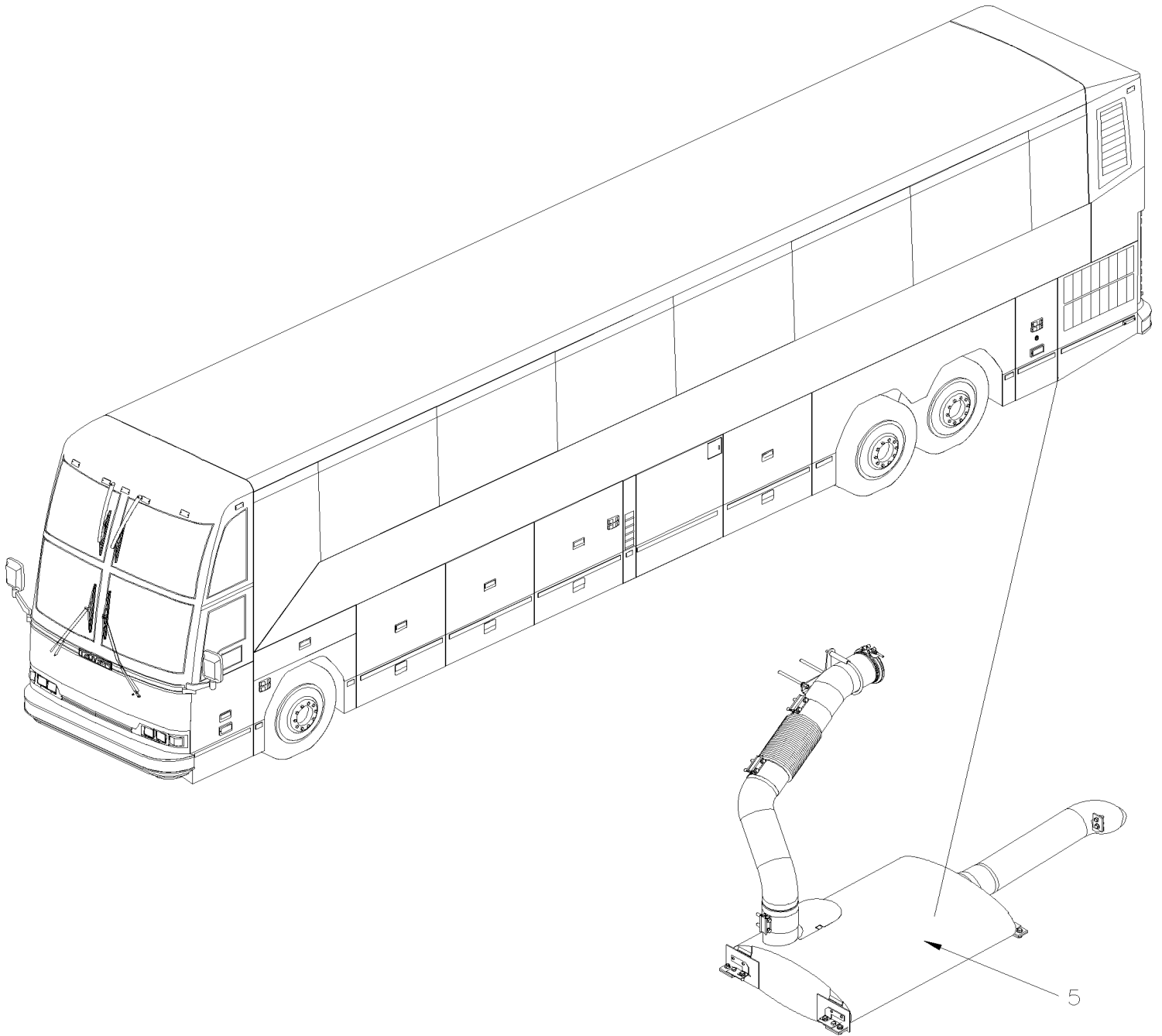
Item#	Part	Description	H 3 4 1	H 3 4 5	V I P 4 5	N O T E S
30	531386	HOSE CLAMP SPRING LOAD / HEAVY DUTY 4"1/8-4"7/16	8	8	8	
31	531396	HOSE 4" I.D. 6 1/4"	3	3	3	
32	031824	PIPE 4" O.D. / AIR COOLER & TURBO	1	1	1	
32	032261	PIPE 4" O.D. / AIR COOLER & TURBO To W-2457			1	
32	032263	PIPE 4" O.D. / AIR COOLER & TURBO From X-2458			1	
33	550655	AIR COOLER ASSY To W-2623	1	1		
33	550741	AIR COOLER ASSY From W-2624 To X-2958	1	1		
33	550743	AIR COOLER ASSY From X-2959	1	1		
33	550699	AIR COOLER ASSY To T-1408	1	1		A
33	550717	AIR COOLER ASSY From T-1409 To W-2284	1	1		A
33	550745	AIR COOLER ASSY From W-2285 To X-2959	1	1		A
33	550699	AIR COOLER ASSY To T-1408			1	
33	550717	AIR COOLER ASSY From T-1409 To W-2457			1	
33	550745	AIR COOLER ASSY			1	B
34	531385	HOSE / W/3 RING / 4" I.D. 6"	1	1	1	
35	031928	PIPE 4" O.D. / AIR COOLER & MANIFOLD W/O AIR RESTRICTION GAUGE W/O RESTRICTION GAUGE	1	1	1	
35	032262	PIPE 4" O.D. / AIR COOLER & MANIFOLD From X-2458			1	
40	503522	HOSE FLEXIBLE / AIR DUCT 5" I.D. X 12' / LINEN RUBBER To V-1658	AR	AR		
40	404466	HOSE 4" I.D. 900MM From V-1659 To W-2365	1	1		
40	064956	HOSE FLEXIBLE / 4" I.D. X 1660MM From X-2901	1	1		
41	504235	HOSE CLAMP / 3"9/16"-4"1/2 SS / HS-64	2	2		
42	064834	ADAPTOR "Y"	1	1		
NS	065038	ANGLE SUPPORT 76MM x 20MM	1	1	1	F
43	504025	HOSE CLAMP / 2"5/16-3"1/4 SS / HS-44	4	4		
44	064957	HOSE FLEXIBLE / 2 3/4" I.D. X 200MM	2	2		
49	550772	AIR COOLER ASSY / OVER COOLANT RADIATOR From X-2458			1	
. NS	MI06-02	. SEE MAINTENANCE INFORMATION From X-2458			1	
50	H3-0610-04	ALTERNATOR MOUNTING / "BOSCH" WITH DETROIT S-60				
60	142290	HOSE / (SUCTION AIR COMPRESSOR) / #16 870MM	1	1	1	
61	032236	KIT, RETROFIT AIR INLET SUPPORT To W-2134	1	1	1	
. NS	032235	. BRAKET AIR INLET / USE W/031829 To W-2134	1	1	1	
. NS	040535	. MUFFLER CONNECTION To W-2134	1	1	1	
. NS	5001361	. SCREW CAP HEX M8-1.25x120 G8.8 ZP To W-2134	1	1	1	
. NS	500544	. SCREW CAP HEX M8-1.25x30 G8.8 Z050 To W-2134	1	1	1	
. NS	500874	. WASHER FL 8.4x17.0x1.6 Z050 To W-2134	2	2	2	
. NS	502744	. NUT HEX STO M8-1.25 Z050 To W-2134	2	2	2	
. NS	504031	. HOSE CLAMP / 5"-7" SS / HS-104 To W-2134	1	1	1	
		A) COACH EQUIPPED W/VIP COOLING SYSTEM, SEE FINAL VEHICLE RECORD				
		B) THIS COOLER IS STD ON "CALHOON" X-2488,2587,2595,2599,2604,2625,2629,2633,2643,2647,2748,2766,2775 & X-2781				

From R-012 To 2-4416	Date:10/2022	PAGE:H3-0330-01
----------------------	--------------	-----------------

AIR FILTER & INTAKE - INSTALLATION

Item#	Part	Description	H 3 4 1	H 3 4 5	V I P 4 5	N O T E S
		C) FOR SUPPORT PIPE UP TO W-2134 YOU REQUIRE ONE KIT #032236				
		D) DUCT TO BODY				
		F) TO FIX Y ADAPTOR HOSE TO A/C COMPRESSOR HOSE				

	Date:10/2022	H3-04
EXHAUST		



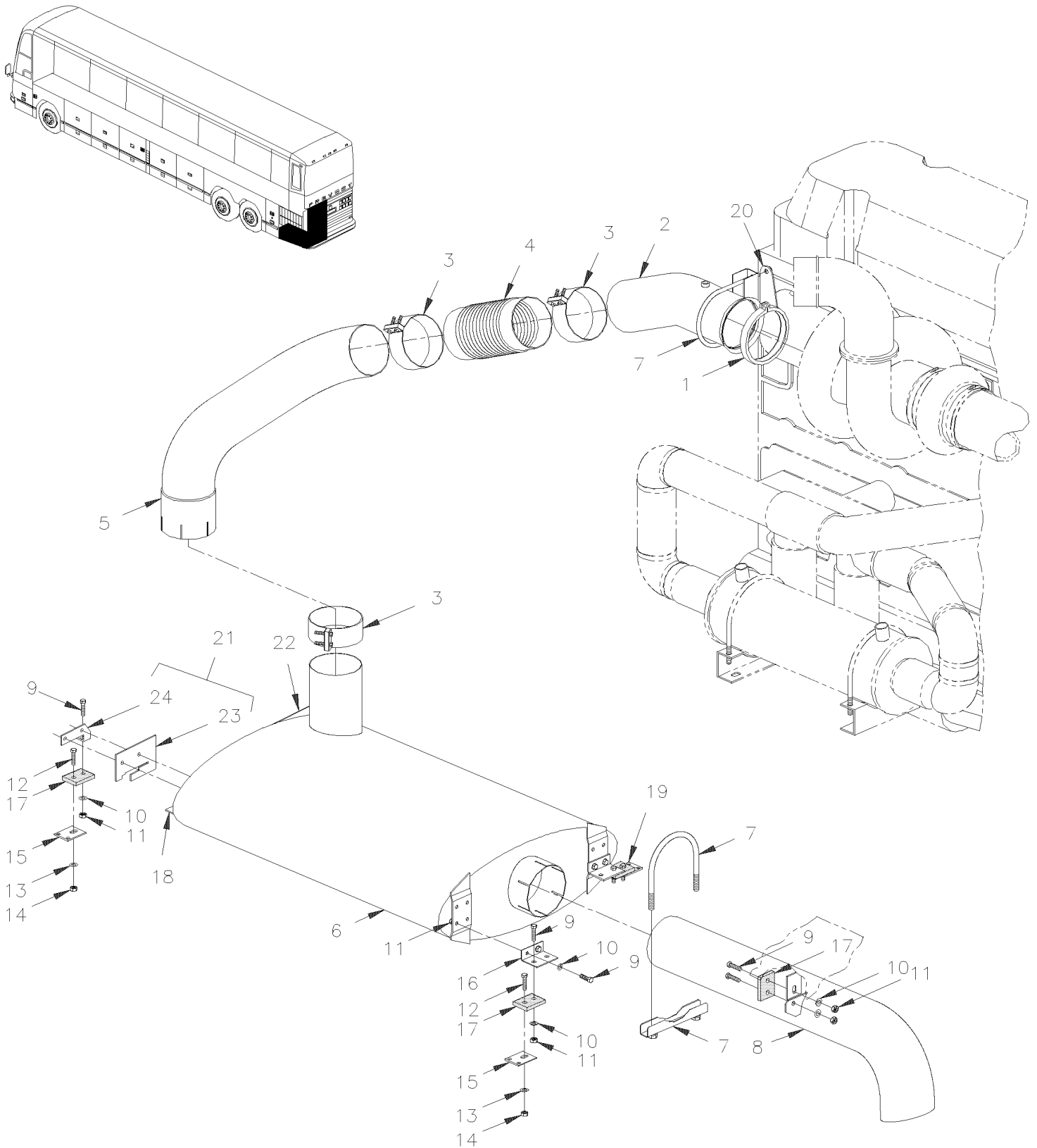
		Date:10/2022	H3-04			
EXHAUST						
Item#	Part	Description	H 3 4 1	H 3 4 5	V I P 4 5	N O T E S
5	H3-0405-03	MUFFLER - INSTALLATION From R-012 To 2-4416				

From R-012 To 2-4416

Date:10/2022

PAGE:H3-0405-03

MUFFLER - INSTALLATION



From R-012 To 2-4416	Date:10/2022	PAGE:H3-0405-03
MUFFLER - INSTALLATION		

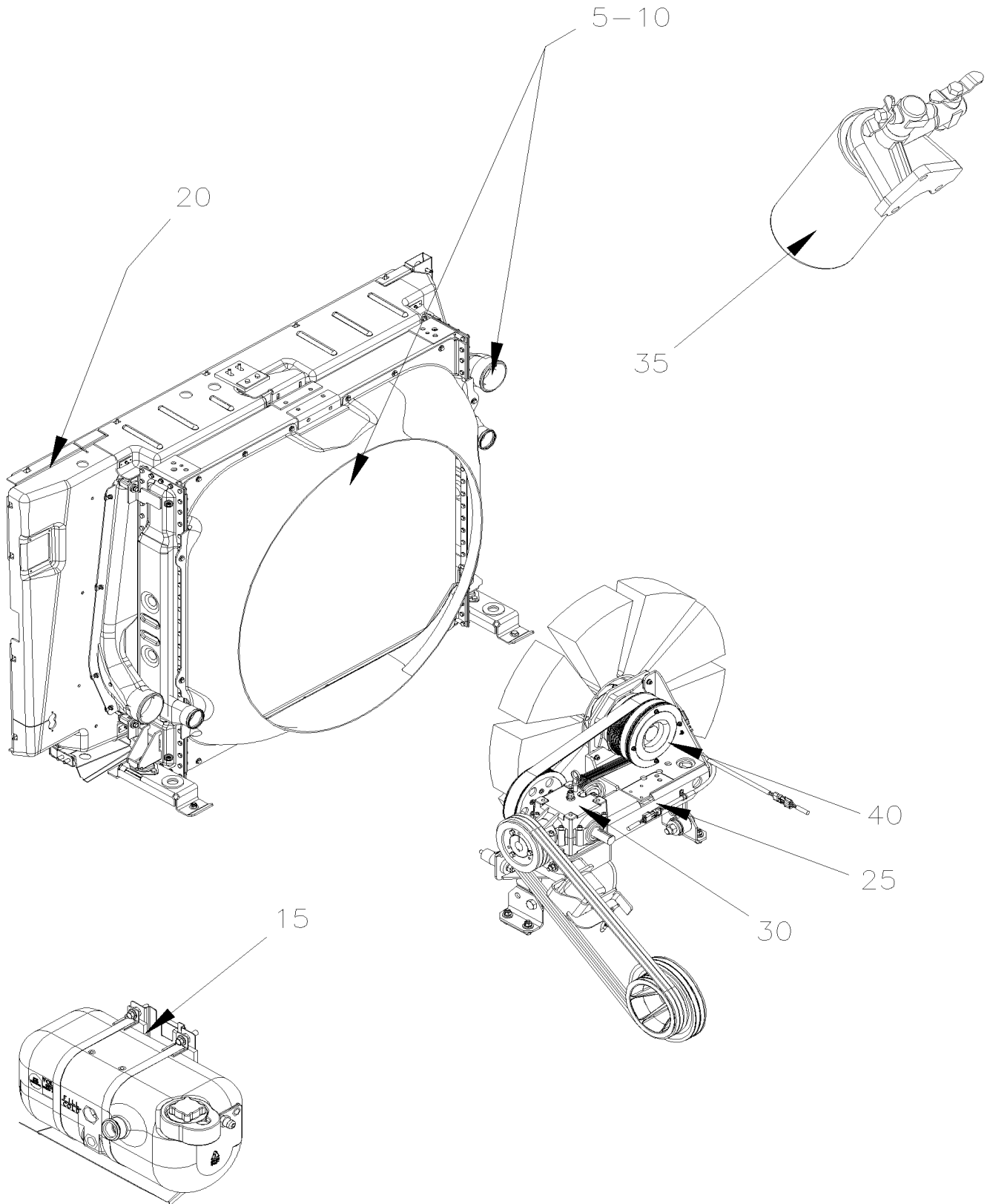
Item#	Part	Description	H 3 4 1	H 3 4 5	V I P 4 5	N O T E S
1	540047	V-CLAMP / 5.588" I.D.	1	1	1	
2	040493	PIPE, EXHAUST UPPER / W/PYROMETER ADAPTOR			1	
2	040512	PIPE, EXHAUST / UPPER To W-2344	1	1	1	
2	040525	PIPE, EXHAUST / UPPER From W-2345	1	1	1	
3	540024	CLAMP BAND SEAL / BUTT JOINT / 5" I.D.x3"	3	3	3	
4	540031	BELLOWS - EXHAUST 5" I.D. x 11.87"	1	1	1	
5	040494	PIPE	1	1	1	
6	540045	MUFFLER SERIES 50 & 60	1	1	1	
. NS	503008	. NUT SPR U M8-1.25 0.6-4.0	16	16	16	
6	540053	MUFFLER SERIES 50 & 60 / STAINLESS	1	1	1	
7	540018	U-CLAMP / (GUILLOTINE TYPE) / 5" I.D.	1	1	1	
8	040500	PIPE, TAIL	1	1	1	
9	502790	SCREW CAP HEX M8-1.25x20 G8.8 Z050	10	10	10	
10	502744	NUT HEX STO M8-1.25 Z050	10	10	10	
11	500874	WASHER FL 8.4x17.0x1.6 Z050	10	10	10	
12	502549	SCREW CAP HEX M10-1.5x35 G8.8 Z050	8	8	8	
13	500496	WASHER FL .437x.750x.054 Z050	8	8	8	
14	500680	NUT HEX STO M10-1.5 Z050	8	8	8	
15	040492	ATTACHMENT	1	1	1	
16	040465	SUPPORT ANGLE 30MM x 54MM x 72MM	4	4	4	
17	040988	MUFFLER CONNECTION	AR	AR	AR	S
18	212354	SUPPORT	1	1	1	
19	172100	SUPPORT UPPER (WELDED)	1	1	1	
20	040517	SUPPORT, PIPE From W-2265 To 1-4200	1	1	1	A
20	040541	SUPPORT, PIPE From 1-4201	1	1	1	A
NS	510626	STUD M10-1.5 x 120	2	2	2	
NS	500680	NUT HEX STO M10-1.5 Z050	2	2	2	
NS	040560	KIT SUPPORT From W-2265 To 1-4200	AR	AR	AR	
. NS	IS-00142	. SEE INSTRUCTION SHEET From W-2265 To 1-4200	1	1	1	
21	460420	SPLASH GUARD ASSY L.H. To Y-3982	1	1	1	
22	460422	SPLASH GUARD ASSY R.H. To Y-3982	1	1	1	
NS	460427	PROTECTOR 39MM X 229MM SS From Y-3983	1	1	1	B
23	460418	. SPLASH GUARD	1	1	1	
24	460419	. SUPPORT L.H.	1	1	1	
24	460421	. SUPPORT R.H.	1	1	1	
25	504248	. RIVET CHY Q PRDG 3/16x1/4 SS	2	2	2	
26	5001137	. WASHER FL .203x.438x.050 SS	2	2	2	
		A) FOR PRODUCT IMPROVMENT YOUR REQUIRE KIT#040560				
		B) THIS PROTECTOR IT INCLUDE IN ASSY #460295				

From R-012 To 2-4416		Date:10/2022	PAGE:H3-0405-03
----------------------	--	--------------	-----------------

MUFFLER - INSTALLATION

Item#	Part	Description	H 3 4 1	H 3 4 5	V I P 4 5	N O T E S
		S) SERVICE				

	Date:10/2022	H3-05
COOLING		



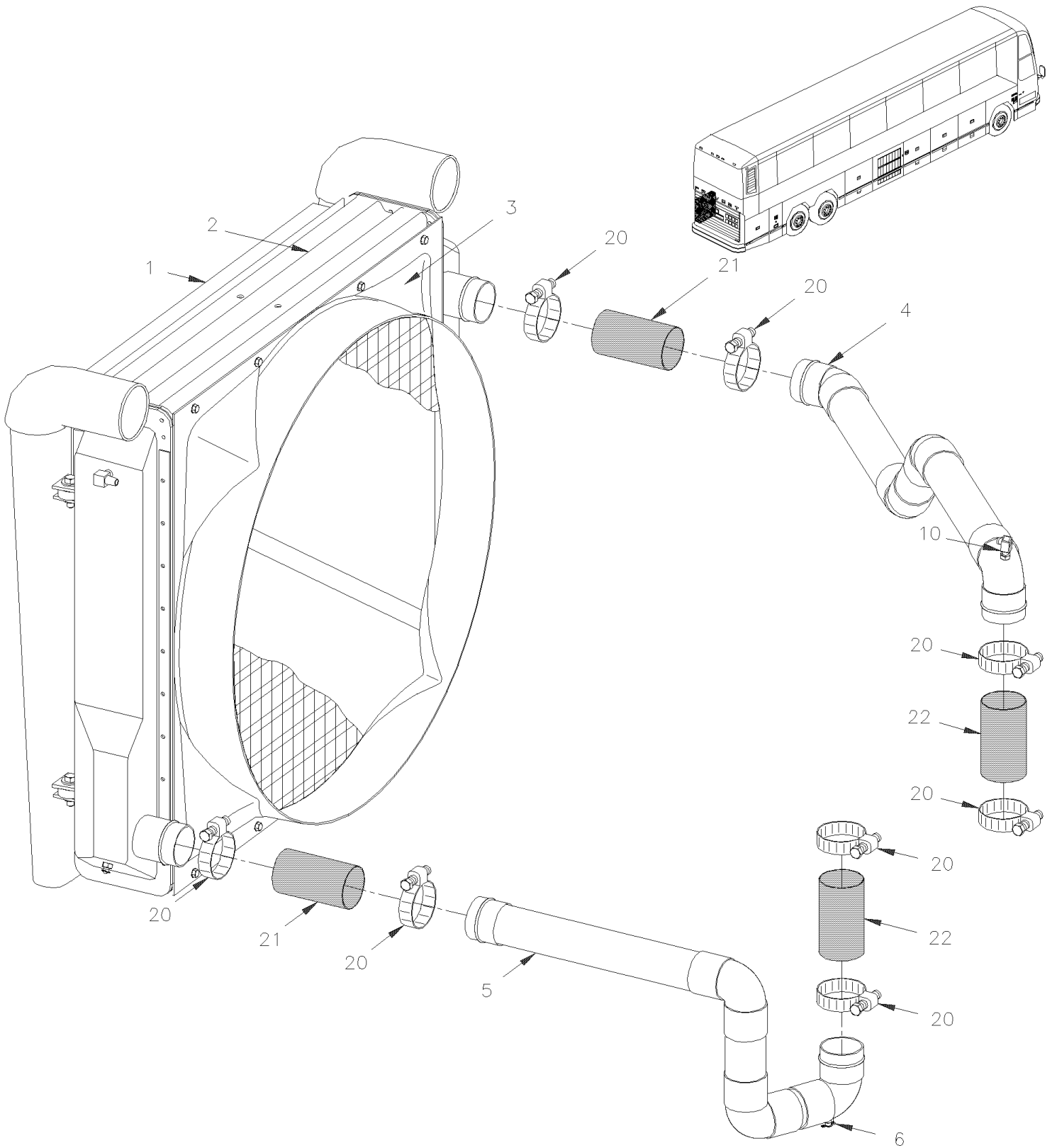
		Date:10/2022	H3-05			
COOLING						
Item#	Part	Description	H 3 4 1	H 3 4 5	V I P 4 5	N O T E S
5	H3-0500-01	COOLANT PIPING From R-012 To 2-4416				
10	H3-0505-04	RADIATOR ASSY - BUS From R-012 To X-2958				
10	H3-0505-05	RADIATOR ASSY - V.I.P. From R-012 To T-1408				
10	H3-0505-06	RADIATOR ASSY - V.I.P. From T-1409 To W-2457				
10	H3-0505-07	RADIATOR ASSY - V.I.P. From X-2458 To 2-4416				
10	H3-0505-08	RADIATOR ASSY - BUS From X-2959 To 1-4209				
10	H3-0505-09	RADIATOR ASSY - BUS From 1-4210 To 2-4416				
15	H3-0510-01	SURGE TANK From R-012 To 2-4416				
20	H3-0518-03	RADIATOR SEALING FRAME From R-012 To 2-4416				
25	H3-0520-03	FAN DRIVE - INSTALLATION From R-012 To 2-4416				
25	H3-0520-99	FAN DRIVE - INSTALLATION - SHORT / RETROFIT From R-012 To 2-4416				
30	H3-0525-03	GEARBOX "SUPERIOR" - #550688 From R-012 To V-1678				
30	H3-0525-04	GEARBOX "SUPERIOR" - #550731 & 550789 From V-1679 To 2-4416				
35	H3-0530-01	COOLANT FILTER - INSTALLATION From R-012 To 2-4416				
40	H3-0540-00	FAN CLUTCH ASSY - #550634 (FORMER) From R-012 To 2-4416				
40	H3-0540-01	FAN CLUTCH ASSY - #550634 (SERVICE) From R-012 To 2-4416				
40	H3-0540-02	FAN CLUTCH ASSY - #550837 / SERVICE From R-012 To 2-4416				A
40	H3-0540-50	FAN CLUTCH ASSY - #550758 From X-2458 To 2-4416				
40	H3-0540-51	FAN CLUTCH ASSY - #550836 / SERVICE From R-012 To 2-4416				A
40	H3-0540-99	FAN CLUTCH ASSY - #550839 / RETROFIT From R-012 To 2-4416				
		A) SERVICE				

From R-012 To 2-4416

Date:10/2022

PAGE:H3-0500-01

COOLANT PIPING



From R-012 To 2-4416	Date:10/2022	PAGE:H3-0500-01
COOLANT PIPING		

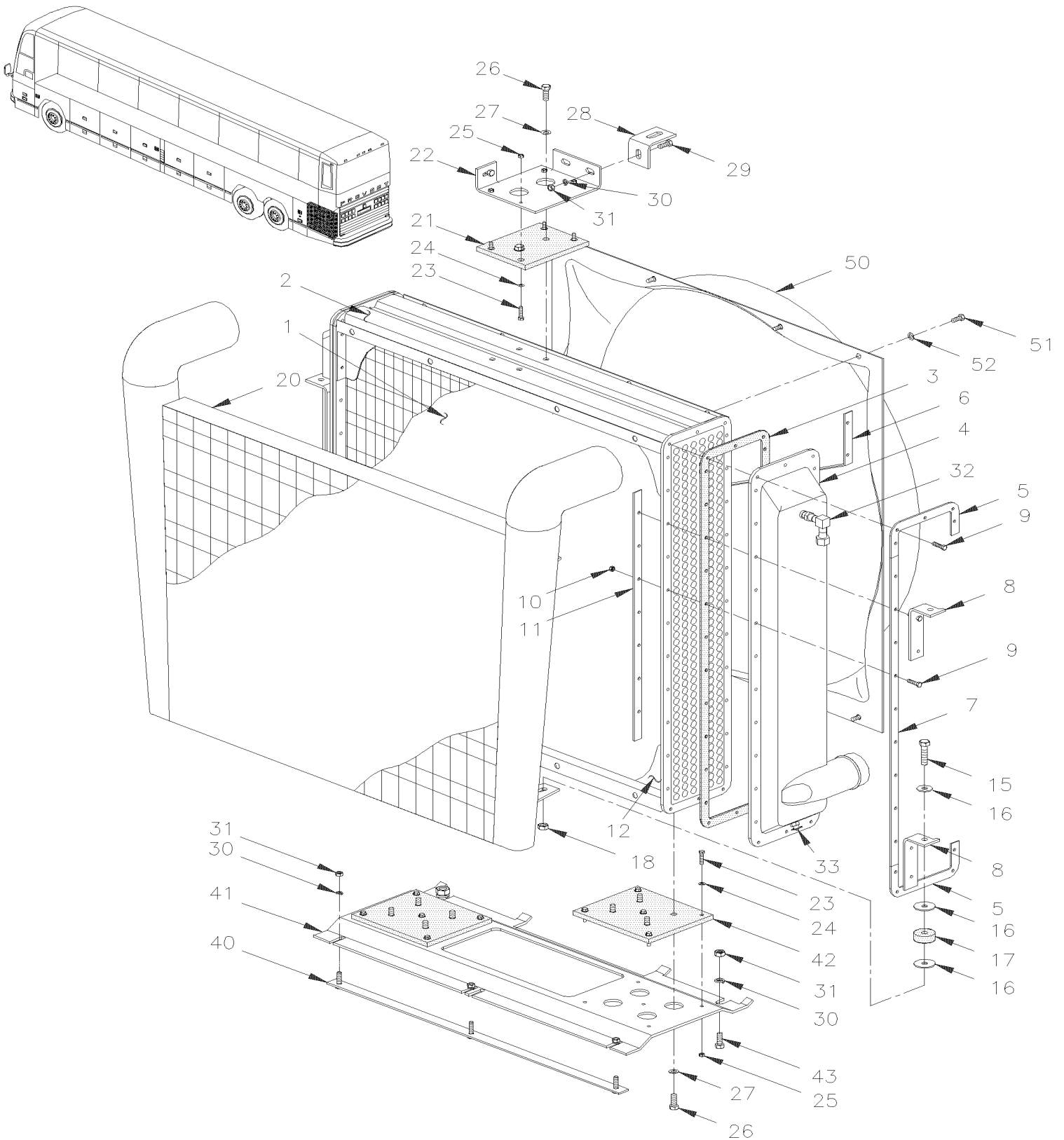
Item#	Part	Description	H 3 4 1	H 3 4 5	V I P 4 5	N O T E S
1	H3-0330-01	AIR FILTER & INTAKE - INSTALLATION				
2	H3-0505-04	RADIATOR ASSY - BUS To X-2958				
2	H3-0505-08	RADIATOR ASSY - BUS From X-2959 To 1-4209				
2	H3-0505-09	RADIATOR ASSY - BUS From 1-4210				
2	H3-0505-05	RADIATOR ASSY - V.I.P. To T-1408				
2	H3-0505-06	RADIATOR ASSY - V.I.P. From T-1409 To W-2457				
2	H3-0505-07	RADIATOR ASSY - V.I.P. From X-2458				
3	051837	SHROUD / W/32" FAN BLADE To T-1408			1	
3	052114	SHROUD / W/32" FAN BLADE From T-1409 To W-2457			1	
3	052195	SHROUD / W/36" FAN BLADE From X-2458			1	
3	051837	SHROUD / W/32" FAN BLADE	1	1		
4	052045	PIPE / RADIATOR & THERMOSTAT HOUSING To S-120	1	1	1	
4	052038	PIPE / RADIATOR & THERMOSTAT HOUSING From S-121	1	1		
4	052038	PIPE / RADIATOR & THERMOSTAT HOUSING From S-121 To W-2457			1	
4	052220	PIPE / RADIATOR SIDE From X-2458			1	
4	052242	PIPE / PIPE & THERMOSTAT HOUSING From X-2458			1	
5	052025	PIPE / RADIATOR & ENGINE WATER PUMP	1	1		
5	052025	PIPE / RADIATOR & ENGINE WATER PUMP To W-2457			1	
5	052222	PIPE / RADIATOR & ENGINE WATER PUMP From X-2458			1	
6	501129	EXTERNAL SEAL DRAIN 1/4 NPT	1	1	1	
20	504562	HOSE CLAMP / 2"3/4-3"5/8 / C.T. 350	8	8	8	
21	051604	HOSE 2 3/4" I.D. 130MM	2	2	2	
. NS	503395	. HOSE SILICONE 4PLY 2 3/4" I.D. x 3'	AR	AR	AR	
22	051873	HOSE 2 5/8" I.D. 100MM	2	2	2	
NS	503580	. HOSE SILICONE 2 5/8" I.D. x 3'	AR	AR	AR	
NS	503395	. HOSE SILICONE 4PLY 2 3/4" I.D. x 3'	AR	AR	AR	
30	500179	SCREW CAP HEX 5/16-18x3/4 G5 Z050	AR	AR	AR	
NS	500476	WASHER LO SPT .317x.586x.078 Z050	AR	AR	AR	

From R-012 To X-2958

Date:10/2022

PAGE:H3-0505-04

RADIATOR ASSY - BUS



From R-012 To X-2958	Date:10/2022	PAGE:H3-0505-04
RADIATOR ASSY - BUS		

Item#	Part	Description	H 3 4 1	H 3 4 5	V I P 4 5	N O T E S
		NOTE: SOME VEHICLES ARE EQUIPPED WITH				
		V.I.P. SYSTEM, SEE PAGE H3-0505-06 AND				
		FINAL VEHICLE RECORD BEFORE ORDERING PARTS				
	N.S.A.	RADIATOR ASSY / WATER & AIR COOLER To W-2622	1	1		3
	N.S.A.	RADIATOR ASSY / WATER & AIR COOLER From W-2623	1	1		3
	550654	RADIATOR ASSY / WATER	1	1		
1	550684	.. CORE	1	1		
2	550678	.. SUPPORT ASSY TOP & BOTTOM	1	1		
3	550248	.. GASKET, HALF	4	4		
4	550681	.. TANK / RADIATOR FRONT & REAR	2	2		
5	550682	.. U-CLAMP / EXTERIOR 6.25"	4	4		
6	550751	.. REINFORCEMENT STRIP "Z" SHAPE / FRONT	1	1		
6	550752	.. REINFORCEMENT STRIP "Z" SHAPE / REAR	1	1		
7	550680	.. STRIP / EXTERIOR 25"	4	4		
8	N.P.N.	.. ANGLE / TO FIX AIR COOLER	4	4		4
9	500029	.. SCREW CAP HEX 5/16-24x1 1/2 G5 ZP	AR	AR		
10	500699	.. NUT HEX 5/16-24 Z050	AR	AR		
NS	500826	.. WASHER LO EXT .320x.610x.034 ZP	AR	AR		
11	550679	.. STRIP / INTERIOR 28.18"	4	4		
12	550683	.. SUPPORT ASSY TOP & BOTTOM	1	1		
15	500831	SCREW CAP HEX 3/8-16x2 G5 ZP	4	4		
16	500446	WASHER FL .531x1.250x.125 Z050	8	8		
17	550685	BUSHING INSULATOR / RADIATORS	4	4		
18	500265	NUT HEX STO 3/8-16 Z050	4	4		
20	H3-0330-01	AIR FILTER & INTAKE - INSTALLATION	1	1		
21	052060	RUBBER PAD / SUPPORT & RADIATOR 165MM x 127MM W/6 HOLES	1	1		
22	051982	PLATE SUPPORT UPPER RADIATOR	1	1		
23	502737	SCREW CAP HEX M6-1.0x25 SS BK	4	4		
24	500468	WASHER FL .281x1.250x.065 Z050	4	4		
25	502621	NUT HEX STO M6-1.0 Z050	4	4		
26	500191	SCREW CAP HEX 3/8-16x1 G5 Z050	2	2		
27	500445	WASHER FL .437x1.000x.083 Z050	2	2		
28	052058	ATTACHMENT, ANGLE 55.50MM X 72.50 X 50.80MM	1	1		
28	052059	ATTACHMENT ANGLE / (WELDED TO STRUCTURE)	1	1		
29	502597	SCREW CAP HEX M8-1.25x22 G8.8 EMN	6	6		
30	502584	WASHER LO SERR 8.2x26.3x1.8 Z050	6	6		
31	502543	NUT HEX M8-1.25 Z050	6	6		
32	501332	STREET ELBOW 90° / PIPE FITTING / 1/4NPT-Mx1/4NPT-F BR	1	1		
NS	501308	ADAPTER / PIPE FITTING / 1/4NPT-Fx1/4NPT-M BR	1	1		
NS	501027	MALE CONNECTOR / SAE 45° FITTING / #4FL-Mx1/4NPT-M BR	1	1		
33	501129	EXTERNAL SEAL DRAIN 1/4 NPT	1	1		

From R-012 To X-2958	Date:10/2022	PAGE:H3-0505-04
RADIATOR ASSY - BUS		

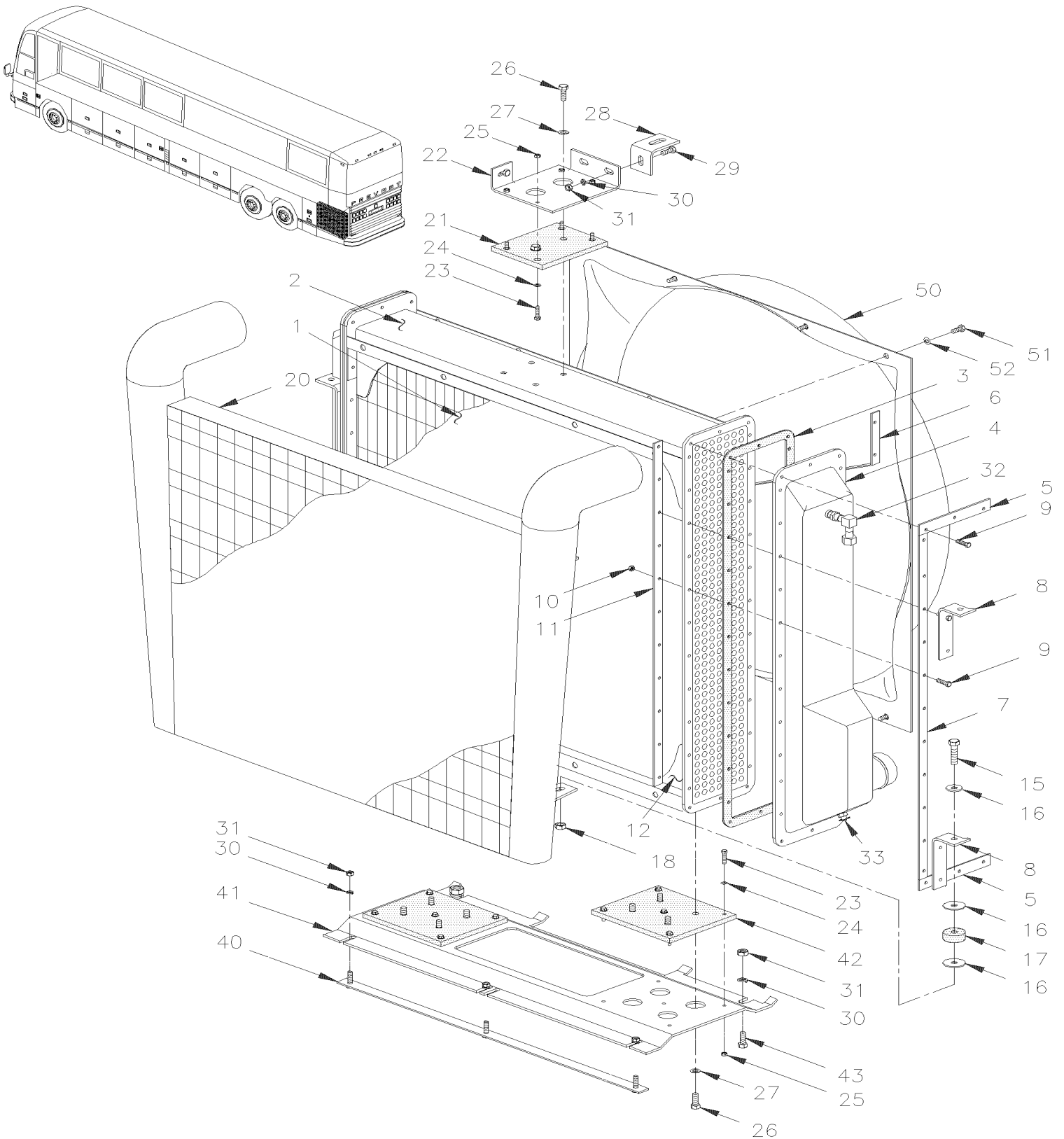
Item#	Part	Description	H 3 4 1	H 3 4 5	V I P 4 5	N O T E S
40	051872	ATTACHMENT STRIP / TO FIX SUPPORT 760MM W/3 STUDS 376/342c/c	1	1		
41	052125	PLATE SUPPORT LOWER RADIATOR	1	1		
42	051836	RUBBER PAD / SUPPORT & RADIATOR 242MM x 165MM W/9 HOLES	2	2		
43	502780	SCREW CAP HEX M8-1.25x25 SS BK	2	2		
50	051837	SHROUD / W/32" FAN BLADE	1	1		
51	500179	SCREW CAP HEX 5/16-18x3/4 G5 Z050	8	8		
52	500476	WASHER LO SPT .317x.586x.078 Z050	8	8		
NS	506001	TAPE RUB ADH1 CC POL 1/8" x 3/4" x 50' / GREY 2520X	AR	AR		
		3) NOT SOLD ASSEMBLY				
		4) NO PARTS NUMBER				

From R-012 To T-1408

Date:10/2022

PAGE:H3-0505-05

RADIATOR ASSY - V.I.P.



From R-012 To T-1408	Date:10/2022	PAGE:H3-0505-05
RADIATOR ASSY - V.I.P.		

Item#	Part	Description	H 3 4 1	H 3 4 5	V I P 4 5	N O T E S
	N.S.A.	RADIATOR ASSY / WATER & AIR COOLER			1	3
	550700	. RADIATOR ASSY / WATER			1	
1	550707	. . CORE			1	
2	550701	. . SUPPORT ASSY TOP			1	
3	550562	. . GASKET, HALF			4	
4	550704	. . TANK / RADIATOR FRONT & REAR			2	
5	051704	. . STRIP / EXTERIOR 7"			4	
NS	550705	. . STRIP / INTERIOR 5.44"			4	
6	550753	. . REINFORCEMENT STRIP "Z" SHAPE / FRONT			1	
6	550754	. . REINFORCEMENT STRIP "Z" SHAPE / REAR			1	
7	550702	. . STRIP / EXTERIOR 35.06"			4	
8	N.S.S.	. . ANGLE			1	1
9	500029	. . SCREW CAP HEX 5/16-24x1 1/2 G5 ZP			AR	
10	500699	. . NUT HEX 5/16-24 Z050			AR	
NS	500826	. . WASHER LO EXT .320x.610x.034 ZP			AR	
11	550703	. . STRIP / INTERIOR 33.44"			4	
12	550706	. . SUPPORT ASSY BOTTOM			1	
15	500831	SCREW CAP HEX 3/8-16x2 G5 ZP			4	
16	500446	WASHER FL .531x1.250x.125 Z050			8	
17	550685	BUSHING INSULATOR / RADIATORS			4	
18	500265	NUT HEX STO 3/8-16 Z050			4	
20	H3-0330-01	AIR FILTER & INTAKE - INSTALLATION				
21	052060	RUBBER PAD / SUPPORT & RADIATOR 165MM x 127MM W/6 HOLES			1	
22	051982	PLATE SUPPORT UPPER RADIATOR			1	
23	502737	SCREW CAP HEX M6-1.0x25 SS BK			12	
24	500468	WASHER FL .281x1.250x.065 Z050			15	
25	502621	NUT HEX STO M6-1.0 Z050			15	
26	500191	SCREW CAP HEX 3/8-16x1 G5 Z050			12	
27	500445	WASHER FL .437x1.000x.083 Z050			15	
28	051844	ATTACHMENT, ANGLE / STRUCTURE & RADIATOR SUPPORT			2	
30	502584	WASHER LO SERR 8.2x26.3x1.8 Z050			AR	
31	502543	NUT HEX M8-1.25 Z050			AR	
32	501332	STREET ELBOW 90° / PIPE FITTING / 1/4NPT-Mx1/4NPT-F BR			1	
NS	501308	ADAPTER / PIPE FITTING / 1/4NPT-Fx1/4NPT-M BR			1	
NS	501027	MALE CONNECTOR / SAE 45° FITTING / #4FL-Mx1/4NPT-M BR			1	
33	501129	EXTERNAL SEAL DRAIN 1/4 NPT			AR	
40	051872	ATTACHMENT STRIP / TO FIX SUPPORT 760MM W/3 STUDS 376/342c/c			1	
41	052015	PLATE SUPPORT LOWER RADIATOR			1	
42	051836	RUBBER PAD / SUPPORT & RADIATOR 242MM x 165MM W/9 HOLES			1	
43	502780	SCREW CAP HEX M8-1.25x25 SS BK			2	
50	051837	SHROUD / W/32" FAN BLADE			1	
51	500179	SCREW CAP HEX 5/16-18x3/4 G5 Z050			8	

From R-012 To T-1408	Date:10/2022	PAGE:H3-0505-05
RADIATOR ASSY - V.I.P.		

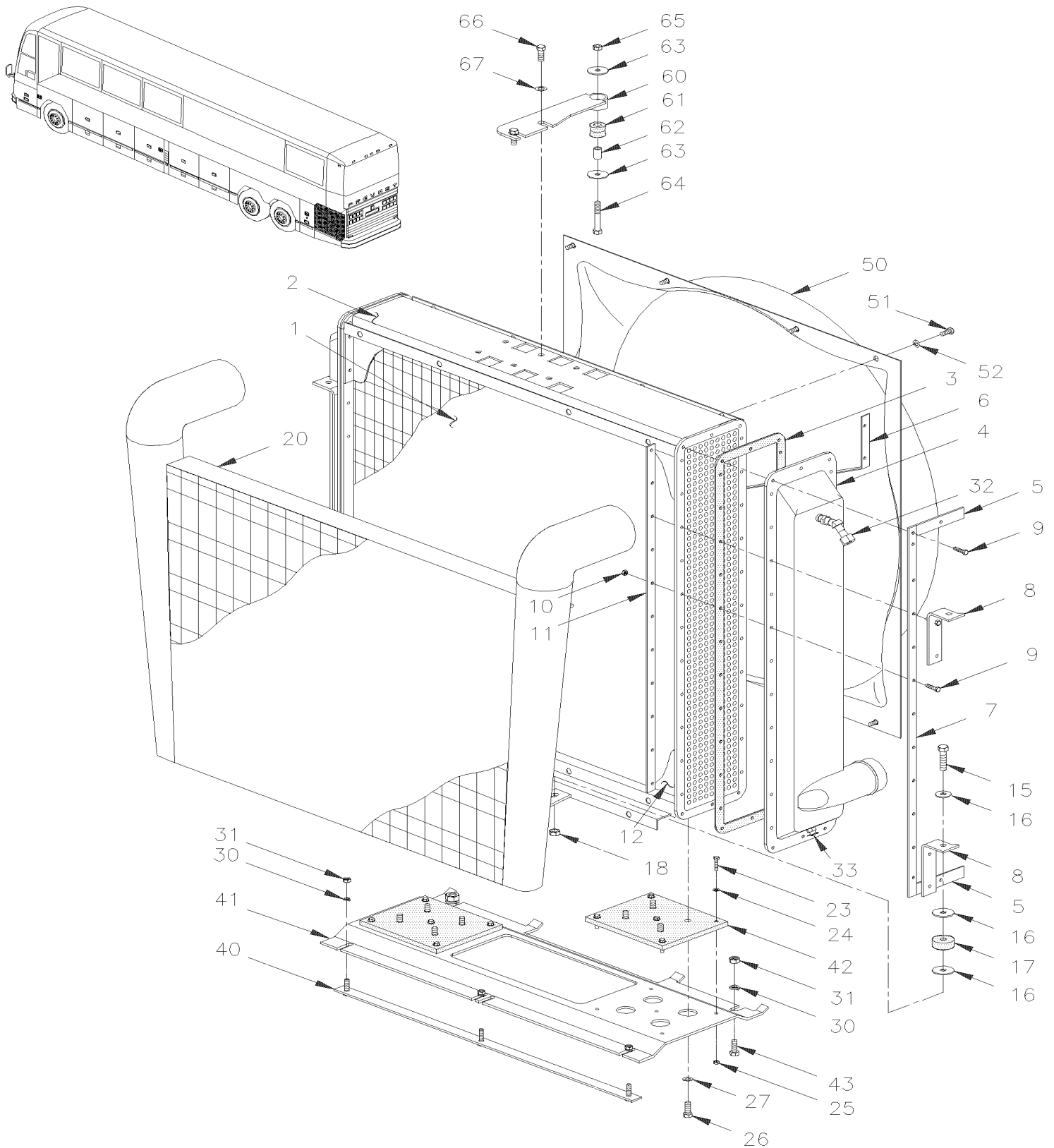
Item#	Part	Description	H 3 4 1	H 3 4 5	V I P 4 5	N O T E S
52	500476	WASHER LO SPT .317x.586x.078 Z050			8	
NS	506001	TAPE RUB ADH1 CC POL 1/8" x 3/4" x 50' / GREY 2520X			AR	
		1) NOT SOLD SEPARATELY				
		3) NOT SOLD ASSEMBLY				

From T-1409 To W-2457

Date:10/2022

PAGE:H3-0505-06

RADIATOR ASSY - V.I.P.



From T-1409 To W-2457	Date:10/2022	PAGE:H3-0505-06
RADIATOR ASSY - V.I.P.		

Item#	Part	Description	H 3 4 1	H 3 4 5	V I P 4 5	N O T E S
		NOTE: FOR V.I.P. VEHICLES FROM X-2488 TO X-2646 WITH SMALL A/C, SEE PAGE H3-0505-07 AND FINAL VEHICLE RECORD.				
	N.S.A.	RADIATOR ASSY / WATER & AIR COOLER			1	3
	550718	. RADIATOR ASSY / WATER			1	A
1	550720	. . CORE			1	
2	550721	. . SUPPORT ASSY TOP			1	
3	550722	. . GASKET, HALF			4	
4	550719	. . TANK / RADIATOR FRONT			1	
4	550726	. . TANK / RADIATOR REAR			1	
5	Call order desk	. . STRIP / EXTERIOR & INTERIOR 7"			8	P
6	550755	. . REINFORCEMENT STRIP "Z" SHAPE			1	
6	550756	. . REINFORCEMENT STRIP "Z" SHAPE			1	
7	550723	. . STRIP / EXTERIOR			4	
7	550725	. . STRIP / INTERIOR			4	
8	N.S.S.	. . ANGLE			4	1
9	500029	. . SCREW CAP HEX 5/16-24x1 1/2 G5 ZP			AR	
10	500699	. . NUT HEX 5/16-24 Z050			AR	
10	500826	. . WASHER LO EXT .320x.610x.034 ZP			AR	
12	550706	. . SUPPORT ASSY BOTTOM			1	
15	500831	SCREW CAP HEX 3/8-16x2 G5 ZP			4	
16	500446	WASHER FL .531x1.250x.125 Z050			8	
17	550685	BUSHING INSULATOR / RADIATORS			4	
18	500265	NUT HEX STO 3/8-16 Z050			4	
20	H3-0330-01	AIR FILTER & INTAKE - INSTALLATION			1	
21	052060	RUBBER PAD / SUPPORT & RADIATOR 165MM x 127MM W/6 HOLES			1	
NS	500679	SCREW CAP HEX 3/8-16x5/8 G5 ZP			2	
23	502737	SCREW CAP HEX M6-1.0x25 SS BK			12	
24	500468	WASHER FL .281x1.250x.065 Z050			15	
25	502621	NUT HEX STO M6-1.0 Z050			12	
26	500191	SCREW CAP HEX 3/8-16x1 G5 Z050			12	
31	502543	NUT HEX M8-1.25 Z050			3	
32	501332	STREET ELBOW 90° / PIPE FITTING / 1/4NPT-Mx1/4NPT-F BR			1	
NS	501308	ADAPTER / PIPE FITTING / 1/4NPT-Fx1/4NPT-M BR			1	
NS	501027	MALE CONNECTOR / SAE 45° FITTING / #4FL-Mx1/4NPT-M BR			1	
33	501129	EXTERNAL SEAL DRAIN 1/4 NPT			1	
NS	501329	STREET ELBOW 45° / PIPE FITTING / 1/4NPT-Mx1/4NPT-F BR			1	
40	052224	ATTACHMENT, STRIP 768MM W/3 STUDS / TO FIX SUPPORT 364/364c/c			1	
41	052201	PLATE SUPPORT LOWER RADIATOR			1	
42	051836	RUBBER PAD / SUPPORT & RADIATOR 242MM x 165MM W/9 HOLES			2	
43	502780	SCREW CAP HEX M8-1.25x25 SS BK			2	

From T-1409 To W-2457	Date:10/2022	PAGE:H3-0505-06
RADIATOR ASSY - V.I.P.		

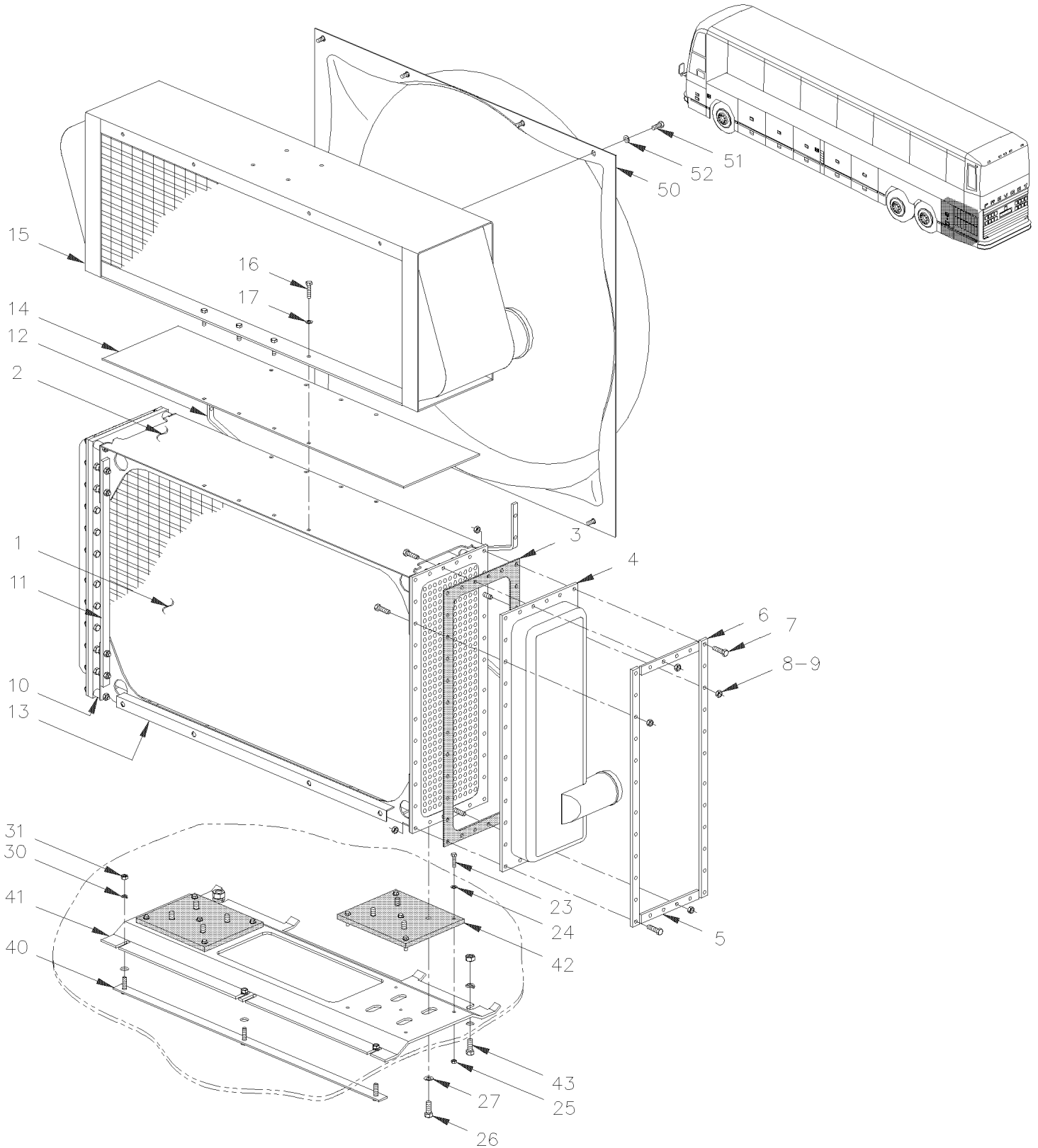
Item#	Part	Description	H 3 4 1	H 3 4 5	V I P 4 5	N O T E S
50	052114	SHROUD / W/32" FAN BLADE			1	
51	5001040	SCREW TC PAN PH #6-32x3/4 SS			4	
52	500157	WASHER FL .125x.375x.032 SS			4	
NS	506001	TAPE RUB ADH1 CC POL 1/8" x 3/4" x 50' / GREY 2520X			AR	
60	052110	ATTACHMENT / UPPER RADIATOR			1	
61	660253	BUSHING / RUBBER / (ONE PIECE) 1 1/2" x 5/8" I.D.			1	
62	505217	SPACER 7/16" X 1 1/4"			1	
63	500935	WASHER FL .390x1.500x.083			2	
64	500195	SCREW CAP HEX 3/8-16x2 1/2 G5 Z050			1	
65	500265	NUT HEX STO 3/8-16 Z050			1	
66	500191	SCREW CAP HEX 3/8-16x1 G5 Z050			2	
67	500478	WASHER LO SPT .380x.683x.094 Z050			2	
		A) THIS RADIATOR IT USE WITH 470HP ENGINE AND IT'S IN OPTION ON COACH				
		1) NOT SOLD SEPARATELY				
		3) NOT SOLD ASSEMBLY				
		P) CALL ORDER DESK FOR SPECIFIC APPLICATION (V.I.N.)				

From X-2458 To 2-4416

Date:10/2022

PAGE:H3-0505-07

RADIATOR ASSY - V.I.P.



From X-2458 To 2-4416	Date:10/2022	PAGE:H3-0505-07
RADIATOR ASSY - V.I.P.		

Item#	Part	Description	H 3 4 1	H 3 4 5	V I P 4 5	N O T E S
	N.S.A.	RADIATOR ASSY / WATER & AIR COOLER			1	3
	550759	. RADIATOR ASSY / WATER			1	A
1	550760	. . CORE			1	
2	550764	. . SUPPORT ASSY TOP			1	
3	550768	. . GASKET, HALF			4	
4	550761	. . TANK / RADIATOR FRONT			1	
4	550762	. . TANK / RADIATOR REAR			1	
5	550766	. . STRIP / EXTERIOR & INTERIOR 6 1/2"			8	
6	550767	. . STRIP / EXTERIOR & INTERIOR 22 1/2"			8	
8	500778	. . NUT HEX 5/16-18 N500			68	
9	500446	. . WASHER FL .531x1.250x.125 Z050			72	
10	550770	. . BUSHING			4	
NS	500183	. . SCREW CAP HEX 5/16-18x1 1/2 G5 PT Z050			4	
NS	500185	. . SCREW CAP HEX 5/16-18x2 1/4 G5 Z050			4	
NS	502600	. . NUT HEX NYRT 5/16-18 Z050			4	
11	550771	. . STRIP, TIE BAR 20"			1	
12	550763	. . REINFORCEMENT STRIP "Z" SHAPE			1	
13	550765	. . SUPPORT ASSY BOTTOM			1	
NS	550103	. . RUBBER PAD 10FT LG.			AR	
14	550769	. . STRIP, PLASTIC			1	
NS	500826	. . WASHER LO EXT .320x.610x.034 ZP			8	
NS	500181	. . SCREW CAP HEX 5/16-18x1 G5 Z050			8	
NS	500985	. . WASHER FL .343x.875x.125 Z050			8	
15	H3-0330-01	AIR FILTER & INTAKE - INSTALLATION			1	
21	052060	RUBBER PAD / SUPPORT & RADIATOR 165MM x 127MM W/6 HOLES			1	
NS	500679	SCREW CAP HEX 3/8-16x5/8 G5 ZP			2	
23	502737	SCREW CAP HEX M6-1.0x25 SS BK			12	
24	500468	WASHER FL .281x1.250x.065 Z050			15	
25	502621	NUT HEX STO M6-1.0 Z050			12	
26	500191	SCREW CAP HEX 3/8-16x1 G5 Z050			12	
31	502543	NUT HEX M8-1.25 Z050			3	
32	501332	STREET ELBOW 90° / PIPE FITTING / 1/4NPT-Mx1/4NPT-F BR			1	
NS	501308	ADAPTER / PIPE FITTING / 1/4NPT-Fx1/4NPT-M BR			1	
NS	501027	MALE CONNECTOR / SAE 45° FITTING / #4FL-Mx1/4NPT-M BR			1	
33	501129	EXTERNAL SEAL DRAIN 1/4 NPT			1	
NS	501329	STREET ELBOW 45° / PIPE FITTING / 1/4NPT-Mx1/4NPT-F BR			1	
40	052224	ATTACHMENT, STRIP 768MM W/3 STUDS / TO FIX SUPPORT 364/364c/c			1	
41	052201	PLATE SUPPORT LOWER RADIATOR			1	
42	051836	RUBBER PAD / SUPPORT & RADIATOR 242MM x 165MM W/9 HOLES			2	
43	502780	SCREW CAP HEX M8-1.25x25 SS BK			2	
50	052195	SHROUD / W/36" FAN BLADE			1	
51	5001040	SCREW TC PAN PH #6-32x3/4 SS			4	

From X-2458 To 2-4416	Date:10/2022	PAGE:H3-0505-07
RADIATOR ASSY - V.I.P.		

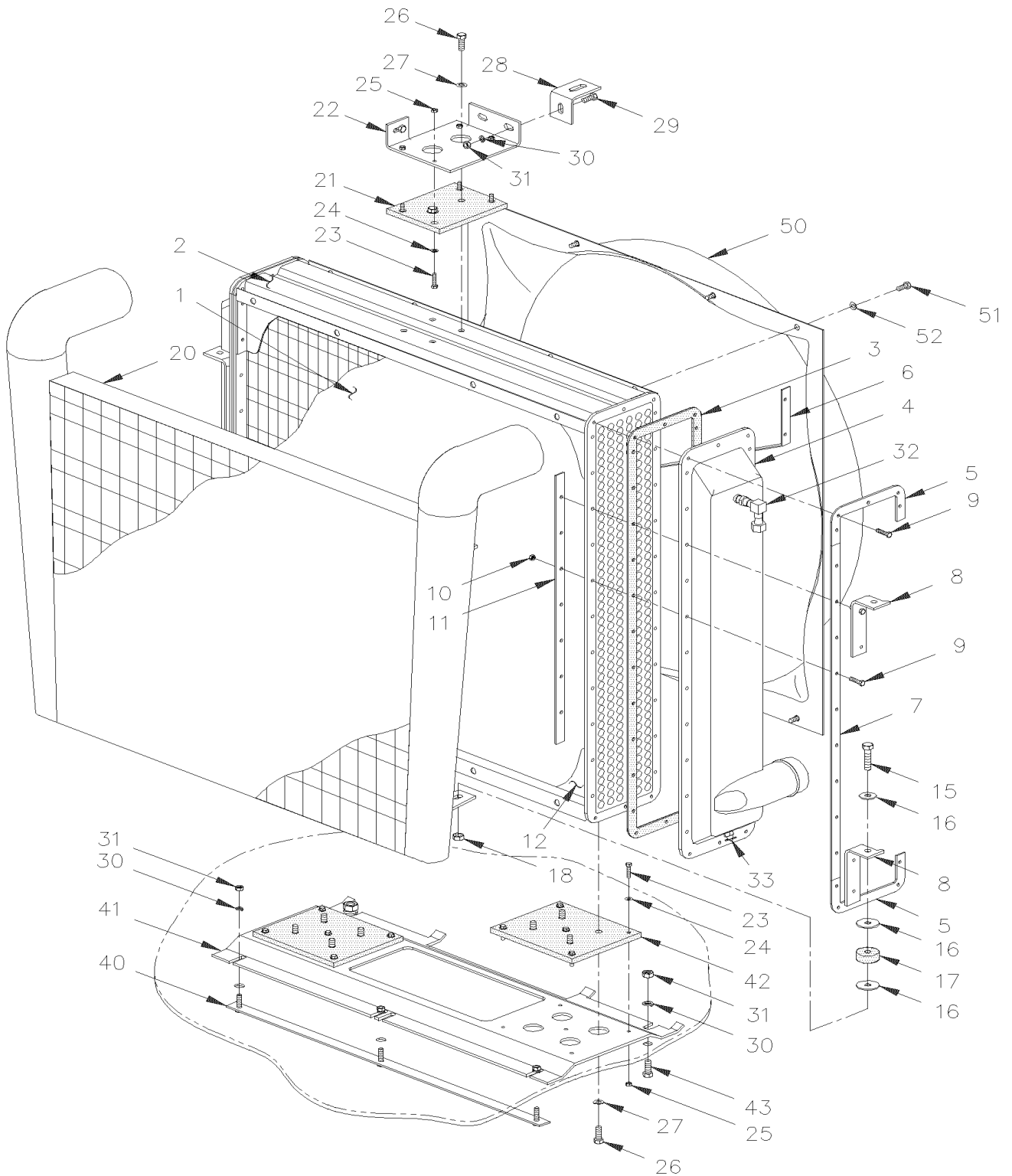
Item#	Part	Description	H 3 4 1	H 3 4 5	V I P 4 5	N O T E S
52	500157	WASHER FL .125x.375x.032 SS			4	
NS	506001	TAPE RUB ADH1 CC POL 1/8" x 3/4" x 50' / GREY 2520X			AR	
60	052110	ATTACHMENT / UPPER RADIATOR			AR	
61	660253	BUSHING / RUBBER / (ONE PIECE) 1 1/2" x 5/8" I.D.			1	
62	505217	SPACER 7/16" X 1 1/4"			1	
63	500935	WASHER FL .390x1.500x.083			2	
64	500195	SCREW CAP HEX 3/8-16x2 1/2 G5 Z050			1	
65	500265	NUT HEX STO 3/8-16 Z050			1	
66	500191	SCREW CAP HEX 3/8-16x1 G5 Z050			2	
67	500478	WASHER LO SPT .380x.683x.094 Z050			2	
		A) EXCEPTIONALLY, ALL THOSE VEHICLES ARE EQUIPPED WITH RADIATOR LISTED AT PAGE H3-0505-06 : X-2488, X-2587, X-2595, X-2599, X-2604, X-2625, X-2629, X-2633, X-2643, X-2647, X-2748, X-2766, X-2775 & X-2781				
		3) NOT SOLD ASSEMBLY				

From X-2959 To 1-4209

Date:10/2022

PAGE:H3-0505-08

RADIATOR ASSY - BUS



From X-2959 To 1-4209	Date:10/2022	PAGE:H3-0505-08
RADIATOR ASSY - BUS		

Item#	Part	Description	H 3 4 1	H 3 4 5	V I P 4 5	N O T E S
	N.S.A.	RADIATOR ASSY / WATER & AIR COOLER	1	1		3
	550700	. RADIATOR ASSY / WATER	1	1		
1	550707	. . CORE	1	1		
2	550701	. . SUPPORT ASSY TOP	1	1		
3	550562	. . GASKET, HALF	4	4		
4	550704	. . TANK / RADIATOR FRONT & REAR	2	2		
5	051704	. . STRIP / EXTERIOR 7"	4	4		
NS	550705	. . STRIP / INTERIOR 5.44"	4	4		
6	550753	. . REINFORCEMENT STRIP "Z" SHAPE / FRONT	1	1		
6	550754	. . REINFORCEMENT STRIP "Z" SHAPE / REAR	1	1		
7	550702	. . STRIP / EXTERIOR 35.06"	4	4		
8	N.P.N.	. . ANGLE	1	1		4
9	500029	. . SCREW CAP HEX 5/16-24x1 1/2 G5 ZP	AR	AR		
10	500699	. . NUT HEX 5/16-24 Z050	AR	AR		
NS	500826	. . WASHER LO EXT .320x.610x.034 ZP	AR	AR		
11	550703	. . STRIP / INTERIOR 33.44"	4	4		
12	550706	. . SUPPORT ASSY BOTTOM	1	1		
15	500831	SCREW CAP HEX 3/8-16x2 G5 ZP	4	4		
16	500446	WASHER FL .531x1.250x.125 Z050	8	8		
17	550685	BUSHING INSULATOR / RADIATORS	4	4		
18	500265	NUT HEX STO 3/8-16 Z050	4	4		
20	H3-0330-01	AIR FILTER & INTAKE - INSTALLATION	1	1		
21	052060	RUBBER PAD / SUPPORT & RADIATOR 165MM x 127MM W/6 HOLES	1	1		
22	051982	PLATE SUPPORT UPPER RADIATOR	1	1		
23	502737	SCREW CAP HEX M6-1.0x25 SS BK	4	4		
24	500468	WASHER FL .281x1.250x.065 Z050	4	4		
25	502621	NUT HEX STO M6-1.0 Z050	4	4		
26	500191	SCREW CAP HEX 3/8-16x1 G5 Z050	2	2		
27	500445	WASHER FL .437x1.000x.083 Z050	2	2		
28	052058	ATTACHMENT, ANGLE 55.50MM X 72.50 X 50.80MM	1	1		
29	502597	SCREW CAP HEX M8-1.25x22 G8.8 EMN	6	6		
30	502584	WASHER LO SERR 8.2x26.3x1.8 Z050	6	6		
31	502543	NUT HEX M8-1.25 Z050	6	6		
32	501332	STREET ELBOW 90° / PIPE FITTING / 1/4NPT-Mx1/4NPT-F BR	1	1		
NS	501308	ADAPTER / PIPE FITTING / 1/4NPT-Fx1/4NPT-M BR	1	1		
NS	501027	MALE CONNECTOR / SAE 45° FITTING / #4FL-Mx1/4NPT-M BR	1	1		
33	501129	EXTERNAL SEAL DRAIN 1/4 NPT	1	1		
40	052224	ATTACHMENT, STRIP 768MM W/3 STUDS / TO FIX SUPPORT 364/364c/c	1	1		
41	052201	PLATE SUPPORT LOWER RADIATOR	1	1		
42	051836	RUBBER PAD / SUPPORT & RADIATOR 242MM x 165MM W/9 HOLES	2	2		
43	502780	SCREW CAP HEX M8-1.25x25 SS BK	2	2		
50	051837	SHROUD / W/32" FAN BLADE	1	1		

From X-2959 To 1-4209	Date:10/2022	PAGE:H3-0505-08
RADIATOR ASSY - BUS		

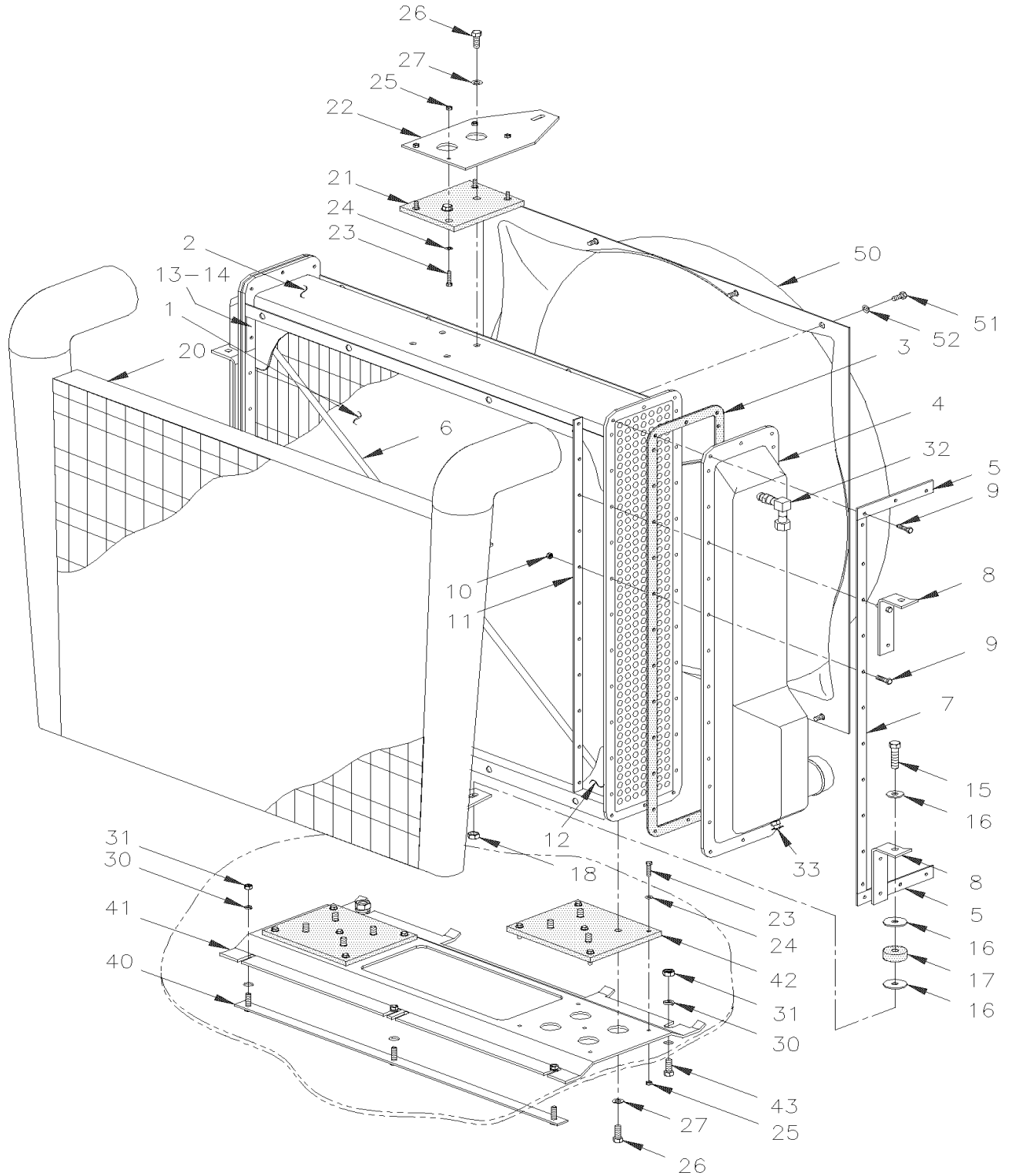
Item#	Part	Description	H 3 4 1	H 3 4 5	V I P 4 5	N O T E S
51	500179	SCREW CAP HEX 5/16-18x3/4 G5 Z050	8	8		
52	500476	WASHER LO SPT .317x.586x.078 Z050	8	8		
NS	506001	TAPE RUB ADH1 CC POL 1/8" x 3/4" x 50' / GREY 2520X	AR	AR		
		3) NOT SOLD ASSEMBLY				
		4) NO PARTS NUMBER				

From 1-4210 To 2-4416

Date:10/2022

PAGE:H3-0505-09

RADIATOR ASSY - BUS



From 1-4210 To 2-4416	Date:10/2022	PAGE:H3-0505-09
RADIATOR ASSY - BUS		

Item#	Part	Description	H 3 4 1	H 3 4 5	V I P 4 5	N O T E S
	550821	RADIATOR ASSY / WATER & AIR COOLER	1	1		
	550822	. RADIATOR ASSY / WATER	1	1		
1	550707	. . CORE	1	1		
2	550827	. . SUPPORT ASSY TOP	1	1		
3	550815	. . GASKET (ONE PIECE)	4	4		
4	550704	. . TANK / RADIATOR FRONT & REAR	2	2		
5	051704	. . STRIP / EXTERIOR 7"	4	4		
NS	550705	. . STRIP / INTERIOR 5.44"	4	4		
6	550829	. . REINFORCEMENT ROD 3/8" x 41"	2	2		
7	550702	. . STRIP / EXTERIOR 35.06"	4	4		
8	N.P.N.	. . ANGLE	1	1		4
9	500182	. . SCREW CAP HEX 5/16-18x1 1/4 G5 PT Z050	AR	AR		
10	500701	. . NUT HEX 5/16-18 ZP	AR	AR		
NS	500826	. . WASHER LO EXT .320x.610x.034 ZP	AR	AR		
11	550703	. . STRIP / INTERIOR 33.44"	4	4		
12	550828	. . SUPPORT ASSY BOTTOM	1	1		
13	550830	TIE BAR / UPPER & LOWER SUPPORT	2	2		
NS	550770	BUSHING	1	1		
14	500265	NUT HEX STO 3/8-16 Z050	4	4		
15	500831	SCREW CAP HEX 3/8-16x2 G5 ZP	4	4		
16	500446	WASHER FL .531x1.250x.125 Z050	8	8		
17	550685	BUSHING INSULATOR / RADIATORS	4	4		
18	500265	NUT HEX STO 3/8-16 Z050	4	4		
20	H3-0330-01	AIR FILTER & INTAKE - INSTALLATION	1	1		
21	052060	RUBBER PAD / SUPPORT & RADIATOR 165MM x 127MM W/6 HOLES	1	1		
22	051982	PLATE SUPPORT UPPER RADIATOR	1	1		
23	502737	SCREW CAP HEX M6-1.0x25 SS BK	4	4		
24	500468	WASHER FL .281x1.250x.065 Z050	4	4		
25	502621	NUT HEX STO M6-1.0 Z050	4	4		
26	500191	SCREW CAP HEX 3/8-16x1 G5 Z050	2	2		
27	500445	WASHER FL .437x1.000x.083 Z050	2	2		
28	052058	ATTACHMENT, ANGLE 55.50MM X 72.50 X 50.80MM	1	1		
29	502597	SCREW CAP HEX M8-1.25x22 G8.8 EMN	6	6		
30	502584	WASHER LO SERR 8.2x26.3x1.8 Z050	6	6		
31	502543	NUT HEX M8-1.25 Z050	6	6		
32	501332	STREET ELBOW 90° / PIPE FITTING / 1/4NPT-Mx1/4NPT-F BR	1	1		
NS	501308	ADAPTER / PIPE FITTING / 1/4NPT-Fx1/4NPT-M BR	1	1		
NS	501027	MALE CONNECTOR / SAE 45° FITTING / #4FL-Mx1/4NPT-M BR	1	1		
33	501129	EXTERNAL SEAL DRAIN 1/4 NPT	1	1		
40	051872	ATTACHMENT STRIP / TO FIX SUPPORT 760MM W/3 STUDS 376/342c/c	1	1		
41	052201	PLATE SUPPORT LOWER RADIATOR	1	1		
42	051836	RUBBER PAD / SUPPORT & RADIATOR 242MM x 165MM W/9 HOLES	2	2		

From 1-4210 To 2-4416	Date:10/2022	PAGE:H3-0505-09
RADIATOR ASSY - BUS		

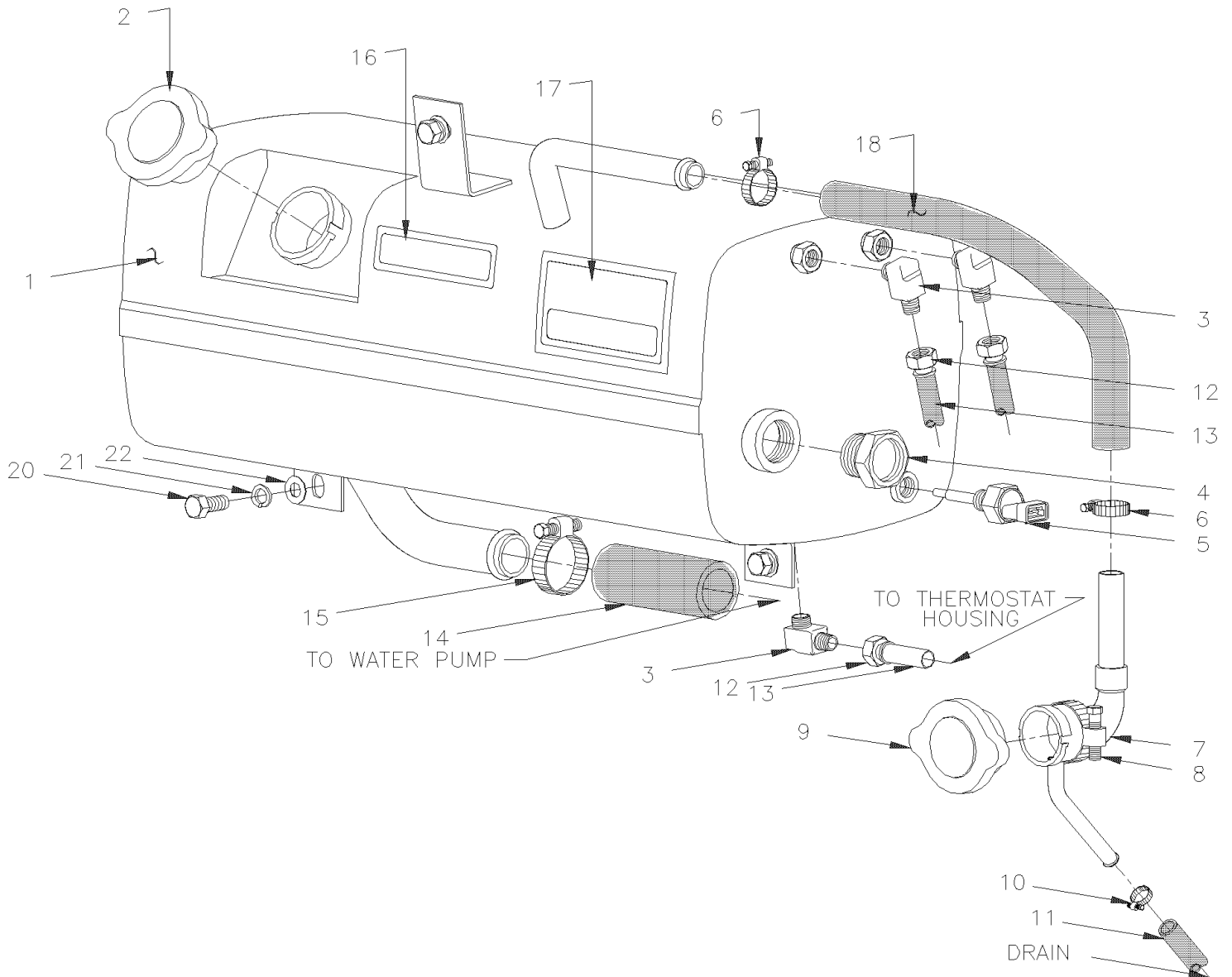
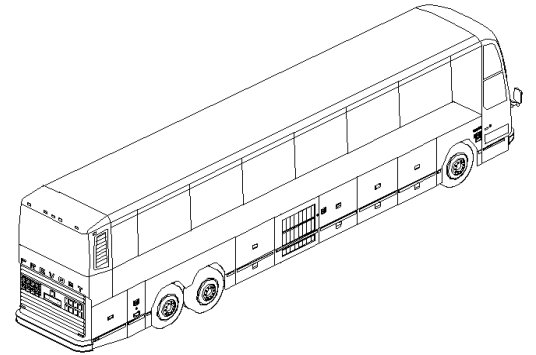
Item#	Part	Description	H 3 4 1	H 3 4 5	V I P 4 5	N O T E S
43	502780	SCREW CAP HEX M8-1.25x25 SS BK	2	2		
50	051837	SHROUD / W/32" FAN BLADE	1	1		
51	500179	SCREW CAP HEX 5/16-18x3/4 G5 Z050	8	8		
52	500476	WASHER LO SPT .317x.586x.078 Z050	8	8		
NS	506001	TAPE RUB ADH1 CC POL 1/8" x 3/4" x 50' / GREY 2520X	AR	AR		
		4) NO PARTS NUMBER				

From R-012 To 2-4416

Date:10/2022

PAGE:H3-0510-01

SURGE TANK



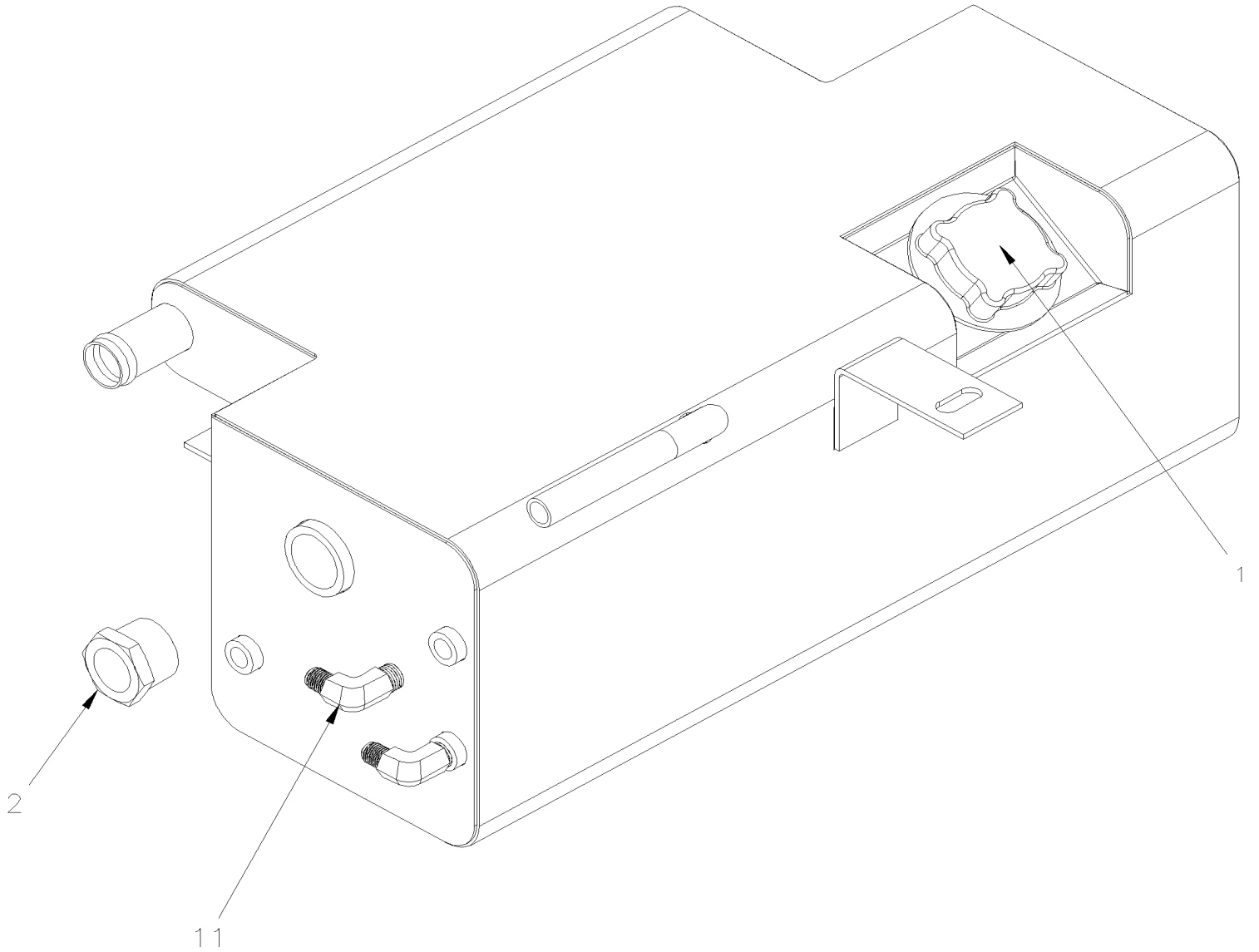
From R-012 To 2-4416	Date:10/2022	PAGE:H3-0510-01
SURGE TANK		

Item#	Part	Description	H 3 4 1	H 3 4 5	V I P 4 5	N O T E S
1	051864	SURGE TANK ASSY To X-3097	1	1	1	
1	052304	SURGE TANK ASSY From X-3098	1	1	1	
1	053658	SURGE TANK ASSY AFTER MARKET	1	1	1	
2	530191	. CAP FILLER To X-3097	1	1	1	
2	052355	. CAP FILLER From X-3098	1	1	1	
3	501037	. MALE ELBOW 90° / SAE 45° FITTING / #4FL-Mx1/4NPT-M BR	3	3	3	
4	550618	. SIGHT GLASS 1" NPT	1	1	1	
4	21331481	. SIGHT GLASS 1" NPT	1	1	1	
5	562395	. SENSOR PROBE "LOW LEVEL COOLANT" / 1/4" NPT	1	1	1	
6	504019	HOSE CLAMP / 9/16"-1"1/16 SS / HS-10	2	2	2	
7	051495	PIPE ASSY	1	1	1	
9	550606	CAP PRESSURE / OVER 14 LBS	1	1	1	
10	504018	HOSE CLAMP / 7/16"-1" SS / HS-8	1	1	1	
11	052068	HOSE / LOWER / #6 1551MM To X-3301	1	1	1	
11	052366	HOSE / LOWER / #6 1550MM From X-3302	1	1	1	
. NS	503702	. HOSE / (SAFETY STRIPE) / 3/8" I.D. 50' / S.L. From X-3302	AR	AR	AR	
11	503058	. HOSE / AIR BRAKE #6 / S.L.	AR	AR	AR	
12	501347	. FEMALE CONNECTOR SWIVEL / PUSH-LOK FITTING #4JIC-Fx#4 BR	2	2	2	
13	010581	HOSE ASSY / TO THERMOSTAT / #4 890MM To X-3116	1	1		
13	052332	HOSE ASSY / TO THERMOSTAT / #4 890MM From X-3117	1	1		
13	010581	HOSE ASSY / TO THERMOSTAT / #4 890MM To W-2457			1	
13	052362	HOSE ASSY TEFLON #4 890MM	1	1	1	S
13	051865	HOSE ASSY / TO THERMOSTAT / #4 950MM From X-2458 To X-3116			1	
13	052331	HOSE ASSY / TO THERMOSTAT / #4 950MM From X-3117			1	
13	052361	HOSE ASSY TEFLON #4 950MM	1	1	1	S
13	010565	HOSE ASSY / TO RADIATOR / #4 572MM To X-3116	1	1	1	
13	052330	HOSE ASSY / TO RADIATOR / #4 572MM From X-3117	1	1	1	
13	052363	HOSE ASSY TEFLON #4 572MM	1	1	1	S
13	503411	. HOSE / 2556 / #4 X 50' To X-3116	AR	AR	AR	
13	503692	. HOSE / (SAFETY STRIPE) / 1/4" I.D. 50' / S.L. From X-3117	AR	AR	AR	
14	051859	HOSE 1" I.D. 1420MM To Y-3899	1	1	1	
14	052389	HOSE 1" I.D. 1145MM From Y-3900	1	1	1	
14	503579	. HOSE 1" I.D. X 50' / "GREEN STRIPE"	AR	AR	AR	
NS	23509196	HOSE ADAPTOR 45 DEG HOSE & ELBOW 90 SERVICE	1	1	1	
NS	501663	MALE ELBOW 90° / JIC 37° FITTING / #16JIC-Mx3/4NPT-M STL	1	1	1	
15	504658	HOSE CLAMP / 13/16"-1"3/4 / C.T. 9420	1	1	1	
16	050682	DECAL / ANTIFREEZE / ENGLISH & FRANCAIS	1	1	1	
16	052574	DECAL / ANTIFREEZE / ENGLISH & SPANISH	1	1	1	
17	050781	DECAL / COOLANT CAPACITY / 91 LITERS / ENGLISH & FRANCAIS	1	1	1	
18	051568	HOSE / UPPER / 5/8" I.D. 318MM	1	1	1	
18	503007	. HOSE 2 PLY / RADIATOR HOSE / 5/8" I.D. / S.L.	AR	AR	AR	
20	502790	SCREW CAP HEX M8-1.25x20 G8.8 Z050	3	3	3	

From R-012 To 2-4416	Date:10/2022	PAGE:H3-0510-01
SURGE TANK		

Item#	Part	Description	H 3 4 1	H 3 4 5	V I P 4 5	N O T E S
21	502507	WASHER LO SPT 8.1x14.8x2.0 Z050	3	3	3	
22	500874	WASHER FL 8.4x17.0x1.6 Z050	3	3	3	
		S) OPTION WITH HOSE STAINLESS STEEL BRAIDED				

From R-012 To 2-4416	Date:10/2022	PAGE:053658
SURGE TANK ASSY AFTER MARKET		



From R-012 To 2-4416	Date:10/2022	PAGE:053658
----------------------	--------------	-------------

SURGE TANK ASSY AFTER MARKET

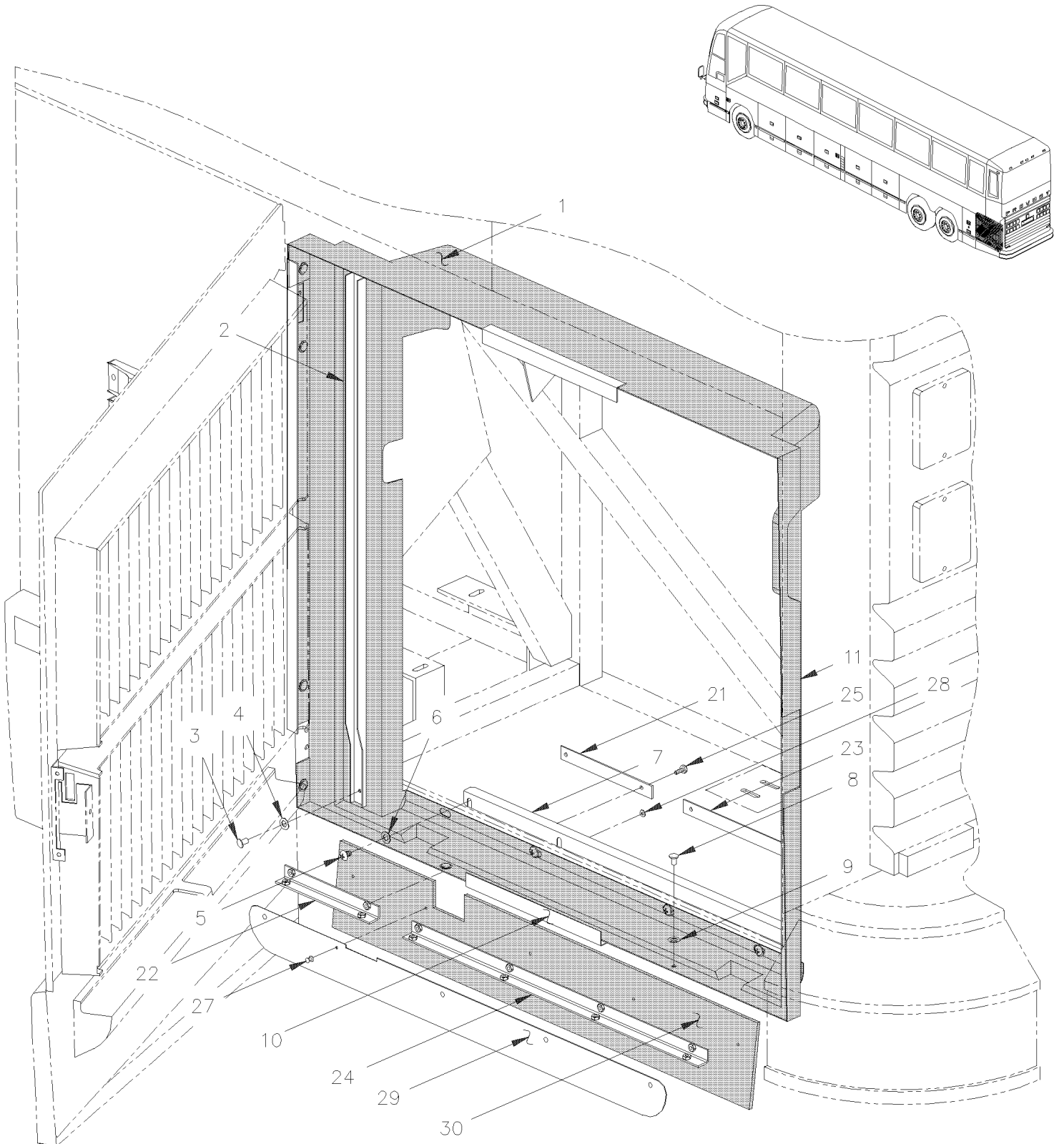
Item#	Part	Description	H 3 4 1	H 3 4 5	V I P 4 5	N O T E S
1	3979593	FILLER CAP	1	1	1	
. NS	3979595	. SEAL	1	1	1	
2	21331481	SIGHT GLASS 1" NPT	1	1	1	
11	0273686	MALE ELBOW 90° / JIC 37° FITTING / #4JIC-Mx1/4NPT-M BR	1	1	1	

From R-012 To 2-4416

Date:10/2022

PAGE:H3-0518-03

RADIATOR SEALING FRAME



From R-012 To 2-4416 Date:10/2022 PAGE:H3-0518-03

RADIATOR SEALING FRAME

Item#	Part	Description	H 3 4 1	H 3 4 5	V I P 4 5	N O T E S
1	051999	FRAME, SEALING To S-283	1	1		
1	052079	FRAME, SEALING From S-284 To X-2958	1	1		A
1	051997	FRAME, SEALING To S-283			1	
1	052107	FRAME, SEALING From S-284 To T-1408			1	
1	052107	FRAME, SEALING From X-2959	1	1		
1	052115	FRAME, SEALING From T-1409 To W-2457			1	B
1	052194	FRAME, SEALING From X-2457 To X-2861			1	C
1	052259	FRAME, SEALING From X-2862			1	
1	052251	CLOSING PLATE 90MM X 42MM From X-2862			1	
NS	506003	TAPE RUB ADH1 CC POL 3/16" x 3/4" x 40' / GREY 2520X	AR	AR	AR	G
NS	506007	TAPE RUB ADH1 CC NEO 3/4" x 1" x 10' / BLACK 1220	AR	AR	AR	G
2	051986	U CHANEL RETAINER	1	1	1	
3	504339	RIVET POP DOME OE 1/8x3/8 SS	7	7	7	
4	500437	WASHER FL .125x.375x.040 Z050	7	7	7	
5	500179	SCREW CAP HEX 5/16-18x3/4 G5 Z050	AR	AR	AR	
5	500845	SCREW CAP HEX 5/16-18x1/2 G5 Z050	AR	AR	AR	
6	502583	WASHER LO SERR 8.15x22.3x1.0 Z050	AR	AR	AR	
NS	504339	RIVET POP DOME OE 1/8x3/8 SS	7	7	7	
7	051985	ANGLE, RETAINER	1	1	1	
8	502673	SCREW TC PAN PH #6-32x1/2 SS	AR	AR	AR	
8	500874	WASHER FL 8.4x17.0x1.6 Z050	8	8	8	
9	502556	WASHER FL 4.3x9.0x0.8 SS	AR	AR	AR	
10	212056	RETAINER 12" / WELDED TO FRAME To S-283	2	2	2	
11	212055	RETAINER 32" / WELDED TO FRAME To S-283	2	2	2	
20	052237	AIR SHIELD ASSY From W-2458 To Y-3596	1	1	1	D
21	052233	. ANCHOR PLATE From W-2458 To Y-3596	1	1	1	D
22	052232	. ANCHOR ANGLE From W-2458 To Y-3596	1	1	1	D
23	052234	. ANCHOR PLATE From W-2458 To Y-3596	1	1	1	D
24	052230	. ANCHOR ANGLE From W-2458 To Y-3596	1	1	1	D
25	5001315	. SCREW CAP HEX 1/4-20x1 SS From W-2458 To Y-3596	6	6	6	
NS	500476	. WASHER LO SPT .317x.586x.078 Z050 From W-2458 To Y-3596	6	6	6	
27	504250	. RIVET CHY Q PRDG 3/16x1/2 SS From W-2458 To Y-3596	5	5	5	
28	500989	. WASHER FL .219x.875x.062 Z050 From W-2458 To Y-3596	1	1	1	
29	052235	. PANEL / STANLESS STEEL From W-2458 To Y-3596	1	1	1	D
30	052229	. AIR SHIELD From W-2458 To Y-3596	1	1	1	D
NS	5001315	SCREW CAP HEX 1/4-20x1 SS From W-2458	6	6	6	
NS	500473	WASHER LO SPT .262x.489x.062 Z050 From W-2458	6	6	6	
NS	500411	WASHER FL .260x.697x.050 SS From W-2458	6	6	6	
NS	052269	DECAL "WARNING WARANTY....." From W-2458 To Y-3596	1	1	1	
NS	052375	DECAL / "WARNING WARANTY....." / ENGLISH & FRANCAIS From Y-3597	1	1	1	
30	052576	DECAL / "WARNING WARANTY....." / ENGLISH & SPANISH From Y-3597	1	1	1	

From R-012 To 2-4416	Date:10/2022	PAGE:H3-0518-03
----------------------	--------------	-----------------

RADIATOR SEALING FRAME

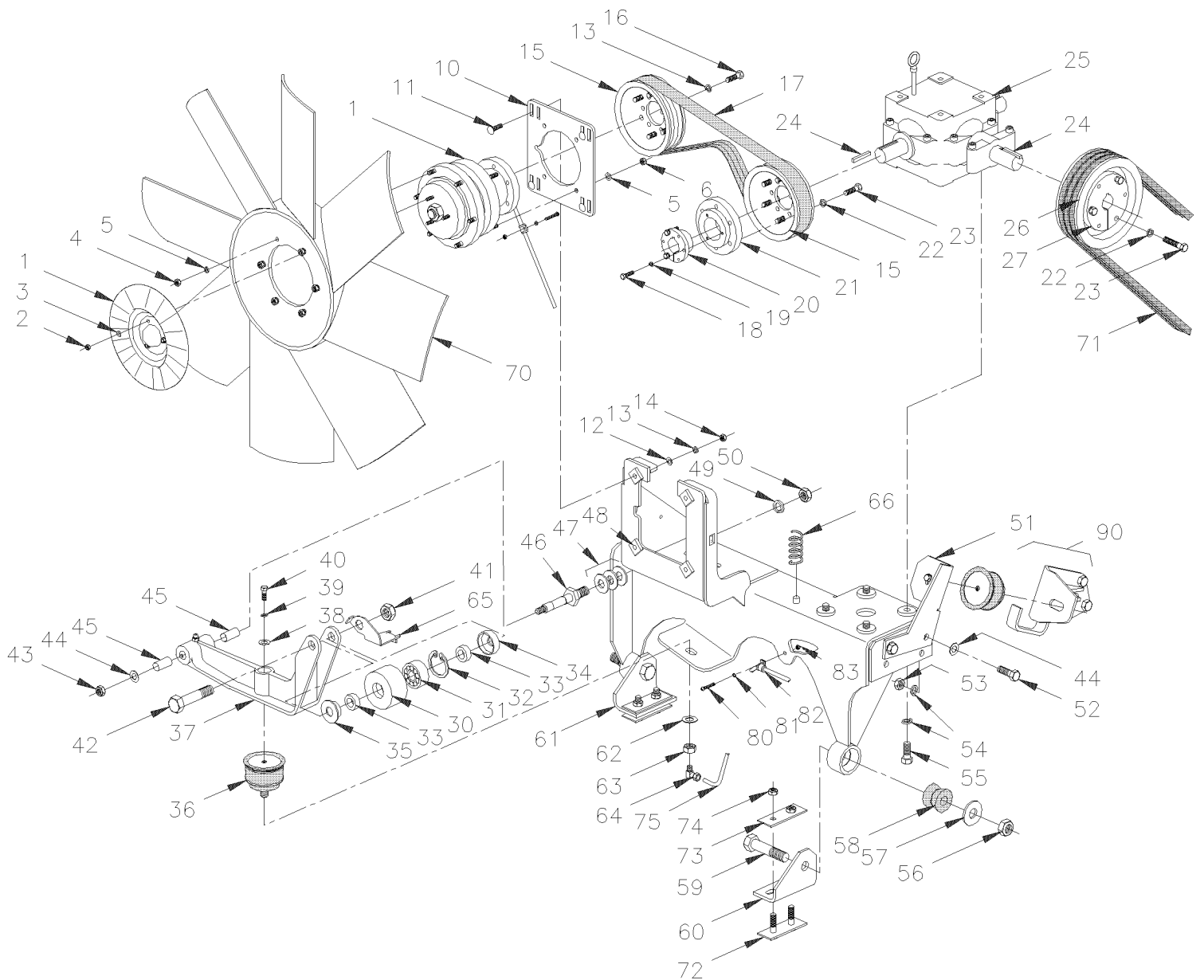
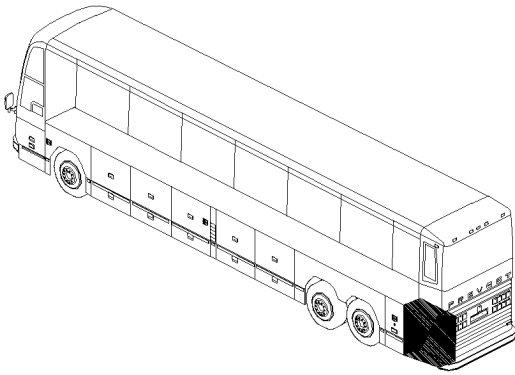
Item#	Part	Description	H 3 4 1	H 3 4 5	V I P 4 5	N O T E S
		A) COACH EQUIPPED W/VIP COOLING SYSTEM, SEE FINAL VEHICLE RECORD				
		B) USE WITH ENGINE 470HP (SEE PAGE H3-0505-06)				
		C) USE WITH ENGINE 500HP (SEE PAGE H3-0505-07)				
		D) FOR PRODUCT IMPROVMENT ASK KIT #052381, SEE PAGE H3-0155-11				
		G) RADIATOR & FRAME				

From R-012 To 2-4416

Date:10/2022

PAGE:H3-0520-03

FAN DRIVE - INSTALLATION



From R-012 To 2-4416	Date:10/2022	PAGE:H3-0520-03
FAN DRIVE - INSTALLATION		

Item#	Part	Description	H 3 4 1	H 3 4 5	V I P 4 5	N O T E S
	052006P	FAN DRIVE ASSY	1	1	1	
1	H3-0540-01	. FAN CLUTCH ASSY - #550634 (SERVICE)				C
1	H3-0540-50	. FAN CLUTCH ASSY - #550758 From X-2458				C
2	502511	. . NUT HEX NYRT M6-1.0 Z050	3	3	3	
3	502573	. . WASHER FL 6.4x12.5x1.6 SS	3	3	3	
4	502543	. . NUT HEX M8-1.25 Z050	6	6	6	
5	500874	. . WASHER FL 8.4x17.0x1.6 Z050	8	8	8	
5	502644	. . WASHER FL 10.5x30.0x2.5 Z050			8	D
6	502744	. . NUT HEX STO M8-1.25 Z050	4	4	4	
6	500680	. . NUT HEX STO M10-1.5 Z050			4	D
10	051898	. PLATE TRANSITION / FAN CLUTCH & SUPPORT	1	1		
10	051898	. PLATE TRANSITION / FAN CLUTCH & SUPPORT To W-2457			1	
10	052196	. PLATE TRANSITION / FAN CLUTCH & SUPPORT From X-2458			1	C
11	5001208	. SCREW CRG M8-1.25x30 G8.8 Z050	4	4	4	
12	500874	. WASHER FL 8.4x17.0x1.6 Z050	8	8	8	
13	5001003	. WASHER LO SPT 8.1x12.7x2.0 Z050	10	10	10	
14	502543	. NUT HEX M8-1.25 Z050	4	4	4	
15	051830	. PULLEY / W/10RIB X 6.10" DIA	2	2	2	
16	502528	. SCREW CAP HEX M8-1.25x20 G8.8 EMN	6	6	6	
17	506663	. MULTI V-BELT / 10 RIB 50" 5100495	1	1	1	
18	500177	. SCREW CAP HEX 1/4-20x1 G8 ZP	3	3	3	
19	500473	. WASHER LO SPT .262x.489x.062 Z050	3	3	3	
20	550690	. CONE BUSHING 1 1/4 I.D X 1 13/16 O.D. X 2 5	1	1	1	
21	050907	. COUPLING FAN / TO FIX PULLEY	3	3	3	
22	500478	. WASHER LO SPT .380x.683x.094 Z050	6	6	6	
23	500048	. SCREW CAP HEX 3/8-24x1 1/4 G5 ZP	6	6	6	
24	550186	. KEY 1/4" X 1/4" X 1 1/4"	2	2	2	
25	H3-0525-03	. GEARBOX "SUPERIOR" - #550688 To V-1678				
25	H3-0525-04	. GEARBOX "SUPERIOR" - #550731 & 550789 From V-1679				
26	051603	. PULLEY (3V X 7.40 DIA)	1	1	1	
27	550691	. CONE BUSHING 1 1/4 I.D X 3 O.D. X 4 5/8 O.D	1	1	1	
30	052010	. PULLEY To W-2292	1	1	1	A
30	052208	. PULLEY ASSY W/BEARING & SEAL / 43MM x 78MM	1	1	1	
30	052207	. . PULLEY BELT TENSIONER / 43MM x 78MM O.D. From W-2293	1	1	1	
30	052676	. . PULLEY ASSY W/BEARING & SEAL / 54MM x 75MM	1	1	1	G
30	052677	. . . PULLEY / 54MM WIDE x 75MM O.D.	1	1	1	G
31	507340	. . BALL BEARING 20 ID x 52 OD x 22.2 W	1	1	1	
31	510618	. . BALL BEARING DBL ROW / 30MM x 62MM x 27 W	1	1	1	G
32	504095	. . RING RETAINER / INT 2.00 x 2.12 x .062	1	1	1	
32	504040	. . RING RETAINER / INT 2.440 x 1.860 x 0.078 STL BLK	1	1	1	G
33	052004	. . SPACER / BEARING & ARM T To W-2292	2	2	2	
33	052205	. . SPACER 20MM I.D. X 12.5MM TH From W-2293	2	2	2	

From R-012 To 2-4416	Date:10/2022	PAGE:H3-0520-03
FAN DRIVE - INSTALLATION		

Item#	Part	Description	H 3 4 1	H 3 4 5	V I P 4 5	N O T E S
33	052627	. . BUSHING TRANSFER FAN	1	1	1	G
34	507361	. . SEAL From W-2293	1	1	1	
34	507371	. . SEAL	1	1	1	G
35	507360	. . SEAL From W-2293	1	1	1	
35	507371	. . SEAL	AR	AR	AR	G
NS	680500	. . GREASE MERITOR / 400GR	AR	AR	AR	
NS	680752	. . GREASE LITHIUM / BLUE	1	1	1	G
36	950208	. BELLOW ASSY / BELT TENSIONER / 3" O.D.	2	2	2	
. NS	504695	. . HOSE CLAMP STEPLESS SPRING SS / OETIKER / 2.9-3.3	1	1	1	
37	051991	. ARM, BELT TENSIONER / IRON USE W 45MM WIDE PULLEY	1	1	1	E
37	052624	. ARM, BELT TENSIONER / IRON USE W 54MM WIDE PULLEY	1	1	1	G
38	500985	. WASHER FL .343x.875x.125 Z050	1	1	1	
39	500476	. WASHER LO SPT .317x.586x.078 Z050	1	1	1	
40	5001132	. SCREW CAP HEX 5/16-18x7/8 G5 Z050	1	1	1	
41	500735	. NUT HEX STO 3/4-16 ZP	3	3	3	
41	5001252	. NUT HEX STO M20-2.5 DP	1	1	1	G
42	500145	. SCREW CAP HEX 3/4-16x3 1/2 G5 Z050	3	3	3	
42	983296	. SCREW CAP HEX M20-2.5x90 G10.9 ZP	1	1	1	G
43	500811	. NUT HEX STO M12-1.75 G500	1	1	1	
43	5001628	. NUT HEX NYRT M10-1.5 SS	1	1	1	H
44	500446	. WASHER FL .531x1.250x.125 Z050	1	1	1	
44	500270	. WASHER FL .406x1.000x.063 SS	1	1	1	H
45	507293	. BUSHING NYLINED .625x.750x.750	2	2	2	
46	052003	. PIVOT / TO FIX TENSIONER TO SUPPORT	1	1	1	
46	052670	. PIVOT / TO FIX TENSIONER TO SUPPORT	1	1	1	H
NS	501497	. GREASE FITTING / 1/4-28	1	1	1	
47	500449	. WASHER FL .625x1.500 SS	AR	AR	AR	
48	051908	. SUPPORT FAN CLUTCH & GEAR BOX / SHORT To W-2149	1	1	1	B
48	052209	. SUPPORT FAN CLUTCH & GEAR BOX / SHORT From W-2150 To W-2457	1	1	1	
48	052198	. SUPPORT FAN CLUTCH & GEAR BOX / SHORT From X-2458 To 2-4417	1	1	1	
48	059056	. SUPPORT FAN CLUTCH & GEAR BOX / SHORT From 2-4418	1	1	1	
49	500802	. WASHER LO SPT 16.2x37.4x3.5 Z050	1	1	1	
50	502588	. NUT HEX M16-2.0 ZP	1	1	1	
51	052066	. SUPPORT / BELLOW TENSIONNER To X-3306	1	1		
51	052346	. SUPPORT / BELLOW TENSIONNER From X-3307 To 2-4417	1	1		
51	059050	. SUPPORT / BELLOW TENSIONNER From 2-4418	1	1		
51	052066	. SUPPORT / BELLOW TENSIONNER			1	
52	500088	. SCREW CAP HEX 1/2-20x1 1/2 G5 ZP	2	2	2	
53	500716	. NUT HEX 1/2-20 Z050	2	2	2	
54	500482	. WASHER LO SPT .506x.873x.125 Z050	6	6	6	
55	500214	. SCREW CAP HEX 1/2-13x1 1/4 G5 Z050	4	4	4	
56	500735	. NUT HEX STO 3/4-16 ZP	2	2	2	

From R-012 To 2-4416	Date:10/2022	PAGE:H3-0520-03
FAN DRIVE - INSTALLATION		

Item#	Part	Description	H 3 4 1	H 3 4 5	V I P 4 5	N O T E S
57	500451	. WASHER FL .812x2.000x.148 ZP	2	2	2	
58	630002	. BUSHING / RUBBER / (TWO PIECES) 1" x 1.005" I.D.	2	2	2	
NS	507347	. SPACER / BUSHING	2	2	2	
59	500145	. SCREW CAP HEX 3/4-16x3 1/2 G5 Z050	2	2	2	
60	051294	. BRACKET FRONT / 3 1/2" HIGH W 2 3/16" To T-1445	1	1	1	
60	052123	. SUPPORT, ANGLE / FRONT From T-1446 To X-3183	1	1		
60	052347	. SUPPORT, ANGLE / FRONT From X-3184 To 2-4417	1	1		
60	059054	. SUPPORT, ANGLE / FRONT From 2-4418	1	1		
60	052123	. SUPPORT, ANGLE / FRONT From T-1446 To 2-4417			1	
60	059053	. SUPPORT, ANGLE / FRONT From 2-4418			1	
61	052005	. SUPPORT, ANGLE / REAR To T-1445	1	1	1	
61	052124	. SUPPORT, ANGLE / REAR From T-1446 To X-3183	1	1		
61	052348	. SUPPORT, ANGLE / REAR From X-3184 To 2-4417	1	1		
61	059052	. SUPPORT, ANGLE / REAR From 2-4418	1	1		
61	052124	. SUPPORT, ANGLE / REAR From T-1446 To 2-4417			1	
61	059051	. SUPPORT, ANGLE / REAR From 2-4418			1	
62	5001150	. WASHER FL 17.0x30.0x3.0 N500	1	1	1	
63	500792	. NUT HEX 5/8-11 Z050	1	1	1	
64	640996	. MALE ELBOW 90° / NTA FITTING / #4x1/8NPT-M BR To X-3099	1	1	1	
64	501808	. MALE ELBOW 45° / SAE 45° FITTING / #4FL-Mx1/8NPT-M BR From X-3100	1	1	1	
65	052206	SPRING ATTACHMENT W/45MM WIDE PULLEY From W-2150	1	1	1	
66	502247	SPRING COMPRESSION / 1.250 O.D. x 2.5 x .125 From W-2150	1	1	1	
70	550632	FAN ASSY / CW 32" / 8 BLADES PLASTIC To X-2958	1	1		
70	550686	FAN ASSY / CW 32" / 9 BLADES PLASTIC	AR	AR		
70	550686	FAN ASSY / CW 32" / 9 BLADES PLASTIC To W-2457			1	
70	550757	FAN ASSY / CW 36" / 8 BLADES PLASTIC From X-2458			1	
71	506691	V-BELT / AX-73 9012-2073 To X-3306	3	3		
71	506748	V-BELT / AX-72 9012-2072 From X-3307	3	3		
71	506691	V-BELT / AX-73 9012-2073			3	
72	051779	ATTACHMENT PLATE ASSY / TO FIX ANGLE TO FLOOR	2	2	2	
73	050706	SPACER 3/8" TH	AR	AR	AR	
73	050705	SPACER 1/4" TH	AR	AR	AR	
74	500714	NUT HEX STO 7/16-20 Z050	4	4	4	
NS	500666	NUT SPR FL REC 7/16-20 .69x.91	4	4	4	
75	503402	TUBE, NYLON 1/4 O.D. / BLACK S.L. To X-3099	AR	AR	AR	
75	031145	HOSE ASSY TEFLON #4 611MM From X-3100	1	1	1	
80	500574	SCREW MA TR PH #10-24x1 1/4 SS	1	1	1	
81	500470	WASHER LO SPT .193x.334x.047 Z050	2	2	2	
82	560503	CLAMP / 1/4" I.D.	1	1	1	
83	500786	NUT HEX #10-24 Z050	1	1	1	
90	052050	SUPPORT BELLOW TENTIONER To 2-4417	1	1	1	
90	059055	SUPPORT BELLOW TENSIONER From 2-4418	1	1	1	

From R-012 To 2-4416	Date:10/2022	PAGE:H3-0520-03
FAN DRIVE - INSTALLATION		

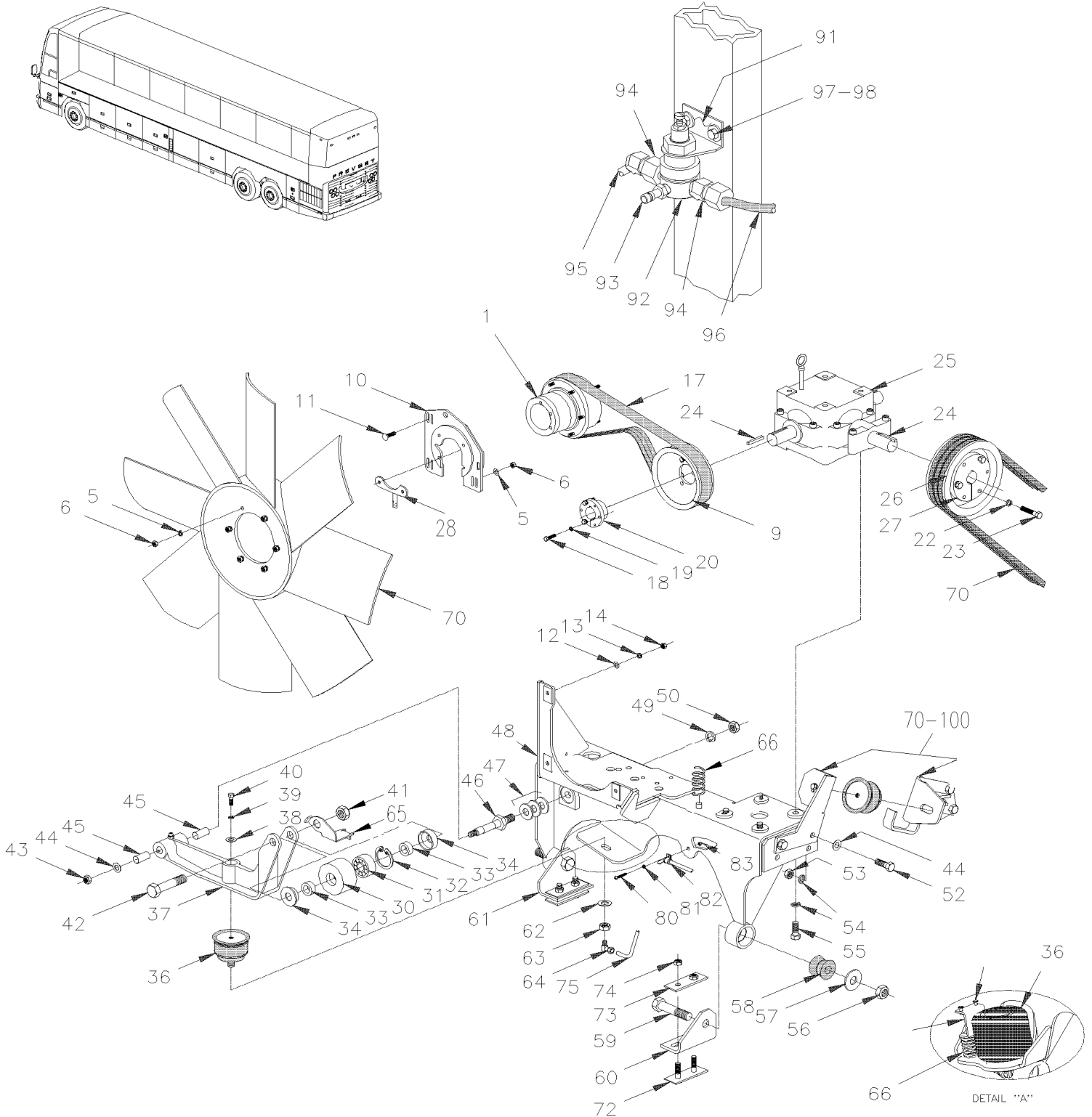
Item#	Part	Description	H 3 4 1	H 3 4 5	V I P 4 5	N O T E S
91	H3-0125-01	BELTS TENSIONERS - WITH DETROIT S-60				
100	052689	KIT, RETROFIT ARM W/54MM PULLEY	1	1	1	
		A) FOR IMPROVE BEARING LIFE CHANGES PULLEY FOR #052208				
		B) FOR IMPROVE BELT LIFE W/LOW AIR PRESSURE ADD #502247 & #052206 WELD TO SUPPORT ASSY .				
		C) THIS ITEM ARE NOT INCLUDE IN ASSY 052006P				
		D) WITH / #550758				
		E) THIS ARM IT SUPPERSEDED BY # 052689 ARM ASSY WITH PULLEY				
		G) THIS PART ARE INCLUDE WITH NEW ARM ASSY #052689				
		H) USE WITH PIVOT #052670				

From R-012 To 2-4416

Date:10/2022

PAGE:H3-0520-99

FAN DRIVE - INSTALLATION - SHORT / RETROFIT

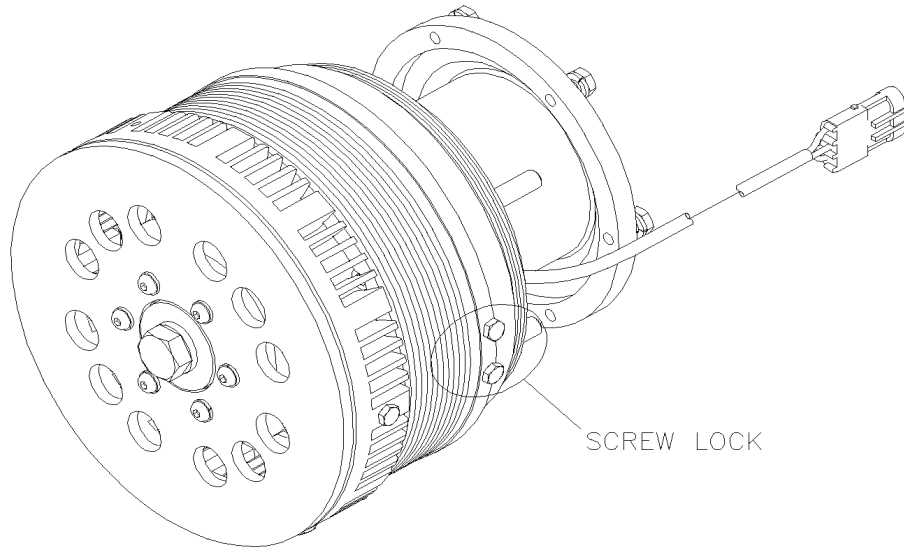


From R-012 To 2-4416

Date:10/2022

PAGE:H3-0520-99

FAN DRIVE - INSTALLATION - SHORT / RETROFIT



From R-012 To 2-4416	Date:10/2022	PAGE:H3-0520-99
FAN DRIVE - INSTALLATION - SHORT / RETROFIT		

Item#	Part	Description	H 3 4 1	H 3 4 5	V I P 4 5	N O T E S
	052674	FAN DRIVE ASSY W/LARGE FAN CLUTCH 550839	1	1	1	
NS	052665	. KIT, UPGRADE ONLY / SMALL TO LARGE FAN CLUTCH	1	1	1	
. NS	IS-04106A	. . SEE INSTRUCTION SHEET	1	1	1	
1	H3-0540-99	. FAN CLUTCH ASSY - #550839 / RETROFIT				
4	502543	. . NUT HEX M8-1.25 Z050	6	6	6	
5	502644	. . WASHER FL 10.5x30.0x2.5 Z050	8	8	8	
6	5001758	. . NUT HEX STO M10-1.5 N500	4	4	4	
9	052584	. PULLEY / W/12RIB X 8.582" DIA	1	1	1	
10	052652	. PLATE TRANSITION / FAN CLUTCH & SUPPORT / W/550839 RETROFIT ONLY	1	1	1	
11	502891	. SCREW CRG M8-1.25x40 G8.8 Z050	3	3	3	
12	500874	. WASHER FL 8.4x17.0x1.6 Z050	3	3	3	
13	502889	. WASHER LO SPT 8.1x12.7x2.0 N500	3	3	3	
13	955920	. WASHER LO SPT 6.5x11.5x1.6 ZP	3	3	3	
14	502543	. NUT HEX M8-1.25 Z050	3	3	3	
17	5060071	. MULTI V-BELT / 12 RIB 57.48" (1460MM)	1	1	1	F
17	506060	. MULTI V-BELT / 12 RIB 58.39" (1483MM)	1	1	1	C
18	500171	. SCREW CAP HEX 1/4-20x1 G5 N500	3	3	3	
19	955920	. WASHER LO SPT 6.5x11.5x1.6 ZP	3	3	3	
20	550879	. CONE BUSHING 1 1/4 I.D X 1 13/16 O.D. X 2 5	1	1	1	
22	500218	. WASHER LO SPT .380x.683x.098 DP320	3	3	3	
23	502906	. SCREW CAP HEX 3/8-24x1 1/4 G5 N500	3	3	3	
24	550186	. KEY 1/4" X 1/4" X 1 1/4"	2	2	2	
25	H3-0525-04	. GEARBOX "SUPERIOR" - #550731 & 550789				
26	051603	. PULLEY (3V X 7.40 DIA)	1	1	1	
27	550878	. CONE BUSHING 1 1/4 I.D X 3 O.D. X 4 5/8 O.D	1	1	1	
28	052691	. PLATE ASSY / W/RETAINER CABLE	1	1	1	
30	052676	. PULLEY ASSY W/BEARING & SEAL / 54MM x 75MM	1	1	1	
30	052677	. . PULLEY / 54MM WIDE x 75MM O.D.	1	1	1	
31	510618	. . BALL BEARING DBL ROW / 30MM x 62MM x 27 W	1	1	1	
32	504040	. . RING RETAINER / INT 2.440 x 1.860 x 0.078 STL BLK	1	1	1	
33	052627	. . BUSHING TRANSFER FAN	2	2	2	
34	507371	. . SEAL	2	2	2	
NS	680752	. . GREASE LITHIUM / BLUE	AR	AR	AR	
36	550840	. BELLOW ASSY / BELT TENSIONER / 4" O.D.	1	1	1	
37	051991	. ARM, BELT TENSIONER / IRON USE W 45MM WIDE PULLEY	1	1	1	
38	500444	. WASHER FL .406x.812x.065 Z050	1	1	1	
39	500478	. WASHER LO SPT .380x.683x.094 Z050	1	1	1	
40	500191	. SCREW CAP HEX 3/8-16x1 G5 Z050	1	1	1	
41	5001252	. NUT HEX STO M20-2.5 DP	1	1	1	
NS	502558	. WASHER FL 21.0x37.0x3.0 G500	1	1	1	

From R-012 To 2-4416	Date:10/2022	PAGE:H3-0520-99
FAN DRIVE - INSTALLATION - SHORT / RETROFIT		

Item#	Part	Description	H 3 4 1	H 3 4 5	V I P 4 5	N O T E S
42	983296	. SCREW CAP HEX M20-2.5x90 G10.9 ZP	1	1	1	
43	5001628	. NUT HEX NYRT M10-1.5 SS	1	1	1	
44	500446	. WASHER FL .531x1.250x.125 Z050	1	1	1	
45	507293	. BUSHING NYLINED .625x.750x.750	2	2	2	
46	052670	. PIVOT / TO FIX TENSIONER TO SUPPORT	1	1	1	
NS	501497	. GREASE FITTING / 1/4-28	1	1	1	
47	500449	. WASHER FL .625x1.500 SS	AR	AR	AR	
48	052649	. SUPPORT FAN CLUTCH & GEAR BOX / SHORT / W/550839 RETROFIT ONLY	1	1	1	
49	500802	. WASHER LO SPT 16.2x37.4x3.5 Z050	1	1	1	
50	502588	. NUT HEX M16-2.0 ZP	1	1	1	
52	502875	. SCREW CAP HEX M12-1.75x40 G8.8 N50	2	2	2	
53	500811	. NUT HEX STO M12-1.75 G500	2	2	2	
54	500944	. WASHER LO SPT .506x.873x.125 N500	6	6	6	
NS	500211	. WASHER FL .531x1.250x.125 N500	6	6	6	
55	500214	. SCREW CAP HEX 1/2-13x1 1/4 G5 Z050	4	4	4	
56	500735	. NUT HEX STO 3/4-16 ZP	2	2	2	
57	500451	. WASHER FL .812x2.000x.148 ZP	2	2	2	
58	630002	. BUSHING / RUBBER / (TWO PIECES) 1" x 1.005" I.D.	2	2	2	
NS	507347	. SPACER / BUSHING	2	2	2	
59	500145	. SCREW CAP HEX 3/4-16x3 1/2 G5 Z050	2	2	2	
60	059053	. SUPPORT, ANGLE / FRONT	1	1		
61	059051	. SUPPORT, ANGLE / REAR			1	
62	502901	. WASHER FL .625x1.469x.109 N500	1	1	1	
63	502917	. NUT HEX JAM 3/4-16 G2 N500	1	1	1	
64	501036	. MALE ELBOW 90° / SAE 45° FITTING / #4FL-Mx1/8NPT-M BR	1	1	1	
65	052655	SPRING ATTACHMENT	1	1	1	
66	502247	SPRING COMPRESSION / 1.250 O.D. x 2.5 x .125	1	1	1	
67	504487	RIVET MGLP PRDG 3/16x7/16 SS	2	2	2	
70	H3-0520-03	FAN DRIVE - INSTALLATION				
72	051779	ATTACHMENT PLATE ASSY / TO FIX ANGLE TO FLOOR	2	2	2	
73	050706	SPACER 3/8" TH	AR	AR	AR	
73	050705	SPACER 1/4" TH	AR	AR	AR	
74	971072	NUT HEX M12-1.75 ZG603	4	4	4	
NS	5001568	NUT PUSH RND M12 ZP	4	4	4	
75	031054	HOSE ASSY TEFLON #4 770MM	1	1	1	
75	052535	HOSE ASSY TEFLON #4 662MM	1	1	1	
80	500606	SCREW MA TR PH #10-24x3/4 SS	1	1	1	
81	500914	WASHER LO SPT .193x.334x.047 N500	2	2	2	
82	952624	CLAMP / 1/4" I.D.	1	1	1	
83	502882	NUT HEX #10-24 N500	1	1	1	
91	142013	SUPPORT AIR REGULATOR / ANGLE 90DEG STYLE	1	1	1	
92	641472	AIR PRESSURE REGULATOR 1/4" NPT / COPPER	1	1	1	

From R-012 To 2-4416	Date:10/2022	PAGE:H3-0520-99
FAN DRIVE - INSTALLATION - SHORT / RETROFIT		

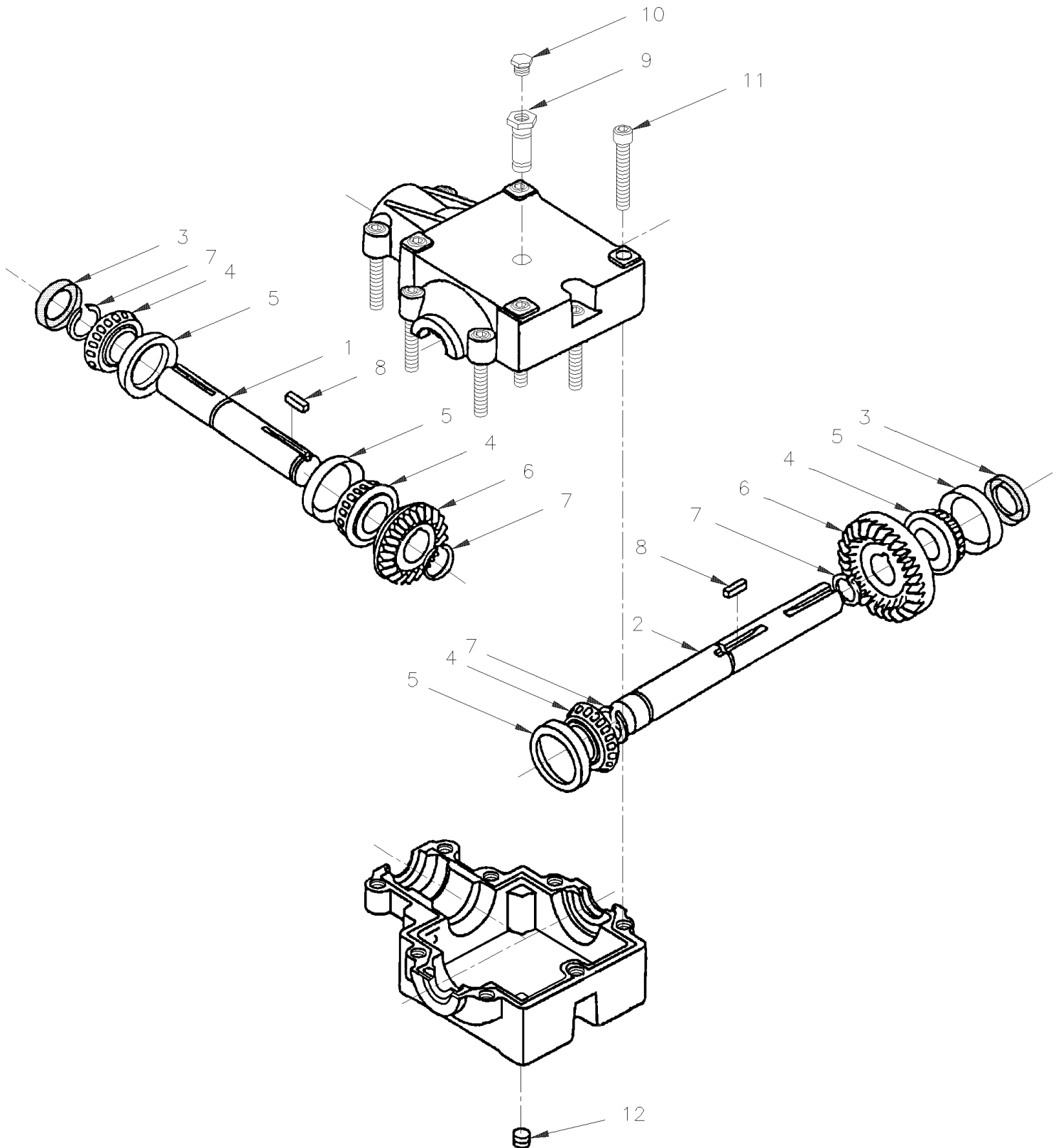
Item#	Part	Description	H 3 4 1	H 3 4 5	V I P 4 5	N O T E S
93	640488	VALVE, AIR FILL 1/8" NPT	1	1	1	
NS	650164	. CAP VALVE / CHROME	1	1	1	
94	501027	MALE CONNECTOR / SAE 45° FITTING / #4FL-Mx1/4NPT-M BR	2	2	2	
95	052667	HOSE ASSY TEFLON #4 1524MM	1	1	1	
96	052668	HOSE ASSY TEFLON #4 1524MM	1	1	1	
NS	509815	TIE MOUNT / ATTACHMENT W/TREE MOUNT	3	3	3	
100	H3-0125-01	BELTS TENSIONERS - WITH DETROIT S-60				
		C) USE WITH CURRENT FAN CLUTCH #550966 WITH TAB LOCK SEE IMAGE				
		F) USE WITH FORMER FAN CLUTCH #550966 WITH SCREW LOCK SEE IMAGE				

From R-012 To V-1678

Date:10/2022

PAGE:H3-0525-03

GEARBOX "SUPERIOR" - #550688



From R-012 To V-1678	Date:10/2022	PAGE:H3-0525-03
GEARBOX "SUPERIOR" - #550688		

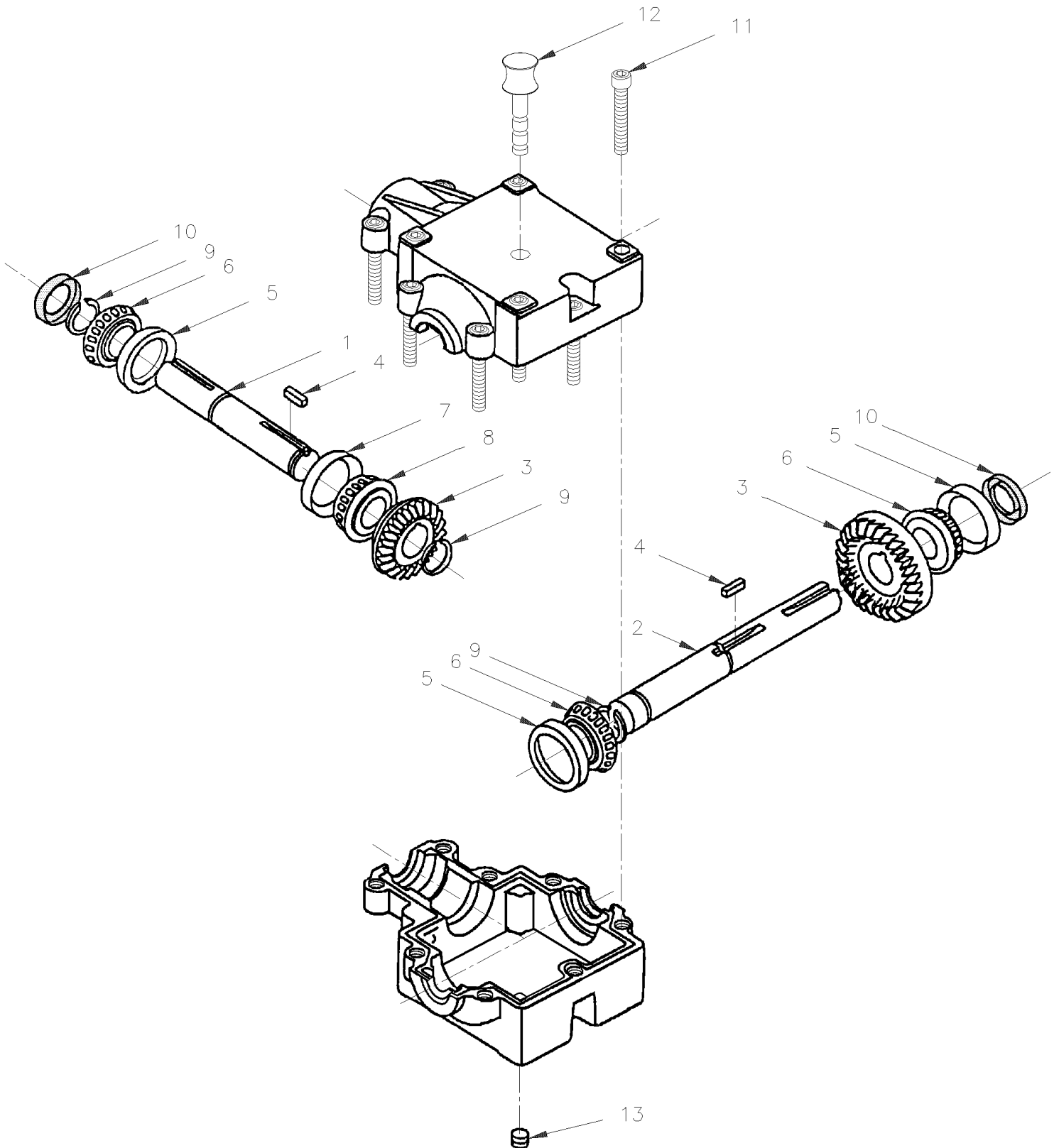
Item#	Part	Description	H 3 4 1	H 3 4 5	V I P 4 5	N O T E S
	550688	GEARBOX ASSY (CW)	1	1	1	
1	550693	. PINION SHAFT ASSY / INPUT	1	1	1	
2	550694	. CROSS SHAFT ASSY / OUTPUT	1	1	1	
3	550695	. SEAL 1 1/4" I.D. / (200 X 125 X 31)	3	3	3	
4	550696	. CONE BEARING	4	4	4	
5	550697	. CUP BEARING	4	4	4	
6	N.S.S.	. GEAR / (SOLD ASSY W/SHAFT)	2	2	2	1
7	550698	. RETAINING RING / GEAR	2	2	2	
8	N.S.S.	. KEY	2	2	2	1
9	550692	. TUBE REDUCER ASSY W/PRESSURE RELIEF VALVE	1	1	1	
10	N.S.S.	. PRESSURE RELIEF VALVE / 5 PSI	1	1	1	1
11	N.S.P.	. SCREW 3/8-16 X 2 1/4"	9	9	9	2
NS	051933	. DECAL	1	1	1	
12	504599	MAGNETIC DRAIN PLUG 1/4 NPT	1	1	1	
NS	180185	OIL SYNTHETIC SCH 634 (1 LITER)	AR	AR	AR	
NS	682268	OIL SYNTHETIC SCH 634 (19 LITERS)	AR	AR	AR	
		1) NOT SOLD SEPARATELY				
		2) NOT SOLD BY PREVOST (SEE MANUFACTURING PART NUMBER AT END OF DESCRIPTION LINE)				

From V-1679 To 2-4416

Date:10/2022

PAGE:H3-0525-04

GEARBOX "SUPERIOR" - #550731 & 550789



From V-1679 To 2-4416	Date:10/2022	PAGE:H3-0525-04
GEARBOX "SUPERIOR" - #550731 & 550789		

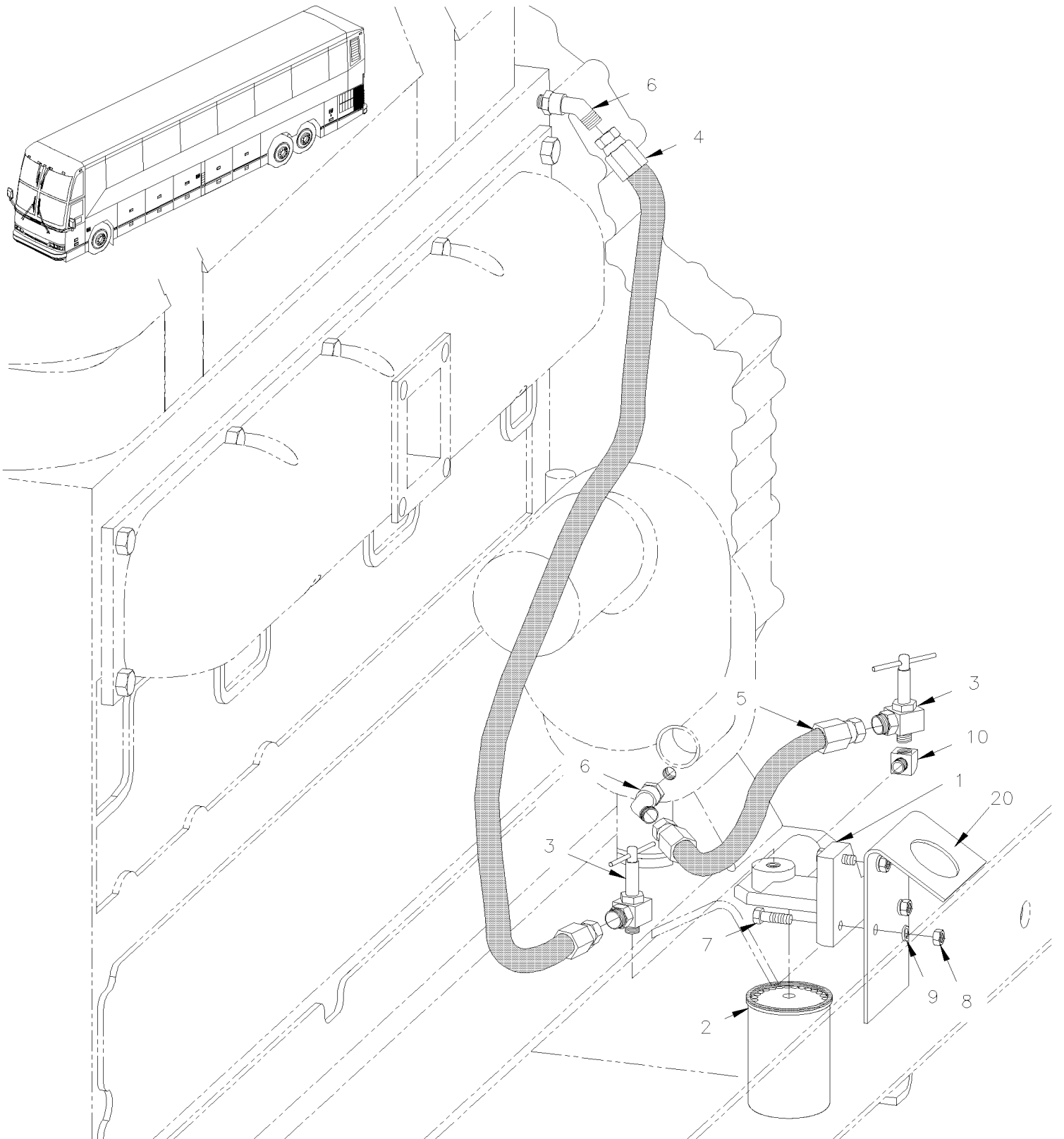
Item#	Part	Description	H 3 4 1	H 3 4 5	V I P 4 5	N O T E S
	550731	GEARBOX ASSY (CW)	1	1	1	
	550789	GEARBOX ASSY (CW) To Y-3937	1	1	1	A
	550810	GEARBOX ASSY (CW) From Y-3938	1	1	1	
1	550732	. PINION SHAFT ASSY / INPUT 1 1/4" O.D.	1	1	1	
2	550733	. CROSS SHAFT ASSY / OUTPUT 1 1 1/4" O.D.	1	1	1	
3	N.S.S.	. GEAR / (SOLD ASSY W/SHAFT)	2	2	2	1
4	N.S.S.	. KEY	2	2	2	1
5	550697	. CUP BEARING	3	3	3	
6	550696	. CONE BEARING	3	3	3	
7	550735	. CUP BEARING	1	1	1	
8	550734	. CONE BEARING	1	1	1	
9	550698	. RETAINING RING / GEAR	2	2	2	
10	550695	. SEAL 1 1/4" I.D. / (200 X 125 X 31)	3	3	3	
11	N.S.P.	. SCREW 3/8-16 X 2 1/4"	9	9	9	2
12	550773	. DIPSTICK To Y-3937	1	1	1	A
12	550812	. DIPSTICK From Y-3938	1	1	1	
13	504599	MAGNETIC DRAIN PLUG 1/4 NPT	1	1	1	
NS	051933	DECAL	1	1	1	
NS	550790	DECAL	1	1	1	
NS	180185	OIL SYNTHETIC SCH 634 (1 LITER)	AR	AR	AR	
NS	180217	OIL SYNTHETIC SCH 630 (1 LITER)	AR	AR	AR	
NS	682268	OIL SYNTHETIC SCH 634 (19 LITERS)	AR	AR	AR	
NS	683666	OIL SYNTHETIC SCH 630 (19 LITERS)	AR	AR	AR	
NS	052387	KIT, FAN GEARBOX BREATHER				
. NS	IS-00049	. SEE INSTRUCTION SHEET				
		A) FOR PRODUCT IMPROVMENT ASK FOR KIT #052387				
		1) NOT SOLD SEPARATELY				
		2) NOT SOLD BY PREVOST (SEE MANUFACTURING PART NUMBER AT END OF DESCRIPTION LINE)				

From R-012 To 2-4416

Date:10/2022

PAGE:H3-0530-01

COOLANT FILTER - INSTALLATION



From R-012 To 2-4416	Date:10/2022	PAGE:H3-0530-01
COOLANT FILTER - INSTALLATION		

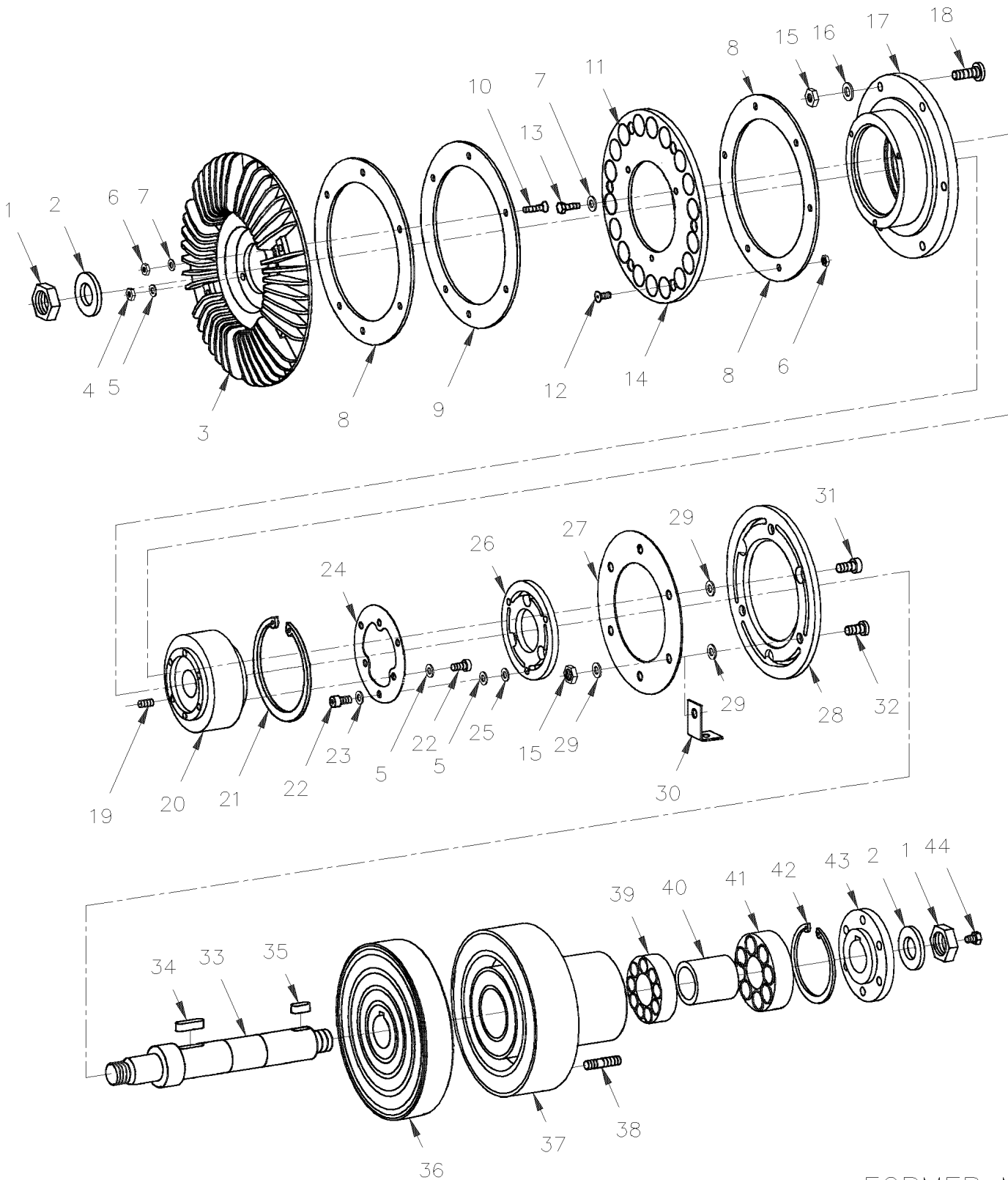
Item#	Part	Description	H 3 4 1	H 3 4 5	V I P 4 5	N O T E S
1	550645	ADAPTOR HEAD, COOLANT FILTER	1	1	1	
1	550804	ADAPTOR HEAD, COOLANT FILTER	1	1	1	
2	550630	CARTRIGE "MAINTENANCE" "NALCOOL" 3000	1	1	1	
3	N.S.P.	VALVE, SHUTT-OFF 1/4 X 3/8 NPT (#330) W/HEATER HEAD	1	1	1	2
4	051902	HOSE ASSY / #6 865MM	1	1	1	
4	052362	HOSE ASSY TEFLON #4 890MM	1	1	1	S
5	051903	HOSE ASSY / #6 300MM	1	1	1	
5	052364	HOSE ASSY TEFLON #6 300MM	1	1	1	S
NS	503582	. HOSE #FC-300 HYDRAULIC / #6 S.L.	AR	AR	AR	
NS	501836	. FEMALE CONNECTOR SWIVEL / SAE 45° FITTING / #6FL-Fx#6 STL	2	2	2	
6	5011034	MALE ELBOW 45° / SAE 45° FITTING / #6FL-Mx1/4NPT-M BR	2	2	2	
7	502589	SCREW CAP HEX M8-1.25x25 G8.8 Z050	3	3	3	
8	502543	NUT HEX M8-1.25 Z050	3	3	3	
9	5001003	WASHER LO SPT 8.1x12.7x2.0 Z050	3	3	3	
10	501333	STREET ELBOW 90° / PIPE FITTING / 3/8NPT-Mx3/8NPT-F BR	1	1	1	
20	011632	SUPPORT / WELD TO CRADLE	1	1	1	
		S) OPTION WITH HOSE STAINLESS STEEL BRAIDED				
		2) NOT SOLD BY PREVOST (SEE MANUFACTURING PART NUMBER AT END OF DESCRIPTION LINE)				

From R-012 To 2-4416

Date:10/2022

PAGE:H3-0540-00

FAN CLUTCH ASSY - #550634 (FORMER)



FORMER MODEL

From R-012 To 2-4416	Date:10/2022	PAGE:H3-0540-00
FAN CLUTCH ASSY - #550634 (FORMER)		

Item#	Part	Description	H 3 4 1	H 3 4 5	V I P 4 5	N O T E S
	550634	FAN CLUTCH ASSY /	1	1	1	
1	502767	. NUT HEX JAM M20-1.5 ZP	2	2	2	
2	502558	. WASHER FL 21.0x37.0x3.0 G500	2	2	2	
3	550658	. COOLING FAN	1	1	1	
4	502511	. NUT HEX NYRT M6-1.0 Z050	3	3	3	
5	502573	. WASHER FL 6.4x12.5x1.6 SS	9	9	9	
6	502782	. NUT HEX NYRT M5-0.8 Z050	12	12	12	
7	N.P.N.	. WASHER, M5 X .3	9	9	9	4
8	550659	. DISC	2	2	2	
9	550660	. EDDY CURRENT DISC	1	1	1	
10	N.P.N.	. SCREW, M5-0.8 X 25MM FLAT HEAD	6	6	6	4
11	550661	. MAGNET	18	18	18	
12	502639	. SCREW MA FL PH M5-0.8X12 ZP	6	6	6	
13	N.P.N.	. SCREW, M5-0.8 X 16MM	3	3	3	4
14	550711	. MAGNET PLATE SUPPORT	1	1	1	
15	502543	. NUT HEX M8-1.25 Z050	3	3	3	A
16	500874	. WASHER FL 8.4x17.0x1.6 Z050	6	6	6	A
17	550662	. FLANGE DRIVEN	1	1	1	
18	550663	. STUD M8-1.25 X 26MM	6	6	6	
19	N.P.N.	. SET SCREW, M6-1.0 X 20MM	3	3	3	4
20	550664	. BEARING ASSY	1	1	1	
21	N.P.N.	. RETAINER RING (90 X 3)	1	1	1	4
22	N.P.N.	. SOCKET HEAD CAP SCREW, M6-1.0 X 8MM (50-01025)	6	6	6	4
23	N.P.N.	. WASHER	3	3	3	4
24	550665	. SPRING PLATE	1	1	1	
25	N.P.N.	. WASHER SHIM .05MM	3	3	3	4
26	550666	. ARMATURE DISC / 1ST SPEED	1	1	1	
27	550667	. SPRING PLATE	1	1	1	
28	550668	. ARMATURE DISC / 2ND SPEED	1	1	1	
29	N.P.N.	. WASHER	8	8	8	4
30	550713	. ANGLE	2	2	2	B
31	N.P.N.	. SOCKET HEAD CAP SCREW, M8-1.25 X 16MM (50-2755)	3	3	3	4
32	550669	. STUD M8-1.25 X 19MM	3	3	3	
33	550670	. SHAFT	1	1	1	
34	550671	. KEY (8 X 7 X 28)	1	1	1	
35	550672	. KEY (8 X 7 X 18)	1	1	1	
36	550673	. ROTOR	1	1	1	
37	550674	. MAGNETIC COIL ASSY	1	1	1	
38	550675	. STUD M8-1.25 X 35MM	4	4	4	
39	507204	. BALL BEARING	1	1	1	
40	N.P.N.	. SPACER	1	1	1	4
41	507113	. BALL BEARING	2	2	2	

From R-012 To 2-4416	Date:10/2022	PAGE:H3-0540-00
FAN CLUTCH ASSY - #550634 (FORMER)		

Item#	Part	Description	H 3 4 1	H 3 4 5	V I P 4 5	N O T E S
42	N.P.N.	. RETAINER RING (72 X 2.5)	1	1	1	4
43	550676	. FLANGE DRIVE	1	1	1	
43	5001106	. SCREW CAP HEX M6-1.0x10 G8.8 Z050	2	2	2	C
NS	561781	CONNECTOR / WEATHER PACK / PH 3C / BLACK / PED 12010717	1	1	1	
NS	561567	PIN TERMINAL / 20-18 / PED 12089040	3	3	3	
NS	561565	CABLE SEAL / GREEN / PED 15324982	3	3	3	
		FOLLOWING ITEMS ARE USED WITH				
		MANUAL OPERATING SWITCH ON L.H. CONSOLE				
NS	561468	SWITCH / OFF-ON S.P.S.T.	1	1		
NS	063021	INSERT / GREEN / WIPER (UPPER)	1	1		
NS	561107	CONNECTOR / TAB HOUSING 8C / SWF 596.289	1	1		
NS	561837	CONNECTOR / TAB HOUSING 2C / SWF 913.328	1	1		
NS	561908	TAB RECEPTACLE TERMINAL / 22-18 / AMP 60295-2	1	1		
NS	560673	WIRE CABLE 16 / BLACK / GXL	6	6		
NS	561258	WIRE CABLE 18 / RED / GXL	1	1		
NS	561700	SPRING SPADE TERMINAL #8 / 16-14 / AMP 52936	2	2		
NS	D060869	WIRING DIAGRAM SPECIAL PAGE 8-SP1	1	1		
46	550965	FAN CLUTCH ASSY / ALTERNATIVE PART / FIRST INSTALLATION SEE MI11-26	1	1	1	
. NS	551002	. COOLING RING	1	1	1	
. NS	550062	. LOCKING TABS	1	1	1	
		A) TO FIX FAN BLADE				
		B) TO FIX FAN BLADE				
		C) TO FIX FAN BLADE				
		4) NO PARTS NUMBER				

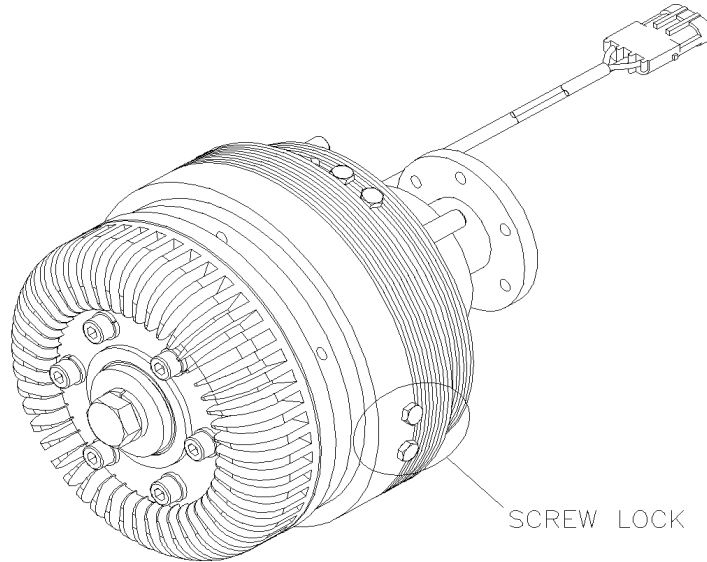
From R-012 To 2-4416

Date:10/2022

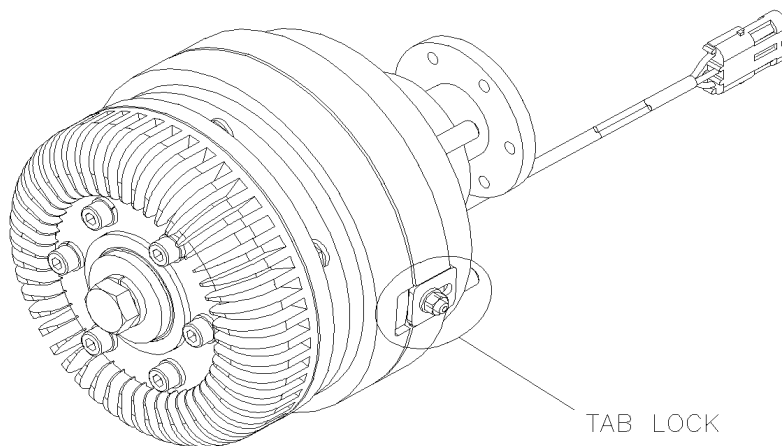
PAGE:550965

FAN CLUTCH ASSY / ALTERNATIVE PART / FIRST INSTALLATION SEE MI11-26

FORMER



CURRENT



From R-012 To 2-4416	Date:10/2022	PAGE:550965
----------------------	--------------	-------------

FAN CLUTCH ASSY / ALTERNATIVE PART / FIRST INSTALLATION SEE MI11-26

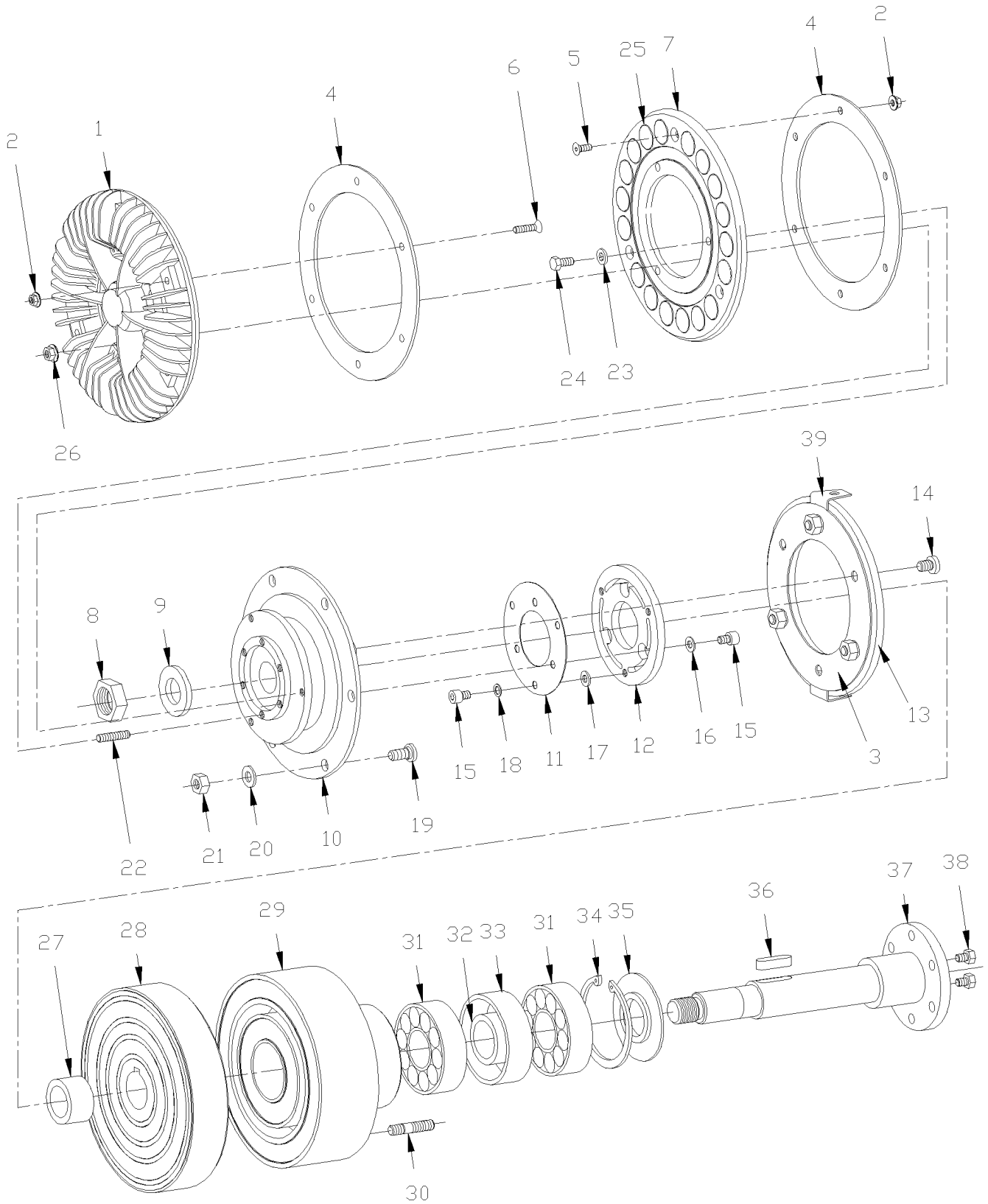
Item#	Part	Description	H 3 4 1	H 3 4 5	V I P 4 5	N O T E S
1		FORMER WITH SCREW LOCK	1	1	1	
2		CURRENT WITH TAB LOCK	1	1	1	

From R-012 To 2-4416

Date:10/2022

PAGE:H3-0540-01

FAN CLUTCH ASSY - #550634 (SERVICE)



From R-012 To 2-4416	Date:10/2022	PAGE:H3-0540-01
FAN CLUTCH ASSY - #550634 (SERVICE)		

Item#	Part	Description	H 3 4 1	H 3 4 5	V I P 4 5	N O T E S
	550634	FAN CLUTCH ASSY / To Y-3741	1	1	1	
	550803	FAN CLUTCH ASSY / From Y-3742	1	1	1	
1	550792	. COOLING FAN	1	1	1	
2	502782	. NUT HEX NYRT M5-0.8 Z050	9	9	9	
3	550667	. SPRING PLATE	1	1	1	
4	550659	. DISC	2	2	2	
5	502639	. SCREW MA FL PH M5-0.8X12 ZP	3	3	3	
6	N.P.N.	. SCREW, M5-0.8 X 25MM FLAT HEAD	6	6	6	4
7	550779	. MAGNET PLATE SUPPORT	1	1	1	
8	502767	. NUT HEX JAM M20-1.5 ZP	2	2	2	
9	502558	. WASHER FL 21.0x37.0x3.0 G500	2	2	2	
10	550780	. FLANGE DRIVEN ASSY W/BEARING	1	1	1	
. NS	550664	. . BEARING ASSY	1	1	1	
11	550781	. SPRING PLATE	1	1	1	
12	550782	. ARMATURE DISC / 1ST SPEED	1	1	1	
13	550783	. ARMATURE DISC / 2ND SPEED	1	1	1	
14	N.P.N.	. SOCKET HEAD CAP SCREW, M8-1.25 X 16MM (50-2755)	3	3	3	4
15	N.P.N.	. SOCKET HEAD CAP SCREW, M6-1.0 X 8MM (50-01025)	6	6	6	4
16	N.P.N.	. WASHER SHIM .05MM	3	3	3	4
17	N.P.N.	. WASHER	3	3	3	4
18	502564	. WASHER LO SPT 6.1x11.8x1.6 Z050	3	3	3	
19	550669	. STUD M8-1.25 X 19MM	6	6	6	
20	500874	. WASHER FL 8.4x17.0x1.6 Z050	6	6	6	B
21	502744	. NUT HEX STO M8-1.25 Z050	6	6	6	C
22	N.P.N.	. SET SCREW, M6-1.0 X 20MM	3	3	3	4
23	N.P.N.	. WASHER	3	3	3	4
24	5001106	. SCREW CAP HEX M6-1.0x10 G8.8 Z050	3	3	3	
25	550661	. MAGNET	18	18	18	
26	502511	. NUT HEX NYRT M6-1.0 Z050	3	3	3	
27	N.P.N.	. SPACER	1	1	1	4
28	550784	. ROTOR	1	1	1	
29	550785	. MAGNETIC COIL ASSY	1	1	1	
30	550675	. STUD M8-1.25 X 35MM	4	4	4	
31	507113	. BALL BEARING	2	2	2	
32	N.P.N.	. SPACER SMALL	1	1	1	4
33	N.P.N.	. SPACER LARGE	1	1	1	4
34	N.P.N.	. RETAINER RING (72 X 2.5)	1	1	1	4
35	N.P.N.	. DEFLECTOR	1	1	1	4
36	550671	. KEY (8 X 7 X 28)	1	1	1	
37	550786	. SHAFT	1	1	1	
38	5001106	. SCREW CAP HEX M6-1.0x10 G8.8 Z050	2	2	2	D
39	550713	. ANGLE	2	2	2	A

From R-012 To 2-4416	Date:10/2022	PAGE:H3-0540-01
FAN CLUTCH ASSY - #550634 (SERVICE)		

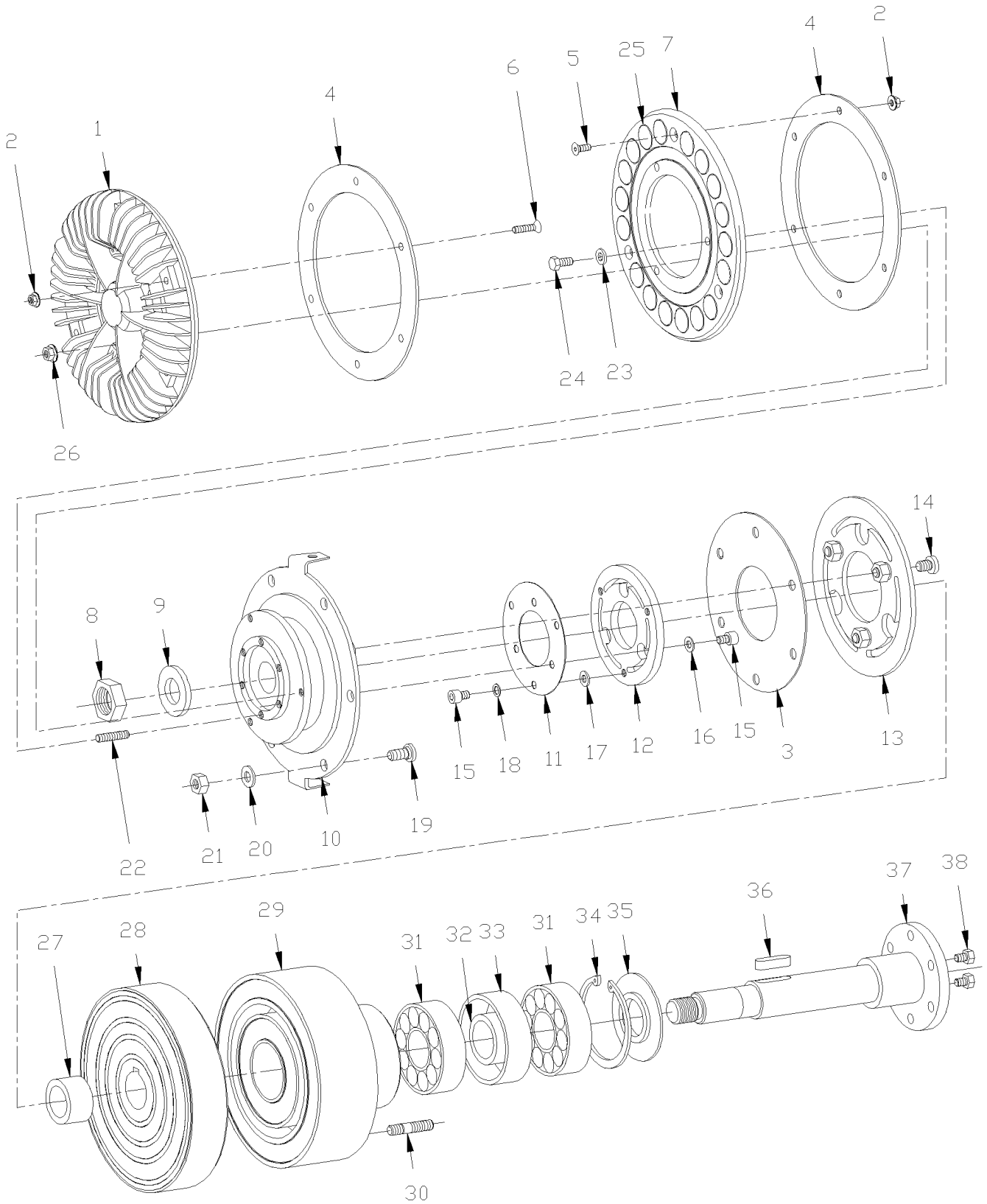
Item#	Part	Description	H 3 4 1	H 3 4 5	V I P 4 5	N O T E S
NS	502744	NUT HEX STO M8-1.25 Z050	4	4	4	
NS	500874	WASHER FL 8.4x17.0x1.6 Z050	4	4	4	
NS	561781	CONNECTOR / WEATHER PACK / PH 3C / BLACK / PED 12010717	1	1	1	
NS	561567	PIN TERMINAL / 20-18 / PED 12089040	3	3	3	
NS	561565	CABLE SEAL / GREEN / PED 15324982	3	3	3	
		FOLLOWING ITEMS ARE USED WITH				
		MANUAL OPERATING SWITCH ON DASHBOARD				
NS	561468	SWITCH / OFF-ON S.P.S.T. To W-2284	1	1	1	
NS	063021	INSERT / GREEN / WIPER (UPPER) To W-2284	1	1	1	
NS	561107	CONNECTOR / TAB HOUSING 8C / SWF 596.289 To W-2284	1	1	1	
NS	561837	CONNECTOR / TAB HOUSING 2C / SWF 913.328 To W-2284	1	1	1	
NS	561908	TAB RECEPTACLE TERMINAL / 22-18 / AMP 60295-2 To W-2284	1	1	1	
NS	560673	WIRE CABLE 16 / BLACK / GXL To W-2284	6	6	6	
NS	561258	WIRE CABLE 18 / RED / GXL To W-2284	1	1	1	
NS	561700	SPRING SPADE TERMINAL #8 / 16-14 / AMP 52936 To W-2284	2	2	2	
NS	D060869	WIRING DIAGRAM SPECIAL PAGE 8-SP1 To W-2284	1	1	1	
NS	562697	SWITCH / ON-ON / D.P.D.T. / CH-OVER / W/RED & GREEN LED From W-2285	1	1	1	
NS	562735	CAP / RADIATOR FAN From W-2285	1	1	1	
NS	562763	CONNECTOR RH 10C / SWITCH / NGR 28-5637-2 From W-2285	1	1	1	
46	550965	FAN CLUTCH ASSY / ALTERNATIVE PART / FIRST INSTALLATION SEE MI11-26	1	1	1	
. NS	551002	. COOLING RING	1	1	1	
. NS	550062	. LOCKING TABS	1	1	1	
		A) (EMERGENCY)				
		B) TO FIX FAN BLADE				
		C) TO FIX FAN CLUTCH TO SUPPORT				
		D) EMERGENCY USE ONLY				
		4) NO PARTS NUMBER				

From R-012 To 2-4416

Date:10/2022

PAGE:H3-0540-02

FAN CLUTCH ASSY - #550837 / SERVICE



From R-012 To 2-4416		Date:10/2022	PAGE:H3-0540-02
FAN CLUTCH ASSY - #550837 / SERVICE			

Item#	Part	Description	H 3 4 1	H 3 4 5	V I P 4 5	N O T E S
	550837	FAN CLUTCH ASSY /	1	1		
. NS	550977	. REPAIR KIT	1	1		
1	550835	. COOLING FAN	1	1		
2	502782	. NUT HEX NYRT M5-0.8 Z050	9	9		
3	550667	. SPRING PLATE	1	1		
4	550659	. DISC	2	2		
5	502639	. SCREW MA FL PH M5-0.8X12 ZP	3	3		
6	N.P.N.	. SCREW, MA FL PH ZP M5-0.8 X 25MM	6	6		4
7	550779	. MAGNET PLATE SUPPORT	1	1		
8	502767	. NUT HEX JAM M20-1.5 ZP	1	1		
9	502558	. WASHER FL 21.0x37.0x3.0 G500	1	1		
10	550848	. FLANGE DRIVEN ASSY W/BEARING	1	1		
. NS	550664	. . BEARING ASSY	1	1		
11	550842	. SPRING PLATE	1	1		
12	550843	. ARMATURE DISC / 1ST SPEED	1	1		
13	550849	. ARMATURE DISC / 2ND SPEED	1	1		
14	N.P.N.	. . SOCKET HEAD CAP SCREW, M8-1.25 X 16MM (50-2755)	3	3		4
15	N.P.N.	. SOCKET HEAD CAP SCREW, M6-1.0 X 8MM (50-01025)	6	6		4
16	N.P.N.	. WASHER, SHIM .05MM	3	3		4
17	502573	. WASHER FL 6.4x12.5x1.6 SS	3	3		
18	502564	. WASHER LO SPT 6.1x11.8x1.6 Z050	3	3		
19	550669	. STUD M8-1.25 X 19MM	6	6		
20	500874	. WASHER FL 8.4x17.0x1.6 Z050	6	6		
21	502744	. NUT HEX STO M8-1.25 Z050	6	6		
22	N.P.N.	. SET SCREW, M6-1.0 X 20MM	3	3		4
23	N.P.N.	. WASHER	3	3		4
24	5001106	. SCREW CAP HEX M6-1.0x10 G8.8 Z050	3	3		
25	550661	. MAGNET	18	18		
26	502511	. NUT HEX NYRT M6-1.0 Z050	3	3		
27	N.P.N.	. SPACER	1	1		4
28	550776	. ROTOR	1	1		
29	550777	. MAGNETIC COIL ASSY	1	1		
30	550788	. STUD M10-1.5 X 35MM	4	4		
31	507113	. BALL BEARING	2	2		
32	N.P.N.	. SPACER SMALL	1	1		4
33	N.P.N.	. SPACER LARGE	1	1		4
34	N.P.N.	. RETAINER RING (72 X 2.5)	1	1		4
35	N.P.N.	. DEFLECTOR	1	1		4
36	550671	. KEY (8 X 7 X 28)	1	1		
37	550786	. SHAFT	1	1		
38	5001106	. SCREW CAP HEX M6-1.0x10 G8.8 Z050	4	4		A
NS	561781	CONNECTOR / WEATHER PACK / PH 3C / BLACK / PED 12010717	1	1		

From R-012 To 2-4416	Date:10/2022	PAGE:H3-0540-02
FAN CLUTCH ASSY - #550837 / SERVICE		

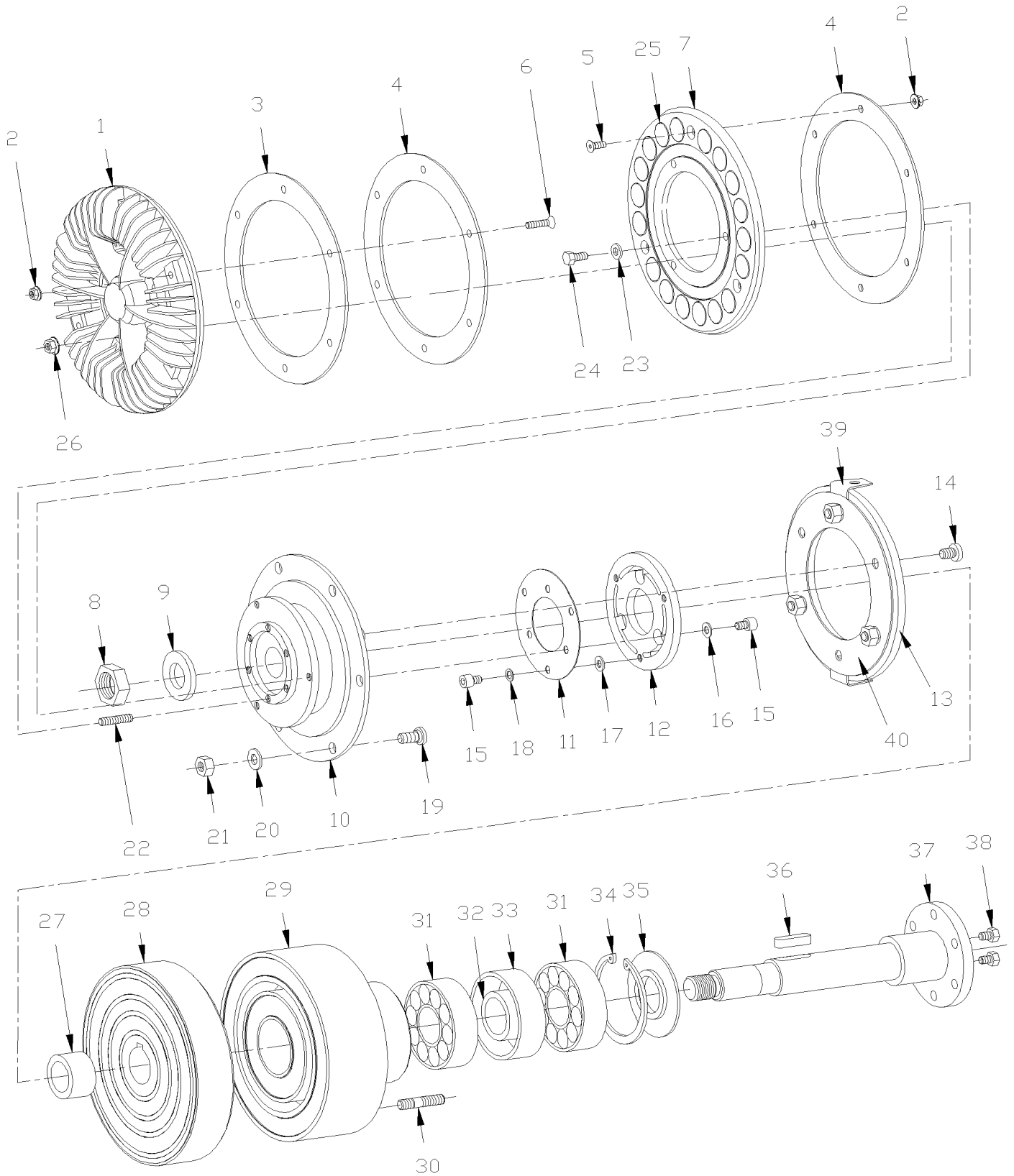
Item#	Part	Description	H 3 4 1	H 3 4 5	V I P 4 5	N O T E S
NS	561567	PIN TERMINAL / 20-18 / PED 12089040	3	3		
NS	561565	CABLE SEAL / GREEN / PED 15324982	3	3		
46	550965	FAN CLUTCH ASSY / ALTERNATIVE PART / FIRST INSTALLATION SEE MI11-26	1	1		
. NS	551002	. COOLING RING	1	1		
. NS	550062	. LOCKING TABS	1	1		
		A) EMERGENCY USE				
		4) NO PARTS NUMBER				

From X-2458 To 2-4416

Date:10/2022

PAGE:H3-0540-50

FAN CLUTCH ASSY - #550758



From X-2458 To 2-4416	Date:10/2022	PAGE:H3-0540-50
FAN CLUTCH ASSY - #550758		

Item#	Part	Description	H 3 4 1	H 3 4 5	V I P 4 5	N O T E S
	550758	FAN CLUTCH ASSY / To Y-3741			1	
	550802	FAN CLUTCH ASSY / From Y-3742			1	
1	550774	. COOLING FAN			1	
2	502782	. NUT HEX NYRT M5-0.8 Z050			9	
3	N.P.N.	. EDDY CURRENT DISC INCLUDE WITH ITEM #1			1	4
4	550659	. DISC			2	
5	502639	. SCREW MA FL PH M5-0.8X12 ZP			3	
6	N.P.N.	. SCREW, MA FL PH ZP M5-0.8 X 25MM			6	4
7	550779	. MAGNET PLATE SUPPORT			1	
8	502767	. NUT HEX JAM M20-1.5 ZP			1	
9	502558	. WASHER FL 21.0x37.0x3.0 G500			1	
10	550780	. FLANGE DRIVEN ASSY W/BEARING			1	
. NS	550664	. . BEARING ASSY			1	
11	550781	. SPRING PLATE			1	
12	550782	. ARMATURE DISC / 1ST SPEED			1	
13	550783	. ARMATURE DISC / 2ND SPEED			1	
14	N.P.N.	. . SOCKET HEAD CAP SCREW, M8-1.25 X 16MM (50-2755)			3	4
15	N.P.N.	. SOCKET HEAD CAP SCREW, M6-1.0 X 8MM (50-01025)			6	4
16	N.P.N.	. WASHER, SHIM .05MM			3	4
17	502573	. WASHER FL 6.4x12.5x1.6 SS			3	
18	502564	. WASHER LO SPT 6.1x11.8x1.6 Z050			3	
19	550669	. STUD M8-1.25 X 19MM			6	
20	500874	. WASHER FL 8.4x17.0x1.6 Z050			6	
21	502744	. NUT HEX STO M8-1.25 Z050			6	
22	N.P.N.	. SET SCREW, M6-1.0 X 20MM			3	4
23	N.P.N.	. WASHER			3	4
24	5001106	. SCREW CAP HEX M6-1.0x10 G8.8 Z050			3	
25	550661	. MAGNET			18	
26	502511	. NUT HEX NYRT M6-1.0 Z050			3	
27	N.P.N.	. SPACER			1	4
28	550776	. ROTOR			1	
29	550777	. MAGNETIC COIL ASSY			1	
30	550788	. STUD M10-1.5 X 35MM			4	
31	507113	. BALL BEARING			2	
32	N.P.N.	. SPACER SMALL			1	4
33	N.P.N.	. SPACER LARGE			1	4
34	N.P.N.	. RETAINER RING (72 X 2.5)			1	4
35	N.P.N.	. DEFLECTOR			1	4
36	550671	. KEY (8 X 7 X 28)			1	
37	550786	. SHAFT			1	
38	5001106	. SCREW CAP HEX M6-1.0x10 G8.8 Z050			2	
39	550713	. . ANGLE			2	

From X-2458 To 2-4416	Date:10/2022	PAGE:H3-0540-50
FAN CLUTCH ASSY - #550758		

Item#	Part	Description	H 3 4 1	H 3 4 5	V I P 4 5	N O T E S
40	550667	. . SPRING PLATE			1	
NS	562697	SWITCH / ON-ON / D.P.D.T. / CH-OVER / W/RED & GREEN LED			1	A
NS	562735	CAP / RADIATOR FAN			1	A
NS	562763	CONNECTOR RH 10C / SWITCH / NGR 28-5637-2			1	A
51	550965	FAN CLUTCH ASSY / ALTERNATIVE PART / FIRST INSTALLATION SEE MI11-26			1	
. NS	551002	. COOLING RING			1	
. NS	550062	. LOCKING TABS			1	
		A) FOLLOWING ITEM ARE USE WITH MANUAL OPERATING SWITCH ON DASHBOARD				
		4) NO PARTS NUMBER				

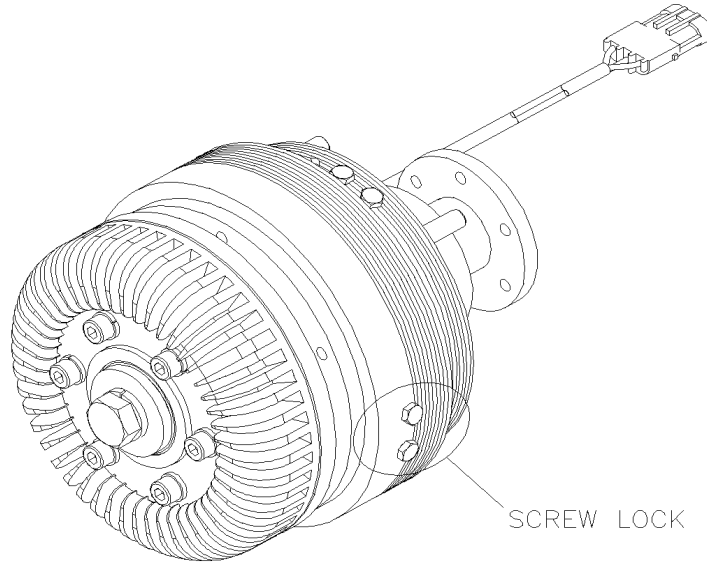
From X-2458 To 2-4416

Date:10/2022

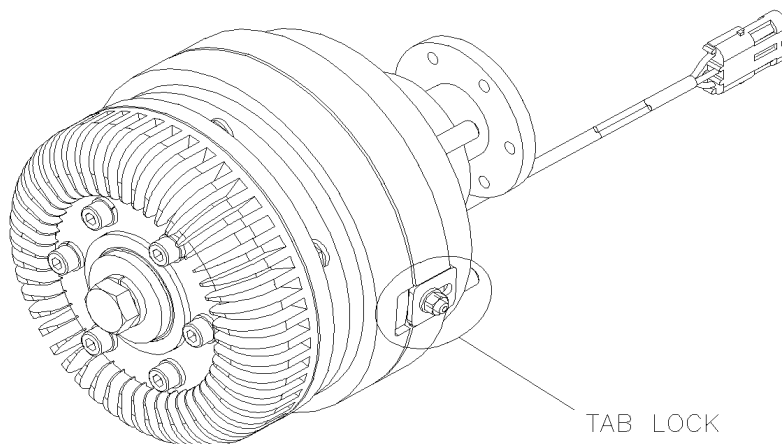
PAGE:550965

FAN CLUTCH ASSY / ALTERNATIVE PART / FIRST INSTALLATION SEE MI11-26

FORMER



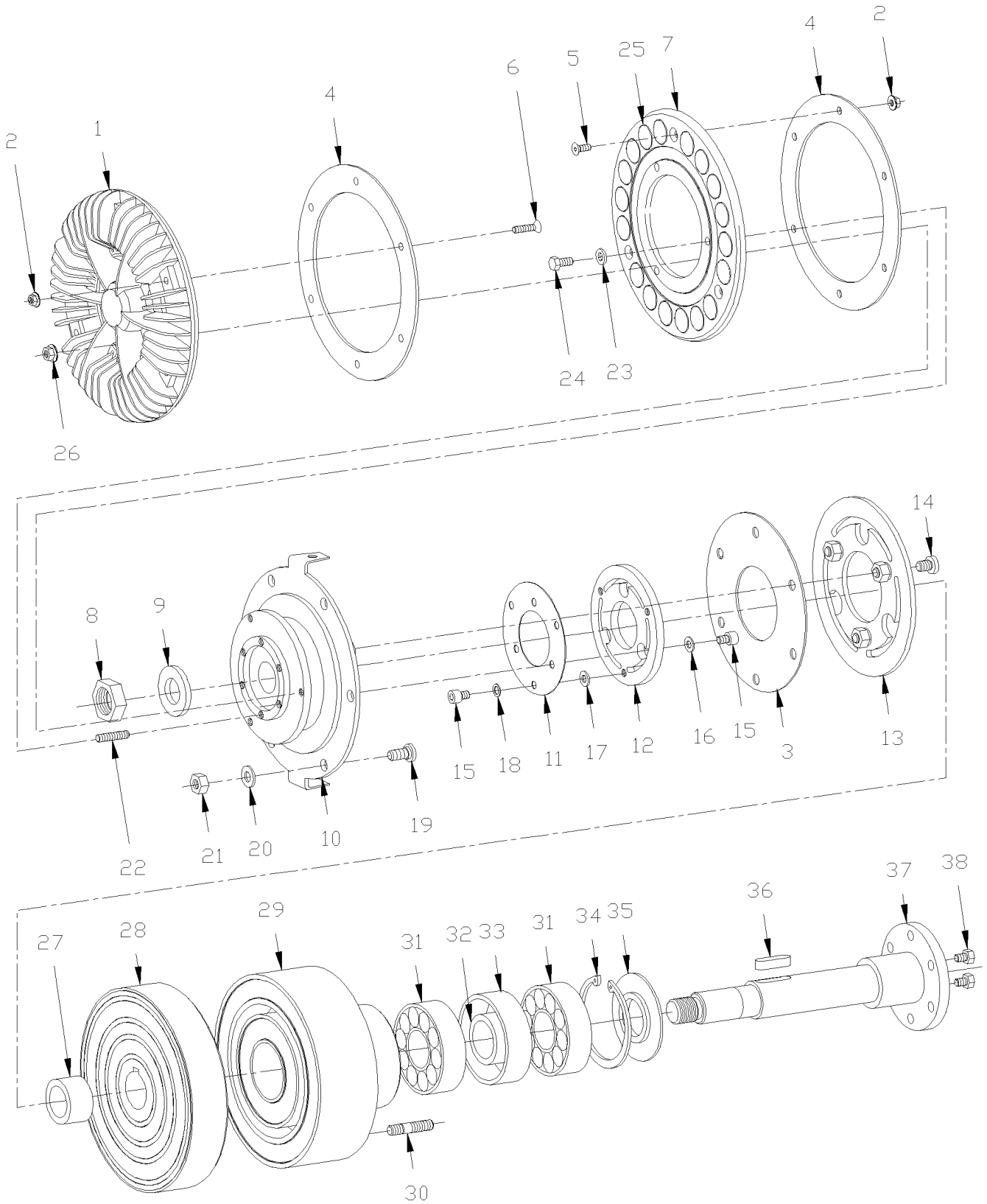
CURRENT



From X-2458 To 2-4416	Date:10/2022	PAGE:550965
FAN CLUTCH ASSY / ALTERNATIVE PART / FIRST INSTALLATION SEE MI11-26		

Item#	Part	Description	H 3 4 1	H 3 4 5	V I P 4 5	N O T E S
1		FORMER WITH SCREW LOCK	1	1	1	
2		CURRENT WITH TAB LOCK	1	1	1	

From R-012 To 2-4416	Date:10/2022	PAGE:H3-0540-51
FAN CLUTCH ASSY - #550836 / SERVICE		



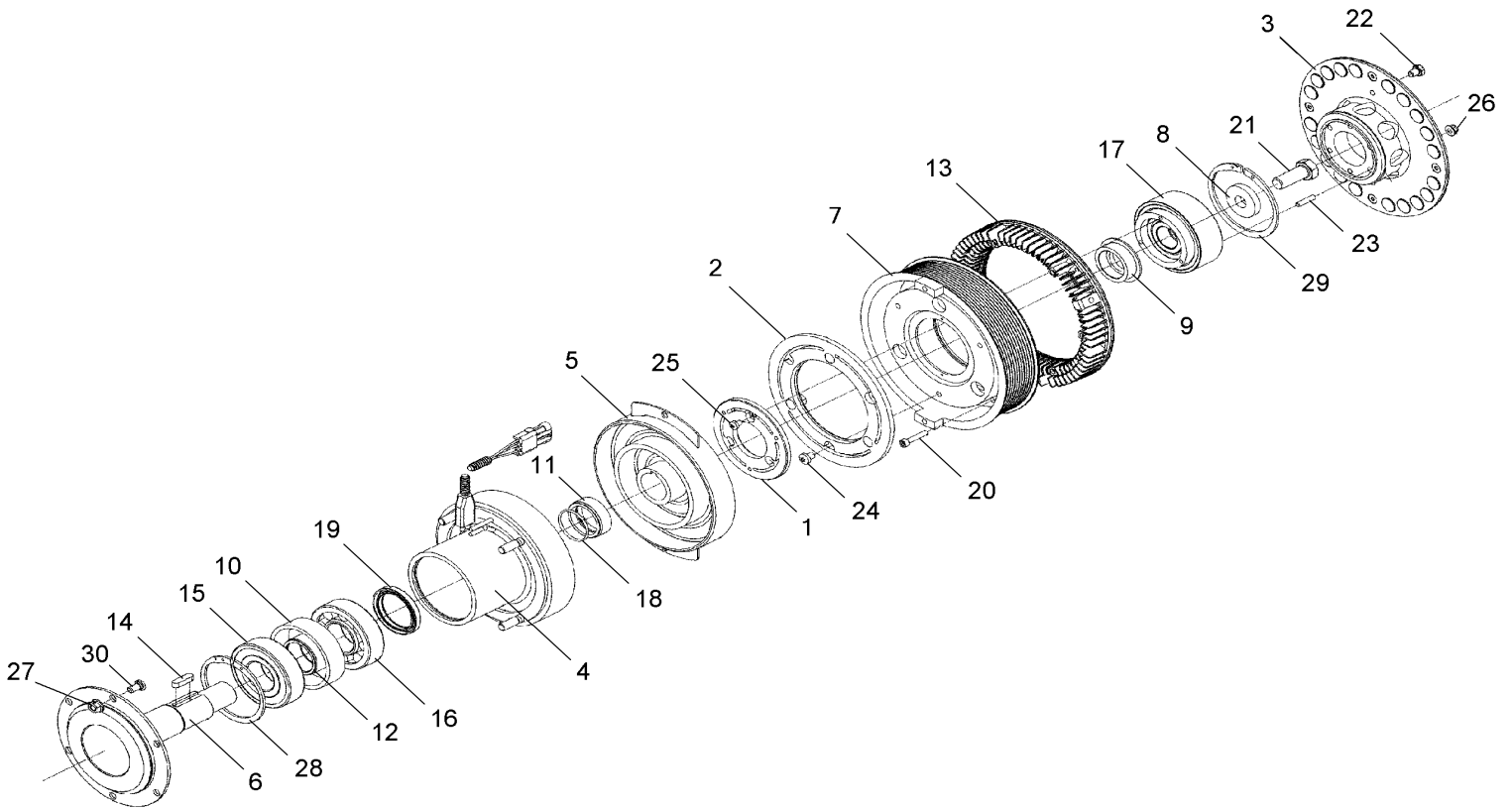
From R-012 To 2-4416	Date:10/2022	PAGE:H3-0540-51
FAN CLUTCH ASSY - #550836 / SERVICE		

Item#	Part	Description	H 3 4 1	H 3 4 5	V I P 4 5	N O T E S
	550836	FAN CLUTCH ASSY /			1	
1	550835	. COOLING FAN			1	
2	502782	. NUT HEX NYRT M5-0.8 Z050			9	
3	550667	. SPRING PLATE			1	
4	550659	. DISC			2	
5	502639	. SCREW MA FL PH M5-0.8X12 ZP			3	
6	N.P.N.	. SCREW, MA FL PH ZP M5-0.8 X 25MM			6	4
7	550779	. MAGNET PLATE SUPPORT			1	
8	502767	. NUT HEX JAM M20-1.5 ZP			1	
9	502558	. WASHER FL 21.0x37.0x3.0 G500			1	
10	550841	. FLANGE DRIVEN ASSY W/BEARING			1	
11	550842	. SPRING PLATE			1	
12	550843	. ARMATURE DISC / 1ST SPEED			1	
13	550783	. ARMATURE DISC / 2ND SPEED			1	
14	N.P.N.	. SOCKET HEAD CAP SCREW, M8-1.25 X 16MM (50-2755)			3	4
15	N.P.N.	. SOCKET HEAD CAP SCREW, M6-1.0 X 8MM (50-01025)			6	4
16	N.P.N.	. WASHER, SHIM .05MM			3	4
17	502573	. WASHER FL 6.4x12.5x1.6 SS			3	
18	502564	. WASHER LO SPT 6.1x11.8x1.6 Z050			3	
19	550669	. STUD M8-1.25 X 19MM			6	
20	500874	. WASHER FL 8.4x17.0x1.6 Z050			6	
21	502744	. NUT HEX STO M8-1.25 Z050			6	
22	N.P.N.	. SET SCREW, M6-1.0 X 20MM			3	4
23	N.P.N.	. WASHER			3	4
24	5001106	. SCREW CAP HEX M6-1.0x10 G8.8 Z050			3	
25	550661	. MAGNET			18	
26	502511	. NUT HEX NYRT M6-1.0 Z050			3	
27	N.P.N.	. SPACER			1	4
28	550776	. ROTOR			1	
29	550777	. MAGNETIC COIL ASSY			1	
30	550788	. STUD M10-1.5 X 35MM			4	
31	507113	. BALL BEARING			2	
32	N.P.N.	. SPACER SMALL			1	4
33	N.P.N.	. SPACER LARGE			1	4
34	N.P.N.	. RETAINER RING (72 X 2.5)			1	4
35	N.P.N.	. DEFLECTOR			1	4
36	550671	. KEY (8 X 7 X 28)			1	
37	550786	. SHAFT			1	
38	5001106	. SCREW CAP HEX M6-1.0x10 G8.8 Z050			4	A
NS	561781	CONNECTOR / WEATHER PACK / PH 3C / BLACK / PED 12010717			1	
NS	561567	PIN TERMINAL / 20-18 / PED 12089040			3	
NS	561565	CABLE SEAL / GREEN / PED 15324982			3	

From R-012 To 2-4416	Date:10/2022	PAGE:H3-0540-51
FAN CLUTCH ASSY - #550836 / SERVICE		

Item#	Part	Description	H 3 4 1	H 3 4 5	V I P 4 5	N O T E S
51	550965	FAN CLUTCH ASSY / ALTERNATIVE PART / FIRST INSTALLATION SEE MI11-26			1	
. NS	551002	. COOLING RING			1	
. NS	550062	. LOCKING TABS			1	
		A) EMERGENCY USE				
		4) NO PARTS NUMBER				

From R-012 To 2-4416	Date:10/2022	PAGE:H3-0540-99
FAN CLUTCH ASSY - #550839 / RETROFIT		



From R-012 To 2-4416	Date:10/2022	PAGE:H3-0540-99
FAN CLUTCH ASSY - #550839 / RETROFIT		

Item#	Part	Description	H 3 4 1	H 3 4 5	V I P 4 5	N O T E S
	550839	FAN CLUTCH ASSY /	1	1	1	
. NS	IS-EB0140 A	. SEE INSTRUCTION SHEET	1	1	1	
1	N.S.S.	. ARMATURE DISC	1	1	1	1
2	N.S.S.	. ARMATURE DISC	1	1	1	1
3	550882	. MAGNET RING ASSY	1	1	1	
4	550883	. MAGNETIC COIL ASSY	1	1	1	
5	550884	. ROTOR	1	1	1	
6	550885	. SHAFT	1	1	1	
7	550890	. PULLEY ASSY WBEARING & DISC	1	1	1	A
8	550887	. WASHER	1	1	1	
9	550888	. BUSHING FLANGE	1	1	1	
10	N.P.N.	. SPACER	1	1	1	4
11	550893	. BUSHING W/GROOVE	1	1	1	
12	N.P.N.	. SPACER	1	1	1	4
13	550889	. COOLING RING	1	1	1	
14	550671	. KEY (8 X 7 X 28)	1	1	1	
15	550895	. BALL BEARING	1	1	1	
16	550894	. ROLLER BEARING	1	1	1	
17	550886	. BEARING ASSY	1	1	1	
18	550891	. O-RING 40 X 2.5	1	1	1	
19	550892	. SEAL 50 X 65 X 8	1	1	1	
20	N.P.N.	. SCREW CAP HEX S.ZP MG X 30 G8.8	6	6	6	4
21	N.P.N.	. SCREW CAP HEX M16 X 40 G10.9	1	1	1	4
22	500069	. SCREW CAP HEX M8-1.25x16 G10.9 DP	2	2	2	B
23	N.S.S.	. INSERT	3	3	3	1
24	N.S.S.	. INSERT	3	3	3	1
25		. SCREW M6 X 8	6	6	6	
26	500680	. NUT HEX STO M10-1.5 Z050	6	6	6	
27	N.P.N.	. RETAINER RING (90 X 3)	1	1	1	4
28	N.P.N.	. RETAINER RING (100 X 3)	1	1	1	4
29	N.S.S.	. SNAP RING	1	1	1	1
30	N.P.N.	. INSERT	1	1	1	4
32	550966	FAN CLUTCH ASSY / ALTERNATIVE PART	1	1	1	
. NS	550062	. LOCKING TABS	1	1	1	
32	550057	FAN CLUTCH ASSY / ALTERNATIVE PART / SEE MI16-08	1	1	1	
. NS	550062	. LOCKING TABS	1	1	1	
33	IS17908	550057 FAN CLUTCH FIRST INSTALLATION / WITH LONG FAN DRIVE	1	1	1	
. NS	550057	. FAN CLUTCH ASSY / ALTERNATIVE PART / SEE MI16-08	1	1	1	
. NS	550062	. . LOCKING TABS	1	1	1	
. NS	506064	. MULTI V-BELT / 12 RIB 83 1/2" (2121)	1	1	1	
. NS	5001758	. NUT HEX STO M10-1.5 N500	4	4	4	

From R-012 To 2-4416	Date:10/2022	PAGE:H3-0540-99
FAN CLUTCH ASSY - #550839 / RETROFIT		

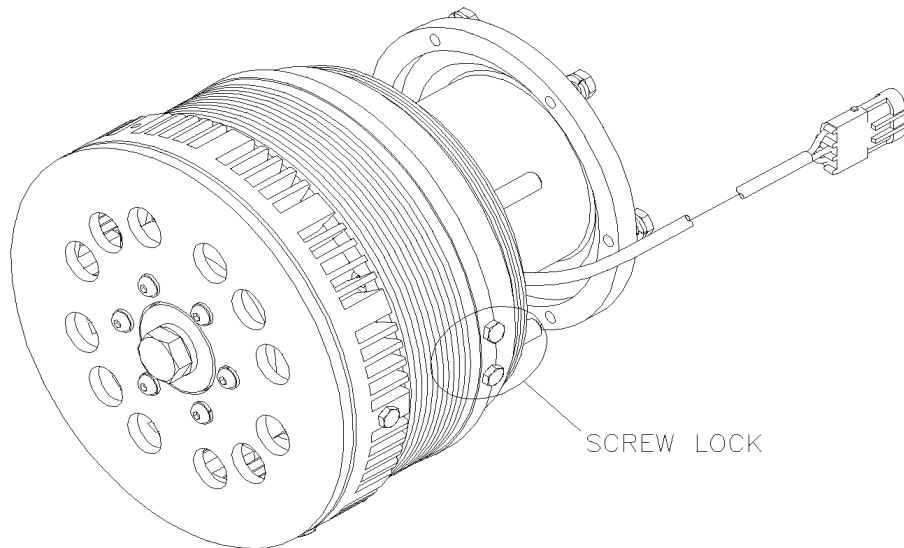
Item#	Part	Description	H 3 4 1	H 3 4 5	V I P 4 5	N O T E S
. NS	500897	. WASHER FL .437x1.000x.083 N500	4	4	4	
. NS	IS-17908	. SEE INSTRUCTION SHEET	1	1	1	
34	IS17909	550057 FAN CLUTCH FIRST INSTALLATION / WITH SHORT FAN DRIVE	1	1	1	
. NS	550057	. FAN CLUTCH ASSY / ALTERNATIVE PART / SEE MI16-08	1	1	1	
. . NS	550062	. . LOCKING TABS	1	1	1	
. NS	5002112	. MULTI V-BELT / 12 RIB 62.40" (1585MM)	2	2	2	
. NS	502692	. NUT HEXF STO M8-1.25 Z050	3	3	3	
. NS	502891	. SCREW CRG M8-1.25x40 G8.8 Z050	3	3	3	
. NS	500874	. WASHER FL 8.4x17.0x1.6 Z050	3	3	3	
. NS	502644	. WASHER FL 10.5x30.0x2.5 Z050	4	4	4	
. NS	5001758	. NUT HEX STO M10-1.5 N500	4	4	4	
. NS	5001654	. WASHER FL 6.4x17.0x3.0 SS	6	6	6	
. NS	502843	. SCREW CAP HEX M6-1.0x45 G8.8 N500	1	1	1	
. NS	502621	. NUT HEX STO M6-1.0 Z050	1	1	1	
. NS	IS-17909	. SEE INSTRUCTION SHEET	1	1	1	
		A) INCLUDES ITEMS #1, 2, 17, 23, 24, 25 & 29				
		B) USE IN EMERGENCY ONLY				
		1) NOT SOLD SEPARATELY				
		4) NO PARTS NUMBER				

From R-012 To 2-4416

Date:10/2022

PAGE:550966

FAN CLUTCH ASSY / ALTERNATIVE PART



From R-012 To 2-4416	Date:10/2022	PAGE:550966
FAN CLUTCH ASSY / ALTERNATIVE PART		

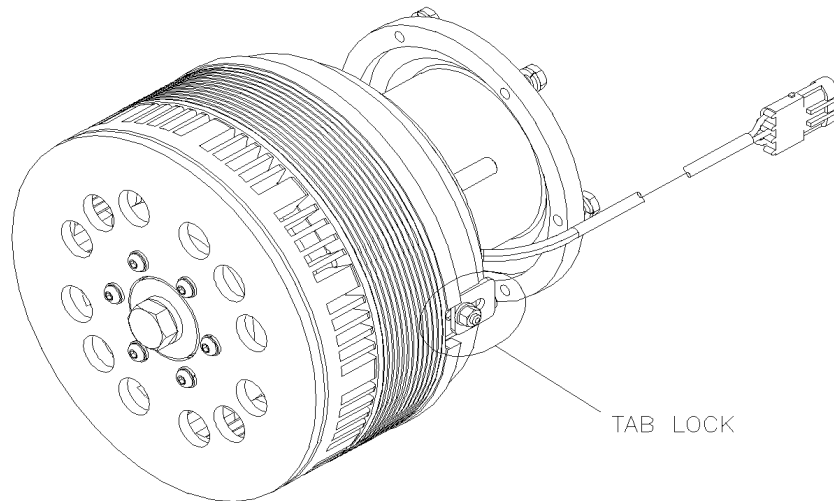
Item#	Part	Description	H 3 4 1	H 3 4 5	V I P 4 5	N O T E S
1		FORMER WITH SCREW LOCK	1	1	1	

From R-012 To 2-4416

Date:10/2022

PAGE:550057

FAN CLUTCH ASSY / ALTERNATIVE PART / SEE MI16-08

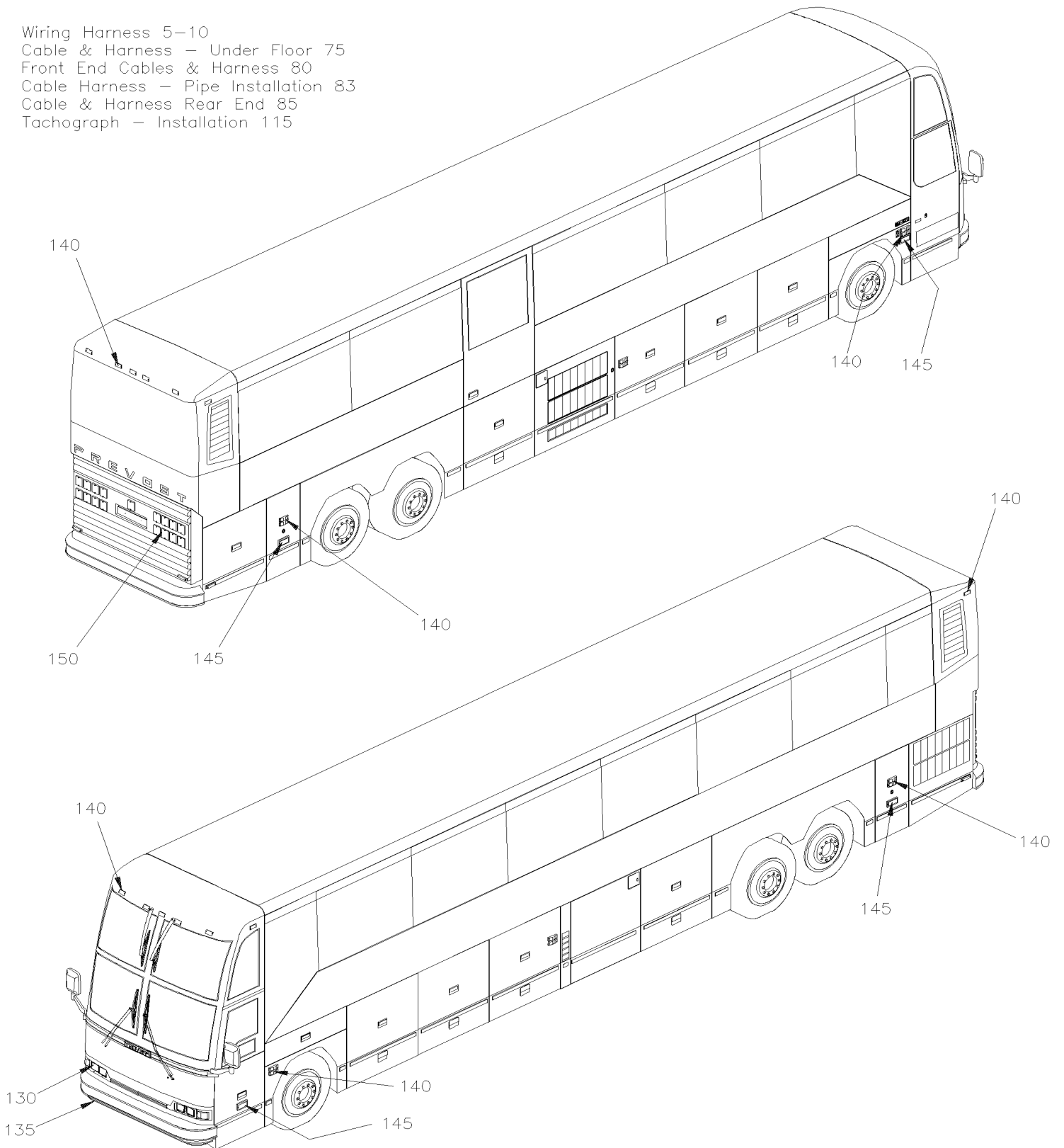


From R-012 To 2-4416	Date:10/2022	PAGE:550057
FAN CLUTCH ASSY / ALTERNATIVE PART / SEE MI16-08		

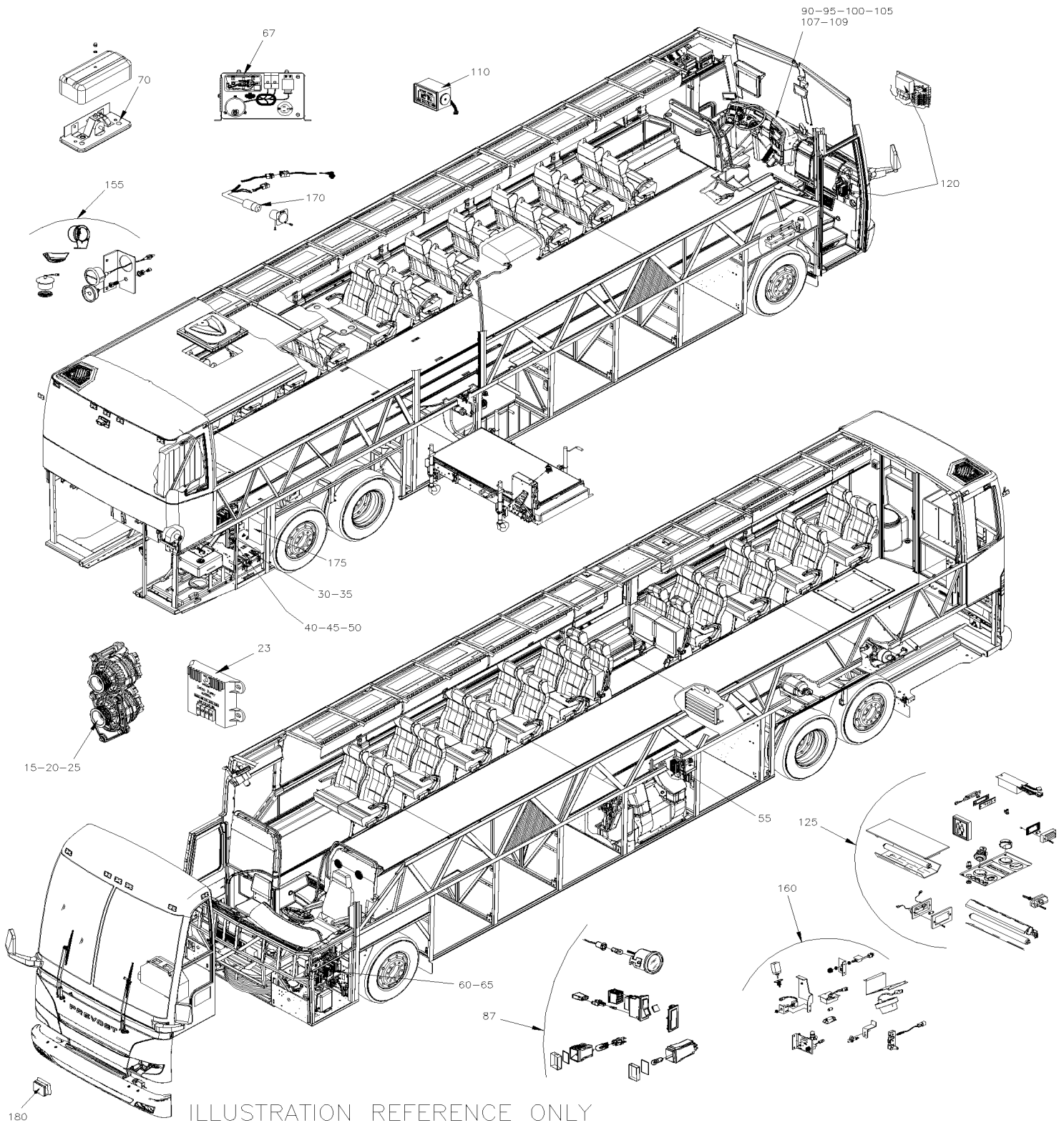
Item#	Part	Description	H 3 4 1	H 3 4 5	V I P 4 5	N O T E S
2		WITH TAB LOCK	1	1	1	

	Date: 10/2022	H3-06
ELECTRICAL		

Wiring Harness 5-10
Cable & Harness - Under Floor 75
Front End Cables & Harness 80
Cable Harness - Pipe Installation 83
Cable & Harness Rear End 85
Tachograph - Installation 115



	Date:10/2022	H3-06
ELECTRICAL		



		Date:10/2022	H3-06			
ELECTRICAL						
Item#	Part	Description	H 3 4 1	H 3 4 5	V I P 4 5	N O T E S
5	H3-0600-00	WIRING HARNESS - BUS DIAGRAM D-060812 From R-012 To T-1303				
5	H3-0600-01	WIRING HARNESS - BUS DIAGRAM D-060869 From T-1304 To V-1778				
5	H3-0600-02	WIRING HARNESS - BUS DIAGRAM D-060882 From V-1779 To W-2284				
5	H3-0600-03	WIRING HARNESS - BUS DIAGRAM D-060902 From W-2285 To Y-3894				
5	H3-0600-04	WIRING HARNESS - BUS DIAGRAM D-060949 From Y-3395 To 2-4416				
10	H3-0600-50	WIRING HARNESS - V.I.P. DIAGRAM D-060842 full a/c From R-057 To T-1304				
10	H3-0600-51	WIRING HARNESS - V.I.P. DIAGRAM D-060870 full a/c From T-1305 To V-1794				
10	H3-0600-52	WIRING HARNESS - V.I.P. DIAGRAM D-060883 full a/c From V-1795 To W-2450				
10	H3-0600-53	WIRING HARNESS - V.I.P. DIAGRAM D-060912 full a/c From W-2458 To 2-4460				
10	H3-0600-54	WIRING HARNESS - V.I.P. DIAGRAM D-060912 driver's a/c From W-2488 To 2-4460				
15	H3-0605-03	ALTERNATOR 24V/270 AMPS / "DELCO" #562235 From R-012 To 2-4416				
15	H3-0605-04	ALTERNATOR 12V/300 AMPS / "DELCO" #562355 From W-2285 To 2-4416				
15	H3-0605-05	ALTERNATOR 24V/140 AMPS / "BOSCH" From V-2077 To 2-4416				
20	H3-0610-02	ALTERNATOR MOUNTING / "DELCO" WITH DETROIT S-60 From R-012 To W-2344				
20	H3-0610-03	ALTERNATOR MOUNTING / "DELCO" WITH DETROIT S-60 From W-2345 To X-2900				
20	H3-0610-04	ALTERNATOR MOUNTING / "BOSCH" WITH DETROIT S-60 From X-2901 To 2-4416				
20	H3-0610-03	ALTERNATOR MOUNTING / "DELCO" WITH DETROIT S-60 From R-012 To 2-4416				
23	H3-0610-10	VOLTAGE REGULATOR - 24 VOLTS W/270 AMPS From R-012 To 2-4416				
25	H3-0610-53	ALTERNATOR MOUNTING / "DELCO" - 12V/145A / GEARBOX INSTAL From R-012 To 2-4416				
25	H3-0610-54	ALTERNATOR MOUNTING / "BOSCH" - 24V/140A / GEARBOX INSTAL From V-2077 To 2-4416				
25	H3-0610-55	ALTERNATOR MOUNTING / 12V & 24V - V.I.P. From X-2488 To 2-4416				
30	H3-0615-01	BATTERIES COMPARTMENT - INSTALLATION From R-012 To V-1778				
30	H3-0615-02	BATTERIES COMPARTMENT - INSTALLATION From V-1779 To 2-4416				
35	H3-0615-50	BATTERIES COMPARTMENT PANEL From R-012 To V-1778				
35	H3-0615-51	BATTERIES COMPARTMENT PANEL From V-1779 To 2-4416				
35	H3-0615-60	BATTERIES AUXILIARY - INSTALLATION From R-012 To 2-4416				
40	H3-0616-00	JUNCTION BOX COMPONENTS, RELAY & BREAKER From R-012 To 2-4416				
45	H3-0616-10	BREAKER PANEL From R-012 To V-1778				
45	H3-0616-11	BREAKER PANEL From V-1779 To 2-4416				
50	H3-0620-01	REAR JUNCTION BOX ASSY From R-012 To V-1778				
50	H3-0620-02	REAR JUNCTION BOX ASSY From V-1779 To 2-4416				
50	H3-0620-51	REAR JUNCTION BOX - INSTALLATION From R-012 To V-1778				
50	H3-0620-52	REAR JUNCTION BOX - INSTALLATION From V-1779 To 2-4416				
55	H3-0621-01	A/C JUNCTION BOX ASSY From R-012 To S-127				
55	H3-0621-02	A/C JUNCTION BOX ASSY From S-128 To V-1778				
55	H3-0621-03	A/C JUNCTION BOX ASSY From V-1779 To 2-4416				
55	H3-0621-10	A/C CONDENSOR MOTOR RELAY From Y-3415 To 2-4416				
55	H3-0621-99	A/C CONDENSOR MOTOR RELAY / SERVICE From R-012 To Y-3414				
60	H3-0625-01	FRONT JUNCTION BOX ASSY From R-012 To V-1778				
60	H3-0625-02	FRONT JUNCTION PANEL From V-1779 To 2-4416				
65	H3-0625-50	FRONT JUNCTION BOX - INSTALLATION From R-012 To V-1778				
65	H3-0625-51	FRONT JUNCTION BOX - INSTALLATION From V-1779 To 2-4416				

		Date:10/2022	H3-06			
ELECTRICAL						
Item#	Part	Description	H 3 4 1	H 3 4 5	V I P 4 5	N O T E S
67	H3-0626-01	ALARM JUNCTION BOX ASSY From R-012 To T-1611				
67	H3-0626-02	ALARM JUNCTION BOX ASSY From T-1612 To V-1778				
70	H3-0628-00	CHIME BELL - INSTALLATION From V-1779 To 2-4416				
75	H3-0630-01	CABLE & HARNESS - UNDER FLOOR From X-2726 To 2-4416				
80	H3-0640-00	CABLE & HARNESS - FRONT END INSTALLATION From R-012 To V-1778				
80	H3-0640-01	CABLE & HARNESS - FRONT END INSTALLATION From V-1779 To W-2284				
80	H3-0640-02	CABLE & HARNESS - FRONT END INSTALLATION From W-2285 To 2-4416				
83	H3-0640-10	CABLE HARNESS - PIPE INSTALLATION From R-012 To 2-4416				
85	H3-0641-00	CABLE & HARNESS - REAR END INSTALLATION From R-012 To 2-4416				
87	H3-0644-00	DASHBOARD COMPONENTS From R-012 To W-2457				
90	H3-0645-00	SWITCHES L.H. CONSOLE - BUS From R-012 To W-2284				
90	H3-0645-01	SWITCHES L.H. CONSOLE - BUS From W-2285 To 2-4416				
90	H3-0645-05	SWITCHES L.H. CONSOLE - V.I.P. From R-012 To W-2457				
90	H3-0645-06	SWITCHES L.H. CONSOLE - V.I.P. From X-2458 To 2-4416				
95	H3-0645-10	L.H. DASHBOARD PANEL From R-012 To V-1778				
95	H3-0645-11	L.H. DASHBOARD PANEL - BUS From V-1779 To W-2284				
95	H3-0645-12	L.H. DASHBOARD PANEL - BUS From W-2285 To 2-4416				
95	H3-0645-15	L.H. DASHBOARD PANEL - V.I.P. From V-1779 To W-2457				
95	H3-0645-16	L.H. DASHBOARD PANEL - V.I.P. From X-2458 To 2-4416				
100	H3-0645-20	CENTER DASHBOARD PANEL From R-012 To V-1778				
100	H3-0645-21	CENTER DASHBOARD PANEL - BUS From V-1779 To W-2284				
100	H3-0645-22	CENTER DASHBOARD PANEL - BUS From W-2285 To 2-4416				
100	H3-0645-25	CENTER DASHBOARD PANEL - V.I.P. From V-1779 To W-2457				
100	H3-0645-26	CENTER DASHBOARD PANEL - V.I.P. From X-2458 To 2-4416				
105	H3-0645-30	R.H. DASHBOARD PANEL From R-012 To V-1778				
105	H3-0645-31	R.H. DASHBOARD PANEL - BUS From V-1779 To W-2284				
105	H3-0645-32	R.H. DASHBOARD PANEL - BUS From W-2285 To 2-4416				
105	H3-0645-35	R.H. DASHBOARD PANEL - V.I.P. From V-1779 To W-2457				
105	H3-0645-36	R.H. DASHBOARD PANEL - V.I.P. From X-2458 To 2-4416				
107	H3-0645-40	L.H. & R.H. LOWER CENTRAL PANEL - BUS From R-012 To W-2284				
107	H3-0645-45	L.H. & R.H. LOWER CENTRAL PANEL - V.I.P. From R-012 To W-2457				
109	H3-0645-50	R.H. CONSOLE From R-012 To V-1778				
109	H3-0645-51	R.H. CONSOLE - BUS From V-1779 To W-2284				
109	H3-0645-55	R.H. CONSOLE - V.I.P. From V-1779 To W-2457				
110	H3-0650-00	DATA HUB From R-012 To 2-4416				
115	H3-0650-10	TACHOGRAPH - INSTALLATION From W-2285 To 2-4416				
120	H3-0650-50	KEYLESS MODULE From W-2285 To 2-4416				
125	H3-0655-01	INTERIOR LIGHTING From R-012 To W-2284				
125	H3-0655-02	INTERIOR LIGHTING From W-2285 To 2-4416				
130	H3-0660-00	HEADLAMP & FRONT DIRECTIONAL LAMPS From R-012 To 2-4416				
130	H3-0660-98	HEADLAMP "HALOGENE" & FRONT DIRECTIONAL LAMPS "RETROFIT" INSTALLATION From R-012 To 2-4416				
130	H3-0660-99	HEADLAMP "XENON" & FRONT DIRECTIONAL LAMPS "RETROFIT" INSTALLATION From R-012 To 2-4416				

		Date:10/2022	H3-06			
ELECTRICAL						
Item#	Part	Description	H 3 4 1	H 3 4 5	V I P 4 5	N O T E S
135	H3-0661-00	FOG LAMP From R-012 To 2-4416				
140	H3-0662-01	CLEARANCE & MARKER LIGHT From R-012 To 2-4416				
145	H3-0663-00	DOCK & CORNERING LIGHT From R-012 To 2-4416				
150	H3-0664-00	REAR EXTERIOR LIGHTS & PLATE HOLDER From R-012 To 2-4416				
155	H3-0665-01	ENGINE COMPARTMENT - ELECTRIC COMPONENTS From R-012 To W-2284				
155	H3-0665-02	ENGINE COMPARTMENT - ELECTRIC COMPONENTS From W-2285 To 2-4416				
160	H3-0665-11	SWITCHES, LIGHTS, AJAR - UNDER FLOOR From R-012 To W-2284				
160	H3-0665-12	SWITCHES, LIGHTS, AJAR - UNDER FLOOR From W-2285 To 2-4416				
170	H3-0666-00	BLOCK HEATER RECEPTACLE From R-012 To 2-4416				
175	H3-0670-10	BATTERIES CHARGER - INSTALLATION From R-012 To W-2284				
175	H3-0670-11	BATTERIES CHARGER - INSTALLATION From W-2285 To 2-4416				
180	H3-0675-00	SYSTEM - "VORAD" From R-012 To 2-4416				

From R-012 To T-1303		Date:10/2022	PAGE:H3-0600-00
WIRING HARNESS - BUS DIAGRAM D-060812			



From R-012 To T-1303	Date:10/2022	PAGE:H3-0600-00
WIRING HARNESS - BUS DIAGRAM D-060812		

Item#	Part	Description	H 3 4 1	H 3 4 5	V I P 4 5	N O T E S
		IN BATTERIES COMPARTMENT				
1	063592	CABLE ASSY / B - TO GROUND	1	1		
2	061176	CABLE ASSY / B + TO B +	2	2		
3	061180	CABLE ASSY / B - TO B -	2	2		
4	061036	CABLE ASSY / B - TO B -	1	1		
5	063591	CABLE ASSY / RELAY BATTERY & BATTERY #24	1	1		
6	063732	CABLE ASSY / W/STD BATTERY / #12B	1	1		
7	063588	CABLE ASSY / #0VA	1	1		
8	063589	CABLE ASSY / #12VA	1	1		
9	063587	CABLE ASSY / #24VA	1	1		
10	063586	CABLE ASSY / BATTERY BOOSTER BLOCK / #0	1	1		
12	063910	CABLE ASSY / # 00A	1	1		
13	063911	CABLE ASSY / #12	1	1		
14	063966	CABLE ASSY / W/W.C.L. / #24 WL	1	1		
15	063704	CABLE ASSY / W/W.C.L. / #24WC	1	1		
		WITH BATTERIES 8D "OPTION"				
20	063902	CABLE ASSY / #0VA	1	1		
21	063901	CABLE ASSY / W/8D BATTERY / #12B	1	1		
22	063908	CABLE ASSY / #00A	1	1		
23	063903	CABLE ASSY / B + TO B -	1	1		
25	063897	CABLE ASSY / #0VA	1	1		
26	063898	CABLE ASSY / #12VA	1	1		
27	063899	CABLE ASSY / #24VA	1	1		
		INSIDE BATTERIES COMPARTMENT				
31	063585	CABLE ASSY #24B To R-083	1	1		
31	063907	CABLE ASSY #24B From R-084	1	1		
		FROM BATTERIES JUNCTION COMPARTMENT TO E.C.M. & ENGINE ACCESSORIES				
41	063630	CABLE ASSY / POWER E.C.U. To R-083	1	1		
41	063906	CABLE ASSY / POWER E.C.U. From R-084	1	1		
42	063608	CABLE ASSY / ENGINE COMPT ACCESSORIES	1	1		
43	063623	CABLE ASSY	1	1		
		INSIDE REAR JUNCTION BOX				

From R-012 To T-1303	Date:10/2022	PAGE:H3-0600-00
WIRING HARNESS - BUS DIAGRAM D-060812		

Item#	Part	Description	H 3 4 1	H 3 4 5	V I P 4 5	N O T E S
51	063597	WIRING HARNESS RR JCT BOX BUS H3 To S-127	1	1		
51	063955	WIRING HARNESS RR JCT BOX BUS H3 From S-128	1	1		
52	063962	CABLE ASSY / W/W.C.L.	1			
53	064128	CABLE ASSY / STUD GRD & CONNECTOR C-220 IN REAR JUNCT.BOX	1	1		
		FROM REAR JUNCTION BOX				
		TO REAR ENGINE COMPARTMENT				
61	063509	CABLE HARNESS / ENGINE ACCESSORIES To S-264	1	1		
61	064059	CABLE HARNESS / ENGINE ACCESSORIES From S-265	1	1		
62	062482	CABLE HARNESS / ENGINE ACC. TO ROOF LIGHT	1	1		
63	063209	CABLE ASSY R.H. LAMP / REAR ENGINE DOOR	1	1		
64	063210	CABLE ASSY L.H. LAMP / REAR ENGINE DOOR	1	1		
65	063715	CABLE ASSY / ENGINE ACC. & WATER SEPARATOR	1	1		
66	063713	CABLE ASSY / A/C COMPRESSOR	1	1		
67	063331	CABLE ASSY / AIR DRYER	1	1		
68	062216	CABLE ASSY / REAR START	1	1		
69	064101	CABLE ASSY / SWITCH & PUMP	1	1		
70	063622	CABLE ASSY / SIDE MARKER	1	1		
		FROM REAR JUNCTION BOX				
		TO PARCEL RACK & LAVATORY				
81	062465	CABLE ASSY LAVATORY	1	1		
82	062573	CABLE ASSY / FOR LIGHT SWITCH	1	1		
83	062574	CABLE ASSY / TIMER & ACCESSORIES	1	1		
84	062466	CABLE ASSY / TO PARCEL RACK	1	1		
85	063535	CABLE ASSY EMERGENCY EXIT	2	2		
86	063536	CABLE ASSY / MAIN AISLE LAMP	1	1		
87	063534	CABLE ASSY L.H.		1		
87	063871	CABLE ASSY L.H.	1			
88	063533	CABLE ASSY R.H.		1		
88	063870	CABLE ASSY R.H.	1			
89	063963	CABLE ASSY / W.C.L. ACCESSORIES / "ST & ST"	1			
		FROM REAR JUNCTION BOX				
		TO COMPARTMENT UNDER FLOOR ACCESS.				
101	063505	CABLE HARNESS / ACCESSORIES LUGGAGE COMPT To S-127		1		
101	063964	CABLE HARNESS / ACCESSORIES LUGGAGE COMPT From S-128		1		
101	063884	CABLE HARNESS / ACCESSORIES LUGGAGE COMPT To S-186	1			
101	063965	CABLE HARNESS / ACCESSORIES LUGGAGE COMPT From S-187	1			

From R-012 To T-1303	Date:10/2022	PAGE:H3-0600-00
WIRING HARNESS - BUS DIAGRAM D-060812		

Item#	Part	Description	H 3 4 1	H 3 4 5	V I P 4 5	N O T E S
102	063308	CABLE HARNESS To S-127	1	1		
102	063982	CABLE HARNESS From S-128 To S-194	1	1		
102	064058	CABLE HARNESS From S-195 To V-1701	1	1		
102	064365	CABLE HARNESS From V-1702	1	1		
103	062555	CABLE ASSY / A/C JUNCTION BOX & MOTORS	1	1		
104	062576	CABLE ASSY / TO FUEL TANK To S-283	1	1		
104	064116	CABLE ASSY / TO FUEL TANK From S-284	1	1		
		INSIDE A/C JUNCTION BOX				
106	063896	WIRING JUNCTION BOX A/C To S-127	1	1		
106	063981	WIRING JUNCTION BOX A/C From S-128	1	1		
107	062554	CABLE ASSY FAN POWER	1	1		
		FROM REAR JUNCTION BOX				
		VEHICLE WITH "WORLD" TRANSMISSION				
111	063561	CABLE ASSY / FRT SELECTOR & RR ECU & VIM (STAMPED 29511560) To S-127	1	1		
111	063854	CABLE ASSY / FRT SELECTOR & RR ECU & VIM (STAMPED 29518227) To S-127	1	1		
111	065919	KIT, RETROFIT "ALLISON" TRANS HARNESS / H SER From S-128	1	1		
. NS	064238	. CABLE ASSY / FRT SELECTOR & RR ECU & VIM From S-128	1	1		
. NS	064237	. CABLE ASSY / TRANS & SPEED SWITCH From S-128	1	1		
. NS	562425	. CONNECTOR / METRI-PACK 150 P2S / SH 24C / PED 12092202 From S-128	1	1		
. NS	562352	. SOCKET TERMINAL / 18-16 / PED 12103881 From S-128	25	25		
. NS	562032	. SEAL PLUG CAVITY / METRI-PACK 150 PS2 / BLACK / PED 12034413 From S-128	5	5		
. NS	IS-94099	. SEE INSTRUCTION SHEET From S-128	1	1		
112	063782	CABLE ASSY / RESISTANCE MODULE & SWITCH	1	1		
		FROM REAR JUNCTION BOX				
		TO FRONT JUNCTION BOX				
131	063510	CABLE ASSY / FRT JCT & REAR SERVICE To S-127	1	1		
131	063958	CABLE ASSY / FRT JCT & REAR SERVICE From S-128	1	1		
		INSIDE FRONT JUNCTION BOX				
141	063512	WIRING HARNESS FRONT JUNCTION BOX To S-127	1	1		
141	063960	WIRING HARNESS FRONT JUNCTION BOX From S-128 To S-206	1	1		
141	064084	WIRING HARNESS FRONT JUNCTION BOX From S-207	1	1		
		FRONT JUNCTION BOX INTERFACE				

From R-012 To T-1303	Date:10/2022	PAGE:H3-0600-00
WIRING HARNESS - BUS DIAGRAM D-060812		

Item#	Part	Description	H 3 4 1	H 3 4 5	V I P 4 5	N O T E S
151	063513	CABLE INTERFACE ASSY / FRT JCT BOX & DASH To S-127	1	1		
151	063959	CABLE INTERFACE ASSY / FRT JCT BOX & DASH From S-128	1	1		
		FROM INTERFACE CABLE / # 151				
		TO "ABS" SYSTEM				
161	063537	CABLE ASSY "ABS"	1	1		
162	062569	CABLE ASSY / FRONT WHEEL "ABS"	1	1		
163	063739	CABLE ASSY / REAR WHEEL "ABS" To S-206	1	1		
163	064139	CABLE ASSY / REAR WHEEL "ABS" From S-207	1	1		
		FROM INTERFACE CABLE / # 151				
		TO FRONT COMPONENTS				
171	063611	CABLE ASSY / FRT JCT & E.C.M. "DDEC" III	1	1		
172	063650	CABLE ASSY / SWITCH CRUISE CONTROL	1	1		
173	063526	CABLE ASSY / FRONT LOWER END	1	1		
174	063892	WIRE ASSY / W/LOW BUOY	1	1		
175	063507	WIRING HARNESS / HEAD LAMP	1	1		
176	063469	CABLE ASSY DOOR CONTROL BUS To S-137	1	1		
176	063949	CABLE ASSY / ENTRANCE DOOR MODULE BUS From S-138	1	1		
177	063458	CABLE ASSY / DOOR ACCESSORIES To S-137	1	1		
177	063951	CABLE ASSY / DOOR ACCESSORIES From S-138	1	1		
178	062710	CABLE ASSY / MIRROR	1	1		
179	062711	CABLE ASSY / MIRROR INSIDE SIDE WINDSHIELD POST INSIDE SIDE WINDSHIELD POST	AR	AR		
		FROM INTERFACE CABLE / # 151				
		TO DRIVER'S DASH COMPARTMENT				
181	063647	CABLE ASSY / INTERFACE TO LH CONSOLE	1	1		
182	063648	CABLE ASSY / LEFT SWITCHES CONSOLE	1	1		
183	063649	CABLE ASSY / GAUGE LH PANEL	1	1		
184	063506	CABLE ASSY To S-127	1	1		
184	063954	CABLE ASSY From S-128 To S-264	1	1		
184	064057	CABLE ASSY From S-265 To S-283	1	1		
184	064117	CABLE ASSY From S-284	1	1		
185	062671	CABLE ASSY / W/SMALL GAUGES	1	1		
186	062672	CABLE ASSY / W/TACHOGRAPH	1	1		
187	063181	CABLE ASSY / GAUGE RH PANEL To S-137	1	1		
187	063950	CABLE ASSY / GAUGE RH PANEL From S-138	1	1		
188	062204	CABLE ASSY / SWITCH RH PANEL / W/OUT RADIO	1	1		
188	064089	CABLE ASSY / SWITCH RH PANEL	1	1		

From R-012 To T-1303	Date:10/2022	PAGE:H3-0600-00
WIRING HARNESS - BUS DIAGRAM D-060812		

Item#	Part	Description	H 3 4 1	H 3 4 5	V I P 4 5	N O T E S
189	062185	CABLE ASSY / RIGHT CONSOLE & TELLTALE / THERMOMETER	1	1		
190	062600	HARNESS / SENSOR (OUTSIDE TEMP.) & / THERMOMETER	1	1		
191	062598	HARNESS / SENSOR (INSIDE TEMP.) & / THERMOMETER	1	1		
192	063837	CABLE ASSY / ROOF	1	1		
		FROM INTERFACE CABLE / # 151				
		SOUND COMPONENTS				
201	062749	CABLE ASSY MASTER / P/A 12VOLTS / 24"				
202	403774	CABLE ASSY / 7 PINS SOCKET X 4 RCA / 51"	1	1		
203	063484	CABLE ASSY AUDIO OUT	1	1		
203	403880	CABLE ASSY	1	1		
204	403532	CABLE ASSY / P/A & VOLUME CONTROL	1	1		
204	403804	CABLE ASSY / 7 PINS X 8 PINS 146"	1	1		
205	063532	CABLE ASSY / PARCEL RACK		1		
205	403915	CABLE ASSY / HAT RACK / L.H. & R.H.		1		
205	063935	CABLE ASSY / PARCEL RACK	1			
205	403916	CABLE ASSY / HAT RACK / L.H. & R.H.	1			
206	402768	SPECIAL WIRE CABLE 8 PIN DIN MALE - 4 RCA / M (7")	1	1		
207	403917	CABLE ASSY / 8 PINS SOCKET X 4 RCA / 2 P/A / 7"	1	1		
208	900735	ADAPTOR "Y" RCA / 1F/2M / 4"		4		
209	404299	CABLE ASSY / SOUND SYSTEM FEED HARNESS (0SS 12SS 24SS)	1	1		
210	404315	CABLE ASSY 12SB	1	1		
211	404316	CABLE ASSY 24SB	1	1		
		FROM INTERFACE CABLE / # 151				
		TO MISCELLANEOUS COMPONENTS				
221	063714	CABLE ASSY	1	1		
222	063346	HARNESS ASSY (VCR & GALLEY)	1	1		
223	063142	CABLE ASSY / INVERTER COMPARTMENT	1	1		
224	063831	CABLE ASSY / INVERTER 750 WATT & GALLEY ON R.H. SIDE	1	1		
225	063347	CABLE ASSY / REAR OF GALLEY & REAR JCT PANEL	1	1		
		INSIDE ALARM JUNCTION BOX				
231	063508	CABLE ASSY / FRONT ALARM BOX To S-127	1	1		
231	063956	CABLE ASSY / FRONT ALARM BOX From S-128 To S-207	1	1		
231	064085	CABLE ASSY / FRONT ALARM BOX From S-208	1	1		

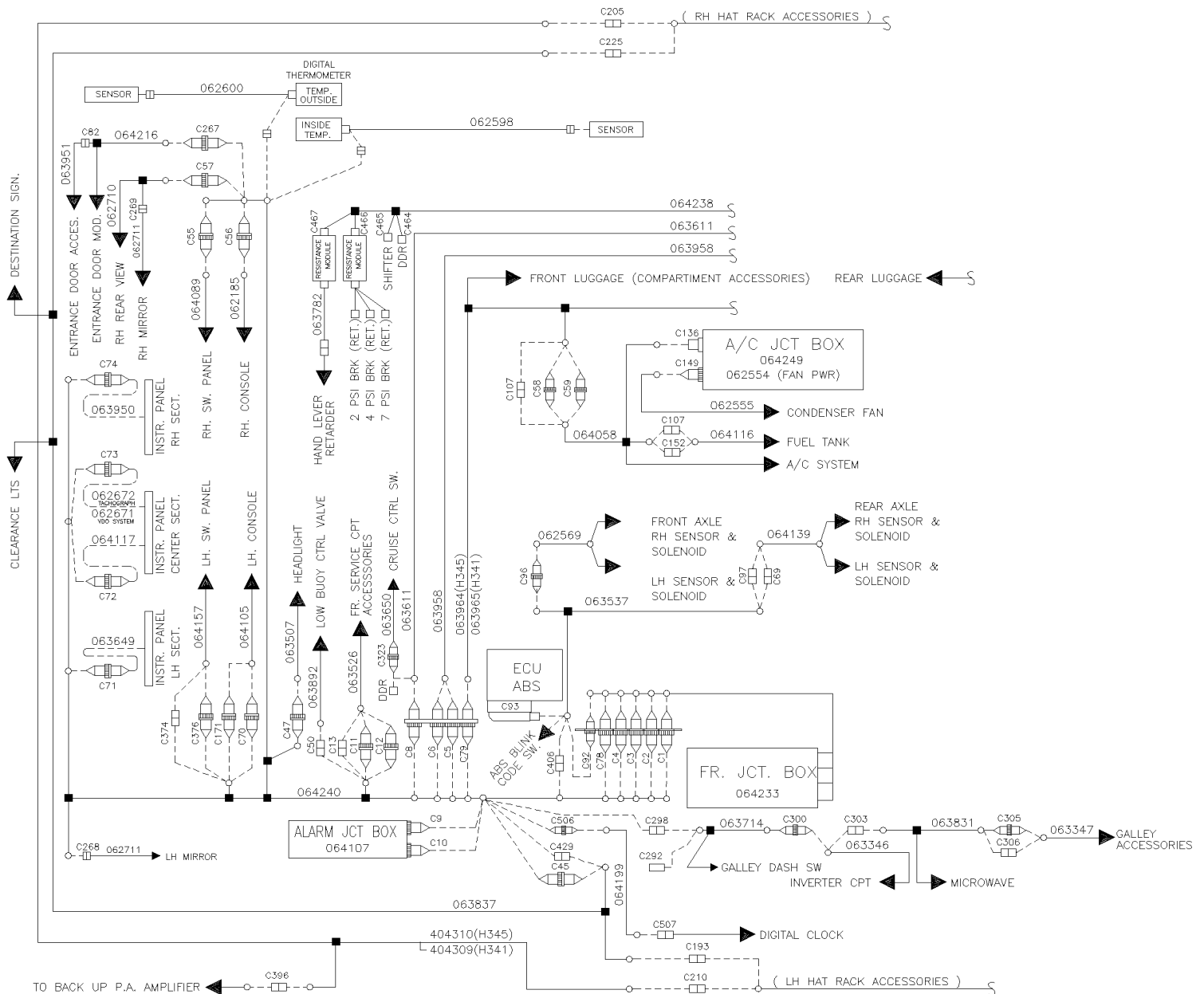
From T-1304 To V-1778

Date:10/2022

PAGE:H3-0600-01

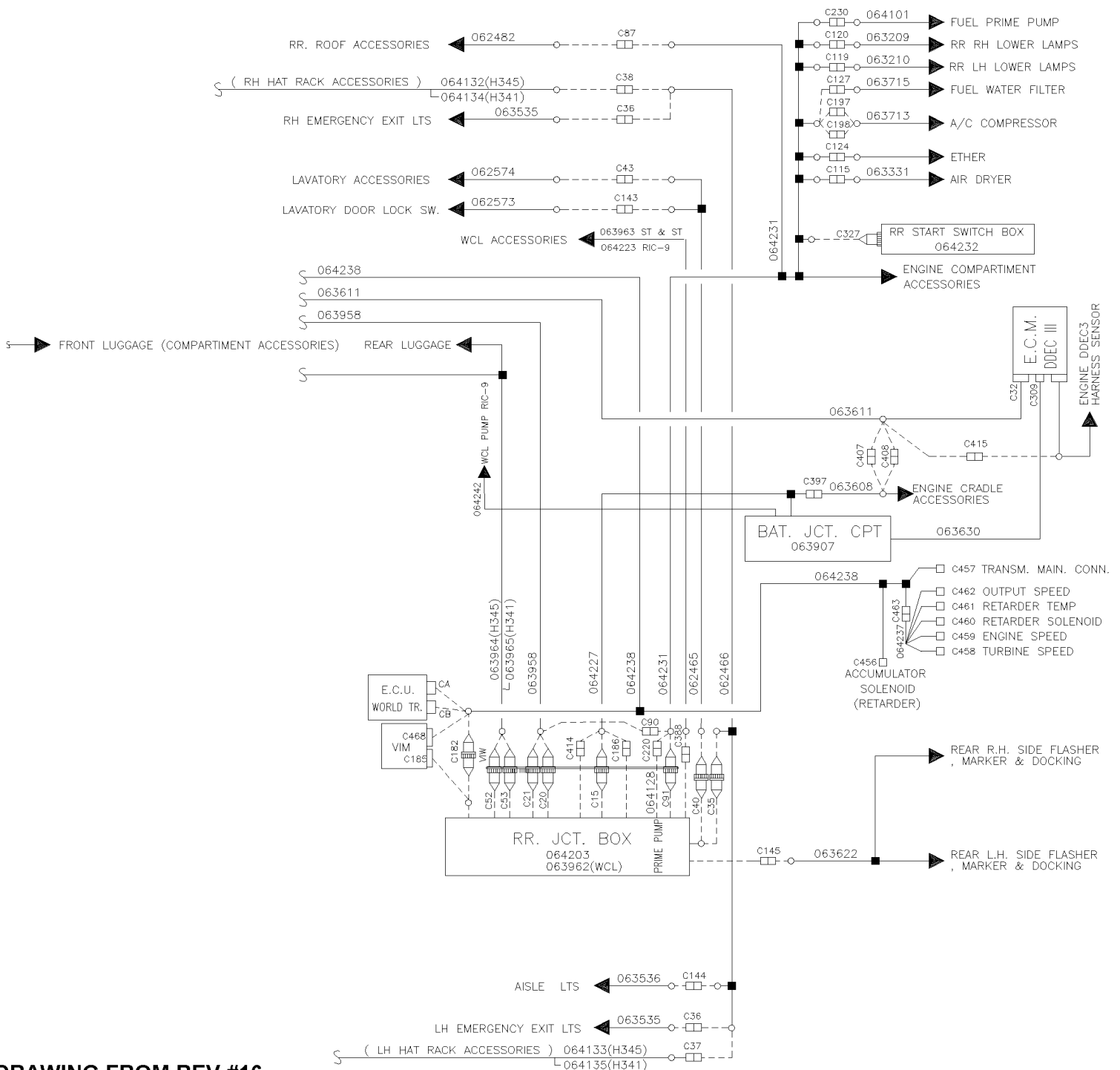
WIRING HARNESS - BUS DIAGRAM D-060869

A

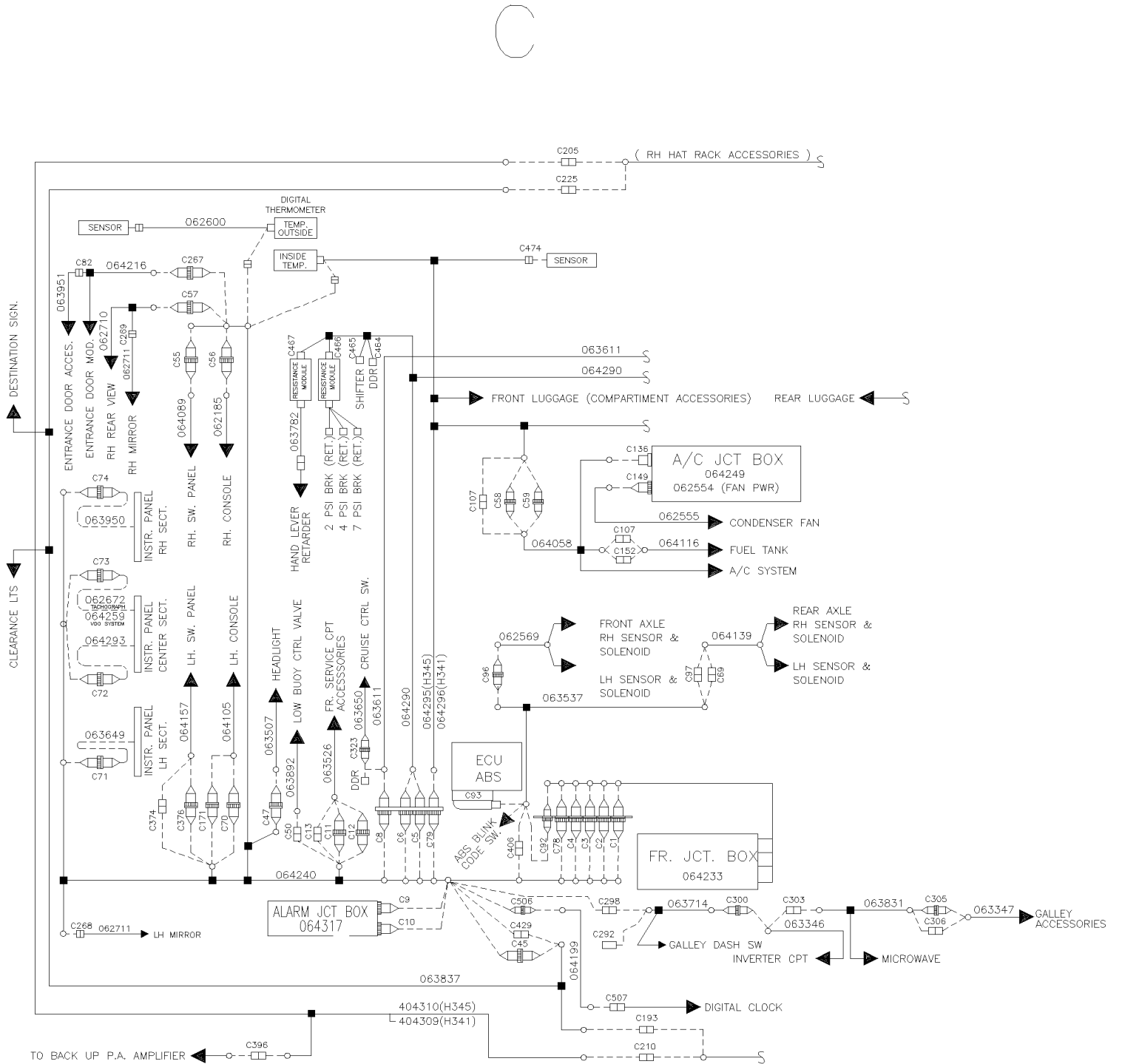


WIRING HARNESS - BUS DIAGRAM D-060869

B

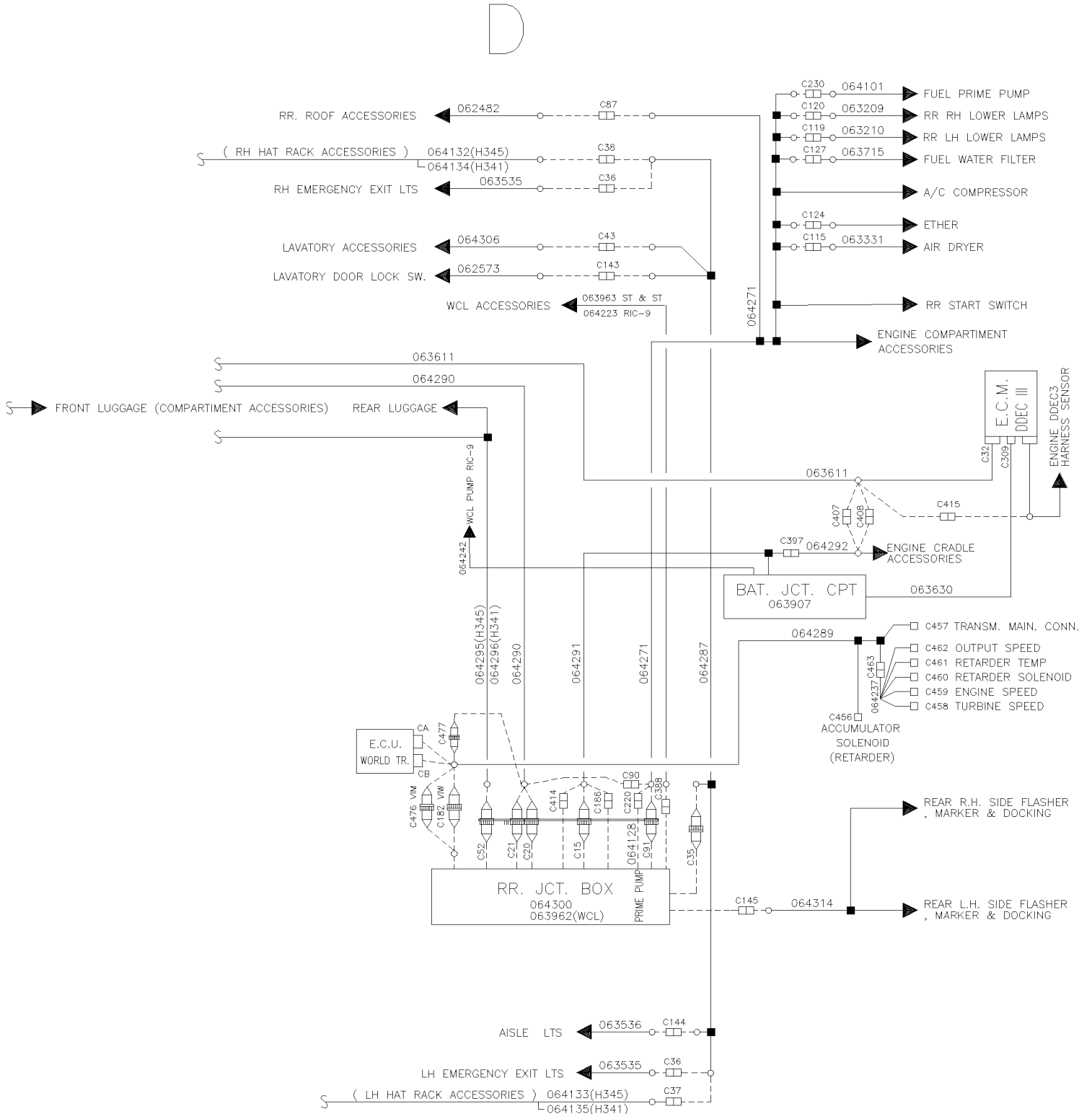


From T-1304 To V-1778	Date:10/2022	PAGE:H3-0600-01
WIRING HARNESS - BUS DIAGRAM D-060869		

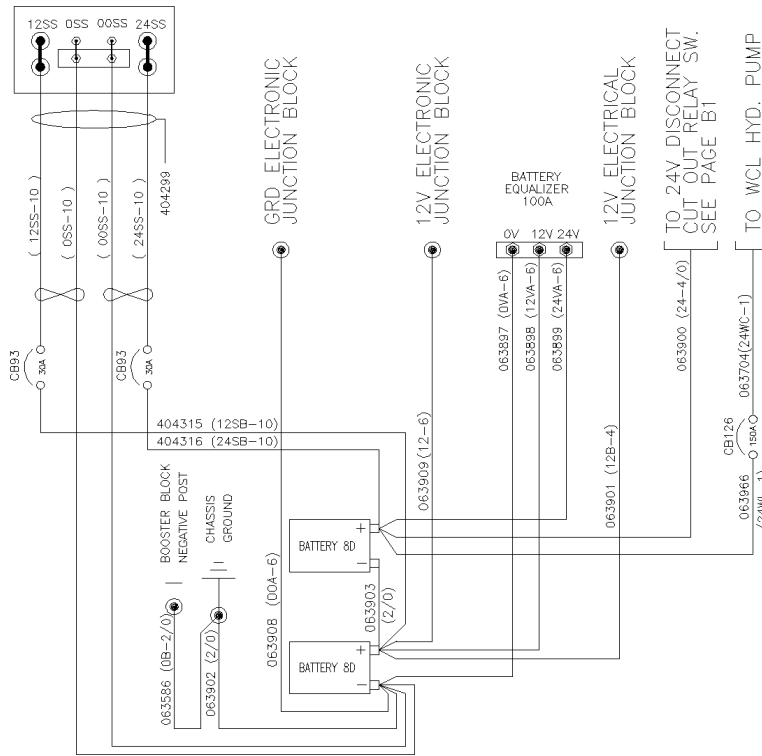


DRAWING FROM REV #21

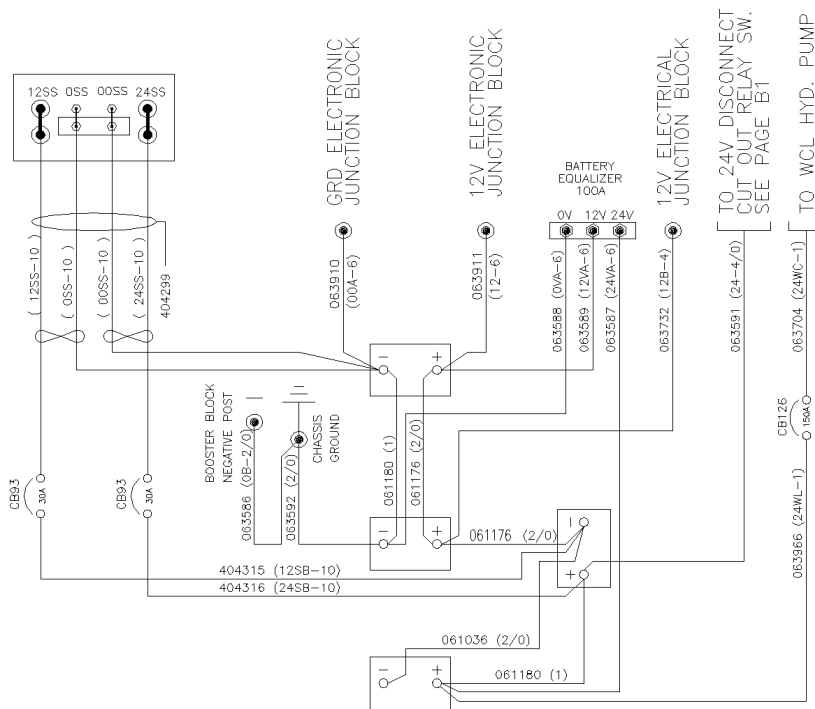
From T-1304 To V-1778	Date:10/2022	PAGE:H3-0600-01
WIRING HARNESS - BUS DIAGRAM D-060869		



From T-1304 To V-1778	Date:10/2022	PAGE:H3-0600-01
WIRING HARNESS - BUS DIAGRAM D-060869		



8D BATTERIES



STANDARD BATTERIES

From T-1304 To V-1778	Date:10/2022	PAGE:H3-0600-01
WIRING HARNESS - BUS DIAGRAM D-060869		

Item#	Part	Description	H 3 4 1	H 3 4 5	V I P 4 5	N O T E S
		IN BATTERIES COMPARTMENT				
1	063592	CABLE ASSY / B - TO GROUND	1	1		
2	061176	CABLE ASSY / B + TO B +	2	2		
3	061180	CABLE ASSY / B - TO B -	2	2		
4	061036	CABLE ASSY / B - TO B -	1	1		
5	063591	CABLE ASSY / RELAY BATTERY & BATTERY #24	1	1		
6	063732	CABLE ASSY / W/STD BATTERY / #12B	1	1		
7	063588	CABLE ASSY / #0VA	1	1		
8	063589	CABLE ASSY / #12VA	1	1		
9	063587	CABLE ASSY / #24VA	1	1		
10	063586	CABLE ASSY / BATTERY BOOSTER BLOCK / #0	1	1		
12	063910	CABLE ASSY / # 00A	1	1		
13	063911	CABLE ASSY / #12	1	1		
14	063966	CABLE ASSY / W/W.C.L. / #24 WL	1	1		
15	063704	CABLE ASSY / W/W.C.L. / #24WC	1	1		
		WITH BATTERIES 8D "OPTION"				
20	063902	CABLE ASSY / #0VA	1	1		
21	063901	CABLE ASSY / W/8D BATTERY / #12B	1	1		
22	063908	CABLE ASSY / #00A	1	1		
23	063903	CABLE ASSY / B + TO B -	1	1		
24	063909	CABLE ASSY / #12	1	1		
25	063897	CABLE ASSY / #0VA	1	1		
26	063898	CABLE ASSY / #12VA	1	1		
27	063899	CABLE ASSY / #24VA	1	1		
28	063900	CABLE ASSY / RELAY BATTERY & BATTERY #24	1	1		
		INSIDE BATTERIES COMPARTMENT				
31	063907	CABLE ASSY #24B	1	1		
		FROM BATTERIES JUNCTION COMPARTMENT TO E.C.M. & ENGINE ACCESSORIES				
41	063906	CABLE ASSY / POWER E.C.U.	1	1		
42	063608	CABLE ASSY / ENGINE COMPT ACCESSORIES To T-1583	1	1		
42	064292	CABLE ASSY / ENGINE COMPT ACCESSORIES From T-1584	1	1		
43	063623	CABLE ASSY To T-1511	1	1		
43	064227	CABLE ASSY From T-1512 To T-1583	1	1		
43	064291	CABLE ASSY From T-1584	1	1		

From T-1304 To V-1778	Date:10/2022	PAGE:H3-0600-01
WIRING HARNESS - BUS DIAGRAM D-060869		

Item#	Part	Description	H 3 4 1	H 3 4 5	V I P 4 5	N O T E S
44	064242	CABLE ASSY W.C.L. PUMP "RICON" From T-1423		1		
		INSIDE REAR JUNCTION BOX				
51	063955	WIRING HARNESS RR JCT BOX BUS H3 To T-1422	1	1		
51	064203	WIRING HARNESS RR JCT BOX BUS H3 From T-1423 To T-1583	1	1		
51	064300	WIRING HARNESS RR JCT BOX BUS H3 From T-1584	1	1		
52	063962	CABLE ASSY / W/W.C.L.	1	1		
53	064128	CABLE ASSY / STUD GRD & CONNECTOR C-220 IN REAR JUNCT.BOX	1	1		
		FROM REAR JUNCTION BOX				
		TO REAR ENGINE COMPARTMENT				
61	064059	CABLE HARNESS / ENGINE ACCESSORIES To T-1473	1	1		
61	064231	CABLE HARNESS / ENGINE ACCESSORIES From T-1474 To T-1573	1	1		
61	064271	CABLE HARNESS / ENGINE ACCESSORIES From T-1574	1	1		
62	062482	CABLE HARNESS / ENGINE ACC. TO ROOF LIGHT	1	1		
63	063209	CABLE ASSY R.H. LAMP / REAR ENGINE DOOR	1	1		
64	063210	CABLE ASSY L.H. LAMP / REAR ENGINE DOOR	1	1		
65	063715	CABLE ASSY / ENGINE ACC. & WATER SEPARATOR	1	1		
66	063713	CABLE ASSY / A/C COMPRESSOR	1	1		
67	063331	CABLE ASSY / AIR DRYER	1	1		
68	062216	CABLE ASSY / REAR START	1	1		
68	064232	CABLE ASSY / REAR START	1	1		
69	064101	CABLE ASSY / SWITCH & PUMP	1	1		
70	063622	CABLE ASSY / SIDE MARKER To T-1583	1	1		
70	064314	CABLE ASSY / SIDE MARKER From T-1584	1	1		
		FROM REAR JUNCTION BOX				
		TO PARCEL RACK & LAVATORY				
81	062465	CABLE ASSY LAVATORY To T-1583	1	1		
81	064287	CABLE POWER / PARCEL RACK & LAVATORY From T-1584	1	1		
82	062573	CABLE ASSY / FOR LIGHT SWITCH	1	1		
83	062574	CABLE ASSY / TIMER & ACCESSORIES To T-1445	1	1		
83	064306	CABLE ASSY / TIMER & ACCESSORIES From T-1446	1	1		
84	062466	CABLE ASSY / TO PARCEL RACK To T-1583	1	1		
85	063535	CABLE ASSY EMERGENCY EXIT	2	2		
86	063536	CABLE ASSY / MAIN AISLE LAMP	1	1		
87	063534	CABLE ASSY L.H. To T-1324		1		
87	064133	CABLE ASSY L.H. From T-1325		1		
87	063871	CABLE ASSY L.H. To T-1324	1			

From T-1304 To V-1778	Date:10/2022	PAGE:H3-0600-01
WIRING HARNESS - BUS DIAGRAM D-060869		

Item#	Part	Description	H 3 4 1	H 3 4 5	V I P 4 5	N O T E S
87	064135	CABLE ASSY L.H. From T-1325	1			
88	063533	CABLE ASSY R.H. To T-1324		1		
88	064132	CABLE ASSY R.H. From T-1325		1		
88	063870	CABLE ASSY R.H. To T-1324	1			
88	064134	CABLE ASSY R.H. From T-1325	1			
89	063963	CABLE ASSY / W.C.L. ACCESSORIES / "ST & ST"	1			
89	064223	CABLE ASSY / W.C.L. ACCESSORIES / "RICON"		1		
		FROM REAR JUNCTION BOX				
		TO COMPARTMENT UNDER FLOOR ACCESS.				
101	063964	CABLE HARNESS / ACCESSORIES LUGGAGE COMPT To T-1583		1		
101	064295	CABLE HARNESS / ACCESSORIES LUGGAGE COMPT From T-1584		1		
101	063965	CABLE HARNESS / ACCESSORIES LUGGAGE COMPT To T-1583	1			
101	064296	CABLE HARNESS / ACCESSORIES LUGGAGE COMPT From T-1584	1			
102	064058	CABLE HARNESS To V-1701	1	1		
102	064365	CABLE HARNESS From V-1702	1	1		
103	062555	CABLE ASSY / A/C JUNCTION BOX & MOTORS	1	1		
104	064116	CABLE ASSY / TO FUEL TANK	1	1		
		INSIDE A/C JUNCTION BOX				
106	063981	WIRING JUNCTION BOX A/C To T-1491	1	1		
106	064249	WIRING JUNCTION BOX A/C From T-1492	1	1		
107	062554	CABLE ASSY FAN POWER	1	1		
		FROM REAR JUNCTION BOX				
		VEHICLE WITH "WORLD" TRANSMISSION				
111	063854	CABLE ASSY / FRT SELECTOR & RR ECU & VIM (STAMPED 29518227) To T-1523	1	1		
111	064238	CABLE ASSY / FRT SELECTOR & RR ECU & VIM From T-1524 To T-1583	1	1		
111	065919	KIT, RETROFIT "ALLISON" TRANS HARNESS / H SER From SERVICE To SERVICE	1	1		
. NS	064238	. CABLE ASSY / FRT SELECTOR & RR ECU & VIM From SERVICE To SERVICE	1	1		
. NS	064237	. CABLE ASSY / TRANS & SPEED SWITCH From SERVICE To SERVICE	1	1		
. NS	562425	. CONNECTOR / METRI-PACK 150 P2S / SH 24C / PED 12092202 From SERVICE To SERVICE	1	1		
. NS	562352	. SOCKET TERMINAL / 18-16 / PED 12103881 From SERVICE To SERVICE	25	25		
. NS	562032	. SEAL PLUG CAVITY / METRI-PACK 150 PS2 / BLACK / PED 12034413 From SERVICE To SERVICE	5	5		
. NS	IS-94099	. SEE INSTRUCTION SHEET From SERVICE To SERVICE	1	1		
112	063782	CABLE ASSY / RESISTANCE MODULE & SWITCH	1	1		
113	064237	CABLE ASSY / TRANS & SPEED SWITCH From T-1524	1	1		
114	064289	CABLE ASSY / E.C.U. & TRANS SPEED SWITCH From T-1584	.	.		

From T-1304 To V-1778	Date:10/2022	PAGE:H3-0600-01
WIRING HARNESS - BUS DIAGRAM D-060869		

Item#	Part	Description	H 3 4 1	H 3 4 5	V I P 4 5	N O T E S
		FROM REAR JUNCTION BOX				
		TO FRONT JUNCTION BOX				
131	063958	CABLE ASSY / FRT JCT & REAR SERVICE To T-1583	1	1		
131	064290	CABLE ASSY / FRT JCT & REAR SERVICE From T-1584	1	1		
		INSIDE FRONT JUNCTION BOX				
141	064084	WIRING HARNESS FRONT JUNCTION BOX To T-1452	1	1		
141	064233	WIRING HARNESS FRONT JUNCTION BOX From T-1453	1	1		
		FRONT JUNCTION BOX				
		INTERFACE				
151	063959	CABLE INTERFACE ASSY / FRT JCT BOX & DASH To T-1323	1	1		
151	064106	CABLE INTERFACE ASSY / FRT JCT BOX & DASH From T-1324 To T-1415	1	1		
151	064240	CABLE INTERFACE ASSY / FRT JCT BOX & DASH From T-1416	1	1		
		FROM INTERFACE CABLE / # 151				
		TO "ABS" SYSTEM				
161	063537	CABLE ASSY "ABS"	1	1		
162	062569	CABLE ASSY / FRONT WHEEL "ABS"	1	1		
163	064139	CABLE ASSY / REAR WHEEL "ABS"	1	1		
		FROM INTERFACE CABLE / # 151				
		TO FRONT COMPONENTS				
171	063611	CABLE ASSY / FRT JCT & E.C.M. "DDEC" III	1	1		
172	063650	CABLE ASSY / SWITCH CRUISE CONTROL	1	1		
173	063526	CABLE ASSY / FRONT LOWER END	1	1		
174	063892	WIRE ASSY / W/LOW BUOY	1	1		
175	063507	WIRING HARNESS / HEAD LAMP	1	1		
176	063949	CABLE ASSY / ENTRANCE DOOR MODULE BUS To T-1387	1	1		
176	064216	CABLE ASSY / ENTRANCE DOOR MODULE BUS From T-1388 To T-1560	1	1		
176	064379	CABLE ASSY / ENTRANCE DOOR MODULE BUS From T-1561	1	1		
177	063951	CABLE ASSY / DOOR ACCESSORIES	1	1		
178	062710	CABLE ASSY / MIRROR	1	1		
179	062711	CABLE ASSY / MIRROR INSIDE SIDE WINDSHIELD POST INSIDE SIDE WINDSHIELD POST	2	2		
		FROM INTERFACE CABLE / # 151				
		TO DRIVER'S DASH COMPARTMENT				

From T-1304 To V-1778	Date:10/2022	PAGE:H3-0600-01
WIRING HARNESS - BUS DIAGRAM D-060869		

Item#	Part	Description	H 3 4 1	H 3 4 5	V I P 4 5	N O T E S
181	064105	CABLE ASSY / INTERFACE TO LH CONSOLE	1	1		
182	063648	CABLE ASSY / LEFT SWITCHES CONSOLE To T-1323	1	1		
182	064157	CABLE ASSY / LEFT SWITCHES CONSOLE From T-1324	1	1		
183	063649	CABLE ASSY / GAUGE LH PANEL	1	1		
184	064117	CABLE ASSY To T-1583	1	1		
184	064293	CABLE ASSY From T-1584	1	1		
185	062671	CABLE ASSY / W/SMALL GAUGES To T-1530	1	1		
185	064259	CABLE ASSY / W/SMALL GAUGES From T-1531	1	1		
186	062672	CABLE ASSY / W/TACHOGRAPH	1	1		
187	063950	CABLE ASSY / GAUGE RH PANEL	1	1		
188	064089	CABLE ASSY / SWITCH RH PANEL	1	1		
189	062185	CABLE ASSY / RIGHT CONSOLE & TELLTALE / THERMOMETER	1	1		
190	062600	HARNESS / SENSOR (OUTSIDE TEMP.) & / THERMOMETER	1	1		
191	062598	HARNESS / SENSOR (INSIDE TEMP.) & / THERMOMETER	1	1		
192	063837	CABLE ASSY / ROOF	1	1		
		FROM INTERFACE CABLE / # 151				
		SOUND COMPONENTS				
201	062749	CABLE ASSY MASTER / P/A 12VOLTS / 24"				
202	403774	CABLE ASSY / 7 PINS SOCKET X 4 RCA / 51"	1	1		
203	403880	CABLE ASSY	1	1		
204	403804	CABLE ASSY / 7 PINS X 8 PINS 146"	1	1		
205	403915	CABLE ASSY / HAT RACK / L.H. & R.H. To T-1454		1		
205	404310	CABLE ASSY / HAT RACK / L.H. & R.H. From T-1455		1		
205	403916	CABLE ASSY / HAT RACK / L.H. & R.H. To T-1454	1			
205	404309	CABLE ASSY / HAT RACK / L.H. & R.H. From T-1455	1			
207	403917	CABLE ASSY / 8 PINS SOCKET X 4 RCA / 2 P/A / 7"	1	1		
208	900735	ADAPTOR "Y" RCA / 1F/2M / 4"		4		
		FROM INTERFACE CABLE / # 151				
		TO MISCELLANEOUS COMPONENTS				
221	064199	CABLE ASSY / CLOCK & FRONT JCT PANEL	1	1		
222	063346	HARNESS ASSY (VCR & GALLEY)	1	1		
223	063142	CABLE ASSY / INVERTER COMPARTMENT	1	1		
224	063831	CABLE ASSY / INVERTER 750 WATT & GALLEY ON R.H. SIDE	1	1		
225	063347	CABLE ASSY / REAR OF GALLEY & REAR JCT PANEL	1	1		
226	063714	CABLE ASSY	1	1		
		INSIDE ALARM JUNCTION BOX				

From T-1304 To V-1778	Date:10/2022	PAGE:H3-0600-01
WIRING HARNESS - BUS DIAGRAM D-060869		

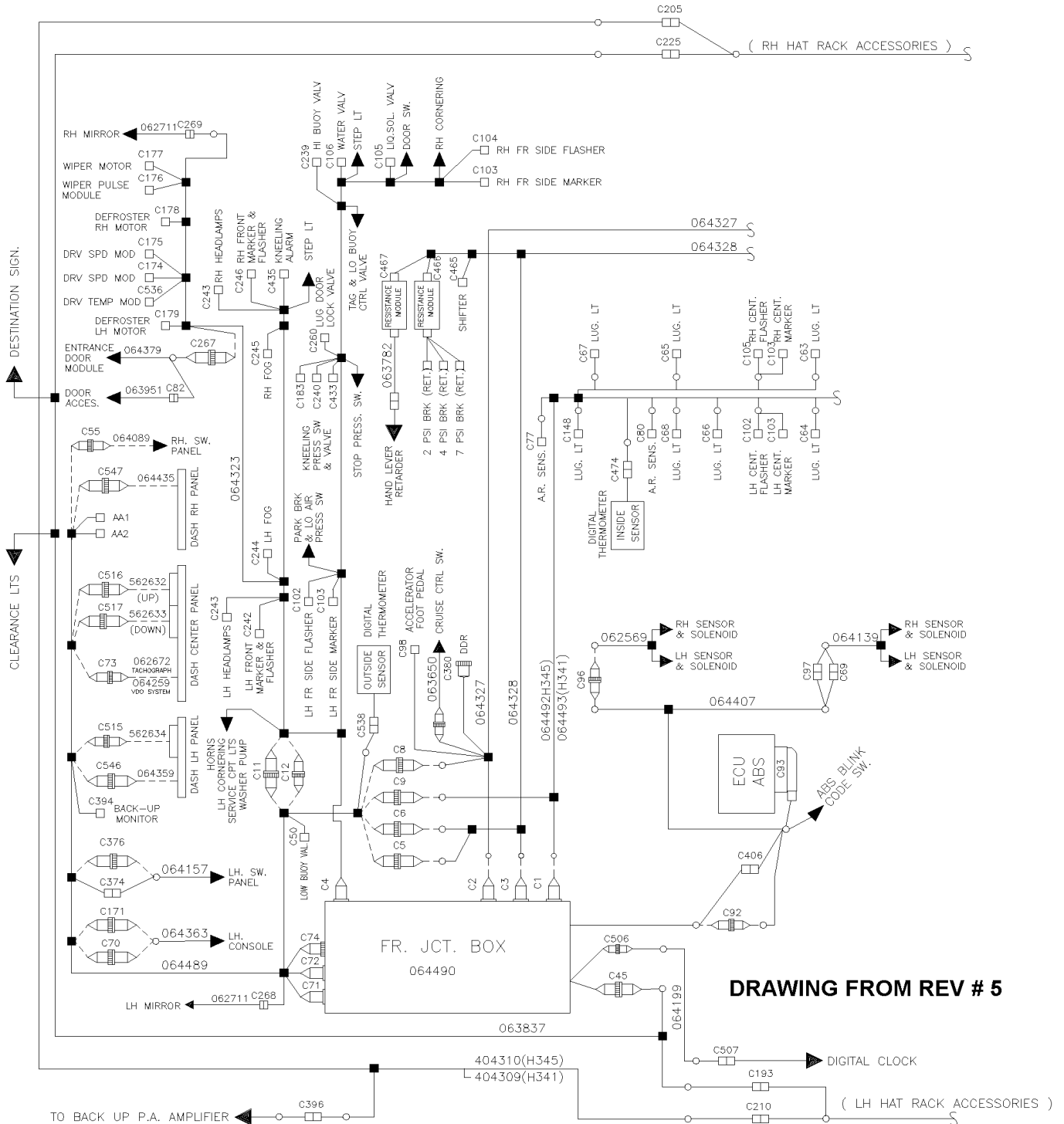
Item#	Part	Description	H 3 4 1	H 3 4 5	V I P 4 5	N O T E S
231	064085	CABLE ASSY / FRONT ALARM BOX To T-1323	1	1		
231	064107	CABLE ASSY / FRONT ALARM BOX From T-1324 To T-1611	1	1		
231	064317	CABLE ASSY / FRONT ALARM BOX From T-1612	1	1		

From V-1779 To W-2284

Date:10/2022

PAGE:H3-0600-02

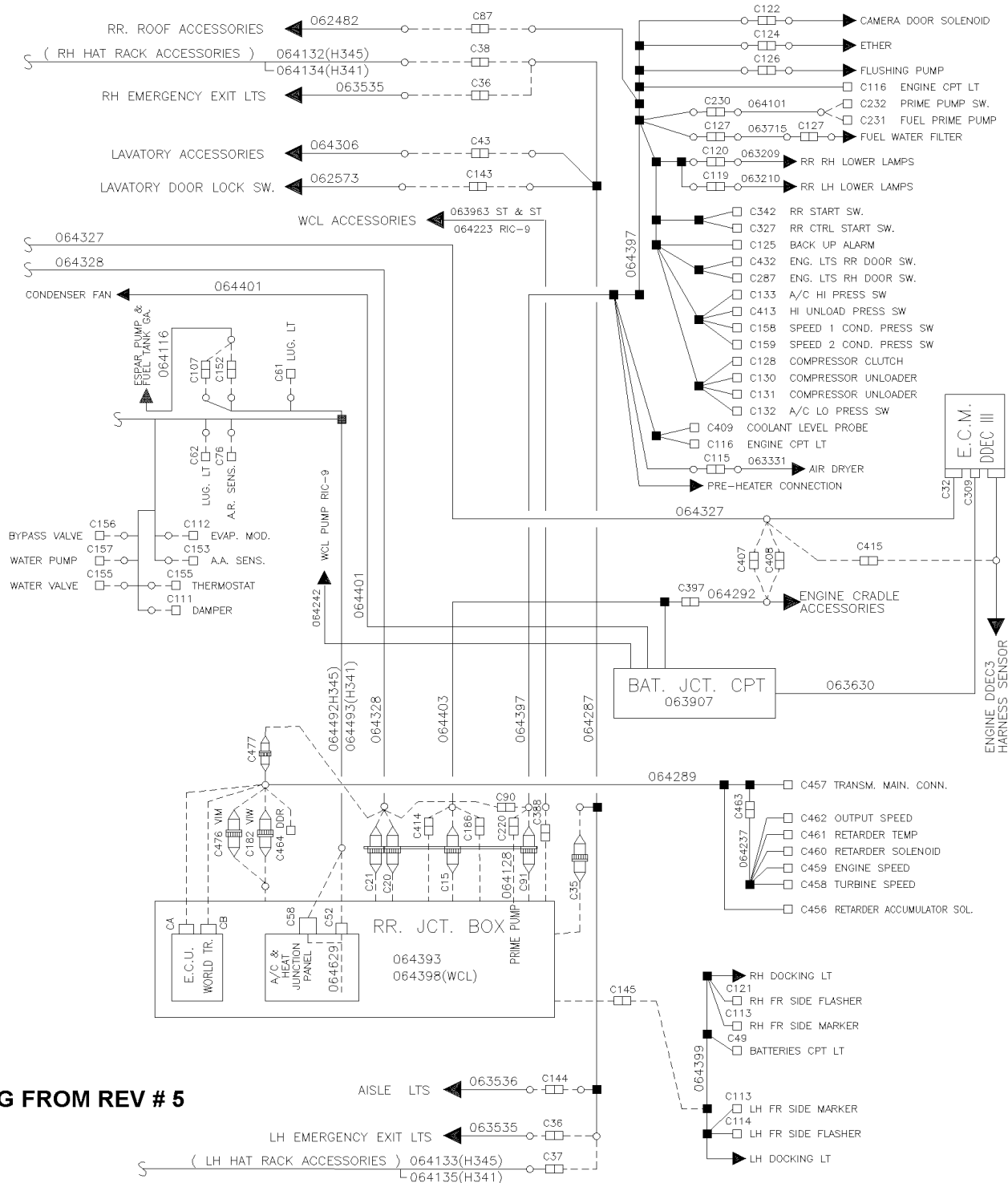
WIRING HARNESS - BUS DIAGRAM D-060882



DRAWING FROM REV # 5

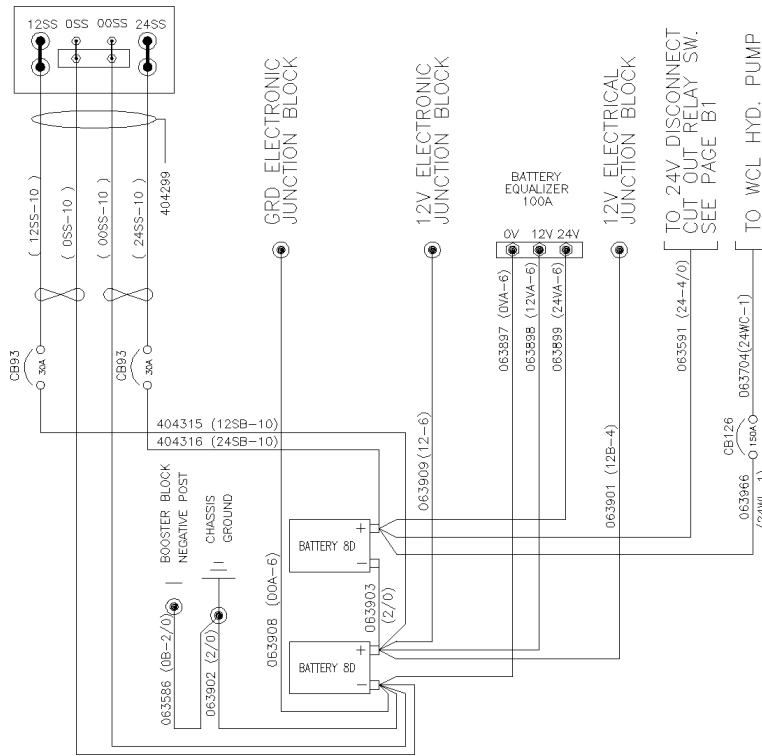
WIRING HARNESS - BUS DIAGRAM D-060882

B

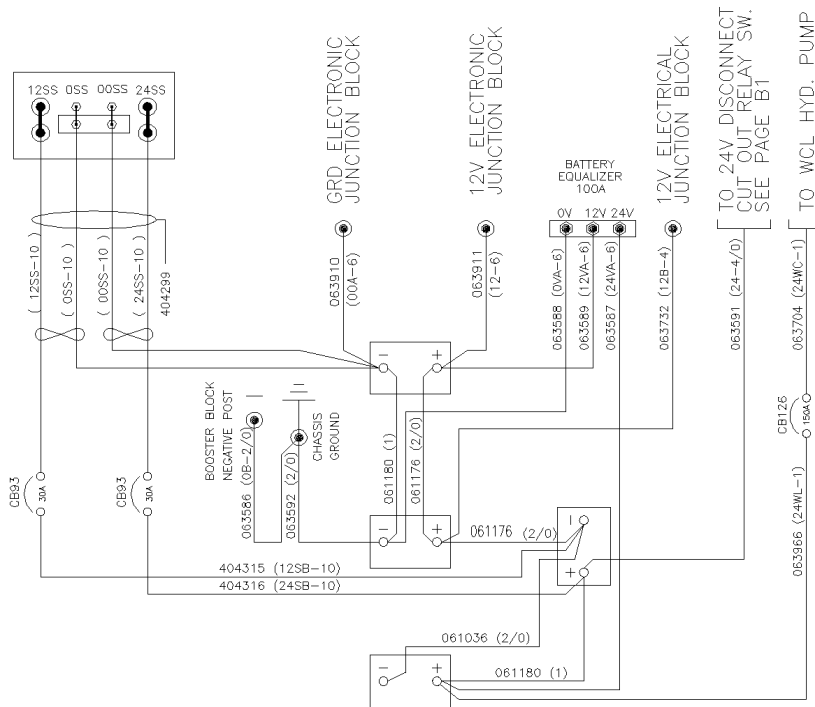


DRAWING FROM REV # 5

From V-1779 To W-2284	Date:10/2022	PAGE:H3-0600-02
WIRING HARNESS - BUS DIAGRAM D-060882		



8D BATTERIES



STANDARD BATTERIES

From V-1779 To W-2284	Date:10/2022	PAGE:H3-0600-02
WIRING HARNESS - BUS DIAGRAM D-060882		

Item#	Part	Description	H 3 4 1	H 3 4 5	V I P 4 5	N O T E S
		IN BATTERIES COMPARTMENT				
1	063592	CABLE ASSY / B - TO GROUND	1	1		
2	061176	CABLE ASSY / B + TO B +	2	2		
3	061180	CABLE ASSY / B - TO B -	2	2		
4	061036	CABLE ASSY / B - TO B -	1	1		
5	063591	CABLE ASSY / RELAY BATTERY & BATTERY #24	1	1		
6	063732	CABLE ASSY / W/STD BATTERY / #12B	1	1		
7	063588	CABLE ASSY / #0VA	1	1		
8	063589	CABLE ASSY / #12VA	1	1		
9	063587	CABLE ASSY / #24VA	1	1		
10	063586	CABLE ASSY / BATTERY BOOSTER BLOCK / #0	1	1		
12	063910	CABLE ASSY / # 00A	1	1		
13	063911	CABLE ASSY / #12	1	1		
14	063966	CABLE ASSY / W/W.C.L. / #24 WL	1	1		
15	063704	CABLE ASSY / W/W.C.L. / #24WC	1	1		
		WITH BATTERIES 8D "OPTION"				
20	063902	CABLE ASSY / #0VA	1	1		
21	063901	CABLE ASSY / W/8D BATTERY / #12B	1	1		
22	063908	CABLE ASSY / #00A	1	1		
23	063903	CABLE ASSY / B + TO B -	1	1		
24	063909	CABLE ASSY / #12	1	1		
25	063897	CABLE ASSY / #0VA	1	1		
26	063898	CABLE ASSY / #12VA	1	1		
27	063899	CABLE ASSY / #24VA	1	1		
		INSIDE BATTERIES COMPARTMENT				
31	063907	CABLE ASSY #24B	1	1		
		FROM BATTERIES JUNCTION COMPARTMENT TO E.C.M. & ENGINE ACCESSORIES				
41	063906	CABLE ASSY / POWER E.C.U.	1	1		
42	064292	CABLE ASSY / ENGINE COMPT ACCESSORIES	1	1		
43	064403	CABLE ASSY	1	1		
44	064242	CABLE ASSY W.C.L. PUMP "RICON"		1		
45	064401	CABLE ASSY / RR BAT. COMPT & EVAPO. PANEL	1	1		
		INSIDE REAR JUNCTION BOX				

From V-1779 To W-2284	Date:10/2022	PAGE:H3-0600-02
WIRING HARNESS - BUS DIAGRAM D-060882		

Item#	Part	Description	H 3 4 1	H 3 4 5	V I P 4 5	N O T E S
51	064393	WIRING HARNESS RR JCT BOX BUS H3	1	1		
52	064398	WIRING HARNESS RR JCT BOX WCL	1	1		
53	064128	CABLE ASSY / STUD GRD & CONNECTOR C-220 IN REAR JUNCT.BOX	1	1		
		FROM REAR JUNCTION BOX				
		TO REAR ENGINE COMPARTMENT				
61	064397	CABLE HARNESS / ENGINE ACCESSORIES	1	1		
62	062482	CABLE HARNESS / ENGINE ACC. TO ROOF LIGHT	1	1		
63	063209	CABLE ASSY R.H. LAMP / REAR ENGINE DOOR	1	1		
64	063210	CABLE ASSY L.H. LAMP / REAR ENGINE DOOR	1	1		
65	063715	CABLE ASSY / ENGINE ACC. & WATER SEPARATOR	1	1		
67	063331	CABLE ASSY / AIR DRYER	1	1		
69	064101	CABLE ASSY / SWITCH & PUMP	1	1		
70	064399	CABLE ASSY / SIDE MARKER	1	1		
		FROM REAR JUNCTION BOX				
		TO PARCEL RACK & LAVATORY				
81	064287	CABLE POWER / PARCEL RACK & LAVATORY	1	1		
82	062573	CABLE ASSY / FOR LIGHT SWITCH	1	1		
83	064306	CABLE ASSY / TIMER & ACCESSORIES	1	1		
85	063535	CABLE ASSY EMERGENCY EXIT	2	2		
86	063536	CABLE ASSY / MAIN AISLE LAMP	1	1		
87	064133	CABLE ASSY L.H.		1		
87	064135	CABLE ASSY L.H.	1			
88	064132	CABLE ASSY R.H.		1		
88	064134	CABLE ASSY R.H.	1			
89	063963	CABLE ASSY / W.C.L. ACCESSORIES / "ST & ST"	1			
89	064223	CABLE ASSY / W.C.L. ACCESSORIES / "RICON"		1		
		FROM REAR JUNCTION BOX				
		TO COMPARTMENT UNDER FLOOR ACCESS.				
101	064330	CABLE HARNESS / A/C JCT PANEL & EVAP COMP To V-1846		1		
101	064492	CABLE HARNESS / A/C JCT PANEL & EVAP COMP From V-1847		1		
101	064331	CABLE HARNESS / A/C JCT PANEL & EVAP COMP To V-1846	1			
101	064493	CABLE HARNESS / A/C JCT PANEL & EVAP COMP From V-1847	1			
104	064116	CABLE ASSY / TO FUEL TANK	1	1		
		A/C JUNCTION PANEL				

From V-1779 To W-2284	Date:10/2022	PAGE:H3-0600-02
WIRING HARNESS - BUS DIAGRAM D-060882		

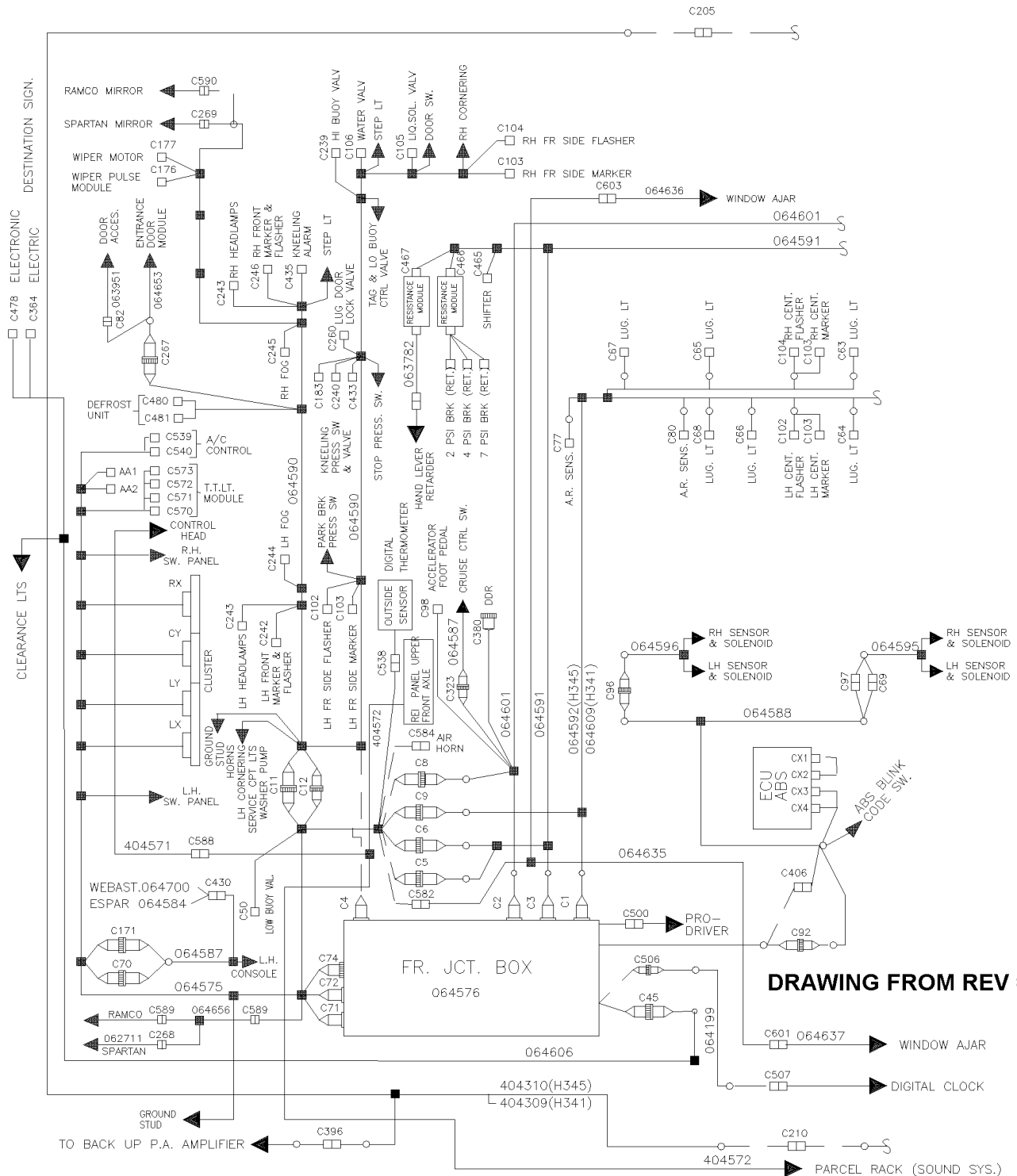
Item#	Part	Description	H 3 4 1	H 3 4 5	V I P 4 5	N O T E S
106	064394	WIRING HARNESS A/C JUNCTION PANEL To V-2077	1	1		
106	064547	WIRING HARNESS A/C JUNCTION PANEL From V-2078 To V-2203	1	1		
106	064629	WIRING HARNESS A/C JUNCTION PANEL From V-2204	1	1		
		FROM REAR JUNCTION BOX				
		VEHICLE WITH "WORLD" TRANSMISSION				
112	063782	CABLE ASSY / RESISTANCE MODULE & SWITCH	1	1		
113	064237	CABLE ASSY / TRANS & SPEED SWITCH	1	1		
114	064289	CABLE ASSY / E.C.U. & TRANS SPEED SWITCH	1	1		
		FROM REAR JUNCTION BOX				
		TO FRONT JUNCTION BOX				
131	064328	CABLE ASSY / FRT SELECTOR & RR ECU & VIM	1	1		
		INSIDE FRONT JUNCTION BOX				
141	064325	WIRING HARNESS FRONT JUNCTION BOX To V-1819	1	1		
141	064490	WIRING HARNESS FRONT JUNCTION BOX From V-1820	1	1		
		FRONT JUNCTION BOX				
		INTERFACE CABLE				
151	064332	CABLE INTERFACE ASSY / FRT JCT BOX & DASH To V-1819	1	1		
151	064489	CABLE INTERFACE ASSY / FRT JCT BOX & DASH From V-1820	1	1		
		FROM REAR JUNCTION BOX				
		TO "ABS" SYSTEM				
161	064407	CABLE ASSY "ABS"	1	1		
162	062569	CABLE ASSY / FRONT WHEEL "ABS"	1	1		
163	064139	CABLE ASSY / REAR WHEEL "ABS"	1	1		
		FROM INTERFACE CABLE / # 151				
		TO FRONT COMPONENTS				
171	064327	CABLE ASSY / FRT JCT & E.C.M. "DDEC" III	1	1		
172	063650	CABLE ASSY / SWITCH CRUISE CONTROL	1	1		
173	064323	CABLE ASSY / FRONT LOWER END	1	1		
176	064379	CABLE ASSY / ENTRANCE DOOR MODULE BUS	1	1		

From V-1779 To W-2284	Date:10/2022	PAGE:H3-0600-02
WIRING HARNESS - BUS DIAGRAM D-060882		

Item#	Part	Description	H 3 4 1	H 3 4 5	V I P 4 5	N O T E S
177	063951	CABLE ASSY / DOOR ACCESSORIES	1	1		
179	062711	CABLE ASSY / MIRROR INSIDE SIDE WINDSHIELD POST INSIDE SIDE WINDSHIELD POST	2	2		
		FROM INTERFACE CABLE / # 151				
		TO DRIVER'S DASH COMPARTMENT				
181	064363	CABLE ASSY / INTERFACE TO LH CONSOLE	1	1		
182	064157	CABLE ASSY / LEFT SWITCHES CONSOLE	1	1		
183	064359	CABLE ASSY / SWITCH & GAUGES LH PANEL	1	1		
184	562634	MODULE ASSY W/TELLTALE	1	1		
185	064259	CABLE ASSY / W/SMALL GAUGES	1	1		
186	062672	CABLE ASSY / W/TACHOGRAPH	1	1		
187	064435	CABLE ASSY / GAUGE RH PANEL	1	1		
188	064089	CABLE ASSY / SWITCH RH PANEL	1	1		
192	063837	CABLE ASSY / ROOF	1	1		
193	562633	TELLTALE ASSY LOWER / C517	1	1		
194	562632	TELLTALE ASSY UPPER / C516	1	1		
		FRONT UPPER CABLE				
		SOUND COMPONENTS				
205	404310	CABLE ASSY / HAT RACK / L.H. & R.H.		1		
205	404309	CABLE ASSY / HAT RACK / L.H. & R.H.	1			
		FROM FRONT JUNCTION BOX				
		TO MISCELLANEOUS COMPONENTS				
221	064199	CABLE ASSY / CLOCK & FRONT JCT PANEL	1	1		

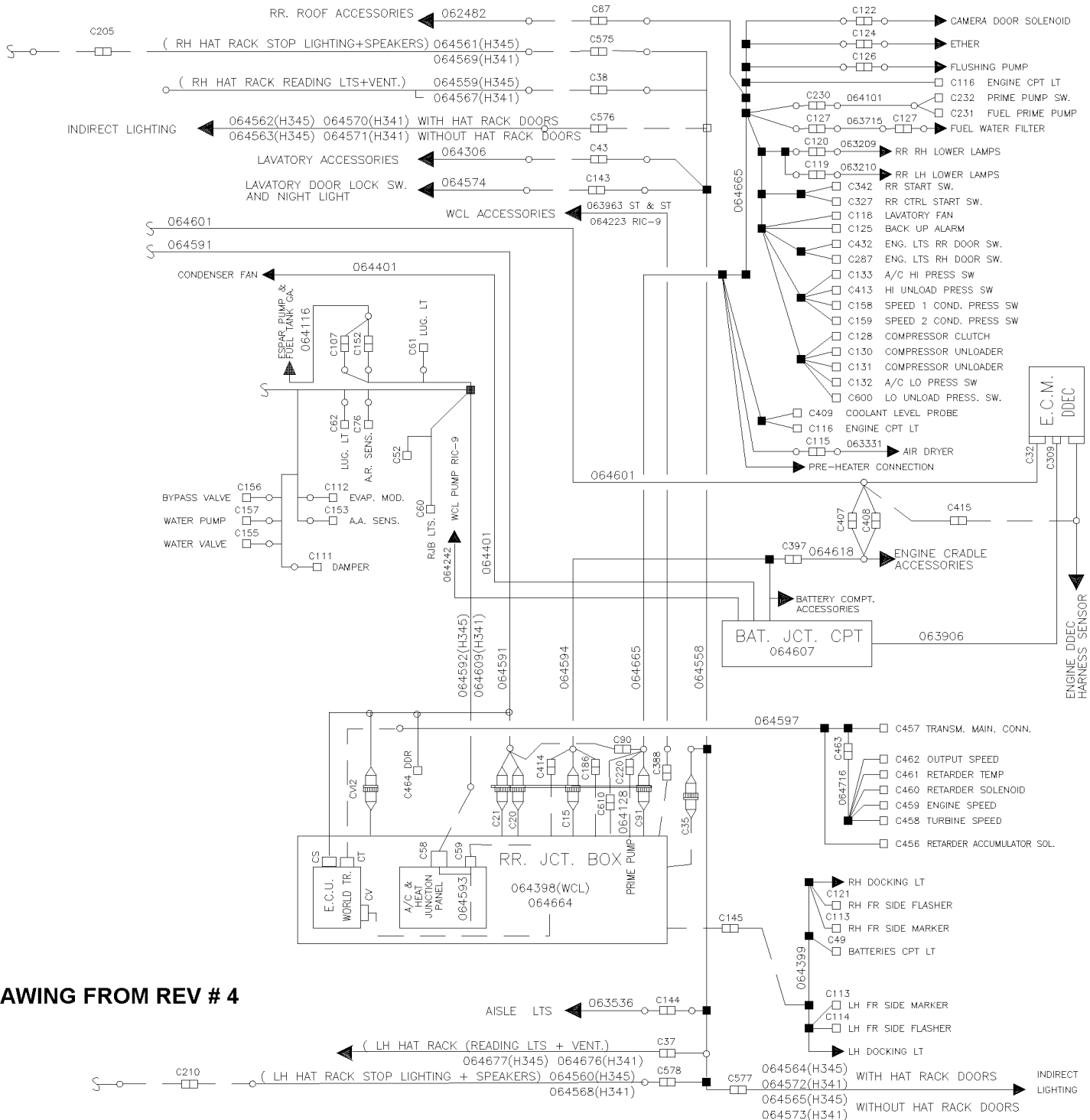
WIRING HARNESS - BUS DIAGRAM D-060902

A



From W-2285 To Y-3894	Date:10/2022	PAGE:H3-0600-03
WIRING HARNESS - BUS DIAGRAM D-060902		

B



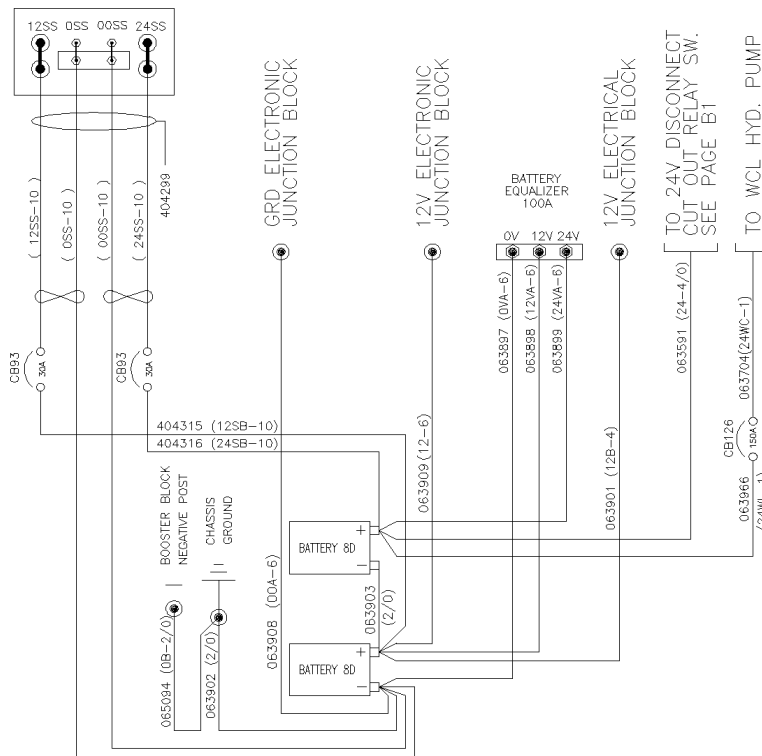
DRAWING FROM REV # 4

From W-2285 To Y-3894

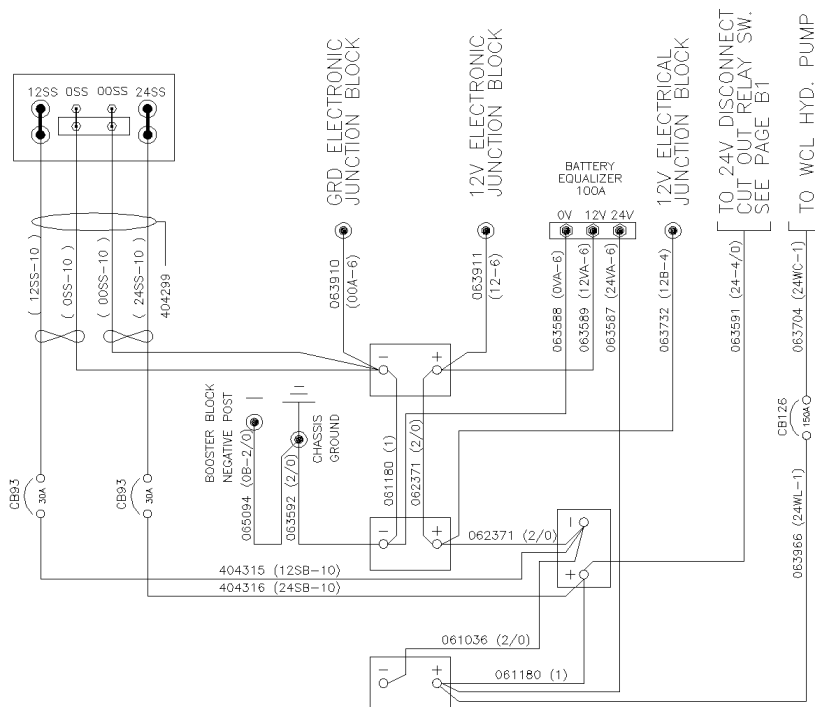
Date:10/2022

PAGE:H3-0600-03

WIRING HARNESS - BUS DIAGRAM D-060902



8D BATTERIES



STANDARD BATTERIES

From W-2285 To Y-3894	Date:10/2022	PAGE:H3-0600-03
WIRING HARNESS - BUS DIAGRAM D-060902		

Item#	Part	Description	H 3 4 1	H 3 4 5	V I P 4 5	N O T E S
		IN BATTERIES COMPARTMENT				
1	063592	CABLE ASSY / B - TO GROUND	1	1		
2	062371	CABLE ASSY / B + TO B +	2	2		
3	061180	CABLE ASSY / B - TO B -	2	2		
4	061036	CABLE ASSY / B - TO B -	1	1		
5	063591	CABLE ASSY / RELAY BATTERY & BATTERY #24	1	1		
6	063732	CABLE ASSY / W/STD BATTERY / #12B	1	1		
7	063588	CABLE ASSY / #0VA	1	1		
8	063589	CABLE ASSY / #12VA	1	1		
9	063587	CABLE ASSY / #24VA	1	1		
10	065094	CABLE ASSY / BATTERY BOOSTER BLOCK / #0	1	1		
10	063586	CABLE ASSY / BATTERY BOOSTER BLOCK / #0	1	1		
12	063910	CABLE ASSY / # 00A	1	1		
13	063911	CABLE ASSY / #12	1	1		
14	063966	CABLE ASSY / W/W.C.L. / #24 WL	1	1		
15	063704	CABLE ASSY / W/W.C.L. / #24WC	1	1		
		WITH BATTERIES 8D "OPTION"				
20	063902	CABLE ASSY / #0VA	1	1		
21	063901	CABLE ASSY / W/8D BATTERY / #12B	1	1		
22	063908	CABLE ASSY / #00A	1	1		
23	063903	CABLE ASSY / B + TO B -	1	1		
24	063909	CABLE ASSY / #12	1	1		
25	063897	CABLE ASSY / #0VA	1	1		
26	063898	CABLE ASSY / #12VA	1	1		
27	063899	CABLE ASSY / #24VA	1	1		
		INSIDE BATTERIES COMPARTMENT				
31	064607	CABLE ASSY	1	1		
31	064729	CABLE ASSY W/SMALL A/C NEED TO BE VERIFIED	1	1	1	
		FROM BATTERIES JUNCTION COMPARTMENT TO E.C.M. & ENGINE ACCESSORIES				
41	063906	CABLE ASSY / POWER E.C.U.	1	1		
42	064618	CABLE ASSY / ENGINE COMPT ACCESSORIES To X-3310	1	1		
42	065224	CABLE ASSY / ENGINE COMPT ACCESSORIES From X-3311	1	1		
43	064594	CABLE ASSY To X-2656	1	1		
43	064868	CABLE ASSY From X-2657 To X-3268	1	1		

From W-2285 To Y-3894	Date:10/2022	PAGE:H3-0600-03
WIRING HARNESS - BUS DIAGRAM D-060902		

Item#	Part	Description	H 3 4 1	H 3 4 5	V I P 4 5	N O T E S
43	065188	CABLE ASSY From X-3269 To X-3310	1	1		
43	065233	CABLE ASSY From X-3311 To Y-3831	1	1		
43	065310	CABLE ASSY From Y-3832 To 1-4241	1	1		
43	065412	CABLE ASSY From 1-4242	1	1		
44	064242	CABLE ASSY W.C.L. PUMP "RICON"		1		
45	064401	CABLE ASSY / RR BAT. COMPT & EVAPO. PANEL	1	1		
		INSIDE REAR JUNCTION BOX				
51	064598	WIRING HARNESS RR JCT BOX BUS H3 To W-2366	1	1		
51	064664	WIRING HARNESS RR JCT BOX BUS H3 From W-2367 To X-2656	1	1		
51	064861	WIRING HARNESS RR JCT BOX BUS H3 From X-2657 To X-2725	1	1		
51	064838	WIRING HARNESS RR JCT BOX BUS H3 From X-2726 To X-2900	1	1		
51	064945	WIRING HARNESS RR JCT BOX BUS H3 From X-2901 To X-3212	1	1		
51	065204	WIRING HARNESS RR JCT BOX BUS H3 From X-3213 To Y-3831	1	1		
51	065288	WIRING HARNESS RR JCT BOX BUS H3 From Y-3832	1	1		
52	064398	WIRING HARNESS RR JCT BOX WCL	1	1		
53	064128	CABLE ASSY / STUD GRD & CONNECTOR C-220 IN REAR JUNCT.BOX	1	1		
		FROM REAR JUNCTION BOX				
		TO REAR ENGINE COMPARTMENT				
61	064634	CABLE HARNESS / ENGINE ACCESSORIES To W-2366	1	1		
61	064665	CABLE HARNESS / ENGINE ACCESSORIES From W-2367 To X-3021	1	1		
61	065012	CABLE HARNESS / ENGINE ACCESSORIES From X-3022 To Y-3831	1	1		
61	065287	CABLE HARNESS / ENGINE ACCESSORIES From Y-3832	1	1		
62	062482	CABLE HARNESS / ENGINE ACC. TO ROOF LIGHT To X-2718	1	1		
62	064646	CABLE HARNESS / ENGINE ACC. TO ROOF LIGHT From X-2719	1	1		
63	063209	CABLE ASSY R.H. LAMP / REAR ENGINE DOOR	1	1		
64	063210	CABLE ASSY L.H. LAMP / REAR ENGINE DOOR	1	1		
65	063715	CABLE ASSY / ENGINE ACC. & WATER SEPARATOR	1	1		
67	063331	CABLE ASSY / AIR DRYER	1	1		
67	063791	CABLE ASSY / AIR DRYER AD-9 HEATER	AR	AR		
69	064101	CABLE ASSY / SWITCH & PUMP	1	1		
70	064399	CABLE ASSY / SIDE MARKER	1	1		
		FROM REAR JUNCTION BOX				
		TO PARCEL RACK & LAVATORY				
81	064558	CABLE POWER / PARCEL RACK & LAVATORY To X-2725	1	1		
81	064839	CABLE POWER / PARCEL RACK & LAVATORY From X-2726 To 1-4288	1	1		
81	065513	CABLE POWER / PARCEL RACK & LAVATORY From 1-4289	1	1		

From W-2285 To Y-3894	Date:10/2022	PAGE:H3-0600-03
WIRING HARNESS - BUS DIAGRAM D-060902		

Item#	Part	Description	H 3 4 1	H 3 4 5	V I P 4 5	N O T E S
82	064574	CABLE ASSY / DOOR LOCK & ACCESSORIES	1	1		
83	064306	CABLE ASSY / TIMER & ACCESSORIES	1	1		
84	064568	CABLE ASSY / DIRECT LIGHT & SPEAKER L.H.	1			
84	064560	CABLE ASSY / DIRECT LIGHT & SPEAKER L.H.		1		
85	064569	CABLE ASSY / DIRECT LIGHT & SPEAKER R.H.	1			
85	064561	CABLE ASSY / DIRECT LIGHT & SPEAKER R.H.		1		
86	063536	CABLE ASSY / MAIN AISLE LAMP	1	1		
87	064573	CABLE HARNESS / IND LIGHT L.H. / W/O DDOR	1			
87	064572	CABLE HARNESS / IND LIGHT L.H. / W/DOOR	1			
87	064565	CABLE HARNESS / IND LIGHT L.H. / W/O DOOR		1		
87	064564	CABLE HARNESS / IND LIGHT L.H. / W/DOOR		1		
88	064571	CABLE HARNESS / IND LIGHT R.H. / W/O DOOR	1			
88	064570	CABLE HARNESS / IND LIGHT R.H. / W/DOOR	1			
88	064563	CABLE HARNESS / IND LIGHT R.H. / W/O DOOR		1		
88	064562	CABLE HARNESS / IND LIGHT R.H. / W/DOOR		1		
89	063963	CABLE ASSY / W.C.L. ACCESSORIES / "ST & ST"	1			
89	064223	CABLE ASSY / W.C.L. ACCESSORIES / "RICON"		1		
90	064567	CABLE HARNESS / READING LIGHT CURB SIDE To X-2725	1			
90	064843	CABLE HARNESS / READING LIGHT CURB SIDE From X-2726	1			
90	064559	CABLE HARNESS / READING LIGHT CURB SIDE To X-2725		1		
90	064842	CABLE HARNESS / READING LIGHT CURB SIDE From X-2726		1		
91	064566	CABLE HARNESS / READING LIGHT STREETSIDE To W-2300	1			
91	064676	CABLE HARNESS / READING LIGHT STREETSIDE From W-2301 To X-2725	1			
91	064841	CABLE HARNESS / READING LIGHT STREETSIDE From X-2726	1			
91	064556	CABLE HARNESS / READING LIGHT STREETSIDE To W-2300		1		
91	064677	CABLE HARNESS / READING LIGHT STREETSIDE From W-2301 To X-2725		1		
91	064840	CABLE HARNESS / READING LIGHT STREETSIDE From X-2726		1		
		FROM REAR JUNCTION BOX				
		TO COMPARTMENT UNDER FLOOR ACCESS.				
101	064592	CABLE ASSY BAGGAGE COMPARTMENT BUS To X-2813		1		
101	064896	CABLE ASSY BAGGAGE COMPARTMENT BUS From X-2814		1		
101	064609	CABLE ASSY BAGGAGE COMPARTMENT BUS To X-2813	1			
101	064897	CABLE ASSY BAGGAGE COMPARTMENT BUS From X-2814	1			
104	064116	CABLE ASSY / TO FUEL TANK	1	1		
		A/C JUNCTION PANEL				
106	064593	WIRING HARNESS A/C JUNCTION PANEL To W-2457	1	1		
106	064718	WIRING HARNESS A/C JUNCTION PANEL From W-2458	1	1		

From W-2285 To Y-3894	Date:10/2022	PAGE:H3-0600-03
WIRING HARNESS - BUS DIAGRAM D-060902		

Item#	Part	Description	H 3 4 1	H 3 4 5	V I P 4 5	N O T E S
		FROM REAR JUNCTION BOX				
		VEHICLE WITH "WORLD" TRANSMISSION				
112	063782	CABLE ASSY / RESISTANCE MODULE & SWITCH	1	1		
113	064582	CABLE ASSY / TRANS & SPEED SWITCH	1	1		
113	064716	CABLE ASSY / TRANS & SPEED SWITCH	1	1		
114	064597	CABLE ASSY / E.C.U. & TRANS SPEED SWITCH	1	1	1	
		FROM REAR JUNCTION BOX				
		VEHICLE WITH "EATON" TRANSMISSION				
121	064948	CABLE ASSY / FRT SELECTOR & REAR JCT BOX	1	1		
		FROM REAR JUNCTION BOX				
		TO FRONT JUNCTION BOX				
131	064591	CABLE ASSY / FRT SELECTOR & RR ECU & VIM	1	1		
131	064837	CABLE ASSY / FRT SELECTOR & RR ECU & VIM	1	1		
131	064947	CABLE ASSY / FRT SELECTOR & RR ECU & VIM	1	1		
		INSIDE FRONT JUNCTION BOX				
141	064576	WIRING HARNESS FRONT JUNCTION BOX To X-2900	1	1		
141	064943	WIRING HARNESS FRONT JUNCTION BOX From X-2901 To 1-4083	1	1		
141	065417	WIRING HARNESS FRONT JUNCTION BOX From 1-4084	1	1		
		FROM FRONT JUNCTION BOX				
		TO "ABS" SYSTEM				
161	064588	CABLE ASSY "ABS"	1	1		
162	064596	CABLE ASSY / FRONT WHEEL "ABS"	1	1		
163	064595	CABLE ASSY / REAR WHEEL "ABS" To X-2869	1	1		
163	064877	CABLE ASSY / REAR WHEEL "ABS" From X-2870	1	1		
		FROM FRONT JUNCTION BOX				
		TO FRONT COMPONENTS				
171	064601	CABLE ASSY / FRT JCT & E.C.M. "DDEC" III	1	1		
173	064590	CABLE ASSY / FRONT LOWER END	1	1		
174	064606	CABLE ASSY / ROOF To X-2718	1	1		
174	064645	CABLE ASSY / ROOF From X-2719	1	1		
175	064575	WIRING HARNESS DASHBOARD CENTRAL MODULE To X-2725	1	1		

From W-2285 To Y-3894	Date:10/2022	PAGE:H3-0600-03
WIRING HARNESS - BUS DIAGRAM D-060902		

Item#	Part	Description	H 3 4 1	H 3 4 5	V I P 4 5	N O T E S
175	064836	WIRING HARNESS DASHBOARD CENTRAL MODULE From X-2726 To X-2900	1	1		
175	064950	WIRING HARNESS DASHBOARD CENTRAL MODULE From X-2901 To Y-3394	1	1		
175	065064	WIRING HARNESS DASHBOARD CENTRAL MODULE From Y-3395 To Y-3841	1	1		
175	065312	WIRING HARNESS DASHBOARD CENTRAL MODULE From Y-3842	1	1		
179	062711	CABLE ASSY / MIRROR INSIDE SIDE WINDSHIELD POST INSIDE SIDE WINDSHIELD POST	2	2		
		CABLE / CONNECTED AT HARNESS / # 175				
		FROM CABLE ASSY DASHBOARD MODULE				
181	064587	WIRING HARNESS DASHBOARD LEFT MODULE	1	1		
182	064584	WIRING HARNESS / W/ "ESPAR" PREHEATER	1	1		
182	064700	WIRING HARNESS / W/ "WEBASTO" PREHEATER	1	1		
183	064635	CABLE HARNESS / TO WINDOW AJAR	1	1		
184	064637	CABLE HARNESS / STREETSIDE WINDOW AJAR	1			
184	064754	CABLE HARNESS / STREETSIDE WINDOW AJAR		1		
185	064636	CABLE HARNESS / CURBSIDE WINDOW AJAR	1			
185	064753	CABLE HARNESS / CURBSIDE WINDOW AJAR		1		
186	064656	CABLE ASSY / L.H. CONSOLE TO L.H. MIRROR	1	1		
		CABLE / CONNECTED AT HARNESS / # 173				
		FROM CABLE ASSY DASHBOARD MODULE				
191	064653	CABLE ASSY / ENTRANCE DOOR MODULE BUS	1	1		
192	063951	CABLE ASSY / DOOR ACCESSORIES	1	1		
		FRONT UPPER CABLE				
		SOUND COMPONENTS				
204	404571	CABLE ASSY / DASH & PARCEL RACK	1	1		
205	404310	CABLE ASSY / HAT RACK / L.H. & R.H.		1		
205	404309	CABLE ASSY / HAT RACK / L.H. & R.H.	1			
206	404572	CABLE ASSY / DASH COMPONENT & HARNESS ABOVE	1	1		
209	404299	CABLE ASSY / SOUND SYSTEM FEED HARNESS (0SS 12SS 24SS)	1	1		
210	404315	CABLE ASSY 12SB	1	1		
211	404316	CABLE ASSY 24SB	1	1		
		FROM FRONT JUNCTION BOX				
		TO MISCELLANEOUS COMPONENTS				
221	064199	CABLE ASSY / CLOCK & FRONT JCT PANEL	1	1		

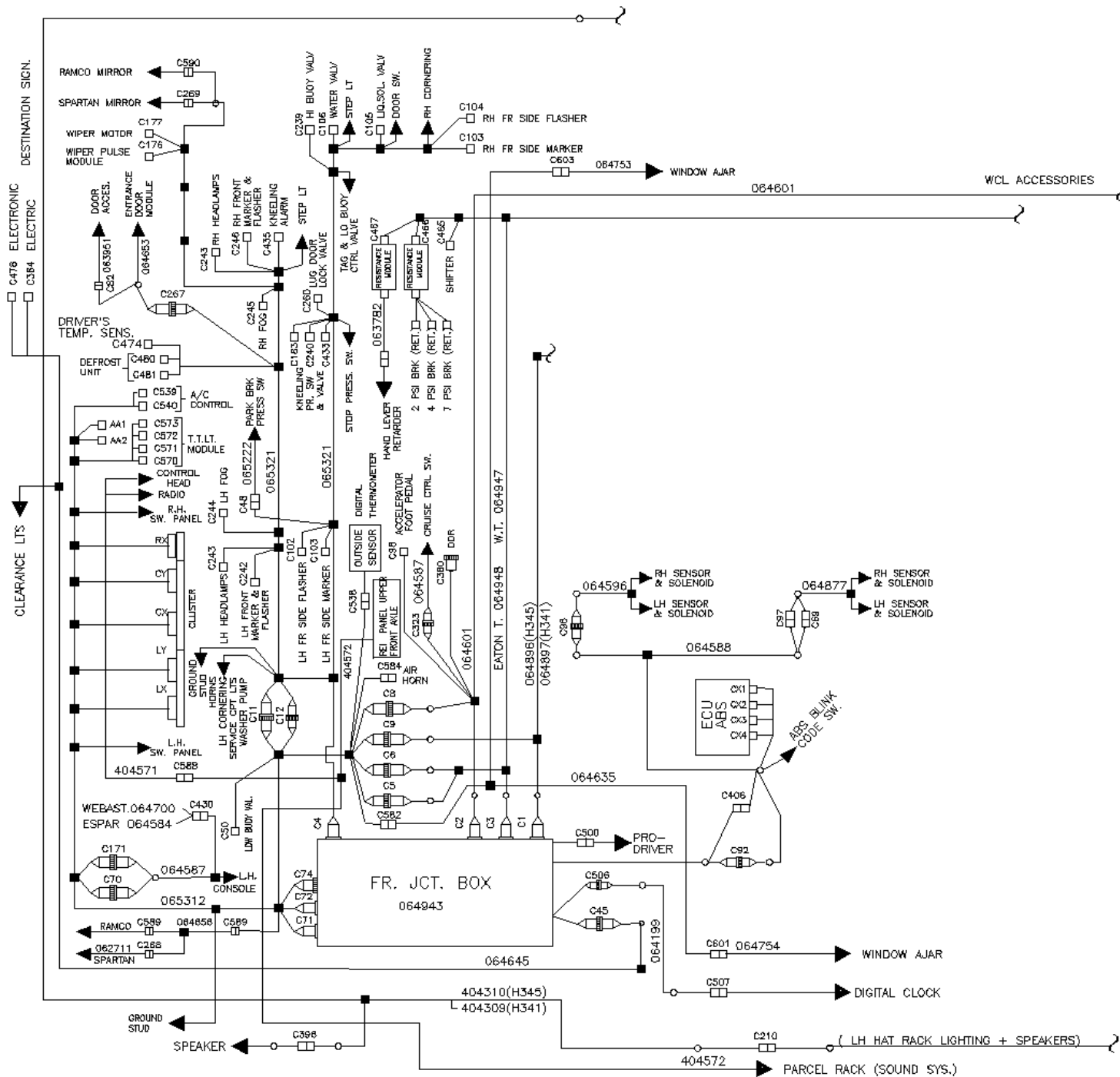
From W-2285 To Y-3894	Date:10/2022	PAGE:H3-0600-03
-----------------------	--------------	-----------------

WIRING HARNESS - BUS DIAGRAM D-060902

Item#	Part	Description	H 3 4 1	H 3 4 5	V I P 4 5	N O T E S

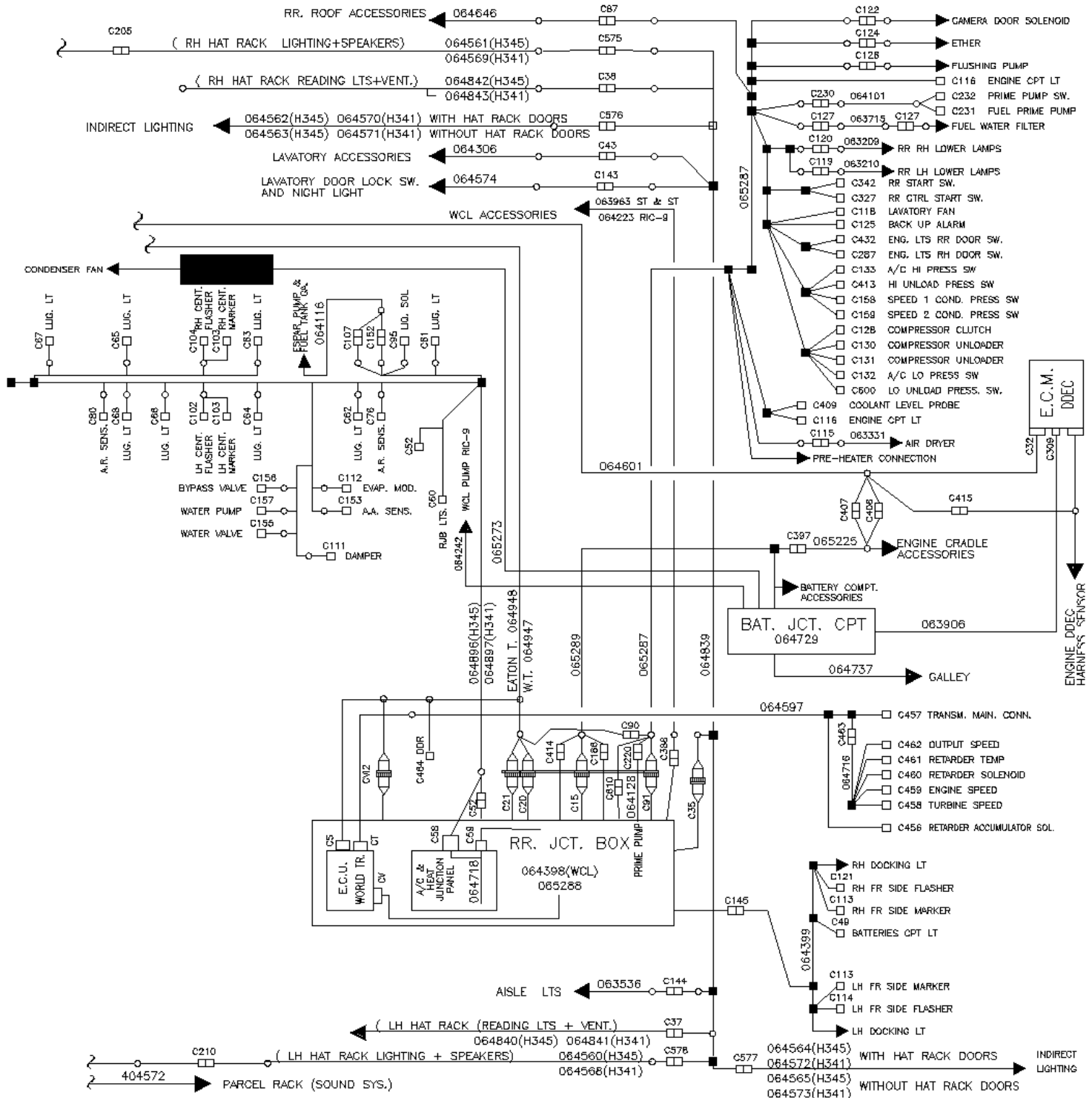
From Y-3395 To 2-4416	Date:10/2022	PAGE:H3-0600-04
WIRING HARNESS - BUS DIAGRAM D-060949		

A DRAWING FROM REV 04



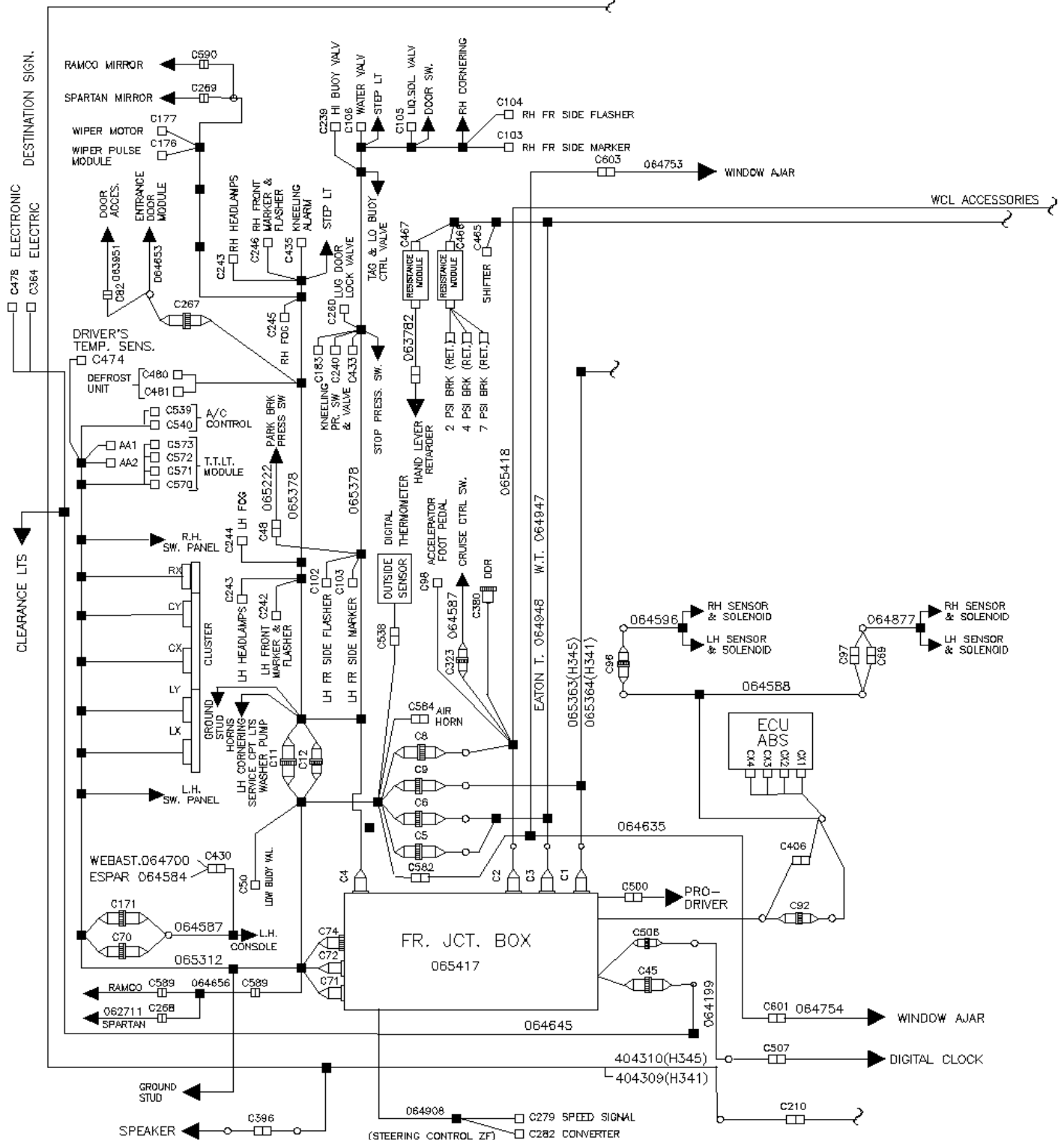
WIRING HARNESS - BUS DIAGRAM D-060949

B DRAWING FROM REV 04



WIRING HARNESS - BUS DIAGRAM D-060949

DRAWING FROM REV 15



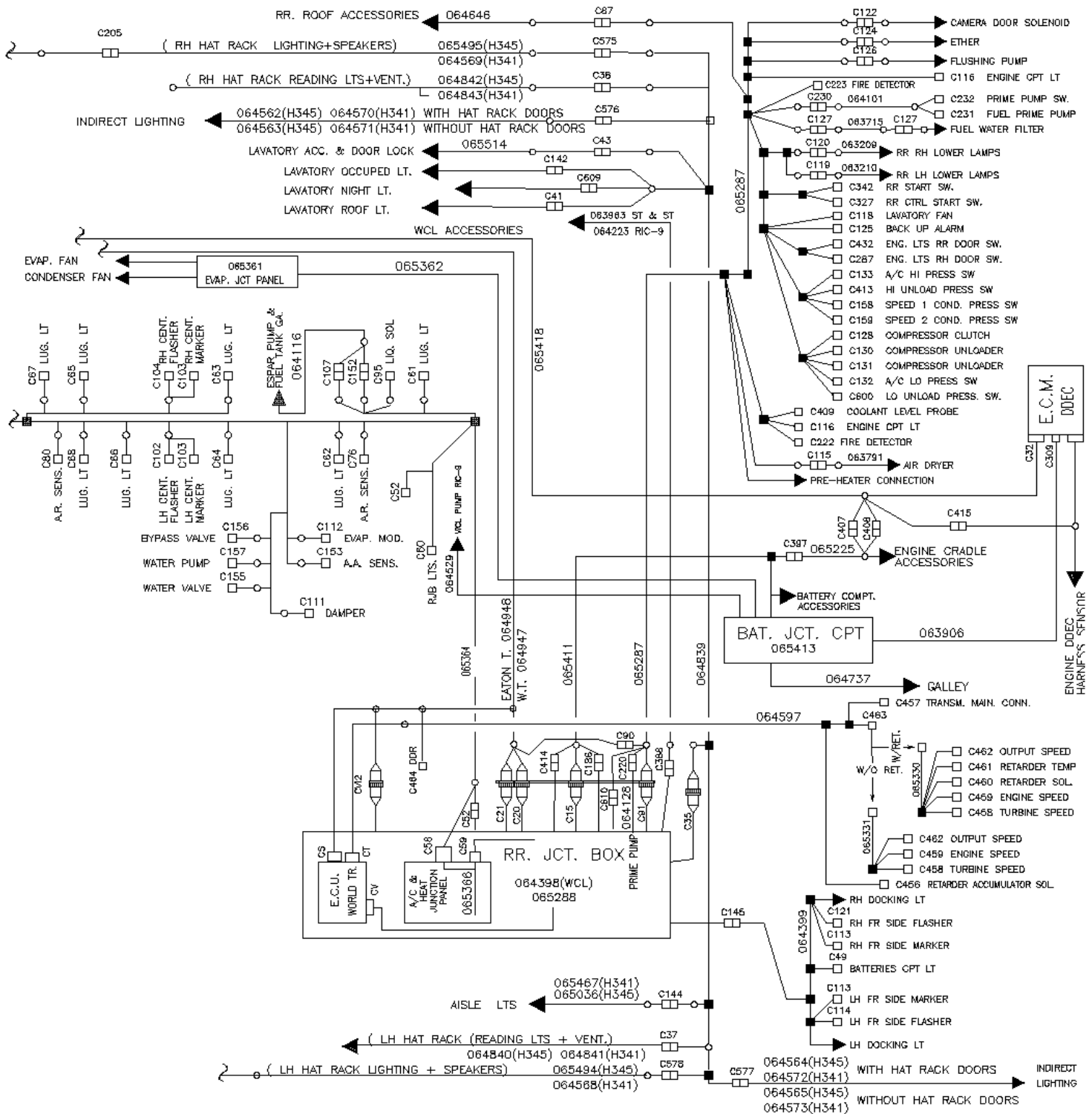
From Y-3395 To 2-4416

Date:10/2022

PAGE:H3-0600-04

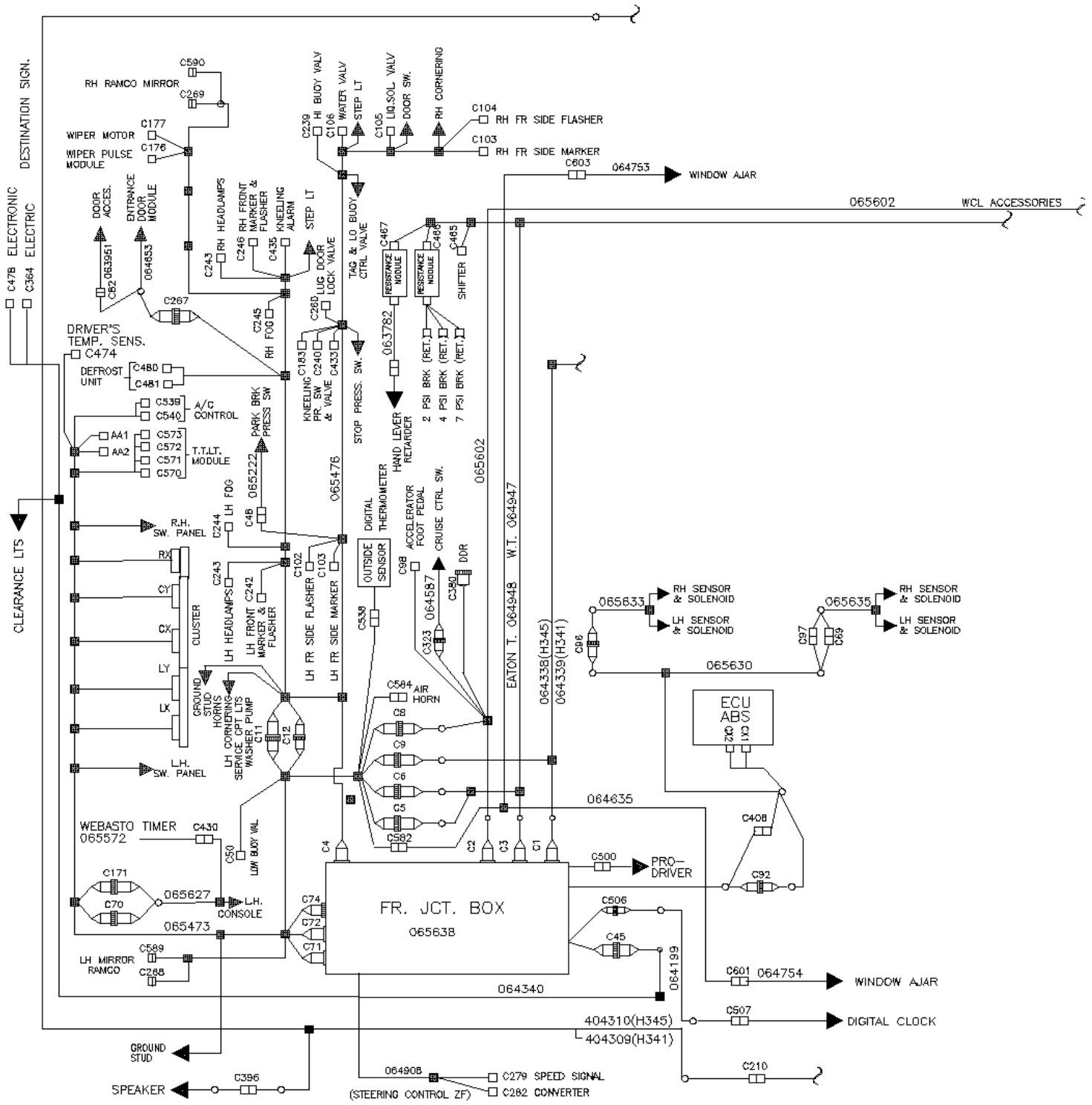
WIRING HARNESS - BUS DIAGRAM D-060949

DRAWING FROM REV 15



From Y-3395 To 2-4416	Date:10/2022	PAGE:H3-0600-04
WIRING HARNESS - BUS DIAGRAM D-060949		

DRAWING FROM REV 24



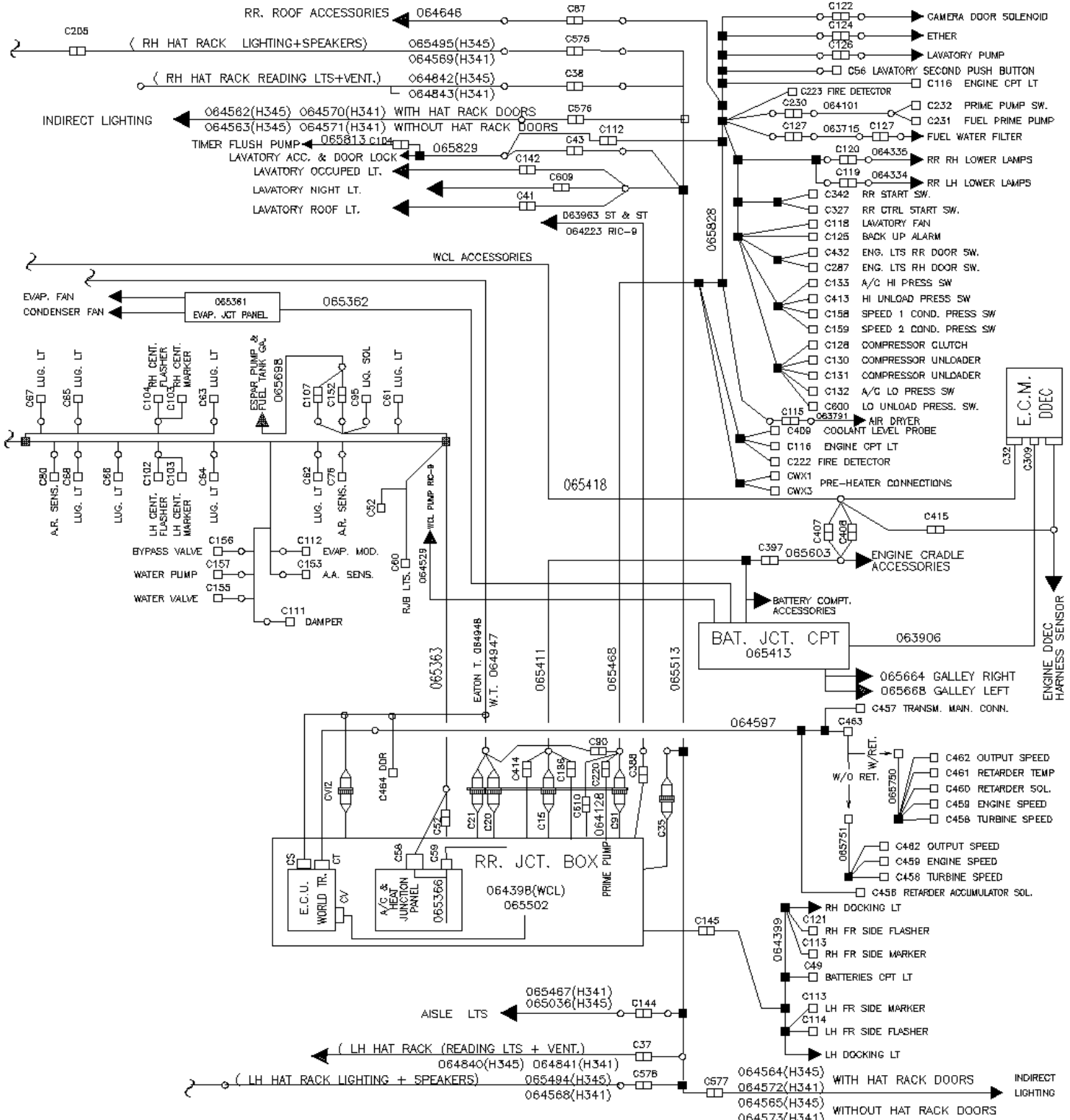
From Y-3395 To 2-4416

Date:10/2022

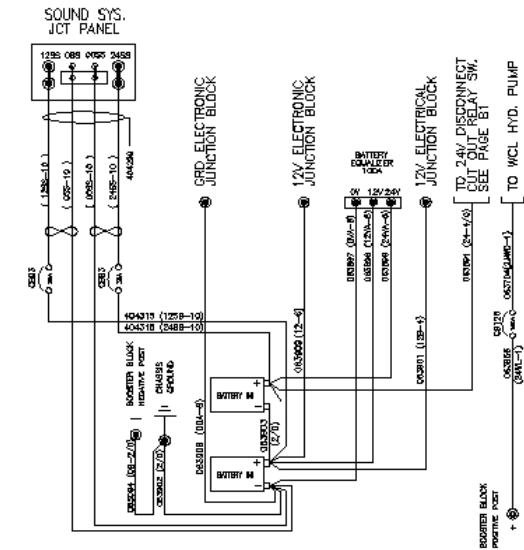
PAGE:H3-0600-04

WIRING HARNESS - BUS DIAGRAM D-060949

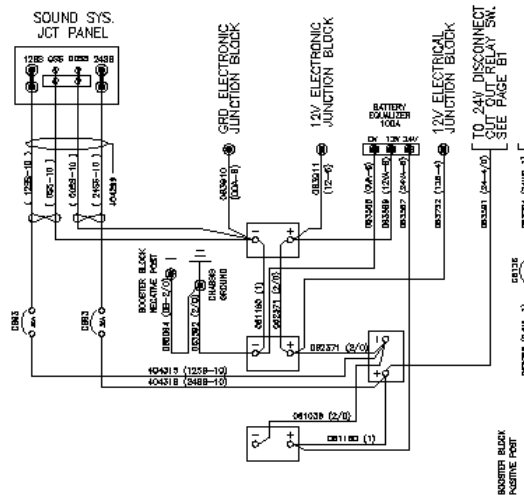
DRAWING FROM REV 24



From Y-3395 To 2-4416	Date:10/2022	PAGE:H3-0600-04
WIRING HARNESS - BUS DIAGRAM D-060949		



8D BATTERIES



STANDARD BATTERIES

From Y-3395 To 2-4416	Date:10/2022	PAGE:H3-0600-04
WIRING HARNESS - BUS DIAGRAM D-060949		

Item#	Part	Description	H 3 4 1	H 3 4 5	V I P 4 5	N O T E S
		IN BATTERIES COMPARTMENT				
1	063592	CABLE ASSY / B - TO GROUND	1	1		
2	062371	CABLE ASSY / B + TO B +	2	2		
3	061180	CABLE ASSY / B - TO B -	2	2		
4	061036	CABLE ASSY / B - TO B -	1	1		
5	063591	CABLE ASSY / RELAY BATTERY & BATTERY #24	1	1		
6	063732	CABLE ASSY / W/STD BATTERY / #12B	1	1		
7	063588	CABLE ASSY / #0VA	1	1		
7	065819	CABLE ASSY / #0VA	1	1		
8	063589	CABLE ASSY / #12VA	1	1		
8	065820	CABLE ASSY / #12VA	1	1		
9	063587	CABLE ASSY / #24VA	1	1		
9	065818	CABLE ASSY / #24VA	1	1		
10	065094	CABLE ASSY / BATTERY BOOSTER BLOCK / #0	1	1		
12	063910	CABLE ASSY / # 00A	1	1		
13	063911	CABLE ASSY / #12	1	1		
14	063966	CABLE ASSY / W/W.C.L. / #24 WL		1		
15	063704	CABLE ASSY / W/W.C.L. / #24WC		1		
		WITH BATTERIES 8D "OPTION"				
20	063902	CABLE ASSY / #0VA	1	1		
21	063901	CABLE ASSY / W/8D BATTERY / #12B	1	1		
22	063908	CABLE ASSY / #00A	1	1		
23	063903	CABLE ASSY / B + TO B -	1	1		
24	063909	CABLE ASSY / #12	1	1		
25	063897	CABLE ASSY / #0VA	1	1		
25	065821	CABLE ASSY / #0VA	1	1		
26	063898	CABLE ASSY / #12VA	1	1		
26	065822	CABLE ASSY / #12VA	1	1		
27	063899	CABLE ASSY / #24VA	1	1		
27	065823	CABLE ASSY / #24VA	1	1		
		INSIDE BATTERIES COMPARTMENT TO SOME COMPONENTS				
31	064607	CABLE ASSY To 1-4206	1	1		
31	065414	CABLE ASSY From 1-4207	1	1		
		FROM BATTERIES JUNCTION COMPARTMENT TO E.C.M. & ENGINE ACCESSORIES				

From Y-3395 To 2-4416	Date:10/2022	PAGE:H3-0600-04
WIRING HARNESS - BUS DIAGRAM D-060949		

Item#	Part	Description	H 3 4 1	H 3 4 5	V I P 4 5	N O T E S
41	063906	CABLE ASSY / POWER E.C.U.	1	1		
42	065225	CABLE ASSY / ENGINE COMPT ACCESSORIES	1	1		
42	065603	CABLE ASSY / ENGINE COMPT ACCESSORIES	1	1		
43	065232	CABLE ASSY To Y-3831	1	1		
43	065289	CABLE ASSY From Y-3832 To 1-4206	1	1		
43	065411	CABLE ASSY From 1-4207	1	1		
43	066411	CABLE POWER / RJB TO FJB	1	1		
44	064242	CABLE ASSY W.C.L. PUMP "RICON" To V-2033	1	1		
44	064529	CABLE ASSY W.C.L. PUMP "RICON" From V-2034	1	1		
45	064401	CABLE ASSY / RR BAT. COMPT & EVAPO. PANEL	1	1		
45	065273	CABLE ASSY / RR BAT. COMPT & EVAPO. PANEL To 2-4344	1	1		
45	065362	CABLE ASSY / RR BAT. COMPT & EVAPO. PANEL From 2-4345	1	1		
46	064737	CABLE ASSY / GALLEY	1	1		
46	065664	CABLE ASSY / RJB & GALLEY CURBSIDE	1	1		
46	065668	CABLE ASSY / RJB & GALLEY STREETSIDE	1	1		
		INSIDE REAR JUNCTION BOX				
51	065204	WIRING HARNESS RR JCT BOX BUS H3 To Y-3831	1	1		
51	065288	WIRING HARNESS RR JCT BOX BUS H3 From Y-3832 To 2-4349	1	1		
51	065486	WIRING HARNESS RR JCT BOX BUS H3 From 2-4350	1	1		
52	064398	WIRING HARNESS RR JCT BOX WCL	1	1		
53	064128	CABLE ASSY / STUD GRD & CONNECTOR C-220 IN REAR JUNCT.BOX	1	1		
		FROM REAR JUNCTION BOX				
		TO REAR ENGINE COMPARTMENT				
61	065012	CABLE HARNESS / ENGINE ACCESSORIES To Y-3831	1	1		
61	065287	CABLE HARNESS / ENGINE ACCESSORIES From Y-3832 To 2-4350	1	1		
61	065490	CABLE HARNESS / ENGINE ACCESSORIES From 2-4351	1	1		
61	065468	CABLE HARNESS / ENGINE ACCESSORIES	1	1		
62	064646	CABLE HARNESS / ENGINE ACC. TO ROOF LIGHT	1	1		
63	063209	CABLE ASSY R.H. LAMP / REAR ENGINE DOOR	1	1		
64	063210	CABLE ASSY L.H. LAMP / REAR ENGINE DOOR				
65	063715	CABLE ASSY / ENGINE ACC. & WATER SEPARATOR	1	1		
67	063331	CABLE ASSY / AIR DRYER	1	1		
67	063791	CABLE ASSY / AIR DRYER AD-9 HEATER	1	1		
69	064101	CABLE ASSY / SWITCH & PUMP	1	1		
70	064399	CABLE ASSY / SIDE MARKER	1	1		
		FROM REAR JUNCTION BOX				

From Y-3395 To 2-4416	Date:10/2022	PAGE:H3-0600-04
WIRING HARNESS - BUS DIAGRAM D-060949		

Item#	Part	Description	H 3 4 1	H 3 4 5	V I P 4 5	N O T E S
		TO PARCEL RACK & LAVATORY				
81	064839	CABLE POWER / PARCEL RACK & LAVATORY	1	1		
81	065513	CABLE POWER / PARCEL RACK & LAVATORY	1	1		
82	064574	CABLE ASSY / DOOR LOCK & ACCESSORIES To 1-4287	1	1		
82	065514	CABLE ASSY / TIMER & ACCESSORIES From 1-4288	1	1		
83	064306	CABLE ASSY / TIMER & ACCESSORIES To 1-4287	1	1		
83	065813	CABLE ASSY / TIMER FLUSH PUMP From 1-4288	1	1		
84	064568	CABLE ASSY / DIRECT LIGHT & SPEAKER L.H.	1			
84	064560	CABLE ASSY / DIRECT LIGHT & SPEAKER L.H. To 1-4252		1		
84	065494	CABLE ASSY / DIRECT LIGHT & SPEAKER L.H. From 1-4253		1		
85	064569	CABLE ASSY / DIRECT LIGHT & SPEAKER R.H.	1			
85	064561	CABLE ASSY / DIRECT LIGHT & SPEAKER R.H. To 1-4252		1		
85	065495	CABLE ASSY / DIRECT LIGHT & SPEAKER R.H. From 1-4253		1		
86	065467	CABLE ASSY / MAIN AISLE LAMP From 1-4236	1			
86	063536	CABLE ASSY / MAIN AISLE LAMP To X-3130		1		
86	065036	CABLE ASSY / MAIN AISLE LAMP From X-3131		1		
87	064573	CABLE HARNESS / IND LIGHT L.H. / W/O DDOR	1			
87	064572	CABLE HARNESS / IND LIGHT L.H. / W/DOOR	1			
87	064565	CABLE HARNESS / IND LIGHT L.H. / W/O DOOR		1		
87	064564	CABLE HARNESS / IND LIGHT L.H. / W/DOOR		1		
88	064571	CABLE HARNESS / IND LIGHT R.H. / W/O DOOR	1			
88	064570	CABLE HARNESS / IND LIGHT R.H. / W/DOOR	1			
88	064563	CABLE HARNESS / IND LIGHT R.H. / W/O DOOR		1		
88	064562	CABLE HARNESS / IND LIGHT R.H. / W/DOOR		1		
89	063963	CABLE ASSY / W.C.L. ACCESSORIES / "ST & ST"	1	1		
89	064223	CABLE ASSY / W.C.L. ACCESSORIES / "RICON"		1		
90	064843	CABLE HARNESS / READING LIGHT CURB SIDE	1			
90	064842	CABLE HARNESS / READING LIGHT CURB SIDE		1		
91	064841	CABLE HARNESS / READING LIGHT STREETSIDE	1			
91	064840	CABLE HARNESS / READING LIGHT STREETSIDE		1		
		FROM REAR JUNCTION BOX				
		TO COMPARTMENT UNDER FLOOR ACCESS.				
101	064897	CABLE ASSY BAGGAGE COMPARTMENT BUS To 2-4314	1			
101	065364	CABLE ASSY BAGGAGE COMPARTMENT BUS From 2-4315	1			
101	064896	CABLE ASSY BAGGAGE COMPARTMENT BUS To 2-4314		1		
101	065363	CABLE ASSY BAGGAGE COMPARTMENT BUS From 2-4315		1		
104	064116	CABLE ASSY / TO FUEL TANK	1	1		
		A/C JUNCTION PANEL				

From Y-3395 To 2-4416	Date:10/2022	PAGE:H3-0600-04
WIRING HARNESS - BUS DIAGRAM D-060949		

Item#	Part	Description	H 3 4 1	H 3 4 5	V I P 4 5	N O T E S
106	064718	WIRING HARNESS A/C JUNCTION PANEL To 2-4314	1	1		
106	065366	WIRING HARNESS A/C JUNCTION PANEL From 2-4315	1	1		
		FROM REAR JUNCTION BOX				
		VEHICLE WITH "WORLD" TRANSMISSION				
111	064947	CABLE ASSY / FRT SELECTOR & RR ECU & VIM	1	1		
112	063782	CABLE ASSY / RESISTANCE MODULE & SWITCH	1	1		
113	064716	CABLE ASSY / TRANS & SPEED SWITCH To Y-4008	1	1		
114	064597	CABLE ASSY / E.C.U. & TRANS SPEED SWITCH	1	1		
115	065330	CABLE ASSY / TRANS & SPEED SWITCH / W/RETARDER From Y-4009	1	1		
116	065331	CABLE ASSY / TRANS & SPEED SWITCH / W/O RETARDER From Y-4009	1	1		
		FROM REAR JUNCTION BOX				
		VEHICLE WITH "EATON" TRANSMISSION				
121	064948	CABLE ASSY / FRT SELECTOR & REAR JCT BOX				
		INSIDE FRONT JUNCTION BOX				
141	064943	WIRING HARNESS FRONT JUNCTION BOX From X-2901 To 1-4083	1	1		
141	065417	WIRING HARNESS FRONT JUNCTION BOX From 1-4084	1	1		
142	064908	CABLE ASSY TO STEERING SPEED SIGNAL ECU / W/"ZF" STEERING	1	1		
		FROM FRONT JUNCTION BOX				
		TO "ABS" MODULE				
161	064588	CABLE ASSY "ABS"	1	1		
162	064596	CABLE ASSY / FRONT WHEEL "ABS"	1	1		
163	064877	CABLE ASSY / REAR WHEEL "ABS" From X-2870	1	1		
		FROM FRONT JUNCTION BOX				
		FORWARD VEHICULE				
171	064601	CABLE ASSY / FRT JCT & E.C.M. "DDEC" III	1	1		
171	065418	CABLE ASSY / FRT JCT & E.C.M. "DDEC" IV	1	1		
172	063650	CABLE ASSY / SWITCH CRUISE CONTROL	1	1		
173	064590	CABLE ASSY / FRONT LOWER END To Y-3536	1	1		
173	065221	CABLE ASSY / FRONT LOWER END From Y-3537 To Y-3891	1	1		
173	065321	CABLE ASSY / FRONT LOWER END From Y-3892 To Y-4075	1	1		
173	065378	CABLE ASSY / FRONT LOWER END From Y-4076	1	1		

From Y-3395 To 2-4416	Date:10/2022	PAGE:H3-0600-04
WIRING HARNESS - BUS DIAGRAM D-060949		

Item#	Part	Description	H 3 4 1	H 3 4 5	V I P 4 5	N O T E S
174	064645	CABLE ASSY / ROOF From X-2719	1	1		
175	065064	WIRING HARNESS DASHBOARD CENTRAL MODULE	1	1		
175	065312	WIRING HARNESS DASHBOARD CENTRAL MODULE	1	1		
175	065473	WIRING HARNESS DASHBOARD CENTRAL MODULE	1	1		
179	062711	CABLE ASSY / MIRROR INSIDE SIDE WINDSHIELD POST INSIDE SIDE WINDSHIELD POST C19	2	2		
		CABLE / CONNECTED AT HARNESS / # 175 FROM CABLE ASSY DASHBOARD MODULE				
181	064587	WIRING HARNESS DASHBOARD LEFT MODULE To 2-4387	1	1		
181	065585	WIRING HARNESS DASHBOARD LEFT MODULE From 2-4387	1	1		
182	064584	WIRING HARNESS / W/ "ESPAR" PREHEATER	1	1		
182	064700	WIRING HARNESS / W/ "WEBASTO" PREHEATER	1	1		
183	064635	CABLE HARNESS / TO WINDOW AJAR	1	1		
184	064754	CABLE HARNESS / STREETSIDE WINDOW AJAR	1	1		
185	064753	CABLE HARNESS / CURBSIDE WINDOW AJAR	1	1		
186	064656	CABLE ASSY / L.H. CONSOLE TO L.H. MIRROR	1	1		
		CABLE / CONNECTED AT HARNESS / # 173 FROM CABLE ASSY FRONT LOWER END				
191	064653	CABLE ASSY / ENTRANCE DOOR MODULE BUS	1	1		
192	063951	CABLE ASSY / DOOR ACCESSORIES	1	1		
193	065222	CABLE ASSY / PARKING BRAKE PRESSURE	1	1		
		FRONT UPPER CABLE SOUND COMPONENTS				
204	404571	CABLE ASSY / DASH & PARCEL RACK C7	1	1		
205	404309	CABLE ASSY / HAT RACK / L.H. & R.H.	1	1		
205	404310	CABLE ASSY / HAT RACK / L.H. & R.H.	1	1		
206	404572	CABLE ASSY / DASH COMPONENT & HARNESS ABOVE	1	1		
209	404299	CABLE ASSY / SOUND SYSTEM FEED HARNESS (0SS 12SS 24SS)	1	1		
210	404315	CABLE ASSY 12SB	1	1		
211	404316	CABLE ASSY 24SB	1	1		
		FROM FRONT JUNCTION BOX TO MISCELLANEOUS COMPONENTS				
221	064199	CABLE ASSY / CLOCK & FRONT JCT PANEL	1	1		

From Y-3395 To 2-4416	Date:10/2022	PAGE:H3-0600-04
-----------------------	--------------	-----------------

WIRING HARNESS - BUS DIAGRAM D-060949

Item#	Part	Description	H 3 4 1	H 3 4 5	V I P 4 5	N O T E S

From R-057 To T-1304		Date:10/2022	PAGE:H3-0600-50
WIRING HARNESS - V.I.P. DIAGRAM D-060842 full a/c			



From R-057 To T-1304	Date:10/2022	PAGE:H3-0600-50
WIRING HARNESS - V.I.P. DIAGRAM D-060842 full a/c		

Item#	Part	Description	H 3 4 1	H 3 4 5	V I P 4 5	N O T E S
		IN BATTERIES COMPARTMENT				
1	063592	CABLE ASSY / B - TO GROUND			1	
2	061176	CABLE ASSY / B + TO B +			2	
3	061180	CABLE ASSY / B - TO B -			2	
4	061036	CABLE ASSY / B - TO B -			1	
5	063591	CABLE ASSY / RELAY BATTERY & BATTERY #24			1	
6	063732	CABLE ASSY / W/STD BATTERY / #12B			1	
7	063588	CABLE ASSY / #0VA			1	
8	063889	DECAL / RELAY			1	
9	063587	CABLE ASSY / #24VA			1	
10	063586	CABLE ASSY / BATTERY BOOSTER BLOCK / #0			1	
12	063910	CABLE ASSY / # 00A			1	
13	063911	CABLE ASSY / #12			1	
		WITH BATTERIES 8D "OPTION"				
20	063902	CABLE ASSY / #0VA			1	
21	063901	CABLE ASSY / W/8D BATTERY / #12B			1	
22	063908	CABLE ASSY / #00A			1	
23	063903	CABLE ASSY / B + TO B -			1	
24	063909	CABLE ASSY / #12			1	
25	063897	CABLE ASSY / #0VA			1	
26	063898	CABLE ASSY / #12VA			1	
27	063899	CABLE ASSY / #24VA			1	
28	063900	CABLE ASSY / RELAY BATTERY & BATTERY #24			1	
		INSIDE BATTERIES COMPARTMENT				
31	063585	CABLE ASSY #24B			1	
31	063907	CABLE ASSY #24B			1	
		FROM BATTERIES JUNCTION COMPARTMENT TO E.C.M. & ENGINE ACCESSORIES				
41	063906	CABLE ASSY / POWER E.C.U.			1	
42	063608	CABLE ASSY / ENGINE COMPT ACCESSORIES			1	
43	063623	CABLE ASSY			1	
		INSIDE REAR JUNCTION BOX				
51	063832	WIRING HARNESS RR JCT BOX VIP			1	

From R-057 To T-1304		Date:10/2022	PAGE:H3-0600-50
WIRING HARNESS - V.I.P. DIAGRAM D-060842 full a/c			

Item#	Part	Description	H 3 4 1	H 3 4 5	V I P 4 5	N O T E S
		FROM REAR JUNCTION BOX				
		TO REAR ENGINE COMPARTMENT				
61	063509	CABLE HARNESS / ENGINE ACCESSORIES To S-264			1	
61	064059	CABLE HARNESS / ENGINE ACCESSORIES From S-265			1	
62	062693	CABLE HARNESS / ENGINE COMP. TO DEFLECTOR			1	
63	063209	CABLE ASSY R.H. LAMP / REAR ENGINE DOOR			1	
64	063210	CABLE ASSY L.H. LAMP / REAR ENGINE DOOR			1	
65	063715	CABLE ASSY / ENGINE ACC. & WATER SEPARATOR			1	
66	063713	CABLE ASSY / A/C COMPRESSOR			AR	
67	063331	CABLE ASSY / AIR DRYER			1	
68	062216	CABLE ASSY / REAR START			1	
70	063622	CABLE ASSY / SIDE MARKER			1	
71	062692	CABLE HARNESS, CLEAR. LIGHT REAR IN DEFLECTOR			1	
		FROM REAR JUNCTION BOX				
		TO COMPARTMENT UNDER FLOOR ACCESS				
101	063505	CABLE HARNESS / ACCESSORIES LUGGAGE COMPT			1	
102	063308	CABLE HARNESS To S-127			1	
102	063982	CABLE HARNESS From S-128 To S-193			1	
102	064058	CABLE HARNESS From S-194			1	
103	062555	CABLE ASSY / A/C JUNCTION BOX & MOTORS			1	
104	062576	CABLE ASSY / TO FUEL TANK To S-283			1	
104	064116	CABLE ASSY / TO FUEL TANK From S-284			1	
		INSIDE / A/C JUNCTION BOX				
106	063896	WIRING JUNCTION BOX A/C To S-127			1	
106	063981	WIRING JUNCTION BOX A/C From S-128			1	
107	062554	CABLE ASSY FAN POWER			1	
		FROM REAR JUNCTION BOX				
		VEHICLE WITH "WORLD" TRANSMISSION				
111	063561	CABLE ASSY / FRT SELECTOR & RR ECU & VIM (STAMPED 29511560) To T-1523			1	
111	063854	CABLE ASSY / FRT SELECTOR & RR ECU & VIM (STAMPED 29518227) To T-1523			1	
NS	065919	KIT, RETROFIT "ALLISON" TRANS HARNESS / H SER			AR	
. NS	064238	. CABLE ASSY / FRT SELECTOR & RR ECU & VIM			1	
. NS	064237	. CABLE ASSY / TRANS & SPEED SWITCH			1	
. NS	562425	. CONNECTOR / METRI-PACK 150 P2S / SH 24C / PED 12092202			1	

From R-057 To T-1304	Date:10/2022	PAGE:H3-0600-50
WIRING HARNESS - V.I.P. DIAGRAM D-060842 full a/c		

Item#	Part	Description	H 3 4 1	H 3 4 5	V I P 4 5	N O T E S
. NS	562352	. SOCKET TERMINAL / 18-16 / PED 12103881			25	
. NS	562032	. SEAL PLUG CAVITY / METRI-PACK 150 PS2 / BLACK / PED 12034413			5	
. NS	IS-94099	. SEE INSTRUCTION SHEET			1	
112	063782	CABLE ASSY / RESISTANCE MODULE & SWITCH			1	
		FROM REAR JUNCTION BOX				
		TO FRONT JUNCTION BOX				
131	063510	CABLE ASSY / FRT JCT & REAR SERVICE To S-127			1	
131	063958	CABLE ASSY / FRT JCT & REAR SERVICE From S-128			1	
		INSIDE FRONT JUNCTION BOX				
141	063833	WIRING HARNESS FRONT JUNCTION BOX			1	
		FROM FRONT JUNCTION BOX				
		INTERFACE				
151	063513	CABLE INTERFACE ASSY / FRT JCT BOX & DASH To S-127			1	
151	063959	CABLE INTERFACE ASSY / FRT JCT BOX & DASH From S-128			1	
152	063865	CABLE WINDOW AJAR			1	
		FROM FRONT JUNCTION BOX				
		TO "ABS" MODULE				
161	063537	CABLE ASSY "ABS"			1	
162	062569	CABLE ASSY / FRONT WHEEL "ABS"			1	
163	063739	CABLE ASSY / REAR WHEEL "ABS" To S-206			1	
163	064139	CABLE ASSY / REAR WHEEL "ABS" From S-207			1	
		FROM INTERFACE CABLE / # 151				
		TO FRONT COMPONENTS				
171	063611	CABLE ASSY / FRT JCT & E.C.M. "DDEC" III			1	
172	063650	CABLE ASSY / SWITCH CRUISE CONTROL			1	
173	063852	CABLE ASSY / FRONT LOWER END ACCESSORIES			1	
174	062690	CABLE ASSY / W/"LEVEL LOW"			1	
174	063080	CABLE ASSY / VALVE "LEVEL-LOW"			1	
175	063507	WIRING HARNESS / HEAD LAMP			1	
176	063310	WIRING HARNESS KEYLESS MODULE			1	
177	062745	CABLE ASSY 3 WAY SWITCH VIP			1	
178	062710	CABLE ASSY / MIRROR			1	

From R-057 To T-1304	Date:10/2022	PAGE:H3-0600-50
WIRING HARNESS - V.I.P. DIAGRAM D-060842 full a/c		

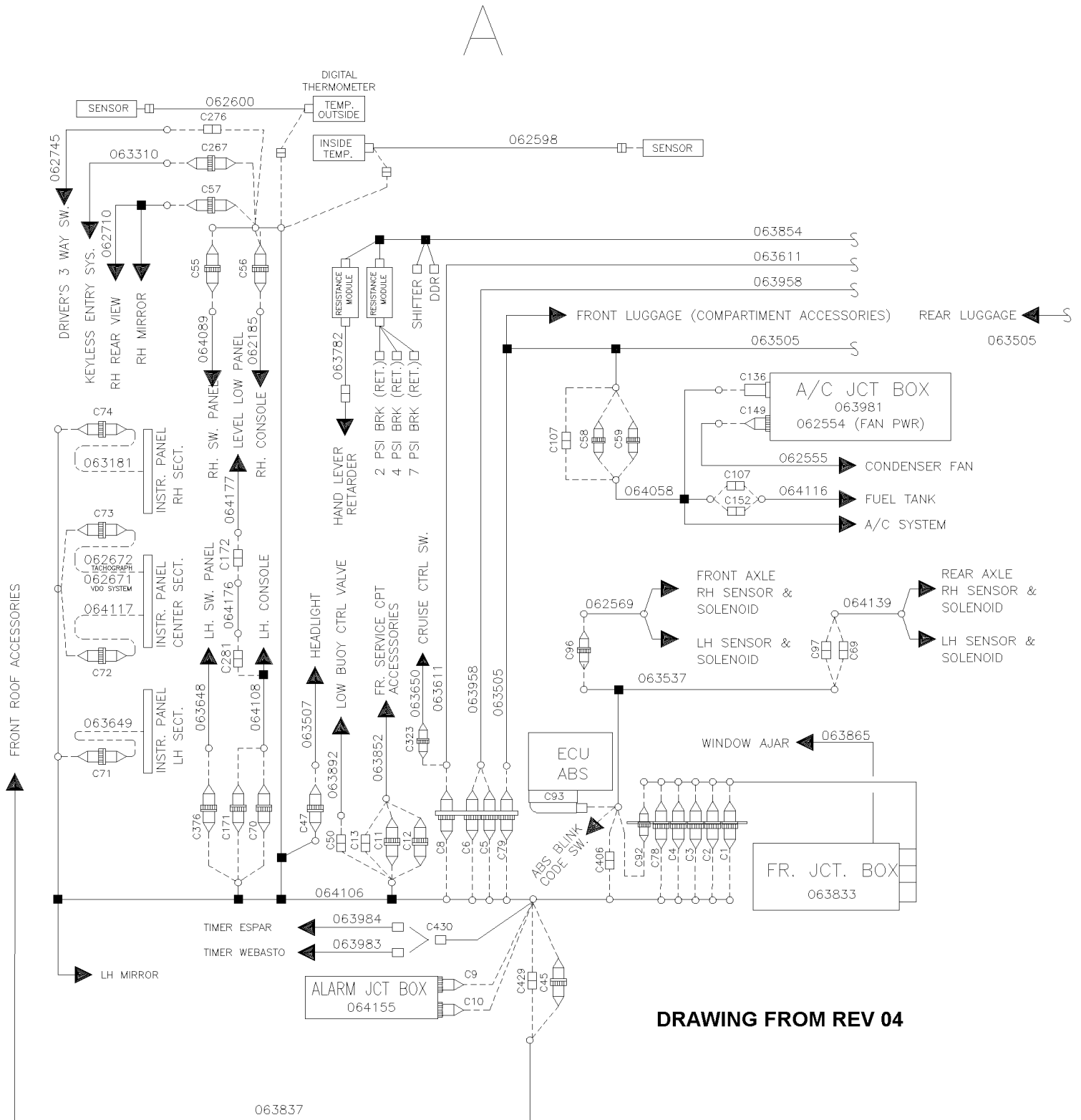
Item#	Part	Description	H 3 4 1	H 3 4 5	V I P 4 5	N O T E S
		FROM INTERFACE CABLE / # 151				
		TO DRIVER'S DASH COMPARTMENT				
181	063851	CABLE ASSY / INTERFACE TO LH CONSOLE VIP			1	
182	063648	CABLE ASSY / LEFT SWITCHES CONSOLE			1	
183	063649	CABLE ASSY / GAUGE LH PANEL			1	
184	063506	CABLE ASSY To S-127			1	
184	063954	CABLE ASSY From S-128 To S-264			1	
184	064057	CABLE ASSY From S-265			1	
185	062671	CABLE ASSY / W/SMALL GAUGES			1	
186	062672	CABLE ASSY / W/TACHOGRAPH NOT USED			1	
187	063181	CABLE ASSY / GAUGE RH PANEL			1	
188	062204	CABLE ASSY / SWITCH RH PANEL / W/OUT RADIO			1	
188	064089	CABLE ASSY / SWITCH RH PANEL			1	
189	062185	CABLE ASSY / RIGHT CONSOLE & TELLTALE / THERMOMETER			1	
190	062600	HARNESS / SENSOR (OUTSIDE TEMP.) & / THERMOMETER			1	
191	062598	HARNESS / SENSOR (INSIDE TEMP.) & / THERMOMETER			1	
192	063837	CABLE ASSY / ROOF			1	
		INSIDE ALARM JUNCTION BOX				
231	063508	CABLE ASSY / FRONT ALARM BOX To S-127			1	
231	063956	CABLE ASSY / FRONT ALARM BOX From S-128			1	

From T-1305 To V-1794

Date:10/2022

PAGE:H3-0600-51

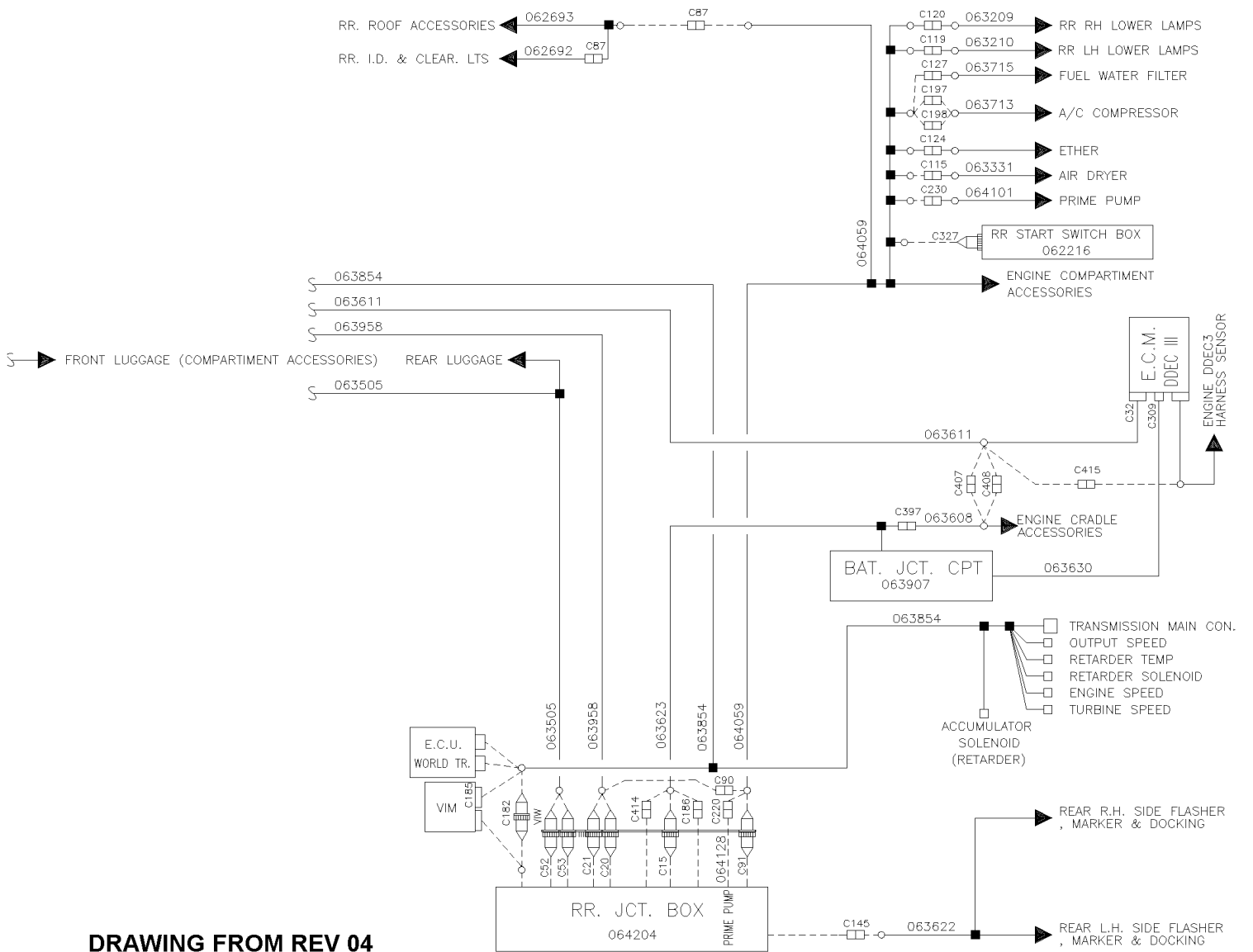
WIRING HARNESS - V.I.P. DIAGRAM D-060870 full a/c



DRAWING FROM REV 04

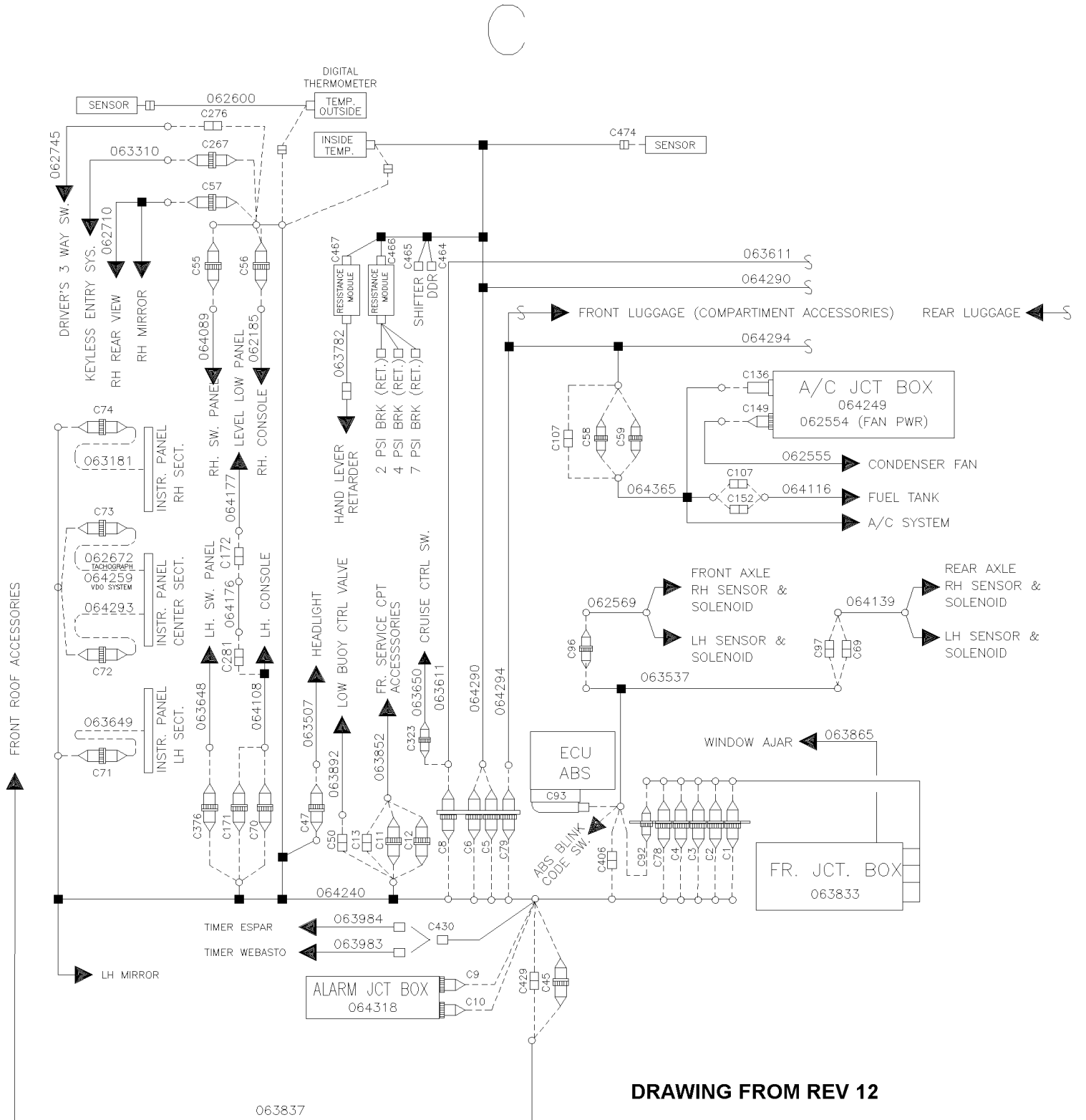
From T-1305 To V-1794	Date:10/2022	PAGE:H3-0600-51
WIRING HARNESS - V.I.P. DIAGRAM D-060870 full a/c		

B



DRAWING FROM REV 04

From T-1305 To V-1794	Date:10/2022	PAGE:H3-0600-51
WIRING HARNESS - V.I.P. DIAGRAM D-060870 full a/c		



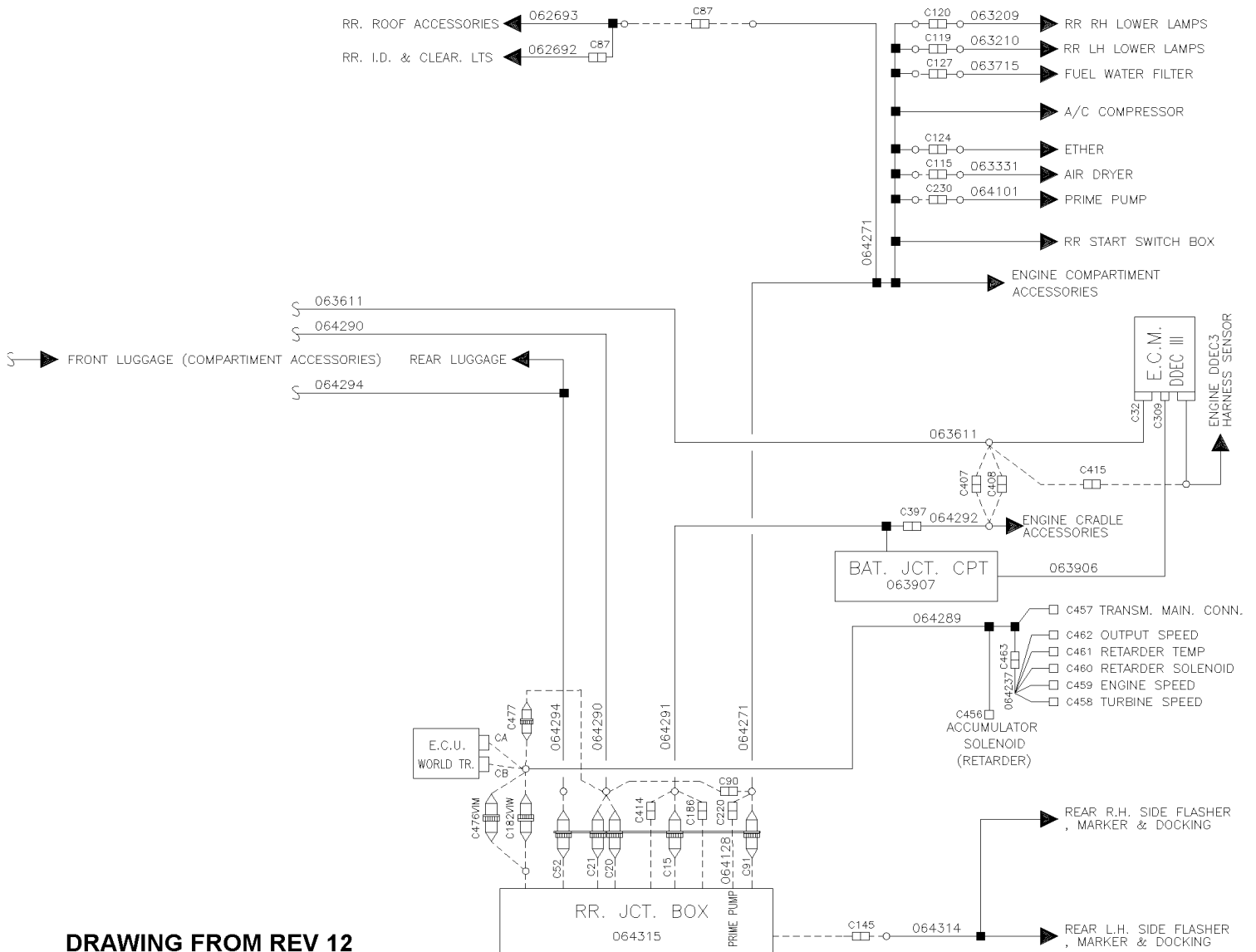
DRAWING FROM REV 12

From T-1305 To V-1794

Date:10/2022

PAGE:H3-0600-51

WIRING HARNESS - V.I.P. DIAGRAM D-060870 full a/c



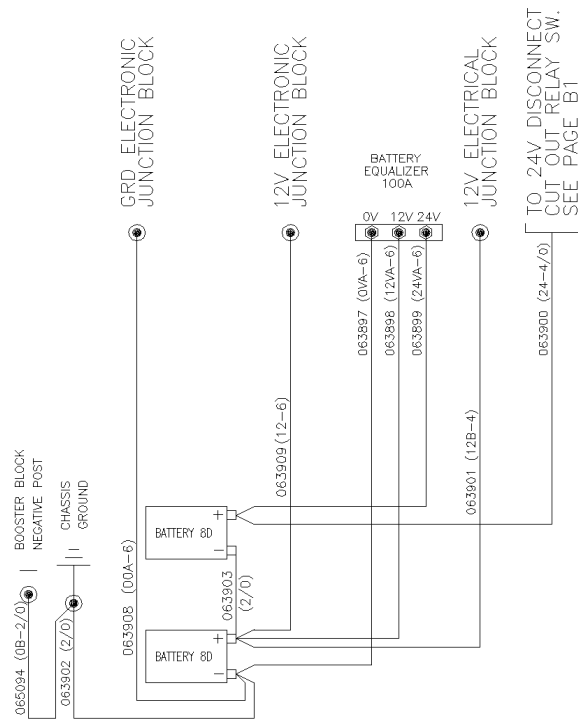
DRAWING FROM REV 12

From T-1305 To V-1794

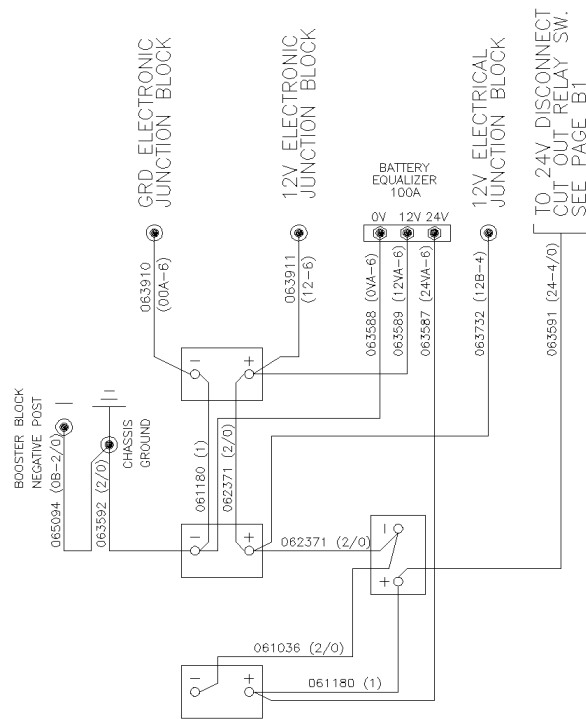
Date:10/2022

PAGE:H3-0600-51

WIRING HARNESS - V.I.P. DIAGRAM D-060870 full a/c



8D BATTERIES



STANDARD BATTERIES

From T-1305 To V-1794	Date:10/2022	PAGE:H3-0600-51
WIRING HARNESS - V.I.P. DIAGRAM D-060870 full a/c		

Item#	Part	Description	H 3 4 1	H 3 4 5	V I P 4 5	N O T E S
		IN BATTERIES COMPARTMENT				
1	063592	CABLE ASSY / B - TO GROUND			1	
2	061176	CABLE ASSY / B + TO B +			2	
3	061180	CABLE ASSY / B - TO B -			2	
4	061036	CABLE ASSY / B - TO B -			1	
5	063591	CABLE ASSY / RELAY BATTERY & BATTERY #24			1	
6	063732	CABLE ASSY / W/STD BATTERY / #12B			1	
7	063588	CABLE ASSY / #0VA			1	
8	063589	CABLE ASSY / #12VA			1	
9	063587	CABLE ASSY / #24VA			1	
10	063586	CABLE ASSY / BATTERY BOOSTER BLOCK / #0			1	
11	065733	CABLE ASSY / TO RR JCT BOX / #0			1	
12	063910	CABLE ASSY / # 00A			1	
13	063911	CABLE ASSY / #12			1	
		WITH BATTERIES 8D "OPTION"				
20	063902	CABLE ASSY / #0VA			1	
21	063901	CABLE ASSY / W/8D BATTERY / #12B			1	
22	063908	CABLE ASSY / #00A			1	
23	063903	CABLE ASSY / B + TO B -			1	
24	063909	CABLE ASSY / #12			1	
25	063897	CABLE ASSY / #0VA			1	
26	063898	CABLE ASSY / #12VA			1	
27	063899	CABLE ASSY / #24VA			1	
28	063900	CABLE ASSY / RELAY BATTERY & BATTERY #24			1	
		INSIDE BATTERIES COMPARTMENT				
31	063907	CABLE ASSY #24B			1	
		FROM BATTERIES JUNCTION COMPARTMENT TO E.C.M. & ENGINE ACCESSORIES				
41	063906	CABLE ASSY / POWER E.C.U.			1	
42	063608	CABLE ASSY / ENGINE COMPT ACCESSORIES To T-1583			1	
42	064292	CABLE ASSY / ENGINE COMPT ACCESSORIES From T-1584			1	
43	063623	CABLE ASSY To T-1511			1	
43	064227	CABLE ASSY From T-1512 To T-1583			1	
43	064291	CABLE ASSY From T-1584			1	

From T-1305 To V-1794	Date:10/2022	PAGE:H3-0600-51
WIRING HARNESS - V.I.P. DIAGRAM D-060870 full a/c		

Item#	Part	Description	H 3 4 1	H 3 4 5	V I P 4 5	N O T E S
		INSIDE REAR JUNCTION BOX				
51	063832	WIRING HARNESS RR JCT BOX VIP To T-1422			1	
51	064204	WIRING HARNESS RR JCT BOX VIP From T-1423 To T-1583			1	
51	064315	WIRING HARNESS RR JCT BOX VIP From T-1584			1	
53	064128	CABLE ASSY / STUD GRD & CONNECTOR C-220 IN REAR JUNCT.BOX			1	
		FROM REAR JUNCTION BOX				
		TO REAR ENGINE COMPARTMENT				
61	064059	CABLE HARNESS / ENGINE ACCESSORIES To T-1473			1	
61	064231	CABLE HARNESS / ENGINE ACCESSORIES From T-1474 To T-1583			1	
61	064271	CABLE HARNESS / ENGINE ACCESSORIES From T-1584			1	
62	062693	CABLE HARNESS / ENGINE COMP. TO DEFLECTOR			1	
63	063209	CABLE ASSY R.H. LAMP / REAR ENGINE DOOR			1	
64	063210	CABLE ASSY L.H. LAMP / REAR ENGINE DOOR			1	
65	063715	CABLE ASSY / ENGINE ACC. & WATER SEPARATOR			1	
66	063713	CABLE ASSY / A/C COMPRESSOR			AR	
67	063331	CABLE ASSY / AIR DRYER			1	
68	062216	CABLE ASSY / REAR START To T-1474			1	
68	064232	CABLE ASSY / REAR START From T-1475 To T-1583			1	
69	064101	CABLE ASSY / SWITCH & PUMP			1	
70	063622	CABLE ASSY / SIDE MARKER To T-1583			1	
70	064314	CABLE ASSY / SIDE MARKER From T-1584			1	
71	062692	CABLE HARNESS, CLEAR. LIGHT REAR IN DEFLECTOR			1	
		FROM REAR JUNCTION BOX				
		TO COMPARTMENT UNDER FLOOR ACCESS				
101	063505	CABLE HARNESS / ACCESSORIES LUGGAGE COMPT To T-1583			1	
101	064294	CABLE HARNESS / ACCESSORIES LUGGAGE COMPT From T-1584			1	
102	064058	CABLE HARNESS To V-1701			1	
102	064365	CABLE HARNESS From V-1702 To V-1778			1	
103	062555	CABLE ASSY / A/C JUNCTION BOX & MOTORS			1	
104	064116	CABLE ASSY / TO FUEL TANK			1	
		INSIDE / A/C JUNCTION BOX				
106	063981	WIRING JUNCTION BOX A/C To T-1491			1	
106	064249	WIRING JUNCTION BOX A/C From T-1492			1	
107	062554	CABLE ASSY FAN POWER			1	

From T-1305 To V-1794	Date:10/2022	PAGE:H3-0600-51
WIRING HARNESS - V.I.P. DIAGRAM D-060870 full a/c		

Item#	Part	Description	H 3 4 1	H 3 4 5	V I P 4 5	N O T E S
		FROM REAR JUNCTION BOX				
		VEHICLE WITH "WORLD" TRANSMISSION				
111	063854	CABLE ASSY / FRT SELECTOR & RR ECU & VIM (STAMPED 29518227) To T-1523			1	
111	064238	CABLE ASSY / FRT SELECTOR & RR ECU & VIM From T-1524 To T-1583			1	
NS	065919	KIT, RETROFIT "ALLISON" TRANS HARNESS / H SER From SERVICE To T-1523			1	
. NS	064238	. CABLE ASSY / FRT SELECTOR & RR ECU & VIM From SERVICE To T-1523			1	
. NS	064237	. CABLE ASSY / TRANS & SPEED SWITCH From SERVICE To T-1523			1	
. NS	562425	. CONNECTOR / METRI-PACK 150 P2S / SH 24C / PED 12092202 From SERVICE To T-1523			1	
. NS	562352	. SOCKET TERMINAL / 18-16 / PED 12103881 From SERVICE To T-1523			25	
. NS	562032	. SEAL PLUG CAVITY / METRI-PACK 150 PS2 / BLACK / PED 12034413 From SERVICE To T-1523			5	
. NS	IS-94099	. SEE INSTRUCTION SHEET From SERVICE To T-1523			1	
112	063782	CABLE ASSY / RESISTANCE MODULE & SWITCH			1	
113	064237	CABLE ASSY / TRANS & SPEED SWITCH From T-1524			1	
114	064289	CABLE ASSY / E.C.U. & TRANS SPEED SWITCH			1	
		FROM REAR JUNCTION BOX				
		TO FRONT JUNCTION BOX				
131	063958	CABLE ASSY / FRT JCT & REAR SERVICE To T-1583			1	
131	064290	CABLE ASSY / FRT JCT & REAR SERVICE From T-1584			1	
		INSIDE FRONT JUNCTION BOX				
141	063833	WIRING HARNESS FRONT JUNCTION BOX			1	
		FROM FRONT JUNCTION BOX				
		FORWARD VEHICULE				
151	063959	CABLE INTERFACE ASSY / FRT JCT BOX & DASH To T-1323			1	
151	064106	CABLE INTERFACE ASSY / FRT JCT BOX & DASH From T-1324 To T-1415			1	
151	064240	CABLE INTERFACE ASSY / FRT JCT BOX & DASH From T-1416 To V-1778			1	
151	064332	CABLE INTERFACE ASSY / FRT JCT BOX & DASH From V-1779			1	
152	063865	CABLE WINDOW AJAR			1	
		FROM FRONT JUNCTION BOX				
		TO "ABS" MODULE				
161	063537	CABLE ASSY "ABS"			1	
162	062569	CABLE ASSY / FRONT WHEEL "ABS"			1	
163	064139	CABLE ASSY / REAR WHEEL "ABS"			1	

From T-1305 To V-1794	Date:10/2022	PAGE:H3-0600-51
WIRING HARNESS - V.I.P. DIAGRAM D-060870 full a/c		

Item#	Part	Description	H 3 4 1	H 3 4 5	V I P 4 5	N O T E S
		FROM INTERFACE CABLE / # 151				
		TO FRONT COMPONENTS				
171	063611	CABLE ASSY / FRT JCT & E.C.M. "DDEC" III			1	
172	063650	CABLE ASSY / SWITCH CRUISE CONTROL			1	
173	063852	CABLE ASSY / FRONT LOWER END ACCESSORIES			1	
174	062690	CABLE ASSY / W/"LEVEL LOW" To T-1408			1	
174	064176	CABLE ASSY / W/"LEVEL LOW" From T-1409			1	
174	063080	CABLE ASSY / VALVE "LEVEL-LOW" To T-1408			1	
174	064177	CABLE ASSY / VALVE "LEVEL-LOW" From T-1409			1	
175	063507	WIRING HARNESS / HEAD LAMP			1	
176	063310	WIRING HARNESS KEYLESS MODULE			1	
177	062745	CABLE ASSY 3 WAY SWITCH VIP			1	
178	062710	CABLE ASSY / MIRROR			1	
		FROM INTERFACE CABLE / # 151				
		TO DRIVER'S DASH COMPARTMENT				
181	063851	CABLE ASSY / INTERFACE TO LH CONSOLE VIP To T-1323			1	
181	064108	CABLE ASSY / INTERFACE TO LH CONSOLE VIP From T-1324 To V-1778			1	
181	064364	CABLE ASSY / INTERFACE TO LH CONSOLE VIP From V-1779			1	
182	063648	CABLE ASSY / LEFT SWITCHES CONSOLE			1	
183	063649	CABLE ASSY / GAUGE LH PANEL			1	
184	064117	CABLE ASSY To T-1560			1	
184	064293	CABLE ASSY From T-1561			1	
185	062671	CABLE ASSY / W/SMALL GAUGES To T-1530			1	
185	064259	CABLE ASSY / W/SMALL GAUGES From T-1531			1	
187	063181	CABLE ASSY / GAUGE RH PANEL			1	
188	064089	CABLE ASSY / SWITCH RH PANEL			1	
189	062185	CABLE ASSY / RIGHT CONSOLE & TELLTALE / THERMOMETER			1	
190	062600	HARNESS / SENSOR (OUTSIDE TEMP.) & / THERMOMETER			1	
191	062598	HARNESS / SENSOR (INSIDE TEMP.) & / THERMOMETER			1	
192	063837	CABLE ASSY / ROOF			1	
		INSIDE ALARM JUNCTION BOX				
231	063956	CABLE ASSY / FRONT ALARM BOX From S-128 To T-1323			1	
231	064155	CABLE ASSY / FRONT ALARM BOX From T-1324 To T-1680			1	
231	064318	CABLE ASSY / FRONT ALARM BOX From T-1681			1	

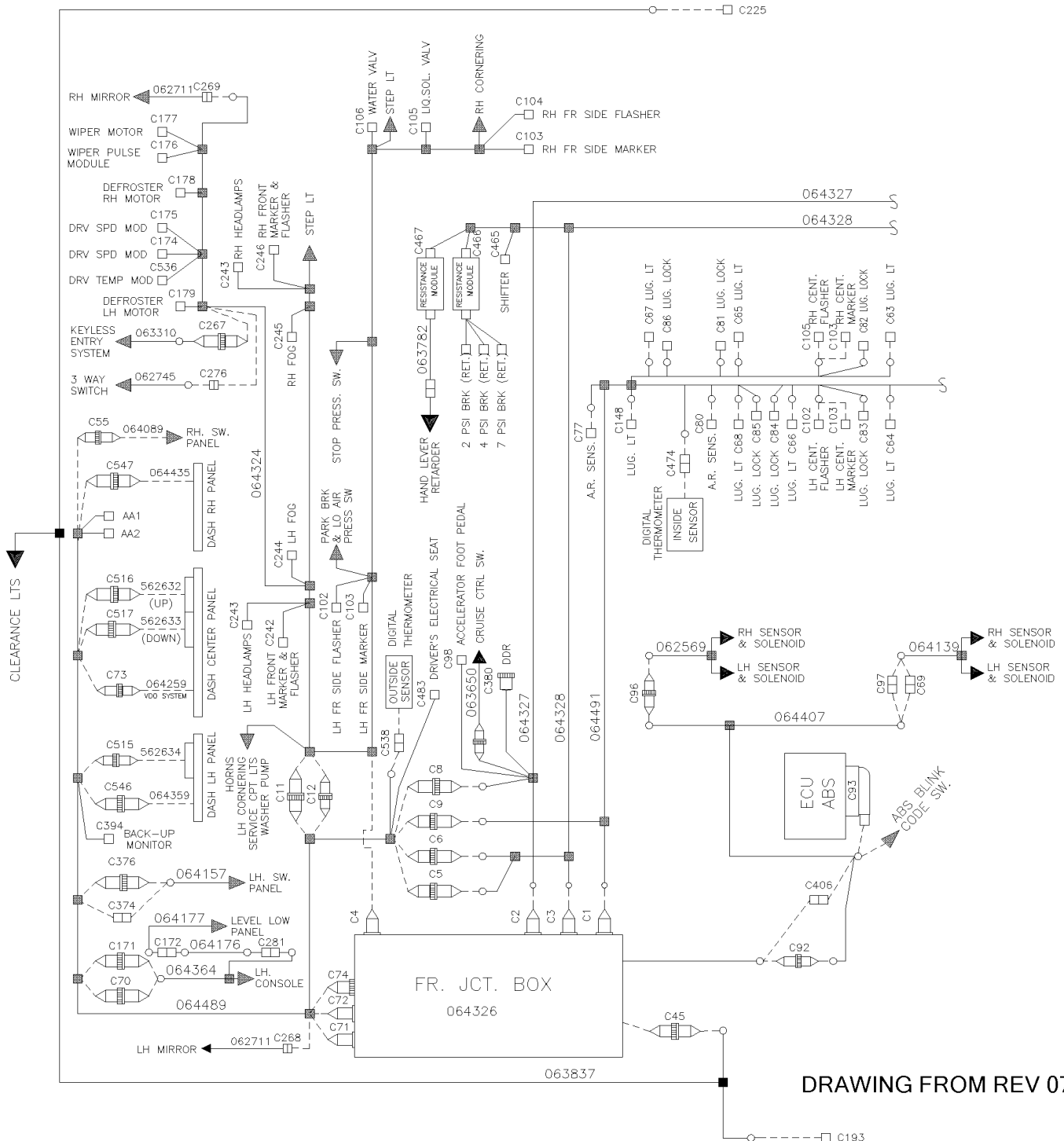
From V-1795 To W-2450

Date:10/2022

PAGE:H3-0600-52

WIRING HARNESS - V.I.P. DIAGRAM D-060883 full a/c

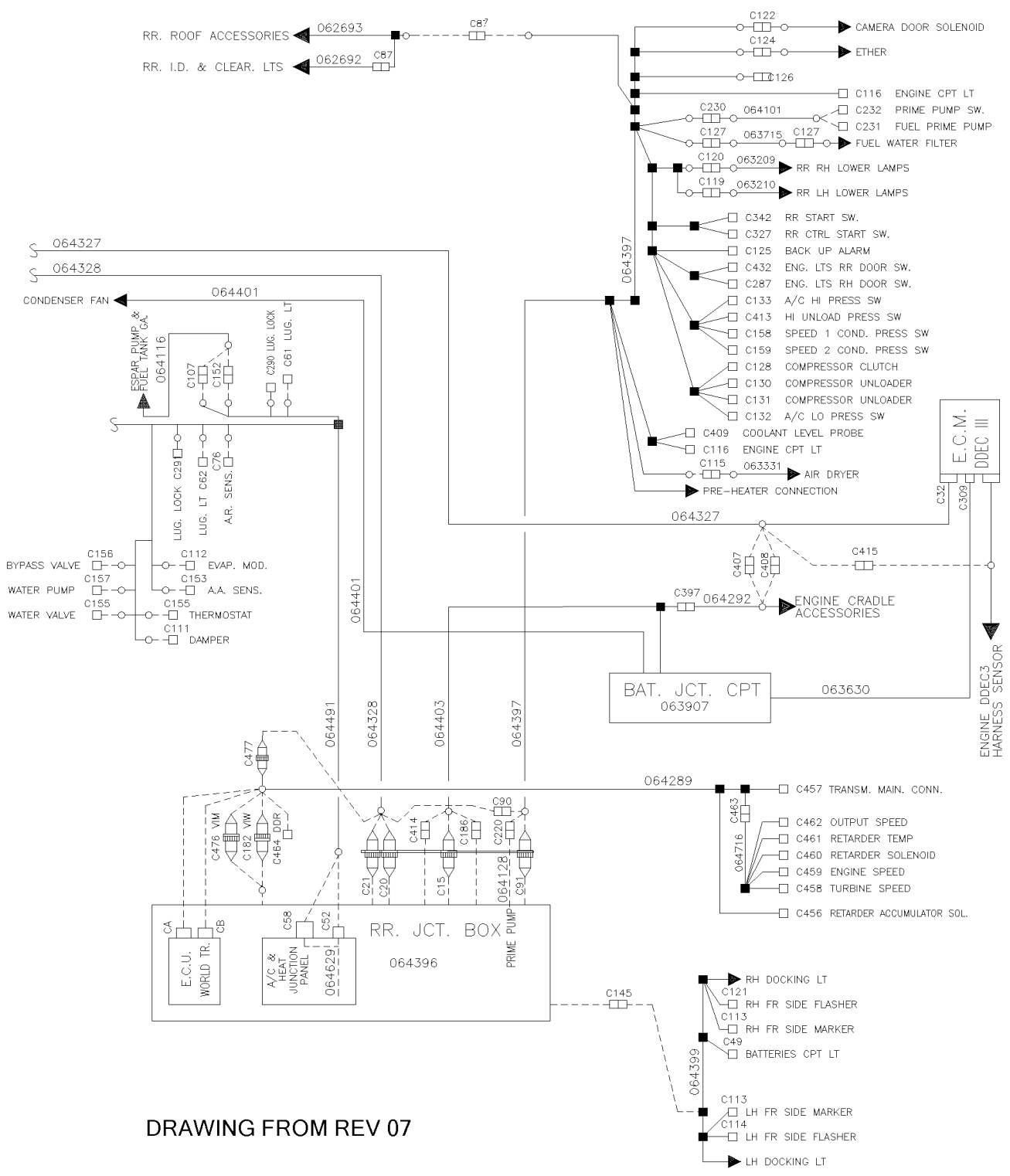
A



DRAWING FROM REV 07

WIRING HARNESS - V.I.P. DIAGRAM D-060883 full a/c

B



DRAWING FROM REV 07

From V-1795 To W-2450	Date:10/2022	PAGE:H3-0600-52
WIRING HARNESS - V.I.P. DIAGRAM D-060883 full a/c		

Item#	Part	Description	H 3 4 1	H 3 4 5	V I P 4 5	N O T E S
		IN BATTERIES COMPARTMENT				
1	063592	CABLE ASSY / B - TO GROUND			1	
2	061176	CABLE ASSY / B + TO B +			2	
3	061180	CABLE ASSY / B - TO B -			2	
4	061036	CABLE ASSY / B - TO B -			1	
5	063591	CABLE ASSY / RELAY BATTERY & BATTERY #24			1	
6	063732	CABLE ASSY / W/STD BATTERY / #12B			1	
7	065819	CABLE ASSY / #0VA			1	
8	063589	CABLE ASSY / #12VA			1	
9	063587	CABLE ASSY / #24VA			1	
10	063586	CABLE ASSY / BATTERY BOOSTER BLOCK / #0			1	
12	063910	CABLE ASSY / # 00A			1	
13	063911	CABLE ASSY / #12			1	
16	065733	CABLE ASSY / TO RR JCT BOX / #0			1	
		WITH BATTERIES 8D "OPTION"				
20	063902	CABLE ASSY / #0VA			1	
21	063901	CABLE ASSY / W/8D BATTERY / #12B			1	
23	063903	CABLE ASSY / B + TO B -			1	
25	063897	CABLE ASSY / #0VA			1	
26	063898	CABLE ASSY / #12VA			1	
27	063899	CABLE ASSY / #24VA			1	
28	063900	CABLE ASSY / RELAY BATTERY & BATTERY #24			1	
		INSIDE BATTERIES COMPARTMENT				
31	063907	CABLE ASSY #24B			1	
		FROM BATTERIES JUNCTION COMPARTMENT TO E.C.M. & ENGINE ACCESSORIES				
41	063906	CABLE ASSY / POWER E.C.U.			1	
42	064292	CABLE ASSY / ENGINE COMPT ACCESSORIES			1	
43	064403	CABLE ASSY			1	
45	064401	CABLE ASSY / RR BAT. COMPT & EVAPO. PANEL			1	
		INSIDE REAR JUNCTION BOX				
51	064396	WIRING HARNESS RR JCT BOX VIP			1	
53	064128	CABLE ASSY / STUD GRD & CONNECTOR C-220 IN REAR JUNCT.BOX			1	

From V-1795 To W-2450	Date:10/2022	PAGE:H3-0600-52
WIRING HARNESS - V.I.P. DIAGRAM D-060883 full a/c		

Item#	Part	Description	H 3 4 1	H 3 4 5	V I P 4 5	N O T E S
		FROM REAR JUNCTION BOX				
		TO REAR ENGINE COMPARTMENT				
61	064397	CABLE HARNESS / ENGINE ACCESSORIES			1	
62	062693	CABLE HARNESS / ENGINE COMP. TO DEFLECTOR			1	
63	063209	CABLE ASSY R.H. LAMP / REAR ENGINE DOOR			1	
64	063210	CABLE ASSY L.H. LAMP / REAR ENGINE DOOR			1	
65	063715	CABLE ASSY / ENGINE ACC. & WATER SEPARATOR			1	
67	063331	CABLE ASSY / AIR DRYER			1	
67	063791	CABLE ASSY / AIR DRYER AD-9 HEATER			1	
69	064101	CABLE ASSY / SWITCH & PUMP			1	
70	064399	CABLE ASSY / SIDE MARKER			1	
71	062692	CABLE HARNESS, CLEAR. LIGHT REAR IN DEFLECTOR			1	
		FROM REAR JUNCTION BOX				
		TO COMPARTMENT UNDER FLOOR ACCESS				
101	064329	CABLE HARNESS / ACCESSORIES LUGGAGE COMPT To V-1846			1	
101	064491	CABLE HARNESS / ACCESSORIES LUGGAGE COMPT From V-1847			1	
104	064116	CABLE ASSY / TO FUEL TANK	1	1	1	
		IN REAR / A/C JUNCTION PANEL				
106	064394	WIRING HARNESS A/C JUNCTION PANEL To V-2077			1	
106	064547	WIRING HARNESS A/C JUNCTION PANEL From V-2078 To V-2203			1	
106	064629	WIRING HARNESS A/C JUNCTION PANEL From V-2204 To W-2284			1	
106	064593	WIRING HARNESS A/C JUNCTION PANEL From W-2285 To W-2487			1	
106	064718	WIRING HARNESS A/C JUNCTION PANEL From W-2488 To 2-4315			1	
106	065366	WIRING HARNESS A/C JUNCTION PANEL From 2-4316			1	
		FROM REAR JUNCTION BOX				
		VEHICLE WITH "WORLD" TRANSMISSION				
112	063782	CABLE ASSY / RESISTANCE MODULE & SWITCH			1	
113	064237	CABLE ASSY / TRANS & SPEED SWITCH To W-2284			1	
113	064716	CABLE ASSY / TRANS & SPEED SWITCH From W-2285 To Y-4035			1	
114	064289	CABLE ASSY / E.C.U. & TRANS SPEED SWITCH			1	
115	065330	CABLE ASSY / TRANS & SPEED SWITCH / W/RETARDER From Y-4036			1	
116	065331	CABLE ASSY / TRANS & SPEED SWITCH / W/O RETARDER From Y-4036			1	
		FROM REAR JUNCTION BOX				

From V-1795 To W-2450		Date:10/2022	PAGE:H3-0600-52
WIRING HARNESS - V.I.P. DIAGRAM D-060883 full a/c			

Item#	Part	Description	H 3 4 1	H 3 4 5	V I P 4 5	N O T E S
		TO FRONT JUNCTION BOX				
131	064328	CABLE ASSY / FRT SELECTOR & RR ECU & VIM			1	
131	064837	CABLE ASSY / FRT SELECTOR & RR ECU & VIM From W-2488 To X-2726			1	
131	064733	CABLE ASSY / FRT SELECTOR & RR ECU & VIM From X-2727			1	
		INSIDE FRONT JUNCTION BOX				
141	064326	WIRING HARNESS FRONT JUNCTION BOX			1	
		FROM FRONT JUNCTION BOX				
		FORWARD VEHICULE				
151	064332	CABLE INTERFACE ASSY / FRT JCT BOX & DASH To V-1821			1	
151	064489	CABLE INTERFACE ASSY / FRT JCT BOX & DASH From V-1822			1	
152	063865	CABLE WINDOW AJAR			1	
		FROM FRONT JUNCTION BOX				
		TO "ABS" MODULE				
161	064407	CABLE ASSY "ABS"			1	
162	062569	CABLE ASSY / FRONT WHEEL "ABS"			1	
163	064139	CABLE ASSY / REAR WHEEL "ABS"			1	
		FROM INTERFACE CABLE / # 151				
		TO FRONT COMPONENTS				
171	064327	CABLE ASSY / FRT JCT & E.C.M. "DDEC" III			1	
172	063650	CABLE ASSY / SWITCH CRUISE CONTROL			1	
173	064324	CABLE ASSY / FRONT LOWER END ACCESSORIES			1	
174	064176	CABLE ASSY / W/"LEVEL LOW"			1	
174	064177	CABLE ASSY / VALVE "LEVEL-LOW"			1	
		FROM CABLE FRONT LOWER END / # 173				
		TO FRONT COMPONENTS				
176	063310	WIRING HARNESS KEYLESS MODULE			1	
177	062745	CABLE ASSY 3 WAY SWITCH VIP			1	
		FROM INTERFACE CABLE / # 151				
		TO DRIVER'S DASH COMPARTMENT				

From V-1795 To W-2450	Date:10/2022	PAGE:H3-0600-52
WIRING HARNESS - V.I.P. DIAGRAM D-060883 full a/c		

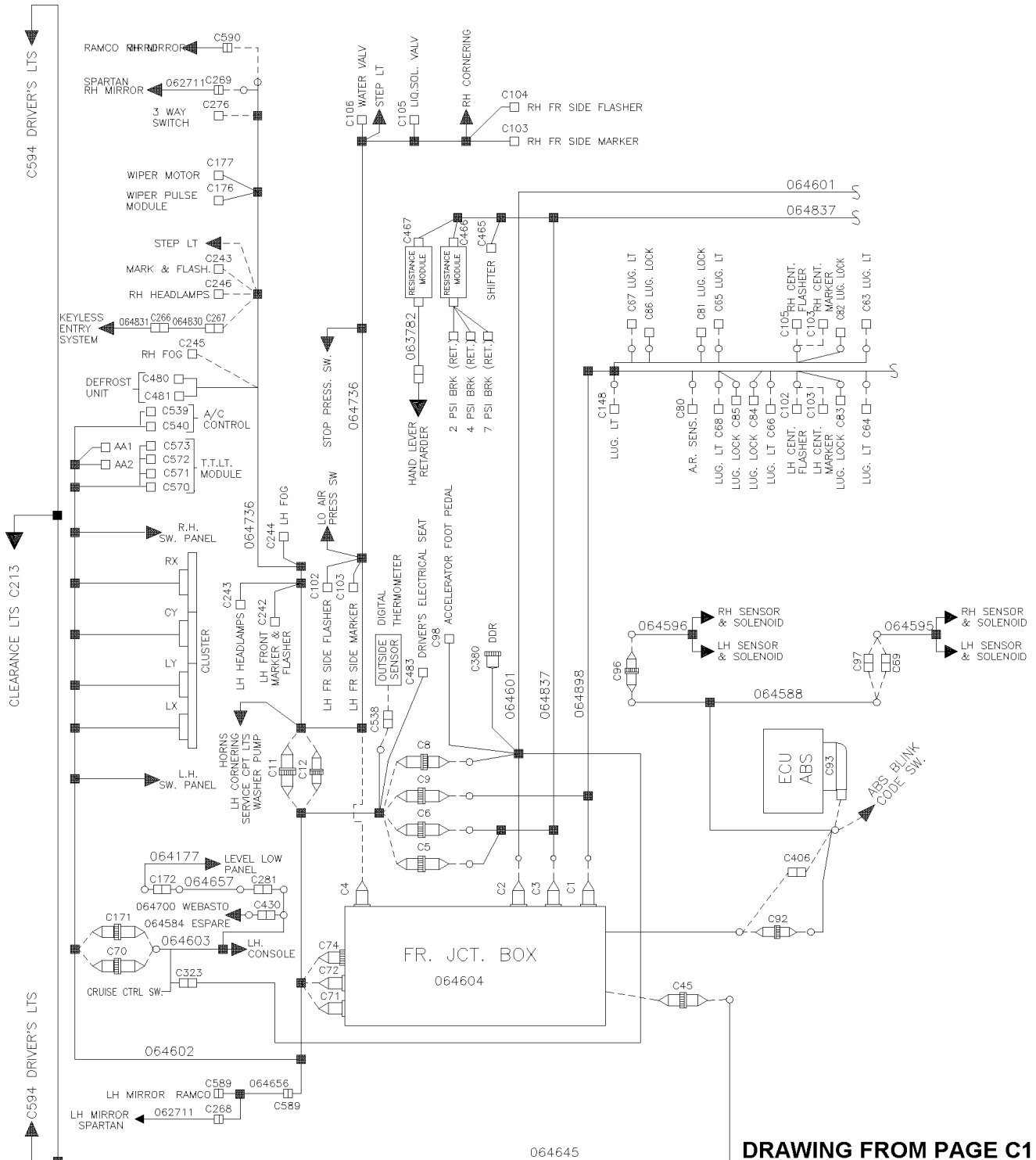
Item#	Part	Description	H 3 4 1	H 3 4 5	V I P 4 5	N O T E S
181	064364	CABLE ASSY / INTERFACE TO LH CONSOLE VIP			1	
182	064157	CABLE ASSY / LEFT SWITCHES CONSOLE			1	
183	562634	MODULE ASSY W/TELLTALE			1	
184	064359	CABLE ASSY / SWITCH & GAUGES LH PANEL			1	
184	064405	CABLE ASSY / L.H. DASHBOARD PANEL			1	
185	064259	CABLE ASSY / W/SMALL GAUGES			1	
187	064435	CABLE ASSY / GAUGE RH PANEL			1	
188	064089	CABLE ASSY / SWITCH RH PANEL			1	
192	063837	CABLE ASSY / ROOF To X-2718			1	
192	064606	CABLE ASSY / ROOF From X-2719			1	
193	562633	TELLTALE ASSY LOWER / C517			1	
195	562632	TELLTALE ASSY UPPER / C516			1	

From W-2458 To 2-4460

Date:10/2022

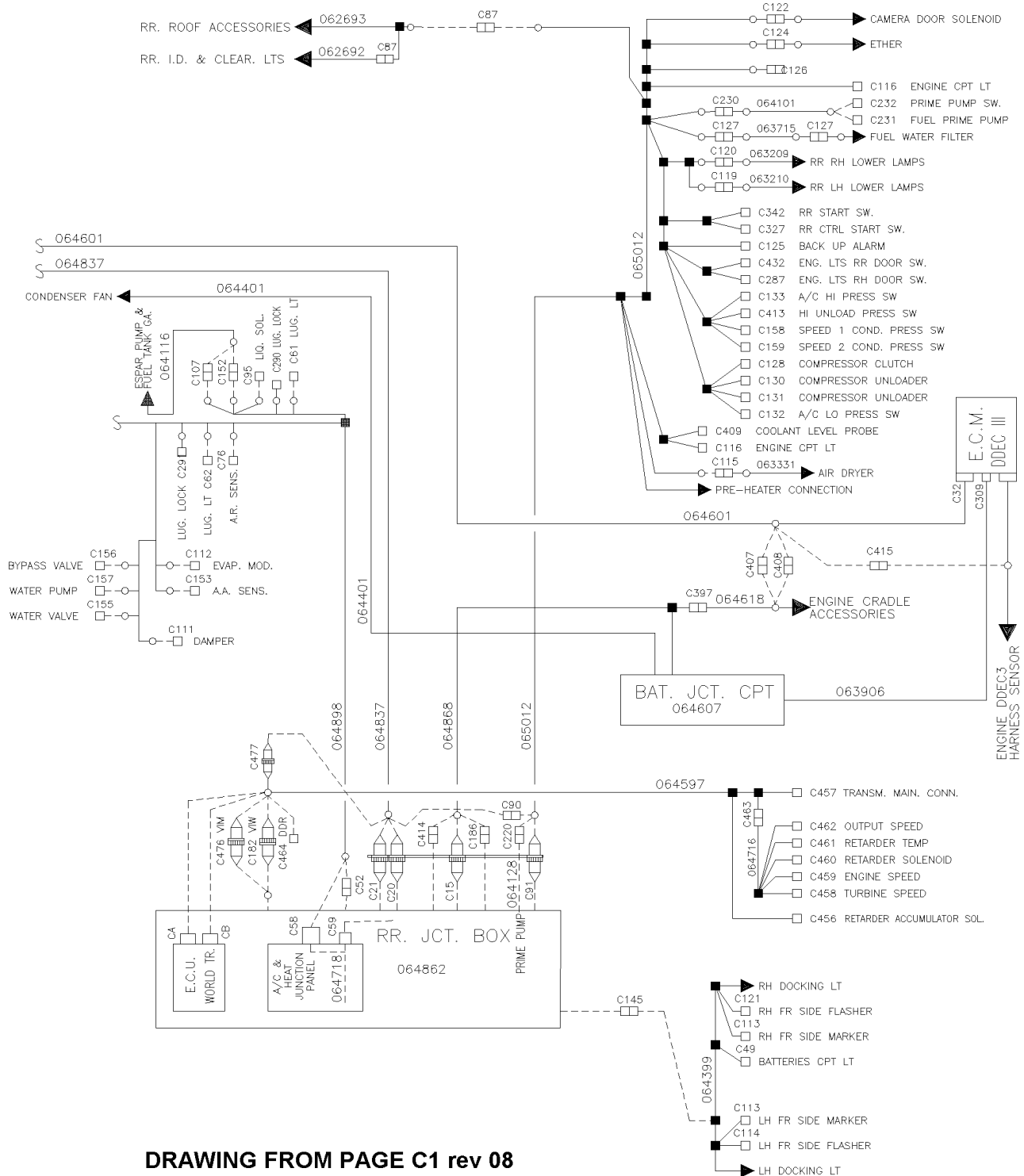
PAGE:H3-0600-53

WIRING HARNESS - V.I.P. DIAGRAM D-060912 full a/c



WIRING HARNESS - V.I.P. DIAGRAM D-060912 full a/c

B



DRAWING FROM PAGE C1 rev 08

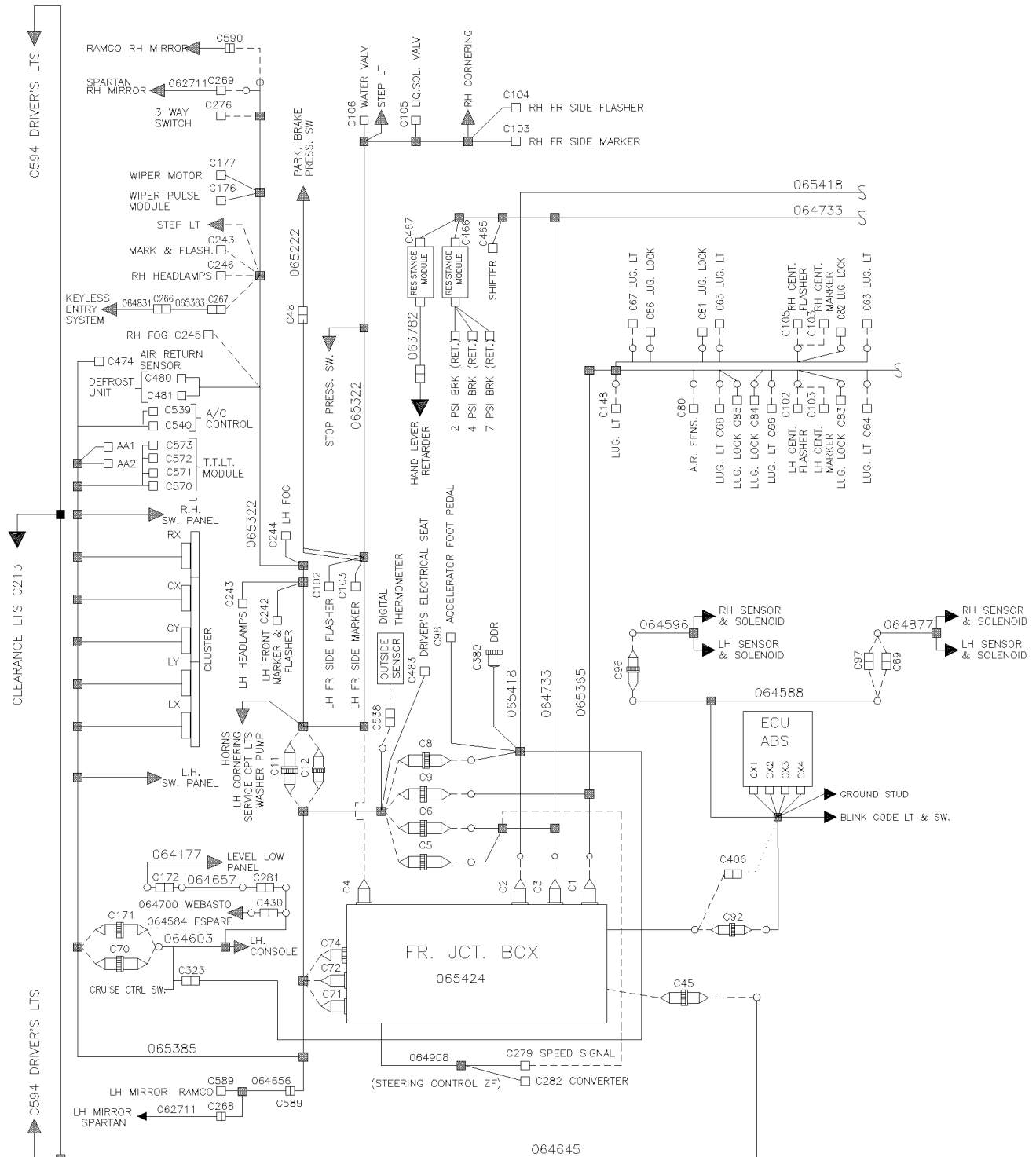
From W-2458 To 2-4460

Date:10/2022

PAGE:H3-0600-53

WIRING HARNESS - V.I.P. DIAGRAM D-060912 full a/c

DRAWING FROM PAGE C1 rev 18



From W-2458 To 2-4460	Date:10/2022	PAGE:H3-0600-53
WIRING HARNESS - V.I.P. DIAGRAM D-060912 full a/c		

Item#	Part	Description	H 3 4 1	H 3 4 5	V I P 4 5	N O T E S
		IN BATTERIES COMPARTMENT				
1	063592	CABLE ASSY / B - TO GROUND			1	
2	061176	CABLE ASSY / B + TO B +			2	
3	061180	CABLE ASSY / B - TO B -			2	
4	061036	CABLE ASSY / B - TO B -			1	
5	063591	CABLE ASSY / RELAY BATTERY & BATTERY #24			1	
6	063732	CABLE ASSY / W/STD BATTERY / #12B			1	
7	063588	CABLE ASSY / #0VA			1	
7	065819	CABLE ASSY / #0VA			1	
8	063589	CABLE ASSY / #12VA			1	
8	065820	CABLE ASSY / #12VA			1	
9	063587	CABLE ASSY / #24VA			1	
9	065818	CABLE ASSY / #24VA			1	
10	065094	CABLE ASSY / BATTERY BOOSTER BLOCK / #0			1	
11	065733	CABLE ASSY / TO RR JCT BOX / #0			1	
12	065677	CABLE ASSY / # 00A			1	
13	065678	CABLE ASSY / #12			1	
		WITH BATTERIES 8D "OPTION"				
20	063902	CABLE ASSY / #0VA			1	
21	063901	CABLE ASSY / W/8D BATTERY / #12B			1	
23	063903	CABLE ASSY / B + TO B -			1	
25	063897	CABLE ASSY / #0VA			1	
25	065821	CABLE ASSY / #0VA			1	
26	063898	CABLE ASSY / #12VA			1	
26	065822	CABLE ASSY / #12VA			1	
27	063899	CABLE ASSY / #24VA			1	
27	065823	CABLE ASSY / #24VA			1	
		INSIDE BATTERIES COMPARTMENT				
31	064607	CABLE ASSY To 1-4171			1	
31	065414	CABLE ASSY From 1-4172			1	
		FROM BATTERIES JUNCTION COMPARTMENT				
		TO E.C.M. & ENGINE ACCESSORIES				
41	063906	CABLE ASSY / POWER E.C.U.			1	
42	064618	CABLE ASSY / ENGINE COMPT ACCESSORIES To X-3310			1	
42	065224	CABLE ASSY / ENGINE COMPT ACCESSORIES From X-3311			1	

From W-2458 To 2-4460		Date:10/2022	PAGE:H3-0600-53
WIRING HARNESS - V.I.P. DIAGRAM D-060912 full a/c			

Item#	Part	Description	H 3 4 1	H 3 4 5	V I P 4 5	N O T E S
43	064594	CABLE ASSY To X-2656			1	
43	064868	CABLE ASSY From X-2657 To X-3268			1	
43	065188	CABLE ASSY From X-3269 To X-3310			1	
43	065233	CABLE ASSY From X-3311 To Y-3831			1	
43	065310	CABLE ASSY From Y-3832 To 1-4206			1	
43	065412	CABLE ASSY From 1-4207			1	
45	064401	CABLE ASSY / RR BAT. COMPT & EVAPO. PANEL			1	
		INSIDE REAR JUNCTION BOX				
51	064862	WIRING HARNESS RR JCT BOX VIP To Y-3831			1	
51	065292	WIRING HARNESS RR JCT BOX VIP From Y-3832 To 2-4349			1	
51	065505	WIRING HARNESS RR JCT BOX VIP From 2-4350			1	
53	064128	CABLE ASSY / STUD GRD & CONNECTOR C-220 IN REAR JUNCT.BOX			1	
		FROM REAR JUNCTION BOX				
		TO REAR ENGINE COMPARTMENT				
61	064665	CABLE HARNESS / ENGINE ACCESSORIES To X-3021			1	
61	065012	CABLE HARNESS / ENGINE ACCESSORIES From X-3022 To Y-3831			1	
61	065287	CABLE HARNESS / ENGINE ACCESSORIES From Y-3832 To 2-4349			1	
61	065490	CABLE HARNESS / ENGINE ACCESSORIES From 2-4351 To 2-4419			1	
61	065625	CABLE HARNESS / ENGINE ACCESSORIES From 2-4420			1	
62	062693	CABLE HARNESS / ENGINE COMP. TO DEFLECTOR To Y-3354			1	
62	065277	CABLE HARNESS / ENGINE COMP. TO DEFLECTOR From Y-3355			1	
63	063209	CABLE ASSY R.H. LAMP / REAR ENGINE DOOR			1	
64	063210	CABLE ASSY L.H. LAMP / REAR ENGINE DOOR			1	
65	063715	CABLE ASSY / ENGINE ACC. & WATER SEPARATOR			1	
67	063331	CABLE ASSY / AIR DRYER			1	
67	063791	CABLE ASSY / AIR DRYER AD-9 HEATER			AR	
69	064101	CABLE ASSY / SWITCH & PUMP			1	
70	064399	CABLE ASSY / SIDE MARKER			1	
71	062692	CABLE HARNESS, CLEAR. LIGHT REAR IN DEFLECTOR To Y-3354			1	
71	065278	CABLE HARNESS, CLEAR. LIGHT REAR IN DEFLECTOR From Y-3355			1	
		FROM REAR JUNCTION BOX				
		TO COMPARTMENT UNDER FLOOR ACCESS.				
101	064898	CABLE ASSY BAGGAGE COMPARTMENT VIP To 1-4194			1	
101	065365	CABLE ASSY BAGGAGE COMPARTMENT VIP From 1-4195			1	
104	064116	CABLE ASSY / TO FUEL TANK To 2-4419			1	
104	065698	CABLE ASSY / TO FUEL TANK From 2-4420			1	

From W-2458 To 2-4460	Date:10/2022	PAGE:H3-0600-53
WIRING HARNESS - V.I.P. DIAGRAM D-060912 full a/c		

Item#	Part	Description	H 3 4 1	H 3 4 5	V I P 4 5	N O T E S
		IN REAR / A/C JUNCTION PANEL				
106	064718	WIRING HARNESS A/C JUNCTION PANEL To 2-4344			1	
106	065366	WIRING HARNESS A/C JUNCTION PANEL From 2-4345			1	
		FROM REAR JUNCTION BOX				
		OF VEHICLE WITH "WORLD" TRANSMISION				
112	063782	CABLE ASSY / RESISTANCE MODULE & SWITCH			1	
113	064716	CABLE ASSY / TRANS & SPEED SWITCH To Y-4035			1	
114	064597	CABLE ASSY / E.C.U. & TRANS SPEED SWITCH			1	
115	065330	CABLE ASSY / TRANS & SPEED SWITCH / W/RETARDER From Y-4036			1	
116	065331	CABLE ASSY / TRANS & SPEED SWITCH / W/O RETARDER From Y-4036			1	
		FROM REAR JUNCTION BOX				
		TO FRONT JUNCTION BOX				
131	064837	CABLE ASSY / FRT SELECTOR & RR ECU & VIM To W-2487	1	1	1	
131	064733	CABLE ASSY / FRT SELECTOR & RR ECU & VIM From W-2488	1	1	1	
		INSIDE FRONT JUNCTION BOX				
141	064604	WIRING HARNESS FRONT JUNCTION BOX To Y-3891			1	
141	065316	WIRING HARNESS FRONT JUNCTION BOX From Y-3892 To 1-4083			1	
141	065424	WIRING HARNESS FRONT JUNCTION BOX From 1-4084 To 2-4439			1	
141	065472	WIRING HARNESS FRONT JUNCTION BOX From 2-4440			1	
142	064908	CABLE ASSY TO STEERING SPEED SIGNAL ECU / W/"ZF" STEERING			1	
		FROM FRONT JUNCTION BOX				
		TO "ABS" MODULE				
161	064588	CABLE ASSY "ABS" To 2-4346			1	
161	064922	CABLE ASSY "ABS" From 2-4347 To 2-4439			1	
161	065630	CABLE ASSY "ABS" From 2-4440			1	
162	064596	CABLE ASSY / FRONT WHEEL "ABS" To 2-4439			1	
162	065633	CABLE ASSY / FRONT "ABS" SENSOR & VALVE From 2-4440			1	
163	064595	CABLE ASSY / REAR WHEEL "ABS" To W-2869			1	
163	064877	CABLE ASSY / REAR WHEEL "ABS" From W-2870 To 2-4439			1	
163	065635	CABLE ASSY / REAR "ABS" SENSOR & VALVE From 2-4440			1	
		FROM FRONT JUNCTION BOX				

From W-2458 To 2-4460	Date:10/2022	PAGE:H3-0600-53
WIRING HARNESS - V.I.P. DIAGRAM D-060912 full a/c		

Item#	Part	Description	H 3 4 1	H 3 4 5	V I P 4 5	N O T E S
		TO FRONT COMPONENTS				
171	064601	CABLE ASSY / FRT JCT & E.C.M. "DDEC" III To 1-4083			1	
171	065418	CABLE ASSY / FRT JCT & E.C.M. "DDEC" IV From 1-4084 To 2-4415			1	
171	065602	CABLE ASSY / FRT JCT & E.C.M. "DDEC" IV From 2-4416			1	
173	064736	CABLE ASSY / FRONT LOWER END From X-2488 To Y-3536			1	
173	065220	CABLE ASSY / FRONT LOWER END From Y-3537 To Y-3891			1	
173	065322	CABLE ASSY / FRONT LOWER END From Y-3892 To 1-4165			1	
173	065438	CABLE ASSY / FRONT LOWER END From 1-4166 To 2-4316			1	
173	065475	CABLE ASSY / FRONT LOWER END From 2-4317			1	
174	064657	CABLE ASSY / W/"LEVEL LOW"			1	
174	064177	CABLE ASSY / VALVE "LEVEL-LOW" To 1-4142			1	
174	065429	CABLE ASSY / VALVE "LEVEL-LOW" From 1-4143			1	
175	064602	WIRING HARNESS DASHBOARD CENTRAL MODULE To Y-3394			1	
175	065065	WIRING HARNESS DASHBOARD CENTRAL MODULE From Y-3395 To Y-3891			1	
175	065315	WIRING HARNESS DASHBOARD CENTRAL MODULE From Y-3892 To 1-4096			1	
175	065385	WIRING HARNESS DASHBOARD CENTRAL MODULE From 1-4097			1	
		CABLE / CONNECTED AT HARNESS / # 173				
		FROM MAJOR FRT ACCESSORIES				
176	064830	WIRING HARNESS KEYLESS MODULE From X-2633 To 1-4096			1	
176	065383	WIRING HARNESS KEYLESS MODULE From 1-4097			1	
177	064831	CABLE KEYLESS MODULE From X-2633			1	
178	065222	CABLE ASSY / PARKING BRAKE PRESSURE From Y-3537			1	
179	062711	CABLE ASSY / MIRROR INSIDE SIDE WINDSHIELD POST INSIDE SIDE WINDSHIELD POST	2	2	2	
		CABLE / CONNECTED AT HARNESS / # 175				
		FROM MAJOR FRT ACCESSORIES				
181	064603	WIRING HARNESS DASHBOARD LEFT MODULE			1	
182	064700	WIRING HARNESS / W/ "WEBASTO" PREHEATER			1	A
182	064584	WIRING HARNESS / W/ "ESPAR" PREHEATER			1	A
186	064656	CABLE ASSY / L.H. CONSOLE TO L.H. MIRROR			1	
192	064340	CABLE ASSY / ROOF From W-2458 To X-2718			1	
192	064645	CABLE ASSY / ROOF From X-2719			1	
		A) NOT USED ON VIP				

From W-2488 To 2-4460

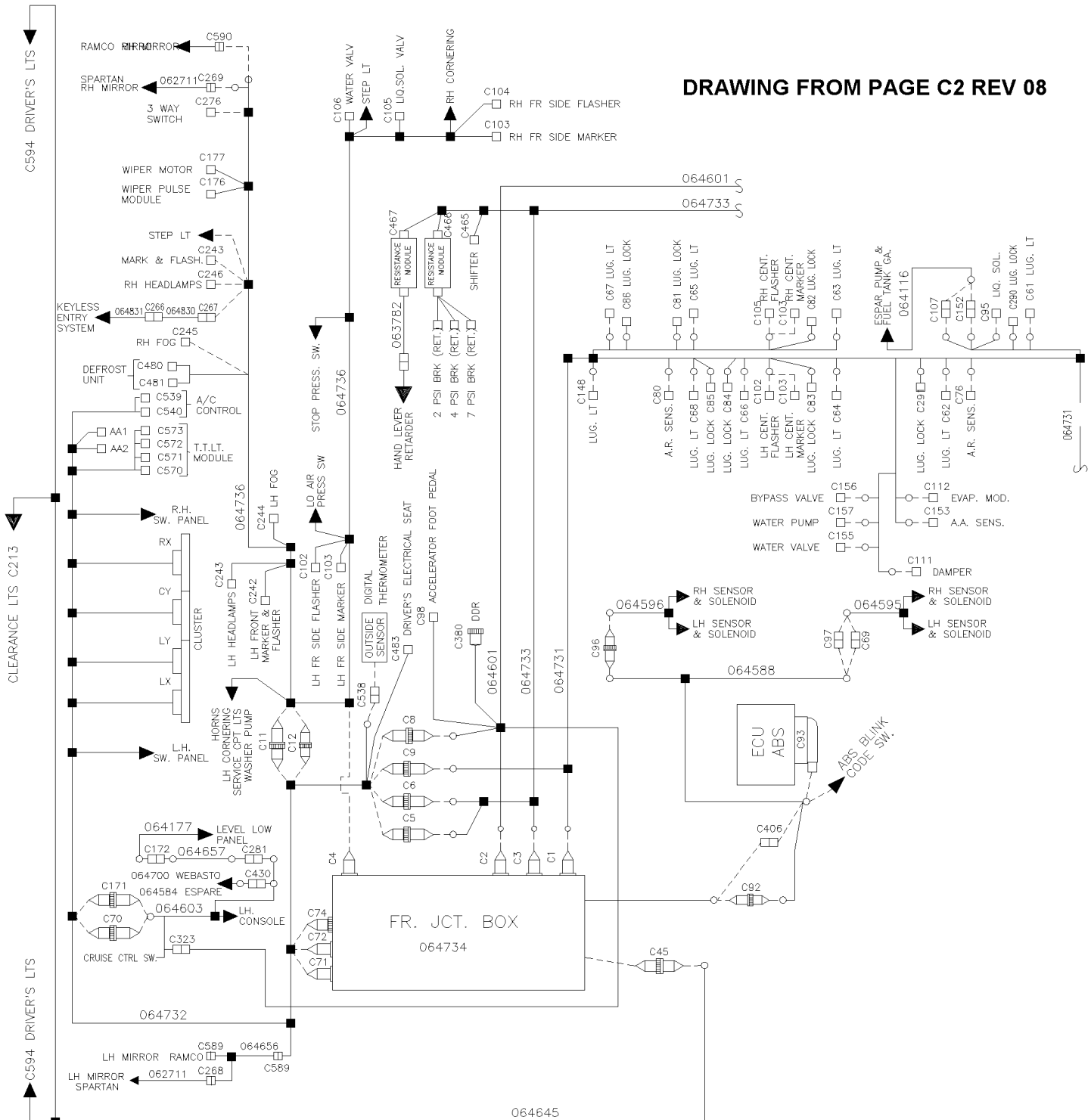
Date:10/2022

PAGE:H3-0600-54

WIRING HARNESS - V.I.P. DIAGRAM D-060912 driver's a/c



DRAWING FROM PAGE C2 REV 08



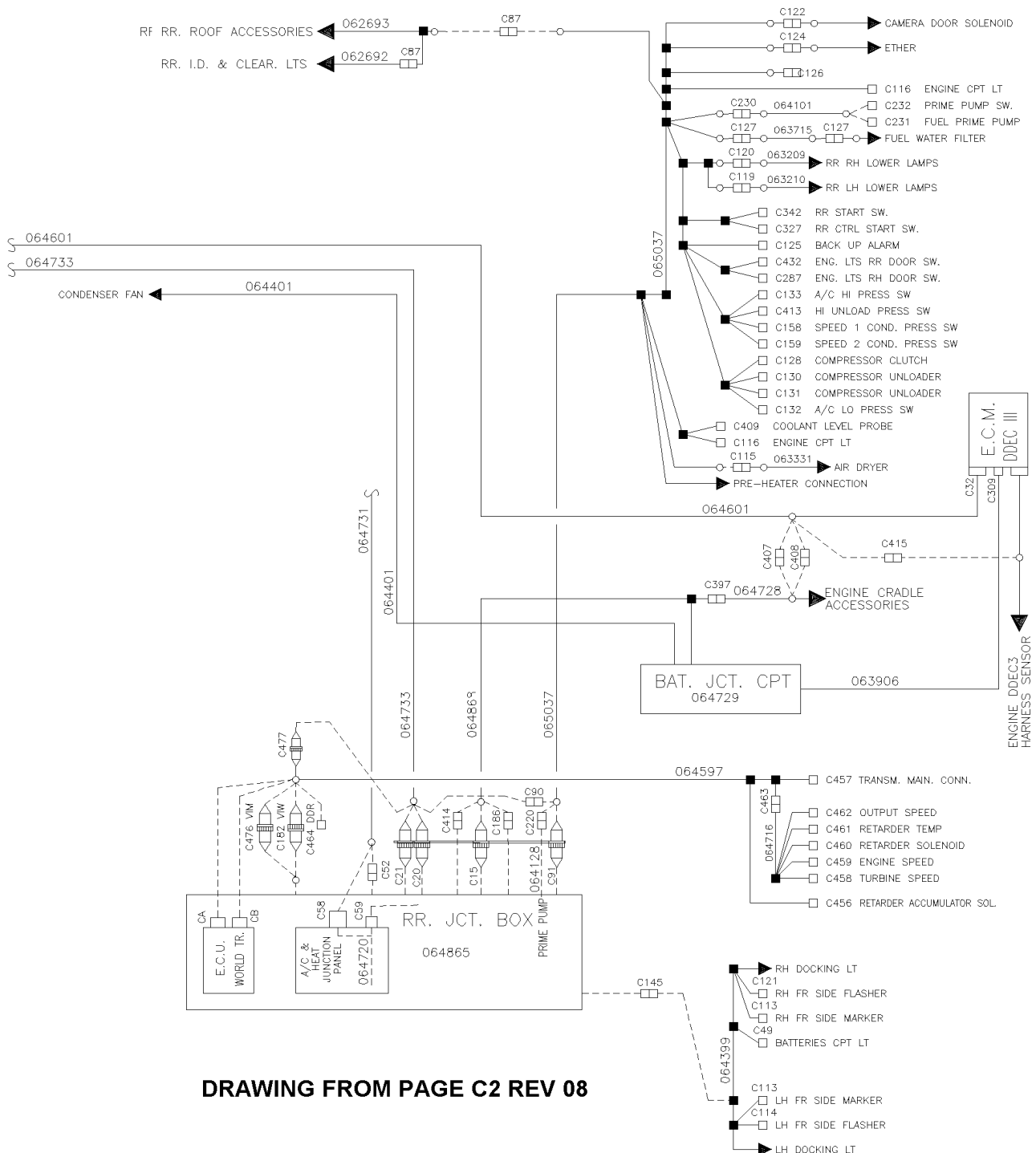
From W-2488 To 2-4460

Date:10/2022

PAGE:H3-0600-54

WIRING HARNESS - V.I.P. DIAGRAM D-060912 driver's a/c

B



DRAWING FROM PAGE C2 REV 08

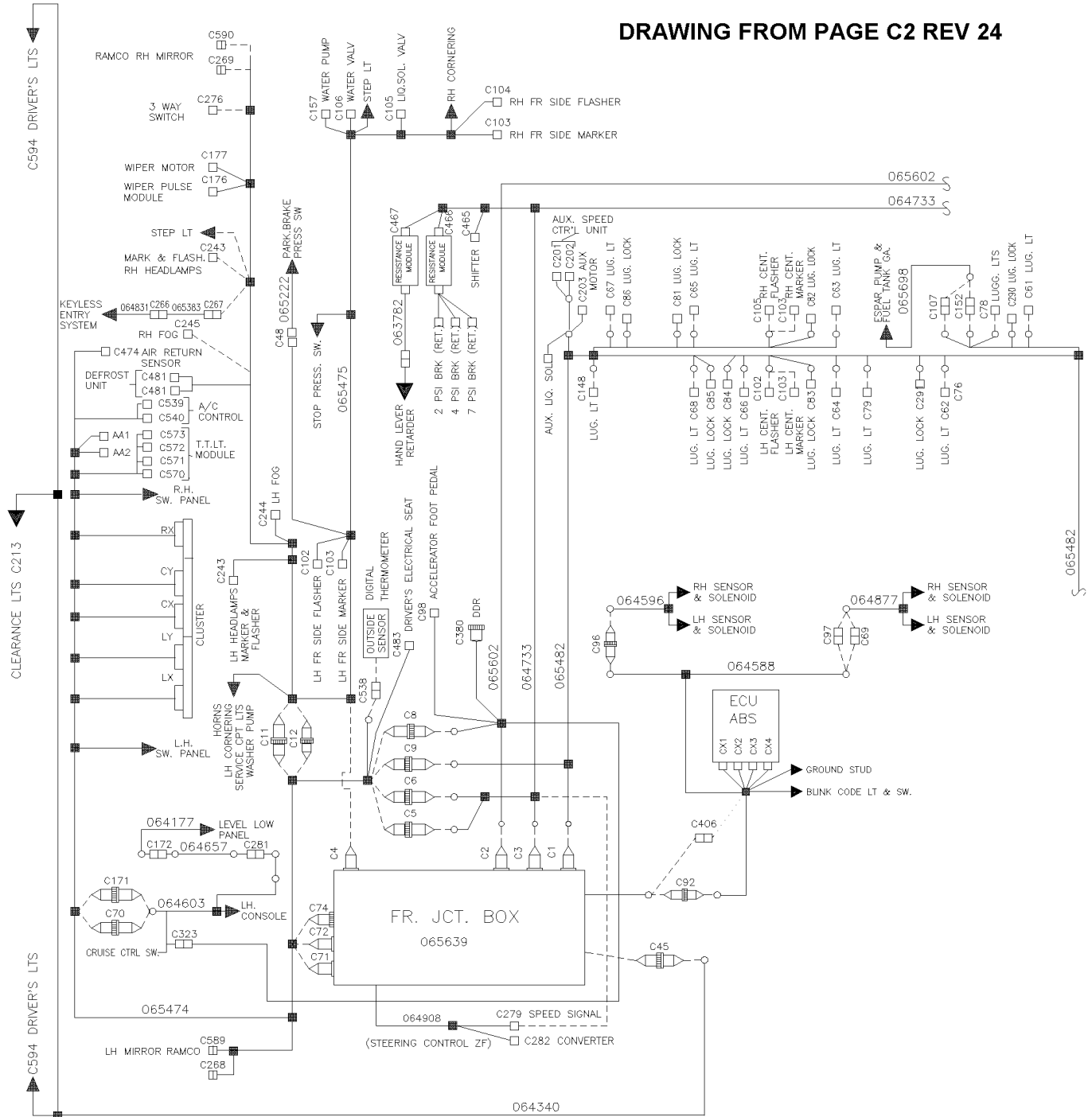
From W-2488 To 2-4460

Date:10/2022

PAGE:H3-0600-54

WIRING HARNESS - V.I.P. DIAGRAM D-060912 driver's a/c

DRAWING FROM PAGE C2 REV 24

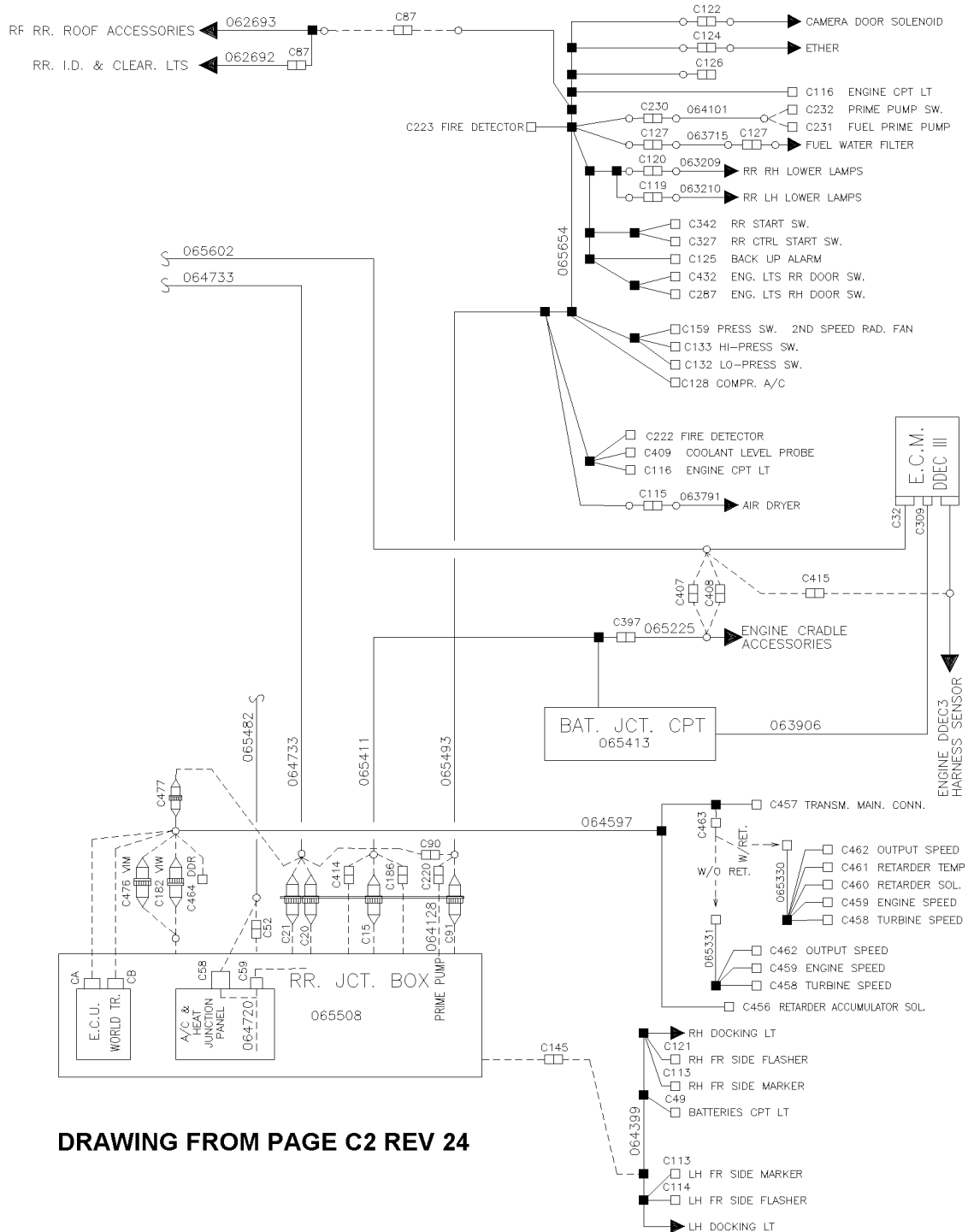


From W-2488 To 2-4460

Date:10/2022

PAGE:H3-0600-54

WIRING HARNESS - V.I.P. DIAGRAM D-060912 driver's a/c



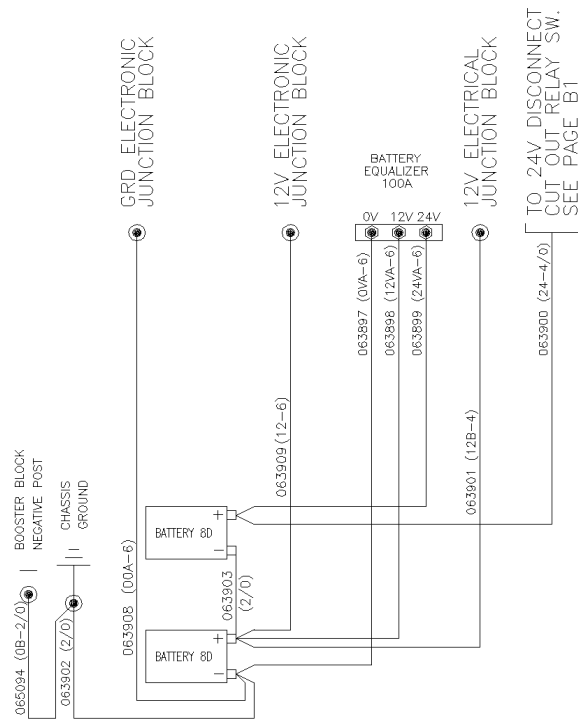
DRAWING FROM PAGE C2 REV 24

From W-2488 To 2-4460

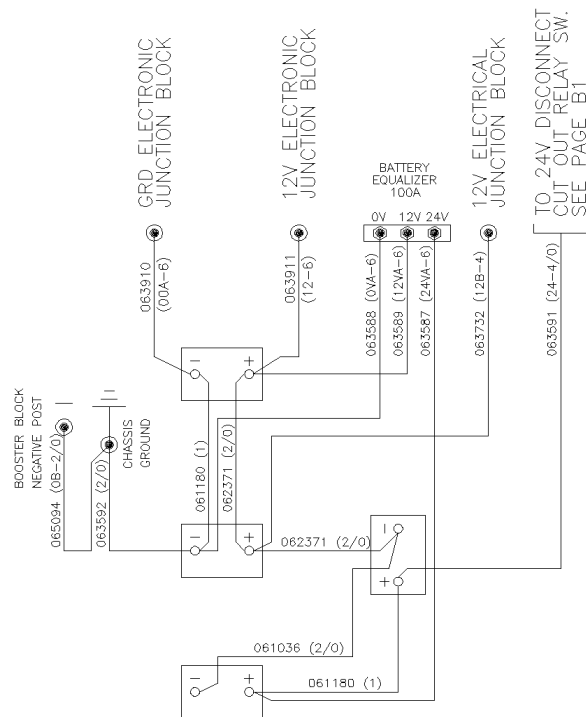
Date:10/2022

PAGE:H3-0600-54

WIRING HARNESS - V.I.P. DIAGRAM D-060912 driver's a/c



8D BATTERIES



STANDARD BATTERIES

From W-2488 To 2-4460	Date:10/2022	PAGE:H3-0600-54
WIRING HARNESS - V.I.P. DIAGRAM D-060912 driver's a/c		

Item#	Part	Description	H 3 4 1	H 3 4 5	V I P 4 5	N O T E S
		IN BATTERIES COMPARTMENT				
1	063592	CABLE ASSY / B - TO GROUND			1	
2	061176	CABLE ASSY / B + TO B +			2	
3	061180	CABLE ASSY / B - TO B -			2	
4	061036	CABLE ASSY / B - TO B -			1	
5	063591	CABLE ASSY / RELAY BATTERY & BATTERY #24			1	
6	063732	CABLE ASSY / W/STD BATTERY / #12B			1	
7	063588	CABLE ASSY / #0VA			1	
7	065819	CABLE ASSY / #0VA			1	
8	063589	CABLE ASSY / #12VA			1	
8	065820	CABLE ASSY / #12VA			1	
9	063587	CABLE ASSY / #24VA			1	
9	065818	CABLE ASSY / #24VA			1	
10	065094	CABLE ASSY / BATTERY BOOSTER BLOCK / #0			1	
11	065733	CABLE ASSY / TO RR JCT BOX / #0			1	
12	065677	CABLE ASSY / # 00A			1	
13	065678	CABLE ASSY / #12			1	
		WITH BATTERIES 8D "OPTION"				
20	063902	CABLE ASSY / #0VA			1	
21	063901	CABLE ASSY / W/8D BATTERY / #12B			1	
23	063903	CABLE ASSY / B + TO B -			1	
25	063897	CABLE ASSY / #0VA			1	
25	065821	CABLE ASSY / #0VA			1	
26	063898	CABLE ASSY / #12VA			1	
26	065823	CABLE ASSY / #24VA			1	
27	063899	CABLE ASSY / #24VA			1	
27	065822	CABLE ASSY / #12VA			1	
		INSIDE BATTERIES COMPARTMENT				
31	064729	CABLE ASSY W/SMALL A/C To 1-4171			1	
31	065413	CABLE ASSY W/SMALL A/C From 1-4172			1	
		FROM REAR JUNCTION BOX				
41	063906	CABLE ASSY / POWER E.C.U.			1	
42	064728	CABLE ASSY / ENGINE COMPT ACCESSORIES To X-3310			1	
42	065225	CABLE ASSY / ENGINE COMPT ACCESSORIES From X-3311			1	
43	064727	CABLE ASSY W/SMALL A/C To X-2656			1	

From W-2488 To 2-4460 Date:10/2022 PAGE:H3-0600-54

WIRING HARNESS - V.I.P. DIAGRAM D-060912 driver's a/c

Item#	Part	Description	H 3 4 1	H 3 4 5	V I P 4 5	N O T E S
43	064869	CABLE ASSY W/SMALL A/C From X-2657 To X-3268			1	
43	065189	CABLE ASSY W/SMALL A/C From X-3269 To X-3310			1	
43	065232	CABLE ASSY From X-3311 To X-3831			1	
43	065289	CABLE ASSY From X-3832 To 1-4241			1	
43	065411	CABLE ASSY From 1-4142			1	
		INSIDE REAR JUNCTION BOX				
51	064722	WIRING HARNESS RR JCT BOX VIP / W/SMALL A/C From W-2488 To X-2656			1	
51	064865	WIRING HARNESS RR JCT BOX VIP / W/SMALL A/C From X-2657 To Y-3831			1	
51	065293	WIRING HARNESS RR JCT BOX VIP / W/SMALL A/C From Y-3892 To 2-4349			1	
51	065491	WIRING HARNESS RR JCT BOX VIP / W/SMALL A/C From 2-4350			1	
51	065508	WIRING HARNESS RR JCT BOX VIP / W/SMALL A/C W2 BOSCH From 2-4350			1	
53	064128	CABLE ASSY / STUD GRD & CONNECTOR C-220 IN REAR JUNCT.BOX			1	
		FROM REAR JUNCTION BOX				
		TO REAR ENGINE COMPARTMENT				
61	065037	CABLE HARNESS / ENGINE ACCESSORIES From X-3022 To Y-3831			1	
61	065291	CABLE HARNESS / ENGINE ACCESSORIES From Y-3832 To 2-4349			1	
61	065493	CABLE HARNESS / ENGINE ACCESSORIES From 2-4350 To 2-4416			1	
61	065654	CABLE HARNESS / ENGINE ACCESSORIES From 2-4417			1	
62	062693	CABLE HARNESS / ENGINE COMP. TO DEFLECTOR To Y-3354			1	
62	065277	CABLE HARNESS / ENGINE COMP. TO DEFLECTOR From Y-3355			1	
63	063209	CABLE ASSY R.H. LAMP / REAR ENGINE DOOR			1	
64	063210	CABLE ASSY L.H. LAMP / REAR ENGINE DOOR			1	
65	063715	CABLE ASSY / ENGINE ACC. & WATER SEPARATOR			1	
67	063331	CABLE ASSY / AIR DRYER			1	
67	063791	CABLE ASSY / AIR DRYER AD-9 HEATER			AR	
69	064101	CABLE ASSY / SWITCH & PUMP			1	
70	064399	CABLE ASSY / SIDE MARKER			1	
71	062692	CABLE HARNESS, CLEAR. LIGHT REAR IN DEFLECTOR To Y-3354			1	
71	065278	CABLE HARNESS, CLEAR. LIGHT REAR IN DEFLECTOR From Y-3355			1	
		FROM REAR JUNCTION BOX				
		TO COMPARTMENT UNDER FLOOR ACCESS.				
101	064731	CABLE ASSY BAGGAGE COMPARTMENT VIP To 1-4194			1	
101	065482	CABLE ASSY BAGGAGE COMPARTMENT VIP From 1-4195			1	
104	064116	CABLE ASSY / TO FUEL TANK To 2-4419			1	
104	065698	CABLE ASSY / TO FUEL TANK From 2-4420			1	

From W-2488 To 2-4460	Date:10/2022	PAGE:H3-0600-54
WIRING HARNESS - V.I.P. DIAGRAM D-060912 driver's a/c		

Item#	Part	Description	H 3 4 1	H 3 4 5	V I P 4 5	N O T E S
		IN REAR / A/C JUNCTION PANEL				
106	064720	WIRING HARNESS A/C JUNCTION PANEL / W/A/C DRIVER'S ONLY			1	
		FROM REAR JUNCTION BOX				
		OF VEHICLE WITH "WORLD" TRANSMISION				
112	063782	CABLE ASSY / RESISTANCE MODULE & SWITCH			1	
113	064716	CABLE ASSY / TRANS & SPEED SWITCH To Y-4035			1	
114	064597	CABLE ASSY / E.C.U. & TRANS SPEED SWITCH			1	
115	065330	CABLE ASSY / TRANS & SPEED SWITCH / W/RETARDER From Y-4036			1	
116	065331	CABLE ASSY / TRANS & SPEED SWITCH / W/O RETARDER From Y-4036			1	
		FROM REAR JUNCTION BOX				
		TO FRONT JUNCTION BOX				
131	064733	CABLE ASSY / FRT SELECTOR & RR ECU & VIM			1	
		INSIDE FRONT JUNCTION BOX				
141	064734	WIRING HARNESS FRONT JUNCTION BOX To 1-4083			1	
141	065423	WIRING HARNESS FRONT JUNCTION BOX From 1-4084 To 2-4416			1	
141	065472	WIRING HARNESS FRONT JUNCTION BOX From 2-4417 To 2-4439			1	
141	065639	WIRING HARNESS FRONT JUNCTION BOX From 2-4440 To 3-4757			1	
141	065725	WIRING HARNESS FRONT JUNCTION BOX From 4-4758 To 4-4834			1	
141	065934	WIRING HARNESS FRONT JUNCTION BOX From 4-4835			1	
142	064908	CABLE ASSY TO STEERING SPEED SIGNAL ECU / W/"ZF" STEERING			1	
		FROM FRONT JUNCTION BOX				
		TO "ABS" MODULE				
161	064588	CABLE ASSY "ABS" To 2-4346			1	
161	064922	CABLE ASSY "ABS" From 2-4347 To 2-4439			1	
161	065630	CABLE ASSY "ABS" From 2-4440			1	
162	064596	CABLE ASSY / FRONT WHEEL "ABS" To 2-4439			1	
163	064595	CABLE ASSY / REAR WHEEL "ABS" To W-2969			1	
163	064877	CABLE ASSY / REAR WHEEL "ABS" From W-2870 To 2-4439			1	
163	065635	CABLE ASSY / REAR "ABS" SENSOR & VALVE From 2-4440			1	
		FROM FRONT JUNCTION BOX				
		TO FRONT COMPONENTS				

From W-2488 To 2-4460	Date:10/2022	PAGE:H3-0600-54
WIRING HARNESS - V.I.P. DIAGRAM D-060912 driver's a/c		

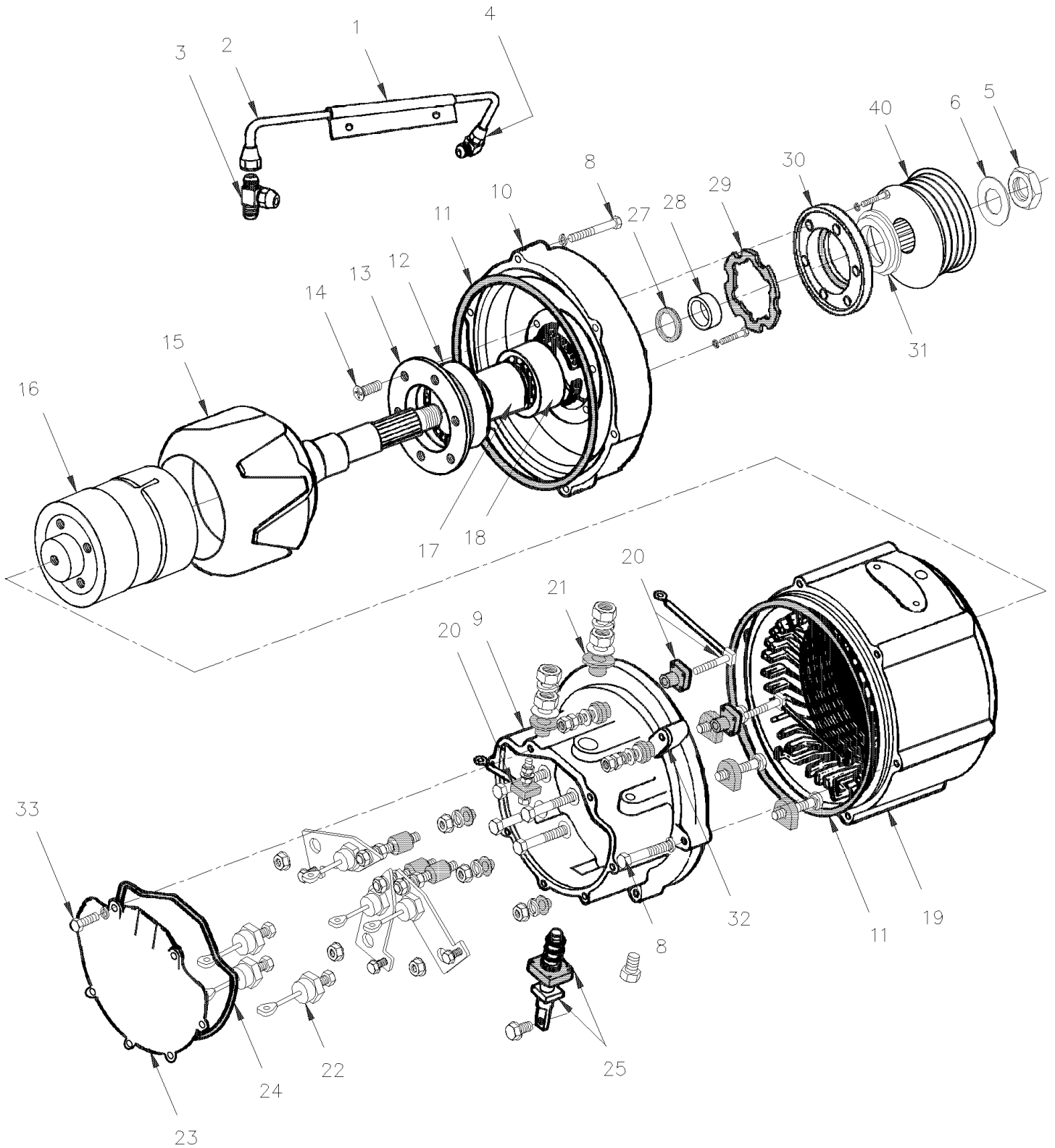
Item#	Part	Description	H 3 4 1	H 3 4 5	V I P 4 5	N O T E S
171	064601	CABLE ASSY / FRT JCT & E.C.M. "DDEC" III To 2-4419			1	
171	065602	CABLE ASSY / FRT JCT & E.C.M. "DDEC" IV From 2-4420			1	
173	064736	CABLE ASSY / FRONT LOWER END From X-2488 To Y-3536			1	
173	065220	CABLE ASSY / FRONT LOWER END From Y-3537 To Y-3891			1	
173	065322	CABLE ASSY / FRONT LOWER END From Y-3892 To 1-4365			1	
173	065438	CABLE ASSY / FRONT LOWER END From 1-4166 To 2-4316			1	
173	065475	CABLE ASSY / FRONT LOWER END From 2-4317			1	
174	064657	CABLE ASSY / W/"LEVEL LOW"			1	
174	064177	CABLE ASSY / VALVE "LEVEL-LOW" To 1-4142			1	
174	065429	CABLE ASSY / VALVE "LEVEL-LOW" From 1-4143			1	
175	064732	WIRING HARNESS DASHBOARD CENTRAL MODULE W/SMALL A/C To Y-3394			1	
175	065066	WIRING HARNESS DASHBOARD CENTRAL MODULE W/SMALL A/C From Y-3395 To 1-4096			1	
175	065384	WIRING HARNESS DASHBOARD CENTRAL MODULE W/SMALL A/C From 1-4097			1	
		CABLE / CONNECTED AT HARNESS / # 173				
		FROM CABLE ASSY FRONT LOWER END				
176	064831	CABLE KEYLESS MODULE From W-2633			1	
177	064830	WIRING HARNESS KEYLESS MODULE From W-2633 To 1-4096			1	
177	065383	WIRING HARNESS KEYLESS MODULE From 1-4097			1	
178	065222	CABLE ASSY / PARKING BRAKE PRESSURE From Y-3537			1	
179	062711	CABLE ASSY / MIRROR INSIDE SIDE WINDSHIELD POST INSIDE SIDE WINDSHIELD POST			2	
		CABLE / CONNECTED AT HARNESS / # 175				
		FROM DASHBOARD CENTRAL MODULE				
181	064603	WIRING HARNESS DASHBOARD LEFT MODULE			1	
182	064584	WIRING HARNESS / W/ "ESPAR" PREHEATER			1	A
182	064700	WIRING HARNESS / W/ "WEBASTO" PREHEATER			1	A
186	064656	CABLE ASSY / L.H. CONSOLE TO L.H. MIRROR			1	
192	063837	CABLE ASSY / ROOF To W-2457			1	
192	064340	CABLE ASSY / ROOF From W-2458 To X-2718			1	
192	064645	CABLE ASSY / ROOF From X-2719			1	
		A) NOT USED ON VIP				

From R-012 To 2-4416

Date:10/2022

PAGE:H3-0605-03

ALTERNATOR 24V/270 AMPS / "DELCO" #562235



From R-012 To 2-4416	Date:10/2022	PAGE:H3-0605-03
ALTERNATOR 24V/270 AMPS / "DELCO" #562235		

Item#	Part	Description	H 3 4 1	H 3 4 5	V I P 4 5	N O T E S
	562235	ALTERNATOR ASSY 24V/270 AMPS	1	1	1	
	563437	ALTERNATOR ASSY 24V/270 AMPS From SERVICE	1	1	1	
1	561169	. CLAMP / OIL LINE TUBE	1	1	1	
2	562238	. OIL LINE TUBE	1	1	1	
3	561171	. TEE	1	1	1	
4	561170	. ELBOW 90°	1	1	1	
5	562457	. NUT, DRIVE END	1	1	1	
6	560973	. WASHER / PINION	1	1	1	
8	500170	. SCREW CAP HEX 1/4-20x2 G5 PT Z050	12	12	12	
NS	500473	. WASHER LO SPT .262x.489x.062 Z050	12	12	12	
9	N8885614	. FRAME RECTIFIER END	1	1	1	
9	563440	. FRAME RECTIFIER END From SERVICE	1	1	1	A
10	562241	. FRAME D.E.	1	1	1	
. NS	562509	. . OIL SEAL 2.247" O.D.	1	1	1	
10	10523585	. FRAME D.E.	1	1	1	
11	562196	. O-RING	2	2	2	
12	562186	. BEARING INNER D.E.	1	1	1	
13	N8885671	. RETAINER BEARING (1941060)	1	1	1	
14	500371	. SCREW MA FL PH M4-0.7x8 N500	6	6	6	
15	562240	. ROTOR	1	1	1	
16	562182	. FIELD ASSY	1	1	1	
18	562184	. BEARING OUTER D.E.	1	1	1	
19	562239	. STATOR ASSY / W/RIGID LEAD	1	1	1	
19	562694	. STATOR ASSY / W/FLEX LEAD	1	1	1	
19	563438	. STATOR ASSY / W/FLEX LEAD & INSULATOR From SERVICE	1	1	1	A
20	560724	. STUD TERMINAL FIELD	2	2	2	
21	560846	. SLEEVE INSULATOR DC+ STUD	1	1	1	
22	562193	. DIODE (NEGATIF) / ALTERNATOR 50 DN	6	6	6	
23	562466	. COVER / RECTIFIER END / ALUMINUM DIE CAST	1	1	1	
24	562467	. . O-RING	1	1	1	
25	562450	. STUD TERMINAL DC +	1	1	1	
27	562242	. O-RING / SPACER COLLAR & BEARING	1	1	1	
28	562245	. SPACER COLLAR D.E.	1	1	1	
29	562243	. GASKET PLATE DRIVE END	1	1	1	
30	562244	. RETAINER BEARING D.E.	1	1	1	
31	562509	. . OIL SEAL 2.247" O.D.	1	1	1	
31	N8896697	. OIL SEAL W/FLANGE 30375" O.D.	1	1	1	
. NS	N8885631	. . O-RING / SPACER COLLAR & BEARING	1	1	1	
. NS	N8893250	. . SPACER COLLAR D.E.	1	1	1	
32	562386	. STRAP / FIELD TERMINAL & GROUND	1	1	1	
33	500163	. SCREW CAP HEX 1/4-20x3/4 G5 Z050	6	6	6	
40	510439	PULLEY ALTERNATOR 12 RIB	1	1	1	

From R-012 To 2-4416	Date:10/2022	PAGE:H3-0605-03
ALTERNATOR 24V/270 AMPS / "DELCO" #562235		

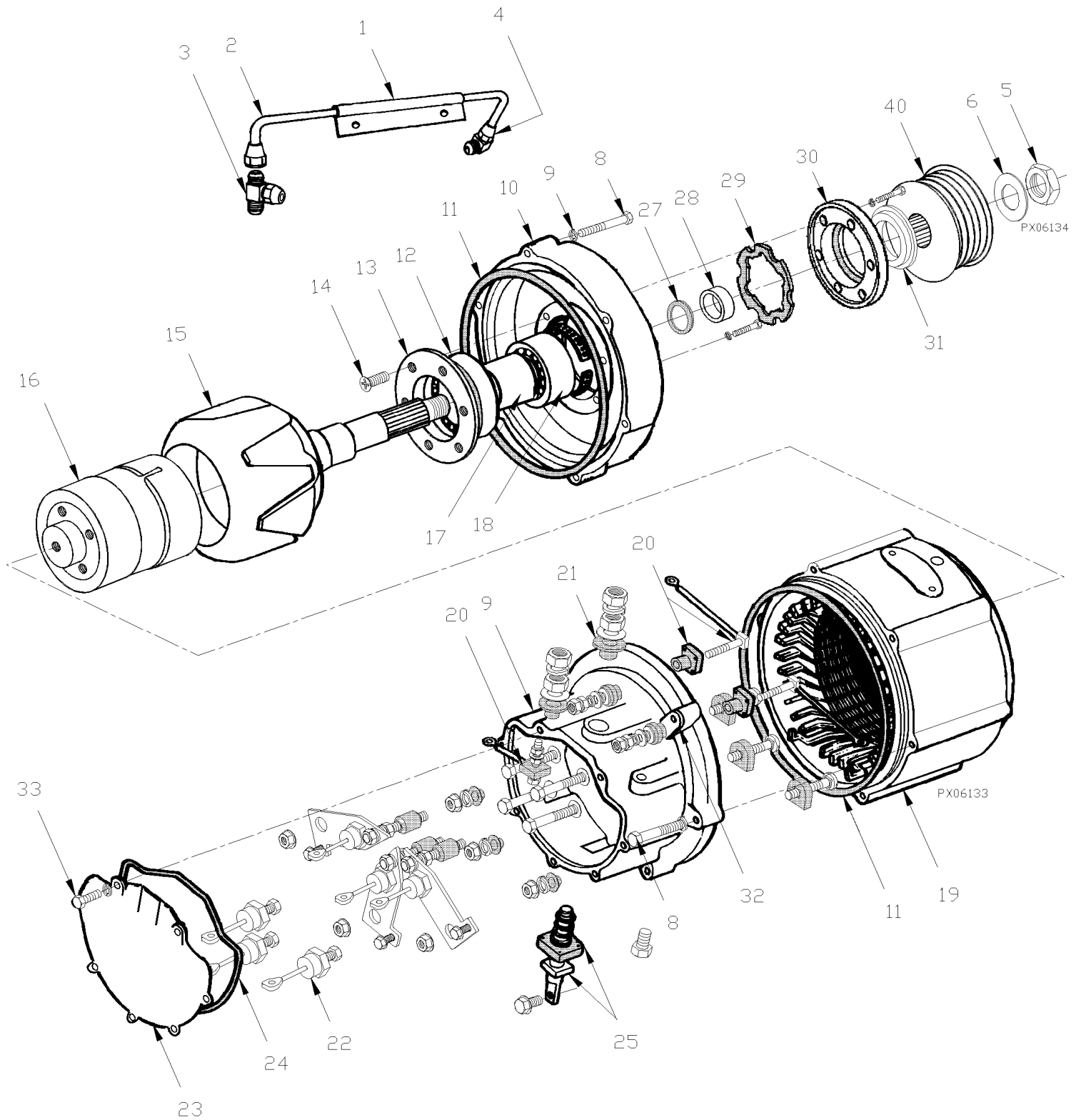
Item#	Part	Description	H 3 4 1	H 3 4 5	V I P 4 5	N O T E S
		A) USE WITH #563437 ONLY				

From W-2285 To 2-4416

Date:10/2022

PAGE:H3-0605-04

ALTERNATOR 12V/300 AMPS / "DELCO" #562355



From W-2285 To 2-4416	Date:10/2022	PAGE:H3-0605-04
ALTERNATOR 12V/300 AMPS / "DELCO" #562355		

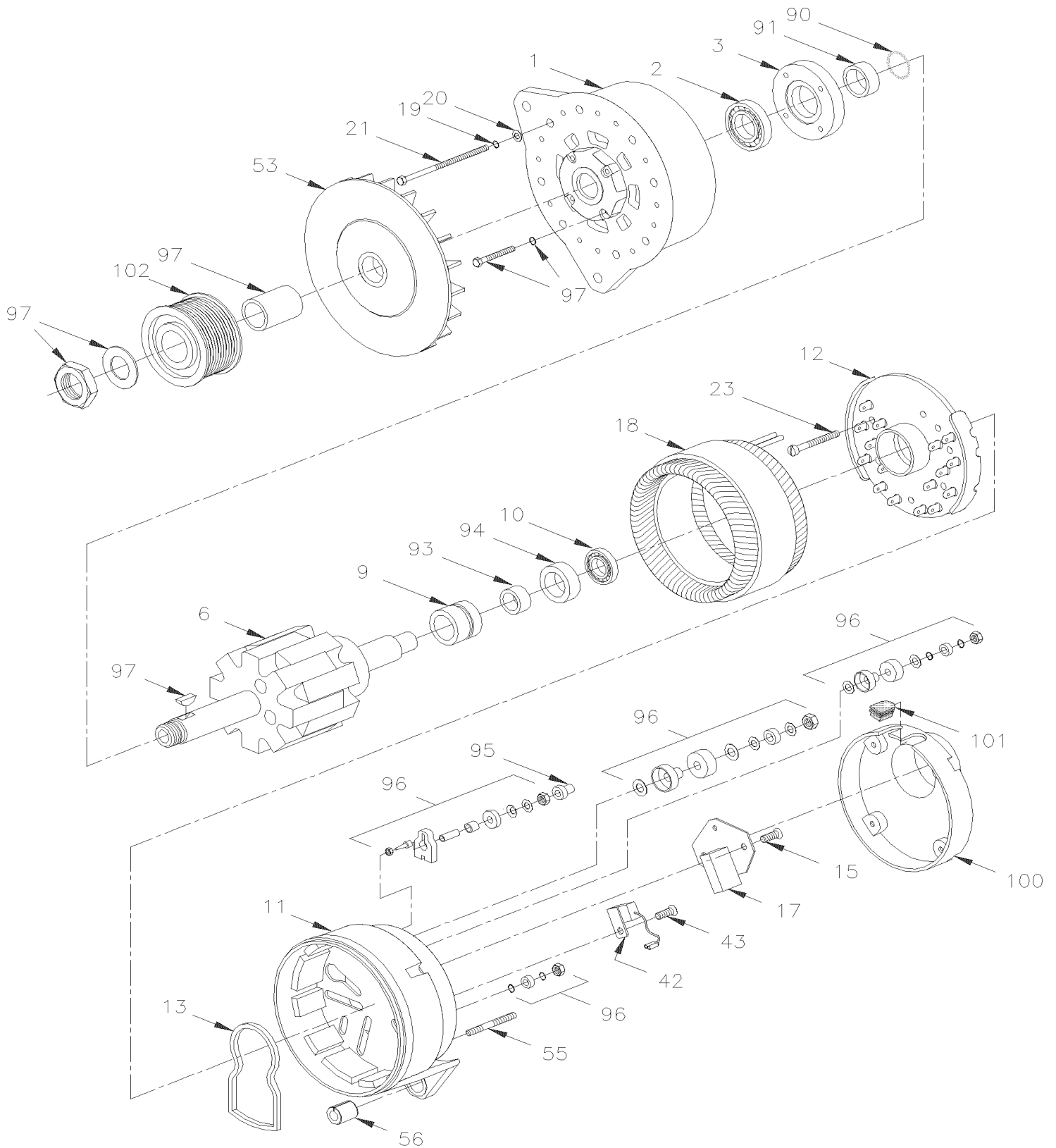
Item#	Part	Description	H 3 4 1	H 3 4 5	V I P 4 5	N O T E S
	562355	ALTERNATOR ASSY 12V/300 AMPS /			1	
1	561169	. CLAMP / OIL LINE TUBE			1	
2	562238	. OIL LINE TUBE			1	
3	561171	. TEE			1	
4	561170	. ELBOW 90°			1	
5	562457	. NUT, DRIVE END			1	
6	560973	. WASHER / PINION			1	
8	500170	. SCREW CAP HEX 1/4-20x2 G5 PT Z050			12	
NS	500473	. WASHER LO SPT .262x.489x.062 Z050			12	
9	N8885614	. FRAME RECTIFIER END			1	
10	562241	. FRAME D.E.			1	
. NS	562509	. . OIL SEAL 2.247" O.D.			1	
10	10523585	. FRAME D.E.			1	
11	562196	. O-RING			2	
12	562186	. BEARING INNER D.E.			1	
13	N8885671	. RETAINER BEARING (1941060)			1	
14	500371	. SCREW MA FL PH M4-0.7x8 N500			6	
15	562240	. ROTOR			1	
16	562448	. FIELD ASSY			1	
18	562184	. BEARING OUTER D.E.			1	
19	562449	. STATOR ASSY / W/RIGID LEAD			1	
20	560724	. STUD TERMINAL FIELD			2	
21	560846	. SLEEVE INSULATOR DC+ STUD			1	
22	562193	. DIODE (NEGATIF) / ALTERNATOR 50 DN			6	
23	562466	. COVER / RECTIFIER END / ALUMINUM DIE CAST			1	
24	562467	. . O-RING			1	
25	562450	. STUD TERMINAL DC +			1	
27	562242	. O-RING / SPACER COLLAR & BEARING			1	
28	562245	. SPACER COLLAR D.E.			1	
29	562243	. GASKET PLATE DRIVE END			1	
30	562244	. RETAINER BEARING D.E.			1	
31	562509	. . OIL SEAL 2.247" O.D.			1	
31	N8896697	. OIL SEAL W/FLANGE 30375" O.D.			1	
. NS	N8885631	. . O-RING / SPACER COLLAR & BEARING			1	
. NS	N8893250	. . SPACER COLLAR D.E.			1	
32	562386	. STRAP / FIELD TERMINAL & GROUND			1	
33	500163	. SCREW CAP HEX 1/4-20x3/4 G5 Z050			6	
40	510439	PULLEY ALTERNATOR 12 RIB			1	

From V-2077 To 2-4416

Date:10/2022

PAGE:H3-0605-05

ALTERNATOR 24V/140 AMPS / "BOSCH"



From V-2077 To 2-4416	Date:10/2022	PAGE:H3-0605-05
ALTERNATOR 24V/140 AMPS / "BOSCH"		

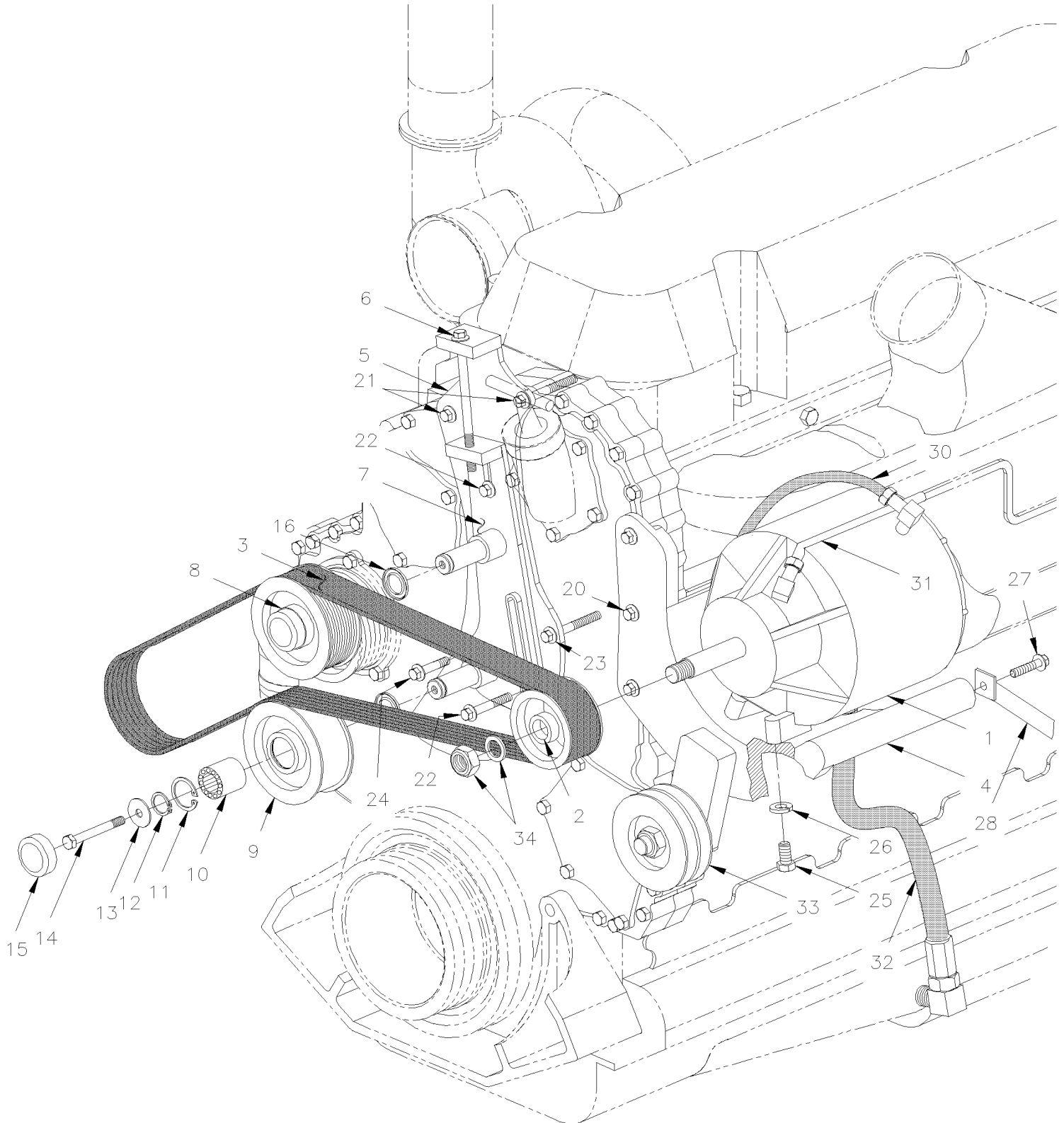
Item#	Part	Description	H 3 4 1	H 3 4 5	V I P 4 5	N O T E S
	562752	ALTERNATOR ASSY 24V/140 AMPS	2	2		
1	562971	. DRIVE END SHIELD	1	1		
2	562972	. BALL BEARING	1	1		
3	562973	. COVER PLATE / (1 120 033 009)	1	1		
6	562974	. ROTOR / (1 124 037 004)	1	1		
9	562975	. . COLLECTOR-RING	1	1		
10	562976	. CYLINDER ROLLER BEARING	1	1		
NS	684922	. . GREASE "POLYREX" EM / TO USE W/"BOSCH" ALTERNATOR	AR	AR		
11	562977	. COLLECTOR-RING END SHIELD	1	1		
12	562978	. RECTIFIER PLATE ASSY / (1 127 320 973)	1	1		
13	562979	. . SEAL	1	1		
15	562980	. WASHER-AND-SCREW ASSEMBLY	3	3		
17	562981	. TRANSISTOR REGULATOR	1	1		
17	562982	. . COMPRESSION SPRING	2	2		
17	562983	. . BRUSH SET	2	2		
17	562984	. GASKET	1	1		
18	562985	. STATOR ASSY	1	1		
19	562986	. WASHER LOCK SPRING 6MM	4	4		
20	562987	. PLAIN WASHER	4	4		
21	562988	. OVAL-HEAD SCREW	4	4		
23	562989	. WASHER-AND-SCREW ASSEMBLY	3	3		
42	562990	. SUPPRESSION CAPACITOR	1	1		
43	562991	. OVAL-HEAD SCREW M6 X 10-5.8	1	1		
53	562992	. FAN	1	1		
55	562993	. STUD M6 X 35-5.6 / (2 912 212 207)	4	4		
56	562994	. EXPANSION BUSHING / (1 120 300 018)	1	1		
90	562995	. RETAINER DIN 9045-30 / (2916 600 016)	1	1		
91	562996	. SUPPORT RING / (1 120 114 002)	1	1		
93	562997	. SPACER RING	1	1		
94	562998	. RADIAL SEAL	1	1		
95	562999	. PROTECTIVE CAP	1	1		
96	563000	. PARTS SET TERMINAL B+,B-,D+,W /	1	1		
97	563001	. KIT NUT & WASHER M24-1.5 YC	1	1		
100	562851	AIR-INTAKE COVER	1	1		
101	563002	GROMMET / (1 120 312 000)	1	1		
101	504421	GROMMET / .625x.875x.187x.437x1.125	1	1	1	
102	H3-0610-54	ALTERNATOR MOUNTING / "BOSCH" - 24V/140A / GEARBOX INSTAL				
102	H3-0610-04	ALTERNATOR MOUNTING / "BOSCH" WITH DETROIT S-60				

From R-012 To W-2344

Date:10/2022

PAGE:H3-0610-02

ALTERNATOR MOUNTING / "DELCO" WITH DETROIT S-60



From R-012 To W-2344	Date:10/2022	PAGE:H3-0610-02
ALTERNATOR MOUNTING / "DELCO" WITH DETROIT S-60		

Item#	Part	Description	H 3 4 1	H 3 4 5	V I P 4 5	N O T E S
1	562235	ALTERNATOR ASSY 24V/270 AMPS	1	1	1	
1	562355	ALTERNATOR ASSY 12V/300 AMPS /			1	
2	510439	PULLEY ALTERNATOR 12 RIB	1	1	1	
3	506669	MULTI V-BELT / 12 RIB 72" (1830) 23521337	1	1	1	
4	N.S.P.	SUPPORT ALTERNATOR MOUNTING / (23511742)	1	1	1	2
4	N.S.P.	SUPPORT ALTERNATOR MOUNTING / (23518226)	1	1	1	2 A
4	N.S.P.	SUPPORT ALTERNATOR MOUNTING / (23521128)	1	1	1	2 C
4	N.S.P.	KEY WOODRUFF 3/16" X 7/8" / (120502)	2	2	2	2 C
5	N.S.P.	SUPPORT BELT TENSIONER BRACKET / (23515696)	1	1	1	2
6	N.S.P.	BOLT FLG M10-1.5 X 170MM / (23511767)	1	1	1	2
7	N.S.P.	TENSIONER ASSY / (23515689)	1	1	1	2
7	N.S.P.	TENSIONER ASSY / (23518304)	1	1	1	2 A
8	N.S.P.	. PULLEY IDLER 12G / 3 1/4" O.D. / (23511706)	1	1	1	2
8	N.S.P.	. PULLEY IDLER 12G / 5 1/4" O.D. / (23518221)	1	1	1	2 A
9	N.S.P.	. PULLEY BELT TENSIONER / 5 1/4 O.D. / (23515693)	1	1	1	2
9	N.S.P.	. PULLEY BELT TENSIONER / 5 1/4 O.D. / (23511822)	1	1	1	2 A
10	510457	. BEARING DBL ROW	1	1	1	
10	510618	. BALL BEARING DBL ROW / 30MM x 62MM x 27 W	1	1	1	
11	510441	. RING RETAINER / INT 2 1/16"	1	1	1	
12	510442	. RING RETAINER / EXT .926 x .984 x .042	1	1	1	
13	N.S.P.	WASHER	2	2		2 A
14	N.S.P.	BOLT M10-1.5 X 45MM LH G10.9	1	1		2 A
14	N.S.P.	BOLT M10-1.5 X 45MM G10.9 / (23505062)	1	1		2
15	N.S.P.	PROTECTOR CAP	2	2		2 B
16	N.S.P.	SEAL / (CR 14960)	2	2		2 B
20	N.S.P.	BOLT FLG M10-1.5 X 45MM / (11513960)	3	3	3	2
20	N.S.P.	NUT M10-1.5 FLG / (11506101)	3	3	3	2
21	975104	SCREW CAP HEXF M10-1.5x85 G10.9 PHC	2	2	2	
22	N.S.P.	BOLT FLG M10-1.5 X 25MM / (23511786)	3	3	3	2
23	975124	SCREW CAP HEXF M14-2.0x80 G10.9 PHC	2	2	2	
24	975121	SCREW CAP HEXF M14-2.0x50 G10.9 PHC	1	1	1	
25	N.S.P.	BOLT 1/2-13 X 2.00" / (00455001)	2	2	2	2
25	N.S.P.	BOLT 1/2-13 X 2.25" / (00186631)	2	2	2	2
26	N.S.P.	WASHER LO SPT ZP / (5132715)	4	4	4	2
27	N.S.P.	BOLT FLG M12-1.75 X 30MM / TO FIX BRACE / (11509528)	4	4	4	2
28	N.S.P.	BRACE ALTERNATOR SUPPORT / (23511743)	1	1	1	2
28	N.S.P.	BRACKET ALTERNATOR SUPPORT / ON BLOCK / (23511744)	1	1	1	2
28	N.S.P.	BOLT FLG M10-1.5 X 30MM / TO FIX SUPPORT ON BLOCK (11505299)	3	3	3	2
30	N.S.P.	HOSE ASSY 21" / #4 ALT VENT TOP OF ALTERNATOR / (0513063)	1	1	1	2
31	N.S.P.	HOSE ASSY 25.25" / #5 TEFLON OIL SUPPLY / (23504343)	1	1	1	2
32	N.S.P.	HOSE ASSY 23.40" / #16 OIL DRAIN / (23511765)	1	1	1	2
32	N.S.P.	CONNECTOR 1" NPT 1" TUBE / OIL DRAIN / (09402713)	1	1	1	2

From R-012 To W-2344	Date:10/2022	PAGE:H3-0610-02
ALTERNATOR MOUNTING / "DELCO" WITH DETROIT S-60		

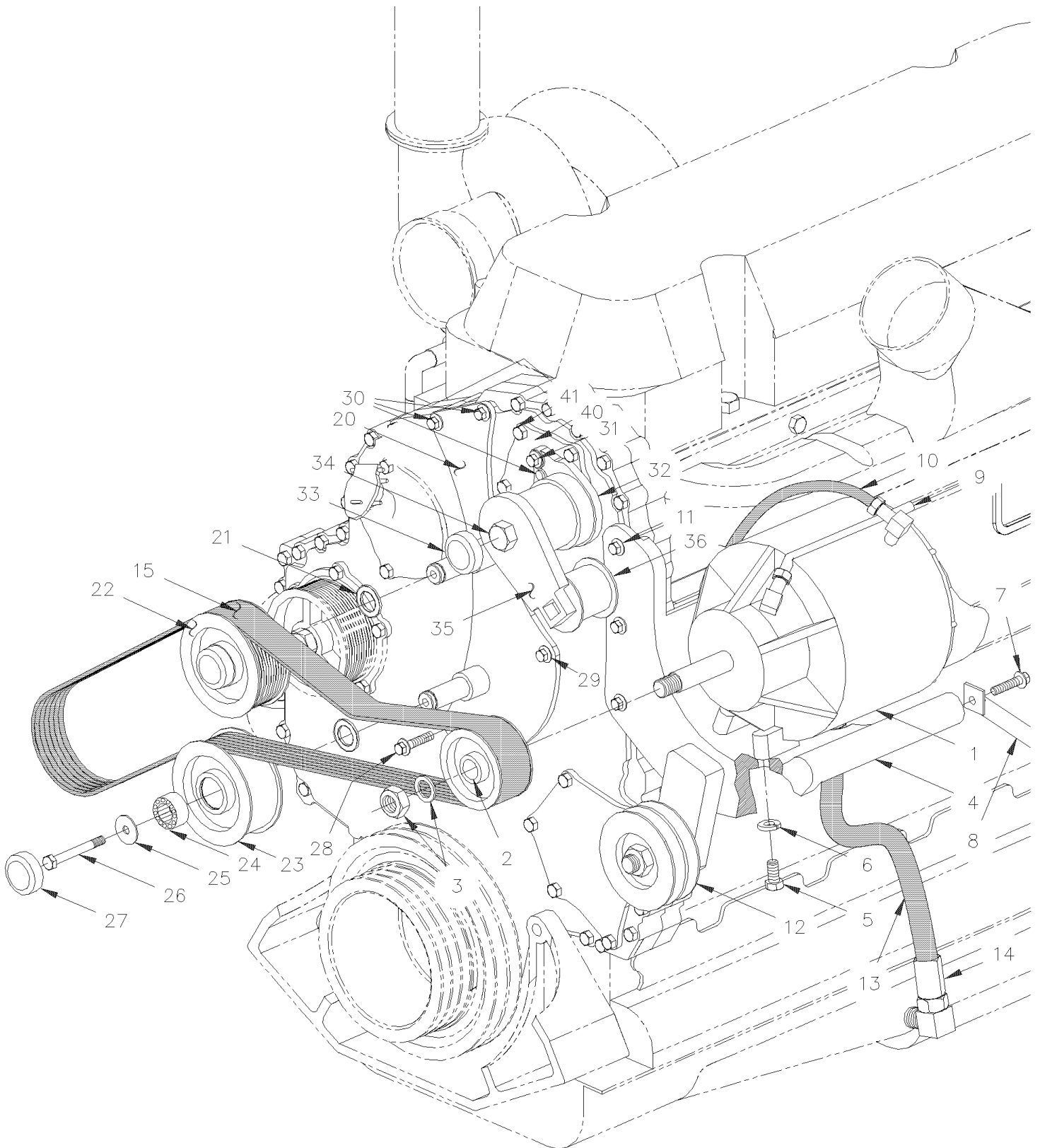
Item#	Part	Description	H 3 4 1	H 3 4 5	V I P 4 5	N O T E S
33	H3-0125-01	BELTS TENSIONERS - WITH DETROIT S-60				
34	H3-0605-03	ALTERNATOR 24V/270 AMPS / "DELCO" #562235				
35	N.S.P.	ELBOW 90° 3/4" NPT 1" TUBE / OIL DRAIN / (02492119)	1	1	1	2
NS	682408	BELT TENSIONER GAUGE (FOR V-RIBBED, POLY-V OR	AR	AR	AR	
		A) THIS INSTALLATION ARE EFFECTIVE IN JANUARY 19969				
		B) THIS INSTALLATION ARE EFFECTIVE IN JANUARY 1997				
		C) THIS INSTALLATION ARE EFFECTIVE IN APRIL 1997				
		2) NOT SOLD BY PREVOST (SEE MANUFACTURING PART NUMBER AT END OF DESCRIPTION LINE)				

From W-2345 To X-2900

Date:10/2022

PAGE:H3-0610-03

ALTERNATOR MOUNTING / "DELCO" WITH DETROIT S-60



From W-2345 To X-2900	Date:10/2022	PAGE:H3-0610-03
ALTERNATOR MOUNTING / "DELCO" WITH DETROIT S-60		

Item#	Part	Description	H 3 4 1	H 3 4 5	V I P 4 5	N O T E S
1	562235	ALTERNATOR ASSY 24V/270 AMPS To X-2900	1	1		
1	562235	ALTERNATOR ASSY 24V/270 AMPS			1	
1	562355	ALTERNATOR ASSY 12V/300 AMPS /			1	
2	510439	PULLEY ALTERNATOR 12 RIB	1	1	1	
3	H3-0605-03	ALTERNATOR 24V/270 AMPS / "DELCO" #562235				
4	N.S.P.	SUPPORT ALTERNATOR MOUNTING / (23521128)	1	1	1	2
4	N.S.P.	KEY WOODRUFF 3/16" X 7/8" / (120502)	2	2	2	2
5	0455001	SCREW CAP HEX 1/2-13x2 G8 ZP	2	2	2	
5	N.S.P.	BOLT 1/2-13 X 2.25" / (00186631)	2	2	2	2
6	N.S.P.	WASHER LO SPT ZP / (5132715)	4	4	4	2
7	N.S.P.	BOLT FLG M12-1.75 X 30MM / TO FIX BRACE / (11509528)	4	4	4	2
7	N.S.P.	BRACKET ALTERNATOR SUPPORT / ON BLOCK / (23511744)	1	1	1	2
7	N.S.P.	BOLT FLG M10-1.5 X 30MM / TO FIX SUPPORT ON BLOCK (11505299)	3	3	3	2
8	N.S.P.	BRACE ALTERNATOR SUPPORT / (23511743)	1	1	1	2
9	N.S.P.	HOSE ASSY 25.25" / #5 TEFLON OIL SUPPLY / (23504343)	1	1	1	2
10	N.S.P.	HOSE ASSY 21" / #4 ALT VENT TOP OF ALTERNATOR / (0513063)	1	1	1	2
11	N.S.P.	BOLT FLG 7/16-14 X 5.75 / (23521130)	2	2	2	2
11	510635	SCREW CAP HEXF 7/16-14x5.50 ZP	1	1	1	
11	510636	NUT HEXF 7/16-14 ZP	3	3	3	
12	H3-0125-01	BELTS TENSIONERS - WITH DETROIT S-60				
13	N.S.P.	HOSE ASSY 23.40" / #16 OIL DRAIN / (23517561)	1	1	1	2
13	N.S.P.	CONNECTOR 1" NPT 1" TUBE / OIL DRAIN / (09402713)	1	1	1	2
14	N.S.P.	ELBOW 90° 3/4" NPT 1" TUBE / OIL DRAIN / (02492119)	1	1	1	2
15	506782	MULTI V-BELT / 12 RIB 73" (1854) 23521000	1	1	1	
20	N.S.P.	IDLER PULLEY ASSY / (23520959)	1	1	1	2
21	N.S.P.	. SEAL / (CR 14960) / (23521013)	2	2		2
22	N.S.P.	. PULLEY IDLER 12G / 5 1/4" O.D. / (23520994)	1	1	1	2
23	N.S.P.	. PULLEY BELT TENSIONER / 5 1/4 O.D. / (23520999)	1	1	1	2
24	N.S.P.	. BALL BEARING DBL ROW / 30MM x 62MM x 27 W	1	1	1	2
25	N.S.P.	. WASHER / (23518224)	2	2		2
26	N.S.P.	. BOLT M10-1.5 X 45MM G10.9 / (23505062)	1	1		2
26	510627	. BOLT M10-1.5 X 45MM LH G10.9	1	1		
27	N.S.P.	. PROTECTOR CAP / (05107293)	2	2		2
28	975121	SCREW CAP HEXF M14-2.0x50 G10.9 PHC	1	1	1	
29	975124	SCREW CAP HEXF M14-2.0x80 G10.9 PHC	2	2	2	
30	975104	SCREW CAP HEXF M10-1.5x85 G10.9 PHC	3	3	3	
31	N.S.P.	BOLT FLG M10-1.5 X 30MM / (23511786)	1	1	1	2
32	012103	AUTOMATIC TENSIONER ASSY	1	1	1	
32	N.S.S.	. SPRING	2	2	2	1
33	N.S.S.	. PROTECTOR CAP	1	1	1	1
34	N.S.S.	. BOLT	1	1	1	1
35	N.S.S.	. LEVER	1	1	1	1

From W-2345 To X-2900	Date:10/2022	PAGE:H3-0610-03
ALTERNATOR MOUNTING / "DELCO" WITH DETROIT S-60		

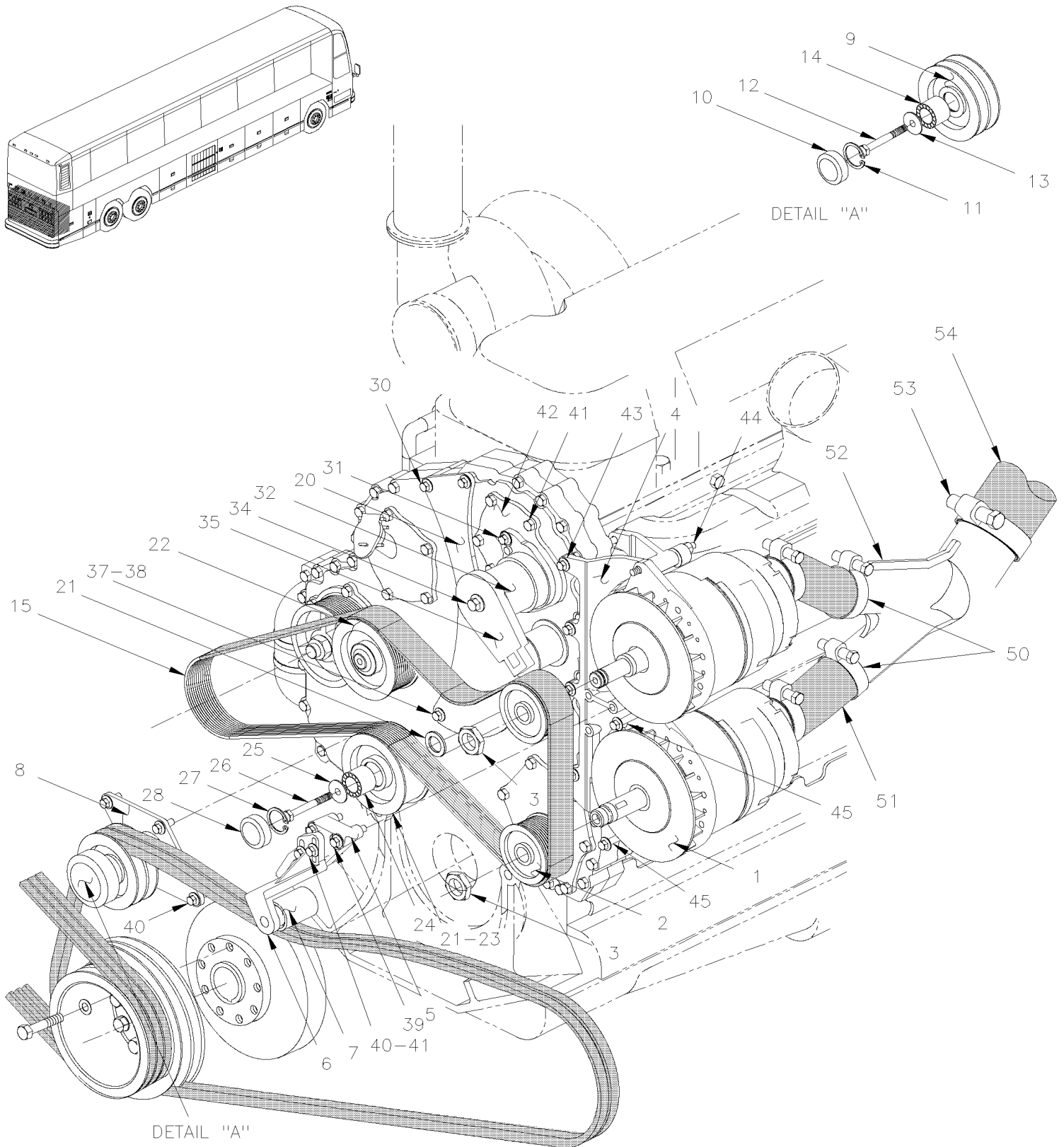
Item#	Part	Description	H 3 4 1	H 3 4 5	V I P 4 5	N O T E S
36	N.S.S.	. PULLEY	1	1	1	1
36	N.S.S.	. BEARING	1	1	1	1
36	N.S.S.	PROTECTOR CAP	1	1	1	1
40	012104	TENSIONER, MOUNTING PLATE	1	1	1	
40	N.S.P.	O-RING / (8929253)	1	1	1	2
41	510641	SCREW CAP HEXF M8-1.25x30 G10.9	5	5	5	
		1) NOT SOLD SEPARATELY				
		2) NOT SOLD BY PREVOST (SEE MANUFACTURING PART NUMBER AT END OF DESCRIPTION LINE)				

From X-2901 To 2-4416

Date:10/2022

PAGE:H3-0610-04

ALTERNATOR MOUNTING / "BOSCH" WITH DETROIT S-60



From X-2901 To 2-4416	Date:10/2022	PAGE:H3-0610-04
ALTERNATOR MOUNTING / "BOSCH" WITH DETROIT S-60		

Item#	Part	Description	H 3 4 1	H 3 4 5	V I P 4 5	N O T E S
1	562752	ALTERNATOR ASSY 24V/140 AMPS	2	2		
2	065465	PULLEY ALTERNATOR / "BOSCH" / 12 RIB	2	2		
3	563001	KIT NUT & WASHER M24-1.5 YC	1	1		
4	510663	SUPPORT ALTERNATOR MOUNTING	1	1		
5	012064	ADAPTOR SNUBBER MOUNTING	1	1		
6	012063	SNUBBER ASSY	1	1		
6	N.S.P.	. SUPPORT / (23522973)	1	1		2
7	N.S.P.	. ROLLER / (23512825)	1	1		2
7	N.S.P.	. BEARING / (907394)	1	1		2
8	012058	PULLEY ASSY IDLER	1	1		
8	N.S.P.	. SUPPORT / (23521658)	1	1		2
9	N.S.P.	. PULLEY / (23519390)	1	1		2
10	N.S.P.	. PROTECTOR CAP / (05107293)	1	1		2
10	510798	. PROTECTOR CAP / "PREVOST"	1	1		B
11	N.S.P.	. SNAP RING / (23518223)	1	1		2
12	5001308	. SCREW CAP HEXF M10-1.5x40 G10.9 N500	1	1		
13	N.S.P.	. WASHER / (23518224)	1	1		2
13	N.S.S.	. SEAL / (23520961)	2	2		1
14	510618	. BALL BEARING DBL ROW / 30MM x 62MM x 27 W	1	1		
15	506865	MULTI V-BELT / 12 RIB 81 1/2" 208585	1	1		
15	506669	MULTI V-BELT / 12 RIB 72" (1830) 23521337	1	1		A
20	012065	IDLER PULLEY ASSY	1	1		
21	N.S.P.	. SEAL / (CR 14960) / (23521013)	2	2		2
22	N.S.P.	. PULLEY IDLER 12G / 5"1/4 O.D. / (23520994)	1	1		2
23	N.S.P.	. PULLEY BELT TENSIONER / 5 1/4 O.D. / (23520999)	2	2		2
24	510618	. BALL BEARING DBL ROW / 30MM x 62MM x 27 W	1	1		
25	N.S.P.	. WASHER / (23518224)	1	1		2
26	5001308	. SCREW CAP HEXF M10-1.5x40 G10.9 N500	2	2		
26	510627	. BOLT M10-1.5 X 45MM LH G10.9	1	1		
27	N.S.P.	. SNAP RING / (23519223)	1	1		2
28	N.S.P.	. PROTECTOR CAP / 05107293)	2	2		2
28	510798	. PROTECTOR CAP / "PREVOST"	1	1		B
30	975104	. SCREW CAP HEXF M10-1.5x85 G10.9 PHC	2	2		
31	969445	SCREW CAP HEXF M10-1.5x30 G10.9 PHC	1	1		
32	012103	AUTOMATIC TENSIONER ASSY	1	1		
32	N.S.S.	. SPRING	2	2		1
33	N.S.S.	. PROTECTOR CAP	1	1		1
34	975104	. SCREW CAP HEXF M10-1.5x85 G10.9 PHC	1	1		
35	N.S.S.	. LEVER	1	1		1
36	N.S.S.	. PULLEY	1	1		1
36	N.S.S.	. BEARING	1	1		1
36	N.S.S.	. PROTECTOR CAP	1	1		1

From X-2901 To 2-4416	Date:10/2022	PAGE:H3-0610-04
ALTERNATOR MOUNTING / "BOSCH" WITH DETROIT S-60		

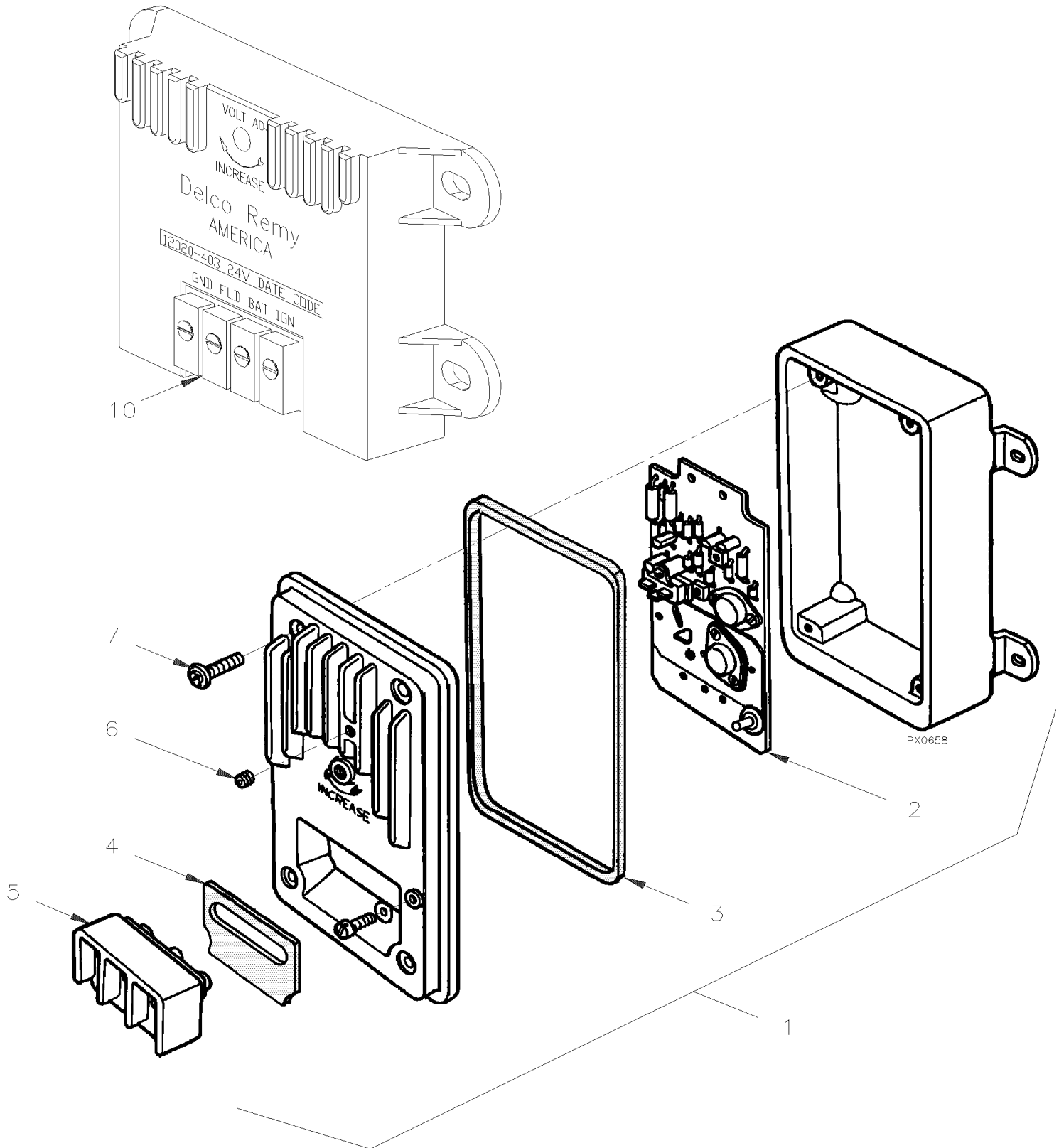
Item#	Part	Description	H 3 4 1	H 3 4 5	V I P 4 5	N O T E S
37	975121	SCREW CAP HEXF M14-2.0x50 G10.9 PHC	1	1		
38	975124	SCREW CAP HEXF M14-2.0x80 G10.9 PHC	1	1		
38	510642	STUD M14-2.0 X 92MM GR 10.9	1	1		
NS	510643	NUT HEXF M14-2.0 ZP	1	1		
39	5001595	SCREW CAP HEXF M10-1.5x60 G8.8 G500	3	3		
40	955297	SCREW CAP HEX M8-1.25x25 G8.8 ZG603	3	3		
41	510641	SCREW CAP HEXF M8-1.25x30 G10.9	5	5		
42	012104	TENSIONER, MOUNTING PLATE	1	1		
42	N.S.P.	O-RING / (8929253)	1	1		2
43	510635	SCREW CAP HEXF 7/16-14x5.50 ZP	4	4		
NS	510636	NUT HEXF 7/16-14 ZP	4	4		
44	510639	BOLT M12-1.5 X 80MM	1	1		
44	5001584	SCREW CAP HEX M12-1.5x150 G10.9 DP	1	1		
45	510637	. BOLT M12-1.5 X 50MM	2	2		
NS	5001585	WASHER FL 13.5x27x2.46-4.5 DP	6	6		
NS	975111	SCREW CAP HEXF M12-1.75x50MM G10.9 PHC	1	1		
50	504025	HOSE CLAMP / 2"5/16-3"1/4 SS / HS-44	4	4		
51	064957	HOSE FLEXIBLE / 2 3/4" I.D. X 200MM	2	2		
51	503686	. HOSE FLEXIBLE / AIR DUCT 2 3/4" I.D. X 25' / RUBBER	1	1		
52	064834	ADAPTOR "Y"	1	1		
53	504235	HOSE CLAMP / 3"9/16"-4"1/2 SS / HS-64	2	2		
54	064956	HOSE FLEXIBLE / 4" I.D. X 1660MM	1	1		
54	503688	. HOSE FLEXIBLE / AIR DUCT 4" I.D. X 25' / RUBBER	1	1		
NS	510616	KIT, FILLER CAP COVER / OIL RELOCATION	AR	AR		
. NS	IS-99053C	. SEE INSTRUCTION SHEET	1	1		
NS	065245	KIT, AIR INLET TWIN "BOSCH" ALT. RETRO "H"	AR	AR		
. NS	IS-99053C	. SEE INSTRUCTION SHEET	1	1		
NS	065515	KIT, HARNESS TWIN RETROFIT / "H" UP TO V-1778	AR	AR		
. NS	IS-99053C	. SEE INSTRUCTION SHEET	1	1		
NS	065210	KIT, HARNESS TWIN RETROFIT / "H" FROM V-1779	AR	AR		
. 01	IS-99053C	. SEE INSTRUCTION SHEET	1	1		
NS	IS-99053C	SEE INSTRUCTION SHEET				
		A) EMEGENCY USE ONLY				
		B) FIT ONLY WITH PULLEY SOLD BY "PREVOST"				
		1) NOT SOLD SEPARATELY				
		2) NOT SOLD BY PREVOST (SEE MANUFACTURING PART NUMBER AT END OF DESCRIPTION LINE)				

From R-012 To 2-4416

Date:10/2022

PAGE:H3-0610-10

VOLTAGE REGULATOR - 24 VOLTS W/270 AMPS



From R-012 To 2-4416	Date:10/2022	PAGE:H3-0610-10
VOLTAGE REGULATOR - 24 VOLTS W/270 AMPS		

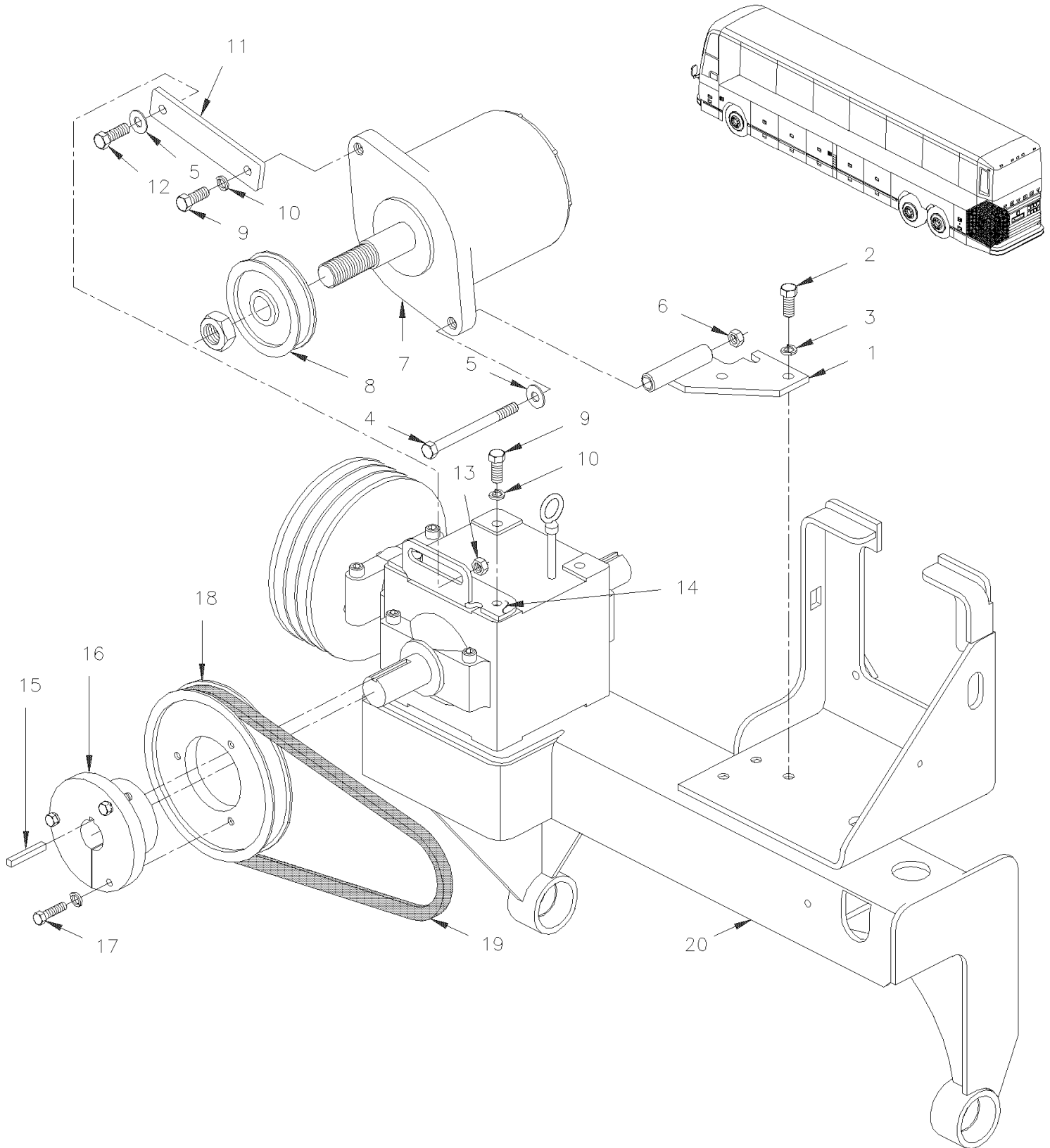
Item#	Part	Description	H 3 4 1	H 3 4 5	V I P 4 5	N O T E S
1	560030	REGULATOR ASSY 24V / W/3 TERMINALS To W-2217	1	1	1	A
2	562269	. BOARD ASSY 24 VOLTS / W/3 SCREWS To W-2217	1	1	1	
3	N.S.A.	. COVER GASKET (#1941482) To W-2217	1	1	1	3
4	N.S.A.	. BLOCK GASKET (#1942826) To W-2217	1	1	1	3
5	N.S.A.	. TERMINAL BLOCK (#1892010) To W-2217	1	1	1	3
NS	500653	. SCREW TC PAN PH #8-32x1/4 Z050 To W-2217	3	3	3	
NS	502649	. WASHER LO EXT .141x.320x.022 Z050 To W-2217	3	3	3	
6	N.S.A.	. COVER PLUG (#1961573) To W-2217	1	1	1	3
7	N.S.A.	. SCREW (#1941484) To W-2217	4	4	4	3
NS	561910	BOARD ASSY 24 VOLTS / W/3 SCREWS (REPLACEMENT O.E.M.) To W-2217	AR	AR	AR	
10	562775	REGULATOR ASSY 24V / W/4 SCREWS From W-2218 To X-2900	1	1		A
10	064577	JUMPER, WIRE From W-2218 To X-2900	1	1		
10	562775	REGULATOR ASSY 24V / W/4 SCREWS From W-2218			1	A
NS	064577	JUMPER, WIRE From W-2218			1	
NS	064717	KIT VOLTAGE REGULATOR	1	1	1	
. NS	IS-97104B	. SEE INSTRUCTION SHEET	1	1	1	
		A) THIS PART IS SUPERSEDED BY KIT #064717				
		3) NOT SOLD ASSEMBLY				

From R-012 To 2-4416

Date:10/2022

PAGE:H3-0610-53

ALTERNATOR MOUNTING / "DELCO" - 12V/145A / GEARBOX INSTAL



From R-012 To 2-4416	Date:10/2022	PAGE:H3-0610-53
----------------------	--------------	-----------------

ALTERNATOR MOUNTING / "DELCO" - 12V/145A / GEARBOX INSTAL

Item#	Part	Description	H 3 4 1	H 3 4 5	V I P 4 5	N O T E S
1	063777	PIVOT ASSY / SUPPORT			1	
NS	067526	SUPPORT PIVOT ALTERNATOR			1	RF
NS	067529	SUPPORT ALTERNATOR LOWER "BOSCH" 12V			1	RF
NS	067524	SUPPORT ALTERNATOR UPPER "BOSCH" 12V			1	RF
2	502559	SCREW CAP HEX M10-1.5x25 G8.8 Z050			3	
3	500257	WASHER LO SPT 10.2x18.1x2.2 Z050			3	
4	500106	SCREW CAP HEX 1/2-20x6 G5 PT Z050			1	
5	571351	WASHER, 1/2" I.D. FLAT			2	
6	500718	NUT HEX STO 1/2-20 Z050			1	
7	561265	ALTERNATOR ASSY 12V/145 AMPS / DELCO To X-2845			1	
7	562911	ALTERNATOR ASSY 12V/145 AMPS / LEECE-NEVILLE From X-2846			1	R
7	563523	ALTERNATOR ASSY 14V/160 AMPS / PRESTOLITE From X-2846			1	
7	563734	ALTERNATOR ASSY 12V/200AMPS / HD10E 200A 14V			1	RF
8	062418	PULLEY ALTERNATOR / W/1V x 3 1/4" O.D. To X-2845			1	
8	562926	PULLEY 3.3" O.D. / W/ "LEECE-NEVILLE" From X-2846			1	
8	067065	PULLEY ALTERNATOR "BOSCH" / W/ 2V x 82.5MM OD			1	RF
NS	067208	PROTECTOR PULLEY PLASTIC BLACK			1	RF
9	500213	SCREW CAP HEX 1/2-13x1 G5 Z050			3	
10	500482	WASHER LO SPT .506x.873x.125 Z050			3	
11	063779	TENSIONER 154MM C/C			1	
11	067523	TENSIONER 77.3 MM C/C			1	RF
12	500214	SCREW CAP HEX 1/2-13x1 1/4 G5 Z050			1	
13	500968	NUT HEX STO 1/2-13 Z050			3	
14	452443	TENSIONER BRACKET / GEARBOX			1	RF
15	550186	KEY 1/4" X 1/4" X 1 1/4"			1	
15	550293	KEY 1/4" X 1/4" X 1 13/16"			1	RF
16	950230	CONE BUSHING 1 1/4 I.D X 2 1/8 O.D. X 3 5/16			1	
16	950389	CONE BUSHING 1 1/4 I.D X 2 1/8 O.D. X 3 5/16			1	RF
17	500167	SCREW CAP HEX 1/4-20x1 1/4 G5 PT Z050			3	
NS	500473	WASHER LO SPT .262x.489x.062 Z050			3	
18	950211	PULLEY DRIVE 7.15 O.D. / SINGLE "V"			1	
18	950392	PULLEY DRIVE 7.25 O.D. / DOUBLE "V"			1	RF
19	506683	V-BELT / BX-31 9013-2031			1	
19	5060100	V-BELT / AX-32 9012-2032			1	RF
20	H3-0520-03	FAN DRIVE - INSTALLATION				
30	067513	KIT, RETROFIT 12V-200AMPS ALTERNATOR	1	1	1	
NS	IS-07038	SEE INSTRUCTION SHEET	1	1	1	
31	IS-07038	SEE INSTRUCTION SHEET	1	1	1	RF

From R-012 To 2-4416	Date:10/2022	PAGE:H3-0610-53
----------------------	--------------	-----------------

ALTERNATOR MOUNTING / "DELCO" - 12V/145A / GEARBOX INSTAL

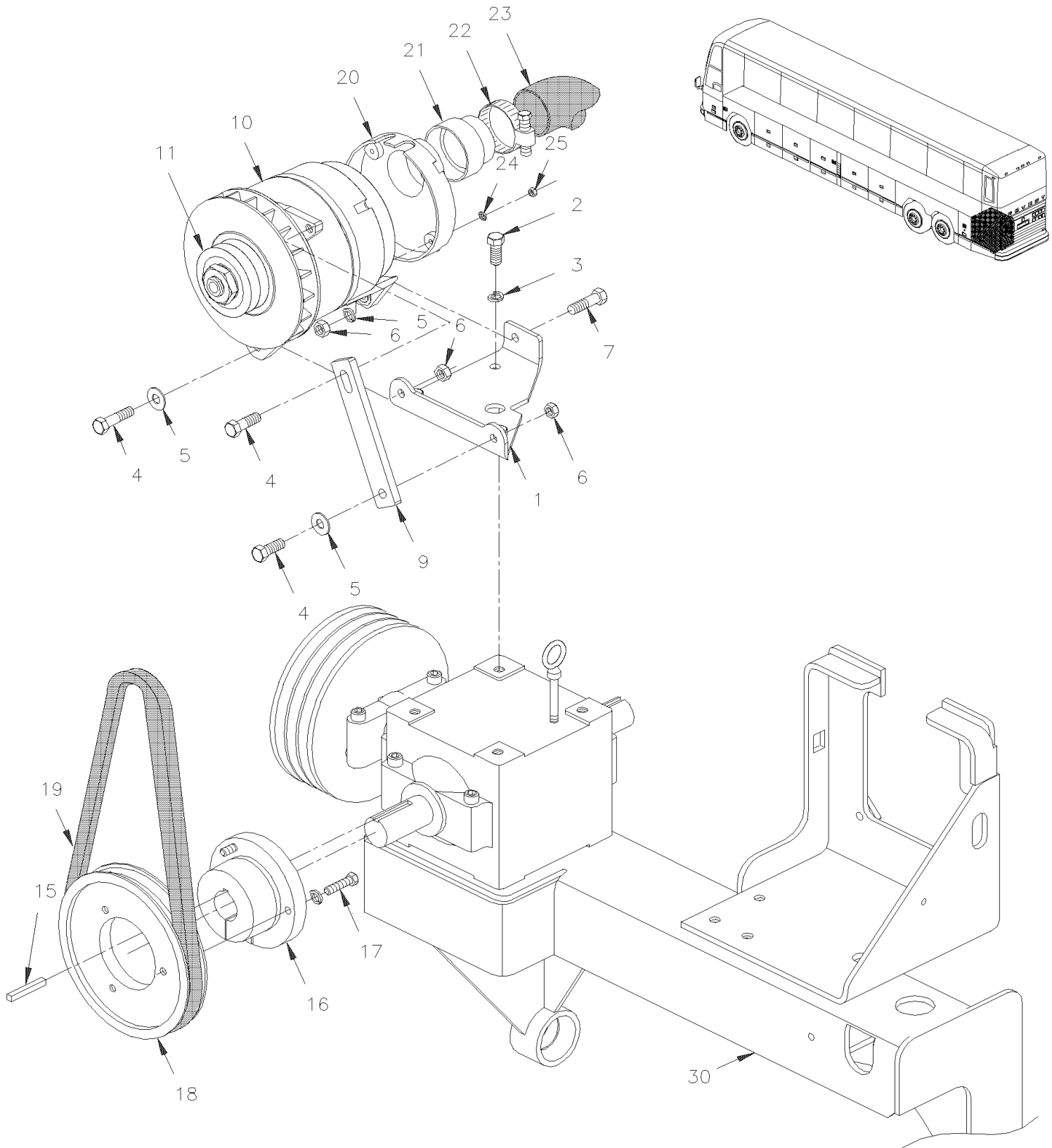
Item#	Part	Description	H 3 4 1	H 3 4 5	V I P 4 5	N O T E S
		R) FOR PRODUCT IMPROVEMENT ASK FOR KIT # 067513 KIT 12V-200AMPS "BOSCH"				
		RF) THIS PARTS ARE INCLUDE IN RETROFIT KIT # 067513				

From V-2077 To 2-4416

Date:10/2022

PAGE:H3-0610-54

ALTERNATOR MOUNTING / "BOSCH" - 24V/140A / GEARBOX INSTAL



From V-2077 To 2-4416	Date:10/2022	PAGE:H3-0610-54
-----------------------	--------------	-----------------

ALTERNATOR MOUNTING / "BOSCH" - 24V/140A / GEARBOX INSTAL

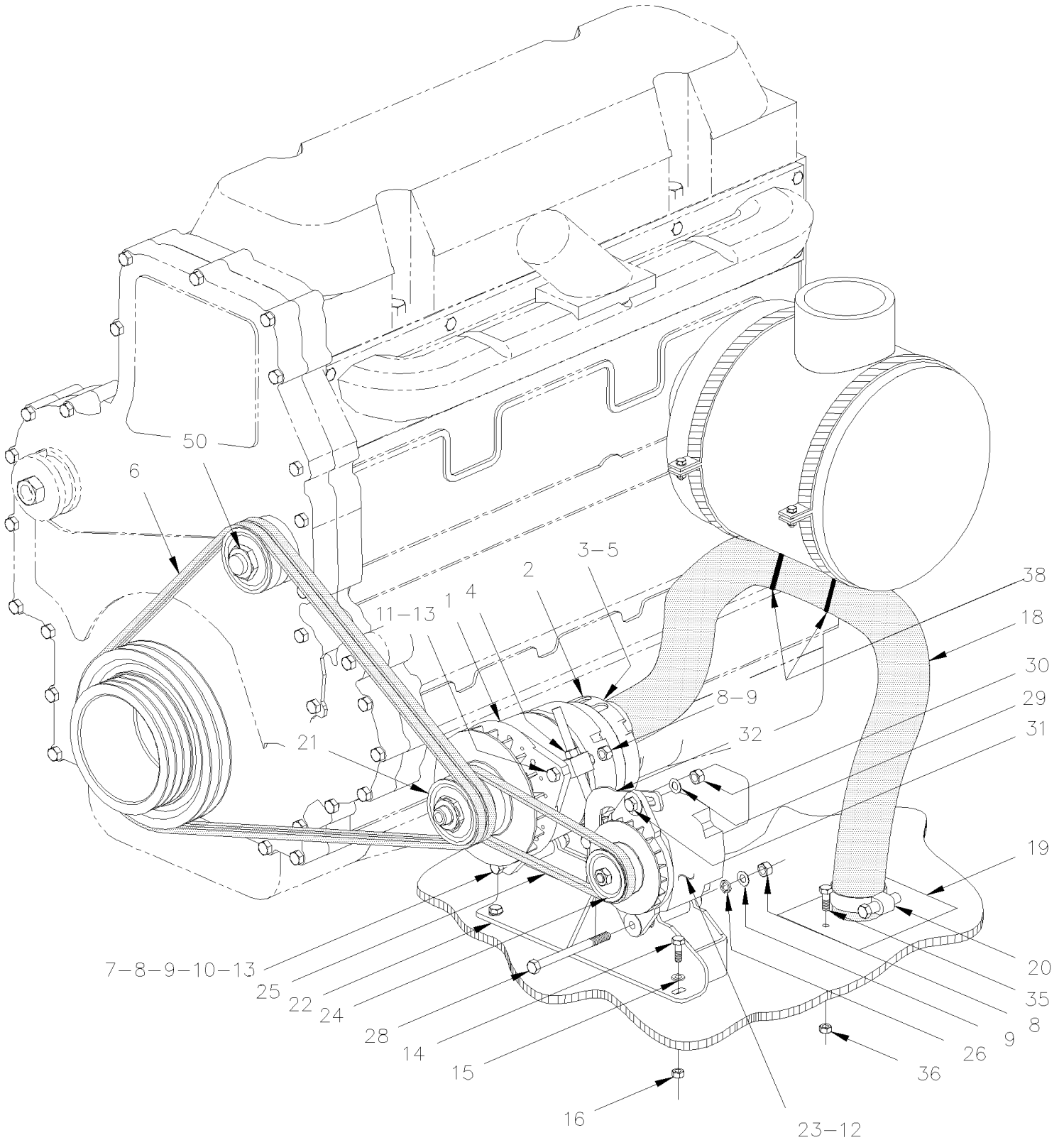
Item#	Part	Description	H 3 4 1	H 3 4 5	V I P 4 5	N O T E S
1	064537	SUPPORT ALTERNATOR	1	1		
2	500214	SCREW CAP HEX 1/2-13x1 1/4 G5 Z050	3	3		
3	500482	WASHER LO SPT .506x.873x.125 Z050	3	3		
4	502731	SCREW CAP HEX M12-1.75x40 G8.8 Z050	3	3		
5	500446	WASHER FL .531x1.250x.125 Z050	4	4		
6	500811	NUT HEX STO M12-1.75 G500	4	4		
7	5001043	SCREW CAP HEX M12-1.75x50 G8.8 Z050	1	1		
9	064890	TENSIONNER	1	1		
10	H3-0605-05	ALTERNATOR 24V/140 AMPS / "BOSCH"				
11	064543	PULLEY ALTERNATOR "BOSCH" / W/ 1Vx 88.9MM O.D.	1	1		
13	500968	NUT HEX STO 1/2-13 Z050	1	1		
15	550186	KEY 1/4" X 1/4" X 1 1/4"	1	1		
16	950230	CONE BUSHING 1 1/4 I.D X 2 1/8 O.D. X 3 5/16	1	1		
17	500167	SCREW CAP HEX 1/4-20x1 1/4 G5 PT Z050	3	3		
18	950211	PULLEY DRIVE 7.15 O.D. / SINGLE "V"	1	1		
19	506776	V-BELT / 5L-350 5L-350	1	1		
20	562851	AIR-INTAKE COVER	1	1		
NS	504421	GROMMET / .625x.875x.187x.437x1.125	1	1		
21	064552	ADAPTOR	1	1		
22	504024	HOSE CLAMP / 1"13/16"-2"3/4 SS / HS-36	1	1		
23	503674	HOSE FLEXIBLE / AIR DUCT 2 1/2" I.D. X 25'	AR	AR		
24	502570	WASHER LO SPT 6.1x11.8x1.6 SS	4	4		
25	502565	NUT HEX M6-1.0 SS	4	4		
30	H3-0520-03	FAN DRIVE - INSTALLATION				
NS	064550	CABLE ASSY	1	1		
NS	064551	CABLE ASSY #0	1	1		
NS	064553	CABLE ASSY	1	1		

From X-2488 To 2-4416

Date:10/2022

PAGE:H3-0610-55

ALTERNATOR MOUNTING / 12V & 24V - V.I.P.



From X-2488 To 2-4416	Date:10/2022	PAGE:H3-0610-55
ALTERNATOR MOUNTING / 12V & 24V - V.I.P.		

Item#	Part	Description	H 3 4 1	H 3 4 5	V I P 4 5	N O T E S
1	562752	ALTERNATOR ASSY 24V/140 AMPS			1	
2	562851	AIR-INTAKE COVER			1	
2	504421	GROMMET / .625x.875x.187x.437x1.125			1	
3	502581	NUT HEX M6-1.0 Z050			4	
4	562894	SCREW, TENSIONING W/BLOCK			1	
. NS	3036795	. TENSIONING SCREW			1	
. NS	3036796	. TENSION BLOCK			1	
. NS	3036797	. COLLET			1	
5	502573	WASHER FL 6.4x12.5x1.6 SS			4	
NS	502564	WASHER LO SPT 6.1x11.8x1.6 Z050			4	
6	506787	V-BELT / BX-80 / SET OF 2 9212-0401			1	
6	506708	V-BELT / BX-77 9013-2077			2	
7	5001174	SCREW CAP HEX M12-1.75x130 G8.8 Z050			1	
8	500860	NUT HEX M12-1.75 Z050			4	
9	500958	WASHER FL .531x1.062x.095 SS			4	
10	501043	MALE ELBOW 90° / SAE 45° FITTING / #8FL-Mx3/8NPT-M BR			1	
11	500835	SCREW CAP HEX M12-1.75x70 G8.8 Z050			2	
12	5001205	WASHER FL .875x1.375x.047			1	
13	500810	WASHER LO SPT 12.2x21.1x2.5 Z050			4	
14	500065	SCREW CAP HEX M10-1.5x30 G10.9 DP			3	
15	500680	NUT HEX STO M10-1.5 Z050			2	
16	502644	WASHER FL 10.5x30.0x2.5 Z050			3	
NS	500257	WASHER LO SPT 10.2x18.1x2.2 Z050			1	
18	064743	HOSE #44 X 1320MM			1	
19	064770	SUPPORT ASSY			1	
20	504025	HOSE CLAMP / 2"5/16-3"1/4 SS / HS-44			2	
21	064721	PULLEY ALTERNATOR "BOSCH" / W/ 3V x 102.8MM OD			1	
22	064748	SUPPORT ASSY			1	
23	561265	ALTERNATOR ASSY 12V/145 AMPS / DELCO			1	
23	562911	ALTERNATOR ASSY 12V/145 AMPS / LEECE-NEVILLE			1	
23	563523	ALTERNATOR ASSY 14V/160 AMPS / PRESTOLITE			1	
24	062418	PULLEY ALTERNATOR / W/1V x 3 1/4" O.D.			1	
24	562926	PULLEY 3.3" O.D. / W/ "LEECE-NEVILLE"			1	
NS	5001426	WASHER FL .875x1.375x.047 STL KEYWAY			1	
25	506683	V-BELT / BX-31 9013-2031			1	
26	500482	WASHER LO SPT .506x.873x.125 Z050			2	
28	5001390	SCREW CAP HEX M12-1.75x150 G8.8 ZP			1	
29	500446	WASHER FL .531x1.250x.125 Z050			1	
30	500789	NUT HEX 1/2-13 Z050			1	
31	502786	SCREW CAP HEX 1/2-13x1 1/2 G5 ZP			1	
32	064749	TENSIONNER W/"DELCO"			1	
32	064913	TENSIONNER W/"LEECE-NEVILLE"			1	

From X-2488 To 2-4416	Date:10/2022	PAGE:H3-0610-55
ALTERNATOR MOUNTING / 12V & 24V - V.I.P.		

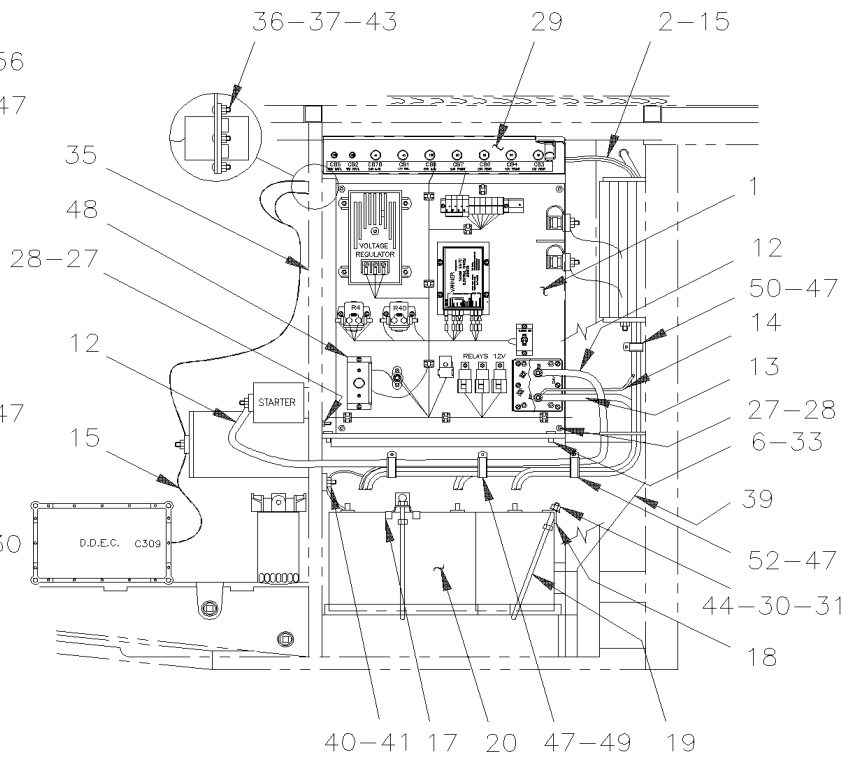
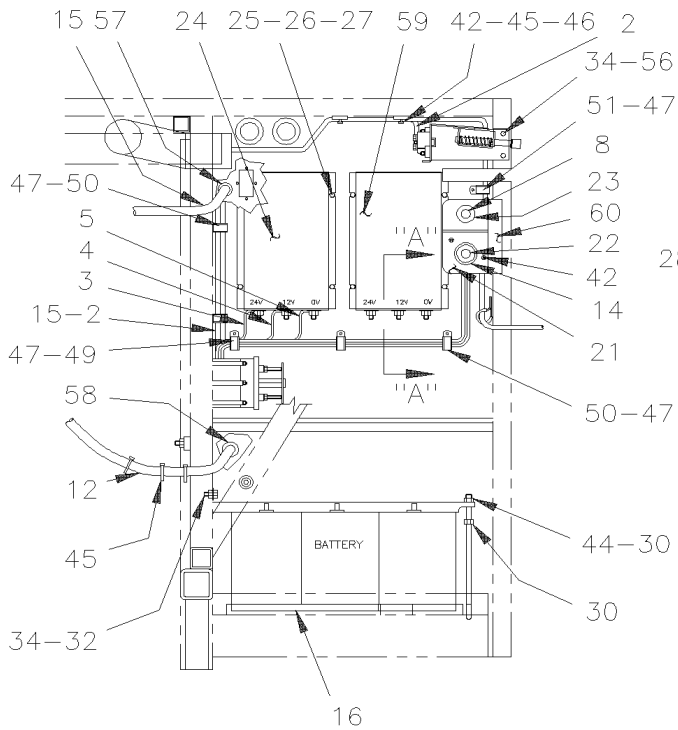
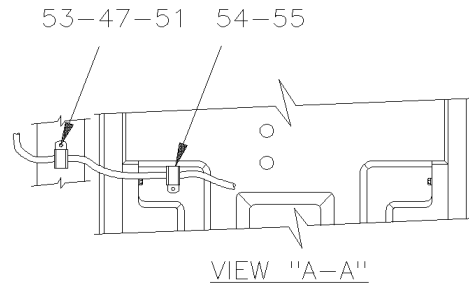
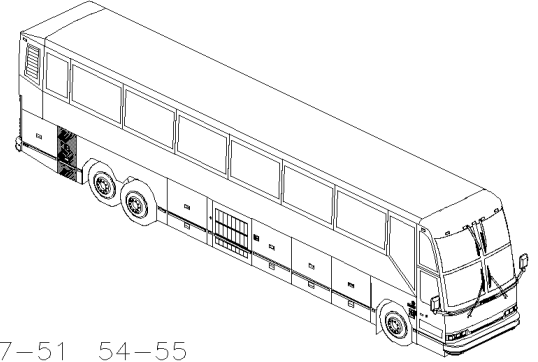
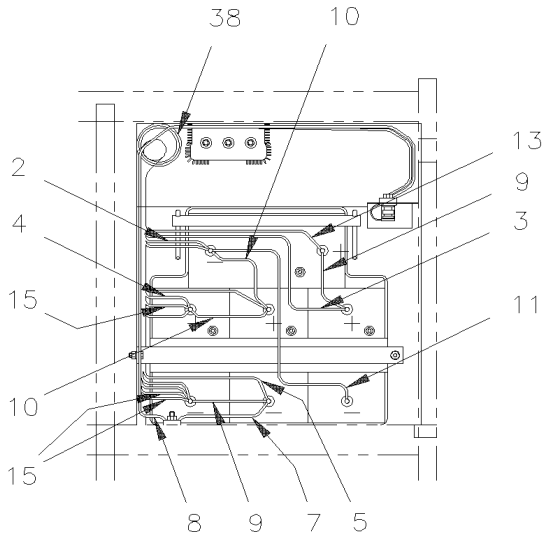
Item#	Part	Description	H 3 4 1	H 3 4 5	V I P 4 5	N O T E S
33	064741	CABLE, GROUND ALTERNATOR BOSCH			1	
34	064739	WIRING HARNESS ALTERNATOR BOSCH			1	
35	502790	SCREW CAP HEX M8-1.25x20 G8.8 Z050			1	
36	502692	NUT HEXF STO M8-1.25 Z050			1	
37	064774	SUPPORT			1	
38	504637	CABLE TIE / 3/16" x 13"			2	

From R-012 To V-1778

Date:10/2022

PAGE:H3-0615-01

BATTERIES COMPARTMENT - INSTALLATION



From R-012 To V-1778	Date:10/2022	PAGE:H3-0615-01
BATTERIES COMPARTMENT - INSTALLATION		

Item#	Part	Description	H 3 4 1	H 3 4 5	V I P 4 5	N O T E S
	562434	BATTERY 12V/8D / W/SIDE POSTS / WET	2	2		A
	561861	BATTERY 12V/8D / W/SIDE POSTS / DRY	2	2		A
1	H3-0615-50	BATTERIES COMPARTMENT PANEL				
2	063596	CABLE ASSY / #12 To R-083	1	1	1	
2	063911	CABLE ASSY / #12 From R-084	1	1	1	
3	063587	CABLE ASSY / #24VA	1	1	1	
3	063899	CABLE ASSY / #24VA	1	1		A
4	063589	CABLE ASSY / #12VA	1	1	1	
4	063898	CABLE ASSY / #12VA	1	1		A
5	063588	CABLE ASSY / #0VA	1	1	1	
5	063897	CABLE ASSY / #0VA	1	1		A
6	504605	RECEPTACLE 6 MM	2	2	2	
7	063592	CABLE ASSY / B - TO GROUND	1	1	1	
8	063586	CABLE ASSY / BATTERY BOOSTER BLOCK / #0	1	1	1	
9	061180	CABLE ASSY / B - TO B -	2	2	2	
10	062371	CABLE ASSY / B + TO B +	2	2	2	
11	061036	CABLE ASSY / B - TO B -	1	1	1	
12	063621	CABLE ASSY / RELAY BATTERY & STARTOR #101	1	1	1	
12	063908	CABLE ASSY / #00A	1	1		A
NS	063909	CABLE ASSY / #12	1	1		A
NS	063903	CABLE ASSY / B + TO B -	1	1		A
13	063591	CABLE ASSY / RELAY BATTERY & BATTERY #24	1	1	1	
13	063900	CABLE ASSY / RELAY BATTERY & BATTERY #24	1	1		A
14	063595	CABLE ASSY / TO BOOSTER BLOCK #24	1	1	1	
15	063630	CABLE ASSY / POWER E.C.U. To R-083	1	1	1	
15	063906	CABLE ASSY / POWER E.C.U. From R-084	1	1	1	
NS	063910	CABLE ASSY / # 00A From R-084	1	1	1	
16	380671	TRAY, BATTERIES	1	1	1	
16	381670	TRAY, BATTERIES 8D	1	1		A
NS	212359	PANEL / FLOOR	1	1	1	
17	381600	BATTERIES SUPPORT	1	1	1	
17	381513	J-HOOK / 209.55MM / 3/8-16 SS To R-083	1	1		A
17	381669	RACK BATTERIES From R-084	1	1		A
18	381602	RACK BATTERIES	1	1	1	
19	381601	FIXATION ROD To R-083	3	3	3	
19	381660	BATTERY SUP. HOOK 38-16x280MM SS	1	1		
19	381660	BATTERY SUP. HOOK 38-16x280MM SS From R-084	1	1	1	A
20	561232	BATTERY 12V/625 CCA / GR31	4	4	4	
21	381210	SEPARATOR / FIBERGLASS RED	1	1	1	
22	561856	BOOSTER BLOCK, REMOTE / RED	1	1	1	
23	561857	BOOSTER BLOCK, REMOTE / BLACK	1	1	1	
24	562332	EQUALIZER "VANNER" 100AMPS To T-1417	1	1	1	

From R-012 To V-1778	Date:10/2022	PAGE:H3-0615-01
BATTERIES COMPARTMENT - INSTALLATION		

Item#	Part	Description	H 3 4 1	H 3 4 5	V I P 4 5	N O T E S
24	562542	EQUALIZER "VANNER" 100AMPS From T-1418	1	1	1	C
24	562970	EQUALIZER "VANNER" 100AMPS From X-3045	1	1	1	C
24	562969	EQUALIZER "VANNER" 60AMPS	1	1	1	B
25	502561	NUT HEX M5-0.8 Z050	4	4		
25	502561	NUT HEX M5-0.8 Z050			AR	
26	502573	WASHER FL 6.4x12.5x1.6 SS	4	4		
26	502573	WASHER FL 6.4x12.5x1.6 SS			AR	
27	502564	WASHER LO SPT 6.1x11.8x1.6 Z050	12	12		
27	502564	WASHER LO SPT 6.1x11.8x1.6 Z050			AR	
28	502565	NUT HEX M6-1.0 SS	8	8	8	
29	H3-0616-10	BREAKER PANEL				
30	500102	NUT HEX 3/8-16 SS	3	3	3	
31	500220	WASHER FL .437x1.000x.983 ZP	2	2	2	
32	502780	SCREW CAP HEX M8-1.25x25 SS BK	1	1	1	
33	381624	COVER BATTERIES ASSY / W/2 LATCH To R-083	1	1	1	
. NS	381620	. COVER PANEL To R-083	1	1	1	
. NS	504603	. STUD 6 MM (DZUS) To R-083	2	2	2	
. NS	504604	. FASTENER To R-083	2	2	2	
. NS	506268	. TAPE RUB ADH1 URE 3/8" x 1/2" x 25' / GREY 1820 To R-083	AR	AR	AR	
33	381672	COVER BATTERIES ASSY / W/2 LATCH From R-084	1	1	1	
. NS	381671	. COVER PANEL From R-084	1	1	1	
. NS	504203	. SPRING LATCH / KNURLED STEEL KNOB From R-084	2	2	2	
. NS	504603	. STUD 6 MM (DZUS) From R-084	2	2	2	
. NS	504604	. FASTENER From R-084	2	2	2	
. NS	504339	. RIVET POP DOME OE 1/8x3/8 SS From R-084	4	4	4	
. NS	160295	. DECAL / "IT FORBIDDEN TO STOCK ANYTING IN TH. / ENGLISH & FRANCAIS From R-084	1	1	1	
33	161191	DECAL / "IT FORBIDDEN TO STOCK ANYTING IN TH. / ENGLISH & SPANISH	1	1	1	
34	501003	MALE ELBOW 90° / COMPRESSION FITTING / #4x1/8NPT-M NYL	AR	AR	AR	
35	063750	DECAL / BATTERY COMPARTMENT To S-127	1	1	1	
35	063978	DECAL / BATTERY COMPARTMENT From S-128 To T-1452	1	1	1	
35	064236	DECAL / BATTERY COMPARTMENT From T-1453 To V-1778	1	1	1	
35	064408	DECAL / BATTERY COMPARTMENT From V-1779	1	1	1	
NS	402804	DECAL / "ALWAYS DISCONNECT..." / ENGLISH	1	1	1	
NS	405638	DECAL / "ALWAYS DISCONNECT..." / ENGLISH & SPANISH	1	1	1	
36	500764	NUT HEX #8-32 Z050	4	4	4	
37	500873	SCREW MA RND PH #8-32x3/4 SS BK	4	4	4	
38	504606	GROMMET / 3.000x3.500x.062x.500x4.000	1	1	1	
39	063751	DECAL BATTERY WIRING CABLE / ENGLISH	1	1	1	
39	066047	DECAL BATTERY WIRING CABLE / ENGLISH & SPANISH	1	1	1	
39	063912	DECAL BATTERIES WIRING CABLE / ENGLISH	1	1		A
39	066048	DECAL BATTERIES WIRING CABLE / ENGLISH & SPANISH	1	1		A
40	500998	NUT HEX 1/2-13 BR	1	1	1	

From R-012 To V-1778	Date:10/2022	PAGE:H3-0615-01
----------------------	--------------	-----------------

BATTERIES COMPARTMENT - INSTALLATION

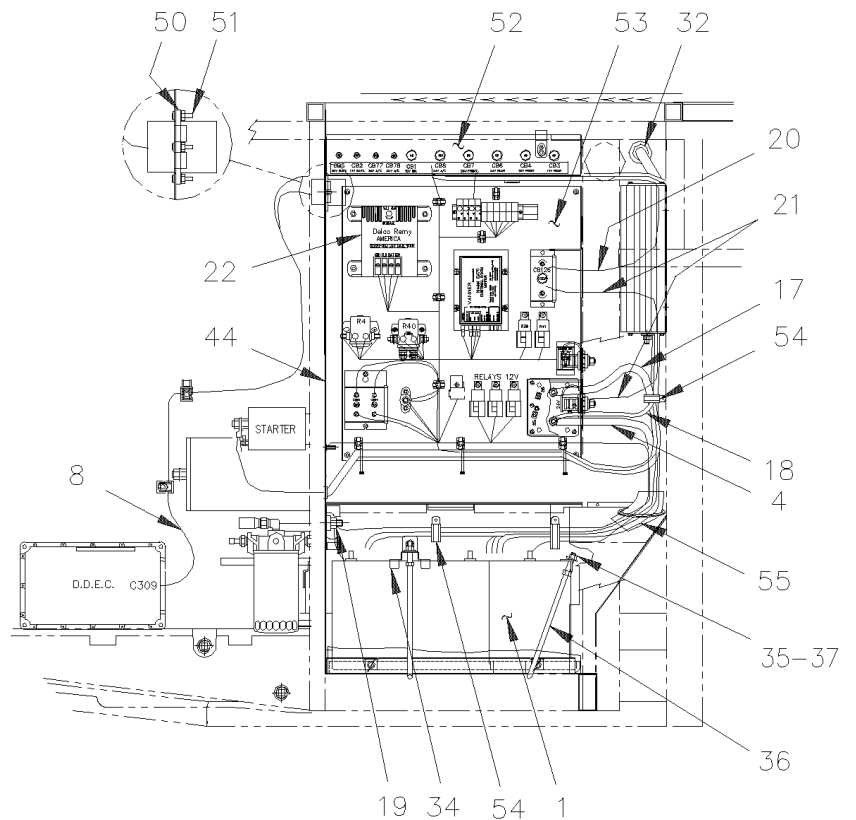
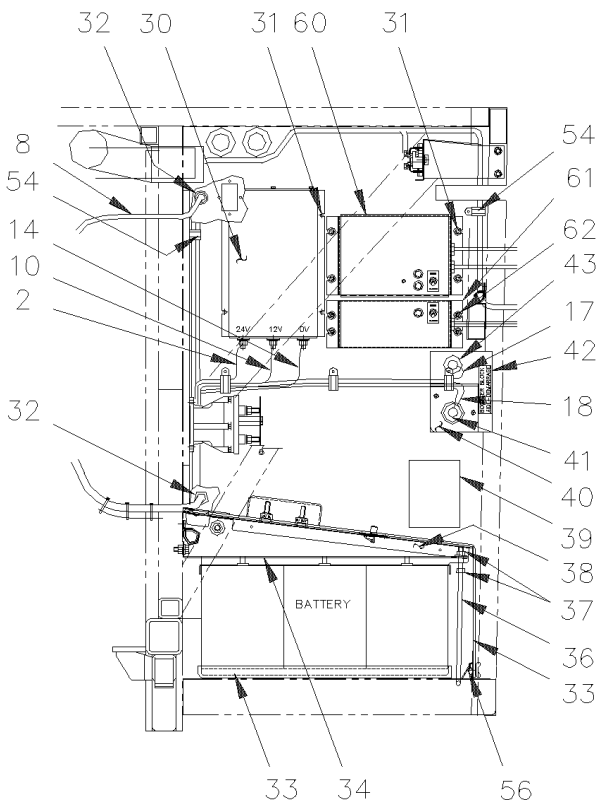
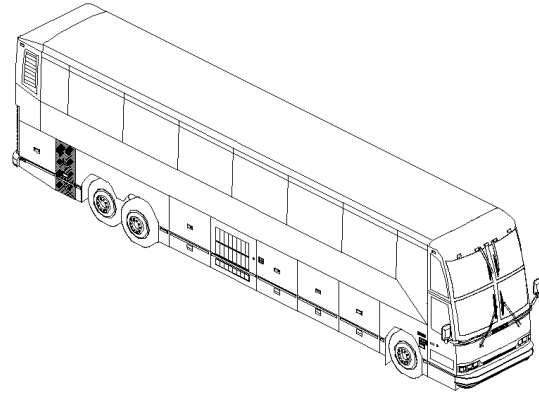
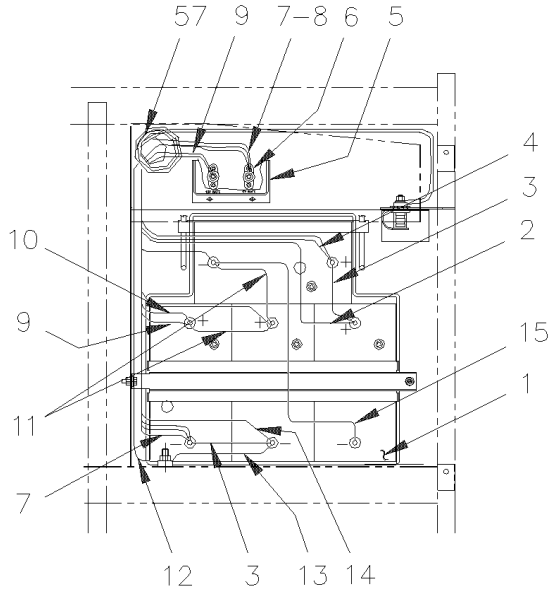
Item#	Part	Description	H 3 4 1	H 3 4 5	V I P 4 5	N O T E S
41	500482	WASHER LO SPT .506x.873x.125 Z050	1	1	1	
42	504118	RIVET POP DOME OE 3/16x3/8 AL	6	6	6	
43	502636	WASHER LO SPT 4.1x7.6x0.9 Z050	4	4	4	
44	500257	WASHER LO SPT 10.2x18.1x2.2 Z050	3	3	3	
45	504012	CABLE TIE / 3/16" X 6"1/2	13	13	13	
46	504013	TIE MOUNT / 1/4" X 1/4" I.D.	5	5	5	
47	502679	NUT HEX NYRT M4-0.7 ZP	10	10	10	
48	560480	CLAMP / 1/2" I.D.	2	2	2	
49	504458	CLAMP / 1 5/8" I.D.	3	3	3	
50	560912	CLAMP / 1"1/4 I.D.	AR	AR	AR	
51	560482	CLAMP / 3/4" I.D. / W/HOLE 3/16"	2	2	2	
52	561678	CLAMP / 2" I.D.	1	1	1	
53	502599	STUD WD WOC M4-0.7x20 SS	10	10	10	
54	140656	CLAMP / 3/4" I.D. / W/HOLE 3/8"	1	1	1	
. NS	952631	. CLAMP / 3/4" I.D.	1	1	1	
55	502631	SCREW CAP HEX M6-1.0x20 G8.8 Z050	1	1	1	
56	500069	SCREW CAP HEX M8-1.25x16 G10.9 DP	4	4	4	
57	504356	GROMMET / .625x.875x.062x.312x1.125	1	1	1	
58	504398	GROMMET / 1.000x1.375x.062x.437x1.750	1	1	1	
59	562332	EQUALIZER "VANNER" 100AMPS To T-1417			AR	
59	562542	EQUALIZER "VANNER" 100AMPS From T-1418 To X-3044			AR	C
59	562970	EQUALIZER "VANNER" 100AMPS From X-3045	1	1	1	C
59	562969	EQUALIZER "VANNER" 60AMPS	1	1	1	B
59	561016	EQUALIZER "VANNER" 50 AMPS			AR	B
60	062682	DECAL / "BOOSTER BLOCK" / ENGLISH & FRANCAIS	1	1	1	
60	066045	DECAL / "BOOSTER BLOCK" / ENGLISH & SPANISH	1	1	1	
NS	560422	BLOCK, TERMINAL / 1 STUD 3/8-16 / BLACK	2	2	2	
NS	381223	COVER PROTECTOR	1	1	1	
NS	063966	CABLE ASSY / W/W.C.L. / #24 WL	1	1		
NS	065121	KIT EQUALIZER 60AMPS	1	1	1	
. NS	IS-99016C	. SEE INSTRUCTION SHEET	1	1	1	
NS	065122	KIT EQUALIZER 100AMPS	1	1	1	
. NS	IS-99016C	. SEE INSTRUCTION SHEET	1	1	1	
		A) FOLLOWING ITEMS ARE USE W/8D BATTERIES W/SIDE POST				
		B) THIS PART IS SUPERSEDED BY KIT #065121. SEE INSTRUCTION SHEET IS-99016C FOR HELP				
		C) THIS PART IS SUPERSEDED BY KIT #065122. SEE INSTRUCTION SHEET IS-99016C FOR HELP				

From V-1779 To 2-4416

Date:10/2022

PAGE:H3-0615-02

BATTERIES COMPARTMENT - INSTALLATION

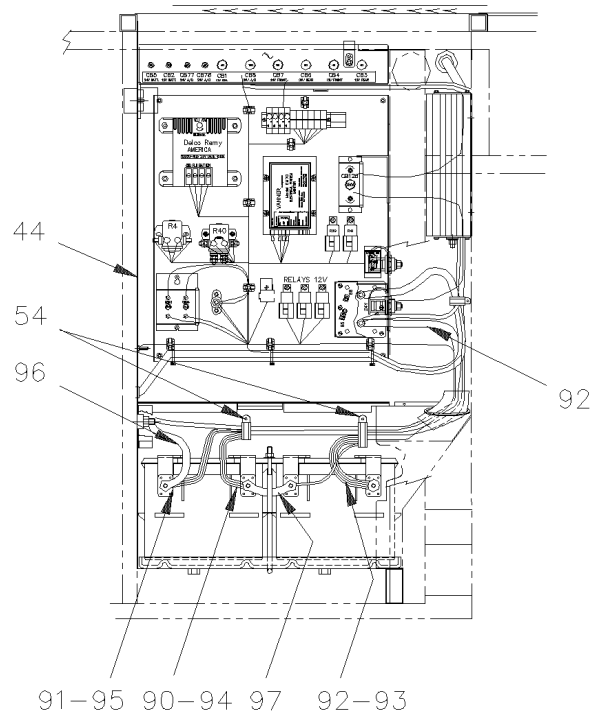
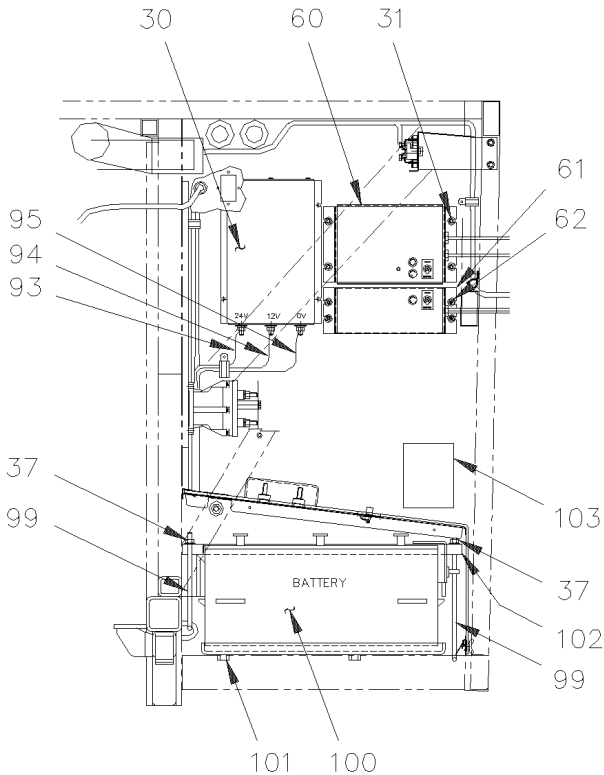
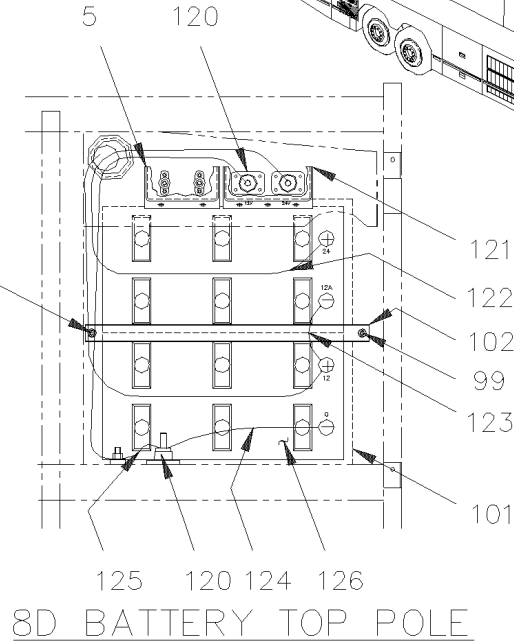
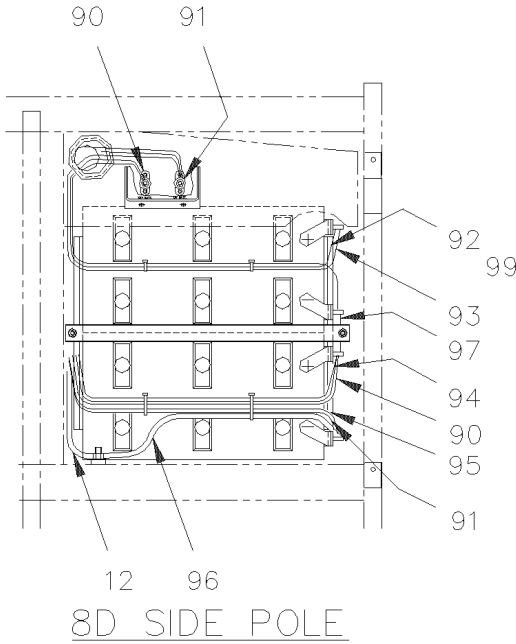
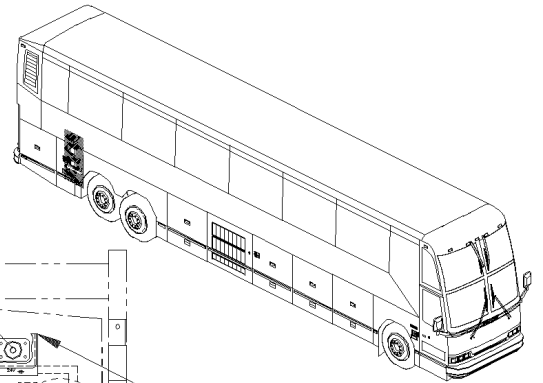


From V-1779 To 2-4416

Date:10/2022

PAGE:H3-0615-02

BATTERIES COMPARTMENT - INSTALLATION



From V-1779 To 2-4416	Date:10/2022	PAGE:H3-0615-02
BATTERIES COMPARTMENT - INSTALLATION		

Item#	Part	Description	H 3 4 1	H 3 4 5	V I P 4 5	N O T E S
1	561232	BATTERY 12V/625 CCA / GR31 To Y-3537	4	4	4	
1	563030	BATTERY 12V/930 CCA / GR31 From Y-3538	4	4	4	
2	063587	CABLE ASSY / #24VA	1	1	1	
3	061180	CABLE ASSY / B - TO B -	2	2	2	
4	063591	CABLE ASSY / RELAY BATTERY & BATTERY #24	1	1	1	A
5	381223	COVER PROTECTOR	1	1	1	
NS	500638	SCREW TP PAN PH #8x1/2 Z050	2	2	2	
NS	500438	WASHER FL .187x.437x.050 Z050	2	2	2	
6	560422	BLOCK, TERMINAL / 1 STUD 3/8-16 / BLACK	2	2	2	
NS	502698	SCREW MA PAN PH M4-0.7x16 SS BK	4	4	4	
NS	502524	NUT HEX M4-0.7 Z050	4	4	4	
7	063910	CABLE ASSY / # 00A	1	1	1	
8	063906	CABLE ASSY / POWER E.C.U.	1	1	1	
9	063911	CABLE ASSY / #12	1	1	1	
10	063589	CABLE ASSY / #12VA	1	1	1	
11	062371	CABLE ASSY / B + TO B +	2	2	2	
12	063586	CABLE ASSY / BATTERY BOOSTER BLOCK / #0 To X-3212	1	1	1	
12	065094	CABLE ASSY / BATTERY BOOSTER BLOCK / #0 From X-3213	1	1	1	
13	063592	CABLE ASSY / B - TO GROUND	1	1	1	
14	063588	CABLE ASSY / #0VA	1	1	1	
15	061036	CABLE ASSY / B - TO B -	1	1	1	
17	063621	CABLE ASSY / RELAY BATTERY & STARTOR #101	1	1	1	
18	063595	CABLE ASSY / TO BOOSTER BLOCK #24 To X-3212	1	1	1	
18	065093	CABLE ASSY / TO BOOSTER BLOCK #24 From X-3213	1	1	1	
19	064229	CABLE ASSY / PUMP & GROUND / W.C.L. / #0 W		1		B
NS	063966	CABLE ASSY / W/W.C.L. / #24 WL To X-3212	1	1		
19	065095	CABLE ASSY / W/W.C.L. RICON 9000 / #24 WL From X-3213	1	1		
20	065095	CABLE ASSY / W/W.C.L. RICON 9000 / #24 WL	1	1	1	
21	064228	CABLE ASSY / SWITCH & PUMP / W.C.L. / #24 WC		1		
22	562775	REGULATOR ASSY 24V / W/4 SCREWS	1	1	1	
NS	064577	JUMPER, WIRE	1	1	1	
30	562542	EQUALIZER "VANNER" 100AMPS To X-3044	1	1	1	F
30	562970	EQUALIZER "VANNER" 100AMPS From X-3045 To 1-4086	1	1	1	F
30	563130	EQUALIZER "VANNER" 100AMPS From 1-4087	1	1	1	
30	561016	EQUALIZER "VANNER" 50 AMPS To X-3044	1	1	1	E
30	562969	EQUALIZER "VANNER" 60AMPS From X-3045 To 1-4087	1	1	1	E
30	563129	EQUALIZER "VANNER" 60AMPS From 1-4088	1	1	1	
31	502561	NUT HEX M5-0.8 Z050	AR	AR	AR	
NS	502573	WASHER FL 6.4x12.5x1.6 SS	AR	AR	AR	
32	504398	GROMMET / 1.000x1.375x.062x.437x1.750	1	1	1	
33	380671	TRAY, BATTERIES	1	1	1	
34	381600	BATTERIES SUPPORT	1	1	1	

From V-1779 To 2-4416		Date:10/2022	PAGE:H3-0615-02
-----------------------	--	--------------	-----------------

BATTERIES COMPARTMENT - INSTALLATION

Item#	Part	Description	H 3 4 1	H 3 4 5	V I P 4 5	N O T E S
35	381602	RACK BATTERIES	1	1	1	
36	381660	BATTERY SUP. HOOK 38-16x280MM SS	3	3		
37	500102	NUT HEX 3/8-16 SS	3	3	3	
NS	500257	WASHER LO SPT 10.2x18.1x2.2 Z050	3	3	3	
38	381672	COVER BATTERIES ASSY / W/2 LATCH	1	1	1	
. NS	381671	. COVER PANEL	1	1	1	
. NS	504203	. SPRING LATCH / KNURLED STEEL KNOB	2	2	2	
. NS	504603	. STUD 6 MM (DZUS)	2	2	2	
. NS	504604	. FASTENER	2	2	2	
. NS	504339	. RIVET POP DOME OE 1/8x3/8 SS	4	4	4	
. NS	160295	. DECAL / "IT FORBIDDEN TO STOCK ANYTING IN TH. / ENGLISH & FRANCAIS	1	1	1	
38	161191	DECAL / "IT FORBIDDEN TO STOCK ANYTING IN TH. / ENGLISH & SPANISH	1	1	1	
39	063751	DECAL BATTERY WIRING CABLE / ENGLISH	1	1	1	
39	066047	DECAL BATTERY WIRING CABLE / ENGLISH & SPANISH	1	1	1	
40	381210	SEPARATOR / FIBERGLASS RED	1	1	1	
NS	504118	RIVET POP DOME OE 3/16x3/8 AL	AR	AR	AR	
41	561856	BOOSTER BLOCK, REMOTE / RED	1	1	1	
42	062682	DECAL / "BOOSTER BLOCK" / ENGLISH & FRANCAIS	1	1	1	
42	066045	DECAL / "BOOSTER BLOCK" / ENGLISH & SPANISH	1	1	1	
43	561857	BOOSTER BLOCK, REMOTE / BLACK	1	1	1	
44	064623	DECAL BATTERY COMPARTMENT From W-2285 To X-2656	1	1	1	
44	064878	DECAL BATTERY COMPARTMENT From X-2657 To 1-4241	1	1	1	
44	064759	DECAL BATTERY COMPARTMENT W/SMALL A/C SYSTEM To X-2656			1	
44	064879	DECAL BATTERY COMPARTMENT W/SMALL A/C SYSTEM From X-2657 To 1-4241			1	
44	065525	DECAL BATTERY COMPARTMENT W/SMALL A/C SYSTEM From 1-4242			1	
NS	402804	DECAL / "ALWAYS DISCONNECT..." / ENGLISH	1	1	1	
NS	405638	DECAL / "ALWAYS DISCONNECT..." / ENGLISH & SPANISH	1	1	1	
50	680025	CAULKING STRIP 3/16" O.D. X 14'	AR	AR	AR	
51	500873	SCREW MA RND PH #8-32x3/4 SS BK	4	4	4	
NS	500764	NUT HEX #8-32 Z050	4	4	4	
52	H3-0616-11	BREAKER PANEL				
53	H3-0615-51	BATTERIES COMPARTMENT PANEL From V-1779				
54	504458	CLAMP / 1 5/8" I.D.	2	2	2	
54	560480	CLAMP / 1/2" I.D.	2	2	2	
54	560912	CLAMP / 1"1/4 I.D.	AR	AR	AR	
54	560482	CLAMP / 3/4" I.D. / W/HOLE 3/16"	2	2	2	
54	561678	CLAMP / 2" I.D.	1	1	1	
54	562060	CLAMP / 1 3/4" I.D.	2	2	2	
NS	502679	NUT HEX NYRT M4-0.7 ZP	AR	AR	AR	
55	506283	PIPE INSULATING / 1 5/8" I.D. X 1/2" TH. X 72 / APT15812	AR	AR	AR	
56	504605	RECEPTACLE 6 MM	2	2	2	D
57	504606	GROMMET / 3.000x3.500x.062x.500x4.000	1	1	1	

From V-1779 To 2-4416		Date:10/2022	PAGE:H3-0615-02
-----------------------	--	--------------	-----------------

BATTERIES COMPARTMENT - INSTALLATION

Item#	Part	Description	H 3 4 1	H 3 4 5	V I P 4 5	N O T E S
60	H3-0670-10	BATTERIES CHARGER - INSTALLATION To W-2284				
60	H3-0670-11	BATTERIES CHARGER - INSTALLATION From W-2285				
61	502565	NUT HEX M6-1.0 SS	4	4	4	
62	502572	NUT WD RND M6-1.0 SS	4	4	4	
		FOLLOWING ITEMS ARE USED WITH				
		8D BATTERIES WITH SIDE POST				
90	063909	CABLE ASSY / #12	1	1		
91	063908	CABLE ASSY / #00A	1	1		
92	063900	CABLE ASSY / RELAY BATTERY & BATTERY #24	1	1		
93	063899	CABLE ASSY / #24VA	1	1		
94	063898	CABLE ASSY / #12VA	1	1		
95	063897	CABLE ASSY / #0VA	1	1		
96	063902	CABLE ASSY / #0VA	1	1		
97	063903	CABLE ASSY / B + TO B -	1	1		
98	381513	J-HOOK / 209.55MM / 3/8-16 SS To R-083	1	1		
99	381660	BATTERY SUP. HOOK 38-16x280MM SS From R-084	1	1		
100	561861	BATTERY 12V/8D / W/SIDE POSTS / DRY	AR	AR		
100	562434	BATTERY 12V/8D / W/SIDE POSTS / WET To Y-3537	2	2		
100	563031	BATTERY 12V/8D / W/TOP POSTS From Y-3538	2	2		
NS	563065	BATTERY KIT, SIDE POSTS / FOR 8D BATTERIES	1	1		A
101	381670	TRAY, BATTERIES 8D	1	1		C
102	381669	RACK BATTERIES	1	1		
103	063912	DECAL BATTERIES WIRING CABLE / ENGLISH	1	1		
103	066048	DECAL BATTERIES WIRING CABLE / ENGLISH & SPANISH	1	1		
		FOLLOWING ITEMS ARE USED WITH				
		8D BATTERIES WITH TOP POST				
120	560177	BLOCK, TERMINAL / 1 STUD 1/2-13 / BLACK	3	3		
121	381780	PROTECTOR BOUNDS	1	1		
122	064376	CABLE ASSY / #24V	1	1		
123	064380	CABLE ASSY / #12V	1	1		
124	064377	CABLE ASSY / #0V	1	1		
125	064378	CABLE ASSY / BATTERY TO BOOSTER BLOCK / #0	1	1		
126	562665	BATTERY 12V/8D / W/TOP POSTS / WET	2	2		
NS	065121	KIT EQUALIZER 60AMPS	AR	AR		
. NS	IS-99016C	. SEE INSTRUCTION SHEET	1	1		
NS	065122	KIT EQUALIZER 100AMPS	AR	AR		
. NS	IS-99016C	. SEE INSTRUCTION SHEET	1	1		

From V-1779 To 2-4416	Date:10/2022	PAGE:H3-0615-02
BATTERIES COMPARTMENT - INSTALLATION		

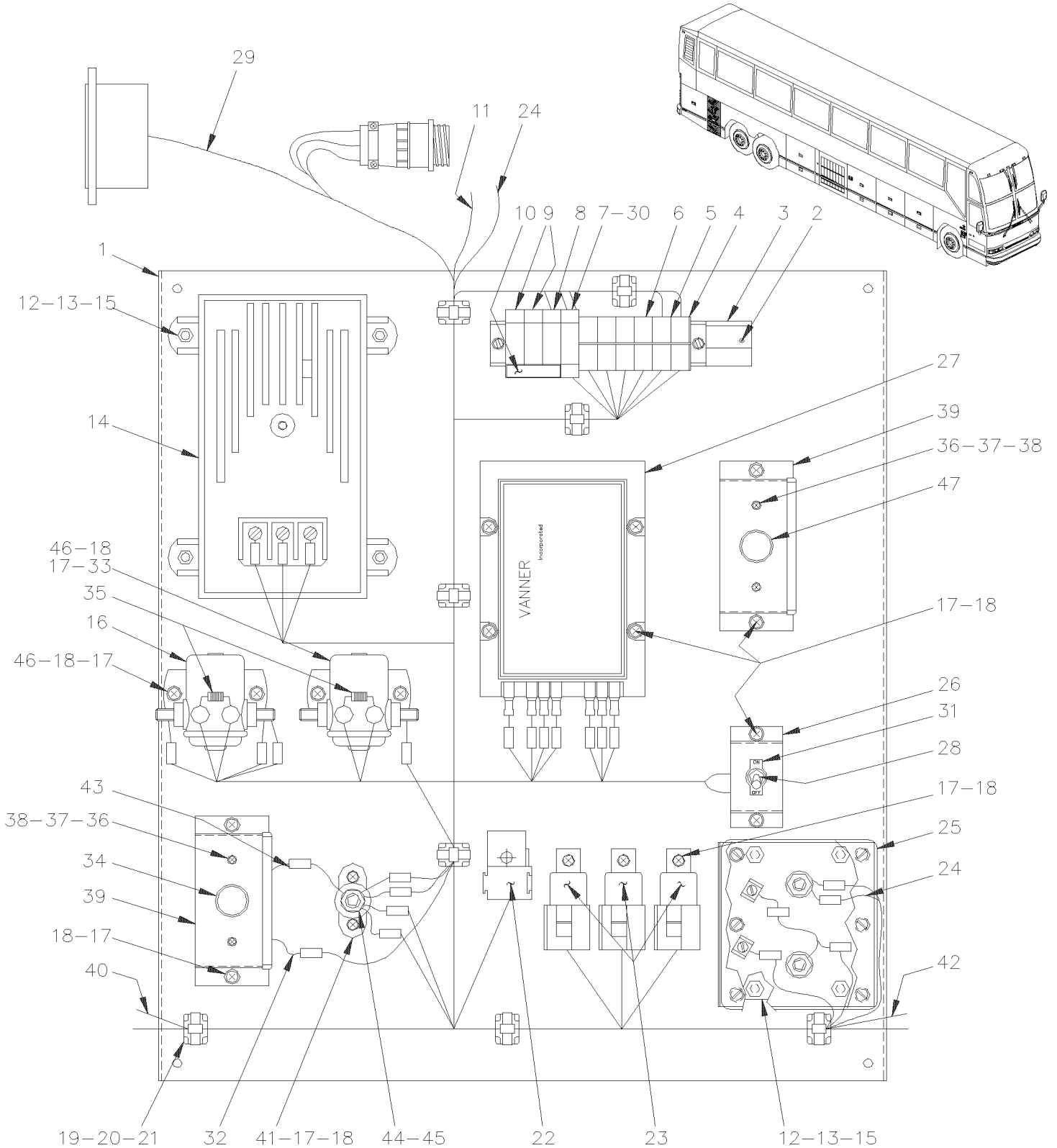
Item#	Part	Description	H 3 4 1	H 3 4 5	V I P 4 5	N O T E S
		A) FOLLOWING ITEMS ARE USE W/8D BATTERIES W/SIDE POST				
		B) #24 TO BOOST BLOCK				
		C) WITH 8D BATTERIES				
		D) TO FIX PROTECTOR #38				
		E) THIS PART IS SUPERSEDED BY KIT#065121. SEE INSTRUCTION SHEET IS-99016C FOR HELP				
		F) THIS PART IS SUPERSEDED BY KIT#065122. SEE INSTRUCTION SHEET IS-99016C FOR HELP				

From R-012 To V-1778

Date:10/2022

PAGE:H3-0615-50

BATTERIES COMPARTMENT PANEL



From R-012 To V-1778	Date:10/2022	PAGE:H3-0615-50
BATTERIES COMPARTMENT PANEL		

Item#	Part	Description	H 3 4 1	H 3 4 5	V I P 4 5	N O T E S
1	381581	BATTERY COMPARTMENT PANEL	1	1	1	
2	504006	RIVET POP CK OE 1/8x5/16 AL	2	2	2	
3	380839	RAIL SUPPORT / 180MM	1	1	1	
4	561729	STOPPER	2	2	2	
5	561728	END CLOSING	1	1	1	
6	561726	BLOCK JUNCTION	6	6	6	
7	561794	BREAKER 20AMPS / 24V /	AR	AR	AR	
8	561790	BREAKER 6AMPS / 24V /	1	1	1	
9	561793	BREAKER 15AMPS / 24V /	2	2	2	
10	381814	BUS BAR / W/3 HOLES 38MM	2	2	2	
11	063585	CABLE ASSY #24B To R-083	1	1	1	
11	063907	CABLE ASSY #24B From R-084	1	1	1	
12	502565	NUT HEX M6-1.0 SS	AR	AR	AR	
13	502573	WASHER FL 6.4x12.5x1.6 SS	AR	AR	AR	
14	560030	REGULATOR ASSY 24V / W/3 TERMINALS	1	1	1	A
15	502570	WASHER LO SPT 6.1x11.8x1.6 SS	AR	AR	AR	
16	561005	SWITCH MAGNETIC / 24V S.P.S.T. / 200AMPS N.O.	1	1	1	
17	500654	SCREW TC BDG PH #8-32x1/2 Z050	AR	AR	AR	
18	500022	WASHER LO INT .168x.340x.023 Z050	AR	AR	AR	
19	504013	TIE MOUNT / 1/4" X 1/4" I.D.	8	8	8	
20	504012	CABLE TIE / 3/16" X 6"1/2	8	8	8	
21	504114	RIVET POP DOME OE 3/16x1/4 AL	8	8	8	
22	561707	RELAY 24V S.P.D.T. W/RESISTOR /	AR	AR	AR	
23	561991	RELAY 24V S.P.S.T. / 70 AMPS N.O.	AR	AR	AR	
24	063593	CABLE ASSY	1	1	1	
25	562364	RELAY 24V S.P.S.T. / 300 AMPS N.O. // BATTERY DISCONNECT	1	1	1	
26	381594	SUPPORT, SWITCH	1	1	1	
27	562412	MONITOR / BATTERY EQUALIZER	1	1	1	
28	560256	SWITCH / OFF-ON / S.P.S.T.	1	1	1	
29	063623	CABLE ASSY To T-1510	1	1	1	
29	064227	CABLE ASSY From T-1511 To T-1583	1	1	1	
29	064291	CABLE ASSY From T-1584	1	1	1	
31	562394	PLATE, INDICATING (ON/OFF)	1	1	1	
32	063299	CABLE ASSY To T-1452	AR	AR	AR	
33	560407	SWITCH MAGNETIC / 24V S.P.S.T. / 50AMPS N.O.	AR	AR	AR	
34	870690	BREAKER 30AMPS / 24V / From T-1453	2	2		
34	560703	BREAKER 40AMPS / 24V /	AR	AR	AR	
34	560299	BREAKER 150AMPS / 24V /	AR	AR	AR	
35	060798	DIODE ASSY	AR	AR	AR	
36	500470	WASHER LO SPT .193x.334x.047 Z050	AR	AR	AR	
37	500786	NUT HEX #10-24 Z050	AR	AR	AR	
NS	500438	WASHER FL .187x.437x.050 Z050	AR	AR	AR	

From R-012 To V-1778	Date:10/2022	PAGE:H3-0615-50
BATTERIES COMPARTMENT PANEL		

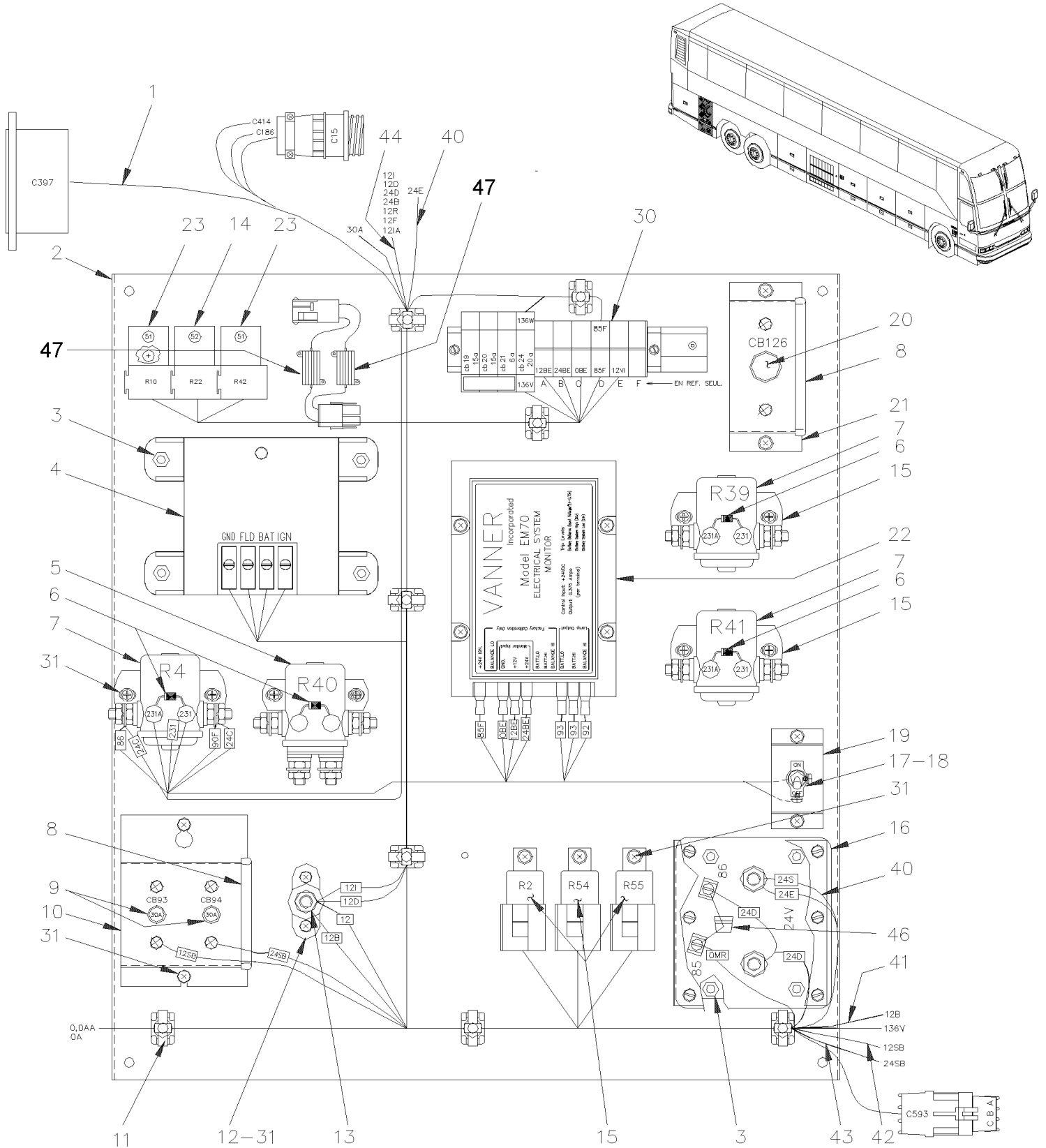
Item#	Part	Description	H 3 4 1	H 3 4 5	V I P 4 5	N O T E S
38	500388	SCREW MA RND PH #10-24x1 Z050	AR	AR	AR	
39	381552	BASE, BREAKER	AR	AR	AR	
39	381758	BASE, BREAKER From T-1453	1	1		
NS	506338	RUBBER CHANNEL / 1/16" x 1/4" INT "U" SHAPE / ROUND C.T.L.	AR	AR	AR	
40	063730	CABLE ASSY	AR	AR	AR	
41	560422	BLOCK, TERMINAL / 1 STUD 3/8-16 / BLACK	1	1	1	
42	063732	CABLE ASSY / W/STD BATTERY / #12B	1	1	1	
42	063901	CABLE ASSY / W/8D BATTERY / #12B	1	1		
NS	404316	CABLE ASSY 24SB From T-1453	1	1		
43	063731	CABLE ASSY #12B To T-1452	1	1	1	
43	404315	CABLE ASSY 12SB From T-1453	1	1		
44	500478	WASHER LO SPT .380x.683x.094 Z050	1	1	1	
45	500379	NUT HEX 3/8-16 BR	1	1	1	
47	562683	BREAKER 90AMPS / 24V /	AR	AR	AR	
47	562686	BREAKER 40AMPS / 24V /	AR	AR	AR	
47	562684	BREAKER 150AMPS / 24V /	AR	AR	AR	
NS	064717	KIT VOLTAGE REGULATOR	1	1	1	
. NS	IS-97104B	. SEE INSTRUCTION SHEET	1	1	1	
		A) THIS PART IS SUPERSEDED BY KIT #064717				

From V-1779 To 2-4416

Date:10/2022

PAGE:H3-0615-51

BATTERIES COMPARTMENT PANEL



From V-1779 To 2-4416	Date:10/2022	PAGE:H3-0615-51
BATTERIES COMPARTMENT PANEL		

Item#	Part	Description	H 3 4 1	H 3 4 5	V I P 4 5	N O T E S
1	064594	CABLE ASSY To X-2656	1	1	1	WD
1	064868	CABLE ASSY From X-2657 To X-3268	1	1	1	WD
1	065188	CABLE ASSY From X-3269 To X-3310	1	1	1	WD
1	065233	CABLE ASSY From X-3311 To Y-3831	1	1	1	WB
1	065310	CABLE ASSY From Y-3832 To 1-4241	1	1	1	WB
1	065412	CABLE ASSY From 1-4242	1	1	1	WB
1	064727	CABLE ASSY W/SMALL A/C To X-2656			1	WD
1	064869	CABLE ASSY W/SMALL A/C From X-2657 To X-3268			1	WD
1	065189	CABLE ASSY W/SMALL A/C From X-3269 To X-3310			1	WD
1	065232	CABLE ASSY From X-3311 To Y-3831	1	1	1	WB
1	065289	CABLE ASSY From Y-3832 To Y-4241	1	1	1	WB
1	065411	CABLE ASSY From Y-4242	1	1	1	WB
2	381801	BATTERY COMPARTMENT PANEL From V-1779 To W-2284	1	1	1	
2	381835	BATTERY COMPARTMENT PANEL From W-2285 To X-2900	1	1	1	
2	381891	BATTERY COMPARTMENT PANEL From X-2901 To 1-4036	1	1	1	
2	381975	BATTERY COMPARTMENT PANEL SS From 1-4037	1	1	1	
3	502565	NUT HEX M6-1.0 SS	AR	AR	AR	
NS	502573	WASHER FL 6.4x12.5x1.6 SS	AR	AR	AR	
NS	502570	WASHER LO SPT 6.1x11.8x1.6 SS	AR	AR	AR	
4	560030	REGULATOR ASSY 24V / W/3 TERMINALS To W-2217	1	1	1	F
4	562775	REGULATOR ASSY 24V / W/4 SCREWS From W-2218	1	1	1	F
NS	064577	JUMPER, WIRE From W-2218	1	1	1	
5	561014	SWITCH MAGNETIC / 24V D.P.S.T. / 200AMPS N.O.	1	1	1	
6	060798	DIODE ASSY	AR	AR	AR	
7	561005	SWITCH MAGNETIC / 24V S.P.S.T. / 200AMPS N.O.	AR	AR	AR	E
8	506338	RUBBER CHANNEL / 1/16" x 1/4" INT "U" SHAPE / ROUND C.T.L.	AR	AR	AR	
9	870690	BREAKER 30AMPS / 24V /	2	2		
10	381758	BASE, BREAKER	1	1		
11	504013	TIE MOUNT / 1/4" X 1/4" I.D.	8	8	8	
12	560422	BLOCK, TERMINAL / 1 STUD 3/8-16 / BLACK	1	1	1	
13	500379	NUT HEX 3/8-16 BR	1	1	1	
NS	500478	WASHER LO SPT .380x.683x.094 Z050	1	1	1	
14	561707	RELAY 24V S.P.D.T. W/RESISTOR /	AR	AR	AR	
15	561991	RELAY 24V S.P.S.T. / 70 AMPS N.O.	AR	AR	AR	
16	562364	RELAY 24V S.P.S.T. / 300 AMPS N.O. // BATTERY DISCONNECT	1	1	1	
17	560256	SWITCH / OFF-ON / S.P.S.T.	1	1	1	
18	562394	PLATE, INDICATING (ON/OFF)	1	1	1	
19	381594	SUPPORT, SWITCH	1	1	1	
20	560703	BREAKER 40AMPS / 24V /	AR	AR	AR	
20	560299	BREAKER 150AMPS / 24V /	AR	AR	AR	
20	562683	BREAKER 90AMPS / 24V /	AR	AR	AR	
21	381552	BASE, BREAKER	AR	AR	AR	

From V-1779 To 2-4416	Date:10/2022	PAGE:H3-0615-51
BATTERIES COMPARTMENT PANEL		

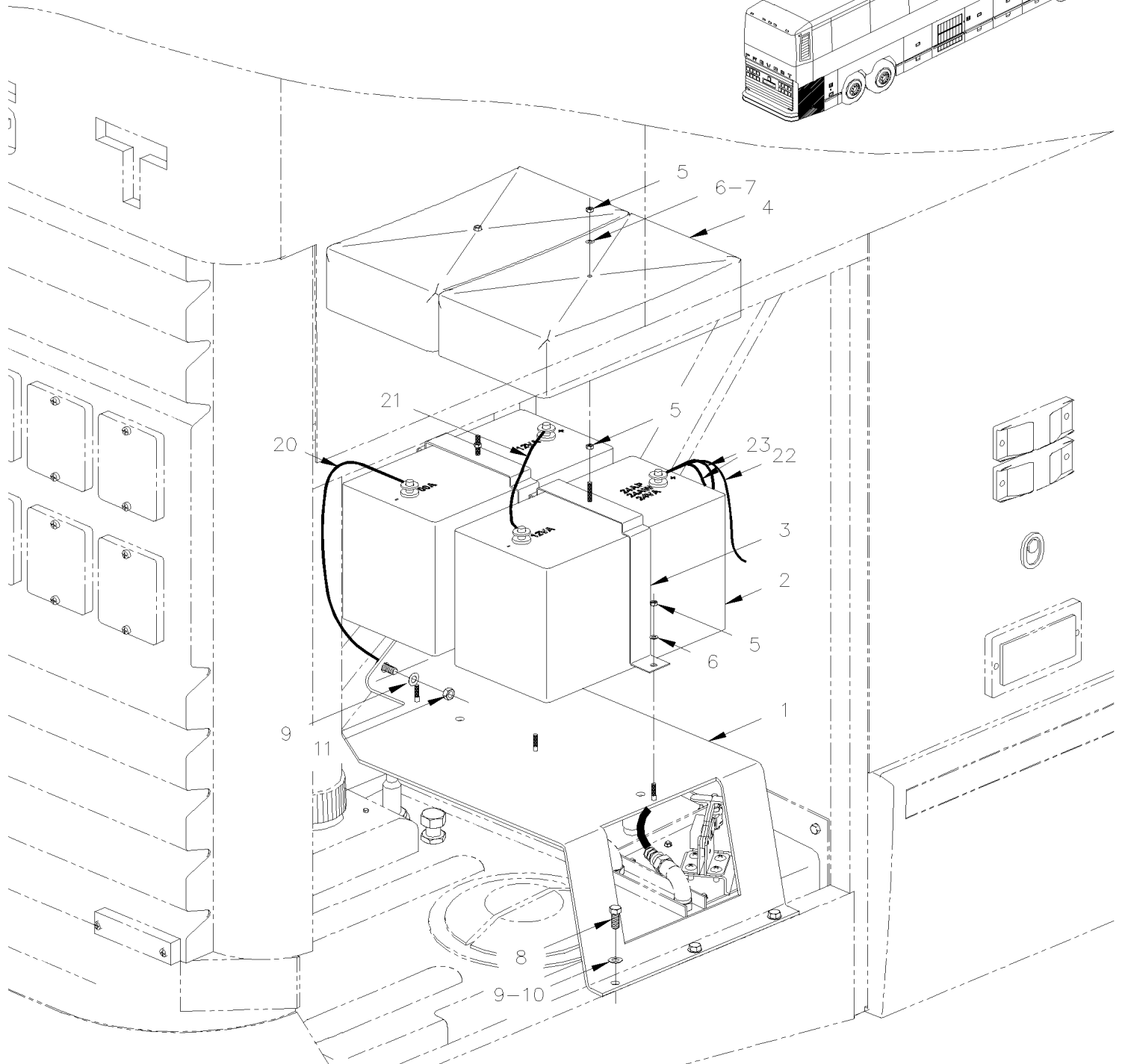
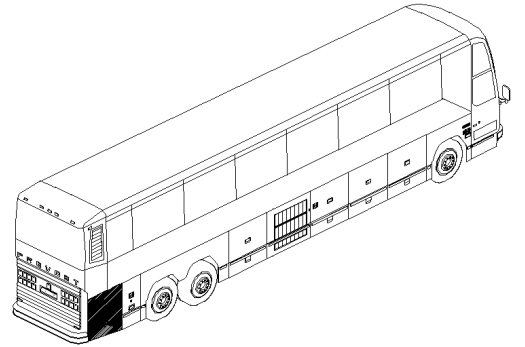
Item#	Part	Description	H 3 4 1	H 3 4 5	V I P 4 5	N O T E S
22	562412	MONITOR / BATTERY EQUALIZER To W-2159	1	1	1	
22	562785	MONITOR / BATTERY EQUALIZER From W-2160 To Y-3467	1	1	1	
22	563032	MONITOR / BATTERY EQUALIZER From Y-3468	1	1	1	
23	562092	RELAY 12V S.P.D.T. W/DIODE /	2	2		
NS	064766	CABLE ASSY / W/EATON TRANSMISSION	1	1		
30	H3-0616-00	JUNCTION BOX COMPONENTS, RELAY & BREAKER				
30	561790	BREAKER 6AMPS / 24V /	1	1	1	
30	561793	BREAKER 15AMPS / 24V /	2	2	2	
30	561794	BREAKER 20AMPS / 24V /	AR	AR	AR	
31	500883	SCREW TC PAN PH #8-32x3/8 Z050	AR	AR	AR	
NS	500022	WASHER LO INT .168x.340x.023 Z050	AR	AR	AR	
NS	500470	WASHER LO SPT .193x.334x.047 Z050	AR	AR	AR	
NS	500786	NUT HEX #10-24 Z050	AR	AR	AR	
NS	500438	WASHER FL .187x.437x.050 Z050	AR	AR	AR	
40	063593	CABLE ASSY	1	1	1	
41	063732	CABLE ASSY / W/STD BATTERY / #12B	AR	AR	AR	
41	063901	CABLE ASSY / W/8D BATTERY / #12B	AR	AR		
42	404315	CABLE ASSY 12SB	1	1		
43	404316	CABLE ASSY 24SB	1	1		
44	064607	CABLE ASSY To 1-4171	1	1	1	
44	065414	CABLE ASSY From 1-4172	1	1	1	
44	064729	CABLE ASSY W/SMALL A/C To 1-4171			1	
44	065413	CABLE ASSY W/SMALL A/C From 1-4172			1	
45	063730	CABLE ASSY	AR	AR	AR	
46	064792	DIODE ASSY	1	1	1	A
. NS	561740	. DIODE / 3AMPS	1	1	1	A
. NS	560082	. RING TERMINAL #10 / 16-14 / INSULATED / AMP 626033-2	1	1	1	A
. NS	560815	. RING TERMINAL #10 / 22-18 / INSULATED / AMP 42037-2	1	1	1	A
. NS	562499	. SHRINK TUBING / .250" - .125" / CLEAR / ALPHA FIT 221-1/4	AR	AR	AR	A
47	064907	RESISTOR ASSY	1	1	1	B
NS	064717	KIT VOLTAGE REGULATOR	1	1	1	
. NS	IS-97104B	. SEE INSTRUCTION SHEET	1	1	1	
		A) FOR PRODUCT IMPROVMENT WITH VEHICLE UP TO W-2584 ADD ONE FOR ELECTRONIC MODULE PROTECTION				
		B) FOR PRODUCT IMPROVMENT FOR VEHICLE FROM V-1779 TO X-2811 ORDER 1 RESISTOR ASSY + 4 SCREWS 500798				
		E) FOR PRODUCT IMPROVEMENT FOR VEHICULE Up to Y-3415 ORDER KIT #065271				
		F) THIS PART IS SUPERSEDED BY KIT #064717				
		WB) WARRANTY BULLETIN WB18-01□				
		WD) WITH 24V-240a "DELCO" SERIE 50DN				

From R-012 To 2-4416

Date:10/2022

PAGE:H3-0615-60

BATTERIES AUXILIARY - INSTALLATION



From R-012 To 2-4416	Date:10/2022	PAGE:H3-0615-60
BATTERIES AUXILIARY - INSTALLATION		

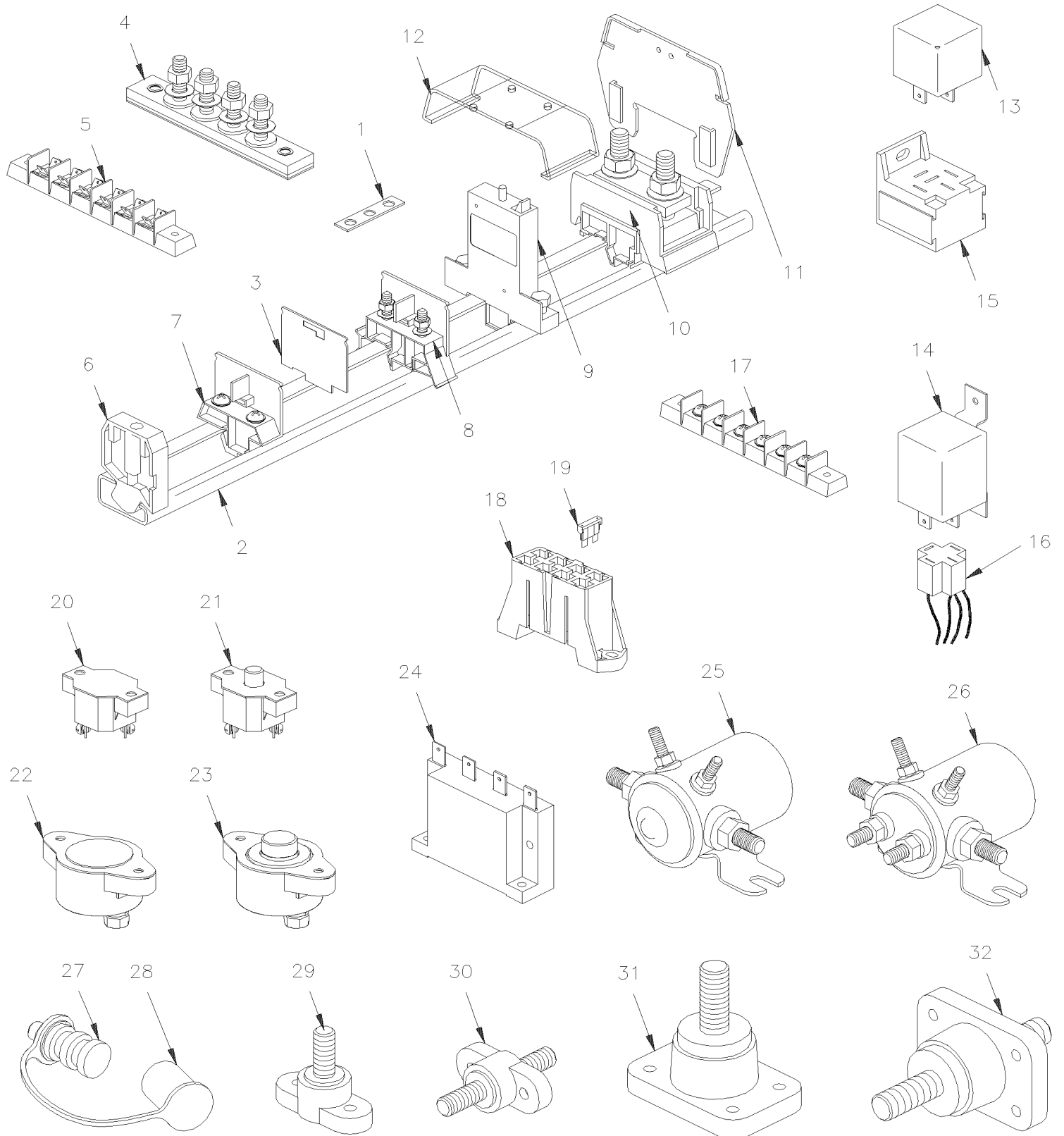
Item#	Part	Description	H 3 4 1	H 3 4 5	V I P 4 5	N O T E S
1	381775	BATTERY SUPPORT To X-3174	1	1		
1	381956	BATTERY SUPPORT From X-3175	1	1		
2	562626	BATTERY 12V/W/3/8-16POST / MARINE GEL	2	2		
2	562510	BATTERY 12V/750 CCA / GR31 To Y-3537	2	2		
2	562844	BATTERY 12V/900 CCA To Y-3537	2	2		
2	563030	BATTERY 12V/930 CCA / GR31 From Y-3538	1	1		
NS	562500	BATTERY WARMER 80 WATTS	2	2		
NS	562501	BATTERY WARMER 160 WATTS	2	2		
NS	065462	CABLE ASSY / 110V BATTERIES WARMER INSTALL	1	1		
3	064152	STRAP RETAINER To X-3174	2	2		
3	381955	STRAP RETAINER From X-3175	2	2		
4	880040	BOX, BATTERY To X-3174	2	2		
4	880043	BOX, BATTERY From X-3175	1	1		
5	502511	NUT HEX NYRT M6-1.0 Z050	6	6		
6	502573	WASHER FL 6.4x12.5x1.6 SS	6	6		
7	500950	WASHER FL .187x.625x.094 RUB	2	2		
8	502559	SCREW CAP HEX M10-1.5x25 G8.8 Z050	3	3		
9	502644	WASHER FL 10.5x30.0x2.5 Z050	3	3		
10	500257	WASHER LO SPT 10.2x18.1x2.2 Z050	3	3		
11	500256	NUT HEX M10-1.5 Z050	1	1		
NS	064046	CABLE ASSY / #24VA	1	1		
NS	560271	RELAY SOLOINOID 12V S.P.S.T. N.O.	AR	AR		
20	064044	CABLE ASSY / #00A	1	1		
21	063667	CABLE ASSY / #12VA	1	1		
22	064046	CABLE ASSY / #24VA	1	1		
23	064125	WIRING HARNESS AUXILIARY BATTERIES / W/8D BATTERIES	1	1		

From R-012 To 2-4416

Date:10/2022

PAGE:H3-0616-00

JUNCTION BOX COMPONENTS, RELAY & BREAKER



From R-012 To 2-4416	Date:10/2022	PAGE:H3-0616-00
JUNCTION BOX COMPONENTS, RELAY & BREAKER		

Item#	Part	Description	H 3 4 1	H 3 4 5	V I P 4 5	N O T E S
1	381813	BUS BAR / W/2 HOLES 25MM	AR	AR	AR	
1	381814	BUS BAR / W/3 HOLES 38MM	AR	AR	AR	
1	381815	BUS BAR / W/4 HOLES 51MM	AR	AR	AR	
1	381816	BUS BAR / W/4 HOLES 64MM	AR	AR	AR	
1	381818	BUS BAR / W/4 HOLES 103MM	AR	AR	AR	
1	381817	BUS BAR / W/6 HOLES 77MM	AR	AR	AR	
1	381819	BUS BAR / W/8 HOLES 103MM	AR	AR	AR	
1	381820	BUS BAR / W/9 HOLES 117MM	AR	AR	AR	
1	880027	BUS BAR / W/10 HOLES 128MM	AR	AR	AR	
2	880026	RAIL SUPPORT / 2 METERS	AR	AR	AR	
2	381300	RAIL SUPPORT / 45MM	AR	AR	AR	
2	380927	RAIL SUPPORT / 72MM	AR	AR	AR	
2	380904	RAIL SUPPORT / 80MM	AR	AR	AR	
2	381203	RAIL SUPPORT / 100MM	AR	AR	AR	
2	380905	RAIL SUPPORT / 150MM	AR	AR	AR	
2	381249	RAIL SUPPORT / 155MM	AR	AR	AR	
2	380964	RAIL SUPPORT / 171MM	AR	AR	AR	
2	380839	RAIL SUPPORT / 180MM	AR	AR	AR	
2	380883	RAIL SUPPORT / 200MM	AR	AR	AR	
2	381638	RAIL SUPPORT / 209MM	AR	AR	AR	
2	380885	RAIL SUPPORT / 225MM	AR	AR	AR	
2	380793	RAIL SUPPORT / 230MM	AR	AR	AR	
2	380751	RAIL SUPPORT / 280MM	AR	AR	AR	
2	380756	RAIL SUPPORT / 290MM	AR	AR	AR	
2	380712	RAIL SUPPORT / 315MM	AR	AR	AR	
2	380838	RAIL SUPPORT / 320MM	AR	AR	AR	
2	380937	RAIL SUPPORT / 324MM	AR	AR	AR	
2	380914	RAIL SUPPORT / 350MM	AR	AR	AR	
2	380884	RAIL SUPPORT / 360MM	AR	AR	AR	
2	381124	RAIL SUPPORT / 460MM	AR	AR	AR	
2	381123	RAIL SUPPORT / 525MM	AR	AR	AR	
2	380713	RAIL SUPPORT / 605MM	AR	AR	AR	
2	380752	RAIL SUPPORT / 1050MM	AR	AR	AR	
3	561728	END CLOSING	AR	AR	AR	
4	560112	JUNCTION BLOCK W/2 STUDS	AR	AR	AR	
4	560113	JUNCTION BLOCK W/4 STUDS	AR	AR	AR	
4	562504	JUNCTION BLOCK W/6 STUDS	AR	AR	AR	
4	560291	JUNCTION BLOCK W/8 STUDS	AR	AR	AR	
4	560116	JUNCTION BLOCK W/10 STUDS	AR	AR	AR	
5	562373	CONNECTOR, MULTIPLE BLADE	AR	AR	AR	
6	561729	STOPPER	AR	AR	AR	
NS	500583	. SCREW TP PAN PH #6x1/2 Z050	1	1	1	

From R-012 To 2-4416	Date:10/2022	PAGE:H3-0616-00
JUNCTION BOX COMPONENTS, RELAY & BREAKER		

Item#	Part	Description	H 3 4 1	H 3 4 5	V I P 4 5	N O T E S
7	381236	DUMMY ASSY W/SCREW	AR	AR	AR	
NS	562198	. BLOCK JUNCTION	1	1	1	
NS	500583	. SCREW TP PAN PH #6x1/2 Z050	2	2	2	
NS	500438	. WASHER FL .187x.437x.050 Z050	2	2	2	
8	561726	BLOCK JUNCTION	AR	AR	AR	
9	561797	BREAKER 3AMPS / 24V /	AR	AR	AR	
9	561790	BREAKER 6AMPS / 24V /	AR	AR	AR	
9	561791	BREAKER 8AMPS / 24V /	AR	AR	AR	
9	561792	BREAKER 10AMPS / 24V /	AR	AR	AR	
9	561793	BREAKER 15AMPS / 24V /	AR	AR	AR	
9	561794	BREAKER 20AMPS / 24V /	AR	AR	AR	
9	561795	BREAKER 25AMPS / 24V /	AR	AR	AR	
NS	502660	. SCREW QUARTER TURN	2	2	2	
10	561727	SCREW MA PAN PH	AR	AR	AR	
NS	500615	. NUT HEX M8-1.25 BR	2	2	2	
11	561731	COVER SUPPORT	AR	AR	AR	
12	561730	COVER / PROTECTOR / 1 BLOCK	AR	AR	AR	
12	561732	COVER / PROTECTOR / 2 BLOCKS	AR	AR	AR	
12	562024	COVER / PROTECTOR / 3 BLOCKS	AR	AR	AR	
		RELAY IDENTIFICATION SEE NUMBER				
		STAMPED ON / BOSCH # / POTTER BRUMFIELD #				
13	562751	RELAY 6V S.P.D.T.	AR	AR	AR	
13	561538	RELAY 12V S.P.D.T. V 415 F11	AR	AR	AR	
13	561706	RELAY 12V S.P.D.T. W/DIODE /	AR	AR	AR	
13	562092	RELAY 12V S.P.D.T. W/DIODE /	AR	AR	AR	
13	561182	RELAY 24V S.P.S.T. N.O. VF4-11H11	AR	AR	AR	
13	561230	RELAY 24V S.P.D.T. VF4-15H	AR	AR	AR	
13	561557	RELAY 24V S.P.D.T. N.O.	AR	AR	AR	
13	561707	RELAY 24V S.P.D.T. W/RESISTOR /	AR	AR	AR	
14	561928	RELAY 12V S.P.D.T. / 50 AMPS N.O. VF7-41F	AR	AR	AR	
14	561991	RELAY 24V S.P.S.T. / 70 AMPS N.O.	AR	AR	AR	
15	561183	RELAY BASE / TAB TERMINAL / BOSCH 3334485008	AR	AR	AR	
16	562367	CONNECTOR / TAB HOUSING 4C / POTTER BRUMFIELD VCF7-1000	AR	AR	AR	
16	561908	TAB RECEPTACLE TERMINAL / 22-18 / AMP 60295-2	AR	AR	AR	
16	561108	TAB RECEPTACLE TERMINAL / 18-14 / AMP 42238-2	AR	AR	AR	
16	561181	TAB RECEPTACLE TERMINAL / 12 / AMP 60508-2	AR	AR	AR	
16	562368	TAB TERMINAL / 12-8 / AMP 280756-4	AR	AR	AR	
17	562173	JUNCTION BLOCK W/10 STUDS	AR	AR	AR	
17	560116	JUNCTION BLOCK W/10 STUDS	AR	AR	AR	

From R-012 To 2-4416	Date:10/2022	PAGE:H3-0616-00
JUNCTION BOX COMPONENTS, RELAY & BREAKER		

Item#	Part	Description	H 3 4 1	H 3 4 5	V I P 4 5	N O T E S
17	560291	JUNCTION BLOCK W/8 STUDS	AR	AR	AR	
17	562504	JUNCTION BLOCK W/6 STUDS	AR	AR	AR	
17	560113	JUNCTION BLOCK W/4 STUDS	AR	AR	AR	
17	560112	JUNCTION BLOCK W/2 STUDS	AR	AR	AR	
18	562621	FUSE BLOCK W/4 LEDS & WIRES	AR	AR	AR	A
. NS	381960	. PROTECTOR COVER FUSE HOLDER 49MM x 62MM "OPTION SPECIAL"	AR	AR	AR	A
18	562797	FUSE BLOCK W/4 LEDS & WIRES	AR	AR	AR	
. NS	381960	. PROTECTOR COVER FUSE HOLDER 49MM x 62MM "OPTION SPECIAL"	AR	AR	AR	
19	562597	FUSE / ATO 1AMP BLACK	AR	AR	AR	
19	562598	FUSE / ATO 2 AMPS GREY	AR	AR	AR	
19	562599	FUSE / ATO 3 AMPS VIOLET	AR	AR	AR	
19	562600	FUSE / ATO 4 AMPS PINK	AR	AR	AR	
19	562259	FUSE / ATO 5 AMPS AMBER	AR	AR	AR	
19	562602	FUSE / ATO 7.5 AMPS BROWN	AR	AR	AR	
19	562407	FUSE / ATO 10 AMPS RED	AR	AR	AR	
19	562604	FUSE / ATO 15 AMPS BLUE	AR	AR	AR	
19	562605	FUSE / ATO 20 AMPS YELLOW	AR	AR	AR	
19	562606	FUSE / ATO 25 AMPS NATURAL	AR	AR	AR	
19	562396	FUSE / ATO 30 AMPS GREEN	AR	AR	AR	
19	562608	FUSE / ATO 35 AMPS BLUE-GREEN	AR	AR	AR	
19	562609	FUSE / ATC 40 AMPS ORANGE	AR	AR	AR	
20	560295	BREAKER 6AMPS / 24V /	AR	AR	AR	
20	560296	BREAKER 10AMPS / 24V /	AR	AR	AR	
20	560297	BREAKER 20AMPS / 24V /	AR	AR	AR	
21	870690	BREAKER 30AMPS / 24V /	AR	AR	AR	
21	870093	BREAKER 40AMPS / 24V /	AR	AR	AR	
22	560794	BREAKER 90AMPS / 24V /	AR	AR	AR	
22	560308	BREAKER 150AMPS / 24V /	AR	AR	AR	
23	560703	BREAKER 40AMPS / 24V /	AR	AR	AR	A
23	562686	BREAKER 40AMPS / 24V /	AR	AR	AR	
23	561767	BREAKER 70AMPS / 24V /	AR	AR	AR	
23	562687	BREAKER 70AMPS / 24V /	AR	AR	AR	
23	560298	BREAKER 90AMPS / 24V /	AR	AR	AR	A
23	562683	BREAKER 90AMPS / 24V /	AR	AR	AR	
23	560465	BREAKER 105AMPS / 24V /	AR	AR	AR	
23	562685	BREAKER 105AMPS / 24V /	AR	AR	AR	
23	562397	BREAKER 120AMPS / 24V /	AR	AR	AR	
23	562688	BREAKER 120AMPS / 24V /	AR	AR	AR	
23	560299	BREAKER 150AMPS / 24V /	AR	AR	AR	A
23	562684	BREAKER 150AMPS / 24V /	AR	AR	AR	
NS	560838	BREAKER 200AMPS / 24V /	AR	AR	AR	
24	560772	TIME DELAY RELAY	AR	AR	AR	

From R-012 To 2-4416	Date:10/2022	PAGE:H3-0616-00
JUNCTION BOX COMPONENTS, RELAY & BREAKER		

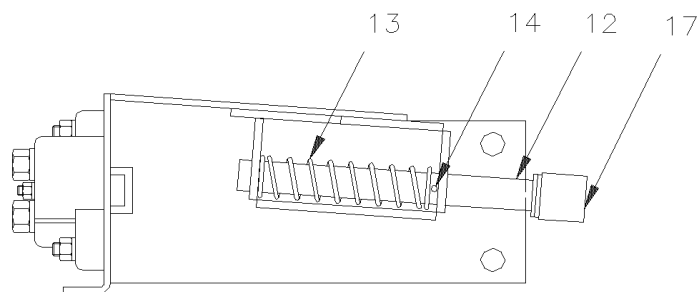
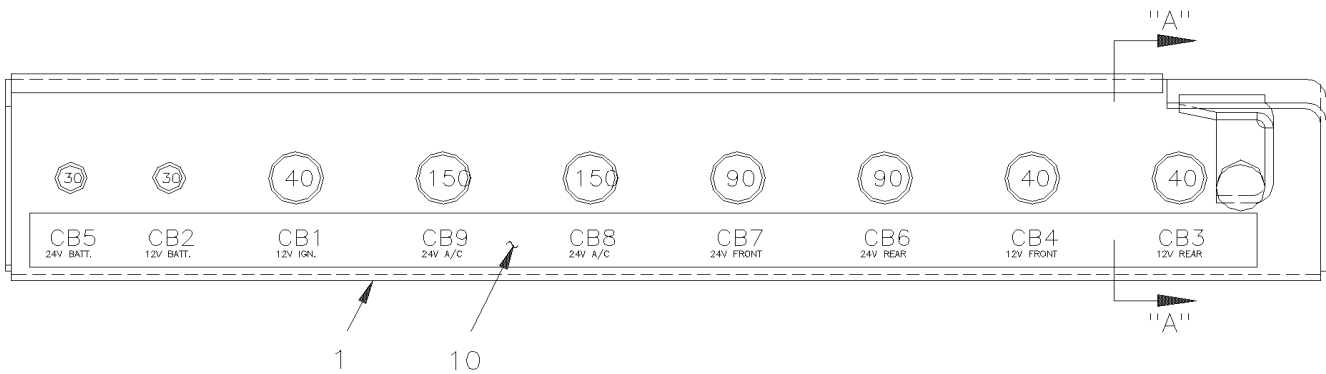
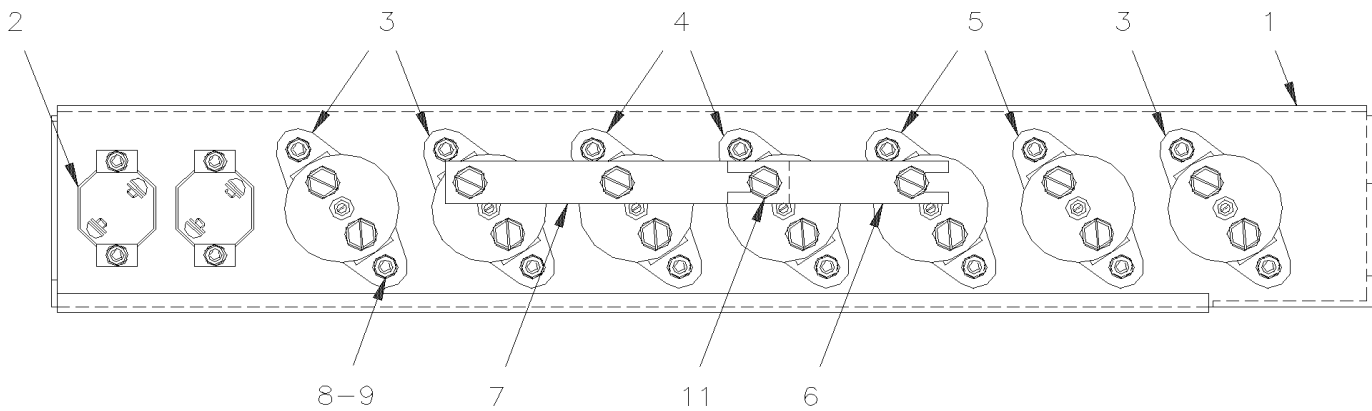
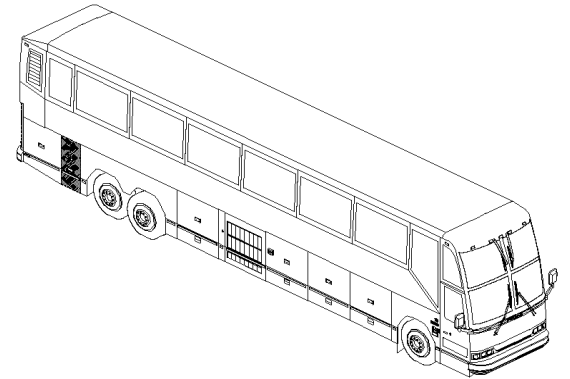
Item#	Part	Description	H 3 4 1	H 3 4 5	V I P 4 5	N O T E S
25	560407	SWITCH MAGNETIC / 24V S.P.S.T. / 50AMPS N.O.	AR	AR	AR	
25	561005	SWITCH MAGNETIC / 24V S.P.S.T. / 200AMPS N.O.	AR	AR	AR	
26	561014	SWITCH MAGNETIC / 24V D.P.S.T. / 200AMPS N.O.	AR	AR	AR	
27	561856	BOOSTER BLOCK, REMOTE / RED	1	1	1	
27	561857	BOOSTER BLOCK, REMOTE / BLACK	1	1	1	
28	562691	. PROTECTOR CAP / RED	1	1	1	
28	562692	. PROTECTOR CAP / BLACK	1	1	1	
NS	381210	SEPARATOR / FIBERGLASS RED	AR	AR	AR	
29	560422	BLOCK, TERMINAL / 1 STUD 3/8-16 / BLACK	AR	AR	AR	
30	561102	BLOCK, JUNCTION / 2 STUD 3/8-16 / BLACK	AR	AR	AR	
31	560177	BLOCK, TERMINAL / 1 STUD 1/2-13 / BLACK	AR	AR	AR	
32	560176	BLOCK, JUNCTION / 2 STUD 1/2-13 / RED	AR	AR	AR	
		A) FORMER				

From R-012 To V-1778

Date:10/2022

PAGE:H3-0616-10

BREAKER PANEL



VIEW "A-A"

From R-012 To V-1778	Date:10/2022	PAGE:H3-0616-10
BREAKER PANEL		

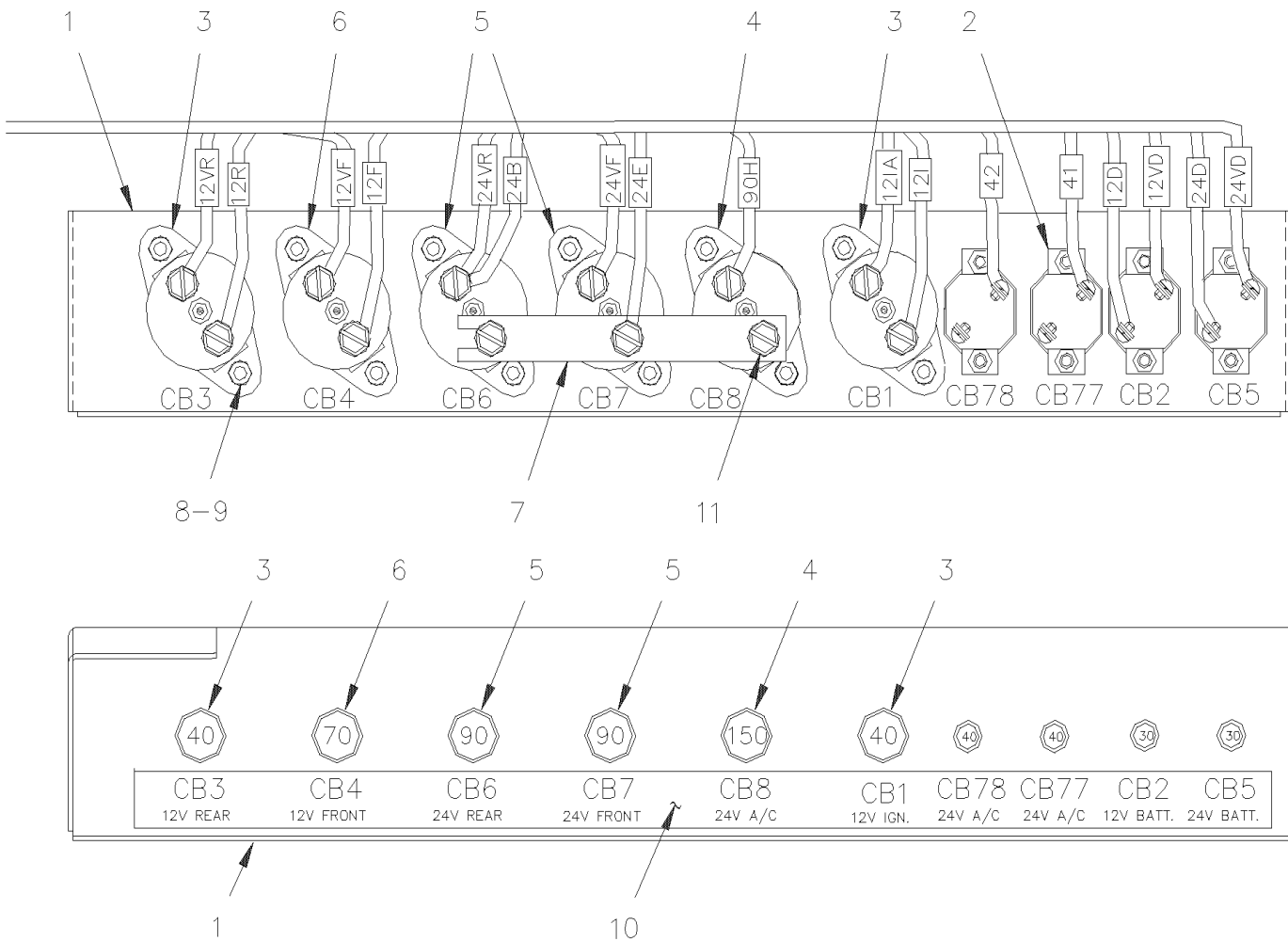
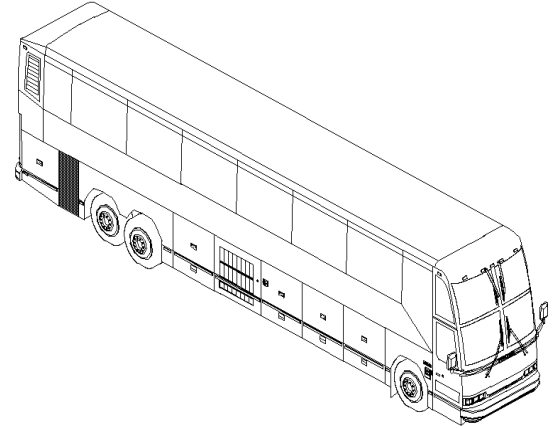
Item#	Part	Description	H 3 4 1	H 3 4 5	V I P 4 5	N O T E S
1	381649	BASE ASSY To V-1660	1	1	1	
1	381791	BASE ASSY From V-1661	1	1	1	
NS	506338	RUBBER CHANNEL / 1/16" x 1/4" INT "U" SHAPE / ROUND C.T.L.	AR	AR	AR	
2	870690	BREAKER 30AMPS / 24V /	AR	AR	AR	
3	560703	BREAKER 40AMPS / 24V /	AR	AR	AR	
4	560299	BREAKER 150AMPS / 24V /	AR	AR	AR	
5	560298	BREAKER 90AMPS / 24V /	AR	AR	AR	
6	380059	BUS BAR / W/2 SLOTS / 3 3/8" C/C	1	1	1	
7	381047	BUS BAR / W/3 HOLES / 60MM C/C	1	1	1	
NS	064400	WIRE ASSY #90B	1	1	1	
8	502524	NUT HEX M4-0.7 Z050	18	18	18	
9	502636	WASHER LO SPT 4.1x7.6x0.9 Z050	18	18	18	
10	063733	DECAL / BREAKER IDENTIFICATION	1	1	1	
11	500007	SCREW CAP HEX 1/4-28x3/4 G5 ZP	1	1	1	
12	283014	STOPPER 120MM To V-1660	1	1	1	
13	502181	SPRING COMPRESSION / .720 O.D. x 3 x .067 To V-1660	1	1	1	
14	505513	SPRING, PIN M3 x 24 SS To V-1660	1	1	1	
15	504454	BUMPER RUBBER BOLT / 20MM ODx20MM TH X M6X15MM STUD	1	1	1	
NS	285502	SPRING, TORSION / .625 O.D. x .629 x .125 From V-1661	1	1	1	

From V-1779 To 2-4416

Date:10/2022

PAGE:H3-0616-11

BREAKER PANEL



From V-1779 To 2-4416	Date:10/2022	PAGE:H3-0616-11
BREAKER PANEL		

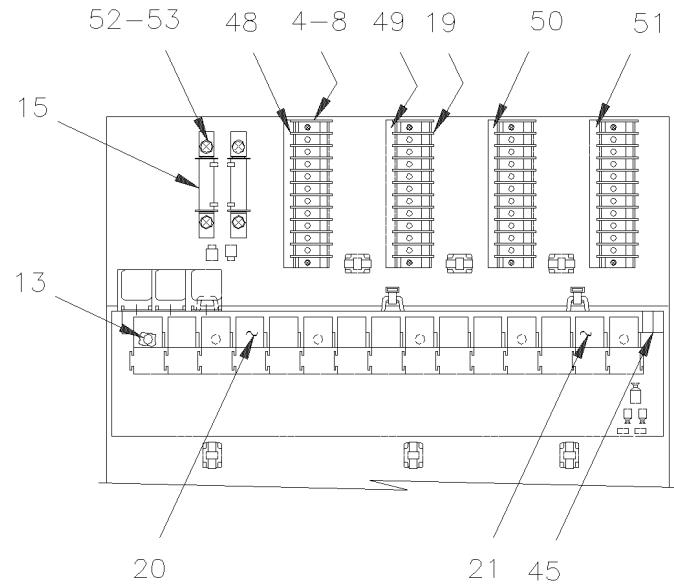
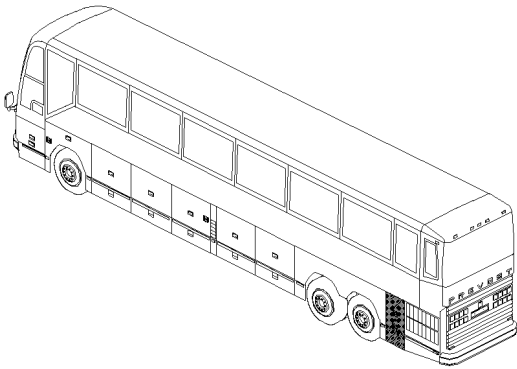
Item#	Part	Description	H 3 4 1	H 3 4 5	V I P 4 5	N O T E S
1	381800	SUPPORT BREAKER	1	1	1	
NS	506338	RUBBER CHANNEL / 1/16" x 1/4" INT "U" SHAPE / ROUND C.T.L.	AR	AR	AR	
2	870093	BREAKER 40AMPS / 24V /	AR	AR	AR	
2	870690	BREAKER 30AMPS / 24V /	AR	AR	AR	
3	562686	BREAKER 40AMPS / 24V /	AR	AR	AR	
4	562684	BREAKER 150AMPS / 24V /	AR	AR	AR	
5	562683	BREAKER 90AMPS / 24V /	AR	AR	AR	
6	562687	BREAKER 70AMPS / 24V /	1	1	1	A
6	562683	BREAKER 90AMPS / 24V /	1	1	1	
7	381047	BUS BAR / W/3 HOLES / 60MM C/C	1	1	1	
8	502524	NUT HEX M4-0.7 Z050	18	18	18	
9	502636	WASHER LO SPT 4.1x7.6x0.9 Z050	18	18	18	
10	064406	DECAL / BREAKER IDENTIFICATION	1	1	1	
11	500007	SCREW CAP HEX 1/4-28x3/4 G5 ZP	1	1	1	
NS	065060	KIT CB4 AND 12VF				
. NS	IS-98133	. SEE INSTRUCTION SHEET				
		A) FOR PRODUCT IMPROVMENT OF INSTALLATION W/BREAKER 40 AMPS CB4 W/WIRE 12VF. USE KIT #065060				

From R-012 To V-1778

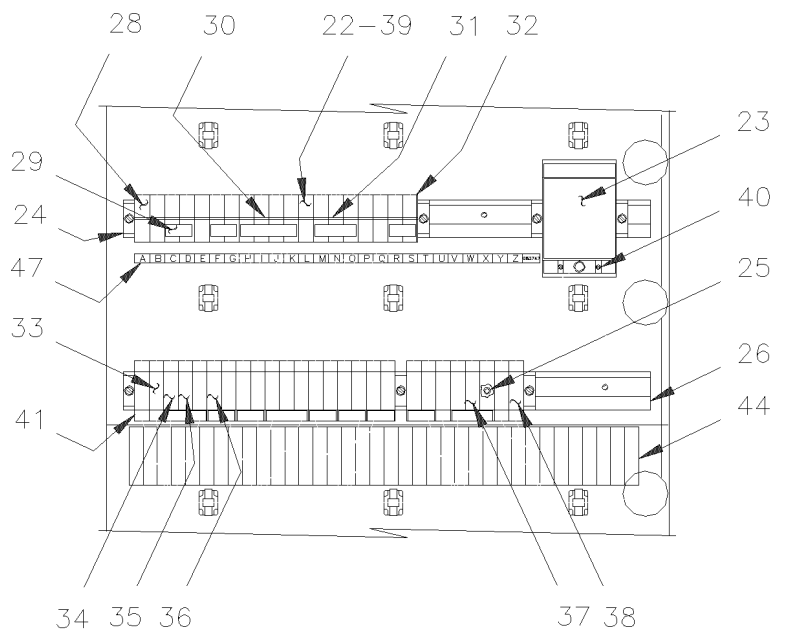
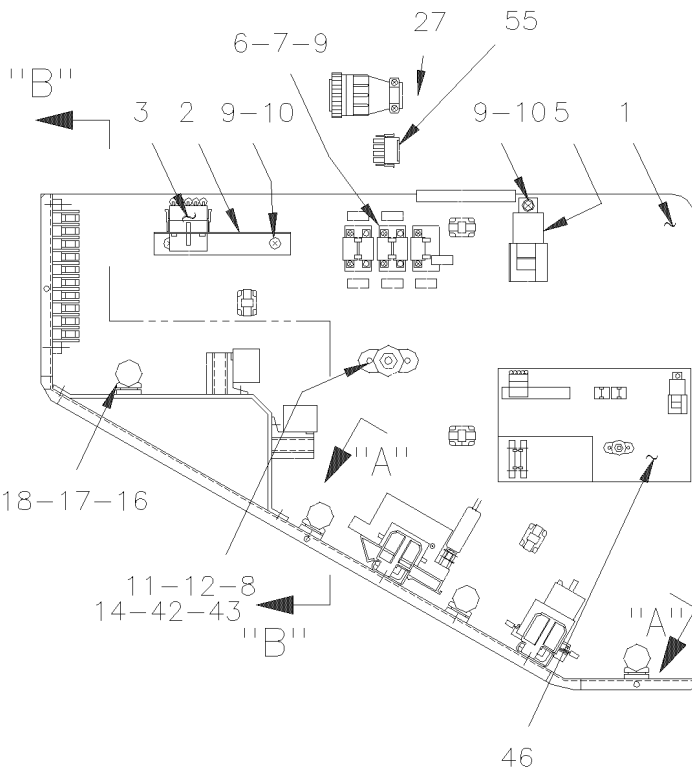
Date:10/2022

PAGE:H3-0620-01

REAR JUNCTION BOX ASSY



VIEW B-B



VIEW A-A

From R-012 To V-1778	Date:10/2022	PAGE:H3-0620-01
REAR JUNCTION BOX ASSY		

Item#	Part	Description	H 3 4 1	H 3 4 5	V I P 4 5	N O T E S
	381678	JUNCTION BOX ASSY To S-127	1	1		
	381693	JUNCTION BOX ASSY From S-128	1	1		
	381679	JUNCTION BOX ASSY To T-1422			1	
1	381590	. BOX ASSY	1	1	1	
1	381768	. BOX ASSY From T-1423			1	
2	381144	. SUPPORT W/RECTIFIER CONNECTOR	1	1	1	
3	381145	. DIODE ASSY / W/5 3AMPS	1	1	1	
4	500750	. SCREW MA TR PH M4-0.7x18 Z050	8	8	8	
5	561991	. RELAY 24V S.P.S.T. / 70 AMPS N.O.	1	1	1	
6	061976	. RESISTOR ASSY 1 OHM 10 W	2	2	2	
7	380923	. INSULATOR	2	2		
7	380923	. INSULATOR			3	
8	500470	. WASHER LO SPT .193x.334x.047 Z050	10	10	10	
9	500583	. SCREW TP PAN PH #6x1/2 Z050	7	7		
9	500583	. SCREW TP PAN PH #6x1/2 Z050			9	
10	500467	. WASHER LO INT .138x.275x.019 Z050	7	7		
10	500467	. WASHER LO INT .138x.275x.019 Z050			3	
11	500386	. SCREW MA RND PH #10-24x1/2 Z050	2	2	2	
12	500786	. NUT HEX #10-24 Z050	2	2	2	
13	500560	. SCREW MA PAN PH M4-0.7x6 Z050	AR	AR		
13	500560	. SCREW MA PAN PH M4-0.7x6 Z050			8	
14	560422	. BLOCK, TERMINAL / 1 STUD 3/8-16 / BLACK	1	1	1	
15	060806	. RESISTOR ASSY 0.82 OHM / W/12 VOLT FOG To S-127	1	1	1	
. NS	560823	. . RESISTOR / 0.82 OHM To S-127	2	2	2	
. . NS	562959	. . . SUPPORT, CERAMIC RESISTOR To S-127	1	1	1	
15	064029	. RESISTOR ASSY 0.82 OHM From S-128	1	1	1	
. NS	560823	. . RESISTOR / 0.82 OHM From S-128	2	2	2	
. . NS	562959	. . . SUPPORT, CERAMIC RESISTOR From S-128	1	1	1	
16	504013	. TIE MOUNT / 1/4" X 1/4" I.D.	18	18	18	
17	504012	. CABLE TIE / 3/16" X 6"1/2	18	18	18	
18	504114	. RIVET POP DOME OE 3/16x1/4 AL	18	18	18	
19	562373	. CONNECTOR, MULTIPLE BLADE	4	4	4	
20	561707	. RELAY 24V S.P.D.T. W/RESISTOR /	AR	AR	AR	
21	562092	. RELAY 12V S.P.D.T. W/DIODE /	AR	AR	AR	
22	502693	. NUT HEX NYRT M4-0.7	AR	AR	AR	
23	381250	. SWITCH, PROGRAMMABLE SPEED	1	1	1	
23	062767	. . BOARD CIRCUIT "SPEED SWITCH"	1	1	1	
24	561729	. STOPPER	AR	AR		
24	561729	. STOPPER			8	
25	504006	. RIVET POP CK OE 1/8x5/16 AL	10	10	10	
26	381124	. RAIL SUPPORT / 460MM	2	2	2	
27	063597	. WIRING HARNESS RR JCT BOX BUS H3 To S-127	1	1		

From R-012 To V-1778	Date:10/2022	PAGE:H3-0620-01
REAR JUNCTION BOX ASSY		

Item#	Part	Description	H 3 4 1	H 3 4 5	V I P 4 5	N O T E S
27	063955	. WIRING HARNESS RR JCT BOX BUS H3 From S-128 To T-1422	1	1		
27	064203	. WIRING HARNESS RR JCT BOX BUS H3 From T-1423 To T-1583	1	1		
27	064300	. WIRING HARNESS RR JCT BOX BUS H3 From T-1584	1	1		
27	063832	. WIRING HARNESS RR JCT BOX VIP To T-1422			1	
27	064204	. WIRING HARNESS RR JCT BOX VIP From T-1423 To T-1583			1	
27	064315	. WIRING HARNESS RR JCT BOX VIP From T-1584			1	
28	561726	. BLOCK JUNCTION	AR	AR		
28	561726	. BLOCK JUNCTION			19	
29	380886	. BUS BAR / W/2 HOLES 25MM	AR	AR		
29	380886	. BUS BAR / W/2 HOLES 25MM			14	
30	380888	. BUS BAR / W/4 HOLES 51MM	2	2	2	
31	380887	. BUS BAR / W/3 HOLES 38MM	8	8		
31	380887	. BUS BAR / W/3 HOLES 38MM			2	
32	561728	. END CLOSING	1	1	1	
33	561793	. BREAKER 15AMPS / 24V /	AR	AR	AR	
34	561791	. BREAKER 8AMPS / 24V /	AR	AR	AR	
35	561792	. BREAKER 10AMPS / 24V /	6	6		
35	561792	. BREAKER 10AMPS / 24V /			3	
36	561790	. BREAKER 6AMPS / 24V /	AR	AR	AR	
37	561797	. BREAKER 3AMPS / 24V /	AR	AR	AR	
38	561794	. BREAKER 20AMPS / 24V /	AR	AR	AR	
39	502524	. NUT HEX M4-0.7 Z050	2	2	2	
40	5001053	. SCREW MA PAN PH #4-40x1/4 ZP	2	2	2	
41	381236	. DUMMY ASSY W/SCREW	2	2		
41	381236	. DUMMY ASSY W/SCREW			1	
42	500856	. WASHER LO INT .384x.692x.040 ZP	1	1	1	
43	500102	. NUT HEX 3/8-16 SS	1	1	1	
44	063742	. DECAL / BREAKER IDENTIFICATION To S-127	1	1		
44	063976	. DECAL / BREAKER IDENTIFICATION From S-128 To T-1583	1	1		
44	064309	. DECAL / BREAKER IDENTIFICATION From T-1584	1	1		
44	063888	. DECAL / BREAKER IDENTIFICATION To T-1583				
44	064311	. DECAL / BREAKER IDENTIFICATION From T-1584				
45	063743	. DECAL / RELAY To S-127	1	1		
45	063975	. DECAL / RELAY From S-128 To T-1422	1	1		
45	064308	. DECAL / RELAY From T-1423	1	1		
45	063889	. DECAL / RELAY To T-1583				
45	064312	. DECAL / RELAY From T-1584				
46	063744	. DECAL / REAR JUNCTION BOX To S-127	1	1		
46	063974	. DECAL / REAR JUNCTION BOX From S-128	1	1		
46	063887	. DECAL / REAR JUNCTION BOX To T-1422				
47	063747	. DECAL / JUNCTION BLOCKS	1	1	1	
48	562389	. BAND, IDENTIFICATION 1-10	1	1	1	

From R-012 To V-1778	Date:10/2022	PAGE:H3-0620-01
REAR JUNCTION BOX ASSY		

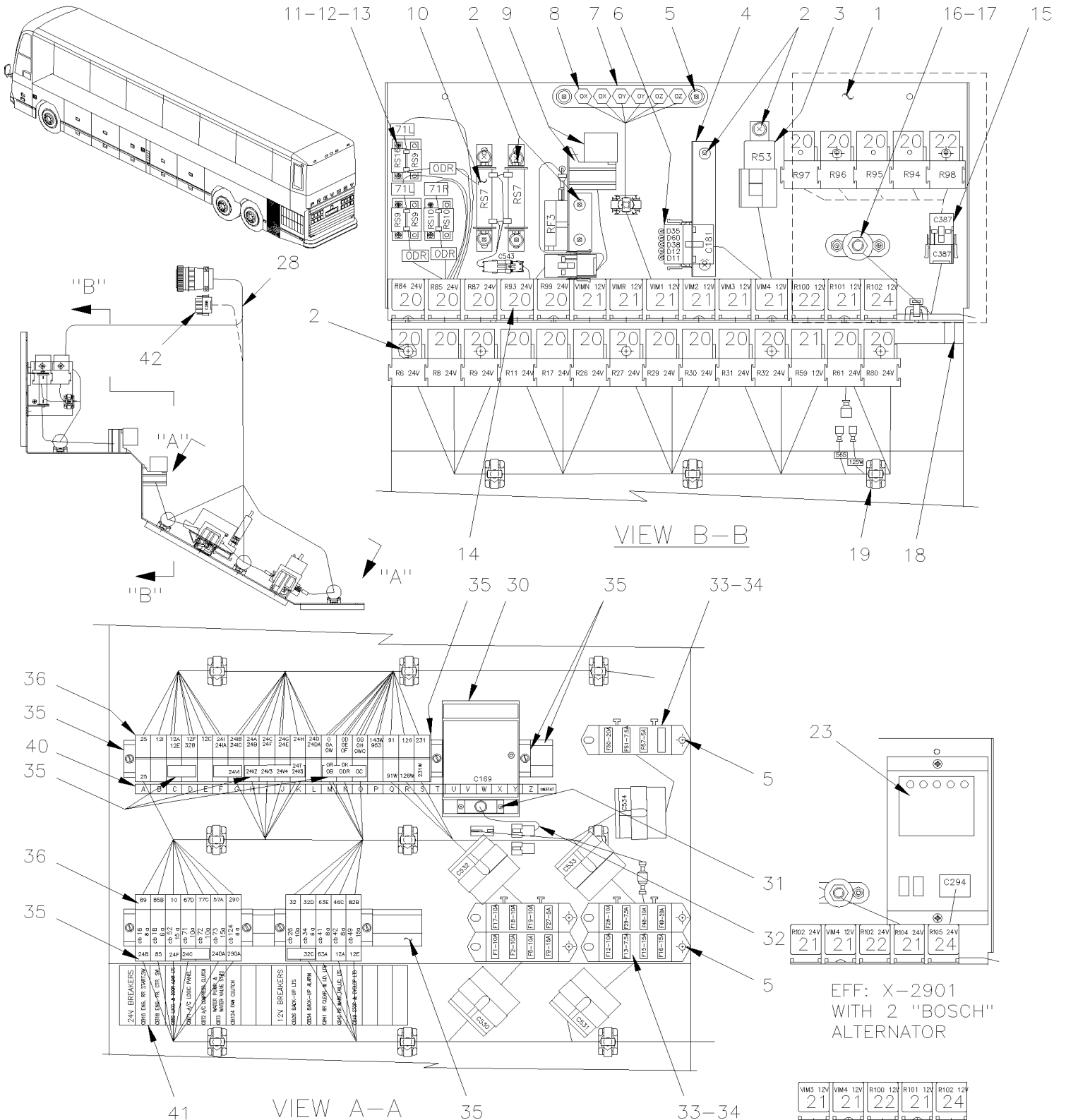
Item#	Part	Description	H 3 4 1	H 3 4 5	V I P 4 5	N O T E S
49	562390	. BAND, IDENTIFICATION 11-20	1	1	1	
50	562391	. BAND, IDENTIFICATION 21-30	1	1	1	
51	562392	. BAND, IDENTIFICATION 31-40	1	1	1	
52	500438	. WASHER FL .187x.437x.050 Z050	4	4	4	
53	5001036	. SCREW MA PAN PH M4-0.7x10 Z050	4	4	4	
54	063643	. WIRE ASSY	AR	AR	AR	
55	063962	. CABLE ASSY / W/W.C.L.	AR	AR	AR	
NS	561538	. RELAY 12V S.P.D.T. V 415 F11	AR	AR	AR	

From V-1779 To 2-4416

Date:10/2022

PAGE:H3-0620-02

REAR JUNCTION BOX ASSY



From V-1779 To 2-4416		Date:10/2022	PAGE:H3-0620-02
REAR JUNCTION BOX ASSY			

Item#	Part	Description	H 3 4 1	H 3 4 5	V I P 4 5	N O T E S
1	381803	SUPPORT JUNCTION BOX To W-2284	1	1	1	
1	381839	SUPPORT JUNCTION BOX From W-2285	1	1	1	
2	500638	SCREW TP PAN PH #8x1/2 Z050	2	2	2	
NS	500022	WASHER LO INT .168x.340x.023 Z050	AR	AR	AR	
3	561991	RELAY 24V S.P.S.T. / 70 AMPS N.O.	1	1	1	
4	381144	SUPPORT W/RECTIFIER CONNECTOR	1	1	1	
5	500641	SCREW TP PAN PH #8x3/4 Z050	8	8	8	
6	381145	DIODE ASSY / W/5 3AMPS	1	1	1	
7	562504	JUNCTION BLOCK W/6 STUDS	1	1	1	
8	500765	NUT HEX #10-32 BR	6	6	6	
9	064206	FAN CLUTCH, MODULE ASSY	1	1	1	
10	064412	RESISTOR ASSY 0.82 OHM	1	1	1	
. NS	560823	. RESISTOR / 0.82 OHM	2	2	2	
. . NS	562959	. . SUPPORT, CERAMIC RESISTOR	1	1	1	
11	061976	RESISTOR ASSY 1 OHM 10 W	2	2	2	
12	380923	INSULATOR	2	2	2	
13	500583	SCREW TP PAN PH #6x1/2 Z050	4	4	4	
14	063643	WIRE ASSY	1	1	1	A
15	064944	CABLE ASSY From X-2901	1	1		
16	560422	BLOCK, TERMINAL / 1 STUD 3/8-16 / BLACK	1	1	1	
17	500102	NUT HEX 3/8-16 SS	1	1	1	
17	500856	WASHER LO INT .384x.692x.040 ZP	1	1	1	
18	064414	DECAL, RELAY, BUS To W-2284	1	1		
18	064620	DECAL, RELAY, BUS From W-2285 To X-2656	1	1		
18	064859	DECAL, RELAY, BUS From X-2657 To X-2900	1	1		
18	064958	DECAL, RELAY, BUS From X-2901	1	1		
18	064751	DECAL, RELAY / W/SMALL A/C SYSTEM From X-2488 To X-2656			1	
18	064442	DECAL, RELAY, VIP To X-2656			1	
18	064866	DECAL, RELAY / W/SMALL A/C SYSTEM From X-2657			1	
18	064864	DECAL, RELAY, VIP From X-2657			1	
19	504013	TIE MOUNT / 1/4" X 1/4" I.D.	13	13	13	
NS	504637	CABLE TIE / 3/16" x 13"	13	13	13	
NS	504114	RIVET POP DOME OE 3/16x1/4 AL	13	13	13	
20	561707	RELAY 24V S.P.D.T. W/RESISTOR /	AR	AR	AR	
21	562092	RELAY 12V S.P.D.T. W/DIODE /	AR	AR	AR	
22	561538	RELAY 12V S.P.D.T. V 415 F11	AR	AR		
23	562947	CONTROL MODULE BOX / W / 2 "BOSCH" ALTERNATOR From X-2901	1	1	1	
23	563004	. FUSE / ATM 2 AMPS GREY From X-2901	1	1	1	
23	563005	. FUSE / ATM 7.5 AMPS BROWN From X-2901	1	1	1	
28	064393	WIRING HARNESS RR JCT BOX BUS H3 To W-2284	1	1		
28	064598	WIRING HARNESS RR JCT BOX BUS H3 From W-2285 To W-2366	1	1		
28	064664	WIRING HARNESS RR JCT BOX BUS H3 From W-2367 To X-2656	1	1		

From V-1779 To 2-4416	Date:10/2022	PAGE:H3-0620-02
REAR JUNCTION BOX ASSY		

Item#	Part	Description	H 3 4 1	H 3 4 5	V I P 4 5	N O T E S
28	064861	WIRING HARNESS RR JCT BOX BUS H3 From X-2657 To X-2725	1	1	1	
28	064838	WIRING HARNESS RR JCT BOX BUS H3 From X-2726 To X-2900	1	1		
28	064945	WIRING HARNESS RR JCT BOX BUS H3 From X-2901 To X-3212	1	1		
28	065204	WIRING HARNESS RR JCT BOX BUS H3 From X-3213 To Y-3831	1	1		
28	065288	WIRING HARNESS RR JCT BOX BUS H3 From Y-3832 To 2-4349	1	1		
28	065486	WIRING HARNESS RR JCT BOX BUS H3 From 2-4350	1	1		
28	064396	WIRING HARNESS RR JCT BOX VIP To W-2457			1	
28	064862	WIRING HARNESS RR JCT BOX VIP From X-2458 To Y-3831			1	
28	065292	WIRING HARNESS RR JCT BOX VIP From Y-3832 To 2-4349			1	
28	065488	WIRING HARNESS RR JCT BOX VIP From 2-4350			1	
28	064722	WIRING HARNESS RR JCT BOX VIP / W/SMALL A/C From X-2488 To X-2656			1	B
28	064865	WIRING HARNESS RR JCT BOX VIP / W/SMALL A/C From X-2657 To Y-3831			1	B
28	065293	WIRING HARNESS RR JCT BOX VIP / W/SMALL A/C From Y-3832 To 2-4349			1	B
28	065491	WIRING HARNESS RR JCT BOX VIP / W/SMALL A/C From 2-4350			1	B
30	381250	SWITCH, PROGRAMMABLE SPEED	1	1		C
30	062767	. BOARD CIRCUIT "SPEED SWITCH"	1	1		
31	5001053	SCREW MA PAN PH #4-40x1/4 ZP	2	2		
32	064301	CABLE ASSY SPEED SWITCH / W/MANUAL TRANSMISSION ONLY	1	1		
33	562621	FUSE BLOCK W/4 LEDS & WIRES	5	5	5	
. NS	381960	. PROTECTOR COVER FUSE HOLDER 49MM x 62MM "OPTION SPECIAL"	AR	AR	AR	
34	562259	FUSE / ATO 5 AMPS AMBER	AR	AR	AR	
34	562602	FUSE / ATO 7.5 AMPS BROWN	AR	AR	AR	
34	562407	FUSE / ATO 10 AMPS RED	AR	AR	AR	
34	562604	FUSE / ATO 15 AMPS BLUE	AR	AR	AR	
34	562605	FUSE / ATO 20 AMPS YELLOW	AR	AR	AR	
NS	064505	SPARE FUSE BOX	1	1	1	
35	H3-0616-00	JUNCTION BOX COMPONENTS, RELAY & BREAKER				
36	561797	BREAKER 3AMPS / 24V /			AR	
36	561790	BREAKER 6AMPS / 24V /	AR	AR	AR	
36	561791	BREAKER 8AMPS / 24V /	AR	AR	AR	
36	561792	BREAKER 10AMPS / 24V /	AR	AR	AR	
36	561793	BREAKER 15AMPS / 24V /	AR	AR	AR	
40	063747	DECAL / JUNCTION BLOCKS	1	1	1	
41	064413	DECAL, BREAKER To W-2284	1	1		
41	064619	DECAL, BREAKER From W-2285 To X-2656	1	1		
41	064860	DECAL, BREAKER From X-2657 To X-2900	1	1		
41	064959	DECAL, BREAKER From X-2901 To X-3212	1	1		
41	065207	DECAL, BREAKER From X-3213	1	1		
41	064433	DECAL, BREAKER To W-2457			1	
41	064863	DECAL, BREAKER From X-2458			1	
41	064752	DECAL, BREAKER / W/SMALL A/C SYTEM From X-2488 To X-2656			1	
41	064867	DECAL, BREAKER / W/SMALL A/C SYTEM From X-2657			1	

From V-1779 To 2-4416	Date:10/2022	PAGE:H3-0620-02
-----------------------	--------------	-----------------

REAR JUNCTION BOX ASSY

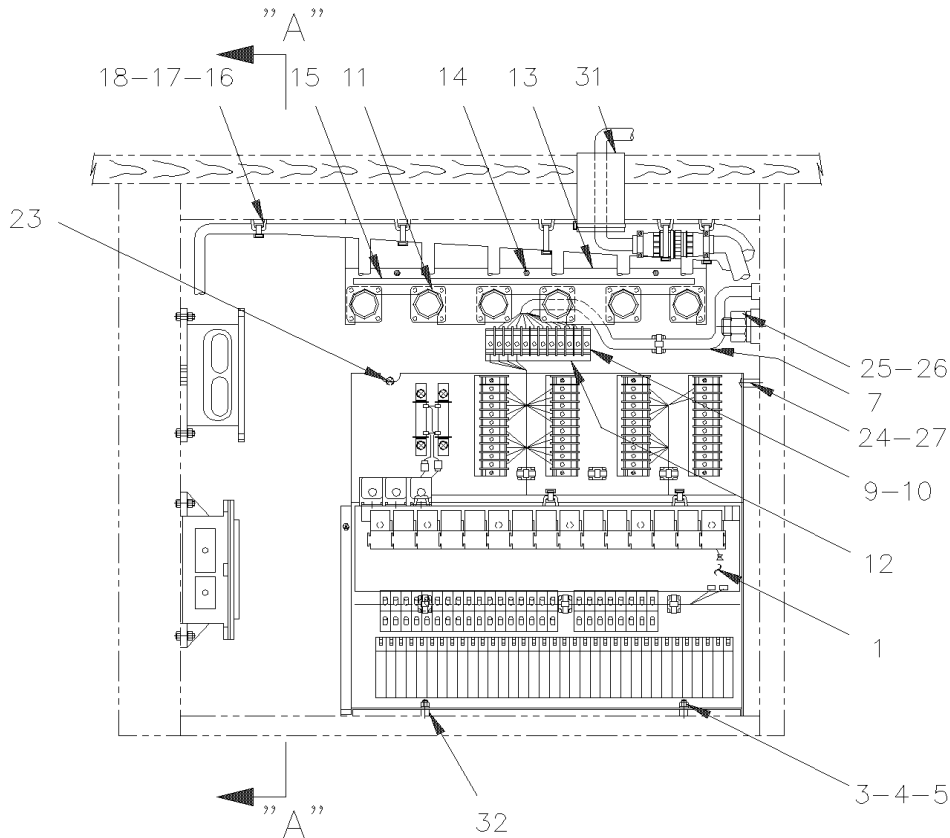
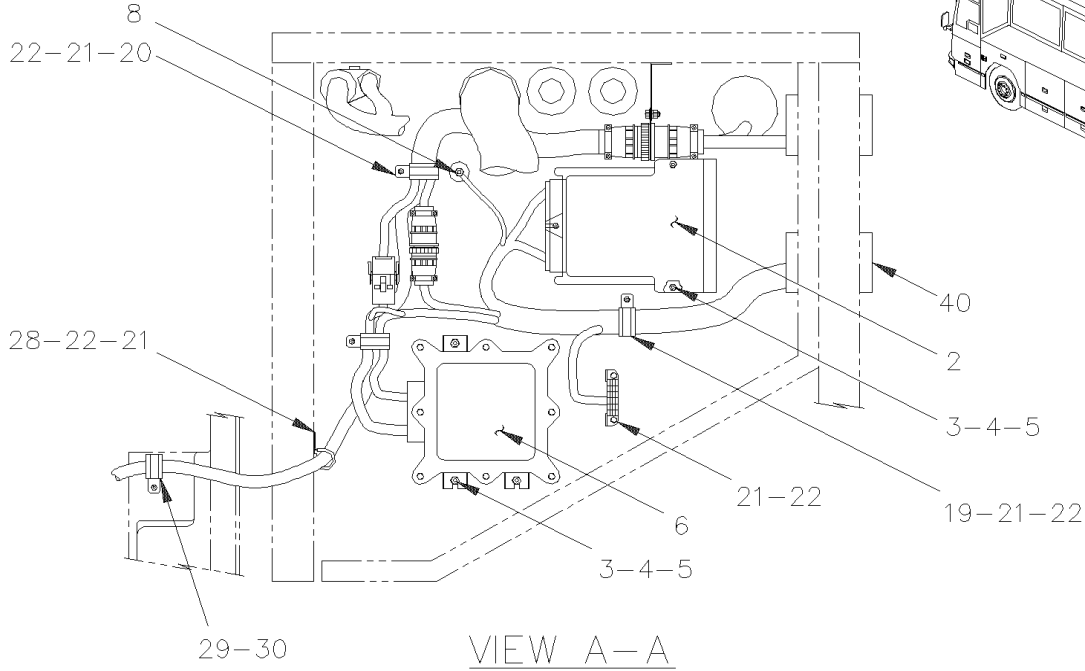
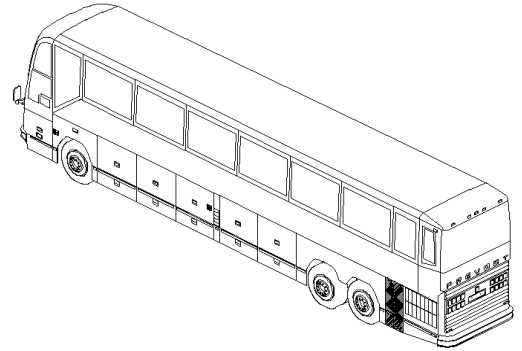
Item#	Part	Description	H 3 4 1	H 3 4 5	V I P 4 5	N O T E S
42	064398	WIRING HARNESS RR JCT BOX WCL	1	1		
		A) W/WATER HEATER ONLY				
		B) WITH SMALL A/C				
		C) W/KNEELING AND TRANSMISSION MANUAL OR W/TAG UNLAOD & AUTOMATIC TRANSMISSION				

From R-012 To V-1778

Date:10/2022

PAGE:H3-0620-51

REAR JUNCTION BOX - INSTALLATION



From R-012 To V-1778	Date:10/2022	PAGE:H3-0620-51
REAR JUNCTION BOX - INSTALLATION		

Item#	Part	Description	H 3 4 1	H 3 4 5	V I P 4 5	N O T E S
1	H3-0620-01	REAR JUNCTION BOX ASSY				
2	H3-0750-02	AUTOMATIC TRANSMISSION - "WORLD"				
3	502565	NUT HEX M6-1.0 SS	AR	AR	AR	
4	502573	WASHER FL 6.4x12.5x1.6 SS	AR	AR	AR	
5	502564	WASHER LO SPT 6.1x11.8x1.6 Z050	AR	AR	AR	
6	571542	MODULE INTERFACE	1	1	1	
7	063721	CABLE ASSY, GROUND	1	1	1	
8	560587	RING TERMINAL .250 / 18-14 / INSULATED / AMP 160337-2	1	1	1	
9	562373	CONNECTOR, MULTIPLE BLADE	1	1	1	
10	500641	SCREW TP PAN PH #8x3/4 Z050	3	3	3	
11	500124	SCREW TP TR PH #8x1/2 SS	18	18	18	A
12	562393	MARKER STRIP (41-50)	1	1	1	
13	381607	SUPPORT / CONNECTORS	1	1	1	
14	502563	SCREW CAP HEX M6-1.0x12 G8.8 Z050	3	3	3	
15	063734	DECAL / CONNECTORS To T-1583	1	1	1	
15	064313	DECAL / CONNECTORS From T-1584	1	1	1	
NS	064062	RESISTOR ASSY 1K OHMS / 2 W / FIXED ON CONNECTOR C-186 W/A	1	1	1	
16	504013	TIE MOUNT / 1/4" X 1/4" I.D.	9	9	9	
17	504012	CABLE TIE / 3/16" X 6"1/2	12	12	12	
18	504114	RIVET POP DOME OE 3/16x1/4 AL	9	9	9	
19	504458	CLAMP / 1 5/8" I.D.	1	1	1	
20	504458	CLAMP / 1 5/8" I.D.	1	1	1	
21	502679	NUT HEX NYRT M4-0.7 ZP	5	5	5	
22	502599	STUD WD WOC M4-0.7x20 SS	5	5	5	A
23	502712	WASHER FL .194x.375x.375 NYL	AR	AR	AR	
24	504608	ROUND NYLON SPACER	1	1	1	
25	500998	NUT HEX 1/2-13 BR	1	1	1	
26	500482	WASHER LO SPT .506x.873x.125 Z050	1	1	1	
27	500575	SCREW TP PAN PH #8x1 1/4	1	1	1	
NS	064307	DECAL REAR JCT BOX To T-1583	1	1		
NS	064416	DECAL REAR JCT BOX From T-1584	1	1		
NS	064310	DECAL / REAR JCT BOX To T-1583			1	
NS	064422	DECAL REAR JCT BOX From T-1584			1	
28	560482	CLAMP / 3/4" I.D. / W/HOLE 3/16"	1	1	1	
29	140656	CLAMP / 3/4" I.D. / W/HOLE 3/8"	1	1	1	
NS	952631	. CLAMP / 3/4" I.D.	1	1	1	
30	502631	SCREW CAP HEX M6-1.0x20 G8.8 Z050	1	1	1	
31	506283	PIPE INSULATING / 1 5/8" I.D. X 1/2" TH. X 72 / APT15812			AR	
32	504479	RIVET COLLAR HUCK 6.5DIA SS	2	2	2	
40	280737	PANEL ACCESS 152MM X 171MM	1	1		
NS	681278	CAP PLUG / 3.403" I.D. x 3.518" O.D.	1	1		

From R-012 To V-1778	Date:10/2022	PAGE:H3-0620-51
----------------------	--------------	-----------------

REAR JUNCTION BOX - INSTALLATION

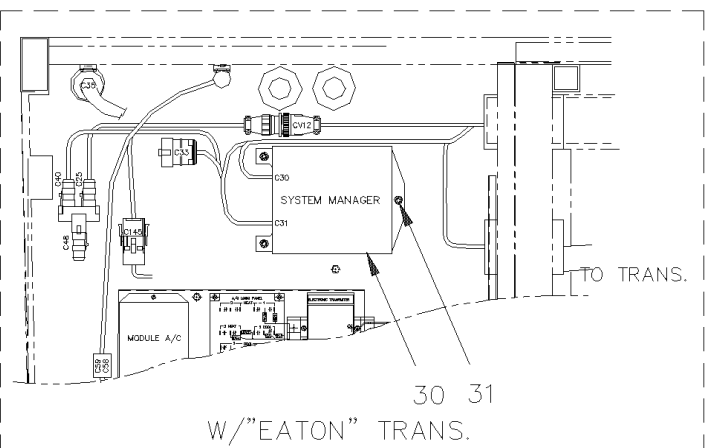
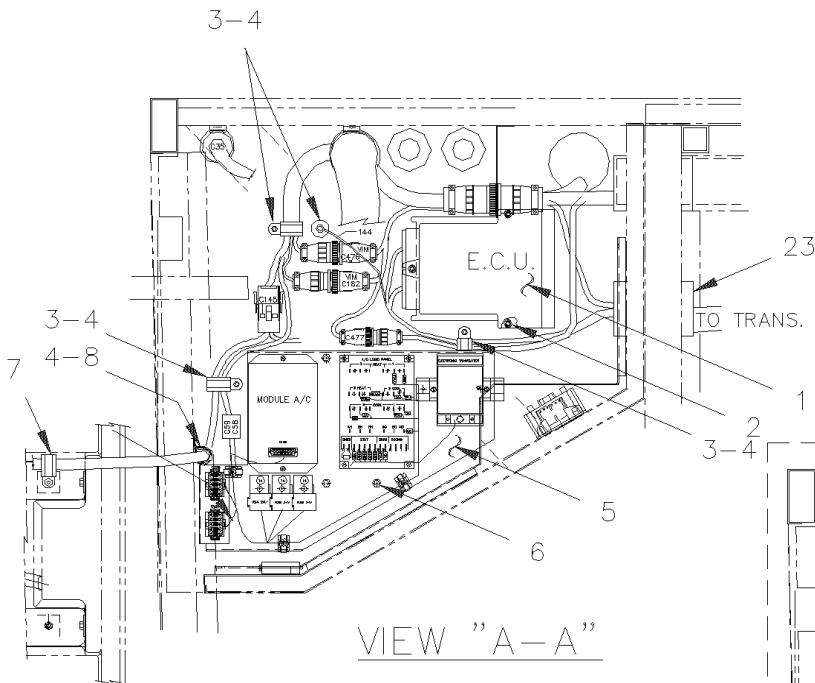
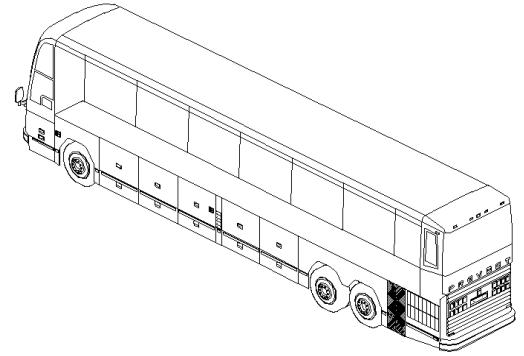
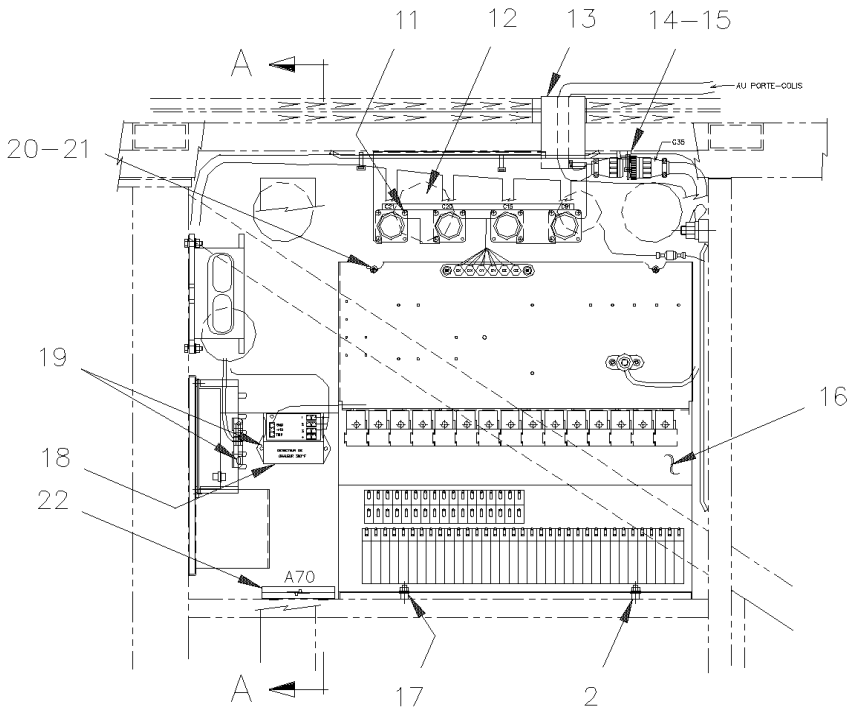
Item#	Part	Description	H 3 4 1	H 3 4 5	V I P 4 5	N O T E S
		A) (WELDED)				

From V-1779 To 2-4416

Date:10/2022

PAGE:H3-0620-52

REAR JUNCTION BOX - INSTALLATION



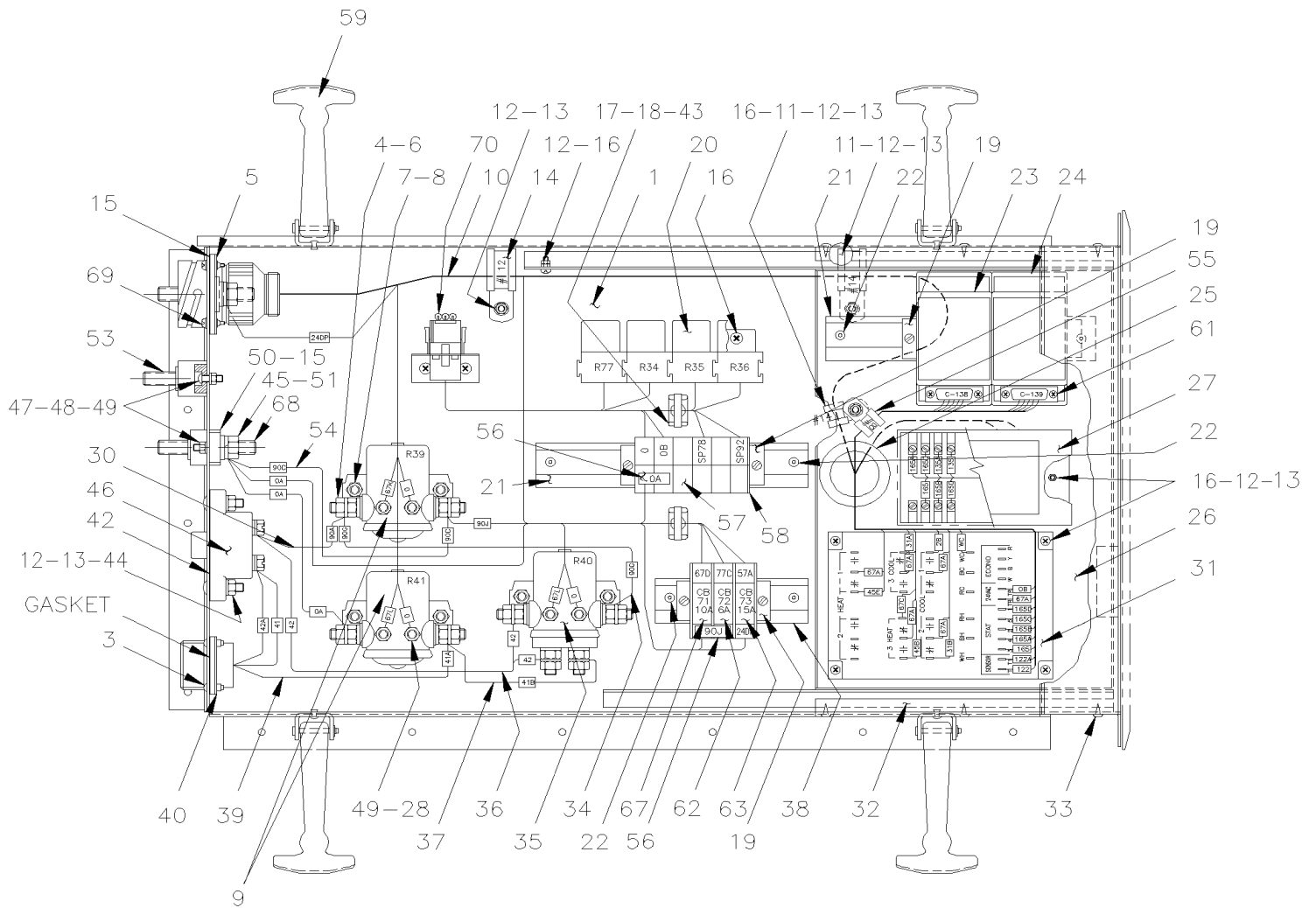
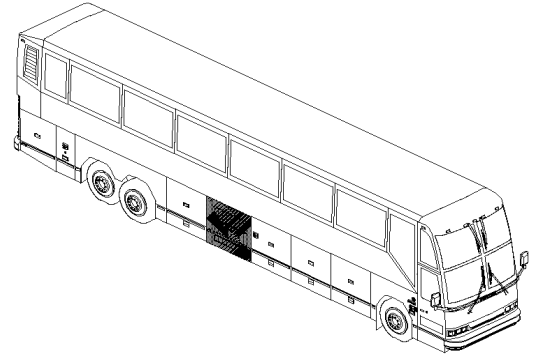
From V-1779 To 2-4416	Date:10/2022	PAGE:H3-0620-52
REAR JUNCTION BOX - INSTALLATION		

Item#	Part	Description	H 3 4 1	H 3 4 5	V I P 4 5	N O T E S
1	H3-0750-02	AUTOMATIC TRANSMISSION - "WORLD"				
2	502565	NUT HEX M6-1.0 SS	AR	AR	AR	
NS	502573	WASHER FL 6.4x12.5x1.6 SS	AR	AR	AR	
NS	502564	WASHER LO SPT 6.1x11.8x1.6 Z050	AR	AR	AR	
3	504458	CLAMP / 1 5/8" I.D.	AR	AR	AR	
4	500590	NUT HEX NYRT M4-0.7 Z050	AR	AR	AR	
5	502621	NUT HEX STO M6-1.0 Z050	3	3	3	
6	H3-0621-03	A/C JUNCTION BOX ASSY				
7	140656	CLAMP / 3/4" I.D. / W/HOLE 3/8"	1	1	1	
. NS	952631	. CLAMP / 3/4" I.D.	1	1	1	
NS	502631	SCREW CAP HEX M6-1.0x20 G8.8 Z050	1	1	1	
8	560482	CLAMP / 3/4" I.D. / W/HOLE 3/16"	1	1	1	
11	500124	SCREW TP TR PH #8x1/2 SS	18	18	18	A
12	064467	DECAL, CONNECTOR	1	1	1	
13	506283	PIPE INSULATING / 1 5/8" I.D. X 1/2" TH. X 72 / APT15812	AR	AR	AR	
14	504013	TIE MOUNT / 1/4" X 1/4" I.D.	AR	AR	AR	
NS	504114	RIVET POP DOME OE 3/16x1/4 AL	AR	AR	AR	
15	504012	CABLE TIE / 3/16" X 6"1/2	AR	AR	AR	
16	H3-0620-02	REAR JUNCTION BOX ASSY				
17	504479	RIVET COLLAR HUCK 6.5DIA SS	2	2	2	A
18	562630	HEAT DETECTOR MODULE To Y-3831	1	1	1	
NS	562637	HEAT DETECTOR SENSOR 2500MM To Y-3831	2	2	2	
NS	562638	HEAT DETECTOR SENSOR 3500MM To Y-3831	1	1	1	
18	065290	HEAT DETECTOR "THERMO-DISK" From Y-3832	3	3	3	
NS	IS21904	HEAT DETECTOR MODULE #562630 REPLACEMENT To Y-3831	1	1	1	
. NS	065290	. HEAT DETECTOR "THERMO-DISK" To Y-3831	3	3	3	
. NS	561667	. CONNECTOR / UNIVERSAL MATE-N-LOK / PH 3C / AMP 1-480701-0 To Y-3831	1	1	1	
. NS	561671	. PIN TERMINAL / 24-18 / AMP 350690-1 To Y-3831	2	2	2	
. NS	562486	. CONNECTOR / DT SERIES / PH 2C / GRAY / DEUTSCH DT04-2P To Y-3831	3	3	3	
. NS	562286	. PIN TERMINAL / 18-16 / DEUTSCH 0460-202-16141 To Y-3831	6	6	6	
. NS	562487	. SECONDARY LOCK / DT SERIES / PH 2C / DEUTSCH W2P To Y-3831	3	3	3	
. NS	561258	. WIRE CABLE 18 / RED / GXL To Y-3831	30	30	30	
. NS	561261	. WIRE CABLE 18 / BLACK / GXL To Y-3831	30	30	30	
. NS	IS-21904	. SEE INSTRUCTION SHEET To Y-3831	1	1	1	
. NS	FI-21904	. VOIR FEUILLE D'INSTRUCTION To Y-3831	1	1	1	
19	500638	SCREW TP PAN PH #8x1/2 Z050	4	4	4	
NS	502630	WASHER FL .156x.375x.049 Z050	4	4	4	
20	500641	SCREW TP PAN PH #8x3/4 Z050	2	2	2	
21	502712	WASHER FL .194x.375x.375 NYL	2	2	2	
22	064505	SPARE FUSE BOX	1	1	1	
23	280737	PANEL ACCESS 152MM X 171MM	1	1		
NS	681278	CAP PLUG / 3.403" I.D. x 3.518" O.D.	1	1		

From V-1779 To 2-4416	Date:10/2022	PAGE:H3-0620-52
REAR JUNCTION BOX - INSTALLATION		

Item#	Part	Description	H 3 4 1	H 3 4 5	V I P 4 5	N O T E S
NS	064628	DECAL REAR JCT BOX	1	1		
NS	064422	DECAL REAR JCT BOX			1	
30	571731	SYSTEM MANAGER ECU	1	1		
31	502567	NUT HEX M10-1.5 SS	3	3		
NS	502573	WASHER FL 6.4x12.5x1.6 SS	3	3		
NS	502564	WASHER LO SPT 6.1x11.8x1.6 Z050	3	3		
		A) TO FIX FLOOR				

From R-012 To S-127	Date:10/2022	PAGE:H3-0621-01
A/C JUNCTION BOX ASSY		



From R-012 To S-127	Date:10/2022	PAGE:H3-0621-01
A/C JUNCTION BOX ASSY		

Item#	Part	Description	H 3 4 1	H 3 4 5	V I P 4 5	N O T E S
	381667P	JUNCTION BOX ASSY	1	1	1	
1	381487	. JUNCTION BOX (WELDED)	1	1	1	
2	381093	. COVER ASSY	1	1	1	
3	500518	. SCREW MA BDG PH #4-40x1/2 Z050	4	4	4	
4	500476	. WASHER LO SPT .317x.586x.078 Z050	8	8	8	
5	561822	. NUT, RING #28 / 2" I.D. W/4 6-32	1	1	1	
6	500699	. NUT HEX 5/16-24 Z050	8	8	8	
7	502565	. NUT HEX M6-1.0 SS	4	4	4	
8	502570	. WASHER LO SPT 6.1x11.8x1.6 SS	4	4	4	
9	561005	. SWITCH MAGNETIC / 24V S.P.S.T. / 200AMPS N.O.	2	2	2	
10	063896	. WIRING JUNCTION BOX A/C	1	1	1	
11	560483	. CLAMP / 7/8" I.D.	2	2	2	
12	502524	. NUT HEX M4-0.7 Z050	15	15	15	
13	502636	. WASHER LO SPT 4.1x7.6x0.9 Z050	13	13	13	
14	560482	. CLAMP / 3/4" I.D. / W/HOLE 3/16"	1	1	1	
15	680025	. CAULKING STRIP 3/16" O.D. X 14'	AR	AR	AR	
16	500344	. SCREW MA RND PH M4-0.7x12 Z050	11	11	11	
17	504013	. TIE MOUNT / 1/4" X 1/4" I.D.	2	2	2	
18	504488	. RIVET MGLP PRDG 3/16x17/64 SS	18	18	18	
19	561729	. STOPPER	6	6	6	
20	561707	. RELAY 24V S.P.D.T. W/RESISTOR /	4	4	4	
21	380839	. RAIL SUPPORT / 180MM	2	2	2	
22	504340	. RIVET POP DOME OE 1/8x3/16 SS	6	6	6	
23	452004	. A/C CONTROL MODULE	1	1	1	A
23	062720	. . CIRCUIT BOARD	1	1	1	
23	562120	. . . FUSE / 2 AMPS / 3AG-2	1	1	1	
24	452005	. A/C LOGIC MODULE	1	1	1	A
24	063344	. . CIRCUIT BOARD	1	1	1	
24	562309	. . . FUSE / 2 AMPS / 2A	2	2	2	
25	504059	. GROMMET / 1.250x1.500x.094x.375x1.875	1	1	1	
26	381138	. DRAWER ASSY	1	1	1	
27	380877	. ELECTRONIC TRANSMITTER	1	1	1	
28	500765	. NUT HEX #10-32 BR	6	6	6	
30	062557	. CABLE ASSY #90A	1	1	1	
31	561805	. A/C LOGIC PANEL	1	1	1	
32	381198	. SLIDING CHANNEL	2	2	2	
33	500582	. SCREW TP PAN PH #8x3/8 Z050	6	6	6	
34	062560	. CABLE ASSY #90G	1	1	1	
35	561014	. SWITCH MAGNETIC / 24V D.P.S.T. / 200AMPS N.O.	1	1	1	
36	062558	. CABLE ASSY #42	1	1	1	
37	062561	. CABLE ASSY #41B	1	1	1	
38	381203	. RAIL SUPPORT / 100MM	1	1	1	

From R-012 To S-127	Date:10/2022	PAGE:H3-0621-01
A/C JUNCTION BOX ASSY		

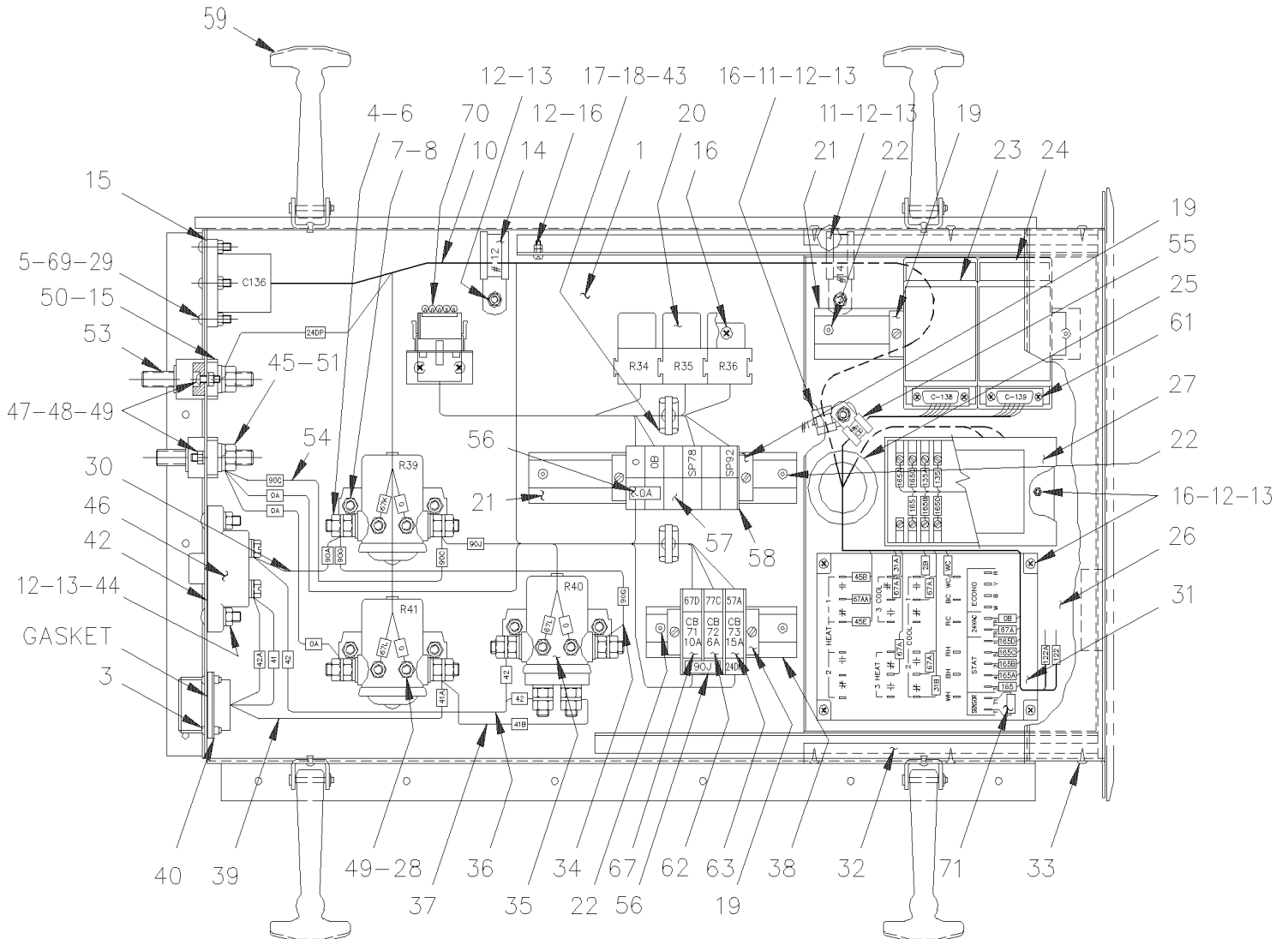
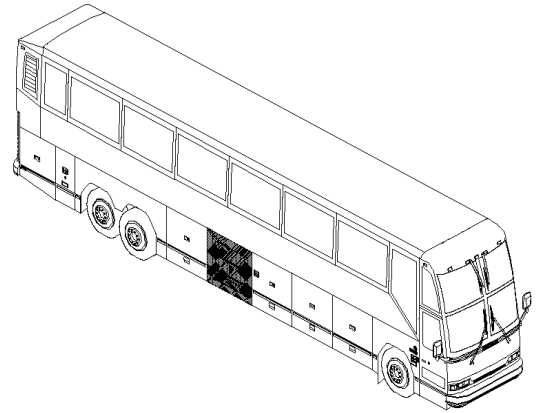
Item#	Part	Description	H 3 4 1	H 3 4 5	V I P 4 5	N O T E S
39	062554	. CABLE ASSY FAN POWER	1	1	1	
40	562003	. NUT, RING #22 / xx I.D. W/4 4-40	1	1	1	
NS	063919	. DECAL (INSIDE COVER)	1	1	1	
42	381133	. GASKET / BREAKER & BOX	2	2	2	
43	504637	. CABLE TIE / 3/16" x 13"	2	2	2	
44	502677	. SCREW MA RND PH M4-0.7x25 SS	4	4	4	
45	500478	. WASHER LO SPT .380x.683x.094 Z050	3	3	3	
46	560703	. BREAKER 40AMPS / 24V /	2	2	2	
47	500386	. SCREW MA RND PH #10-24x1/2 Z050	8	8	8	
48	500786	. NUT HEX #10-24 Z050	8	8	8	
49	500470	. WASHER LO SPT .193x.334x.047 Z050	14	14	14	
50	561102	. BLOCK, JUNCTION / 2 STUD 3/8-16 / BLACK	3	3	3	
51	500102	. NUT HEX 3/8-16 SS	3	3	3	
53	560422	. BLOCK, TERMINAL / 1 STUD 3/8-16 / BLACK	1	1	1	
54	062559	. CABLE ASSY #90C	1	1	1	
55	560480	. CLAMP / 1/2" I.D.	1	1	1	
56	380886	. BUS BAR / W/2 HOLES 25MM	4	4	4	
57	561726	. BLOCK JUNCTION	6	6	6	
58	561728	. END CLOSING	1	1	1	
59	504532	. LATCH ASSY RUBBER	4	4	4	
61	5001053	. SCREW MA PAN PH #4-40x1/4 ZP	4	4	4	
62	561790	. BREAKER 6AMPS / 24V /	1	1	1	
63	561793	. BREAKER 15AMPS / 24V /	1	1	1	
NS	380911	. CHANNEL (UNDER THE BOX)	1	1	1	
NS	504365	. SPRING HOOK / DZUS 5/16	1	1	1	
67	561792	. BREAKER 10AMPS / 24V /	1	1	1	
68	682460	. RUSTPROOFING PROTECTOR	AR	AR	AR	
69	500148	. SCREW MA RND PH #6-32x1/2 SS	4	4	4	
70	062588	. DIODE ASSY / W/3 3AMPS	1	1	1	
NS	068562	. SERVICE KIT TO REPLACE A/C CONTROL MODULE	1	1	1	A
. NS	562809	. . MODULE CONTROL A/C	1	1	1	A
. . NS	562599	. . . FUSE / ATO 3 AMPS VIOLET	1	1	1	A
. NS	068539	. . HARNESS "Y"	1	1	1	A
. NS	IS-12008	. . SEE INSTRUCTION SHEET	1	1	1	A
		A) USE KIT 068562 TO REPLACE A/C CONTROL MODULE				

From S-128 To V-1778

Date:10/2022

PAGE:H3-0621-02

A/C JUNCTION BOX ASSY



From S-128 To V-1778	Date:10/2022	PAGE:H3-0621-02
A/C JUNCTION BOX ASSY		

Item#	Part	Description	H 3 4 1	H 3 4 5	V I P 4 5	N O T E S
	381692P	JUNCTION BOX ASSY	1	1	1	
1	381691	. JUNCTION BOX (WELDED)	1	1	1	
NS	381093	. COVER ASSY	1	1	1	
3	500518	. SCREW MA BDG PH #4-40x1/2 Z050	4	4	4	
4	500476	. WASHER LO SPT .317x.586x.078 Z050	8	8	8	
5	500873	. SCREW MA RND PH #8-32x3/4 SS BK	4	4	4	
6	500699	. NUT HEX 5/16-24 Z050	8	8	8	
7	502565	. NUT HEX M6-1.0 SS	4	4	4	
8	502570	. WASHER LO SPT 6.1x11.8x1.6 SS	4	4	4	
9	561005	. SWITCH MAGNETIC / 24V S.P.S.T. / 200AMPS N.O.	2	2	2	
10	063981	. WIRING JUNCTION BOX A/C To T-1491	1	1	1	
10	064249	. WIRING JUNCTION BOX A/C From T-1492	1	1	1	
13	502636	. WASHER LO SPT 4.1x7.6x0.9 Z050	13	13	13	
14	560482	. CLAMP / 3/4" I.D. / W/HOLE 3/16"	1	1	1	
15	680025	. CAULKING STRIP 3/16" O.D. X 14'	AR	AR	AR	
16	500344	. SCREW MA RND PH M4-0.7x12 Z050	11	11	11	
17	504013	. TIE MOUNT / 1/4" X 1/4" I.D.	2	2	2	
18	504488	. RIVET MGLP PRDG 3/16x17/64 SS	18	18	18	
19	561729	. STOPPER	6	6	6	
20	561707	. RELAY 24V S.P.D.T. W/RESISTOR /	3	3	3	
21	380839	. RAIL SUPPORT / 180MM	2	2	2	
22	504340	. RIVET POP DOME OE 1/8x3/16 SS	6	6	6	
23	452004	. A/C CONTROL MODULE	1	1	1	
23	062720	. . CIRCUIT BOARD	1	1	1	A
23	562120	. . . FUSE / 2 AMPS / 3AG-2	1	1	1	
24	452005	. A/C LOGIC MODULE	1	1	1	
24	063344	. . CIRCUIT BOARD	1	1	1	A
24	562309	. . . FUSE / 2 AMPS / 2A	1	1	1	
25	504059	. GROMMET / 1.250x1.500x.094x.375x1.875	1	1	1	
26	381138	. DRAWER ASSY	1	1	1	
27	380877	. ELECTRONIC TRANSMITTER	1	1	1	
28	500765	. NUT HEX #10-32 BR	6	6	6	
29	502636	. WASHER LO SPT 4.1x7.6x0.9 Z050	4	4	4	
30	062557	. CABLE ASSY #90A	1	1	1	
31	561805	. A/C LOGIC PANEL	1	1	1	
32	381198	. SLIDING CHANNEL	2	2	2	
33	500582	. SCREW TP PAN PH #8x3/8 Z050	6	6	6	
34	062560	. CABLE ASSY #90G	1	1	1	
35	561014	. SWITCH MAGNETIC / 24V D.P.S.T. / 200AMPS N.O.	1	1	1	
36	062558	. CABLE ASSY #42	1	1	1	
37	062561	. CABLE ASSY #41B	1	1	1	
38	381203	. RAIL SUPPORT / 100MM	1	1	1	

From S-128 To V-1778	Date:10/2022	PAGE:H3-0621-02
A/C JUNCTION BOX ASSY		

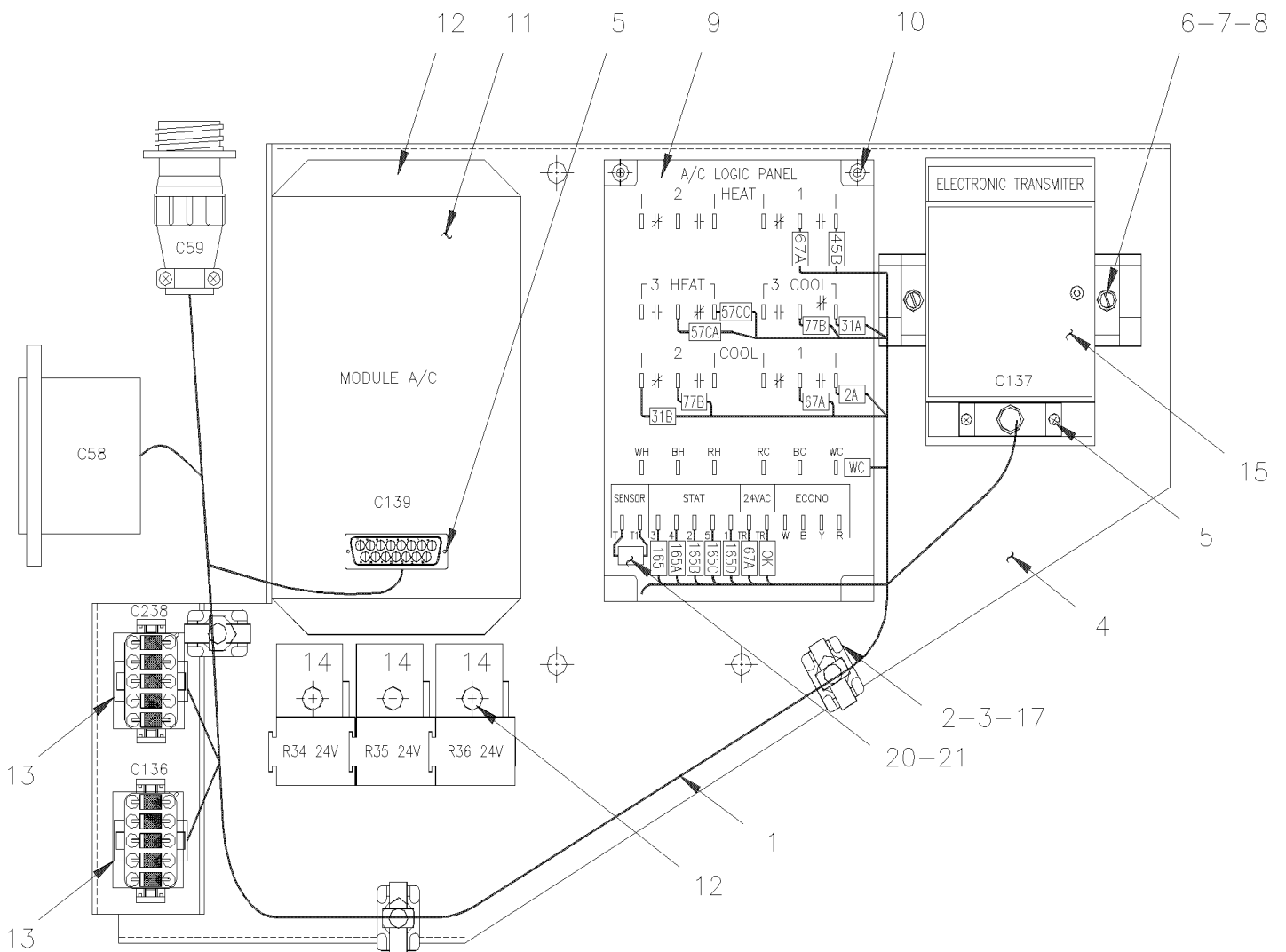
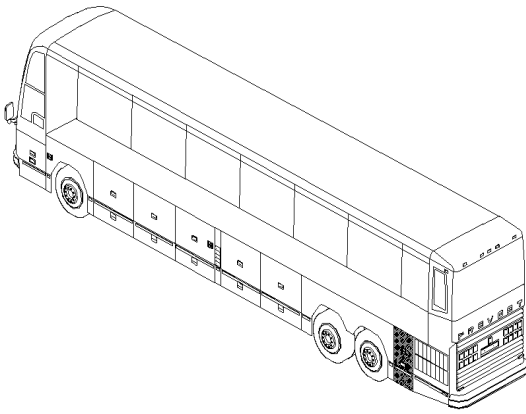
Item#	Part	Description	H 3 4 1	H 3 4 5	V I P 4 5	N O T E S
39	062554	. CABLE ASSY FAN POWER	1	1	1	
40	562003	. NUT, RING #22 / xx I.D. W/4 4-40	1	1	1	
41	063985	. DECAL (INSIDE THE COVER)	1	1	1	
42	381133	. GASKET / BREAKER & BOX	1	1	1	
43	504637	. CABLE TIE / 3/16" x 13"	2	2	2	
44	502677	. SCREW MA RND PH M4-0.7x25 SS	4	4	4	
45	500478	. WASHER LO SPT .380x.683x.094 Z050	3	3	3	
46	560703	. BREAKER 40AMPS / 24V /	2	2	2	
47	500386	. SCREW MA RND PH #10-24x1/2 Z050	8	8	8	
48	500786	. NUT HEX #10-24 Z050	8	8	8	
49	500470	. WASHER LO SPT .193x.334x.047 Z050	14	14	14	
50	561102	. BLOCK, JUNCTION / 2 STUD 3/8-16 / BLACK	3	3	3	
51	500102	. NUT HEX 3/8-16 SS	3	3	3	
53	560422	. BLOCK, TERMINAL / 1 STUD 3/8-16 / BLACK	1	1	1	
54	062559	. CABLE ASSY #90C	1	1	1	
55	560480	. CLAMP / 1/2" I.D.	1	1	1	
56	380886	. BUS BAR / W/2 HOLES 25MM	4	4	4	
57	561726	. BLOCK JUNCTION	6	6	6	
58	561728	. END CLOSING	1	1	1	
59	504532	. LATCH ASSY RUBBER	4	4	4	
61	5001053	. SCREW MA PAN PH #4-40x1/4 ZP	4	4	4	
62	561790	. BREAKER 6AMPS / 24V /	1	1	1	
63	561793	. BREAKER 15AMPS / 24V /	1	1	1	
NS	380911	. CHANNEL (UNDER THE BOX)	1	1	1	
NS	504365	. SPRING HOOK / DZUS 5/16	1	1	1	
66	504340	. RIVET POP DOME OE 1/8x3/16 SS	4	4	4	
67	561792	. BREAKER 10AMPS / 24V /	1	1	1	
69	500764	. NUT HEX #8-32 Z050	4	4	4	
70	381145	. DIODE ASSY / W/5 3AMPS	1	1	1	
71	562617	. RESISTOR / 3.32K OHMS / 1/4 W	1	1	1	
72	561626	. TAB RECEPTACLE TERMINAL INSUL. NYLON / 22 / AMP 2-520264-4	2	2	2	
NS	068562	SERVICE KIT TO REPLACE A/C CONTROL MODULE	1	1	1	A
. NS	562809	. MODULE CONTROL A/C	1	1	1	A
. . NS	562599	. . FUSE / ATO 3 AMPS VIOLET	1	1	1	A
. NS	068539	. HARNESS "Y"	1	1	1	A
. NS	IS-12008	. SEE INSTRUCTION SHEET	1	1	1	A
		A) USE SERVICE 068562 TO REPLACE A/C MODULE				

From V-1779 To 2-4416

Date:10/2022

PAGE:H3-0621-03

A/C JUNCTION BOX ASSY



From V-1779 To 2-4416	Date:10/2022	PAGE:H3-0621-03
A/C JUNCTION BOX ASSY		

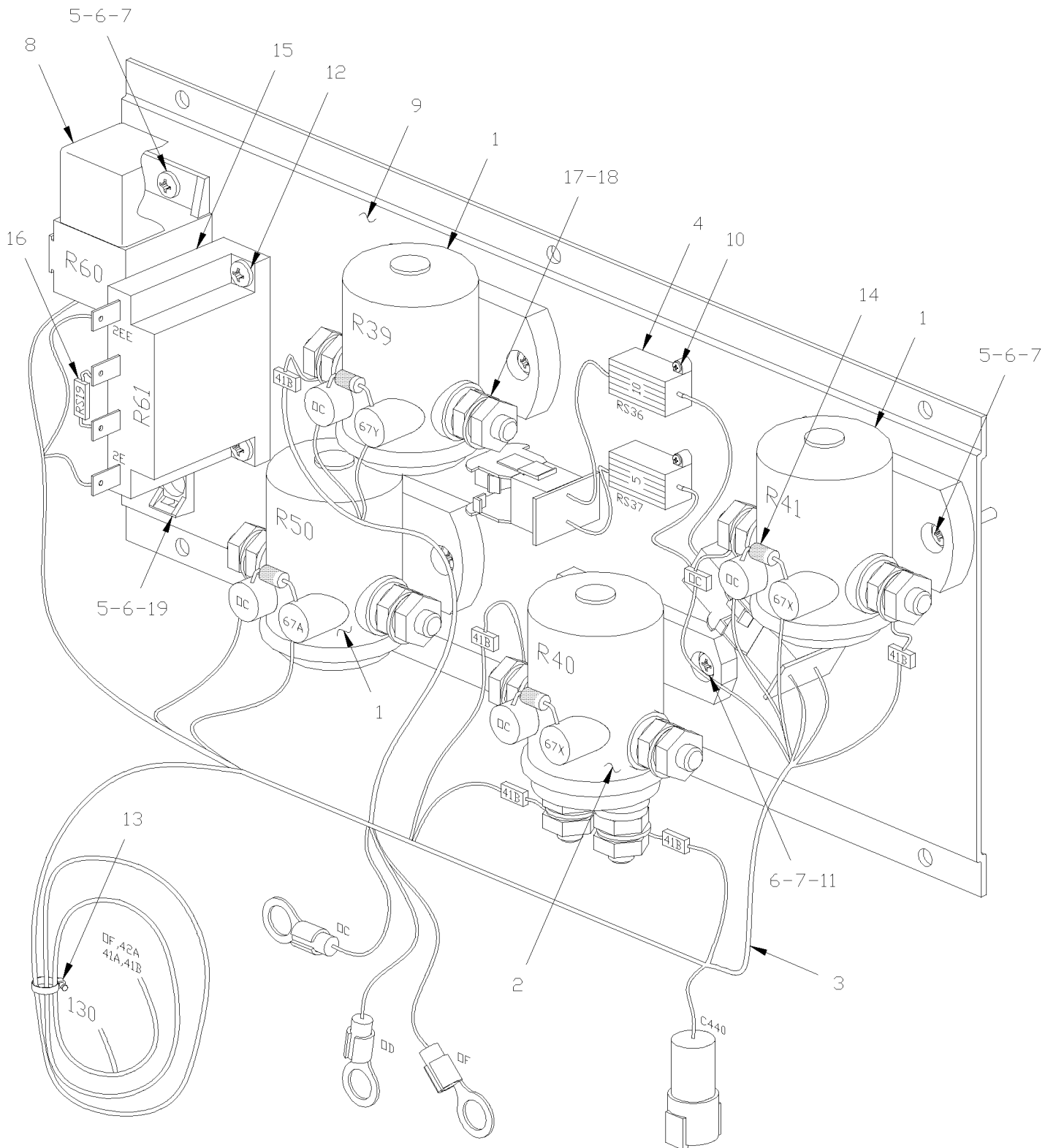
Item#	Part	Description	H 3 4 1	H 3 4 5	V I P 4 5	N O T E S
1	064394	WIRING HARNESS A/C JUNCTION PANEL To V-2077	1	1	1	A
1	064547	WIRING HARNESS A/C JUNCTION PANEL From V-2078 To W-2203	1	1	1	
1	064629	WIRING HARNESS A/C JUNCTION PANEL From W-2204 To W-2284	1	1	1	
1	064593	WIRING HARNESS A/C JUNCTION PANEL From W-2285 To W-2457	1	1	1	
1	064718	WIRING HARNESS A/C JUNCTION PANEL From W-2458 To 2-4315	1	1	1	
2	504013	TIE MOUNT / 1/4" X 1/4" I.D.	3	3	3	
3	504637	CABLE TIE / 3/16" x 13"	3	3	3	
4	381806	SUPPORT A/C	1	1	1	
5	5001053	SCREW MA PAN PH #4-40x1/4 ZP	4	4	4	
6	381203	RAIL SUPPORT / 100MM	1	1	1	
7	561729	STOPPER	2	2	2	
8	504006	RIVET POP CK OE 1/8x5/16 AL	2	2	2	
9	561805	A/C LOGIC PANEL	1	1	1	
10	500641	SCREW TP PAN PH #8x3/4 Z050	4	4	4	
11	562639	MODULE CONTROL A/C To W-2099	1	1	1	
11	562770	MODULE CONTROL A/C From W-2100 To W-2284	1	1	1	
11	562809	MODULE CONTROL A/C From W-2285	1	1	1	
. NS	562599	. FUSE / ATO 3 AMPS VIOLET From W-2285	1	1	1	
12	500638	SCREW TP PAN PH #8x1/2 Z050	4	4	4	
13	381145	DIODE ASSY / W/5 3AMPS	2	2	2	
14	561707	RELAY 24V S.P.D.T. W/RESISTOR /	3	3	3	
15	381787	TRANSMITTER	1	1	1	
16	500638	SCREW TP PAN PH #8x1/2 Z050	2	2	2	
17	504114	RIVET POP DOME OE 3/16x1/4 AL	3	3	3	
20	562617	RESISTOR / 3.32K OHMS / 1/4 W	1	1	1	
21	561626	TAB RECEPTACLE TERMINAL INSUL. NYLON / 22 / AMP 2-520264-4	2	2	2	
		A) TO IMPROVED A/C AT LOW SPEED ASK FOR #064548 FOR VEHICLE FROM V-1779 TO V-2077				

From Y-3415 To 2-4416

Date:10/2022

PAGE:H3-0621-10

A/C CONDENSOR MOTOR RELAY



From Y-3415 To 2-4416	Date:10/2022	PAGE:H3-0621-10
A/C CONDENSOR MOTOR RELAY		

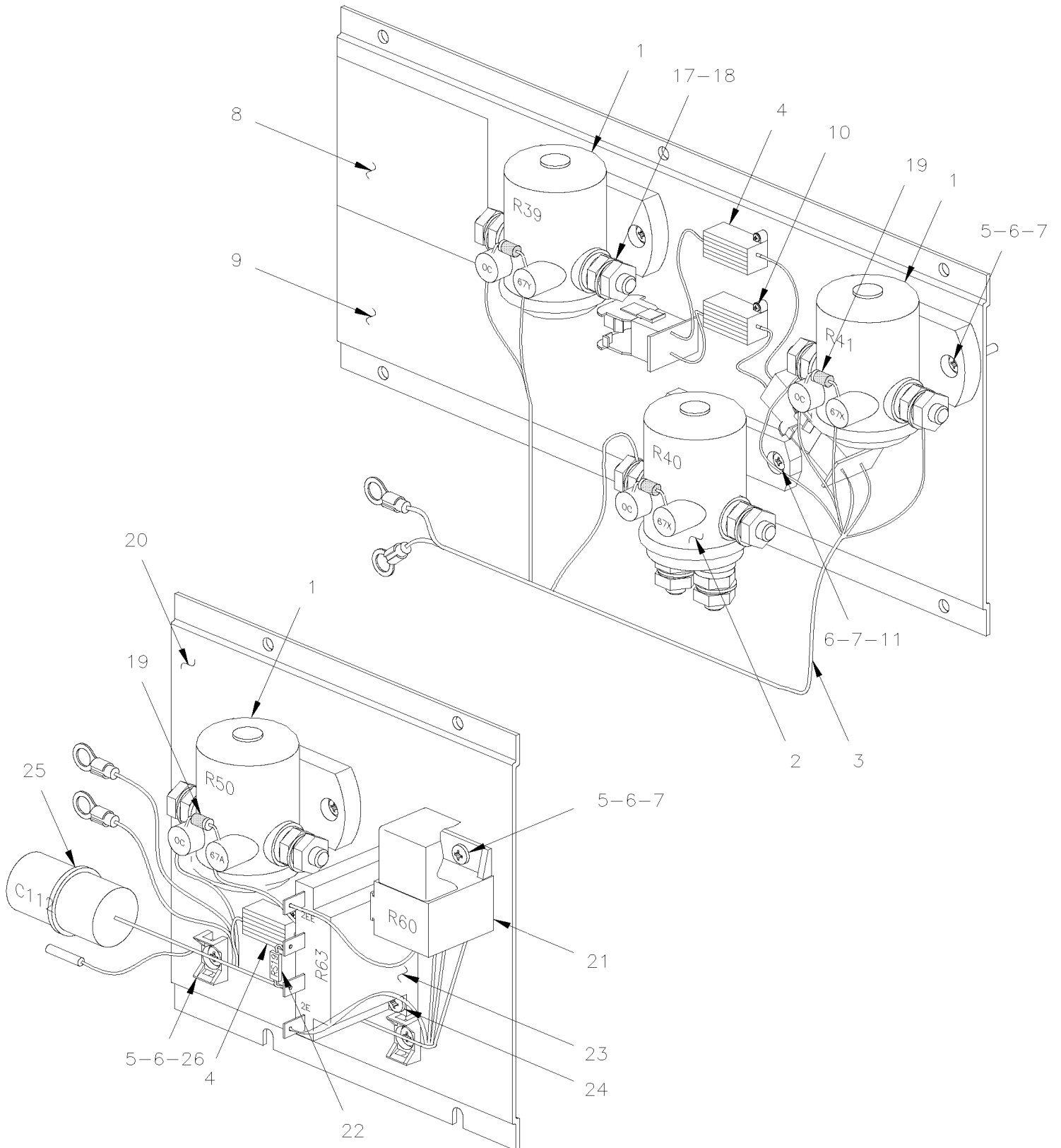
Item#	Part	Description	H 3 4 1	H 3 4 5	V I P 4 5	N O T E S
1	561005	SWITCH MAGNETIC / 24V S.P.S.T. / 200AMPS N.O.	AR	AR	AR	
2	561014	SWITCH MAGNETIC / 24V D.P.S.T. / 200AMPS N.O.	AR	AR	AR	
3	065272	CABLE ASSY / EVAPORATOR RELAY To 2-4314	1	1	1	
3	065361	CABLE ASSY / EVAPORATOR RELAY PANEL From 2-4315	1	1	1	
4	064907	RESISTOR ASSY	1	1	1	
5	500883	SCREW TC PAN PH #8-32x3/8 Z050	AR	AR	AR	
6	500438	WASHER FL .187x.437x.050 Z050	AR	AR	AR	
7	500022	WASHER LO INT .168x.340x.023 Z050	AR	AR	AR	
8	561707	RELAY 24V S.P.D.T. W/RESISTOR / From 2-4315	1	1	1	
9	065266	SUPPORT To 2-4314	1	1	1	
9	065437	SUPPORT From 2-4315	1	1	1	
10	500798	SCREW TP PAN PH #4-3/8 ZP	4	4	4	
11	500564	SCREW MA RND PH #8-32x3/4 Z050	2	2	2	
12	500583	SCREW TP PAN PH #6x1/2 Z050 From 2-4315	2	2	2	
13	504637	CABLE TIE / 3/16" x 13"	1	1	1	
14	060798	DIODE ASSY	4	4	4	
15	560772	TIME DELAY RELAY From 2-4315	1	1	1	
16	065613	RESISTOR ASSY 30K OHMS / 1/4 W From 2-4315	1	1	1	
17	500699	NUT HEX 5/16-24 Z050	AR	AR	AR	
18	500476	WASHER LO SPT .317x.586x.078 Z050	AR	AR	AR	
NS	065270	DECAL To 2-4314	1	1	1	
19	065359	DECAL From 2-4315	1	1	1	
NS	066662	KIT RELAY REPLACEMENT (PRESTOLITE)	1	1	1	
. NS	IS-05902	. SEE INSTRUCTION SHEET	1	1	1	

From R-012 To Y-3414

Date:10/2022

PAGE:H3-0621-99

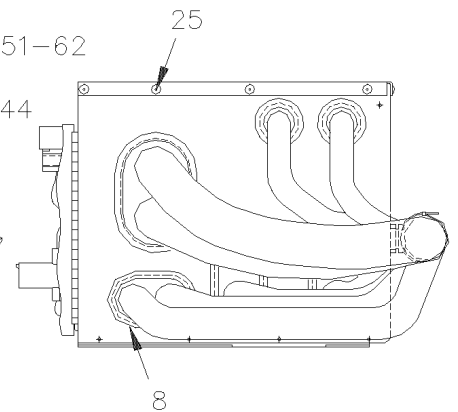
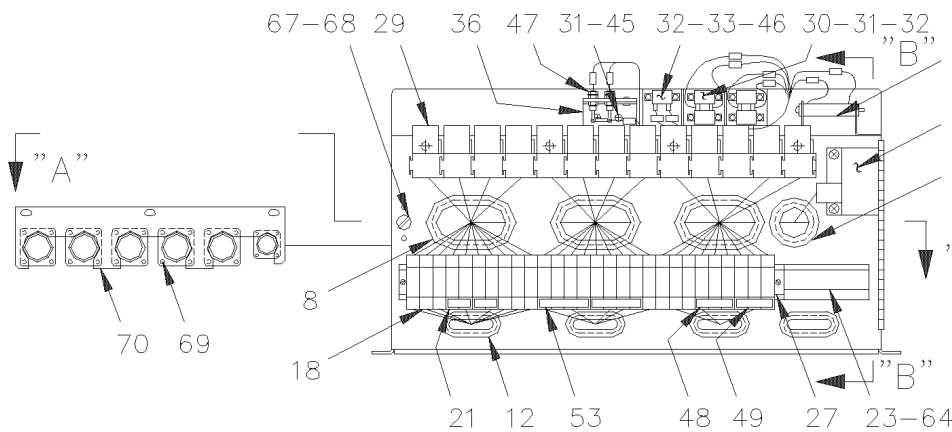
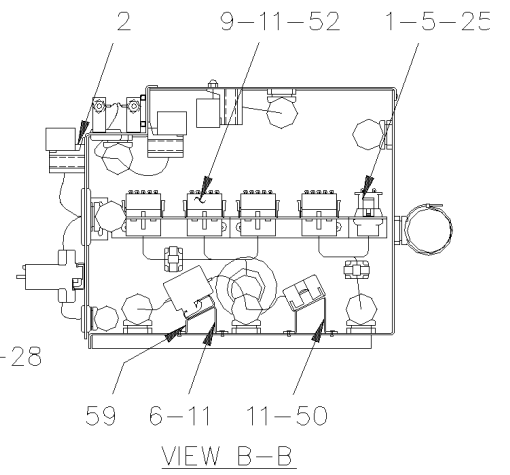
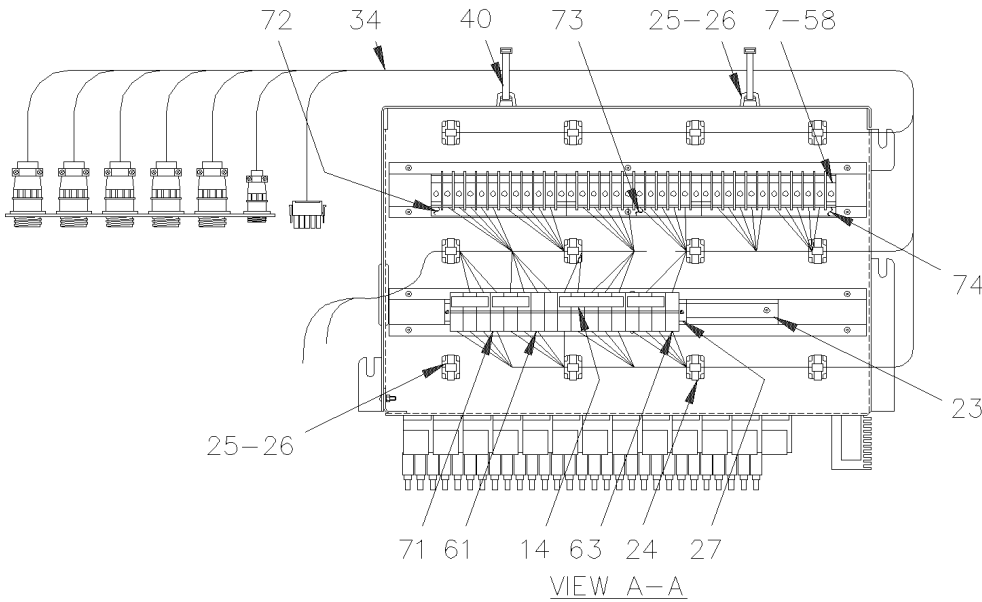
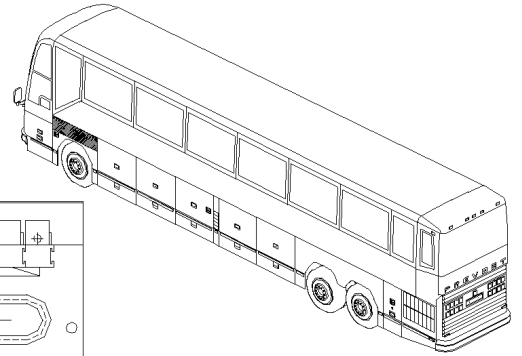
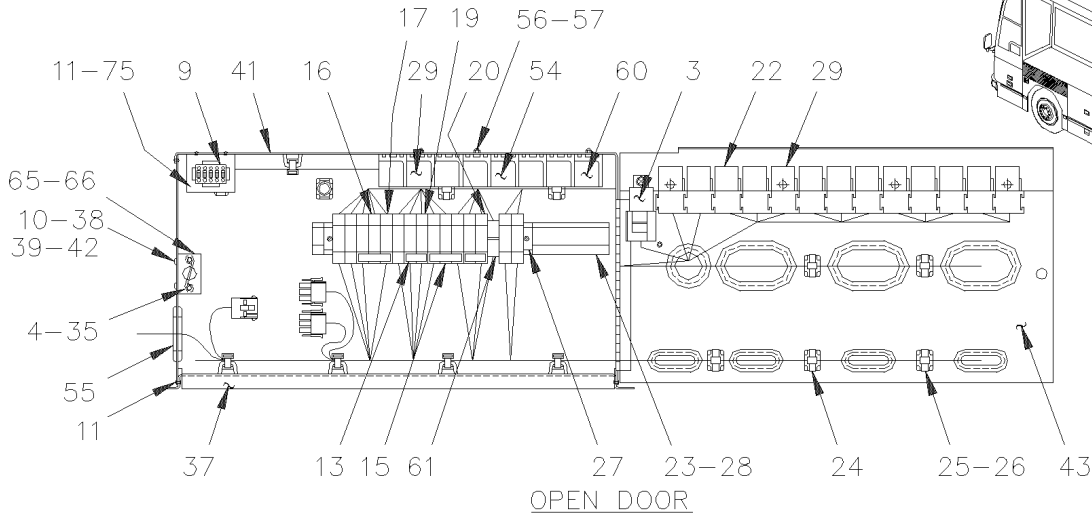
A/C CONDENSOR MOTOR RELAY / SERVICE



From R-012 To Y-3414	Date:10/2022	PAGE:H3-0621-99
A/C CONDENSOR MOTOR RELAY / SERVICE		

Item#	Part	Description	H 3 4 1	H 3 4 5	V I P 4 5	N O T E S
	065271	KIT, RETROFIT A/C RELAY RELOCATION To Y-3414	1	1	1	A
1	561005	SWITCH MAGNETIC / 24V S.P.S.T. / 200AMPS N.O.	2	2	2	
2	561014	SWITCH MAGNETIC / 24V D.P.S.T. / 200AMPS N.O.	1	1	1	
3	065263	CABLE ASSY	1	1	1	
4	064907	RESISTOR ASSY	1	1	1	
5	500883	SCREW TC PAN PH #8-32x3/8 Z050	4	4	4	
6	500438	WASHER FL .187x.437x.050 Z050	6	6	6	
7	500470	WASHER LO SPT .193x.334x.047 Z050	16	16	16	
8	065270	DECAL	11	11	11	
9	065266	SUPPORT To 1-4036	11	11	11	
9	065437	SUPPORT From 1-4037	11	11	11	
10	500798	SCREW TP PAN PH #4-3/8 ZP	14	14	14	
11	500564	SCREW MA RND PH #8-32x3/4 Z050	12	12	12	
17	500699	NUT HEX 5/16-24 Z050	8	8	8	
18	500476	WASHER LO SPT .317x.586x.078 Z050	8	8	8	
19	060798	DIODE ASSY	3	3	3	
NS	504637	CABLE TIE / 3/16" x 13"	30	30	30	
NS	562668	RING TERMINAL .3125 / 12-10 / AMP 34966	3	3	3	
NS	562037	RING TERMINAL .500 / 12-10 / AMP 35135	1	1	1	
NS	065264	CABLE ASSY	1	1	1	
NS	500564	SCREW MA RND PH #8-32x3/4 Z050	6	6	6	
20	382011	CONTROL PANEL ASSY	1	1	1	B
20	382010	. SUPPORT	1	1	1	
21	561707	. RELAY 24V S.P.D.T. W/RESISTOR /	1	1	1	
22	065613	. RESISTOR ASSY 30K OHMS / 1/4 W	1	1	1	
23	560772	. TIME DELAY RELAY	1	1	1	
24	500583	. SCREW TP PAN PH #6x1/2 Z050	2	2	2	
25	065628	. CABLE ASSY / EVAPORATOR RELAY	1	1	1	
26	504013	. TIE MOUNT / 1/4" X 1/4" I.D.	2	2	2	
NS	065087	CABLE ASSY #130	1	1	1	
NS	065360	CABLE ASSY #0	1	1	1	
NS	065548	KIT, EVAPORATOR MOTOR SPEED CONTROL	1	1	1	C
. NS	IS-00032	. SEE INSTRUCTION SHEET				C
NS	066662	KIT RELAY REPLACEMENT (PRESTOLITE)	1	1	1	
. NS	IS-05902	. SEE INSTRUCTION SHEET	1	1	1	
		A) INCLUDE ITEM 1 TO 19 ON PLATE #9				
		B) THIS PLATE ASSY INCLUDE IN KIT #065548				
		C) SEE INSTRUCTION SHEET IS-0032				

From R-012 To V-1778	Date:10/2022	PAGE:H3-0625-01
FRONT JUNCTION BOX ASSY		



From R-012 To V-1778	Date:10/2022	PAGE:H3-0625-01
FRONT JUNCTION BOX ASSY		

Item#	Part	Description	H 3 4 1	H 3 4 5	V I P 4 5	N O T E S
	381676	JUNCTION BOX ASSY	1	1		
	381677	JUNCTION BOX ASSY			1	
1	381137	. BASE	1	1	1	
2	500560	. SCREW MA PAN PH M4-0.7x6 Z050	15	15	15	
3	561991	. RELAY 24V S.P.S.T. / 70 AMPS N.O.	1	1	1	
4	504106	. RIVET POP DOME OE 1/8x1/4 AL	AR	AR	AR	
5	063286	. RESISTOR CONNECTOR ASSY (FAST IDLE)	1	1	1	
6	381610	. RAIL	1	1		
6	381609	. RAIL				
7	562373	. CONNECTOR, MULTIPLE BLADE	3	3	3	
8	504486	. GROMMET / 2.125x2.500x.062x.437x2.875	5	5	5	
9	381145	. DIODE ASSY / W/5 3AMPS	AR	AR		
9	381145	. DIODE ASSY / W/5 3AMPS			4	
10	502688	. SCREW MA PAN PH M3.5-0.6x10 ZP	2	2	2	
11	504105	. RIVET POP DOME OE 1/8x3/16 AL	AR	AR	AR	
12	504059	. GROMMET / 1.250x1.500x.094x.375x1.875	6	6		
12	504059	. GROMMET / 1.250x1.500x.094x.375x1.875			7	
13	380886	. BUS BAR / W/2 HOLES 25MM	AR	AR	AR	
14	380761	. BUS BAR / W/4 HOLES 64MM	2	2		
14	380761	. BUS BAR / W/4 HOLES 64MM			1	
15	380887	. BUS BAR / W/3 HOLES 38MM	14	14		
15	380887	. BUS BAR / W/3 HOLES 38MM			12	
16	561792	. BREAKER 10AMPS / 24V /	AR	AR	AR	
17	561794	. BREAKER 20AMPS / 24V /	AR	AR	AR	
18	561791	. BREAKER 8AMPS / 24V /	6	6		
18	561791	. BREAKER 8AMPS / 24V /			7	
19	561793	. BREAKER 15AMPS / 24V /	AR	AR	AR	
20	561795	. BREAKER 25AMPS / 24V /	AR	AR	AR	
21	561790	. BREAKER 6AMPS / 24V /	AR	AR	AR	
22	562092	. RELAY 12V S.P.D.T. W/DIODE /	1	1		
23	504006	. RIVET POP CK OE 1/8x5/16 AL	11	11	11	
24	504012	. CABLE TIE / 3/16" X 6"1/2	30	30	30	
25	504347	. RIVET POP DOME OE 3/16x1/4 AL	41	41	41	
26	504013	. TIE MOUNT / 1/4" X 1/4" I.D.	32	32	32	
27	561729	. STOPPER	AR	AR	AR	
28	380838	. RAIL SUPPORT / 320MM	2	2	2	
29	561707	. RELAY 24V S.P.D.T. W/RESISTOR /	AR	AR	AR	
30	061976	. RESISTOR ASSY 1 OHM 10 W	2	2	2	
31	500583	. SCREW TP PAN PH #6x1/2 Z050	4	4		
31	500583	. SCREW TP PAN PH #6x1/2 Z050			6	
32	380923	. INSULATOR	2	2		
32	380923	. INSULATOR			3	

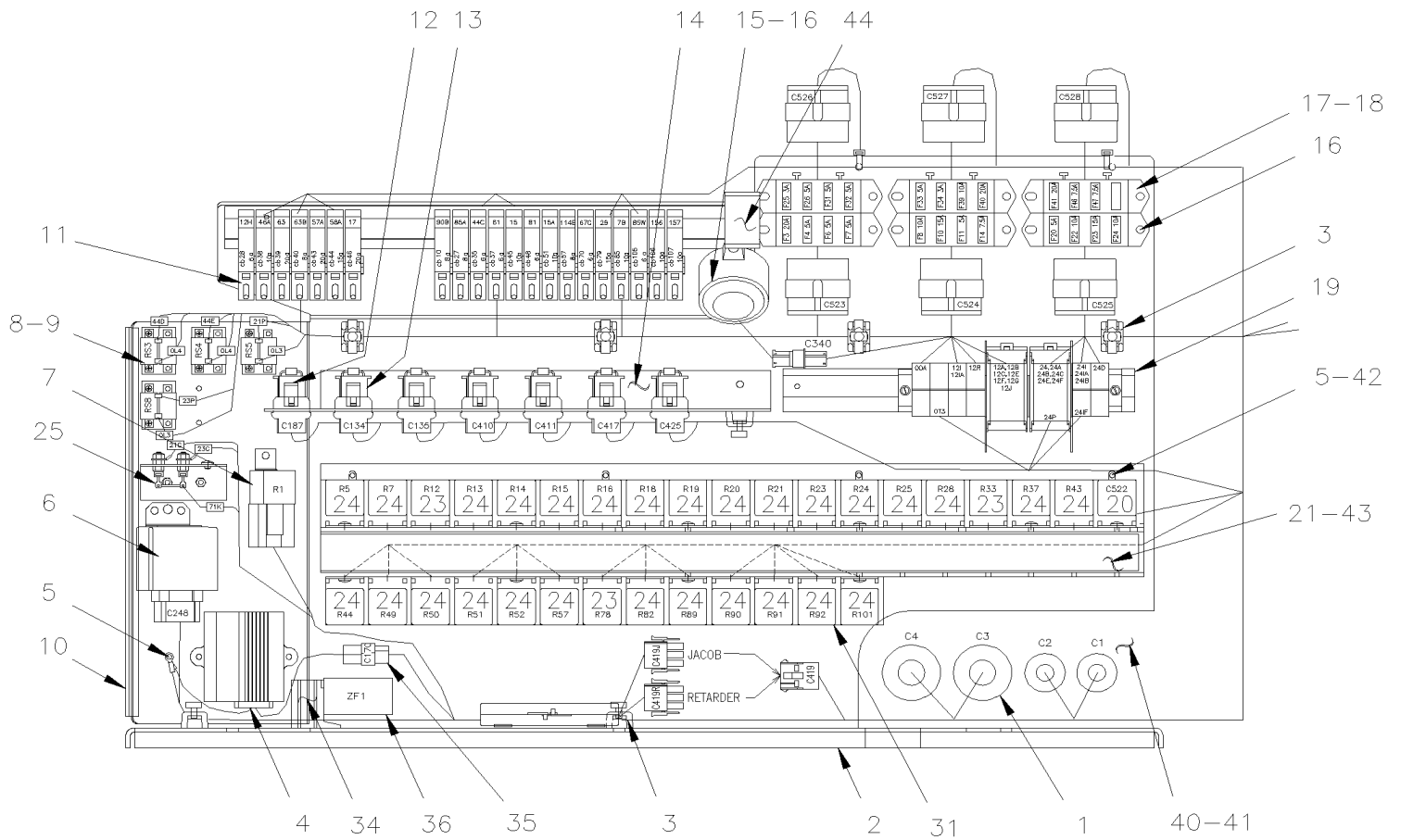
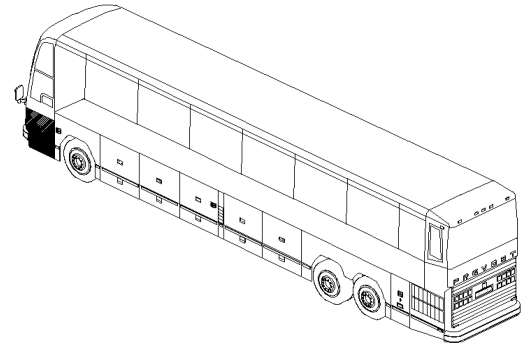
From R-012 To V-1778	Date:10/2022	PAGE:H3-0625-01
FRONT JUNCTION BOX ASSY		

Item#	Part	Description	H 3 4 1	H 3 4 5	V I P 4 5	N O T E S
33	062925	. RESISTOR ASSY 1 OHM 10 W			1	
34	063512	. WIRING HARNESS FRONT JUNCTION BOX To S-127	1	1		
34	063960	. WIRING HARNESS FRONT JUNCTION BOX From S-128 To S-206	1	1		
34	064084	. WIRING HARNESS FRONT JUNCTION BOX From S-207 To T-1452	1	1		
34	064233	. WIRING HARNESS FRONT JUNCTION BOX From T-1453	1	1		
34	063833	. WIRING HARNESS FRONT JUNCTION BOX			1	
35	500437	. WASHER FL .125x.375x.040 Z050	2	2	2	
36	062717	. DIODE ASSY	1	1	1	
37	381471	. BASE ASSY	1	1	1	
38	502689	. NUT HEX M3.5-0.6 NP	2	2	2	
39	502690	. WASHER FL 4.3x9.0x0.8 Z050	2	2	2	
40	504015	. CABLE TIE / 3/16" X 14"1/2	AR	AR	AR	
41	381473	. PANEL, COVER	1	1	1	
42	502691	. WASHER LO SPT 3.6x6.7x0.8 Z050	2	2	2	
43	381476	. DOOR ASSY	1	1	1	
44	561956	. FLASHER UNIT 12V To S-263	1	1	1	
44	064158	. FLASHER UNIT 12V ASSY W/CONNECTOR & SUPPORT From S-264	1	1	1	
45	500470	. WASHER LO SPT .193x.334x.047 Z050			3	
45	500581	. WASHER LO SPT .141x.250x.031 SS	2	2	2	
46	5001085	. SCREW TP PAN PH #6x1 1/4 Z050			2	
46	500495	. SCREW TP PAN PH #6x1 Z050	2	2	2	
NS	300283	. CONTROL MODULE, HEATED WINDSHIELD To R-049	AR	AR		
NS	062537	. CABLE ASSY, HEATED SEAT			AR	
NS	560900	. CONNECTOR / COM. MATE-N-LOCK / PH 2C / AMP 1-480319-0			AR	
NS	560901	. PIN TERMINAL / 20-14 / AMP 60620-1			AR	
47	500765	. NUT HEX #10-32 BR	2	2	2	
48	381236	. DUMMY ASSY W/SCREW	14	14		
48	381236	. DUMMY ASSY W/SCREW			10	
49	561797	. BREAKER 3AMPS / 24V /	AR	AR	AR	
50	381609	. RAIL	1	1	1	
51	060806	. RESISTOR ASSY 0.82 OHM / W/12 VOLT FOG To S-127	1	1	1	
. NS	560823	. . RESISTOR / 0.82 OHM To S-127	2	2	2	
. . NS	562959	. . . SUPPORT, CERAMIC RESISTOR To S-127	1	1	1	
51	064029	. RESISTOR ASSY 0.82 OHM From S-128	1	1	1	
. NS	560823	. . RESISTOR / 0.82 OHM From S-128	2	2	2	
. . NS	562959	. . . SUPPORT, CERAMIC RESISTOR From S-128	1	1	1	
52	381144	. SUPPORT W/RECTIFIER CONNECTOR	1	1	1	
52	381518	. SUPPORT / FOR 10 PINS CONNECTOR	1	1		
53	380888	. BUS BAR / W/4 HOLES 51MM	2	2		
54	561538	. RELAY 12V S.P.D.T. V 415 F11	4	4	4	
55	504060	. GROMMET / 1.500x2.000x.094x.375x2.375	1	1	1	
56	500501	. NUT HEX CAP #8-32 SS	3	3	3	

From R-012 To V-1778	Date:10/2022	PAGE:H3-0625-01
FRONT JUNCTION BOX ASSY		

Item#	Part	Description	H 3 4 1	H 3 4 5	V I P 4 5	N O T E S
57	500557	. SCREW MA PAN PH #8-32x3/8 SS	3	3	3	
58	500641	. SCREW TP PAN PH #8x3/4 Z050	6	6	6	
59	063747	. DECAL / JUNCTION BLOCKS	1	1	1	
60	561557	. RELAY 24V S.P.D.T. N.O.	AR	AR	AR	
61	561726	. BLOCK JUNCTION	18	18	18	
62	500438	. WASHER FL .187x.437x.050 Z050	4	4	4	
63	561728	. END CLOSING	1	1	1	
64	381124	. RAIL SUPPORT / 460MM	1	1	1	
65	504365	. SPRING HOOK / DZUS 5/16	1	1	1	
66	380963	. SUPPORT	1	1	1	
67	504354	. STUD 5/16 O.D. X 3/8 (DZUS)	1	1	1	
68	504353	. RETAINER, 5/16"DIA. (DZUS) STUD	1	1	1	
69	500124	. SCREW TP TR PH #8x1/2 SS	18	18	18	
70	381004	. PLATE, CONNECTOR	1	1	1	
71	502693	. NUT HEX NYRT M4-0.7	11	11		
71	502693	. NUT HEX NYRT M4-0.7			10	
72	562389	. BAND, IDENTIFICATION 1-10	1	1	1	
73	562390	. BAND, IDENTIFICATION 11-20	1	1	1	
74	562391	. BAND, IDENTIFICATION 21-30	1	1	1	
75	381518	. SUPPORT / FOR 10 PINS CONNECTOR	AR	AR		

From V-1779 To 2-4416	Date:10/2022	PAGE:H3-0625-02
FRONT JUNCTION PANEL		



From V-1779 To 2-4416		Date:10/2022	PAGE:H3-0625-02
FRONT JUNCTION PANEL			

Item#	Part	Description	H 3 4 1	H 3 4 5	V I P 4 5	N O T E S
1	064325	WIRING HARNESS FRONT JUNCTION BOX To V-1819	1	1		
1	064490	WIRING HARNESS FRONT JUNCTION BOX From V-1820 To W-2284	1	1		
1	064576	WIRING HARNESS FRONT JUNCTION BOX From W-2285 To X-2900	1	1		
1	064943	WIRING HARNESS FRONT JUNCTION BOX From X-2901 To 1-4083	1	1		
1	065417	WIRING HARNESS FRONT JUNCTION BOX From 1-4084	1	1		
1	064326	WIRING HARNESS FRONT JUNCTION BOX To W-2457			1	
1	064604	WIRING HARNESS FRONT JUNCTION BOX From X-2458 To Y-3891			1	
1	064734	WIRING HARNESS FRONT JUNCTION BOX To 1-4083			1	B
1	065423	WIRING HARNESS FRONT JUNCTION BOX From 1-4084			1	B
1	065316	WIRING HARNESS FRONT JUNCTION BOX From Y-3891 To 1-4083			1	
1	065424	WIRING HARNESS FRONT JUNCTION BOX From X-3039			1	
2	381778	FRONT PANEL BOX To W-2284	1	1	1	
2	381831	FRONT PANEL BOX From W-2285	1	1	1	
3	504013	TIE MOUNT / 1/4" X 1/4" I.D.	AR	AR	AR	
NS	504347	RIVET POP DOME OE 3/16x1/4 AL	AR	AR	AR	
NS	504637	CABLE TIE / 3/16" x 13"	AR	AR	AR	
4	064421	FLASHER UNIT 12V ASSY W/CONNECTOR	4	4	4	
5	500638	SCREW TP PAN PH #8x1/2 Z050	AR	AR	AR	
6	800293	GENERATOR, PULSE / FOR WIPER MOTOR	1	1	1	
7	561991	RELAY 24V S.P.S.T. / 70 AMPS N.O.	1	1	1	
8	061976	RESISTOR ASSY 1 OHM 10 W	4	4	4	
NS	380923	INSULATOR	2	2	2	
9	500583	SCREW TP PAN PH #6x1/2 Z050	8	8	8	
10	506025	RUBBER CHANNEL / 1/18" x 5/16" INT "U" SHAPE / SQUARE C.T.L.	AR	AR	AR	
NS	680066	ADHESIVE / ADBOND #5014 / 23.6ML BOTTLE	AR	AR	AR	
11	561790	BREAKER 6AMPS / 24V /	AR	AR	AR	
11	561791	BREAKER 8AMPS / 24V /	AR	AR	AR	
11	561792	BREAKER 10AMPS / 24V /	AR	AR	AR	
11	561793	BREAKER 15AMPS / 24V /	AR	AR	AR	
11	561794	BREAKER 20AMPS / 24V /	AR	AR	AR	
NS	381802	FRONT BOX CLIP	1	1	1	
NS	504106	RIVET POP DOME OE 1/8x1/4 AL	1	1	1	
12	063286	RESISTOR CONNECTOR ASSY (FAST IDLE)	1	1	1	
13	381145	DIODE ASSY / W/5 3AMPS	6	6	6	
14	381788	SUPPORT, DIODE CONNECTOR	1	1	1	
15	064094	FIRE & KNEELING / ALARM ASSY / SERVICE	1	1	1	
16	500641	SCREW TP PAN PH #8x3/4 Z050	14	14	14	
17	562621	FUSE BLOCK W/4 LEDS & WIRES	6	6	6	
NS	381960	. PROTECTOR COVER FUSE HOLDER 49MM x 62MM "OPTION SPECIAL"	AR	AR	AR	
18	562599	FUSE / ATO 3 AMPS VIOLET	AR	AR	AR	
18	562259	FUSE / ATO 5 AMPS AMBER	AR	AR	AR	
18	562602	FUSE / ATO 7.5 AMPS BROWN	AR	AR	AR	

From V-1779 To 2-4416	Date:10/2022	PAGE:H3-0625-02
FRONT JUNCTION PANEL		

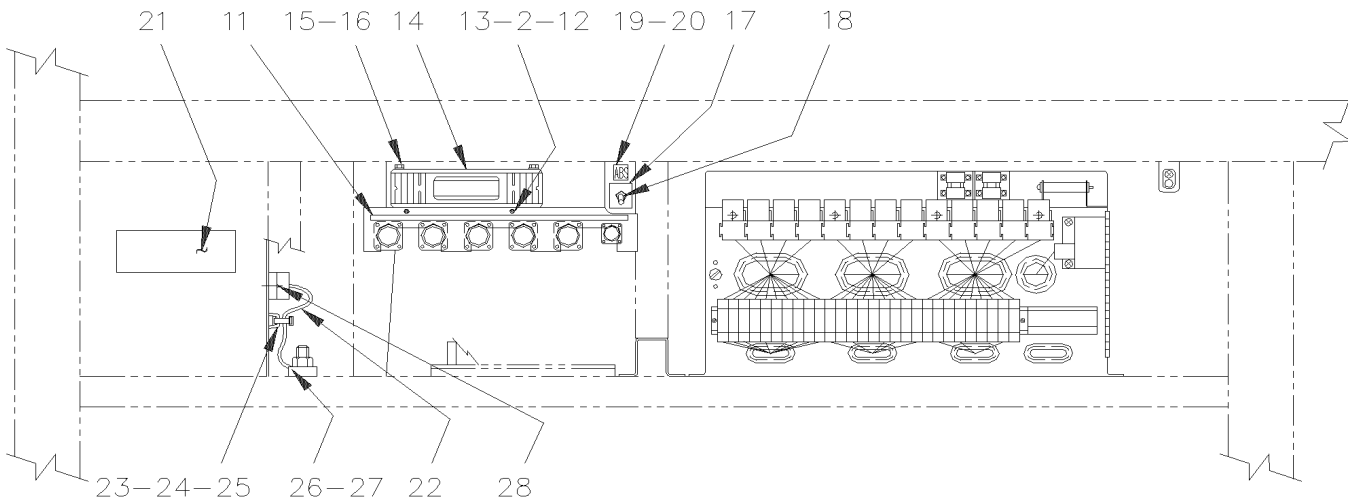
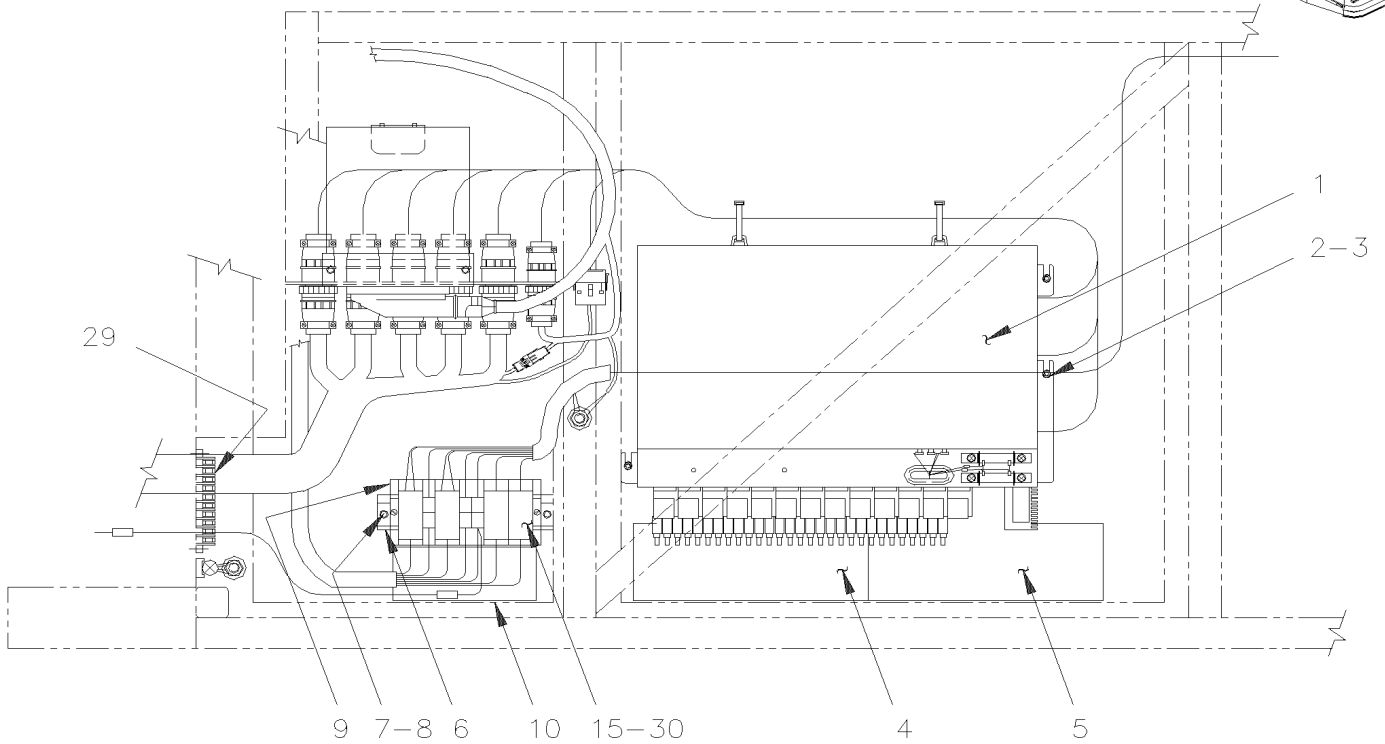
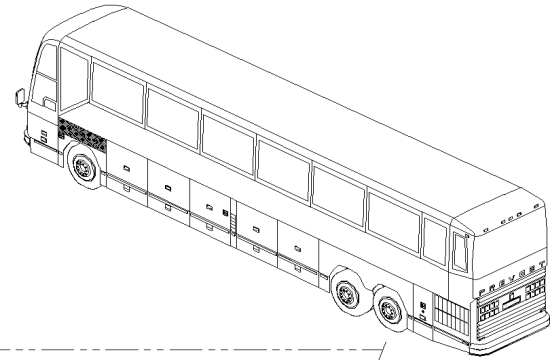
Item#	Part	Description	H 3 4 1	H 3 4 5	V I P 4 5	N O T E S
18	562407	FUSE / ATO 10 AMPS RED	AR	AR	AR	
18	562604	FUSE / ATO 15 AMPS BLUE	AR	AR	AR	
18	562605	FUSE / ATO 20 AMPS YELLOW	AR	AR	AR	
19	H3-0616-00	JUNCTION BOX COMPONENTS, RELAY & BREAKER				
20	562622	DAYTIME RUN LTS MODULE 12V W/LOW BEAM	1	1	1	
21	064427	DECAL FRONT JUNCTION BOX RELAY To W-2284	1	1		
21	064624	DECAL FRONT JUNCTION BOX RELAY From W-2285 To X-2900	1	1		
21	065009	DECAL FRONT JUNCTION BOX RELAY From X-2901 To X-3038	1	1		
21	065054	DECAL FRONT JUNCTION BOX RELAY From X-3039	1	1		
21	064427	DECAL FRONT JUNCTION BOX RELAY To W-2457			1	
21	064675	DECAL FRONT JUNCTION BOX RELAY From X-2458 To X-3038			1	
21	064757	DECAL FRONT JUNCTION BOX RELAY From X-2901 To X-3038			1	B
21	065056	DECAL FRONT JUNCTION BOX RELAY From X-3039			1	
21	065055	DECAL FRONT JUNCTION BOX RELAY From X-3039			1	B
23	562092	RELAY 12V S.P.D.T. W/DIODE /	3	3	3	
24	561707	RELAY 24V S.P.D.T. W/RESISTOR /	AR	AR	AR	
25	062717	DIODE ASSY			1	
31	065394	KIT, FRESH AIR DAMPER WIRING From V-1779 To W-2284	AR	AR	AR	
. NS	IS-00061	. SEE INSTRUCTION SHEET From V-1779 To W-2284	1	1	1	
34	563033	E.C.U. / W/STEERING ASSIST (STP 272 or 330) ((77//125))			1	
35	064908	CABLE ASSY TO STEERING SPEED SIGNAL ECU / W/"ZF" STEERING			1	
36	064505	SPARE FUSE BOX	1	1	1	
40	064428	DECAL CONNECTOR / C1,C2,C3,C4	1	1	1	
41	381777	SUPPORT HARNESS & FRONT PANEL BOX From V-1779 To W-2284	1	1	1	
41	381830	SUPPORT HARNESS & FRONT PANEL BOX From W-2285	1	1	1	
42	286228	PROTECTOR RELAY From X-3029	1	1	1	A
43	381779	RELAY SUPPORT	1	1	1	
44	381849	SUPPORT FRONT PANEL UPPER	1	1	1	
		A) FOR PRODUCT IMPROVMENT YOU REQUIRE ONE 286228, 3 X 500641 & 3 X 500438				
		B) WITH SMALL A/C				

From R-012 To V-1778

Date:10/2022

PAGE:H3-0625-50

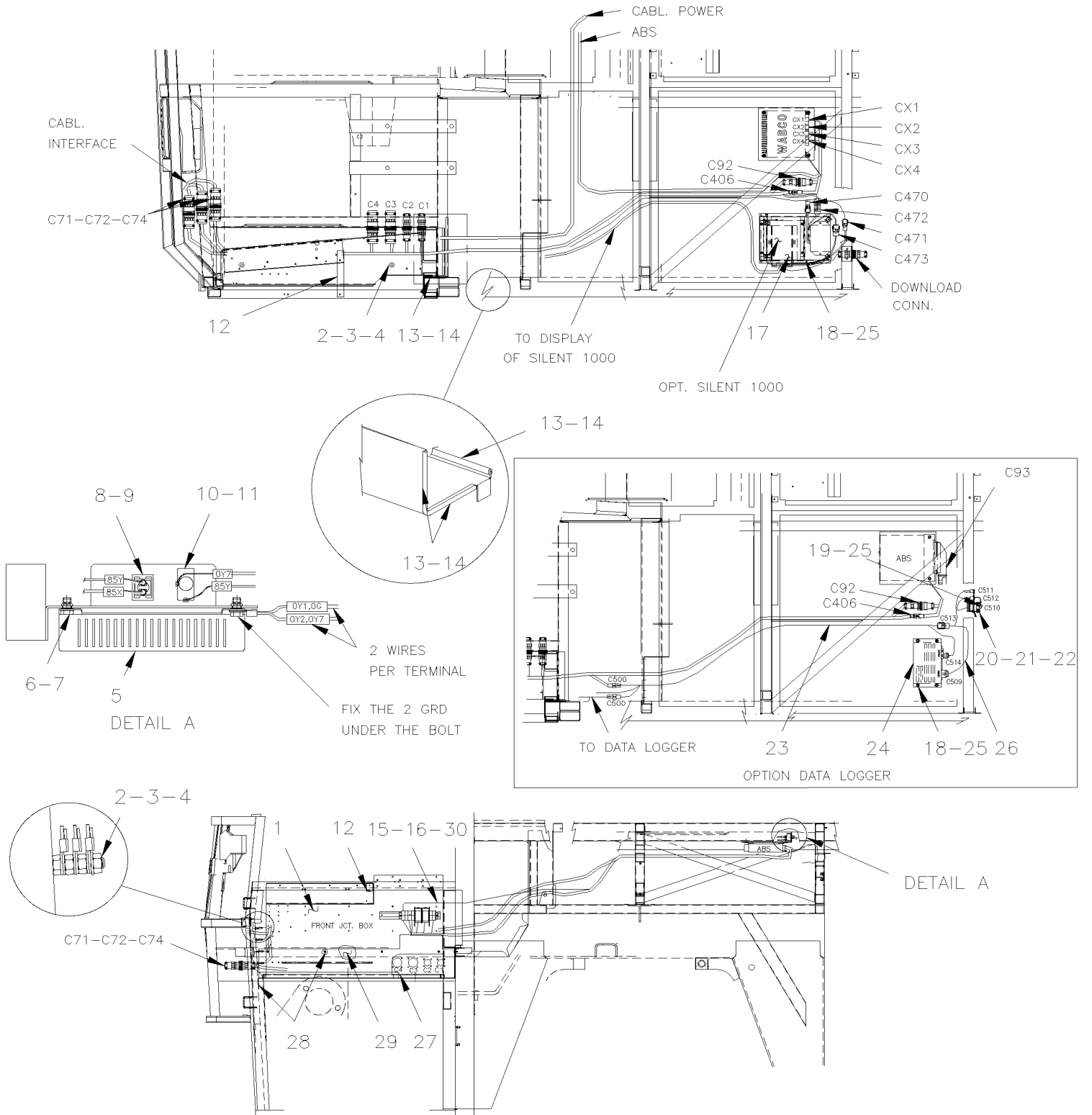
FRONT JUNCTION BOX - INSTALLATION



From R-012 To V-1778	Date:10/2022	PAGE:H3-0625-50
FRONT JUNCTION BOX - INSTALLATION		

Item#	Part	Description	H 3 4 1	H 3 4 5	V I P 4 5	N O T E S
1	H3-0625-01	FRONT JUNCTION BOX ASSY				
2	502570	WASHER LO SPT 6.1x11.8x1.6 SS	6	6	6	
3	500609	NUT HEX M6-1.0 Z050	3	3	3	
4	063820	DECAL, FRONT JUNCTION BOX				
4	063754	DECAL, FRONT JUNCTION BOX To S-127	1	1		
4	063977	DECAL / FRONT JUNCTION BOX From S-128 To T-1452	1	1		
4	064234	DECAL, FRONT JUNCTION BOX From T-1453				
5	063818	DECAL, FRONT JUNCTION BOX				
5	063753	DECAL, FRONT JUNCTION BOX	1	1		
6	381639	JUNCTION BLOCK ASSY To T-1452	1	1	1	
6	381759	JUNCTION BLOCK ASSY From T-1453	1	1	1	
7	502524	NUT HEX M4-0.7 Z050	2	2	2	
8	500470	WASHER LO SPT .193x.334x.047 Z050	2	2	2	
9	562024	COVER / PROTECTOR / 3 BLOCKS	2	2	2	
10	063770	DECAL / JUNCTION BLOCK To T-1452	1	1	1	
10	064235	DECAL / JUNCTION BLOCK From T-1453	1	1	1	
11	062655	DECAL	1	1	1	
12	502563	SCREW CAP HEX M6-1.0x12 G8.8 Z050	3	3	3	
13	502573	WASHER FL 6.4x12.5x1.6 SS	3	3	3	
14	641248	CONTROL UNIT 24V / ABS 4 CH	AR	AR	AR	
15	502541	SCREW CAP HEX M6-1.0x65 G8.8 Z050	AR	AR	AR	
16	502564	WASHER LO SPT 6.1x11.8x1.6 Z050	AR	AR	AR	
17	063890	DECAL / ANTILOCK BRAKE SYSTEM	AR	AR	AR	
18	560330	SWITCH / ON-OFF-ON / D.P.D.T.	AR	AR	AR	
19	391672	INSERT / RED / "ABS"	AR	AR	AR	
20	562113	TELLTALE ASSY / 24V SHORT	AR	AR	AR	
21	063160	DECAL / WARNING DONOT USE THIS CONNECTION / ENGLISH & FRANCAIS	1	1	1	
22	063771	CABLE ASSY / GROUND	1	1	1	
23	504013	TIE MOUNT / 1/4" X 1/4" I.D.	1	1	1	
24	504012	CABLE TIE / 3/16" X 6"1/2	1	1	1	
25	504114	RIVET POP DOME OE 3/16x1/4 AL	1	1	1	
26	500857	WASHER LO INT .512x.900x.045 Z050	2	2	2	
27	500789	NUT HEX 1/2-13 Z050	2	2	2	
28	500432	SCREW TC PAN PH #8-32x3/4 Z050	2	2	2	
29	562373	CONNECTOR, MULTIPLE BLADE	1	1	1	
30	502692	NUT HEXF STO M8-1.25 Z050	2	2	2	

From V-1779 To 2-4416	Date:10/2022	PAGE:H3-0625-51
FRONT JUNCTION BOX - INSTALLATION		



From V-1779 To 2-4416	Date:10/2022	PAGE:H3-0625-51
-----------------------	--------------	-----------------

FRONT JUNCTION BOX - INSTALLATION

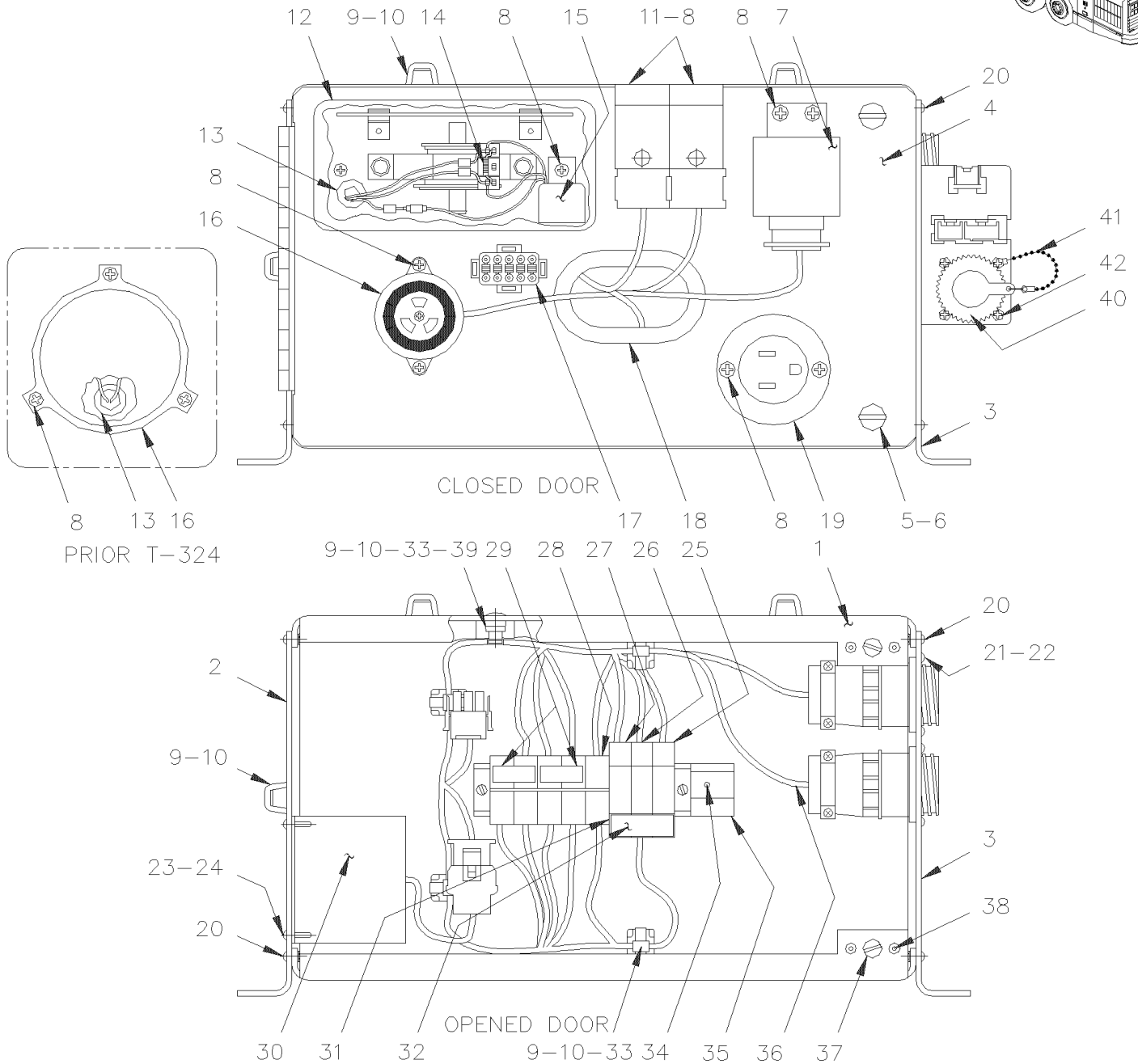
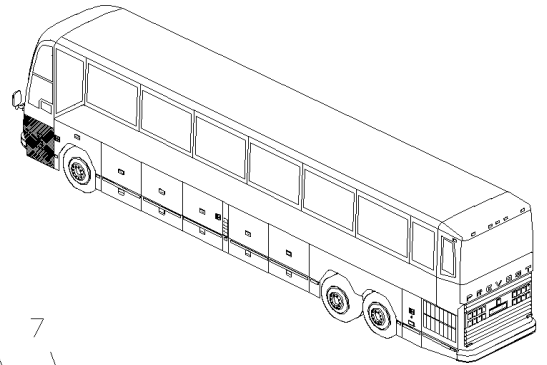
Item#	Part	Description	H 3 4 1	H 3 4 5	V I P 4 5	N O T E S
1	H3-0625-02	FRONT JUNCTION PANEL				
2	502565	NUT HEX M6-1.0 SS	15	15	15	
3	502564	WASHER LO SPT 6.1x11.8x1.6 Z050	7	7	7	
4	502737	SCREW CAP HEX M6-1.0x25 SS BK	3	3	3	
5	H3-1250-00	ANTI-LOCK BRAKING SYSTEM				
6	502631	SCREW CAP HEX M6-1.0x20 G8.8 Z050	4	4	4	
7	502564	WASHER LO SPT 6.1x11.8x1.6 Z050	4	4	4	
8	562113	TELLTALE ASSY / 24V SHORT	1	1	1	
9	391672	INSERT / RED / "ABS"	1	1	1	
10	063373	DECAL ABS SYSTEM	1	1	1	
11	560254	SWITCH / OFF-M/ON / S.P.S.T.	1	1	1	
12	504379	RIVET POP DOME OE 3/16x1/4 SS	1	1	1	
13	506338	RUBBER CHANNEL / 1/16" x 1/4" INT "U" SHAPE / ROUND C.T.L.	AR	AR	AR	
14	680066	ADHESIVE / ADBOND #5014 / 23.6ML BOTTLE	AR	AR	AR	
15	500590	NUT HEX NYRT M4-0.7 Z050	1	1	1	
16	500615	NUT HEX M8-1.25 BR	1	1	1	
17	N.P.N.	SILENT 1000 SYSTEM	AR	AR		4
18	500438	WASHER FL .187x.437x.050 Z050	4	4		
19	381826	SUPPORT	1	1		
20	500437	WASHER FL .125x.375x.040 Z050	4	4		
21	500518	SCREW MA BDG PH #4-40x1/2 Z050	4	4		
22	502520	NUT HEX #4-40 Z050	4	4		
23	064476	CABLE ASSY / DATA LOGGER	1	1		
24	562459	DATA LOGGER BOX	1	1		
25	500641	SCREW TP PAN PH #8x3/4 Z050	6	6		
26	064033	CABLE ASSY / W/O DATA LOGGER BOX	1	1		
27	381830	SUPPORT HARNESS & FRONT PANEL BOX	1	1	1	
28	500641	SCREW TP PAN PH #8x3/4 Z050	7	7	7	
29	506235	TAPE RUB ADH1 PVC.NITRIL 1/2" x 1" x 15' / BLACK 1210	3	3	3	
30	062963	CABLE ASSY / 12V POWER C.B.	1	1		
		4) NO PARTS NUMBER				

From R-012 To T-1611

Date:10/2022

PAGE:H3-0626-01

ALARM JUNCTION BOX ASSY



From R-012 To T-1611	Date:10/2022	PAGE:H3-0626-01
ALARM JUNCTION BOX ASSY		

Item#	Part	Description	H 3 4 1	H 3 4 5	V I P 4 5	N O T E S
	381604	JUNCTION BOX ASSY To S-206	1	1	1	
	381723	JUNCTION BOX ASSY From S-207 To T-1323	1	1	1	
	381725	JUNCTION BOX ASSY From T-1324	1	1	1	
1	381466	. BOX ASSY	1	1	1	
2	381467	. PANEL, LEFT	1	1	1	
3	381603	. PANEL, RIGHT	1	1	1	
4	381469	. DOOR ASSY	1	1	1	
5	504353	. RETAINER, 5/16"DIA. (DZUS) STUD	2	2	2	
6	504354	. STUD 5/16 O.D. X 3/8 (DZUS)	2	2	2	
7	800293	. GENERATOR, PULSE / FOR WIPER MOTOR	1	1	1	
8	500344	. SCREW MA RND PH M4-0.7x12 Z050	AR	AR	AR	
9	504013	. TIE MOUNT / 1/4" X 1/4" I.D.	8	8	8	
10	504114	. RIVET POP DOME OE 3/16x1/4 AL	8	8	8	A
11	562117	. ALARM BUZZER	2	2	2	A
12	560367	. CHIME BELL 24V / PASSENGER'S SIGNAL	1	1		
NS	561925	. . COVER CHIME	1	1		
13	504323	. GROMMET / .375x.500x.062x.281x.687	2	2		
13	504323	. GROMMET / .375x.500x.062x.281x.687			1	
14	062121	. DIODE	1	1		
15	063304	. MODULE, PULSE	1	1		
16	560369	. BELL ALARM / PRODUCTION	1	1	1	
17	381145	. DIODE ASSY / W/5 3AMPS	1	1	1	
18	504486	. GROMMET / 2.125x2.500x.062x.437x2.875	1	1	1	
19	562298	. INLET, FLANGED	AR	AR	AR	
20	504103	. RIVET POP DOME OE 1/8x1/8 AL	15	15	15	
21	500518	. SCREW MA BDG PH #4-40x1/2 Z050	8	8	8	
22	561823	. NUT, RING #23 / 1.812" I.D. W/4 4-40	8	8	8	
23	500664	. NUT SPR U #6-32 .050-.062	4	4	4	
24	500148	. SCREW MA RND PH #6-32x1/2 SS	4	4	4	
25	561729	. STOPPER	2	2	2	
26	381236	. DUMMY ASSY W/SCREW	AR	AR	AR	
27	561790	. BREAKER 6AMPS / 24V /	AR	AR	AR	
28	561726	. BLOCK JUNCTION	5	5	5	
29	380886	. BUS BAR / W/2 HOLES 25MM	4	4	4	
30	561766	. MODULE, CONTROL	1	1	1	
31	561728	. END CLOSING	1	1	1	
32	380887	. BUS BAR / W/3 HOLES 38MM	AR	AR	AR	
33	504012	. CABLE TIE / 3/16" X 6"1/2	5	5	5	
34	504006	. RIVET POP CK OE 1/8x5/16 AL	2	2	2	
35	380905	. RAIL SUPPORT / 150MM	1	1	1	
36	063508	. CABLE ASSY / FRONT ALARM BOX To S-127	1	1	1	
36	063956	. CABLE ASSY / FRONT ALARM BOX From S-128 To S-206	1	1	1	

From R-012 To T-1611	Date:10/2022	PAGE:H3-0626-01
ALARM JUNCTION BOX ASSY		

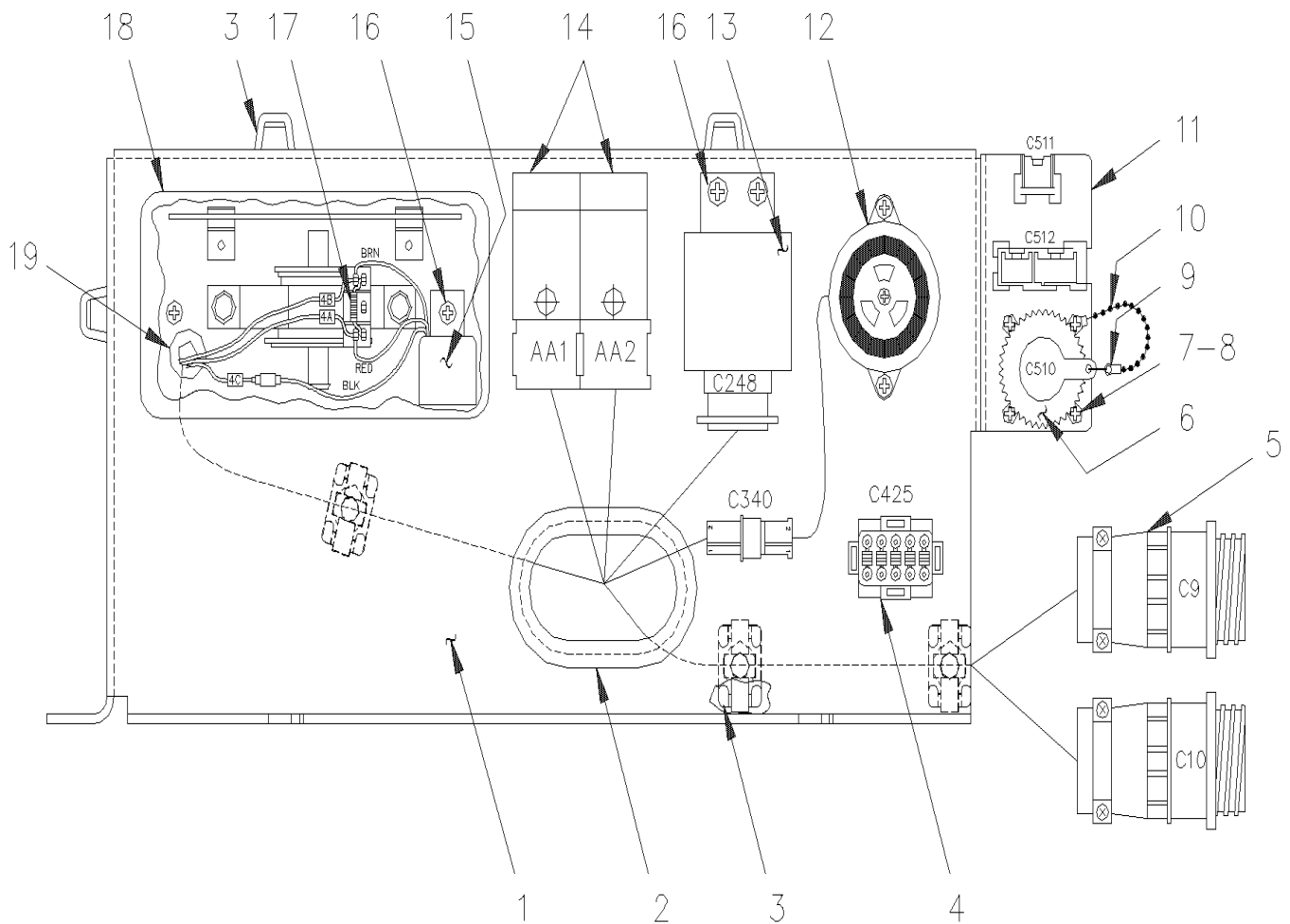
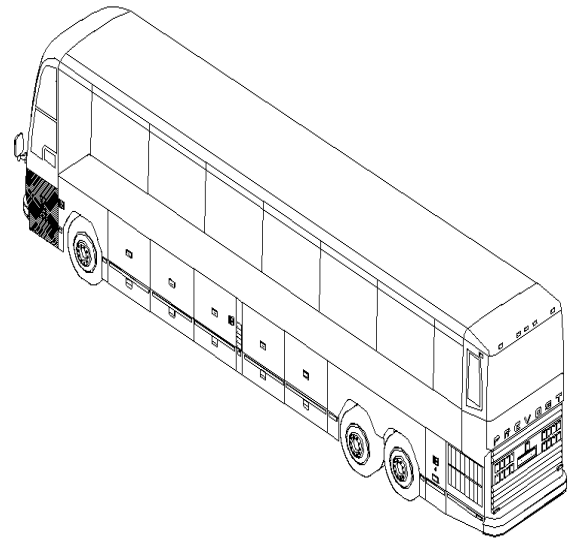
Item#	Part	Description	H 3 4 1	H 3 4 5	V I P 4 5	N O T E S
36	064085	. CABLE ASSY / FRONT ALARM BOX From S-207 To T-1323	1	1	1	
36	064107	. CABLE ASSY / FRONT ALARM BOX From T-1324	1	1		
36	064155	. CABLE ASSY / FRONT ALARM BOX From T-1324				
37	504365	. SPRING HOOK / DZUS 5/16	2	2	2	
38	504106	. RIVET POP DOME OE 1/8x1/4 AL	4	4	4	
39	502630	. WASHER FL .156x.375x.049 Z050	1	1	1	
NS	560638	. SWITCH / OFF-ON / D.P.S.T.	AR	AR	AR	
NS	062198	. CABLE, JUMP	AR	AR	AR	
40	562361	PROTECTIVE CAP / HD10 SERIES / 6C / DEUTSCH HDC16-6-BLACK	1	1	1	
41	562493	CHAIN / C.T.L.	AR	AR	AR	
NS	562494	RING / ATTACHMENT END	1	1	1	
42	500518	SCREW MA BDG PH #4-40x1/2 Z050	4	4	4	
NS	561821	NUT, RING #17 & 20 / 1.500" I.D W/4 4-40	1	1	1	
		A) CABLE TIE BASE				

From T-1612 To V-1778

Date:10/2022

PAGE:H3-0626-02

ALARM JUNCTION BOX ASSY



From T-1612 To V-1778	Date:10/2022	PAGE:H3-0626-02
ALARM JUNCTION BOX ASSY		

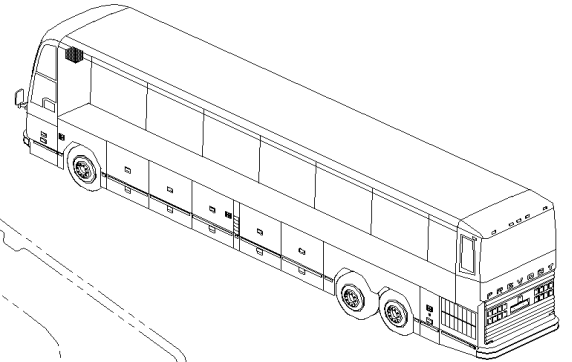
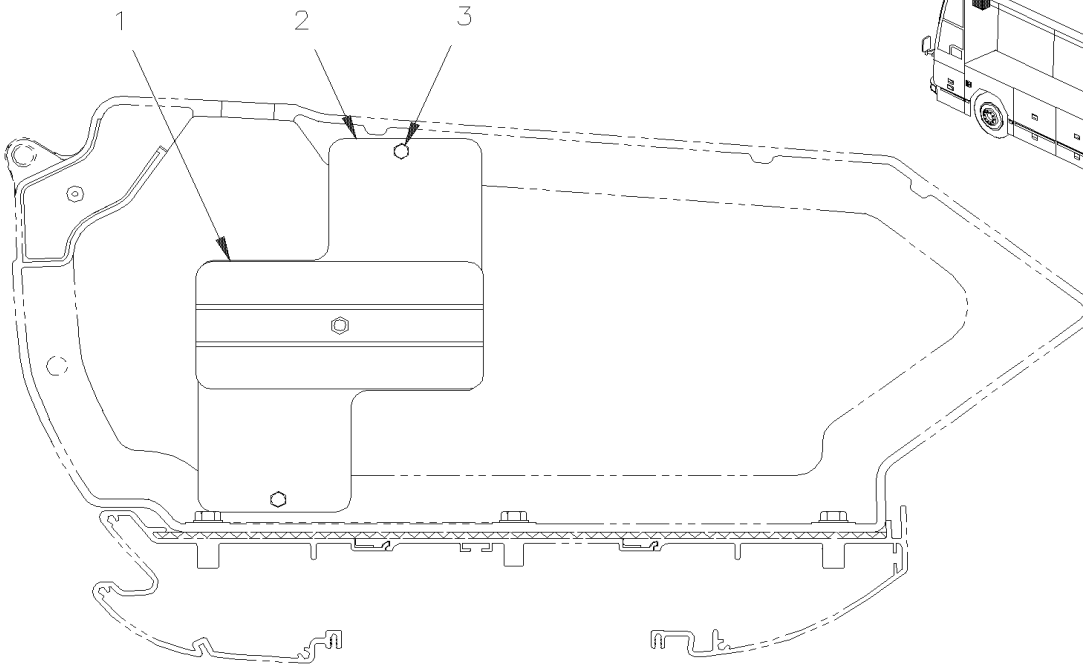
Item#	Part	Description	H 3 4 1	H 3 4 5	V I P 4 5	N O T E S
1	381769	ALARM JUNCTION BOX ASSY	1	1	1	
2	504486	GROMMET / 2.125x2.500x.062x.437x2.875	1	1	1	
3	504013	TIE MOUNT / 1/4" X 1/4" I.D.	6	6	6	
NS	504114	RIVET POP DOME OE 3/16x1/4 AL	6	6	6	
NS	504637	CABLE TIE / 3/16" x 13"	3	3	3	
4	381145	DIODE ASSY / W/5 3AMPS	1	1	1	
5	064317	CABLE ASSY / FRONT ALARM BOX	1	1		
5	064318	CABLE ASSY / FRONT ALARM BOX			1	
6	562361	PROTECTIVE CAP / HD10 SERIES / 6C / DEUTSCH HDC16-6-BLACK	1	1	1	
NS	064033	CABLE ASSY / W/O DATA LOGGER BOX	1	1		
7	500518	SCREW MA BDG PH #4-40x1/2 Z050	4	4	4	
NS	500437	WASHER FL .125x.375x.040 Z050	4	4	4	
8	502520	NUT HEX #4-40 Z050	4	4	4	
9	562492	TYPE A COUPLING	1	1	1	
NS	562494	RING / ATTACHMENT END	1	1	1	
10	562493	CHAIN / C.T.L.	AR	AR	AR	
11	381743	SUPPORT / TO FIX CABLE TO FRONT ALARM BOX From T-1612	1	1	1	
12	064094	FIRE & KNEELING / ALARM ASSY / SERVICE	1	1	1	
13	800293	GENERATOR, PULSE / FOR WIPER MOTOR	1	1	1	
14	562117	ALARM BUZZER	2	2	2	
15	063304	MODULE, PULSE	1	1		
16	500638	SCREW TP PAN PH #8x1/2 Z050	2	2	2	
17	062121	DIODE	1	1		
18	560367	CHIME BELL 24V / PASSENGER'S SIGNAL	1	1		
18	561925	. COVER CHIME	1	1		
19	504323	GROMMET / .375x.500x.062x.281x.687	1	1		

From V-1779 To 2-4416

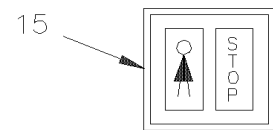
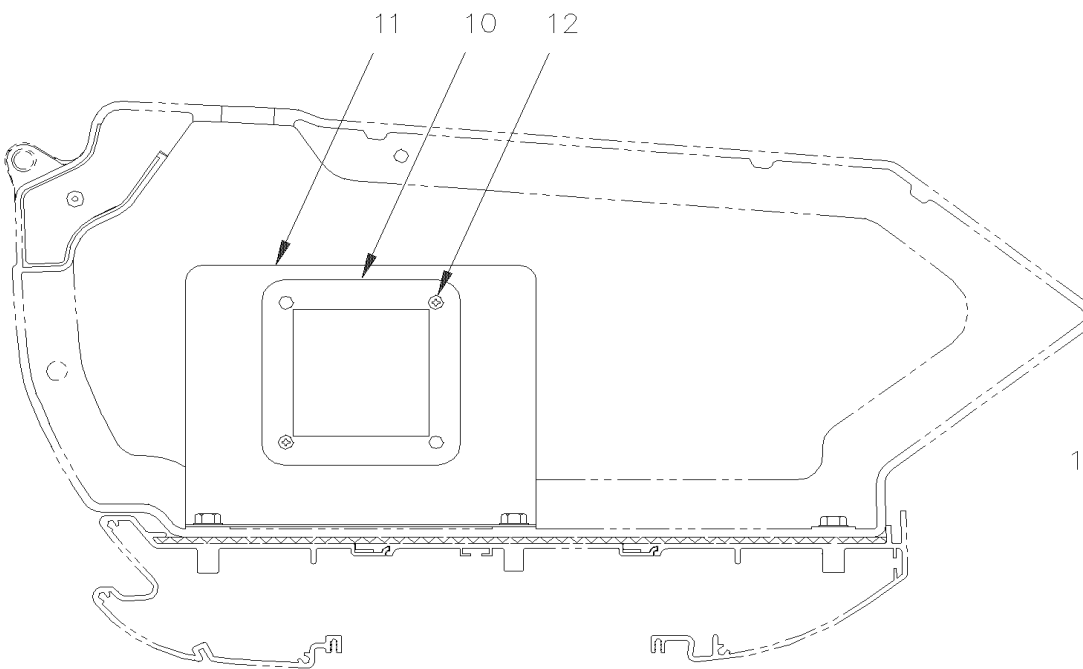
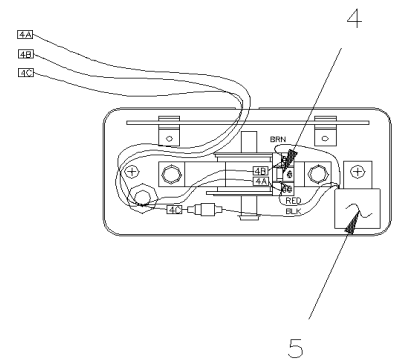
Date:10/2022

PAGE:H3-0628-00

CHIME BELL - INSTALLATION



EFF.: V-1779 TO X-2300

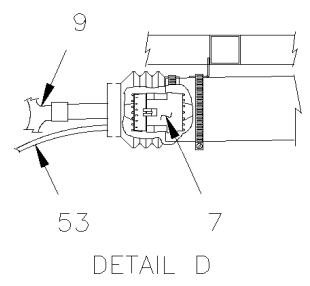
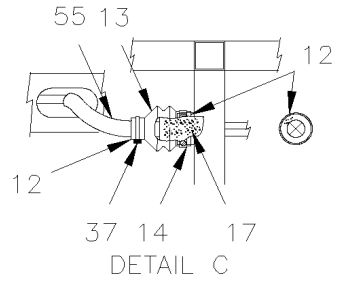
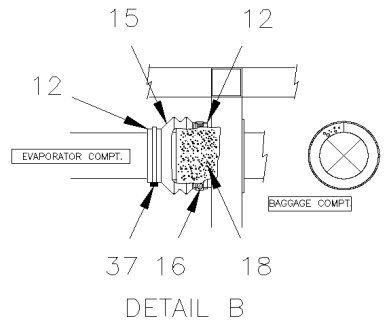
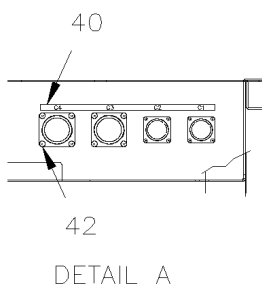
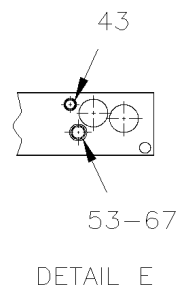
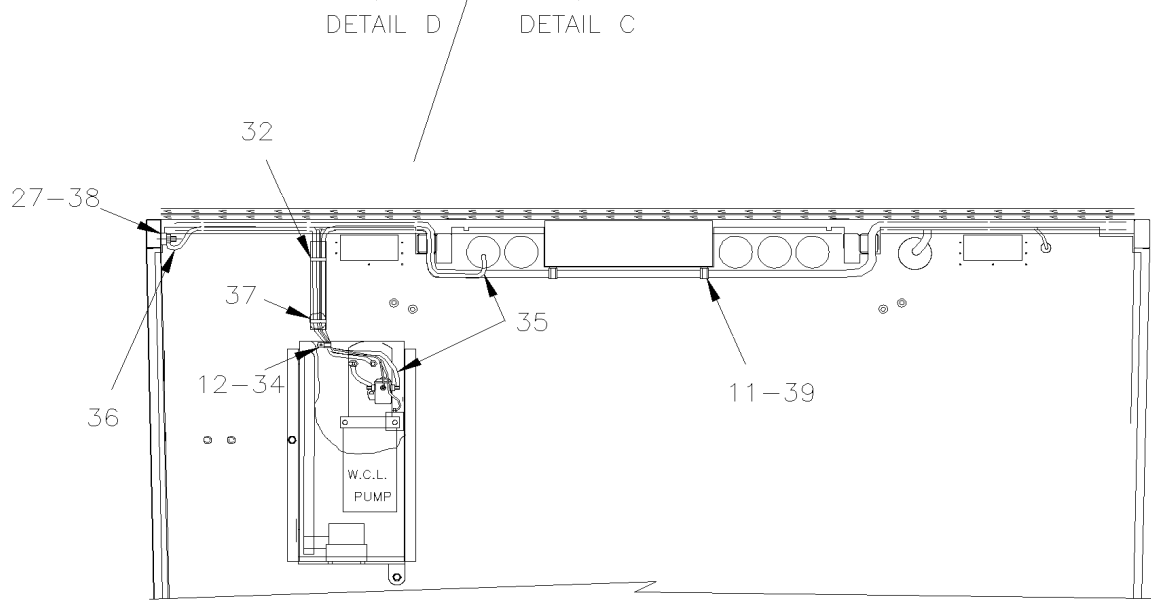
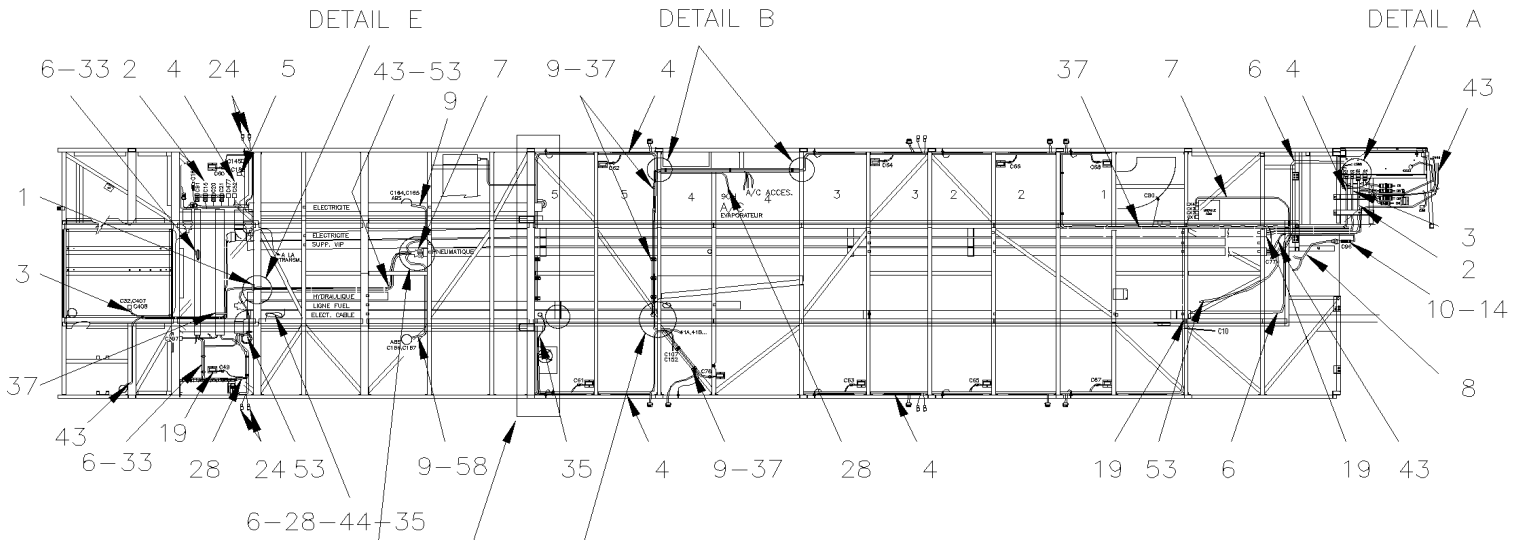


EFF.: X-2301

From V-1779 To 2-4416		Date:10/2022	PAGE:H3-0628-00
CHIME BELL - INSTALLATION			

Item#	Part	Description	H 3 4 1	H 3 4 5	V I P 4 5	N O T E S
1	560367	CHIME BELL 24V / PASSENGER'S SIGNAL To X-2300	1	1		
1	561925	. COVER CHIME To X-2300	1	1		
NS	504323	GROMMET / .375x.500x.062x.281x.687 To X-2300	1	1		
2	381846	SUPPORT CHIM BELL From V-1779 To W-2300	1	1		
3	500427	SCREW MA RND PH #10-32x1 1/4 ZP	2	2		
NS	500331	NUT WELL #10-32x1.0	2	2		
4	062121	DIODE	1	1		
5	063304	MODULE, PULSE	1	1		
10	381854	CHIME / PASSENGER'S SIGNAL From X-2301	1	1		
11	381855	SUPPORT CHIM BELL From W-2301 To X-2804	1	1		
11	312709	SUPPORT CHIM BELL From X-2805	1	1		
12	500844	SCREW TC FL PH #10-32x1 1/4 Z050	2	2		
15	561564	SWITCH, HOSTESS & STOP To W-2284	AR	AR		
15	830159	SWITCH / OFF-M/ON / S.P.S.T. / CHIME From W-2285	AR	AR		
NS	064566	CABLE HARNESS / READING LIGHT STREETSIDE To X-2300	1			
NS	064676	CABLE HARNESS / READING LIGHT STREETSIDE From X-2301 To X-2726	1			
NS	064841	CABLE HARNESS / READING LIGHT STREETSIDE From X-2726		1		
NS	064556	CABLE HARNESS / READING LIGHT STREETSIDE To X-2300		1		
NS	064677	CABLE HARNESS / READING LIGHT STREETSIDE From X-2301 To X-2726		1		
NS	064840	CABLE HARNESS / READING LIGHT STREETSIDE From X-2726		1		

From X-2726 To 2-4416	Date:10/2022	PAGE:H3-0630-01
CABLE & HARNESS - UNDER FLOOR		



From X-2726 To 2-4416	Date:10/2022	PAGE:H3-0630-01
CABLE & HARNESS - UNDER FLOOR		

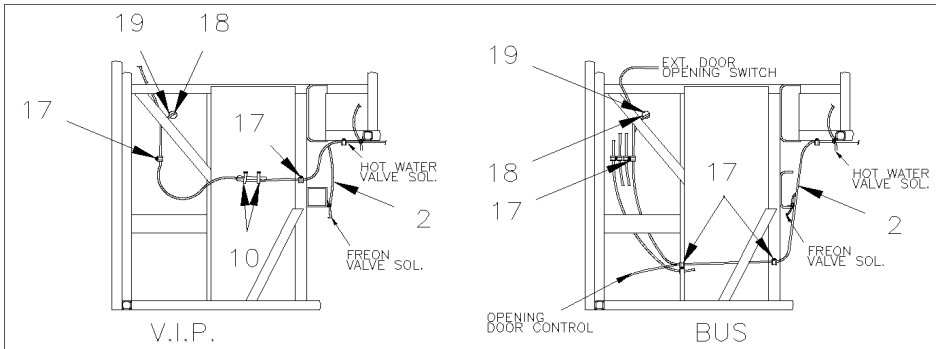
Item#	Part	Description	H 3 4 1	H 3 4 5	V I P 4 5	N O T E S
1	504574	GROMMET / 1.125x1.312x.062x.312x1.56	1	1	1	
2	064837	CABLE ASSY / FRT SELECTOR & RR ECU & VIM To X-2725			1	
2	064733	CABLE ASSY / FRT SELECTOR & RR ECU & VIM From X-2726			1	
2	064947	CABLE ASSY / FRT SELECTOR & RR ECU & VIM	1	1		
2	064948	CABLE ASSY / FRT SELECTOR & REAR JCT BOX	1	1	1	A
3	064601	CABLE ASSY / FRT JCT & E.C.M. "DDEC" III From W-2285 To 1-4083	1	1	1	
3	065418	CABLE ASSY / FRT JCT & E.C.M. "DDEC" IV From 1-4084	1	1	1	
4	064898	CABLE ASSY BAGGAGE COMPARTMENT VIP			1	
4	064896	CABLE ASSY BAGGAGE COMPARTMENT BUS		1		
4	064897	CABLE ASSY BAGGAGE COMPARTMENT BUS	1			
4	064731	CABLE ASSY BAGGAGE COMPARTMENT VIP To 1-4194			1	C
4	065482	CABLE ASSY BAGGAGE COMPARTMENT VIP From 1-4195			1	C
5	064597	CABLE ASSY / E.C.U. & TRANS SPEED SWITCH	1	1	1	
6	064992	CABLE ASSY FRT JCT BOX / POWER	1	1	1	
7	064588	CABLE ASSY "ABS" To 2-4346	1	1	1	
7	064922	CABLE ASSY "ABS" From 2-4347	1	1	1	
8	064596	CABLE ASSY / FRONT WHEEL "ABS"	1	1	1	
9	064877	CABLE ASSY / REAR WHEEL "ABS"	1	1	1	
10	504439	CUFF END BELLOW / 1 1/4" I.D. x 1 1/2" x 1 13/16	1	1	1	
11	500414	SCREW TP BDG PH #10x3/4 SS	AR	AR	AR	
12	680096	SEALANT BUTYL ALUM / GREY / 310ml CARTRIDGE	AR	AR	AR	
13	504385	CUFF END BELLOW / 1 1/2" I.D. x 2 1/2" x 4"	1	1	1	
14	504022	HOSE CLAMP / 3/4"-1"3/4 SS / HS-20	1	1	1	
15	504441	CUFF END BELLOW / 3 1/2" I.D. x 3 1/2" x 5 5/8"	2	2	2	
16	504026	HOSE CLAMP / 2"13/16-3"3/4 SS / HS-52	2	2	2	
17	506216	PIPE INSULATING / 5/8" I.D. X 1/2" TH. X 72 / APT05812	AR	AR	AR	
18	506242	PIPE INSULATING / 1 3/8" I.D. X 1/2" TH. X 72 / APT13812	AR	AR	AR	
19	506283	PIPE INSULATING / 1 5/8" I.D. X 1/2" TH. X 72 / APT15812	AR	AR	AR	
24	064399	CABLE ASSY / SIDE MARKER	1	1	1	
27	500998	NUT HEX 1/2-13 BR	1	1		B
28	064401	CABLE ASSY / RR BAT. COMPT & EVAPO. PANEL From W-2285 To Y-3414	1	1	1	D
28	065273	CABLE ASSY / RR BAT. COMPT & EVAPO. PANEL From Y-3415			1	
32	561451	CONVOLUTED TUBING / SLIT / GRAY / .750	AR	AR		B
33	064488	CABLE ASSY 24VR	1	1	1	
34	500582	SCREW TP PAN PH #8x3/8 Z050	1	1		B
35	063704	CABLE ASSY / W/W.C.L. / #24WC	1	1		B
36	063970	CABLE ASSY #OWC	1	1		B
37	504637	CABLE TIE / 3/16" x 13"	AR	AR	AR	
38	500482	WASHER LO SPT .506x.873x.125 Z050	1	1		B
39	952627	CLAMP / 1/2" I.D.	2	2	2	
40	064428	DECAL CONNECTOR / C1,C2,C3,C4	1	1	1	
42	500124	SCREW TP TR PH #8x1/2 SS	12	12	12	

From X-2726 To 2-4416	Date:10/2022	PAGE:H3-0630-01
CABLE & HARNESS - UNDER FLOOR		

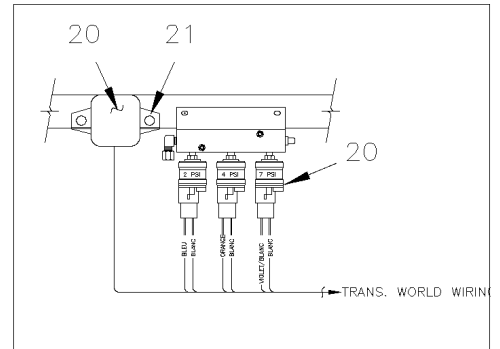
Item#	Part	Description	H 3 4 1	H 3 4 5	V I P 4 5	N O T E S
43	064410	CABLE ASSY / BACK-UP CAMERA VIDEO / CAMERA & MONITOR B&W / 60'			1	
. NS	990288	. CABLE BACK-UP CAMERA 60'			1	
. NS	561681	. CONVOLUTED TUBING / SLIT / BLACK & GRAY / .350"			25	
44	063831	CABLE ASSY / INVERTER 750 WATT & GALLEY ON R.H. SIDE	1	1		
53	404299	CABLE ASSY / SOUND SYSTEM FEED HARNESS (0SS 12SS 24SS)	1	1		
55	562053	CONVOLUTED TUBING / UNSLIT / BLACK / 1.000"	AR	AR	AR	
58	063791	CABLE ASSY / AIR DRYER AD-9 HEATER	1	1	1	
		A) WITH TRANSMISSION "EATON"				
		B) WITH W.C.L. "ST & ST"				
		C) WITH SMALL A/C				
		D) FOR PRODUCT IMPROVEMENT WITH CONDENSOR RELAY LOCATION ASK FOR KIT # 065271				

From R-012 To V-1778 Date:10/2022 PAGE:H3-0640-00

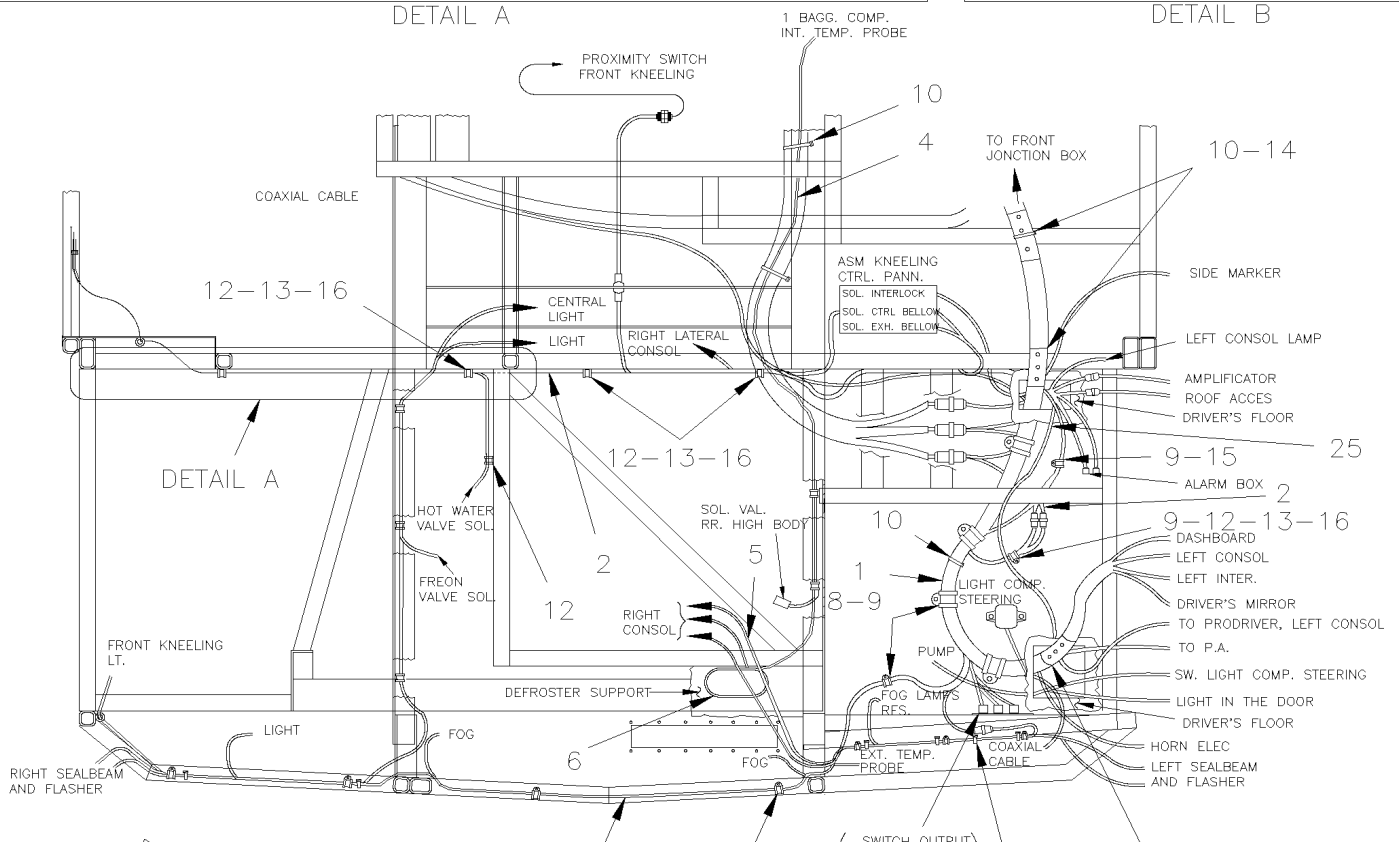
CABLE & HARNESS - FRONT END INSTALLATION



DETAIL A

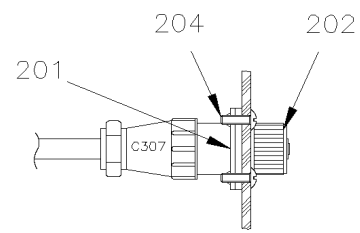
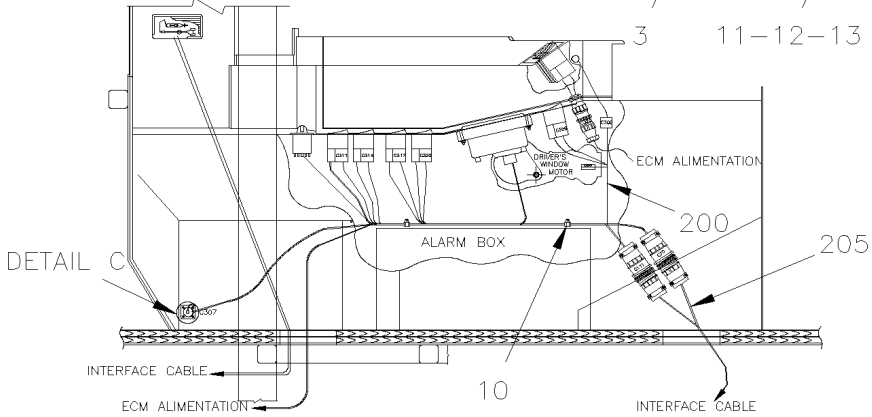


DETAIL B



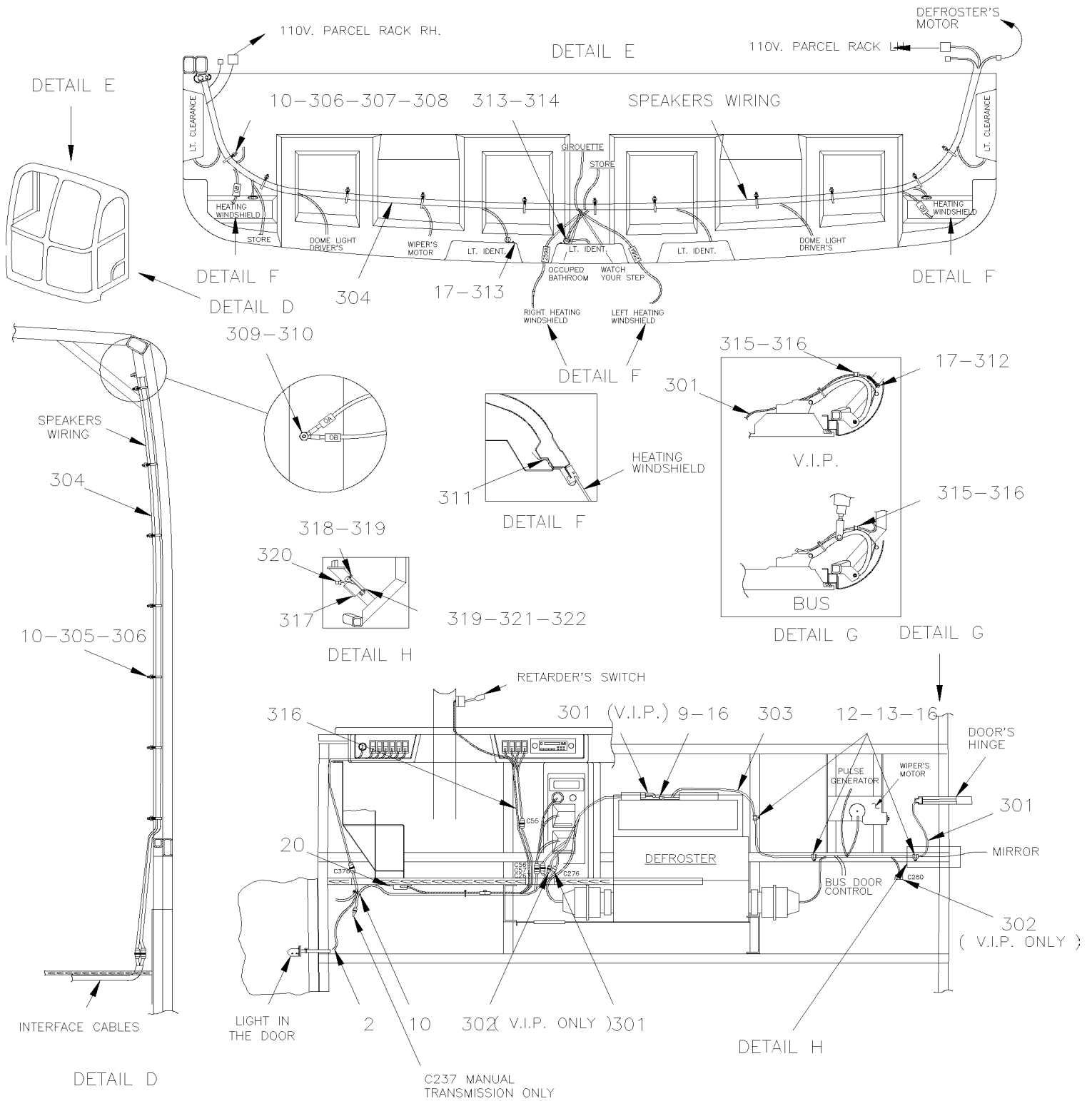
(SWITCH OUTPUT RETARDER) 10 14-10

DETAIL B



DETAIL C

From R-012 To V-1778	Date:10/2022	PAGE:H3-0640-00
CABLE & HARNESS - FRONT END INSTALLATION		



From R-012 To V-1778	Date:10/2022	PAGE:H3-0640-00
CABLE & HARNESS - FRONT END INSTALLATION		

Item#	Part	Description	H 3 4 1	H 3 4 5	V I P 4 5	N O T E S
1	063513	CABLE INTERFACE ASSY / FRT JCT BOX & DASH To S-127	1	1	1	
1	063959	CABLE INTERFACE ASSY / FRT JCT BOX & DASH From S-128 To T-1323	1	1	1	
1	064106	CABLE INTERFACE ASSY / FRT JCT BOX & DASH From T-1324 To T-1415	1	1	1	
1	064240	CABLE INTERFACE ASSY / FRT JCT BOX & DASH From T-1416 To V-1778	1	1	1	
2	063526	CABLE ASSY / FRONT LOWER END To V-1778	1	1		
2	063852	CABLE ASSY / FRONT LOWER END ACCESSORIES To V-1778			1	
3	063507	WIRING HARNESS / HEAD LAMP To V-1778	1	1		
4	062598	HARNESS / SENSOR (INSIDE TEMP.) & / THERMOMETER	1	1	1	
5	062600	HARNESS / SENSOR (OUTSIDE TEMP.) & / THERMOMETER	1	1	1	
6	506338	RUBBER CHANNEL / 1/16" x 1/4" INT "U" SHAPE / ROUND C.T.L.	AR	AR	AR	
NS	680030	ADHESIVE ADICHEM #EC847 / 1 Liter	AR	AR	AR	
8	561678	CLAMP / 2" I.D.	AR	AR	AR	
9	500641	SCREW TP PAN PH #8x3/4 Z050	AR	AR	AR	
10	504637	CABLE TIE / 3/16" x 13"	AR	AR	AR	
11	560482	CLAMP / 3/4" I.D. / W/HOLE 3/16"	AR	AR	AR	
12	502587	STUD WD WOC M4-0.7x25 SS	AR	AR	AR	
13	502557	NUT HEX NYRT M4-0.7 SS	AR	AR	AR	
14	506011	PAD RUB NEO 1/16" x 48" x 60" / BLACK	AR	AR	AR	
15	560912	CLAMP / 1"1/4 I.D.	1	1	1	
16	560484	CLAMP / 1" I.D.	8	8	8	
17	560481	CLAMP / 5/8" I.D.	6	6	6	
18	504264	GROMMET / .750x1.250x.062x.250x1.625	1	1	1	
19	680096	SEALANT BUTYL ALUM / GREY / 310ml CARTRIDGE	AR	AR	AR	
20	H3-0750-02	AUTOMATIC TRANSMISSION - "WORLD"				
21	500653	SCREW TC PAN PH #8-32x1/4 Z050	2	2	2	
25	063893	CABLE ASSY / PRODRIVER POWER	1	1	1	
200	063647	CABLE ASSY / INTERFACE TO LH CONSOLE To S-127	1	1		
200	063957	CABLE ASSY / INTERFACE TO LH CONSOLE From S-128 To T-1323	1	1		
200	064105	CABLE ASSY / INTERFACE TO LH CONSOLE From T-1324 To V-1778	1	1		
201	062268	NUT, RING #11 / .940" I.D. W/4 4-40			1	
202	561869	SEALING CAP (FOR RECEPTACLE ONLY) / CPC / #11 / AMP 206903-1			1	
204	500518	SCREW MA BDG PH #4-40x1/2 Z050			4	
205	063851	CABLE ASSY / INTERFACE TO LH CONSOLE VIP To T-1323			1	
205	064108	CABLE ASSY / INTERFACE TO LH CONSOLE VIP From T-1324 To V-1778			1	
301	063469	CABLE ASSY DOOR CONTROL BUS To S-127	1	1		
301	063310	WIRING HARNESS KEYLESS MODULE			1	
302	062745	CABLE ASSY 3 WAY SWITCH VIP			1	
303	062710	CABLE ASSY / MIRROR	1	1		
304	063184	CABLE ASSY / ROOF	1	1	1	
304	063837	CABLE ASSY / ROOF	1	1	1	
305	504473	RIVET POP DOME OE 1/8x1/4 SS	AR	AR	AR	
306	504013	TIE MOUNT / 1/4" X 1/4" I.D.	AR	AR	AR	

From R-012 To V-1778	Date:10/2022	PAGE:H3-0640-00
CABLE & HARNESS - FRONT END INSTALLATION		

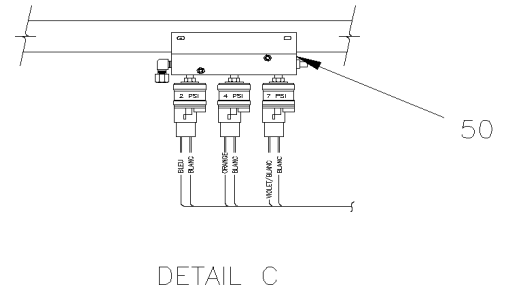
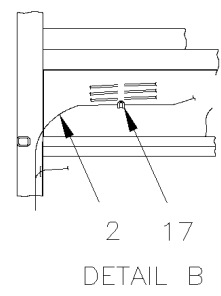
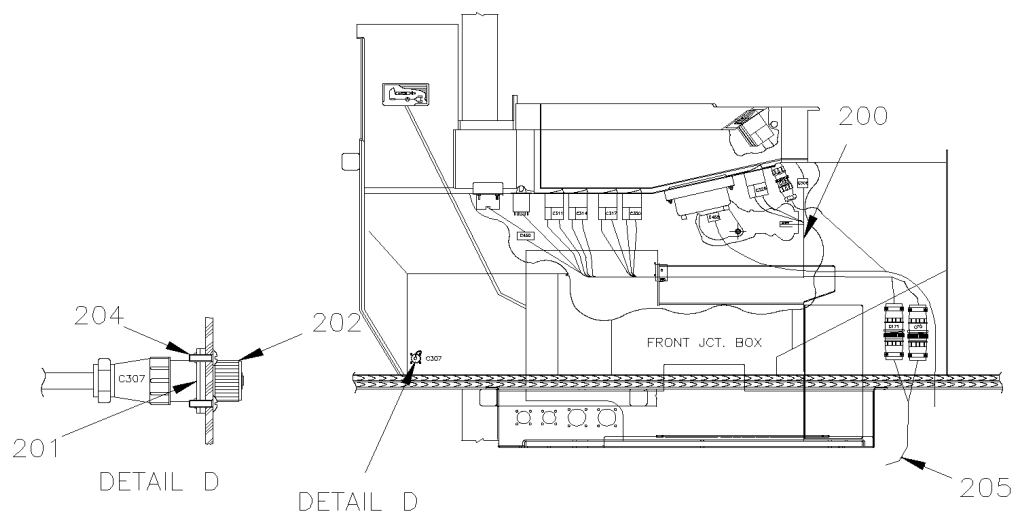
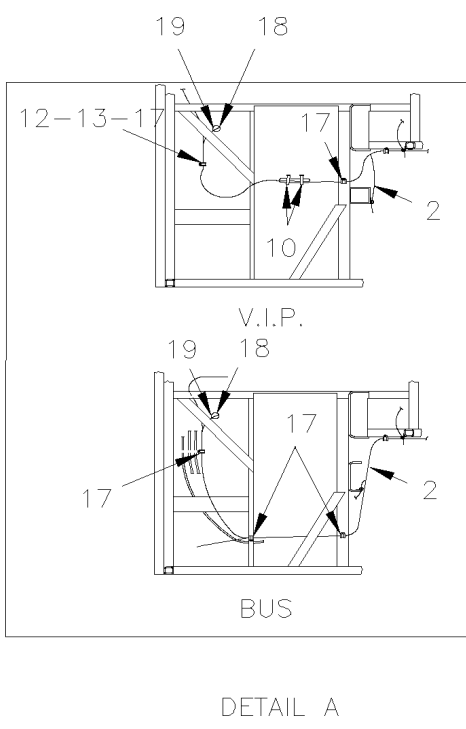
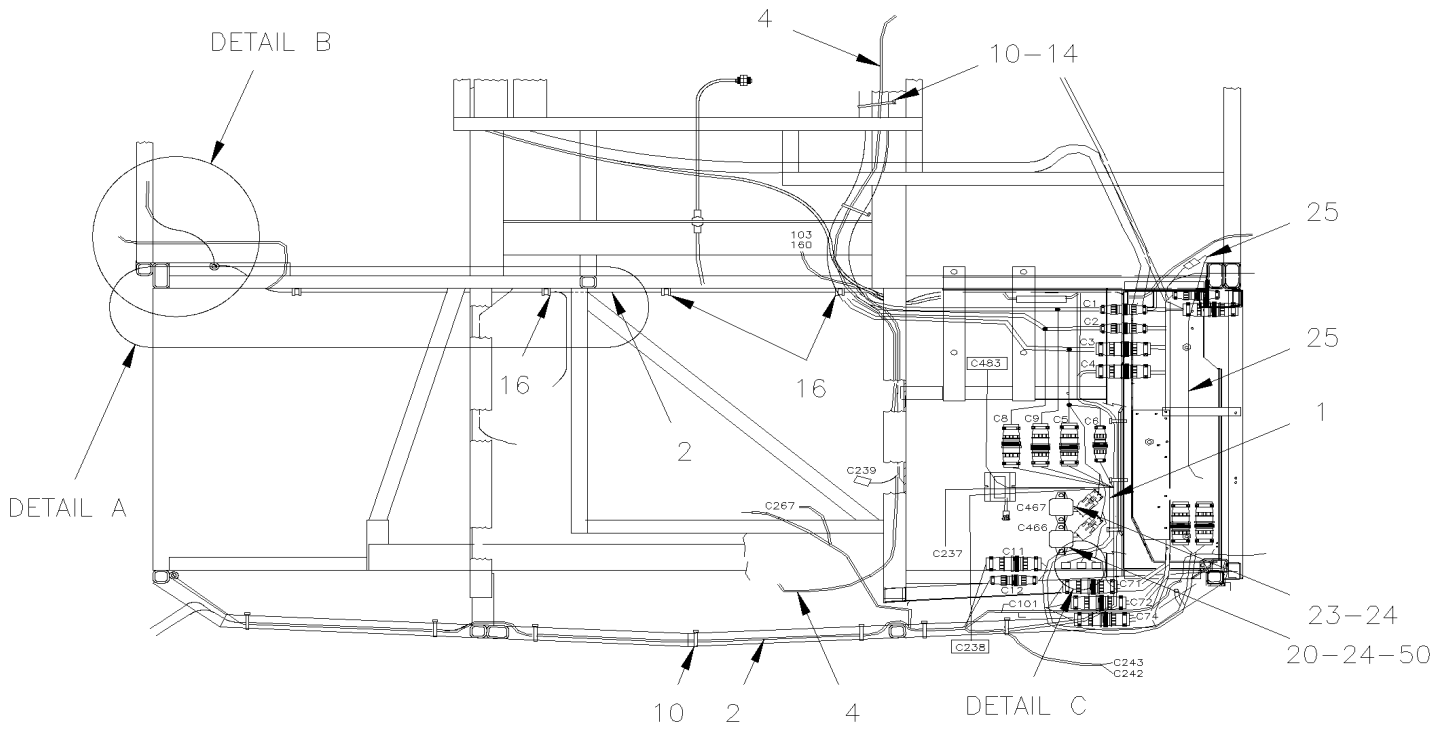
Item#	Part	Description	H 3 4 1	H 3 4 5	V I P 4 5	N O T E S
307	500510	SCREW MA BDG PH #10-32x3/4 SS EMN	11	11	11	
308	500519	NUT WELL #10-32x.518	11	11	11	
309	502511	NUT HEX NYRT M6-1.0 Z050	1	1	1	
310	502573	WASHER FL 6.4x12.5x1.6 SS	1	1	1	
311	504448	CABLE CLIP ¼" / ADHESIVE	4	4	4	
312	500651	NUT HEX 3/8-24 SS	1	1	1	
313	500613	SCREW TP PAN PH #10x1/2 Z050	2	2	2	
314	560479	CLAMP / 3/8" I.D.	7	7	7	
315	560480	CLAMP / 1/2" I.D.	1	1	1	
316	500393	SCREW TC PAN PH #10-24x3/8 Z050	1	1	1	
317	064094	FIRE & KNEELING / ALARM ASSY / SERVICE From T-1347	1	1		
318	500641	SCREW TP PAN PH #8x3/4 Z050	1	1		
319	502636	WASHER LO SPT 4.1x7.6x0.9 Z050	1	1		
320	064180	SUPPORT / KNEELING ALARM	1	1		
321	500585	SCREW TC OV PH #6-32x1 SS410	2	2		
322	502524	NUT HEX M4-0.7 Z050	2	2		

From V-1779 To W-2284

Date:10/2022

PAGE:H3-0640-01

CABLE & HARNESS - FRONT END INSTALLATION

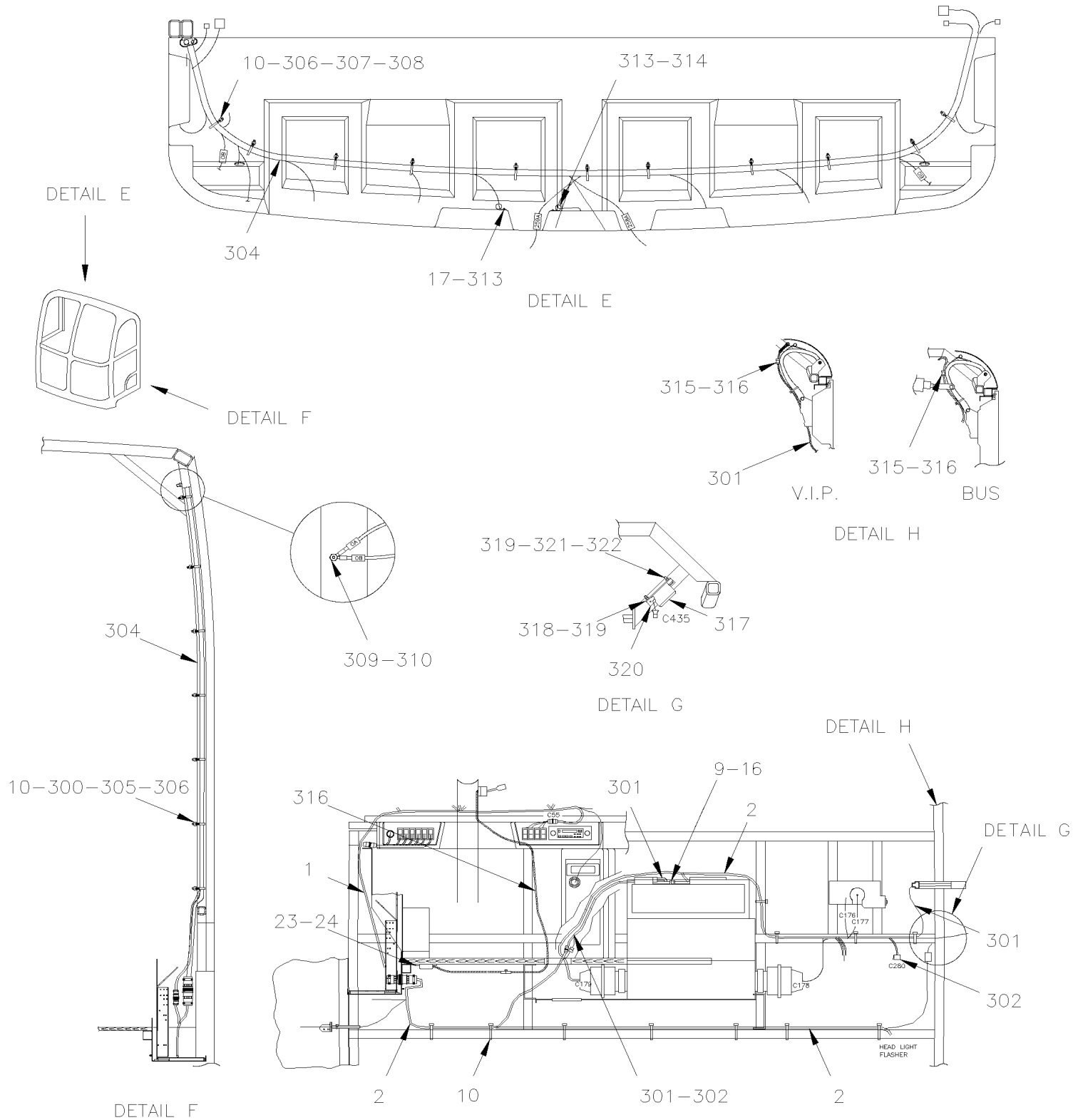


From V-1779 To W-2284

Date:10/2022

PAGE:H3-0640-01

CABLE & HARNESS - FRONT END INSTALLATION



From V-1779 To W-2284	Date:10/2022	PAGE:H3-0640-01
CABLE & HARNESS - FRONT END INSTALLATION		

Item#	Part	Description	H 3 4 1	H 3 4 5	V I P 4 5	N O T E S
1	064332	CABLE INTERFACE ASSY / FRT JCT BOX & DASH From V-1779 To V-1819	1	1		
1	064489	CABLE INTERFACE ASSY / FRT JCT BOX & DASH From V-1820 To W-2284	1	1		
2	064323	CABLE ASSY / FRONT LOWER END From V-1779 To W-2284	1	1		
2	064324	CABLE ASSY / FRONT LOWER END ACCESSORIES From V-1779 To W-2457			1	
4	062598	HARNESS / SENSOR (INSIDE TEMP.) & / THERMOMETER	1	1	1	
9	500641	SCREW TP PAN PH #8x3/4 Z050	AR	AR	AR	
10	504637	CABLE TIE / 3/16" x 13"	AR	AR	AR	
12	502587	STUD WD WOC M4-0.7x25 SS	AR	AR	AR	
13	502557	NUT HEX NYRT M4-0.7 SS	AR	AR	AR	
14	506011	PAD RUB NEO 1/16" x 48" x 60" / BLACK	AR	AR	AR	
16	560484	CLAMP / 1" I.D.	4	4	4	
17	560481	CLAMP / 5/8" I.D.	4	4	4	
18	504264	GROMMET / .750x1.250x.062x.250x1.625	1	1	1	
19	680096	SEALANT BUTYL ALUM / GREY / 310ml CARTRIDGE	AR	AR	AR	
20	562381	RESISTANCE MODULE	1	1	1	
23	562357	RESISTANCE MODULE	1	1	1	
24	500643	SCREW TP PAN PH #12x3/4 Z050	2	2	2	
25	064476	CABLE ASSY / DATA LOGGER	1	1		
50	H3-0750-02	AUTOMATIC TRANSMISSION - "WORLD"				
200	064363	CABLE ASSY / INTERFACE TO LH CONSOLE	1	1	1	
201	062268	NUT, RING #11 / .940" I.D. W/4 4-40			1	
202	561869	SEALING CAP (FOR RECEPTACLE ONLY) / CPC / #11 / AMP 206903-1			1	
NS	500883	SCREW TC PAN PH #8-32x3/8 Z050			4	
204	500518	SCREW MA BDG PH #4-40x1/2 Z050			4	
205	064364	CABLE ASSY / INTERFACE TO LH CONSOLE VIP From V-1779			1	
NS	504013	TIE MOUNT / 1/4" X 1/4" I.D.	8	8	8	
300	500437	WASHER FL .125x.375x.040 Z050	7	7	7	
301	063310	WIRING HARNESS KEYLESS MODULE			1	
302	062745	CABLE ASSY 3 WAY SWITCH VIP			1	
304	063837	CABLE ASSY / ROOF	1	1	1	
305	504473	RIVET POP DOME OE 1/8x1/4 SS	AR	AR	AR	
306	504013	TIE MOUNT / 1/4" X 1/4" I.D.	AR	AR	AR	
307	500510	SCREW MA BDG PH #10-32x3/4 SS EMN	AR	AR	AR	
308	500519	NUT WELL #10-32x.518	AR	AR	AR	
309	502511	NUT HEX NYRT M6-1.0 Z050	AR	AR	AR	
310	502573	WASHER FL 6.4x12.5x1.6 SS	AR	AR	AR	
NS	504448	CABLE CLIP 1/4" / ADHESIVE	AR	AR	AR	
NS	500651	NUT HEX 3/8-24 SS	AR	AR	AR	
313	500613	SCREW TP PAN PH #10x1/2 Z050	AR	AR	AR	
314	560479	CLAMP / 3/8" I.D.	AR	AR	AR	
315	560480	CLAMP / 1/2" I.D.	AR	AR	AR	
316	063782	CABLE ASSY / RESISTANCE MODULE & SWITCH	1	1		

From V-1779 To W-2284	Date:10/2022	PAGE:H3-0640-01
CABLE & HARNESS - FRONT END INSTALLATION		

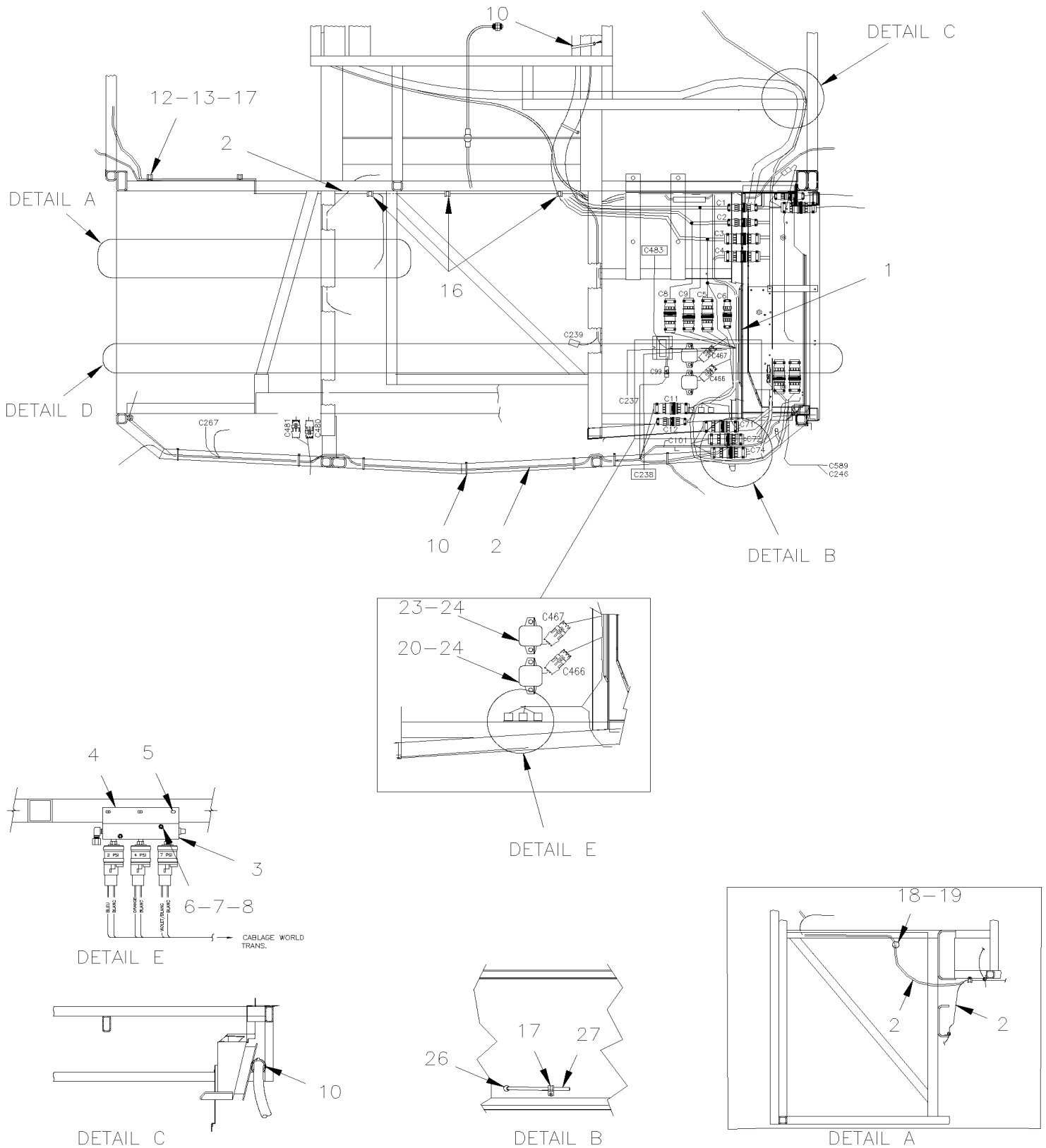
Item#	Part	Description	H 3 4 1	H 3 4 5	V I P 4 5	N O T E S
317	064094	FIRE & KNEELING / ALARM ASSY / SERVICE	1	1		
318	500641	SCREW TP PAN PH #8x3/4 Z050	2	2		
319	502636	WASHER LO SPT 4.1x7.6x0.9 Z050	4	4		
320	064180	SUPPORT / KNEELING ALARM	1	1		
321	500588	SCREW CAP HEX M4-0.7x20 G8.8 Z050	2	2		
322	502524	NUT HEX M4-0.7 Z050	2	2		

From W-2285 To 2-4416

Date:10/2022

PAGE:H3-0640-02

CABLE & HARNESS - FRONT END INSTALLATION

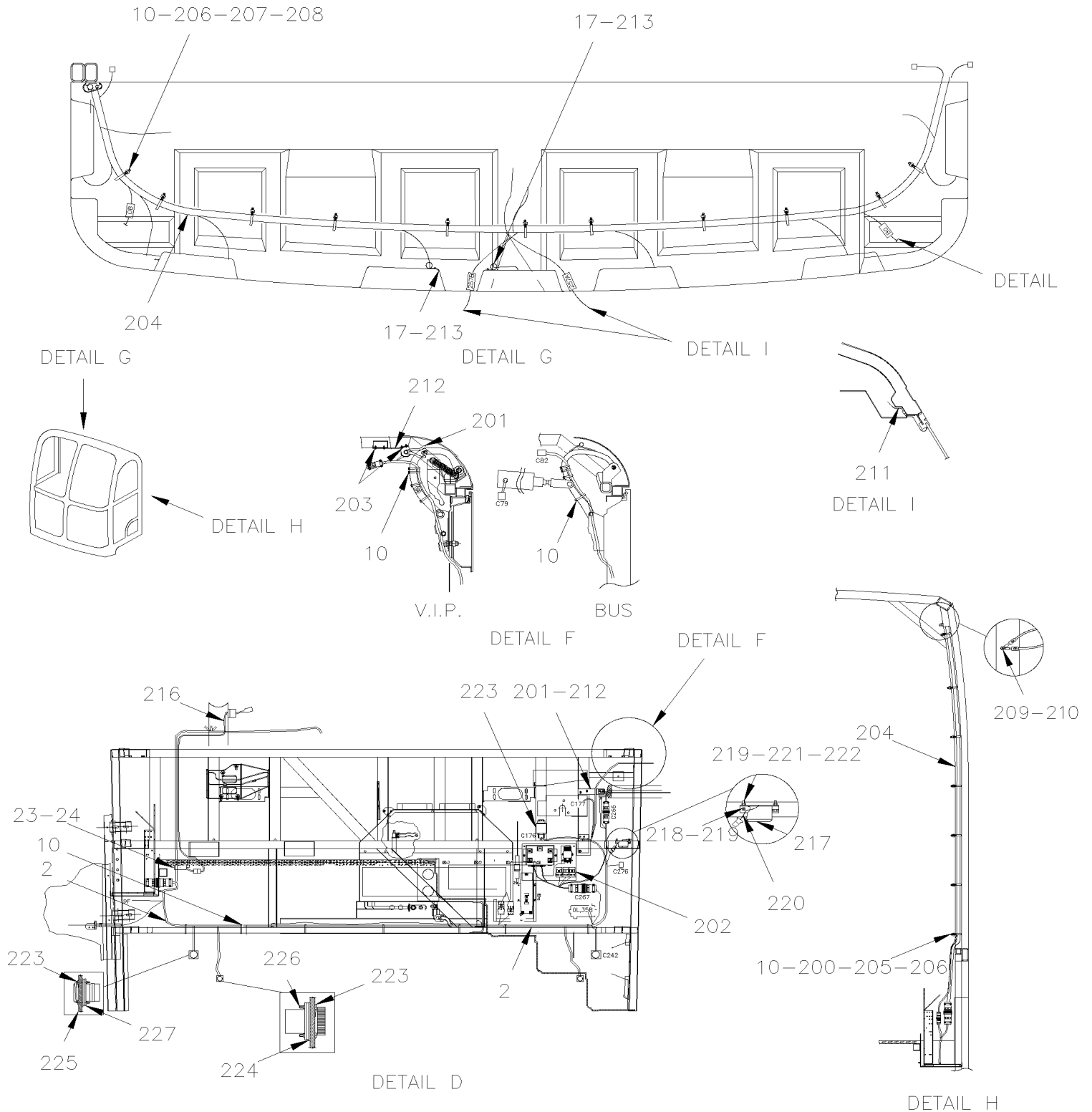


From W-2285 To 2-4416

Date:10/2022

PAGE:H3-0640-02

CABLE & HARNESS - FRONT END INSTALLATION



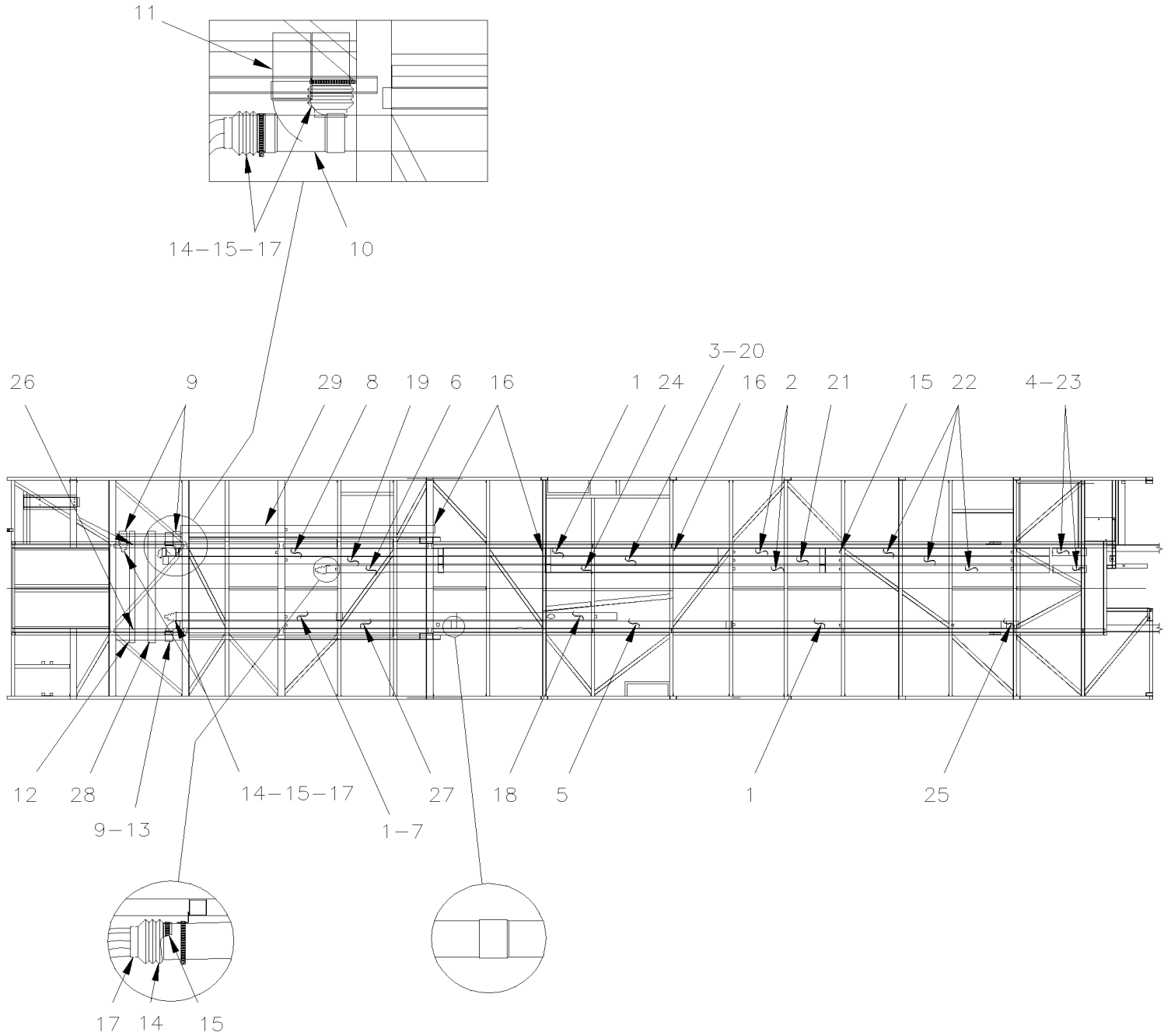
From W-2285 To 2-4416	Date:10/2022	PAGE:H3-0640-02
CABLE & HARNESS - FRONT END INSTALLATION		

Item#	Part	Description	H 3 4 1	H 3 4 5	V I P 4 5	N O T E S
1	064656	CABLE ASSY / L.H. CONSOLE TO L.H. MIRROR	1	1	1	
2	064590	CABLE ASSY / FRONT LOWER END To Y-3536	1	1		
2	065221	CABLE ASSY / FRONT LOWER END From Y-3537 To Y-3891	1	1		
2	065321	CABLE ASSY / FRONT LOWER END From Y-3892 To 1-4075	1	1		
2	065378	CABLE ASSY / FRONT LOWER END From 1-4076	1	1		
2	064736	CABLE ASSY / FRONT LOWER END From X-2488 To Y-3536			1	A
2	065220	CABLE ASSY / FRONT LOWER END From Y-3537 To Y-3891			1	
2	065322	CABLE ASSY / FRONT LOWER END From Y-3892 To 1-4165			1	
2	065438	CABLE ASSY / FRONT LOWER END From 1-4166			1	
3	H3-0750-02	AUTOMATIC TRANSMISSION - "WORLD"				
4	141722	SUPPORT PRESSURE SWITCH	1	1	1	
5	500611	SCREW TC PAN PH #10-24x1/2 Z050	3	3	3	
6	500579	SCREW MA RND PH #10-24x1 3/4 Z050	2	2	2	
7	500470	WASHER LO SPT .193x.334x.047 Z050	2	2	2	
8	500786	NUT HEX #10-24 Z050	2	2	2	
10	504637	CABLE TIE / 3/16" x 13"	AR	AR	AR	
12	502587	STUD WD WOC M4-0.7x25 SS	AR	AR	AR	
13	502557	NUT HEX NYRT M4-0.7 SS	AR	AR	AR	
16	952635	CLAMP / 1" I.D.	AR	AR	AR	
17	952625	CLAMP / 3/8" I.D.	AR	AR	AR	
18	504264	GROMMET / .750x1.250x.062x.250x1.625	1	1	1	
18	504398	GROMMET / 1.000x1.375x.062x.437x1.750	1	1	1	
19	680096	SEALANT BUTYL ALUM / GREY / 310ml CARTRIDGE	AR	AR	AR	
20	562381	RESISTANCE MODULE	1	1	1	
23	562357	RESISTANCE MODULE	1	1	1	
24	500643	SCREW TP PAN PH #12x3/4 Z050	2	2	2	
26	504547	GROMMET / .375x.500x.125x.375x.812 x.625x.125	1	1	1	
27	H3-2210-53	AIR MAIN SENSOR				
200	500437	WASHER FL .125x.375x.040 Z050	7	7	7	
201	060338	SWITCH DOOR LIGHT	1	1	1	
202	H3-0650-50	KEYLESS MODULE				
203	500657	SCREW TC TR PH #10-24x1/2 Z050			4	
204	064645	CABLE ASSY / ROOF	1	1	1	
204	064340	CABLE ASSY / ROOF			1	
205	504473	RIVET POP DOME OE 1/8x1/4 SS	AR	AR	AR	
206	504013	TIE MOUNT / 1/4" X 1/4" I.D.	AR	AR	AR	
207	500510	SCREW MA BDG PH #10-32x3/4 SS EMN	AR	AR	AR	
208	500519	NUT WELL #10-32x.518	AR	AR	AR	
209	502511	NUT HEX NYRT M6-1.0 Z050	AR	AR	AR	
210	502573	WASHER FL 6.4x12.5x1.6 SS	AR	AR	AR	
211	504448	CABLE CLIP 1/4" / ADHESIVE	AR	AR	AR	
212	064702	SUPPORT SWITCH			1	

From W-2285 To 2-4416	Date:10/2022	PAGE:H3-0640-02
CABLE & HARNESS - FRONT END INSTALLATION		

Item#	Part	Description	H 3 4 1	H 3 4 5	V I P 4 5	N O T E S
213	500613	SCREW TP PAN PH #10x1/2 Z050	AR	AR	AR	
216	063782	CABLE ASSY / RESISTANCE MODULE & SWITCH	1	1	1	
217	064094	FIRE & KNEELING / ALARM ASSY / SERVICE	1	1		
218	500641	SCREW TP PAN PH #8x3/4 Z050	2	2		
219	502636	WASHER LO SPT 4.1x7.6x0.9 Z050	4	4		
220	064180	SUPPORT / KNEELING ALARM	1	1		
221	500588	SCREW CAP HEX M4-0.7x20 G8.8 Z050	2	2		
222	502524	NUT HEX M4-0.7 Z050	2	2		
223	5001454	SCREW MA BDG PH #4-40x1/2 SS			16	
224	562945	GASKET MOUNTING / HD10 SERIES / 3C / DEUTSCH HD10-3-GKT			2	
225	562946	GASKET MOUNTING / HD10 SERIES / 5C / DEUTSCH HD10-5-GKT			2	
226	062268	NUT, RING #11 / .940" I.D. W/4 4-40			2	
227	561820	NUT, RING #13 / 1.125" I.D. W/4 4-40			2	
		A) WITH SMALL A/C SYSTEM				

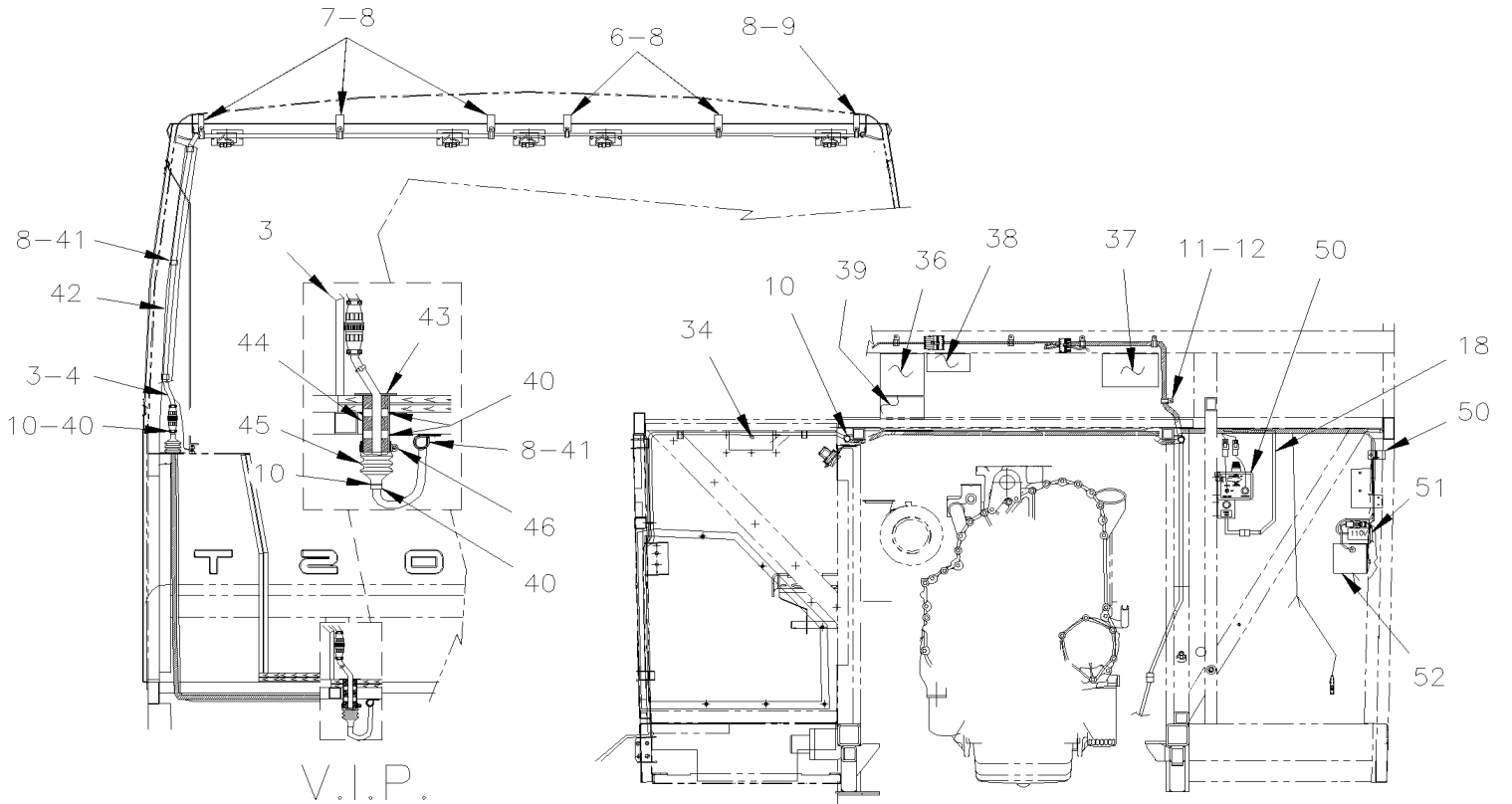
From R-012 To 2-4416	Date:10/2022	PAGE:H3-0640-10
CABLE HARNESS - PIPE INSTALLATION		



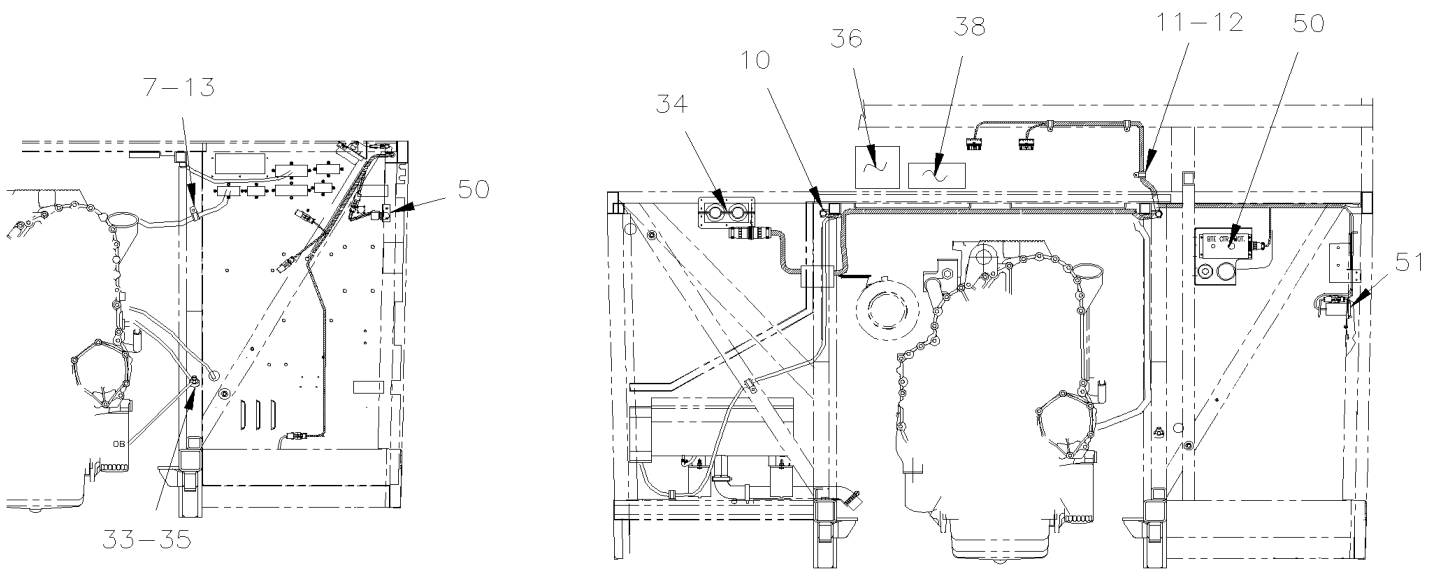
From R-012 To 2-4416	Date:10/2022	PAGE:H3-0640-10
CABLE HARNESS - PIPE INSTALLATION		

Item#	Part	Description	H 3 4 1	H 3 4 5	V I P 4 5	N O T E S
1	142032	TUBE PVC / 3" X 3041MM	3	3	3	
1	142032	TUBE PVC / 3" X 3041MM	2			
2	063688	TUBE PVC / 3" X 1220MM W/F	2	2	2	
3	141472	TUBE PVC / 3" X 1500MM	1	1	1	
4	063690	TUBE PVC / 3" X 2905MM W/F	2	2	2	
5	063756	TUBE PVC / 3" X 3048MM W/F & HOLE	1	1	1	
6	062922	TUBE PVC / 3" X 1275MM	1	1	1	
7	062246	TUBE FIBERGLASS 3" X 1365MM To 2-4350	1	1	1	A
8	063691	TUBE PVC / 3" X 2850MM	1	1	1	
9	063692	TUBE PVC / 3" X 120MM	2	2	2	
10	503569	UNION "Y" / PVC PIPE / 3Fx3Fx3F PVC	1	1	1	
11	063428	TUBE PVC / 3" X 152MM	1	1	1	
12	064302	TUBE FIBERGLASS 2" X 1275MM	1	1	1	
13	503588	UNION ELBOW 90° / PVC PIPE / 3Fx3F PVC	1	1	1	
14	504499	CUFF END BELLOW / 2 7/8" I.D. x 3 5/8" x 4 7/16	4	4	4	
15	504026	HOSE CLAMP / 2"13/16-3"3/4 SS / HS-52	29	29	29	
16	680532	SEALANT SIKA #221 / GREY / 310ml CARTRIDGE	AR	AR	AR	
17	504637	CABLE TIE / 3/16" x 13"	4	4	4	
18	063738	TUBE PVC / 3" X 1800MM W/F & HOLE	1	1	1	
19	063691	TUBE PVC / 3" X 2850MM			1	
20	142032	TUBE PVC / 3" X 3041MM			1	
21	063688	TUBE PVC / 3" X 1220MM W/F			1	
22	063944	TUBE PVC / 3" X 2500MM W/F			1	
23	371600	INSULATING PAD 76.2MM x 374.7MM	2	2	2	
24	142032	TUBE PVC / 3" X 3041MM	1	1	1	
25	063869	TUBE PVC / 3" X 3100MM W/F	1			
25	063816	TUBE PVC / 3" X 190MM W/F		1	1	
26	504024	HOSE CLAMP / 1"13/16"-2"3/4 SS / HS-36	2	2	2	
27	063972	TUBE PVC / 3" X 3048MM W/F & HOLE	1	1	1	
28	064303	TUBE FIBERGLASS 3" X 1275MM	1	1	1	
29	064935	TUBE PVC / 3" X 2770MM	1	1	1	
NS	503390	TUBE / PVC PIPE / 3"x10' WHITE PVC	AR	AR	AR	
		A) FIXED ON STREETSIDE OF ITEM #				

From R-012 To 2-4416	Date:10/2022	PAGE:H3-0641-00
CABLE & HARNESS - REAR END INSTALLATION		



FROM T-1584



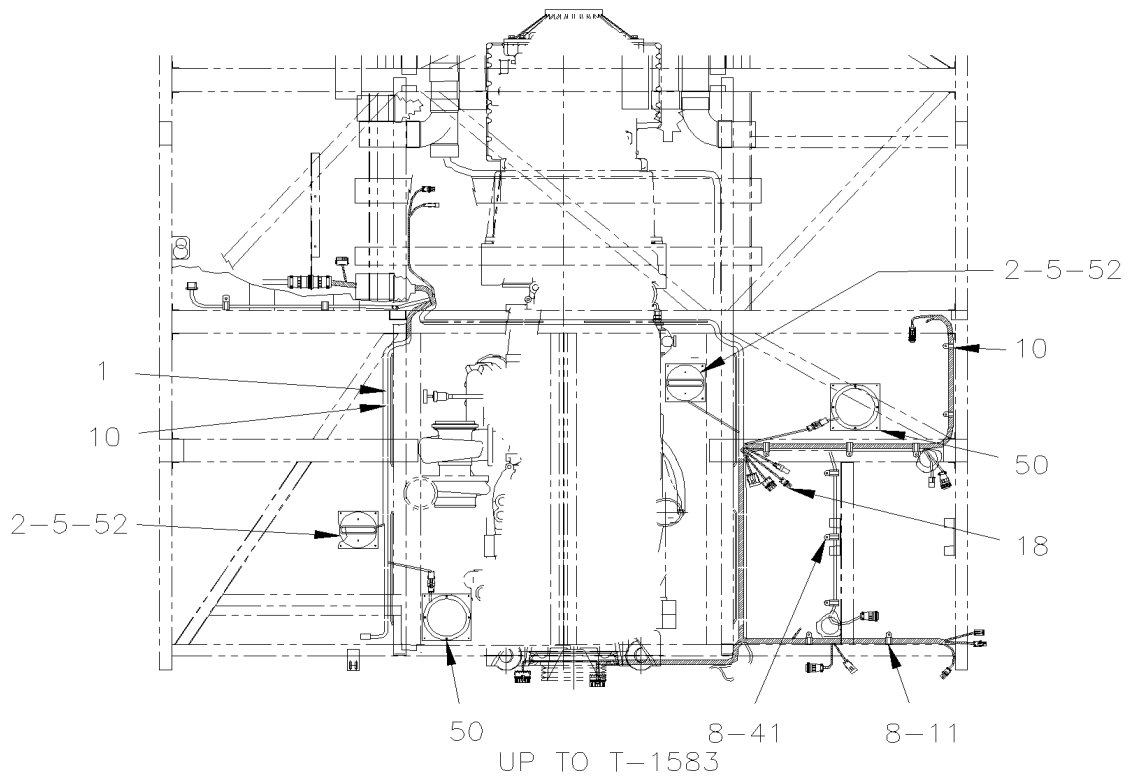
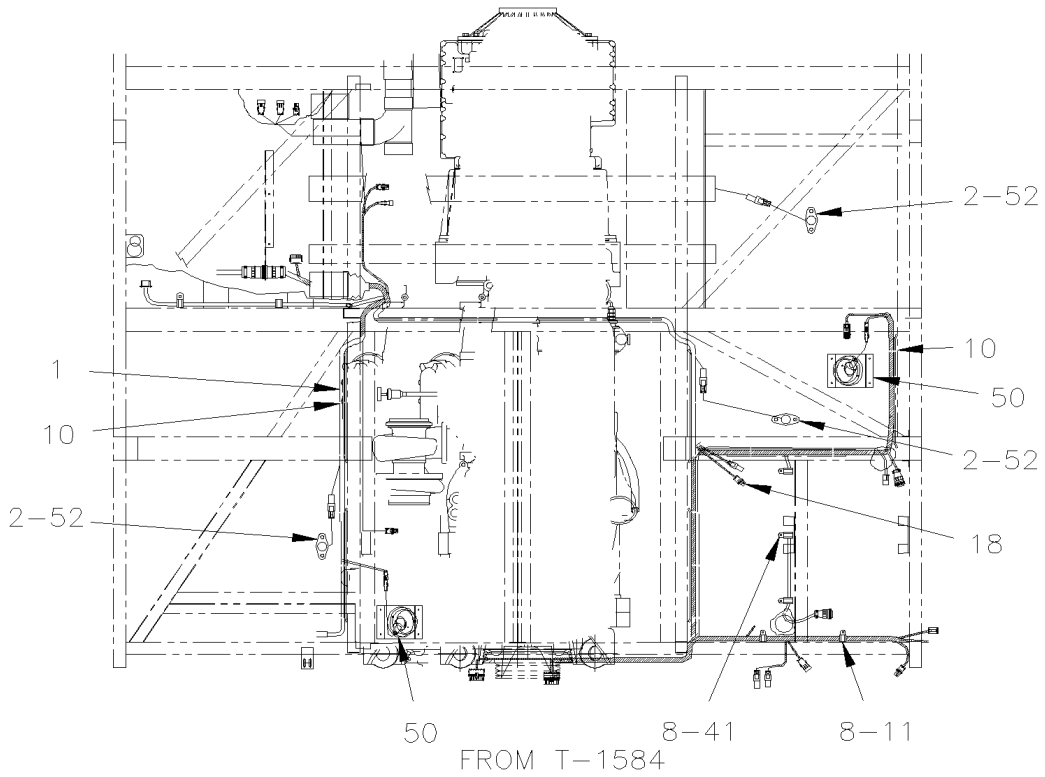
UP TO T-1583

From R-012 To 2-4416

Date:10/2022

PAGE:H3-0641-00

CABLE & HARNESS - REAR END INSTALLATION



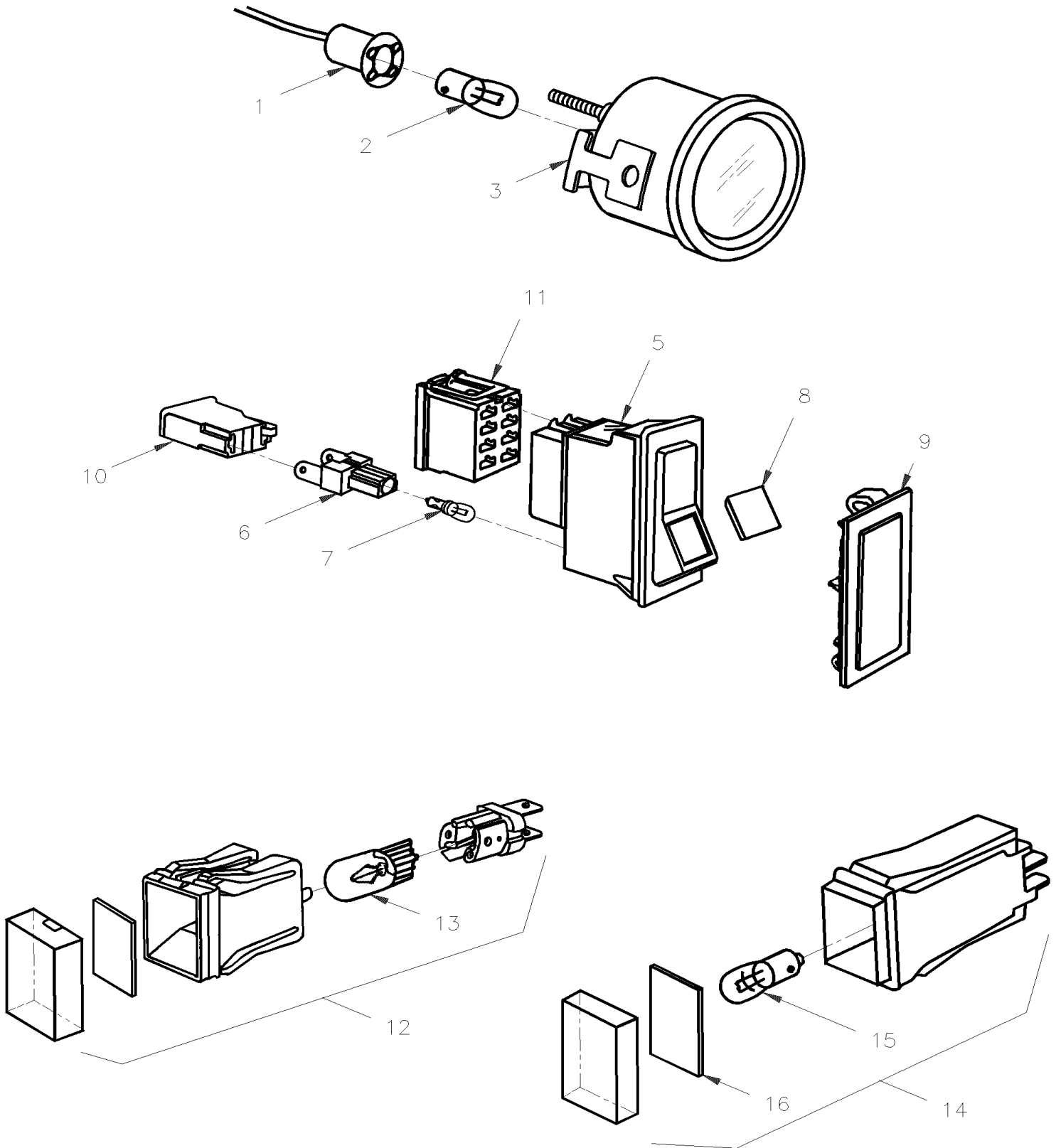
From R-012 To 2-4416	Date:10/2022	PAGE:H3-0641-00
CABLE & HARNESS - REAR END INSTALLATION		

Item#	Part	Description	H 3 4 1	H 3 4 5	V I P 4 5	N O T E S
1	063509	CABLE HARNESS / ENGINE ACCESSORIES To S-264	1	1	1	
1	064059	CABLE HARNESS / ENGINE ACCESSORIES From S-265 To T-1473	1	1	1	
1	064231	CABLE HARNESS / ENGINE ACCESSORIES From T-1474 To T-1583	1	1	1	
1	064271	CABLE HARNESS / ENGINE ACCESSORIES From T-1584 To V-1778	1	1	1	
1	064397	CABLE HARNESS / ENGINE ACCESSORIES From V-1779 To W-2284	1	1	1	
1	064634	CABLE HARNESS / ENGINE ACCESSORIES From W-2285 To W-2366	1	1	1	
1	064665	CABLE HARNESS / ENGINE ACCESSORIES From W-2367 To X-3021	1	1	1	
1	065012	CABLE HARNESS / ENGINE ACCESSORIES From X-3022 To Y-3831	1	1	1	
1	065287	CABLE HARNESS / ENGINE ACCESSORIES From Y-3832 To 2-4350	1	1	1	
1	065490	CABLE HARNESS / ENGINE ACCESSORIES From 2-4351 To 2-4419	1	1	1	
2	562402	DETECTOR / FIRE To V-1778	2	2	2	
2	065323	KIT, FIRE DETECTOR REPLACEMENT From SERVICE To V-1778	1	1	1	
. NS	IS-99091	. SEE INSTRUCTION SHEET From SERVICE To V-1778	1	1	1	
2	562637	HEAT DETECTOR SENSOR 2500MM From V-1779 To Y-3831	1	1	1	
2	562638	HEAT DETECTOR SENSOR 3500MM From V-1779 To Y-3831	1	1	1	
2	065290	HEAT DETECTOR "THERMO-DISK" From Y-3832	3	3	3	
3	504013	TIE MOUNT / 1/4" X 1/4" I.D.	AR	AR	AR	
4	062482	CABLE HARNESS / ENGINE ACC. TO ROOF LIGHT To X-3005	1	1		
4	064646	CABLE HARNESS / ENGINE ACC. TO ROOF LIGHT From X-3006	1	1		
5	063769	SUPPORT FIRE DETECTOR 123.5MM X 123.5MM To V-1778	2	2	2	
6	952627	CLAMP / 1/2" I.D.	AR	AR	AR	
7	952629	CLAMP / 5/8" I.D.	AR	AR	AR	
8	500641	SCREW TP PAN PH #8x3/4 Z050	AR	AR	AR	
9	952625	CLAMP / 3/8" I.D.	1	1	1	
10	504012	CABLE TIE / 3/16" X 6"1/2	AR	AR	AR	
11	952631	CLAMP / 3/4" I.D.	AR	AR	AR	
11	560483	CLAMP / 7/8" I.D.	2	2	2	
11	561569	CLAMP / 1 3/8 I.D. To W-2484	5	5	5	
12	502557	NUT HEX NYRT M4-0.7 SS	4	4	4	
13	952631	CLAMP / 3/4" I.D.	1	1	1	
18	063288	CABLE WATER HEATER LAVATORY To W-2484	1	1		
36	063711	DECAL / "WELDING..." / W/SERIES 60 & "WORLD TRANSMISSION / ENGLISH To W-2284	1	1	1	
36	066046	DECAL / "WELDING..." / W/SERIES 60 & "WORLD TRANSMISSION / ENGLISH & SPANISH To W-2284	1	1	1	
37	052269	DECAL "WARNING WARRANTY....." From X-2863 To Y-3598	1	1	1	
37	052375	DECAL / "WARNING WARRANTY....." / ENGLISH & FRANCAIS From Y-3599	1	1	1	
37	052576	DECAL / "WARNING WARRANTY....." / ENGLISH & SPANISH From Y-3599	1	1	1	
38	070945	DECAL "DEXRON III OIL ONLY" To 3-4431	1	1	1	
38	071249	DECAL "TranSynd OIL ONLY" / ENGLISH & FRANCAIS From 3-4432	1	1	1	
38	071364	DECAL "TranSynd OIL ONLY" / ENGLISH & SPANISH From 3-4432	1	1	1	
40	680096	SEALANT BUTYL ALUM / GREY / 310ml CARTRIDGE	AR	AR	AR	
41	952635	CLAMP / 1" I.D.	AR	AR	AR	
42	062693	CABLE HARNESS / ENGINE COMP. TO DEFLECTOR To Y-3354			1	

From R-012 To 2-4416	Date:10/2022	PAGE:H3-0641-00
CABLE & HARNESS - REAR END INSTALLATION		

Item#	Part	Description	H 3 4 1	H 3 4 5	V I P 4 5	N O T E S
42	065277	CABLE HARNESS / ENGINE COMP. TO DEFLECTOR From Y-3355			1	
43	062698	TUBE ASSY 1 3/4" O.D. SS			1	
44	506264	TAPE RUB ADH1 URE 3/4" x 1" x 12.5' / GREY 1820X			AR	
45	504384	CUFF END BELLOW / 1 1/4" I.D. x 1 3/4" x 4"			1	
46	504302	HOSE CLAMP / 1"9/16-2"1/2 SS / E.T. 32			1	
50	H3-0665-01	ENGINE COMPARTMENT - ELECTRIC COMPONENTS				
50	H3-0665-11	SWITCHES, LIGHTS, AJAR - UNDER FLOOR To W-2284				
50	H3-0665-12	SWITCHES, LIGHTS, AJAR - UNDER FLOOR From W-2285				
51	H3-0666-00	BLOCK HEATER RECEPTACLE				
52	H3-0665-01	ENGINE COMPARTMENT - ELECTRIC COMPONENTS				

From R-012 To W-2457	Date:10/2022	PAGE:H3-0644-00
DASHBOARD COMPONENTS		



From R-012 To W-2457	Date:10/2022	PAGE:H3-0644-00
----------------------	--------------	-----------------

DASHBOARD COMPONENTS

Item#	Part	Description	H 3 4 1	H 3 4 5	V I P 4 5	N O T E S
1	062264	SOCKET BULB / PLASTIC WWIRE & CONNECTORS / BA 9s	1	1	1	
NS	561518	. SOCKET BULB / PLASTIC W/WIRE / BA9s	1	1	1	
NS	562382	SOCKET ASSY / W/TURBO BOOST "DACTON"	1	1	1	
NS	562383	SOCKET BULB / METAL W/WIRE / BA9s	1	1	1	
NS	562325	SOCKET BULB / PLASTIC W/.250 SPADE / BA7s	1	1	1	A
2	560145	BULB / 1WATT-24VOLTS / SAE# 1829	1	1	1	
2	561006	BULB / 1WATT-24VOLTS / SAE# 2741MF				
NS	561534	. RESISTOR / 1.2K OHMS / 1/4 W	1	1	1	
2	561167	BULB / 2WATT-24VOLTS / SAE# 3899	1	1	1	
2	562276	BULB / 2WATT-24VOLTS / SAE# 657	1	1	1	
2	560601	BULB / 2WATT-24VOLTS / SAE# 456	1	1	1	
NS	561885	BULB COVER / GREEN W/PYROMETER	1	1	1	
3	561517	HARDWARE KIT	AR	AR	AR	
NS	500764	. NUT HEX #8-32 Z050	2	2	2	
		FOR EASY IDENTIFICATION SEE PAGE 00SR-01				
		AT THE BEGNNING OF PART MANUAL				
5	561468	SWITCH / OFF-ON S.P.S.T.	AR	AR	AR	
5	561470	SWITCH / OFF-M/ON S.P.S.T.	AR	AR	AR	
5	561471	SWITCH / OFF-M/ON W/LOCK S.P.S.T.	AR	AR	AR	
5	561475	SWITCH / M/ON-OFF-M/ON / S.P.D.T. CH-OVER	AR	AR	AR	
5	561472	SWITCH / ON-ON / D.P.D.T. / CH-OVER	AR	AR	AR	
5	561483	SWITCH / ON-OFF-ON D.P.D.T.	AR	AR	AR	
5	561554	SWITCH / ON-ON / D.P.D.T. / SELECTOR	AR	AR	AR	
5	561520	SWITCH / OFF-ON-ON SERIES S.P.D.T.	AR	AR	AR	
6	561892	. SOCKET ASSY W/BULB 24V 596.710.	1	1	1	
7	561123	. . BULB / 1 WATT-24VOLTS / SAE# 2741	1	1	1	
7	561184	BULB / 1.2 WATT-12VOLTS / SAE# 2721	AR	AR	AR	
NS	562077	MOUNTING FRAME (FOR 2 SWITCHES) 594.802BH	AR	AR	AR	
8	561087	INSERT / BLACK	AR	AR	AR	
8	561461	INSERT / GREEN	AR	AR	AR	
8	561462	INSERT / RED	AR	AR	AR	
8	561487	INSERT / BLACK	AR	AR	AR	
9	561088	COVER, SWITCH HOLE	AR	AR	AR	
10	561837	CONNECTOR / TAB HOUSING 2C / SWF 913.328	AR	AR	AR	
NS	561108	TAB RECEPTACLE TERMINAL / 18-14 / AMP 42238-2	AR	AR	AR	
11	561107	CONNECTOR / TAB HOUSING 8C / SWF 596.289	AR	AR	AR	
NS	561108	TAB RECEPTACLE TERMINAL / 18-14 / AMP 42238-2	AR	AR	AR	
12	562113	TELLTALE ASSY / 24V SHORT	AR	AR	AR	B
12	562114	TELLTALE ASSY / 12V SHORT	AR	AR	AR	B
13	562049	. BULB / 2WATT-24VOLTS / SAE# 657	1	1	1	

From R-012 To W-2457	Date:10/2022	PAGE:H3-0644-00
DASHBOARD COMPONENTS		

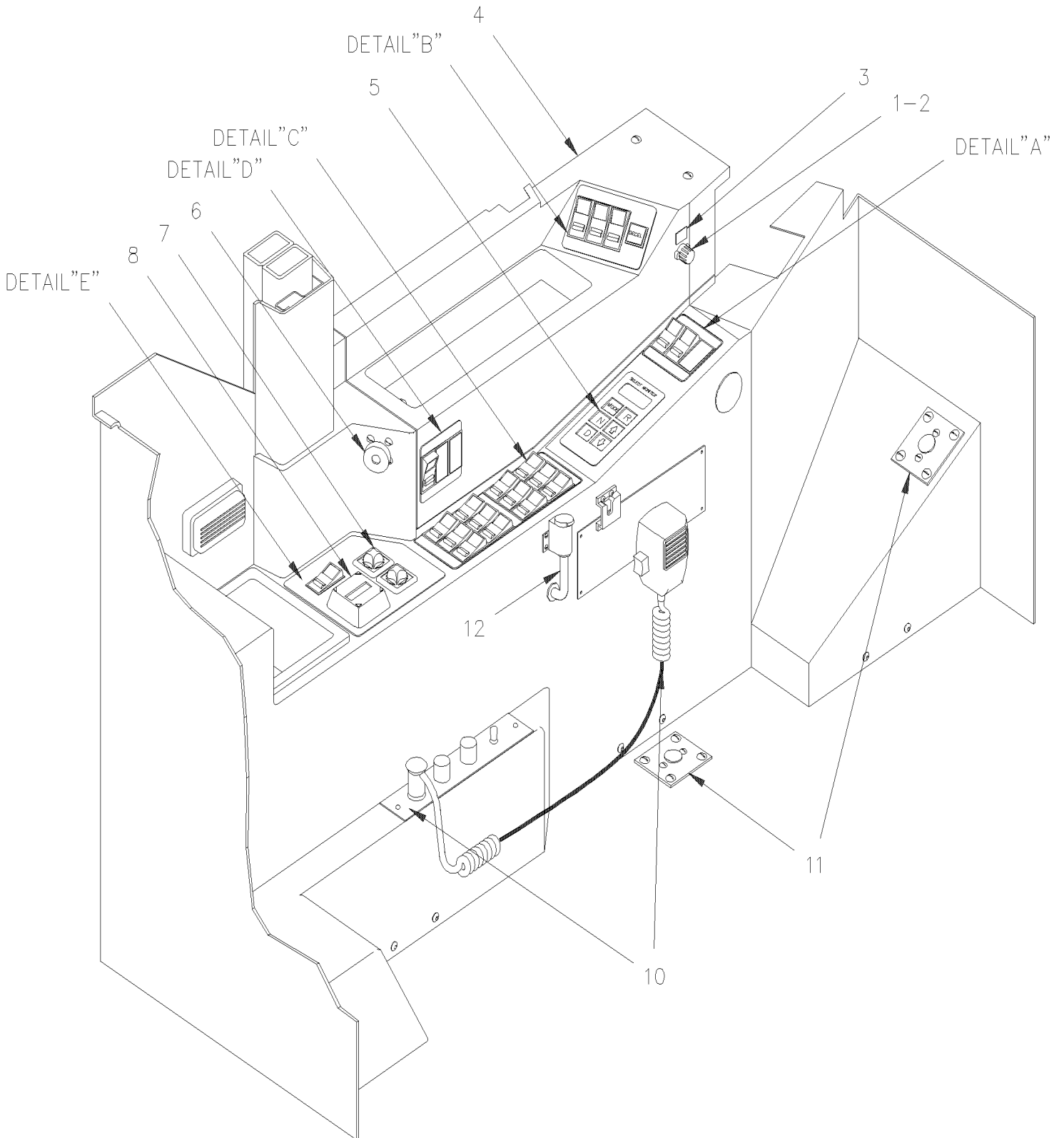
Item#	Part	Description	H 3 4 1	H 3 4 5	V I P 4 5	N O T E S
13	562048	. BULB / 2WATT-12VOLTS / SAE# 861332	1	1	1	
14	561089	TELLTALE ASSY / BLANK	AR	AR	AR	
14	561480	TELLTALE ASSY / 24V LONG				
14	561588	TELLTALE ASSY / 12V LONG				
15	561122	. BULB / 2WATT-24VOLTS / SAE# 3797				
15	561586	. BULB / 2WATT-12VOLTS / SAE# 3796				
16	391020	INSERT / BLUE / HIGHT BEAM	AR	AR	AR	
16	391299	INSERT / AMBER	AR	AR	AR	
16	391298	INSERT / RED	AR	AR	AR	
16	391300	INSERT / GREEN PLAIN	AR	AR	AR	
		OTHER INSERTS SEE RESPECTIVE PAGES.				
		A) WITH MODEL "VDO"				
		B) SHORT SIZE				

From R-012 To W-2284

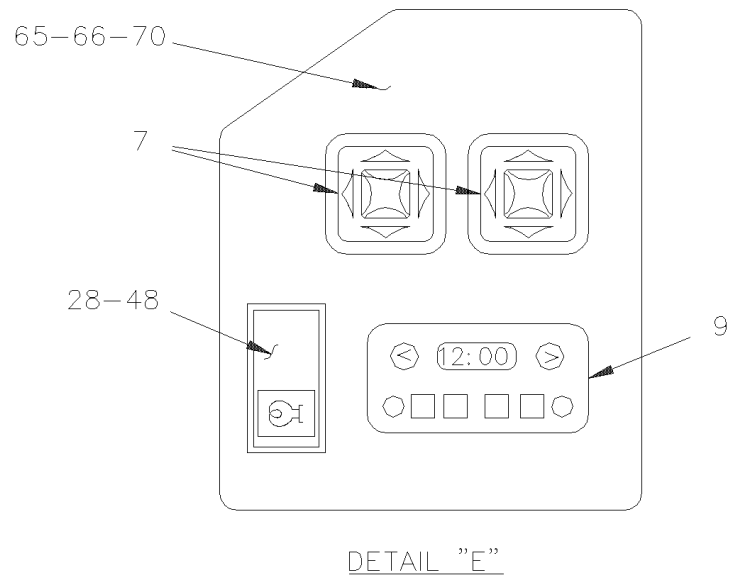
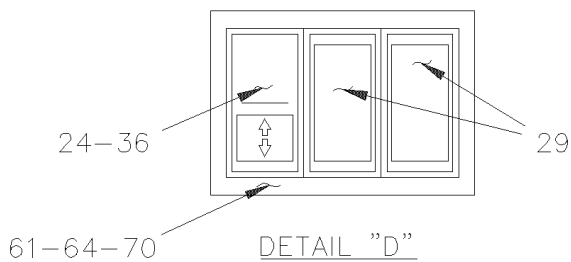
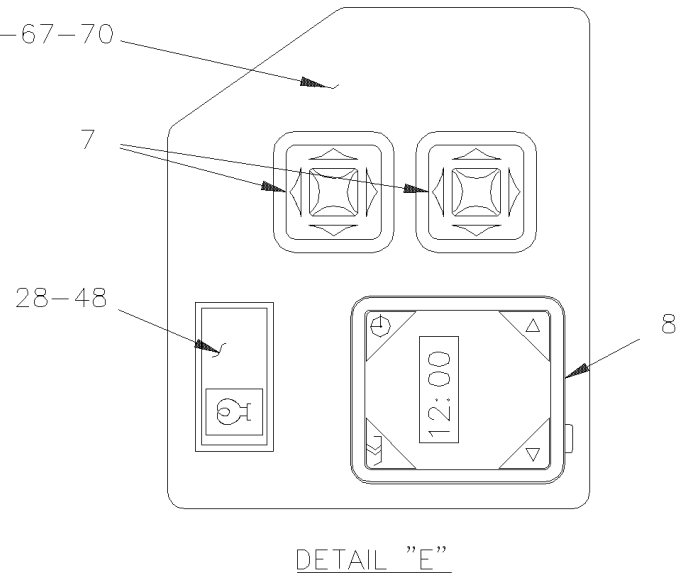
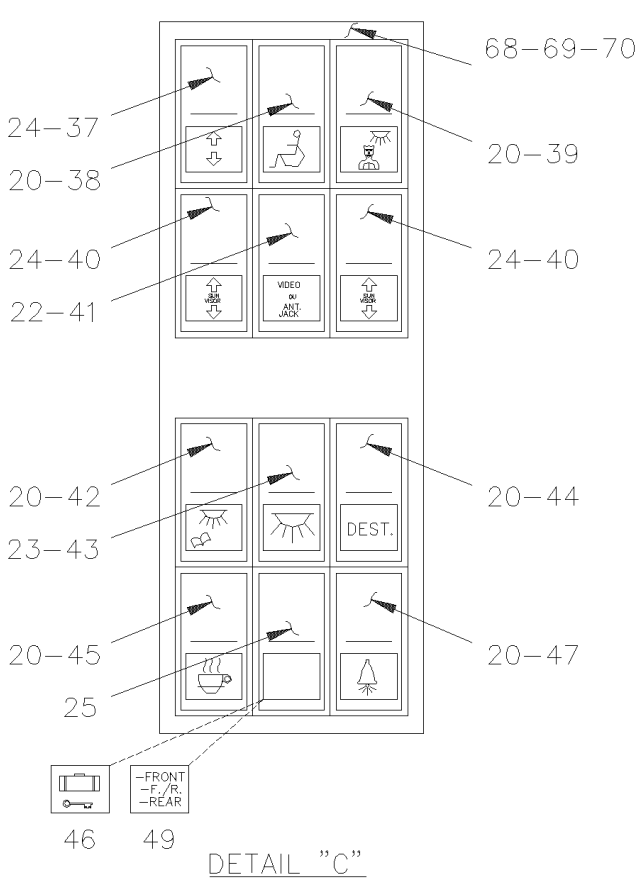
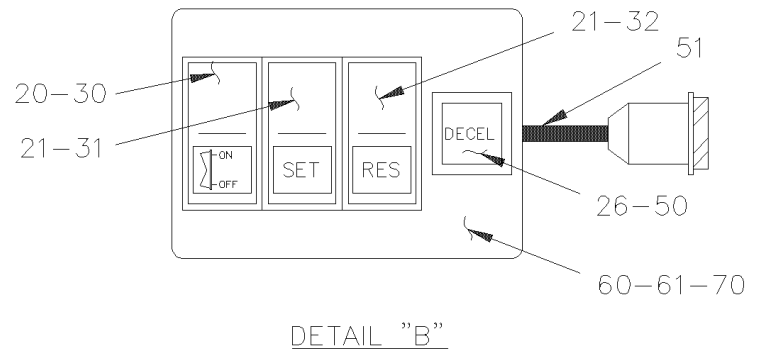
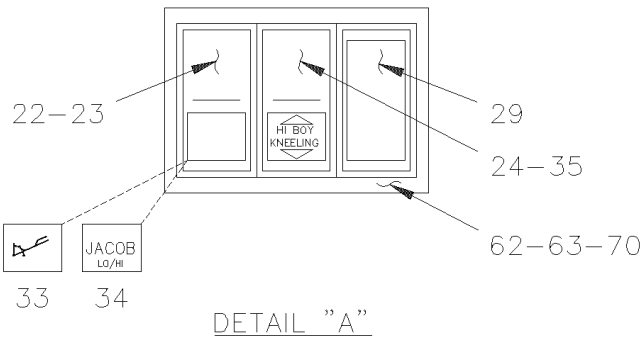
Date:10/2022

PAGE:H3-0645-00

SWITCHES L.H. CONSOLE - BUS



From R-012 To W-2284	Date:10/2022	PAGE:H3-0645-00
SWITCHES L.H. CONSOLE - BUS		



From R-012 To W-2284		Date:10/2022	PAGE:H3-0645-00
SWITCHES L.H. CONSOLE - BUS			

Item#	Part	Description	H 3 4 1	H 3 4 5	V I P 4 5	N O T E S
1	505423	KNOB	1	1		
. NS	502682	. SCREW SET HEXS CUP #8-32x3/16	1	1		
2	561622	RHEOSTAT To T-1323	1	1		B
2	562489	RHEOSTAT ASSY / DASH ILLUMINATION From T-1324	1	1		
. NS	IS-95013	. SEE INSTRUCTION SHEET From T-1324	1	1		
2	069136	KIT, SERVICE/ DIMMER	1	1		S
. NS	564592	. DIMMER / CLUSTER	1	1		S
. NS	IS-14900	. INSTRUCTION SHEET	1	1		S
3	402786	DECAL / RHEOSTAT	1	1		
		SEE PAGE H3-1806-10				
5	H3-0755-16	SHIFTER ELECTRONIC - "WORLD" TRANSMISSION				
NS	391633	TRAY / W/MANUAL TRANS ONLY	1	1		
6	562361	PROTECTIVE CAP / HD10 SERIES / 6C / DEUTSCH HDC16-6-BLACK	1	1		
NS	562493	CHAIN / C.T.L.	AR	AR		
NS	562492	TYPE A COUPLING	1	1		
NS	562494	RING / ATTACHMENT END	1	1		
NS	561821	NUT, RING #17 & 20 / 1.500" I.D W/4 4-40	1	1		
NS	500518	SCREW MA BDG PH #4-40x1/2 Z050	4	4		
7	562075	SWITCH, MIRROR / SQUARE / W/24V BULB	2	2		
NS	562262	BULB / 0.75WATT-24VOLTS / STS-592.504	1	1		
NS	562261	BULB / 0.75WATT-24VOLTS / STS-592.502	1	1		
NS	561184	BULB / 1.2 WATT-12VOLTS / SAE# 2721	1	1		
8	562025	TIMER ASSY / W/"ESPAR" PREHEATER To V-1921	1	1		
8	562680	TIMER ASSY / W/"ESPAR" PREHEATER / 7 DAYS From V-1922	1	1		
NS	063594	CABLE ASSY W/"ESPAR" To S-107	1	1		
NS	063984	CABLE ASSY W/"ESPAR" From S-108 To V-1921	1	1		
NS	064520	CABLE ASSY W/"ESPAR" From V-1922	1	1		
9	871040	TIMER ASSY / W/"WEBASTO" PREHEATER	1	1		C
NS	063983	CABLE ASSY W/"WEBASTO"	1	1		
10	H3-2315-00	SOUND SYSTEM & ACCESSORIES To T-1454				
10	H3-2315-01	SOUND SYSTEM & ACCESSORIES From T-1455				
11	H3-2310-00	HORN - INSTALLATION				
12	064443	HARNESS 12V	1	1		
20	561468	SWITCH / OFF-ON S.P.S.T.	1	1		
21	561470	SWITCH / OFF-M/ON S.P.S.T.	2	2		
22	561472	SWITCH / ON-ON / D.P.D.T. / CH-OVER	1			
23	561520	SWITCH / OFF-ON-ON SERIES S.P.D.T.	1	1		
24	561613	SWITCH / M/ON-OFF-M/ON D.P.D.T.	AR	AR		
25	561475	SWITCH / M/ON-OFF-M/ON / S.P.D.T. CH-OVER	1	1		
26	562257	SWITCH / M/ON / D.P.S.T. / WITH BULB	1	1		
28	561468	SWITCH / OFF-ON S.P.S.T.	1	1		
29	561088	COVER, SWITCH HOLE	AR	AR		

From R-012 To W-2284	Date:10/2022	PAGE:H3-0645-00
SWITCHES L.H. CONSOLE - BUS		

Item#	Part	Description	H 3 4 1	H 3 4 5	V I P 4 5	N O T E S
30	063010	INSERT / GREEN / CRUISE (CRUISE CONTROL)	1	1		
31	063008	INSERT / GREEN / SET (CRUISE CONTROL)	1	1		
32	063009	INSERT / GREEN / RESUME (CRUISE CONTROL)	1	1		
33	063028	INSERT / GREEN / RETARDER	1	1		
34	062991	INSERT / GREEN / "JACOB" BRAKE	1	1		G
35	062551	INSERT / HI-BUOY	1	1		
36	063026	INSERT / GREEN / DRIVER'S WINDOW (UP-DOWN)	1	1		
38	390796	INSERT / GREEN / PLATFORM IN ACTION WCL	1	1		
39	062995	INSERT / GREEN / DRIVER'S LIGHT	1	1		A
40	063017	INSERT / GREEN / SUN VISOR	2	2		
41	063033	INSERT / GREEN / VIDEO To T-1415	1	1		
42	063031	INSERT / GREEN / READING LAMP	1	1		
43	063024	INSERT / GREEN / INTERIOR LAMP	1	1		
44	063018	INSERT / GREEN / DESTINATION SIGN	2	2		
45	062992	INSERT / GREEN / GALLEY	1	1		
46	063003	INSERT / GREEN / LUGGAGE DOOR LOCK	1	1		
47	062986	INSERT / GREEN / PASSENGER CHIME	1	1		A
48	063029	INSERT / GREEN / PREHEATER	1	1		
50	062082	INSERT / DECEL	1	1		
51	063650	CABLE ASSY / SWITCH CRUISE CONTROL	1	1		
60	391209	SUPPORT / CRUISE CONTROL	1	1		
61	390971	LEXAN	2	2		
62	391645	PLATE, MOUNTING	1	1		
63	391628	LEXAN	1	1		
64	391293	SUPPORT ASSY / SWITCH	1	1		
65	391772	PLATE, MOUNTING / "WEBASTO" PRE-HEATER	1	1		
66	391630	LEXAN	1	1		
67	391629	PLATE, MOUNTING / "ESPAR" PRE-HEATER To V-1921	1	1		
67	391772	PLATE, MOUNTING / "WEBASTO" PRE-HEATER From V-1922	1	1		
68	391644	LEXAN	1	1		
69	391643	SUPPORT INSIDE ASSY	1	1		
70	500590	NUT HEX NYRT M4-0.7 Z050	AR	AR		E
70	500591	WASHER FL 4.3x9.0x0.8 Z050	AR	AR		
NS	065526	KIT, REPLACEMENT WEBASTO TIMER To W-2372	1	1		
. NS	IS-97154	. SEE INSTRUCTION SHEET To W-2372	1	1		
NS	IS-95013	SEE INSTRUCTION SHEET	1	1		
		A) SEE TEXT ATTACHED RELATED TO NOTE				
		B) THIS RHEOSTAT IS SUPERSEDED BY ITEM #562489 AND CABLE #064104. SEE INSTRUCTION SHEET IS-95013 FOR DETAILS				
		C) THIS PART IS SUPERSEDED BY KIT #065526				

From R-012 To W-2284		Date:10/2022	PAGE:H3-0645-00
SWITCHES L.H. CONSOLE - BUS			

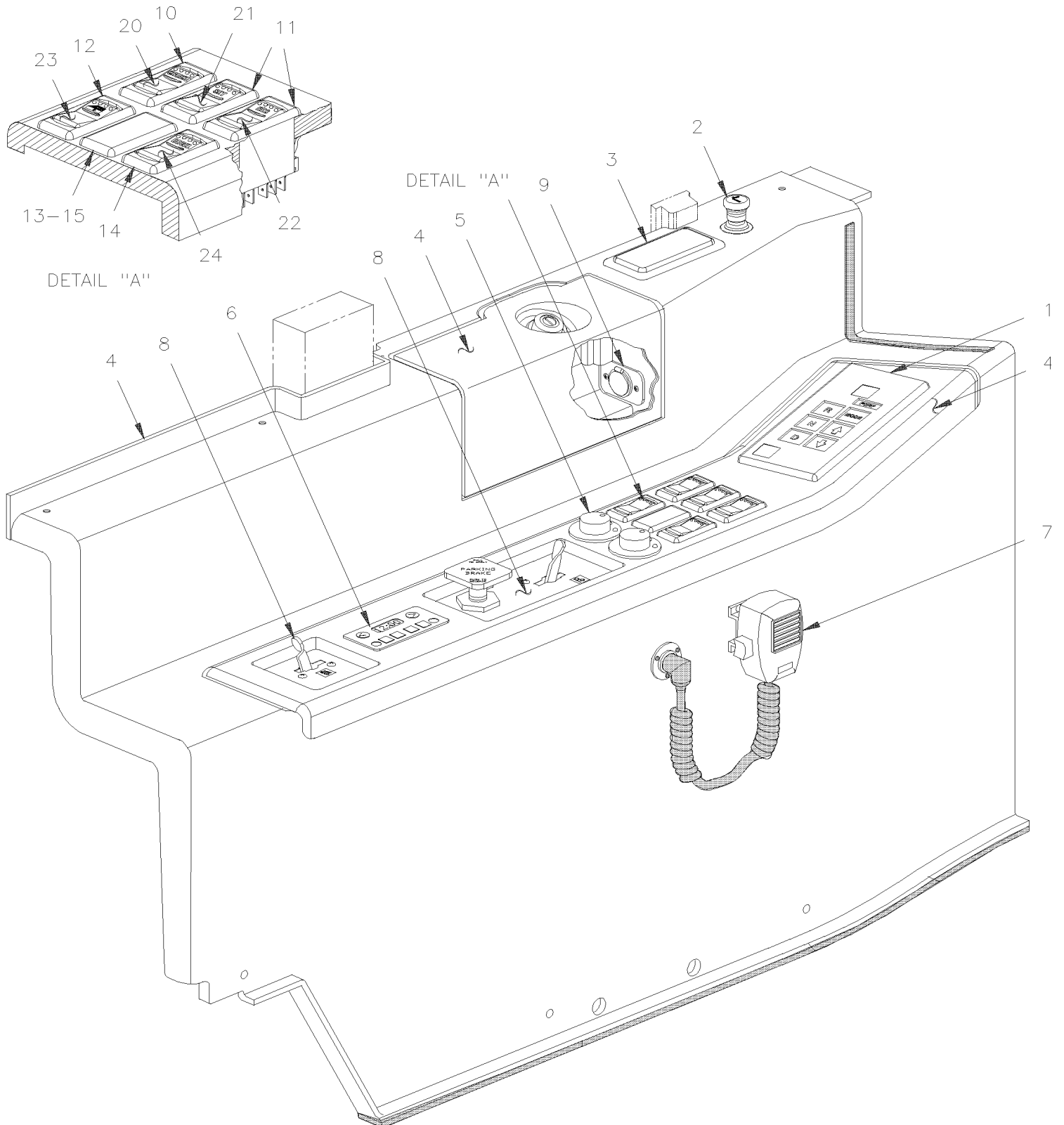
Item#	Part	Description	H 3 4 1	H 3 4 5	V I P 4 5	N O T E S
		E) TO FIX ALLS PLATES SUPPORTS				
		G) W/SWITCH #561520				
		S) SERVICE				

From W-2285 To 2-4416

Date:10/2022

PAGE:H3-0645-01

SWITCHES L.H. CONSOLE - BUS



From W-2285 To 2-4416	Date:10/2022	PAGE:H3-0645-01
SWITCHES L.H. CONSOLE - BUS		

Item#	Part	Description	H 3 4 1	H 3 4 5	V I P 4 5	N O T E S
1	571718	SHIFTER, SELECTOR "WORLD" / WTEC III	1	1		
1	571733	SHIFTER, SELECTOR "EATON"	1	1		
NS	064587	WIRING HARNESS DASHBOARD LEFT MODULE To 2-4387	1	1		
NS	065585	WIRING HARNESS DASHBOARD LEFT MODULE From 2-4388	1	1		
2	561491	LIGHTER ASSY / 12V	1	1		
3	890006	ASHTRAY	1	1		
4	H3-1806-11	L.H. CONSOLE - BUS				
5	562748	SWITCH, MIRROR / ROUND	AR	AR		
5		CLIP RETAINER / MIRROR SWITCH (R2000-1372P)	2	2		
NS	562749	CONNECTOR / SH 8C / EURAMTEC W-RT8-200	2	2		
NS	507295	HOLE PLUG BUTTON / 1.375 O.D. BLACK	AR	AR		
6	562680	TIMER ASSY / W/"ESPAR" PREHEATER / 7 DAYS	1	1		
6	871040	TIMER ASSY / W/"WEBASTO" PREHEATER To W-2371	1	1		C
6	871160	TIMER ASSY / W/"WEBASTO" PREHEATER From W-2372	1	1		
. NS	871102	. BULB / 1.4WATT-24 VOLTS From W-2372	1	1		
6	871101	TIMER ASSY / W/"PROHEAT" PREHEATER	1	1		
NS	064584	WIRING HARNESS / W/ "ESPAR" PREHEATER	1	1		
NS	064583	WIRING HARNESS / W/ "WEBASTO" PREHEATER To W-2371	1	1		
NS	064700	WIRING HARNESS / W/ "WEBASTO" PREHEATER From W-2372	1	1		
6	065392	WIRING HARNESS / W/ "PROHEAT" PREHEATER	1	1		
NS	391968	DUMMY / W/O TIMER	1	1		
7	H3-2315-01	SOUND SYSTEM & ACCESSORIES				
8	H3-1806-11	L.H. CONSOLE - BUS				
9	562796	12 VOLTS POWER OUTLET	1	1		
10	562697	SWITCH / ON-ON / D.P.D.T. / CH-OVER / W/RED & GREEN LED	1	1		
11	562698	SWITCH / OFF-M/ON / D.P.S.T. / W/GREEN LED	3	3		
12	562699	SWITCH / M/ON-OFF-M/ON / D.P.D.T. / W/GREEN LED	AR	AR		
13	562773	SWITCH / "DUMMY" / PLUG	1	1		
14	562855	SWITCH / OFF-M/ON / D.P.S.T. / W/RED LED	1	1		
NS	562763	CONNECTOR RH 10C / SWITCH / NGR 28-5637-2	AR	AR		
NS	562768	SOCKET TERMINAL / 16-14 / PED 12015870	AR	AR		
15	562698	SWITCH / OFF-M/ON / D.P.S.T. / W/GREEN LED	1	1		A
15	562714	CAP / PLAIN (W/O DESCRIPTION)	1	1		A
NS	065479	CABLE ASSY / SAFETY SWITCH / PARKING BRAKE (BETWEN SWITCH & RELAY)	1	1		A B
20	562724	CAP / CRUISE CONTROL	1	1		
21	562725	CAP / SET / CRUISE CONTROL	1	1		
22	562726	CAP / RESUME / CRUISE CONTROL	1	1		
23	562740	CAP / WINDOW DRIVER'S	1	1		
24	562787	CAP / DECEL / CRUISE CONTROL	1	1		
NS	065951	KIT, RETROFIT PARKING BRAKE RELEASE SWITCH	1	1		
NS	065527	KIT, REPLACEMENT WEBASTO TIMER To W-2372	1	1		
. NS	IS-97154	. SEE INSTRUCTION SHEET To W-2372	1	1		

From W-2285 To 2-4416	Date:10/2022	PAGE:H3-0645-01
SWITCHES L.H. CONSOLE - BUS		

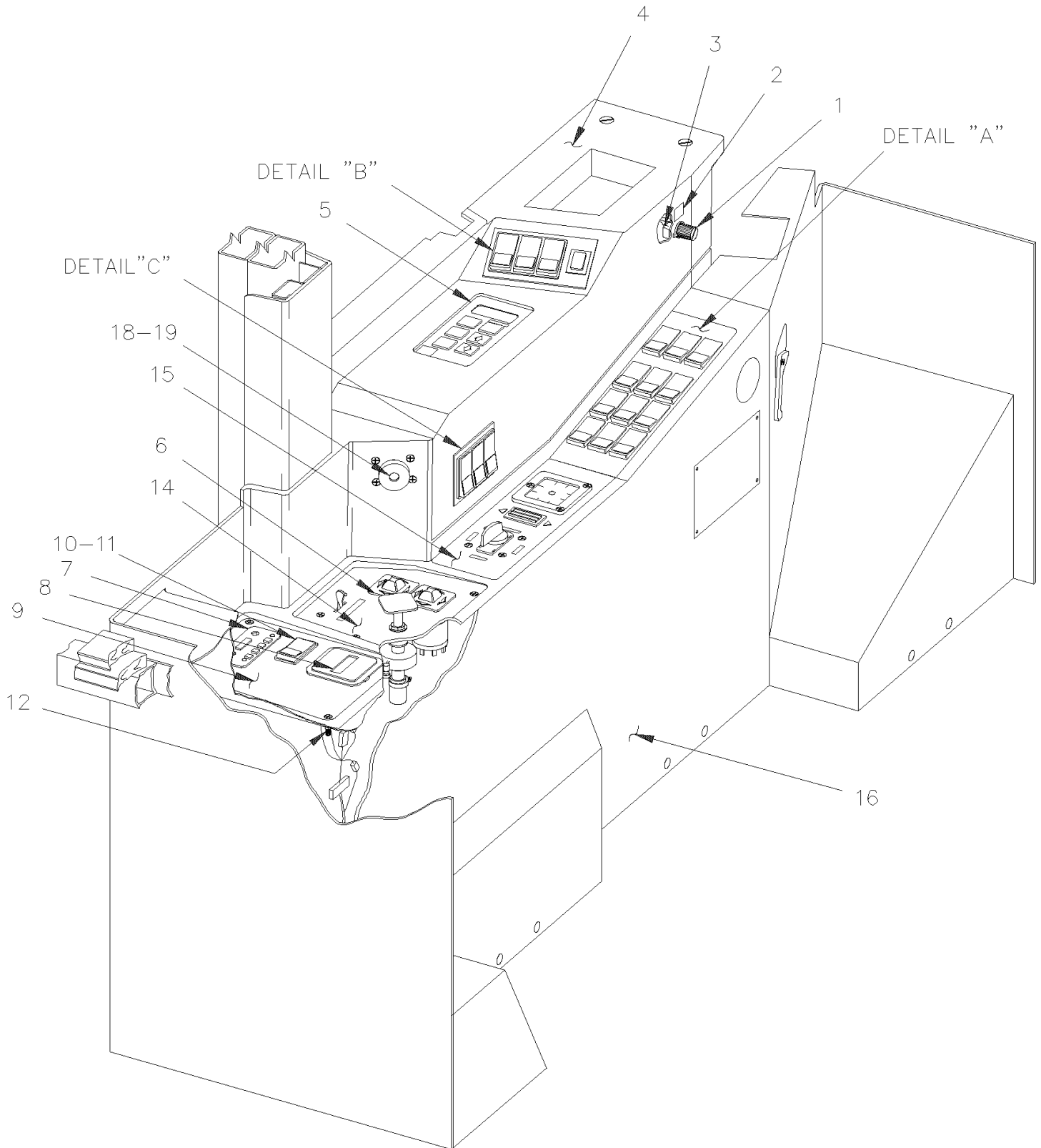
Item#	Part	Description	H 3 4 1	H 3 4 5	V I P 4 5	N O T E S
		A) WITH SAFETY SWITCH PARKING BRAKE				
		B) FOR PRODUCT IMPROVMENT ASK FOR KIT # 065951				
		C) THIS PART IS SUPERSEDED BY KIT #065527				

From R-012 To W-2457

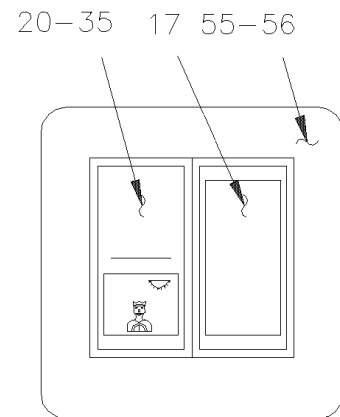
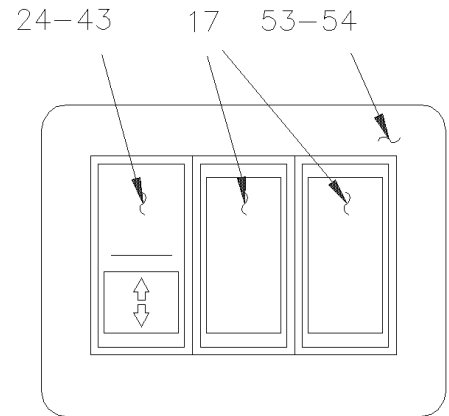
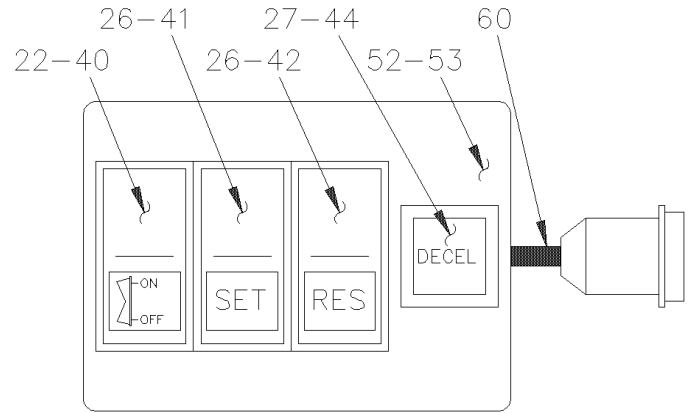
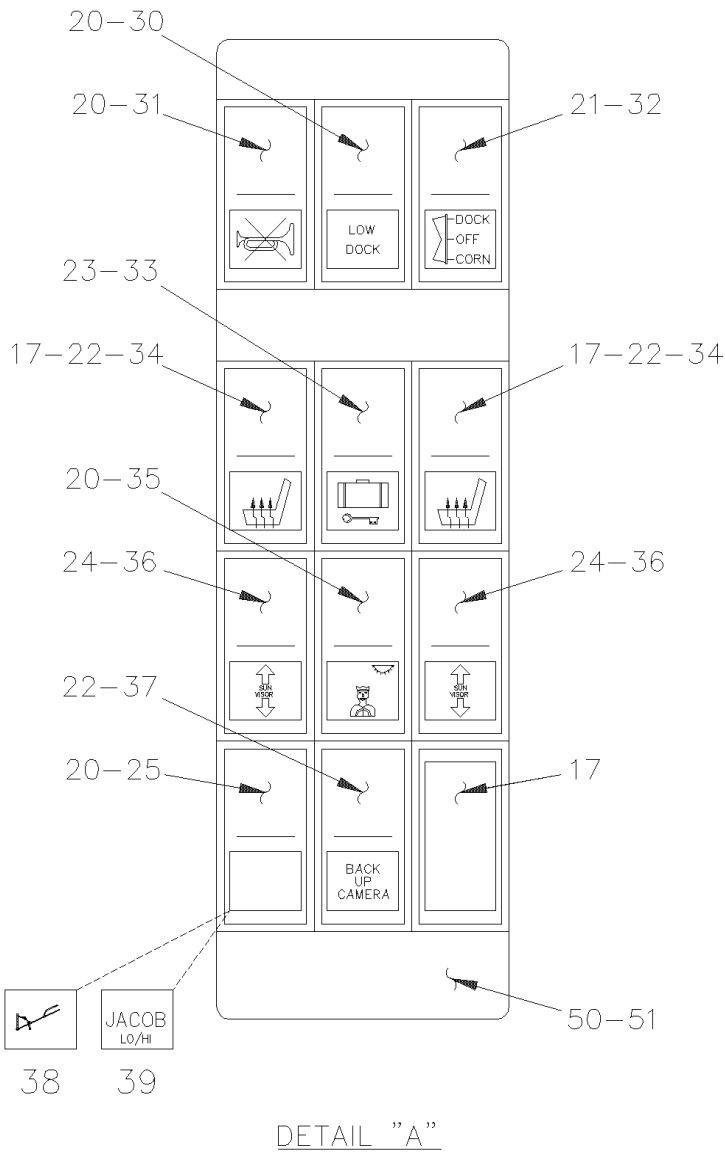
Date:10/2022

PAGE:H3-0645-05

SWITCHES L.H. CONSOLE - V.I.P.



From R-012 To W-2457	Date:10/2022	PAGE:H3-0645-05
SWITCHES L.H. CONSOLE - V.I.P.		



From R-012 To W-2457	Date:10/2022	PAGE:H3-0645-05
SWITCHES L.H. CONSOLE - V.I.P.		

Item#	Part	Description	H 3 4 1	H 3 4 5	V I P 4 5	N O T E S
1	505423	KNOB			1	
. NS	502682	. SCREW SET HEXS CUP #8-32x3/16			1	
2	402786	DECAL / RHEOSTAT			1	
3	561622	RHEOSTAT To T-1323			1	A
3	562489	RHEOSTAT ASSY / DASH ILLUMINATION From T-1324			1	
. NS	IS-95013	. SEE INSTRUCTION SHEET From T-1324			1	
3	069136	KIT, SERVICE/ DIMMER			1	S
. NS	564592	. DIMMER / CLUSTER			1	S
. NS	IS-14900	. INSTRUCTION SHEET			1	S
4	H3-1806-15	L.H. CONSOLE - V.I.P.				
5	H3-0755-16	SHIFTER ELECTRONIC - "WORLD" TRANSMISSION				
6	562075	SWITCH, MIRROR / SQUARE / W/24V BULB			1	
6	562262	. BULB / 0.75WATT-24VOLTS / STS-592.504			1	
6	562261	. BULB / 0.75WATT-24VOLTS / STS-592.502			1	
6	561184	. BULB / 1.2 WATT-12VOLTS / SAE# 2721			1	
7	871040	TIMER ASSY / W/"WEBASTO" PREHEATER			1	B
8	562025	TIMER ASSY / W/"ESPAR" PREHEATER			1	
9	391481	CLOSING PLATE			1	
NS	391480	LEXAN / LEVEL LOW / (AS SHOWN)			1	
10	561468	SWITCH / OFF-ON S.P.S.T.			1	
11	063029	INSERT / GREEN / PREHEATER			1	
12	500590	NUT HEX NYRT M4-0.7 Z050			19	
NS	500591	WASHER FL 4.3x9.0x0.8 Z050			19	
14		TAG AXLE			1	
15	H3-1640-11	LEVEL-LOW - LEVEL & SWITCHES				
16	H3-1806-15	L.H. CONSOLE - V.I.P.				
17	561088	COVER, SWITCH HOLE			4	
18	562361	PROTECTIVE CAP / HD10 SERIES / 6C / DEUTSCH HDC16-6-BLACK			1	
NS	562493	CHAIN / C.T.L.			AR	
NS	562492	TYPE A COUPLING			1	
NS	562494	RING / ATTACHMENT END			1	
19	561821	NUT, RING #17 & 20 / 1.500" I.D W/4 4-40			1	
NS	500518	SCREW MA BDG PH #4-40x1/2 Z050			4	
20	561472	SWITCH / ON-ON / D.P.D.T. / CH-OVER			3	
21	561483	SWITCH / ON-OFF-ON D.P.D.T.			1	
22	561468	SWITCH / OFF-ON S.P.S.T.			4	
23	561475	SWITCH / M/ON-OFF-M/ON / S.P.D.T. CH-OVER			1	
24	561613	SWITCH / M/ON-OFF-M/ON D.P.D.T.			2	
25	561520	SWITCH / OFF-ON-ON SERIES S.P.D.T.			1	
26	561470	SWITCH / OFF-M/ON S.P.S.T.			2	
27	562257	SWITCH / M/ON / D.P.S.T. / WITH BULB			1	
30	063035	INSERT / GREEN / LOW DOCKING			1	

From R-012 To W-2457	Date:10/2022	PAGE:H3-0645-05
SWITCHES L.H. CONSOLE - V.I.P.		

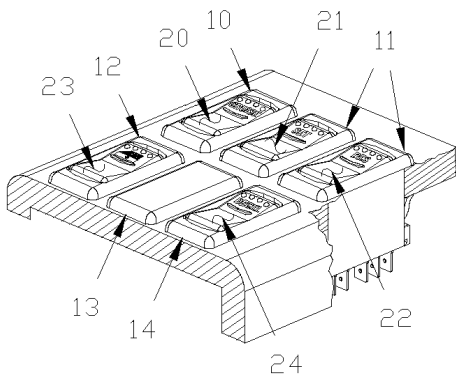
Item#	Part	Description	H 3 4 1	H 3 4 5	V I P 4 5	N O T E S
31	063001	INSERT / GREEN / BACK-UP ALARM (CANCEL)			1	
32	063002	INSERT / GREEN / DOCK-OFF-CORN			1	
33	063003	INSERT / GREEN / LUGGAGE DOOR LOCK			1	
34	062997	INSERT / GREEN / HEATED SEAT			2	
35	062995	INSERT / GREEN / DRIVER'S LIGHT			1	
36	063017	INSERT / GREEN / SUN VISOR			2	
37	063032	INSERT / GREEN / BACK UP CAMERA			1	
38	062991	INSERT / GREEN / "JACOB" BRAKE			1	
39	063028	INSERT / GREEN / RETARDER			1	
40	063010	INSERT / GREEN / CRUISE (CRUISE CONTROL)			1	
41	063008	INSERT / GREEN / SET (CRUISE CONTROL)			1	
42	063009	INSERT / GREEN / RESUME (CRUISE CONTROL)			1	
44	062082	INSERT / DECEL			1	
50	391696	LEXAN			1	
51	391695	SUPPORT / SWITCH			1	
52	391209	SUPPORT / CRUISE CONTROL			1	
53	390971	LEXAN			1	
54	391293	SUPPORT ASSY / SWITCH			1	
55	562077	MOUNTING FRAME (FOR 2 SWITCHES) 594.802BH			1	
56	H3-1806-00	DASHBOARD PANEL - BUS				
60	063650	CABLE ASSY / SWITCH CRUISE CONTROL			1	
NS	065526	KIT, REPLACEMENT WEBASTO TIMER To W-2372			1	
. NS	IS-97154	. SEE INSTRUCTION SHEET To W-2372			1	
NS	IS-95013	SEE INSTRUCTION SHEET			1	
		A) THIS RHEOSTAT IS SUPERSEDED BY ITEM #562489 AND CABLE #064104. SEE INSTRUCTION SHEET FOR HELP				
		B) THIS PART IS SUPERSEDED BY KIT #065526				
		S) SERVICE				

From X-2458 To 2-4416

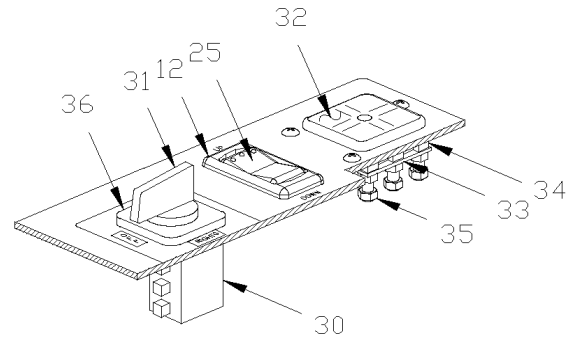
Date:10/2022

PAGE:H3-0645-06

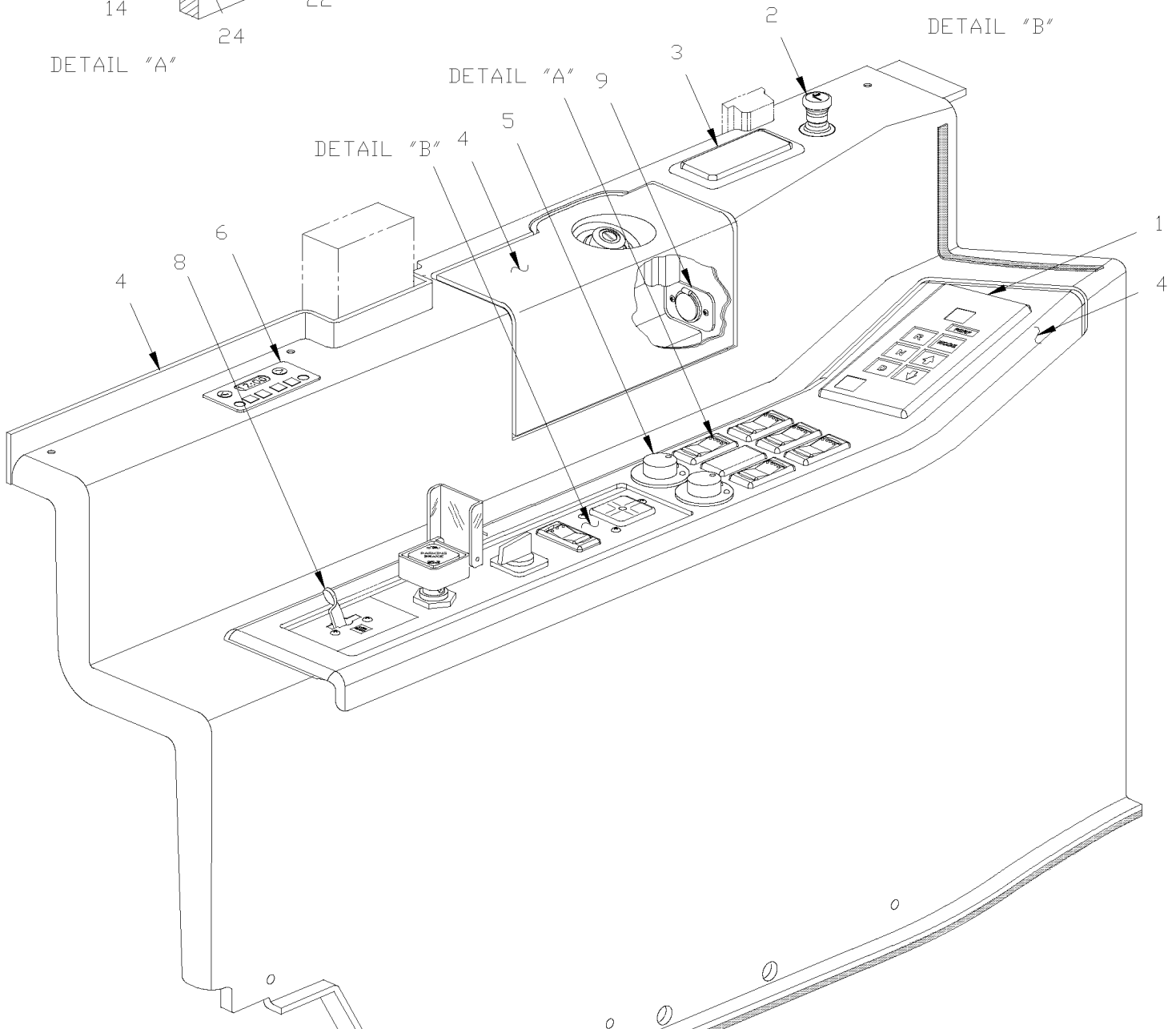
SWITCHES L.H. CONSOLE - V.I.P.



DETAIL "A"



DETAIL "B"



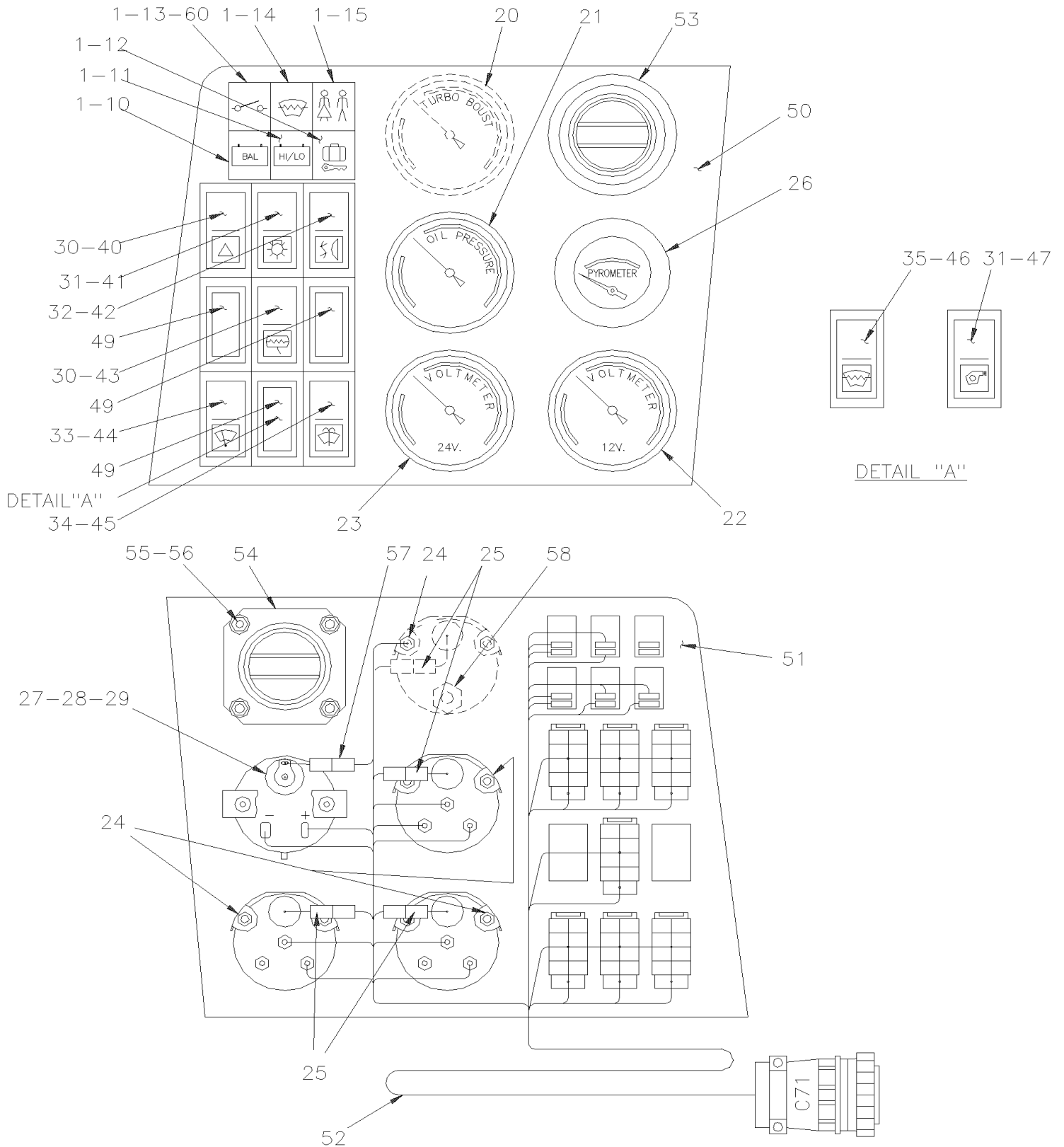
From X-2458 To 2-4416	Date:10/2022	PAGE:H3-0645-06
SWITCHES L.H. CONSOLE - V.I.P.		

Item#	Part	Description	H 3 4 1	H 3 4 5	V I P 4 5	N O T E S
1	571718	SHIFTER, SELECTOR "WORLD" / WTEC III			1	
NS	064603	WIRING HARNESS DASHBOARD LEFT MODULE			1	
2	561491	LIGHTER ASSY / 12V			1	
3	890006	ASHTRAY			1	
4	H3-1806-16	L.H. CONSOLE - V.I.P.				
5	562748	SWITCH, MIRROR / ROUND			AR	
5		CLIP RETAINER / MIRROR SWITCH (R2000-1372P)			2	
NS	562749	CONNECTOR / SH 8C / EURAMTEC W-RT8-200			2	
NS	507295	HOLE PLUG BUTTON / 1.375 O.D. BLACK			AR	
6	562680	TIMER ASSY / W/"ESPAR" PREHEATER / 7 DAYS			1	
6	871040	TIMER ASSY / W/"WEBASTO" PREHEATER To W-2371			1	A
6	871160	TIMER ASSY / W/"WEBASTO" PREHEATER From W-2372			1	
. NS	871102	. BULB / 1.4WATT-24 VOLTS From W-2372			1	
NS	064584	WIRING HARNESS / W/ "ESPAR" PREHEATER			1	
6	064583	WIRING HARNESS / W/ "WEBASTO" PREHEATER To W-2371			1	
NS	064700	WIRING HARNESS / W/ "WEBASTO" PREHEATER From W-2372			1	
8	H3-1806-11	L.H. CONSOLE - BUS				
9	562796	12 VOLTS POWER OUTLET			1	
10	562697	SWITCH / ON-ON / D.P.D.T. / CH-OVER / W/RED & GREEN LED			1	
11	562698	SWITCH / OFF-M/ON / D.P.S.T. / W/GREEN LED			3	
12	562699	SWITCH / M/ON-OFF-M/ON / D.P.D.T. / W/GREEN LED			AR	
13	562773	SWITCH / "DUMMY" / PLUG			1	
14	562855	SWITCH / OFF-M/ON / D.P.S.T. / W/RED LED			1	
20	562724	CAP / CRUISE CONTROL			1	
21	562725	CAP / SET / CRUISE CONTROL			1	
22	562726	CAP / RESUME / CRUISE CONTROL			1	
23	562740	CAP / WINDOW DRIVER'S			1	
24	562787	CAP / DECEL / CRUISE CONTROL			1	
25	562738	CAP / UP-DOWN			1	
30	562517	SWITCH / 10 AMPS 4 POSITIONS 90°			1	
NS	064657	CABLE ASSY / W/"LEVEL LOW"			1	
31	561855	. KNOB			1	
32	630075	LEVEL 5 WAYS			1	
33	391827	BRACKET / TO FIX LEVEL			1	
34	502162	SPRING COMPRESSION / .240 O.D. x .312 x .026			3	
35	500670	NUT HEX NYRT #8-32 Z050			3	
36	391994	DECAL "LEVEL LOW"			1	
NS	065527	KIT, REPLACEMENT WEBASTO TIMER To W-2372			1	
. NS	IS-97154	. SEE INSTRUCTION SHEET To W-2372			1	

From X-2458 To 2-4416	Date:10/2022	PAGE:H3-0645-06
SWITCHES L.H. CONSOLE - V.I.P.		

Item#	Part	Description	H 3 4 1	H 3 4 5	V I P 4 5	N O T E S
		A) THIS PART IS SUPERSEDED BY KIT #065527				

From R-012 To V-1778	Date:10/2022	PAGE:H3-0645-10
L.H. DASHBOARD PANEL		



From R-012 To V-1778	Date:10/2022	PAGE:H3-0645-10
L.H. DASHBOARD PANEL		

Item#	Part	Description	H 3 4 1	H 3 4 5	V I P 4 5	N O T E S
1	562113	TELLTALE ASSY / 24V SHORT	6	6	6	
10	391443	INSERT / YELLOW / BATTERIE BALANCE	1	1	1	
11	391278	INSERT / RED / BATTERIE HI-LO	1	1	1	
NS	562412	MONITOR / BATTERY EQUALIZER	1	1	1	
12	391123	INSERT / GREEN / LUGGAGE DOOR LOCK	1	1	1	
13	391671	INSERT / GREEN / MASTER SWITCH	1	1	1	
NS	562364	RELAY 24V S.P.S.T. / 300 AMPS N.O. // BATTERY DISCONNECT	1	1	1	
14	391520	INSERT / GREEN / HEATING WINDSHIELD	1	1	1	
15	391024	INSERT / AMBER / LAVATORY (OCCUPIED)	1	1	1	
20	562297	GAUGE, TURBO BOOST PRESSURE "DATCON"	1	1	1	
. NS	563149	. SOCKET BULB / PLASTIC W/.250 SPADE / BA9s (DATCON)	1	1	1	
NS	561843	GAUGE, DUMMY				
21	562327	GAUGE, OIL PRESSURE	1	1	1	
NS	562409	SENSOR, OIL PRESSURE W/GAUGE 0-100	1	1	1	
22	562379	GAUGE, VOLTMETER 12VOLT	1	1	1	
23	562378	GAUGE, VOLTMETER 24VOLT	1	1	1	
24	561517	HARDWARE KIT	AR	AR	AR	
25	062264	SOCKET BULB / PLASTIC WWIRE & CONNECTORS / BA 9s	AR	AR	AR	
NS	560145	. BULB / 1WATT-24VOLTS / SAE# 1829	1	1	1	
26	562289	GAUGE, PYROMETER W/SERIES 60	1	1	1	
. NS	562431	. SOCKET BULB / METAL W/WIRE / BA9s	1	1	1	
. NS	560601	. BULB / 2WATT-24VOLTS / SAE# 456	1	1	1	
. NS	561157	. SENSOR, PYROMETER W/ SERIES 92 & 60	1	1	1	
27	562431	. SOCKET BULB / METAL W/WIRE / BA9s	1	1	1	
28	560601	. BULB / 2WATT-24VOLTS / SAE# 456	1	1	1	
29	561885	BULB COVER / GREEN W/PYROMETER	1	1	1	
30	561468	SWITCH / OFF-ON S.P.S.T.	2	2	2	
31	561520	SWITCH / OFF-ON-ON SERIES S.P.D.T.	1	1	1	
32	561472	SWITCH / ON-ON / D.P.D.T. / CH-OVER	1	1	1	
33	561614	SWITCH / OFF-ON-ON D.P.D.T / CH-OVER	1	1	1	
34	561470	SWITCH / OFF-M/ON S.P.S.T.	1	1	1	
35	561475	SWITCH / M/ON-OFF-M/ON / S.P.D.T. CH-OVER	1	1	1	
40	062993	INSERT / RED / WARNING LIGHT / HAZARD	1	1	1	
41	062988	INSERT / GREEN / GENERAL LIGHT	1	1	1	
42	063023	INSERT / GREEN / FOG LAMP	1	1	1	
43	063030	INSERT / GREEN / MIRROR HEATER	1	1	1	
44	063021	INSERT / GREEN / WIPER (UPPER)	1	1	1	
45	063022	INSERT / GREEN / WINDSHIELD WASHER (UPPER)	1	1	1	
46	063192	INSERT / GREEN / HEATING WINDSHIELD	1	1	1	
47	063025	INSERT / GREEN / UPPER DEFROST	1	1		
49	561088	COVER, SWITCH HOLE	AR	AR	AR	
50	390990	LEXAN	1	1	1	

From R-012 To V-1778	Date:10/2022	PAGE:H3-0645-10
L.H. DASHBOARD PANEL		

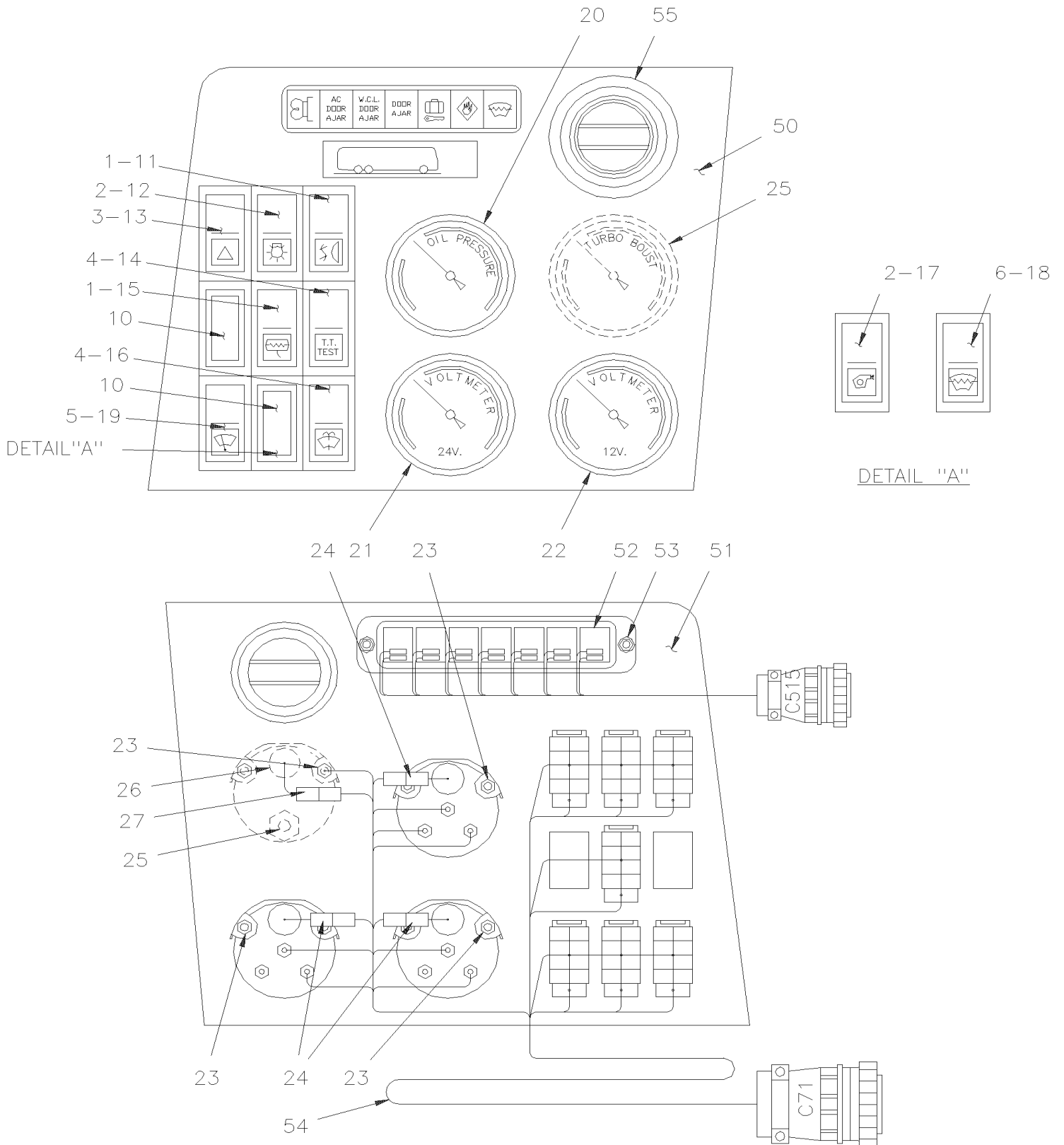
Item#	Part	Description	H 3 4 1	H 3 4 5	V I P 4 5	N O T E S
50	391485	LEXAN 20" X 30 CHARCOALD WITH GRID / CUT TO F			AR	
51	391154	PLATE / LEFT To T-1645	1	1	1	
51	391869	PLATE / LEFT From T-1646	1	1	1	
51	391542	PLATE / LEFT / W/SMALL PYROMETER SERIES 60 To T-1645			1	
51	391868	PLATE / LEFT / W/PYROMETER From T-1646			1	
52	063307	CABLE ASSY / L.H. DASHBOARD PANEL	1	1	1	
53	870899	LOUVER, ADJUSTABLE To T-1645	1	1	1	
53	871082	AIR OUTLET From T-1646	1	1	1	
54	372390	ADAPTOR To T-1645	1	1	1	
55	500591	WASHER FL 4.3x9.0x0.8 Z050 To T-1645	4	4	4	
56	500590	NUT HEX NYRT M4-0.7 Z050 To T-1645	4	4	4	
57	560900	CONNECTOR / COM. MATE-N-LOCK / PH 2C / AMP 1-480319-0	1	1	1	
57	560901	PIN TERMINAL / 20-14 / AMP 60620-1	2	2	2	
58	641129	FEMALE CONNECTOR / PUSH-IN FITTING / #2x1/8NPT-F BR	1	1	1	
NS	503536	TUBE, NYLON 1/8 O.D. / BLACK S.L.	AR	AR	AR	

From V-1779 To W-2284

Date:10/2022

PAGE:H3-0645-11

L.H. DASHBOARD PANEL - BUS



From V-1779 To W-2284	Date:10/2022	PAGE:H3-0645-11
L.H. DASHBOARD PANEL - BUS		

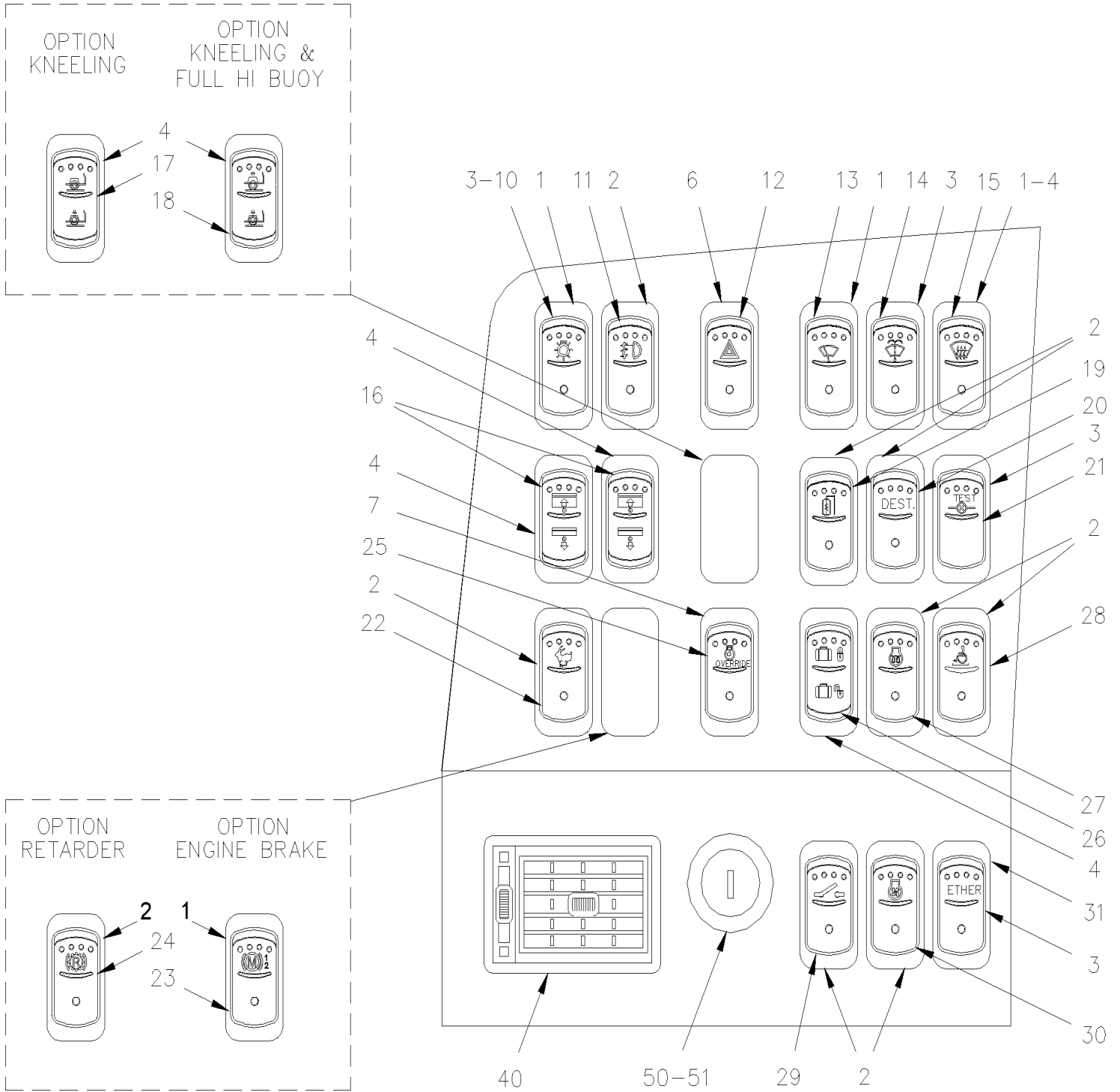
Item#	Part	Description	H 3 4 1	H 3 4 5	V I P 4 5	N O T E S
1	561472	SWITCH / ON-ON / D.P.D.T. / CH-OVER	1	1	1	
2	561520	SWITCH / OFF-ON-ON SERIES S.P.D.T.	1	1	1	
3	561468	SWITCH / OFF-ON S.P.S.T.	2	2		
4	561470	SWITCH / OFF-M/ON S.P.S.T.	2	2		
5	561614	SWITCH / OFF-ON-ON D.P.D.T. / CH-OVER	1	1		
6	561475	SWITCH / M/ON-OFF-M/ON / S.P.D.T. CH-OVER	1	1		
10	561088	COVER, SWITCH HOLE	AR	AR		
11	063023	INSERT / GREEN / FOG LAMP	1	1		
12	062988	INSERT / GREEN / GENERAL LIGHT	1	1		
13	062993	INSERT / RED / WARNING LIGHT / HAZARD	1	1		
14	064462	INSERT / TALE TELL TEST	1	1		
15	063030	INSERT / GREEN / MIRROR HEATER	1	1		
16	063022	INSERT / GREEN / WINDSHIELD WASHER (UPPER)	1	1		
17	063192	INSERT / GREEN / HEATING WINDSHIELD	1	1		
18	063025	INSERT / GREEN / UPPER DEFROST	1	1		
19	063021	INSERT / GREEN / WIPER (UPPER)	1	1		
20	562327	GAUGE, OIL PRESSURE	1	1		
21	562378	GAUGE, VOLTMETER 24VOLT	1	1		
22	562379	GAUGE, VOLTMETER 12VOLT	1	1		
23	561517	HARDWARE KIT	AR	AR		
24	062264	SOCKET BULB / PLASTIC WWIRE & CONNECTORS / BA 9s	3	3		
NS	560145	. BULB / 1WATT-24VOLTS / SAE# 1829	1	1		
25	562297	GAUGE, TURBO BOOST PRESSURE "DATCON"	1	1		
. NS	563149	. SOCKET BULB / PLASTIC W/.250 SPADE / BA9s (DATCON)	1	1		
26	563149	. SOCKET BULB / PLASTIC W/.250 SPADE / BA9s (DATCON)	1	1		
26	561167	. BULB / 2WATT-24VOLTS / SAE# 3899	1	1		
27	560900	CONNECTOR / COM. MATE-N-LOCK / PH 2C / AMP 1-480319-0	1	1		
27	560901	PIN TERMINAL / 20-14 / AMP 60620-1	2	2		
28	641129	FEMALE CONNECTOR / PUSH-IN FITTING / #2x1/8NPT-F BR	1	1		
NS	503536	TUBE, NYLON 1/8 O.D. / BLACK S.L.	AR	AR		
50	391911	LEXAN	1	1		
51	391909	PLATE MOUNTING	1	1		
52	562634	MODULE ASSY W/TELLTALE	1	1		
53	500592	SCREW TP FL PH #8x1 ZP	2	2		
54	064405	CABLE ASSY / L.H. DASHBOARD PANEL	1	1		
55	871082	AIR OUTLET	1	1		

From W-2285 To 2-4416

Date:10/2022

PAGE:H3-0645-12

L.H. DASHBOARD PANEL - BUS



BUS

From W-2285 To 2-4416	Date:10/2022	PAGE:H3-0645-12
L.H. DASHBOARD PANEL - BUS		

Item#	Part	Description	H 3 4 1	H 3 4 5	V I P 4 5	N O T E S
1	562696	SWITCH / OFF-ON-ON SERIES S.P.D.T. / W/RED & GREEN LED	4	4		
2	562697	SWITCH / ON-ON / D.P.D.T. / CH-OVER / W/RED & GREEN LED	AR	AR		
3	562698	SWITCH / OFF-M/ON / D.P.S.T. / W/GREEN LED	1	1		
4	562699	SWITCH / M/ON-OFF-M/ON / D.P.D.T. / W/GREEN LED	3	3		
6	562854	SWITCH / ON-ON / D.P.D.T. / CH-OVER / W/RED LED	1	1		
7	562855	SWITCH / OFF-M/ON / D.P.S.T. / W/RED LED	1	1		
NS	562773	SWITCH / "DUMMY" / PLUG	AR	AR		
NS	562763	CONNECTOR RH 10C / SWITCH / NGR 28-5637-2	AR	AR		
7	562768	SOCKET TERMINAL / 16-14 / PED 12015870	AR	AR		
10	562708	CAP / HEADLIGHT	1	1		
11	562709	CAP / FOG	1	1		
12	562710	CAP / WARNING LIGHT HAZARD	1	1		
13	562711	CAP / WIPER (UPPER)	1	1		
14	562715	CAP / WINDSHIELD WASHER (UPPER)	1	1		
15	562712	CAP / DEFOGGER	1	1		
16	562739	CAP / ROLLER BLIND	2	2		
17	562737	CAP / KNEELING	1	1		
18	562738	CAP / UP-DOWN	1	1		
19	562713	CAP / MIRROR HEATER	1	1		
20	562743	CAP / DESTINATION SIGN	1	1		
21	562741	CAP / TELL TALE TEST	1	1		
NS	562697	SWITCH / ON-ON / D.P.D.T. / CH-OVER / W/RED & GREEN LED	1	1		A
22	562723	CAP / FAST IDLE	1	1		
23	562728	CAP / "JACOB'S"	1	1		
24	562729	CAP / "RETARDER"	1	1		
25	562727	CAP / ENGINE OVERRIDE	1	1		
26	562736	CAP / LUGGAGE DOOR LOCK	1	1		
27	562722	CAP / PRE-HEATER	1	1		
28	562774	CAP / W.C.L.	1	1		
29	562742	CAP / MASTER CUT-OFF	1	1		
30	562735	CAP / RADIATOR FAN	1	1		
31	562734	CAP / ETHER	AR	AR		
40	871106	LOUVER, ADJUSTABLE	1	1		
50	562147	SWITCH, IGNITION / CODE 801	1	1		
. NS	780003	. KEY, IGNITION SWITCH CODE 801	1	1		
50	562148	SWITCH, IGNITION / CODE 802	1	1		
. NS	780004	. KEY, IGNITION SWITCH CODE 802	1	1		
50	562151	SWITCH, IGNITION / CODE 803	1	1		
. NS	780006	. KEY, IGNITION SWITCH CODE 803	1	1		
50	562150	SWITCH, IGNITION / CODE 804	1	1		
. NS	780007	. KEY, IGNITION SWITCH CODE 804	1	1		
50	562152	SWITCH, IGNITION / CODE 805	1	1		

From W-2285 To 2-4416	Date:10/2022	PAGE:H3-0645-12
L.H. DASHBOARD PANEL - BUS		

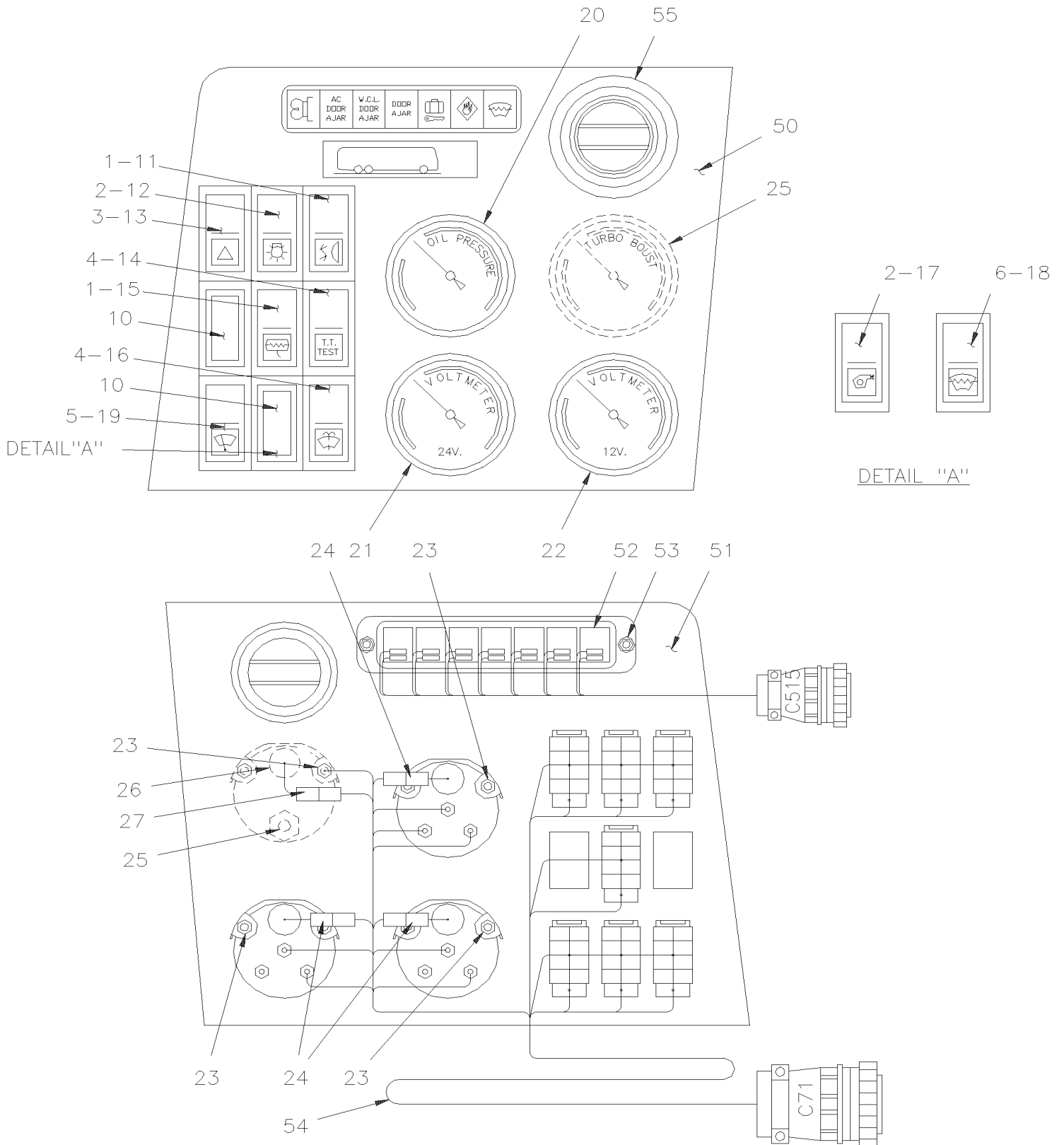
Item#	Part	Description	H 3 4 1	H 3 4 5	V I P 4 5	N O T E S
. NS	780008	. KEY, IGNITION SWITCH CODE 805	1	1		
50	562149	SWITCH, IGNITION / CODE 806	1	1		
. NS	780009	. KEY, IGNITION SWITCH CODE 806	1	1		
50	562146	SWITCH, IGNITION / KEYLESS (ACC-OFF-IGN-START)	1	1		
50	562296	KEY / IGNITION BLANCK UNCUT	AR	AR		
NS	065045	CABLE ASSY L.H. PARCEL RACK	1	1		A
NS	065046	CABLE ASSY R.H. PARCEL RACK	1	1		A
NS	065052	CABLE ASSY RELAY READING LIGHT	1	1		A
NS	065053	CABLE ASSY SWITCH READING LIGHT	1	1		A
NS	561707	RELAY 24V S.P.D.T. W/RESISTOR /	1	1		A
51	064673	CABLE ASSY / ANTI-THEF	1	1		O
		A) COACH WITH READING LIGHT TEST D060949 PAGE 11.3 SP2				
		O) WITH ORLEAN OPTION				

From V-1779 To W-2457

Date:10/2022

PAGE:H3-0645-15

L.H. DASHBOARD PANEL - V.I.P.



From V-1779 To W-2457	Date:10/2022	PAGE:H3-0645-15
L.H. DASHBOARD PANEL - V.I.P.		

Item#	Part	Description	H 3 4 1	H 3 4 5	V I P 4 5	N O T E S
1	561472	SWITCH / ON-ON / D.P.D.T. / CH-OVER			1	
2	561520	SWITCH / OFF-ON-ON SERIES S.P.D.T.			1	
3	561468	SWITCH / OFF-ON S.P.S.T.			2	
4	561470	SWITCH / OFF-M/ON S.P.S.T.			2	
5	561614	SWITCH / OFF-ON-ON D.P.D.T. / CH-OVER			1	
6	561475	SWITCH / M/ON-OFF-M/ON / S.P.D.T. CH-OVER			1	
10	561088	COVER, SWITCH HOLE			AR	
11	063023	INSERT / GREEN / FOG LAMP			1	
12	062988	INSERT / GREEN / GENERAL LIGHT			1	
13	062993	INSERT / RED / WARNING LIGHT / HAZARD			1	
14	064462	INSERT / TALE TELL TEST			1	
15	063030	INSERT / GREEN / MIRROR HEATER			1	
16	063022	INSERT / GREEN / WINDSHIELD WASHER (UPPER)			1	
17	063192	INSERT / GREEN / HEATING WINDSHIELD			1	
18	063025	INSERT / GREEN / UPPER DEFROST			1	
19	063021	INSERT / GREEN / WIPER (UPPER)			1	
20	562327	GAUGE, OIL PRESSURE			1	
21	562378	GAUGE, VOLTMETER 24VOLT			1	
22	562379	GAUGE, VOLTMETER 12VOLT			1	
23	561517	HARDWARE KIT			AR	
24	062264	SOCKET BULB / PLASTIC WWIRE & CONNECTORS / BA 9s			3	
NS	560145	. BULB / 1WATT-24VOLTS / SAE# 1829			1	
25	562297	GAUGE, TURBO BOOST PRESSURE "DATCON"			1	
. NS	563149	. SOCKET BULB / PLASTIC W/.250 SPADE / BA9s (DATCON)			1	
26	563149	. SOCKET BULB / PLASTIC W/.250 SPADE / BA9s (DATCON)			1	
26	561167	. BULB / 2WATT-24VOLTS / SAE# 3899			1	
27	560900	CONNECTOR / COM. MATE-N-LOCK / PH 2C / AMP 1-480319-0			1	
27	560901	PIN TERMINAL / 20-14 / AMP 60620-1			2	
28	641129	FEMALE CONNECTOR / PUSH-IN FITTING / #2x1/8NPT-F BR			1	
NS	503536	TUBE, NYLON 1/8 O.D. / BLACK S.L.			AR	
50	391911	LEXAN			1	
50	391485	LEXAN 20" X 30 CHARCOALD WITH GRID / CUT TO F			AR	
51	391909	PLATE MOUNTING			1	
52	562634	MODULE ASSY W/TELLTALE			1	
53	500592	SCREW TP FL PH #8x1 ZP			2	
54	064405	CABLE ASSY / L.H. DASHBOARD PANEL			1	
55	871082	AIR OUTLET			1	

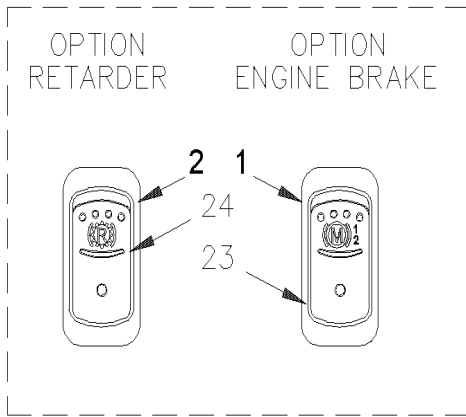
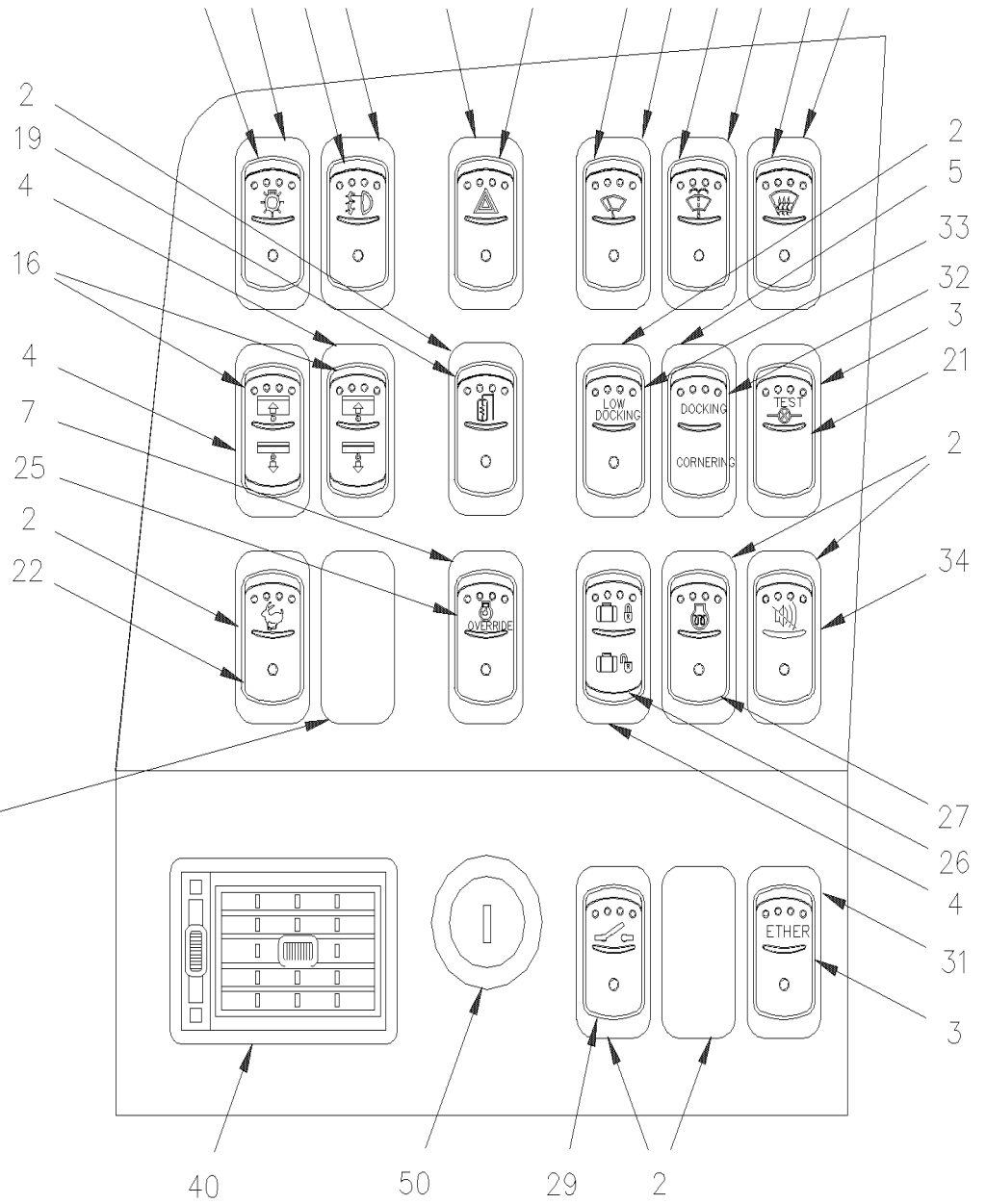
From X-2458 To 2-4416

Date:10/2022

PAGE:H3-0645-16

L.H. DASHBOARD PANEL - V.I.P.

3-10 1 11 2 6 12 13 1 14 3 15 1-4



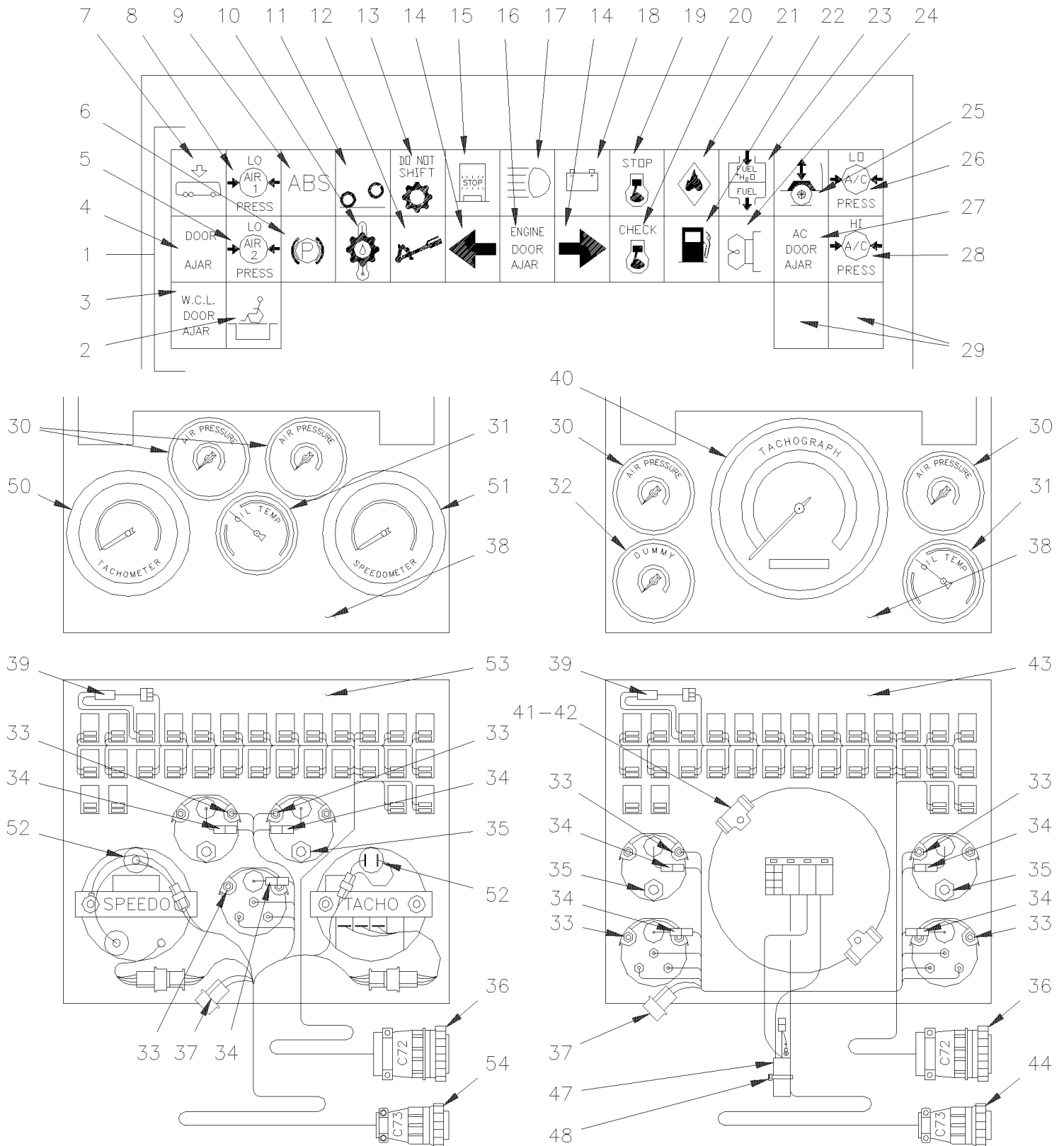
V.I.P.

From X-2458 To 2-4416	Date:10/2022	PAGE:H3-0645-16
L.H. DASHBOARD PANEL - V.I.P.		

Item#	Part	Description	H 3 4 1	H 3 4 5	V I P 4 5	N O T E S
1	562696	SWITCH / OFF-ON-ON SERIES S.P.D.T. / W/RED & GREEN LED			4	
2	562697	SWITCH / ON-ON / D.P.D.T. / CH-OVER / W/RED & GREEN LED			AR	
3	562698	SWITCH / OFF-M/ON / D.P.S.T. / W/GREEN LED			1	
4	562699	SWITCH / M/ON-OFF-M/ON / D.P.D.T. / W/GREEN LED			3	
5	562700	SWITCH / ON-OFF-ON / D.P.D.T. / W/GREEN LED			1	
6	562854	SWITCH / ON-ON / D.P.D.T. / CH-OVER / W/RED LED			1	
7	562855	SWITCH / OFF-M/ON / D.P.S.T. / W/RED LED			1	
NS	562773	SWITCH / "DUMMY" / PLUG			AR	
NS	562763	CONNECTOR RH 10C / SWITCH / NGR 28-5637-2			AR	
7	562768	SOCKET TERMINAL / 16-14 / PED 12015870			AR	
10	562708	CAP / HEADLIGHT			1	
11	562709	CAP / FOG			1	
12	562710	CAP / WARNING LIGHT HAZARD			1	
13	562711	CAP / WIPER (UPPER)			1	
14	562715	CAP / WINDSHIELD WASHER (UPPER)			1	
15	562712	CAP / DEFOGGER			1	
16	562739	CAP / ROLLER BLIND			2	
19	562713	CAP / MIRROR HEATER			1	
21	562741	CAP / TELL TALE TEST			1	
22	562723	CAP / FAST IDLE			1	
23	562728	CAP / "JACOB'S"			1	
24	562729	CAP / "RETARDER"			1	
25	562727	CAP / ENGINE OVERRIDE			1	
26	562736	CAP / LUGGAGE DOOR LOCK			1	
27	562722	CAP / PRE-HEATER			1	
28	562774	CAP / W.C.L.			1	
29	562742	CAP / MASTER CUT-OFF			1	
30	562735	CAP / RADIATOR FAN			1	
31	562734	CAP / ETHER			AR	
32	562733	CAP / DOCKING & CORNERING			1	
33	562732	CAP / LIGHT LOW DOCKING			1	
34	562731	CAP / BACK-UP ALARM			1	
40	871106	LOUVER, ADJUSTABLE			1	
50	562147	SWITCH, IGNITION / CODE 801			1	
. NS	780003	. KEY, IGNITION SWITCH CODE 801			1	
50	562148	SWITCH, IGNITION / CODE 802			1	
. NS	780004	. KEY, IGNITION SWITCH CODE 802			1	
50	562151	SWITCH, IGNITION / CODE 803			1	
. NS	780006	. KEY, IGNITION SWITCH CODE 803			1	
50	562150	SWITCH, IGNITION / CODE 804			1	
. NS	780007	. KEY, IGNITION SWITCH CODE 804			1	
50	562152	SWITCH, IGNITION / CODE 805			1	

From X-2458 To 2-4416	Date:10/2022	PAGE:H3-0645-16
L.H. DASHBOARD PANEL - V.I.P.		

Item#	Part	Description	H 3 4 1	H 3 4 5	V I P 4 5	N O T E S
. NS	780008	. KEY, IGNITION SWITCH CODE 805			1	
50	562149	SWITCH, IGNITION / CODE 806			1	
. NS	780009	. KEY, IGNITION SWITCH CODE 806			1	
50	562146	SWITCH, IGNITION / KEYLESS (ACC-OFF-IGN-START)			1	
50	562296	KEY / IGNITION BLANCK UN CUT			AR	
NS	562674	KEYLESS / TRANSMITTER KEY RING / W/DESCRIPT			1	S
. NS	IS-03103	. SEE INSTRUCTION SHEET			1	S
50	563542	KEYLESS / TRANSMITTER KEY RING / W/PICTOGRA From SERVICE			1	
		S) WHEN YOU REPLACE KEYLESS 562674 WITH THE NEW 563542 YOU NEED TO REPLACE MODULE 562673 BY THE NEW 563541 / SEE INSTRUCTION SHEET IS-03103				



From R-012 To V-1778	Date:10/2022	PAGE:H3-0645-20
CENTER DASHBOARD PANEL		

Item#	Part	Description	H 3 4 1	H 3 4 5	V I P 4 5	N O T E S
1	562113	TELLTALE ASSY / 24V SHORT	30	30	30	
2	390792	INSERT / RED / W.C.L. ACTIVITED	1	1		
3	391768	INSERT / RED / "W.C.L. DOOR AJAR"	1	1		
4	390855	INSERT / RED / "DOOR AJAR"	1	1	1	
5	391026	INSERT / RED / LO AIR #2	1	1	1	
6	391027	INSERT / AMBER / PARKING BRAKE	1	1	1	
7	390867	INSERT / AMBER / LOW-BUOY	1	1		
8	391025	INSERT / RED / LO AIR #1	1	1	1	
9	391672	INSERT / RED / "ABS"	1	1	1	
10	391670	INSERT / AMBER / OIL TEMPERATURE W/RETARDER	1	1	1	
11	391235	INSERT / AMBER / TAG AXLE	1	1	1	
12	391032	INSERT / AMBER / RETARDER OR TELMA	1	1	1	
13	391607	INSERT / RED / "DO NOT SHIFT"	1	1	1	
14	391204	INSERT / GREEN / DIRECTIONAL FLASHER	2	2	2	
15	391033	INSERT / RED / STOP-LIGHT	1	1	1	
16	391452	INSERT / RED / "ENGINE DOOR AJAR"	1	1	1	
17	391020	INSERT / BLUE / HIGHT BEAM	1	1	1	
18	391028	INSERT / RED / GENERATOR	1	1	1	
19	390889	INSERT / RED / STOP ENGINE	1	1	1	
20	390888	INSERT / AMBER / CHECK ENGINE	1	1	1	
21	391015	INSERT / RED / FIRE	1	1	1	
22	391029	INSERT / RED / FUEL LEVEL	1	1	1	
23	391030	INSERT / AMBER / WATER IN FUEL	1	1	1	
24	391023	INSERT / GREEN / AUXILIARY WATER HEATER	1	1	1	
25	391031	INSERT / AMBER / KNEELING / HI-BUOY	1	1		
NS	391277	INSERT / RED / "LEVEL LOW"				
26	391021	INSERT / RED / A/C LO PRESSURE	1	1	1	
27	391234	INSERT / RED / "A/C DOOR AJAR"	1	1	1	
28	391022	INSERT / RED / A/C HI PRESSURE	1	1	1	
29	561089	TELLTALE ASSY / BLANK	1	1	1	
30	562215	GAUGE, AIR PRESSURE	2	2	2	
31	562213	GAUGE, OIL TEMPERATURE	1	1	1	
NS	561097	SENSOR, TEMPERATURE / WATER & OIL	1	1	1	
32	561843	GAUGE, DUMMY	1	1	1	
33	561517	HARDWARE KIT	AR	AR	AR	
34	062264	SOCKET BULB / PLASTIC WWIRE & CONNECTORS / BA 9s	AR	AR	AR	
NS	560145	. BULB / 1WATT-24VOLTS / SAE# 1829	1	1	1	
35	641129	FEMALE CONNECTOR / PUSH-IN FITTING / #2x1/8NPT-F BR	2	2	2	
NS	503536	TUBE, NYLON 1/8 O.D. / BLACK S.L.	AR	AR	AR	
36	063506	CABLE ASSY To S-127	1	1	1	
36	063954	CABLE ASSY From S-128 To S-264	1	1	1	
36	064057	CABLE ASSY From S-265 To S-283	1	1	1	

From R-012 To V-1778	Date:10/2022	PAGE:H3-0645-20
CENTER DASHBOARD PANEL		

Item#	Part	Description	H 3 4 1	H 3 4 5	V I P 4 5	N O T E S
36	064117	CABLE ASSY From S-284 To T-1560	1	1	1	
36	064293	CABLE ASSY From T-1561	1	1	1	
37	063152	CABLE ASSY / W/LOW BUOY To S-206	1	1	1	
38	390992	LEXAN To S-127	1	1	1	
38	391767	LEXAN From S-128	1	1	1	
38	391485	LEXAN 20" X 30 CHARCOALD WITH GRID / CUT TO F			AR	
39	062253	ALARM ASSY / WATER SEPARATOR	1	1	1	
40	590258	TACHOGRAPH ASSY / KM/H / W/4 WIRES	1	1		
40	590259	TACHOGRAPH ASSY / MPH / W/4 WIRES	1	1		
NS	590236	. KEY	1	1		
NS	561006	. BULB / 1WATT-24VOLTS / SAE# 2741MF	3	3		
NS	561903	BULB COVERING / GREEN	3	3		
41	590270	BRACKET	2	2		
42	590235	NUT KNURLED	2	2		
NS	590179	CHART KM/H	1	1		
NS	590122	CHART MPH	1	1		
NS	590251	CHART DUMMY PROTECTOR	1	1		
43	391276	PLATE MOUNTING / TACHOGRAPH To S-127	1	1		
43	391766	PLATE MOUNTING / TACHOGRAPH From S-128	1	1		
44	062672	CABLE ASSY / W/TACHOGRAPH	1	1		
47	090195	MODULE ASSY / W/TACHOGRAPH W/4 WIRES	1	1		
48	504637	CABLE TIE / 3/16" x 13"	1	1		
50	090211	TACHOMETER "VDO" / USE W/DDEC II AND REGULAR To S-215	1	1	1	
50	090213	TACHOMETER "VDO" / USE W/DDEC III From S-216 To T-1530	1	1	1	C
50	090214	TACHOMETER HEAD / "VDO" (PROGRAMMABLE) From T-1531	1	1	1	
51	090199	SPEEDOMETER HEAD / KMH "VDO" To T-1530	1	1	1	A
51	090216	SPEEDOMETER HEAD / KPH "VDO" From T-1531	1	1	1	
51	090198	SPEEDOMETER HEAD / MPH "VDO" To T-1530	1	1	1	B
51	090215	SPEEDOMETER HEAD / MPH "VDO" From T-1531	1	1	1	
52	562325	. SOCKET BULB / PLASTIC W/.250 SPADE / BA7s To T-1530	1	1	1	
NS	561167	. BULB / 2WATT-24VOLTS / SAE# 3899 To T-1530	1	1	1	
52	19500385	. SOCKET BULB / PLASTIC W/.250 SPADE TYPE E From T-1531	1	1	1	
NS	561166	. BULB / 3WATT-24VOLTS / SAE# 464 From T-1531	1	1	1	
53	391275	PLATE MOUNTING / SMALL GAUGES To S-127	1	1	1	
53	391765	PLATE MOUNTING / SPEEDOMETER From S-128	1	1	1	
54	062671	CABLE ASSY / W/SMALL GAUGES To T-1530	1	1	1	
54	064259	CABLE ASSY / W/SMALL GAUGES From T-1531	1	1	1	
		FOLLOWING ITEMS ARE RELATED				
		WITH "SILENT 1000" INSTALLATION				
54	391527	PLATE MOUNTING To S-127	1	1		

From R-012 To V-1778	Date:10/2022	PAGE:H3-0645-20
CENTER DASHBOARD PANEL		

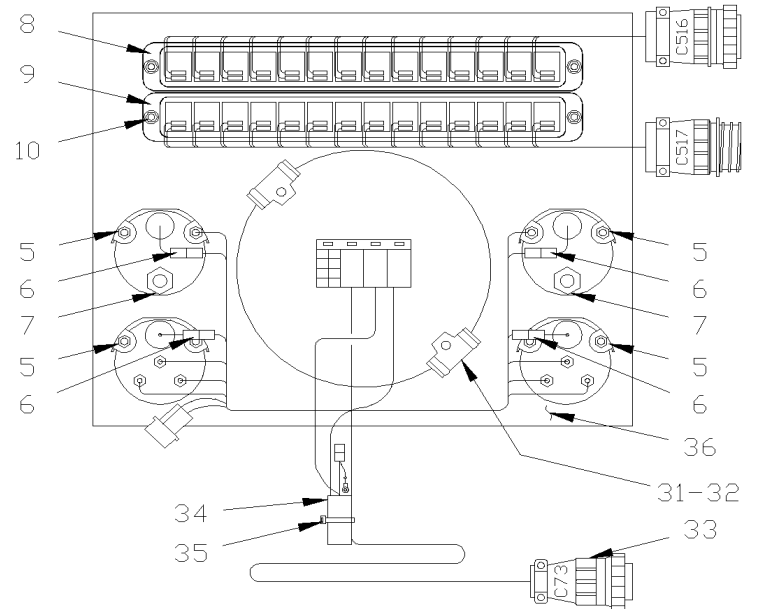
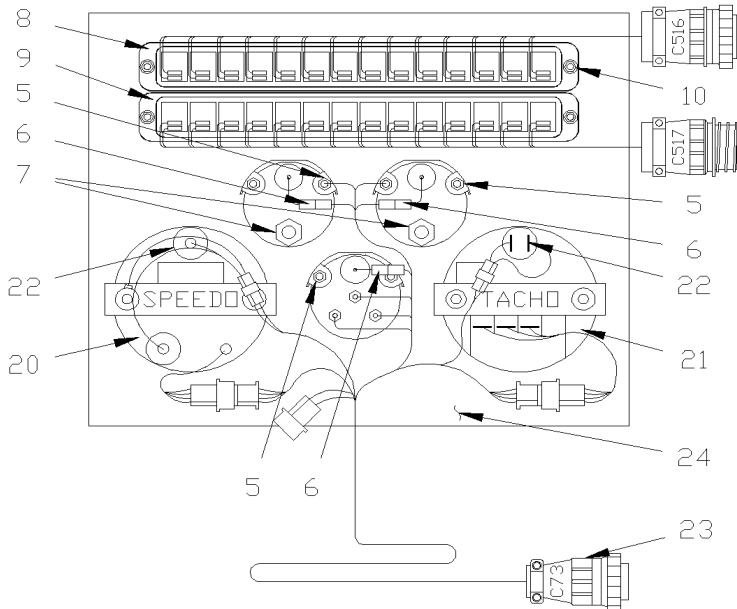
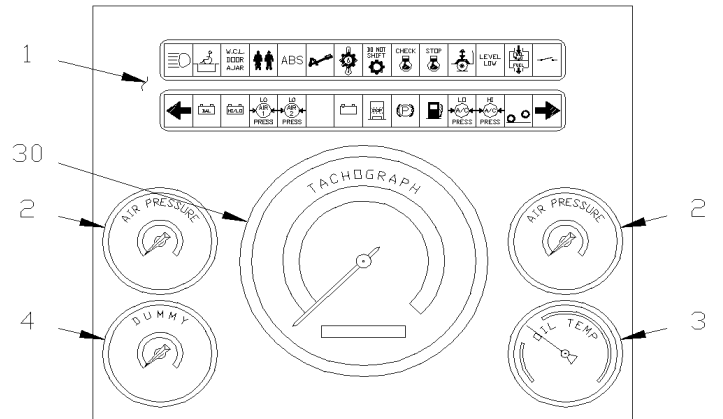
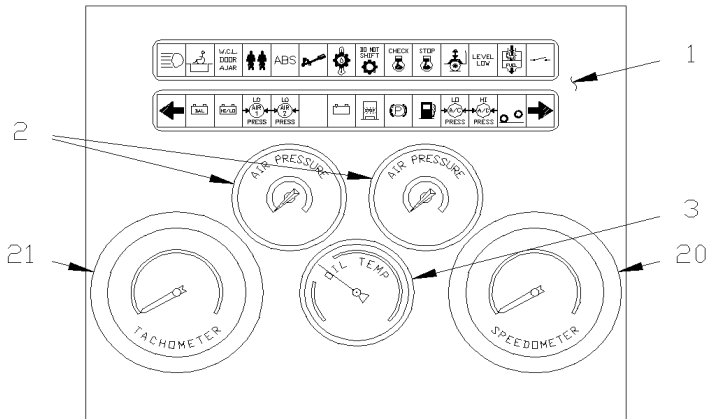
Item#	Part	Description	H 3 4 1	H 3 4 5	V I P 4 5	N O T E S
54	391791	PLATE MOUNTING From S-128	1	1		
NS	090217	KIT, RETROFIT TACHOMETER	AR	AR	AR	
. NS	IS-96014B	. SEE INSTRUCTION SHEET	1	1	1	
NS	090218	KIT, RETROFIT SPEEDO "MPH"	AR	AR	AR	
. NS	IS-96014B	. SEE INSTRUCTION SHEET	1	1	1	
NS	090219	KIT, RETROFIT SPEEDO "KMH"	AR	AR	AR	
. NS	IS-96014B	. SEE INSTRUCTION SHEET	1	1	1	
		A) THIS HEAD IS OBSOLETE IT IS SUPERSEDED BY #090219				
		B) THIS HEAD IS OBSOLETE IT IS SUPERSEDED BY #090218				
		C) THIS HEAD IS OBSOLETE IT IS SUPERSEDED BY #090217				

From V-1779 To W-2284

Date:10/2022

PAGE:H3-0645-21

CENTER DASHBOARD PANEL - BUS



From V-1779 To W-2284	Date:10/2022	PAGE:H3-0645-21
CENTER DASHBOARD PANEL - BUS		

Item#	Part	Description	H 3 4 1	H 3 4 5	V I P 4 5	N O T E S
1	391907	LEXAN	1	1		
2	562215	GAUGE, AIR PRESSURE	2	2		
3	562213	GAUGE, OIL TEMPERATURE	1	1		
NS	561097	SENSOR, TEMPERATURE / WATER & OIL	1	1		
NS	390626	DECAL, " ENGINE OIL TEMPERATURE"	AR	AR		
NS	390627	DECAL, "DIFFERENTIAL OIL TEMPERATURE"	AR	AR		
4	561843	GAUGE, DUMMY	AR	AR		
5	561517	HARDWARE KIT	3	3		
6	062264	SOCKET BULB / PLASTIC WWIRE & CONNECTORS / BA 9s	3	3		
NS	560145	. BULB / 1WATT-24VOLTS / SAE# 1829	1	1		
7	641129	FEMALE CONNECTOR / PUSH-IN FITTING / #2x1/8NPT-F BR	2	2		
NS	503536	TUBE, NYLON 1/8 O.D. / BLACK S.L.	AR	AR		
8	562632	TELLTALE ASSY UPPER / C516	1	1		A
9	562633	TELLTALE ASSY LOWER / C517	1	1		A
9	065217	KIT, RETROFIT / TELL TALE / "STARTOR ON" / "H / FROM V-1779 TO W-2284 From V-1779 To W-2284	1	1		
. NS	WB99-23B	. SEE WARRANTY BULLETIN From V-1779 To W-2284	1	1		
10	500590	NUT HEX NYRT M4-0.7 Z050	4	4		
20	090215	SPEEDOMETER HEAD / MPH "VDO"	1	1		
20	090216	SPEEDOMETER HEAD / KPH "VDO"	1	1		
21	090214	TACHOMETER HEAD / "VDO" (PROGRAMMABLE)	1	1		
22	19500385	. SOCKET BULB / PLASTIC W/.250 SPADE TYPE E	1	1		
NS	561166	. BULB / 3WATT-24VOLTS / SAE# 464	1	1		
23	064259	CABLE ASSY / W/SMALL GAUGES	1	1		
24	391905	PLATE MOUNTING	1	1		
30	590258	TACHOGRAPH ASSY / KM/H / W/4 WIRES	1	1		
30	590259	TACHOGRAPH ASSY / MPH / W/4 WIRES	1	1		
NS	561006	. BULB / 1WATT-24VOLTS / SAE# 2741MF	3	3		
NS	561903	. BULB COVERING / GREEN	1	1		
NS	590236	. KEY	1	1		
31	590270	BRACKET	2	2		
32	590235	NUT KNURLED	2	2		
NS	590179	CHART KM/H	AR	AR		
NS	590122	CHART MPH	AR	AR		
NS	590251	CHART DUMMY PROTECTOR	1	1		
33	062672	CABLE ASSY / W/TACHOGRAPH	1	1		
34	090195	MODULE ASSY / W/TACHOGRAPH W/4 WIRES	1	1		
35	504637	CABLE TIE / 3/16" x 13"	1	1		
36	391906	PLATE MOUNTING	1	1		
		FOLLOWING ITEM IS RELATED				
		WITH "SILENT 1000" INSTALLATION				

From V-1779 To W-2284	Date:10/2022	PAGE:H3-0645-21
CENTER DASHBOARD PANEL - BUS		

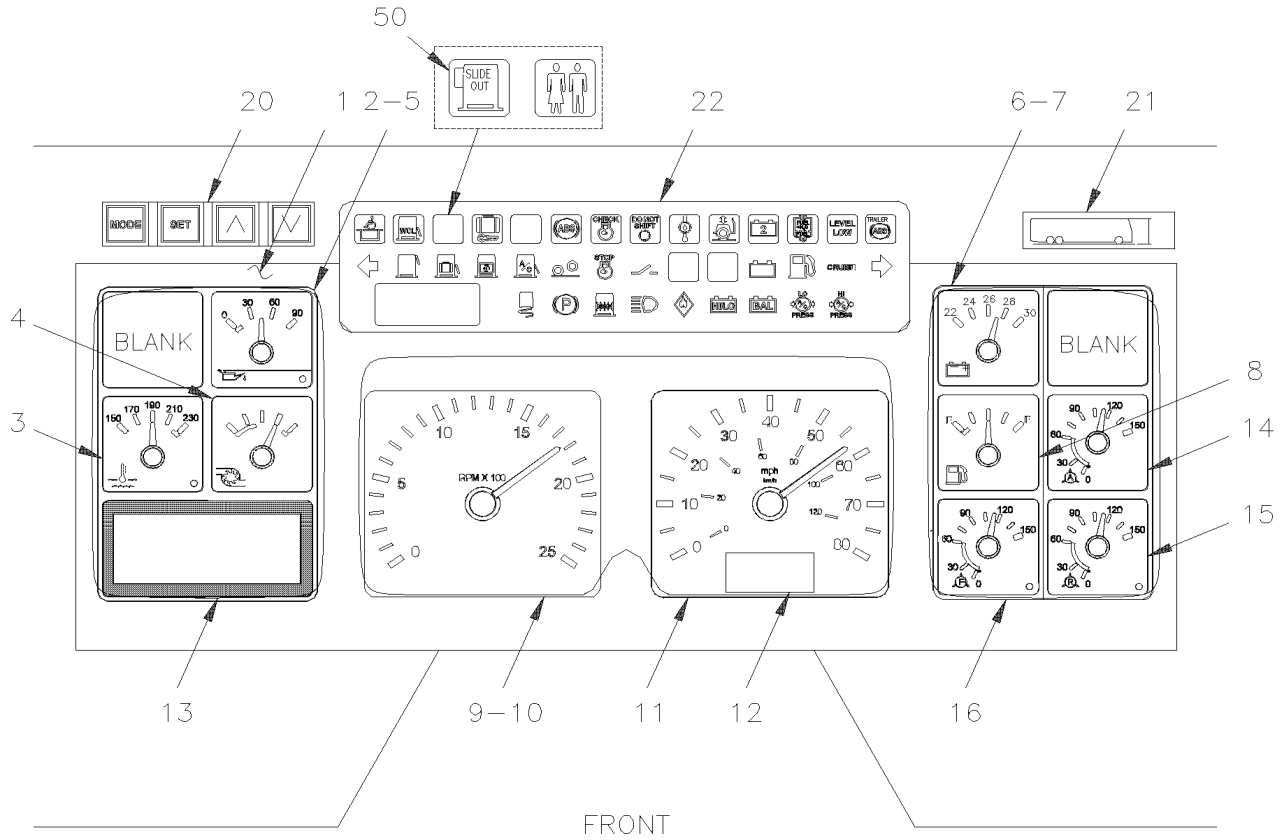
Item#	Part	Description	H 3 4 1	H 3 4 5	V I P 4 5	N O T E S
36	391916	PLATE MOUNTING	1	1		
		A) REMOVE AND DISCARD INSERTS THAT ARE NOT APPLICABLE TO YOUR VEHICLE				

From W-2285 To 2-4416

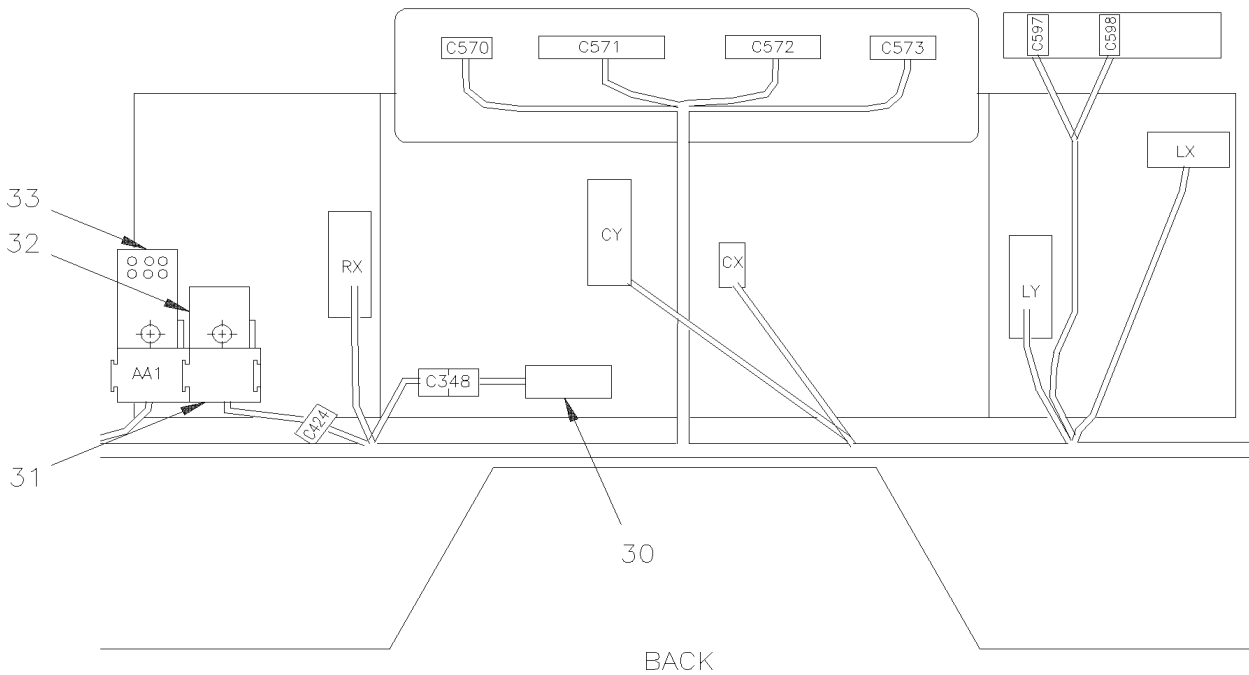
Date:10/2022

PAGE:H3-0645-22

CENTER DASHBOARD PANEL - BUS



FRONT



BACK

From W-2285 To 2-4416	Date:10/2022	PAGE:H3-0645-22
CENTER DASHBOARD PANEL - BUS		

Item#	Part	Description	H 3 4 1	H 3 4 5	V I P 4 5	N O T E S
1	064586	CLUSTER, MPH To Y-3394	1	1		
1	065126	CLUSTER, MPH From Y-3395	1	1		
1	065128	CLUSTER, MPH From Y-3395	1	1		B
1	064585	CLUSTER, KPH To Y-3394	1	1		
1	065127	CLUSTER, KPH From Y-3395	1	1		
1	065129	CLUSTER, KPH From Y-3395	1	1		B
NS	065318	KIT RETROFIT CLUSTER MPH To Y-3394	AR	AR		R
. NS	IS-99003	. SEE INSTRUCTION SHEET To Y-3394	1	1		R
NS	065319	KIT RETROFIT CLUSTER KMH To Y-3394	AR	AR		R
. NS	IS-99003	. SEE INSTRUCTION SHEET To Y-3394	1	1		R
NS	065703	KIT, CLUSTER "POLLACK" GLASS REPLACEMENT From Y-3395	AR	AR		R
. NS	IS-02038	. SEE INSTRUCTION SHEET From Y-3395				R
2	563573	. GAUGES LEFT SIDE ASSY / 3 GAUGES	1	1		
3	N.P.N.	. . GAUGE WATER TEMPERATURE	1	1		4
4	N.P.N.	. . GAUGE BOOSTER	1	1		4
5	N.P.N.	. . GAUGE OIL PRESSURE	1	1		4
6	563574	. GAUGES RIGHT SIDE ASSY / 2 GAUGES	1	1		
7	N.P.N.	. . GAUGE VOLTAGE	1	1		4
8	N.P.N.	. . GAUGE FUEL LEVEL	1	1		4
9	563566	. TACHO & SPEEDOMETER ASSY / MILES	1	1		R
9	563567	. TACHO & SPEEDOMETER ASSY / KM	1	1		R
10	N.P.N.	. . TACHOMETER	1	1		4
11	N.P.N.	. . SPEEDOMETER MPH	1	1		4
11	N.P.N.	. . SPEEDOMETER KM/H	1	1		4
12	N.P.N.	. . ODO LCD	1	1		4
13	065724	. KIT, GRAPHIC DISPLAY "DIXSON" To Y-3394	1	1		C
. NS	563217	. . GRAPHIC DISPLAY "DIXSON" To Y-3394	1	1		C
. NS	IS-02033	. . SEE INSTRUCTION SHEET To Y-3394	1	1		C
13	066075	. KIT, GRAPHIC DISPLAY "POLLACK" From Y-3395	1	1		
. NS	563539	. . GRAPHIC DISPLAY "POLLACK" From Y-3395	1	1		
. NS	564586	. . GRAPHIC DISPLAY MODULE "POLLACK" CURRENT From Y-3395	1	1		
. NS	IS-17903	. . SEE INSTRUCTION SHEET From Y-3395	1	1		
13	IS17910	. KIT, GRAPHIC DISPLAY "POLLACK" From Y-3395	1	1		
. NS	19519274	. . GRAPHIC DISPLAY From Y-3395	1	1		
. NS	IS-17910	. . SEE INSTRUCTION SHEET From Y-3395	1	1		
NS	562838	. BULB / .50WATT-12VOLTS / SAE #2721MFX	AR	AR		A
NS	562909	TOOL / CLUSTER BULB REMOVER	1	1		
. NS	M103-14A	. SEE MAINTENANCE INFORMATION	1	1		
NS	392009	MOUNTING PLATE / CLUSTER	2	2		
NS	5001402	SCREW MA CHE PH M4-0.7x25 Z050	5	5		
14	563565	. GAUGE AIR APPLICATION	1	1		
15	563564	. GAUGE AIR REAR	1	1		

From W-2285 To 2-4416	Date:10/2022	PAGE:H3-0645-22
CENTER DASHBOARD PANEL - BUS		

Item#	Part	Description	H 3 4 1	H 3 4 5	V I P 4 5	N O T E S
16	563563	. GAUGE AIR FRONT	1	1		
NS	563575	. BUZZER	1	1		
NS	563576	. CPU BOARD SPARE	1	1		
NS	641447	UNION ELBOW 90° / PUSH-IN FITTING / #4x#4 BR	3	3		
20	562800	CLUSTER SWITCH ASSY "DIXON" To Y-3394	1	1		
20	563017	CLUSTER SWITCH ASSY "POLLACK" From Y-3395	1	1		
NS	392011	MOUNTING PLATE / CLUSTER SWITCH	1	1		
NS	5001412	SCREW MA CHE PH M3-0.5x20 EMN	2	2		
NS	5001408	NUT HEX STO M3-0.5 ZP	2	2		
21	403831	DECAL / VEHICLE HEIGHT 12' 4"	1	1		
21	403830	DECAL / VEHICLE HEIGHT 12' 10"	1	1		
22	562791	TELLTALE MODULE ASSY To X-2720	1	1		
22	562891	TELLTALE MODULE ASSY From X-2721	1	1		
NS	392010	ATTACHMENT ANGLE / TO FIX TELLTALE	1	1		
NS	5001401	SCREW MA CHE PH M4-0.7x8 ZP	4	4		
NS	5001397	SCREW MA CHE PH M3-0.5x8 SS	4	4		
NS	5001407	WASHER LO EXT 3.2x6.0x0.4 SS	4	4		
22	065216	KIT, RETROFIT / TELL TALE / "STARTOR ON" / "H / FROM W-2285 TO X-3310 From W-2285 To X-3310	1	1		
. NS	WB99-23B	. SEE WARRANTY BULLETIN From W-2285 To X-3310	1	1		
30	064474	ALARM ASSY / WATER IN FUEL / (C-348)	1	1		
. NS	561479	. PIN TERMINAL / 24-18 / MOLEX 02-06-2103	1	1		
. NS	562070	. CONNECTOR / (.062) / PH 6C / MOLEX 03-06-2061	1	1		
. NS	561479	. PIN TERMINAL / 24-18 / MOLEX 02-06-2103	5	5		
NS	H3-1806-01	CENTRAL DASHBOARD PANEL - BUS				
31	063070	HARNESS ASSY / ALARM	1	1		
32	561706	RELAY 12V S.P.D.T. W/DIODE /	1	1		
33	562117	ALARM BUZZER	2	2		
50	FM-00IM-00	INSERT - "MEGATECH"				
		A) TOOL FOR REMOVE BULB #562909				
		B) WITH MANUAL TRANSMISSION				
		C) FOR EASY IDENTIFICATION "DISPLAY" THE LIGHTING IS GREEN Up To Y-3394				
		R) FOR RETROFIT ONLY				
		4) NO PARTS NUMBER				

From W-2285 To 2-4416	Date:10/2022	PAGE:FM-00IM-00
INSERT - "MEGATECH"		

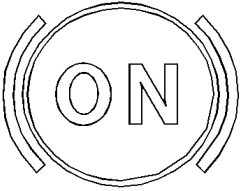
<p>10000 – AC0354</p>  <p>563384</p>	<p>10001 – AC0355</p>  <p>563385</p>	<p>10002 – AC0356</p>  <p>563386</p>	<p>10003 – AC0357</p>  <p>563387</p>	<p>10004 – AC0358</p>  <p>563388</p>
<p>10005 – AC0359</p>  <p>563389</p>	<p>10006 – AC0360</p>  <p>563390</p>	<p>10007 – AC0361</p>  <p>563391</p>	<p>10008 – AC0362</p>  <p>563392</p>	<p>10009 – AC0363</p>  <p>562958</p>
<p>10010 – AC0364</p>  <p>563393</p>	<p>10011 – AC0365</p>  <p>563394</p>	<p>10012 – AC0410</p>  <p>563395</p>	<p>10013 – AC0367</p>  <p>563396</p>	<p>10014 – AC0530</p>  <p>562966</p>
<p>10015 – AC1148</p>  <p>563397</p>	<p>10016 – AC1151</p>  <p>563016</p>	<p>10017 – AC1152</p>  <p>563178</p>	<p>10018 – AC1153</p>  <p>563179</p>	 <p>563427</p>
 <p>563428</p>	 <p>563655</p>	 <p>565860</p>	 <p>563469</p>	 <p>564480</p>

From W-2285 To 2-4416

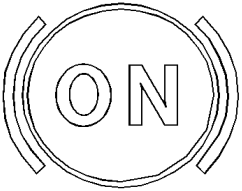
Date:10/2022

PAGE:FM-00IM-00

INSERT - "MEGATECH"



564481

 564481				

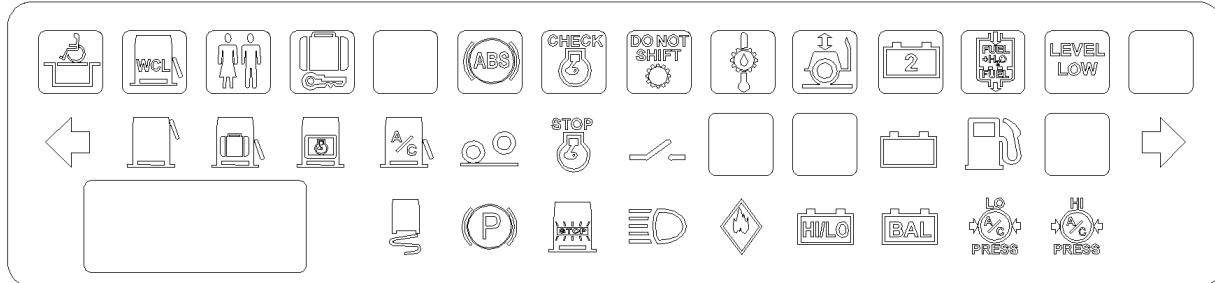
From W-2285 To 2-4416

Date:10/2022

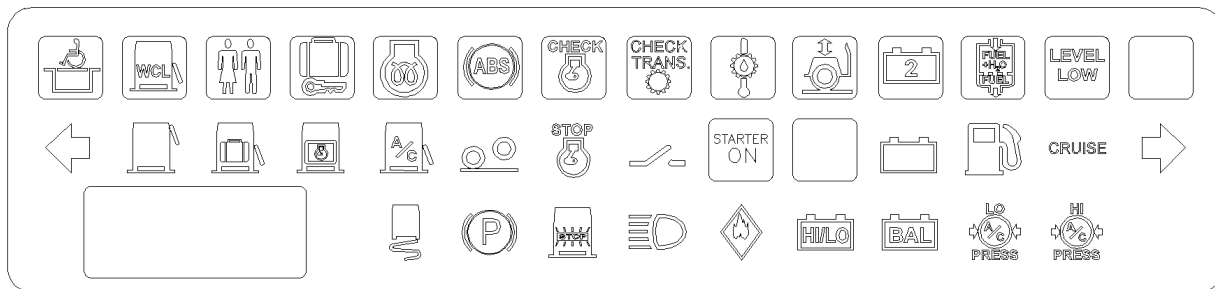
PAGE:FM-00IM-00

INSERT - "MEGATECH"

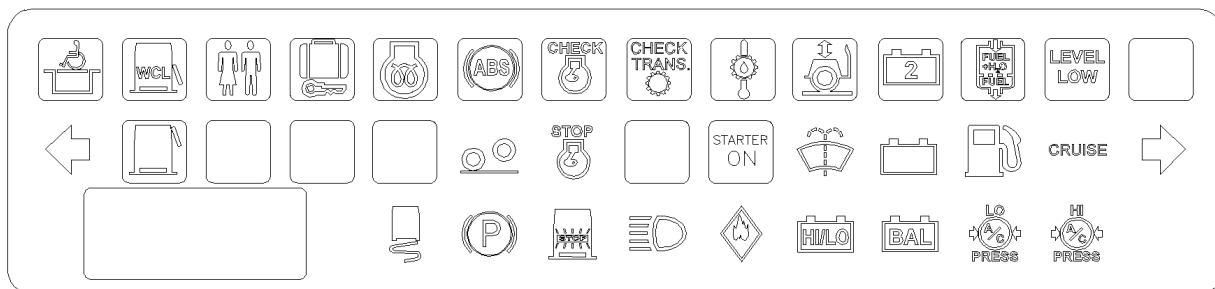
A



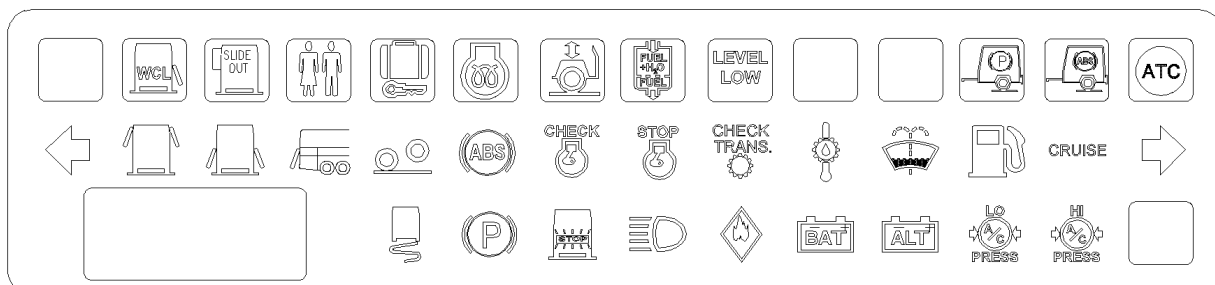
B



C



D



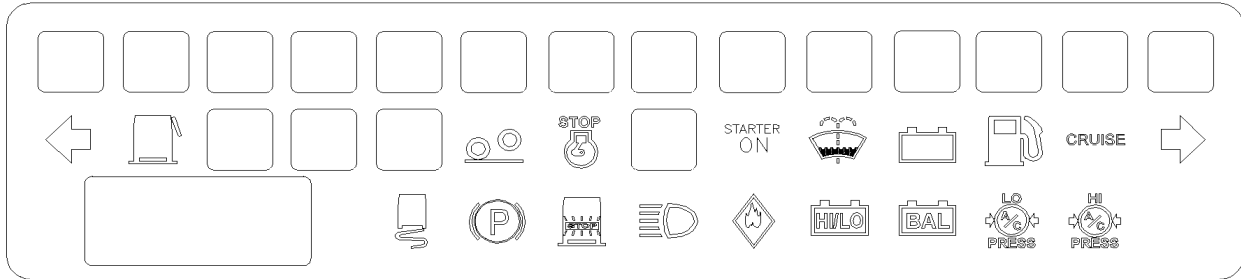
From W-2285 To 2-4416

Date:10/2022

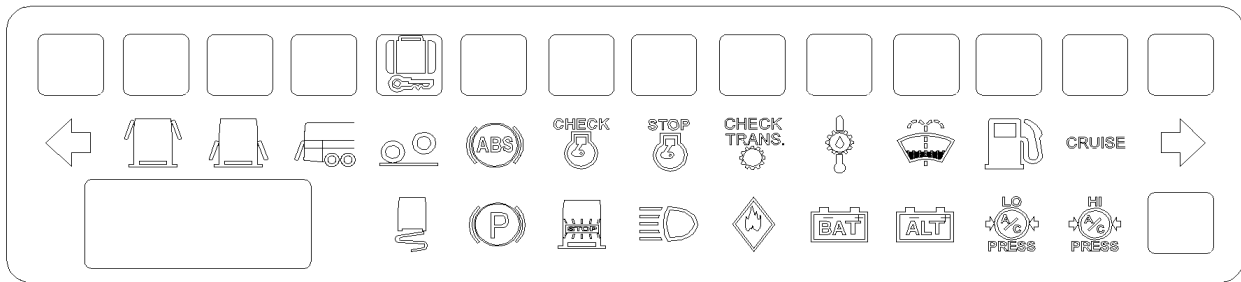
PAGE:FM-00IM-00

INSERT - "MEGATECH"

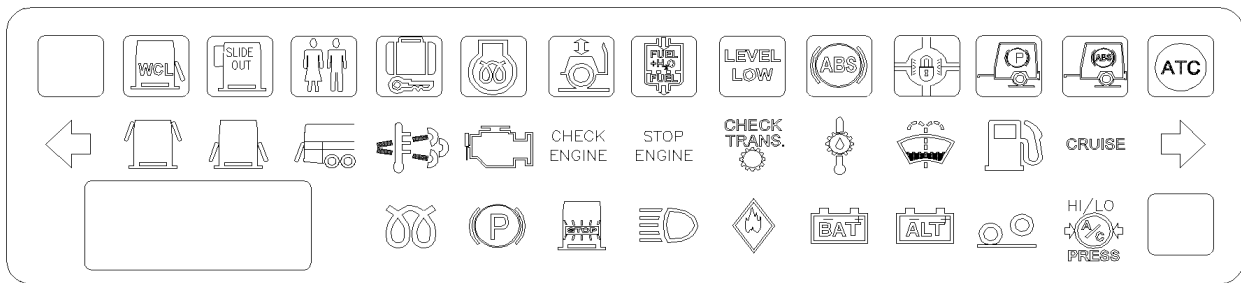
E



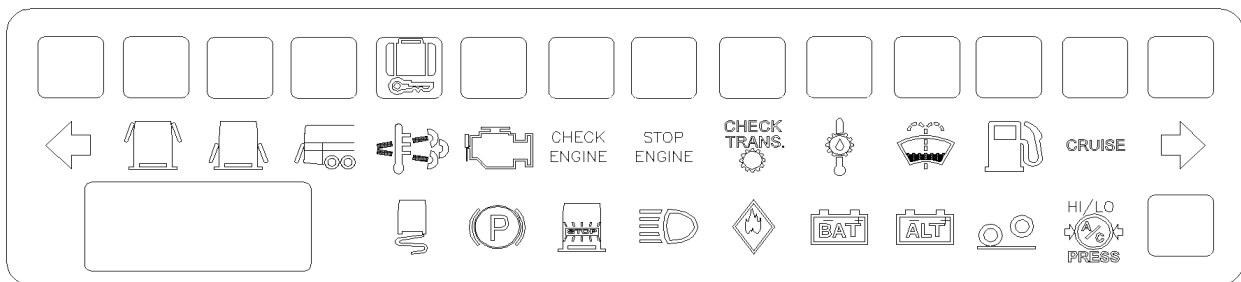
F



G



H

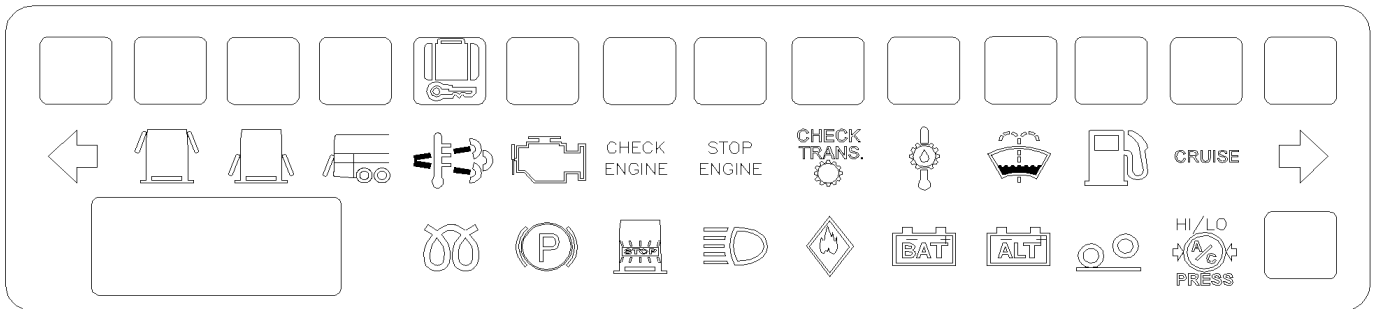
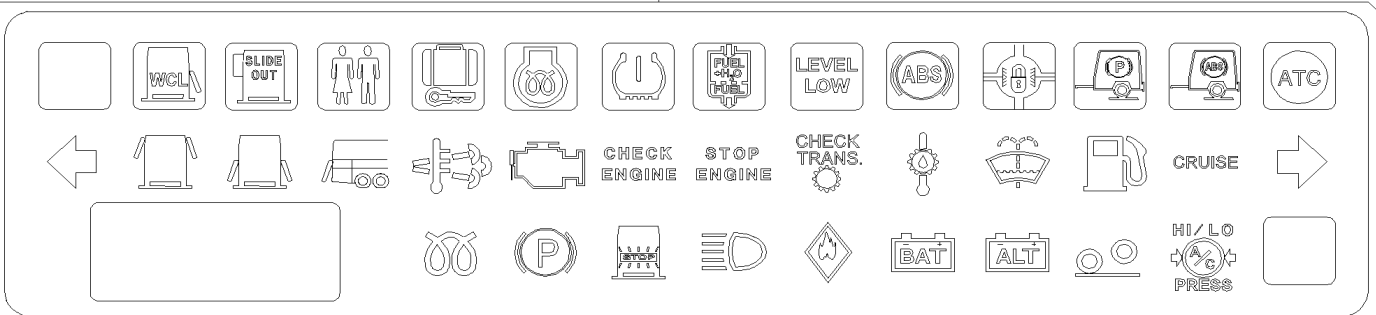


From W-2285 To 2-4416

Date:10/2022

PAGE:FM-00IM-00

INSERT - "MEGATECH"

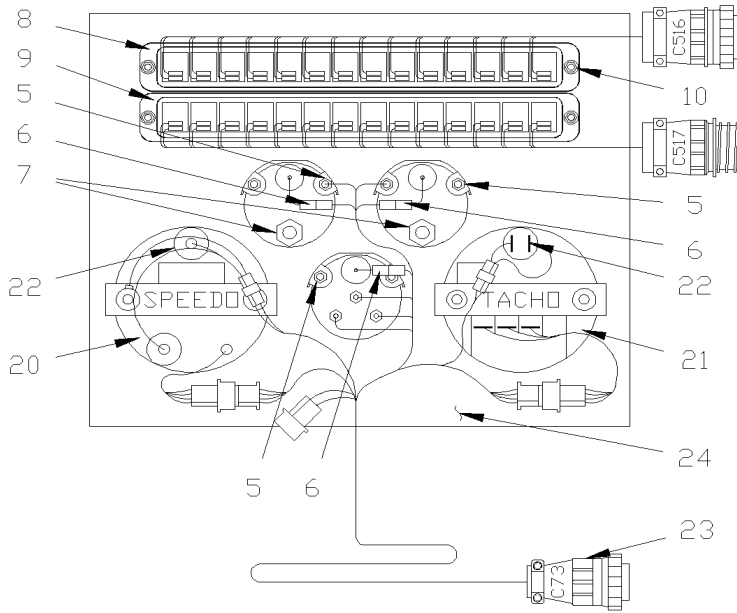
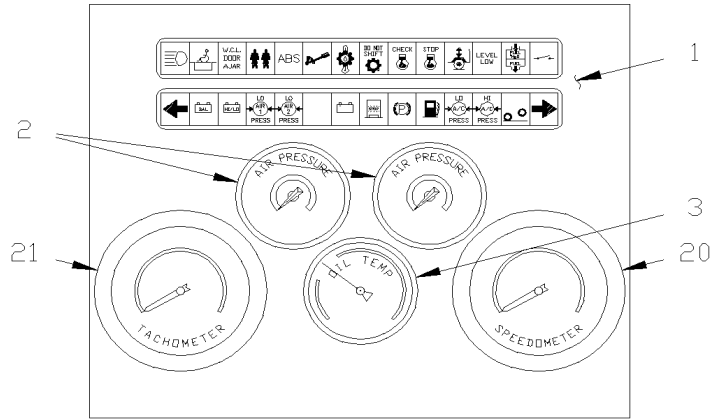


From W-2285 To 2-4416	Date:10/2022	PAGE:FM-00IM-00
INSERT - "MEGATECH"		

Item#	Part	Description	H 3 4 1	H 3 4 5	V I P 4 5	N O T E S
1	563384	INSERT / RED / PLATFORM	AR	AR	AR	
2	563385	INSERT / RED / W.C.L. DOOR AJAR	AR	AR	AR	
3	563386	INSERT / RED / LAVATORY OCCUPIED	AR	AR	AR	
4	563387	INSERT / AMBER / LUGGAGE DOOR LOCK	AR	AR	AR	
5	563388	INSERT / AMBER / ABS	AR	AR	AR	
6	563389	INSERT / AMBER / CHECK ENGINE	AR	AR	AR	
7	563390	INSERT / RED / DO NOT SHIFT	AR	AR	AR	
8	563391	INSERT / AMBER / OIL TEMPERATURE	AR	AR	AR	
9	563392	INSERT / AMBER / KNEELING / HI-BUOY	AR	AR	AR	
10	563393	INSERT / AMBER / WATER IN FUEL	AR	AR	AR	
11	563394	INSERT / RED / LEVEL LOW	AR	AR	AR	
12	563395	INSERT / RED / CHECK TRANSMISSION	AR	AR	AR	
13	563396	INSERT / DOOR AJAR	AR	AR	AR	
14	563397	INSERT / AUXILIARY WATER HEATER	AR	AR	AR	
15	563016	INSERT / BLACK / STARTOR ON / W/LETTER CLEAR	AR	AR	AR	
15	563022	INSERT / RED / STARTOR ON	AR	AR	AR	
16	562966	INSERT / BLACK W/LETTER CLEAR / ATC	AR	AR	AR	
17	562958	INSERT / RED / BATTERY # 2	AR	AR	AR	
18	563178	INSERT / SLIDE OUT	AR	AR	AR	
19	563179	INSERT / BLACK W/LETTER CLEAR / TRAILER ABS	AR	AR	AR	
20	563427	INSERT / TRAILER ABS	AR	AR	AR	
21	563428	INSERT / TRAILER BRAKE PROBLEM	AR	AR	AR	
22	563655	INSERT / DIFERENTIAL LOCK	AR	AR	AR	
23	565860	INSERT / ESCAPPE HATCH	AR	AR	AR	
24	563469	INSERT / TIRE PRESSURE	AR	AR	AR	
25	564480	INSERT / VEHICULE WEIGHT	1	1	1	
26	564481	INSERT / BRAKE ON	1	1	1	
A	562791	TELLTALE MODULE ASSY	AR	AR	AR	
B	562891	TELLTALE MODULE ASSY	AR	AR	AR	
C	562907	TELLTALE MODULE ASSY	AR	AR	AR	
. NS	563672	. FACE PLACE INSERT RETAINER	AR	AR	AR	
D	563333	TELLTALE MODULE ASSY	AR	AR	AR	
. NS	563720	. FACE PLACE INSERT RETAINER	1	1	1	
E	563672	. FACE PLACE INSERT RETAINER	1	1	1	A
F	563720	. FACE PLACE INSERT RETAINER	1	1	1	B
G	564032	TELLTALE MODULE ASSY	AR	AR	AR	
. NS	564201	. FACE PLACE INSERT RETAINER	1	1	1	
I	564080	TELLTALE MODULE ASSY	1	1	1	
		A) TO FIX ANY INSERT ABOVE TO TELLS TALES MODULE 562907				

From W-2285 To 2-4416			Date:10/2022	PAGE:FM-00IM-00			
INSERT - "MEGATECH"							
Item#	Part	Description	H 3 4 1	H 3 4 5	V I P 4 5	N O T E S	
		B) TO FIX ANY INSERT ABOVE TO TELLS TALES MODULE 563333					

From V-1779 To W-2457	Date:10/2022	PAGE:H3-0645-25
CENTER DASHBOARD PANEL - V.I.P.		



From V-1779 To W-2457	Date:10/2022	PAGE:H3-0645-25
CENTER DASHBOARD PANEL - V.I.P.		

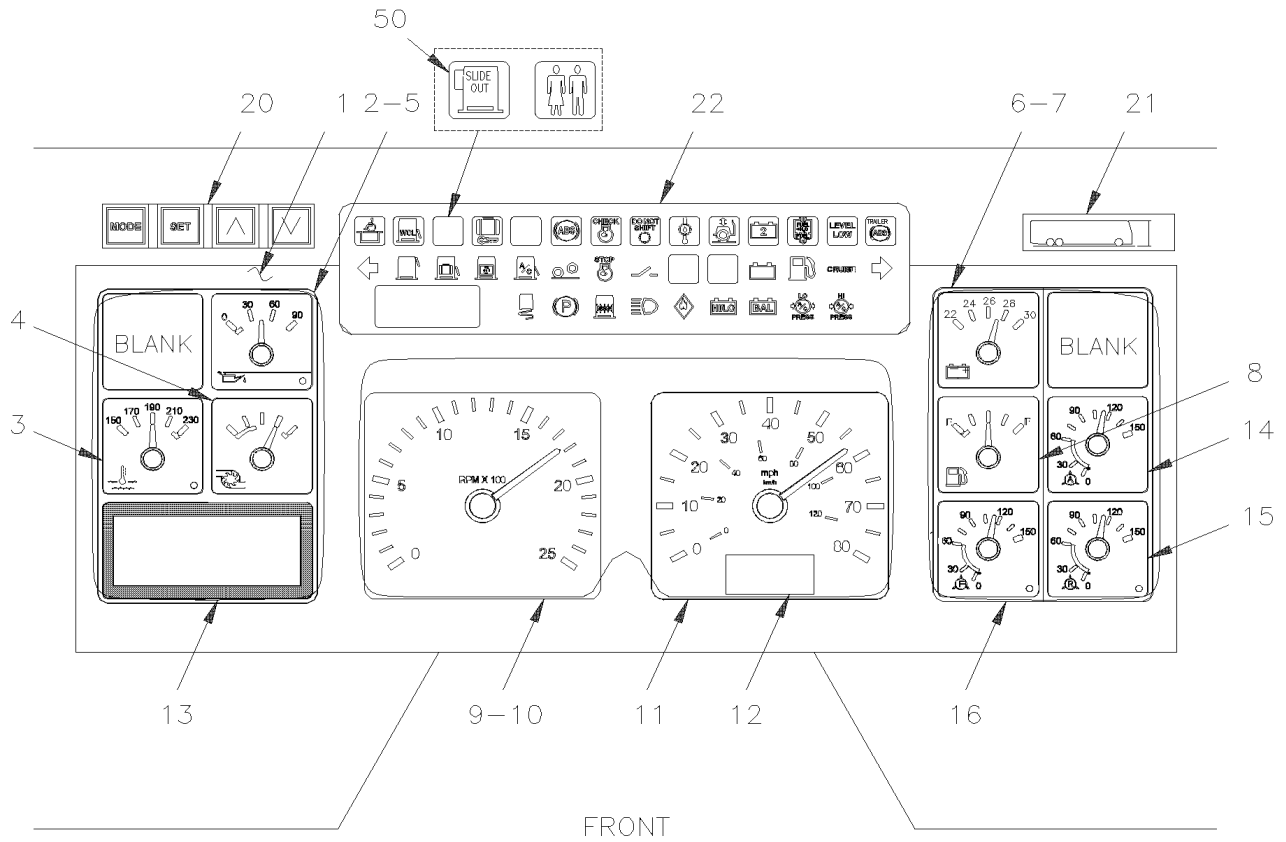
Item#	Part	Description	H 3 4 1	H 3 4 5	V I P 4 5	N O T E S
1	391907	LEXAN			1	
1	391485	LEXAN 20" X 30 CHARCOALD WITH GRID / CUT TO F			AR	
2	562215	GAUGE, AIR PRESSURE			2	
3	562213	GAUGE, OIL TEMPERATURE			1	
NS	561097	SENSOR, TEMPERATURE / WATER & OIL			1	
NS	390626	DECAL, " ENGINE OIL TEMPERATURE"			AR	
NS	390627	DECAL, "DIFFERENTIAL OIL TEMPERATURE"			AR	
4	561843	GAUGE, DUMMY			AR	
5	561517	HARDWARE KIT			3	
6	062264	SOCKET BULB / PLASTIC WWIRE & CONNECTORS / BA 9s			3	
NS	560145	. BULB / 1WATT-24VOLTS / SAE# 1829			1	
7	641129	FEMALE CONNECTOR / PUSH-IN FITTING / #2x1/8NPT-F BR			2	
NS	503536	TUBE, NYLON 1/8 O.D. / BLACK S.L.			AR	
8	562632	TELLTALE ASSY UPPER / C516			1	A
9	562633	TELLTALE ASSY LOWER / C517			1	A
9	065217	KIT, RETROFIT / TELL TALE / "STARTOR ON" / "H / FROM V-1779 TO W-2284 From V-1779 To W-2284			1	
. NS	WB99-23B	. SEE WARRANTY BULLETIN From V-1779 To W-2284			1	
10	500590	NUT HEX NYRT M4-0.7 Z050			4	
20	090215	SPEEDOMETER HEAD / MPH "VDO"			1	
20	090216	SPEEDOMETER HEAD / KPH "VDO"			1	
21	090214	TACHOMETER HEAD / "VDO" (PROGRAMMABLE)			1	
22	19500385	. SOCKET BULB / PLASTIC W/.250 SPADE TYPE E			1	
NS	561166	. BULB / 3WATT-24VOLTS / SAE# 464			1	
23	064259	CABLE ASSY / W/SMALL GAUGES			1	
24	391905	PLATE MOUNTING			1	
		A) REMOVE AND DISCARD INSERTS THAT ARE NOT APPLICABLE TO YOUR VEHICLE				

From X-2458 To 2-4416

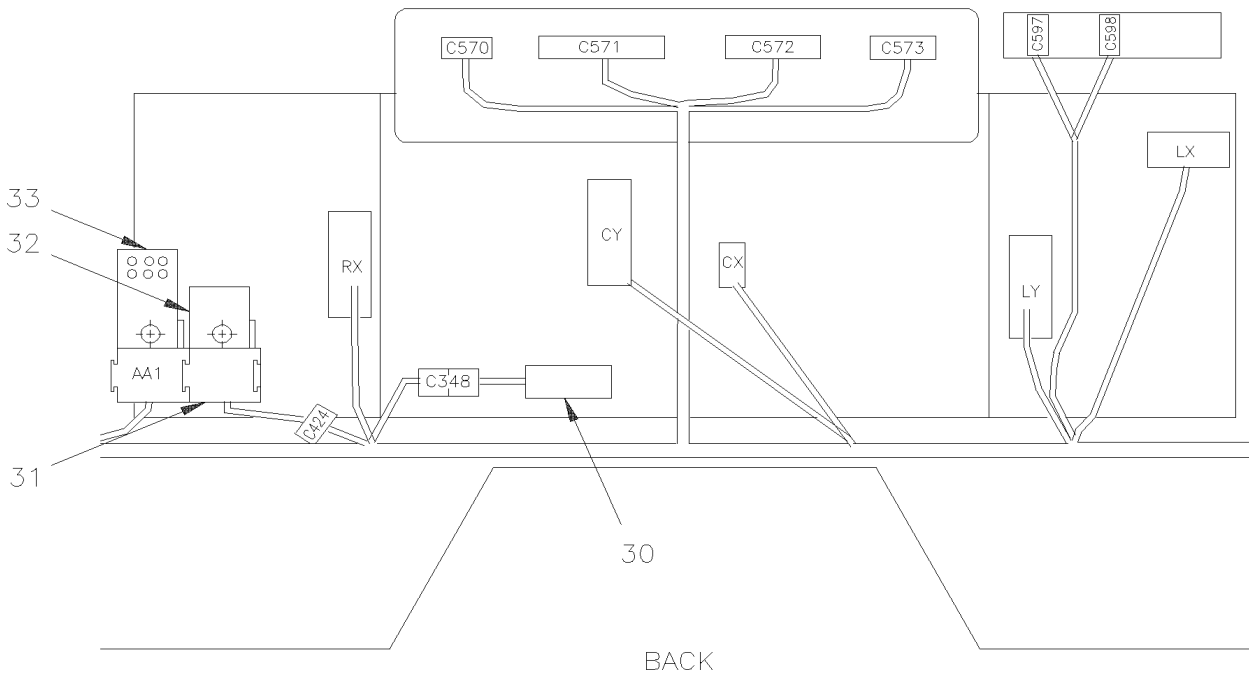
Date:10/2022

PAGE:H3-0645-26

CENTER DASHBOARD PANEL - V.I.P.



FRONT



BACK

From X-2458 To 2-4416	Date:10/2022	PAGE:H3-0645-26
CENTER DASHBOARD PANEL - V.I.P.		

Item#	Part	Description	H 3 4 1	H 3 4 5	V I P 4 5	N O T E S
1	064586	CLUSTER, MPH To Y-3394			1	
1	065126	CLUSTER, MPH From Y-3395			1	
1	064585	CLUSTER, KPH To Y-3394			1	
1	065127	CLUSTER, KPH From Y-3395			1	
NS	065318	KIT RETROFIT CLUSTER MPH To Y-3394			AR	
. NS	IS-99003	. SEE INSTRUCTION SHEET To Y-3394			1	
NS	065319	KIT RETROFIT CLUSTER KMH To Y-3394			AR	
. NS	IS-99003	. SEE INSTRUCTION SHEET To Y-3394			1	
NS	065703	KIT, CLUSTER "POLLACK" GLASS REPLACEMENT From Y-3395			AR	
. NS	IS-02038	. SEE INSTRUCTION SHEET From Y-3395				
2	563573	. GAUGES LEFT SIDE ASSY / 3 GAUGES			1	
3	N.P.N.	. . GAUGE WATER TEMPERATURE			1	4
4	N.P.N.	. . GAUGE OIL TEMPERATURE			1	4
5	N.P.N.	. . GAUGE OIL PRESSURE			1	4
6	563574	. GAUGES RIGHT SIDE ASSY / 2 GAUGES			1	
7	N.P.N.	. . GAUGE VOLTAGE			1	4
8	N.P.N.	. . GAUGE FUEL LEVEL			1	4
9	563566	. TACHO & SPEEDOMETER ASSY / MILES			1	
9	563567	. TACHO & SPEEDOMETER ASSY / KM			1	
10	N.P.N.	. . TACHOMETER			1	4
11	N.P.N.	. . SPEEDOMETER MPH			1	4
11	N.P.N.	. . SPEEDOMETER KM/H			1	4
12	N.P.N.	. . ODO LCD			1	4
13	065724	. KIT, GRAPHIC DISPLAY "DIXSON" To Y-3394			1	C
. NS	563217	. . GRAPHIC DISPLAY "DIXSON" To Y-3394			1	C
. NS	IS-02033	. . SEE INSTRUCTION SHEET To Y-3394			1	C
13	066075	. KIT, GRAPHIC DISPLAY "POLLACK" From Y-3395			1	
. NS	563539	. . GRAPHIC DISPLAY "POLLACK" From Y-3395			1	
. NS	564586	. . GRAPHIC DISPLAY MODULE "POLLACK" CURRENT From Y-3395			1	
. NS	IS-17903	. . SEE INSTRUCTION SHEET From Y-3395			1	
13	IS17910	KIT, GRAPHIC DISPLAY "POLLACK" From Y-3395			1	
. NS	19519274	. GRAPHIC DISPLAY From Y-3395			1	
. NS	IS-17910	. SEE INSTRUCTION SHEET From Y-3395			1	
NS	562838	. BULB / .50WATT-12VOLTS / SAE #2721MFX			AR	A
NS	562909	TOOL / CLUSTER BULB REMOVER			1	
. NS	MI03-14A	. SEE MAINTENANCE INFORMATION			1	
NS	392009	MOUNTING PLATE / CLUSTER			2	
NS	5001402	SCREW MA CHE PH M4-0.7x25 Z050			5	
14	563565	. GAUGE AIR APPLICATION			1	
15	563564	. GAUGE AIR REAR			1	
16	563563	. GAUGE AIR FRONT			1	
NS	563575	. BUZZER			1	

From X-2458 To 2-4416	Date:10/2022	PAGE:H3-0645-26
CENTER DASHBOARD PANEL - V.I.P.		

Item#	Part	Description	H 3 4 1	H 3 4 5	V I P 4 5	N O T E S
NS	563576	. CPU BOARD SPARE			1	
NS	641447	UNION ELBOW 90° / PUSH-IN FITTING / #4x#4 BR			3	
20	562800	CLUSTER SWITCH ASSY "DIXON" To Y-3394			1	
20	563017	CLUSTER SWITCH ASSY "POLLACK" From Y-3395			1	
NS	392011	MOUNTING PLATE / CLUSTER SWITCH			1	
NS	5001412	SCREW MA CHE PH M3-0.5x20 EMN			2	
NS	5001408	NUT HEX STO M3-0.5 ZP			2	
21	403830	DECAL / VEHICLE HEIGHT 12' 10"			1	
22	562791	TELLTALE MODULE ASSY To X-2720			1	
22	562891	TELLTALE MODULE ASSY From X-2721			1	
NS	392010	ATTACHMENT ANGLE / TO FIX TELLTALE			1	
NS	5001401	SCREW MA CHE PH M4-0.7x8 ZP			4	
NS	5001397	SCREW MA CHE PH M3-0.5x8 SS			4	
NS	5001407	WASHER LO EXT 3.2x6.0x0.4 SS			4	
22	065216	KIT, RETROFIT / TELL TALE / "STARTOR ON" / "H / FROM W-2285 TO X-3310 From W-2285 To W-2457			1	
. NS	WB99-23B	. SEE WARRANTY BULLETIN From W-2285 To W-2457			1	
30	064474	ALARM ASSY / WATER IN FUEL / (C-348)			1	
. NS	561479	. PIN TERMINAL / 24-18 / MOLEX 02-06-2103			1	
. NS	562070	. CONNECTOR / (.062) / PH 6C / MOLEX 03-06-2061			1	
. NS	561479	. PIN TERMINAL / 24-18 / MOLEX 02-06-2103			5	
NS	H3-1806-06	CENTRAL DASHBOARD PANEL - V.I.P.				
31	063070	HARNESS ASSY / ALARM			1	
32	561706	RELAY 12V S.P.D.T. W/DIODE /			1	
33	562117	ALARM BUZZER			2	
50	FM-00IM-00	INSERT - "MEGATECH"				
		A) TOOL FOR REMOVE BULB #562909				
		C) FOR EASY IDENTIFICATION "DISPLAY" THE LIGHTING IS GREEN Up To Y-3394				
		4) NO PARTS NUMBER				

From X-2458 To 2-4416	Date:10/2022	PAGE:FM-00IM-00
INSERT - "MEGATECH"		

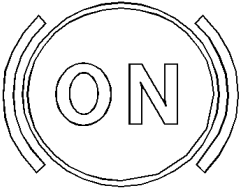
<p>10000 – AC0354</p>  <p>563384</p>	<p>10001 – AC0355</p>  <p>563385</p>	<p>10002 – AC0356</p>  <p>563386</p>	<p>10003 – AC0357</p>  <p>563387</p>	<p>10004 – AC0358</p>  <p>563388</p>
<p>10005 – AC0359</p>  <p>563389</p>	<p>10006 – AC0360</p>  <p>563390</p>	<p>10007 – AC0361</p>  <p>563391</p>	<p>10008 – AC0362</p>  <p>563392</p>	<p>10009 – AC0363</p>  <p>562958</p>
<p>10010 – AC0364</p>  <p>563393</p>	<p>10011 – AC0365</p>  <p>563394</p>	<p>10012 – AC0410</p>  <p>563395</p>	<p>10013 – AC0367</p>  <p>563396</p>	<p>10014 – AC0530</p>  <p>562966</p>
<p>10015 – AC1148</p>  <p>563397</p>	<p>10016 – AC1151</p>  <p>563016</p>	<p>10017 – AC1152</p>  <p>563178</p>	<p>10018 – AC1153</p>  <p>563179</p>	 <p>563427</p>
 <p>563428</p>	 <p>563655</p>	 <p>565860</p>	 <p>563469</p>	 <p>564480</p>

From X-2458 To 2-4416

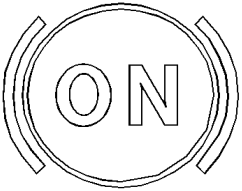
Date:10/2022

PAGE:FM-00IM-00

INSERT - "MEGATECH"



564481

 564481				

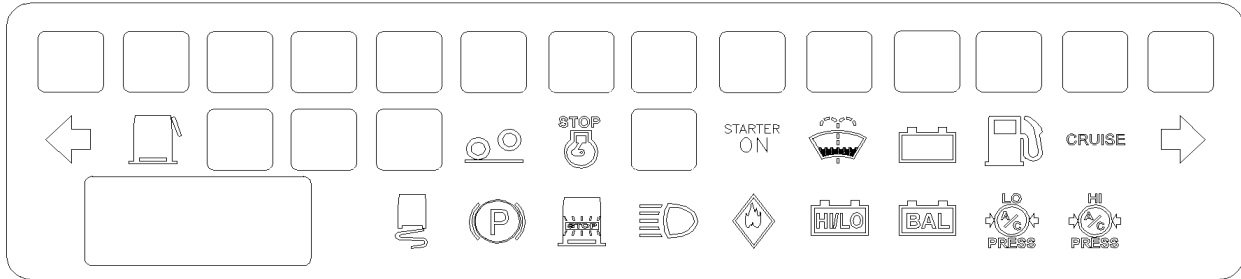
From X-2458 To 2-4416

Date:10/2022

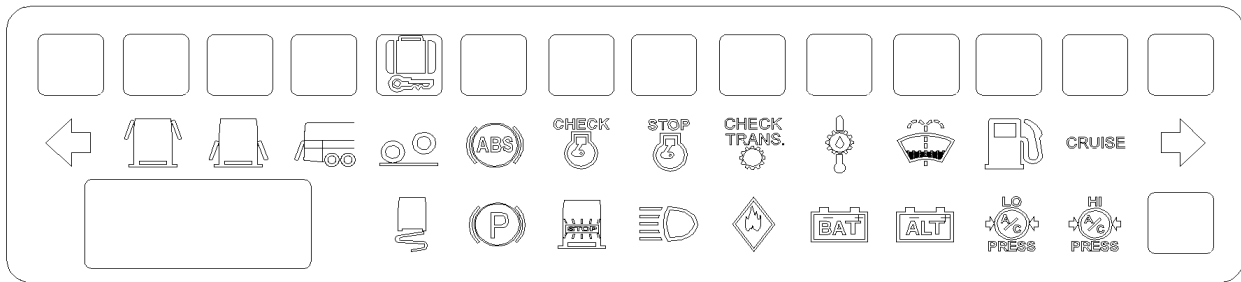
PAGE:FM-00IM-00

INSERT - "MEGATECH"

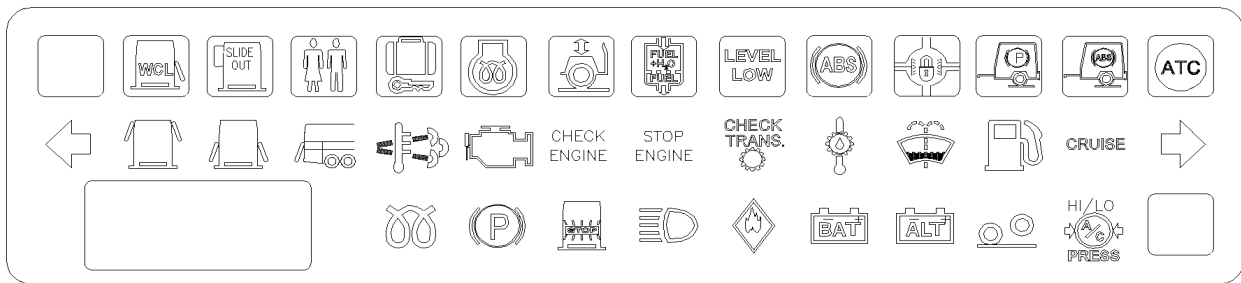
E



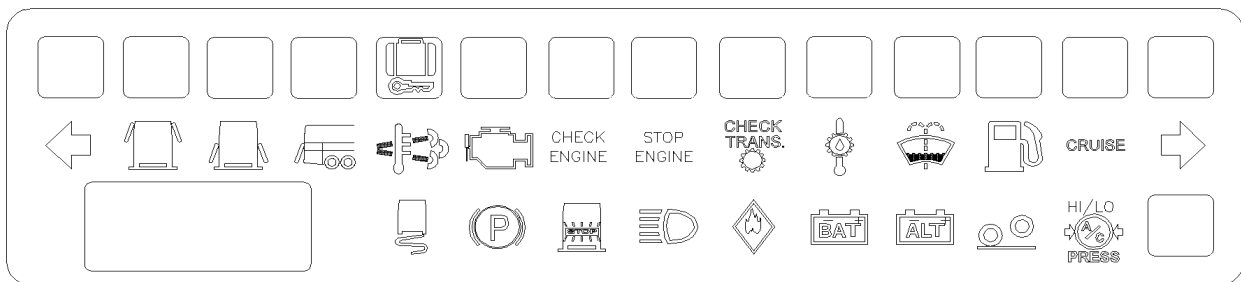
F



G



H

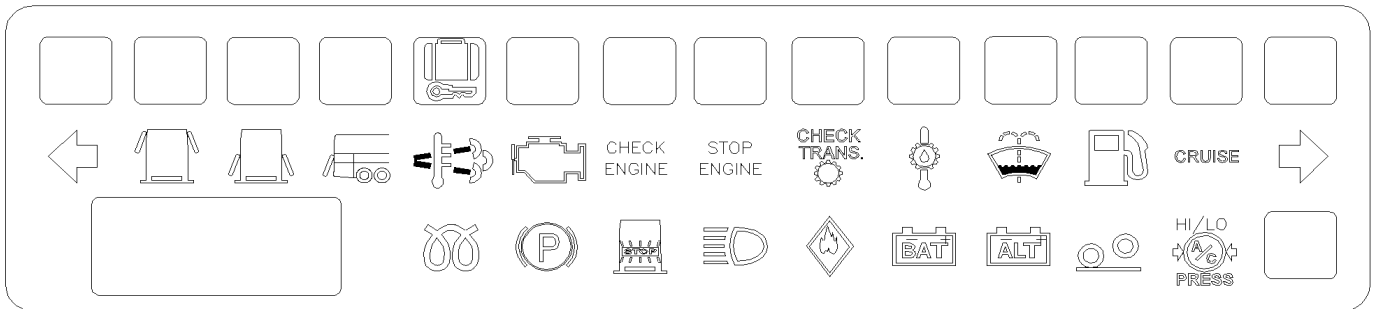
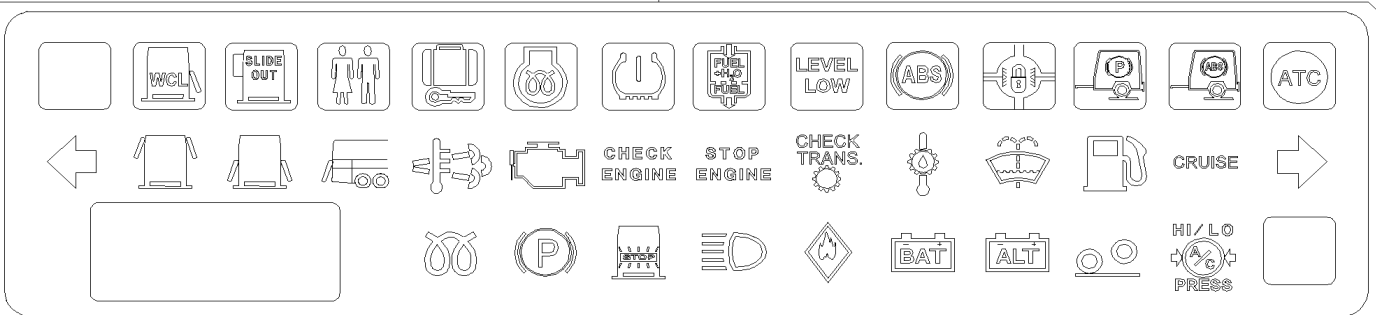


From X-2458 To 2-4416

Date:10/2022

PAGE:FM-00IM-00

INSERT - "MEGATECH"



From X-2458 To 2-4416	Date:10/2022	PAGE:FM-00IM-00
INSERT - "MEGATECH"		

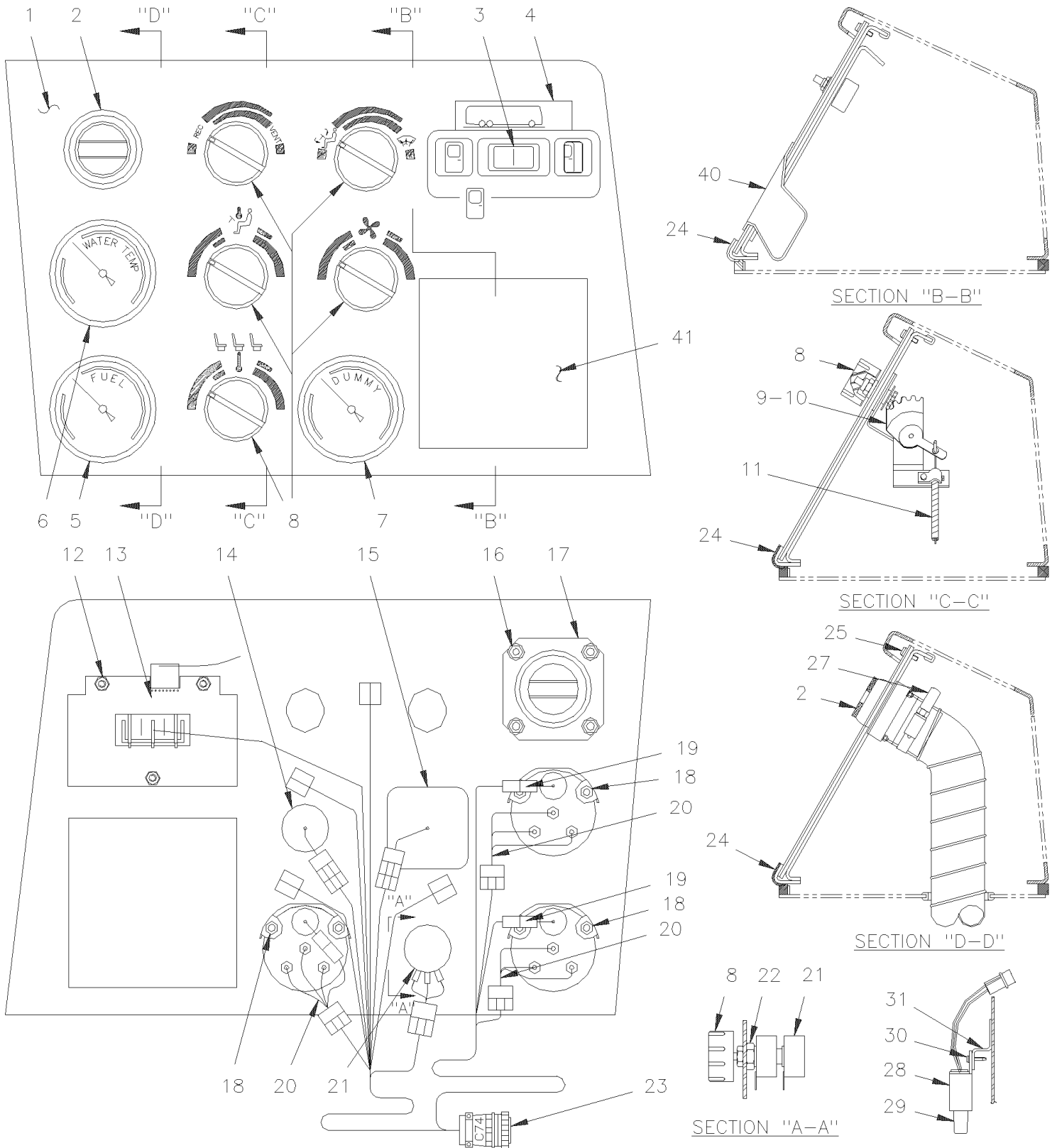
Item#	Part	Description	H 3 4 1	H 3 4 5	V I P 4 5	N O T E S
1	563384	INSERT / RED / PLATFORM	AR	AR	AR	
2	563385	INSERT / RED / W.C.L. DOOR AJAR	AR	AR	AR	
3	563386	INSERT / RED / LAVATORY OCCUPIED	AR	AR	AR	
4	563387	INSERT / AMBER / LUGGAGE DOOR LOCK	AR	AR	AR	
5	563388	INSERT / AMBER / ABS	AR	AR	AR	
6	563389	INSERT / AMBER / CHECK ENGINE	AR	AR	AR	
7	563390	INSERT / RED / DO NOT SHIFT	AR	AR	AR	
8	563391	INSERT / AMBER / OIL TEMPERATURE	AR	AR	AR	
9	563392	INSERT / AMBER / KNEELING / HI-BUOY	AR	AR	AR	
10	563393	INSERT / AMBER / WATER IN FUEL	AR	AR	AR	
11	563394	INSERT / RED / LEVEL LOW	AR	AR	AR	
12	563395	INSERT / RED / CHECK TRANSMISSION	AR	AR	AR	
13	563396	INSERT / DOOR AJAR	AR	AR	AR	
14	563397	INSERT / AUXILIARY WATER HEATER	AR	AR	AR	
15	563016	INSERT / BLACK / STARTOR ON / W/LETTER CLEAR	AR	AR	AR	
15	563022	INSERT / RED / STARTOR ON	AR	AR	AR	
16	562966	INSERT / BLACK W/LETTER CLEAR / ATC	AR	AR	AR	
17	562958	INSERT / RED / BATTERY # 2	AR	AR	AR	
18	563178	INSERT / SLIDE OUT	AR	AR	AR	
19	563179	INSERT / BLACK W/LETTER CLEAR / TRAILER ABS	AR	AR	AR	
20	563427	INSERT / TRAILER ABS	AR	AR	AR	
21	563428	INSERT / TRAILER BRAKE PROBLEM	AR	AR	AR	
22	563655	INSERT / DIFERENTIAL LOCK	AR	AR	AR	
23	565860	INSERT / ESCAPPE HATCH	AR	AR	AR	
24	563469	INSERT / TIRE PRESSURE	AR	AR	AR	
25	564480	INSERT / VEHICULE WEIGHT	1	1	1	
26	564481	INSERT / BRAKE ON	1	1	1	
A	562791	TELLTALE MODULE ASSY	AR	AR	AR	
B	562891	TELLTALE MODULE ASSY	AR	AR	AR	
C	562907	TELLTALE MODULE ASSY	AR	AR	AR	
. NS	563672	. FACE PLACE INSERT RETAINER	AR	AR	AR	
D	563333	TELLTALE MODULE ASSY	AR	AR	AR	
. NS	563720	. FACE PLACE INSERT RETAINER	1	1	1	
E	563672	. FACE PLACE INSERT RETAINER	1	1	1	A
F	563720	. FACE PLACE INSERT RETAINER	1	1	1	B
G	564032	TELLTALE MODULE ASSY	AR	AR	AR	
. NS	564201	. FACE PLACE INSERT RETAINER	1	1	1	
I	564080	TELLTALE MODULE ASSY	1	1	1	
		A) TO FIX ANY INSERT ABOVE TO TELLS TALES MODULE 562907				

From X-2458 To 2-4416		Date:10/2022	PAGE:FM-00IM-00
-----------------------	--	--------------	-----------------

INSERT - "MEGATECH"

Item#	Part	Description	H 3 4 1	H 3 4 5	V I P 4 5	N O T E S
		B) TO FIX ANY INSERT ABOVE TO TELLS TALES MODULE 563333				

From R-012 To V-1778	Date:10/2022	PAGE:H3-0645-30
R.H. DASHBOARD PANEL		



From R-012 To V-1778	Date:10/2022	PAGE:H3-0645-30
R.H. DASHBOARD PANEL		

Item#	Part	Description	H 3 4 1	H 3 4 5	V I P 4 5	N O T E S
1	391500	LEXAN / W/SEDAN DOOR	1	1		
1	391226	LEXAN			1	
1	391485	LEXAN 20" X 30 CHARCOALD WITH GRID / CUT TO F			AR	
2	870899	LOUVER, ADJUSTABLE To T-1645	1	1	1	
2	871082	AIR OUTLET From T-1646	1	1	1	
3	562111	SWITCH / ON-OFF-ON/ S.P.D.T./REVERSE POLARITY	1	1		
. NS	562110	. SWITCH / ON-OFF-ON/ S.P.D.T./REVERSE POLARITY / TORRIX 102256	1	1		
4	403830	DECAL / VEHICLE HEIGHT 12' 10"	1	1	1	
4	403831	DECAL / VEHICLE HEIGHT 12' 4"	1	1		
5	562380	GAUGE, FUEL LEVEL	1	1	1	
NS	530204	SENSOR, FUEL LEVEL / W/SS STEEL TANK To S-283	1	1	1	
NS	531404	SENSOR, FUEL LEVEL / 31¼" / W/PLASTIC TAN From S-284	1	1	1	
6	562328	GAUGE, WATER TEMPERATURE	1	1	1	
7	561843	GAUGE, DUMMY	1	1	1	
NS	562213	GAUGE, OIL TEMPERATURE	AR	AR		
NS	562213	GAUGE, OIL TEMPERATURE			1	
NS	390627	DECAL, "DIFFERENTIAL OIL TEMPERATURE"	1	1	1	
NS	390626	DECAL, " ENGINE OIL TEMPERATURE"	1	1	1	
NS	561097	SENSOR, TEMPERATURE / WATER & OIL	1	1	1	
8	505422	KNOB	5	5	5	
. NS	502683	. SCREW SET HEXS CUP #8-32x7/16	1	1	1	
9	950063	WIRE CONTROL / S.Q.	2	2	2	
10	5001044	. NUT HEX JAM M12-1.0	1	1	1	
11	372459	WIRE ASSY / DEFROSTER	1	1	1	
11	372460	WIRE ASSY / FRESH AIR	1	1	1	
12	502524	NUT HEX M4-0.7 Z050		1	1	
13	063658	CIRCUIT MODULE LOGIC To S-137	1	1		
14	870896	RHEOSTAT / CONTROL	1	1	1	
15	870902	DRIVER'S A/C HEATING TEMP. CONTROL To S-274	1	1	1	
. NS	561552	. CONNECTOR / UNIVERSAL MATE-N-LOK / PH 6C / AMP 1-480705-0 To S-274	1	1	1	
15	871075	DRIVER'S A/C HEATING TEMP. CONTROL From S-275	1	1	1	
. NS	MI85-11	. MAINTENANCE INFORMATION From S-275	1	1	1	
. NS	561552	. CONNECTOR / UNIVERSAL MATE-N-LOK / PH 6C / AMP 1-480705-0 From S-275	1	1	1	
NS	870868	SENSOR MAIN HEATER / TEMPERATURE CONTROL	1	1	1	
NS	561134	. FUSE / 1 AMP / MLD-1 (SLOW BLOW)	1	1	1	
16	500591	WASHER FL 4.3x9.0x0.8 Z050 To T-1645	4	4	4	
NS	500590	NUT HEX NYRT M4-0.7 Z050 To T-1645	4	4	4	
17	372390	ADAPTOR To T-1645	1	1	1	
18	561517	HARDWARE KIT	AR	AR	AR	
19	062264	SOCKET BULB / PLASTIC WWIRE & CONNECTORS / BA 9s	1	1	1	
NS	560145	. BULB / 1WATT-24VOLTS / SAE# 1829	1	1	1	
20	062271	CABLE ASSY		2	2	

From R-012 To V-1778	Date:10/2022	PAGE:H3-0645-30
R.H. DASHBOARD PANEL		

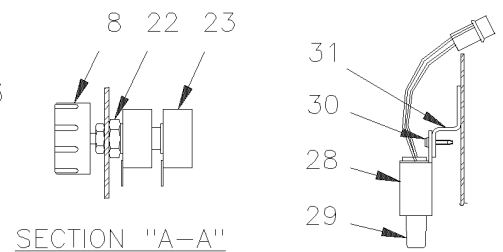
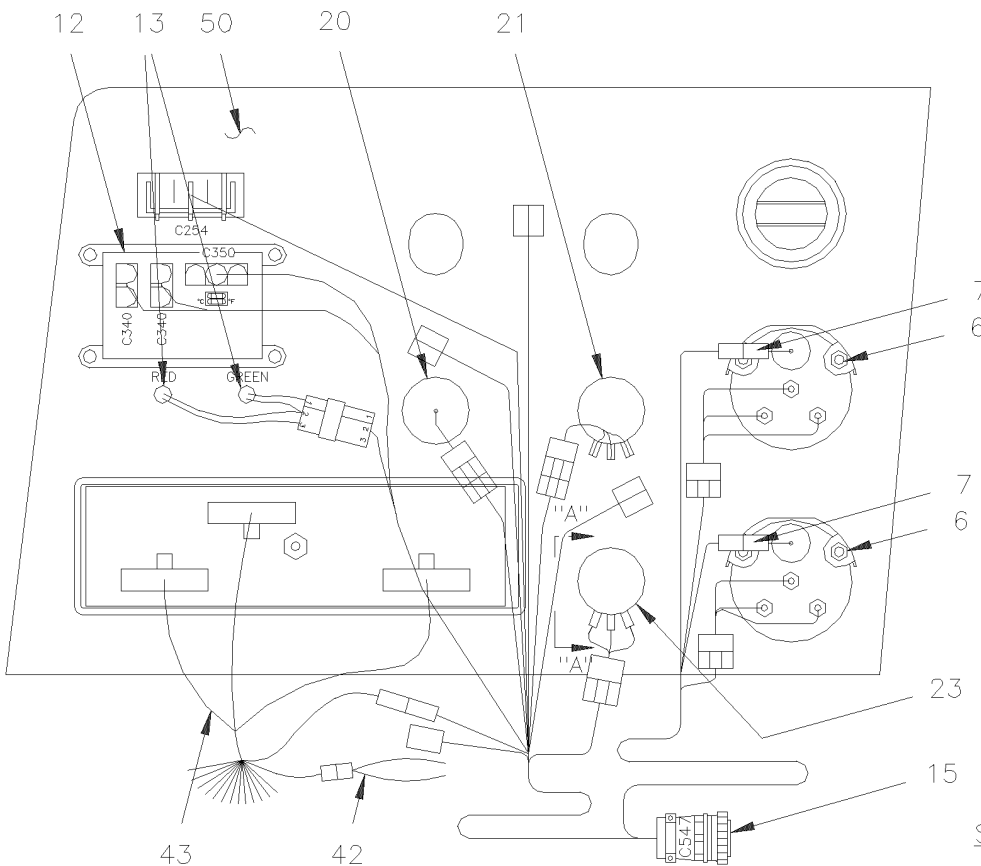
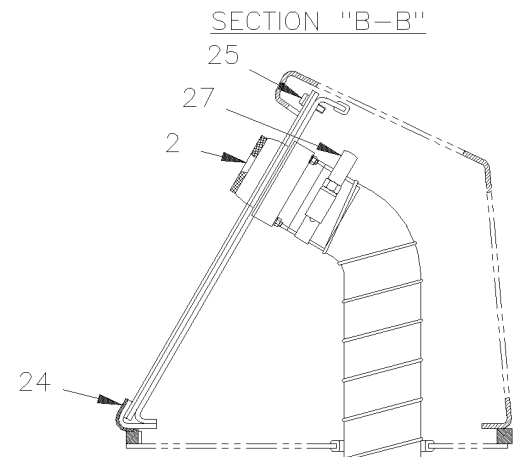
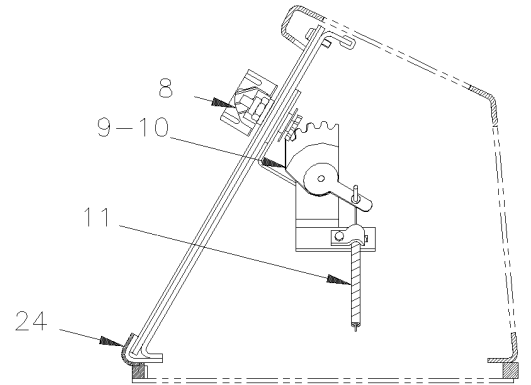
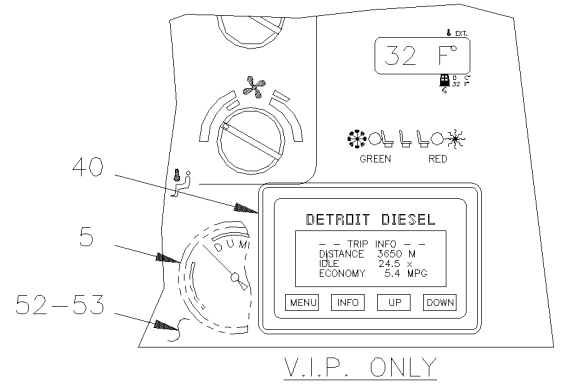
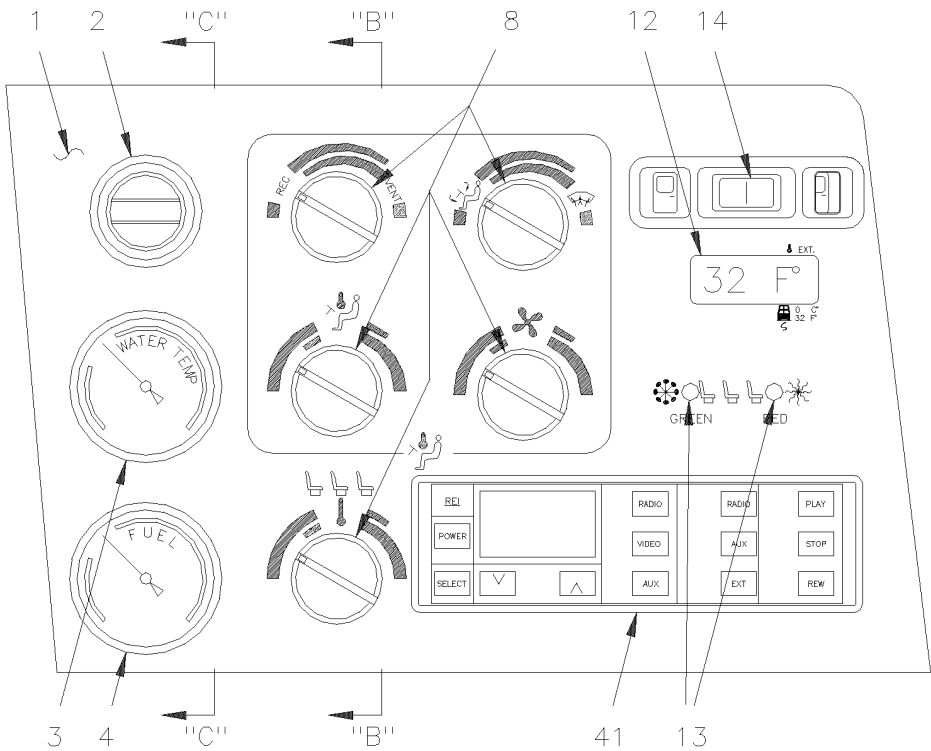
Item#	Part	Description	H 3 4 1	H 3 4 5	V I P 4 5	N O T E S
21	062195	RESISTOR ASSY 20 OHMS 1/2 W	1	1	1	
NS	372479	SENSOR / TEMPERATURE CONTROL	1	1	1	
22	500938	NUT HEX THN 3/8-32x3/32	1	1	1	
23	063181	CABLE ASSY / GAUGE RH PANEL To S-137	1	1	1	
23	063950	CABLE ASSY / GAUGE RH PANEL From S-138	1	1	1	
24	680565	TAPE, SEAL 1/2 / BLACK / S.L.	AR	AR	AR	
25	500883	SCREW TC PAN PH #8-32x3/8 Z050	9	9	9	
27	504023	HOSE CLAMP / 1"5/16-2"1/4 SS / HS-28 To T-1641	2	2	2	
27	504024	HOSE CLAMP / 1"13/16"-2"3/4 SS / HS-36	2	2	2	
28	330217	SOCKET ASSY	5	5	5	
29	560623	BULB / 3.5WATT-24VOLTS / SAE# 313	5	5	5	
30	500650	SCREW TC PAN PH #6-32x3/8 ZP	5	5	5	
31	391143	SUPPORT / BOLTED TO THE PLATE / TO FIX LIGHT	1	1	1	
40	391228	TRAY, UTILITY To T-1415	1	1	1	
41	H3-0650-00	DATA HUB				
42	391504	PLATE MOUNTING / W/UTILITY TRAY To S-137	1	1		
42	391759	PLATE MOUNTING / W/UTILITY TRAY From S-138 To T-1415	1	1		
42	391873	PLATE MOUNTING / W/UTILITY TRAY From T-1646	1	1		
42	391709	PLATE MOUNTING / W/PRODRIVER From S-138 To T-1645	1	1		
42	391795	PLATE MOUNTING / W/R.E.I. SYSTEM From T-1416 To T-1645	1	1		
42	391877	PLATE MOUNTING / W/R.E.I. SYSTEM From T-1646	1	1		
42	391286	PLATE MOUNTING To T-1645				
42	391871	PLATE MOUNTING From T-1646				
42	391797	PLATE MOUNTING / W/PRODRIVER To T-1645				
42	391875	PLATE MOUNTING / W/PRODRIVER From T-1646				

From V-1779 To W-2284

Date:10/2022

PAGE:H3-0645-31

R.H. DASHBOARD PANEL - BUS



From V-1779 To W-2284	Date:10/2022	PAGE:H3-0645-31
R.H. DASHBOARD PANEL - BUS		

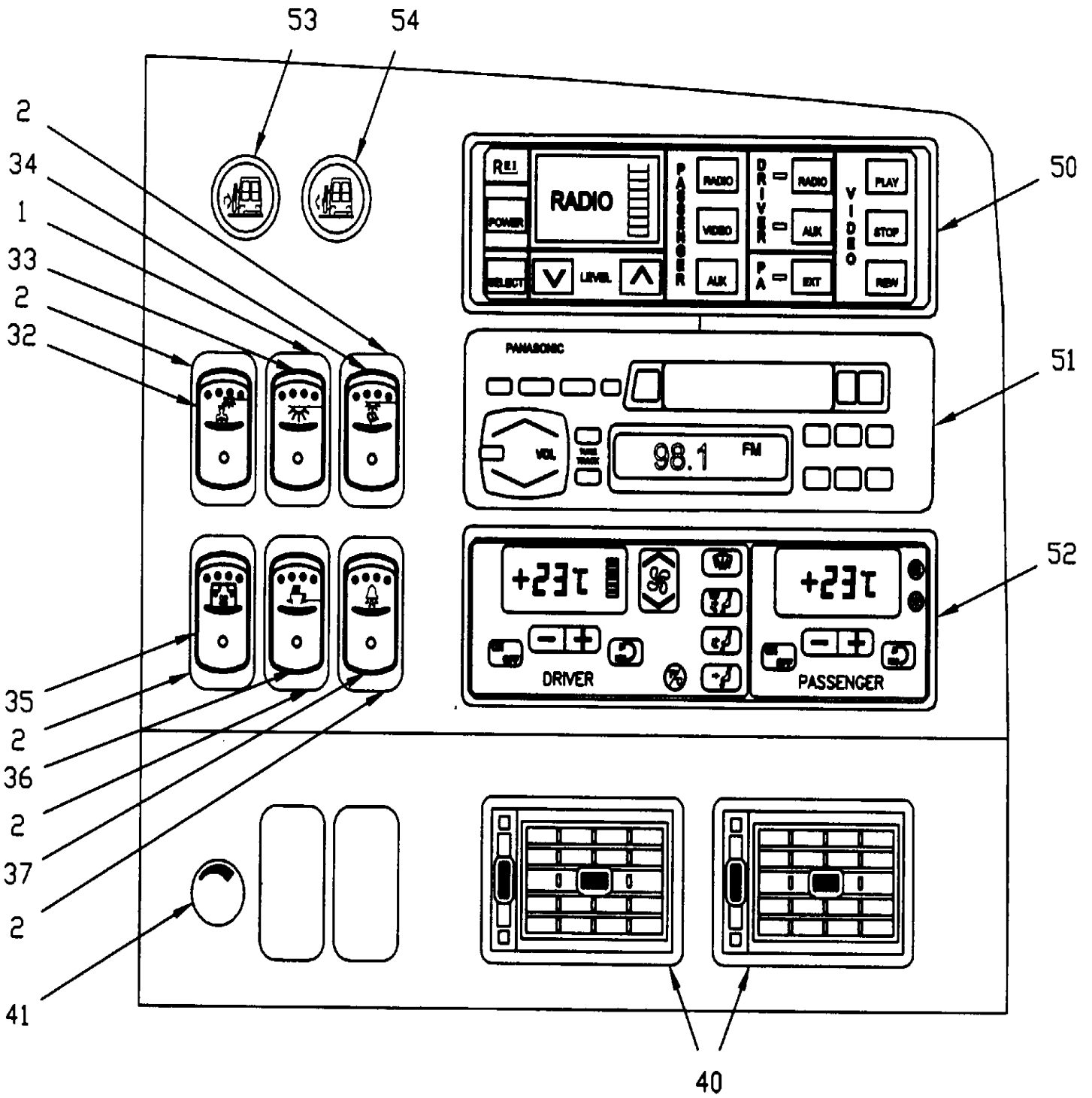
Item#	Part	Description	H 3 4 1	H 3 4 5	V I P 4 5	N O T E S
1	391895	LEXAN	1	1		
2	871082	AIR OUTLET	1	1		
3	562328	GAUGE, WATER TEMPERATURE	1	1		
NS	561097	SENSOR, TEMPERATURE / WATER & OIL	1			
4	562380	GAUGE, FUEL LEVEL	1	1		
NS	531404	SENSOR, FUEL LEVEL / 31¼" / W/PLASTIC TAN	1			
6	561517	HARDWARE KIT	2	2		
7	062264	SOCKET BULB / PLASTIC WWIRE & CONNECTORS / BA 9s	2	2		
NS	560145	. BULB / 1WATT-24VOLTS / SAE# 1829	1	1		
8	505422	KNOB	5	5		
. NS	502683	. SCREW SET HEXS CUP #8-32x7/16	1	1		
9	950063	WIRE CONTROL / S.Q.	2	2		
10	5001044	. NUT HEX JAM M12-1.0	1	1		
11	372459	WIRE ASSY / DEFROSTER	1	1		
11	372460	WIRE ASSY / FRESH AIR	1	1		
12	562629	TEMPERATURE MODULE DIGITAL	1	1		
13	330335	LED ASSY	1	1		
14	562111	SWITCH / ON-OFF-ON/ S.P.D.T./REVERSE POLARITY	1	1		
. NS	562110	. SWITCH / ON-OFF-ON/ S.P.D.T./REVERSE POLARITY / TORRIX 102256	1	1		
15	064435	CABLE ASSY / GAUGE RH PANEL	1	1		
20	870896	RHEOSTAT / CONTROL	1	1		
21	871092	RHEOSTAT / DRIVER'S TEMPERATURE CONTROL	1	1		
NS	870868	SENSOR MAIN HEATER / TEMPERATURE CONTROL	1	1		
NS	561134	. FUSE / 1 AMP / MLD-1 (SLOW BLOW)	1	1		
22	500938	NUT HEX THN 3/8-32x3/32	1	1		
23	062195	RESISTOR ASSY 20 OHMS 1/2 W	1	1		
NS	562636	SENSOR / PASSENGER'S TEMP. CONTROL	2	2		
24	680565	TAPE, SEAL 1/2 / BLACK / S.L.	AR	AR		
25	500883	SCREW TC PAN PH #8-32x3/8 Z050	8	8		
27	504024	HOSE CLAMP / 1"13/16"-2"3/4 SS / HS-36	2	2		
28	330217	SOCKET ASSY	5	5		
29	560623	BULB / 3.5WATT-24VOLTS / SAE# 313	5	5		
30	500650	SCREW TC PAN PH #6-32x3/8 ZP	5	5		
31	391143	SUPPORT / BOLTED TO THE PLATE / TO FIX LIGHT	1	1		
40	H3-0650-00	DATA HUB				
41	H3-2315-11	BOARD UNDER FLOOR - "R.E.I."				
NS	900849	PLATE RADIO "DUMMY"	1	1		
42	404239	CABLE ASSY / "Y" FOR MICROPONE 9" / 1F/2M	1	1		
43	404429	CABLE MAIN CONTROL 2000 SYSTEM	1	1		
50	391891	PLATE MOUNTING	1	1		

From V-1779 To W-2284		Date:10/2022	PAGE:H3-0645-31
-----------------------	--	--------------	-----------------

R.H. DASHBOARD PANEL - BUS

Item#	Part	Description	H 3 4 1	H 3 4 5	V I P 4 5	N O T E S

From W-2285 To 2-4416	Date:10/2022	PAGE:H3-0645-32
R.H. DASHBOARD PANEL - BUS		



From W-2285 To 2-4416	Date:10/2022	PAGE:H3-0645-32
R.H. DASHBOARD PANEL - BUS		

Item#	Part	Description	H 3 4 1	H 3 4 5	V I P 4 5	N O T E S
1	562696	SWITCH / OFF-ON-ON SERIES S.P.D.T. / W/RED & GREEN LED	AR	AR		
2	562697	SWITCH / ON-ON / D.P.D.T. / CH-OVER / W/RED & GREEN LED	AR	AR		
NS	562773	SWITCH / "DUMMY" / PLUG	AR	AR		
NS	562763	CONNECTOR RH 10C / SWITCH / NGR 28-5637-2	AR	AR		
NS	562768	SOCKET TERMINAL / 16-14 / PED 12015870	AR	AR		
32	562716	CAP / DRIVER'S LAMP	1	1		
33	562717	CAP / INTERIOR LIGHT	1	1		
34	562718	CAP / READING LAMP	1	1		
35	562720	CAP / PARCEL RACK VENTILATION	1	1		A
36	562721	CAP / GALLEY	1	1		
37	562719	CAP / HOSTESS BELL	1	1		
40	871106	LOUVER, ADJUSTABLE	2	2		
41	562846	KNOB / DASH ILLUMINATION	1	1		
NS	562845	RHEOSTAT / DASH ILLUMINATION	1	1		
NS	1212770	. NUT RND SLT BK M8-.75	1	1		
50	900803	CONTROL HEAD / "R.E.I." SYSTEM 2000	1	1		
. NS	563064	. BULB (CONTROL HEAD GREEN) / 12VOLTS / 2700	1	1		
51	H3-2315-01	SOUND SYSTEM & ACCESSORIES				
NS	404571	CABLE ASSY / DASH & PARCEL RACK	1	1		
NS	900875	CABLE RADIO ANTENNA / M/F 6'	1	1		
NS	900663	ADAPTOR / RADIO & ANTENNA CABLE / MOTOROLA MALE to EURO FEMA	1	1		
52	871098	A/C CONTROL MODULE To W-2361	1	1		C
52	871163	A/C CONTROL MODULE From W-2362 To X-2836	1	1		C
52	871175	A/C CONTROL MODULE From X-2837 To Y-3891	1	1		C
52	871196	KIT RETROFIT SENSOR BOX W/PROTECTOR WITH LARGE A/C SYSTEM SERIES H To Y-3891	1	1		T
. NS	871195	. A/C CONTROL MODULE To Y-3891	1	1		T
. NS	065300	. CABLE ASSY To Y-3891	1	1		T
. NS	563063	. SENSOR THERMISTOR ASSY / TEMPERATURE / ("DELPHI") To Y-3891	1	1		T
. NS	373792	. BOX SENSOR PROTECTOR To Y-3891	1	1		T
. NS	373793	. ADAPTOR SENSOR BOX To Y-3891	1	1		T
. NS	373802	. HOSE To Y-3891	1	1		T
. NS	065302	. CABLE ASSY SENSOR EXTENTION To Y-3891	1	1		T
. NS	500638	. SCREW TP PAN PH #8x1/2 Z050 To Y-3891	4	4		T
. NS	504637	. CABLE TIE / 3/16" x 13" To Y-3891	4	4		T
. NS	WB00-34	. SEE WARRANTY BULLETIN To Y-3891	1	1		T
52	871195	A/C CONTROL MODULE From Y-3892 To 1-4165	1	1		
52	871213	A/C CONTROL MODULE From 1-4166	1	1		
NS	562847	SENSOR TEMPERATURE / DRIVER'S (C-474) To Y-3891	1	1		
NS	563026	SENSOR THERMISTOR ASSY ("KEYSTONE") From Y-3892 To 1-4165	1	1		C
NS	563063	SENSOR THERMISTOR ASSY / TEMPERATURE / ("DELPHI") From 1-4166	1	1		
53	562801	SWITCH / DOOR CLOSE To Y-3698	1	1		
53	563043	SWITCH / DOOR CLOSE From Y-3699	1	1		

From W-2285 To 2-4416	Date:10/2022	PAGE:H3-0645-32
R.H. DASHBOARD PANEL - BUS		

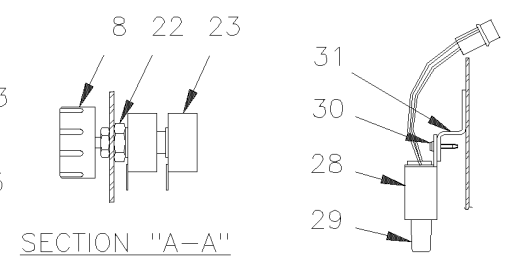
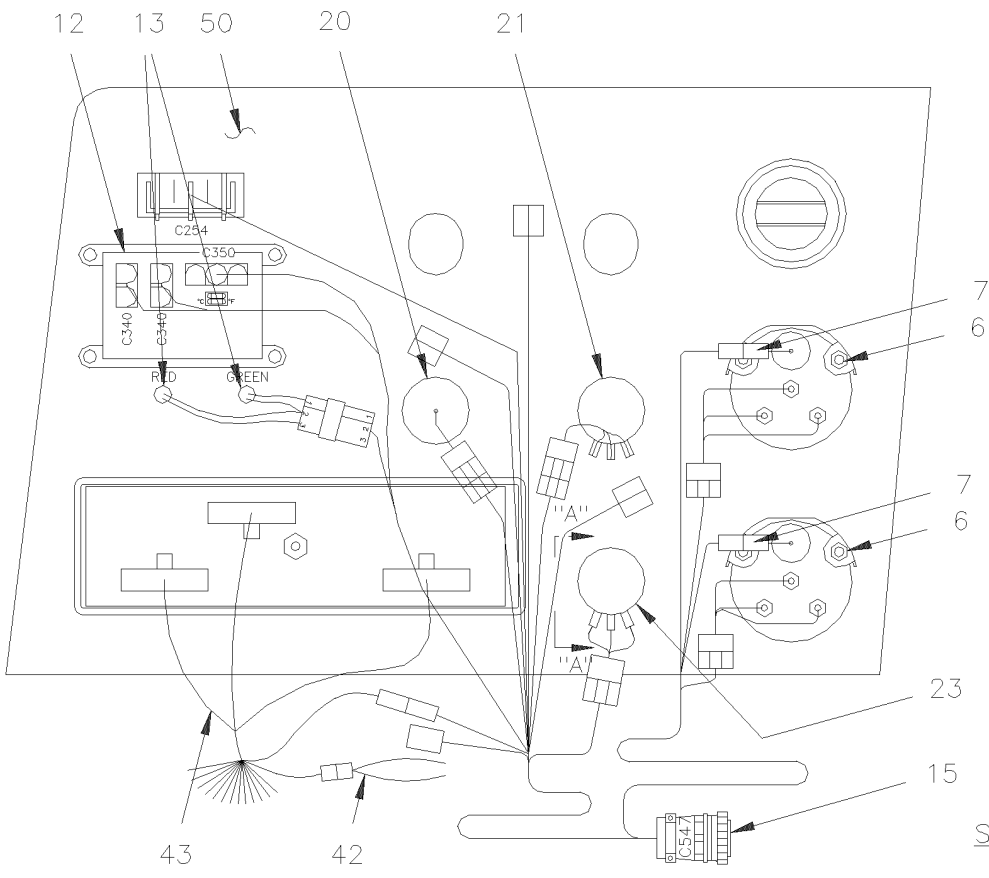
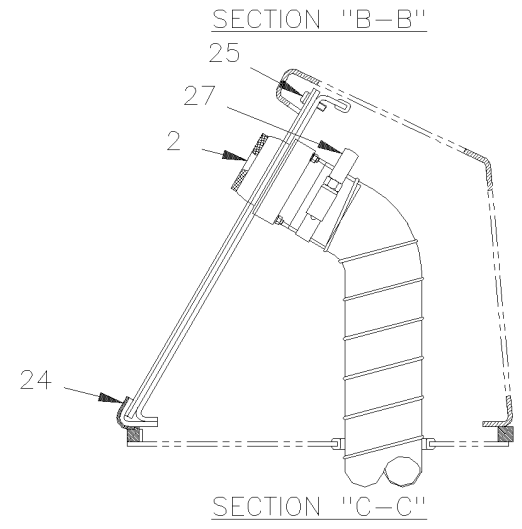
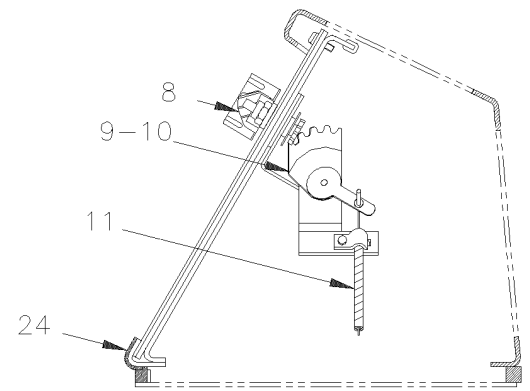
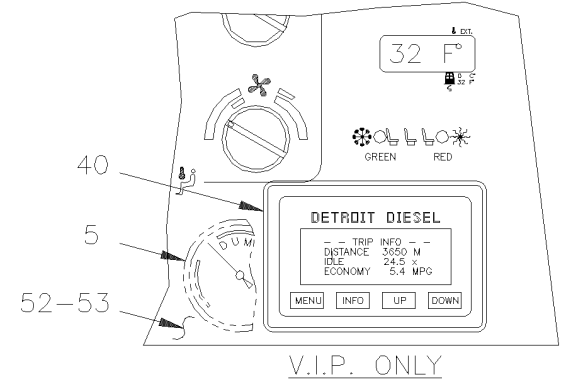
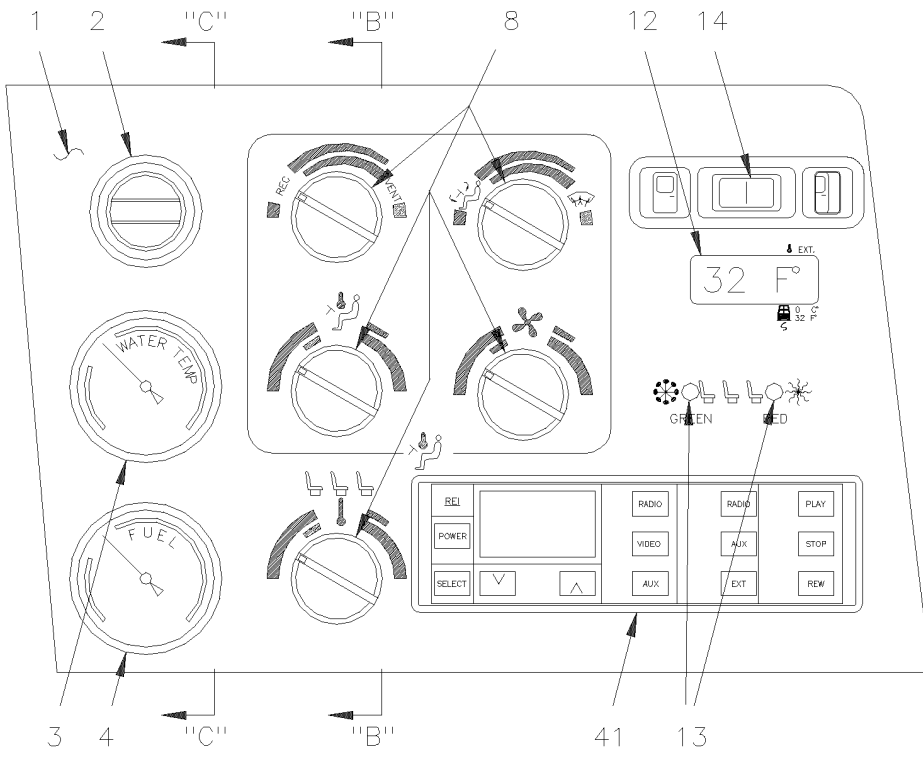
Item#	Part	Description	H 3 4 1	H 3 4 5	V I P 4 5	N O T E S
53	562810	INSERT / DOOR CLOSE	1	1		
54	562802	SWITCH / DOOR OPEN To Y-3698	1	1		
54	563044	SWITCH / DOOR OPEN From Y-3699	1	1		
54	562830	INSERT / DOOR OPEN	1	1		
		A) WE USE SWITCH #562697 UP TO X-2725 AND CHANGE FOR # 562696 FROM X-2726 & RESISTOR #562908				
		C) FOR PRODUCT IMPROVMENT ASK FOR KIT #871196				
		T) SEE TEXT ANNEXED UNDER YELLOW "T" ICON AT LEFT				

From V-1779 To W-2457

Date:10/2022

PAGE:H3-0645-35

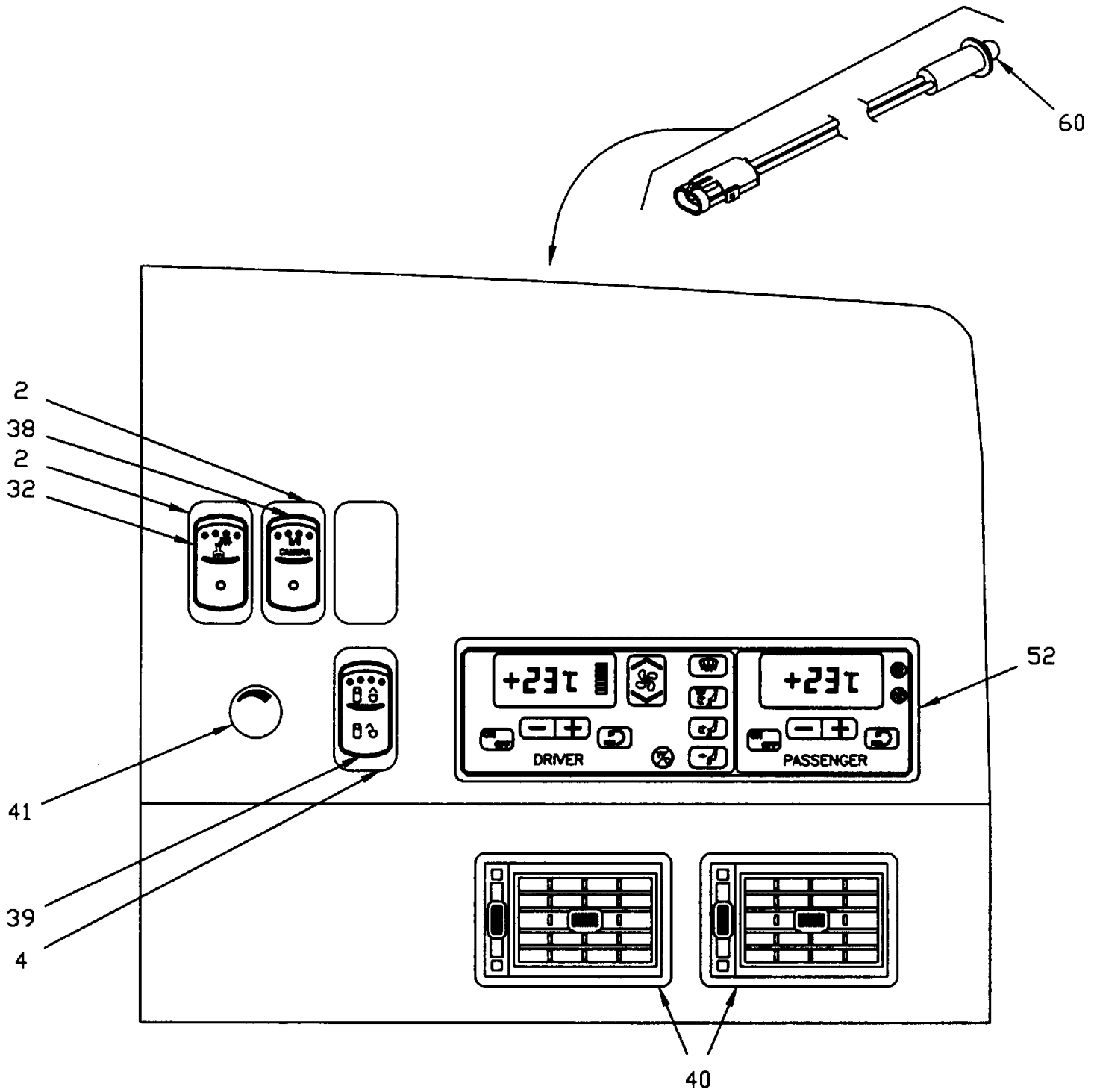
R.H. DASHBOARD PANEL - V.I.P.



From V-1779 To W-2457	Date:10/2022	PAGE:H3-0645-35
R.H. DASHBOARD PANEL - V.I.P.		

Item#	Part	Description	H 3 4 1	H 3 4 5	V I P 4 5	N O T E S
1	391485	LEXAN 20" X 30 CHARCOALD WITH GRID / CUT TO F			AR	
2	871082	AIR OUTLET			1	
3	562328	GAUGE, WATER TEMPERATURE			1	
4	562380	GAUGE, FUEL LEVEL			1	
5	561843	GAUGE, DUMMY			1	
6	561517	HARDWARE KIT			2	
7	062264	SOCKET BULB / PLASTIC WWIRE & CONNECTORS / BA 9s			2	
NS	560145	. BULB / 1WATT-24VOLTS / SAE# 1829			1	
8	505422	KNOB			5	
. NS	502683	. SCREW SET HEXS CUP #8-32x7/16			1	
9	950063	WIRE CONTROL / S.Q.			2	
10	5001044	. NUT HEX JAM M12-1.0			1	
11	372459	WIRE ASSY / DEFROSTER			1	
11	372460	WIRE ASSY / FRESH AIR			1	
12	562629	TEMPERATURE MODULE DIGITAL			1	
13	330335	LED ASSY			1	
15	064435	CABLE ASSY / GAUGE RH PANEL			1	
20	870896	RHEOSTAT / CONTROL			1	
21	871092	RHEOSTAT / DRIVER'S TEMPERATURE CONTROL			1	
NS	870868	SENSOR MAIN HEATER / TEMPERATURE CONTROL			1	
NS	561134	. FUSE / 1 AMP / MLD-1 (SLOW BLOW)			1	
22	500938	NUT HEX THN 3/8-32x3/32			1	
23	062195	RESISTOR ASSY 20 OHMS 1/2 W			1	
NS	562636	SENSOR / PASSENGER'S TEMP. CONTROL			2	
40	H3-0650-00	DATA HUB				
41	H3-2315-11	BOARD UNDER FLOOR - "R.E.I."				
52	391901	PLATE MOUNTING / W/2 GAUGES & PRODRIVER (AS SHOWN)			1	
52	391892	PLATE MOUNTING / W/3 GAUGES			1	
53	391900	LEXAN			1	

From X-2458 To 2-4416	Date:10/2022	PAGE:H3-0645-36
R.H. DASHBOARD PANEL - V.I.P.		



VIP

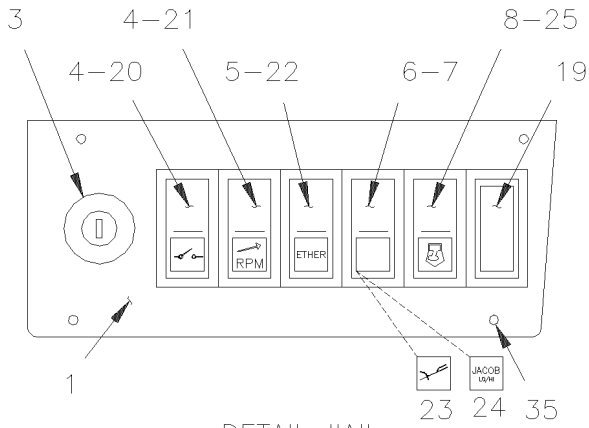
From X-2458 To 2-4416	Date:10/2022	PAGE:H3-0645-36
R.H. DASHBOARD PANEL - V.I.P.		

Item#	Part	Description	H 3 4 1	H 3 4 5	V I P 4 5	N O T E S
1	562696	SWITCH / OFF-ON-ON SERIES S.P.D.T. / W/RED & GREEN LED			AR	
2	562697	SWITCH / ON-ON / D.P.D.T. / CH-OVER / W/RED & GREEN LED			AR	
4	562699	SWITCH / M/ON-OFF-M/ON / D.P.D.T. / W/GREEN LED			1	
NS	562773	SWITCH / "DUMMY" / PLUG			AR	
NS	562763	CONNECTOR RH 10C / SWITCH / NGR 28-5637-2			AR	
NS	562768	SOCKET TERMINAL / 16-14 / PED 12015870			AR	
32	562716	CAP / DRIVER'S LAMP			1	
33	562717	CAP / INTERIOR LIGHT			1	
38	562786	CAP / BACK-UP CAMERA			1	
39	562831	CAP / DOOR LOCK			1	
40	871106	LOUVER, ADJUSTABLE			2	
41	562846	KNOB / DASH ILLUMINATION			1	
NS	562845	RHEOSTAT / DASH ILLUMINATION			1	
NS	1212770	. NUT RND SLT BK M8-.75			1	
51	H3-2315-01	SOUND SYSTEM & ACCESSORIES				
52	871161	A/C CONTROL MODULE / W/SMALL A/C SYSTEM To 1-4194			1	S D
52	871249	KIT RETROFIT SENSOR BOX W/PROTECTOR WITH SMALL A/C SYSTEM SERIES H To 1-4194			AR	S
. NS	IS-00093	. SEE INSTRUCTION SHEET To 1-4194			1	S
. NS	871211	. A/C CONTROL MODULE / W/SMALL A/C SYSTEM To 1-4194			1	S
. NS	065328	. CABLE ASSY To 1-4194			1	S
. NS	563063	. SENSOR THERMISTOR ASSY / TEMPERATURE / ("DELPHI") To 1-4194			1	S
. NS	373792	. BOX SENSOR PROTECTOR To 1-4194			1	S
. NS	373793	. ADAPTOR SENSOR BOX To 1-4194			1	S
. NS	373802	. HOSE To 1-4194			1	S
. NS	065302	. CABLE ASSY SENSOR EXTENTION To 1-4194			1	S
. NS	500638	. SCREW TP PAN PH #8x1/2 Z050 To 1-4194			4	S
. NS	504637	. CABLE TIE / 3/16" x 13" To 1-4194			4	S
52	871211	A/C CONTROL MODULE / W/SMALL A/C SYSTEM From 1-4195			1	S
52	871098	A/C CONTROL MODULE To W-2361			1	C L
52	871163	A/C CONTROL MODULE From W-2362 To X-2836			1	C L
52	871175	A/C CONTROL MODULE From X-2837 To Y-3891			1	C L
52	871196	KIT RETROFIT SENSOR BOX W/PROTECTOR WITH LARGE A/C SYSTEM SERIES H To Y-3891			1	L
. NS	871195	. A/C CONTROL MODULE To Y-3891			1	L
. NS	065300	. CABLE ASSY To Y-3891			1	L
. NS	563063	. SENSOR THERMISTOR ASSY / TEMPERATURE / ("DELPHI") To Y-3891			1	L
. NS	373792	. BOX SENSOR PROTECTOR To Y-3891			1	L
. NS	373793	. ADAPTOR SENSOR BOX To Y-3891			1	L
. NS	373802	. HOSE To Y-3891			1	L
. NS	065302	. CABLE ASSY SENSOR EXTENTION To Y-3891			1	L
. NS	500638	. SCREW TP PAN PH #8x1/2 Z050 To Y-3891			4	L
. NS	504637	. CABLE TIE / 3/16" x 13" To Y-3891			4	L
. NS	WB00-34	. SEE WARRANTY BULLETIN To Y-3891			1	L

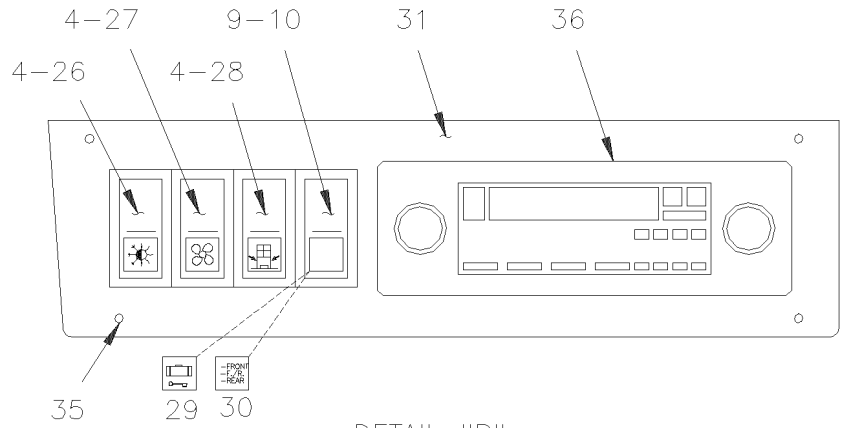
From X-2458 To 2-4416	Date:10/2022	PAGE:H3-0645-36
R.H. DASHBOARD PANEL - V.I.P.		

Item#	Part	Description	H 3 4 1	H 3 4 5	V I P 4 5	N O T E S
NS	562847	SENSOR TEMPERATURE / DRIVER'S (C-474) To Y-3891			1	
NS	563026	SENSOR THERMISTOR ASSY ("KEYSTONE") From Y-3892 To 1-4165			1	C
NS	563063	SENSOR THERMISTOR ASSY / TEMPERATURE / ("DELPHI") From 1-4166			1	
53	562801	SWITCH / DOOR CLOSE To Y-3698			1	
53	563043	SWITCH / DOOR CLOSE From Y-3699			1	
60	330238P	TELLTALE ASSY / RED			1	
		C) FOR PRODUCT IMPROVMENT ASK FOR KIT #871196				
		D) FOT PRODUCT IMPROVMENT ASK FOR KIT #871249 (SEE WB0034)				
		L) WITH LARGE A/C SYSTEM				
		S) WITH SMALL A/C SYSTEM				

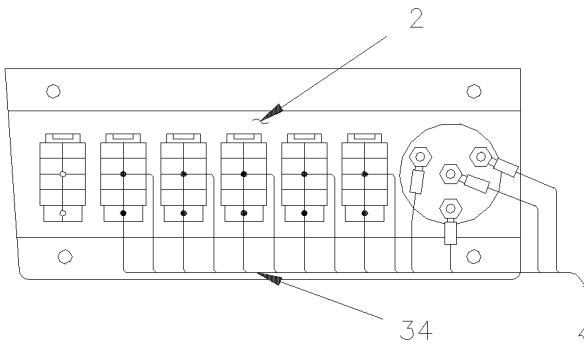
From R-012 To W-2284	Date:10/2022	PAGE:H3-0645-40
L.H. & R.H. LOWER CENTRAL PANEL - BUS		



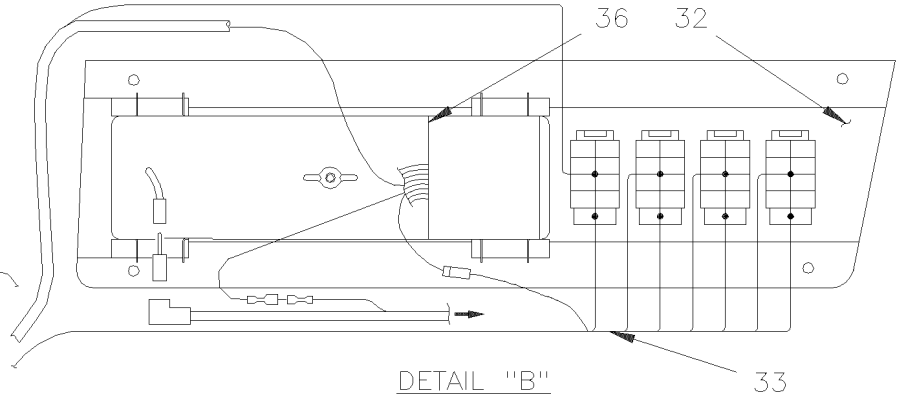
DETAIL "A"



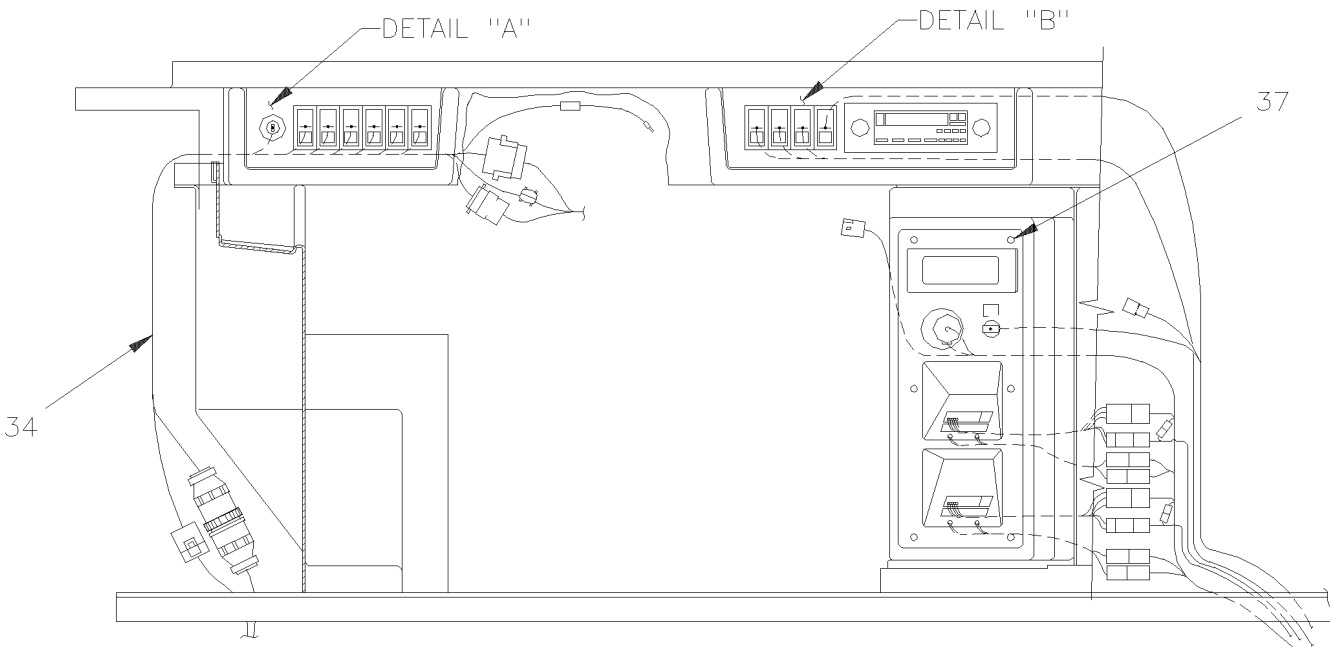
DETAIL "B"



DETAIL "A" CONNECTIONS



DETAIL "B" CONNECTIONS



From R-012 To W-2284	Date:10/2022	PAGE:H3-0645-40
L.H. & R.H. LOWER CENTRAL PANEL - BUS		

Item#	Part	Description	H 3 4 1	H 3 4 5	V I P 4 5	N O T E S
1	390997	LEXAN	1	1		
2	391395	PLATE, MOUNTING	1	1		
3	562147	SWITCH, IGNITION / CODE 801	1	1		
. NS	780003	. KEY, IGNITION SWITCH CODE 801	1	1		
3	562148	SWITCH, IGNITION / CODE 802	1	1		
. NS	780004	. KEY, IGNITION SWITCH CODE 802	1	1		
3	562151	SWITCH, IGNITION / CODE 803	1	1		
. NS	780006	. KEY, IGNITION SWITCH CODE 803	1	1		
3	562150	SWITCH, IGNITION / CODE 804	1	1		
. NS	780007	. KEY, IGNITION SWITCH CODE 804	1	1		
3	562152	SWITCH, IGNITION / CODE 805	1	1		
. NS	780008	. KEY, IGNITION SWITCH CODE 805	1	1		
3	562149	SWITCH, IGNITION / CODE 806	1	1		
. NS	780009	. KEY, IGNITION SWITCH CODE 806	1	1		
3	562146	SWITCH, IGNITION / KEYLESS (ACC-OFF-IGN-START)	1	1		
NS	562296	KEY / IGNITION BLANCK UN CUT	AR	AR		
NS	681136	KEY CHAIN / "PREVOST"	AR	AR		
3	391903	PLATE, MOUNTING	1	1		A
3	562654	SWITCH & CABLE / SWITCH	1	1		A
NS	391904	SPACER / SWITCH & MOUNTING PLATE	1	1		A
NS	562655	NUT / TO FIX SWITCH	1	1		A
NS	064417	CYLINDER IGNITION / CODE FA 0528	1	1		A
NS	780579	KEY CODE / FA 0528	1	1		A
NS	063282	SWITCH SUPPORT / UNDER R.H. DASH	1	1		
NS	560256	SWITCH / OFF-ON / S.P.S.T.	1	1		
4	561468	SWITCH / OFF-ON S.P.S.T.	6	6		
5	561471	SWITCH / OFF-M/ON W/LOCK S.P.S.T.	1	1		
6	561472	SWITCH / ON-ON / D.P.D.T. / CH-OVER	1	1		
7	561520	SWITCH / OFF-ON-ON SERIES S.P.D.T.	1	1		
8	561470	SWITCH / OFF-M/ON S.P.S.T.	1	1		
9	561483	SWITCH / ON-OFF-ON D.P.D.T.	1	1		
10	H3-2315-10	SOUND SYSTEM - INSTALLATION To T-1454				
10	H3-2315-11	BOARD UNDER FLOOR - "R.E.I." From T-1455				
NS	063029	INSERT / GREEN / PREHEATER	1	1		
17	063012	INSERT / RED / ENGINE OVERRIDE	1	1		
19	561088	COVER, SWITCH HOLE	AR	AR		
20	063013	INSERT / GREEN / MASTER SWITCH / CUT OFF	1	1		
21	062994	INSERT / GREEN / FAST IDLE	1	1		
22	062987	INSERT / GREEN / ETHER	1	1		
23	063028	INSERT / GREEN / RETARDER	1	1		D
24	062991	INSERT / GREEN / "JACOB" BRAKE	1	1		B
NS	5001035	NUT WING M5-0.8 NP	1	1		

From R-012 To W-2284	Date:10/2022	PAGE:H3-0645-40
L.H. & R.H. LOWER CENTRAL PANEL - BUS		

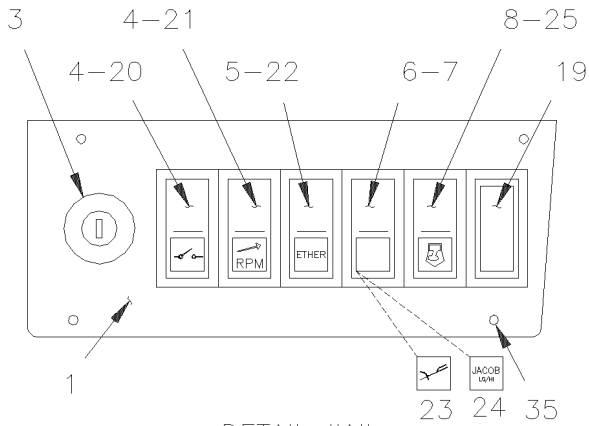
Item#	Part	Description	H 3 4 1	H 3 4 5	V I P 4 5	N O T E S
26	063015	INSERT / GREEN / HEAT / A/C	1	1		
27	063027	INSERT / GREEN / FAN	1	1		
28	063016	INSERT / GREEN / FRESH AIR DAMPER	1	1		
29	063011	INSERT / GREEN / FRONT / REAR (SPEAKER)	1	1		
31	390998	LEXAN	1	1		
32	391120	PLATE MOUNTING / W/RADIO	1	1		
34	063648	CABLE ASSY / LEFT SWITCHES CONSOLE To T-1323	1	1		
34	064157	CABLE ASSY / LEFT SWITCHES CONSOLE From T-1324	1	1		
35	064089	CABLE ASSY / SWITCH RH PANEL	1	1		
36	H3-2315-10	SOUND SYSTEM - INSTALLATION To T-1454				
36	H3-2315-11	BOARD UNDER FLOOR - "R.E.I." From T-1455				
37	H3-0645-50	R.H. CONSOLE To V-1778				
37	H3-0645-51	R.H. CONSOLE - BUS From V-1779				
		A) THIS ITEMS ARE USE WITH "FORD" IGNITION KEY SEE DIAGRAM D060889 FOR MORE INFORMATION				
		B) SWITCH #561520				
		D) W/SWITCH #561472				

From R-012 To W-2457

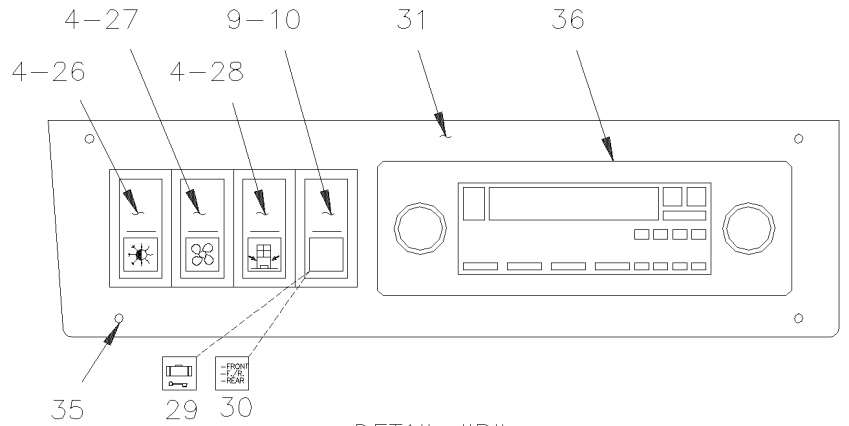
Date:10/2022

PAGE:H3-0645-45

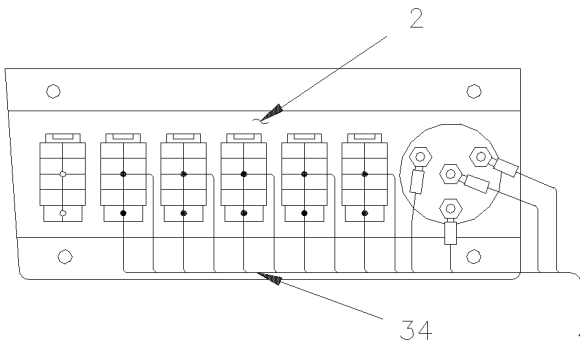
L.H. & R.H. LOWER CENTRAL PANEL - V.I.P.



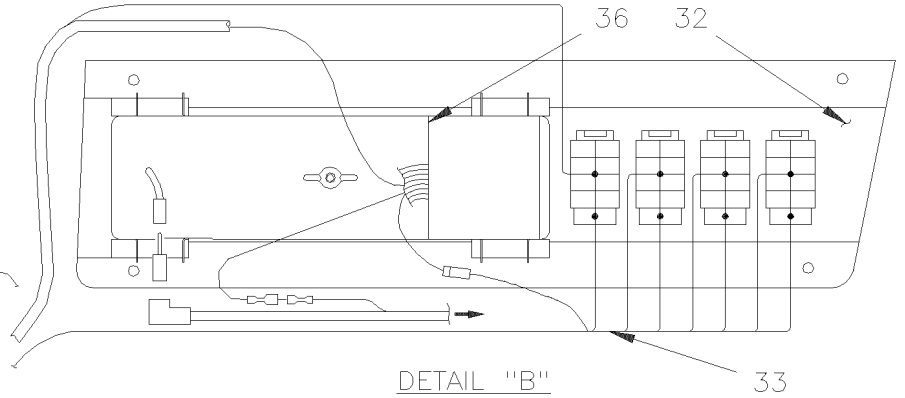
DETAIL "A"



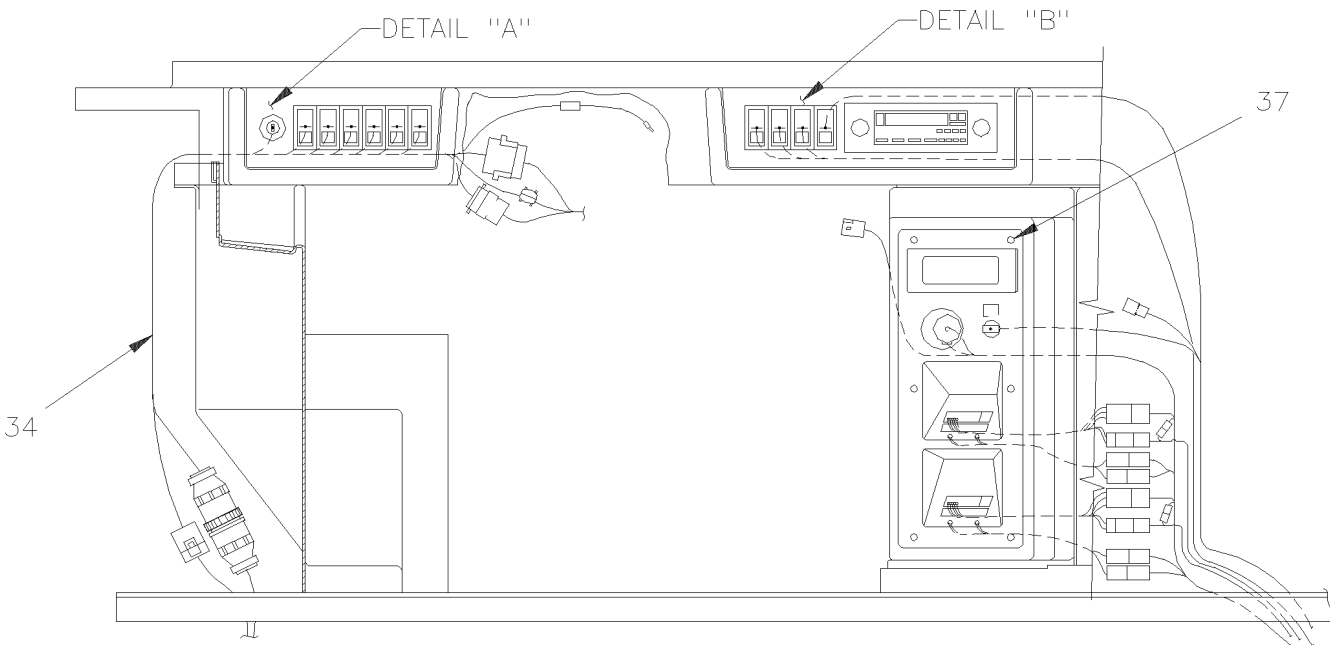
DETAIL "B"



DETAIL "A" CONNECTIONS



DETAIL "B" CONNECTIONS



From R-012 To W-2457	Date:10/2022	PAGE:H3-0645-45
L.H. & R.H. LOWER CENTRAL PANEL - V.I.P.		

Item#	Part	Description	H 3 4 1	H 3 4 5	V I P 4 5	N O T E S
1	390997	LEXAN			1	
2	391395	PLATE, MOUNTING			1	
3	562147	SWITCH, IGNITION / CODE 801			1	
. NS	780003	. KEY, IGNITION SWITCH CODE 801			1	
3	562148	SWITCH, IGNITION / CODE 802			1	
. NS	780004	. KEY, IGNITION SWITCH CODE 802			1	
3	562151	SWITCH, IGNITION / CODE 803			1	
. NS	780006	. KEY, IGNITION SWITCH CODE 803			1	
3	562150	SWITCH, IGNITION / CODE 804			1	
. NS	780007	. KEY, IGNITION SWITCH CODE 804			1	
3	562152	SWITCH, IGNITION / CODE 805			1	
. NS	780008	. KEY, IGNITION SWITCH CODE 805			1	
3	562149	SWITCH, IGNITION / CODE 806			1	
. NS	780009	. KEY, IGNITION SWITCH CODE 806			1	
3	562146	SWITCH, IGNITION / KEYLESS (ACC-OFF-IGN-START)			1	
NS	562296	KEY / IGNITION BLANCK UNCUT				AR
NS	681136	KEY CHAIN / "PREVOST"				AR
NS	063282	SWITCH SUPPORT / UNDER R.H. DASH			1	
NS	560256	SWITCH / OFF-ON / S.P.S.T.			1	
4	561468	SWITCH / OFF-ON S.P.S.T.			6	
5	561471	SWITCH / OFF-M/ON W/LOCK S.P.S.T.			1	
6	561472	SWITCH / ON-ON / D.P.D.T. / CH-OVER			1	
7	561520	SWITCH / OFF-ON-ON SERIES S.P.D.T.			1	
8	561470	SWITCH / OFF-M/ON S.P.S.T.			1	
10	561554	SWITCH / ON-ON / D.P.D.T. / SELECTOR			1	
10	H3-2315-10	SOUND SYSTEM - INSTALLATION To T-1454				
10	H3-2315-11	BOARD UNDER FLOOR - "R.E.I." From T-1455				
NS	063029	INSERT / GREEN / PREHEATER			1	
17	063012	INSERT / RED / ENGINE OVERRIDE			1	
19	561088	COVER, SWITCH HOLE				AR
20	063013	INSERT / GREEN / MASTER SWITCH / CUT OFF			1	
21	062994	INSERT / GREEN / FAST IDLE			1	
22	062987	INSERT / GREEN / ETHER			1	
23	063028	INSERT / GREEN / RETARDER			1	D
24	062991	INSERT / GREEN / "JACOB" BRAKE			1	B
NS	5001035	NUT WING M5-0.8 NP			1	
26	063015	INSERT / GREEN / HEAT / A/C			1	
27	063027	INSERT / GREEN / FAN			1	
28	063016	INSERT / GREEN / FRESH AIR DAMPER			1	
30	062996	INSERT / GREEN / LOCKING DOOR			1	
31	390998	LEXAN			1	
32	391248	PLATE MOUNTING / W/O RADIO			1	

From R-012 To W-2457	Date:10/2022	PAGE:H3-0645-45
L.H. & R.H. LOWER CENTRAL PANEL - V.I.P.		

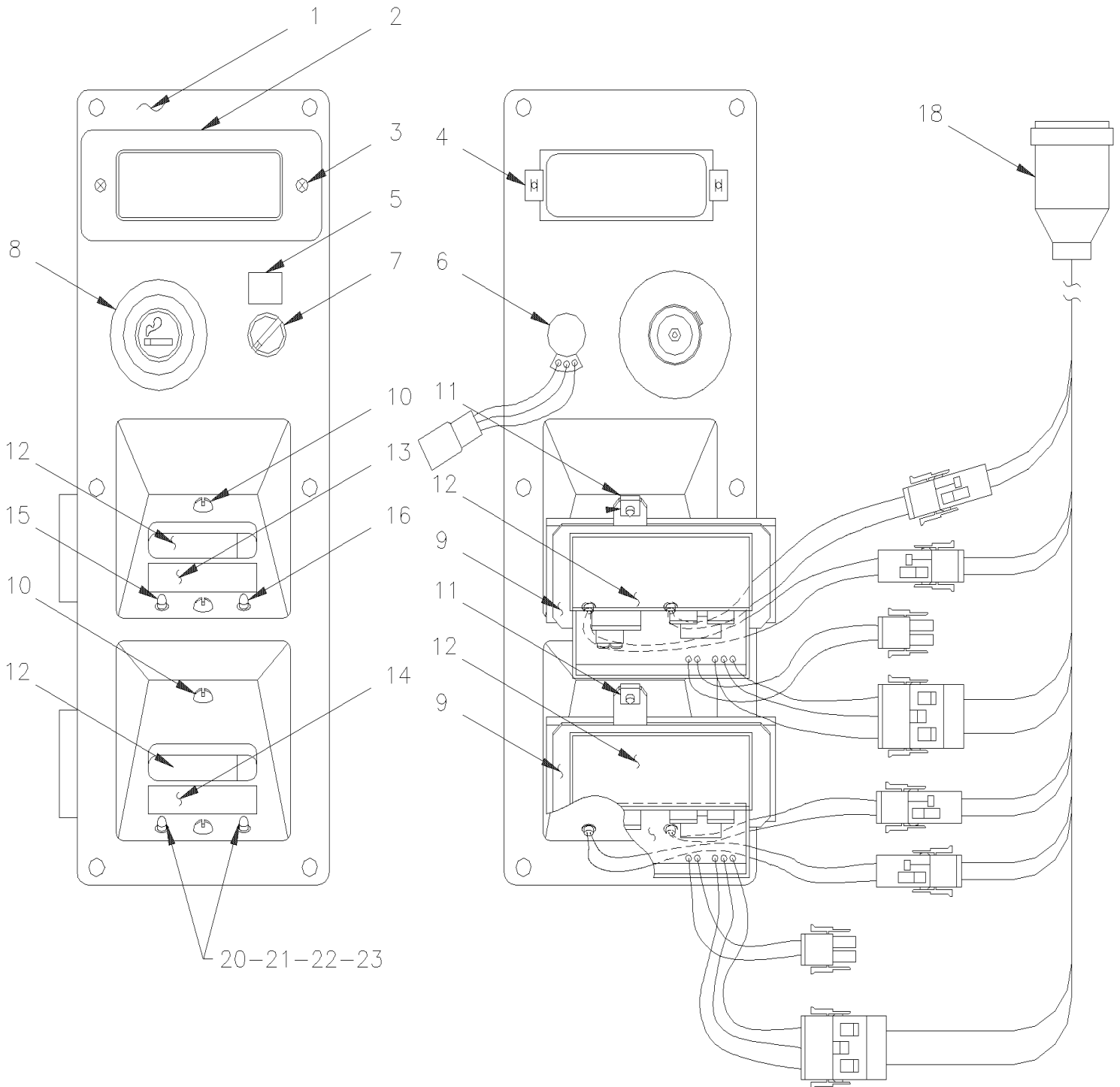
Item#	Part	Description	H 3 4 1	H 3 4 5	V I P 4 5	N O T E S
34	063648	CABLE ASSY / LEFT SWITCHES CONSOLE To T-1323			1	
34	064157	CABLE ASSY / LEFT SWITCHES CONSOLE From T-1324			1	
35	062204	CABLE ASSY / SWITCH RH PANEL / W/OUT RADIO			1	
36	H3-2315-10	SOUND SYSTEM - INSTALLATION To T-1454				
36	H3-2315-11	BOARD UNDER FLOOR - "R.E.I." From T-1455				
37	H3-0645-50	R.H. CONSOLE To V-1778				
37	H3-0645-55	R.H. CONSOLE - V.I.P. From V-1779				
		B) W/SWITCH #561520				
		D) W/SWITCH #561472				

From R-012 To V-1778

Date:10/2022

PAGE:H3-0645-50

R.H. CONSOLE



FRONT VIEW

REAR VIEW

From R-012 To V-1778	Date:10/2022	PAGE:H3-0645-50
R.H. CONSOLE		

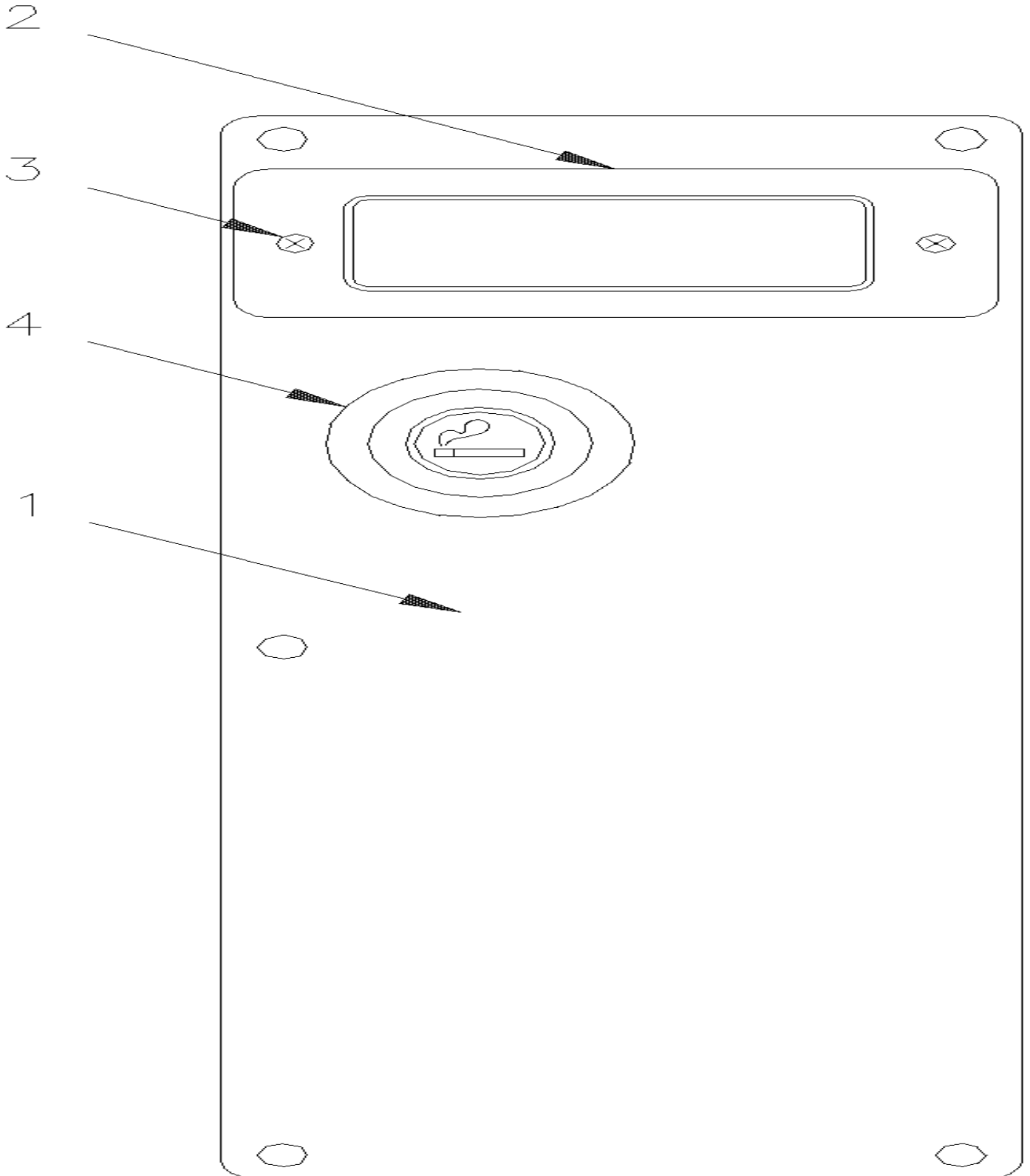
Item#	Part	Description	H 3 4 1	H 3 4 5	V I P 4 5	N O T E S
	391125P	CONSOLE ASSY / R.H. To T-1415	1	1	1	
	391353P	CONSOLE ASSY / R.H. From T-1416	1	1	1	
1	390949	. PANEL, FIBERGLASS	1	1	1	
2	860434	. ASHTRAY	1	1	1	
3	500333	. SCREW TP OV PH #6x3/4 BK	2	2	2	
4	500996	. NUT SPR U #6-32 .135-.150	2	2	2	
5	402787	. DECAL / P/A VOLUME To T-1415	1	1		
6	505423	. KNOB To T-1415	1	1		
. NS	502682	. . SCREW SET HEXS CUP #8-32x3/16 To T-1415	1	1		
7	402373	. CONTROL VOLUME / P/A To T-1415	1	1		
7	504544	. HOLE PLUG / .375 O.D. PLASTIC From T-1416	1	1		
8	561491	. LIGHTER ASSY / 12V	1	1	1	
9	372450	. SUPPORT / THERMOMETER	2	2	2	
10	500814	. SCREW TP BDG PH #6x3/4 BK	4	4	4	
11	500664	. NUT SPR U #6-32 .050-.062	4	4	4	A
12	372475	. THERMOMETER ASSY	2	2	2	
12	870904	. . THERMOMETER	1	1	1	
12	561248	. . . CONNECTOR / UNIVERSAL MATE-N-LOK / PH 2C / AMP 1-480699-0	1	1	1	
12	561667	. . . CONNECTOR / UNIVERSAL MATE-N-LOK / PH 3C / AMP 1-480701-0	1	1	1	
12	561516	. . . CONNECTOR / UNIVERSAL MATE-N-LOK / PH 6C / AMP 1-480705-0	5	5	5	
13	391345	. DECAL, ADHESIVE PLATE / INTERIOR THERMOMETER	1	1	1	
14	391343	. DECAL, ADHESIVE PLATE / EXTERIOR THERMOMETER	1	1	1	
15	330237P	. TELLTALE ASSY / GREEN	1	1	1	
15	830122	. . LED GREEN / 24VOLTS / L-41-1302-5100A	1	1	1	
16	330238P	. TELLTALE ASSY / RED	1	1	1	
16	830123	. . LED RED / 24VOLTS / L-41-1301-5100A	1	1	1	
18	062185	. CABLE ASSY / RIGHT CONSOLE & TELLTALE / THERMOMETER	1	1	1	
20	504403	. SNAP CAP #8 FINISHING BLACK	2	2	2	
21	504412	. WASHER RETAINER SNAP CAP #8	2	2	2	
22	504105	. RIVET POP DOME OE 1/8x3/16 AL	2	2	2	
23	500437	. WASHER FL .125x.375x.040 Z050	1	1	1	
		A) PANEL				

From V-1779 To W-2284

Date:10/2022

PAGE:H3-0645-51

R.H. CONSOLE - BUS



From V-1779 To W-2284		Date:10/2022	PAGE:H3-0645-51
-----------------------	--	--------------	-----------------

R.H. CONSOLE - BUS

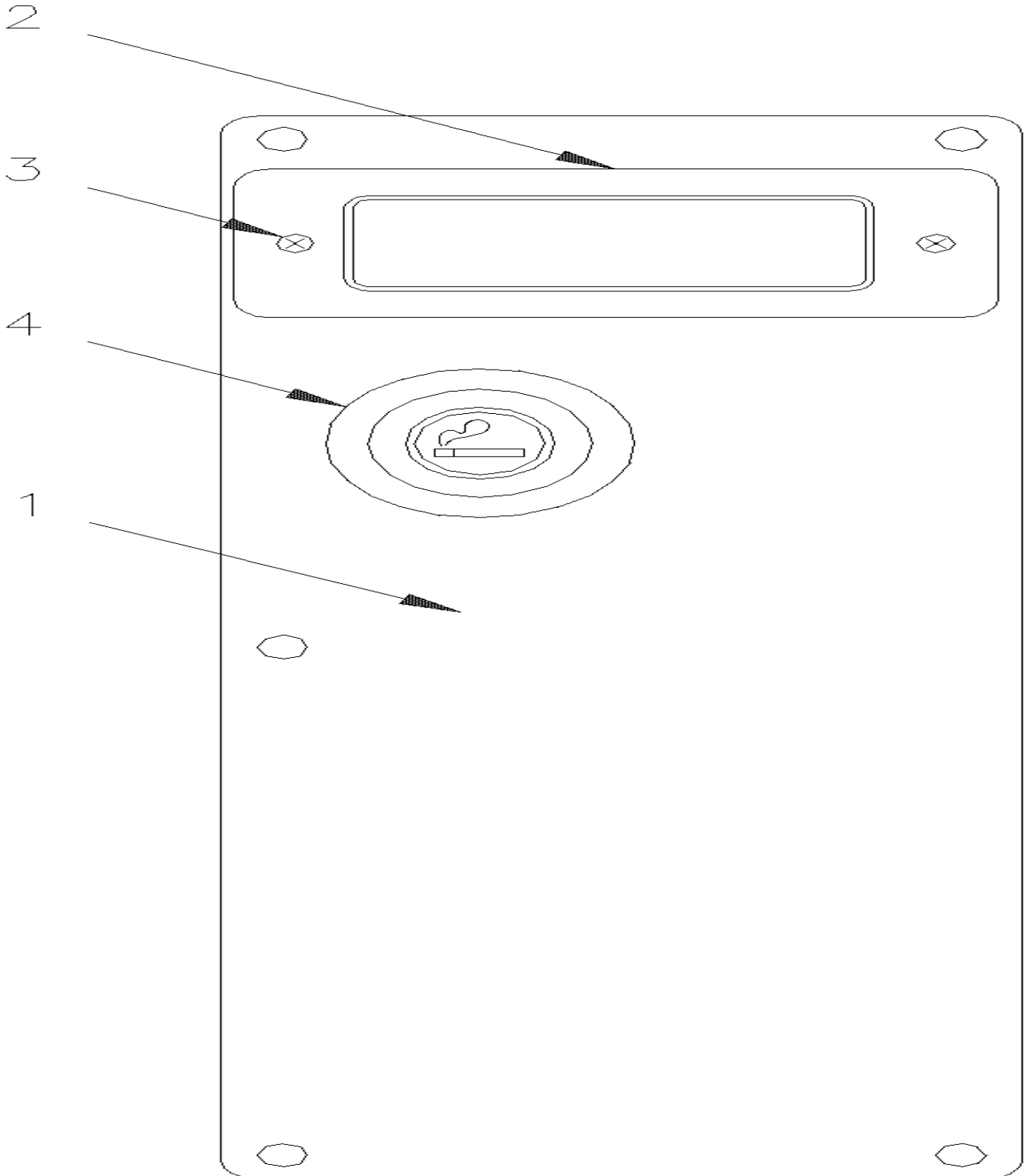
Item#	Part	Description	H 3 4 1	H 3 4 5	V I P 4 5	N O T E S
1	391896	PANEL / W/ASHTRAY & LIGHTER	1	1		
1	391929	PANEL / W/O ASHTRAY & LIGHTER	AR	AR		
2	860434	ASHTRAY	1	1		
3	500333	SCREW TP OV PH #6x3/4 BK	2	2		
NS	500996	NUT SPR U #6-32 .135-.150	2	2		
4	561491	LIGHTER ASSY / 12V	AR	AR		

From V-1779 To W-2457

Date:10/2022

PAGE:H3-0645-55

R.H. CONSOLE - V.I.P.



From V-1779 To W-2457	Date:10/2022	PAGE:H3-0645-55
R.H. CONSOLE - V.I.P.		

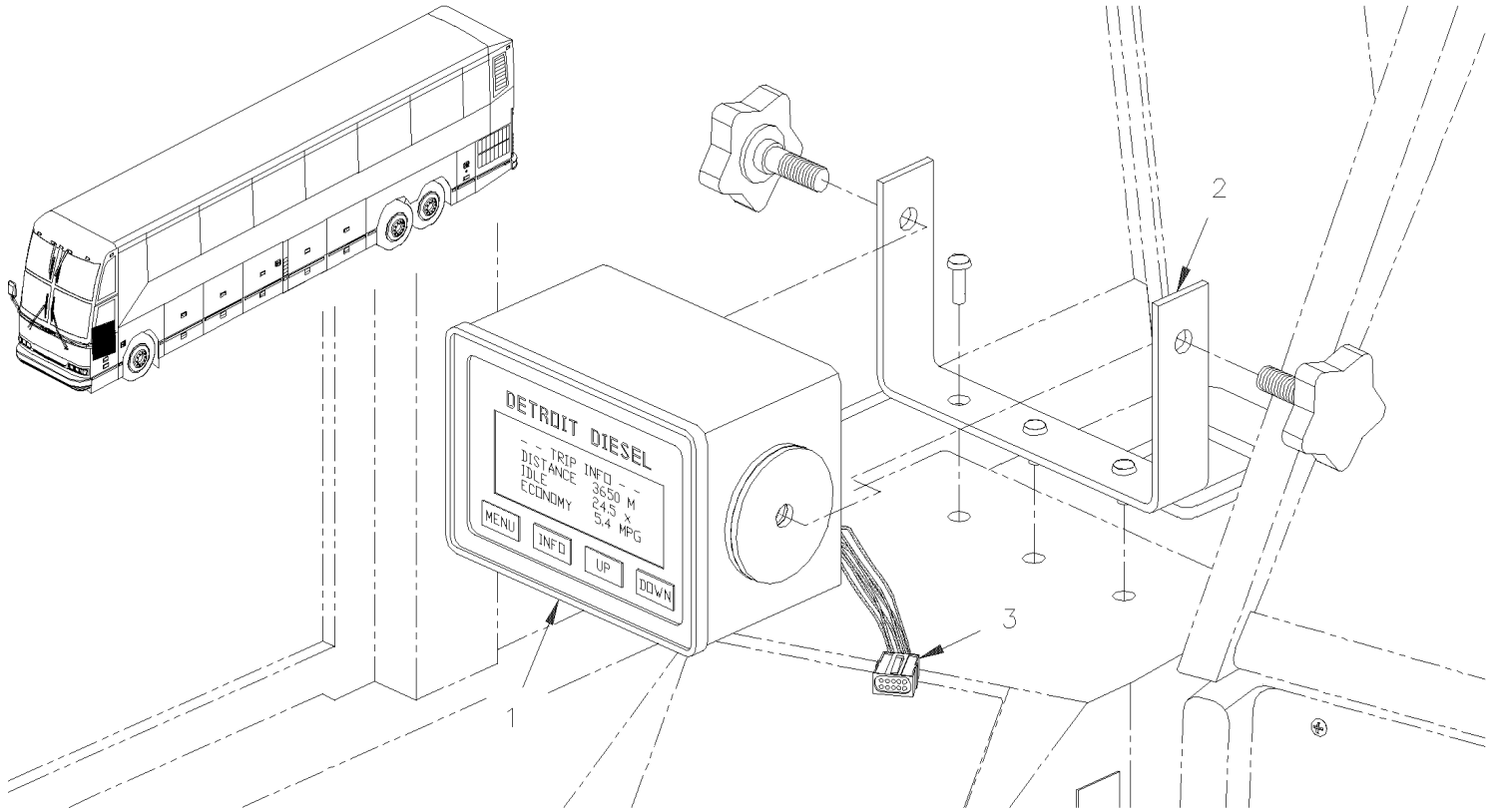
Item#	Part	Description	H 3 4 1	H 3 4 5	V I P 4 5	N O T E S
1	391896	PANEL / W/ASHTRAY & LIGHTER			1	
1	391929	PANEL / W/O ASHTRAY & LIGHTER			AR	
2	860434	ASHTRAY			1	
3	500333	SCREW TP OV PH #6x3/4 BK			2	
NS	500996	NUT SPR U #6-32 .135-.150			2	
4	561491	LIGHTER ASSY / 12V			AR	

From R-012 To 2-4416

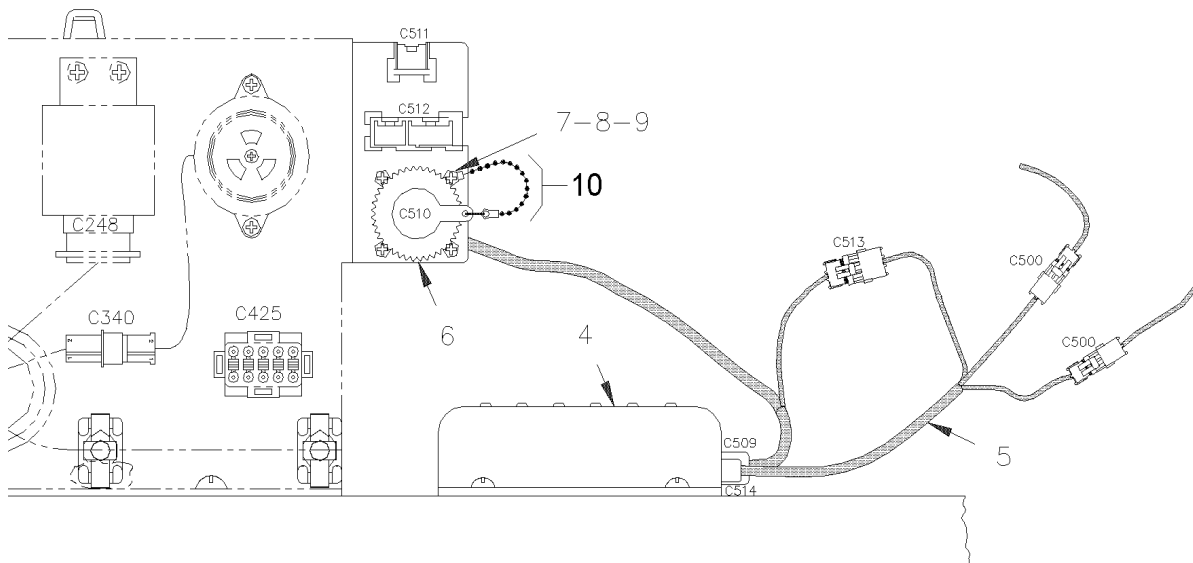
Date:10/2022

PAGE:H3-0650-00

DATA HUB



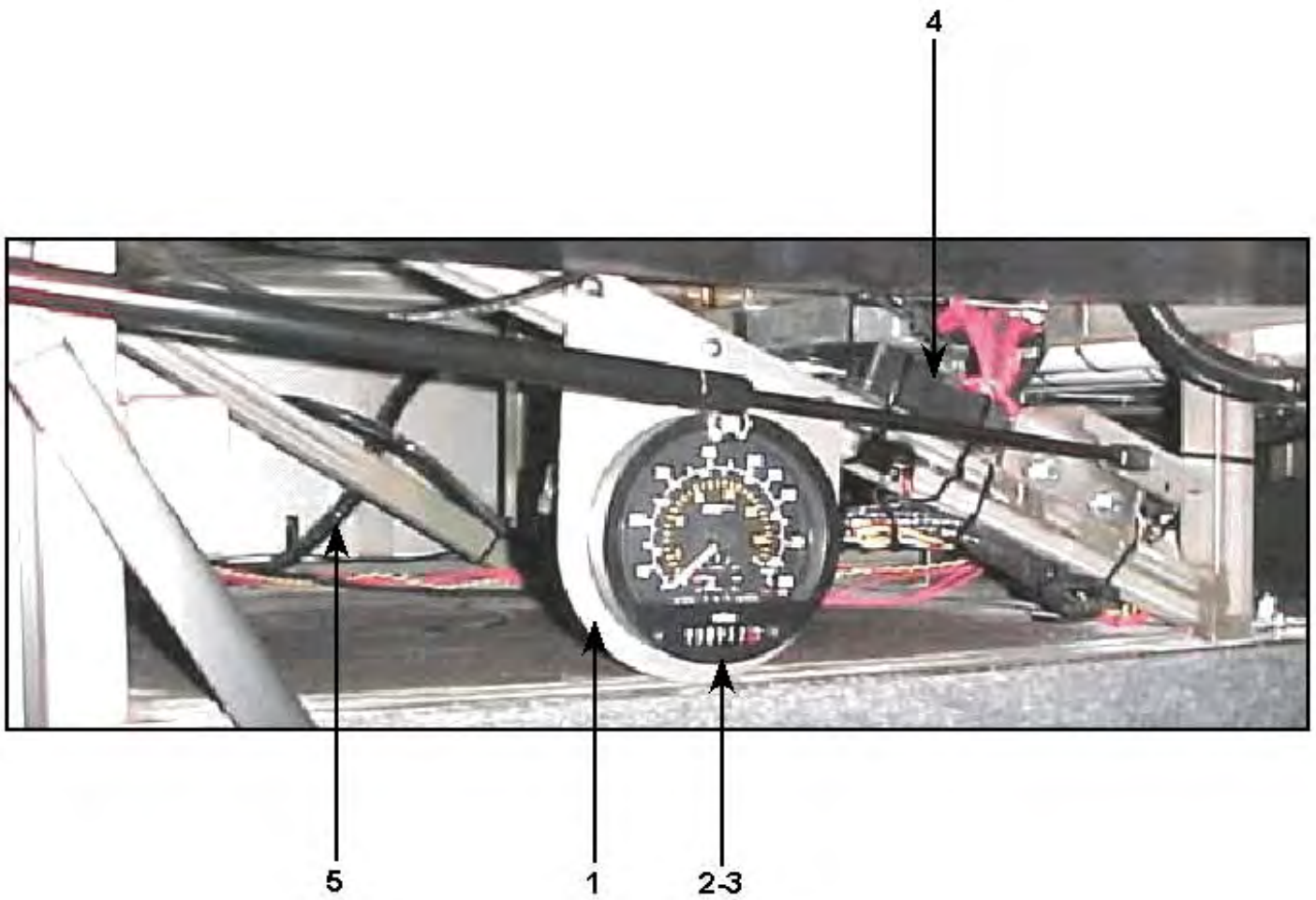
INSTALLATION OF DATA LOGGER



From R-012 To 2-4416	Date:10/2022	PAGE:H3-0650-00
DATA HUB		

Item#	Part	Description	H 3 4 1	H 3 4 5	V I P 4 5	N O T E S
1	562415	PRODRIVER DATA HUB / MODEL FOR BRACKET MOUNTED / (AS SHOWN)	1	1		
NS	562413	PRODRIVER DATA HUB / FLUSH MOUNTED			1	
2	064685	SUPPORT	AR	AR	AR	
NS	391786	BOX / PLASTIC		1		
NS	500353	SCREW TP FL PH #8x3/4 BK	2	2	2	
NS	502620	WASHER FN CK .203x.531 BK	2	2	2	
3	063893	CABLE ASSY / PRODRIVER POWER	1	1	1	
NS	562447	INSTRUCTION MANUAL "PRO DRIVER"	1	1	1	
3	N.P.N.	INSTALLATION MANUAL FROM DETROIT DIESEL / (07SA0712)	1	1	1	4
NS	562671	INSTRUCTION MANUAL "DATA HUB"	1	1	1	
		FOR AN INSTALLATION OF DATA LOGER				
		USE NEXT ITEMS				
4	562459	DATA LOGGER BOX	AR	AR	AR	
5	064032	CABLE ASSY / W/DATA LOGGER BOX	1	1	1	
5	064033	CABLE ASSY / W/O DATA LOGGER BOX	AR	AR	AR	
6	381743	SUPPORT / TO FIX CABLE TO FRONT ALARM BOX From T-1612	1	1	1	
7	500437	WASHER FL .125x.375x.040 Z050	4	4	4	
8	500518	SCREW MA BDG PH #4-40x1/2 Z050	4	4	4	
9	502520	NUT HEX #4-40 Z050	4	4	4	
NS	504103	RIVET POP DOME OE 1/8x1/8 AL	3	3	3	A
10	562543	PROTECTIVE CAP / HD10 SERIES / 9C / DEUTSCH HDC16-9	1	1	1	
10	562494	RING / ATTACHMENT END	1	1	1	
10	562493	CHAIN / C.T.L.	1	1	1	
10	562492	TYPE A COUPLING	1	1	1	
		A) TO FIX SUPPORT				
		4) NO PARTS NUMBER				

From W-2285 To 2-4416		Date:10/2022	PAGE:H3-0650-10
TACHOGRAPH - INSTALLATION			



From W-2285 To 2-4416	Date:10/2022	PAGE:H3-0650-10
TACHOGRAPH - INSTALLATION		

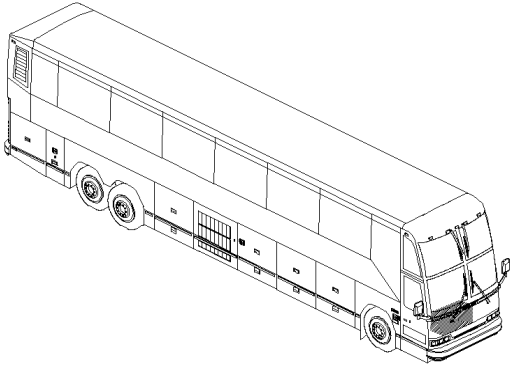
Item#	Part	Description	H 3 4 1	H 3 4 5	V I P 4 5	N O T E S
		THIS INSTALLATION IS LOCATED UNDER FLOOR BAGGAGE COMPARTEMENT				
1	064686	SUPPORT / TO FIX HEAD	1	1		
2	590259	TACHOGRAPH ASSY / MPH / W/4 WIRES	1	1		
2	590258	TACHOGRAPH ASSY / KM/H / W/4 WIRES	1	1		
NS	590236	. KEY	1	1		
NS	561006	. BULB / 1WATT-24VOLTS / SAE# 2741MF	3	3		
NS	590270	BRACKET	2	2		
NS	590235	NUT KNURLED	2	2		
3	590179	CHART KM/H	AR	AR		
3	590122	CHART MPH	AR	AR		
3	590251	CHART DUMMY PROTECTOR	AR	AR		
4	090195	MODULE ASSY / W/TACHOGRAPH W/4 WIRES	1	1		
5	064669	CABLE ASSY	1	1		
5	064806	CABLE ASSY	1	1		A
		A) THIS ITEM IS USE WITH "TRIP MASTER" FOR CUSTOMMER INSTALLATION				

From W-2285 To 2-4416

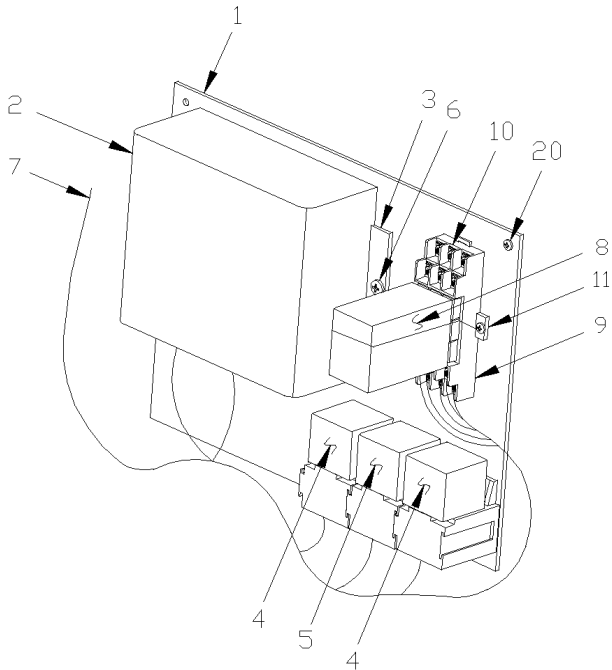
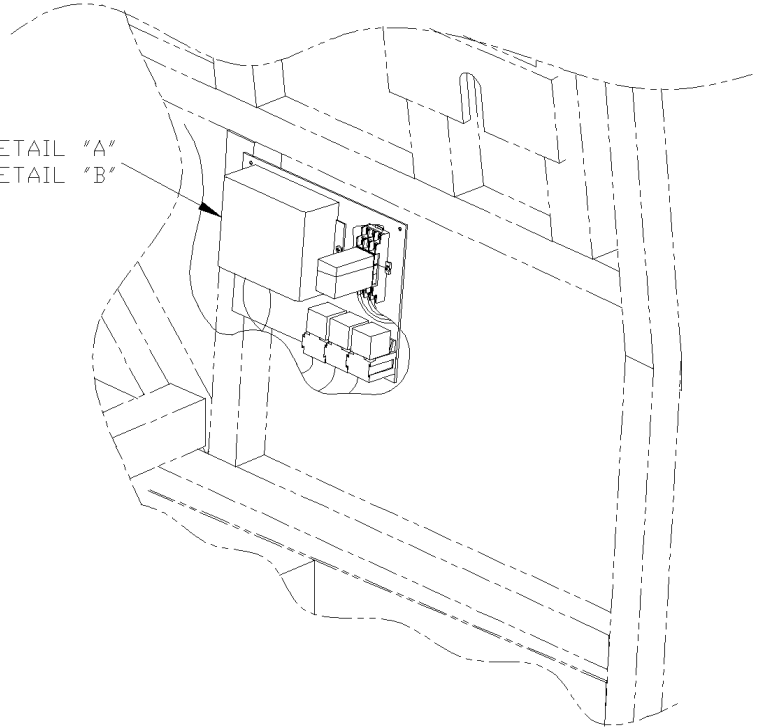
Date:10/2022

PAGE:H3-0650-50

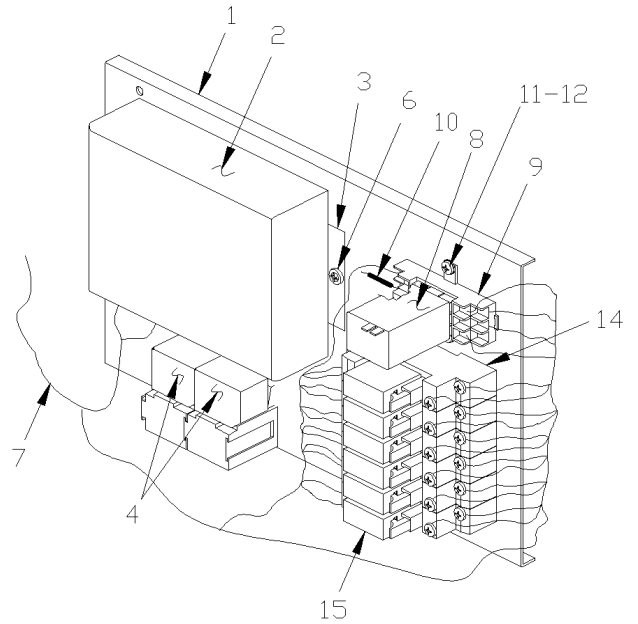
KEYLESS MODULE



DETAIL "A"
DETAIL "B"



DETAIL "A"
UP TO 1-4096



DETAIL "B"
FROM 1-4097

From W-2285 To 2-4416	Date:10/2022	PAGE:H3-0650-50
KEYLESS MODULE		

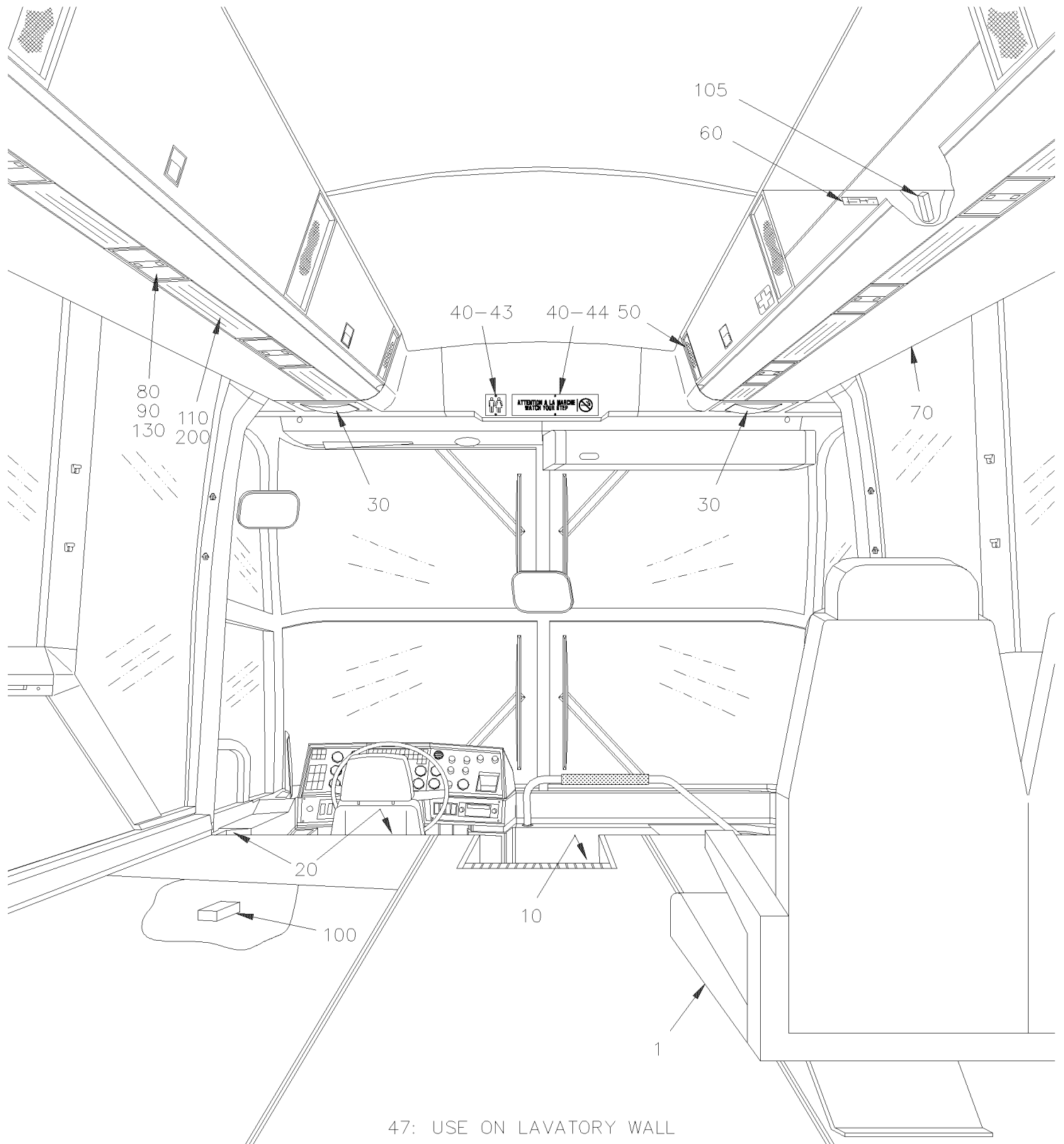
Item#	Part	Description	H 3 4 1	H 3 4 5	V I P 4 5	N O T E S
	381856	KEYLESS MODULE ASSY / V.I.P. To X-2632			1	
	381873	KEYLESS MODULE ASSY / V.I.P. From X-2633 To 1-4096			1	
	381971	KEYLESS MODULE ASSY / V.I.P. From 1-4097			1	
1	381857	. SUPPORT MODULE KEYLESS To 1-4096			1	
1	381972	. SUPPORT MODULE KEYLESS From 1-4097			1	
2	562673	. KEYLESS MODULE / 50' RANGE			1	S
. NS	IS-03103	. . SEE INSTRUCTION SHEET			1	S
2	563541	. KEYLESS MODULE / 350' RANGE From SERVICE			1	
3	064494	. SUPPORT MODULE			2	
4	562092	. RELAY 12V S.P.D.T. W/DIODE /			2	
5	561707	. RELAY 24V S.P.D.T. W/RESISTOR /			1	
6	500582	. SCREW TP PAN PH #8x3/8 Z050			4	
7	064666	. WIRING HARNESS KEYLESS MODULE To X-2632			1	
7	064830	. WIRING HARNESS KEYLESS MODULE From X-2633 To 1-4096			1	
7	065383	. WIRING HARNESS KEYLESS MODULE From 1-4097			1	
8	562341	. RELAY, TIME DELAY RELAY - OFF			1	
8	067982	. KIT RETROFIT TIME DELAY RELAY			1	
. NS	563584	. . RELAY, TIME DELAY RELAY - OFF / 30 SEC			1	
. NS	561183	. . RELAY BASE / TAB TERMINAL / BOSCH 3334485008			1	
. NS	561108	. . TAB RECEPTACLE TERMINAL / 18-14 / AMP 42238-2			4	
8	563584	. RELAY, TIME DELAY RELAY - OFF / 30 SEC			1	R
9	562340	. BASE SOCKET			1	
10	560805	. RESISTOR / 470 OHMS / 1/2W			1	
11	500640	. SCREW TP PAN PH #6x3/4 Z050			2	
12	500467	. WASHER LO INT .138x.275x.019 Z050			2	
14	563055	. BASE RELAY			7	
15	563054	. RELAY 12V S.P.D.T.			7	
NS	064831	CABLE KEYLESS MODULE			1	
NS	065399	KIT KEYLESS MODULE From W-2456 To X-2632			AR	
. NS	IS-00053A	. SEE INSTRUCTION SHEET From W-2456 To X-2632			1	
NS	065401	KIT KEYLESS MODULE From W-2633 To 1-4097			AR	
. NS	IS-00053A	. SEE INSTRUCTION SHEET From W-2633 To 1-4097			1	
		R) SEE ATTACHMENT DOCUMENT 2004093				
		S) WHEN YOU REPLACE MODULE 562673 BY THE NEW 563541 YOU NEED TO REPLACE KEYLESS 562674 WITH THE NEW 563542 / SEE INSTRUCTION SHEET IS-03103				

From R-012 To W-2284

Date:10/2022

PAGE:H3-0655-01

INTERIOR LIGHTING

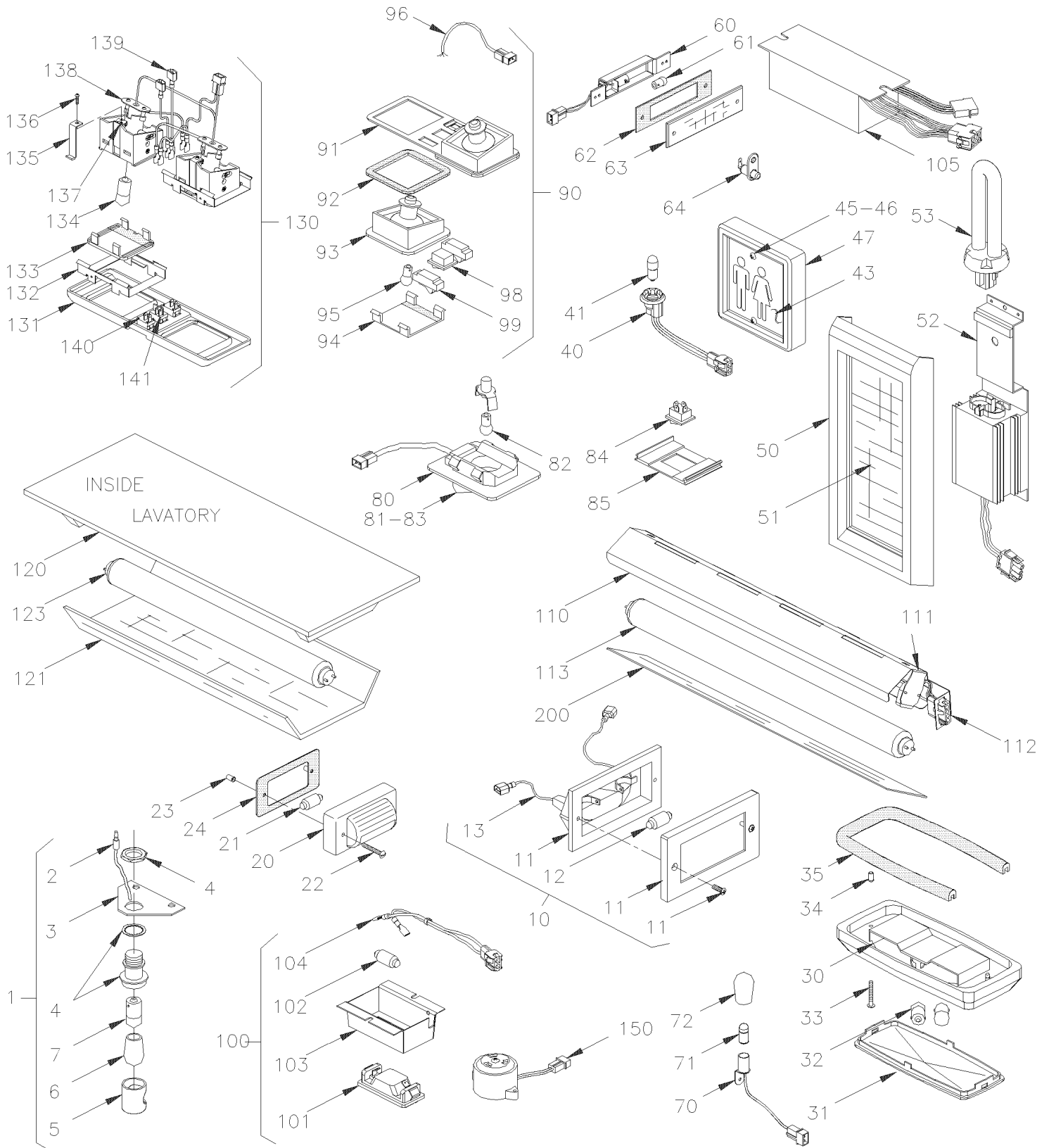


From R-012 To W-2284

Date:10/2022

PAGE:H3-0655-01

INTERIOR LIGHTING



From R-012 To W-2284		Date:10/2022	PAGE:H3-0655-01
INTERIOR LIGHTING			

Item#	Part	Description	H 3 4 1	H 3 4 5	V I P 4 5	N O T E S
		AISLE LAMP - UNDER PASSENGER'S SEAT				
1	330146	LAMP ASSY / UNDER SEAT W/BULB	AR	AR		
1	330367	LAMP ASSY / UNDER SEAT W/LED	AR	AR		
2	560098	. TERMINAL SNAP PLUG / 16-14 / INSULATED / AMP 2-324225-1	1	1		
3	361343	. SUPPORT	1	1		
4	830096	. LAMP	1	1		
5	830113	. . CAP PROTECTOR	1	1		
6	560141	. BULB / 3WATT-24VOLTS / SAE# 1251	1	1		
6	563546	. BULB / 7 LEDS BLUE / UNDER SEAT / #B607-2PB-028W	1	1		
6	564100	. BULB / 7 LEDS BLUE / UNDER SEAT / #270015	1	1		
7	560940	. BULB COVERING / BLUE	1	1		
NS	061310	CABLE ASSY / LIGHT & MAIN CABLE	AR	AR		
		STEPWELL LAMP				
10	330241	LAMP ASSY	2	2		
10	830197	LAMP ASSY 24V LEDS	2	2		
11	830142	. LAMP	1	1		
12	562278	. BULB / 10WATT-24VOLTS / SAE# 6429	1	1		
13	560098	. TERMINAL SNAP PLUG / 16-14 / INSULATED / AMP 2-324225-1	1	1		
13	560697	. PLUG RECEPTACLE / 16-14 / AMP 165429-1	1	1		
NS	500148	SCREW MA RND PH #6-32x1/2 SS	AR	AR		F
NS	500422	NUT SPR U #6-32 .110-.120 SS	AR	AR		F
		GALLEY, WASTE CONTAINER & MAP LAMP				
20	830124	LAMP ASSY	1	1		
21	562278	BULB / 10WATT-24VOLTS / SAE# 6429	1	1		
21	562305	BULB / 5WATT-12VOLTS / SAE# 6413	AR	AR		
NS	560067	FUSE HOLDER IN LINE	1	1		G
. NS	8905111	. TERMINAL FUSE HOLDER	QR	QR		G
NS	560893	FUSE / 3 AMPS / AGC-3A	1	1		G
NS	562953	BUTT SPLICE / 16-14 / BLUE / AMP 55825-1	2	2		G
22	500678	NUT WELL #8-32x.450	2	2		
23	500580	SCREW MA RND SLT #8-32x1/2 ZP	2	2		
24	391525	RUBBER PLATE GASKET	1	1		
		DRIVER'S LAMP				
30	830110	LAMP ASSY	3	3		

From R-012 To W-2284		Date:10/2022	PAGE:H3-0655-01
INTERIOR LIGHTING			

Item#	Part	Description	H 3 4 1	H 3 4 5	V I P 4 5	N O T E S
30	830110	LAMP ASSY			2	
31	830125	. LENS	1	1	1	
32	561553	. BULB / 10WATT-24VOLTS / SAE# 5637	2	2	2	
33	500654	SCREW TC BDG PH #8-32x1/2 Z050	AR	AR	AR	F
34	500678	NUT WELL #8-32x.450	AR	AR	AR	
35	506025	RUBBER CHANNEL / 1/18" x 5/16" INT "U" SHAPE / SQUARE C.T.L.	AR	AR	AR	
		FRONT PARCEL RACK FLUORESCENT				
40	330253	BASE ASSY W/SOCKET & BULB 24V / CHARCOAL To W-2284	1	1		
40	330252	. BASE BOX, LAMP / CHARCOAL	1	1	1	
40	330265	. SOCKET ASSY W/CONNECTOR / W2.1x9.Dd	1	1		
. NS	562295	. . SOCKET BULB / PLASTIC W/WIRE / W2.1x9.5d	1	1		
. NS	561248	. . CONNECTOR / UNIVERSAL MATE-N-LOK / PH 2C / AMP 1-480699-0	1	1		
. NS	562122	. . PIN TERMINAL / 20-14 / AMP 350547-1	2	2		
41	561166	. BULB / 3WATT-24VOLTS / SAE# 464	1	1		
43	403137	LENS	1	1		
44	H3-1832-01	FRONT FINISHING CAP				
45	500504	SCREW TC OV PH #6-32x1/2 BK	2	2		
46	500422	NUT SPR U #6-32 .110-.120 SS	2	2		
50	311461	LENS COVER ASSY / TO USE W/CORD	1	1		
50	311462	LENS COVER ASSY / TO USE W/DOOR	1	1		
50	312146	LENS COVER "SPECIAL"		1		B
51	311460	. LENS	1	1		
52	330220	BALLAST ASSY / 24 VOLTS To V-1876	AR	AR		
52	330332	BALLAST ASSY / 24 VOLTS From V-1877	AR	AR		
53	830108	TUBE / 7WATT / PL7	AR	AR		
		PARCEL RACK				
60	430314	LAMP ASSY	AR	AR		
60	430313	. BOX	1	1		
60	561556	. SOCKET BULB / METAL W/2 WIRES / BA9s / LEECRAFT B22Q2	1	1		
60	504082	. SNAP BUSHING / .125x.312x.312	1	1		
60	560853	. PIN TERMINAL / 24-18 / AMP 60618-1	2	2		
60	560900	. CONNECTOR / COM. MATE-N-LOCK / PH 2C / AMP 1-480319-0	1	1		
60	504109	. RIVET POP DOME OE 5/32x3/16 AL	2	2		
61	560144	BULB / 1.6WATT-24VOLTS / SAE# 1820	AR	AR		
62	430316	SEAL	1	1		
63	430312	LENS	1	1		
NS	500124	SCREW TP TR PH #8x1/2 SS	2	2		E
64	561563	SWITCH / S.P.S.T. / N.C.	1	1		

From R-012 To W-2284		Date:10/2022	PAGE:H3-0655-01
INTERIOR LIGHTING			

Item#	Part	Description	H 3 4 1	H 3 4 5	V I P 4 5	N O T E S
NS	061967	CABLE ASSY / LIGHT & SWITCH	1	1		
		EMERGENCY EXIT LAMP - LOCATED				
		UPPER OF SIDE WINDOW				
70	330217	SOCKET ASSY	AR	AR		
71	560601	BULB / 2WATT-24VOLTS / SAE# 456	AR	AR		
72	560942	BULB COVERING / BLUE	AR	AR		
NS	500648	SCREW TC BDG PH #6-32x1/4 ZP	AR	AR		
NS	500438	WASHER FL .187x.437x.050 Z050	AR	AR		
		READING LAMP UNDER PARCEL RACK				
80	330258	LAMP ASSY To T-1596	AR	AR		H
80	830130	. LAMP To T-1596	1	1		H
81	830132	. . SWITCH / ON-ON / S.P.S.T. / READING LIGHT To T-1596	1	1		
82	562033	. . BULB / 8WATT-24VOLTS / SAE# 941-Q940 To T-1596	1	1		
82	560900	. CONNECTOR / COM. MATE-N-LOCK / PH 2C / AMP 1-480319-0 To T-1596	1	1		
82	560853	. PIN TERMINAL / 24-18 / AMP 60618-1 To T-1596	2	2		
83	330266	DECAL / [GREEN] SWITCH LOCALISATION To T-1596	1	1		H
NS	330257	STOPPER / ON SOME FRONT READING LIGHT FOR SPECIAL To T-1596	AR	AR		H
84	561564	SWITCH, HOSTESS & STOP To T-1596	AR	AR		
85	311082	SWITCH SUPPORT To T-1575	AR	AR		
85	311898	SWITCH SUPPORT From T-1576 To T-1596	AR	AR		
		READING LAMP UNDER PARCEL RACK				
90	330329	LAMP ASSY From T-1597	AR	AR		
90	330333	LAMP ASSY / W/HOSTESS SWITCH From T-1597	AR	AR		
91	330328	. PLATE From T-1597	1	1		
91	330334	. PLATE / W/HOSTESS SWITCH From T-1597	1	1		
92	330323	. GASKET From T-1597	2	2		
93	330324	. LAMP ASSY / WITH LENS PAINTED From T-1597	2	2		
. NS	830143	. . LAMP ASSY From T-1597	1	1		
. NS	830148	. . LENS / PAINTED From T-1597	1	1		
94	830148	. LENS / PAINTED From T-1597	2	2		
95	561553	. BULB / 10WATT-24VOLTS / SAE# 5637 From T-1597	2	2		
96	064272	. CABLE ASSY From T-1597	1	1		
98	561564	. SWITCH, HOSTESS & STOP From T-1597	1	1		
99	562491	. SWITCH / OFF-ON / S.P.S.T. / RED ILLUMINATI From T-1597	2	2		
NS	330339	. SHIM / UNDER SWITCH / ALL	2	2		
NS	065154	. RESISTOR ASSY 15 OHMS 15 W	1	1		D

From R-012 To W-2284 Date:10/2022 PAGE:H3-0655-01

INTERIOR LIGHTING

Item#	Part	Description	H 3 4 1	H 3 4 5	V I P 4 5	N O T E S
		BAGGAGE & SERVICE DOOR				
100	330268	LAMP ASSY 24V / BAGGAGE COMPARTMENT LAMP / W/ONE BULB 10W	AR	AR		
100	330372	. LAMP ASSY 24V / BAGGAGE COMPARTMENT LAMP W//2 BULBS 5W From SERVICE	AR	AR	AR	S
101	830139	. LAMP ASSY / W/ONE BULB	1	1		
101	830183	. LAMP ASSY / W/2 BULBS From SERVICE	1	1	1	S
102	562278	. BULB / 10WATT-24VOLTS / SAE# 6429	1	1		
102	562411	. BULB / 5WATT-24VOLTS / SAE # 6424 From SERVICE	2	2	2	S
103	330267	. SUPPORT / SS / TO FIX LAMP / W/ONE BULB	1	1		
104	063435	. CABLE ASSY / W/ONE BULB	1	1		
NS	504273	. CABLE TIE / 1/8" X 3"1/2	1	1		
NS	064278	CABLE ASSY / TO ADD MORE LAMP IN BAGGAGE COMPARTMENT	8	8		
		FLUORESCENT UNDER PARCEL RACK				
105	330214	BALLAST ASSY / 24 VOLTS To V-1680	AR	AR		A
105	330215	BALLAST ASSY / 24 VOLTS To V-1906	AR	AR		
105	330331	BALLAST ASSY / 24 VOLTS From V-1907	AR	AR		
110	330219	LAMP ASSY To T-1575	AR	AR		
110	330300	LAMP ASSY From T-1576	AR	AR		
111	830101	SOCKET / BIPIN HOLDER To T-1575	2	2		
111	830145	SOCKET / BIPIN HOLDER From T-1576	2	2		
112	561551	CONNECTOR / UNIVERSAL MATE-N-LOK / PH 4C / AMP 1-480703-0	AR	AR		
113	830102	TUBE / 15WATT / F15T8CW - 18" / G13 MED BIPIN	AR	AR		
		LAVATORY LAMP				
120	402663	LAMP ASSY	1	1		
120	561708	. LAMP	1	1		
121	830126	. . LENS	1	1		
NS	830127	. . BALLAST	1	1		
123	830102	. . TUBE / 15WATT / F15T8CW - 18" / G13 MED BIPIN	1	1		
NS	560900	. CONNECTOR / COM. MATE-N-LOCK / PH 2C / AMP 1-480319-0	1	1		
NS	560901	. PIN TERMINAL / 20-14 / AMP 60620-1	2	2		
123	064810	KIT RETRO LAVATORY NIGHT LIGHT	AR	AR		
. NS	IS-98034	. SEE INSTRUCTION SHEET	1	1		
NS	430172	. SOCKET ASSY	1	1		C
NS	560123	. BULB / 4WATT-12VOLTS / SAE# 67	1	1		C
NS	064775	. CABLE INTERFACE	1	1		C

From R-012 To W-2284		Date:10/2022	PAGE:H3-0655-01
INTERIOR LIGHTING			

Item#	Part	Description	H 3 4 1	H 3 4 5	V I P 4 5	N O T E S
NS	064776	. CABLE RELAY	1	1		C
NS	561707	. RELAY 24V S.P.D.T. W/RESISTOR /	1	1		C
NS	561790	. BREAKER 6AMPS / 24V /	1	1		C
		READING LAMP ARE USED ON "SPECIAL" COACH				
130	330302	LAMP ASSY To T-1596				
131	330296	. SUPPORT / PLASTIC To T-1596				
132	330297	. HOLDER / SS / SPRING CLIP To T-1596				
133	830148	. LENS / PAINTED To T-1596				
134	561553	. BULB / 10WATT-24VOLTS / SAE# 5637 To T-1596				
135	330301	. BRACKET 45MM X 10MM To T-1596				
136	500583	. SCREW TP PAN PH #6x1/2 Z050 To T-1596				
137	500996	. NUT SPR U #6-32 .135-.150 To T-1596				
138	330324	. LAMP ASSY / WITH LENS PAINTED To T-1596				
. NS	830143	. . LAMP ASSY To T-1596		1		
. NS	830148	. . LENS / PAINTED To T-1596		1		
139	064169	. CABLE ASSY / READING LAMP To T-1596				
139	064190	. CABLE ASSY / HOSTESS LAMP To T-1596				
140	562491	. SWITCH / OFF-ON / S.P.S.T. / RED ILLUMINATI To T-1596				
141	562490	. SWITCH / OFF-ON / S.P.S.T. / WHITE To T-1596				
150	064094	FIRE & KNEELING / ALARM ASSY / SERVICE	AR	AR	AR	
	 SCREEN, FLUORESCENT				
200	310670	SCREEN, FLUORESCENT / 3045MM / 120" C.T.L. To T-1575	AR	AR		
200	311879	SCREEN, FLUORESCENT / 3045MM / 120" C.T.L. From T-1576	AR	AR		
200	310688	SCREEN, FLUORESCENT / 1 1/4" To T-1575	AR	AR		
200	311800	SCREEN, FLUORESCENT / 2" To T-1575	AR	AR		
200	311780	SCREEN, FLUORESCENT / 3" To T-1575	AR	AR		
200	310696	SCREEN, FLUORESCENT / 3 3/8" To T-1575	AR	AR		
200	311463	SCREEN, FLUORESCENT / 3 7/8" To T-1575	AR	AR		
200	311300	SCREEN, FLUORESCENT / 4 3/4" To T-1575	AR	AR		
200	311298	SCREEN, FLUORESCENT / 4 7/8" To T-1575	AR	AR		
200	310814	SCREEN, FLUORESCENT / 5 1/2" To T-1575	AR	AR		
200	311442	SCREEN, FLUORESCENT / 6 1/8" To T-1575	AR	AR		
200	310705	SCREEN, FLUORESCENT / 6 5/8" To T-1575	AR	AR		
200	310819	SCREEN, FLUORESCENT / 6 3/4" To T-1575	AR	AR		
200	310695	SCREEN, FLUORESCENT / 7 3/8" To T-1575	AR	AR		
200	311110	SCREEN, FLUORESCENT / 8" To T-1575	AR	AR		
200	310697	SCREEN, FLUORESCENT / 8 3/4" To T-1575	AR	AR		

From R-012 To W-2284	Date:10/2022	PAGE:H3-0655-01
INTERIOR LIGHTING		

Item#	Part	Description	H 3 4 1	H 3 4 5	V I P 4 5	N O T E S
200	311786	SCREEN, FLUORESCENT / 9 5/8" To T-1575	AR	AR		
200	311892	SCREEN, FLUORESCENT / 9 1/4" To T-1575	AR	AR		
200	310684	SCREEN, FLUORESCENT / 10" To T-1575	AR	AR		
200	310698	SCREEN, FLUORESCENT / 11 3/8" To T-1575	AR	AR		
200	311307	SCREEN, FLUORESCENT / 11 5/8" To T-1575	AR	AR		
200	310939	SCREEN, FLUORESCENT / 12" To T-1575	AR	AR		
200	311292	SCREEN, FLUORESCENT / 12 3/8" To T-1575	AR	AR		
200	310699	SCREEN, FLUORESCENT / 13" To T-1575	AR	AR		
200	311306	SCREEN, FLUORESCENT / 13 1/4" To T-1575	AR	AR		
200	311335	SCREEN, FLUORESCENT / 13 5/8" To T-1575	AR	AR		
200	310940	SCREEN, FLUORESCENT / 13 7/8" To T-1575	AR	AR		
200	311469	SCREEN, FLUORESCENT / 14 3/8" To T-1575	AR	AR		
200	310694	SCREEN, FLUORESCENT / 15" To T-1575	AR	AR		
200	311312	SCREEN, FLUORESCENT / 15 1/4" To T-1575	AR	AR		
200	310848	SCREEN, FLUORESCENT / 15 1/2" To T-1575	AR	AR		
200	311781	SCREEN, FLUORESCENT / 15 3/4" To T-1575	AR	AR		
200	311308	SCREEN, FLUORESCENT / 16 1/8" To T-1575	AR	AR		
200	311782	SCREEN, FLUORESCENT / 16 3/8" To T-1575	AR	AR		
200	311441	SCREEN, FLUORESCENT / 16 3/4" To T-1575	AR	AR		
200	311040	SCREEN, FLUORESCENT / 17 1/2" To T-1575	AR	AR		
200	311299	SCREEN, FLUORESCENT / 17 3/4" To T-1575	AR	AR		
200	310702	SCREEN, FLUORESCENT / 18 1/8" To T-1575	AR	AR		
200	311423	SCREEN, FLUORESCENT / 18 1/4" To T-1575	AR	AR		
200	311106	SCREEN, FLUORESCENT / 18 1/2" To T-1575	AR	AR		
200	311439	SCREEN, FLUORESCENT / 18 3/4" To T-1575	AR	AR		
200	311354	SCREEN, FLUORESCENT / 18 7/8" To T-1575	AR	AR		
200	311337	SCREEN, FLUORESCENT / 19" To T-1575	AR	AR		
200	311168	SCREEN, FLUORESCENT / 19 1/2" To T-1575	AR	AR		
200	311109	SCREEN, FLUORESCENT / 20 1/8" To T-1575	AR	AR		
200	311448	SCREEN, FLUORESCENT / 20 1/4" To T-1575	AR	AR		
200	311447	SCREEN, FLUORESCENT / 20 5/8" To T-1575	AR	AR		
200	311023	SCREEN, FLUORESCENT / 20 3/4" To T-1575	AR	AR		
200	311446	SCREEN, FLUORESCENT / 20 7/8" To T-1575	AR	AR		
200	311449	SCREEN, FLUORESCENT / 21 1/8" To T-1575	AR	AR		
200	311314	SCREEN, FLUORESCENT / 21 1/4" To T-1575	AR	AR		
200	310700	SCREEN, FLUORESCENT / 21 3/8" To T-1575	AR	AR		
200	310701	SCREEN, FLUORESCENT / 21 5/8" To T-1575	AR	AR		
200	310689	SCREEN, FLUORESCENT / 22" To T-1575	AR	AR		
200	311290	SCREEN, FLUORESCENT / 22 1/2" To T-1575	AR	AR		
200	310693	SCREEN, FLUORESCENT / 23" To T-1575	AR	AR		
200	311304	SCREEN, FLUORESCENT / 22 7/8" To T-1575	AR	AR		
200	310693	SCREEN, FLUORESCENT / 23" To T-1575	AR	AR		

From R-012 To W-2284	Date:10/2022	PAGE:H3-0655-01
INTERIOR LIGHTING		

Item#	Part	Description	H 3 4 1	H 3 4 5	V I P 4 5	N O T E S
200	311643	SCREEN, FLUORESCENT / 23 1/4" To T-1575	AR	AR		
200	311108	SCREEN, FLUORESCENT / 23 1/2" To T-1575	AR	AR		
200	311440	SCREEN, FLUORESCENT / 23 7/8" To T-1575	AR	AR		
200	310692	SCREEN, FLUORESCENT / 24" To T-1575	AR	AR		
200	311783	SCREEN, FLUORESCENT / 24 1/4" To T-1575	AR	AR		
200	310813	SCREEN, FLUORESCENT / 24 1/2" To T-1575	AR	AR		
200	311444	SCREEN, FLUORESCENT / 24 5/8" To T-1575	AR	AR		
200	311338	SCREEN, FLUORESCENT / 24 3/4" To T-1575	AR	AR		
200	311445	SCREEN, FLUORESCENT / 25 1/8" To T-1575	AR	AR		
200	311467	SCREEN, FLUORESCENT / 25 1/4" To T-1575	AR	AR		
200	310685	SCREEN, FLUORESCENT / 25 1/2" To T-1575	AR	AR		
200	311156	SCREEN, FLUORESCENT / 25 3/4" To T-1575	AR	AR		
200	310686	SCREEN, FLUORESCENT / 26" To T-1575	AR	AR		
200	311341	SCREEN, FLUORESCENT / 26 1/8" To T-1575	AR	AR		
200	311468	SCREEN, FLUORESCENT / 26 3/8" To T-1575	AR	AR		
200	310787	SCREEN, FLUORESCENT / 26 1/2" To T-1575	AR	AR		
200	311025	SCREEN, FLUORESCENT / 27" To T-1575	AR	AR		
200	311309	SCREEN, FLUORESCENT / 27 1/4" To T-1575	AR	AR		
200	311311	SCREEN, FLUORESCENT / 27 1/2" To T-1575	AR	AR		
200	311024	SCREEN, FLUORESCENT / 27 3/4" To T-1575	AR	AR		
200	310704	SCREEN, FLUORESCENT / 27 7/8" To T-1575	AR	AR		
200	310825	SCREEN, FLUORESCENT / 28 1/8" To T-1575	AR	AR		
200	311339	SCREEN, FLUORESCENT / 28 1/2" To T-1575	AR	AR		
200	310788	SCREEN, FLUORESCENT / 28 3/4" To T-1575	AR	AR		
200	310703	SCREEN, FLUORESCENT / 28 7/8" To T-1575	AR	AR		
200	310687	SCREEN, FLUORESCENT / 29 1/4" To T-1575	AR	AR		
200	311443	SCREEN, FLUORESCENT / 29 1/2" To T-1575	AR	AR		
200	311107	SCREEN, FLUORESCENT / 29 3/4" To T-1575	AR	AR		
200	310817	SCREEN, FLUORESCENT / 30 1/4" To T-1575	AR	AR		
200	311328	SCREEN, FLUORESCENT / 30 3/4" To T-1575	AR	AR		
200	311644	SCREEN, FLUORESCENT / 31" To T-1575	AR	AR		
200	310818	SCREEN, FLUORESCENT / 31 3/4" To T-1575	AR	AR		
200	310826	SCREEN, FLUORESCENT / 32 1/4" To T-1575	AR	AR		
200	310816	SCREEN, FLUORESCENT / 33 1/8" To T-1575	AR	AR		
200	311989	SCREEN, FLUORESCENT / 35 1/8" To T-1575	AR	AR		
200	311327	SCREEN, FLUORESCENT / 52" To T-1575	AR	AR		
200	311498	SCREEN, FLUORESCENT / 59 7/8" To T-1575	AR	AR		
200	310919	SCREEN, FLUORESCENT / 108 3/4" To T-1575	AR	AR		
		. . . SCREEN, FLUORESCENT				
200	311909	SCREEN, FLUORESCENT / 32MM From T-1576	AR	AR		

From R-012 To W-2284	Date:10/2022	PAGE:H3-0655-01
INTERIOR LIGHTING		

Item#	Part	Description	H 3 4 1	H 3 4 5	V I P 4 5	N O T E S
200	311910	SCREEN, FLUORESCENT / 51MM From T-1576	AR	AR		
200	311911	SCREEN, FLUORESCENT / 76MM From T-1576	AR	AR		
200	311912	SCREEN, FLUORESCENT / 86MM From T-1576	AR	AR		
200	311913	SCREEN, FLUORESCENT / 98MM From T-1576	AR	AR		
200	311914	SCREEN, FLUORESCENT / 121MM From T-1576	AR	AR		
200	311915	SCREEN, FLUORESCENT / 203MM From T-1576	AR	AR		
200	311916	SCREEN, FLUORESCENT / 235MM From T-1576	AR	AR		
200	311917	SCREEN, FLUORESCENT / 244MM From T-1576	AR	AR		
200	311918	SCREEN, FLUORESCENT / 289MM From T-1576	AR	AR		
200	311919	SCREEN, FLUORESCENT / 305MM From T-1576	AR	AR		
200	311920	SCREEN, FLUORESCENT / 314MM From T-1576	AR	AR		
200	311921	SCREEN, FLUORESCENT / 330MM From T-1576	AR	AR		
200	311921	SCREEN, FLUORESCENT / 330MM From T-1576	AR	AR		
200	311922	SCREEN, FLUORESCENT / 337MM From T-1576	AR	AR		
200	311923	SCREEN, FLUORESCENT / 400MM From T-1576	AR	AR		
200	311924	SCREEN, FLUORESCENT / 410MM From T-1576	AR	AR		
200	311925	SCREEN, FLUORESCENT / 416MM From T-1576	AR	AR		
200	311926	SCREEN, FLUORESCENT / 425MM From T-1576	AR	AR		
200	311927	SCREEN, FLUORESCENT / 445MM From T-1576	AR	AR		
200	311928	SCREEN, FLUORESCENT / 451MM From T-1576	AR	AR		
200	311929	SCREEN, FLUORESCENT / 460MM From T-1576	AR	AR		
200	311930	SCREEN, FLUORESCENT / 483MM From T-1576	AR	AR		
200	311931	SCREEN, FLUORESCENT / 524MM From T-1576	AR	AR		
200	311932	SCREEN, FLUORESCENT / 543MM From T-1576	AR	AR		
200	311933	SCREEN, FLUORESCENT / 549MM From T-1576	AR	AR		
200	311934	SCREEN, FLUORESCENT / 559MM From T-1576	AR	AR		
200	311935	SCREEN, FLUORESCENT / 572MM From T-1576	AR	AR		
200	311936	SCREEN, FLUORESCENT / 581MM From T-1576	AR	AR		
200	311937	SCREEN, FLUORESCENT / 584MM From T-1576	AR	AR		
200	311938	SCREEN, FLUORESCENT / 591MM From T-1576	AR	AR		
200	311939	SCREEN, FLUORESCENT / 597MM From T-1576	AR	AR		
200	311940	SCREEN, FLUORESCENT / 606MM From T-1576	AR	AR		
200	311941	SCREEN, FLUORESCENT / 610MM From T-1576	AR	AR		
200	311942	SCREEN, FLUORESCENT / 616MM From T-1576	AR	AR		
200	311943	SCREEN, FLUORESCENT / 622MM From T-1576	AR	AR		
200	312110	SCREEN, FLUORESCENT / 625MM From T-1576	AR	AR		
200	311944	SCREEN, FLUORESCENT / 638MM From T-1576	AR	AR		
200	311945	SCREEN, FLUORESCENT / 641MM From T-1576	AR	AR		
200	311946	SCREEN, FLUORESCENT / 648MM From T-1576	AR	AR		
200	311947	SCREEN, FLUORESCENT / 654MM From T-1576	AR	AR		
200	311948	SCREEN, FLUORESCENT / 660MM From T-1576	AR	AR		
200	311949	SCREEN, FLUORESCENT / 664MM From T-1576	AR	AR		

From R-012 To W-2284	Date:10/2022	PAGE:H3-0655-01
INTERIOR LIGHTING		

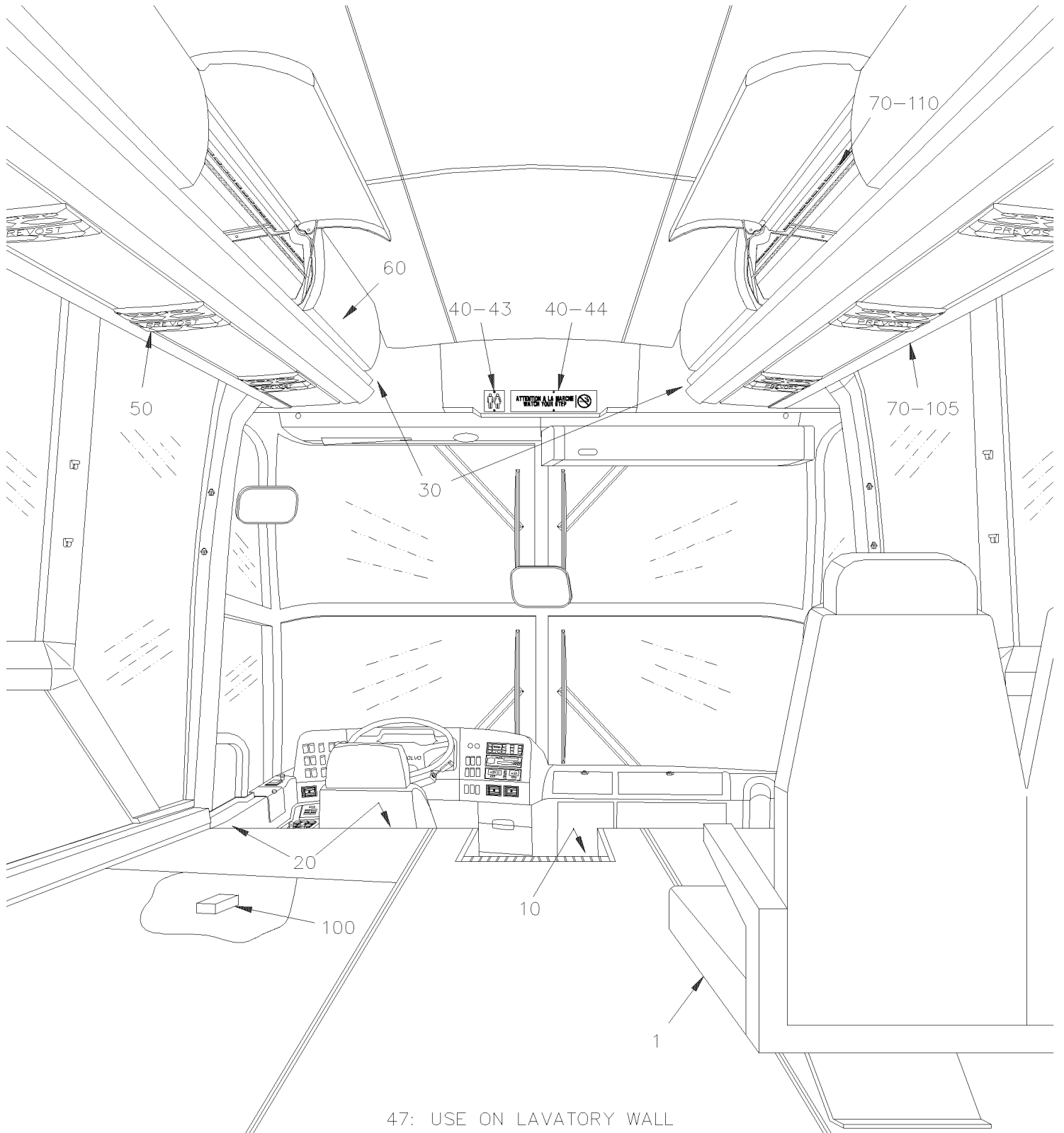
Item#	Part	Description	H 3 4 1	H 3 4 5	V I P 4 5	N O T E S
200	311950	SCREEN, FLUORESCENT / 670MM From T-1576	AR	AR		
200	311951	SCREEN, FLUORESCENT / 673MM From T-1576	AR	AR		
200	311952	SCREEN, FLUORESCENT / 686MM From T-1576	AR	AR		
200	311953	SCREEN, FLUORESCENT / 692MM From T-1576	AR	AR		
200	312078	SCREEN, FLUORESCENT / 699MM From T-1576	AR	AR		
200	311954	SCREEN, FLUORESCENT / 705MM From T-1576	AR	AR		
200	311955	SCREEN, FLUORESCENT / 708MM From T-1576	AR	AR		
200	311956	SCREEN, FLUORESCENT / 714MM From T-1576	AR	AR		
200	311957	SCREEN, FLUORESCENT / 724MM From T-1576	AR	AR		
200	311958	SCREEN, FLUORESCENT / 749MM From T-1576	AR	AR		
200	311959	SCREEN, FLUORESCENT / 756MM From T-1576	AR	AR		
200	311960	SCREEN, FLUORESCENT / 768MM From T-1576	AR	AR		
200	312111	SCREEN, FLUORESCENT / 781MM From T-1576	AR	AR		
200	311961	SCREEN, FLUORESCENT / 787MM From T-1576	AR	AR		
		A) FOR VEHICLE FROM V-1681 SEE PAGE H3-0670-10				
		B) THIS LENS COVER IT USE WITH INSTAL. W/CORD SYSTEM ON LH SIDE OF LENS & ON DOOR ON RH SIDE OF LENS.				
		C) IT USE IN KIT #064810 FOR NIGHT LIGHT WITH IGNITION KEY FOR USE WITH VEHICLE FROM V-1779 TO W-2284				
		D) TO USE WITH FIRST READING LAMP, TO DIMMER READING LAMP				
		E) TO FIX LENS				
		F) TO FIX LAMP				
		G) FOR PRODUCT IMPROVMENT WITH MAP LAMP ADD THOSE PART FOR VEHICLE FROM R-012 TO W-2284				
		H) FOR SERVICE THIS MODEL IT SUPPERSEDED BY LAMP ASSY AS SHOW AT ITEM # 90 OR # 130				
		S) SERVICE				

From W-2285 To 2-4416

Date:10/2022

PAGE:H3-0655-02

INTERIOR LIGHTING



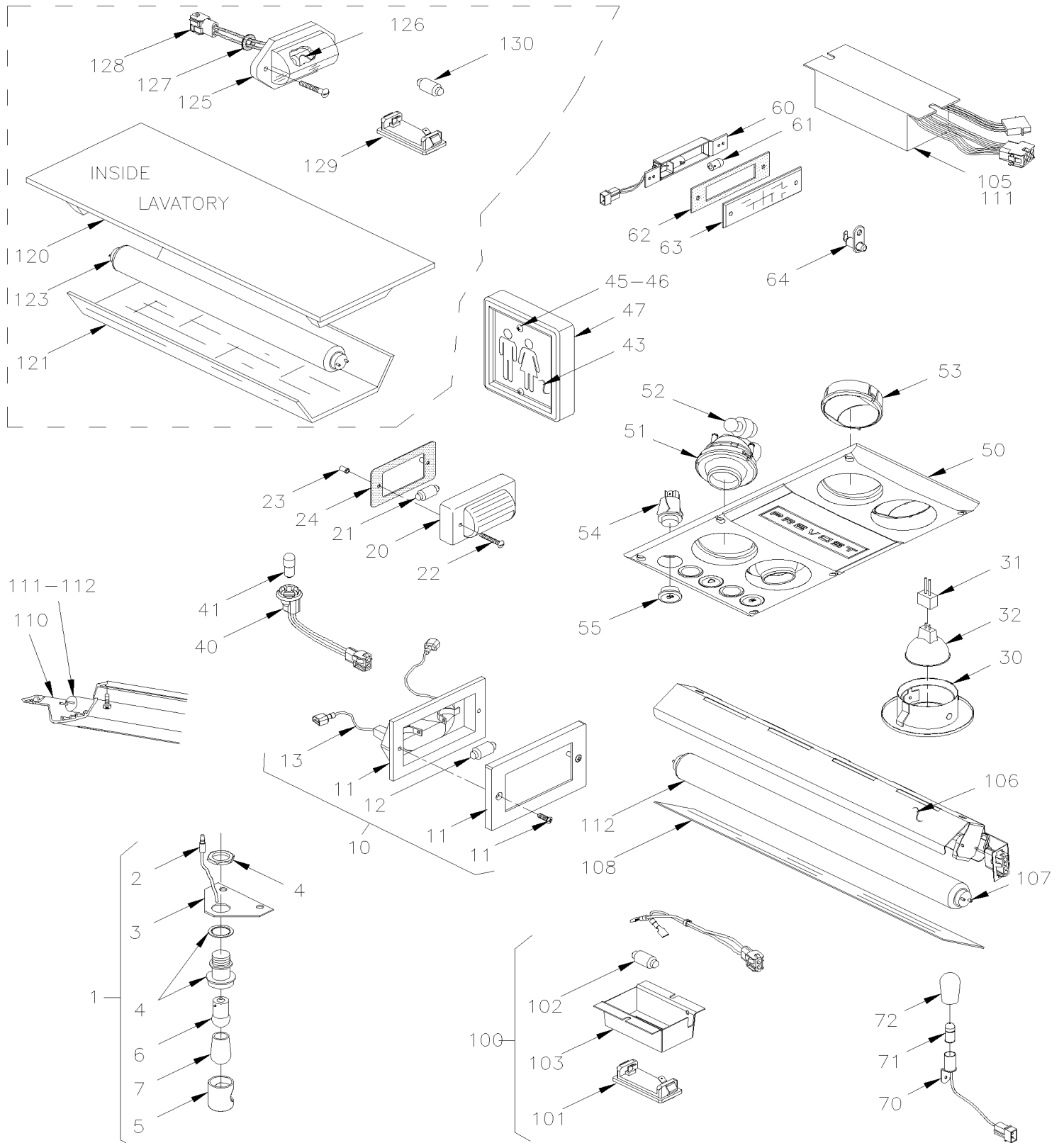
47: USE ON LAVATORY WALL

From W-2285 To 2-4416

Date:10/2022

PAGE:H3-0655-02

INTERIOR LIGHTING



From W-2285 To 2-4416	Date:10/2022	PAGE:H3-0655-02
INTERIOR LIGHTING		

Item#	Part	Description	H 3 4 1	H 3 4 5	V I P 4 5	N O T E S
		AISLE LAMP - UNDER PASSENGER'S SEAT				
1	330146	LAMP ASSY / UNDER SEAT W/BULB	AR	AR		
1	330367	LAMP ASSY / UNDER SEAT W/LED	AR	AR		
2	560098	. TERMINAL SNAP PLUG / 16-14 / INSULATED / AMP 2-324225-1	1	1		
3	361343	. SUPPORT	1	1		
4	830096	. LAMP	1	1		
5	830113	. . CAP PROTECTOR	1	1		
6	560141	. BULB / 3WATT-24VOLTS / SAE# 1251	1	1		
6	563546	. BULB / 7 LEDS BLUE / UNDER SEAT / #B607-2PB-028W	1	1		
6	564100	. BULB / 7 LEDS BLUE / UNDER SEAT / #270015	1	1		
7	560940	. BULB COVERING / BLUE	1	1		
NS	065467	CABLE ASSY / MAIN AISLE LAMP	1			
NS	065036	CABLE ASSY / MAIN AISLE LAMP		1		
7	061310	CABLE ASSY / LIGHT & MAIN CABLE	AR	AR		
		STEPWELL LAMP				
10	330241	LAMP ASSY	2	2		
10	830197	LAMP ASSY 24V LEDS	1	1		
11	830142	. LAMP	1	1		
12	562278	. BULB / 10WATT-24VOLTS / SAE# 6429	1	1		
13	560098	. TERMINAL SNAP PLUG / 16-14 / INSULATED / AMP 2-324225-1	1	1		
13	560697	. PLUG RECEPTACLE / 16-14 / AMP 165429-1	1	1		
NS	500148	SCREW MA RND PH #6-32x1/2 SS	AR	AR		
NS	500422	NUT SPR U #6-32 .110-.120 SS	AR	AR		
		GALLEY & WASTE CONTAINER LAMP				
20	830124	LAMP ASSY	1	1		
21	562278	BULB / 10WATT-24VOLTS / SAE# 6429	1	1		
21	562305	BULB / 5WATT-12VOLTS / SAE# 6413	AR	AR		
22	500678	NUT WELL #8-32x.450	2	2		
23	500580	SCREW MA RND SLT #8-32x1/2 ZP	2	2		
24	391525	RUBBER PLATE GASKET	1	1		
		DRIVER'S LAMP				
		LAVATORY LAMP FROM 1-4288				
30	830150	LAMP BASE	2	2	2	
31	562803	CONNECTOR / SOCKET HOUSING ASSY / LEECRAFT QBL-12	1	1	1	
32	830151	BULB / 35 WATTS12V/SAE# Q35MR16/SP20D To 1-4287	2	2	2	

From W-2285 To 2-4416		Date:10/2022	PAGE:H3-0655-02
INTERIOR LIGHTING			

Item#	Part	Description	H 3 4 1	H 3 4 5	V I P 4 5	N O T E S
32	830176	BULB / 20 WATTS-12V/SAE#Q20MR16/FL40D From 1-4288	1	1	1	
		LAVATORY LAMP (OCCUPIED)				
40	330342	BASE ASSY W/SOCKET & BULB 24V / LIGHT GREY From 1-4288	1	1		
40	330341	. BASE BOX, LAMP / LIGHT GREY To 1-4287	1	1		
40	330265	. SOCKET ASSY W/CONNECTOR / W2.1x9.Dd	1	1		
. NS	562295	. . SOCKET BULB / PLASTIC W/WIRE / W2.1x9.5d	1	1		
. NS	561248	. . CONNECTOR / UNIVERSAL MATE-N-LOK / PH 2C / AMP 1-480699-0	1	1		
. NS	562122	. . PIN TERMINAL / 20-14 / AMP 350547-1	2	2		
41	561166	. BULB / 3WATT-24VOLTS / SAE# 464	1	1		
43	403137	LENS	1	1		
44	H3-1832-02	FRONT FINISHING CAP				
45	500504	SCREW TC OV PH #6-32x1/2 BK	2	2		
46	500422	NUT SPR U #6-32 .110-.120 SS	2	2		
		PARCEL RACK				
50	830149	MODULE ASSY WITH LAMP AND AIR DIFFUSOR To 2-4379	AR	AR		BS
50	830174	MODULE ASSY WITH LAMP AND AIR DIFFUSOR From 2-4380	AR	AR		BS
50	830170	MODULE ASSY W/OUT LAMP AND W/AIR DIFFUSOR To 2-4379	AR	AR		A
50	830175	MODULE ASSY W/OUT LAMP AND W/AIR DIFFUSOR From 2-4380	AR	AR		A
NS	065387	CABLE	1	1		A
51	830156	. READING LAMP ASSY W/REFLECTOR LENS & CLIP	2	2		
NS	830172	. . REFLECTOR ASSY W/CLIP	1	1		
NS	830169	. . . CLIP SOKET RETAINER	1	1		
52	563073	. BULB / 7 WATT-24VOLTS / SAE# 64479	2	2		
53	830157	. AIR DIFFUSOR	2	2		
54	830158	. SWITCH / OFF-ON / S.P.S.T. / READING LIGHT	2	2		
55	830159	. SWITCH / OFF-M/ON / S.P.S.T. / CHIME	1	1		
56	830160	. PLUG COVER SCREW	6	6		
NS	5001439	SCREW TP OV PH #6x5/8 BK	4	4		
NS	830164	TOOL / LENS REMOVER READING LIGHT	AR	AR		
60	430314	LAMP ASSY	AR	AR		
60	430313	. BOX	1	1		
60	561556	. SOCKET BULB / METAL W/2 WIRES / BA9s / LEECRAFT B22Q2	1	1		
60	504462	. SNAP BUSHING / .187x.375x.312	1	1		
60	560853	. PIN TERMINAL / 24-18 / AMP 60618-1	2	2		
60	560900	. CONNECTOR / COM. MATE-N-LOCK / PH 2C / AMP 1-480319-0	1	1		
60	504109	. RIVET POP DOME OE 5/32x3/16 AL	2	2		
61	560144	BULB / 1.6WATT-24VOLTS / SAE# 1820	AR	AR		
62	430316	SEAL	1	1		

From W-2285 To 2-4416		Date:10/2022	PAGE:H3-0655-02
-----------------------	--	--------------	-----------------

INTERIOR LIGHTING

Item#	Part	Description	H 3 4 1	H 3 4 5	V I P 4 5	N O T E S
63	430312	LENS	2	2		
NS	500124	SCREW TP TR PH #8x1/2 SS	1	1		
64	561563	SWITCH / S.P.S.T. / N.C.	1	1		
		EMERGENCY EXIT LAMP - LOCATED				
		UPPER OF SIDE WINDOW				
70	330217	SOCKET ASSY	AR	AR		
71	560601	BULB / 2WATT-24VOLTS / SAE# 456	AR	AR		
71	560623	BULB / 3.5WATT-24VOLTS / SAE# 313	AR	AR		
72	560942	BULB COVERING / BLUE	AR	AR		
NS	500648	SCREW TC BDG PH #6-32x1/4 ZP	AR	AR		
NS	500438	WASHER FL .187x.437x.050 Z050	AR	AR		
		BAGGAGE & SERVICE DOOR				
100	330268	LAMP ASSY 24V / BAGGAGE COMPARTMENT LAMP / W/ONE BULB 10W	AR	AR	AR	
100	330372	LAMP ASSY 24V / BAGGAGE COMPARTMENT LAMP W//2 BULBS 5W From SERVICE	AR	AR	AR	S
101	830139	. LAMP ASSY / W/ONE BULB	1	1	1	
101	830183	. LAMP ASSY / W/2 BULBS From SERVICE	1	1	1	S
102	562278	. BULB / 10WATT-24VOLTS / SAE# 6429	1	1	1	
102	562411	. BULB / 5WATT-24VOLTS / SAE # 6424 From SERVICE	2	2	2	S
103	330267	. SUPPORT / SS / TO FIX LAMP / W/ONE BULB	1	1	1	
NS	063435	. CABLE ASSY / W/ONE BULB	1	1		
NS	504273	. CABLE TIE / 1/8" X 3"1/2	1	1		
103	064278	. CABLE ASSY / TO ADD MORE LAMP IN BAGGAGE COMPARTMENT	8	8		
		FLUORESCENT UNDER PARCEL RACK				
105	830155	BALLAST / 24 VOLTS / TO USE W/830153	AR	AR		
105	562850	. FUSE / 4 AMPS / GMA-4A	1	1		
106	330340	SOCKET / TUBE	2	2		
106	561247	. CONNECTOR / UNIVERSAL MATE-N-LOK / SH 2C / AMP 1-480698-0	1	1		
106	561514	. SOCKET TERMINAL / 20-14 / AMP 350537-3	2	2		
106	830145	. SOCKET / BIPIN HOLDER	1	1		
107	830153	TUBE / 32WATT / F32T8SPX41 - 48"	AR	AR		
108	312502	LENS 470MM		1		
108	312503	LENS 831MM	1			
108	312501	LENS 1235MM	10			
108	312501	LENS 1235MM		12		
108	313085	LENS / W/A/C 1194MM	1	1		

From W-2285 To 2-4416 Date:10/2022 PAGE:H3-0655-02

INTERIOR LIGHTING

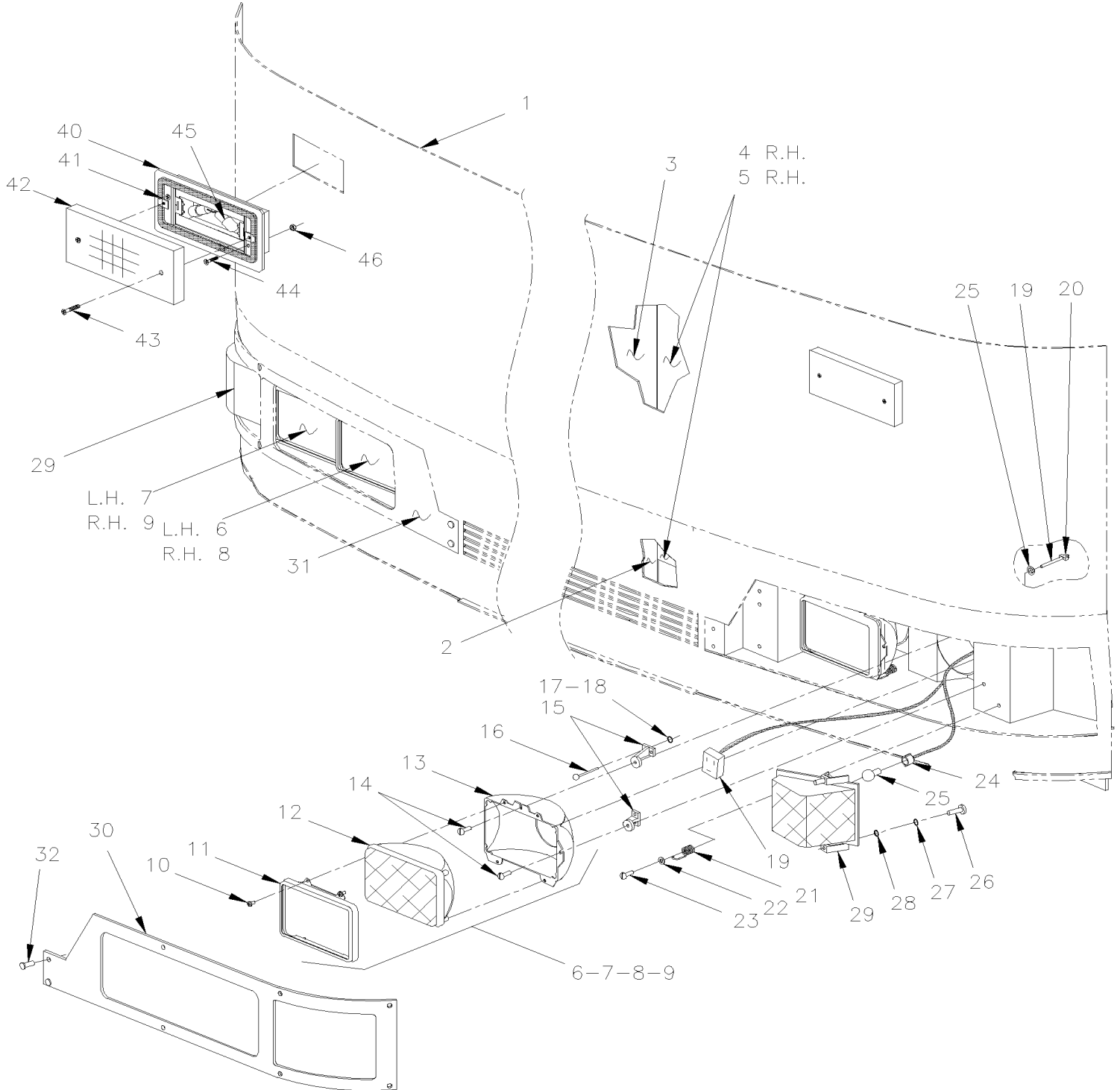
Item#	Part	Description	H 3 4 1	H 3 4 5	V I P 4 5	N O T E S
		FRONT PARCEL RACK FLUORESCENT				
110	312450	LIGHTING MODULE / "DUMMY" 779.5MM	2	2		
110	312445	LIGHTING MODULE / W/TUBE 1590MM	10			
110	312445	LIGHTING MODULE / W/TUBE 1590MM		12		
110	312451	LIGHTING MODULE / "DUMMY" 661.2MM		2		
110	312448	LIGHTING MODULE / "DUMMY" 1086MM	2			
110	312449	LIGHTING MODULE / W/TUBE / W/W.C.L. "ST & ST" / 1052MM		1		
110	312447	LIGHTING MODULE / W/TUBE / W/W.C.L. "ST & ST" / 1476.2MM	1			
110	312447	LIGHTING MODULE / W/TUBE / W/W.C.L. "ST & ST" / 1476.2MM		1		
110	312452	LIGHTING MODULE / "DUMMY" / W/W.C.L. "RICON" / 50MM		1		
110	313460	LIGHTING MODULE / "DUMMY" / W/W.C.L. "RICON" / 424MM	10			
110	313460	LIGHTING MODULE / "DUMMY" / W/W.C.L. "RICON" / 424MM		12		
111	830154	BALLAST / 24 VOLTS / TO USE W/830152	AR	AR		
NS	562850	. FUSE / 4 AMPS / GMA-4A	1	1		
112	830152	TUBE / 13WATT / F13T5CW - 21" / G5 MINI BIPIN	AR	AR		
NS	562784	SOCKET / BIPIN HOLDER / LEVITON 420	AR	AR		
		LAVATORY LAMP UP TO 1-4287				
120	402663	LAMP ASSY	1	1		
120	561708	. LAMP	1	1		
121	830126	. . LENS	1	1		
NS	830127	. . BALLAST	1	1		
123	830102	. . TUBE / 15WATT / F15T8CW - 18" / G13 MED BIPIN	1	1		
NS	560900	. CONNECTOR / COM. MATE-N-LOCK / PH 2C / AMP 1-480319-0	1	1		
NS	560901	. PIN TERMINAL / 20-14 / AMP 60620-1	2	2		
125	064663	LAMP ASSY W/CONNECTOR To 1-4287	1	1		
125	562839	. LAMP ASSY	1	1		
126	562276	. BULB / 2WATT-24VOLTS / SAE# 657	1	1		
127	504068	. GROMMET / .500x.750x.062x.312x1.062	1	1		
128	560900	. CONNECTOR / COM. MATE-N-LOCK / PH 2C / AMP 1-480319-0	1	1		
NS	560901	. PIN TERMINAL / 20-14 / AMP 60620-1	2	2		
129	830139	LAMP ASSY / W/ONE BULB From 1-4288	1	1		
130	562411	BULB / 5WATT-24VOLTS / SAE # 6424 From 1-4288	1	1		
		A) ONLY ON COACH W/OUT READING LAMP ON FIRST SEAT				
		BS) BULB SOCKET IT NOT AVAILABLE FOR REPLACEMENT ASK FOR CHEAPER MODULE # 830178				
		S) SERVICE				

From R-012 To 2-4416

Date:10/2022

PAGE:H3-0660-00

HEADLAMP & FRONT DIRECTIONAL LAMPS



From R-012 To 2-4416	Date:10/2022	PAGE:H3-0660-00
HEADLAMP & FRONT DIRECTIONAL LAMPS		

Item#	Part	Description	H 3 4 1	H 3 4 5	V I P 4 5	N O T E S
	472150P	PANEL ASSY R.H. / W/LIGHT To T-1303	1	1	1	
	472151P	PANEL ASSY L.H. / W/LIGHT To T-1303	1	1	1	
	473179P	PANEL ASSY LOWER FACE / W/LIGHT From T-1304 To W-2284	1	1	1	
	473447	PANEL ASSY LOWER FACE / W/LIGHT From W-2285	1	1	1	
1	472559	. PANEL R.H. To T-1303	1	1	1	
1	472560	. PANEL L.H. To T-1303	1	1	1	
1	473139	. PANEL LOWER FACE / FIBERGLASS From T-1304	1	1	1	
2	350449	. INSULATING PAD From T-1304	1	1	1	
3	350448	. INSULATING PAD From T-1304	1	1	1	
4	350102	. INSULATING PAD To T-1303	1	1	1	
4	350450	. INSULATING PAD From T-1304	1	1	1	
5	350102	. INSULATING PAD To T-1303	1	1	1	
5	350447	. INSULATING PAD From T-1304	1	1	1	
NS	680397	. CONTACT GLUE / AEROSOL 17oz	1	1	1	
6	930231	. HEADLAMP ASSY, L.H. / HIGH BEAM To V-2112	1	1	1	
6	930324	. HEADLAMP ASSY, L.H. / HIGH BEAM From V-2113	1	1	1	
7	930232	. HEADLAMP ASSY, L.H. / LOW BEAM To V-2112	1	1	1	
7	930325	. HEADLAMP ASSY, L.H. / LOW BEAM From V-2113	1	1	1	
8	930233	. HEADLAMP ASSY, R.H. / HIGH BEAM To V-2112	1	1	1	
8	930326	. HEADLAMP ASSY, R.H. / HIGH BEAM From V-2113	1	1	1	
9	930234	. HEADLAMP ASSY, R.H. / LOW BEAM To V-2112	1	1	1	
9	930327	. HEADLAMP ASSY, R.H. / LOW BEAM From V-2113	1	1	1	
10	N.S.S.	. . SCREW	4	4	4	1
11	N.S.S.	. . RING MOUNTING	1	1	1	1
12	561198	. . SEAL BEAM / HI / 50W-12V / SAE# H4651 To V-2112	2	2	2	
12	562690	. . SEAL BEAM / HI / 50W-12V / SAE# H5051 From V-2113	2	2	2	
12	561199	. . SEAL BEAM / HI-LO / 35/35W-12V / SAE# H4656 To V-2112	2	2	2	
12	562689	. . SEAL BEAM / HI-LO / 40/55W-12V / SAE# H5062 From V-2113	2	2	2	
13	N.S.S.	. . BACK MOUNTING LAMP	1	1	1	1
14	930218	. SCREW, ADJUSTING	8	8	8	
14	680343	. GREASE CLEAR SPRAY BOTTLE 283GR	1	1	1	
15	930217	. BRACKET, MOUNTING / ADJUSTING SCREW	8	8	8	
16	504643	. RIVET POP DOME OE 1/8x1/2 SS	16	16	16	
17	500437	. WASHER FL .125x.375x.040 Z050	16	16	16	
18	680532	. SEALANT SIKA #221 / GREY / 310ml CARTRIDGE	1	1	1	
19	061115	. HARNESS ASSY / W/3 TERMINAL	2	2	2	
19	930220	. . SOCKET ASSY / SEALBEAM	1	1	1	
20	561031	. MALE BLADE TERMINAL / 16-14 / PED 2971962	3	3	3	
21	930219	. SPRING EXTENSION / .510 O.D. x 1.261 x .063	4	4	4	
22	500438	. WASHER FL .187x.437x.050 Z050	4	4	4	
23	500630	. SCREW TP OV PH #10x1 Z050	4	4	4	
24	062274	. SOCKET ASSY To Y-3540	2	2	2	

From R-012 To 2-4416 Date:10/2022 PAGE:H3-0660-00

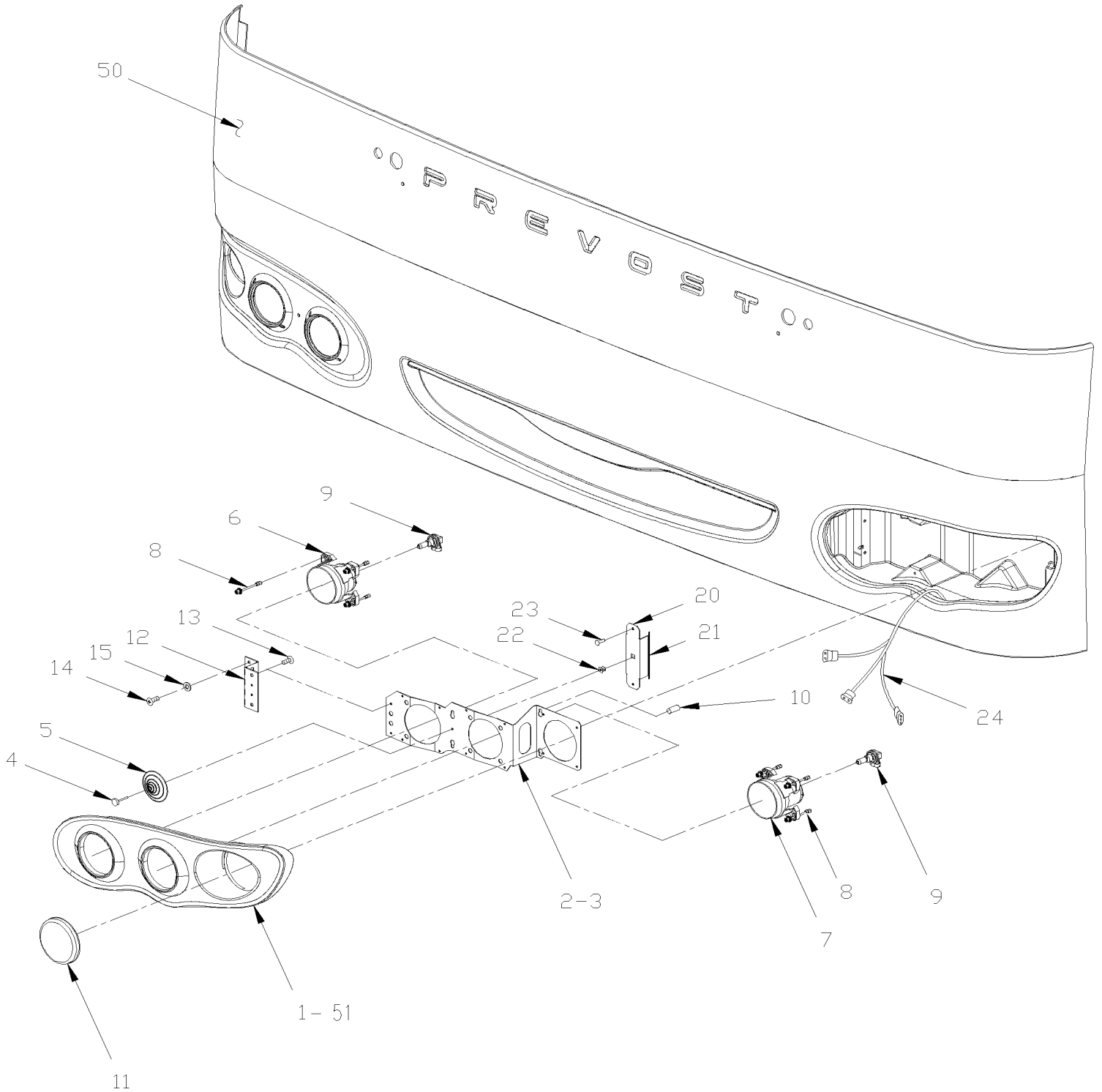
HEADLAMP & FRONT DIRECTIONAL LAMPS

Item#	Part	Description	H 3 4 1	H 3 4 5	V I P 4 5	N O T E S
24	065282	. CABLE ASSY From Y-3541	2	2	2	
25	561899	. BULB / AMBRE 32/6WATT-12VOLTS / SAE# 1157NA	2	2	2	
26	502735	. SCREW MA BDG PH #10-32x1 SS BK To T-1303	4	4	4	
26	502677	. SCREW MA RND PH M4-0.7x25 SS From T-1304	4	4	4	
27	500470	. WASHER LO SPT .193x.334x.047 Z050 To T-1303	4	4	4	
27	500700	. NUT HEX #10-32 Z050 From T-1304	4	4	4	
28	502712	. WASHER FL .194x.375x.375 NYL To T-1303	4	4	4	
28	502222	. WASHER FL .194x.375x.500 NYL From T-1304	4	4	4	
29	930260	. LAMP ASSY, L.H.	1	1	1	
29	0912461	. LAMP ASSY, L.H.	1	1	1	
29	930261	. LAMP ASSY, R.H.	1	1	1	
29	0912462	. LAMP ASSY, R.H.	1	1	1	
30	430339	HEADLAMP BEZEL, L.H. To T-1303	1	1	1	
30	473180	HEADLAMP BEZEL, L.H. From T-1304	1	1	1	
31	430340	HEADLAMP BEZEL, R.H. To T-1303	1	1	1	
31	473181	HEADLAMP BEZEL, R.H. From T-1304	1	1	1	
32	502761	. SCREW TP BDG PH #10x3/4 SS BK To T-1303	20	20	20	
32	5001090	. SCREW TP PAN PH #10x1 SS BK From T-1304	20	20	20	
		FOLLOWING ITEMS ARE RELATED WITH				
32		ROUND DIRECTIONAL LAMP	1	1	1	
		INSTALLED ON FRONT PANEL "GREYHOUND"				
NS	064533	CABLE HARNESS	1	1		
NS	930198	LAMP ASSY AMBER 4"	2	2		
NS	930196	. LENS, AMBER 4"	1	1		
NS	930197	. PIGTAIL	1	1		
NS	560138	. BULB / 21WATT-12VOLTS / SAE# 1141	1	1		
NS	500414	SCREW TP BDG PH #10x3/4 SS	6	6		B
NS	561111	CONNECTOR / SURE-SEAL / FEMALE HOUSING 3C / ITT CANNON 120-1805-000	2	2		
NS	561023	PIN TERMINAL / 18-14 / ITT CANNON 030-2196-001	2	2		
NS	561024	SOCKET TERMINAL / 18-14 / ITT CANNON 031-1267-001	2	2		
		FOLLOWING ITEMS ARE RELATED WITH				
		RECTANGULAR UPPER DIRECTIONAL LAMP				
40	930309	LAMP ASSY TURN SIGNAL	2	2		
41	930300	. GASKET	1	1		
42	930313	. LENS / AMBER	1	1		
43	N.P.N.	SCREW	2	2		4
44	502698	SCREW MA PAN PH M4-0.7x16 SS BK	2	2		
45	560589	BULB / 32WATT-12VOLTS / SAE# 1156	2	2		

From R-012 To 2-4416	Date:10/2022	PAGE:H3-0660-00
HEADLAMP & FRONT DIRECTIONAL LAMPS		

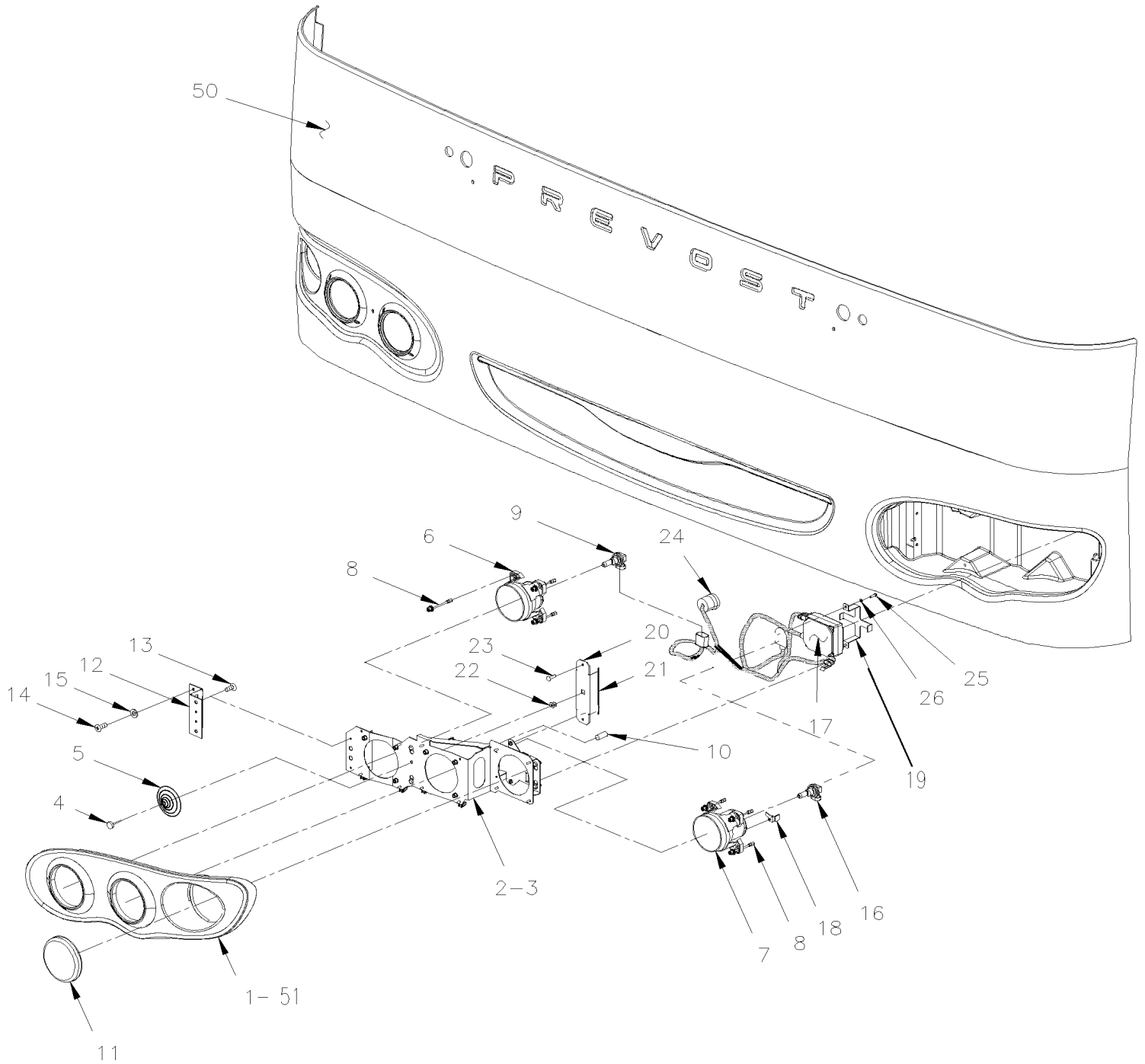
Item#	Part	Description	H 3 4 1	H 3 4 5	V I P 4 5	N O T E S
45	065311	CABLE HARNESS	2	2		
46	500589	NUT WELL M4-0.7x13.5	2	2		
		B) TO FIX LAMP				
		1) NOT SOLD SEPARATELY				
		4) NO PARTS NUMBER				

From R-012 To 2-4416	Date:10/2022	PAGE:H3-0660-98
HEADLAMP "HALOGENE" & FRONT DIRECTIONAL LAMPS "RETROFIT" INSTALLATION		



From R-012 To 2-4416		Date:10/2022	PAGE:H3-0660-98			
HEADLAMP "HALOGENE" & FRONT DIRECTIONAL LAMPS "RETROFIT" INSTALLATION						
Item#	Part	Description	H 3 4 1	H 3 4 5	V I P 4 5	N O T E S
	430635	LAMP ASSY L.H. "HALO" W/BEZEL "H"	1	1	1	
	430636	LAMP ASSY L.H. "HALO" W/BEZEL & WASHER "H"	1	1	1	
	430639	LAMP ASSY R.H. "HALO" W/BEZEL "H"	1	1	1	
	430640	LAMP ASSY R.H. "HALO" W/BEZEL & WASHER "H"	1	1	1	
1	475197	. HEADLAMP BEZEL, L.H.	1	1	1	
1	475119	. HEADLAMP BEZEL, R.H.	1	1	1	
2	430584	. SUPPORT L.H.	1	1	1	
3	430585	. SUPPORT R.H.	1	1	1	
4	502706	. SCREW TP PAN PH #14x1 SS	1	1	1	
5	930369	. SPRING CONICAL	1	1	1	
6	930359	. LAMP ASSY / HIGH	1	1	1	
7	930360	. LAMP ASSY / LOW	1	1	1	A
8	930373	. . KIT, BOLTS ADJUSTMENT (3 BOLTS)	1	1	1	
9	563092	. BULB / 65WATT-12VOLTS / SAE# H9	1	1	1	
10	5001416	. BUMPER RUBBER / 11/16x1/2x3/32	2	2	2	
11	930364	. LED AMBER 4" / DIRECTIONAL / FRONT 12Volt / 60L (PREVOST)	2	2	2	
12	430555	. HINGE / DOUBLE	1	1	1	
13	5001536	. SCREW PTR BDG PH M4x12 SS	4	4	4	
14	502622	. SCREW CAP HEX M6-1.0x20 SS BK	2	2	2	
15	502570	. WASHER LO SPT 6.1x11.8x1.6 SS	2	2	2	
20	430556	. SUPPORT / CENTRAL	1	1	1	
21	506338	. RUBBER CHANNEL / 1/16" x 1/4" INT "U" SHAPE / ROUND C.T.L.	AR	AR	AR	
22	5001009	. NUT AN 1/4 NYL	1	1	1	
23	504379	. RIVET POP DOME OE 3/16x1/4 SS	2	2	2	
24	065477	. CABLE ASSY / W/"HALOGENE" LAMPS / W/H3	2	2	2	
NS	504428	. TIE MOUNT / 3/16" #10 SCREW / TA1S10-C	10	10	10	
NS	504637	. CABLE TIE / 3/16" x 13"	10	10	10	
NS	507336	. PROTECTOR CAP / BLACK / .281 I.D. x .500	AR	AR	AR	
50	H3-1851-99	CAP - FRONT & REAR - INSTALLATION SERVICE & RETROFIT				
		TO INSTALL HEAD LAMP CLEANINIG WASHER SEE PAGE HF-2305-25				
		A) TO CONVERT HALOGENE TO "XENON" FROM 4-4851, ASK FOR KIT #430601				

From R-012 To 2-4416	Date:10/2022	PAGE:H3-0660-99
HEADLAMP "XENON" & FRONT DIRECTIONAL LAMPS "RETROFIT" INSTALLATION		



From R-012 To 2-4416		Date:10/2022	PAGE:H3-0660-99
----------------------	--	--------------	-----------------

HEADLAMP "XENON" & FRONT DIRECTIONAL LAMPS "RETROFIT" INSTALLATION

Item#	Part	Description	H 3 4 1	H 3 4 5	V I P 4 5	N O T E S
	430637	LAMP ASSY L.H. "XENON" W/BEZEL "H"	1	1	1	
	430638	LAMP ASSY L.H. "XENON" W/BEZEL & WASHER "H"	1	1	1	
	430641	LAMP ASSY R.H. "XENON" W/BEZEL "H"	1	1	1	
	430642	LAMP ASSY R.H. "XENON" W/BEZEL & WASHER "H"	1	1	1	
1	475197	. HEADLAMP BEZEL, L.H.	1	1	1	
1	476571	. HEADLAMP BEZEL, R.H. / W/HEADLAMP WASHER From 6-0589	1	1	1	
1	475119	. HEADLAMP BEZEL, R.H.	1	1	1	
1	476572	. HEADLAMP BEZEL, L.H. / W/HEADLAMP WASHER From 6-0589	1	1	1	
2	430584	. SUPPORT L.H.	1	1	1	
3	430585	. SUPPORT R.H.	1	1	1	
4	502706	. SCREW TP PAN PH #14x1 SS	1	1	1	
5	930369	. SPRING CONICAL	1	1	1	
6	930359	. LAMP ASSY / HIGH	1	1	1	
7	930388	. LAMP ASSY "XENON" / W/BALLAST	1	1	1	
7	930389	. . LAMP ASSY "XENON" / W/OUT BALLAST & W/OUT BULB	1	1	1	
8	930373	. . KIT, BOLTS ADJUSTMENT (3 BOLTS)	1	1	1	
9	563092	. BULB / 65WATT-12VOLTS / SAE# H9	1	1	1	
10	5001416	. BUMPER RUBBER / 11/16x1/2x3/32	2	2	2	
11	930364	. LED AMBER 4" / DIRECTIONAL / FRONT 12Volt / 60L (PREVOST)	2	2	2	
12	430555	. HINGE / DOUBLE	1	1	1	
13	5001536	. SCREW PTR BDG PH M4x12 SS	4	4	4	
14	502622	. SCREW CAP HEX M6-1.0x20 SS BK	2	2	2	
15	502570	. WASHER LO SPT 6.1x11.8x1.6 SS	2	2	2	
16	563365	. BULB / 35WATT / SAE D2S / 85122	1	1	1	
17	930390	. BALLAST "XENON" LOW BEAM 12Volt Power	1	1	1	
18	430604	. BULB STOPPER / "SAFETY FAILURE STRESS" / SS	1	1	1	
19	930434	. SUPPORT "XENON" BALLAST BLACK	1	1	1	
20	430556	. SUPPORT / CENTRAL	1	1	1	
21	506338	. RUBBER CHANNEL / 1/16" x 1/4" INT "U" SHAPE / ROUND C.T.L.	AR	AR	AR	
22	5001009	. NUT AN 1/4 NYL	1	1	1	
23	504379	. RIVET POP DOME OE 3/16x1/4 SS	2	2	2	
24	066011	. CABLE ASSY / W/"XENON" LAMPS / W/H3	2	2	2	
NS	504428	. TIE MOUNT / 3/16" #10 SCREW / TA1S10-C	10	10	10	
NS	504637	. CABLE TIE / 3/16" x 13"	10	10	10	
24	507336	. PROTECTOR CAP / BLACK / .281 I.D. x .500	AR	AR	AR	
25	502698	. SCREW MA PAN PH M4-0.7x16 SS BK	4	4	4	
26	502834	. WASHER LO SPT 4.1x7.6x0.9 N500	4	4	4	
50	H3-1851-99	CAP - FRONT & REAR - INSTALLATION SERVICE & RETROFIT				
		TO INSTALL HEAD LAMP CLEANINIG WASHER SEE PAGE HF-2305-25				
101	067488	RETROFIT KIT, HEADLAMP WASHER / SERIES "H" ELECTRIC SECTION BUS W/MUX From 5-0168	1	1		
. NS	066960	. CABLE ASSY / SWITCH HEADLAMP WASHER PUMP / "H" SERIES / MUX From 5-0168	1	1		

From R-012 To 2-4416	Date:10/2022	PAGE:H3-0660-99
----------------------	--------------	-----------------

HEADLAMP "XENON" & FRONT DIRECTIONAL LAMPS "RETROFIT" INSTALLATION

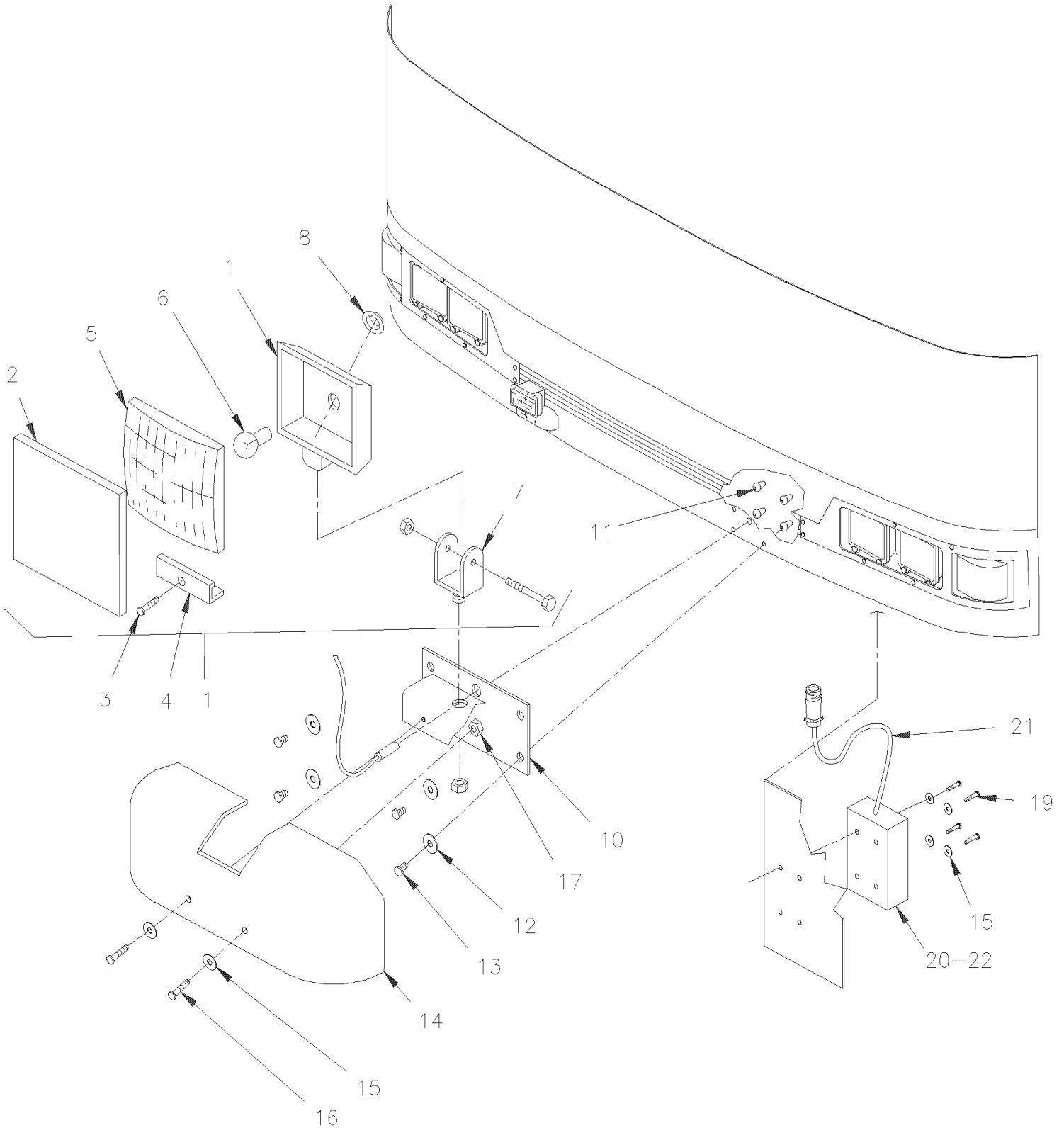
Item#	Part	Description	H 3 4 1	H 3 4 5	V I P 4 5	N O T E S
. NS	066961	. CABLE ASSY / HEADLAMP WASHER PUMP / "H" SERIES From 5-0168	1	1		
. NS	562699	. SWITCH / M/ON-OFF-M/ON / D.P.D.T. / W/GREEN LED From 5-0168	1	1		
. NS	564007	. CAP / WASHER WIDSHIELD & HEADLAMP From 5-0168	1	1		
. NS	563623	. BUTT SPLICE / 16-14 / BLUE / W/THERMORETRAC / PANDUIT BSH14-Q From 5-0168	2	2		
102	067489	RETROFIT KIT, HEADLAMP WASHER / SERIES "H" ELECTRIC SECTION VIP W/MUX From 6-0436			1	
. NS	066960	. CABLE ASSY / SWITCH HEADLAMP WASHER PUMP / "H" SERIES / MUX From 6-0436			1	
. NS	066961	. CABLE ASSY / HEADLAMP WASHER PUMP / "H" SERIES From 6-0436			1	
. NS	564006	. CAP / HEADLAMP WASHER From 6-0436			1	
. NS	564008	. SWITCH / OFF-M/ON / S.P.S.T. / W/GREEN LED From 6-0436			1	
. NS	563623	. BUTT SPLICE / 16-14 / BLUE / W/THERMORETRAC / PANDUIT BSH14-Q From 6-0436			2	

From R-012 To 2-4416

Date:10/2022

PAGE:H3-0661-00

FOG LAMP



From R-012 To 2-4416	Date:10/2022	PAGE:H3-0661-00
FOG LAMP		

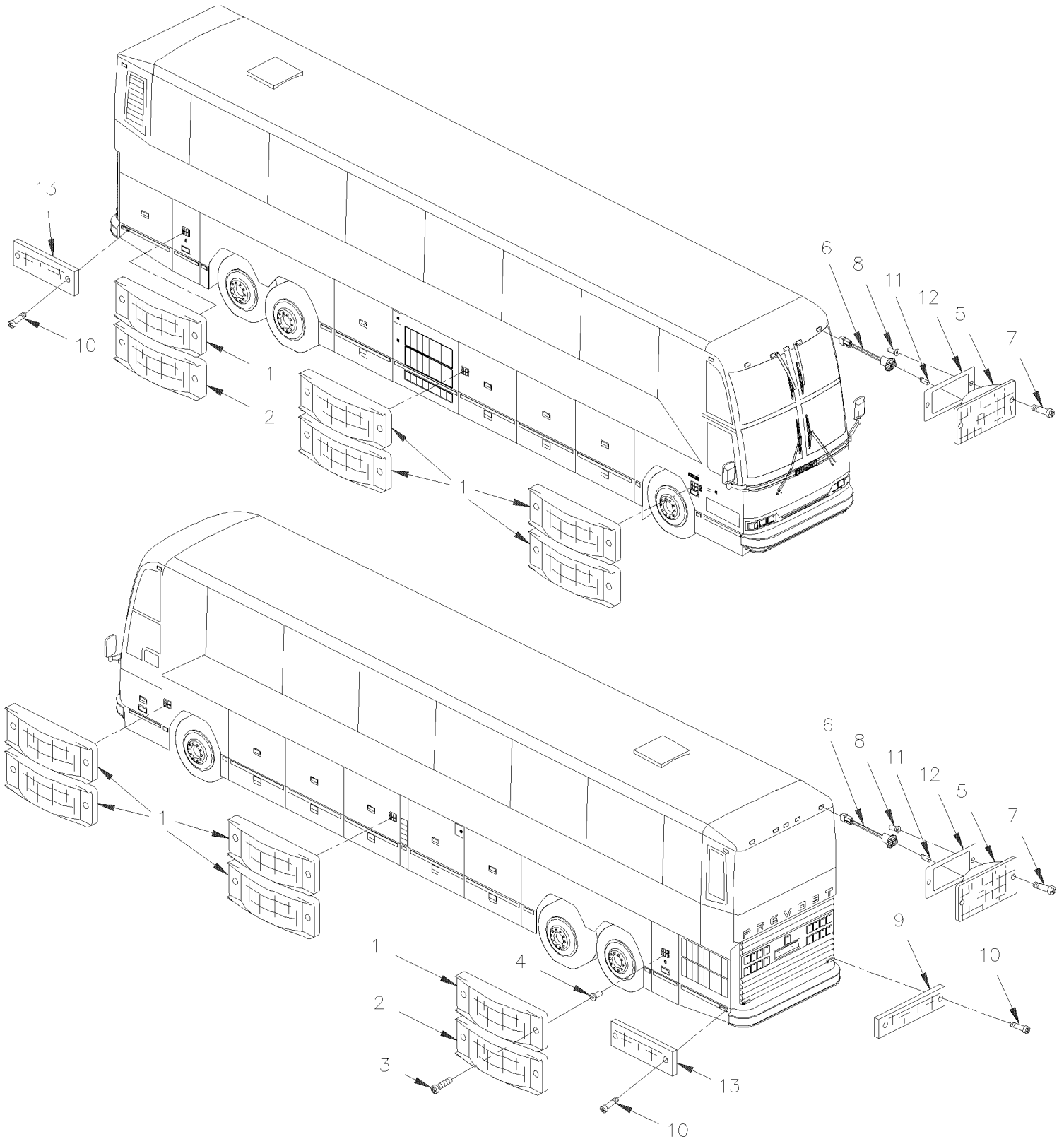
Item#	Part	Description	H 3 4 1	H 3 4 5	V I P 4 5	N O T E S
1	430369	FOG LAMP 12 V / "BOSCH" TOURING 170 / W/CONNECTOR "ITT"			2	
1	430708	. FOG LAMP 12 V / "BOSCH" COMPACT 100 / W/CONNECTOR	2	2		
1	430327	. . FOG LAMP 12 V / "BOSCH" TOURING 170	1	1		
2	930246	. . . COVER FOG / "BOSH" TOURING	1	1	1	
3	930243	. . . SCREW	1	1	1	
4	930242	. . . RETAINER	1	1	1	
5	930241	. . . LAMP UNIT / FOG	1	1	1	
6	561882	. . . BULB / 55WATT-12VOLTS / SAE# H3 / 64151	1	1	1	
7	930244	. . . BRACKET KIT	1	1	1	
8	561814	. GROMMET / ITT CANNON 351-1640-000	1	1		
NS	561812	. CONNECTOR / SURE-SEAL / MALE HOUSING 2C / ITT CANNON 120-1807-000			1	
NS	561023	. PIN TERMINAL / 18-14 / ITT CANNON 030-2196-001			1	
NS	561024	. SOCKET TERMINAL / 18-14 / ITT CANNON 031-1267-001			1	
10	430337	SUPPORT ASSY	2	2		
10	430364	SUPPORT			2	
11	502702	NUT WELL 1/4-20x.630	8	8		
12	500035	WASHER LO SPT .317x.586x.078 SS	8	8	8	
13	500558	SCREW MA TR PH 1/4-20x1 SS	8	8	8	
14	430321	CAP COVER	2	2		
15	500022	WASHER LO INT .168x.340x.023 Z050	8	8		
16	500873	SCREW MA RND PH #8-32x3/4 SS BK	4	4		
17	500678	NUT WELL #8-32x.450	4	4		
19	500657	SCREW TC TR PH #10-24x1/2 Z050	4	4	4	
20	381318	JUNCTION BOX / FOG LAMP	1	1	1	
21	062256	CABLE ASSY	1	1	1	
NS	380931	. SUPPORT	1	1	1	
NS	061976	. RESISTOR ASSY 1 OHM 10 W	2	2	2	
NS	380923	. INSULATOR	2	2	2	
22	680532	SEALANT SIKA #221 / GREY / 310ml CARTRIDGE	1	1	1	

From R-012 To 2-4416

Date:10/2022

PAGE:H3-0662-01

CLEARANCE & MARKER LIGHT



From R-012 To 2-4416	Date:10/2022	PAGE:H3-0662-01
CLEARANCE & MARKER LIGHT		

Item#	Part	Description	H 3 4 1	H 3 4 5	V I P 4 5	N O T E S
1	930301	SIDE MARKER ASSY / AMBER / SEALED To Y-3354	10	10	10	
1	930341	SIDE MARKER ASSY / AMBER / W/2 LED From Y-3355	10	10	10	
2	930304	SIDE MARKER ASSY / RED / SEALED To Y-3354	2	2	2	
2	930340	SIDE MARKER ASSY / RED / W/2 LED From Y-3355	2	2	2	
NS	562155	CONNECTOR ASSY SEALED 2C / GROTE 6618-G8	AR	AR	AR	B
2	430500	CLOSING PLATE / USE W/LIGHT FIXED ON PANEL From W-2607	1	1	1	A
2	430475	CAP PLASTIC / USE W/LIGHT FIXED ON DOOR From W-2607	1	1	1	
3	5001042	SCREW MA RND PH #10-32x1 1/4 SS	24	24	24	
4	502774	NUT WELL #10-32x.625	24	24	24	
5	930306	LENS / RED To V-1912	7	7	7	
5	930321	LENS / RED From V-1913 To Y-3354	7	7	7	
5	930339	LAMP ID & CLEAR -LED RED / 6 LEDS	AR	AR	AR	C
5	930418	LAMP ID & CLEAR -LED RED / 3 LEDS	AR	AR	AR	C
5	930334	LAMP ID & CLEAR -LED RED / 6 LEDS From Y-3355	AR	AR	AR	D
5	930415	LAMP ID & CLEAR -LED RED / 3 LEDS	AR	AR	AR	D
5	930307	LENS / AMBER To V-1912	7	7	7	
5	930322	LENS / AMBER From V-1913 To Y-3354	7	7	7	
5	930338	LAMP ID & CLEAR -LED AMBER / 6 LEDS	AR	AR	AR	C
5	930417	LAMP ID & CLEAR -LED AMBER / 3 LEDS	AR	AR	AR	C
5	930337	LAMP ID & CLEAR -LED AMBER / 6 LEDS From Y-3355	AR	AR	AR	D
5	930416	LAMP ID & CLEAR -LED AMBER / 3 LEDS	AR	AR	AR	D
NS	062482	CABLE HARNESS / ENGINE ACC. TO ROOF LIGHT To X-2718	1	1	1	
NS	064646	CABLE HARNESS / ENGINE ACC. TO ROOF LIGHT From X-2719	1	1	1	
NS	064606	CABLE ASSY / ROOF To X-2718	1	1		
NS	064645	CABLE ASSY / ROOF From X-2719	1	1		
NS	062692	CABLE HARNESS, CLEAR. LIGHT REAR IN DEFLECTOR To Y-3354			1	
5	065278	CABLE HARNESS, CLEAR. LIGHT REAR IN DEFLECTOR From Y-3355			1	
5	062693	CABLE HARNESS / ENGINE COMP. TO DEFLECTOR To Y-3354			1	
5	065277	CABLE HARNESS / ENGINE COMP. TO DEFLECTOR From Y-3355			1	
6	063343	SOCKET ASSY W/CONNECTOR & BULB / W2.1x9.Dd To X-2718	7	7	7	E
. NS	562295	. SOCKET BULB / PLASTIC W/WIRE / W2.1x9.5d To X-2718	1	1	1	E
. NS	562059	. BULB / 2WATT-12VOLTS / SAE# 194 To X-2718	1	1	1	E
. NS	560900	. CONNECTOR / COM. MATE-N-LOCK / PH 2C / AMP 1-480319-0 To X-2718	1	1	1	E
. NS	560901	. PIN TERMINAL / 20-14 / AMP 60620-1 To X-2718	1	1	1	E
6	064652	SOCKET ASSY W/CONNECTOR & BULB / W2.1x9.Dd From X-2719 To Y-3354	1	1	1	F
. NS	562295	. SOCKET BULB / PLASTIC W/WIRE / W2.1x9.5d From X-2719 To Y-3354	1	1	1	F
. NS	562095	. WIRE CABLE 18 / BROWN & WHITE / GXL From X-2719 To Y-3354	1	1	1	F
. NS	562834	. TERMINAL SNAP PLUG / 20-16 / AMP 61388-1 From X-2719 To Y-3354	1	1	1	F
. NS	562835	. PLUG RECEPTACLE / 18-14 / AMP 42142-1 From X-2719 To Y-3354	1	1	1	F
NS	562295	. SOCKET BULB / PLASTIC W/WIRE / W2.1x9.5d To Y-3354	1	1	1	
NS	562059	. BULB / 2WATT-12VOLTS / SAE# 194 To Y-3354	1	1	1	
7	5001172	SCREW MA OV PH M4-0.7x30 SS	14	14	14	

From R-012 To 2-4416	Date:10/2022	PAGE:H3-0662-01
CLEARANCE & MARKER LIGHT		

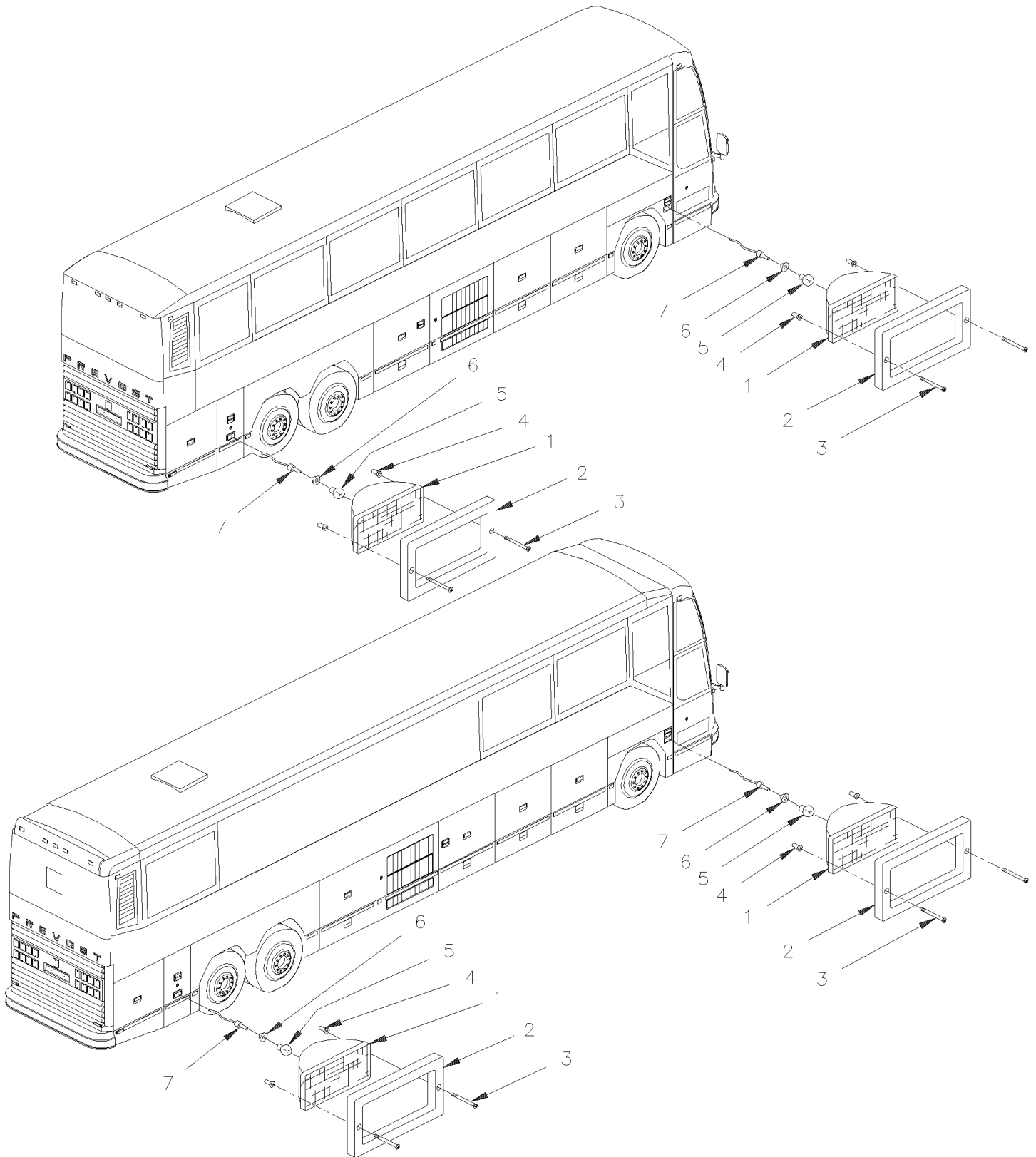
Item#	Part	Description	H 3 4 1	H 3 4 5	V I P 4 5	N O T E S
8	5001055	NUT WELL M4-0.7x14.5	14	14	14	
9	930302	REFLECTOR RED 40MM x 180MM To T-1681	2	2	2	
9	930320	REFLECTOR RED 1 3/16" x 4 7/16" From T-1682	2	2	2	
10	5001087	SCREW TP BDG PH #10x1/2 SS	8	8	8	
11	562059	BULB / 2WATT-12VOLTS / SAE# 194 To Y-3354	AR	AR	AR	
12	430438	SEAL LAMP GREY 1/4" THICK To V-1921	14	14	14	
12	930323	SEAL LAMP BLACK 1/4" THICK From V-1922 To X-3005	14	14	14	
12	930344	SEAL LAMP BLACK 1/8" THICK From X-3006	14	14	14	
13	930302	REFLECTOR RED 40MM x 180MM	2	2	2	
NS	473842	KIT, WATERPROOFING CLEARANCE & MARKER LIGHTS	AR	AR	AR	
. NS	IS-98028	. SEE INSTRUCTION SHEET	1	1	1	
NS	430538	KIT GASKET REPLACEMENT	1	1	1	
. NS	IS-99113	. SEE INSTRUCTION SHEET	1	1	1	
NS	430501	KIT FOR SIDE MARKERS	1	1	1	
. NS	IS-98053	. SEE INSTRUCTION SHEET	1	1	1	
		A) FOR PRODUCT IMPROVMENT YOU REQUIRE ONE KIT #430501				
		B) PART OF LAMP HARNESS				
		C) FOR REPLACEMENT BY LED UP TO X-2718 / RESPECT THE POLARITY				
		D) FOR REPLACEMENT BY LED FROM X-2719 / RESPECT THE POLARITY				
		E) FOR REPLACEMENT BY LED USE #930338 & #930339 / RESPECT THE POLARITY				
		F) FOR REPLACEMENT BY LED USE #930334 & #930337 / RESPECT THE POLARITY				

From R-012 To 2-4416

Date:10/2022

PAGE:H3-0663-00

DOCK & CORNERING LIGHT



From R-012 To 2-4416	Date:10/2022	PAGE:H3-0663-00
DOCK & CORNERING LIGHT		

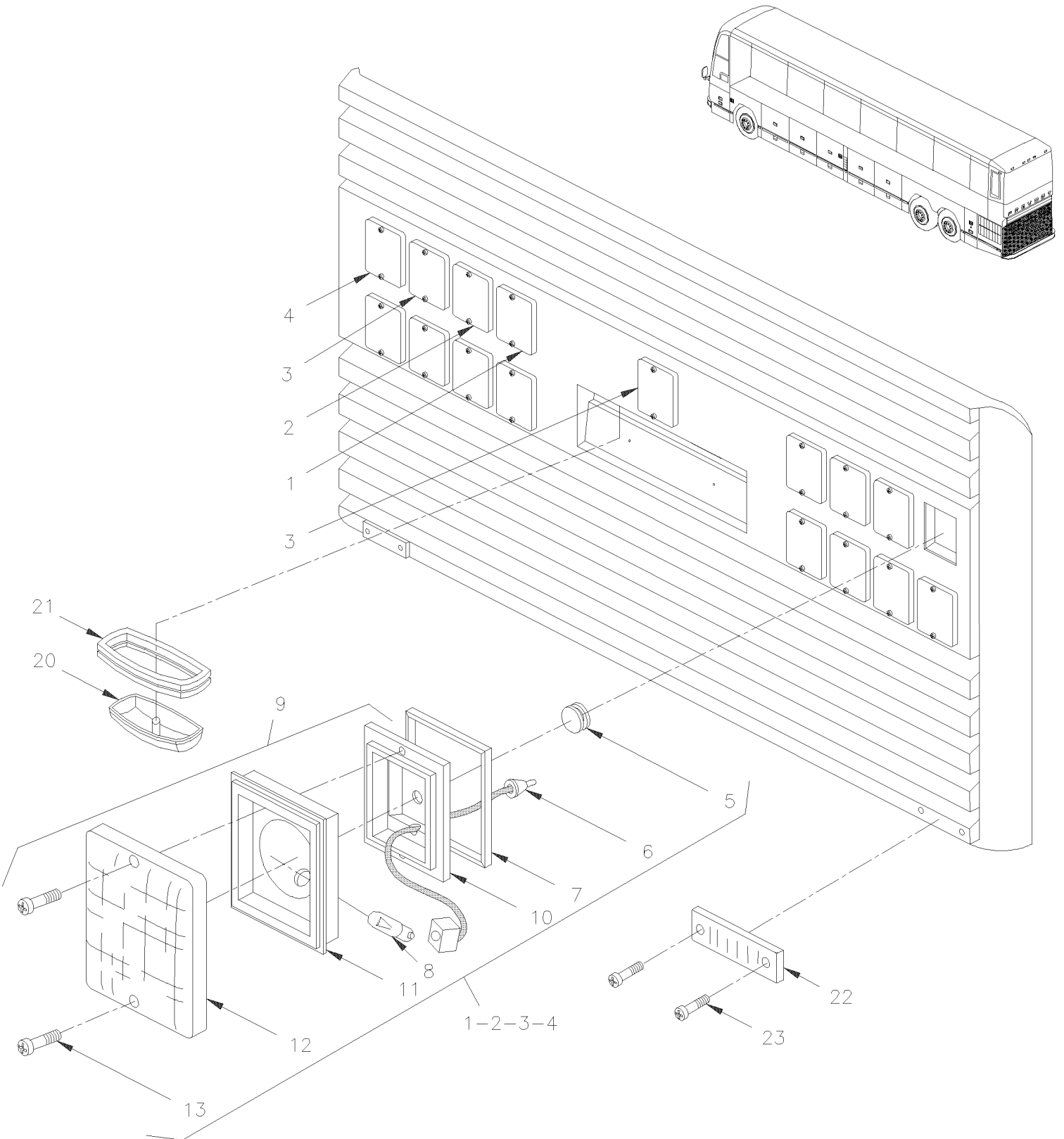
Item#	Part	Description	H 3 4 1	H 3 4 5	V I P 4 5	N O T E S
1	930235	LAMP ASSY To V-1778	4	4	4	
1	930319	SEAL BEAM / 37.5WATT-12V / SAE# H9415 From V-1779	4	4	4	
2	490424	BEZEL To V-1778	4	4	4	
2	473424	BEZEL From V-1779	4	4	4	
3	502530	SCREW MA OV PH M4-0.7x40 SS	8	8	8	
4	500589	NUT WELL M4-0.7x13.5	8	8	8	
4	5001055	NUT WELL M4-0.7x14.5	2	2	2	A
5	561882	BULB / 55WATT-12VOLTS / SAE# H3 / 64151 To V-1778	4	4	4	
6	504062	GROMMET / .4375x.687x.125x.375x.937	4	4	4	
7	062064	CABLE ASSY / IN FRONT SERVICE DOOR DOCK LIGHT DOCK LIGHT To V-1778	4	4	4	
		FOLLOWING ITEMS ARE USED FOR				
		CUT OFF "DOCKING & CORNERING LIGHT" ON COACH				
NS	561468	SWITCH / OFF-ON S.P.S.T. To W-2284	1	1		
NS	562697	SWITCH / ON-ON / D.P.D.T. / CH-OVER / W/RED & GREEN LED From W-2285	2	2		
NS	562714	CAP / PLAIN (W/O DESCRIPTION) From W-2285	2	2		
NS	062985	INSERT / GREEN / ID & CLEARANCE To W-2284	1	1		
NS	064482	CABLE ASSY	1	1		
NS	064483	CABLE "DOCKING LIGHT" To W-2284	1	1		
NS	064778	CABLE "DOCKING & CORNERING LIGHT" From W-2285	1	1		
NS	561707	RELAY 24V S.P.D.T. W/RESISTOR / From W-2285	1	1		
		A) IN FRONT SERVICE DOOR				

From R-012 To 2-4416

Date:10/2022

PAGE:H3-0664-00

REAR EXTERIOR LIGHTS & PLATE HOLDER



From R-012 To 2-4416	Date:10/2022	PAGE:H3-0664-00
REAR EXTERIOR LIGHTS & PLATE HOLDER		

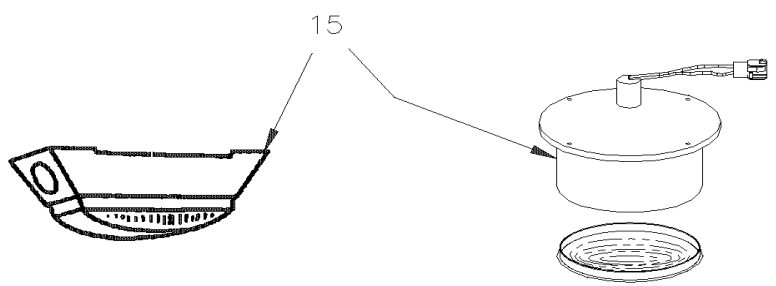
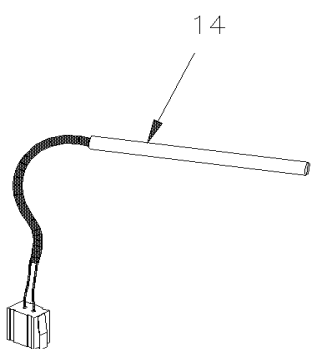
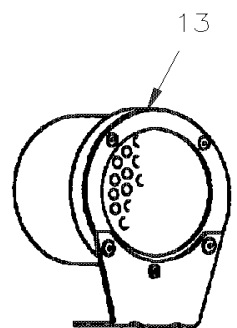
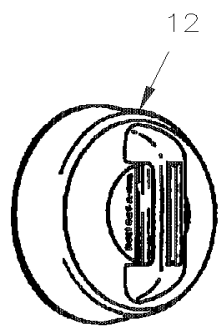
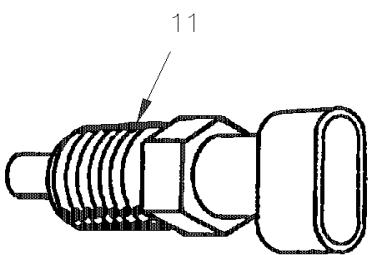
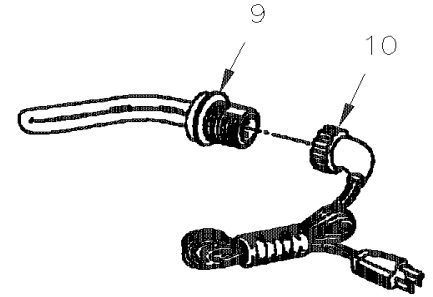
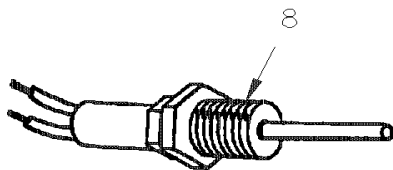
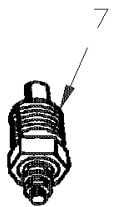
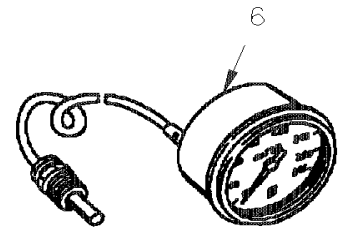
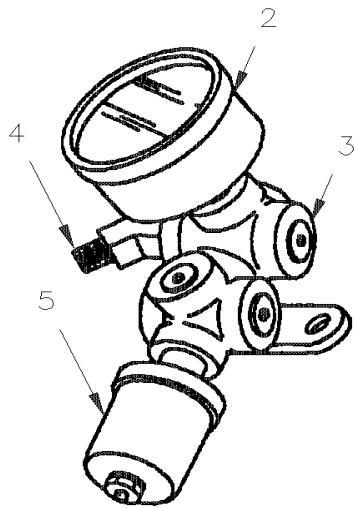
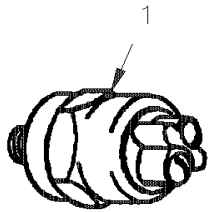
Item#	Part	Description	H 3 4 1	H 3 4 5	V I P 4 5	N O T E S
1	430353	LAMP ASSY, BACK UP / W/CONNECTOR /CLEAR	4	4	4	
2	430351	LAMP ASSY, DIRECTIONAL /W/CONNECTOR /AMBER	4	4	4	A
3	430350	LAMP ASSY, STOP / W/CONNECTOR / RED	5	5	5	B
4	430352	LAMP ASSY, TAIL / W/CONNECTOR / RED	4	4	4	B
5	504346	. SNAP-IN PLUG / .500 O.D.	1	1	1	
6	062602	. CABLE ASSY	1	1	1	
7	506465	. TAPE RUB ADH1 CC NEO 1/8" x 1/4" x 60' / BLACK 1220	1	1	1	
8	561880	. BULB / 21WATT-12VOLTS / SAE# 7506	1	1	1	
8	561881	. BULB / 10WATT-12VOLTS / SAE# 5008	1	1	1	
9	561546	. LAMP ASSY BACK UP	1	1	1	
9	561547	. LAMP ASSY STOP	1	1	1	B
9	561548	. LAMP ASSY TAIL	1	1	1	B
9	561549	. LAMP ASSY DIRECTIONAL	1	1	1	A
10	930248	. . HOUSING, SQUARE LAMP W/STUDS	1	1	1	
11	930249	. . REFLECTOR / WHITE	1	1	1	
11	930250	. . REFLECTOR / CHROMED	1	1	1	
12	930251	. . LENS / AMBER	1	1	1	
12	930252	. . LENS / CLEAR	1	1	1	
12	930253	. . LENS, SQUARE RED TAIL LAMP	1	1	1	
12	930254	. . LENS, SQUARE REAR STOP LAMP	1	1	1	
13	502664	. . SCREW TP PAN PH #8x1 SS EMN	2	2	2	
20	930266	SEAL BULB / 2WATT - 12VOLTS / TL-15206	2	2	2	D
NS	930210	CONNECTOR ASSY / TRUCK-LITE 94924	2	2	2	C
21	930208	GROMMET RUBBER RETAINER / LICENCE LAMP TL 15700	2	2	2	
21	930408	GROMMET RUBBER RETAINER / LICENCE LAMP TL 150702 SERVICE	2	2	2	
22	930302	REFLECTOR RED 40MM x 180MM To T-1681	2	2	2	
22	930320	REFLECTOR RED 1 3/16" x 4 7/16" From T-1682	2	2	2	
23	5001087	SCREW TP BDG PH #10x1/2 SS	4	4	4	
NS	930362	LAMP ASSY AMBER "LED" / DIRECTIONAL 12Volt / 20L	4	4	4	
NS	930363	LAMP ASSY RED "LED" / TAIL & STOP 12Volt / 20L	9	9	9	
NS	930358	SEAL LEDS / LEDS - 12VOLTS	2	2	2	
NS	065528	INTERFACE CABLE ASSY / W/LED FLASHER	4	4	4	E
NS	065529	INTERFACE CABLE ASSY / W/LED STOP	5	5	5	E
NS	065530	INTERFACE CABLE ASSY / W/LED TAIL	4	4	4	E
		A) TO REPLACE BY "LED" LAMP ASK FOR MODEL #930362				
		B) TO REPLACE BY "LED" LAMP ASK FOR #930363				
		C) PART OF LAMP HARNESS				
		D) TO REPLACE BY "LED" LAMP ASK #930358				
		E) USE WITH VEHICULE WITH LED				

From R-012 To W-2284

Date:10/2022

PAGE:H3-0665-01

ENGINE COMPARTMENT - ELECTRIC COMPONENTS



From R-012 To W-2284	Date:10/2022	PAGE:H3-0665-01
ENGINE COMPARTMENT - ELECTRIC COMPONENTS		

Item#	Part	Description	H 3 4 1	H 3 4 5	V I P 4 5	N O T E S
1	560632	SWITCH / BACK-UP N.C. / W/MANUAL TRANSMISSION	1	1		
1	561019	SWITCH / NEUTRAL N.O. / W/MANUAL TRANSMISSION	1	1		
2	510481	GAUGE, OIL PRESSURE / MECHANICAL (CURRENT)	1	1	1	
2	H3-0665-11	SWITCHES, LIGHTS, AJAR - UNDER FLOOR				
3	640055	MANIFOLD / PIPE FITTING / 7 PORTS 1/4NPT-F STL	1	1	1	
4	011617	HOSE ASSY TEFLON #4 2615MM	1	1	1	A
NS	503064	. HOSE TEFLON #4 / S.L.	AR	AR	AR	
NS	501892	. FEMALE CONNECTOR SWIVEL / SAE 45° FITTING / TEFLON / #4FL-Fx#4 STL	2	2	2	
5	562409	SENSOR, OIL PRESSURE W/GAUGE 0-100	1	1	1	A
6	562331	GAUGE WATER TEMPERATURE / MECHANICAL (CURRENT)	1	1	1	
6	H3-0665-11	SWITCHES, LIGHTS, AJAR - UNDER FLOOR				
7	561097	SENSOR, TEMPERATURE / WATER & OIL	1	1	1	
8	561157	SENSOR, PYROMETER W/ SERIES 92 & 60	1	1	1	
9	560410	BLOCK HEATER	1	1	1	
10	H3-0666-00	BLOCK HEATER RECEPTACLE				
11	562395	SENSOR PROBE "LOW LEVEL COOLANT" / 1/4" NPT	1	1	1	
12	562402	DETECTOR / FIRE To V-1778	2	2	2	
NS	065323	KIT, FIRE DETECTOR REPLACEMENT From SERVICE To V-1778	AR	AR	AR	
. NS	IS-99091	. SEE INSTRUCTION SHEET From SERVICE To V-1778	1	1	1	
13	381216	BACK-UP ALARM ASSY / "DAP "	1	1	1	
13	561488	. ALARM / "DAP"	1	1	1	
13	561566	. CONNECTOR / WEATHER PACK / PH 2C / BLACK / PED 12010973	1	1	1	
13	561568	. PIN TERMINAL / 16-14 / PED 12089305	2	2	2	
13	561565	. CABLE SEAL / GREEN / PED 15324982	2	2	2	
NS	212203	SUPPORT BACK UP ALARM	1	1		
NS	212276	SUPPORT BACK UP ALARM & 110V OUTLET	AR	AR		
NS	212276	SUPPORT BACK UP ALARM & 110V OUTLET			1	
13	065721	KIT, BACK-UP ALARM / SERIE "H"	1	1	1	
. NS	IS-01155	. SEE INSTRUCTION SHEET	1	1	1	
14	562637	HEAT DETECTOR SENSOR 2500MM From V-1779	1	1	1	
14	562638	HEAT DETECTOR SENSOR 3500MM From V-1779	1	1	1	
15	H3-0665-11	SWITCHES, LIGHTS, AJAR - UNDER FLOOR				
NS	064625	CABLE ASSY	1	1	1	
NS	561577	CONNECTOR / WEATHER PACK / SH 1C / BLACK / PED 12015791	1	1	1	
NS	561786	CABLE SEAL / GRAY / PED 15324980	1	1	1	
NS	561578	SOCKET TERMINAL / 16-14 / PED 12010182	1	1	1	
NS	140658	HOSE ASSY TEFLON #4 1456MM	1	1	1	
NS	501037	MALE ELBOW 90° / SAE 45° FITTING / #4FL-Mx1/4NPT-M BR	2	2	2	
NS	501312	BUSHING REDUCER / PIPE FITTING / 1/4NTP-Mx1/8NPT-F BR	1	1	1	
NS	640643	ANCHOR ELBOW / PIPE FITTING / 1/4NPT-Fx1/4NPT-F STL	1	1	1	

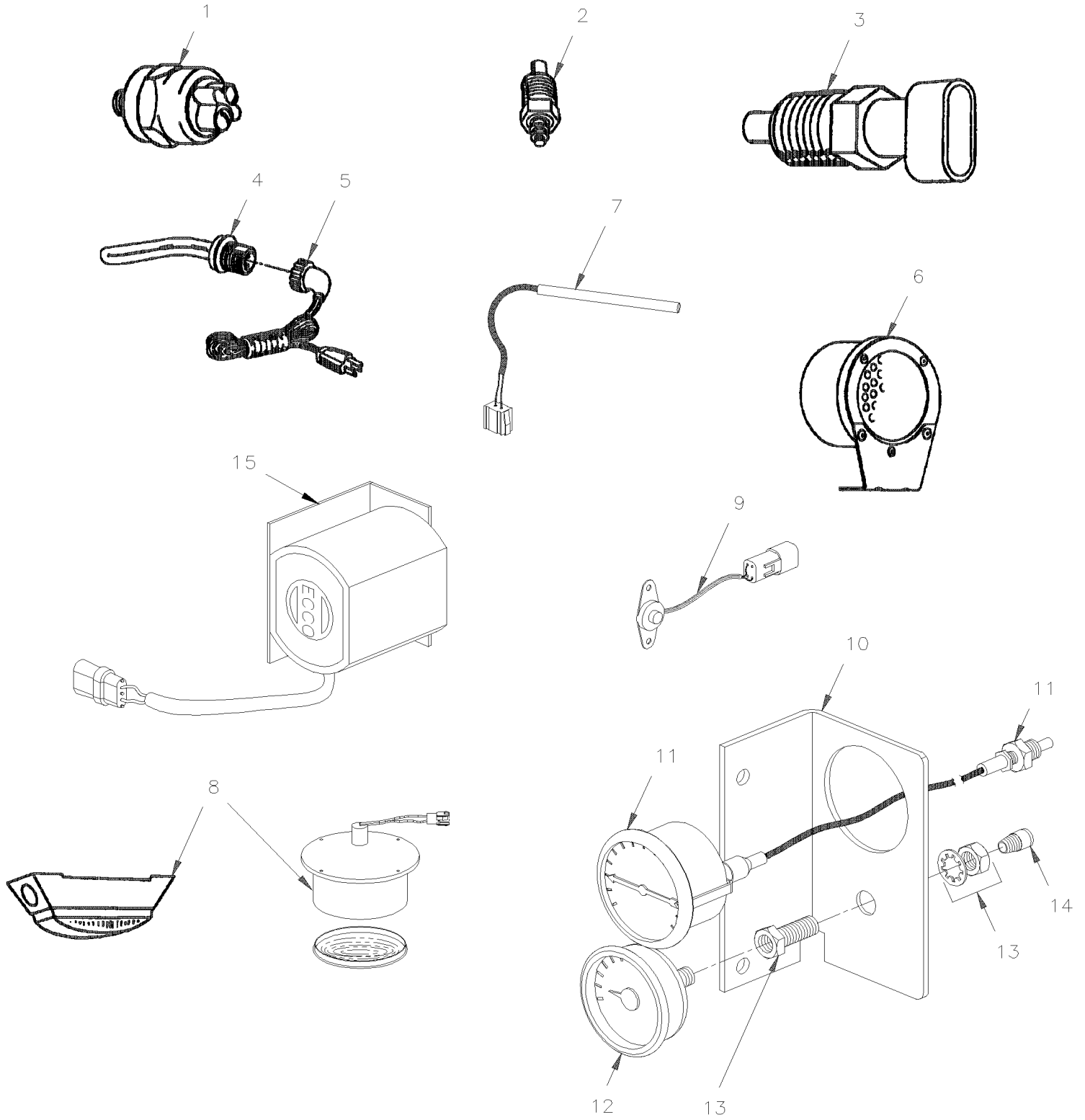
From R-012 To W-2284		Date:10/2022	PAGE:H3-0665-01			
ENGINE COMPARTMENT - ELECTRIC COMPONENTS						
Item#	Part	Description	H 3 4 1	H 3 4 5	V I P 4 5	N O T E S
		A) THE LAST 6 PARTS ARE USE IN KIT 011935 FOR PRODUCT IMPROV. TO MOVE SENSOR IN PLACE W/LESS VIBRATION				

From W-2285 To 2-4416

Date:10/2022

PAGE:H3-0665-02

ENGINE COMPARTMENT - ELECTRIC COMPONENTS

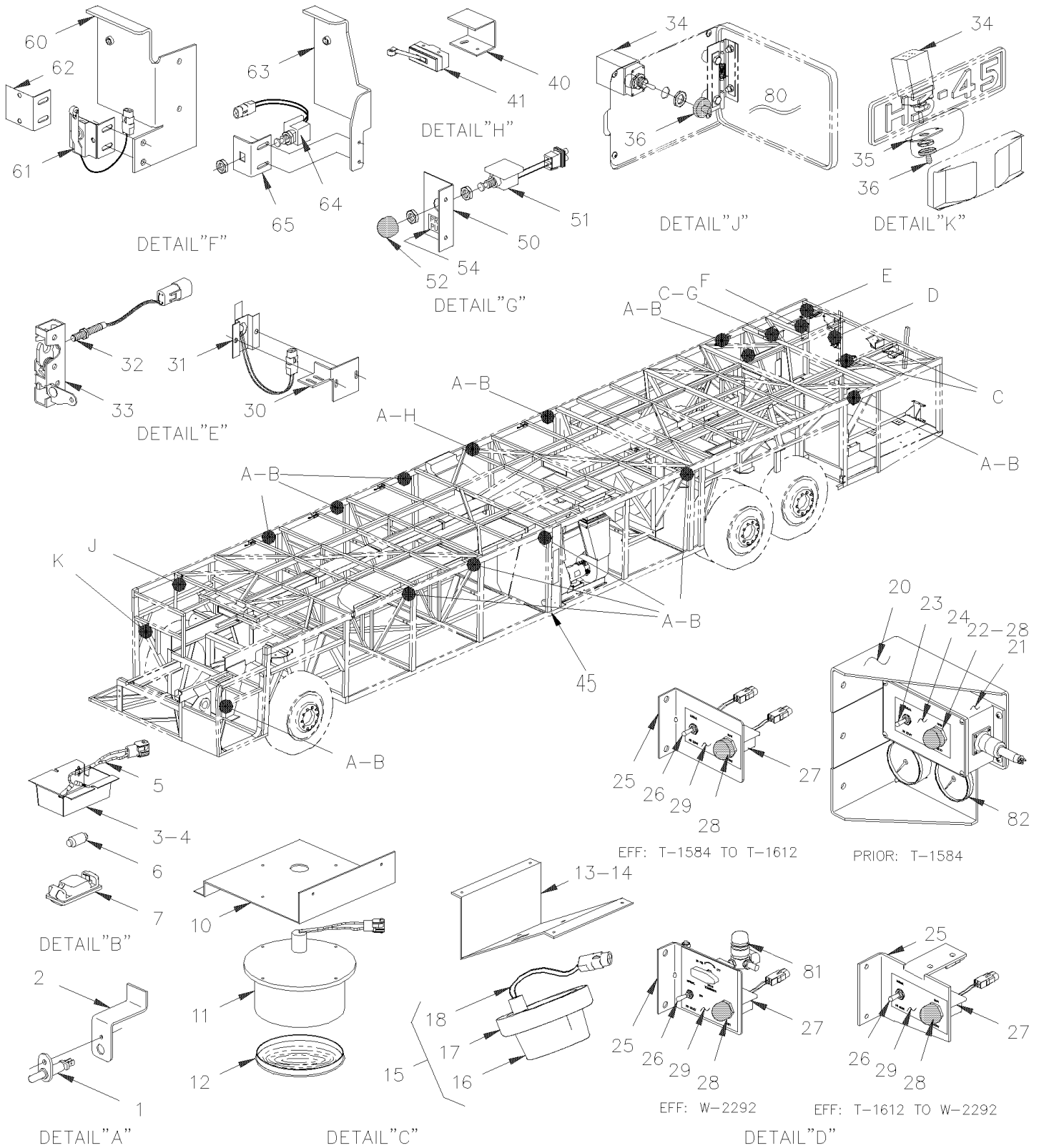


From W-2285 To 2-4416 Date:10/2022 PAGE:H3-0665-02

ENGINE COMPARTMENT - ELECTRIC COMPONENTS

Item#	Part	Description	H 3 4 1	H 3 4 5	V I P 4 5	N O T E S
1	560632	SWITCH / BACK-UP N.C. / W/MANUAL TRANSMISSION	1	1		
1	561019	SWITCH / NEUTRAL N.O. / W/MANUAL TRANSMISSION	1	1		
2	562829	SENSOR / OIL TEMPERATURE / (DASHBOARD)	1	1	1	A
3	562395	SENSOR PROBE "LOW LEVEL COOLANT" / 1/4" NPT	1	1	1	
4	560410	BLOCK HEATER	1	1	1	
5	H3-0666-00	BLOCK HEATER RECEPTACLE				
6	381216	BACK-UP ALARM ASSY / "DAP "	1	1	1	
6	561488	. ALARM / "DAP"	1	1	1	
6	561566	. CONNECTOR / WEATHER PACK / PH 2C / BLACK / PED 12010973	1	1	1	
6	561568	. PIN TERMINAL / 16-14 / PED 12089305	2	2	2	
6	561565	. CABLE SEAL / GREEN / PED 15324982	2	2	2	
NS	212203	SUPPORT BACK UP ALARM	1	1		
NS	212276	SUPPORT BACK UP ALARM & 110V OUTLET	AR	AR		
NS	212276	SUPPORT BACK UP ALARM & 110V OUTLET			1	
6	065721	KIT, BACK-UP ALARM / SERIE "H"	1	1	1	
. NS	IS-01155	. SEE INSTRUCTION SHEET	1	1	1	
7	562637	HEAT DETECTOR SENSOR 2500MM To Y-3831	1	1	1	
7	562638	HEAT DETECTOR SENSOR 3500MM To Y-3831	1	1	1	
8	H3-0665-12	SWITCHES, LIGHTS, AJAR - UNDER FLOOR				
9	065290	HEAT DETECTOR "THERMO-DISK" From Y-3832	AR	AR	AR	
10	011952	SUPPORT	AR	AR	AR	
11	562331	GAUGE WATER TEMPERATURE / MECHANICAL (CURRENT)	1	1		
11	562331	GAUGE WATER TEMPERATURE / MECHANICAL (CURRENT)			AR	
12	510481	GAUGE, OIL PRESSURE / MECHANICAL (CURRENT)	1	1		
12	510481	GAUGE, OIL PRESSURE / MECHANICAL (CURRENT)			AR	
13	501711	BULKHEAD COUPLING / PIPE FITTING / 1/4NPT-Fx1/4NPT-Fx1 1/2 BR	2	2		
13	501711	BULKHEAD COUPLING / PIPE FITTING / 1/4NPT-Fx1/4NPT-Fx1 1/2 BR			AR	
14	501037	MALE ELBOW 90° / SAE 45° FITTING / #4FL-Mx1/4NPT-M BR	1	1		
14	501037	MALE ELBOW 90° / SAE 45° FITTING / #4FL-Mx1/4NPT-M BR			AR	
NS	011617	HOSE ASSY TEFLON #4 2615MM	1	1		
NS	011617	HOSE ASSY TEFLON #4 2615MM			AR	
15	563027	BACK-UP ALARM "ECCO" / 12-24vdc / 82-107db	1	1	1	
		A) THIS SENSOR USE ON TRANSMISSION OIL COOLER				

From R-012 To W-2284	Date:10/2022	PAGE:H3-0665-11
SWITCHES, LIGHTS, AJAR - UNDER FLOOR		



From R-012 To W-2284	Date:10/2022	PAGE:H3-0665-11
SWITCHES, LIGHTS, AJAR - UNDER FLOOR		

Item#	Part	Description	H 3 4 1	H 3 4 5	V I P 4 5	N O T E S
1	562303	SWITCH / S.P.S.T. / N.C.	AR	AR	AR	
2	063986	SUPPORT / BAGGAGE DOOR & CONDENSOR / (AS SHOW)	1	1	1	
2	285805	SUPPORT / CONDENSOR DOORS From V-1961	1	1	1	
NS	212743	SUPPORT / REAR SERVICE DOOR / (AS SHOWN)	AR	AR	AR	C
NS	064434	SUPPORT / LIGHT SWITCH From V-1779	1	1	1	
3	330268	LAMP ASSY 24V / BAGGAGE COMPARTMENT LAMP / W/ONE BULB 10W	AR	AR	AR	
3	330372	LAMP ASSY 24V / BAGGAGE COMPARTMENT LAMP W//2 BULBS 5W From SERVICE	AR	AR	AR	S
4	330267	. SUPPORT / SS / TO FIX LAMP / W/ONE BULB	1	1	1	
5	063435	. CABLE ASSY / W/ONE BULB	1	1	1	
6	562278	. BULB / 10WATT-24VOLTS / SAE# 6429	1	1	1	
6	562411	. BULB / 5WATT-24VOLTS / SAE # 6424 From SERVICE	2	2	2	S
7	830139	. LAMP ASSY / W/ONE BULB	1	1	1	
7	830183	. LAMP ASSY / W/2 BULBS From SERVICE	1	1	1	S
10	330263	. BRACKET / TO FIX LIGHT To T-1583	1	1	1	
11	330278	LAMP ASSY W/CONNECTOR To T-1583	AR	AR	AR	
11	830133	. LAMP ASSY	1	1	1	
12	830134	. . LENS	1	1	1	
NS	830135	. . SOCKET BULB / METAL / BA15s	1	1	1	
NS	830136	. . SEAL / LENS & BASE	1	1	1	
12	560773	. BULB / 32WATT-24VOLTS / SAE# 1683	1	1	1	
12	561566	. CONNECTOR / WEATHER PACK / PH 2C / BLACK / PED 12010973	1	1	1	
12	561567	. PIN TERMINAL / 20-18 / PED 12089040	2	2	2	
12	561565	. CABLE SEAL / GREEN / PED 15324982	2	2	2	
12	504083	. SNAP BUSHING / .250x.468.406	1	1	1	
13	430467	LAMP ASSY W/CONNECTOR From T-1584	AR	AR	AR	
14	430468	. SUPPORT	1	1	1	
15	930168	. LAMP ASSY BACK-UP	1	1	1	
16	930170	. . LENS	1	1	1	
17	930171	. . RING / CHROME	1	1	1	
17	560136	. BULB / 15WATT-12VOLTS / SAE# 1003	1	1	1	
18	561605	. CONNECTOR / WEATHER PACK / PH 1C / BLACK / PED 12010996	1	1	1	
18	561567	. PIN TERMINAL / 20-18 / PED 12089040	2	2	2	
18	561565	. CABLE SEAL / GREEN / PED 15324982	2	2	2	
20	061609	SUPPORT To T-1583	1	1	1	
21	380928P	BOX ASSY W/SWITCH To T-1474	1	1	1	A
21	381804	BOX ASSY W/SWITCH From T-1475 To T-1583	1	1	1	A
21	380929	. BOX ASSY	1	1	1	
22	560267	. SWITCH, PUSH BUTTON S.P.S.T. / N.O.	1	1	1	
. NS	561891	. . CAP RUBBER	1	1	1	
22	561891	. . CAP RUBBER	1	1	1	
23	560330	. SWITCH / ON-OFF-ON / D.P.D.T.	1	1	1	
NS	560241	. . RUBBER PROTECTOR, TOGGLE SWITCH	1	1	1	

From R-012 To W-2284	Date:10/2022	PAGE:H3-0665-11
SWITCHES, LIGHTS, AJAR - UNDER FLOOR		

Item#	Part	Description	H 3 4 1	H 3 4 5	V I P 4 5	N O T E S
24	062255	. DECAL SWITCH CONTROL	1	1	1	
NS	062216	. CABLE ASSY / REAR START To T-1474	1	1	1	
NS	064232	. CABLE ASSY / REAR START From T-1475 To T-1583	1	1	1	
25	064298	PLATE SWITCH SUPPORT From T-1584 To T-1611	1	1	1	
25	064304	PLATE SWITCH SUPPORT From T-1612 To W-2291	1	1	1	
25	064539	PLATE SWITCH SUPPORT / W/2 SWITCHES From W-2292	1	1	1	
26	064362	SWITCH ASSY / WATERPROOF From T-1584	1	1	1	
27	064555	SWITCH ASSY From T-1584	1	1	1	
27	562484	. SWITCH S.P.S.T. / N.C.	1	1	1	
28	561891	. CAP RUBBER	1	1	1	
NS	562486	. CONNECTOR / DT SERIES / PH 2C / GRAY / DEUTSCH DT04-2P	1	1	1	
NS	562286	. PIN TERMINAL / 18-16 / DEUTSCH 0460-202-16141	2	2	2	
NS	562487	. SECONDARY LOCK / DT SERIES / PH 2C / DEUTSCH W2P	1	1	1	
29	062255	DECAL SWITCH CONTROL To W-2291	1	1	1	
29	064540	DECAL / "MOTOR SWITCH REGULATOR" / 50PSI From W-2292	1	1	1	
30	381296	SUPPORT	1	1	1	
31	062924	MICRO SWITCH ASSY To S-264	1	1	1	
32	064060	SWITCH PROXIMITY ASSY From S-265 To X-3021	1	1	1	E
32	065011	SWITCH PROXIMITY ASSY From X-3022	1	1	1	
. NS	562950	. SWITCH PROXIMITY / S.P.D.T. / W/3 WIRES From X-3022	1	1	1	
. NS	561566	. CONNECTOR / WEATHER PACK / PH 2C / BLACK / PED 12010973 From X-3022	1	1	1	
32	065040	SWITCH PROXIMITY ASSY	1	1	1	F
NS	562949	MAGNET ROUND .200x.700 DIA	1	1	1	
33	H3-1870-10	REAR ENGINE DOOR - INSTALLATION				
33	214053	SUPPORT MAGNETIC SWITCH From X-3022	1	1	1	
34	562253	SWITCH / M/ON-OFF-M/ON / S.P.S.T.	1	1		J
NS	065380	KIT ENTRANCE DOOR SWITCH	1	1		
35	473454	SUPPORT To X-3021	1	1		
35	214053	SUPPORT MAGNETIC SWITCH From X-3022	1	1		
35	214250	SUPPORT MAGNETIC SWITCH	1	1	1	F
36	560241	RUBBER PROTECTOR, TOGGLE SWITCH	1	1		
40	062619	SUPPORT To S-193	1	1	1	
41	561109	MICRO SWITCH To S-193	1	1	1	
NS	502579	NUT HEX M3-0.5 NP	2	2	2	
NS	502691	WASHER LO SPT 3.6x6.7x0.8 Z050	2	2	2	
NS	500437	WASHER FL .125x.375x.040 Z050	2	2	2	
45	505056	ANTISTATIC STRAP / UNDER STRUCTURE	1	1	1	
50	064097	SUPPORT To W-2735	1	1		H
50	064856	SUPPORT SWITCH From W-2736	1	1		G
51	064554	SWITCH ASSY W/CONNECTOR	1	1		
51	562484	. SWITCH S.P.S.T. / N.C.	1	1		
NS	561690	. CONNECTOR / WEATHER PACK / SH 2C / BLACK / PED 12015792	1	1		

From R-012 To W-2284	Date:10/2022	PAGE:H3-0665-11
SWITCHES, LIGHTS, AJAR - UNDER FLOOR		

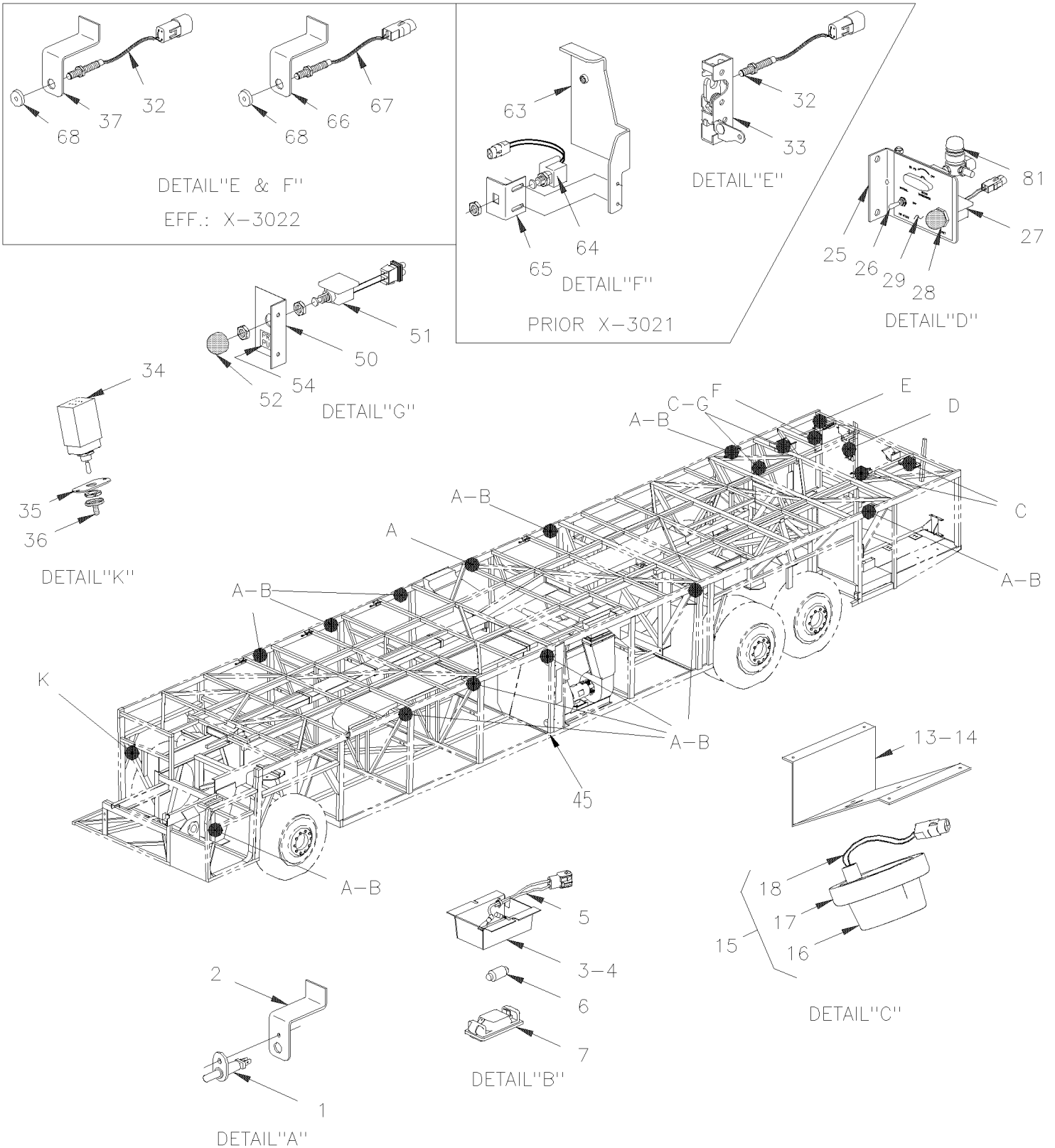
Item#	Part	Description	H 3 4 1	H 3 4 5	V I P 4 5	N O T E S
NS	561565	. CABLE SEAL / GREEN / PED 15324982	2	2		
NS	561578	. SOCKET TERMINAL / 16-14 / PED 12010182	2	2		
52	561891	. . CAP RUBBER	1	1		
54	064099	DECAL "PRIME PUMP" / ENGLISH	1	1		
54	066049	DECAL "PRIME PUMP" / ENGLISH & SPANISH	1	1		
NS	064101	CABLE ASSY / SWITCH & PUMP	1	1		
NS	064128	CABLE ASSY / STUD GRD & CONNECTOR C-220 IN REAR JUNCT.BOX	1	1		
60	212543	SUPPORT To T-1611	1	1	1	
61	063215	MICRO SWITCH ASSY To S-264	1	1	1	B
62	381297	BRACKET / TO FIX SWITCH	1	1	1	
63	213267	ATTACHMENT From T-1612	1	1	1	
64	064090	MICRO SWITCH ASSY From S-265 To X-3021	1	1	1	C
64	065041	MICRO SWITCH ASSY From X-3022	1	1	1	
65	064091	SUPPORT From S-265 To X-3021	1	1	1	
NS	5001100	SCREW CAP HEX M3-0.5x30 G8.8 ZP	2	2	2	
80	H3-1872-00	ENTRANCE DOOR OPENING SWITCH				
81	H3-0125-01	BELTS TENSIONERS - WITH DETROIT S-60				
82	H3-0665-01	ENGINE COMPARTMENT - ELECTRIC COMPONENTS				
NS	065039	KIT ENGINE DOOR SWITCH	AR	AR	AR	
. NS	IS-98135	. SEE INSTRUCTION SHEET	1	1	1	
		A) SEE ATTACHED TEXT TO SEE RELATED NOTE.				
		B) YOU REQUIRE SUPPORT 381297 TO FIX SWITCH 062924 IN REPLACEMENT OF SWITCH 063215 FOR UP TO S-264				
		C) YOU REQUIRE SUPPORT 064091 TO FIX SWITCH 064090 IN REPLACEMENT OF SWITCH 063215 FOR VEHICLE UP TO S-264				
		E) PRODUCT IMPROVMENT USE KIT #065039				
		F) INCLUDED IN KIT #065039				
		G) IN ENGINE COMPARTMENT WITH KIT #064824				
		H) IN BATTERY COMPARTMENT				
		J) FOR PRODUCT IMPROVMENT ASK FOR KIT #065380				
		S) SERVICE				

From W-2285 To 2-4416

Date:10/2022

PAGE:H3-0665-12

SWITCHES, LIGHTS, AJAR - UNDER FLOOR



From W-2285 To 2-4416	Date:10/2022	PAGE:H3-0665-12
SWITCHES, LIGHTS, AJAR - UNDER FLOOR		

Item#	Part	Description	H 3 4 1	H 3 4 5	V I P 4 5	N O T E S
1	562303	SWITCH / S.P.S.T. / N.C.	AR	AR	AR	
2	063986	SUPPORT / BAGGAGE DOOR & CONDENSOR / (AS SHOW)	AR	AR	AR	
2	285805	SUPPORT / CONDENSOR DOORS	1	1	1	
NS	212743	SUPPORT / REAR SERVICE DOOR / (AS SHOWN)	1	1	1	
NS	064434	SUPPORT / LIGHT SWITCH	1	1	1	
3	330268	LAMP ASSY 24V / BAGGAGE COMPARTMENT LAMP / W/ONE BULB 10W	AR	AR	AR	
3	330372	LAMP ASSY 24V / BAGGAGE COMPARTMENT LAMP W//2 BULBS 5W From SERVICE	AR	AR	AR	S
4	330267	. SUPPORT / SS / TO FIX LAMP / W/ONE BULB	1	1	1	
5	063435	. CABLE ASSY / W/ONE BULB	1	1	1	
6	562278	. BULB / 10WATT-24VOLTS / SAE# 6429	1	1	1	
6	562411	. BULB / 5WATT-24VOLTS / SAE # 6424 From SERVICE	2	2	2	S
7	830139	. LAMP ASSY / W/ONE BULB	1	1	1	
8	830183	. LAMP ASSY / W/2 BULBS From SERVICE	1	1	1	S
13	430467	LAMP ASSY W/CONNECTOR	AR	AR	AR	
14	430468	. SUPPORT	1	1	1	
15	930168	. LAMP ASSY BACK-UP	1	1	1	
16	930170	. . LENS	1	1	1	
17	930171	. . RING / CHROME	1	1	1	
17	560136	. BULB / 15WATT-12VOLTS / SAE# 1003	1	1	1	
18	561605	. CONNECTOR / WEATHER PACK / PH 1C / BLACK / PED 12010996	1	1	1	
18	561567	. PIN TERMINAL / 20-18 / PED 12089040	2	2	2	
18	561565	. CABLE SEAL / GREEN / PED 15324982	2	2	2	
25	064304	PLATE SWITCH SUPPORT To W-2291	1	1	1	
25	064539	PLATE SWITCH SUPPORT / W/2 SWITCHES From W-2292	1	1	1	
26	064362	SWITCH ASSY / WATERPROOF	1	1	1	
27	064555	SWITCH ASSY	1	1	1	
27	562484	. SWITCH S.P.S.T. / N.C.	1	1	1	
28	561891	. CAP RUBBER	1	1	1	
NS	562486	. CONNECTOR / DT SERIES / PH 2C / GRAY / DEUTSCH DT04-2P	1	1	1	
NS	562286	. PIN TERMINAL / 18-16 / DEUTSCH 0460-202-16141	2	2	2	
NS	562487	. SECONDARY LOCK / DT SERIES / PH 2C / DEUTSCH W2P	1	1	1	
29	062255	DECAL SWITCH CONTROL To W-2291	1	1	1	
29	064540	DECAL / "MOTOR SWITCH REGULATOR" / 50PSI From W-2292	1	1	1	
32	064060	SWITCH PROXIMITY ASSY To X-3021	1	1	1	A
32	065011	SWITCH PROXIMITY ASSY From X-3022	1	1	1	
. NS	562950	. SWITCH PROXIMITY / S.P.D.T. / W/3 WIRES From X-3022	1	1	1	
. NS	561566	. CONNECTOR / WEATHER PACK / PH 2C / BLACK / PED 12010973 From X-3022	1	1	1	
NS	562949	MAGNET ROUND .200x.700 DIA	AR	AR	AR	
33	H3-1870-10	REAR ENGINE DOOR - INSTALLATION				
34	562253	SWITCH / M/ON-OFF-M/ON / S.P.S.T. To Y-4074	1	1		E
34	563047	SWITCH ASSY / WATERPROOF From Y-4075	1	1		
35	473454	SUPPORT	1	1		

From W-2285 To 2-4416	Date:10/2022	PAGE:H3-0665-12
SWITCHES, LIGHTS, AJAR - UNDER FLOOR		

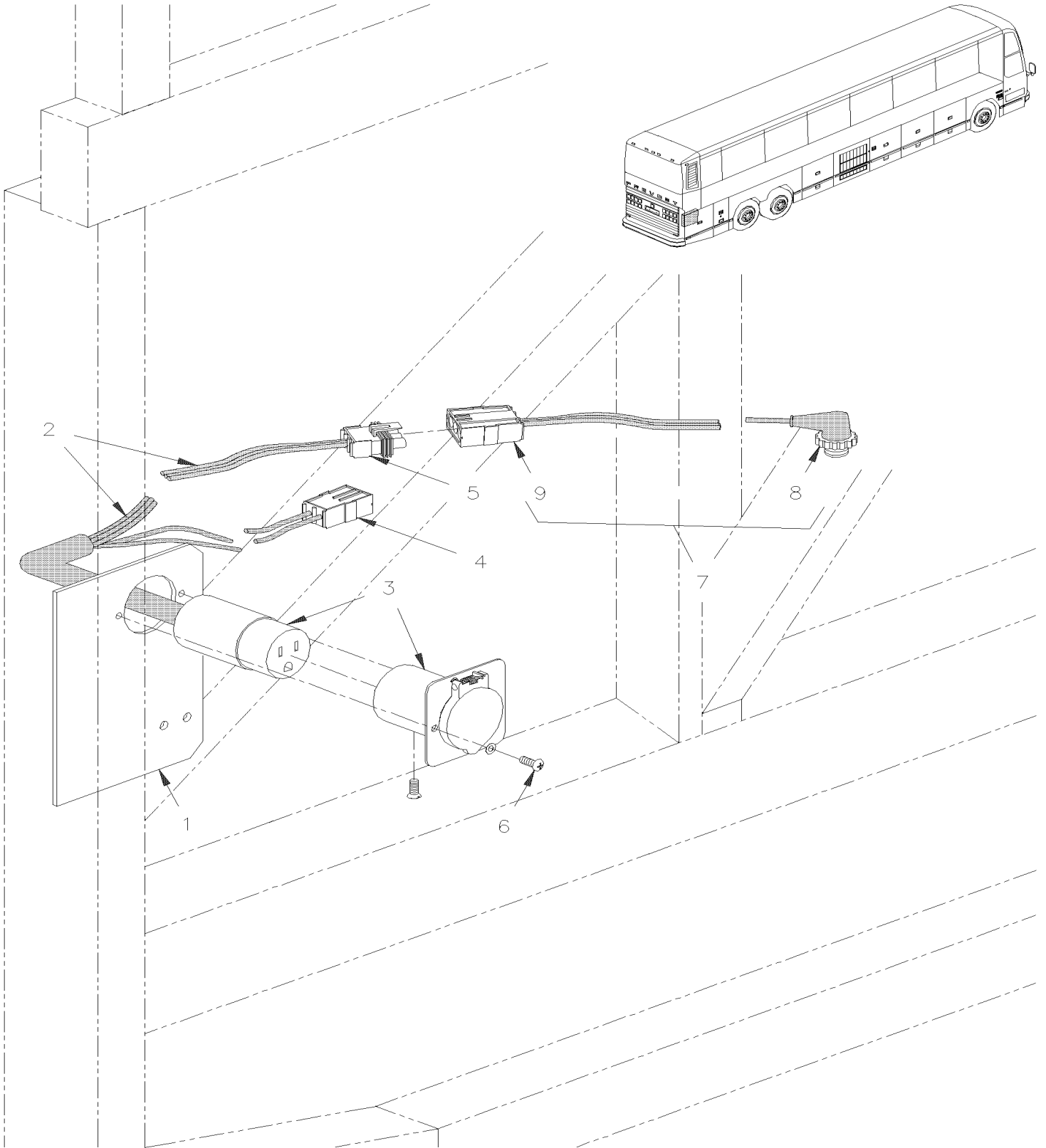
Item#	Part	Description	H 3 4 1	H 3 4 5	V I P 4 5	N O T E S
36	560241	RUBBER PROTECTOR, TOGGLE SWITCH	1	1		
37	214053	SUPPORT MAGNETIC SWITCH From X-3022	1	1	1	
45	505056	ANTISTATIC STRAP / UNDER STRUCTURE	1	1	1	
50	064097	SUPPORT To W-2735	1	1		C
50	064856	SUPPORT SWITCH From W-2736	1	1		D
51	064554	SWITCH ASSY W/CONNECTOR	1	1		
51	562484	. SWITCH S.P.S.T. / N.C.	1	1		
NS	561690	. CONNECTOR / WEATHER PACK / SH 2C / BLACK / PED 12015792	1	1		
NS	561565	. CABLE SEAL / GREEN / PED 15324982	2	2		
NS	561578	. SOCKET TERMINAL / 16-14 / PED 12010182	2	2		
52	561891	. . CAP RUBBER	1	1		
54	064099	DECAL "PRIME PUMP" / ENGLISH	1	1		
54	066049	DECAL "PRIME PUMP" / ENGLISH & SPANISH	1	1		
NS	064101	CABLE ASSY / SWITCH & PUMP	1	1		
NS	064128	CABLE ASSY / STUD GRD & CONNECTOR C-220 IN REAR JUNCT.BOX	1	1		
63	213267	ATTACHMENT From T-1612 To Y-3961	1	1	1	
63	214495	ATTACHMENT From Y-3962	1	1	1	
64	064090	MICRO SWITCH ASSY To X-3021	1	1	1	A
65	064091	SUPPORT	1	1	1	
66	214250	SUPPORT MAGNETIC SWITCH	1	1	1	B
67	065011	SWITCH PROXIMITY ASSY From X-3022	1	1	1	B
. NS	562950	. SWITCH PROXIMITY / S.P.D.T. / W/3 WIRES From X-3022	1	1	1	B
. NS	561566	. CONNECTOR / WEATHER PACK / PH 2C / BLACK / PED 12010973 From X-3022	1	1	1	B
68	562949	MAGNET ROUND .200x.700 DIA From X-3022	1	1	1	
NS	5001100	SCREW CAP HEX M3-0.5x30 G8.8 ZP	2	2	2	
81	H3-0125-01	BELTS TENSIONERS - WITH DETROIT S-60				
NS	065039	KIT ENGINE DOOR SWITCH	AR	AR	AR	
. NS	IS-98135	. SEE INSTRUCTION SHEET	1	1	1	
NS	065380	KIT ENTRANCE DOOR SWITCH	AR	AR	AR	
		A) FOR PRODUCT IMPROVMENT USE KIT #065039 FOR VEHICLE UP TO X-3021				
		B) INCLUDE IN KIT 065039				
		C) IN BATTERY COMPARTMENT				
		D) IN ENGINE COMPARTMENT WITH KIT #064824				
		E) FOR PRODUCT IMPROVMENT USE KIT #065380 UP TO Y-4074				
		S) SERVICE				

From R-012 To 2-4416

Date:10/2022

PAGE:H3-0666-00

BLOCK HEATER RECEPTACLE



From R-012 To 2-4416	Date:10/2022	PAGE:H3-0666-00
BLOCK HEATER RECEPTACLE		

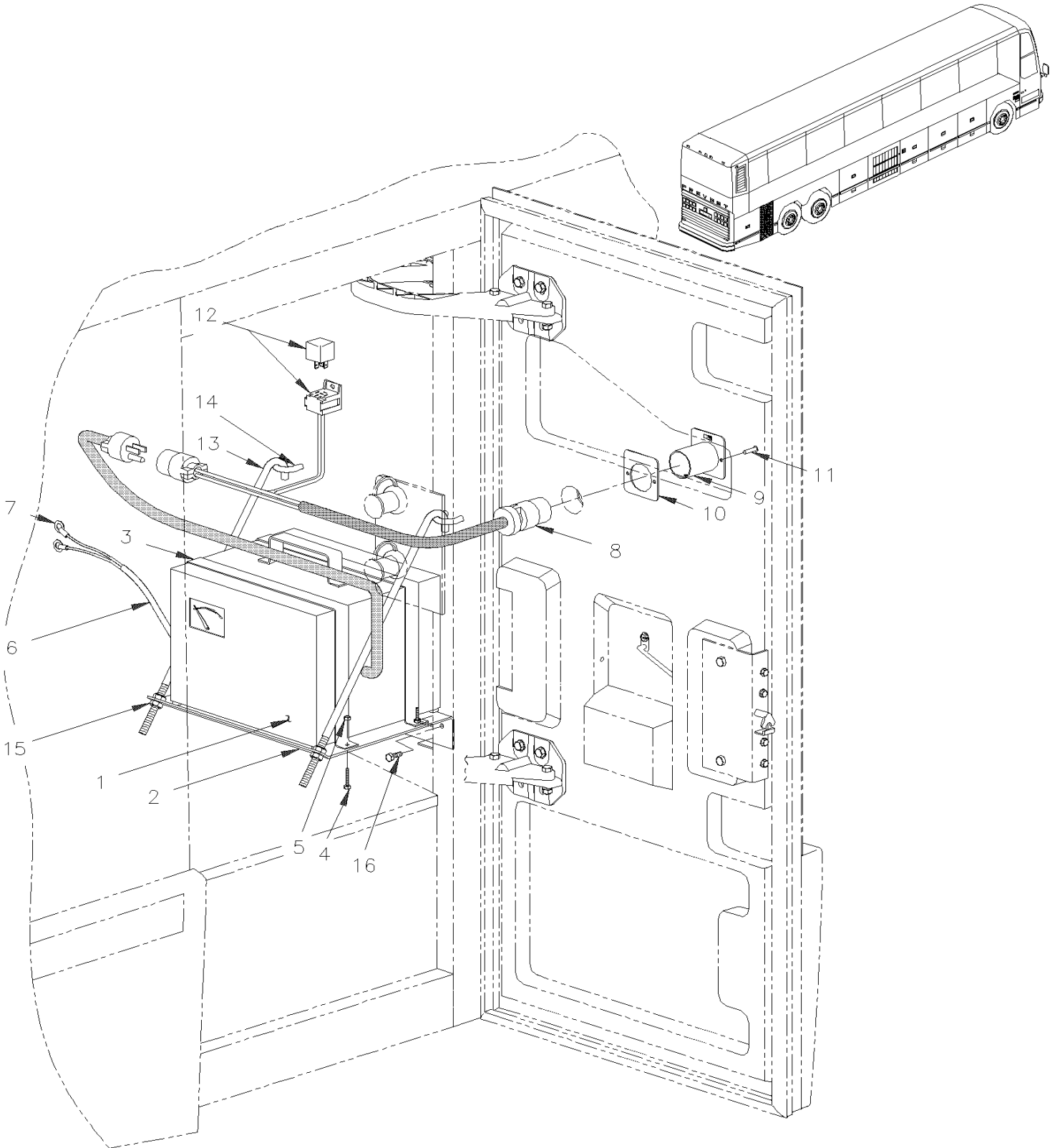
Item#	Part	Description	H 3 4 1	H 3 4 5	V I P 4 5	N O T E S
1	212276	SUPPORT BACK UP ALARM & 110V OUTLET			1	A
NS	H3-1870-00	ENGINE DOOR ASSY				
2	063296	CABLE ASSY / 110V BLOCK HEATER To 1-4267	1	1	1	B
2	065517	CABLE ASSY / 110V BLOCK HEATER From 1-4268	1	1	1	
3	561572	. RECEPTACLE ASSY W/CORD	1	1	1	
4	561566	. CONNECTOR / WEATHER PACK / PH 2C / BLACK / PED 12010973 To 1-4267	1	1	1	
NS	561786	. CABLE SEAL / GRAY / PED 15324980	2	2	2	
NS	561568	. PIN TERMINAL / 16-14 / PED 12089305 To 1-4267	2	2	2	
5	561782	. CONNECTOR / WEATHER PACK / SH 3C / BLACK / PED 12015793	1	1	1	
NS	561578	. SOCKET TERMINAL / 16-14 / PED 12010182	3	3	3	
NS	561783	. SEAL PLUG CAVITY / GREEN / PED 12010300 To 1-4267	2	2	2	
6	502677	SCREW MA RND PH M4-0.7x25 SS	2	2	2	
NS	063281	WASHER, RETAINER / INSIDE OF DOOR	1	1	1	
7	063295	CABLE ASSY / 110V BLOCK HEATER ENGINE SECTION	1	1	1	
8	560411	. HEATER PLUG ASSY	1	1	1	
NS	562028	. CONVOLUTED TUBING / UNSLIT / BLACK / .350"	AR	AR	AR	
9	561781	. CONNECTOR / WEATHER PACK / PH 3C / BLACK / PED 12010717	1	1	1	
NS	561568	. PIN TERMINAL / 16-14 / PED 12089305	3	3	3	
NS	561786	. CABLE SEAL / GRAY / PED 15324980	3	3	3	
NS	560410	BLOCK HEATER	1	1	1	A
		A) RECEPTACLE & DOOR LIGHT SWITCH				
		B) THIS CORD ASSY USE WITH WATER HEATER JUNCTION PLUG FOR FRESCH WATERTANK				

From R-012 To W-2284

Date:10/2022

PAGE:H3-0670-10

BATTERIES CHARGER - INSTALLATION



From R-012 To W-2284	Date:10/2022	PAGE:H3-0670-10
BATTERIES CHARGER - INSTALLATION		

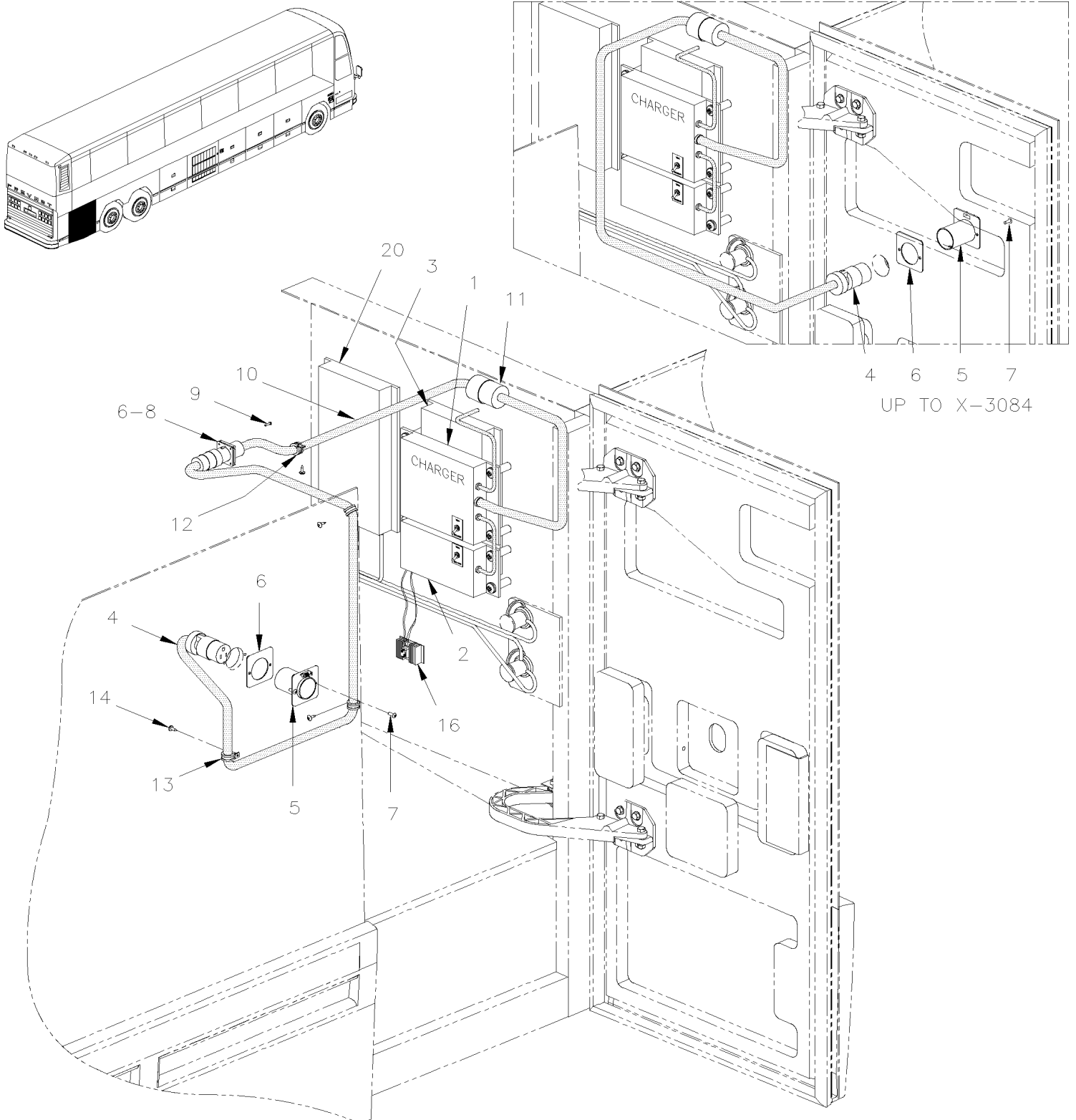
Item#	Part	Description	H 3 4 1	H 3 4 5	V I P 4 5	N O T E S
1	562496	BATTERY CHARGER 24V	1	1		
2	381682	PLATE	1	1		
3	381822	SUPPORT	2	2		
4	500607	SCREW MA TR PH #10-24x1 SS	4	4		
5	500767	NUT HEX #10-24 Z050	4	4		
6	561681	CONVOLUTED TUBING / SLIT / BLACK & GRAY / .350"	AR	AR		
7	561246	RING TERMINAL .375 / 12-10 / INSULATED / PED 2962953	2	2		
8	064496	WIRING ASSY	1	1		
9	561572	. RECEPTACLE ASSY W/CORD	1	1		A
10	064388	. FIXATION RING	1	1		
11	502677	. SCREW MA RND PH M4-0.7x25 SS	4	4		
12	561707	. RELAY 24V S.P.D.T. W/RESISTOR /	1	1		
13	381681	HOOK	2	2		
14	171161	LOOP ATTACHEMENT (WELDED ON FRAME)	2	2		
15	500102	NUT HEX 3/8-16 SS	4	4		
16	502565	NUT HEX M6-1.0 SS	3	3		
		A) FOR BLOCK HEATER				

From W-2285 To 2-4416

Date:10/2022

PAGE:H3-0670-11

BATTERIES CHARGER - INSTALLATION

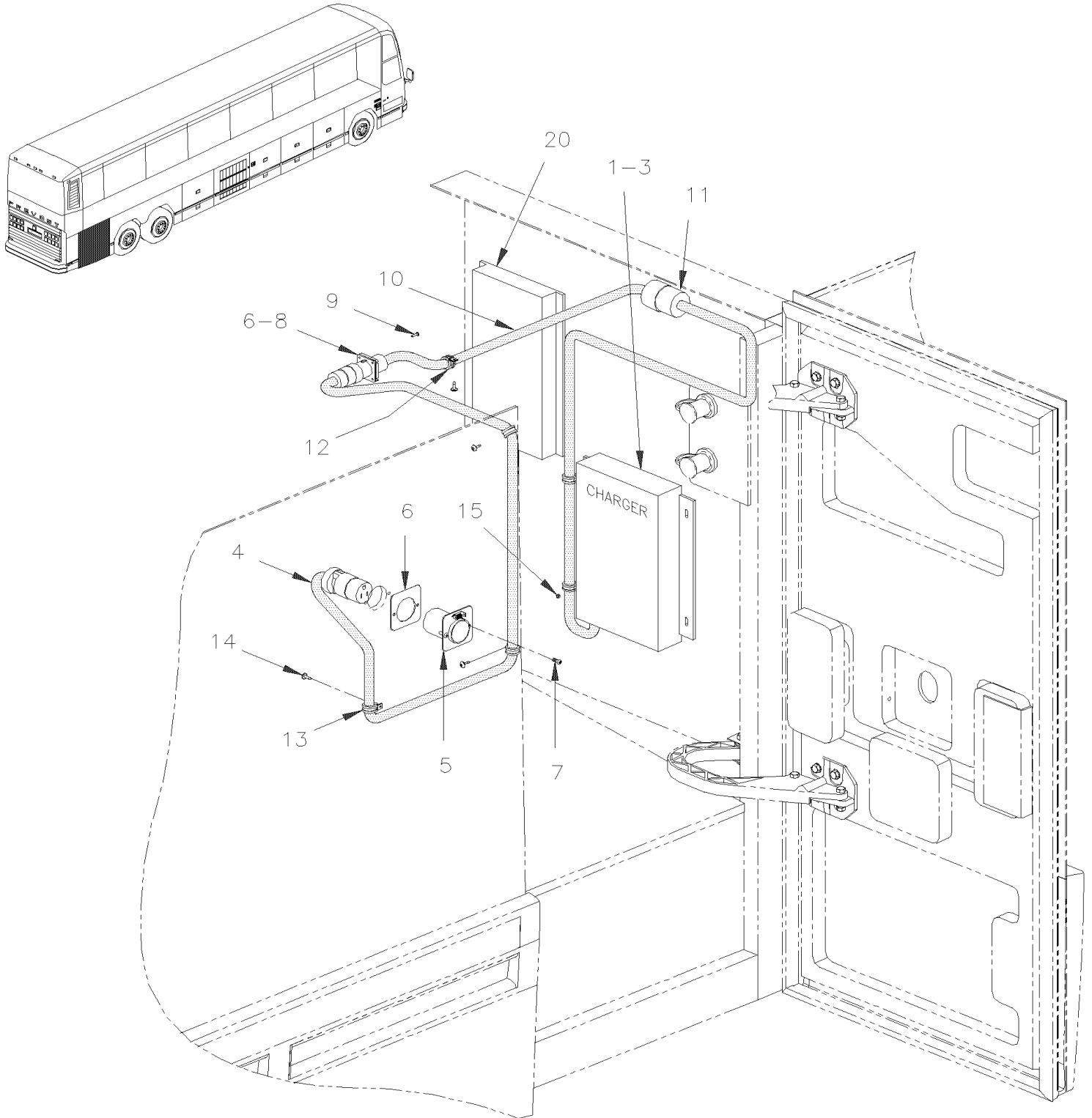


From W-2285 To 2-4416

Date:10/2022

PAGE:H3-0670-11

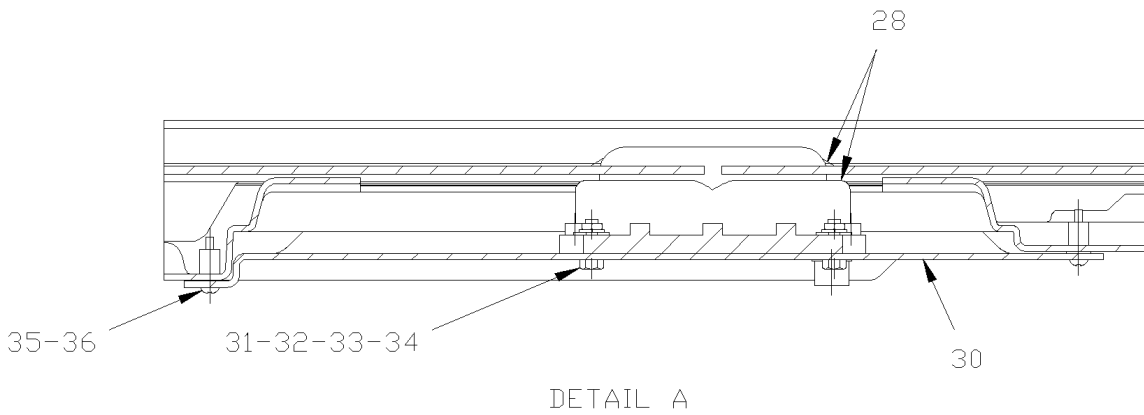
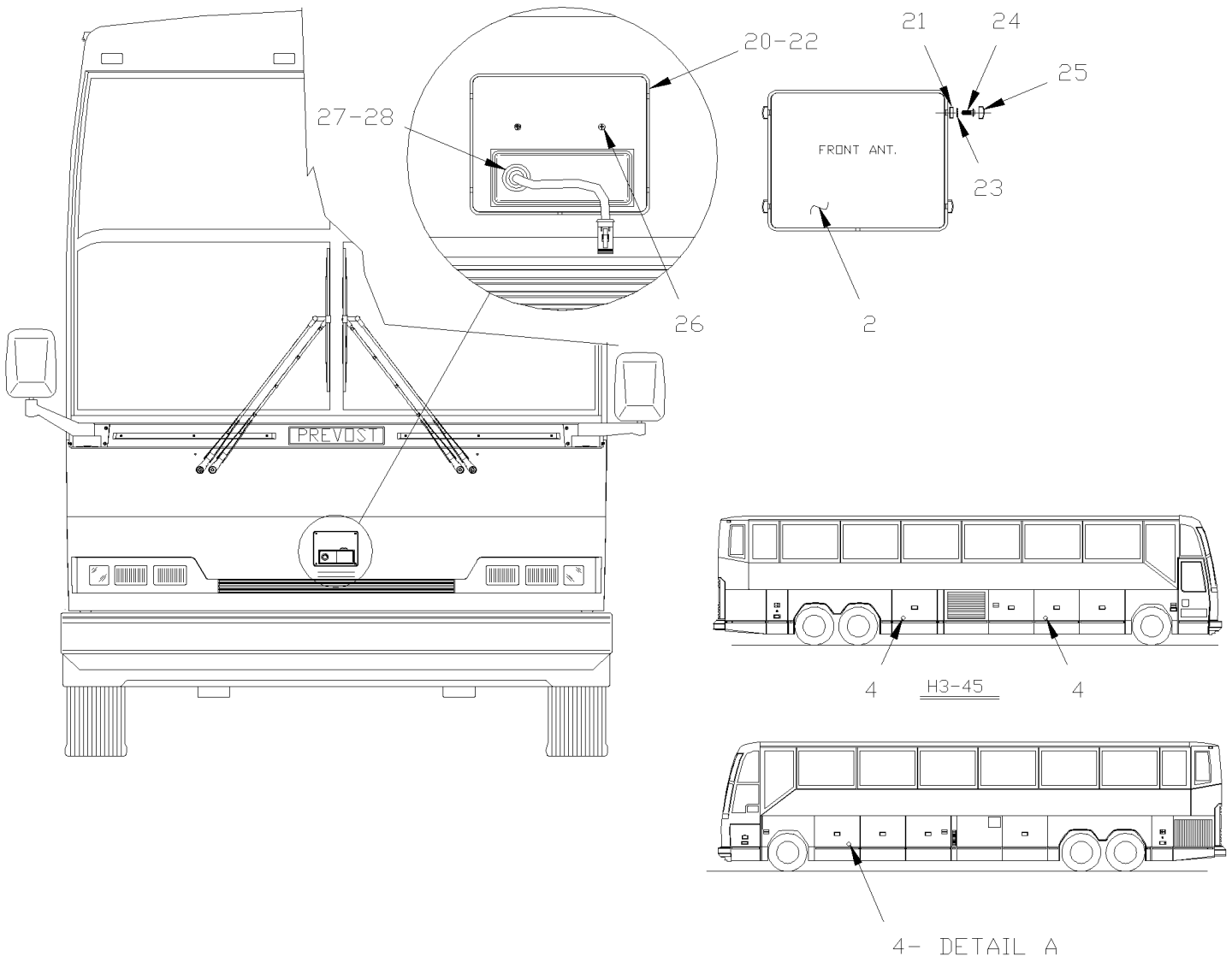
BATTERIES CHARGER - INSTALLATION



From W-2285 To 2-4416	Date:10/2022	PAGE:H3-0670-11
BATTERIES CHARGER - INSTALLATION		

Item#	Part	Description	H 3 4 1	H 3 4 5	V I P 4 5	N O T E S
1	562701	BATTERY CHARGER 24V To X-3212	1	1		B
1	562967	BATTERY CHARGER 24V From X-3213	1	1		
1	562955	BATTERY CHARGER 24V	1	1		B
2	562966	INSERT / BLACK W/LETTER CLEAR / ATC To X-3212	1	1		A
3	064626	SUPPORT BATTERIES CHARGER To X-3212	1	1		
3	065096	SUPPORT BATTERIES CHARGER From X-3213 To 1-4241	1	1		
3	065415	SUPPORT BATTERIES CHARGER From 1-4242	1	1		
NS	065051	DIODE ASSY / 15AMPS	1	1		A
4	064600	CABLE ASSY WITH OUTLET To X-3084	1	1		
4	065047	CABLE ASSY WITH OUTLET / DOOR SECTION From X-3085	1	1		
5	561572	. RECEPTACLE ASSY W/CORD	1	1		
6	064388	. FIXATION RING	1	1		
7	502677	. SCREW MA RND PH M4-0.7x25 SS	4	4		
8	065049	GASKET From X-3085	1	1		
9	5001454	SCREW MA BDG PH #4-40x1/2 SS From X-3085	1	1		
10	065062	CABLE ASSY From X-3085	1	1		
11	561932	. CONNECTOR / 15 AMPS / HUBBELL 5269-C	1	1		
12	952637	CLAMP / 1"1/16 I.D.	1	1		
13	952631	CLAMP / 3/4" I.D.	1	1		
14	500590	NUT HEX NYRT M4-0.7 Z050	1	1		
15	502565	NUT HEX M6-1.0 SS	4	4		
16	064503	DIODE ASSY	1	1		
20	H3-0615-02	BATTERIES COMPARTMENT - INSTALLATION				
		A) USE IN PRODUCT IMPROVMENT TO USE NEON ON 110 VOLTS A/C				
		B) THIS NUMBER IS SUPERSEDED BY #562955 WITH #065051				

From R-012 To 2-4416	Date:10/2022	PAGE:H3-0675-00
SYSTEM - "VORAD"		

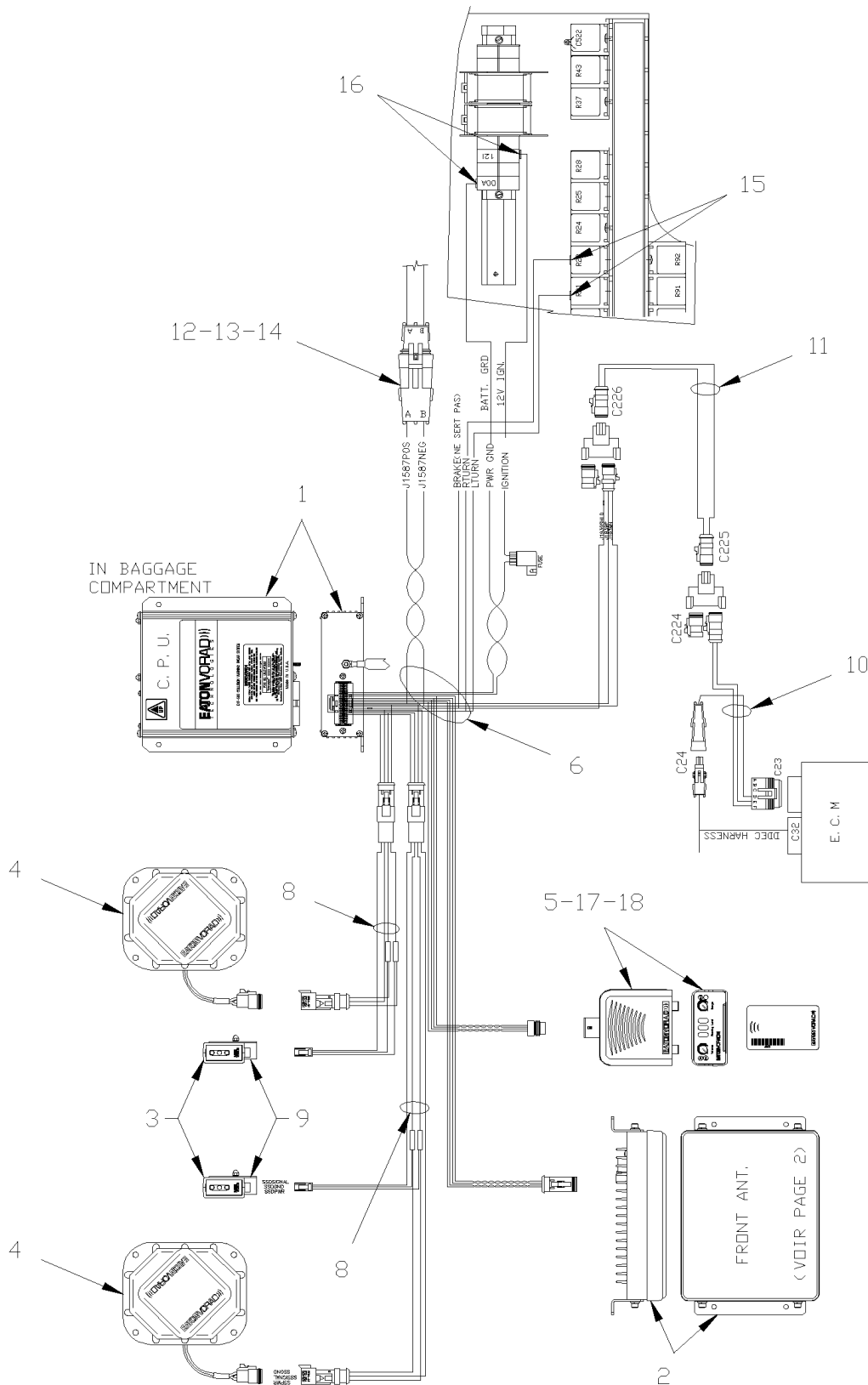


From R-012 To 2-4416

Date:10/2022

PAGE:H3-0675-00

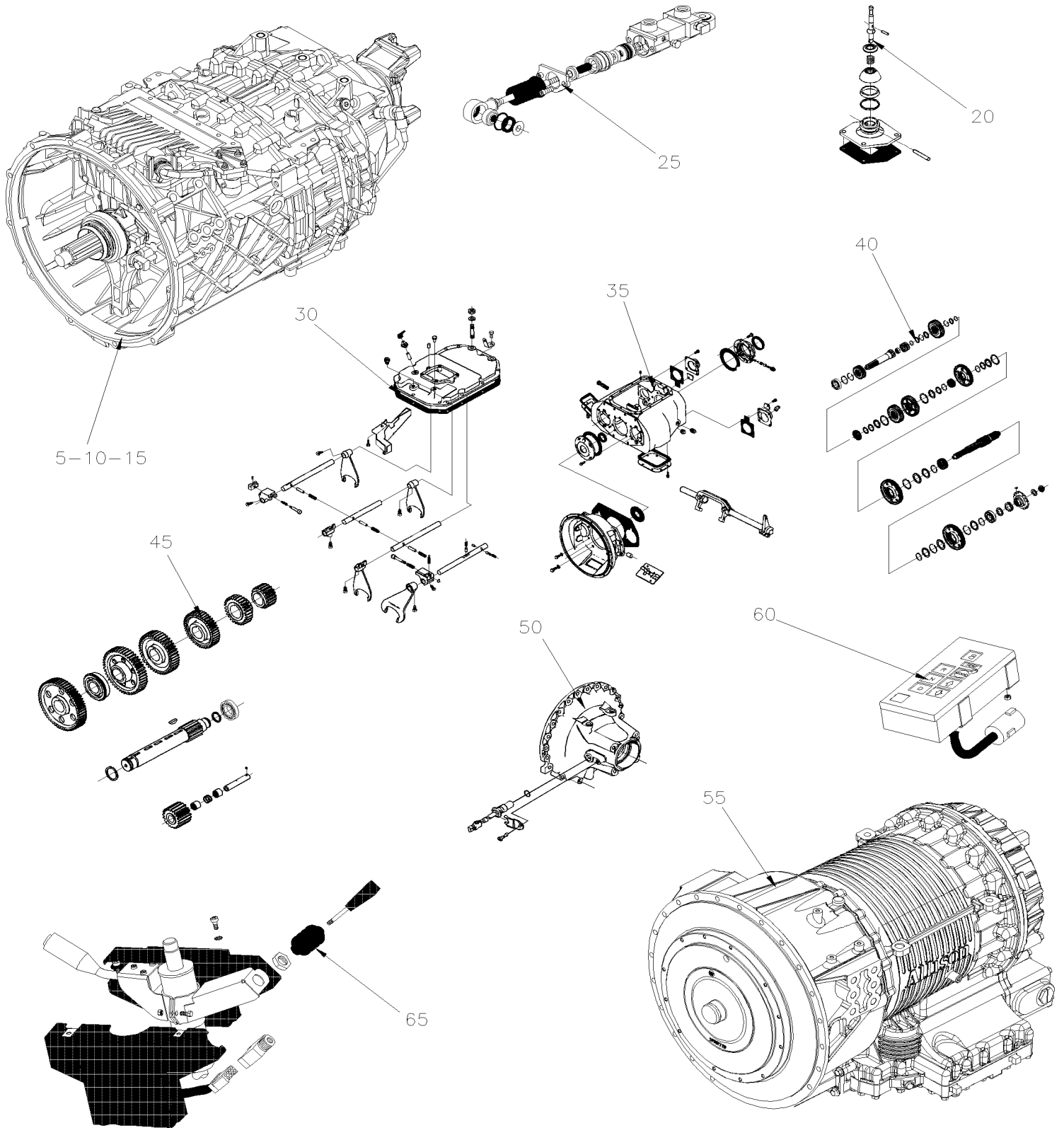
SYSTEM - "VORAD"



From R-012 To 2-4416	Date:10/2022	PAGE:H3-0675-00
SYSTEM - "VORAD"		

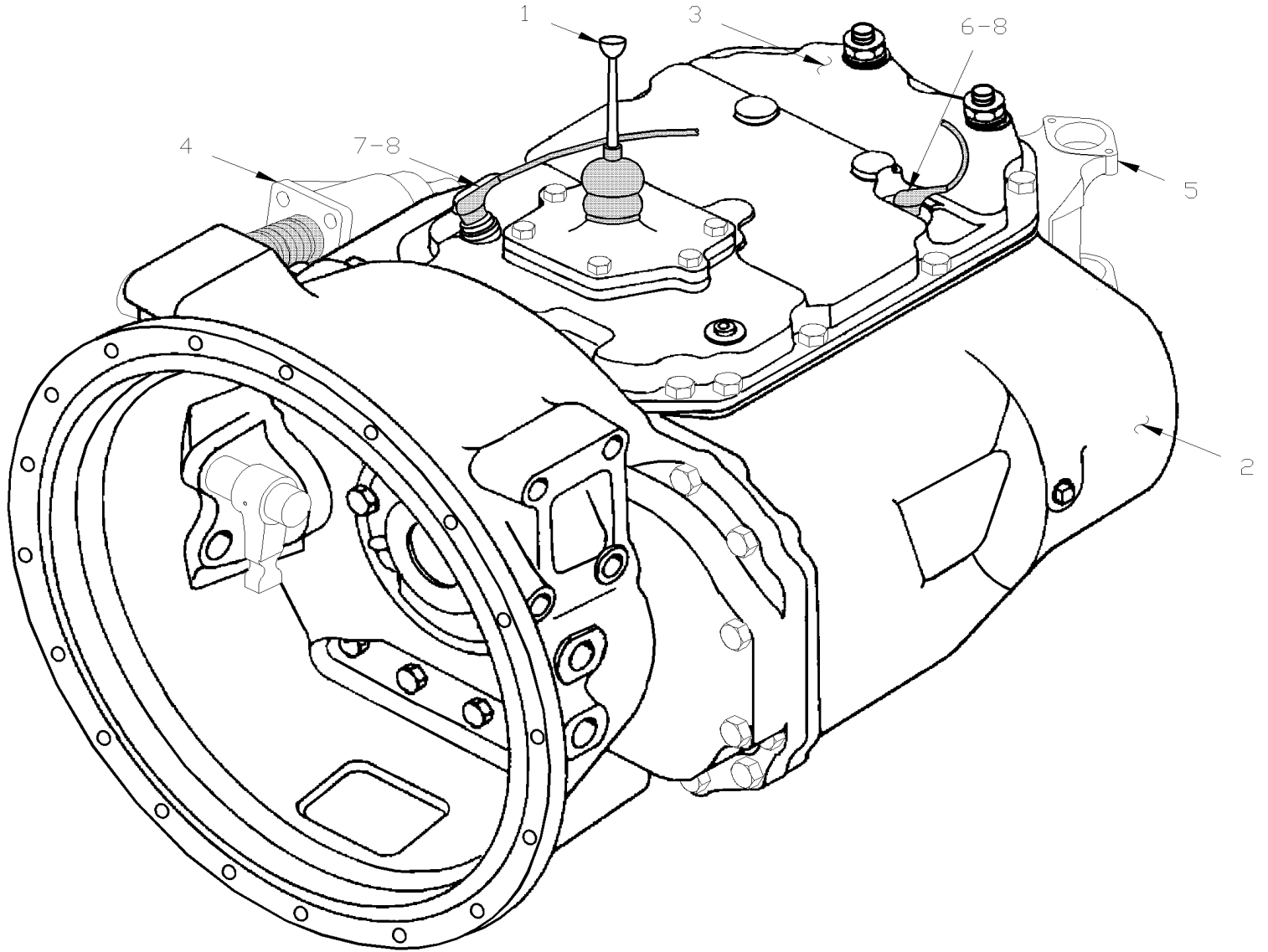
Item#	Part	Description	H 3 4 1	H 3 4 5	V I P 4 5	N O T E S
1	563192	MODULE CONTROL "VORAD"	1	1	1	
NS	381997	SUPPORT, MODULE CONTROL	1	1	1	
2	563188	FRONT SENSOR ANTENNA	1	1	1	
3	563189	FRONT SENSOR & DISPLAY	2	2	2	
4	563191	SIDE SENSOR ANTENNA	2	2	2	
5	563190	DRIVER'S DISPLAY	1	1	1	
6	065608	CABLE ASSY / MAIN	1	1	1	
8	065609	CABLE ASSY / SIDE ANTENNA	2	2	2	
9	7770276	BRACKET FRONT SENSOR, LH	1	1	1	
9	7770277	BRACKET FRONT SENSOR, RH	1	1	1	
10	065591	CABLE ASSY / ECM	1	1	1	
11	065592	CABLE ASSY / J1939	1	1	1	
12	561566	CONNECTOR / WEATHER PACK / PH 2C / BLACK / PED 12010973	1	1	1	
13	561568	PIN TERMINAL / 16-14 / PED 12089305	2	2	2	
14	561565	CABLE SEAL / GREEN / PED 15324982	2	2	2	
15	561181	TAB RECEPTACLE TERMINAL / 12 / AMP 60508-2	2	2	2	
16	561700	SPRING SPADE TERMINAL #8 / 16-14 / AMP 52936	2	2	2	
17	382008	SUPPORT, DRIVER'S DISPLAY	1	1	1	
18	5001479	SCREW TP BDG PH #6x3/8 SS EMN	8	8	8	
20	382009	BOX , FRONT ANTENNA	1	1	1	
21	504399	WASHER RETAINER SNAP CAP #10	4	4	4	
22	506785	TAPE RUB ADH2 CC POL 1/16" x 1/4" x 200' / BLACK I1C-N-A	AR	AR	AR	
23	5001544	WASHER LO EXT .195x.410x.025 SS	4	4	4	
24	5001543	SCREW MA PAN PH #10-32x1/2 SS	4	4	4	
25	504403	SNAP CAP #8 FINISHING BLACK	4	4	4	
26	500952	SCREW TP BDG PH #8x1/2 SS	2	2	2	
27	504671	GROMMET / .687x1.000x.125x.437x1.312	1	1	1	
28	682462	ADHESIVE SIKA #252 / BLACK / 310ml CARTRIDGE	AR	AR	AR	
30	381995	SUPPORT, SIDE SENSOR ANTENNA	2	2	2	
31	502622	SCREW CAP HEX M6-1.0x20 SS BK	12	12	12	
32	500411	WASHER FL .260x.697x.050 SS	8	8	8	
33	502570	WASHER LO SPT 6.1x11.8x1.6 SS	12	12	12	
34	502565	NUT HEX M6-1.0 SS	12	12	12	
35	500589	NUT WELL M4-0.7x13.5	8	8	8	
36	502677	SCREW MA RND PH M4-0.7x25 SS	8	8	8	
NS	563193	VDO CASSETTE DRIVER'S TRAINING "VORAD CRUISE"	AR	AR	AR	
NS	382012	KIT RETROFIT / "VORAD" SYSTEM	AR	AR	AR	
. NS	IS-01171	. SEE INSTRUCTION SHEET	1	1	1	

	Date:10/2022	H3-07
TRANSMISSION		



		Date:10/2022	H3-07			
TRANSMISSION						
Item#	Part	Description	H 3 4 1	H 3 4 5	V I P 4 5	N O T E S
5	H3-0700-01	MANUAL TRANSMISSION - INSTALLATION From R-012 To V-2077				
5	H3-0700-02	MANUAL TRANSMISSION - INSTALLATION From V-2078 To Y-3881				
5	H3-0700-03	MANUAL TRANSMISSION - INSTALLATION "EATON" From W-2589 To 1-4147				
10	H3-0705-01	TRANSMISSION CONTROL & RODS From R-012 To V-2077				
10	H3-0705-02	TRANSMISSION CONTROL - FRONT From V-2078 To Y-3881				
15	H3-0705-11	SHIFTER MECHANISM - REAR From R-012 To V-2077				
20	H3-0710-05	SHIFTER LEVER ASSY - REAR From R-012 To V-2077				
20	H3-0710-06	SHIFTER LEVER ASSY - REAR From V-2078 To Y-3881				
25	H3-0710-07	GEAR BOX ACTUATOR From V-2078 To Y-3881				
30	H3-0715-05	SHIFT COVER 6 SPEEDS W/CAST IRON FORWARD From R-012 To Y-3881				
30	H3-0715-06	SHIFT COVER 6 SPEEDS W/DIE ALUM FOWARD From R-012 To Y-3881				
30	H3-0715-15	SHIFT COVER 7 SPEEDS W/DIE ALUM FOWARD From R-012 To Y-3881				
35	H3-0720-00	TRANSMISSION MANUAL 6 SPEEDS - PS130-6B From R-012 To Y-3881				
35	H3-0720-01	TRANSMISSION MANUAL 7 SPEEDS - PS145-7A From R-012 To Y-3881				
40	H3-0725-00	GEAR & RELATED PARTS W/6 SPEEDS From R-012 To Y-3881				
40	H3-0725-01	GEAR & RELATED PARTS W/7 SPEEDS From R-012 To Y-3881				
45	H3-0730-00	COUNTERSHAFT GROUP W/6 SPEEDS From R-012 To Y-3881				
45	H3-0730-01	COUNTERSHAFT GROUP W/7 SPEEDS From R-012 To Y-3881				
50	H3-0740-01	SPEEDOMETER ADAPTOR From R-012 To Y-3881				
55	H3-0750-02	AUTOMATIC TRANSMISSION - "WORLD" From R-012 To 2-4416				
60	H3-0755-16	SHIFTER ELECTRONIC - "WORLD" TRANSMISSION From R-012 To W-2284				
60	H3-0755-17	SHIFTER ELECTRONIC - "WORLD" TRANSMISSION From W-2285 To 2-4416				
65	H3-0760-00	RETARDER SELECTOR SWITCH - "WORLD" From R-012 To W-2284				
65	H3-0760-01	RETARDER SELECTOR SWITCH - "WORLD" From W-2285 To 2-4416				

From R-012 To V-2077	Date:10/2022	PAGE:H3-0700-01
MANUAL TRANSMISSION - INSTALLATION		



From R-012 To V-2077	Date:10/2022	PAGE:H3-0700-01
MANUAL TRANSMISSION - INSTALLATION		

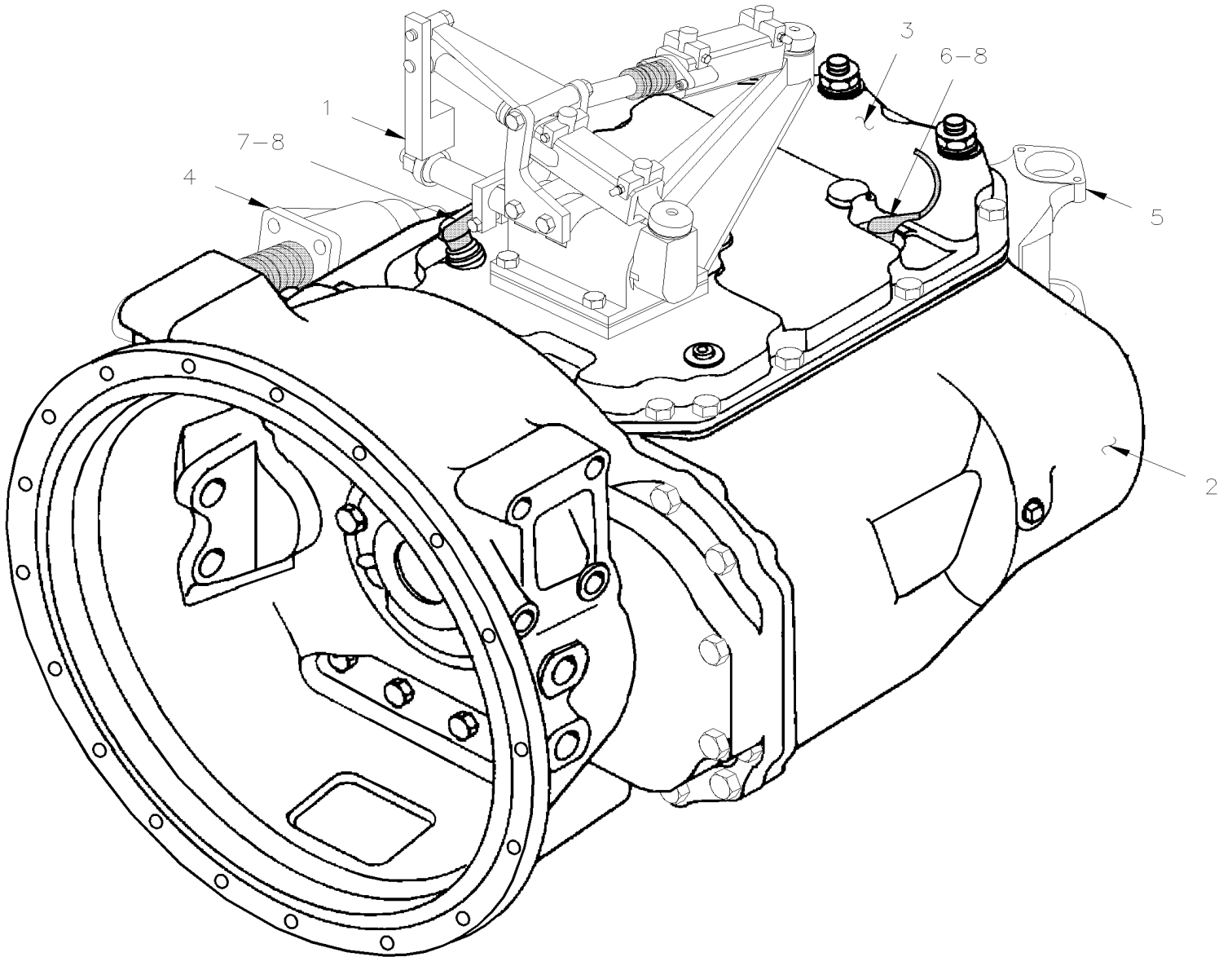
Item#	Part	Description	H 3 4 1	H 3 4 5	V I P 4 5	N O T E S
1	H3-0710-05	SHIFTER LEVER ASSY - REAR				
2	571551	TRANSMISSION ASSY 6 SPEEDS / MODEL PS130-6B W/FOWARD CONTROL	1	1		
2	571458	TRANSMISSION ASSY 7 SPEEDS / MODEL PS145-7A	1	1		
3	571576	SHIFTER COVER HOUSING / 6 SPEEDS W/FOWARD CONTROL	1	1		
3	571577	SHIFTER COVER HOUSING / 7 SPEEDS W/FOWARD CONTROL	1	1		
4	H3-0215-11	CLUTCH CONTROL - REAR SECTION - "POWER"				
NS	621491	SPEEDY SLEEVE 3.000" I.D. / TO REPAIR OIL LEAK ON YOKE	AR	AR		
5	580072	YOKE (1810) HALF ROUND / W/MANUAL TRANS (20 SPL) 6 SPEEDS	1	1		
. NS	621494	. SPEEDY SLEEVE 3.750" I.D. / TO REPAIR OIL LEAK ON YOKE	1	1		
5	571690	YOKE (1810) HALF ROUND / W/MANUAL TRANS (49 SPL) 7 SPEEDS	1	1		
6	561019	SWITCH / NEUTRAL N.O. / W/MANUAL TRANSMISSION	1	1		
7	560632	SWITCH / BACK-UP N.C. / W/MANUAL TRANSMISSION	1	1		
8	561012	PROTECTOR, TRANS. SWITCH	1	1		

From V-2078 To Y-3881

Date:10/2022

PAGE:H3-0700-02

MANUAL TRANSMISSION - INSTALLATION



From V-2078 To Y-3881	Date:10/2022	PAGE:H3-0700-02
MANUAL TRANSMISSION - INSTALLATION		

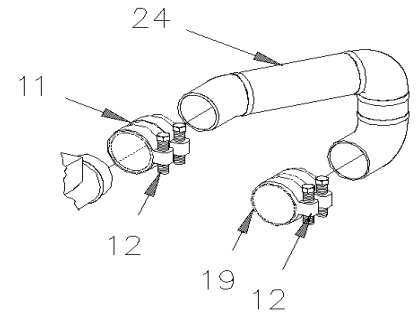
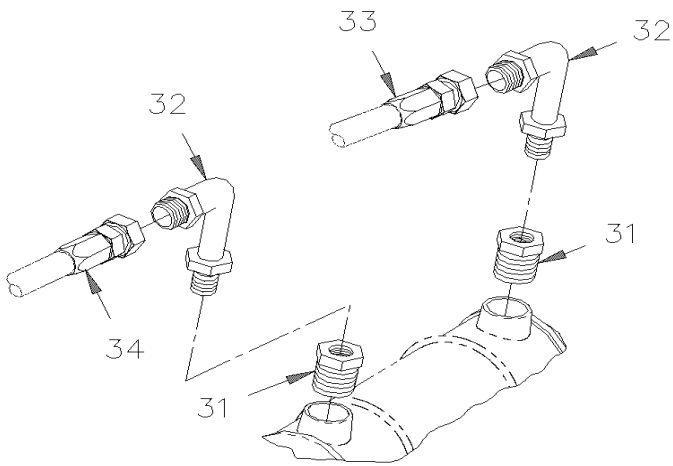
Item#	Part	Description	H 3 4 1	H 3 4 5	V I P 4 5	N O T E S
1	H3-0710-06	SHIFTER LEVER ASSY - REAR				
2	571710	TRANSMISSION ASSY 6 SPEEDS / MODEL PS130-6B	1	1		
2	571711	TRANSMISSION ASSY 7 SPEEDS / MODEL PS145-7A	1	1		
3	571576	SHIFTER COVER HOUSING / 6 SPEEDS W/FOWARD CONTROL	1	1		
3	571577	SHIFTER COVER HOUSING / 7 SPEEDS W/FOWARD CONTROL	1	1		
4	H3-0215-11	CLUTCH CONTROL - REAR SECTION - "POWER"				
NS	621491	SPEEDY SLEEVE 3.000" I.D. / TO REPAIR OIL LEAK ON YOKE	AR	AR		
5	580072	YOKE (1810) HALF ROUND / W/MANUAL TRANS (20 SPL) 6 SPEEDS	1	1		
. NS	621494	. SPEEDY SLEEVE 3.750" I.D. / TO REPAIR OIL LEAK ON YOKE	1	1		
5	571690	YOKE (1810) HALF ROUND / W/MANUAL TRANS (49 SPL) 7 SPEEDS	1	1		
6	561019	SWITCH / NEUTRAL N.O. / W/MANUAL TRANSMISSION	1	1		
7	560632	SWITCH / BACK-UP N.C. / W/MANUAL TRANSMISSION	1	1		
8	561012	PROTECTOR, TRANS. SWITCH	1	1		

From W-2589 To 1-4147

Date:10/2022

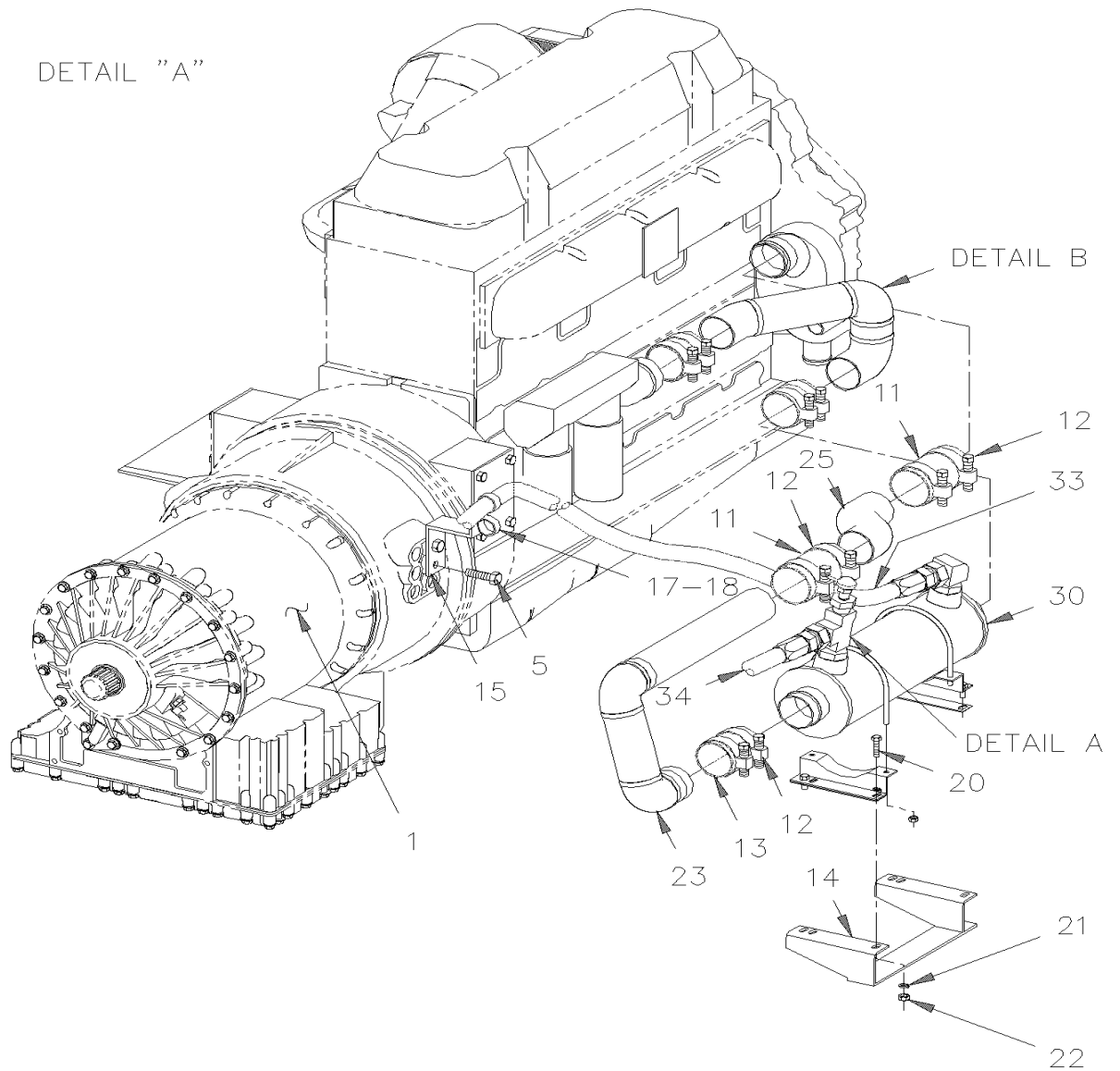
PAGE:H3-0700-03

MANUAL TRANSMISSION - INSTALLATION "EATON"



DETAIL "B"

DETAIL "A"

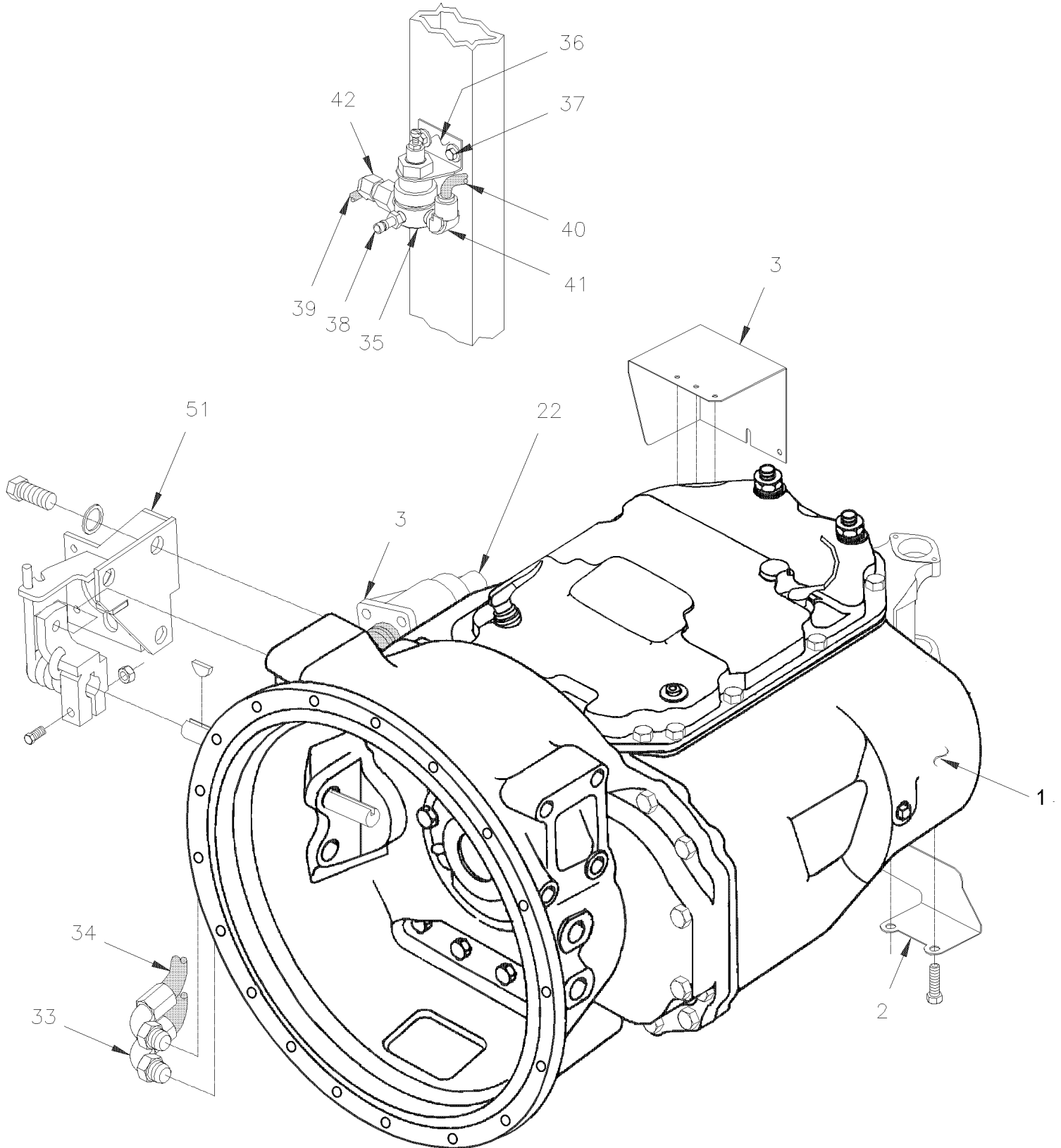


From W-2589 To 1-4147

Date:10/2022

PAGE:H3-0700-03

MANUAL TRANSMISSION - INSTALLATION "EATON"



From W-2589 To 1-4147	Date:10/2022	PAGE:H3-0700-03
MANUAL TRANSMISSION - INSTALLATION "EATON"		

Item#	Part	Description	H 3 4 1	H 3 4 5	V I P 4 5	N O T E S
1	571729	TRANSMISSION RTAO-14710B-AS	1	1		
NS	571731	SYSTEM MANAGER ECU	1	1		
NS	571734	MODULE INTERFACE "EATON"	1	1		
NS	571735	CABLE HARNESS TRANS "EATON"	1	1		
NS	563075	SPEED SENSOR, KIT	1	1		
2	071141	PROTECTOR	1	1		
3	071144	PROTECTOR	1	1		
11	051604	HOSE 2 3/4" I.D. 130MM	1	1		
. NS	503395	. HOSE SILICONE 4PLY 2 3/4" I.D. x 3'	AR	AR		
12	504562	HOSE CLAMP / 2"3/4-3"5/8 / C.T. 350	1	1		
13	070969	HOSE 3" I.D. 140MM	1	1		
14	070892	SHIM / ENGINE CRADLE & OIL COOLER SUPPORT 26x166x1/4" / 140c/c	2	2		
15	010667	SUPPORT	1	1		
17	560481	CLAMP / 5/8" I.D.	7	7		
18	500574	SCREW MA TR PH #10-24x1 1/4 SS	4	4		
NS	500786	NUT HEX #10-24 Z050	4	4		
NS	500470	WASHER LO SPT .193x.334x.047 Z050	4	4		
19	070968	HOSE 3" I.D. 185MM	1	1		
20	502589	SCREW CAP HEX M8-1.25x25 G8.8 Z050	4	4		
21	5001003	WASHER LO SPT 8.1x12.7x2.0 Z050	8	8		
22	502543	NUT HEX M8-1.25 Z050	4	4		
23	051854	PIPE ASSY	1	1		
24	070890	PIPE ASSY	1	1		
25	N.S.P.	PIPE ASSY / WATER PUMP & PIPE / (23005899)	1	1		2
30	550708	OIL COOLER W/1" NPT / (2950137)	1	1		
31	5011185	MALE CONNECTOR / JIC 37° FITTING / #10JIC-Mx#16ORB-M STL	2	2		
32	5011189	SWIVEL NUT ELBOW 90° SHORT / JIC 37° FITTING/ #10JIC-Fx#10JIC-Mx1.23 STL	1	1		
33	071138	HOSE ASSY TEFLON #10 1110MM	1	1		
34	071137	HOSE ASSY TEFLON #10 790MM	1	1		
35	641472	AIR PRESSURE REGULATOR 1/4" NPT / COPPER	1	1		
36	142013	SUPPORT AIR REGULATOR / ANGLE 90DEG STYLE	1	1		
37	500535	SCREW TP CAP HEX #14x3/4 Z050	2	2		
38	640488	VALVE, AIR FILL 1/8" NPT	1	1		
. NS	650164	. CAP VALVE / CHROME	1	1		
39	141720	HOSE ASSY TEFLON #6 1400MM	1	1		
39	071151	HOSE ASSY TEFLON #6 2184MM	1	1		
39	5011066	MALE ELBOW 90° / JIC 37° FITTING / #6JIC-Mx3/8NPT-M STL	1	1		
40	503404	TUBE, NYLON 3/8 O.D. / BLACK S.L.	AR	AR		
41	641372	MALE ELBOW 90° NON-SWIVEL / PUSH-IN FITTING / #6x1/4NPT-M BR	1	1		
42	507573	MALE ELBOW 45° / JIC 37° FITTING / #6JIC-Mx3/8NPT-M STL	1	1		
42	501311	ADAPTER / PIPE FITTING / 3/8NPT-Fx1/4NPT-M BR	1	1		
50	H3-0220-00	CLUTCH CYLINDER - "POWER ASSISTED"				

From W-2589 To 1-4147	Date:10/2022	PAGE:H3-0700-03
-----------------------	--------------	-----------------

MANUAL TRANSMISSION - INSTALLATION "EATON"

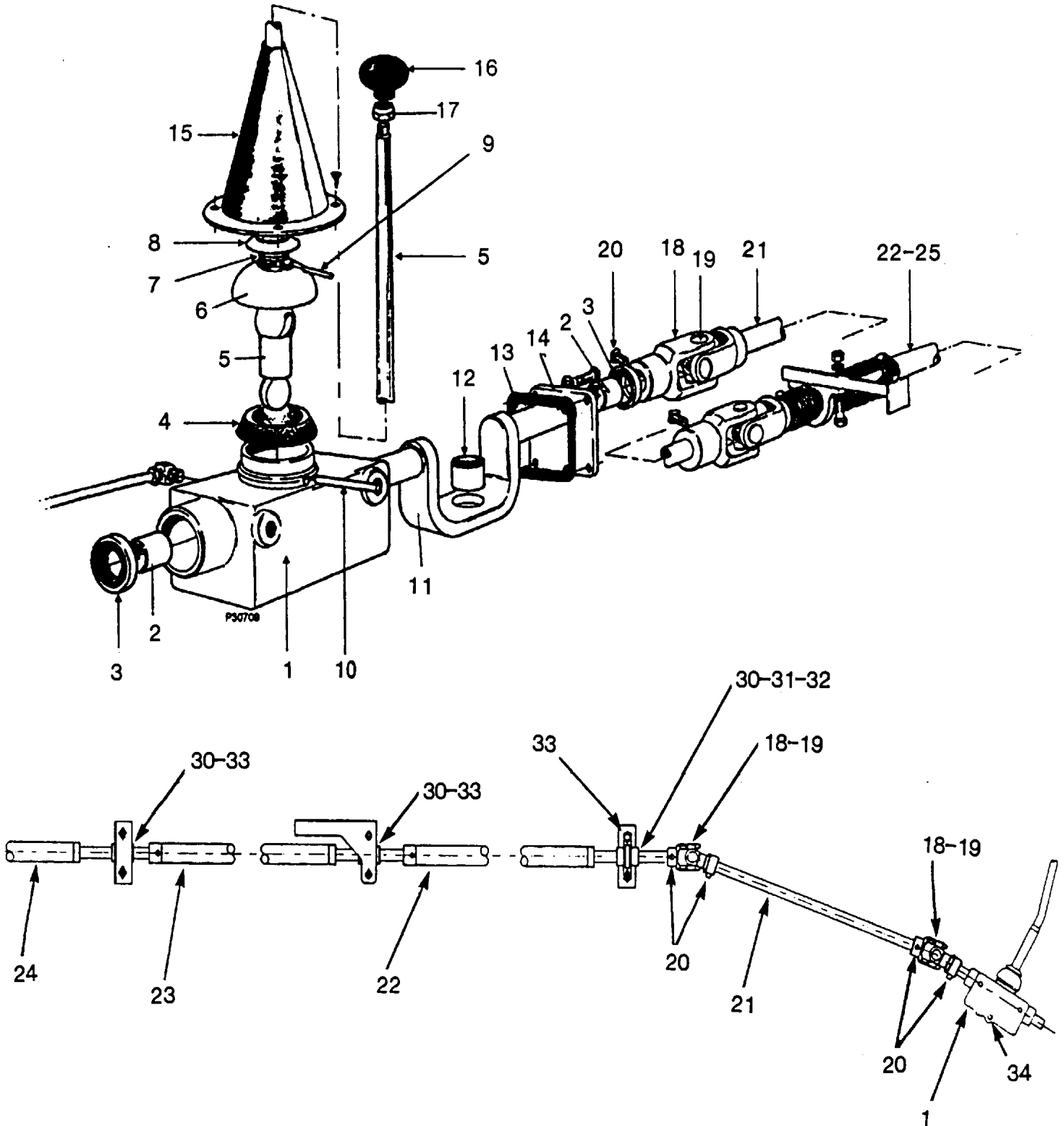
Item#	Part	Description	H 3 4 1	H 3 4 5	V I P 4 5	N O T E S
51	H3-0215-12	CLUTCH CONTROL - REAR SECTION - "EATON"				
		2) NOT SOLD BY PREVOST (SEE MANUFACTURING PART NUMBER AT END OF DESCRIPTION LINE)				

From R-012 To V-2077

Date:10/2022

PAGE:H3-0705-01

TRANSMISSION CONTROL & RODS



From R-012 To V-2077		Date:10/2022	PAGE:H3-0705-01
TRANSMISSION CONTROL & RODS			

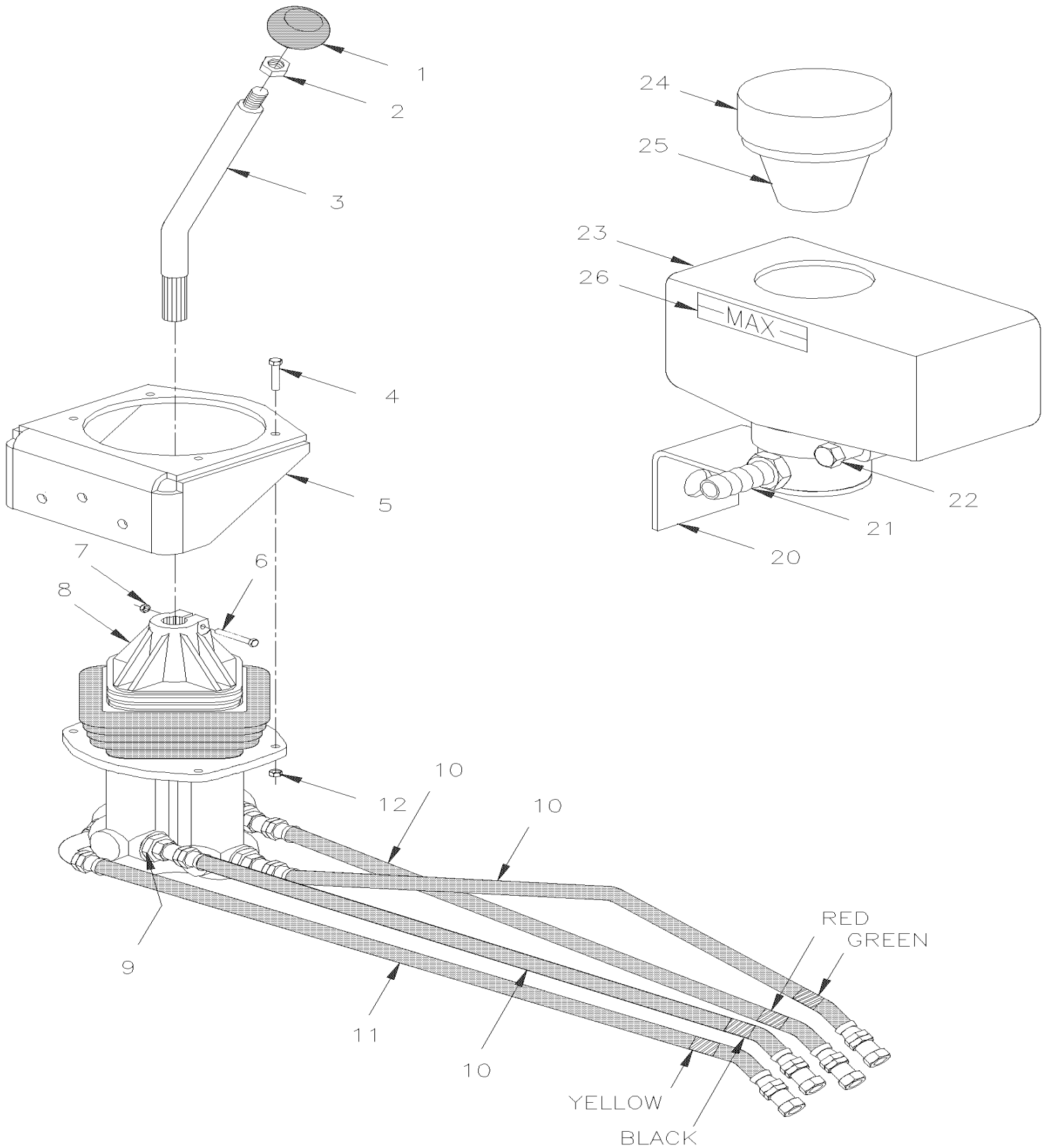
Item#	Part	Description	H 3 4 1	H 3 4 5	V I P 4 5	N O T E S
1	070721	HOUSING ASSY	1	1		
2	570117	. BUSHING	2	2		
3	570036	. SEAL, OIL	2			
4	571469	. WASHER COMPRESSION	1	1		
5	070685	. LEVER SHIFT	1	1		
7	571467	. SPRING COMPRESSION / 1.154 O.D. x .634 x .120	1	1		
8	571466	. COLLAR COMPRESSION	1	1		
NS	571464	. BOOT RUBBER	1	1		
9	571465	. PIN COLLAR	1	1		
10	571471	. PIN	1	1		
11	571421	. BRACKET ASSY	1	1		
12	571442	. . BUSHING	1	1		
15	391364	BOOT COVERING / BLACK	1	1		
16	070124	KNOB / 6 SPEEDS	1	1		
16	070929	KNOB / 7 SPEEDS	1	1		
17	5001111	NUT HEX JAM 1/2-13 Z050	1	1		
18	570074	U-JOINT ASSY 7/8" O.D.SHAFT	2	2		
NS	660259	. KIT, CROSS & BEARING 15/16" O.D. X 2 1/4"	AR	AR		
20	570025	SCREW SET SQ 7/16-20X1/2	AR	AR		
21	070628	ROD 1ST SECTION / 565MM	1	1		
22	070635	ROD 2ND SECTION / 3025MM	1	1		
23	070970	ROD 3RD SECTION / 2223MM	1			
23	070978	ROD 3RD SECTION / 3469MM				
24	070948	ROD 4TH SECTION / 2489MM	1	1		
25	070981	ROD 5TH SECTION / 740MM	1	1		
30	070823	BUSHING ASSY	4	4		
31	070825	. COLLAR BUSHING RUBBER	1	1		
32	507327	. BUSHING TEFLON 1 I.D. X 1 1/8 O.D. X 1 (GLY.PGZ1616-F)	1	1		
33	020292	COLLAR	3	3		
34	500191	SCREW CAP HEX 3/8-16x1 G5 Z050	3	3		A
NS	500478	WASHER LO SPT .380x.683x.094 Z050	3	3		A
		A) TO FIX HOUSING				

From V-2078 To Y-3881

Date:10/2022

PAGE:H3-0705-02

TRANSMISSION CONTROL - FRONT



From V-2078 To Y-3881	Date:10/2022	PAGE:H3-0705-02
TRANSMISSION CONTROL - FRONT		

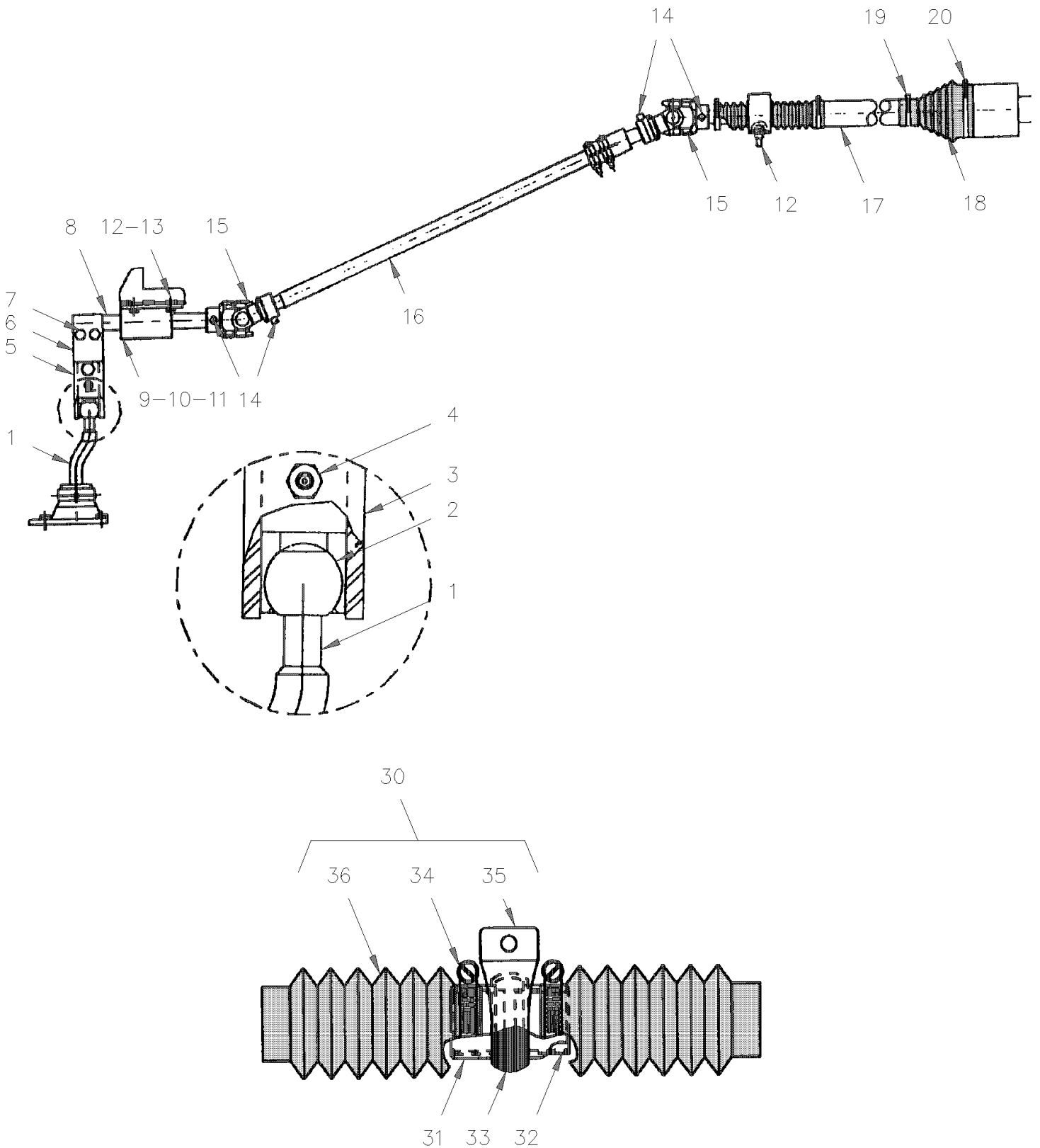
Item#	Part	Description	H 3 4 1	H 3 4 5	V I P 4 5	N O T E S
1	070929	KNOB / 7 SPEEDS	1	1		
1	070124	KNOB / 6 SPEEDS	1	1		
2	5001111	NUT HEX JAM 1/2-13 Z050	1	1		
3	071040	SHIFT LEVER	1	1		
4	500744	SCREW CAP BUT HEXS 7/16-20x1 CP	1	1		
5	071065	SUPPORT	4	4		
6	502527	SCREW CAP HEX M8-1.25x50 G8.8 Z050	1	1		
7	500868	NUT HEX NYRT M8-1.25 Z050	1	1		
8	571704	LEVER, TRANSMISSION CONTROL	1	1		
. NS	571777	. KIT, REPAIR SHIFTER SELECTOR	AR	AR		
9	5011110	MALE CONNECTOR / JIC 37° FITTING / #6JIC-MxM16-1.5-M STL	4	4		
. NS	641297	. O-RING 13.1MM I.D. X 2.6 TH	1	1		
. NS	641298	. WASHER FL 17MM I.D x 22MM O.D. x 1.5MM	1	1		
10	071093	HOSE ASSY TEFLON #6 813MM	3	3		
11	071092	HOSE ASSY TEFLON #6 902MM	1	1		
12	502744	NUT HEX STO M8-1.25 Z050	4	4		
20	020447P	RESERVOIR ASSY	1	1		
20	020446	. SUPPORT ASSY	1	1		
21	5011048	. MALE CONNECTOR / HOSE BARB FITTING / #5x1/4NPT-M BR	1	1		
22	520145	. CLAMP	1	1		
NS	507320	. O-RING 1 1/8" I.D. X 1/8"	1	1		
23	520142	. RESERVOIR	1	1		
24	520143	. CAP	1	1		
25	520144	. FILTER	1	1		
26	020437	. DECAL "MAX"	1	1		
NS	503047	. HOSE / RUBBER #6 / S.L.	1	1		
NS	504014	. HOSE CLAMP / 1/4"-5/8" SS / HM-4	1	1		
NS	391920	CONSOLE CAP R.H. / NORYL GRAY To W-2284	1	1		
NS	391926	COVER FINISHING / PLASTIC BLACK To W-2284	1	1		
NS	392004	COVER CAP SHIFTER / PLASTIC BLACK From W-2285	1	1		
NS	392003	CONSOLE CAP R.H. / PLASTIC GREY From W-2285	1	1		

From R-012 To V-2077

Date:10/2022

PAGE:H3-0705-11

SHIFTER MECHANISM - REAR



From R-012 To V-2077	Date:10/2022	PAGE:H3-0705-11
SHIFTER MECHANISM - REAR		

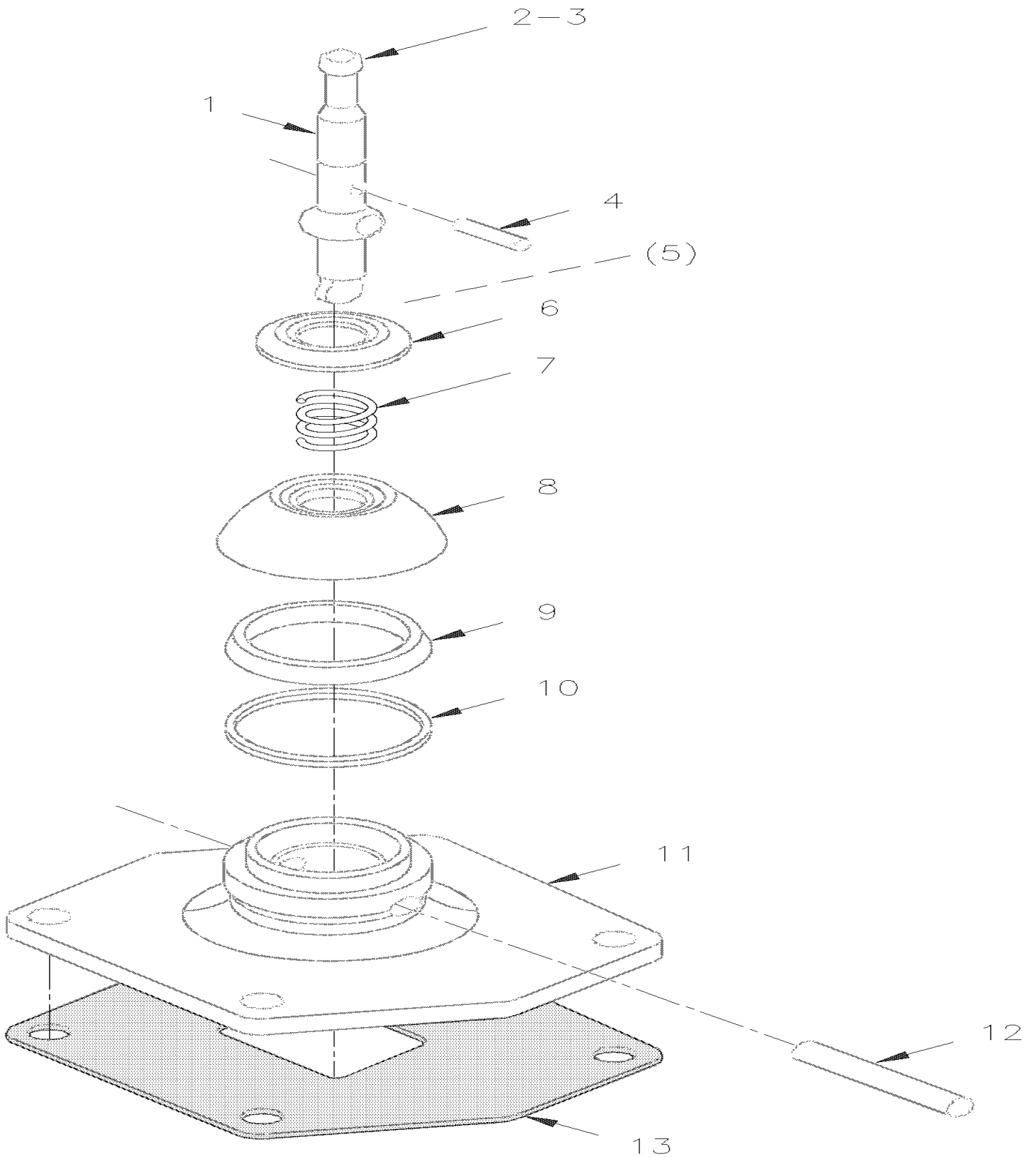
Item#	Part	Description	H 3 4 1	H 3 4 5	V I P 4 5	N O T E S
1	H3-0710-05	SHIFTER LEVER ASSY - REAR				
2	490439	CUP BALL	2	2		
3	070943	ADAPTOR SELECTOR	1	1		
4	507503	GREASE FITTING / M10-1.00	1	1		
5	500065	SCREW CAP HEX M10-1.5x30 G10.9 DP	1	1		
NS	500257	WASHER LO SPT 10.2x18.1x2.2 Z050	1	1		
6	070942	SELECTOR	1	1		
7	5001043	SCREW CAP HEX M12-1.75x50 G8.8 Z050	2	2		
NS	500810	WASHER LO SPT 12.2x21.1x2.5 Z050	2	2		
8	070918	ROD / TRANSFERT / 267MM	1	1		
9	070958	SELECTOR ROD SUPPORT	1	1		
10	507327	. BUSHING TEFLON 1 I.D. X 1 1/8 O.D. X 1 (GLY.PGZ1616-F)	2	2		
11	550202	. SEAL 1" I.D.	2	2		
12	502651	SCREW CAP HEX M8-1.25x35 G8.8 Z050	4	4		
NS	500874	WASHER FL 8.4x17.0x1.6 Z050	4	4		
NS	502744	NUT HEX STO M8-1.25 Z050	4	4		
13	071003	SHIM	AR	AR		
14	570025	SCREW SET SQ 7/16-20X1/2	AR	AR		
15	570074	U-JOINT ASSY 7/8" O.D.SHAFT	2	2		
16	070981	ROD 5TH SECTION / 740MM	1	1		
17	070948	ROD 4TH SECTION / 2489MM	1	1		
18	504441	CUFF END BELLOW / 3 1/2" I.D. x 3 1/2" x 5 5/8"	1	1		
19	504413	HOSE CLAMP / 1"1/16-2" SS / HAS-24	1	1		
20	504026	HOSE CLAMP / 2"13/16-3"3/4 SS / HS-52	1	1		
30		BUSHING ASSY W/RUBBER BOOT	1	1		
31	070919P	. BUSHING ASSY	1	1		
32	507327	. . BUSHING TEFLON 1 I.D. X 1 1/8 O.D. X 1 (GLY.PGZ1616-F)	1	1		
33	571563	. . BUSHING RUBBER MOUNT	1	1		
34	504022	. HOSE CLAMP / 3/4"-1"3/4 SS / HS-20	2	2		
35	571562	. SUPPORT / FIX BUSHING	1	1		
36	590002	. BOOT RUBBER	2	2		

From R-012 To V-2077

Date:10/2022

PAGE:H3-0710-05

SHIFTER LEVER ASSY - REAR



From R-012 To V-2077	Date:10/2022	PAGE:H3-0710-05
SHIFTER LEVER ASSY - REAR		

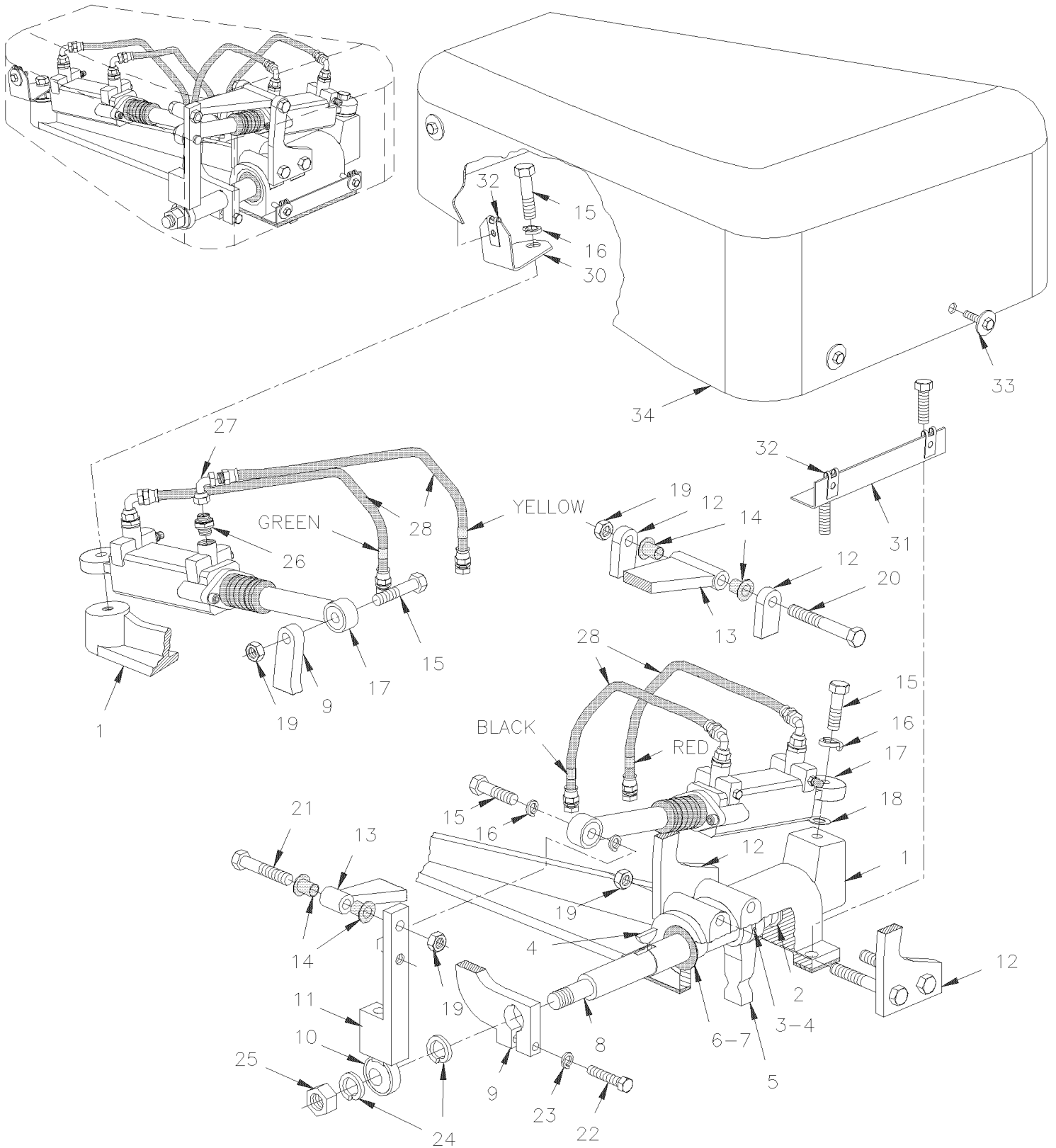
Item#	Part	Description	H 3 4 1	H 3 4 5	V I P 4 5	N O T E S
	571552	SHIFT LEVER ASSY W/FOWARD CONTROL	1	1		
1	571655	. LEVER ASSY	1	1		
2	N.S.S.	. . KNOB BALL	1	1		1
3	N.S.S.	. . PIN COLLAR / KNOB	1	1		1
4	571465	. PIN COLLAR	1	1		
5	571464	. BOOT RUBBER	1	1		
6	571466	. COLLAR COMPRESSION	1	1		
7	571467	. SPRING COMPRESSION / 1.154 O.D. x .634 x .120	1	1		
8	571468	. CUP COMPRESSION	1	1		
9	571469	. WASHER COMPRESSION	1	1		
10	571470	. RING SNAP W/FOWARD CONTROL	1	1		
11	N.S.S.	. BASE	1	1		1
12	571471	. PIN	1	1		
13	571574	GASKET / SHIFTER HOUSING & SHIFTER LEVER	1	1		
		1) NOT SOLD SEPARATELY				

From V-2078 To Y-3881

Date:10/2022

PAGE:H3-0710-06

SHIFTER LEVER ASSY - REAR



From V-2078 To Y-3881	Date:10/2022	PAGE:H3-0710-06
SHIFTER LEVER ASSY - REAR		

Item#	Part	Description	H 3 4 1	H 3 4 5	V I P 4 5	N O T E S
	071038P	SHIFTER HYDRAULIC ASSY				
1	071036	. GEAR BOX SHIFTER	1	1		
2	780503	. BEARING	1	1		
3	5001343	. SCREW SET HEXS CUP 7/16-20x3/8	1	1		
4	570424	. KEY WOODRUFF	2	2		
5	570062	. FINGER, TRANS. SHIFTING	1	1		
6	507327	. BUSHING TEFLON 1 I.D. X 1 1/8 O.D. X 1 (GLY.PGZ1616-F)	1	1		
7	550202	. SEAL 1" I.D.	1	1		
8	071004	. HYDRAULIC SELECTOR SHAFT	1	1		
9	071005	. HYDRAULIC SELECTOR GUIDE	1	1		
10	502240	. ROD END BEARING SS 5/8-18 X 1 5/8	1	1		
11	071008	. HYDRAULIC SELECTOR GUIDE	1	1		
12	071055	. HYDRAULIC SHIFTER GUIDE	2	2		
13	071007	. HYDRAULIC SELECTOR GUIDE	1	1		
14	502241	. BEARING FRICTION NYL 10.025 ID	4	4		
15	5001316	. SCREW CAP HEX M10-1.5x45 SS	4	4		
16	5001004	. WASHER LO SPT 10.2x16.0x2.5 Z050	3	3		
17	571705	. GEAR BOX ACTUATOR CYLINDER	2	2		
18	502644	. WASHER FL 10.5x30.0x2.5 Z050	1	1		
19	502617	. NUT HEX NYRT M10-1.5 Z050	5	5		
20	5001318	. SCREW CAP HEX M10-1.5x90 SS	3	3		
21	5001350	. SCREW CAP HEX M10-1.5x60 SS	1	1		
22	5001319	. SCREW CAP HEX M8-1.25x40 SS	1	1		
23	500035	. WASHER LO SPT .317x.586x.078 SS	1	1		
24	500802	. WASHER LO SPT 16.2x37.4x3.5 Z050	1	1		
25	502588	. NUT HEX M16-2.0 ZP	1	1		
26	5011110	. MALE CONNECTOR / JIC 37° FITTING / #6JIC-MxM16-1.5-M STL	4	4		
. NS	641297	. . O-RING 13.1MM I.D. X 2.6 TH	1	1		
. NS	641298	. . WASHER FL 17MM I.D x 22MM O.D. x 1.5MM	1	1		
27	501946	. FEMALE ELBOW 90° / JIC 37°/SAE45° FITTING / TEFLON / #6JIC-F/FL-Fx#6 STL	4	4		
28	071050	HOSE ASSY TEFLON #6 775MM	4	4		
30	071052	RETAINER ANGLE	1	1		
31	071053	RETAINER ANGLE	1	1		
32	504377	NUT SPR U 1 1/64x1/2x.109-.161	3	3		
33	502810	SCREW TP CAP HEXW FL M6.3-1.81x30 PHC	3	3		
34	071054	COVER / PROTECTOR	1	1		
35	571574	GASKET / SHIFTER HOUSING & SHIFTER LEVER	1	1		
NS	5011172	ADAPTER FERULOK @ JIC / #6x#6JIC-M SS	4	4		
NS	5011173	UNION / FERULOK FITTING / #6x#6 STL	4	4		
NS	5011174	BULKHEAD UNION / FERULOK FITTING / #6x#6 SS	4	4		
NS	5011175	UNION ELBOW 90° / FERULOK FITTING / #6x#6 STL	AR	AR		
NS	503633	TUBE ROUND STANLESS 304 3/8" O.D. x .035 x 264"	AR	AR		

From V-2078 To Y-3881	Date:10/2022	PAGE:H3-0710-06
-----------------------	--------------	-----------------

SHIFTER LEVER ASSY - REAR

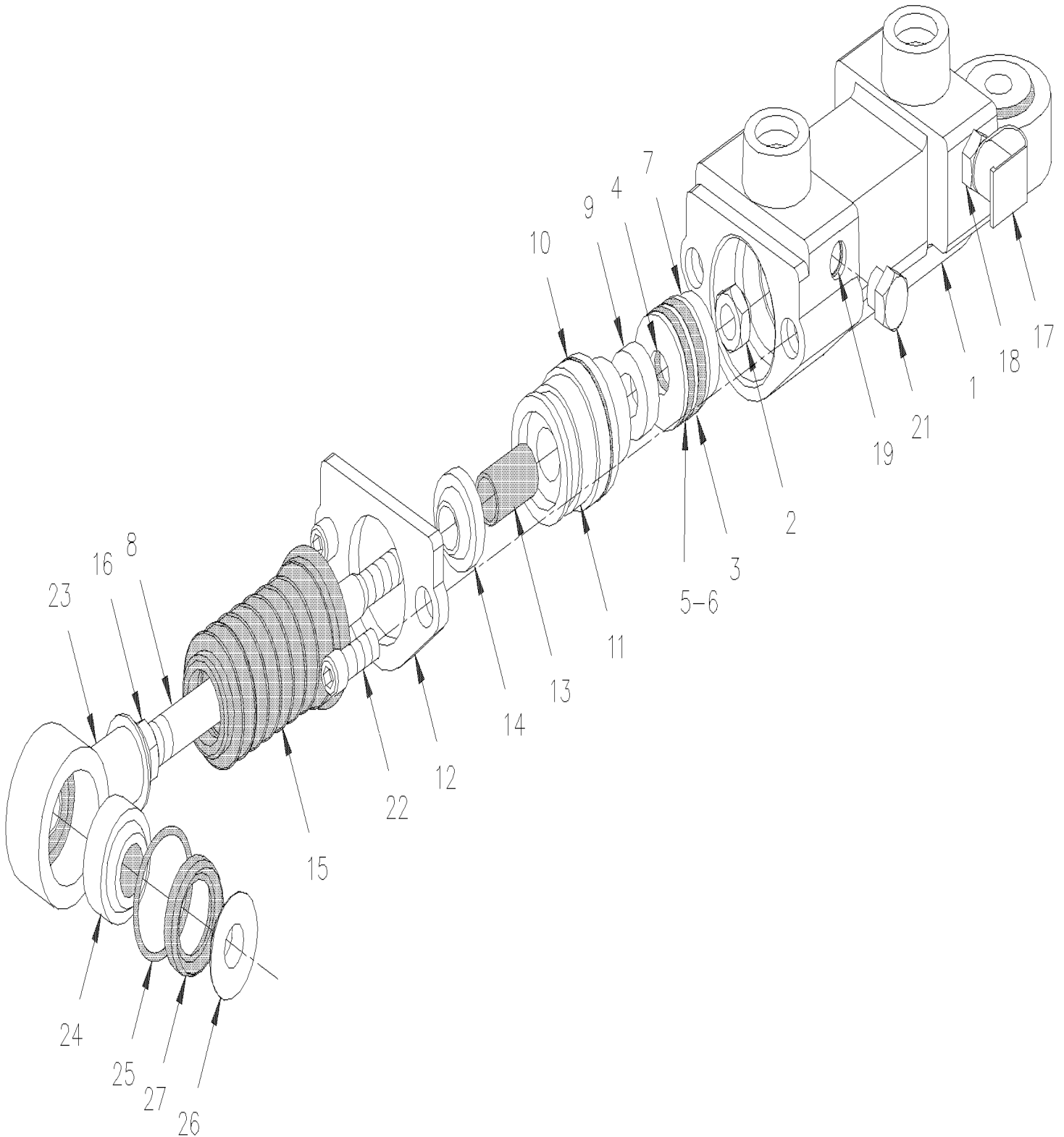
Item#	Part	Description	H 3 4 1	H 3 4 5	V I P 4 5	N O T E S
NS	504655	CLAMP SIMPLE ASS / 1 1/2 I.D.	AR	AR		
NS	683276	GREASE LOW TEMPERATURE 450GR	AR	AR		

From V-2078 To Y-3881

Date:10/2022

PAGE:H3-0710-07

GEAR BOX ACTUATOR



From V-2078 To Y-3881	Date:10/2022	PAGE:H3-0710-07
GEAR BOX ACTUATOR		

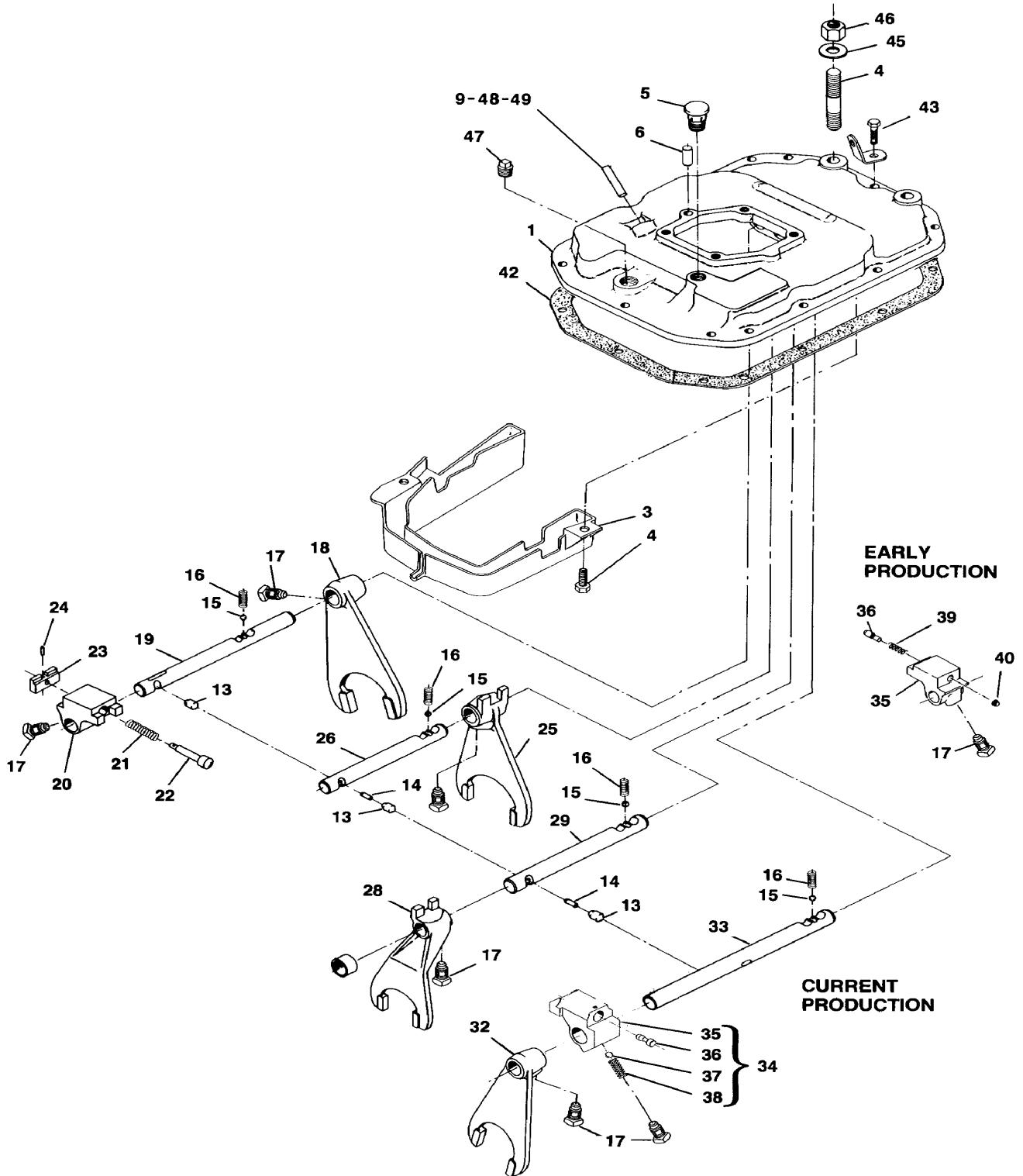
Item#	Part	Description	H 3 4 1	H 3 4 5	V I P 4 5	N O T E S
	571705	GEAR BOX ACTUATOR CYLINDER	1	1		
1	N.P.N.	. HOUSING (626181)	1	1		4
2	N.P.N.	. LOCK NUT, DIN 980 V M8-8 (624315)	1	1		4
3	N.P.N.	. GUIDE RING, 4 X 1.5 X 77.5 (624316)	1	1		4
4	N.P.N.	. O-RING 9.53 X 1.78, EPDM (625716)	1	1		4
5	N.P.N.	. GLYD RING, 026 (624317)	1	1		4
6	N.P.N.	. O-RING 17.12X2.62, EPDM (624318)	1	1		4
7	N.P.N.	. PISTON (625456)	1	1		4
8	N.P.N.	. PUSH ROD (625455)	1	1		4
9	N.P.N.	. LIP SEAL 10 X 18 X 6 (624947)	1	1		4
10	N.P.N.	. O-RING 28.3 X 1.78, EPDM (624943)	1	1		4
11	N.P.N.	. SEAL CASE (624936)	1	1		4
12	N.P.N.	. FLANGE (624817)	1	1		4
13	N.P.N.	. BEARING 10 X 12 X 20 (624944)	1	1		4
14	N.P.N.	. SCRAPER, 10-20-8-5 (624323)	1	1		4
15	N.P.N.	. BELLOW (623012)	1	1		4
16	N.P.N.	. CHECK NUT, DIN 6923-M10-8 (625802)	1	1		4
17	N.P.N.	. PROTECTION CAP (625390)	1	1		4
18	571741	. ADAPTOR BLEED NIPPLE	1	1		
19	N.P.N.	. O-RING 7 X 1, EPDM (624520)	2	2		4
20	N.P.N.	. SPHERE 3.5 (624945)	1	1		4
21	N.P.N.	. BLEED PLUG (624927)	1	1		4
22	N.P.N.	. ALLEN SCREW DIN 912-M6X25-8.8 (624946)	2	2		4
23	N.P.N.	. BALL JOINT HOLDER (M10) (624621)	1	1		4
24	N.P.N.	. SPHERICAL BEARING (623013)	2	2		4
25	N.P.N.	. WIRE COIL (623025)	4	4		4
26	N.P.N.	. WASHER (623031)	4	4		4
27	N.P.N.	. SEALING RING (623042)	4	4		4
28	N.P.N.	. MARKING PLATE (626184)	1	1		4
NS	520163	. COUPLER / QUICK DISCONNECT "TEMA" / #2x 1/8NPT-F BR	1	1		
		4) NO PARTS NUMBER				

From R-012 To Y-3881

Date:10/2022

PAGE:H3-0715-05

SHIFT COVER 6 SPEEDS W/CAST IRON FORWARD



From R-012 To Y-3881	Date:10/2022	PAGE:H3-0715-05
SHIFT COVER 6 SPEEDS W/CAST IRON FORWARD		

Item#	Part	Description	H 3 4 1	H 3 4 5	V I P 4 5	N O T E S
		THIS SHIFTER HOUSING ASSY CAST IRON IS USED				
		ONLY W/PRODUCTION. WE SOLD SERVICE PARTS ONLY				
		& SOLD 571376 AS SHOWN AT PAGE XL-0715-06				
	N.S.A.	SHIFTER HOUSING ASSY	1	1		3
1	571676	. SHIFTER HOUSING & OIL TROUGH ASSY	1	1		
2	N.P.N.	. . SHIFTER HOUSING	1	1		4
3	N.P.N.	. . OIL TROUGH	1	1		4
4	571237	. . SCREW 3/4" / TO FIX OIL TROUGH	2	2		
5	571357	. BREATHER	1	1		
6	571663	. PIN LOCK	1	1		
7	571667	. SCREW	1	1		
9	570374	. PLUNGER / ROD & BACK-UP LIGHT SWITCH	1	1		
13	571665	. INTERLOCK	3	3		
14	571666	. PIN	3	3		
15	571668	. POPPET / 5TH & 6TH SHIFT ROD	1	1		
16	571669	. SPRING / SHIFT ROD	1	1		
17	571582	. SCREW SET 7/16-20x3/4	7	7		
18	571364	. FORK / 1ST & REV	1	1		
19	571670	. ROD / 1ST & REV	1	1		
20	571366	. BRACKET / SHIFT ROD / 1ST & REV	1	1		
21	570162	. SPRING COMPRESSION / .607 O.D. x 2. x .091	1	1		
22	570359	. PLUNGER	1	1		
23	570213	. BLOCK	1	1		
24	571367	. PIN / PLUNGER	1	1		
25	570156	. FORK / 2ND & 3RD	1	1		
26	571671	. ROD / 2ND & 3RD	1	1		
28	571664	. FORK / 4TH	1	1		
29	571672	. ROD / 4TH	1	1		
32	570157	. FORK / 5TH & 6TH	1	1		
33	571673	. ROD / 5TH & 6TH	1	1		
34	571569	. SHIFT ROD BRACKET ASSY	1	1		
34	N.S.S.	. . BRACKET / SHIFT ROD	1	1		1
35	N.P.N.	. . SHIFT ROD BRACKET	1	1		4
36	571584	. . PLUNGER	1	1		
37	570087	. . BALL	1	1		
38	571586	. . SPRING COMPRESSION / .600 O.D. x 2.205 x .065	1	1		
39	571587	SPRING COMPRESSION / .353 O.D. x 1. x .057	1	1		
40	571585	. . SNAP, RING	1	1		
42	570342	GASKET	1	1		
43	571347	SCREW CAP HEX 3/8-16x1 1/8	10	10		
44	571150	STUD 5/8-11 & 5/8-18 X 3 1/2"	2	2		

From R-012 To Y-3881	Date:10/2022	PAGE:H3-0715-05
SHIFT COVER 6 SPEEDS W/CAST IRON FORWARD		

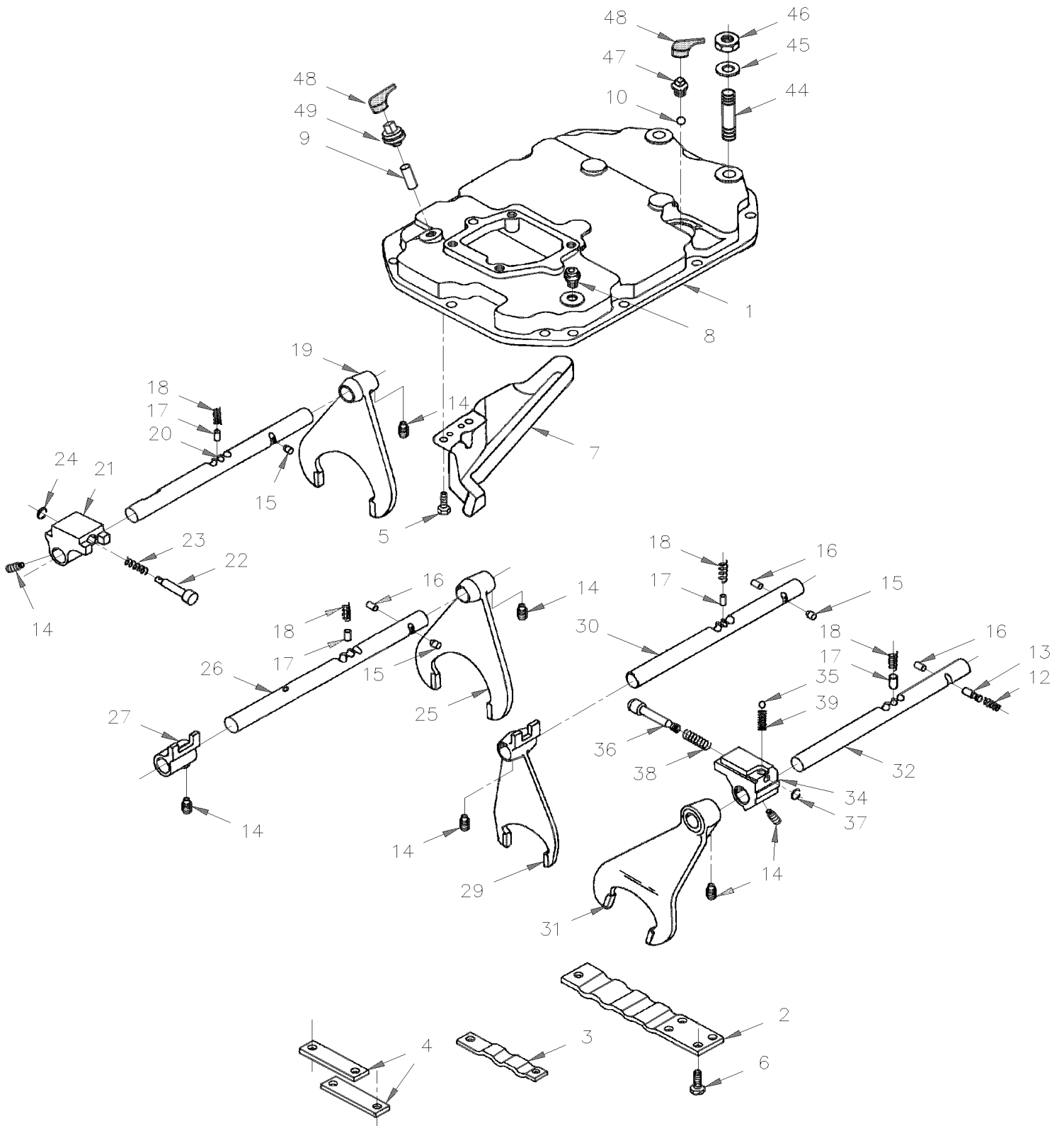
Item#	Part	Description	H 3 4 1	H 3 4 5	V I P 4 5	N O T E S
NS	571380	STUD 5/8-11 5/8-18x4	2	2		
45	571381	WASHER FL 5/8	2	2		
46	570383	NUT 5/8-18	2	2		
47	561019	SWITCH / NEUTRAL N.O. / W/MANUAL TRANSMISSION	1	1		
48	561012	PROTECTOR, TRANS. SWITCH	2	2		
49	560632	SWITCH / BACK-UP N.C. / W/MANUAL TRANSMISSION	1	1		
		1) NOT SOLD SEPARATELY				
		3) NOT SOLD ASSEMBLY				
		4) NO PARTS NUMBER				

From R-012 To Y-3881

Date:10/2022

PAGE:H3-0715-06

SHIFT COVER 6 SPEEDS W/DIE ALUM FOWARD



From R-012 To Y-3881	Date:10/2022	PAGE:H3-0715-06
SHIFT COVER 6 SPEEDS W/DIE ALUM FOWARD		

Item#	Part	Description	H 3 4 1	H 3 4 5	V I P 4 5	N O T E S
	571576	SHIFTER COVER HOUSING / 6 SPEEDS W/FOWARD CONTROL	1	1		
1	571606	. SHIFTER COVER HOUSING & OIL TROUGH ASSY	1	1		
2	N.S.S.	. . SHIFTER HOUSING	1	1		1
2	571578	. . RETAINER SHIFT ROD / REAR	AR	AR		
3	571579	. . RETAINER SHIFT ROD / CENTER	1	1		
4	571580	. . RETAINER SHIFT ROD	1	1		
5	571601	. . SCREW CAP HEX 3/8-16 x 3/4"	2	2		
6	571581	. . SCREW CAP HEX 3/8-16 X 1"	7	7		
7	571597	. . OIL TROUGH	1	1		
8	571357	. BREATHER	1	1		
9	570374	. PLUNGER / ROD & BACK-UP LIGHT SWITCH	1	1		
10	571422	. BALL / NEUTRAL SWITCH	1	1		
12	571599	. SPRING / NEUTRAL SWITCH	1	1		
13	571598	. PLUNGER / SWITCH & ROD	1	1		
14	571582	. SCREW SET 7/16-20x3/4	7	7		
15	571533	. INTERLOCK	3	3		
16	570007	. PIN	3	3		
17	571532	. POPPET / TO USE W/INSIDE SPRING #571600	4	4		
18	571600	. SPRING POPPET	4	4		A
19	571364	. FORK / 1ST & REV	1	1		
20	571603	. ROD / 1ST & REV	1	1		
21	571366	. BRACKET / SHIFT ROD / 1ST & REV	1	1		
22	571583	. PLUNGER	1	1		
23	570162	. SPRING COMPRESSION / .607 O.D. x 2. x .091	1	1		
24	570355	. RING LOCK	1	1		
25	570156	. FORK / 2ND & 3RD	1	1		
26	571604	. ROD / 2ND & 3RD	1	1		
27	570350	. BRACKET SHIFT	1	1		
29	571664	. FORK / 4TH	1	1		
30	571605	. ROD / 4TH	1	1		
31	570157	. FORK / 5TH & 6TH	1	1		
32	571608	. ROD / 5TH & 6TH	1	1		
33	571569	. SHIFT ROD BRACKET ASSY	1	1		
34	N.S.S.	. . BRACKET / SHIFT ROD	1	1		1
35	570087	. . BALL	1	1		
36	571584	. . PLUNGER	1	1		
37	571585	. . SNAP, RING	1	1		
38	571586	. . SPRING COMPRESSION / .600 O.D. x 2.205 x .065	1	1		
39	571587	. . SPRING COMPRESSION / .353 O.D. x 1. x .057	1	1		
42	570342	GASKET	1	1		
43	571347	SCREW CAP HEX 3/8-16x1 1/8	10	10		
44	571150	STUD 5/8-11 & 5/8-18 X 3 1/2"	2	2		

From R-012 To Y-3881	Date:10/2022	PAGE:H3-0715-06
SHIFT COVER 6 SPEEDS W/DIE ALUM FOWARD		

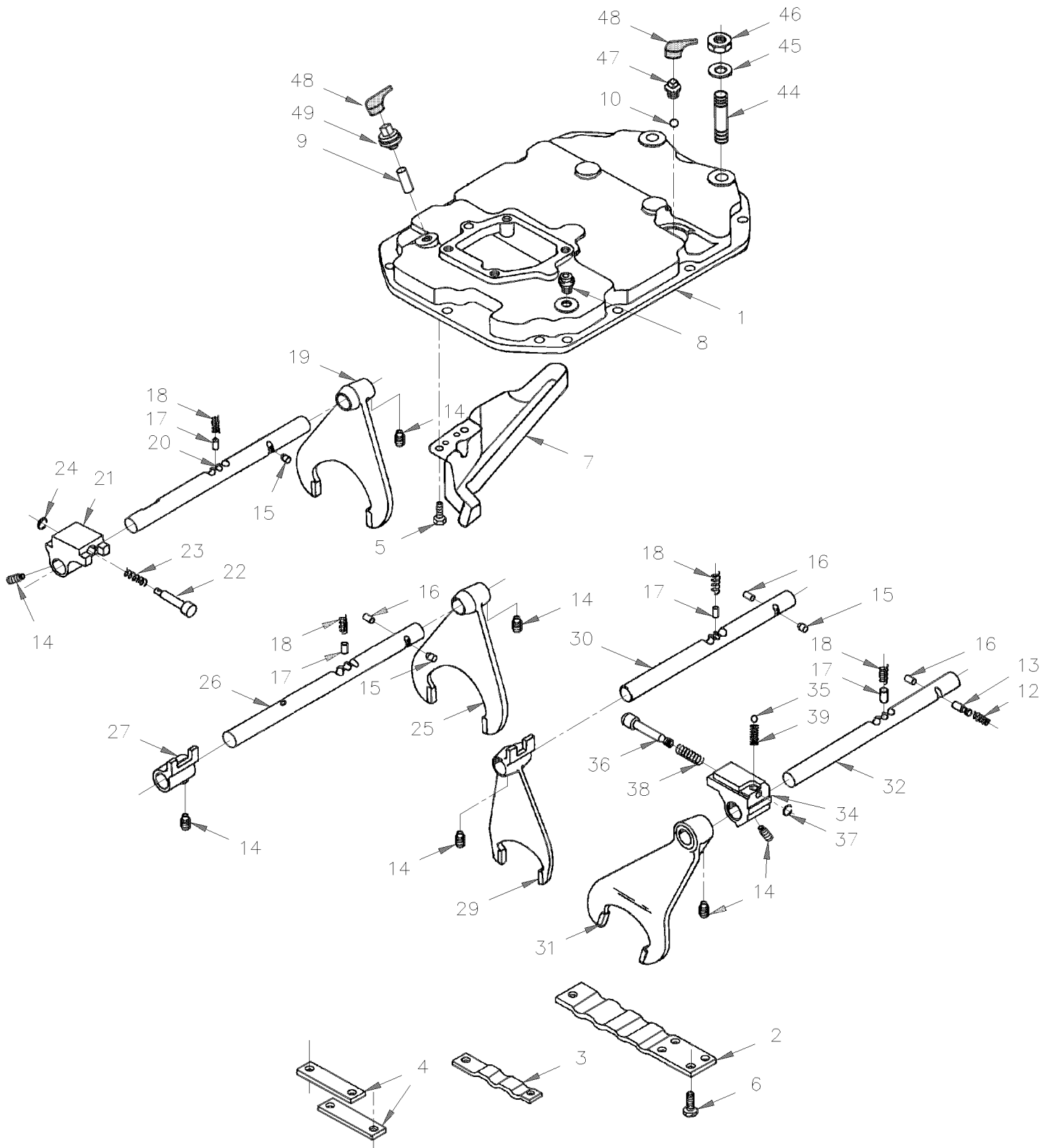
Item#	Part	Description	H 3 4 1	H 3 4 5	V I P 4 5	N O T E S
NS	571380	STUD 5/8-11 5/8-18x4	2	2		
45	571381	WASHER FL 5/8	2	2		
46	570383	NUT 5/8-18	2	2		
47	561019	SWITCH / NEUTRAL N.O. / W/MANUAL TRANSMISSION	1	1		
48	561012	PROTECTOR, TRANS. SWITCH	2	2		
49	560632	SWITCH / BACK-UP N.C. / W/MANUAL TRANSMISSION	1	1		
		A) TO USE INSIDE OF POPPET #571532				
		1) NOT SOLD SEPARATELY				

From R-012 To Y-3881

Date:10/2022

PAGE:H3-0715-15

SHIFT COVER 7 SPEEDS W/DIE ALUM FOWARD



From R-012 To Y-3881	Date:10/2022	PAGE:H3-0715-15
SHIFT COVER 7 SPEEDS W/DIE ALUM FOWARD		

Item#	Part	Description	H 3 4 1	H 3 4 5	V I P 4 5	N O T E S
	571577	SHIFTER COVER HOUSING / 7 SPEEDS W/FOWARD CONTROL	1	1		
1	571607	. SHIFTER COVER HOUSING & OIL TROUGH ASSY	1	1		
2	N.S.S.	. . SHIFTER HOUSING	1	1		1
2	571578	. . RETAINER SHIFT ROD / REAR	AR	AR		
3	571579	. . RETAINER SHIFT ROD / CENTER	1	1		
4	571580	. . RETAINER SHIFT ROD	1	1		
5	571601	. . SCREW CAP HEX 3/8-16 x 3/4"	2	2		
6	571581	. . SCREW CAP HEX 3/8-16 X 1"	9	9		
7	571588	. . OIL TROUGH	1	1		
8	571357	. BREATHER	1	1		
9	570374	. PLUNGER / ROD & BACK-UP LIGHT SWITCH	1	1		
10	571422	. BALL / NEUTRAL SWITCH	1	1		
12	571599	. SPRING / NEUTRAL SWITCH	1	1		
13	571598	. PLUNGER / SWITCH & ROD	1	1		
14	571582	. SCREW SET 7/16-20x3/4	9	9		
15	571533	. INTERLOCK	3	3		
16	570007	. PIN	3	3		
17	571532	. POPPET / TO USE W/INSIDE SPRING #571600	4	4		
18	571600	. SPRING POPPET	1	1		A
19	571589	. FORK / 1ST & REV	1	1		
20	571590	. ROD / 1ST & REV	1	1		
21	571366	. BRACKET / SHIFT ROD / 1ST & REV	1	1		
22	571583	. PLUNGER	1	1		
23	570162	. SPRING COMPRESSION / .607 O.D. x 2. x .091	1	1		
24	570355	. RING LOCK	1	1		
25	571591	. FORK / 2ND & 3RD	1	1		
26	571592	. ROD / 2ND & 3RD	1	1		
27	570350	. BRACKET SHIFT	1	1		
29	571593	. FORK	2	2		
30	571594	. ROD / 4TH & 5TH	1	1		
31	571595	. FORK / 6TH & 7TH	1	1		
32	571596	. ROD / 6TH & 7TH	1	1		
33	571569	. SHIFT ROD BRACKET ASSY	1	1		
34	N.S.S.	. . BRACKET / SHIFT ROD	1	1		1
35	570087	. . BALL	1	1		
36	571584	. . PLUNGER	1	1		
37	571585	. . SNAP, RING	1	1		
38	571586	. . SPRING COMPRESSION / .600 O.D. x 2.205 x .065	1	1		
39	571587	. . SPRING COMPRESSION / .353 O.D. x 1. x .057	1	1		
43	500193	SCREW CAP HEX 3/8-16x1 1/2 G5 Z050	10	10		
44	571150	STUD 5/8-11 & 5/8-18 X 3 1/2"	2	2		
NS	571380	STUD 5/8-11 5/8-18x4	2	2		

From R-012 To Y-3881	Date:10/2022	PAGE:H3-0715-15
SHIFT COVER 7 SPEEDS W/DIE ALUM FOWARD		

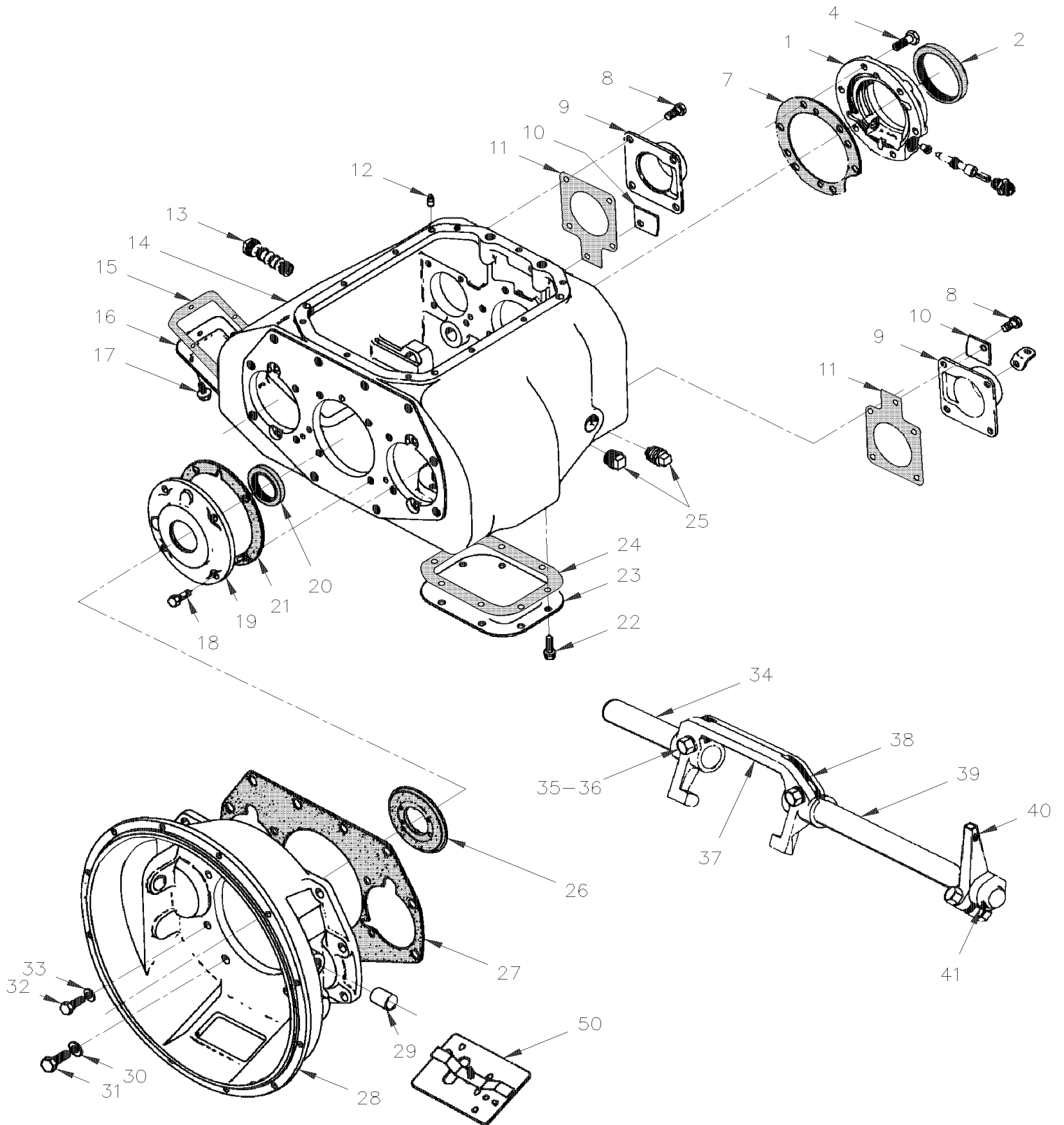
Item#	Part	Description	H 3 4 1	H 3 4 5	V I P 4 5	N O T E S
45	571381	WASHER FL 5/8	2	2		
46	570383	NUT 5/8-18	2	2		
47	561019	SWITCH / NEUTRAL N.O. / W/MANUAL TRANSMISSION	1	1		
48	561012	PROTECTOR, TRANS. SWITCH	2	2		
49	560632	SWITCH / BACK-UP N.C. / W/MANUAL TRANSMISSION	1	1		
NS	571575	SEALANT GASKET - TUBE 24CC	1	1		
NS	571574	GASKET / SHIFTER HOUSING & SHIFTER LEVER	1	1		
NS	571618	KIT GASKET	AR	AR		
		A) TO USE INSIDE OF POPPET #571532				
		1) NOT SOLD SEPARATELY				

From R-012 To Y-3881

Date:10/2022

PAGE:H3-0720-00

TRANSMISSION MANUAL 6 SPEEDS - PS130-6B



From R-012 To Y-3881	Date:10/2022	PAGE:H3-0720-00
TRANSMISSION MANUAL 6 SPEEDS - PS130-6B		

Item#	Part	Description	H 3 4 1	H 3 4 5	V I P 4 5	N O T E S
	571551	TRANSMISSION ASSY 6 SPEEDS / MODEL PS130-6B W/FOWARD CONTROL	1	1		
	571710	TRANSMISSION ASSY 6 SPEEDS / MODEL PS130-6B	1	1		
1	571497	BEARING RETAINER ASSY	1	1		
2	570364	SEAL	1	1		
4	571341	SCREW CAP HEX 1/2-13x1 1/2	4	4		
NS	571611	SCREW CAP HEX 1/2-13x2 1/2	2	2		
7	570345	GASKET	1	1		
8	571339	SCREW CAP HEXF 3/8-16 x 15/16"	10	10		
9	571338	RETAINER BEARING	2	2		
10	571337	COVER IDLER	2	2		
11	571336	GASKET	2	2		
12	570011	PIN DOWEL	2	2		
13	570153	PLUG MAGNETIC	2	2		
14	571333	CASE ASSY	1	1		
15	570218	GASKET / P.T.O. W/6 HOLES	1	1		
16	570229	COVER P.T.O. W/6 HOLES	1	1		
17	571334	SCREW CAP HEXF 3/8-16 x 3/4"	6	6		
18	571347	SCREW CAP HEX 3/8-16x1 1/8	4	4		
19	571345	BEARING RETAINER ASSY	1	1		
20	571346	SEAL	1	1		
21	570344	GASKET	1	1		
22	571335	SCREW CAP HEX 7/16-14x3/4	8	8		
23	570296	COVER P.T.O. W/8 HOLES	1	1		
24	570035	GASKET P.T.O. W/8 HOLES	1	1		
25	570094	. PLUG DRAIN & FILL	2	2		
26	H3-0205-01	CLUTCH PRESSURE PLATE ASSY - WITH DETROIT S-60				
27	570348	GASKET	1	1		
28	570197	CLUTCH HOUSING ASSY	1	1		
29	570075	. BUSHING	4	4		
30	571349	WASHER FL 1.125x.625x0.600	10	10		
31	571348	SCREW CAP HEX 5/8-11 X 1 3/4	10	10		
32	571350	SCREW CAP HEX 1/2-13 X 1 1/4	4	4		
33	571351	WASHER, 1/2" I.D. FLAT	4	4		
34	570369	CLUTCH SHAFT 1" X 5 3/4"	1	1		
35	570199	SCREW	2	2		
36	570431	WASHER LOCK	2	2		
37	570172	YOKE CLUTCH RELEASE	1	1		
38	570030	KEY WASHER	2	2		
39	020377	CLUTCH SHAFT 1"X 9" 11/16"	1	1		
40	020433	LEVER, CLUTCH SHAFT 71MM C/C	1	1		
41	505154	KEY, WOODRUFF #18 / 1/8" X 1 1/8"	1	1		
50	020280	COVER ASSY (MODIFIED)	1	1		

From R-012 To Y-3881	Date:10/2022	PAGE:H3-0720-00
TRANSMISSION MANUAL 6 SPEEDS - PS130-6B		

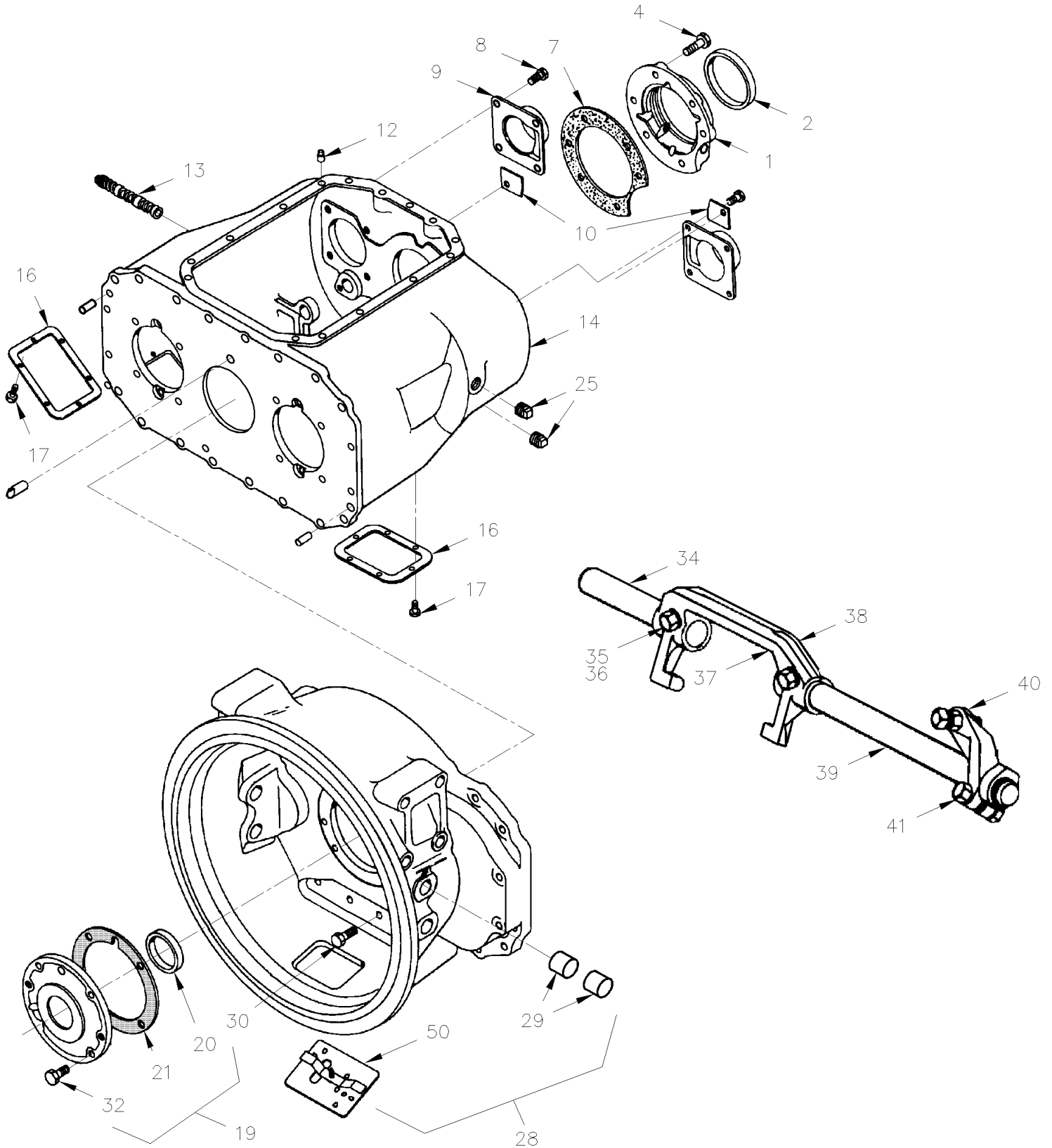
Item#	Part	Description	H 3 4 1	H 3 4 5	V I P 4 5	N O T E S
50	500536	. SCREW TP HEXW SLT #14x1 ZP	2	2		A
NS	570342	GASKET	1	1		
NS	571574	GASKET / SHIFTER HOUSING & SHIFTER LEVER	1	1		
NS	570893	GASKET / SHIFTER LEVER W/CENTER CONTROL	1	1		
NS	571377	KIT GASKET	AR	AR		C
NS	571383	KIT BEARING & SEAL	AR	AR		B
		A) TO FIX COVER				
		B) INCLUDE TOO 1,2,3,6,8,10,14,17,23,26,29 7 31 ON H3-0725-00 & ITEMS 1,10,11 & 14 ON H3-0730-00				
		C) INCLUDE ITEMS 7,11,15,21,27 & 50 (GASKET)				

From R-012 To Y-3881

Date:10/2022

PAGE:H3-0720-01

TRANSMISSION MANUAL 7 SPEEDS - PS145-7A



From R-012 To Y-3881	Date:10/2022	PAGE:H3-0720-01
TRANSMISSION MANUAL 7 SPEEDS - PS145-7A		

Item#	Part	Description	H 3 4 1	H 3 4 5	V I P 4 5	N O T E S
	571458	TRANSMISSION ASSY 7 SPEEDS / MODEL PS145-7A To V-2077	1	1		
	571711	TRANSMISSION ASSY 7 SPEEDS / MODEL PS145-7A From V-2078	1	1		
1	571609	BEARING RETAINER ASSY	1	1		
2	571610	SEAL	1	1		
4	571341	SCREW CAP HEX 1/2-13x1 1/2	4	4		
NS	571611	SCREW CAP HEX 1/2-13x2 1/2	2	2		
7	570345	GASKET	1	1		
8	571339	SCREW CAP HEXF 3/8-16 x 15/16"	10	10		
9	571338	RETAINER BEARING	2	2		
10	571337	COVER IDLER	2	2		
12	570011	PIN DOWEL	2	2		
13	570153	PLUG MAGNETIC	2	2		
14	571612	CASE ASSY	1	1		
16	570229	COVER P.T.O. W/6 HOLES	2	2		
17	571334	SCREW CAP HEXF 3/8-16 x 3/4"	12	12		
18	571347	SCREW CAP HEX 3/8-16x1 1/8	4	4		
19	571613	BEARING RETAINER ASSY	1	1		
20	571614	SEAL KIT	1	1		
20	N.S.S.	SLEEVE / TO USE W/SEAL	1	1		1
21	570344	GASKET	1	1		
25	570094	. PLUG DRAIN & FILL	2	2		
26	H3-0205-01	CLUTCH PRESSURE PLATE ASSY - WITH DETROIT S-60				
28	571615	CLUTCH HOUSING ASSY	1	1		
29	571616	. BUSHING	4	4		
30	571617	SCREW CAP HEX 5/8-11x2	16	16		
NS	571653	SCREW CAP HEX 3/8-16x3	4	4		
32	571347	SCREW CAP HEX 3/8-16x1 1/8	4	4		
34	570369	CLUTCH SHAFT 1" X 5 3/4"	1	1		
35	570199	SCREW	2	2		
36	570431	WASHER LOCK	2	2		
37	570172	YOKE CLUTCH RELEASE	1	1		
38	570030	KEY WASHER	2	2		
39	020377	CLUTCH SHAFT 1"X 9" 11/16"	1	1		
40	020433	LEVER, CLUTCH SHAFT 71MM C/C	1	1		
41	505154	KEY, WOODRUFF #18 / 1/8" X 1 1/8"	1	1		
50	020280	COVER ASSY (MODIFIED)	1	1		
NS	571574	GASKET / SHIFTER HOUSING & SHIFTER LEVER	1	1		
NS	571575	SEALANT GASKET - TUBE 24CC	1	1		
NS	571619	KIT BEARING & SEAL & ITEMS 8,11,12 & 15 ON PAGE H3-0730-01	AR	AR		A
NS	571618	KIT GASKET	AR	AR		B

From R-012 To Y-3881	Date:10/2022	PAGE:H3-0720-01
TRANSMISSION MANUAL 7 SPEEDS - PS145-7A		

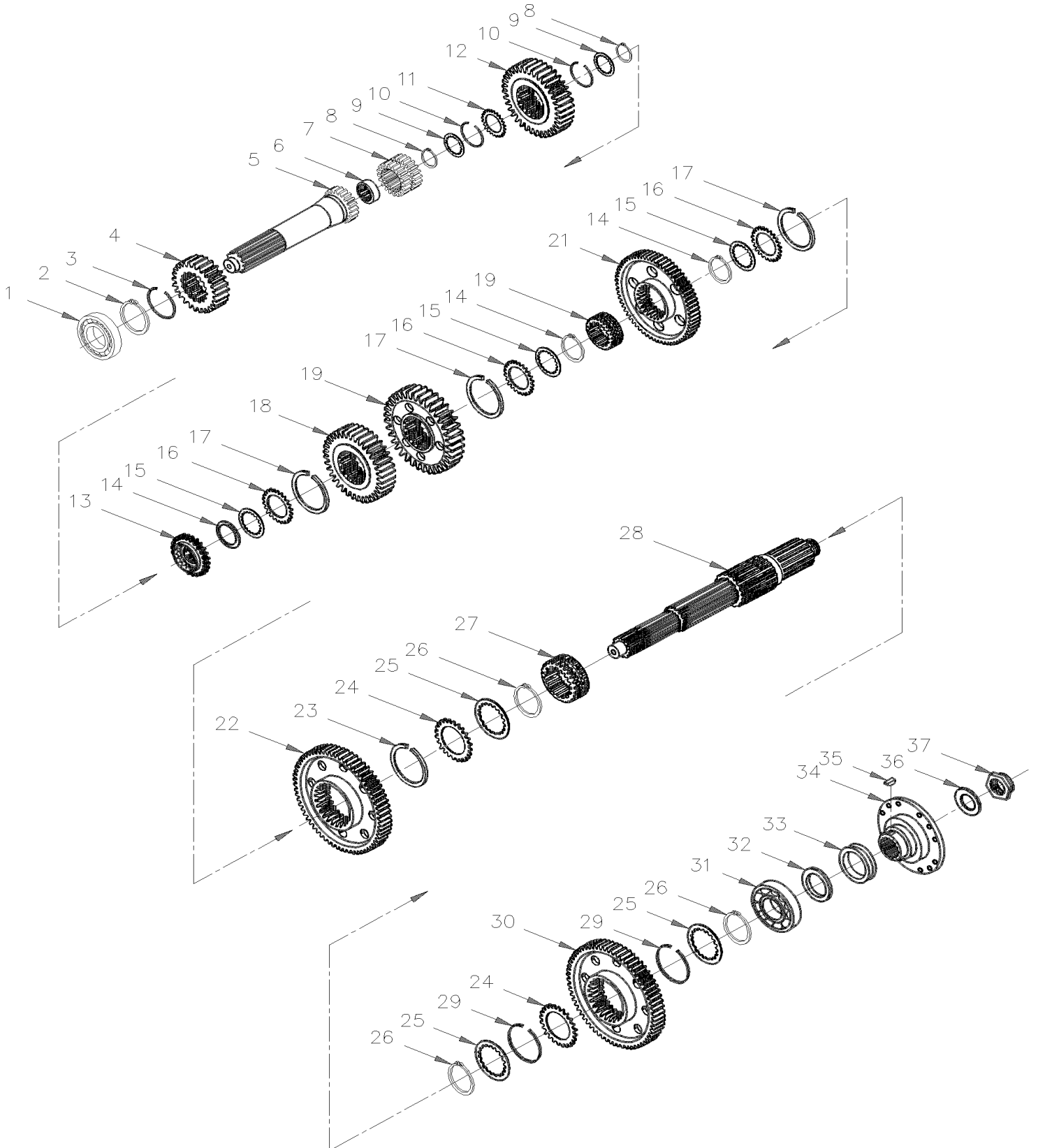
Item#	Part	Description	H 3 4 1	H 3 4 5	V I P 4 5	N O T E S
		A) INCLUDE ITEMS 1,2,3,5,7,9,10,11,12,15,16,17,18,20,22,24,25,26,27,32 & 34 ON H3-0725-01				
		B) INCLUDE ITEMS 7, 21 & 50NS				
		1) NOT SOLD SEPARATELY				

From R-012 To Y-3881

Date:10/2022

PAGE:H3-0725-00

GEAR & RELATED PARTS W/6 SPEEDS



From R-012 To Y-3881	Date:10/2022	PAGE:H3-0725-00
GEAR & RELATED PARTS W/6 SPEEDS		

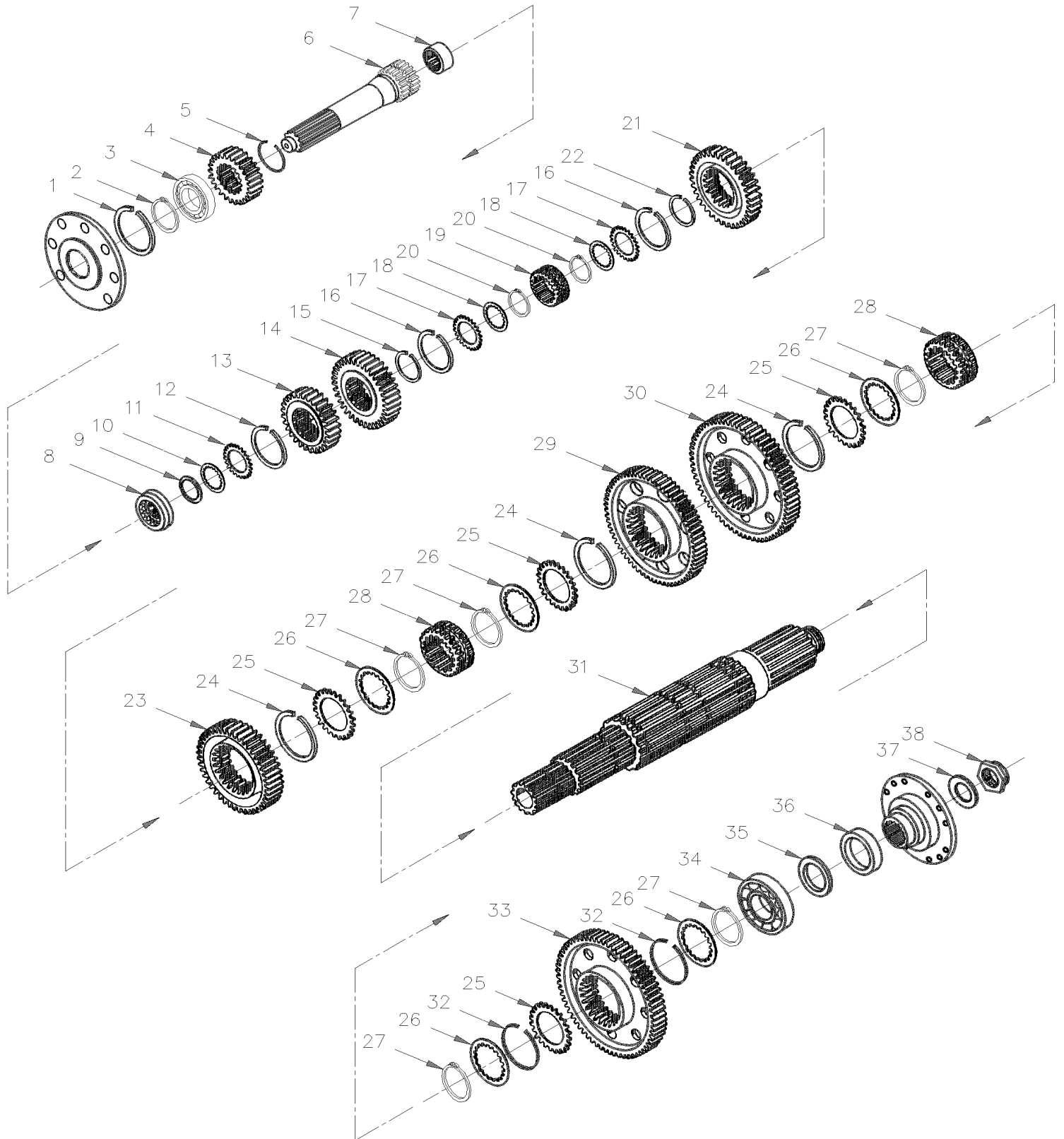
Item#	Part	Description	H 3 4 1	H 3 4 5	V I P 4 5	N O T E S
1	571308	BEARING	1	1		
2	571309	RING SNAP	1	1		
3	570354	RING SNAP - INT	1	1		
4	571310	GEAR INPUT / 26T	1	1		
5	571312	SHAFT INPUT 2" / 10 SPLINES	1	1		
6	571313	BEARING POCKET	1	1		
7	570367	COLLAR 5TH-6TH CLUTCH	1	1		
8	571314	RING SNAP	2	2		
9	570212	WASHER THRUST / INT 13T	2	2		
10	570354	RING SNAP - INT	2	2		
11	570209	WASHER THRUST / EXT 17T	1	1		
12	570169	GEAR 5TH / 32T	1	1		
13	571315	COLLAR 4TH / SPEED CLUTCH	1	1		
14	570356	RING SNAP	3	3		
15	570207	WASHER THRUST / INT 15T	3	3		
16	571273	WASHER THRUST / EXT 20T	3	3		
17	570353	RING SNAP	3	3		
18	570168	GEAR 4TH / 38T	1	1		
19	570167	GEAR 3RD / 56T	1	1		
20	571254	COLLAR / 2ND-3RD	1	1		
21	571316	GEAR 2ND / 56T	1	1		
22	571256	GEAR 1ST / 64T	1	1		
23	571257	RING SNAP - INT	1	1		
24	571317	WASHER THRUST / EXT 24T	2	2		
25	571318	WASHER THRUST / INT 18T	3	3		
26	571319	RING SNAP	3	3		
27	571320	COLLAR / 1ST-REV.	1	1		
28	571321	SHAFT MAIN	1	1		
29	571322	RING SNAP - INT	2	2		
30	571323	GEAR REV / 64T	1	1		
31	571324	BEARING REAR	1	1		
32	571325	SPACER	2	2		
33	571304	GEAR DRIVE / SPEEDOMETER / W/ELECTRONIC SENDING UNIT	1	1		
NS	571479	SPEEDOMETER DRIVE TOOTH WHEEL	1	1		
34	571327	COMPANION FLANGE / W/MANUAL TRANS (20 SPL) 6 SPEEDS	1	1		
35	570376	KEY WOODRUFF	1	1		
36	570211	WASHER FLAT	1	1		
37	571328	NUT SELF-LOCKING 1 3/4-16	1	1		
NS	571379	KIT SNAP RING	AR	AR		A
NS	571352	KIT THRUST WASHER	AR	AR		B

From R-012 To Y-3881	Date:10/2022	PAGE:H3-0725-00
----------------------	--------------	-----------------

GEAR & RELATED PARTS W/6 SPEEDS

Item#	Part	Description	H 3 4 1	H 3 4 5	V I P 4 5	N O T E S
		A) INCLUDE ITEMS 2,3,8,10,14,17,23,26 & 29 & ITEMS 1 &10 IN PAGE H3-0730-00				
		B) INCLUDE ITEMS 9,11,15,16,24 & 25				

From R-012 To Y-3881	Date:10/2022	PAGE:H3-0725-01
GEAR & RELATED PARTS W/7 SPEEDS		



From R-012 To Y-3881	Date:10/2022	PAGE:H3-0725-01
GEAR & RELATED PARTS W/7 SPEEDS		

Item#	Part	Description	H 3 4 1	H 3 4 5	V I P 4 5	N O T E S
1	571620	RING SNAP	1	1		
2	571621	RING SNAP	1	1		
3	571622	BEARING	1	1		
4	571623	GEAR INPUT / 24T	1	1		
5	571624	RING SNAP	3	3		
6	571625	SHAFT INPUT 2" / 10 SPLINES	1	1		
7	571626	BEARING POCKET	1	1		
8	571627	COLLAR 6TH & 7TH	1	1		
9	571650	RING SNAP - EXT	2	2		
10	571628	WASHER THRUST / INT 22T	2	2		
11	571629	WASHER THRUST / EXT 17T	1	1		
12	570354	RING SNAP - INT	2	2		
13	571630	GEAR 6TH / 24T	1	1		
14	571631	GEAR 5TH / 34T	1	1		
15	571632	RING SNAP - INT	3	3		
16	570357	RING SNAP - INT	1	1		
17	571273	WASHER THRUST / EXT 20T	3	3		
18	571633	WASHER THRUST / INT 36T	3	3		
19	571634	COLLAR 4TH & 5TH / 20T	1	1		
20	571635	RING SNAP - EXT.	1	1		
21	571636	GEAR 4TH / 40T	1	1		
22	571632	RING SNAP - INT	1	1		
23	571637	GEAR 3RD / 48T	1	1		
24	571257	RING SNAP - INT	1	1		
25	571317	WASHER THRUST / EXT 24T	2	2		
26	571638	WASHER THRUST / INT 48T	3	3		
27	571319	RING SNAP	3	3		
28	571639	COLLAR 1ST & REV / 2SD & 3TH	1	1		
29	571640	GEAR 2ND / 58T	1	1		
30	571256	GEAR 1ST / 64T	1	1		
31	571641	SHAFT MAIN	1	1		
32	571322	RING SNAP - INT	2	2		
33	571323	GEAR REV / 64T	1	1		
34	571324	BEARING REAR	1	1		
35	571642	SPACER	2	2		
36	571479	SPEEDOMETER DRIVE TOOTH WHEEL	1	1		
37	570211	WASHER FLAT	1	1		
38	571328	NUT SELF-LOCKING 1 3/4-16	1	1		
NS	571651	KIT THRUST WASHER / INCLUDE ITEMS 1,5,9,12,15,16,20,22,24,27&32				B
NS	571652	KIT SNAP RING				A

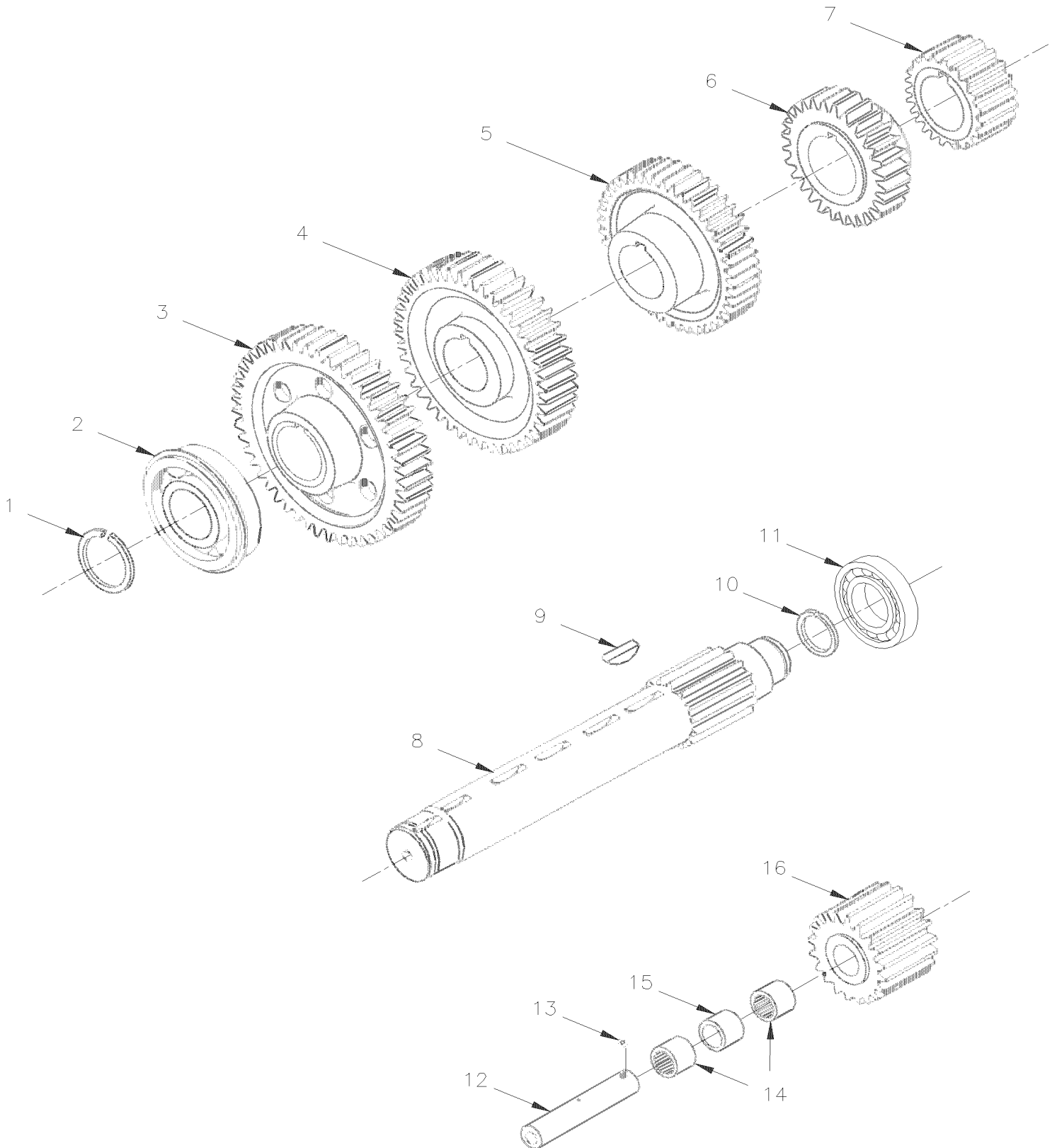
From R-012 To Y-3881		Date:10/2022		PAGE:H3-0725-01			
GEAR & RELATED PARTS W/7 SPEEDS							
Item#	Part	Description	H 3 4 1	H 3 4 5	V I P 4 5	N O T E S	
		A) INCLUDE ITEMS 1,5,9,12,15,16,20,22,24,27 & 32 & ITEMS 8 & 11 ON PAGE H3-0730-01					
		B) W/ITEMS 8 & 11 ON PAGE H3-0730-01					

From R-012 To Y-3881

Date:10/2022

PAGE:H3-0730-00

COUNTERSHAFT GROUP W/6 SPEEDS



From R-012 To Y-3881	Date:10/2022	PAGE:H3-0730-00
COUNTERSHAFT GROUP W/6 SPEEDS		

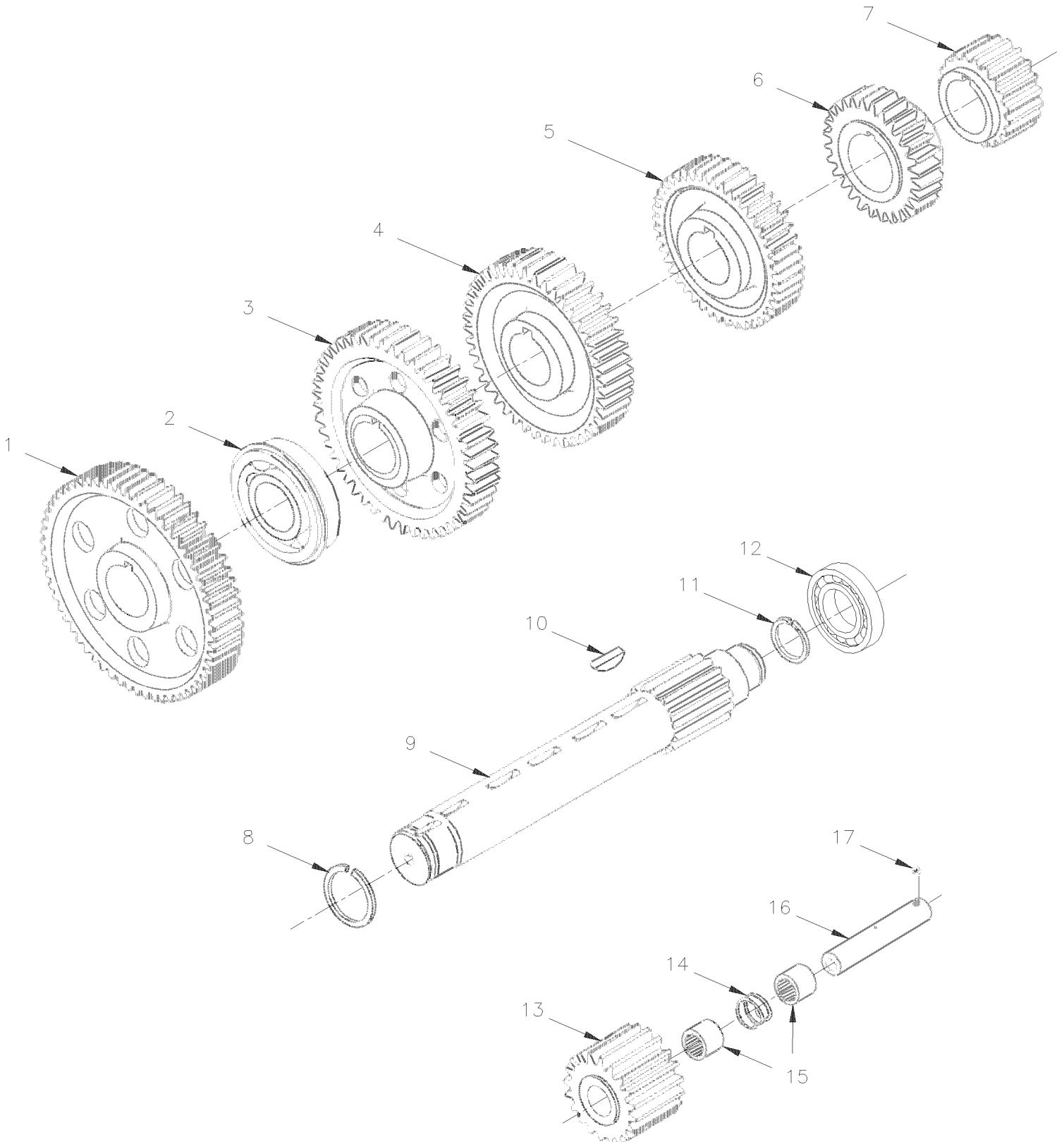
Item#	Part	Description	H 3 4 1	H 3 4 5	V I P 4 5	N O T E S
1	571269	RING SNAP	2	2		
2	570232	BEARING FRONT	2	2		
3	570069	GEAR 6TH / 52T	2	2		
4	571266	GEAR 5TH / 48T	2	2		
5	571267	GEAR 4TH / 40T	2	2		
6	570417	GEAR 3TH / 32T	2	2		
7	570416	GEAR 2TH / 23T	2	2		
8	571329	COUNTERSHAFT / 15T RIGHT SIDE-SPLINED FOR P.T.O.	1	1		
8	571330	COUNTERSHAFT / 15T LEFT SIDE-SPLINED FOR PUMP	1	1		
9	570377	KEY WOODRUFF	10	10		
10	571331	RING	2	2		
11	571332	BEARING / REAR	2	2		
12	570154	SHAFT	2	2		
13	570392	BALL LOCK 9/32" DIA.	2	2		
14	570250	BEARING	4	4		
15	570152	SPACER	2	2		
16	570070	GEAR	2	2		
NS	571379	KIT SNAP RING	AR	AR		A
		A) INCLUDE ITEMS 1 & 10 & ITEMS 2,3,8,10,14,17,23,26 & 29 ON H3-0725-00				

From R-012 To Y-3881

Date:10/2022

PAGE:H3-0730-01

COUNTERSHAFT GROUP W/7 SPEEDS



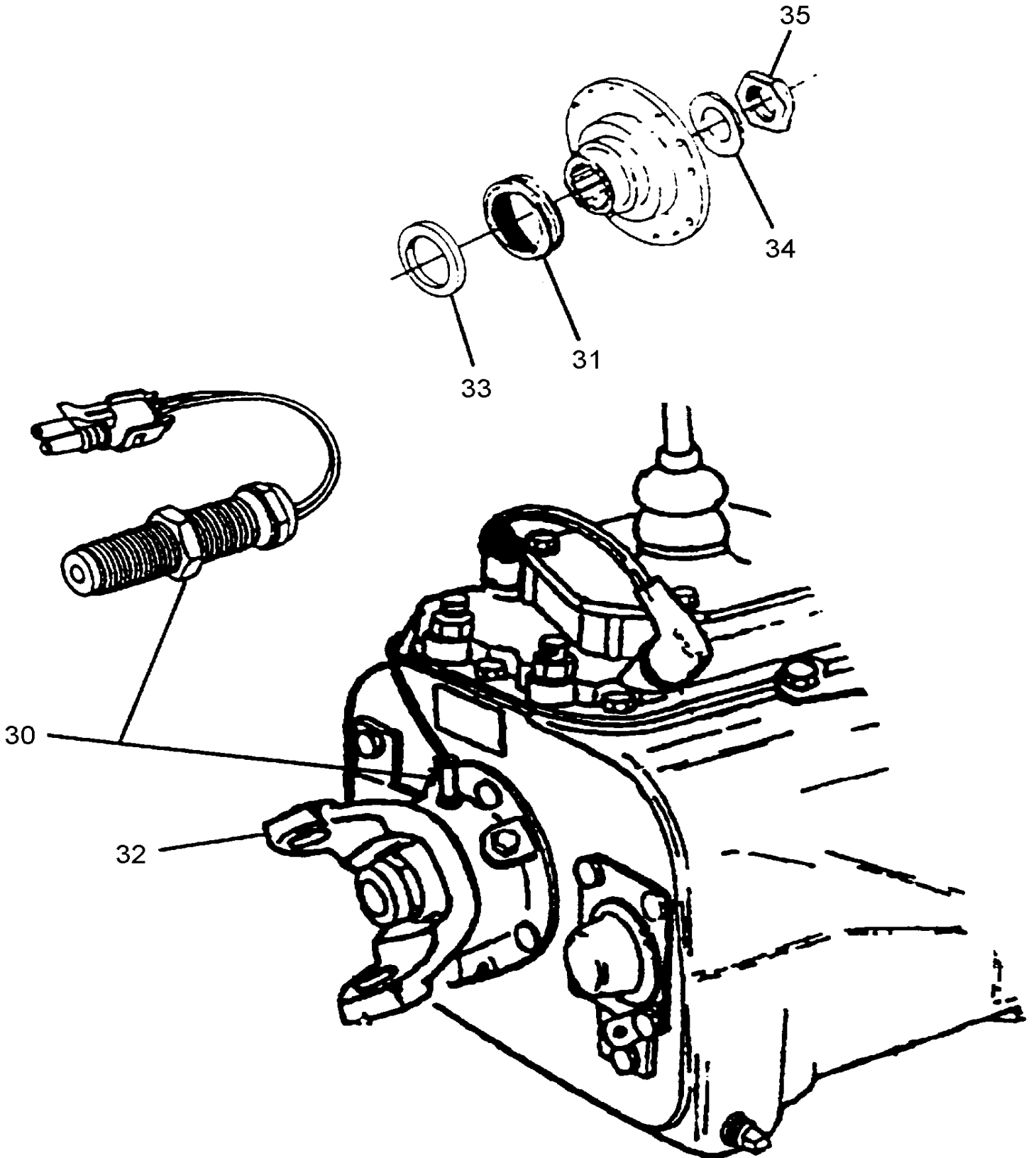
From R-012 To Y-3881		Date:10/2022	PAGE:H3-0730-01			
COUNTERSHAFT GROUP W/7 SPEEDS						
Item#	Part	Description	H 3 4 1	H 3 4 5	V I P 4 5	N O T E S
1	571643	GEAR DRIVE / 57T	1	1		
2	570232	BEARING FRONT	1	1		
3	571644	GEAR 6TH / 43T	1	1		
4	571645	GEAR 5TH / 44T	1	1		
5	571646	GEAR 4TH / 37T	1	1		
6	570417	GEAR 3TH / 32T	1	1		
7	571647	GEAR 2ND / 23T	1	1		
8	571269	RING SNAP	2	2		
9	571648	COUNTERSHAFT / 15T	1	1		
10	570377	KEY WOODRUFF	10	10		
11	570231	RING	2	2		
12	571649	BEARING / REAR	2	2		
13	570070	GEAR	2	2		
14	570152	SPACER	2	2		
15	570250	BEARING	4	4		
16	570154	SHAFT	2	2		
17	570392	BALL LOCK 9/32" DIA.	2	2		
NS	571329	COUNTERSHAFT / 15T RIGHT SIDE-SPLINED FOR P.T.O.	1	1		
NS	571652	KIT SNAP RING	AR	AR		A
		A) INCLUDE ITEMS 8 & 11 & ITEMS 1,5,9,12,15,16,20,22,24,27,32 ON H3-0725-01				

From R-012 To Y-3881

Date:10/2022

PAGE:H3-0740-01

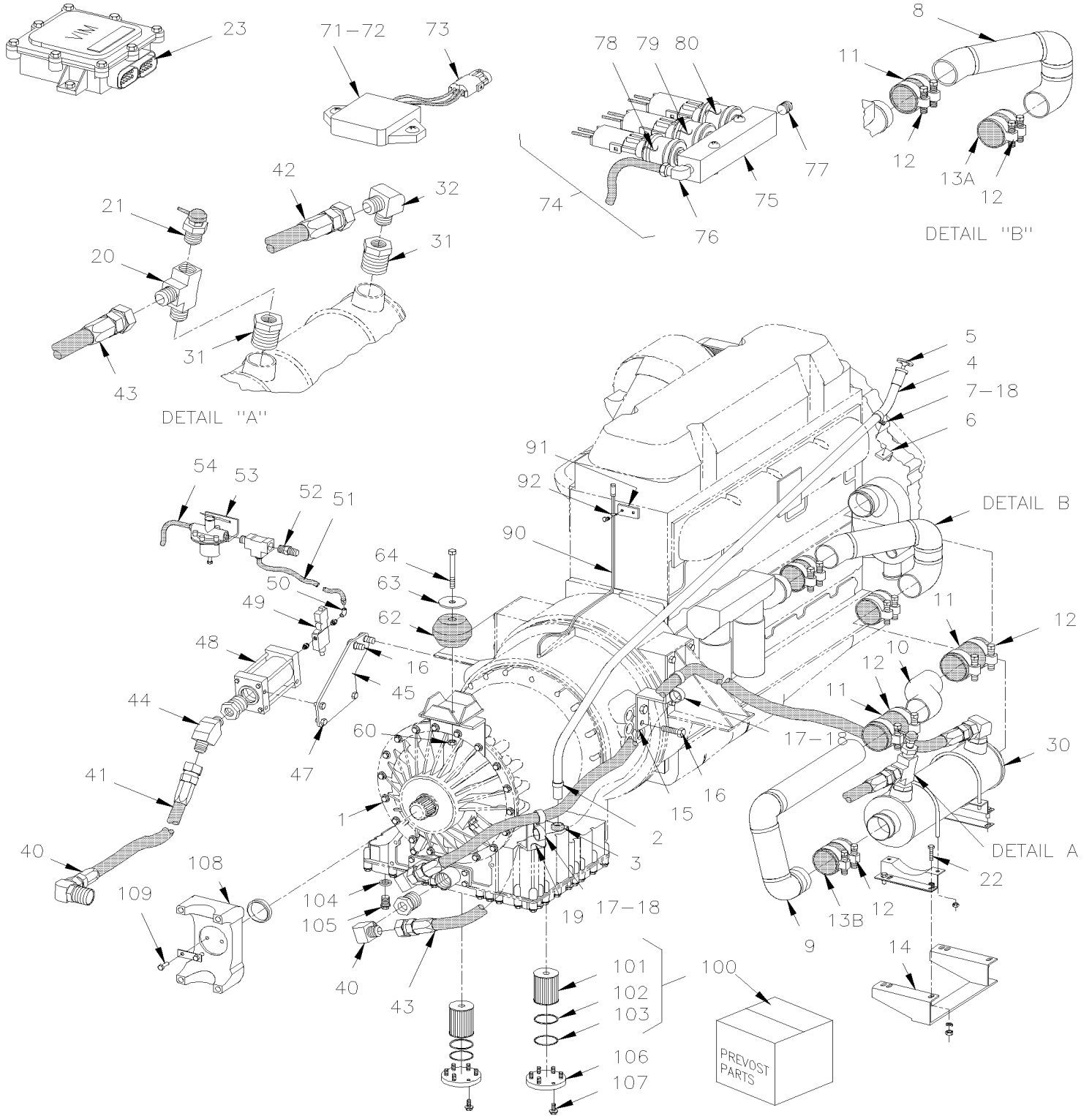
SPEEDOMETER ADAPTOR



From R-012 To Y-3881	Date:10/2022	PAGE:H3-0740-01
SPEEDOMETER ADAPTOR		

Item#	Part	Description	H 3 4 1	H 3 4 5	V I P 4 5	N O T E S
		MANUAL TRANSMISSION				
		TACHOGRAPH HEAD & SPEEDOMETER HEAD H3-0645-20 & H3-0645-21				
30	590246	MAGNETIC SENSOR / W/MANUAL TRANSMISSION	1	1		
31	571479	SPEEDOMETER DRIVE TOOTH WHEEL	1	1		
31	H3-0645-22	CENTER DASHBOARD PANEL - BUS				
32	H3-0905-01	PROPELLER SHAFT				
33	H3-0725-00	GEAR & RELATED PARTS W/6 SPEEDS				
33	H3-0725-01	GEAR & RELATED PARTS W/7 SPEEDS				
34	570211	WASHER FLAT	1	1		
35	571328	NUT SELF-LOCKING 1 3/4-16	1	1		

From R-012 To 2-4416	Date:10/2022	PAGE:H3-0750-02
AUTOMATIC TRANSMISSION - "WORLD"		



From R-012 To 2-4416	Date:10/2022	PAGE:H3-0750-02
AUTOMATIC TRANSMISSION - "WORLD"		

Item#	Part	Description	H 3 4 1	H 3 4 5	V I P 4 5	N O T E S
		THE NEXT FOLLOWING TRANSMISSION W/O RETARDER ARE USED WITH 11.1 LITERS				
571565		TRANSMISSION ASSY B500	1	1		J
571660		TRANSMISSION ASSY B500	1	1		J
571680		TRANSMISSION ASSY B500 / WTEC III	1	1		J
571558		E.C.U. B500	1	1		
571682		E.C.U. B500	1	1		
571696		E.C.U. B500	1	1		
		THE NEXT FOLLOWING TRANSMISSION W/O RETARDER ARE USED WITH 12.7 LITERS				
571557		TRANSMISSION ASSY B500	1	1	1	J
571658		TRANSMISSION ASSY B500	1	1	1	J
571678		TRANSMISSION ASSY B500	1	1	1	J
571702		TRANSMISSION ASSY B500 / WTEC III			1	
571726		TRANSMISSION ASSY HD4060			1	
571756		TRANSMISSION ASSY HD4060 / WTEC III			1	
571554		E.C.U. HD4060	1	1	1	
571684		E.C.U. HD4060	1	1	1	A
571698		E.C.U. HD4060	1	1	1	
571723		E.C.U. HD4060	1	1	1	
		THE NEXT FOLLOWING TRANSMISSION W/RETARDER ARE USED WITH 11.1 LITERS				
571566		TRANSMISSION ASSY B500R	1	1		J
571661		TRANSMISSION ASSY B500R	1	1		J
571681		TRANSMISSION ASSY B500R	1	1		J
571720		TRANSMISSION ASSY B500R	1	1		
571556		E.C.U. B500	1	1		
571683		E.C.U. B500	1	1		
571721		E.C.U. B500	1	1		
571697		E.C.U. B500	1	1		
571742		E.C.U. B500 / WTEC III	1	1		
		THE NEXT FOLLOWING TRANSMISSION W/RETARDER ARE USED WITH 12.7 LITERS				
571555		TRANSMISSION ASSY B500R	1	1	1	J

From R-012 To 2-4416	Date:10/2022	PAGE:H3-0750-02
AUTOMATIC TRANSMISSION - "WORLD"		

Item#	Part	Description	H 3 4 1	H 3 4 5	V I P 4 5	N O T E S
	571659	TRANSMISSION ASSY B500R	1	1	1	J
	571679	TRANSMISSION ASSY B500R	1	1	1	J
	571719	TRANSMISSION ASSY B500R	1	1		
	571712	TRANSMISSION ASSY HD4060			1	
	571725	TRANSMISSION ASSY HD4060			1	
	571757	TRANSMISSION ASSY HD4060			1	
	571544	E.C.U. HD4060R	1	1	1	
	571722	E.C.U. HD4060R	1	1	1	
	Call order desk	E.C.U. HD4060R	1	1	1	P
	571699	E.C.U. HD4060R	1	1	1	
	571722	E.C.U. HD4060R			1	
NS	063611	CABLE ASSY / FRT JCT & E.C.M. "DDEC" III To V-1778	1	1	1	
	064327	CABLE ASSY / FRT JCT & E.C.M. "DDEC" III From V-1779	1	1	1	
NS	063510	CABLE ASSY / FRT JCT & REAR SERVICE To S-127	1	1	1	
NS	063958	CABLE ASSY / FRT JCT & REAR SERVICE From S-128 To T-1583	1	1	1	
NS	064290	CABLE ASSY / FRT JCT & REAR SERVICE From T-1584 To V-1778	1	1	1	
NS	064328	CABLE ASSY / FRT SELECTOR & RR ECU & VIM From V-1779 To W-2284	1	1	1	
	064601	CABLE ASSY / FRT JCT & E.C.M. "DDEC" III From W-2285 To 1-4083	1	1	1	
	065418	CABLE ASSY / FRT JCT & E.C.M. "DDEC" IV From 1-4084	1	1	1	
	064591	CABLE ASSY / FRT SELECTOR & RR ECU & VIM From W-2285 To X-2725	1	1	1	
	064837	CABLE ASSY / FRT SELECTOR & RR ECU & VIM From X-2726 To X-2900	1	1	1	
	064947	CABLE ASSY / FRT SELECTOR & RR ECU & VIM From X-2901	1	1	1	
1		TRANSMISSION ASSY / SEE ABOVE				H
2	504602	. CLAMP / 1" I.D. X .375 HOLE	1	1	1	
NS	502513	. SCREW TP CAP HEX 5/16x1 Z050	1	1	1	
3	571662	. GROMMET RUBBER / TUBE & TRANS	1	1	1	
4	070864	TUBE DIPSTICK	1	1	1	
5	571538	TRANS DIPSTICK 2134.9MM To S-138	1	1	1	
5	571567	TRANS DIPSTICK 2134.9MM From S-139	1	1	1	
NS	070310	DECAL "DEXRON OIL ONLY" To S-138	1	1	1	
NS	070945	DECAL "DEXRON III OIL ONLY" From S-139 To 3-4431	1	1	1	
5	071249	DECAL "TranSynd OIL ONLY" / ENGLISH & FRANCAIS From 3-4432	1	1	1	
5	071364	DECAL "TranSynd OIL ONLY" / ENGLISH & SPANISH From 3-4432	1	1	1	
6	061129	SUPPORT FLAT TWISTED / TUBE DIPSTICK	1	1	1	
6	070887	SUPPORT ANGLE / TUBE DIPSTICK	1	1	1	
NS	5001003	WASHER LO SPT 8.1x12.7x2.0 Z050	1	1	1	
NS	500069	SCREW CAP HEX M8-1.25x16 G10.9 DP	1	1	1	
7	560484	CLAMP / 1" I.D.	1	1	1	
8	070890	PIPE ASSY	1	1	1	
9	051854	PIPE ASSY	1	1	1	
10	N.S.P.	PIPE ASSY / WATER PUMP & PIPE, BLACK / (23505899)	1	1	1	2
11	051604	HOSE 2 3/4" I.D. 130MM	2	2	2	

From R-012 To 2-4416	Date:10/2022	PAGE:H3-0750-02
AUTOMATIC TRANSMISSION - "WORLD"		

Item#	Part	Description	H 3 4 1	H 3 4 5	V I P 4 5	N O T E S
. NS	503395	. HOSE SILICONE 4PLY 2 3/4" I.D. x 3'	AR	AR	AR	
11	051094	HOSE 2 3/4" I.D. 3 1/8"	1	1	1	
. NS	503395	. HOSE SILICONE 4PLY 2 3/4" I.D. x 3'	AR	AR	AR	
11	503395	. HOSE SILICONE 4PLY 2 3/4" I.D. x 3'	AR	AR	AR	
12	504562	HOSE CLAMP / 2"3/4-3"5/8 / C.T. 350	AR	AR	AR	M
13A	051157	HOSE 3" I.D. 90MM To R-090	1	1	1	
13A	051157	HOSE 3" I.D. 90MM To R-090	1	1	1	
13A	070968	HOSE 3" I.D. 185MM From R-091	1	1	1	
13A	503396	. HOSE SILICONE 3" I.D. x 3'	AR	AR	AR	
13A	503396	. HOSE SILICONE 3" I.D. x 3'	AR	AR	AR	
13B	051157	HOSE 3" I.D. 90MM To R-090	1	1	1	
13B	051157	HOSE 3" I.D. 90MM To R-090	1	1	1	
13B	070969	HOSE 3" I.D. 140MM From R-091	1	1	1	
13B	503396	. HOSE SILICONE 3" I.D. x 3'	AR	AR	AR	
13B	503396	. HOSE SILICONE 3" I.D. x 3'	AR	AR	AR	
14	070892	SHIM / ENGINE CRADLE & OIL COOLER SUPPORT 26x166x1/4" / 140c/c From R-091				
15	070884	SUPPORT "Z" SHAPE	1	1	1	
16	500813	SCREW CAP HEX M16-2.0x35 G8.8 ZP	3	3	3	
NS	500802	WASHER LO SPT 16.2x37.4x3.5 Z050	3	3	3	
17	560912	CLAMP / 1"1/4 I.D.	4	4	4	
18	502698	SCREW MA PAN PH M4-0.7x16 SS BK	3	3	3	
NS	500590	NUT HEX NYRT M4-0.7 Z050	3	3	3	
19	070944	SUPPORT / HOSES To S-187	1	1	1	
NS	502644	WASHER FL 10.5x30.0x2.5 Z050	1	1	1	
NS	502549	SCREW CAP HEX M10-1.5x35 G8.8 Z050	1	1	1	
20	5011083	ADAPTER TEE / SAE 45° FITTING / #16FL-Mx1/2NPT-Fx#16ORB-M TO USED W/TEMP SENDER To Y-3394	1	1	1	
20	5011074	ADAPTER TEE / SAE 45° FITTING / #20FL-Mx1/2NPT-Fx#20ORB-M TO USED W/TEMP SENDER To Y-3394	1	1	1	
21	561097	SENSOR, TEMPERATURE / WATER & OIL To W-2284	1	1	1	A
21	562829	SENSOR / OIL TEMPERATURE / (DASHBOARD) From W-2285 To Y-3394	1	1	1	
22	502559	SCREW CAP HEX M10-1.5x25 G8.8 Z050	4	4	4	
NS	500257	WASHER LO SPT 10.2x18.1x2.2 Z050	8	8	8	
NS	500256	NUT HEX M10-1.5 Z050	4	4	4	
22	502589	SCREW CAP HEX M8-1.25x25 G8.8 Z050	4	4	4	G
NS	5001003	WASHER LO SPT 8.1x12.7x2.0 Z050	8	8	8	
NS	502543	NUT HEX M8-1.25 Z050	4	4	4	
23	571542	MODULE INTERFACE To V-1778	1	1	1	
NS	Call order desk	CABLE ASSY / FRT SELECTOR & RR ECU & VIM (STAMPED 29511560) To S-118	1	1	1	P R J
NS	063854	CABLE ASSY / FRT SELECTOR & RR ECU & VIM (STAMPED 29518227) From S-119 To T-1523	1	1	1	J
NS	065919	KIT, RETROFIT "ALLISON" TRANS HARNESS / H SER To T-1523	1	1	1	
. NS	064238	. CABLE ASSY / FRT SELECTOR & RR ECU & VIM To T-1523	1	1	1	
. NS	064237	. CABLE ASSY / TRANS & SPEED SWITCH To T-1523	1	1	1	
. NS	562425	. CONNECTOR / METRI-PACK 150 P2S / SH 24C / PED 12092202 To T-1523	1	1	1	

From R-012 To 2-4416	Date:10/2022	PAGE:H3-0750-02
AUTOMATIC TRANSMISSION - "WORLD"		

Item#	Part	Description	H 3 4 1	H 3 4 5	V I P 4 5	N O T E S
. NS	562352	. SOCKET TERMINAL / 18-16 / PED 12103881 To T-1523	25	25	25	
. NS	562032	. SEAL PLUG CAVITY / METRI-PACK 150 PS2 / BLACK / PED 12034413 To T-1523	5	5	5	
. NS	IS-94099	. SEE INSTRUCTION SHEET To T-1523	1	1	1	
NS	064238	CABLE ASSY / FRT SELECTOR & RR ECU & VIM From T-1524 To T-1583	1	1	1	
NS	064237	CABLE ASSY / TRANS & SPEED SWITCH From T-1524 To W-2284	1	1	1	E
NS	064582	CABLE ASSY / TRANS & SPEED SWITCH From W-2285 To W-2337	1	1	1	E
NS	064716	CABLE ASSY / TRANS & SPEED SWITCH From W-2338 To Y-4008	1	1	1	
23	065752	CABLE ASSY / TRANS & SPEED SWITCH / SERVICE From W-2285 To W-2337	1	1	1	
23	065330	CABLE ASSY / TRANS & SPEED SWITCH / W/RETARDER From Y-4036	1	1	1	C
23	065331	CABLE ASSY / TRANS & SPEED SWITCH / W/O RETARDER From Y-4009	1	1	1	G
NS	064289	CABLE ASSY / E.C.U. & TRANS SPEED SWITCH From T-1584 To W-2284	1	1	1	
NS	064597	CABLE ASSY / E.C.U. & TRANS SPEED SWITCH From W-2285	1	1	1	
NS	071035	SUPPORT CABLE HARNESS / W/2 HOLES / WTEC III	1	1	1	
NS	071029	SUPPORT CABLE / STRAP 298MM	1	1	1	
NS	061129	SUPPORT FLAT TWISTED / TUBE DIPSTICK	1	1	1	
30	550631	OIL COOLER W/2" NPT / (STAMPED STP 3-1127A) To R-090	1	1	1	B
30	550708	OIL COOLER W/1" NPT / (2950137) From R-091	2	2		G
30	550708	OIL COOLER W/1" NPT / (2950137) From R-091			1	G
30	550709	OIL COOLER W/1 1/4" NPT / (29506669) From R-091 To S-187	1	1	1	C
30	550712	OIL COOLER W/1 1/4" NPT From S-188 To X-3009	1	1	1	C
30	550795	OIL COOLER W/ #20 ORB (1" STRAIGHT THREAD) From X-3010	1	1	1	C D
. NS	550948	. SUPPORT From X-3010	1	1	1	C D
. NS	550949	. SUPPORT From X-3010	1	1	1	C D
. NS	550950	. U-BOLT 3/8-16 From X-3010	2	2	2	C D
. NS	502510	. WASHER FL .375x.875x.083 From X-3010	4	4	4	C D
. NS	500265	. NUT HEX STO 3/8-16 Z050 From X-3010	4	4	4	C D
30	550806	. CORE ASSY OIL COOLER	1	1	1	
30	550807	. O-RING 5.859 DIA x .140	1	1	1	
30	550808	. O-RING 6.234 DIA x .140	2	2	2	
31	5011084	BUSHING REDUCER / PIPE FITTING / 2NPT-Mx1NPT-F BR To R-090	2	2	2	B
31	507502	BUSHING REDUCER / PIPE FITTING / 2NPT-Mx1 1/4NPT-F BR To R-090	2	2	2	B
NS	5011108	MALE CONNECTOR / PIPE @ ORB / 1NPT-Mx#16ORB-F STL To R-090	1	1	1	B
NS	5011109	MALE CONNECTOR / PIPE @ ORB / 1 1/4NPT-Mx#20ORB-F STL To R-090	1	1	1	B
32	507501	MALE ELBOW 90° / JIC 37° FITTING / #20JIC-Mx1 1/4NPT-M STL To R-090	2	2	2	B
32	501589	MALE ELBOW 90° / JIC 37° FITTING / #16JIC-Mx1NPT-M STL To R-090	2	2	2	B
32	5011065	MALE ELBOW 90° / JIC 37° FITTING / #20JIC-Mx#20ORB-M STL VITON From R-091 To Y-3394	1	1	1	C
32	501523	MALE ELBOW 90° / JIC 37° FITTING / #16JIC-Mx#16ORB-M STL From Y-3395	2	2	2	G
40	5011065	MALE ELBOW 90° / JIC 37° FITTING / #20JIC-Mx#20ORB-M STL VITON From R-091	4	4	4	
41	070880	HOSE ASSY / #20 310MM	1	1	1	
41	071202	HOSE ASSY / W/RETARDER / #20 310MM	1	1	1	S
42	070965	HOSE ASSY / #16 1890MM From R-091	1	1	1	G
42	070967	HOSE ASSY / #20 1890MM From R-091 To S-187	1	1	1	C

From R-012 To 2-4416	Date:10/2022	PAGE:H3-0750-02
AUTOMATIC TRANSMISSION - "WORLD"		

Item#	Part	Description	H 3 4 1	H 3 4 5	V I P 4 5	N O T E S
42	070885	HOSE ASSY / #20 2018MM From S-188 To 1-4088	1	1	1	C
42	071221	HOSE ASSY / #20 2018MM From 1-4089	1	1	1	C
42	071204	HOSE ASSY / W/RETARDER / #20 2018MM	1	1	1	C S
43	070914	HOSE ASSY / #16 1455MM To R-090	1	1	1	B
43	070939	HOSE ASSY / #16 1505MM From R-091	1	1	1	G
43	051688	HOSE ASSY / #20 1505MM From S-188 To 1-4088	1	1	1	C
43	071220	HOSE ASSY / #20 1560MM From 1-4089	1	1	1	C
43	070966	HOSE ASSY / #20 1505MM From R-091 To S-187	1	1	1	C
43	071203	HOSE ASSY / W/RETARDER / #20 1505MM	1	1	1	C S
NS	503423	. HOSE #FC-300 HYDRAULIC / #16 S.L.	AR	AR	AR	
NS	501343	. FEMALE CONNECTOR SWIVEL / JIC 37° FITTING / #20JIC-Fx#20 ZP	2	2	2	
NS	503516	. HOSE #FC-300 HYDRAULIC / #20 S.L.	AR	AR	AR	
NS	501608	. FEMALE CONNECTOR SWIVEL / JIC 37° FITTING / #16JIC-Fx#16 STL	2	2	2	
NS	071027	PROTECTOR RUBBER / FIXED END OF HOSE 204MM X 311MM	1	1	1	
NS	071028	PROTECTOR RUBBER CABLE HARNESS / FIXED HOSE & TRANS To W-2186	1	1	1	
NS	071096	PROTECTOR SUPPORT SS ANGLE SHAPE 61MM X 73MM From W-2187	1	1	1	G
NS	071097	PROTECTOR SUPPORT SS 102MM X 90MM From W-2187	1	1	1	C
NS	502559	SCREW CAP HEX M10-1.5x25 G8.8 Z050	1	1	1	I
NS	502644	WASHER FL 10.5x30.0x2.5 Z050	1	1	1	
44	501575	MALE CONNECTOR / JIC 37° FITTING / #20JIC-Mx#20ORB-M STL VITON	1	1	1	
44	507558	MALE ELBOW 45° / JIC 37° FITTING / #20JIC-Mx#20ORB-M STL VITON	1	1	1	
		FOLLOWING PARTS ARE RELATED WITH				
		TRANSMISSION WITH RETARDER ONLY				
45	070878	SUPPORT / TRANS & ACUMULATOR To S-187	1	1	1	
45	071014	SUPPORT / TRANS & ACUMULATOR / WTEC III From S-188	1	1	1	
47	502790	SCREW CAP HEX M8-1.25x20 G8.8 Z050	4	4	4	
NS	5001003	WASHER LO SPT 8.1x12.7x2.0 Z050	3	3	3	
NS	502543	NUT HEX M8-1.25 Z050	4	4	4	
48	571548	ACUMULATOR & SOLENOID ASSY To Y-3514	1	1	1	
. NS	571707	. ACCUMULATOR To Y-3514	1	1	1	
. NS	571708	. VALVE SOLENOID 12V To Y-3514	1	1	1	
48	571745	ACCUMULATOR & SOLENOID / WTEC III From Y-3515	1	1	1	
. NS	571707	. ACCUMULATOR From Y-3515	1	1	1	
. NS	571708	. VALVE SOLENOID 12V From Y-3515	1	1	1	
49	571547	. KIT COLLARS & BOX /TO FIX ACCUMULATOR TO SUPPORT To Y-3514	1	1	1	
NS	500476	. WASHER LO SPT .317x.586x.078 Z050	4	4	4	
NS	500723	. NUT HEX 5/8-18 ZP	4	4	4	
NS	500182	. SCREW CAP HEX 5/16-18x1 1/4 G5 PT Z050	4	4	4	
50	5011066	MALE ELBOW 90° / JIC 37° FITTING / #6JIC-Mx3/8NPT-M STL To R-090	1	1	1	
50	5011112	FEMALE ELBOW 90° / JIC 37° FITTING / #6JIC-Mx3/8NPT-F STL From R-091	1	1	1	

From R-012 To 2-4416	Date:10/2022	PAGE:H3-0750-02
AUTOMATIC TRANSMISSION - "WORLD"		

Item#	Part	Description	H 3 4 1	H 3 4 5	V I P 4 5	N O T E S
51	140376	HOSE ASSY TEFLON #6 686MM	1	1	1	
51	070882	HOSE ASSY TEFLON #6 570MM	1	1	1	
51	141787	HOSE ASSY TEFLON #6 902MM	1	1	1	
51	503065	. HOSE TEFLON #6 / S.L.	AR	AR	AR	
51	501595	. FEMALE CONNECTOR SWIVEL / JIC 37° FITTING / TEFLON / #6JIC-Fx#6 STL	2	2	2	
52	640488	VALVE, AIR FILL 1/8" NPT	1	1	1	
. NS	650164	. CAP VALVE / CHROME	1	1	1	
53	640938	AIR PRESSURE REGULATOR To W-2284	1	1	1	
53	641437	AIR PRESSURE REGULATOR 1/4" NPT / PLASTIC From W-2285 To X-2671	1	1	1	A
53	641472	AIR PRESSURE REGULATOR 1/4" NPT / COPPER From X-2672	1	1	1	
54	503404	TUBE, NYLON 3/8 O.D. / BLACK S.L.	AR	AR	AR	F
NS	560479	CLAMP / 3/8" I.D.	1	1	1	
NS	500613	SCREW TP PAN PH #10x1/2 Z050	1	1	1	
60	N.S.P.	SUPPORT REAR / (29507888)		1	1	2
61	070950	GUIDE REAR	1	1	1	
62	630118	RUBBER BUMPPER	1	1	1	
63	550642	WASHER	1	1	1	
NS	571351	WASHER, 1/2" I.D. FLAT	1	1	1	
64	500106	SCREW CAP HEX 1/2-20x6 G5 PT Z050	1	1	1	
65	500718	NUT HEX STO 1/2-20 Z050	1	1	1	
71	562357	RESISTANCE MODULE	1	1	1	
72	562381	RESISTANCE MODULE	1	1	1	S
73	063782	CABLE ASSY / RESISTANCE MODULE & SWITCH	1	1	1	
74	070902	PRESSURES SWITCH ASSY W/MANIFOLD	1	1	1	
75	070903	. MANIFOLD	1	1	1	
76	640999	. MALE ELBOW 90° / NTA FITTING / #6x1/4NPT-M BR	1	1	1	
77	501304	. PLUG SQUARE HEAD / PIPE FITTING / 1/4NPT-M BR	1	1	1	
78	562358	. PRESSURE SWITCH N.O. 2PSI / 1/8NPT	1	1	1	
79	562384	. PRESSURE SWITCH N.O. 4PSI / 1/8NPT	1	1	1	
80	562385	. PRESSURE SWITCH N.O. 7PSI / 1/8NPT	1	1	1	
90	071170	HOSE ASSY / #4 24"	1	1	1	
. A	071167	. FEMALE CONNECTOR / HOSE BARB @ METRIC / #4x M10-1.5-F BR	1	1	1	
. B	071166	. MALE CONNECTOR / HOSE BARB @ METRIC / #4x M10-1.5-M BR	1	1	1	
91	Call order desk	SUPPORT	1	1	1	P R
92	571763	BREATHER	1	1	1	
NS	504601	CLAMP / 5/16" I.D. x .375 HOLE	1	1	1	
100	Call order desk	TRANSMISSION FILTER / MAINTENANCE KIT / FORMER	AR	AR	AR	P
100	571709	TRANSMISSION FILTER / MAINTENANCE KIT	AR	AR	AR	
101	N.S.S.	. FILTER	2	2	2	1
102	Refer To Volvo	. O-RING / (LARGE SQUARE CUT)	2	2	2	V
103	571693	. O-RING / (SMALL)	2	2	2	TG
104	571694	. O-RING / DRAIN PLUG	2	2	2	

From R-012 To 2-4416		Date:10/2022	PAGE:H3-0750-02
AUTOMATIC TRANSMISSION - "WORLD"			

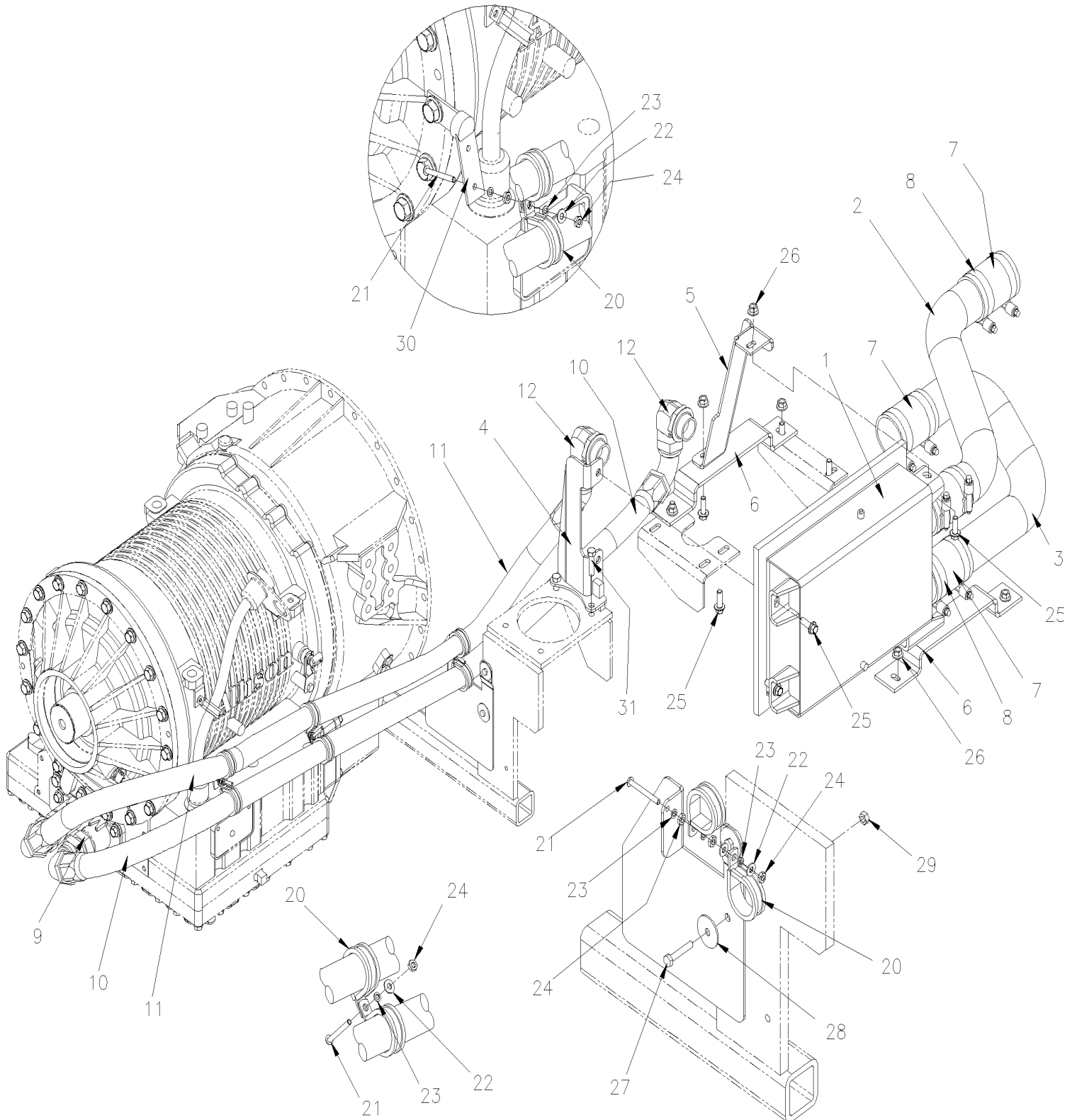
Item#	Part	Description	H 3 4 1	H 3 4 5	V I P 4 5	N O T E S
105	571695	DRAIN PLUG ASSY W/O-RING	1	1	1	C
NS	682507	OIL, DEXRON III / TRANS (VRAC)	AR	AR	AR	
106	N.S.P.	COVER FILTER / (29507434)	2	2	2	2
107	N.S.P.	BOLT M10-1.5 x 55M / (2954186)	AR	AR	AR	2
108	N.S.P.	YOKE (1810) HALF ROUND / (29511516 OR 6.5-4-4521-1)	1	1	1	2
108	N.S.P.	STRAP LOCK PLATE	1	1	1	2
108	N.S.P.	SEAL OUTPUT / (29515621)	1	1	1	2
109	N.S.P.	BOLT M10-1.5 X 30MM GR 10.9	2	2	2	2
NS	071171	KIT, TRANSMISSION BREATHER To X-2906				
. NS	IS-98121	. SEE INSTRUCTION SHEET To X-2906				
NS	683904	TESTING FOR GLYCOL CONTAMINATION IN TRANSMISSION OIL				
. NS	IS-99901A	. SEE INSTRUCTION SHEET	1	1	1	
200	071269	OIL COOLER " WORLD" TRANSMISION "MODINE" - / "RETROFIT" From R-012 To 2-4416				
		A) PRIOR R-091 ADAPTOR & SENSOR WAS MOUNTED AT TRANSMISSION REAR END				
		B) PRIOR R-091 WE USE SAME OIL COOLER WITH OR WITHOUT RETARDER				
		C) W/RETARDER				
		D) FOR PRODUCT IMPROVEMENT ASK FOR KIT #071269				
		E) FOR PRODUCT IMPROVMENT USE #065752				
		F) REGULATOR & MANIFOLD				
		G) W/O RETARDER				
		H) FOR PRODUCT IMPROVMENT PRIOR X-2907 FOR TRANSMISSION BREATHER. USE KIT #071171				
		I) TO FIX PROTECTOR				
		J) DETROIT ALLISSONUPGRADE ELECTRICALS CONNECTORS END 1994 FOR COUPLING WITH NEW CONECTORS YOUR NEED KIT # 065919. ONLY IF YOU CHANGE TRANSMISSION WITH NEW CONNECTOR MODEL				
		S) OPTION WITH STAINLESS STEEL HOSE BRAIDED				
		1) NOT SOLD SEPARATELY				
		2) NOT SOLD BY PREVOST (SEE MANUFACTURING PART NUMBER AT END OF DESCRIPTION LINE)				
		P) CALL ORDER DESK FOR SPECIFIC APPLICATION (V.I.N.)				
		V) SEE IMPACT OR CALL ORDER DESK				

From R-012 To 2-4416

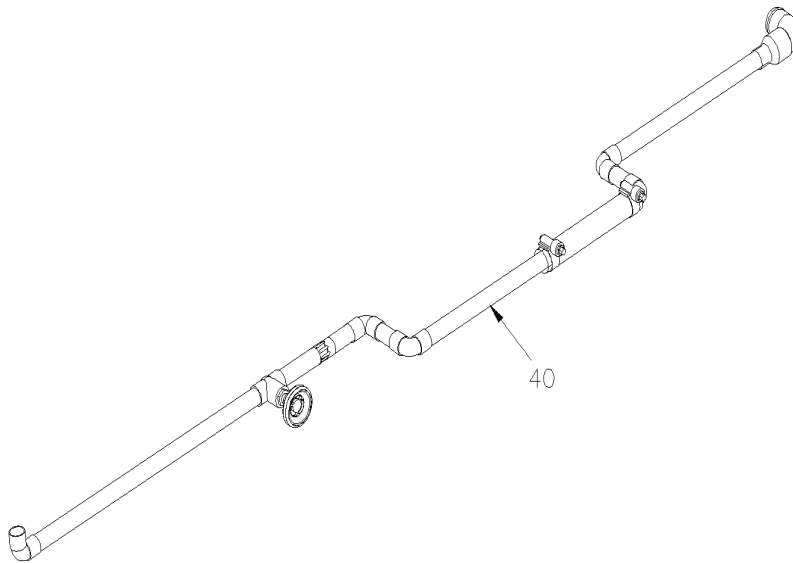
Date:10/2022

PAGE:071269

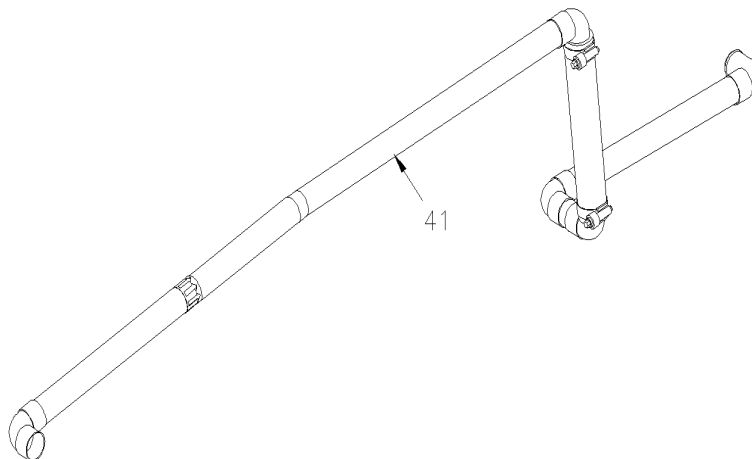
OIL COOLER "WORLD" TRANSMISSION "MODINE" - / "RETROFIT"



From R-012 To 2-4416	Date:10/2022	PAGE:071269
OIL COOLER " WORLD" TRANSMISION "MODINE" - / "RETROFIT"		



WITH MTH-45 WITH SMALL A/C
NOT INCLUDE WITH 071269



WITH MTH-45 & XL-45 WITH LARGE A/C
NOT INCLUDE WITH 071269

From R-012 To 2-4416	Date:10/2022	PAGE:071269
----------------------	--------------	-------------

OIL COOLER " WORLD" TRANSMISION "MODINE" - / "RETROFIT"

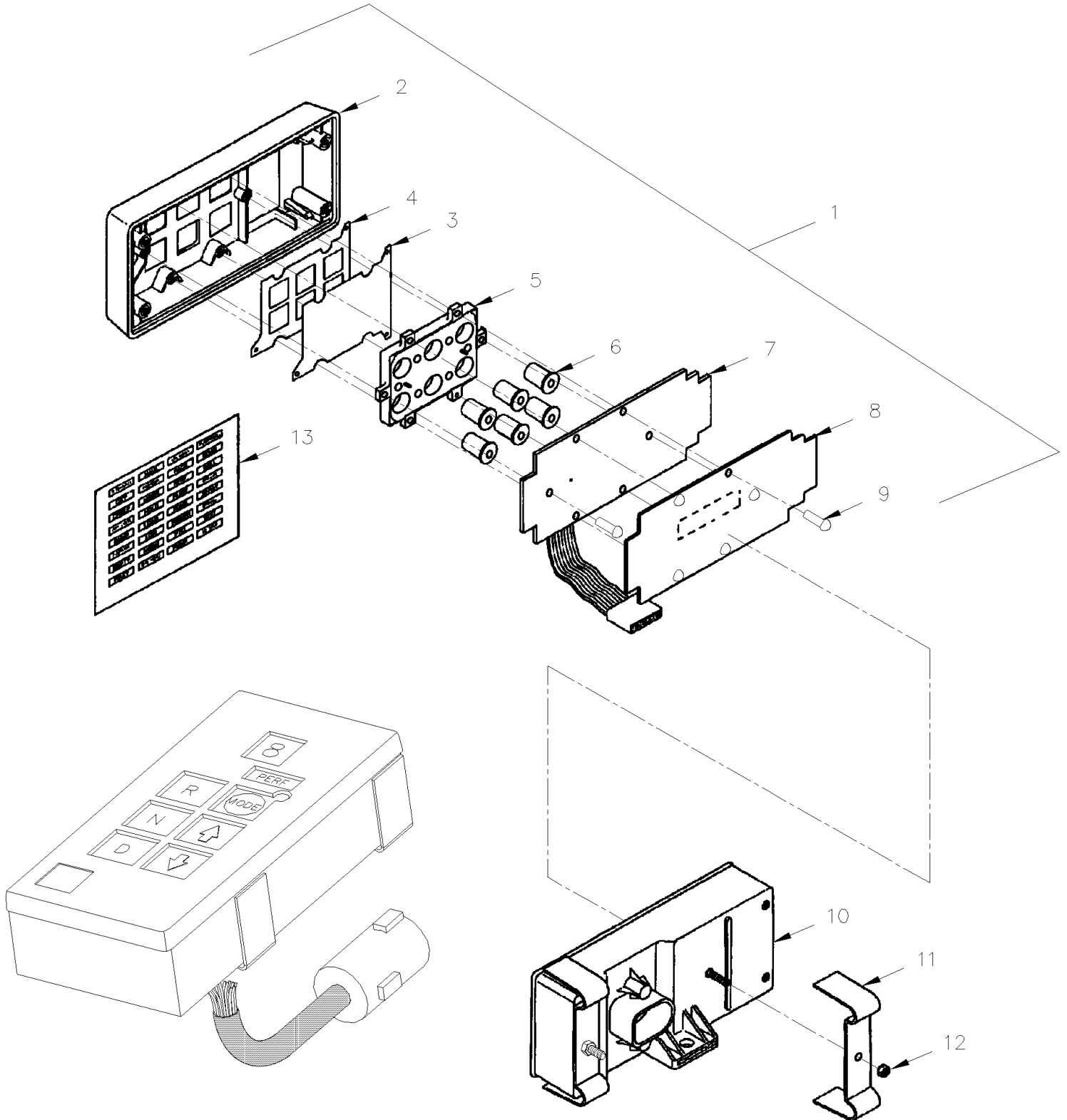
Item#	Part	Description	H 3 4 1	H 3 4 5	V I P 4 5	N O T E S
		PRODUCT IMPROVEMENT WITH TRANS WITH RETARDER				
1	571779	. OIL COOLER "MODINE" / SINGLE	1	1	1	
. NS	G1091499	. . GASKET	1	1	1	
. NS	G1091503	. . BOLTING BAR SHORT	2	2	2	
. NS	G1091502	. . BOLTING BAR LONG	2	2	2	
2	071256	. PIPE COOLER	1	1	1	
3	071255	. PIPE COOLER	1	1	1	
4	071258	. SUPPORT TRANS SIDE	1	1	1	
5	071254	. SUPPORT WATER PUMP SIDE	1	1	1	
6	071265	. ADAPTOR SUPPORT	2	2	2	
7	071250	. HOSE 2 3/4" I.D. X 100MM	4	4	4	
7	503395	. . HOSE SILICONE 4PLY 2 3/4" I.D. x 3'	AR	AR	AR	
8	504562	. HOSE CLAMP / 2"3/4-3"5/8 / C.T. 350	8	8	8	
9	501575	. MALE CONNECTOR / JIC 37° FITTING / #20JIC-Mx#20ORB-M STL VITON	2	2	2	
10	071266	. HOSE ASSY / #20 1555MM	1	1	1	
11	071267	. HOSE ASSY / #20 1481MM	1	1	1	
12	5011065	. MALE ELBOW 90° / JIC 37° FITTING / #20JIC-Mx#20ORB-M STL VITON	2	2	2	
13	071260	. SUPPORT, HOSE	1	1	1	
20	952641	. CLAMP / 1 5/16" I.D.	4	4	4	
21	500579	. SCREW MA RND PH #10-24x1 3/4 Z050	2	2	2	
22	500470	. WASHER LO SPT .193x.334x.047 Z050	6	6	6	
23	500964	. WASHER FL .203x.500x.047 Z050	4	4	4	
24	500786	. NUT HEX #10-24 Z050	6	6	6	
25	946472	. SCREW CAP HEXF M10-1.5x30 G8.8 ZG603	9	9	9	
26	971098	. NUT HEXF STO M10-1.5 G8 ZP	2	2	2	
27	502818	. SCREW CAP HEX M6-1.0x35 G8.8 Z050	2	2	2	
28	500468	. WASHER FL .281x1.250x.065 Z050	2	2	2	
29	502621	. NUT HEX STO M6-1.0 Z050	2	2	2	
30	061129	. SUPPORT FLAT TWISTED / TUBE DIPSTICK	1	1	1	
31	500829	. SCREW CAP HEX M10-1.5x40 G8.8	2	2	2	
40	373895	PIPE RETURN / ENGINE WATER PUMP				B
41	373903	PIPE RETURN / ENGINE WATER PUMP				C
		B) REQUIRE FOR BUS & MTH-45 WITH LARGE A/C SYSTEM AND IT NOT INCLUDE WITH KIT # 071269				
		C) USE ONLY WITH MTH-45 WITH SMALL AC SYSTEM WITH RETARDER AND IT NOT INCLUDE WITH KIT # 071269				

From R-012 To W-2284

Date:10/2022

PAGE:H3-0755-16

SHIFTER ELECTRONIC - "WORLD" TRANSMISSION



From R-012 To W-2284	Date:10/2022	PAGE:H3-0755-16
SHIFTER ELECTRONIC - "WORLD" TRANSMISSION		

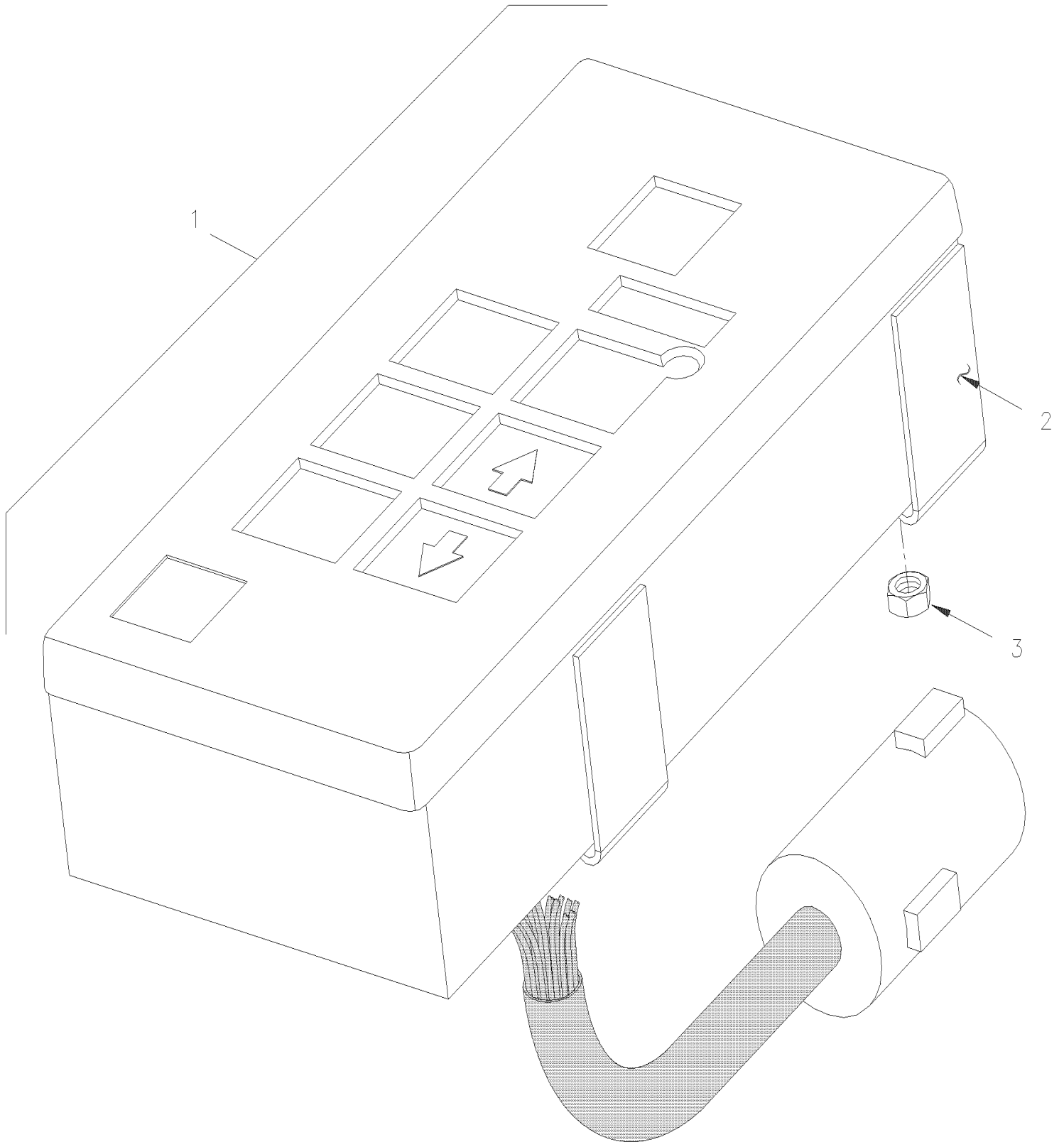
Item#	Part	Description	H 3 4 1	H 3 4 5	V I P 4 5	N O T E S
	571543	SELECTOR PUSH BUTTON W/6 SPEED "WORLD"	1	1	1	
1	N.S.P.	. PUSH BUTTON ASSY / (29522940)	1	1	1	2
2	N.S.P.	. BEZEL WITH GASKET / (29522947)	1	1	1	2
3	N.S.P.	. OVERLAY / (29522943)	1	1	1	2
4	N.S.P.	. GASKET / (29522944)	1	1	1	2
5	N.S.P.	. DIFFUSER / (29522942)	1	1	1	2
6	N.S.P.	. PLUNGER / (29522941)	6	6	6	2
7	N.S.P.	. PCB ASSY/ (29522945)	1	1	1	2
8	N.S.P.	. SHIELD, DUROID / (29522948)	1	1	1	2
9	N.S.P.	. SCREW, #4-40 X .500 / (29522946)	6	6	6	2
10	N.S.P.	. REMOTE ASSY / (29514528)	1	1	1	2
11	N.S.P.	. BRACKET / (29514661)	2	2	2	2
12	500590	. NUT HEX NYRT M4-0.7 Z050	4	4	4	
13	N.S.P.	. MODE LABEL (SHEET) / (29509957)	1	1	1	2 A
NS	391631	FRONT SUPPORT / TO FIX SHIFTER	1	1	1	
NS	391632	REAR SUPPORT / TO FIX SHIFTER	1	1	1	
NS	500591	WASHER FL 4.3x9.0x0.8 Z050	4	4	4	
NS	571542	MODULE INTERFACE	1	1	1	
		A) MODE LABELS ARE AVAILABLE ONLY IN SHEETS OF 32				
		2) NOT SOLD BY PREVOST (SEE MANUFACTURING PART NUMBER AT END OF DESCRIPTION LINE)				

From W-2285 To 2-4416

Date:10/2022

PAGE:H3-0755-17

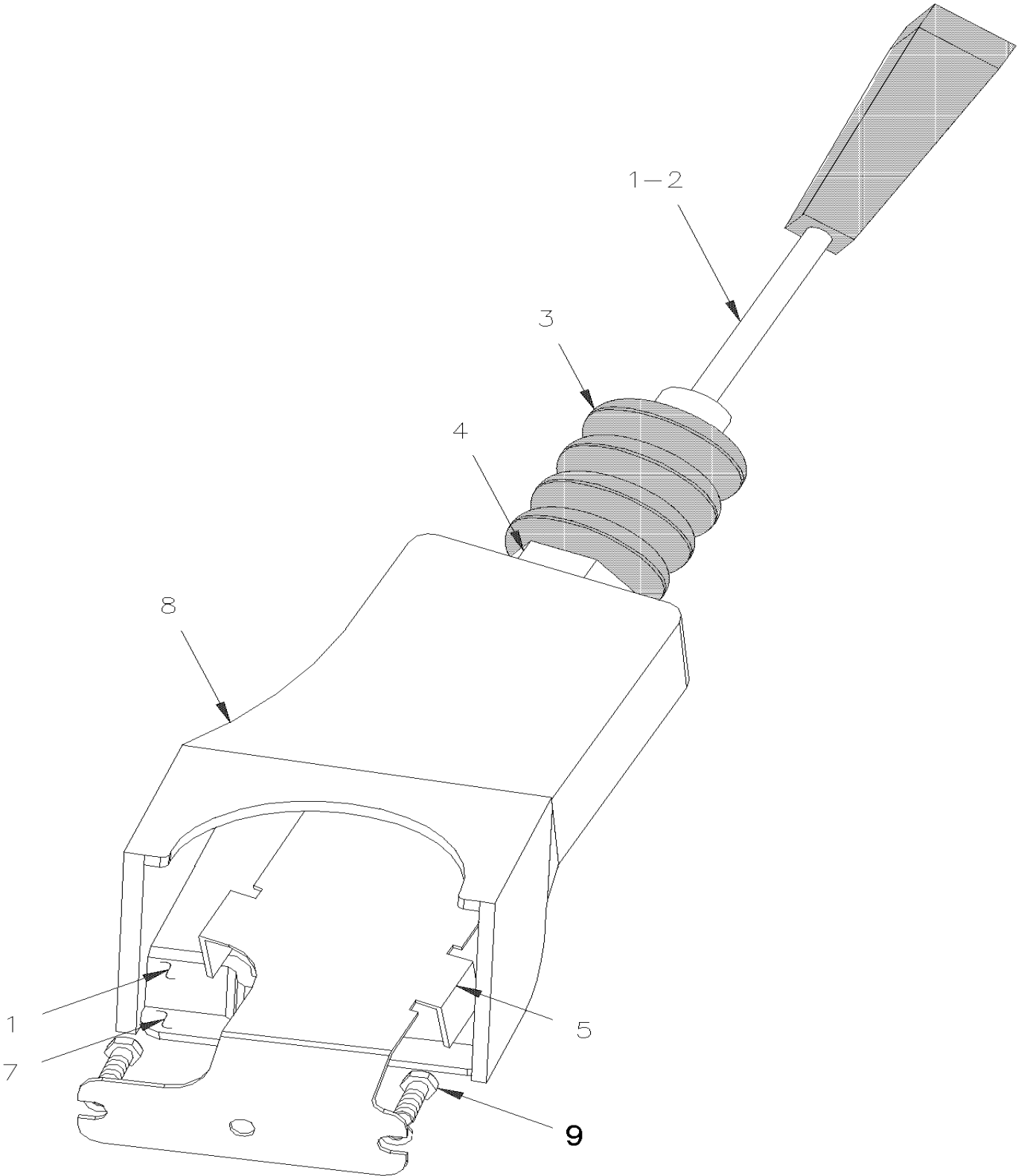
SHIFTER ELECTRONIC - "WORLD" TRANSMISSION



From W-2285 To 2-4416	Date:10/2022	PAGE:H3-0755-17
SHIFTER ELECTRONIC - "WORLD" TRANSMISSION		

Item#	Part	Description	H 3 4 1	H 3 4 5	V I P 4 5	N O T E S
1	571718	SHIFTER, SELECTOR "WORLD" / WTEC III	1	1	1	
2	N.S.P.	. BRACKET	2	2	2	2
3	500423	. NUT HEX NYRT #10-32 SS	4	4	4	
		2) NOT SOLD BY PREVOST (SEE MANUFACTURING PART NUMBER AT END OF DESCRIPTION LINE)				

From R-012 To W-2284	Date:10/2022	PAGE:H3-0760-00
RETARDER SELECTOR SWITCH - "WORLD"		



From R-012 To W-2284	Date:10/2022	PAGE:H3-0760-00
RETARDER SELECTOR SWITCH - "WORLD"		

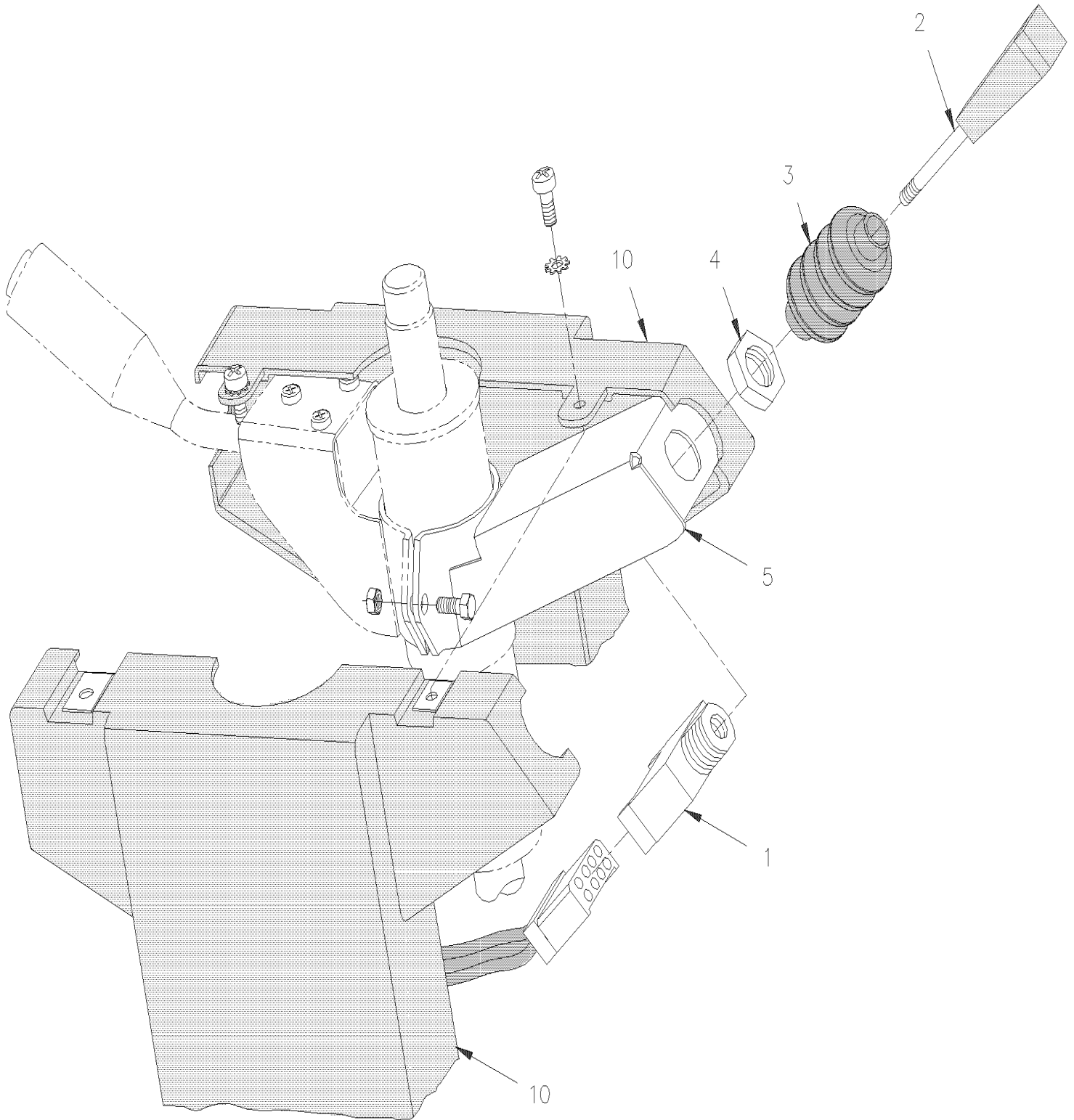
Item#	Part	Description	H 3 4 1	H 3 4 5	V I P 4 5	N O T E S
1	562356	SWITCH ASSY / W/LEVER & BOOT / 6 POSITIONS	1	1	1	
2	N.S.S.	. LEVER	1	1	1	1
3	N.S.S.	. BOOT	1	1	1	1
4	N.S.S.	. NUT JAM	1	1	1	1
5	070936	SUPPORT CONTROL SWITCH	1	1	1	
NS	506338	RUBBER CHANNEL / 1/16" x 1/4" INT "U" SHAPE / ROUND C.T.L.	AR	AR	AR	
NS	502560	SCREW CAP HEX M5-0.8x45 G8.8 Z050	2	2	2	
NS	5001030	WASHER LO EXTC 5.3x9.8x0.3 BK	2	2	2	
NS	070937	SPACER / DIRECTIONAL SWITCH & SUPPORT	2	2	2	
7	391684	PLASTIC BOX / BOTTOM	1	1	1	
8	391685	PLASTIC BOX / COVER	1	1	1	
9	5001094	SCREW MA PAN PH M4-0.7x16 SS BK	1	1	1	
NS	504273	CABLE TIE / 1/8" X 3"1/2	1	1	1	
		1) NOT SOLD SEPARATELY				

From W-2285 To 2-4416

Date:10/2022

PAGE:H3-0760-01

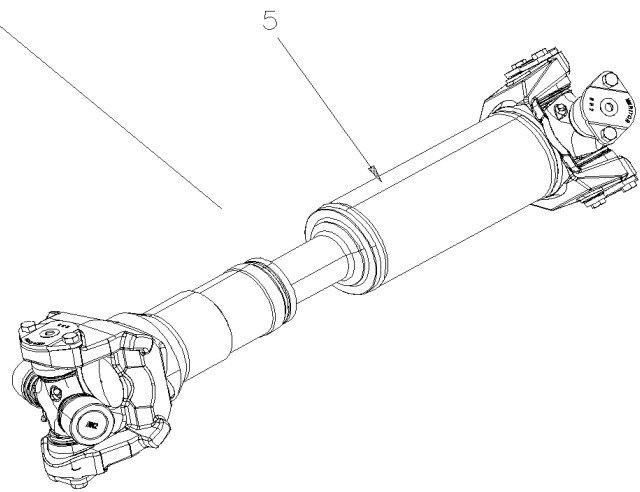
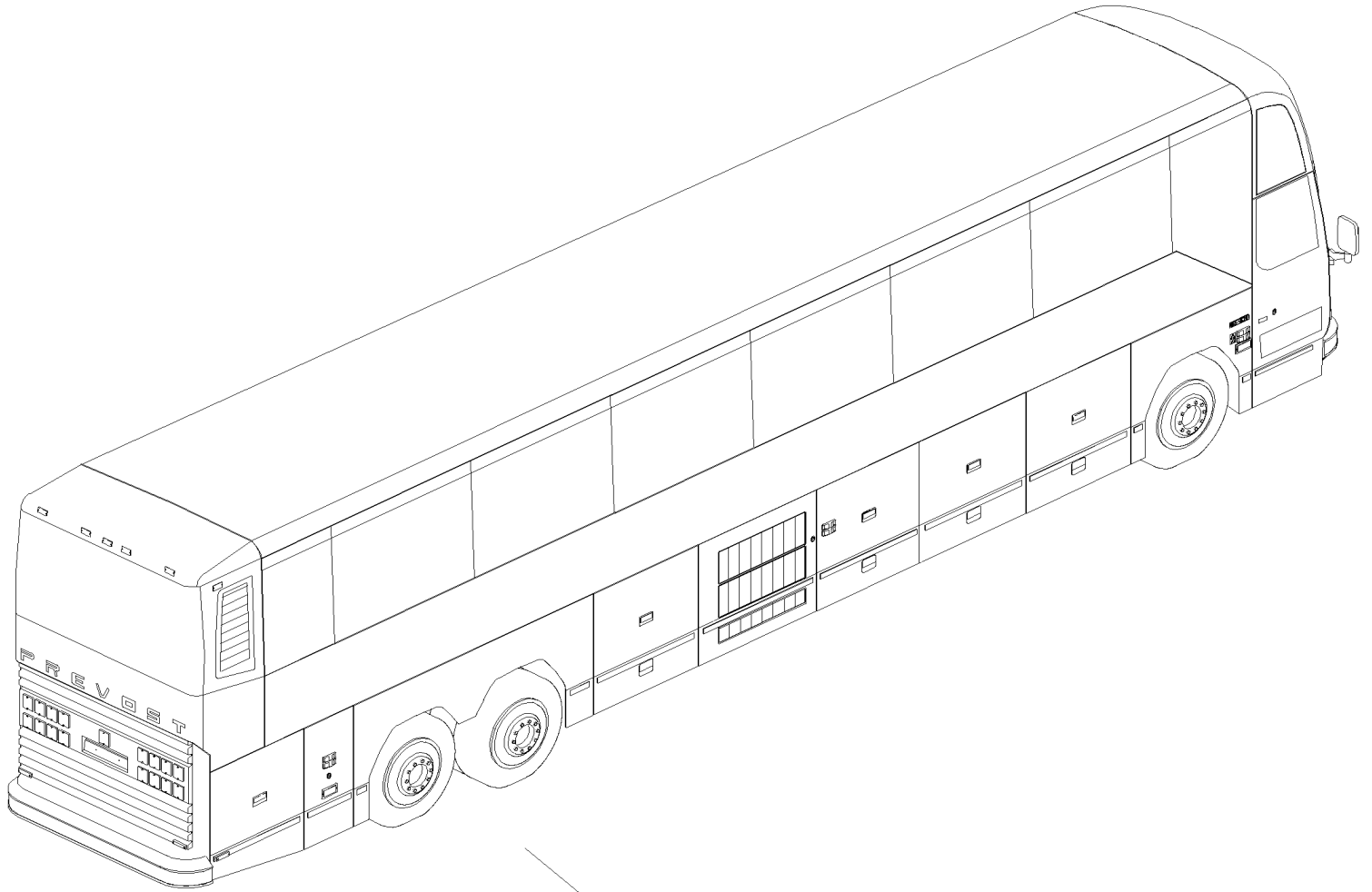
RETARDER SELECTOR SWITCH - "WORLD"



From W-2285 To 2-4416	Date:10/2022	PAGE:H3-0760-01
RETARDER SELECTOR SWITCH - "WORLD"		

Item#	Part	Description	H 3 4 1	H 3 4 5	V I P 4 5	N O T E S
1	562356	SWITCH ASSY / W/LEVER & BOOT / 6 POSITIONS	1	1	1	
2	N.S.S.	. LEVER	1	1	1	1
3	N.S.S.	. BOOT	1	1	1	1
4	N.S.S.	. NUT JAM	1	1	1	1
5		SUPPORT CONTROL SWITCH	1	1	1	
10	H3-1407-02	STEERING COLUMN & COVER - INSTALLATION				
		1) NOT SOLD SEPARATELY				

	Date:10/2022	H3-09
PROPELLER SHAFT		



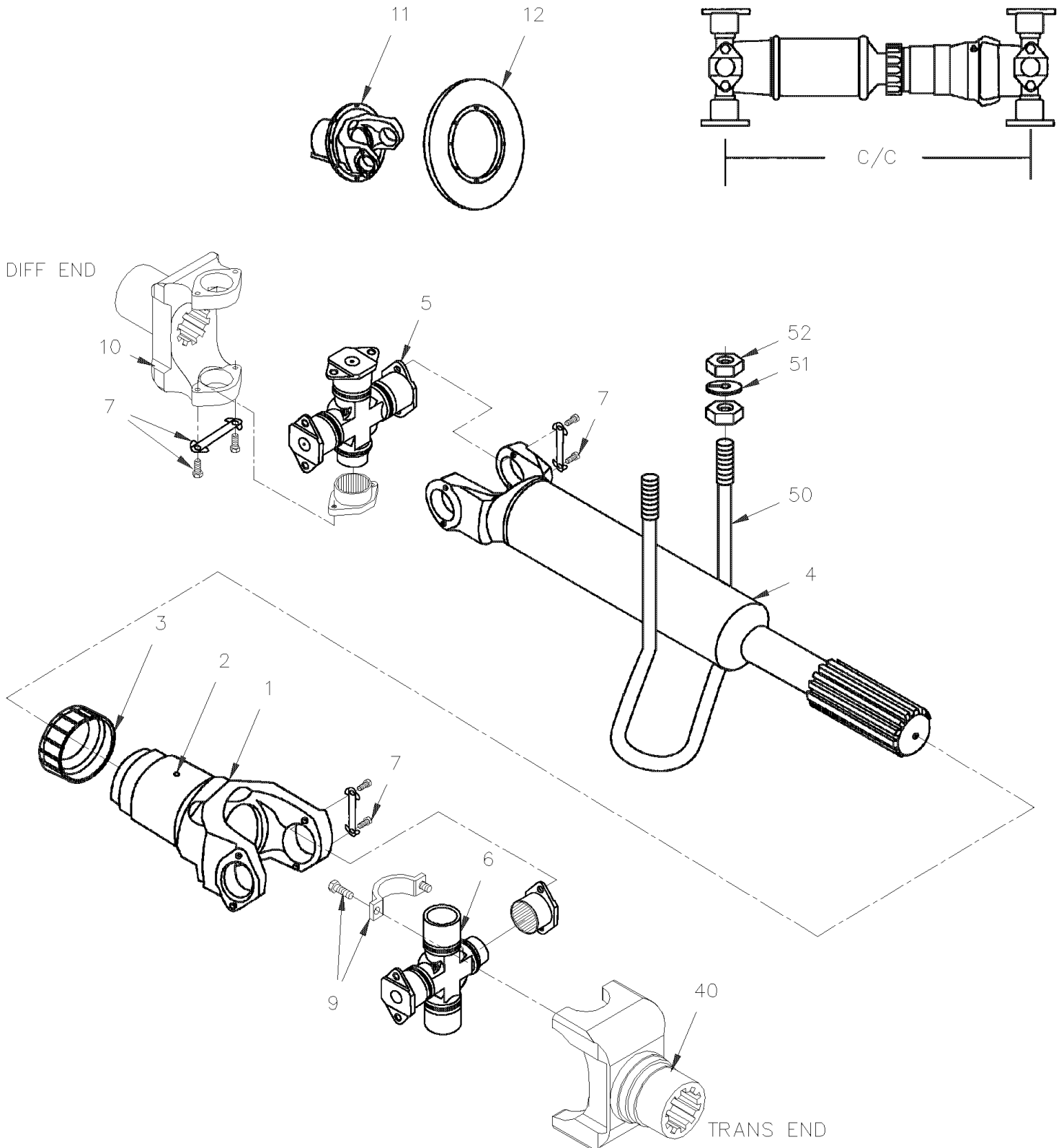
		Date:10/2022	H3-09			
PROPELLER SHAFT						
Item#	Part	Description	H 3 4 1	H 3 4 5	V I P 4 5	N O T E S
5	H3-0905-01	PROPELLER SHAFT From R-012 To 2-4416				

From R-012 To 2-4416

Date:10/2022

PAGE:H3-0905-01

PROPELLER SHAFT



From R-012 To 2-4416	Date:10/2022	PAGE:H3-0905-01
PROPELLER SHAFT		

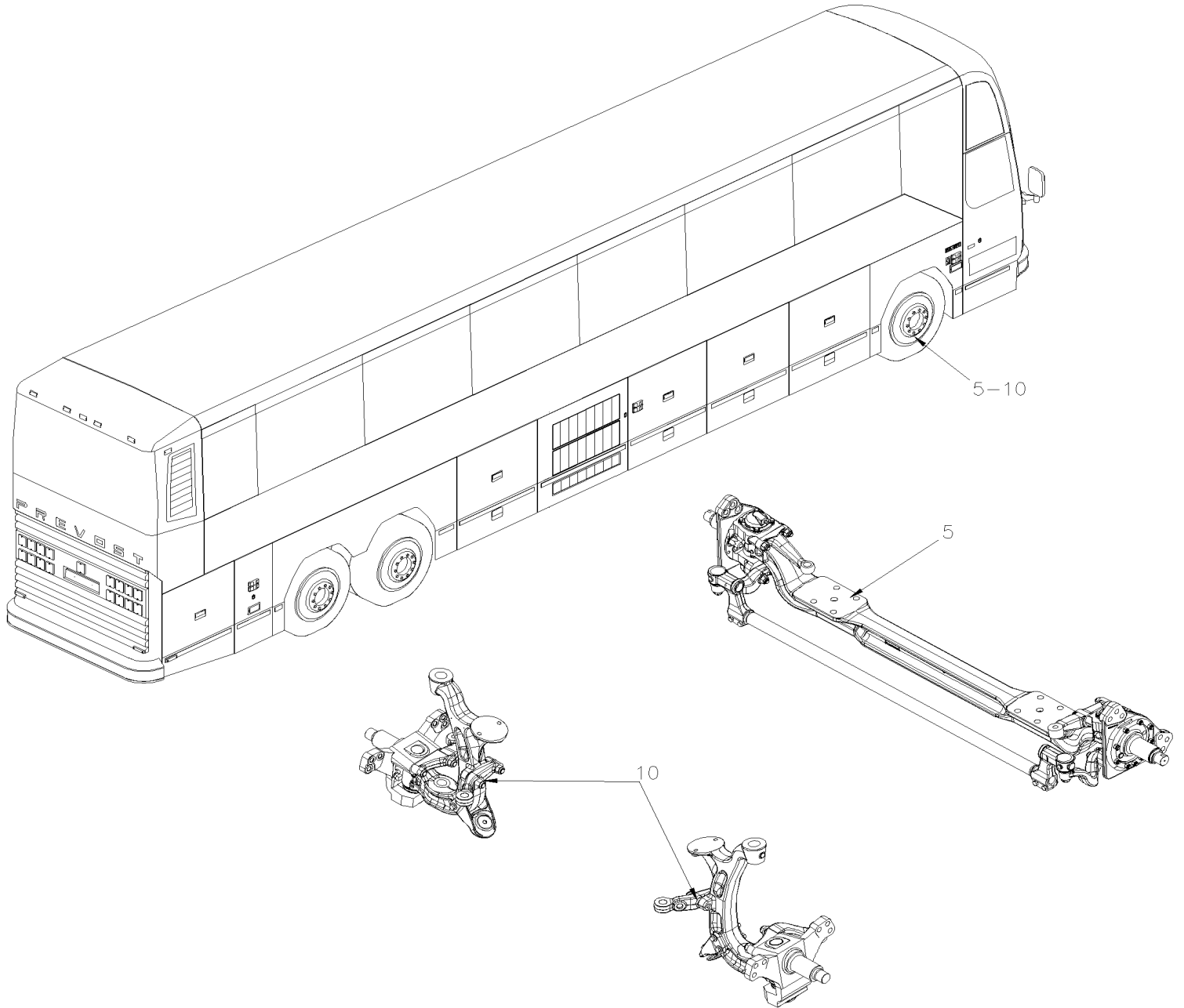
Item#	Part	Description	H 3 4 1	H 3 4 5	V I P 4 5	N O T E S
		PROPELLER SHAFT SERIES 1810				
		USED WITH SERIES 60 ENGINE				
	580069	SHAFT ASSY 36" C/C / W"WORLD" AUTOMATIC TRANS	1	1	1	
	580070	SHAFT ASSY 39" C/C W/MANUAL TRANSMISSION	1	1		
	580080	SHAFT ASSY 33" C/C W/MANUAL TRANSMISSION To 1-4147	1	1		E
1	580065	. SLIP YOKE	1	1	1	
. NS	580078	. . WELSH PLUG / PLASTIC BLUE 3 1/4" O.D. THIN	1	1	1	
2	501491	. . GREASE FITTING / 1/8 NPTx3/4"	1	1	1	
3	580052	. DUST CAP KIT / W/1800 SERIES	1	1	1	
4	N.S.P.	. YOKE SHAFT	1	1	1	2
5	580043	. KIT, CROSS & BEARING / W/1800 FULL ROUND	1	1	1	
6	580062	. KIT, CROSS & BEARING / W/1800 HALF ROUND	1	1	1	C
NS	580067	. . BEARING END (1810) W/QUICK DISCONNECT	2	2	2	
7	580071	. . SCREW CAP HEX 3/8-24 x 5/8 G8	8	8	8	
9	580063	. KIT STRAP & BOLT	1	1	1	
. NS	N8893184	. . SCREW CB 12POINT (SET OF 4) 1/2-20 x 1" G8	4	4	4	
		NEXT FOLLOWING YOKE ARE PART OF				
		REAR AXLE				
10	621403	YOKE (1810) FULL ROUND (46 SPL)	1	1	1	
. NS	621501	. DEFLECTOR, OIL	1	1	1	
. NS	621492	. SPEEDY SLEEVE 3.250" I.D. / TO REPAIR OIL LEAK ON YOKE	1	1	1	
11	621507	YOKE (1810) FULL ROUND (46 SPL) W/FLYWHEEL ADAPTOR ONE PIECE To S-142	1	1	1	K
. NS	621492	. SPEEDY SLEEVE 3.250" I.D. / TO REPAIR OIL LEAK ON YOKE To S-142	1	1	1	K
12	121242	FLYWHEEL To S-142	1	1	1	
NS	500074	SCREW CAP HEX 7/16-20x2 G5 Z050 To S-142	8	8	8	
NS	500714	NUT HEX STO 7/16-20 Z050 To S-142	8	8	8	
		NEXT FOLLOWING YOKE ARE PART				
		OF TRANSMISSION				
40	571690	YOKE (1810) HALF ROUND / W/MANUAL TRANS (49 SPL) 7 SPEEDS To Y-3881	1	1		
40	580072	YOKE (1810) HALF ROUND / W/MANUAL TRANS (20 SPL) 6 SPEEDS To Y-3881	1	1		
. NS	621494	. SPEEDY SLEEVE 3.750" I.D. / TO REPAIR OIL LEAK ON YOKE To Y-3881	1	1		
40	N.S.P.	YOKE (1810) HALF ROUND / W"WORLD" TRANS / (29511516)	1	1	1	2
50	120933	PROTECTOR GUARD PROPELLER SHAFT 500MM x 140MM To W-2284	1	1	1	
50	121440	PROTECTOR GUARD PROPELLER SHAFT 424MM x 140MM From W-2285	1	1	1	
51	500488	WASHER LO SPT .760x1.271x.188 Z050	2	2	2	D
52	500733	NUT HEX 3/4-16 Z050	2	2	2	

From R-012 To 2-4416	Date:10/2022	PAGE:H3-0905-01
----------------------	--------------	-----------------

PROPELLER SHAFT

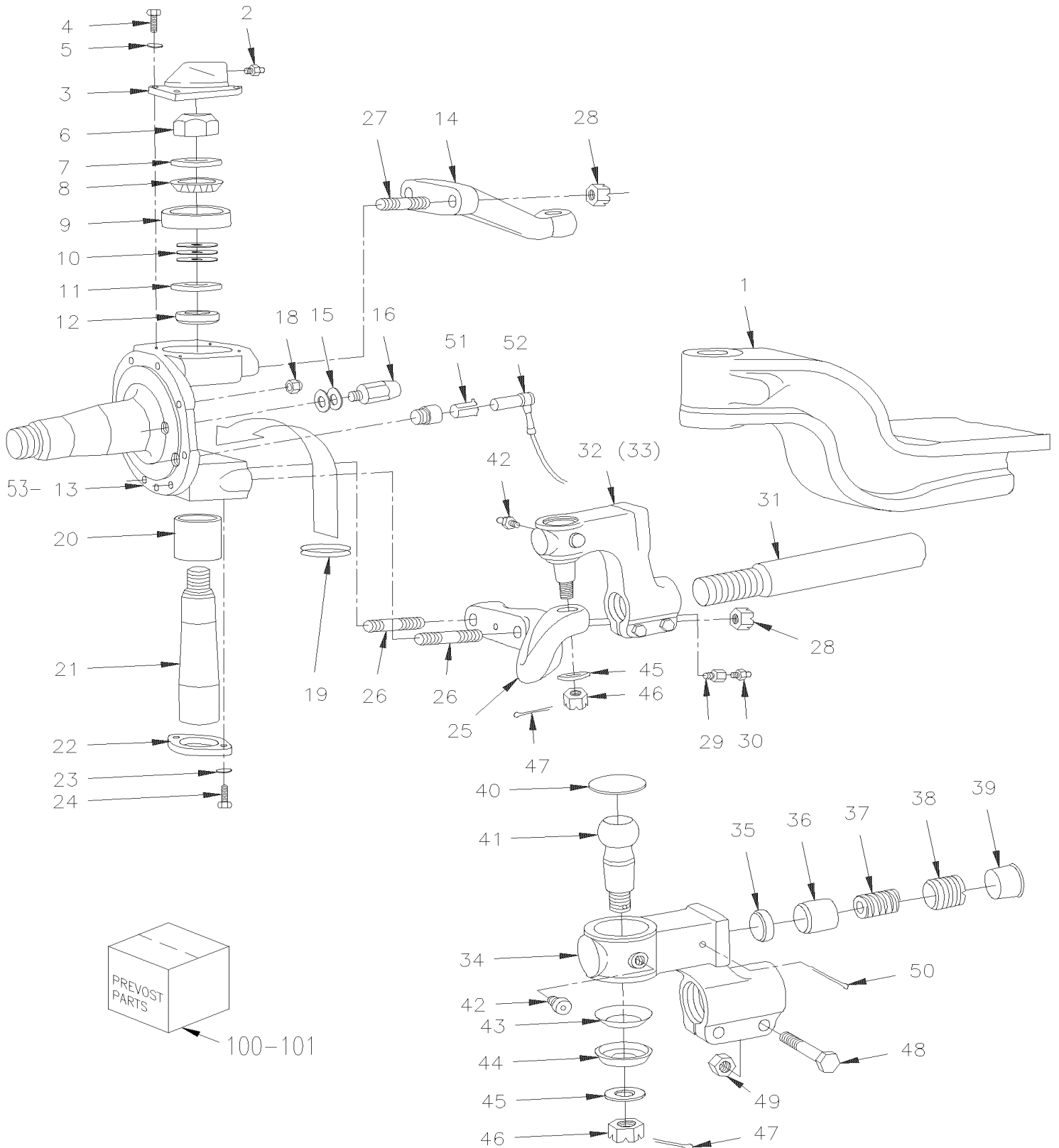
Item#	Part	Description	H 3 4 1	H 3 4 5	V I P 4 5	N O T E S
		C) QUICK DISCONNECT HALF ROUND (5-676X) / USE W/ITEM #40				
		E) WE USE SAME WITH "EATON" TRANSMISSION				
		2) NOT SOLD BY PREVOST (SEE MANUFACTURING PART NUMBER AT END OF DESCRIPTION LINE)				

	Date:10/2022	H3-10
FRONT AXLE		



		Date:10/2022	H3-10						
FRONT AXLE									
Item#	Part	Description	H 3 4 1	H 3 4 5	V I P 4 5	N O T E S			
5	H3-1005-03	FRONT AXLE - I BEAM RIGID MODEL "S-82" From R-012 To V-1619							
5	H3-1005-04	FRONT AXLE - I BEAM RIGID MODEL "S-84" From V-1620 To 2-4416							
5	H3-1005-05	FRONT AXLE - I BEAM RIGID MODEL "NSD80" From S-155 To S-155							
5	H3-1005-05	FRONT AXLE - I BEAM RIGID MODEL "NSD80" From W-2311 To W-2311							
10	H3-1005-50	FRONT AXLE - INDEPENDENT MODEL "IS-84" / 16500LBS From X-2458 To 2-4416							

From R-012 To V-1619	Date:10/2022	PAGE:H3-1005-03
FRONT AXLE - I BEAM RIGID MODEL "S-82"		



From R-012 To V-1619	Date:10/2022	PAGE:H3-1005-03
FRONT AXLE - I BEAM RIGID MODEL "S-82"		

Item#	Part	Description	H 3 4 1	H 3 4 5	V I P 4 5	N O T E S
	610985	AXLE ASSY STUD-MOUNT To S-290	1	1	1	
	610984	AXLE ASSY STUD-MOUNT W/ABS To S-290	1	1	1	
	610983	AXLE ASSY HUB-MOUNT To S-290	1	1	1	
	610982	AXLE ASSY HUB-MOUNT W/ABS To S-290	1	1	1	
	611077	AXLE ASSY W/ABS From S-291 To T-1613	1	1	1	
	611106	AXLE ASSY W/ABS From T-1614	1	1	1	
1	611118	. AXLE BEAM	1	1	1	
2	501491	. GREASE FITTING / 1/8 NPTx3/4"	2	2	2	
NS	504615	. PROTECTOR CAP / BLACK / .313 I.D. x .500	2	2	2	
3	611008	. CAP COVER	2	2	2	
4	500067	. SCREW CAP HEX 7/16-20x1 G5 Z050	4	4	4	
4	680404	. . CAP PLUG	1	1	1	
5	500447	. WASHER FL .562x1.375x.109 ZP	4	4	4	
6	611009	. NUT 1 1/4-12 STV	2	2	2	
7	611010	. WASHER 38.23x69.85x7	2	2	2	
8	611011	. CONE BEARING	2	2	2	
9	611012	. CUP BEARING	2	2	2	
10	611017	. WASHER SHIM / .015"	AR	AR	AR	
10	611016	. WASHER SHIM / .010"	AR	AR	AR	
10	611015	. WASHER SHIM / .008"	AR	AR	AR	
10	611014	. WASHER SHIM / .006"	AR	AR	AR	
10	611013	. WASHER SHIM / .005"	AR	AR	AR	
11	611018	. OIL SEAL	2	2	2	
12	611019	. SLEEVE	2	2	2	
13	611035	. KNUCKLE L.H. To S-290	1	1	1	A
13	611204	. KNUCKLE L.H. From S-291	1	1	1	
13	611034	. KNUCKLE R.H. To S-290	1	1	1	A
13	K611034	KNUCKLE R.H.	1	1	1	
. NS	611205	. KNUCKLE R.H.	1	1	1	
. NS	611259	. HUB WHEEL / W/METRIC WHEEL	1	1	1	
. NS	611255	. TOOTH WHEEL / FRONT AXLE W/DISC "G.K.N."	1	1	1	
. NS	611081	. SEAL ASSY/ WHEEL BEARING W/OIL	1	1	1	
. NS	611087	. CONE BEARING / INNER WHEEL BEARING	1	1	1	
13	611205	. KNUCKLE R.H. From S-291	1	1	1	
14	611031	. STEERING ARM UPPER L.H. STREET SIDE	1	1	1	
14	160955	. STEERING ARM UPPER R.H. To R-050				
14	160976	. STEERING ARM UPPER R.H. From R-051	1	1	1	
15	611042	. WASHER SHIM / 1/32" TH	AR	AR	AR	
15	611041	. WASHER SHIM / 1/16" TH	AR	AR	AR	
15	611040	. WASHER SHIM / 1/8" TH	AR	AR	AR	
16	611037	. SWIVEL STOP SCREW	2	2	2	
NS	611036	. SWIVEL STOP SCREW	1	1	1	

From R-012 To V-1619	Date:10/2022	PAGE:H3-1005-03
FRONT AXLE - I BEAM RIGID MODEL "S-82"		

Item#	Part	Description	H 3 4 1	H 3 4 5	V I P 4 5	N O T E S
17	500091	. SCREW CAP HEX 1/2-20x1 3/4 G5 ZP	6	6	6	
18	500718	. NUT HEX STO 1/2-20 Z050	16	16	16	
19	611020	. V-SEAL	2	2	2	
NS	611152	. SEAL RING	2	2	2	
20	611021	. BUSHING LOWER KING PIN	2	2	2	
21	611022	. KING PIN / TAPER	2	2	2	
22	611023	. CAP LOWER / KING PIN / W/TAPER KING PIN	2	2	2	
NS	611156	. O-RING	1	1	1	
25	611032	. STEERING ARM LOWER L.H. STREET SIDE	1	1	1	
NS	611033	. STEERING ARM LOWER R.H. CURBSIDE	1	1	1	
26	611028	. STUD / STREET SIDE / 3/4-16 X 3"	2	2	2	
26	611029	. STUD / TO FIX LOWER ARM 3/4-16 X 3 5/8"	2	2	2	
27	611027	. STUD / TO FIX UPPER ARM 3/4-16 X 2 3/4"	4	4	4	
28	5001196	. NUT HEX SLT 3/4-16	8	8	8	
29	611062	. ADAPTER / BSP FITTING / 1/8BSP-Mx1/8NPT-F	2	2	2	
30	501493	. GREASE FITTING 45° / 1/8 NPT	2	2	2	
NS	504615	. PROTECTOR CAP / BLACK / .313 I.D. x .500	2	2	2	
31	611026	. TIE ROD	1	1	1	
32	611024	. TIE ROD ASSY / 5" OFFSET / R.H. THREAD M48-2 CURB SIDE	1	1	1	
33	611025	. TIE ROD ASSY / 5" OFFSET / L.H. THREAD M48-2 STREET SIDE	1	1	1	
34	N.S.S.	. . HOUSING / OFFSET L.H. THREAD	1	1	1	1
34	N.S.S.	. . HOUSING / OFFSET R.H. THREAD	1	1	1	1
35	N.S.P.	. . RUBBING PAD / (7157/156)	1	1	1	2
36	N.S.P.	. . THRUST CUP / (7157/153)	1	1	1	2
37	N.S.P.	. . COMPRESSION SPRING / (5443/4)	1	1	1	2
38	N.S.P.	. . ADJUSTER PIECE / 5443/154)	1	1	1	2
39	680404	. . CAP PLUG	1	1	1	
40	N.S.P.	. . PLUG / (5247/155)	1	1	1	2
40	N.S.P.	. . SNAP RING / (ML7544/55N)	1	1	1	2
41	N.S.P.	. . BALL STUD / (F4223/11)	1	1	1	2
42	501495	. . GREASE FITTING 90° / 1/8 NPT	2	2	2	
43	611056	. . DIRT SEAL PRESSING	1	1	1	
44	611057	. . RUBBER SEAL BOOT	1	1	1	
45	500420	. . WASHER FL .938x1.750x.134 ZP	1	1	1	
46	5001196	. . NUT HEX SLT 3/4-16	1	1	1	
47	502111	. . PIN, COTTER 1/8 x 1 1/2 SS	1	1	1	
48	5001861	. . SCREW CAP HEX M12-1.75x60 G10.9 N500	2	2	2	
49	500811	. . NUT HEX STO M12-1.75 G500	2	2	2	
50	502115	. . PIN, COTTER 3/16 x 2 1/2	1	1	1	
51	641096	. CLIP, SPRING / TO FIX SENSOR	2	2	2	
52	641288	. SENSOR ABS (ON FRONT AXLE) 90° ANGLE	2	2	2	
53	H3-1225-03	BRAKE PARTS - FRONT AXLE - W/"KNORR-BREMSE" / SB7 SERIES To V-1689				

From R-012 To V-1619	Date:10/2022	PAGE:H3-1005-03
FRONT AXLE - I BEAM RIGID MODEL "S-82"		

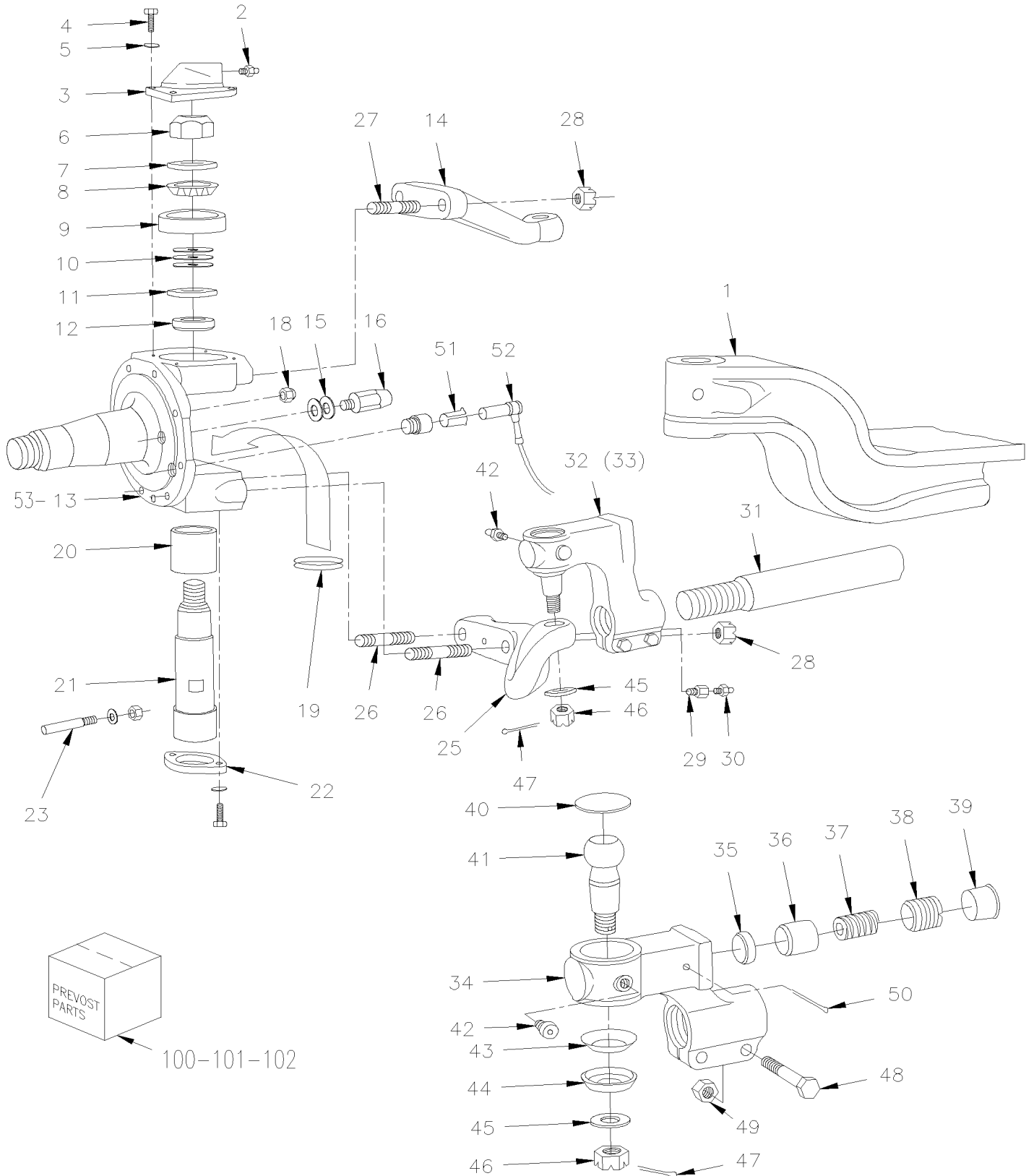
Item#	Part	Description	H 3 4 1	H 3 4 5	V I P 4 5	N O T E S
53	H3-1225-04	BRAKE PARTS - FRONT AXLE - W/"KNORR-BREMSE" / SB7 SERIES From V-1690				
53	H3-1225-99	BRAKE PARTS "KNORR-BREMSE" SN7 SERIES / SERVICE				
100	611125	KIT REPAIR / STEERING KNUCKLE BUSHING (TAPER) / (REQUIRE 2 KIT)	2	2	2	C
101	611101	KIT REPAIR / TIE ROD END	AR	AR	AR	B
102	IS18091	TIE ROD 610052 FIRST INSTALLATION INSTRUCTIONS	1	1	1	
. NS	610052	. TIE ROD ASSY	1	1	1	
. NS	610051	. NUT HEX SLO / SINGLE USE M24-1.5	2	2	2	
. NS	IS-18091	. SEE INSTRUCTION SHEET	1	1	1	
. NS	FI-18091	. VOIR FEUILLE D'INSTRUCTION	1	1	1	
		A) SEE ATTACHED TEXT TO SEE RELATED NOTE				
		B) INCLUDE TIE ROD ASSY ITEM #35 TO 50				
		C) INCLUDING ITEMS 4 TO 12 & 19 TO 21				
		1) NOT SOLD SEPARATELY				
		2) NOT SOLD BY PREVOST (SEE MANUFACTURING PART NUMBER AT END OF DESCRIPTION LINE)				

From V-1620 To 2-4416

Date:10/2022

PAGE:H3-1005-04

FRONT AXLE - I BEAM RIGID MODEL "S-84"



From V-1620 To 2-4416	Date:10/2022	PAGE:H3-1005-04
FRONT AXLE - I BEAM RIGID MODEL "S-84"		

Item#	Part	Description	H 3 4 1	H 3 4 5	V I P 4 5	N O T E S
	611142	AXLE ASSY W/ABS To V-1929	1	1	1	
	611193	AXLE ASSY W/ABS From V-1930 To W-2084	1	1	1	
	611200	AXLE ASSY W/ABS From W-2085 To X-3009	1	1	1	
	611231	AXLE ASSY W/ABS From X-3010 To Y-3838	1	1	1	
	611453	AXLE ASSY W/ABS From Y-3839 To Y-3973	1	1	1	
	611460	AXLE ASSY W/ABS From Y-3974 To 1-4373	1	1	1	
	611256	AXLE ASSY W/ABS From 1-4374	1	1	1	
1	611151	. AXLE BEAM To Y-3838	1	1	1	C
1	611454	. AXLE BEAM From Y-3839	1	1	1	D
2	501491	. GREASE FITTING / 1/8 NPTx3/4"	2	2	2	
NS	504615	. PROTECTOR CAP / BLACK / .313 I.D. x .500	2	2	2	
3	611008	. CAP COVER	2	2	2	
4	500067	. SCREW CAP HEX 7/16-20x1 G5 Z050	4	4	4	
4	680404	. . CAP PLUG	1	1	1	
5	500447	. WASHER FL .562x1.375x.109 ZP	4	4	4	
6	611153	. NUT HEX STO 1 3/8"-12	2	2	2	
7	611010	. WASHER 38.23x69.85x7	2	2	2	
8	611011	. CONE BEARING	2	2	2	
9	611012	. CUP BEARING	2	2	2	
10	611017	. WASHER SHIM / .015"	AR	AR	AR	
10	611016	. WASHER SHIM / .010"	AR	AR	AR	
10	611015	. WASHER SHIM / .008"	AR	AR	AR	
10	611014	. WASHER SHIM / .006"	AR	AR	AR	
10	611013	. WASHER SHIM / .005"	AR	AR	AR	
11	611145	. OIL SEAL	2	2	2	
12	611154	. SLEEVE	2	2	2	
13	611147	. KNUCKLE R.H.	1	1	1	
13	611146	. KNUCKLE L.H.	1	1	1	
13	611289	KNUCKLE L.H. STREET SIDE	1	1	1	R
13	611290	KNUCKLE R.H. CURBSIDE	1	1	1	R
14	611031	. STEERING ARM UPPER L.H. STREET SIDE	1	1	1	
14	160976	. STEERING ARM UPPER R.H. To V-1737	1	1	1	
14	161033	. STEERING ARM UPPER R.H. CURBSIDE From V-1738	1	1	1	
15	611042	. WASHER SHIM / 1/32" TH	AR	AR	AR	
15	611041	. WASHER SHIM / 1/16" TH	AR	AR	AR	
15	611040	. WASHER SHIM / 1/8" TH	AR	AR	AR	
16	611159	. SWIVEL STOP SCREW / REAR / 38MM	2	2	2	
NS	611149	. SWIVEL STOP SCREW / FRONT / 48MM	1	1	1	
NS	611150	. SWIVEL STOP SCREW / FRONT / 60MM	1	1	1	
NS	500091	. SCREW CAP HEX 1/2-20x1 3/4 G5 ZP	6	6	6	
18	5007001	. NUT HEX STO 1/2-20 Z050 G "C"	16	16	16	
19	611020	. V-SEAL	2	2	2	

From V-1620 To 2-4416	Date:10/2022	PAGE:H3-1005-04
FRONT AXLE - I BEAM RIGID MODEL "S-84"		

Item#	Part	Description	H 3 4 1	H 3 4 5	V I P 4 5	N O T E S
NS	611152	. SEAL RING	2	2	2	
20	611144	. BUSHING LOWER KING PIN	2	2	2	
21	611148	. KING PIN	2	2	2	
22	611155	. CAP LOWER / KING PIN	2	2	2	
NS	611156	. O-RING	1	1	1	
22	612364	. SCREW 3/8-24	2	2	2	
22	612363	. WASHER	2	2	2	
23	611258	. SWIVEL PIN LOCK	2	2	2	
25	611032	. STEERING ARM LOWER L.H. STREET SIDE	1	1	1	
NS	611033	. STEERING ARM LOWER R.H. CURBSIDE	1	1	1	
26	611028	. STUD / STREET SIDE / 3/4-16 X 3"	2	2	2	
26	611029	. STUD / TO FIX LOWER ARM 3/4-16 X 3 5/8"	2	2	2	
27	611027	. STUD / TO FIX UPPER ARM 3/4-16 X 2 3/4"	4	4	4	
28	5001196	. NUT HEX SLT 3/4-16	8	8	8	
29	611062	. ADAPTER / BSP FITTING / 1/8BSP-Mx1/8NPT-F	2	2	2	
30	501493	. GREASE FITTING 45° / 1/8 NPT	2	2	2	
NS	504615	. PROTECTOR CAP / BLACK / .313 I.D. x .500	2	2	2	
31	611026	. TIE ROD	1	1	1	
32	611024	. TIE ROD ASSY / 5" OFFSET / R.H. THREAD M48-2 CURB SIDE	1	1	1	
33	611025	. TIE ROD ASSY / 5" OFFSET / L.H. THREAD M48-2 STREET SIDE	1	1	1	
34	N.S.S.	. . HOUSING / OFFSET L.H. THREAD	1	1	1	1
34	N.S.S.	. . HOUSING / OFFSET R.H. THREAD	1	1	1	1
35	N.S.P.	. . RUBBING PAD / (7157/156)	1	1	1	2
36	N.S.P.	. . THRUST CUP / (7157/153)	1	1	1	2
37	N.S.P.	. . COMPRESSION SPRING / (5443/4)	1	1	1	2
38	N.S.P.	. . ADJUSTER PIECE / (5443/154)	1	1	1	2
39	680404	. . CAP PLUG	1	1	1	
40	N.S.P.	. . PLUG / (5247/155)	1	1	1	2
40	N.S.P.	. . SNAP RING / (ML7544/55N)	1	1	1	2
41	N.S.P.	. . BALL STUD / (F4223/11)	1	1	1	2
42	501495	. . GREASE FITTING 90° / 1/8 NPT	2	2	2	
43	611056	. . DIRT SEAL PRESSING	1	1	1	
44	611057	. . RUBBER SEAL BOOT	1	1	1	
45	500420	. . WASHER FL .938x1.750x.134 ZP	1	1	1	
46	5001196	. . NUT HEX SLT 3/4-16	1	1	1	
47	502111	. . PIN, COTTER 1/8 x 1 1/2 SS	1	1	1	
48	5001861	. . SCREW CAP HEX M12-1.75x60 G10.9 N500	2	2	2	
49	500811	. . NUT HEX STO M12-1.75 G500	2	2	2	
50	502115	. . PIN, COTTER 3/16 x 2 1/2	1	1	1	
51	641096	. CLIP, SPRING / TO FIX SENSOR	2	2	2	
52	641288	. SENSOR ABS (ON FRONT AXLE) 90° ANGLE	2	2	2	

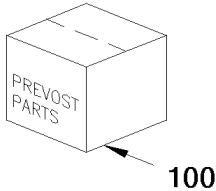
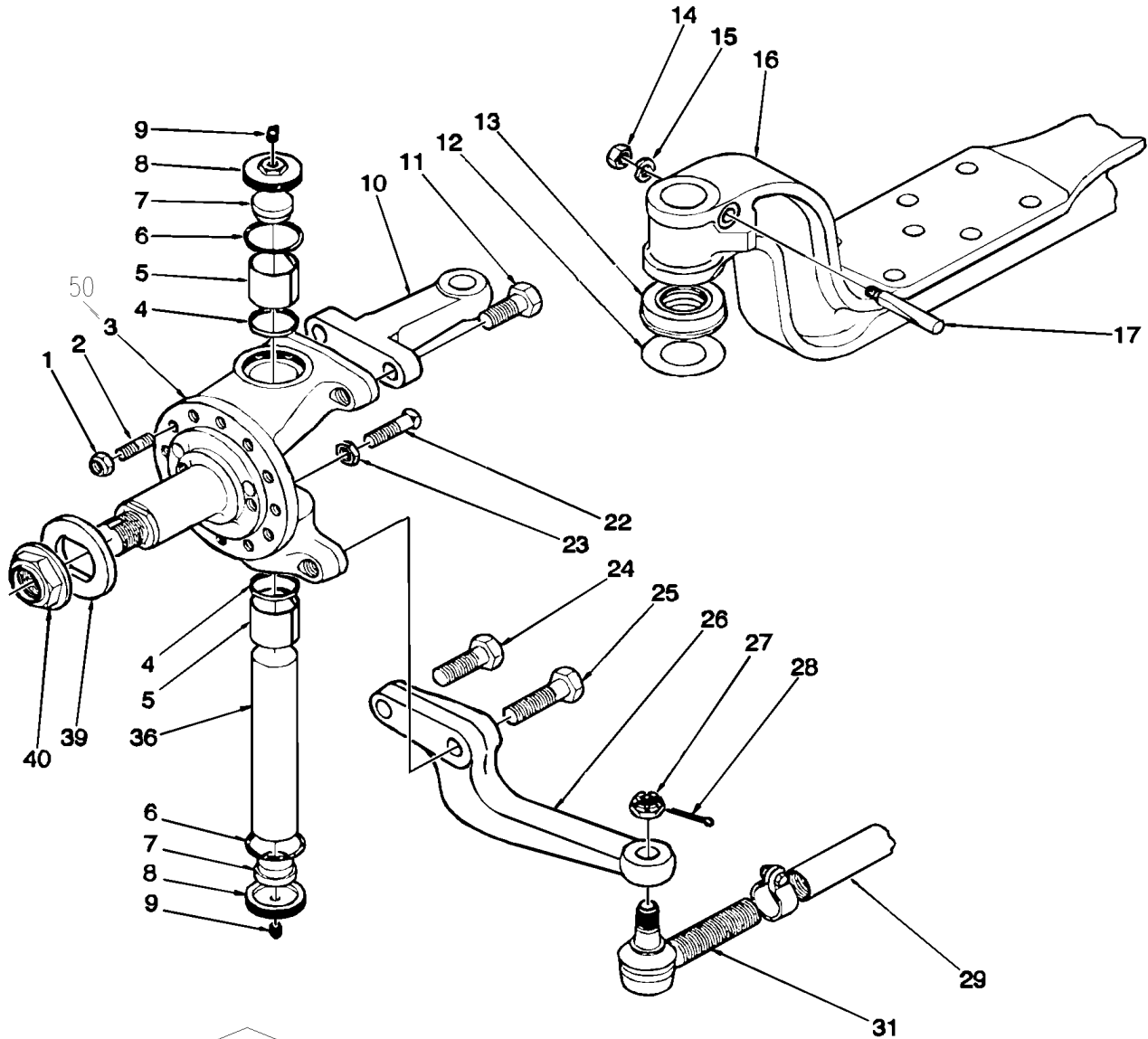
From V-1620 To 2-4416	Date:10/2022	PAGE:H3-1005-04
FRONT AXLE - I BEAM RIGID MODEL "S-84"		

Item#	Part	Description	H 3 4 1	H 3 4 5	V I P 4 5	N O T E S
		FOR SERIAL NUMBER V-1620 TO V-1639 SUPPLIER				
		INSTALLED ITEMS 15 & 16 STOPPER SCREW				
		SAME MODEL THAN AXLE S-82.				
		YOU REQUIRE SOME REWORK				
		SEE H3-1005-03				
53	H3-1225-03	BRAKE PARTS - FRONT AXLE - W/"KNORR-BREMSE" / SB7 SERIES To V-1689				
53	H3-1225-04	BRAKE PARTS - FRONT AXLE - W/"KNORR-BREMSE" / SB7 SERIES From V-1690				
53	H3-1225-99	BRAKE PARTS "KNORR-BREMSE" SN7 SERIES / SERVICE				
100	611162	KIT REPAIR / STEERING KNUCKLE BUSHING (PARALLEL) / (REQUIRES 2 KITS)				B
. NS	611008	. CAP COVER	1	1	1	B
. NS	611153	. NUT HEX STO 1 3/8"-12	1	1	1	B
. NS	611010	. WASHER 38.23x69.85x7	1	1	1	B
. NS	611011	. CONE BEARING	1	1	1	B
. NS	611012	. CUP BEARING	1	1	1	B
. NS	611017	. WASHER SHIM / .015"	4	4	4	B
. NS	611016	. WASHER SHIM / .010"	4	4	4	B
. NS	611015	. WASHER SHIM / .008"	2	2	2	B
. NS	611014	. WASHER SHIM / .006"	2	2	2	B
. NS	611013	. WASHER SHIM / .005"	2	2	2	B
. NS	611145	. OIL SEAL	1	1	1	B
. NS	611154	. SLEEVE	1	1	1	B
. NS	611294	. V-SEAL	1	1	1	B
. NS	611144	. BUSHING LOWER KING PIN	1	1	1	B
. NS	611148	. KING PIN	1	1	1	B
. NS	611155	. CAP LOWER / KING PIN	1	1	1	B
. NS	611156	. O-RING	1	1	1	B
. NS	611258	. SWIVEL PIN LOCK	1	1	1	B
. NS	610029	. NUT 7/16 UNF	1	1	1	B
. NS	5001200	. WASHER FL .453x.875x.090	1	1	1	B
101	611101	KIT REPAIR / TIE ROD END	2	2	2	A
102	110750	KIT, AXLE SINGLE DROP RETROFIT From R-020 To Y-3838	AR	AR	AR	
. NS	IS-99089	. SEE INSTRUCTION SHEET From R-020 To Y-3838	1	1	1	
103	IS18091	TIE ROD 610052 FIRST INSTALLATION INSTRUCTIONS	1	1	1	
. NS	610052	. TIE ROD ASSY	1	1	1	
. NS	610051	. NUT HEX SLO / SINGLE USE M24-1.5	2	2	2	
. NS	IS-18091	. SEE INSTRUCTION SHEET	1	1	1	
. NS	FI-18091	. VOIR FEUILLE D'INSTRUCTION	1	1	1	
		A) INCLUDE ITEM #35 TO 50				

From V-1620 To 2-4416	Date:10/2022	PAGE:H3-1005-04
FRONT AXLE - I BEAM RIGID MODEL "S-84"		

Item#	Part	Description	H 3 4 1	H 3 4 5	V I P 4 5	N O T E S
		B) INCLUDING ITEMS # 3 TO 12 & # 19 TO 23				
		C) THIS AXLE BEAM DOUBLE DROP IT SUPERSEDED BY #611454 AND KIT #110750				
		D) THIS AXLE BEAM IT SINGLE DROP				
		R) USE ONLY WITH RETROFIT HUB "UNITISED" BEARING # 611328 (PAGE H3-1300-99)				
		1) NOT SOLD SEPARATELY				
		2) NOT SOLD BY PREVOST (SEE MANUFACTURING PART NUMBER AT END OF DESCRIPTION LINE)				

From S-155 To S-155	Date:10/2022	PAGE:H3-1005-05
FRONT AXLE - I BEAM RIGID MODEL "NSD80"		



From S-155 To S-155	Date:10/2022	PAGE:H3-1005-05
FRONT AXLE - I BEAM RIGID MODEL "NSD80"		

Item#	Part	Description	H 3 4 1	H 3 4 5	V I P 4 5	N O T E S
	611466	AXLE ASSY / MODEL "NSD80"		1		
1	5007001	NUT HEX STO 1/2-20 Z050 G "C"		10		
2	611030	STUD 1/2-20 X 1 11/16"		10		
3	611935	KNUCKEL L.H. & R.H.		2		
4	611936	OIL SEAL		2		
5	611937	BUSHING (STD)		2		
6	611938	O-RING		2		
7	611939	FOAM INSERT		2		
8	611940	CAP		2		
9	501490	GREASE FITTING / 1/8 NPT		2		
10	N.S.P.	TOP STEERING LEVER / F4872/9		1		2
11	N.P.N.	SCREW CAP HEX DP M14X50 G10.9 PT		2		4
11	5001328	SCREW CAP HEX M14-2.0x90 G10.9 DP		2		
12	N.P.N.	SHIM / F4866/119E		1		4
12	N.P.N.	SHIM / F4866/119B		1		4
12	N.P.N.	SHIM / F4866/119C		1		4
12	N.P.N.	SHIM / F4866/119D		1		4
13	611941	BEARING THRUST		1		
14	5007001	NUT HEX STO 1/2-20 Z050 G "C"		1		
15	N.P.N.	LOCK WASHER / SL242/6		1		4
16	N.P.N.	AXLE BEAM / F4872/1		1		4
17	611942	PIN COTTER		2		
22	611943	LOCKSTOP SCREW		2		
22	611944	LOCKSTOP SCREW		1		
23	N.P.N.	JAM NUT / SL244/8		3		4
24	N.P.N.	SCREW CAP HEX DP M14X65 G10.9		2		4
25	5001327	SCREW CAP HEX M14-2.0x80 G10.9 DP		2		
26	611945	STEERING ARM LOWER R.H.		1		
26	611946	STEERING ARM LOWER L.H.		1		
27	5001193	SCREW CAP HEX M20-2.5x65 G10.9 ZP		2		
28	502111	PIN, COTTER 1/8 x 1 1/2 SS		2		
29	N.P.N.	ROD / F4560/12		1		4
31	611024	TIE ROD ASSY / 5" OFFSET / R.H. THREAD M48-2 CURB SIDE		1		A
31	611025	TIE ROD ASSY / 5" OFFSET / L.H. THREAD M48-2 STREET SIDE		1		A
32	501490	GREASE FITTING / 1/8 NPT		2		
36	611947	KING PIN WITH SINGLE LOCK PIN		2		
39	611948	THRUST WASHER		2		
40	611949	HUB NUT 1 3/4-8		2		
50	H3-1225-03	BRAKE PARTS - FRONT AXLE - W/"KNORR-BREMSE" / SB7 SERIES To V-1689				
50	H3-1225-04	BRAKE PARTS - FRONT AXLE - W/"KNORR-BREMSE" / SB7 SERIES From V-1690				
50	H3-1225-99	BRAKE PARTS "KNORR-BREMSE" SN7 SERIES / SERVICE				

From S-155 To S-155	Date:10/2022	PAGE:H3-1005-05
FRONT AXLE - I BEAM RIGID MODEL "NSD80"		

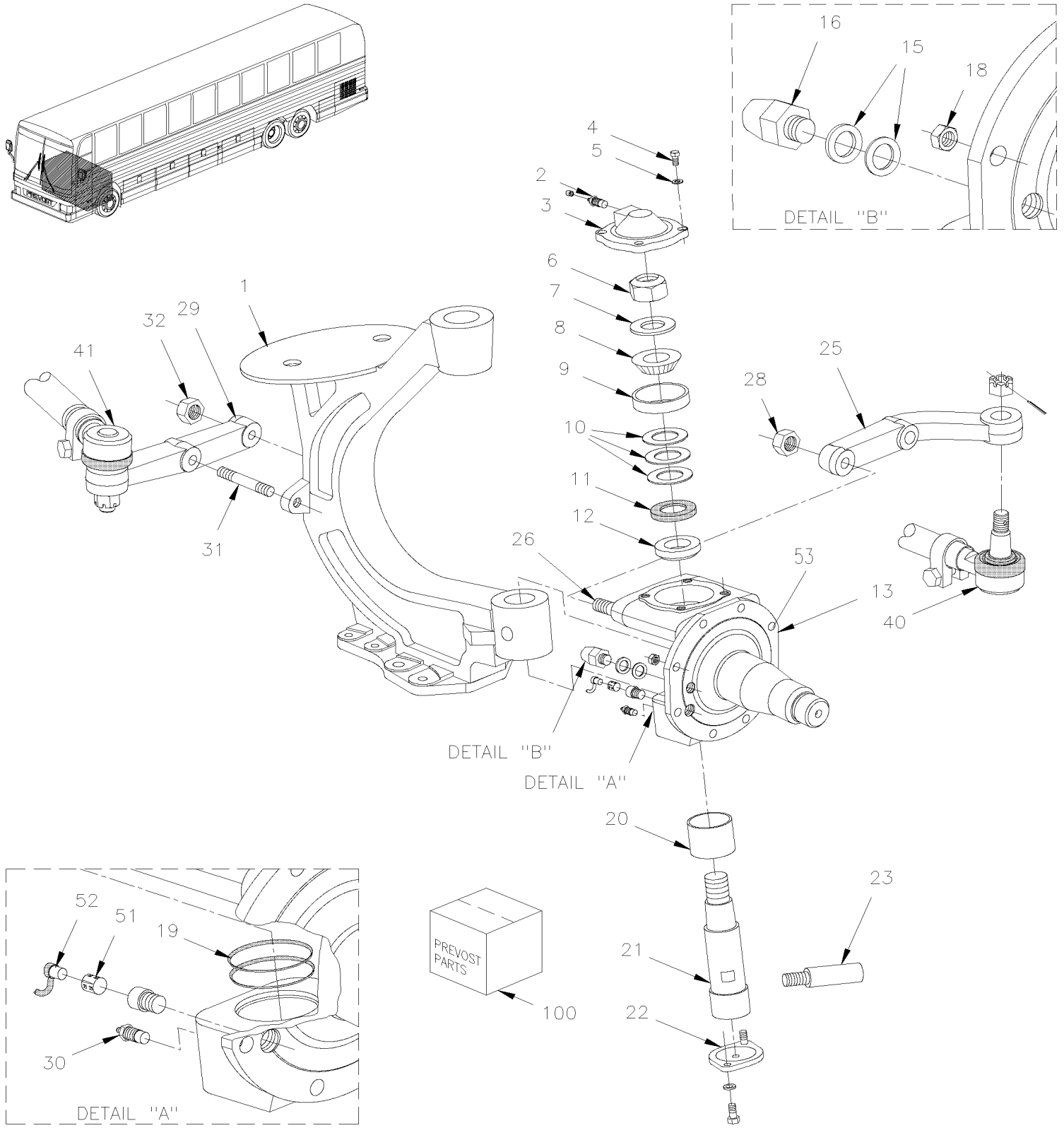
Item#	Part	Description	H 3 4 1	H 3 4 5	V I P 4 5	N O T E S
100	611962	KIT REPAIR / STEERING KNUCKLE BUSHING (STD) / (REQUIRE 2 KITS)		1		
101	IS18091	TIE ROD 610052 FIRST INSTALLATION INSTRUCTIONS		1		
. NS	610052	. TIE ROD ASSY		1		
. NS	610051	. NUT HEX SLO / SINGLE USE M24-1.5		2		
. NS	IS-18091	. SEE INSTRUCTION SHEET		1		
. NS	FI-18091	. VOIR FEUILLE D'INSTRUCTION		1		
		A) SEE DETAIL AT PAGE H3-1005-0				
		2) NOT SOLD BY PREVOST (SEE MANUFACTURING PART NUMBER AT END OF DESCRIPTION LINE)				
		4) NO PARTS NUMBER				

From X-2458 To 2-4416

Date:10/2022

PAGE:H3-1005-50

FRONT AXLE - INDEPENDENT MODEL "IS-84" / 16500LBS



From X-2458 To 2-4416	Date:10/2022	PAGE:H3-1005-50
FRONT AXLE - INDEPENDENT MODEL "IS-84" / 16500LBS		

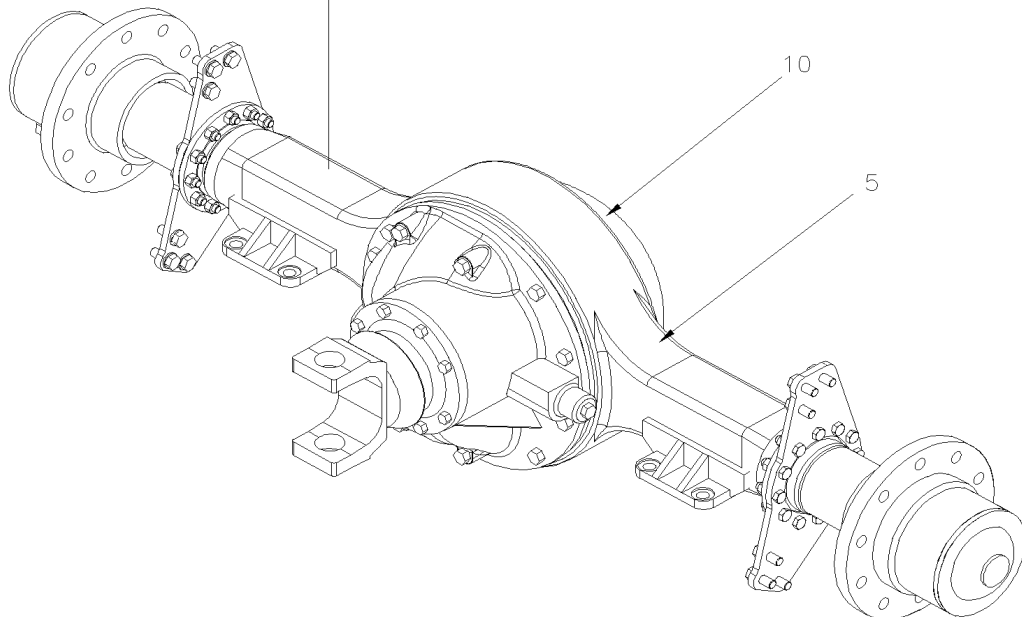
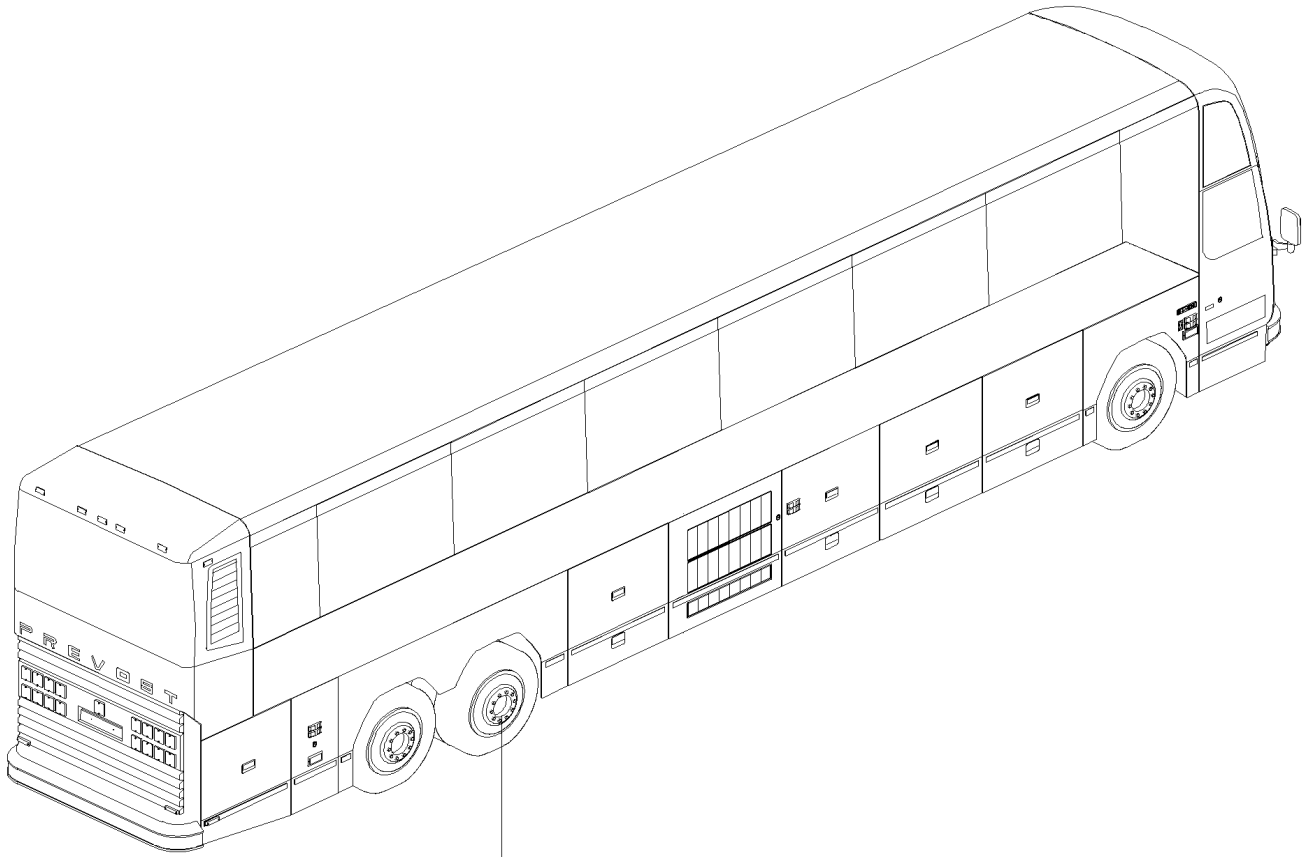
Item#	Part	Description	H 3 4 1	H 3 4 5	V I P 4 5	N O T E S
	611201	AXLE ASSY L.H. & R.H. To X-3015			1	
	611209	AXLE ASSY L.H. & R.H. From X-3016 To 1-4036			1	
	611461	AXLE ASSY L.H. & R.H. From 1-4036 To 1-4373			1	
	611257	AXLE ASSY L.H. & R.H. From 1-4374			1	
1	611160	. AXLE L.H. / W/PARALLEL KING PIN & BELLOW			1	
1	611161	. AXLE R.H. / W/PARALLEL KING PIN & BELLOW			1	
2	501491	. GREASE FITTING / 1/8 NPTx3/4"			2	
NS	504615	. PROTECTOR CAP / BLACK / .313 I.D. x .500			2	
3	611008	. CAP COVER			2	
4	500067	. SCREW CAP HEX 7/16-20x1 G5 Z050			4	
5	500447	. WASHER FL .562x1.375x.109 ZP			4	
6	611153	. NUT HEX STO 1 3/8"-12			2	
7	611010	. WASHER 38.23x69.85x7			2	
8	611011	. CONE BEARING			2	
9	611012	. CUP BEARING			2	
10	611013	. WASHER SHIM / .005"			AR	
10	611014	. WASHER SHIM / .006"			AR	
10	611015	. WASHER SHIM / .008"			AR	
10	611016	. WASHER SHIM / .010"			AR	
10	611017	. WASHER SHIM / .015"			AR	
11	611145	. OIL SEAL			2	
12	611154	. SLEEVE			2	
13	611157	. KNUCKLE L.H. / W/PARALLEL KING PIN			1	
13	611158	. KNUCKLE R.H. / W/PARALLEL KING PIN			1	
13	611334	KNUCKLE L.H. / W/PARALLEL KING PIN ONLY W/RETROFIT UNITISED			1	R
13	611335	KNUCKLE R.H. / W/PARALLEL KING PIN ONLY W/RETROFIT UNITISED			1	R
15	611042	. WASHER SHIM / 1/32" TH			AR	
15	611041	. WASHER SHIM / 1/16" TH			AR	
15	611040	. WASHER SHIM / 1/8" TH			AR	
16	611159	. SWIVEL STOP SCREW / REAR / 38MM			2	
NS	611149	. SWIVEL STOP SCREW / FRONT / 48MM			1	
NS	611150	. SWIVEL STOP SCREW / FRONT / 60MM			1	
18	5007001	. NUT HEX STO 1/2-20 Z050 G "C"			16	
NS	500091	. SCREW CAP HEX 1/2-20x1 3/4 G5 ZP			6	
19	611020	. V-SEAL			2	
NS	611152	. SEAL RING			2	
20	611144	. BUSHING LOWER KING PIN			2	
21	611148	. KING PIN			2	
22	611155	. CAP LOWER / KING PIN			2	
NS	611156	. O-RING			2	
22	612364	. SCREW 3/8-24			4	
22	612363	. WASHER			4	

From X-2458 To 2-4416	Date:10/2022	PAGE:H3-1005-50
FRONT AXLE - INDEPENDENT MODEL "IS-84" / 16500LBS		

Item#	Part	Description	H 3 4 1	H 3 4 5	V I P 4 5	N O T E S
23	611258	. SWIVEL PIN LOCK			2	
25	611172	. STEERING ARM L.H.			1	
25	611171	. STEERING ARM R.H.			1	
26	611167	. STUD 3/4-16 X 4 1/2"			2	
26	611166	. STUD 3/4-16 X 3 1/4"			2	
28	5001196	. NUT HEX SLT 3/4-16			8	
29	661071	. UPRIGHT ARM L.H. / W/56 Deg			1	
29	661072	. UPRIGHT ARM R.H. / W/56 Deg			1	
30	501493	. GREASE FITTING 45° / 1/8 NPT			2	
NS	504615	. PROTECTOR CAP / BLACK / .313 I.D. x .500			2	
31	611248	. STUD M16			1	
31	611249	. STUD M16			1	
32	500781	. NUT HEX STO M16-2.0 DP			2	
40	H3-1405-03	STEERING WHEEL & COLUMN ASSY				
41	H3-1605-50	FRONT AXLE - INSTALL W/INDEPENDENT "IS-84" / 16500LBS				
51	641096	CLIP, SPRING / TO FIX SENSOR			2	
52	641288	SENSOR ABS (ON FRONT AXLE) 90° ANGLE			2	
53	H3-1225-03	BRAKE PARTS - FRONT AXLE - W/"KNORR-BREMSE" / SB7 SERIES To V-1689				
53	H3-1225-04	BRAKE PARTS - FRONT AXLE - W/"KNORR-BREMSE" / SB7 SERIES From V-1690				
53	H3-1225-99	BRAKE PARTS "KNORR-BREMSE" SN7 SERIES / SERVICE				
100	611162	KIT REPAIR / STEERING KNUCKLE BUSHING (PARALLEL) / (REQUIRES 2 KITS)			AR	B
. NS	611008	. CAP COVER			1	B
. NS	611153	. NUT HEX STO 1 3/8"-12			1	B
. NS	611010	. WASHER 38.23x69.85x7			1	B
. NS	611011	. CONE BEARING			1	B
. NS	611012	. CUP BEARING			1	B
. NS	611017	. WASHER SHIM / .015"			4	B
. NS	611016	. WASHER SHIM / .010"			4	B
. NS	611015	. WASHER SHIM / .008"			2	B
. NS	611014	. WASHER SHIM / .006"			2	B
. NS	611013	. WASHER SHIM / .005"			2	B
. NS	611145	. OIL SEAL			1	B
. NS	611154	. SLEEVE			1	B
. NS	611294	. V-SEAL			1	B
. NS	611144	. BUSHING LOWER KING PIN			1	B
. NS	611148	. KING PIN			1	B
. NS	611155	. CAP LOWER / KING PIN			1	B
. NS	611156	. O-RING			1	B
. NS	611258	. SWIVEL PIN LOCK			1	B
. NS	610029	. NUT 7/16 UNF			1	B
. NS	5001200	. WASHER FL .453x.875x.090			1	B

From X-2458 To 2-4416		Date:10/2022	PAGE:H3-1005-50			
FRONT AXLE - INDEPENDENT MODEL "IS-84" / 16500LBS						
Item#	Part	Description	H 3 4 1	H 3 4 5	V I P 4 5	N O T E S
		B) INCLUDING ITEMS # 3 TO 12 & # 19 TO 23				
		R) USE ONLY WITH RETROFIT HUB "UNITISED" BEARING # 611329 (PAGE H3-1300-99)				

	Date:10/2022	H3-11
REAR AXLE		



		Date:10/2022	H3-11
REAR AXLE			

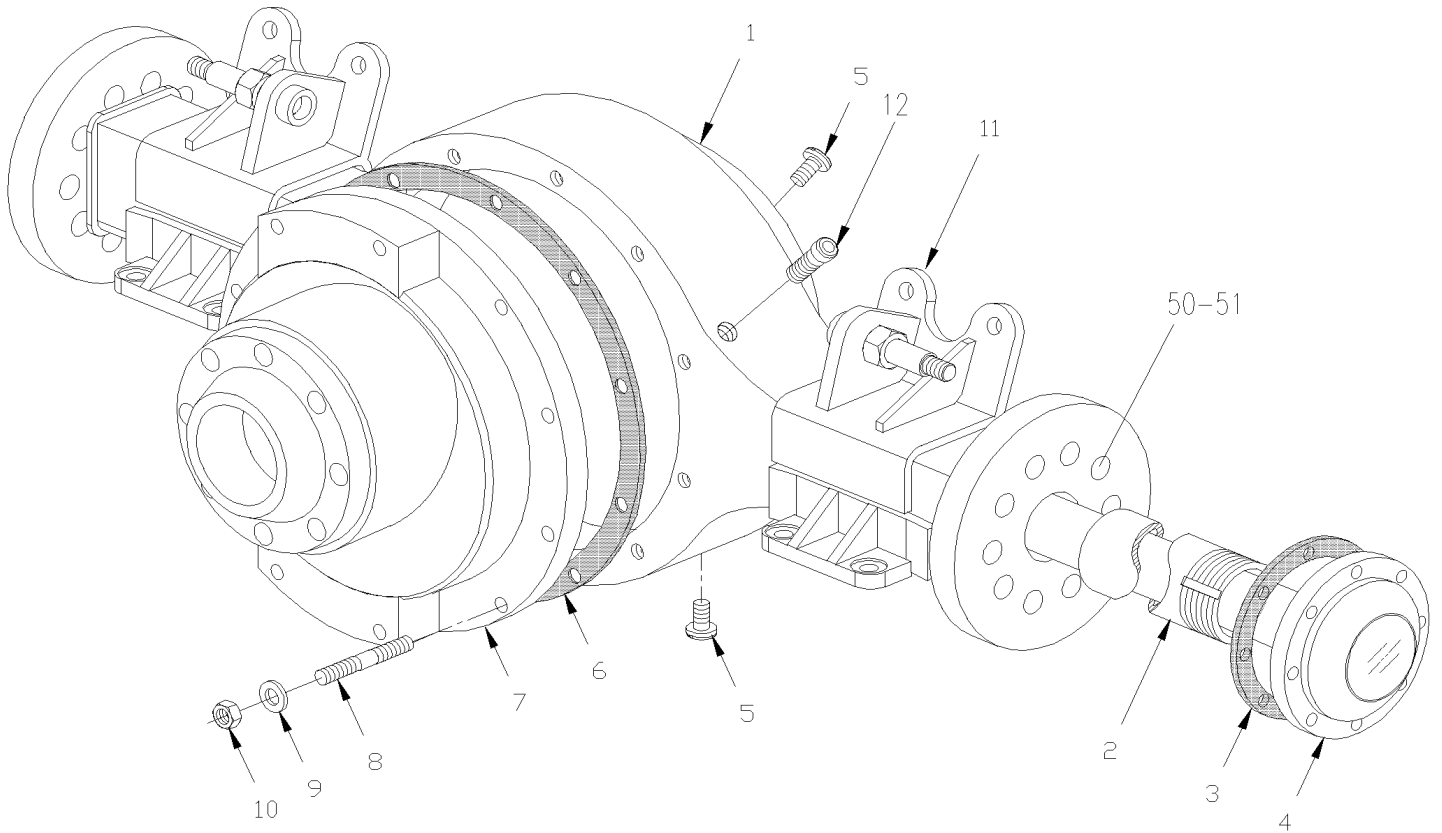
Item#	Part	Description	H 3 4 1	H 3 4 5	V I P 4 5	N O T E S
5	H3-1105-01	REAR AXLE - MODEL RS23160 & DRUM BRAKE W/61143 From R-012 To W-2284				
5	H3-1105-02	REAR AXLE - MODEL RC23160 & DISC BRAKE W/61143 From V-1725 To 2-4416				
10	H3-1110-02	CARRIER ASSY - MODEL #61143 From R-012 To 2-4416				

From R-012 To W-2284

Date:10/2022

PAGE:H3-1105-01

REAR AXLE - MODEL RS23160 & DRUM BRAKE W/61143



From R-012 To W-2284	Date:10/2022	PAGE:H3-1105-01
REAR AXLE - MODEL RS23160 & DRUM BRAKE W/61143		

Item#	Part	Description	H 3 4 1	H 3 4 5	V I P 4 5	N O T E S
		AXLE ASSY WITH STUD MOUNTED WHEELS				
	621465	REAR AXLE ASSY / 3.07 RATIO /	1	1		
	621566	REAR AXLE ASSY / 3.07 RATIO / W/ABS INSIDE	1	1		
	621469	REAR AXLE ASSY / 3.21 RATIO	1	1		
	621496	REAR AXLE ASSY / 3.21 RATIO / W/ABS IN WHEEL	1	1		
	621543	REAR AXLE ASSY / 3.21 RATIO / W/ABS INSIDE	1	1		
	621542	REAR AXLE ASSY / 4.30 RATIO	1	1		
	621647	REAR AXLE ASSY / 4.30 RATIO / W/ABS INSIDE	1	1		
	621530	REAR AXLE ASSY / 4.56 RATIO	1	1		
	621528	REAR AXLE ASSY / 4.56 RATIO / W/ABS IN WHEEL	1	1	1	
	621569	REAR AXLE ASSY / 4.56 RATIO / W/ABS INSIDE	1	1	1	
	621529	REAR AXLE ASSY / 4.88 RATIO	1	1		
	621527	REAR AXLE ASSY / 4.88 RATIO / W/ABS IN WHEEL	1	1	1	
	621571	REAR AXLE ASSY / 4.88 RATIO / W/ABS INSIDE	1	1	1	
		AXLE ASSY WITH HUB MOUNTED WHEELS				
	621565	REAR AXLE ASSY / 2.93 RATIO	1	1		
	621564	REAR AXLE ASSY / 3.07 RATIO /	1	1		
	621567	REAR AXLE ASSY / 3.07 RATIO / W/ABS INSIDE	1	1		
	621522	REAR AXLE ASSY / 3.21 RATIO	1	1		
	621568	REAR AXLE ASSY / 3.21 RATIO / W/ABS INSIDE	1	1		
	621560	REAR AXLE ASSY / 4.30 RATIO / W/ABS INSIDE	1	1		
	621532	REAR AXLE ASSY / 4.56 RATIO	1	1		
	621531	REAR AXLE ASSY / 4.56 RATIO / W/ABS IN WHEEL	1	1		
	621544	REAR AXLE ASSY / 4.56 RATIO / W/ABS INSIDE	1	1		
	621534	REAR AXLE ASSY / 4.88 RATIO	1	1		
	621533	REAR AXLE ASSY / 4.88 RATIO / W/ABS IN WHEEL	1	1		
	621572	REAR AXLE ASSY / 4.88 RATIO / W/ABS INSIDE	1	1		
1	621471	HOUSING	1	1	1	
2	621127	. SLEEVE	2	2	2	
3	620923	. GASKET / AXLE SHAFT W/10 STUDS	2	2	2	
4	621411	SHAFT, AXLE / R.H. / 43.500"	1	1	1	
4	621410	SHAFT, AXLE / L.H. / 41.750"	1	1	1	
5	621142	PLUG FILLER	2	2	2	
6	680053	SILICONE TUBE RTV103 / BLACK / 3 oz	1	1	1	
7	H3-1110-02	CARRIER ASSY - MODEL #61143				
8	621183	STUD 5/8-11x 5/8-18 x 3 3/4"	4	4	4	
8	620042	STUD 5/8-11x 5/8-18 x 2 5/8"	14	14	14	
9	620474	WASHER HARDENED / 5/8" I.D.	18	18	18	

From R-012 To W-2284	Date:10/2022	PAGE:H3-1105-01
REAR AXLE - MODEL RS23160 & DRUM BRAKE W/61143		

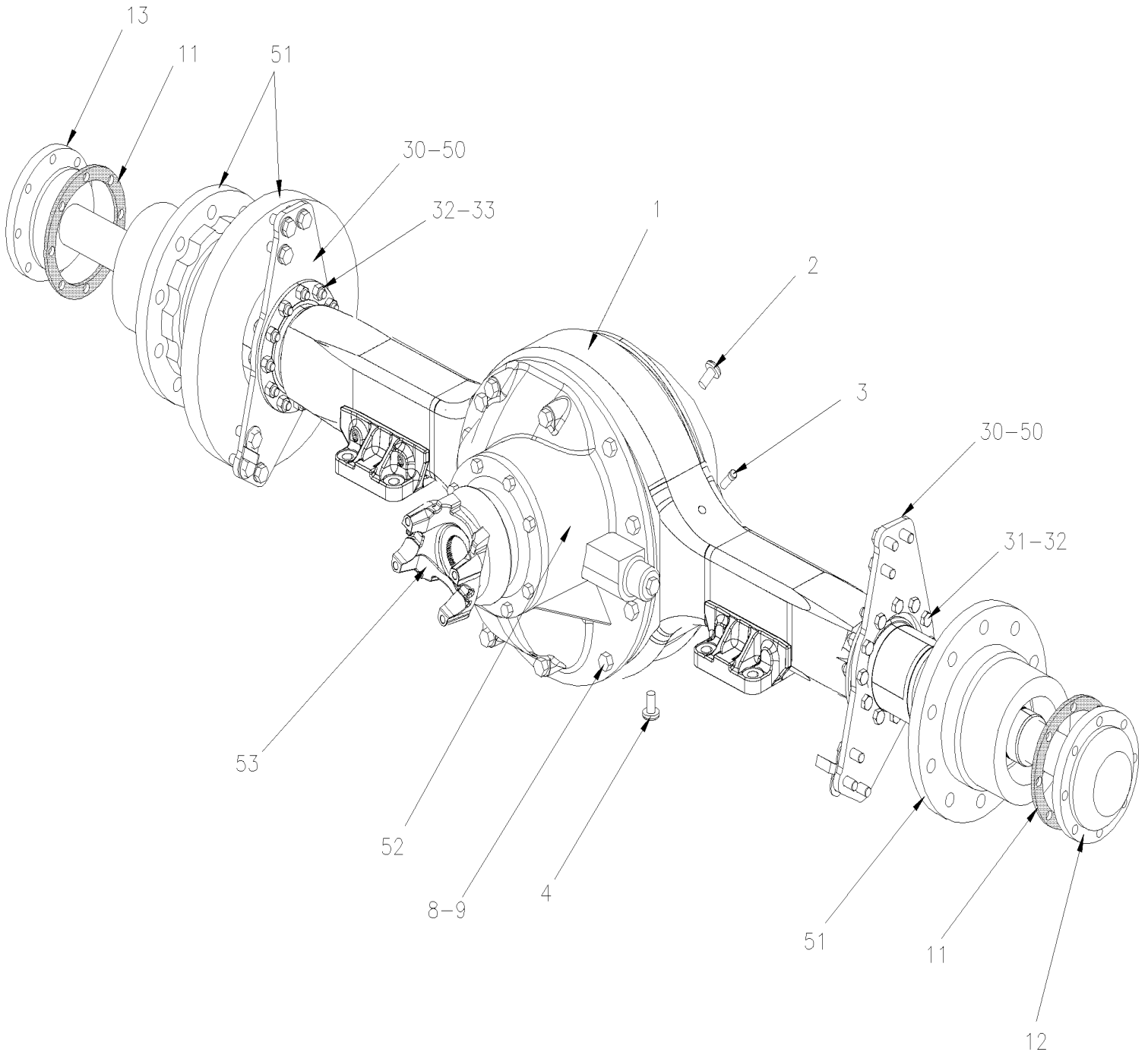
Item#	Part	Description	H 3 4 1	H 3 4 5	V I P 4 5	N O T E S
10	500742	NUT HEX STO 7/8-14 ZP	18	18	18	
11	121371	SUPPORT R.H. / BRAKE CHAMBER	1	1	1	
11	121372	SUPPORT L.H. / BRAKE CHAMBER	1	1	1	
12	620442	BREATHER / (CURRENT 1 PIECE)	1	1	1	
12	621871	BREATHER AND TUBE	1	1	1	S
50	H3-1235-01	BRAKE PARTS - DRIVE AXLE "MERITOR" W/DRUMS				
51	H3-1305-00	HUB & DRUM - DRIVE AXLE				
		S) PRODUCT IMPROVEMENT				

From V-1725 To 2-4416

Date:10/2022

PAGE:H3-1105-02

REAR AXLE - MODEL RC23160 & DISC BRAKE W/61143



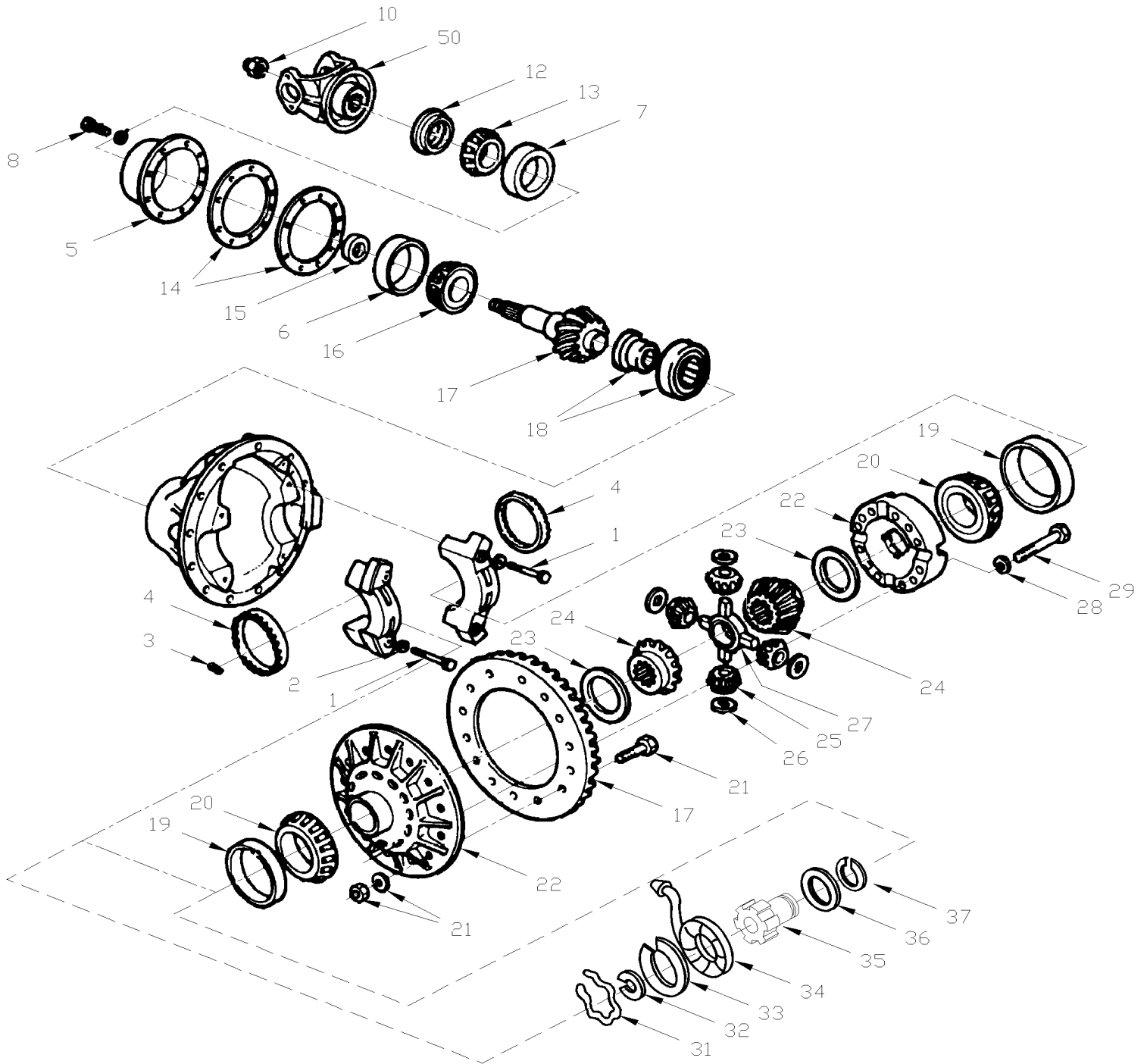
From V-1725 To 2-4416	Date:10/2022	PAGE:H3-1105-02
REAR AXLE - MODEL RC23160 & DISC BRAKE W/61143		

Item#	Part	Description	H 3 4 1	H 3 4 5	V I P 4 5	N O T E S
	 AXLE ASSY WITHOUT WHEELS STUD				
	621611	REAR AXLE ASSY / 3.07 RATIO To W-2284	1	1		
	621610	REAR AXLE ASSY / 3.07 RATIO To X-2869	1	1		A
	621660	REAR AXLE ASSY / 3.07 RATIO From X-2870	1	1		B
	621674	REAR AXLE ASSY / 3.07 RATIO From X-2870	1	1		C
	621607	REAR AXLE ASSY / 3.21 RATIO To W-2284	1	1		
	621606	REAR AXLE ASSY / 3.21 RATIO To X-2869	1	1		A
	621661	REAR AXLE ASSY / 3.21 RATIO From X-2870	1	1		B
	621675	REAR AXLE ASSY / 3.21 RATIO From X-2870	1	1		C
	621648	REAR AXLE ASSY / 3.73 RATIO To X-2869	1	1		A
	621662	REAR AXLE ASSY / 3.73 RATIO From X-2870	1	1		B
	621676	REAR AXLE ASSY / 3.73 RATIO From X-2870	1	1		C
	621685	REAR AXLE ASSY / 4.10 RATIO	1	1		C
	621605	REAR AXLE ASSY / 4.30 RATIO To W-2284	1	1		
	621604	REAR AXLE ASSY / 4.30 RATIO To X-2869	1	1		A
	621663	REAR AXLE ASSY / 4.30 RATIO From X-2870	1	1		B
	621677	REAR AXLE ASSY / 4.30 RATIO From X-2870	1	1		C
	621593	REAR AXLE ASSY / 4.56 RATIO To W-2284	1	1	1	
	621597	REAR AXLE ASSY / 4.56 RATIO To X-2869	1	1	1	A
	621664	REAR AXLE ASSY / 4.56 RATIO From X-2870	1	1	1	B
	621678	REAR AXLE ASSY / 4.56 RATIO From X-2870	1	1	1	C
	621601	REAR AXLE ASSY / 4.88 RATIO To W-2284	1	1	1	
	621600	REAR AXLE ASSY / 4.88 RATIO To X-2869	1	1	1	A
	621665	REAR AXLE ASSY / 4.88 RATIO From X-2870	1	1	1	B
	621679	REAR AXLE ASSY / 4.88 RATIO From X-2870	1	1	1	C
1	621614	HOUSING ASSY W/BRACKET WELDED	1	1	1	
NS	680053	. SILICONE TUBE RTV103 / BLACK / 3 oz	2	2	2	
2	620317	. PLUG FILLER	1	1	1	
3	620442	. BREATHER / (CURRENT 1 PIECE)	2	2	2	
3	621871	. BREATHER AND TUBE	1	1	1	S
4	621615	. PLUG MAGNETIC	1	1	1	
8	5001422	. SCREW CAP HEX 5/8-11x2 1/2 G8 ZP	12	12	12	
8	5001423	. SCREW CAP HEX 5/8-11x4 G8 ZP	4	4	4	
8	621221	. SCREW CAP HEX 5/8-11x1 3/4 G8 ZP	AR	AR	AR	
9	620474	. WASHER HARDENED / 5/8" I.D.	18	18	18	
10	500742	. NUT HEX STO 7/8-14 ZP	18	18	18	
11	620351	. GASKET / AXLE SHAFT W/8 STUDS	2	2	2	
12	621626	. SHAFT, AXLE / 42" (stp 1537) (INSTALL RH CURBSIDE)	1	1	1	
13	621625	. SHAFT, AXLE / 40 1/8" (stp 1536) (INSTALL LH STREET SIDE)	1	1	1	

From V-1725 To 2-4416	Date:10/2022	PAGE:H3-1105-02
REAR AXLE - MODEL RC23160 & DISC BRAKE W/61143		

Item#	Part	Description	H 3 4 1	H 3 4 5	V I P 4 5	N O T E S
30	621669	CALIPER MOUNTING BRACKET L.H. & R.H.	2	2	2	
. NS	621709	. CALIPER MOUNTING BRACKET L.H. & R.H. W/OUT BUSHING	1	1	1	
. NS	621684	. BUSHING ABS SENSOR MOUNTING DRIVE AXLE	1	1	1	
31	621636	SCREW CAP HEX / TO FIX BRACKET TO AXLE 9/16-18 X 2 GR 8	12	12	12	
32	621365	WASHER (HARD) .59IDX.97ODX.09	24	24	24	
33	621638	NUT HEX 9/16-18 GR8	12	12	12	
50	H3-1235-02	BRAKE PARTS - DRIVE AXLE "MERITOR" W/DISCS / SB7 SERIES				
50	H3-1225-99	BRAKE PARTS "KNORR-BREMSE" SN7 SERIES / SERVICE				
51	H3-1305-01	HUB & ROTOR - DRIVE AXLE				
52	H3-1110-02	CARRIER ASSY - MODEL #61143				
53	H3-0905-01	PROPELLER SHAFT				
		A) W/ABS IN CARRIER				
		B) W/ABS ON DRIVE WHEEL END / PLAIN DISC				
		C) W/ABS ON DRIVE WHEEL END / VENTED DISC				
		S) PRODUCT IMPROVEMENT				

From R-012 To 2-4416	Date:10/2022	PAGE:H3-1110-02
CARRIER ASSY - MODEL #61143		



From R-012 To 2-4416	Date:10/2022	PAGE:H3-1110-02
CARRIER ASSY - MODEL #61143		

Item#	Part	Description	H 3 4 1	H 3 4 5	V I P 4 5	N O T E S
	621578	CARRIER ASSY / 2.93 RATIO	1	1		
	621573	CARRIER ASSY / 3.07 RATIO W/ABS SENSOR INSIDE	1	1		B
	621549	CARRIER ASSY / 3.07 RATIO	1	1		
	621574	CARRIER ASSY / 3.21 RATIO W/ABS SENSOR INSIDE	1	1		B
	621550	CARRIER ASSY / 3.21 RATIO	1	1		
	621551	CARRIER ASSY / 3.42 RATIO	1	1		
	621548	CARRIER ASSY / 3.73 RATIO	1	1		
	621552	CARRIER ASSY / 4.10 RATIO	1	1		
	621575	CARRIER ASSY / 4.30 RATIO W/ABS SENSOR INSIDE	1	1	1	B
	621555	CARRIER ASSY / 4.30 RATIO	1	1	1	
	621553	CARRIER ASSY / 4.56 RATIO	1	1		
	621576	CARRIER ASSY / 4.56 RATIO W/ABS SENSOR INSIDE	1	1	1	B
	621554	CARRIER ASSY / 4.89 RATIO	1	1		
	621577	CARRIER ASSY / 4.89 RATIO W/ABS SENSOR INSIDE	1	1	1	B
	N.S.P.	. CASE CARRIER	1	1	1	2
1	621418	. SCREW, CAP	4	4	4	
2	621417	. WASHER	4	4	4	
3	505128	. SPRING, PIN 1/4 X 2	2	2	2	
4	621479	. RING, ADJUSTING / W/MODEL 3200-P-1706	2	2	2	
4	621586	. RING, ADJUSTING / W/MODEL 3200-J-1856	2	2	2	B
5	621419	. CASE & CUP ASSY / PINION BEARING	1	1	1	
6	621420	. . CUP BEARING / INNER BEARING	1	1	1	
7	621421	. . CUP BEARING / OUTER BEARING	1	1	1	
8	621439	. SCREW, CAP	8	8	8	
10	621418	. SCREW, CAP	4	4	4	
10	621445	. NUT / DRIVE PINION	1	1	1	
12	621424	. SEAL, OIL	1	1	1	
NS	195671	SEAL INSTALLER TOOL / CARRIER DRIVE PINION (2731T1)	1	1	1	I
13	621423	. CONE BEARING / OUTER	1	1	1	
14	621438	. SHIM 0.020	AR	AR	AR	
14	621437	. SHIM 0.008	AR	AR	AR	
14	621436	. SHIM 0.005	AR	AR	AR	
14	621435	. SHIM 0.003	AR	AR	AR	
15	621434	. SPACER .263	AR	AR	AR	
15	621433	. SPACER .262	AR	AR	AR	
15	621432	. SPACER .261	AR	AR	AR	
15	621431	. SPACER .260	AR	AR	AR	
15	621430	. SPACER .256	AR	AR	AR	
15	621429	. SPACER .254	AR	AR	AR	
15	621428	. SPACER .253	AR	AR	AR	
15	621427	. SPACER .252	AR	AR	AR	
15	621426	. SPACER .251	AR	AR	AR	

From R-012 To 2-4416	Date:10/2022	PAGE:H3-1110-02
CARRIER ASSY - MODEL #61143		

Item#	Part	Description	H 3 4 1	H 3 4 5	V I P 4 5	N O T E S
15	621425	. SPACER .250	AR	AR	AR	
16	621422	. CONE BEARING / INNER	1	1	1	
		FOLLOWING 8 SET, GEAR DRIVE & PINION ARE				
		USED ONLY WITH CARRIER MODEL 3200-P-1706				
		AND 3200-J-1856				
17	621585	. SET, GEAR DRIVE & PINION / 2.93 RATIO	1	1		
17	621485	. SET, GEAR DRIVE & PINION / 3.07 RATIO	1	1		
17	621474	. SET, GEAR DRIVE & PINION / 3.21 RATIO	1	1		
17	621484	. SET, GEAR DRIVE & PINION / 3.73 RATIO	1	1		
17	621472	. SET, GEAR DRIVE & PINION / 3.42 RATIO	1	1		
17	621487	. SET, GEAR DRIVE & PINION / 4.10 RATIO	1	1		
17	621646	. SET, GEAR DRIVE & PINION / 4.30 RATIO	1	1		
17	621538	. SET, GEAR DRIVE & PINION / 4.56 RATIO	1	1	1	
17	621541	. SET, GEAR DRIVE & PINION / 4.89 RATIO	1	1	1	
18	621481	. BEARING SPIGOT / INNER & OUTER / W/3200-P-1706	1	1	1	
NS	621482	. RING, SNAP / TO FIX SPIGOT BEARING	1	1	1	
19	621210	. CUP BEARING	2	2	2	A
20	621209	. CONE BEARING	2	2	2	A
21	621444	. BOLT, NUT & WASHER / (KIT OF 12)	1	1	1	
		FOR THE FOLLOWING 3 CASES ASSY,				
		DO NOT INCLUDE ITEMS #23 TO 27				
		FOR CARRIER MODEL 3200-P-1706				
		WITH ABS SENSOR MOUNTED ON HUB WHEEL.				
22	621480	. CASE ASSY W/RATIO 3.07, 3.21, 3.42& 3.73	1	1		
22	621488	. CASE ASSY / W/RATIO 3.91, 4.10, 4.30 & 4.56	1	1		
22	621539	. CASE ASSY / W/RATIO 4.89	1	1	1	
		FOR THE FOLLOWING 3 CASES ASSY,				
		INCLUDED ITEMS #23 TO 29				
		FOR CARRIER MODEL 3200-J-1856				
		WITH ABS SENSOR INSIDE				
22	621580	CASE ASSY / W/RATIO 3.07 & 3.21	1	1		
22	621581	CASE ASSY / W/RATIO 4.30 & 4.56	1	1	1	
22	621579	CASE ASSY / W/RATIO 4.89	1	1	1	
23	621449	. WASHER, THRUST / SIDE GEAR	2	2	2	
24	621450	. GEAR, SIDE	4	4	4	
25	621452	. GEAR, PINION	4	4	4	

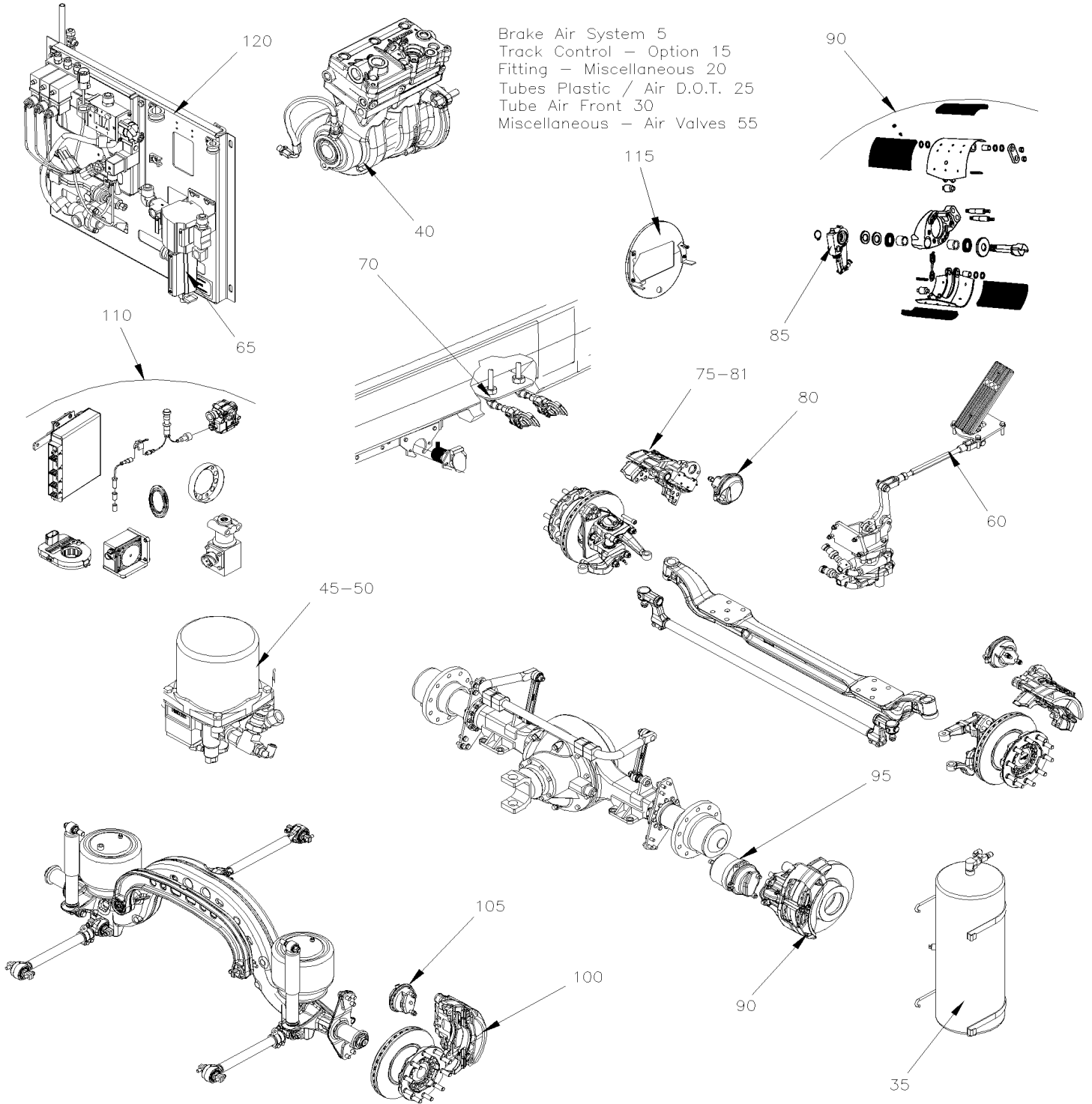
From R-012 To 2-4416	Date:10/2022	PAGE:H3-1110-02
CARRIER ASSY - MODEL #61143		

Item#	Part	Description	H 3 4 1	H 3 4 5	V I P 4 5	N O T E S
26	621453	. WASHER, GEAR PINION	4	4	4	
27	621451	. SPIDER	1	1	1	
28	621447	. WASHER	12	12	12	
29	621448	. SCREW, CAP	12	12	12	
		FOLLOWING 8 ITEMS ARE RELATED WITH CARRIER ASSY MODEL 3200-J-1856 WITH ABS SENSOR INSIDE ONLY				
31	621584	. SPRING	1	1	1	F
32	621583	. RING RETAINER / EXT / CONNECTOR RETAINER	1	1	1	F
33	621582	. SNAP RING	1	1	1	F
34	641341	. SENSOR ABS (IN CARRIER)	2	2	2	F
. NS	562535	. . CONNECTOR / DT SERIES / PH 2C / GRAY / DEUTSCH DT04-2P-LE02	1	1	1	F
. NS	562487	. . SECONDARY LOCK / DT SERIES / PH 2C / DEUTSCH W2P	1	1	1	F
. NS	562286	. . PIN TERMINAL / 18-16 / DEUTSCH 0460-202-16141	2	2	2	F
NS	621583	. RING RETAINER / EXT / CONNECTOR RETAINER	1	1	1	F
35	621588	. DRIVE TUBE	2	2	2	F
36	621589	. DRIVE TUBE WASHER	2	2	2	F
37	621590	. SNAP RING DRIVE TUBE	2	2	2	F
NS	621653	KIT, CUP & CONE	1	1	1	A
50	621403	YOKE (1810) FULL ROUND (46 SPL)	1	1	1	
. NS	621501	. DEFLECTOR, OIL	1	1	1	
. NS	621492	. SPEEDY SLEEVE 3.250" I.D. / TO REPAIR OIL LEAK ON YOKE	1	1	1	
50	621501	. DEFLECTOR, OIL	1	1	1	
NS	621492	. SPEEDY SLEEVE 3.250" I.D. / TO REPAIR OIL LEAK ON YOKE	1	1	1	G
		CARRIER ASSY MODEL 3200-P-1706 ARE USED WITH AXLE 61143 WX 41, 45, 46, 48, 58, 79, 80, 84, 90,127, 128, 129,144, 145, 147, 148 & RC 23160 NFCF 85, RC 23165-NFCF 107				
		CARRIER ASSY MODEL 3200-J-1856 ARE USED WITH AXLE 61143 WX 143, 154 & RC 23160 NFCF 83				
		A) ALSO SOLD IN KIT #621653 KIT BEARING #403 B) W/ABS SENSOR INSIDE F) THIS PART IS RELATED WITH CARRIER MODEL 3200-J-1856 W/ABS SENSOR INSIDE				

From R-012 To 2-4416		Date:10/2022	PAGE:H3-1110-02
CARRIER ASSY - MODEL #61143			

Item#	Part	Description	H 3 4 1	H 3 4 5	V I P 4 5	N O T E S
		G) TO REPAIR OIL LEAK ON YOKE				
		I) THIS TOOL INSTALLER ARE USE WITH NEW SEAL STAMPED A1205A2731				
		2) NOT SOLD BY PREVOST (SEE MANUFACTURING PART NUMBER AT END OF DESCRIPTION LINE)				

	Date:10/2022	H3-12
BRAKE		



		Date:10/2022	H3-12			
BRAKE						
Item#	Part	Description	H 3 4 1	H 3 4 5	V I P 4 5	N O T E S
5	H3-1200-01	BRAKE AIR SYSTEM From R-012 To 2-4416				
15	H3-1200-10	TRACK CONTROL - OPTION From W-2390 To 2-4416				
20	H3-1201-00	FITTING - MISCELLANEOUS From R-012 To 2-4416				
25	H3-1202-00	TUBES PLASTIC / AIR D.O.T. From R-012 To 2-4416				
30	H3-1202-05	TUBE AIR FRONT INSTALLATION From 2-4388 To 2-4416				
35	H3-1203-01	AIR TANK - INSTALLATION From R-012 To 2-4349				
35	H3-1203-02	AIR TANK - INSTALLATION From 2-4350 To 2-4416				
40	H3-1205-12	AIR COMPRESSOR - "TU-FLO 750" - WITH DETROIT S-60 From R-012 To 2-4416				
45	H3-1215-03	AIR DRYER - "ROCKWELL WABCO" From R-012 To V-2028				
45	H3-1215-04	AIR DRYER - "BENDIX" AD-9 From V-2029 To 2-4349				
45	H3-1215-05	AIR DRYER - "ROCKWELL WABCO" - TWIN From W-3321 To Y-3374				
45	H3-1215-06	AIR DRYER - "HALDEX" From 2-4350 To 2-4416				
50	H3-1215-11	AIR DRYER TUBE - INSTALLATION From 2-4329 To 2-4416				
55	H3-1220-00	MISCELLANEOUS - AIR VALVES From R-012 To 2-4416				
60	H3-1220-11	BRAKE PEDAL VALVE - "BENDIX" From R-012 To 2-4416				
65	H3-1220-15	AIR FILTER - ACCESSORIES From R-012 To S-274				
65	H3-1220-16	AIR FILTER - ACCESSORIES From S-275 To 2-4416				
70	H3-1220-50	TRAILER VALVE INSTALLATION From R-012 To 2-4416				
75	H3-1225-03	BRAKE PARTS - FRONT AXLE - W/"KNORR-BREMSE" / SB7 SERIES From R-020 To V-1689				
75	H3-1225-04	BRAKE PARTS - FRONT AXLE - W/"KNORR-BREMSE" / SB7 SERIES From V-1690 To 2-4416				
80	H3-1225-11	BRAKE CHAMBER - FRONT AXLE TYPE 24 From R-020 To T-1613				
80	H3-1225-12	BRAKE CHAMBER - FRONT AXLE TYPE 22 From T-1614 To 2-4416				
80	H3-1225-97	BRAKE PARTS "KNORR-BREMSE" SN7 SERIES W/NEW SLIDE PINS From R-020 To 2-4416				
80	H3-1225-99	BRAKE PARTS "KNORR-BREMSE" SN7 SERIES / SERVICE From R-020 To 2-4416				
85	H3-1230-00	SLACK ADJUSTER AUTOMATIC - "ROCKWELL" From R-012 To W-2284				
85	H3-1230-01	SLACK ADJUSTER AUTOMATIC - "HALDEX" From R-012 To W-2284				
90	H3-1235-01	BRAKE PARTS - DRIVE AXLE "MERITOR" W/DRUMS From R-012 To W-2284				
90	H3-1235-02	BRAKE PARTS - DRIVE AXLE "MERITOR" W/DISCS / SB7 SERIES From V-1725 To 2-4416				
95	H3-1235-10	BRAKE CHAMBER - DRIVE AXLE "ANCHOR LOCK" From R-012 To T-1611				
95	H3-1235-11	BRAKE CHAMBER - DRIVE AXLE "M.G.M." From T-1612 To W-2284				
95	H3-1235-12	BRAKE CHAMBER - DRIVE AXLE "KNORR-BREMSE" From V-1725 To 2-4416				
100	H3-1245-03	BRAKE PARTS - TAG AXLE - W/"KNORR-BREMSE" / SB7 SERIES From R-020 To V-1689				
100	H3-1245-04	BRAKE PARTS - TAG AXLE - W/"KNORR-BREMSE" / SB7 SERIES From V-1690 To 2-4416				
105	H3-1245-12	BRAKE CHAMBER - TAG AXLE "KNORR-BREMSE" From R-020 To 2-4416				
110	H3-1250-00	ANTI-LOCK BRAKING SYSTEM From R-012 To 2-4416				
115	H3-1255-00	DUST SHIELD - W/BRAKE DRUM From R-012 To W-2284				
120	H3-1260-00	VALVE SUPPORT ASSY From R-012 To 2-4416				

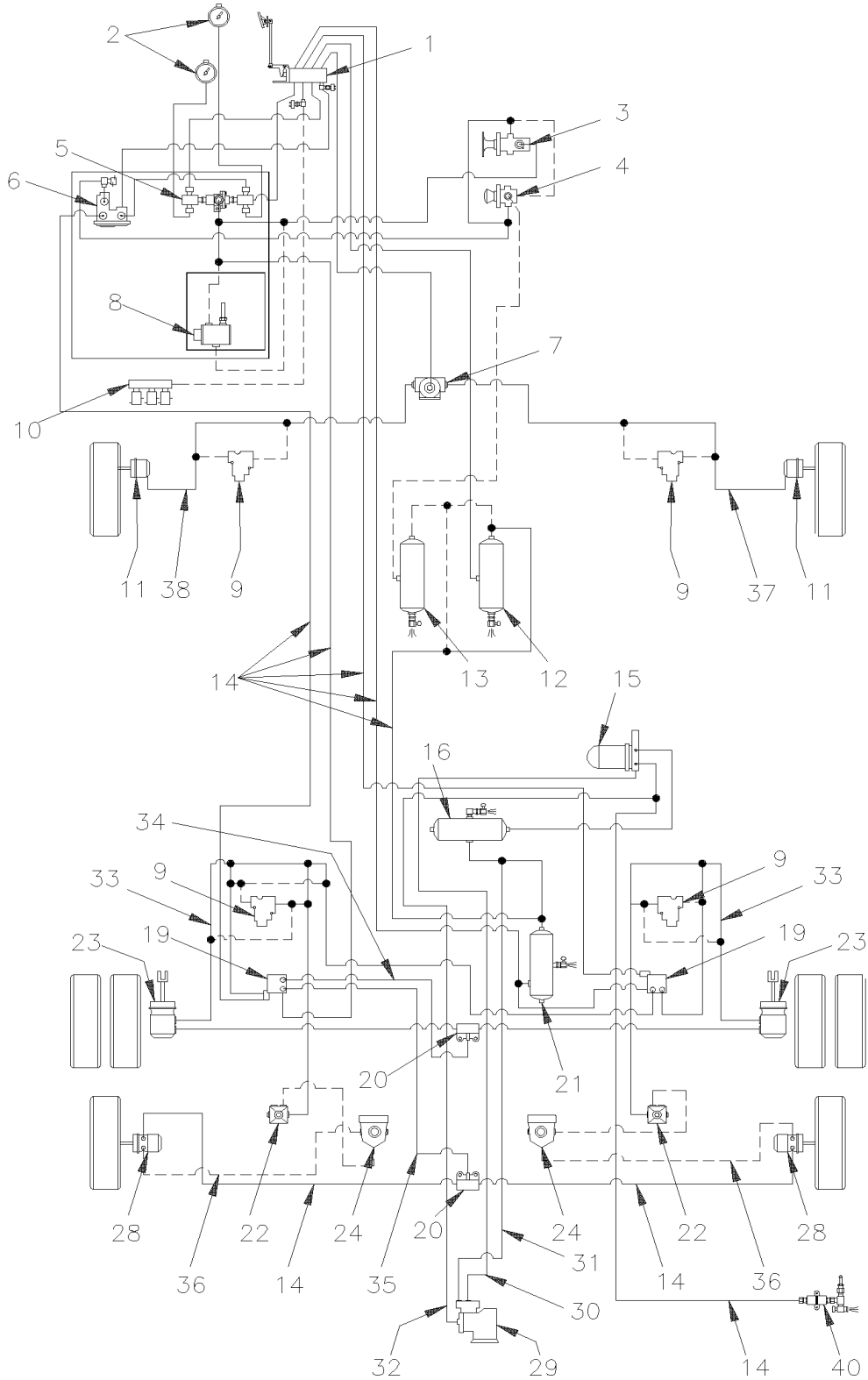
From R-012 To 2-4416

Date:10/2022

PAGE:H3-1200-01

BRAKE AIR SYSTEM

COACH



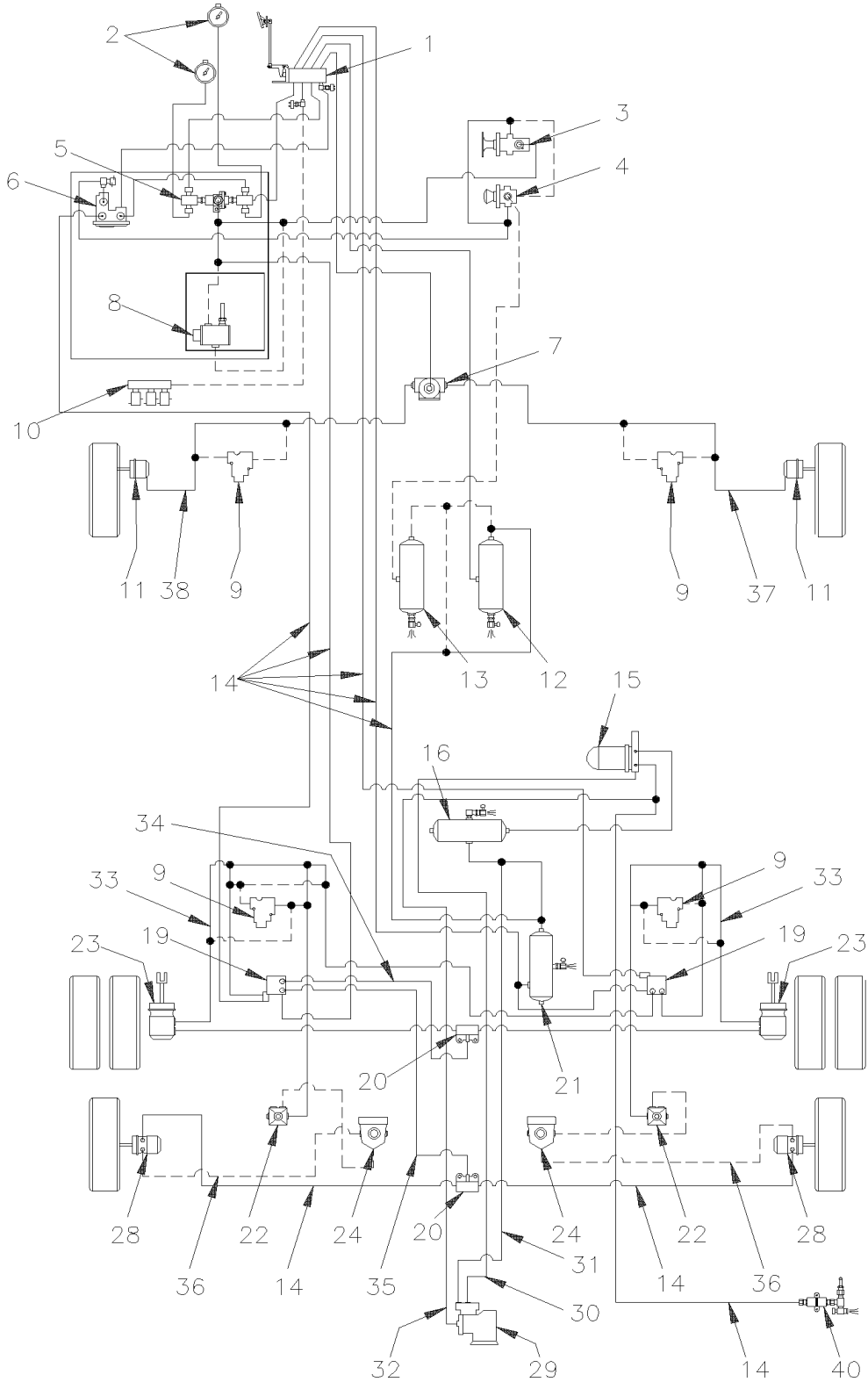
From R-012 To 2-4416

Date:10/2022

PAGE:H3-1200-01

BRAKE AIR SYSTEM

V.I.P.



From R-012 To 2-4416	Date:10/2022	PAGE:H3-1200-01
BRAKE AIR SYSTEM		

Item#	Part	Description	H 3 4 1	H 3 4 5	V I P 4 5	N O T E S
1	H3-1220-11	BRAKE PEDAL VALVE - "BENDIX"				
2	562215	GAUGE, AIR PRESSURE To W-2284	2	2	2	
2	H3-0645-22	CENTER DASHBOARD PANEL - BUS				
3	641128	VALVE, CONTROL VALVE PP-1 / 40PSI	1	1	1	
. NS	641154	. REPAIR KIT / PP-1 & RD-3	1	1	1	
4	640472	VALVE, CONTROL / RD-3	1	1	1	
. NS	641154	. REPAIR KIT / PP-1 & RD-3	1	1	1	
5	641015	VALVE, DOUBLE CHECK DC-4	1	1	1	
6	640870	VALVE / SPRING BRAKE SR-1	1	1	1	
. NS	640921	. REPAIR KIT / SR-1	1	1	1	
7	641429	VALVE, QUICK RELEASE QR-1 / 3/8NPTx3/8NPTx3/8NPT	1	1	1	
. NS	640924	. REPAIR KIT / QR-1	1	1	1	
8	630135	VALVE, 3 WAYS, 2 POSITIONS N.O. To X-3238	1	1		
. NS	641169	. SPOOL To X-3238	1	1		
. NS	641929	. COIL 24V To X-3238	1	1		
8	641528	VALVE, 3 WAYS, 2 POSITIONS N.O. From X-3239	1	1		
. NS	641929	. COIL 24V From X-3239	1	1		
. NS	641169	. SPOOL From X-3239	1	1		
. NS	641385	. CONNECTOR / SOCKET HOUSING ASSY 3C / PNEUMAC 54934-01 From X-3239	1	1		
9	641537	VALVE, "ABS" 24VOLT	4	4	4	
10	H3-0750-02	AUTOMATIC TRANSMISSION - "WORLD"				
10	H3-1260-00	VALVE SUPPORT ASSY				
11	H3-1225-11	BRAKE CHAMBER - FRONT AXLE TYPE 24 To T-1613				
11	H3-1225-12	BRAKE CHAMBER - FRONT AXLE TYPE 22 From T-1614				
12	140869	AIR TANK / 1791 IN° / 9 1/2" O.D. X 27"	1	1	1	A
13	140869	AIR TANK / 1791 IN° / 9 1/2" O.D. X 27"	1	1		B
14	H3-1202-00	TUBES PLASTIC / AIR D.O.T.				
15	H3-1215-03	AIR DRYER - "ROCKWELL WABCO" To V-2028				
15	H3-1215-04	AIR DRYER - "BENDIX" AD-9 From V-2029 To 2-4349				
15	H3-1215-06	AIR DRYER - "HALDEX" From 2-4350				
16	140869	AIR TANK / 1791 IN° / 9 1/2" O.D. X 27"	1	1	1	C
19	642067	VALVE, RELAY R-12 HORIZONTAL PORT To T-1522	1	1	1	
19	641120	VALVE, RELAY R-14 HORIZONTAL PORT From T-1523 To X-2499	1	1	1	
. NS	10508267	. KIT, REPAIR From T-1523 To X-2499	1	1	1	
19	642013	VALVE, RELAY R-12 DC From X-2500	1	1	1	
20	641136	ANCHOR TEE / PIPE FITTING / 3/8NPT-Fx3/8NPT-Fx3/8NPT-F ZP	2	2	2	
21	140869	AIR TANK / 1791 IN° / 9 1/2" O.D. X 27" To V-1955	1	1	1	E
21	641411	AIR TANK / 2370 IN° / 12" O.D. X 24" From V-1956	1	1	1	
22	642067	VALVE, RELAY R-12 HORIZONTAL PORT	3	3	3	
23	H3-1235-10	BRAKE CHAMBER - DRIVE AXLE "ANCHOR LOCK" To T-1611				
23	H3-1235-11	BRAKE CHAMBER - DRIVE AXLE "M.G.M." From T-1612 To W-2284				
23	H3-1235-12	BRAKE CHAMBER - DRIVE AXLE "KNORR-BREMSE" From V-1725				

From R-012 To 2-4416	Date:10/2022	PAGE:H3-1200-01
BRAKE AIR SYSTEM		

Item#	Part	Description	H 3 4 1	H 3 4 5	V I P 4 5	N O T E S
24	641286	VALVE, PRESSURE REDUCING To T-1522	2	2	2	
NS	142167	REPLACE KIT, OF PRESSURE REDUCTOR #641286 To T-1522	AR	AR	AR	
. NS	IS-01012	. SEE INSTRUCTION SHEET To T-1522	1	1	1	
28	H3-1245-12	BRAKE CHAMBER - TAG AXLE "KNORR-BREMSE"				
29	H3-1205-12	AIR COMPRESSOR - "TU-FLO 750" - WITH DETROIT S-60				
30	141640	HOSE ASSY TEFLON #4 4130MM To W-2303	1	1	1	G
30	141970	HOSE ASSY TEFLON #4 4090MM From W-2304	1	1	1	G
31	141709	HOSE ASSY TEFLON #4 4407MM To W-2303	1	1	1	F
31	141970	HOSE ASSY TEFLON #4 4090MM From W-2304	1	1	1	F
32	141589	HOSE ASSY TEFLON #12 4387MM To W-2303	1	1	1	H
32	141971	HOSE ASSY TEFLON #12 4085MM From W-2304 To 2-4349	1	1	1	H
32	142295	HOSE ASSY TEFLON #12 815MM From 3-4350	1	1	1	D
32	H3-1215-11	AIR DRYER TUBE - INSTALLATION				
33	641303	HOSE BRAKE #8 914MM (36") To W-2556	2	2	2	I
33	641477	HOSE BRAKE #8 813MM (32") From W-2557	2	2	2	
34	141804	HOSE BRAKE #8 895MM To Y-3795	1	1	1	
34	641901	HOSE BRAKE #8 952MM (37 1/2") From Y-3796	1	1	1	
35	141803	HOSE BRAKE #8 980MM To Y-3795	1	1	1	
35	641900	HOSE BRAKE #8 1040MM (41") From Y-3796	1	1	1	
36	141751	HOSE BRAKE #8 559MM (22")	2	2	2	
36	141812	HOSE BRAKE #8 1012MM (40") From T-1523 To Y-3795	2	2	2	K
36	142167	REPLACE KIT, OF PRESSURE REDUCTOR #641286 To T-1522	AR	AR	AR	
. NS	IS-01012	. SEE INSTRUCTION SHEET To T-1522	1	1	1	
37	141796	HOSE BRAKE #8 1012MM (40") To R-091	1	1	1	
37	141812	HOSE BRAKE #8 1012MM (40") From R-092 To Y-3795	1	1	1	L
37	641903	HOSE BRAKE #8 1090MM (43") From Y-3796	1	1	1	
38	141794	HOSE BRAKE #8 1113MM (44") To R-091	1	1	1	
38	141811	HOSE BRAKE #8 1113MM (44") From R-092 To Y-3795	1	1	1	
38	641904	HOSE BRAKE #8 1190MM (47") From Y-3796	1	1	1	
NS	641294	MALE CONNECTOR / JIC 37° FITTING / #8JIC-MxM16-1.5-M STL From R-092	2	2	2	
. NS	641297	. O-RING 13.1MM I.D. X 2.6 TH From R-092	1	1	1	
. NS	641298	. WASHER FL 17MM I.D x 22MM O.D. x 1.5MM From R-092	1	1	1	
40	640488	VALVE, AIR FILL 1/8" NPT	1	1	1	J
. NS	650164	. CAP VALVE / CHROME	1	1	1	J
40	684613	NIPPLE / QUICK DISCONNECT "INDUSTRIAL" / #4x1/4NPT-M STL	1	1	1	
		A) SECONDARY				
		B) PARKING BRAKE OVERRULE				
		C) WET				
		D) COMPRESSOR & AIR DRYER TUBE				

From R-012 To 2-4416	Date:10/2022	PAGE:H3-1200-01
----------------------	--------------	-----------------

BRAKE AIR SYSTEM

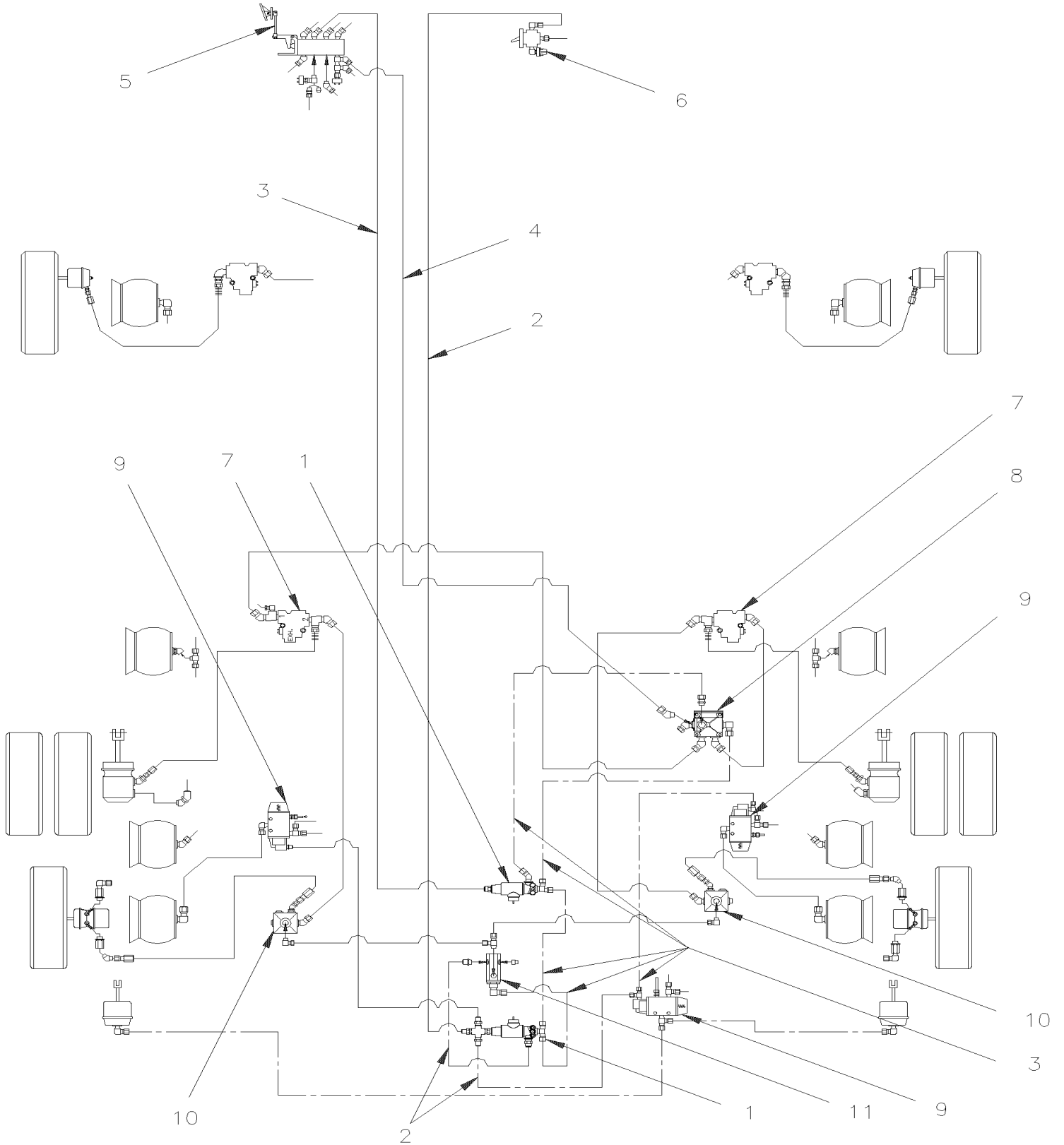
Item#	Part	Description	H 3 4 1	H 3 4 5	V I P 4 5	N O T E S
		E) PRIMARY				
		F) GOVERNOR & TANK				
		G) GOVERNOR & AIR DRYER				
		H) COMPRESSOR & AIR DRYER				
		I) DRIVE AXLE BRAKE CHAMBER				
		J) EXTERNAL AIR SUPPLY				
		K) TAG AXLE BRAKE CHAMBER TO RELAY VALVE				
		L) R.H. FRONT BRAKE CHAMBER				

From W-2390 To 2-4416

Date:10/2022

PAGE:H3-1200-10

TRACK CONTROL - OPTION



From W-2390 To 2-4416	Date:10/2022	PAGE:H3-1200-10
TRACK CONTROL - OPTION		

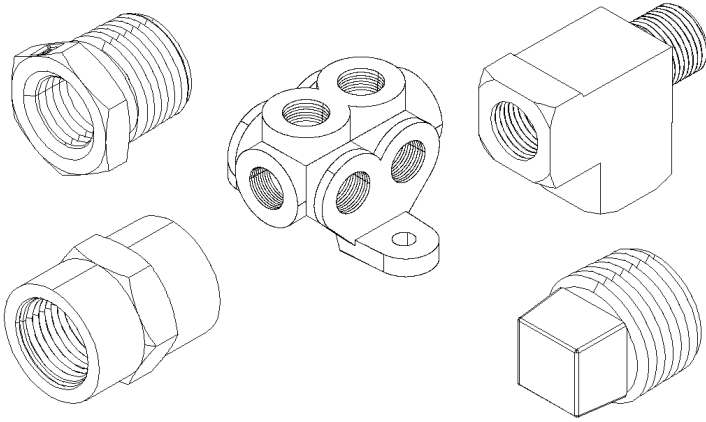
Item#	Part	Description	H 3 4 1	H 3 4 5	V I P 4 5	N O T E S
1	641460	VALVE, "ATC" 24VOLT	2	2	2	
2	503402	TUBE, NYLON 1/4 O.D. / BLACK S.L.	AR	AR	AR	
3	503463	TUBE, NYLON 3/8 O.D. / GREEN S.L.	AR	AR	AR	
4	503467	TUBE, NYLON 3/8 O.D. / RED S.L.	AR	AR	AR	
5	H3-1220-11	BRAKE PEDAL VALVE - "BENDIX"				
6	640136	VALVE, CONTROL TW-1	1	1	1	
. NS	641156	. REPAIR KIT / TW-1	1	1	1	
7	641537	VALVE, "ABS" 24VOLT	2	2	2	
8	642013	VALVE, RELAY R-12 DC	1	1	1	
9	641274	VALVE, 3 WAYS, 2 POSITIONS N.C.	3	3	3	
10	642067	VALVE, RELAY R-12 HORIZONTAL PORT	2	2	2	
11	640442	VALVE, INVERSION TR-2	1	1	1	
NS	172246	SUPPORT	2	2	2	A
NS	172270	SUPPORT	2	2	2	A
		A) TO FIX ITEM #1				

From R-012 To 2-4416

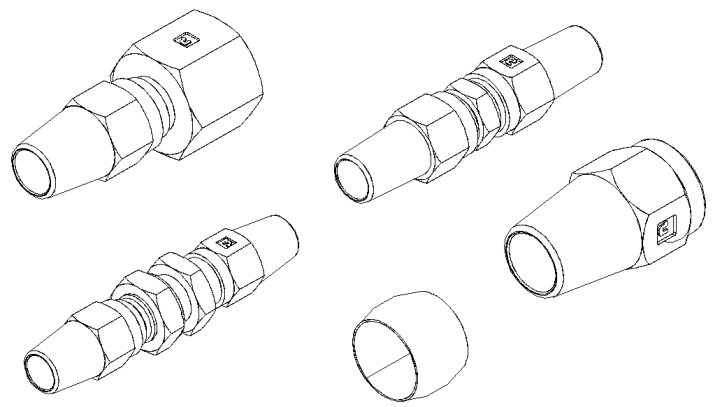
Date:10/2022

PAGE:H3-1201-00

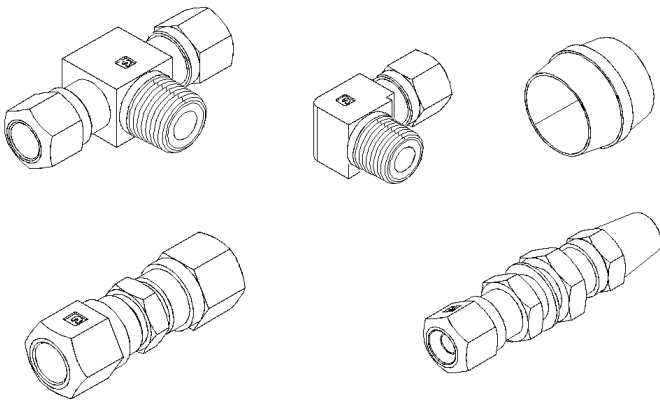
FITTING - MISCELLANEOUS



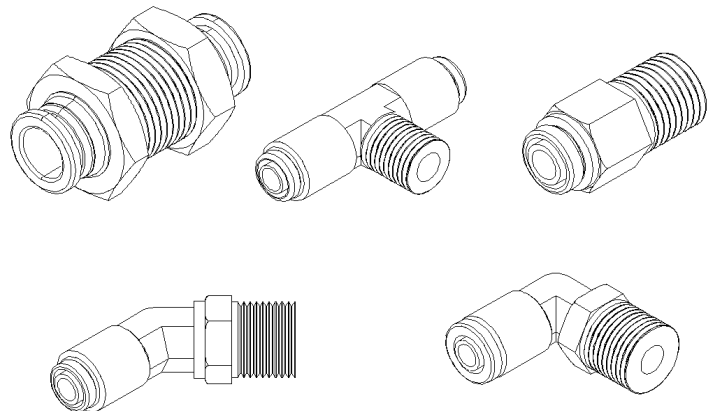
FITTING PIPE "NPT"
1



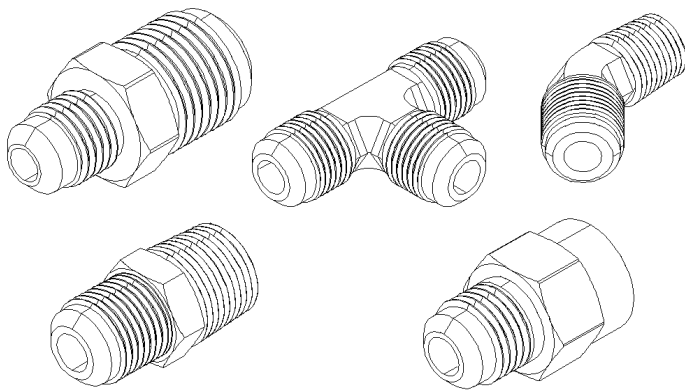
FITTING BRAKE "AB"
2



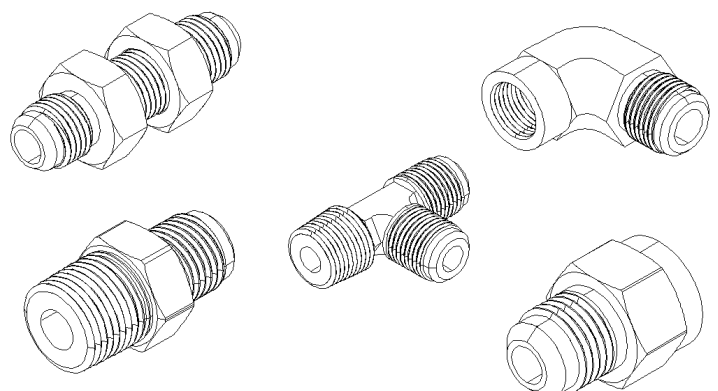
FITTING BRAKE "NTA"
3



FITTING BRAKE "PUSH-IN"
4



FITTING "SAE 45°"
5



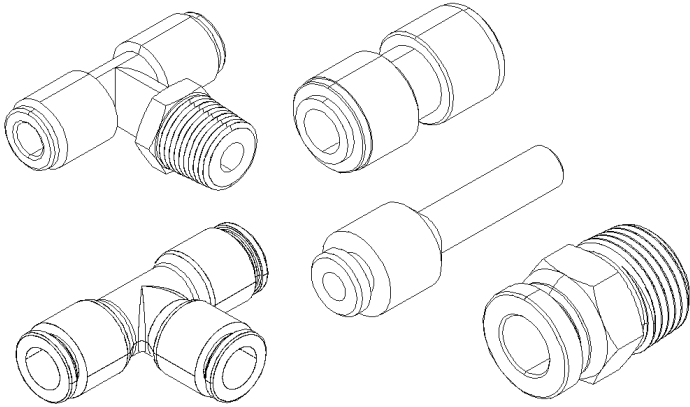
FITTING "JIC 37°"
6

From R-012 To 2-4416

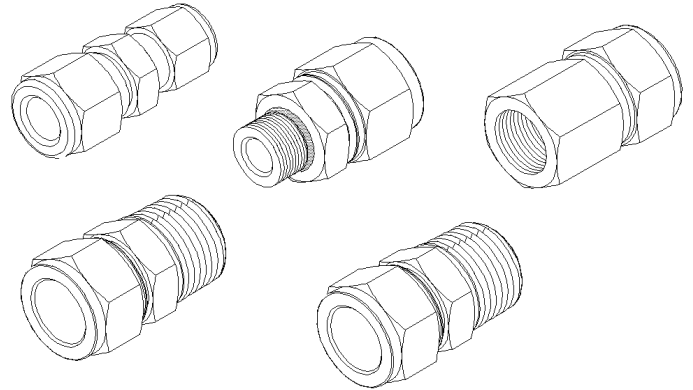
Date:10/2022

PAGE:H3-1201-00

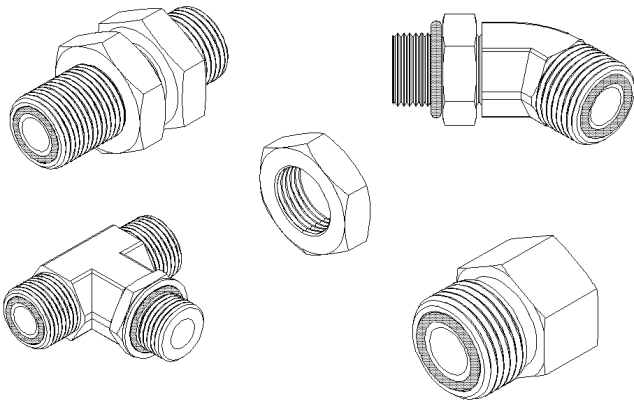
FITTING - MISCELLANEOUS



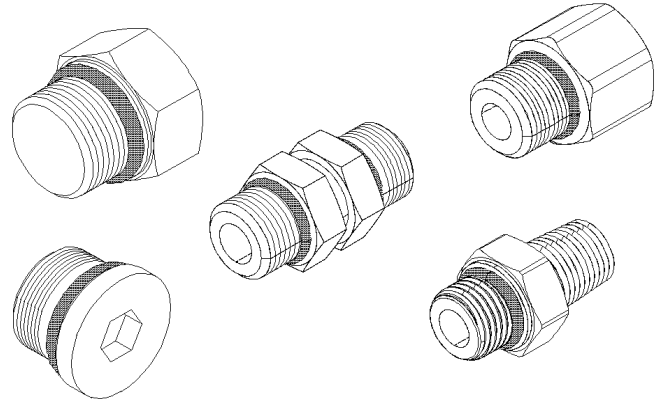
FITTING "PUSH-IN"
7



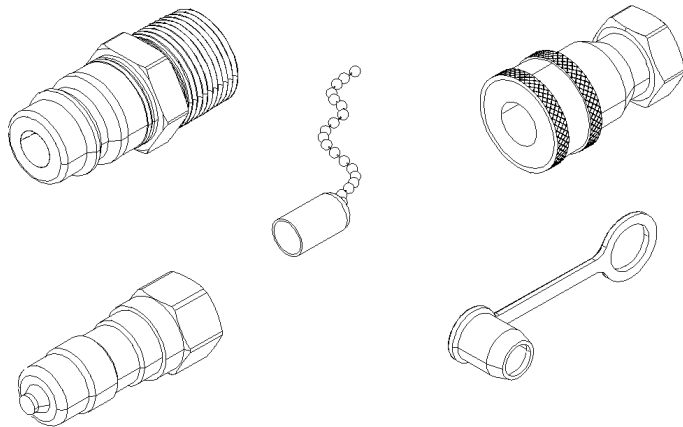
FITTING "A-LOK"
8



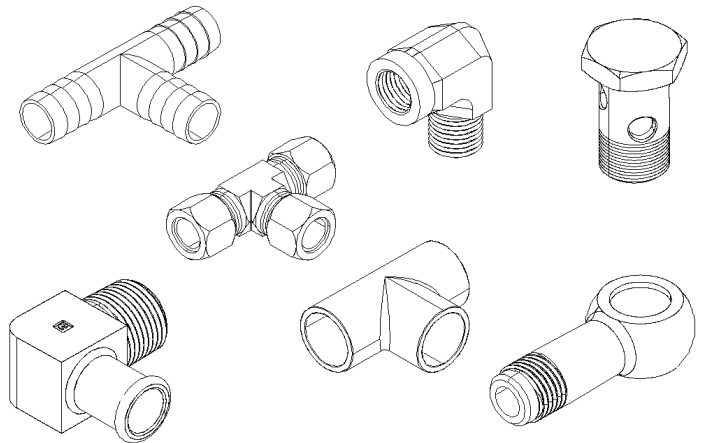
FITTING "ORS"
9



FITTING "ORB"
10



FITTING "QUICK DISCONNECT"
11



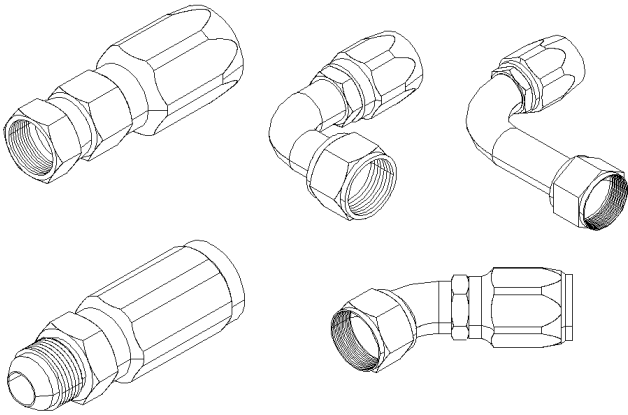
FITTING "MISCELANOUS"
12

From R-012 To 2-4416

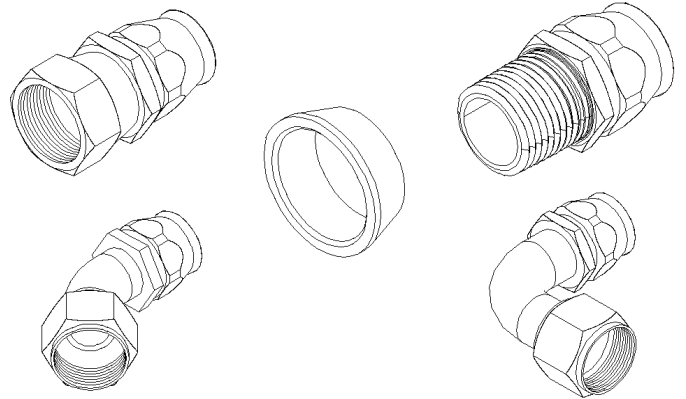
Date:10/2022

PAGE:H3-1201-00

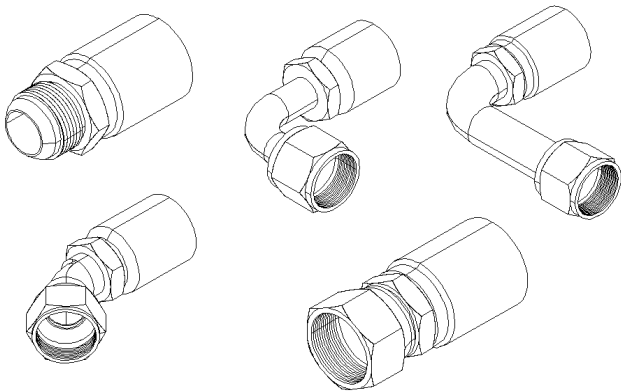
FITTING - MISCELLANEOUS



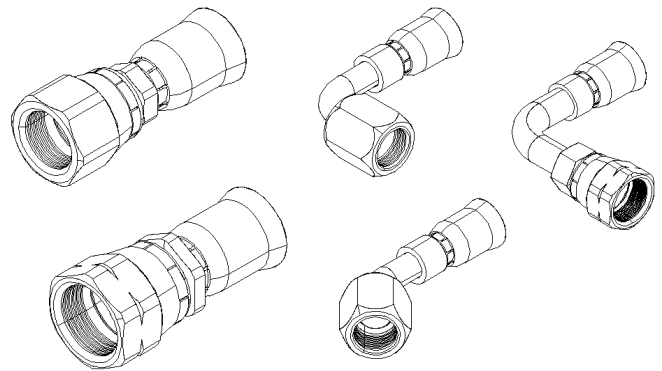
FITTING "HOSE END REUSABLE"
13



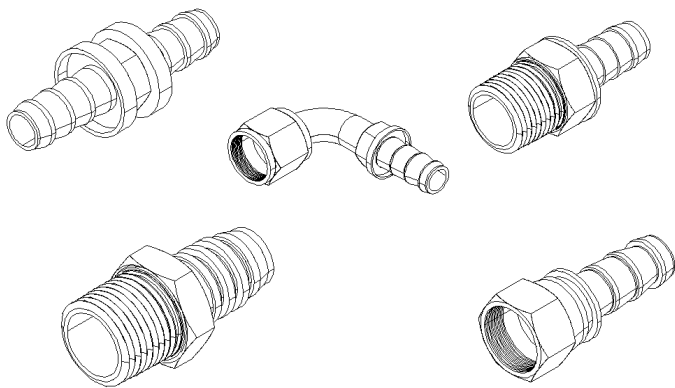
FITTING "HOSE END REUSABLE"
TEFLON
14



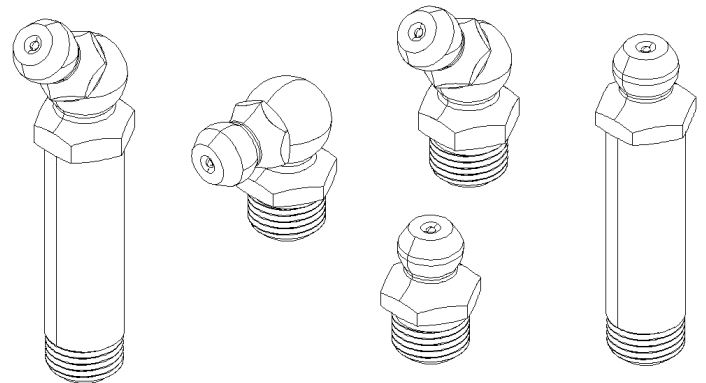
FITTING "HOSE END CRIMP"
15



FITTING "HOSE END CRIMP"
TEFLON
16



FITTING "HOSE END"
"PUSH-LOK & COLLAR"
17



FITTING "GREASE"
30

From R-012 To 2-4416	Date:10/2022	PAGE:H3-1201-00
FITTING - MISCELLANEOUS		

Item#	Part	Description	H 3 4 1	H 3 4 5	V I P 4 5	N O T E S
		... BRAKE				
1	FM-00FM-00	FITTING NPT PIPE - MISCELANOUS				
2	FM-00FM-01	FITTING BRAKE "AB" - MISCELANOUS (D.O.T.)				
3	FM-00FM-02	FITTING BRAKE "NTA" - MISCELANOUS (D.O.T.)				
4	FM-00FM-03	FITTING BRAKE "PUSH-IN" - MISCELANOUS (D.O.T.)				
		... SAE & JIC				
5	FM-00FM-04	FITTING "SAE 45°" - MISCELANOUS				
6	FM-00FM-05	FITTING "JIC 37°" - MISCELANOUS				
7	FM-00FM-06	FITTING "PUSH-IN" - MISCELANOUS				
8	FM-00FM-07	FITTING "A-LOK" - MISCELANOUS (SWAGLELOK)				
		... ORS & ORB				
9	FM-00FM-08	FITTING "ORS" - MISCELANOUS				
10	FM-00FM-09	FITTING "ORB" - MISCELANOUS				
		... QUICK DISCONNECT				
11	FM-00FM-10	FITTING "QUICK DISCONNECT" - MISCELANOUS				
12	FM-00FM-11	FITTING "MISCELANOUS"				
		... HOSE END FITTING				
13	FM-00FM-12	FITTING "HOSE END REUSABLE" - MISCELANOUS				
14	FM-00FM-13	FITTING "HOSE END REUSABLE TEFLON" - MISCELANOUS				
15	FM-00FM-14	FITTING "HOSE END CRIMP" - MISCELANOUS				
16	FM-00FM-15	FITTING "HOSE END CRIMP TEFLON" - MISCELANOUS				
17	FM-00FM-16	FITTING "HOSE END" - "PUSH-LOK & COLLAR"				
30	FM-00GF-00	GREASE FITTING				

From R-012 To 2-4416

Date:10/2022

PAGE:H3-1202-00

TUBES PLASTIC / AIR D.O.T.

ILLUSTRATION NOT
AVAILABLE AT TIME OF
PRINTING

From R-012 To 2-4416	Date:10/2022	PAGE:H3-1202-00
TUBES PLASTIC / AIR D.O.T.		

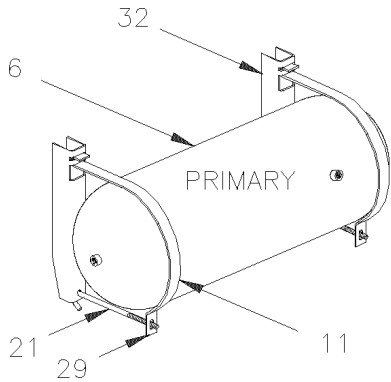
Item#	Part	Description	H 3 4 1	H 3 4 5	V I P 4 5	N O T E S
	503747	TUBE, NYLON 6MM O.D. / BLACK S.L.				
	503529	TUBE, NYLON 8MM O.D. / BLACK S.L.				
	503563	TUBE, NYLON 6MM O.D. / WHITE S.L.				
	503566	TUBE, NYLON 1/4 O.D. / BLUE S.L.				
	503471	TUBE, NYLON 3/8 O.D. / BLUE S.L.				
	503517	TUBE, NYLON 1/2 O.D. / BLUE S.L.				
	503536	TUBE, NYLON 1/8 O.D. / BLACK S.L.				
	503402	TUBE, NYLON 1/4 O.D. / BLACK S.L.				
	503404	TUBE, NYLON 3/8 O.D. / BLACK S.L.				
	503488	TUBE, NYLON 1/2 O.D. / BLACK S.L./				
	503540	TUBE, NYLON 5/8 O.D. / BLACK S.L.				
	503541	TUBE, NYLON 3/4" O.D. / BLACK S.L				
	503548	TUBE, NYLON 1/4 O.D. / YELLOW S.L.				
	503470	TUBE, NYLON 3/8 O.D. / YELLOW S.L.				
	503533	TUBE, NYLON 1/2 O.D. / YELLOW S.L.				
NS	19514092	. TUBE, NYLON 1/2 O.D. / YELLOW / 100FT ROLL				
	503466	TUBE, NYLON 1/4 O.D. / RED S.L.				
	503467	TUBE, NYLON 3/8 O.D. / RED S.L.				
	503468	TUBE, NYLON 1/2 O.D. / RED S.L.				
	503469	TUBE, NYLON 5/8 O.D. / RED S.L.				
	503464	TUBE, NYLON 1/4 O.D. / GREEN S.L.				
	503463	TUBE, NYLON 3/8 O.D. / GREEN S.L.				
	503406	TUBE, NYLON 1/2 O.D. / GREEN S.L.				
	503408	TUBE, NYLON 5/8 O.D. / GREEN S.L.				
	503465	TUBE, NYLON 3/4 O.D. / GREEN S.L.				
	503472	TUBE, NYLON 3/8 O.D. / GREY S.L.				
	503638	TUBE, NYLON 1/2 O.D. / BROWN S.L.				
NS	683355	TOOL PLASTIC TUBE CUTTER / PLASTIC	1	1	1	
NS	681625	TOOL PLASTIC TUBE CUTTER / METAL	1	1	1	

From R-012 To 2-4349

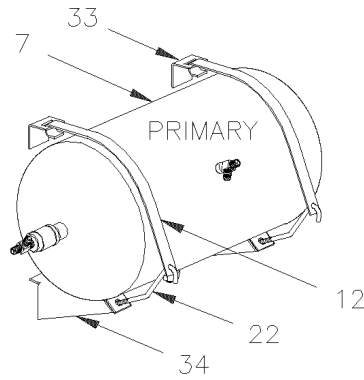
Date:10/2022

PAGE:H3-1203-01

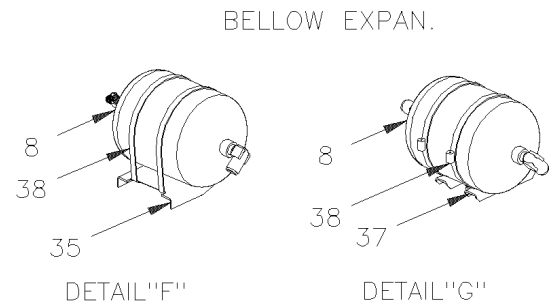
AIR TANK - INSTALLATION



UP TO V-1955

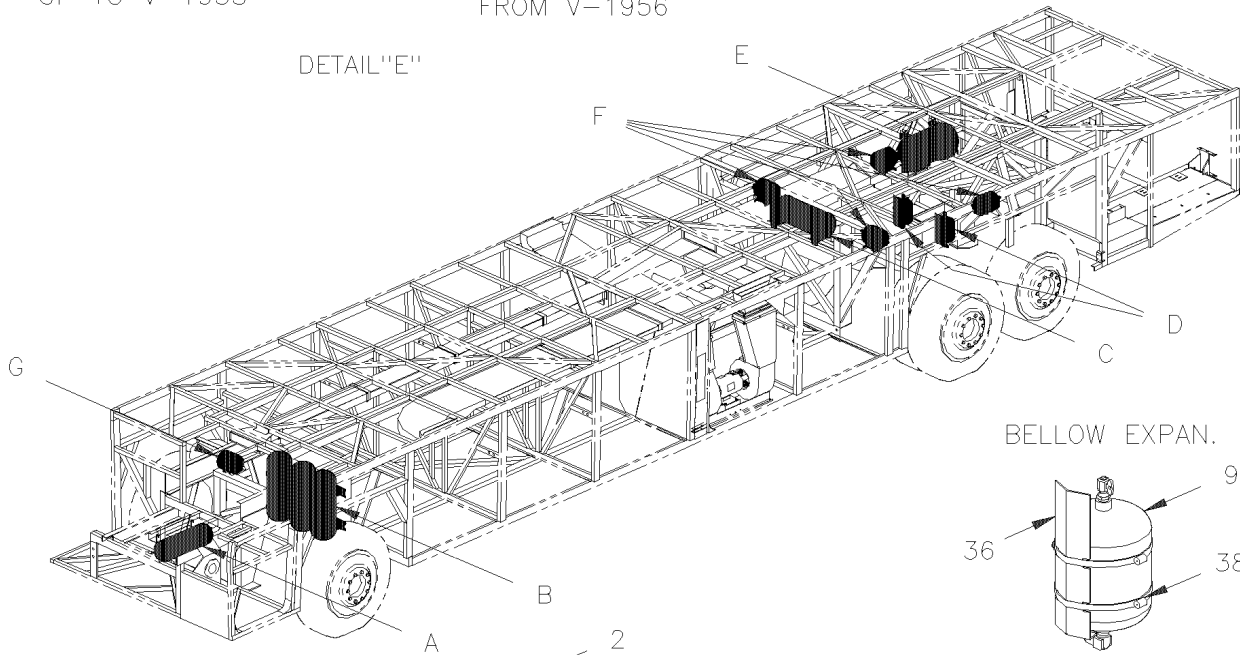


FROM V-1956

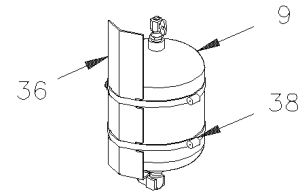


BELLOWS EXPAN.

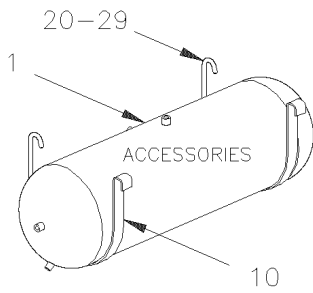
DETAIL "E"



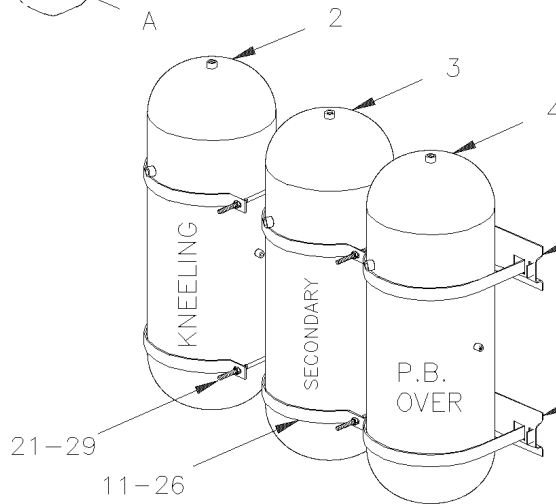
BELLOWS EXPAN.



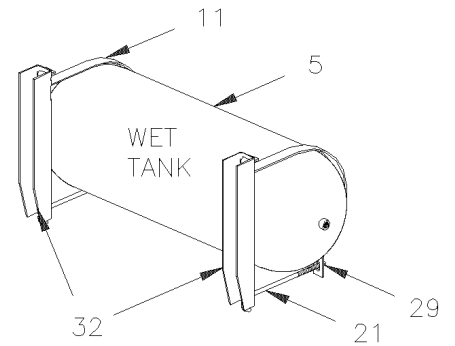
DETAIL "D"



DETAIL "A"



DETAIL "B"



DETAIL "C"

From R-012 To 2-4349	Date:10/2022	PAGE:H3-1203-01
AIR TANK - INSTALLATION		

Item#	Part	Description	H 3 4 1	H 3 4 5	V I P 4 5	N O T E S
		ACCESSORIES AIR TANK				
1	140868	AIR TANK / W/END LOWER DRAIN 1228 IN° / 8" O.D. X 26"	1	1	1	
NS	640439	VALVE, PRESSURE PROTECTION / PR-2 75PSI	1	1	1	
		KNEELING AIR TANK				
2	140869	AIR TANK / 1791 IN° / 9 1/2" O.D. X 27"	AR	AR		
		SECONDARY AIR TANK				
3	140869	AIR TANK / 1791 IN° / 9 1/2" O.D. X 27" To X-2487	1	1	1	
3	141834	AIR TANK / 1303 IN° / 8" O.D. X 27"1/2 From X-2488	1	1	1	
		PARKING "OVER RULE"				
4	140869	AIR TANK / 1791 IN° / 9 1/2" O.D. X 27"	1	1		
		WET TANK				
5	140869	AIR TANK / 1791 IN° / 9 1/2" O.D. X 27"	1	1	1	
		PRIMARY AIR TANK				
6	140869	AIR TANK / 1791 IN° / 9 1/2" O.D. X 27" To V-1955	1	1	1	A
7	641411	AIR TANK / 2370 IN° / 12" O.D. X 24" From V-1956	1	1	1	
		AIR BELLOW EXPANSION TANK				
8	131403	AIR TANK / 434 IN° / 7" O.D. X 13 1/4"			4	
9	641424	AIR TANK / 288 IN° / 7" O.D. X 9 1/4" / W/(3) 1/2" NPT			4	
10	141407	STRAP / TO USE W/8" O.D. TANK / "J" SHAPE	1	1	1	
11	141408	STRAP / TO USE W/9"1/2 O.D. TANK / "J" SHAPE	1	1	1	
12	141925	STRAP / TO USE W/12" O.D. TANK / "C" SHAPE From V-1956	1	1	1	
20	141405	J-HOOK / 168 MM / M8-1.25 SS To V-2028	1	1	1	
20	141815	J-HOOK / 194 MM / M8-1.25 SS From V-2029	1	1	1	
21	141409	J-HOOK / 220 MM / M8-1.25 SS	1	1	1	
22	141926	J-HOOK / W/153 BEND / 220 MM / M8-1.25 SS	1	1	1	
26	141835	ROD / TO USE W/8" O.D. TANK / "U" SHAPE From X-2458			2	
29	500868	NUT HEX NYRT M8-1.25 Z050	AR	AR	AR	
30	171170	SUPPORT UPPER / (WELDED TO FRAME)	1	1	1	
31	171171	SUPPORT LOWER / (WELDED TO FRAME)	1	1	1	
32	171669	BRACKET	2	2	2	
33	172100	SUPPORT UPPER (WELDED) From V-1956	2	2	2	
34	172098	SUPPORT LOWER From V-1956	2	2	2	
35	171974	SUPPORT / (WELDED TO FRAME)			2	
36	171973	SUPPORT AIR TANK			4	

From R-012 To 2-4349	Date:10/2022	PAGE:H3-1203-01
AIR TANK - INSTALLATION		

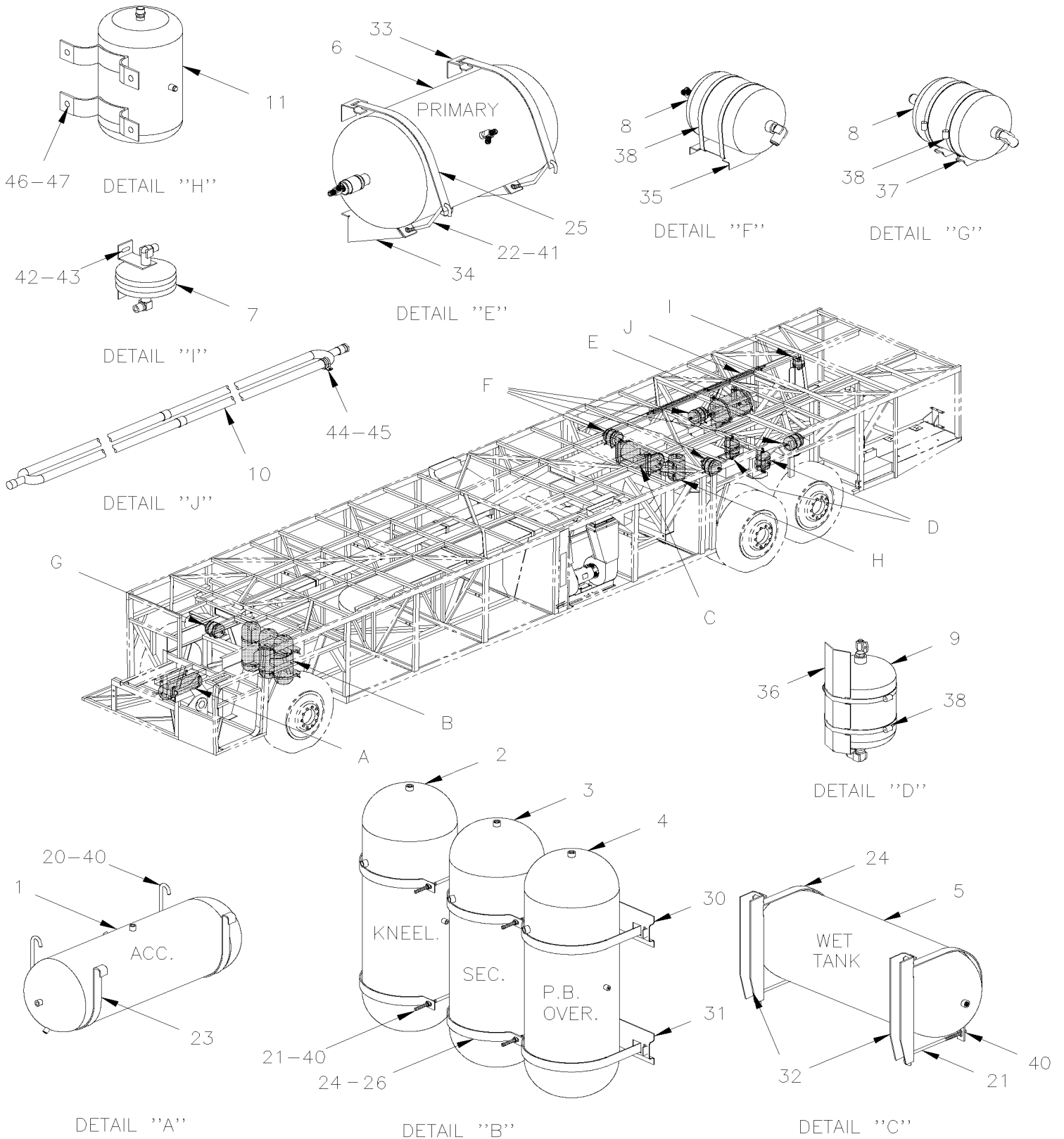
Item#	Part	Description	H 3 4 1	H 3 4 5	V I P 4 5	N O T E S
37	131378	SUPPORT / (WELDED TO FRAME)			2	
NS	171771	SUPPORT LOWER / (WELDED TO FRAME) / TO FIX TANK ACCESSORIES	1	1		
NS	171817	SUPPORT LOWER / (WELDED TO FRAME) / TO FIX			1	
38	504229	HOSE CLAMP / 6"1/2-8"1/2 SS / HS-100			AR	
38	504415	HOSE CLAMP / 7"1/4-9"1/4 SS / HS-152			AR	
		A) 5502				

From 2-4350 To 2-4416

Date:10/2022

PAGE:H3-1203-02

AIR TANK - INSTALLATION



From 2-4350 To 2-4416		Date:10/2022	PAGE:H3-1203-02
AIR TANK - INSTALLATION			

Item#	Part	Description	H 3 4 1	H 3 4 5	V I P 4 5	N O T E S
		ACCESSORIES AIR TANK				
1	140868	AIR TANK / W/END LOWER DRAIN 1228 IN° / 8" O.D. X 26"	1	1	1	
NS	640439	VALVE, PRESSURE PROTECTION / PR-2 75PSI	1	1	1	
		KNEELING AIR TANK				
2	140869	AIR TANK / 1791 IN° / 9 1/2" O.D. X 27"	AR	AR		
		SECONDARY AIR TANK				
3	140869	AIR TANK / 1791 IN° / 9 1/2" O.D. X 27"	1	1	1	
3	141834	AIR TANK / 1303 IN° / 8" O.D. X 27"1/2			1	
		PARKING "OVER RULE"				
4	140869	AIR TANK / 1791 IN° / 9 1/2" O.D. X 27"	1	1		
		WET TANK				
5	140869	AIR TANK / 1791 IN° / 9 1/2" O.D. X 27"	1	1	1	
		PRIMARY AIR TANK				
6	641411	AIR TANK / 2370 IN° / 12" O.D. X 24"	1	1	1	
		PING AIR TANK				
7	032428	AIR TANK / 61 IN° / 6" O.D. X 4"	1	1	1	
		AIR BELLOW EXPANSION TANK				
8	131403	AIR TANK / 434 IN° / 7" O.D. X 13 1/4"			4	
9	641424	AIR TANK / 288 IN° / 7" O.D. X 9 1/4" / W/(3) 1/2" NPT			4	
		AIR DRYER - TUBE				
10	Call order desk	AIR DRYER TUBE ASSY W/HOSE SEE DETAIL SERVICE To 3-4349	1	1	1	P
. NS	142504	. AIR DRYER TUBE ASSY To 3-4349	1	1	1	
. NS	142149	. HOSE ASSY / #12 1310MM To 3-4349	1	1	1	
10	Call order desk	AIR DRYER TUBE ASSY W/HOSE SEE DETAIL SERVICE From 3-4440	1	1	1	P
. A	142504	. AIR DRYER TUBE ASSY From 3-4440	1	1	1	
. B	142296	. HOSE ASSY / #12 410MM From 3-4440	1	1	1	
		PURGE TANK				
11	70307176	AIR TANK / 281 IN° / 6" O.D. X 12"	1	1	1	
NS	641043	DRAIN VALVE 1/4 NPT M	1	1	1	
20	141815	J-HOOK / 194 MM / M8-1.25 SS	1	1	1	
21	141409	J-HOOK / 220 MM / M8-1.25 SS	1	1	1	

From 2-4350 To 2-4416	Date:10/2022	PAGE:H3-1203-02
AIR TANK - INSTALLATION		

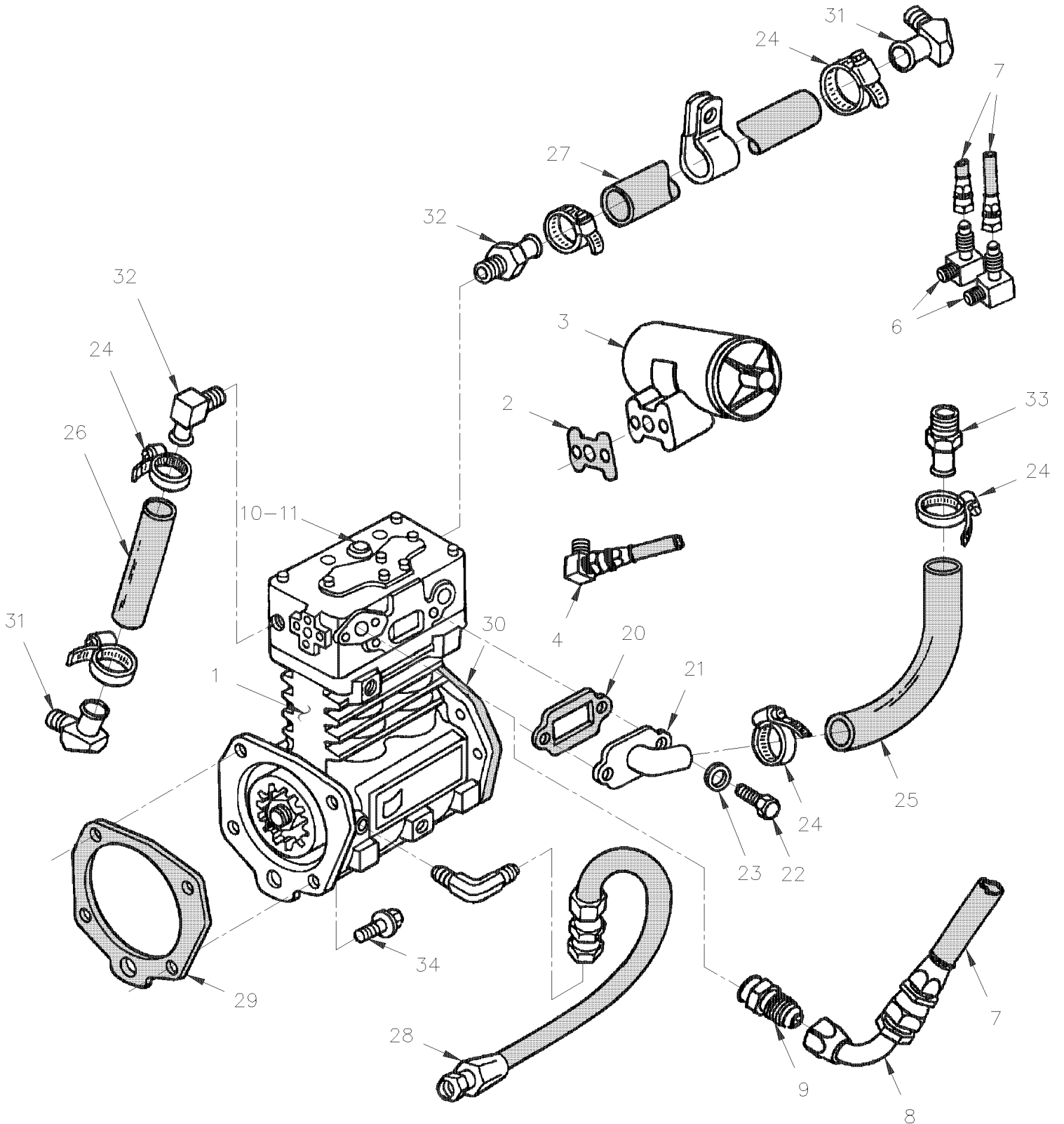
Item#	Part	Description	H 3 4 1	H 3 4 5	V I P 4 5	N O T E S
22	141926	J-HOOK / W/153 BEND / 220 MM / M8-1.25 SS	1	1	1	
23	141407	STRAP / TO USE W/8" O.D. TANK / "J" SHAPE	2	2	2	
24	141408	STRAP / TO USE W/9"1/2 O.D. TANK / "J" SHAPE	8	8		
24	141408	STRAP / TO USE W/9"1/2 O.D. TANK / "J" SHAPE			6	
25	141925	STRAP / TO USE W/12" O.D. TANK / "C" SHAPE	2	2	2	
26	141835	ROD / TO USE W/8" O.D. TANK / "U" SHAPE			2	
30	171170	SUPPORT UPPER / (WELDED TO FRAME)	1	1	1	
31	171171	SUPPORT LOWER / (WELDED TO FRAME)	1	1	1	
32	171669	BRACKET	2	2	2	
33	172100	SUPPORT UPPER (WELDED) From V-1956	2	2	2	
34	172098	SUPPORT LOWER From V-1956	2	2	2	
35	171974	SUPPORT / (WELDED TO FRAME)			2	
36	171973	SUPPORT AIR TANK			4	
37	131378	SUPPORT / (WELDED TO FRAME)			2	
NS	171771	SUPPORT LOWER / (WELDED TO FRAME) / TO FIX TANK ACCESSORIES	1	1		
NS	171817	SUPPORT LOWER / (WELDED TO FRAME) / TO FIX			1	
38	504229	HOSE CLAMP / 6"1/2-8"1/2 SS / HS-100			AR	
38	504415	HOSE CLAMP / 7"1/4-9"1/4 SS / HS-152			AR	
40	500868	NUT HEX NYRT M8-1.25 Z050	AR	AR	AR	
41	502692	NUT HEXF STO M8-1.25 Z050	AR	AR	AR	
42	502567	NUT HEX M10-1.5 SS	1	1	1	
43	502616	WASHER LO SPT 10.2x18.1x2.2 SS	1	1	1	
44	952633	CLAMP / 7/8" I.D.	2	2	2	
45	500879	SCREW TP PAN PH #10x1 Z050	2	2	2	
46	500778	NUT HEX 5/16-18 N500	4	4	4	
47	500476	WASHER LO SPT .317x.586x.078 Z050	4	4	4	
		P) CALL ORDER DESK FOR SPECIFIC APPLICATION (V.I.N.)				

From R-012 To 2-4416

Date:10/2022

PAGE:H3-1205-12

AIR COMPRESSOR - "TU-FLO 750" - WITH DETROIT S-60



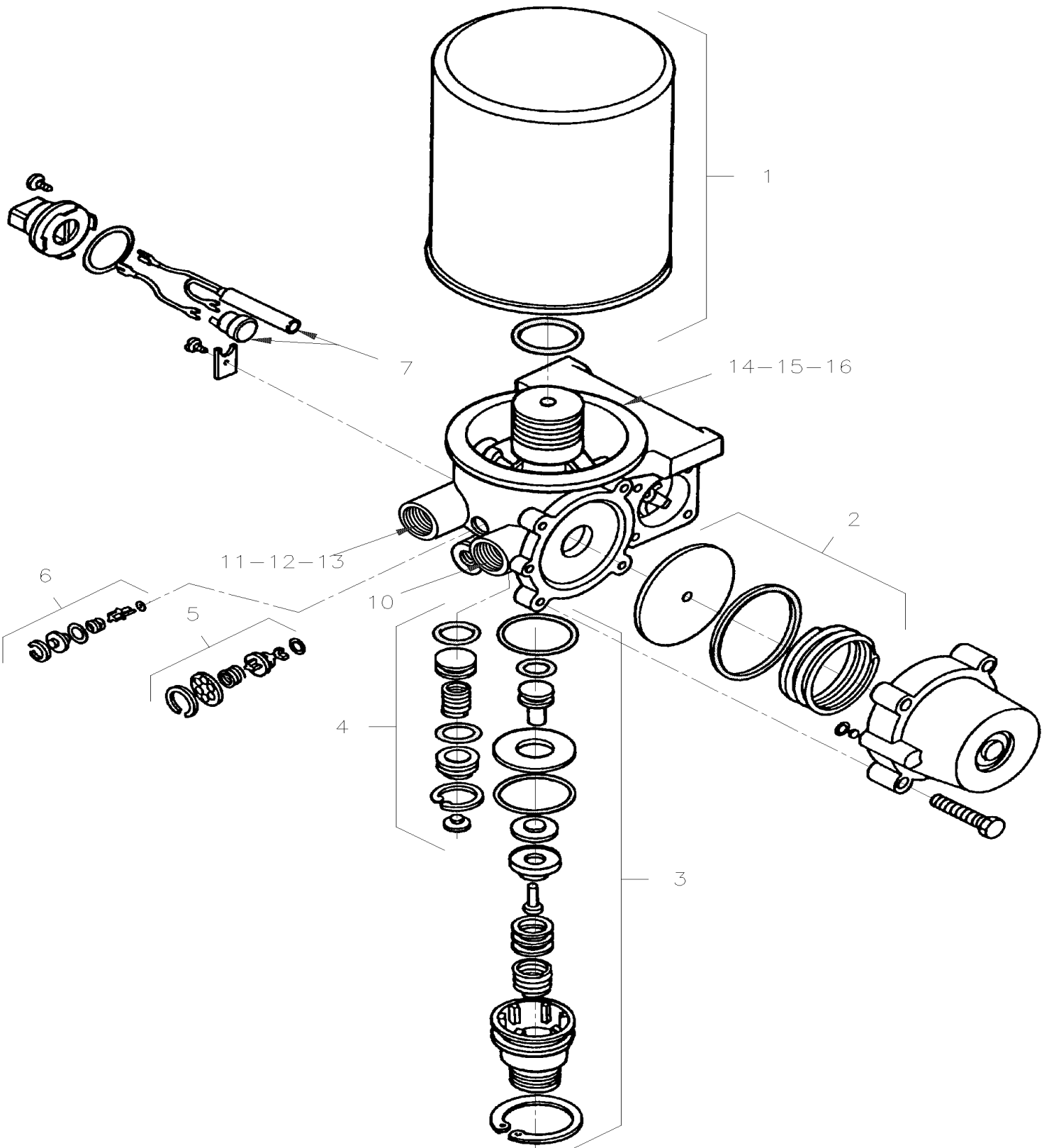
From R-012 To 2-4416	Date:10/2022	PAGE:H3-1205-12
AIR COMPRESSOR - "TU-FLO 750" - WITH DETROIT S-60		

Item#	Part	Description	H 3 4 1	H 3 4 5	V I P 4 5	N O T E S
1	641256	COMPRESSOR, AIR (SUPPLY W/ENGINE) To S-193	1	1	1	
1	641362	COMPRESSOR, AIR (SUPPLY W/ENGINE) From S-194	1	1	1	
NS	641335	KIT REPAIR, UNLOADER	1	1	1	
2	640638	GASKET, AIR GOVERNOR	1	1	1	
3	640964	GOVERNOR, AIR / D-2 / (105/125PSI)	1	1	1	
. NS	640965	. REPAIR KIT / GOVERNOR D-2	1	1	1	
. NS	640638	. GASKET, AIR GOVERNOR	1	1	1	
. NS	500187	. SCREW CAP HEX 5/16-18x3 G5 Z050	2	2	2	
. NS	500942	. WASHER LO SPT 8.1x14.8x2.0 N500	2	2	2	
3	641933	GOVERNOR, AIR / D-2 / (110/130PSI)			1	
. NS	640965	. REPAIR KIT / GOVERNOR D-2			1	
. NS	640638	. GASKET, AIR GOVERNOR			1	
. NS	500187	. SCREW CAP HEX 5/16-18x3 G5 Z050			2	
. NS	500942	. WASHER LO SPT 8.1x14.8x2.0 N500			2	
NS	640965	REPAIR KIT / GOVERNOR D-2	1	1	1	
NS	500187	SCREW CAP HEX 5/16-18x3 G5 Z050	2	2	2	
NS	500476	WASHER LO SPT .317x.586x.078 Z050	2	2	2	
4	640996	MALE ELBOW 90° / NTA FITTING / #4x1/8NPT-M BR	1	1	1	
6	501036	MALE ELBOW 90° / SAE 45° FITTING / #4FL-Mx1/8NPT-M BR	2	2	2	
7	H3-1215-03	AIR DRYER - "ROCKWELL WABCO" To V-2028				
7	H3-1215-04	AIR DRYER - "BENDIX" AD-9 From V-2029				
8	507544	SWIVEL NUT ELBOW 90° SHORT / JIC 37° FITTING/ #12JIC-Fx#12JIC-Mx1.82 STL	1	1	1	
9	501600	MALE CONNECTOR / JIC 37° FITTING / #12JIC-Mx1/2NPT-M STL	1	1	1	
10	501316	BUSHING REDUCER / PIPE FITTING / 1/2NPT-Mx1/4NPT-F BR	1	1	1	
11	501037	MALE ELBOW 90° / SAE 45° FITTING / #4FL-Mx1/4NPT-M BR	1	1	1	
		FOLLOWING ITEMS SUPPLIER WITH ENGINE ASSY				
		SEE YOUR DETROIT DIESEL DEALER				
20	640256	GASKET, ADAPTOR AIR INLET	1	1	1	
21	N.S.P.	ADAPTOR AIR INLET / (23506346)	1	1	1	2
22	500179	SCREW CAP HEX 5/16-18x3/4 G5 Z050	2	2	2	
23	500476	WASHER LO SPT .317x.586x.078 Z050	2	2	2	
24	504019	HOSE CLAMP / 9/16"-1"1/16 SS / HS-10	6	6	6	
25	N.S.P.	HOSE SILICONE 75MM X 18" / (23508340)	1	1	1	2
26	N.S.P.	HOSE SILICONE 3/4" X 3.1/2" / (8929764)	1	1	1	2
27	N.S.P.	HOSE SILICONE 3/4" X 28" / (23509550)	1	1	1	2
NS	503523	HOSE SILICONE 1PLY 3/4" I.D. x 100' / S.L.	AR	AR	AR	
28	N.S.P.	HOSE ASSY 14 7/8" / OIL FEED FROM GALLERY / (23505202)	1	1	1	2
28	N.S.P.	HOSE ASSY TEFLON / OIL TO ALTERNATOR / (23504343)	1	1	1	2
29	510212	GASKET COMPRESSOR To S-193	1	1	1	
29	510615	GASKET COMPRESSOR From S-194	1	1	1	

From R-012 To 2-4416	Date:10/2022	PAGE:H3-1205-12
AIR COMPRESSOR - "TU-FLO 750" - WITH DETROIT S-60		

Item#	Part	Description	H 3 4 1	H 3 4 5	V I P 4 5	N O T E S
30	N.S.P.	GASKET / COMPRESSOR & FUEL PUMP / (23505248)	1	1	1	2
31	N.S.P.	ELBOW 45° 3/4" HOSE / (23505202)	2	2	2	2
32	N.S.P.	ELBOW 90° 3/4 TUBE 1/2" NPT / (8929749)	2	2	2	2
33	N.S.P.	CONNECTOR / (23506345)	1	1	1	2
34	N.S.P.	BOLT M12-1.75 X 47MM FLANGE HEAD	4	4	4	2
		2) NOT SOLD BY PREVOST (SEE MANUFACTURING PART NUMBER AT END OF DESCRIPTION LINE)				

From R-012 To V-2028	Date:10/2022	PAGE:H3-1215-03
AIR DRYER - "ROCKWELL WABCO"		



From R-012 To V-2028	Date:10/2022	PAGE:H3-1215-03
AIR DRYER - "ROCKWELL WABCO"		

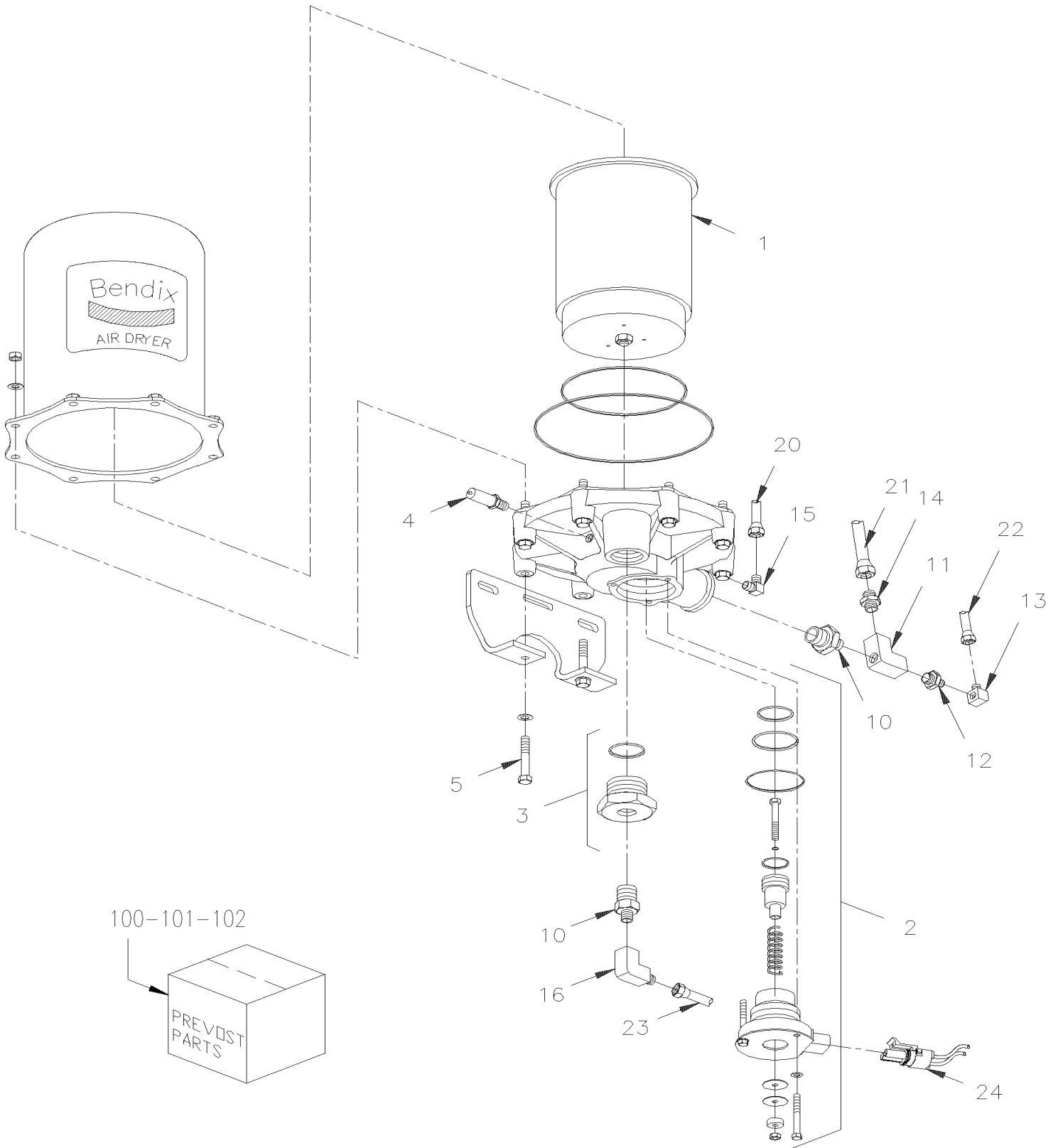
Item#	Part	Description	H 3 4 1	H 3 4 5	V I P 4 5	N O T E S
	641277	AIR DRYER "WABCO" / S-1000 / 24V HEATER To T-1299	1	1	1	B
	641337	AIR DRYER "WABCO" / S-1200 / 24V HEATER From T-1300	1	1	1	B
1	641278	. DESICANT CARTRIDGE / "WABCO"	1	1	1	
. NS	M104-12	. . SEE MAINTENANCE INFORMATION	1	1	1	
2	641284	. REGENERATION VALVE KIT	1	1	1	
3	641283	. PURGE VALVE KIT	1	1	1	
4	641282	. TURBO CUT-OFF VALVE KIT	1	1	1	
5	641281	. OUTLET CHECK VALVE KIT	1	1	1	
6	641280	. BY-PASS VALVE KIT	1	1	1	
7	641279	. HEATER ASSY KIT 24 VOLTS	1	1	1	
. NS	562251	. . CONNECTOR / METRI-PACK 280 / SH 2C / PED 12020599	1	1	1	
. NS	562101	. . SOCKET TERMINAL / 14-12 / PED 12129493	2	2	2	
NS	641319	SNUBBLER AIR DISCHARGE / BLACK PLASTIC	1	1	1	
10	641134	MALE ELBOW 90° / NTA FITTING / #12x1/2NPT-M BR	1	1	1	
NS	641350	RELIEF VALVE ASSY / W/SPECIAL STREET TEE	1	1	1	A
11	501600	MALE CONNECTOR / JIC 37° FITTING / #12JIC-Mx1/2NPT-M STL	1	1	1	
12	507544	SWIVEL NUT ELBOW 90° SHORT / JIC 37° FITTING/ #12JIC-Fx#12JIC-Mx1.82 STL	1	1	1	
13	141589	HOSE ASSY TEFLON #12 4387MM	1	1	1	F
NS	503376	. HOSE TEFLON #12 / S.L.	AR	AR	AR	
NS	507582	. FEMALE CONNECTOR SWIVEL / JIC 37° FITTING / TEFLON / #12JIC-Fx#12 STL	2	2	2	
14	501312	BUSHING REDUCER / PIPE FITTING / 1/4NTP-Mx1/8NPT-F BR	1	1	1	
15	501808	MALE ELBOW 45° / SAE 45° FITTING / #4FL-Mx1/8NPT-M BR	1	1	1	
16	141640	HOSE ASSY TEFLON #4 4130MM	1	1	1	G
16	141709	HOSE ASSY TEFLON #4 4407MM	1	1	1	H
NS	503064	. HOSE TEFLON #4 / S.L.	AR	AR	AR	
NS	501892	. FEMALE CONNECTOR SWIVEL / SAE 45° FITTING / TEFLON / #4FL-Fx#4 STL	2	2	2	
NS	500214	SCREW CAP HEX 1/2-13x1 1/4 G5 Z050	3	3	3	E
NS	500482	WASHER LO SPT .506x.873x.125 Z050	3	3	3	E
NS	141940	KIT RETROFIT AD-9 AIR DRYER "H" From R-012 To V-2028	AR	AR	AR	
. NS	IS-97027	. SEE INSTRUCTION SHEET From R-012 To V-2028	1	1	1	
		A) USE THIS RELIEF VALVE ASSY WITH #641277 DRYER, ONLY FOR UPGRADING PURPOSE & IT INCLUDE W/ #641337				
		B) FOR PRODUCT IMPROVMENT WITH AD-9 "BENDIX" ASK FOR KIT #141940				
		E) TO FIX DRYER				
		F) DRYER & COMPRESSOR				
		G) DRYER & GOVERNOR				
		H) GOVERNER & TANK				

From V-2029 To 2-4349

Date:10/2022

PAGE:H3-1215-04

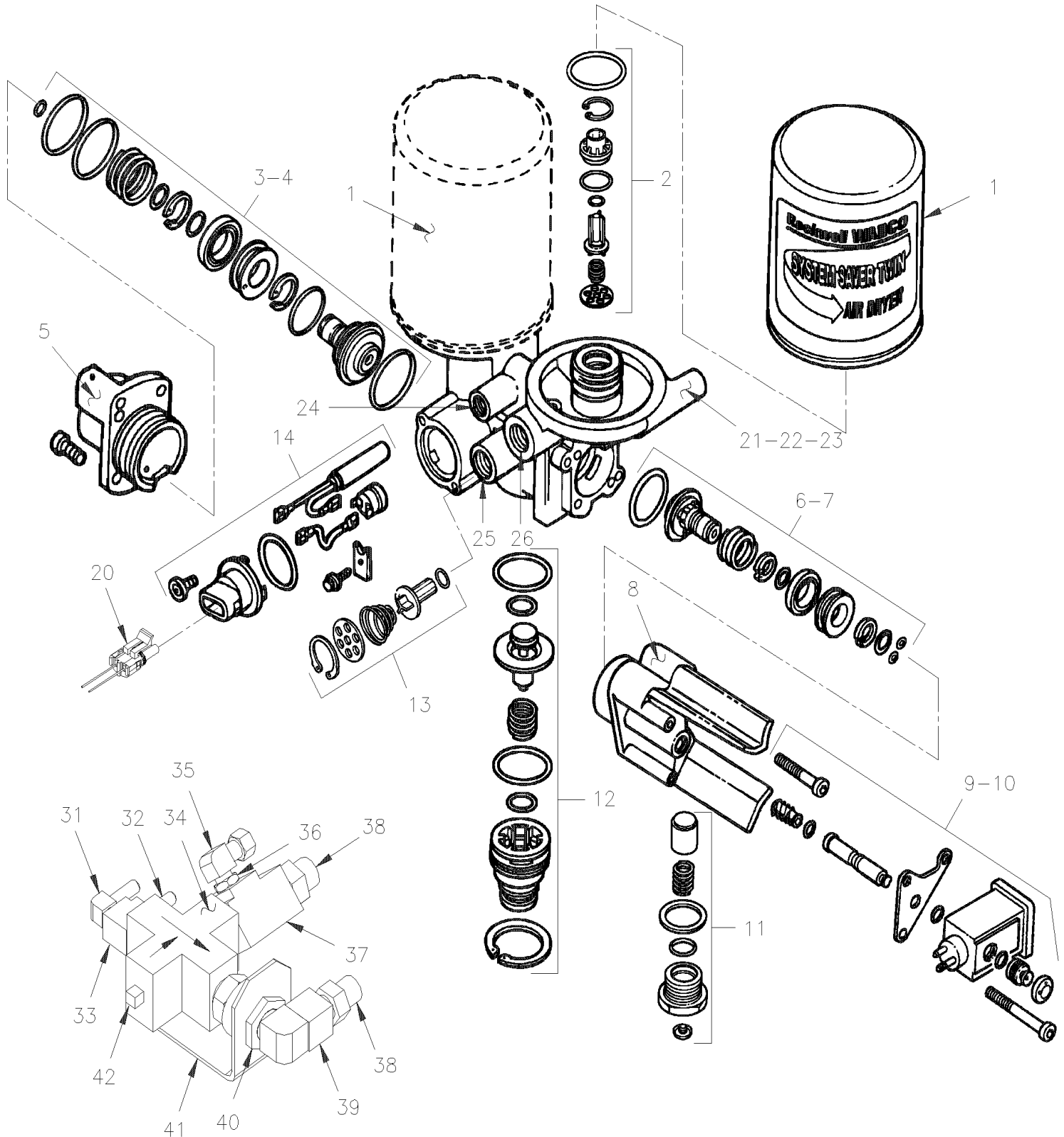
AIR DRYER - "BENDIX" AD-9



From V-2029 To 2-4349	Date:10/2022	PAGE:H3-1215-04
AIR DRYER - "BENDIX" AD-9		

Item#	Part	Description	H 3 4 1	H 3 4 5	V I P 4 5	N O T E S
	641243	AIR DRYER ASSY AD-9 24 VOLTS	1	1	1	
1	641244	. DESICANT CARTRIDGE / "BENDIX" AD-9	1	1	1	
. NS	M104-12	. . SEE MAINTENANCE INFORMATION	1	1	1	
2	641245	. PURGE VALVE ASSY W/HEATER To W-2432	1	1	1	
3	641246	. CHECK VALVE MAINTENANCE KIT 3/4 NPT	1	1	1	
4	N.S.P.	. SAFETY VALVE (285849)	1	1	1	2
5	5001173	. SCREW CAP HEX 5/16-18x4 1/2 G8 ZP	2	2	2	
10	501462	BUSHING REDUCER / PIPE FITTING / 3/4NTP-Mx1/2NPT-F BR	2	2	2	
11	501473	MALE RUN TEE / PIPE FITTING / 1/2NPT-Mx1/2NPT-Fx1/2NPT-F BR	1	1	1	
12	501316	BUSHING REDUCER / PIPE FITTING / 1/2NPT-Mx1/4NPT-F BR	1	1	1	
13	641371	MALE ELBOW 90° NON-SWIVEL / PUSH-IN FITTING / #4x1/4NPT-M BR	1	1	1	
14	501600	MALE CONNECTOR / JIC 37° FITTING / #12JIC-Mx1/2NPT-M STL	1	1	1	
15	501037	MALE ELBOW 90° / SAE 45° FITTING / #4FL-Mx1/4NPT-M BR	1	1	1	
16	641134	MALE ELBOW 90° / NTA FITTING / #12x1/2NPT-M BR	1	1	1	
20	141640	HOSE ASSY TEFLON #4 4130MM To W-2303	1	1	1	A
20	141970	HOSE ASSY TEFLON #4 4090MM From W-2304	1	1	1	A
NS	141709	HOSE ASSY TEFLON #4 4407MM To W-2303	1	1	1	B
20	141970	HOSE ASSY TEFLON #4 4090MM From W-2304	1	1	1	B
21	141589	HOSE ASSY TEFLON #12 4387MM To W-2303	1	1	1	C
21	141971	HOSE ASSY TEFLON #12 4085MM From W-2304	1	1	1	C
22	503402	TUBE, NYLON 1/4 O.D. / BLACK S.L.	AR	AR	AR	
23	503465	TUBE, NYLON 3/4 O.D. / GREEN S.L.	AR	AR	AR	
24	063791	CABLE ASSY / AIR DRYER AD-9 HEATER	1	1	1	
NS	562251	. CONNECTOR / METRI-PACK 280 / SH 2C / PED 12020599	1	1	1	
NS	562287	. SECONDARY LOCK / METRI-PACK 280 / 2C / BLACK / PED 12034446	1	1	1	
NS	562101	. SOCKET TERMINAL / 14-12 / PED 12129493	2	2	2	
NS	562106	. SEAL CONNECTOR / METRI-PACK / 3C / BLACK / PED 12048370	2	2	2	
NS	141940	KIT RETROFIT AD-9 AIR DRYER "H" From R-012 To V-2028	1	1	1	
. NS	IS-97027	. SEE INSTRUCTION SHEET From R-012 To V-2028	1	1	1	
100	641464	PURGE VALVE ASSY W/HEATER 24V	1	1	1	
. NS	109579	. HEATER ELEMENT 24V -109579	1	1	1	
101	109579	HEATER ELEMENT 24V -109579	1	1	1	
102	641358	KIT REPAIR / PURGE VALVE	1	1	1	
		A) DRYER & GOVERNOR UNLOADER.				
		B) GOVERNER & TANK				
		C) COMPRESSOR & DRYER				
		2) NOT SOLD BY PREVOST (SEE MANUFACTURING PART NUMBER AT END OF DESCRIPTION LINE)				

From W-3321 To Y-3374	Date:10/2022	PAGE:H3-1215-05
AIR DRYER - "ROCKWELL WABCO" - TWIN		



From W-3321 To Y-3374		Date:10/2022	PAGE:H3-1215-05
AIR DRYER - "ROCKWELL WABCO" - TWIN			

Item#	Part	Description	H 3 4 1	H 3 4 5	V I P 4 5	N O T E S
	641586	AIR DRYER "WABCO" / TWIN / 24V HEATER	1	1		
1	641278	. DESICANT CARTRIDGE / "WABCO"	1	1		
. NS	M104-12	. . SEE MAINTENANCE INFORMATION	1	1		
2	641910	. ORIFICE KIT 0.8MM	1	1		
3	641911	. LEFT PISTON SEALS & SPRING KIT	1	1		
4	641912	. LEFT PISTON HARD PARTS KIT	1	1		
5	N.S.P.	. LEFT PISTON COVER (R955051)	1	1		2
6	641913	. RIGHT PISTON SEALS & SPRING KIT	1	1		
7	641914	. RIGHT PISTON HARD PARTS KIT	1	1		
8	N.S.P.	. RIGHT PISTON COVER (R955054)	1	1		2
9	641915	. SOLENOID & MOUNTING SLEEVE KIT	1	1		
10	641916	. OTHER SOLEINOID PARTS KIT	1	1		
11	641917	. CHARGING VALVE KIT	1	1		
12	641918	. PURGE VALVE KIT	1	1		
13	641919	. OUTLET VALVE KIT	1	1		
14	641279	HEATER ASSY KIT 24 VOLTS	AR	AR		
. NS	562251	. CONNECTOR / METRI-PACK 280 / SH 2C / PED 12020599	1	1		
. NS	562101	. SOCKET TERMINAL / 14-12 / PED 12129493	2	2		
20	641585	WIRING HARNESS	1	1		
21	142103	SUPPORT AIR DRYER	1	1		
22	5001330	SCREW CAP HEX 1/2-13x1 SS	3	3		
23	500958	WASHER FL .531x1.062x.095 SS	3	3		
24	641331	MALE CONNECTOR / PUSH-IN FITTING / #6x1/4NPT-M BR	1	1		
NS	503463	TUBE, NYLON 3/8 O.D. / GREEN S.L.	AR	AR		
25	501600	MALE CONNECTOR / JIC 37° FITTING / #12JIC-Mx1/2NPT-M STL	1	1		
NS	142108	HOSE ASSY TEFLON #12 884MM	1	1		
26	640995	MALE CONNECTOR / NTA FITTING / #12x1/2NPT-M BR	1	1		
NS	503465	TUBE, NYLON 3/4 O.D. / GREEN S.L.	AR	AR		
31	501036	MALE ELBOW 90° / SAE 45° FITTING / #4FL-Mx1/8NPT-M BR	1	1		
32	641349	MALE CONNECTOR / PUSH-IN FITTING / #6x1/8NPT-M BR	1	1		
33	501653	MALE RUN TEE / PIPE FITTING / 1/8NPT-Mx1/8NPT-Fx1/8NPT-F BR	1	1		
34	641584	TURBO PROTECTION VALVE	1	1		
35	640997	MALE ELBOW 90° / NTA FITTING / #4x1/4NPT-M BR	1	1		
36	501316	BUSHING REDUCER / PIPE FITTING / 1/2NPT-Mx1/4NPT-F BR	1	1		
37	501473	MALE RUN TEE / PIPE FITTING / 1/2NPT-Mx1/2NPT-Fx1/2NPT-F BR	1	1		
38	501600	MALE CONNECTOR / JIC 37° FITTING / #12JIC-Mx1/2NPT-M STL	2	2		
39	507557	STREET ELBOW 90° / PIPE FITTING / 1/2NPT-Mx1/2NPT-F BR	1	1		
40	501796	BULKHEAD COUPLING / PIPE FITTING / 1/2NPT-Fx1/2NPT-Fx1 1/2 BR	1	1		
41	141423	SUPPORT	1	1		
42	501303	PLUG SQUARE HEAD / PIPE FITTING / 1/8NPT-M BR	1	1		

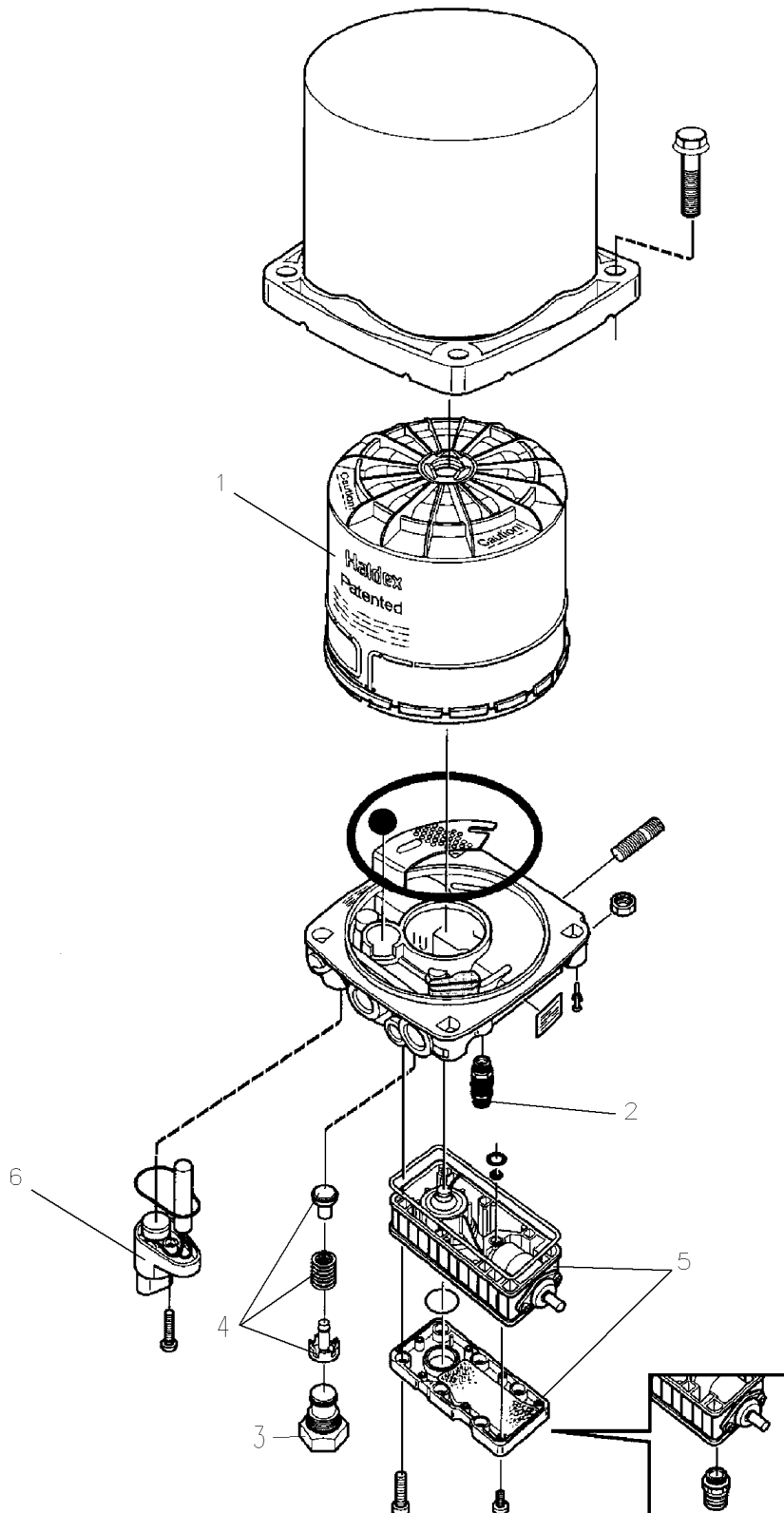
From W-3321 To Y-3374			Date:10/2022	PAGE:H3-1215-05			
AIR DRYER - "ROCKWELL WABCO" - TWIN							
Item#	Part	Description	H 3 4 1	H 3 4 5	V I P 4 5	N O T E S	
		2) NOT SOLD BY PREVOST (SEE MANUFACTURING PART NUMBER AT END OF DESCRIPTION LINE)					

From 2-4350 To 2-4416

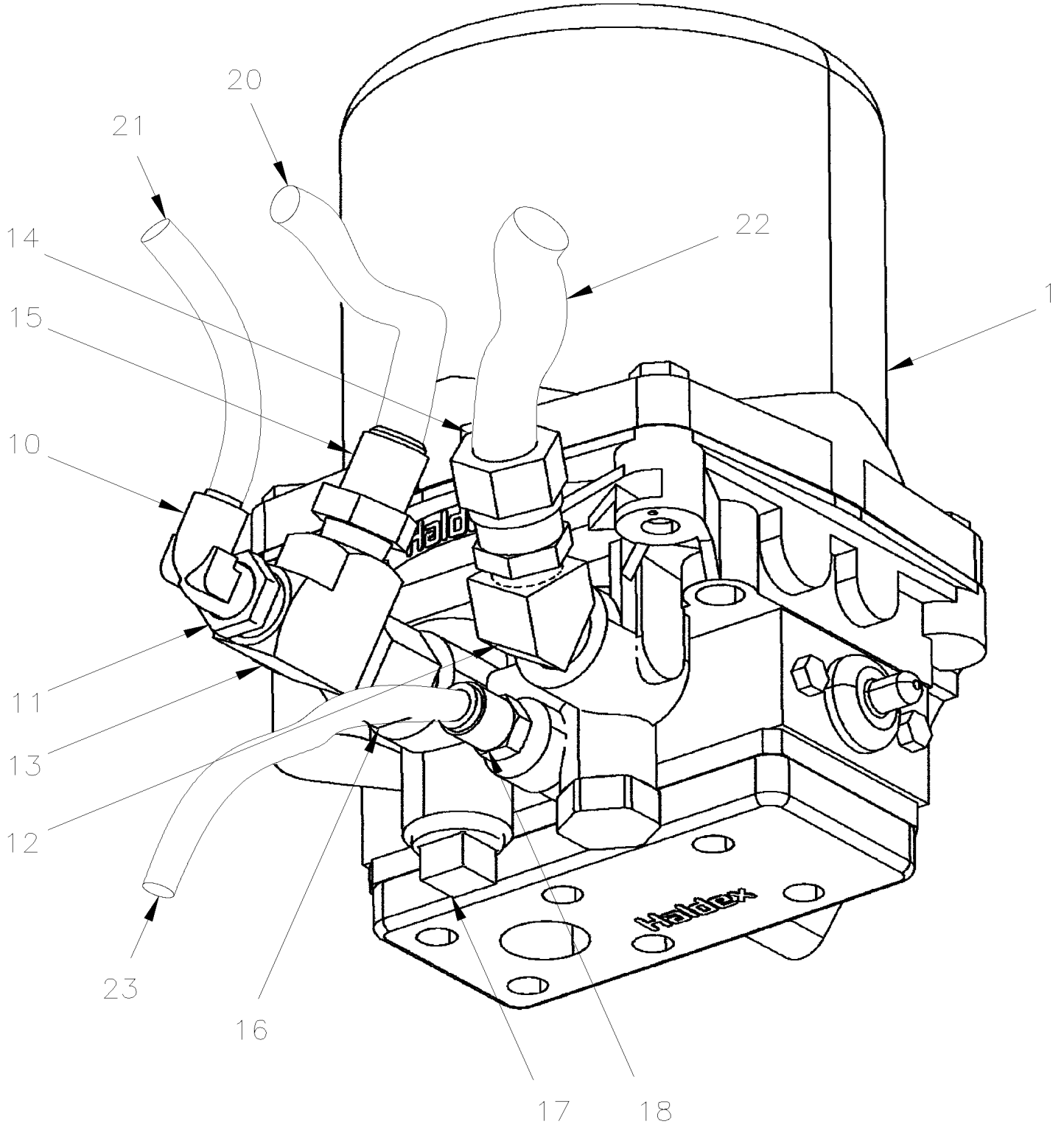
Date:10/2022

PAGE:H3-1215-06

AIR DRYER - "HALDEX"



From 2-4350 To 2-4416	Date:10/2022	PAGE:H3-1215-06
AIR DRYER - "HALDEX"		



From 2-4350 To 2-4416	Date:10/2022	PAGE:H3-1215-06
AIR DRYER - "HALDEX"		

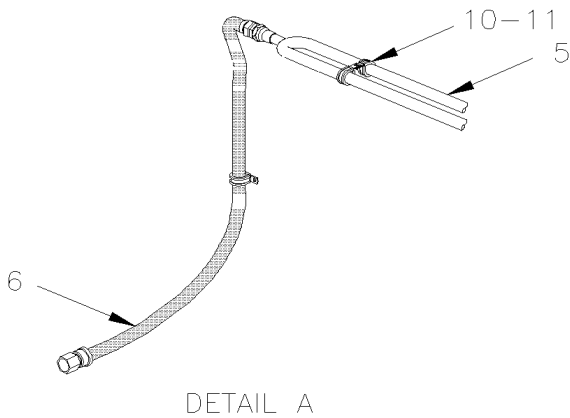
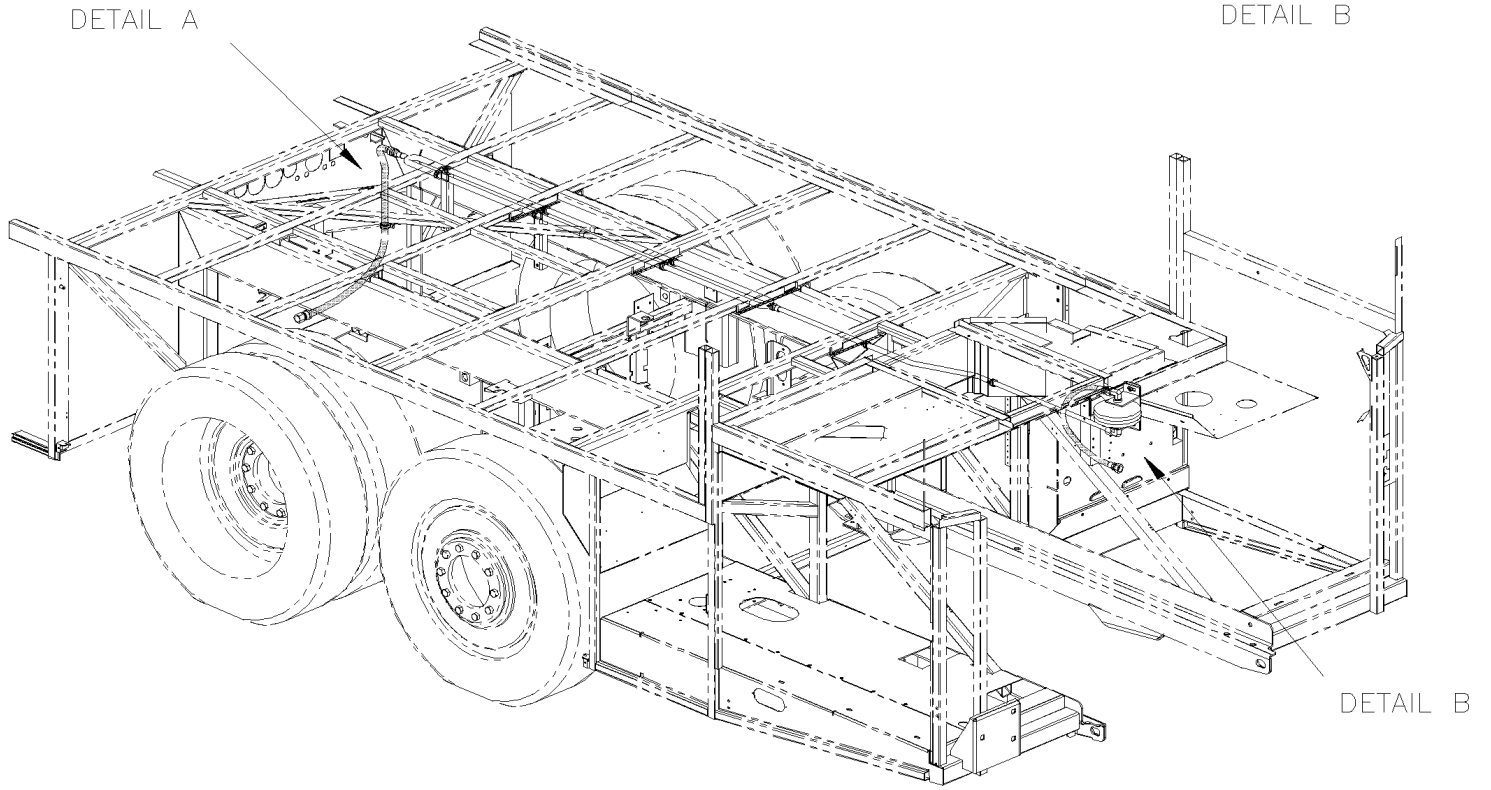
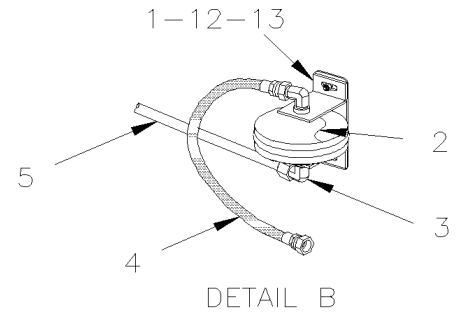
Item#	Part	Description	H 3 4 1	H 3 4 5	V I P 4 5	N O T E S
	70303498	AIR DRYER "HALDEX" / WITH GOVERNOR	1	1	1	A
	642001	AIR DRYER "HALDEX" / WITH GOVERNOR / 24V HEATER / SERVICE	1	1	1	B
1	3097369	. DESICANT CARTRIDGE / "HALDEX"	1	1	1	
2	641953	. SAFETY VALVE	1	1	1	
3	N8885277	. REGENERATION VALVE BLACK PLASTIC M22-1.5	1	1	1	
4	N8894693	. . KIT CHECK VALVE	1	1	1	
5	641954	. VALVE PACK / W/INTEGRATED GOVERNOR 8.5BAR	1	1	1	
5	642017	. VALVE PACK / W/INTEGRATED GOVERNOR 8.5BAR / SERVICE	1	1	1	
5	642071	. VALVE PACK / W/INTEGRATED GOVERNOR 9.0BAR / SERVICE	1	1	1	
6	N8882161	. HEATER ELEMENT 24VOLT / W/ PIG TAIL CONNECTOR	1	1	1	C
. NS	562251	. . CONNECTOR / METRI-PACK 280 / SH 2C / PED 12020599	1	1	1	C
10	641374	MALE ELBOW 90° NON-SWIVEL / PUSH-IN FITTING / #4x3/8NPT-M BR	1	1	1	
11	501534	BUSHING REDUCER / PIPE FITTING / 1/2NPT-Mx3/8NPT-F BR	1	1	1	
12	501528	STREET ELBOW 45° / PIPE FITTING / 1/2NPT-Mx1/2NPT-F BR	1	1	1	
13	501473	MALE RUN TEE / PIPE FITTING / 1/2NPT-Mx1/2NPT-Fx1/2NPT-F BR	1	1	1	
14	640995	MALE CONNECTOR / NTA FITTING / #12x1/2NPT-M BR	1	1	1	
15	501600	MALE CONNECTOR / JIC 37° FITTING / #12JIC-Mx1/2NPT-M STL	1	1	1	
16	5011119	ADAPTER / PIPE FITTING / 1/2NPT-Fx1/2NPT-M BR	1	1	1	
17	501517	PLUG SQUARE HEAD / PIPE FITTING / 3/4NPT-M BR	1	1	1	
18	641331	MALE CONNECTOR / PUSH-IN FITTING / #6x1/4NPT-M BR	1	1	1	
20	142149	HOSE ASSY / #12 1310MM	1	1	1	
21	503563	TUBE, NYLON 6MM O.D. / WHITE S.L.	AR	AR	AR	
22	503465	TUBE, NYLON 3/4 O.D. / GREEN S.L.	AR	AR	AR	
23	503472	TUBE, NYLON 3/8 O.D. / GREY S.L.	AR	AR	AR	
NS	064949	CABLE "HALDEX" RETROFIT "H" SERIE / SERVICE	1	1	1	B
50	141951	HOSE ASSY TEFLON #4 5100MM / SERVICE	1	1	1	B
NS	141948	KIT, RETROFIT "HALDEX" / "H" SERIES	AR	AR	AR	
. NS	WB04-01	. SEE WARRANTY BULLETIN	1	1	1	
		A) FOR PRODUCT IMPROVEMENT ASK KIT #141948				
		B) USE ONLY WITH KIT #141948, SEE BS-0401				
		C) USE ONLY WITH #642001				

From 2-4329 To 2-4416

Date:10/2022

PAGE:H3-1215-11

AIR DRYER TUBE - INSTALLATION



From 2-4329 To 2-4416	Date:10/2022	PAGE:H3-1215-11
AIR DRYER TUBE - INSTALLATION		

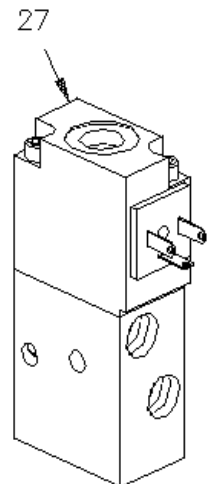
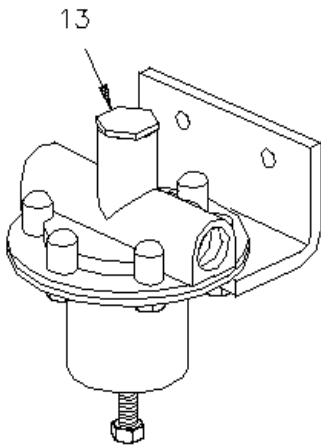
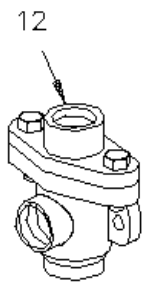
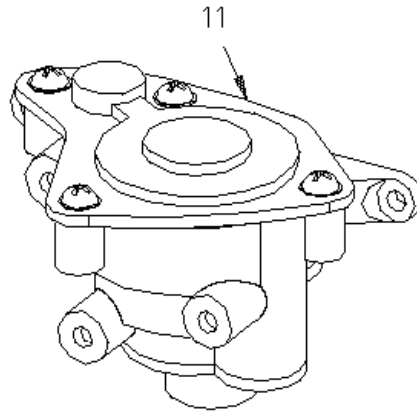
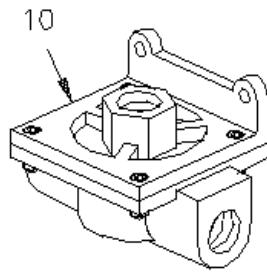
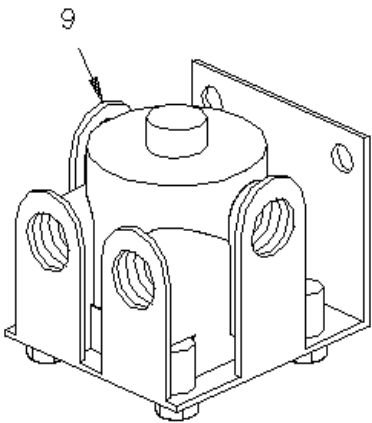
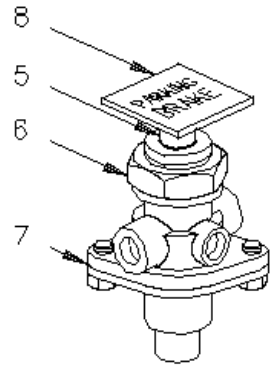
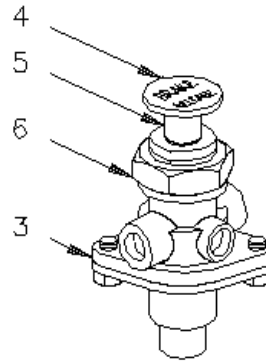
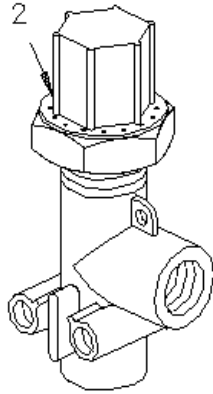
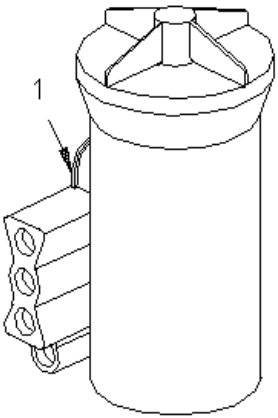
Item#	Part	Description	H 3 4 1	H 3 4 5	V I P 4 5	N O T E S
1	142280	SUPPORT PING AIR TANK	1	1	1	
2	032428	AIR TANK / 61 IN° / 6" O.D. X 4"	1	1	1	
3	5011233	MALE ELBOW 90° / JIC 37° FITTING / #12JIC-Mx1/2NPT-M SS	1	1	1	
4	142108	HOSE ASSY TEFLON #12 884MM To 2-4349		1		
4	142295	HOSE ASSY TEFLON #12 815MM From 2-4350 To 3-4757	1	1	1	
4	142335	HOSE ASSY TEFLON #12 960MM From 4-4758	1	1	1	
5	Call order desk	AIR DRYER TUBE ASSY W/HOSE SEE DETAIL SERVICE To 3-4757	1	1	1	P
. NS	142504	. AIR DRYER TUBE ASSY To 3-4757	1	1	1	
. NS	142149	. HOSE ASSY / #12 1310MM To 3-4757	1	1	1	
5	Call order desk	AIR DRYER TUBE ASSY W/HOSE SEE DETAIL SERVICE From 4-4758	1	1	1	P
. A	142504	. AIR DRYER TUBE ASSY From 4-4758	1	1	1	
. B	142296	. HOSE ASSY / #12 410MM From 4-4758	1	1	1	
6	142149	HOSE ASSY / #12 1310MM To 3-4757	1	1	1	
6	142296	HOSE ASSY / #12 410MM From 4-4758	1	1	1	
10	952633	CLAMP / 7/8" I.D.	4	4	4	
11	500879	SCREW TP PAN PH #10x1 Z050	4	4	4	
12	502616	WASHER LO SPT 10.2x18.1x2.2 SS	2	2	2	
13	502567	NUT HEX M10-1.5 SS	2	2	2	
		P) CALL ORDER DESK FOR SPECIFIC APPLICATION (V.I.N.)				

From R-012 To 2-4416

Date:10/2022

PAGE:H3-1220-00

MISCELLANEOUS - AIR VALVES

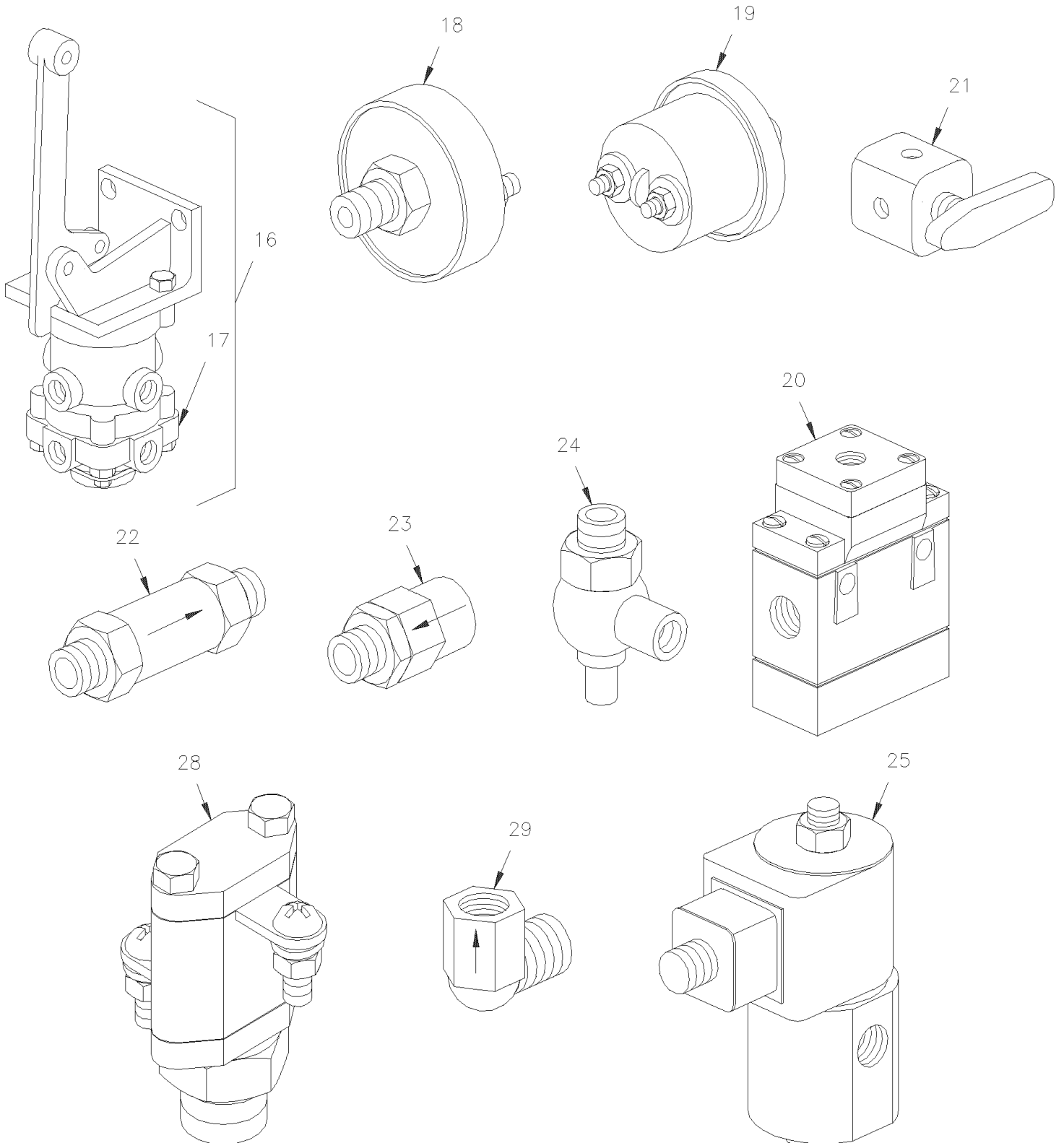


From R-012 To 2-4416

Date:10/2022

PAGE:H3-1220-00

MISCELLANEOUS - AIR VALVES

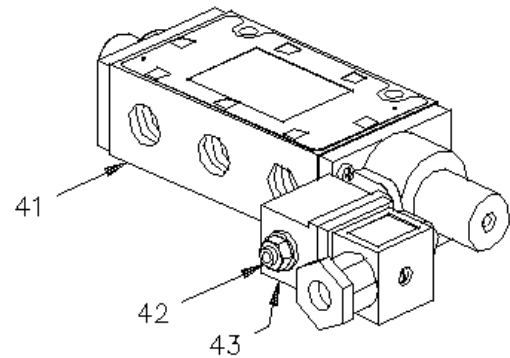
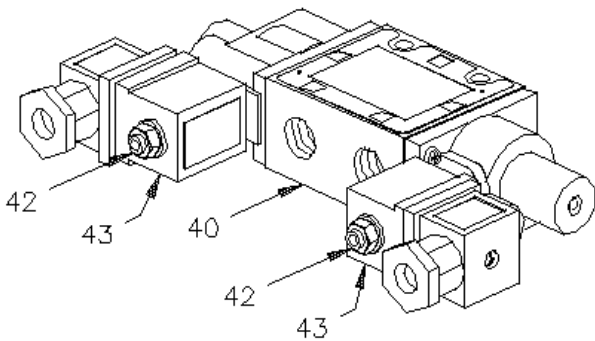
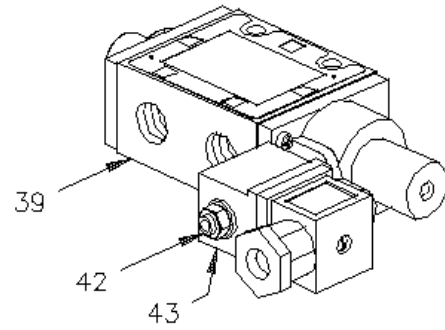
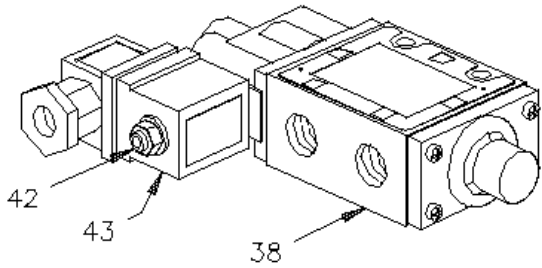
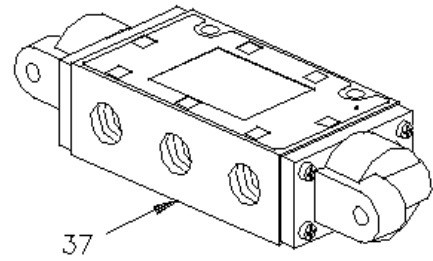
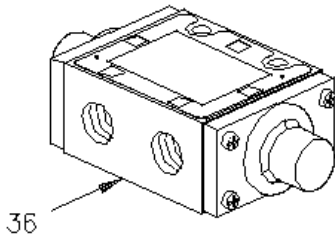
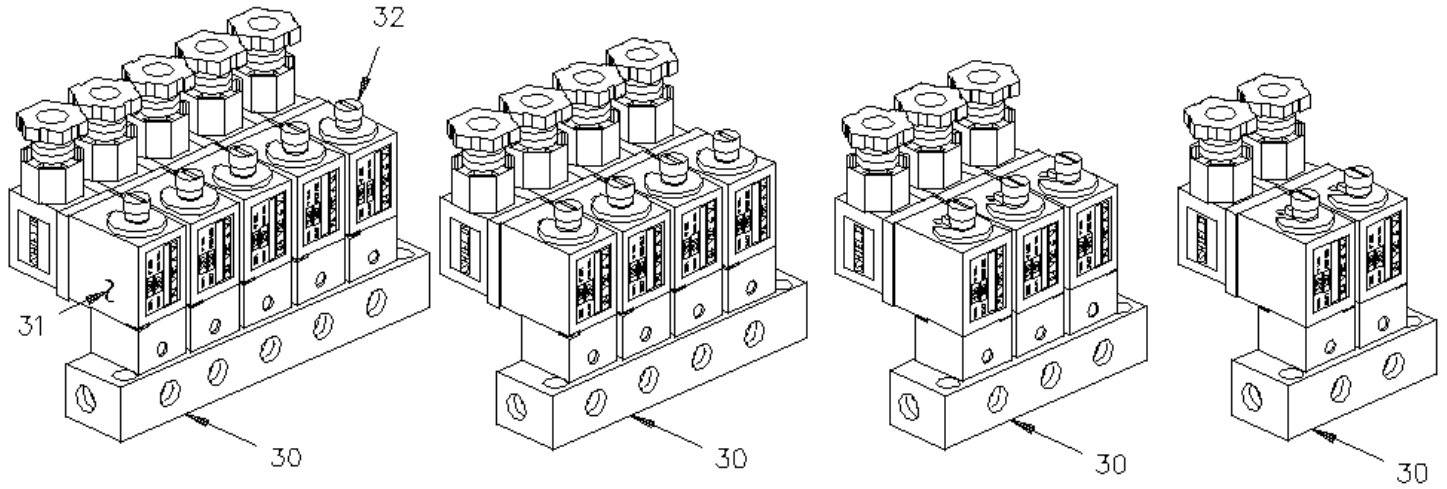


From R-012 To 2-4416

Date:10/2022

PAGE:H3-1220-00

MISCELLANEOUS - AIR VALVES

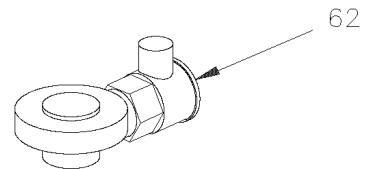
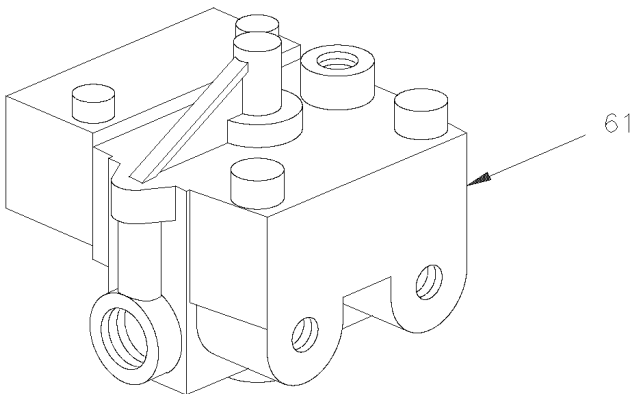
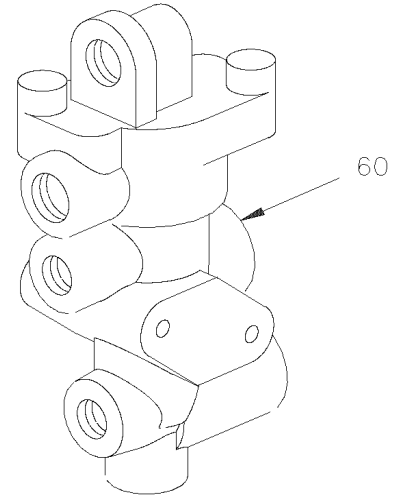
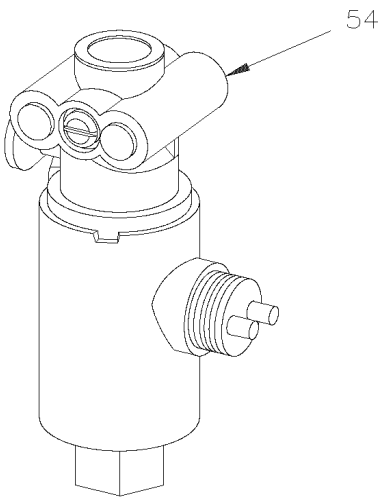
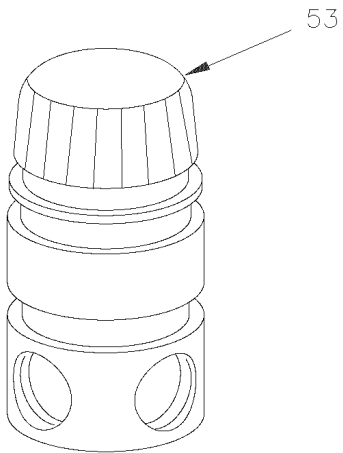
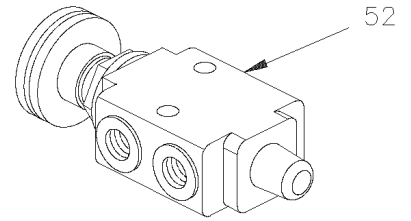
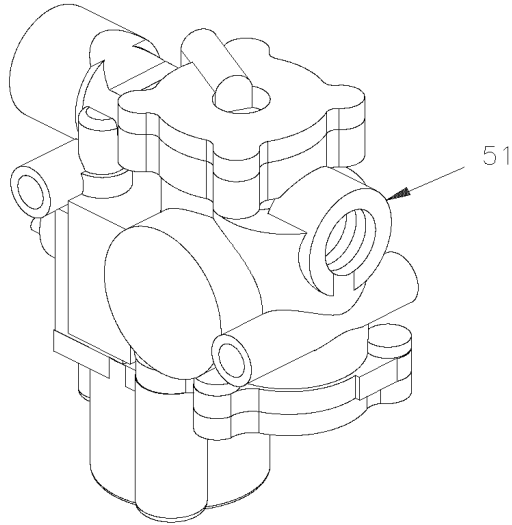
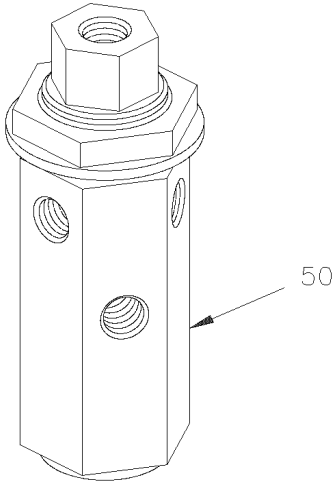


From R-012 To 2-4416

Date:10/2022

PAGE:H3-1220-00

MISCELLANEOUS - AIR VALVES



From R-012 To 2-4416	Date:10/2022	PAGE:H3-1220-00
MISCELLANEOUS - AIR VALVES		

Item#	Part	Description	H 3 4 1	H 3 4 5	V I P 4 5	N O T E S
1	640964	GOVERNOR, AIR / D-2 / (105/125PSI)	AR	AR	AR	
. NS	640965	. REPAIR KIT / GOVERNOR D-2	1	1	1	
. NS	640638	. GASKET, AIR GOVERNOR	1	1	1	
. NS	500187	. SCREW CAP HEX 5/16-18x3 G5 Z050	2	2	2	
. NS	500942	. WASHER LO SPT 8.1x14.8x2.0 N500	2	2	2	
1	641933	GOVERNOR, AIR / D-2 / (110/130PSI)			AR	
. NS	640965	. REPAIR KIT / GOVERNOR D-2			1	
. NS	640638	. GASKET, AIR GOVERNOR			1	
. NS	500187	. SCREW CAP HEX 5/16-18x3 G5 Z050			2	
. NS	500942	. WASHER LO SPT 8.1x14.8x2.0 N500			2	
NS	640965	REPAIR KIT / GOVERNOR D-2	AR	AR	AR	
2	640439	VALVE, PRESSURE PROTECTION / PR-2 75PSI	AR	AR	AR	
3	640472	VALVE, CONTROL / RD-3	AR	AR	AR	
. NS	641154	. REPAIR KIT / PP-1 & RD-3	1	1	1	
4	641155	. BUTTON, OVERRULE ROUND BLACK	AR	AR	AR	
5	640286	. PIN ROLLER	1	1	1	
6	640297	. NUT	1	1	1	
NS	641154	REPAIR KIT / PP-1 & RD-3	AR	AR	AR	
7	641128	VALVE, CONTROL VALVE PP-1 / 40PSI	AR	AR	AR	
. NS	641154	. REPAIR KIT / PP-1 & RD-3	1	1	1	
NS	641154	REPAIR KIT / PP-1 & RD-3	AR	AR	AR	
8	641149	. BUTTON, PARKING BRAKE DIAMOND YELLOW / 1"	AR	AR	AR	
9	642067	VALVE, RELAY R-12 HORIZONTAL PORT	AR	AR	AR	
NS	641120	VALVE, RELAY R-14 HORIZONTAL PORT	AR	AR	AR	
. NS	10508267	. KIT, REPAIR	1	1	1	
9	642013	VALVE, RELAY R-12 DC	1	1	1	
10	641014	VALVE, QUICK RELEASE QR-1 / 3/8NPTx3/8NPTx3/8NPT	AR	AR	AR	
. NS	640924	. REPAIR KIT / QR-1	1	1	1	
NS	640924	REPAIR KIT / QR-1	AR	AR	AR	
10	641429	VALVE, QUICK RELEASE QR-1 / 3/8NPTx3/8NPTx3/8NPT	AR	AR	AR	
. NS	640924	. REPAIR KIT / QR-1	1	1	1	
11	640870	VALVE / SPRING BRAKE SR-1	AR	AR	AR	
. NS	640921	. REPAIR KIT / SR-1	1	1	1	
NS	640921	REPAIR KIT / SR-1	AR	AR	AR	
12	641015	VALVE, DOUBLE CHECK DC-4	AR	AR	AR	
13	640938	AIR PRESSURE REGULATOR	AR	AR	AR	
NS	510231	REPAIR KIT / REGULATOR	AR	AR	AR	
14	640136	VALVE, CONTROL TW-1	AR	AR	AR	
. NS	641156	. REPAIR KIT / TW-1	1	1	1	
NS	641156	REPAIR KIT / TW-1	AR	AR	AR	
15	640128	VALVE HORN HV-3	AR	AR	AR	
16	H3-1220-11	BRAKE PEDAL VALVE - "BENDIX"				

From R-012 To 2-4416	Date:10/2022	PAGE:H3-1220-00
MISCELLANEOUS - AIR VALVES		

Item#	Part	Description	H 3 4 1	H 3 4 5	V I P 4 5	N O T E S
17	H3-1220-11	BRAKE PEDAL VALVE - "BENDIX"				
18	640852	PRESSURE SWITCH N.O. 4PSI / 1/4NPT W/8-32 / SL-5 BRAKE	AR	AR	AR	
18	641462	PRESSURE SWITCH N.O. 4PSI / 1/4NPT W/10-32 / SL-5 BRAKE	AR	AR	AR	
19	562052	PRESSURE SWITCH N.C. 3PSI / 1/4NPT W/2 SCREWS/ BRAKE	AR	AR	AR	
20	641357	VALVE, 3 WAYS, 2 POSITIONS N.C. / W/SPRING	AR	AR	AR	
20	641356	VALVE, 3 WAYS, 2 POSITIONS N.O. / W/SPRING	AR	AR	AR	
21	5011013	VALVE, 4 WAYS CONTROL	AR	AR	AR	
21	641417	VALVE, 3 WAYS 1/8NPT-Fx1/8NPT-Fx1/8NPT-F BR	AR	AR	AR	
. NS	642014	. HANDLE / RED	1	1	1	
21	642161	VALVE, 3 WAYS 1/8NPT-Fx1/8NPT-Fx1/8NPT-F BR / SERVICE	AR	AR	AR	
. NS	642014	. HANDLE / RED	1	1	1	
22	530175	VALVE, CHECK 1/8 NPT	AR	AR	AR	
23	640135	VALVE, CHECK 1/4 NPT	AR	AR	AR	
23	640123	VALVE, CHECK 1/2 NPT SC-1	AR	AR	AR	
. NS	641401	. VALVE, CHECK 1/2 NPT SC-1	1	1	1	
24	780233	VALVE, CONTROL / FCP2	AR	AR	AR	
25	560352	VALVE SOLENOID N.O. 24 VOLTS	AR	AR	AR	
. NS	060851	. CONNECTOR ASSY	1	1	1	
25	562804	VALVE, 2 WAYS N.C.	AR	AR	AR	
. NS	562848	. CONNECTOR / SOCKET HOUSING ASSY 3C / PNEUMAC 54933-05	1	1	1	
27	641394	VALVE, 3 WAYS, 2 POSITIONS 24V	AR	AR	AR	
27	641393	VALVE, 4 WAYS, 2 POSITIONS 24V SUPPERSEDED BY 288503	AR	AR	AR	
NS	562580	CONNECTOR / SOCKET HOUSING ASSY 3C / PNEUTECH HS-2	AR	AR	AR	
28	640975	PRESSURE SWITCH N.C. 66PSI / 1/4NPT LP-3	AR	AR	AR	
28	641174	PRESSURE SWITCH N.C. 30PSI / 1/4NPT LP-2	AR	AR	AR	
29	641172	VALVE, CHECK ELBOW 90° 1/2 NPT	AR	AR	AR	
30	641205	MANIFOLD VALVE / W/5 SOLENOID			AR	
. NS	641928	. KIT, MANIFOLD REPAIR / N.C.			5	
. NS	641107	. COIL 24V			5	
30	641055	MANIFOLD VALVE / W/4 SOLENOID	AR	AR	AR	
. NS	641928	. KIT, MANIFOLD REPAIR / N.C.	4	4	4	
30	641448	MANIFOLD VALVE / W/4 SOLENOID	AR	AR	AR	
. NS	641927	. KIT, MANIFOLD REPAIR / N.O.	1	1	1	
. NS	641928	. KIT, MANIFOLD REPAIR / N.C.	1	1	1	
. NS	641929	. COIL 24V	1	1	1	
. NS	990143	. MALE CONNECTOR / PUSH-IN FITTING / W/O-RING / #2x#10-32-M BR	1	1	1	
. NS	642213	. MALE ELBOW 90° SWIVEL / PUSH-IN FITTING / #2x10-32 NP	1	1	1	
. NS	641385	. CONNECTOR / SOCKET HOUSING ASSY 3C / PNEUMAC 54934-01	1	1	1	
. NS	641455	. REDUCER STEM / PUSH-IN FITTING / #2x#4 PLAS	1	1	1	
30	641906	MANIFOLD VALVE / W/4 SOLENOID	AR	AR	AR	
. NS	641927	. KIT, MANIFOLD REPAIR / N.O.	1	1	1	
. NS	641928	. KIT, MANIFOLD REPAIR / N.C.	3	3	3	

From R-012 To 2-4416	Date:10/2022	PAGE:H3-1220-00
MISCELLANEOUS - AIR VALVES		

Item#	Part	Description	H 3 4 1	H 3 4 5	V I P 4 5	N O T E S
. NS	641107	. COIL 24V	1	1	1	
. NS	642213	. MALE ELBOW 90° SWIVEL / PUSH-IN FITTING / #2x10-32 NP	1	1	1	
. NS	990143	. MALE CONNECTOR / PUSH-IN FITTING / W/O-RING / #2x#10-32-M BR	1	1	1	
. NS	641385	. CONNECTOR / SOCKET HOUSING ASSY 3C / PNEUMAC 54934-01	1	1	1	
. NS	641455	. REDUCER STEM / PUSH-IN FITTING / #2x#4 PLAS	1	1	1	
30	641180	MANIFOLD VALVE / W/3 SOLENOID	AR	AR	AR	
. NS	641928	. KIT, MANIFOLD REPAIR / N.C.	3	3	3	
. NS	641107	. COIL 24V	1	1	1	
30	641130	MANIFOLD VALVE / W/2 SOLENOID	AR	AR		
31	641107	. COIL 24V	AR	AR	AR	
32	641353	PLUNGER REPAIR KIT / MANIFOLD VALVE (1)	AR	AR	AR	
36	641274	VALVE, 3 WAYS, 2 POSITIONS N.C.	AR	AR	AR	
37	641057	VALVE, 5 WAYS, 3 POSITIONS To X-3238			AR	
37	641531	VALVE, 5 WAYS, 3 POSITIONS From X-3239	AR	AR	AR	
. NS	641186	. SPOOL From X-3239	1	1	1	
NS	641186	. SPOOL	AR	AR	AR	
38	641315	VALVE, 3 WAYS, 2 POSITIONS N.C. To X-3238	AR	AR		
38	641529	VALVE, 3 WAYS, 2 POSITIONS N.C. From X-3239	AR	AR	AR	
. NS	641929	. COIL 24V From X-3239	1	1	1	
. NS	641169	. SPOOL From X-3239	1	1	1	
. NS	641385	. CONNECTOR / SOCKET HOUSING ASSY 3C / PNEUMAC 54934-01 From X-3239	1	1	1	
NS	641169	. SPOOL	AR	AR	AR	
39	630135	VALVE, 3 WAYS, 2 POSITIONS N.O. To X-3238	AR	AR	AR	
. NS	641169	. SPOOL To X-3238	1	1	1	
. NS	641929	. COIL 24V To X-3238	1	1	1	
39	641528	VALVE, 3 WAYS, 2 POSITIONS N.O. From X-3239	AR	AR	AR	
. NS	641929	. COIL 24V From X-3239	1	1	1	
. NS	641169	. SPOOL From X-3239	1	1	1	
. NS	641385	. CONNECTOR / SOCKET HOUSING ASSY 3C / PNEUMAC 54934-01 From X-3239	1	1	1	
NS	641169	. SPOOL	AR	AR	AR	
40	641316	VALVE, 3 WAYS, 2 POSITIONS / 2 SOLONOID To X-3238	AR	AR	AR	
40	641530	VALVE, 3 WAYS, 2 POSITIONS / 2 SOLONOIDS From X-3239	AR	AR	AR	
. NS	641929	. COIL 24V From X-3239	1	1	1	
. NS	641169	. SPOOL From X-3239	1	1	1	
. NS	641385	. CONNECTOR / SOCKET HOUSING ASSY 3C / PNEUMAC 54934-01 From X-3239	1	1	1	
NS	641169	. SPOOL	AR	AR	AR	
41	641317	VALVE, 4 WAYS, 2 POSITIONS To X-3238			AR	
41	641527	VALVE, 4 WAYS, 2 POSITIONS From X-3239	AR	AR	AR	
. NS	641929	. COIL 24V From X-3239	1	1	1	
. NS	641186	. SPOOL From X-3239	1	1	1	
. NS	641385	. CONNECTOR / SOCKET HOUSING ASSY 3C / PNEUMAC 54934-01 From X-3239	1	1	1	
42	641186	. SPOOL	AR	AR	AR	

From R-012 To 2-4416	Date:10/2022	PAGE:H3-1220-00
MISCELLANEOUS - AIR VALVES		

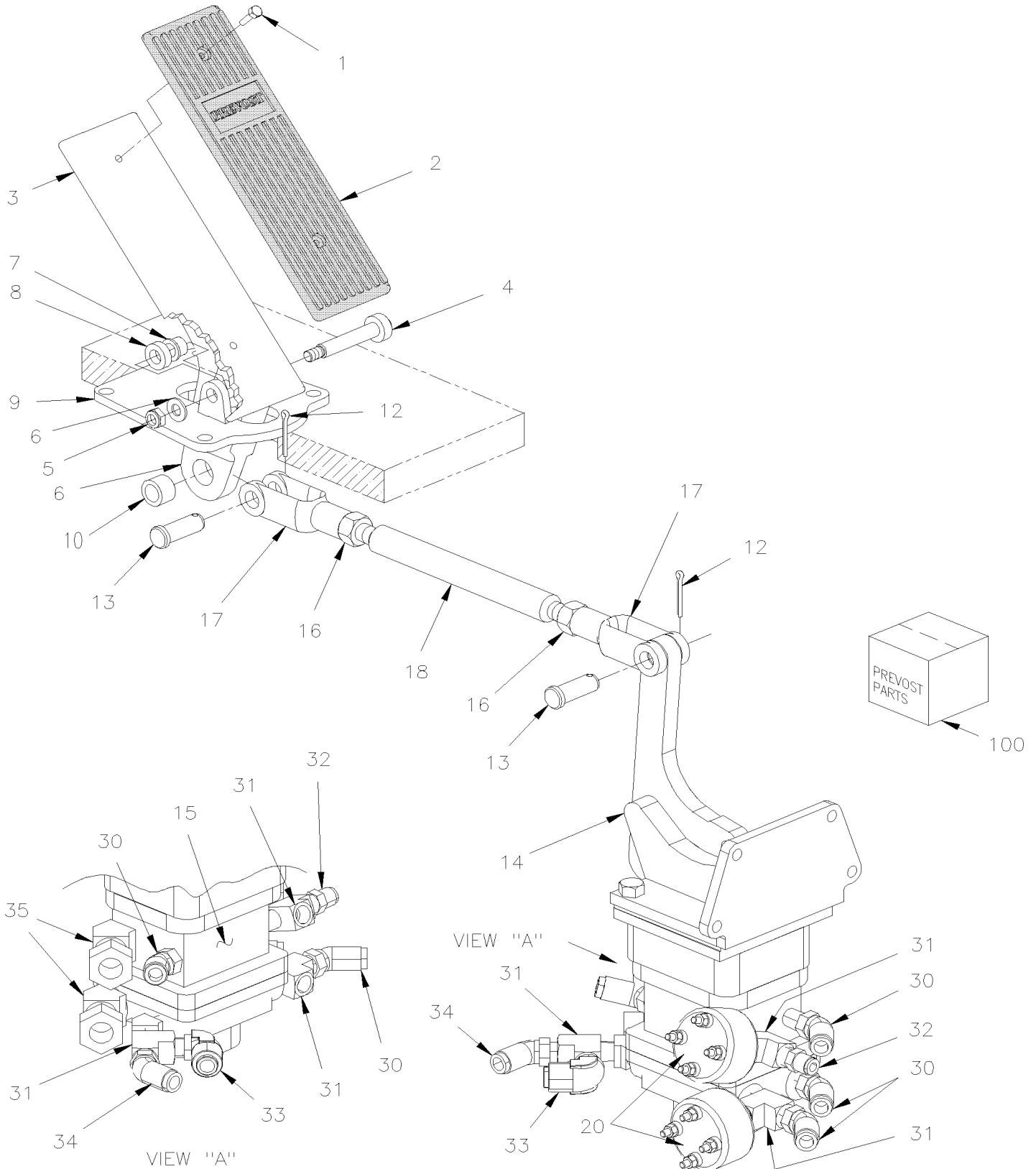
Item#	Part	Description	H 3 4 1	H 3 4 5	V I P 4 5	N O T E S
43	641107	. COIL 24V	AR	AR	AR	
50	640442	VALVE, INVERSION TR-2	AR	AR	AR	
51	641537	VALVE, "ABS" 24VOLT	AR	AR	AR	
52	641445	VALVE, 3 WAYS, 2 POSITIONS MECHANICAL	AR	AR	AR	
. NS	641992	. KNOB	1	1	1	
53	641437	AIR PRESSURE REGULATOR 1/4" NPT / PLASTIC To X-2671	AR	AR	AR	
53	641472	AIR PRESSURE REGULATOR 1/4" NPT / COPPER From X-2672	AR	AR	AR	
NS	641438	NUT	AR	AR	AR	
54	641460	VALVE, "ATC" 24VOLT	AR	AR	AR	
60	641495	TRACTOR PROTECTION VALVE TP-3 DC			1	
61	641399	VALVE, RELAY R-12 P SUPPERSEDED 642097			1	
62	641938	GLANDHAND W/DUST COVER "RED"			1	
62	641939	GLANDHAND W/DUST COVER "BLUE"			1	

From R-012 To 2-4416

Date:10/2022

PAGE:H3-1220-11

BRAKE PEDAL VALVE - "BENDIX"



From R-012 To 2-4416		Date:10/2022	PAGE:H3-1220-11
BRAKE PEDAL VALVE - "BENDIX"			

Item#	Part	Description	H 3 4 1	H 3 4 5	V I P 4 5	N O T E S
	141206	PEDAL ASSY	1	1	1	
1	500416	. SCREW MA PAN PH #10-32x1/2 BK	2	2	2	
2	141212	. THREADLE COVER / W/STEEL BACKING	1	1	1	
3	141207	. PEDAL BRAKE	1	1	1	
4	502575	. SCREW SHR HEXS 10x50 {M8-1.25	1	1	1	
5	500868	. NUT HEX NYRT M8-1.25 Z050	1	1	1	
6	500874	. WASHER FL 8.4x17.0x1.6 Z050	1	1	1	
7	507297	. FLANGE BUSHING	2	2	2	
8	141211	. SPACER	1	1	1	
9	141177	. SUPPORT ASSY / TO FIX BRAKE PEDAL To W-2284	1	1	1	
9	141996	. SUPPORT ASSY / TO FIX BRAKE PEDAL From W-2285	1	1	1	
10	507307	. BUSHING OIL 1/2 I.D. X 3/4 O.D. X 1/2	1	1	1	
12	502102	PIN, COTTER 1/8 x 1	1	1	1	
13	502035	PIN, CLEVIS 1/2 x 1 3/8 Z050	1	1	1	
14	641257	BRAKE VALVE ASSY W/BRACKET / MODEL E-15 To W-2204	1	1	1	
. NS	2359226	. BOOT PLUNGER To W-2204	1	1	1	
. NS	2222120	. MOUNTING BRACKET COUPLING D-1 To W-2204	1	1	1	
14	641439	BRAKE VALVE ASSY W/BRACKET / MODEL E-12 From W-2205 To Y-3669	1	1	1	
. NS	2222120	. MOUNTING BRACKET COUPLING D-1 From W-2205 To Y-3669	1	1	1	
14	641856	BRAKE VALVE ASSY W/BRACKET / MODEL E-10P From Y-3670	1	1	1	
. NS	19507993	. BOOT PLUNGER From Y-3670	1	1	1	
. NS	19510779	. PLUNGER From Y-3670	1	1	1	
. NS	2222120	. MOUNTING BRACKET COUPLING D-1 From Y-3670	1	1	1	
15	641925	. VALVE SUB ASSY / MODEL E-10P	1	1	1	
15	641440	. VALVE SUB ASSY / MODEL E-12 From W-2205 To Y-3669	1	1	1	
15	641403	. VALVE SUB ASSY / MODEL E-15 To W-2204	1	1	1	
16	500716	NUT HEX 1/2-20 Z050	2	2	2	
17	020317	YOKE 1/2-20x1 15/16 C/Lx9/16Wx1/2	2	2	2	
18	141178	SHAFT THREADED W/R.H. THREAD 260MM	1	1	1	
20	641462	PRESSURE SWITCH N.O. 4PSI / 1/4NPT W/10-32 / SL-5 BRAKE	2	2	2	
30	641367	MALE ELBOW 45° NON-SWIVEL / PUSH-IN FITTING / #6x3/8NPT-M BR	AR	AR	AR	
31	501699	MALE RUN TEE / PIPE FITTING / 3/8NPT-Mx3/8NPT-Fx3/8NPT-F BR	AR	AR	AR	
32	641330	MALE CONNECTOR / PUSH-IN FITTING / #6x3/8NPT-M BR	AR	AR	AR	
33	641375	MALE ELBOW 90° NON-SWIVEL / PUSH-IN FITTING / #6x3/8NPT-M BR	AR	AR	AR	
34	641368	MALE ELBOW 45° NON-SWIVEL / PUSH-IN FITTING / #8x3/8NPT-M BR	AR	AR	AR	
35	641602	MALE CONNECTOR / PUSH-IN FITTING / #10x3/8NPT-M BR	AR	AR	AR	
36	501330	STREET ELBOW 45° / PIPE FITTING / 3/8NPT-Mx3/8NPT-F BR	AR	AR	AR	
100	641404	REPAIR KIT/ MAJOR/ (MINOR, PISTON & DIAPHRAM) VALVE E-15 To W-2204	1	1	1	
100	641442	REPAIR KIT / MAJOR / (MINOR, PISTON & VALVE E-12 & E-15 From W-2205 To Y-3669	1	1	1	
100	641405	REPAIR KIT / MINOR / (O-RING & SEAL) VALVE E-15 To W-2204	1	1	1	
100	641441	REPAIR KIT / MINOR / (O-RING & SEAL) / VALVE E-12 & E-15 From W-2205 To Y-3669	1	1	1	
100	640949	KIT, REPAIR / BRAKE VALVE E-10 From Y-3670	1	1	1	

From R-012 To 2-4416		Date:10/2022	PAGE:H3-1220-11
----------------------	--	--------------	-----------------

BRAKE PEDAL VALVE - "BENDIX"

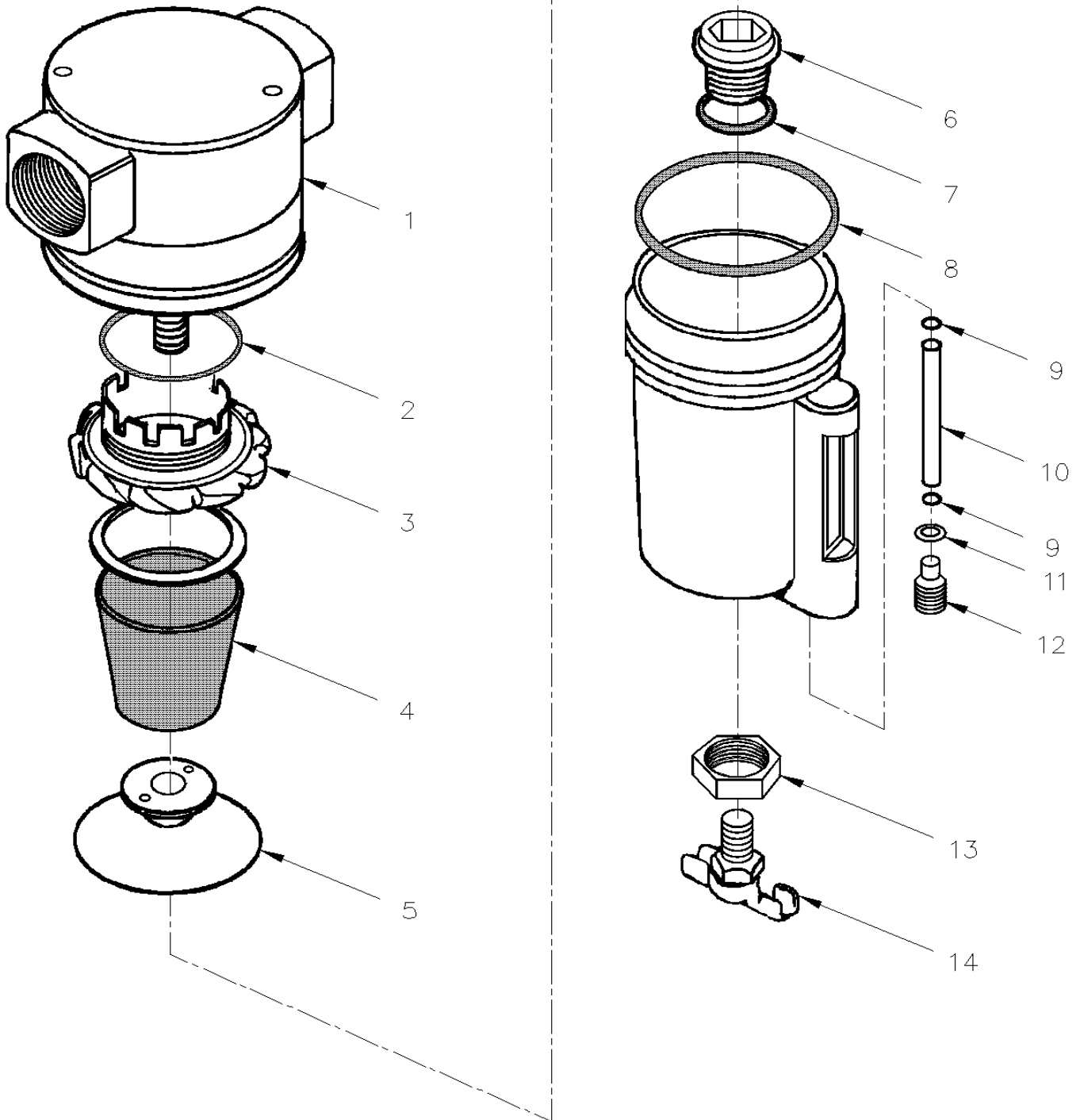
Item#	Part	Description	H 3 4 1	H 3 4 5	V I P 4 5	N O T E S

From R-012 To S-274

Date:10/2022

PAGE:H3-1220-15

AIR FILTER - ACCESSORIES



From R-012 To S-274	Date:10/2022	PAGE:H3-1220-15
AIR FILTER - ACCESSORIES		

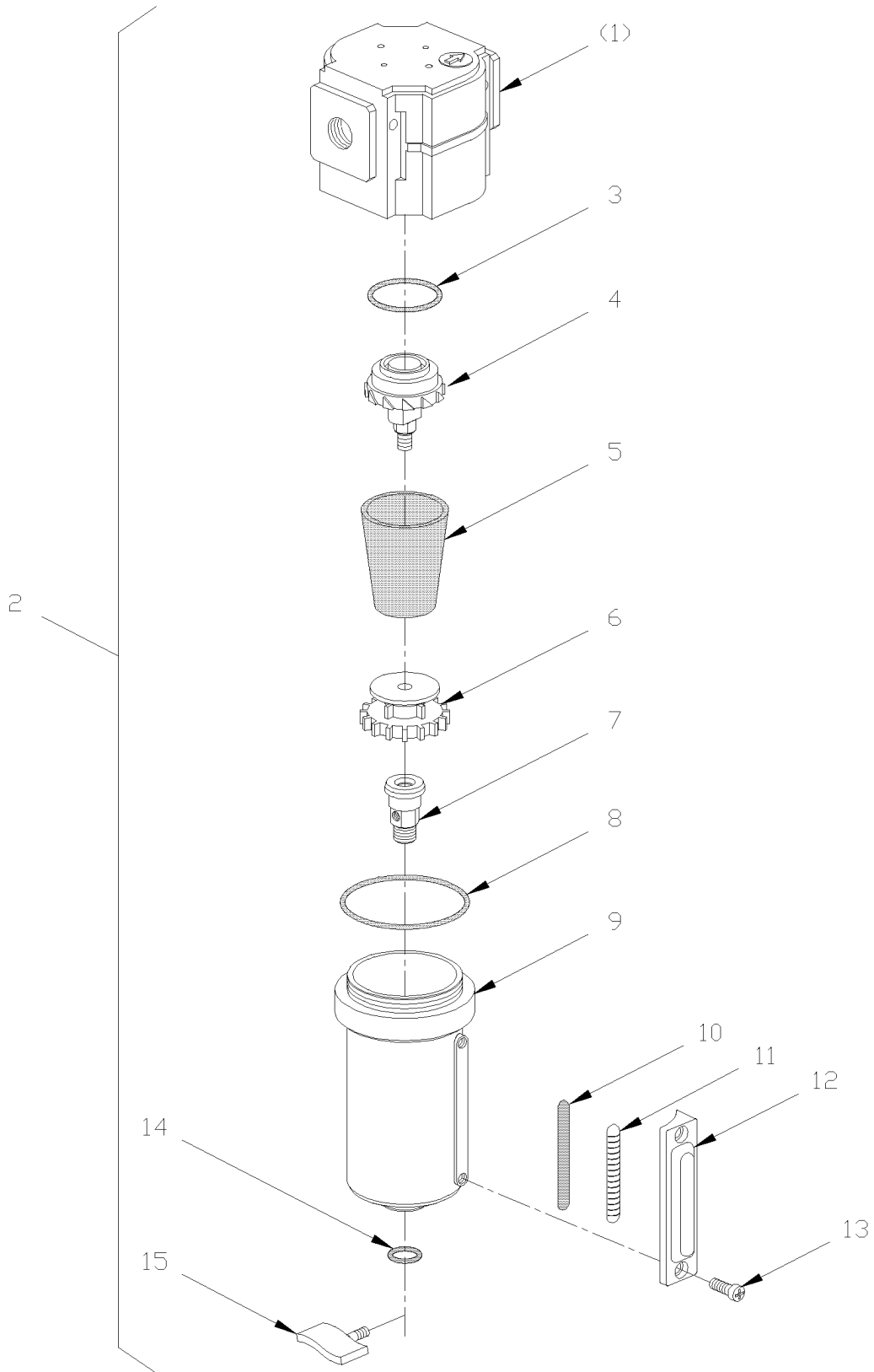
Item#	Part	Description	H 3 4 1	H 3 4 5	V I P 4 5	N O T E S
1	641251	FILTER ASSY	1	1	1	
2	N.S.S.	. O-RING	1	1	1	1
3	N.S.S.	. LOUVER	1	1	1	1
4	641252	. FILTER, ELEMENT / 5 MICRON	1	1	1	
5	N.S.S.	. BAFFLE	1	1	1	1
6	N.S.S.	. INSERT	1	1	1	1
7	N.S.S.	. GASKET	1	1	1	1
8	641170	. O-RING	1	1	1	
8	641200	. KIT, SIGHT GLASS				
9	N.S.S.	. . SEAL	2	2	2	1
10	N.S.S.	. . GAUGE	1	1	1	1
11	N.S.S.	. . O-RING	1	1	1	1
12	N.S.S.	. RETAINER	1	1	1	1
13	N.S.S.	. NUT	1	1	1	1
14	N.S.S.	. COCK, DRAIN	1	1	1	1
NS	641201	KIT, O-RING & GASKET	AR	AR	AR	A
		A) INCLUDING ITEMS #2,7 & 8				
		1) NOT SOLD SEPARATELY				

From S-275 To 2-4416

Date:10/2022

PAGE:H3-1220-16

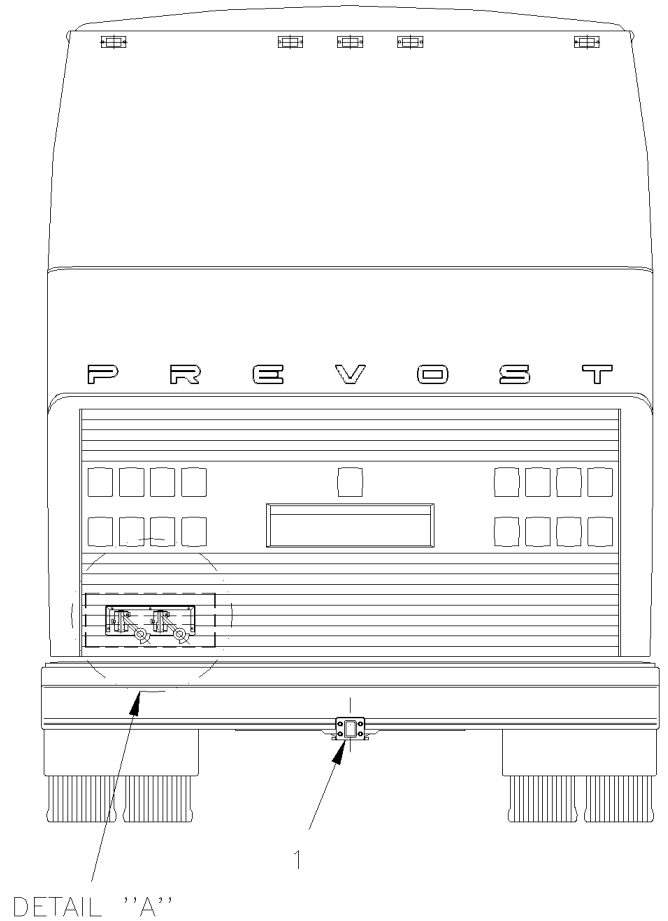
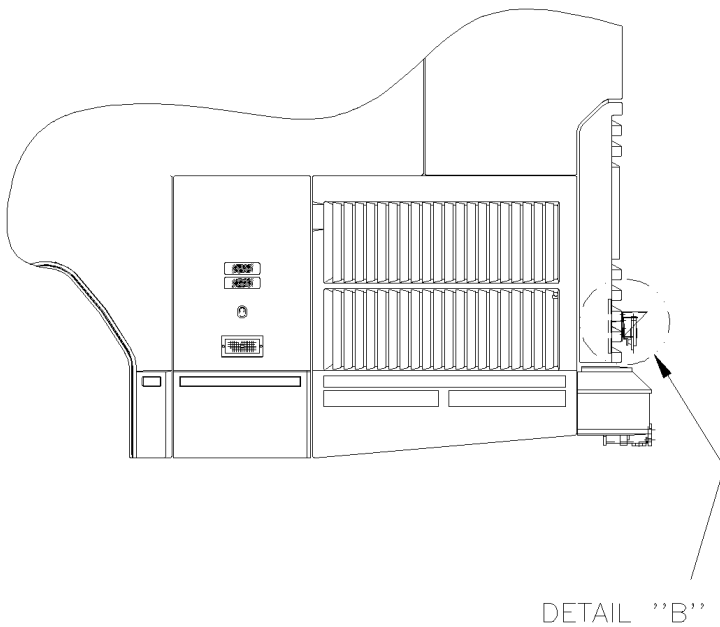
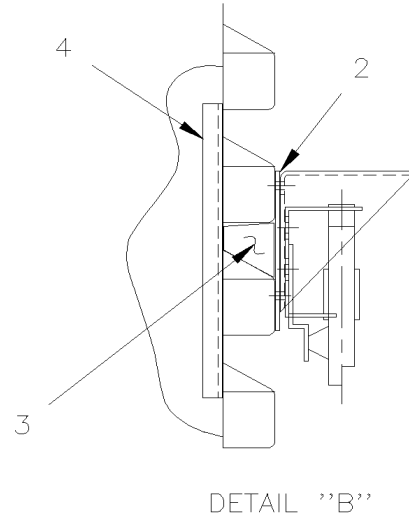
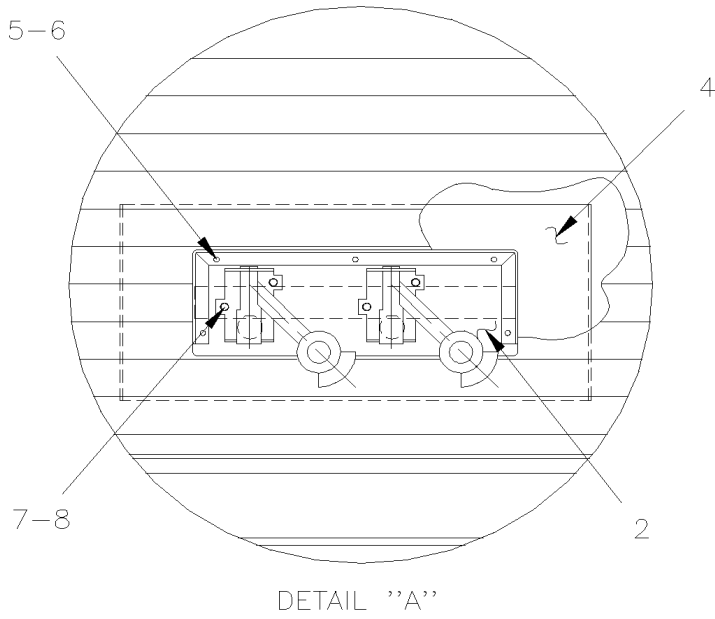
AIR FILTER - ACCESSORIES



From S-275 To 2-4416	Date:10/2022	PAGE:H3-1220-16
AIR FILTER - ACCESSORIES		

Item#	Part	Description	H 3 4 1	H 3 4 5	V I P 4 5	N O T E S
1	641339	SUPPORT / AIR FILTER	1	1	1	
2	641338	AIR FILTER ASSY	1	1	1	
3	N.S.S.	. O-RING / UPPER CENTER POST	1	1	1	1
4	641969	. CENTER POST	1	1	1	
5	641340	. FILTER ELEMENT	1	1	1	
6	641970	. SCREW BAFFLE	1	1	1	
7	641971	. DRAIN VALVE BODY	1	1	1	
8	N.S.S.	. O-RING / UPPER BOWL	1	1	1	1
9	N.S.S.	. BOWL METAL	1	1	1	1
10	N.S.S.	. INDICATOR FILTER	1	1	1	1
11	N.S.S.	. GLASS / INDICATOR	1	1	1	1
12	N.S.S.	. RETAINER / GLASS	1	1	1	1
13	N.S.S.	. SCREW / TO FIX RETAINER	2	2	2	1
14	N.S.S.	. O-RING / LOWER BOWL	1	1	1	1
15	641972	. DRAIN VALVE	1	1	1	
16	N.S.S.	. NUT RETAINER / DRAIN VALVE	1	1	1	1
NS	641354	KIT, O-RING	AR	AR	AR	A
NS	641355	KIT, LEVEL INDICATOR	AR	AR	AR	B
NS	7770058	KIT, DRAIN VALVE	AR	AR	AR	C
		A) INCLUDE ITEMS #3,8 & 14				
		B) INCLUDE ITEMS #8,10,11 & 13				
		C) INCLUDE ITEMS #7, 14 & 15				
		1) NOT SOLD SEPARATELY				

From R-012 To 2-4416	Date:10/2022	PAGE:H3-1220-50
TRAILER VALVE INSTALLATION		



From R-012 To 2-4416	Date:10/2022	PAGE:H3-1220-50
TRAILER VALVE INSTALLATION		

Item#	Part	Description	H 3 4 1	H 3 4 5	V I P 4 5	N O T E S
	410617P	KIT, TRAILER HOOK	1	1		
1	410616	PROTECTOR ASSY / W/TRAILER HITCH "PINTLE HOOK" / (T-1548)	1	1		
2	410620	PLATE SUPPORT EXTERIOR	1	1		
3	410618	SPACER PLATE REINFORCEMENT	1	1		
4	410619	PLATE REINFORCEMENT INTERIOR DOOR	1	1		
5	502797	SCREW CAP HEX M8-1.25x70 G10.9 G500	5	5		
6	502744	NUT HEX STO M8-1.25 Z050	5	5		
7	502769	SCREW CAP HEX M6-1.0x70 G10.9 DP	4	4		
NS	502621	NUT HEX STO M6-1.0 Z050	4	4		
NS	910030	TRAILER HOOK	1	1		
NS	945081	CLAMP / 7/8" I.D.	4	4		
NS	952633	CLAMP / 7/8" I.D.	4	4		
7	500091	SCREW CAP HEX 1/2-20x1 3/4 G5 ZP	4	4		
7	500482	WASHER LO SPT .506x.873x.125 Z050	4	4		
8	641957	GLANDHAND SWING-AWAY "RED"	1	1		
8	641958	GLANDHAND SWING-AWAY "BLUE"	1	1		
8	644957	CAP / GLANDHAND SWING-AWAY	1	1		

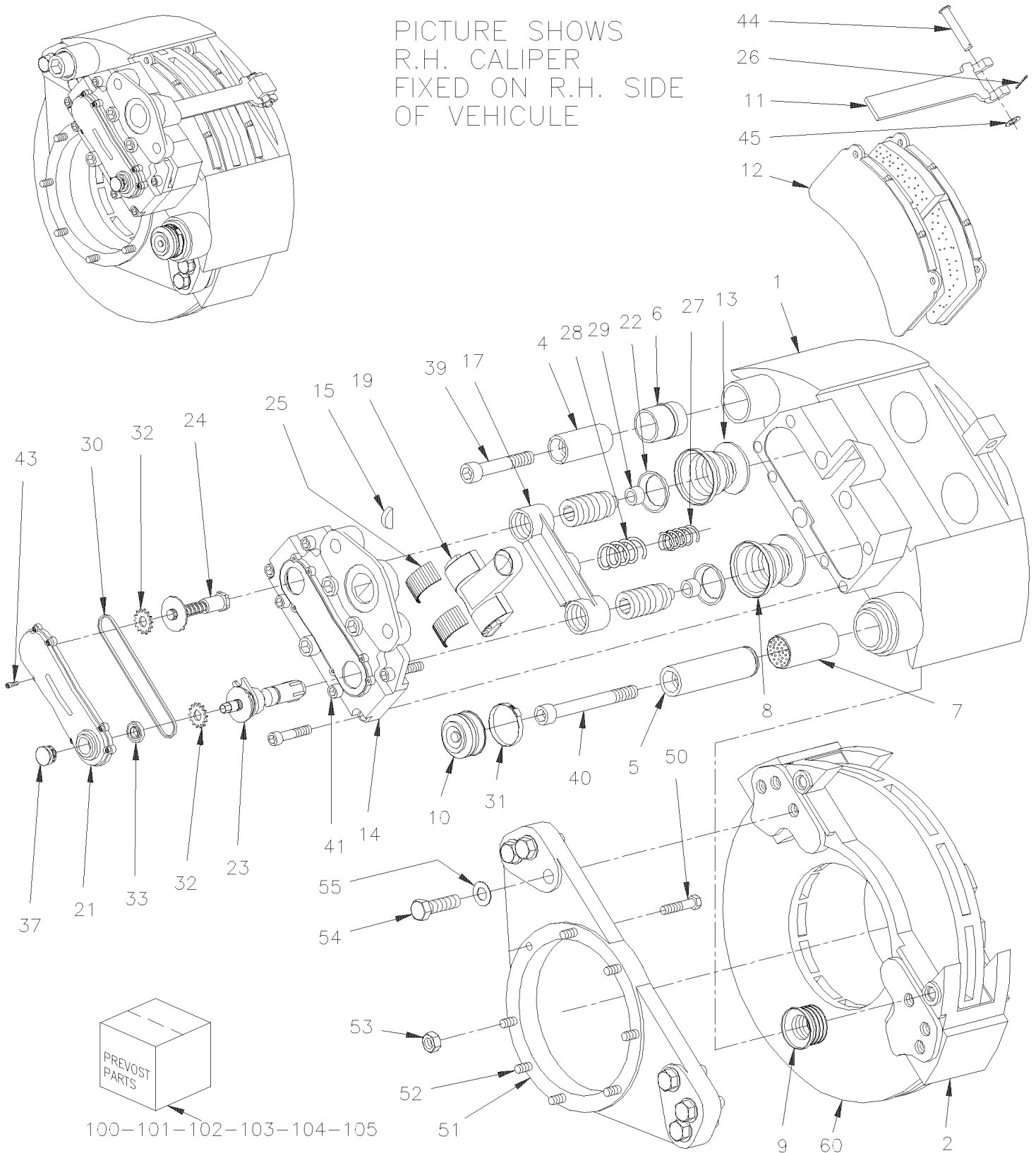
From R-020 To V-1689

Date:10/2022

PAGE:H3-1225-03

BRAKE PARTS - FRONT AXLE - W/"KNORR-BREMSE" / SB7 SERIES

PICTURE SHOWS
R.H. CALIPER
FIXED ON R.H. SIDE
OF VEHICLE



From R-020 To V-1689	Date:10/2022	PAGE:H3-1225-03
----------------------	--------------	-----------------

BRAKE PARTS - FRONT AXLE - W/"KNORR-BREMSE" / SB7 SERIES

Item#	Part	Description	H 3 4 1	H 3 4 5	V I P 4 5	N O T E S
	641324	CALIPER ASSY R.H. / W/BOOSTER TYPE 24 SB7	1	1	1	
	641326	CALIPER ASSY L.H. / W/BOOSTER TYPE 24 SB7	1	1	1	
	611075	. CALIPER ASSY R.H. / W/O BOOSTER & CARRIER / SB7	1	1	1	A
	611074	. CALIPER ASSY L.H. / W/O BOOSTER & CARRIER / SB7	1	1	1	A
1	N.S.S.	. . CALIPER HOUSING	1	1	1	1
2	N.S.S.	. . BRAKE CARRIER	1	1	1	1
4	N.S.S.	. . GUIDE BUSHING / SHORT	1	1	1	1
5	N.S.S.	. . GUIDE BUSHING / LONG	1	1	1	1
6	611245	. . GUIDE SLEEVE / RUBBER SB 7 SERIES	1	1	1	
7	611107	. . BUSHING / BRASS	1	1	1	
8	N.S.S.	. . BOOT RUBBER / WHITE	2	2	2	1
9	N.S.S.	. . BELLOW GUIDE BUSHING / RUBBER BLACK	1	1	1	1
10	641419	. . BELLOW CAP / RUBBER	1	1	1	
11	N.S.S.	. . BRAKE PAD BRACKET	1	1	1	1
12	611105	. . LINING SET STD / (FERODO)	1	1	1	B
. 11	N.S.S.	. . . BRAKE PAD BRACKET	1	1	1	1 B
. 26	N.S.S.	. . . SPRING SPLIT PIN	1	1	1	1 B
. 37	641313	. . . PLUG CAP / ADJUSTING DEVICE / PLASTIC INTERIOR GRIP	1	1	1	B
. 44	N.S.S.	. . . CLEVIS PIN	1	1	1	1 B
. 45	N.S.S.	. . . WASHER	1	1	1	1 B
. 61	N.S.S.	. . . SHEAR ADAPTER	1	1	1	1 B
12	611049	. . LINING SET STD /	1	1	1	B
. 11	N.S.S.	. . . BRAKE PAD BRACKET	1	1	1	1 B
. 26	N.S.S.	. . . SPRING SPLIT PIN	1	1	1	1 B
. 37	641313	. . . PLUG CAP / ADJUSTING DEVICE / PLASTIC INTERIOR GRIP	1	1	1	B
. 44	N.S.S.	. . . CLEVIS PIN	1	1	1	1 B
. 45	N.S.S.	. . . WASHER	1	1	1	1 B
. 61	N.S.S.	. . . SHEAR ADAPTER	1	1	1	1 B
13	N.S.S.	. . TAPPET	2	2	2	1
14	N.S.S.	. . SYNCHRONIZING HOUSING	1	1	1	1
15	N.S.S.	. . PLUG HALF / RUBBER	1	1	1	1
17	N.S.S.	. . BEAM	1	1	1	1
18	N.S.S.	. . O-RING	1	1	1	1
19	N.S.S.	. . LEVER	1	1	1	1
21	N.S.S.	. . COVER SYNCHRONIZING HOUSING	1	1	1	1
22	N.S.S.	. . BOOT	2	2	2	1
23	N.S.S.	. . CLEARANCE ADJUSTER	1	1	1	1
24	N.S.S.	. . DRIVER	1	1	1	1
25	N.S.S.	. . LEVER BEARING	2	2	2	1
26	N.S.S.	. . SPRING SPLINT PIN	1	1	1	1
27	N.S.S.	. . COMPRESSION SPRING	1	1	1	1
28	N.S.S.	. . COMPRESSION SPRING	1	1	1	1

From R-020 To V-1689	Date:10/2022	PAGE:H3-1225-03
----------------------	--------------	-----------------

BRAKE PARTS - FRONT AXLE - W/"KNORR-BREMSE" / SB7 SERIES

Item#	Part	Description	H 3 4 1	H 3 4 5	V I P 4 5	N O T E S
29	N.S.S.	. . RING RETAINING / TAPPET	2	2	2	1
30	N.S.S.	. . ROLLER CHAIN	1	1	1	1
31	641420	. . PERFORATED CLIP	1	1	1	
32	N.S.S.	. . CHAIN DRIVE WHEEL	2	2	2	1
33	N.S.S.	. . SHAFT SEALING RING	1	1	1	1
37	641313	. . PLUG CAP / ADJUSTING DEVICE / PLASTIC INTERIOR GRIP	1	1	1	
38	N.S.S.	. . DOWEL	4	4	4	1
39	N.S.S.	. . SCREW CAP HEXS M16-1.5x140 G10.9 ZP	1	1	1	1
40	N.S.S.	. . SCREW CAP HEXS M16-1.5x90 G10.9 ZP	1	1	1	1
41	N.S.S.	. . SOCKET HEAD CAP SCREW M14 X 60MM GR 12.9	3	3	3	1
43	N.S.S.	. . SOCKET HEAD CAP SCREW M5 X 12MM	8	8	8	1
44	N.S.S.	. . CLEVIS PIN	1	1	1	1
45	N.S.S.	. . WASHER	1	1	1	1
46	H3-1225-11	BRAKE CHAMBER - FRONT AXLE TYPE 24				
50	500091	SCREW CAP HEX 1/2-20x1 3/4 G5 ZP	3	3	3	
51	611097	CALIPER MOUNTING BRACKET L.H.	1	1	1	
51	611098	CALIPER MOUNTING BRACKET R.H.	1	1	1	
52	611030	STUD 1/2-20 X 1 11/16"	5	5	5	
53	500718	NUT HEX STO 1/2-20 Z050	8	8	8	
54	5001193	SCREW CAP HEX M20-2.5x65 G10.9 ZP	6	6	6	
55	502558	WASHER FL 21.0x37.0x3.0 G500	6	6	6	
60	H3-1300-02	HUB & ROTOR - FRONT AXLE MODEL "S-82"				
99	FMBS-0BPK-10	BRAKE PARTS - "KNORR-BREMSE" / SB7 & SN7 "AFTERMARKET"				
NS	110786	BRAKE WEAR INDICATOR MECHANICAL / 44MM	AR	AR	AR	
100	611054	KIT, TAPPET W/BOOT	AR	AR	AR	C
. 08	N.S.S.	. BOOT RUBBER / WHITE	2	2	2	1 C
. 13	N.S.S.	. TAPPET	2	2	2	1 C
101	611126	KIT GUIDANCE PINS & BELLOW	AR	AR	AR	D
102	611176	KIT BOOT PROTECTOR & TAPPET	AR	AR	AR	E
103	611178	KIT CARRIER & GUIDING PIN	AR	AR	AR	F
104	641402	KIT, PAD HOLDER	AR	AR	AR	G
. 26	N.S.S.	. SPRING SPLIT PIN	1	1	1	1 G
. 44	N.S.S.	. CLEVIS PIN	1	1	1	1 G
. 45	N.S.S.	. WASHER	1	1	1	1 G
104	683344	GREASE GREEN / 5GR	AR	AR	AR	
104	641931	GREASE GREEN / 500GR	AR	AR	AR	
104	683345	GREASE WHITE / 5GR	AR	AR	AR	I
104	641930	GREASE WHITE / 500GR	AR	AR	AR	I
104	641321	TOOL / THRUST MEMBER W/BELLOW	AR	AR	AR	J
104	641322	TOOL / CALIPER INNER BELLOW	AR	AR	AR	K
104	641323	TOOL / BUSHING INSTALLER / SERIES SB	AR	AR	AR	L

From R-020 To V-1689	Date:10/2022	PAGE:H3-1225-03
----------------------	--------------	-----------------

BRAKE PARTS - FRONT AXLE - W/"KNORR-BREMSE" / SB7 SERIES

Item#	Part	Description	H 3 4 1	H 3 4 5	V I P 4 5	N O T E S
104	641435	TOOL / FORK (FOR BELLOW CAP)	AR	AR	AR	D
104	641444	TOOL / GROOVING BUSHING	AR	AR	AR	L
105	611246	KIT, GUIDANCE PIN & RUBBER BUSHING / SHORT PIN	AR	AR	AR	N
.04	N.S.S.	. GUIDE BUSHING / SHORT	1	1	1	1 N
.06	611245	. GUIDE SLEEVE / RUBBER SB 7 SERIES	1	1	1	N
.39	N.S.S.	. SCREW CAP HEXS	1	1	1	1 N
107	641427	KIT BOOT & CLIP	AR	AR	AR	P
.10	641421	. BELLOW CAP / RUBBER	1	1	1	P
.31	641420	. PERFORATED CLIP	1	1	1	P
		A) DO NOT INCLUDE ITEMS # 2 & 12				
		B) INCLUDES ITEMS #11, 26, 37, 44, 45 & 61				
		C) INCLUDE 2 OF ITEMS #8 & 13				
		D) INCLUDE ITEMS #4, 5, 6, 7, 9, 10, 31, 39 & 40				
		E) INCLUDE ITEMS #8, 13 & 29				
		F) INCLUDE ITEMS #2, 4, 5, 39 & 40				
		G) INCLUDE ITEMS #11, 26, 44 & 45				
		I) FOR ITEMS #5 & 7				
		J) FOR USE W/ITEMS #8 & 13				
		K) FOR USE W/ITEM #9				
		L) FOR USE W ITEM #7				
		N) INCLUDE ITEMS #4, 6 & 39				
		P) INCLUDE ITEMS 10 & 31				
		1) NOT SOLD SEPARATELY				
		1) NOT SOLD SEPARATELY				

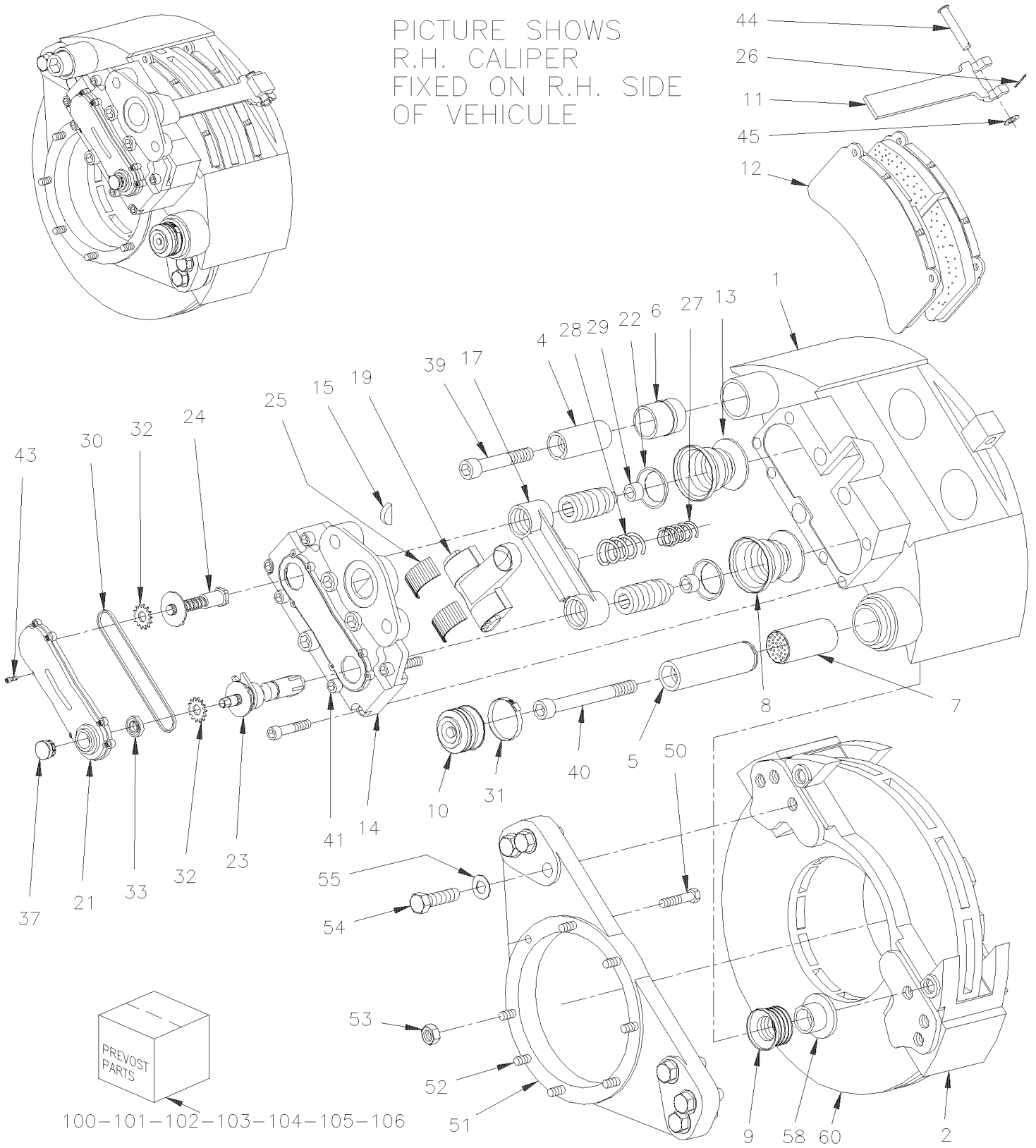
From V-1690 To 2-4416

Date:10/2022

PAGE:H3-1225-04

BRAKE PARTS - FRONT AXLE - W/"KNORR-BREMSE" / SB7 SERIES

PICTURE SHOWS
R.H. CALIPER
FIXED ON R.H. SIDE
OF VEHICLE



From V-1690 To 2-4416	Date:10/2022	PAGE:H3-1225-04
-----------------------	--------------	-----------------

BRAKE PARTS - FRONT AXLE - W/"KNORR-BREMSE" / SB7 SERIES

Item#	Part	Description	H 3 4 1	H 3 4 5	V I P 4 5	N O T E S
	611186	CALIPER ASSY R.H. / W/BOOSTER TYPE 22 SB7	1	1	1	
	611187	CALIPER ASSY L.H. / W/BOOSTER TYPE 22 SB7	1	1	1	
	611184	. CALIPER ASSY R.H. / W/O BOOSTER / SB7	1	1	1	A
	611185	. CALIPER ASSY L.H. / W/O BOOSTER / SB7	1	1	1	A
1	N.S.S.	. . CALIPER HOUSING	1	1	1	1
2	611340	. . BRAKE CARRIER / W/6 HOLES BOLT RETAINERS M20-2.5	1	1	1	
4	N.S.S.	. . GUIDE BUSHING / SHORT	1	1	1	1
5	N.S.S.	. . GUIDE BUSHING / LONG	1	1	1	1
6	611245	. . GUIDE SLEEVE / RUBBER SB 7 SERIES	1	1	1	
7	611107	. . BUSHING / BRASS	1	1	1	
8	N.S.S.	. . BOOT RUBBER / WHITE	2	2	2	1
9	N.S.S.	. . BELLOW GUIDE BUSHING / RUBBER RED	1	1	1	1
10	641421	. . BELLOW CAP / RUBBER	1	1	1	
11	N.S.S.	. . BRAKE PAD BRACKET	1	1	1	1
12	611105	. . LINING SET STD / (FERODO)	1	1	1	B
. 11	N.S.S.	. . . BRAKE PAD BRACKET	1	1	1	1 B
. 26	N.S.S.	. . . SPRING SPLIT PIN	1	1	1	1 B
. 37	641313	. . . PLUG CAP / ADJUSTING DEVICE / PLASTIC INTERIOR GRIP	1	1	1	B
. 44	N.S.S.	. . . CLEVIS PIN	1	1	1	1 B
. 45	N.S.S.	. . . WASHER	1	1	1	1 B
. 61	N.S.S.	. . . SHEAR ADAPTER	1	1	1	1 B
12	611049	. . LINING SET STD /	1	1	1	B
. 11	N.S.S.	. . . BRAKE PAD BRACKET	1	1	1	1 B
. 26	N.S.S.	. . . SPRING SPLIT PIN	1	1	1	1 B
. 37	641313	. . . PLUG CAP / ADJUSTING DEVICE / PLASTIC INTERIOR GRIP	1	1	1	B
. 44	N.S.S.	. . . CLEVIS PIN	1	1	1	1 B
. 45	N.S.S.	. . . WASHER	1	1	1	1 B
. 61	N.S.S.	. . . SHEAR ADAPTER	1	1	1	1 B
13	N.S.S.	. . TAPPET	2	2	2	1
14	N.S.S.	. . SYNCHRONIZING HOUSING	1	1	1	1
15	N.S.S.	. . PLUG HALF / RUBBER	1	1	1	1
17	N.S.S.	. . BEAM	1	1	1	1
18	N.S.S.	. . O-RING	1	1	1	1
19	N.S.S.	. . LEVER	1	1	1	1
21	N.S.S.	. . COVER SYNCHRONIZING HOUSING	1	1	1	1
22	N.S.S.	. . BOOT	2	2	2	1
23	N.S.S.	. . CLEARANCE ADJUSTER	1	1	1	1
24	N.S.S.	. . DRIVER	1	1	1	1
25	N.S.S.	. . LEVER BEARING	2	2	2	1
26	N.S.S.	. . SPRING SPLINT PIN	1	1	1	1
27	N.S.S.	. . COMPRESSION SPRING	1	1	1	1
28	N.S.S.	. . COMPRESSION SPRING	1	1	1	1

From V-1690 To 2-4416	Date:10/2022	PAGE:H3-1225-04
-----------------------	--------------	-----------------

BRAKE PARTS - FRONT AXLE - W/"KNORR-BREMSE" / SB7 SERIES

Item#	Part	Description	H 3 4 1	H 3 4 5	V I P 4 5	N O T E S
29	N.S.S.	. . RING RETAINING / TAPPET	2	2	2	1
30	N.S.S.	. . ROLLER CHAIN	1	1	1	1
31	641420	. . PERFORATED CLIP	1	1	1	
32	N.S.S.	. . CHAIN DRIVE WHEEL	2	2	2	1
33	N.S.S.	. . SHAFT SEALING RING	1	1	1	1
37	641313	. . PLUG CAP / ADJUSTING DEVICE / PLASTIC INTERIOR GRIP	1	1	1	
38	N.S.S.	. . DOWEL	4	4	4	1
39	N.S.S.	. . SCREW CAP HEXS M16-1.5x140 G10.9 ZP	1	1	1	1
40	N.S.S.	. . SCREW CAP HEXS M16-1.5x90 G10.9 ZP	1	1	1	1
41	N.S.S.	. . SOCKET HEAD CAP SCREW M14 X 60MM GR 12.9	3	3	3	1
43	N.S.S.	. . SOCKET HEAD CAP SCREW M5 X 12MM	8	8	8	1
44	N.S.S.	. . CLEVIS PIN	1	1	1	1
45	N.S.S.	. . WASHER	1	1	1	1
45	H3-1225-12	BRAKE CHAMBER - FRONT AXLE TYPE 22				
50	500091	SCREW CAP HEX 1/2-20x1 3/4 G5 ZP	3	3	3	
51	611097	CALIPER MOUNTING BRACKET L.H.	1	1	1	
51	611098	CALIPER MOUNTING BRACKET R.H.	1	1	1	
52	611030	STUD 1/2-20 X 1 11/16"	5	5	5	
53	500718	NUT HEX STO 1/2-20 Z050	8	8	8	
54	5001193	SCREW CAP HEX M20-2.5x65 G10.9 ZP	6	6	6	
55	502558	WASHER FL 21.0x37.0x3.0 G500	6	6	6	
58	N.S.S.	PLASTIC RING / BOOT RETAINER	1	1	1	1
60	H3-1300-02	HUB & ROTOR - FRONT AXLE MODEL "S-82"				
99	FMBS-0BPK-10	BRAKE PARTS - "KNORR-BREMSE" / SB7 & SN7 "AFTERMARKET"				
NS	110786	BRAKE WEAR INDICATOR MECHANICAL / 44MM	AR	AR	AR	
100	611054	KIT, TAPPET W/BOOT	AR	AR	AR	C
.08	N.S.S.	. BOOT RUBBER / WHITE	2	2	2	1 C
.13	N.S.S.	. TAPPET	2	2	2	1 C
101	611168	KIT, GUIDANCE PINS & BELLOW	AR	AR	AR	D
.04	N.S.S.	. GUIDE BUSHING / SHORT	1	1	1	1 D
.05	N.S.S.	. GUIDE BUSHING / LONG	1	1	1	1 D
.06	611245	. GUIDE SLEEVE / RUBBER SB 7 SERIES	1	1	1	D
.07	611107	. BUSHING / BRASS	1	1	1	D
.09	N.S.S.	. BELLOW GUIDE BUSHING / RUBBER RED	1	1	1	1 D
.10	641421	. BELLOW CAP / RUBBER	1	1	1	D
.31	641420	. PERFORATED CLIP	1	1	1	D
.39	N.S.S.	. SCREW CAP HEXS	1	1	1	1 D
.40	N.S.S.	. SCREW CAP HEXS	1	1	1	1 D
.58	N.S.S.	. PLASTIC RING / BOOT RETAINER	1	1	1	1 D
102	611177	KIT, BOOT PROTECTOR & TAPPET	AR	AR	AR	E
.08	N.S.S.	. BOOT RUBBER / WHITE	1	1	1	1 E

From V-1690 To 2-4416 Date:10/2022 PAGE:H3-1225-04

BRAKE PARTS - FRONT AXLE - W/"KNORR-BREMSE" / SB7 SERIES

Item#	Part	Description	H 3 4 1	H 3 4 5	V I P 4 5	N O T E S
. 13	N.S.S.	. TAPPET	1	1	1	1 E
. 29	N.S.S.	. RING RETAINING / TAPPET	1	1	1	1 E
103	611179	KIT, CARRIER & GUIDING PIN	AR	AR	AR	F
. 02	611340	. BRAKE CARRIER / W/6 HOLES BOLT RETAINERS M20-2.5	1	1	1	F
. 04	N.S.S.	. GUIDE BUSHING / SHORT	1	1	1	1 F
. 05	N.S.S.	. GUIDE BUSHING / LONG	1	1	1	1 F
. 39	N.S.S.	. SCREW CAP HEXS	1	1	1	1 F
. 40	N.S.S.	. SCREW CAP HEXS	1	1	1	1 F
104	641402	KIT, PAD HOLDER	AR	AR	AR	G
. 26	N.S.S.	. SPRING SPLIT PIN	1	1	1	1 G
. 44	N.S.S.	. CLEVIS PIN	1	1	1	1 G
. 45	N.S.S.	. WASHER	1	1	1	1 G
104	641444	TOOL / GROOVING BUSHING	AR	AR	AR	M
105	611199	KIT, BOOT & SEAL	AR	AR	AR	H
. 09	N.S.S.	. BELLOW GUIDE BUSHING / RUBBER RED	1	1	1	1 H
. 10	641421	. BELLOW CAP / RUBBER	1	1	1	H
. 31	641420	. PERFORATED CLIP	1	1	1	H
. 37	641313	. PLUG CAP / ADJUSTING DEVICE / PLASTIC INTERIOR GRIP	1	1	1	H
. 58	N.S.S.	. PLASTIC RING / BOOT RETAINER	1	1	1	1 H
105	683344	GREASE GREEN / 5GR	AR	AR	AR	I
105	641931	GREASE GREEN / 500GR	AR	AR	AR	I
105	683345	GREASE WHITE / 5GR	AR	AR	AR	J
105	641930	GREASE WHITE / 500GR	AR	AR	AR	J
105	641321	TOOL / THRUST MEMBER W/BELLOW	AR	AR	AR	K
105	641322	TOOL / CALIPER INNER BELLOW	AR	AR	AR	L
105	641323	TOOL / BUSHING INSTALLER / SERIES SB	AR	AR	AR	M
105	641435	TOOL / FORK (FOR BELLOW CAP)	AR	AR	AR	N
106	611246	KIT, GUIDANCE PIN & RUBBER BUSHING / SHORT PIN	AR	AR	AR	O
. 04	N.S.S.	. GUIDE BUSHING / SHORT	1	1	1	1 O
. 06	611245	. GUIDE SLEEVE / RUBBER SB 7 SERIES	1	1	1	O
. 39	N.S.S.	. SCREW CAP HEXS	1	1	1	1 O
107	641427	KIT BOOT & CLIP	AR	AR	AR	P
. 10	641421	. BELLOW CAP / RUBBER	1	1	1	P
. 31	641420	. PERFORATED CLIP	1	1	1	P
		A) INCLUDES ITEM #2 BUT NO ITEM # 12				
		B) INCLUDES ITEMS #11, 26, 37, 44, 45 & 61				
		C) INCLUDE 2 OF ITEMS #8 & 13				
		D) INCLUDE ITEMS #4, 5, 6, 7, 9, 10, 31, 39, 40 & 58				
		E) INCLUDE ITEMS #8, 13 & 29				

From V-1690 To 2-4416	Date:10/2022	PAGE:H3-1225-04
-----------------------	--------------	-----------------

BRAKE PARTS - FRONT AXLE - W/"KNORR-BREMSE" / SB7 SERIES

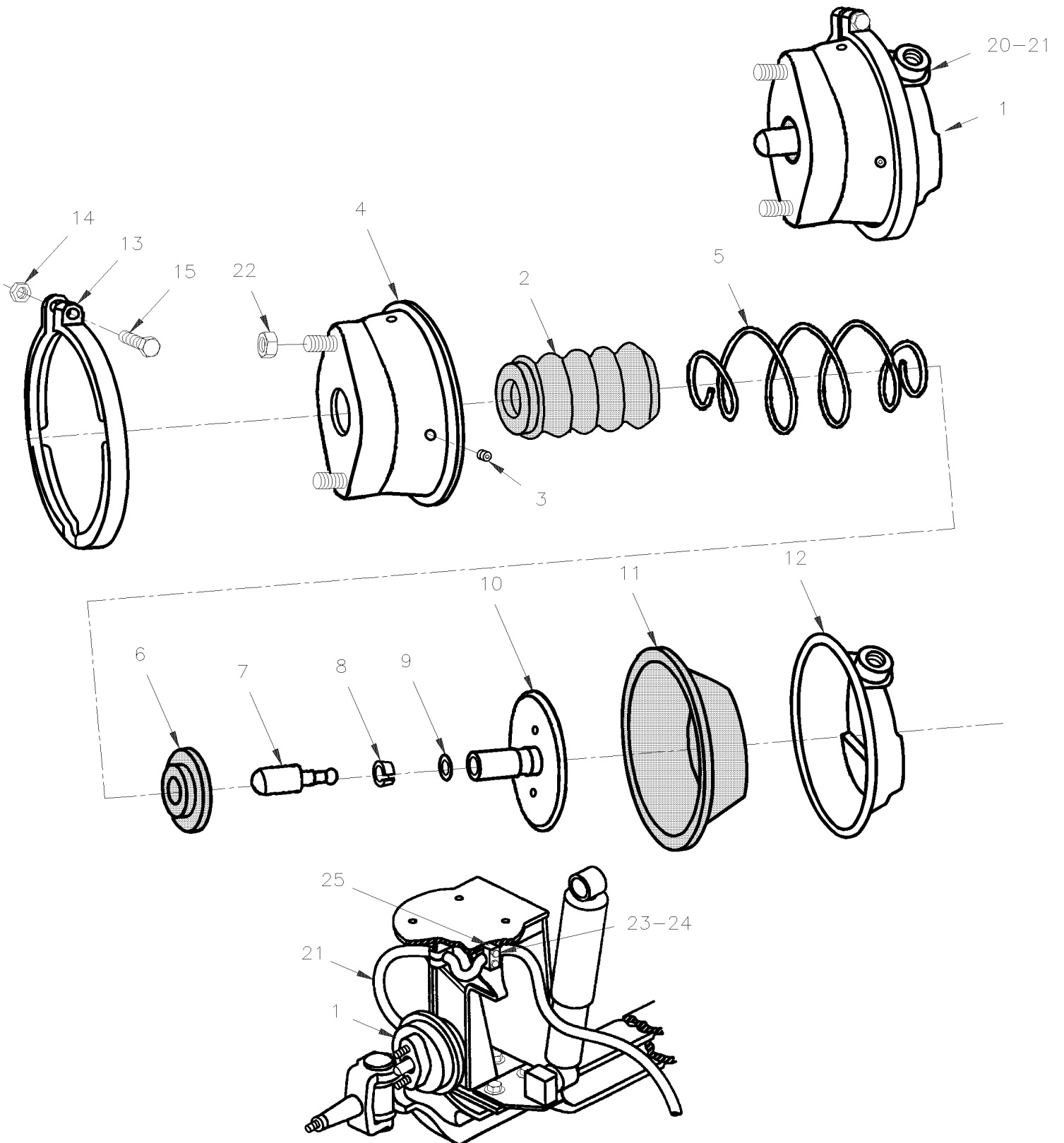
Item#	Part	Description	H 3 4 1	H 3 4 5	V I P 4 5	N O T E S
		F) INCLUDE ITEMS #2, 4, 5, 39 & 40				
		G) INCLUDE ITEMS #11, 26, 44 & 45				
		H) INCLUDE ITEMS #9, 10, 31, 37 & 58				
		I) FOR ITEMS #4 & 6				
		J) FOR ITEMS #5 & 7				
		K) FOR USE W/ITEMS #8 & 13				
		L) FOR USE W/ITEM #9				
		M) FOR USE W/ITEM #7				
		N) FOR USE W/ITEM #8 & 13				
		O) INCLUDE ITEMS #4,6 & 39				
		P) INCLUDE ITEM #10 & 31				
		1) NOT SOLD SEPARATELY				
		1) NOT SOLD SEPARATELY				

From R-020 To T-1613

Date:10/2022

PAGE:H3-1225-11

BRAKE CHAMBER - FRONT AXLE TYPE 24



From R-020 To T-1613	Date:10/2022	PAGE:H3-1225-11
BRAKE CHAMBER - FRONT AXLE TYPE 24		

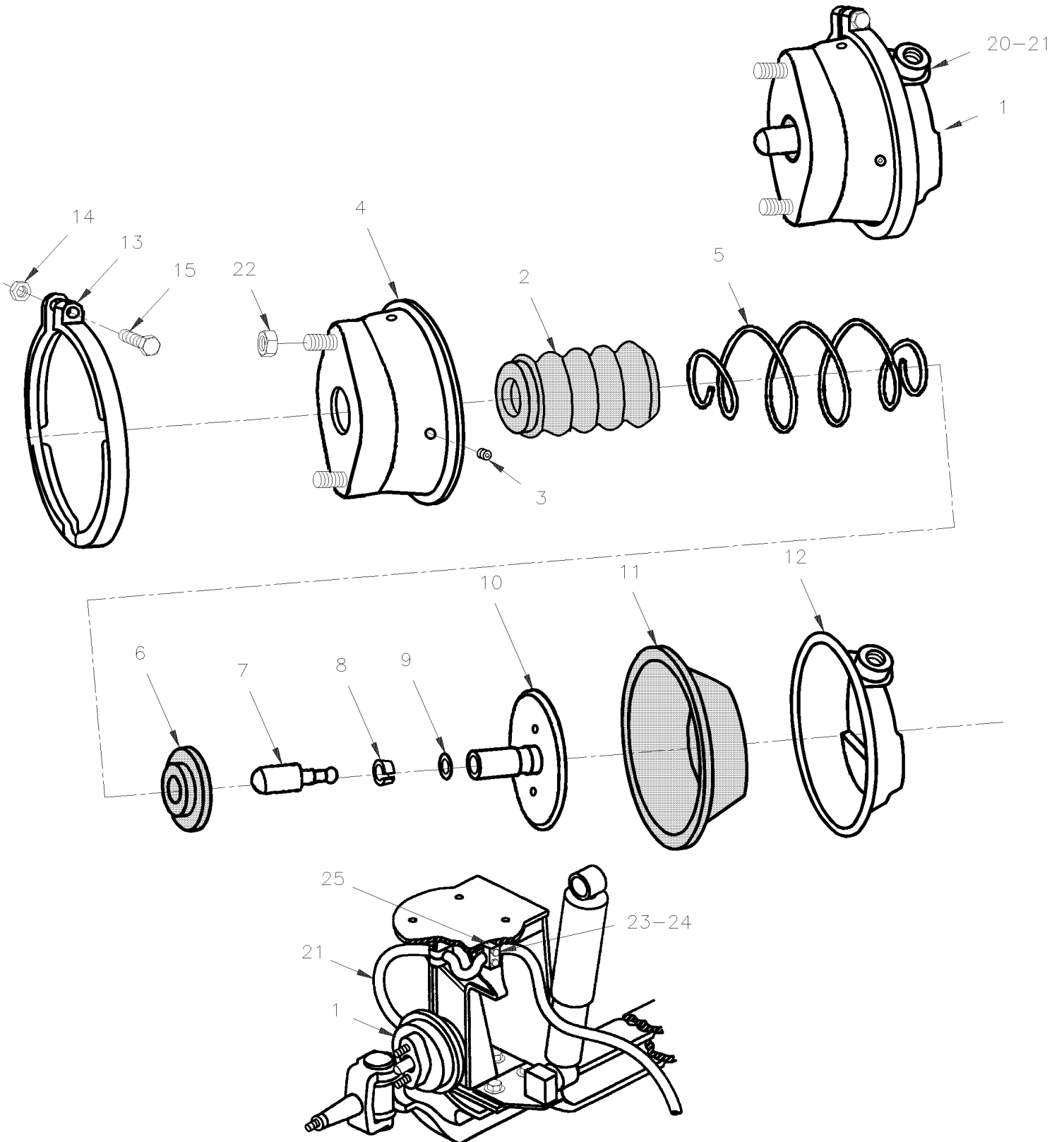
Item#	Part	Description	H 3 4 1	H 3 4 5	V I P 4 5	N O T E S
1	641309	BRAKE CHAMBER ASSY R.H. / TYPE 24	1	1	1	
NS	641312	BRAKE CHAMBER ASSY L.H. / TYPE 24	1	1	1	
2	N.S.S.	. BOOT	1	1	1	1
3	N.S.S.	. HOLE PLUG	1	1	1	1
4	N.S.S.	. CHAMBER , NO-PRESSURE	1	1	1	1
5	640231	. SPRING, COMP.	1	1	1	
6	N.S.S.	. SPRING SEAT	1	1	1	1
7	N.S.S.	. PUSH ROD END	1	1	1	1
8	N.S.S.	. RETAINER	1	1	1	1
9	N.S.S.	. RING	1	1	1	1
10	N.S.S.	. PUSH ROD	1	1	1	1
11	640229	. DIAPHRAGM / TYPE 24	1	1	1	
12	N.S.S.	. CHAMBER PRESSURE PLATE	1	1	1	1
13	N.S.S.	. CLAMP W/BOLT & NUT	1	1	1	1
14	502543	. . NUT HEX M8-1.25 Z050	1	1	1	
15	5001021	. . SCREW CAP HEXS M8-1.25x60 G8.8 PT	1	1	1	
NS	641422	KIT REPAIR / TYPE 24	1	1	1	A
20	641294	MALE CONNECTOR / JIC 37° FITTING / #8JIC-MxM16-1.5-M STL From R-092	1	1	1	
. NS	641297	. O-RING 13.1MM I.D. X 2.6 TH From R-092	1	1	1	
. NS	641298	. WASHER FL 17MM I.D x 22MM O.D. x 1.5MM From R-092	1	1	1	
21	141794	HOSE BRAKE #8 1113MM (44") To R-091	1	1	1	
21	141811	HOSE BRAKE #8 1113MM (44") From R-092	1	1	1	
21	141796	HOSE BRAKE #8 1012MM (40") To R-091	1	1	1	
21	141812	HOSE BRAKE #8 1012MM (40") From R-092	1	1	1	
22	5001253	NUT HEX STO M16-1.5 G500	2	2	2	
23	504612	COLLAR 13/16" I.D. / TO FIX HOSE	2	2	2	
24	504614	PLATE RETAINING / COLLAR	2	2	2	
25	500169	SCREW CAP HEX 1/4-20x1 1/2 G5 PT ZP	4	4	4	
		A) INCLUDING ITEMS #2, 3, 6, 8, 9 & 11				
		1) NOT SOLD SEPARATELY				

From T-1614 To 2-4416

Date:10/2022

PAGE:H3-1225-12

BRAKE CHAMBER - FRONT AXLE TYPE 22



From T-1614 To 2-4416	Date:10/2022	PAGE:H3-1225-12
BRAKE CHAMBER - FRONT AXLE TYPE 22		

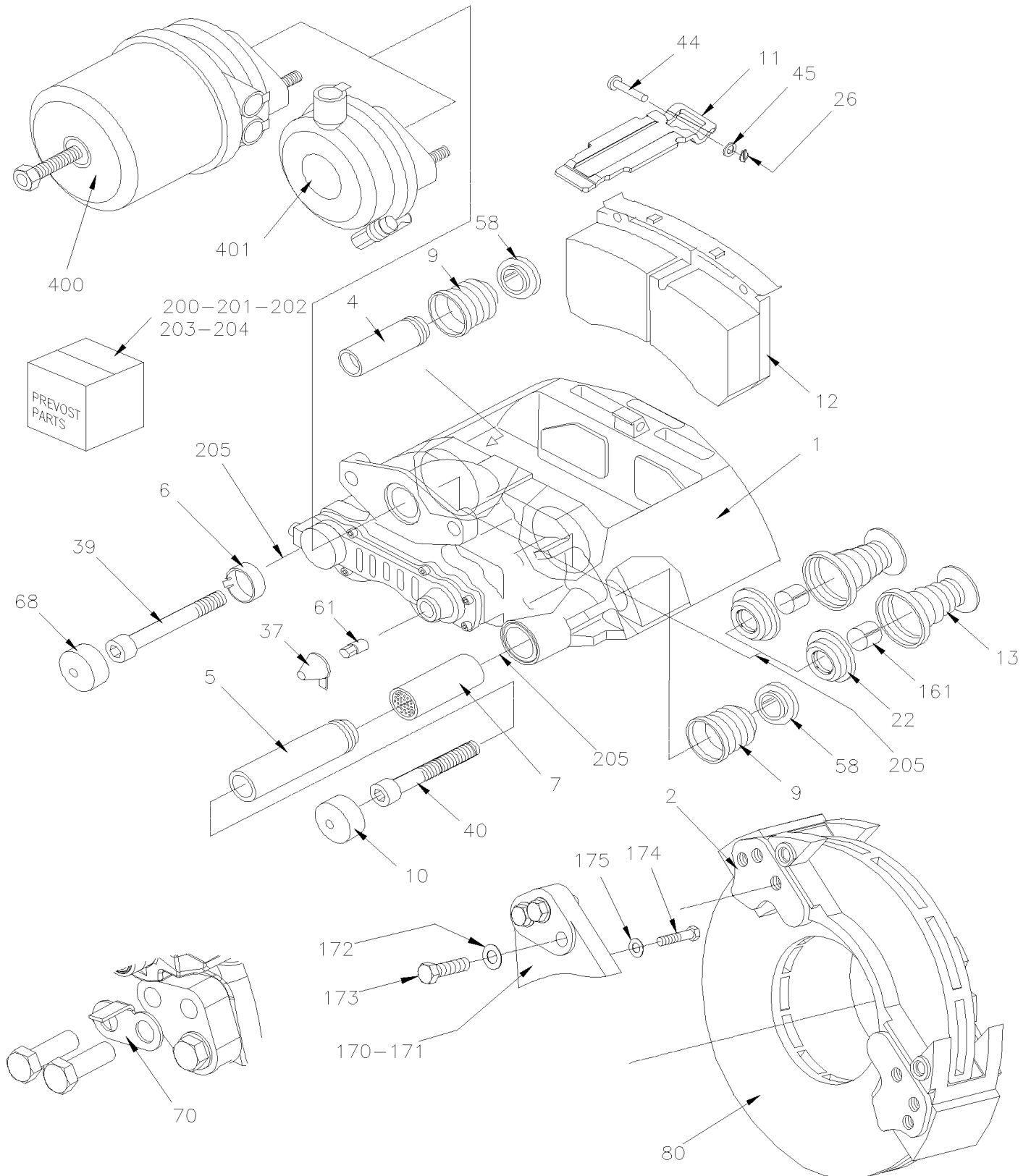
Item#	Part	Description	H 3 4 1	H 3 4 5	V I P 4 5	N O T E S
1	641414	BRAKE CHAMBER ASSY R.H. / TYPE 22	1	1	1	
NS	641413	BRAKE CHAMBER ASSY L.H. / TYPE 22	1	1	1	
2	N.S.S.	. BOOT	1	1	1	1
3	N.S.S.	. HOLE PLUG	1	1	1	1
4	N.S.S.	. CHAMBER , NO-PRESSURE	1	1	1	1
5	N.S.S.	. SPRING	1	1	1	1
6	N.S.S.	. SPRING SEAT	1	1	1	1
7	N.S.S.	. PUSH ROD END	1	1	1	1
8	N.S.S.	. RETAINER	1	1	1	1
9	N.S.S.	. RING	1	1	1	1
10	N.S.S.	. PUSH ROD	1	1	1	1
11	N.S.S.	. DIAPHRAMG / TYPE 22	1	1	1	1
12	N.S.S.	. CHAMBER PRESSURE PLATE	1	1	1	1
13	N.S.S.	. CLAMP W/BOLT & NUT	1	1	1	1
14	502543	. . NUT HEX M8-1.25 Z050	1	1	1	
15	5001021	. . SCREW CAP HEXS M8-1.25x60 G8.8 PT	1	1	1	
NS	641423	KIT REPAIR / TYPE 22	1	1	1	
20	641294	MALE CONNECTOR / JIC 37° FITTING / #8JIC-MxM16-1.5-M STL	AR	AR	AR	
. NS	641297	. O-RING 13.1MM I.D. X 2.6 TH	1	1	1	
. NS	641298	. WASHER FL 17MM I.D x 22MM O.D. x 1.5MM	1	1	1	
21	141811	HOSE BRAKE #8 1113MM (44") To Y-3795	1	1	1	R
21	641904	HOSE BRAKE #8 1190MM (47") From Y-3796	1	1	1	R
21	141812	HOSE BRAKE #8 1012MM (40") To Y-3795	1	1	1	R
21	641903	HOSE BRAKE #8 1090MM (43") From Y-3796	1	1	1	R
21	141836	HOSE BRAKE #8 864MM (34") To Y-3795			2	I
21	641905	HOSE BRAKE #8 952MM (37 1/2") From Y-3796			2	I
22	5001253	NUT HEX STO M16-1.5 G500	1	1	1	
23	504612	COLLAR 13/16" I.D. / TO FIX HOSE	2	2	2	
24	504614	PLATE RETAINING / COLLAR	2	2	2	
25	141837	HOSE SUPPORT L.H. From W-2458			1	I
25	141845	HOSE SUPPORT R.H. From W-2458			1	I
NS	500169	SCREW CAP HEX 1/4-20x1 1/2 G5 PT ZP	4	4	4	R
25	502656	SCREW CAP HEX M6-1.0x50 SS			4	I
25	502570	WASHER LO SPT 6.1x11.8x1.6 SS			4	I
25	502565	NUT HEX M6-1.0 SS			4	I
		I) WITH INDEPENDENT SUSPENSION				
		R) WITH I BEAM SUSPENSION				
		1) NOT SOLD SEPARATELY				

From R-020 To 2-4416

Date:10/2022

PAGE:H3-1225-97

BRAKE PARTS "KNORR-BREMSE" SN7 SERIES W/NEW SLIDE PINS



From R-020 To 2-4416	Date:10/2022	PAGE:H3-1225-97
----------------------	--------------	-----------------

BRAKE PARTS "KNORR-BREMSE" SN7 SERIES W/NEW SLIDE PINS

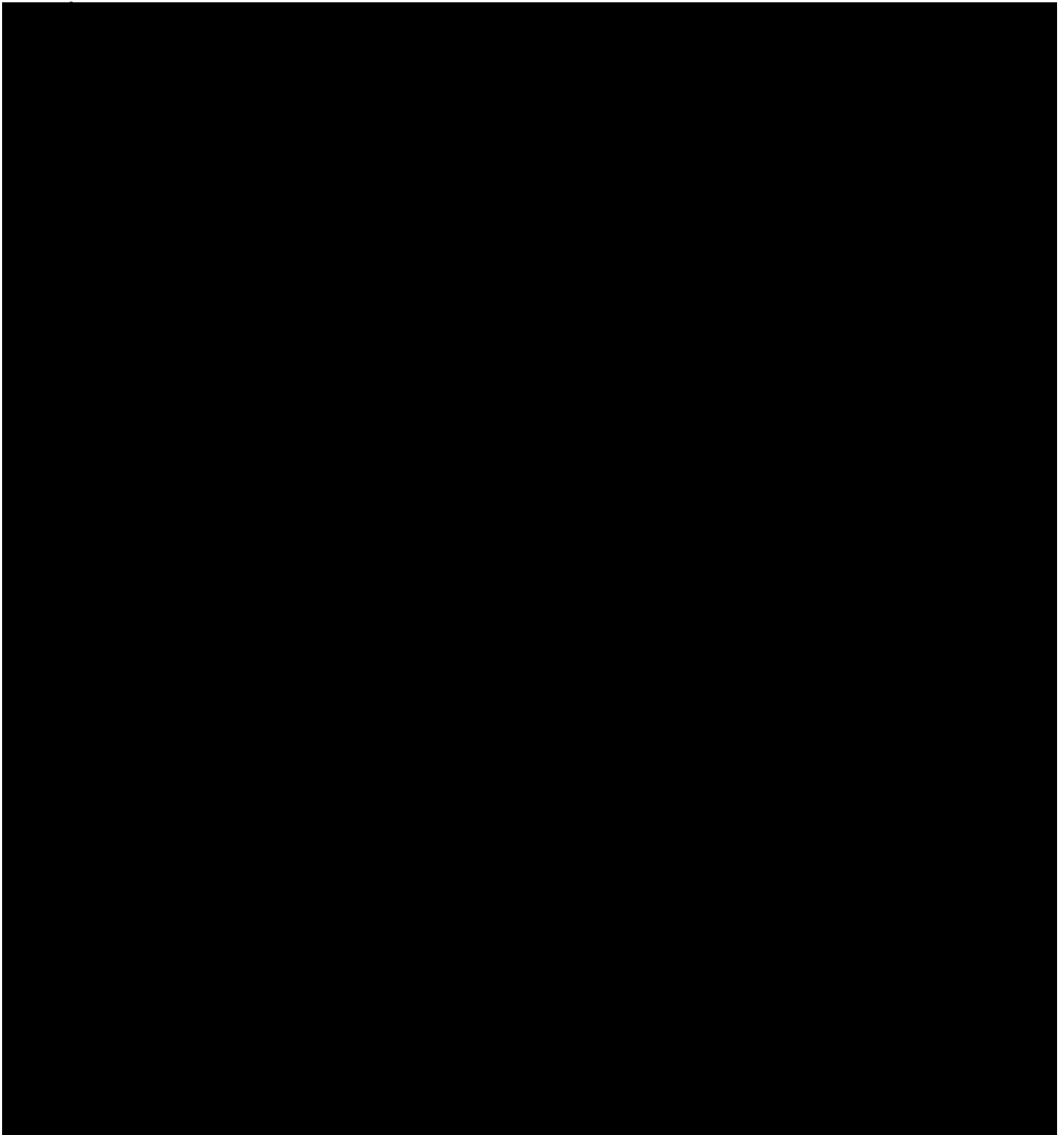
Item#	Part	Description	H 3 4 1	H 3 4 5	V I P 4 5	N O T E S
	642134	CALIPER ASSY R.H. FRONT & TAG OR L.H. DRIVE AXLE / W/O BOOSTER SN7	1	1	1	
	642139	CALIPER ASSY L.H. FRONT & TAG OR R.H. DRIVE AXLE / W/O BOOSTER SN7	1	1	1	
1	N.S.S.	. CALIPER HOUSING	1	1	1	1
2	611960	. BRAKE CARRIER / W/6 HOLES BOLT RETAINERS M20-1.5	1	1	1	
4	N.S.S.	. . GUIDE BUSHING / SHORT	1	1	1	1
5	N.S.S.	. . GUIDE BUSHING / LONG	1	1	1	1
6	N.S.S.	. . GUIDE BUSHING / DU	1	1	1	1
7		. . BUSHING / BRASS	1	1	1	
8	N.S.S.	. . BOOT RUBBER / WHITE	2	2	2	1
9	N.S.S.	. . BELLOW GUIDE BUSHING / RED	2	2	2	1
10	N.S.S.	. . STEEL CAP	1	1	1	1
11	N.S.S.	. . BRAKE PAD BRACKET	1	1	1	1
12	611049	. . LINING SET STD /	1	1	1	B
. 11	N.S.S.	. . . BRAKE PAD BRACKET	1	1	1	1 B
. 26	N.S.S.	. . . SPRING SPLIT PIN	1	1	1	1 B
. 37	641313	. . . PLUG CAP / ADJUSTING DEVICE / PLASTIC INTERIOR GRIP	1	1	1	B
. 44	N.S.S.	. . . CLEVIS PIN	1	1	1	1 B
. 45	N.S.S.	. . . WASHER	1	1	1	1 B
. 61	N.S.S.	. . . SHEAR ADAPTER	1	1	1	1 B
13	N.S.S.	. . TAPPET WITH BOOT ASSY	2	2	2	1
22	N.S.S.	. . BOOT	2	2	2	1
26	N.S.S.	. . SPRING SPLINT PIN	1	1	1	1
37	N.S.S.	. . PLUG CAP / ADJUSTING DEVICE	1	1	1	1
39	N.S.S.	. . SCREW CAP HEXS ZP M16-1.5 GR10.9	1	1	1	1
40	N.S.S.	. . SCREW CAP HEXS ZP M16-1.5 GR10.9	1	1	1	1
44	N.S.S.	. . CLEVIS PIN	1	1	1	1
45	N.S.S.	. . WASHER	1	1	1	1
58	N.S.S.	. . RING	2	2	2	1
61	N.S.S.	. . SHEAR ADAPTER	1	1	1	1
68	N.S.S.	. . CAP	1	1	1	1
70	110786	BRAKE WEAR INDICATOR MECHANICAL / 44MM	AR	AR	AR	
80	H3-1310-02	HUB & ROTOR - TAG AXLE TYPE TS5 From R-020 To W-2084				
80	H3-1310-03	HUB & ROTOR - TAG AXLE TYPE TS5 From W-2084 To W-2488	1	1	1	
80	H3-1310-04	HUB & ROTOR - TAG AXLE TYPE TS6 From W-2489 To 2-4416				
80	H3-1310-99	HUB & ROTOR - TAG AXLE TYPE TS8U RETROFIT "UNITISED" BEARING				
161	N.S.S.	. RING RETAINING	2	2	2	1
170	H3-1005-50	FRONT AXLE - INDEPENDENT MODEL "IS-84" / 16500LBS	1	1	1	
171	621709	CALIPER MOUNTING BRACKET L.H. & R.H. W/OUT BUSHING	1	1	1	D
172	502558	WASHER FL 21.0x37.0x3.0 G500	6	6	6	
173	5001529	SCREW CAP HEX M20-1.5x60 G10.9 G500	6	6	6	
174	621636	SCREW CAP HEX / TO FIX BRACKET TO AXLE 9/16-18 X 2 GR 8	24	24	24	D
175	621365	WASHER (HARD) .59IDX.97ODX.09	24	24	24	D

From R-020 To 2-4416		Date:10/2022	PAGE:H3-1225-97
----------------------	--	--------------	-----------------

BRAKE PARTS "KNORR-BREMSE" SN7 SERIES W/NEW SLIDE PINS

Item#	Part	Description	H 3 4 1	H 3 4 5	V I P 4 5	N O T E S
200	642032	KIT, TAPPET W/BOOT	AR	AR	AR	C
201	642141	KIT, GUIDANCE PINS & BELLOW / SN W/ GUIDE SLEEVE BUSHING END	AR	AR	AR	E
202	642034	KIT, PLUG CAP W/AJUSTING DEVICE (PACK of 10x #37, #37a & 61)	AR	AR	AR	S
203	641402	KIT, PAD HOLDER	AR	AR	AR	H
. 26	N.S.S.	. SPRING SPLIT PIN	1	1	1	1 H
. 44	N.S.S.	. CLEVIS PIN	1	1	1	1 H
. 45	N.S.S.	. WASHER	1	1	1	1 H
205	683345	GREASE WHITE / 5GR	AR	AR	AR	K
205	641930	GREASE WHITE / 500GR	AR	AR	AR	K
NS	641321	TOOL / THRUST MEMBER W/BELLOW	AR	AR	AR	L
NS	641322	TOOL / CALIPER INNER BELLOW	AR	AR	AR	M
NS	19400416	TOOL / PUSH-IN INNER BOOT (9)	AR	AR	AR	M
NS	642074	TOOL / BUSHING INSTALLER / SERIES SN	AR	AR	AR	N
NS	641435	TOOL / FORK (FOR BELLOW CAP)	AR	AR	AR	L
305	N.P.N.	TOOL / PRESS IN COVER / K015825	AR	AR	AR	4 X
306	N.P.N.	TOOL / BUSHING - INSTALLER & REMOVER KIT / K005986	AR	AR	AR	4 Y
307	N.P.N.	TOOL / RUBBER BUSHING - INSTALLER / K016743	AR	AR	AR	4 Z
NS	642035	KIT TOOL BOX "KNORR BREMSE" SERIE SN7	AR	AR	AR	
400	H3-1245-12	BRAKE CHAMBER - TAG AXLE "KNORR-BREMSE"				
401	H3-1225-11	BRAKE CHAMBER - FRONT AXLE TYPE 24 From R-020 To T-1613				
401	H3-1225-12	BRAKE CHAMBER - FRONT AXLE TYPE 22 From T-1614 To 2-4416				
500	Y006471_000_EN	MAINTENANCE MANUAL / ENGLISH KNORR-BREMSE				
NS	Y006471_000_FR	MANUEL D'ENTRETIEN / FRANÇAIS KNORR-BREMSE				
		B) INCLUDES ITEMS #11, 26, 37, 44, 45 & 61				
		C) INCLUDES 2 OF ITEMS #13, 22 & 161				
		D) ON DRIVE AXLE ONLY				
		E) INCLUDES ITEMS #4, 5, 6, 7, 9, 10, 39, 40, 58 & 68				
		H) INCLUDES ITEMS #11,26,44 & 45				
		K) FOR ITEMS #5 & 7				
		L) TO USE W/ITEMS #13				
		M) TO USE W/ITEM #9				
		N) TO USE W/ITEM #7				
		S) INCLUDES 10 ITEMS #37 AND 61				
		X) TO USE WITH ITEM #10				
		Y) TO USE WITH ITEM 6				
		Z) TO USE WITH ITEM #68				
		1) NOT SOLD SEPARATELY				
		4) NO PARTS NUMBER				
		1) NOT SOLD SEPARATELY				

From R-020 To 2-4416		Date:10/2022	PAGE:H3-1225-99
BRAKE PARTS "KNORR-BREMSE" SN7 SERIES / SERVICE			



From R-020 To 2-4416 Date:10/2022 PAGE:H3-1225-99

BRAKE PARTS "KNORR-BREMSE" SN7 SERIES / SERVICE

Item#	Part	Description	H 3 4 1	H 3 4 5	V I P 4 5	N O T E S
	611341	CALIPER ASSY R.H. / W/O BOOSTER / SN7	1	1	1	A
	611342	CALIPER ASSY L.H. / W/O BOOSTER / SN7	1	1	1	A
1	N.S.S.	. CALIPER HOUSING	1	1	1	1
2	611960	. BRAKE CARRIER / W/6 HOLES BOLT RETAINERS M20-1.5	1	1	1	
4	N.S.S.	. . GUIDE BUSHING / SHORT	1	1	1	1
5	N.S.S.	. . GUIDE BUSHING / LONG	1	1	1	1
6	N.S.S.	. . GUIDE SLEEVE	1	1	1	1
7	611107	. BUSHING / BRASS	1	1	1	
8	N.S.S.	. . BOOT RUBBER / WHITE	2	2	2	1
9	N.S.S.	. . BELLOW GUIDE BUSHING / RED	1	1	1	1
10	N.S.S.	. . STEEL CAP	1	1	1	1
11	N.S.S.	. . BRAKE PAD BRACKET	1	1	1	1
12	611049	. . LINING SET STD /	1	1	1	B
. 11	N.S.S.	. . . BRAKE PAD BRACKET	1	1	1	1 B
. 26	N.S.S.	. . . SPRING SPLIT PIN	1	1	1	1 B
. 37	641313	. . . PLUG CAP / ADJUSTING DEVICE / PLASTIC INTERIOR GRIP	1	1	1	B
. 44	N.S.S.	. . . CLEVIS PIN	1	1	1	1 B
. 45	N.S.S.	. . . WASHER	1	1	1	1 B
. 61	N.S.S.	. . . SHEAR ADAPTER	1	1	1	1 B
13	N.S.S.	. . TAPPET WITH BOOT ASSY	2	2	2	1
22	N.S.S.	. . BOOT	2	2	2	1
26	N.S.S.	. . SPRING SPLINT PIN	1	1	1	1
37	N.S.S.	. . PLUG CAP / ADJUSTING DEVICE	1	1	1	1
39	N.S.S.	. . SCREW CAP HEXS ZP M16-1.5 GR10.9	1	1	1	1
40	N.S.S.	. . SCREW CAP HEXS ZP M16-1.5 GR10.9	1	1	1	1
44	N.S.S.	. . CLEVIS PIN	1	1	1	1
45	N.S.S.	. . WASHER	1	1	1	1
58	N.S.S.	. . RING	1	1	1	1
61	N.S.S.	. . SHEAR ADAPTER	1	1	1	1
68	N.S.S.	. . CAP	1	1	1	1
99	FMBS-0BPK-10	BRAKE PARTS - "KNORR-BREMSE" / SB7 & SN7 "AFTERMARKET"				
NS	110786	BRAKE WEAR INDICATOR MECHANICAL / 44MM	AR	AR	AR	
161	N.S.S.	. RING RETAINING	2	2	2	1
171	621669	CALIPER MOUNTING BRACKET L.H. & R.H.	2	2	2	D
. NS	621709	. CALIPER MOUNTING BRACKET L.H. & R.H. W/OUT BUSHING	1	1	1	D
. NS	621684	. BUSHING ABS SENSOR MOUNTING DRIVE AXLE	1	1	1	D
172	502558	WASHER FL 21.0x37.0x3.0 G500	6	6	6	
173	5001529	SCREW CAP HEX M20-1.5x60 G10.9 G500	6	6	6	
174	621636	SCREW CAP HEX / TO FIX BRACKET TO AXLE 9/16-18 X 2 GR 8	24	24	24	D
175	621365	WASHER (HARD) .59IDX.97ODX.09	24	24	24	D
		FOR MOUNTING BOLTS SEE RESPECTIVE PAGES				

From R-020 To 2-4416 Date:10/2022 PAGE:H3-1225-99

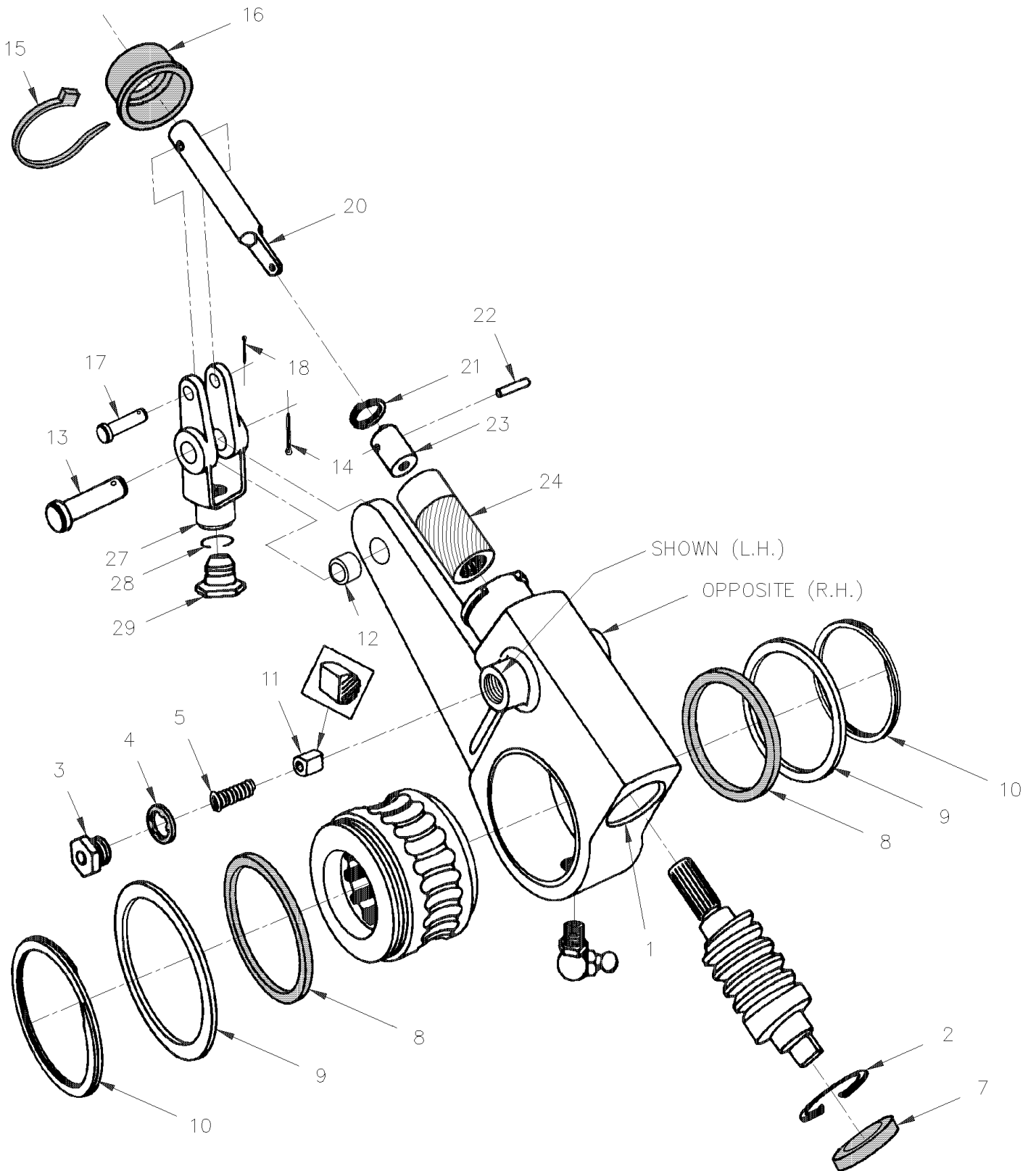
BRAKE PARTS "KNORR-BREMSE" SN7 SERIES / SERVICE

Item#	Part	Description	H 3 4 1	H 3 4 5	V I P 4 5	N O T E S
		FOR INSTALLATION FRONT OR TAG AXLE				
		FRONT AXLE 1225-03 & 1225-04				
		TAG AXLE 1245-03 & 1245-04				
200	642032	KIT, TAPPET W/BOOT	AR	AR	AR	C
201	642031	KIT, GUIDANCE PINS & BELLOW / SN W/39MM BUSHING END	AR	AR	AR	E
202	642034	KIT, PLUG CAP W/AJUSTING DEVICE (PACK of 10x #37, #37a & 61)	AR	AR	AR	S
203	641402	KIT, PAD HOLDER	AR	AR	AR	H
.26	N.S.S.	. SPRING SPLIT PIN	1	1	1	1 H
.44	N.S.S.	. CLEVIS PIN	1	1	1	1 H
.45	N.S.S.	. WASHER	1	1	1	1 H
205	683345	GREASE WHITE / 5GR	AR	AR	AR	K
205	641930	GREASE WHITE / 500GR	AR	AR	AR	K
NS	641321	TOOL / THRUST MEMBER W/BELLOW	AR	AR	AR	L
NS	641322	TOOL / CALIPER INNER BELLOW	AR	AR	AR	M
NS	642074	TOOL / BUSHING INSTALLER / SERIES SN	AR	AR	AR	N
NS	641435	TOOL / FORK (FOR BELLOW CAP)	AR	AR	AR	L
NS	641993	TOOL / PRESS IN COVER	AR	AR	AR	X
NS	641994	TOOL / BUSHING - INSTALLER	AR	AR	AR	Y
NS	641998	TOOL / RUBBER BUSHING - INSTALLER	AR	AR	AR	Z
NS	642035	KIT TOOL BOX "KNORR BREMSE" SERIE SN7	AR	AR	AR	
400	H3-1225-12	BRAKE CHAMBER - FRONT AXLE TYPE 22				
400	H3-1225-11	BRAKE CHAMBER - FRONT AXLE TYPE 24				
401	H3-1235-12	BRAKE CHAMBER - DRIVE AXLE "KNORR-BREMSE"				
401	H3-1245-12	BRAKE CHAMBER - TAG AXLE "KNORR-BREMSE"				
500	Y006471_000_EN	MAINTENANCE MANUAL / ENGLISH KNORR-BREMSE				
NS	Y006471_000_FR	MANUEL D'ENTRETIEN / FRANÇAIS KNORR-BREMSE				
		A) DO NOT INCLUDE ITEM #2 & #12				
		B) INCLUDES ITEMS #11, 26, 37, 44, 45 & 61				
		C) INCLUDES 2 OF ITEMS #13, 22 & 161				
		D) ON DRIVE AXLE ONLY				
		E) INCLUDES ITEMS #4, 5, 6, 7, 9, 10, 39, 40, 58 & 68				
		H) INCLUDES ITEMS #11,26,44 & 45				
		K) FOR ITEMS #5 & 7				
		L) TO USE W/ITEMS #13				
		M) TO USE W/ITEM #9				
		N) TO USE W/ITEM #7				
		S) INCLUDES 10 ITEMS #37 AND 61				
		X) TO USE WITH ITEM #10				

From R-020 To 2-4416	Date:10/2022	PAGE:H3-1225-99
BRAKE PARTS "KNORR-BREMSE" SN7 SERIES / SERVICE		

Item#	Part	Description	H 3 4 1	H 3 4 5	V I P 4 5	N O T E S
		Y) TO USE WITH ITEM 6				
		Z) TO USE WITH ITEM #68				
		1) NOT SOLD SEPARATELY				
		1) NOT SOLD SEPARATELY				

From R-012 To W-2284	Date:10/2022	PAGE:H3-1230-00
SLACK ADJUSTER AUTOMATIC - "ROCKWELL"		



From R-012 To W-2284	Date:10/2022	PAGE:H3-1230-00
SLACK ADJUSTER AUTOMATIC - "ROCKWELL"		

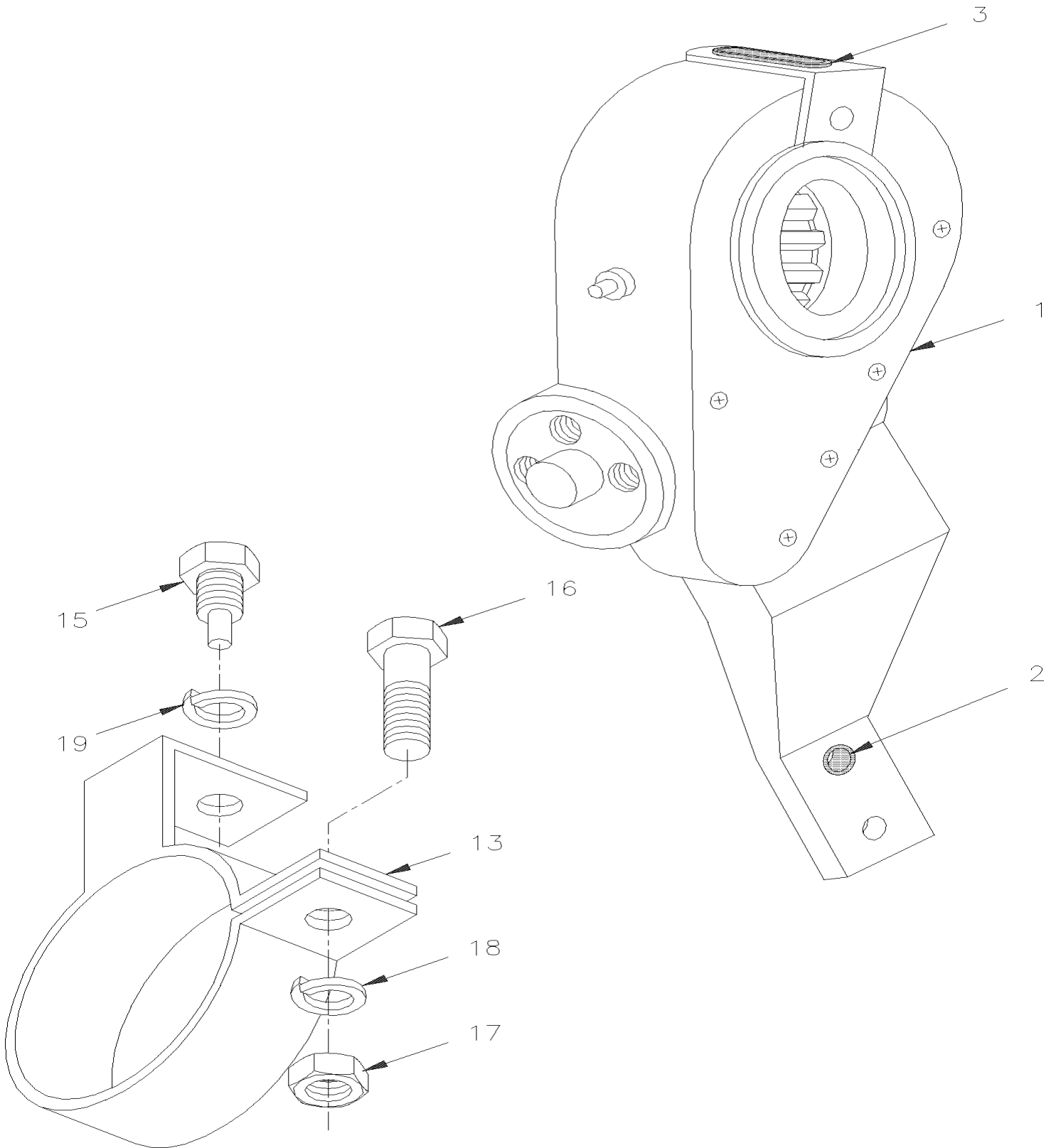
Item#	Part	Description	H 3 4 1	H 3 4 5	V I P 4 5	N O T E S
1	641272	SLACK ADJUSTER LH 7 X 1"1/2-10	1	1	1	
1	641273	SLACK ADJUSTER RH 7 X 1"1/2-10	1	1	1	
2	610879	. RING, RETAINING	1	1	1	
3	610878	. SCREW, PRESSURE RELIEF	1	1	1	
4	610877	. GASKET	1	1	1	
5	610876	. SPRING COMPRESSION / .332 TO .230 O.D. x .740 x .0	1	1	1	
7	N.S.S.	. SEAL, OIL	1	1	1	1
8	N.S.S.	. SEAL	2	2	2	1
9	N.S.S.	. WASHER, THRUST	2	2	2	1
10	N.S.S.	. RING, RETAINING	2	2	2	1
11	642054	. PAWL, GUIDE	1	1	1	
12	641215	. BUSHING 5/8" O.D. X 1/2" I.D.	1	1	1	
13	610930	. PIN, CLEVIS 1/2 x 1 1/2	1	1	1	
14	N.S.S.	. PIN, COTTER	1	1	1	1
15	504273	. CABLE TIE / 1/8" X 3"1/2	1	1	1	
16	610887	. BOOT	1	1	1	
17	610929	. PIN, CLEVIS 1/4 x 1.119	1	1	1	
18	N.S.S.	. PIN, COTTER	1	1	1	1
20	N.S.S.	. ROD, ACTUATOR	1	1	1	1
21	N.S.S.	. RING, RETAINING	1	1	1	1
22	N.S.S.	. ROLLER	1	1	1	1
23	N.S.S.	. PISTON, ACTUATOR	1	1	1	1
24	N.S.S.	. ACTUATOR	1	1	1	1
27	610872	. YOKE, CLEVIS 5/8-18	1	1	1	
28	N.S.S.	RING RETAINING / (2214-Z-260)	1	1	1	1
29	621521	COLLAR 5/8-18	1	1	1	
NS	610874	REPAIR KIT	1	1	1	A
NS	610873	REPAIR KIT	1	1	1	B
		A) INCLUDE ITEMS #20, 21, 22 ,23 ,24				
		B) INCLUDE ITEMS #7, 8, 9, 10, 13, 15, 16, 17 & 18				
		1) NOT SOLD SEPARATELY				

From R-012 To W-2284

Date:10/2022

PAGE:H3-1230-01

SLACK ADJUSTER AUTOMATIC - "HALDEX"



From R-012 To W-2284	Date:10/2022	PAGE:H3-1230-01
SLACK ADJUSTER AUTOMATIC - "HALDEX"		

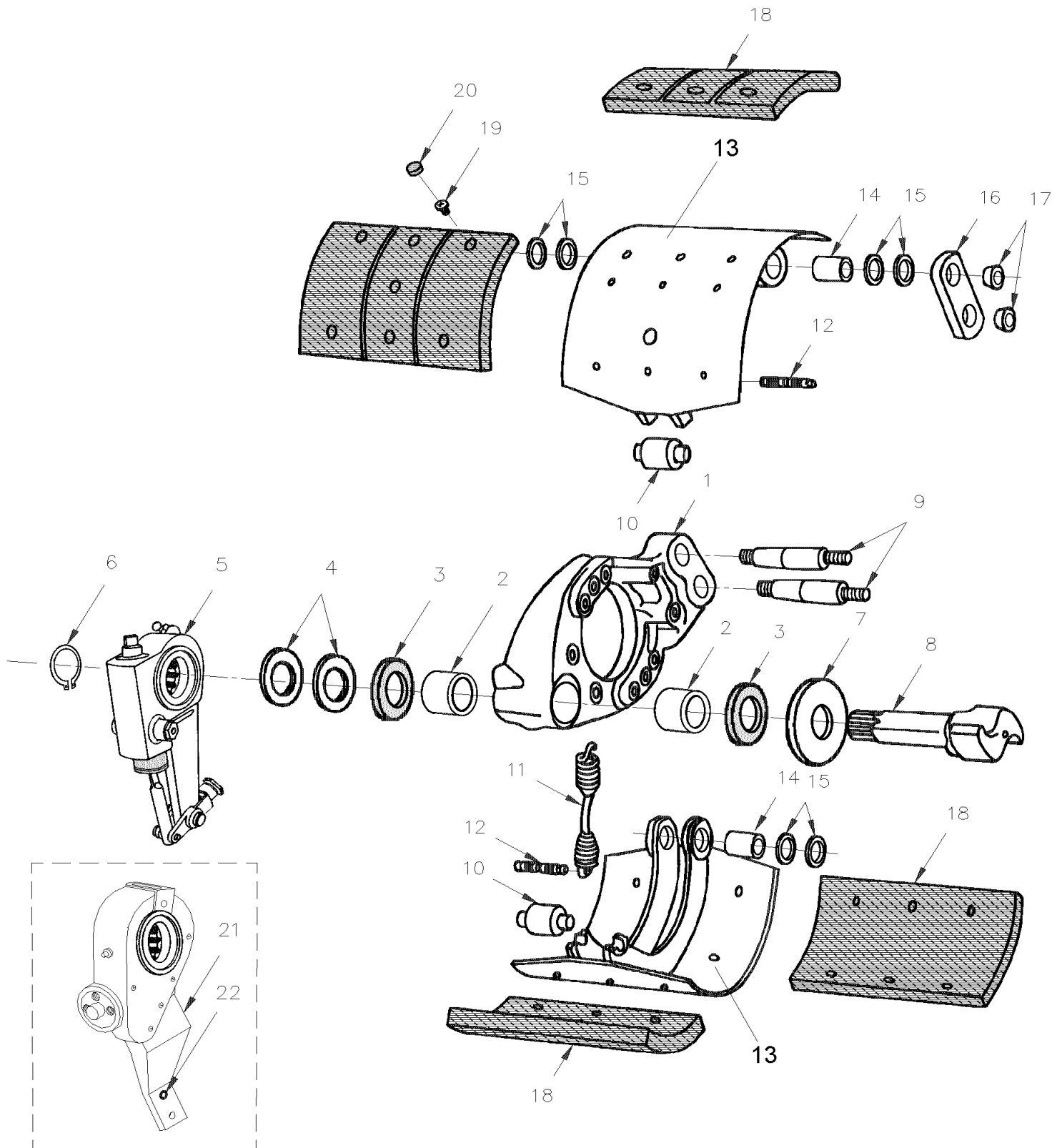
Item#	Part	Description	H 3 4 1	H 3 4 5	V I P 4 5	N O T E S
1	621523	SLACK ADJUSTER L.H. & R.H. W/REAR AXLE 61143	1	1	1	
1	641532	SLACK ADJUSTER L.H. & R.H. W/REAR AXLE 61143 (SERVICE)	1	1	1	
2	641215	. BUSHING 5/8" O.D. X 1/2" I.D.	1	1	1	
3	641334	. RING / BLACK PLASTIC (W/DISC BRAKE MODEL)	1	1	1	
13	621524	ANCHOR BRACKET R.H. / W/REAR AXLE MODEL 61143	1	1	1	
13	621525	ANCHOR BRACKET L.H. / W/REAR AXLE MODEL 61143	1	1	1	
15	640986	SCREW SPECIAL /TO USE WITH ALL SLACK ADJUST	1	1	1	
16	500048	SCREW CAP HEX 3/8-24x1 1/4 G5 ZP	1	1	1	
17	500705	NUT HEX 3/8-24 ZP	1	1	1	
18	500478	WASHER LO SPT .380x.683x.094 Z050	1	1	1	
19	500480	WASHER LO SPT .443x.779x.109 Z050	1	1	1	

From R-012 To W-2284

Date:10/2022

PAGE:H3-1235-01

BRAKE PARTS - DRIVE AXLE "MERITOR" W/DRUMS



From R-012 To W-2284	Date:10/2022	PAGE:H3-1235-01
BRAKE PARTS - DRIVE AXLE "MERITOR" W/DRUMS		

Item#	Part	Description	H 3 4 1	H 3 4 5	V I P 4 5	N O T E S
1	621412	SPIDER L.H. / W/BUSHING	1	1	1	
1	621413	SPIDER R.H. / W/BUSHING	1	1	1	
2	610699	. BUSHING 1 1/2" ID X 1 7/8" OD X 1 1/4"	2	2	2	
NS	621107	SCREW CAP HEX 5/8-11x2 G8 ZP	8	8	8	
NS	621057	WASHER / SPIDER TO AXLE	16	16	16	
NS	621731	WASHER FL .91x1.62x.250	16	16	16	
NS	500725	NUT HEX STO 5/8-18 Z050	16	16	16	
3	610179	SEAL / CAMSHAFT	2	2	2	
4	621133	WASHER 1 17/32" I.D. X 2 3/8" O.D. X .032 TH	2	2	2	
NS	610778	WASHER 1 15/32" I.D. X 2 1/4" O.D. X 1/16" TH	4	4	4	
5	H3-1230-00	SLACK ADJUSTER AUTOMATIC - "ROCKWELL"				
5	H3-1230-01	SLACK ADJUSTER AUTOMATIC - "HALDEX"				
NS	621497	SLACK ADJUSTER L.H. & R.H. / MANUAL ROCKWELL	2	2	2	
NS	621514	YOKE 5/8-18x1 3/8 C/Lx9/16Wx1/2	AR	AR	AR	
NS	621515	PIN, CLEVIS 1/2 x 1.630	AR	AR	AR	
6	610771	RING RETAINER / EXT 1.375 I.D. x .108" th	2	2	2	
7	621405	WASHER CAMHEAD 1 1/2" I.D.	1	1	1	
8	621406	CAMSHAFT L.H.	1	1	1	
8	621407	CAMSHAFT R.H.	1	1	1	
9	620853	PIN ANCHOR	2	2	2	
NS	500733	NUT HEX 3/4-16 Z050	2	2	2	
NS	500737	NUT HEX 7/8-14 ZP	2	2	2	
10	620903	ROLLER / STD	2	2	2	
10	621512	ROLLER 1/8" O.S.	AR	AR	AR	
10	621513	ROLLER 1/4" O.S.	AR	AR	AR	
11	620875	SPRING EXTENSION / 1.250 O.D. x 8.500	1	1	1	
12	620904	PIN, RETURN SPRING 27/64 O.D. x 2-5/32"	1	1	1	
13	620486	SHOE ASSY 10" WIDE / 14.5" O.D.	2	2	2	
14	610702	. BUSHING ANCHOR PIN / 1 1/4" I.D. x 1 1/2" O	1	1	1	
15	620908	WASHER / .063 TH	AR	AR	AR	
15	620909	WASHER / .031 TH	AR	AR	AR	
15	620910	WASHER / .094 TH	AR	AR	AR	
15	620911	WASHER / .125 TH	AR	AR	AR	
15	620912	WASHER	AR	AR	AR	
16	620851	STRAP	1	1	1	
17	620852	DOWEL 3/4 I.D.	2	2	2	
18	641086	LINING SET NON ASBESTOS (8 PCES) STD	1	1	1	
18	641087	LINING SET NON ASBESTOS (8 PCES) X OVERSIZE	AR	AR	AR	
18	641225	LINING SET NON ASBESTOS (8 PCES) XX OVERSIZE	AR	AR	AR	
18	641226	LINING SET NON ASBESTOS (8 PCES) XXX OVERSIZE	AR	AR	AR	
19	641208	SCREW MA FL SLT W/NUT & LOCK (100) 3/8-16x1 BR	AR	AR	AR	
19	9097	SCREW MA FL SLT W/NUT & LOCK (100) 3/8-24x1 BR	AR	AR	AR	

From R-012 To W-2284	Date:10/2022	PAGE:H3-1235-01
BRAKE PARTS - DRIVE AXLE "MERITOR" W/DRUMS		

Item#	Part	Description	H 3 4 1	H 3 4 5	V I P 4 5	N O T E S
20	640617	PLUG, LINING BOLT HOLE	48	48	48	
21	621523	SLACK ADJUSTER L.H. & R.H. W/REAR AXLE 61143	AR	AR	AR	
21	641532	SLACK ADJUSTER L.H. & R.H. W/REAR AXLE 61143 (SERVICE)	AR	AR	AR	
NS	621524	ANCHOR BRACKET R.H. / W/REAR AXLE MODEL 61143	1	1	1	
NS	621525	ANCHOR BRACKET L.H. / W/REAR AXLE MODEL 61143	1	1	1	
22	641215	. BUSHING 5/8" O.D. X 1/2" I.D.	1	1	1	

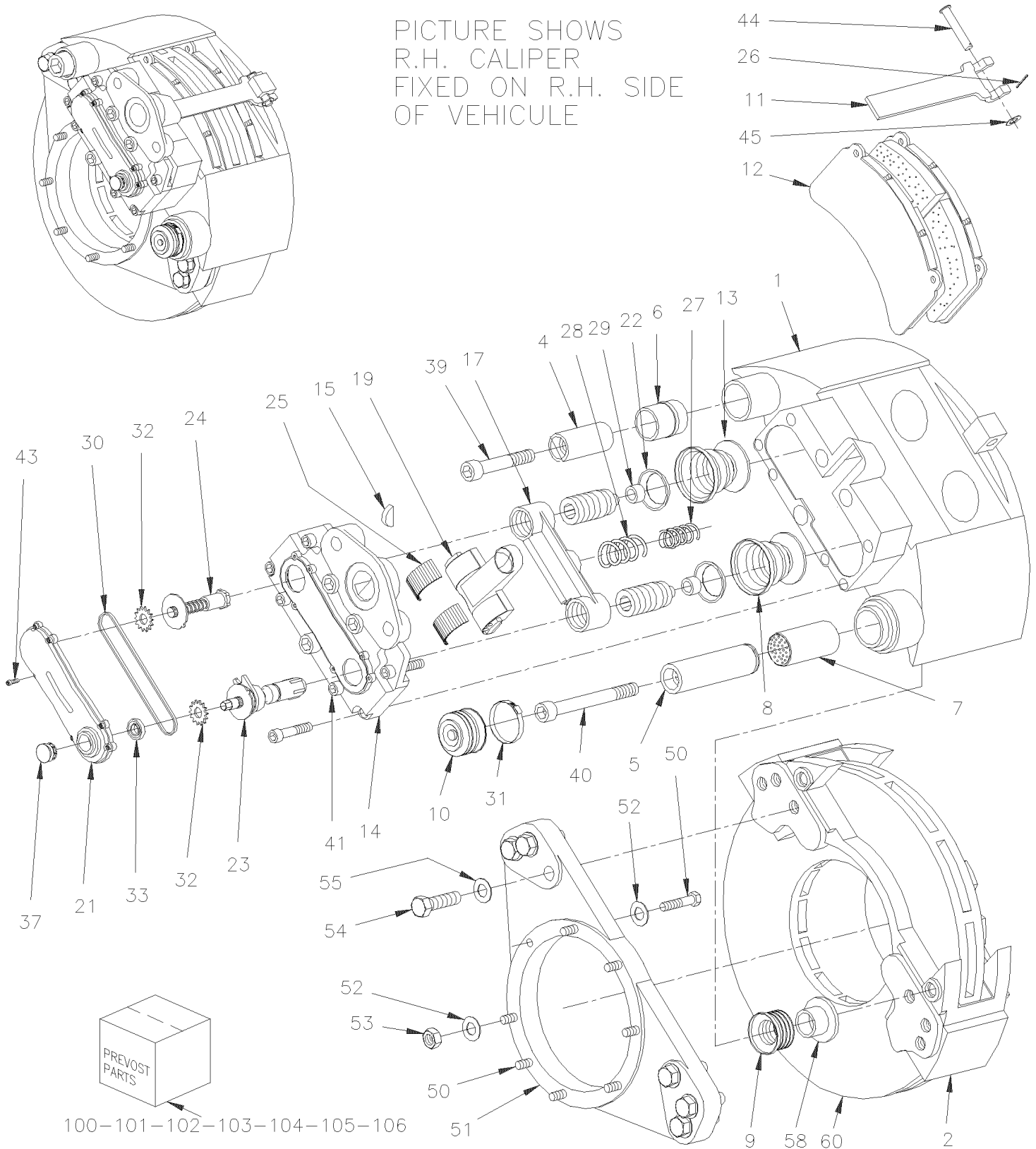
From V-1725 To 2-4416

Date:10/2022

PAGE:H3-1235-02

BRAKE PARTS - DRIVE AXLE "MERITOR" W/DISCS / SB7 SERIES

PICTURE SHOWS
R.H. CALIPER
FIXED ON R.H. SIDE
OF VEHICLE



From V-1725 To 2-4416	Date:10/2022	PAGE:H3-1235-02
-----------------------	--------------	-----------------

BRAKE PARTS - DRIVE AXLE "MERITOR" W/DISCS / SB7 SERIES

Item#	Part	Description	H 3 4 1	H 3 4 5	V I P 4 5	N O T E S
	621631	CALIPER ASSY R.H. / W/BOOSTER TYPE 24/24 / SB7	1	1	1	
	621630	CALIPER ASSY L.H. / W/BOOSTER TYPE 24/24 / SB7	1	1	1	
	611184	. CALIPER ASSY R.H. / W/O BOOSTER / SB7	1	1	1	A
	611185	. CALIPER ASSY L.H. / W/O BOOSTER / SB7	1	1	1	A
1	N.S.S.	. . CALIPER HOUSING	1	1	1	1
2	611340	. . BRAKE CARRIER / W/6 HOLES BOLT RETAINERS M20-2.5	1	1	1	
4	N.S.S.	. . GUIDE BUSHING / SHORT	1	1	1	1
5	N.S.S.	. . GUIDE BUSHING / LONG	1	1	1	1
6	611245	. . GUIDE SLEEVE / RUBBER SB 7 SERIES	1	1	1	
7	611107	. . BUSHING / BRASS	1	1	1	
8	N.S.S.	. . BOOT RUBBER / WHITE	2	2	2	1
9	N.S.S.	. . BELLOW GUIDE BUSHING / RED	1	1	1	1
10	641421	. . BELLOW CAP / RUBBER	1	1	1	
11	N.S.S.	. . BRAKE PAD BRACKET	1	1	1	1
12	611105	. . LINING SET STD / (FERODO)	1	1	1	B
. 11	N.S.S.	. . . BRAKE PAD BRACKET	1	1	1	1 B
. 26	N.S.S.	. . . SPRING SPLIT PIN	1	1	1	1 B
. 37	641313	. . . PLUG CAP / ADJUSTING DEVICE / PLASTIC INTERIOR GRIP	1	1	1	B
. 44	N.S.S.	. . . CLEVIS PIN	1	1	1	1 B
. 45	N.S.S.	. . . WASHER	1	1	1	1 B
. 61	N.S.S.	. . . SHEAR ADAPTER	1	1	1	1 B
12	611049	. . LINING SET STD /	1	1	1	B
. 11	N.S.S.	. . . BRAKE PAD BRACKET	1	1	1	1 B
. 26	N.S.S.	. . . SPRING SPLIT PIN	1	1	1	1 B
. 37	641313	. . . PLUG CAP / ADJUSTING DEVICE / PLASTIC INTERIOR GRIP	1	1	1	B
. 44	N.S.S.	. . . CLEVIS PIN	1	1	1	1 B
. 45	N.S.S.	. . . WASHER	1	1	1	1 B
. 61	N.S.S.	. . . SHEAR ADAPTER	1	1	1	1 B
13	N.S.S.	. . TAPPET	2	2	2	1
14	N.S.S.	. . SYNCHRONIZING HOUSING	1	1	1	1
15	N.S.S.	. . PLUG HALF / RUBBER	1	1	1	1
17	N.S.S.	. . BEAM	1	1	1	1
18	N.S.S.	. . O-RING	1	1	1	1
19	N.S.S.	. . LEVER	1	1	1	1
21	N.S.S.	. . COVER SYNCHRONIZING HOUSING	1	1	1	1
22	N.S.S.	. . BOOT	2	2	2	1
23	N.S.S.	. . CLEARANCE ADJUSTER	1	1	1	1
24	N.S.S.	. . DRIVER	1	1	1	1
25	N.S.S.	. . LEVER BEARING	2	2	2	1
26	N.S.S.	. . SPRING SPLINT PIN	1	1	1	1
27	N.S.S.	. . COMPRESSION SPRING	1	1	1	1
28	N.S.S.	. . COMPRESSION SPRING	1	1	1	1

From V-1725 To 2-4416	Date:10/2022	PAGE:H3-1235-02
BRAKE PARTS - DRIVE AXLE "MERITOR" W/DISCS / SB7 SERIES		

Item#	Part	Description	H 3 4 1	H 3 4 5	V I P 4 5	N O T E S
29	N.S.S.	. . RING RETAINING / TAPPET	2	2	2	1
30	N.S.S.	. . ROLLER CHAIN	1	1	1	1
31	641420	. . PERFORATED CLIP	1	1	1	
32	N.S.S.	. . CHAIN DRIVE WHEEL	2	2	2	1
33	N.S.S.	. . SHAFT SEALING RING	1	1	1	1
37	641313	. . PLUG CAP / ADJUSTING DEVICE / PLASTIC INTERIOR GRIP	1	1	1	
38	N.S.S.	. . DOWEL	4	4	4	1
39	N.S.S.	. . SCREW CAP HEXS M16-1.5x140 G10.9 ZP	1	1	1	1
40	N.S.S.	. . SCREW CAP HEXS M16-1.5x90 G10.9 ZP	1	1	1	1
41	N.S.S.	. . SOCKET HEAD CAP SCREW M14 X 60MM GR 12.9	3	3	3	1
43	N.S.S.	. . SOCKET HEAD CAP SCREW M5 X 12MM	8	8	8	1
44	N.S.S.	. . CLEVIS PIN	1	1	1	1
45	N.S.S.	. . WASHER	1	1	1	1
NS	H3-1235-12	. BRAKE CHAMBER - DRIVE AXLE "KNORR-BREMSE"				
50	621636	SCREW CAP HEX / TO FIX BRACKET TO AXLE 9/16-18 X 2 GR 8	12	12	12	
51	621616	CALIPER MOUNTING BRACKET L.H. & R.H. USE 621669 To X-2869	2	2	2	
51	621669	CALIPER MOUNTING BRACKET L.H. & R.H. From X-2870	2	2	2	
. NS	621709	. CALIPER MOUNTING BRACKET L.H. & R.H. W/OUT BUSHING From X-2870	1	1	1	
. NS	621684	. BUSHING ABS SENSOR MOUNTING DRIVE AXLE From X-2870	1	1	1	
52	621365	WASHER (HARD) .59IDX.97ODX.09	24	24	24	
53	621638	NUT HEX 9/16-18 GR8	12	12	12	
54	5001358	SCREW CAP HEX M20-2.5x50 G10.9 ZP	6	6	6	
54	611309	SCREW CAP HEX M20-2.5x60 G10.9 DP	6	6	6	
55	N8889049	WASHER	6	6	6	
58	N.S.S.	PLASTIC RING, BOOT RETAINER	1	1	1	1
60	H3-1305-01	HUB & ROTOR - DRIVE AXLE From V-1725				
99	FMBS-0BPK-10	BRAKE PARTS - "KNORR-BREMSE" / SB7 & SN7 "AFTERMARKET"				
NS	110786	BRAKE WEAR INDICATOR MECHANICAL / 44MM	AR	AR	AR	
100	611054	KIT, TAPPET W/BOOT	AR	AR	AR	C
. 08	N.S.S.	. BOOT RUBBER / WHITE	2	2	2	1 C
. 13	N.S.S.	. TAPPET	2	2	2	1 C
101	611168	KIT, GUIDANCE PINS & BELLOW	AR	AR	AR	D
. 04	N.S.S.	. GUIDE BUSHING / SHORT	1	1	1	1 D
. 05	N.S.S.	. GUIDE BUSHING / LONG	1	1	1	1 D
. 06	611245	. GUIDE SLEEVE / RUBBER SB 7 SERIES	1	1	1	D
. 07	611107	. BUSHING / BRASS	1	1	1	D
. 09	N.S.S.	. BELLOW GUIDE BUSHING / RUBBER RED	1	1	1	1 D
. 10	641421	. BELLOW CAP / RUBBER	1	1	1	D
. 31	641420	. PERFORATED CLIP	1	1	1	D
. 39	N.S.S.	. SCREW CAP HEXS	1	1	1	1 D
. 40	N.S.S.	. SCREW CAP HEXS	1	1	1	1 D

From V-1725 To 2-4416	Date:10/2022	PAGE:H3-1235-02
-----------------------	--------------	-----------------

BRAKE PARTS - DRIVE AXLE "MERITOR" W/DISCS / SB7 SERIES

Item#	Part	Description	H 3 4 1	H 3 4 5	V I P 4 5	N O T E S
. 58	N.S.S.	. PLASTIC RING / BOOT RETAINER	1	1	1	1 D
102	611177	KIT, BOOT PROTECTOR & TAPPET	AR	AR	AR	E
. 08	N.S.S.	. BOOT RUBBER / WHITE	1	1	1	1 E
. 13	N.S.S.	. TAPPET	1	1	1	1 E
. 29	N.S.S.	. RING RETAINING / TAPPET	1	1	1	1 E
103	611179	KIT, CARRIER & GUIDING PIN	AR	AR	AR	F
. 02	611340	. BRAKE CARRIER / W/6 HOLES BOLT RETAINERS M20-2.5	1	1	1	F
. 04	N.S.S.	. GUIDE BUSHING / SHORT	1	1	1	1 F
. 05	N.S.S.	. GUIDE BUSHING / LONG	1	1	1	1 F
. 39	N.S.S.	. SCREW CAP HEXS	1	1	1	1 F
. 40	N.S.S.	. SCREW CAP HEXS	1	1	1	1 F
104	641402	KIT, PAD HOLDER	AR	AR	AR	G
. 26	N.S.S.	. SPRING SPLIT PIN	1	1	1	1 G
. 44	N.S.S.	. CLEVIS PIN	1	1	1	1 G
. 45	N.S.S.	. WASHER	1	1	1	1 G
104	641444	TOOL / GROOVING BUSHING	AR	AR	AR	M
105	611199	KIT, BOOT & SEAL	AR	AR	AR	H
. 09	N.S.S.	. BELLOW GUIDE BUSHING / RUBBER RED	1	1	1	1 H
. 10	641421	. BELLOW CAP / RUBBER	1	1	1	H
. 31	641420	. PERFORATED CLIP	1	1	1	H
. 37	641313	. PLUG CAP / ADJUSTING DEVICE / PLASTIC INTERIOR GRIP	1	1	1	H
. 58	N.S.S.	. PLASTIC RING / BOOT RETAINER	1	1	1	1 H
105	683344	GREASE GREEN / 5GR	AR	AR	AR	I
105	641931	GREASE GREEN / 500GR	AR	AR	AR	I
105	683345	GREASE WHITE / 5GR	AR	AR	AR	J
105	641930	GREASE WHITE / 500GR	AR	AR	AR	J
105	641321	TOOL / THRUST MEMBER W/BELLOW	AR	AR	AR	K
105	641322	TOOL / CALIPER INNER BELLOW	AR	AR	AR	L
105	641323	TOOL / BUSHING INSTALLER / SERIES SB	AR	AR	AR	M
105	641435	TOOL / FORK (FOR BELLOW CAP)	AR	AR	AR	N
106	611246	KIT, GUIDANCE PIN & RUBBER BUSHING / SHORT PIN	AR	AR	AR	O
. 04	N.S.S.	. GUIDE BUSHING / SHORT	1	1	1	1 O
. 06	611245	. GUIDE SLEEVE / RUBBER SB 7 SERIES	1	1	1	O
. 39	N.S.S.	. SCREW CAP HEXS	1	1	1	1 O
107	641427	KIT BOOT & CLIP	AR	AR	AR	P
. 10	641421	. BELLOW CAP / RUBBER	1	1	1	P
. 31	641420	. PERFORATED CLIP	1	1	1	P
		A) INCLUDES ITEM #2 BUT NO ITEM # 12				
		B) INCLUDES ITEMS #11, 26, 37, 44, 45 & 61				

From V-1725 To 2-4416	Date:10/2022	PAGE:H3-1235-02
-----------------------	--------------	-----------------

BRAKE PARTS - DRIVE AXLE "MERITOR" W/DISCS / SB7 SERIES

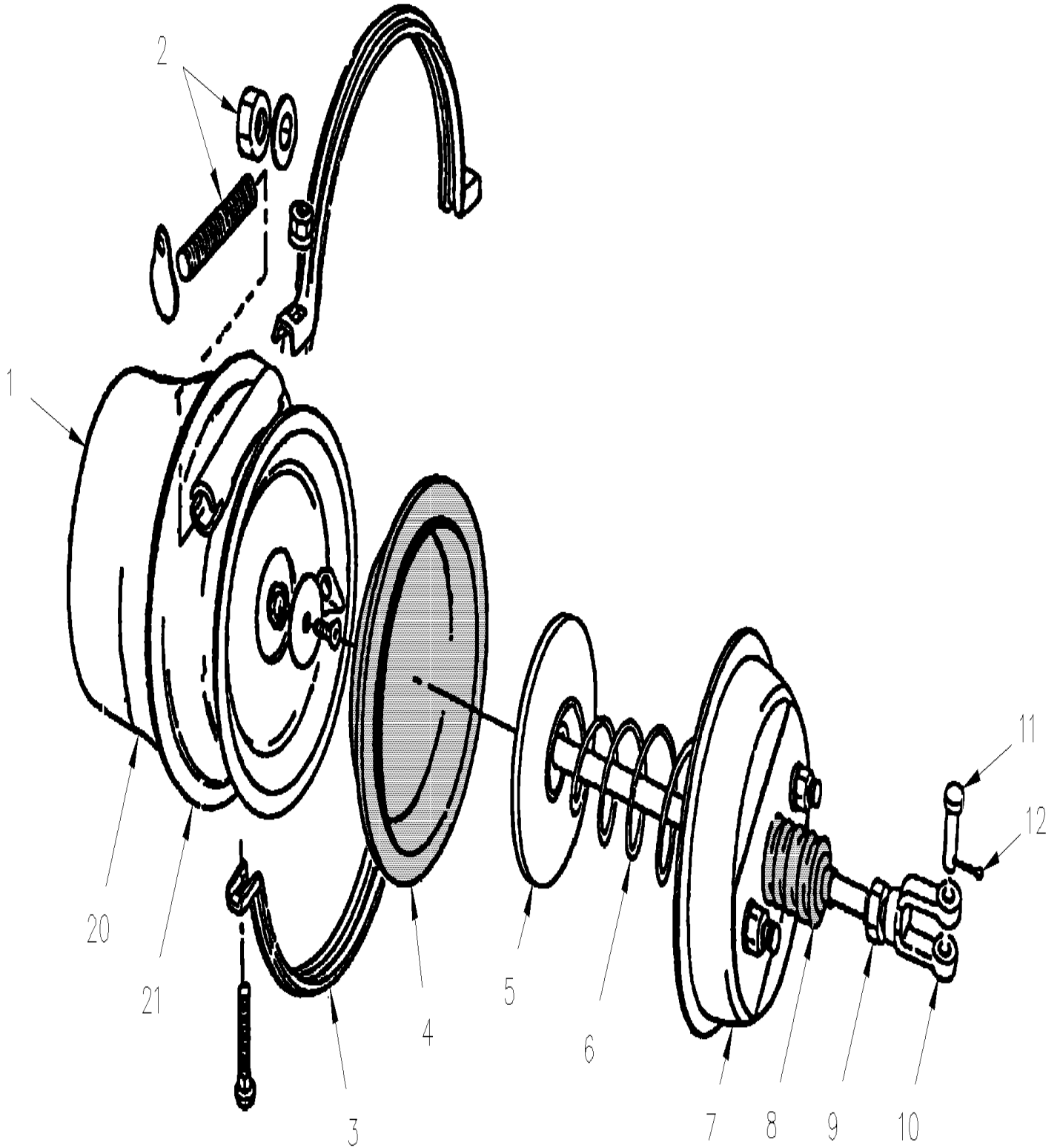
Item#	Part	Description	H 3 4 1	H 3 4 5	V I P 4 5	N O T E S
		C) INCLUDE 2 OF ITEMS #8 & 13				
		D) INCLUDE ITEMS #4, 5, 6, 7, 9, 10, 31, 39, 40 & 58				
		E) INCLUDE ITEMS #8, 13 & 29				
		F) INCLUDE ITEMS #2, 4, 5, 39 & 40				
		G) INCLUDE ITEMS #11, 26, 44 & 45				
		H) INCLUDE ITEMS 39, 10, 31, 37 & 58				
		I) FOR ITEMS #4 & 6				
		J) FOR ITEMS #5 & 7				
		K) FOR USE W/ITEMS #8 & 13				
		L) FOR USE W/ITEMS #9				
		M) FOR USE W/ITEM #7				
		N) FOR USE W/ITEM #8 & 13				
		O) INCLUDE ITEMS #4, 6 & 39				
		P) INCLUDE ITEMS 10 & 31				
		1) NOT SOLD SEPARATELY				
		1) NOT SOLD SEPARATELY				

From R-012 To T-1611

Date:10/2022

PAGE:H3-1235-10

BRAKE CHAMBER - DRIVE AXLE "ANCHOR LOCK"



From R-012 To T-1611	Date:10/2022	PAGE:H3-1235-10
BRAKE CHAMBER - DRIVE AXLE "ANCHOR LOCK"		

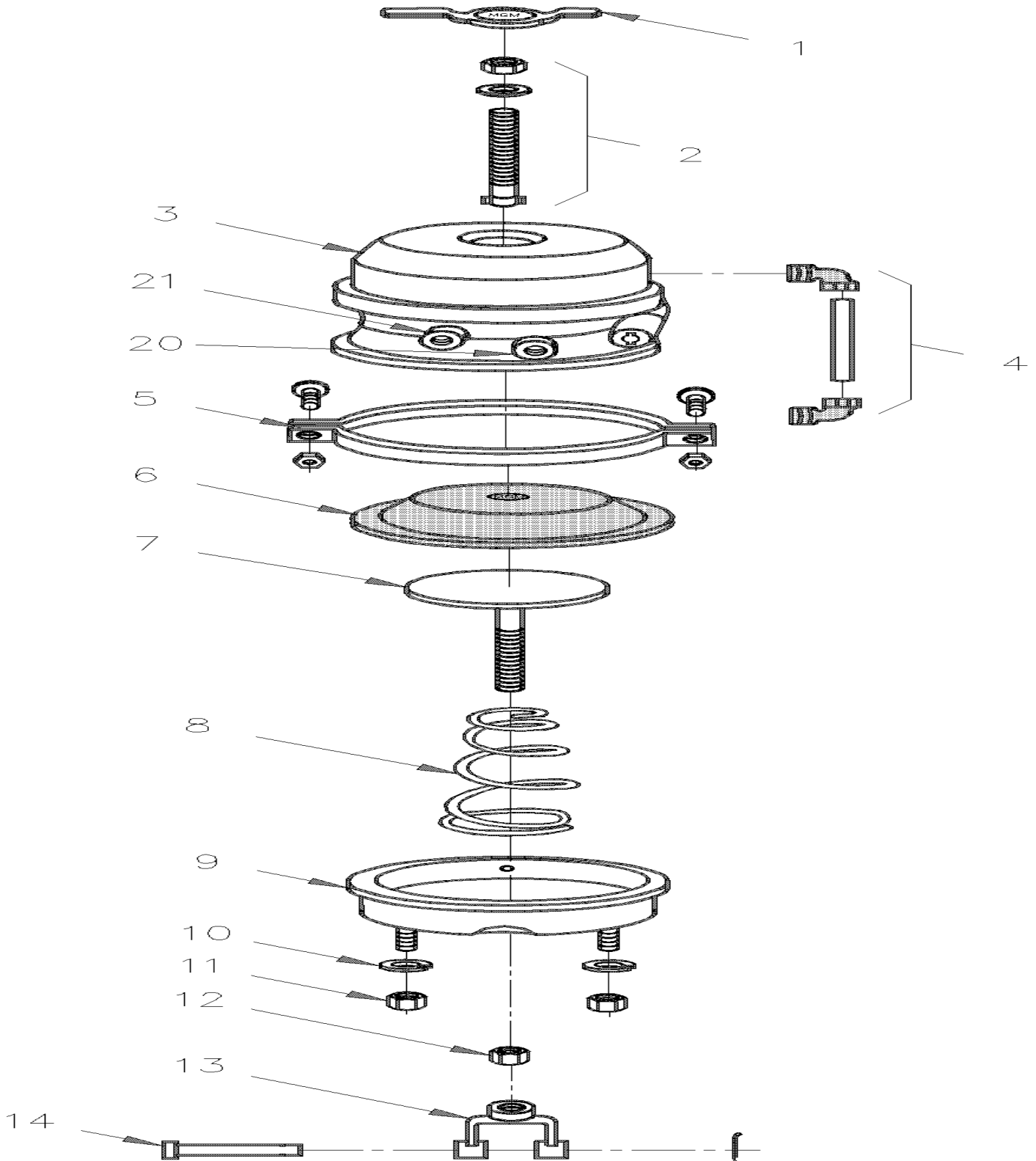
Item#	Part	Description	H 3 4 1	H 3 4 5	V I P 4 5	N O T E S
	641181	SPRING BRAKE ASSY 30/36 2.5" STROKE	2	2	2	
1	641290	. PIGKY BACK UNIT / TYPE 30/36 (SEALED)	1	1	1	
NS	641073	. . PLUG / WEEP HOLE (BLACK)	3	3	3	
NS	641291	. . PLUG / YELLOW 1 1/4"	1	1	1	
2	640977	. STUD, RELEASE W/NUTS & WASHERS	1	1	1	
3	N.S.S.	. CLAMP ASS'Y W/BOLTS & NUT TYPE 30	1	1	1	1
4	640957	. DIAPHRAGM / TYPE 30	1	1	1	
5	640956	. ROD, PUSH	1	1	1	
6	640955	. SPRING, COMP.	1	1	1	
7	641268	. HOUSING ASSY / TYPE 36	1	1	1	
8	640954	. DUST BOOT ASSY	1	1	1	
9	500723	. NUT HEX 5/8-18 ZP	1	1	1	
10	640129	. YOKE 5/8-18x1 3/8 C/Lx9/16Wx1/2	1	1	1	
10	621514	. YOKE 5/8-18x1 3/8 C/Lx9/16Wx1/2	1	1	1	
11	621515	. PIN, CLEVIS 1/2 x 1.630	1	1	1	
		HOSE SERVICE BRAKE				
20	641303	HOSE BRAKE #8 914MM (36")	2	2	2	A
NS	501842	ADAPTER / AIR BRAKE HOSE FITTING / 3/4-20-Mx3/8NPT-M STL	1	1	1	
NS	501330	STREET ELBOW 45° / PIPE FITTING / 3/8NPT-Mx3/8NPT-F BR	1	1	1	
		HOSE EMERGENCY BRAKE				
21	503488	TUBE, NYLON 1/2 O.D. / BLACK S.L./	AR	AR	AR	
NS	641010	MALE ELBOW 45° / NTA FITTING / #8x3/8NPT-M BR	1	1	1	
NS	141804	HOSE BRAKE #8 895MM	1	1	1	
		A) DRIVE AXLE BRAKE CHAMBER				
		1) NOT SOLD SEPARATELY				

From T-1612 To W-2284

Date:10/2022

PAGE:H3-1235-11

BRAKE CHAMBER - DRIVE AXLE "M.G.M."



From T-1612 To W-2284	Date:10/2022	PAGE:H3-1235-11
BRAKE CHAMBER - DRIVE AXLE "M.G.M."		

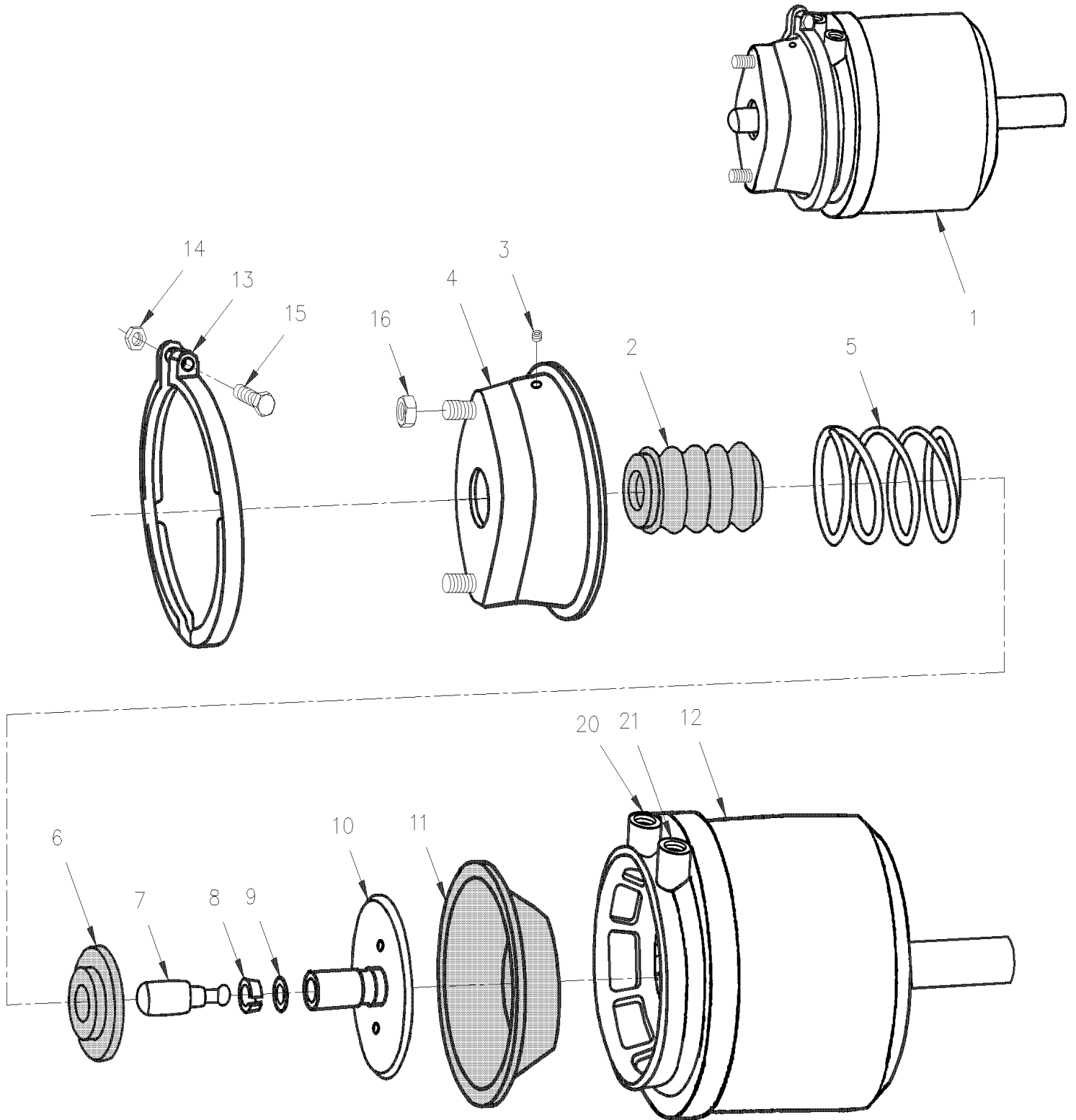
Item#	Part	Description	H 3 4 1	H 3 4 5	V I P 4 5	N O T E S
	641364	SPRING BRAKE ASSY 30/36 2.50" STROKE	2	2	2	
1	641408	. WEATHER SEAL PLUG	1	1	1	
NS	641434	. O-RING	1	1	1	
2	641407	. KIT RELEASE BOLT	1	1	1	
3	641500	. PIGGY BACK UNIT / TYPE 30/36	1	1	1	
4	641406	. KIT BREATHER TUBE	1	1	1	
5	640958	. CLAMP TYPE 30 W/BOLT & NUT	1	1	1	
6	640957	. DIAPHRAGM / TYPE 30	1	1	1	
7	641409	. PUSH ROD KIT	1	1	1	
8	640955	. SPRING, COMP.	1	1	1	
9	N.S.S.	. NP - CHAMBER ASSY	1	1	1	1
10	500484	. WASHER LO SPT .635x1.079x.156 Z050	2	2	2	
11	500723	NUT HEX 5/8-18 ZP	2	2	2	
12	500730	NUT HEX JAM THN 5/8-18x3/8 ZP	1	1	1	
13	621514	YOKE 5/8-18x1 3/8 C/Lx9/16Wx1/2	1	1	1	
14	621515	PIN, CLEVIS 1/2 x 1.630	1	1	1	
		HOSE SERVICE BRAKE				
20	641303	HOSE BRAKE #8 914MM (36")	2	2	2	A
NS	501842	ADAPTER / AIR BRAKE HOSE FITTING / 3/4-20-Mx3/8NPT-M STL	1	1	1	
NS	501330	STREET ELBOW 45° / PIPE FITTING / 3/8NPT-Mx3/8NPT-F BR	1	1	1	
		HOSE EMERGENCY BRAKE				
21	503488	TUBE, NYLON 1/2 O.D. / BLACK S.L./	AR	AR	AR	
NS	141804	HOSE BRAKE #8 895MM	1	1	1	
NS	641010	MALE ELBOW 45° / NTA FITTING / #8x3/8NPT-M BR	1	1	1	
		A) L.H. & R.H.				
		1) NOT SOLD SEPARATELY				

From V-1725 To 2-4416

Date:10/2022

PAGE:H3-1235-12

BRAKE CHAMBER - DRIVE AXLE "KNORR-BREMSE"



From V-1725 To 2-4416	Date:10/2022	PAGE:H3-1235-12
BRAKE CHAMBER - DRIVE AXLE "KNORR-BREMSE"		

Item#	Part	Description	H 3 4 1	H 3 4 5	V I P 4 5	N O T E S
1	641432	BRAKE CHAMBER ASSY L.H. & R.H. / TYPE 24/24	2	2	2	
2	N.S.S.	. BOOT	1	1	1	1
3	N.S.S.	. HOLE PLUG	1	1	1	1
4	N.S.S.	. CHAMBER , NO-PRESSURE	1	1	1	1
5	N.S.S.	. SPRING	1	1	1	1
6	N.S.S.	. SPRING SEAT	1	1	1	1
7	N.S.S.	. PUSH ROD END	1	1	1	1
8	N.S.S.	. RETAINER	1	1	1	1
9	N.S.S.	. RING	1	1	1	1
10	N.S.S.	. PUSH ROD	1	1	1	1
11	640229	. DIAPHRAGM / TYPE 24	1	1	1	
12	641433	. CHAMBER SUB ASSY / TYPE 24/24	1	1	1	
13	N.S.S.	. CLAMP W/BOLT & NUT	1	1	1	1
14	502543	. . NUT HEX M8-1.25 Z050	1	1	1	
15	5001021	. . SCREW CAP HEXS M8-1.25x60 G8.8 PT	1	1	1	
16	5001253	NUT HEX STO M16-1.5 G500	2	2	2	
NS	641443	KIT REPAIR / TYPE 24/24	AR	AR	AR	B
		HOSE SERVICE BRAKE				
20	641303	HOSE BRAKE #8 914MM (36") To W-2556	2	2	2	A
20	641477	HOSE BRAKE #8 813MM (32") From W-2557	2	2	2	A
NS	501842	ADAPTER / AIR BRAKE HOSE FITTING / 3/4-20-Mx3/8NPT-M STL	1	1	1	
NS	501330	STREET ELBOW 45° / PIPE FITTING / 3/8NPT-Mx3/8NPT-F BR	1	1	1	
		HOSE EMERGENCY BRAKE				
21	503488	TUBE, NYLON 1/2 O.D. / BLACK S.L./	AR	AR	AR	
NS	641010	MALE ELBOW 45° / NTA FITTING / #8x3/8NPT-M BR	1	1	1	
NS	141804	HOSE BRAKE #8 895MM To Y-3795	1	1	1	
21	641901	HOSE BRAKE #8 952MM (37 1/2") From Y-3796	1	1	1	
NS	141788	ADAPTOR M16 - 3/8 FPT / SERVICE & EMERGENCY To X-3108	2	2	2	
21	5011205	FEMALE CONNECTOR / PIPE @ METRIC / 3/8NPT-FxM16-1.5-M ZP From X-3109	2	2	2	
. NS	641297	. O-RING 13.1MM I.D. X 2.6 TH From X-3109	1	1	1	
. NS	641298	. WASHER FL 17MM I.D x 22MM O.D. x 1.5MM From X-3109	1	1	1	
NS	641297	O-RING 13.1MM I.D. X 2.6 TH	2	2	2	
NS	641298	WASHER FL 17MM I.D x 22MM O.D. x 1.5MM	2	2	2	
		A) L.H. & R.H.				

From V-1725 To 2-4416	Date:10/2022	PAGE:H3-1235-12
-----------------------	--------------	-----------------

BRAKE CHAMBER - DRIVE AXLE "KNORR-BREMSE"

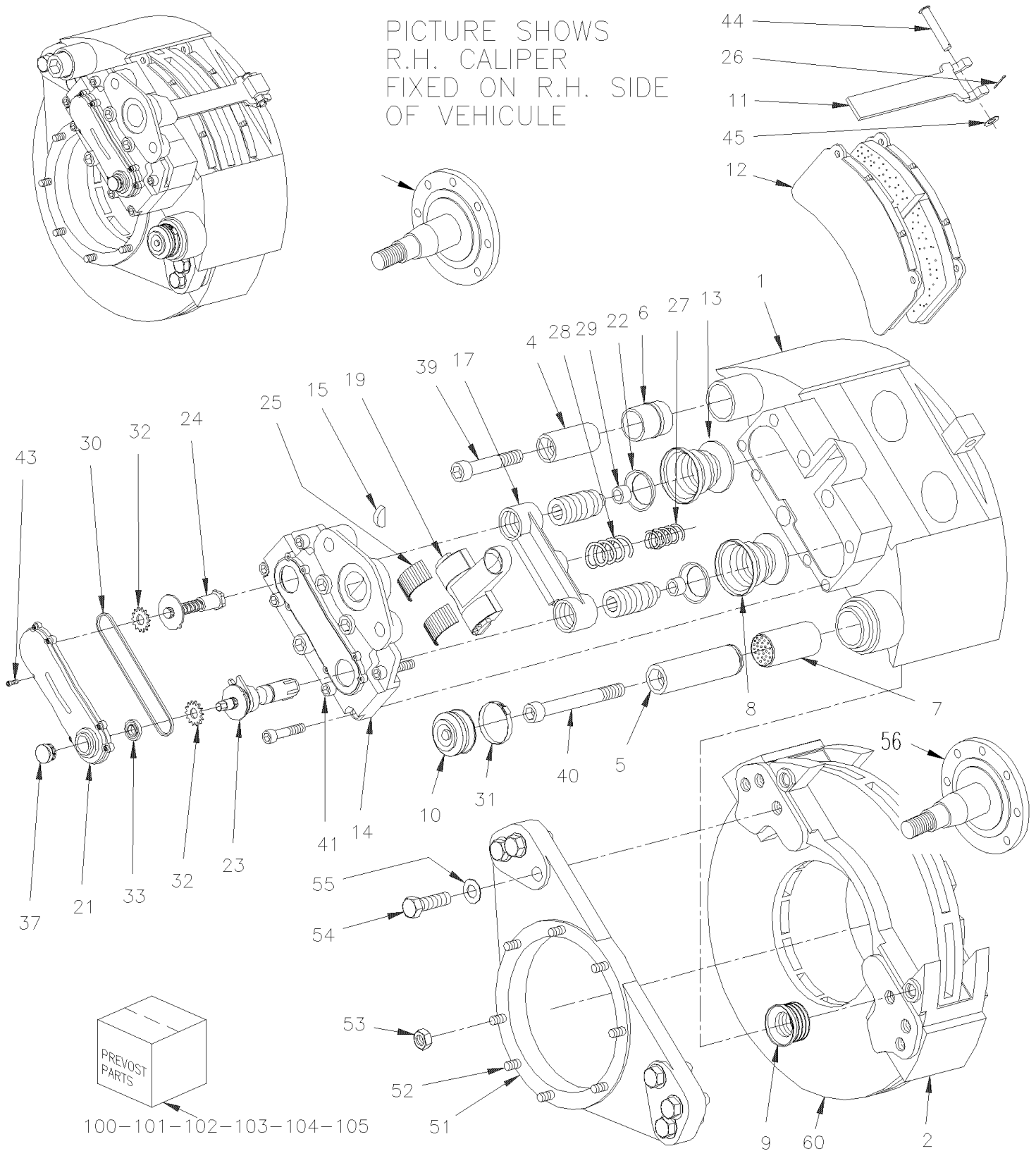
Item#	Part	Description	H 3 4 1	H 3 4 5	V I P 4 5	N O T E S
		B) L.H. & R.H.				
		1) NOT SOLD SEPARATELY				

From R-020 To V-1689

Date:10/2022

PAGE:H3-1245-03

BRAKE PARTS - TAG AXLE - W/"KNORR-BREMSE" / SB7 SERIES



From R-020 To V-1689	Date:10/2022	PAGE:H3-1245-03
----------------------	--------------	-----------------

BRAKE PARTS - TAG AXLE - W/"KNORR-BREMSE" / SB7 SERIES

Item#	Part	Description	H 3 4 1	H 3 4 5	V I P 4 5	N O T E S
	641325	CALIPER ASSY R.H. / W/BOOSTER TYPE 16/16 / SB7	1	1	1	
	641327	CALIPER ASSY L.H. / W/BOOSTER TYPE 16/16 / SB7	1	1	1	
	611075	. CALIPER ASSY R.H. / W/O BOOSTER & CARRIER / SB7	1	1	1	A
	611074	. CALIPER ASSY L.H. / W/O BOOSTER & CARRIER / SB7	1	1	1	A
1	N.S.S.	. . CALIPER HOUSING	1	1	1	1
2	N.S.S.	. . BRAKE CARRIER	1	1	1	1
4	N.S.S.	. . GUIDE BUSHING / SHORT	1	1	1	1
5	N.S.S.	. . GUIDE BUSHING / LONG	1	1	1	1
6	611245	. . GUIDE SLEEVE / RUBBER SB 7 SERIES	1	1	1	
7	611107	. . BUSHING / BRASS	1	1	1	
8	N.S.S.	. . BOOT RUBBER / WHITE	2	2	2	1
9	N.S.S.	. . BELLOW GUIDE BUSHING / RUBBER BLACK	1	1	1	1
10	641419	. . BELLOW CAP / RUBBER	1	1	1	
11	N.S.S.	. . BRAKE PAD BRACKET	1	1	1	1
12	611105	. . LINING SET STD / (FERODO)	1	1	1	B
. 11	N.S.S.	. . . BRAKE PAD BRACKET	1	1	1	1 B
. 26	N.S.S.	. . . SPRING SPLIT PIN	1	1	1	1 B
. 37	641313	. . . PLUG CAP / ADJUSTING DEVICE / PLASTIC INTERIOR GRIP	1	1	1	B
. 44	N.S.S.	. . . CLEVIS PIN	1	1	1	1 B
. 45	N.S.S.	. . . WASHER	1	1	1	1 B
. 61	N.S.S.	. . . SHEAR ADAPTER	1	1	1	1 B
12	611049	. . LINING SET STD /	1	1	1	B
. 11	N.S.S.	. . . BRAKE PAD BRACKET	1	1	1	1 B
. 26	N.S.S.	. . . SPRING SPLIT PIN	1	1	1	1 B
. 37	641313	. . . PLUG CAP / ADJUSTING DEVICE / PLASTIC INTERIOR GRIP	1	1	1	B
. 44	N.S.S.	. . . CLEVIS PIN	1	1	1	1 B
. 45	N.S.S.	. . . WASHER	1	1	1	1 B
. 61	N.S.S.	. . . SHEAR ADAPTER	1	1	1	1 B
13	N.S.S.	. . TAPPET	2	2	2	1
14	N.S.S.	. . SYNCHRONIZING HOUSING	1	1	1	1
15	N.S.S.	. . PLUG HALF / RUBBER	1	1	1	1
17	N.S.S.	. . BEAM	1	1	1	1
18	N.S.S.	. . O-RING	1	1	1	1
19	N.S.S.	. . LEVER	1	1	1	1
21	N.S.S.	. . COVER SYNCHRONIZING HOUSING	1	1	1	1
22	N.S.S.	. . BOOT	2	2	2	1
23	N.S.S.	. . CLEARANCE ADJUSTER	1	1	1	1
24	N.S.S.	. . DRIVER	1	1	1	1
25	N.S.S.	. . LEVER BEARING	2	2	2	1
26	N.S.S.	. . SPRING SPLINT PIN	1	1	1	1
27	N.S.S.	. . COMPRESSION SPRING	1	1	1	1
28	N.S.S.	. . COMPRESSION SPRING	1	1	1	1

From R-020 To V-1689	Date:10/2022	PAGE:H3-1245-03
----------------------	--------------	-----------------

BRAKE PARTS - TAG AXLE - W/"KNORR-BREMSE" / SB7 SERIES

Item#	Part	Description	H 3 4 1	H 3 4 5	V I P 4 5	N O T E S
29	N.S.S.	. . RING RETAINING / TAPPET	2	2	2	1
30	N.S.S.	. . ROLLER CHAIN	1	1	1	1
31	641420	. . PERFORATED CLIP	1	1	1	
32	N.S.S.	. . CHAIN DRIVE WHEEL	2	2	2	1
33	N.S.S.	. . SHAFT SEALING RING	1	1	1	1
37	641313	. . PLUG CAP / ADJUSTING DEVICE / PLASTIC INTERIOR GRIP	1	1	1	
38	N.S.S.	. . DOWEL	4	4	4	1
39	N.S.S.	. . SCREW CAP HEXS M16-1.5x140 G10.9 ZP	1	1	1	1
40	N.S.S.	. . SCREW CAP HEXS M16-1.5x90 G10.9 ZP	1	1	1	1
41	N.S.S.	. . SOCKET HEAD CAP SCREW M14 X 60MM GR 12.9	3	3	3	1
43	N.S.S.	. . SOCKET HEAD CAP SCREW M5 X 12MM	8	8	8	1
44	N.S.S.	. . CLEVIS PIN	1	1	1	1
45	N.S.S.	. . WASHER	1	1	1	1
45	H3-1245-12	BRAKE CHAMBER - TAG AXLE "KNORR-BREMSE"				
51	611047	CALIPER MOUNTING BRACKET L.H. & R.H.	2	2	2	
52	611030	STUD 1/2-20 X 1 11/16"	8	8	8	
53	500718	NUT HEX STO 1/2-20 Z050	8	8	8	
54	5001193	SCREW CAP HEX M20-2.5x65 G10.9 ZP	6	6	6	
55	502558	WASHER FL 21.0x37.0x3.0 G500	6	6	6	
56	H3-1615-02	TAG AXLE - INSTALL SUSPENSION				
60	H3-1310-02	HUB & ROTOR - TAG AXLE TYPE TS5				
99	FMBS-0BPK-10	BRAKE PARTS - "KNORR-BREMSE" / SB7 & SN7 "AFTERMARKET"				
NS	110786	BRAKE WEAR INDICATOR MECHANICAL / 44MM	AR	AR	AR	
100	611054	KIT, TAPPET W/BOOT	AR	AR	AR	C
. 08	N.S.S.	. BOOT RUBBER / WHITE	2	2	2	1 C
. 13	N.S.S.	. TAPPET	2	2	2	1 C
101	611126	KIT GUIDANCE PINS & BELLOW	AR	AR	AR	D
102	611176	KIT BOOT PROTECTOR & TAPPET	AR	AR	AR	E
103	611178	KIT CARRIER & GUIDING PIN	AR	AR	AR	F
104	641402	KIT, PAD HOLDER	AR	AR	AR	G
. 26	N.S.S.	. SPRING SPLIT PIN	1	1	1	1 G
. 44	N.S.S.	. CLEVIS PIN	1	1	1	1 G
. 45	N.S.S.	. WASHER	1	1	1	1 G
104	683344	GREASE GREEN / 5GR	AR	AR	AR	H
104	641931	GREASE GREEN / 500GR	AR	AR	AR	H
104	683345	GREASE WHITE / 5GR	AR	AR	AR	I
104	641930	GREASE WHITE / 500GR	AR	AR	AR	I
104	641321	TOOL / THRUST MEMBER W/BELLOW	AR	AR	AR	J
104	641322	TOOL / CALIPER INNER BELLOW	AR	AR	AR	K
104	641323	TOOL / BUSHING INSTALLER / SERIES SB	AR	AR	AR	L
104	641435	TOOL / FORK (FOR BELLOW CAP)	AR	AR	AR	M

From R-020 To V-1689	Date:10/2022	PAGE:H3-1245-03
BRAKE PARTS - TAG AXLE - W/"KNORR-BREMSE" / SB7 SERIES		

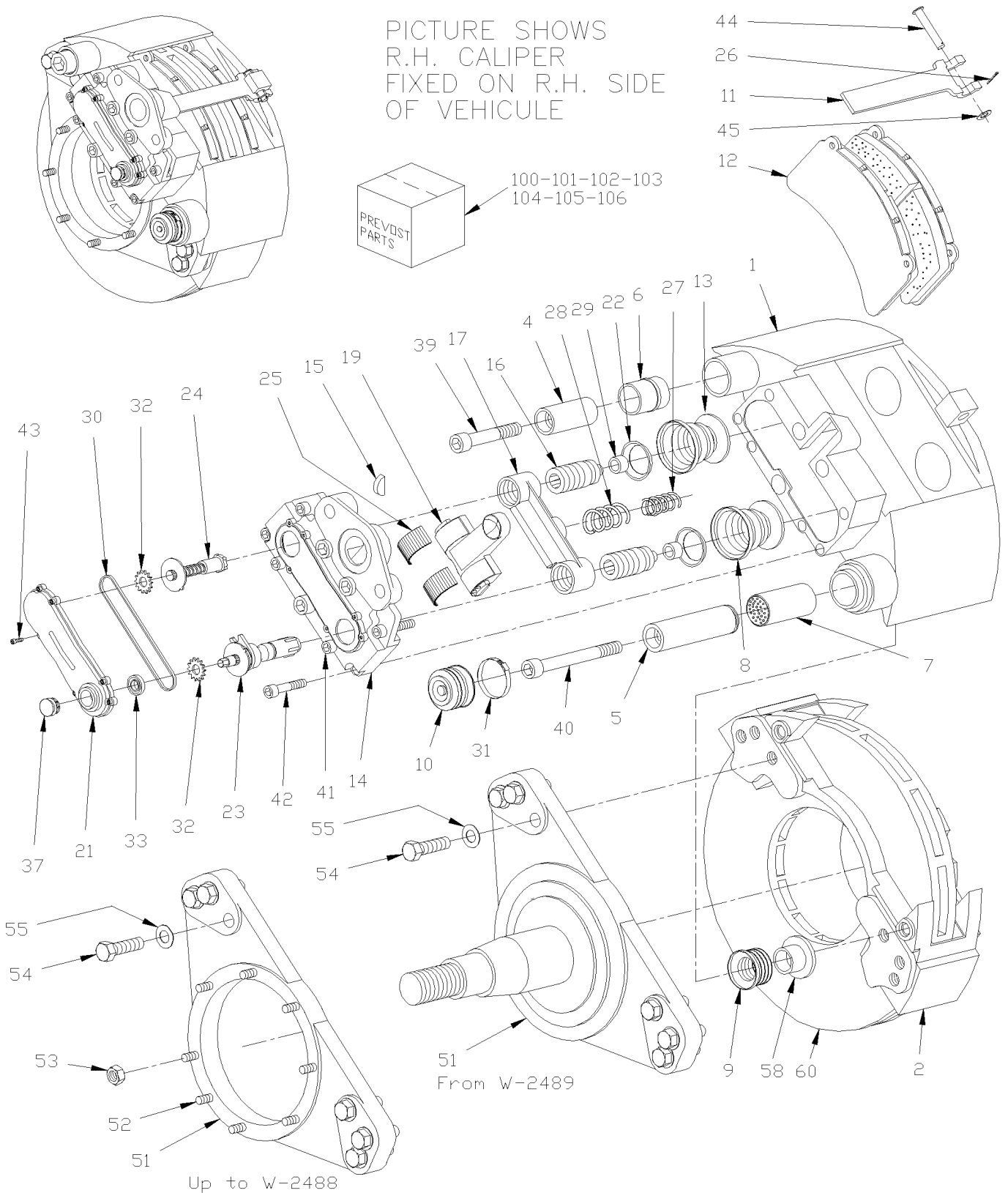
Item#	Part	Description	H 3 4 1	H 3 4 5	V I P 4 5	N O T E S
104	641444	TOOL / GROOVING BUSHING	AR	AR	AR	L
105	611246	KIT, GUIDANCE PIN & RUBBER BUSHING / SHORT PIN	AR	AR	AR	N
.04	N.S.S.	. GUIDE BUSHING / SHORT	1	1	1	1 N
.06	611245	. GUIDE SLEEVE / RUBBER SB 7 SERIES	1	1	1	N
.39	N.S.S.	. SCREW CAP HEXS	1	1	1	1 N
107	641427	KIT BOOT & CLIP	AR	AR	AR	P
.10	641421	. BELLOW CAP / RUBBER	1	1	1	P
.31	641420	. PERFORATED CLIP	1	1	1	P
		A) DO NOT INCLUDE ITEMS #2 & 12				
		B) INCLUDES ITEMS #11, 26, 37, 44, 45 & 61				
		C) INCLUDE 2 OF ITEMS #8 & 13				
		D) INCLUDE ITEMS #4, 5, 6, 7, 9, 10, 31, 39 & 40				
		E) INCLUDE ITEMS #8, 13 & 29				
		F) INCLUDE ITEMS #2, 4, 5, 39 & 40				
		G) INCLUDE ITEMS #11, 26, 44 & 45				
		H) FOR ITEMS #4 & 6				
		I) FOR ITEMS #5 & 7				
		J) FOR USE W/ITEMS #8 & 13				
		K) FOR USE W/ITEM #9				
		L) FOR USE W/ITEM #7				
		M) FOR USE W/ITEM #8 & 13				
		N) INCLUDE ITEMS #4, 6 & 39				
		P) INCLUDE ITEM #10 & 31				
		1) NOT SOLD SEPARATELY				
		1) NOT SOLD SEPARATELY				

From V-1690 To 2-4416

Date:10/2022

PAGE:H3-1245-04

BRAKE PARTS - TAG AXLE - W/"KNORR-BREMSE" / SB7 SERIES



From V-1690 To 2-4416	Date:10/2022	PAGE:H3-1245-04
-----------------------	--------------	-----------------

BRAKE PARTS - TAG AXLE - W/"KNORR-BREMSE" / SB7 SERIES

Item#	Part	Description	H 3 4 1	H 3 4 5	V I P 4 5	N O T E S
	611181	CALIPER ASSY R.H. / W/BOOSTER TYPE 16/16 / SB7	1	1	1	
	611183	CALIPER ASSY L.H. / W/BOOSTER TYPE 16/16 / SB7	1	1	1	
	611184	. CALIPER ASSY R.H. / W/O BOOSTER / SB7	1	1	1	A
	611185	. CALIPER ASSY L.H. / W/O BOOSTER / SB7	1	1	1	A
1	N.S.S.	. . CALIPER HOUSING	1	1	1	1
2	611340	. BRAKE CARRIER / W/6 HOLES BOLT RETAINERS M20-2.5	1	1	1	
4	N.S.S.	. . GUIDE BUSHING / SHORT	1	1	1	1
5	N.S.S.	. . GUIDE BUSHING / LONG	1	1	1	1
6	611245	. . GUIDE SLEEVE / RUBBER SB 7 SERIES	1	1	1	
7	611107	. . BUSHING / BRASS	1	1	1	
8	N.S.S.	. . BOOT RUBBER / WHITE	2	2	2	1
9	N.S.S.	. . BELLOW GUIDE BUSHING / RUBBER RED	1	1	1	1
10	641421	. . BELLOW CAP / RUBBER	1	1	1	
11	N.S.S.	. . BRAKE PAD BRACKET	1	1	1	1
12	611105	. . LINING SET STD / (FERODO)	1	1	1	B
. 11	N.S.S.	. . . BRAKE PAD BRACKET	1	1	1	1 B
. 26	N.S.S.	. . . SPRING SPLIT PIN	1	1	1	1 B
. 37	641313	. . . PLUG CAP / ADJUSTING DEVICE / PLASTIC INTERIOR GRIP	1	1	1	B
. 44	N.S.S.	. . . CLEVIS PIN	1	1	1	1 B
. 45	N.S.S.	. . . WASHER	1	1	1	1 B
. 61	N.S.S.	. . . SHEAR ADAPTER	1	1	1	1 B
12	611049	. . LINING SET STD /	1	1	1	B
. 11	N.S.S.	. . . BRAKE PAD BRACKET	1	1	1	1 B
. 26	N.S.S.	. . . SPRING SPLIT PIN	1	1	1	1 B
. 37	641313	. . . PLUG CAP / ADJUSTING DEVICE / PLASTIC INTERIOR GRIP	1	1	1	B
. 44	N.S.S.	. . . CLEVIS PIN	1	1	1	1 B
. 45	N.S.S.	. . . WASHER	1	1	1	1 B
. 61	N.S.S.	. . . SHEAR ADAPTER	1	1	1	1 B
13	N.S.S.	. . TAPPET	2	2	2	1
14	N.S.S.	. . SYNCHRONIZING HOUSING	1	1	1	1
15	N.S.S.	. . PLUG HALF / RUBBER	1	1	1	1
17	N.S.S.	. . BEAM	1	1	1	1
18	N.S.S.	. . O-RING	1	1	1	1
19	N.S.S.	. . LEVER	1	1	1	1
21	N.S.S.	. . COVER SYNCHRONIZING HOUSING	1	1	1	1
22	N.S.S.	. . BOOT	2	2	2	1
23	N.S.S.	. . CLEARANCE ADJUSTER	1	1	1	1
24	N.S.S.	. . DRIVER	1	1	1	1
25	N.S.S.	. . LEVER BEARING	2	2	2	1
26	N.S.S.	. . SPRING SPLINT PIN	1	1	1	1
27	N.S.S.	. . COMPRESSION SPRING	1	1	1	1
28	N.S.S.	. . COMPRESSION SPRING	1	1	1	1

From V-1690 To 2-4416	Date:10/2022	PAGE:H3-1245-04
-----------------------	--------------	-----------------

BRAKE PARTS - TAG AXLE - W/"KNORR-BREMSE" / SB7 SERIES

Item#	Part	Description	H 3 4 1	H 3 4 5	V I P 4 5	N O T E S
29	N.S.S.	. . RING RETAINING / TAPPET	2	2	2	1
30	N.S.S.	. . ROLLER CHAIN	1	1	1	1
31	641420	. . PERFORATED CLIP	1	1	1	
32	N.S.S.	. . CHAIN DRIVE WHEEL	2	2	2	1
33	N.S.S.	. . SHAFT SEALING RING	1	1	1	1
37	641313	. . PLUG CAP / ADJUSTING DEVICE / PLASTIC INTERIOR GRIP	1	1	1	
38	N.S.S.	. . DOWEL	4	4	4	1
39	N.S.S.	. . SCREW CAP HEXS M16-1.5x140 G10.9 ZP	1	1	1	1
40	N.S.S.	. . SCREW CAP HEXS M16-1.5x90 G10.9 ZP	1	1	1	1
41	N.S.S.	. . SOCKET HEAD CAP SCREW M14 X 60MM GR 12.9	3	3	3	1
43	N.S.S.	. . SOCKET HEAD CAP SCREW M5 X 12MM	8	8	8	1
44	N.S.S.	. . CLEVIS PIN	1	1	1	1
45	N.S.S.	. . WASHER	1	1	1	1
45	H3-1245-12	BRAKE CHAMBER - TAG AXLE "KNORR-BREMSE"				
51	611047	CALIPER MOUNTING BRACKET L.H. & R.H. To W-2488	2	2	2	
51	611216	SPINDLE / WITH MODEL "G.K.N." (TS6) From W-2489	2	2	2	
52	611030	STUD 1/2-20 X 1 11/16" To W-2488	8	8	8	
53	500718	NUT HEX STO 1/2-20 Z050 To W-2488	8	8	8	
54	5001193	SCREW CAP HEX M20-2.5x65 G10.9 ZP	6	6	6	
55	502558	WASHER FL 21.0x37.0x3.0 G500	6	6	6	
60	H3-1310-02	HUB & ROTOR - TAG AXLE TYPE TS5 From R-020 To W-2084				
60	H3-1310-03	HUB & ROTOR - TAG AXLE TYPE TS5 From W-2084 To W-2488				
60	H3-1310-04	HUB & ROTOR - TAG AXLE TYPE TS6 From W-2489				
99	FMBS-0BPK-10	BRAKE PARTS - "KNORR-BREMSE" / SB7 & SN7 "AFTERMARKET"				
NS	110786	BRAKE WEAR INDICATOR MECHANICAL / 44MM	AR	AR	AR	
100	611054	KIT, TAPPET W/BOOT	AR	AR	AR	C
.08	N.S.S.	. BOOT RUBBER / WHITE	2	2	2	1 C
.13	N.S.S.	. TAPPET	2	2	2	1 C
101	611168	KIT, GUIDANCE PINS & BELLOW	AR	AR	AR	D
.04	N.S.S.	. GUIDE BUSHING / SHORT	1	1	1	1 D
.05	N.S.S.	. GUIDE BUSHING / LONG	1	1	1	1 D
.06	611245	. GUIDE SLEEVE / RUBBER SB 7 SERIES	1	1	1	D
.07	611107	. BUSHING / BRASS	1	1	1	D
.09	N.S.S.	. BELLOW GUIDE BUSHING / RUBBER RED	1	1	1	1 D
.10	641421	. BELLOW CAP / RUBBER	1	1	1	D
.31	641420	. PERFORATED CLIP	1	1	1	D
.39	N.S.S.	. SCREW CAP HEXS	1	1	1	1 D
.40	N.S.S.	. SCREW CAP HEXS	1	1	1	1 D
.58	N.S.S.	. PLASTIC RING / BOOT RETAINER	1	1	1	1 D
102	611177	KIT, BOOT PROTECTOR & TAPPET	AR	AR	AR	E
.08	N.S.S.	. BOOT RUBBER / WHITE	1	1	1	1 E

From V-1690 To 2-4416	Date:10/2022	PAGE:H3-1245-04
-----------------------	--------------	-----------------

BRAKE PARTS - TAG AXLE - W/"KNORR-BREMSE" / SB7 SERIES

Item#	Part	Description	H 3 4 1	H 3 4 5	V I P 4 5	N O T E S
. 13	N.S.S.	. TAPPET	1	1	1	1 E
. 29	N.S.S.	. RING RETAINING / TAPPET	1	1	1	1 E
103	611179	KIT, CARRIER & GUIDING PIN	AR	AR	AR	F
. 02	611340	. BRAKE CARRIER / W/6 HOLES BOLT RETAINERS M20-2.5	1	1	1	F
. 04	N.S.S.	. GUIDE BUSHING / SHORT	1	1	1	1 F
. 05	N.S.S.	. GUIDE BUSHING / LONG	1	1	1	1 F
. 39	N.S.S.	. SCREW CAP HEXS	1	1	1	1 F
. 40	N.S.S.	. SCREW CAP HEXS	1	1	1	1 F
104	641402	KIT, PAD HOLDER	AR	AR	AR	G
. 26	N.S.S.	. SPRING SPLIT PIN	1	1	1	1 G
. 44	N.S.S.	. CLEVIS PIN	1	1	1	1 G
. 45	N.S.S.	. WASHER	1	1	1	1 G
104	641444	TOOL / GROOVING BUSHING	AR	AR	AR	M
105	611199	KIT, BOOT & SEAL	AR	AR	AR	H
. 09	N.S.S.	. BELLOW GUIDE BUSHING / RUBBER RED	1	1	1	1 H
. 10	641421	. BELLOW CAP / RUBBER	1	1	1	H
. 31	641420	. PERFORATED CLIP	1	1	1	H
. 37	641313	. PLUG CAP / ADJUSTING DEVICE / PLASTIC INTERIOR GRIP	1	1	1	H
. 58	N.S.S.	. PLASTIC RING / BOOT RETAINER	1	1	1	1 H
105	683344	GREASE GREEN / 5GR	AR	AR	AR	I
105	641931	GREASE GREEN / 500GR	AR	AR	AR	I
105	683345	GREASE WHITE / 5GR	AR	AR	AR	J
105	641930	GREASE WHITE / 500GR	AR	AR	AR	J
105	641321	TOOL / THRUST MEMBER W/BELLOW	AR	AR	AR	K
105	641322	TOOL / CALIPER INNER BELLOW	AR	AR	AR	L
105	641323	TOOL / BUSHING INSTALLER / SERIES SB	AR	AR	AR	M
105	641435	TOOL / FORK (FOR BELLOW CAP)	AR	AR	AR	N
106	611246	KIT, GUIDANCE PIN & RUBBER BUSHING / SHORT PIN	AR	AR	AR	O
. 04	N.S.S.	. GUIDE BUSHING / SHORT	1	1	1	1 O
. 06	611245	. GUIDE SLEEVE / RUBBER SB 7 SERIES	1	1	1	O
. 39	N.S.S.	. SCREW CAP HEXS	1	1	1	1 O
107	641427	KIT BOOT & CLIP	AR	AR	AR	P
. 10	641421	. BELLOW CAP / RUBBER	1	1	1	P
. 31	641420	. PERFORATED CLIP	1	1	1	P
		A) INCLUDES ITEM #2 BUT NO ITEM # 12				
		B) INCLUDES ITEMS #11, 26, 37, 44, 45 & 61				
		C) INCLUDE 2 OF ITEMS #8 & 13				
		D) INCLUDE ITEMS #4, 5, 6, 7, 9, 10, 31, 39, 40 & 58				
		E) INCLUDE ITEMS #8, 13 & 29				

From V-1690 To 2-4416	Date:10/2022	PAGE:H3-1245-04
-----------------------	--------------	-----------------

BRAKE PARTS - TAG AXLE - W/"KNORR-BREMSE" / SB7 SERIES

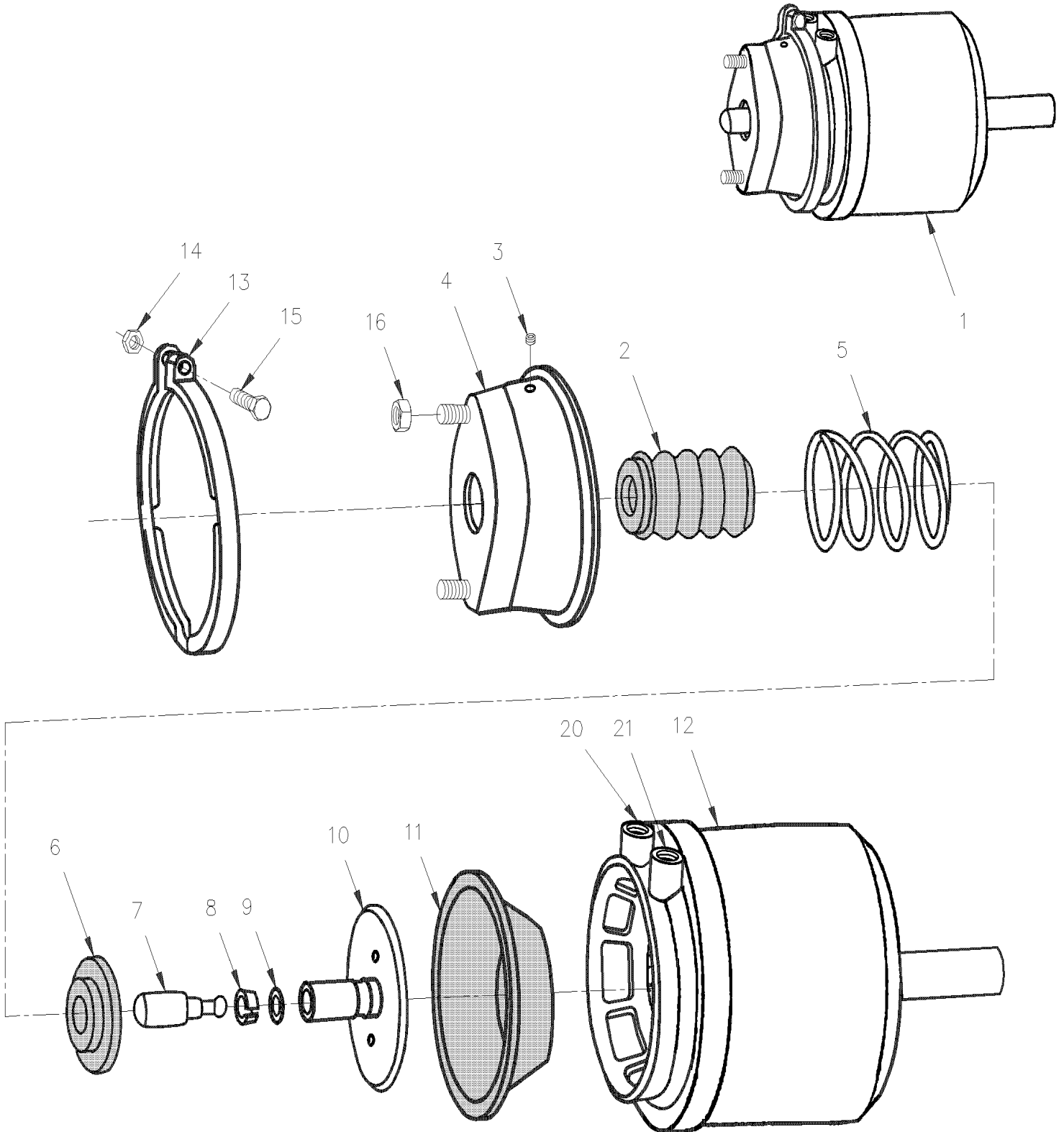
Item#	Part	Description	H 3 4 1	H 3 4 5	V I P 4 5	N O T E S
		F) INCLUDE ITEMS #2, 4, 5, 39, 40 & 58				
		G) INCLUDE ITEMS #11, 26, 44 & 45				
		H) INCLUDE ITEMS #9, 10, 31, 37 & 58				
		I) FOR ITEMS #4 & 6				
		J) FOR ITEMS #5 & 7				
		K) FOR USE W/ITEMS #8 & 13				
		L) FOR USE W/ITEM #9				
		M) FOR USE W/ITEM #7				
		N) FOR USE W/ITEM #8 & 13				
		O) INCLUDE ITEMS #4, 6 & 39				
		P) INCLUDE ITEM #10 & 31				
		1) NOT SOLD SEPARATELY				
		1) NOT SOLD SEPARATELY				

From R-020 To 2-4416

Date:10/2022

PAGE:H3-1245-12

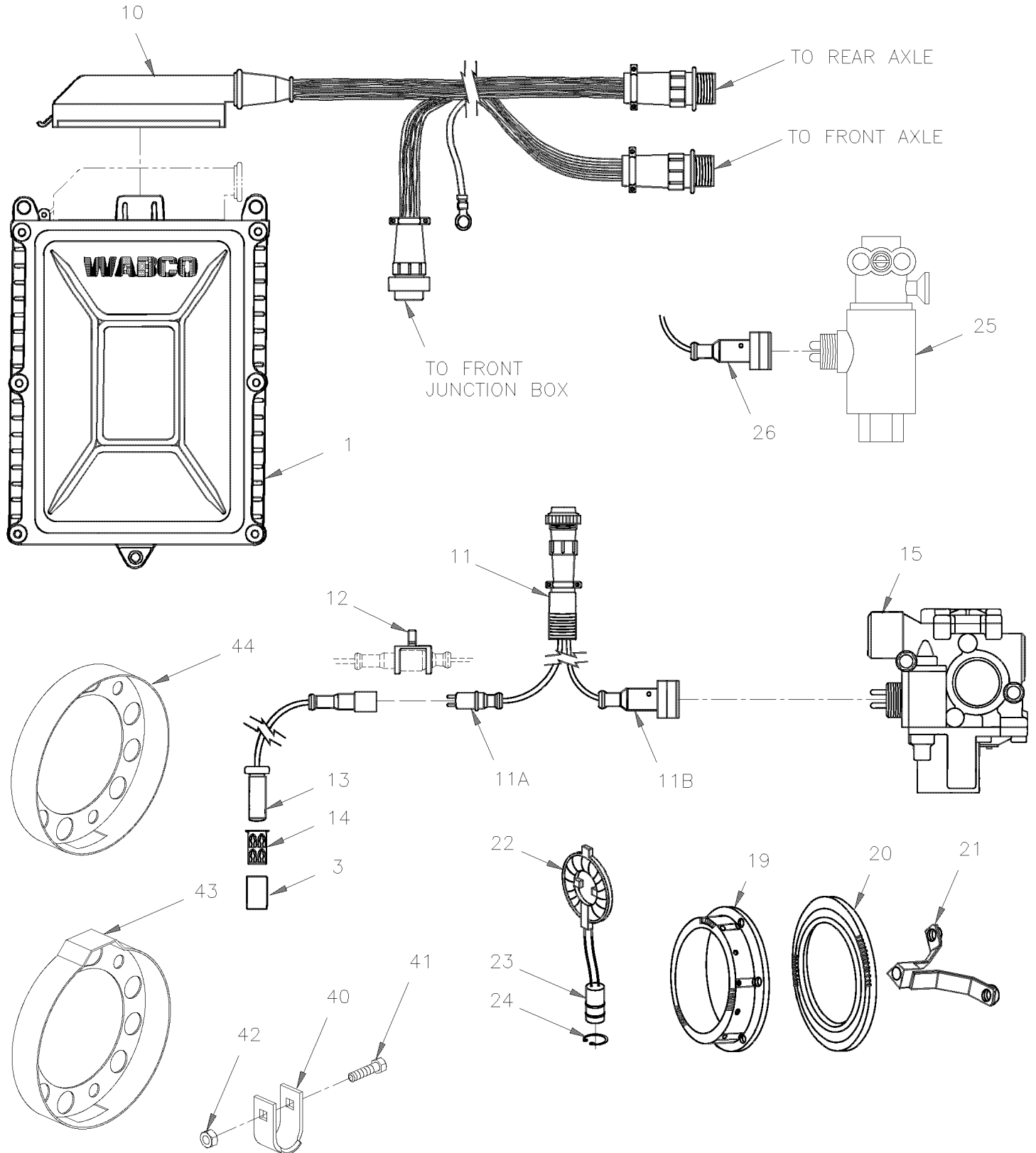
BRAKE CHAMBER - TAG AXLE "KNORR-BREMSE"



From R-020 To 2-4416	Date:10/2022	PAGE:H3-1245-12
BRAKE CHAMBER - TAG AXLE "KNORR-BREMSE"		

Item#	Part	Description	H 3 4 1	H 3 4 5	V I P 4 5	N O T E S
1	641308	BRAKE CHAMBER ASSY L.H. & R.H / TYPE 16/16	2	2	2	
2	N.S.S.	. BOOT	1	1	1	1
3	N.S.S.	. HOLE PLUG	1	1	1	1
4	N.S.S.	. CHAMBER , NO-PRESSURE	1	1	1	1
5	N.S.S.	. SPRING	1	1	1	1
6	N.S.S.	. SPRING SEAT	1	1	1	1
7	N.S.S.	. PUSH ROD END	1	1	1	1
8	N.S.S.	. RETAINER	1	1	1	1
9	N.S.S.	. RING	1	1	1	1
10	N.S.S.	. PUSH ROD	1	1	1	1
11	641046	. DIAPHRAGM / TYPE 16	1	1	1	
12	641431	. CHAMBER SUB ASSY / TYPE 16/16	1	1	1	
13	N.S.S.	. CLAMP W/BOLT & NUT	1	1	1	1
14	502543	. NUT HEX M8-1.25 Z050	1	1	1	
15	5001021	. SCREW CAP HEXS M8-1.25x60 G8.8 PT	1	1	1	
NS	641430	KIT REPAIR	1	1	1	C
16	5001253	NUT HEX STO M16-1.5 G500	2	2	2	
		HOSE SERVICE BRAKE				
20	141812	HOSE BRAKE #8 1012MM (40")	1	1	1	
NS	501291	MALE ELBOW 45° / JIC 37° FITTING / #8JIC-Mx3/8NPT-M STL	1	1	1	A
		HOSE EMERGENCY BRAKE				
21	503488	TUBE, NYLON 1/2 O.D. / BLACK S.L./	AR	AR	AR	
NS	641381	MALE CONNECTOR / PUSH-IN FITTING / #8x3/8NPT-M BR	1	1	1	
NS	141804	HOSE BRAKE #8 895MM	1	1	1	
NS	141788	ADAPTOR M16 - 3/8 FPT / SERVICE & EMERGENCY To X-3108	2	2	2	
21	5011205	FEMALE CONNECTOR / PIPE @ METRIC / 3/8NPT-FxM16-1.5-M ZP From X-3109	2	2	2	
. NS	641297	. O-RING 13.1MM I.D. X 2.6 TH From X-3109	1	1	1	
. NS	641298	. WASHER FL 17MM I.D x 22MM O.D. x 1.5MM From X-3109	1	1	1	
NS	641297	O-RING 13.1MM I.D. X 2.6 TH	2	2	2	B
NS	641298	WASHER FL 17MM I.D x 22MM O.D. x 1.5MM	2	2	2	B
		A) SERVICE				
		B) SERVICE & EMERGENCY □ SERVICE & URGENGE				
		C) INCLUDING ITEMS #2, 3, 6, 8, 9 & 11				
		1) NOT SOLD SEPARATELY				

From R-012 To 2-4416	Date:10/2022	PAGE:H3-1250-00
ANTI-LOCK BRAKING SYSTEM		



From R-012 To 2-4416	Date:10/2022	PAGE:H3-1250-00
ANTI-LOCK BRAKING SYSTEM		

Item#	Part	Description	H 3 4 1	H 3 4 5	V I P 4 5	N O T E S
1	641248	CONTROL UNIT 24V / ABS 4 CH To W-2284	1	1	1	A
1	641446	CONTROL UNIT 24V / ABS 4 CH From W-2285 To 1-4261	1	1	1	
1	641940	CONTROL UNIT 24V / ABS 4 CH From 1-4262	1	1	1	
1	642164	CONTROL UNIT 24V / ABS 4 CH	1	1	1	
NS	500609	NUT HEX M6-1.0 Z050	3	3	3	B
NS	502564	WASHER LO SPT 6.1x11.8x1.6 Z050	3	3	3	B
3	621416	BUSHING, RUBBER / USE WITH REAR SENSOR To S-206	2	2	2	C
3	621684	BUSHING ABS SENSOR MOUNTING DRIVE AXLE From X-2870	1	1	1	G
10	063537	CABLE ASSY "ABS"	1	1	1	
11	062569	CABLE ASSY / FRONT WHEEL "ABS" To W-2284	1	1	1	
11	064596	CABLE ASSY / FRONT WHEEL "ABS" From W-2285	1	1	1	
11	063739	CABLE ASSY / REAR WHEEL "ABS" To S-206	1	1		
11	064139	CABLE ASSY / REAR WHEEL "ABS" From S-207 To W-2284	1	1		
11	064595	CABLE ASSY / REAR WHEEL "ABS" From W-2285 To W-2869	1	1		
11	064877	CABLE ASSY / REAR WHEEL "ABS" From W-2870	1	1		
11	641132	. CONNECTOR / MALE W2 WIRES x 3 METER / WABCO 8945900102	AR	AR	AR	
11	641098	. CONNECTOR / FEMALE W3 WIRES x 3 METER / WABCO 8946010102	AR	AR	AR	
12	641131	CONNECTOR / CLAMP TO HOLD 2 CONNECTOR / WABCO 8848304544	4	4	4	
12	561115	CLAMP W/ 3 & 4 / ITT CANNON 029-0262-000	4	4	4	
13	641095	SENSOR ABS (ON FRONT & DRIVE AXLE) To S-206	2	2	2	
13	641288	SENSOR ABS (ON FRONT AXLE) 90° ANGLE From S-207	2	2	2	
13	641095	SENSOR ABS (ON FRONT & DRIVE AXLE) From X-2870	2	2	2	H T
14	641096	CLIP, SPRING / TO FIX SENSOR	2	2	2	
15	641537	VALVE, "ABS" 24VOLT	4	4	4	
NS	501528	STREET ELBOW 45° / PIPE FITTING / 1/2NPT-Mx1/2NPT-F BR	AR	AR	AR	
NS	641089	MALE ELBOW 45° / NTA FITTING / #8x1/2NPT-M BR	AR	AR	AR	
NS	501473	MALE RUN TEE / PIPE FITTING / 1/2NPT-Mx1/2NPT-Fx1/2NPT-F BR	AR	AR	AR	
16	500188	SCREW CAP HEX 5/16-18x3 1/2 G5 ZP	AR	AR	AR	
17	500476	WASHER LO SPT .317x.586x.078 Z050	AR	AR	AR	
18	500778	NUT HEX 5/16-18 N500	AR	AR	AR	
19	621519	RETAINER / W/ "ABS" To S-206	2	2	2	
20	611045	TOOTH WHEEL / FRONT AXLE W/DISC "G.K.N." To S-290	2	2	2	
20	611086	TOOTH WHEEL / FRONT AXLE W/DISC "G.K.N." From S-291	2	2	2	
20	611255	TOOTH WHEEL / FRONT AXLE W/DISC "G.K.N." From S-291	2	2	2	
20	621672	ROTOR SOLID (W/TOOTH WHEEL / DRIVE AXLE) From X-2870	1	1	1	
20	611457	ROTOR VENTED (W/TOOTH WHEEL / DRIVE AXLE)	1	1	1	
21	621518	BRACKET / ABS SENSOR To S-206	1	1	1	
22	641341	SENSOR ABS (IN CARRIER) From S-207 To W-2869	2	2	2	D
. NS	562535	. CONNECTOR / DT SERIES / PH 2C / GRAY / DEUTSCH DT04-2P-LE02 From S-207 To W-2869	1	1	1	D
. NS	562487	. SECONDARY LOCK / DT SERIES / PH 2C / DEUTSCH W2P From S-207 To W-2869	1	1	1	D
. NS	562286	. PIN TERMINAL / 18-16 / DEUTSCH 0460-202-16141 From S-207 To W-2869	2	2	2	D
23	562485	CONNECTOR / DT SERIES / SH 2C / GRAY / DEUTSCH DT06-2S	1	1	1	F

From R-012 To 2-4416	Date:10/2022	PAGE:H3-1250-00
ANTI-LOCK BRAKING SYSTEM		

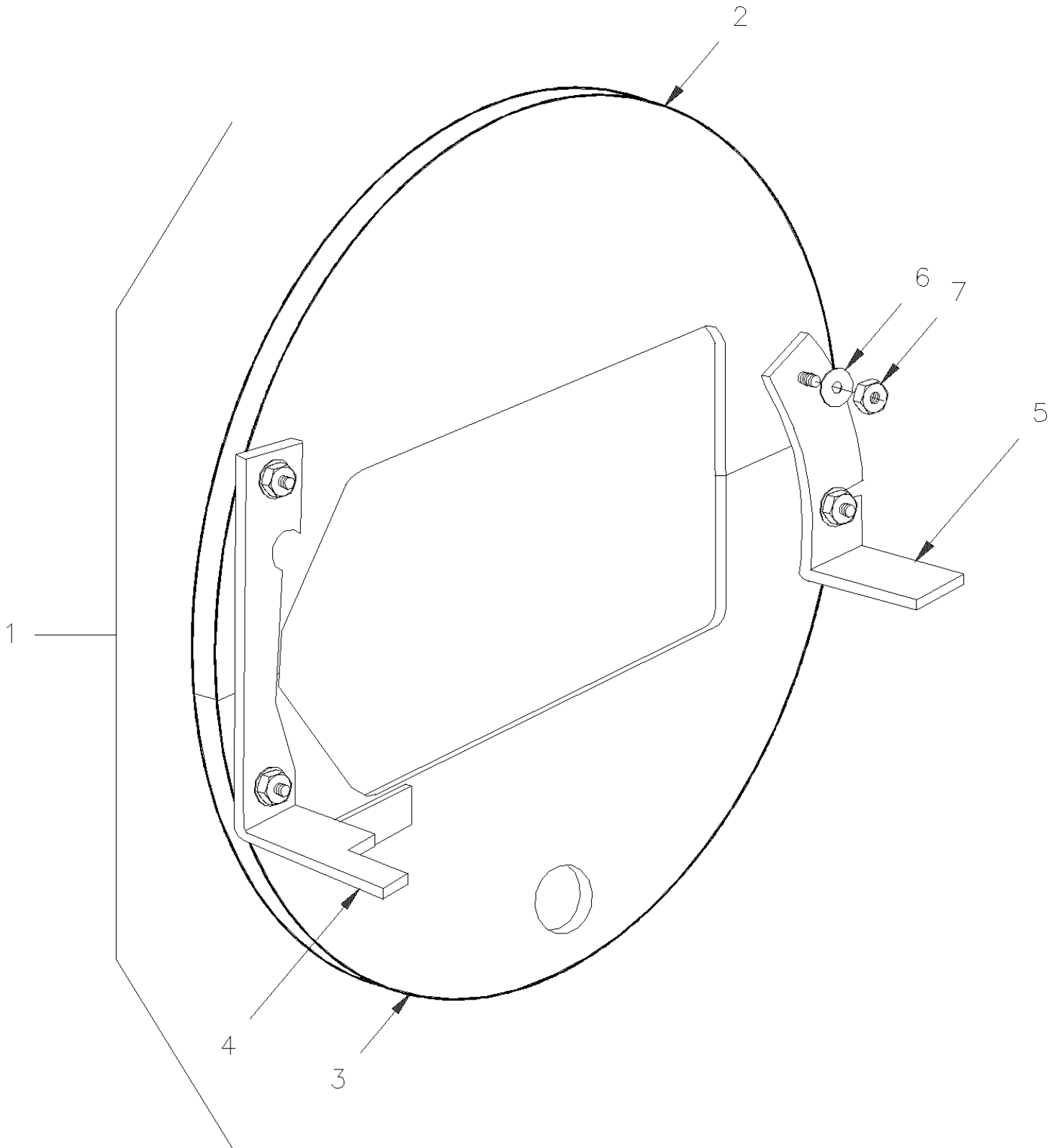
Item#	Part	Description	H 3 4 1	H 3 4 5	V I P 4 5	N O T E S
23	561608	SOCKET TERMINAL / 18-16 / DEUTSCH 0462-201-16141	2	2	2	F
23	562488	SECONDARY LOCK / DT SERIES / SH 2C / DEUTSCH W2S	1	1	1	F
24	621583	RING RETAINER / EXT / CONNECTOR RETAINER	AR	AR	AR	
25	641460	VALVE, "ATC" 24VOLT	2	2	2	E
26	641461	CONNECTOR / FEMALE W2 WIRES x 15 METER / WABCO 4495211500	2	2	2	E
NS	140412	DUST PROTECTOR SENSOR KIT	1	1	1	
40	140409	. PROTECTOR "U" SHAPE / SS	2	2	2	
41	5001539	. SCREW CRG 1/4-20x1 1/2 SS	2	2	2	
42	5001105	. NUT HEXF 1/4-20 Z050	2	2	2	
43	148977	ABS SHIELD PROTECTOR W/BULGE From S-207 To W-2869	AR	AR	AR	R
44	148979	ABS SHIELD PROTECTOR From X-2870	AR	AR	AR	S
NS	562279	TOOL / BOX CONNECTOR 54 PINS	1	1	1	
		A) 4 CHANNELS				
		B) TO FIX UNIT				
		C) TO FIX ABS SENSOR ON DRIVE AXLE WHEEL END				
		D) REAR DRIVE AXLE / W/ABS INSIDE OF CARRIER /				
		E) THIS ITEMS IS RELATED WITH AUTOMATIC TRAC CONTROL ON REAR DRIVE AXLE				
		F) PART OF HARNESS CABLE				
		G) USE ON CALIPER MOUNTING BRACKET LH & RH WITH ABS ON DRIVE END				
		H) FOR PRODUCT IMPROVMENT WITH DRIVE AXLE WITH DISC BRAKE USE DUST PROTECTOR SENSOR KIT #140412				
		R) USE ONLY IF YOU MOVE INSIDE CARRIER ABS SENSOR TO REAR WHEEL END SENSOR From S-207 Up to W-2869				
		S) THIS PROTECTOR IT INSTALL BY "PREVOST" WITH SPECIAL "OPTION"				
		T) ONLY ON DRIVE AXLE FOR THIS VEHICLE				

From R-012 To W-2284

Date:10/2022

PAGE:H3-1255-00

DUST SHIELD - W/BRAKE DRUM



From R-012 To W-2284	Date:10/2022	PAGE:H3-1255-00
DUST SHIELD - W/BRAKE DRUM		

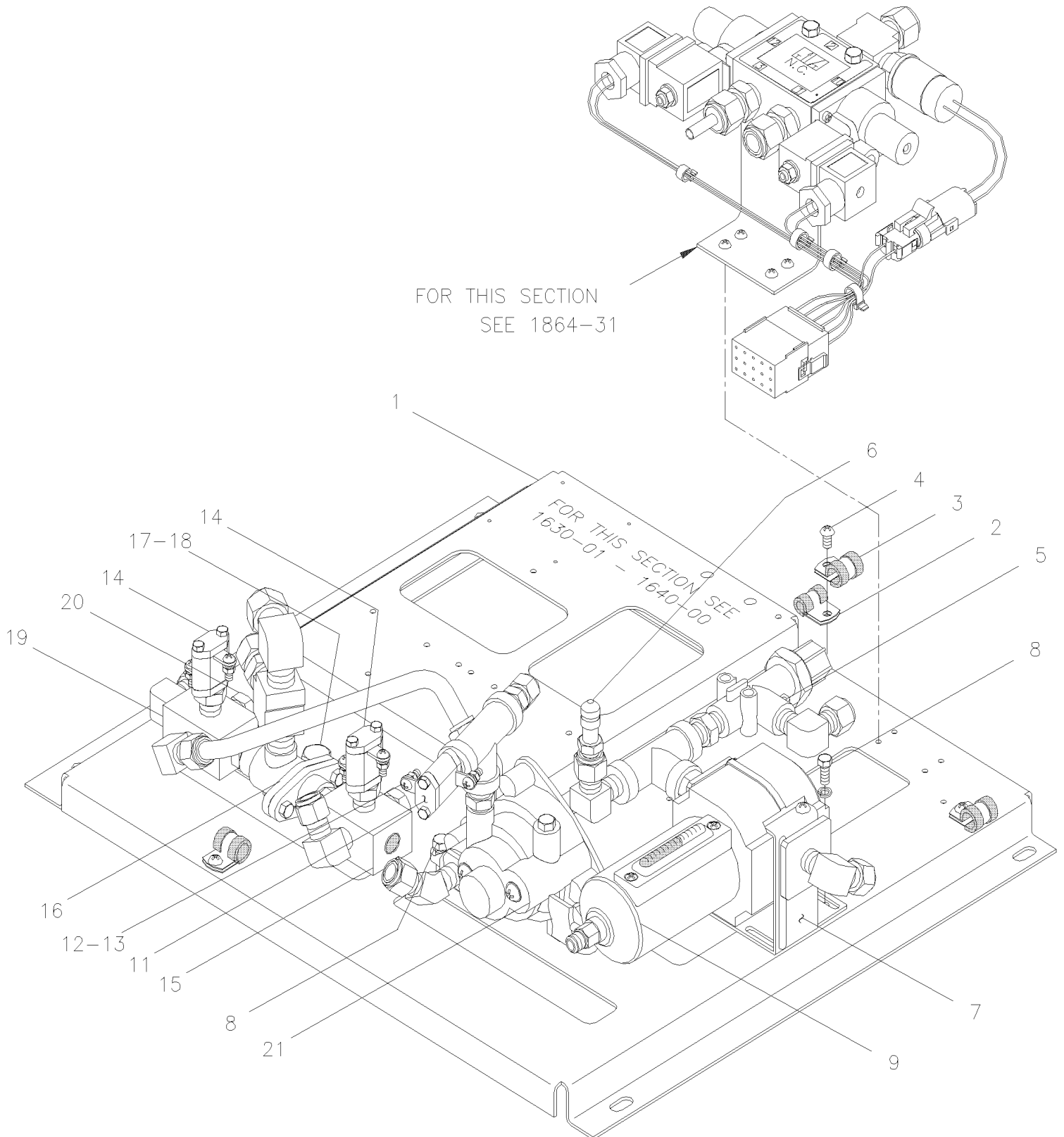
Item#	Part	Description	H 3 4 1	H 3 4 5	V I P 4 5	N O T E S
1	120606	DUST SHIELD ASSY R.H. / DRIVE AXLE	1	1	1	
1	120605	DUST SHIELD ASSY L.H. / DRIVE AXLE	1	1	1	
2	120608	. SECTION UPPER / R.H.	1	1	1	
2	120607	. SECTION UPPER / L.H.	1	1	1	
3	120610	. SECTION LOWER / R.H.	1	1	1	
3	120609	. SECTION LOWER / L.H.	1	1	1	
4	120618	. ANCHOR REAR / R.H. (WELDED ON BEAM)	1	1	1	
4	120617	. ANCHOR REAR / L.H. (WELDED ON BEAM)	1	1	1	
5	120620	. ANCHOR FRONT / R.H. (WELDED ON BEAM)	1	1	1	
5	120619	. ANCHOR FRONT / L.H. (WELDED ON BEAM)	1	1	1	
6	500441	WASHER FL .312x.734x.065 Z050	4	4	4	A
7	500777	NUT HEX STO 5/16-18 Z050	4	4	4	A
		A) TO FIX DUST SHIELD☐				

From R-012 To 2-4416

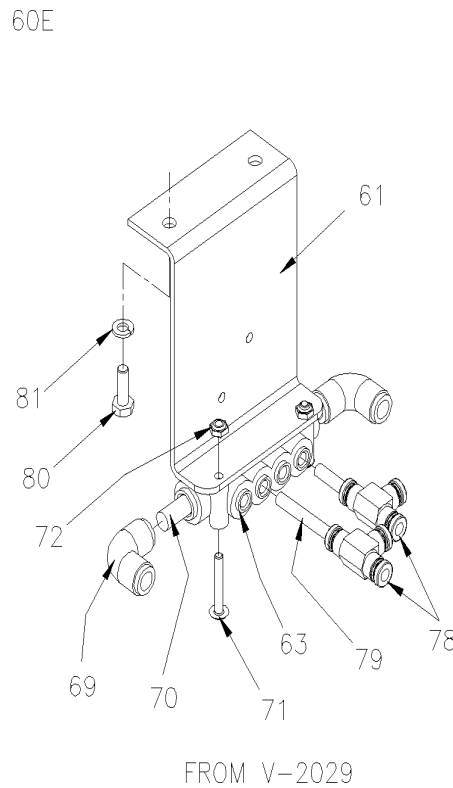
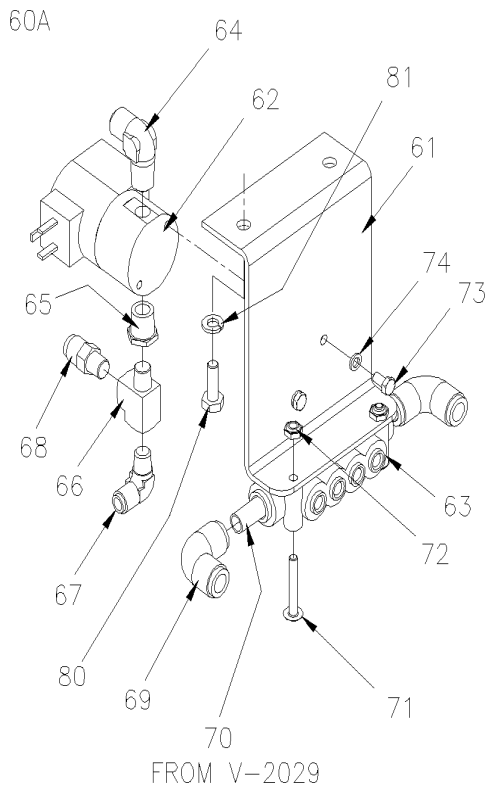
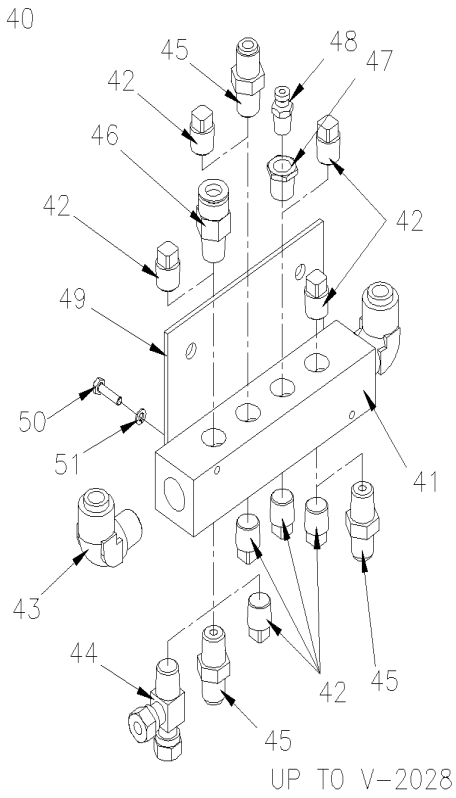
Date:10/2022

PAGE:H3-1260-00

VALVE SUPPORT ASSY



From R-012 To 2-4416	Date:10/2022	PAGE:H3-1260-00
VALVE SUPPORT ASSY		



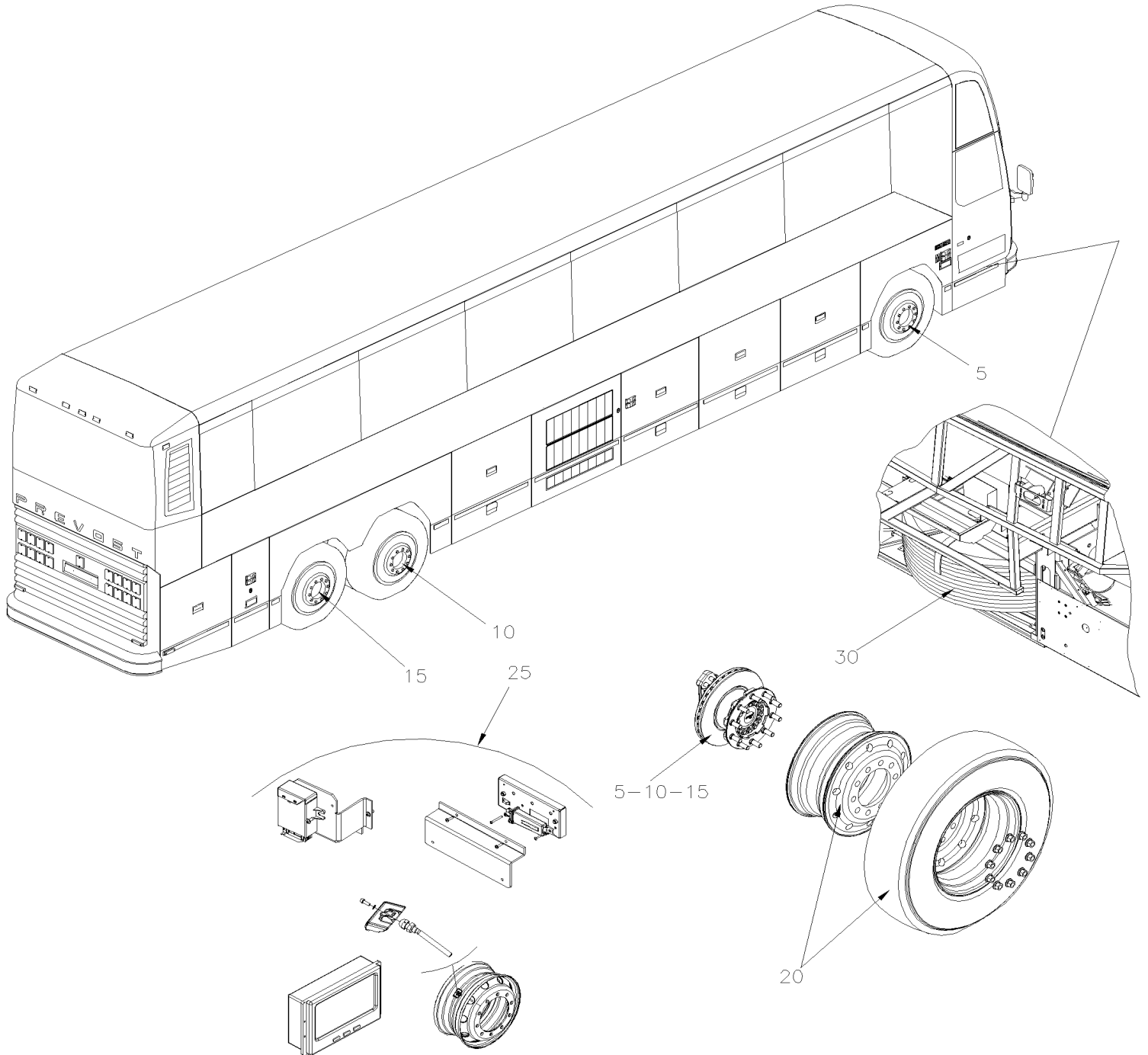
From R-012 To 2-4416	Date:10/2022	PAGE:H3-1260-00
VALVE SUPPORT ASSY		

Item#	Part	Description	H 3 4 1	H 3 4 5	V I P 4 5	N O T E S
	142255P	VALVE PNEUMATIC ASSY W/SUPPORT	1	1	1	
1	141401	. SUPPORT	1	1	1	
2	560503	. CLAMP / 1/4" I.D.	1	1	1	
3	560479	. CLAMP / 3/8" I.D.	5	5	5	
4	500657	. SCREW TC TR PH #10-24x1/2 Z050	5	5	5	
5	640439	. VALVE, PRESSURE PROTECTION / PR-2 75PSI	1	1	1	
6	640488	. VALVE, AIR FILL 1/8" NPT	1	1	1	
. NS	650164	. . CAP VALVE / CHROME	1	1	1	
7	141215	. SUPPORT, FILTER To S-274	1	1	1	
7	641339	. SUPPORT / AIR FILTER From S-275	1	1	1	
8	502564	. WASHER LO SPT 6.1x11.8x1.6 Z050	4	4	4	
8	502631	. SCREW CAP HEX M6-1.0x20 G8.8 Z050	4	4	4	
9	H3-1220-15	AIR FILTER - ACCESSORIES To S-274				
9	H3-1220-16	AIR FILTER - ACCESSORIES From S-275				
NS	140227	. DECAL / ACC AIR FILTER DRAIN / ENGLISH & FRANCAIS	1	1	1	
NS	142368	. DECAL / ACC AIR FILTER DRAIN / ENGLISH & SPANISH	1	1	1	
11	641174	. PRESSURE SWITCH N.C. 30PSI / 1/4NPT LP-2	1	1	1	
12	500654	. SCREW TC BDG PH #8-32x1/2 Z050	6	6	6	
13	500764	. NUT HEX #8-32 Z050	6	6	6	
14	640975	. PRESSURE SWITCH N.C. 66PSI / 1/4NPT LP-3	2	2	2	
15	141180	. MANIFOLD	1	1	1	
16	641015	. VALVE, DOUBLE CHECK DC-4	1	1	1	
17	502559	. SCREW CAP HEX M10-1.5x25 G8.8 Z050	1	1	1	
18	500257	. WASHER LO SPT 10.2x18.1x2.2 Z050	1	1	1	
19	141406	. MANIFOLD	1	1	1	
20	641126	. MALE CONNECTOR / PUSH-IN FITTING / #2x1/8NPT-M BR	2	2	2	
21	640870	. VALVE / SPRING BRAKE SR-1	1	1	1	
. NS	640921	. . REPAIR KIT / SR-1	1	1	1	
		FOR ALL FITTING SEE PAGE H3-1201-00				
30	H3-1630-01	FRONT KNEELING - CONTROL PANEL				
31	H3-1640-01	LEVEL-LOW - CONTROL PANEL & VALVES				
32	H3-1864-31	PNEUMATIC DOOR LOCK CONTROL VALVE				
40	Call order desk	MANIFOLD ASSY / W/SUPPORT To V-2028				P
41	141190	MANIFOLD, BLOCK / UNDER DRIVER'S FLOOR To V-2028	1	1	1	
42	501304	PLUG SQUARE HEAD / PIPE FITTING / 1/4NPT-M BR To V-2028	AR	AR	AR	
43	641375	MALE ELBOW 90° NON-SWIVEL / PUSH-IN FITTING / #6x3/8NPT-M BR To V-2028	2	2	2	
44	641003	MALE RUN TEE / NTA FITTING / #4x#4x1/4NPT-M BR To V-2028	1	1	1	
45	641332	MALE CONNECTOR / PUSH-IN FITTING / #4x1/4NPT-M BR To V-2028	1	1	1	
46	641331	MALE CONNECTOR / PUSH-IN FITTING / #6x1/4NPT-M BR To V-2028	1	1	1	
47	501312	BUSHING REDUCER / PIPE FITTING / 1/4NPT-Mx1/8NPT-F BR To V-2028	1	1	1	

From R-012 To 2-4416	Date:10/2022	PAGE:H3-1260-00
VALVE SUPPORT ASSY		

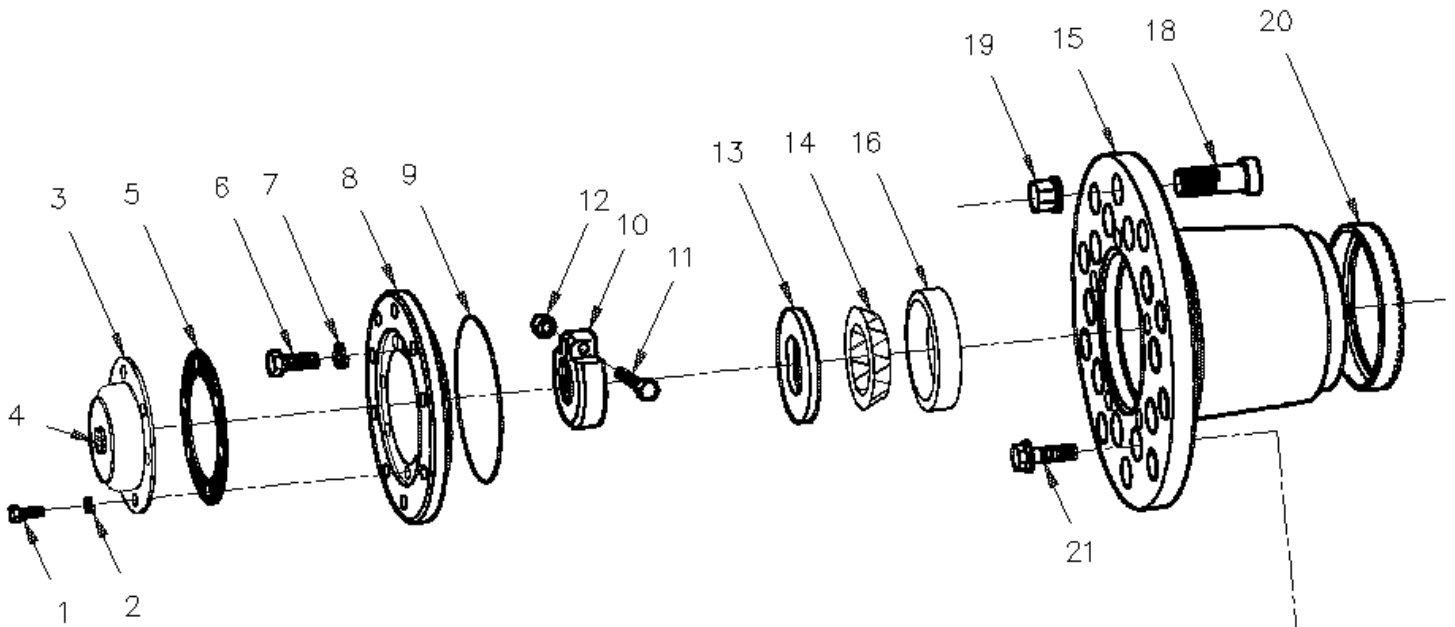
Item#	Part	Description	H 3 4 1	H 3 4 5	V I P 4 5	N O T E S
48	641115	MALE CONNECTOR / PUSH-IN FITTING / 8MMx1/4NPT-M To V-2028	1	1	1	
48	641126	MALE CONNECTOR / PUSH-IN FITTING / #2x1/8NPT-M BR To V-2028	1	1	1	
49	141422	SUPPORT MANIFOLD To V-2028	1	1	1	
49	141918	SUPPORT MANIFOLD To V-2028	1	1	1	
50	502830	SCREW CAP HEX M6-1.0x20 G8.8 N500 To V-2028	2	2	2	
51	502636	WASHER LO SPT 4.1x7.6x0.9 Z050 To V-2028	2	2	2	
60A	Call order desk	VALVE ASSY / W/SUPPORT & MANIFOLD From V-2029	1	1		P
60E	Call order desk	MANIFOLD ASSY / W/SUPPORT From V-2029			1	P
60E	Call order desk	MANIFOLD ASSY / W/SUPPORT From V-2029			1	P
61	141930	. SUPPORT VALVE & MANIFOLD W/LOWER VALVE From V-2029	1	1	1	
62	562804	. VALVE, 2 WAYS N.C. From V-2029	1	1	1	
. NS	562848	. . CONNECTOR / SOCKET HOUSING ASSY 3C / PNEUMAC 54933-05 From V-2029	1	1	1	
63	641415	. MANIFOLD / PUSH-IN FITTING / 2x#6 / 4x#4 PLAS From V-2029	1	1	1	
64	641371	. MALE ELBOW 90° NON-SWIVEL / PUSH-IN FITTING / #4x1/4NPT-M BR From V-2029	2	2	2	
65	501312	. BUSHING REDUCER / PIPE FITTING / 1/4NTP-Mx1/8NPT-F BR From V-2029	1	1	1	
66	501653	. MALE RUN TEE / PIPE FITTING / 1/8NPT-Mx1/8NPT-Fx1/8NPT-F BR From V-2029	1	1	1	
67	641369	. MALE ELBOW 90° NON-SWIVEL / PUSH-IN FITTING / #4x1/8NPT-M BR From V-2029	1	1	1	
68	641242	. MALE CONNECTOR / PUSH-IN FITTING / #4x1/8NPT-M BR From V-2029	1	1	1	
69	641436	. UNION ELBOW 90° / PUSH-IN FITTING / #6x#6 BR From V-2029	2	2	2	
70	503404	. TUBE, NYLON 3/8 O.D. / BLACK S.L. From V-2029	AR	AR	AR	
71	500574	. SCREW MA TR PH #10-24x1 1/4 SS From V-2029	4	4	4	
72	500767	. NUT HEX #10-24 Z050 From V-2029	4	4	4	
73	502751	. SCREW CAP HEX #10-32x3/8 Z050 From V-2029	2	2	2	
74	500470	. WASHER LO SPT .193x.334x.047 Z050 From V-2029	2	2	2	
78	641955	. UNION TEE / PUSH-IN FITTING / #4x#4x#4 BR From V-2029			2	
79	503402	. TUBE, NYLON 1/4 O.D. / BLACK S.L. From V-2029			AR	
80	500923	SCREW TC CAP HEX 1/4-20x3/4 Z050 From V-2029	2	2	2	
81	500473	WASHER LO SPT .262x.489x.062 Z050 From V-2029	2	2	2	
		P) CALL ORDER DESK FOR SPECIFIC APPLICATION (V.I.N.)				

	Date:10/2022	H3-13
WHEELS, HUBS & TIRES		

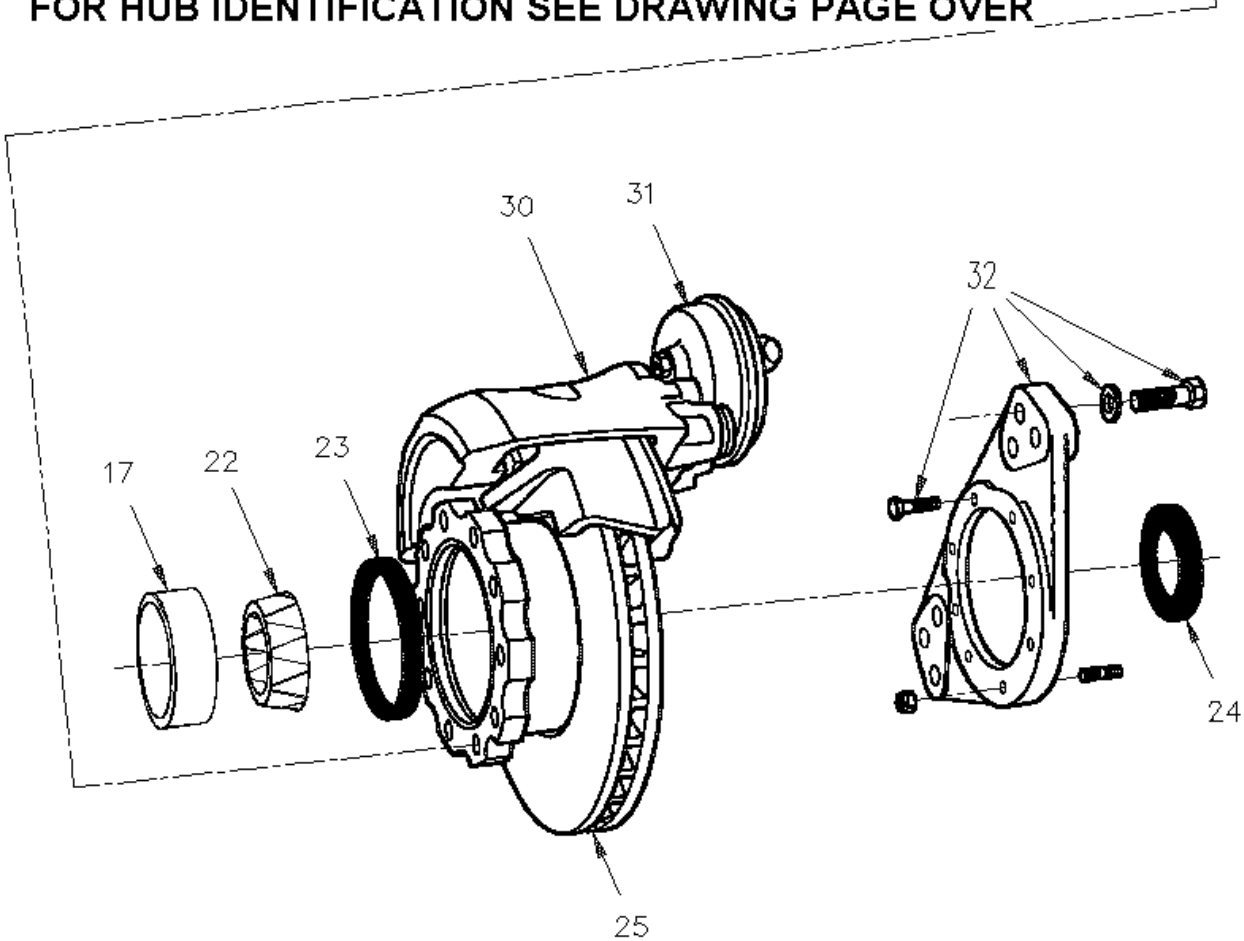


		Date:10/2022	H3-13			
WHEELS, HUBS & TIRES						
Item#	Part	Description	H 3 4 1	H 3 4 5	V I P 4 5	N O T E S
5	H3-1300-02	HUB & ROTOR - FRONT AXLE MODEL "S-82" From R-012 To V-1619				
5	H3-1300-03	HUB & ROTOR - FRONT AXLE MODEL "S-84" & "IS-84" From V-1620 To 2-4416				
5	H3-1300-04	HUB & ROTOR - FRONT AXLE MODEL "NSD80" From S-155 To S-155				
5	H3-1300-04	HUB & ROTOR - FRONT AXLE MODEL "NSD80" From W-2311 To W-2311				
5	H3-1300-99	HUB & ROTOR - FRONT AXLE MODEL "S84U" & "NDIFS80P" From V-1620 To 2-4416				
10	H3-1305-00	HUB & DRUM - DRIVE AXLE From R-012 To W-2284				
10	H3-1305-01	HUB & ROTOR - DRIVE AXLE From V-1725 To 2-4416				
10	H3-1305-99	ROTOR (SPLINED DISC) PRODUCT IMPROVMENT From V-1725 To 2-4416				
15	H3-1310-02	HUB & ROTOR - TAG AXLE TYPE TS5 From R-020 To W-2084				
15	H3-1310-03	HUB & ROTOR - TAG AXLE TYPE TS5 From W-2085 To W-2488				
15	H3-1310-04	HUB & ROTOR - TAG AXLE TYPE TS6 From W-2489 To 2-4416				
15	H3-1310-99	HUB & ROTOR - TAG AXLE TYPE TS8U RETROFIT "UNITISED" BEARING From R-020 To 2-4416				
20	H3-1318-00	WHEELS & COMPONENTS - BUS MOUNT (STANDARD) From R-012 To 2-4373				
20	H3-1318-01	WHEELS & COMPONENTS - TRUCK MOUNT (METRIC) From 2-4374 To 2-4416				
25	H3-1318-99	TIRE MONITOR - PRESSURE & TEMPERATURE "RETROFIT" From R-012 To 2-4416				
30	H3-1325-00	SPARE WHEEL - INSTALLATION From R-012 To 2-4416				

From R-012 To V-1619	Date:10/2022	PAGE:H3-1300-02
HUB & ROTOR - FRONT AXLE MODEL "S-82"		



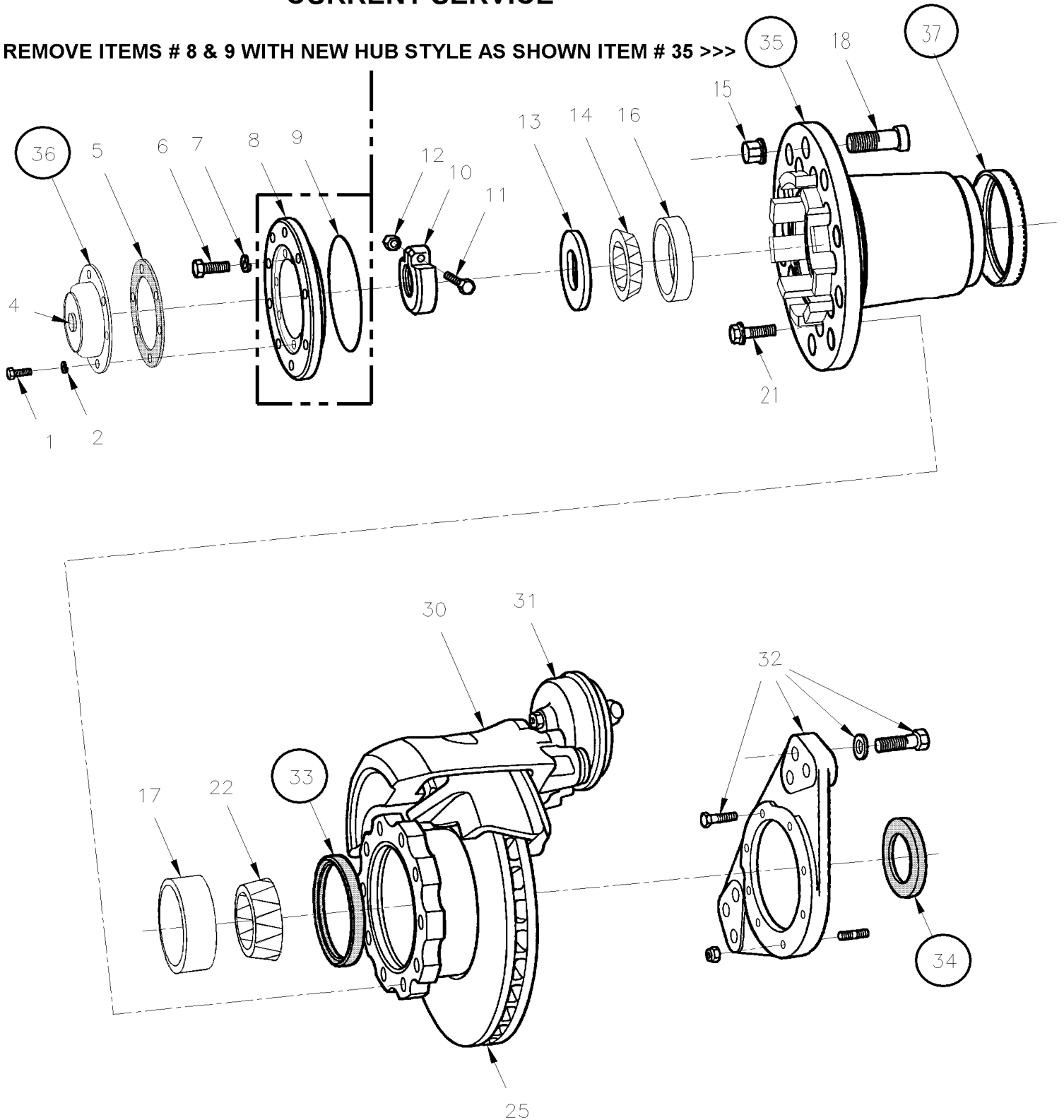
FOR HUB IDENTIFICATION SEE DRAWING PAGE OVER



From R-012 To V-1619	Date:10/2022	PAGE:H3-1300-02
HUB & ROTOR - FRONT AXLE MODEL "S-82"		

CURRENT SERVICE

REMOVE ITEMS # 8 & 9 WITH NEW HUB STYLE AS SHOWN ITEM # 35 >>>



From R-012 To V-1619	Date:10/2022	PAGE:H3-1300-02
HUB & ROTOR - FRONT AXLE MODEL "S-82"		

Item#	Part	Description	H 3 4 1	H 3 4 5	V I P 4 5	N O T E S
	500069	SCREW CAP HEX M8-1.25x16 G10.9 DP	6	6	6	D
1	502790	SCREW CAP HEX M8-1.25x20 G8.8 Z050	6	6	6	C
2	5001003	WASHER LO SPT 8.1x12.7x2.0 Z050	6	6	6	
3	611059	HUB CAP / STEEL "CR" From S-291 To V-1839	1	1	1	
. NS	MI07-04	. SEE MAINTENANCE INFORMATION From S-291 To V-1839	1	1	1	
3	611196	HUB CAP / PLASTIC "CR" From V-1840 To X-3009	1	1	1	
. 01	MI07-04	. SEE MAINTENANCE INFORMATION From V-1840 To X-3009	1	1	1	
3	611210	HUB CAP / ALUMINUM / "STEMCO" From X-3010	1	1	1	
. NS	MI07-04	. SEE MAINTENANCE INFORMATION From X-3010	1	1	1	
3	611243	HUB CAP / W/GREASE ONLY From S-291	1	1	1	
4	611060	. PLUG VENT / GREEN / USE W/STEEL HUB CAP "CR"	1	1	1	
4	611197	. PLUG VENT / BLACK / USE W/PLASTIC HUB CAP "	1	1	1	
5	611083	. GASKET HUB CAP / "CR" STEEL	1	1	1	
5	611198	. GASKET HUB CAP / "CR" PLASTIC To X-3009	1	1	1	
5	611261	. GASKET HUB CAP / "STEMCO" From X-3010	1	1	1	
6	5001194	SCREW CAP HEX M12-1.75x35 G8.8 ZP To V-2068	5	5	5	
7	500810	WASHER LO SPT 12.2x21.1x2.5 Z050 To V-2068	5	5	5	
8	611001	CAP / WHEEL SUPPORT / PLAIN To S-290	1	1	1	
8	611058	CAP / WHEEL SUPPORT / USE W/HUB CAP ITEM # 3 From S-291 To V-2068	1	1	1	
9	611002	O-RING / 6 1/4 I.D. X 1/8" To V-2068	1	1	1	
10	611004	NUT ADJUSTING M45-2	1	1	1	
. NS	490845	. TOOL / NUT WHEEL BEARING ADJUSTMENT	1	1	1	
. NS	684735	. TOOL / NUT WHEEL BEARING ADJUSTMENT / TORQUE	1	1	1	
. NS	MI03-24	. SEE MAINTENANCE INFORMATION	1	1	1	
11	500054	SCREW CAP HEX 3/8-24x2 1/2 G5 ZP	1	1	1	
12	500704	NUT HEX STO 3/8-24 Z050	1	1	1	
13	611003	LOCK PLATE	1	1	1	
14	610126	CONE BEARING / OUTER WHEEL BEARING	1	1	1	
15	611006	HUB WHEEL / W/STANDARD WHEEL To S-290	1	1	1	E G
15	611084	HUB WHEEL / W/STANDARD WHEEL From S-291 To W-2084	1	1	1	
15	611202	HUB WHEEL / W/STANDARD WHEEL From W-2085	1	1	1	
16	610125	CUP BEARING / OUTER WHEEL BEARING	1	1	1	
17	610997	CUP BEARING / INNER WHEEL BEARING	1	1	1	
18	610995	STUD / L.H. / W/STUD-MOUNT WHEEL	10	10	10	
18	610996	STUD / R.H. / W/STUD-MOUNT WHEEL	10	10	10	
18	610994	STUD / R.H. / W/HUB-MOUNT WHEEL 7/8-14	10	10		B
19	610175	NUT L.H. 1 1/8-16 / STUD MOUNT WHEEL	10	10	10	
19	610176	NUT R.H. 1 1/8-16 / STUD MOUNT WHEEL	10	10	10	
19	610773	NUT R.H. / W/HUB-MOUNT WHEEL 7/8-14	10	10		B
20	611045	TOOTH WHEEL / FRONT AXLE W/DISC "G.K.N." To S-290	1	1	1	
20	611086	TOOTH WHEEL / FRONT AXLE W/DISC "G.K.N." From S-291	1	1	1	
21	611007	SCREW CAP HEXF SERR M16-1.5x50 G10.9	10	10	10	

From R-012 To V-1619	Date:10/2022	PAGE:H3-1300-02
HUB & ROTOR - FRONT AXLE MODEL "S-82"		

Item#	Part	Description	H 3 4 1	H 3 4 5	V I P 4 5	N O T E S
22	610998	CONE BEARING / INNER WHEEL BEARING To S-290	1	1	1	
22	611087	CONE BEARING / INNER WHEEL BEARING From S-291	1	1	1	
23	610999	SEAL ASSY / W/GREACE To S-290	1	1	1	E
23	611081	SEAL ASSY/ WHEEL BEARING W/OIL From S-291	1	1	1	
23	611247	SEAL ASSY/ WHEEL BEARING W/OIL From S-291	1	1	1	
23	611174	SEAL ASSY / W/OIL / "SCOTT-SEAL PLUS" From S-291	AR	AR	AR	
24	611005	WIPER / SPACER BEARING / W/GREACE 4.750" O.D. To S-290	1	1	1	
24	611082	WIPER / SPACER BEARING / W/OIL SEAL & GREASE 4-625" O.D. To S-290	1	1	1	A
24		WIPER / SPACER BEARING ARE NOT REQUIRE, IT'S PART OF KNUCKLE From S-291				K
NS	611085	ROLLER PIN / M6 X 20MM / W/OIL To S-290	1	1	1	A
25	611188	ROTOR SOLID	1	1	1	E
25	611456	ROTOR VENTED	1	1	1	F
30	H3-1225-03	BRAKE PARTS - FRONT AXLE - W/"KNORR-BREMSE" / SB7 SERIES To V-1689				
30	H3-1225-04	BRAKE PARTS - FRONT AXLE - W/"KNORR-BREMSE" / SB7 SERIES From V-1690				
30	H3-1225-99	BRAKE PARTS "KNORR-BREMSE" SN7 SERIES / SERVICE				
31	H3-1225-11	BRAKE CHAMBER - FRONT AXLE TYPE 24 To T-1613				
31	H3-1225-12	BRAKE CHAMBER - FRONT AXLE TYPE 22 From T-1614				
32	H3-1005-03	FRONT AXLE - I BEAM RIGID MODEL "S-82" To V-1619				
32	H3-1005-04	FRONT AXLE - I BEAM RIGID MODEL "S-84" From V-1620	1	1	1	
33	611933	SEAL ASSY/ WHEEL BEARING W/OIL To S-290	1	1	1	F H
33	611081	SEAL ASSY/ WHEEL BEARING W/OIL From S-291	1	1	1	
33	611247	SEAL ASSY/ WHEEL BEARING W/OIL From S-291	1	1	1	
34	611082	WIPER / SPACER BEARING / W/OIL SEAL & GREASE 4-625" O.D. To S-290	1	1	1	A
34		WIPER / SPACER BEARING ARE NOT REQUIRE, IT'S PART OF KNUCKLE From S-291				K
35	611934	HUB WHEEL / W/STANDARD WHEEL To S-290	1	1	1	F
35	611259	HUB WHEEL / W/METRIC WHEEL To S-290	1	1	1	F
36	611250	HUB CAP / ALUMINUM / "STEMCO" SENTINEL / W/"GKN" AXLE	1	1	1	
36	611243	HUB CAP / W/GREASE ONLY	1	1	1	
37	611255	TOOTH WHEEL / FRONT AXLE W/DISC "G.K.N."	1	1	1	
NS	684644	SEAL INSTALLER TOOL / FRT & TAG TS-5	1	1	1	
40	611068	KIT TO CONVERT HUB GREASE BEARING TO OIL BATH To S-290	1	1	1	
		INCLUDING ITEMS #1, 2, 3, 4, 5, 6, 7, 8, 14, To S-290				
		15, 16, 17, 20, 22, 23, 24 & 24NS To S-290				
41	611328	KIT, RETROFIT RIGID FRONT AXLE / UNITISED From V-1620	1	1	1	
. NS	611289	. KNUCKLE L.H. STREET SIDE From V-1620	1	1	1	
. NS	611290	. KNUCKLE R.H. CURBSIDE From V-1620	1	1	1	
. NS	611949	. HUB NUT 1 3/4-8 From V-1620	2	2	2	
. NS	611948	. THRUST WASHER From V-1620	2	2	2	
. NS	611955	. SCREW CAP HEXF M14-1.5x78 G12.9 N500 From V-1620	28	28	28	
. NS	611301	. HUB FLANGE From V-1620	2	2	2	
. NS	611953	. HUB ASSY / UNITISED L.H. & R.H. "TIMKEN" From V-1620	2	2	2	

From R-012 To V-1619	Date:10/2022	PAGE:H3-1300-02
HUB & ROTOR - FRONT AXLE MODEL "S-82"		

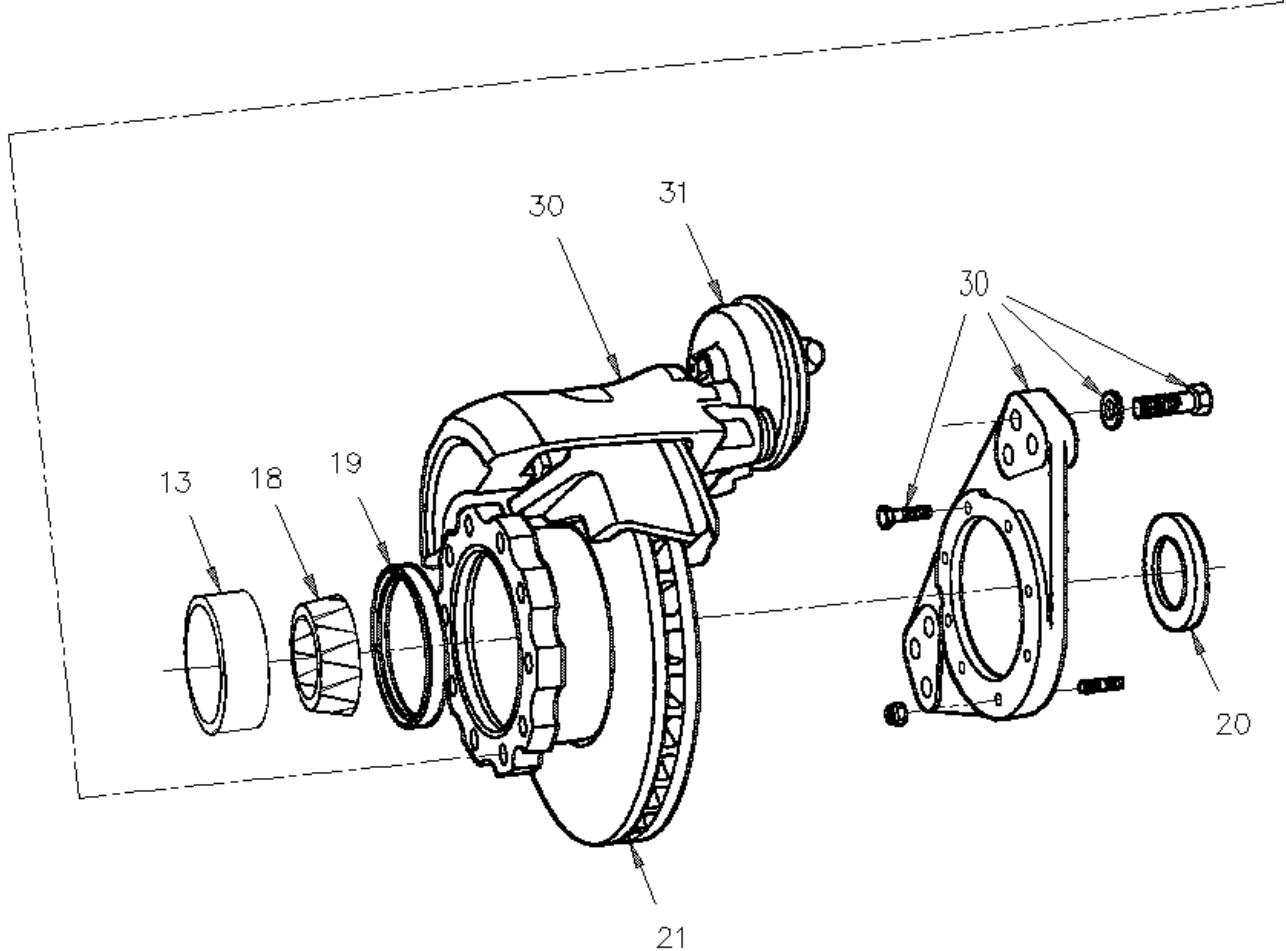
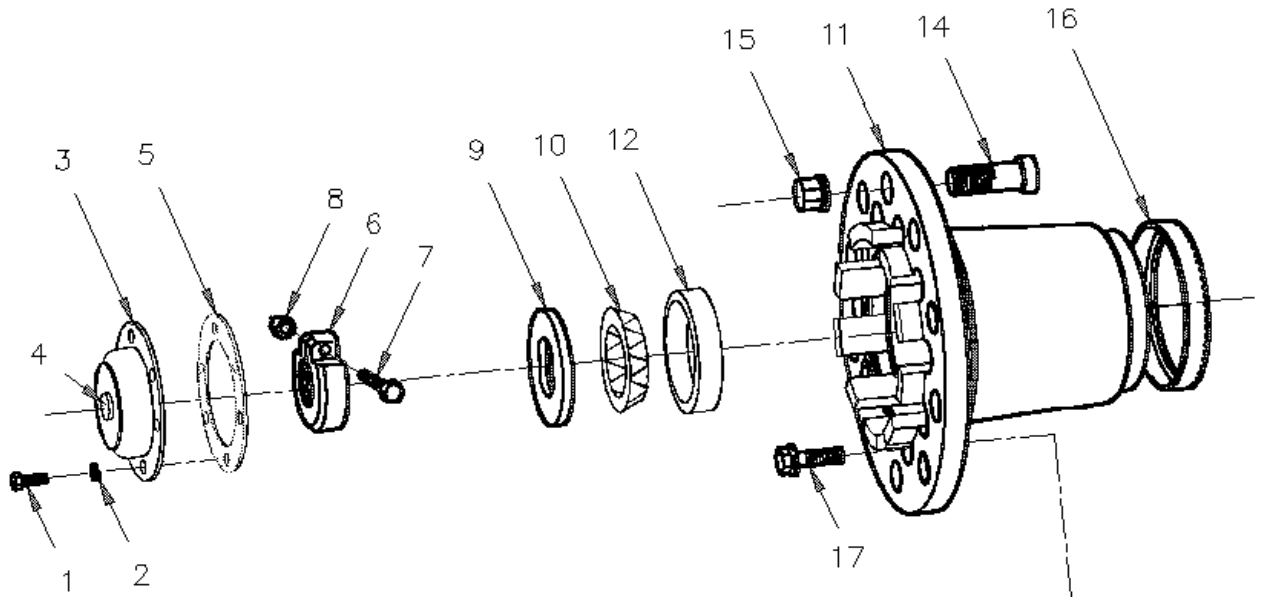
Item#	Part	Description	H 3 4 1	H 3 4 5	V I P 4 5	N O T E S
. NS	611300	. ROTOR VENTED From V-1620	2	2	2	
. NS	611028	. STUD / STREET SIDE / 3/4-16 X 3" From V-1620	2	2	2	
. NS	611330	. STUD 3/4-16 X 3 7/8" From V-1620	1	1	1	
. NS	611331	. STUD / CURBSIDE / 3/4-16 X 4 1/4" From V-1620	2	2	2	
. NS	611332	. STUD 1/2-20 X 1 7/8 From V-1620	16	16	16	
42	611329	KIT, RETROFIT INDE FRONT AXLE / UNITISED From X-2458			1	
. NS	611334	. KNUCKLE L.H. / W/PARALLEL KING PIN ONLY W/RETROFIT UNITISED From X-2458			1	
. NS	611335	. KNUCKLE R.H. / W/PARALLEL KING PIN ONLY W/RETROFIT UNITISED From X-2458			1	
. NS	611949	. HUB NUT 1 3/4-8 From X-2458			2	
. NS	611948	. THRUST WASHER From X-2458			2	
. NS	611955	. SCREW CAP HEXF M14-1.5x78 G12.9 N500 From X-2458			28	
. NS	611301	. HUB FLANGE From X-2458			2	
. NS	611303	. HUB ASSY / UNITISED L.H. & R.H. "TIMKEN" From X-2458			2	
. NS	611300	. ROTOR VENTED From X-2458			2	
. NS	611166	. STUD 3/4-16 X 3 1/4" From X-2458			2	
. NS	611167	. STUD 3/4-16 X 4 1/2" From X-2458			3	
. NS	611331	. STUD / CURBSIDE / 3/4-16 X 4 1/4" From X-2458			2	
. NS	611332	. STUD 1/2-20 X 1 7/8 From X-2458			16	
		A) THOSE PARTS ARE USE ONLY W/KIT #611068				
		B) CUSTOMMER SPECIAL OPTION				
		C) TO USE W/PLASTIC HUB CAP				
		D) TO USE W/STEEL HUB CAP				
		E) TO USE W/STEEL HUB CAP				
		F) SERVICE				
		G) WITH CURRENT HUB IN SERVICE YOU DISCARD ITEM # 8 & 9				
		H) THIS SEAL HAS 6" O.D.				
		K) WITH KNUCKLE # 611204 & 611205 IT NOT REQUIRE IT ONE PIECE KNUCKLE WITH WIPER SEAL W/MESUREMENT = 4.750" O.D.				

From V-1620 To 2-4416

Date:10/2022

PAGE:H3-1300-03

HUB & ROTOR - FRONT AXLE MODEL "S-84" & "IS-84"



From V-1620 To 2-4416	Date:10/2022	PAGE:H3-1300-03
HUB & ROTOR - FRONT AXLE MODEL "S-84" & "IS-84"		

Item#	Part	Description	H 3 4 1	H 3 4 5	V I P 4 5	N O T E S
1	502790	SCREW CAP HEX M8-1.25x20 G8.8 Z050	6	6	6	
2	5001003	WASHER LO SPT 8.1x12.7x2.0 Z050	6	6	6	
3	611196	HUB CAP / PLASTIC "CR" To X-3010	1	1	1	
. 01	M107-04	. SEE MAINTENANCE INFORMATION To X-3010	1	1	1	
3	611210	HUB CAP / ALUMINUM / "STEMCO" From X-3011	1	1	1	
. NS	M107-04	. SEE MAINTENANCE INFORMATION From X-3011	1	1	1	
3	611243	HUB CAP / W/GREASE ONLY	1	1	1	
4	611197	PLUG VENT / BLACK / USE W/PLASTIC HUB CAP " To X-3010	1	1	1	
4	611242	PLUG VENT / RED / W/ALU HUB CAP "STEMCO" From X-3011	1	1	1	
5	611198	GASKET HUB CAP / "CR" PLASTIC To X-3010	1	1	1	
5	611261	GASKET HUB CAP / "STEMCO" From X-3011	1	1	1	
NS	611211	KIT, HUB CAP WINDOW From X-3011	1	1	1	
6	611004	NUT ADJUSTING M45-2	1	1	1	
. NS	490845	. TOOL / NUT WHEEL BEARING ADJUSTMENT	1	1	1	
. NS	684735	. TOOL / NUT WHEEL BEARING ADJUSTMENT / TORQUE	1	1	1	
. NS	M103-24	. SEE MAINTENANCE INFORMATION	1	1	1	
7	500054	SCREW CAP HEX 3/8-24x2 1/2 G5 ZP	1	1	1	
8	500704	NUT HEX STO 3/8-24 Z050	1	1	1	
9	611003	LOCK PLATE	1	1	1	
10	610126	CONE BEARING / OUTER WHEEL BEARING	1	1	1	
11	611202	HUB WHEEL / W/STANDARD WHEEL To 2-4373	1	1	1	
11	611259	HUB WHEEL / W/METRIC WHEEL From 2-4374	1	1	1	
12	610125	CUP BEARING / OUTER WHEEL BEARING	1	1	1	
13	610997	CUP BEARING / INNER WHEEL BEARING	1	1	1	
14	610995	STUD / L.H. / W/STUD-MOUNT WHEEL	10	10	10	
14	610996	STUD / R.H. / W/STUD-MOUNT WHEEL	10	10	10	
14	611190	STUD / R.H. / W/HUB-MOUNT WHEEL M22-1.5 x 76MM To W-2926	10	10		
14	611207	STUD / R.H. / W/HUB-MOUNT WHEEL M22-1.5 x 81MM From W-2927	10	10		
14	610994	STUD / R.H. / W/HUB-MOUNT WHEEL 7/8-14 To W-2926	10	10		
14	611208	STUD / R.H. / W/HUB-MOUNT WHEEL 7/8-14 From W-2927	10	10		
15	610175	NUT L.H. 1 1/8-16 / STUD MOUNT WHEEL	10	10	10	
15	610176	NUT R.H. 1 1/8-16 / STUD MOUNT WHEEL	10	10	10	
15	611189	NUT R.H. / W/HUB-MOUNT WHEEL M22-1.5 / 30MM TH	10	10		
15	610773	NUT R.H. / W/HUB-MOUNT WHEEL 7/8-14	10	10		
16	H3-1250-00	ANTI-LOCK BRAKING SYSTEM				
17	611007	SCREW CAP HEXF SERR M16-1.5x50 G10.9	10	10	10	
18	611087	CONE BEARING / INNER WHEEL BEARING	1	1	1	
19	611081	SEAL ASSY/ WHEEL BEARING W/OIL	1	1	1	
19	611247	SEAL ASSY/ WHEEL BEARING W/OIL	1	1	1	
19	611174	SEAL ASSY / W/OIL / "SCOTT-SEAL PLUS"	AR	AR	AR	
21	611188	ROTOR SOLID	1	1	1	
21	611456	ROTOR VENTED	1	1	1	

From V-1620 To 2-4416	Date:10/2022	PAGE:H3-1300-03
HUB & ROTOR - FRONT AXLE MODEL "S-84" & "IS-84"		

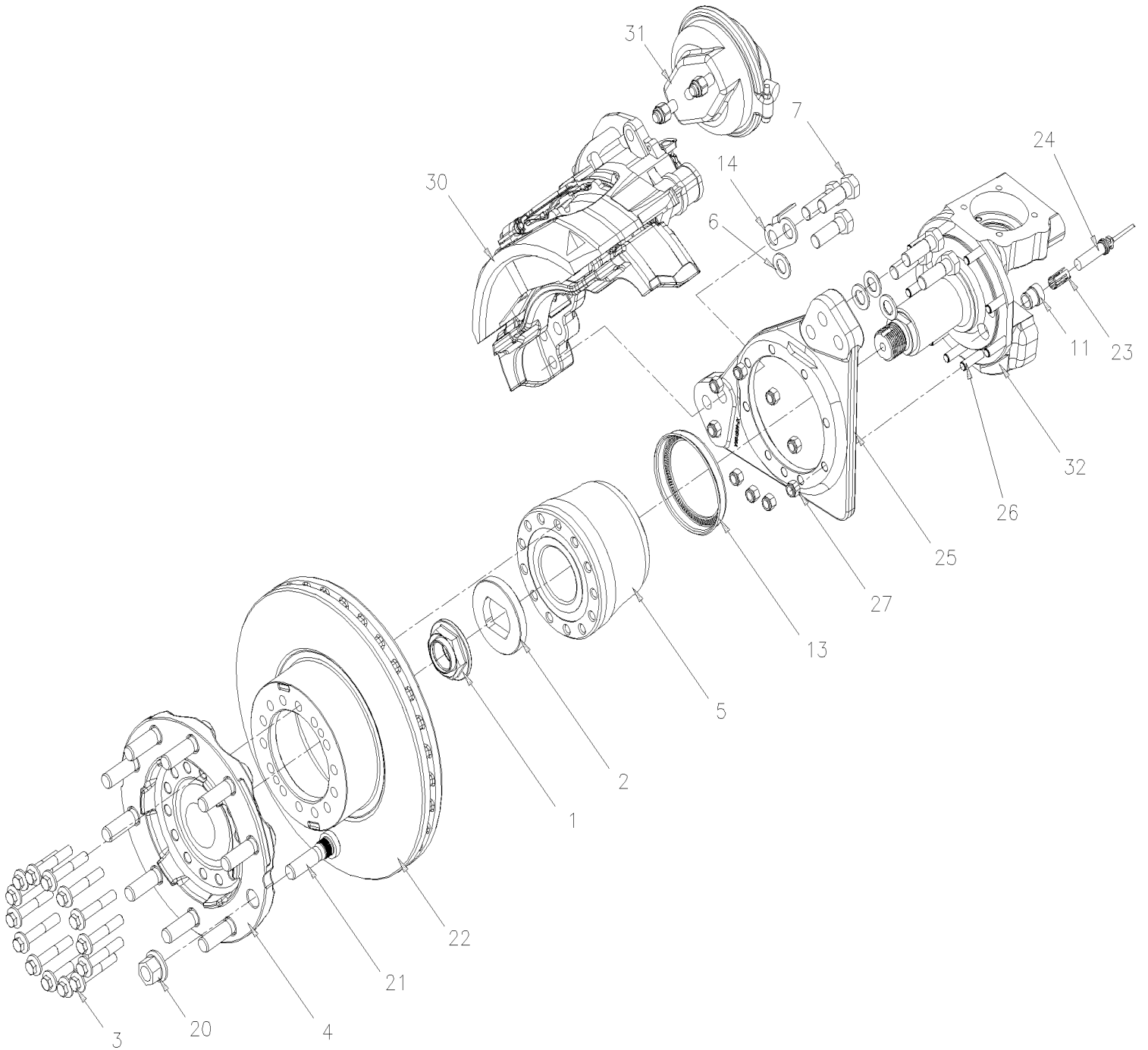
Item#	Part	Description	H 3 4 1	H 3 4 5	V I P 4 5	N O T E S
30	H3-1225-04	BRAKE PARTS - FRONT AXLE - W/"KNORR-BREMSE" / SB7 SERIES				
30	H3-1225-99	BRAKE PARTS "KNORR-BREMSE" SN7 SERIES / SERVICE				
31	H3-1225-12	BRAKE CHAMBER - FRONT AXLE TYPE 22				
NS	684644	SEAL INSTALLER TOOL / FRT & TAG TS-5	1	1	1	
41	611328	KIT, RETROFIT RIGID FRONT AXLE / UNITISED From V-1620	1	1	1	
. NS	611289	. KNUCKLE L.H. STREET SIDE From V-1620	1	1	1	
. NS	611290	. KNUCKLE R.H. CURBSIDE From V-1620	1	1	1	
. NS	611949	. HUB NUT 1 3/4-8 From V-1620	2	2	2	
. NS	611948	. THRUST WASHER From V-1620	2	2	2	
. NS	611955	. SCREW CAP HEXF M14-1.5x78 G12.9 N500 From V-1620	28	28	28	
. NS	611301	. HUB FLANGE From V-1620	2	2	2	
. NS	611953	. HUB ASSY / UNITISED L.H. & R.H. "TIMKEN" From V-1620	2	2	2	
. NS	611300	. ROTOR VENTED From V-1620	2	2	2	
. NS	611028	. STUD / STREET SIDE / 3/4-16 X 3" From V-1620	2	2	2	
. NS	611330	. STUD 3/4-16 X 3 7/8" From V-1620	1	1	1	
. NS	611331	. STUD / CURBSIDE / 3/4-16 X 4 1/4" From V-1620	2	2	2	
. NS	611332	. STUD 1/2-20 X 1 7/8 From V-1620	16	16	16	
42	611329	KIT, RETROFIT INDE FRONT AXLE / UNITISED From X-2458			1	
. NS	611334	. KNUCKLE L.H. / W/PARALLEL KING PIN ONLY W/RETROFIT UNITISED From X-2458			1	
. NS	611335	. KNUCKLE R.H. / W/PARALLEL KING PIN ONLY W/RETROFIT UNITISED From X-2458			1	
. NS	611949	. HUB NUT 1 3/4-8 From X-2458			2	
. NS	611948	. THRUST WASHER From X-2458			2	
. NS	611955	. SCREW CAP HEXF M14-1.5x78 G12.9 N500 From X-2458			28	
. NS	611301	. HUB FLANGE From X-2458			2	
. NS	611303	. HUB ASSY / UNITISED L.H. & R.H. "TIMKEN" From X-2458			2	
. NS	611300	. ROTOR VENTED From X-2458			2	
. NS	611166	. STUD 3/4-16 X 3 1/4" From X-2458			2	
. NS	611167	. STUD 3/4-16 X 4 1/2" From X-2458			3	
. NS	611331	. STUD / CURBSIDE / 3/4-16 X 4 1/4" From X-2458			2	
. NS	611332	. STUD 1/2-20 X 1 7/8 From X-2458			16	

From S-155 To S-155

Date:10/2022

PAGE:H3-1300-04

HUB & ROTOR - FRONT AXLE MODEL "NSD80"



From S-155 To S-155		Date:10/2022	PAGE:H3-1300-04
HUB & ROTOR - FRONT AXLE MODEL "NSD80"			

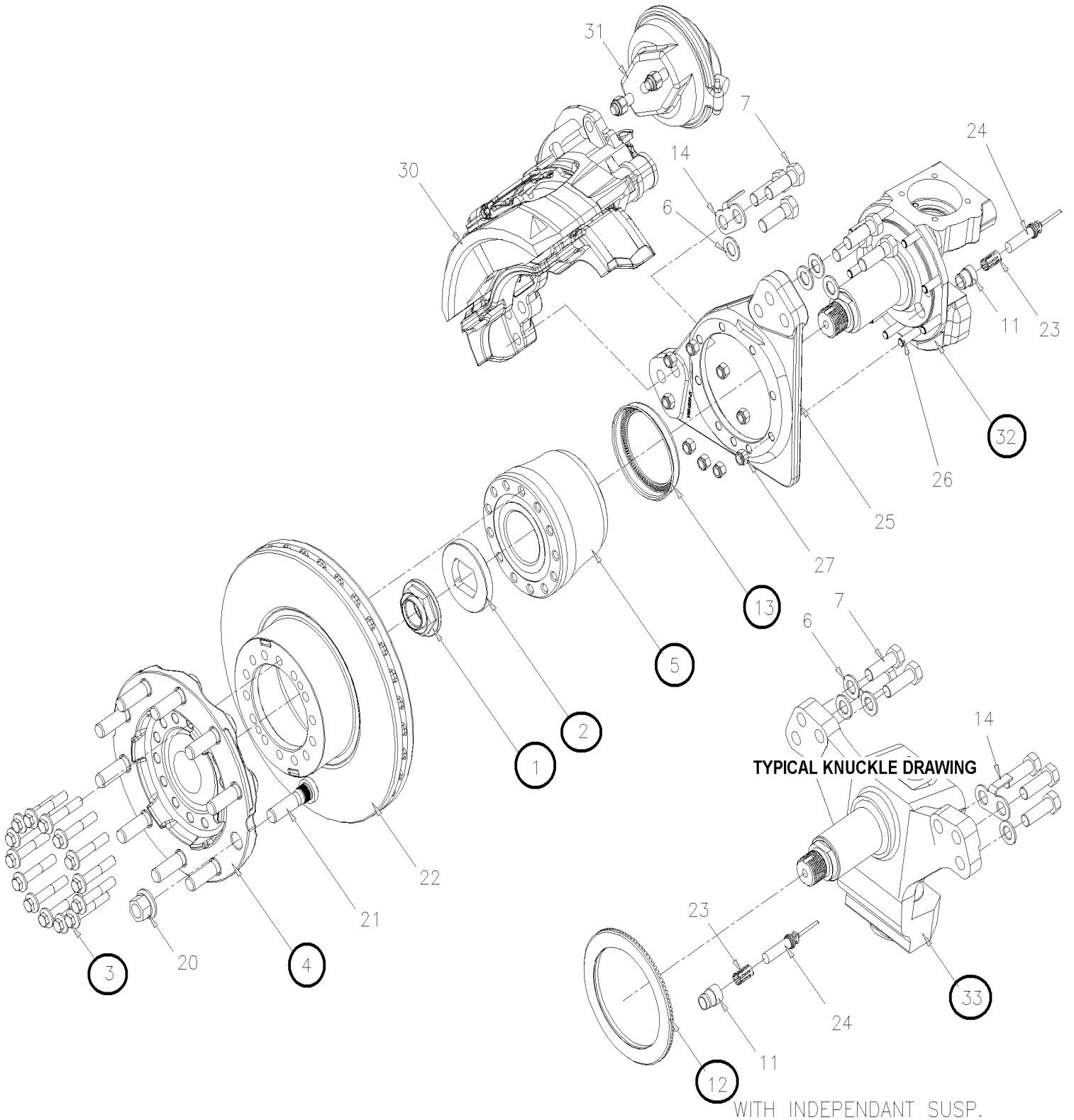
Item#	Part	Description	H 3 4 1	H 3 4 5	V I P 4 5	N O T E S
1	611949	HUB NUT 1 3/4-8		1		
2	611948	THRUST WASHER		1		
3	611955	SCREW CAP HEXF M14-1.5x78 G12.9 N500		14		S
4	611950	HUB FLANGE		1		
5	611953	HUB ASSY / UNITISED L.H. & R.H. "TIMKEN"		1		R S
5	611471	HUB ASSY / UNITISED L.H. & R.H. "FAG" ASSY W/"ABS" RING		1		R S
. NS	N.S.S.	. TOOTH WHEEL		1		1 R S
. NS	509939	. SCREW DRV RND #4x1/4 SS		3		R S
NS	491115	TOOL, HUB INSTALLER W/UNITISED BEARING / 70MM		1		
. NS	NDS8	. MAINTENANCE INSTRUCTION		1		
6	611044	WASHER FL HARD 21.0x37.0x3.0 N500		6		
7	611308	SCREW CAP HEX M20-2.5x100 G12.9		4		
7	5001193	SCREW CAP HEX M20-2.5x65 G10.9 ZP		2		
7	5001529	SCREW CAP HEX M20-1.5x60 G10.9 G500		AR		
13	N.S.S.	TOOTH WHEEL / FRONT AXLE RIGID INCLUDE WITH ITEM #5		1		1 R
14	110786	BRAKE WEAR INDICATOR MECHANICAL / 44MM		AR		
20	20434082	NUT R.H. / W/HUB-MOUNT WHEEL M22-1.5 / 27 MM TH		10		
21	611207	STUD / R.H. / W/HUB-MOUNT WHEEL M22-1.5 x 81MM		10		
22	611954	ROTOR VENTED		1		
23	641096	CLIP, SPRING / TO FIX SENSOR		1		
24	H3-1250-00	ANTI-LOCK BRAKING SYSTEM	1	1	1	
25	611951	CALIPER MOUNTING BRACKET R.H.		1		
25	611952	CALIPER MOUNTING BRACKET L.H.		1		
26	611030	STUD 1/2-20 X 1 11/16"		AR		
27	5007001	NUT HEX STO 1/2-20 Z050 G "C"		AR		
30	H3-1225-03	BRAKE PARTS - FRONT AXLE - W/"KNORR-BREMSE" / SB7 SERIES To V-1689				
30	H3-1225-04	BRAKE PARTS - FRONT AXLE - W/"KNORR-BREMSE" / SB7 SERIES From V-1690				
30	H3-1225-99	BRAKE PARTS "KNORR-BREMSE" SN7 SERIES / SERVICE				
30	H3-1225-97	BRAKE PARTS "KNORR-BREMSE" SN7 SERIES W/NEW SLIDE PINS				
31	H3-1225-11	BRAKE CHAMBER - FRONT AXLE TYPE 24				
32	H3-1005-05	FRONT AXLE - I BEAM RIGID MODEL "NSD80"				
NS	MI08-04	SEE MAINTENANCE INFORMATION	1	1	1	
		R) WITH I BEAM RIGID SUSPENSION				
		S) INSPECTED ALL BOLTS FOR DAMAGE TO THE THREAD AND ON THE SURFACE BELOW THE HEAD WHEN YOU DISASSEMBLED OR UNSCREWED THE HUB AND REPLACE IF NECESSARY				
		1) NOT SOLD SEPARATELY				
		1) NOT SOLD SEPARATELY				

From V-1620 To 2-4416

Date:10/2022

PAGE:H3-1300-99

HUB & ROTOR - FRONT AXLE MODEL "S84U" & "NDIFS80P"



From V-1620 To 2-4416	Date:10/2022	PAGE:H3-1300-99
HUB & ROTOR - FRONT AXLE MODEL "S84U" & "NDIFS80P"		

Item#	Part	Description	H 3 4 1	H 3 4 5	V I P 4 5	N O T E S
	 "WARNING" - "WARNING" - "WARNING"				
		THIS KIT DO NOT INCLUDE CALIPERS & BRAKE CHAMBER				
		KIT INCLUDE PARTS W/GREEN SPOT W/CIRCLE				
	611328	KIT, RETROFIT RIGID FRONT AXLE / UNITISED From V-1620	1	1		
. NS	611289	. KNUCKLE L.H. STREET SIDE From V-1620	1	1		
. NS	611290	. KNUCKLE R.H. CURBSIDE From V-1620	1	1		
. NS	611949	. HUB NUT 1 3/4-8 From V-1620	2	2		
. NS	611948	. THRUST WASHER From V-1620	2	2		
. NS	611955	. SCREW CAP HEXF M14-1.5x78 G12.9 N500 From V-1620	28	28		
. NS	611301	. HUB FLANGE From V-1620	2	2		
. NS	611953	. HUB ASSY / UNITISED L.H. & R.H. "TIMKEN" From V-1620	2	2		
. NS	611300	. ROTOR VENTED From V-1620	2	2		
. NS	611028	. STUD / STREET SIDE / 3/4-16 X 3" From V-1620	2	2		
. NS	611330	. STUD 3/4-16 X 3 7/8" From V-1620	1	1		
. NS	611331	. STUD / CURBSIDE / 3/4-16 X 4 1/4" From V-1620	2	2		
. NS	611332	. STUD 1/2-20 X 1 7/8 From V-1620	16	16		
	611329	KIT, RETROFIT INDE FRONT AXLE / UNITISED From X-2458			1	
. NS	611334	. KNUCKLE L.H. / W/PARALLEL KING PIN ONLY W/RETROFIT UNITISED From X-2458			1	
. NS	611335	. KNUCKLE R.H. / W/PARALLEL KING PIN ONLY W/RETROFIT UNITISED From X-2458			1	
. NS	611949	. HUB NUT 1 3/4-8 From X-2458			2	
. NS	611948	. THRUST WASHER From X-2458			2	
. NS	611955	. SCREW CAP HEXF M14-1.5x78 G12.9 N500 From X-2458			28	
. NS	611301	. HUB FLANGE From X-2458			2	
. NS	611303	. HUB ASSY / UNITISED L.H. & R.H. "TIMKEN" From X-2458			2	
. NS	611300	. ROTOR VENTED From X-2458			2	
. NS	611166	. STUD 3/4-16 X 3 1/4" From X-2458			2	
. NS	611167	. STUD 3/4-16 X 4 1/2" From X-2458			3	
. NS	611331	. STUD / CURBSIDE / 3/4-16 X 4 1/4" From X-2458			2	
. NS	611332	. STUD 1/2-20 X 1 7/8 From X-2458			16	
1	611949	HUB NUT 1 3/4-8	2	2	2	
2	611948	THRUST WASHER	2	2	2	
3	611955	SCREW CAP HEXF M14-1.5x78 G12.9 N500	28	28	28	S
4	611301	HUB FLANGE	2	2	2	
5	611953	HUB ASSY / UNITISED L.H. & R.H. "TIMKEN"	2	2		R S
5	611471	HUB ASSY / UNITISED L.H. & R.H. "FAG" ASSY W/"ABS" RING	2	2		R S
. NS	N.S.S.	. TOOTH WHEEL	1	1		1 R S
. NS	509939	. SCREW DRV RND #4x1/4 SS	3	3		R S
5	611303	HUB ASSY / UNITISED L.H. & R.H. "TIMKEN"			2	I S
5	611474	HUB ASSY / UNITISED L.H. & R.H. "FAG" ASSY W/"ABS" RING			2	I S
. NS	611472	. HUB ASSY / UNITISED L.H. & R.H. "FAG"			1	I S

From V-1620 To 2-4416	Date:10/2022	PAGE:H3-1300-99
HUB & ROTOR - FRONT AXLE MODEL "S84U" & "NDIFS80P"		

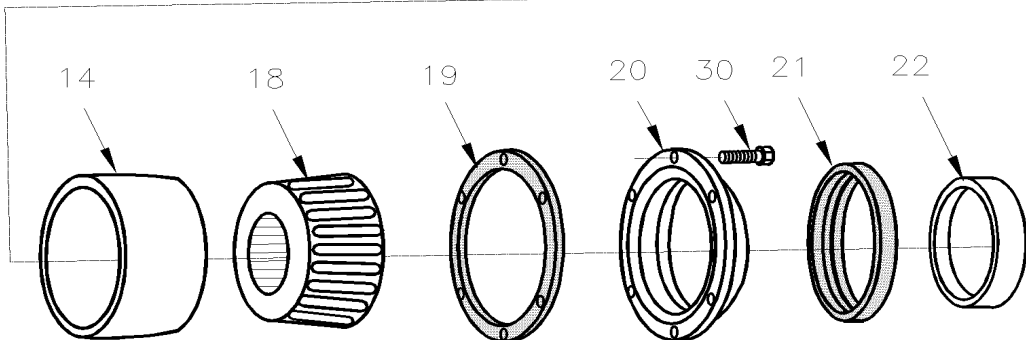
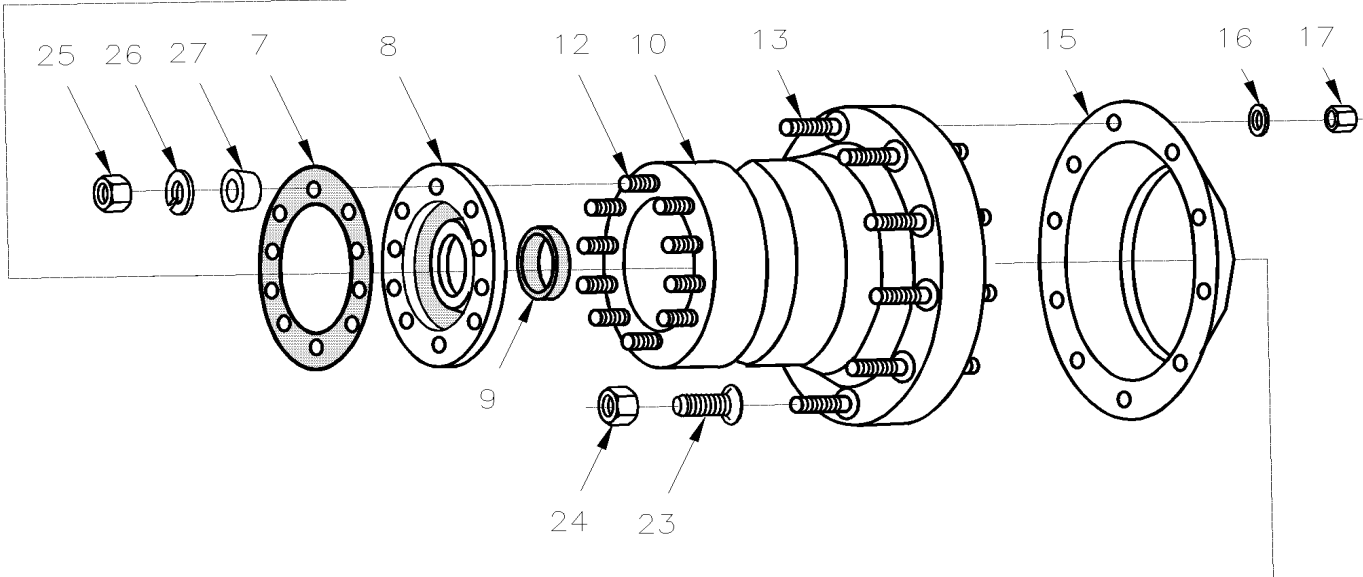
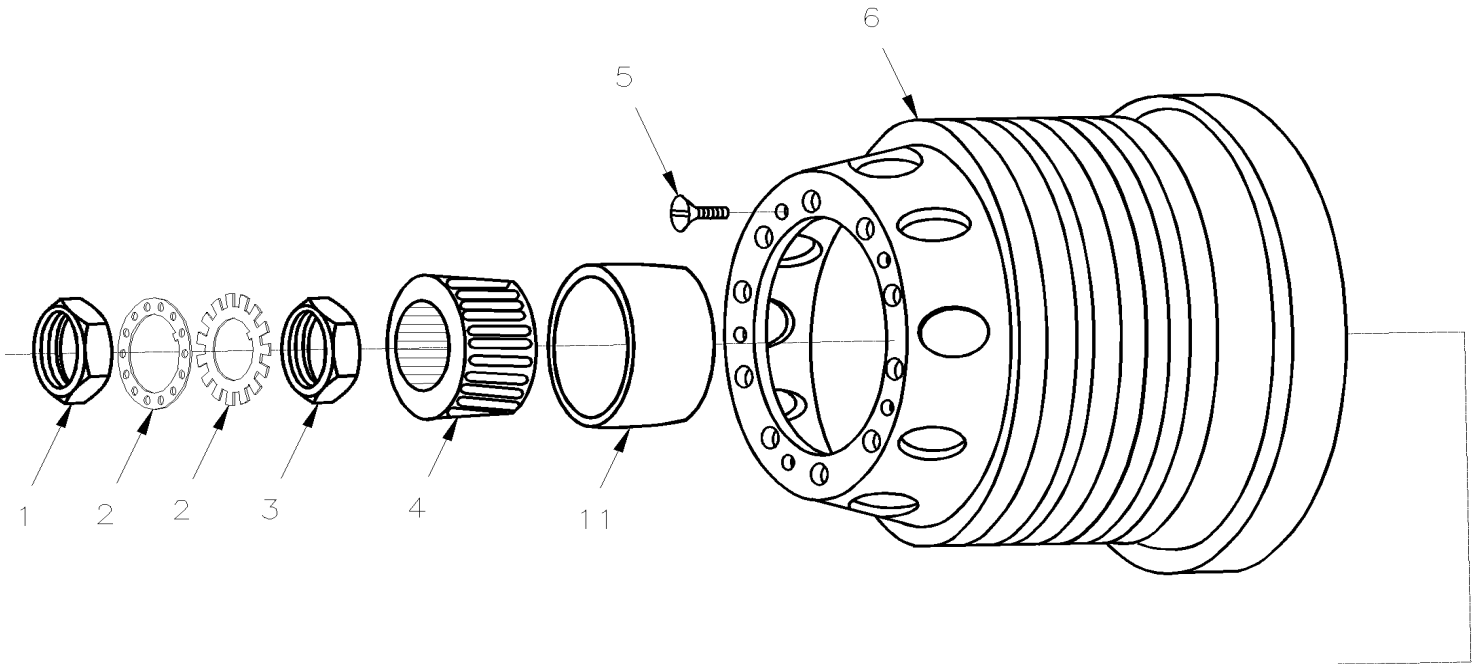
Item#	Part	Description	H 3 4 1	H 3 4 5	V I P 4 5	N O T E S
. NS	611473	. TOOTH WHEEL / FRONT AXLE & TAG W/ "FAG" 143.90MM I.D.			1	IS
NS	491115	TOOL, HUB INSTALLER W/UNITISED BEARING / 70MM	AR	AR	AR	
. NS	NDS8	. MAINTENANCE INSTRUCTION	1	1	1	
6	611044	WASHER FL HARD 21.0x37.0x3.0 N500	12	12	12	
7	5001529	SCREW CAP HEX M20-1.5x60 G10.9 G500	12	12	12	
11	612384	BUSHING / ABS SENSOR	1	1	1	
12	611304	TOOTH WHEEL / FRONT AXLE W/ "TIMKEN" 138.89MM I.D.			1	I
12	611473	TOOTH WHEEL / FRONT AXLE & TAG W/ "FAG" 143.90MM I.D.			1	ID
13	N.S.S.	TOOTH WHEEL / FRONT AXLE RIGID INCLUDE WITH ITEM #5	1	1		1 R
14	110786	BRAKE WEAR INDICATOR MECHANICAL / 44MM	AR	AR	AR	
20	20434082	NUT R.H. / W/HUB-MOUNT WHEEL M22-1.5 / 27 MM TH	10	10	10	
21	611207	STUD / R.H. / W/HUB-MOUNT WHEEL M22-1.5 x 81MM	10	10	10	
22	611300	ROTOR VENTED	2	2	2	
23	641096	CLIP, SPRING / TO FIX SENSOR	1	1	1	
		REMOVED FROM YOUR VEHICLE				
25	611039	CALIPER MOUNTING BRACKET L.H. & R.H.	1	1	1	
26	611030	STUD 1/2-20 X 1 11/16"	AR	AR	AR	
27	5007001	NUT HEX STO 1/2-20 Z050 G "C"	AR	AR	AR	
30	H3-1225-04	BRAKE PARTS - FRONT AXLE - W/"KNORR-BREMSE" / SB7 SERIES				
30	H3-1225-99	BRAKE PARTS "KNORR-BREMSE" SN7 SERIES / SERVICE				
30	H3-1225-97	BRAKE PARTS "KNORR-BREMSE" SN7 SERIES W/NEW SLIDE PINS	1	1	1	
31	H3-1225-11	BRAKE CHAMBER - FRONT AXLE TYPE 24 To T-1613				
31	H3-1225-12	BRAKE CHAMBER - FRONT AXLE TYPE 22 From T-1614				
32	611289	KNUCKLE L.H. STREET SIDE	1	1	1	R
32	611290	KNUCKLE R.H. CURBSIDE	1	1	1	R
33	611334	KNUCKLE L.H. / W/PARALLEL KING PIN ONLY W/RETROFIT UNITISED			1	I
33	611335	KNUCKLE R.H. / W/PARALLEL KING PIN ONLY W/RETROFIT UNITISED			1	I
NS	MI08-04	SEE MAINTENANCE INFORMATION	1	1	1	
		D) WITH HUB "FAG" ONLY				
		I) WITH INDEPENDENT SUSPENSION				
		R) WITH I BEAM RIGID SUSPENSION				
		S) INSPECTED ALL BOLTS FOR DAMAGE TO THE THREAD AND ON THE SURFACE BELOW THE HEAD WHEN YOU DISASSEMBLED OR UNSCREWED THE HUB AND REPLACE IF NECESSARY				
		1) NOT SOLD SEPARATELY				
		1) NOT SOLD SEPARATELY				

From R-012 To W-2284

Date:10/2022

PAGE:H3-1305-00

HUB & DRUM - DRIVE AXLE



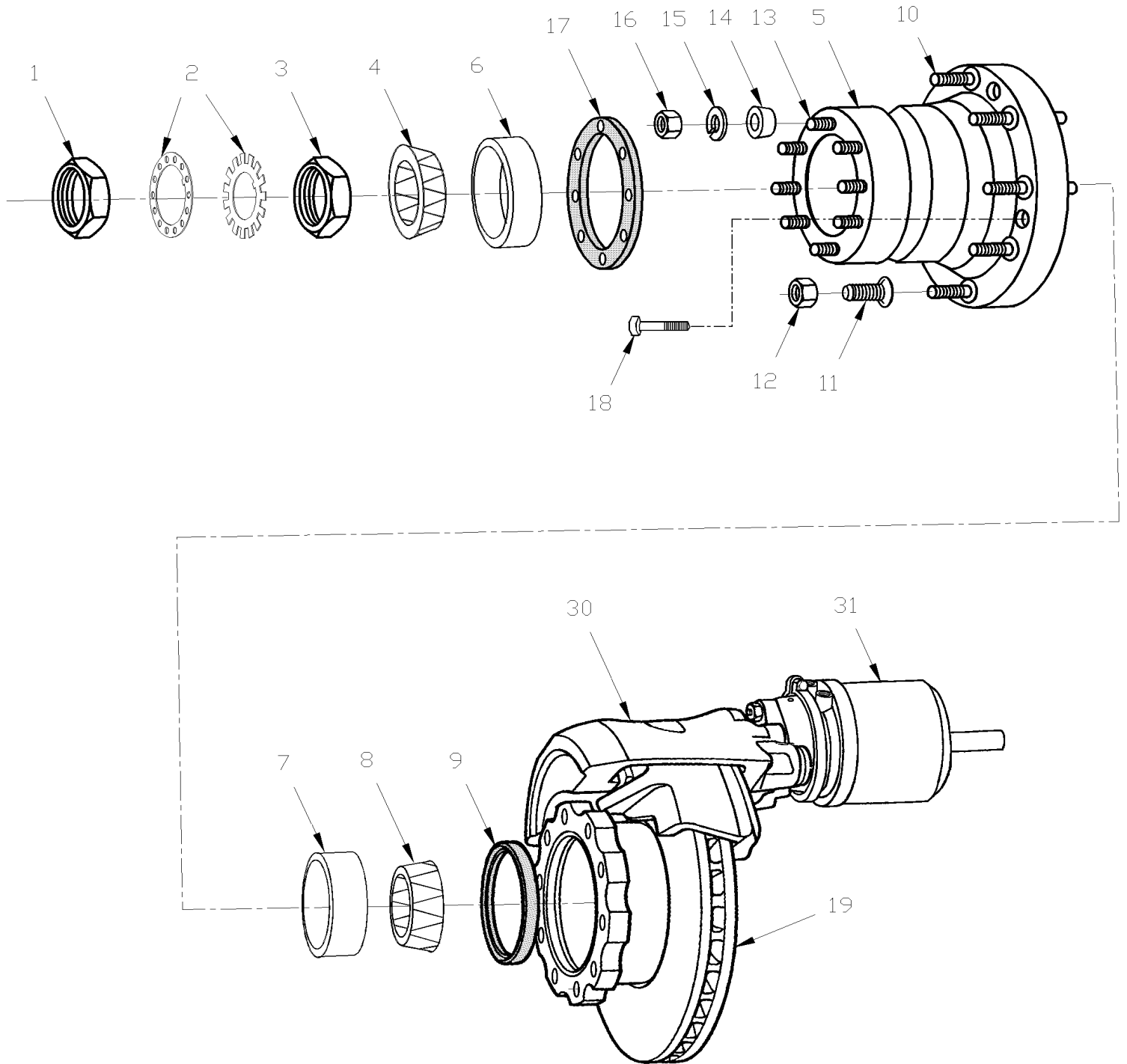
From R-012 To W-2284	Date:10/2022	PAGE:H3-1305-00
HUB & DRUM - DRIVE AXLE		

Item#	Part	Description	H 3 4 1	H 3 4 5	V I P 4 5	N O T E S
1	620275	NUT OUTER / WHEEL BEARING	1	1	1	
2	620452	WASHER LOCK / (FORMER THICK)	1	1	1	A
2	621624	WASHER LOCK / KIT	1	1	1	
3	620279	NUT INNER / WHEEL BEARING	1	1	1	
4	620037	CONE BEARING / OUTER WHEEL BEARING	1	1	1	C
5	620040	SCREW MA FL SLT 1/2-13x15/16"	5	5	5	
6	640939	DRUM BRAKE W/10" WIDE SHOES / STD /	2	2	2	
6	641450	DRUM BRAKE W/10" WIDE SHOES / STD /	AR	AR	AR	
6	2014318	DRUM BRAKE W/10" WIDE SHOES / STD /	2	2	2	
6	641228	DRUM BRAKE W/10" WIDE SHOES / UNDER SIZE /	AR	AR	AR	
6	641454	DRUM BRAKE W/10" WIDE SHOES / UNDER SIZE /	AR	AR	AR	
7	620923	GASKET / AXLE SHAFT W/10 STUDS	AR	AR	AR	
8	621070	SEAL ASSY / W/GREACE SEAL ONLY	1	1	1	
9	620446	WIPER, SEAL OUTER / 2.687 I.D. x 3.109 O.D.	1	1	1	
10	621170	HUB & STUD ASSY W/HUB-MOUNTED WHEEL	2	2		
10	621160	HUB & STUD ASSY R.H. / W/STUD-MOUNTED WHEEL	1	1	1	
10	621161	HUB & STUD ASSY L.H. / W/STUD-MOUNTED WHEEL	1	1	1	
11	620035	. CUP BEARING / OUTER WHEEL BEARING	1	1	1	
12	621096	. STUD / 9/16-12 x 9/16-18 x 2 1/2"	10	10	10	
13	621097	. STUD / L.H. / W/STUD-MOUNT WHEEL	10	10	10	
13	621098	. STUD / R.H. / W/STUD-MOUNT WHEEL	10	10	10	
13	610776	. STUD / R.H. 7/8-14 / W/HUB-MOUNT WHEEL / W/ 7/8-14	10	10		
13	621545	. STUD / R.H. 7/8-14 / W/HUB MOUNT WHEEL / W/ & STEEL	10	10		
14	620093	. CUP BEARING / INNER WHEEL BEARING	1	1	1	
15	621463	SLINGER W/ABS RETAINER OIL SEAL	1	1	1	
15	621099	SLINGER	1	1	1	
16	620477	WASHER HARD / 7/8" IDX1 7/16" ODX 3/32" TH	10	10	10	
17	500742	NUT HEX STO 7/8-14 ZP	10	10	10	
18	621106	CONE BEARING / INNER WHEEL BEARING	1	1	1	
19	620350	GASKET, INNER DRIVE AXLE	1	1	1	
20	621519	RETAINER / W/ "ABS"	1	1	1	
20	621186	RETAINER ASSY W/SEAL OIL TYPE	1	1	1	
NS	5001102	SCREW CAP HEXS 5/16-18x3/4 PT NYRT	6	6	6	
21	621069	SEAL OIL	1	1	1	
21	621101	SEAL GREASE	1	1	1	
22	621102	WIPER, SEAL INNER / 3.687 I.D. x 4.875 O.D.	1	1	1	
23	611192	NUT R.H. INNER / W/2 ALUMINUM WHEEL	10	10	10	
23	611191	NUT L.H. INNER / W/2 ALUMINUM WHEEL	10	10	10	
23	620250	NUT R.H. INNER / W/2 STEEL WHEEL	10	10		
23	620251	NUT L.H. INNER / W/2 STEEL WHEEL	10	10		
23	610961	NUT R.H. INNER / W/STEEL INSIDE & ALUM. OUTSI	10	10		
23	610962	NUT L.H. INNER / W/STEEL INSIDE & ALUM. OUTSI	10	10		

From R-012 To W-2284	Date:10/2022	PAGE:H3-1305-00
HUB & DRUM - DRIVE AXLE		

Item#	Part	Description	H 3 4 1	H 3 4 5	V I P 4 5	N O T E S
24	610176	NUT R.H. 1 1/8-16 / STUD MOUNT WHEEL	10	10	10	
24	610175	NUT L.H. 1 1/8-16 / STUD MOUNT WHEEL	10	10	10	
24	610774	NUT R.H. / W/HUB-MOUNT WHEEL 7/8-14	10	10		
24	610773	NUT R.H. / W/HUB-MOUNT WHEEL 7/8-14	10	10		B
25	621105	NUT 9/16-18	10	10	10	
26	620925	WASHER LO EXT .625x1.070x.055	4	4	4	
27	620924	DOWEL 9/16 I.D.	4	4	4	
NS	684648	SEAL INSTALLER TOOL / DRIVE W/DRUM	1	1	1	
NS	621654	KIT, CUP & CONE	AR	AR	AR	
		A) THIS PART CAN BE INTERCHANGEABLE BY #621624				
		B) W/2 ALUMINUM WHEEL				
		C) ALSO SOLD IN KIT # 621654				

From V-1725 To 2-4416	Date:10/2022	PAGE:H3-1305-01
HUB & ROTOR - DRIVE AXLE		



From V-1725 To 2-4416	Date:10/2022	PAGE:H3-1305-01
HUB & ROTOR - DRIVE AXLE		

Item#	Part	Description	H 3 4 1	H 3 4 5	V I P 4 5	N O T E S
1	620275	NUT OUTER / WHEEL BEARING	1	1	1	
2	621624	WASHER LOCK / KIT	1	1	1	
3	620279	NUT INNER / WHEEL BEARING	1	1	1	
4	620034	CONE BEARING / OUTER WHEEL BEARING	1	1	1	A
5	621617	HUB & CUPS ASSY	2	2	2	
6	620032	. CUP BEARING	1	1	1	A
7	621210	. CUP BEARING	1	1	1	B
8	621209	CONE BEARING	1	1	1	B
9	621623	SEAL OIL	1	1	1	
9	621916	SEAL OIL	1	1	1	S
10	621634	STUD / L.H. / W/STUD-MOUNT WHEEL	10	10	10	
10	621633	STUD / R.H. / W/STUD-MOUNT WHEEL	10	10	10	
10	621645	STUD / R.H. / W/HUB-MOUNT WHEEL M22-1.5 x 100 MM	10	10		
10	621686	STUD / R.H. / W/HUB-MOUNT WHEEL M22-1.5 x 110 MM	AR	AR	AR	D
10	611229	STUD / R.H. / W/HUB-MOUNT WHEEL 7/8-14x3.94" To 1-3999	AR	AR		C
10	621689	STUD / R.H. / W/HUB-MOUNT WHEEL 7/8-14x4.32" From 1-4000	AR	AR		C
11	610961	NUT R.H. INNER / W/STEEL INSIDE & ALUM. OUTSI	10	10	10	
11	610962	NUT L.H. INNER / W/STEEL INSIDE & ALUM. OUTSI	10	10	10	
11	611192	NUT R.H. INNER / W/2 ALUMINUM WHEEL	10	10	10	
11	611191	NUT L.H. INNER / W/2 ALUMINUM WHEEL	10	10	10	
11	620250	NUT R.H. INNER / W/2 STEEL WHEEL	10	10	10	
11	620251	NUT L.H. INNER / W/2 STEEL WHEEL	10	10	10	
12	610175	NUT L.H. 1 1/8-16 / STUD MOUNT WHEEL	10	10	10	
12	610176	NUT R.H. 1 1/8-16 / STUD MOUNT WHEEL	10	10	10	
12	611189	NUT R.H. / W/HUB-MOUNT WHEEL M22-1.5 / 30MM TH	10	10		
12	610774	NUT R.H. / W/HUB-MOUNT WHEEL 7/8-14	AR	AR	AR	C
13	621730	STUD / 5/8-11x 5/8-18 x 2 7/8"	8	8	8	
14	621627	DOWEL 5/8" I.D.	8	8	8	
15	5001518	WASHER LO EXT .625x1.070x.055 ZP	8	8	8	
16	500723	NUT HEX 5/8-18 ZP	8	8	8	
17	620351	GASKET / AXLE SHAFT W/8 STUDS	AR	AR	AR	
18	621628	SCREW CAP HEXS 5/8-18x1 3/4 GR8	10	10	10	
19	621621	ROTOR VENTED To W-2284	1	1	1	
19	621602	ROTOR SOLID From W-2285 To X-2869	1	1	1	
19	621672	ROTOR SOLID (W/TOOTH WHEEL / DRIVE AXLE) From X-2870	1	1	1	
19	611457	ROTOR VENTED (W/TOOTH WHEEL / DRIVE AXLE)	1	1	1	
30	H3-1235-02	BRAKE PARTS - DRIVE AXLE "MERITOR" W/DISCS / SB7 SERIES				
30	H3-1225-99	BRAKE PARTS "KNORR-BREMSE" SN7 SERIES / SERVICE				
31	H3-1235-12	BRAKE CHAMBER - DRIVE AXLE "KNORR-BREMSE"				
NS	621652	KIT, CUP & CONE	1	1	1	
NS	621653	KIT, CUP & CONE	1	1	1	
NS	684646	SEAL INSTALLER TOOL / DRIVE W/DISC	1	1	1	

From V-1725 To 2-4416	Date:10/2022	PAGE:H3-1305-01
-----------------------	--------------	-----------------

HUB & ROTOR - DRIVE AXLE

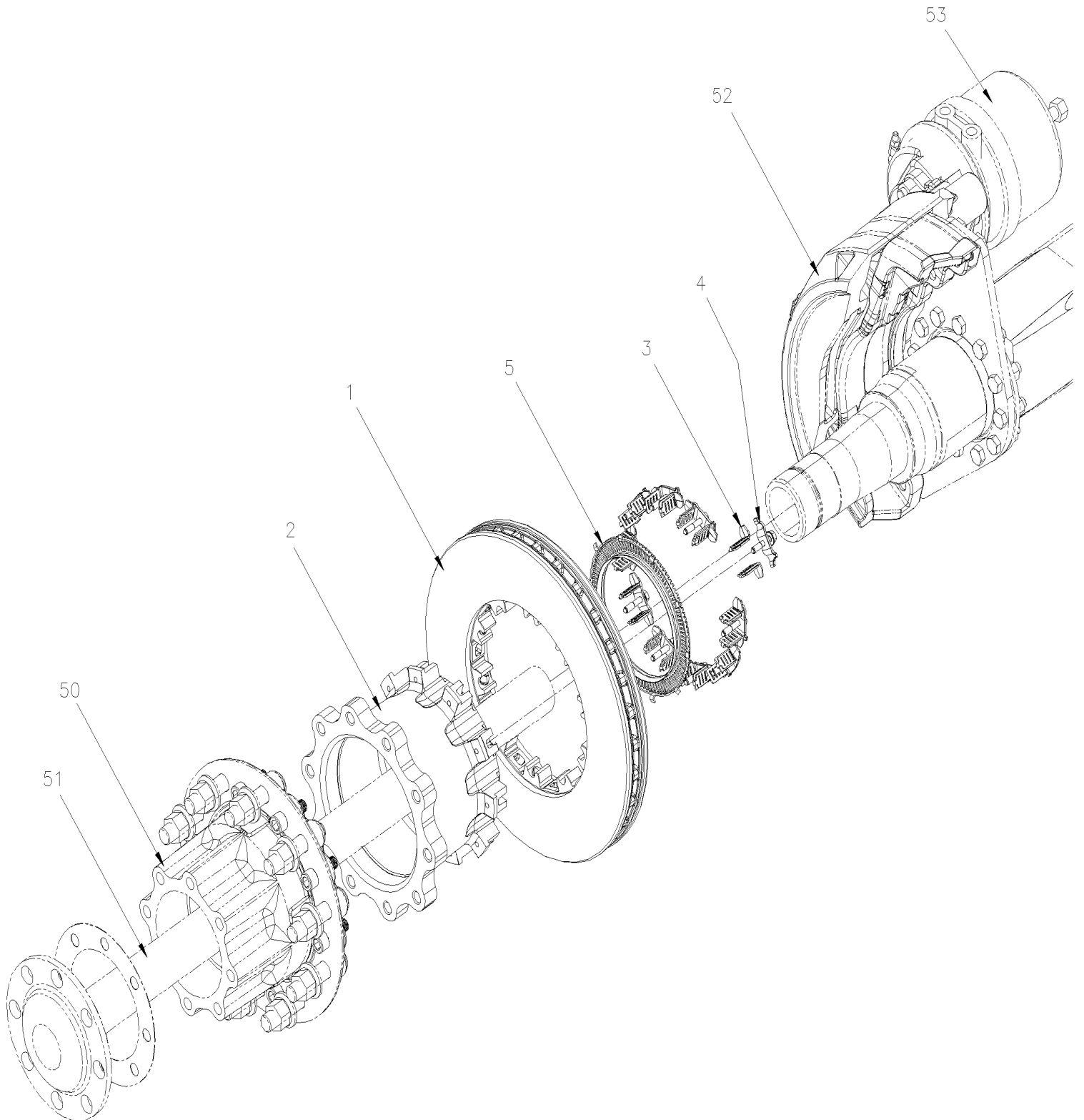
Item#	Part	Description	H 3 4 1	H 3 4 5	V I P 4 5	N O T E S
NS	H3-1305-99	ROTOR (SPLINED DISC) PRODUCT IMPROVMENT				
		A) ALSO AVAILABLE IN KIT #621652				
		B) ALSO AVAILABLE IN KIT #621653				
		C) CUSTOMMER SPECIAL "OPTION"				
		D) WITH 2 ALUMINUM WHEELS				
		S) SERVICE				

From V-1725 To 2-4416

Date:10/2022

PAGE:H3-1305-99

ROTOR (SPLINED DISC) PRODUCT IMPROVMENT



From V-1725 To 2-4416	Date:10/2022	PAGE:H3-1305-99
ROTOR (SPLINED DISC) PRODUCT IMPROVMENT		

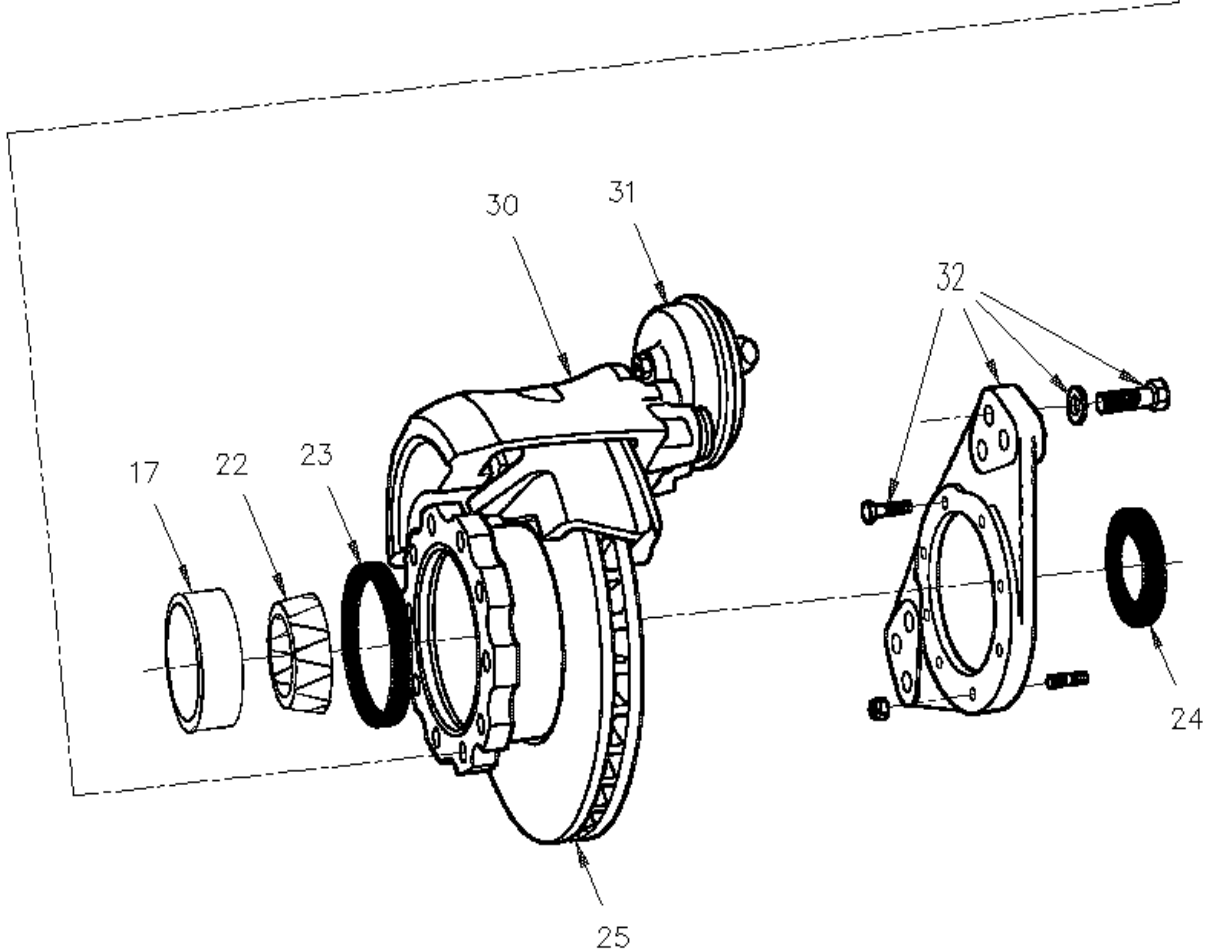
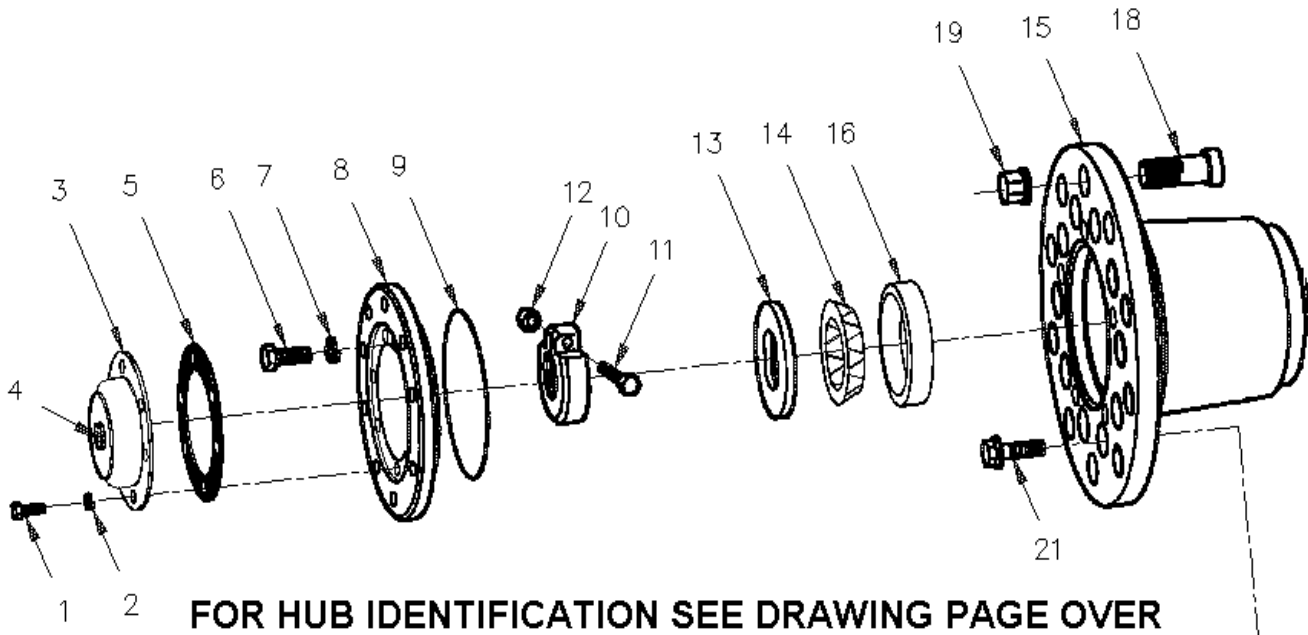
Item#	Part	Description	H 3 4 1	H 3 4 5	V I P 4 5	N O T E S
	144982	KIT SPLINED BRAKE DISC ON DRIVE AXLE	1	1	1	
. NS	IS-09085	. SEE INSTRUCTION SHEET	1	1	1	
1	144984	. ROTOR / "SPLINED DISC"	1	1	1	
2	144983	. ROTOR ADAPTOR / "SPLINED DISC"	1	1	1	
3	144986	. PIECE INTERMEDIATE / "SPLINED DISC"	20	20	20	
4	144985	. SPRING ELEMENT / "SPLINED DISC"	10	10	10	
5	124921	. TOOTH WHEEL / DRIVE AXLE / "SPLINED DISC"	1	1	1	
NS	680754	GREASE, ANTI-SEIZE PERMATEx COPPER (454GR)	AR	AR	AR	
50	H3-1305-01	HUB & ROTOR - DRIVE AXLE				
51	H3-1105-02	REAR AXLE - MODEL RC23160 & DISC BRAKE W/61143				
52	H3-1235-02	BRAKE PARTS - DRIVE AXLE "MERITOR" W/DISCS / SB7 SERIES				
53	H3-1235-12	BRAKE CHAMBER - DRIVE AXLE "KNORR-BREMSE"				

From R-020 To W-2084

Date:10/2022

PAGE:H3-1310-02

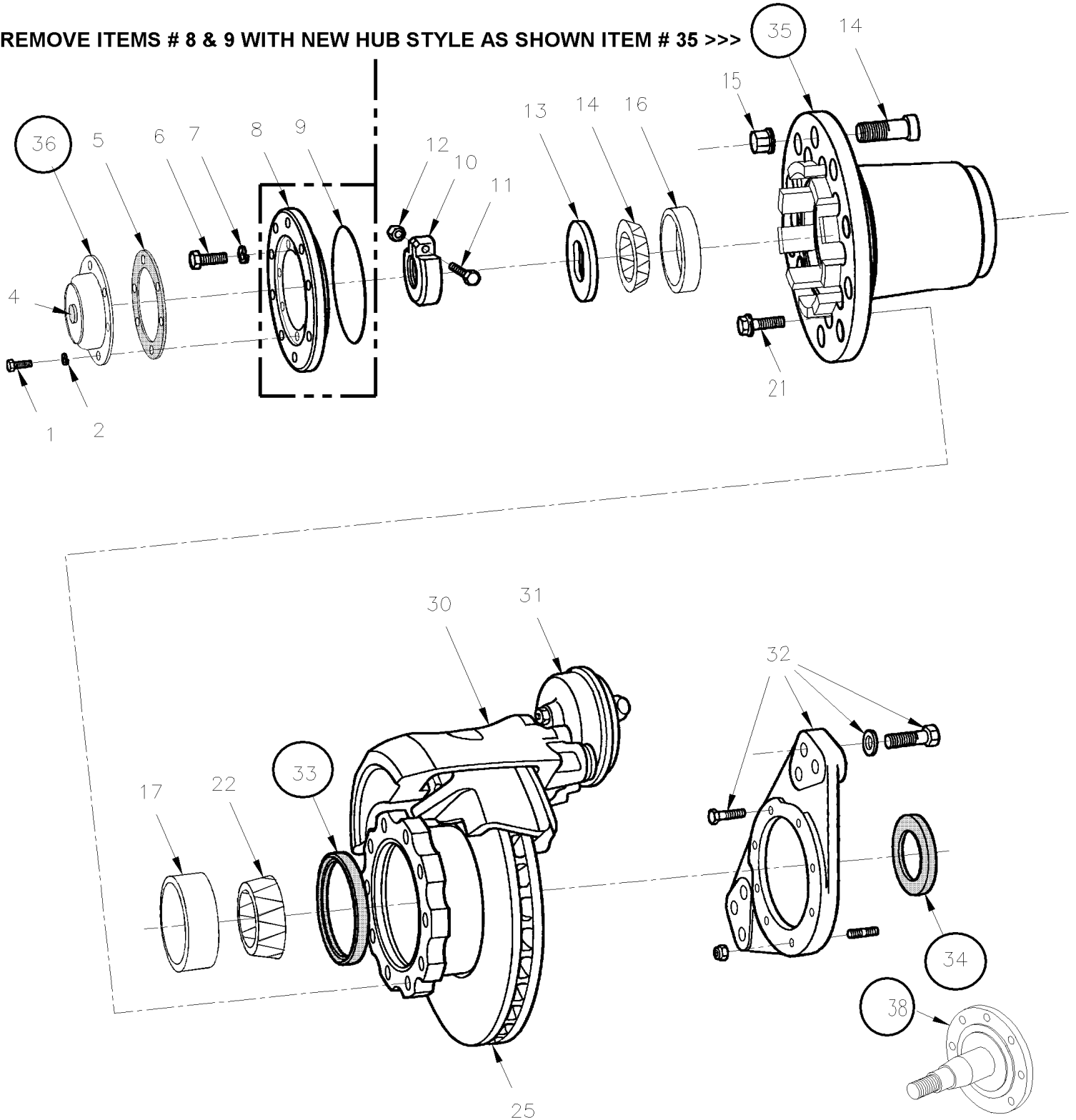
HUB & ROTOR - TAG AXLE TYPE TS5



From R-020 To W-2084	Date:10/2022	PAGE:H3-1310-02
HUB & ROTOR - TAG AXLE TYPE TS5		

CURRENT - SERVICE

REMOVE ITEMS # 8 & 9 WITH NEW HUB STYLE AS SHOWN ITEM # 35 >>>



From R-020 To W-2084	Date:10/2022	PAGE:H3-1310-02
HUB & ROTOR - TAG AXLE TYPE TS5		

Item#	Part	Description	H 3 4 1	H 3 4 5	V I P 4 5	N O T E S
1	500069	SCREW CAP HEX M8-1.25x16 G10.9 DP	6	6	6	D
1	502790	SCREW CAP HEX M8-1.25x20 G8.8 Z050	6	6	6	C
2	5001003	WASHER LO SPT 8.1x12.7x2.0 Z050	6	6	6	
3	611059	HUB CAP / STEEL "CR" From S-291 To V-1839	1	1	1	
. NS	MI07-04	. SEE MAINTENANCE INFORMATION From S-291 To V-1839	1	1	1	
3	611196	HUB CAP / PLASTIC "CR" From V-1840	1	1	1	
. 01	MI07-04	. SEE MAINTENANCE INFORMATION From V-1840	1	1	1	
3	611243	HUB CAP / W/GREASE ONLY From S-291	1	1	1	
4	611060	. PLUG VENT / GREEN / USE W/STEEL HUB CAP "CR"	1	1	1	
4	611197	. PLUG VENT / BLACK / USE W/PLASTIC HUB CAP "	1	1	1	
5	611083	. GASKET HUB CAP / "CR" STEEL	1	1	1	
5	611198	. GASKET HUB CAP / "CR" PLASTIC	1	1	1	
6	5001194	SCREW CAP HEX M12-1.75x35 G8.8 ZP	5	5	5	
7	500810	WASHER LO SPT 12.2x21.1x2.5 Z050	5	5	5	
8	611001	CAP / WHEEL SUPPORT / PLAIN To S-290	1	1	1	
8	611058	CAP / WHEEL SUPPORT / USE W/HUB CAP ITEM # 3 From S-291 To V-2068	1	1	1	
9	611002	O-RING / 6 1/4 I.D. X 1/8" To V-2068	1	1	1	
10	611004	NUT ADJUSTING M45-2	1	1	1	
. NS	490845	. TOOL / NUT WHEEL BEARING ADJUSTMENT	1	1	1	
. NS	684735	. TOOL / NUT WHEEL BEARING ADJUSTMENT / TORQUE	1	1	1	
. NS	MI03-24	. SEE MAINTENANCE INFORMATION	1	1	1	
11	500054	SCREW CAP HEX 3/8-24x2 1/2 G5 ZP	1	1	1	
12	500704	NUT HEX STO 3/8-24 Z050	1	1	1	
13	611003	LOCK PLATE	1	1	1	
14	610126	CONE BEARING / OUTER WHEEL BEARING	1	1	1	
15	611006	HUB WHEEL / W/STANDARD WHEEL To S-290	1	1	1	B G
15	611084	HUB WHEEL / W/STANDARD WHEEL From S-291 To W-2084	1	1	1	
15	611202	HUB WHEEL / W/STANDARD WHEEL From W-2085	1	1	1	
16	610125	CUP BEARING / OUTER WHEEL BEARING	1	1	1	
17	610997	CUP BEARING / INNER WHEEL BEARING	1	1	1	
18	610995	STUD / L.H. / W/STUD-MOUNT WHEEL	10	10	10	
18	610996	STUD / R.H. / W/STUD-MOUNT WHEEL	10	10	10	
18	610994	STUD / R.H. / W/HUB-MOUNT WHEEL 7/8-14 To W-2284	10	10		
18	611190	STUD / R.H. / W/HUB-MOUNT WHEEL M22-1.5 x 76MM From W-2285	10	10		
19	610176	NUT R.H. 1 1/8-16 / STUD MOUNT WHEEL	10	10	10	
19	610175	NUT L.H. 1 1/8-16 / STUD MOUNT WHEEL	10	10	10	
19	610774	NUT R.H. / W/HUB-MOUNT WHEEL 7/8-14 To W-2284	10	10		
19	611189	NUT R.H. / W/HUB-MOUNT WHEEL M22-1.5 / 30MM TH From W-2285	10	10		
21	611007	SCREW CAP HEXF SERR M16-1.5x50 G10.9	10	10	10	
22	610998	CONE BEARING / INNER WHEEL BEARING To S-290	1	1	1	
22	611087	CONE BEARING / INNER WHEEL BEARING From S-291	1	1	1	
23	610999	SEAL ASSY / W/GREACE To S-290	1	1	1	B

From R-020 To W-2084	Date:10/2022	PAGE:H3-1310-02
HUB & ROTOR - TAG AXLE TYPE TS5		

Item#	Part	Description	H 3 4 1	H 3 4 5	V I P 4 5	N O T E S
23	611081	SEAL ASSY/ WHEEL BEARING W/OIL From S-291	1	1	1	
23	611247	SEAL ASSY/ WHEEL BEARING W/OIL From S-291	1	1	1	
23	611174	SEAL ASSY / W/OIL / "SCOTT-SEAL PLUS" From S-291	AR	AR	AR	
24	611005	WIPER / SPACER BEARING / W/GREACE 4.750" O.D. To S-290	1	1	1	
24	611082	WIPER / SPACER BEARING / W/OIL SEAL & GREASE 4-625" O.D. To S-290	1	1	1	A
24		WIPER / SPACER BEARING ARE NOT REQUIRE, IT PART OF SPINDLE From S-291				K
NS	611085	ROLLER PIN / M6 X 20MM / W/OIL To S-290	1	1	1	A
25	611188	ROTOR SOLID	1	1	1	B
25	611456	ROTOR VENTED	1	1	1	E
30	H3-1245-03	BRAKE PARTS - TAG AXLE - W/"KNORR-BREMSE" / SB7 SERIES From R-020 To V-1689				
30	H3-1245-04	BRAKE PARTS - TAG AXLE - W/"KNORR-BREMSE" / SB7 SERIES From V-1690				
30	H3-1225-99	BRAKE PARTS "KNORR-BREMSE" SN7 SERIES / SERVICE				
31	H3-1245-12	BRAKE CHAMBER - TAG AXLE "KNORR-BREMSE"				
32	H3-1615-02	TAG AXLE - INSTALL SUSPENSION				
33	611933	SEAL ASSY/ WHEEL BEARING W/OIL To S-290	1	1	1	E H
33	611081	SEAL ASSY/ WHEEL BEARING W/OIL From S-291	1	1	1	
33	611247	SEAL ASSY/ WHEEL BEARING W/OIL From S-291	1	1	1	
34	611082	WIPER / SPACER BEARING / W/OIL SEAL & GREASE 4-625" O.D. To S-290	1	1	1	A
34		WIPER / SPACER BEARING ARE NOT REQUIRE, IT PART OF SPINDLE From S-291	1	1	1	K
35	611934	HUB WHEEL / W/STANDARD WHEEL To S-290	1	1	1	E
35	611259	HUB WHEEL / W/METRIC WHEEL To S-290	1	1	1	
36	611250	HUB CAP / ALUMINUM / "STEMCO" SENTINEL / W/"GKN" AXLE	1	1	1	
36	611243	HUB CAP / W/GREASE ONLY	1	1	1	
38	611046	SPINDLE / WITH MODEL "G.K.N." (TS5) To S-290	1	1	1	
38	611206	SPINDLE / WITH MODEL "G.K.N." (TS5) From S-291	1	1	1	K
NS	684644	SEAL INSTALLER TOOL / FRT & TAG TS-5	1	1	1	
NS	611068	KIT TO CONVERT HUB GREASE BEARING TO OIL BATH To S-290 INCLUDING ITEMS #1, 2, 3, 4, 5, 6, 7, 8, 14, To S-290 15, 16, 17, 20, 22, 23, 24 & 24NS To S-290	1	1	1	
41	611327	KIT, RETROFIT TAG AXLE / UNITISED TS8U From R-020	1	1	1	
. NS	611302	. SPINDLE / WITH MODEL "G.K.N." (TS8U UNITISED) From R-020	2	2	2	
. NS	611949	. HUB NUT 1 3/4-8 From R-020	2	2	2	
. NS	611948	. THRUST WASHER From R-020	2	2	2	
. NS	611955	. SCREW CAP HEXF M14-1.5x78 G12.9 N500 From R-020	28	28	28	
. NS	611301	. HUB FLANGE From R-020	2	2	2	
. NS	611953	. HUB ASSY / UNITISED L.H. & R.H. "TIMKEN" From R-020	2	2	2	
. NS	611300	. ROTOR VENTED From R-020	2	2	2	
. NS	500781	. NUT HEX STO M16-2.0 DP From R-020	16	16	16	
. NS	N.P.N.	. WASHER From R-020	16	16	16	4

From R-020 To W-2084	Date:10/2022	PAGE:H3-1310-02
HUB & ROTOR - TAG AXLE TYPE TS5		

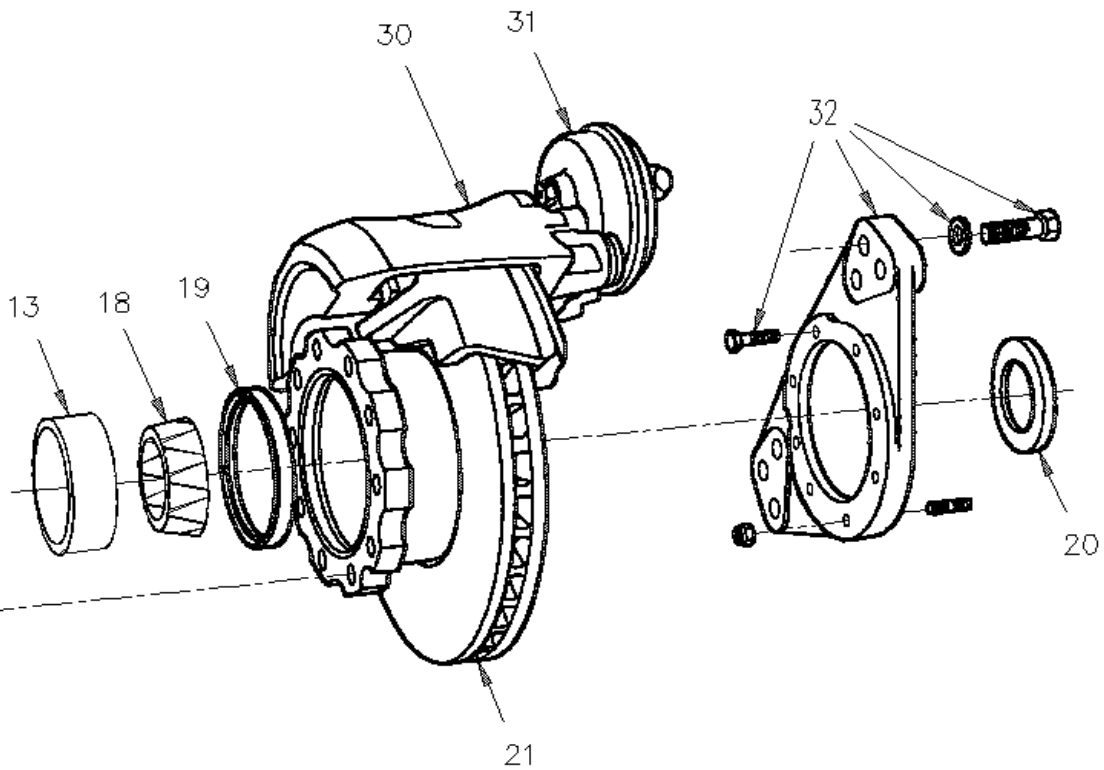
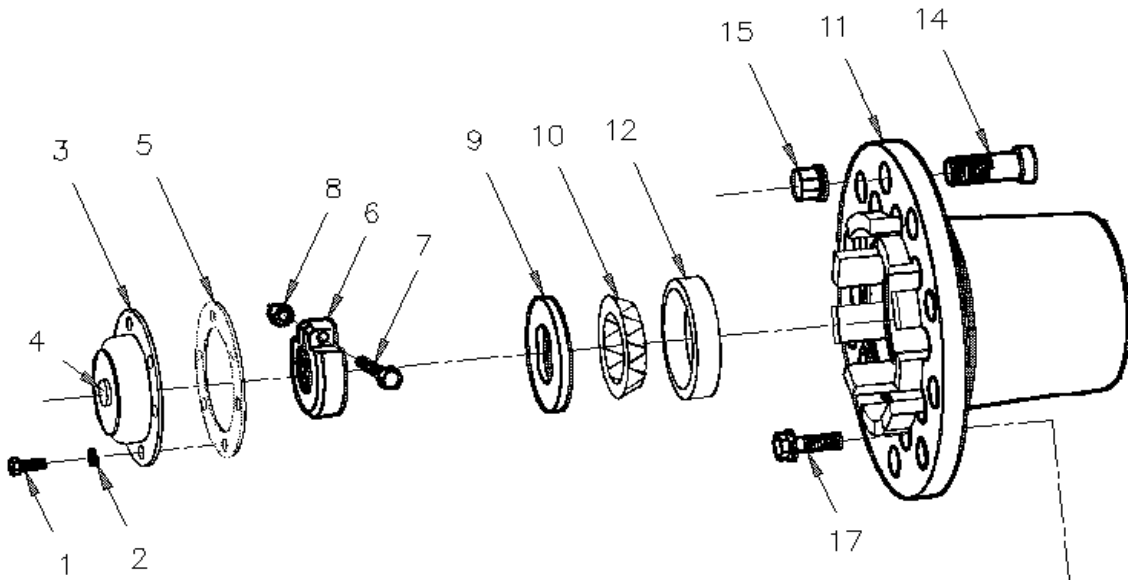
Item#	Part	Description	H 3 4 1	H 3 4 5	V I P 4 5	N O T E S
		A) THOSE PARTS ARE USE ONLY W/KIT #611068				
		B) PRODUCTION				
		C) TO USE W/PLASTIC HUB CAP				
		D) TO USE W/STEEL HUB CAP				
		E) SERVICE				
		G) WITH CURRENT HUB IN SERVICE YOU DISCARD ITEM # 8 & 9				
		H) THIS SEAL HAS 6" O.D.				
		K) WITH KNUCKLE # 611204 & 611205 IT NOT REQUIRE IT ONE PIECE KNUCKLE WITH WIPER SEAL W/MESUREMENT = 4.750" O.D.				
		4) NO PARTS NUMBER				

From W-2085 To W-2488

Date:10/2022

PAGE:H3-1310-03

HUB & ROTOR - TAG AXLE TYPE TS5



From W-2085 To W-2488	Date:10/2022	PAGE:H3-1310-03
HUB & ROTOR - TAG AXLE TYPE TS5		

Item#	Part	Description	H 3 4 1	H 3 4 5	V I P 4 5	N O T E S
1	502790	SCREW CAP HEX M8-1.25x20 G8.8 Z050	6	6	6	
2	5001003	WASHER LO SPT 8.1x12.7x2.0 Z050	6	6	6	
3	611196	HUB CAP / PLASTIC "CR" To X-3009	1	1	1	
.01	M107-04	. SEE MAINTENANCE INFORMATION To X-3009	1	1	1	
3	611243	HUB CAP / W/GREASE ONLY	1	1	1	
4	611197	. PLUG VENT / BLACK / USE W/PLASTIC HUB CAP "	1	1	1	
5	611198	. GASKET HUB CAP / "CR" PLASTIC To X-3009	1	1	1	
6	611004	NUT ADJUSTING M45-2	1	1	1	
.NS	490845	. TOOL / NUT WHEEL BEARING ADJUSTMENT	1	1	1	
.NS	684735	. TOOL / NUT WHEEL BEARING ADJUSTMENT / TORQUE	1	1	1	
.NS	M103-24	. SEE MAINTENANCE INFORMATION	1	1	1	
7	500054	SCREW CAP HEX 3/8-24x2 1/2 G5 ZP	1	1	1	
8	500704	NUT HEX STO 3/8-24 Z050	1	1	1	
9	611003	LOCK PLATE	1	1	1	
10	610126	CONE BEARING / OUTER WHEEL BEARING	1	1	1	
11	611202	HUB WHEEL / W/STANDARD WHEEL	1	1	1	
12	610125	CUP BEARING / OUTER WHEEL BEARING	1	1	1	
13	610997	CUP BEARING / INNER WHEEL BEARING	1	1	1	
14	610996	STUD / R.H. / W/STUD-MOUNT WHEEL	10	10	10	
14	610995	STUD / L.H. / W/STUD-MOUNT WHEEL	10	10	10	
14	611190	STUD / R.H. / W/HUB-MOUNT WHEEL M22-1.5 x 76MM	10	10		
14	611208	STUD / R.H. / W/HUB-MOUNT WHEEL 7/8-14	10	10		C
15	610175	NUT L.H. 1 1/8-16 / STUD MOUNT WHEEL	10	10	10	
15	610176	NUT R.H. 1 1/8-16 / STUD MOUNT WHEEL	10	10	10	
15	611189	NUT R.H. / W/HUB-MOUNT WHEEL M22-1.5 / 30MM TH	10	10		
15	610773	NUT R.H. / W/HUB-MOUNT WHEEL 7/8-14	10	10		C
17	611007	SCREW CAP HEXF SERR M16-1.5x50 G10.9	10	10	10	
18	611087	CONE BEARING / INNER WHEEL BEARING	1	1	1	
19	611081	SEAL ASSY/ WHEEL BEARING W/OIL	1	1	1	
19	611247	SEAL ASSY/ WHEEL BEARING W/OIL	1	1	1	
19	611174	SEAL ASSY / W/OIL / "SCOTT-SEAL PLUS"	AR	AR	AR	
21	611188	ROTOR SOLID	1	1	1	A
21	611456	ROTOR VENTED	1	1	1	B
30	H3-1225-04	BRAKE PARTS - FRONT AXLE - W/"KNORR-BREMSE" / SB7 SERIES				
30	H3-1225-99	BRAKE PARTS "KNORR-BREMSE" SN7 SERIES / SERVICE				
31	H3-1225-12	BRAKE CHAMBER - FRONT AXLE TYPE 22				
32	H3-1615-02	TAG AXLE - INSTALL SUSPENSION				
NS	684644	SEAL INSTALLER TOOL / FRT & TAG TS-5	1	1	1	
		A) PRODUCTION				

From W-2085 To W-2488	Date:10/2022	PAGE:H3-1310-03
-----------------------	--------------	-----------------

HUB & ROTOR - TAG AXLE TYPE TS5

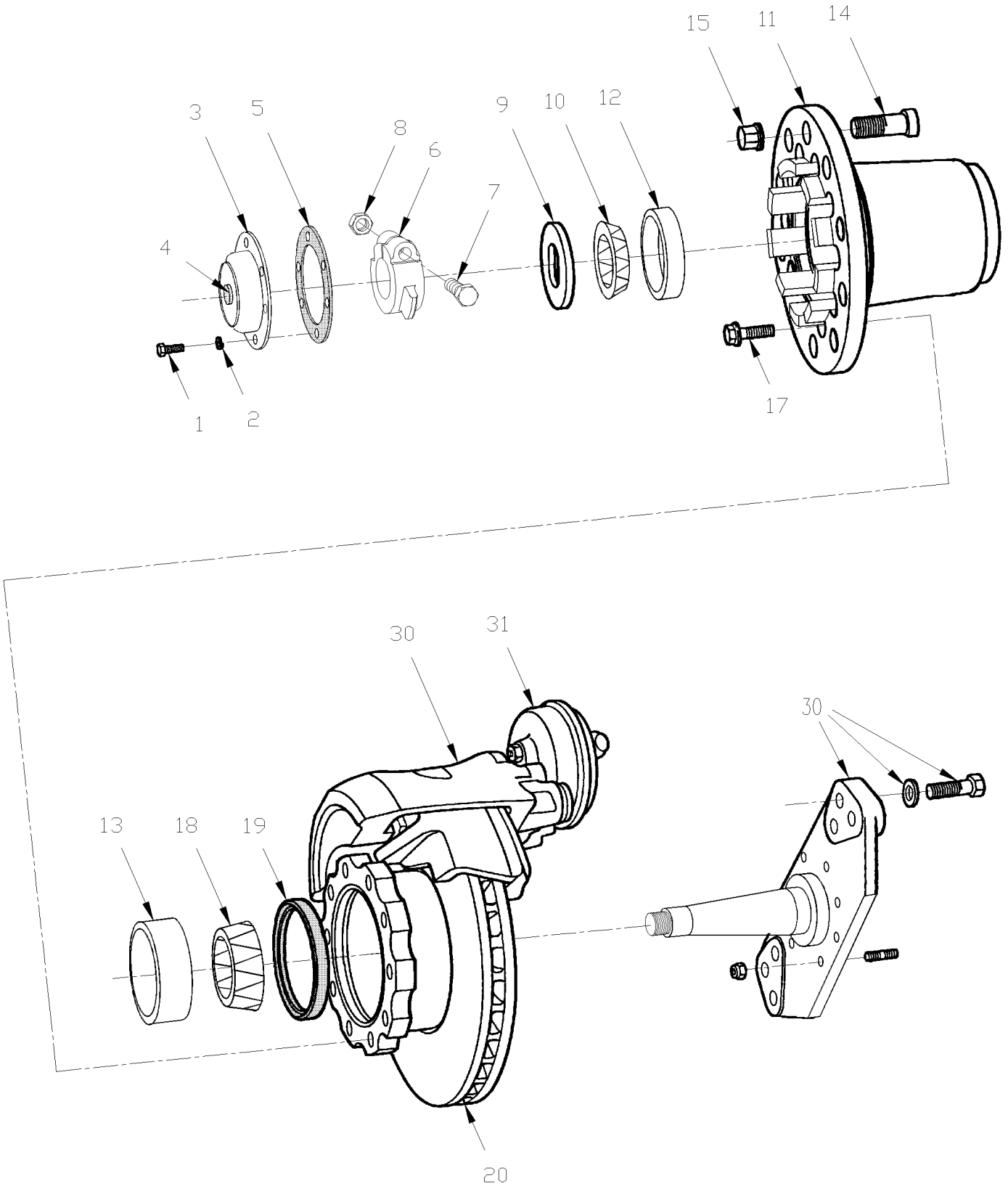
Item#	Part	Description	H 3 4 1	H 3 4 5	V I P 4 5	N O T E S
		B) SERVICE				
		C) CUSTOMER SPECIAL "OPTION"				

From W-2489 To 2-4416

Date:10/2022

PAGE:H3-1310-04

HUB & ROTOR - TAG AXLE TYPE TS6



From W-2489 To 2-4416	Date:10/2022	PAGE:H3-1310-04
HUB & ROTOR - TAG AXLE TYPE TS6		

Item#	Part	Description	H 3 4 1	H 3 4 5	V I P 4 5	N O T E S
1	502790	SCREW CAP HEX M8-1.25x20 G8.8 Z050	6	6	6	
2	5001003	WASHER LO SPT 8.1x12.7x2.0 Z050	6	6	6	
3	611196	HUB CAP / PLASTIC "CR" To X-3008	1	1	1	
. 01	M107-04	. SEE MAINTENANCE INFORMATION To X-3008	1	1	1	
3	611210	HUB CAP / ALUMINUM / "STEMCO" From X-3009	1	1	1	
. NS	M107-04	. SEE MAINTENANCE INFORMATION From X-3009	1	1	1	
3	611243	HUB CAP / W/GREASE ONLY	1	1	1	
4	611197	PLUG VENT / BLACK / USE W/PLASTIC HUB CAP " To X-3008	1	1	1	
4	611242	PLUG VENT / RED / W/ALU HUB CAP "STEMCO" From X-3009	1	1	1	
5	611198	GASKET HUB CAP / "CR" PLASTIC To X-3008	1	1	1	
5	611261	GASKET HUB CAP / "STEMCO" From X-3009	1	1	1	
6	611217	NUT ADJUSTING / 1"3/8-12	1	1	1	
. NS	490912	. TOOL / NUT WHEEL BEARING ADJUSTMENT	1	1	1	
. NS	684734	. TOOL / NUT WHEEL BEARING ADJUSTMENT / TORQUE	1	1	1	
. NS	M103-24	. SEE MAINTENANCE INFORMATION	1	1	1	
7	500052	SCREW CAP HEX 3/8-24x2 G5 ZP	1	1	1	
8	500704	NUT HEX STO 3/8-24 Z050	1	1	1	
9	611218	WASHER / "D" BEARING	1	1	1	
10	611219	CONE BEARING / OUTER WHEEL BEARING	1	1	1	A
11	611215	HUB WHEEL / W/STANDARD WHEEL To 2-4373	1	1	1	
11	611260	HUB WHEEL / W/METRIC WHEEL From 2-4374	1	1	1	
12	611221	CUP BEARING / OUTER WHEEL BEARING	1	1	1	A
13	611220	CUP BEARING / INNER WHEEL BEARING	1	1	1	B
14	610996	STUD / R.H. / W/STUD-MOUNT WHEEL	10	10	10	
14	610995	STUD / L.H. / W/STUD-MOUNT WHEEL	10	10	10	
14	611190	STUD / R.H. / W/HUB-MOUNT WHEEL M22-1.5 x 76MM	10	10	10	
14	611207	STUD / R.H. / W/HUB-MOUNT WHEEL M22-1.5 x 81MM	10	10	10	
14	611208	STUD / R.H. / W/HUB-MOUNT WHEEL 7/8-14	10	10		C
15	610175	NUT L.H. 1 1/8-16 / STUD MOUNT WHEEL	10	10	10	
15	610176	NUT R.H. 1 1/8-16 / STUD MOUNT WHEEL	10	10	10	
15	611189	NUT R.H. / W/HUB-MOUNT WHEEL M22-1.5 / 30MM TH	10	10	10	
15	610773	NUT R.H. / W/HUB-MOUNT WHEEL 7/8-14	10	10		C
17	611007	SCREW CAP HEXF SERR M16-1.5x50 G10.9	10	10	10	
18	611222	CONE BEARING / INNER WHEEL BEARING	1	1	1	B
19	611081	SEAL ASSY/ WHEEL BEARING W/OIL	1	1	1	
19	611247	SEAL ASSY/ WHEEL BEARING W/OIL	1	1	1	
19	611174	SEAL ASSY / W/OIL / "SCOTT-SEAL PLUS"	AR	AR	AR	
20	611188	ROTOR SOLID	1	1	1	
20	611456	ROTOR VENTED	1	1	1	
30	H3-1245-04	BRAKE PARTS - TAG AXLE - W/"KNORR-BREMSE" / SB7 SERIES				
30	H3-1225-99	BRAKE PARTS "KNORR-BREMSE" SN7 SERIES / SERVICE				
31	H3-1245-12	BRAKE CHAMBER - TAG AXLE "KNORR-BREMSE"				

From W-2489 To 2-4416	Date:10/2022	PAGE:H3-1310-04
HUB & ROTOR - TAG AXLE TYPE TS6		

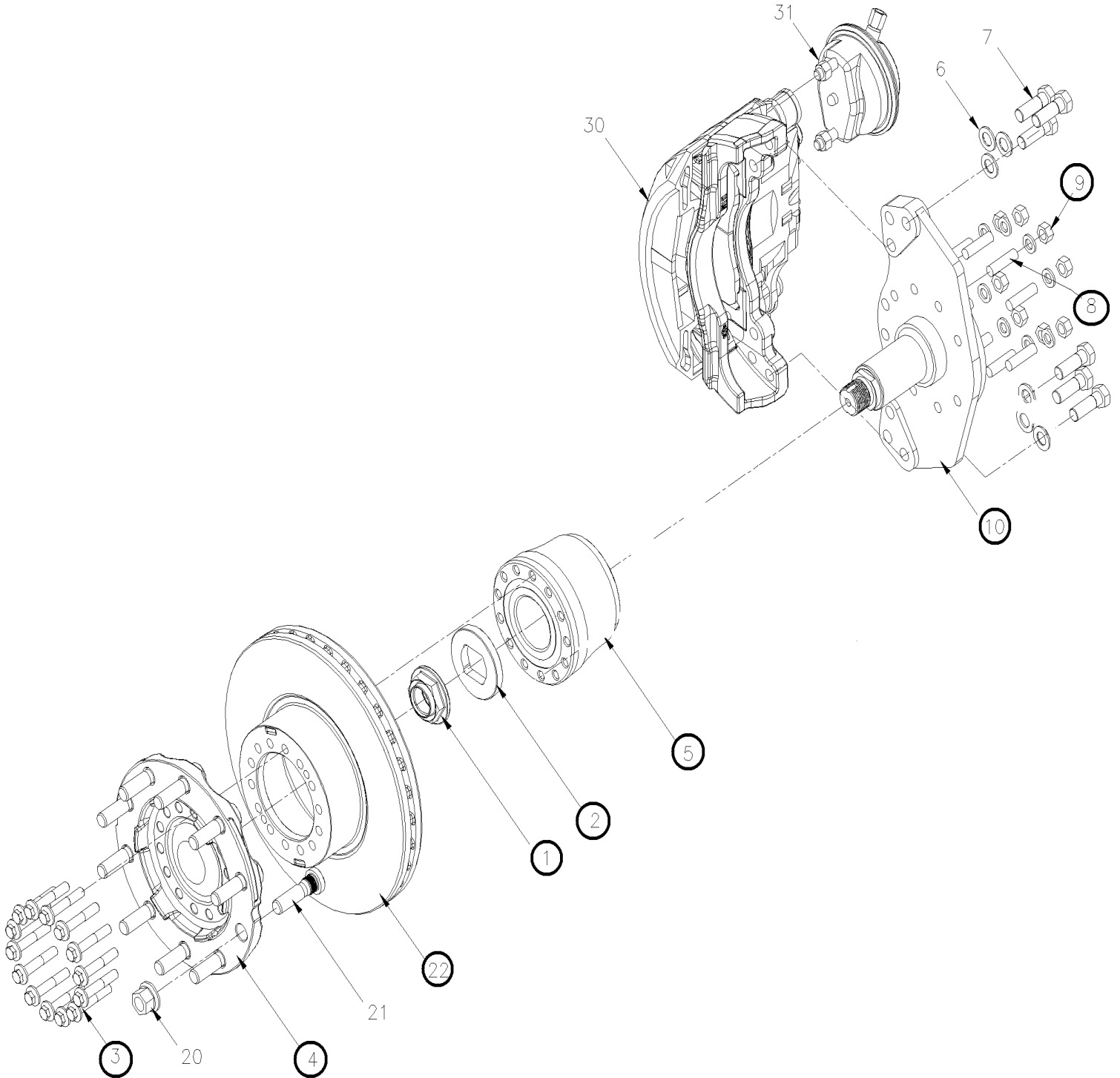
Item#	Part	Description	H 3 4 1	H 3 4 5	V I P 4 5	N O T E S
32	H3-1615-02	TAG AXLE - INSTALL SUSPENSION				
NS	684645	SEAL INSTALLER TOOL / TAG TS-6	1	1	1	
		A) THIS CUP & CONE SOLD ONLY IN KIT #611228				
		B) THIS CUP & CONE SOLD ONLY IN KIT #611227				
		C) CUSTOMER SPECIAL "OPTION"				

From R-020 To 2-4416

Date:10/2022

PAGE:H3-1310-99

HUB & ROTOR - TAG AXLE TYPE TS8U RETROFIT "UNITISED" BEARING



From R-020 To 2-4416	Date:10/2022	PAGE:H3-1310-99
-----------------------------	---------------------	------------------------

HUB & ROTOR - TAG AXLE TYPE TS8U RETROFIT "UNITISED" BEARING

Item#	Part	Description	H 3 4 1	H 3 4 5	V I P 4 5	N O T E S
	 "WARNING" - "WARNING" - "WARNING"				
		THIS KIT DO NOT INCLUDE CALIPERS & BRAKE CHAMBER				
		KIT INCLUDE PARTS W/GREEN SPOT W/CIRCLE				
	611327	KIT, RETROFIT TAG AXLE / UNITISED TS8U	1	1	1	
. NS	611302	. SPINDLE / WITH MODEL "G.K.N." (TS8U UNITISED)	2	2	2	
. NS	611949	. HUB NUT 1 3/4-8	2	2	2	
. NS	611948	. THRUST WASHER	2	2	2	
. NS	611955	. SCREW CAP HEXF M14-1.5x78 G12.9 N500	28	28	28	
. NS	611301	. HUB FLANGE	2	2	2	
. NS	611953	. HUB ASSY / UNITISED L.H. & R.H. "TIMKEN"	2	2	2	
. NS	611300	. ROTOR VENTED	2	2	2	
. NS	500781	. NUT HEX STO M16-2.0 DP	16	16	16	
. NS	N.P.N.	. WASHER	16	16	16	4
1	611949	HUB NUT 1 3/4-8	2	2	2	
2	611948	THRUST WASHER	2	2	2	
3	611955	SCREW CAP HEXF M14-1.5x78 G12.9 N500	28	28	28	S
4	611301	HUB FLANGE	2	2	2	
5	611953	HUB ASSY / UNITISED L.H. & R.H. "TIMKEN"	2	2	2	S
5	611471	HUB ASSY / UNITISED L.H. & R.H. "FAG" ASSY W/"ABS" RING	2	2	2	S
. NS	N.S.S.	. TOOTH WHEEL	1	1	1	1 S
. NS	509939	. SCREW DRV RND #4x1/4 SS	3	3	3	S
6	611044	WASHER FL HARD 21.0x37.0x3.0 N500	12	12	12	
7	5001193	SCREW CAP HEX M20-2.5x65 G10.9 ZP	12	12	12	
8	611048	STUD / M16-2.0 x 60MM	16	16	16	
NS	502884	WASHER LO SPT 16.2x27.4x3.5 N500	16	16	16	
9	502588	NUT HEX M16-2.0 ZP	16	16	16	
10	611302	SPINDLE / WITH MODEL "G.K.N." (TS8U UNITISED)	2	2	2	
NS	491115	TOOL, HUB INSTALLER W/UNITISED BEARING / 70MM	AR	AR	AR	
. NS	NDS8	. MAINTENANCE INSTRUCTION	1	1	1	
20	20434082	NUT R.H. / W/HUB-MOUNT WHEEL M22-1.5 / 27 MM TH	10	10	10	
21	611207	STUD / R.H. / W/HUB-MOUNT WHEEL M22-1.5 x 81MM	10	10	10	
22	611300	ROTOR VENTED	2	2	2	
30	H3-1245-03	BRAKE PARTS - TAG AXLE - W/"KNORR-BREMSE" / SB7 SERIES To V-1689				
30	H3-1245-04	BRAKE PARTS - TAG AXLE - W/"KNORR-BREMSE" / SB7 SERIES From V-1690				
30	H3-1225-99	BRAKE PARTS "KNORR-BREMSE" SN7 SERIES / SERVICE				
30	H3-1225-97	BRAKE PARTS "KNORR-BREMSE" SN7 SERIES W/NEW SLIDE PINS				
31	H3-1245-12	BRAKE CHAMBER - TAG AXLE "KNORR-BREMSE"				
NS	MI08-04	SEE MAINTENANCE INFORMATION	1	1	1	

From R-020 To 2-4416	Date:10/2022	PAGE:H3-1310-99
----------------------	--------------	-----------------

HUB & ROTOR - TAG AXLE TYPE TS8U RETROFIT "UNITISED" BEARING

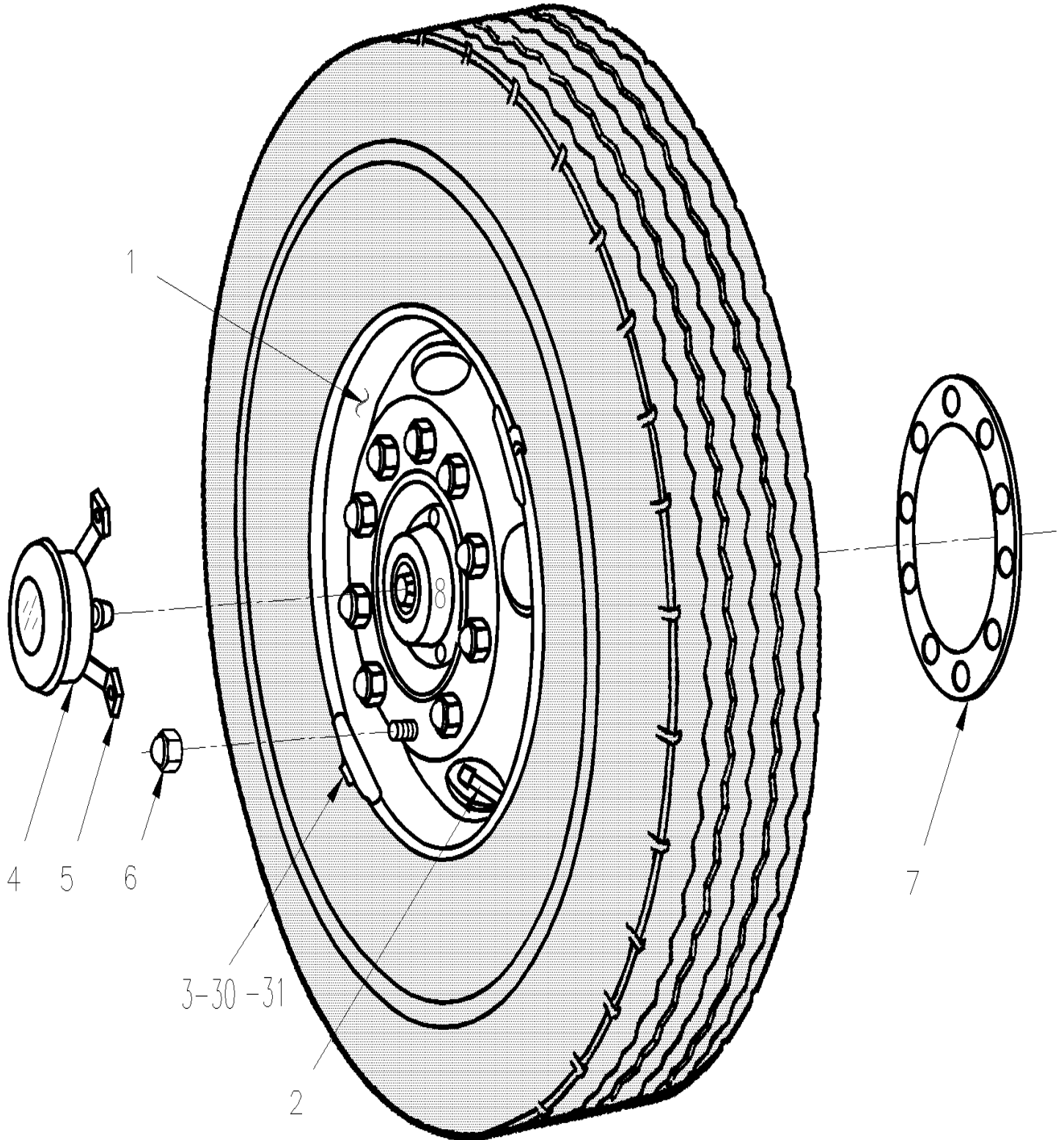
Item#	Part	Description	H 3 4 1	H 3 4 5	V I P 4 5	N O T E S
		S) REPLACED ALL BOLTS EACH TIME WHEN YOU DISASSEMBLED OR UNSCREWED THE HUB				
		1) NOT SOLD SEPARATELY				
		4) NO PARTS NUMBER				

From R-012 To 2-4373

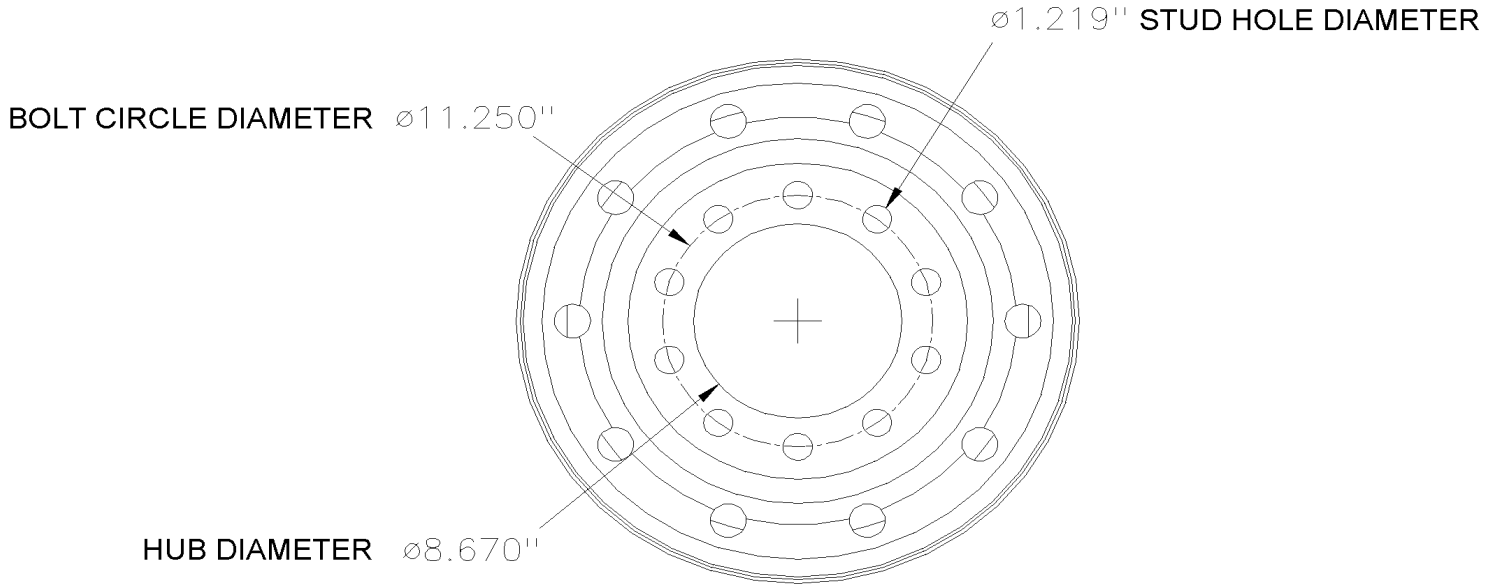
Date:10/2022

PAGE:H3-1318-00

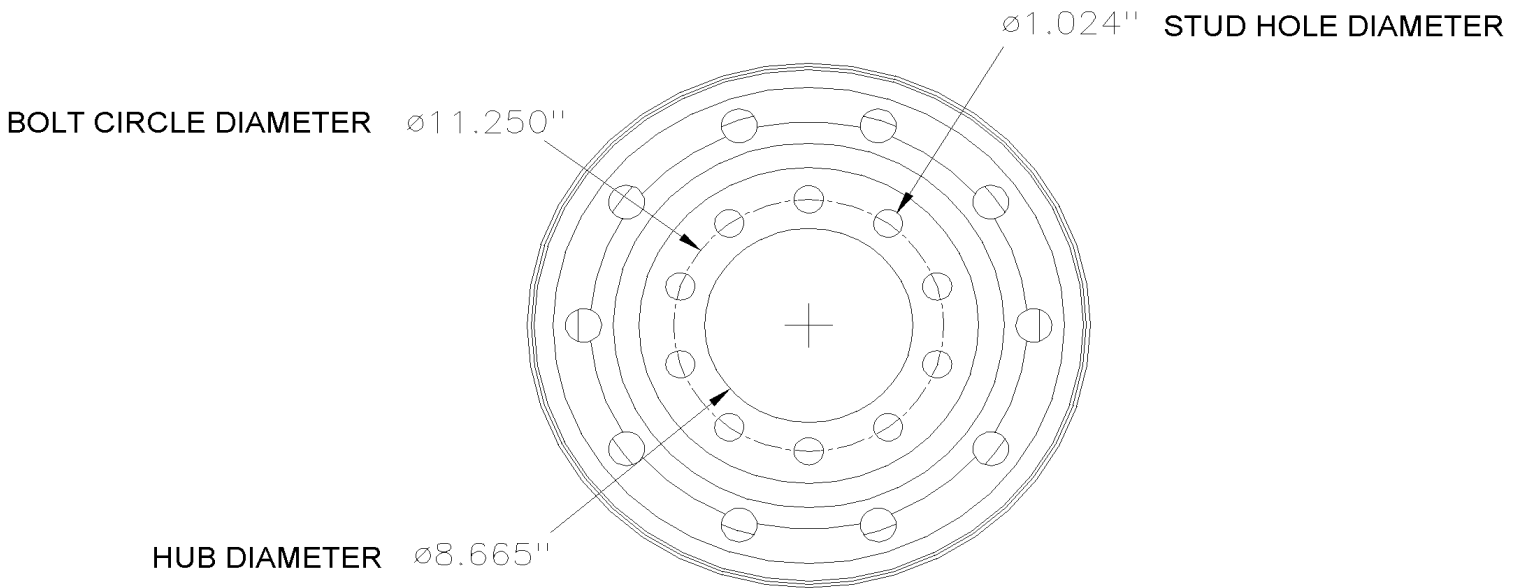
WHEELS & COMPONENTS - BUS MOUNT (STANDARD)



From R-012 To 2-4373	Date:10/2022	PAGE:H3-1318-00
WHEELS & COMPONENTS - BUS MOUNT (STANDARD)		



BUS MOUNT STANDARD



TRUCK MOUNT METRIC

From R-012 To 2-4373	Date:10/2022	PAGE:H3-1318-00
WHEELS & COMPONENTS - BUS MOUNT (STANDARD)		

Item#	Part	Description	H 3 4 1	H 3 4 5	V I P 4 5	N O T E S
		STEEL WHEELS / STUD MOUNTED				
1	650162	WHEEL, STEEL STUD 22.5 X 9.00 / WHITE / 2 HAND HOLE PC	AR	AR	AR	
1	650200	WHEEL, STEEL STUD 22.5 X 9.00 / GREY / 2 HAND HOLE	AR	AR	AR	
		STEEL WHEELS / HUB-MOUNTED				
1	650179	WHEEL, STEEL HUB 22.5 X 9.00 / WHITE	AR	AR	AR	
1	650213	WHEEL, STEEL HUB 22.5 X 9.00 / WHITE / POWDER COAT	AR	AR	AR	
		ALUMINIUM WHEELS / STUD-MOUNTED				
1	650190	WHEEL, ALU. STUD 22.5 X 9.00 / INSIDE POLISH	AR	AR	AR	
1	650191	WHEEL, ALU. STUD 22.5 X 9.00 / OUTSIDE POLISH	AR	AR	AR	
		ALUMINIUM WHEELS / HUB-MOUNTED				
1	650185	WHEEL, ALU. HUB 22.5 X 9.00 / INSIDE POLISH	AR	AR	AR	
1	650186	WHEEL, ALU. HUB 22.5 X 9.00 / OUTSIDE POLISH	AR	AR	AR	
1	650222	WHEEL, ALU. HUB 22.5 X 9.00 / BOTH SIDE POLISH	AR	AR	AR	
		VALVES - VALVE EXTENTION & HOLDER				
2	150293	VALVE / W/STEEL WHEEL / "KNORR-BREMSE " BRAKE -	AR	AR	AR	A
2	650194	VALVE / W/ALUMINUM WHEEL / 1.38" LG W/60 deg	AR	AR	AR	
NS	650164	. CAP VALVE / CHROME	AR	AR	AR	
NS	650151	. CAP VALVE / STD	AR	AR	AR	
NS	650008	. SPRING VALVE	AR	AR	AR	
NS	650205	. SPRING VALVE 21116	AR	AR	AR	B
2	650201	EXTENSION VALVE 1 3/8" LG	AR	AR	AR	
NS	650188	EXTENSION VALVE / 7" LG	AR	AR	AR	
NS	650178	RUBBER HOLDER / 1.5" O.D. / EXTENSION VALVE	AR	AR	AR	
		WEIGHTS				
3	650062	WEIGHT BALANCING / W/STEEL WHEEL / 2 OZ	AR	AR	AR	
3	650063	WEIGHT BALANCING / W/STEEL WHEEL / 3 OZ	AR	AR	AR	
3	650064	WEIGHT BALANCING / W/STEEL WHEEL / 4 OZ	AR	AR	AR	
3	650065	WEIGHT BALANCING / W/STEEL WHEEL / 6 OZ	AR	AR	AR	
3	650066	WEIGHT BALANCING / W/STEEL WHEEL / 8 OZ	AR	AR	AR	
3	650067	WEIGHT BALANCING / W/STEEL WHEEL / 10 OZ	AR	AR	AR	
3	650068	WEIGHT BALANCING / W/STEEL WHEEL / 12 OZ	AR	AR	AR	

From R-012 To 2-4373	Date:10/2022	PAGE:H3-1318-00
WHEELS & COMPONENTS - BUS MOUNT (STANDARD)		

Item#	Part	Description	H 3 4 1	H 3 4 5	V I P 4 5	N O T E S
3	650069	WEIGHT BALANCING / W/STEEL WHEEL / 14 OZ	AR	AR	AR	
3	650070	WEIGHT BALANCING / W/STEEL WHEEL / 16 OZ	AR	AR	AR	
3	650175	WEIGHT BALANCING / W/ALUMINUM WHEEL / INT. & EXT. / 2 OZ	AR	AR	AR	
3	650109	WEIGHT BALANCING / W/ALUMINUM WHEEL / INT. & EXT. / 3 OZ	AR	AR	AR	
3	650110	WEIGHT BALANCING / W/ALUMINUM WHEEL / EXT. ON 4 OZ	AR	AR	AR	
3	650114	WEIGHT BALANCING / W/ALUMINUM WHEEL / INT. ON 4 OZ	AR	AR	AR	
3	650111	WEIGHT BALANCING / W/ALUMINUM WHEEL / EXT. ON 6 OZ	AR	AR	AR	
3	650115	WEIGHT BALANCING / W/ALUMINUM WHEEL / INT. ON 6 OZ	AR	AR	AR	
3	650112	WEIGHT BALANCING / W/ALUMINUM WHEEL / EXT. ON 8 OZ	AR	AR	AR	
3	650116	WEIGHT BALANCING / W/ALUMINUM WHEEL / INT. ON 8 OZ	AR	AR	AR	
3	650192	WEIGHT BALANCING / W/ALUMINUM WHEEL / W/ADHES 6 OZ	AR	AR	AR	
3	650206	WEIGHT BALANCING / POWDER (12 OZ BAG)	AR	AR	AR	
		HUBODOMETER				
4	650002	HUBODOMETER, COMPLETE 11 X 20 & 12 X 22.5 MPH / STEMCO	AR	AR		
4	650117	HUBODOMETER, COMPLETE 11 X 20 & 12 X 22.5 KMH / STEMCO	AR	AR		
4	590216	HUBODOMETER, COMPLETE 11 X 20 & 12 X 22.5 KMH / V.D.O.	AR	AR		
4	650174	HUBODOMETER, COMPLETE / FOR 295/80 KMH	AR	AR		
5	650106	HUBODOMETER BRACKET / W/10 STUDS AXLE SHAFT	AR	AR		
5	650145	HUBODOMETER BRACKET / W/8 STUDS AXLE SHAFT	AR	AR		
		OTHERS				
6	502221	CAP, PLASTIC CHROME / WHEEL NUT / HUB MOUNT	20	20		C
6	5001301	CAP, PLASTIC CHROME / WHEEL NUT / HUB MOUNT	40	40		D
6	502823	CAP, PLASTIC CHROME / WHEEL NUT / STUD MOUNT	60	60	60	
6	502223	CAP, PLASTIC WHITE / WHEEL NUT / STUD MOUNT	60	60	60	
6	5001339	CAP, PLASTIC CHROME / WHEEL NUT / HUB MOUNT / PUSH-ON TYPE	60	60	60	E
7	650134	WHEEL GUARD MYLAR / WHEEL & HUB	AR	AR	AR	
8	650224	HUB CAP PLASTIC CHROME W/NUT / STUD MOUNT	4	4	4	F
8	650225	HUB CAP PLASTIC CHROME W/NUT / STUD MOUNT	2	2	2	G
8	621673	HUB CAP PLASTIC CHROME W/NUT / STUD MOUNT	2	2	2	G
8	621683	HUB CAP PLASTIC CHROME W/NUT / HUB MOUNT	2	2	2	G
		VALVES - WITH TIRE PRESSURE SENSOR				
30	066446	DECAL / "WARNING DETECTOR INSIDE" / ENGLISH & FRANCAIS	1	1	1	
30	066445	DECAL / "WARNING DETECTOR INSIDE" / ENGLISH	1	1	1	
31	H3-1318-99	TIRE MONITOR - PRESSURE & TEMPERATURE "RETROFIT"				
NS	MI03-26A	SEE MAINTENANCE INFORMATION	1	1	1	

From R-012 To 2-4373	Date:10/2022	PAGE:H3-1318-00
WHEELS & COMPONENTS - BUS MOUNT (STANDARD)		

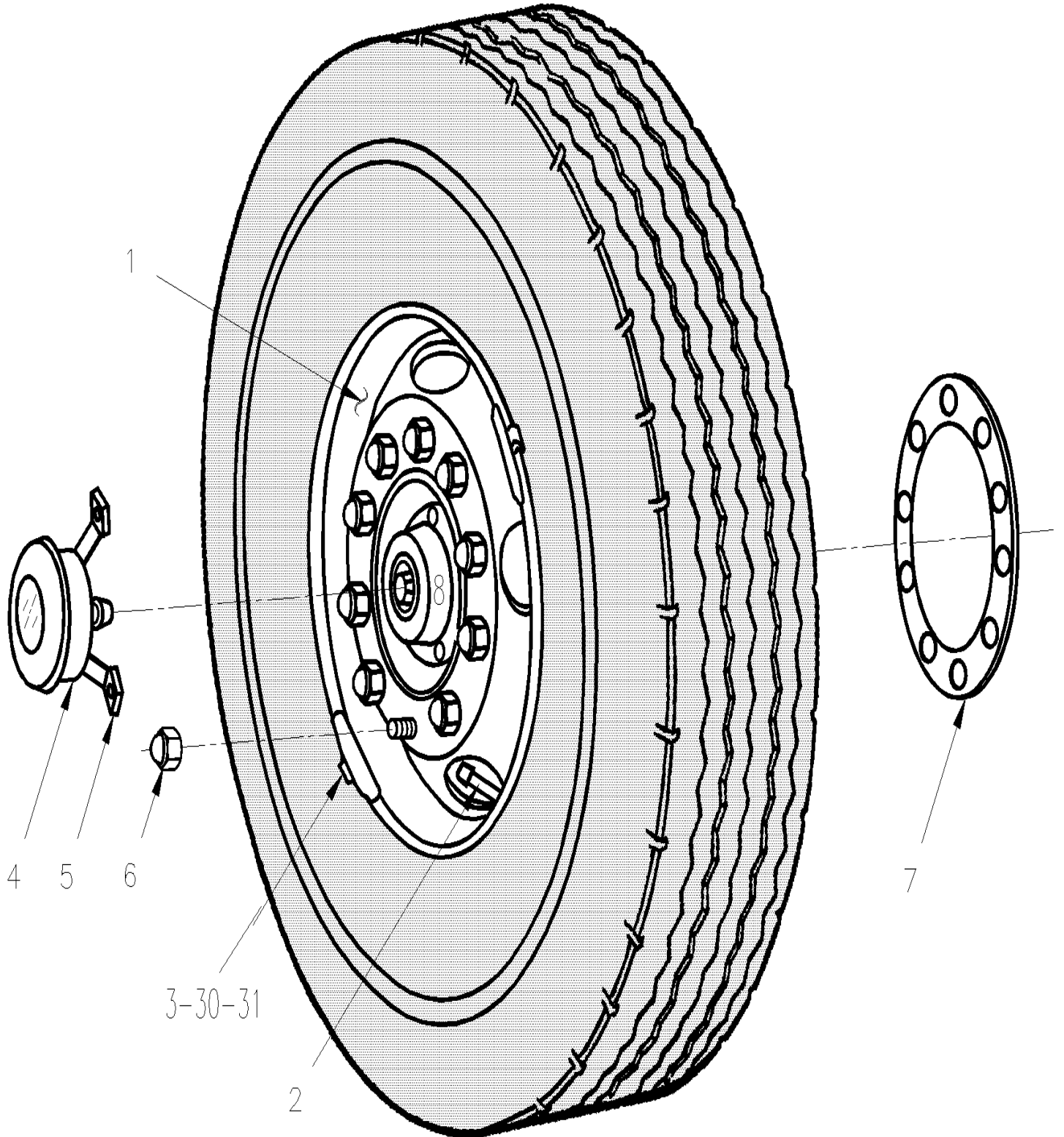
Item#	Part	Description	H 3 4 1	H 3 4 5	V I P 4 5	N O T E S
		A) USE THIS VALVE WITH ALLS STEEL WHEELS MOUNTED WITH "KNORR-BREMSE" BRAKE SYSTEM				
		B) USE THIS EXTENSION WITH POWDER BALANCING WEIGHT				
		C) TO USE WITH NUT 3/8"X 1"1/2 THICK (610774) / DRIVE AXLE				
		D) TO USE WITH NUT 29/32" X 1 "1/2 THICK (610773) / FRONT & TAG AXLE				
		E) TO USE WITH NUT 22MM X 33MM THICK (611189)				
		F) TO USE WITH FRONT & TAG WHEEL				
		G) TO USE WITH DRIVE AXLE WHEEL				

From 2-4374 To 2-4416

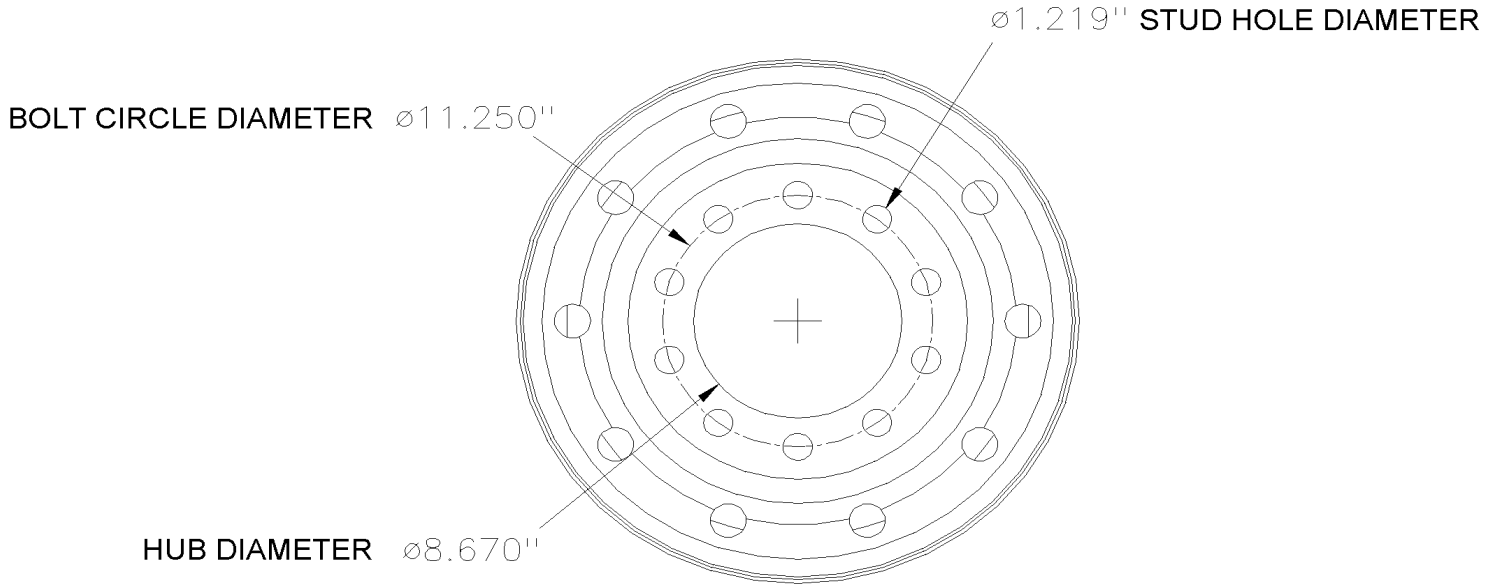
Date:10/2022

PAGE:H3-1318-01

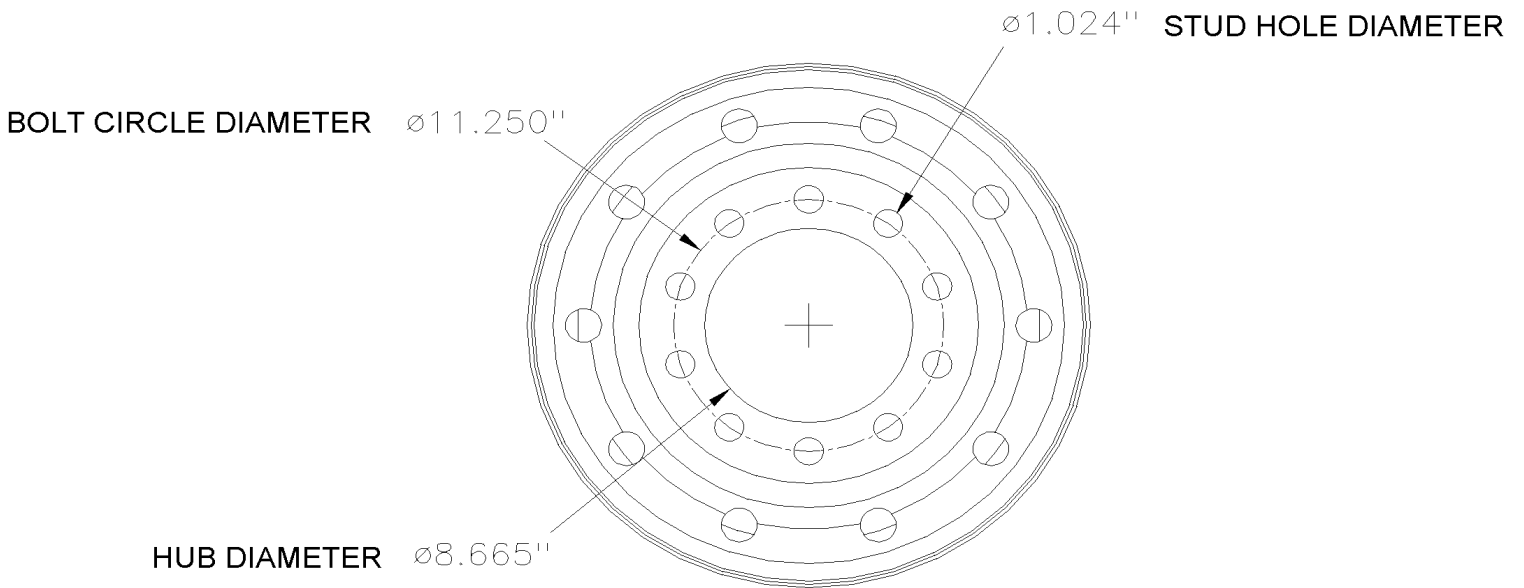
WHEELS & COMPONENTS - TRUCK MOUNT (METRIC)



From 2-4374 To 2-4416	Date:10/2022	PAGE:H3-1318-01
WHEELS & COMPONENTS - TRUCK MOUNT (METRIC)		



BUS MOUNT STANDARD



TRUCK MOUNT METRIC

From 2-4374 To 2-4416	Date:10/2022	PAGE:H3-1318-01
WHEELS & COMPONENTS - TRUCK MOUNT (METRIC)		

Item#	Part	Description	H 3 4 1	H 3 4 5	V I P 4 5	N O T E S
		STEEL WHEELS / HUB-MOUNTED				
1	650484	WHEEL, STEEL HUB 22.5 X 8.25 / WHITE / POWDER COAT	AR	AR	AR	
1	650486	WHEEL, STEEL HUB 22.5 X 9.00 / SILVER / POWDER COAT	AR	AR	AR	
1	650485	WHEEL, STEEL HUB 22.5 X 9.00 / WHITE / POWDER COAT	AR	AR	AR	
1	650487	WHEEL, STEEL HUB 22.5 X 8.25 / SILVER / POWDER COAT	AR	AR	AR	
1	650492	WHEEL, STEEL HUB 24.5 X 8.25 / SILVER / POWDER COAT	AR	AR	AR	
		ALUMINIUM WHEELS / HUB-MOUNTED				
1	650488	WHEEL, ALU. HUB 22.5 X 9.00 / INSIDE POLISH	AR	AR	AR	
1	650489	WHEEL, ALU. HUB 22.5 X 9.00 / OUTISIDE POLISH	AR	AR	AR	
1	650490	WHEEL, ALU. HUB 22.5 X 9.00 / BOTH SIDE POLISH	AR	AR	AR	
1	650491	WHEEL, ALU. HUB 22.5 X 9.00 / BOTH SIDE MACHINED	AR	AR	AR	
		VALVES - VALVE EXTENTION & HOLDER				
2	150293	VALVE / W/STEEL WHEEL / "KNORR-BREMSE " BRAKE -	AR	AR	AR	A
2	650194	VALVE / W/ALUMINUM WHEEL / 1.38" LG W/60 deg	AR	AR	AR	
NS	650164	. CAP VALVE / CHROME	AR	AR	AR	
NS	650151	. CAP VALVE / STD	AR	AR	AR	
NS	650008	. SPRING VALVE	AR	AR	AR	
NS	650205	. SPRING VALVE 21116	AR	AR	AR	B
2	650201	EXTENSION VALVE 1 3/8" LG	AR	AR	AR	
NS	650188	EXTENSION VALVE / 7" LG	AR	AR	AR	
NS	650178	RUBBER HOLDER / 1.5" O.D. / EXTENSION VALVE	AR	AR	AR	
		WEIGHTS				
3	650062	WEIGHT BALANCING / W/STEEL WHEEL / 2 OZ	AR	AR	AR	
3	650063	WEIGHT BALANCING / W/STEEL WHEEL / 3 OZ	AR	AR	AR	
3	650064	WEIGHT BALANCING / W/STEEL WHEEL / 4 OZ	AR	AR	AR	
3	650065	WEIGHT BALANCING / W/STEEL WHEEL / 6 OZ	AR	AR	AR	
3	650066	WEIGHT BALANCING / W/STEEL WHEEL / 8 OZ	AR	AR	AR	
3	650067	WEIGHT BALANCING / W/STEEL WHEEL / 10 OZ	AR	AR	AR	
3	650068	WEIGHT BALANCING / W/STEEL WHEEL / 12 OZ	AR	AR	AR	
3	650069	WEIGHT BALANCING / W/STEEL WHEEL / 14 OZ	AR	AR	AR	
3	650070	WEIGHT BALANCING / W/STEEL WHEEL / 16 OZ	AR	AR	AR	
3	650175	WEIGHT BALANCING / W/ALUMINUM WHEEL / INT. & EXT. / 2 OZ	AR	AR	AR	
3	650109	WEIGHT BALANCING / W/ALUMINUM WHEEL / INT. & EXT. / 3 OZ	AR	AR	AR	
3	650110	WEIGHT BALANCING / W/ALUMINUM WHEEL / EXT. ON 4 OZ	AR	AR	AR	
3	650114	WEIGHT BALANCING / W/ALUMINUM WHEEL / INT. ON 4 OZ	AR	AR	AR	

From 2-4374 To 2-4416	Date:10/2022	PAGE:H3-1318-01
WHEELS & COMPONENTS - TRUCK MOUNT (METRIC)		

Item#	Part	Description	H 3 4 1	H 3 4 5	V I P 4 5	N O T E S
3	650111	WEIGHT BALANCING / W/ALUMINUM WHEEL / EXT. ON 6 OZ	AR	AR	AR	
3	650115	WEIGHT BALANCING / W/ALUMINUM WHEEL / INT. ON 6 OZ	AR	AR	AR	
3	650112	WEIGHT BALANCING / W/ALUMINUM WHEEL / EXT. ON 8 OZ	AR	AR	AR	
3	650116	WEIGHT BALANCING / W/ALUMINUM WHEEL / INT. ON 8 OZ	AR	AR	AR	
3	650192	WEIGHT BALANCING / W/ALUMINUM WHEEL / W/ADHES 6 OZ	AR	AR	AR	
3	650206	WEIGHT BALANCING / POWDER (12 OZ BAG)	AR	AR	AR	
		HUBODOMETER				
4	650002	HUBODOMETER, COMPLETE 11 X 20 & 12 X 22.5 MPH / STEMCO	AR	AR		
4	650117	HUBODOMETER, COMPLETE 11 X 20 & 12 X 22.5 KM/H / STEMCO	AR	AR		
4	590216	HUBODOMETER, COMPLETE 11 X 20 & 12 X 22.5 KM/H / V.D.O.	AR	AR		
4	650174	HUBODOMETER, COMPLETE / FOR 295/80 KM/H	AR	AR		
5	650145	HUBODOMETER BRACKET / W/8 STUDS AXLE SHAFT	AR	AR		
		OTHERS				
6	5001339	CAP, PLASTIC CHROME / WHEEL NUT / HUB MOUNT / PUSH-ON TYPE	60	60	60	E
6	611189	NUT R.H. / W/HUB-MOUNT WHEEL M22-1.5 / 30MM TH	60	60	60	
7	650134	WHEEL GUARD MYLAR / WHEEL & HUB	AR	AR	AR	
8	621753	HUB CAP PLASTIC CHROME W/NUT / HUB MOUNT / METRIC	2	2	2	G
. NS	624215	. CAP NUT COVER WRENCH	1	1	1	G
8	611339	HUB CAP PLASTIC CHROME W/NUT / HUB MOUNT / METRIC	2	2	2	D
. NS	611470	. HUB CAP PLASTIC CHROME W/NUT / HUB MOUNT / METRIC	2	2	2	D
. . NS	624215	. . CAP NUT COVER WRENCH	1	1	1	D
. NS	19507612	. CAP NUT CHROME / SCREW TYPE	10	10	10	D
8	621683	HUB CAP PLASTIC CHROME W/NUT / HUB MOUNT	2	2	2	G
9	652066	WHEEL NUT FLAG, ORANGE	AR	AR	AR	
		VALVES - WITH TIRE PRESSURE SENSOR				
30	066446	DECAL / "WARNING DETECTOR INSIDE" / ENGLISH & FRANCAIS	1	1	1	
30	066445	DECAL / "WARNING DETECTOR INSIDE" / ENGLISH	1	1	1	
31	H3-1318-99	TIRE MONITOR - PRESSURE & TEMPERATURE "RETROFIT"				
NS	MI02-17	SEE MAINTENANCE INFORMATION	1	1	1	
NS	MI03-26A	SEE MAINTENANCE INFORMATION	1	1	1	
		A) USE THIS VALVE WITH ALLS STEEL WHEELS MOUNTED WITH "KNORR-BREMSE" BRAKE SYSTEM				
		B) USE THIS EXTENSION WITH POWDER BALANCING WEIGHT				

From 2-4374 To 2-4416	Date:10/2022	PAGE:H3-1318-01
-----------------------	--------------	-----------------

WHEELS & COMPONENTS - TRUCK MOUNT (METRIC)

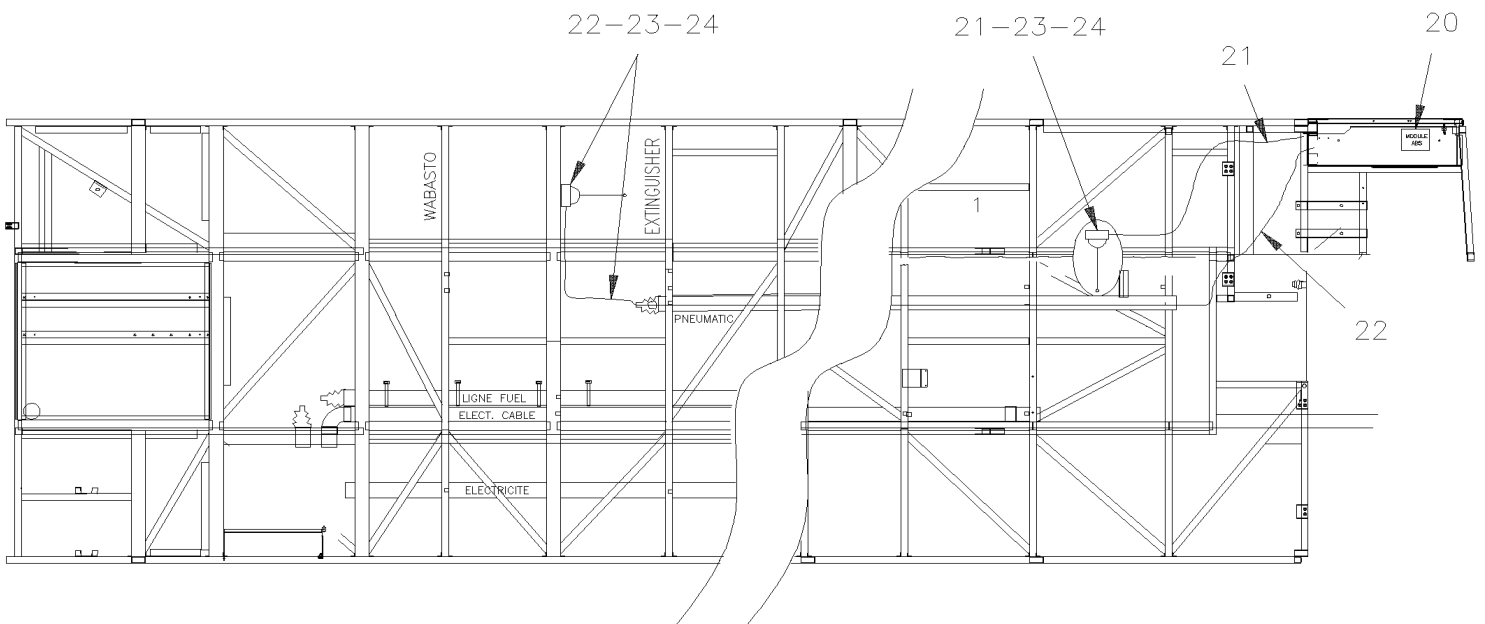
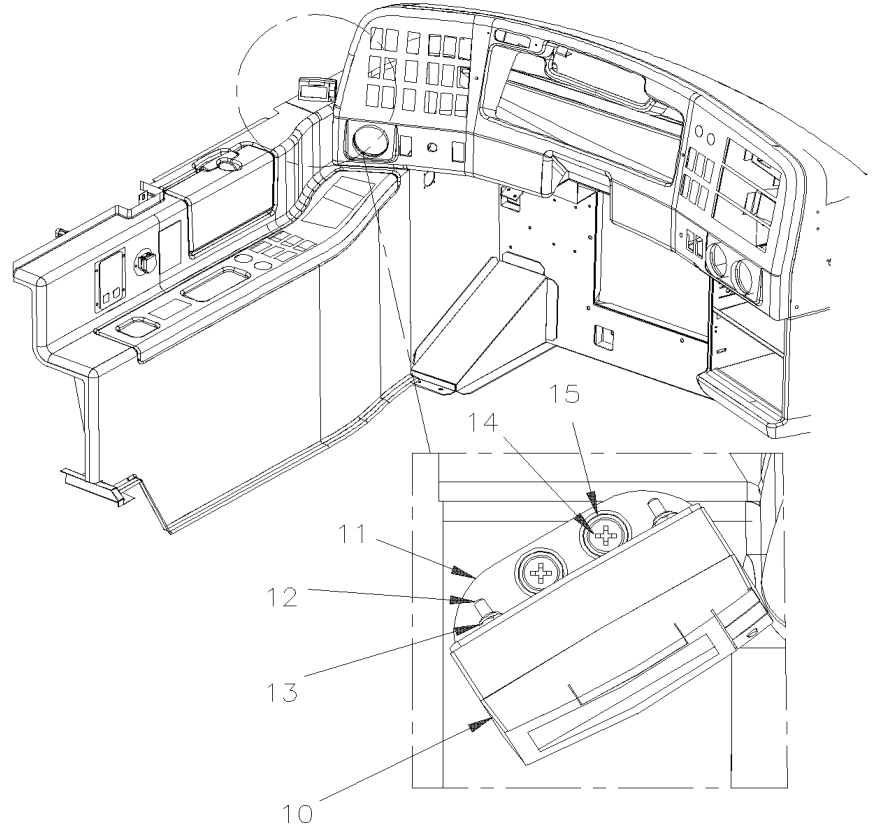
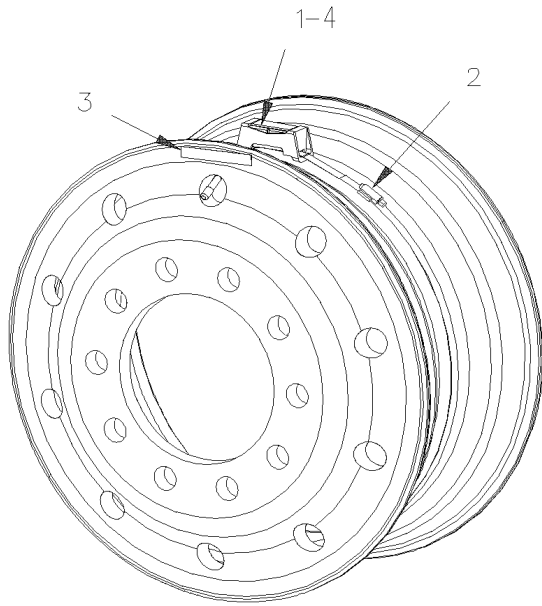
Item#	Part	Description	H 3 4 1	H 3 4 5	V I P 4 5	N O T E S
		D) TO USE WITH FRONT & TAG AXLE				
		E) TO USE WITH NUT 22MM X 33MM THICK (611189)				
		G) TO USE WITH DRIVE AXLE WHEEL				

From R-012 To 2-4416

Date:10/2022

PAGE:H3-1318-99

TIRE MONITOR - PRESSURE & TEMPERATURE "RETROFIT"



From R-012 To 2-4416	Date:10/2022	PAGE:H3-1318-99
TIRE MONITOR - PRESSURE & TEMPERATURE "RETROFIT"		

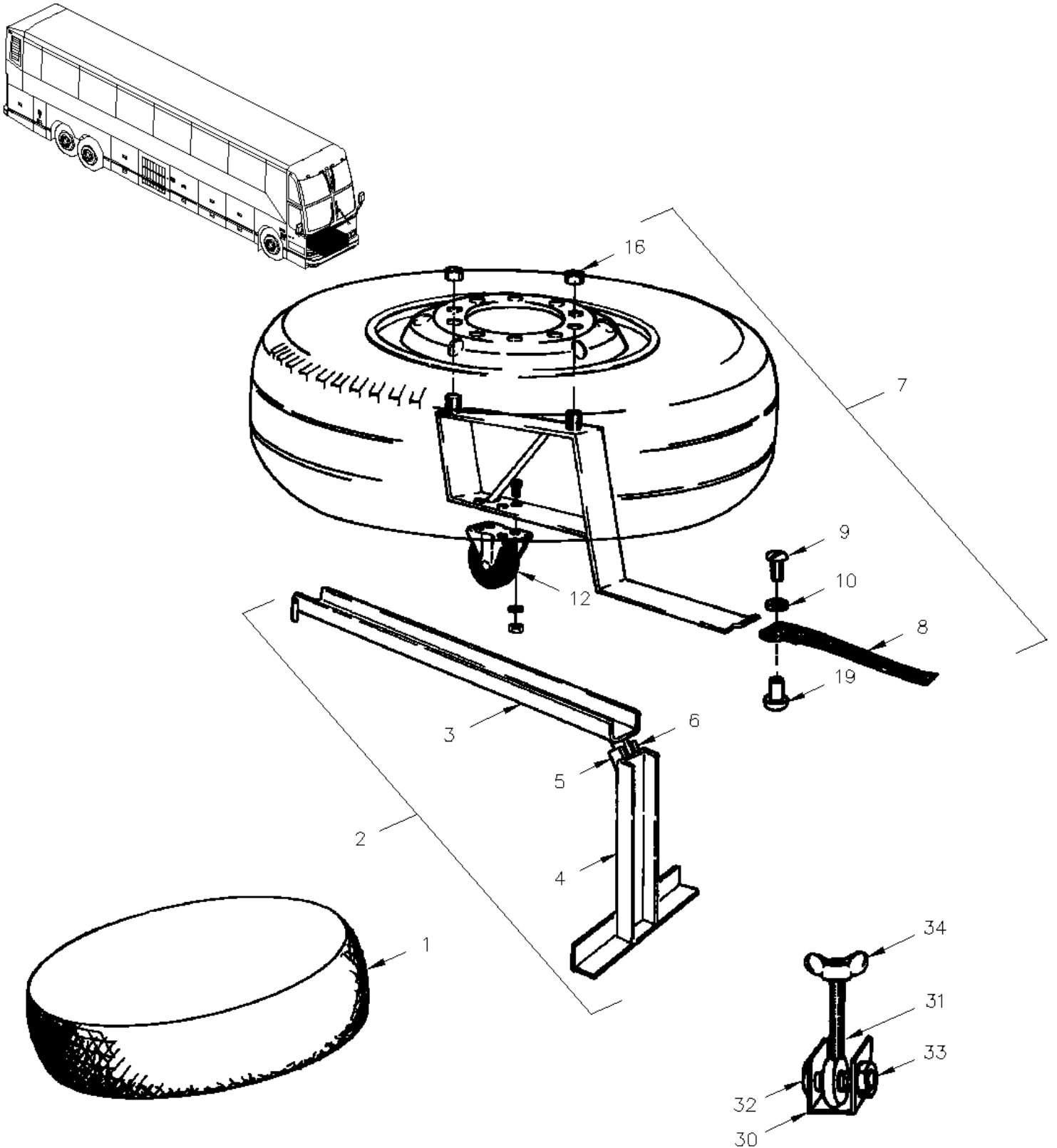
Item#	Part	Description	H 3 4 1	H 3 4 5	V I P 4 5	N O T E S
1	382333	DETECTOR PRESSURE & TEMPERATURE	AR	AR	AR	
2	507643	CLAMP DETECTOR PRESSURE / INSIDE OF WHEEL	AR	AR	AR	
3	066445	DECAL / "WARNING DETECTOR INSIDE" / ENGLISH	AR	AR	AR	
4	651068	CRADLE BOX / SENSOR	1	1	1	
10	382332	DISPLAY MONITOR TIRE / FULL PROGRAMATION	1	1	1	
11	382340	SUPPORT DISPLAY	1	1	1	
12	5001454	SCREW MA BDG PH #4-40x1/2 SS	2	2	2	
13	500425	NUT HEX NYRT #4-40 SS	2	2	2	
14	500353	SCREW TP FL PH #8x3/4 BK	2	2	2	
15	500345	WASHER FN CKF .187x.500x.090 BR BK	2	2	2	
20	382334	RECEIVER TIRE MONITOR / ASSY W/CONNECTOR	1	1	1	
. NS	382355	. RECEIVER TIRE MONITOR	1	1	1	
21	382331	ANTENNA TIRE MONITOR / FRONT	1	1	1	
22	382335	ANTENNA TIRE MONITOR / REAR	1	1	1	
NS	382358	SUPPORT ANTENNA TIRE MONITOR	2	2	2	
23	500623	SCREW TC PAN PH #10-24x3/4 N500	6	6	6	
24	500470	WASHER LO SPT .193x.334x.047 Z050	6	6	6	
NS	563611	INITIALER TIRE SMART CONTROLER / CUSTOMER USE ONLY TO START S	1	1	1	
NS	060910	KIT, COMPLET MODULE TIRE PSI DETECTOR / W/OUT MUX	1	1	1	
. NS	IS-04084A	. SEE INSTRUCTION SHEET	1	1	1	

From R-012 To 2-4416

Date:10/2022

PAGE:H3-1325-00

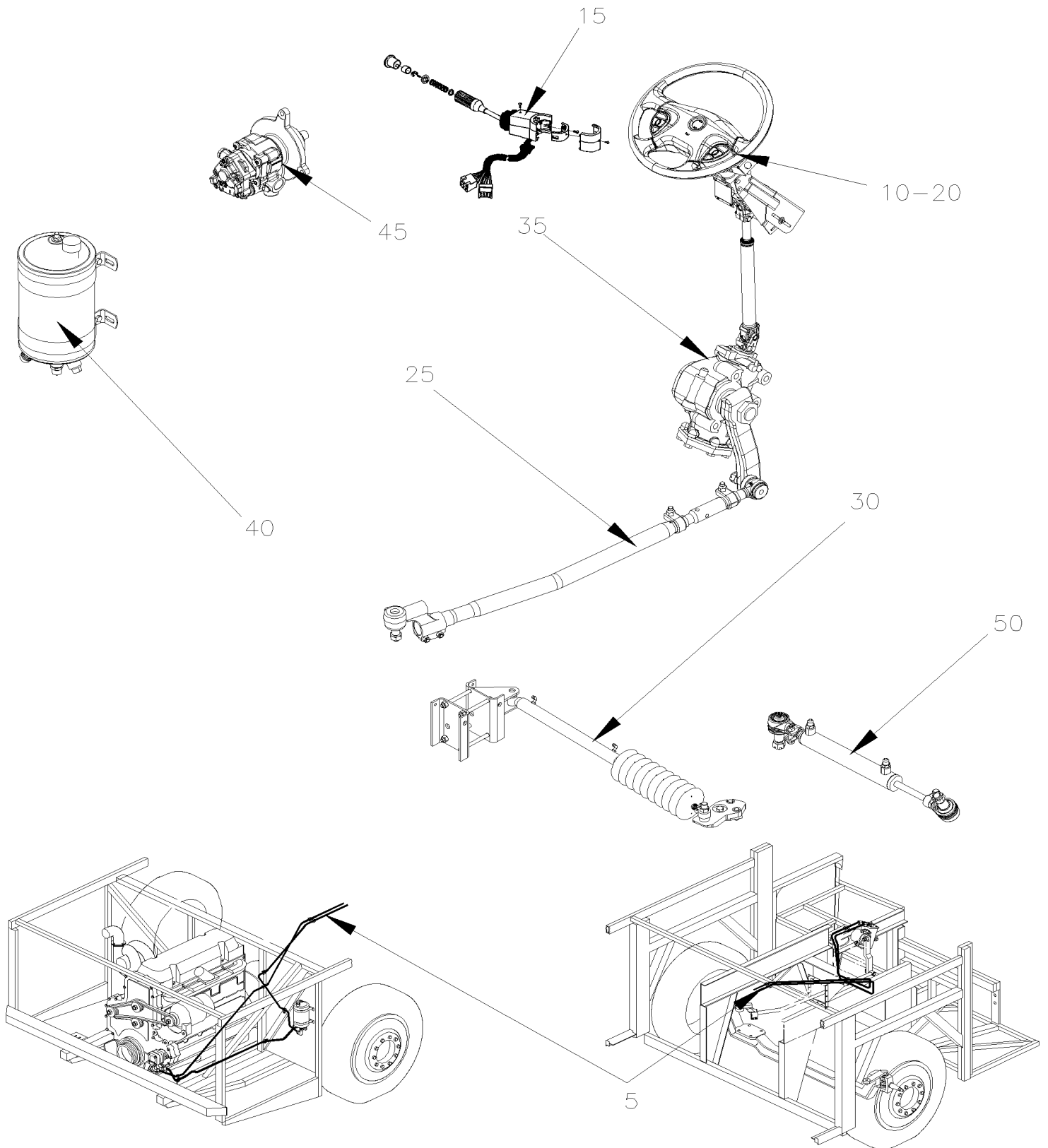
SPARE WHEEL - INSTALLATION



From R-012 To 2-4416		Date:10/2022	PAGE:H3-1325-00
SPARE WHEEL - INSTALLATION			

Item#	Part	Description	H 3 4 1	H 3 4 5	V I P 4 5	N O T E S
1	150128	COVER SPARE WHEEL	1	1		
1	150237	CHAIN ASSY / SPARE RETAINER	1	1		
1	505028	. TURN BUCKLE	1	1		
2	150272	RAIL ASSY	1	1		
3	150273	. RAIL	1	1		
4	150268	. RAIL	1	1		
5	502651	. SCREW CAP HEX M8-1.25x35 G8.8 Z050	1	1		
6	502744	. NUT HEX STO M8-1.25 Z050	1	1		
7	150189	SUPPORT ASSY / W/ALUMINUM WHEEL To S-186	1	1		
7	150186	. SUPPORT To S-186	1	1		
7	150275	SUPPORT ASSY / W/ALUMINUM WHEEL From S-187	1	1		
7	150270	. SUPPORT From S-187	1	1		
7	150185	SUPPORT ASSY / W/STEEL WHEEL To S-186	1	1		
7	150217	. SUPPORT ASSY To S-186	1	1		
7	150276	SUPPORT ASSY / W/STEEL WHEEL From S-187	1	1		
7	150269	. SUPPORT From S-187	1	1		
8	150212	. STRAP 27" From S-187	1	1		
9	504339	. RIVET POP DOME OE 1/8x3/8 SS From S-187	2	2		
10	5001067	. WASHER FL .128x.312x.032 SS From S-187	2	2		
12	650041	WHEEL	1	1		
16	150181	SCREW / SPECIAL	2	2		
16	502794	NUT WING M10-1.5 ZP	2	2		
31	5001010	EYE BOLT M10-1.5x90 CJ	1	1		
32	502686	SCREW CAP HEX M6-1.0x30 SS BK	1	1		
33	502621	NUT HEX STO M6-1.0 Z050	1	1		
34	502794	NUT WING M10-1.5 ZP	1	1		

	Date:10/2022	H3-14
STEERING		



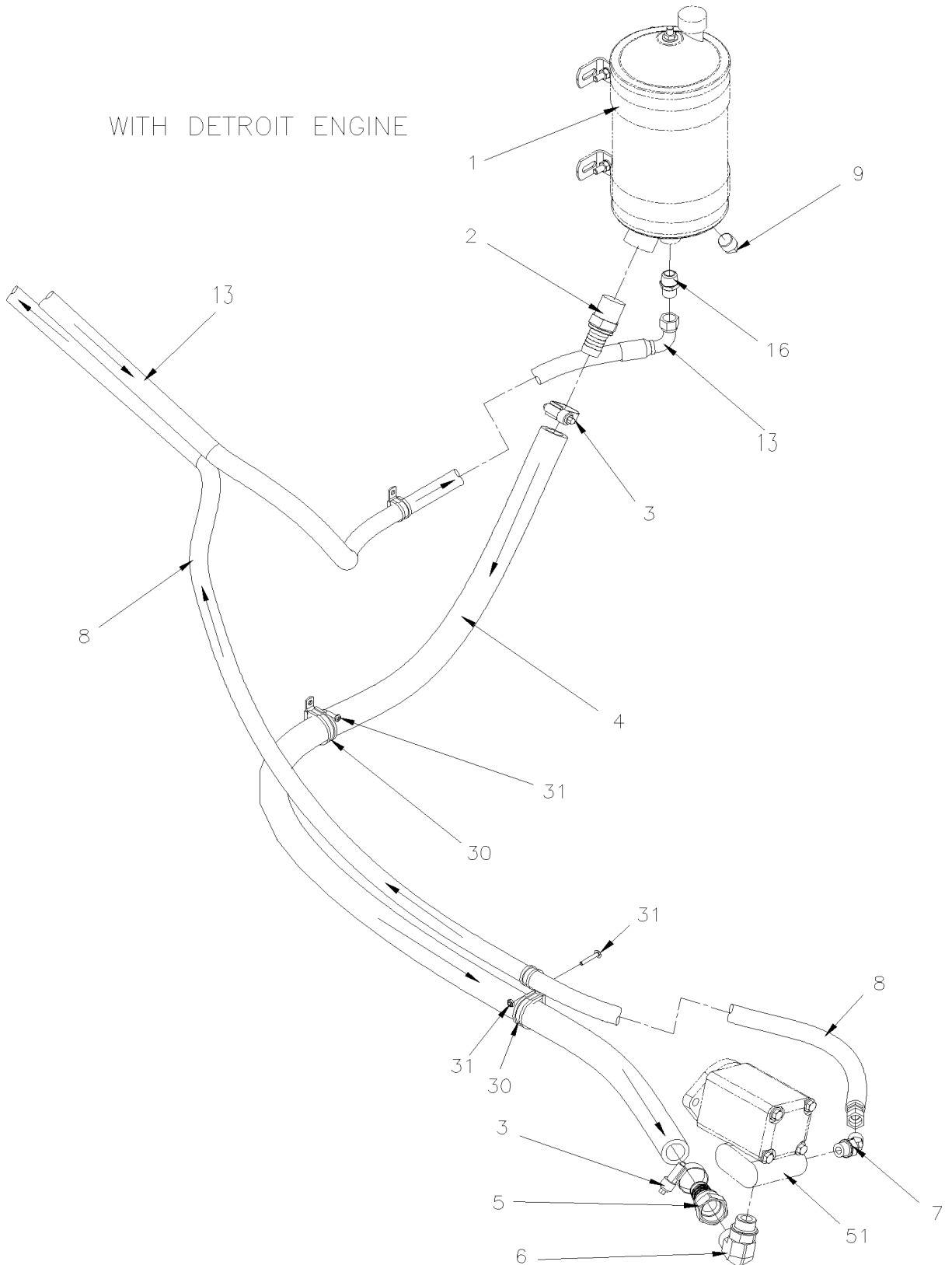
		Date:10/2022	H3-14			
STEERING						
Item#	Part	Description	H 3 4 1	H 3 4 5	V I P 4 5	N O T E S
5	H3-1400-01	POWER STEERING HOSE - INSTALLATION WITH "TRW" From R-012 To 1-4293				
5	H3-1400-02	POWER STEERING HOSE - INSTALLATION WITH "ZF" From 1-4294 To 2-4416				
10	H3-1405-02	STEERING WHEEL & COLUMN ASSY From R-012 To W-2457				
10	H3-1405-03	STEERING WHEEL & COLUMN ASSY From W-2285 To 2-4416				
15	H3-1406-00	MULTI-FUNCTION LEVER From R-012 To W-2457				
20	H3-1407-01	STEERING COLUMN & COVER - INSTALLATION From R-012 To W-2457				
20	H3-1407-02	STEERING COLUMN & COVER - INSTALLATION From W-2285 To 2-4416				
25	H3-1410-01	STEERING GEAR BOX & DRAG LINK - INSTALLATION From R-020 To 1-4293				
25	H3-1410-02	STEERING GEAR BOX & DRAG LINK - INSTALLATION WITH "ZF" From 1-4294 To 2-4416				
25	H3-1410-50	STEERING RODS - INSTALLATION W/INDEPENDENT "IS-84" / 16500LBS From X-2458 To 2-4416				
30	H3-1412-01	STEERING DAMPER From R-012 To Y-3836				
30	H3-1412-02	STEERING DAMPER From Y-3837 To 2-4416				
35	H3-1415-01	STEERING GEARBOX - "TRW" From R-012 To 1-4293				
35	H3-1415-03	STEERING GEARBOX - "ZF" From 1-4294 To 2-4416				
40	H3-1420-01	POWER STEERING TANK - 4 QT U.S. From R-012 To 2-4416				
45	H3-1427-02	POWER STEERING PUMP - "VICKERS" - WITH DETROIT S-60 From R-012 To V-1795				
45	H3-1427-03	POWER STEERING PUMP - "TRW" From V-1796 To 2-4416				
50	H3-1430-00	CYLINDER POWER STEERING From R-012 To V-1737				

From R-012 To 1-4293

Date:10/2022

PAGE:H3-1400-01

POWER STEERING HOSE - INSTALLATION WITH "TRW"

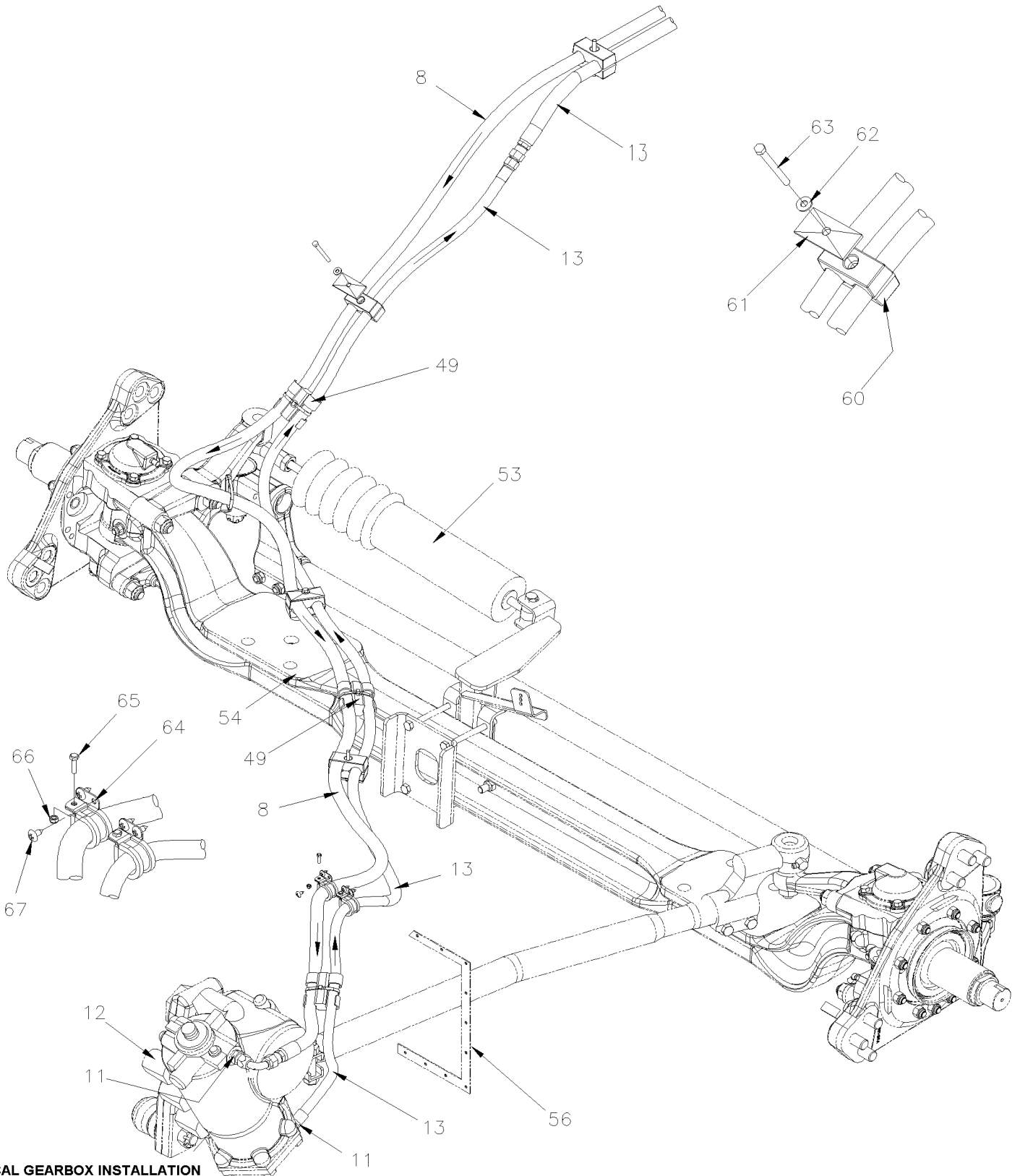


From R-012 To 1-4293

Date:10/2022

PAGE:H3-1400-01

POWER STEERING HOSE - INSTALLATION WITH "TRW"



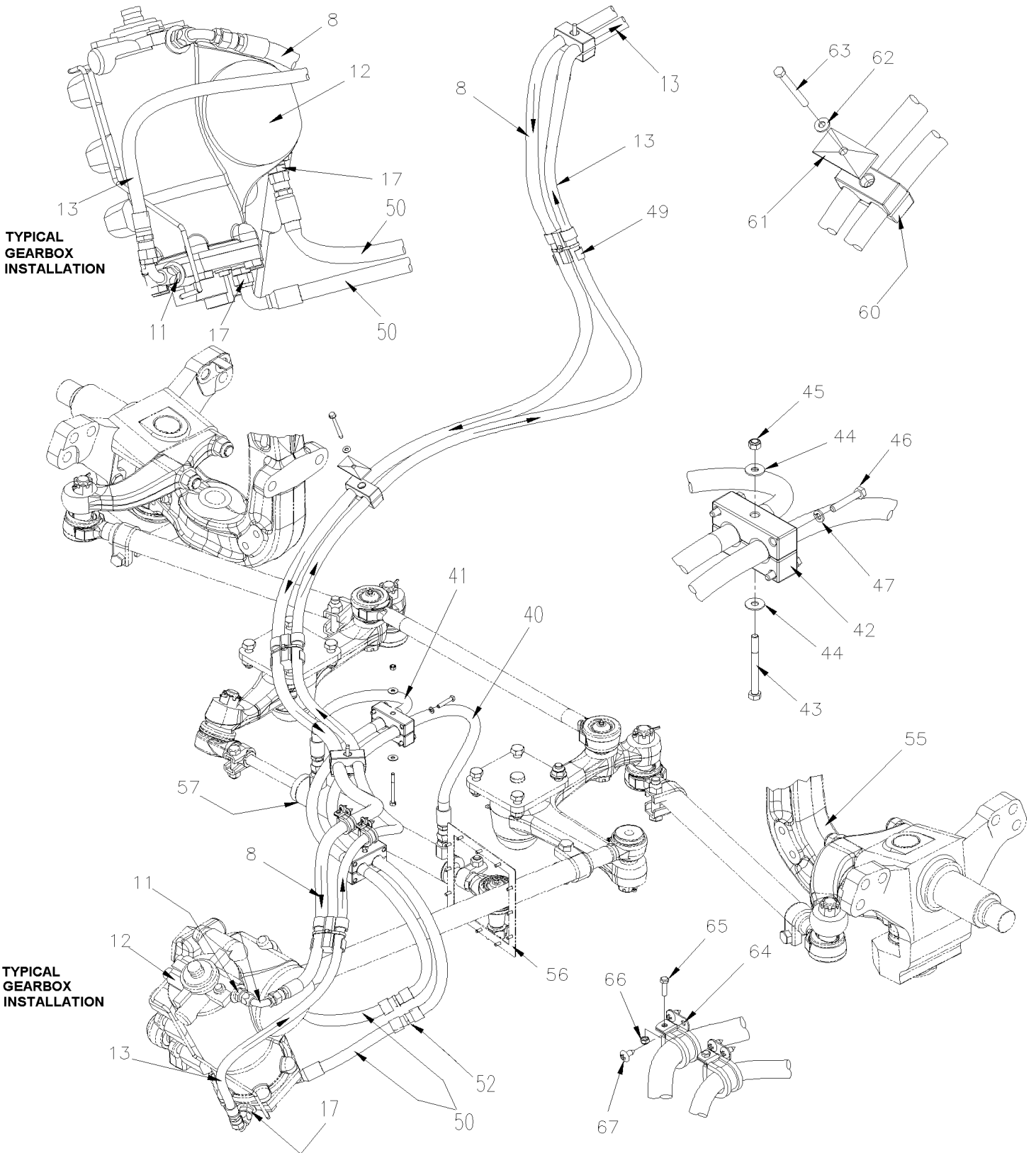
TYPICAL GEARBOX INSTALLATION

From R-012 To 1-4293

Date:10/2022

PAGE:H3-1400-01

POWER STEERING HOSE - INSTALLATION WITH "TRW"



From R-012 To 1-4293	Date:10/2022	PAGE:H3-1400-01
POWER STEERING HOSE - INSTALLATION WITH "TRW"		

Item#	Part	Description	H 3 4 1	H 3 4 5	V I P 4 5	N O T E S
1	H3-1420-01	POWER STEERING TANK - 4 QT U.S.				
2	5011086	MALE CONNECTOR / PUSH-LOK FITTING / 1NPT-Mx#16 STL	1	1	1	
3	504291	HOSE CLAMP / 1"1/8-1"3/4 SS / E.T. 20	AR	AR	AR	
4	160949	HOSE / FEED LINE TO TANK / #16 1778MM	1	1	1	
4	503577	. HOSE #16 / S.L.	AR	AR	AR	
5	5011036	MALE ELBOW 90° / COLLAR FITTING / 1NPT-Mx#16 STL To V-1795	1	1	1	
5	5011147	FEMALE CONNECTOR SWIVEL / COLLAR FITTING / #16JIC-Fx#16 STL From V-1796	1	1	1	
6	5011148	MALE ELBOW 90° / JIC 37° FITTING / #16JIC-Mx#12ORB-M STL	1	1	1	
7	5011055	MALE ELBOW 90° / JIC 37° FITTING / #10JIC-Mx#8ORB-M STL To V-1714	1	1	1	
7	5011164	MALE ELBOW 90° / JIC 37° FITTING / #8JIC-Mx#8ORB-M STL From V-1715 To V-1795	1	1	1	
7	5011167	MALE ELBOW 45° / JIC 37° FITTING / #8JIC-Mx#8ORB-M STL From V-1796	1	1	1	
8	160939	HOSE ASSY / PUMP TO STEERING GEAR / #10 13450MM To V-1714		1	1	
8	161014	HOSE ASSY / PUMP TO STEERING GEAR / #8 14400MM From V-1715		1	1	A
8	160963	HOSE ASSY / PUMP TO STEERING GEAR / #10 13180MM To V-1714	1			
8	161016	HOSE ASSY / PUMP TO STEERING GEAR / #8 13180MM From V-1715	1			A
NS	505110	. COIL PROTECTOR / PLASTIC / #12	AR	AR	AR	
8	503748	HOSE PROTECTOR / YELLOW / .838 I.D. From V-1715	AR	AR	AR	
8	161198	KIT, HOSE REPAIR / FRONT SECTION STEERING / H3 From V-1715	1	1	1	
. NS	WB04-10A	. SEE WARRANTY BULLETIN From V-1715	1	1	1	
. NS	161196	. HOSE ASSY / #8 1020MM From V-1715	1	1	1	
. NS	501456	. MALE CONNECTOR / JIC 37° FITTING / #8JIC-Mx#8 STL From V-1715	1	1	1	
8	161199	KIT, HOSE REPAIR / REAR SECTION STEERING / H3 From V-1715	1	1	1	
. NS	WB04-10A	. SEE WARRANTY BULLETIN From V-1715	1	1	1	
. NS	161194	. HOSE ASSY / #8 1930MM From V-1715	1	1	1	
. NS	501456	. MALE CONNECTOR / JIC 37° FITTING / #8JIC-Mx#8 STL From V-1715	1	1	1	
9	501306	PLUG SQUARE HEAD / PIPE FITTING / 1/2NPT-M BR	1	1	1	
11	507578	MALE CONNECTOR / JIC 37° FITTING / #10JIC-Mx#8ORB-M STL To V-1714	2	2	2	
NS	501593	MALE CONNECTOR / JIC 37° FITTING / #8JIC-Mx#8ORB-M STL From V-1715	2	2	2	
12	H3-1415-01	STEERING GEARBOX - "TRW"	1	1	1	
13	160940	HOSE ASSY / STEERING GEAR TO TANK / #10 13625MM To V-1714	1	1	1	
13	161015	HOSE ASSY / #8 13625MM From V-1715	1	1	1	A
13	160965	HOSE ASSY / STEERING GEAR TO TANK / #10 12405MM To V-1714	1	1	1	
13	161017	HOSE ASSY / #8 12405MM	1	1	1	A
13	161198	KIT, HOSE REPAIR / FRONT SECTION STEERING / H3 From V-1715	1	1	1	
. NS	WB04-10A	. SEE WARRANTY BULLETIN From V-1715	1	1	1	
. NS	161196	. HOSE ASSY / #8 1020MM From V-1715	1	1	1	
. NS	501456	. MALE CONNECTOR / JIC 37° FITTING / #8JIC-Mx#8 STL From V-1715	1	1	1	
13	161199	KIT, HOSE REPAIR / REAR SECTION STEERING / H3 From V-1715	1	1	1	
. NS	WB04-10A	. SEE WARRANTY BULLETIN From V-1715	1	1	1	
. NS	161194	. HOSE ASSY / #8 1930MM From V-1715	1	1	1	
. NS	501456	. MALE CONNECTOR / JIC 37° FITTING / #8JIC-Mx#8 STL From V-1715	1	1	1	
NS	505110	. COIL PROTECTOR / PLASTIC / #12	AR	AR	AR	

From R-012 To 1-4293	Date:10/2022	PAGE:H3-1400-01
POWER STEERING HOSE - INSTALLATION WITH "TRW"		

Item#	Part	Description	H 3 4 1	H 3 4 5	V I P 4 5	N O T E S
13	503748	. HOSE PROTECTOR / YELLOW / .838 I.D.	AR	AR	AR	
16	501592	MALE CONNECTOR / JIC 37° FITTING / #10JIC-Mx1/2NPT-M STL To V-1714	1	1	1	
16	501739	MALE CONNECTOR / JIC 37° FITTING / #8JIC-Mx1/2NPT-M STL From V-1715	1	1	1	
17	501970	MALE CONNECTOR / JIC 37° FITTING / #8JIC-Mx#6ORB-M STL To V-1714	2	2	2	
17	661021	PLUG / W/O-RING From V-1715	2	2	2	
30	952631	CLAMP / 3/4" I.D.	AR	AR	AR	
30	952634	CLAMP / 15/16" I.D.	AR	AR	AR	
31	500613	SCREW TP PAN PH #10x1/2 Z050	AR	AR	AR	
32	952641	CLAMP / 1 5/16" I.D.	AR	AR	AR	
33	500574	SCREW MA TR PH #10-24x1 1/4 SS	AR	AR	AR	
34	500767	NUT HEX #10-24 Z050	AR	AR	AR	
35	562036	CLAMP / 7/8" I.D. X 90°	AR	AR	AR	
36	500657	SCREW TC TR PH #10-24x1/2 Z050	AR	AR	AR	
40	160892	HOSE ASSY / #8 958MM To V-1737	1	1	1	
41	160893	HOSE ASSY / #8 1384MM To V-1737	1	1	1	
42	160033	HOSE RETAINER BLOCK CLAMP To V-1737	4	4	4	B
43	502541	SCREW CAP HEX M6-1.0x65 G8.8 Z050 To V-1737	1	1	1	
44	500411	WASHER FL .260x.697x.050 SS To V-1737	2	2	2	
45	5001182	NUT HEX NYRT M6-1.0 SS To V-1737	1	1	1	
46	502888	SCREW CAP HEX M6-1.0x35 G8.8 N500 To V-1737	4	4	4	
46	502769	SCREW CAP HEX M6-1.0x70 G10.9 DP To V-1737	4	4	4	
47	502570	WASHER LO SPT 6.1x11.8x1.6 SS To V-1737	4	4	4	
49	504634	T-CLIP / 7/8" - 1" To V-1737	AR	AR	AR	
NS	504637	CABLE TIE / 3/16" x 13"	AR	AR	AR	
NS	500620	SCREW TP FL PH #10x1 1/2 Z050	AR	AR	AR	
50	160890	HOSE ASSY / #8 863MM To V-1737	2	2	2	
51	H3-1427-02	POWER STEERING PUMP - "VICKERS" - WITH DETROIT S-60 To V-1795	1	1	1	
51	H3-1427-03	POWER STEERING PUMP - "TRW" From V-1796				
52	501815	BULKHEAD UNION / JIC 37° FITTING / #8JIC-Mx#8JIC-M STL To V-1737	2	2	2	
NS	500858	WASHER LO INT .769x1.245x.055 Z050 To V-1737	2	2	2	
53	H3-1412-01	STEERING DAMPER				
54	H3-1005-03	FRONT AXLE - I BEAM RIGID MODEL "S-82" To V-1619				
54	H3-1005-04	FRONT AXLE - I BEAM RIGID MODEL "S-84" From V-1620				
54	H3-1005-05	FRONT AXLE - I BEAM RIGID MODEL "NSD80" From W-2311 To W-2311				
55	H3-1005-50	FRONT AXLE - INDEPENDENT MODEL "IS-84" / 16500LBS				
56	H3-1410-01	STEERING GEAR BOX & DRAG LINK - INSTALLATION				
57	H3-1430-00	CYLINDER POWER STEERING				
60	504727	CLAMP DOUBLE ASS / 2 HOSE SIZE 3/8" From V-1715	AR	AR	AR	
61	504728	PLATE RETAINER From V-1715	AR	AR	AR	
62	500440	WASHER FL .250x.562x.065 Z050 From V-1715	AR	AR	AR	
63	500107	SCREW TC CAP HEXW 1/4-20x2 1/2 Z050 From V-1715	AR	AR	AR	

From R-012 To 1-4293	Date:10/2022	PAGE:H3-1400-01
POWER STEERING HOSE - INSTALLATION WITH "TRW"		

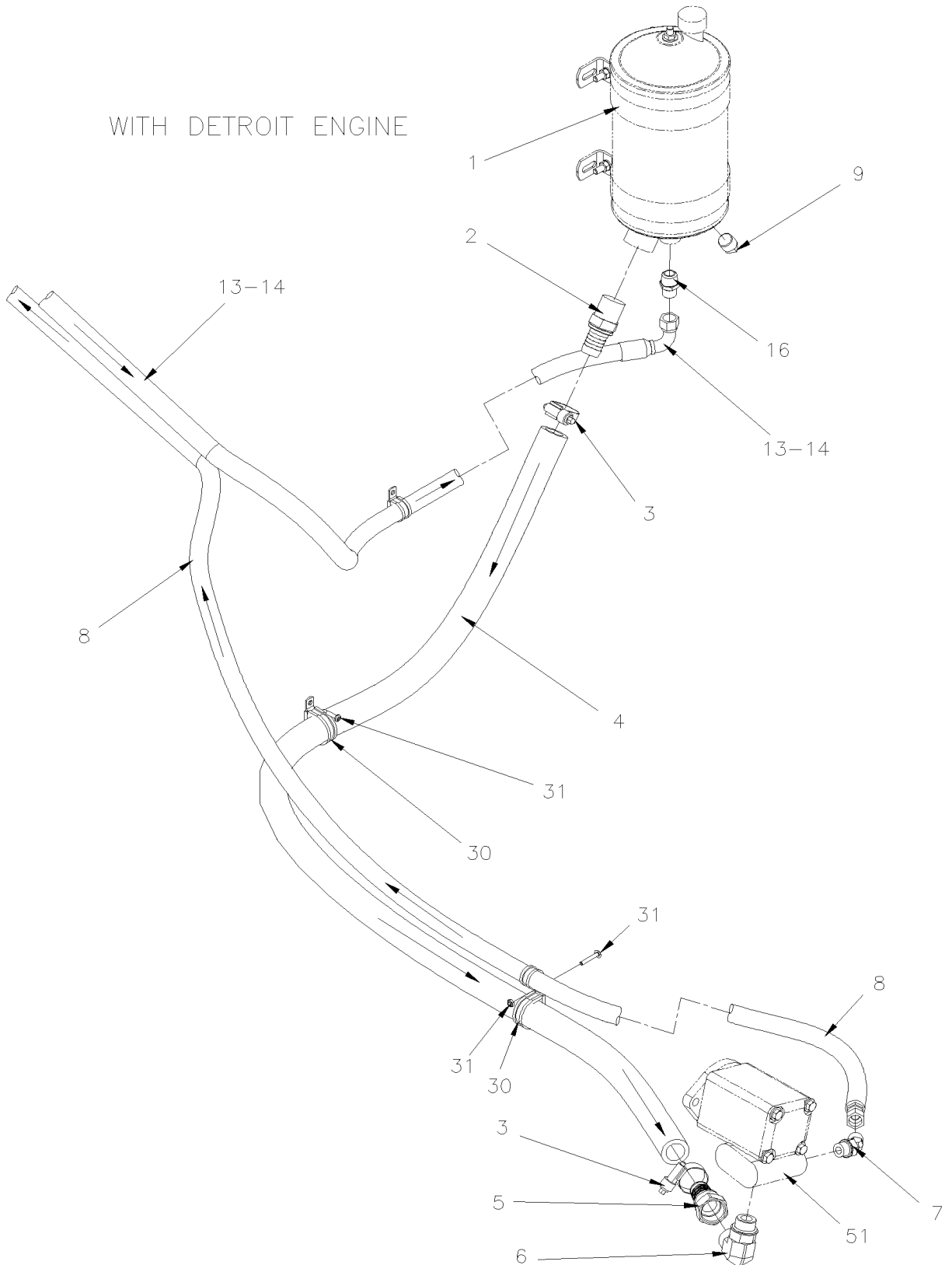
Item#	Part	Description	H 3 4 1	H 3 4 5	V I P 4 5	N O T E S
64	562036	CLAMP / 7/8" I.D. X 90°	AR	AR	AR	
65	502550	SCREW CAP HEX M4-0.7x16 G8.8 Z050	AR	AR	AR	
66	500590	NUT HEX NYRT M4-0.7 Z050	AR	AR	AR	
67	500657	SCREW TC TR PH #10-24x1/2 Z050	AR	AR	AR	
		A) FOR SERVICE, IT'S POSSIBLE TO REPAIR THESE HOSES IN FRONT SERVICE COMPARTMENT WITH KIT #161198 AND IN ENGINE COMPARTMENT WITH KIT #161199				
		B) FOR SERVICE, IT'S POSSIBLE TO REPAIR THIS BLOCK IN FRONT SERVICE COMPARTMENT WITH KIT #160203 (H3-45) OR #160130 (H3-41)				

From 1-4294 To 2-4416

Date:10/2022

PAGE:H3-1400-02

POWER STEERING HOSE - INSTALLATION WITH "ZF"

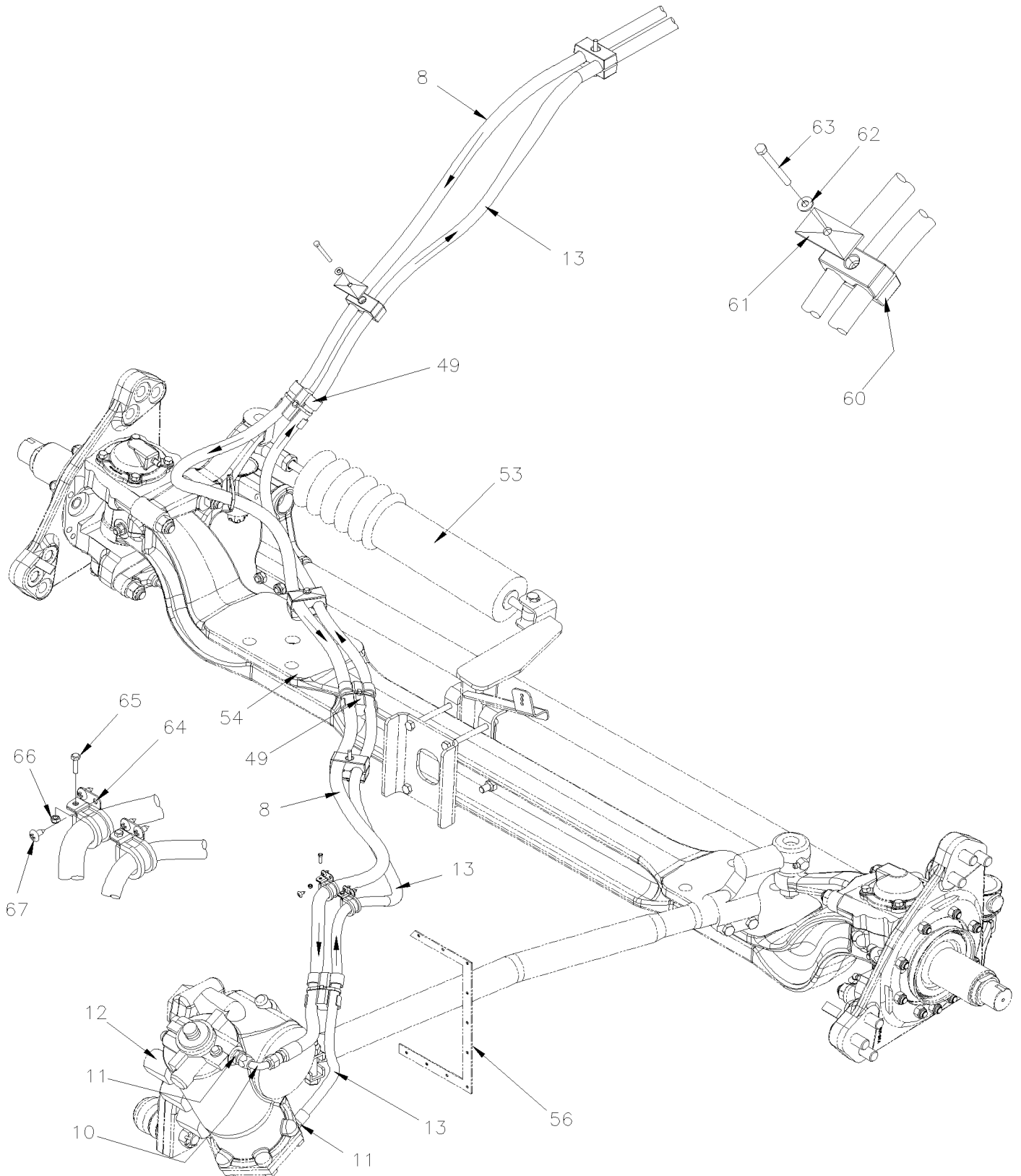


From 1-4294 To 2-4416

Date:10/2022

PAGE:H3-1400-02

POWER STEERING HOSE - INSTALLATION WITH "ZF"

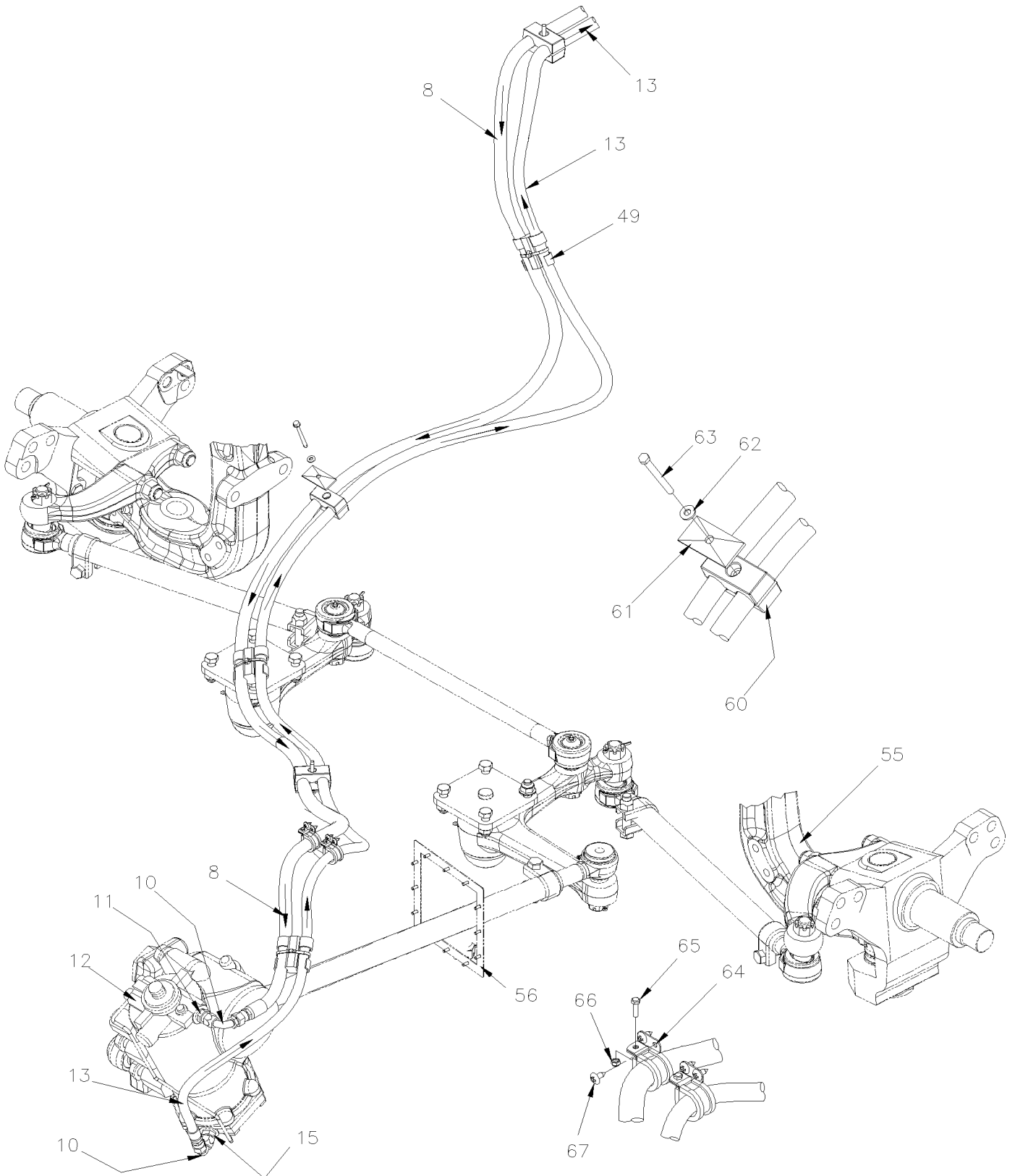


From 1-4294 To 2-4416

Date:10/2022

PAGE:H3-1400-02

POWER STEERING HOSE - INSTALLATION WITH "ZF"



From 1-4294 To 2-4416	Date:10/2022	PAGE:H3-1400-02
POWER STEERING HOSE - INSTALLATION WITH "ZF"		

Item#	Part	Description	H 3 4 1	H 3 4 5	V I P 4 5	N O T E S
1	H3-1420-01	POWER STEERING TANK - 4 QT U.S.				
2	5011086	MALE CONNECTOR / PUSH-LOK FITTING / 1NPT-Mx#16 STL	1	1	1	
3	504291	HOSE CLAMP / 1"1/8-1"3/4 SS / E.T. 20	AR	AR	AR	
4	160949	HOSE / FEED LINE TO TANK / #16 1778MM	1	1	1	
5	5011036	MALE ELBOW 90° / COLLAR FITTING / 1NPT-Mx#16 STL To V-1795	1	1	1	
5	5011147	FEMALE CONNECTOR SWIVEL / COLLAR FITTING / #16JIC-Fx#16 STL From V-1796	1	1	1	
6	5011148	MALE ELBOW 90° / JIC 37° FITTING / #16JIC-Mx#12ORB-M STL	1	1	1	
7	5011167	MALE ELBOW 45° / JIC 37° FITTING / #8JIC-Mx#8ORB-M STL	1	1	1	
8	161151	HOSE ASSY / #8 14550MM To 1-4401		1	1	A
8	161164	HOSE ASSY / #8 14320MM From 1-4402		1	1	A
8	161016	HOSE ASSY / PUMP TO STEERING GEAR / #8 13180MM To 1-4401	1			A
8	161165	HOSE ASSY / #8 13180MM From 1-4402	1			A
NS	505110	. COIL PROTECTOR / PLASTIC / #12	AR	AR	AR	
8	161198	KIT, HOSE REPAIR / FRONT SECTION STEERING / H3	1	1	1	
. NS	WB04-10A	. SEE WARRANTY BULLETIN	1	1	1	
. NS	161196	. HOSE ASSY / #8 1020MM	1	1	1	
. NS	501456	. MALE CONNECTOR / JIC 37° FITTING / #8JIC-Mx#8 STL	1	1	1	
8	161199	KIT, HOSE REPAIR / REAR SECTION STEERING / H3	1	1	1	
. NS	WB04-10A	. SEE WARRANTY BULLETIN	1	1	1	
. NS	161194	. HOSE ASSY / #8 1930MM	1	1	1	
. NS	501456	. MALE CONNECTOR / JIC 37° FITTING / #8JIC-Mx#8 STL	1	1	1	
9	501306	PLUG SQUARE HEAD / PIPE FITTING / 1/2NPT-M BR	1	1	1	
10	501845	SWIVEL NUT ELBOW 90° LONG / JIC 37° FITTING / #8JIC-Fx#8JIC-Mx1.86 STL	2	2	2	
11	5011192	MALE CONNECTOR / JIC 37° FITTING / #8JIC-MxM18-1.5-M STL	2	2	2	
. NS	N.P.N.	. O-RING	1	1	1	4
. NS	N.P.N.	. WASHER RET	1	1	1	4
NS	688910	THREAD LOCKER LOCTITE #262 / RED / 250ml	AR	AR	AR	
12	H3-1415-03	STEERING GEARBOX - "ZF"	1	1	1	
13	161015	HOSE ASSY / #8 13625MM		1	1	A
13	161017	HOSE ASSY / #8 12405MM	1			A
NS	505110	. COIL PROTECTOR / PLASTIC / #12 To 5-0097	AR	AR	AR	
13	503748	. HOSE PROTECTOR / YELLOW / .838 I.D. From 5-0098	AR	AR	AR	
13	161198	KIT, HOSE REPAIR / FRONT SECTION STEERING / H3	1	1	1	
. NS	WB04-10A	. SEE WARRANTY BULLETIN	1	1	1	
. NS	161196	. HOSE ASSY / #8 1020MM	1	1	1	
. NS	501456	. MALE CONNECTOR / JIC 37° FITTING / #8JIC-Mx#8 STL	1	1	1	
13	161199	KIT, HOSE REPAIR / REAR SECTION STEERING / H3	1	1	1	
. NS	WB04-10A	. SEE WARRANTY BULLETIN	1	1	1	
. NS	161194	. HOSE ASSY / #8 1930MM	1	1	1	
. NS	501456	. MALE CONNECTOR / JIC 37° FITTING / #8JIC-Mx#8 STL	1	1	1	
14	161194	. HOSE ASSY / #8 1930MM	1	1	1	C
NS	503748	. . HOSE PROTECTOR / YELLOW / .838 I.D.	AR	AR	AR	

From 1-4294 To 2-4416	Date:10/2022	PAGE:H3-1400-02
POWER STEERING HOSE - INSTALLATION WITH "ZF"		

Item#	Part	Description	H 3 4 1	H 3 4 5	V I P 4 5	N O T E S
15	5011192	MALE CONNECTOR / JIC 37° FITTING / #8JIC-MxM18-1.5-M STL			2	
. NS	N.P.N.	. O-RING			1	4
. NS	N.P.N.	. WASHER RET			1	4
16	501739	MALE CONNECTOR / JIC 37° FITTING / #8JIC-Mx1/2NPT-M STL	1	1	1	
17	5011192	MALE CONNECTOR / JIC 37° FITTING / #8JIC-MxM18-1.5-M STL			1	
. NS	N.P.N.	. O-RING			1	4
. NS	N.P.N.	. WASHER RET			1	4
30	952631	CLAMP / 3/4" I.D.	AR	AR	AR	
30	952634	CLAMP / 15/16" I.D.	AR	AR	AR	
31	500613	SCREW TP PAN PH #10x1/2 Z050	AR	AR	AR	
32	952641	CLAMP / 1 5/16" I.D.	AR	AR	AR	
33	500574	SCREW MA TR PH #10-24x1 1/4 SS	AR	AR	AR	
34	500767	NUT HEX #10-24 Z050	AR	AR	AR	
35	562036	CLAMP / 7/8" I.D. X 90°	AR	AR	AR	
36	500657	SCREW TC TR PH #10-24x1/2 Z050	AR	AR	AR	
40	161185	HOSE SET ASSY / CYLINDER POWER STEERING	1	1	1	
40	163470	. HOSE ASSY / #8 1648MM			1	
41	163469	. HOSE ASSY / #8 1648MM			1	
42	161177	. HOSE RETAINER BLOCK CLAMP			4	B
43	502541	. SCREW CAP HEX M6-1.0x65 G8.8 Z050			1	
44	500411	. WASHER FL .260x.697x.050 SS			2	
45	5001182	. NUT HEX NYRT M6-1.0 SS			1	
45	160203	KIT, POWER STEERING PUMP DISCHARGE HOSE (PRESSURE) H3-45,VIP-45 service			1	
. NS	160108	. HOSE ASSY / #8 12490MM			1	
. NS	170758	. SUPPORT			1	
. NS	5001730	. SCREW CAP HEXF M6-1.0x16 G10.9 N500			1	
. NS	5001833	. WASHER BEL SPR 6.1x18x1.27 SS			1	
. NS	501031	. SEAL / JIC 37° FITTING / #8			1	
. NS	504189	. CLAMP DOUBLE ASS / SPLIT BLOC / 22MM/19MM x 67MM POLYA			1	
. NS	504204	. CLAMP P SS ID. 36-51			1	
. NS	IS-19040	. INSTRUCTION SHEET			1	
. NS	FI-19040	. VOIR FEUILLE D'INSTRUCTION			1	
46	502888	SCREW CAP HEX M6-1.0x35 G8.8 N500			4	
46	502769	SCREW CAP HEX M6-1.0x70 G10.9 DP			4	
47	502570	WASHER LO SPT 6.1x11.8x1.6 SS			4	
49	504634	T-CLIP / 7/8" - 1"			AR	
NS	504637	CABLE TIE / 3/16" x 13"			AR	
NS	500620	SCREW TP FL PH #10x1 1/2 Z050			AR	
51	H3-1427-03	POWER STEERING PUMP - "TRW"				
53	H3-1412-02	STEERING DAMPER				
54	H3-1005-04	FRONT AXLE - I BEAM RIGID MODEL "S-84"				
55	H3-1005-50	FRONT AXLE - INDEPENDENT MODEL "IS-84" / 16500LBS				

From 1-4294 To 2-4416	Date:10/2022	PAGE:H3-1400-02
POWER STEERING HOSE - INSTALLATION WITH "ZF"		

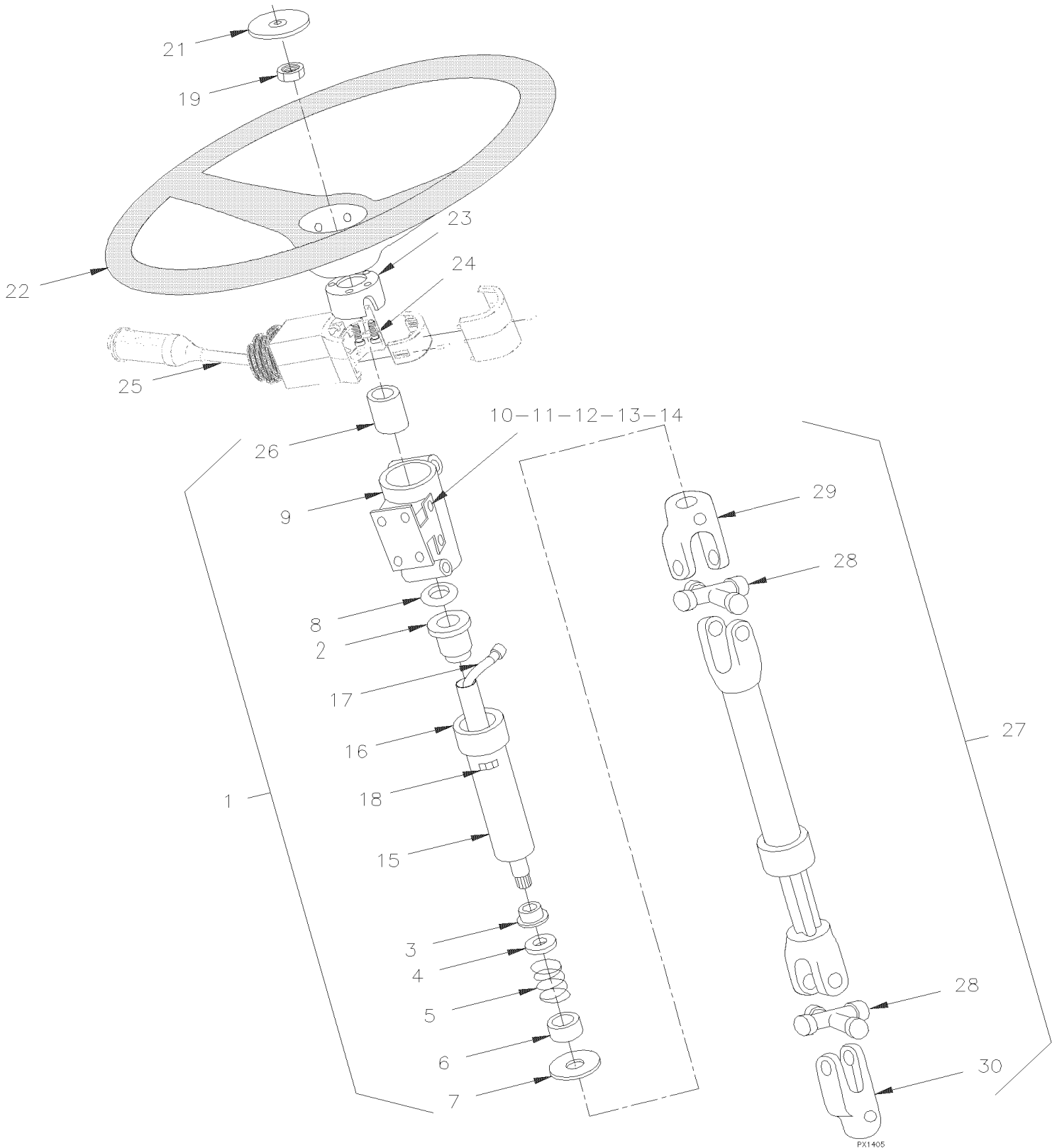
Item#	Part	Description	H 3 4 1	H 3 4 5	V I P 4 5	N O T E S
56	H3-1410-01	STEERING GEAR BOX & DRAG LINK - INSTALLATION				
60	504727	CLAMP DOUBLE ASS / 2 HOSE SIZE 3/8"	AR	AR	AR	
61	504728	PLATE RETAINER	AR	AR	AR	
62	500440	WASHER FL .250x.562x.065 Z050	AR	AR	AR	
63	500107	SCREW TC CAP HEXW 1/4-20x2 1/2 Z050	AR	AR	AR	
64	562036	CLAMP / 7/8" I.D. X 90°	AR	AR	AR	
65	502550	SCREW CAP HEX M4-0.7x16 G8.8 Z050	AR	AR	AR	
66	500590	NUT HEX NYRT M4-0.7 Z050	AR	AR	AR	
67	500657	SCREW TC TR PH #10-24x1/2 Z050	AR	AR	AR	
		A) FOR SERVICE, IT'S POSSIBLE TO REPAIR THESE HOSES IN FRONT SERVICE COMPARTMENT WITH KIT #161198 AND IN ENGINE COMPARTMENT WITH KIT #161199				
		B) FOR SERVICE, IT'S POSSIBLE TO REPAIR THIS BLOCK IN FRONT SERVICE COMPARTMENT WITH KIT #160203 (H3-45) OR #160130 (H3-41)				
		C) INCLUDED IN KIT #161199				
		4) NO PARTS NUMBER				

From R-012 To W-2457

Date:10/2022

PAGE:H3-1405-02

STEERING WHEEL & COLUMN ASSY



From R-012 To W-2457	Date:10/2022	PAGE:H3-1405-02
STEERING WHEEL & COLUMN ASSY		

Item#	Part	Description	H 3 4 1	H 3 4 5	V I P 4 5	N O T E S
1	160731	STEERING COLUMN ASSY 15" / W/BUS & MTH 86" To W-2284	1	1		
1	160731	STEERING COLUMN ASSY 15" / W/BUS & MTH 86"			1	
2	660779	. BEARING ASSY	2	2	2	
3	660780	. SEAT, NYLON	1	1	1	
4	660758	. WASHER	1	1	1	
5	660777	. SPRING COMPRESSION / 1.344 O.D. x 1.441 x .130	1	1	1	
6	660776	. CAP, DUST	1	1	1	
7	660778	. WASHER	1	1	1	
8	660760	. SEAT	1	1	1	
9	160630	. PLATE / TO FIX STEERING COLUMN	1	1	1	
10	160652	. BRACKET / TO FIX COLUMN COVER	1	1	1	
11	500438	. WASHER FL .187x.437x.050 Z050	4	4	4	
NS	160944	. WIRE PROTECTOR / U SHAPE 260MM LG	1	1	1	
12	500470	. WASHER LO SPT .193x.334x.047 Z050	4	4	4	
13	502500	. SCREW TC BDG PH #8-32x1/2 CJ	4	4	4	
14	505406	. SPRING, PIN 1/4 X 1 1/2	1	1	1	
15	160773	. TUBE, STEERING 10 3/4" / W/MTH 80" & MTH 83"	1	1	1	
16	160776	. SHAFT 15" / W/BUS & MTH 86"	1	1	1	
NS	660783	. . SLEEVE / CONTACT BRUSH	1	1	1	
NS	660784	. . SCREW #8-32x1/4 NYLON	1	1	1	
17	061963	. . WIRE ASSY / KLAXON	1	1	1	
NS	560858	. . . TAB RECEPTACLE TERMINAL / 16-14 / AMP 5-160431-2	1	1	1	
NS	560381	. . . PLASTIC TUBING / 3/16" / CLEAR	AR	AR	AR	
18	160640	. BRUSH CONTACT / HORN	1	1	1	
NS	064251	CABLE ASSY / CONTACT & CABLE	1	1	1	
19	660085	NUT WHEEL	1	1	1	
21	660693	BUTTON UNIT HORN	1	1	1	
21	160779	. CREST "PREVOST" / HORN BUTTON	1	1	1	
22	160561	STEERING WHEEL ASSY W/CANCELING RING	1	1	1	A
22	191696	STEERING WHEEL W/OUT CANCELING RING / SERVICE ONLY	1	1	1	
23	660757	. RING, TURN SIGNAL CANCEL / BLACK PLASTIC	1	1	1	
24	500668	. SCREW MA PAN PH M3.5-0.6x20 Z050	1	1	1	
24	502688	. SCREW MA PAN PH M3.5-0.6x10 ZP	2	2	2	
24	500650	. SCREW TC PAN PH #6-32x3/8 ZP	3	3	3	B
25	H3-1406-00	MULTI-FUNCTION LEVER				
26	160569	SPACER 1" I.D. X 1 3/16" O.D. X 1 9/16"	1	1	1	
27	660887	SHAFT ASSY, LOWER SECTION 15.13" C/C x 24.16" C/C	1	1	1	
28	660683	. KIT JOINT / CROSS W/BEARING	2	2	2	
29	660686	. YOKE, UPPER / 1" - 36 SPLINES	1	1	1	
30	660685	. YOKE, LOWER / 1" - 36 SPLINES	1	1	1	
40	163247	KIT, STEERING WHEEL REPLACEMENT	1	1	1	
. NS	IS-01052	. SEE INSTRUCTION SHEET	1	1	1	

From R-012 To W-2457	Date:10/2022	PAGE:H3-1405-02
STEERING WHEEL & COLUMN ASSY		

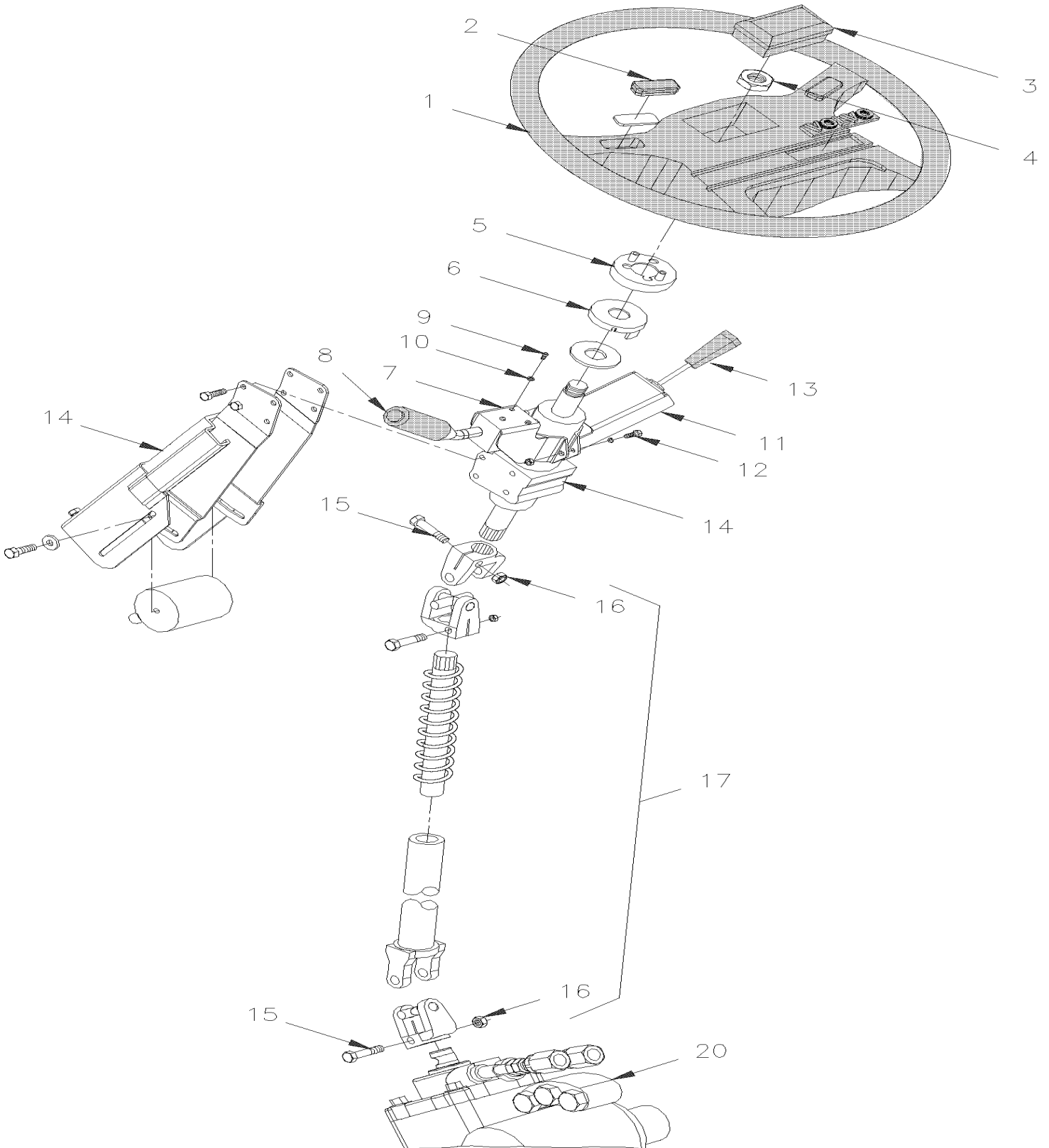
Item#	Part	Description	H 3 4 1	H 3 4 5	V I P 4 5	N O T E S
		A) THIS ITEM IS SUPERSEDED BY KIT #163247				
		B) USE WITH 191696 ONLY				
		S) A FEW COACH RECEIVE THIS SPACER WITH STEERING "VOLVO"				

From W-2285 To 2-4416

Date:10/2022

PAGE:H3-1405-03

STEERING WHEEL & COLUMN ASSY



From W-2285 To 2-4416	Date:10/2022	PAGE:H3-1405-03
STEERING WHEEL & COLUMN ASSY		

Item#	Part	Description	H 3 4 1	H 3 4 5	V I P 4 5	N O T E S
1	661032	STEERING WHEEL	1	1		
. NS	661061	. BRUSH ASSY SPOKE CONTACT	1	1		
. NS	661062	. BRUSH ASSY CENTRAL CONTACT	1	1		
. NS	661063	. GROUNDING CABLE ASSY	1	1		
. NS	661064	. INSULATOR	1	1		
1	661032	STEERING WHEEL From W-2458			1	
. NS	661061	. BRUSH ASSY SPOKE CONTACT From W-2458			1	
. NS	661062	. BRUSH ASSY CENTRAL CONTACT From W-2458			1	
. NS	661063	. GROUNDING CABLE ASSY From W-2458			1	
. NS	661064	. INSULATOR From W-2458			1	
2	661052	. HORN BUTTON / ELECTRICAL LH	1	1	1	
2	661053	. HORN BUTTON / ELECTRICAL RH	1	1	1	
NS	661058	. CONTACT PLATE	2	2	2	
3	661033	HORN BUTTON / AIR To 2-4341	1	1	1	
3	661085	HORN BUTTON / AIR From 2-4342	1	1	1	
4	661051	NUT	1	1	1	
5	661035	RING TURN SIGNAL CANCELING	1	1	1	
NS	504669	RIVET DRV BDG .187x.609 NYL From 1-4125	2	2	2	
6	661034	HORN CONTACT RING	1	1	1	
7	161062	SUPPORT, DIRECTIONAL SWITCH To 1-4124	1	1	1	
7	161149	SUPPORT, DIRECTIONAL SWITCH From 1-4125	1	1	1	
8	661037	LEVER ASSY / MULTIFONCTINAL To 1-4310	1	1	1	
. NS	660781	. CAP PLEATED RUBBER To 1-4310	1	1	1	
8	661075	LEVER ASSY / MULTIFONCTINAL From 1-4311	1	1	1	
. NS	660781	. CAP PLEATED RUBBER From 1-4311	1	1	1	
9	5001377	SCREW MA PAN PH M5-0.8x8 SS	3	3	3	
10	5001378	WASHER LO EXT 5.3x10x0.6 Z050	3	3	3	
11	161058	COLLAR / W/O RETARDER	1	1	1	
11	161060	COLLAR W/SWITCH SUPPORT	1	1	1	
12	502631	SCREW CAP HEX M6-1.0x20 G8.8 Z050	2	2	2	
13	562356	SWITCH ASSY / W/LEVER & BOOT / 6 POSITIONS	1	1	1	
14	661030	STEERING COLUMN ASSY 36SPL / 79SPL LOWER To W-2620	1	1	1	
14	661041	STEERING COLUMN ASSY 36SPL / 79SPL LOWER From W-2621	1	1	1	
NS	641242	MALE CONNECTOR / PUSH-IN FITTING / #4x1/8NPT-M BR	1	1	1	
15	661095	SCREW CAP HEX "SPECIAL" STEERING SHAFT "ZF"	2	2	2	
16	661096	NUT "SPECIAL" STEERING SHAFT "ZF"	2	2	2	
17	661031	SHAFT ASSY STEERING 79SPL / 36SPL LOWER To W-2620	1	1	1	
17	661042	SHAFT ASSY STEERING 79SPL / 36SPL LOWER From W-2621 To 1-4293	1	1	1	
17	661048	SHAFT ASSY STEERING 79SPL / 79SPL LOWER From 1-4294	1	1	1	
20	H3-1415-01	STEERING GEARBOX - "TRW" To 1-4293				
20	H3-1415-03	STEERING GEARBOX - "ZF" From 1-4294	1	1	1	
NS	161150	KIT, FLASHER SUPPORT From W-2285 To 1-4124	AR	AR	AR	

From W-2285 To 2-4416	Date:10/2022	PAGE:H3-1405-03
STEERING WHEEL & COLUMN ASSY		

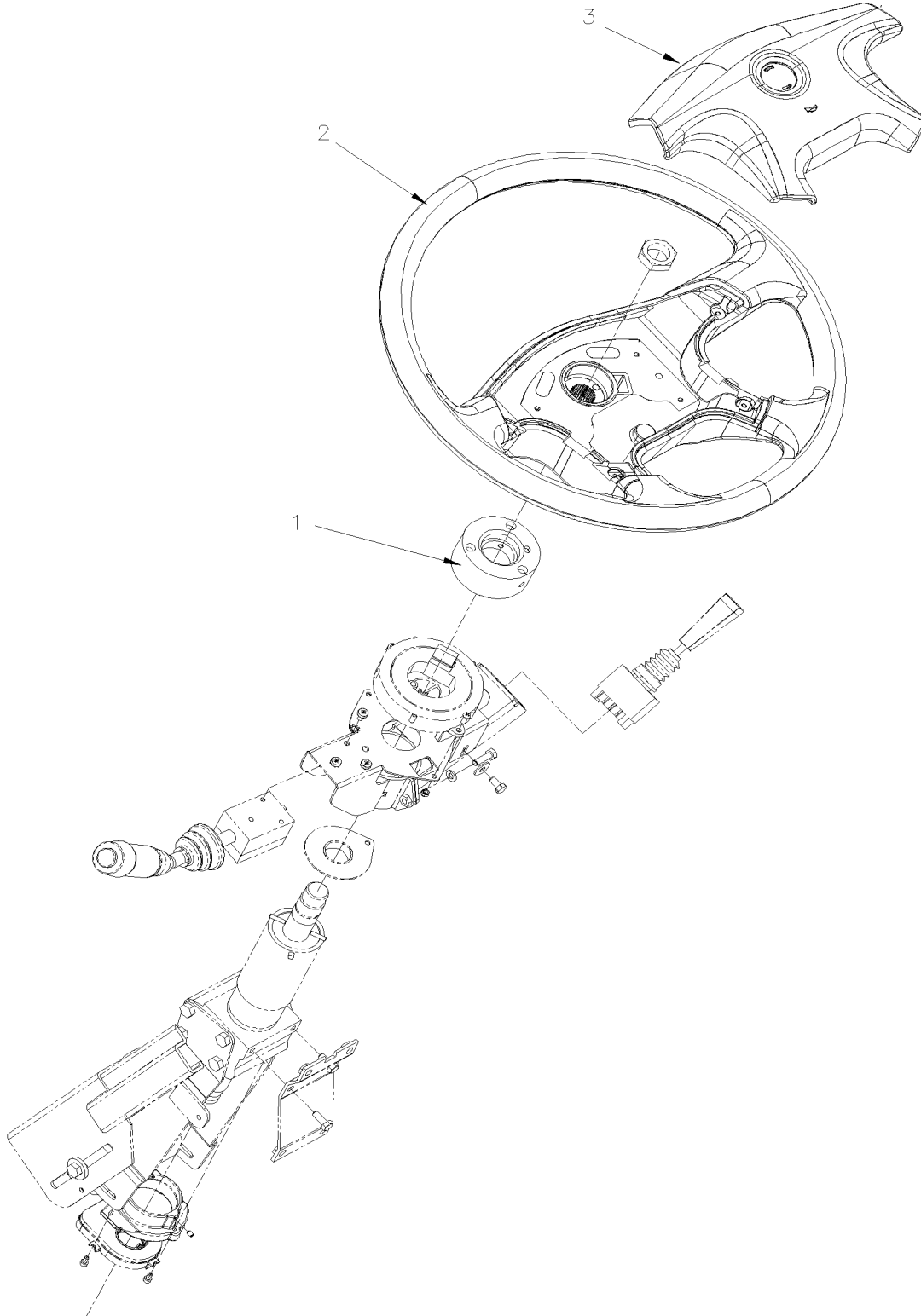
Item#	Part	Description	H 3 4 1	H 3 4 5	V I P 4 5	N O T E S
. NS	IS-00134	. SEE INSTRUCTION SHEET From W-2285 To 1-4124	1	1	1	
25	IS19036	PETRI STEERING WHEEL REPLACEMENT	1	1	1	

From W-2285 To 2-4416

Date:10/2022

PAGE:IS19036

PETRI STEERING WHEEL REPLACEMENT



From W-2285 To 2-4416	Date:10/2022	PAGE:IS19036
PETRI STEERING WHEEL REPLACEMENT		

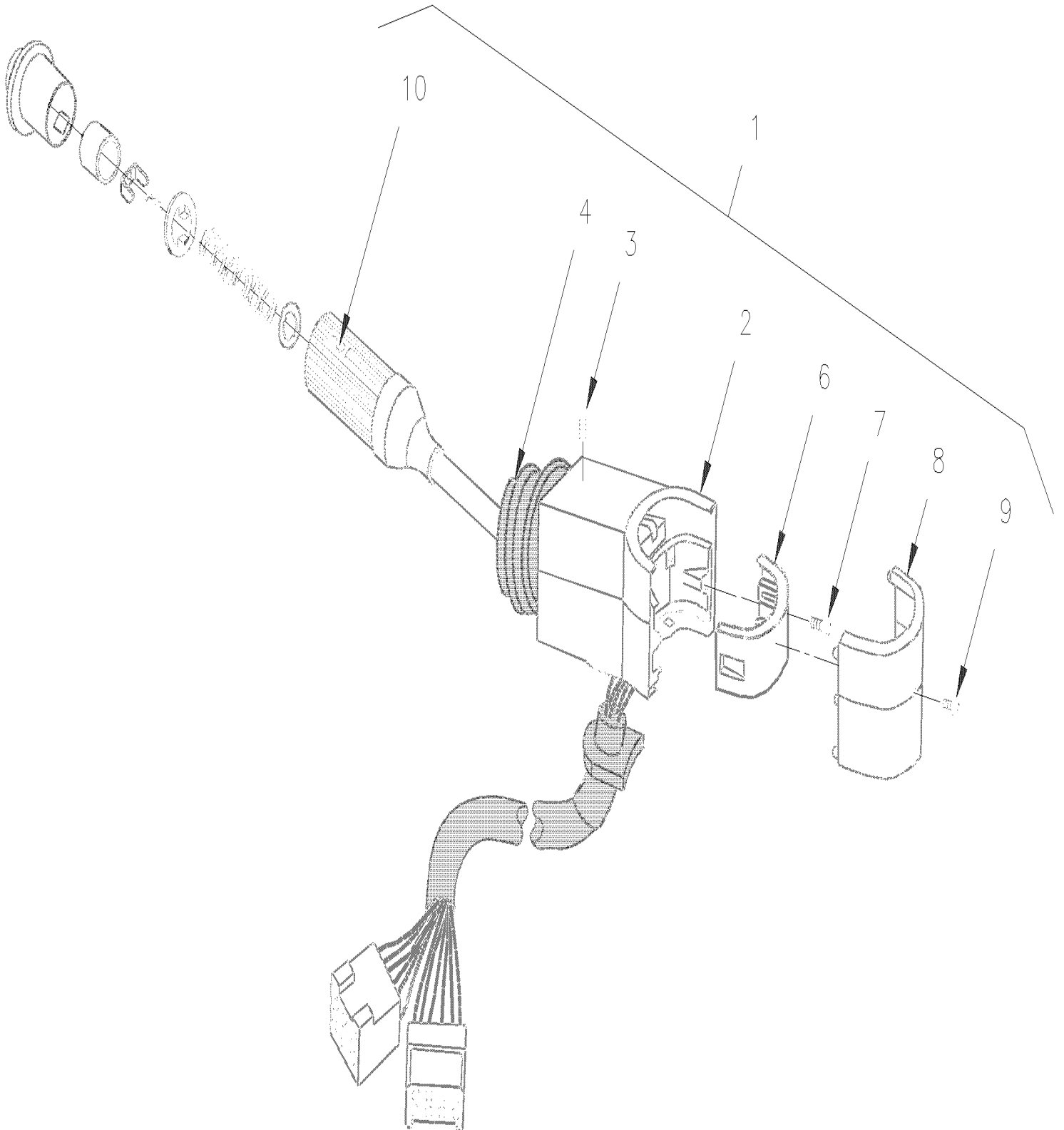
Item#	Part	Description	H 3 4 1	H 3 4 5	V I P 4 5	N O T E S
1	160004	STEERING ADAPTER RING	1	1	1	
2	661171	STEERING WHEEL URHETHANE W/OUT ANY CONTROL	1	1	1	
3	661149	HORN BUTTON CUSHION PAD W PROVOST EMBLEM	1	1	1	
. NS	N.S.S.	. SPRING HORN	4	4	4	1
. NS	661162	. SPRING RETAINER / HORN SPRING	4	4	4	
. NS	661163	. HORN CONTACT	1	1	1	
NS	562697	SWITCH / ON-ON / D.P.D.T. / CH-OVER / W/RED & GREEN LED	1	1	1	
NS	564081	CAP / HORN SELECTOR - ELEC / AIR	1	1	1	
NS	0610188	HARNESS, INTERFACE STEERING WHEEL	1	1	1	
NS	562768	SOCKET TERMINAL / 16-14 / PED 12015870	2	2	2	
8	IS-19036	SEE INSTRUCTION SHEET	1	1	1	
8	FI-19036	VOIR FEUILLE D'INSTRUCTION	1	1	1	
		1) NOT SOLD SEPARATELY				

From R-012 To W-2457

Date:10/2022

PAGE:H3-1406-00

MULTI-FUNCTION LEVER



From R-012 To W-2457	Date:10/2022	PAGE:H3-1406-00
MULTI-FUNCTION LEVER		

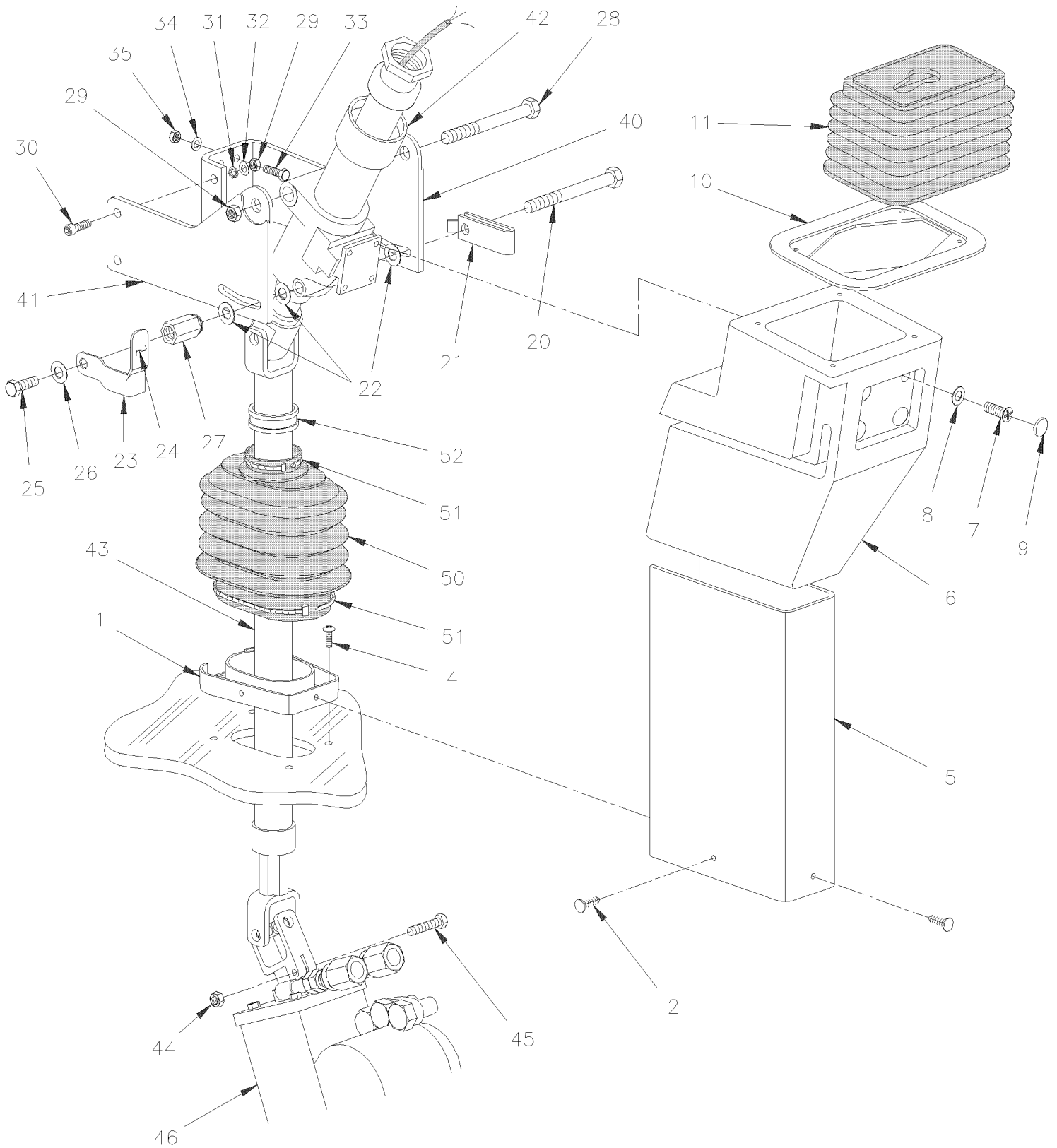
Item#	Part	Description	H 3 4 1	H 3 4 5	V I P 4 5	N O T E S
1	660694	LEVER ASSY / MULTIFONCTINAL To W-2284	1	1		
1	660694	LEVER ASSY / MULTIFONCTINAL			1	
1	H3-1405-03	STEERING WHEEL & COLUMN ASSY				
2	660766	. HOUSING	1	1	1	
3	660771	. SCREW / HOUSING	1	1	1	
4	660781	. CAP PLEATED RUBBER	1	1	1	
6	660774	. CLAMP	2	2	2	
7	660775	. SCREW MA PAN TORX M5-0.8x12 ZP	1	1	1	
8	660772	. CAP / HOUSING CLAMP	1	1	1	
9	660773	. SCREW, TURN SIGNAL SW. HOUSING	1	1	1	
10	402953	DECAL / "BLINKERS WINDSHIELD WASHER"	1	1	1	

From R-012 To W-2457

Date:10/2022

PAGE:H3-1407-01

STEERING COLUMN & COVER - INSTALLATION



From R-012 To W-2457	Date:10/2022	PAGE:H3-1407-01
----------------------	--------------	-----------------

STEERING COLUMN & COVER - INSTALLATION

Item#	Part	Description	H 3 4 1	H 3 4 5	V I P 4 5	N O T E S
		FOR H3-41AND H3-45 ONLY, THIS ASSEMBLY ENDS TO W-2284.				
	391763	SUPPORT ASSY W/BELLOW	1	1	1	A
1	391745	SUPPORT	1	1	1	
2	504619	CLIP CHRISTMAS TREE / BLACK 7/32"O.D.x1/2" HOLE 3/16	3	3	3	
4	500638	SCREW TP PAN PH #8x1/2 Z050	7	7	7	
5	390940	COVER, LOWER SECTION	1	1	1	
6	391105	COVER ASSY, CENTRAL SECTION	1	1	1	
6	390939	. COVER, CENTRAL SECTION	1	1	1	
6	500437	. WASHER FL .125x.375x.040 Z050	4	4	4	
6	504003	. FASTENER RIVET BASE	4	4	4	
6	504107	. RIVET POP DOME OE 1/8x5/16 AL	4	4	4	
NS	391011	MOULDING, R.H. / CENTRAL COVER To T-1497	1	1	1	
NS	391010	MOULDING, L.H. / CENTRAL COVER To T-1497	1	1	1	
7	500641	SCREW TP PAN PH #8x3/4 Z050	4	4	4	
NS	500563	NUT SPR U #8-32 .094-.125	4	4	4	
8	504412	WASHER RETAINER SNAP CAP #8	4	4	4	
9	504403	SNAP CAP #8 FINISHING BLACK	4	4	4	
10	391145	PLATE / TO FIX RUBBER COVER	1	1	1	
11	391156	COVER ASSY, RUBBER	1	1	1	
20	160708	SCREW / W/L.H. THREAD	1	1	1	
21	160633	RETAINER, LOCK PLATE	1	1	1	
22	500444	WASHER FL .406x.812x.065 Z050	3	3	3	
23	160639	LEVER ASSY TIGHTENING	1	1	1	
24	660786	. HANDLE, PLASTIC	1	1	1	
25	160709	SCREW CAP HEX 3/8-16x1 1/4"	1	1	1	
26	500478	WASHER LO SPT .380x.683x.094 Z050	1	1	1	
27	160636	NUT TIGHTENING / L.H.	1	1	1	
28	500885	SCREW SHR HEXS 3/8x4 {5/16-18	1	1	1	
29	500685	NUT HEX NYRT 5/16-18 SS	2	2	2	
30	500876	SCREW SHR HEXS 3/8x3/4 {5/16-18	2	2	2	
31	500905	WASHER SPR WAVE .750x.015	2	2	2	
32	500441	WASHER FL .312x.734x.065 Z050	2	2	2	
33	502549	SCREW CAP HEX M10-1.5x35 G8.8 Z050	4	4	4	
34	500445	WASHER FL .437x1.000x.083 Z050	4	4	4	
35	500680	NUT HEX STO M10-1.5 Z050	4	4	4	
40	160728	SUPPORT, STEERING COLUMN	1	1	1	
41	160726	SUPPORT, STEERING COLUMN (FIXED ON STRUTURE)	1	1	1	
42	H3-1405-02	STEERING WHEEL & COLUMN ASSY				
43	H3-1405-02	STEERING WHEEL & COLUMN ASSY				

From R-012 To W-2457	Date:10/2022	PAGE:H3-1407-01
STEERING COLUMN & COVER - INSTALLATION		

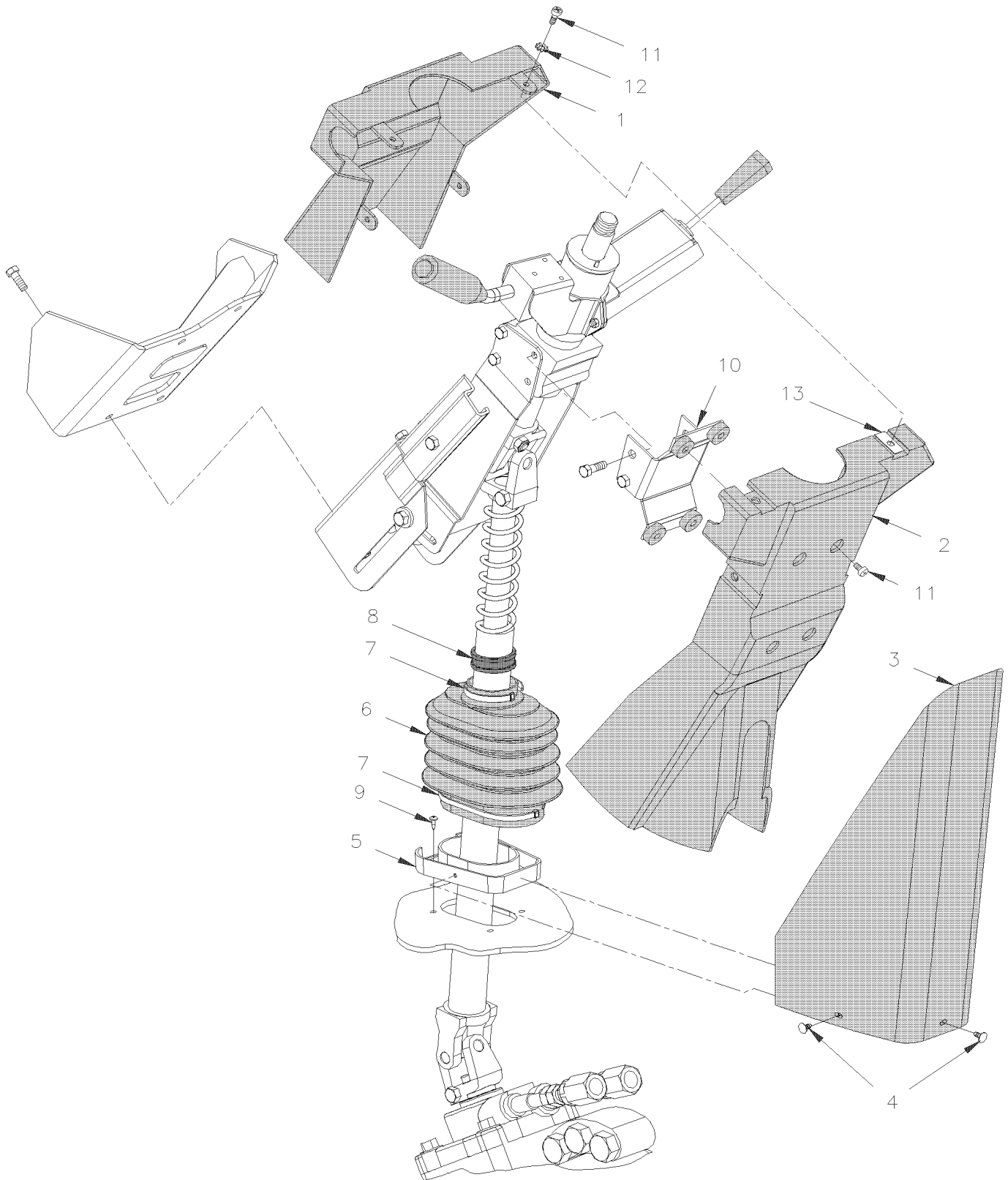
Item#	Part	Description	H 3 4 1	H 3 4 5	V I P 4 5	N O T E S
44	500567	SCREW CAP HEX 3/8-16x1 3/4 G5 ZP	2	2	2	
45	500265	NUT HEX STO 3/8-16 Z050	2	2	2	
46	H3-1415-01	STEERING GEARBOX - "TRW"				
50	660981	BELLOW	1	1	1	
51	504637	CABLE TIE / 3/16" x 13"	2	2	2	
52	391576	SEAL RING	1	1	1	
		A) INCLUDE ITEMS 50 & 51				

From W-2285 To 2-4416

Date:10/2022

PAGE:H3-1407-02

STEERING COLUMN & COVER - INSTALLATION



From W-2285 To 2-4416	Date:10/2022	PAGE:H3-1407-02
STEERING COLUMN & COVER - INSTALLATION		

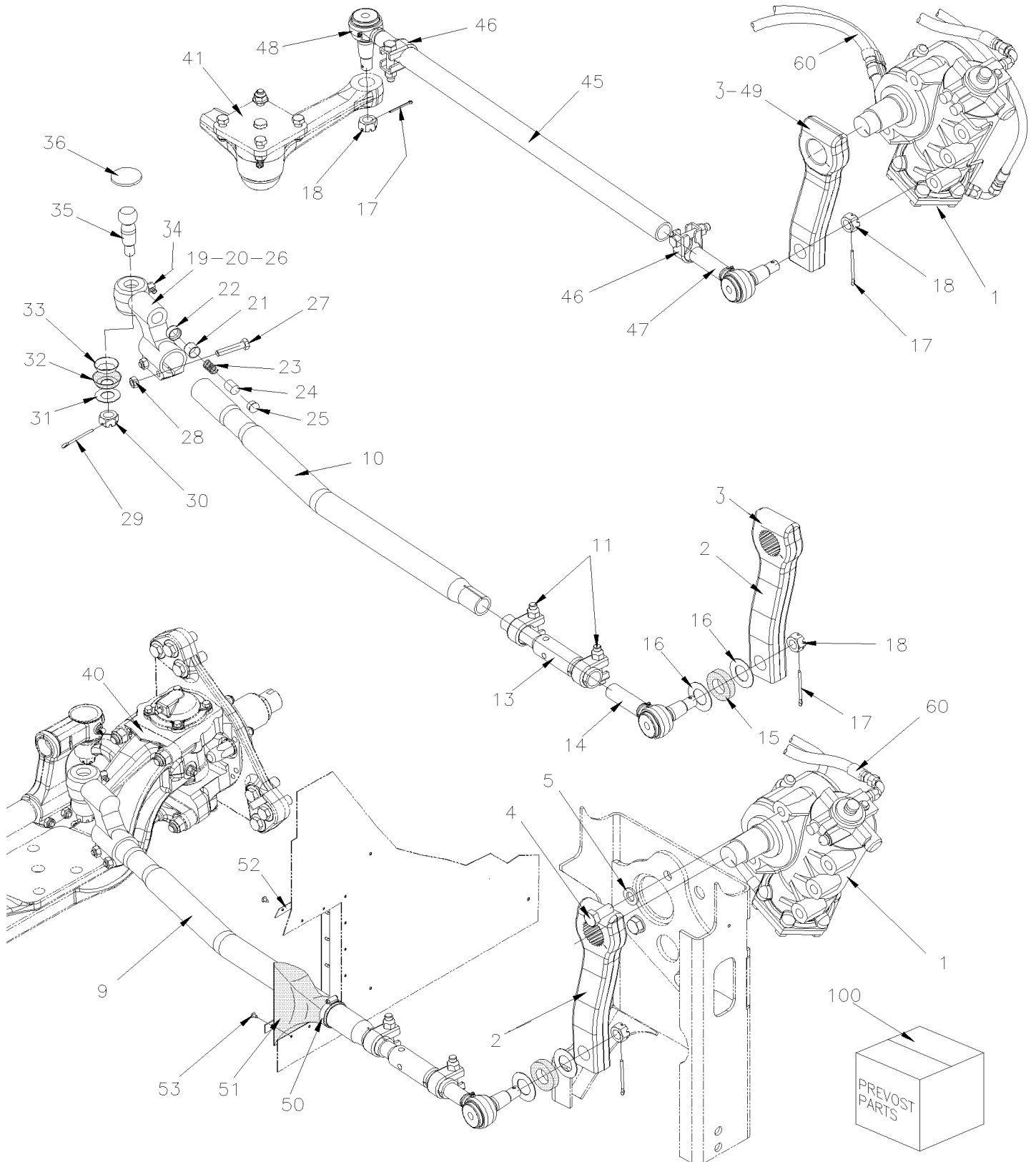
Item#	Part	Description	H 3 4 1	H 3 4 5	V I P 4 5	N O T E S
1	161067	COVER / W/RETARDER To W-2626	1	1	1	
1	161086	COVER / W/RETARDER / BLACK From W-2627	1	1	1	
1	161074	COVER / W/O RETARDER To W-2626	1	1	1	
1	161087	COVER / W/O RETARDER / BLACK From W-2627	1	1	1	
2	161063	COVER / W/RETARDER To W-2626	1	1	1	
2	161084	COVER / W/RETARDER / BLACK From W-2627	1	1	1	
2	161075	COVER / W/O RETARDER To W-2626	1	1	1	
2	161085	COVER / W/O RETARDER / BLACK From W-2627	1	1	1	
3	161066	COVER, LOWER / BLACK To 1-4186	1	1	1	
3	161152	COVER, LOWER / BLACK From 1-4187	1	1	1	
4	504619	CLIP CHRISTMAS TREE / BLACK 7/32"O.D.x1/2" HOLE 3/16	3	3	3	
5	391974	PLATE SUPPORT	1	1	1	
6	660981	BELLOW	1	1	1	
7	504637	CABLE TIE / 3/16" x 13"	2	2	2	
8	391930	COLLAR	1	1	1	
9	500583	SCREW TP PAN PH #6x1/2 Z050	4	4	4	
10	161069	ATTACHMENT To W-2626	1	1	1	
10	161068	ATTACHMENT From W-2627	1	1	1	
11	502569	SCREW MA PAN PH M6-1.0x16 BK	8	8	8	
12	500472	WASHER LO INT .256x.478x.028 Z050	8	8	8	
13	502738	NUT SPR U M6-1.0 0.6-4.0	2	2	2	
13	504669	RIVET DRV BDG .187x.609 NYL	2	2	2	

From R-020 To 1-4293

Date:10/2022

PAGE:H3-1410-01

STEERING GEAR BOX & DRAG LINK - INSTALLATION



From R-020 To 1-4293	Date:10/2022	PAGE:H3-1410-01
STEERING GEAR BOX & DRAG LINK - INSTALLATION		



From R-020 To 1-4293	Date:10/2022	PAGE:H3-1410-01
STEERING GEAR BOX & DRAG LINK - INSTALLATION		

Item#	Part	Description	H 3 4 1	H 3 4 5	V I P 4 5	N O T E S
1	H3-1415-01	STEERING GEARBOX - "TRW"				
2	160901	ARM, PITMAN 280MM C/C / PAINTED BLACK To Y-3700	1	1		
. NS	MI05-09	. SEE MAINTENANCE INFORMATION To Y-3700	1	1		
2	661069	ARM, PITMAN 280MM C/C From Y-3701	1	1		
. NS	MI05-09	. SEE MAINTENANCE INFORMATION From Y-3701	1	1		
3	500298	SCREW CAP HEX 3/4-16x4 1/2 G5 ZP	1	1	1	
NS	500488	WASHER LO SPT .760x1.271x.188 Z050	1	1	1	
NS	500733	NUT HEX 3/4-16 Z050	1	1	1	
4	5001219	SCREW CAP HEX 3/4-16x1 3/4 G8 ZP	6	6	6	
4	500154	SCREW CAP HEX 7/8-14x2 G8 ZP	1	1	1	
5	500488	WASHER LO SPT .760x1.271x.188 Z050	6	6	6	
5	500490	WASHER LO SPT .887x1.464x.219 ZP	1	1	1	
9	160959	DRAG LINK ASSY / 1329.5MM C/C	1	1		
10	160960	. ROD / W/1 CURVE // W/ONE CURVE 975MM	1	1		
11	661133	. COLLAR ASSY / W/BOLT & NUT & STOPPER 1 5/8" I.D.	2	2		
. NS	500231	. . SCREW CAP HEX 5/8-11x3 G5 ZP	1	1		
. NS	500683	. . NUT HEX STO 5/8-11 ZP	1	1		
13	160932	. TURNBUCKLE 275MM	1	1		
14	661150	. TIE ROD END L.H. THREAD 1 1/4-12	1	1		
15	661135	. . RUBBER WASHER SEAL	1	1		
16	161989	. . WASHER FL 34.9x63.5x16GA SS	1	1		
17	502115	. . PIN, COTTER 3/16 x 2 1/2	2	2		
18	5001345	. . NUT HEX CSL THN 7/8-14	1	1		
19	610991	. TIE ROD ASSY / 3" OFFSET / L.H. THREAD M48-2	1	1		
20	N.S.P.	. . HOUSING / OFFSET L.H. THREAD M48-2	1	1		2
21	N.S.S.	. . RUBBING PAD / (7157/156)	1	1		1
22	N.S.S.	. . THRUST CUP / (7157/153)	1	1		1
23	N.S.S.	. . COMPRESSION SPRING / (5443/4)	1	1		1
24	N.S.S.	. . ADJUSTER PIECE / (5443/154)	1	1		1
25	680404	. . CAP PLUG	1	1		
26	502115	. . PIN, COTTER 3/16 x 2 1/2	1	1		
27	5001177	. . SCREW CAP HEX M12-1.75x60 G8.8 Z050	2	2		
28	500811	. . NUT HEX STO M12-1.75 G500	2	2		
29	502114	. . PIN, COTTER 5/32 x 2 1/2				
30	5001196	. . NUT HEX SLT 3/4-16	1	1		
31	161989	. . WASHER FL 34.9x63.5x16GA SS	2	2		
32	611057	. . RUBBER SEAL BOOT	1	1		
33	611056	. . DIRT SEAL PRESSING	1	1		
34	501495	. . GREASE FITTING 90° / 1/8 NPT	2	2		
35	N.S.S.	. . BALL STUD / (F4223/11)	1	1		1
36	N.S.S.	. . PLUG / (5247/155)	1	1		1
36	N.S.S.	. . SNAP RING / (ML7544/55N)	1	1		1

From R-020 To 1-4293	Date:10/2022	PAGE:H3-1410-01
STEERING GEAR BOX & DRAG LINK - INSTALLATION		

Item#	Part	Description	H 3 4 1	H 3 4 5	V I P 4 5	N O T E S
40	611031	STEERING ARM UPPER L.H. STREET SIDE	1	1		
		WITH INDEPENDENT FRONT SUSPENSION				
41	H3-1410-50	STEERING RODS - INSTALLATION W/INDEPENDENT "IS-84" / 16500LBS				
45	161036	DRAG LINK ASSY / 1016.5 MM C/C To Y-4009			1	
45	661068	DRAG LINK ASSY / 1016.5 MM C/C From Y-4010			1	
45		. ROD			1	
46	660978	. COLLAR ASSY / W/BOLT & NUT 1 5/8" I.D. To Y-4009			2	
. NS	500231	. . SCREW CAP HEX 5/8-11x3 G5 ZP To Y-4009			1	
. NS	500683	. . NUT HEX STO 5/8-11 ZP To Y-4009			1	
46	661133	. COLLAR ASSY / W/BOLT & NUT & STOPPER 1 5/8" I.D. From Y-4010			2	
. NS	500231	. . SCREW CAP HEX 5/8-11x3 G5 ZP From Y-4010			1	
. NS	500683	. . NUT HEX STO 5/8-11 ZP From Y-4010			1	
47	611070	. TIE ROD END R.H. THREAD 1 1/4-12 To Y-4009			1	
47	611458	. TIE ROD END R.H. THREAD 1 1/4-12 From Y-4010			1	
47	N8892657	. TIE ROD END R.H. THREAD 1 1/4-12 SERVICE			1	S
48	611071	. TIE ROD END L.H. THREAD 1 1/4-12 To Y-4009			1	
48	611459	. TIE ROD END L.H. THREAD 1 1/4-12 From Y-4010			1	
48	661150	. TIE ROD END L.H. THREAD 1 1/4-12 SERVICE			1	S
49	660999	ARM, PITMAN			1	
. NS	M105-09	. SEE MAINTENANCE INFORMATION			1	
49	500298	SCREW CAP HEX 3/4-16x4 1/2 G5 ZP			1	
49	500488	WASHER LO SPT .760x1.271x.188 Z050			1	
49	500733	NUT HEX 3/4-16 Z050			1	
50	504024	HOSE CLAMP / 1"13/16"-2"3/4 SS / HS-36	1	1	1	
51	160931	SHIELD RUBBER	1	1		
51	161009	SHIELD RUBBER			1	I
52	160961	COLLAR SHIELD RETAINER / "O" FORM OPEN ONE PIECE To Y-3413	1	1		
52	161118	COLLAR SHIELD RETAINER / "I" FORM TWO PIECE From Y-3414	1	1		
52	161119	COLLAR SHIELD RETAINER / "C" FORM TWO PIECE From Y-3414	1	1		
52	160994	COLLAR SHIELD RETAINER / "O" FORM CLOSED			1	I
53	500657	SCREW TC TR PH #10-24x1/2 Z050	16	16	16	
60	H3-1400-01	POWER STEERING HOSE - INSTALLATION WITH "TRW"				
100	611101	KIT REPAIR / TIE ROD END	AR	AR		A
		A) ITEMS 21 TO 36				
		I) ITEMS 21 TO 36				

From R-020 To 1-4293	Date:10/2022	PAGE:H3-1410-01
----------------------	--------------	-----------------

STEERING GEAR BOX & DRAG LINK - INSTALLATION

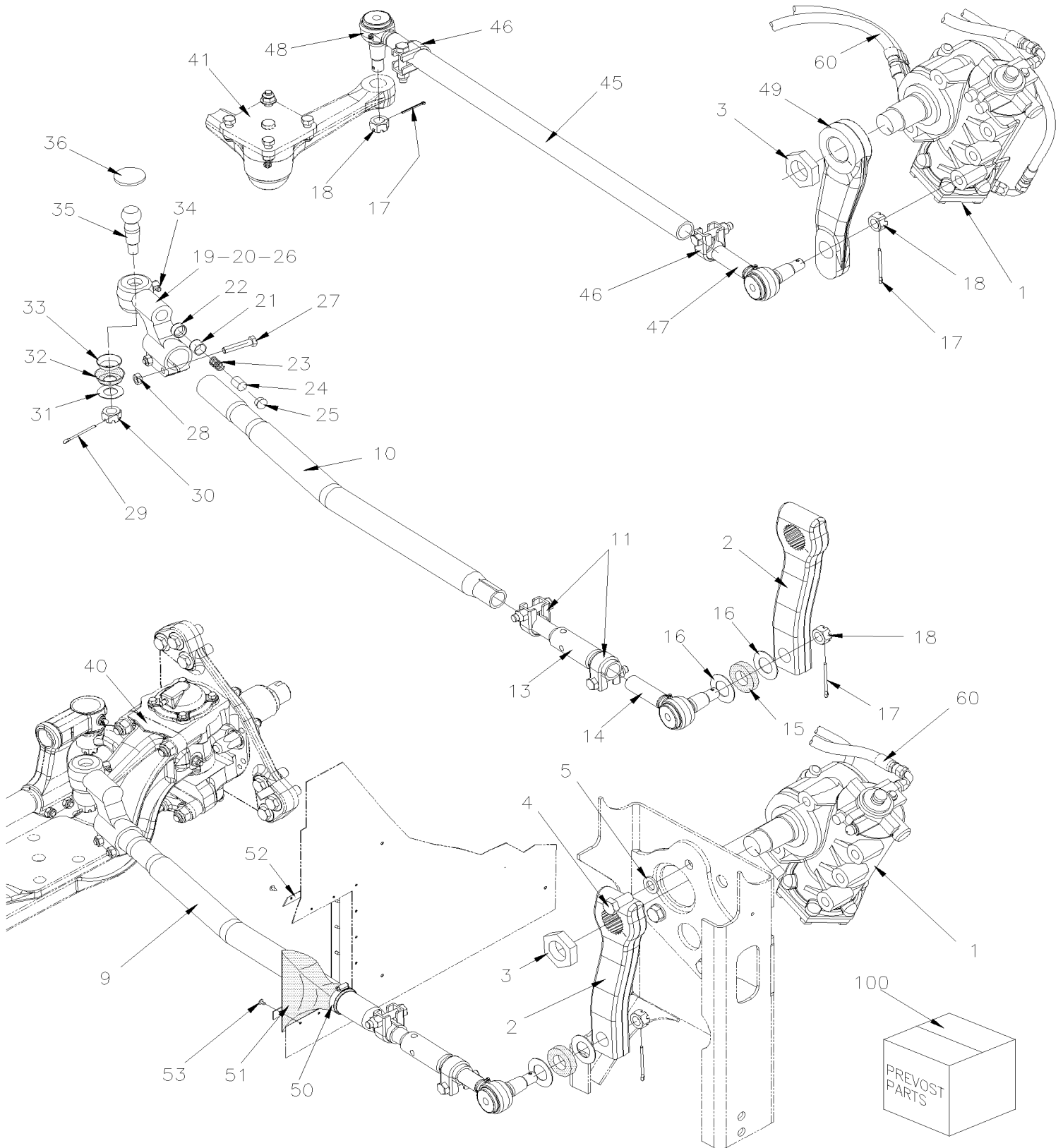
Item#	Part	Description	H 3 4 1	H 3 4 5	V I P 4 5	N O T E S
		L) THIS ASSY USE ONLY LONG NECK TIE ROD END # 661151 & # 661152				
		LL) USE ONLY WITH ASSY # 661130 & # 661154				
		S) SERVICE ON SHORT FORMER MODEL				
		1) NOT SOLD SEPARATELY				
		2) NOT SOLD BY PREVOST (SEE MANUFACTURING PART NUMBER AT END OF DESCRIPTION LINE)				

From 1-4294 To 2-4416

Date:10/2022

PAGE:H3-1410-02

STEERING GEAR BOX & DRAG LINK - INSTALLATION WITH "ZF"



From 1-4294 To 2-4416	Date:10/2022	PAGE:H3-1410-02
STEERING GEAR BOX & DRAG LINK - INSTALLATION WITH "ZF"		



From 1-4294 To 2-4416	Date:10/2022	PAGE:H3-1410-02
STEERING GEAR BOX & DRAG LINK - INSTALLATION WITH "ZF"		

Item#	Part	Description	H 3 4 1	H 3 4 5	V I P 4 5	N O T E S
1	H3-1415-03	STEERING GEARBOX - "ZF"				
2	661046	ARM, PITMAN 270MM C/C 116.5° MARK INDEX	1	1		
3	661050	LOCKNUT M45X1.5 GEARBOX ZF	1	1	1	
4	5001494	SCREW CAP HEX M20-1.5x45 G10.9 Z050	5	5	5	
5	5001495	WASHER FL 21.0x37.0x4.0 ZP	5	5	5	
9	160959	DRAG LINK ASSY / 1329.5MM C/C	1	1		
10	N.S.S.	. ROD / W/1 CURVE // W/ONE CURVE 975MM	1	1		1
11	661133	. COLLAR ASSY / W/BOLT & NUT & STOPPER 1 5/8" I.D.	2	2		
. NS	500231	. . SCREW CAP HEX 5/8-11x3 G5 ZP	1	1		
. NS	500683	. . NUT HEX STO 5/8-11 ZP	1	1		
13	160932	. TURNBUCKLE 275MM	1	1		
14	661150	. TIE ROD END L.H. THREAD 1 1/4-12	1	1		
15	661135	. . RUBBER WASHER SEAL	1	1		
16	161989	. . WASHER FL 34.9x63.5x16GA SS	1	1		
17	502115	. . PIN, COTTER 3/16 x 2 1/2	2	2		
18	5001345	. . NUT HEX CSL THN 7/8-14	1	1		
19	610991	. TIE ROD ASSY / 3" OFFSET / L.H. THREAD M48-2	1	1		
20	N.S.P.	. . HOUSING / OFFSET L.H. THREAD M48-2	1	1		2
21	N.S.S.	. . RUBBING PAD / (7157/156)	1	1		1
22	N.S.S.	. . THRUST CUP / (7157/153)	1	1		1
23	N.S.S.	. . COMPRESSION SPRING / (5443/4)	1	1		1
24	N.S.S.	. . ADJUSTER PIECE / (5443/154)	1	1		1
25	680404	. . CAP PLUG	1	1		
26	502115	. . PIN, COTTER 3/16 x 2 1/2	1	1		
27	5001177	. . SCREW CAP HEX M12-1.75x60 G8.8 Z050	2	2		
28	500811	. . NUT HEX STO M12-1.75 G500	2	2		
29	502114	. . PIN, COTTER 5/32 x 2 1/2				
30	5001196	. . NUT HEX SLT 3/4-16	1	1		
31	161989	. . WASHER FL 34.9x63.5x16GA SS	2	2		
32	611057	. . RUBBER SEAL BOOT	1	1		
33	611056	. . DIRT SEAL PRESSING	1	1		
34	501495	. . GREASE FITTING 90° / 1/8 NPT	2	2		
35	N.S.S.	. . BALL STUD / (F4223/11)	1	1		1
36	N.S.S.	. . PLUG / (5247/155)	1	1		1
36	N.S.S.	. . SNAP RING / (ML7544/55N)	1	1		1
40	611031	STEERING ARM UPPER L.H. STREET SIDE	1	1		
		WITH INDEPENDENT FRONT SUSPENSION				
41	H3-1410-50	STEERING RODS - INSTALLATION W/INDEPENDENT "IS-84" / 16500LBS				
45	661073	DRAG LINK ASSY / 1044.7 MM C/C From Y-4010	1	1	1	
45	661130	DRAG LINK ASSY / 1044.7 MM C/C WITH LONG NECK TIE ROD END	1	1	1	L

From 1-4294 To 2-4416	Date:10/2022	PAGE:H3-1410-02
STEERING GEAR BOX & DRAG LINK - INSTALLATION WITH "ZF"		

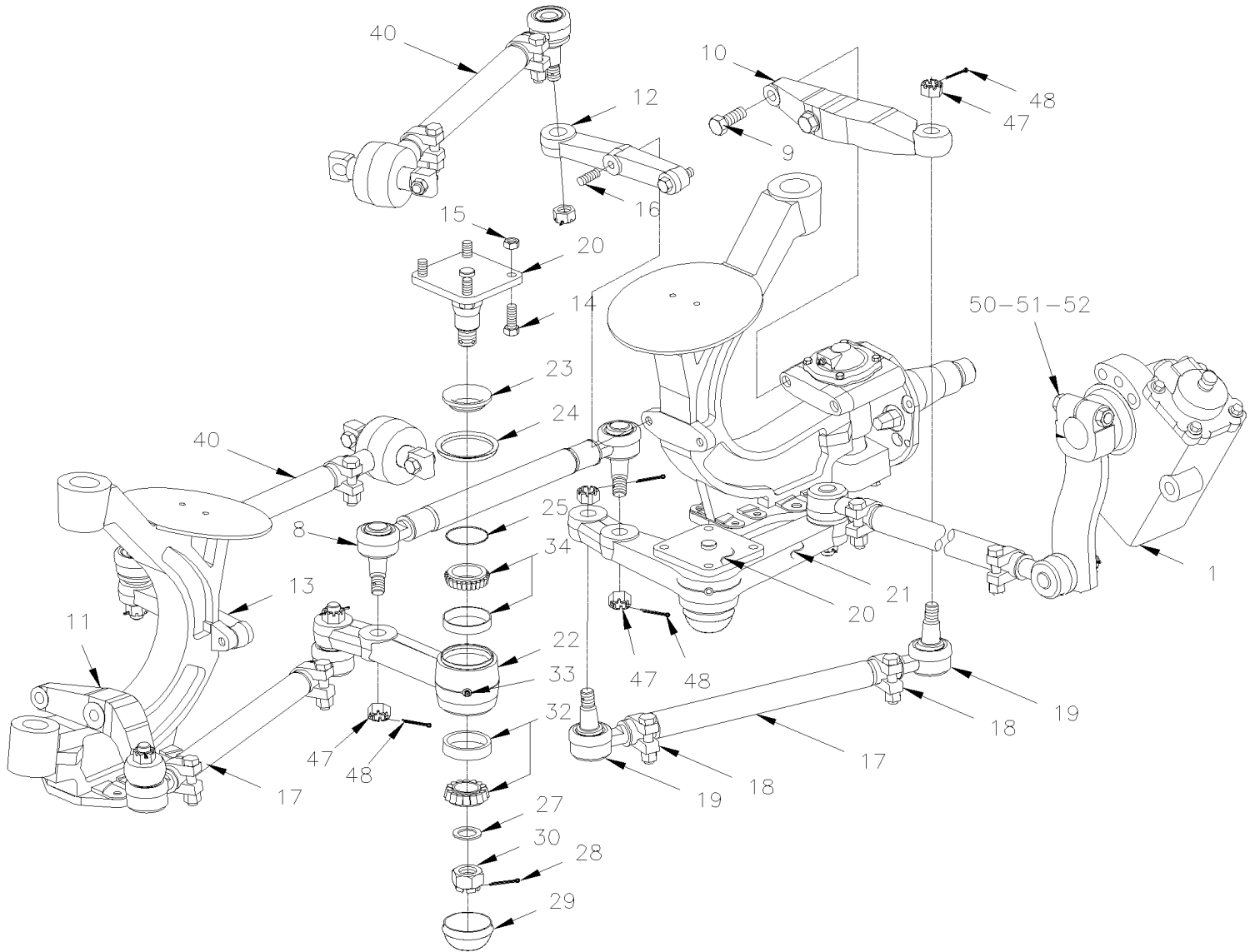
Item#	Part	Description	H 3 4 1	H 3 4 5	V I P 4 5	N O T E S
45	661154	DRAG LINK ASSY / 1044.7 MM C/C WITH LONG NECK TIE ROD END SERVICE	1	1	1	L
45		. ROD	1	1	1	
46	660978	. COLLAR ASSY / W/BOLT & NUT 1 5/8" I.D.	2	2	2	
. NS	500231	. . SCREW CAP HEX 5/8-11x3 G5 ZP	1	1	1	
. NS	500683	. . NUT HEX STO 5/8-11 ZP	1	1	1	
46	661133	. COLLAR ASSY / W/BOLT & NUT & STOPPER 1 5/8" I.D.	2	2	2	
. NS	500231	. . SCREW CAP HEX 5/8-11x3 G5 ZP	1	1	1	
. NS	500683	. . NUT HEX STO 5/8-11 ZP	1	1	1	
47	611458	. TIE ROD END R.H. THREAD 1 1/4-12	1	1	1	
47	N8892657	. TIE ROD END R.H. THREAD 1 1/4-12 SERVICE	1	1	1	S
47	661152	. TIE ROD END R.H. THREAD 1 1/4-12 W/LONG NECK TIE ROD SERVICE	1	1	1	LL
48	661150	. TIE ROD END L.H. THREAD 1 1/4-12 SERVICE	1	1	1	S
48	661151	. TIE ROD END L.H. THREAD 1 1/4-12 W/LONG NECK TIE ROD SERVICE	1	1	1	LL
49	661047	ARM, PITMAN	1	1	1	
50	504024	HOSE CLAMP / 1"13/16"-2"3/4 SS / HS-36	1	1	1	
51	160931	SHIELD RUBBER	1	1		
51	161009	SHIELD RUBBER			1	I
52	160961	COLLAR SHIELD RETAINER / "O" FORM OPEN ONE PIECE	1	1	1	
52	161118	COLLAR SHIELD RETAINER / "I" FORM TWO PIECE	1	1	1	
52	161119	COLLAR SHIELD RETAINER / "C" FORM TWO PIECE	1	1	1	
52	160994	COLLAR SHIELD RETAINER / "O" FORM CLOSED			1	I
53	500657	SCREW TC TR PH #10-24x1/2 Z050	16	16	16	
60	H3-1400-02	POWER STEERING HOSE - INSTALLATION WITH "ZF"				
100	611101	KIT REPAIR / TIE ROD END USE KIT 161458	AR	AR		A
100	161458	DRAG LINK ZF / SERVICE KIT	1	1	1	
. NS	660699	. DRAG LINK ASSY / 1320.5MM C/C	1	1	1	
. NS	502104	. PIN, COTTER 5/32 x 2	2	2	2	
. NS	IS-13009	. INSTRUCTION SHEET	1	1	1	
		A) ITEMS 21 TO 36				
		I) ITEMS 21 TO 36				
		L) THIS ASSY USE ONLY LONG NECK TIE ROD END # 661151 & # 661152				
		LL) USE ONLY WITH ASSY # 661130 & # 661154				
		S) SERVICE ON SHORT FORMER MODEL				
		1) NOT SOLD SEPARATELY				
		2) NOT SOLD BY PREVOST (SEE MANUFACTURING PART NUMBER AT END OF DESCRIPTION LINE)				

From X-2458 To 2-4416

Date:10/2022

PAGE:H3-1410-50

STEERING RODS - INSTALLATION W/INDEPENDENT "IS-84" / 16500LBS



From X-2458 To 2-4416

Date:10/2022

PAGE:H3-1410-50

STEERING RODS - INSTALLATION W/INDEPENDENT "IS-84" / 16500LBS



From X-2458 To 2-4416	Date:10/2022	PAGE:H3-1410-50
STEERING RODS - INSTALLATION W/INDEPENDENT "IS-84" / 16500LBS		

Item#	Part	Description	H 3 4 1	H 3 4 5	V I P 4 5	N O T E S
1	H3-1415-01	STEERING GEARBOX - "TRW"				
8	661015	ROD ASSY / 569MM C/C CENTER To 1-4234			1	
8	661077	ROD ASSY / 569MM C/C CENTER From 1-4235			1	
8	661131	ROD ASSY / 569MM C/C CENTER SERVICE			1	
9	5001326	SCREW CAP HEX M14-2.0x70 G10.9 DP			1	
9	5001327	SCREW CAP HEX M14-2.0x80 G10.9 DP			1	
10	611124	STEERING ARM R.H.			1	
11	611123	STEERING ARM L.H.			1	
12	661071	UPRIGHT ARM L.H. / W/56 Deg			1	
13	661072	UPRIGHT ARM R.H. / W/56 Deg			1	
14	502537	SCREW CAP HEX M14-2.0x40 G8.8 ZP			4	
15	502538	NUT HEX STO M14-2.0 Z050			4	
16	611249	STUD M16			1	
16	611248	STUD M16			1	
16	500781	NUT HEX STO M16-2.0 DP			2	
17	661024	ROD ASSY / 657MM C/C			2	
17	661129	ROD ASSY / 657MM C/C WITH LONG NECK TIE ROD END SERVICE			1	R
17	N.P.N.	. ROD			1	4
18	660978	. COLLAR ASSY / W/BOLT & NUT 1 5/8" I.D.			2	
. NS	500231	. . SCREW CAP HEX 5/8-11x3 G5 ZP			1	
. NS	500683	. . NUT HEX STO 5/8-11 ZP			1	
18	661133	. COLLAR ASSY / W/BOLT & NUT & STOPPER 1 5/8" I.D. SERVICE			1	
. NS	500231	. . SCREW CAP HEX 5/8-11x3 G5 ZP			1	
. NS	500683	. . NUT HEX STO 5/8-11 ZP			1	
19	611070	. TIE ROD END R.H. THREAD 1 1/4-12			1	
19	2005362	. TIE ROD END R.H. THREAD 1 1/4-12 SERVICE			1	S
19	661138	. TIE ROD END R.H. THREAD 1 1/4-12			1	RR
19	611071	. TIE ROD END L.H. THREAD 1 1/4-12			1	
19	2005363	. TIE ROD END L.H. THREAD 1 1/4-12 SERVICE			1	S
19	661139	. TIE ROD END L.H. THREAD 1 1/4-12			1	RR
20	160983	SPINDLE SHAFT			1	
NS	161005	SHIM 26GAGE 105MM C/C x 14MM slot			AR	
NS	161006	SHIM 20GAGE 105MM C/C x 14MM slot			AR	
21	161020	LEVER L.H.			1	
22	161019	LEVER R.H.			1	
23	160984	SLEEVE WIPER 63.5MM O.D.			1	
24	507351	DUST SEAL 3.270 I.D. X 3.085 O.D.			1	
25	507350	OIL SEAL			1	
27	5001227	WASHER FL .453x.875x.090			1	
28	502115	PIN, COTTER 3/16 x 2 1/2			1	
29	661014	COVER			1	
30	5001218	NUT HEX CSL M30-1.5			1	

From X-2458 To 2-4416	Date:10/2022	PAGE:H3-1410-50
STEERING RODS - INSTALLATION W/INDEPENDENT "IS-84" / 16500LBS		

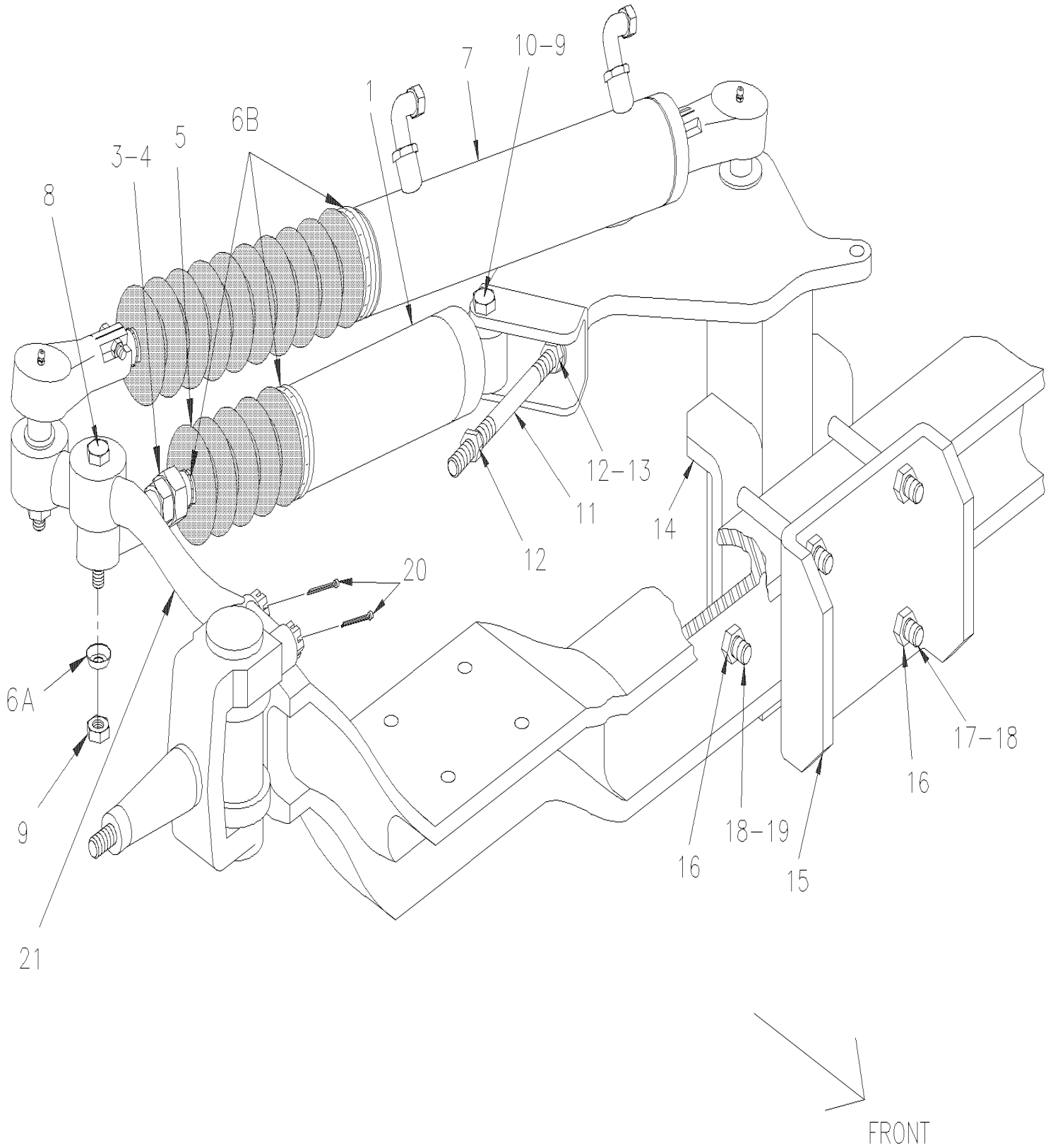
Item#	Part	Description	H 3 4 1	H 3 4 5	V I P 4 5	N O T E S
32	507354	KIT, CUP & CONE BEARING			2	
33	501490	GREASE FITTING / 1/8 NPT			1	
34	507353	KIT, CUP & CONE BEARING			2	
40	H3-1605-50	FRONT AXLE - INSTALL W/INDEPENDENT "IS-84" / 16500LBS				
47	5001345	. . NUT HEX CSL THN 7/8-14			1	
48	502104	. . PIN, COTTER 5/32 x 2			1	
50	500298	SCREW CAP HEX 3/4-16x4 1/2 G5 ZP To 1-4293			1	
51	500488	WASHER LO SPT .760x1.271x.188 Z050 To 1-4293			1	
52	500733	NUT HEX 3/4-16 Z050 To 1-4293			1	
NS	161009	SHIELD RUBBER			1	
NS	160994	COLLAR SHIELD RETAINER / "O" FORM CLOSED			1	
NS	500657	SCREW TC TR PH #10-24x1/2 Z050			12	
NS	504024	HOSE CLAMP / 1"13/16"-2"3/4 SS / HS-36			1	
NS	MI05-09	SEE MAINTENANCE INFORMATION			1	
		R) THIS ASSY USE ONLY LONG NECK TIE ROD END # 661138 & # 661139				
		RR) USE ONLY WITH ASSY # 661129				
		S) SERVICE ON SHORT FORMER MODEL				
		4) NO PARTS NUMBER				

From R-012 To Y-3836

Date:10/2022

PAGE:H3-1412-01

STEERING DAMPER



From R-012 To Y-3836	Date:10/2022	PAGE:H3-1412-01
STEERING DAMPER		

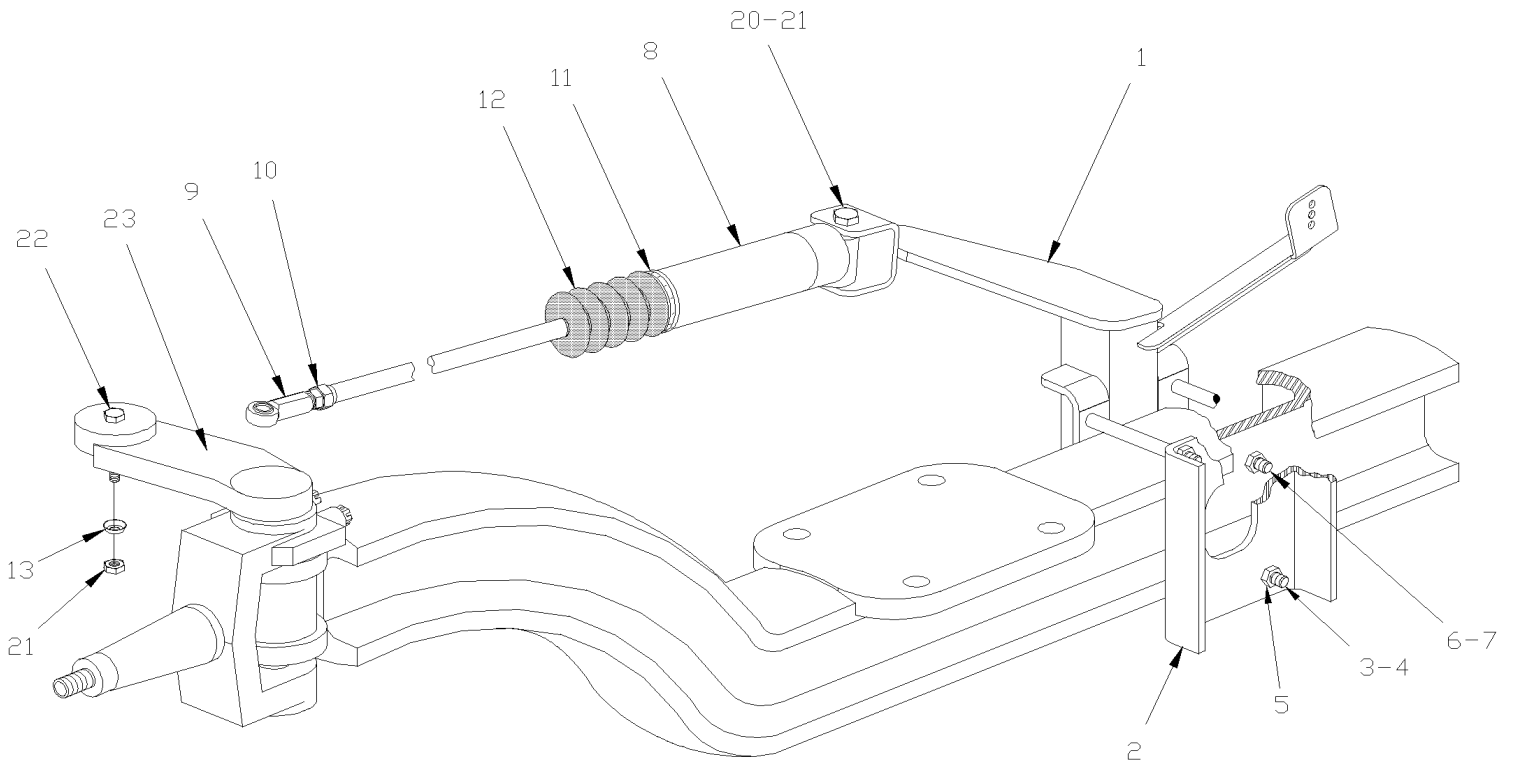
Item#	Part	Description	H 3 4 1	H 3 4 5	V I P 4 5	N O T E S
	160835	DAMPER SHOCK ASS	1	1	1	
. NS	IS-96052A	. SEE INSTRUCTION SHEET	1	1	1	
1	660979	. DAMPER SHOCK	1	1	1	
3	660884	. . ROD END FEMALE 3/4"-16 / 3/4 I.D.	1	1	1	
NS	501497	. . . GREASE FITTING / 1/4-28	AR	AR	AR	
4	500734	. . NUT HEX JAM 3/4-16 Z050	1	1	1	
5	661007	. BOOT PROTECTOR	1	1	1	
6A	660980	. COVER ROD END / RUBBER	2	2	2	
6B	504023	. HOSE CLAMP / 1"5/16-2"1/4 SS / HS-28	1	1	1	
7	H3-1430-00	CYLINDER POWER STEERING				
8	500145	SCREW CAP HEX 3/4-16x3 1/2 G5 Z050	1	1	1	
9	500735	NUT HEX STO 3/4-16 ZP	2	2	2	
10	500509	SCREW CAP HEX 3/4-16x3 G5 Z050	1	1	1	
11	110672	ROD THREADED 325MM From R-052	1	1	1	
NS	110669	ATTACHMENT ROD / (TO BE WELDED TO BELLOW SUPPOR From R-052	1	1	1	
12	500781	NUT HEX STO M16-2.0 DP From R-052	3	3	3	
13	5001046	WASHER FL .656x1.500x.187 From R-052	2	2	2	
14	160888	SUPPORT ASSY From R-012 To R-012		1		A
14	110641	BASE, ANCHOR From R-047 To R-051		1		B
14	110671	BASE, ANCHOR From R-052 To V-1737	1	1	1	
14	110690	BASE, ANCHOR From V-1738	1	1	1	
15	110594	PLATE, RETAINER From R-012 To R-012		1		A
15	110647	PLATE, ATTACHMENT	1	1	1	
16	500811	NUT HEX STO M12-1.75 G500	5	5	5	
17	5001174	SCREW CAP HEX M12-1.75x130 G8.8 Z050	4	4	4	
18	680064	OIL ANTICOROSIVE GREY (TECTYL) (20 LITERS)	AR	AR	AR	
19	502731	SCREW CAP HEX M12-1.75x40 G8.8 Z050	1	1	1	
20	502103	PIN, COTTER 1/8 x 2	2	2	2	
21	610802	ARM KNUCKLE / R.H. From R-012 To R-012		1		A
21	160955	STEERING ARM UPPER R.H. From R-047 To R-051	1	1	1	B
21	160976	STEERING ARM UPPER R.H. From R-052 To V-1737	1	1	1	
21	161033	STEERING ARM UPPER R.H. CURBSIDE From V-1738	1	1	1	
		A) R-012 ARE EQUIPPED WITH FRONT AXLE "ROCKWELL" MODEL 2FG-952-CAX				
		B) THOSE PARTS ARE SUPPERSEDED BY NEW INSTALLATION FROM R-052 AND YOU NEED ALLS NEW PARTS FOR COMPLETE INSTALLATION				

From Y-3837 To 2-4416

Date:10/2022

PAGE:H3-1412-02

STEERING DAMPER

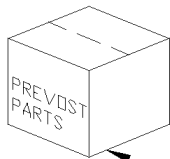
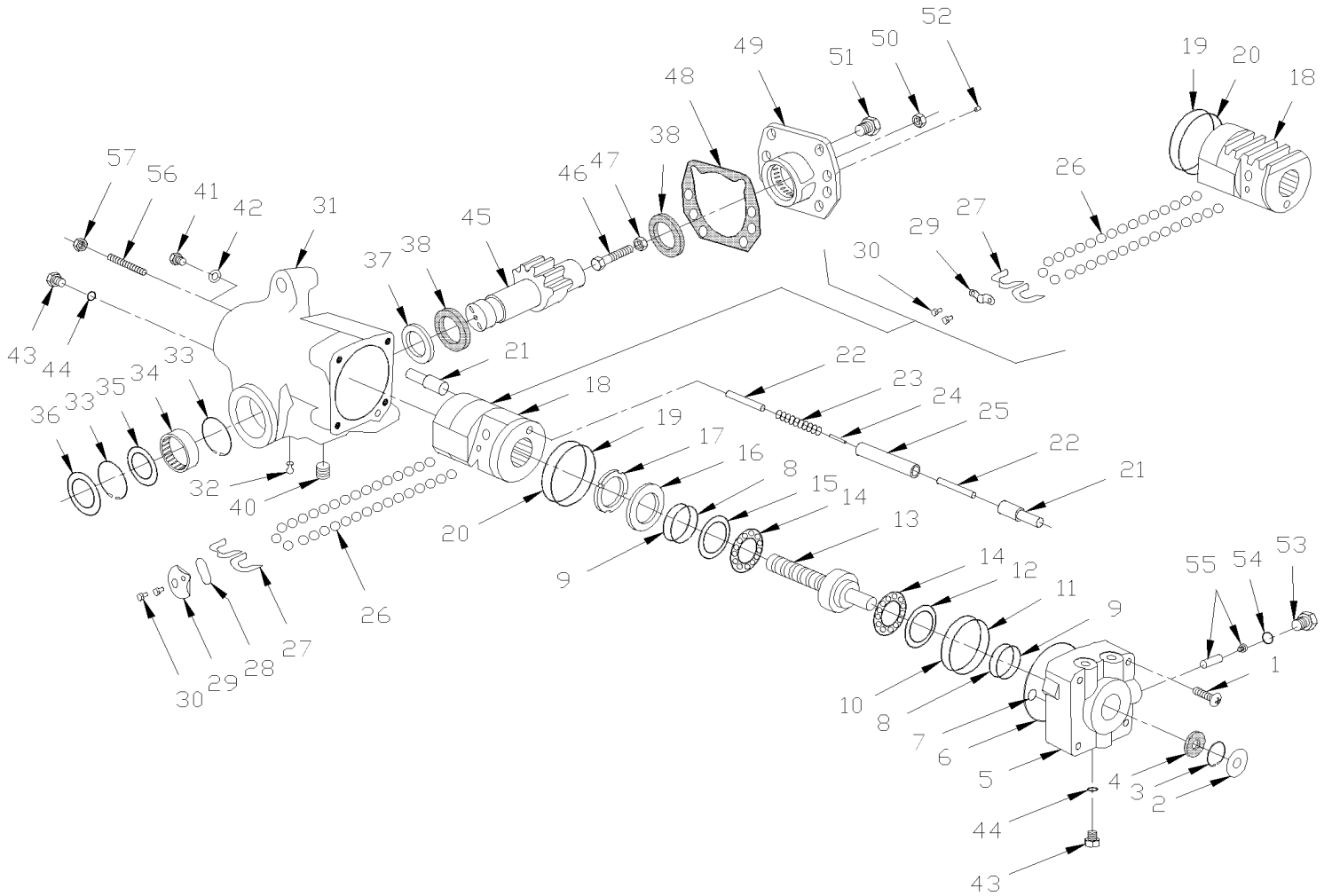


FRONT

From Y-3837 To 2-4416	Date:10/2022	PAGE:H3-1412-02
STEERING DAMPER		

Item#	Part	Description	H 3 4 1	H 3 4 5	V I P 4 5	N O T E S
1	110741	ATTACHMENT CYLINDER	1	1	1	
2	110749	ATTACHMENT PLATE	1	1	1	
3	5001500	SCREW CAP HEX M10-1.5x120 G10.9 N500	4	4	4	
4	500444	WASHER FL .406x.812x.065 Z050	8	8	8	
5	500680	NUT HEX STO M10-1.5 Z050	4	4	4	
6	502731	SCREW CAP HEX M12-1.75x40 G8.8 Z050	1	1	1	
7	500811	NUT HEX STO M12-1.75 G500	1	1	1	
8	160835	DAMPER SHOCK ASS	1	1	1	
. NS	IS-96052A	. SEE INSTRUCTION SHEET	1	1	1	
8	660979	. DAMPER SHOCK	1	1	1	
9	660884	. . ROD END FEMALE 3/4"-16 / 3/4 I.D.	1	1	1	
9	501497	. . . GREASE FITTING / 1/4-28	1	1	1	
10	500734	. . NUT HEX JAM 3/4-16 Z050	1	1	1	
11	504023	. HOSE CLAMP / 1"5/16-2"1/4 SS / HS-28	1	1	1	
12	661007	. BOOT PROTECTOR	1	1	1	
13	660980	. COVER ROD END / RUBBER	2	2	2	
20	500509	SCREW CAP HEX 3/4-16x3 G5 Z050	1	1	1	
21	500735	NUT HEX STO 3/4-16 ZP	1	1	1	
22	500145	SCREW CAP HEX 3/4-16x3 1/2 G5 Z050	1	1	1	
23	161033	STEERING ARM UPPER R.H. CURBSIDE	1	1	1	

From R-012 To 1-4293	Date:10/2022	PAGE:H3-1415-01
STEERING GEARBOX - "TRW"		



100-101-102-103

From R-012 To 1-4293	Date:10/2022	PAGE:H3-1415-01
STEERING GEARBOX - "TRW"		

Item#	Part	Description	H 3 4 1	H 3 4 5	V I P 4 5	N O T E S
	660927	GEARBOX STEERING "TRW" To W-2284	1	1		
	661036	GEARBOX STEERING "TRW" From W-2285	1	1		
	660927	GEARBOX STEERING "TRW" To W-2457			1	
	661008	GEARBOX STEERING "TRW" From X-2458 To 1-4293			1	
1	660946	. SCREW 9/16-18 SPECIAL TORX	4	4	4	
2	N.S.S.	. DIRT & WATER SEAL	1	1	1	1
3	N.S.S.	. RETAINING RING	1	1	1	1
4	N.S.S.	. SEAL (INPUT SHAFT)	1	1	1	1
5	660949	. VALVE HOUSING / W/85040	1	1	1	
5	661017	. VALVE HOUSING / W/85081	1	1	1	
6	N.S.S.	. . SEAL RING (VALVE HOUSING)	1	1	1	1
7	N.S.S.	. . SEAL RING (VALVE HOUSING)	1	1	1	1
8	N.S.S.	. SEAL RING	2	2	2	1
9	N.S.S.	. O-RING	2	2	2	1
10	660953	. SEAL RING	1	1	1	
11	N.S.S.	. O-RING (VALVE HOUSING)	1	1	1	1
12	660955	. THRUST WASHER (THICK)	1	1	1	
13	660956	. SHAFT & WORM ASSY/ W/85040	1	1	1	
13	661018	. SHAFT & WORM ASSY. / W/85081	1	1	1	
14	660957	. THRUST BEARING	2	2	2	
15	660958	. THRUST WASHER (THIN)	1	1	1	
16	660959	. BEARING ADJUSTER	1	1	1	
17	N.S.S.	. ADJUSTER LOCKNUT	1	1	1	1
18	660961	. RACK PISTON	1	1	1	
19	N.S.S.	. . TEFLON SEAL RING (RACK PISTON)	1	1	1	1
20	N.S.S.	. . O-RING (BACK UP: RACK PISTON)	1	1	1	1
21	N.S.S.	. . POPPET ADJUSTER SEAT & SLEEVE ASSY	2	2	2	1
22	N.S.S.	. . POPPET	2	2	2	1
23	N.S.S.	. . POPPET SPRING	1	1	1	1
24	660964	. . SPACER ROD	1	1	1	
25	N.S.S.	. . PUSH TUBE	1	1	1	1
26	660731	. . BALL (KIT OF 34)	34	34	34	
27	N.S.S.	. BALL RETURN GUIDE	2	2	2	1
28	N.S.S.	. SEAL (CAP)	2	2	2	1
29	N.S.S.	. BALL RETURN GUIDE CLIP	1	1	1	1
30	N.S.S.	. TORX SCREW (2 CAP)	2	2	2	1
31	N.S.S.	. HOUSING	1	1	1	1
32	N.S.S.	. GREASE FITTING	1	1	1	1
33	660966	. RETAINER RING	2	2	2	
34	660967	. ROLLER BEARING	1	1	1	
35	N.S.S.	. DIRT SEAL	1	1	1	1
36	N.S.S.	. DIRT & WATER SEAL (TRUNION)	1	1	1	1

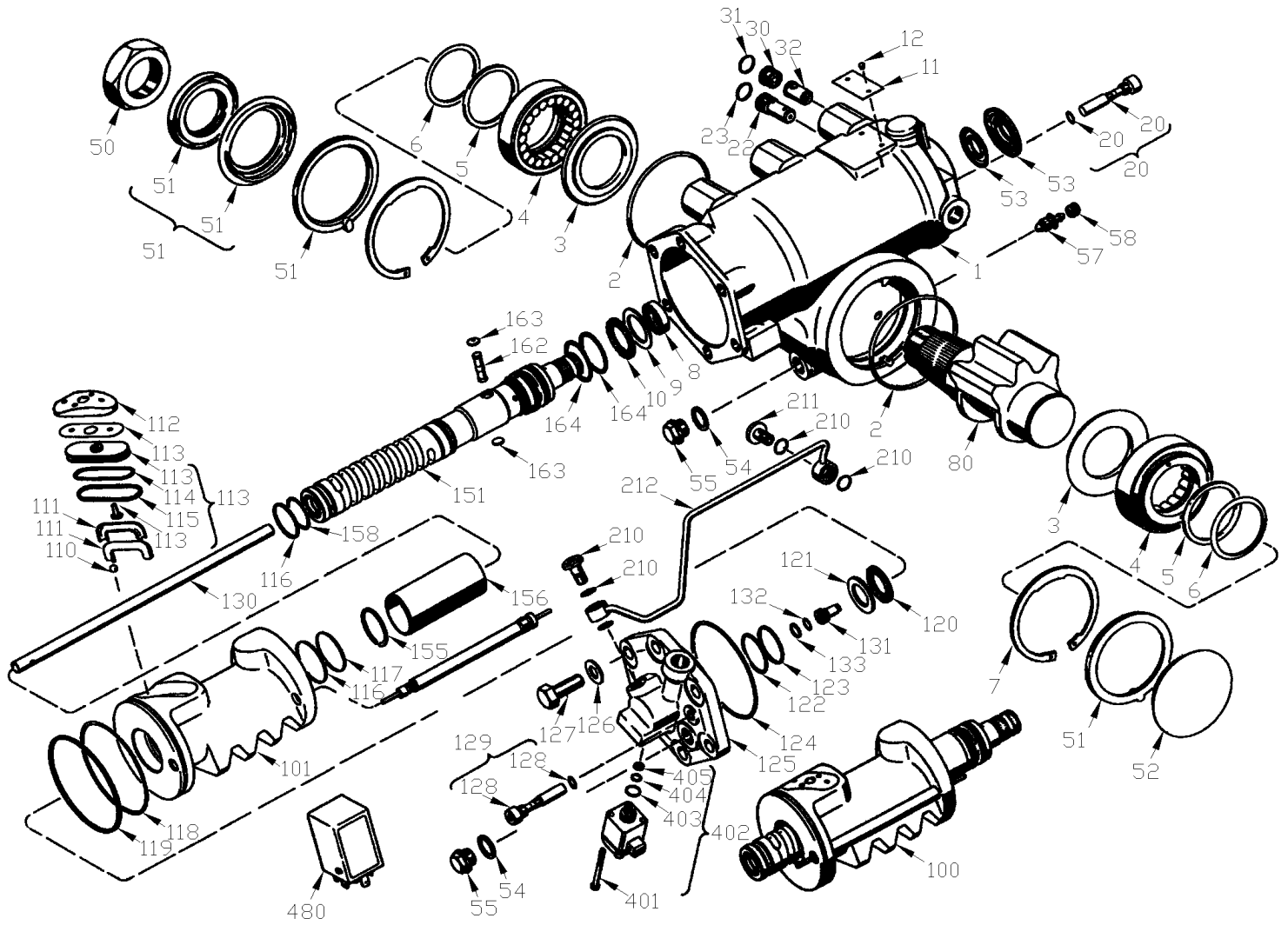
From R-012 To 1-4293	Date:10/2022	PAGE:H3-1415-01
STEERING GEARBOX - "TRW"		

Item#	Part	Description	H 3 4 1	H 3 4 5	V I P 4 5	N O T E S
37	660970	. WASHER (SPACER)	1	1	1	
38	660968	. SEAL (OUTPUT) / W/85040	1	1	1	
43	661021	. PLUG / W/O-RING	2	2	2	
NS	501970	. MALE CONNECTOR / JIC 37° FITTING / #8JIC-Mx#6ORB-M STL	2	2	2	
44	N.S.S.	. O-RING (AUXILIARY PORT PLUG)	2	2	2	1
45	660975	. SECTOR SHAFT ASSY	1	1	1	
46	660741	. . ADJUSTING SCREW (SECTOR SHAFT)	1	1	1	
47	660742	. . RETAINER (ADJUSTING SCREW)	1	1	1	
48	N.S.S.	. GASKET (SIDE COVER)	1	1	1	1
49	660973	. COVER ASSY, W/BEARING & SEAL (8 HOLES)	1	1	1	
50	660750	. ARM, PITMAN 270MM C/C	1	1	1	
51	660974	. BOLT SPECIAL (SIDE COVER)	8	8	8	
52	N.S.S.	. VENT PLUG (SIDE COVER)	1	1	1	1
55	N.S.S.	. RELIEF VALVE (2 PARTS)	1	1	1	1
56	660976	. SERVICE POPPET ADJUSTING SCREW	1	1	1	
57	N.S.S.	. SERVICE SEALING JAM NUT	1	1	1	1
100	661020	SEAL KIT / MAJOR OVERHAUL	AR	AR	AR	
101	661028	SEAL KIT / WORM SHAFT INPUT	AR	AR	AR	A
. A	N.S.S.	. DIRT & WATER SEAL	1	1	1	1 A
. B	N.S.S.	. RETAINER RING	1	1	1	1 A
. C	N.S.S.	. SEAL (INPUT SHAFT)	1	1	1	1 A
102	661066	SEAL KIT / SECTOR OUTPUT SHAFT	AR	AR	AR	B
. A	660966	. RETAINER RING	1	1	1	B
. B	N.S.S.	. DIRT SEAL	1	1	1	1 B
. C	N.S.S.	. DIRT & WATER SEAL (TRUNION)	1	1	1	1 B
. D	660970	. WASHER (SPACER)	1	1	1	B
. E	660968	. SEAL (OUTPUT) / W/85040	1	1	1	B
. F	N.S.S.	. GASKET (SIDE COVER)	1	1	1	1 B
103	661065	KIT POPPET VALVE	AR	AR	AR	C
. A	N.S.S.	. O-RING (BACK-UP)	1	1	1	1 C
. B	N.S.S.	. POPPET ADJUSTER SEAT & SLEEVE ASSY	2	2	2	1 C
. C	N.S.S.	. POPPET	2	2	2	1 C
. D	N.S.S.	. POPPET SPRING	1	1	1	1 C
. E	N.S.S.	. SPACER ROD	1	1	1	1 C
. F	N.S.S.	. PUSH TUBE	1	1	1	1 C
		A) INCLUDES ITEMS #2, 3 & 4				
		B) INCLUDES ITEMS #33,35,36,37, 38, & 48				
		C) INCLUDES ITEMS # 21,22,23,24 & 25				

From R-012 To 1-4293	Date:10/2022	PAGE:H3-1415-01
STEERING GEARBOX - "TRW"		

Item#	Part	Description	H 3 4 1	H 3 4 5	V I P 4 5	N O T E S
		1) NOT SOLD SEPARATELY				
		1) NOT SOLD SEPARATELY				

From 1-4294 To 2-4416	Date:10/2022	PAGE:H3-1415-03
STEERING GEARBOX - "ZF"		



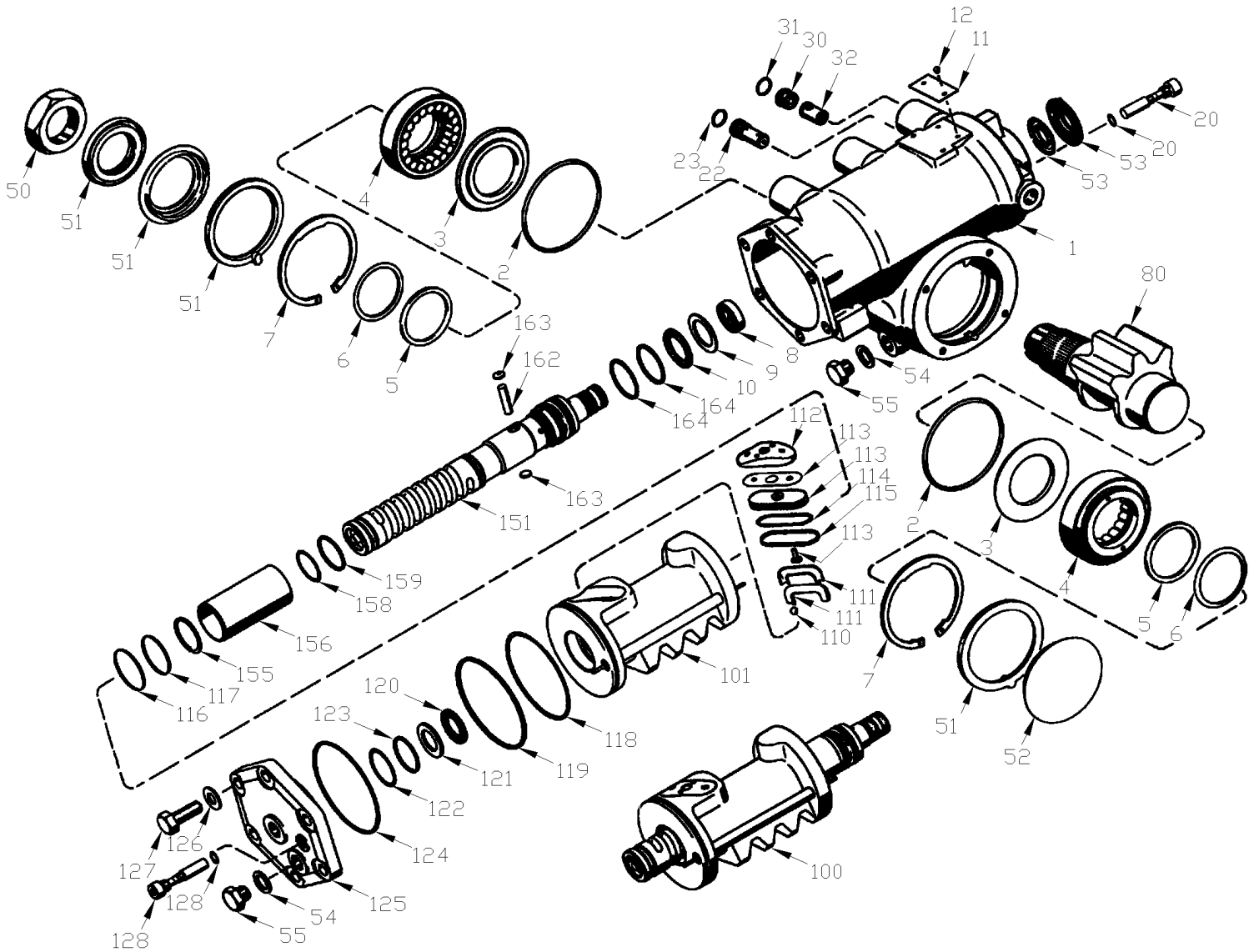
MODEL "ZF" - SERVOCOMTRONIC

From 1-4294 To 2-4416

Date:10/2022

PAGE:H3-1415-03

STEERING GEARBOX - "ZF"



MODEL "ZF" - SEVOCOM

From 1-4294 To 2-4416	Date:10/2022	PAGE:H3-1415-03
STEERING GEARBOX - "ZF"		

Item#	Part	Description	H 3 4 1	H 3 4 5	V I P 4 5	N O T E S
	661044	GEARBOX STEERING "ZF" W/VARIABLE STEERING ASSISTANCE "SERVOCOMTRONIC" From 1-4307	1	1		
	661044	GEARBOX STEERING "ZF" W/VARIABLE STEERING ASSISTANCE "SERVOCOMTRONIC"			1	
	661045	GEARBOX STEERING "ZF" From 1-4307	1	1		
	661045	GEARBOX STEERING "ZF"			1	
1	N.P.N.	. HOUSING	1	1	1	4
2	N.P.N.	. O-RING	1	1	1	4
3	N.P.N.	. WASHER	1	1	1	4
4	N.P.N.	. HOUSING COVER	1	1	1	4
5	N.P.N.	. GASKET	1	1	1	4
6	N.P.N.	. SUPPORT RING	1	1	1	4
7	N.P.N.	. RETAINING RING	1	1	1	4
8	N.P.N.	. SHAFT SEAL	1	1	1	4
9	N.P.N.	. AXIAL-, WASHER	1	1	1	4
10	N.P.N.	. NEEDLE CAGE	1	1	1	4
11	N.P.N.	. TYPE PLATE	1	1	1	4
12	N.P.N.	. GROOVED STUD	1	1	1	4
20	661057	. SET SCREW / ADJUSTING SCREW / SCREW	1	1	1	
20	N.P.N.	. O-RING	1	1	1	4
21	N.P.N.	. COLLAR NUT	1	1	1	4
22	N.P.N.	. VALVE INSERT	1	1	1	4
23	N.P.N.	. O-RING	1	1	1	4
30	N.P.N.	. SCREW	1	1	1	4
31	N.P.N.	. O-RING	1	1	1	4
32	N.P.N.	. VALVE INSERT	1	1	1	4
50	661050	. LOCKNUT M45X1.5 GEARBOX ZF	1	1	1	
51	N.P.N.	. DUST SEAL	1	1	1	4
51	N.P.N.	. STOP-RING	1	1	1	4
51	N.P.N.	. GASKET	1	1	1	4
51	N.P.N.	. DUST SEAL	1	1	1	4
52	N.P.N.	. PLUG	1	1	1	4
53	N.P.N.	. PROTECTING CAP	1	1	1	4
53	N.P.N.	. GASKET	1	1	1	4
54	N.P.N.	. SEALING RING	1	1	1	4
55	N.P.N.	. SCREW PLUG	1	1	1	4
56	N.P.N.	. PROTECTING SLEEVE	1	1	1	4
57	N.P.N.	. BREATHER	1	1	1	4
58	N.P.N.	. PROTECTING CAP	1	1	1	4
80	661102	. SECTOR SHAFT	1	1	1	
100	661103	. PISTON			1	
100	661104	. PISTON	1	1		A
101	N.P.N.	. PISTON	1	1	1	4
110	N.P.N.	. BALL SET	1	1	1	4

From 1-4294 To 2-4416	Date:10/2022	PAGE:H3-1415-03
STEERING GEARBOX - "ZF"		

Item#	Part	Description	H 3 4 1	H 3 4 5	V I P 4 5	N O T E S
111	N.P.N.	. RECIRCULATING HALF TUBE	1	1	1	4
112	N.P.N.	. GASKET / PLUG	1	1	1	4
113	N.P.N.	. GASKET	1	1	1	4
113	N.P.N.	. COMPENSATING PLATE	1	1	1	4
113	N.P.N.	. PIN	1	1	1	4
114	N.P.N.	. O-RING	1	1	1	4
115	N.P.N.	. SEALING RING	1	1	1	4
116	N.P.N.	. SEALING RING	1	1	1	4
117	N.P.N.	. SEALING RING	1	1	1	4
118	N.P.N.	. O-RING	1	1	1	4
119	N.P.N.	. GASKET	1	1	1	4
120	N.P.N.	. NEEDLE CAGE	1	1	1	4
121	N.P.N.	. WASHER	1	1	1	4
122	N.P.N.	. O-RING	1	1	1	4
123	N.P.N.	. SEALING RING	1	1	1	4
124	N.P.N.	. O-RING	1	1	1	4
125	N.P.N.	. CYLINDER COVER	1	1	1	4
126	N.P.N.	. WASHER	1	1	1	4
127	N.P.N.	. HEXAGON SCREW	1	1	1	4
128	N.P.N.	. SET SCREW / SCREW	1	1	1	4
128	N.P.N.	. O-RING	1	1	1	4
129	N.P.N.	. COLLAR NUT	1	1	1	4
130	N.P.N.	. PIPE	1	1	1	4
131	N.P.N.	. REACTION PISTON	1	1	1	4
132	N.P.N.	. O-RING	1	1	1	4
133	N.P.N.	. SEALING RING	1	1	1	4
151	N.P.N.	. WORM	1	1	1	4
155	N.P.N.	. SNAP RING	1	1	1	4
156	N.P.N.	. SLIDING TUBE	1	1	1	4
158	N.P.N.	. O-RING	1	1	1	4
159	N.P.N.	. SEALING RING	1	1	1	4
162	N.P.N.	. PIN	1	1	1	4
163	N.P.N.	. PLUG	1	1	1	4
164	N.P.N.	. SEALING RING	1	1	1	4
210	661105	. O-RING			1	A
211	661106	. UNION SCREW			1	A
212	661107	. PIPE			1	A
401	N.P.N.	. CAP SCREW	1	1	1	4 A
402	661108	. CONVERTER			1	A
403	N.P.N.	. O-RING	1	1	1	4 A
404	N.P.N.	. O-RING	1	1	1	4 A
405	N.P.N.	. OIL SCREEN	1	1	1	4 A

From 1-4294 To 2-4416	Date:10/2022	PAGE:H3-1415-03
STEERING GEARBOX - "ZF"		

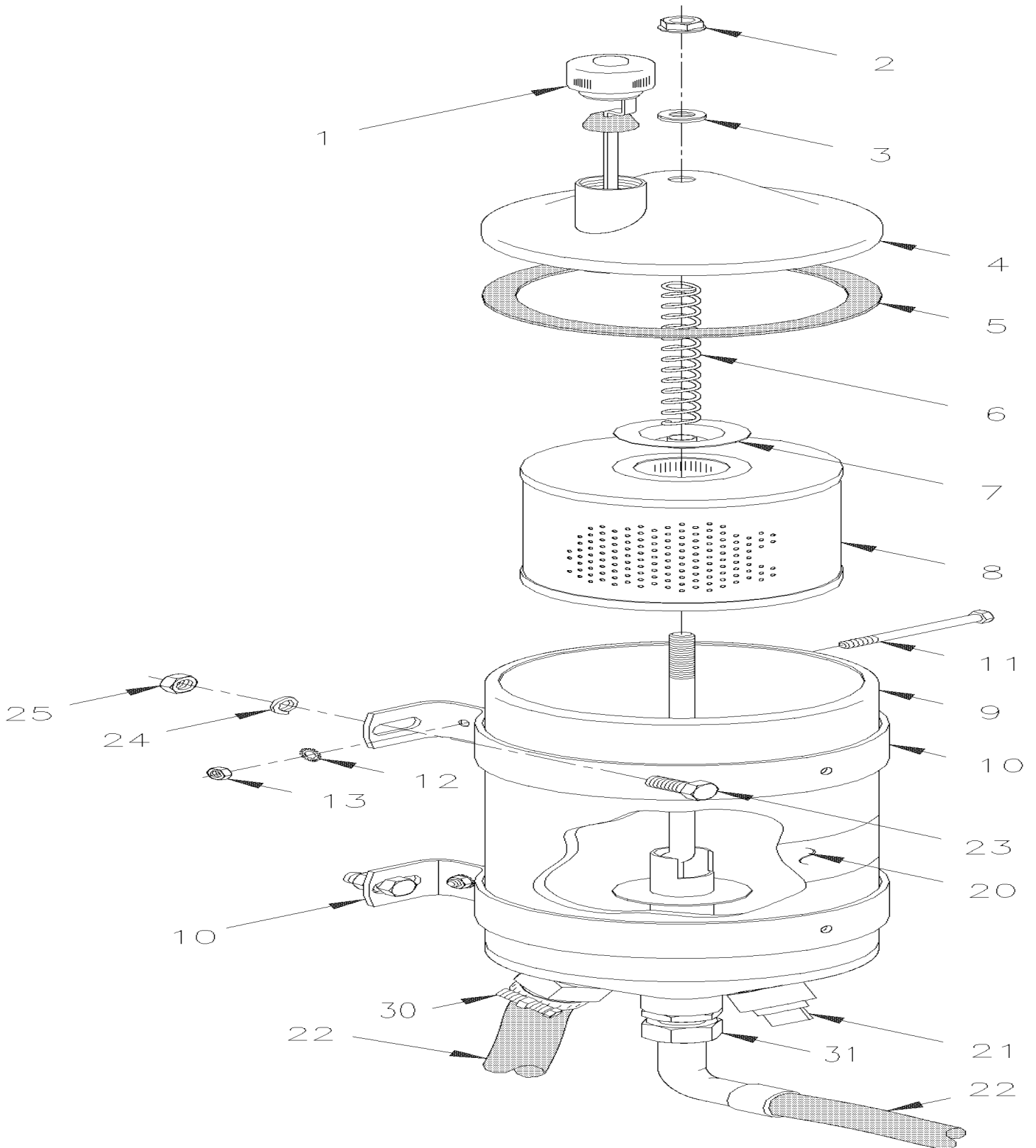
Item#	Part	Description	H 3 4 1	H 3 4 5	V I P 4 5	N O T E S
480	563033	. E.C.U. / W/STEERING ASSIST (STP 272 or 330) ((77//125))	1	1	1	A
NS	661109	KIT, SEAL REPAIR MAJOR	1	1		
. NS	85109281	. KIT, SEAL REPAIR MAJOR	1	1		
NS	661110	KIT, SEAL REPAIR MAJOR / W/SERVOCOMTRONIC			1	A
. NS	85109291	. KIT, SEAL REPAIR MAJOR / W/SERVOCOMTRONIC			1	A
		A) WITH "ZF" SERVOCOMTRONIC				
		4) NO PARTS NUMBER				

From R-012 To 2-4416

Date:10/2022

PAGE:H3-1420-01

POWER STEERING TANK - 4 QT U.S.



From R-012 To 2-4416	Date:10/2022	PAGE:H3-1420-01
POWER STEERING TANK - 4 QT U.S.		

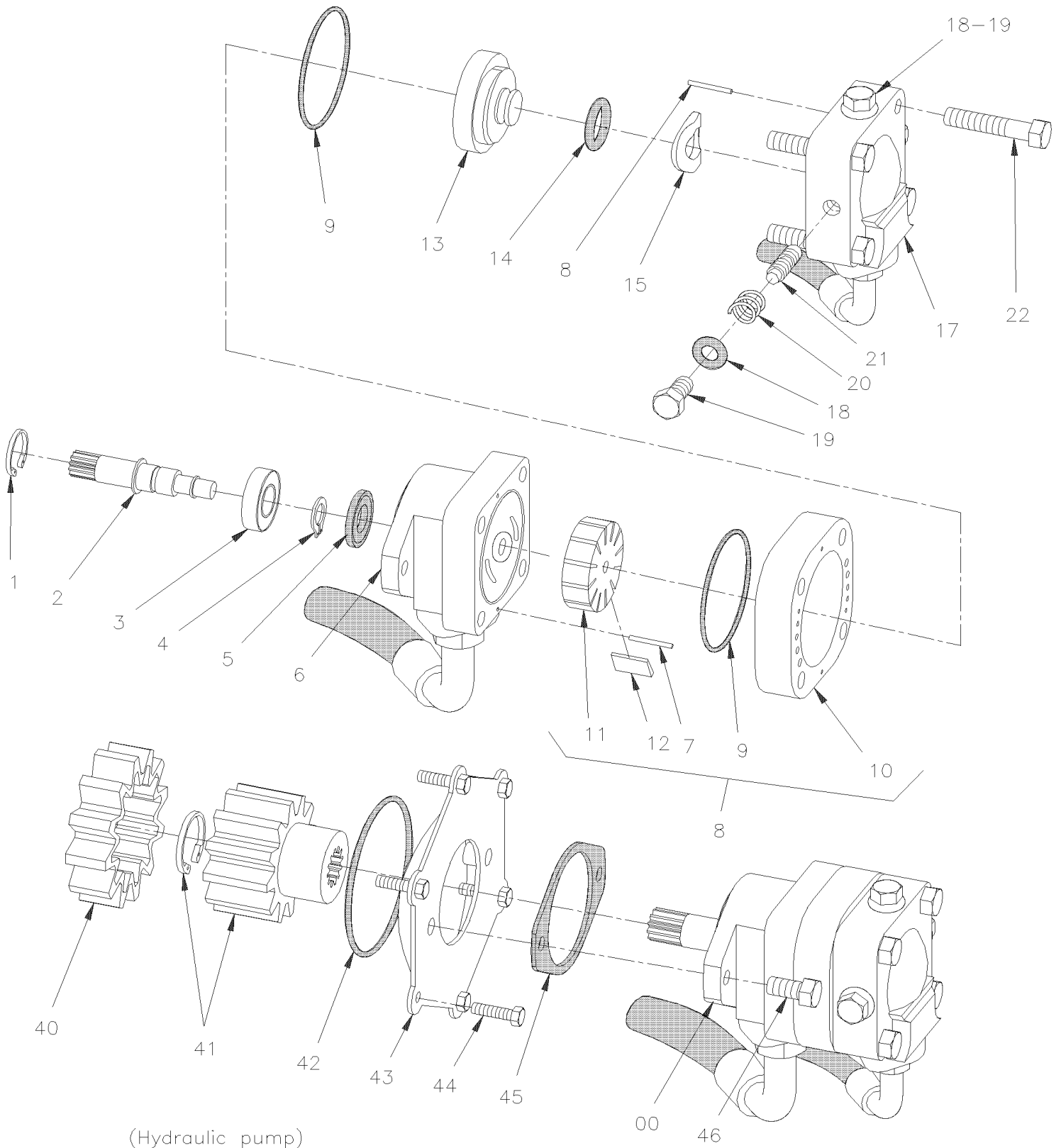
Item#	Part	Description	H 3 4 1	H 3 4 5	V I P 4 5	N O T E S
	660982	TANK ASSY 4QT U.S.	1	1	1	
	661060	TANK ASSY 4QT US / WITH SIGHT GLASS	1	1	1	A
1	660985	. DIPSTICK	1	1	1	
2	N.S.A.	. WING NUT 3/8-16	1	1	1	3
3	19512588	. WASHER	1	1	1	
4	660989	. COVER ASSY	1	1	1	
5	660986	. GASKET	1	1	1	
6	660991	. SPRING, COMP.	1	1	1	
7	N8886469	. WASHER, RETAINER	1	1	1	
8	660987	. ELEMENT FILTER	1	1	1	
9	N.S.P.	. TANK	1	1	1	2
10	660988	. ATTACHMENT SUPPORT	2	2	2	
11	500187	. . SCREW CAP HEX 5/16-18x3 G5 Z050	1	1	1	
12	500476	. . WASHER LO SPT .317x.586x.078 Z050	1	1	1	
13	500778	. . NUT HEX 5/16-18 N500	1	1	1	
20	160370	. DECAL "OIL DEXTRON"	1	1	1	
21	501306	PLUG SQUARE HEAD / PIPE FITTING / 1/2NPT-M BR	1	1	1	
22	H3-1400-01	POWER STEERING HOSE - INSTALLATION WITH "TRW"				
23	502559	SCREW CAP HEX M10-1.5x25 G8.8 Z050	4	4	4	
24	502644	WASHER FL 10.5x30.0x2.5 Z050	4	4	4	
NS	500257	WASHER LO SPT 10.2x18.1x2.2 Z050	4	4	4	
25	500256	NUT HEX M10-1.5 Z050	4	4	4	
30	5011086	MALE CONNECTOR / PUSH-LOK FITTING / 1NPT-Mx#16 STL	1	1	1	
31	501739	MALE CONNECTOR / JIC 37° FITTING / #8JIC-Mx1/2NPT-M STL	1	1	1	
		A) OPTION "AMERICAN COACH LINES"				
		2) NOT SOLD BY PREVOST (SEE MANUFACTURING PART NUMBER AT END OF DESCRIPTION LINE)				
		3) NOT SOLD ASSEMBLY				

From R-012 To V-1795

Date:10/2022

PAGE:H3-1427-02

POWER STEERING PUMP - "VICKERS" - WITH DETROIT S-60



From R-012 To V-1795	Date:10/2022	PAGE:H3-1427-02
POWER STEERING PUMP - "VICKERS" - WITH DETROIT S-60		

Item#	Part	Description	H 3 4 1	H 3 4 5	V I P 4 5	N O T E S
	660933	PUMP ASSY 2000 PSI To T-1458	1	1	1	
	661006	PUMP ASSY 2250 PSI From T-1459	1	1	1	C
1	660615	. RING RETAINER	1	1	1	
2	660637	. SHAFT	1	1	1	
3	507308	. BALL BEARING	1	1	1	
4	660614	. RING RETAINER	1	1	1	
5	N.S.A.	. SEAL (279499)	1	1	1	3
6	N.S.A.	. BODY (280589)	1	1	1	3
7	660938	. PIN,	2	2	2	
8	660939	. CARTRIDGE KIT	1	1	1	
9	N.S.A.	. . O-RING (586589)	2	2	2	3
10		. . RING	1	1	1	
11	N.S.P.	. . ROTOR	1	1	1	2
12	660940	. . VANE KIT	1	1	1	
13	660941	. PRESSURE PLATE	1	1	1	
14	N.S.A.	. O-RING (513408)	1	1	1	3
15	660942	. WAVE WASHER	1	1	1	
16	660943	. PIN	1	1	1	
17	N.S.A.	. COVER (452244)	1	1	1	3
18	N.S.A.	. O-RING (396098)	3	3	3	3
19	660944	. PLUG	3	3	3	
20	660592	. SPRING, COMP.	1	1	1	
21	660918	. VALVE, CONTROL / 2000 PSI	1	1	1	
22		. SCREW	4	4	4	
NS	660945	REPAIR KIT, SEAL	1	1	1	
40	510438	COUPLING DRIVE	1	1	1	
41	510437	SPROCKET ASSY W/SNAP-RING	1	1	1	
41	N.S.A.	. SNAP-RING (92757)	1	1	1	3
42	N.S.A.	O-RING / (08929289)	1	1	1	3
43	N.S.A.	ADAPTOR, COVER (8929100)	1	1	1	3
44	N.S.A.	SCREW, M8-1.25 X 30MM (11514329) / 50-0544	5	5	5	3
44	N.S.A.	SCREW, M8-1.25 X 3MM (11505299)	1	1	1	3
45	510488	GASKET	1	1	1	
46	N.S.A.	SCREW, M10-1.5 X 30MM / 50-0065	2	2	2	3
46	N.S.A.	GASKET, COPPER	2	2	2	3
NS	161034	KIT, PUMP HYDRAULIC From R-012 To V-1737	1	1	1	A
. NS	IS-96162A	. SEE INSTRUCTION SHEET From R-012 To V-1737	1	1	1	A
NS	161035	KIT, PUMP HYDRAULIC From V-1715 To V-1796	1	1	1	B
. NS	IS-96162A	. SEE INSTRUCTION SHEET From V-1715 To V-1796	1	1	1	B

From R-012 To V-1795	Date:10/2022	PAGE:H3-1427-02
POWER STEERING PUMP - "VICKERS" - WITH DETROIT S-60		

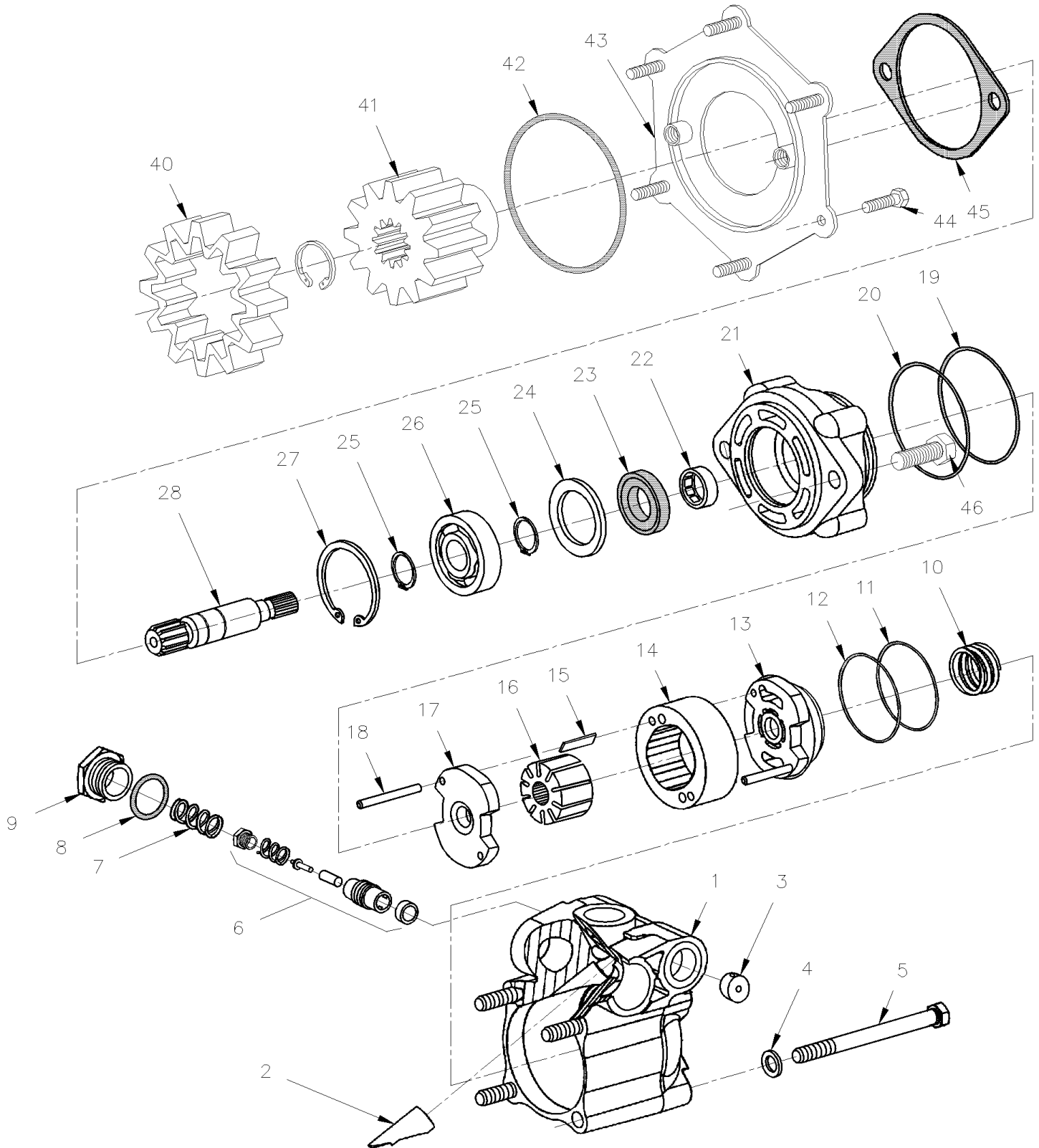
Item#	Part	Description	H 3 4 1	H 3 4 5	V I P 4 5	N O T E S
		A) THIS KIT IS FOR VEHICLES THAT NEVER HAD POWER STEERING CYLINDER				
		B) THIS KIT IS FOR VEHICLES THAT HAVE POWER STEERING CYLINDER OR IT HAVE BEEN REMOVED				
		C) FOR PRODUCT IMPROVEMENT, USE KIT #161034 OR #161035				
		2) NOT SOLD BY PREVOST (SEE MANUFACTURING PART NUMBER AT END OF DESCRIPTION LINE)				
		3) NOT SOLD ASSEMBLY				

From V-1796 To 2-4416

Date:10/2022

PAGE:H3-1427-03

POWER STEERING PUMP - "TRW"



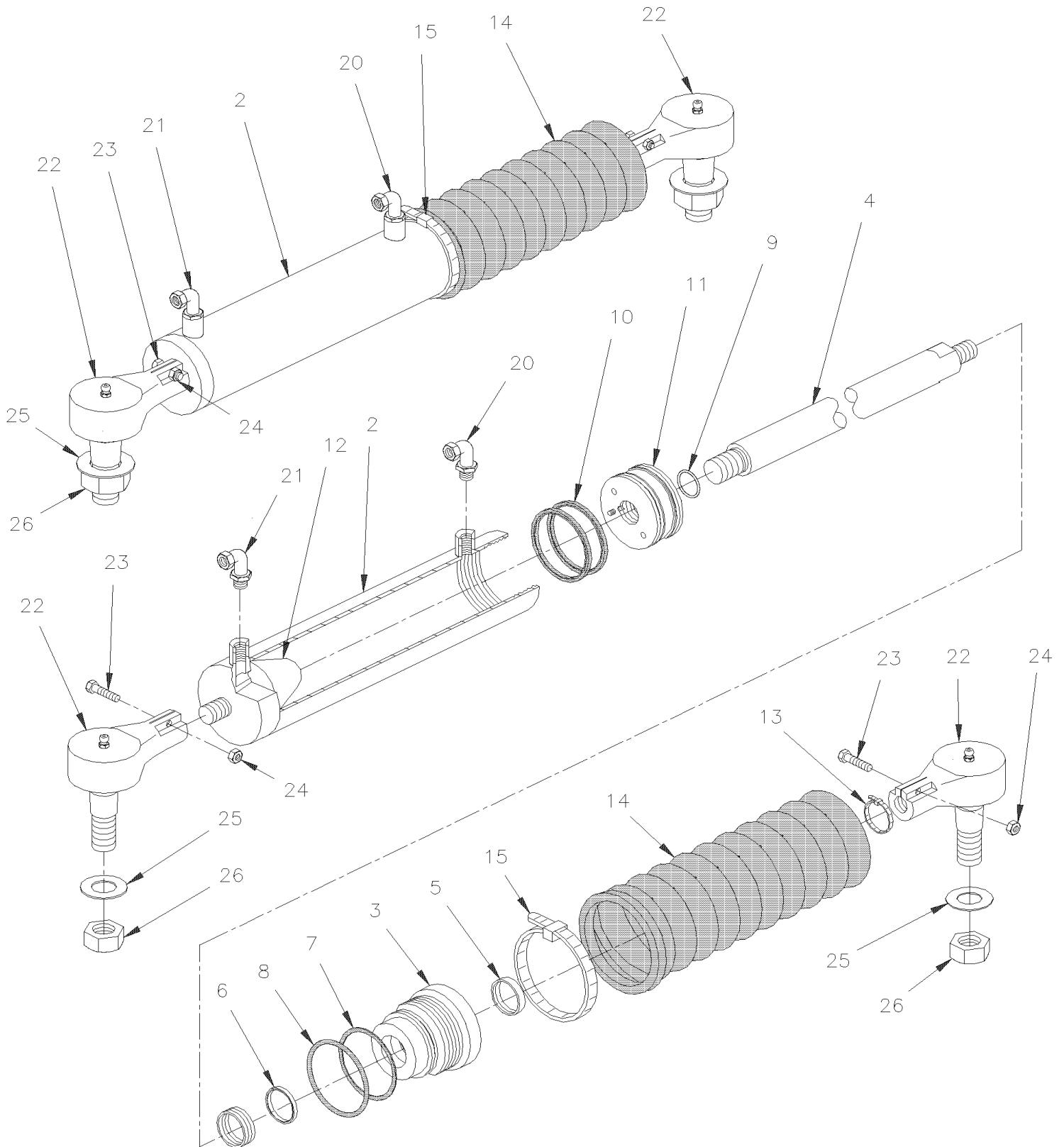
From V-1796 To 2-4416	Date:10/2022	PAGE:H3-1427-03
POWER STEERING PUMP - "TRW"		

Item#	Part	Description	H 3 4 1	H 3 4 5	V I P 4 5	N O T E S
	661009	PUMP ASSY	1	1		
	661009	PUMP ASSY To 2-4401			1	
	661070	PUMP ASSY From 2-4402			1	
1	N.S.S.	. HOUSING	1	1	1	1
2	N.S.S.	. BOOST TUBE	1	1	1	1
3	N.S.S.	. ORIFICE	1	1	1	1
4	N.S.S.	. BOLTS	1	1	1	1
5	N.S.S.	. WASHER	1	1	1	1
6	N.S.S.	. VALVE SPOOL ASSY	1	1	1	1
6	N.S.S.	. . SPOOL	1	1	1	1
6	N.S.S.	. . SPRING	1	1	1	1
6	N.S.S.	. . POPPET	1	1	1	1
6	N.S.S.	. . SHIMS	1	1	1	1
6	N.S.S.	. . RELIEF VALVE SEAT ASSY	1	1	1	1
7	N.S.S.	. SPRING	1	1	1	1
8	N.S.S.	. O-RING	1	1	1	1
9	N.S.S.	. PLUG	1	1	1	1
10	N.S.S.	. SPRING	1	1	1	1
11	N.S.S.	. O-RING	1	1	1	1
12	N.S.S.	. BACKUP RING	1	1	1	1
13	N.S.S.	. TOP PLATE	1	1	1	1
14	N.S.S.	. CAM RING	1	1	1	1
15	N.S.S.	. VANES	1	1	1	1
16	N.S.S.	. ROTOR	1	1	1	1
17	N.S.S.	. BOTTOM PLATE	1	1	1	1
18	N.S.S.	. LOCATING PINS	1	1	1	1
19	N.S.S.	. O-RING	1	1	1	1
20	N.S.S.	. O-RING	1	1	1	1
21	N.S.S.	. COVER	1	1	1	1
22	N.S.S.	. NEEDLE BEARING	1	1	1	1
23	N.S.S.	. SHAFT SEAL	1	1	1	1
24	N.S.S.	. SPACER	1	1	1	1
25	N.S.S.	. RETAINING RING	2	2	2	1
26	N.S.S.	. BALL BEARING	1	1	1	1
27	N.S.S.	. RETAINING RING	1	1	1	1
28	661011	. INPUT SHAFT	1	1	1	
40	510438	COUPLING DRIVE	1	1	1	
41	510437	SPROCKET ASSY W/SNAP-RING	1	1	1	
41	N.S.P.	. SNAP RING (92757)	1	1	1	2
42	N.S.P.	O-RING / (08929289)	1	1	1	2
43	N.S.P.	ADAPTOR, COVER (8929100)	1	1	1	2
44	N.S.P.	SCREW, M8-1.25 X 30MM (11514329) / 50-0544	5	5	5	2

From V-1796 To 2-4416	Date:10/2022	PAGE:H3-1427-03
POWER STEERING PUMP - "TRW"		

Item#	Part	Description	H 3 4 1	H 3 4 5	V I P 4 5	N O T E S
44	N.S.P.	SCREW, M8-1.25 X 30MM (11505299)	1	1	1	2
45	510488	GASKET	1	1	1	
46	N.S.S.	SCREW, M10-1.5 X 30MM / 50-0065	2	2	2	1
46	N.S.S.	GASKET, COPPER	2	2	2	1
46	661012	KIT REPAIR				
		1) NOT SOLD SEPARATELY				
		2) NOT SOLD BY PREVOST (SEE MANUFACTURING PART NUMBER AT END OF DESCRIPTION LINE)				

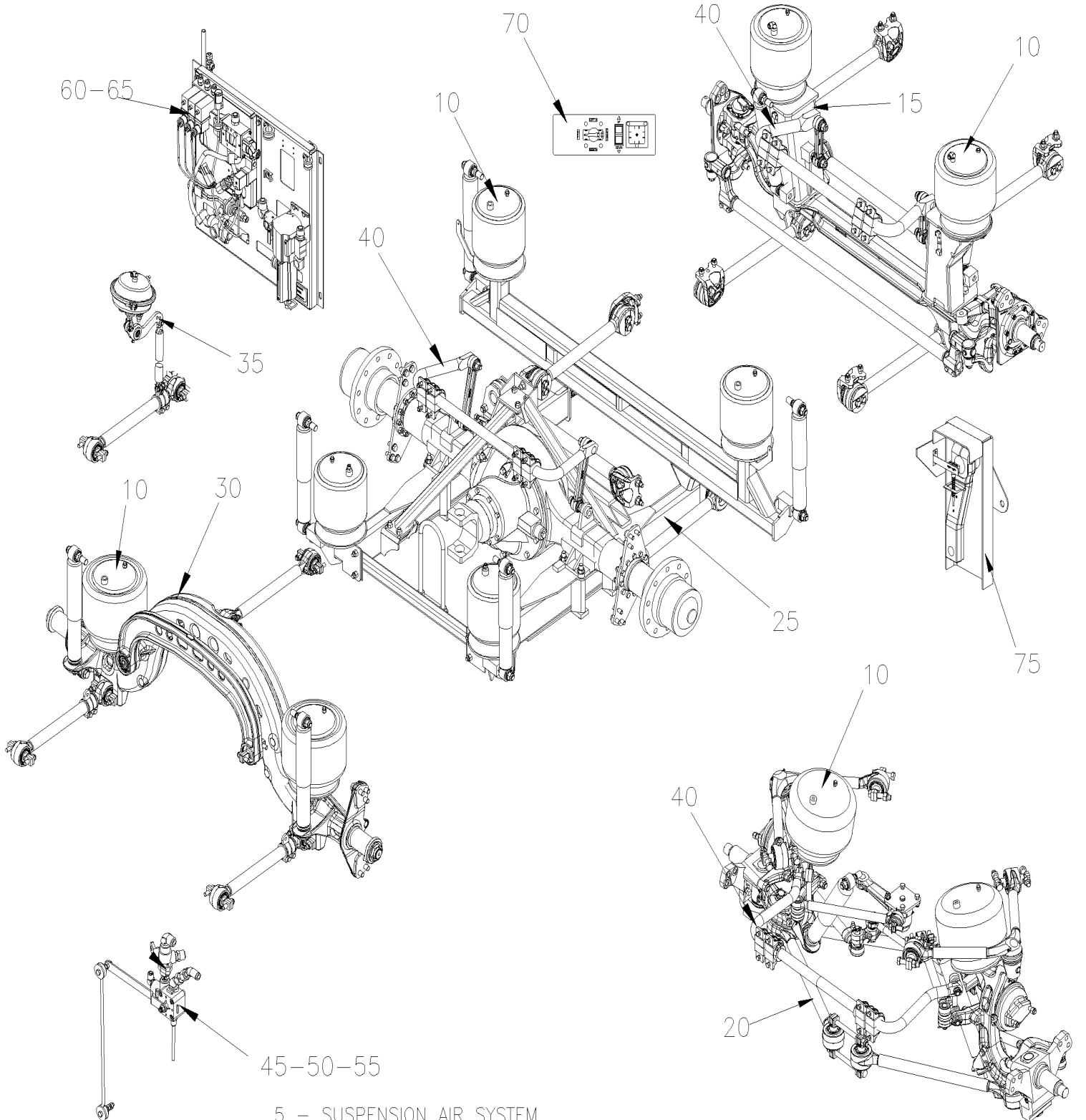
From R-012 To V-1737	Date:10/2022	PAGE:H3-1430-00
CYLINDER POWER STEERING		



From R-012 To V-1737	Date:10/2022	PAGE:H3-1430-00
CYLINDER POWER STEERING		

Item#	Part	Description	H 3 4 1	H 3 4 5	V I P 4 5	N O T E S
1	160889	CYLINDER ASSY To S-182	1	1	1	
1	160988	CYLINDER ASSY From S-183	1	1	1	
2	160886	. CYLINDER ASSY To S-182	1	1	1	A
2	661001	. CYLINDER ASSY From S-183	1	1	1	
3	660903	. . HEAD ASSY / ROD END To S-182	1	1	1	
3	661003	. . HEAD ASSY / ROD END From S-183	1	1	1	
4	660977	. . ROD ASSY / 17" STROKE	1	1	1	
5	N.S.P.	. . ROD WIPER	1	1	1	2
6	N.S.P.	. . "U" CUP	1	1	1	2
7	N.S.P.	. . BACK-UP	1	1	1	2
8	N.S.P.	. . O-RING	1	1	1	2
9	N.S.P.	. . O-RING	1	1	1	2
10	N.S.P.	. . "U" CUP	2	2	2	2
11	N.S.P.	. . PISTON	1	1	1	2
12	N.S.P.	. . NUT	1	1	1	2
13	504020	. HOSE CLAMP / 9/16"-1"1/4 SS / HS-12	1	1	1	
14	660934	. BOOT, PROTECTOR	1	1	1	
15	504021	. HOSE CLAMP / 11/16"-1"1/2 SS / HS-16	1	1	1	
20	501587	. MALE ELBOW 90° / JIC 37° FITTING / #8JIC-Mx3/8NPT-M STL	1	1	1	
21	501291	. MALE ELBOW 45° / JIC 37° FITTING / #8JIC-Mx3/8NPT-M STL	1	1	1	
22	160432	. END ASSY	2	2	2	
22	660252	. . END ASSY	1	1	1	
23	500074	. . SCREW CAP HEX 7/16-20x2 G5 Z050	1	1	1	
24	500714	. . NUT HEX STO 7/16-20 Z050	1	1	1	
25	500420	. . WASHER FL .938x1.750x.134 ZP	1	1	1	
26	5001345	. . NUT HEX CSL THN 7/8-14	1	1	1	
NS	660902	REPAIR KIT / STEERING CYLINDER To S-182	AR	AR	AR	C
NS	661004	REPAIR KIT / STEERING CYLINDER From S-183	AR	AR	AR	C
26	661010	REPAIR KIT / STEERING CYLINDER USE ON ALLS MODELS From SERVICE	AR	AR	AR	C
		A) FOR SERVICING EASY IDENTIFICATION NAME PLATE STAMPED (006-8816-5)				
		C) INCLUDE ITEMS 5 TO 10				
		2) NOT SOLD BY PREVOST (SEE MANUFACTURING PART NUMBER AT END OF DESCRIPTION LINE)				

	Date:10/2022	H3-16
SUSPENSION		

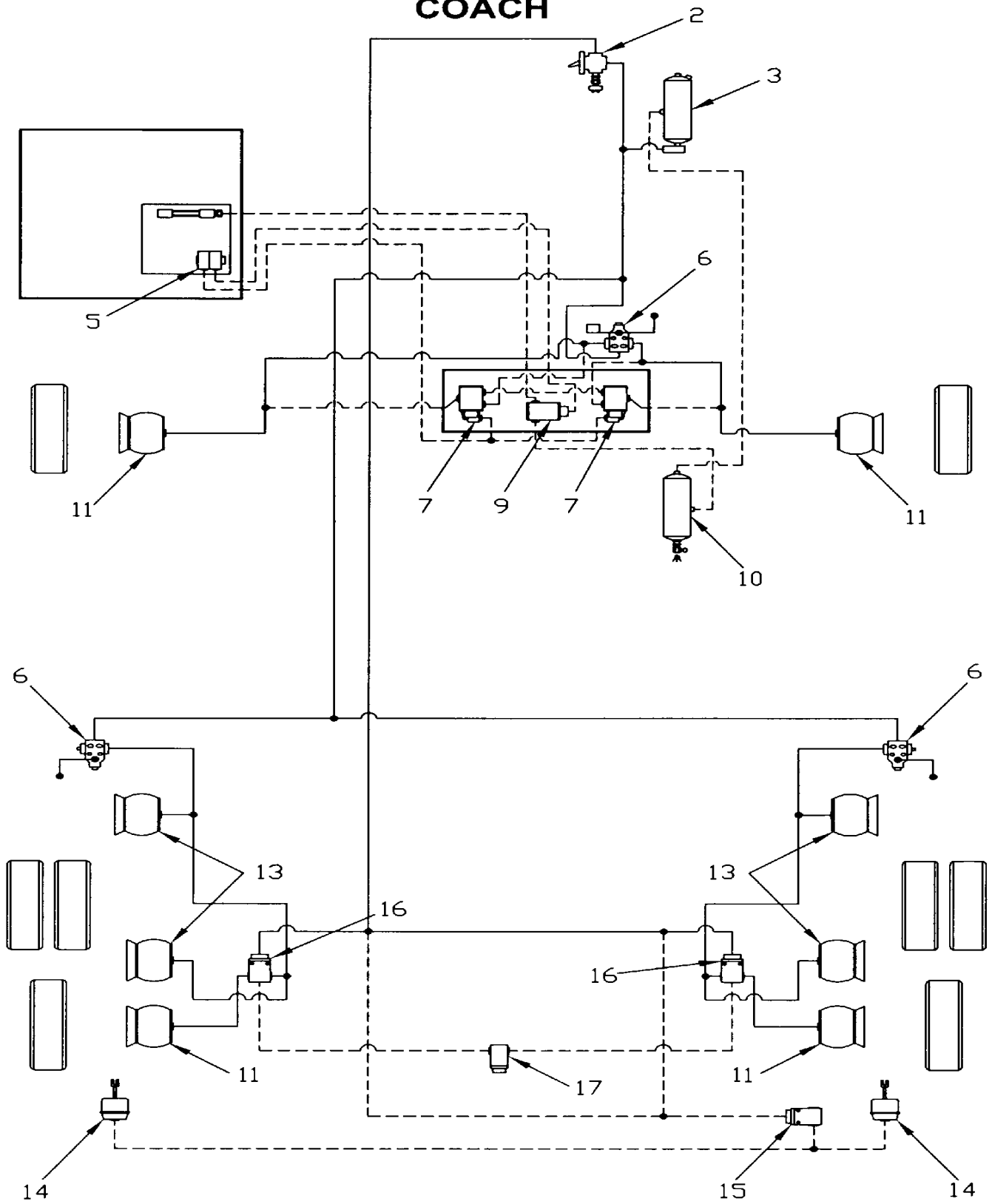


5 - SUSPENSION AIR SYSTEM

		Date:10/2022	H3-16			
SUSPENSION						
Item#	Part	Description	H 3 4 1	H 3 4 5	V I P 4 5	N O T E S
5	H3-1600-01	SUSPENSION AIR SYSTEM From R-012 To 2-4416				
10	H3-1601-02	BELLOWS - AIR SUSPENSION From R-012 To 2-4416				
15	H3-1605-01	FRONT AXLE - INSTALL W/ I BEAM RIGID From R-012 To 2-4416				
20	H3-1605-50	FRONT AXLE - INSTALL W/INDEPENDENT "IS-84" / 16500LBS From X-2458 To 2-4416				
25	H3-1610-01	REAR AXLE - INSTALL - W/DRUM BRAKE From R-012 To W-2284				
25	H3-1610-02	REAR AXLE - INSTALL - W/DISC BRAKE From V-1725 To 2-4416				
30	H3-1615-02	TAG AXLE - INSTALL SUSPENSION From R-012 To 2-4416				
35	H3-1615-11	TAG AXLE - LIFTING From R-012 To 2-4416				
40	H3-1616-00	SWAY BAR From R-012 To 2-4416				
45	H3-1620-01	HEIGHT CONTROL VALVE From R-012 To V-1916				
45	H3-1620-02	HEIGHT CONTROL VALVE - BUS From V-1917 To 2-4387				
45	H3-1620-03	HEIGHT CONTROL VALVE - BUS From 2-4388 To 2-4416				
50	H3-1620-10	HIGH-BUOY, LOW BUOY & "KNEELING" VALVE From R-012 To 2-4387				
50	H3-1620-11	HIGH-BUOY, LOW BUOY & "KNEELING" VALVE From 2-4388 To 2-4416				
55	H3-1620-50	HEIGHT CONTROL VALVE - V.I.P. From R-012 To 2-4387				
55	H3-1620-51	HEIGHT CONTROL VALVE - V.I.P. From 2-4388 To 2-4416				
60	H3-1630-01	FRONT KNEELING - CONTROL PANEL From R-012 To 2-4387				
65	H3-1640-01	LEVEL-LOW - CONTROL PANEL & VALVES From R-012 To 2-4416				
70	H3-1640-11	LEVEL-LOW - LEVEL & SWITCHES From R-012 To W-2457				
75	H3-1650-00	TAG UNLOAD - AIR VALVE INSTALLATION From R-012 To 2-4416				

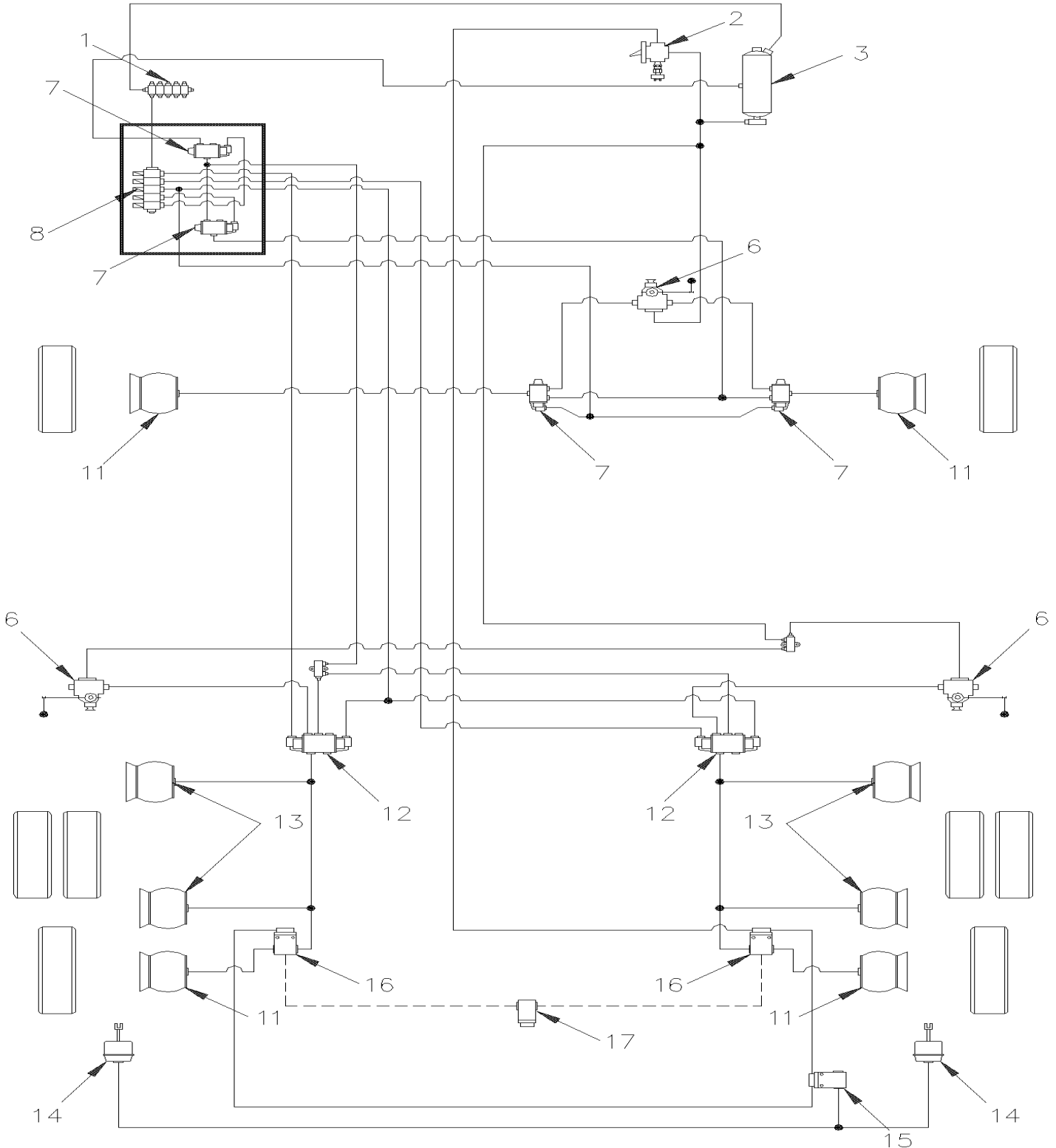
From R-012 To 2-4416	Date:10/2022	PAGE:H3-1600-01
SUSPENSION AIR SYSTEM		

COACH



From R-012 To 2-4416	Date:10/2022	PAGE:H3-1600-01
SUSPENSION AIR SYSTEM		

V.I.P.



From R-012 To 2-4416	Date:10/2022	PAGE:H3-1600-01
SUSPENSION AIR SYSTEM		

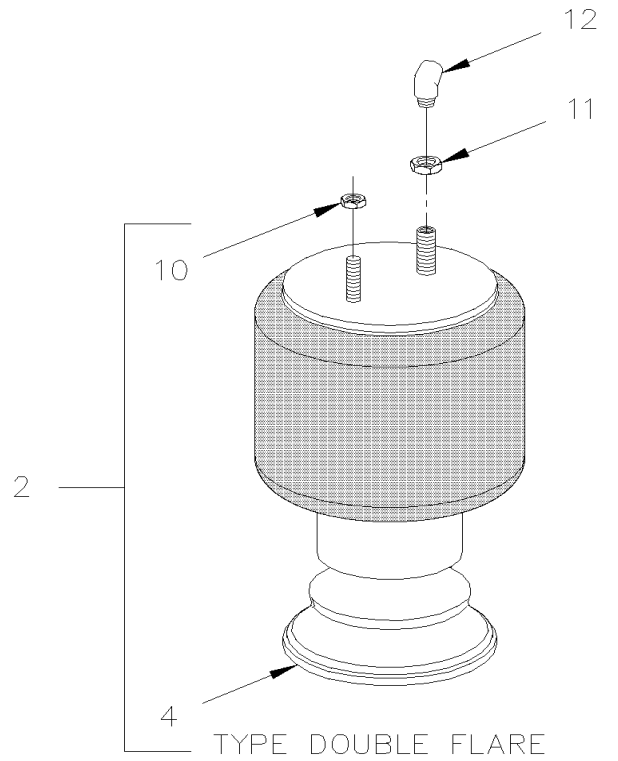
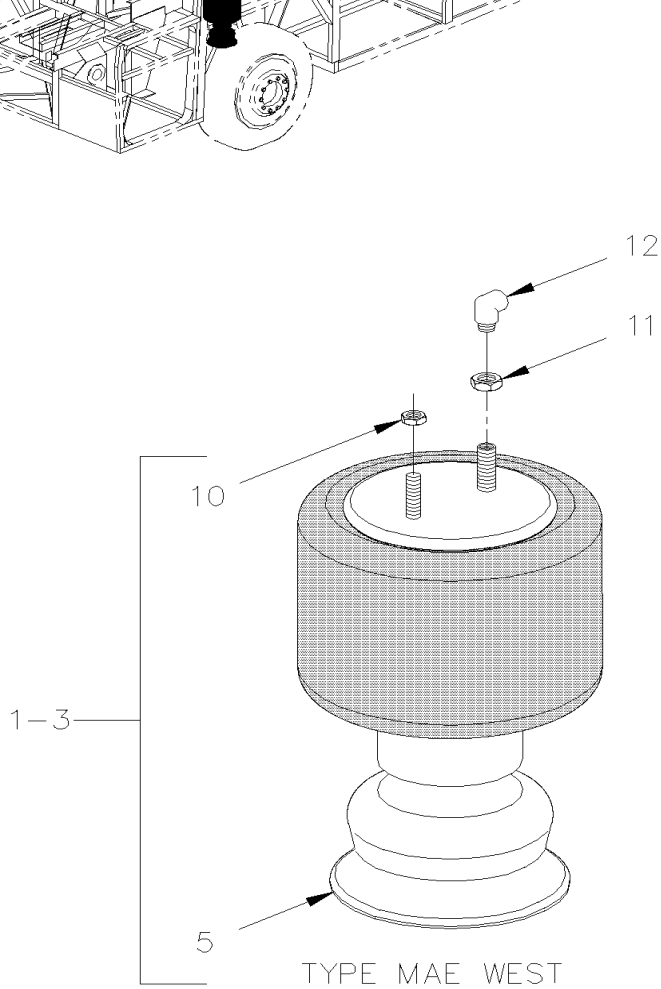
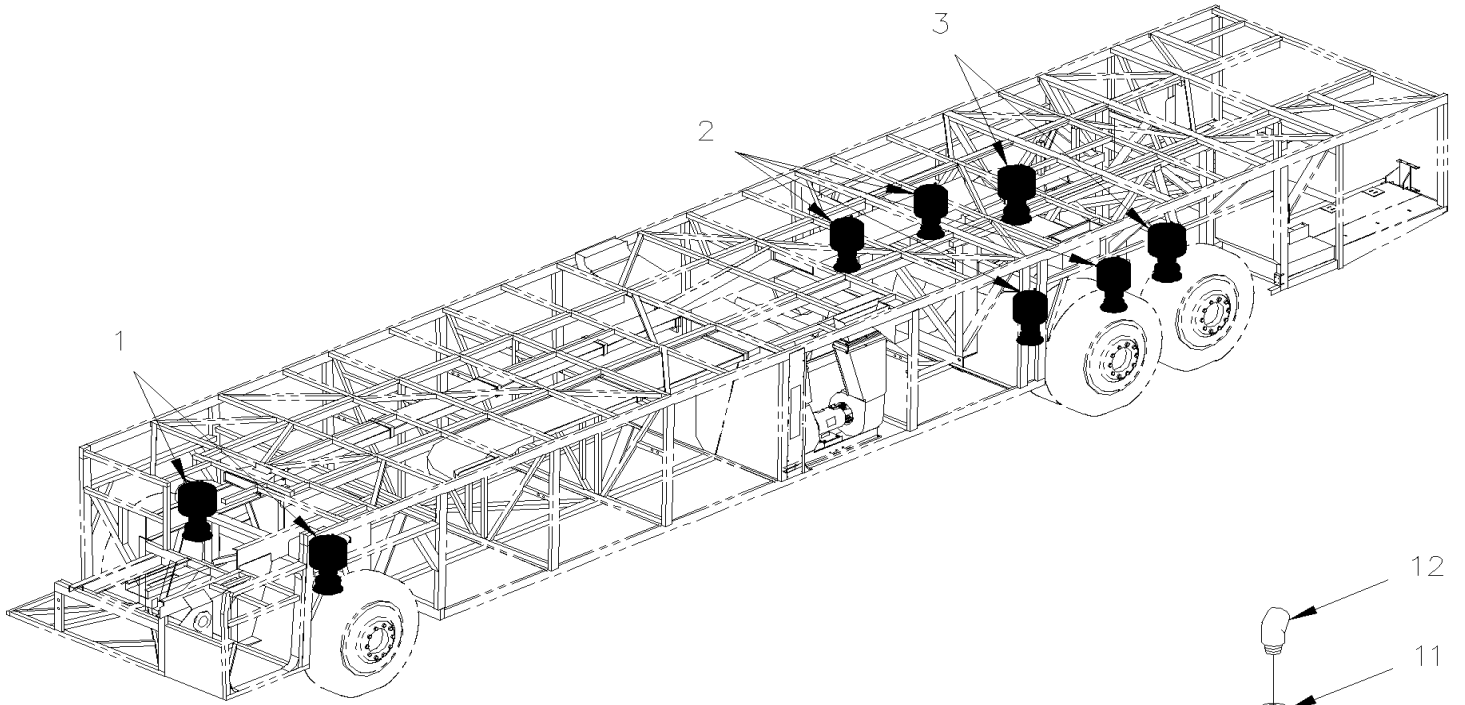
Item#	Part	Description	H 3 4 1	H 3 4 5	V I P 4 5	N O T E S
1	141190	MANIFOLD, BLOCK / UNDER DRIVER'S FLOOR				
2	640136	VALVE, CONTROL TW-1	1	1	1	
. NS	641156	. REPAIR KIT / TW-1	1	1	1	
3	140868	AIR TANK / W/END LOWER DRAIN 1228 IN° / 8" O.D. X 26"	1	1	1	
4	H3-1220-15	AIR FILTER - ACCESSORIES To S-274				
4	H3-1220-16	AIR FILTER - ACCESSORIES From S-275				
5	641130	MANIFOLD VALVE / W/2 SOLENOID	1	1	1	
6	H3-1620-01	HEIGHT CONTROL VALVE To V-1916				
6	H3-1620-02	HEIGHT CONTROL VALVE - BUS From V-1917				
7	641274	VALVE, 3 WAYS, 2 POSITIONS N.C.	4	4	4	
8	641205	MANIFOLD VALVE / W/5 SOLENOID				
. NS	641928	. KIT, MANIFOLD REPAIR / N.C.			5	
. NS	641107	. COIL 24V			5	
9	641356	VALVE, 3 WAYS, 2 POSITIONS N.O. / W/SPRING To V-2028	1	1		
9	641274	VALVE, 3 WAYS, 2 POSITIONS N.C. From V-2029	1	1		
10	140869	AIR TANK / 1791 IN° / 9 1/2" O.D. X 27"	1	1		
11	630125	BELLOW ASSY / MODEL 1200 M.W.	4	4	4	
12	641057	VALVE, 5 WAYS, 3 POSITIONS To X-3237				AR
12	641531	VALVE, 5 WAYS, 3 POSITIONS From X-3238				AR
. NS	641186	. SPOOL From X-3238			1	
13	630105	BELLOW ASSY / MODEL 1100 D.F.	4	4	4	
14	H3-1615-11	TAG AXLE - LIFTING	1	1	1	
15	641356	VALVE, 3 WAYS, 2 POSITIONS N.O. / W/SPRING To V-2028	1	1	1	A
15	641274	VALVE, 3 WAYS, 2 POSITIONS N.C. From V-2029	1	1	1	
16	641357	VALVE, 3 WAYS, 2 POSITIONS N.C. / W/SPRING	2	2	2	
17	640442	VALVE, INVERSION TR-2 From V-2029	1	1	1	
17	H3-1202-00	TUBES PLASTIC / AIR D.O.T.				
NS	142019	KIT INVERSION WITH LIFT TAG To V-2028	1	1	1	
. NS	IS-96144	. SEE INSTRUCTION SHEET To V-2028	1	1	1	
NS	142020	KIT INVERSION TAG UNLOAD To V-2028	1	1		
. NS	IS-96144	. SEE INSTRUCTION SHEET To V-2028	1	1		
		A) FOR PRODUCT IMPROVEMENT, ASK KIT #142019 OR #142020 DEPENDING OF YOUR TAG AXLE OPTION				

From R-012 To 2-4416

Date:10/2022

PAGE:H3-1601-02

BELLOWS - AIR SUSPENSION



From R-012 To 2-4416	Date:10/2022	PAGE:H3-1601-02
BELLOWS - AIR SUSPENSION		

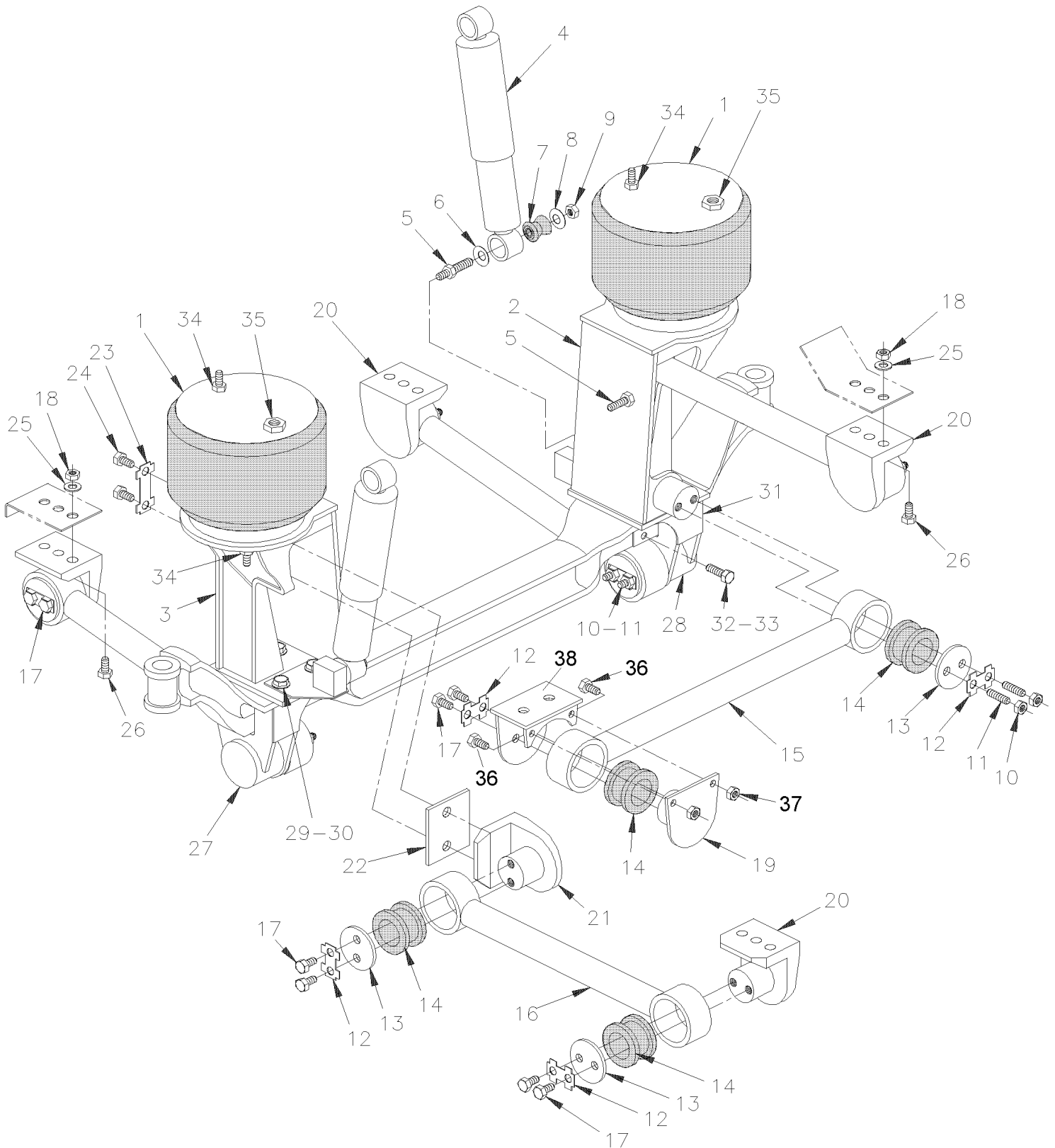
Item#	Part	Description	H 3 4 1	H 3 4 5	V I P 4 5	N O T E S
		FRONT AXLE BELLOW				
1	630125	BELLOW ASSY / MODEL 1200 M.W.	2	2		
1	N.P.N.	. BELLOW ASSY W/O PISTON	1	1		4
1	630125	BELLOW ASSY / MODEL 1200 M.W. To W-2457			2	
1	N.P.N.	. BELLOW ASSY W/O PISTON To W-2457			1	4
1	630125	BELLOW ASSY / MODEL 1200 M.W. From W-2458			1	E
1	N.P.N.	. BELLOW ASSY W/O PISTON From W-2458			1	4 E
1	630151	BELLOW ASSY / MODEL 1200 M.W. From W-2458			2	I
1	630223	. BELLOW ASSY W/O PISTON From W-2458			1	I
		DRIVE AXLE BELLOW				
2	630105	BELLOW ASSY / MODEL 1100 D.F.	4	4	4	
2	630109	. BELLOW ASSY W/O PISTON	1	1	1	
		TAG AXLE BELLOW				
3	630125	BELLOW ASSY / MODEL 1200 M.W.	2	2		
3	630125	BELLOW ASSY / MODEL 1200 M.W. To W-2457			2	
3	630151	BELLOW ASSY / MODEL 1200 M.W. From W-2458			2	
3	630223	. BELLOW ASSY W/O PISTON	1	1	1	
4	630071	. PISTON / TYPE DOUBLE FLARE	AR	AR	AR	
5	630036	. PISTON / TYPE MAY WEST	AR	AR	AR	
10	500717	NUT HEX NYRT 1/2-20 Z050	AR	AR	AR	
11	5001041	NUT HEX THN 1 1/4-12x1/2	AR	AR	AR	
12	641377	MALE ELBOW 90° NON-SWIVEL / PUSH-IN FITTING / #6x1/2NPT-M BR	2	2	2	A
12	641378	MALE ELBOW 90° / PUSH-IN FITTING / #8x1/2NPT-M BRASS	2	2	2	B
NS	641119	MALE ELBOW 45° / NTA FITTING / #6x1/2NPT-M BR	2	2	2	C
NS	641386	MALE BRANCH TEE / PUSH-IN FITTING / #6x#6x1/4NPT-M BR	2	2	2	
NS	501329	STREET ELBOW 45° / PIPE FITTING / 1/4NPT-Mx1/4NPT-F BR	2	2	2	D
		A) TAG AXLE				
		B) FRONT AXLE				
		C) USE REAR OF DRIVE AXLE				
		D) USE FRONT OF DRIVE AXLE				
		E) WITH VIP WITH "I-BEAM" SUSPENSION ONLY				
		I) WITH INDEPENDANT SUSPENSION				
		4) NO PARTS NUMBER				

From R-012 To 2-4416

Date:10/2022

PAGE:H3-1605-01

FRONT AXLE - INSTALL W/ I BEAM RIGID



From R-012 To 2-4416	Date:10/2022	PAGE:H3-1605-01
FRONT AXLE - INSTALL W/ I BEAM RIGID		

Item#	Part	Description	H 3 4 1	H 3 4 5	V I P 4 5	N O T E S
1	630125	BELLOW ASSY / MODEL 1200 M.W.	2	2	2	
2	110612	SUPPORT, BELLOW / L.H. From R-012 To R-020		1		A
2	110620P	SUPPORT, BELLOW / L.H. From R-021	1	1	1	
2	110778	SUPPORT, BELLOW / L.H. SERVICE	1	1	1	
3	110613	SUPPORT, BELLOW / R.H. From R-012 To R-020		1		A
3	110619P	SUPPORT, BELLOW / R.H. From R-021 To Y-3838	1	1	1	
3	110751	SUPPORT, BELLOW / R.H. From Y-3839	1	1	1	
4	630134	SHOCK ABSORBER / WHITE	2	2	2	
4	630234	SHOCK ABSORBER / "KONI" (ORANGE)	AR	AR	AR	O
5	130956	PIN W/TAPER ATTACHMENT 3/4-16 To T-1573	2	2	2	
5	131424	PIN W/TAPER ATTACHMENT M20-2.5 From T-1574	2	2	2	
6	5001153	WASHER CON 25.5x50.0x4.5 ZP	AR	AR	AR	
7	630062	BUSHING / RUBBER / (ONE PIECE) 2" x 1.005" I.D.	AR	AR	AR	
8	5001152	WASHER CON 21.0x50.0x4.5 ZP	8	8	8	
9	500735	NUT HEX STO 3/4-16 ZP To T-1573	4	4	4	
9	500809	NUT HEX STO M20-2.5 N500 From T-1574	4	4	4	
10	502588	NUT HEX M16-2.0 ZP	16	16	16	
11	130963	STUD M16-2.0x70	12	12	12	
12	110340	TAB LOCK / W/2 HOLES / W/4 TABS / 18MM I.D. X 38MM C/C	AR	AR	AR	
13	110320	RETAINER PLATE / STEEL 110MM OD W/16.7 @ 38C/C	9	9	9	
13	110681	RETAINER PLATE / IRON 110MM OD W/16.7 @ 38C/C	9	9	9	D
14	630021	RUBBER BUSHING "PREVOST"	10	10	10	
NS	192380	SHIM WASHER / BUSHING RADIUS ROD 2.795x4.330x.0625 SS	AR	AR	AR	W
15	110648	ROD ASSY / 34 13/16" C/C (885MM)	1	1	1	
15	121374	ROD ASSY / 39 9/16" C/C (1005MM) From R-012 To R-020		1		A
16	130615	ROD ASSY / 26 1/2" C/C (673MM) From R-021	4	4	4	
17	502544	SCREW CAP HEX M16-2.0x40 G8.8 Z050	18	18	18	
18	500781	NUT HEX STO M16-2.0 DP	10	10	10	C
19	131334	PLATE, RETAINING To T-1493	1	1	1	
19	131420	ATTACHMENT From T-1494 To 1-4150	1	1	1	
19	131690	ATTACHMENT From 1-4151	1	1	1	
20	131065	SUPPORT / ROD / W/2 M16-2 HOLES / 95MM C/C // 150MM SHORT	4	4	4	
20	131544	SUPPORT / ROD / W/2 M16-2 HOLES & DOWEL PIN / 95MM C/C // 150MM SHORT	4	4	4	
NS	502164	PIN DOWEL M16 X 40MM	1	1	1	
21	131328	SUPPORT / ROD / W/4 M16-2 HOLES / 95MM C/C // 150MM SHORT	2	2	2	
22	110663	SHIM "U" 11GA SS 124MM x 92MM x 31MM wide	2	2	2	
23	110667	TAB LOCK / W/2 HOLES 18MM I.D. X 90MM C/C	2	2	2	
24	500818	SCREW CAP HEX M16-2.0x50 G8.8 Z050	4	4	4	
25	5001046	WASHER FL .656x1.500x.187	10	10	10	C
26	5001080	SCREW CAP HEX M16-2.0x65 G8.8 ZP	8	8	8	
27	110478P	ATTACHMENT / R.H. From R-012 To R-020		1		A
27	110652	ATTACHMENT / R.H. From R-021	1	1	1	

From R-012 To 2-4416	Date:10/2022	PAGE:H3-1605-01
FRONT AXLE - INSTALL W/ I BEAM RIGID		

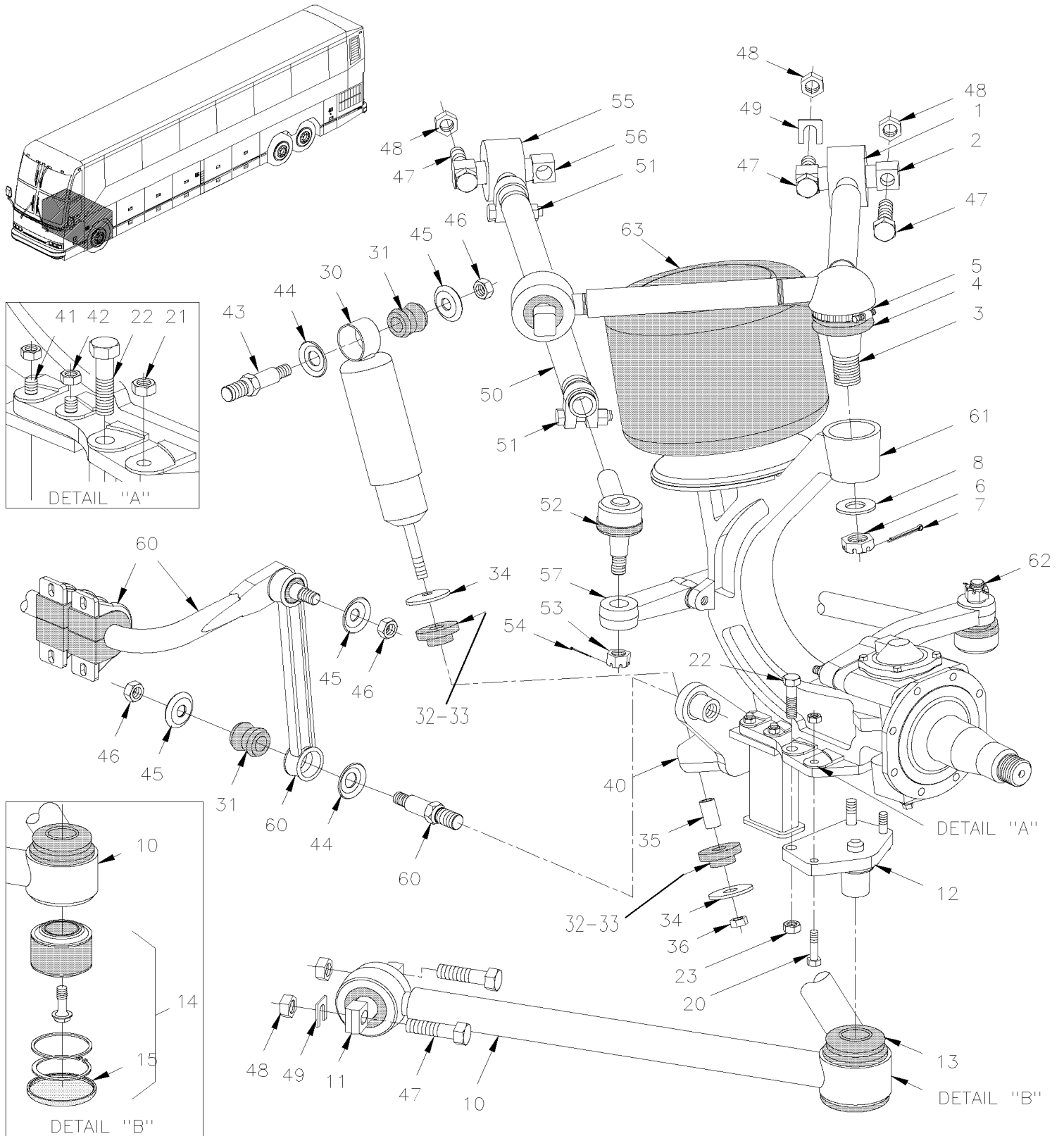
Item#	Part	Description	H 3 4 1	H 3 4 5	V I P 4 5	N O T E S
28	110511P	ATTACHMENT / L.H. From R-012 To R-020		1		A
28	110653	ATTACHMENT / L.H. From R-021	1	1	1	
29	5001175	SCREW CAP HEX M22-2.5x80 G8.8 Z050	9	9	9	
30	5001176	NUT HEX STO M22-2.5 ZP	9	9	9	
31	110664	SPACER	1	1	1	
32	502731	SCREW CAP HEX M12-1.75x40 G8.8 Z050	2	2	2	
33	500860	NUT HEX M12-1.75 Z050	2	2	2	
34	502595	NUT HEX NYRT 1/2-13 Z050	6	6	6	
35	5001041	NUT HEX THN 1 1/4-12x1/2	2	2	2	
36	502544	SCREW CAP HEX M16-2.0x40 G8.8 Z050 To 1-4150	2	2	2	
36	955385	SCREW CAP HEX M20-2.5x45 G8.8 ZP From 1-4151	2	2	2	
37	500781	NUT HEX STO M16-2.0 DP To 1-4150	2	2	2	
37	5001252	NUT HEX STO M20-2.5 DP From 1-4151	2	2	2	
38	131297	SUPPORT ASSY / (WELDED) To 1-4150	1	1	1	
38	131691	SUPPORT ASSY / (WELDED) From 1-4151	1	1	1	
		A) THIS ITEM IS RELATED ONLY WITH THE VEHICLE R-012 & R-020 BUILT WITH "ROCKWELL" AXLE				
		C) TO FIX ROD				
		D) (CURRENT)				
		O) "OPTION" SPECIAL				
		W) IF NEED, USE BETWEEN BUSHING ROD SUPPORT				

From X-2458 To 2-4416

Date:10/2022

PAGE:H3-1605-50

FRONT AXLE - INSTALL W/INDEPENDENT "IS-84" / 16500LBS



From X-2458 To 2-4416	Date:10/2022	PAGE:H3-1605-50
FRONT AXLE - INSTALL W/INDEPENDENT "IS-84" / 16500LBS		

Item#	Part	Description	H 3 4 1	H 3 4 5	V I P 4 5	N O T E S
1	611203	UPPER ARM ASSY / L.H. & R.H.			2	
1	611347	UPPER ARM ASSY / L.H. & R.H. / SERVICE			2	
2	611135	. BUSHING BAR PIN / 20MM 130mm c/c 75MM O.D. x 52MM wide			1	
. NS	683108	. . TOOL MOUNTING / MATRICE			1	
. NS	683109	. . TOOL MOUNTING / TAPER RING / 100.5MM O.D.			1	
. NS	683110	. . TOOL MOUNTING / STABILISATION			1	
2	N.S.P.	. . LOCK RING			1	2
2	N.S.P.	. . SPACER RING			1	2
3	611108	. BALL STUD / REPAIR KIT / W/611203 ONLY			1	
3	N.S.P.	. . BEARING RACE			1	2
3	N.S.P.	. . BEARING RETAINER			1	2
4	611109	. SEALING BOOT KIT / W/611203 ONLY			1	
5	611110	. . RING / RETAINER BOOT 96MM			1	
6	5001321	. NUT HEX CSL M30-1.5 17TH CJ			1	
7	502105	. PIN, COTTER 3/16 x 2			1	
8	5001255	WASHER FL 31.75x54.77x3.175			2	
10	611072	LOWER ARM ASSY / R.H.			1	
10	611078	LOWER ARM ASSY / L.H.			1	
11	611114	. BUSHING BAR PIN / 20x25MM 130mm c/c 85MM O.D. x 55MM wide			1	
. NS	683111	. . TOOL MOUNTING / MATRICE			1	
. NS	683112	. . TOOL MOUNTING / TAPER RING / 106.5MM O.D.			1	
. NS	683113	. . TOOL MOUNTING / STABILISATION			1	
11	N.S.P.	. . LOCK RING			1	2
11	N.S.P.	. . SPACER RING			1	2
12	611117	. MOUNTING BRACKET / TOP OF LOWER ARM W/4 HOL			1	
12	611357	. MOUNTING BRACKET / TOP OF LOWER ARM W/4 HOL			1	S
13	611115	. SEALING BOOT ASSY / ARM MOUNTING BRACKET			1	
13	611116	. . RING / RETAINER BOOT 113MM			1	
14	611112	. LOWER BEARING BALL ASSY / REPAIR KIT			1	
. NS	683114	. . TOOL MOUNTING / MATRICE			1	
. NS	683115	. . TOOL MOUNTING / TAPER RING / 101.5MM O.D.			1	
. NS	683116	. . TOOL MOUNTING / STABILISATION			1	
. NS	683117	. . TOOL MOUNTING / MATRICE			1	
. NS	683118	. . TOOL MOUNTING / HANDLE			1	
. NS	683119	. . TOOL MOUNTING / MATRICE			1	
. NS	683120	. . TOOL MOUNTING RING POSITIONING			1	
14	N.S.P.	. . . BEARING ELEMENT RING			2	2
14	N.S.P.	. . . BEARING SPACER RING			2	2
14	N.S.P.	. . . SCR CAP HEX M14-1.5 X 30MM SPECIAL			1	2
15	611113	. . . CLOSING CAP, LOWER			1	
20	5001322	SCREW CAP HEX M16-1.5x60 G10.9 ZP			2	
21	5001253	NUT HEX STO M16-1.5 G500			4	

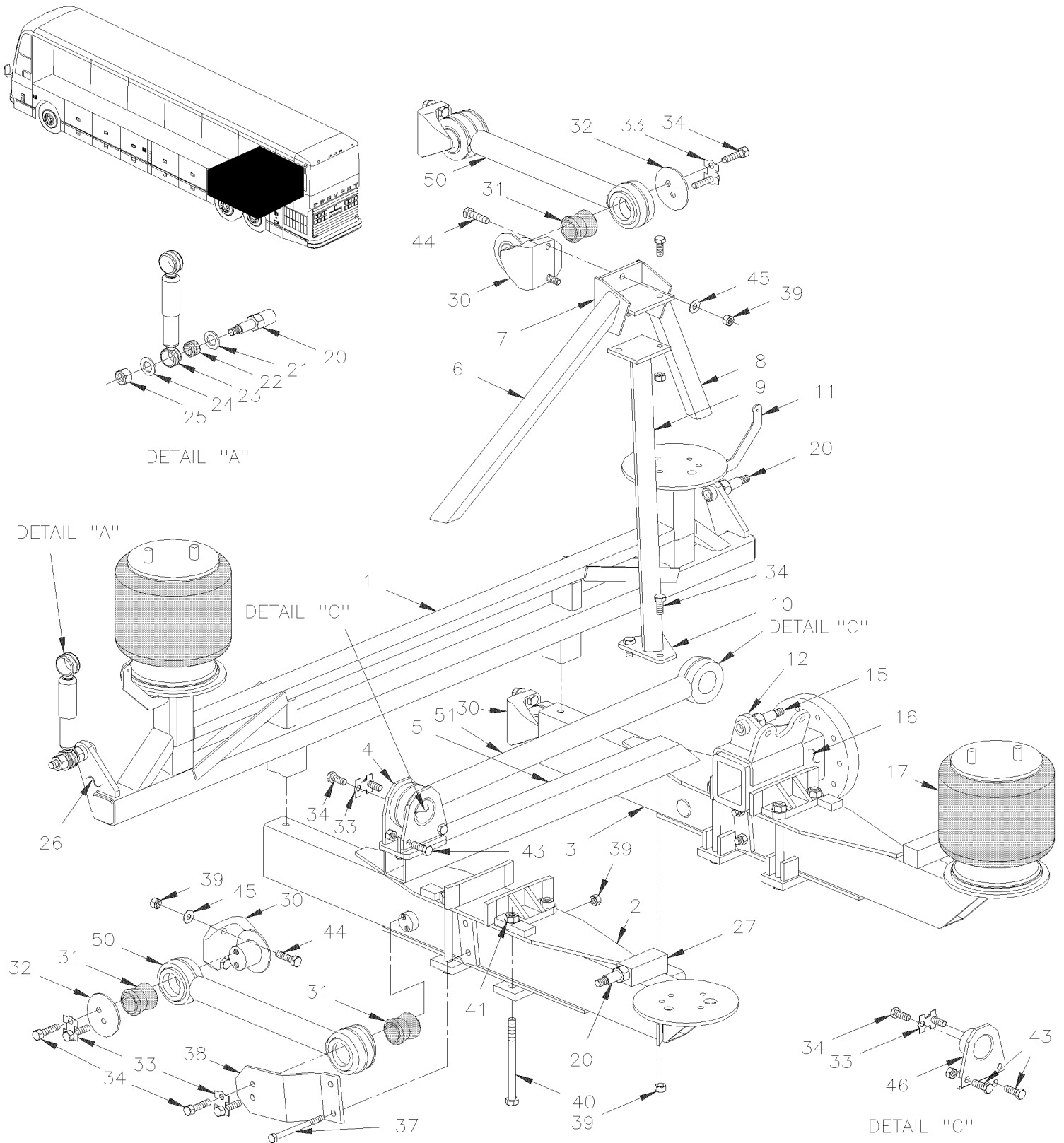
From X-2458 To 2-4416	Date:10/2022	PAGE:H3-1605-50
FRONT AXLE - INSTALL W/INDEPENDENT "IS-84" / 16500LBS		

Item#	Part	Description	H 3 4 1	H 3 4 5	V I P 4 5	N O T E S
21	5001254	NUT HEX STO M16-2.0 DP			AR	
22	5001224	SCREW CAP HEX M16-2.0x60 G10.9 G500			AR	
30	630163	SHOCK ABSORBER / BLUE			2	
30	630235	SHOCK ABSORBER / "KONI" (ORANGE)			AR	O
31	630062	. BUSHING / RUBBER / (ONE PIECE) 2" x 1.005" I.D.			2	
32	630155	. BUSHING KIT / LOWER SHOCK To 2-4416			1	
32	630249	. KIT WASHER & RUBBER BUSHING From 2-4417			1	
33	630152	. BUSHING / RUBBER			2	
34	630153	. . WASHER STEEL To 2-4416			2	
34	110756	. . WASHER CONCAVE 75MM O.D. X 16.5MM I.D From 2-4417			2	
35	630154	. . SPACER SLEEVE / STEEL			1	
36	500725	. . NUT HEX STO 5/8-18 Z050			1	
36	963121	. . NUT HEX NYRT M16-1.5 ZP			1	
37	630257	BUSHING / RUBBER / (TWO PIECES) 1" x 1.005" I.D.			2	
40	110674	SUPPORT R.H. / LOWER SHOCK & SWAY BAR To X-3012			1	
40	110675	SUPPORT L.H. / LOWER SHOCK & SWAY BAR To X-3012			1	
41	5001043	SCREW CAP HEX M12-1.75x50 G8.8 Z050			8	
42	500811	NUT HEX STO M12-1.75 G500			8	
43	131424	PIN W/TAPER ATTACHMENT M20-2.5			2	
44	5001153	WASHER CON 25.5x50.0x4.5 ZP			2	
45	5001152	WASHER CON 21.0x50.0x4.5 ZP			6	
46	500809	NUT HEX STO M20-2.5 N500			1	
47	5001225	SCREW CAP HEX M20-2.5x80 G10.9 G500			16	
48	5001252	NUT HEX STO M20-2.5 DP			16	
49	160992	SHIM "U" 6.35 x 39.5MM x 38MM x 20 i.d.			8	
49	160993	SHIM "U" 3.175x 39.5MM x 38MM x 20 i.d.			4	
50	660993	ROD ASSY / 5TH			2	
51	611129	. COLLAR ASSY / W/BOLT & NUT 37MM I.D.			2	
. NS	N17588	. . SCREW CAP HEX M12-1.75x70 G10.9 DP			1	
. NS	500811	. . NUT HEX STO M12-1.75 G500			1	
52	611128	. TIE ROD END R.H. THREAD M30-1.5			1	
. NS	N20571	. . RUBBER SEAL BOOT			1	
. NS	N8884429	. . NUT HEX CSL M24-1.5 15TH CJ			1	
53	5001325	. . NUT HEX CSL M24-1.5 15TH CJ			1	
54	502104	. . PIN, COTTER 5/32 x 2			1	
55	611130	. BALL PIN BUSHING ASSY			1	
56	611127	. . BUSHING BAR PIN / 15MM 90mm c/c 55MM O.D. x 50MM wide			1	
57	661071	UPRIGHT ARM L.H. / W/56 Deg			1	
57	661072	UPRIGHT ARM R.H. / W/56 Deg			1	
60	H3-1616-00	SWAY BAR				
61	H3-1005-50	FRONT AXLE - INDEPENDENT MODEL "IS-84" / 16500LBS				
62	H3-1410-50	STEERING RODS - INSTALLATION W/INDEPENDENT "IS-84" / 16500LBS				

From X-2458 To 2-4416	Date:10/2022	PAGE:H3-1605-50
FRONT AXLE - INSTALL W/INDEPENDENT "IS-84" / 16500LBS		

Item#	Part	Description	H 3 4 1	H 3 4 5	V I P 4 5	N O T E S
63	H3-1601-02	BELLOWS - AIR SUSPENSION				
63	501406	STREET ELBOW 90° / PIPE FITTING / 1/2NPT-Mx1/2NPT-F BR			1	
63	131388	MALE CONNECTOR 114MM 1/2 NPT			1	
63	5001041	NUT HEX THN 1 1/4-12x1/2			1	
		O) OPTION SPECIAL				
		S) AFTER MARKET				
		2) NOT SOLD BY PREVOST (SEE MANUFACTURING PART NUMBER AT END OF DESCRIPTION LINE)				

From R-012 To W-2284	Date:10/2022	PAGE:H3-1610-01
REAR AXLE - INSTALL - W/DRUM BRAKE		



From R-012 To W-2284	Date:10/2022	PAGE:H3-1610-01
REAR AXLE - INSTALL - W/DRUM BRAKE		

Item#	Part	Description	H 3 4 1	H 3 4 5	V I P 4 5	N O T E S
1	121334P	REAR DIFFERENTIAL CARRIER ASSY WELDED WITH DRUM BRAKE	1	1	1	C
2	121345P	BEAM ASSY / L.H.	1	1	1	
3	121344P	BEAM ASSY / R.H.	1	1	1	
4	131297	SUPPORT ASSY / (WELDED)	1	1	1	
5	121361	TUBE / (WELDED) UNDER	1	1	1	
6	121098	BRACE / FRONT L.H.	1	1	1	
7	121095	ATTACHMENT / CENTRAL	1	1	1	
8	121099	BRACE / FRONT R.H.	1	1	1	
9	121446	BRACE / REAR	1	1	1	
10	120842	PLATE SUPPORT	1	1	1	
11	121365	ACTUATOR SUPPORT / TO FIX LINK / (WELDED) To V-1916	2	2	2	
11	121477	ACTUATOR SUPPORT / TO FIX LINK / (WELDED) From V-1917	2	2	2	
12	121371	SUPPORT R.H. / BRAKE CHAMBER	1	1	1	B
12	121372	SUPPORT L.H. / BRAKE CHAMBER	1	1	1	B
15	131522	PIN W/TAPER ATTACHMENT M20-2.5 / SWAY-BAR	2	2	2	
15	131424	PIN W/TAPER ATTACHMENT M20-2.5	2	2	2	A
16	H3-1105-01	REAR AXLE - MODEL RS23160 & DRUM BRAKE W/61143				
17	H3-1601-02	BELLOWS - AIR SUSPENSION				
20	130956	PIN W/TAPER ATTACHMENT 3/4-16 To T-1573	4	4	4	
20	131424	PIN W/TAPER ATTACHMENT M20-2.5 From T-1574	4	4	4	
21	5001153	WASHER CON 25.5x50.0x4.5 ZP	8	8	8	
22	630062	BUSHING / RUBBER / (ONE PIECE) 2" x 1.005" I.D.	8	8	8	
23	630127	SHOCK ABSORBER / BLACK W/GAZ	4	4	4	
23	630134	SHOCK ABSORBER / WHITE	AR	AR		
24	5001152	WASHER CON 21.0x50.0x4.5 ZP	8	8	8	
25	500735	NUT HEX STO 3/4-16 ZP To T-1573	4	4	4	
25	500809	NUT HEX STO M20-2.5 N500 From T-1574	4	4	4	
26	171676	RETAINER R.H. / (WELDED)	1	1	1	
26	171677	RETAINER L.H. / (WELDED)	1	1	1	
27	121157	ATTACHMENT PIN 1"-14 / SHOCK ABSORBER / 126MM LONG W/OFFSET CENTER	2	2	2	
30	131065	SUPPORT / ROD / W/2 M16-2 HOLES / 95MM C/C // 150MM SHORT	5	5	5	
NS	121039	SHIM 20GAGE	AR	AR	AR	
NS	131068	SHIM 14GAGE	AR	AR	AR	
NS	121419	SHIM "U" 14GA SS 133MM x 62MM x 18 i.d.	AR	AR	AR	
NS	121418	SHIM "U" 26 GA SS 133MM x 62MM x 18 i.d.	AR	AR	AR	
31	630021	RUBBER BUSHING "PREVOST"	8	8	8	
NS	192380	SHIM WASHER / BUSHING RADIUS ROD 2.795x4.330x.0625 SS	AR	AR	AR	W
32	110681	RETAINER PLATE / IRON 110MM OD W/16.7 @ 38C/C	6	6	6	
33	110340	TAB LOCK / W/2 HOLES / W/4 TABS / 18MM I.D. X 38MM C/C	6	6	6	
34	5001590	SCREW CAP HEX M16-2.0x40 G10.9 N500	AR	AR	AR	
35	130963	STUD M16-2.0x70	2	2	2	
36	502588	NUT HEX M16-2.0 ZP	2	2	2	

From R-012 To W-2284	Date:10/2022	PAGE:H3-1610-01
REAR AXLE - INSTALL - W/DRUM BRAKE		

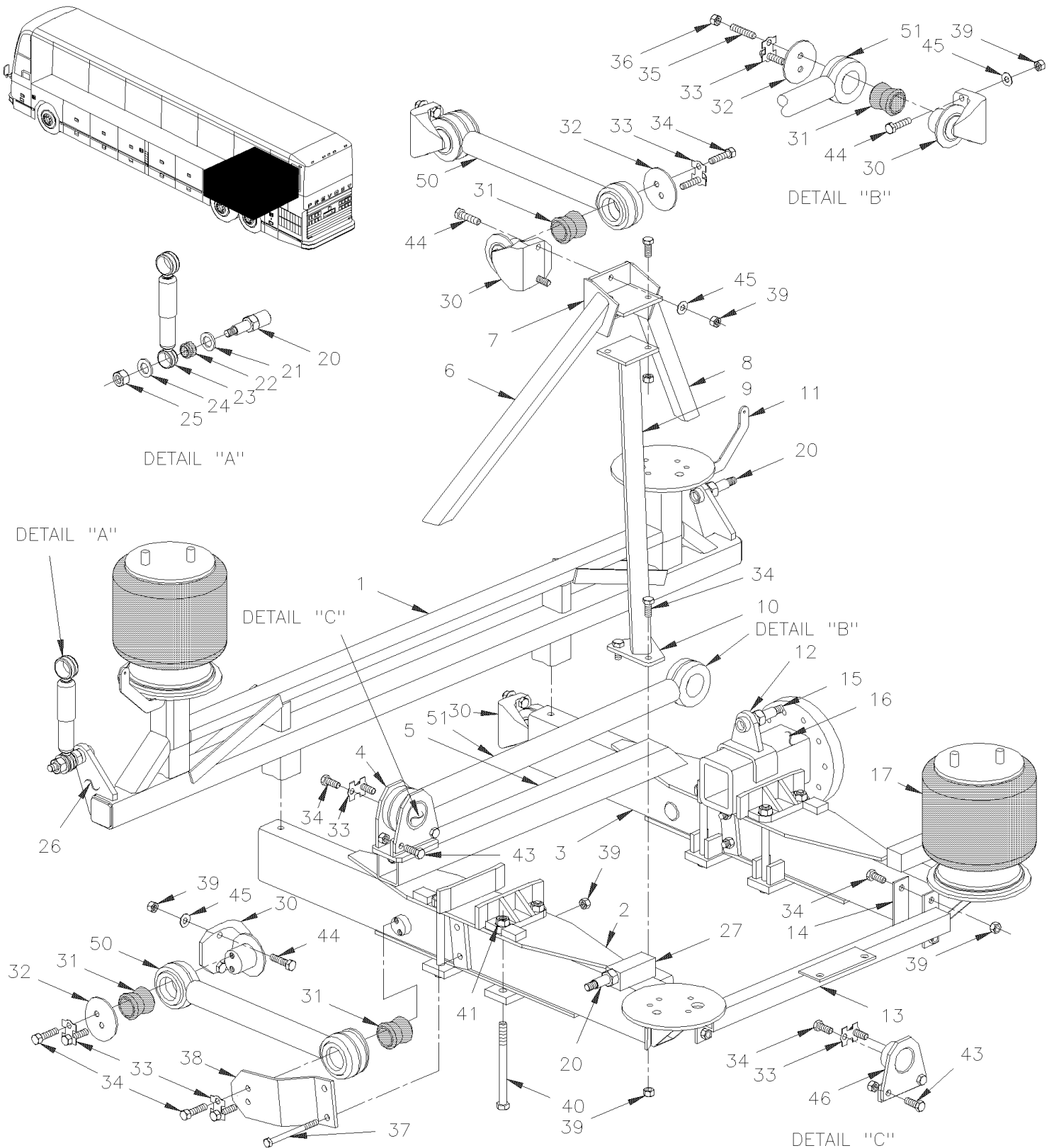
Item#	Part	Description	H 3 4 1	H 3 4 5	V I P 4 5	N O T E S
37	502766	SCREW CAP HEX M16-2.0x140 G8.8 Z050	4	4	4	
38	121091	PLATE ATTACHMENT	2	2	2	
39	500781	NUT HEX STO M16-2.0 DP	AR	AR	AR	
40	500152	SCREW CAP HEX 3/4-16x10 G5 ZP	8	8	8	
41	500251	NUT HEX NYRT 3/4-16 Z050	8	8	8	
43	500880	SCREW CAP HEX 5/8-18x1 3/4 G5 ZP	2	2	2	
NS	500725	NUT HEX STO 5/8-18 Z050	2	2	2	
44	5001369	SCREW CAP HEX M16-2.0x70 G10.9 DP	2	2	2	
45	5001046	WASHER FL .656x1.500x.187	AR	AR	AR	
46	131420	ATTACHMENT	1	1	1	
50	120868	ROD ASSY / 23 3/8" C/C (593MM)	3	3	3	
51	110648	ROD ASSY / 34 13/16" C/C (885MM)	1	1	1	
NS	121600	KIT, REINFORCEMENT FRONT FRAME BELLOW SUPPORT DRIVE AXLE	AR	AR	AR	
. NS	IS-03138	. SEE INSTRUCTION SHEET	1	1	1	
		A) WITH "I-SHIFT" TRANSMISSION				
		B) (WELDED TO HOUSING)				
		C) WITH "I-SHIFT" TRANSMISSION				
		W) IF NEED, USE BETWEEN BUSHING ROD SUPPORT				

From V-1725 To 2-4416

Date:10/2022

PAGE:H3-1610-02

REAR AXLE - INSTALL - W/DISC BRAKE



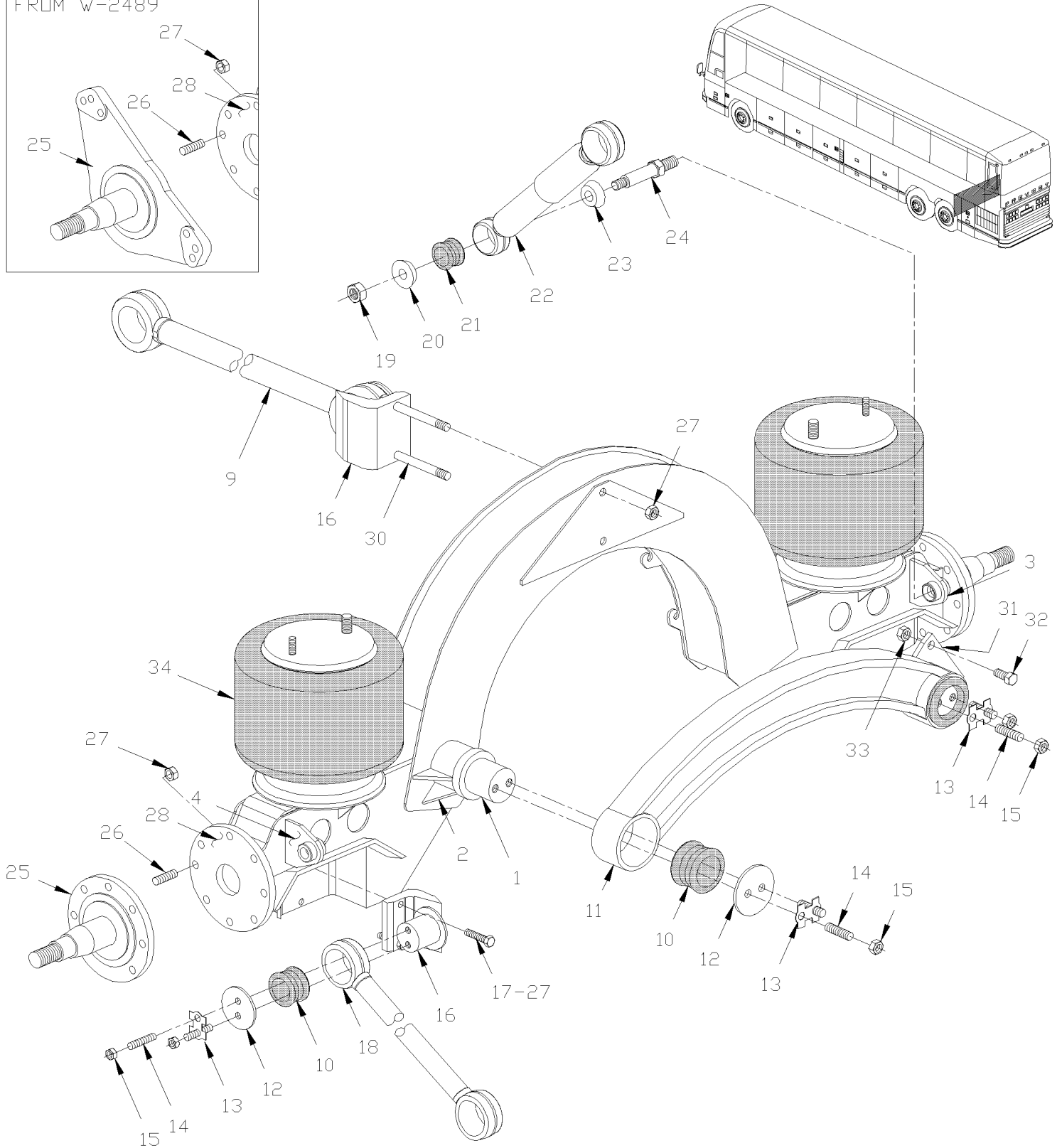
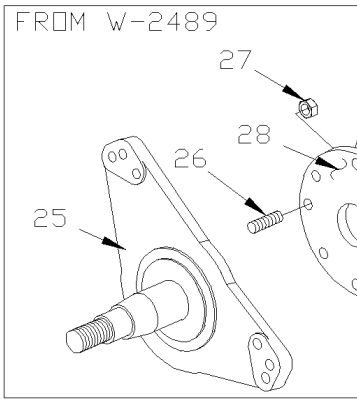
From V-1725 To 2-4416	Date:10/2022	PAGE:H3-1610-02
REAR AXLE - INSTALL - W/DISC BRAKE		

Item#	Part	Description	H 3 4 1	H 3 4 5	V I P 4 5	N O T E S
1	121434P	REAR DIFFERENTIAL CARRIER ASSY WELDED WITH DISC BRAKE To X-3297	1	1	1	C
1	121563P	REAR DIFFERENTIAL CARRIER ASSY WELDED WITH DISC BRAKE From X-3298	1	1	1	C
2	121332P	BEAM ASSY / L.H. To X-2869	1	1	1	
2	121523P	BEAM ASSY / L.H. From X-2870	1	1	1	
3	121331P	BEAM ASSY / R.H. To X-2869	1	1	1	
3	121522P	BEAM ASSY / R.H. From X-2870	1	1	1	
4	131297	SUPPORT ASSY / (WELDED) To 1-4150	1	1	1	
4	131691	SUPPORT ASSY / (WELDED) From 1-4151	1	1	1	
5	121433	TUBE / (WELDED) UNDER	1	1	1	
6	121098	BRACE / FRONT L.H.	1	1	1	
7	121095	ATTACHMENT / CENTRAL To X-3288	1	1	1	
7	121558	ATTACHMENT / CENTRAL From X-3289 To 1-4162	1	1	1	
7	121577P	PLATE TOP TRIPOD ASSY WELDED From 1-4163	1	1	1	
8	121099	BRACE / FRONT R.H.	1	1	1	
9	121446	BRACE / REAR To X-3288	1	1	1	
9	121555	TRIPOD ASSY WELDED From X-3289 To 1-4162	1	1	1	
9	Call order desk	TRIPOD ASSY WELDED From 1-4163	1	1	1	P
10	120842	PLATE SUPPORT To X-3288	1	1	1	
10	121554	PLATE SUPPORT From X-3289	1	1	1	
11	121477	ACTUATOR SUPPORT / TO FIX LINK / (WELDED)	2	2	2	
12	121467	ATTACHMENT PIN SWAY BAR / (WELDED TO HOUSING)	2	2	2	
13	121342	BAR To 1-4162	1	1	1	
13	121575	BAR ASSY From 1-4163	1	1	1	
14	121442	ATTACHMENT PLATE	2	2	2	
15	131424	PIN W/TAPER ATTACHMENT M20-2.5	2	2	2	A
15	131522	PIN W/TAPER ATTACHMENT M20-2.5 / SWAY-BAR	2	2	2	
16	H3-1105-02	REAR AXLE - MODEL RC23160 & DISC BRAKE W/61143				
17	H3-1601-02	BELLOWS - AIR SUSPENSION				
20	131424	PIN W/TAPER ATTACHMENT M20-2.5	4	4	4	
21	5001153	WASHER CON 25.5x50.0x4.5 ZP	8	8	8	
22	630062	BUSHING / RUBBER / (ONE PIECE) 2" x 1.005" I.D.	8	8	8	
23	630127	SHOCK ABSORBER / BLACK W/GAZ	4	4	4	
23	630134	SHOCK ABSORBER / WHITE	AR	AR	AR	
23	630236	SHOCK ABSORBER / "KONI" (ORANGE)	AR	AR	AR	O
. NS	630062	. BUSHING / RUBBER / (ONE PIECE) 2" x 1.005" I.D.	1	1	1	O
. NS	630255	. KIT WASHER & RUBBER BUSHING	1	1	1	O
24	5001152	WASHER CON 21.0x50.0x4.5 ZP	8	8	8	
25	500809	NUT HEX STO M20-2.5 N500	4	4	4	
26	171676	RETAINER R.H. / (WELDED) To X-3297	1	1	1	
26	171677	RETAINER L.H. / (WELDED) To X-3297	1	1	1	
26	121565	RETAINER L.H. / (WELDED) From X-3298	1	1	1	
26	121567	RETAINER R.H. / (WELDED) From X-3298	1	1	1	

From V-1725 To 2-4416	Date:10/2022	PAGE:H3-1610-02
REAR AXLE - INSTALL - W/DISC BRAKE		

Item#	Part	Description	H 3 4 1	H 3 4 5	V I P 4 5	N O T E S
27	121157	ATTACHMENT PIN 1"-14 / SHOCK ABSORBER / 126MM LONG W/OFFSET CENTER	2	2	2	
30	131065	SUPPORT / ROD / W/2 M16-2 HOLES / 95MM C/C // 150MM SHORT	5	5	5	
NS	121039	SHIM 20GAGE	AR	AR	AR	
NS	131068	SHIM 14GAGE	AR	AR	AR	
NS	121419	SHIM "U" 14GA SS 133MM x 62MM x 18 i.d.	AR	AR	AR	
NS	121418	SHIM "U" 26 GA SS 133MM x 62MM x 18 i.d.	AR	AR	AR	
31	630021	RUBBER BUSHING "PREVOST"	8	8	8	
NS	192380	SHIM WASHER / BUSHING RADIUS ROD 2.795x4.330x.0625 SS	AR	AR	AR	W
32	110681	RETAINER PLATE / IRON 110MM OD W/16.7 @ 38C/C	6	6	6	
33	110340	TAB LOCK / W/2 HOLES / W/4 TABS / 18MM I.D. X 38MM C/C	6	6	6	
34	5001590	SCREW CAP HEX M16-2.0x40 G10.9 N500	AR	AR	AR	
35	130963	STUD M16-2.0x70	2	2	2	
36	502588	NUT HEX M16-2.0 ZP	2	2	2	
37	502766	SCREW CAP HEX M16-2.0x140 G8.8 Z050	4	4	4	
38	121091	PLATE ATTACHMENT	2	2	2	
39	500781	NUT HEX STO M16-2.0 DP	AR	AR	AR	
40	500151	SCREW CAP HEX 3/4-16x9 G5 ZP To X-3071	8	8	8	
40	5001472	SCREW CAP HEX 3/4-16x9 1/2 G5 Z050 From X-3072	8	8	8	
41	500251	NUT HEX NYRT 3/4-16 Z050	8	8	8	
43	500880	SCREW CAP HEX 5/8-18x1 3/4 G5 ZP To 1-4150	2	2	2	
43	955385	SCREW CAP HEX M20-2.5x45 G8.8 ZP From 1-4151	2	2	2	
NS	500725	NUT HEX STO 5/8-18 Z050 To 1-4150	2	2	2	
43	5001252	NUT HEX STO M20-2.5 DP From 1-4151	2	2	2	
44	5001369	SCREW CAP HEX M16-2.0x70 G10.9 DP	2	2	2	
45	5001046	WASHER FL .656x1.500x.187	AR	AR	AR	
46	131420	ATTACHMENT	1	1	1	
50	120868	ROD ASSY / 23 3/8" C/C (593MM)	3	3	3	
51	110648	ROD ASSY / 34 13/16" C/C (885MM)	1	1	1	
NS	121600	KIT, REINFORCEMENT FRONT FRAME BELLOW SUPPORT DRIVE AXLE	AR	AR	AR	
. NS	IS-03138	. SEE INSTRUCTION SHEET	1	1	1	
		A) FOR PRODUCT IMPROVMENT YOU REQUIRE 2 STUDS 131520, 2 PINS 131522 & 4 BUSHINGS 506678				
		C) FOR PRODUCT IMPROVMENT ASK FOR KIT # 121600				
		O) "OPTION" SPECIAL				
		W) IF NEED, USE BETWEEN BUSHING ROD SUPPORT				
		P) CALL ORDER DESK FOR SPECIFIC APPLICATION (V.I.N.)				

From R-012 To 2-4416	Date:10/2022	PAGE:H3-1615-02
TAG AXLE - INSTALL SUSPENSION		



From R-012 To 2-4416	Date:10/2022	PAGE:H3-1615-02
TAG AXLE - INSTALL SUSPENSION		

Item#	Part	Description	H 3 4 1	H 3 4 5	V I P 4 5	N O T E S
	Call order desk	AXLE ASSY From R-012 To R-012		1		P
	121387P	AXLE ASSY To W-2186	1	1	1	
	121482P	AXLE ASSY From W-2187 To X-3195	1	1	1	
	121547P	AXLE ASSY W/AUTOMATIC TRANSMISSION From X-3196	1	1	1	
1	121341	. SHAFT / TO FIX LATERAL ROD W/AXLE	1	1	1	
2	121268	. PLATE REINFORCEMENT (WELDED)	1	1	1	
3	121145	. ATTACHMENT R.H. / SHOCK ABSORBER PIN To X-3195	1	1	1	
3	121545	. ATTACHMENT / SHOCK ABSORBER PIN From X-3196 To 1-4203	1	1	1	
3	121580	. ATTACHMENT / SHOCK ABSORBER PIN From 1-4204	1	1	1	
. NS	171032	. . SUPPORT 1"-14 / SHOCK ABSORBER / 55MM From 1-4204	1	1	1	
4	121147	. ATTACHMENT L.H. / SHOCK ABSORBER PIN To X-3195	1	1	1	
4	121545	. ATTACHMENT / SHOCK ABSORBER PIN From X-3196 To 1-4203	1	1	1	
4	121580	. ATTACHMENT / SHOCK ABSORBER PIN From 1-4204	1	1	1	
. NS	171032	. . SUPPORT 1"-14 / SHOCK ABSORBER / 55MM From 1-4204	1	1	1	
9	120868	ROD ASSY / 23 3/8" C/C (593MM)	1	1	1	
10	630021	RUBBER BUSHING "PREVOST"	6	6	6	
NS	192380	SHIM WASHER / BUSHING RADIUS ROD 2.795x4.330x.0625 SS	AR	AR	AR	W
11	131282	ROD ASSY / 35" C/C (889MM) / CASTING	1	1	1	
12	110681	RETAINER PLATE / IRON 110MM OD W/16.7 @ 38C/C	6	6	6	
13	110340	TAB LOCK / W/2 HOLES / W/4 TABS / 18MM I.D. X 38MM C/C	6	6	6	
14	130963	STUD M16-2.0x70	12	12	12	
14	502544	SCREW CAP HEX M16-2.0x40 G8.8 Z050	12	12	12	
15	500781	NUT HEX STO M16-2.0 DP	18	18	18	
16	131065	SUPPORT / ROD / W/2 M16-2 HOLES / 95MM C/C // 150MM SHORT	6	6	6	
17	500768	SCREW CAP HEX M16-2.0x70 G8.8 ZP To W-2276	1	1	1	
17	5001369	SCREW CAP HEX M16-2.0x70 G10.9 DP From W-2277	4	4	4	
18	121358	ROD ASSY W/CHAIN HOOK / 23 3/8" C/C (593MM)	2	2	2	
19	500735	NUT HEX STO 3/4-16 ZP To T-1573	1	1	1	
19	500809	NUT HEX STO M20-2.5 N500 From T-1574	4	4	4	
20	5001152	WASHER CON 21.0x50.0x4.5 ZP	4	4	4	
21	630062	BUSHING / RUBBER / (ONE PIECE) 2" x 1.005" I.D.	4	4	4	
22	630127	SHOCK ABSORBER / BLACK W/GAZ	2	2	2	
22	630236	SHOCK ABSORBER / "KONI" (ORANGE)	AR	AR	AR	O
. NS	630062	. BUSHING / RUBBER / (ONE PIECE) 2" x 1.005" I.D.	1	1	1	O
. NS	630255	. KIT WASHER & RUBBER BUSHING	1	1	1	O
23	5001153	WASHER CON 25.5x50.0x4.5 ZP	4	4	4	
24	130956	PIN W/TAPER ATTACHMENT 3/4-16 To T-1573	4	4	4	
24	131424	PIN W/TAPER ATTACHMENT M20-2.5 From T-1574	4	4	4	
25	610896	SPINDLE / WITH MODEL 1560 DISC BRAKE From R-012 To R-012		2		
25	611046	SPINDLE / WITH MODEL "G.K.N." (TS5) From R-013 To S-290	2	2	2	A
25	611206	SPINDLE / WITH MODEL "G.K.N." (TS5) From S-291 To W-2488	2	2	2	
25	611216	SPINDLE / WITH MODEL "G.K.N." (TS6) From W-2489	2	2	2	

From R-012 To 2-4416	Date:10/2022	PAGE:H3-1615-02
TAG AXLE - INSTALL SUSPENSION		

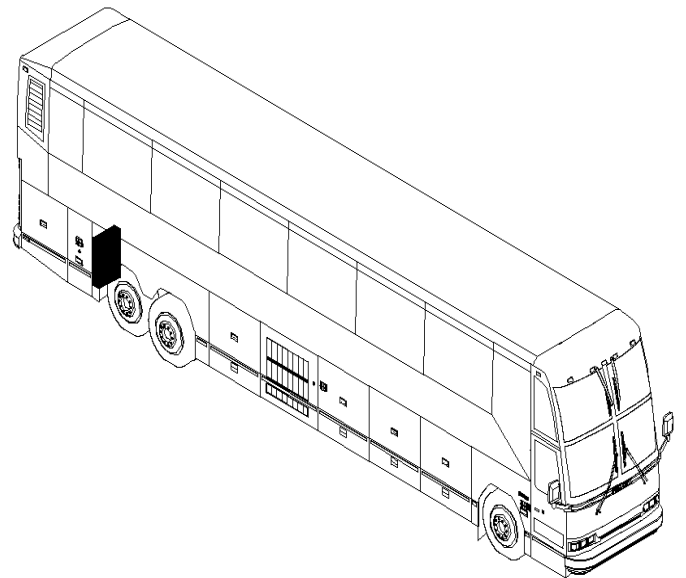
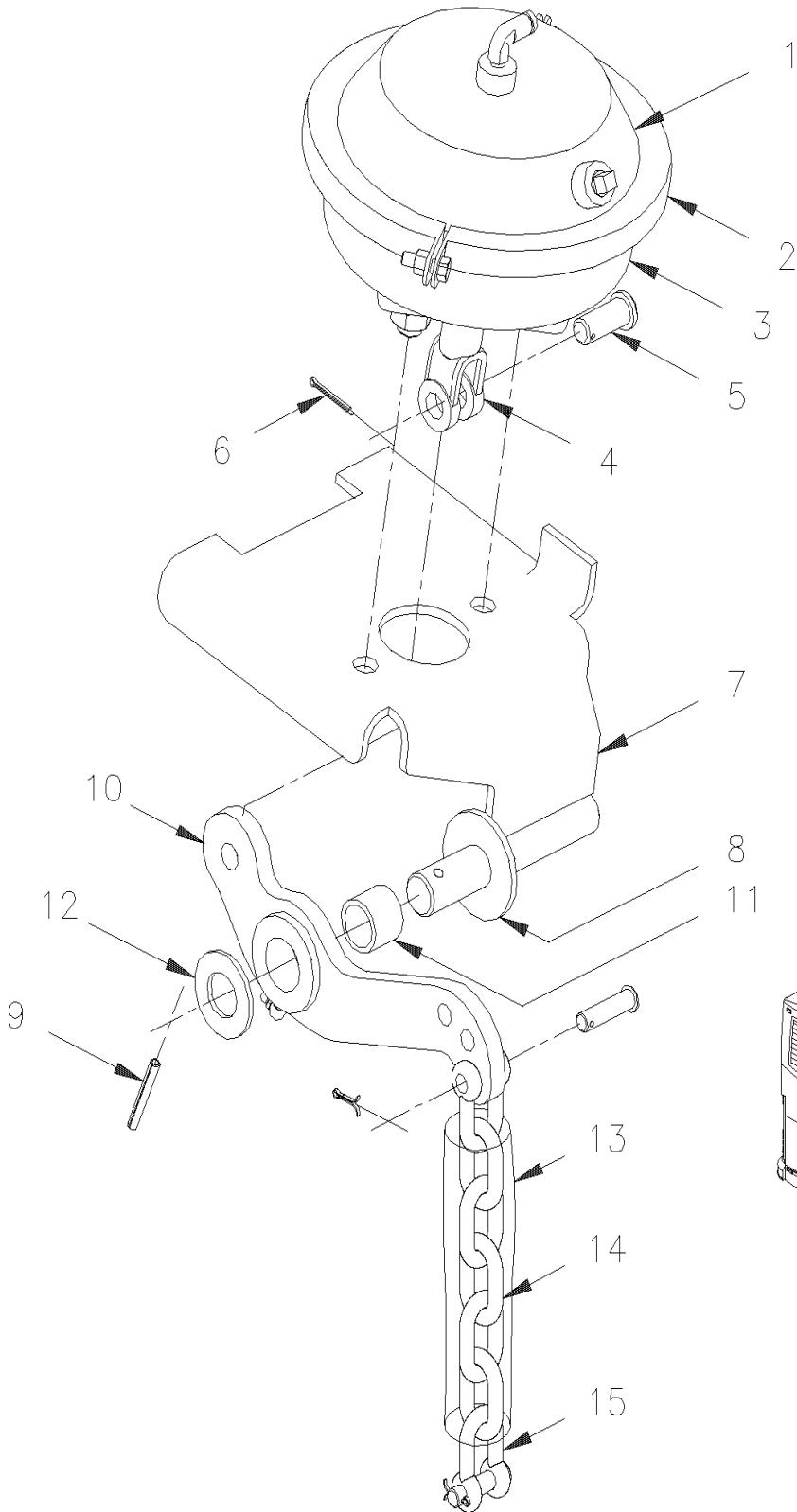
Item#	Part	Description	H 3 4 1	H 3 4 5	V I P 4 5	N O T E S
26	500768	SCREW CAP HEX M16-2.0x70 G8.8 ZP From R-012 To R-012	9	9	9	
26	611048	STUD / M16-2.0 x 60MM	8	8	8	
27	502588	NUT HEX M16-2.0 ZP	8	8	8	
NS	502884	WASHER LO SPT 16.2x27.4x3.5 N500	8	8	8	
28	121203	SHIM / CAMBER ADJUSTMENT 0.117 DEGRES / SPINDLE & AXLE	AR	AR	AR	
28	121240	SHIM / CAMBER ADJUSTMENT 0.250 DEGRES / SPINDLE & AXLE	AR	AR	AR	
30	502218	SCREW CAP HEX M16-2.0x180 G8.8 ZP To W-2276	1	1	1	
30	5001370	SCREW CAP HEX M16-2.0x180 G10.9 G500 From W-2277	2	2	2	
31	131420	ATTACHMENT To 1-4150	1	1	1	
31	131690	ATTACHMENT From 1-4151	1	1	1	
32	500880	SCREW CAP HEX 5/8-18x1 3/4 G5 ZP To 1-4150	2	2	2	
32	955385	SCREW CAP HEX M20-2.5x45 G8.8 ZP From 1-4151	2	2	2	
33	500725	NUT HEX STO 5/8-18 Z050 To 1-4150	2	2	2	
33	5001252	NUT HEX STO M20-2.5 DP From 1-4151	2	2	2	
34	H3-1601-02	BELLOWS - AIR SUSPENSION				
NS	121637	SAFFETY STOPPER CHOCK	2	2	2	
51	H3-1245-03	BRAKE PARTS - TAG AXLE - W/"KNORR-BREMSE" / SB7 SERIES To V-1689				
51	H3-1245-04	BRAKE PARTS - TAG AXLE - W/"KNORR-BREMSE" / SB7 SERIES From V-1690				
51	H3-1225-99	BRAKE PARTS "KNORR-BREMSE" SN7 SERIES / SERVICE				
		A) BE SURE YOU HAVE THE GOOD LUBRIFICATION SYSTEM (OIL BATH OR GREASE) BEFORE ORDERING A SPINDLE.				
		O) "OPTION" SPECIAL				
		W) IF NEED, USE BETWEEN BUSHING ROD SUPPORT				
		P) CALL ORDER DESK FOR SPECIFIC APPLICATION (V.I.N.)				

From R-012 To 2-4416

Date:10/2022

PAGE:H3-1615-11

TAG AXLE - LIFTING



From R-012 To 2-4416	Date:10/2022	PAGE:H3-1615-11
TAG AXLE - LIFTING		

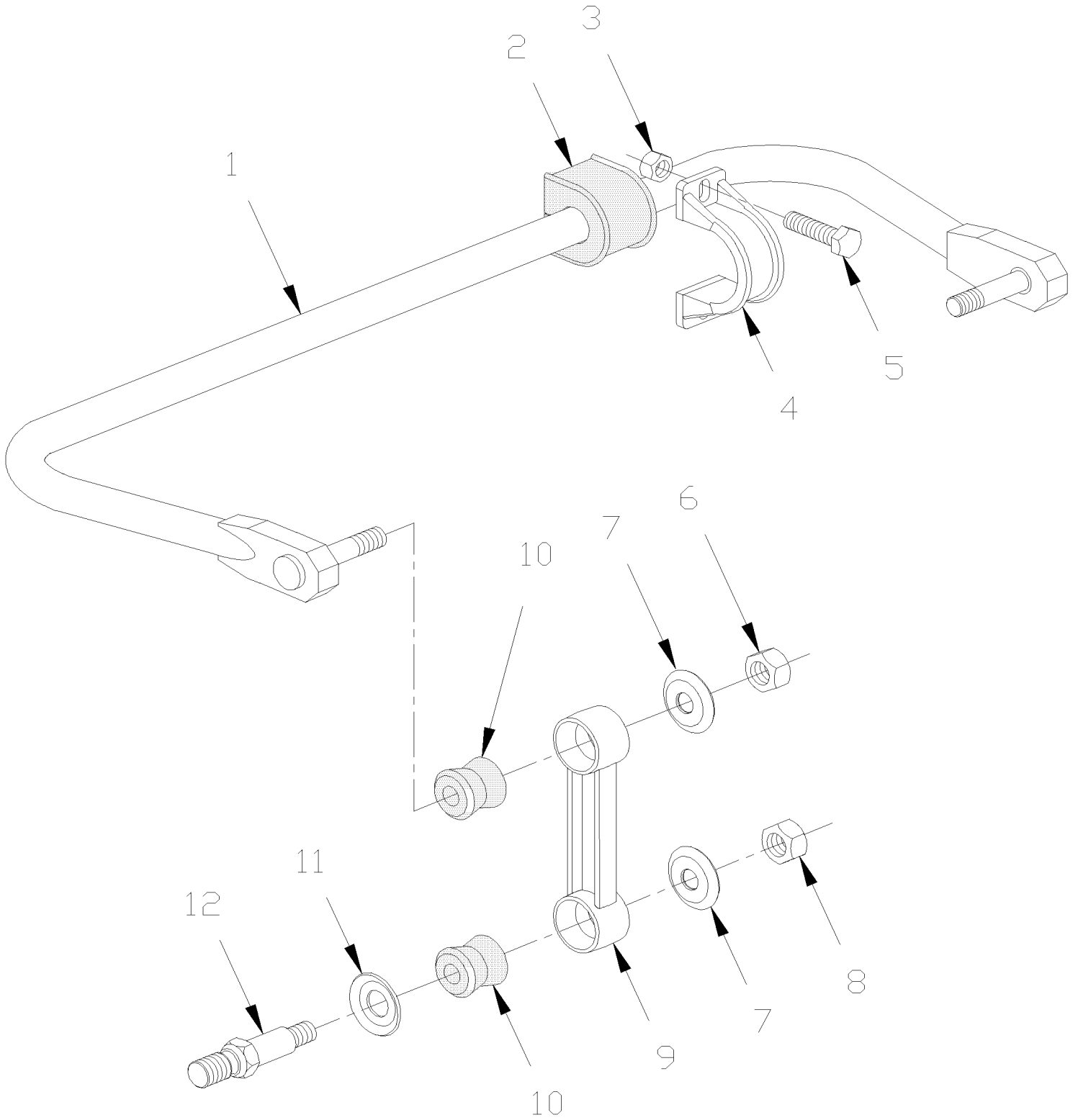
Item#	Part	Description	H 3 4 1	H 3 4 5	V I P 4 5	N O T E S
1	640729	BRAKE CHAMBER ASSY / TYPE 36 To V-1836	2	2	2	
1	641425	BRAKE CHAMBER ASSY / TYPE 36 From V-1837	2	2	2	
2	641067	. CLAMP TYPE 36	1	1	1	
3	640979	. DIAPHRAGM / TYPE 36	1	1	1	
3	641066	. BOOT RUBBER	1	1	1	
NS	641426	. SHIELD, ROD CENTER HOLE	1	1	1	
4	640130	. YOKE 5/8-18x1 3/8 C/Lx9/16Wx5/8	1	1	1	
5	502028	. PIN, CLEVIS 5/8 x 3/4	1	1	1	
6	502102	. PIN, COTTER 1/8 x 1	1	1	1	
7	171569	BRACKET / L.H. To V-1836	1	1	1	
7	172586	BRACKET / L.H. From V-1837	1	1	1	
7	171568	BRACKET / R.H. To V-1836	1	1	1	
7	172585	BRACKET / R.H. From V-1837	1	1	1	
8	120551	. PIN / WELDED To V-1836	1	1	1	
8	121590	. PIN SS / WELDED From V-1837	1	1	1	
9	505128	SPRING, PIN 1/4 X 2	1	1	1	B
9	502106	PIN, COTTER 1/4 x 2	1	1	1	C
10	130454	LEVER ASSY To V-1836	2	2	2	
10	131700	LEVER ASSY From V-1837	1	1	1	
11	507055	. BUSHING OIL 1 1/4 O.D. X 1 I.D. X 1 LG To V-1836	1	1	1	
11	131699	. BUSHING BRASS / W/GROOVE INSIDE 31.94 O.D. x 25.5 I.D. x 25.4 From V-1837	1	1	1	
12	500456	WASHER FL 1.062x2.000x.134 Z050	1	1	1	
13	121123	TUBE COVERING CHAIN 290MM	1	1	1	
NS	5001503	. TUBE, PVC / CLEAR / 1 1/2" I.D./ S.L.	AR	AR	AR	
14	121359	CHAIN / 360MM	1	1	1	
14	131531	CHAIN / 812MM	1	1	1	A
15	505064	SHACKLE CHAIN 3/8	2	2	2	
		A) THIS CHAIN IS WITH OPTION TAG HOLDING UP WITH REMOVABLE CHAIN				
		B) FORMER				
		C) CURRENT				

From R-012 To 2-4416

Date:10/2022

PAGE:H3-1616-00

SWAY BAR



From R-012 To 2-4416	Date:10/2022	PAGE:H3-1616-00
SWAY BAR		

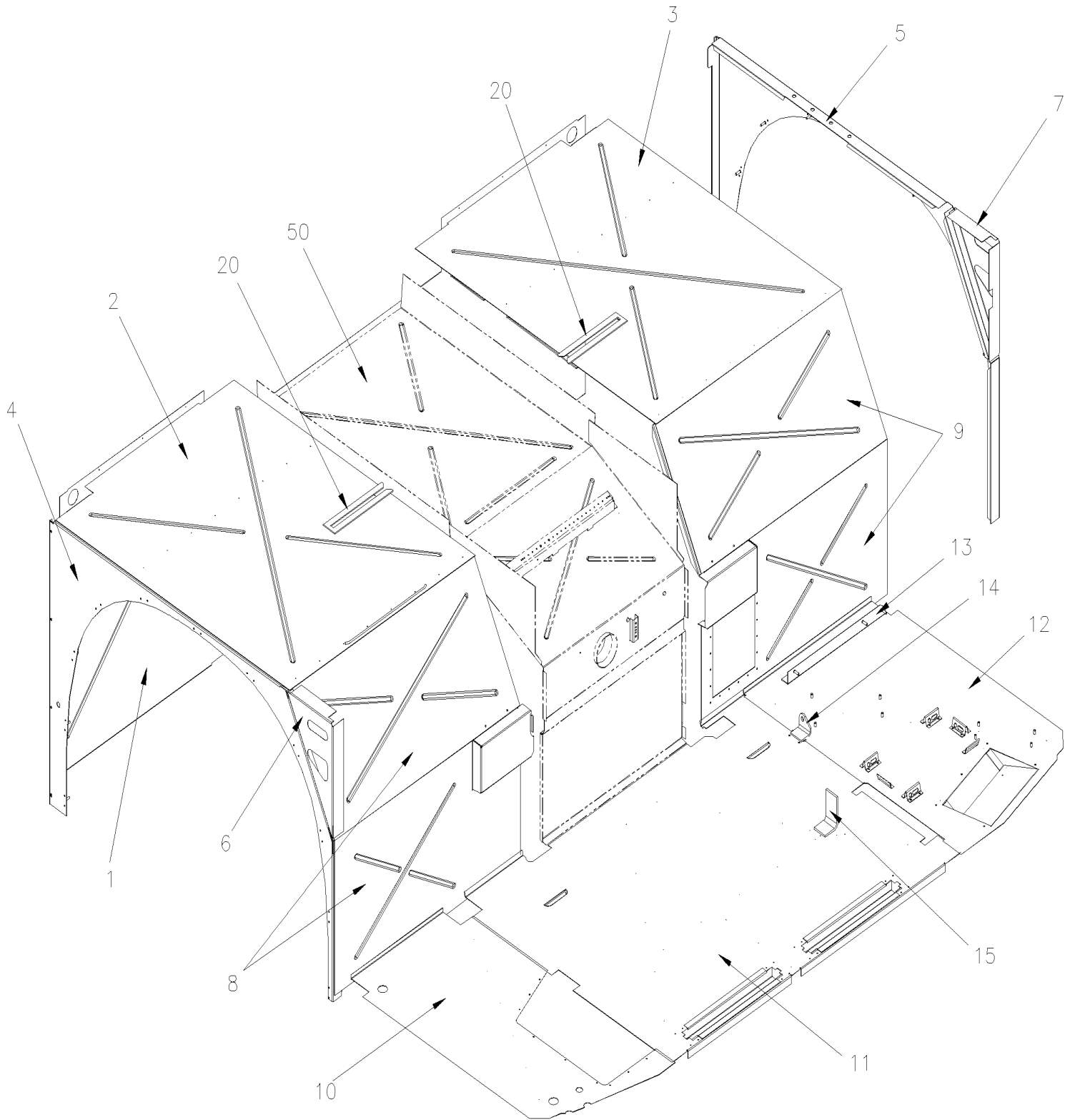
Item#	Part	Description	H 3 4 1	H 3 4 5	V I P 4 5	N O T E S
1	131306	SWAY BAR ASSY / 1 3/4" O.D. X 798MM To S-189	1	1	1	F
1	131359	SWAY BAR ASSY / 2" O.D. X 798MM From S-190	1	1	1	F
1	131019	SWAY BAR ASSY / 1 1/2" O.D. X 848MM	1	1		R
1	131019	SWAY BAR ASSY / 1 1/2" O.D. X 848MM To W-2410			1	R
1	131398	SWAY BAR ASSY / 2" O.D. X 848MM From W-2411			1	R
. A	131520	. STUD 1 1/4" O.D. From W-2411			2	R
NS	131061	. STUD To W-2314	2	2	2	A
NS	131520	. STUD 1 1/4" O.D. From W-2315	2	2	2	
2	630020	BUSHING / RUBBER / USE WITH SWAY BAR 1 3/4" To S-189	4	4	4	F
2	131355	BUSHING / RUBBER 2" I.D. From S-190	2	2	2	F
2	130953	BUSHING / RUBBER / USE WITH SWAY BAR 1 1/2"	2	2		R
2	130953	BUSHING / RUBBER / USE WITH SWAY BAR 1 1/2" To W-2410			1	RB
2	131355	BUSHING / RUBBER 2" I.D. From W-2411			2	RA
3	500811	NUT HEX STO M12-1.75 G500	8	8	8	
NS	500011	WASHER FL / HARDENED 13.0x24.0x3.0 STL	4	4	4	
3A	X3-1896-00	FRONT SHEATING - BUS	1	1	1	
4	130184	COLLAR / STEEL PLATE / 2x.472" HOLE 4 5/8 C/C To T-1424	4	4	4	
4	630145	COLLAR / IRON / 2x.472" HOLE 4 5/8 C/C From T-1425	4	4	4	
5	500806	SCREW CAP HEX M12-1.75X35 G10.9 G500	8	8	8	
6	500809	NUT HEX STO M20-2.5 N500	2	2	2	
7	5001152	WASHER CON 21.0x50.0x4.5 ZP	4	4	4	
8	500809	NUT HEX STO M20-2.5 N500	2	2	2	
9	130241	LINK ASSY / 7" C/C To T-1424	2	2	2	F
9	630146	LINK ASSY / 7" C/C / IRON From T-1425	2	2	2	F
9	131300	LINK ASSY / 10 1/2" C/C To T-1424	2	2	2	R
9	630148	LINK ASSY / 10 1/2" C/C / IRON From T-1425	2	2	2	R
10	630062	BUSHING / RUBBER / (ONE PIECE) 2" x 1.005" I.D.	4	4	4	A
10	506678	BUSHING / POLYURETHANE / (TWO PIECES) RED 1" x 1.005" I.D.	8	8	8	
11	5001153	WASHER CON 25.5x50.0x4.5 ZP	4	4	4	
12	130956	PIN W/TAPER ATTACHMENT 3/4-16 To T-1573	2	2	2	A
12	131424	PIN W/TAPER ATTACHMENT M20-2.5 From T-1574 To W-2314	2	2	2	A
12	131522	PIN W/TAPER ATTACHMENT M20-2.5 / SWAY-BAR From W-2315	2	2	2	B
NS	MI03-12	SEE MAINTENANCE INFORMATION	1	1	1	
NS	MI03-13	SEE MAINTENANCE INFORMATION	1	1	1	
		A) FOR PRODUCT IMPROVMENT YOU REQUIRE 2 STUDS 131520, 2 PINS 131522 & 4 BUSHING 506678				
		B) THIS PIN IS 3MM SHORTER ON BUSHING SIDE AND BLACK PAINTED FOR EASY IDENTIFICATION				
		F) FRONT SUSPENSION				
		R) REAR SUSPENSION				

From R-012 To 2-4416

Date:10/2022

PAGE:X3-1896-00

FRONT SHEATING - BUS



From R-012 To 2-4416	Date:10/2022	PAGE:X3-1896-00
FRONT SHEATING - BUS		

Item#	Part	Description	H 3 4 1	H 3 4 5	V I P 4 5	N O T E S
1	214670	PANEL BACKWARD FRONT FENDER / ONE PIECE To 9-9642				
1	216611	PANEL BACKWARD FRONT FENDER / ONE PIECE From 9-9643 To B-5001				R
1	216664	PANEL BACKWARD FRONT FENDER / ONE PIECE From B-5002 To D-5458				R
1	217095	PANEL BACKWARD FRONT FENDER / ONE PIECE From E-5459				R
1	216445	PANEL BACKWARD FRONT FENDER / ONE PIECE From 9-9643 To B-5001				I
1	216687	PANEL BACKWARD FRONT FENDER / ONE PIECE From B-5002				I
2	214676	PANEL FENDER TOP / CURBSIDE To 7-8949				R
2	216020	PANEL FENDER TOP / CURBSIDE From 7-8950 To B-5001				R
2	216702	PANEL FENDER TOP / CURBSIDE From B-5002				R
2	215335	PANEL FENDER TOP / CURBSIDE To 7-8949				I
2	216010	PANEL FENDER TOP / CURBSIDE From 7-8950 To B-5001				I
2	216705	PANEL FENDER TOP / CURBSIDE From B-5002 To C-5240				I
2	171142	PANEL FENDER TOP / CURBSIDE From C-5241				I
3	214675	PANEL FENDER TOP / STREETSIDE To 7-8949				R
3	216021	PANEL FENDER TOP / STREETSIDE From 7-8950 To B-5001				R
3	216701	PANEL FENDER TOP / STREETSIDE From B-5002				R
3	215334	PANEL FENDER TOP / STREETSIDE To 7-8949				I
3	216006	PANEL FENDER TOP / STREETSIDE From 7-8950 To B-5001				I
3	216706	PANEL FENDER TOP / STREETSIDE From B-5002 To C-5240				I
3	171239	PANEL FENDER TOP / STREETSIDE From C-5241				I
4	213700	PANEL SIDE FENDER / CURBSIDE To B-5001				
4	216660	PANEL SIDE FENDER / CURBSIDE From B-5002 To D-5458				
4	217127	PANEL SIDE FENDER / CURBSIDE From E-5459				
5	213698	PANEL SIDE FENDER / STREETSIDE To B-5001				
5	216661	PANEL SIDE FENDER / STREETSIDE From B-5002 To D-5458				
5	217129	PANEL SIDE FENDER / STREETSIDE From E-5459				
6	214410	CLOSING PLATE TRIANGULAR SHAPE / CURBSIDE				
7	214409	CLOSING PLATE TRIANGULAR SHAPE / STREETSIDE To 9-9607				
7	219068	CLOSING PLATE TRIANGULAR SHAPE / STREETSIDE From 9-9608				
8	214303	PANEL FORWARD FRONT FENDER / CURBSIDE To C-5262				R
8	217062	PANEL FORWARD FRONT FENDER / CURBSIDE From C-5263				R
8	213651	PANEL FORWARD FRONT FENDER / CURBSIDE To 7-8949				I
8	216008	PANEL FORWARD FRONT FENDER / CURBSIDE From 7-8950 To C-5262				I
8	217018	PANEL FORWARD FRONT FENDER / CURBSIDE From C-5263				I
9	214302	PANEL FORWARD FRONT FENDER / STREETSIDE				R
9	213944	PANEL FORWARD FRONT FENDER / STREETSIDE To 7-8949				I
9	216007	PANEL FORWARD FRONT FENDER / STREETSIDE From 7-8950				I
10	214730	FLOOR PANEL UNDER STEPWELL / CURBSIDE To C-5123				
10	218434	FLOOR PANEL UNDER STEPWELL / CURBSIDE From C-5124 To E-5585				
10	217269	FLOOR PANEL UNDER STEPWELL / CURBSIDE From E-5586				
11	173099	FLOOR PANEL CENTER PART W/SPARE TIRE To C-5124				
11	175039	FLOOR PANEL CENTER PART W/SPARE TIRE From C-5125				

From R-012 To 2-4416	Date:10/2022	PAGE:X3-1896-00
FRONT SHEATING - BUS		

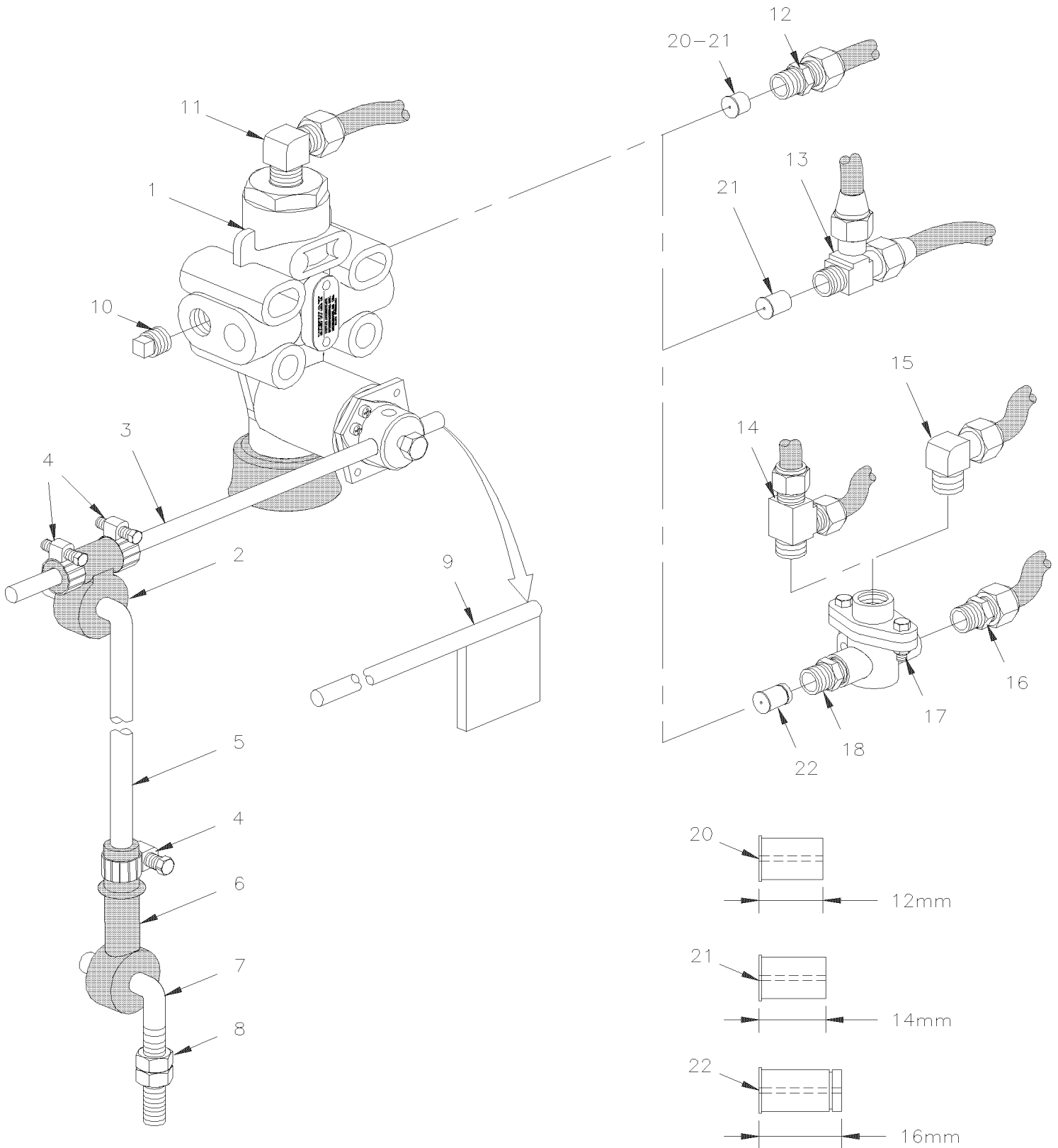
Item#	Part	Description	H 3 4 1	H 3 4 5	V I P 4 5	N O T E S
12	251225	FLOOR PANEL STEERING COMPARTMENT / STREETSIDE To C-5124				E
12	175038	FLOOR PANEL STEERING COMPARTMENT / STREETSIDE From C-5125 To D-5299				E
12	251591	FLOOR PANEL STEERING COMPARTMENT / STREETSIDE From D-5300				E
12	251565	FLOOR PANEL STEERING COMPARTMENT / STREETSIDE To D-5299				C
12	251592	FLOOR PANEL STEERING COMPARTMENT / STREETSIDE From D-5300				C
12	251229	FLOOR PANEL STEERING COMPARTMENT / STREETSIDE				F
13	214773	ANGLE 450MM				
14	285155	ANGLE SUPPORT BUMPER SPRING				
15	156011	STOPPER ANGLE 100MM X 90MM				
19	174966	CLOSING PLATE To C-5240				I
19	171209	CLOSING PLATE From C-5241				I
20	214511	CLOSING PLATE "U" FORM / 270MM To 7-8949				R
20	219049	CLOSING PLATE "U" FORM / 270MM From 7-8950				R
20	215333	CLOSING PLATE "U" FORM / 154MM To 7-8949				I
20	219050	CLOSING PLATE "U" FORM / 154MM From 7-8950 To C-5240				I
20	171153	CLOSING PLATE "U" FORM / 467MM From C-5241				I
50	X3-1897-00	FRONT SUB-FRAME / W/INDEPENDENT SUSPENSION - 18000 LBS				
50	X3-1897-05	FRONT SUB-FRAME / W/I BEAM RIGID SUSPENSION / "OPTION"				
		C) WITH "OPTION" SEAL BEAM WASHER				
		E) WITHOUT HEAD LAMP WASHER				
		F) WITH FLARE KIT SUPPORT & W/OUT HEAD LAMP WASHER				
		I) WITH INDEPENDANT SUSPENSION				
		R) WITH I BEAM RIGID SUSPENSION				

From R-012 To V-1916

Date:10/2022

PAGE:H3-1620-01

HEIGHT CONTROL VALVE



From R-012 To V-1916	Date:10/2022	PAGE:H3-1620-01
----------------------	--------------	-----------------

HEIGHT CONTROL VALVE

Item#	Part	Description	H 3 4 1	H 3 4 5	V I P 4 5	N O T E S
1	630120	VALVE, HEIGHT CONTROL "NEWAY" TYPE IR	3	3	3	B
2	630132	RUBBER CONNECTOR	3	3	3	
3	131308	ROD LINK / 305MM x .250"	3	3	3	
4	504014	HOSE CLAMP / 1/4"-5/8" SS / HM-4	3	3	3	
5	131337	ROD LINK / 317MM x .250"	3	3	3	
6	630133	ROD END / BLACK RUBBER 1/4" I.D.	3	3	3	
7	630131	ROD LOWER "L" SHAPE 5/16-18	1	1	1	
8	500778	NUT HEX 5/16-18 N500	1	1	1	
NS	500777	NUT HEX STO 5/16-18 Z050	1	1	1	
9	131309	ROD LINK / ARM W/FRONT KNEELING 305MM x .250"	1	1		
10	501304	PLUG SQUARE HEAD / PIPE FITTING / 1/4NPT-M BR	1	1	1	
11	640999	MALE ELBOW 90° / NTA FITTING / #6x1/4NPT-M BR	AR	AR	AR	A
12	640989	MALE CONNECTOR / NTA FITTING / #6x1/4NPT-M BR	AR	AR	AR	A
12	641331	MALE CONNECTOR / PUSH-IN FITTING / #6x1/4NPT-M BR	AR	AR	AR	
13	641004	MALE RUN TEE / NTA FITTING / #6x#6x1/4NPT-M BR	AR	AR	AR	A
13	641389	MALE RUN TEE SWIVEL / PUSH-IN FITTING / #6x#6x1/4NPT-M BR	AR	AR	AR	
14	641388	MALE RUN TEE NON-SWIVEL / PUSH-IN FITTING / #6x#6x3/8NPT-M BR	1	1		
15	641000	MALE ELBOW 90° / NTA FITTING / #6x3/8NPT-M BR	1	1		A
15	641375	MALE ELBOW 90° NON-SWIVEL / PUSH-IN FITTING / #6x3/8NPT-M BR	1	1		
16	640990	MALE CONNECTOR / NTA FITTING / #6x3/8NPT-M BR	1	1		A
16	641330	MALE CONNECTOR / PUSH-IN FITTING / #6x3/8NPT-M BR	1	1		
17	641015	VALVE, DOUBLE CHECK DC-4	1	1		
18	501749	NIPPLE REDUCER HEX / PIPE FITTING / 3/8NPT-Mx1/4NPT-Mx1 13/32 BR	1	1		
20	131428	RESTRICTION / ALU. TUBE 12MM x 7.35MM O.D. W/1.5MM HOLE / W/FLANGE			1	F
21	131429	RESTRICTION / BRASS TUBE 14MM x 7.52MM O.D. W/1.5MM HOLE / W/FLANGE	1	1		R
21	131429	RESTRICTION / BRASS TUBE 14MM x 7.52MM O.D. W/1.5MM HOLE / W/FLANGE	2	2		R
21	131429	RESTRICTION / BRASS TUBE 14MM x 7.52MM O.D. W/1.5MM HOLE / W/FLANGE	1	1		R
22	131430	RESTRICTION / ALU. TUBE 16MM x 7.77MM O.D. W/1.5MM HOLE / W/FLANGE	1	1		RH
22	131430	RESTRICTION / ALU. TUBE 16MM x 7.77MM O.D. W/1.5MM HOLE / W/FLANGE	1	1		RH
22	683082	ANAEROBIC RETAINING COMPOUND 50ml	AR	AR	AR	
22	131332	RESTRICTION / ALU. TUBE 14MM x 7.70MM O.D. W/1MM HOLE	1	1		A
NS	131454	KIT CONTROL VALVE HEIGHT REAR To V-1917	1	1	1	
. NS	IS-96192B	. SEE INSTRUCTION SHEET To V-1917	1	1	1	
NS	131455	KIT CONTROL VALVE HEIGHT FRONT To V-1917	1	1	1	
. NS	IS-96192B	. SEE INSTRUCTION SHEET To V-1917	1	1	1	
		A) UP TO NOVEMBER 1996 WE USE THOSE FITTING WITH RESTRICTION #131332				
		B) FOR PRODUCT IMPROVEMENT ASK KIT #131455(FRONT) & #131454(REAR)				
		F) WITH FRONT VALVE				

From R-012 To V-1916		Date:10/2022	PAGE:H3-1620-01
----------------------	--	--------------	-----------------

HEIGHT CONTROL VALVE

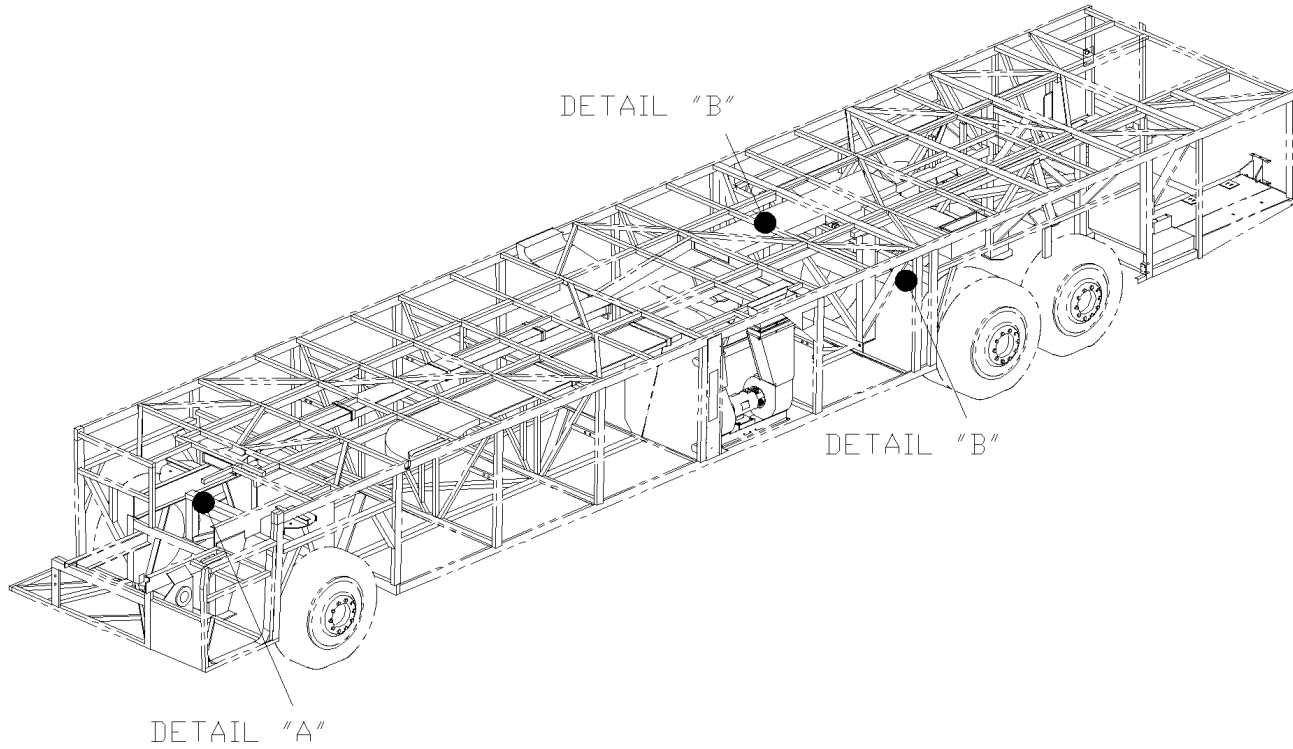
Item#	Part	Description	H 3 4 1	H 3 4 5	V I P 4 5	N O T E S
		R) WITH REAR VALVE WITH OPTION "LO-BUOY"				
		RH) WITH REAR VALVES & WITH OPTION "LO-BUOY & HI-BUOY"				

From V-1917 To 2-4387

Date:10/2022

PAGE:H3-1620-02

HEIGHT CONTROL VALVE - BUS



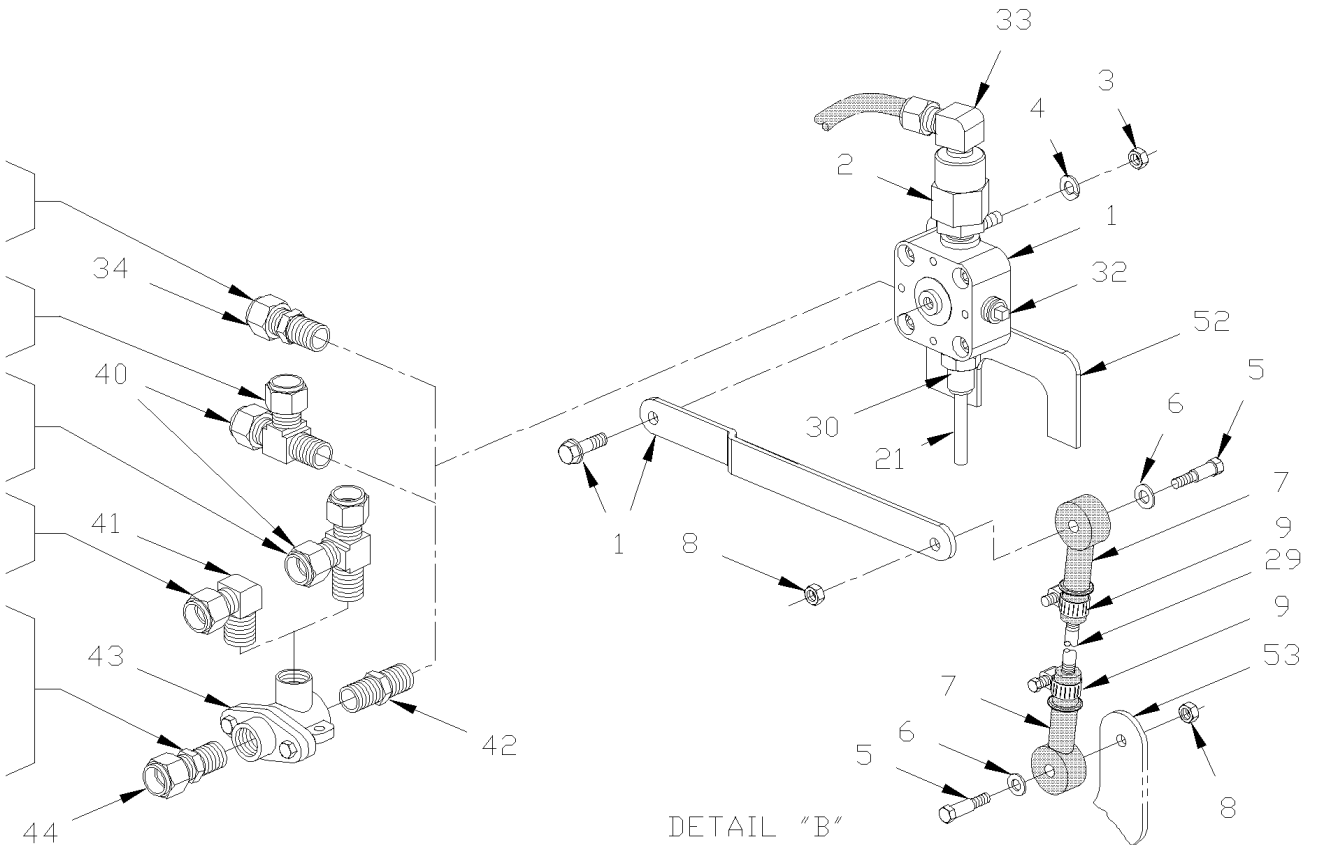
STANDARD OR
FR. KNEELING

FR. KNEELING
W/LOW-BODY

FR. KNEELING
W/HIGH-BODY
& LOW-BODY

FR. KNEELING
W/HIGH-BODY

FR. KNEELING
W/HIGH-BODY
OR
FR. KNEELING
W/HIGH-BODY
& LOW-BODY



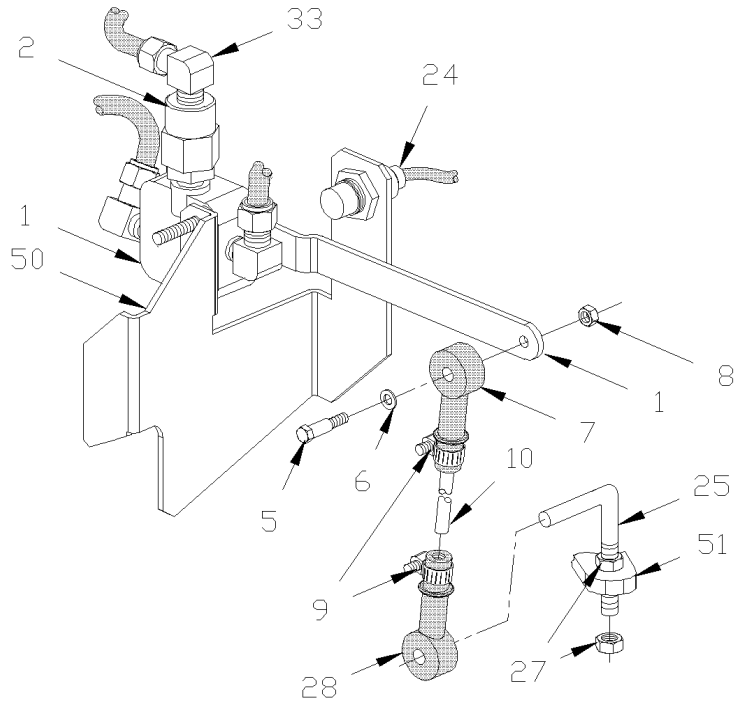
DETAIL "B"

From V-1917 To 2-4387

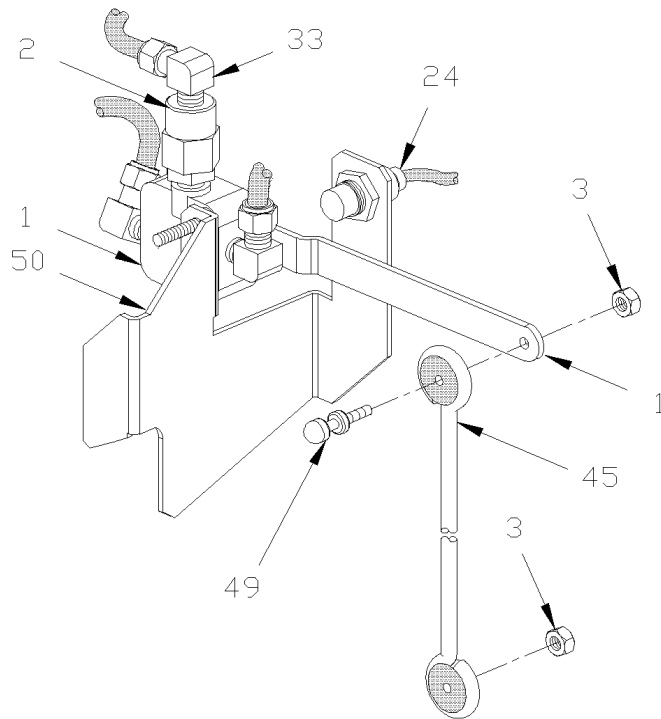
Date:10/2022

PAGE:H3-1620-02

HEIGHT CONTROL VALVE - BUS



DETAIL "A"
Up to Y-3838



DETAIL "A"
From Y-3839

From V-1917 To 2-4387	Date:10/2022	PAGE:H3-1620-02
HEIGHT CONTROL VALVE - BUS		

Item#	Part	Description	H 3 4 1	H 3 4 5	V I P 4 5	N O T E S
1	630156	VALVE, HEIGHT CONTROL "BARKSDALE"	3	3		
1	N.S.S.	. LEVER / PART OF VALVE	1	1		1
2	640135	VALVE, CHECK 1/4 NPT	1	1		
3	500769	NUT HEX 1/4-20 Z050	2	2		
4	500473	WASHER LO SPT .262x.489x.062 Z050	2	2		
5	630137	SCREW SHR CAP HEX 5/16" I.D. x 1/4-20	2	2		
6	500441	WASHER FL .312x.734x.065 Z050	2	2		
7	630117	ROD END / BLACK RUBBER 5/16" I.D.	2	2		
8	502716	NUT HEX NYRT 1/4-20	2	2		
9	504014	HOSE CLAMP / 1/4"-5/8" SS / HM-4	2	2		
10	131467	ROD LINK / 165MM To Y-3838	1	1		
21	503402	TUBE, NYLON 1/4 O.D. / BLACK S.L.	AR	AR		
24	131166	SWITCH PROXIMITY ASSY 700MM To V-2011	1	1		
24	131483	SWITCH PROXIMITY ASSY 1483MM From V-2012	1	1		
25	630131	ROD LOWER "L" SHAPE 5/16-18 To Y-3838	1	1		
27	500778	NUT HEX 5/16-18 N500 To Y-3838	2	2		
28	630133	ROD END / BLACK RUBBER 1/4" I.D. To Y-3838	1	1		
29	131308	ROD LINK / 305MM x .250"	2	2		
30	641332	MALE CONNECTOR / PUSH-IN FITTING / #4x1/4NPT-M BR	1	1		
32	501304	PLUG SQUARE HEAD / PIPE FITTING / 1/4NPT-M BR	1	1		
33	641372	MALE ELBOW 90° NON-SWIVEL / PUSH-IN FITTING / #6x1/4NPT-M BR	1	1		
34	641331	MALE CONNECTOR / PUSH-IN FITTING / #6x1/4NPT-M BR	1	1		
40	641388	MALE RUN TEE NON-SWIVEL / PUSH-IN FITTING / #6x#6x3/8NPT-M BR	1	1		
41	641375	MALE ELBOW 90° NON-SWIVEL / PUSH-IN FITTING / #6x3/8NPT-M BR	1	1		
42	501749	NIPPLE REDUCER HEX / PIPE FITTING / 3/8NPT-Mx1/4NPT-Mx1 13/32 BR	1	1		
43	641015	VALVE, DOUBLE CHECK DC-4	1	1		
44	641330	MALE CONNECTOR / PUSH-IN FITTING / #6x3/8NPT-M BR	1	1		
45	630229	LINK ASSY 344MM C/C 13 1/2" From Y-3839	1	1		
. A	N8889244	. GROMMET / LINK From Y-3839	2	2		
. C	630250	. STUD RETAINER 1/4-20 X 1" From Y-3839	2	2		
. NS	500769	. NUT HEX 1/4-20 Z050 From Y-3839	4	4		
. NS	500473	. WASHER LO SPT .262x.489x.062 Z050 From Y-3839	4	4		
49	630250	. STUD RETAINER 1/4-20 X 1" From Y-3839	2	2		
50	172085	SUPPORT HEIGHT CONTROL VALVE / (WELDED) To Y-3838	1	1		
50	172513	SUPPORT HEIGHT CONTROL VALVE / (WELDED) From Y-3839	1	1		
51	H3-1412-01	STEERING DAMPER				
52	172083	SUPPORT VALVE HEIGHT CONTROL	1	1		
53	H3-1610-01	REAR AXLE - INSTALL - W/DRUM BRAKE				
53	H3-1610-02	REAR AXLE - INSTALL - W/DISC BRAKE				

From V-1917 To 2-4387	Date:10/2022	PAGE:H3-1620-02
-----------------------	--------------	-----------------

HEIGHT CONTROL VALVE - BUS

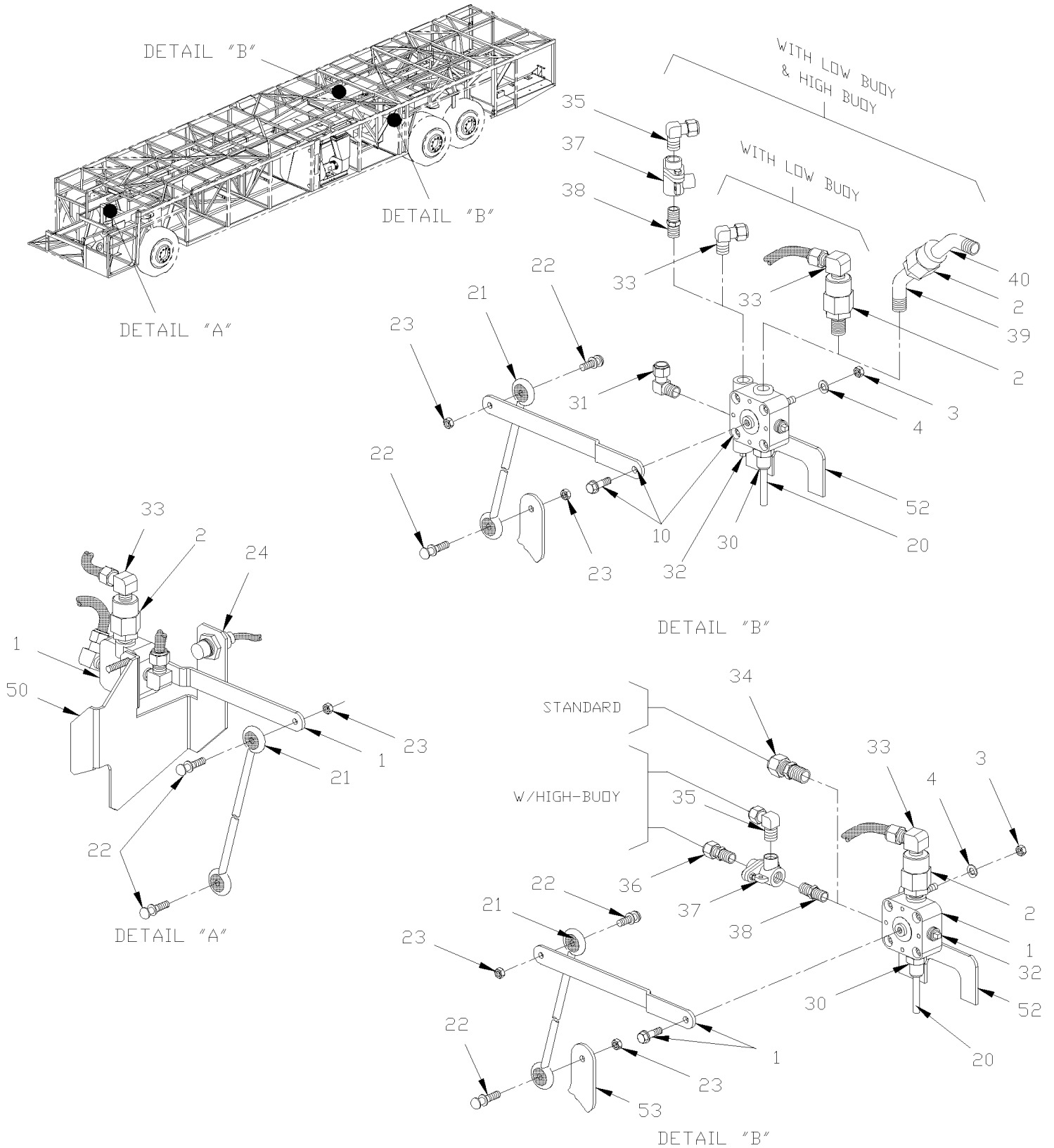
Item#	Part	Description	H 3 4 1	H 3 4 5	V I P 4 5	N O T E S
		1) NOT SOLD SEPARATELY				

From 2-4388 To 2-4416

Date:10/2022

PAGE:H3-1620-03

HEIGHT CONTROL VALVE - BUS

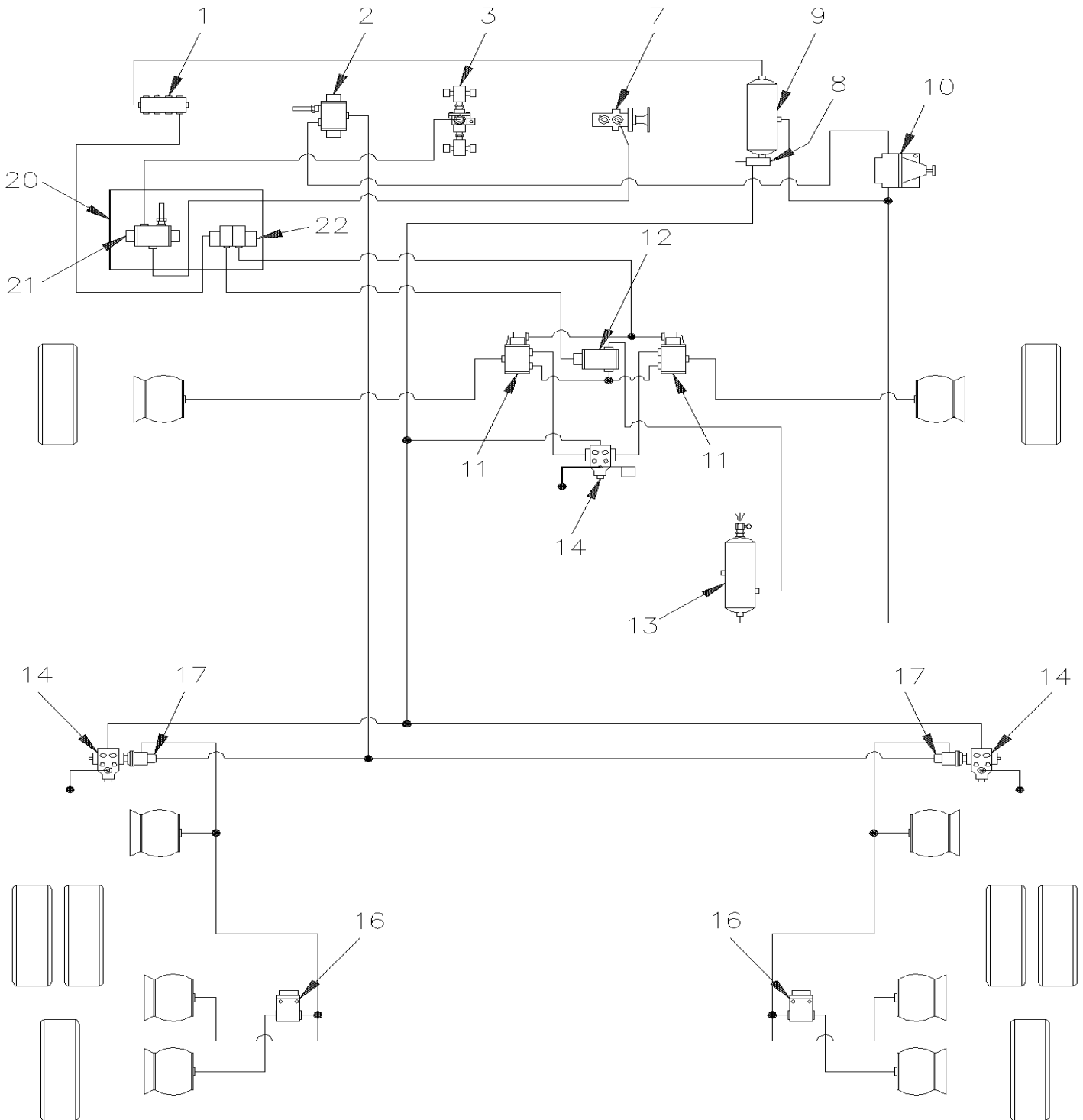


From 2-4388 To 2-4416	Date:10/2022	PAGE:H3-1620-03
HEIGHT CONTROL VALVE - BUS		

Item#	Part	Description	H 3 4 1	H 3 4 5	V I P 4 5	N O T E S
1	630156	VALVE, HEIGHT CONTROL "BARKSDALE"	3	3		
1	N.S.S.	. LEVER / PART OF VALVE	1	1		1
2	640135	VALVE, CHECK 1/4 NPT	1	1		
3	500769	NUT HEX 1/4-20 Z050	2	2		
4	500473	WASHER LO SPT .262x.489x.062 Z050	2	2		
10	630247	VALVE, HEIGHT CONTROL "BARKSDALE" / REAR / W/DRAIN	2	2		C
20	503402	TUBE, NYLON 1/4 O.D. / BLACK S.L.	AR	AR		
21	630229	LINK ASSY 344MM C/C 13 1/2"	3	3		
. A	N8889244	. GROMMET / LINK	2	2		
. C	630250	. STUD RETAINER 1/4-20 X 1"	2	2		
. NS	500769	. NUT HEX 1/4-20 Z050	4	4		
. NS	500473	. WASHER LO SPT .262x.489x.062 Z050	4	4		
22	630250	. STUD RETAINER 1/4-20 X 1"	2	2		
23	500769	. NUT HEX 1/4-20 Z050	2	2		
24	131059	SWITCH PROXIMITY ASSY 835MM	1	1		
30	641332	MALE CONNECTOR / PUSH-IN FITTING / #4x1/4NPT-M BR	1	1		
31	641371	MALE ELBOW 90° NON-SWIVEL / PUSH-IN FITTING / #4x1/4NPT-M BR	1	1		
32	501304	PLUG SQUARE HEAD / PIPE FITTING / 1/4NPT-M BR	1	1		
32	501304	PLUG SQUARE HEAD / PIPE FITTING / 1/4NPT-M BR	1	1		
33	641372	MALE ELBOW 90° NON-SWIVEL / PUSH-IN FITTING / #6x1/4NPT-M BR	2	2		
34	641331	MALE CONNECTOR / PUSH-IN FITTING / #6x1/4NPT-M BR	1	1		
35	641375	MALE ELBOW 90° NON-SWIVEL / PUSH-IN FITTING / #6x3/8NPT-M BR	1	1		
36	641330	MALE CONNECTOR / PUSH-IN FITTING / #6x3/8NPT-M BR	1	1		
37	641015	VALVE, DOUBLE CHECK DC-4	1	1		
38	501749	NIPPLE REDUCER HEX / PIPE FITTING / 3/8NPT-Mx1/4NPT-Mx1 13/32 BR	1	1		
39	501329	STREET ELBOW 45° / PIPE FITTING / 1/4NPT-Mx1/4NPT-F BR	1	1		
40	641366	MALE ELBOW 45° NON-SWIVEL / PUSH-IN FITTING / #6x1/4NPT-M BR	1	1		
50	172513	SUPPORT HEIGHT CONTROL VALVE / (WELDED)	1	1		A
52	172083	SUPPORT VALVE HEIGHT CONTROL	1	1		B
53	H3-1610-02	REAR AXLE - INSTALL - W/DISC BRAKE				
		A) FRONT AXLE				
		B) REAR AXLE				
		C) SEE VEHICLE "OPTION"				
		1) NOT SOLD SEPARATELY				

From R-012 To 2-4387	Date:10/2022	PAGE:H3-1620-10
HIGH-BUOY, LOW BUOY & "KNEELING" VALVE		

FRONT "KNEELING" W/ REAR HIGH BUOY



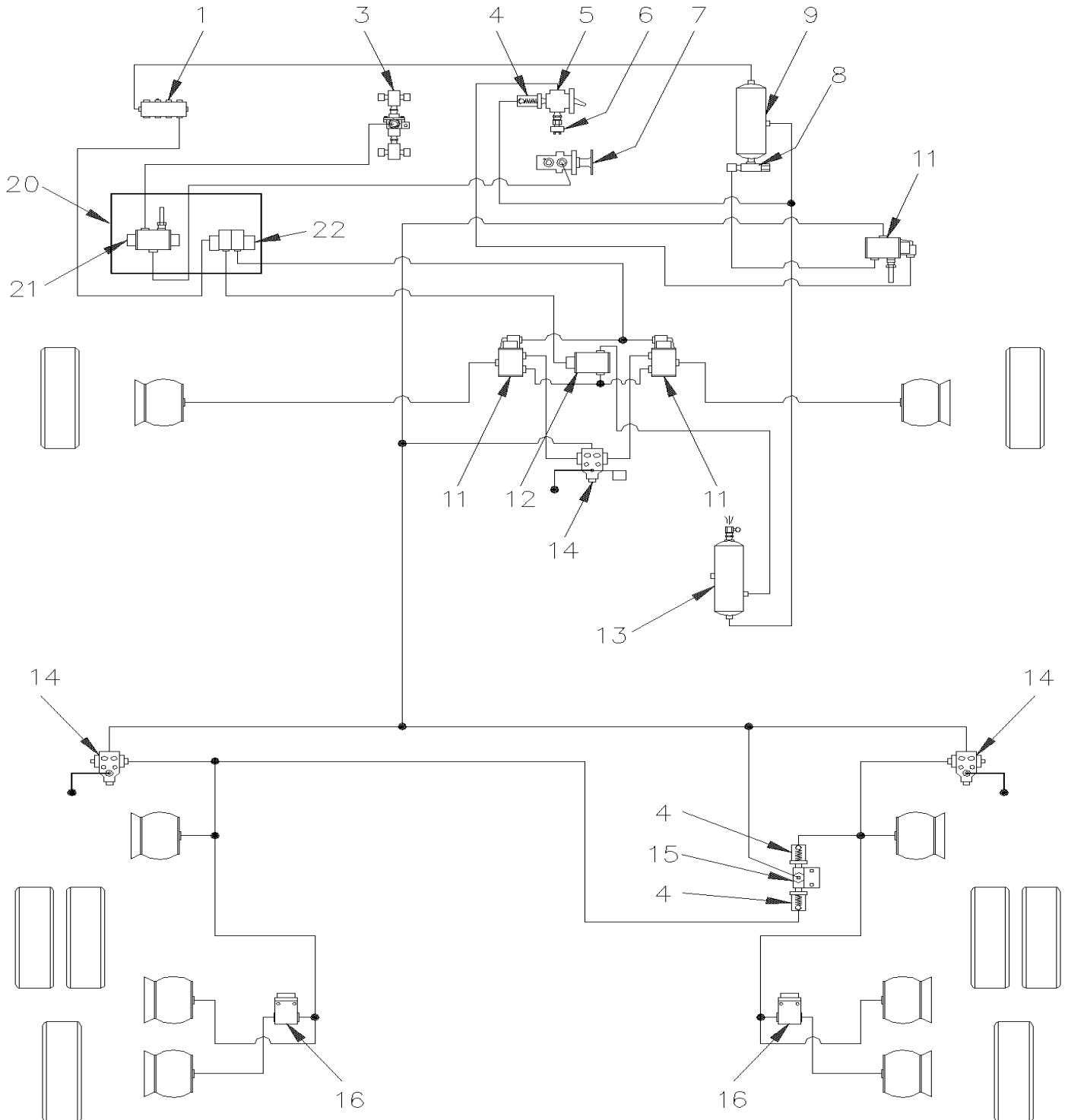
From R-012 To 2-4387

Date:10/2022

PAGE:H3-1620-10

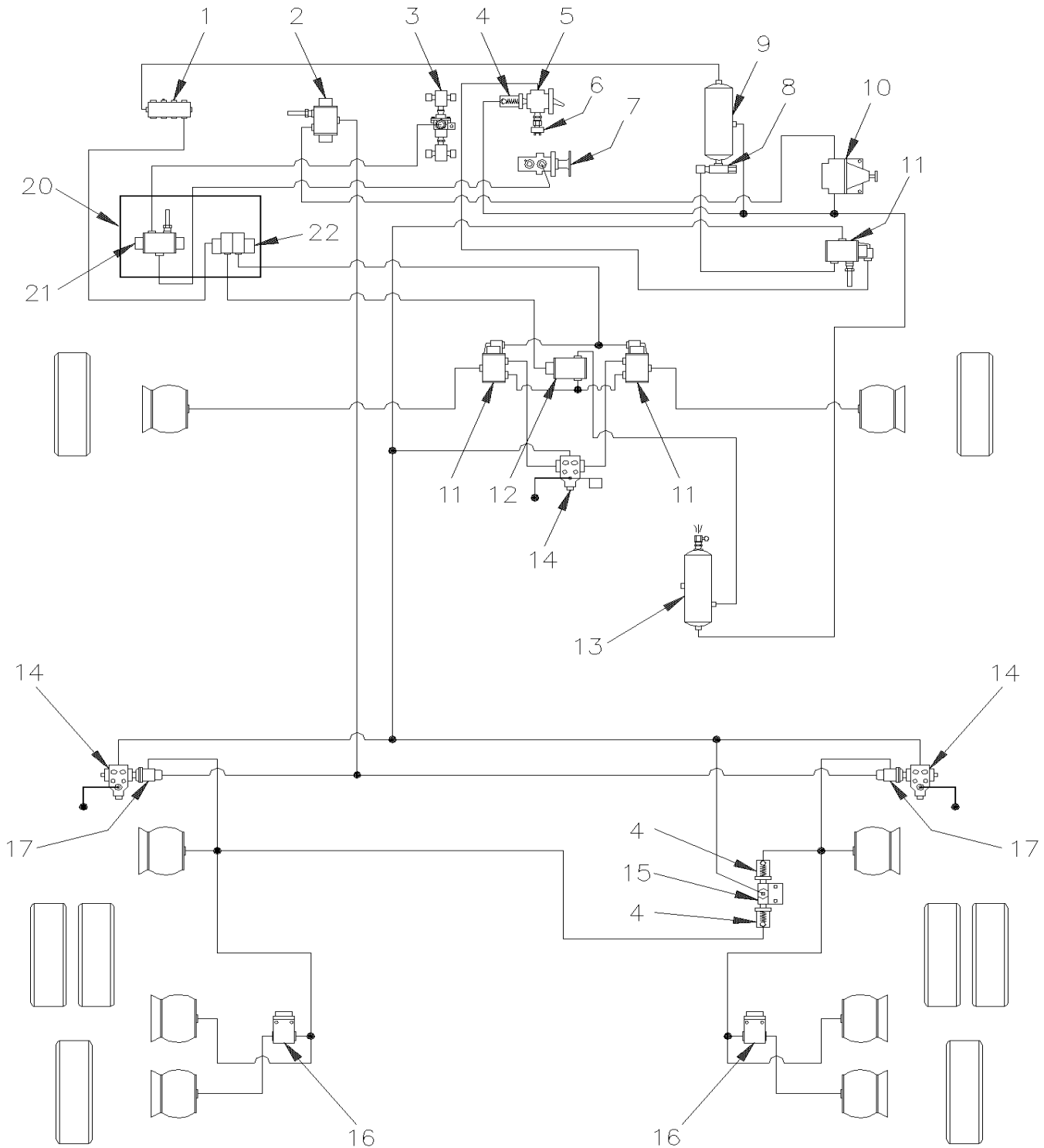
HIGH-BUOY, LOW BUOY & "KNEELING" VALVE

FRONT "KNEELING" W/ LOW BUOY



From R-012 To 2-4387	Date:10/2022	PAGE:H3-1620-10
HIGH-BUOY, LOW BUOY & "KNEELING" VALVE		

FRONT "KNEELING" W/ REAR LOW BUOY & HIGH BUOY



From R-012 To 2-4387	Date:10/2022	PAGE:H3-1620-10
HIGH-BUOY, LOW BUOY & "KNEELING" VALVE		

Item#	Part	Description	H 3 4 1	H 3 4 5	V I P 4 5	N O T E S
1	141190	MANIFOLD, BLOCK / UNDER DRIVER'S FLOOR	1	1		
2	641315	VALVE, 3 WAYS, 2 POSITIONS N.C. To X-3237	1	1		
2	641529	VALVE, 3 WAYS, 2 POSITIONS N.C. From X-3238	1	1		
. NS	641929	. COIL 24V From X-3238	1	1		
. NS	641169	. SPOOL From X-3238	1	1		
. NS	641385	. CONNECTOR / SOCKET HOUSING ASSY 3C / PNEUMAC 54934-01 From X-3238	1	1		
2	641937	VALVE, 3 WAYS, 2 POSITIONS N.C. / W/MAN OVERRIDE From X-3238	1	1		
. NS	641929	. COIL 24V From X-3238	1	1		
. NS	641385	. CONNECTOR / SOCKET HOUSING ASSY 3C / PNEUMAC 54934-01 From X-3238	1	1		
3	641015	VALVE, DOUBLE CHECK DC-4	1	1		
NS	640975	PRESSURE SWITCH N.C. 66PSI / ¼NPT LP-3	1	1		
4	640135	VALVE, CHECK 1/4 NPT	1	1		
5	640136	VALVE, CONTROL TW-1	1	1		
. NS	641156	. REPAIR KIT / TW-1	1	1		
6	560816	PRESSURE SWITCH N.C. 3PSI / 1/8NPT W/2 SCREWS	1	1		
7	641185	VALVE, PARKING BRAKE PP-2	1	1		
. NS	641149	. BUTTON, PARKING BRAKE DIAMOND YELLOW / 1"	1	1		
. NS	641158	. REPAIR KIT / PP-2	1	1		
8	640439	VALVE, PRESSURE PROTECTION / PR-2 75PSI	1	1		
9	140868	AIR TANK / W/END LOWER DRAIN 1228 IN° / 8" O.D. X 26"	1	1		
10	641352	AIR PRESSURE REGULATOR 1/2" NPT	1	1		A
NS	142025	SUPPORT / AIR REGULATOR	1	1		A
11	641274	VALVE, 3 WAYS, 2 POSITIONS N.C.	1	1		
12	641357	VALVE, 3 WAYS, 2 POSITIONS N.C. / W/SPRING	1	1		
13	140869	AIR TANK / 1791 IN° / 9 1/2" O.D. X 27"	1	1		
14	H3-1620-01	HEIGHT CONTROL VALVE To V-1916				
14	H3-1620-02	HEIGHT CONTROL VALVE - BUS From V-1917				
NS	131166	SWITCH PROXIMITY ASSY 700MM To V-2020	1	1		
NS	131483	SWITCH PROXIMITY ASSY 1483MM From V-2021	1	1		
15	641429	VALVE, QUICK RELEASE QR-1 / 3/8NPTx3/8NPTx3/8NPT	1	1		
. NS	640924	. REPAIR KIT / QR-1	1	1		
16	641357	VALVE, 3 WAYS, 2 POSITIONS N.C. / W/SPRING To V-2028	1	1		
16	641274	VALVE, 3 WAYS, 2 POSITIONS N.C. From V-2029	1	1		
17	641015	VALVE, DOUBLE CHECK DC-4	1	1		
20	H3-1630-01	FRONT KNEELING - CONTROL PANEL				
21	630135	VALVE, 3 WAYS, 2 POSITIONS N.O. To X-3237	1	1		
. NS	641169	. SPOOL To X-3237	1	1		
. NS	641929	. COIL 24V To X-3237	1	1		
21	641528	VALVE, 3 WAYS, 2 POSITIONS N.O. From X-3238	1	1		
. NS	641929	. COIL 24V From X-3238	1	1		
. NS	641169	. SPOOL From X-3238	1	1		
. NS	641385	. CONNECTOR / SOCKET HOUSING ASSY 3C / PNEUMAC 54934-01 From X-3238	1	1		

From R-012 To 2-4387	Date:10/2022	PAGE:H3-1620-10
HIGH-BUOY, LOW BUOY & "KNEELING" VALVE		

Item#	Part	Description	H 3 4 1	H 3 4 5	V I P 4 5	N O T E S
22	641130	MANIFOLD VALVE / W/2 SOLENOID	1	1		
		A) LOCATED IN SPARE COMPARTMENT NEAR DRIVER'S FLOOR				

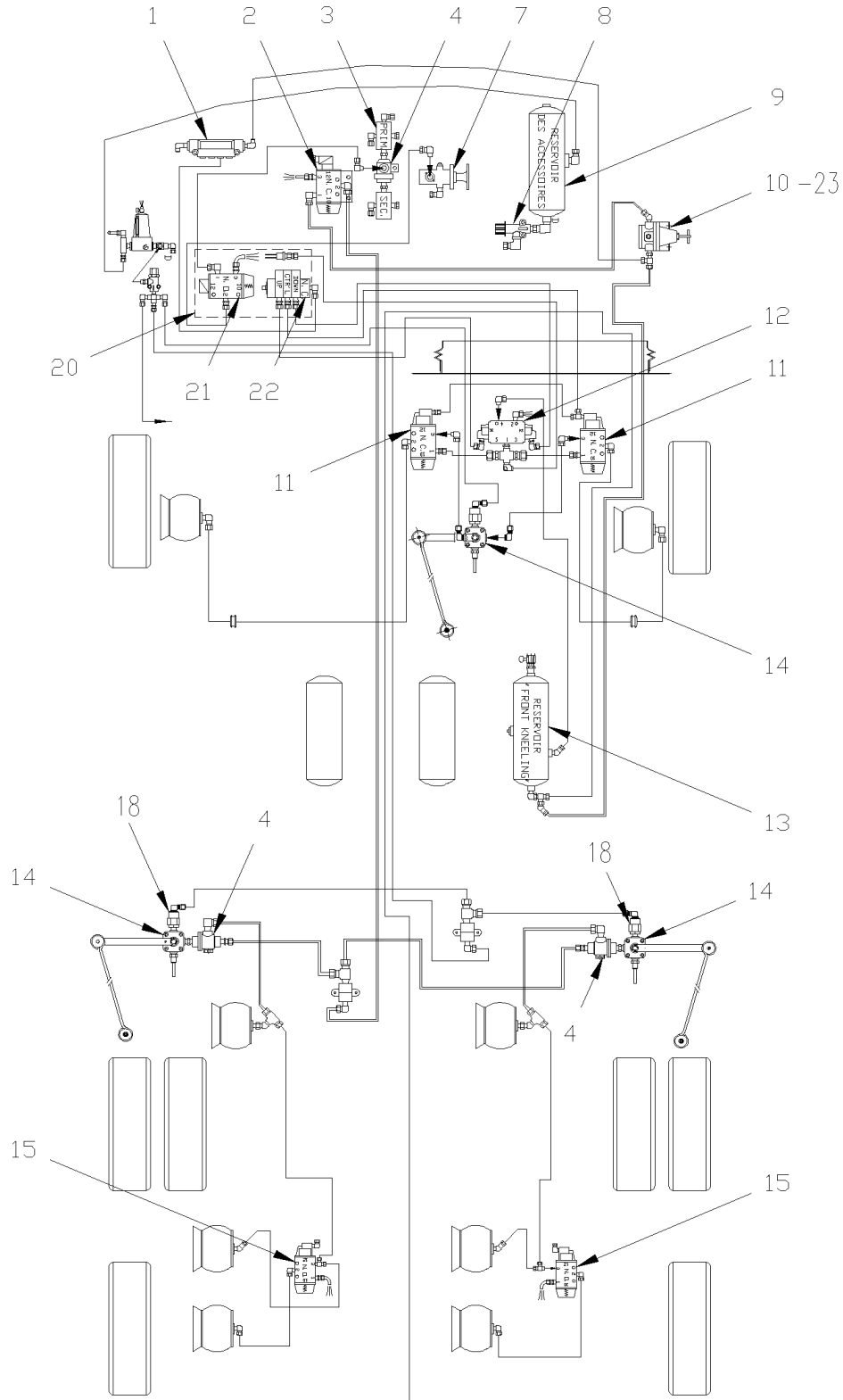
From 2-4388 To 2-4416

Date:10/2022

PAGE:H3-1620-11

HIGH-BUOY, LOW BUOY & "KNEELING" VALVE

FRONT "KNEELING" W/ REAR HIGH BUOY

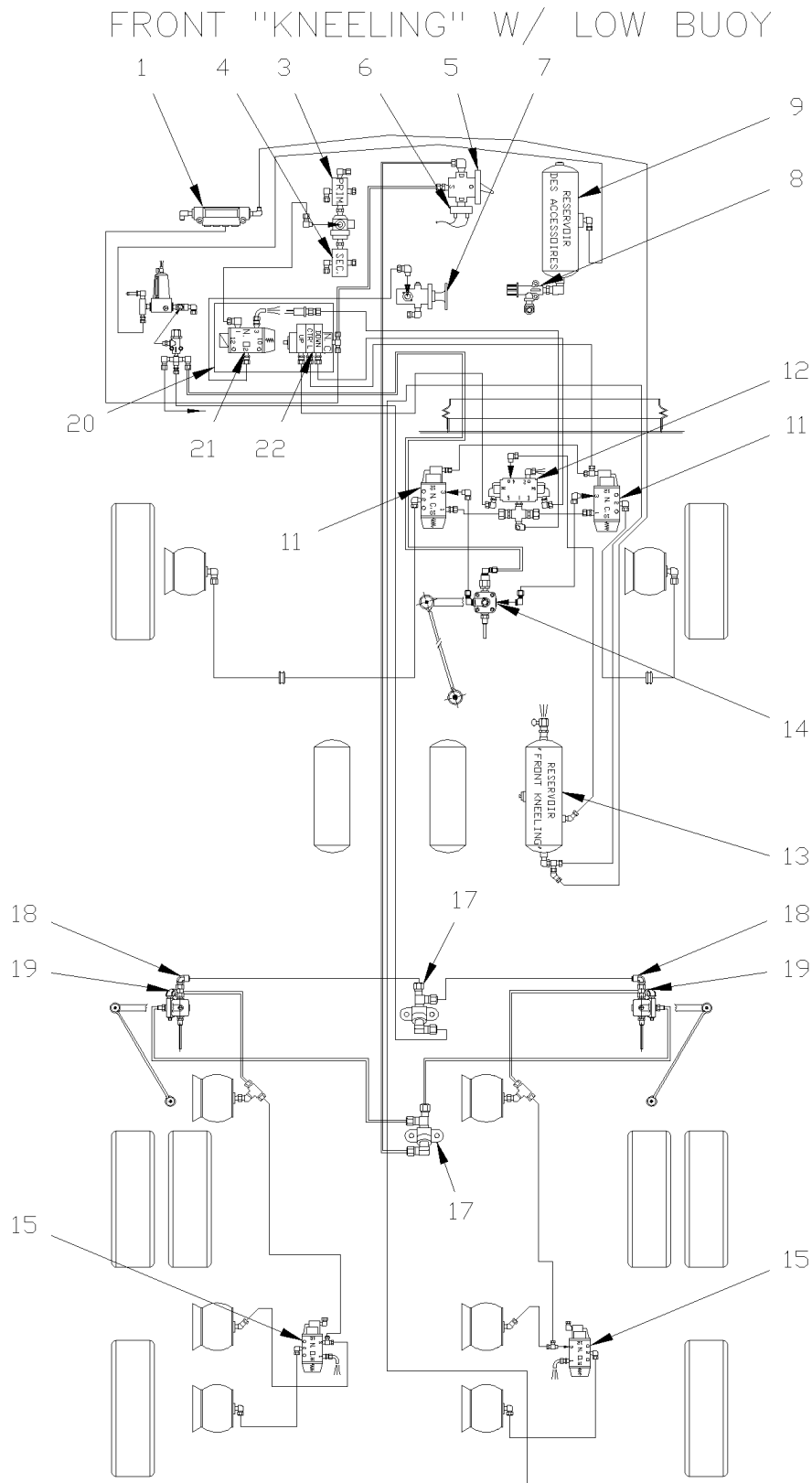


From 2-4388 To 2-4416

Date:10/2022

PAGE:H3-1620-11

HIGH-BUOY, LOW BUOY & "KNEELING" VALVE



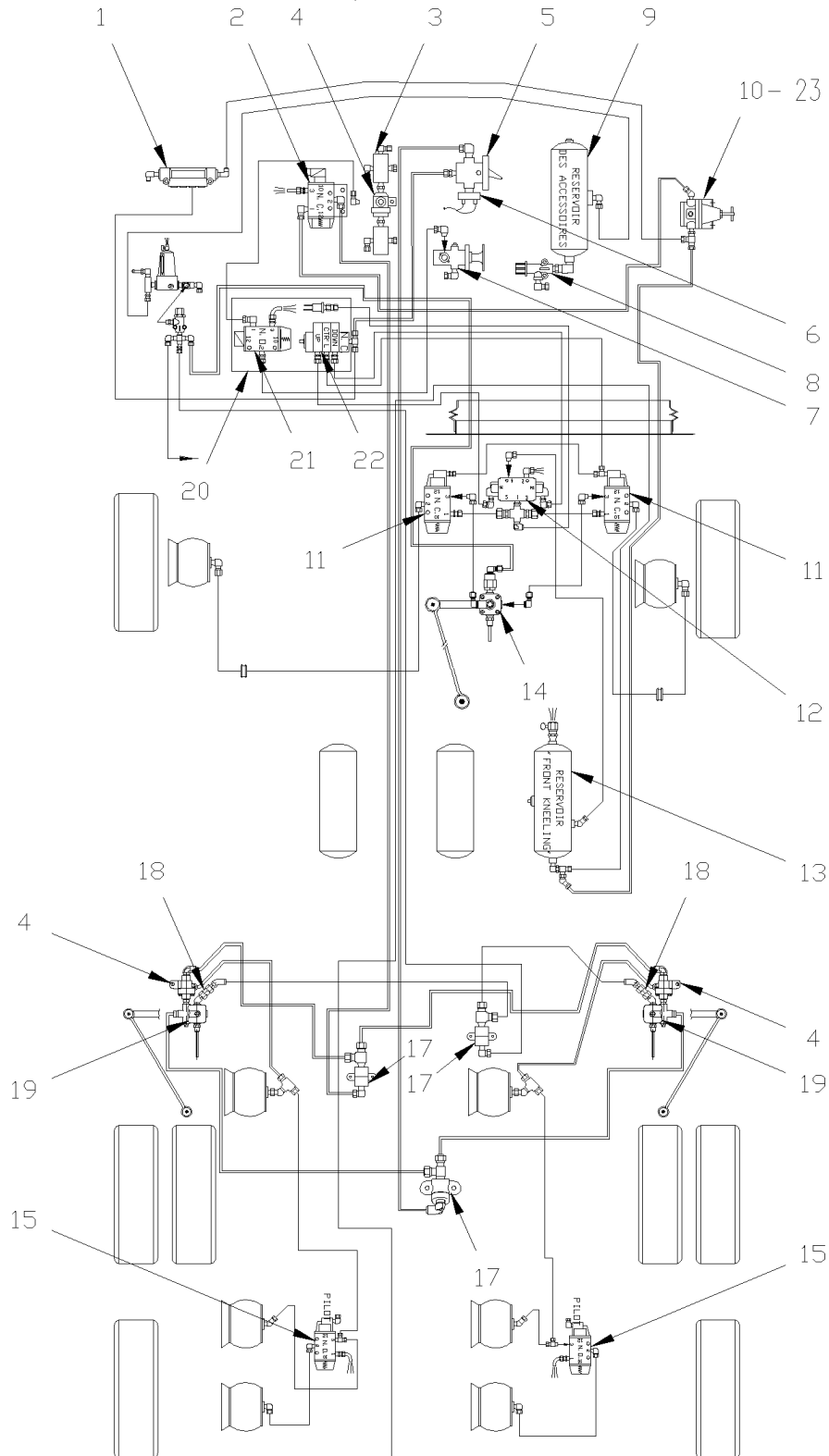
From 2-4388 To 2-4416

Date:10/2022

PAGE:H3-1620-11

HIGH-BUOY, LOW BUOY & "KNEELING" VALVE

FRONT "KNEELING" W/REAR LOW BUOY & HIGH BUOY



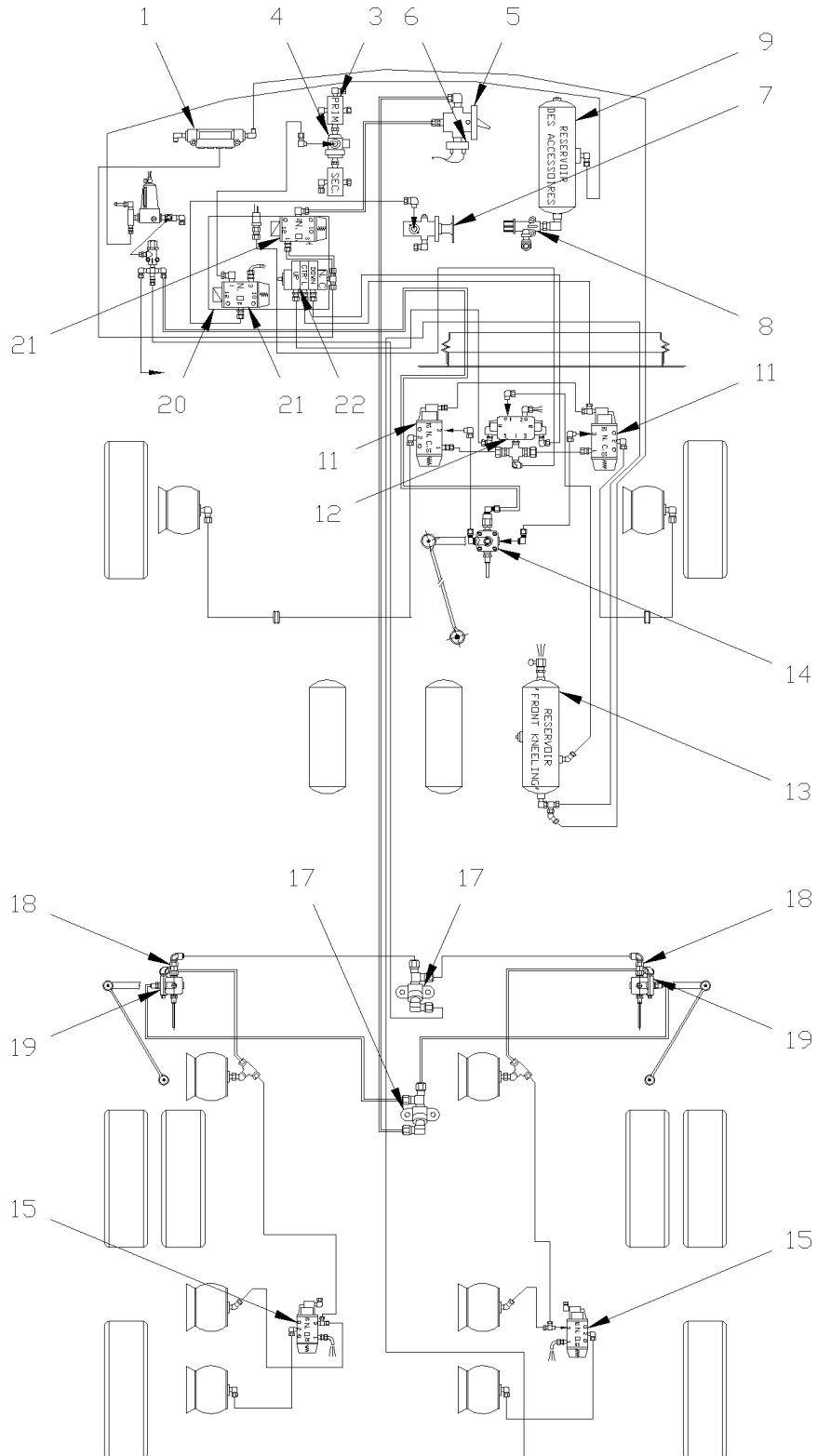
From 2-4388 To 2-4416

Date:10/2022

PAGE:H3-1620-11

HIGH-BUOY, LOW BUOY & "KNEELING" VALVE

FRONT "KNEELING" W/LOW BUOY 5MPH



From 2-4388 To 2-4416	Date:10/2022	PAGE:H3-1620-11
HIGH-BUOY, LOW BUOY & "KNEELING" VALVE		

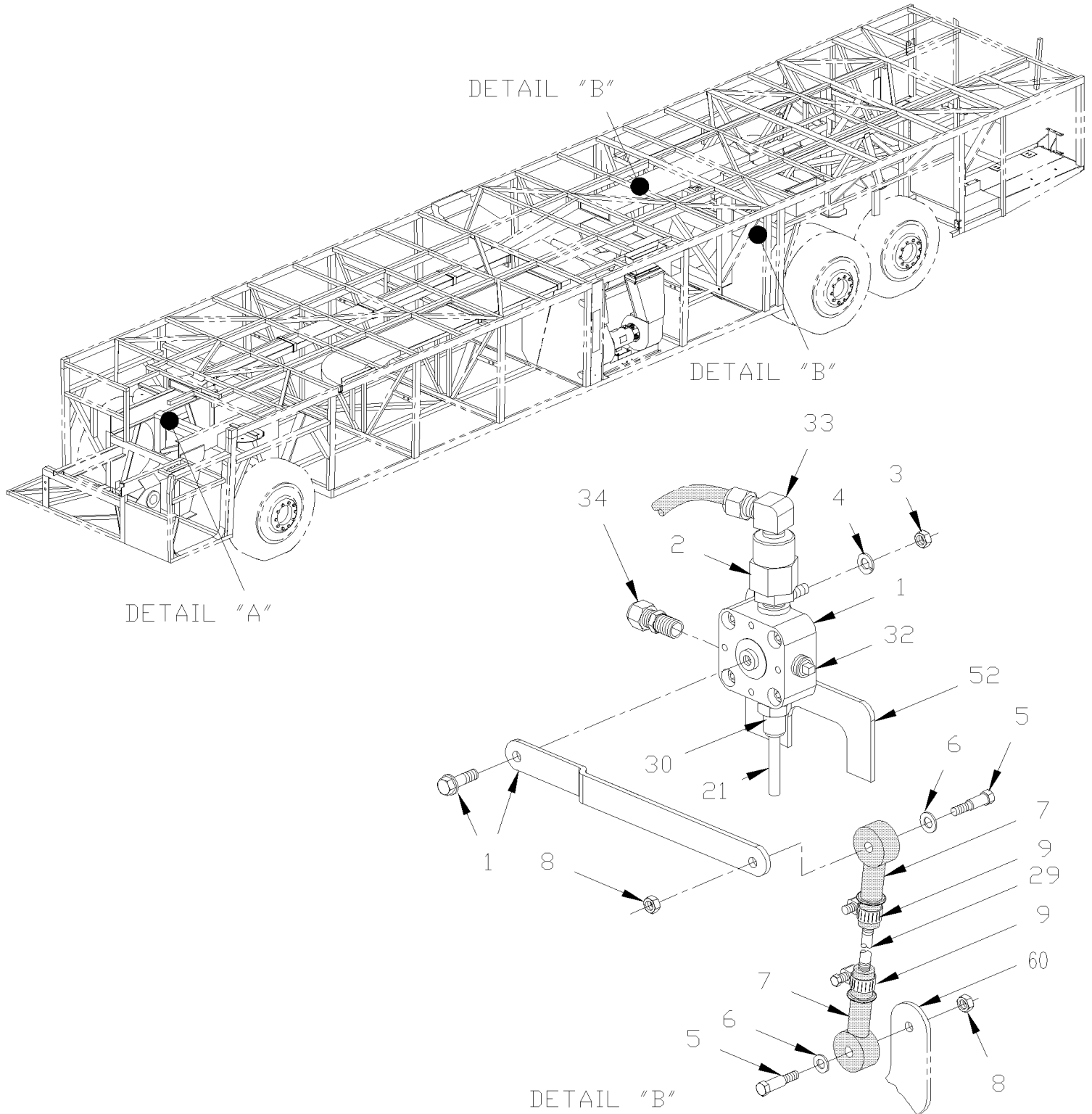
Item#	Part	Description	H 3 4 1	H 3 4 5	V I P 4 5	N O T E S
1	641897	MANIFOLD / PUSH-IN FITTING / 2x#6 / 4x#4 PLAS	1	1		
2	641529	VALVE, 3 WAYS, 2 POSITIONS N.C.	1	1		
. NS	641929	. COIL 24V	1	1		
. NS	641169	. SPOOL	1	1		
. NS	641385	. CONNECTOR / SOCKET HOUSING ASSY 3C / PNEUMAC 54934-01	1	1		
3	640975	PRESSURE SWITCH N.C. 66PSI / 1/4NPT LP-3	2	2		
4	641015	VALVE, DOUBLE CHECK DC-4	1	1		
5	640136	VALVE, CONTROL TW-1	1	1		
. NS	641156	. REPAIR KIT / TW-1	1	1		
6	452406	PRESSURE SWITCH N.O. 30-15 20SP001MA030C015C	1	1		
7	641185	VALVE, PARKING BRAKE PP-2	1	1		
. NS	641149	. BUTTON, PARKING BRAKE DIAMOND YELLOW / 1"	1	1		
. NS	641158	. REPAIR KIT / PP-2	1	1		
8	640439	VALVE, PRESSURE PROTECTION / PR-2 75PSI	1	1		
9	140868	AIR TANK / W/END LOWER DRAIN 1228 IN° / 8" O.D. X 26"	1	1		
10	641352	AIR PRESSURE REGULATOR 1/2" NPT	1	1		A
NS	142025	SUPPORT / AIR REGULATOR	1	1		A
11	641274	VALVE, 3 WAYS, 2 POSITIONS N.C.	2	2		
12	641531	VALVE, 5 WAYS, 3 POSITIONS	1	1		
. NS	641186	. SPOOL	1	1		
13	140869	AIR TANK / 1791 IN° / 9 1/2" O.D. X 27"	1	1		
14	630156	VALVE, HEIGHT CONTROL "BARKSDALE"	AR	AR		
15	641274	VALVE, 3 WAYS, 2 POSITIONS N.C.	1	1		
17	640643	ANCHOR ELBOW / PIPE FITTING / 1/4NPT-Fx1/4NPT-F STL	1	1		
18	640135	VALVE, CHECK 1/4 NPT	2	2		
19	630247	VALVE, HEIGHT CONTROL "BARKSDALE" / REAR / W/DRAIN	1	1		
20	H3-1630-01	FRONT KNEELING - CONTROL PANEL				
21	641528	VALVE, 3 WAYS, 2 POSITIONS N.O.	1	1		
. NS	641929	. COIL 24V	1	1		
. NS	641169	. SPOOL	1	1		
. NS	641385	. CONNECTOR / SOCKET HOUSING ASSY 3C / PNEUMAC 54934-01	1	1		
22	641130	MANIFOLD VALVE / W/2 SOLENOID	1	1		
23	H3-1202-05	TUBE AIR FRONT INSTALLATION				
		A) LOCATED IN SPARE COMPARTMENT NEAR DRIVER'S FLOOR (SEE PAGE H3-1202-05)				

From R-012 To 2-4387

Date:10/2022

PAGE:H3-1620-50

HEIGHT CONTROL VALVE - V.I.P.

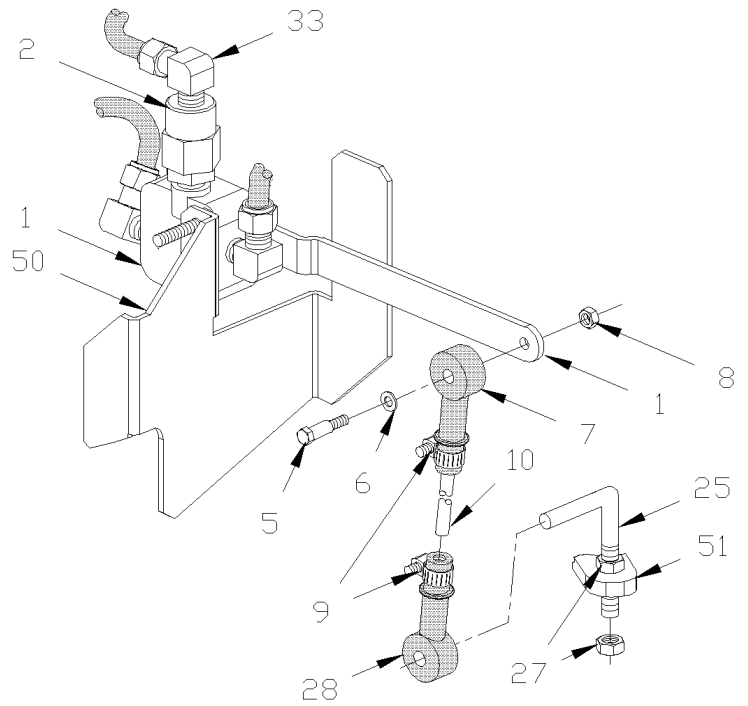
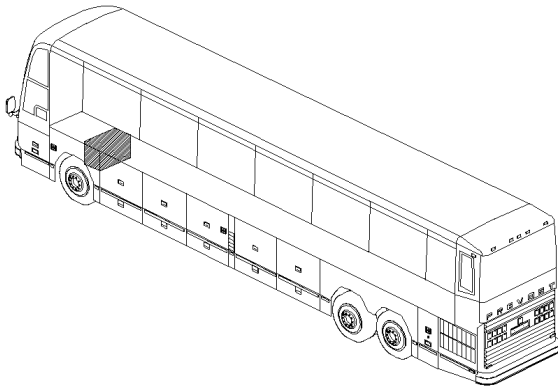


From R-012 To 2-4387

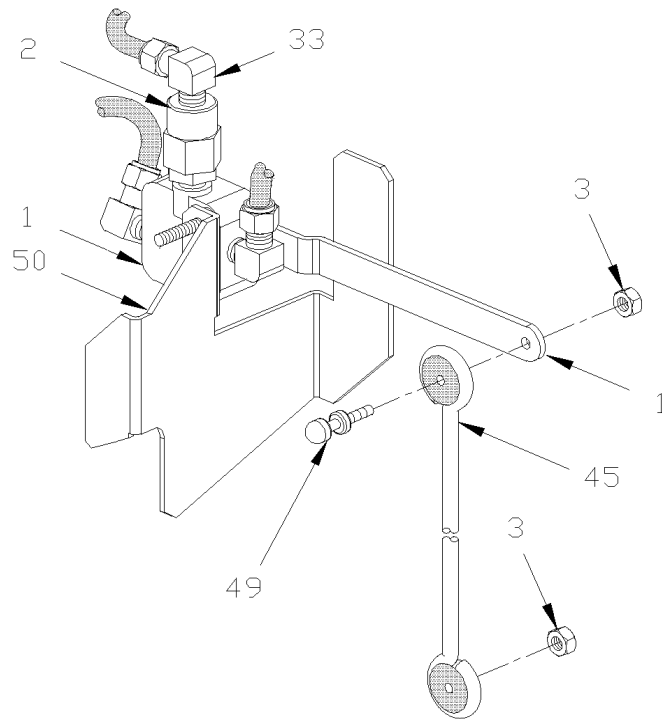
Date:10/2022

PAGE:H3-1620-50

HEIGHT CONTROL VALVE - V.I.P.



DETAIL "A" FRONT W/RIGID
Up to Y-3838



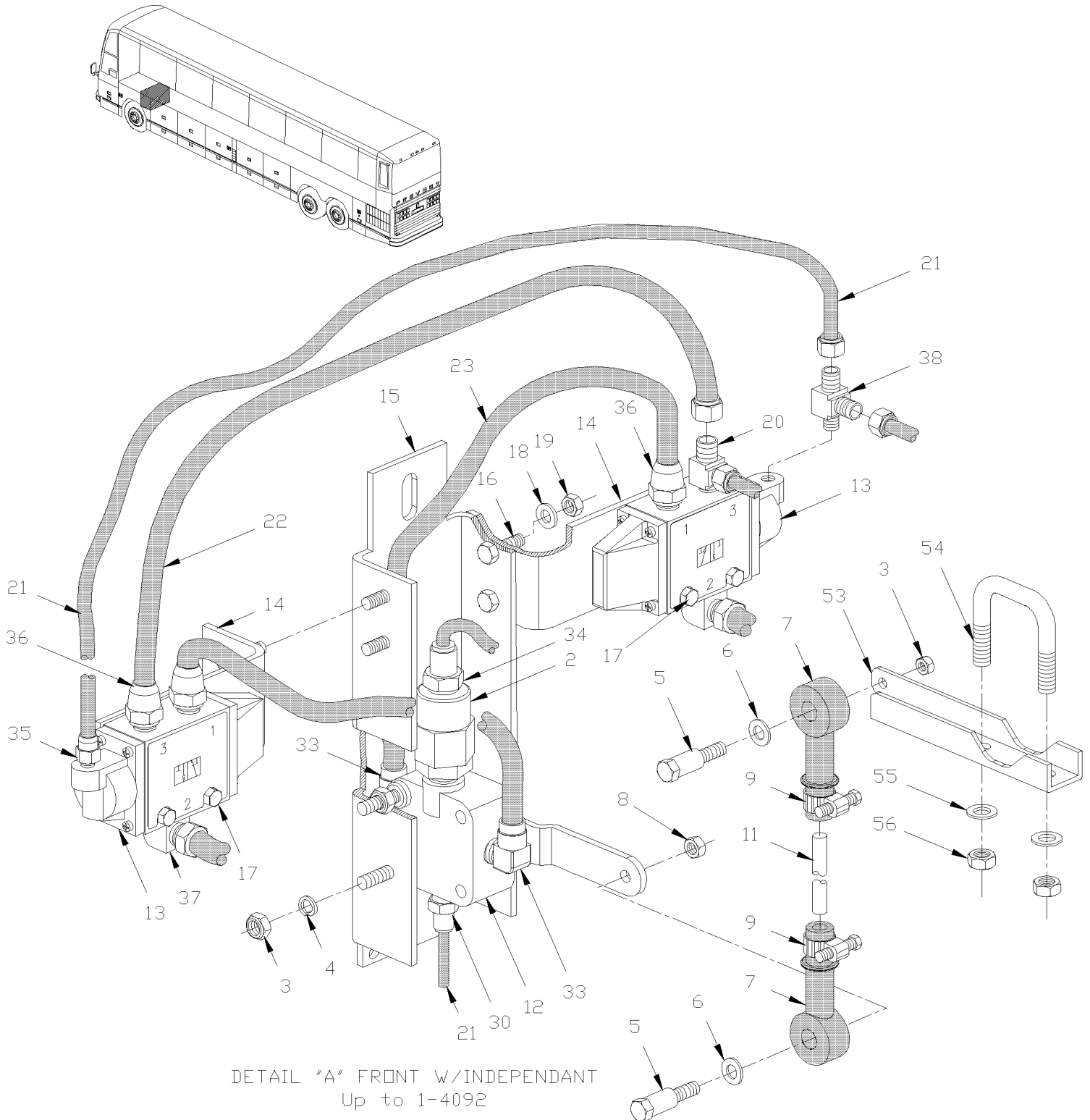
DETAIL "A" W/RIGID
From Y-3839

From R-012 To 2-4387

Date:10/2022

PAGE:H3-1620-50

HEIGHT CONTROL VALVE - V.I.P.

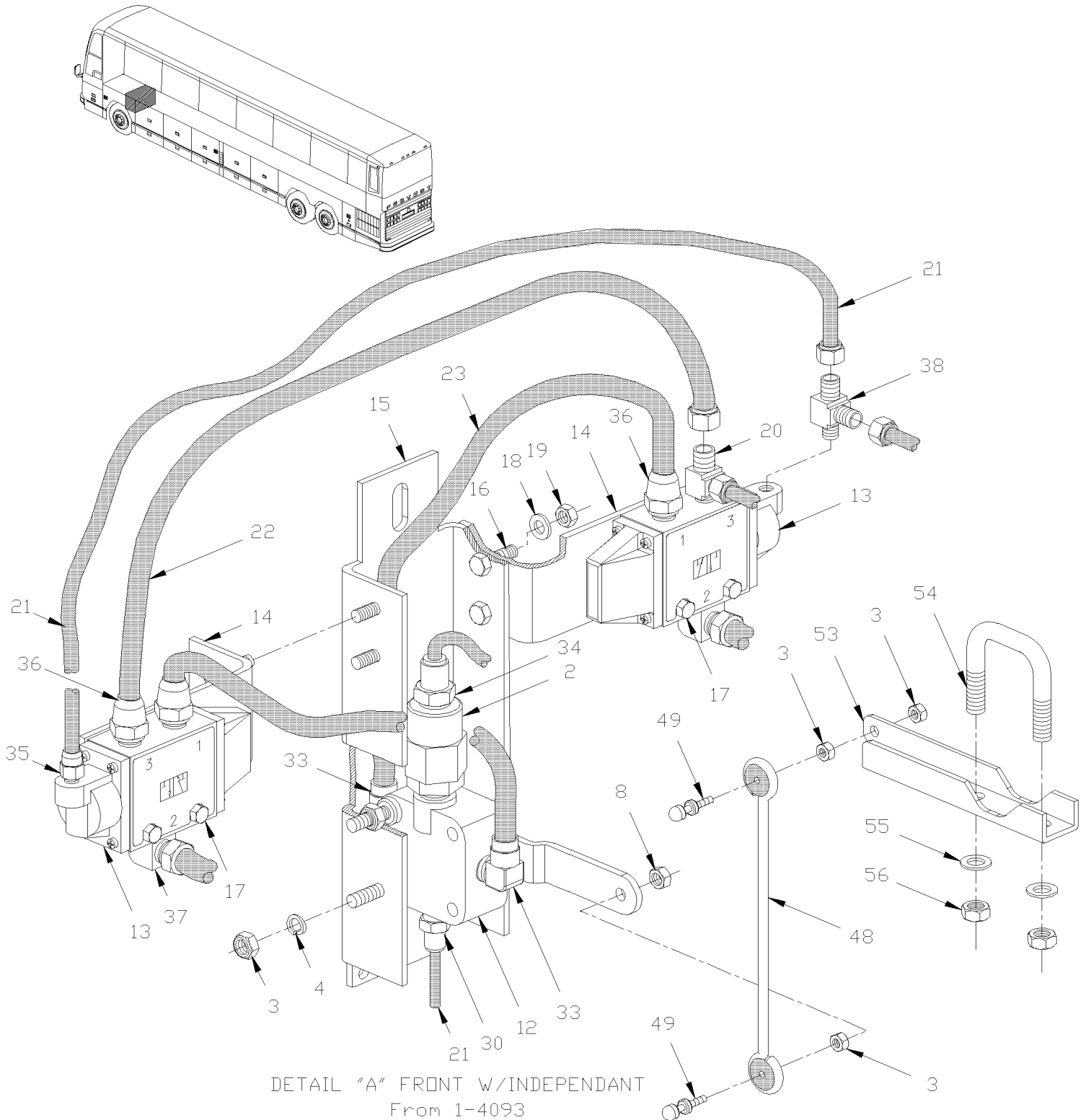


From R-012 To 2-4387

Date:10/2022

PAGE:H3-1620-50

HEIGHT CONTROL VALVE - V.I.P.



From R-012 To 2-4387	Date:10/2022	PAGE:H3-1620-50
HEIGHT CONTROL VALVE - V.I.P.		

Item#	Part	Description	H 3 4 1	H 3 4 5	V I P 4 5	N O T E S
1	630156	VALVE, HEIGHT CONTROL "BARKSDALE"			AR	A B
1	N.S.S.	. LEVER / PART OF VALVE			1	1
2	640135	VALVE, CHECK 1/4 NPT			1	
3	500769	NUT HEX 1/4-20 Z050			2	
4	500473	WASHER LO SPT .262x.489x.062 Z050			2	
5	630137	SCREW SHR CAP HEX 5/16" I.D. x 1/4-20			2	
6	500441	WASHER FL .312x.734x.065 Z050			2	
7	630117	ROD END / BLACK RUBBER 5/16" I.D.			2	
8	502716	NUT HEX NYRT 1/4-20			2	
9	504014	HOSE CLAMP / 1/4"-5/8" SS / HM-4			2	
10	131467	ROD LINK / 165MM To Y-3838			1	A
11	131351	ROD LINK / 140MM From X-2458 To 1-4092			2	C
12	630157	VALVE, HEIGHT CONTROL "BARKSDALE" / FRONT From X-2458 To 1-4092			1	C
12	630237	VALVE, HEIGHT CONTROL "BARKSDALE" / FRONT From 1-4093			1	C
13	641274	VALVE, 3 WAYS, 2 POSITIONS N.C. From X-2458			2	
14	131319	SUPPORT VALVE From X-2458			2	
15	131468	SUPPORT HEIGHT CONTROL VALVE From X-2458			1	
17	502656	SCREW CAP HEX M6-1.0x50 SS From X-2458			4	
18	502570	WASHER LO SPT 6.1x11.8x1.6 SS From X-2458			8	
19	502565	NUT HEX M6-1.0 SS From X-2458			8	
20	641388	MALE RUN TEE NON-SWIVEL / PUSH-IN FITTING / #6x#6x3/8NPT-M BR From W-2285			1	
21	503402	TUBE, NYLON 1/4 O.D. / BLACK S.L.			AR	
22	503471	TUBE, NYLON 3/8 O.D. / BLUE S.L.			AR	
23	503517	TUBE, NYLON 1/2 O.D. / BLUE S.L.			AR	
25	630131	ROD LOWER "L" SHAPE 5/16-18 To Y-3838			1	
27	500778	NUT HEX 5/16-18 N500 To Y-3838			2	
28	630133	ROD END / BLACK RUBBER 1/4" I.D. To Y-3838			1	A
29	131308	ROD LINK / 305MM x .250"			2	
30	641332	MALE CONNECTOR / PUSH-IN FITTING / #4x1/4NPT-M BR			1	
32	501304	PLUG SQUARE HEAD / PIPE FITTING / 1/4NPT-M BR			1	
33	641372	MALE ELBOW 90° NON-SWIVEL / PUSH-IN FITTING / #6x1/4NPT-M BR			1	
34	641331	MALE CONNECTOR / PUSH-IN FITTING / #6x1/4NPT-M BR			1	
35	641242	MALE CONNECTOR / PUSH-IN FITTING / #4x1/8NPT-M BR From W-2285			1	
36	641381	MALE CONNECTOR / PUSH-IN FITTING / #8x3/8NPT-M BR From W-2285			1	
37	641040	MALE ELBOW 90° / NTA FITTING / #8x3/8NPT-M BR From W-2285			2	
38	641002	MALE RUN TEE / NTA FITTING / #4x#4x1/8NPT-M BR From W-2285			1	
39	641373	MALE ELBOW 90° NON-SWIVEL / PUSH-IN FITTING / #8x1/4NPT-M BR From W-2285			2	
45	630229	LINK ASSY 344MM C/C 13 1/2" From Y-3839			1	A
. A	N8889244	. GROMMET / LINK From Y-3839			2	A
. C	630250	. STUD RETAINER 1/4-20 X 1" From Y-3839			2	A
. NS	500769	. NUT HEX 1/4-20 Z050 From Y-3839			4	A
. NS	500473	. WASHER LO SPT .262x.489x.062 Z050 From Y-3839			4	A

From R-012 To 2-4387	Date:10/2022	PAGE:H3-1620-50
HEIGHT CONTROL VALVE - V.I.P.		

Item#	Part	Description	H 3 4 1	H 3 4 5	V I P 4 5	N O T E S
48	630231	LINK ASSY 185MM C/C 7 1/4" From 1-4093			1	C
. A	N8889244	. GROMMET / LINK From 1-4093			2	C
. B	630250	. STUD RETAINER 1/4-20 X 1" From 1-4093			2	C
. C	500247	. NUT HEX 1/4-20 N500 From 1-4093			4	C
. D	500473	. WASHER LO SPT .262x.489x.062 Z050 From 1-4093			4	C
49	630250	. STUD RETAINER 1/4-20 X 1"			2	
50	172085	SUPPORT HEIGHT CONTROL VALVE / (WELDED)			1	A
51	H3-1412-01	STEERING DAMPER				
52	172083	SUPPORT VALVE HEIGHT CONTROL			1	
53	110679	ACTUATOR LEVER From X-2458			1	
54	504635	U-BOLT 1 3/4" I.D. x 2 3/4" x 5/16-18 From X-2458			1	
55	500476	WASHER LO SPT .317x.586x.078 Z050 From X-2458			2	
56	500778	NUT HEX 5/16-18 N500 From X-2458			2	
60	H3-1610-02	REAR AXLE - INSTALL - W/DISC BRAKE				
		A) FRONT AXLE WITH "I" BEAM SUSPENSION (QT:1)				
		B) REAR AXLE (QT: 2)				
		C) FRONT AXLE WITH INDEPENDANT SUSPENSION				
		1) NOT SOLD SEPARATELY				

From 2-4388 To 2-4416

Date:10/2022

PAGE:H3-1620-51

HEIGHT CONTROL VALVE - V.I.P.

REAR AND TAG AXLE

DETAIL "H"

115

DETAIL "L"

DETAIL "F"

DETAIL "G"

DETAIL "G"

DETAIL "K"

DETAIL "L"

DETAIL "F"

112

112

DETAIL "A"

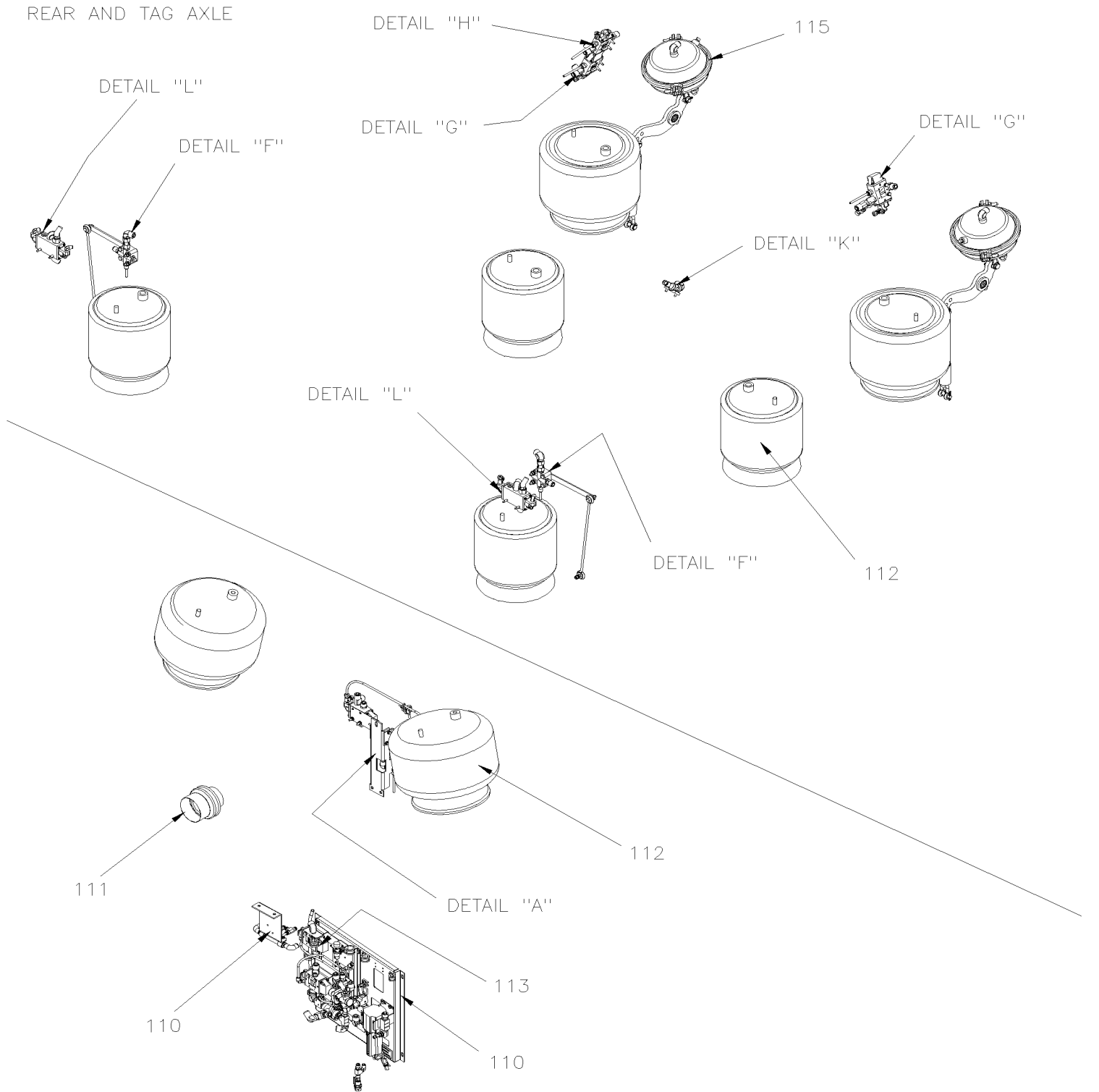
113

110

110

111

FRONT INDEPENDENT SUSPENSION

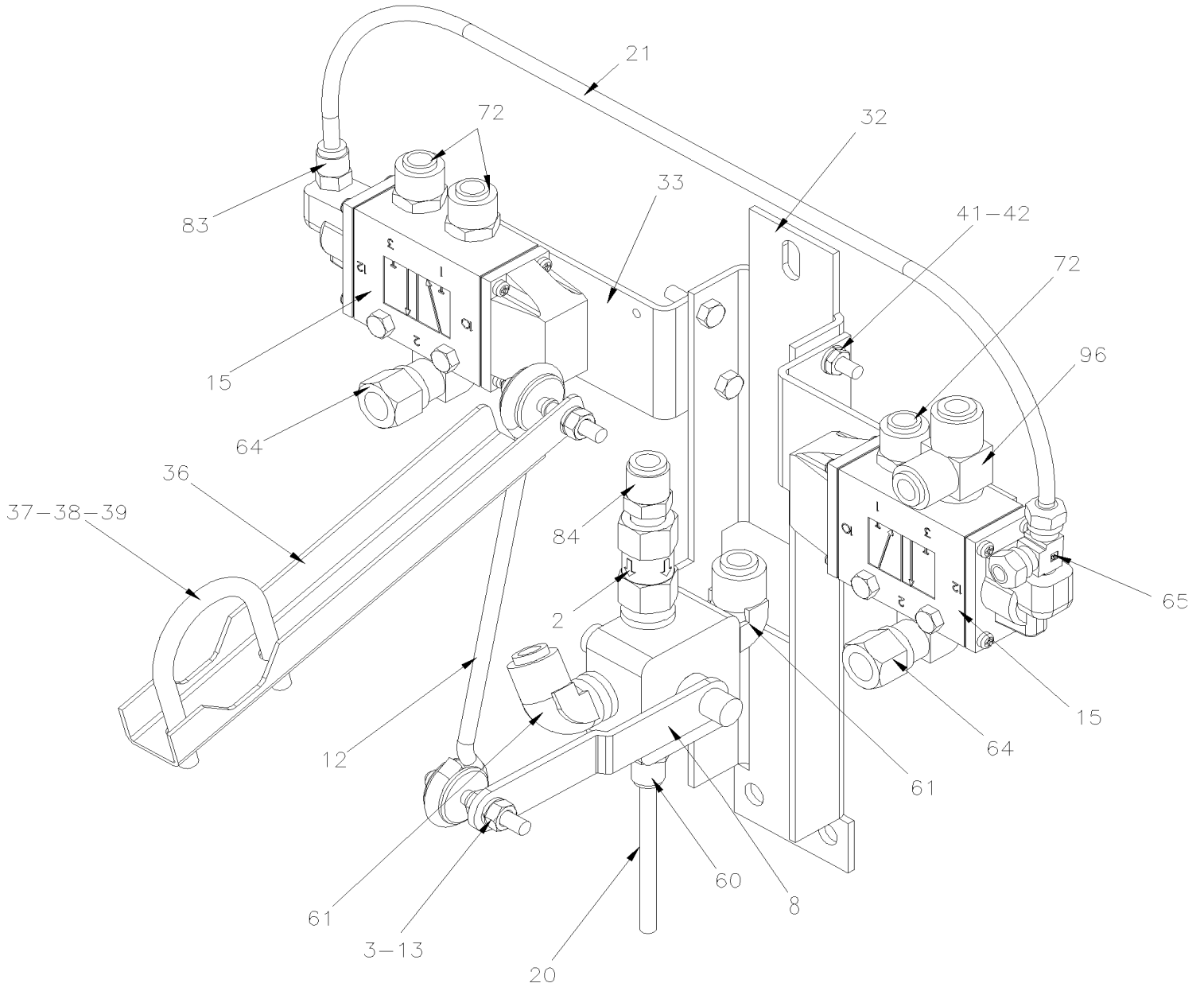


From 2-4388 To 2-4416

Date:10/2022

PAGE:H3-1620-51

HEIGHT CONTROL VALVE - V.I.P.



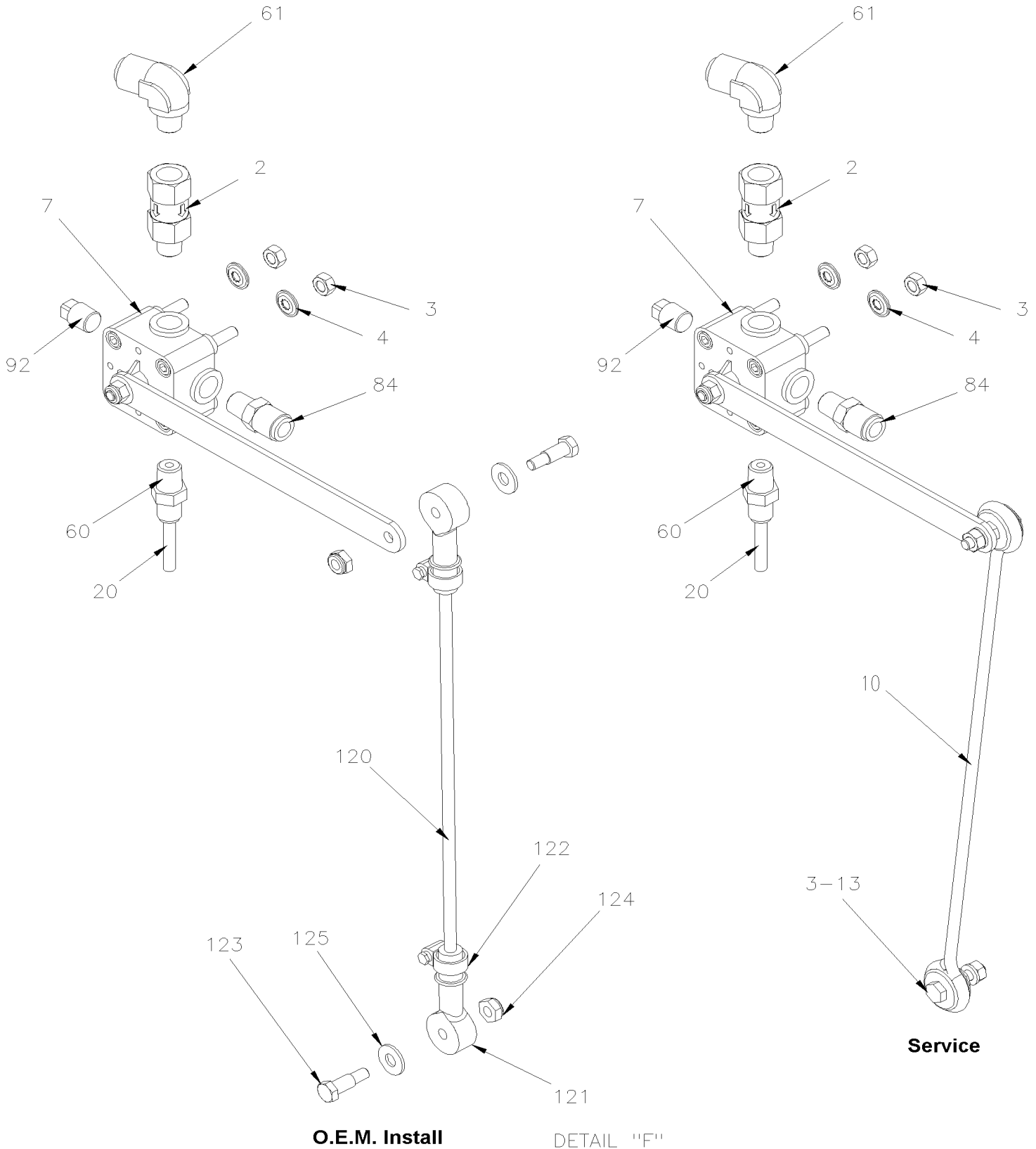
DETAIL "A"

From 2-4388 To 2-4416

Date:10/2022

PAGE:H3-1620-51

HEIGHT CONTROL VALVE - V.I.P.

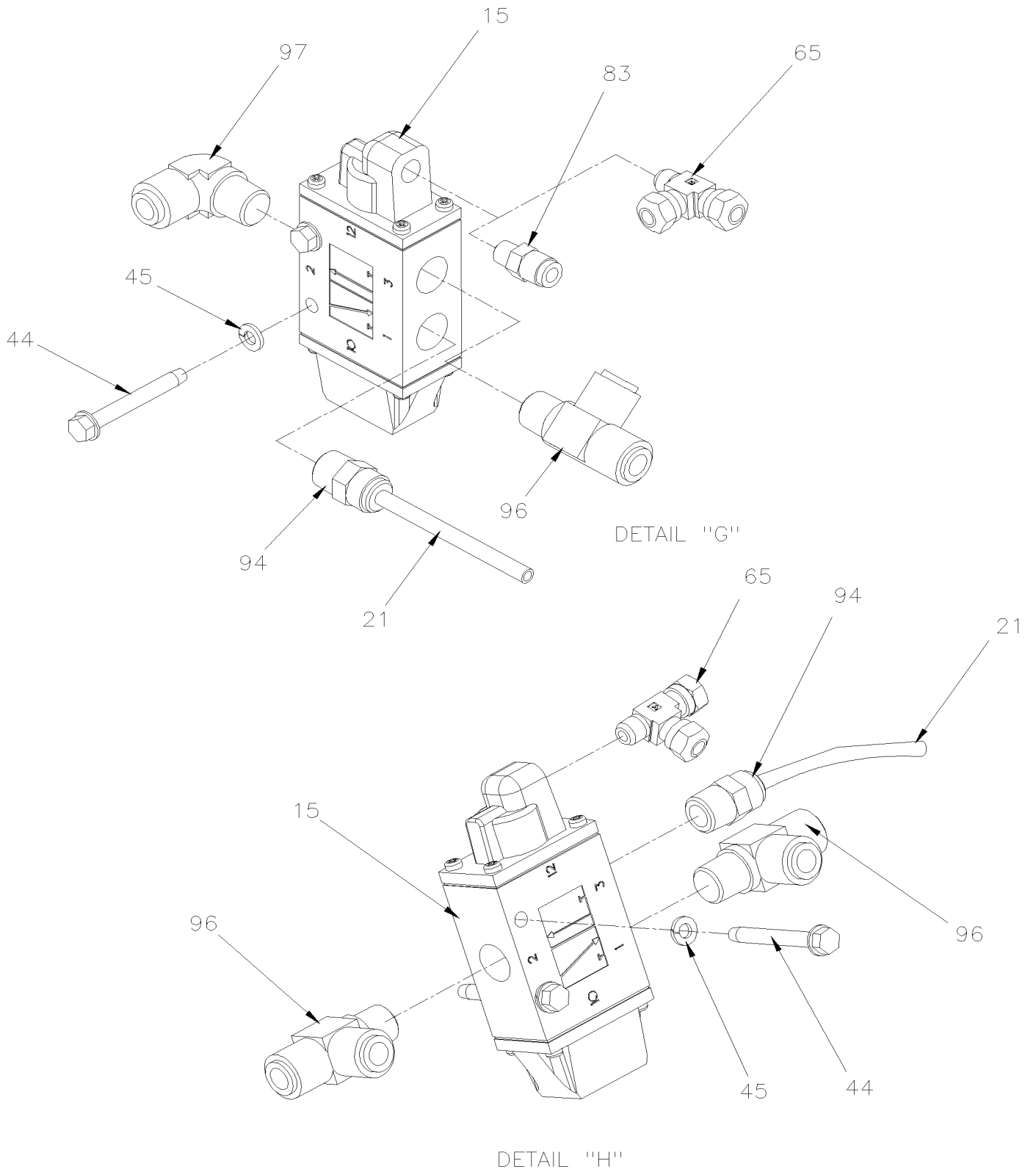


From 2-4388 To 2-4416

Date:10/2022

PAGE:H3-1620-51

HEIGHT CONTROL VALVE - V.I.P.

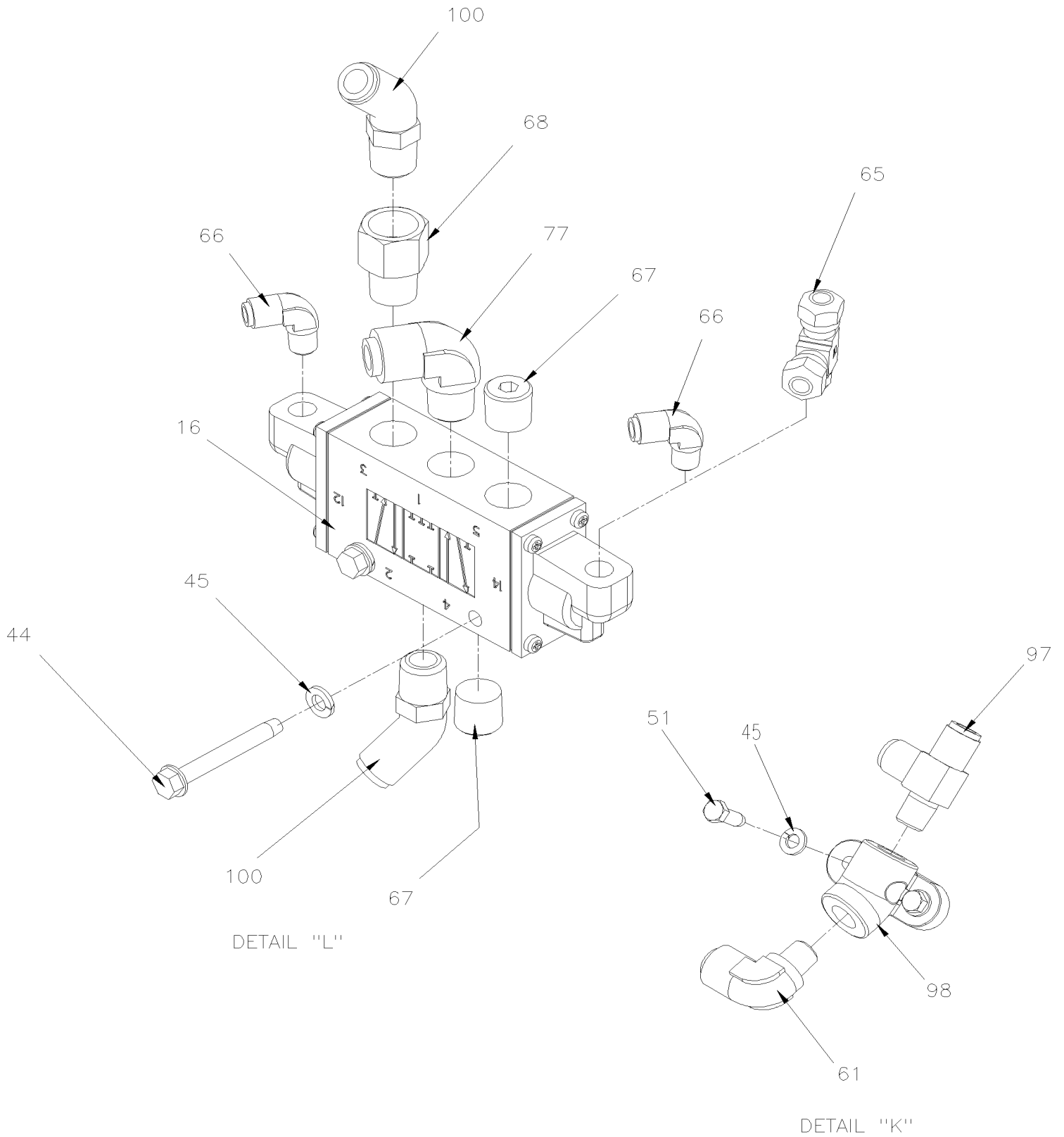


From 2-4388 To 2-4416

Date:10/2022

PAGE:H3-1620-51

HEIGHT CONTROL VALVE - V.I.P.



From 2-4388 To 2-4416	Date:10/2022	PAGE:H3-1620-51
HEIGHT CONTROL VALVE - V.I.P.		

Item#	Part	Description	H 3 4 1	H 3 4 5	V I P 4 5	N O T E S
2	640135	VALVE, CHECK 1/4 NPT			1	
3	500769	NUT HEX 1/4-20 Z050			2	
4	502582	WASHER LO SERR 6.1x16.2x0.9 Z050			2	
7	630156	VALVE, HEIGHT CONTROL "BARKSDALE"			2	
8	630237	VALVE, HEIGHT CONTROL "BARKSDALE" / FRONT			1	
10	630229	LINK ASSY 344MM C/C 13 1/2"			2	
. A	N8889244	. GROMMET / LINK			2	
. C	630250	. STUD RETAINER 1/4-20 X 1"			2	
. NS	500769	. NUT HEX 1/4-20 Z050			4	
. NS	500473	. WASHER LO SPT .262x.489x.062 Z050			4	
12	630231	LINK ASSY 185MM C/C 7 1/4"			1	
. A	N8889244	. GROMMET / LINK			2	
. B	630250	. STUD RETAINER 1/4-20 X 1"			2	
. C	500247	. NUT HEX 1/4-20 N500			4	
. D	500473	. WASHER LO SPT .262x.489x.062 Z050			4	
13	630250	STUD RETAINER 1/4-20 X 1"			2	
15	641274	VALVE, 3 WAYS, 2 POSITIONS N.C.			2	
16	641531	VALVE, 5 WAYS, 3 POSITIONS			2	
. NS	641186	. SPOOL			1	
20	503402	TUBE, NYLON 1/4 O.D. / BLACK S.L.			AR	
21	503517	TUBE, NYLON 1/2 O.D. / BLUE S.L.			AR	
32	131468	SUPPORT HEIGHT CONTROL VALVE			1	
33	131319	SUPPORT VALVE			2	
36	110679	ACTUATOR LEVER			1	
37	504635	U-BOLT 1 3/4" I.D. x 2 3/4" x 5/16-18			1	
38	500476	WASHER LO SPT .317x.586x.078 Z050			2	
39	500778	NUT HEX 5/16-18 N500			2	
40	502656	SCREW CAP HEX M6-1.0x50 SS			4	
41	502570	WASHER LO SPT 6.1x11.8x1.6 SS			8	
42	502565	NUT HEX M6-1.0 SS			8	
44	500600	SCREW TC CAP HEXW 1/4-20x2 N500			AR	
45	5001749	WASHER LO SPT 6.5x11.5x1.6 N500			AR	
46	502622	SCREW CAP HEX M6-1.0x20 SS BK			4	
51	500923	SCREW TC CAP HEX 1/4-20x3/4 Z050	2	2	2	
60	641332	MALE CONNECTOR / PUSH-IN FITTING / #4x1/4NPT-M BR			1	
61	641372	MALE ELBOW 90° NON-SWIVEL / PUSH-IN FITTING / #6x1/4NPT-M BR			1	
62	641373	MALE ELBOW 90° NON-SWIVEL / PUSH-IN FITTING / #8x1/4NPT-M BR			2	
64	641040	MALE ELBOW 90° / NTA FITTING / #8x3/8NPT-M BR			2	
65	641002	MALE RUN TEE / NTA FITTING / #4x#4x1/8NPT-M BR			1	
66	641369	MALE ELBOW 90° NON-SWIVEL / PUSH-IN FITTING / #4x1/8NPT-M BR			2	
67	501449	PLUG HEXS / PIPE FITTING / 3/8NPT-M STL			2	

From 2-4388 To 2-4416	Date:10/2022	PAGE:H3-1620-51
HEIGHT CONTROL VALVE - V.I.P.		

Item#	Part	Description	H 3 4 1	H 3 4 5	V I P 4 5	N O T E S
68	501309	ADAPTER / PIPE FITTING / 3/8NPT-Fx3/8NPT-M BR			1	
72	641330	MALE CONNECTOR / PUSH-IN FITTING / #6x3/8NPT-M BR			3	
77	641375	MALE ELBOW 90° NON-SWIVEL / PUSH-IN FITTING / #6x3/8NPT-M BR			1	
83	641242	MALE CONNECTOR / PUSH-IN FITTING / #4x1/8NPT-M BR			1	
84	641331	MALE CONNECTOR / PUSH-IN FITTING / #6x1/4NPT-M BR			1	
92	501304	PLUG SQUARE HEAD / PIPE FITTING / 1/4NPT-M BR			1	
94	641347	MALE CONNECTOR / PUSH-IN FITTING / #4x3/8NPT-M BR			1	
96	641388	MALE RUN TEE NON-SWIVEL / PUSH-IN FITTING / #6x#6x3/8NPT-M BR			1	
97	641389	MALE RUN TEE SWIVEL / PUSH-IN FITTING / #6x#6x1/4NPT-M BR			1	
98	640643	ANCHOR ELBOW / PIPE FITTING / 1/4NPT-Fx1/4NPT-F STL			1	
100	641367	MALE ELBOW 45° NON-SWIVEL / PUSH-IN FITTING / #6x3/8NPT-M BR			2	
110	H3-1260-00	VALVE SUPPORT ASSY				
111	H3-1202-05	TUBE AIR FRONT INSTALLATION				
112	H3-1601-02	BELLOWS - AIR SUSPENSION				
113	H3-1640-01	LEVEL-LOW - CONTROL PANEL & VALVES				
115	H3-1615-11	TAG AXLE - LIFTING				
116	MI07-06	SEE MAINTENANCE INFORMATION				
120	N.S.A.	LINK ASSY 344MM C/C 13 1/2"	2	2	2	3
120	131308	. ROD LINK / 305MM x .250" former			1	
121	630117	. ROD END / BLACK RUBBER 5/16" I.D. former			2	
122	504014	. HOSE CLAMP / 1/4"-5/8" SS / HM-4 former			2	
123	630137	. SCREW SHR CAP HEX 5/16" I.D. x 1/4-20 former			2	
124	502716	. NUT HEX NYRT 1/4-20 former			2	
125	500441	. WASHER FL .312x.734x.065 Z050 former			2	
		3) NOT SOLD ASSEMBLY				

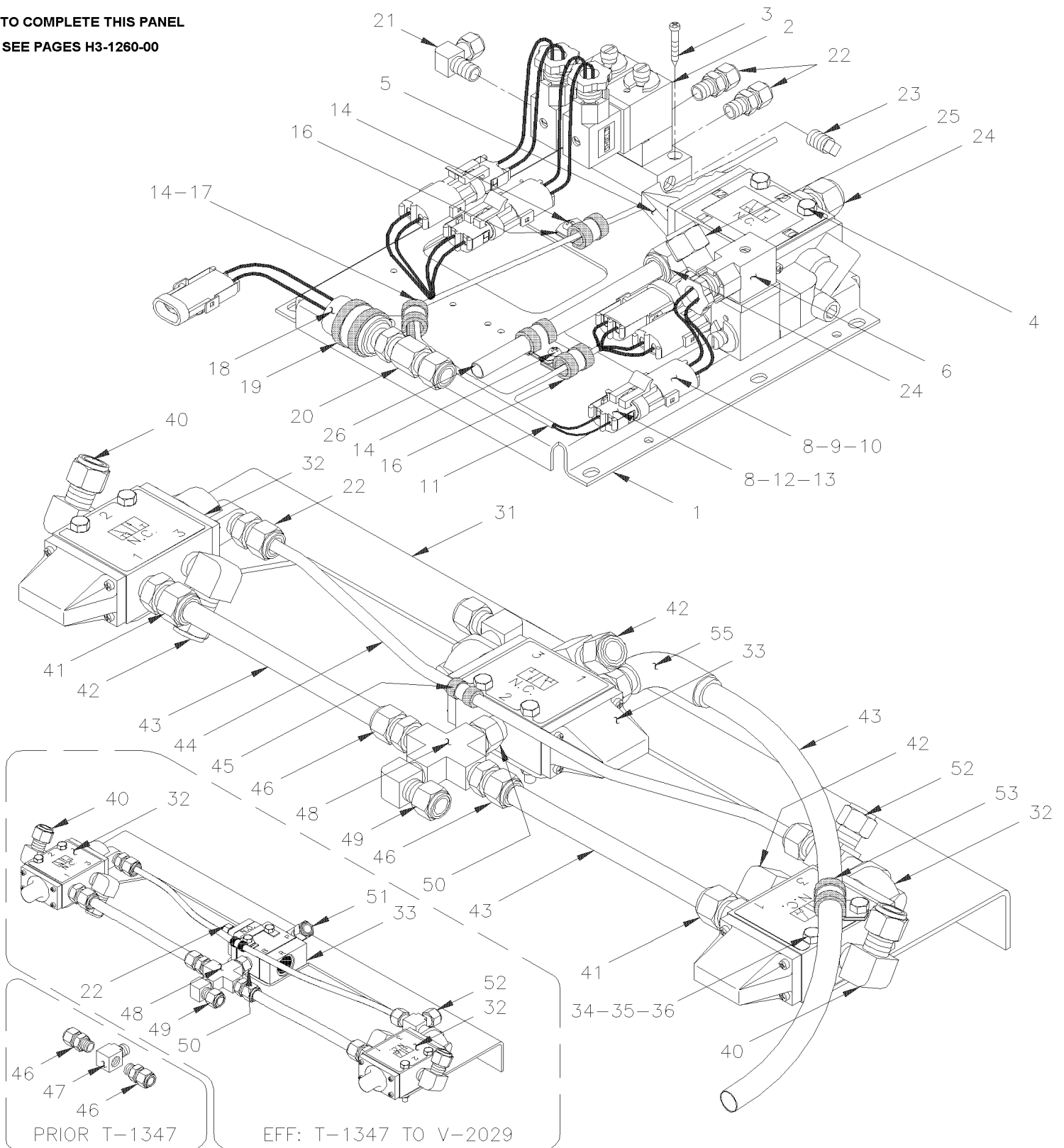
From R-012 To 2-4387

Date:10/2022

PAGE:H3-1630-01

FRONT KNEELING - CONTROL PANEL

TO COMPLETE THIS PANEL
SEE PAGES H3-1260-00



From R-012 To 2-4387		Date:10/2022	PAGE:H3-1630-01
FRONT KNEELING - CONTROL PANEL			

Item#	Part	Description	H 3 4 1	H 3 4 5	V I P 4 5	N O T E S
	131173	PANEL ASSY To T-1346	1	1		
	131391	PANEL ASSY From T-1347	1	1		
	141636	PANEL ASSY / W/W.C.L.	1	1		
1	131052	. SUPPORT	1	1		
2	641130	. MANIFOLD VALVE / W/2 SOLENOID To V-1714	1	1		
2	641412	. MANIFOLD VALVE / W/2 SOLENOID From V-1715	1	1		
. NS	641107	. . COIL 24V From V-1715	2	2		
3	500495	. SCREW TP PAN PH #6x1 Z050	1	1		
4	502793	. SCREW CAP HEX M6-1.0x45 G8.8 Z050	1	1		
5	630135	. VALVE, 3 WAYS, 2 POSITIONS N.O. To X-3237	1	1		
. NS	641169	. . SPOOL To X-3237	1	1		
. NS	641929	. . COIL 24V To X-3237	1	1		
5	641528	. VALVE, 3 WAYS, 2 POSITIONS N.O. From X-3238	1	1		
. NS	641929	. . COIL 24V From X-3238	1	1		
. NS	641169	. . SPOOL From X-3238	1	1		
. NS	641385	. . CONNECTOR / SOCKET HOUSING ASSY 3C / PNEUMAC 54934-01 From X-3238	1	1		
6	562353	. DIODE / 1AMP	3	3		
8	561566	. CONNECTOR / WEATHER PACK / PH 2C / BLACK / PED 12010973	2	2		
9	561568	. PIN TERMINAL / 16-14 / PED 12089305	4	4		
10	561565	. CABLE SEAL / GREEN / PED 15324982	6	6		
11	063830	. CABLE ASSY	1	1		
11	063961	. CABLE ASSY / W/W.C.L.	1	1		
12	561690	. . CONNECTOR / WEATHER PACK / SH 2C / BLACK / PED 12015792	1	1		
13	561578	. . SOCKET TERMINAL / 16-14 / PED 12010182	2	2		
14	500582	. SCREW TP PAN PH #8x3/8 Z050	3	3		
15	560503	. CLAMP / 1/4" I.D.	AR	AR		
16	560479	. CLAMP / 3/8" I.D.	AR	AR		
17	502550	. SCREW CAP HEX M4-0.7x16 G8.8 Z050	AR	AR		
18	452082	. PRESSURE SWITCH N.O. 30-15 20SP001AA030C015C From T-1347	1	1		
19	560483	. CLAMP / 7/8" I.D. From T-1347	1	1		
20	641028	. FEMALE CONNECTOR / NTA FITTING / #4x1/4NPT-F BR From T-1347	1	1		
21	640996	. MALE ELBOW 90° / NTA FITTING / #4x1/8NPT-M BR	1	1		
22	640987	. MALE CONNECTOR / NTA FITTING / #4x1/8NPT-M BR	2	2		
23	501303	. PLUG SQUARE HEAD / PIPE FITTING / 1/8NPT-M BR	1	1		
24	640990	. MALE CONNECTOR / NTA FITTING / #6x3/8NPT-M BR	2	2		
25	641375	. MALE ELBOW 90° NON-SWIVEL / PUSH-IN FITTING / #6x3/8NPT-M BR	1	1		
30		VALVE ASSY / W/FITTINGS	1	1		
31	131317	. SUPPORT VALVE To V-2028	1	1		
31	131469	. SUPPORT VALVE From V-2029	1	1		
32	641274	. VALVE, 3 WAYS, 2 POSITIONS N.C.	2	2		
33	641356	. VALVE, 3 WAYS, 2 POSITIONS N.O. / W/SPRING To V-2028	1	1		
33	641274	. VALVE, 3 WAYS, 2 POSITIONS N.C. From V-2029	1	1		

From R-012 To 2-4387	Date:10/2022	PAGE:H3-1630-01
FRONT KNEELING - CONTROL PANEL		

Item#	Part	Description	H 3 4 1	H 3 4 5	V I P 4 5	N O T E S
34	502793	. SCREW CAP HEX M6-1.0x45 G8.8 Z050	6	6		
35	502573	. WASHER FL 6.4x12.5x1.6 SS	6	6		
36	502511	. NUT HEX NYRT M6-1.0 Z050	6	6		
40	641010	MALE ELBOW 45° / NTA FITTING / #8x3/8NPT-M BR To T-1346	2	2		
40	641040	MALE ELBOW 90° / NTA FITTING / #8x3/8NPT-M BR From T-1347	2	2		
41	640991	MALE CONNECTOR / NTA FITTING / #8x3/8NPT-M BR	2	2		
42	641040	MALE ELBOW 90° / NTA FITTING / #8x3/8NPT-M BR	2	2		
43	503517	TUBE, NYLON 1/2 O.D. / BLUE S.L.	AR	AR		
44	503402	TUBE, NYLON 1/4 O.D. / BLACK S.L.	AR	AR		
45	560503	CLAMP / 1/4" I.D.	1	1		
46	641173	MALE CONNECTOR / NTA FITTING / #8x1/4NPT-M BR	2	2		
47	501894	MALE BRANCHE TEE / PIPE FITTING / 1/4NPT-Fx1/4NPT-Fx1/4NPT-M BR To T-1346	1	1		
48	501902	CROSS / PIPE FITTING / 1/4NPT-Fx1/4NPT-Fx 1/4NPT-Fx1/4NPT-F BR From T-1347	1	1		
49	640997	MALE ELBOW 90° / NTA FITTING / #4x1/4NPT-M BR	1	1		
49	501749	NIPPLE REDUCER HEX / PIPE FITTING / 3/8NPT-Mx1/4NPT-Mx1 13/32 BR From V-2029	1	1		
50	501321	NIPPLE HEX / PIPE FITTING / 1/4NPT-Mx1/4NPT-Mx1 3/8 BR To V-2028	1	1		
51	641017	MALE ELBOW 90° / NTA FITTING / #8x1/4NPT-M BR	1	1		
52	641002	MALE RUN TEE / NTA FITTING / #4x#4x1/8NPT-M BR	1	1		
53	560480	CLAMP / 1/2" I.D.	1	1		
NS	561707	RELAY 24V S.P.D.T. W/RESISTOR /	1	1		A
NS	064484	WIRING HARNESS	1	1		A
		FOLLOWING ITEMS ARE RELATED WITH VEHICLE				
		EQUIPPED W/5 M.P.H. "LOW BUOY" SWITCH				
NS	064055	WIRING HARNESS LOW BUOY FRONT JUNCTION BOX	1	1		
NS	064056	WIRING HARNESS LOW BUOY INTERFACE	1	1		
NS	062588	DIODE ASSY / W/3 3AMPS	1	1		
NS	381143	SUPPORT / FOR 6 PINS CONNECTOR	1	1		
NS	561707	RELAY 24V S.P.D.T. W/RESISTOR /	1	1		
55	641175	MALE ELBOW 90° / NTA FITTING / #6x1/2NPT-M BR	1	1		
		FOR RETROFIT ALARM SYSTEM UP TO T-1374				
		YOU NEED WIRING DIAGRAM				
		D060812 PAGE 24 SP1 & PNEUMATIC DIAGRAM				
		D140198, ALARM ASSY 064094, CABLE ASSY 064164				
		& 062082 LOW PRESSURE SWITCH.				
		FOR ALL FITTING SEE PAGE H3-1201-00				
60	H3-1260-00	VALVE SUPPORT ASSY				

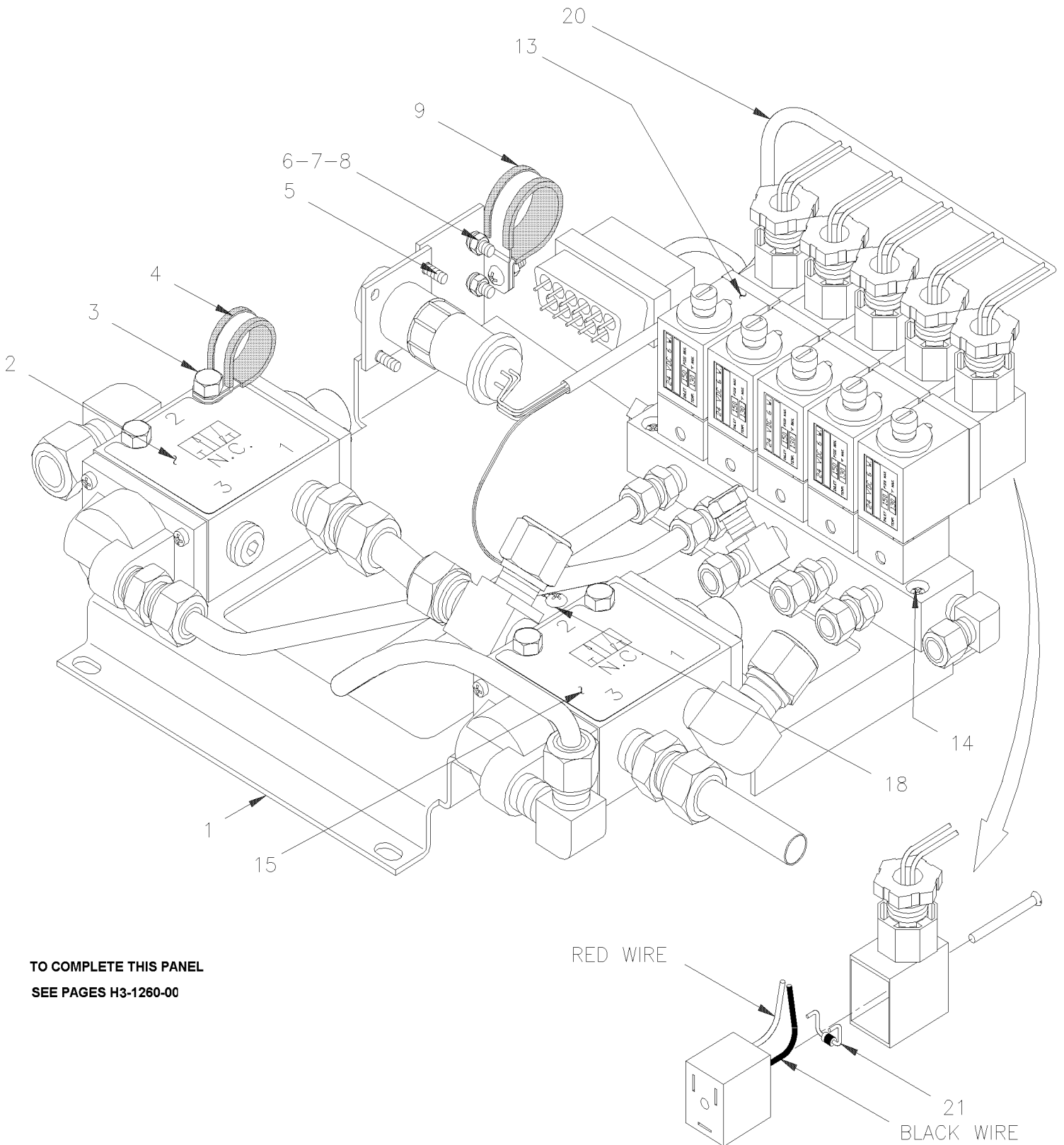
From R-012 To 2-4387			Date:10/2022	PAGE:H3-1630-01			
FRONT KNEELING - CONTROL PANEL							
Item#	Part	Description	H 3 4 1	H 3 4 5	V I P 4 5	N O T E S	
		A) THIS PART IS RELATED WITH KNEELING OPERATING WITH DOOR CLOSE SEE D-060902 PAGE 18 SP1					

From R-012 To 2-4416

Date:10/2022

PAGE:H3-1640-01

LEVEL-LOW - CONTROL PANEL & VALVES



TO COMPLETE THIS PANEL
SEE PAGES H3-1260-00

From R-012 To 2-4416	Date:10/2022	PAGE:H3-1640-01
LEVEL-LOW - CONTROL PANEL & VALVES		

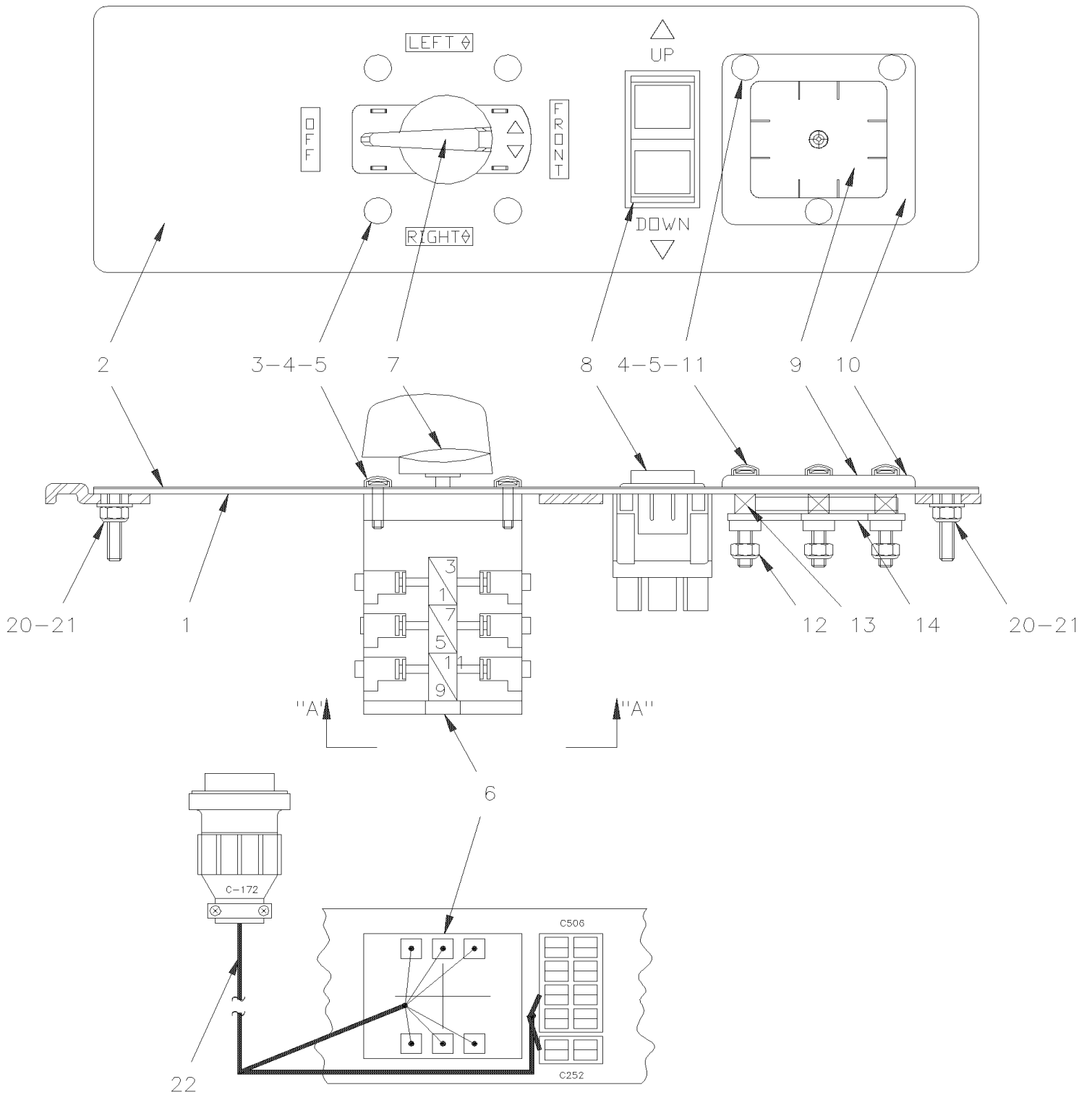
Item#	Part	Description	H 3 4 1	H 3 4 5	V I P 4 5	N O T E S
	131331	PANEL ASSY To T-1409			1	
	131379	PANEL ASSY From T-1409 To V-2028			1	
	131433	PANEL ASSY From V-2029			1	
1	131329	. SUPPORT			1	
2	641274	. VALVE, 3 WAYS, 2 POSITIONS N.C.			1	
3	502793	. SCREW CAP HEX M6-1.0x45 G8.8 Z050			4	
3	502573	. WASHER FL 6.4x12.5x1.6 SS			4	
3	502511	. NUT HEX NYRT M6-1.0 Z050			4	
4	560482	. CLAMP / 3/4" I.D. / W/HOLE 3/16"			1	
5	500576	. SCREW TC PAN PH #6-32x1/2 Z050			4	
6	500344	. SCREW MA RND PH M4-0.7x12 Z050			3	
7	502636	. WASHER LO SPT 4.1x7.6x0.9 Z050			3	
8	502524	. NUT HEX M4-0.7 Z050			3	
9	562036	. CLAMP / 7/8" I.D. X 90°			1	
10	500641	. SCREW TP PAN PH #8x3/4 Z050			4	
11	504412	. WASHER RETAINER SNAP CAP #8			4	
12	061695	. PRINTED CIRCUIT BOARD ASSY To T-1408			1	
NS	131104	. INSULATING BOARD To T-1408			1	
13	641205	. MANIFOLD VALVE / W/5 SOLENOID			1	
. NS	641928	. . KIT, MANIFOLD REPAIR / N.C.			5	
. NS	641107	. . COIL 24V			5	
14	500495	. SCREW TP PAN PH #6x1 Z050			2	
15	641274	. VALVE, 3 WAYS, 2 POSITIONS N.C.			1	
18	500582	. SCREW TP PAN PH #8x3/8 Z050			1	
20	063080	. CABLE ASSY / VALVE "LEVEL-LOW" To T-1408			1	
20	064177	. CABLE ASSY / VALVE "LEVEL-LOW" From T-1409 To 1-4142			1	
20	065429	. CABLE ASSY / VALVE "LEVEL-LOW" From 1-4143			1	
21	562353	. DIODE / 1AMP			5	
		FOR ALL FITTING SEE PAGE H3-1201-00				
30	H3-1260-00	VALVE SUPPORT ASSY				

From R-012 To W-2457

Date:10/2022

PAGE:H3-1640-11

LEVEL-LOW - LEVEL & SWITCHES



VIEW "A-A"

From R-012 To W-2457	Date:10/2022	PAGE:H3-1640-11
LEVEL-LOW - LEVEL & SWITCHES		

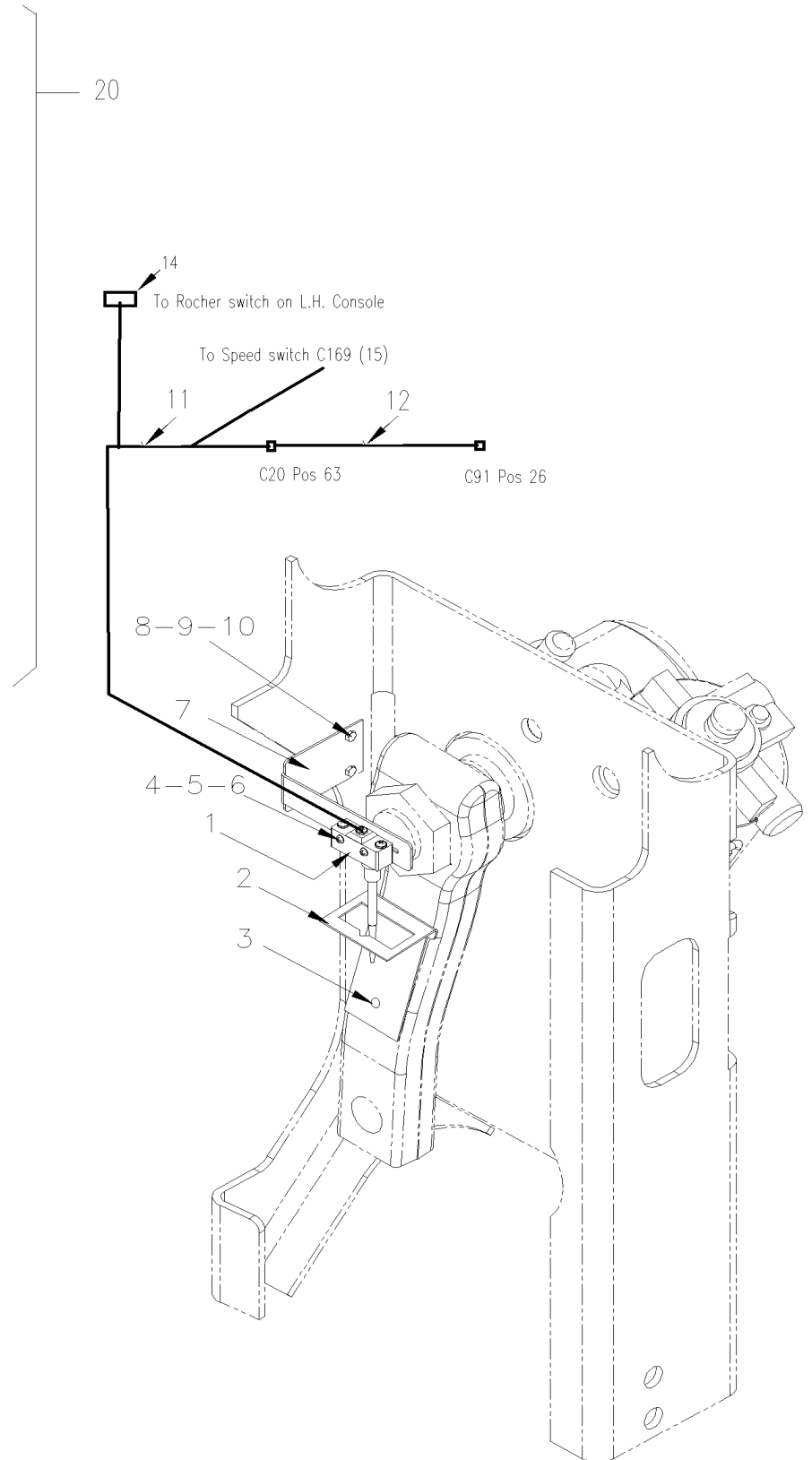
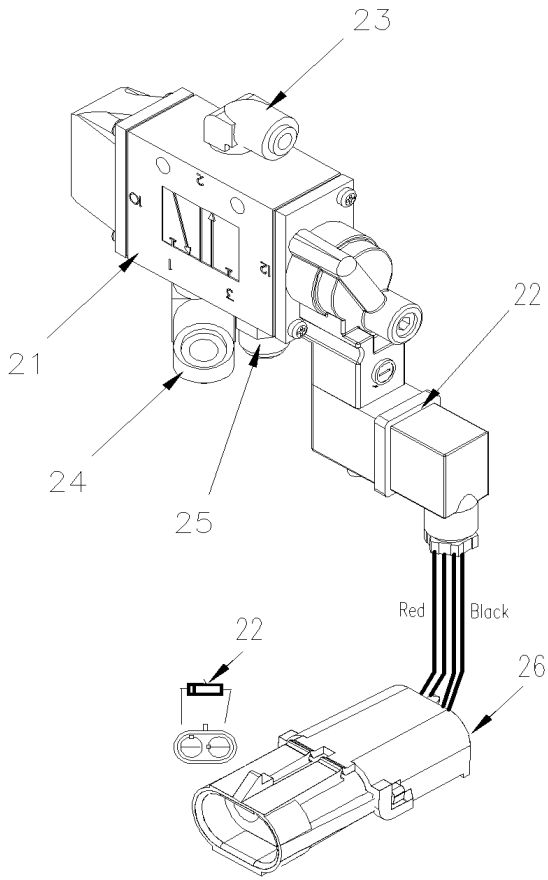
Item#	Part	Description	H 3 4 1	H 3 4 5	V I P 4 5	N O T E S
1	391694	PLATE ASSY To T-1408			1	
1	391806	PLATE ASSY From T-1409			1	
2	391693	LEXAN To T-1408			1	
2	391807	LEXAN From T-1409			1	
3	500432	SCREW TC PAN PH #8-32x3/4 Z050			4	
4	504403	SNAP CAP #8 FINISHING BLACK			7	
5	504412	WASHER RETAINER SNAP CAP #8			7	
6	561259	SWITCH / 10 AMPS 4 POSITIONS 90° To T-1408			1	A
6	562517	SWITCH / 10 AMPS 4 POSITIONS 90° From T-1409			1	A
6	563086	SWITCH / 10 AMPS 4 POSITIONS 90° From SERVICE			1	
6	392317	PLATE PLASTIC "LEVEL LOW" From SERVICE			1	
7	561855	. KNOB			1	
8	561260	SWITCH / M/ON-OFF-M/ON 3 P.D.T. To T-1408			1	
8	561475	SWITCH / M/ON-OFF-M/ON / S.P.D.T. CH-OVER From T-1404			1	
8	064173	INSERT / GREEN / UP/DOWN (LEVEL-LOW) From T-1409			1	
9	630075	LEVEL 5 WAYS			1	
10	391470	MOULDING / AROUND LEVEL			1	
11	502643	SCREW MA PAN PH #8-32x1 1/4 Z050			3	
12	500670	NUT HEX NYRT #8-32 Z050			3	
13	502162	SPRING COMPRESSION / .240 O.D. x .312 x .026			3	
14	390747	BRACKET / TO FIX LEVEL To T-1408			1	
14	391827	BRACKET / TO FIX LEVEL From T-1409			1	
20	500590	NUT HEX NYRT M4-0.7 Z050			4	
21	500591	WASHER FL 4.3x9.0x0.8 Z050			4	
22	062690	CABLE ASSY / W/"LEVEL LOW" To T-1408			1	
22	064176	CABLE ASSY / W/"LEVEL LOW" From T-1409			1	
23	065381	KIT, SWITCH LEVEL LOW From SERVICE	1	1	1	
. NS	391994	. DECAL "LEVEL LOW" From SERVICE	1	1	1	
. NS	392317	. PLATE PLASTIC "LEVEL LOW" From SERVICE	1	1	1	
. NS	561457	. SPRING SPADE TERMINAL #6 / 22-16 / AMP 52929 From SERVICE	7	7	7	
. NS	563086	. SWITCH / 10 AMPS 4 POSITIONS 90° From SERVICE	1	1	1	
. NS	D390096	. DIAGRAM, DASHBOARD, LEFT MODULE, MTH From SERVICE	1	1	1	
. NS	D390113	. DIAGRAM, DASHBOARD, LEFT MODULE, VIP MUX From SERVICE	1	1	1	
. NS	IS-06020	. INSTRUCTION SHEET From SERVICE	1	1	1	
. NS	FI-06020	. FEUILLE D'INSTRUCTION From SERVICE	1	1	1	
		A) THIS SWITCH IT SUPPERSEDED BY KIT # 065381				

From R-012 To 2-4416

Date:10/2022

PAGE:H3-1650-00

TAG UNLOAD - AIR VALVE INSTALLATION

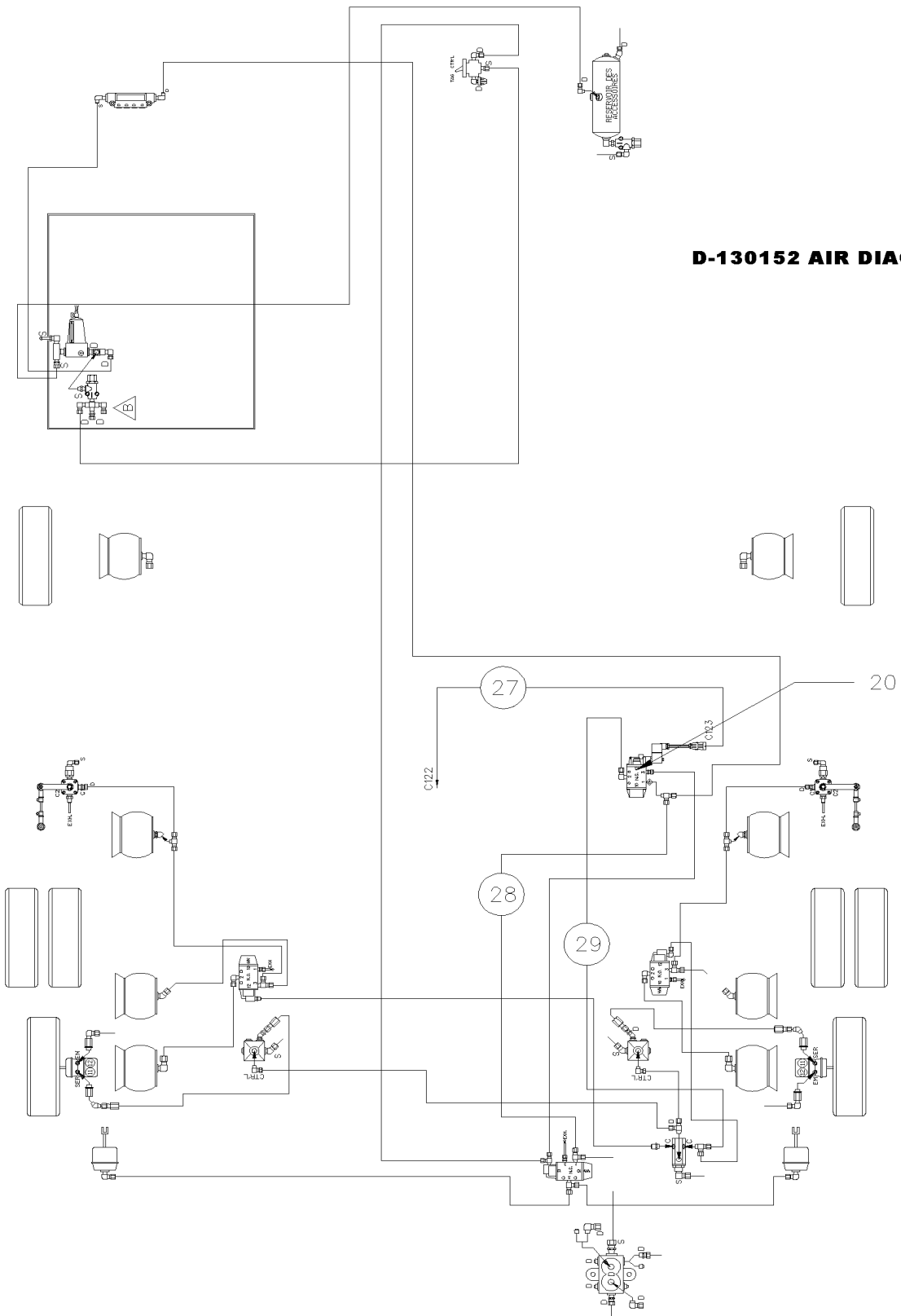


From R-012 To 2-4416

Date:10/2022

PAGE:H3-1650-00

TAG UNLOAD - AIR VALVE INSTALLATION



D-130152 AIR DIAGRAM

From R-012 To 2-4416	Date:10/2022	PAGE:H3-1650-00
TAG UNLOAD - AIR VALVE INSTALLATION		

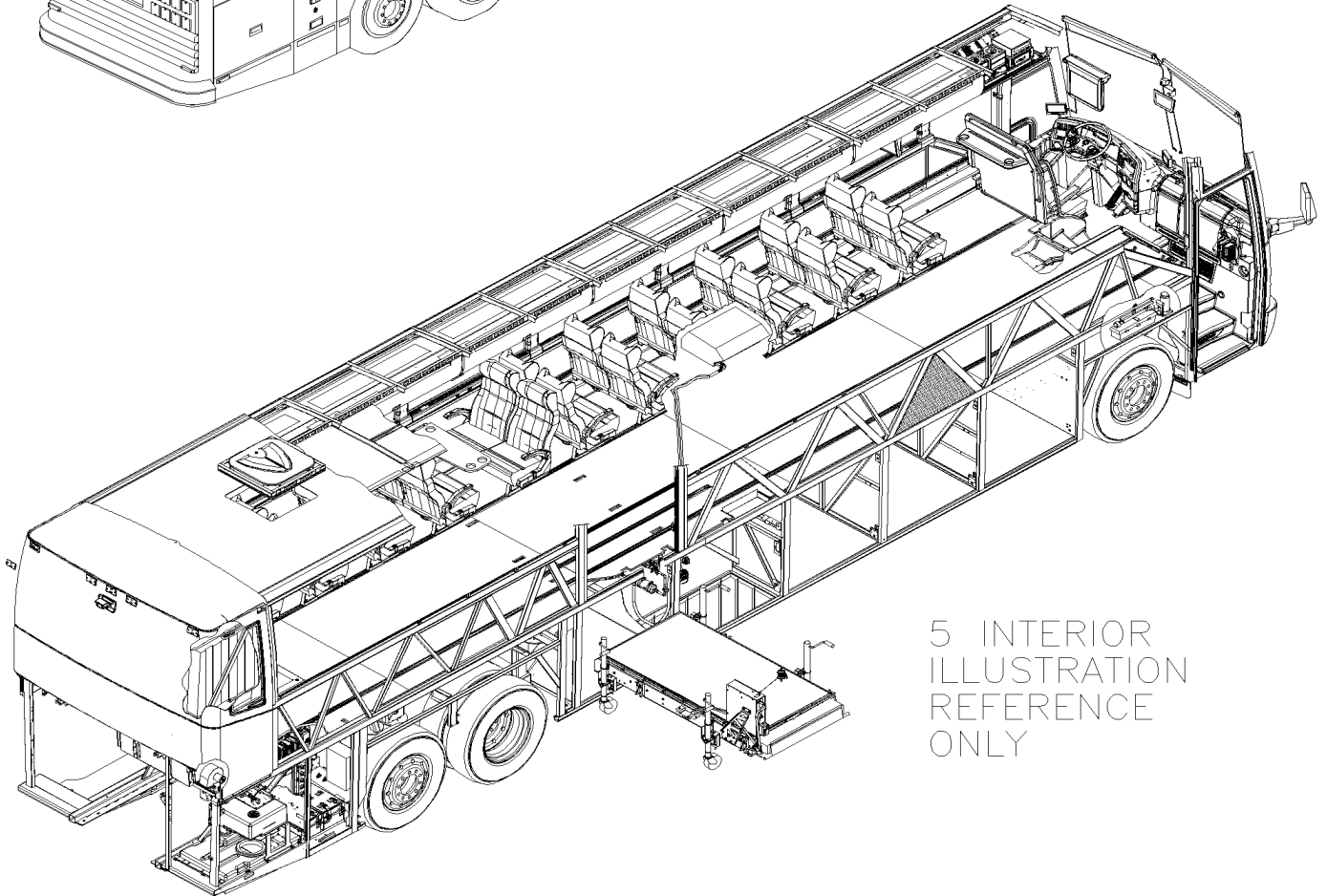
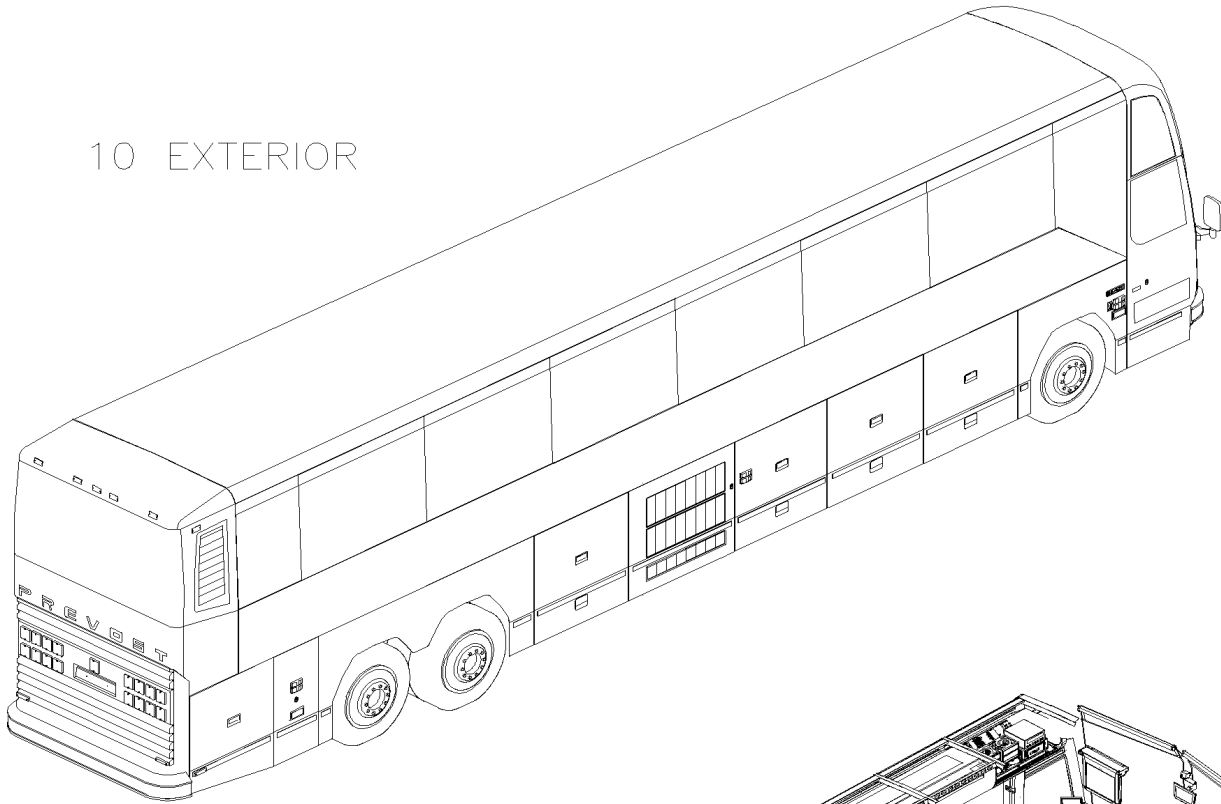
Item#	Part	Description	H 3 4 1	H 3 4 5	V I P 4 5	N O T E S
		THE FIRST BUS WITH THIS "OPTION" IS W-2164				
	D130152	DIAGRAM AIR SHEMATIC (see next page) "H" SERIES	1	1		
	D060888	DIAGRAM SWITCH SHEMATIC - INSTALLATION	1	1		
	D060882	DIAGRAM ELECTRICAL SHEMATIC PAGE 18.1SP2 From V-1719 To W-2284	1	1		
	D060902	DIAGRAM ELECTRICAL SHEMATIC PAGE 18.1SP2 From W-2285 To Y-3394	1	1		
	D060949	DIAGRAM ELECTRICAL SHEMATIC PAGE 18.1SP2 From Y-3395 To 3-4757	1	1		
	D060976	DIAGRAM ELECTRICAL SHEMATIC PAGE 18.1SP2 From 4-4358 To 5-0167	1	1		
	D061020	DIAGRAM ELECTRICAL SHEMATIC From 5-0168	1	1		
1	562343	MICRO SWITCH ASSY WITH FLEX	1	1		
2	063488	ACTUATOR TAG UNLOAD /	1	1		
3	500500	SCREW DRV RND #8x3/8 Z050	2	2		
4	502612	SCREW MA RND PH #6-32x1 Z050	2	2		
5	500689	NUT HEX #6-32 Z050	2	2		
6	500467	WASHER LO INT .138x.275x.019 Z050	2	2		
7	064392	SUPPORT, SWITCH W/"ZF STEERING BOX "H" SERIES	1	1		A
8	500978	SCREW CAP HEX #10-24x3/4 Z050	2	2		
9	500786	NUT HEX #10-24 Z050	2	2		
10	500470	WASHER LO SPT .193x.334x.047 Z050	2	2		
11	064389	CABLE ASSY / SWITCH TAG UNLOAD FRT JCT BOX To 2-4416	1	1		
11	064633	CABLE ASSY / SWITCH TAG UNLOAD FRT JCT BOX From 3-4417 To 5-0207	1	1		
11	060979	CABLE ASSY / SWITCH TAG UNLOAD FRT JCT BOX From 5-0208	1	1		
12	064390	CABLE ASSY To 5-0207	1	1		?
. NS	561240	. SOCKET TERMINAL / 18-16 / SIGNAL CONTACT / AMP 66101-2 To 5-0207	1	1		
. NS	562273	. TAB TERMINAL / 22-18 / AMP 42475-4 To 5-0207	1	1		
NS	064391	CABLE ASSY To 5-0207	1	1		?
. NS	562014	. SOCKET TERMINAL / 24-20 / SIGNAL CONTACT / AMP 1-66504-0 To 5-0207	1	1		
. NS	562273	. TAB TERMINAL / 22-18 / AMP 42475-4 To 5-0207	1	1		
14	561472	SWITCH / ON-ON / D.P.D.T. / CH-OVER To 2-4416	1	1		
NS	063487	INSERT / GREEN / UP/DOWN (LEVEL-LOW) To 2-4416	1	1		
14	562697	SWITCH / ON-ON / D.P.D.T. / CH-OVER / W/RED & GREEN LED From 3-4417	1	1		
NS	562808	CAP / UNLOAD TAG From 3-4417	1	1		
20	131496	AIR VALVE ASSY	1	1		
21	641529	. VALVE, 3 WAYS, 2 POSITIONS N.C.	1	1		
. NS	641929	. . COIL 24V	1	1		
. NS	641169	. . SPOOL	1	1		
. NS	641385	. . CONNECTOR / SOCKET HOUSING ASSY 3C / PNEUMAC 54934-01	1	1		
22	562353	. DIODE / 1AMP	1	1		
23	641374	. MALE ELBOW 90° NON-SWIVEL / PUSH-IN FITTING / #4x3/8NPT-M BR	1	1		
24	641388	. MALE RUN TEE NON-SWIVEL / PUSH-IN FITTING / #6x#6x3/8NPT-M BR	1	1		

From R-012 To 2-4416	Date:10/2022	PAGE:H3-1650-00
TAG UNLOAD - AIR VALVE INSTALLATION		

Item#	Part	Description	H 3 4 1	H 3 4 5	V I P 4 5	N O T E S
25	641347	. MALE CONNECTOR / PUSH-IN FITTING / #4x3/8NPT-M BR	1	1		
26	561566	. CONNECTOR / WEATHER PACK / PH 2C / BLACK / PED 12010973	1	1		
26	561568	. PIN TERMINAL / 16-14 / PED 12089305	2	2		
26	561565	. CABLE SEAL / GREEN / PED 15324982	2	2		
27	064361	CABLE ASSY / VALVE & REAR JCT BOX	1	1		
28	503404	TUBE, NYLON 3/8 O.D. / BLACK S.L.	5	5		
29	503402	TUBE, NYLON 1/4 O.D. / BLACK S.L.	4	4		
NS	500625	SCREW TC CAP HEXW 1/4-20x2 Z050	2	2		
		FOLLOWING NEXT ITEMS ARE RELATED				
		WITH COACH WITH MANUAL TRANSMISSION				
		LOCATED IN REAR JCT BOX 0620-00				
NS	381250	SWITCH, PROGRAMMABLE SPEED	1	1		
NS	064301	CABLE ASSY SPEED SWITCH / W/MANUAL TRANSMISSION ONLY From T-1584 To 3-4357	1	1		
NS	065687	CABLE ASSY SPEED SWITCH / W/MAN TRANS ONLY From 4-4358	1	1		
NS	561729	STOPPER	2	2		
NS	5001053	SCREW MA PAN PH #4-40x1/4 ZP	2	2		
		A) AS SHOWN				
		?) SEE DETAIL SCREEN				

	Date:10/2022	H3-18
BODY		

10 EXTERIOR



5 INTERIOR
ILLUSTRATION
REFERENCE
ONLY

		Date:10/2022	H3-18			
BODY						
Item#	Part	Description	H 3 4 1	H 3 4 5	V I P 4 5	N O T E S
5	H3-18-INT	BODY INTERIOR From R-012 To 2-4416				
10	H3-18-EXT	BODY EXTERIOR From R-012 To 2-4416				

From R-012 To 2-4416

Date:10/2022

PAGE:H3-18-INT

BODY INTERIOR

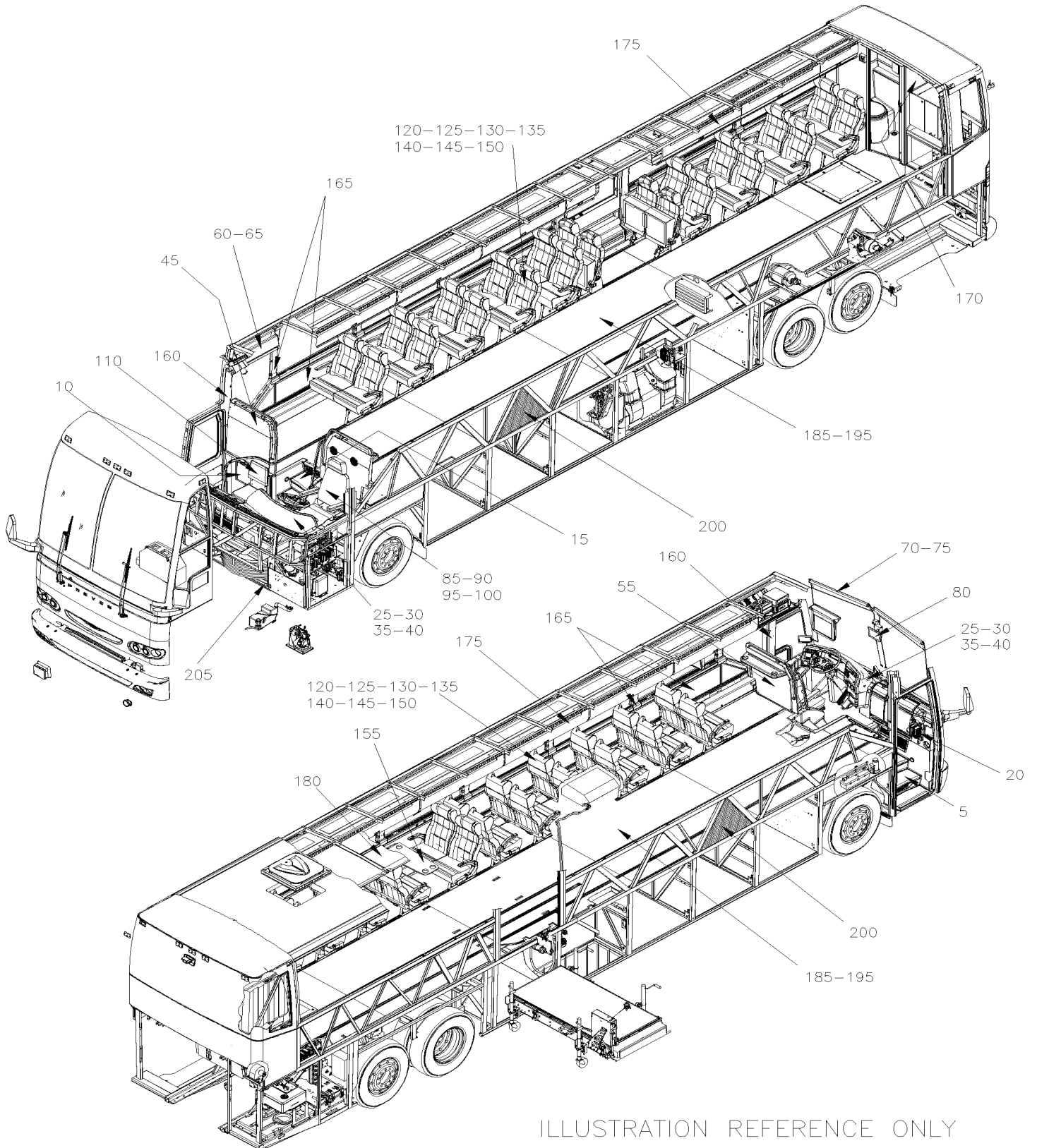


ILLUSTRATION REFERENCE ONLY

From R-012 To 2-4416	Date:10/2022	PAGE:H3-18-INT
BODY INTERIOR		

Item#	Part	Description	H 3 4 1	H 3 4 5	V I P 4 5	N O T E S
5	H3-1800-00	FRONT STEPWELL - INSTALLATION From R-012 To W-2149				
5	H3-1800-01	FRONT STEPWELL - INSTALLATION From W-2150 To 2-4416				
10	H3-1800-10	STEPWELL COMPARTMENT From R-012 To 2-4416				
15	H3-1800-25	FRONT AISLE STEPWELL - INSTALLATION From R-012 To 2-4416				
20	H3-1802-00	ENTRANCE DOOR CONTROL From R-012 To S-137				
20	H3-1802-01	ENTRANCE DOOR CONTROL From S-138 To W-2284				
20	H3-1802-02	ENTRANCE DOOR CONTROL From W-2285 To X-3149				
20	H3-1802-03	ENTRANCE DOOR CONTROL From X-3150 To 2-4416				
25	H3-1806-00	DASHBOARD PANEL - BUS From R-012 To W-2284				
25	H3-1806-01	CENTRAL DASHBOARD PANEL - BUS From W-2285 To 2-4416				
25	H3-1806-05	DASHBOARD PANEL - V.I.P. From R-012 To W-2457				
25	H3-1806-06	CENTRAL DASHBOARD PANEL - V.I.P. From X-2458 To 2-4416				
30	H3-1806-10	L.H. CONSOLE - BUS From R-012 To W-2284				
30	H3-1806-11	L.H. CONSOLE - BUS From W-2285 To 2-4416				
30	H3-1806-15	L.H. CONSOLE - V.I.P. From R-012 To W-2457				
30	H3-1806-16	L.H. CONSOLE - V.I.P. From X-2458 To 2-4416				
35	H3-1806-20	DASHBOARD PANEL - BUS From W-2285 To 2-4416				
35	H3-1806-25	DASHBOARD PANEL - V.I.P. From X-2458 To 2-4416				
40	H3-1806-50	R.H. CONSOLE - W/MANUAL TRANSMISSION From R-012 To W-2284				
40	H3-1806-51	R.H. CONSOLE - BUS From W-2285 To 2-4416				
40	H3-1806-52	R.H. CONSOLE - V.I.P. From X-2458 To 2-4416				
40	H3-1806-55	R.H. CONSOLE - W/AUTOMATIC TRANSMISSION - BUS From R-012 To W-2284				
40	H3-1806-56	R.H. CONSOLE - W/AUTOMATIC TRANSMISSION - V.I.P. From R-012 To W-2457				
45	H3-1810-00	MODESTY PANEL R.H. From R-012 To 2-4416				
55	H3-1812-00	MODESTY PANEL L.H. From R-012 To 2-4416				
60	H3-1814-01	DESTINATION SIGN - ELECTRICAL From R-012 To 2-4416				
60	H3-1814-02	DESTINATION SIGN - "POCATEC" From T-1453 To 2-4416				
60	H3-1814-03	DESTINATION SIGN - "BALIOS" From W-2285 To 2-4416				
60	H3-1814-04	DESTINATION SIGN - "LUMINATOR" From Y-3721 To 2-4416				
65	H3-1814-05	DESTINATION SIGN - INSTALLATION From R-012 To 2-4416				
70	H3-1816-00	ROLLER BLIND - DRIVER' S & WINDSHIELD From R-012 To 2-4416				
75	H3-1816-11	SUN SHADE - PASSENGER'S WINDOW From R-012 To W-2284				
75	H3-1816-12	SUN SHADE - PASSENGER'S WINDOW From W-2285 To 2-4416				
80	H3-1820-00	MIRROR - INTERIOR From R-012 To 2-4416				
85	H3-1822-00	DRIVER'S SEAT ASSY - "ISRI" From R-012 To X-3153				
90	H3-1822-01	DRIVER'S SEAT - "ISRI" - 6800/338 From X-3154 To 2-4416				
90	H3-1822-10	DRIVER'S SEAT - "ISRI" - 6000/515 & 6500/515 From R-012 To X-3153				
90	H3-1822-20	DRIVER'S SEAT - "ISRI" - 6801/517 & 6801/525 From R-012 To X-3153				
95	H3-1823-00	DRIVER'S SEAT - "RECARO" - B100W From R-012 To 2-4416				
95	H3-1823-01	DRIVER'S SEAT - "RECARO" - ERGO-COACH From R-012 To 2-4416				
95	H3-1823-10	BACKREST ASSY - "RECARO" - B100W From R-012 To 2-4416				
95	H3-1823-11	BACKREST ASSY - "RECARO" - ERGO-COACH From R-012 To 2-4416				

From R-012 To 2-4416	Date:10/2022	PAGE:H3-18-INT
BODY INTERIOR		

Item#	Part	Description	H 3 4 1	H 3 4 5	V I P 4 5	N O T E S
95	H3-1823-15	SEAT COVER & FOAM - "RECARO" - ERGO-COACH From R-012 To 2-4416				
95	H3-1823-20	SUSPENSION & SEAT CUSHION - "RECARO" - B100W From R-012 To 2-4416				
95	H3-1823-21	SUSPENSION & RISER - "RECARO" - ERGO-COACH From R-012 To 2-4416				
95	H3-1823-25	SEAT CUSHION FRAME - "RECARO" - ERGO-COACH From R-012 To 2-4416				
95	H3-1823-30	ARMREST - "RECARO" - B100W From R-012 To 2-4416				
95	H3-1823-31	ARMREST - "RECARO" - ERGO-COACH From R-012 To 2-4416				
100	H3-1823-50	DRIVER'S SEAT - "USSC" - 9100ALX3 From R-012 To 2-4416				
100	H3-1823-60	SEAT ASSY - "USSC" - 9100ALX3 From R-012 To 2-4416				
100	H3-1823-70	SUSPENSION ASSY - "USSC" - 9100ALX3 From R-012 To 2-4416				
100	H3-1823-80	BASE ASSY - "USSC" - 9100ALX3 From R-012 To 2-4416				
110	H3-1824-02	HOSTESS SEAT ASSY From R-012 To 2-4416				
120	H3-1824-30	PASSENGER'S SEAT - "AMAYA" IDENTIFICATION "MODEL" From R-012 To 2-4416				
125	H3-1825-00	PASSENGER'S SEAT - "AMERICAN" - W6693 & W7693 From R-012 To 2-4416				
125	H3-1825-01	PASSENGER'S SEAT - "AMERICAN" - W6694 & W7694 From R-012 To 2-4416				
125	H3-1825-02	PASSENGER'S SEAT - "AMERICAN" - W6695 From R-012 To 2-4416				
125	H3-1825-03	PASSENGER'S SEAT - "AMERICAN" - W6696 & W7696 From R-012 To 2-4416				
130	H3-1825-05	PASSENGER'S SEAT - "AMERICAN" - FRAME From R-012 To 2-4416				
130	H3-1825-06	PASSENGER'S SEAT - "AMERICAN" SERIES 2000 & MORE From Y-3867 To 2-4416	1	1		
130	H3-1825-10	PASSENGER'S SEAT - "AMERICAN" - FRAME ROTATIN From R-012 To 2-4416				
130	H3-1825-20	PASSENGER'S SEAT - "AMERICAN" - CUSHION From R-012 To 2-4416				
130	H3-1825-30	PASSENGER'S SEAT - "AMERICAN" - BACKREST WX69 From R-012 To 2-4416				
130	H3-1825-31	PASSENGER'S SEAT - "AMERICAN" - BACKREST WX69 From R-012 To 2-4416				
130	H3-1825-40	PASSENGER'S SEAT - "AMERICAN" - FOOTREST From R-012 To 2-4416				
130	H3-1825-50	PASSENGER'S SEAT - "AMERICAN" - ARMREST From R-012 To 2-4416				
130	H3-1825-51	PASSENGER'S SEAT - "AMERICAN" - ARMREST SERIES 2000 & MORE From Y-3867 To 2-4416	1	1		
130	H3-1825-60	PASSENGER'S SEAT - "AMERICAN" - BACK & ACCESS From R-012 To 2-4416				
135	H3-1826-00	PASSENGER'S SEAT - "NATIONAL" - 4209 & 4210 From R-012 To 2-4416				
135	H3-1826-01	PASSENGER'S SEAT - "NATIONAL" - 4208 & 4270 From R-012 To 2-4416				
140	H3-1826-05	PASSENGER'S SEAT - "AMAYA" "EUROTECH" From R-012 To 2-4416				
140	H3-1826-06	PASSENGER'S SEAT - "AMAYA" "BRASIL" From R-012 To 2-4416				
140	H3-1826-08	PASSENGER'S SEAT - "AMAYA" "GAUDI" From R-012 To 2-4416				
140	H3-1826-40	PASSENGER'S SEAT - "AMAYA" - FOOTREST From R-012 To 2-4416				
140	H3-1826-50	ARMREST PASSENGER'S SEAT - "AMAYA" WITH "EUROTECH" From R-012 To 2-4416				
140	H3-1826-51	ARMREST PASSENGER'S SEAT - "AMAYA" WITH "BRASIL" From R-012 To 2-4416				
140	H3-1826-52	ARMREST PASSENGER'S SEAT - "AMAYA" WITH "GAUDI" From R-012 To 2-4416				
140	H3-1826-60	ACCESSORIES PASSENGER'S SEAT - "AMAYA" From R-012 To 2-4416				
140	H3-1826-71	PASSENGER'S SEAT - "AMAYA" - FLIP-UP "GAUDI" HR & SC - W/ W.C.L. From R-012 To 2-4416				
145	H3-1827-01	PASSENGER'S SEAT - "SILHOUETTE" CHARCOAL From R-012 To 2-4416				
145	H3-1827-02	PASSENGER'S SEAT - "ULTRA" From R-012 To 2-4416				
145	H3-1827-10	PASSENGER'S SEAT - ROTATING From R-012 To Y-3486				
145	H3-1827-11	PASSENGER'S SEAT - ROTATING From Y-3487 To 2-4416				
145	H3-1827-51	ARMREST PASSENGER'S - "CHARCOAL" From R-012 To Y-3486				

From R-012 To 2-4416		Date:10/2022	PAGE:H3-18-INT
BODY INTERIOR			

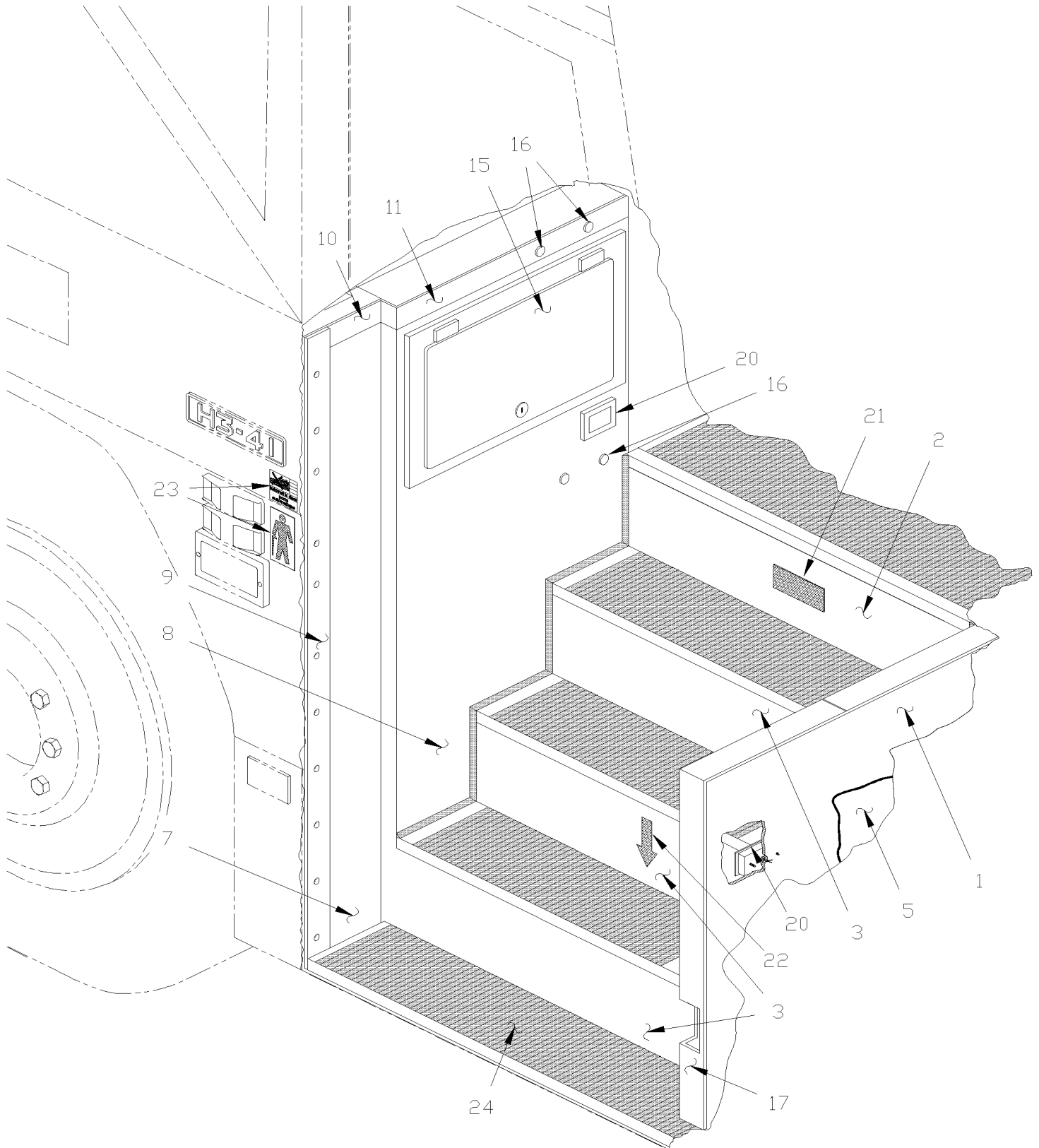
Item#	Part	Description	H 3 4 1	H 3 4 5	V I P 4 5	N O T E S
145	H3-1827-52	ARMREST PASSENGER'S - "CHARCOAL" W/LEVER From Y-3487 To 2-4416				
145	H3-1827-70	PASSENGER'S SEAT - "TOURISMO II" - FLIP-UP W/W.C.L. From S-128 To 2-4416				
145	H3-1827-99	ARMREST PASSENGER'S - "RETROFIT" From R-012 To Y-3486				
150	H3-1828-01	PASSENGER'S SEAT - "TOURISMO II" From R-012 To 2-4416				
155	H3-1829-00	ACCESSORIES PASSENGER'S SEAT - "PREVOST" From R-012 To 2-4416				
160	H3-1832-01	FRONT FINISHING CAP From R-012 To W-2284				
160	H3-1832-02	FRONT FINISHING CAP From W-2285 To 2-4416				
165	H3-1833-00	WINDOW FINISHING CAP & WALL From R-012 To W-2284				
165	H3-1833-01	WINDOW FINISHING CAP & WALL From W-2285 To X-3128				
165	H3-1833-02	WINDOW FINISHING CAP & WALL From X-3129 To 2-4416				
170	H3-1834-00	REAR FINISHING CAP From R-012 To W-2284				
170	H3-1834-01	REAR FINISHING CAP From W-2285 To 2-4416				
175	H3-1836-00	PARCEL RACK From R-012 To V-1967				
175	H3-1836-01	PARCEL RACK From V-1968 To W-2284				
175	H3-1836-02	PARCEL RACK From W-2285 To 2-4416				
180	H3-1837-01	CEILING PANELS & MOULDING From R-012 To W-2284				
180	H3-1837-02	CEILING PANELS & MOULDING From W-2285 To 2-4416				
180	H3-1837-50	CEILING PANELS & MOULDING - V.I.P. From R-012 To 2-4416				
185	H3-1838-01	FLOOR - BUS From R-012 To 2-4416				
185	H3-1838-05	FLOOR COVERING - "R.C.A." From R-012 To 2-4416				
185	H3-1838-10	FLOOR COVERING - "TARAFLEX" From R-012 To 2-4416				
195	H3-1838-50	FLOOR & REAR WALL - V.I.P. From R-012 To 2-4416				
200	H3-1839-00	INSULATING SIDE WALL - LOWER PANEL From R-012 To 2-4416				
200	H3-1839-10	INSULATING FLOOR REAR AXLE - W/60 From R-012 To 2-4416				
200	H3-1839-15	INSULATING FRONT - SUBFRAME From R-012 To 2-4416				
200	H3-1839-20	INSULATING REAR ENGINE COMPARTMENT From R-012 To 2-4416				
200	H3-1839-25	INSULATING REAR END - STRUCTURE & CAP From R-012 To 2-4416				
200	H3-1839-30	INSULATING ROOF PANELS From R-012 To 2-4416				
205	H3-1840-00	CLOSING PANEL SPARE COMPARTMENT From R-012 To 2-4416				

From R-012 To W-2149

Date:10/2022

PAGE:H3-1800-00

FRONT STEPWELL - INSTALLATION



From R-012 To W-2149	Date:10/2022	PAGE:H3-1800-00
FRONT STEPWELL - INSTALLATION		

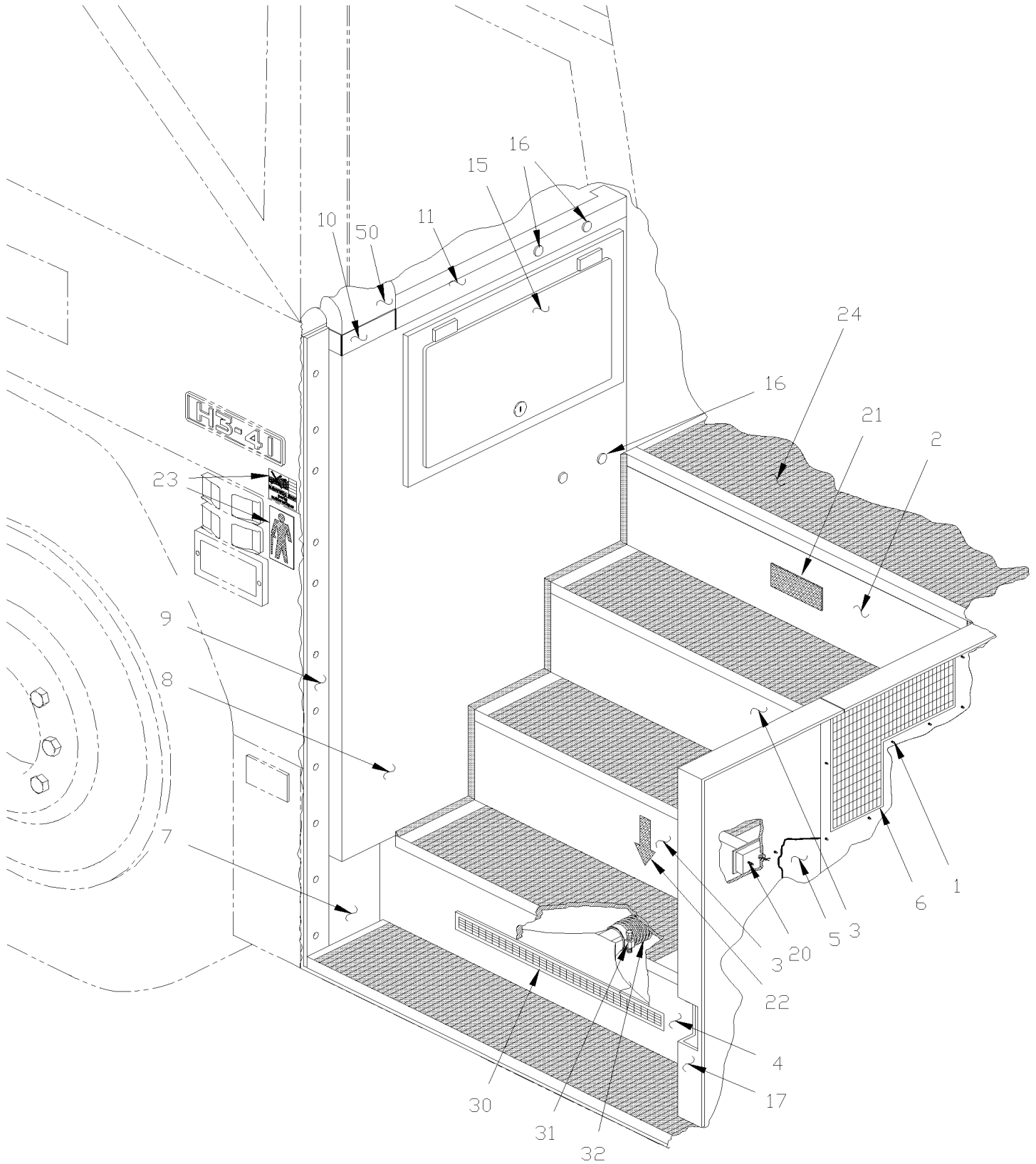
Item#	Part	Description	H 3 4 1	H 3 4 5	V I P 4 5	N O T E S
1	324447	STEPWELL / FRONT	1	1		
1	323506	STEPWELL / FRONT			1	
NS	500879	SCREW TP PAN PH #10x1 Z050	27	27	27	Z
NS	5001120	SCREW TP FL PH #10x1 1/4 SS410	5	5	5	
NS	500940	SCREW TP FL PH #10x2 Z050	5	5	5	
2	322474	RISER #4	1	1		
3	322475	RISER #1-2-3	3	3		
5	324062	PANEL R.H.	1	1		
7	323867	PANEL, SS / L.H.	1	1		
8	324448	PANEL L.H. To T-1577	1	1		
8	325475	PANEL L.H. From T-1578	1	1		
9	323868	SEAL RETAINER, REAR UPPER	1	1		
10	324459	MOULDING / FRONT FINISHING FLOOR / 211MM SS	1	1		
11	324460	MOULDING / FRONT FINISHING FLOOR / 707MM SS	1	1		
11	323508	MOULDING / FRONT FINISHING FLOOR / "Z" SHAPE / 1681MM SS			1	
15	H3-1800-10	STEPWELL COMPARTMENT				
16	504373	PLUG BUTTON / 1.000 O.D. / BARE METAL	4	4		
NS	363324	FASTENER / UPPER / TO FIX HOSTESS SEAT	2	2		
NS	363070	SPECIAL BOLT ASSY / TO FIX HOSTESS SEAT / 126MM	2	2		
17	284037	MOULDING LOWER 138MM SS	1	1		
17	284038	MOULDING UPPER 395MM SS	1	1		
20	H3-0655-01	INTERIOR LIGHTING To W-2284				
21	130621	DECAL "KNEELING BUS"	1	1		
22	130623	DECAL / ARROW SHAPE	1	1		
23	H3-1855-01	EXTERIOR TRIMS & CREST				
24	H3-1838-05	FLOOR COVERING - "R.C.A."				
NS	900515	TAPE ANTISKID ADH / GREY / 1" X 60'			AR	
		Z) TO FIX STEPWELL				

From W-2150 To 2-4416

Date:10/2022

PAGE:H3-1800-01

FRONT STEPWELL - INSTALLATION



From W-2150 To 2-4416	Date:10/2022	PAGE:H3-1800-01
FRONT STEPWELL - INSTALLATION		

Item#	Part	Description	H 3 4 1	H 3 4 5	V I P 4 5	N O T E S
1	325878	STEPWELL / FRONT To W-2284	1	1		
1	326190	STEPWELL / FRONT From W-2285	1	1		
1	323506	STEPWELL / FRONT To W-2457			1	F
1	326191	STEPWELL / FRONT From X-2458			1	
1	3200090	STEPWELL / FRONT			1	
NS	500879	SCREW TP PAN PH #10x1 Z050	27	27	27	B
NS	5001120	SCREW TP FL PH #10x1 1/4 SS410	5	5	5	
NS	500940	SCREW TP FL PH #10x2 Z050	5	5	5	
2	322474	RISER #4	1	1		R
2	326469	RISER #1-2-3	1	1		T
3	322475	RISER #1-2-3	2	2		R
3	326469	RISER #1-2-3	2	2		T
4	325877	RISER #1 / W/PERFORATED GRILL From W-2150	1	1		R
4	326470	RISER #1 / W/PERFORATED GRILL From W-2150	1	1		T
5	324062	PANEL R.H. To W-2284	1	1		
5	326210	PANEL R.H. From W-2285	1	1		
6	453108	GRILL AIR / FRONT STEPWELL / RETURN From W-2285	1	1		
6	453105	GRILL AIR / FRONT STEPWELL / RETURN From X-2458			1	
7	325961	PANEL L.H.	1	1		
8	325960	PANEL L.H.	1	1		
9	323868	SEAL RETAINER, REAR UPPER	1	1		
10	326345	MOULDING / FRONT FINISHING FLOOR / 147MM SS	1	1		
11	325953	MOULDING / FRONT FINISHING FLOOR / 822MM SS	1	1		
11	323508	MOULDING / FRONT FINISHING FLOOR / "Z" SHAPE / 1681MM SS From X-2457			1	
11	326404	MOULDING / FRONT FINISHING FLOOR / "Z" SHAPE / 1614MM SS From X-2458			1	
15	H3-1800-10	STEPWELL COMPARTMENT				
16	504373	PLUG BUTTON / 1.000 O.D. / BARE METAL	4	4		
NS	363324	FASTENER / UPPER / TO FIX HOSTESS SEAT	2	2		
NS	363070	SPECIAL BOLT ASSY / TO FIX HOSTESS SEAT / 126MM	2	2		
17	284037	MOULDING LOWER 138MM SS	1	1		
17	284038	MOULDING UPPER 395MM SS	1	1		
20	H3-0655-01	INTERIOR LIGHTING To W-2284				
20	H3-0655-02	INTERIOR LIGHTING From W-2285				
21	130621	DECAL "KNEELING BUS"	1	1		
22	130623	DECAL / ARROW SHAPE	1	1		
23	H3-1855-01	EXTERIOR TRIMS & CREST				
24	H3-1838-05	FLOOR COVERING - "R.C.A."				
24	H3-1838-10	FLOOR COVERING - "TARAFLEX"				
NS	900515	TAPE ANTISKID ADH / GREY / 1" X 60'			AR	
30	325895	AIR INTAKE	1	1		
31	504024	HOSE CLAMP / 1"13/16"-2"3/4 SS / HS-36	2	2		
32	503031	HOSE FLEXIBLE / AIR DUCT 2 1/2" I.D. X 12' / RUBBER	AR	AR		

From W-2150 To 2-4416	Date:10/2022	PAGE:H3-1800-01
FRONT STEPWELL - INSTALLATION		

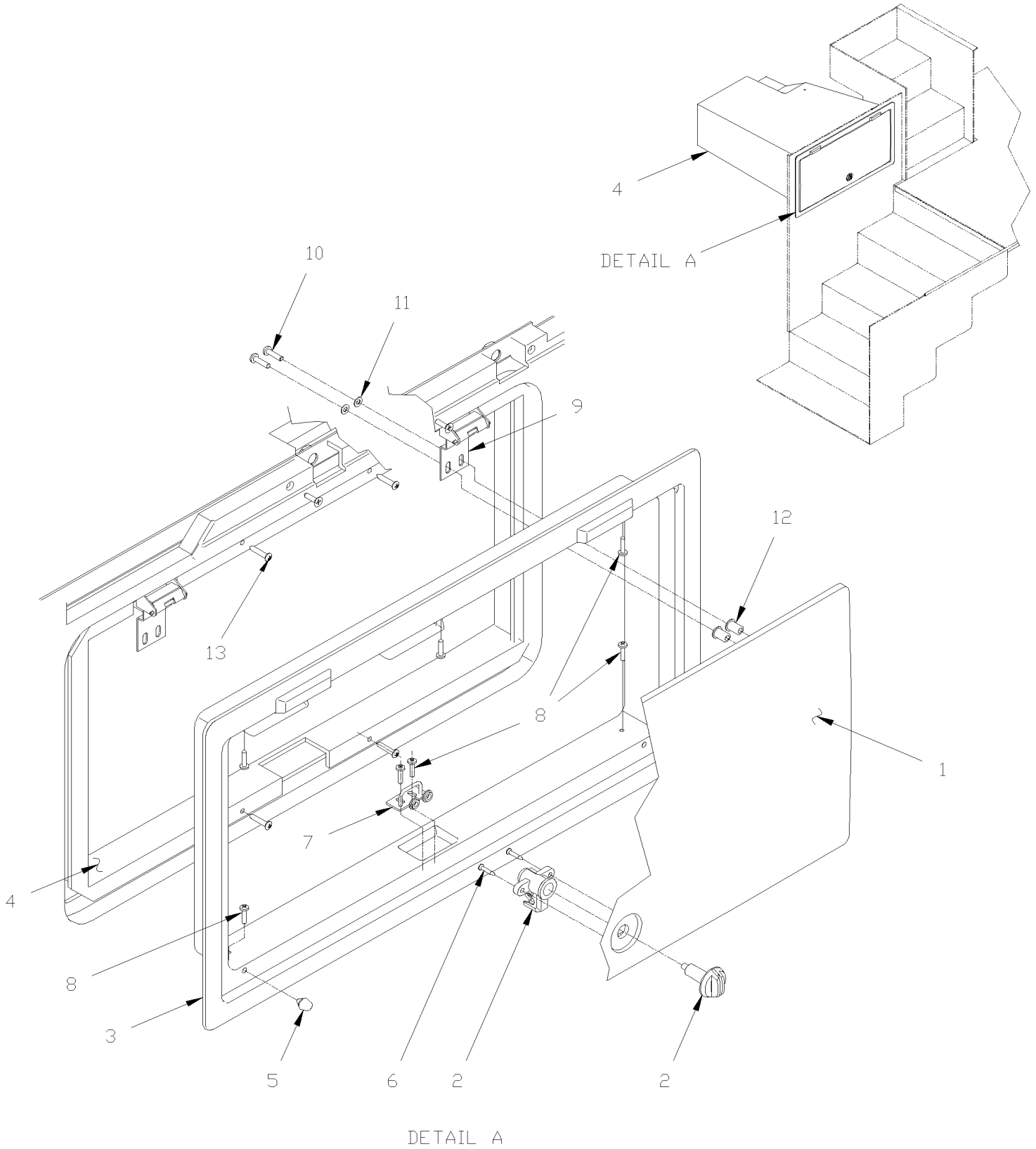
Item#	Part	Description	H 3 4 1	H 3 4 5	V I P 4 5	N O T E S
NS	870843	DEFLECTOR, AIR	1	1		
50	H3-2221-11	DUCTING HEATER & A/C				
		B) TO FIX STEPWELL				
		F) USE WITH "I" BEAM RIGID SUSPENSION UP TO X-2488				
		R) WITH "RCA" FLOOR COVERING				
		T) WITH "TARAFLEX" FLOOR COVERING				

From R-012 To 2-4416

Date:10/2022

PAGE:H3-1800-10

STEPWELL COMPARTMENT



From R-012 To 2-4416	Date:10/2022	PAGE:H3-1800-10
STEPWELL COMPARTMENT		

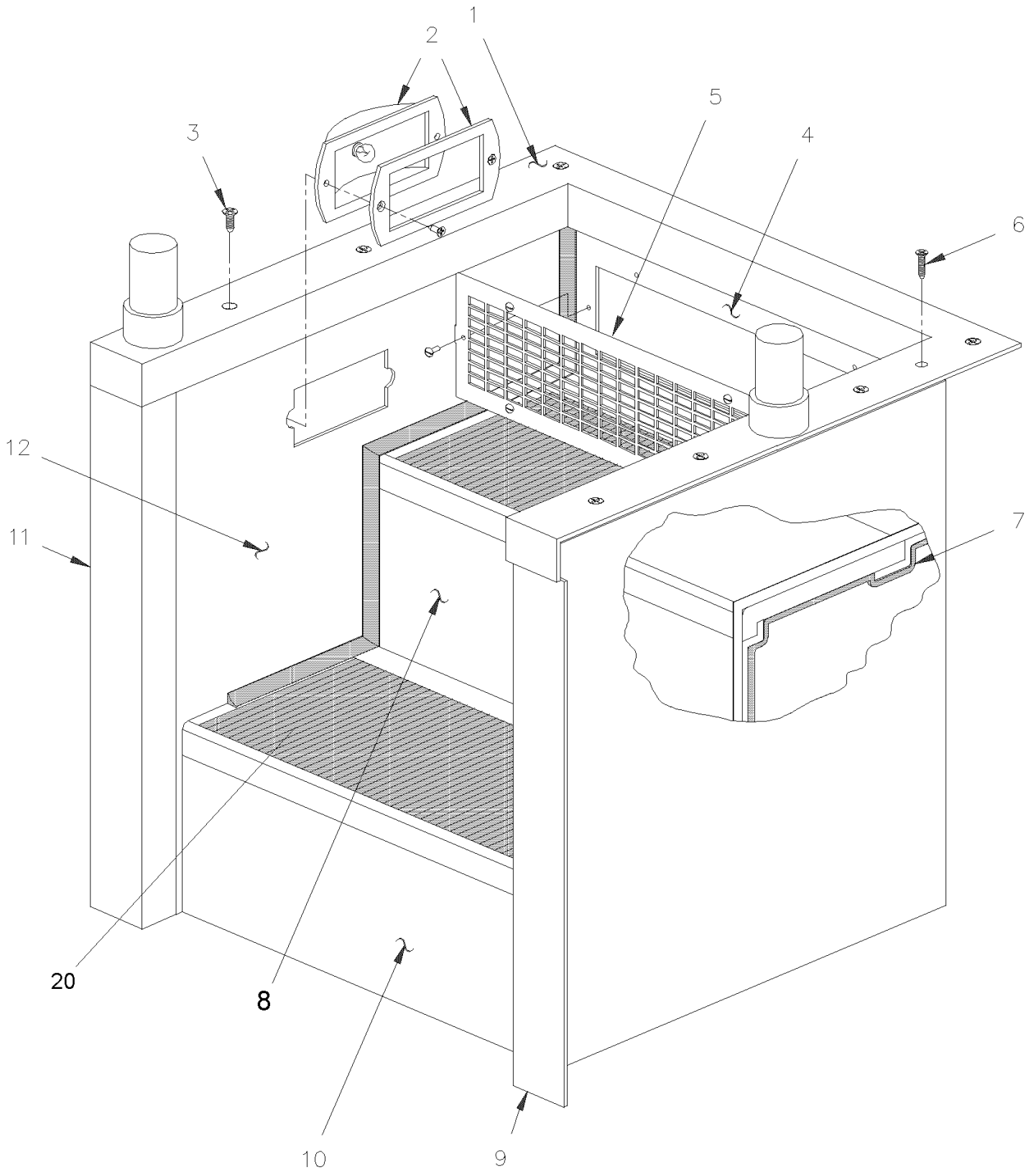
Item#	Part	Description	H 3 4 1	H 3 4 5	V I P 4 5	N O T E S
1	322464	DOOR To W-2284	1	1		
1	326238	DOOR From W-2285	1	1		
2	504392	LATCH	1	1		
3	322466	FINISHING FRAME To V-1912	1	1		
3	325751	FINISHING FRAME From V-1913 To W-2284	1	1		
3	326237	FINISHING FRAME From W-2285	1	1		
4	322465	BOX INSIDE To V-1912	1	1		
4	325476	BOX INSIDE From V-1913	1	1		
NS	323916	SEPARATOR / FOR LOG BOOK To V-1912	1	1		
NS	325742	SEPARATOR / FOR LOG BOOK From V-1913	1	1		
NS	325745	CARPET FINISHING	1	1		
NS	504113	RIVET POP DOME CLE 3/16x1/4 AL	AR	AR		
5	506499	BUMPER PLUG / .500ODx.312THx.250HOLEx.093	2	2		
6	500333	SCREW TP OV PH #6x3/4 BK	2	2		
7	322490	CATCH	1	1		
8	5001119	SCREW TP BDG PH #8x3/4 SS	7	7		
9	322483	HINGE	2	2		
NS	500879	SCREW TP PAN PH #10x1 Z050	4	4		
10	5001299	SCREW MA PAN PH #10-32x3/4 SS	4	4		
11	500240	WASHER LO EXT .195x.410x.025 Z050	4	4		
12	500519	NUT WELL #10-32x.518	4	4		
13	500620	SCREW TP FL PH #10x1 1/2 Z050	17	17		

From R-012 To 2-4416

Date:10/2022

PAGE:H3-1800-25

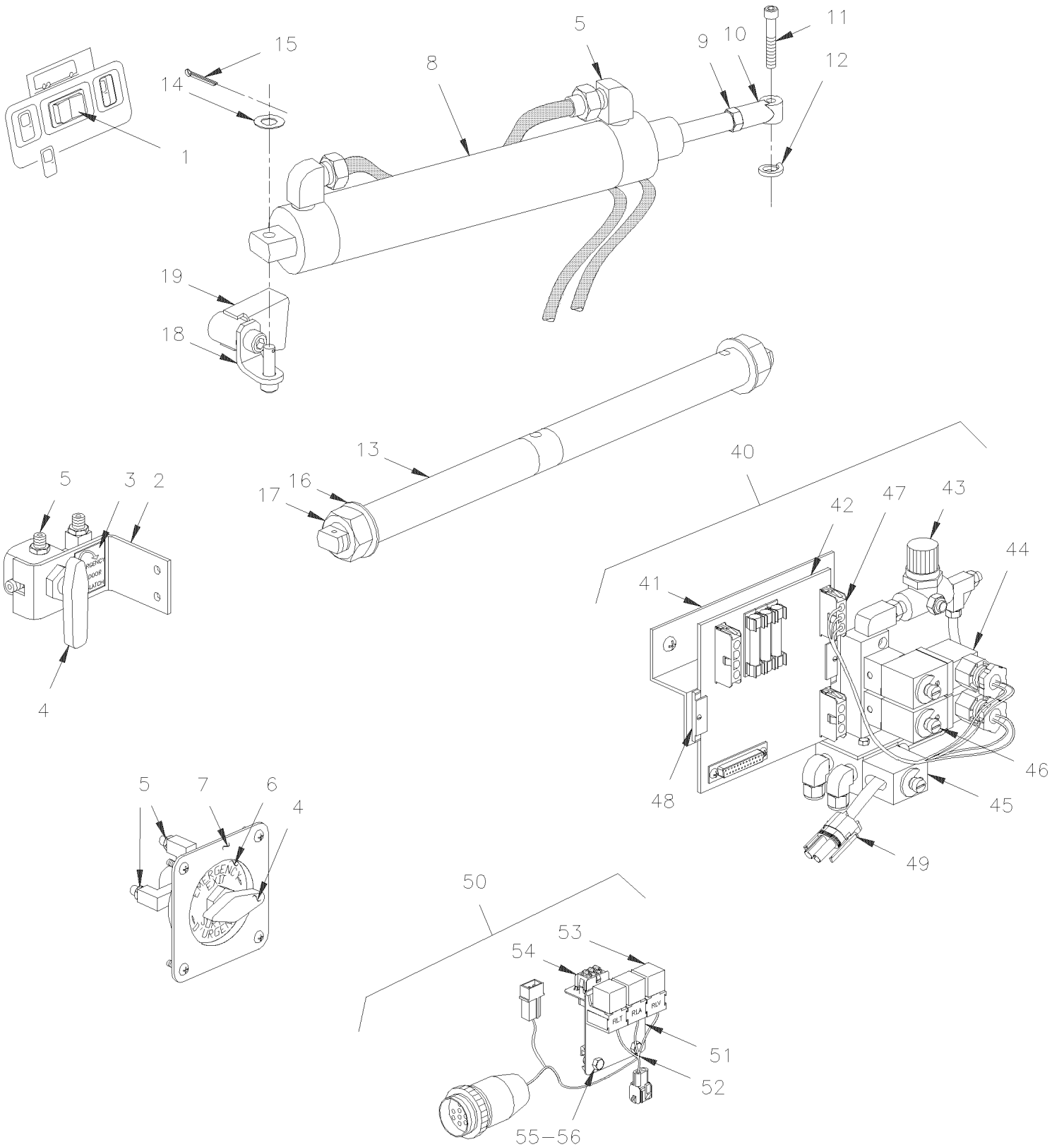
FRONT AISLE STEPWELL - INSTALLATION



From R-012 To 2-4416	Date:10/2022	PAGE:H3-1800-25
FRONT AISLE STEPWELL - INSTALLATION		

Item#	Part	Description	H 3 4 1	H 3 4 5	V I P 4 5	N O T E S
1	322634	MOULDING, HORIZONTAL / R.H.	1	1		
NS	500620	SCREW TP FL PH #10x1 1/2 Z050	8	8		
2	H3-0655-01	INTERIOR LIGHTING To W-2284				
2	H3-0655-02	INTERIOR LIGHTING From W-2285				
NS	500148	SCREW MA RND PH #6-32x1/2 SS	2	2		A
NS	500422	NUT SPR U #6-32 .110-.120 SS	2	2		
3	500618	SCREW TP FL PH #10x1 Z050	7	7		
4	322599	RISER, UPPER	1	1		R
4	326471	RISER, UPPER	1	1		T
5	322598	GRILL AIR / AISLE STEPWELL / RETURN	1	1	1	
NS	500148	SCREW MA RND PH #6-32x1/2 SS	6	6		B
NS	500996	NUT SPR U #6-32 .135-.150	6	6		B
6	500940	SCREW TP FL PH #10x2 Z050	2	2		
7	322495	STEPWELL, AISLE To S-115	1	1		
7	324629	STEPWELL, AISLE From S-116	1	1		
8	322601	RISER, MIDDLE	1	1		R
8	326472	RISER, MIDDLE	1	1		T
9	322647	PANEL, SS / L.H. To S-115	1	1		
9	324633	PANEL, SS / L.H. From S-116	1	1		
10	322600	RISER, LOWER To S-115	1	1		R
10	324631	RISER, LOWER From S-116	1	1		R
10	326473	RISER, LOWER	1	1		
11	322628	MOULDING, VERTICAL / R.H.	1	1		T
12	322625	PANEL, SS / R.H. To S-115	1	1		
12	324630	PANEL, SS / R.H. From S-116	1	1		
20	H3-1838-05	FLOOR COVERING - "R.C.A."				
20	H3-1838-10	FLOOR COVERING - "TARAFLEX"				
		A) LIGHT COVER				
		B) TO FIX GRILL				
		R) WITH "RCA" FLOOR COVERING				
		T) WITH "TARAFLEX" FLOOR COVERING				

From R-012 To S-137	Date:10/2022	PAGE:H3-1802-00
ENTRANCE DOOR CONTROL		



From R-012 To S-137	Date:10/2022	PAGE:H3-1802-00
ENTRANCE DOOR CONTROL		

Item#	Part	Description	H 3 4 1	H 3 4 5	V I P 4 5	N O T E S
1	562111	SWITCH / ON-OFF-ON/ S.P.D.T./REVERSE POLARITY	1	1		
. NS	562110	. SWITCH / ON-OFF-ON/ S.P.D.T./REVERSE POLARITY / TORRIX 102256	1	1		
2	283982	SUPPORT EMERGENCY VALVE	1	1		
3	283989	DECAL "EMERGENCY DOOR VALVE" / IN STEERING COMPARTMENT	1	1		
4	5011013	VALVE, 4 WAYS CONTROL	2	2		
5	H3-1201-00	FITTING - MISCELLANEOUS				
6	284057	DECAL "EMERGENCY EXIT" / ENGLISH & FRANCAIS	1	1		
7	H3-1806-00	DASHBOARD PANEL - BUS				
8	780499	CYLINDER 2"	1	1		A
8	780568	CYLINDER 2" / SERVICE	1	1		A
9	500716	NUT HEX 1/2-20 Z050	1	1		
10	502196	ROD END FEMALE 1/2-20 / 1/2 I.D.	1	1		
11	5001075	SCREW CAP BUT HEXS 1/2-13x2 Z050	1	1		
12	500482	WASHER LO SPT .506x.873x.125 Z050	1	1		
13	780498	CYLINDER PUMP	1	1		B
14	500445	WASHER FL .437x1.000x.083 Z050	1	1		
15	502102	PIN, COTTER 1/8 x 1	1	1		
16	141574	WASHER	2	2		
17	5001068	NUT HEX JAM 1 1/4-12 ZP	1	1		
18	284006	SUPPORT CYLINDER / W/PIN 7/16" O.D.	1	1		
NS	502585	WASHER LO SERR 10.2x26.3x1.4 ZP	1	1		
NS	500256	NUT HEX M10-1.5 Z050	1	1		
19	250788	SUPPORT / (WELDED)	1	1		
NS	285294	SUPPORT LOWER (SERVICE)	AR	AR		C
NS	500923	SCREW TC CAP HEX 1/4-20x3/4 Z050	2	2		C
NS	500473	WASHER LO SPT .262x.489x.062 Z050	2	2		C
NS	780559	SHOCK DAMPER "ENEDINE"	1	1		C
NS	285288	PIVOT STUD 1/2-13 X 49MM LG / (SERVICE) / TO FIX SHOCK	AR	AR		C
NS	500925	NUT SPR PO RND 1/4	2	2		C
40	284553	ENTRANCE DOOR CONTROL ASSY	1	1		D
41	284001	. SUPPORT / TO FIX CIRCUIT ASSY	1	1		
42	063663	. MODULE CIRCUIT ASSY W/BOX	1	1		E
42	562080	. BASE, ANCHOR 45MM / TO FIX CIRCUIT	1	1		
42	562081	. PLATE, MODULE	2	2		
42	562082	. END, MODULE	2	2		
42	063659	. MODULE CIRCUIT	1	1		E
42	562309	. . FUSE / 2 AMPS / 2A	2	2		
43	641219	. AIR PRESSURE REGULATOR 1/8" NPT	1	1		
44	641130	. MANIFOLD VALVE / W/2 SOLENOID	1	1		
NS	640987	. MALE CONNECTOR / NTA FITTING / #4x1/8NPT-M BR	2	2		
NS	500495	. SCREW TP PAN PH #6x1 Z050	2	2		
NS	501303	. PLUG SQUARE HEAD / PIPE FITTING / 1/8NPT-M BR	2	2		

From R-012 To S-137	Date:10/2022	PAGE:H3-1802-00
ENTRANCE DOOR CONTROL		

Item#	Part	Description	H 3 4 1	H 3 4 5	V I P 4 5	N O T E S
NS	5001074	. SCREW CAP HEX M4-0.7x30 G8.8 Z050	2	2		
NS	502636	. WASHER LO SPT 4.1x7.6x0.9 Z050	2	2		
NS	502524	. NUT HEX M4-0.7 Z050	2	2		
45	641393	. VALVE, 4 WAYS, 2 POSITIONS 24V SUPPERSEDED BY 288503	1	1		EL
45	641217	. VALVE, 3 WAYS, 2 POSITIONS	1	1		H
NS	640996	. MALE ELBOW 90° / NTA FITTING / #4x1/8NPT-M BR	1	1		
46	641220	. MALE CONNECTOR / HOSE BARB FITTING / #6x#10-32-M NYL	2	2		
47	561550	. CONNECTOR / UNIVERSAL MATE-N-LOK / SH 3C / AMP 1-480700-0	1	1		
NS	561514	. SOCKET TERMINAL / 20-14 / AMP 350537-3	1	1		
48	H3-0616-00	JUNCTION BOX COMPONENTS, RELAY & BREAKER				
49	561247	. CONNECTOR / UNIVERSAL MATE-N-LOK / SH 2C / AMP 1-480698-0	1	1		
NS	561514	. SOCKET TERMINAL / 20-14 / AMP 350537-3	2	2		
		FOLLOWING ITEMS ARE USED WITH				
		RETROFIT TO CHANGE				
		MODULE CIRCUIT TO RELAY MODULE				
50	063952	MODULE ASSY W/3 RELAY	1	1		
51	063934	. SUPPORT / TO FIX RELAY	1	1		
52	063949	. CABLE ASSY / ENTRANCE DOOR MODULE BUS From R-033	1	1		
53	561707	. RELAY 24V S.P.D.T. W/RESISTOR /	3	3		
54	062588	. DIODE ASSY / W/3 3AMPS	1	1		
55	502563	. SCREW CAP HEX M6-1.0x12 G8.8 Z050	2	2		
56	561992	. NUT, FIXATION	2	2		
57	500518	. SCREW MA BDG PH #4-40x1/2 Z050	2	2		K
58	562313	. MALE SCREW RETAINER / KIT / AMP 205980-1	2	2		
NS	500440	WASHER FL .250x.562x.065 Z050	2	2		
NS	502531	SCREW CAP HEX M6-1.0x16 G8.8 Z050	AR	AR		I
NS	063511	CABLE ASSY / PRESSURE SWITCH & DOOR HARNESS				G
NS	285218	PRESSURE SWITCH N.C. 30-10 20PS001AB030E010E				
NS	066262	KIT, RETROFIT CONTROL MODULE SEDAN DOOR From R-033 To S-137	1	1		
. NS	IS-94091	. SEE INSTRUCTION SHEET From R-033 To S-137	1	1		
NS	064268	KIT, VALVE DOOR CONT. SOLENOID	1	1		
. NS	IS-96024	. SEE INSTRUCTION SHEET	1	1		
NS	288503	KIT, REPLACEMENT AIR VALVE SEDAN VALVE	1	1		M
. NS	IS-05900	. SEE INSTRUCTION SHEET	1	1		M
NS	289649	KIT, REPLACEMENT AIR VALVE SEDAN VALVE AND DAMPER CONTROL	1	1		M
. NS	IS-05900	. SEE INSTRUCTION SHEET	1	1		M
		A) THOSE CYLINDER ASSY HAVE 438MM C/C PIVOT				

From R-012 To S-137	Date:10/2022	PAGE:H3-1802-00
ENTRANCE DOOR CONTROL		

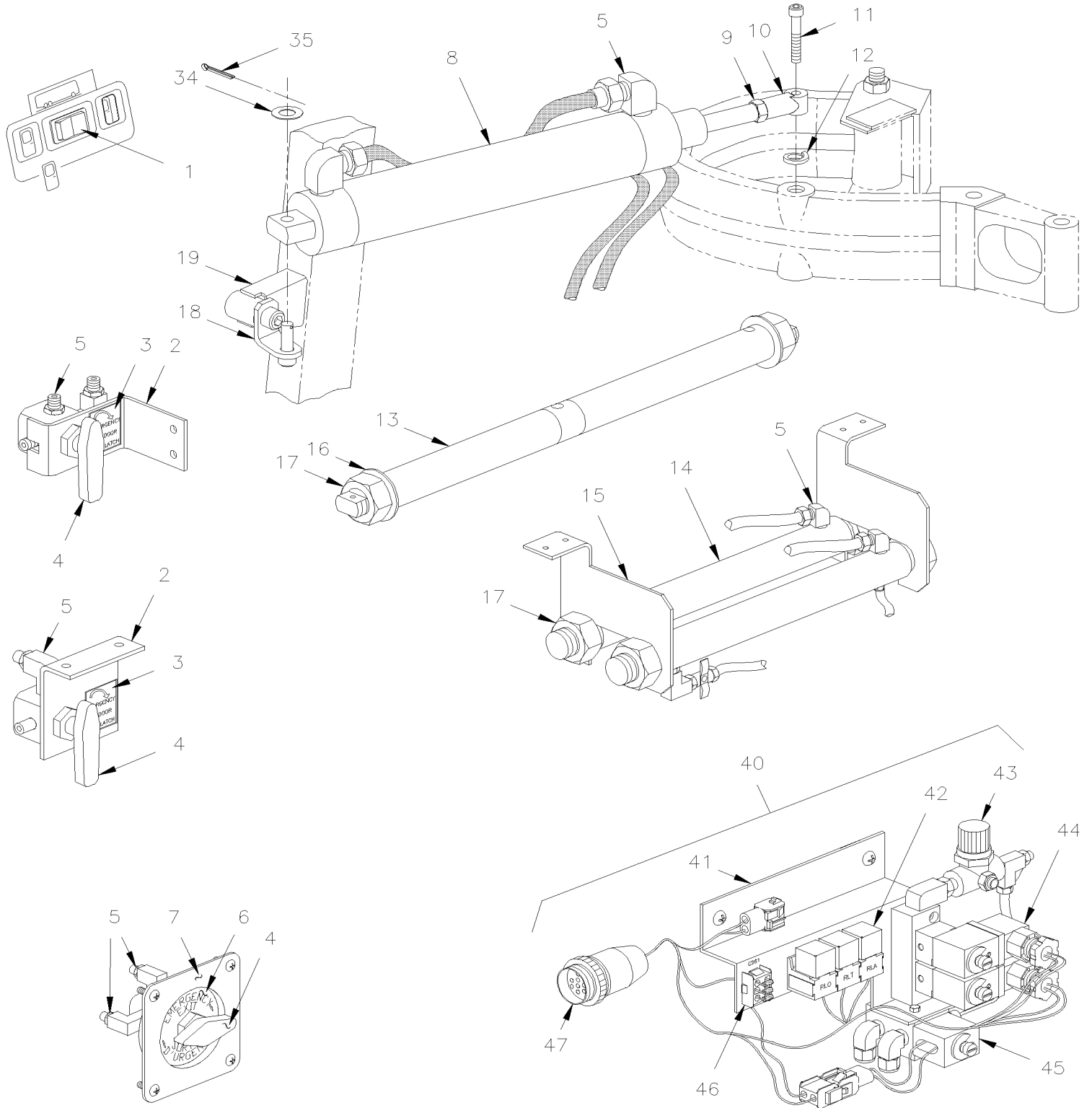
Item#	Part	Description	H 3 4 1	H 3 4 5	V I P 4 5	N O T E S
		B) THIS CYLINDER IS SUPERSEDED BY KIT #285303 & SEE PAGE H3-1802-01 FOR DETAIL				
		C) THOSE PARTS ARE USE IN RETROFIT KIT #285303 FOR VEHICLE FROM R-012 UP TO S-137				
		D) THIS CONTROL ASSY IT SUPERSEDED BY #285052 CONTROL ASSY, 1X 063511 & 1X 285218				
		E) THIS CIRCUIT IS SUPERSEDED BY KIT #066262				
		G) THESE PART ARE INCLUDED IN KIT #066262				
		H) THIS ITEM IS SUPERSEDED BY KIT #064268. SEE INSTRUCTION SHEET IS-96024				
		I) TO FIX SUPPORT TO STRUCTURE IN STEPWELL				
		K) TO FIX CONNECTOR				
		L) FOR PRODUCT IMPROVEMENT, ASK FOR KIT #288503 AND SEE INSTRUCTION SHEET IS-05900				
		M) WE STRONGLY RECOMMEND THAT YOU UPGRADE YOUR ENTRANCE DOOR LATCH ASSEMBLY (KIT 285467) PRIOR INSTALLING THE NEW NORGREN VALVE (KIT 288503 OR 289649)				

From S-138 To W-2284

Date:10/2022

PAGE:H3-1802-01

ENTRANCE DOOR CONTROL

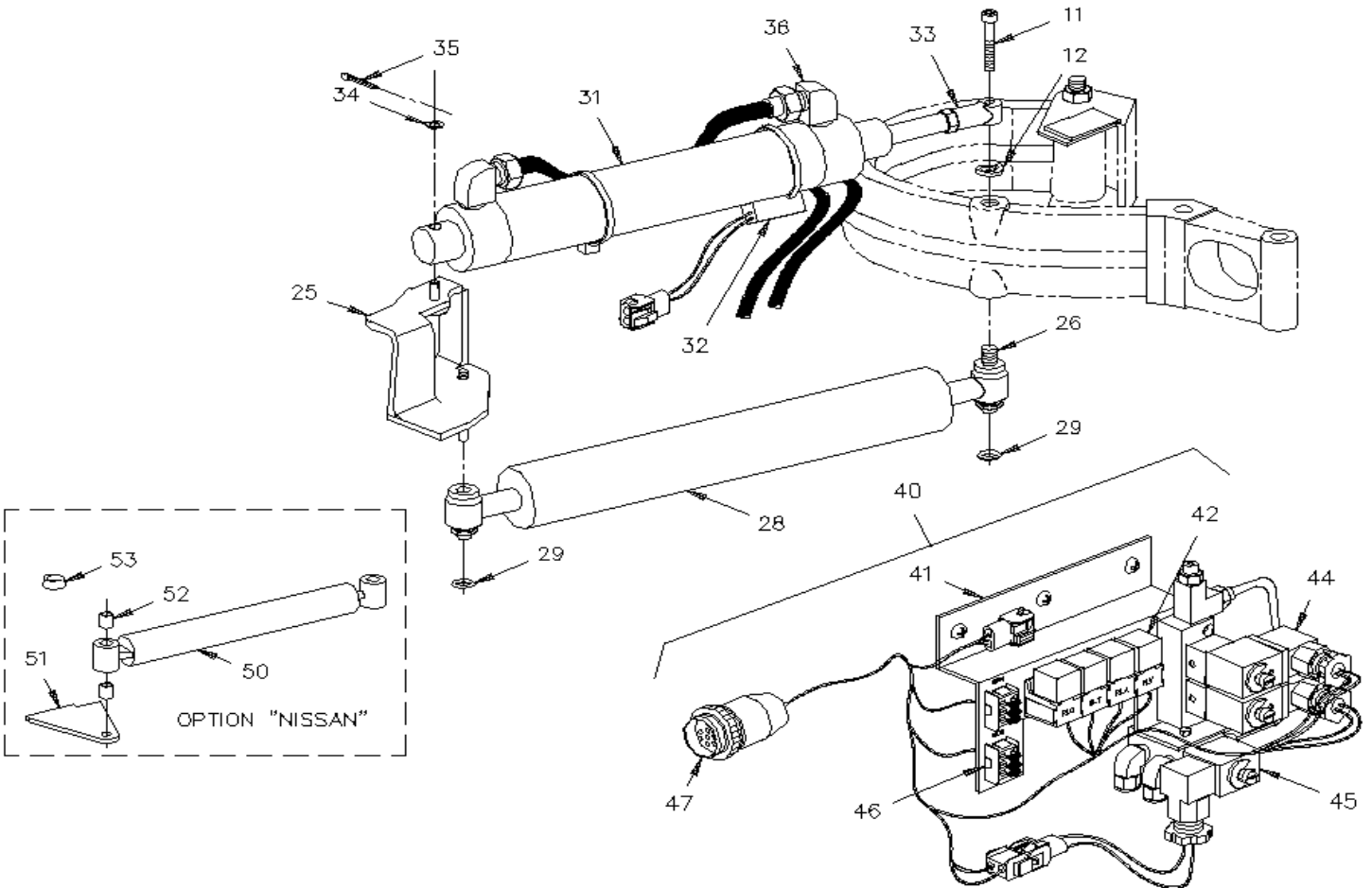
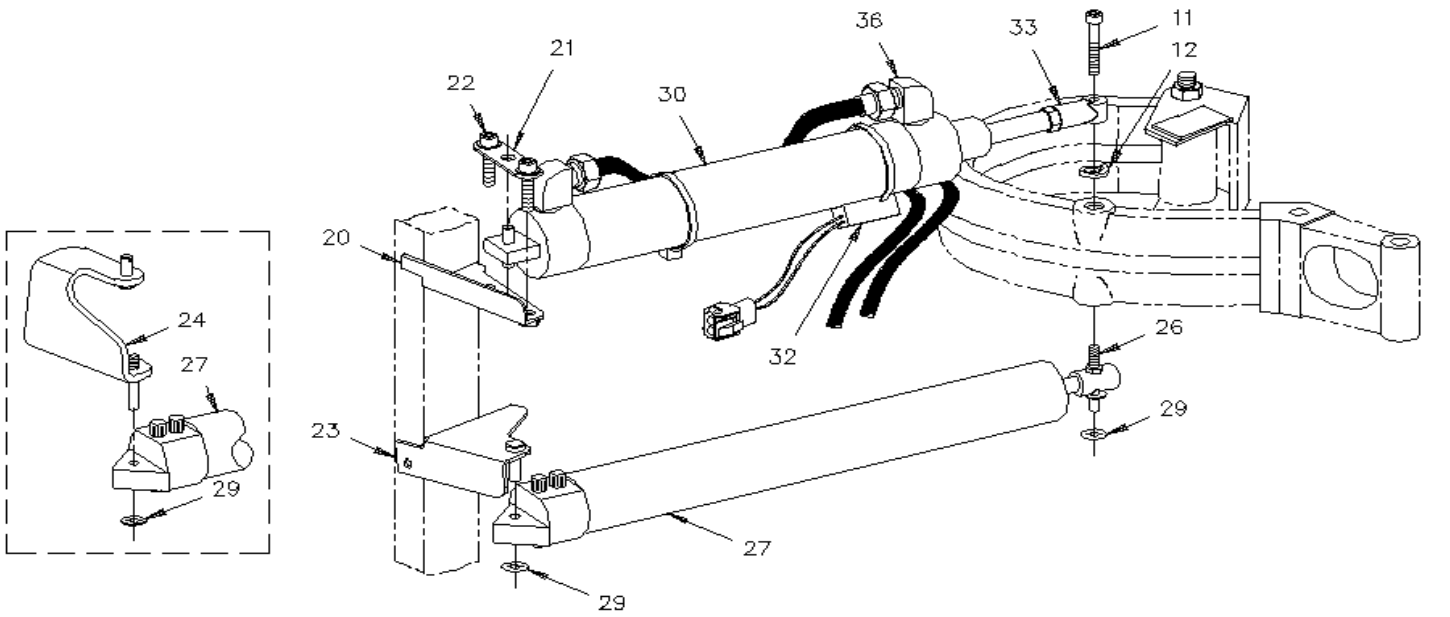


From S-138 To W-2284

Date:10/2022

PAGE:H3-1802-01

ENTRANCE DOOR CONTROL



From S-138 To W-2284	Date:10/2022	PAGE:H3-1802-01
ENTRANCE DOOR CONTROL		

Item#	Part	Description	H 3 4 1	H 3 4 5	V I P 4 5	N O T E S
1	562111	SWITCH / ON-OFF-ON/ S.P.D.T./REVERSE POLARITY	1	1		
. NS	562110	. SWITCH / ON-OFF-ON/ S.P.D.T./REVERSE POLARITY / TORRIX 102256	1	1		
2	283982	SUPPORT EMERGENCY VALVE To V-1778	1	1		
2	285618	SUPPORT From V-1779 To V-2028	1	1		
2	285537	SUPPORT From V-2029	1	1		
3	283989	DECAL "EMERGENCY DOOR VALVE" / IN STEERING COMPARTMENT	1	1		
4	5011013	VALVE, 4 WAYS CONTROL To V-2028	2	2		
4	641417	VALVE, 3 WAYS 1/8NPT-Fx1/8NPT-Fx1/8NPT-F BR From V-2029	2	2		
. NS	642014	. HANDLE / RED From V-2029	1	1		
4	642161	VALVE, 3 WAYS 1/8NPT-Fx1/8NPT-Fx1/8NPT-F BR / SERVICE From V-2029	2	2		
. NS	642014	. HANDLE / RED From V-2029	1	1		
5	H3-1201-00	FITTING - MISCELLANEOUS				
6	284057	DECAL "EMERGENCY EXIT" / ENGLISH & FRANCAIS	1	1		
7	H3-1806-00	DASHBOARD PANEL - BUS				
8	780499	CYLINDER 2" To T-1318	1	1		A
8	780568	CYLINDER 2" / SERVICE	1	1		A
9	500716	NUT HEX 1/2-20 Z050	1	1		
10	502196	ROD END FEMALE 1/2-20 / 1/2 I.D. To T-1318	1	1		
11	5001075	SCREW CAP BUT HEXS 1/2-13x2 Z050 To T-1318	1	1		
11	5001246	SCREW CAP HEXS 7/16-14x2 ZP From T-1319 To T-1474	1	1		
11	500898	SCREW CAP HEX 7/16-14x1 3/4 G5 ZP From T-1475 To X-2906	1	1		
11	5001075	SCREW CAP BUT HEXS 1/2-13x2 Z050 From X-2907	1	1		
12	500482	WASHER LO SPT .506x.873x.125 Z050	1	1		
13	780498	CYLINDER PUMP To S-176	1	1		E
14	780546	CYLINDER PUMP From S-177	1	1		E
15	285153	SUPPORT REAR	1	1		
15	285154	SUPPORT FRONT	1	1		
16	141574	WASHER	2	2		
17	5001068	NUT HEX JAM 1 1/4-12 ZP	1	1		
18	284006	SUPPORT CYLINDER / W/PIN 7/16" O.D. To T-1318	1	1		
NS	502585	WASHER LO SERR 10.2x26.3x1.4 ZP To T-1318	1	1		
NS	500256	NUT HEX M10-1.5 Z050 To T-1318	1	1		
19	250788	SUPPORT / (WELDED) To T-1318	1	1		
20	285290	SUPPORT UPPER From T-1319 To T-1474	1	1		
21	285291	ATTACHMENT PLATE From T-1319 To T-1474	1	1		
22	500876	SCREW SHR HEXS 3/8x3/4 {5/16-18 From T-1319 To T-1474	2	2		
23	285292	SUPPORT WIPER MOTOR From T-1319 To T-1474	1	1		
23	285294	SUPPORT LOWER (SERVICE)	AR	AR		F
NS	500923	SCREW TC CAP HEX 1/4-20x3/4 Z050	2	2		F
NS	500473	WASHER LO SPT .262x.489x.062 Z050	2	2		F
24	213160	SUPPORT / (WELDED) From T-1475 To V-1756	1	1		
25	213197	SUPPORT / (WELDED) From V-1757	1	1		

From S-138 To W-2284	Date:10/2022	PAGE:H3-1802-01
ENTRANCE DOOR CONTROL		

Item#	Part	Description	H 3 4 1	H 3 4 5	V I P 4 5	N O T E S
26	285288	PIVOT STUD 1/2-13 X 49MM LG / (SERVICE) / TO FIX SHOCK To T-1318	AR	AR		F
26	285289	PIVOT STUD 7/16-14 X 49MM From T-1319 To V-1756	1	1		
26	285433	PIVOT STUD 7/16-14 X 80MM LG From V-1757	1	1		
27	780559	SHOCK DAMPER "ENEDINE" From T-1319 To V-1756	1	1		F
28	780565	SHOCK DAMPER "KONI" From V-1757	1	1		
29	502601	NUT SPR PO RND 7/16	1	1		
NS	500925	NUT SPR PO RND 1/4	2	2		F
30	780560	CYLINDER 1"1/2 From T-1319 To T-1474	1	1		B
31	780561	CYLINDER 1.75" From T-1475 To V-1756	1	1		C
31	780569	CYLINDER 1.75" From V-1717	1	1		C
32	285490	LIMITING REED SWITCH ASSY S.P.S.T. N.O. / W/ 1 3/4" CYLINDER From T-1475	1	1		G
. NS	780570	. LIMITING REED SWITCH ASSY S.P.S.T. N.O. / W/ 1 3/4" CYLINDER From T-1475	1	1		G
. NS	560900	. CONNECTOR / COM. MATE-N-LOCK / PH 2C / AMP 1-480319-0 From T-1475	1	1		G
. NS	560853	. PIN TERMINAL / 24-18 / AMP 60618-1 From T-1475	2	2		G
33	502224	ROD END FEMALE 7/16-20 / 1/2 I.D. From T-1319	1	1		
34	500445	WASHER FL .437x1.000x.083 Z050	1	1		
35	502102	PIN, COTTER 1/8 x 1	1	1		
36	640996	MALE ELBOW 90° / NTA FITTING / #4x1/8NPT-M BR To T-1474	2	2		
36	640997	MALE ELBOW 90° / NTA FITTING / #4x1/4NPT-M BR From T-1475	2	2		
40	285052	SEDAN DOOR MODULE ASSY From S-138 To T-1318	1	1		
40	285311	SEDAN DOOR MODULE ASSY From T-1319 To T-1387	1	1		
40	285336	SEDAN DOOR MODULE ASSY From T-1388 To T-1560	1	1		
40	285505	SEDAN DOOR MODULE ASSY From T-1561 To V-1716	1	1		
40	285605	SEDAN DOOR MODULE ASSY From V-1717 To V-1796	1	1		
41	285041	. SUPPORT To T-1387	1	1		
41	285347	. SUPPORT From T-1388 To V-1796	1	1		
41	285606	. SUPPORT From V-1797	1	1		
42	561707	. RELAY 24V S.P.D.T. W/RESISTOR /	AR	AR		
43	641219	. AIR PRESSURE REGULATOR 1/8" NPT To T-1318	1	1		
44	641130	. MANIFOLD VALVE / W/2 SOLENOID To V-1716	1	1		
44	641412	. MANIFOLD VALVE / W/2 SOLENOID From V-1717 To W-2390	1	1		
. NS	641107	. . COIL 24V From V-1717 To W-2390	2	2		
44	641448	. MANIFOLD VALVE / W/4 SOLENOID From W-2391	1	1		
. NS	641927	. . KIT, MANIFOLD REPAIR / N.O. From W-2391	1	1		
. NS	641928	. . KIT, MANIFOLD REPAIR / N.C. From W-2391	1	1		
. NS	641929	. . COIL 24V From W-2391	1	1		
. NS	990143	. . MALE CONNECTOR / PUSH-IN FITTING / W/O-RING / #2x#10-32-M BR From W-2391	1	1		
. NS	642213	. . MALE ELBOW 90° SWIVEL / PUSH-IN FITTING / #2x10-32 NP From W-2391	1	1		
. NS	641385	. . CONNECTOR / SOCKET HOUSING ASSY 3C / PNEUMAC 54934-01 From W-2391	1	1		
. NS	641455	. . REDUCER STEM / PUSH-IN FITTING / #2x#4 PLAS From W-2391	1	1		
45	641217	. VALVE, 3 WAYS, 2 POSITIONS To T-1560	1	1		LH
45	641394	. VALVE, 3 WAYS, 2 POSITIONS 24V From T-1561 To V-1796	1	1		L

From S-138 To W-2284	Date:10/2022	PAGE:H3-1802-01
ENTRANCE DOOR CONTROL		

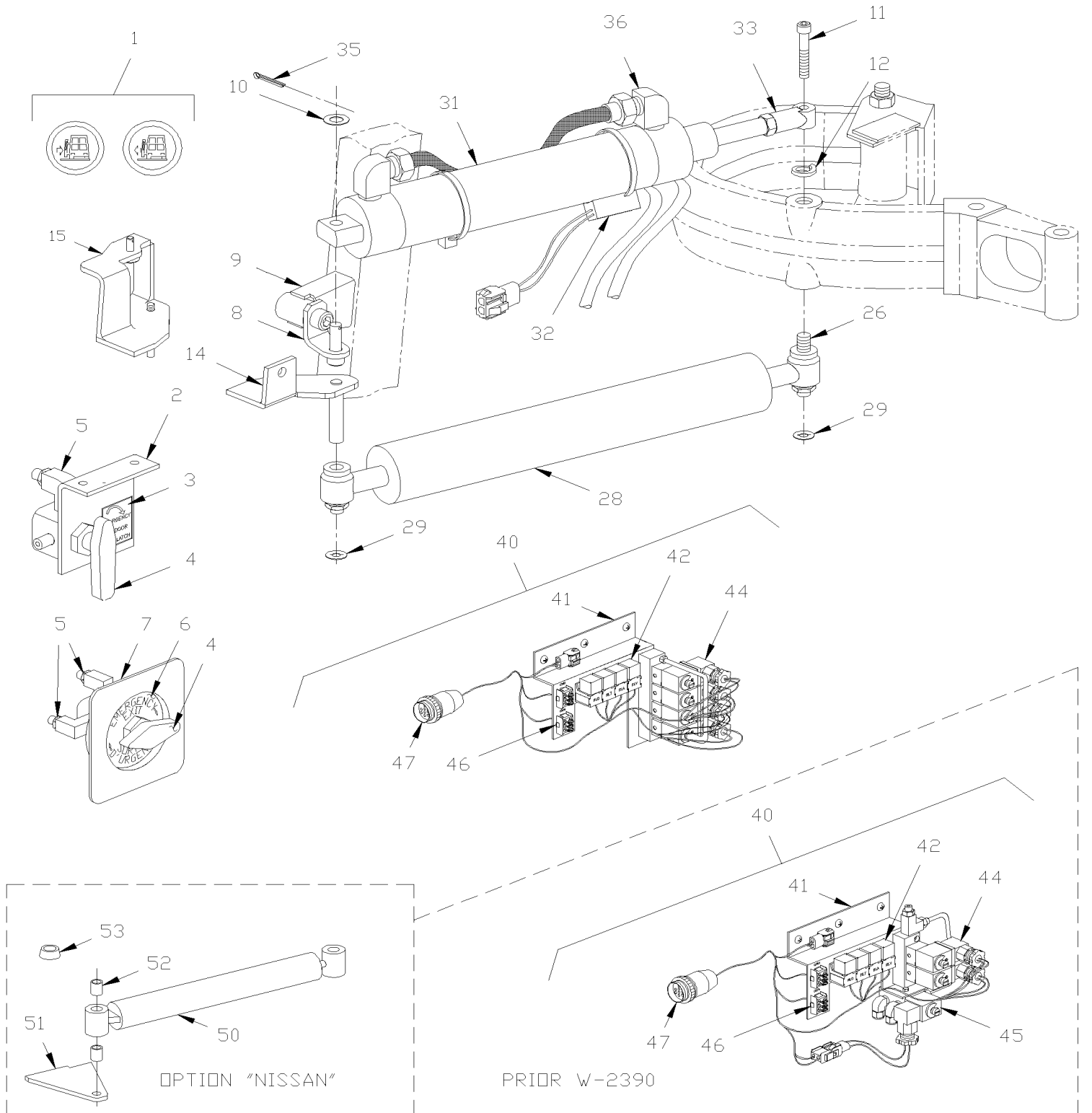
Item#	Part	Description	H 3 4 1	H 3 4 5	V I P 4 5	N O T E S
45	641393	. VALVE, 4 WAYS, 2 POSITIONS 24V SUPPERSEEDED BY 288503 From V-1797	1	1		LD
46	062588	. DIODE ASSY / W/3 3AMPS	1	1		
47	063949	. CABLE ASSY / ENTRANCE DOOR MODULE BUS To T-1387	1	1		
47	064216	. CABLE ASSY / ENTRANCE DOOR MODULE BUS From T-1388 To T-1560	1	1		
47	064379	. CABLE ASSY / ENTRANCE DOOR MODULE BUS From T-1561	1	1		
50	780567	SHOCK DAMPER "NISSAN"	AR	AR		
51	213317	SUPPORT / (WELDED)	AR	AR		
52	285482	SPACER 20MM LG X 1/2" O.D.	1	1		
53	285483	DOWEL RING	2	2		
NS	285303	KIT / RETRO DAMPER SHOCK "ENIDINE"	AR	AR		
NS	286449	KIT / RETRO DOOR CYLINDER 1 1/2" TO 2"	AR	AR		
. NS	IS-98122	. SEE INSTRUCTION SHEET				
NS	286450	KIT / RETRO DOOR CYLINDER 1 3/4" TO 2"	AR	AR		
. NS	IS-98122	. SEE INSTRUCTION SHEET				
NS	064268	KIT, VALVE DOOR CONT. SOLENOID	AR	AR		
. NS	IS-96024	. SEE INSTRUCTION SHEET	1	1		
NS	288503	KIT, REPLACEMENT AIR VALVE SEDAN VALVE	AR	AR		M
. NS	IS-05900	. SEE INSTRUCTION SHEET	1	1		M
NS	289649	KIT, REPLACEMENT AIR VALVE SEDAN VALVE AND DAMPER CONTROL	AR	AR		M
. NS	IS-05900	. SEE INSTRUCTION SHEET	1	1		M
NS	IS-96108	SEE INSTRUCTION SHEET	1	1		
		A) THOSE CYLINDER ASSY HAVE 438MM C/C PIVOT				
		B) THIS CYLINDER ASSY HAS 360MM C/C PIVOT AND FOR PRODUCT IMPROVMENT USE KIT 286449				
		C) THOSE CYLINDER ASSY HAVE 395MM C/C PIVOT AND FOR PRODUCT IMPROVMENT USE KIT #286450				
		D) THIS VALVE IT USE W/DOUBLE ACTION CYLINDER FROM V-1797 SEE ITEM #8 PAGE H3-1862-10 & IS 96157-A				
		E) THOSE CYLINDER ARE SUPERSEDED BY KIT #285303				
		F) THOSE PARTS ARE USE IN RETROFIT KIT #285303 FOR VEHICLE FROM R-012 TO T-1319				
		G) SEE INSTRUCTION SHEET IS-96108				
		H) THIS ITEM IS SUPERSEDED BY KIT #064268. SEE INSTRUCTION SHEET IS-96024				
		L) FOR PRODUCT IMPROVEMENT, ASK FOR KIT #288503 AND SEE INSTRUCTION SHEET IS-05900				
		M) WE STRONGLY RECOMMEND THAT YOU UPGRADE YOUR ENTRANCE DOOR LATCH ASSEMBLY (KIT 285467) PRIOR INSTALLING THE NEW NORGREN VALVE (KIT 288503 OR 289649)				

From W-2285 To X-3149

Date:10/2022

PAGE:H3-1802-02

ENTRANCE DOOR CONTROL



From W-2285 To X-3149	Date:10/2022	PAGE:H3-1802-02
ENTRANCE DOOR CONTROL		

Item#	Part	Description	H 3 4 1	H 3 4 5	V I P 4 5	N O T E S
1	H3-0645-32	R.H. DASHBOARD PANEL - BUS				
2	285537	SUPPORT	1	1		
3	283989	DECAL "EMERGENCY DOOR VALVE" / IN STEERING COMPARTMENT	1	1		
4	641417	VALVE, 3 WAYS 1/8NPT-Fx1/8NPT-Fx1/8NPT-F BR	2	2		
. NS	642014	. HANDLE / RED	1	1		
4	642161	VALVE, 3 WAYS 1/8NPT-Fx1/8NPT-Fx1/8NPT-F BR / SERVICE	2	2		
. NS	642014	. HANDLE / RED	1	1		
5	H3-1201-00	FITTING - MISCELLANEOUS				
6	284057	DECAL "EMERGENCY EXIT" / ENGLISH & FRANCAIS	1	1		
7	H3-1806-20	DASHBOARD PANEL - BUS				
8	285951	SUPPORT CYLINDER / W/PIN 3/8" O.D. To X-3149	1	1		
9	250788	SUPPORT / (WELDED) To X-3149	1	1		
10	500444	WASHER FL .406x.812x.065 Z050	1	1		
11	500898	SCREW CAP HEX 7/16-14x1 3/4 G5 ZP	1	1		
11	5001075	SCREW CAP BUT HEXS 1/2-13x2 Z050	1	1		C
12	500482	WASHER LO SPT .506x.873x.125 Z050	1	1		
14	213741	SUPPORT / (WELDED) To X-3149	1	1		
15	213197	SUPPORT / (WELDED)	1	1		C
26	285433	PIVOT STUD 7/16-14 X 80MM LG	1	1		
28	780565	SHOCK DAMPER "KONI"	1	1		
29	502601	NUT SPR PO RND 7/16	1	1		
NS	500925	NUT SPR PO RND 1/4	2	2		
31	780569	CYLINDER 1.75"	1	1		A
31	780595	CYLINDER 2"	1	1		C S
32	285490	LIMITING REED SWITCH ASSY S.P.S.T. N.O. / W/ 1 3/4" CYLINDER	1	1		
. NS	780570	. LIMITING REED SWITCH ASSY S.P.S.T. N.O. / W/ 1 3/4" CYLINDER	1	1		
. NS	560900	. CONNECTOR / COM. MATE-N-LOCK / PH 2C / AMP 1-480319-0	1	1		
. NS	560853	. PIN TERMINAL / 24-18 / AMP 60618-1	2	2		
32	780570	. LIMITING REED SWITCH ASSY S.P.S.T. N.O. / W/ 1 3/4" CYLINDER	1	1		
NS	560853	. PIN TERMINAL / 24-18 / AMP 60618-1	1	1		
NS	560900	. CONNECTOR / COM. MATE-N-LOCK / PH 2C / AMP 1-480319-0	1	1		
NS	780594	LIMITING REED SWITCH ASSY S.P.S.T. N.O. / W/ 2" CYLINDER	1	1		C
33	502224	ROD END FEMALE 7/16-20 / 1/2 I.D.	1	1		
33	502196	ROD END FEMALE 1/2-20 / 1/2 I.D.	1	1		C
34	500445	WASHER FL .437x1.000x.083 Z050	1	1		
35	502102	PIN, COTTER 1/8 x 1	1	1		
36	640997	MALE ELBOW 90° / NTA FITTING / #4x1/4NPT-M BR	2	2		
40	285605	SEDAN DOOR MODULE ASSY To W-2389	1	1		B
40	285901	SEDAN DOOR MODULE ASSY From W-2390	1	1		
41	285606	SUPPORT To W-2389	1	1		
41	285903	SUPPORT From W-2390	1	1		
42	561707	RELAY 24V S.P.D.T. W/RESISTOR /	AR	AR		

From W-2285 To X-3149	Date:10/2022	PAGE:H3-1802-02
ENTRANCE DOOR CONTROL		

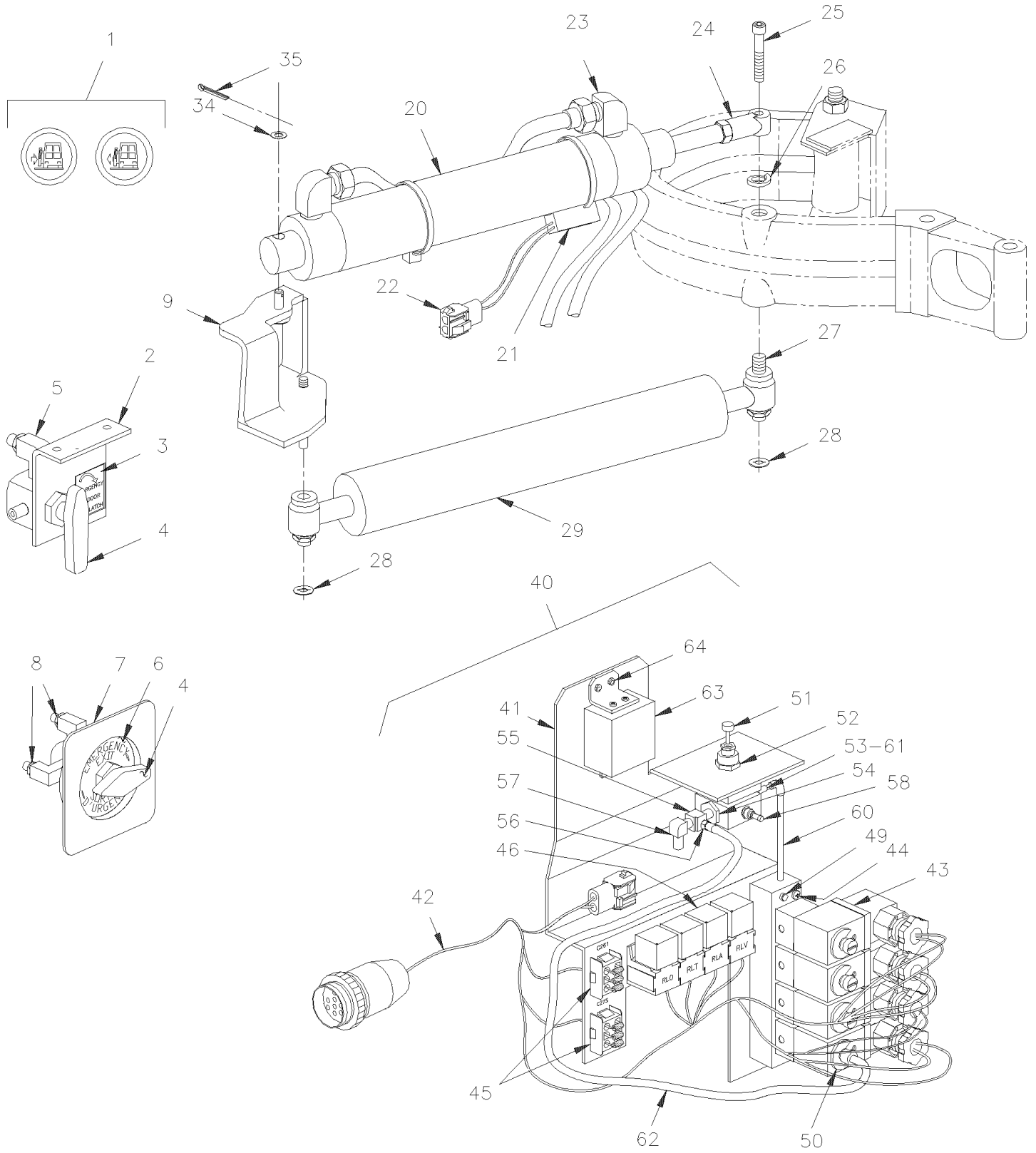
Item#	Part	Description	H 3 4 1	H 3 4 5	V I P 4 5	N O T E S
44	641412	MANIFOLD VALVE / W/2 SOLENOID To W-2390	1	1		
. NS	641107	. COIL 24V To W-2390	2	2		
44	641448	MANIFOLD VALVE / W/4 SOLENOID From W-2391	1	1		D
. NS	641927	. KIT, MANIFOLD REPAIR / N.O. From W-2391	1	1		D
. NS	641928	. KIT, MANIFOLD REPAIR / N.C. From W-2391	1	1		D
. NS	641929	. COIL 24V From W-2391	1	1		D
. NS	990143	. MALE CONNECTOR / PUSH-IN FITTING / W/O-RING / #2x#10-32-M BR From W-2391	1	1		D
. NS	642213	. MALE ELBOW 90° SWIVEL / PUSH-IN FITTING / #2x10-32 NP From W-2391	1	1		D
. NS	641385	. CONNECTOR / SOCKET HOUSING ASSY 3C / PNEUMAC 54934-01 From W-2391	1	1		D
. NS	641455	. REDUCER STEM / PUSH-IN FITTING / #2x#4 PLAS From W-2391	1	1		D
45	641393	VALVE, 4 WAYS, 2 POSITIONS 24V SUPPERSEDED BY 288503 To W-2390	1	1		B L
46	062588	DIODE ASSY / W/3 3AMPS	1	1		
47	064379	CABLE ASSY / ENTRANCE DOOR MODULE BUS To W-2390	1	1		
47	064653	CABLE ASSY / ENTRANCE DOOR MODULE BUS From W-2390	1	1		
50	780567	SHOCK DAMPER "NISSAN"	AR	AR		
51	213317	SUPPORT / (WELDED)	AR	AR		
52	285482	SPACER 20MM LG X 1/2" O.D.	1	1		
53	285483	DOWEL RING	2	2		
NS	286450	KIT / RETRO DOOR CYLINDER 1 3/4" TO 2" To X-3149				
. NS	IS-98122	. SEE INSTRUCTION SHEET To X-3149				
NS	286449	KIT / RETRO DOOR CYLINDER 1 1/2" TO 2" To X-3149				
. NS	IS-98122	. SEE INSTRUCTION SHEET To X-3149				
NS	285921	KIT, SEDAN DOOR MODUL To W-2389				
. NS	IS-97133	. SEE INSTRUCTION SHEET To W-2389				
NS	288503	KIT, REPLACEMENT AIR VALVE SEDAN VALVE	AR	AR		M
. NS	IS-05900	. SEE INSTRUCTION SHEET	1	1		M
NS	289649	KIT, REPLACEMENT AIR VALVE SEDAN VALVE AND DAMPER CONTROL	AR	AR		M
. NS	IS-05900	. SEE INSTRUCTION SHEET	1	1		M
		A) THOSE CYLINDER ASSY HAVE 395MM C/C PIVOT AND FOR PRODUCT IMPROVMENT USE KIT #286450				
		B) FOR PRODUCT IMPROVMENT USE KIT #285921 FOR VEHICLE W-2285 TO W-2390				
		C) FOR VEHICLE W-2348, W-2349, W-2354, W-2357, W-2361, X-2688 & X-2689				
		D) THIS VALVE IT SUPPERSEDED BY #641906 AND REQUIRE FOLOWING PART 1 x 501336, 1 x 641126 & 2 x 641242				
		L) FOR PRODUCT IMPROVEMENT, ASK FOR KIT #288503 AND SEE INSTRUCTION SHEET IS-05900				
		M) WE STRONGLY RECOMMEND THAT YOU UPGRADE YOUR ENTRANCE DOOR LATCH ASSEMBLY (KIT 285467) PRIOR INSTALLING THE NEW NORGREN VALVE (KIT 288503 OR 289649)				
		S) THIS CYLINDER MAY BE SUPPERSEDED BY 780418 WITH REMOVED DAMPER SHOCK ITEM # 28				

From X-3150 To 2-4416

Date:10/2022

PAGE:H3-1802-03

ENTRANCE DOOR CONTROL



From X-3150 To 2-4416	Date:10/2022	PAGE:H3-1802-03
ENTRANCE DOOR CONTROL		

Item#	Part	Description	H 3 4 1	H 3 4 5	V I P 4 5	N O T E S
1	H3-0645-32	R.H. DASHBOARD PANEL - BUS				
2	285537	SUPPORT	1	1		
3	283989	DECAL "EMERGENCY DOOR VALVE" / IN STEERING COMPARTMENT	1	1		
4	641417	VALVE, 3 WAYS 1/8NPT-Fx1/8NPT-Fx1/8NPT-F BR	2	2		
. NS	642014	. HANDLE / RED	1	1		
4	642161	VALVE, 3 WAYS 1/8NPT-Fx1/8NPT-Fx1/8NPT-F BR / SERVICE	2	2		
. NS	642014	. HANDLE / RED	1	1		
5	641365	MALE ELBOW 45° NON-SWIVEL / PUSH-IN FITTING / #4x1/8NPT-M BR	1	1		
5	641369	MALE ELBOW 90° NON-SWIVEL / PUSH-IN FITTING / #4x1/8NPT-M BR	1	1		
6	284057	DECAL "EMERGENCY EXIT" / ENGLISH & FRANCAIS	1	1		
7	H3-1806-20	DASHBOARD PANEL - BUS				
8	641242	MALE CONNECTOR / PUSH-IN FITTING / #4x1/8NPT-M BR	3	3		
9	214129	SUPPORT / CYLINDER	1	1		
20	780595	CYLINDER 2"	1	1		B
21	780594	LIMITING REED SWITCH ASSY S.P.S.T. N.O. / W/ 2" CYLINDER	1	1		
22	560900	CONNECTOR / COM. MATE-N-LOCK / PH 2C / AMP 1-480319-0	1	1		
22	560853	PIN TERMINAL / 24-18 / AMP 60618-1	2	2		
23	641371	MALE ELBOW 90° NON-SWIVEL / PUSH-IN FITTING / #4x1/4NPT-M BR	2	2		
24	502196	ROD END FEMALE 1/2-20 / 1/2 I.D.	1	1		
25	5001075	SCREW CAP BUT HEXS 1/2-13x2 Z050	1	1		
26	500482	WASHER LO SPT .506x.873x.125 Z050	1	1		
27	285433	PIVOT STUD 7/16-14 X 80MM LG	1	1		
28	502601	NUT SPR PO RND 7/16	2	2		
29	780565	SHOCK DAMPER "KONI"	1	1		
34	500444	WASHER FL .406x.812x.065 Z050	1	1		
35	502102	PIN, COTTER 1/8 x 1	1	1		
40	286441	SEDAN DOOR MODULE ASSY	1	1		
41	286250	. SUPPORT	1	1		
42	064653	. CABLE ASSY / ENTRANCE DOOR MODULE BUS	1	1		
43	641448	. MANIFOLD VALVE / W/4 SOLENOID To 1-4250	1	1		
. NS	641927	. . KIT, MANIFOLD REPAIR / N.O. To 1-4250	1	1		
. NS	641928	. . KIT, MANIFOLD REPAIR / N.C. To 1-4250	1	1		
. NS	641929	. . COIL 24V To 1-4250	1	1		
. NS	990143	. . MALE CONNECTOR / PUSH-IN FITTING / W/O-RING / #2x#10-32-M BR To 1-4250	1	1		
. NS	642213	. . MALE ELBOW 90° SWIVEL / PUSH-IN FITTING / #2x10-32 NP To 1-4250	1	1		
. NS	641385	. . CONNECTOR / SOCKET HOUSING ASSY 3C / PNEUMAC 54934-01 To 1-4250	1	1		
. NS	641455	. . REDUCER STEM / PUSH-IN FITTING / #2x#4 PLAS To 1-4250	1	1		
43	641906	. MANIFOLD VALVE / W/4 SOLENOID From 1-4251	1	1		
. NS	641927	. . KIT, MANIFOLD REPAIR / N.O. From 1-4251	1	1		
. NS	641928	. . KIT, MANIFOLD REPAIR / N.C. From 1-4251	3	3		
. NS	641107	. . COIL 24V From 1-4251	1	1		
. NS	642213	. . MALE ELBOW 90° SWIVEL / PUSH-IN FITTING / #2x10-32 NP From 1-4251	1	1		

From X-3150 To 2-4416	Date:10/2022	PAGE:H3-1802-03
ENTRANCE DOOR CONTROL		

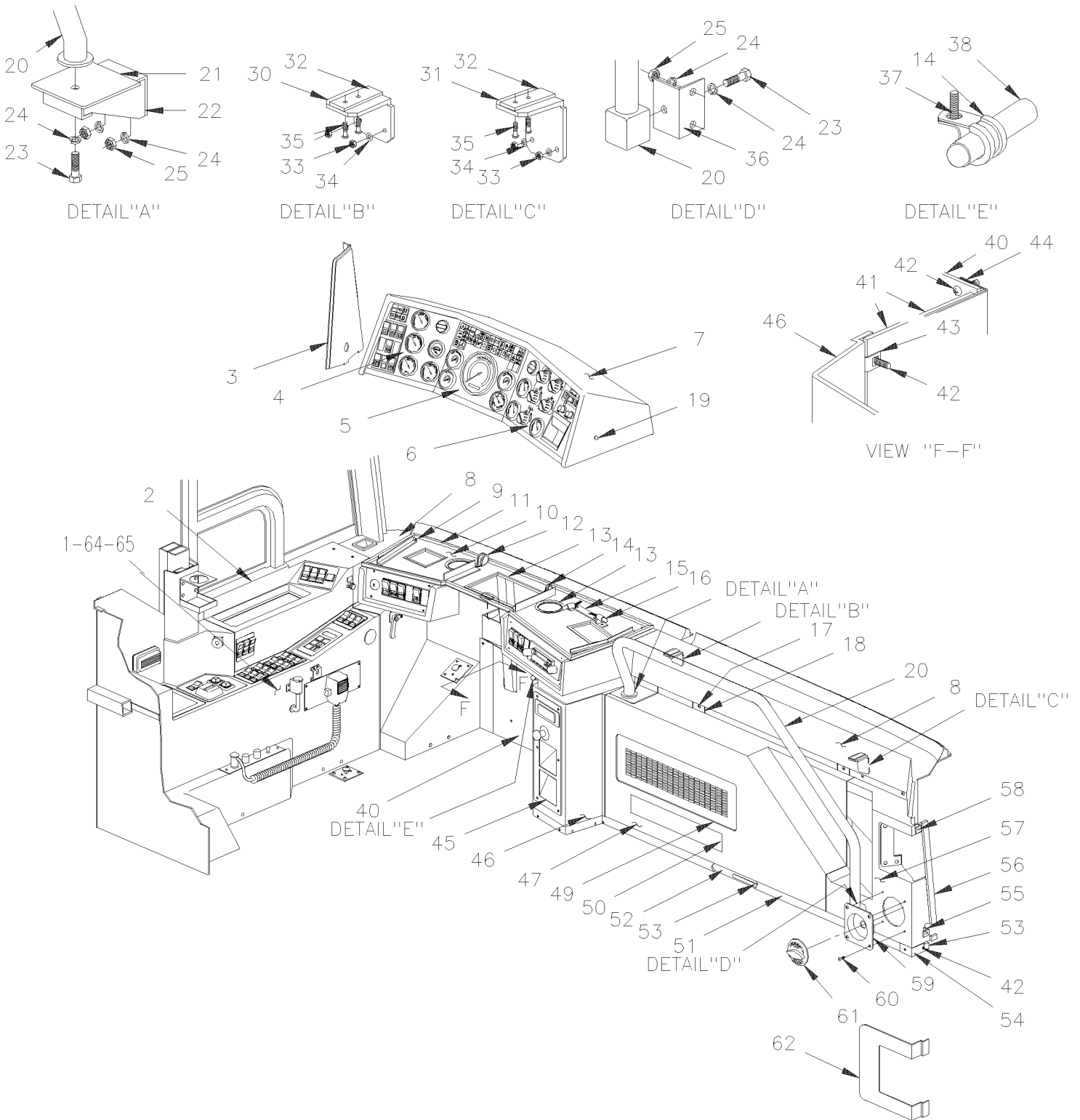
Item#	Part	Description	H 3 4 1	H 3 4 5	V I P 4 5	N O T E S
. NS	990143	. . MALE CONNECTOR / PUSH-IN FITTING / W/O-RING / #2x#10-32-M BR From 1-4251	1	1		
. NS	641385	. . CONNECTOR / SOCKET HOUSING ASSY 3C / PNEUMAC 54934-01 From 1-4251	1	1		
. NS	641455	. . REDUCER STEM / PUSH-IN FITTING / #2x#4 PLAS From 1-4251	1	1		
44	500495	. SCREW TP PAN PH #6x1 Z050	2	2		
45	062588	. DIODE ASSY / W/3 3AMPS	2	2		
46	561707	. RELAY 24V S.P.D.T. W/RESISTOR /	4	4		
NS	500654	. SCREW TC BDG PH #8-32x1/2 Z050	2	2		
49	502724	. SCREW CAP HEX #10-32x1/4 BZC To 1-4250	1	1		
50	990143	. MALE CONNECTOR / PUSH-IN FITTING / W/O-RING / #2x#10-32-M BR	1	1		
51	641472	. AIR PRESSURE REGULATOR 1/4" NPT / COPPER	1	1		
NS	501303	. PLUG SQUARE HEAD / PIPE FITTING / 1/8NPT-M BR	1	1		
52	500734	. NUT HEX JAM 3/4-16 Z050	1	1		
53	641332	. MALE CONNECTOR / PUSH-IN FITTING / #4x1/4NPT-M BR	1	1		
54	501312	. BUSHING REDUCER / PIPE FITTING / 1/4NTP-Mx1/8NPT-F BR	1	1		
55	501653	. MALE RUN TEE / PIPE FITTING / 1/8NPT-Mx1/8NPT-Fx1/8NPT-F BR	1	1		
56	641126	. MALE CONNECTOR / PUSH-IN FITTING / #2x1/8NPT-M BR	1	1		
57	641369	. MALE ELBOW 90° NON-SWIVEL / PUSH-IN FITTING / #4x1/8NPT-M BR	1	1		
58	640488	. VALVE, AIR FILL 1/8" NPT	1	1		
. NS	650164	. . CAP VALVE / CHROME	1	1		
60	503402	. TUBE, NYLON 1/4 O.D. / BLACK S.L.	AR	AR		
61	641447	. UNION ELBOW 90° / PUSH-IN FITTING / #4x#4 BR	1	1		
62	503536	. TUBE, NYLON 1/8 O.D. / BLACK S.L.	1	1		
63	800293	. GENERATOR, PULSE / FOR WIPER MOTOR	1	1		
64	500657	. SCREW TC TR PH #10-24x1/2 Z050	2	2		
		B) THIS CYLINDER MAY BE SUPPERSEDED BY 780418 WITH REMOVED DAMPER SHOCK ITEM # 29				

From R-012 To W-2284

Date:10/2022

PAGE:H3-1806-00

DASHBOARD PANEL - BUS



From R-012 To W-2284		Date:10/2022	PAGE:H3-1806-00
DASHBOARD PANEL - BUS			

Item#	Part	Description	H 3 4 1	H 3 4 5	V I P 4 5	N O T E S
1	391625	CONSOLE / LOWER L.H. To T-1415	1	1		
1	391819	CONSOLE / LOWER L.H. From T-1416	1	1		
2	390968	CONSOLE / REMOVABLE	1	1		
3	402724	PANEL GREY	1	1		
NS	509558	WEATHERSEAL SNAP-ON 1/8" / SINGLE LIP / WH / C.T.L.	AR	AR		
NS	5001015	SCREW TP BDG PH #6x1/2 SS BK	4	4		
4	H3-0645-10	L.H. DASHBOARD PANEL To V-1778				
4	H3-0645-11	L.H. DASHBOARD PANEL - BUS From V-1779 To W-2284				
5	H3-0645-20	CENTER DASHBOARD PANEL To V-1778				
5	H3-0645-21	CENTER DASHBOARD PANEL - BUS From V-1779 To W-2284				
6	H3-0645-30	R.H. DASHBOARD PANEL To V-1778				
6	H3-0645-31	R.H. DASHBOARD PANEL - BUS From V-1779 To W-2284				
7	390980	DASHBOARD CAP / FIBERGLASS	1	1		
8	H3-2230-00	DEFROSTER - INSTALLATION To W-2284				
9	500750	SCREW MA TR PH M4-0.7x18 Z050	5	5		
NS	5001055	NUT WELL M4-0.7x14.5	5	5		
10	391507	SUPPORT / TO FIX DASHBOARD MOUNTING PLATE To T-1313	1	1		
10	391716	SUPPORT / TO FIX DASHBOARD MOUNTING PLATE From T-1314	1	1		
11	506502	RUBBER EXTRUSION CC NEO 3/8" X 3/8" X 50' / C.T.L.	1	1		
12	560872	CLAMP / 1"1/16 I.D.	1	1		
13	506338	RUBBER CHANNEL / 1/16" x 1/4" INT "U" SHAPE / ROUND C.T.L.	2	2		
14	560481	CLAMP / 5/8" I.D.	1	1		
15	391143	SUPPORT / BOLTED TO THE PLATE / TO FIX LIGHT	1	1		
16	H3-0655-01	INTERIOR LIGHTING To W-2284				
17	504577	SCREW FST PH #12 17.9x28.2 STL	5	5		
NS	5001076	WASHER FL RET 4.6x15.4x1.37 NYL BK	5	5		
18	504575	NUT SPR U 31/32x1/2x.213-.265	5	5		
19	504400	SNAP CAP #10 FINISHING BLACK	2	2		
NS	504399	WASHER RETAINER SNAP CAP #10	2	2		
NS	500659	SCREW TC PAN PH #10-32x1 Z050	2	2		
20	391469	RAMP	1	1		
21	390950	COVER BRACKET	1	1		
22	391005	BRACKET / TO FIX RAMP / UPPER & LOWER	2	2		
23	502549	SCREW CAP HEX M10-1.5x35 G8.8 Z050	2	2		
24	500823	WASHER LO INT 10.5x18.0x0.9 BK	2	2		
25	502617	NUT HEX NYRT M10-1.5 Z050	2	2		
30	391054	BRACKET ANGLE	1	1		
31	391053	BRACKET ANGLE	2	2		
32	506001	TAPE RUB ADH1 CC POL 1/8" x 3/4" x 50' / GREY 2520X	AR	AR		
33	502556	WASHER FL 4.3x9.0x0.8 SS	AR	AR		
34	500590	NUT HEX NYRT M4-0.7 Z050	AR	AR		
35	500120	SCREW TP BDG PH #6x1/2 SS	AR	AR		

From R-012 To W-2284	Date:10/2022	PAGE:H3-1806-00
DASHBOARD PANEL - BUS		

Item#	Part	Description	H 3 4 1	H 3 4 5	V I P 4 5	N O T E S
36	250784	ANGLE SUPPORT / TO FIX RAMP	1	1		
37	500642	SCREW TP PAN PH #10x3/4 Z050	1	1		
NS	500252	NUT SPR U #10-24 .156-.187	1	1		
38	870868	SENSOR MAIN HEATER / TEMPERATURE CONTROL	1	1		
40	391262	SHEET ASSY / METAL	1	1		
40	391260	. SHEET, FINISHING	1	1		
40	810034	. CARPET OZITE / S.L. 12 FT WIDE	AR	AR		
NS	391066	BRACKET ANGLE / TO FIX ITEM 40 ON THE FLOOR	1	1		
41	391160	SHEET ASSY / METAL	1	1		
41	391158	. SHEET, METAL	1	1		
41	391009	. CLIP RETAINING	1	1		
41	810034	. CARPET OZITE / S.L. 12 FT WIDE	AR	AR		
42	5001119	SCREW TP BDG PH #8x3/4 SS	AR	AR		
43	500996	NUT SPR U #6-32 .135-.150	AR	AR		
44	500664	NUT SPR U #6-32 .050-.062	AR	AR		
45	H3-0645-50	R.H. CONSOLE To V-1778				
45	H3-0645-51	R.H. CONSOLE - BUS From V-1779				
46	390948	CONSOLE FIXE To T-1528	1	1		
46	391865	CONSOLE FIXE From T-1529	1	1		
47	391512	PANEL ASSY REMOVABLE	1	1		
48	391497	. PANEL	1	1		
NS	506339	. TAPE RUB ADH1 NIT 1/4" x 1" x 35' / BLACK 1220	AR	AR		
49	372476	. GRILL	1	1		
NS	500989	. WASHER FL .219x.875x.062 Z050	8	8		
NS	502557	. NUT HEX NYRT M4-0.7 SS	8	8		
50	402987	DECAL FEDERAL LAW / FRENCH	1	1		
50	402986	DECAL FEDERAL LAW / ENGLISH	1	1		
50	403652	DECAL FEDERAL LAW / POLYNESIEN	1	1		
NS	402988	PLATE / TO FIX DECAL	1	1		
NS	506466	TAPE RUB ADH1 CC POL 1/16" x 1 1/2" x 100' / GREY 2520	AR	AR		
NS	504106	RIVET POP DOME OE 1/8x1/4 AL	4	4		
51	391513	BRACKET ANGLE / SS / ON FLOOR To T-1374	1	1		
51	391815	BRACKET ANGLE / SS / ON FLOOR From T-1375	1	1		
NS	500120	SCREW TP BDG PH #6x1/2 SS	AR	AR		
52	506236	TAPE RUB ADH1 CC POL 1/16" x 1/2" x 100' / GREY 2520	AR	AR		
53	506302	RUBBER EXTRUSION TRIM SEAL / GRIP .024 / 7/16" HOLLOW BULB C.T.L.	AR	AR		
53	506002	TAPE RUB ADH1 CC POL 3/16" x 1/2" x 40' / GREY 2520	AR	AR		
54	390947	MOULDING / ANGLE NORYL To T-1374	1	1		
54	391814	MOULDING SS From T-1375	1	1		
55	391126	BRACKET ANGLE	2	2		
NS	500814	SCREW TP BDG PH #6x3/4 BK	AR	AR		
56	506005	TAPE RUB ADH1 CC POL 3/8" x 5/8" x 25' / GREY 2520X	AR	AR		

From R-012 To W-2284	Date:10/2022	PAGE:H3-1806-00
DASHBOARD PANEL - BUS		

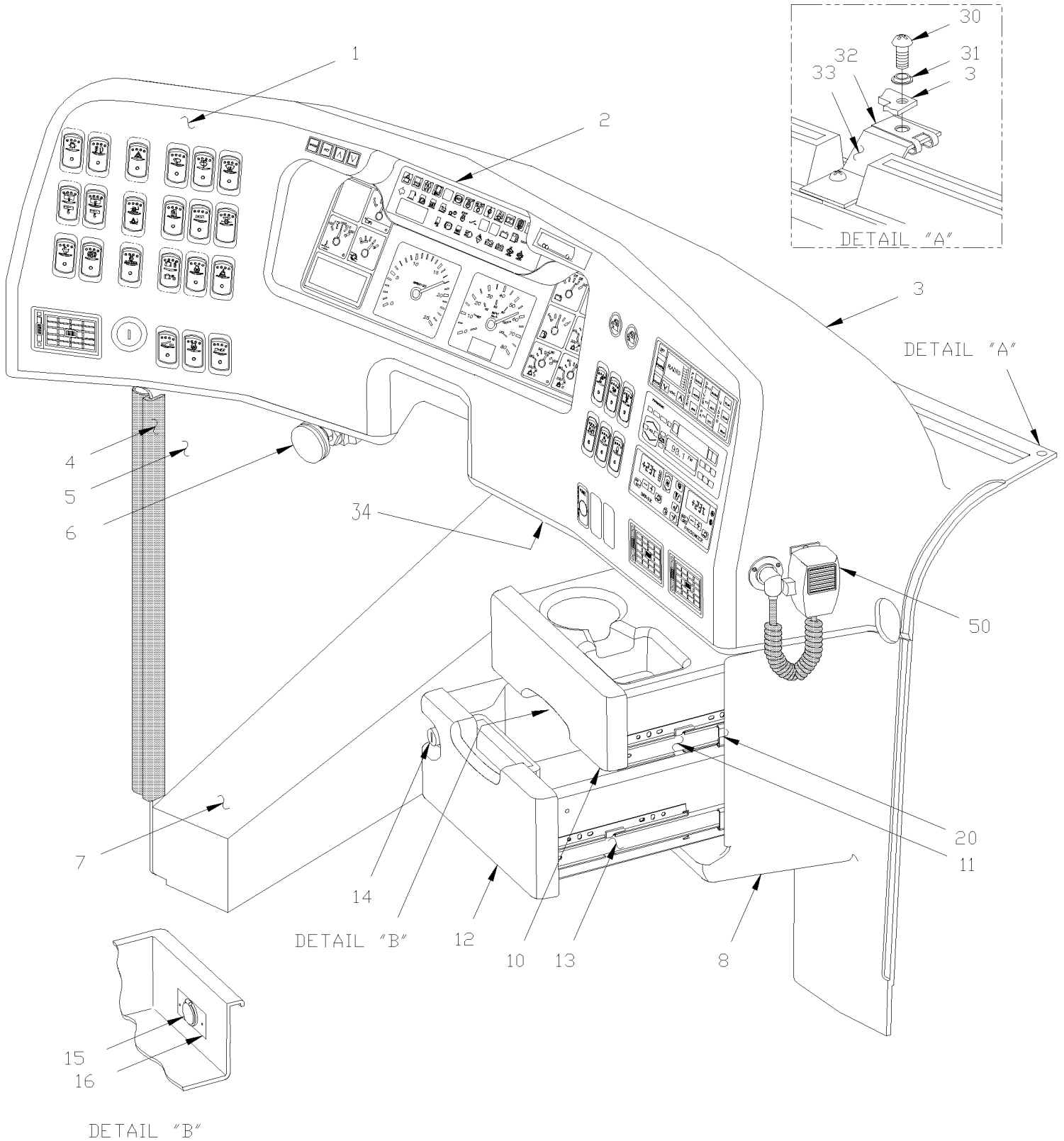
Item#	Part	Description	H 3 4 1	H 3 4 5	V I P 4 5	N O T E S
57	391496	PANEL FIXED / RIGHT To V-1756	1	1		
57	391886	PANEL FIXED / RIGHT From V-1757	1	1		
58	504104	RIVET POP DOME OE 1/8x1/8 SS	AR	AR		
59	391537	CAP, PROTECTOR To V-1756	1	1		
60	500409	SCREW TP PAN PH #8x1/2 BK To V-1756	4	4		
61	284057	DECAL "EMERGENCY EXIT" / ENGLISH & FRANCAIS	1	1		
61	641417	VALVE, 3 WAYS 1/8NPT-Fx1/8NPT-Fx1/8NPT-F BR	1	1		
. NS	642014	. HANDLE / RED	1	1		
61	642161	VALVE, 3 WAYS 1/8NPT-Fx1/8NPT-Fx1/8NPT-F BR / SERVICE	1	1		
. NS	642014	. HANDLE / RED	1	1		
62	324064	PANEL FINISHING LOWER / HINGE IN STEPWALL	1	1		
64	H3-1806-10	L.H. CONSOLE - BUS				
65	H3-0645-00	SWITCHES L.H. CONSOLE - BUS				

From W-2285 To 2-4416

Date:10/2022

PAGE:H3-1806-01

CENTRAL DASHBOARD PANEL - BUS



From W-2285 To 2-4416	Date:10/2022	PAGE:H3-1806-01
CENTRAL DASHBOARD PANEL - BUS		

Item#	Part	Description	H 3 4 1	H 3 4 5	V I P 4 5	N O T E S
1	391934	PANEL / FRONT INSTRUMENTATION To 2-4377	1	1		A
1	392155	PANEL / FRONT INSTRUMENTATION From 2-4378	1	1		A
1	5001411	SCREW MA FL PH M4-0.7x20 BK To 2-4377	AR	AR		
1	500345	WASHER FN CKF .187x.500x.090 BR BK To 2-4377	AR	AR		
2	H3-0645-12	L.H. DASHBOARD PANEL - BUS				
2	H3-0645-22	CENTER DASHBOARD PANEL - BUS				
2	H3-0645-32	R.H. DASHBOARD PANEL - BUS				
NS	063070	HARNESS ASSY / ALARM	1	1		
NS	404571	CABLE ASSY / DASH & PARCEL RACK	1	1		
NS	064575	WIRING HARNESS DASHBOARD CENTRAL MODULE To X-2725	1	1		
NS	064836	WIRING HARNESS DASHBOARD CENTRAL MODULE From X-2726 To X-2900	1	1		
NS	064950	WIRING HARNESS DASHBOARD CENTRAL MODULE From X-2901 To Y-3394	1	1		
NS	065064	WIRING HARNESS DASHBOARD CENTRAL MODULE From Y-3395 To Y-3891	1	1		
NS	065312	WIRING HARNESS DASHBOARD CENTRAL MODULE From Y-3892	1	1		
3	391935	COVER, DASHBOARD PANEL / BUS To 2-4377	1	1		
3	392156	COVER, DASHBOARD PANEL / BUS From 2-4378	1	1		
4	504675	RUBBER EXTRUSION TRIM SEAL / GRIP .040/.070 / 5/8" HOLLOW BULB C.T.L.	AR	AR		
5	391937	STRUCTURE / L.H. To X-2931	1	1		
5	392071	STRUCTURE / L.H. From X-2932	1	1		
NS	392073	ACCESS PANEL / FOR WIPER REPAIR From X-2932	1	1		
NS	392074	SUPPORT / WITH MANUAL TRANS ONLY From X-2932	1	1		
6	641445	VALVE, 3 WAYS, 2 POSITIONS MECHANICAL	1	1		
. NS	641992	. KNOB	1	1		
NS	5001403	SCREW MA CHE PH M5-0.8x40 ZP	2	2		
NS	500964	WASHER FL .203x.500x.047 Z050	2	2		
NS	502782	NUT HEX NYRT M5-0.8 Z050	2	2		
NS	501307	ADAPTER / PIPE FITTING / 1/8NPT-Fx1/8NPT-M BR	1	1		
NS	641365	MALE ELBOW 45° NON-SWIVEL / PUSH-IN FITTING / #4x1/8NPT-M BR	2	2		
7	392013	FOOT REST / SUPPORT	1	1		
NS	5001036	SCREW MA PAN PH M4-0.7x10 Z050	4	4		
8	391936	UNDER DASH PANEL / BLACK	1	1		
10	391932	DRAWER, UPPER / BLACK	1	1		
. NS	392237	. SUPPORT MAGNETIC LOCK / UPPER DRAWER	1	1		
. NS	392241	. CATCH MAGNETIC LOCK LOWER DRAWER	1	1		
. NS	504733	. KIT SLIDE TRACK / FIXED AT DRAWER	1	1		
NS	066888	CABLE ASSY / W/3.5MM / "I POD" / 12' From W-2285	1	1		I
11	504677	. RAIL ASSY 8" / (SET)	1	1		
NS	504673	CATCH MAGNETIC	2	2		
12	391933	DRAWER, LOWER / BLACK	1	1		
. NS	392238	. SUPPORT MAGNETIC LOCK / LOWER DRAWER	1	1		
. NS	392240	. CATCH MAGNETIC LOCK LOWER DRAWER	1	1		
. NS	504733	. KIT SLIDE TRACK / FIXED AT DRAWER	1	1		

From W-2285 To 2-4416	Date:10/2022	PAGE:H3-1806-01
CENTRAL DASHBOARD PANEL - BUS		

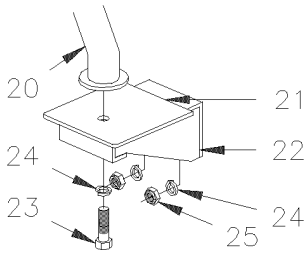
Item#	Part	Description	H 3 4 1	H 3 4 5	V I P 4 5	N O T E S
13	504678	. RAIL ASSY 10" / (SET)	1	1		
NS	504673	CATCH MAGNETIC	2	2		
14	504672	LATCH ASSY W/2 KEYS	1	1		
. NS	810084	. KEY / (CH751)	1	1		
14	810084	. KEY / (CH751)	2	2		
15	562796	12 VOLTS POWER OUTLET	1	1		
16	500343	SCREW MA FL PH M4-0.7x16 ZP	2	2		
NS	500590	NUT HEX NYRT M4-0.7 Z050	2	2		
20	392012	MOUNTING PLATE / DRAWER	4	4		
NS	5001413	SCREW MA FL PH M4-0.7x20 Z050	AR	AR		
30	5001411	SCREW MA FL PH M4-0.7x20 BK	AR	AR		
31	500345	WASHER FN CKF .187x.500x.090 BR BK	AR	AR		
32	5001406	NUT SPR U M4-0.7 0.8-4.0x13.5	AR	AR		
33	H3-2230-01	DEFROSTER - INSTALLATION				
34	562847	SENSOR TEMPERATURE / DRIVER'S (C-474) To Y-3891	1	1		
34	563026	SENSOR THERMISTOR ASSY ("KEystone") From Y-3892 To 1-4165	1	1		
34	563063	SENSOR THERMISTOR ASSY / TEMPERATURE / ("DELPHI") From 1-4166	1	1		
50	H3-2315-01	SOUND SYSTEM & ACCESSORIES				
NS	392225	KIT, PANEL / FRONT INSTRUMENTATION / BUS SERIES "H" From W-2285 To 2-4377	1	1		
NS	405843	KIT, RETROFIT "VOLVO" SOUND SYSTEM "H" From W-2285 To 2-4416	1	1		C
		A) PANEL WITH RECTANGULAR LOUVERS ARE SUPERSEDED BY KIT #392225				
		C) FOR DETAIL SEE PAGES H3-2315-99 & H3-2317-99				
		I) REQUIRE "VOLVO" SOUND SYSTEM SEE NOTE "C"				

From R-012 To W-2457

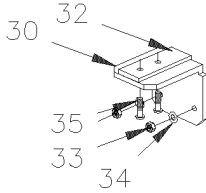
Date:10/2022

PAGE:H3-1806-05

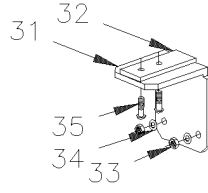
DASHBOARD PANEL - V.I.P.



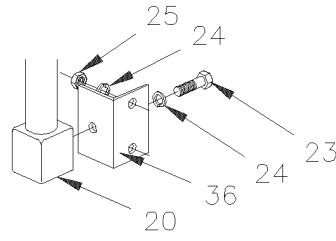
DETAIL "A"



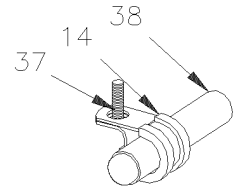
DETAIL "B"



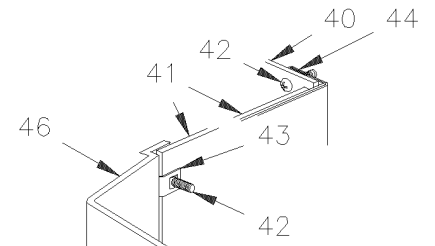
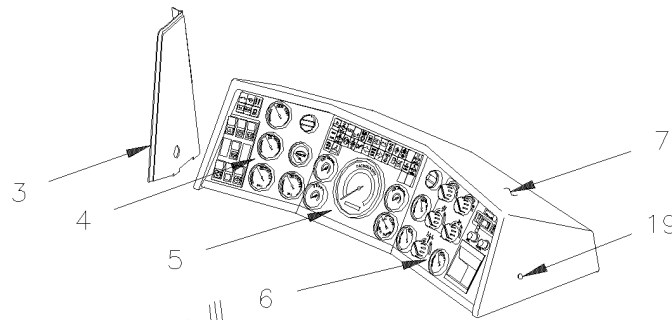
DETAIL "C"



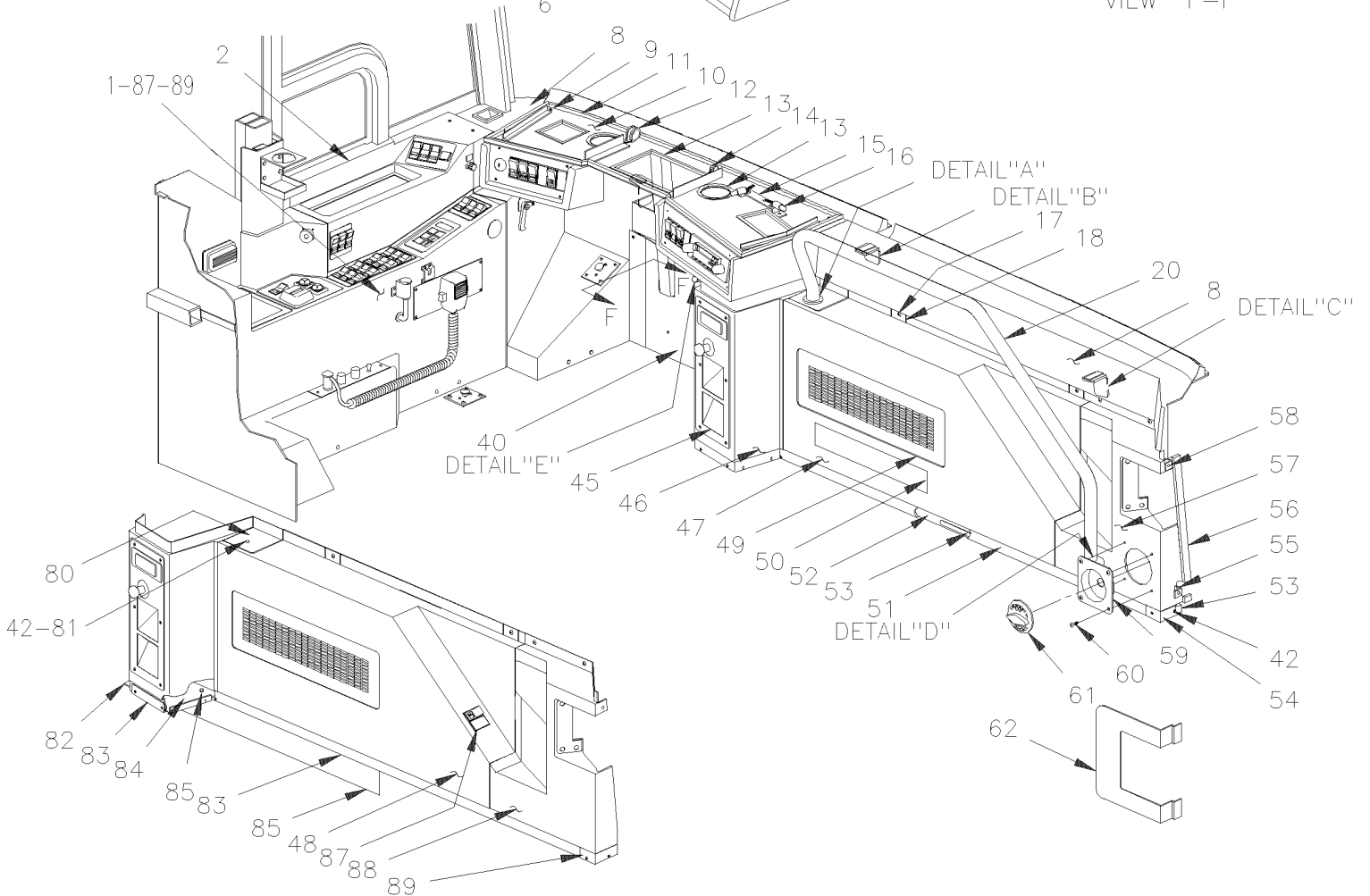
DETAIL "D"



DETAIL "E"



VIEW "F-F"



From R-012 To W-2457	Date:10/2022	PAGE:H3-1806-05
DASHBOARD PANEL - V.I.P.		

Item#	Part	Description	H 3 4 1	H 3 4 5	V I P 4 5	N O T E S
1	391688	CONSOLE / REMOVABLE			1	
2	391689	CONSOLE / LOWER L.H.			1	
3	402724	PANEL GREY			1	
NS	509558	WEATHERSEAL SNAP-ON 1/8" / SINGLE LIP / WH / C.T.L.			AR	
NS	5001015	SCREW TP BDG PH #6x1/2 SS BK			4	
4	H3-0645-10	L.H. DASHBOARD PANEL To V-1778				
4	H3-0645-15	L.H. DASHBOARD PANEL - V.I.P. From V-1779 To W-2457				
5	H3-0645-20	CENTER DASHBOARD PANEL To V-1778				
5	H3-0645-25	CENTER DASHBOARD PANEL - V.I.P. From V-1779 To W-2457				
6	H3-0645-30	R.H. DASHBOARD PANEL To V-1778				
6	H3-0645-35	R.H. DASHBOARD PANEL - V.I.P. From V-1779 To W-2457				
7	390980	DASHBOARD CAP / FIBERGLASS			1	
8	H3-2230-00	DEFROSTER - INSTALLATION To W-2457				
9	500750	SCREW MA TR PH M4-0.7x18 Z050			5	
NS	5001055	NUT WELL M4-0.7x14.5			5	
10	391507	SUPPORT / TO FIX DASHBOARD MOUNTING PLATE To T-1313			1	
10	391716	SUPPORT / TO FIX DASHBOARD MOUNTING PLATE From T-1314			1	
11	506502	RUBBER EXTRUSION CC NEO 3/8" X 3/8" X 50' / C.T.L.			1	
12	560872	CLAMP / 1"1/16 I.D.			1	
13	506338	RUBBER CHANNEL / 1/16" x 1/4" INT "U" SHAPE / ROUND C.T.L.			2	
14	560481	CLAMP / 5/8" I.D.			1	
15	391143	SUPPORT / BOLTED TO THE PLATE / TO FIX LIGHT			1	
16	H3-0655-01	INTERIOR LIGHTING To W-2457				
19	504400	SNAP CAP #10 FINISHING BLACK			2	
NS	504399	WASHER RETAINER SNAP CAP #10			2	
NS	500659	SCREW TC PAN PH #10-32x1 Z050			2	
21	390950	COVER BRACKET			1	
30	391054	BRACKET ANGLE			1	
31	391053	BRACKET ANGLE			2	
32	506001	TAPE RUB ADH1 CC POL 1/8" x 3/4" x 50' / GREY 2520X			AR	
33	502556	WASHER FL 4.3x9.0x0.8 SS			AR	
34	500590	NUT HEX NYRT M4-0.7 Z050			AR	
37	500642	SCREW TP PAN PH #10x3/4 Z050			1	
NS	500252	NUT SPR U #10-24 .156-.187			1	
38	870868	SENSOR MAIN HEATER / TEMPERATURE CONTROL			1	
40	391262	SHEET ASSY / METAL			1	
40	391260	. SHEET, FINISHING			1	
40	810034	. CARPET OZITE / S.L. 12 FT WIDE			AR	
NS	391066	BRACKET ANGLE / TO FIX ITEM 40 ON THE FLOOR			1	
41	391160	SHEET ASSY / METAL			1	
41	391158	. SHEET, METAL			1	
41	391009	. CLIP RETAINING			1	

From R-012 To W-2457	Date:10/2022	PAGE:H3-1806-05
DASHBOARD PANEL - V.I.P.		

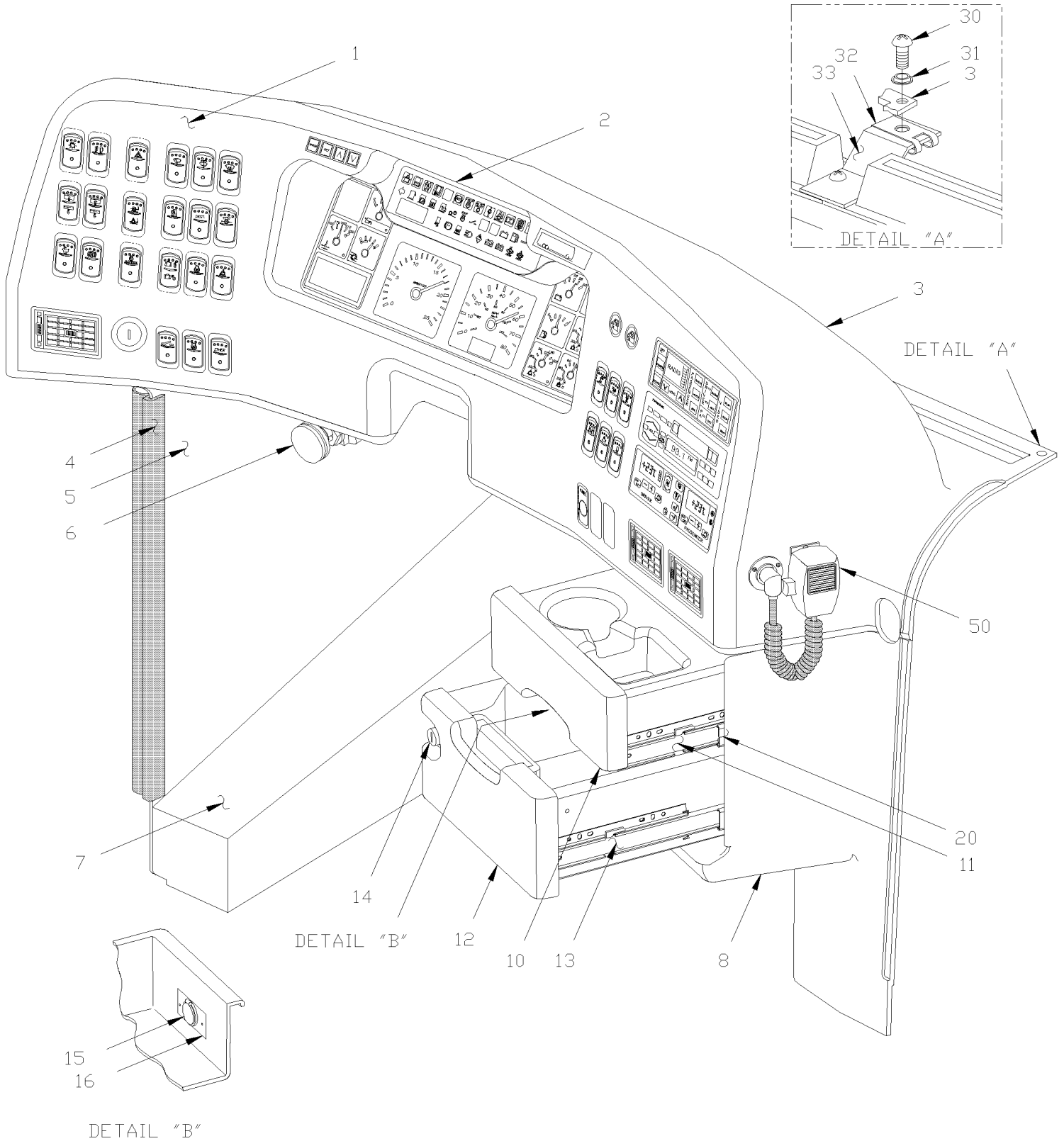
Item#	Part	Description	H 3 4 1	H 3 4 5	V I P 4 5	N O T E S
41	810034	. CARPET OZITE / S.L. 12 FT WIDE			AR	
42	5001119	SCREW TP BDG PH #8x3/4 SS			AR	
43	500996	NUT SPR U #6-32 .135-.150			AR	
44	500664	NUT SPR U #6-32 .050-.062			AR	
45	H3-0645-50	R.H. CONSOLE To V-1778				
45	H3-0645-55	R.H. CONSOLE - V.I.P. From V-1779				
46	390948	CONSOLE FIXE To T-1528			1	
46	391865	CONSOLE FIXE From T-1529			1	
48	391356	PANEL ASSY REMOVABLE				
48	391581	. PANEL				
NS	506339	. TAPE RUB ADH1 NIT 1/4" x 1" x 35' / BLACK 1220			AR	
49	372476	. GRILL			1	
NS	500989	. WASHER FL .219x.875x.062 Z050			8	
NS	502557	. NUT HEX NYRT M4-0.7 SS			8	
51	391513	BRACKET ANGLE / SS / ON FLOOR To T-1374			1	
51	391815	BRACKET ANGLE / SS / ON FLOOR From T-1375			1	
NS	500120	SCREW TP BDG PH #6x1/2 SS			AR	
52	506236	TAPE RUB ADH1 CC POL 1/16" x 1/2" x 100' / GREY 2520			AR	
53	506302	RUBBER EXTRUSION TRIM SEAL / GRIP .024 / 7/16" HOLLOW BULB C.T.L.			AR	
53	506002	TAPE RUB ADH1 CC POL 3/16" x 1/2" x 40' / GREY 2520			AR	
54	390947	MOULDING / ANGLE NORYL To T-1374			1	
54	391814	MOULDING SS From T-1375			1	
55	391126	BRACKET ANGLE			2	
NS	500814	SCREW TP BDG PH #6x3/4 BK			AR	
58	504104	RIVET POP DOME OE 1/8x1/8 SS			AR	
62	324064	PANEL FINISHING LOWER / HINGE IN STEPWALL			1	
80	391346	COVER BRACKET			1	
81	504403	SNAP CAP #8 FINISHING BLACK			1	
NS	504412	WASHER RETAINER SNAP CAP #8			1	
NS	500614	SCREW TP FL PH #6x3/4 Z050			1	
82	391337	BRACKET ANGLE			1	
83	391336	BRACKET ANGLE / PLATE			1	
84	502622	SCREW CAP HEX M6-1.0x20 SS BK			1	
NS	502573	WASHER FL 6.4x12.5x1.6 SS			2	
85	391338	BRACKET ANGLE			1	
87	H3-0645-05	SWITCHES L.H. CONSOLE - V.I.P. To X-2456				
88	391580	PANEL FIXED / RIGHT			1	
89	H3-1806-15	L.H. CONSOLE - V.I.P.				
NS	392226	KIT, PANEL / FRONT INSTRUMENTATION / V.I.P. SERIES "H" From W-2458 To 2-4377			1	

From X-2458 To 2-4416

Date:10/2022

PAGE:H3-1806-06

CENTRAL DASHBOARD PANEL - V.I.P.



From X-2458 To 2-4416 Date:10/2022 PAGE:H3-1806-06

CENTRAL DASHBOARD PANEL - V.I.P.

Item#	Part	Description	H 3 4 1	H 3 4 5	V I P 4 5	N O T E S
1	391987	PANEL / FRONT INSTRUMENTATION To 2-4377			1	D
1	392157	PANEL / FRONT INSTRUMENTATION From 2-4378			1	D
1	5001411	SCREW MA FL PH M4-0.7x20 BK To 2-4377			AR	
1	500345	WASHER FN CKF .187x.500x.090 BR BK To 2-4377			AR	
2	H3-0645-16	L.H. DASHBOARD PANEL - V.I.P.				
2	H3-0645-26	CENTER DASHBOARD PANEL - V.I.P.				
2	H3-0645-36	R.H. DASHBOARD PANEL - V.I.P.				
NS	063070	HARNESS ASSY / ALARM			1	
NS	064602	WIRING HARNESS DASHBOARD CENTRAL MODULE To Y-3394			1	
NS	065065	WIRING HARNESS DASHBOARD CENTRAL MODULE From Y-3395 To Y-3891			1	
NS	065315	WIRING HARNESS DASHBOARD CENTRAL MODULE From Y-3892 To 1-4096			1	
NS	065385	WIRING HARNESS DASHBOARD CENTRAL MODULE From 1-4097			1	
NS	064732	WIRING HARNESS DASHBOARD CENTRAL MODULE W/SMALL A/C To Y-3394			1	B
NS	065066	WIRING HARNESS DASHBOARD CENTRAL MODULE W/SMALL A/C From Y-3395 To Y-3891			1	B
2	065384	WIRING HARNESS DASHBOARD CENTRAL MODULE W/SMALL A/C From 1-4097 To 1-4194			1	B
3	391989	COVER, DASHBOARD PANEL / V.I.P. To 2-4377			1	
3	392158	COVER, DASHBOARD PANEL / V.I.P. From 2-4378			1	
3	392200	COVER, DASHBOARD PANEL / V.I.P.			1	A
3	392126	COVER, DASHBOARD PANEL			1	
4	504675	RUBBER EXTRUSION TRIM SEAL / GRIP .040/.070 / 5/8" HOLLOW BULB C.T.L.			AR	
5	392201	STRUCTURE / L.H.			1	A
5	392065	STRUCTURE / L.H. To X-2958			1	
5	392072	STRUCTURE / L.H. From X-2959			1	
NS	392073	ACCESS PANEL / FOR WIPER REPAIR From X-2932			1	
NS	562361	PROTECTIVE CAP / HD10 SERIES / 6C / DEUTSCH HDC16-6-BLACK			1	C
NS	562492	TYPE A COUPLING			1	C
NS	562493	CHAIN / C.T.L.			1	C
NS	562494	RING / ATTACHMENT END			1	C
6	641445	VALVE, 3 WAYS, 2 POSITIONS MECHANICAL			1	
. NS	641992	. KNOB			1	
NS	5001403	SCREW MA CHE PH M5-0.8x40 ZP			2	
NS	500964	WASHER FL .203x.500x.047 Z050			2	
NS	502782	NUT HEX NYRT M5-0.8 Z050			2	
NS	501307	ADAPTER / PIPE FITTING / 1/8NPT-Fx1/8NPT-M BR			1	
NS	641365	MALE ELBOW 45° NON-SWIVEL / PUSH-IN FITTING / #4x1/8NPT-M BR			2	
7	392013	FOOT REST / SUPPORT			1	
NS	5001036	SCREW MA PAN PH M4-0.7x10 Z050			4	
8	391988	UNDER DASH PANEL			1	
8	392199	UNDER DASH PANEL / BLACK			1	A
10	391932	DRAWER, UPPER / BLACK			1	
. NS	392237	. SUPPORT MAGNETIC LOCK / UPPER DRAWER			1	
. NS	392241	. CATCH MAGNETIC LOCK LOWER DRAWER			1	

From X-2458 To 2-4416	Date:10/2022	PAGE:H3-1806-06
CENTRAL DASHBOARD PANEL - V.I.P.		

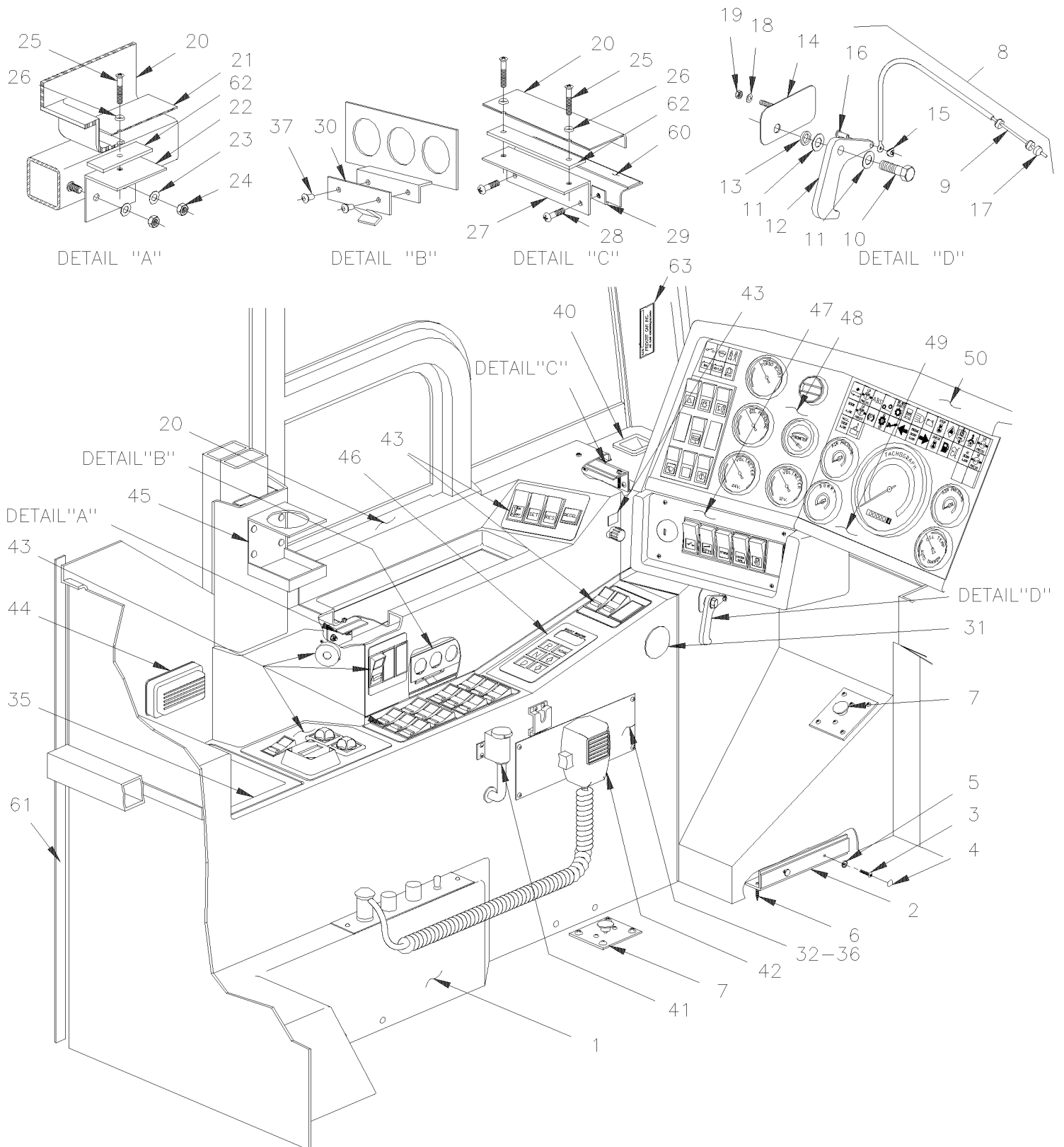
Item#	Part	Description	H 3 4 1	H 3 4 5	V I P 4 5	N O T E S
. NS	504733	. KIT SLIDE TRACK / FIXED AT DRAWER			1	
11	504677	. RAIL ASSY 8" / (SET)			1	
NS	504673	CATCH MAGNETIC			2	
12	391933	DRAWER, LOWER / BLACK			1	
. NS	392238	. SUPPORT MAGNETIC LOCK / LOWER DRAWER			1	
. NS	392240	. CATCH MAGNETIC LOCK LOWER DRAWER			1	
. NS	504733	. KIT SLIDE TRACK / FIXED AT DRAWER			1	
13	504678	. RAIL ASSY 10" / (SET)			1	
NS	504673	CATCH MAGNETIC			2	
14	504672	LATCH ASSY W/2 KEYS			1	
. NS	810084	. KEY / (CH751)			1	
14	810084	. KEY / (CH751)			2	
15	562796	12 VOLTS POWER OUTLET			1	
16	500343	SCREW MA FL PH M4-0.7x16 ZP			2	
NS	500590	NUT HEX NYRT M4-0.7 Z050			2	
20	392012	MOUNTING PLATE / DRAWER			4	
NS	5001413	SCREW MA FL PH M4-0.7x20 Z050			AR	
30	5001411	SCREW MA FL PH M4-0.7x20 BK			AR	
31	500345	WASHER FN CKF .187x.500x.090 BR BK			AR	
32	5001406	NUT SPR U M4-0.7 0.8-4.0x13.5			AR	
33	H3-2230-01	DEFROSTER - INSTALLATION				
50	H3-2315-01	SOUND SYSTEM & ACCESSORIES				
		A) USE WITHOUT HANDRAIL				
		B) V.I.P. WITH SMALL A/C SYSTEM				
		C) USE WITH SWITCH FOR DRIVER LIGHT & LUGGAGE LOCK				
		D) PANEL WITH RECTANGULAR LOUVERS ARE SUPERSEDED BY KIT #392226				

From R-012 To W-2284

Date:10/2022

PAGE:H3-1806-10

L.H. CONSOLE - BUS



From R-012 To W-2284	Date:10/2022	PAGE:H3-1806-10
L.H. CONSOLE - BUS		

Item#	Part	Description	H 3 4 1	H 3 4 5	V I P 4 5	N O T E S
1	391625	CONSOLE / LOWER L.H. To T-1415	1	1		
1	391819	CONSOLE / LOWER L.H. From T-1416	1	1		
2	391066	BRACKET ANGLE / TO FIX ITEM 40 ON THE FLOOR	3	3		
3	500862	SCREW TC PAN PH #6-32x3/4 Z050	AR	AR		
4	504403	SNAP CAP #8 FINISHING BLACK	AR	AR		
5	504412	WASHER RETAINER SNAP CAP #8	AR	AR		
6	500495	SCREW TP PAN PH #6x1 Z050	AR	AR		
7	H3-2310-00	HORN - INSTALLATION				
8	372504	LEVER ASSY	1	1		
9	372499	. WIRE	1	1		
10	500181	. SCREW CAP HEX 5/16-18x1 G5 Z050	1	1		C
11	504503	. BUSHING, NYLON 5/16 DIA.	2	2		
12	372501	. LEVER ASSY	1	1		
13	500441	. WASHER FL .312x.734x.065 Z050	1	1		
14	372503	. SUPPORT ASSY	1	1		
15	500926	. NUT SPR PO RND 3/16	1	1		
16	504149	. RIVET SOL BRAZ 3/16x1/2 AL	1	1		
NS	502637	WASHER FL .200x.437x.037 SS	2	2		
17	505078	STOPPER / W/ AIR DAMPER CONTROL	1	1		
18	502679	NUT HEX NYRT M4-0.7 ZP	2	2		A
20	390968	CONSOLE / REMOVABLE	1	1		B
21	391136	PROTECTOR	1	1		
21	810034	CARPET OZITE / S.L. 12 FT WIDE	AR	AR		
22	390974	BRACKET ANGLE	1	1		
23	502573	WASHER FL 6.4x12.5x1.6 SS	2	2		
24	500609	NUT HEX M6-1.0 Z050	2	2		
25	502521	SCREW TC OV PH #8-32x1 BK	3	3		
26	502620	WASHER FN CK .203x.531 BK	3	3		
27	390975	BRACKET ANGLE	1	1		
28	500642	SCREW TP PAN PH #10x3/4 Z050	2	2		
29	500981	NUT SPR U #10-23/32x5/8	2	2		
30	391009	CLIP RETAINING	1	1		
31	400270	DECAL / CMVSS CANADA TRANSPORT	1	1		
32	403816	PLATE / V.I.N. To R-046				
32	403826	PLATE / V.I.N. From R-047 To S-196	1	1		
32	404047	PLATE / V.I.N. From S-197	1	1		
35	391627	HOLDER MAP	1	1		
NS	506071	TAPE RUB ADH1 CC POL 1/8" x 1/2" x 50' / GREY 2520X	AR	AR		
37	504104	RIVET POP DOME OE 1/8x1/8 SS	4	4		
40	390944	DEFLECTOR / AIR	1	1		
NS	402724	PANEL GREY	1	1		C
40	5001015	SCREW TP BDG PH #6x1/2 SS BK	4	4		

From R-012 To W-2284		Date:10/2022	PAGE:H3-1806-10
L.H. CONSOLE - BUS			

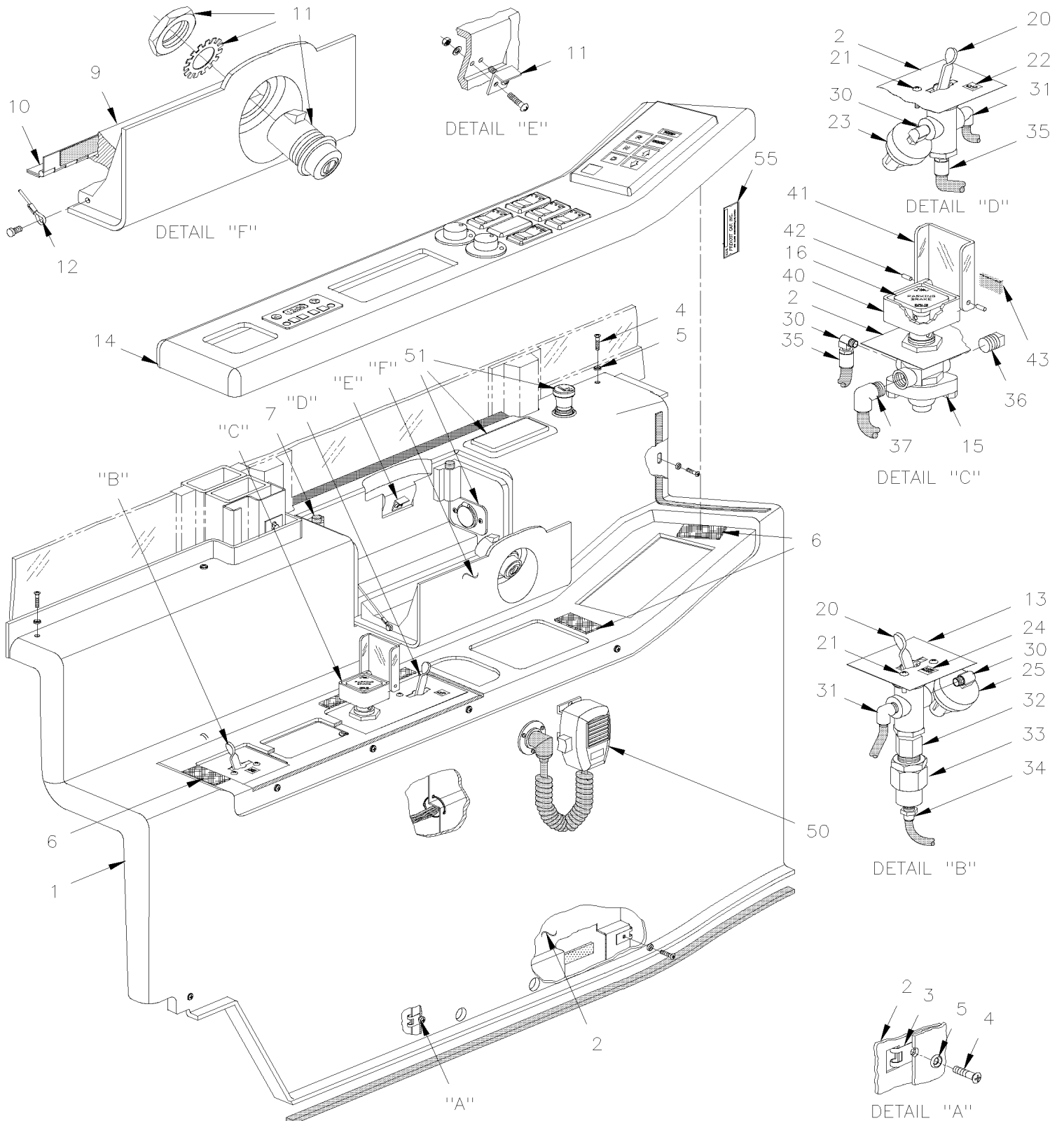
Item#	Part	Description	H 3 4 1	H 3 4 5	V I P 4 5	N O T E S
NS	509558	WEATHERSEAL SNAP-ON 1/8" / SINGLE LIP / WH / C.T.L.	AR	AR		
NS	506318	TAPE DUAL LOCK 1" x 150' / BLACK SJ3541	AR	AR		
41	064194	HARNESS 12V	1	1		
42	H3-2315-00	SOUND SYSTEM & ACCESSORIES To T-1454				
		SEE PAGE H3-0645-00 To W-2284				
44	830124	LAMP ASSY	1	1		
NS	391525	RUBBER PLATE GASKET	1	1		
NS	562278	BULB / 10WATT-24VOLTS / SAE# 6429	1	1		
45	900527	GLASS HOLDER	1	1		
45	900788	GLASS HOLDER	1	1		
NS	500862	SCREW TC PAN PH #6-32x3/4 Z050	11	11		
NS	504403	SNAP CAP #8 FINISHING BLACK	8	8		
NS	504412	WASHER RETAINER SNAP CAP #8	8	8		
46	H3-0755-16	SHIFTER ELECTRONIC - "WORLD" TRANSMISSION				
46	391633	TRAY / W/MANUAL TRANS ONLY	1	1		
47	H3-0645-40	L.H. & R.H. LOWER CENTRAL PANEL - BUS To W-2284				
48	H3-0645-10	L.H. DASHBOARD PANEL To V-1778				
48	H3-0645-11	L.H. DASHBOARD PANEL - BUS From V-1779 To W-2284				
49	H3-0645-20	CENTER DASHBOARD PANEL To V-1778				
49	H3-0645-21	CENTER DASHBOARD PANEL - BUS From V-1779 To W-2284				
50	H3-1806-00	DASHBOARD PANEL - BUS To W-2284				
60	506236	TAPE RUB ADH1 CC POL 1/16" x 1/2" x 100' / GREY 2520	AR	AR		
NS	561821	NUT, RING #17 & 20 / 1.500" I.D W/4 4-40	1	1		
NS	500518	SCREW MA BDG PH #4-40x1/2 Z050	4	4		
61	506264	TAPE RUB ADH1 URE 3/4" x 1" x 12.5' / GREY 1820X	AR	AR		
62	506001	TAPE RUB ADH1 CC POL 1/8" x 3/4" x 50' / GREY 2520X	AR	AR		
63	Call order desk	PLATE / V.I.N.	1	1		P
		A) W/AIR DAMPER CONTROL				
		B) REMOVABLE				
		C) DASH AND WINDOW FOR REFLECTOR				
		P) CALL ORDER DESK FOR SPECIFIC APPLICATION (V.I.N.)				

From R-012 To 2-4416

Date:10/2022

PAGE:H3-1806-11

L.H. CONSOLE - BUS



From R-012 To 2-4416	Date:10/2022	PAGE:H3-1806-11
L.H. CONSOLE - BUS		

Item#	Part	Description	H 3 4 1	H 3 4 5	V I P 4 5	N O T E S
1	391938	CONSOLE / W/ASHTRAY / BLACK	1	1		
1	392075	CONSOLE / W/O ASHTRAY & W/O LIGHTER / BLACK	1	1		
1	392136	CONSOLE / W/LIGHTER / BLACK	1	1		
2	391950	STRUCTURE ASSY	1	1		
3	5001405	NUT SPR U M4-0.7 0.8-4.0x9.5	10	10		
4	5001414	SCREW MA FL PH M4-0.7x16 BK	10	10		
5	500345	WASHER FN CKF .187x.500x.090 BR BK	10	10		
6	506493	TAPE DUAL LOCK 1/2" x 150' / BLACK SJ3541	AR	AR		
7	504674	BUMPER RUBBER / 1/4X13/32X13/32X1/8	2	2		
9	391939	COVER ASSY / BLACK	1	1		
10	392525	HINGE	1	1		
11	504672	LATCH ASSY W/2 KEYS	1	1		
. NS	810084	. KEY / (CH751)	1	1		
NS	810084	. KEY / (CH751)	1	1		
12	504676	STRAP RETAINER	1	1		
13	391967	DUMMY / W/O LOW BUOY	1	1		
14	391948	PANEL / W/AUTOMATIC TRANSMISSION "WORLD"	1	1		
14	391949	PANEL / W/MANUAL TRANSMISSION	1	1		
14	392006	PANEL / W/MANUAL TRANSMISSION "EATON"	1	1		
15	641128	VALVE, CONTROL VALVE PP-1 / 40PSI	1	1		
. NS	641154	. REPAIR KIT / PP-1 & RD-3	1	1		
16	641149	. BUTTON, PARKING BRAKE DIAMOND YELLOW / 1"	1	1		
20	640136	VALVE, CONTROL TW-1	1	1		
. NS	641156	. REPAIR KIT / TW-1	1	1		
21	500572	SCREW MA TR PH #10-24x1/2 SS BK	2	2		
22	391952	DECAL "TAG"	1	1		
23	562518	PRESSURE SWITCH N.O. 4PSI / 1/8NPT W/2 SCREWS / TAG	1	1		
NS	063892	WIRE ASSY / W/LOW BUOY	1	1		
24	391951	DECAL "LOW BUOY"	1	1		
25	560816	PRESSURE SWITCH N.C. 3PSI / 1/8NPT W/2 SCREWS To 2-4387	1	1		
25	452406	PRESSURE SWITCH N.O. 30-15 20SP001MA030C015C From 2-4388	1	1		
30	501331	STREET ELBOW 90° / PIPE FITTING / 1/8NPT-Mx1/8NPT-F BR	3	3		
31	641369	MALE ELBOW 90° NON-SWIVEL / PUSH-IN FITTING / #4x1/8NPT-M BR	3	3		
32	501310	ADAPTER / PIPE FITTING / 1/4NPT-Fx1/8NPT-M BR	1	1		
33	640135	VALVE, CHECK 1/4 NPT	1	1		
34	641332	MALE CONNECTOR / PUSH-IN FITTING / #4x1/4NPT-M BR	1	1		
35	641349	MALE CONNECTOR / PUSH-IN FITTING / #6x1/8NPT-M BR	1	1		
36	501304	PLUG SQUARE HEAD / PIPE FITTING / 1/4NPT-M BR	1	1		
37	641371	MALE ELBOW 90° NON-SWIVEL / PUSH-IN FITTING / #4x1/4NPT-M BR	1	1		
40	391727	PROTECTOR BOX ASSY / OVER PARKING BRAKE VALVE	1	1		
40	391725	. BOX	1	1		
41	391726	. COVER / CLEAR PLASTIC	1	1		

From R-012 To 2-4416	Date:10/2022	PAGE:H3-1806-11
L.H. CONSOLE - BUS		

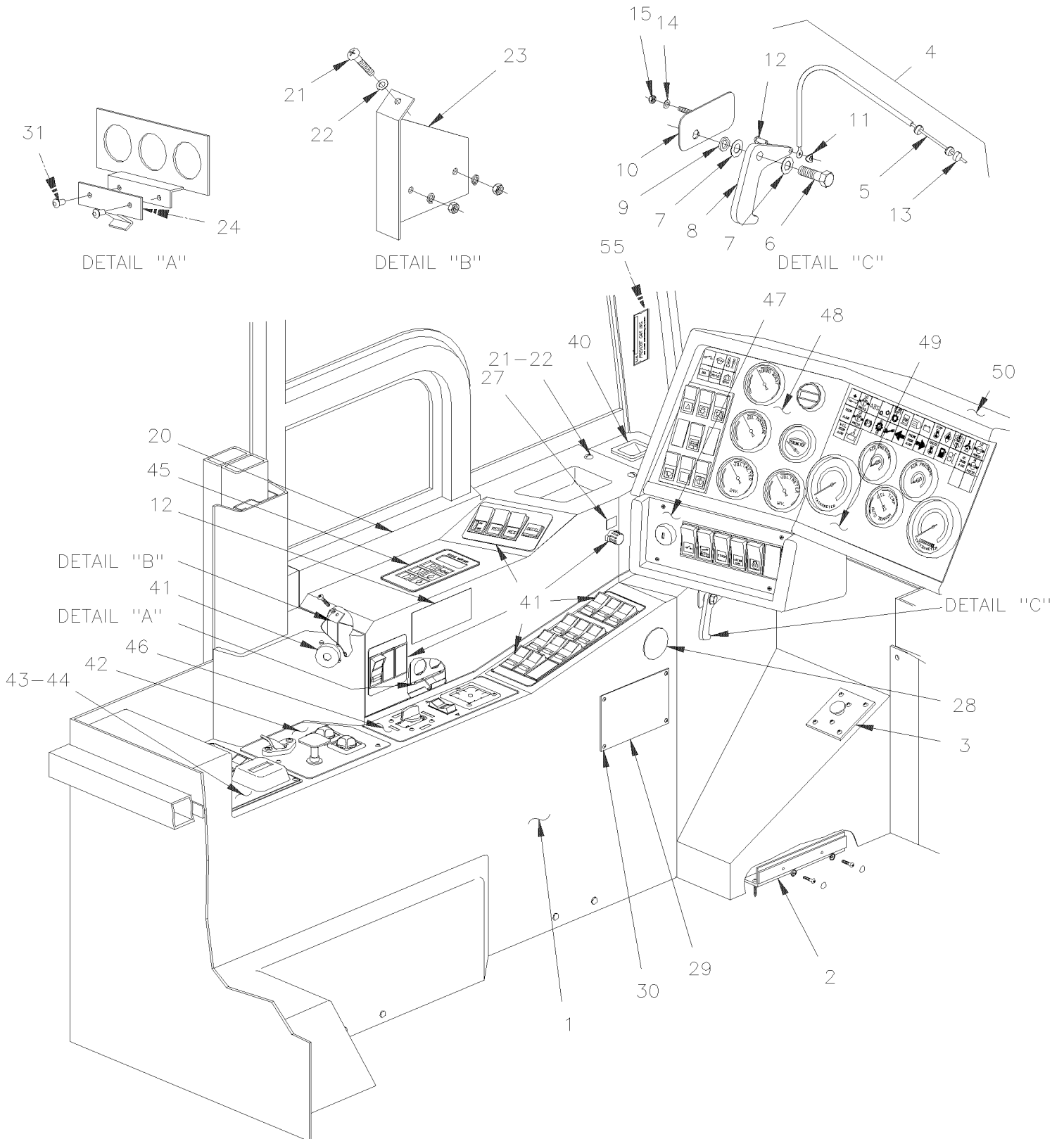
Item#	Part	Description	H 3 4 1	H 3 4 5	V I P 4 5	N O T E S
42	505221	. SPRING, PIN 1/8 X 3/8	1	1		
43	506035	. TAPE RUB ADH1 NEO 1/2" x 1" x 15' / BLACK 1220X	1	1		
50	H3-2315-01	SOUND SYSTEM & ACCESSORIES				
51	H3-0645-01	SWITCHES L.H. CONSOLE - BUS				
55	Call order desk	PLATE / V.I.N.	1	1		P
		P) CALL ORDER DESK FOR SPECIFIC APPLICATION (V.I.N.)				

From R-012 To W-2457

Date:10/2022

PAGE:H3-1806-15

L.H. CONSOLE - V.I.P.



From R-012 To W-2457	Date:10/2022	PAGE:H3-1806-15
L.H. CONSOLE - V.I.P.		

Item#	Part	Description	H 3 4 1	H 3 4 5	V I P 4 5	N O T E S
1	391689	CONSOLE / LOWER L.H.			1	
2	391066	BRACKET ANGLE / TO FIX ITEM 40 ON THE FLOOR			2	
NS	500862	SCREW TC PAN PH #6-32x3/4 Z050			6	
NS	500495	SCREW TP PAN PH #6x1 Z050			9	
3	141454	PLATE / W/O AIR HORN			1	
NS	500764	NUT HEX #8-32 Z050			6	
NS	500470	WASHER LO SPT .193x.334x.047 Z050			4	
NS	500873	SCREW MA RND PH #8-32x3/4 SS BK			4	
4	372504	LEVER ASSY			1	
5	372499	. WIRE			1	
6	500181	. SCREW CAP HEX 5/16-18x1 G5 Z050			1	
7	504503	. BUSHING, NYLON 5/16 DIA.			2	
8	372501	. LEVER ASSY			1	
9	500441	. WASHER FL .312x.734x.065 Z050			1	
10	372503	. SUPPORT ASSY			1	
11	500926	. NUT SPR PO RND 3/16			1	
12	504149	. RIVET SOL BRAZ 3/16x1/2 AL			1	
13	505078	STOPPER / W/ AIR DAMPER CONTROL			3	
14	502637	WASHER FL .200x.437x.037 SS			2	
15	502679	NUT HEX NYRT M4-0.7 ZP			2	
20	391688	CONSOLE / REMOVABLE			1	
21	502521	SCREW TC OV PH #8-32x1 BK			3	
22	502620	WASHER FN CK .203x.531 BK			3	
23	391295	BRACKET / TO FIX CONSOLE			1	
24	391009	CLIP RETAINING			1	
25	810034	CARPET OZITE / S.L. 12 FT WIDE			AR	
26	391294	BRACKET ANGLE			1	
NS	500981	NUT SPR U #10-23/32x5/8			2	
NS	500642	SCREW TP PAN PH #10x3/4 Z050			2	
27	402786	DECAL / RHEOSTAT			1	
28	400270	DECAL / CMVSS CANADA TRANSPORT			1	
29	403827	PLATE / V.I.N. To S-196			1	
29	404045	PLATE / V.I.N. From S-197			1	
40	390944	DEFLECTOR / AIR			1	
		SEE PAGE H3-0645-05 To W-2457				
42		TAG AXLE			1	
43	391480	LEXAN / LEVEL LOW / (AS SHOWN)			1	
44	391481	CLOSING PLATE			1	
45	H3-0755-16	SHIFTER ELECTRONIC - "WORLD" TRANSMISSION To W-2284				
46	H3-1640-11	LEVEL-LOW - LEVEL & SWITCHES To W-2457				
47	H3-0645-40	L.H. & R.H. LOWER CENTRAL PANEL - BUS To W-2284				
48	H3-0645-10	L.H. DASHBOARD PANEL To V-1778				

From R-012 To W-2457	Date:10/2022	PAGE:H3-1806-15
L.H. CONSOLE - V.I.P.		

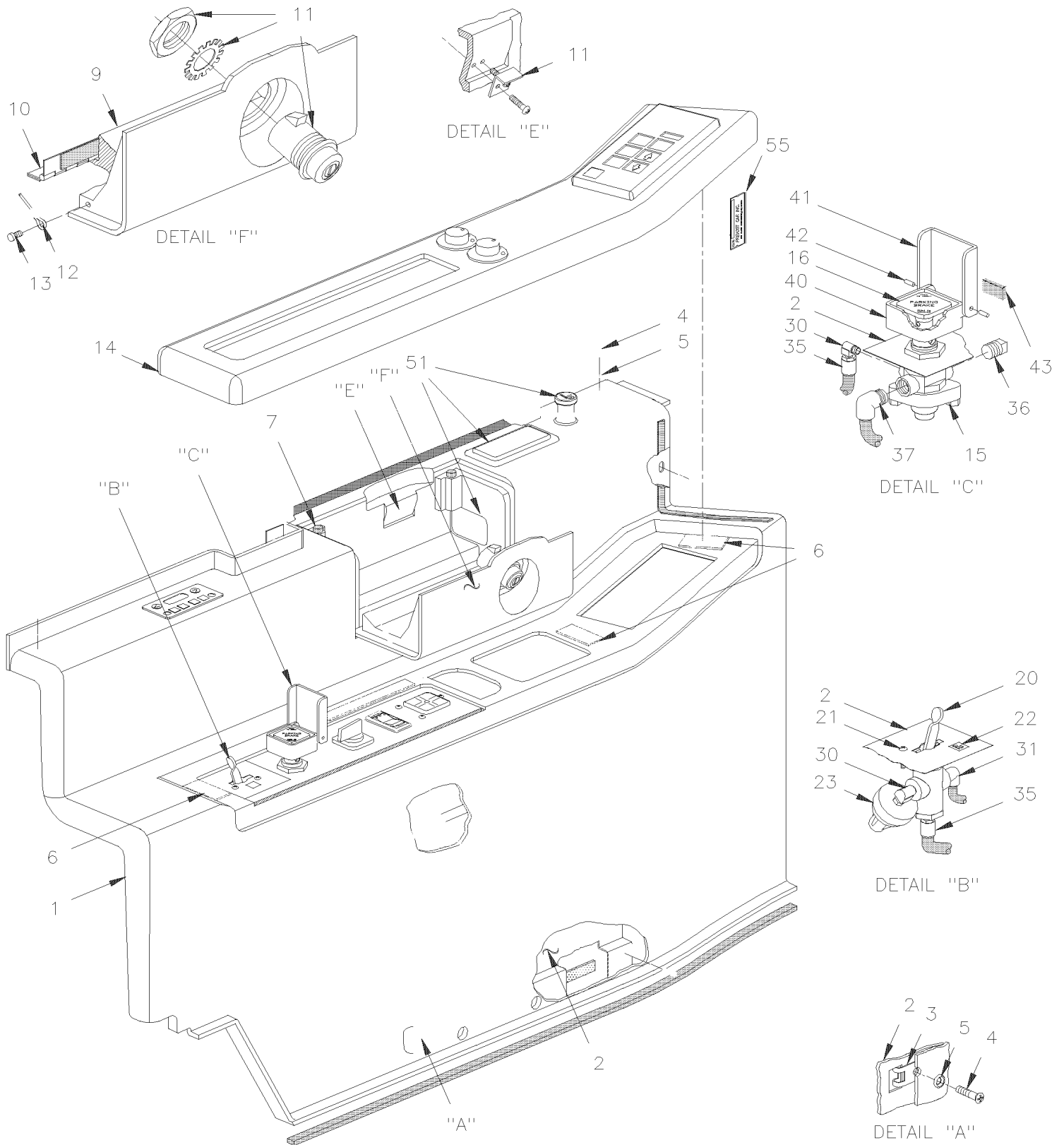
Item#	Part	Description	H 3 4 1	H 3 4 5	V I P 4 5	N O T E S
48	H3-0645-11	L.H. DASHBOARD PANEL - BUS From V-1779				
49	H3-0645-20	CENTER DASHBOARD PANEL To V-1778				
49	H3-0645-21	CENTER DASHBOARD PANEL - BUS From V-1779				
50	H3-1806-00	DASHBOARD PANEL - BUS To W-2284				
55	Call order desk	PLATE / V.I.N.			1	P
		P) CALL ORDER DESK FOR SPECIFIC APPLICATION (V.I.N.)				

From R-012 To 2-4416

Date:10/2022

PAGE:H3-1806-16

L.H. CONSOLE - V.I.P.



From R-012 To 2-4416	Date:10/2022	PAGE:H3-1806-16
L.H. CONSOLE - V.I.P.		

Item#	Part	Description	H 3 4 1	H 3 4 5	V I P 4 5	N O T E S
1	391990	CONSOLE / W/ASHTRAY & LIGHTER / BLACK			1	
1	392076	CONSOLE / W/OUT TIMER & W/OUT ASHTRAY / BLACK			1	
1	392083	CONSOLE / W/ASHTRAY			1	
2	391993	STRUCTURE ASSY			1	
3	5001405	NUT SPR U M4-0.7 0.8-4.0x9.5			10	
4	5001414	SCREW MA FL PH M4-0.7x16 BK			10	
5	500345	WASHER FN CKF .187x.500x.090 BR BK			10	
6	506493	TAPE DUAL LOCK 1/2" x 150' / BLACK SJ3541			AR	
7	504674	BUMPER RUBBER / 1/4X13/32X13/32X1/8			2	
9	391939	COVER ASSY / BLACK			1	
10	392525	HINGE			1	
11	504672	LATCH ASSY W/2 KEYS			1	
. NS	810084	. KEY / (CH751)			1	
NS	810084	. KEY / (CH751)			1	
12	504676	STRAP RETAINER			1	
14	391991	PANEL / W/AUTOMATIC TRANSMISSION			1	
15	641128	VALVE, CONTROL VALVE PP-1 / 40PSI			1	
. NS	641154	. REPAIR KIT / PP-1 & RD-3			1	
16	641149	. BUTTON, PARKING BRAKE DIAMOND YELLOW / 1"			1	
20	640136	VALVE, CONTROL TW-1			1	
. NS	641156	. REPAIR KIT / TW-1			1	
21	500572	SCREW MA TR PH #10-24x1/2 SS BK			2	
22	391992	DECAL "TAG"			1	
23	562518	PRESSURE SWITCH N.O. 4PSI / 1/8NPT W/2 SCREWS / TAG			1	
NS	064657	CABLE ASSY / W/"LEVEL LOW"			1	
24	391994	DECAL "LEVEL LOW"			1	
30	501331	STREET ELBOW 90° / PIPE FITTING / 1/8NPT-Mx1/8NPT-F BR			3	
31	641369	MALE ELBOW 90° NON-SWIVEL / PUSH-IN FITTING / #4x1/8NPT-M BR			3	
35	641349	MALE CONNECTOR / PUSH-IN FITTING / #6x1/8NPT-M BR			1	
36	501304	PLUG SQUARE HEAD / PIPE FITTING / 1/4NPT-M BR			1	
37	641371	MALE ELBOW 90° NON-SWIVEL / PUSH-IN FITTING / #4x1/4NPT-M BR			1	
40	391727	PROTECTOR BOX ASSY / OVER PARKING BRAKE VALVE			1	
40	391725	. BOX			1	
41	391726	. COVER / CLEAR PLASTIC			1	
42	505221	. SPRING, PIN 1/8 X 3/8			1	
43	506035	. TAPE RUB ADH1 NEO 1/2" x 1" x 15' / BLACK 1220X			1	
50	H3-2315-01	SOUND SYSTEM & ACCESSORIES				
51	H3-0645-06	SWITCHES L.H. CONSOLE - V.I.P.				
55	Call order desk	PLATE / V.I.N.			1	P
60	641018	MALE CONNECTOR / NTA FITTING / #6x1/8NPT-M BR			1	

From R-012 To 2-4416	Date:10/2022	PAGE:H3-1806-16
L.H. CONSOLE - V.I.P.		

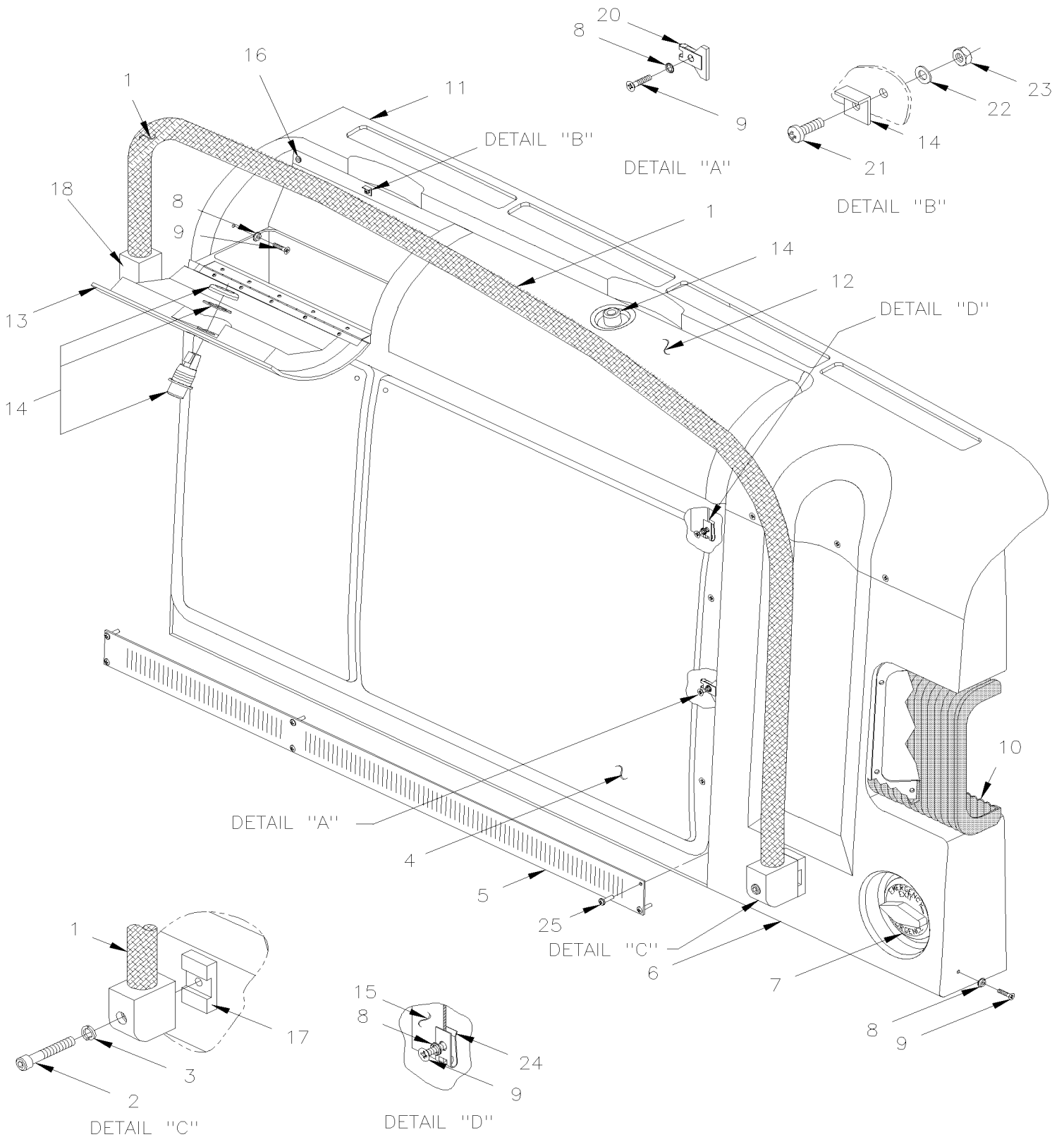
Item#	Part	Description	H 3 4 1	H 3 4 5	V I P 4 5	N O T E S
		P) CALL ORDER DESK FOR SPECIFIC APPLICATION (V.I.N.)				

From W-2285 To 2-4416

Date:10/2022

PAGE:H3-1806-20

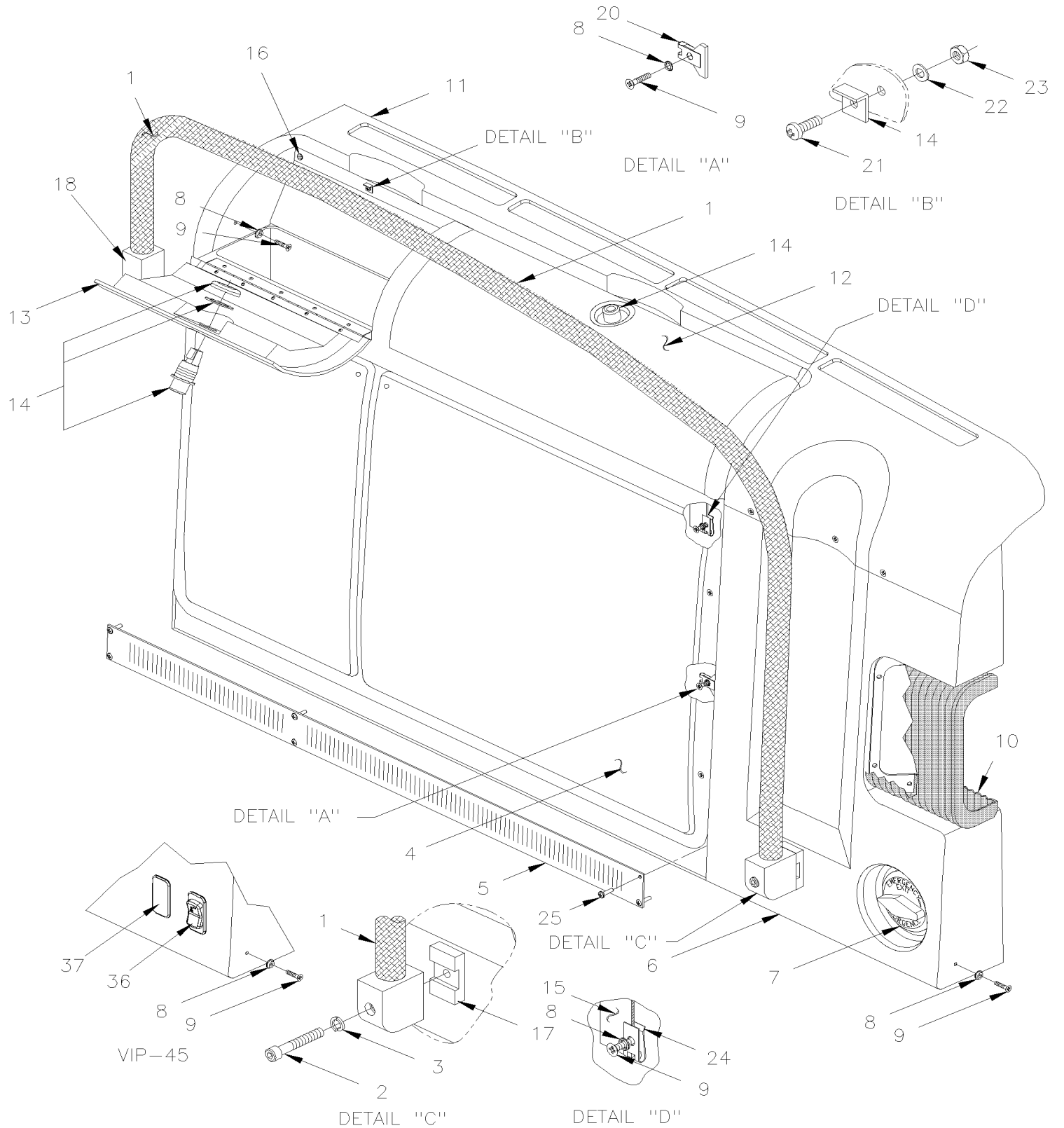
DASHBOARD PANEL - BUS



From W-2285 To 2-4416	Date:10/2022	PAGE:H3-1806-20
DASHBOARD PANEL - BUS		

Item#	Part	Description	H 3 4 1	H 3 4 5	V I P 4 5	N O T E S
1	391971	HAND RAIL	1	1		
2	5001379	SCREW CAP HEXS M8-1.25x50 SS	1	1		
2	5001380	SCREW CAP HEXS M8-1.25x100 SS	1	1		
3	500475	WASHER LO INT .320x.610x.034 Z050	2	2		
4	392007	PANEL / SERVICING	1	1		
5	391959	GRILLE / LOWER SS / BLACK	1	1		
6	392008	COVER / ENTRANCE DOOR MECHANISM / BLACK	1	1		
		SEE PAGE H3-1802-02				
8	500345	WASHER FN CKF .187x.500x.090 BR BK	AR	AR		
9	5001413	SCREW MA FL PH M4-0.7x20 Z050	AR	AR		
9	5001429	SCREW MA FL PH M4-0.7x25 BK	AR	AR		
10	H3-1862-60	ENTRANCE DOOR FRAME - INSTALLATION				
11	391953	PANEL R.H. / TOP W/2 BASKETS / BLACK	1	1		
12	391954	COVER R.H. / BLACK	1	1		
13	391955	COVER L.H. / BLACK	1	1		
13	504676	STRAP RETAINER	1	1		
14	504672	LATCH ASSY W/2 KEYS	AR	AR		
. NS	810084	. KEY / (CH751)	1	1		
NS	810084	. KEY / (CH751)	2	2		
15	391956	STRUCTURE / R.H.	1	1		
16	504674	BUMPER RUBBER / 1/4X13/32X13/32X1/8	4	4		
17	392489	RAMP BLOCK SUPPORT WELD TO DASH STRUCTURE	1	1		
18	392116	RAMP SUPPORT WELD TO DASH STRUCTURE	1	1		
20	5001406	NUT SPR U M4-0.7 0.8-4.0x13.5	4	4		
21	5001398	SCREW MA CHE PH M3-0.5x10 SS	1	1		
22		WASHER	4	4		
23	5001408	NUT HEX STO M3-0.5 ZP	4	4		
24	5001405	NUT SPR U M4-0.7 0.8-4.0x9.5	14	14		
25	5001410	SCREW MA CHE PH M4-0.7x16 SS	6	6		

From X-2458 To 2-4416	Date:10/2022	PAGE:H3-1806-25
DASHBOARD PANEL - V.I.P.		

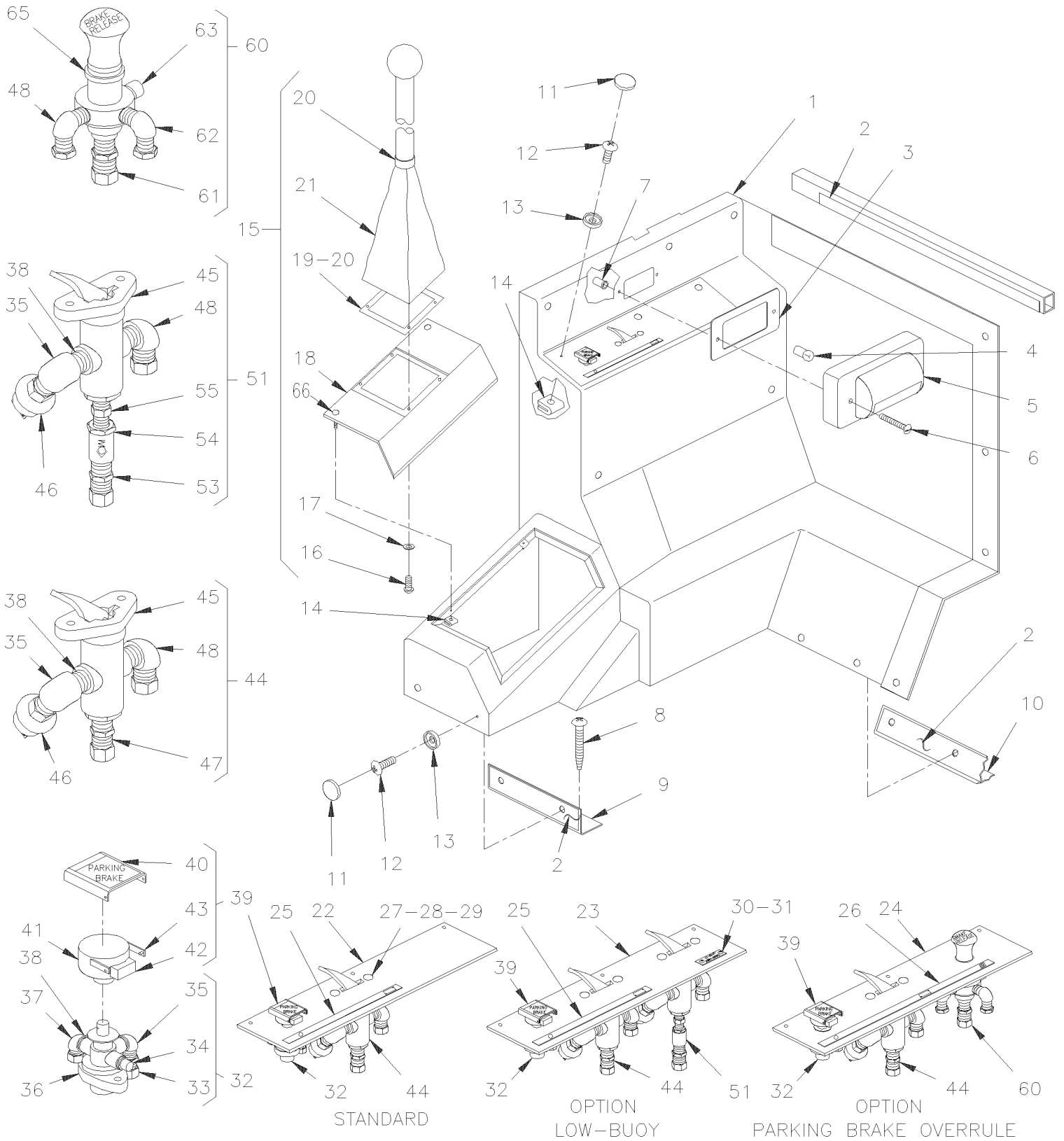


From X-2458 To 2-4416		Date:10/2022	PAGE:H3-1806-25
-----------------------	--	--------------	-----------------

DASHBOARD PANEL - V.I.P.

Item#	Part	Description	H 3 4 1	H 3 4 5	V I P 4 5	N O T E S
4	392007	PANEL / SERVICING To X-3176			1	
4	392128	PANEL / SERVICING / BLACK From X-3177			1	
5	391959	GRILLE / LOWER SS / BLACK			1	
6	392008	COVER / ENTRANCE DOOR MECHANISM / BLACK To X-3176			1	
6	392127	COVER / ENTRANCE DOOR MECHANISM / BLACK From X-3177			1	
6	392202	COVER / ENTRANCE DOOR MECHANISM / WITHOUT HANDRAIL / BLACK			1	A
		SEE PAGE H3-1802-02				
8	500345	WASHER FN CKF .187x.500x.090 BR BK			AR	
9	5001413	SCREW MA FL PH M4-0.7x20 Z050			AR	
9	5001429	SCREW MA FL PH M4-0.7x25 BK			AR	
10	H3-1862-60	ENTRANCE DOOR FRAME - INSTALLATION				
11	391995	PANEL R.H. / TOP W/2 BASKETS / BLACK To X-3176			1	
12	391954	COVER R.H. / BLACK			1	
13	391955	COVER L.H. / BLACK			1	
13	504676	STRAP RETAINER			1	
14	504672	LATCH ASSY W/2 KEYS			AR	
. NS	810084	. KEY / (CH751)			1	
NS	810084	. KEY / (CH751)			2	
15	391996	STRUCTURE / R.H.			1	
15	392203	STRUCTURE / R.H. WITHOUT HANDRAIL			1	A
16	504674	BUMPER RUBBER / 1/4X13/32X13/32X1/8			4	
17	392489	RAMP BLOCK SUPPORT WELD TO DASH STRUCTURE			1	
18	392116	RAMP SUPPORT WELD TO DASH STRUCTURE			1	
20	5001406	NUT SPR U M4-0.7 0.8-4.0x13.5			4	
21	5001398	SCREW MA CHE PH M3-0.5x10 SS			1	
22		WASHER			4	
23	5001408	NUT HEX STO M3-0.5 ZP			4	
24	5001405	NUT SPR U M4-0.7 0.8-4.0x9.5			14	
25	5001410	SCREW MA CHE PH M4-0.7x16 SS			6	
36	562697	SWITCH / ON-ON / D.P.D.T. / CH-OVER / W/RED & GREEN LED			1	
36	562716	CAP / DRIVER'S LAMP			1	
37	562773	SWITCH / "DUMMY" / PLUG	1	1	1	
		A) USE WITHOUT HANDRAIL				

From R-012 To 2-4416	Date:10/2022	PAGE:H3-1806-50
R.H. CONSOLE - W/MANUAL TRANSMISSION		



From R-012 To 2-4416	Date:10/2022	PAGE:H3-1806-50
R.H. CONSOLE - W/MANUAL TRANSMISSION		

Item#	Part	Description	H 3 4 1	H 3 4 5	V I P 4 5	N O T E S
1	391638	CONSOLE FIBERGLASS / R.H.	1	1		A
2	506001	TAPE RUB ADH1 CC POL 1/8" x 3/4" x 50' / GREY 2520X	AR	AR		
3	391525	RUBBER PLATE GASKET	1	1		
4	562411	BULB / 5WATT-24VOLTS / SAE # 6424	1	1		
5	830124	LAMP ASSY	5	5		
6	500580	SCREW MA RND SLT #8-32x1/2 ZP	AR	AR		
7	500678	NUT WELL #8-32x.450	AR	AR		E
8	500495	SCREW TP PAN PH #6x1 Z050	AR	AR		
9	391141	ANGLE / LOWER FRONT	1	1		
10	391737	ANGLE / LOWER REAR	1	1		
11	504403	SNAP CAP #8 FINISHING BLACK	AR	AR		
12	500862	SCREW TC PAN PH #6-32x3/4 Z050	AR	AR		
13	504412	WASHER RETAINER SNAP CAP #8	AR	AR		
14	500996	NUT SPR U #6-32 .135-.150	AR	AR		
15	391462	PANEL ASSY W/BOOT	1	1		
16	500650	. SCREW TC PAN PH #6-32x3/8 ZP	AR	AR		
17	502649	. WASHER LO EXT .141x.320x.022 Z050	AR	AR		
18	391322	. PANEL FIBERBLASS	1	1		
19	391365	. RETAINER RING	1	1		
20	680030	. ADHESIVE ADCHEM #EC847 / 1 Liter	AR	AR		
21	391364	. BOOT COVERING / BLACK	1	1		
22	391755	PLATE, STANDARD	1	1		
23	391756	PLATE / W/"LOW-BUOY"	1	1		
24	391757	PLATE / W/OVERRULE PARKING BRAKE VALVE	1	1		
25	391761	DECAL / PARKING & TAG	1	1		
26	391762	DECAL / PARKING, TAG & PARKING OVERRULE	1	1		
27	504400	SNAP CAP #10 FINISHING BLACK	AR	AR		
28	500572	SCREW MA TR PH #10-24x1/2 SS BK	AR	AR		F
29	504399	WASHER RETAINER SNAP CAP #10	AR	AR		
30	391523	PLATE IDENTIFICATION ENGRAVED "LOW-BUOY"	1	1		
31	500647	SCREW TC PAN PH #4-40x1/4 ZP	2	2		
32		PARKING BRAKE VALVE	1	1		
33	641018	MALE CONNECTOR / NTA FITTING / #6x1/8NPT-M BR	1	1		
34	501304	PLUG SQUARE HEAD / PIPE FITTING / 1/4NPT-M BR	1	1		
35	501331	STREET ELBOW 90° / PIPE FITTING / 1/8NPT-Mx1/8NPT-F BR	1	1		
36	641128	VALVE, CONTROL VALVE PP-1 / 40PSI	1	1		
. NS	641154	. REPAIR KIT / PP-1 & RD-3	1	1		
37	641371	MALE ELBOW 90° NON-SWIVEL / PUSH-IN FITTING / #4x1/4NPT-M BR	1	1		
38	680098	THREAD SEALANT LOCTITE #567 / WHITE / 250ml	AR	AR		
39	391727	PROTECTOR BOX ASSY / OVER PARKING BRAKE VALVE	1	1		
40	391726	. COVER / CLEAR PLASTIC	1	1		
41	391725	. BOX	1	1		

From R-012 To 2-4416	Date:10/2022	PAGE:H3-1806-50
R.H. CONSOLE - W/MANUAL TRANSMISSION		

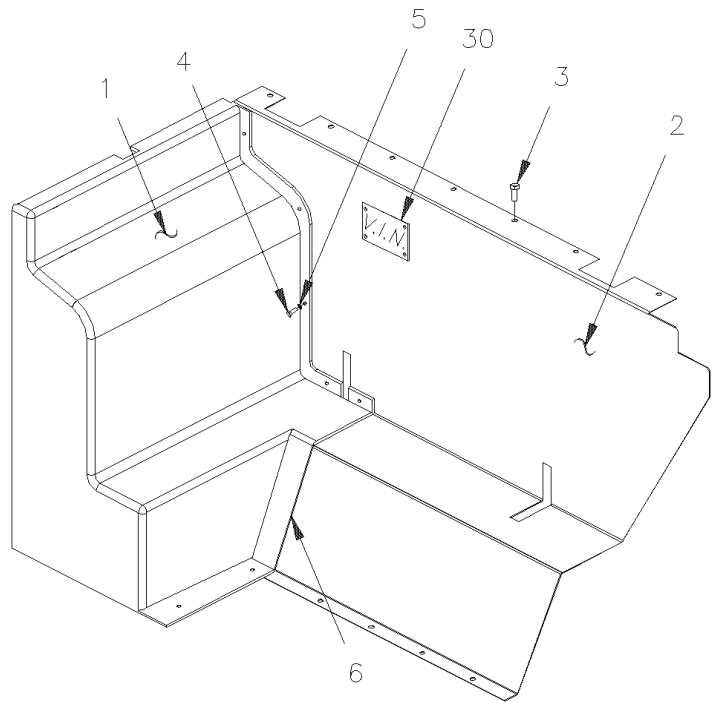
Item#	Part	Description	H 3 4 1	H 3 4 5	V I P 4 5	N O T E S
42	506035	. TAPE RUB ADH1 NEO 1/2" x 1" x 15' / BLACK 1220X	AR	AR		
43	505221	. SPRING, PIN 1/8 X 3/8	2	2		
44	N.P.N.	TAG AXLE CONTROL VALVE	1	1		4
45	640136	VALVE, CONTROL TW-1	1	1		
. NS	641156	. REPAIR KIT / TW-1	1	1		
46	560816	PRESSURE SWITCH N.C. 3PSI / 1/8NPT W/2 SCREWS	1	1		
47	641349	MALE CONNECTOR / PUSH-IN FITTING / #6x1/8NPT-M BR	1	1		
48	641369	MALE ELBOW 90° NON-SWIVEL / PUSH-IN FITTING / #4x1/8NPT-M BR	1	1		
51	N.P.N.	LOW BUOY CONTROL VALVE	1	1		4
53	641331	MALE CONNECTOR / PUSH-IN FITTING / #6x1/4NPT-M BR	1	1		
54	640135	VALVE, CHECK 1/4 NPT	1	1		
55	501310	. ADAPTER / PIPE FITTING / 1/4NPT-Fx1/8NPT-M BR	1	1		
60	N.P.N.	PARKING BRAKE OVERRULE CONTROL VALVE	1	1		4
61	641242	MALE CONNECTOR / PUSH-IN FITTING / #4x1/8NPT-M BR	1	1		
62	641370	MALE ELBOW 90° NON-SWIVEL / PUSH-IN FITTING / #6x1/8NPT-M BR	1	1		
63	501303	PLUG SQUARE HEAD / PIPE FITTING / 1/8NPT-M BR	1	1		
65	640472	VALVE, CONTROL / RD-3	1	1		
. NS	641154	. REPAIR KIT / PP-1 & RD-3	1	1		
66	500862	SCREW TC PAN PH #6-32x3/4 Z050	3	3		
		A) CONSOLE WITH HYDRAULIC SHIFTER NEED CUT TO FIT WITH CONSOLE CAP R.H. #391920 SEE H3-0705-02				
		E) TO FIX LAMP				
		F) TO FIX VALVE				
		4) NO PARTS NUMBER				

From W-2285 To 2-4416

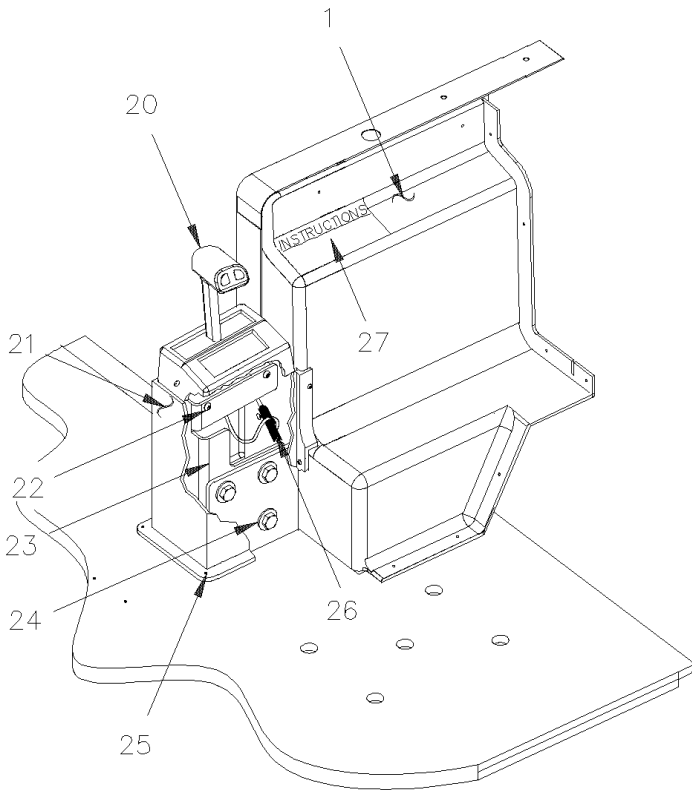
Date:10/2022

PAGE:H3-1806-51

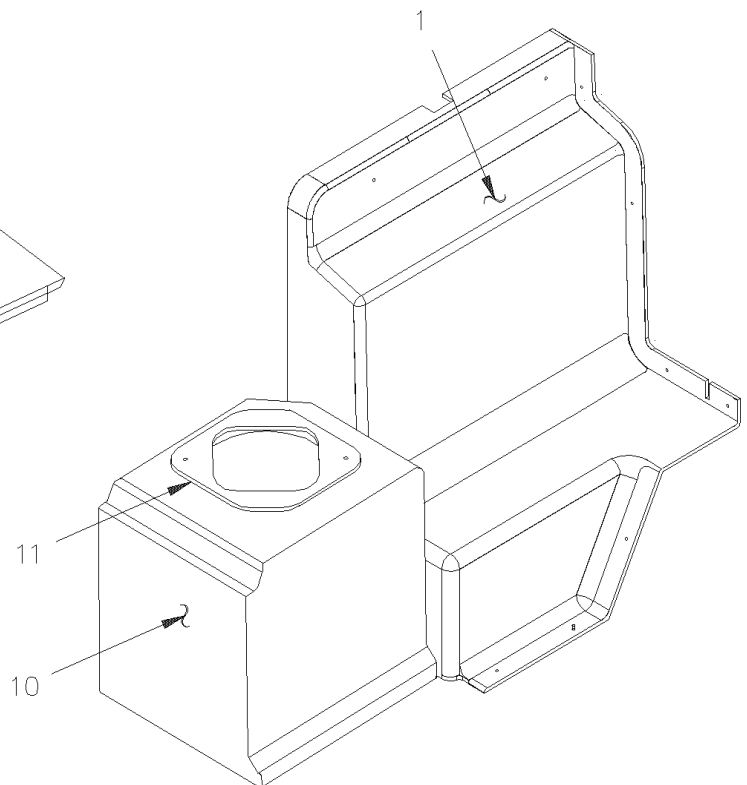
R.H. CONSOLE - BUS



W/AUTOMATIC TRANSMISSION



W/MANUAL TRANSMISSION "EATON"

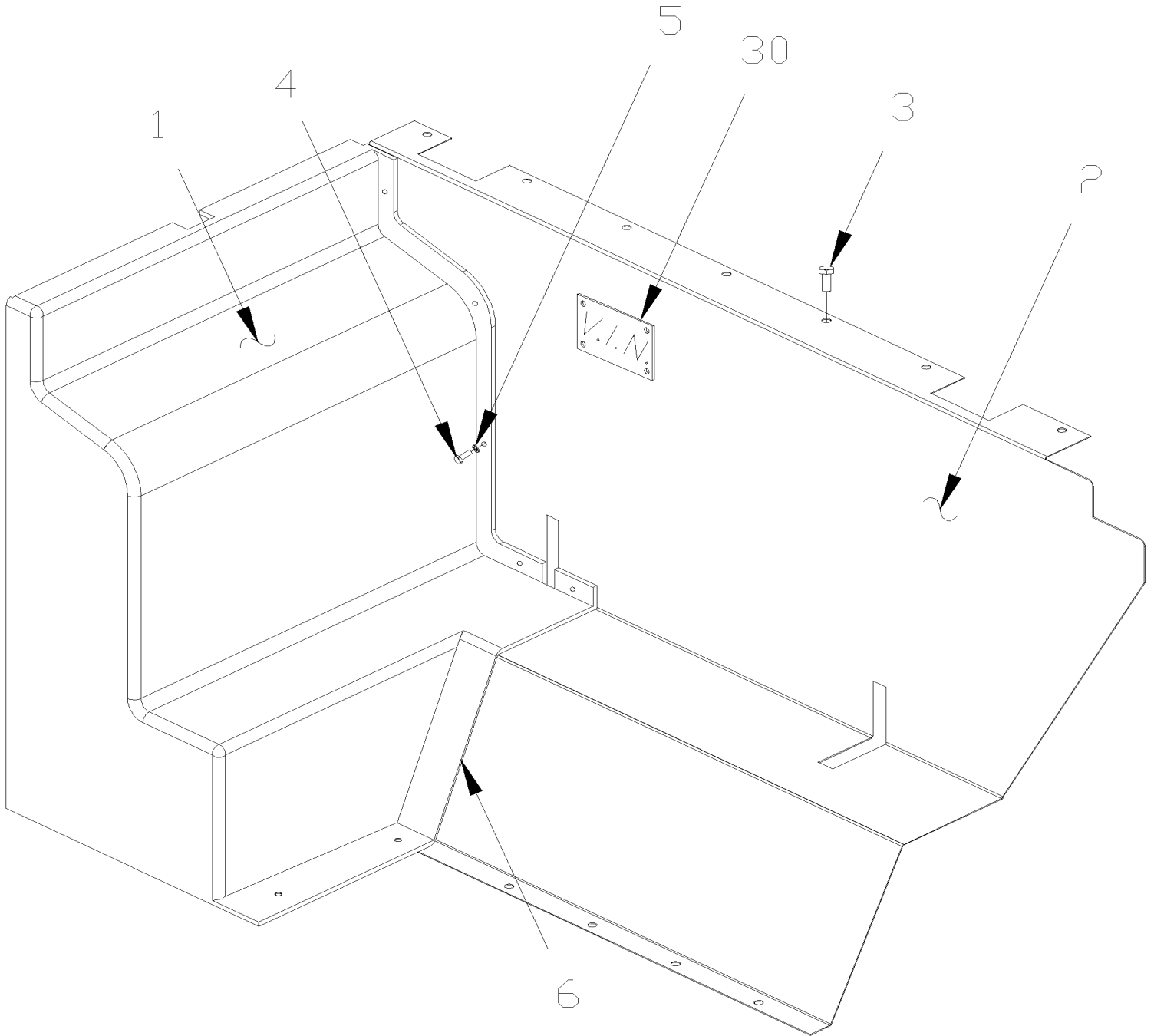


W/MANUAL TRANSMISSION "SPICER"

From W-2285 To 2-4416	Date:10/2022	PAGE:H3-1806-51
R.H. CONSOLE - BUS		

Item#	Part	Description	H 3 4 1	H 3 4 5	V I P 4 5	N O T E S
1	391975	CONSOLE, R.H.	1	1		
2	326123	PANEL	1	1		
3	5001120	SCREW TP FL PH #10x1 1/4 SS410	13	13		
4	500814	SCREW TP BDG PH #6x3/4 BK	9	9		
5	500345	WASHER FN CKF .187x.500x.090 BR BK	9	9		
6	506466	TAPE RUB ADH1 CC POL 1/16" x 1 1/2" x 100 / GREY 2520	AR	AR		
10	392004	COVER CAP SHIFTER / PLASTIC BLACK To Y-3881	1	1		
11	392003	CONSOLE CAP R.H. / PLASTIC GREY To Y-3881	1	1		
20	571732	SHIFT LEVER To 1-4147	1	1		
21	571737	FRONT COVER / "EATON" TRANSMISSION To 1-4147	1	1		
22	500556	SCREW MA TR PH 1/4-20x3/4 SS To 1-4147	4	4		
NS	500473	WASHER LO SPT .262x.489x.062 Z050 To 1-4147	4	4		
23	071161	SUPPORT / SHIFT LEVER To 1-4147	1	1		
24	502559	SCREW CAP HEX M10-1.5x25 G8.8 Z050 To 1-4147	4	4		
NS	502644	WASHER FL 10.5x30.0x2.5 Z050 To 1-4147	4	4		
NS	500257	WASHER LO SPT 10.2x18.1x2.2 Z050 To 1-4147	4	4		
25	500814	SCREW TP BDG PH #6x3/4 BK To 1-4147	8	8		
NS	500345	WASHER FN CKF .187x.500x.090 BR BK To 1-4147	8	8		
26	509558	WEATHERSEAL SNAP-ON 1/8" / SINGLE LIP / WH / C.T.L. To 1-4147	1	1		
NS	504637	CABLE TIE / 3/16" x 13" To 1-4147	1	1		
30	404047	PLATE / V.I.N. To W-2325	1	1		
30	404560	PLATE / V.I.N. From W-2326 To 1-4147	1	1		

From X-2458 To 2-4416	Date:10/2022	PAGE:H3-1806-52
R.H. CONSOLE - V.I.P.		

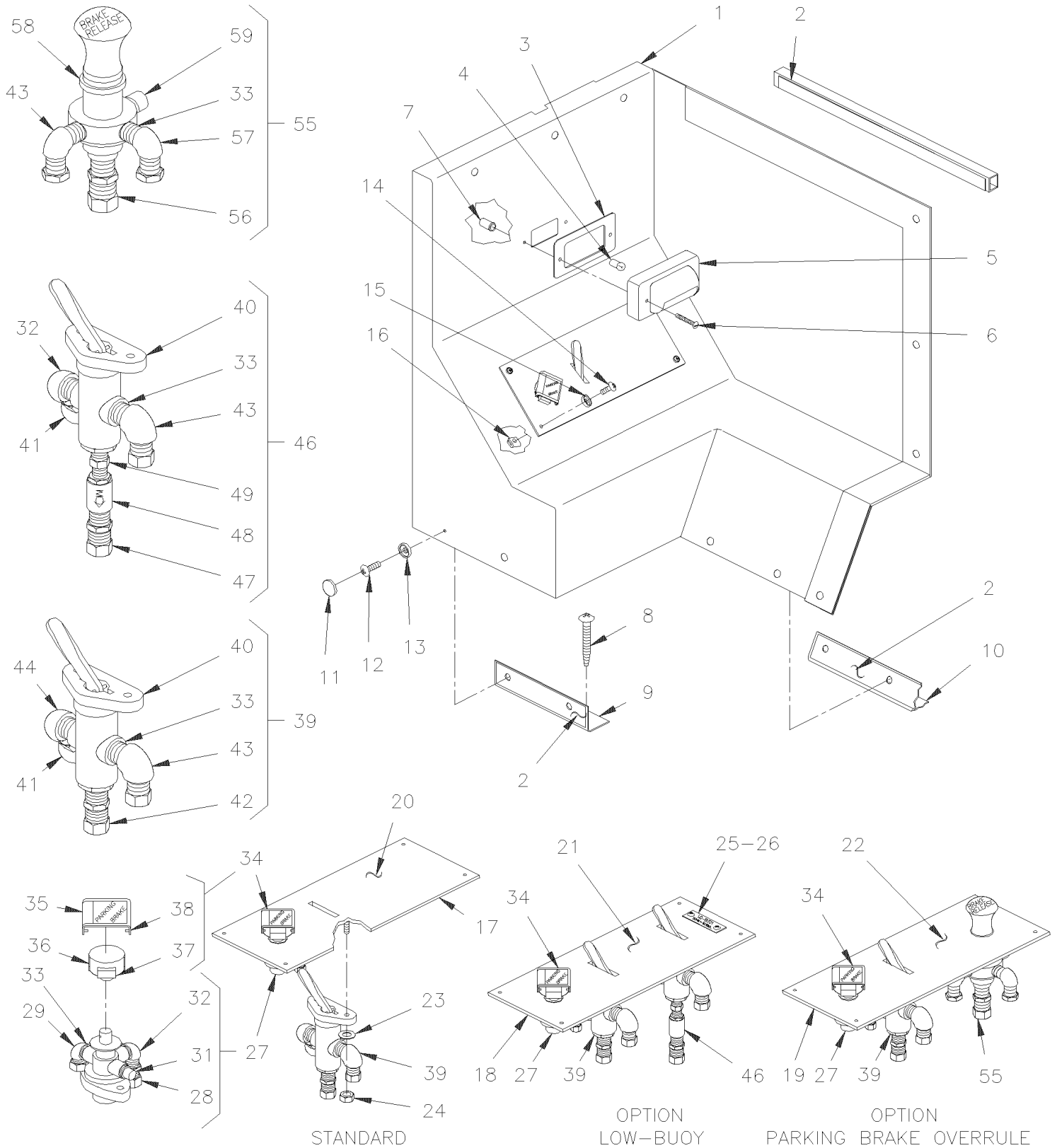


W/AUTOMATIC TRANSMISSION

From X-2458 To 2-4416	Date:10/2022	PAGE:H3-1806-52
R.H. CONSOLE - V.I.P.		

Item#	Part	Description	H 3 4 1	H 3 4 5	V I P 4 5	N O T E S
1	391975	CONSOLE, R.H.			1	
2	326123	PANEL			1	
3	5001120	SCREW TP FL PH #10x1 1/4 SS410			13	
4	500814	SCREW TP BDG PH #6x3/4 BK			9	
5	500345	WASHER FN CKF .187x.500x.090 BR BK			9	
6	506466	TAPE RUB ADH1 CC POL 1/16" x 1 1/2" x 100 / GREY 2520			AR	
30	405161	PLATE / V.I.N. / W/IND. SUSPENSION FRONT From W-2458			1	
30	404710	PLATE / V.I.N. / W/ 24.5 TIRE & IND. SUSP.			1	

From R-012 To 2-4416	Date:10/2022	PAGE:H3-1806-55
R.H. CONSOLE - W/AUTOMATIC TRANSMISSION - BUS		



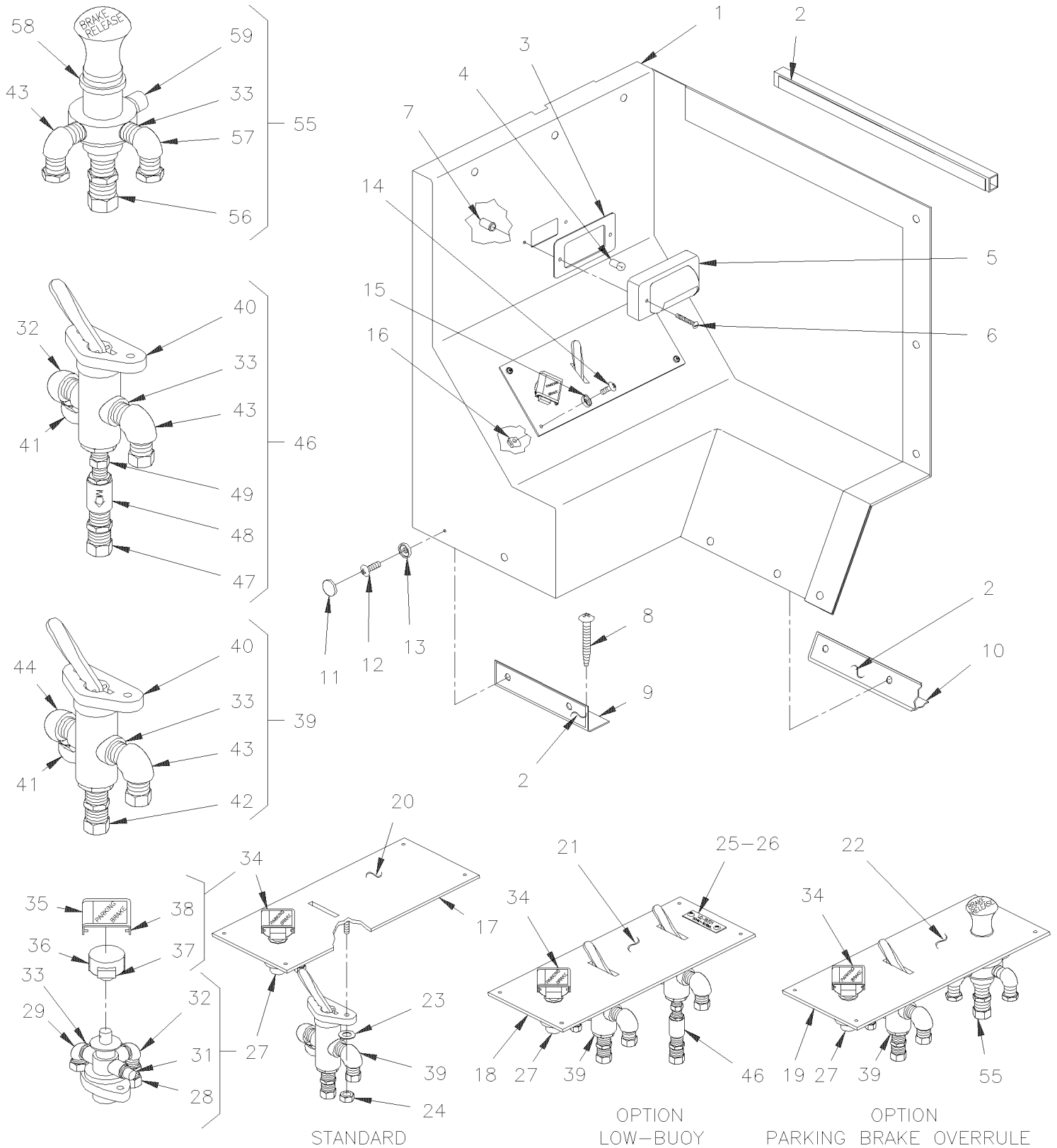
From R-012 To 2-4416	Date:10/2022	PAGE:H3-1806-55
R.H. CONSOLE - W/AUTOMATIC TRANSMISSION - BUS		

Item#	Part	Description	H 3 4 1	H 3 4 5	V I P 4 5	N O T E S
1	391639	CONSOLE FIBERGLASS	1	1		
2	506001	TAPE RUB ADH1 CC POL 1/8" x 3/4" x 50' / GREY 2520X	AR	AR		
3	391525	RUBBER PLATE GASKET	1	1		
4	562411	BULB / 5WATT-24VOLTS / SAE # 6424	1	1		
5	830124	LAMP ASSY	1	1		
6	500580	SCREW MA RND SLT #8-32x1/2 ZP	2	2		
7	500678	NUT WELL #8-32x.450	2	2		A
8	500495	SCREW TP PAN PH #6x1 Z050	AR	AR		
9	391141	ANGLE / LOWER FRONT	1	1		
10	391737	ANGLE / LOWER REAR	1	1		
11	504403	SNAP CAP #8 FINISHING BLACK	AR	AR		
12	500862	SCREW TC PAN PH #6-32x3/4 Z050	AR	AR		
13	504412	WASHER RETAINER SNAP CAP #8	AR	AR		
14	500814	SCREW TP BDG PH #6x3/4 BK	AR	AR		
15	500345	WASHER FN CKF .187x.500x.090 BR BK	AR	AR		
16	500996	NUT SPR U #6-32 .135-.150	AR	AR		
17	391674	PLATE / STANDARD	1	1		
18	391674	PLATE / STANDARD	1	1		B
19	391636	PLATE / W/OVERRULE PARKING BRAKE VALVE	1	1		
20	391635	LEXAN / W/STD	1	1		
21	391635	LEXAN / W/STD	1	1		
22	391634	LEXAN / W/OVERRULE PARKING BRAKE VALVE	1	1		
23	500591	WASHER FL 4.3x9.0x0.8 Z050	AR	AR		
24	500590	NUT HEX NYRT M4-0.7 Z050	AR	AR		
25	391523	PLATE IDENTIFICATION ENGRAVED "LOW-BUOY"	1	1		
26	500647	SCREW TC PAN PH #4-40x1/4 ZP	2	2		
27	N.P.N.	PARKING BRAKE VALVE	1	1		4
28	641018	MALE CONNECTOR / NTA FITTING / #6x1/8NPT-M BR	1	1		
29	641371	MALE ELBOW 90° NON-SWIVEL / PUSH-IN FITTING / #4x1/4NPT-M BR	1	1		
30	641128	VALVE, CONTROL VALVE PP-1 / 40PSI	1	1		
. NS	641154	. REPAIR KIT / PP-1 & RD-3	1	1		
31	501304	PLUG SQUARE HEAD / PIPE FITTING / 1/4NPT-M BR	1	1		
32	501331	STREET ELBOW 90° / PIPE FITTING / 1/8NPT-Mx1/8NPT-F BR	1	1		
33	680098	THREAD SEALANT LOCTITE #567 / WHITE / 250ml	AR	AR		
34	391727	PROTECTOR BOX ASSY / OVER PARKING BRAKE VALVE	1	1		
35	391726	. COVER / CLEAR PLASTIC	1	1		
36	391725	. BOX	1	1		
37	506035	. TAPE RUB ADH1 NEO 1/2" x 1" x 15' / BLACK 1220X	AR	AR		
38	505221	. SPRING, PIN 1/8 X 3/8	1	1		
39	N.P.N.	TAG AXLE CONTROL VALVE	1	1		4
40	640136	VALVE, CONTROL TW-1	1	1		C
. NS	641156	. REPAIR KIT / TW-1	1	1		C

From R-012 To 2-4416	Date:10/2022	PAGE:H3-1806-55
R.H. CONSOLE - W/AUTOMATIC TRANSMISSION - BUS		

Item#	Part	Description	H 3 4 1	H 3 4 5	V I P 4 5	N O T E S
41	560816	PRESSURE SWITCH N.C. 3PSI / 1/8NPT W/2 SCREWS	1	1		
42	641349	MALE CONNECTOR / PUSH-IN FITTING / #6x1/8NPT-M BR	1	1		
43	641369	MALE ELBOW 90° NON-SWIVEL / PUSH-IN FITTING / #4x1/8NPT-M BR	1	1		
44	501331	STREET ELBOW 90° / PIPE FITTING / 1/8NPT-Mx1/8NPT-F BR	1	1		
45	680098	THREAD SEALANT LOCTITE #567 / WHITE / 250ml	AR	AR		
46	N.P.N.	LOW-BUOY CONTROL VALVE	1	1		4
47	641331	MALE CONNECTOR / PUSH-IN FITTING / #6x1/4NPT-M BR	1	1		
48	640135	VALVE, CHECK 1/4 NPT	1	1		
49	501310	ADAPTER / PIPE FITTING / 1/4NPT-Fx1/8NPT-M BR	1	1		
55	N.P.N.	PARKING BRAKE OVERRULE CONTROL VALVE	1	1		4
56	641242	MALE CONNECTOR / PUSH-IN FITTING / #4x1/8NPT-M BR	1	1		
57	641370	MALE ELBOW 90° NON-SWIVEL / PUSH-IN FITTING / #6x1/8NPT-M BR	1	1		
58	640472	VALVE, CONTROL / RD-3	1	1		
. NS	641154	. REPAIR KIT / PP-1 & RD-3	1	1		
59	501303	PLUG SQUARE HEAD / PIPE FITTING / 1/8NPT-M BR	1	1		
		A) TO FIX LAMP				
		B) "LOW BUOY"				
		C) TAG & "LOW-BUOY"				
		4) NO PARTS NUMBER				

From R-012 To 2-4416	Date:10/2022	PAGE:H3-1806-56
R.H. CONSOLE - W/AUTOMATIC TRANSMISSION - V.I.P.		



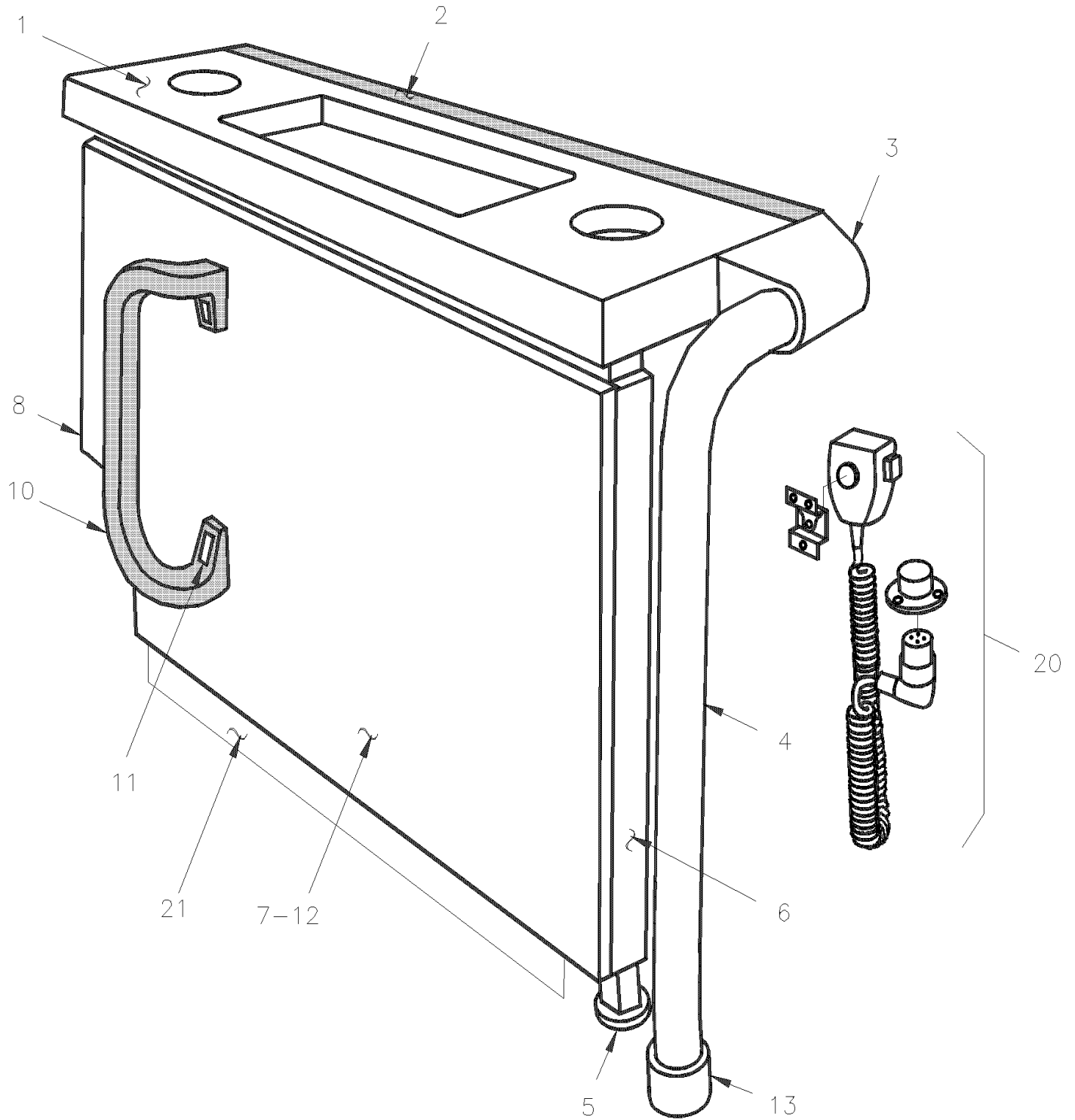
From R-012 To 2-4416	Date:10/2022	PAGE:H3-1806-56
R.H. CONSOLE - W/AUTOMATIC TRANSMISSION - V.I.P.		

Item#	Part	Description	H 3 4 1	H 3 4 5	V I P 4 5	N O T E S
1	391639	CONSOLE FIBERGLASS			1	
2	506001	TAPE RUB ADH1 CC POL 1/8" x 3/4" x 50' / GREY 2520X			AR	
3	391525	RUBBER PLATE GASKET			1	
4	562411	BULB / 5WATT-24VOLTS / SAE # 6424			1	
5	830124	LAMP ASSY			1	
6	500580	SCREW MA RND SLT #8-32x1/2 ZP			2	
7	500678	NUT WELL #8-32x.450			2	A
8	500495	SCREW TP PAN PH #6x1 Z050			AR	
9	391141	ANGLE / LOWER FRONT			1	
10	391737	ANGLE / LOWER REAR			1	
11	504403	SNAP CAP #8 FINISHING BLACK			AR	
12	500862	SCREW TC PAN PH #6-32x3/4 Z050			AR	
13	504412	WASHER RETAINER SNAP CAP #8			AR	
14	500814	SCREW TP BDG PH #6x3/4 BK			AR	
15	500345	WASHER FN CKF .187x.500x.090 BR BK			AR	
16	500996	NUT SPR U #6-32 .135-.150			AR	
17	391674	PLATE / STANDARD			1	
18	391674	PLATE / STANDARD			1	B
19	391636	PLATE / W/OVERRULE PARKING BRAKE VALVE			1	
20	391635	LEXAN / W/STD			1	
21	391635	LEXAN / W/STD			1	
22	391634	LEXAN / W/OVERRULE PARKING BRAKE VALVE			1	
23	500591	WASHER FL 4.3x9.0x0.8 Z050			AR	
24	500590	NUT HEX NYRT M4-0.7 Z050			AR	
25	391523	PLATE IDENTIFICATION ENGRAVED "LOW-BUOY"			1	
26	500647	SCREW TC PAN PH #4-40x1/4 ZP			2	
27	N.P.N.	PARKING BRAKE VALVE			1	4
28	641018	MALE CONNECTOR / NTA FITTING / #6x1/8NPT-M BR			1	
29	641371	MALE ELBOW 90° NON-SWIVEL / PUSH-IN FITTING / #4x1/4NPT-M BR			1	
30	641128	VALVE, CONTROL VALVE PP-1 / 40PSI			1	
. NS	641154	. REPAIR KIT / PP-1 & RD-3			1	
31	501304	PLUG SQUARE HEAD / PIPE FITTING / 1/4NPT-M BR			1	
32	501331	STREET ELBOW 90° / PIPE FITTING / 1/8NPT-Mx1/8NPT-F BR			1	
33	680098	THREAD SEALANT LOCTITE #567 / WHITE / 250ml			AR	
34	391727	PROTECTOR BOX ASSY / OVER PARKING BRAKE VALVE			1	
35	391726	. COVER / CLEAR PLASTIC			1	
36	391725	. BOX			1	
37	506035	. TAPE RUB ADH1 NEO 1/2" x 1" x 15' / BLACK 1220X			AR	
38	505221	. SPRING, PIN 1/8 X 3/8			1	
39	N.P.N.	TAG AXLE CONTROL VALVE			1	4
40	640136	VALVE, CONTROL TW-1			1	C
. NS	641156	. REPAIR KIT / TW-1			1	C

From R-012 To 2-4416	Date:10/2022	PAGE:H3-1806-56
R.H. CONSOLE - W/AUTOMATIC TRANSMISSION - V.I.P.		

Item#	Part	Description	H 3 4 1	H 3 4 5	V I P 4 5	N O T E S
41	560816	PRESSURE SWITCH N.C. 3PSI / 1/8NPT W/2 SCREWS			1	
42	641349	MALE CONNECTOR / PUSH-IN FITTING / #6x1/8NPT-M BR			1	
43	641369	MALE ELBOW 90° NON-SWIVEL / PUSH-IN FITTING / #4x1/8NPT-M BR			1	
44	501331	STREET ELBOW 90° / PIPE FITTING / 1/8NPT-Mx1/8NPT-F BR			1	
45	680098	THREAD SEALANT LOCTITE #567 / WHITE / 250ml			AR	
46	N.P.N.	LOW-BUOY CONTROL VALVE			1	4
47	641331	MALE CONNECTOR / PUSH-IN FITTING / #6x1/4NPT-M BR			1	
48	640135	VALVE, CHECK 1/4 NPT			1	
49	501310	ADAPTER / PIPE FITTING / 1/4NPT-Fx1/8NPT-M BR			1	
55	N.P.N.	PARKING BRAKE OVERRULE CONTROL VALVE			1	4
56	641242	MALE CONNECTOR / PUSH-IN FITTING / #4x1/8NPT-M BR			1	
57	641370	MALE ELBOW 90° NON-SWIVEL / PUSH-IN FITTING / #6x1/8NPT-M BR			1	
58	640472	VALVE, CONTROL / RD-3			1	
. NS	641154	. REPAIR KIT / PP-1 & RD-3			1	
59	501303	PLUG SQUARE HEAD / PIPE FITTING / 1/8NPT-M BR			1	
		A) TO FIX LAMP				
		B) "LOW BUOY"				
		C) TAG & "LOW-BUOY"				
		4) NO PARTS NUMBER				

From R-012 To 2-4416	Date:10/2022	PAGE:H3-1810-00
MODESTY PANEL R.H.		



From R-012 To 2-4416	Date:10/2022	PAGE:H3-1810-00
MODESTY PANEL R.H.		

Item#	Part	Description	H 3 4 1	H 3 4 5	V I P 4 5	N O T E S
1	324669	TOP / FOR VEHICULE R-089 & R-090 ONLY From R-089 To R-090				
1	324351	TOP To W-2284	1	1		
1	326291	TOP From W-2285	1	1		
1	324378	TOP / WASHTRAY To W-2284	1	1		
1	326292	TOP / WASHTRAY From W-2285	1	1		
1	325229	TOP / W/PLEXIGLASS To W-2284	1	1		
1	N.P.N.	TOP / W/PLEXIGLASS From W-2285	1	1		4
NS	900518	ASHTRAY	1	1		
2	322458	MOULDING RUBBER	1	1		
NS	322574	SPACER	4	4		
NS	500440	WASHER FL .250x.562x.065 Z050	4	4		
NS	500536	SCREW TP HEXW SLT #14x1 ZP	4	4		
3	322729	SUPPORT To S-106	1	1		
3	322455	SUPPORT From S-107	1	1		
NS	500338	SCREW CAP HEXS M10-1.5x20 ZP	4	4		
4	324377	HANDRAIL ASSY	1	1		
NS	502634	SCREW SET HEXS CUP M6-1.0x6	4	4		
5	324468	STRUCTURE ASSY	1	1		
NS	5001003	WASHER LO SPT 8.1x12.7x2.0 Z050	6	6		A
NS	500544	SCREW CAP HEX M8-1.25x30 G8.8 Z050	6	6		A
6	324380	PANEL / INSIDE To R-091	1	1		
6	324456	PANEL / INSIDE From R-092 To W-2284	1	1		
6	326231	PANEL / INSIDE From W-2285	1	1		
NS	500642	SCREW TP PAN PH #10x3/4 Z050	6	6		B
7	Call order desk	PANEL ASSY / SPECIFY COLOR To R-091	1	1		P D
7	324463P	PANEL ASSY / SPECIFY COLOR From R-092	1	1		E
8	324401	RENFORT / TO FIX ITEM 7 TO DUCT	1	1		
10	900489	HANDLE	1	1		
11	900490	CAP / W/HANDLE	2	2		
11	500865	SCREW TP PAN PH #12x1 1/2 Z050	4	4		
12	506493	TAPE DUAL LOCK 1/2" x 150' / BLACK SJ3541	AR	AR		
13	324402	COLLAR / TO FIX ITEM 4 TO FLOOR	1	1		
20	H3-2315-00	SOUND SYSTEM & ACCESSORIES To T-1454				
20	H3-2315-01	SOUND SYSTEM & ACCESSORIES From T-1455				
21	328902	MOULDING SS / SPILLWAY RETAINER	1	1		C
NS	328903	KIT PANEL MOLDING	AR	AR		
NS	IS-00136	. SEE INSTRUCTION SHEET	1	1		
		SEE PAGE H3-1812-00 FOR				
		PLEXIGLASS INSTALLATION				

From R-012 To 2-4416	Date:10/2022	PAGE:H3-1810-00
MODESTY PANEL R.H.		

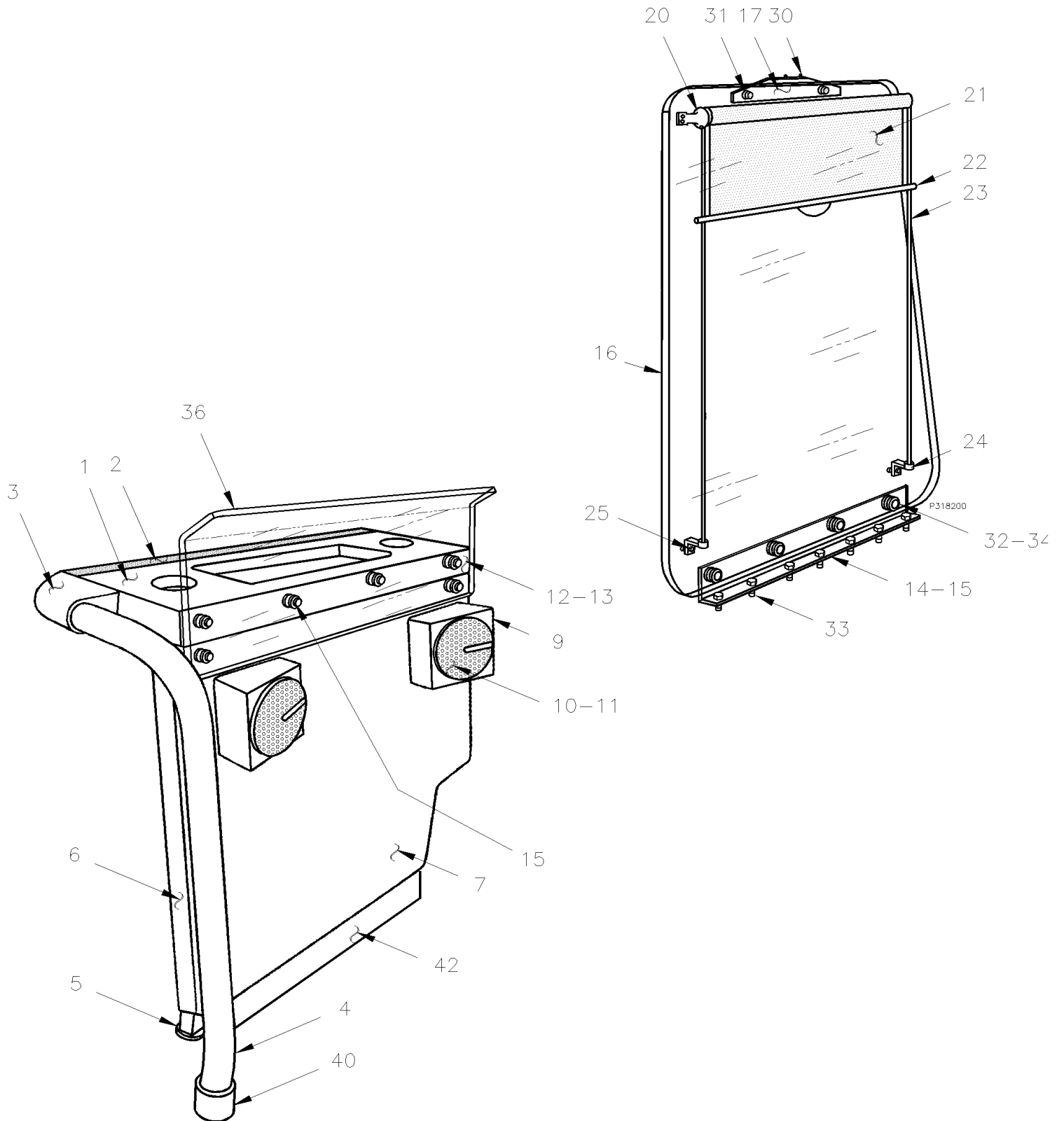
Item#	Part	Description	H 3 4 1	H 3 4 5	V I P 4 5	N O T E S
		A) TO FIX ITEM #7 TO FLOOR				
		B) TO FIX INSIDE PANEL				
		C) PRODUCT IMPROVMENT ASK KIT 328903 WITH 680532 FOR INSTALLATION				
		D) FOR IDENTIFICATION MESURE ARE 658MM x 856MM				
		E) FOR IDENTIFICATION MESURE ARE 646MM x 852MM				
		4) NO PARTS NUMBER				
		P) CALL ORDER DESK FOR SPECIFIC APPLICATION (V.I.N.)				

From R-012 To 2-4416

Date:10/2022

PAGE:H3-1812-00

MODESTY PANEL L.H.



From R-012 To 2-4416	Date:10/2022	PAGE:H3-1812-00
MODESTY PANEL L.H.		

Item#	Part	Description	H 3 4 1	H 3 4 5	V I P 4 5	N O T E S
1	324352	TOP To W-2284	1	1		
1	326293	TOP From W-2285	1	1		
1	324379	TOP / WASHTRAY To W-2284	1	1		
1	326294	TOP / WASHTRAY From W-2285	1	1		
1	324670	TOP From R-089 To R-090		1		
NS	900518	ASHTRAY	1	1		
2	322458	MOULDING RUBBER	1	1		
NS	500536	SCREW TP HEXW SLT #14x1 ZP	4	4		
NS	500440	WASHER FL .250x.562x.065 Z050	4	4		
NS	322574	SPACER	4	4		
3	322729	SUPPORT To S-106	1	1		
3	322455	SUPPORT From S-107	1	1		
3	500338	SCREW CAP HEXS M10-1.5x20 ZP	4	4		
4	324376	HANDRAIL ASSY	1	1		
5	324467	STRUCTURE ASSY	1	1		
6	324381	PANEL / INSIDE UP TO FEBUARY 95	1	1		
6	324457	PANEL / INSIDE FROM FEBUARY 95 To W-2284	1	1		
6	326232	PANEL / INSIDE From W-2285	1	1		
NS	500642	SCREW TP PAN PH #10x3/4 Z050	6	6		E
7	Call order desk	PANEL ASSY / SPECIFY COLOR	1	1		P
7	324465P	PANEL ASSY / SPECIFY COLOR	1	1		
9	403205	SUPPORT / DRIVER'S SPEAKER To W-2284	2	2		
9	404602	SUPPORT / DRIVER'S SPEAKER From W-2285	2	2		
NS	500540	SCREW TP CAP HEX 5/16x1/4 ZP	AR	AR		
NS	500643	SCREW TP PAN PH #12x3/4 Z050	AR	AR		F
10	H3-2315-00	SOUND SYSTEM & ACCESSORIES To T-1454				
10	H3-2315-01	SOUND SYSTEM & ACCESSORIES From T-1455				
11	H3-2315-00	SOUND SYSTEM & ACCESSORIES To T-1454				
11	H3-2315-01	SOUND SYSTEM & ACCESSORIES From T-1455				
NS	502811	NUT SPR J #8A-B .168-.198	4	4		
NS	500360	SCREW TP FL PH #8x1 1/4 BK	4	4		
12	322652	SPACER / 1 & 5 W/LONG PLEXIGLASS	1	1		
13	324401	RENFORT / TO FIX ITEM 7 TO DUCT	1	1		
14	322592	BRACKET ANGLE	1	1		
15	504399	WASHER RETAINER SNAP CAP #10	AR	AR		
15	502745	SCREW TP BDG PH #10x1 1/4 ZP	AR	AR		
15	504400	SNAP CAP #10 FINISHING BLACK	AR	AR		
16	323874	PLEXIGLASS / LARGE / TINTED	1	1		
16	322591	PLEXIGLASS / LARGE / CLEAR	1	1		
17	322590	BRACKET ANGLE To W-2284	1	1		
17	326355	BRACKET ANGLE From W-2285	1	1		
20	900478	BEARING HOLDER / R.H. / BLACK CASTING	1	1		

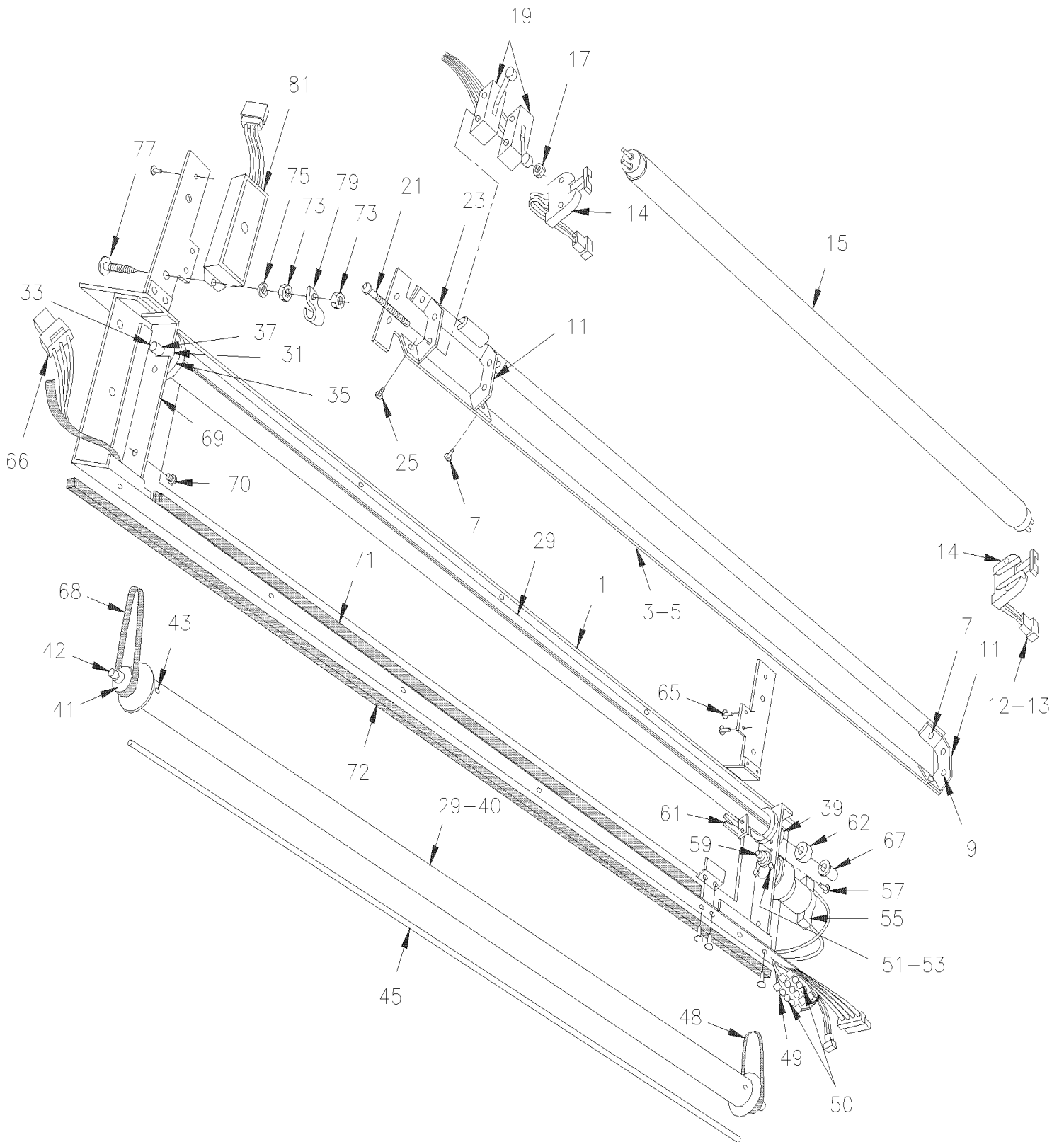
From R-012 To 2-4416	Date:10/2022	PAGE:H3-1812-00
MODESTY PANEL L.H.		

Item#	Part	Description	H 3 4 1	H 3 4 5	V I P 4 5	N O T E S
NS	322654	REINFORCEMENT	2	2		
NS	502666	SCREW MA FL PH #6-32x3/4 SS BK	4	4		
NS	500689	NUT HEX #6-32 Z050	4	4		
21	900596	BLIND ROLLER / CHARCOAL / 600MM To 2-4355	1	1		
21	901042	BLIND ROLLER / CHARCOAL / 600MM From 2-4356	1	1		
22	900597	. GUIDING PLUG / EACH END OF BLIND	2	2		
23	401898	ROD, 29"	2	2		
24	900476	ROD HOLDER 90° / BLACK PLASTIC 30MM C/L	2	2		
25	502612	SCREW MA RND PH #6-32x1 Z050	2	2		
NS	500465	WASHER FN CKF .278x.729x.119 SS	4	4		
30	500416	SCREW MA PAN PH #10-32x1/2 BK	4	4		
NS	500440	WASHER FL .250x.562x.065 Z050	AR	AR		
31	900251	BUSHING, RUBBER	1			
31	900251	BUSHING, RUBBER		12		
NS	504412	WASHER RETAINER SNAP CAP #8	AR	AR		
NS	504403	SNAP CAP #8 FINISHING BLACK	AR	AR		
NS	400380	SPACER 5/16 O.D. x 17/32" x 18GA	6	6		
31	505539	SPACER 5/16 O.D. x 17/32" x 18GA	6	6		
31	504616	SPACER 5/16 O.D. x 7/16 x .190 NYL	6	6		
NS	500700	NUT HEX #10-32 Z050	AR	AR		
NS	500989	WASHER FL .219x.875x.062 Z050	AR	AR		
NS	502504	SCREW MA BDG PH #10-32x1 SS	AR	AR		
32	502666	SCREW MA FL PH #6-32x3/4 SS BK	4	4		
33	500414	SCREW TP BDG PH #10x3/4 SS	7	7		
34	502759	WASHER FL .218x.875x.062 SS	1	1		
35	502745	SCREW TP BDG PH #10x1 1/4 ZP	6	6		
36	323172	PLEXIGLASS / SMALL / CLEAR W/30° ANGLE	1	1		
36	324555	PLEXIGLASS / SMALL / TINTED W/75° ANGLE	1	1		
36	325228	PLEXIGLASS / SMALL / TINTED W/30° & 60° ANGLE	1	1		A
40	324402	COLLAR / TO FIX ITEM 4 TO FLOOR	1	1		
NS	500544	SCREW CAP HEX M8-1.25x30 G8.8 Z050	6	6		D
NS	502634	SCREW SET HEXS CUP M6-1.0x6	AR	AR		
42	328902	MOULDING SS / SPILLWAY RETAINER	1	1		B
NS	328903	KIT PANEL MOLDING	AR	AR		
NS	IS-00136	. SEE INSTRUCTION SHEET	1	1		
		A) THIS PLEXIGLASS IT USE ON R.H. MODESTY PANEL TOO.				
		B) PRODUCT IMPROVMENT ASK KIT # 328903 WITH 680532 FOR INSTALLATION				
		D) TO FIX ITEM #4 TO FLOOR				
		E) TO FIX INSIDE PANEL				

From R-012 To 2-4416	Date:10/2022	PAGE:H3-1812-00
MODESTY PANEL L.H.		

Item#	Part	Description	H 3 4 1	H 3 4 5	V I P 4 5	N O T E S
		F) TO FIX ITEM 9 TO 7				
		P) CALL ORDER DESK FOR SPECIFIC APPLICATION (V.I.N.)				

From R-012 To 2-4416	Date:10/2022	PAGE:H3-1814-01
DESTINATION SIGN - ELECTRICAL		



From R-012 To 2-4416	Date:10/2022	PAGE:H3-1814-01
DESTINATION SIGN - ELECTRICAL		

Item#	Part	Description	H 3 4 1	H 3 4 5	V I P 4 5	N O T E S
	440241P	DESTINATION SIGN ASSY	1	1		
1	440244	. FRAME ASSY	1	1		
3	440237	. SUPPORT ASSY / TO FIX FLUORESCENT TUBE & ACCESSORIES	1	1		
5	440240	. . REFLECTOR	1	1		
7	504114	. . RIVET POP DOME OE 3/16x1/4 AL	4	4		
9	500518	. . SCREW MA BDG PH #4-40x1/2 Z050	4	4		
11	440227	. . BRACKET / TO FIX BIPIN HOLDER	2	2		
12	560900	. . CONNECTOR / COM. MATE-N-LOCK / PH 2C / AMP 1-480319-0	2	2		
13	560853	. . PIN TERMINAL / 24-18 / AMP 60618-1	4	4		
14	830101	. . SOCKET / BIPIN HOLDER	2	2		
15	830120	. . TUBE / 30WATT / F30T8CW4 - 30"/ G13 MED BIPIN	1	1		
17	502717	. . NUT HEX NYRT #6-32 ZP	4	4		
19	561109	. . MICRO SWITCH	2	2		
21	502718	. . SCREW MA PAN PH #6-32x2 ZP	2	2		
23	440236	. . BRACKET / TO FIX MICROSWITCH	1	1		
25	500148	. . SCREW MA RND PH #6-32x1/2 SS	2	2		
NS	506338	. . RUBBER CHANNEL / 1/16" x 1/4" INT "U" SHAPE / ROUND C.T.L.	AR	AR		
25	440238	. ROLLER ASSY	1	1		
29	440195	. . ROLLER	1	1		
31	940030	. . PULLEY	1	1		
33	440225	. . ROD	1	1		
NS	440252	. . SPRING EXTENSION / .500 O.D. x 10.562 x .054	1	1		
NS	505407	. . SPRING, PIN 1/8 x 1/2 SS	1	1		
35	440255	. . GUIDE ASSY	1	1		
37	500440	. . WASHER FL .250x.562x.065 Z050	1	1		
39	440254	. . GUIDE ASSY	1	1		
NS	504006	. . RIVET POP CK OE 1/8x5/16 AL	2	2		
39	440239	. ROLLER ASSY	1	1		
40	440195	. . ROLLER	1	1		
41	940030	. . PULLEY	2	2		
42	440254	. . GUIDE ASSY	2	2		
43	504006	. . RIVET POP CK OE 1/8x5/16 AL	2	2		
45	440213	. ROD / TO FIX CURTAIN	2	2		
NS	440250P	. CURTAIN / TO PRINT NAMES / SPECIFIED NAMES	1	1		A
NS	940023	. . CURTAIN WHITE / S.L.	AR	AR		
48	940033	. BELT / 80TH	1	1		
49	062807	. RESISTOR ASSY 82 OHMS 2 W	1	1		
49	562108	. . RESISTOR / 82 OHMS / 2 W	2	2		
49	561539	. . TAB RECEPTACLE TERMINAL INSUL. NYLON / 16 / AMP 3-520141-2	2	2		
49	561761	. . SHRINK TUBING / .750" - .375" / BLACK / ALPHA FIT-221-3/4-4B	AR	AR		
50	062339	. DIODE ASSY	2	2		
50	561904	. . TAB TERMINAL INSULATION NYLON / 22-18 / AMP 2-520103-2	1	1		

From R-012 To 2-4416	Date:10/2022	PAGE:H3-1814-01
DESTINATION SIGN - ELECTRICAL		

Item#	Part	Description	H 3 4 1	H 3 4 5	V I P 4 5	N O T E S
50	560931	. . DIODE / 3AMPS	1	1		
50	561626	. . TAB RECEPTACLE TERMINAL INSUL. NYLON / 22 / AMP 2-520264-4	1	1		
50	560785	. . SHRINK TUBING / .375" - .187" / BLACK / ALPHA FIT-300-3/8-4B	AR	AR		
51	502724	. SCREW CAP HEX #10-32x1/4 BZC	2	2		
53	500240	. WASHER LO EXT .195x.410x.025 Z050	2	2		
55	940031	. MOTOR	1	1		
57	504103	. RIVET POP DOME OE 1/8x1/8 AL	2	2		
59	440249	. PULLEY MOTOR	1	1		
61	440224	. BRACKET	1	1		
62	440220	. SPACER	1	1		
65	504114	. RIVET POP DOME OE 3/16x1/4 AL	4	4		
66	062810	. CABLE / FROM DESTINATION SIGN TO HARNESS	1	1		
67	507138	. BUSHING, NYLINER W/SHOULDER (4-L-4-F)	4	4		
68	940032	. BELT / 128TH	1	1		
69	440222	. PLATE	1	1		
70	500417	. SCREW TP PAN PH #6x3/8 Z050	2	2		
71	506071	. TAPE RUB ADH1 CC POL 1/8" x 1/2" x 50' / GREY 2520X	AR	AR		
72	506268	. TAPE RUB ADH1 URE 3/8" x 1/2" x 25' / GREY 1820	AR	AR		
73	500786	. NUT HEX #10-24 Z050	3	3		
75	500964	. WASHER FL .203x.500x.047 Z050	2	2		
77	500387	. SCREW MA RND PH #10-24x3/4 Z050	2	2		
79	560479	. CLAMP / 3/8" I.D.	1	1		
81	330236	. BALLAST ASSY / 24 VOLTS	1	1		
81	830121	. . BALLAST / 24 VOLTS	1	1		
81	561667	. . CONNECTOR / UNIVERSAL MATE-N-LOK / PH 3C / AMP 1-480701-0	1	1		
81	561513	. . PIN TERMINAL / 20-14 / AMP 350538-3	3	3		
81	504273	. CABLE TIE / 1/8" X 3"1/2	AR	AR		
		FOLLOWING PARTS ARE RELATED TO				
		ELECTRONIC DESTINATION SIGN INSTALLATION				
NS	940034	DESTINATION SIGN ASSY	1	1		
NS	440280	ANGLE RETAINER L.H.	1	1		
NS	440281	ANGLE RETAINER R.H.	1	1		
NS	440277	SUPPORT / L.H.	1	1		
NS	440282	SUPPORT R.H.	1	1		
NS	440283	CONTROL BOX (IN PARCEL RACK R.H.)	1	1		
NS	940037	CABLE FLAT / CONTROL BOX & SIGN	1	1		
NS	940035	. KEYLESS BOARD	1	1		

From R-012 To 2-4416	Date:10/2022	PAGE:H3-1814-01
----------------------	--------------	-----------------

DESTINATION SIGN - ELECTRICAL

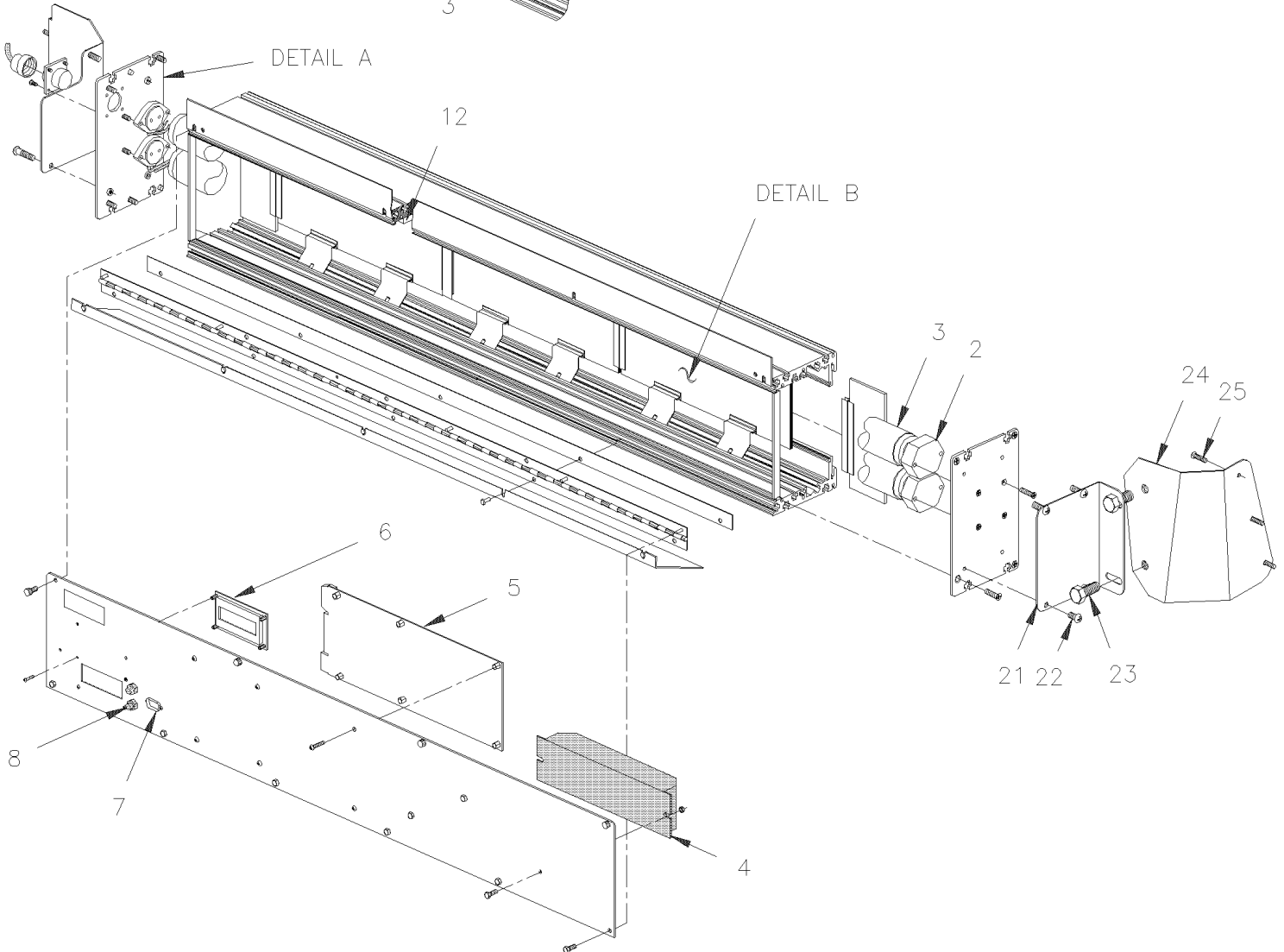
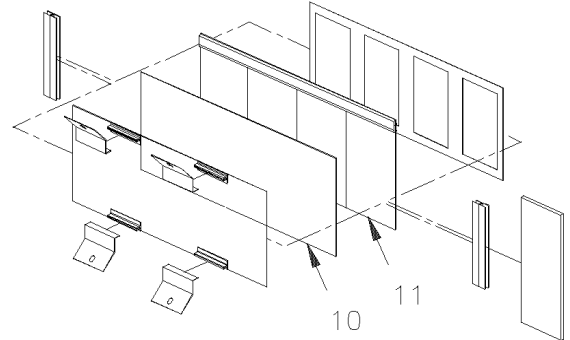
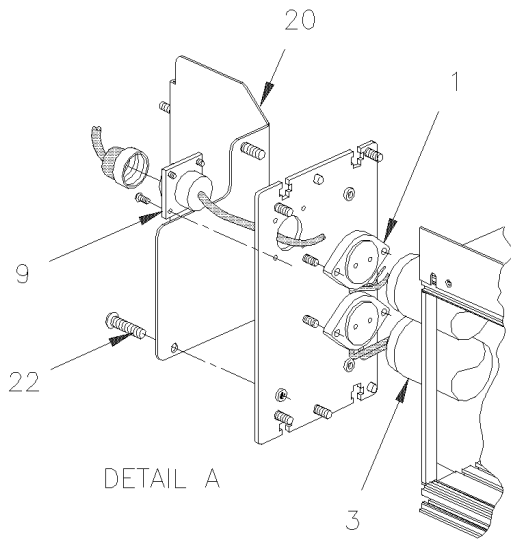
Item#	Part	Description	H 3 4 1	H 3 4 5	V I P 4 5	N O T E S
		A) NOT INCLUDE IN ASSY #440241P				

From T-1453 To 2-4416

Date:10/2022

PAGE:H3-1814-02

DESTINATION SIGN - "POCATEC"



From T-1453 To 2-4416	Date:10/2022	PAGE:H3-1814-02
DESTINATION SIGN - "POCATEC"		

Item#	Part	Description	H 3 4 1	H 3 4 5	V I P 4 5	N O T E S
	940050	FRONT DESTINATION SIGN "POCATEC"	1	1		
1	830162	. FLUORESCENT SOCKET NON RETRACTABLE	2	2		
2	830163	. FLUORESCENT SOCKET RETRACTABLE	2	2		
3	830161	. TUBE / 30WATT / F30T12/CW/RS -36"/G13MED BIPIN	2	2		
4	940052	. BALLAST	1	1		
5	940044	. CONTROL BOARD	1	1		
NS	562309	. . FUSE / 2 AMPS / 2A	1	1		
6	940045	. REAR CD DISPLAY	1	1		
7	N.S.P.	. SERIAL LINK CONNECTOR / (205203-1)	1	1		2
7	N.S.P.	. SOCKET, SERIAL LINK CONNECTOR CONTACT / (5-66504-9)	AR	AR		2
8	940046	. ROUTE SELECTOR BUTTON	2	2		
9	N.S.P.	. CONNECTOR / CPC SERIES 1 / PH 9C / AMP 206705-1	1	1		2
9	N.S.P.	. PIN, SIGN CONNECTOR CONTACT / (66361-2)	AR	AR		2
10	940047	. FRONT LEXAN WINDOW	3	3		
11	940048	. 4 CHARACTERS GLASS ASSY	3	3		
12	940053	. INTERFACE BOARD	1	1		
20	440302	SUPPORT STREET SIDE / W/"POCATEC"	1	1		
20	440333	SUPPORT STREET SIDE / W/"POCATEC"	1	1		A
21	440303	SUPPORT CURBSIDE / W/DIGITAL	1	1		
22	500873	SCREW MA RND PH #8-32x3/4 SS BK	6	6		
NS	500163	SCREW CAP HEX 1/4-20x3/4 G5 Z050	2	2		
23	500440	WASHER FL .250x.562x.065 Z050	2	2		
NS	500478	WASHER LO SPT .380x.683x.094 Z050	2	2		
24	440304	SUPPORT R.H. / W/"POCATEC"	1	1		
24	440334	SUPPORT CURBSIDE / W/"POCATEC"	1	1		A
25	500333	SCREW TP OV PH #6x3/4 BK	6	6		
NS	500345	WASHER FN CKF .187x.500x.090 BR BK	6	6		
NS	440308	COVER / W/DIGITAL	1	1		
NS	940051	CABLE ADAPTOR / INTERFACE / W/CD PC TO DESTINATION SING	1	1		
		FOLLOWING ITEMS ARE RELATED WITH				
		RH SIDE WINDOW DESTINATION SIGN				
NS	440304	SUPPORT R.H. / W/"POCATEC"	1	1		
NS	440317	SUPPORT FRONT L.H.	1	1		
NS	440318	SUPPORT FRONT R.H.	1	1		
NS	440319	SUPPORT SIDE	1	1		
NS	440320	PLATE SIDE	1	1		
NS	480154	WEATHERSTRIP RUBBER / ADH / RAW MATERIAL	AR	AR		
NS	064358	CABLE ASSY / SIDE DESTINATION SIGN	1	1		
NS	506235	TAPE RUB ADH1 PVC.NITRIL 1/2" x 1" x 15' / BLACK 1210	AR	AR		

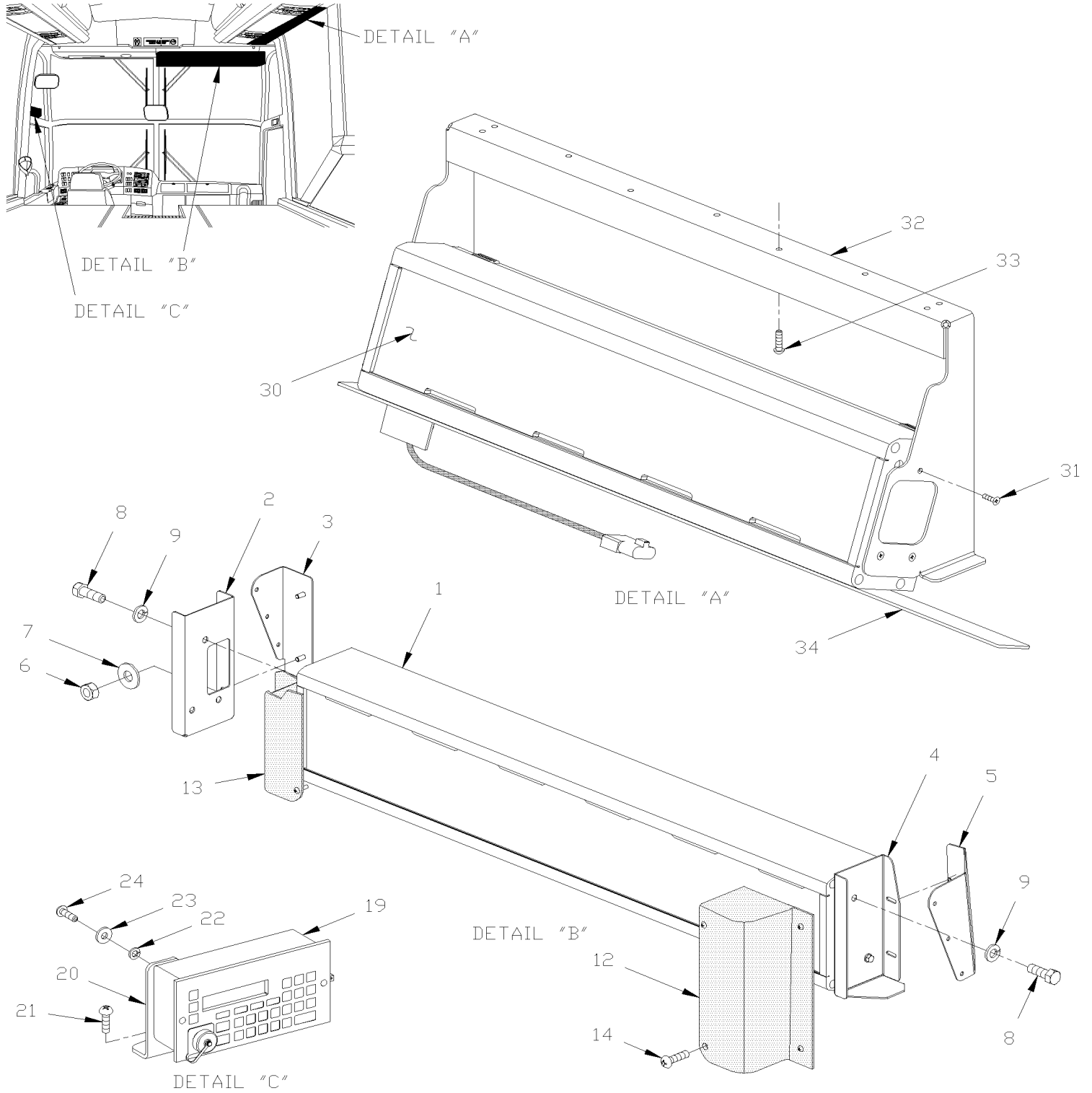
From T-1453 To 2-4416			Date:10/2022	PAGE:H3-1814-02			
DESTINATION SIGN - "POCATEC"							
Item#	Part	Description	H 3 4 1	H 3 4 5	V I P 4 5	N O T E S	
		A) WITH DESTINATION SIGN ON L.H. INSTALLATION					
		2) NOT SOLD BY PREVOST (SEE MANUFACTURING PART NUMBER AT END OF DESCRIPTION LINE)					

From W-2285 To 2-4416

Date:10/2022

PAGE:H3-1814-03

DESTINATION SIGN - "BALIOS"



From W-2285 To 2-4416	Date:10/2022	PAGE:H3-1814-03
DESTINATION SIGN - "BALIOS"		

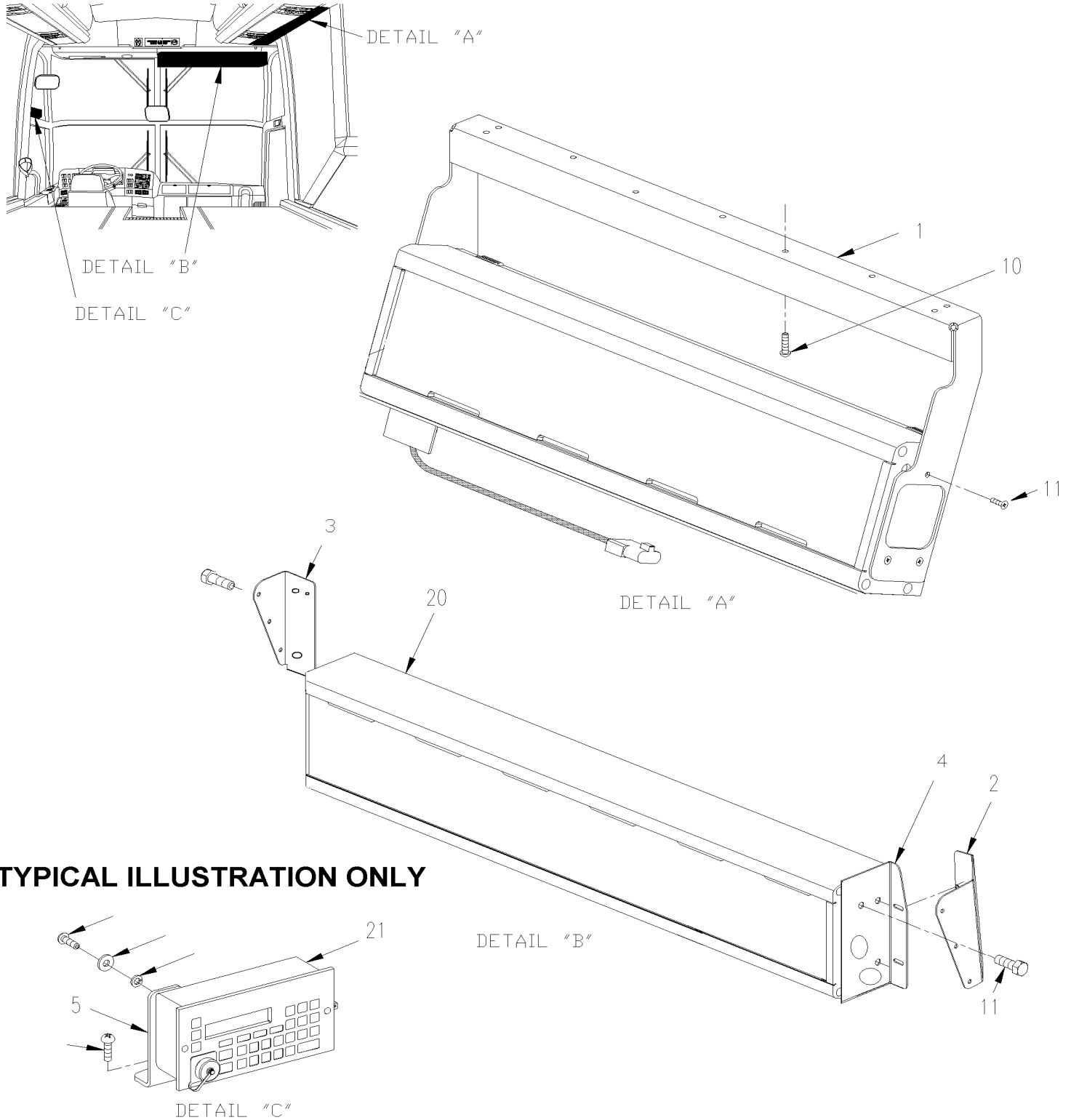
Item#	Part	Description	H 3 4 1	H 3 4 5	V I P 4 5	N O T E S
1	940067	DESTINATION SIGN / FRONT	1	1		
2	447293	SUPPORT FRONT DESTINATION SIGN	1	1		
3	447292	SUPPORT FRONT DESTINATION SIGN	1	1		
4	447295	SUPPORT FRONT DESTINATION SIGN	1	1		
5	447294	SUPPORT FRONT DESTINATION SIGN	1	1		
6	502511	NUT HEX NYRT M6-1.0 Z050	4	4		
7	500411	WASHER FL .260x.697x.050 SS	4	4		
8	500163	SCREW CAP HEX 1/4-20x3/4 G5 Z050	6	6		
9	500473	WASHER LO SPT .262x.489x.062 Z050	6	6		
12	447297	COVER DESTINATION SIGN RH	1	1		
13	447296	COVER DESTINATION SIGN LH	1	1		
14	500283	SCREW TC TR PH #10-24x3/4 SS	6	6		
19	940066	CONSOL CONTROL / DESTINATION SIGN	1	1		
20	447298	SUPPORT / CONSOL CONTROL	1	1		
21	500414	SCREW TP BDG PH #10x3/4 SS	3	3		
22	500148	SCREW MA RND PH #6-32x1/2 SS	4	4		
23	500581	WASHER LO SPT .141x.250x.031 SS	4	4		
24	502556	WASHER FL 4.3x9.0x0.8 SS	4	4		
NS	940069	CABLE / CONSOL CONTROL	1	1		
NS	940070	CABLE / SIDE SIGN	1	1		
30	940068	DESTINATION SIGN / SIDE	1	1		
31	500346	SCREW MA FL PH 1/4-20x1 SS BK	6	6		
32	447291	SUPPORT SIDE DESTINATION SIGN	1	1		
33	500658	SCREW TC PAN PH #10-24x3/4 Z050	9	9		
34	271737	SUPPORT SIDE DESTINATION SIGN	1	1		

From Y-3721 To 2-4416

Date:10/2022

PAGE:H3-1814-04

DESTINATION SIGN - "LUMINATOR"



From Y-3721 To 2-4416	Date:10/2022	PAGE:H3-1814-04
DESTINATION SIGN - "LUMINATOR"		

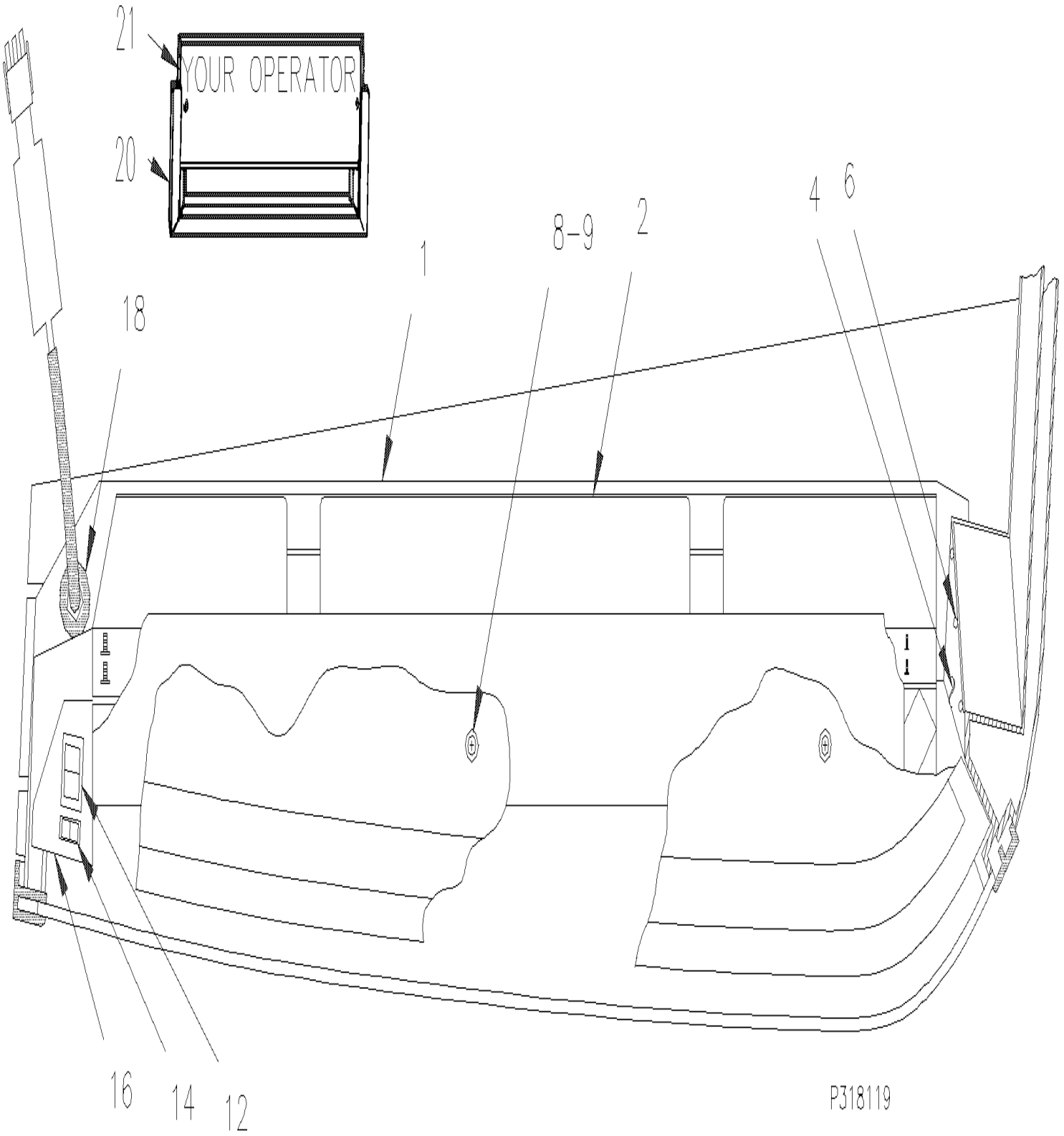
Item#	Part	Description	H 3 4 1	H 3 4 5	V I P 4 5	N O T E S
1	440354	SUPPORT SIDE DESTINATION SIGN	1	1		
2	440304	SUPPORT R.H. / W/"POCATEC" & "LUMINATOR"	1	1		
3	440356	SUPPORT L.H. / W"LUMINATOR"	1	1		
4	440355	SUPPORT R.H. / W/"LUMINATOR"	1	1		
10	500611	SCREW TC PAN PH #10-24x1/2 Z050	9	9		
NS	500473	WASHER LO SPT .262x.489x.062 Z050	9	9		
11	500163	SCREW CAP HEX 1/4-20x3/4 G5 Z050	AR	AR		
20	940059	DESTINATION SIGN ASSY / FRONT	1	1		
21	940060	DESTINATION SIGN CONTROL	1	1		
22	940065	CABLE ASSY / 2 SIGNS	1	1		
23	940063	CABLE ASSY / SIGN & ODK	1	1		
24	065268	CABLE POWER DESTINATION SIGN	1	1		
NS	330341	BASE BOX, LAMP / LIGHT GREY	1	1		A
NS	065276	PLATE SWITCH	1	1		A
NS	830159	SWITCH / OFF-M/ON / S.P.S.T. / CHIME	1	1		A
28	940064	CABLE POWER ODK	1	1		
		A) WE USE THIS BOX WITH PLATE 065276 TO FIX SWITCH 830159 ON VIN Y-3721				

From R-012 To 2-4416

Date:10/2022

PAGE:H3-1814-05

DESTINATION SIGN - INSTALLATION



P318119

From R-012 To 2-4416		Date:10/2022	PAGE:H3-1814-05
DESTINATION SIGN - INSTALLATION			

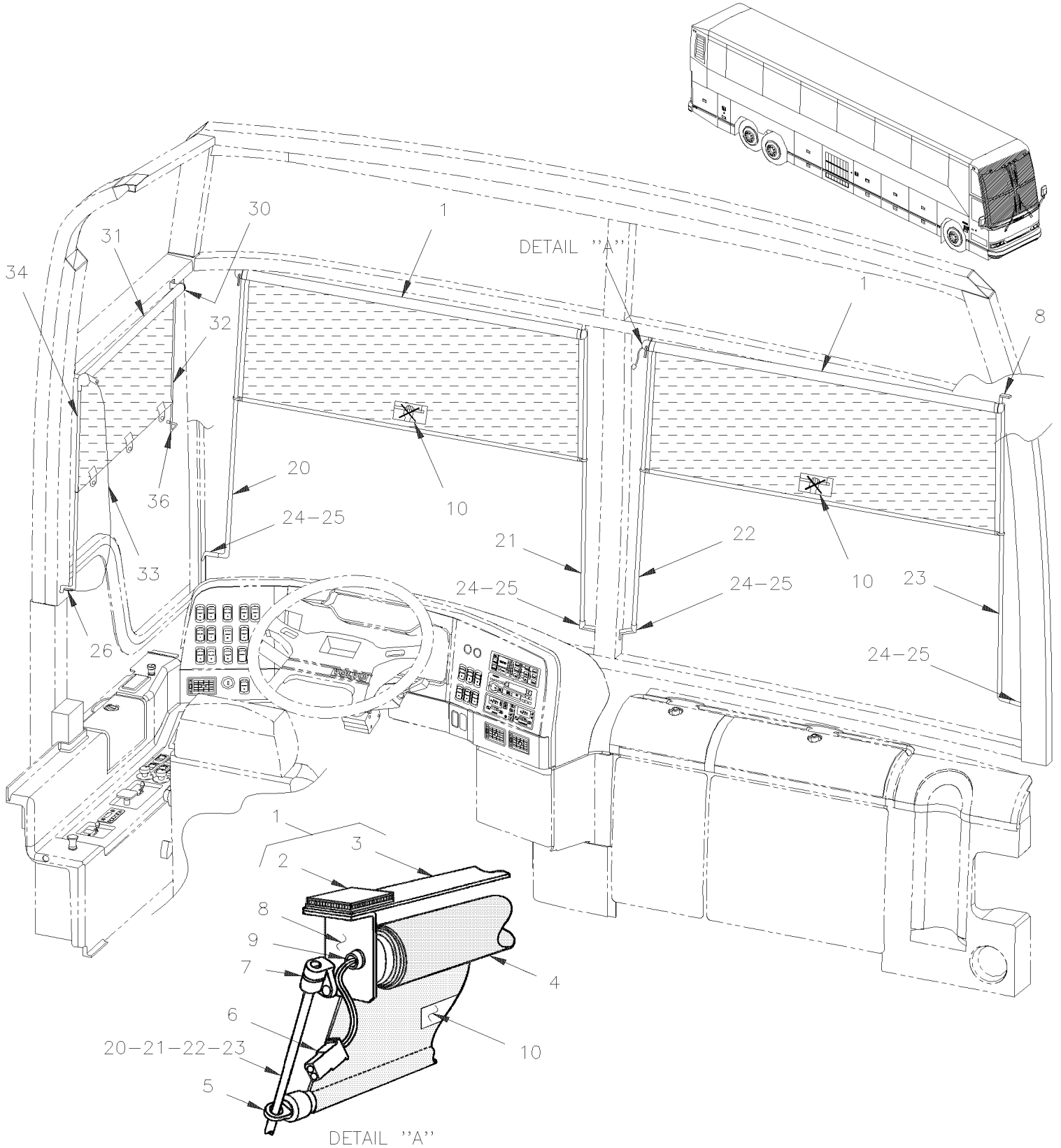
Item#	Part	Description	H 3 4 1	H 3 4 5	V I P 4 5	N O T E S
1	440274	COVER ASSY / W/ELECTRICAL To W-2284	1	1		
1	440324	COVER ASSY / W/ELECTRICAL From W-2285	1	1		
1	440335	COVER / W/DIGITAL	1	1		B
1	440308	COVER / WDIGITAL To W-2284	1	1		
1	440325	COVER / WDIGITAL From W-2285	1	1		
1	440248	. WINDOW / LENS GREEN	1	1		
1	470949	. SPACER RUBBER 3/4" O.D. / S.Q.	3	3		
2	H3-1814-01	DESTINATION SIGN - ELECTRICAL				
2	H3-1814-02	DESTINATION SIGN - "POCATEC"				
4	440233	SUPPORT R.H. / W/ELECTRICAL To W-2284	1	1		
4	440327	SUPPORT CURBSIDE / W/ELECTRICAL From W-2285	1	1		
6	500879	SCREW TP PAN PH #10x1 Z050	6	6		A
8	500624	SCREW TP OV PH #6x1/2 Z050	5	5		
9	500463	WASHER FN CKF .187x.500x.090 BR Z050	5	5		
12	562111	SWITCH / ON-OFF-ON/ S.P.D.T./REVERSE POLARITY	1	1		
. NS	562110	. SWITCH / ON-OFF-ON/ S.P.D.T./REVERSE POLARITY / TORRIX 102256	1	1		
14	062809	SWITCH ASSY W/CONNERTOR	1	1		
14	562109	. SWITCH / ON-ON / S.P.S.T.	1	1		
14	561476	. CONNECTOR / (.062) / SH 4C / MOLEX 03-06-1044	1	1		
14	561748	. CONTACT HOLE PLUG / VEAM 10-101033-13	1	1		
16	440275	BRACKET / STREET SIDE / TO FIX SWITCH	1	1		
18	504264	GROMMET / .750x1.250x.062x.250x1.625	1	1		
NS	502583	WASHER LO SERR 8.15x22.3x1.0 Z050	4	4		A
NS	500769	NUT HEX 1/4-20 Z050	4	4		A
20	400638	MOULDING / 11" / "U" SHAPE DRIVER'S NAME HO	1	1		
21	400636	PLATE / STAMPED "NOM DU CONDUCTEUR"	1	1		
21	400637	PLATE / STAMPED "DRIVER'S NAME" / REAR	1	1		
21	400601	. PLATE (BLANK) / FOR DRIVER'S NAME / SPECIFY NAME	1	1		
		A) W/ITEM 4 & 16				
		B) WITH DESTINATION SIGN ON L.H. INSTALLATION				

From R-012 To 2-4416

Date:10/2022

PAGE:H3-1816-00

ROLLER BLIND - DRIVER'S & WINDSHIELD



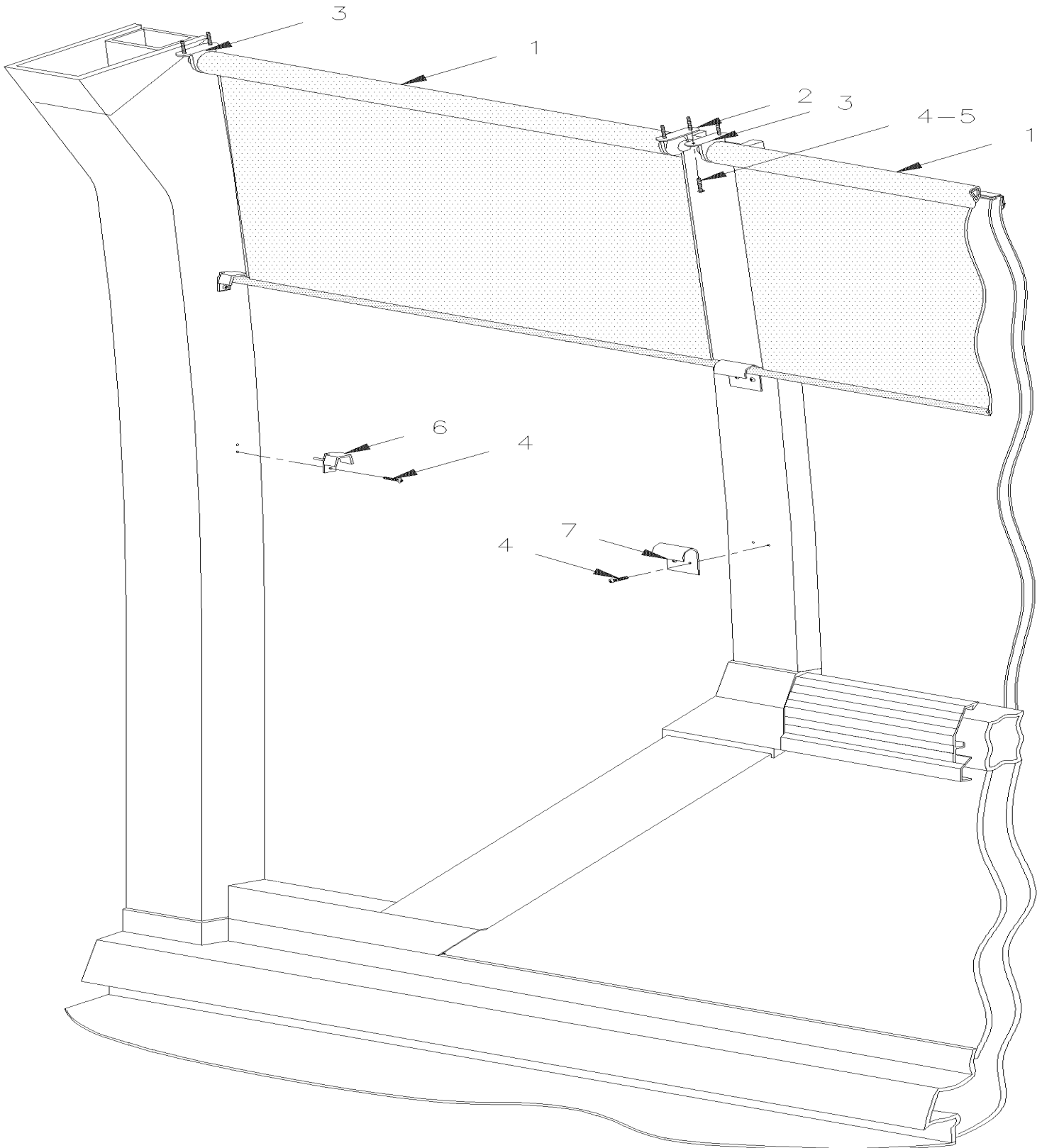
From R-012 To 2-4416	Date:10/2022	PAGE:H3-1816-00
ROLLER BLIND - DRIVER' S & WINDSHIELD		

Item#	Part	Description	H 3 4 1	H 3 4 5	V I P 4 5	N O T E S
1	402950	ROLLER BLIND ASSY / ELECTRIC To 2-4355	2	2	2	
1	900986	ROLLER BLIND ASSY / ELECTRIC From 2-4356	2	2	2	
1	901121	ROLLER BLIND ASSY / ELECTRIC SERVICE	2	2	2	
1	408404	ROLLER BLIND / ELECTRIC / PRODUCT IMPROVMENT	1	1	1	
. NS	901532	. ROLLER BLIND ASSY / ELECTRIC	2	2	2	
2	506318	. TAPE DUAL LOCK 1" x 150' / BLACK SJ3541 To 2-4355	AR	AR	AR	
3	402948	. BRACKET To W-2284	1	1	1	
3	404580	. BRACKET From W-2285 To 2-4355	1	1	1	
4	900590	. ROLLER BLIND ELECTRIC To 1-4248	1	1	1	
4	901040	. ROLLER BLIND ELECTRIC From 1-4249 To 2-4355	1	1	1	
5	900597	. . GUIDING PLUG / EACH END OF BLIND	1	1	1	F
6	560898	. CONNECTOR / COM. MATE-N-LOCK / SH 2C / AMP 1-480318-0	1	1	1	
6	560854	. SOCKET TERMINAL / 24-18 / AMP 60617-1	2	2	2	
7	900594	. BRACKET KIT ASSY R.H. To 2-4355	1	1	1	A
7	900554	. BRACKET KIT ASSY L.H. To 2-4355	1	1	1	A
7	901048	. KIT BRACKET L.H. & R.H. From 2-4356	1	1	1	
7	504106	. RIVET POP DOME OE 1/8x1/4 AL To 2-4355	2	2	2	
8	402949	. BRACKET / L.H. To 2-4355	1	1	1	
8	402972	. BRACKET / R.H. To 2-4355	1	1	1	
8	504105	. RIVET POP DOME OE 1/8x3/16 AL To 2-4355	4	4	4	
9	507309	. BUSHING NYLINED .312x.375x.078x.500 To 2-4355	1	1	1	
9	500437	. WASHER FL .125x.375x.040 Z050 To 2-4355	2	2	2	
9	502564	. WASHER LO SPT 6.1x11.8x1.6 Z050 To 2-4355	1	1	1	
10	402952	. DECAL	1	1	1	
NS	562169	DIODE / 1AMP	AR	AR	AR	
20	403568	ROD GUIDE / L.H. To W-2284	1	1	1	
20	404618	ROD GUIDE / L.H. From W-2285	1	1	1	
20	440329	ROD GUIDE / L.H. / W/ELECTRONIC From W-2285	1	1		
21	403569	ROD GUIDE / CENTER L.H. To W-2284	1	1	1	
21	404620	ROD GUIDE / CENTER L.H. From W-2285	1	1	1	
22	403566	ROD GUIDE / CENTER R.H. To V-1839	1	1	1	
22	404509	ROD GUIDE / CENTER R.H. From V-1840 To W-2284	1	1	1	
22	404621	ROD GUIDE / CENTER R.H. From W-2285	1	1	1	
22	404442	ROD GUIDE / CENTER R.H. / W/ELECTRONIC DIGITAL To W-2284	1	1		
23	403567	ROD GUIDE / R.H. To W-2284	1	1	1	
23	404617	ROD GUIDE / R.H. From W-2285	1	1	1	
23	440328	ROD GUIDE / R.H. / W/ELECTRONIC From W-2285	1	1		
24	403570	ROD HOLDER / BLACK / STEEL "L" SHAPE	4	4	4	
24	901263	ROD HOLDER / BLACK / PLASTIC 50MM From SERVICE	4	4	4	
NS	5001091	SCREW TC PAN PH #4-40x1/4 BK	4	4	4	
25	500409	SCREW TP PAN PH #8x1/2 BK	AR	AR	AR	
26	900476	ROD HOLDER 90° / BLACK PLASTIC 30MM C/L	AR	AR	AR	E

From R-012 To 2-4416	Date:10/2022	PAGE:H3-1816-00
ROLLER BLIND - DRIVER' S & WINDSHIELD		

Item#	Part	Description	H 3 4 1	H 3 4 5	V I P 4 5	N O T E S
30	900478	BEARING HOLDER / R.H. / BLACK CASTING	1	1	1	
31	900596	BLIND ROLLER / CHARCOAL / 600MM To 2-4355	1	1	1	G
31	901042	BLIND ROLLER / CHARCOAL / 600MM From 2-4356	1	1	1	
32	402671	ROD FRONT 695MMM X 96MM	1	1	1	
32	404382	ROD FRONT / W/MONITOR BACK-UP To W-2284	1	1		
NS	404643	ROD FRONT / W/BACK-UP MONITOR / 250MM X 32MM From W-2285	1	1		
NS	404619	ROD SUPPORT / W/MONITOR BACK-UP	1	1		
33	900482	CORD, W/BUTTON / BLACK 1700MM	1	1	1	
34	402689	ROD REAR 625MM	1	1	1	
36	500333	SCREW TP OV PH #6x3/4 BK	1	1	1	
NS	900591	BLIND MATERIAL TISSUS / 1000MM WIDE / C.T.L.	AR	AR	AR	
100	405409	KIT, ELECTRIC ROLLER BLIND	1	1	1	
NS	IS-01043	. SEE INSTRUCTION SHEET	1	1	1	
		A) THOSE PARTS SOLD ONLY ASSY AND DISCARD OTHERS PARTS				
		E) W/DRIVER'S WINDOW ROD				
		F) EACH END OF BLIND				
		G) DRIVER'S SIDE WINDOW				

From R-012 To W-2284	Date:10/2022	PAGE:H3-1816-11
SUN SHADE - PASSENGER'S WINDOW		



From R-012 To W-2284	Date:10/2022	PAGE:H3-1816-11
SUN SHADE - PASSENGER'S WINDOW		

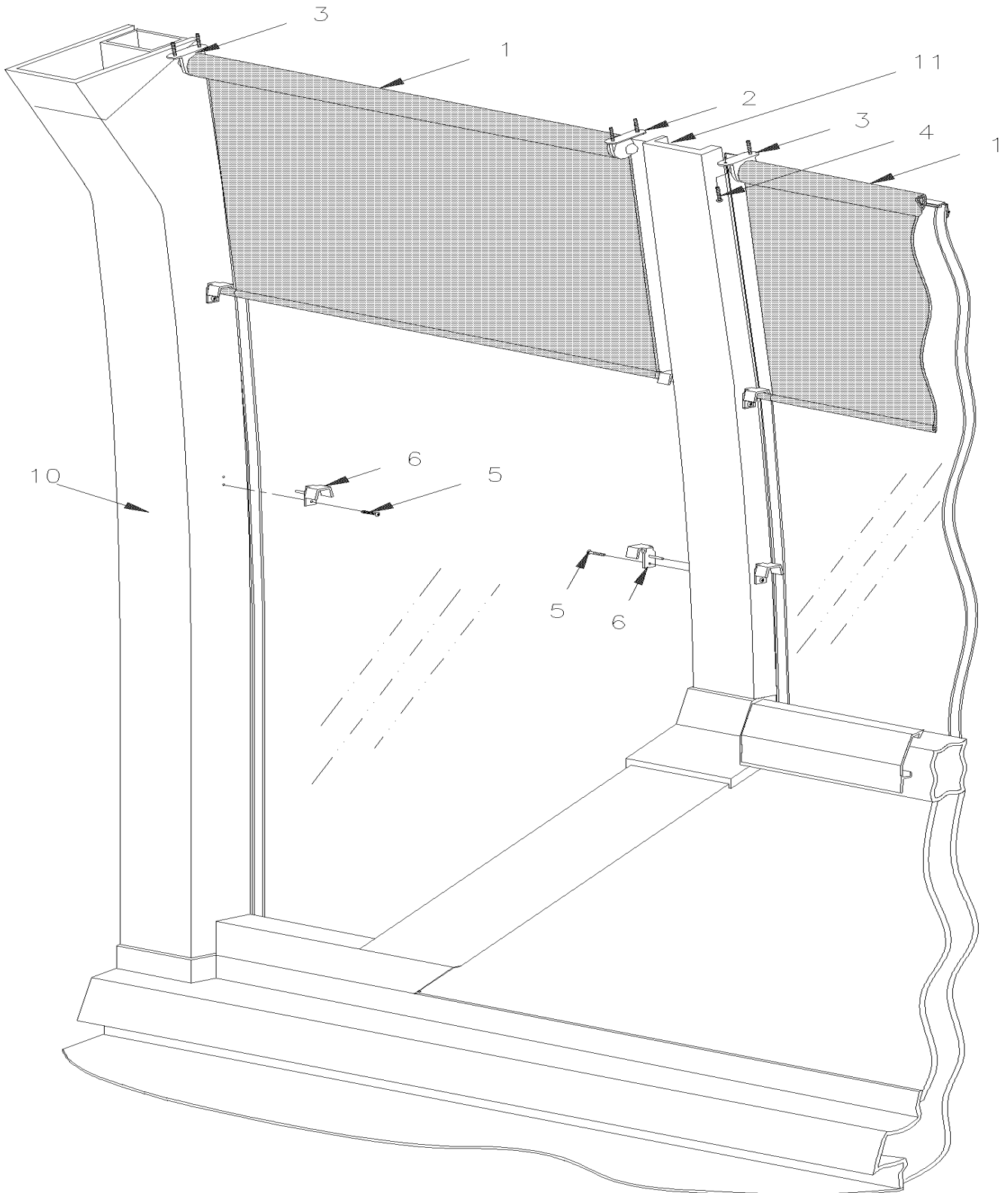
Item#	Part	Description	H 3 4 1	H 3 4 5	V I P 4 5	N O T E S
1	900692	SUN SHADE / 664MM WIDE		1		
1	900691	SUN SHADE / 706MM WIDE		1		
1	900562	SUN SHADE / 842MM WIDE	2	2		
1	900733	SUN SHADE / W.C.L. DOOR / W/HINGE / 1028MM WIDE	1	1		
1	900706	SUN SHADE / 1078MM WIDE	1			
1	900707	SUN SHADE / 1120MM WIDE	1			
1	900800	SUN SHADE / W.C.L. "RICON" / 1559MM WIDE		1		
1	900564	SUN SHADE / 1587MM WIDE	10			
1	900564	SUN SHADE / 1587MM WIDE		12		
1	900836	SUN SHADE / W.C.L. "ST & ST" 1587MM WIDE	2			
1	900799	SUN SHADE / W.C.L. "RICON" / 2125MM WIDE		2		
2	900544	BRACKET, MALE / BLACK	14			
2	900544	BRACKET, MALE / BLACK		16		
3	900545	BRACKET, FEMALE / BLACK	14			
3	900545	BRACKET, FEMALE / BLACK		16		
4	5001145	SCREW TP BDG PH #6x1 BK	AR	AR		
4	500814	SCREW TP BDG PH #6x3/4 BK	112			
4	500814	SCREW TP BDG PH #6x3/4 BK		124		
5	403686	SPACER / BRACKET & BRACKET	AR	AR		
6	404055	HOOK SINGLE / FRONT & REAR POST 14MM	8	8		
6	404249	CABLE ASSY / 24V POWER / 35'	4	4		
7	403363	HOOK	24			
7	403363	HOOK		28		

From W-2285 To 2-4416

Date:10/2022

PAGE:H3-1816-12

SUN SHADE - PASSENGER'S WINDOW



From W-2285 To 2-4416	Date:10/2022	PAGE:H3-1816-12
SUN SHADE - PASSENGER'S WINDOW		

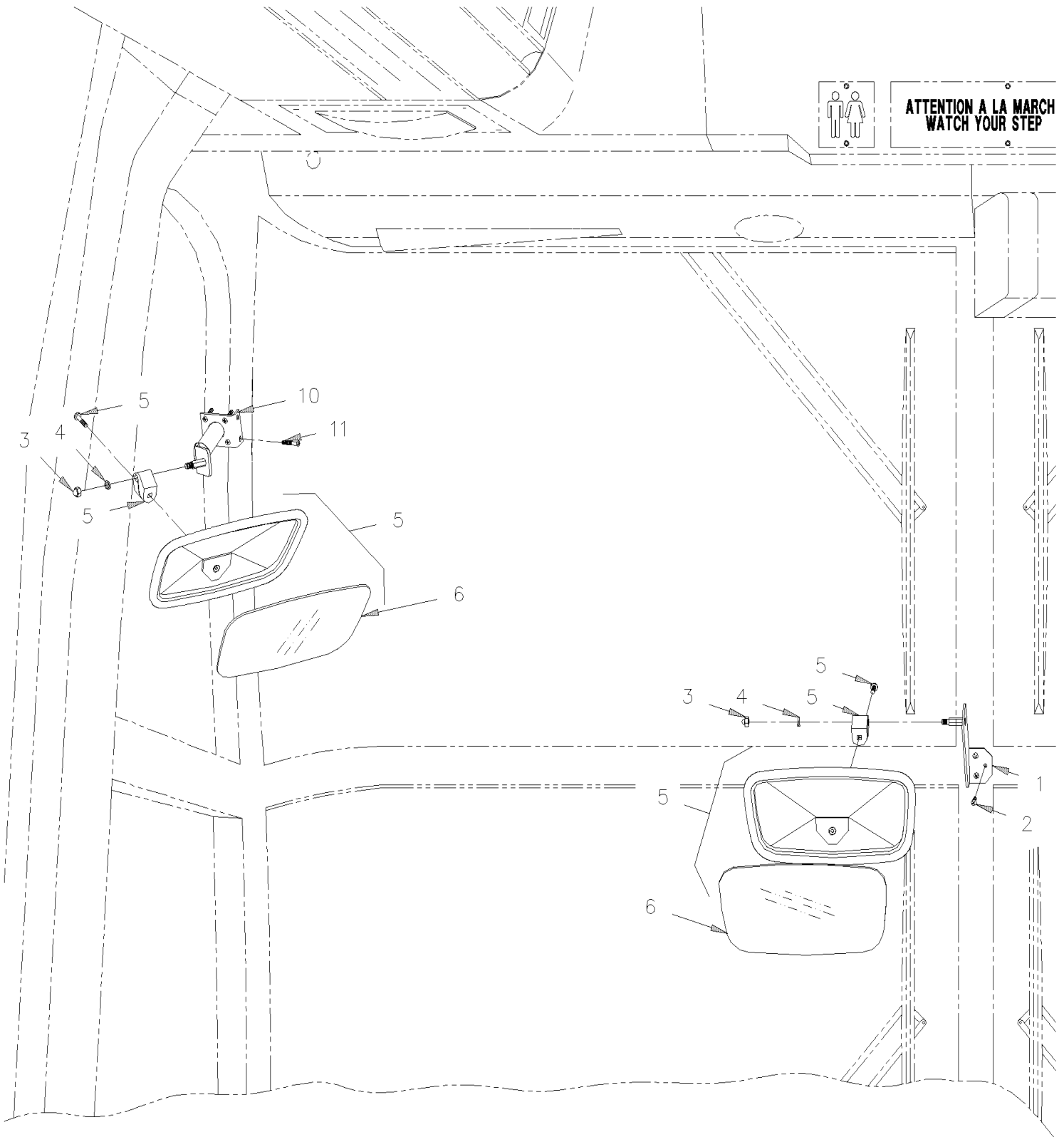
Item#	Part	Description	H 3 4 1	H 3 4 5	V I P 4 5	N O T E S
1	900878	SUN SHADE / 699MM ROD WIDE		2		
1	900877	SUN SHADE / 835MM ROD WIDE	2	2		
1	900733	SUN SHADE / W.C.L. DOOR / W/HINGE / 1028MM WIDE	1	1		
1	900879	SUN SHADE / 1113MM ROD WIDE	2			
1	900879	SUN SHADE / 1113MM ROD WIDE		1		
1	900876	SUN SHADE / 1563MM ROD WIDE	10			
1	900876	SUN SHADE / 1563MM ROD WIDE		12		
1	900890	SUN SHADE / W.C.L. "RICON" / 2144MM ROD WIDE		2		
1	901044	SUN SHADE / 830MM ROD WIDE	1	1		
2	404583	BRACKET, R.H. "O"	14			
2	404583	BRACKET, R.H. "O"		16		
3	404584	BRACKET, L.H. "D"	14			
3	404584	BRACKET, L.H. "D"		16		
4	5001145	SCREW TP BDG PH #6x1 BK	AR	AR		
5	500640	SCREW TP PAN PH #6x3/4 Z050	AR	AR		
6	404609	HOOK SINGLE W/1 SCREW HOLE LIGHT GREY	AR	AR		
NS	900545	BRACKET, FEMALE / BLACK	1	1		D
NS	900544	BRACKET, MALE / BLACK	1	1		D
NS	404653	HOOK SINGLE W/2 SCREWS HOLE	4	4		D
NS	500814	SCREW TP BDG PH #6x3/4 BK	12	12		D
10	H3-1832-02	FRONT FINISHING CAP				
11	H3-1833-01	WINDOW FINISHING CAP & WALL				
		D) TO FIX SUNSHADE ON W.C.L. DOOR				

From R-012 To 2-4416

Date:10/2022

PAGE:H3-1820-00

MIRROR - INTERIOR



From R-012 To 2-4416	Date:10/2022	PAGE:H3-1820-00
MIRROR - INTERIOR		

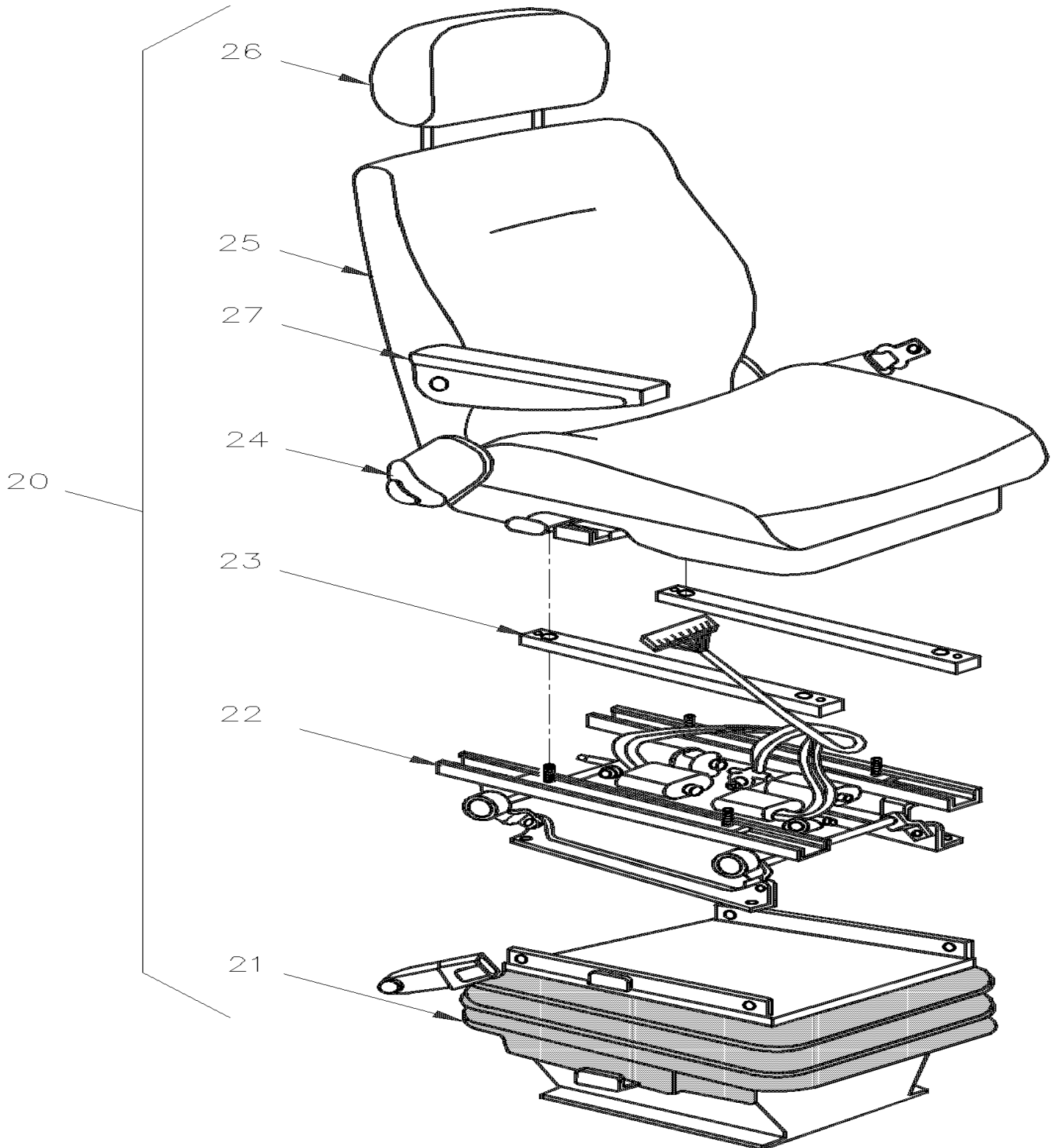
Item#	Part	Description	H 3 4 1	H 3 4 5	V I P 4 5	N O T E S
1	403218	SUPPORT CENTRAL ASSY, MIRROR	1	1		
2	5001090	SCREW TP PAN PH #10x1 SS BK	3	3		
3	500780	NUT HEX CAP 5/16-18 Z050	1	1		
4	500476	WASHER LO SPT .317x.586x.078 Z050	1	1		
5	900438	MIRROR ASSY SAFETY	2	2		
6	900440	. GLASS / SAFETY	1	1		
10	403679	MIRROR SUPPORT / L.H. DRIVER`S WINDOW	6	6		
11	500353	SCREW TP FL PH #8x3/4 BK	6	6		

From R-012 To 2-4416

Date:10/2022

PAGE:H3-1822-00

DRIVER'S SEAT ASSY - "ISRI"

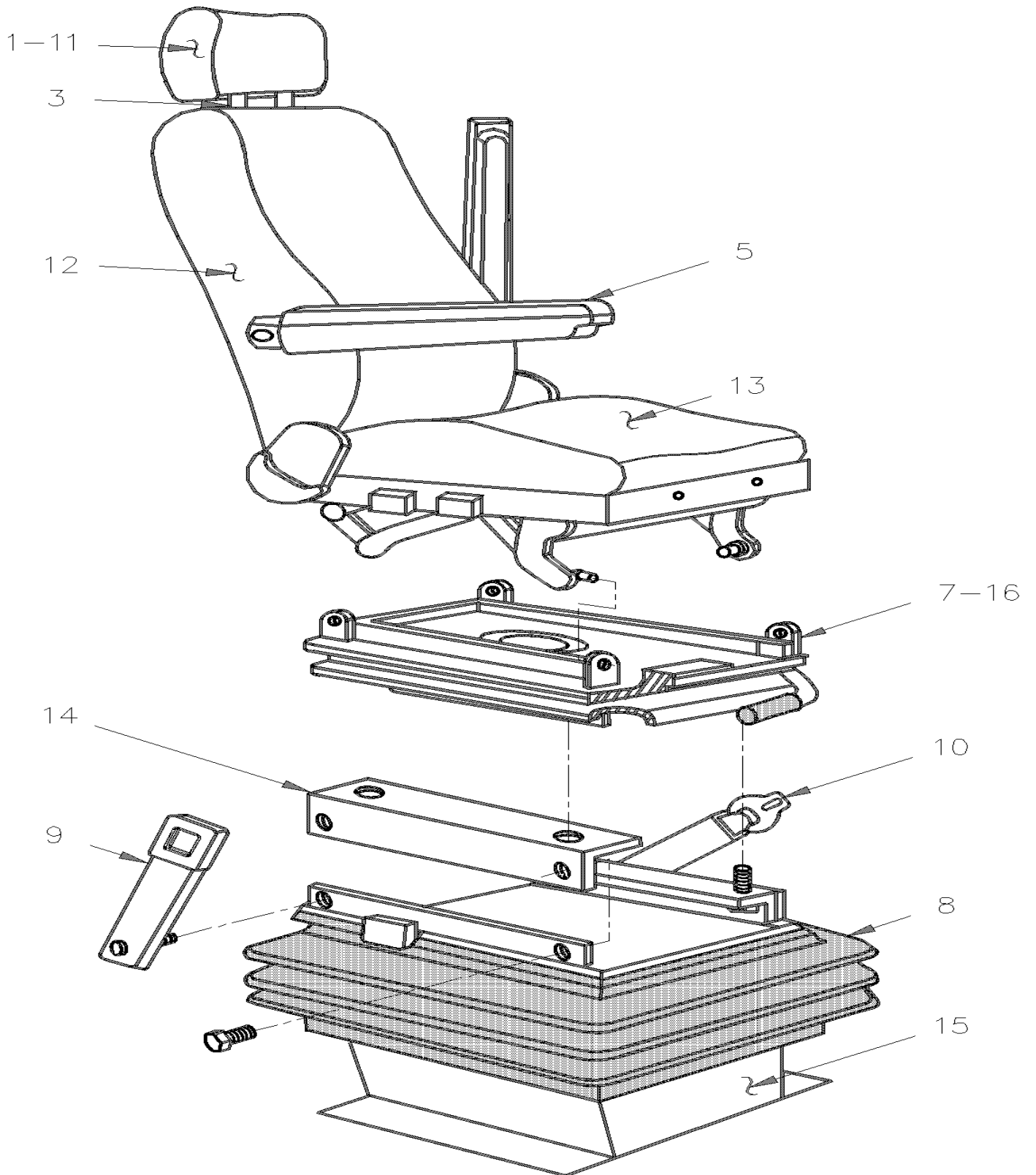


From R-012 To 2-4416

Date:10/2022

PAGE:H3-1822-00

DRIVER'S SEAT ASSY - "ISRI"



From R-012 To 2-4416	Date:10/2022	PAGE:H3-1822-00
DRIVER'S SEAT ASSY - "ISRI"		

Item#	Part	Description	H 3 4 1	H 3 4 5	V I P 4 5	N O T E S
		NEXT 5 FOLLOWING SEATS ARE MODEL 6000/515 SEE PAGE 1822-10 FOR SERVICE PARTS				
	362833	SEAT ASSY MECHANIC / R.H. CONTROL W/COVERING	1			A
	860433	. DRIVER'S SEAT - "ISRI" - MODEL 6000/515 / MECHANIC / R.H. CONTROL	1	1		
	362834	SEAT ASSY MECHANIC / R.H. CONTROL & AIR LUMBAR W/COVERING	1	1		A
	860449	. DRIVER'S SEAT - "ISRI" - MODEL 6000/515 / MECHANIC / R.H. CONTROL & AIR LUMBAR To S-199	1	1		
	860852	. DRIVER'S SEAT - "ISRI" - MODEL 6000/515 / MECHANIC / R.H. CONTROL & AIR LUMBAR From S-200	1	1		
		NEXT 2 FOLLOWING SEATS ARE MODEL 6500/515 SEE PAGE 1822-10 FOR SERVICE PARTS				
	860432	DRIVER'S SEAT - "ISRI" - MODEL 6000/515 / AIR SUSPENSION / R.H. CONTROL To S-187			1	
	362835	SEAT ASSY AIR SUSPENSION / R.H. CONTROL LUMBAR SUPPORTS W/COVERING To S-187	1			A
	860450	. DRIVER'S SEAT - "ISRI" - MODEL 6000/515 / AIR SUSPENSION / R.H. CONTROL LUMBAR SUPPORTS To S-187				
		NEXT 3 FOLLOWING SEATS ARE MODEL 6801/517 SEE PAGE 1822-20 FOR SERVICE PARTS				
	860729	DRIVER'S SEAT - "ISRI" - MODEL 6801/517 / W/O UPHOLSTERY To S-199	1	1	1	
	860853	DRIVER'S SEAT - "ISRI" - MODEL 6801/517 / W/O UPHOLSTERY From S-188 To T-1443	1	1	1	
	860854	DRIVER'S SEAT - "ISRI" - MODEL 6801/517 / W/BLACK UPHOLSTERY From S-200 To T-1421			1	B
		NEXT 2 FOLLOWING SEATS ARE MODEL 6801/525 SEE PAGE 1822-20 FOR SERVICE PARTS				
	860912	DRIVER'S SEAT - "ISRI" - MODEL 6801/525 / W/O UPHOLSTERY From T-1444	1	1		B
	860913	DRIVER'S SEAT - "ISRI" - MODEL 6801/525 / W/BLACK UPHOLSTERY From T-1422			1	B
1	H3-1822-10	. DRIVER'S SEAT - "ISRI" - 6000/515 & 6500/515				
1	H3-1822-20	. DRIVER'S SEAT - "ISRI" - 6801/517 & 6801/525				
3	H3-1822-10	. DRIVER'S SEAT - "ISRI" - 6000/515 & 6500/515				
3	H3-1822-20	. DRIVER'S SEAT - "ISRI" - 6801/517 & 6801/525				
5	H3-1822-10	. DRIVER'S SEAT - "ISRI" - 6000/515 & 6500/515				
5	H3-1822-20	. DRIVER'S SEAT - "ISRI" - 6801/517 & 6801/525				
7	H3-1822-10	. DRIVER'S SEAT - "ISRI" - 6000/515 & 6500/515				
8	H3-1822-10	. DRIVER'S SEAT - "ISRI" - 6000/515 & 6500/515				
8	H3-1822-10	. DRIVER'S SEAT - "ISRI" - 6000/515 & 6500/515				
NS	362188	. KIT BELT	1	1	1	
NS	860553	. . BELT TETHER / BODY & SUSPENSION / (SET OF 2)	2	2	2	
9	860607	. . STIFF BUCKLE IN BOOT	1	1	1	

From R-012 To 2-4416	Date:10/2022	PAGE:H3-1822-00
DRIVER'S SEAT ASSY - "ISRI"		

Item#	Part	Description	H 3 4 1	H 3 4 5	V I P 4 5	N O T E S
NS	861115	. . . SLEEVE COVERING	1	1	1	
10	860977	. . BELT SEAT	1	1	1	
10	860136	. . BELT SEAT	1	1	1	
NS	363368	. BAR ICP / W/SEAT MODEL 6500/ELECTRIC To S-151	1	1	1	
NS	363455	. BAR ICP / W/SEAT MODEL 6500/ELECTRIC From S-152 To T-1425	1	1	1	
NS	363533	. BAR ICP / W/SEAT MODEL 6000/515 From T-1426	1	1		
NS	363138	. BAR ICP / W/SEAT MODEL 6801/525	1	1	1	
NS	363275	. BAR ICP / W/SEAT MODEL 6801 / CURBSIDE				
NS	361677	. JOINT / W/AIR SUSPENSION / W/2 HOLES .344 O / 3 1/8" x W/2" C/C	2	2		
10	364155	. JOINT / W/AIR SUSPENSION / W/2 HOLES .344 O / 4 3/8" x W/3 1/4" C/C From SERVICE	1	1		
11	H3-1822-10	. DRIVER'S SEAT - "ISRI" - 6000/515 & 6500/515				
11	H3-1822-20	. DRIVER'S SEAT - "ISRI" - 6801/517 & 6801/525				
12	H3-1822-10	. DRIVER'S SEAT - "ISRI" - 6000/515 & 6500/515				
12	H3-1822-20	. DRIVER'S SEAT - "ISRI" - 6801/517 & 6801/525				
13	H3-1822-10	. DRIVER'S SEAT - "ISRI" - 6000/515 & 6500/515				
13	H3-1822-20	. DRIVER'S SEAT - "ISRI" - 6801/517 & 6801/525				
14	361830	ADAPTOR R.H. / FOR SWIVEL BASE / W/MODEL 6000 & 6500 ONLY			1	
14	361832	ADAPTOR L.H. / FOR SWIVEL BASE / W/MODEL 6000 & 6500 ONLY			1	
15	361800	BASE DRIVER'S SEAT / W "ISRI" / 76.2MM HEIGHT / 3"	1	1	1	
15	361710	BASE DRIVER'S SEAT / W "ISRI" / 101.6MM HEIGHT / 4"	AR	AR	AR	
15	361617	BASE DRIVER'S SEAT / W "ISRI" / 127MM HEIGHT / 5"	AR	AR	AR	
15	361996	BASE DRIVER'S SEAT / 50.8MM HEIGHT / 2" / 50.8MM HEIGHT / 2"			1	
15	363125	BASE DRIVER'S SEAT / W "ISRI" MODEL 6801 / 76.2MM HEIGHT / 3"	1	1	1	
15	362909	BASE DRIVER'S SEAT / W "ISRI" "ELECTRIC / 57.1MM HEIGHT / 2 1/4" To S-151			1	
15	363451	BASE 1" / W/ELECTRICAL SEAT ONLY From S-152			1	
NS	362056	ANCHOR PLATE ASSY USE W/CURBSIDE SEAT 7/16-14x1" / 32MMx89MM			6	
NS	361633	SPACER 7/8" / STRUCTURE & BASSE	4	4	4	
NS	362549	SPACER / STRUCTURE & BASE / 27MM	4	4	4	
NS	362550	SPACER 1 5/32" / STRUCTURE & BASE	4	4	4	
NS	500747	WASHER LO SPT 12.2x21.1x2.5 N500	4	4	4	
NS	5001862	SCREW CAP HEX M12-1.75x70 G10.9 N500	4	4	4	
NS	500958	WASHER FL .531x1.062x.095 SS	4	4	4	
16	860491	SWIVEL BASE / W/MODEL 6000 & 6500 ONLY			1	
		NEXT 2 FOLLOWING SEATS ARE MODEL 6500/515				
		SEE PAGE 1822-10 FOR SERVICE PARTS				
20	860807	DRIVER'S SEAT - "ISRI" - MODEL 6000/515 / ELECTRIC / AIR SUSPENSION / R.H CONTROL & LUMBAR SUPPORTS To S-187				B
20	860656	DRIVER'S SEAT - "ISRI" - MODEL 6000/515 / ELECTRIC W/MEMORY / AIR SUSPENSION / R.H. CONTROL & LUMBAR SUPPOR To S-187				B
		NEXT 2 FOLLOWING SEATS ARE MODEL 6500/525				
		SEE PAGE 1822-10 FOR SERVICE PARTS.				

From R-012 To 2-4416	Date:10/2022	PAGE:H3-1822-00
DRIVER'S SEAT ASSY - "ISRI"		

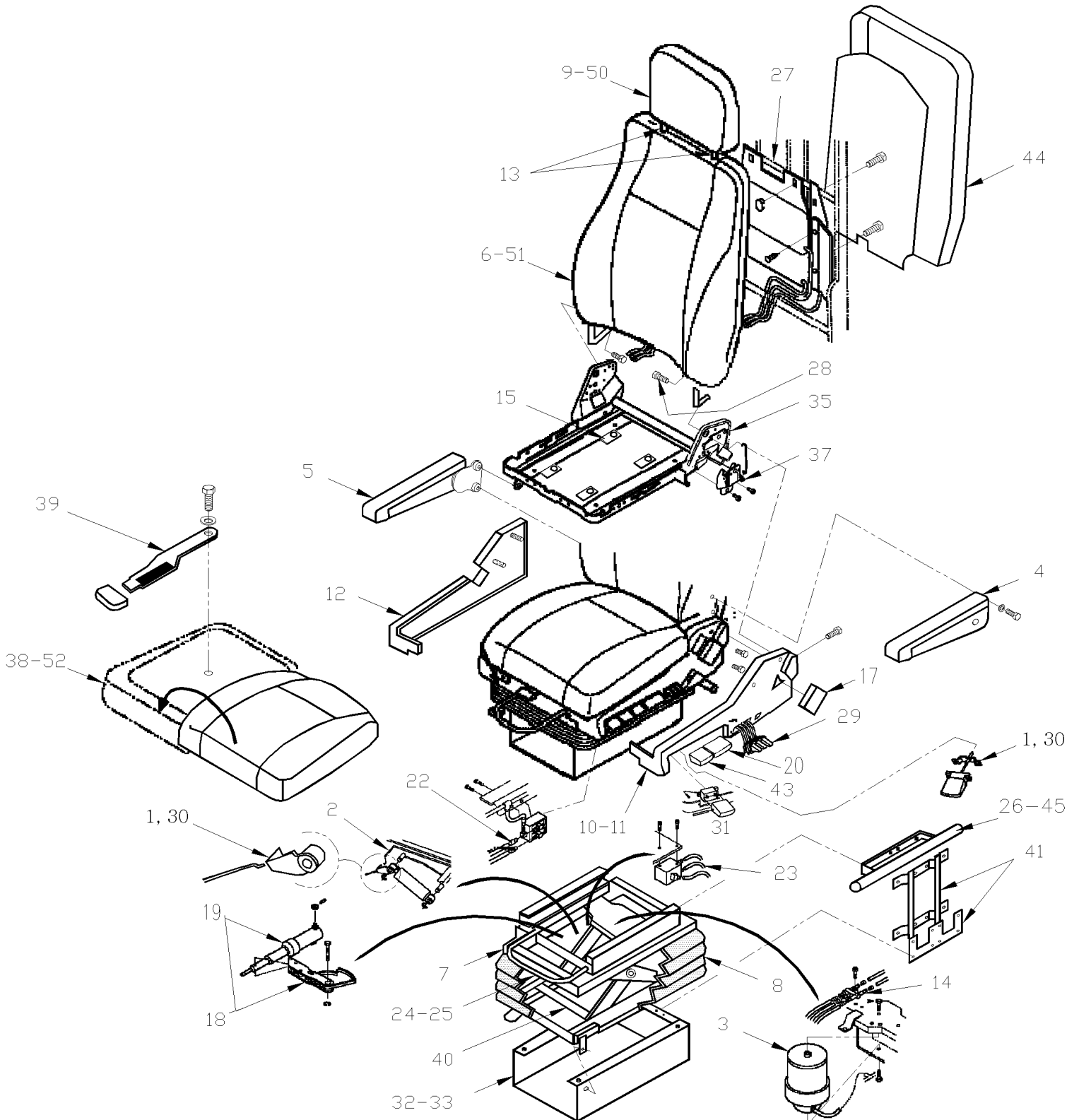
Item#	Part	Description	H 3 4 1	H 3 4 5	V I P 4 5	N O T E S
20	860855	DRIVER'S SEAT - "ISRI" - MODEL 6000/525 / ELECTRIC / AIR SUSPENSION / R.H. From S-188				B
20	860856	DRIVER'S SEAT - "ISRI" - MODEL 6000/525 / ELECTRIC W/MEMORY / AIR SUSPENSION / R.H. CONTROL& LUMBAR SUPPORT From S-188				B
21	H3-1822-10	. DRIVER'S SEAT - "ISRI" - 6000/515 & 6500/515				
22	860728	. BASE ELECTRICAL ASSY			1	
23	860727	. TUBE ADAPTOR			2	
24	861081	. FRAME ASSY SEAT / W/O MEMORY ELECTRICAL SEAT			1	
24	861082	. FRAME ASSY SEAT / W/MEMORY ELECTRICAL SEAT			1	
25	H3-1822-10	. DRIVER'S SEAT - "ISRI" - 6000/515 & 6500/515				
26	H3-1822-10	. DRIVER'S SEAT - "ISRI" - 6000/515 & 6500/515				
27	H3-1822-10	. DRIVER'S SEAT - "ISRI" - 6000/515 & 6500/515				
27	H3-1822-10	. DRIVER'S SEAT - "ISRI" - 6000/515 & 6500/515				
NS	062537	CABLE ASSY, HEATED SEAT			1	
NS	641507	UNION / PUSH-IN FITTING / #4 x 6MM NP	1	1	1	
NS	641092	UNION TEE / NTA FITTING / #4x#4x#4 BR	1	1	1	
		A) THOSE SEATS ARE COMPLETE ASSY W/COVERING,ARMREST,HEADREST,HEATING PAD & SAFETY BELT PLEASE S.C.C.				
		B) THOSE SEAT ARE COMPLETE ASSY W/BLACK COVERING,ARMREST AND HEADREST FOR FACTORY DELIVERY.				

From R-012 To 2-4416

Date:10/2022

PAGE:H3-1822-01

DRIVER'S SEAT - "ISRI" - 6800/338



From R-012 To 2-4416	Date:10/2022	PAGE:H3-1822-01
DRIVER'S SEAT - "ISRI" - 6800/338		

Item#	Part	Description	H 3 4 1	H 3 4 5	V I P 4 5	N O T E S
	364108	DRIVER'S SEAT ASSY W/COVERING / SPECYFIED COLOR CODE	1	1		F
	861373	. DRIVER'S SEAT - "ISRI" - MODEL 6800/338 / W/R.H. CONTROL	1	1		F
	861373	DRIVER'S SEAT - "ISRI" - MODEL 6800/338 / W/R.H. CONTROL	1	1		A
	861374	DRIVER'S SEAT - "ISRI" - MODEL 6800/338 / W/R.H. CONTROL			1	B
	5001862	SCREW CAP HEX M12-1.75x70 G10.9 N500	4	4	4	G
	500747	WASHER LO SPT 12.2x21.1x2.5 N500	4	4	4	G
	500958	WASHER FL .531x1.062x.095 SS	4	4	4	G
	362549	SPACER / STRUCTURE & BASE / 27MM	4	4	4	G
NS	862420	. LEVER RETAINING CLIP	1	1	1	
NS	862421	. NUT PLASTIC WHITE	1	1	1	
NS	862422	. RETAINING CLIP	1	1	1	
NS	862423	. SCREW FOR RETAINING CLIP	1	1	1	
1	861638	. ADJUSTABLE SHOCK ABSORBER CABLE KIT	1	1	1	
2	861639	. ADJUSTABLE SHOCK ABSORBER KIT	1	1	1	
3	861640	. AIR SPRING KIT	1	1	1	
4	861641	. ARMREST KIT - LH / W/OUT COVERING			1	
4	861377	. ARMREST KIT - LH / W/POLYURETHANE PAD	1	1		
5	861642	. ARMREST KIT - RH / W/OUT COVERING			1	
5	861378	. ARMREST KIT - RH POLYURETHANE PAD	1	1		
6	861643	. BACKREST ASSY / NUDE	1	1	1	
. NS	864557	. . FOAM / BACKREST	1	1	1	
7	861644	. BOOT ADAPTER PLATE	1	1	1	
8	861645	. BOOT KIT	1	1	1	
9	861646	. HEADREST ASSEMBLY - NUDE	1	1	1	
10	861648	. COVER KIT CONTROL - LH	1	1	1	
11	861649	. COVER KIT CONTROL - RH	1	1	1	
12	861650	. COVER KIT NON-CONTROL - LH	1	1	1	
13	861647	. HEADREST BOOT (2PCS)	1	1	1	
14	861651	. DISTRIBUTION VALVE KIT	1	1	1	
15	861652	. GLIDE - SEAT PAN	1	1	1	
16	861653	. HANDLE KIT - SEAT FRAME - LH	1	1	1	
17	861654	. HANDLE KIT - SEAT FRAME - RH	1	1	1	D
18	864140	. KIT, CYLINDER & CAM ADJUSTEMENT KIT	1	1	1	
. 18	861655	. . HEIGHT ADJUSTMENT CAM KIT	1	1	1	
. 19	861656	. . HEIGHT ADJUSTMENT CYLINDER KIT	1	1	1	
18	864245	. KIT, CAM ADJUSTEMENT KIT	1	1	1	
NS	863741	. KIT SLIDING TRACK PLASTIC OBLONG	1	1	1	
20	862203	. AIR HEIGHT ADJUST HANDLE KIT RH	1	1	1	
22	861657	. HEIGHT ADJUSTMENT VALVE KIT - RH	1	1	1	
23	861658	. HEIGHT ADJUSTMENT VALVE KIT - SUSPENSION	1	1	1	
24	861659	. HORIZONTAL ADJUSTMENT SLIDE HANDLE	1	1	1	
25	861660	. HORIZONTAL ADJUSTMENT SLIDE SET	1	1	1	

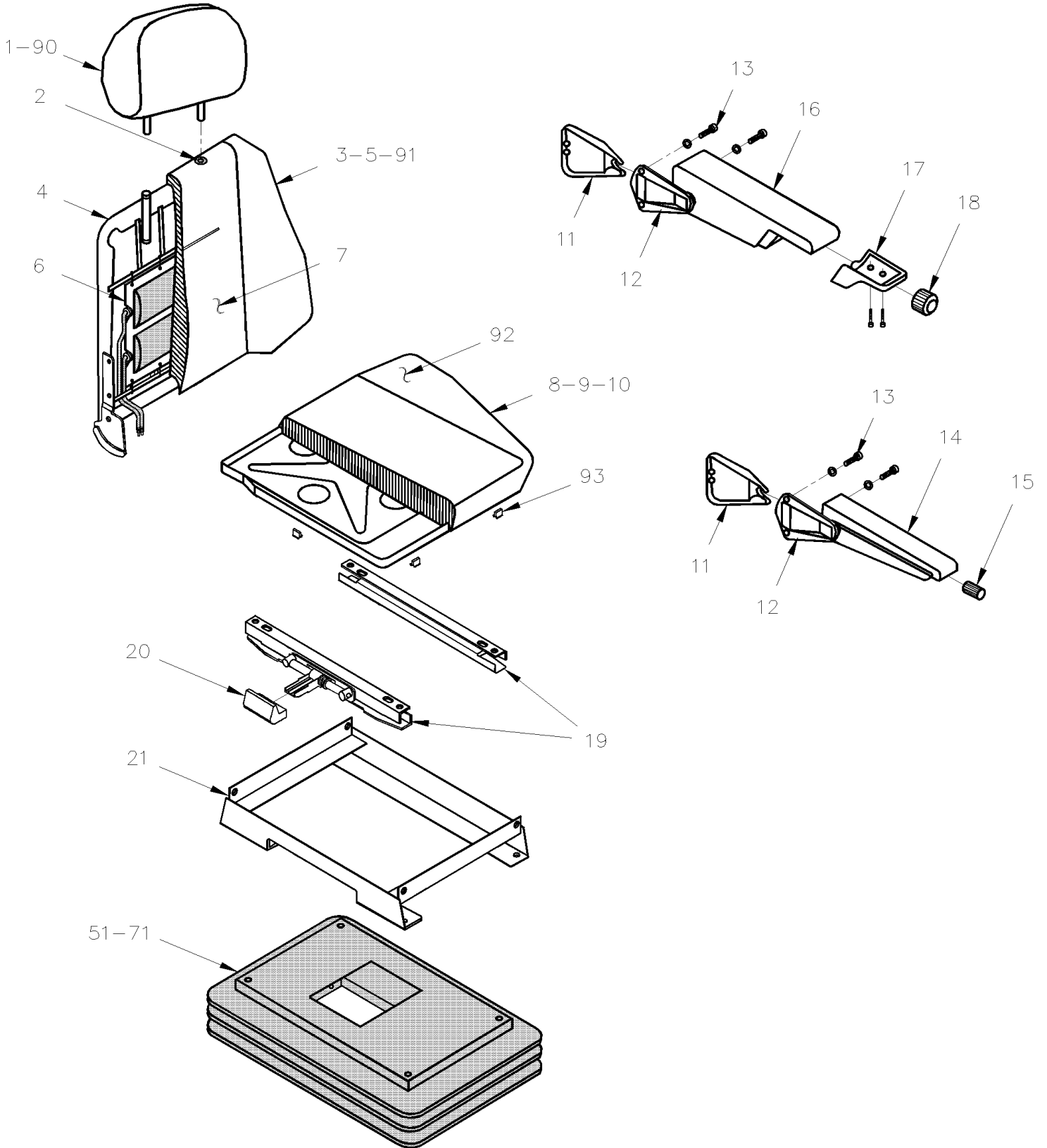
From R-012 To 2-4416		Date:10/2022	PAGE:H3-1822-01
DRIVER'S SEAT - "ISRI" - 6800/338			

Item#	Part	Description	H 3 4 1	H 3 4 5	V I P 4 5	N O T E S
26	862205	. SEAT BELT KIT NOT ILLUSTRATED / PAS ILLUSTRÉ	1	1	1	
27	861661	. LUMBAR/BOLSTER KIT OLD STYLE	1	1	1	
27	864242	. LUMBAR/BOLSTER KIT NEW STYLE	1	1	1	
28	862204	. BACKREST BOLT	2	2	2	
29	861662	. LUMBAR/BOLSTER VALVE RH	1	1	1	
30	862424	. HANDLE FOR ADJUSTMENT SHOCK	1	1	1	
NS	862425	. SHORT PIN ADJUSTMENT HANDLE	1	1	1	
NS	862426	. LONG PIN ADJUSTMENT HANDLE	1	1	1	
NS	862956	. HANDLE SUPPORT / PLASTIC BLACK	1	1	1	
31	861663	. QUICK AIR RELEASE VALVE AND HANDLE KIT - RH	1	1	1	
33	861664	. RISER KIT 76MM	1	1	1	
35	861665	. SEAT FRAME - RH	1	1	1	
37	861666	. SEAT FRAME TOOTH PLATE KIT RH	1	1	1	
38	861667	. SEAT PAN ASSEMBLY - NUDE OLD STYLE	1	1	1	
. NS	864556	. . FOAM / CUSHION	1	1	1	
38	864243	. SEAT PAN ASSEMBLY - NUDE NEW STYLE	1	1	1	
. NS	864237	. . CUSHION FOAM NEW PATTERN	1	1	1	
39	861668	. SEAT PAN ASSEMBLY LEVER AND HANDLE KIT	1	1	1	
40	861669	. SUSPENSION	1	1	1	
40	864244	. . KIT , SUSPENSION HARDWARE REPAIR	1	1	1	
41	861670	. TETHER AND TETHER PLATE KIT	1	1	1	
43	861671	. TILT HANDLE KIT - RH	1	1	1	
44	861672	. BACKREST PANEL	1	1	1	
NS	363705	INTERFACE COPILOTE ISRI 6800			1	C
NS	363937	ANCHORAGE CO-PILOTE SEAT ASSY W/BOLT			4	C
. NS	326831	. ANCHORAGE "U" FORM 48MM x 38MM x 112MM			1	C
. NS	500958	. WASHER FL .531x1.062x.095 SS			1	C
. NS	500482	. WASHER LO SPT .506x.873x.125 Z050			1	C
. NS	500806	. SCREW CAP HEX M12-1.75X35 G10.9 G500			1	C
NS	362056	ANCHOR PLATE ASSY USE W/CURBSIDE SEAT 7/16-14x1" / 32MMx89MM			2	C
NS	362521	ANCHOR PLATE ASSY USE W/CURBSIDE SEAT 7/16-14x2" / 32MMx89MM			2	C
45	364128	DRIVER'S SAFETY BELT EXTENSION R.H.	1	1	1	E
45	364129	DRIVER'S SAFETY BELT EXTENSION L.H.	1	1	1	E
45	500071	SCREW CAP HEX 7/16-20x1 1/2 G5 Z050	2	2	2	E
NS	500709	NUT HEX 7/16-20 Z050	2	2	2	E
NS	500810	WASHER LO SPT 12.2x21.1x2.5 Z050	4	4	4	E
NS	500860	NUT HEX M12-1.75 Z050	2	2	2	E
NS	502731	SCREW CAP HEX M12-1.75x40 G8.8 Z050	2	2	2	E
50	363740P	COVERING HEADREST ASSY / S.C.C. / DRIVER'S "ISRI" / 6800	1	1		
51	363738P	COVERING BACKREST ASSY / S.C.C. / DRIVER'S "ISRI" / 6800	1	1		
52	363739P	COVERING SEATREST ASSY / S.C.C. OLD STYLE / DRIVER'S "ISRI" / 6800	1	1		
52	364071P	COVERING SEATREST ASSY / S.C.C. NEW STYLE / DRIVER'S "ISRI" / 6800	1	1		

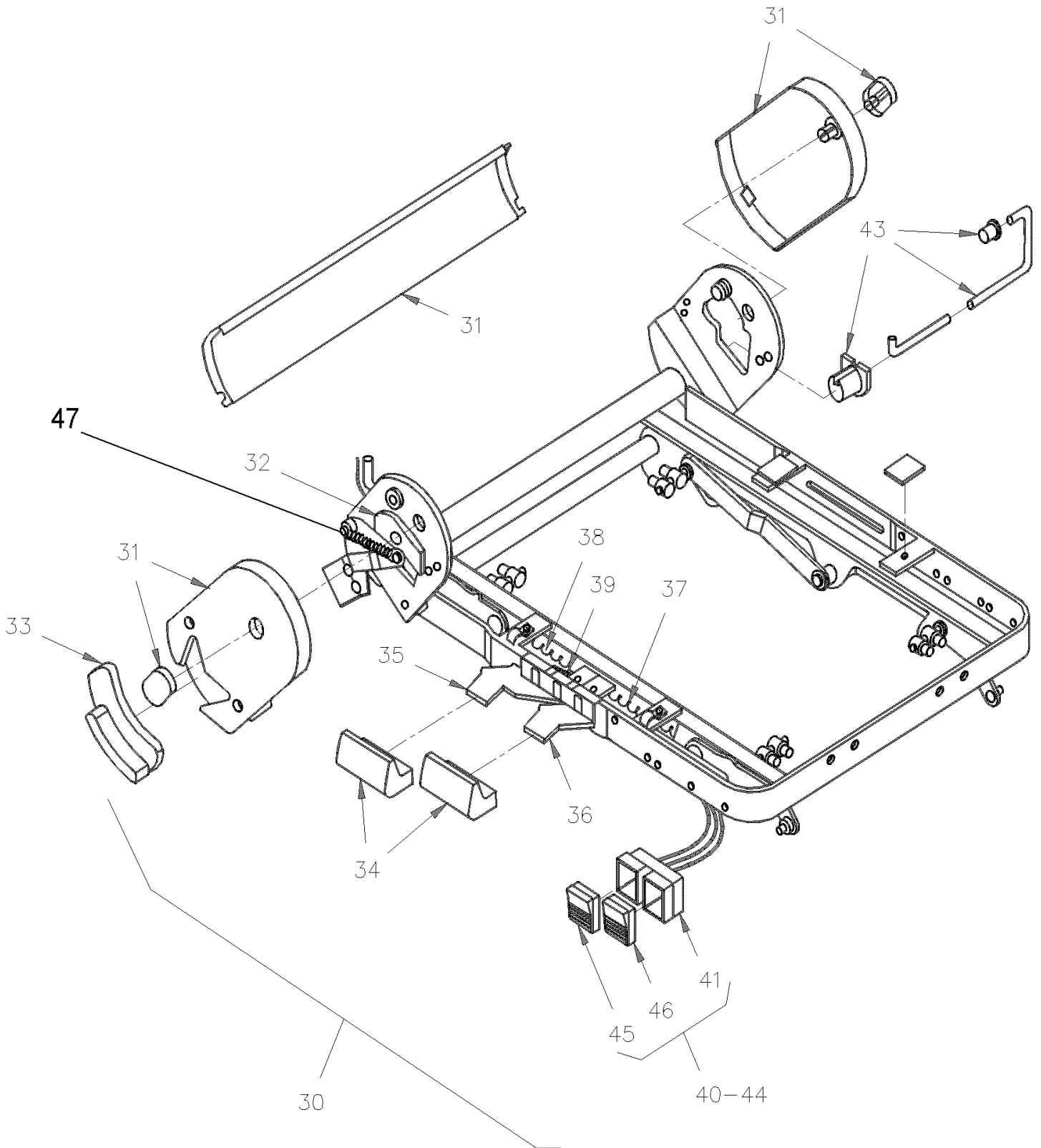
From R-012 To 2-4416	Date:10/2022	PAGE:H3-1822-01
DRIVER'S SEAT - "ISRI" - 6800/338		

Item#	Part	Description	H 3 4 1	H 3 4 5	V I P 4 5	N O T E S
NS	864709	TUBE PLASTIC 6MM O.D. CHARCOAL W/RED LINE	AR	AR	AR	
NS	864710	TUBE PLASTIC 6MM O.D. CHARCOAL W/GREY LINE	AR	AR	AR	
NS	864711	TUBE PLASTIC 6MM O.D. CHARCOAL	AR	AR	AR	
NS	641507	UNION / PUSH-IN FITTING / #4 x 6MM NP	1	1	1	
NS	641092	UNION TEE / NTA FITTING / #4x#4x#4 BR	1	1	1	
92	867958	ADAPTOR	1	1	1	
NS	868125	UNION 4MM/4MM	1	1	1	
NS	868128	UNION 6MM/4MM	1	1	1	
		A) THIS SEAT IS WITHOUT COVERING & ARMREST				
		B) THIS SEAT HAS BLACK COVERING, LARGE ARMREST & HEADREST FOR FACTORY DELIVERY				
		C) USE WITH CO-PILOTE SEAT INSTALLATION				
		D) INCLUDE ALL KNOB FOR ITEM # 17, 20, 29, & 39				
		E) YOU REQUIRE THOSE COMPONENTS TO EXTEND DRIVER'S SAFETY BELT				
		F) INCLUDE ITEMS #50, 51 & 52				
		G) TO FIX SEAT TO THE FLOOR				

From R-012 To 2-4416	Date:10/2022	PAGE:H3-1822-10
DRIVER'S SEAT - "ISRI" - 6000/515 & 6500/515		



From R-012 To 2-4416	Date:10/2022	PAGE:H3-1822-10
DRIVER'S SEAT - "ISRI" - 6000/515 & 6500/515		

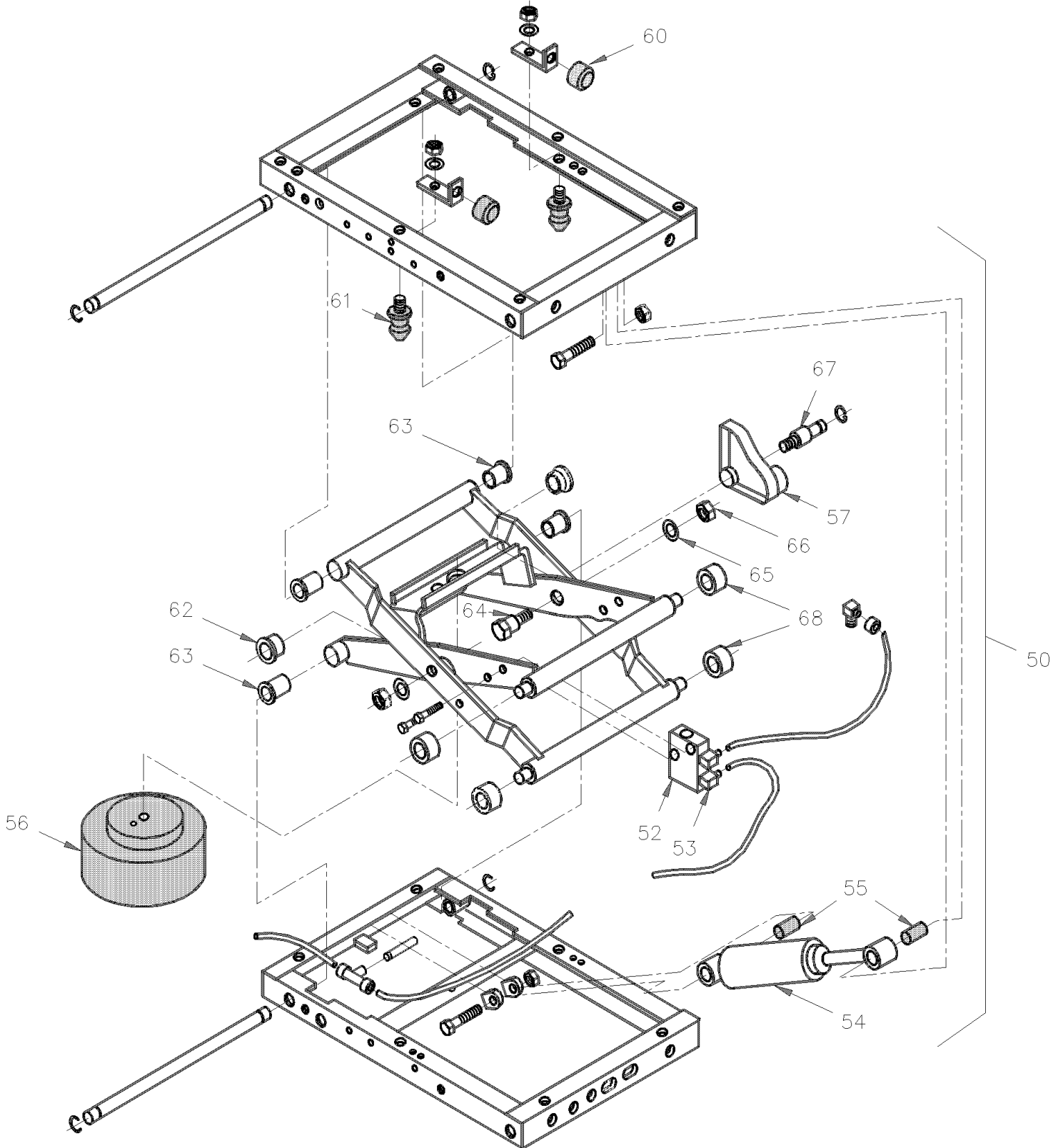


From R-012 To 2-4416

Date:10/2022

PAGE:H3-1822-10

DRIVER'S SEAT - "ISRI" - 6000/515 & 6500/515

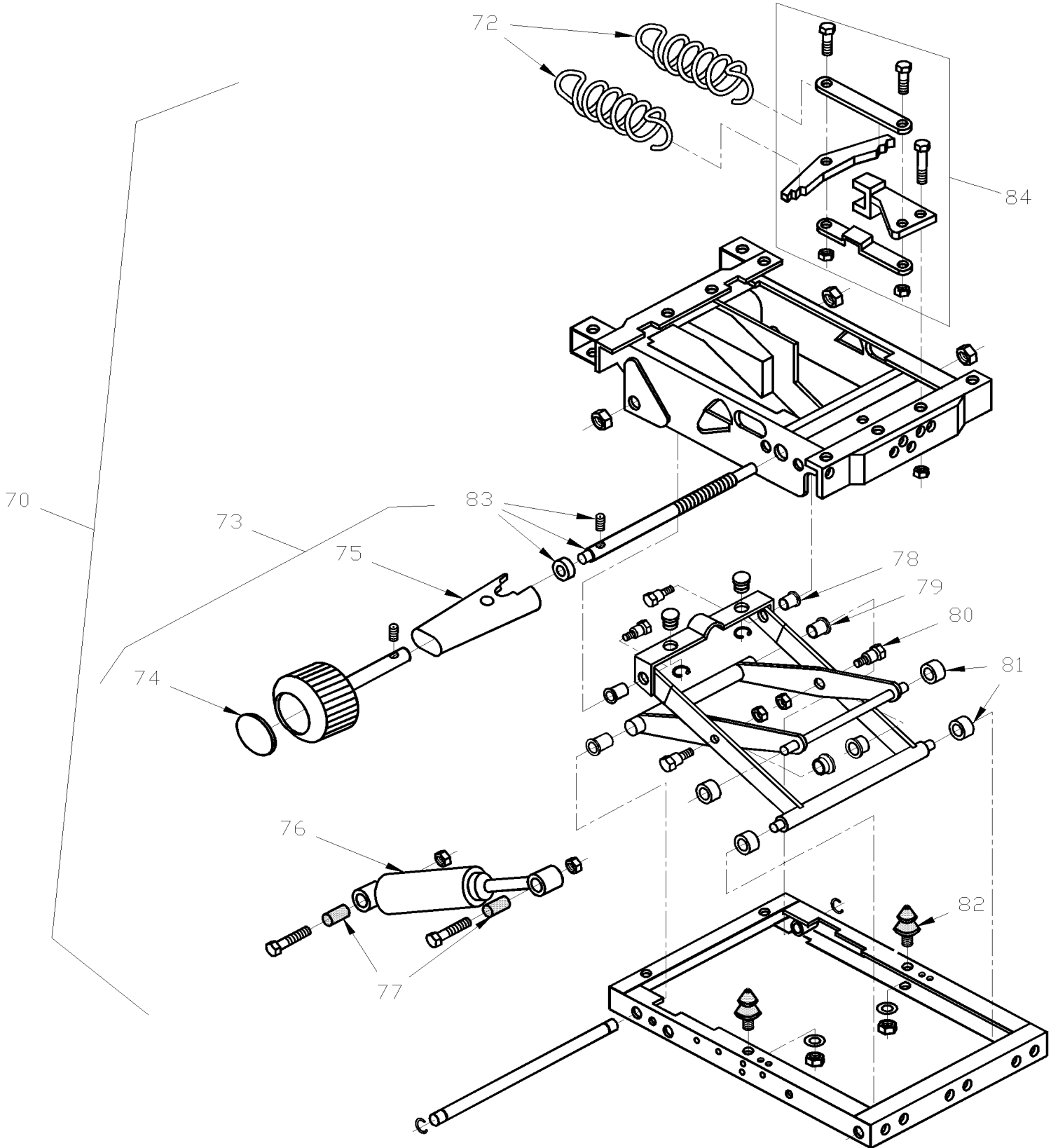


From R-012 To 2-4416

Date:10/2022

PAGE:H3-1822-10

DRIVER'S SEAT - "ISRI" - 6000/515 & 6500/515



From R-012 To 2-4416	Date:10/2022	PAGE:H3-1822-10
DRIVER'S SEAT - "ISRI" - 6000/515 & 6500/515		

Item#	Part	Description	H 3 4 1	H 3 4 5	V I P 4 5	N O T E S
		FOR COMPLETE SEAT ASSY, PART NUMBER SEE PAGE H3-1822-00	1 1	1 1	1 1	
		SOME COACH OPERATOR USED SEAT W/L.H. CONTROL				
1	860441	HEADREST	1	1	1	
2	860483	GROMMET	2	2	2	
3	860508	BACKREST ASSY / R.H. CONTROL	1	1	1	
4	860509	. FRAME / R.H. CONTROL	1	1	1	
4	860600	. FRAME / L.H. CONTROL			1	
5	860507	. FOAM	1	1	1	
6	860494	AIR BAG / LOMBAR	1	1	1	
7	860548	HEATING PAD / BACK	1	1	1	
8	860510	PAN SEAT SUBASSY	1	1	1	
9	860511	. FOAM / SEAT	1	1	1	
10	860547	HEATING PAD / SEAT	1	1	1	
11	860532	COVER	2	2	2	
12	N.S.S.	BRACKET / ARMREST	1	1	1	1
13	500544	SCREW CAP HEX M8-1.25x30 G8.8 Z050	2	2	2	
14	860440	ARMREST L.H. ADJUSTABLE	1	1	1	
14	860442	ARMREST R.H. ADJUSTABLE	1	1	1	
14	868135	ARMREST L.H. BLACK			1	
. NS	868133	. COVER, ARMREST END, OPEN, BLK			1	
14	868134	ARMREST R.H. BLACK			1	
. NS	868133	. COVER, ARMREST END, OPEN, BLK			1	
15	860725	. KNOB	1	1	1	
16	860721	ARMREST ASSY L.H. / W/O COVERING			1	
16	860722	ARMREST ASSY R.H. / W/O COVERING			1	
16	N.S.S.	COVERING			1	1
17	860723	. COVER KIT ARMREST			1	
18	860724	. KNOB			1	
19	860517	SLIDE MASTER / HANDLE & SLAVE / R.H. OR L.H. CONTROL	1	1	1	
19	861085	SLIDE MASTER / HANDLE & SLAVE / R.H. CONTROL	1	1	1	A
20	860514	. HANDLE R.H. & L.H.	1	1	1	
20	861086	. HANDLE R.H.	1	1	1	A
NS	861084	SLIDE SET "C" STYLE / HANDLE & SLAVE / W/SEAT #860852	1	1		
21	861100	SPACER STATIC /W/FOLLOWING SEAT NUMBER 860432 433,449,450,543,544,545 & 546	1	1	1	
21	861102	SPACER STATIC	1	1	1	
21	860516	SPACER STATIC 2"	AR	AR	AR	
21	861103	SPACER STATIC / W/SEAT #860729	1		1	

From R-012 To 2-4416	Date:10/2022	PAGE:H3-1822-10
DRIVER'S SEAT - "ISRI" - 6000/515 & 6500/515		

Item#	Part	Description	H 3 4 1	H 3 4 5	V I P 4 5	N O T E S
30	860539	FRAME ASSY SEAT / R.H. CONTROL (AS SHOWN) To S-187	1	1	1	
30	861083	FRAME ASSY SEAT / R.H. CONTROL (AS SHOWN) From S-188	1	1		
30	860605	FRAME ASSY SEAT / L.H. CONTROL			1	
30	861081	FRAME ASSY SEAT / W/O MEMORY ELECTRICAL SEAT			1	
30	861082	FRAME ASSY SEAT / W/MEMORY ELECTRICAL SEAT			1	
31	860487	. SIDE PLATE ASSY / KIT FOR R.H. CONTROL (AS SHOWN)	1	1	1	
31	861090	. SIDE PLATE ASSY / KIT FOR R.H. CONTROL (AS SHOWN)	1	1	1	A
31	860590	. SIDE PLATE ASSY / KIT FOR L.H. CONTROL	1		1	
32	861790	. TOOTH LEVER / R.H. SIDE (AS SHOWN)	1	1	1	
32	861789	. TOOTH LEVER / L.H. SIDE			1	
33	860493	. HANDLE / R.H. CONTROL (AS SHOWN)	1	1	1	
33	861089	. HANDLE / R.H. CONTROL (AS SHOWN)	1	1	1	
33	860589	. HANDLE / L.H. CONTROL			1	
34	860641	. HANDLE HEIGHT TILT / FRONT & REAR To S-187	2	2	2	
34	861087	. HANDLE HEIGHT TILT / FRONT From S-188	1	1	1	A
34	861088	. HANDLE HEIGHT TILT / REAR From S-188	1	1	1	A
35	860587	. LEVER HEIGHT REAR	1	1	1	
36	860588	. LEVER HEIGHT FOWARD	1	1	1	A
37	860690	. LEVER ADJUSTMENT KEY / R.H. FRONT & L.H. RE	1	1	1	
38	860689	. LEVER ADJUSTMENT KEY / R.H. REAR & L.H. FRO	1	1	1	
39	860513	. KIT SPRING (2 LARGES & 3 SMALL)	1	1	1	
40	860495	VALVE LUMBAR SUPPORTS To S-187	1		1	
41	860593	. BUTTON YELLOW To S-187	2		2	
43	861091	. TORSION BAR KIT	1	1	1	
44	860888	KIT VALVE LUMBAR SUPPORTS / W/SEAT W/L.H. CONTROL			AR	B
44	860887	KIT VALVE LUMBAR SUPPORTS / W/SEAT W/R.H. CONTROL			AR	B
44	861092	KIT VALVE LOMBAR SUPPORTS From S-188	1		1	B
45	861093	. BUTTON AIR LOMBAR UPPER SECTION	1	1	1	
46	861094	. BUTTON AIR LOMBAR LOWER SECTION	1	1	1	
47	862217	. SPRING	1	1	1	
50	860518	SUSPENSION ASSY AIR	1		1	
51	860523	. COVER	1		1	
52	860719	. VALVE AIR	1		1	
53	860533	. ELBOW PLASTIC BLUE	1		1	
NS	868501	. NUT BLACK	1	1	1	
54	860521	. ABSORBER / 99LBS	1		1	
54	860602	. ABSORBER / 120LBS	1		1	
55	860586	. . BUSHING / ABSORBER	2		2	
56	860522	. BELLOW	1		1	
. NS	866008	. . CONNECTOR AIR W/"O-RING"	1		1	
57	860515	. CAM	1		1	
NS	860693	. KIT REPAIR / AIR SUSPENSION	AR		AR	

From R-012 To 2-4416	Date:10/2022	PAGE:H3-1822-10
DRIVER'S SEAT - "ISRI" - 6000/515 & 6500/515		

Item#	Part	Description	H 3 4 1	H 3 4 5	V I P 4 5	N O T E S
60	N.S.S.	. . BUMPER RUBBER	2		2	1
61	N.S.S.	. . BUMPER RUBBER	2		2	1
62	N.S.S.	. . BUSHING SPLIT FLANGE	2		2	1
63	N.S.S.	. . BUSHING FLANGE	4		4	1
64	N.S.S.	. . SCREW	1		1	1
65	N.S.S.	. . WASHER	2		2	1
66	N.S.S.	. . NUT	2		2	1
67	N.S.S.	. . BOLT	1		1	1
68	N.S.S.	. . ROLLER	4		4	1
70	860524	SUSPENSION ASSY MECHANICAL / L.H. CONTROL			1	
70	860685	SUSPENSION ASSY MECHANICAL / R.H. CONTROL	1	1	1	
71	860526	. COVER	1	1	1	
72	860525	. SPRING EXTENSION / 1.800 O.D. x 6.75 x .340 FORMER	2	2	2	
72	862913	. SPRING EXTENSION / KIT OF 2 1.800 O.D. x 6.75 x .340 SERVICE	1	1	1	
73	860486	. HANDWHEEL / L.H. CONTROL			1	
73	860658	. HANDWHEEL / R.H. CONTROL (AS SHOWN)	1	1	1	
74	860549	. . CAP PLASTIC	1	1	1	
75	860594	. . CAP SHAFT COVER	1	1	1	
76	860521	. ABSORBER / 99LBS	1	1	1	
76	860602	. ABSORBER / 120LBS	1	1	1	
77	860586	. . BUSHING / ABSORBER	2	2	2	
NS	860692	. KIT REPAIR / MECHANICAL SUSPENSION	AR	AR	AR	
78	N.S.S.	. . BUSHING SPLIT FLANGE	2	2	2	1
79	N.S.S.	. . BUSHING FLANGE	2	2	2	1
80	N.S.S.	. . BOLT	2	2	2	1
81	N.S.S.	. . ROLLER	4	4	4	1
82	860769	. . SHOCK BUMPER KIT	2	2	2	
83	860864	SPINDLE KIT	AR	AR	AR	
84	861746	. KIT WEIGHT ADJUSTMENT	1	1	1	
90	362201P	COVERING HEADREST ASSY / S.C.C. / DRIVER'S "ISRI" 6000 & 6500	1	1		
91	362204P	COVERING BACKREST ASSY / S.C.C. / DRIVER'S "ISRI" 6000 & 6500	1	1		
92	362203P	COVERING SEATREST ASSY / S.C.C. / DRIVER'S "ISRI" 6000 & 6500	1	1		
93	860527	CLIP	8	8	8	
NS	860484	SEW STRIP NYLON 10MM	AR	AR	AR	
NS	860485	SEW STRIP NYLON 15MM	AR	AR	AR	
NS	864709	TUBE PLASTIC 6MM O.D. CHARCOAL W/RED LINE	AR	AR	AR	
NS	864710	TUBE PLASTIC 6MM O.D. CHARCOAL W/GREY LINE	AR	AR	AR	
NS	864711	TUBE PLASTIC 6MM O.D. CHARCOAL	AR	AR	AR	
NS	641507	UNION / PUSH-IN FITTING / #4 x 6MM NP	1	1	1	
NS	641092	UNION TEE / NTA FITTING / #4x#4x#4 BR	1	1	1	
NS	867958	ADAPTOR	1	1	1	
NS	868125	UNION 4MM/4MM	1	1	1	

From R-012 To 2-4416	Date:10/2022	PAGE:H3-1822-10
DRIVER'S SEAT - "ISRI" - 6000/515 & 6500/515		

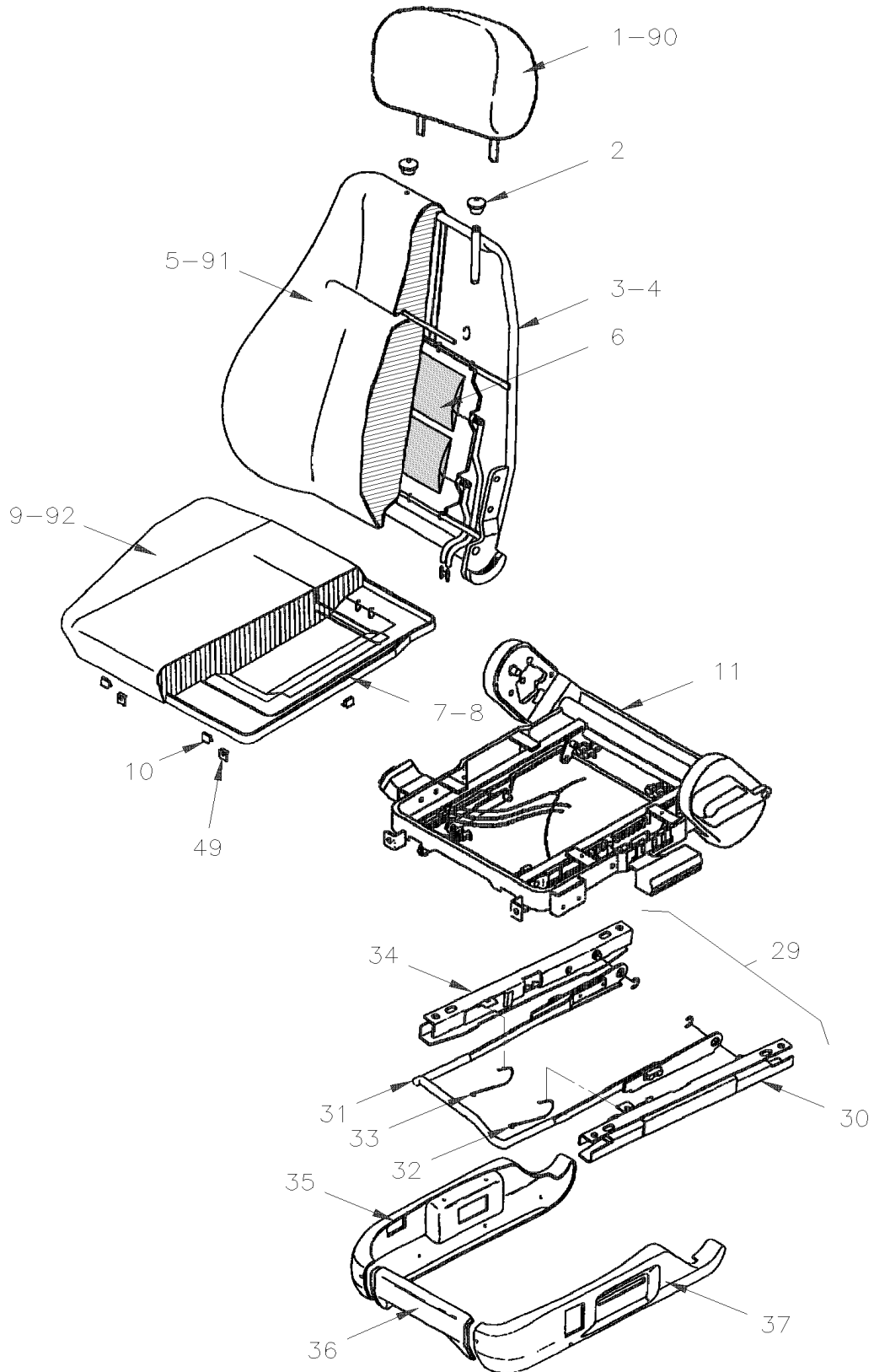
Item#	Part	Description	H 3 4 1	H 3 4 5	V I P 4 5	N O T E S
NS	868128	UNION 6MM/4MM	1	1	1	
		A) FOR EASY IDENTIFICATION PICTOGRAM ARE PRINTED ON BUTTON				
		B) FOR SERVICE IN REPLACEMENT OF FORMER MODEL. PLUS SEE NOTE A				
		1) NOT SOLD SEPARATELY				

From R-012 To 2-4416

Date:10/2022

PAGE:H3-1822-20

DRIVER'S SEAT - "ISRI" - 6801/517 & 6801/525

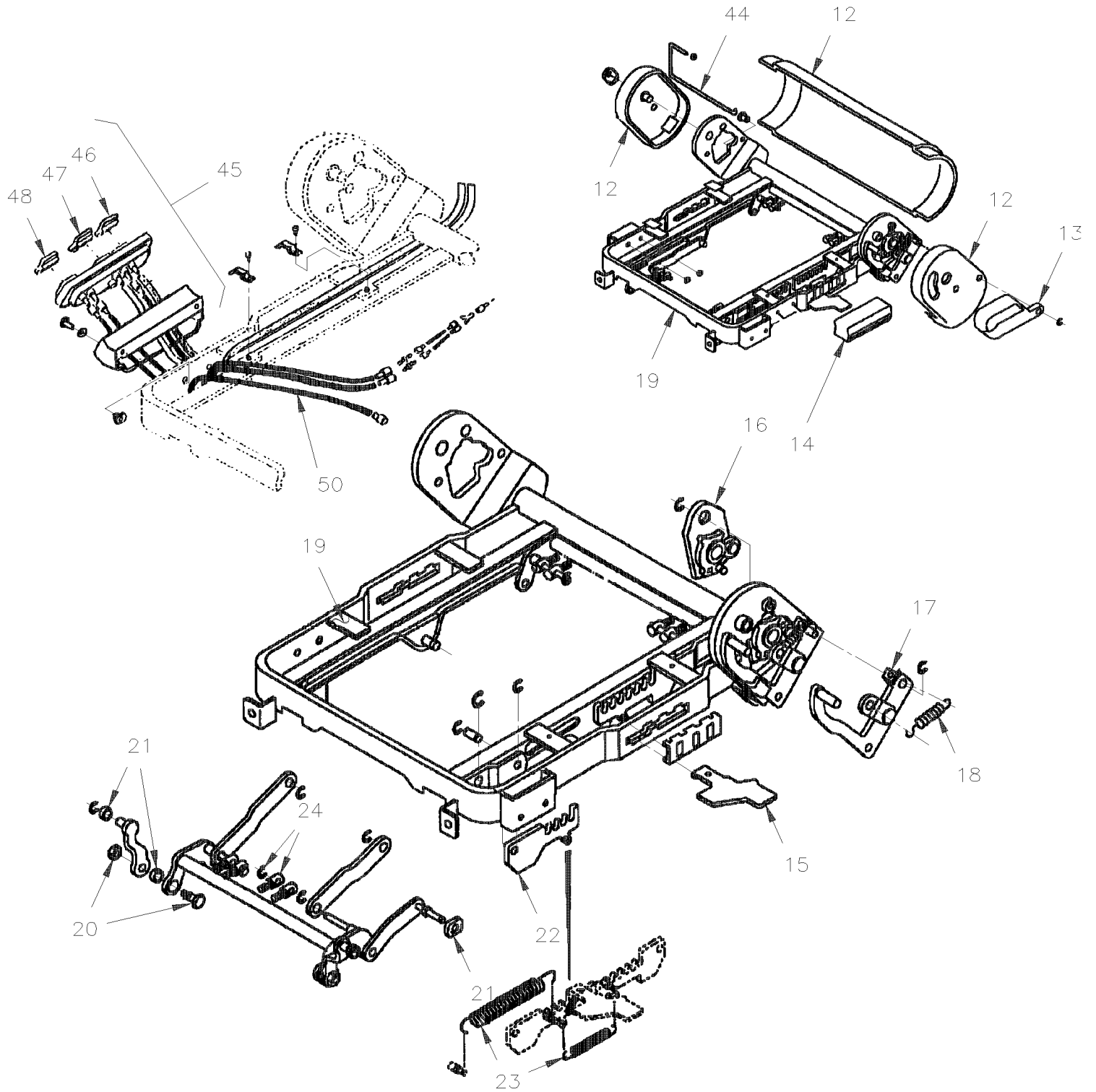


From R-012 To 2-4416

Date:10/2022

PAGE:H3-1822-20

DRIVER'S SEAT - "ISRI" - 6801/517 & 6801/525

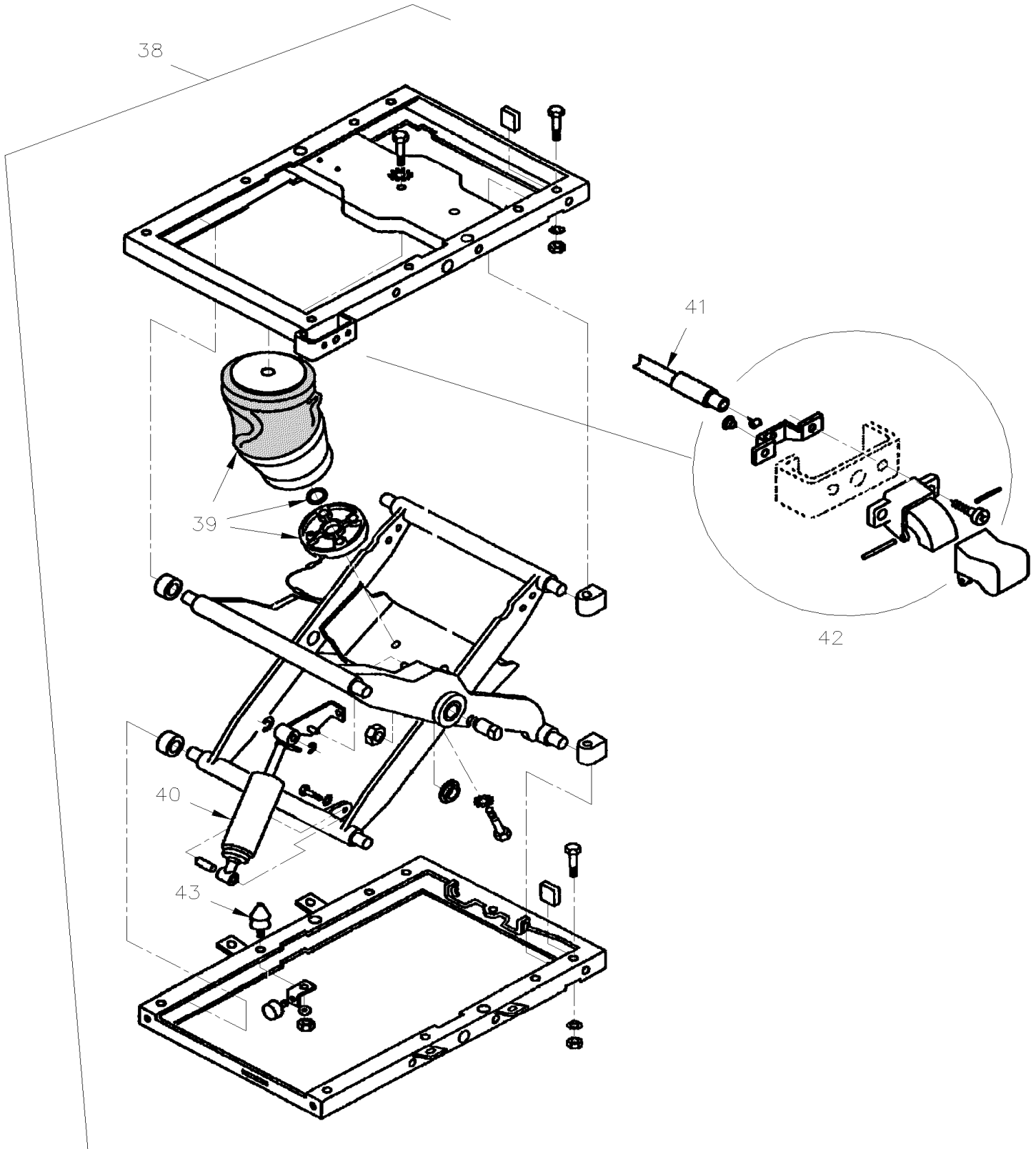


From R-012 To 2-4416

Date:10/2022

PAGE:H3-1822-20

DRIVER'S SEAT - "ISRI" - 6801/517 & 6801/525



From R-012 To 2-4416	Date:10/2022	PAGE:H3-1822-20
DRIVER'S SEAT - "ISRI" - 6801/517 & 6801/525		

Item#	Part	Description	H 3 4 1	H 3 4 5	V I P 4 5	N O T E S
		FOR COMPLETE SEAT ASSY, PART NUMBER SEE PAGE H3-1822-00				
1	860441	. HEADREST	1	1	1	
2	860483	. GROMMET	2	2	2	
3	860739	. BACKREST ASSY	1	1	1	
4	860740	. . BACKREST FRAME ASSY	1	1	1	
5	860741	. . BACKREST FOAM	1	1	1	
5	861105	. . KIT ROD & CLIP / UPHOLSTERY	1	1	1	
6	860494	. . AIR BAG / LOMBAR	1	1	1	
7	860742	. SEAT PAN ASSY	1	1	1	
8	860743	. . SEAT PAN	1	1	1	
9	860744	. . SEAT FOAM	1	1	1	
9	861104	. . KIT ROD & CLIP / UPHOLSTERY	1	1	1	
10	860527	CLIP	8	8	8	
11	860745	. SEAT FRAME ASSY / W/860729	1	1	1	
11	861098	. SEAT FRAME ASSY / W/860853 & 860854	1	1	1	
11	861099	. SEAT FRAME ASSY / W/860912 & 860913	1	1	1	
12	860746	. . SIDE PLATE KIT	1	1	1	
13	860747	. . . HANDLE BRACKET	1	1	1	
14	860748	. . . HANDLE SLOPE	1	1	1	
14	860007	. . . HANDLE SLOPE	1	1	1	
15	860588	. . LEVER HEIGHT FOWARD	1	1	1	
16	861789	. . TOOTH LEVER / L.H. SIDE	1	1	1	
17	860750	. . LEVER BACKREST	1	1	1	
18	860751	. . SPRING EXTENSION / .275 O.D. x 1.65 x .047	1	1	1	
19	860752	. . SEAT FRAME	1	1	1	
20	860754	. . KIT BUSHING,SHOULDER SCREW,NUT & SNAP RING FOR FRAME SEAT	1	1	1	
21	860753	. . . KIT BUSHING ONLY, FOR FRAME SEAT	1	1	1	
22	860756	. . PLATE LATCH SLOPE FRONT, FRAME SEAT	1	1	1	
23	860755	. . SPRING KIT FOR SLOPE	1	1	1	
24	860757	. . SWIVEL BOLTS & CLIPS KIT	1	1	1	
25	860774	. . AIR VALVE KIT LUMBAR / (AS SHOWN FORMER) To S-187	1	1	1	
NS	860775	. . . VALVE To S-187	1	1	1	
26	860776	. . . COVER VALVE To S-187	2	2	2	
26	860876	. AIR VALVE KIT LUMBAR	1	1	1	
27	860777	. . PASSENGER'S SEAT AMERICAN SEATING, KIT 50 PAS / MODEL W6693D	1	1	1	
28	860778	. . . VALVE	1	1	1	
29	860758	. SLIDE, SET	1	1	1	
30	860759	. . SLIDE SLAVE	1	1	1	
31	860763	. . HANDLE	1	1	1	

From R-012 To 2-4416	Date:10/2022	PAGE:H3-1822-20
DRIVER'S SEAT - "ISRI" - 6801/517 & 6801/525		

Item#	Part	Description	H 3 4 1	H 3 4 5	V I P 4 5	N O T E S
32	860761	. . SPRING, L.H. / HANDLE RETURN	1	1	1	
33	860762	. . SPRING, R.H. / HANDLE RETURN	1	1	1	
34	860760	. . SLIDE MASTER	1	1	1	
NS	861103	. SPACER STATIC / W/SEAT #860729	1			
NS	861102	. SPACER STATIC	1			
35	860773	. SHROUD PANEL KIT R.H. / W/860729 ONLY	1	1	1	
36	860772	. SHROUD PANEL KIT FRONT / W/860729 ONLY	1	1	1	
37	860771	. SHROUD PANEL KIT L.H. / W/860729 ONLY	1	1	1	
38	860764	. SUSPENSION ASSY AIR	1	1	1	
39	860765	. . AIR SPRING ASSY	1	1	1	
40	860766	. . SHOCK ASSY KIT	1	1	1	
41	860767	. . SHOCK CABLE KIT	1	1	1	
42	860768	. . SHOCK HANDLE KIT	1	1	1	
43	860769	. . SHOCK BUMPER KIT	1	1	1	
NS	860770	. . REPAIR KIT / SUSPENSION	1		1	
44	861091	. TORSION BAR KIT	1	1	1	
45	861095	. AIR VALVE KIT LOMBAR & SUSPENSION W/L.H. CONTROL	1	1	1	A
45	861096	. AIR VALVE KIT LOMBAR & SUSPENSION W/R.H. CONTROL	1	1	1	A
46	861093	. . BUTTON AIR LOMBAR UPPER SECTION	1	1	1	A
47	861094	. . BUTTON AIR LOMBAR LOWER SECTION	1	1	1	A
48	861097	. . BUTTON AIR SUSPENSION	1	1	1	A
49	862435	KIT HARDWARE HOLDING SEAT PAN	AR	AR	AR	
50	864709	TUBE PLASTIC 6MM O.D. CHARCOAL W/RED LINE	AR	AR	AR	
50	864710	TUBE PLASTIC 6MM O.D. CHARCOAL W/GREY LINE	AR	AR	AR	
50	864711	TUBE PLASTIC 6MM O.D. CHARCOAL	AR	AR	AR	
NS	641507	UNION / PUSH-IN FITTING / #4 x 6MM NP	1	1	1	
NS	641092	UNION TEE / NTA FITTING / #4x#4x#4 BR	1	1	1	
NS	867958	ADAPTOR	1	1	1	
NS	868125	UNION 4MM/4MM	1	1	1	
NS	868128	UNION 6MM/4MM	1	1	1	
90	362201P	COVERING HEADREST ASSY / S.C.C. / DRIVER'S "ISRI" 6000 & 6500	1	1		
NS	363151	FOAM			1	
91	363128P	COVERING ASSY, BACKREST / S.C.C.	1	1		
NS	363152	FOAM BACKREST			1	
NS	363521	FOAM BACKREST UPPER SIDE			2	
92	363127P	COVERING ASSY, SEATREST / S.C.C.	1	1		
NS	363150	FOAM SEAT			1	
NS	363149	FOAM SEAT FRONT			1	
NS	363522	FOAM SEAT TOP FRONT SIDE			2	
NS	860484	SEW STRIP NYLON 10MM	AR	AR	AR	
NS	860485	SEW STRIP NYLON 15MM	AR	AR	AR	

From R-012 To 2-4416	Date:10/2022	PAGE:H3-1822-20
DRIVER'S SEAT - "ISRI" - 6801/517 & 6801/525		

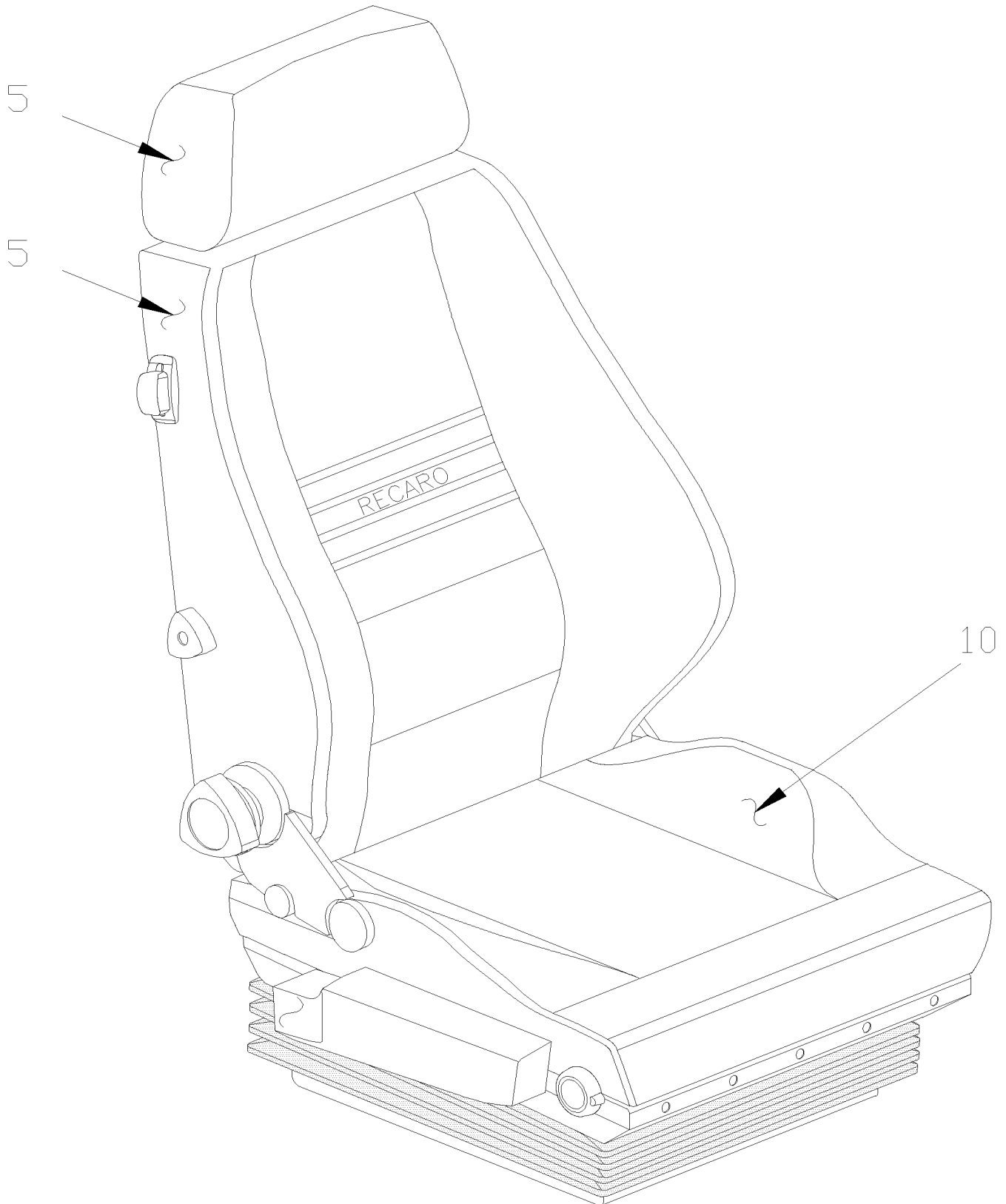
Item#	Part	Description	H 3 4 1	H 3 4 5	V I P 4 5	N O T E S
		A) FOR EASY IDENTIFICATION PICTOGRAM ARE PRINTED ON BUTTON				

From R-012 To 2-4416

Date:10/2022

PAGE:H3-1823-00

DRIVER'S SEAT - "RECARO" - B100W



From R-012 To 2-4416	Date:10/2022	PAGE:H3-1823-00
DRIVER'S SEAT - "RECARO" - B100W		

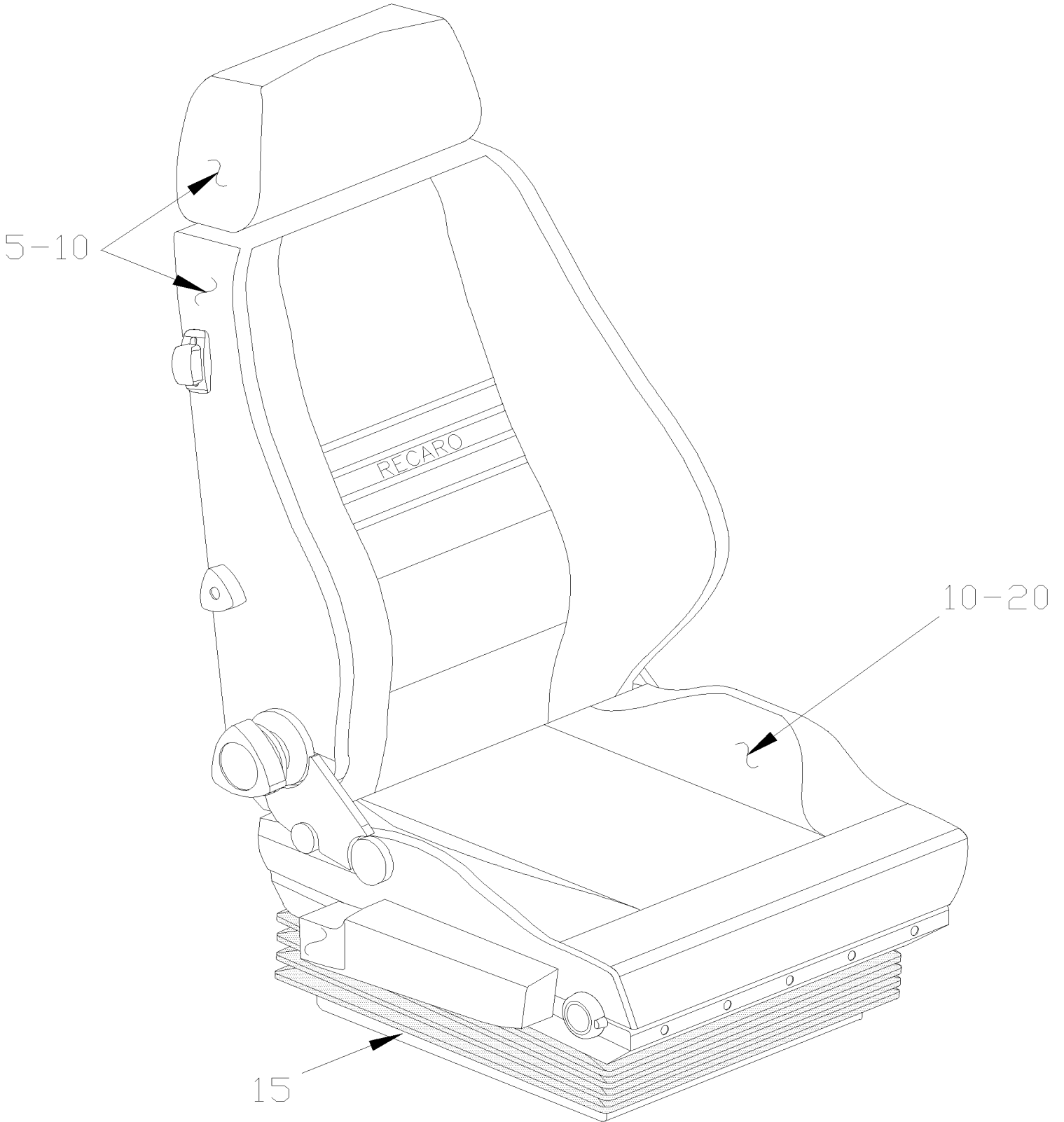
Item#	Part	Description	H 3 4 1	H 3 4 5	V I P 4 5	N O T E S
	861340	DRIVER'S SEAT - "RECARO" - MODEL B100W	1	1		
	861937	DRIVER'S SEAT - "RECARO" - B100W	1	1		
5	H3-1823-10	. BACKREST ASSY - "RECARO" - B100W				
10	H3-1823-20	. SUSPENSION & SEAT CUSHION - "RECARO" - B100W				
15	H3-1823-30	. ARMREST - "RECARO" - B100W				

From R-012 To 2-4416

Date:10/2022

PAGE:H3-1823-01

DRIVER'S SEAT - "RECARO" - ERGO-COACH



From R-012 To 2-4416	Date:10/2022	PAGE:H3-1823-01
DRIVER'S SEAT - "RECARO" - ERGO-COACH		

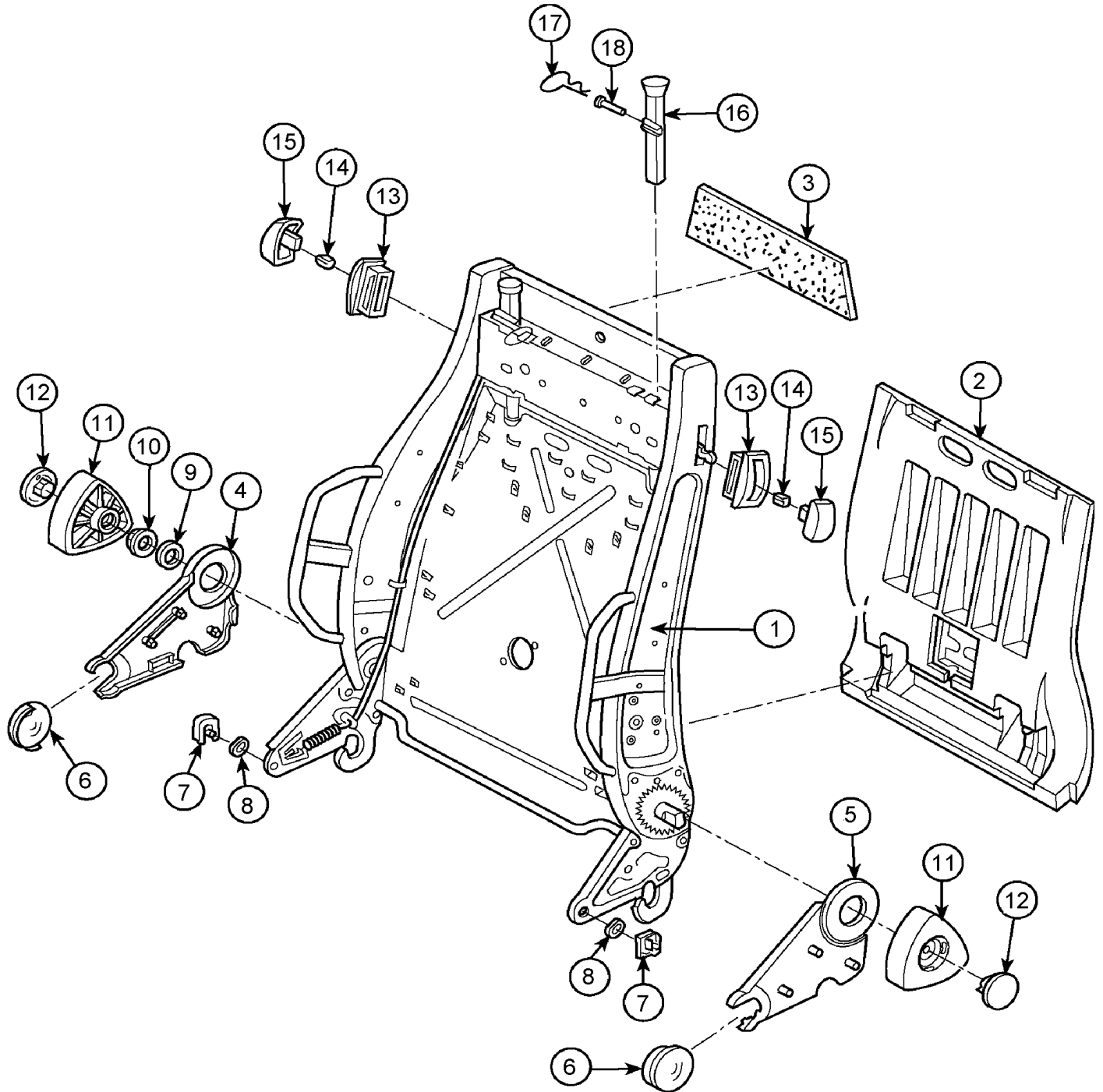
Item#	Part	Description	H 3 4 1	H 3 4 5	V I P 4 5	N O T E S
	861936	DRIVER'S SEAT - "RECARO" - COACH-ERGO	1	1		
NS	364114	BASE DRIVER'S SEAT / W/"RECARO" "C" / 112MM HEIGHT	4	4		
NS	5001117	SCREW CAP HEX M12-1.75x70 BK	4	4		
NS	362549	SPACER / STRUCTURE & BASE / 27MM	4	4		
NS	500810	WASHER LO SPT 12.2x21.1x2.5 Z050	4	4		
NS	500958	WASHER FL .531x1.062x.095 SS	4	4		
5	H3-1823-11	. BACKREST ASSY - "RECARO" - ERGO-COACH				
10	H3-1823-15	. SEAT COVER & FOAM - "RECARO" - ERGO-COACH				
15	H3-1823-21	. SUSPENSION & RISER - "RECARO" - ERGO-COACH				
20	H3-1823-25	. SEAT CUSHION FRAME - "RECARO" - ERGO-COACH				
25	H3-1823-31	. ARMREST - "RECARO" - ERGO-COACH				

From R-012 To 2-4416

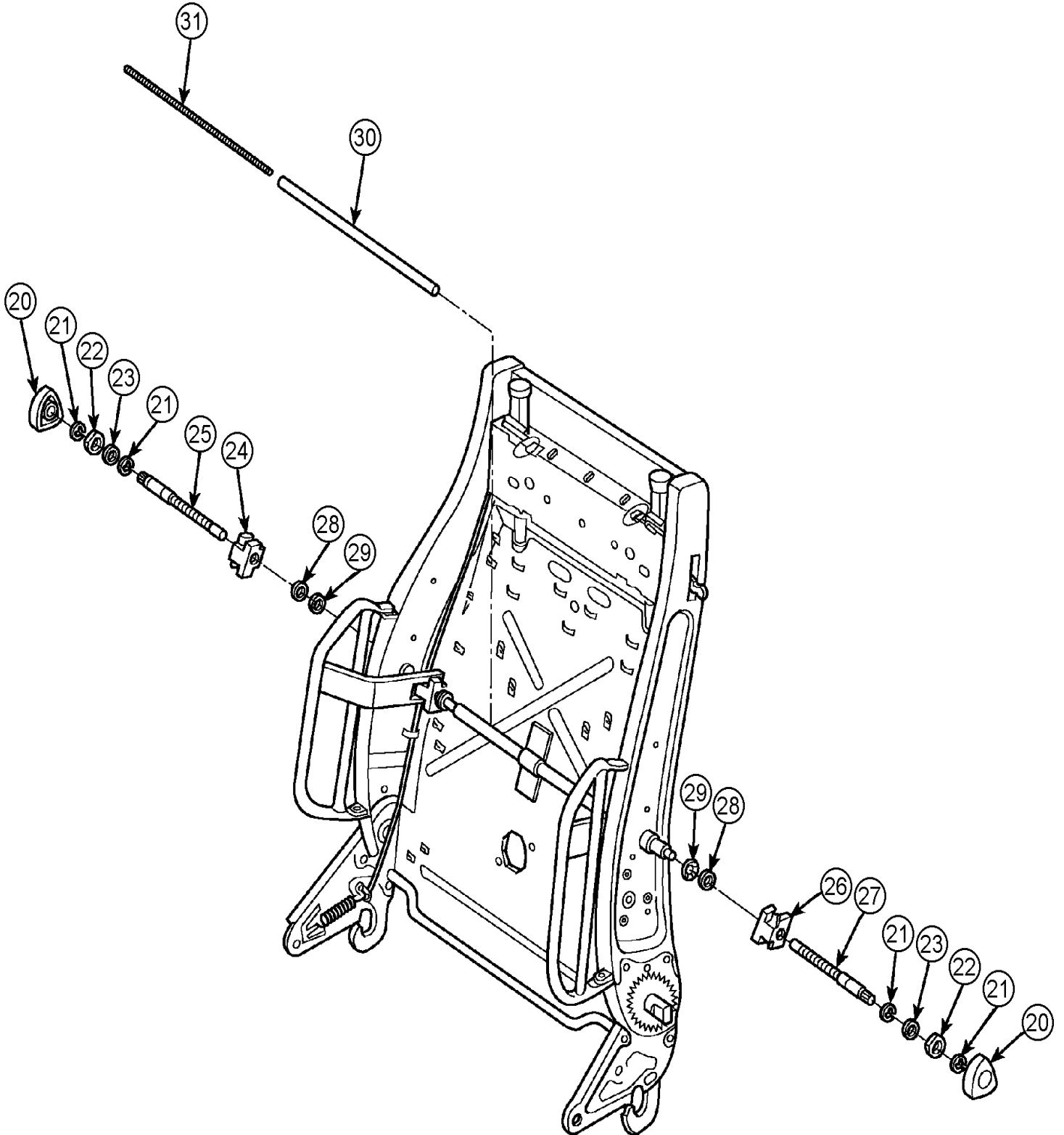
Date:10/2022

PAGE:H3-1823-10

BACKREST ASSY - "RECARO" - B100W



From R-012 To 2-4416	Date:10/2022	PAGE:H3-1823-10
BACKREST ASSY - "RECARO" - B100W		

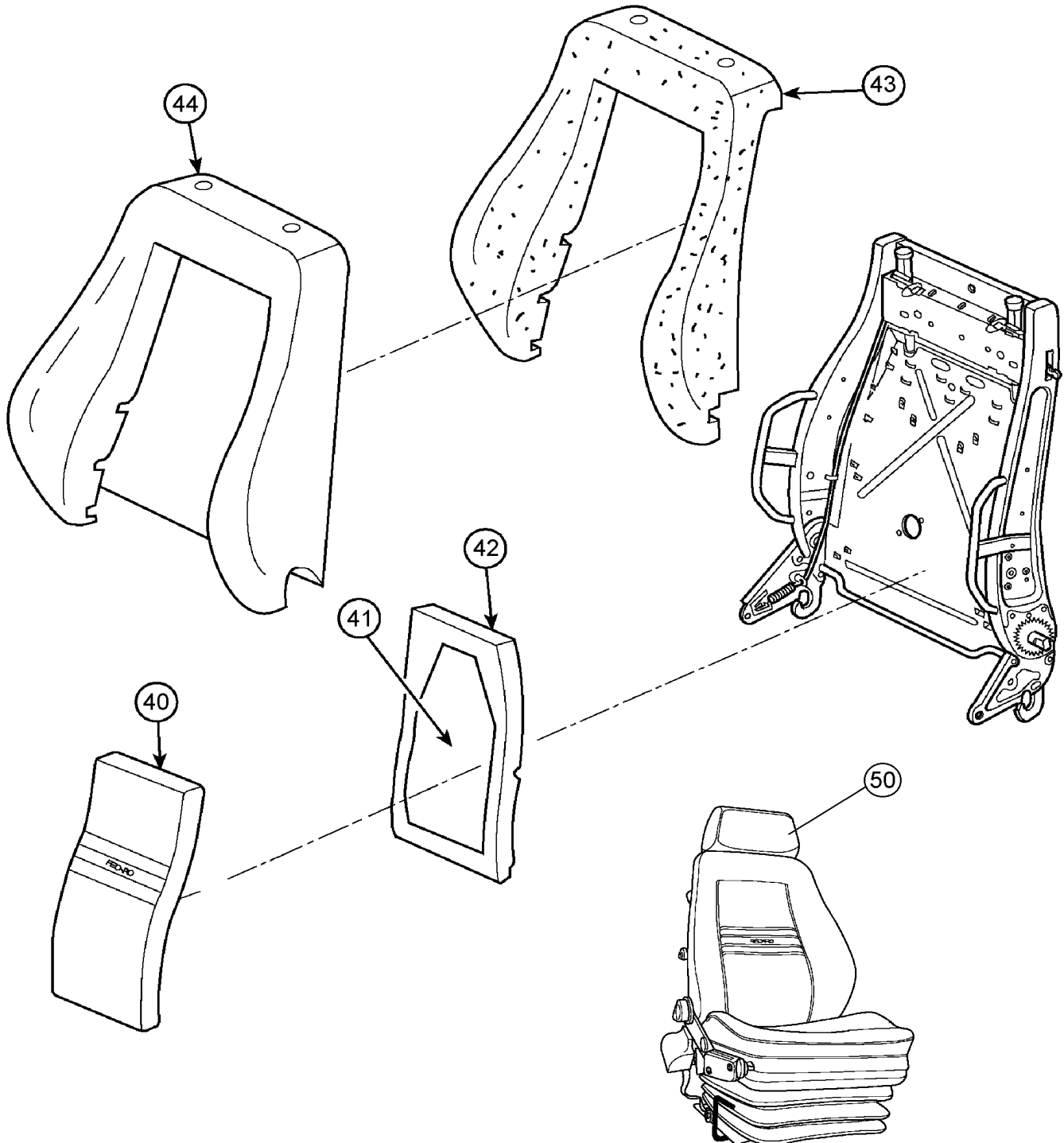


From R-012 To 2-4416

Date:10/2022

PAGE:H3-1823-10

BACKREST ASSY - "RECARO" - B100W



From R-012 To 2-4416	Date:10/2022	PAGE:H3-1823-10
BACKREST ASSY - "RECARO" - B100W		

Item#	Part	Description	H 3 4 1	H 3 4 5	V I P 4 5	N O T E S
1	Call order desk	SEATBACK FRAME ASSY	1	1		P
2	N8886933	COVER BACKREST	1	1		
3	N8886934	CUT FOAM	1	1		
4	N8886941	COVER RH	1	1		
5	N8886942	COVER LH	1	1		
6	N8887282	CAP	2	2		
7	N8886935	WASHER, LOCK	2	2		
8	N8886955	SPRING WASHER	2	2		
9	N8887405	FOAM WASHER	1	1		
10	N8887406	ADAPTER BUSHING	1	1		
11	G1090382	HANDWHEEL	2	2		
12	G1090383	CAP	2	2		
13	N8886945	TRIM	2	2		
14	N8882395	CLIP	2	2		
15	N8886947	KNOB	2	2		
16	N8886937	GUIDE TUBE	2	2		
17	N8886938	TORSION SPRING	2	2		
18	N8886939	SLEEVE	2	2		
20	N8886949	HANDWHEEL	2	2		
21	N8886954	WASHER	4	4		
22	N8886955	SPRING WASHER	2	2		
23	N8886956	WASHER	2	2		
24	N8886957	ADJUSTING NUT RH	1	1		
25	N8886958	ADJUSTING SCREW RH	1	1		
26	N8886959	ADJUSTING NUT LH	1	1		
27	N8886960	ADJUSTING SCREW LH	1	1		
28	N8886961	WASHER	2	2		
29	N8882422	STARLOCK	2	2		
30	N8886963	COVER	1	1		
31	N8886964	FLEXIBLE SHAFT	1	1		
40	Call order desk	BACKREST CENTER SECTION ASSY	1	1		P
40	Call order desk	. BACKREST CENTER SECTION COVER	1	1		P
41	N8886968	. CUT OF FOAM PART	1	1		
42	N8886967	. FOAM	1	1		
43	N8889080	CAPE FOAM BACKREST	1	1		
44	Call order desk	BACKREST COVER	1	1		P
50	Call order desk	HEADREST ASSY / W/COVER	1	1		P
NS	N8800408	. HEADREST FRAME	1	1		
NS	N8888387	. FOAM	1	1		
50	Call order desk	. HEADREST COVER	1	1		P
NS	N8800409	. 20MM HEADREST J-RETAINING STRIP	2	2		
NS	N8800410	. 285MM HEADREST F-RETAINING STRIP	1	1		

From R-012 To 2-4416	Date:10/2022	PAGE:H3-1823-10
BACKREST ASSY - "RECARO" - B100W		

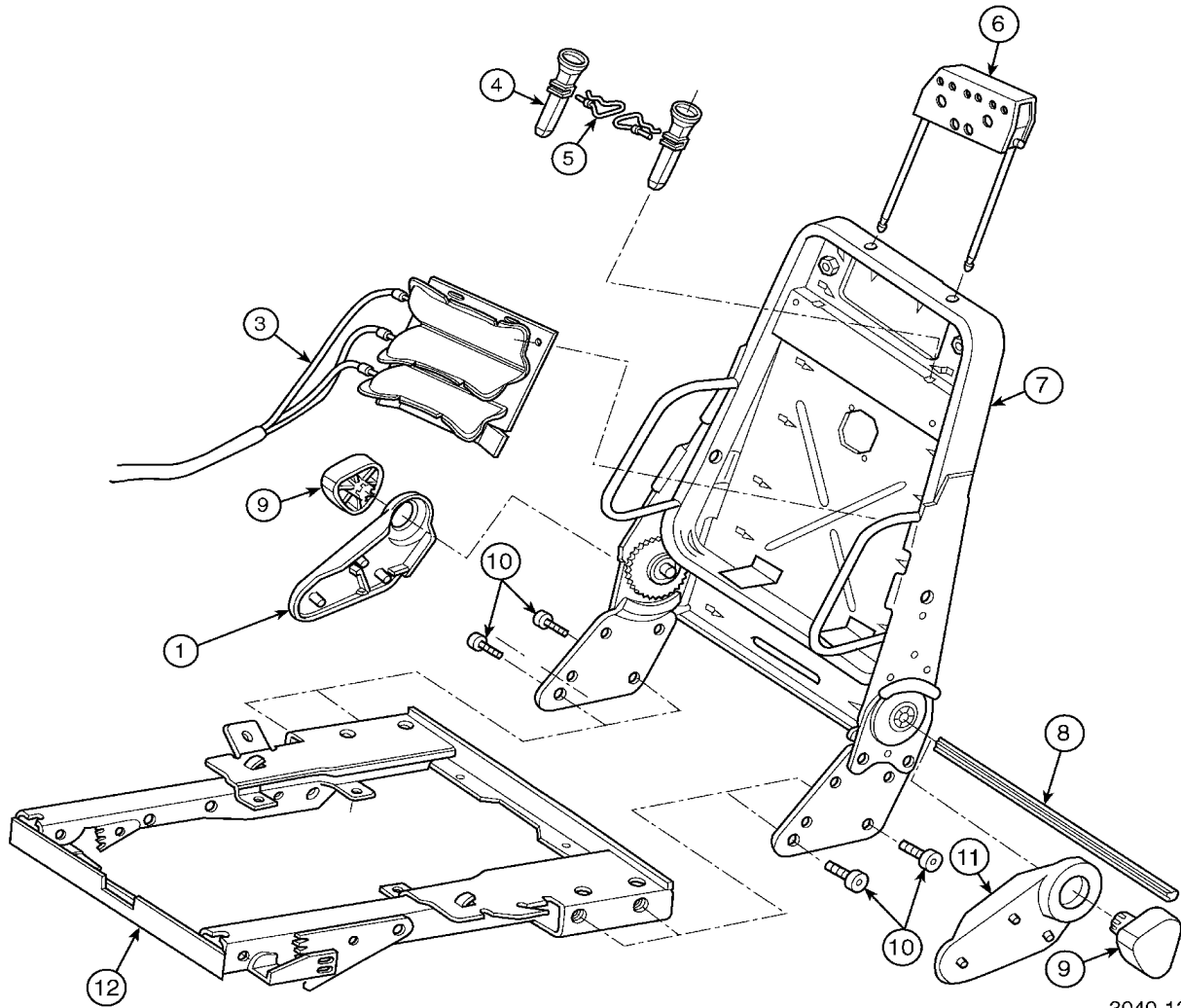
Item#	Part	Description	H 3 4 1	H 3 4 5	V I P 4 5	N O T E S
NS	N8800019	. WASHER	2	2		
NS	N8891974	. PLASTIC GROMMET	2	2		
NS	N8887404	REPAIR KIT COVERS	1	1		A
NS	N8886795	HANDWHEEL KIT	1	1		B
NS	N8886944	REPAIR KIT BACKREST RELEASE	1	1		C
NS	N8800193	REPAIR KIT BACKREST FRAME	1	1		D
NS	N8886953	REPAIR KIT SIDE BOLSTER	1	1		E
NS	N8887352	REPAIR KIT GUIDE PULLEY	1	1		
NS	N8887353	. GUIDE PULLEY	2	2		
NS	N8887354	. SCREW M8	2	2		
		A) INCLUDE ITEMS #4, 5 & 6				
		B) INCLUDE ITEMS #9, 10, 11 & 12				
		C) INCLUDE ITEMS #13, 14 & 15				
		D) INCLUDE ITEMS #1, 2, 3, 7, 8, 16, 17 & 18				
		E) INCLUDE ITEMS #21, 22, 23, 24, 25, 26, 27, 28, 29, 30 & 31				
		P) CALL ORDER DESK FOR SPECIFIC APPLICATION (V.I.N.)				

From R-012 To 2-4416

Date:10/2022

PAGE:H3-1823-11

BACKREST ASSY - "RECARO" - ERGO-COACH



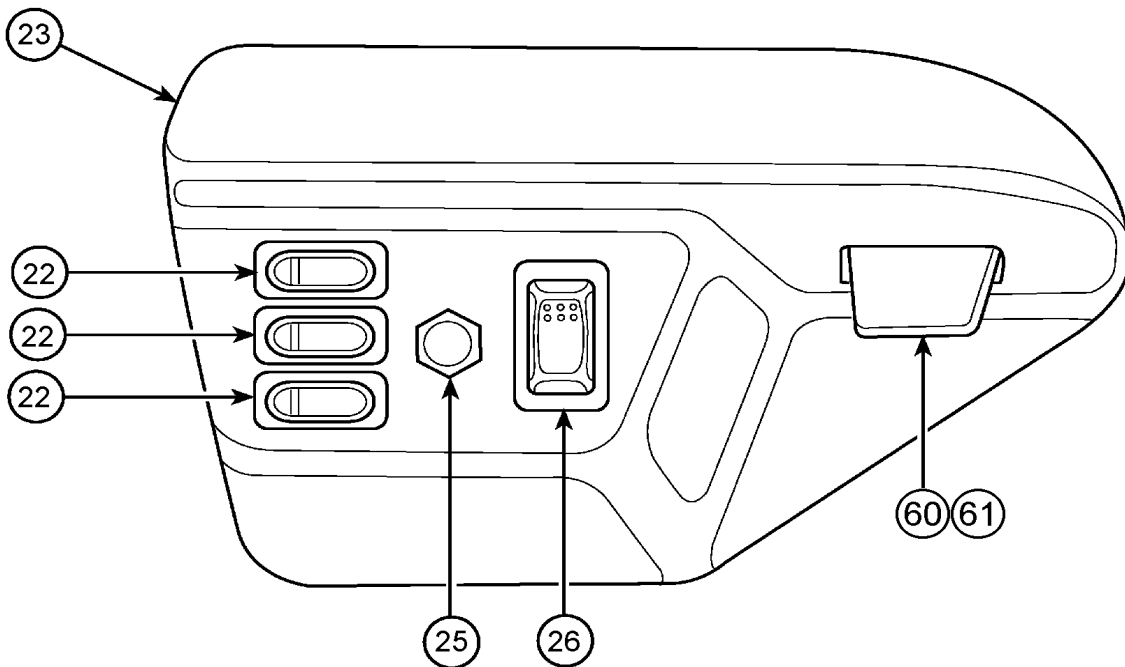
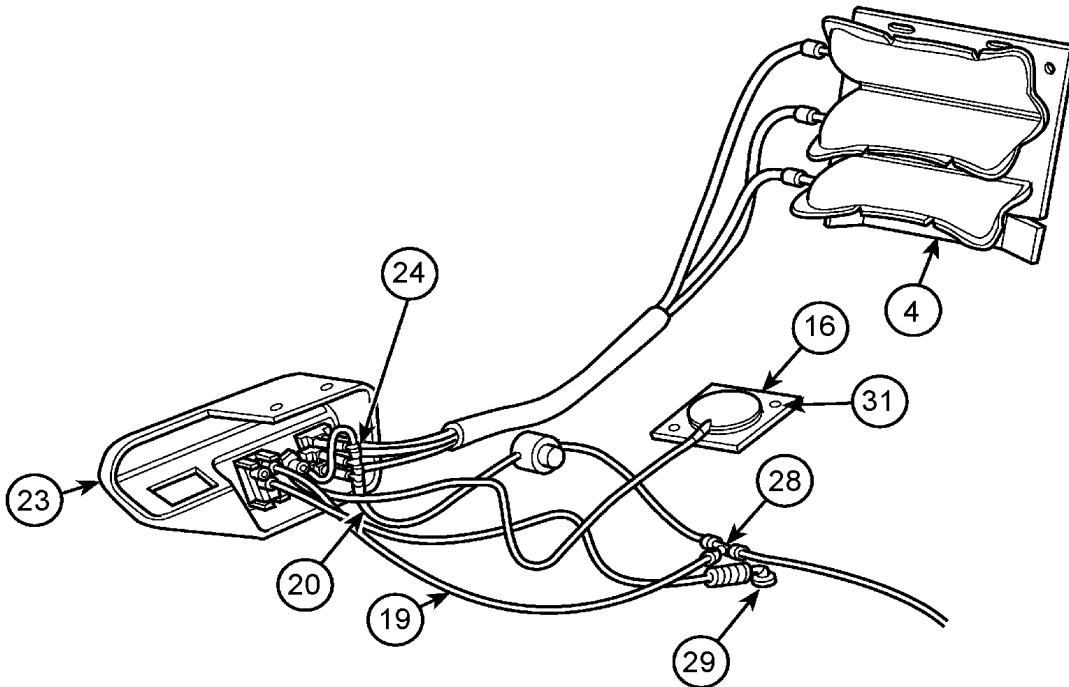
3040-137

From R-012 To 2-4416

Date:10/2022

PAGE:H3-1823-11

BACKREST ASSY - "RECARO" - ERGO-COACH

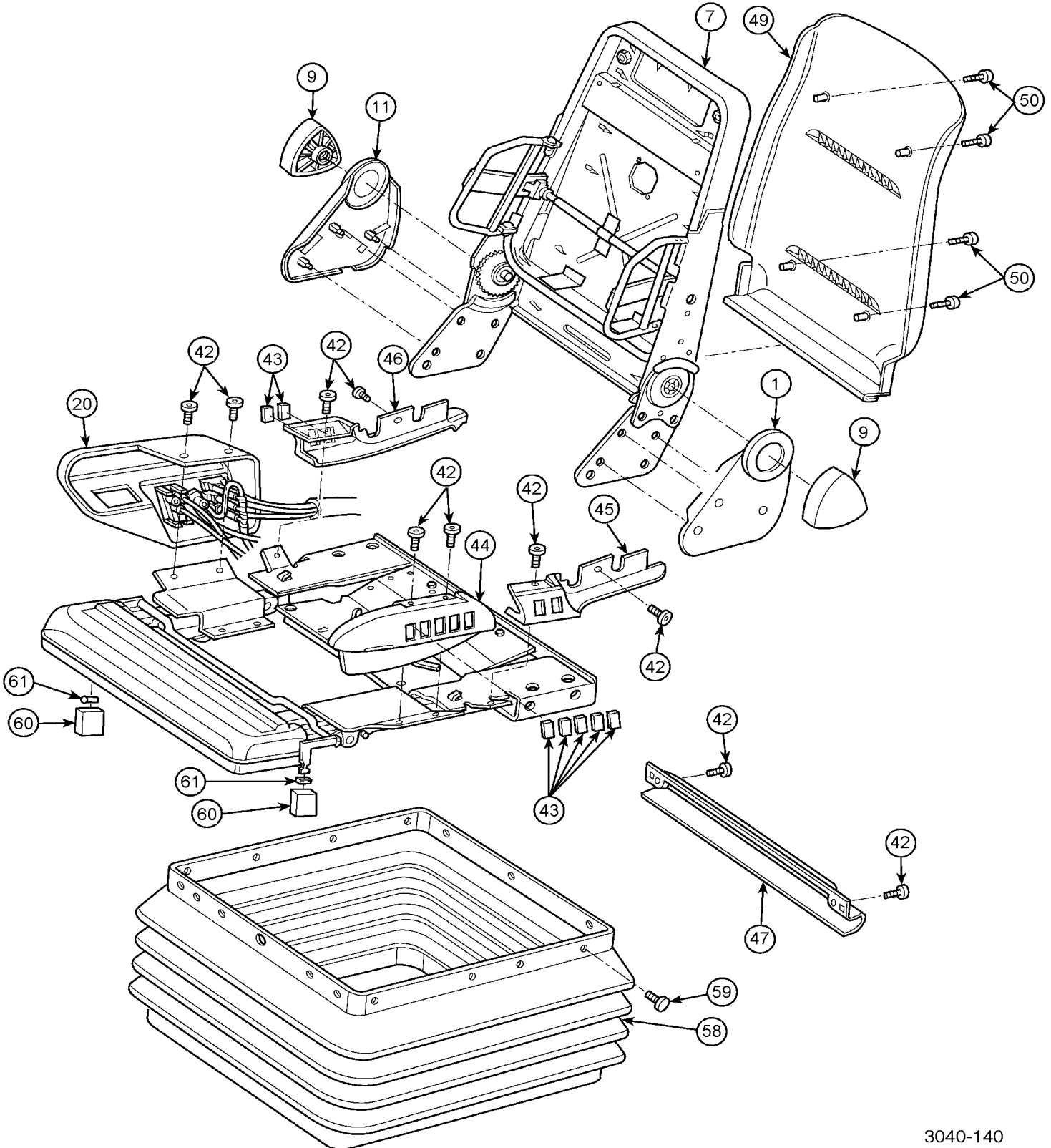


From R-012 To 2-4416

Date:10/2022

PAGE:H3-1823-11

BACKREST ASSY - "RECARO" - ERGO-COACH



From R-012 To 2-4416	Date:10/2022	PAGE:H3-1823-11
BACKREST ASSY - "RECARO" - ERGO-COACH		

Item#	Part	Description	H 3 4 1	H 3 4 5	V I P 4 5	N O T E S
1	Call order desk	COVER MANUAL RECLINE L.H.	1	1		P
3	N8890742	3 CELL LUMBAR	1	1		
4	Call order desk	HEADREST ASSY	1	1		P
4	Call order desk	. FRAME HEADREST	1	1		P
NS	Call order desk	. BUSHING HEADREST ROD PLASTIC	4	4		P
NS	Call order desk	. HEADREST ROD 307MM	2	2		P
4	Call order desk	. HEADREST COVER ASSY	1	1		P
NS	N8891971	. RETAINING STRIP	2	2		
NS	Call order desk	. BOLT M8X25	2	2		P
NS	N8882304	. NUT, LOCK	2	2		
5	N8886938	. TORSION SPRING	2	2		
5	N8886939	. SLEEVE	2	2		
6	N8886937	. GUIDE TUBE	2	2		
6	Call order desk	RETAINING CLIP, LOCK WASHER	2	2		P
7	Call order desk	BACK FRAME ASSY	1	1		P
8	Call order desk	ROD CONNECTING RECLINER	1	1		P
NS	Call order desk	BRACKET RECLINER STOP 12/25 DEG	1	1		P
NS	Call order desk	BOLT M8	2	2		P
9	Call order desk	HANDWHEEL	2	2		P
10	N8882373	SCREW M6-1.0x20	4	4		
11	Call order desk	COVER MANUAL RECLINE R.H.	1	1		P
12	Call order desk	RETAINING CLIP, LOCK WASHER	2	2		P
16	N8890756	ACTUATOR: AUTO BLADDER-CONTROL	1	1		
19	N8890744	TUBING 1/4" OD	1	1		
20	N8890720	CONTROL ASSY FRONT RH	1	1		
20	N8893904	. RUBBER TUBING 1/4 " OD	AR	AR		
22	N8891008	. SWITCH PNEUMATIC LUMBAR	3	3		
23	N8890743	. CONTROL PANEL	1	1		
24	Call order desk	. AIR FITTING 1/8"	1	1		P
25	N8891010	. SWITCH HIGH PRESSURE	1	1		
26	N8891009	. SWITCH AUTO ACTUATOR	1	1		
28	Call order desk	AIR FITTING 1/4"	1	1		P
29	N8890745	AIRSPRING FITTING	1	1		
31	N8800444	RETAINER	2	2		
NS	G1090493	FITTING 1/4"X1/4" UNION	1	1		
41	N8890720	CONTROL ASSY FRONT RH	1	1		
42	N8887256	SCREW	8	8		
43	N8887257	COVER PLATE SWITCH	9	9		
44	N8887260	CONTROL PANEL / FRONT L.H.	1	1		
45	N8800437	CONTROL PANEL / REAR L.H.	1	1		
46	N8800438	CONTROL PANEL / REAR R.H.	1	1		
47	N8887262	CABLE HOUSING REAR	1	1		

From R-012 To 2-4416	Date:10/2022	PAGE:H3-1823-11
BACKREST ASSY - "RECARO" - ERGO-COACH		

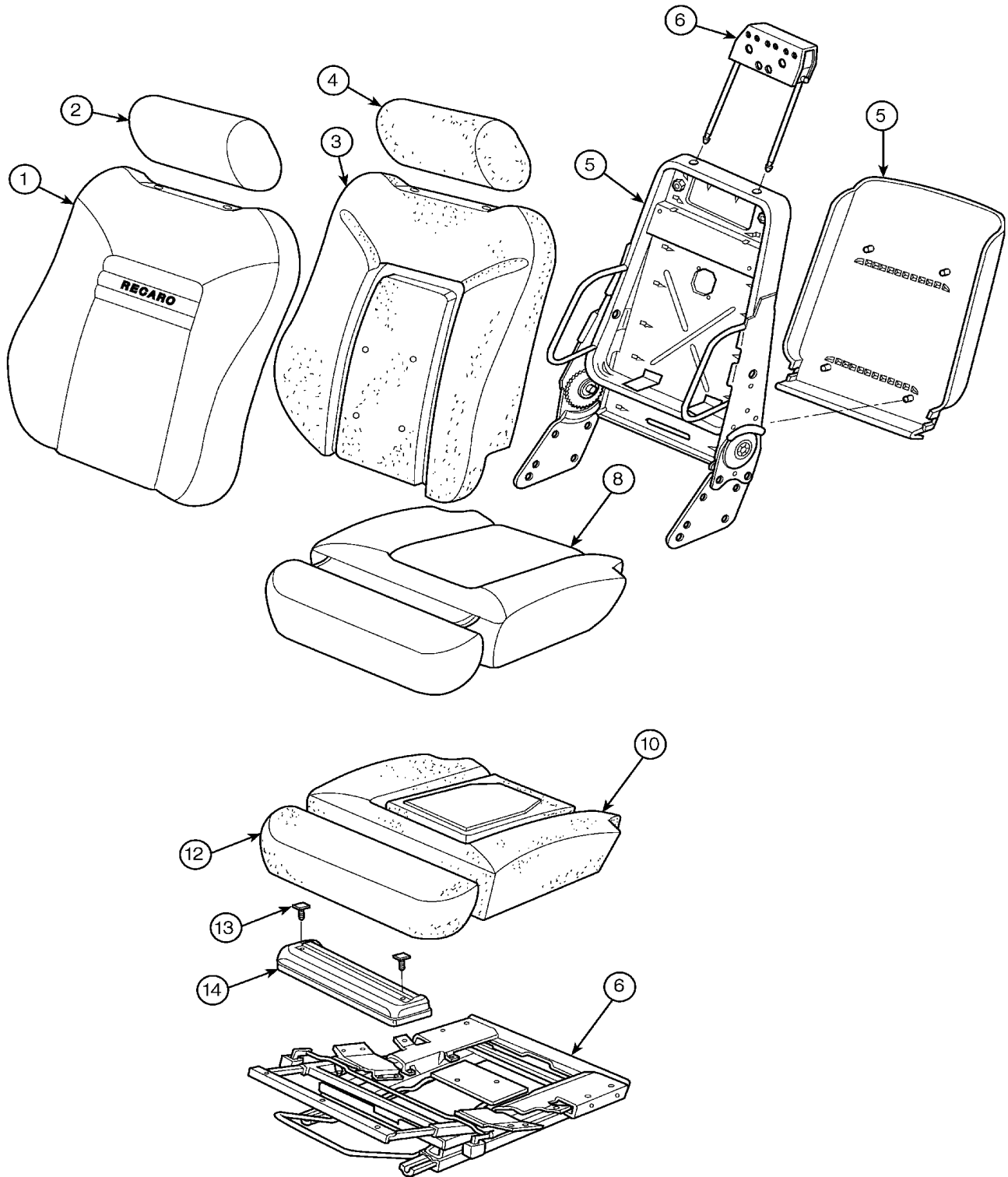
Item#	Part	Description	H 3 4 1	H 3 4 5	V I P 4 5	N O T E S
49	N8890725	BACKREST COVER KIT	1	1		
49	Call order desk	. COVER BACK PANEL	1	1		P
50	Call order desk	. SCREW BACK PANEL	1	1		P
58	G1094197	BOOT ASSY SUSPENSION	1	1		
. NS	N8882340	. PLASTIC RIVET	QR	QR		
59	N8882340	PLASTIC RIVET	23	23		
60	N8890746	KNOB KIT	1	1		
. NS	N8882395	. CLIP	2	2		
. NS	N8887258	. KNOB	2	2		
60	N8882395	. CLIP	2	2		
61	N8887258	. KNOB	2	2		
NS	N8890741	PNEUMATIC ASSY KIT	1	1		
NS	N8887345	. TIE STRAP	2	2		
NS	N8880620	. VINYL EDGE PROTECTOR	AR	AR		
NS	G1090493	. FITTING 1/4"X1/4" UNION	1	1		
NS	N8890744	. TUBING 1/4" OD	1	1		
NS	N8893904	. RUBBER TUBING 1/4 " OD	AR	AR		
NS	Call order desk	. REGULATOR MONNIER 10PSI	1	1		P
NS	Call order desk	. AIR FITTING 1/4"	1	1		P
NS	N8890748	. AIR FITTING 10-32 THREAD	1	1		
NS	Call order desk	. AIR FITTING 10-32 THREAD	1	1		P
NS	N8887306	. SCREW M5-0.8x10	1	1		
NS	Call order desk	. TUBING NYLON 12 BLACK	AR	AR		P
NS	Call order desk	. ERGO AIRLINE ROUTING	1	1		P
NS	Call order desk	. INSTALLATION INSTRUCTION AIR LINE	1	1		P
NS	Call order desk	STICKER RECARO LOGO	1	1		P
NS	N8890749	KIT BACKREST ASSY	1	1		A
NS	N8890750	KIT RECLINING STOP ASM	1	1		
NS	Call order desk	. BRACKET RECLINER STOP 12/25 DEG	1	1		P
NS	Call order desk	. BOLT M8	2	2		P
		A) INCLUDE ITEMS #5, 6, 7, 8 & 10				
		P) CALL ORDER DESK FOR SPECIFIC APPLICATION (V.I.N.)				

From R-012 To 2-4416

Date:10/2022

PAGE:H3-1823-15

SEAT COVER & FOAM - "RECARO" - ERGO-COACH



From R-012 To 2-4416	Date:10/2022	PAGE:H3-1823-15
SEAT COVER & FOAM - "RECARO" - ERGO-COACH		

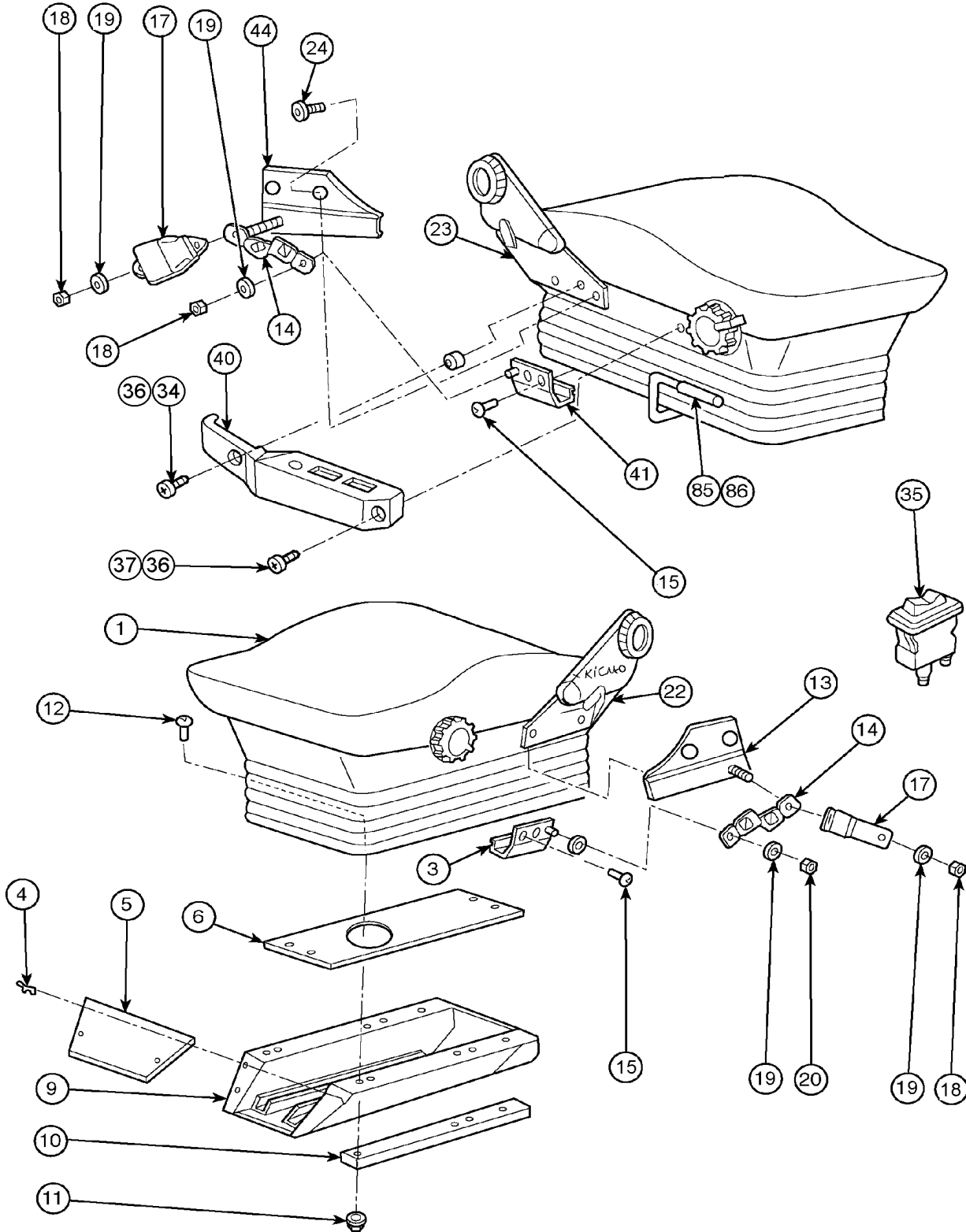
Item#	Part	Description	H 3 4 1	H 3 4 5	V I P 4 5	N O T E S
1	Call order desk	SEATBACK COVER ASSY	1	1		P
2	Call order desk	HEADREST COVER ASSY	1	1		P
3	N8891359	FOAM BACKREST	1	1		
4	19503099	FOAM HEADREST	1	1		
5	H3-1823-11	BACKREST ASSY - "RECARO" - ERGO-COACH				
6	H3-1823-25	SEAT CUSHION FRAME - "RECARO" - ERGO-COACH				
8	Call order desk	SEAT CUSHION COVER ASSY	1	1		P
10	N9999062	FOAM SEAT CUSHION	1	1		
12	19503560	THIGH FOAM SUPPORT	1	1		
13	N8887357	FRAME TIGH EXTENSION	1	1		
14	N8887358	WASHER BOLT	2	2		
		P) CALL ORDER DESK FOR SPECIFIC APPLICATION (V.I.N.)				

From R-012 To 2-4416

Date:10/2022

PAGE:H3-1823-20

SUSPENSION & SEAT CUSHION - "RECARO" - B100W

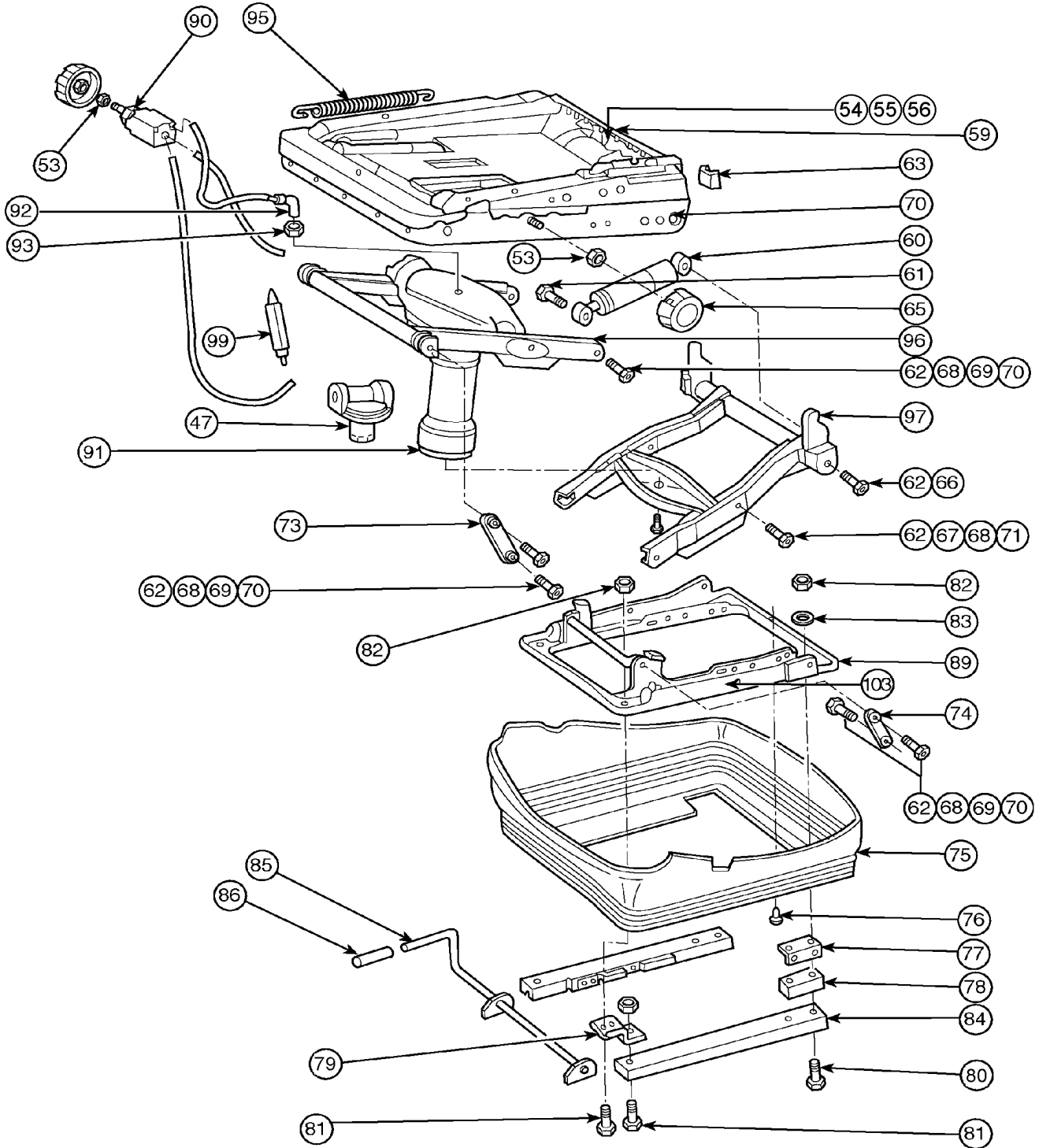


From R-012 To 2-4416

Date:10/2022

PAGE:H3-1823-20

SUSPENSION & SEAT CUSHION - "RECARO" - B100W



From R-012 To 2-4416	Date:10/2022	PAGE:H3-1823-20
SUSPENSION & SEAT CUSHION - "RECARO" - B100W		

Item#	Part	Description	H 3 4 1	H 3 4 5	V I P 4 5	N O T E S
1	Call order desk	SEAT CUSHION ASSY / W/COVER	1	1		P C
NS	865359	SEAT CUSHION ASSY / W/COVER BLACK FABRIC	1	1		
1	Call order desk	. COVER - CUSHION	1	1		P
1	N8882292	. FOAM - CUSHION	1	1		
1	Call order desk	. STAYWIRE FOR CUSHION	1	1		P
1	N8882340	. PLASTIC RIVET	11	11		
3	N8880619	BRACKET J ASSY	1	1		
4	N8884013	PLASTIC RIVET	10	10		
5	Call order desk	PLASTIC FRONT COVER PLATE	1	1		P
6	Call order desk	PLASTIC TOP COVER PLATE	1	1		P
8	N8880625	PLASTIC COVER PLATE	1	1		
9	Call order desk	RISER SQUARE 6" - PAINTED - N/C	1	1		P
10	N8891985	BAR AND BOLTS RISER ASSY	1	1		
10	N8880627	. REINFORCEMENT BAR	2	2		
10	Call order desk	. REINFORCEMENT BAR FOR SQUARE RISERS	2	2		P
10	G1090373	. MODIFIED REINFORCEMENT	2	2		
11	N8880628	. NUT M8	6	6		
12	N8880614	. SCREW M8-1.25x25	6	6		
13	N8880632	SEAT BELT MOUNTING BRACKET LH	1	1		
14	N8886921	TETHER STRAP	2	2		
15	N8880643	SCREW M8-1.25x12	1	1		
17	N8886922	SEAT BELT ASSY	1	1		
18	N8886923	. NUT	4	4		
19	N8880644	. WASHER 7/16	4	4		
20	Call order desk	. SEAT BELT EXT. 24"	1	1		P
22	Call order desk	ADAPTER PLATE SEATBACK ASSY	1	1		P
22	Call order desk	. ADAPTER PLATE SEATBACK L.H.	1	1		P
23	Call order desk	. ADAPTER PLATE SEATBACK R.H.	1	1		P
24	N8882376	. SCREW M6-1.0x30	4	4		
31	Call order desk	PUSH BUTTON ASSY / W/AIR FITTING	1	1		P
34	N8891989	MANUAL CONTROL PANEL ASM	1	1		
34	N8886926	. WASHER	2	2		
35	N8886925	. SWITCH - L.H. CONSOLE - BUS	1	1		
36	N8880649	. SCREW	1	1		
37	N8889077	. SCREW	1	1		
40	N8891990	. CONTROL PANEL	1	1		
NS	N8891991	. Y TUBE CONNECTOR	1	1		
NS	G1090487	. PLUG	1	1		
41	N8891979	BRACKET ASM	1	1		
44	G1090390	SEAT BELT MOUNTING BRACKET RH	1	1		
45	N8882376	SCREW M6-1.0x30	4	4		
47	N8800542	AIR REGULATOR KIT	1	1		

From R-012 To 2-4416	Date:10/2022	PAGE:H3-1823-20
SUSPENSION & SEAT CUSHION - "RECARO" - B100W		

Item#	Part	Description	H 3 4 1	H 3 4 5	V I P 4 5	N O T E S
47	G1090392	. AIR REGULATOR	1	1		
NS	G1090491	. STRAIGHT FITTING	1	1		
NS	G1090492	. T-FITTING 1/4 X 1/4	1	1		
NS	N8887345	. TIE STRAP	3	3		
52	N8800549	HANDWHEEL KIT	1	1		
52	N8882293	. ADJUSTMENT KNOB	1	1		
53	N8882306	. NUT, LOCK	1	1		
54	N8891994	TORSION BAR / SPRING KIT	1	1		
54	G1090489	. GREEN RUBBER BUMPER	2	2		
55	G1090490	. CROSS BAR FOR TORSIONAL SPRIG	1	1		
56	N8885157	. SPRING TORSION	1	1		
59	N8882301	UPPER FRAME	1	1		
60	N8884011	KIT SHOCK ABSORBER	1	1		
60	N8882302	. CYLINDER DAMPER / 230/175MM C/C & 13MM HOLE	1	1		
60	N8885479	. PLASTIC BUSHING	2	2		
61	N8882303	. BOLT, HEX SHOCK M8 X 40	2	2		
61	N8880628	. NUT M8	2	2		
61	N8882305	. BUSHING SHOCK ABSORBER	2	2		
61	N8885765	. SHOCK BOLT	2	2		
62	N8882306	NUT, LOCK	2	2		
63	N8892020	PLASTIC CAP	1	1		
65	N8882294	ADJUSTMENT KNOB	2	2		
66	N8891998	BOLT UPPER BEARING KIT	1	1		
66	N8882328	. BOLT	1	1		
67	N8892021	SHOULDER BOLT	2	2		
68	N8882330	DELTRIN WASHER	10	10		
69	N8882331	SHOULDER BOLT SHORT	10	10		
70	N8882332	BUSHING- SHORT	12	12		
71	N8882333	BUSHING - LONG	2	2		
73	N8882336	LINK W/ BUSHINGS	2	2		
74	N8882337	LINK W/ BUSHINGS	2	2		
75	N8892006	BELLOWS ASM	1	1		
75	N8882338	. BELLOWS	1	1		
76	N8882340	. PLASTIC RIVET	26	26		
77	N8892022	SEAT TRACK ASM	1	1		
77	N8882341	. ANGLE BRACKET L.H.	1	1		
77	N8882342	. ANGLE BRACKET R.H.	1	1		
78	N8892007	. SPACER BLOCK	2	2		
79	N8892008	. BRACKET "Z"	2	2		
80	N8882346	BOLT M8X40MM	4	4		
81	N8882348	BOLT M8X16MM	2	2		
82	N8880628	NUT M8	6	6		

From R-012 To 2-4416	Date:10/2022	PAGE:H3-1823-20
SUSPENSION & SEAT CUSHION - "RECARO" - B100W		

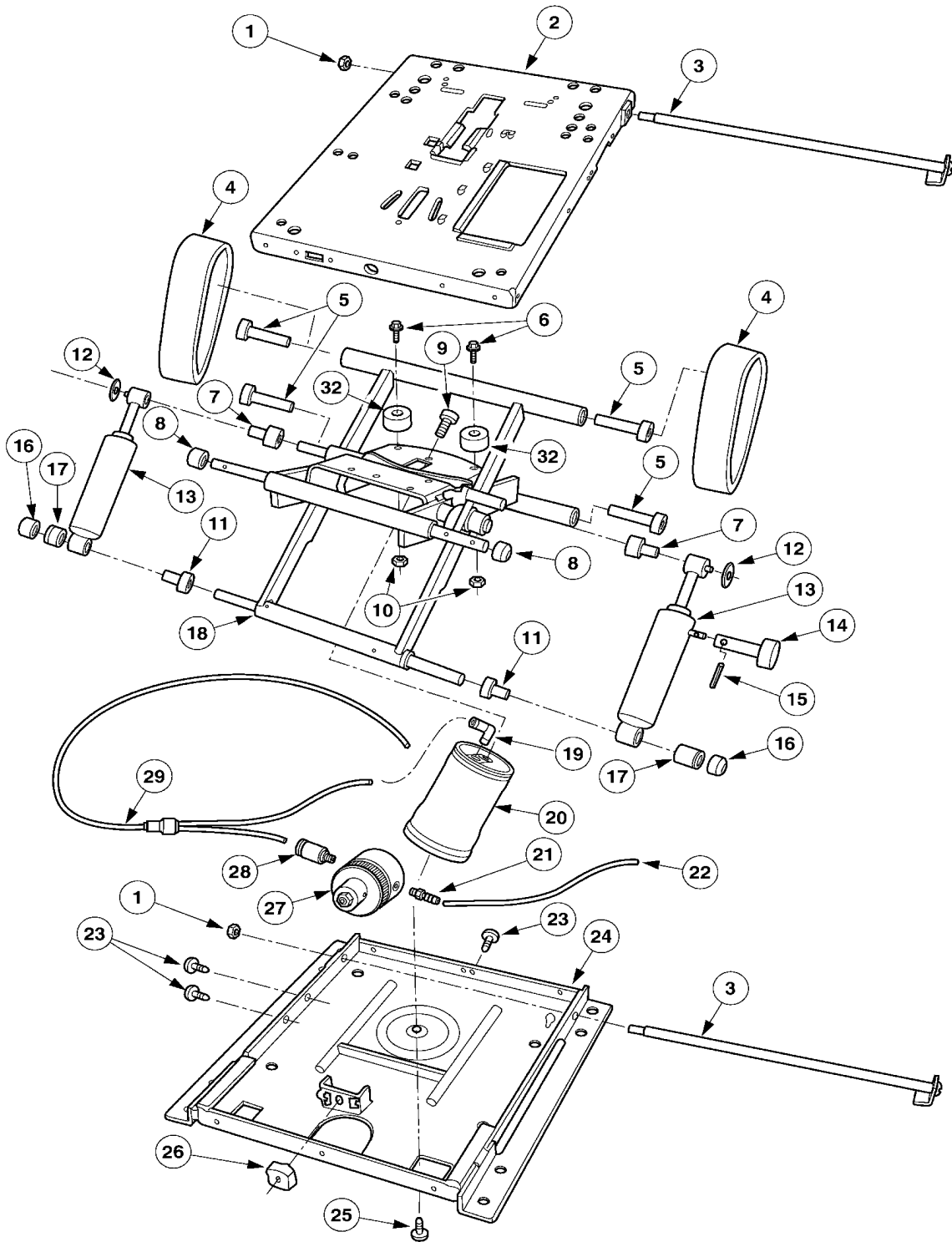
Item#	Part	Description	H 3 4 1	H 3 4 5	V I P 4 5	N O T E S
83	N8880629	WASHER 5/16	4	4		
84	N8880505	LONG TRACKS 9"	1	1		
84	N8892009	SHORT TRACKS 6"	1	1		
85	Call order desk	ACTUATOR LEVER L.H. - STANDARD	1	1		P
86	N8882353	VINYL BOOT	1	1		
89	N8882357	FRAME (AFTER SERIAL# 1058275)	1	1		
90	N8882296	REGULATOR VALVE W/TUBING	1	1		
NS	N8884010	KIT REBUILT REGULATOR VALVE	1	1		
91	N8892011	AIR SPRING KIT	1	1		
91	N8882310	. AIR SPRING	1	1		
92	N8882297	. INLET FITTING	1	1		
93	N8882299	. SPRING	1	1		
94	N.S.S.	. FLAT HEAD BOLT	1	1		1
95	N8882299	SPRING	1	1		
96	N8882309	ARTICULATED SCISSOR OUTER - AFTER SERIAL#1058275	1	1		
97	N8882335	ARTICULATED SCISSOR INNER - AFTER SERIAL#1058275	1	1		
99	N8882428	CHECK VALVE	1	1		
102	G1090493	FITTING 1/4"X1/4" UNION	1	1		
103	N8884009	BUMPER STOP BOTTON	2	2		
NS	N8890652	ARTICULATED SUSPENSION ASM	1	1		A
		A) MUST ORDERED SEAT CUSHION SEPERATE				
		C) INCLUDE ITEMS #1, 3, 15, & 41				
		1) NOT SOLD SEPARATELY				
		P) CALL ORDER DESK FOR SPECIFIC APPLICATION (V.I.N.)				

From R-012 To 2-4416

Date:10/2022

PAGE:H3-1823-21

SUSPENSION & RISER - "RECARO" - ERGO-COACH

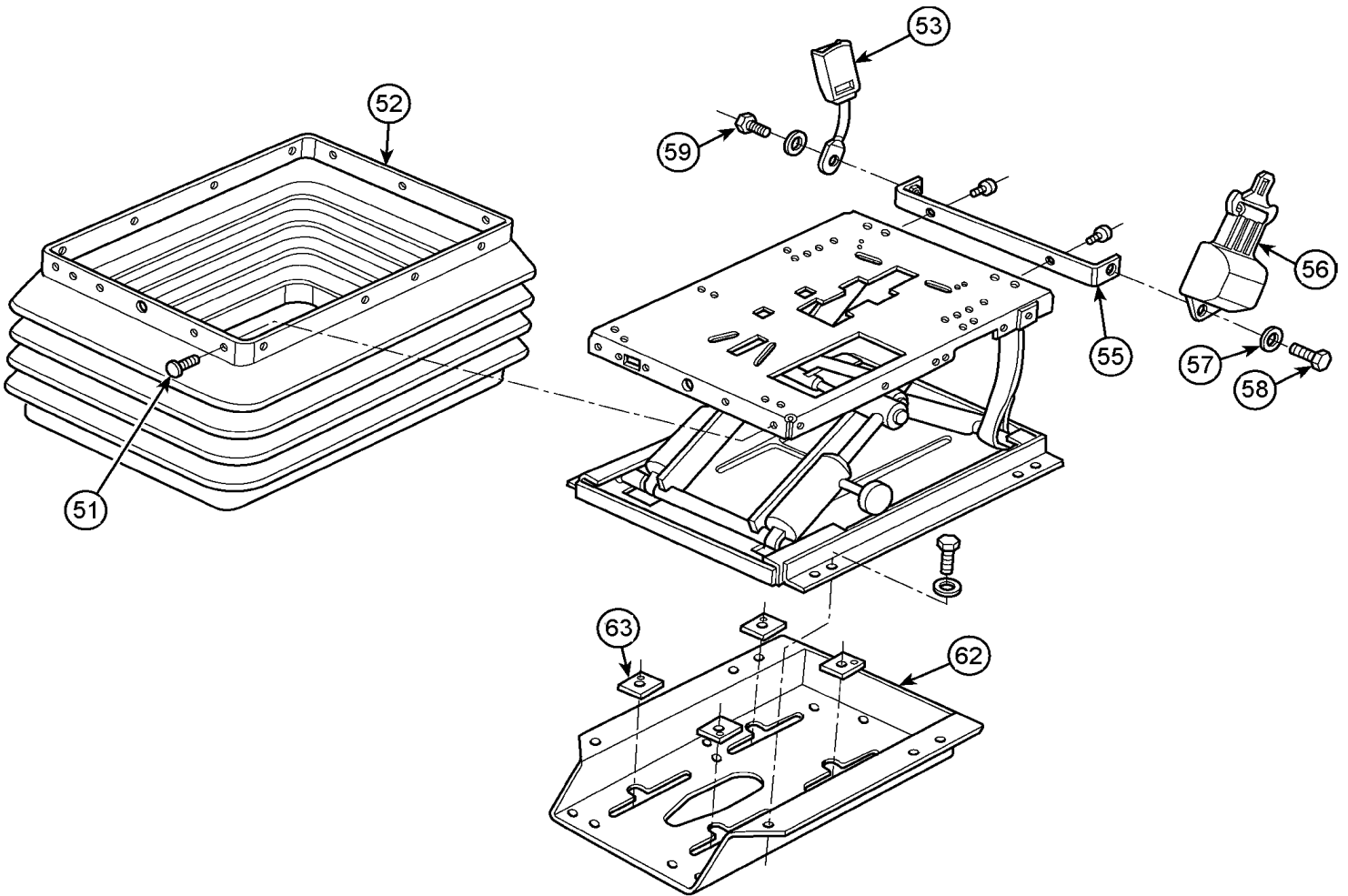


From R-012 To 2-4416

Date:10/2022

PAGE:H3-1823-21

SUSPENSION & RISER - "RECARO" - ERGO-COACH



From R-012 To 2-4416	Date:10/2022	PAGE:H3-1823-21
SUSPENSION & RISER - "RECARO" - ERGO-COACH		

Item#	Part	Description	H 3 4 1	H 3 4 5	V I P 4 5	N O T E S
1	N.P.N.	NUT HEX 3/8-16 CENTER LOCK	2	2		4
2	N8890734	UPPER HOUSING KIT	1	1		
3	N8890738	WELDMENT SHAFT	2	2		
4	N8890736	TETHER	2	2		
5	Call order desk	TUBE BEARING	4	4		P
6	Call order desk	SCREW MA 1/4-20x5/8	1	1		P
7	Call order desk	BEARING UPPER SHOCK	2	2		P
8	Call order desk	ROLLER	2	2		P
9	Call order desk	SCREW CAP HEX 3/8-16x1/2	1	1		P
10	Call order desk	NUT HEX SLO 1/4-20	1	1		P
11	Call order desk	BEARING LOWERR SHOCK	2	2		P
12	Call order desk	PUSHNUT .5 STUD	2	2		P
13	N.P.N.	SHOCK FIXED SUSPENSION	1	1		4
14	Call order desk	KNOB AJUSTEMENT	1	1		P
15	Call order desk	PIN ROLL 1/8x5/8	1	1		P
16	Call order desk	ROLLER	2	2		P
17	Call order desk	SPACER SHORT	1	1		P
17	Call order desk	SPACER LONG	1	1		P
18	Call order desk	SCISSOR	1	1		P
19	N8890745	AIRSPRING FITTING	1	1		
20	Call order desk	AIR SPRING SUSPENSION	1	1		P
21	N8890748	AIR FITTING 10-32 THREAD	1	1		
22	Call order desk	TUBING NYLON 12 BLACK	AR	AR		P
23	N.P.N.	CLIP	1	1		4
24	N8890735	LOWER HOUSING KIT	1	1		
25	Call order desk	SCREW 3/8-16x3/4	1	1		P
26	N8890740	BUMPER KIT	1	1		
27	Call order desk	REGULATOR MONNIER 10PSI	1	1		P
28	Call order desk	AIR FITTING 10-32 THREAD	1	1		P
29	N8890744	TUBING 1/4" OD	AR	AR		
32	Call order desk	BUMPER	1	1		P
51	G1094197	BOOT ASSY SUSPENSION	1	1		
. NS	N8882340	. PLASTIC RIVET	QR	QR		
52	N8882340	. PLASTIC RIVET	23	23		
53	N8891356	2 PT RH SEATBELT ASM	1	1		
53	Call order desk	. BUCKLE ASSY	1	1		P
55	G1094196	. SUPPORT KIT 2PT SEAT BELT ATTACHMENT	1	1		
56	N8893881	. SEAT BELT	1	1		
57	Call order desk	. WASHER FL 23.5x12x1.7	2	2		P
58	Call order desk	. SCREW SHR CAP HEX 7/16-20x1 3/4	1	1		P
59	Call order desk	. SCREW CAP HEX 7/16-20x1 1/2	1	1		P
NS	Call order desk	. BRACKET-SWIVEL	1	1		P

From R-012 To 2-4416	Date:10/2022	PAGE:H3-1823-21
SUSPENSION & RISER - "RECARO" - ERGO-COACH		

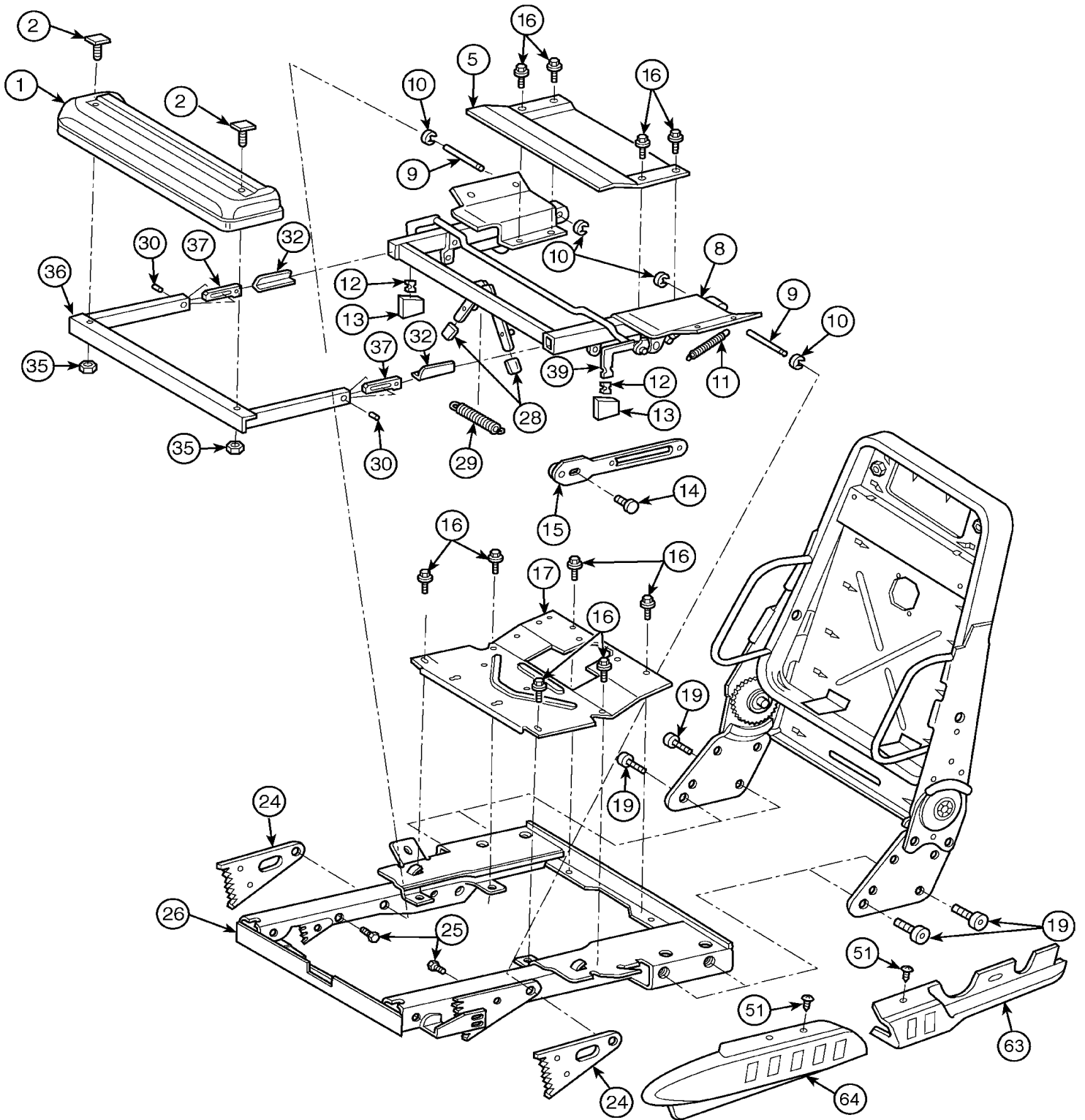
Item#	Part	Description	H 3 4 1	H 3 4 5	V I P 4 5	N O T E S
NS	Call order desk	. WASHER FL 7/16 ID x 1.5 OD .437x1.500	1	1		P
62	Call order desk	RISER 3" CRS KIT	1	1		P
62	Call order desk	. RISER 3" ASSY	1	1		P
NS	Call order desk	. LOOSE PARTS PACKAGE	1	1		P
63	Call order desk	. WASHER FL SQ 3.000	1	1		P
70	N8890730	AIR SPRING KIT	1	1		A
71	N8890732	FIXED SHOCK ASM KIT	1	1		B
72	N8890733	SHAFT SPACER BEARING SUSPENSION	1	1		C
73	N8890737	SCISSORS ASM KIT	1	1		D
74	N8890739	AIR LINE PROTECTION ABRASION KIT	1	1		
		A) INCLUDE ITEMS #9, 19, 20 & 25				
		B) INCLUDE ITEMS #1, 7, 11, 12, 13, 14 & 15				
		C) INCLUDE ITEMS #1, 3, 5, 7, 8, 11, 12, 16 & 17				
		D) INCLUDE ITEMS #1, 3, 5, 6, 7, 8, 10, 11, 12, 16, 17, 18 & 32				
		4) NO PARTS NUMBER				
		P) CALL ORDER DESK FOR SPECIFIC APPLICATION (V.I.N.)				

From R-012 To 2-4416

Date:10/2022

PAGE:H3-1823-25

SEAT CUSHION FRAME - "RECARO" - ERGO-COACH

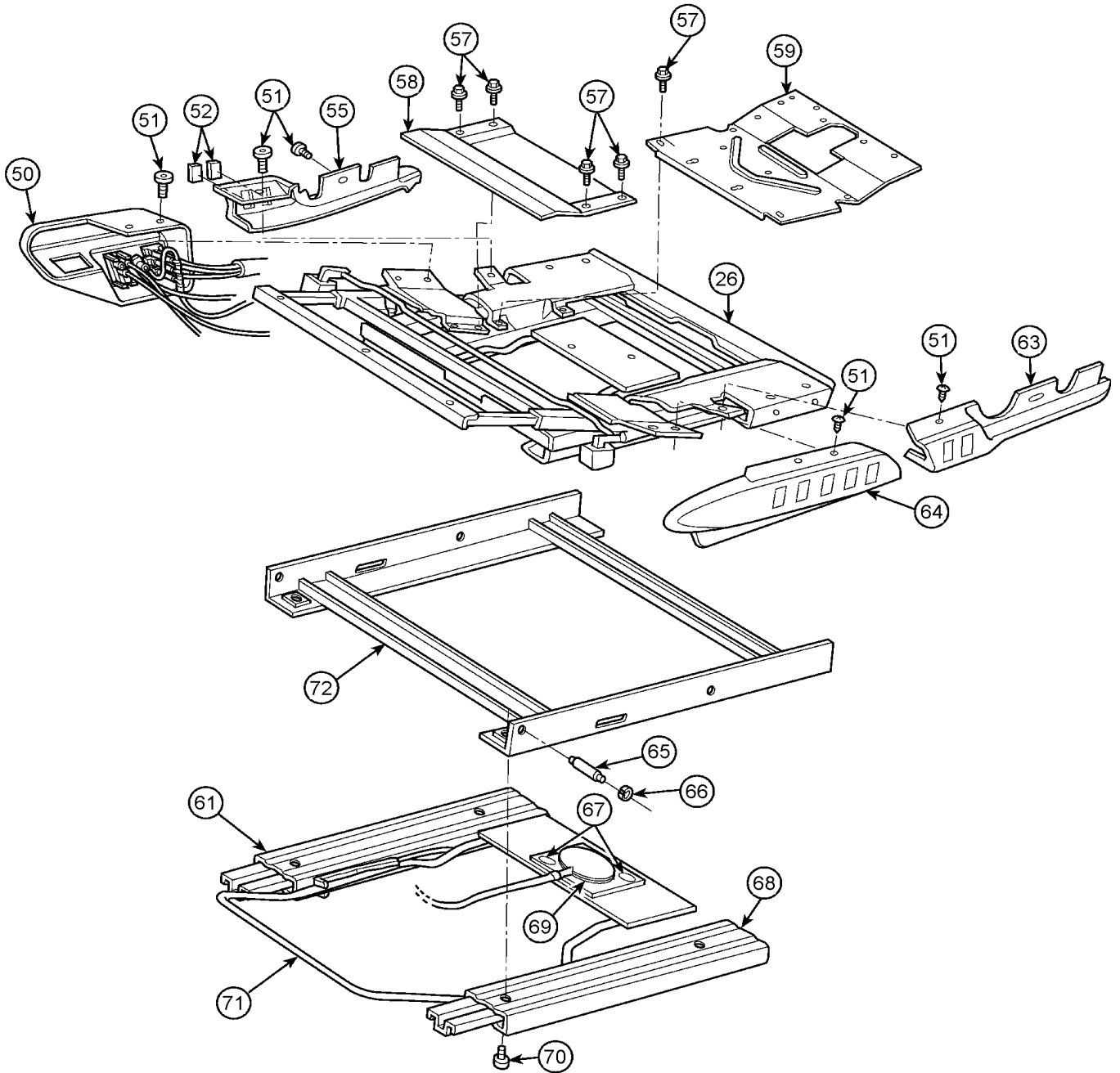


From R-012 To 2-4416

Date:10/2022

PAGE:H3-1823-25

SEAT CUSHION FRAME - "RECARO" - ERGO-COACH



From R-012 To 2-4416	Date:10/2022	PAGE:H3-1823-25
SEAT CUSHION FRAME - "RECARO" - ERGO-COACH		

Item#	Part	Description	H 3 4 1	H 3 4 5	V I P 4 5	N O T E S
	G1094200	FRAME ASM CUSHION	1	1		
1	N8887357	. FRAME TIGH EXTENSION	1	1		
2	N8887358	. WASHER BOLT	2	2		
5	N8800400	. CUSHION PAN FRONT	1	1		
8	N8887365	. PLATE	1	1		
9	N8887375	. BOLT	2	2		
10	N8882381	. CLIP RETAINER	8	8		
11	N8887368	. SPRING	2	2		
12	N8882395	. CLIP	2	2		
13	N8887258	. KNOB	2	2		
14	N8887367	. SCREW	2	2		
15	N8887366	. RELEASE PLATE	2	2		
16	N8887306	. SCREW M5-0.8x10	12	12		
17	N8800399	. SEAT CUSHION PAN REAR	1	1		
19	N8882373	. SCREW M6-1.0x20	4	4		
24	N8887362	. PIVOT PLATE	2	2		
25	N8887363	. SCREW	2	2		
26	Call order desk	. FRAME CUSHION ASSY	1	1		P
28	N8887369	. PLASTIC CAP	2	2		
29	N8887370	. SPRING	1	1		
30	N8887374	. BOLT	2	2		
32	N8887372	. GLIDING PART	2	2		
35	N8887359	. NUT M6	2	2		
36	N8887371	. TIGH EXTENSION	1	1		
37	N8887373	. PLASTIC GUIDE	2	2		
39	Call order desk	. LEVER, RAKE ADJUSTMENT	2	2		P
NS	Call order desk	. VELCRO LOOP	AR	AR		P
NS	Call order desk	. PIN ATTACH 38.6MM	4	4		P
NS	N8887356	REPAIR KIT LENGHT ADJUSTMENT	1	1		A
50	H3-1823-11	BACKREST ASSY - "RECARO" - ERGO-COACH				
51	N8887256	SCREW	8	8		
52	N8887257	COVER PLATE SWITCH	9	9		
55	N8890722	CONTROL PANEL / REAR R.H.	1	1		
57	N8887306	SCREW M5-0.8x10	12	12		
58	N8800400	CUSHION PAN FRONT	1	1		
59	G1094203	CUSHION PAN RR	1	1		
61	N8887269	TRACK RIGHT	1	1		
63	N8890721	CONTROL PANEL / REAR L.H.	1	1		
64	N8887260	CONTROL PANEL / FRONT L.H.	1	1		
65	Call order desk	PIN ATTACH 38.6MM	4	4		P
66	N8882381	CLIP RETAINER	8	8		
67	N8800444	RETAINER	2	2		

From R-012 To 2-4416	Date:10/2022	PAGE:H3-1823-25
SEAT CUSHION FRAME - "RECARO" - ERGO-COACH		

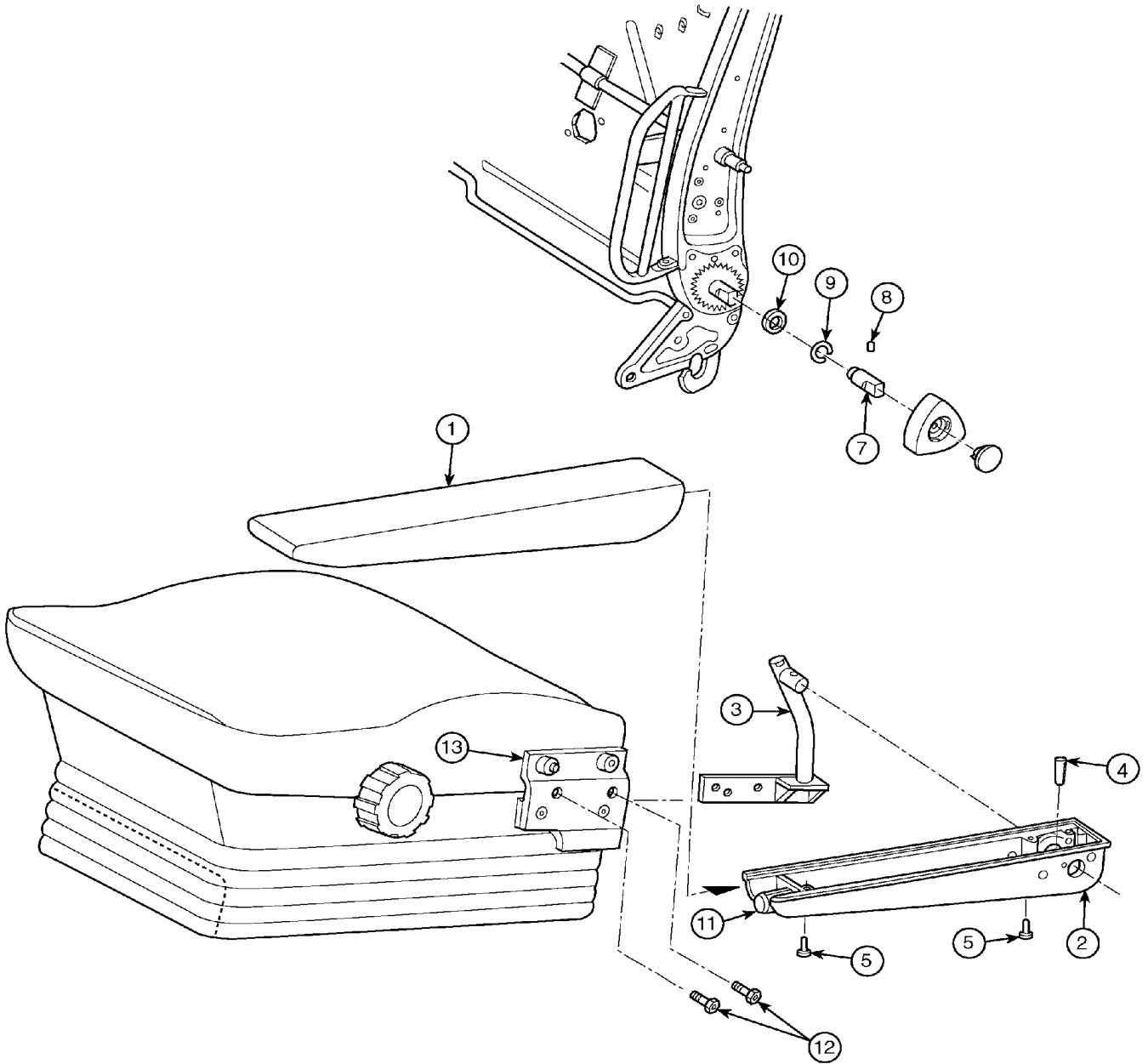
Item#	Part	Description	H 3 4 1	H 3 4 5	V I P 4 5	N O T E S
68	N8887268	TRACK LEFT	1	1		
69	N8890756	ACTUATOR: AUTO BLADDER-CONTROL	1	1		
70	Call order desk	SCREW CAP HEXS M8-1.25x20 8.8	8	8		P
NS	N8882349	NUT M8	4	4		
NS	N8880629	WASHER 5/16	4	4		
71	N8890726	CENTER TRACK ACTUATOR	1	1		
72	N8890729	COUSHION FRAME ADAPTER KIT	1	1		
72	Call order desk	. BRACKET CUSHION FRONT ADAPTER L.H.	1	1		P
72	Call order desk	. BRACKET CUSHION FRONT ADAPTER R.H.	1	1		P
72	N8882381	. CLIP RETAINER	8	8		
72	Call order desk	. PIN ATTACH 38.6MM	4	4		P
		A) INCLUDE ITEMS #1, 2, 35				
		P) CALL ORDER DESK FOR SPECIFIC APPLICATION (V.I.N.)				

From R-012 To 2-4416

Date:10/2022

PAGE:H3-1823-30

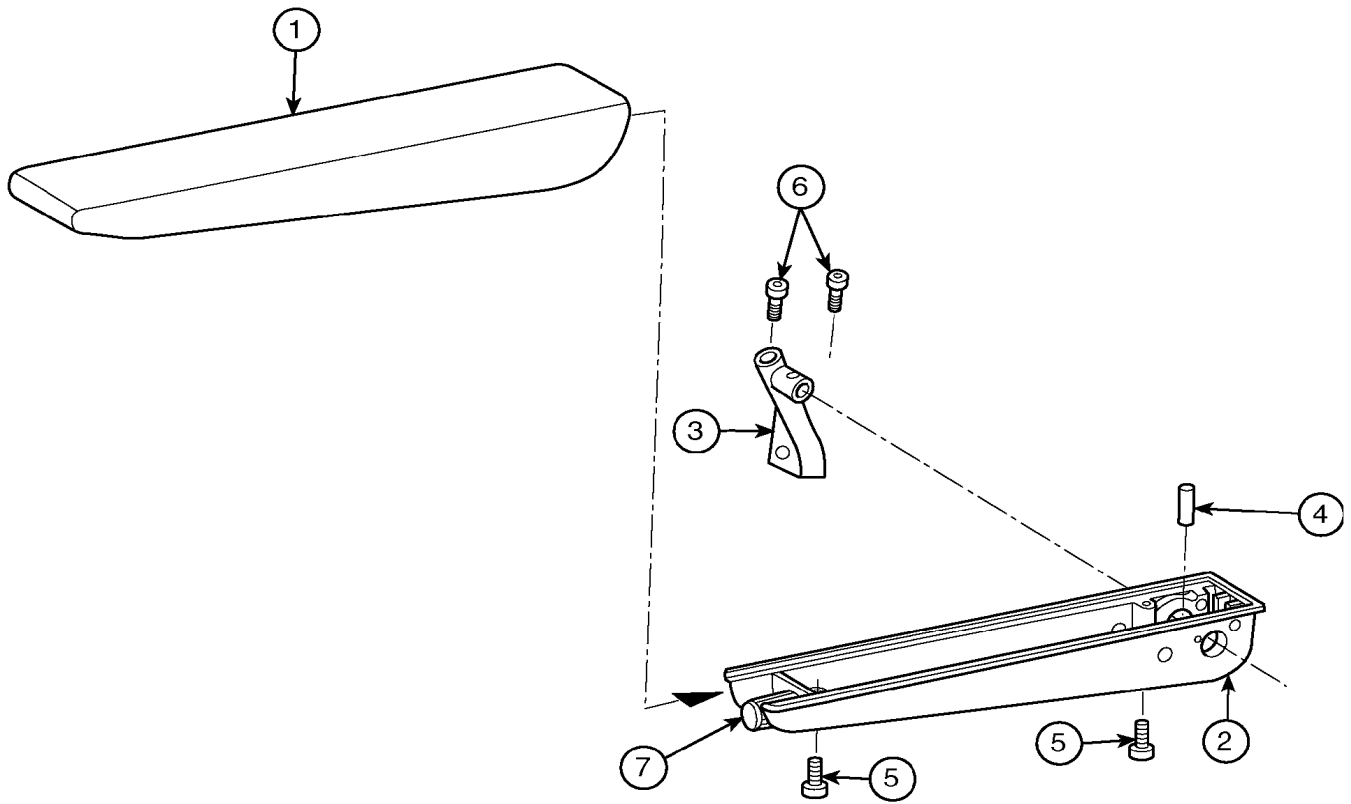
ARMREST - "RECARO" - B100W



From R-012 To 2-4416	Date:10/2022	PAGE:H3-1823-30
ARMREST - "RECARO" - B100W		

Item#	Part	Description	H 3 4 1	H 3 4 5	V I P 4 5	N O T E S
	Call order desk	ARMREST ASSY L.H. KIT	1	1		P
	Call order desk	ARMREST ASSY R.H. KIT	1	1		P
1	N8891365	. FOAM ARMREST	1	1		
1	Call order desk	. FOAM ARMREST R.H.	1	1		P
2	N8891366	. FRAME ARMREST	1	1		
3	Call order desk	. ATTACHMENT BRACKET ARMREST L.H.	1	1		P
3	Call order desk	. ATTACHMENT BRACKET ARMREST R.H.	1	1		P
4	N8891369	. PIN RETAINING	1	1		
5	N8891370	. SCREW	2	2		
6	N8882348	. BOLT M8X16MM	2	2		
7	N8800463	. EXTENSION BOLT	1	1		
8	N8800464	. SET SCREW	1	1		
9	N8800465	. CLIP RETAINING 20X1,2 DIN47	1	1		
10	N8800466	. WASHER D433 ST 21 A3R	1	1		
10	Call order desk	. ARMREST ASSY L.H.	1	1		P
10	Call order desk	. ARMREST ASSY R.H.	1	1		P
11	N8800468	. PLASTIC END KNOB	1	1		
12	Call order desk	. BOLT COUNTERSINK M8X12	1	1		P
13	N8886924	. ADAPTER PLATE L.H.	1	1		
13	N8886928	. ADAPTER PLATE R.H.	1	1		
		P) CALL ORDER DESK FOR SPECIFIC APPLICATION (V.I.N.)				

From R-012 To 2-4416	Date:10/2022	PAGE:H3-1823-31
ARMREST - "RECARO" - ERGO-COACH		



3040-046

From R-012 To 2-4416	Date:10/2022	PAGE:H3-1823-31
ARMREST - "RECARO" - ERGO-COACH		

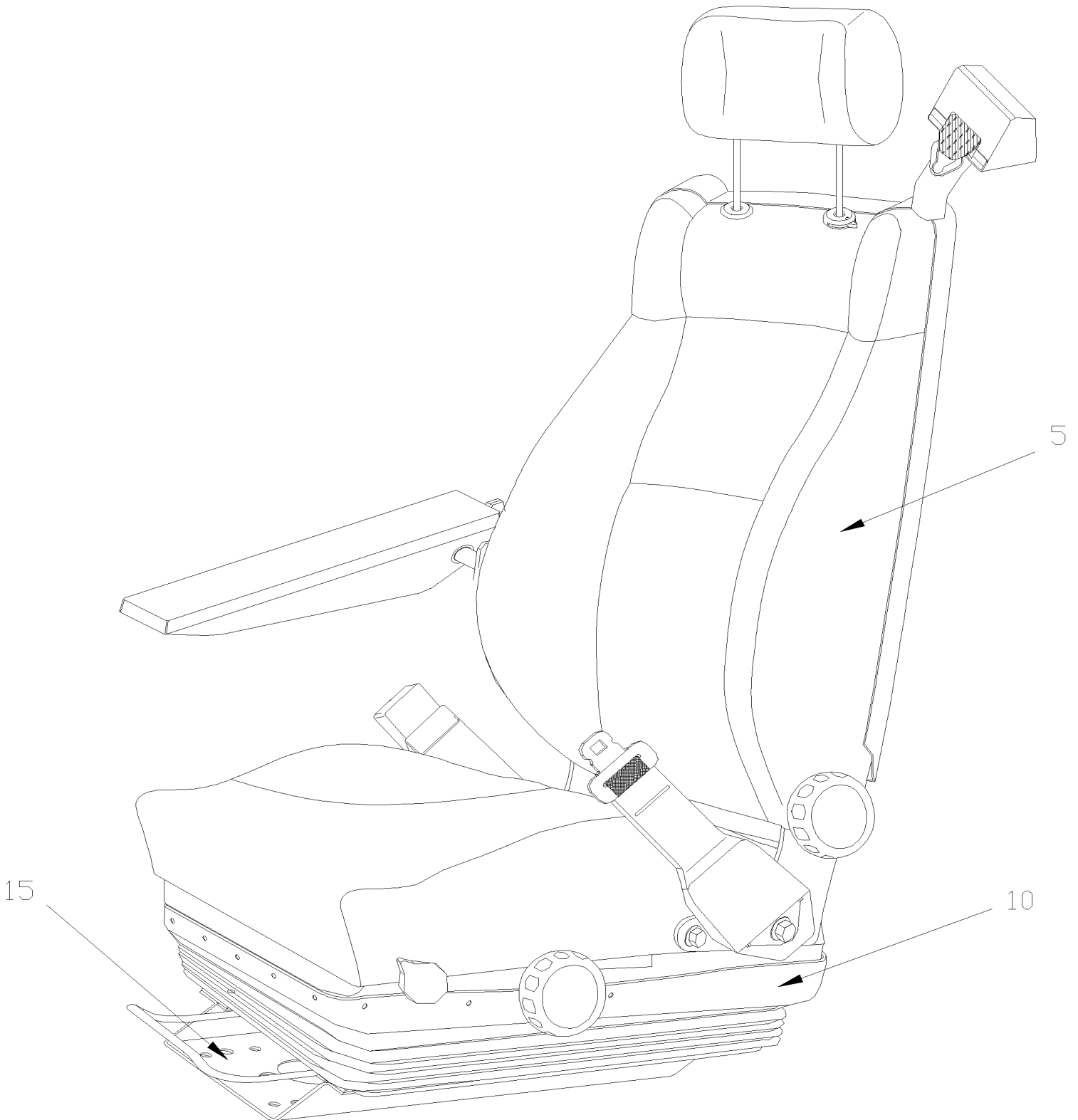
Item#	Part	Description	H 3 4 1	H 3 4 5	V I P 4 5	N O T E S
	N8891363	ARMREST ASSY L.H.	1	1		
	N8891364	ARMREST ASSY R.H.	1	1		
1	N8891365	. FOAM ARMREST	1	1		
2	N8800125	. ARMREST FRAME	1	1		
3	N8891367	. BRACKET L.H.	1	1		
3	N8891368	. BRACKET R.H.	1	1		
4	N8800461	. RETAINING PIN DIN7343 10X40	1	1		
5	N8800462	. SCREW M4X16 DIN7085	2	2		
6	N8891371	. BOLT	2	2		
7	N8800468	. PLASTIC END KNOB	1	1		
8	N8891863	. SPACER	2	2		

From R-012 To 2-4416

Date:10/2022

PAGE:H3-1823-50

DRIVER'S SEAT - "USSC" - 9100ALX3



From R-012 To 2-4416	Date:10/2022	PAGE:H3-1823-50
DRIVER'S SEAT - "USSC" - 9100ALX3		

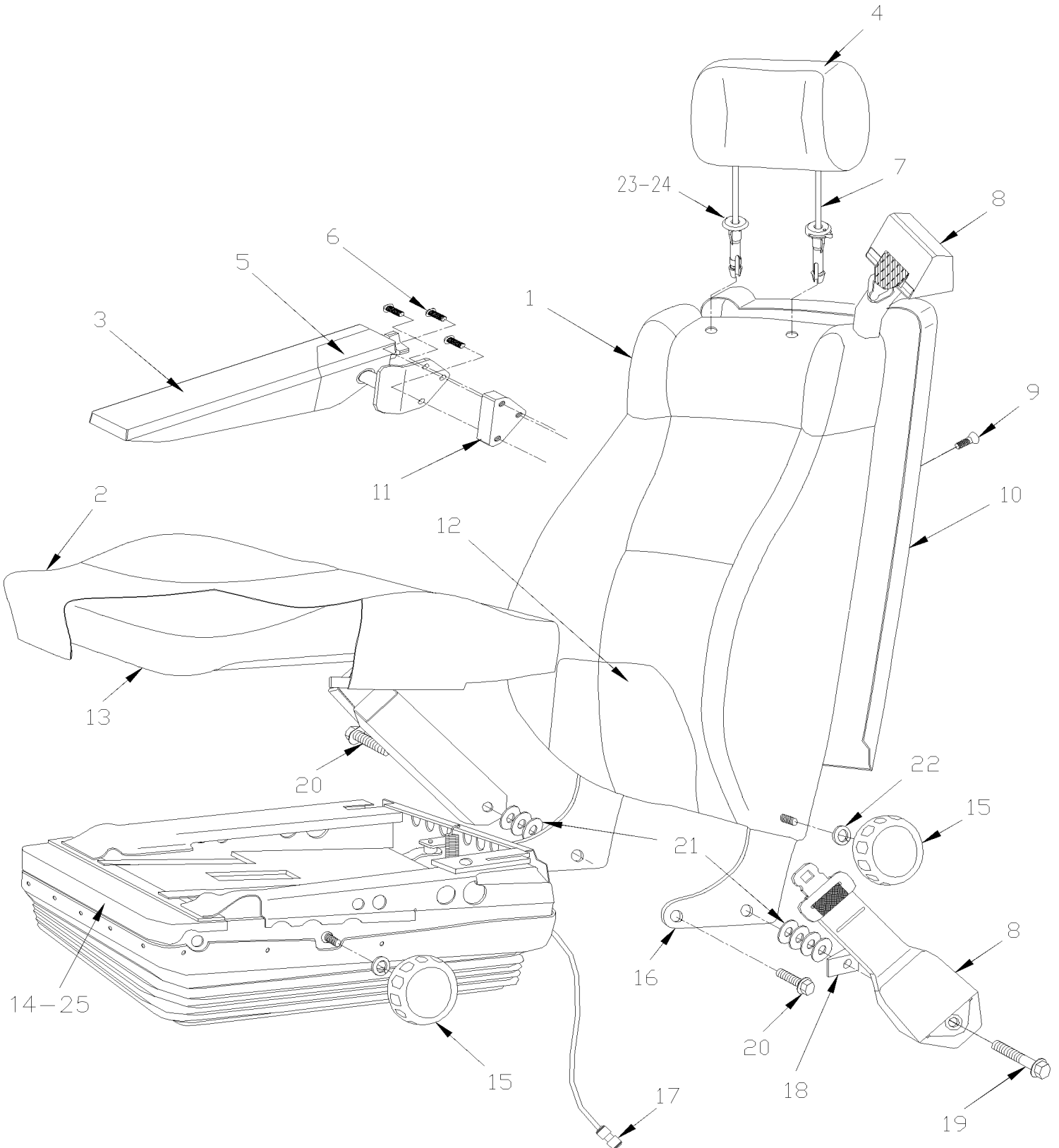
Item#	Part	Description	H 3 4 1	H 3 4 5	V I P 4 5	N O T E S
		"NOTE" QTY ON COLUMN = QTY OF VEHICLE				
		BUILT WITH THIS SEAT NUMBER				
	861553	DRIVER'S SEAT - "USSC" - MODEL 9100 ALX3	1	1		
	861739	DRIVER'S SEAT - "USSC" - MODEL 9100 ALX3	1	1		
5	H3-1823-60	. SEAT ASSY - "USSC" - 9100ALX3				
10	H3-1823-70	. SUSPENSION ASSY - "USSC" - 9100ALX3				
15	H3-1823-80	. BASE ASSY - "USSC" - 9100ALX3				

From R-012 To 2-4416

Date:10/2022

PAGE:H3-1823-60

SEAT ASSY - "USSC" - 9100ALX3



From R-012 To 2-4416	Date:10/2022	PAGE:H3-1823-60
SEAT ASSY - "USSC" - 9100ALX3		

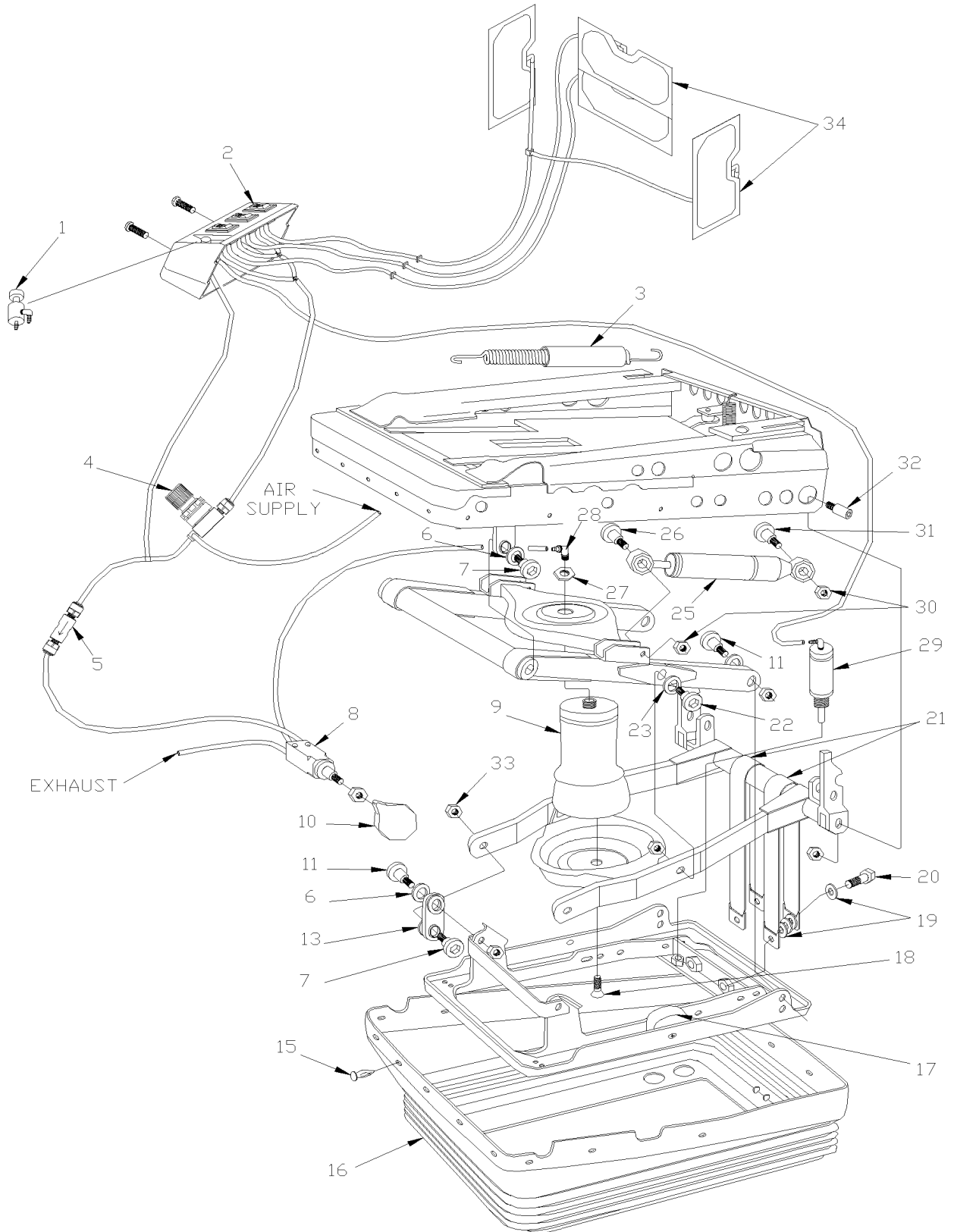
Item#	Part	Description	H 3 4 1	H 3 4 5	V I P 4 5	N O T E S
1	Call order desk	COVER BACKREST	1	1		P
2	Call order desk	COVER CUSHION	1	1		P
3	Call order desk	COVER ARMREST	1	1		P
4	Call order desk	COVER HEADREST	1	1		P
6	N8893510	SCREW M8-1.25x35	3	3		
7	N8887203	HEADREST ASSY	1	1		
8	N8891957	BELT 3PT ASS	1	1		
. NS	N8904553	. BUSHING	1	1		
9	N8887219	SCREW 1/4-20x3/4	2	2		
10	N8891951	BACKSHELL W/LOGO	1	1		
12	N8882987	FOAM BACKREST	1	1		
13	N8887209	CUSHION FOAM	1	1		
14	N8891953	SUSPENSION BASE ASSY W/FORMER VALVE	1	1		
15	N8882989	KNOB SEAT ADJUSTMENT W/FORMER VALVE	2	2		
16	N8891949	BACK BOLSTER	1	1		
17	N8882997	CONNECTOR	2	2		
18	N8887857	SPACER 1/2x1-1/8x5/8	2	2		
19	N8882962	SCREW CAP HEX 7/16-20X2.25	2	2		
20	N8882960	SCREW CAP HEX 7/16-20X1.5"	2	2		
21	N8882992	WASHER FLAT 7/16	7	7		
22	N8882967	WASHER, LOCK M10	2	2		
22	N8882988	NUT JAM M10X1.5	2	2		
23	N8893445	HEADREST PLUG	2	2		
24	N8891948	PIN HAIR - HEADREST .0725 DIA	2	2		
25	H3-1823-70	SUSPENSION ASSY - "USSC" - 9100ALX3				
		P) CALL ORDER DESK FOR SPECIFIC APPLICATION (V.I.N.)				

From R-012 To 2-4416

Date:10/2022

PAGE:H3-1823-70

SUSPENSION ASSY - "USSC" - 9100ALX3



From R-012 To 2-4416	Date:10/2022	PAGE:H3-1823-70
SUSPENSION ASSY - "USSC" - 9100ALX3		

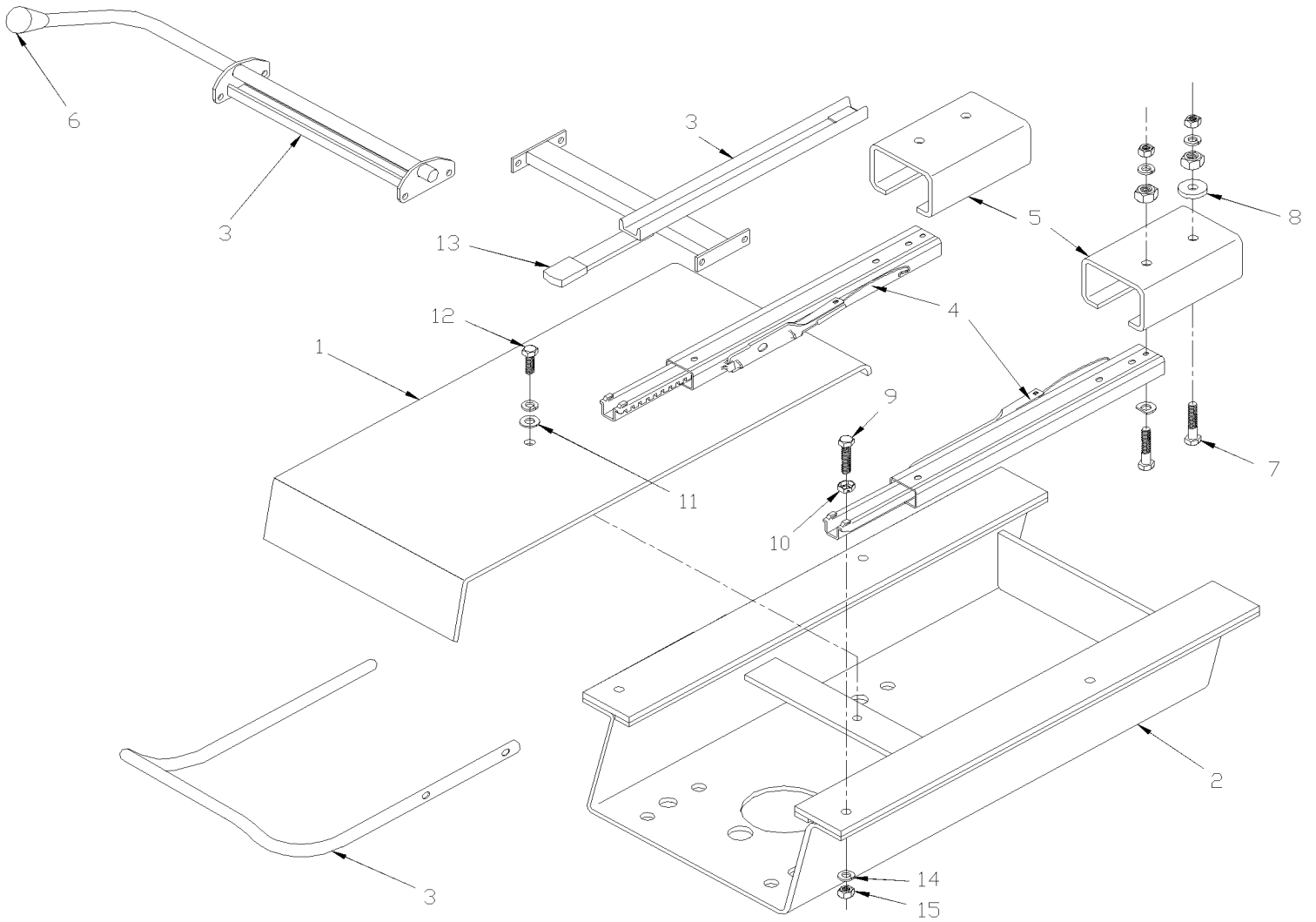
Item#	Part	Description	H 3 4 1	H 3 4 5	V I P 4 5	N O T E S
1	N8887215	SLIDE BUTTON ASSY	1	1		
2	N8892035	AIR BOX ASSY	1	1		
3	N8890626	SPRING 10"	1	1		
3	N8882994	SPRING	2	2		
4	N8890644	AIR LUMBAR REGULATOR ASSY W/FITTING / W/AIR SLIDE CYLINDER	1	1		
5	N8887214	ONE WAY AIR VALVE	1	1		
6	N8883024	WASHER	1	1		
7	N8883022	BOLT	6	6		
8	N8883028	AIR VALVE ASSY W/FITTING HEIGHT CONTROL / FORMER	1	1		
8	N8893450	AIR VALVE / HEIGHT CONTROL / CURRENT	1	1		
8	N8893451	MALE RUN TEE 1/8 NPT	1	1		
8	N8892738	CONNECTOR 1/8 NPT	1	1		
9	N8883029	AIR BAG KIT	1	1		
10	N8883026	KNOB ADJ / HEIGHT CONTROL / FORMER	1	1		
11	N8883025	BOLT	4	4		
13	N8883023	BUSHING	12	12		
15	N8883021	RIVET	30	30		
16	N8883020	BELLOW	1	1		
17	N8883018	RUBBER BUMPER	2	2		
18	N8883019	SCREW M10-1.5x16	1	1		
19	N8887858	WASHER 7/16	6	6		
20	N8882961	SCREW 7/16-20x1 1/4	2	2		
21	N8883017	STRAP 15"	2	2		
22	N8887205	BOLT	2	2		
23	N8887206	BUSHING 18MM	2	2		
25	N8893636	SHOCK ABSORBER, FIRM	1	1		
NS	N8882305	BUSHING SHOCK ABSORBER	4	4		
26	N8882303	BOLT, HEX SHOCK M8 X 40	2	2		
27	N8883031	NUT	1	1		
28	N8883010	AIR BAG NIPPLE	1	1		
29	N8887216	SLIDE CYLINDER ASSY	1	1		
30	N8883015	NUT LOCK M8-1.25/GRD10/CZ	2	2		
31	N8883013	BOLT, M8 X 40	2	2		
32	N8883012	BOLT REAR BEARING	2	2		
33	N8883030	LOCK NUT 10M	1	1		
NS	N8883036	LUMBAR AIR BAG ASSY	3	3		
34	N8891961	RIVET	6	6		

From R-012 To 2-4416

Date:10/2022

PAGE:H3-1823-80

BASE ASSY - "USSC" - 9100ALX3



From R-012 To 2-4416	Date:10/2022	PAGE:H3-1823-80
BASE ASSY - "USSC" - 9100ALX3		

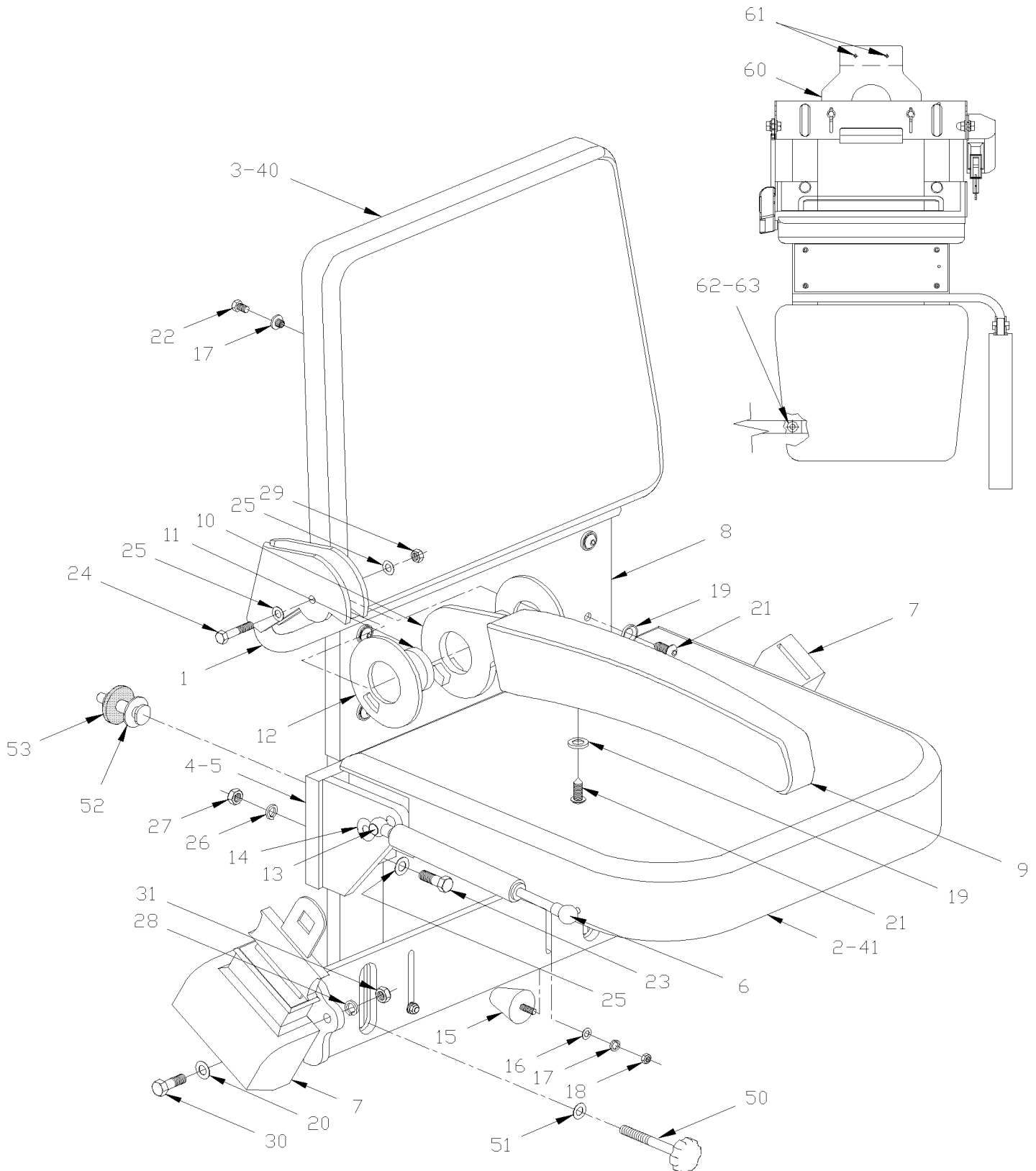
Item#	Part	Description	H 3 4 1	H 3 4 5	V I P 4 5	N O T E S
1	N8891960	COVER	1	1		
2	N8891958	BASE ASSY 4"	1	1		
3	N8891955	RELEASE HANDLE ASM	1	1		
4	N8883008	SLIDE SET 9.45"	1	1		
5	N8891959	BRACKET SLIDE REINFORCMENT	2	2		
6	N8892036	KNOB 1 1/8" DIA.	1	1		
7	N8882965	SCREW 5/16-18x1 1/2	6	6		
8	N8883004	SPACER SLIDE	8	8		
9	N8882964	SCREW 5/16-18x1 1/4	4	4		
10	N8883007	NUT 3/8	4	4		
11	N8882966	WASHER, LOCK 7/16	2	2		
12	N8882962	SCREW CAP HEX 7/16-20X2.25	2	2		
13	N8883002	COVER LIMITOR	1	1		
14	N8882968	WASHER, LOCK 5/16	4	4		
15	N8883006	NUT 5/16-18 GR8ZX	4	4		

From R-012 To 2-4416

Date:10/2022

PAGE:H3-1824-02

HOSTESS SEAT ASSY



From R-012 To 2-4416		Date:10/2022	PAGE:H3-1824-02
HOSTESS SEAT ASSY			

Item#	Part	Description	H 3 4 1	H 3 4 5	V I P 4 5	N O T E S
	363326P	HOSTESS SEAT ASSY To 2-4339				A
	363900P	HOSTESS SEAT ASSY From 2-4340	1	1		
1	363327	. FRAME ASSY	1	1		
2	363050	. SEAT BASE, ASSY	1	1		
2	363040	. CUSHION FOAM	1	1		
3	Call order desk	. BACKREST PANEL ASSY W/FOAM & COVERING /S.C.	1	1		P
3	363014	. LOWER BACKREST PANEL	1	1		
NS	363041	. BACK REST FOAM	1	1		
3	500453	. NUT TEE 1/4-20	1	1		
4	363061	. R.H. SUPPORT ASSY To 2-4339	1	1		A
4	363995	. R.H. SUPPORT ASSY From 2-4340	1	1		
5	363062	. L.H. SUPPORT ASSY To 2-4339	1	1		A
5	363996	. L.H. SUPPORT ASSY From 2-4340	1	1		
6	980020	. CYLINDER GAZ / 244/164MM C/C / 35LBS	1	1		
NS	980015	. BALL STUD / W/10 MM X M8-1.25 / 29.18 MM	1	1		
NS	5001063	. RIVET NUT FL OKS M8-1.25 11.0-1.5	1	1		
7	860695	. SEAT BELT / KIT	1	1		
8	Call order desk	. FINISHING FABRIC	AR	AR		P
9	362316	. COVERING ARMREST / LONG To V-1847	1	1		
9	363624	. COVERING ARMREST / LONG From V-1848	1	1		
10	362939	. ARMREST / LONG	1	1		
11	363067	. SPACER	1	1		
12	362877	. SPACER PLASTIC / FRICTION DISK	2	2		
13	980015	. BALL STUD / W/10 MM X M8-1.25 / 29.18 MM	1	1		
14	507260	. BUSHING NYLINER W/SHOULDER .375x.437x.375x.594	2	2		
15	504600	. BUMPER RUBBER BOLT / .625 ODx1.0TH x 10-32X.5 STUD	2	2		
16	500440	. WASHER FL .250x.562x.065 Z050	2	2		
17	500473	. WASHER LO SPT .262x.489x.062 Z050	8	8		
18	500995	. NUT HEX CAP #10-32 Z050	2	2		
19	500345	. WASHER FN CKF .187x.500x.090 BR BK	5	5		
20	500444	. WASHER FL .406x.812x.065 Z050	8	8		
21	500686	. SCREW TP OV PH #6x1/2 BK	5	5		
22	500554	. SCREW MA RND SLT 1/4-20x1/2 SS	6	6		
23	500565	. SCREW MA RND PH 5/16-18x3/4 SS	4	4		
24	500182	. SCREW CAP HEX 5/16-18x1 1/4 G5 PT Z050	1	1		
25	500441	. WASHER FL .312x.734x.065 Z050	6	6		
26	500476	. WASHER LO SPT .317x.586x.078 Z050	4	4		
27	500778	. NUT HEX 5/16-18 N500	4	4		
28	500478	. WASHER LO SPT .380x.683x.094 Z050	2	2		
29	500777	. NUT HEX STO 5/16-18 Z050	1	1		
30	500191	. SCREW CAP HEX 3/8-16x1 G5 Z050	2	2		
31	5001060	. NUT HEX CAP 3/8-16 NP	2	2		

From R-012 To 2-4416	Date:10/2022	PAGE:H3-1824-02
HOSTESS SEAT ASSY		

Item#	Part	Description	H 3 4 1	H 3 4 5	V I P 4 5	N O T E S
40	363345P	. COVERING ASSY, BACKREST / S.C.C.	1	1		
41	363346P	. COVERING ASSY, SEATREST / S.C.C.	1	1		
42	363997	KIT / "REPOSITIONING SEAT"	1	1		A
. NS	IS-01045	. SEE INSTRUCTION SHEET	1	1		A
NS	362918	. CUSHION / PLASTIC 46MM O.D.	1	1		B
NS	363992	. CAP TENSIONER 71MM O.D. / ALUMINUM	1	1		B
NS	520169	. SPRING	1	1		B
NS	507260	. BUSHING NYLINER W/SHOULDER .375x.437x.375x.594	1	1		B
NS	500069	. SCREW CAP HEX M8-1.25x16 G10.9 DP	2	2		B
NS	502744	. NUT HEX STO M8-1.25 Z050	1	1		B
50	363070	SPECIAL BOLT ASSY / TO FIX HOSTESS SEAT / 126MM	2	2		C
NS	504500	SNAP BUSHING / .766x1.125x.453	2	2		C
51	500444	WASHER FL .406x.812x.065 Z050	2	2		C
51	363077	HAND RAIL PROTECTOR ASSY / W/HOSTESS SEAT ONLY To W-2284	1	1		
52	364103	FASTENER / UPPER / TO FIX HOSTESS SEAT 64MM X M12-1.75	1	1		C
53	363363	WASHER RUBBER 42MM O.D. X 13MM I.D. X 3/16"	2	2		C
60	363546	HOOK	1	1		D
61	504416	RIVET POP DOME OE 3/16x5/8 SS	3	3		D
62	363547	BELT 485MM	1	1		D
63	5001168	BUMPER RUBBER / .750 OD x .562 TH x .187 HOLE	2	2		D
		A) FOR PRODUCT IMPROVEMENT KIT #363997				
		B) THOSE PARTS ARE INCLUDE IN KIT #363997				
		C) THOSE ITEMS ARE USE TO FIXE HOTESS SEAT				
		D) THOSE ITEMS ARE USE TO FIXE HOTESS SEAT IN THE BAGGAGE COMPARTEMENT				
		P) CALL ORDER DESK FOR SPECIFIC APPLICATION (V.I.N.)				

From R-012 To 2-4416

Date:10/2022

PAGE:H3-1824-30

PASSENGER'S SEAT - "AMAYA" IDENTIFICATION "MODEL"



GAUDI



BRAZIL



2 + 1



TORINO



TORINO VIP



SIGLIUM



PATRIOT



PATRIOT BRASIL



PATRIOT VIP

From R-012 To 2-4416	Date:10/2022	PAGE:H3-1824-30
PASSENGER'S SEAT - "AMAYA" IDENTIFICATION "MODEL"		

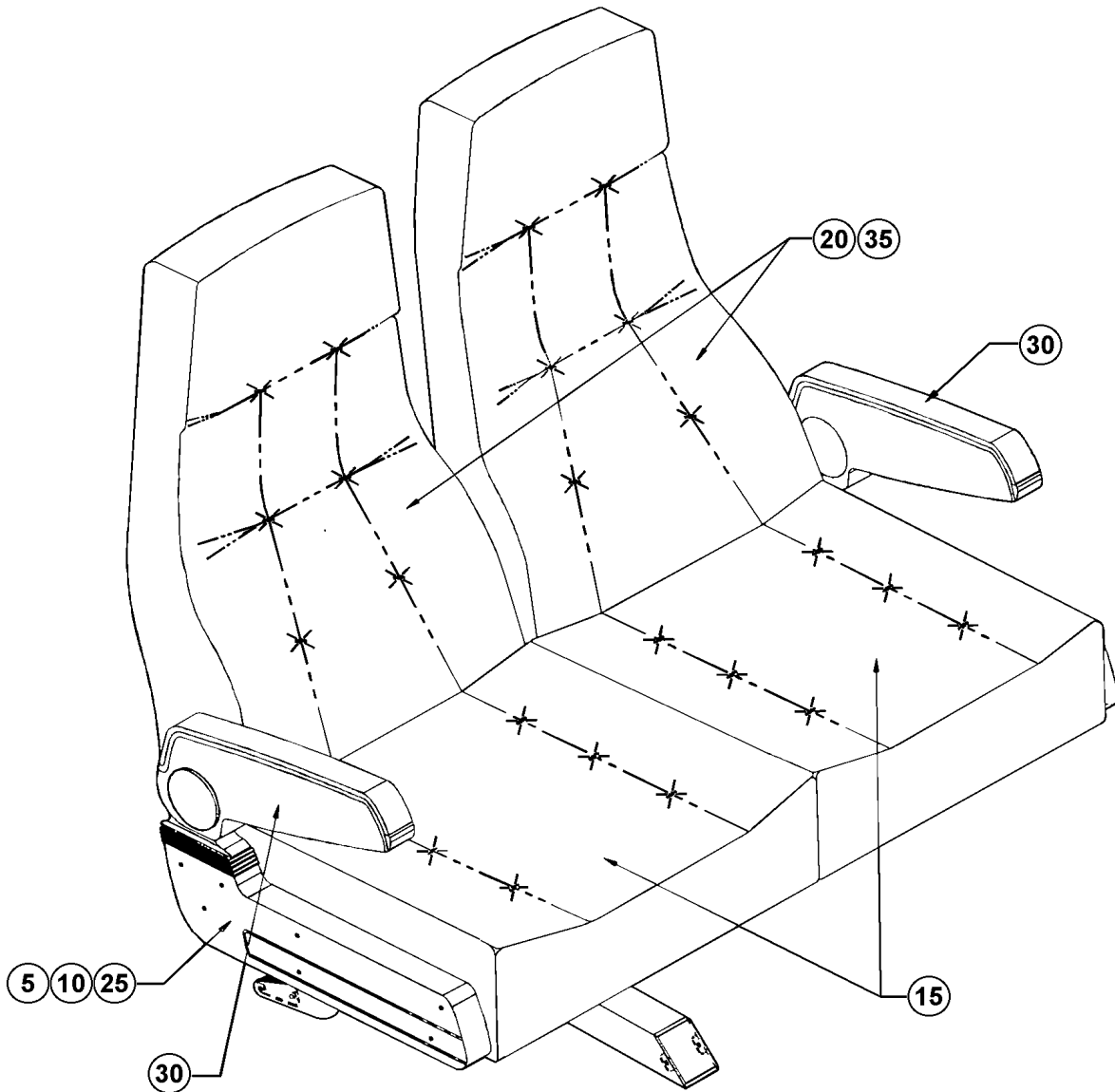
Item#	Part	Description	H 3 4 1	H 3 4 5	V I P 4 5	N O T E S
		PASSENGER'S SEAT - "GAUDI" MODEL				
6	H3-1826-08	PASSENGER'S SEAT - "AMAYA" "GAUDI"				
		PASSENGER'S SEAT - "BRASIL" MODEL				
11	H3-1826-06	PASSENGER'S SEAT - "AMAYA" "BRASIL"				
12	H3-1826-51	ARMREST PASSENGER'S SEAT - "AMAYA" WITH "BRASIL"				
		PASSENGER'S SEAT - "2 + 1" MODEL				
16	H3-1826-05	PASSENGER'S SEAT - "AMAYA" "EUROTECH"				
17	H3-1826-50	ARMREST PASSENGER'S SEAT - "AMAYA" WITH "EUROTECH"				
		PASSENGER'S SEAT - "TORINO" MODEL				
		PASSENGER'S SEAT - "TORINO" VIP MODEL				
		PASSENGER'S SEAT - "SIGLIUM" MODEL				
		PASSENGER'S SEAT - "PATRIOT" MODEL				
		PASSENGER'S SEAT - "PATRIOT BRASIL" MODEL				
		PASSENGER'S SEAT - "PATRIOT VIP" MODEL				

From R-012 To 2-4416

Date:10/2022

PAGE:H3-1825-00

PASSENGER'S SEAT - "AMERICAN" - W6693 & W7693

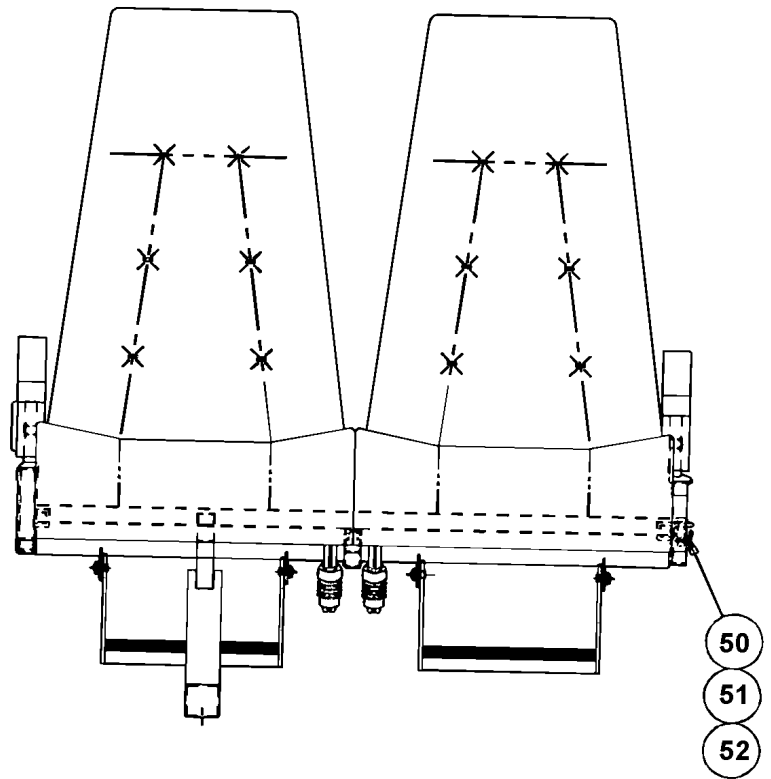
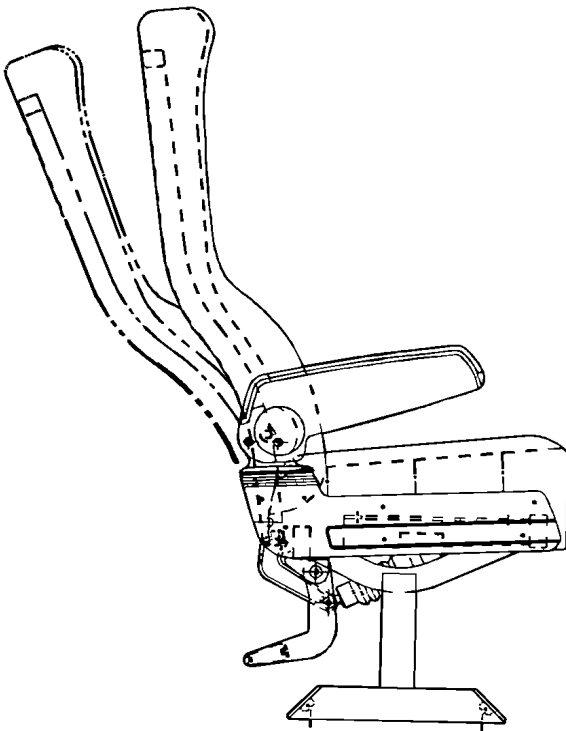


From R-012 To 2-4416

Date:10/2022

PAGE:H3-1825-00

PASSENGER'S SEAT - "AMERICAN" - W6693 & W7693



From R-012 To 2-4416	Date:10/2022	PAGE:H3-1825-00
PASSENGER'S SEAT - "AMERICAN" - W6693 & W7693		

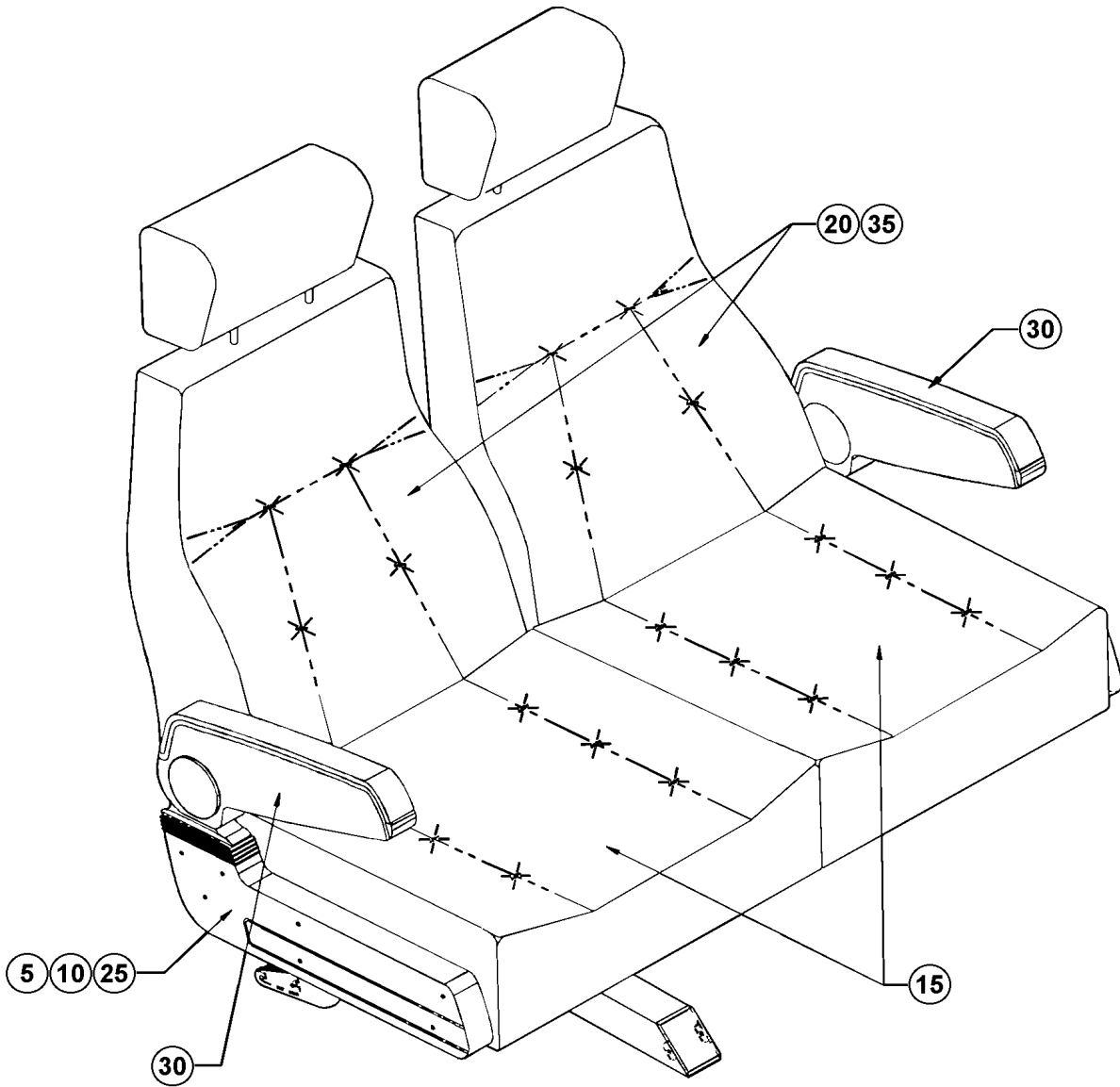
Item#	Part	Description	H 3 4 1	H 3 4 5	V I P 4 5	N O T E S
		IMPORTANT NOTE:				
		TO ORDER COMPLETE PASSENGER'S SEAT KIT #,				
		SEE THE FINAL VEHICLE RECORD.				
5	H3-1825-05	. PASSENGER'S SEAT - "AMERICAN" - FRAME				
10	H3-1825-10	. PASSENGER'S SEAT - "AMERICAN" - FRAME ROTATIN				
15	H3-1825-20	. PASSENGER'S SEAT - "AMERICAN" - CUSHION				
20	H3-1825-30	. PASSENGER'S SEAT - "AMERICAN" - BACKREST WX69				
25	H3-1825-40	. PASSENGER'S SEAT - "AMERICAN" - FOOTREST				
30	H3-1825-50	. PASSENGER'S SEAT - "AMERICAN" - ARMREST				
35	H3-1825-60	. PASSENGER'S SEAT - "AMERICAN" - BACK & ACCESS				
50	Call order desk	SCREW - WALL ATTACHING	2	2		P
51	860094	CHANNEL WALL ATTACHING	2	2		
52	Call order desk	WASHER	2	2		P
		P) CALL ORDER DESK FOR SPECIFIC APPLICATION (V.I.N.)				

From R-012 To 2-4416

Date:10/2022

PAGE:H3-1825-01

PASSENGER'S SEAT - "AMERICAN" - W6694 & W7694

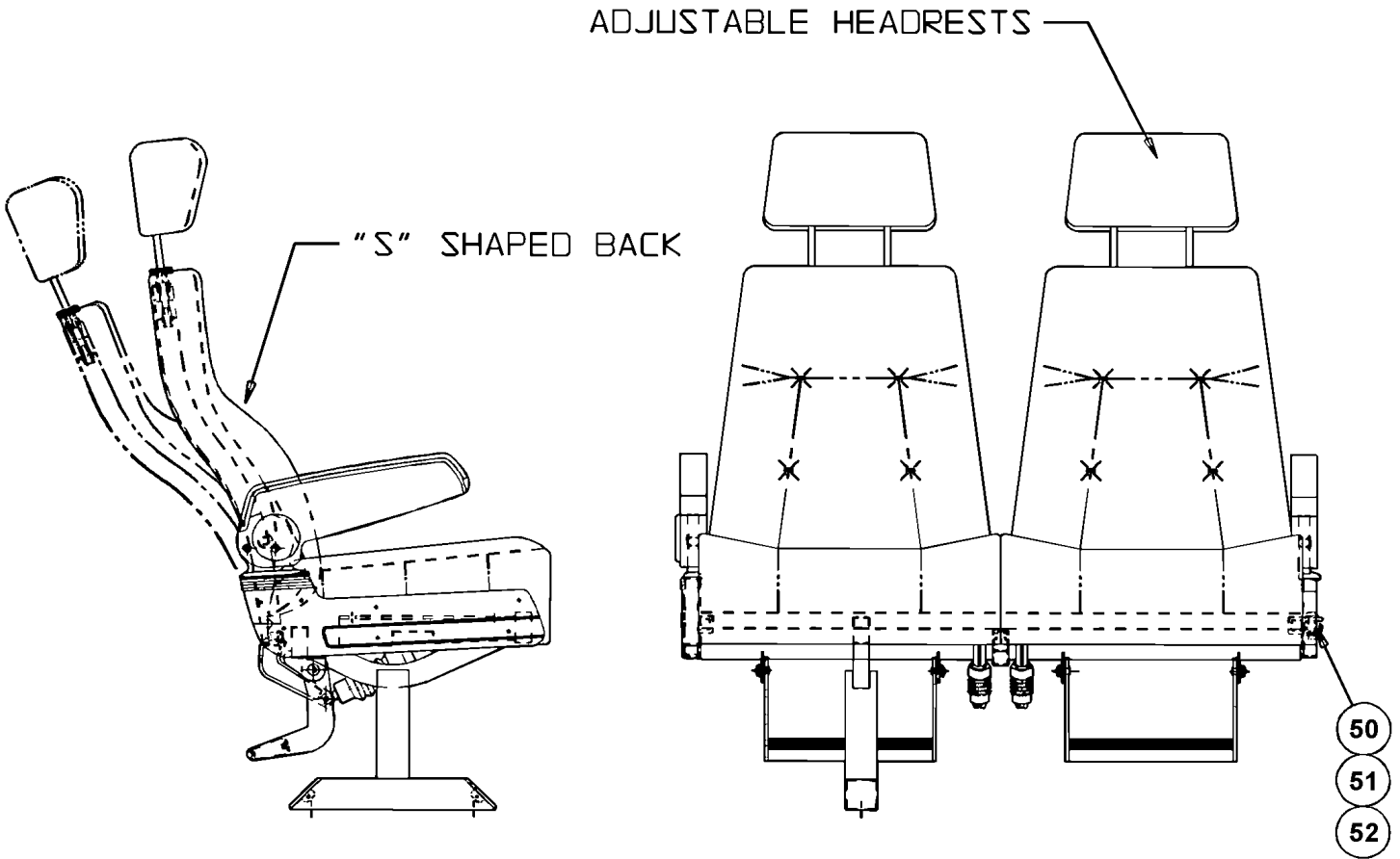


From R-012 To 2-4416

Date:10/2022

PAGE:H3-1825-01

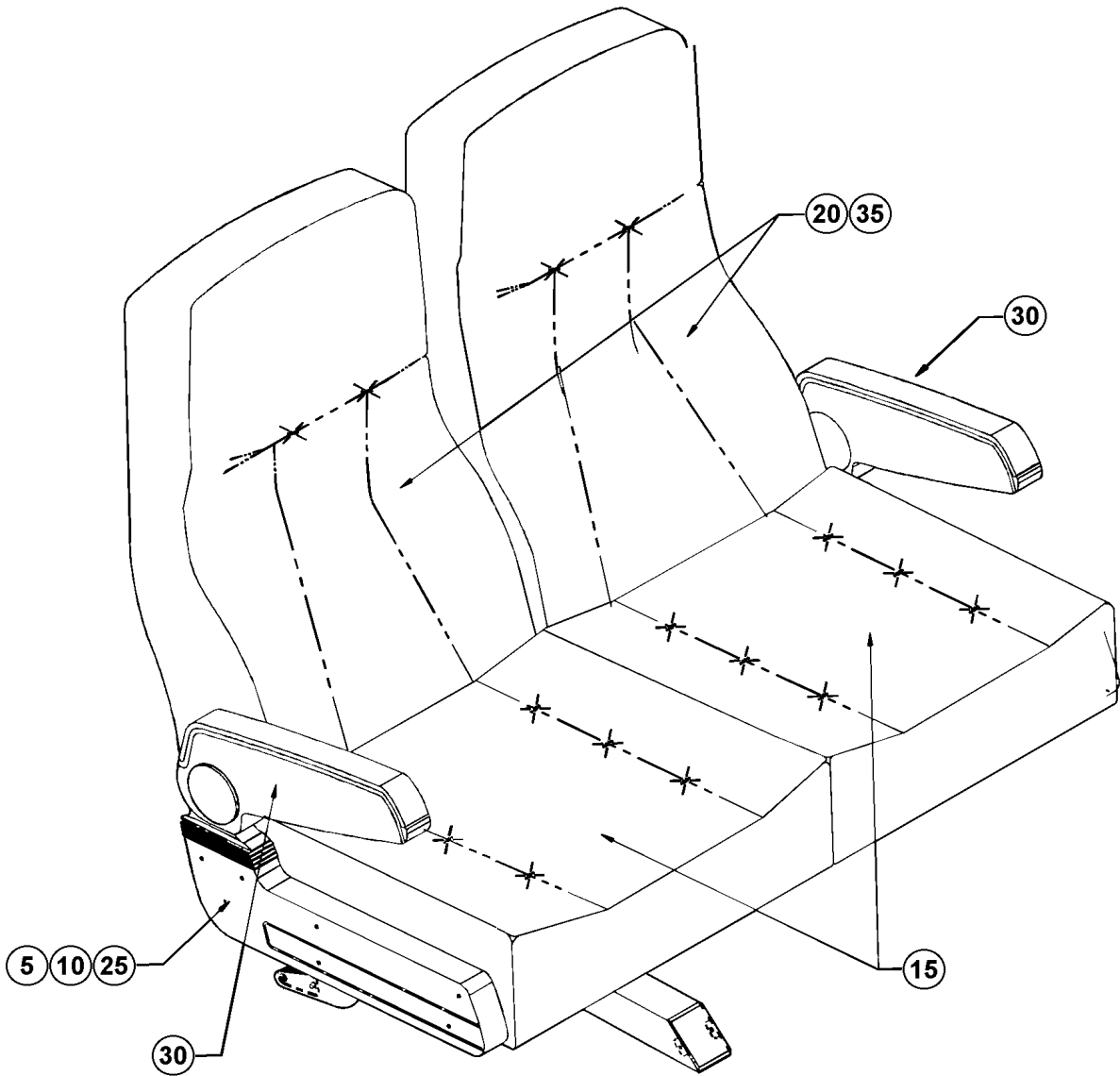
PASSENGER'S SEAT - "AMERICAN" - W6694 & W7694



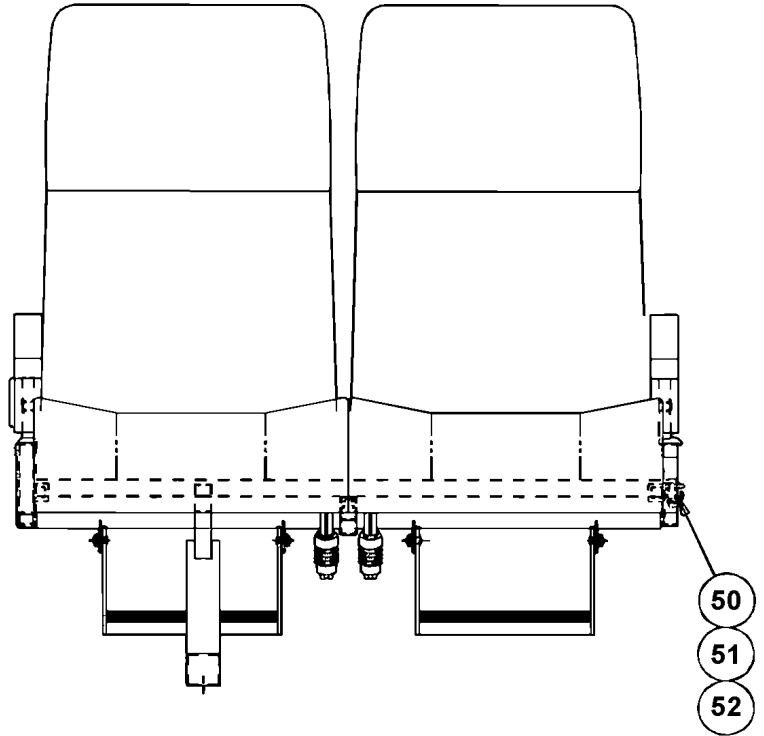
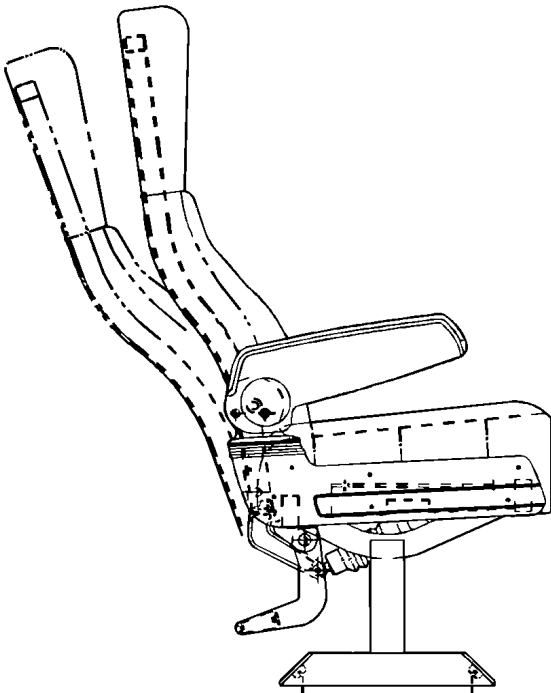
From R-012 To 2-4416	Date:10/2022	PAGE:H3-1825-01
PASSENGER'S SEAT - "AMERICAN" - W6694 & W7694		

Item#	Part	Description	H 3 4 1	H 3 4 5	V I P 4 5	N O T E S
		IMPORTANT NOTE:				
		TO ORDER COMPLETE PASSENGER'S SEAT KIT #,				
		SEE THE FINAL VEHICLE RECORD				
5	H3-1825-05	. PASSENGER'S SEAT - "AMERICAN" - FRAME				
10	H3-1825-10	. PASSENGER'S SEAT - "AMERICAN" - FRAME ROTATIN				
15	H3-1825-20	. PASSENGER'S SEAT - "AMERICAN" - CUSHION				
20	H3-1825-31	. PASSENGER'S SEAT - "AMERICAN" - BACKREST WX69				
25	H3-1825-40	. PASSENGER'S SEAT - "AMERICAN" - FOOTREST				
30	H3-1825-50	. PASSENGER'S SEAT - "AMERICAN" - ARMREST				
35	H3-1825-60	. PASSENGER'S SEAT - "AMERICAN" - BACK & ACCESS				
50	Call order desk	SCREW - WALL ATTACHING	2	2		P
51	860094	CHANNEL WALL ATTACHING	2	2		
52	Call order desk	WASHER	2	2		P
		P) CALL ORDER DESK FOR SPECIFIC APPLICATION (V.I.N.)				

From R-012 To 2-4416	Date:10/2022	PAGE:H3-1825-02
PASSENGER'S SEAT - "AMERICAN" - W6695		



From R-012 To 2-4416	Date:10/2022	PAGE:H3-1825-02
PASSENGER'S SEAT - "AMERICAN" - W6695		



From R-012 To 2-4416	Date:10/2022	PAGE:H3-1825-02
PASSENGER'S SEAT - "AMERICAN" - W6695		

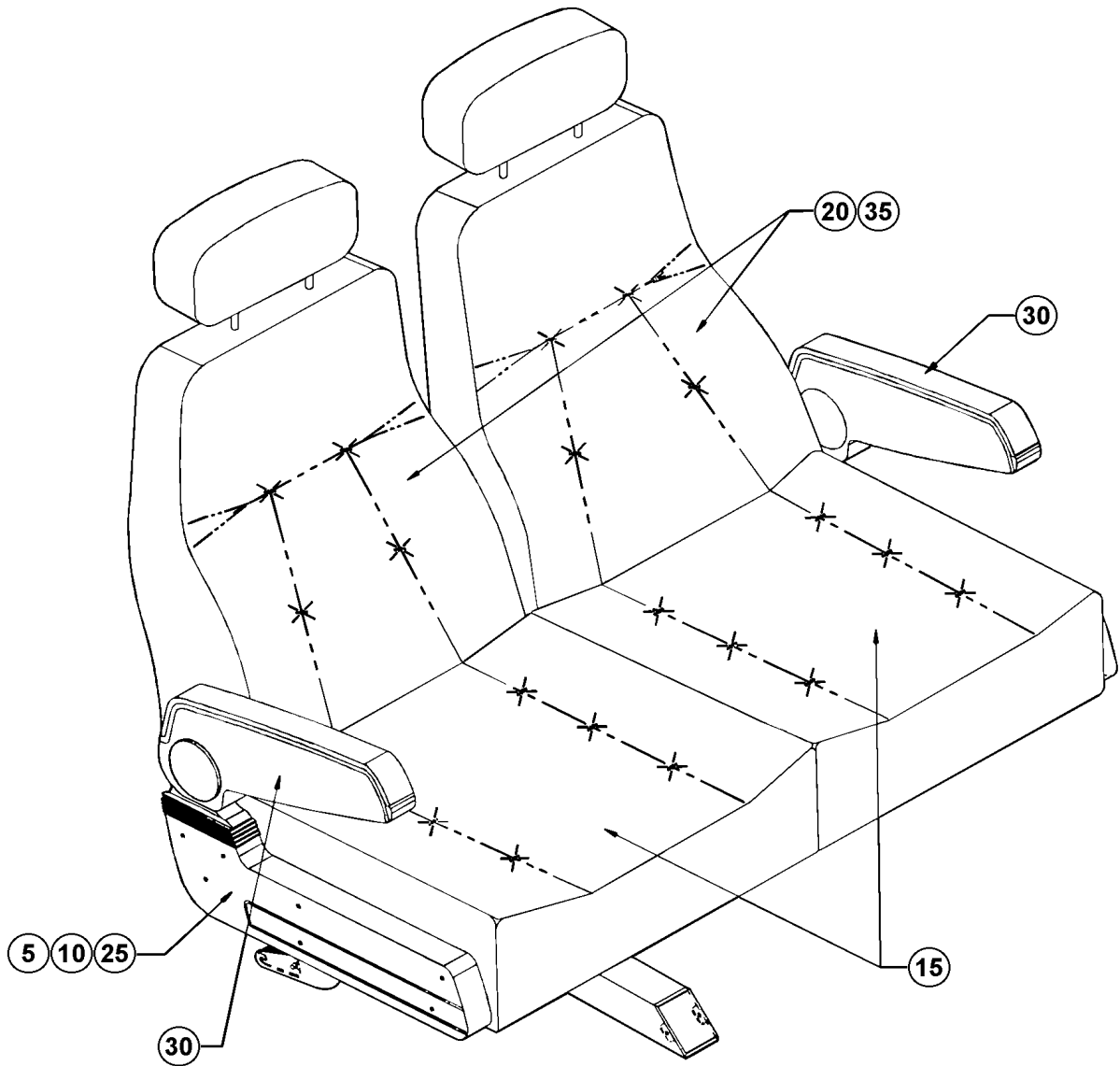
Item#	Part	Description	H 3 4 1	H 3 4 5	V I P 4 5	N O T E S
		IMPORTANT NOTE:				
		TO ORDER COMPLETE PASSENGER'S SEAT KIT #,				
		SEE THE FINAL VEHICLE RECORD.				
5	H3-1825-05	. PASSENGER'S SEAT - "AMERICAN" - FRAME				
10	H3-1825-10	. PASSENGER'S SEAT - "AMERICAN" - FRAME ROTATIN				
15	H3-1825-20	. PASSENGER'S SEAT - "AMERICAN" - CUSHION				
20	H3-1825-30	. PASSENGER'S SEAT - "AMERICAN" - BACKREST WX69				
25	H3-1825-40	. PASSENGER'S SEAT - "AMERICAN" - FOOTREST				
30	H3-1825-50	. PASSENGER'S SEAT - "AMERICAN" - ARMREST				
35	H3-1825-60	. PASSENGER'S SEAT - "AMERICAN" - BACK & ACCESS				
50	Call order desk	SCREW - WALL ATTACHING	2	2		P
51	860094	CHANNEL WALL ATTACHING	2	2		
52	Call order desk	WASHER	2	2		P
		P) CALL ORDER DESK FOR SPECIFIC APPLICATION (V.I.N.)				

From R-012 To 2-4416

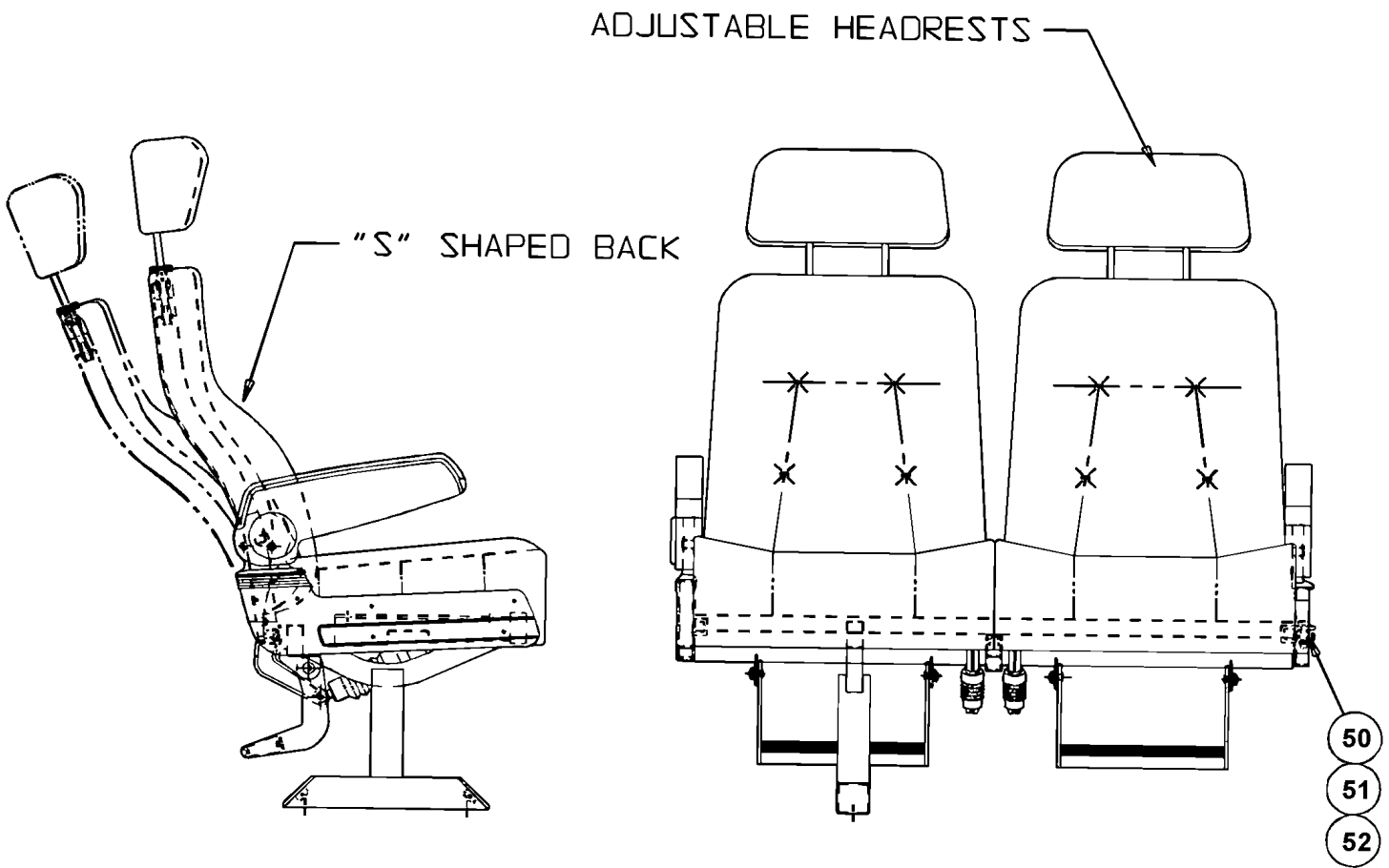
Date:10/2022

PAGE:H3-1825-03

PASSENGER'S SEAT - "AMERICAN" - W6696 & W7696



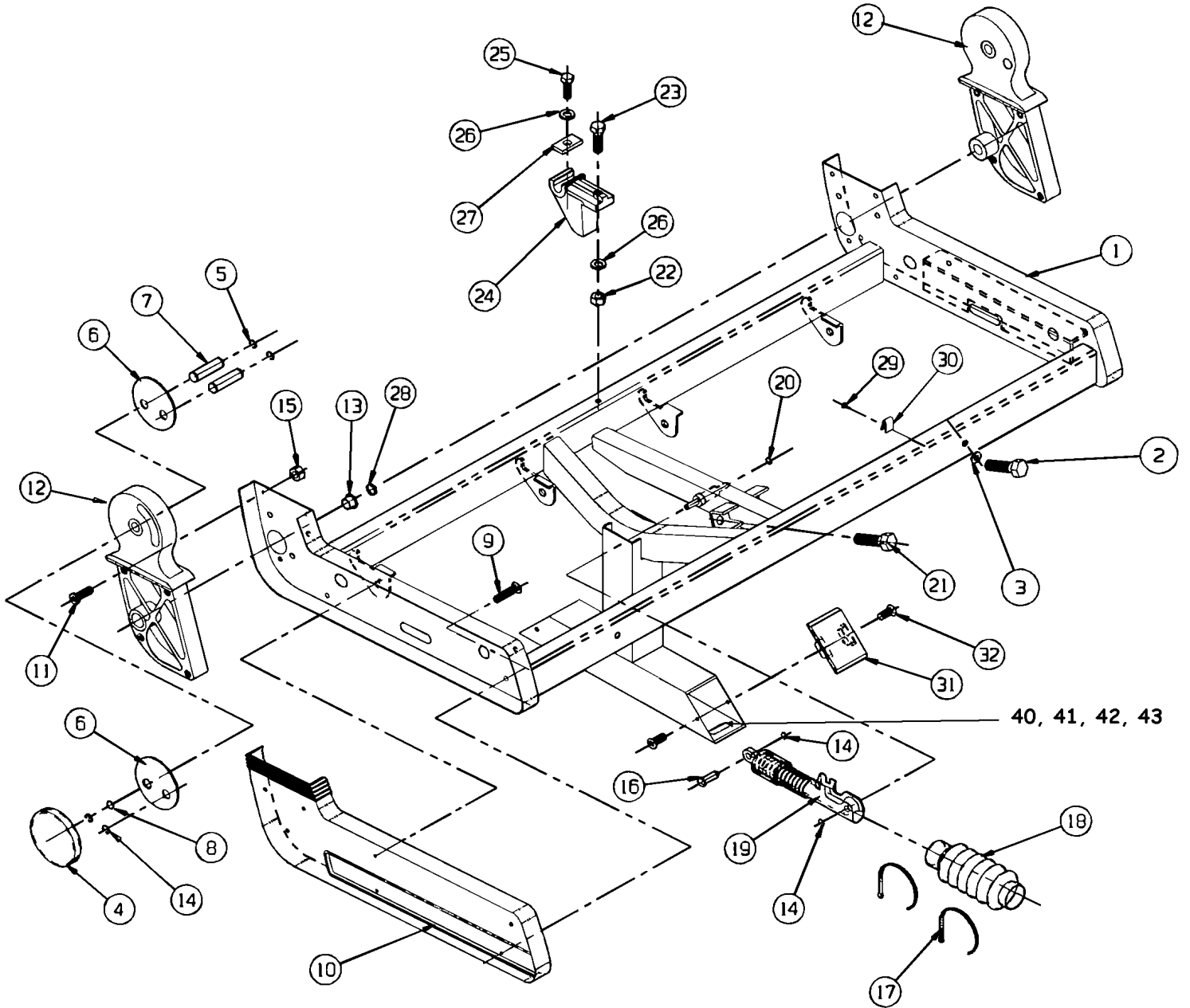
From R-012 To 2-4416	Date:10/2022	PAGE:H3-1825-03
PASSENGER'S SEAT - "AMERICAN" - W6696 & W7696		



From R-012 To 2-4416	Date:10/2022	PAGE:H3-1825-03
PASSENGER'S SEAT - "AMERICAN" - W6696 & W7696		

Item#	Part	Description	H 3 4 1	H 3 4 5	V I P 4 5	N O T E S
		IMPORTANT NOTE:				
		TO ORDER COMPLETE PASSENGER'S SEAT KIT #,				
		SEE THE FINAL VEHICLE RECORD.				
5	H3-1825-05	. PASSENGER'S SEAT - "AMERICAN" - FRAME				
10	H3-1825-10	. PASSENGER'S SEAT - "AMERICAN" - FRAME ROTATIN				
15	H3-1825-20	. PASSENGER'S SEAT - "AMERICAN" - CUSHION				
20	H3-1825-31	. PASSENGER'S SEAT - "AMERICAN" - BACKREST WX69				
25	H3-1825-40	. PASSENGER'S SEAT - "AMERICAN" - FOOTREST				
30	H3-1825-50	. PASSENGER'S SEAT - "AMERICAN" - ARMREST				
35	H3-1825-60	. PASSENGER'S SEAT - "AMERICAN" - BACK & ACCESS				
50	Call order desk	SCREW - WALL ATTACHING	2	2		P
51	860094	CHANNEL WALL ATTACHING	2	2		
52	Call order desk	WASHER	2	2		P
		P) CALL ORDER DESK FOR SPECIFIC APPLICATION (V.I.N.)				

From R-012 To 2-4416	Date:10/2022	PAGE:H3-1825-05
PASSENGER'S SEAT - "AMERICAN" - FRAME		



LH FRAME ASSEMBLY (SHOWN)
RH FRAME ASSEMBLY (OPPOSITE HAND)

From R-012 To 2-4416	Date:10/2022	PAGE:H3-1825-05
PASSENGER'S SEAT - "AMERICAN" - FRAME		

Item#	Part	Description	H 3 4 1	H 3 4 5	V I P 4 5	N O T E S
1	Call order desk	FRAME ASSY RH W/FOOTREST	1	1		P
1	Call order desk	FRAME ASSY LH W/FOOTREST	1	1		P
1	Call order desk	FRAME ASSY RH W/O FOOTREST	1	1		P
NS	Call order desk	FRAME ASSY LH W/O FOOTREST	1	1		P
1	Call order desk	FRAME ASSY LH REAR CROSS	1	1		P
2	Call order desk	SCREW CAP HEX 5/16-18x2 3/4	2	2		P
3	500476	WASHER LO SPT .317x.586x.078 Z050	2	2		
4	Call order desk	COVER DECORATIVE ASSY	1	1		P
5	Call order desk	RETAINER RING	8	8		P
6	Call order desk	PLATE REINFORCEMENT	4	4		P
7	Call order desk	PIN ARM PIVOT	4	4		P
8	Call order desk	WASHER SPR WAVE	1	1		P
9	Call order desk	SCREW SIDE TRIM #8 X 5/8"	7	7		P
10	862901	TRIM PANEL SIDE L.H.	1	1		
10	863776	TRIM PANEL SIDE R.H.	1	1		
11	Call order desk	SCREW MA PAN PH #10-32 X 5/8	8	8		P
12	Call order desk	CASTING PIVOT (AISLE SIDE)	1	1		P
12	Call order desk	CASTING PIVOT (AISLE SIDE)	1	1		P
12	Call order desk	CASTING PIVOT (WALL SIDE)	1	1		P
12	Call order desk	CASTING PIVOT (WALL SIDE)	1	1		P
13	860042	PIVOT BEARING	2	2		
14	Call order desk	SNAP RING	4	4		P
15	500423	NUT HEX NYRT #10-32 SS	8	8		
16	Call order desk	PIN CONNECTOR LINK	2	2		P
17	504273	CABLE TIE / 1/8" X 3"1/2	2	2		
18	Call order desk	COVER MECHLOK	2	2		P
19	864135	LOCK MECHANISM RH	1	1		
19	864268	LOCK MECHANISM LH	1	1		
NS	861486	CLIP / WIRE RETAINER	2	2		
20	502523	RIVET NUT FL OKS 5/16-18 .059-.119	1	1		
21	500052	SCREW CAP HEX 3/8-24x2 G5 ZP	2	2		
23	502694	SCREW CAP HEX 3/8-16x3 1/4 G5 ZP	1	1		
24	864857	CASTING - CENTER	1	1		
25	500192	SCREW CAP HEX 3/8-16x1 1/4 G5 Z050	1	1		
26	500480	WASHER LO SPT .443x.779x.109 Z050	2	2		
27	Call order desk	PLATE RETAINER	1	1		P
28	Call order desk	WASHER FL NYL	4	4		P
29	Call order desk	RIVET POP 1/8" SS L FLANGE	3	3		P
30	Call order desk	CLAMP	3	3		P
31	N8881678	CAP - END	2	2		
32	500952	SCREW TP BDG PH #8x1/2 SS	4	4		
40	500305	SCREW CAP HEX 3/8-16x7/8 G5 Z050	2	2		

From R-012 To 2-4416	Date:10/2022	PAGE:H3-1825-05
PASSENGER'S SEAT - "AMERICAN" - FRAME		

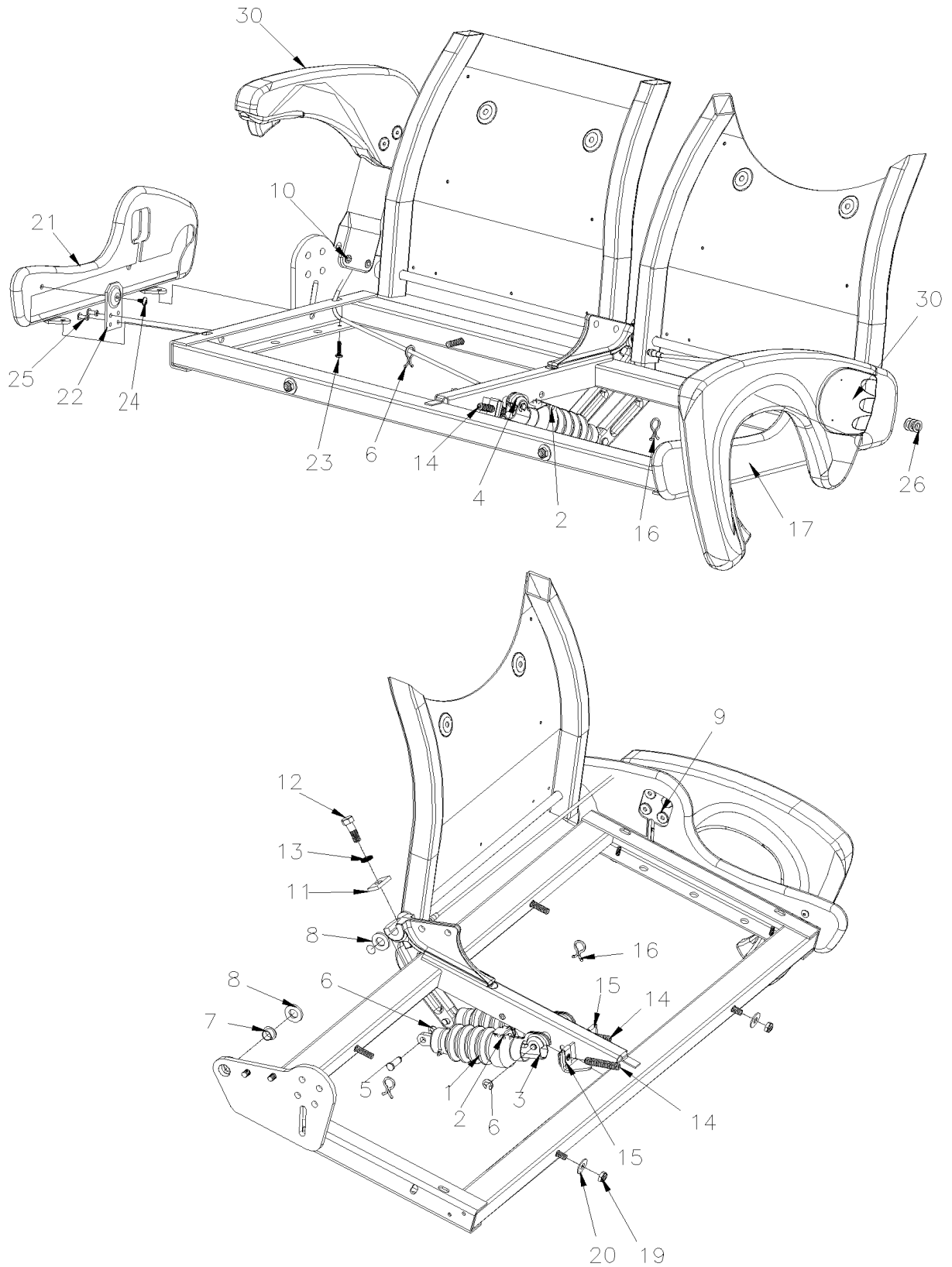
Item#	Part	Description	H 3 4 1	H 3 4 5	V I P 4 5	N O T E S
41	500478	WASHER LO SPT .380x.683x.094 Z050	2	2		
42	500270	WASHER FL .406x1.000x.063 SS	2	2		
43	362627	PLATE ANCHOR / 3/8-16 BOLT INSIDE TRACK / 1 1/4" X 1 1/4"	2	2		
		P) CALL ORDER DESK FOR SPECIFIC APPLICATION (V.I.N.)				

From Y-3867 To 2-4416

Date:10/2022

PAGE:H3-1825-06

PASSENGER'S SEAT - "AMERICAN" SERIES 2000 & MORE



From Y-3867 To 2-4416	Date:10/2022	PAGE:H3-1825-06
-----------------------	--------------	-----------------

PASSENGER'S SEAT - "AMERICAN" SERIES 2000 & MORE

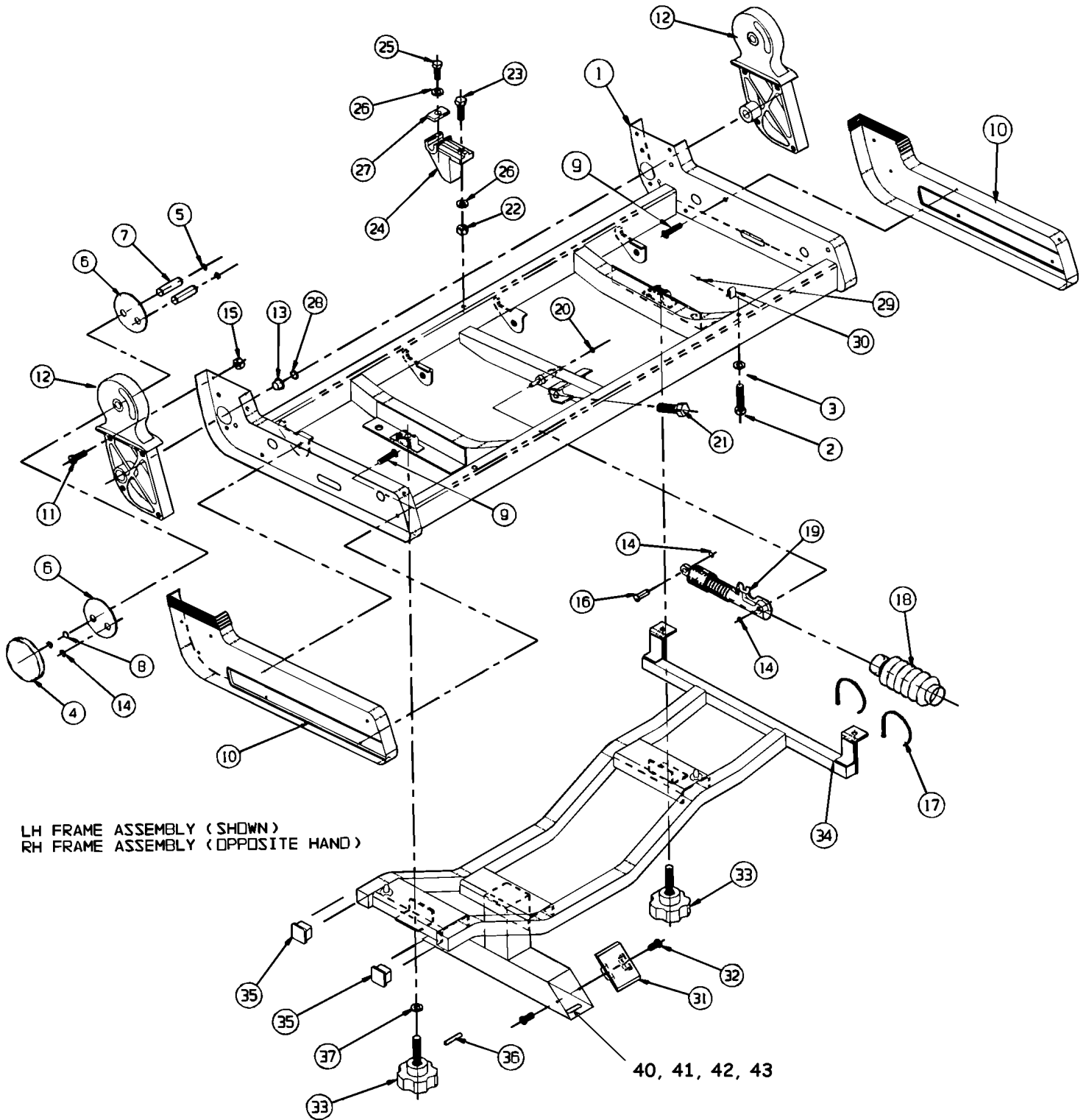
Item#	Part	Description	H 3 4 1	H 3 4 5	V I P 4 5	N O T E S
1	Call order desk	BOOT COVERING CYLINDER	2	2		P
2	865812	ATTACHMENT FITTING	2	2		
2	504012	CABLE TIE / 3/16" X 6"1/2	2	2		
3	864135	LOCK MECHANISM RH	1	1		
4	864268	LOCK MECHANISM LH	1	1		
NS	861486	CLIP / WIRE RETAINER	2	2		
5	865828	PIN CONNECTOR LINK	2	2		
6	865819	RETAINING RING	4	4		
7	865818	BEARING PIVOT	2	2		
8	Call order desk	WASHER PLAIN NYLON 1/2" x 1" x 1/8"	4	4		P
9	865886	NUT JCN-CAP 1/4-20	4	4		
10	865808	SCREW CAP HEXS 5/16-18x.672	2	2		
11	864857	CASTING - CENTER	1	1		
12	865815	SCREW CAP HEX 3/8-16x1 1/8	1	1		
13	865816	WASHER "NORD-LOCK" 3/8x21/32x.1046 ZN	1	1		
14	865811	SCREW SET HEXS FLAT	2	2		
15	Call order desk	U-NUT	2	2		P
16	Call order desk	BALL END PURSE LOCK	2	2		P
17	Call order desk	TRIM PANEL PKG L.H.	1	1		P
19	865806	NUT HEX JAM 1/4-20 ZP	2	2		
20	865807	WASHER FL 5/16x7/8x16GA SS	2	2		
21	Call order desk	PANEL AISLE TRIM	1	1		P
22	Call order desk	PANEL TRIM SUPPORT	1	1		P
23	Call order desk	SCREW SRB 40M #10-24x3/4"	2	2		P
24	865960	SCREW TP TR SQ #10-24x3/8	1	1		
25	Call order desk	RIVET DOME HEAD ST 3/16"x9/16"	2	2		P
26	Call order desk	WASHER FL 3/85/8x16GA	3	3		P
30	HF-1825-51	PASSENGER'S SEAT - "AMERICAN" - ARMREST SERIES 2000 & MORE				
		P) CALL ORDER DESK FOR SPECIFIC APPLICATION (V.I.N.)				

From R-012 To 2-4416

Date:10/2022

PAGE:H3-1825-10

PASSENGER'S SEAT - "AMERICAN" - FRAME ROTATING



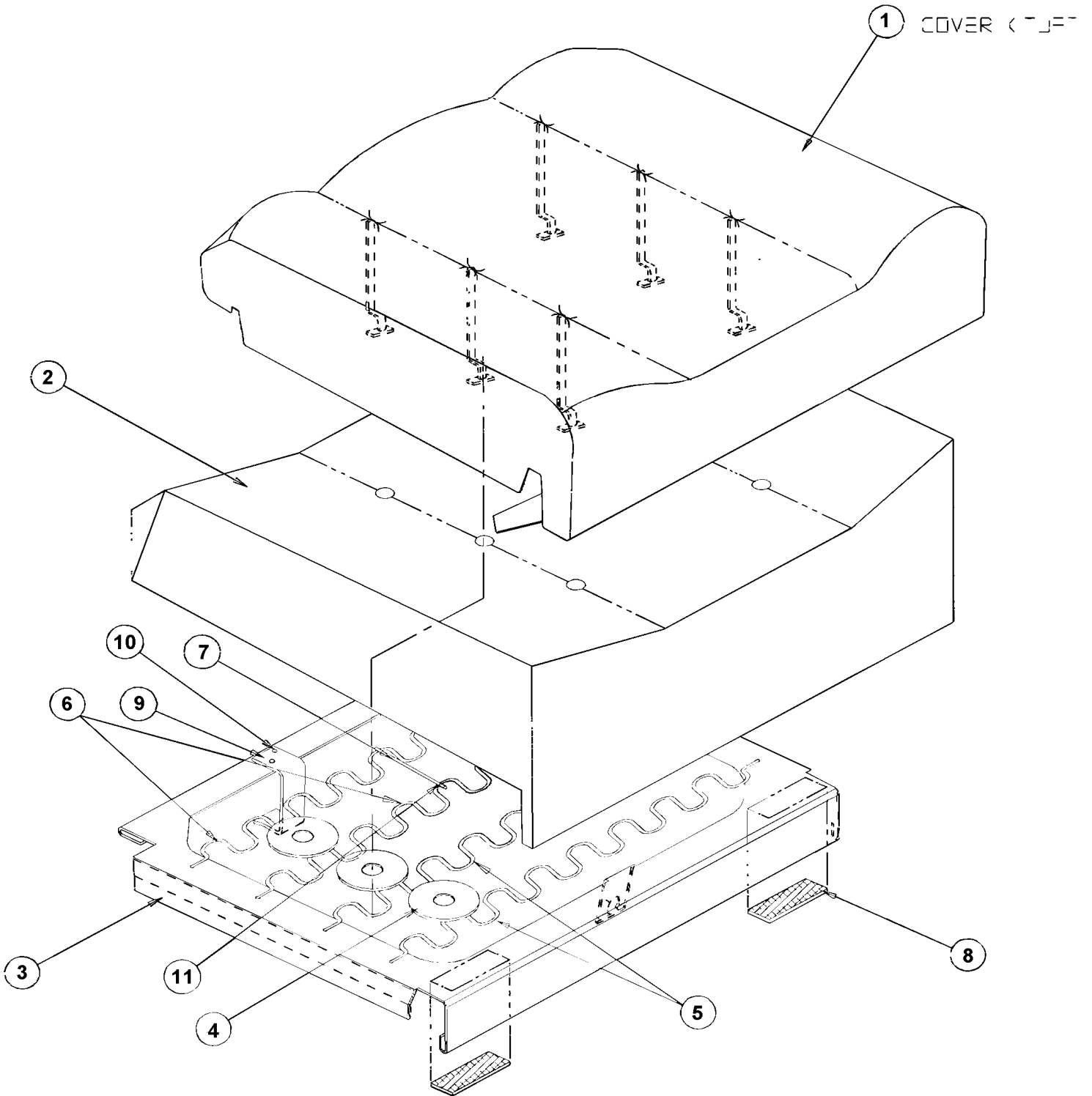
From R-012 To 2-4416	Date:10/2022	PAGE:H3-1825-10
PASSENGER'S SEAT - "AMERICAN" - FRAME ROTATIN		

Item#	Part	Description	H 3 4 1	H 3 4 5	V I P 4 5	N O T E S
1	Call order desk	FRAME ASSY UPPER W/FOOTREST	1	1		P
2	Call order desk	SCREW CAP HEX 5/16-18x2 3/4	2	2		P
3	500476	WASHER LO SPT .317x.586x.078 Z050	2	2		
4	Call order desk	COVER DECORATIVE ASSY	1	1		P
5	Call order desk	RETAINER RING	8	8		P
6	Call order desk	PLATE REINFORCEMENT	4	4		P
7	Call order desk	PIN ARM PIVOT	4	4		P
8	Call order desk	WASHER SPR WAVE	1	1		P
9	Call order desk	SCREW SIDE TRIM #8 X 5/8"	14	14		P
10	862901	TRIM PANEL SIDE L.H.	1	1		
10	863776	TRIM PANEL SIDE R.H.	1	1		
11	Call order desk	SCREW MA PAN PH #10-32 X 5/8	8	8		P
12	Call order desk	CASTING PIVOT (AISLE SIDE)	1	1		P
12	Call order desk	CASTING PIVOT (AISLE SIDE)	1	1		P
13	860042	PIVOT BEARING	2	2		
14	Call order desk	SNAP RING	4	4		P
15	500423	NUT HEX NYRT #10-32 SS	8	8		
16	Call order desk	PIN CONNECTOR LINK	2	2		P
17	504273	CABLE TIE / 1/8" X 3"1/2	2	2		
18	Call order desk	COVER MECHLOK	2	2		P
19	864135	LOCK MECHANISM RH	1	1		
19	864268	LOCK MECHANISM LH	1	1		
NS	861486	CLIP / WIRE RETAINER	2	2		
20	Call order desk	PIN PORTER RETAINER	1	1		P
21	500052	SCREW CAP HEX 3/8-24x2 G5 ZP	2	2		
23	502694	SCREW CAP HEX 3/8-16x3 1/4 G5 ZP	1	1		
24	864857	CASTING - CENTER	1	1		
25	500192	SCREW CAP HEX 3/8-16x1 1/4 G5 Z050	1	1		
26	500480	WASHER LO SPT .443x.779x.109 Z050	2	2		
27	Call order desk	PLATE RETAINER	1	1		P
28	Call order desk	WASHER FL NYL	4	4		P
29	Call order desk	RIVET POP 1/8" SS L FLANGE	3	3		P
30	Call order desk	CLAMP	3	3		P
31	N8881678	CAP - END	1	1		
32	Call order desk	SCREW #8x1/2	4	4		P
33	864807	KNOB RETAINER	2	2		
34	Call order desk	FRAME ASSY - LOWER	1	1		P
35	Call order desk	CAP - PLUG	2	2		P
36	Call order desk	PIN ROLL	2	2		P
37	Call order desk	WASHER LO SPT	1	1		P
40	500305	SCREW CAP HEX 3/8-16x7/8 G5 Z050	2	2		
41	500478	WASHER LO SPT .380x.683x.094 Z050	2	2		

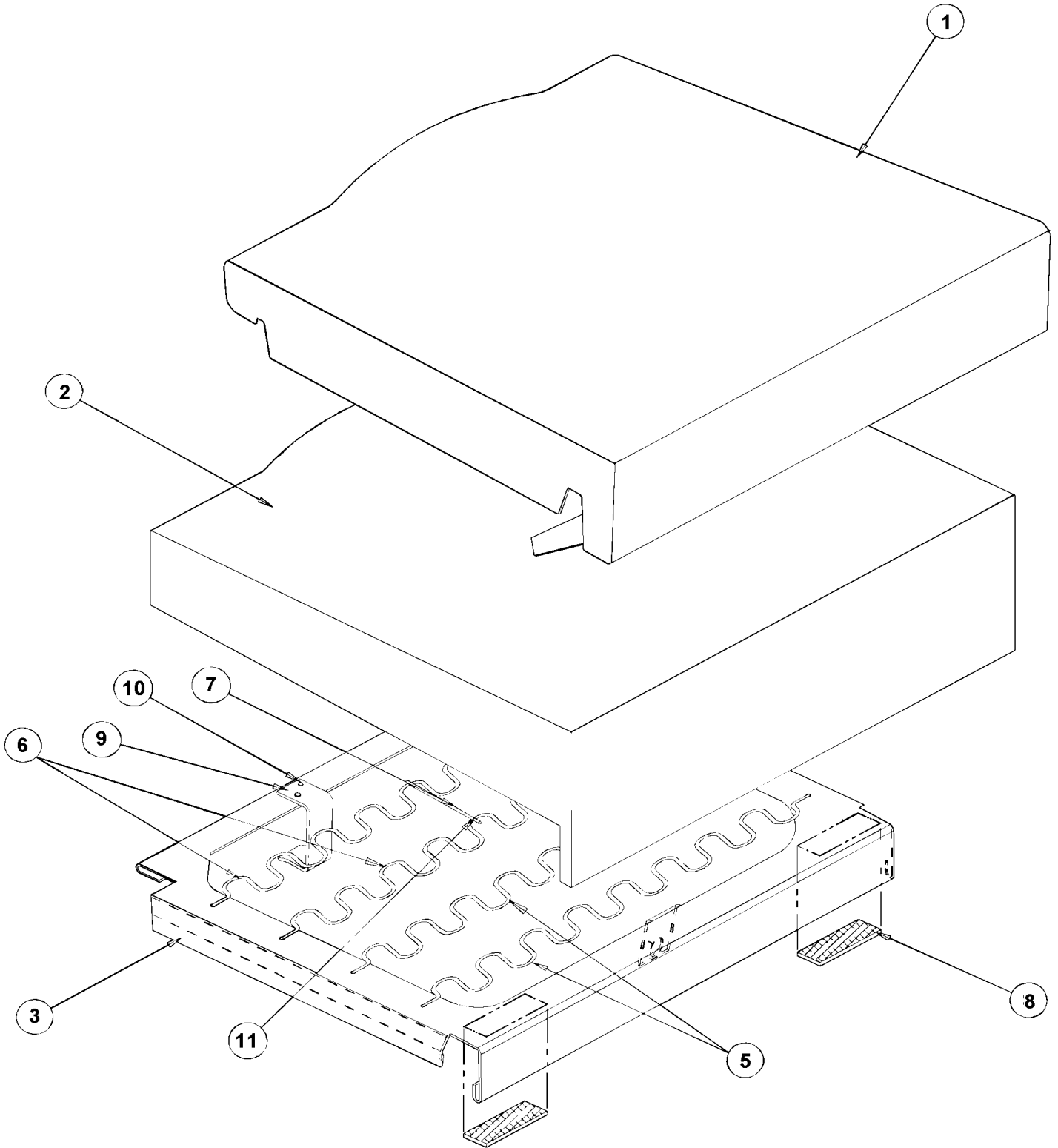
From R-012 To 2-4416	Date:10/2022	PAGE:H3-1825-10
PASSENGER'S SEAT - "AMERICAN" - FRAME ROTATIN		

Item#	Part	Description	H 3 4 1	H 3 4 5	V I P 4 5	N O T E S
42	500270	WASHER FL .406x1.000x.063 SS	2	2		
43	362627	PLATE ANCHOR / 3/8-16 BOLT INSIDE TRACK / 1 1/4" X 1 1/4"	2	2		
		P) CALL ORDER DESK FOR SPECIFIC APPLICATION (V.I.N.)				

From R-012 To 2-4416	Date:10/2022	PAGE:H3-1825-20
PASSENGER'S SEAT - "AMERICAN" - CUSHION		



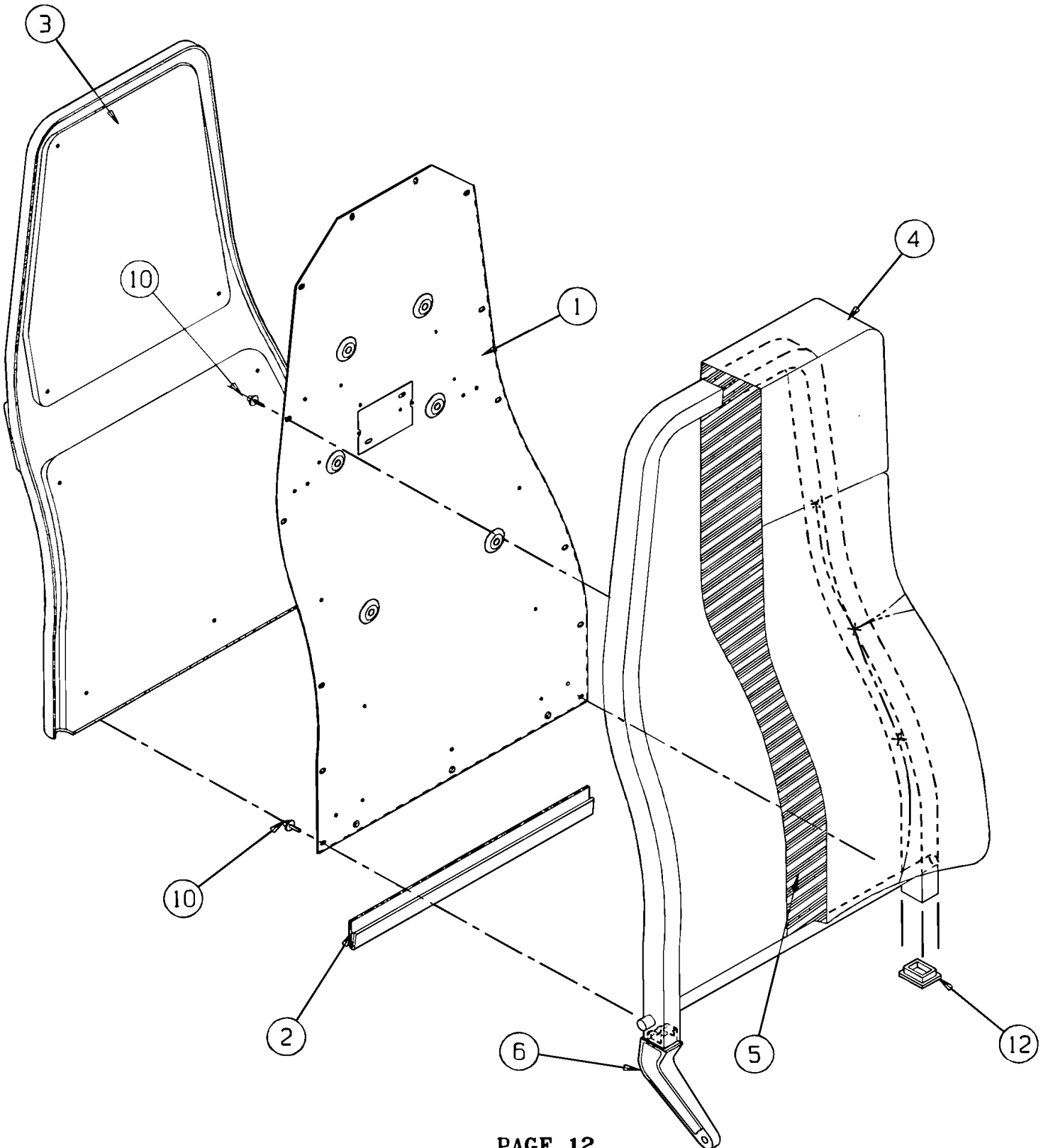
From R-012 To 2-4416	Date:10/2022	PAGE:H3-1825-20
PASSENGER'S SEAT - "AMERICAN" - CUSHION		



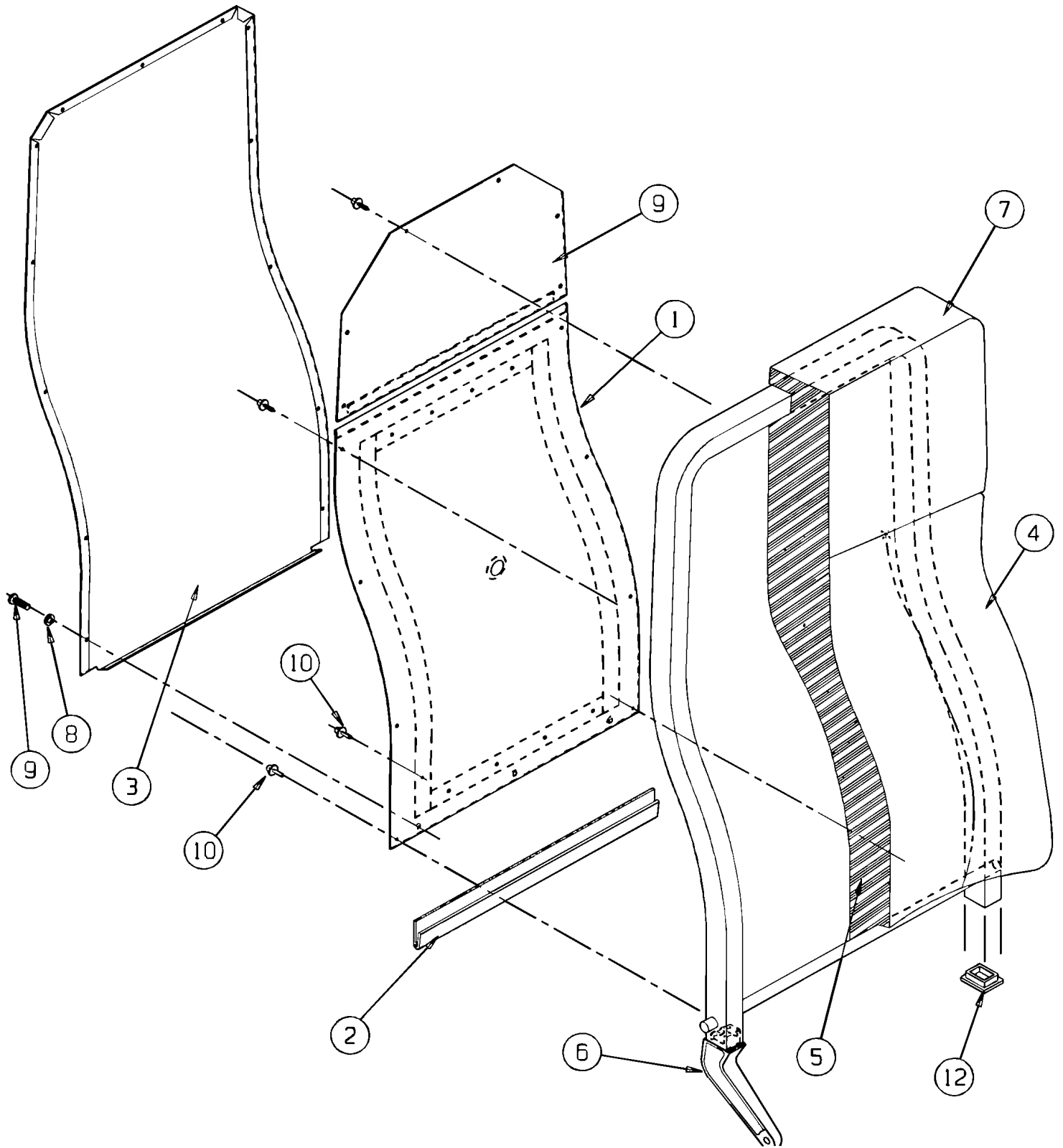
From R-012 To 2-4416	Date:10/2022	PAGE:H3-1825-20
PASSENGER'S SEAT - "AMERICAN" - CUSHION		

Item#	Part	Description	H 3 4 1	H 3 4 5	V I P 4 5	N O T E S
	N.P.N.	CUSHION ASSY - TUFTED	1	1		4 A
	N.P.N.	CUSHION ASSY - NON-TUFTED	1	1		4 B
1	N.P.N.	. COVER CUSHION	1	1		4
2	865801	. FOAM - CUSHION TUFTED - POLY	1	1		A
2	Call order desk	. FOAM - CUSHION TUFTED - LOW SMOKE FOAM	1	1		P A
2	Call order desk	. FOAM - CUSHION NON-TUFTED - POLY	1	1		P B
2	Call order desk	. FOAM - CUSHION NON-TUFTED - LOW SMOKE FOAM	1	1		P B
3	865802	. FRAME ASSY	1	1		
4	Call order desk	. WASHER (PULL TAB)	6	6		P A
5	Call order desk	. SPRING - NO SAG (FLAT)	2	2		P
6	Call order desk	. SPRING - NO SAG (CROWNED)	2	2		P
7	Call order desk	. WIRE 5"	1	1		P
8	Call order desk	. VELCRO	2	2		P
9	Call order desk	. RETAINER - REAR	1	1		P
10	Call order desk	. RIVET POP 3/16x7/16 ZP	1	1		P
11	Call order desk	. HARTCO-CLIP	1	1		P
		A) TUFTED CUSHION				
		B) NON-TUFTED CUSHION				
		4) NO PARTS NUMBER				
		P) CALL ORDER DESK FOR SPECIFIC APPLICATION (V.I.N.)				

From R-012 To 2-4416	Date:10/2022	PAGE:H3-1825-30
PASSENGER'S SEAT - "AMERICAN" - BACKREST WX69		



From R-012 To 2-4416	Date:10/2022	PAGE:H3-1825-30
PASSENGER'S SEAT - "AMERICAN" - BACKREST WX69		



From R-012 To 2-4416	Date:10/2022	PAGE:H3-1825-30
PASSENGER'S SEAT - "AMERICAN" - BACKREST WX69		

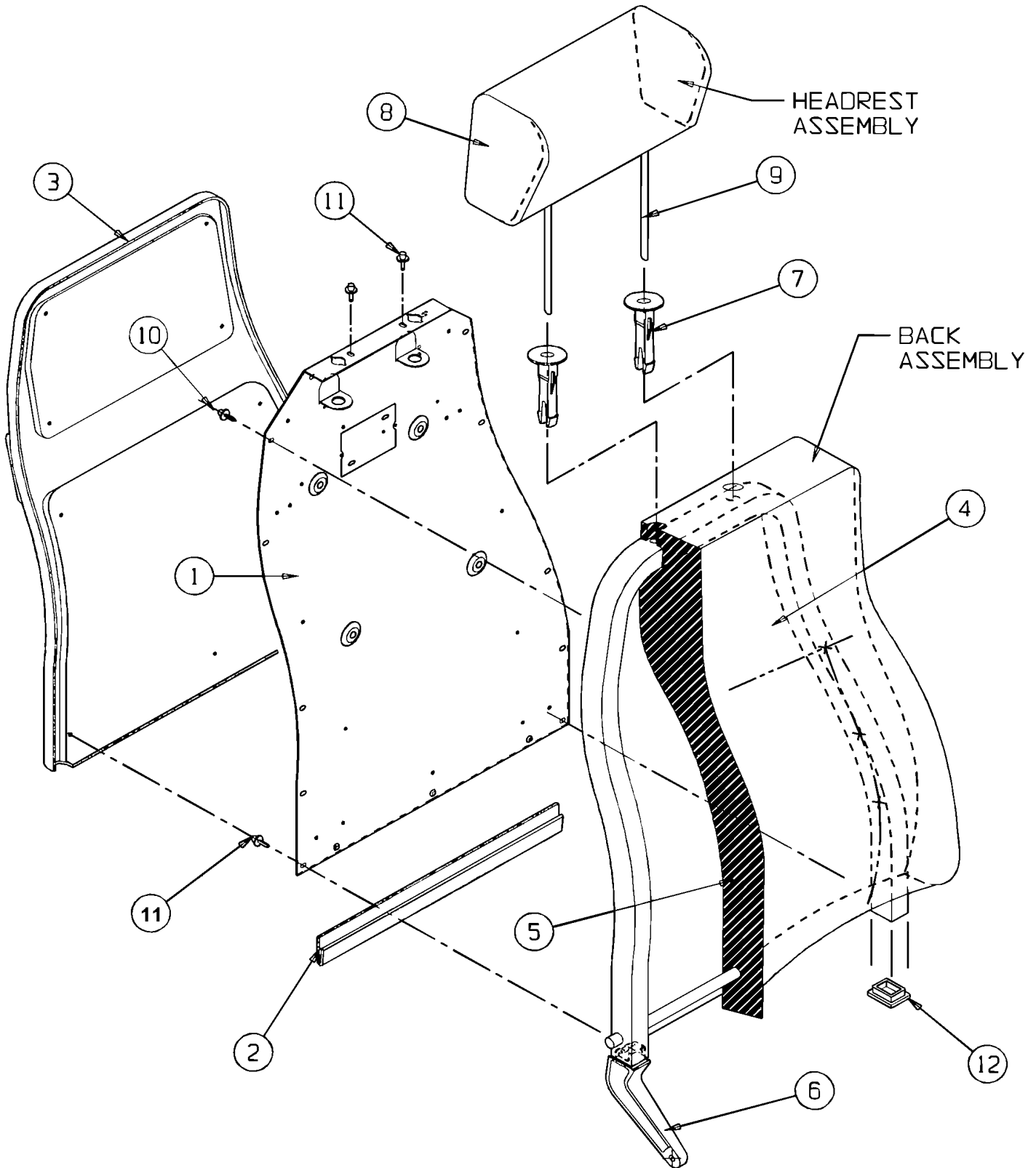
Item#	Part	Description	H 3 4 1	H 3 4 5	V I P 4 5	N O T E S
1	Call order desk	PANEL METAL INNER	1	1		P D
1	Call order desk	PANEL METAL INNER	1	1		P C
2	Call order desk	EXTRUSION VINYL	1	1		P
3	H3-1825-60	PASSENGER'S SEAT - "AMERICAN" - BACK & ACCESS				D
4	N.P.N.	COVER BACK UPHOLSTERY	1	1		4 D
4	N.P.N.	COVER BACK UPHOLSTERY	1	1		4 C
5	Call order desk	FOAM BACK	1	1		P A
5	Call order desk	FOAM BACK	1	1		P B
6	Call order desk	BACK FRAME & FOAM RH	1	1		P A
6	Call order desk	BACK FRAME & FOAM RH	1	1		P B
6	Call order desk	BACK FRAME & FOAM RH	1	1		P C
6	Call order desk	BACK FRAME & FOAM LH	1	1		P A
6	Call order desk	BACK FRAME & FOAM LH	1	1		P B
6	Call order desk	BACK FRAME & FOAM LH	1	1		P C
7	Call order desk	FOAM HEADREST	1	1		P C
8	Call order desk	PROTECTIVE TAPE	QR	QR		P D
9	Call order desk	PANEL METAL	1	1		P C
10	Call order desk	RIVET POP	12	12		P
12	Call order desk	PLUG CAP 1x1 1/4 BLK POLY	1	1		P
		A) WITH SEAT MODEL W6693				
		B) WITH SEAT MODEL W6695				
		C) WITH SEAT MODEL W7693				
		D) WITH SEAT MODEL W6693 & W7693				
		4) NO PARTS NUMBER				
		P) CALL ORDER DESK FOR SPECIFIC APPLICATION (V.I.N.)				

From R-012 To 2-4416

Date:10/2022

PAGE:H3-1825-31

PASSENGER'S SEAT - "AMERICAN" - BACKREST WX69

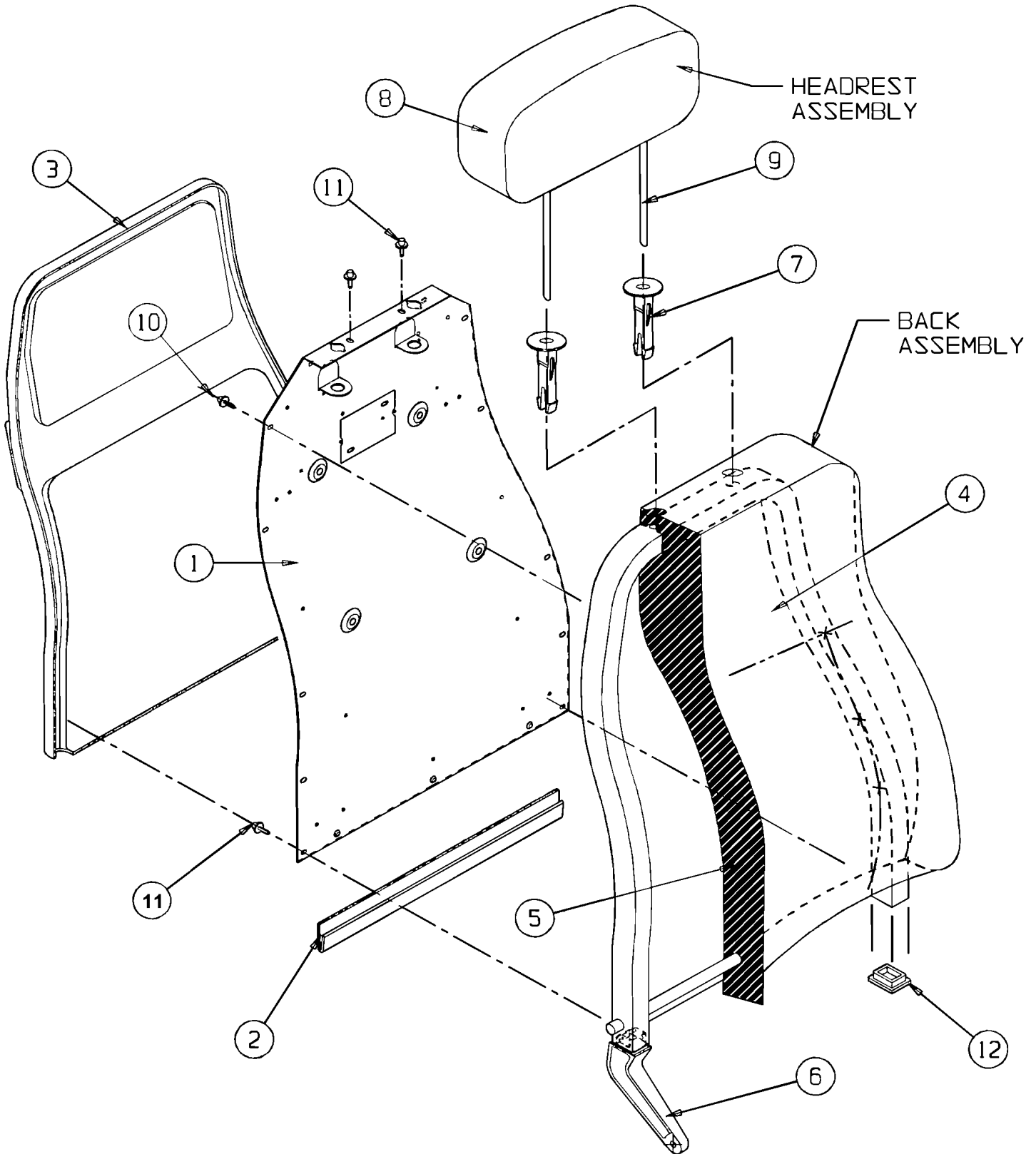


From R-012 To 2-4416

Date:10/2022

PAGE:H3-1825-31

PASSENGER'S SEAT - "AMERICAN" - BACKREST WX69



From R-012 To 2-4416	Date:10/2022	PAGE:H3-1825-31
PASSENGER'S SEAT - "AMERICAN" - BACKREST WX69		

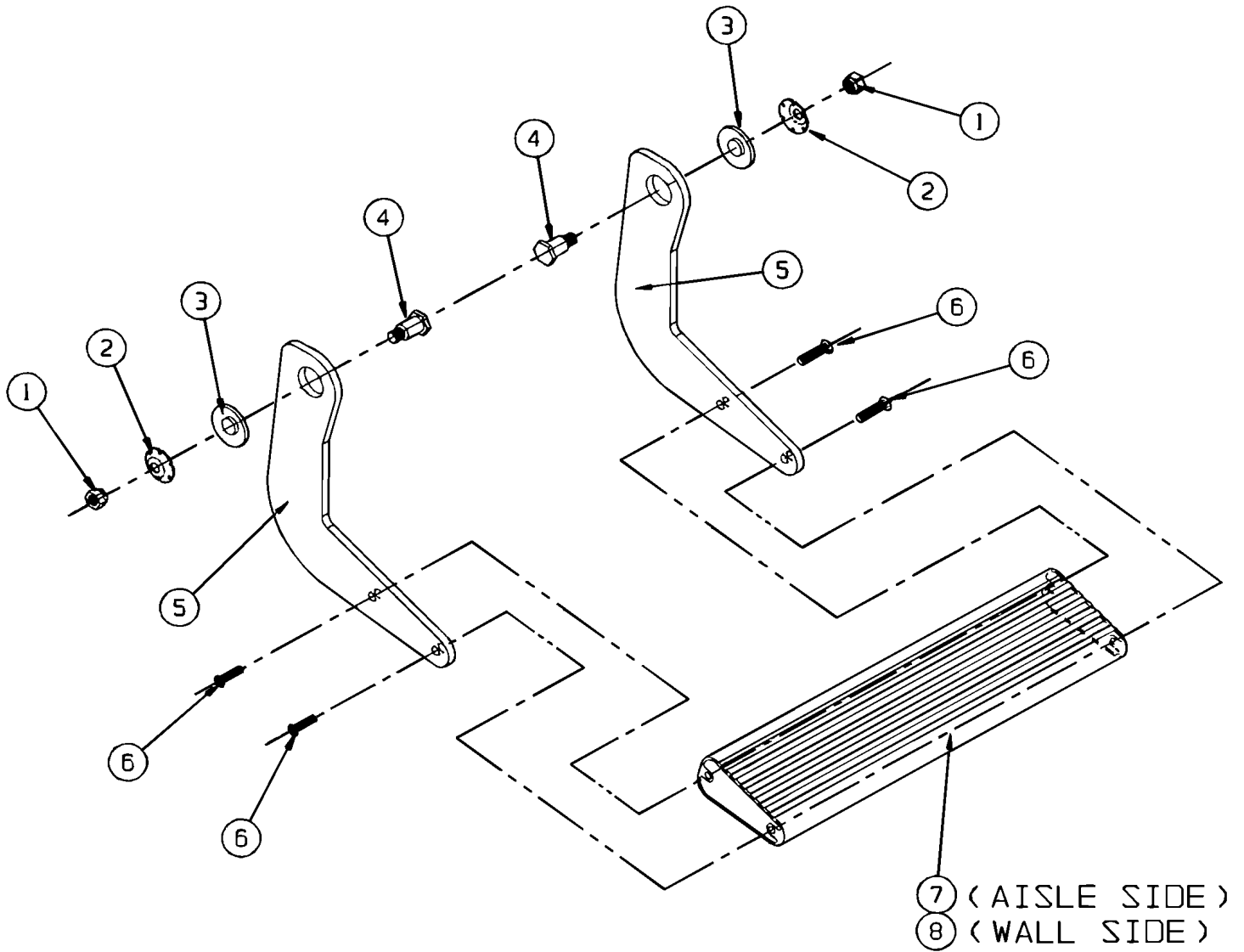
Item#	Part	Description	H 3 4 1	H 3 4 5	V I P 4 5	N O T E S
1	Call order desk	PANEL METAL INNER	1	1		P
2	Call order desk	EXTRUSION VINYL	1	1		P
3	H3-1825-60	PASSENGER'S SEAT - "AMERICAN" - BACK & ACCESS				
4	N.P.N.	COVER BACK UPHOLSTERY	1	1		4
5	Call order desk	FOAM BACK - POLY FOAM	1	1		PA
5	Call order desk	FOAM BACK - POLY FOAM	1	1		PB
5	Call order desk	FOAM BACK - LOW SMOKE FOAM	1	1		PB
5	Call order desk	FOAM BACK - POLY FOAM	1	1		PC
5	Call order desk	FOAM BACK - LOW SMOKE FOAM	1	1		PC
5	Call order desk	FOAM BACK - POLY FOAM	1	1		PD
5	Call order desk	FOAM BACK - LOW SMOKE FOAM	1	1		PD
6	Call order desk	BACK FRAME & FOAM RH	1	1		P
6	Call order desk	BACK FRAME & FOAM LH	1	1		P
7	863800	BUSHING GUIDE	2	2		
8	N.P.N.	COVER HEADREST UPHOLSTERY	1	1		4
9	Call order desk	HEADREST ASSY - POLY FOAM	1	1		PE
9	Call order desk	HEADREST ASSY - POLY FOAM	1	1		PF
9	Call order desk	HEADREST ASSY - LOW SMOKE FOAM	1	1		PE
9	Call order desk	HEADREST ASSY - LOW SMOKE FOAM	1	1		PF
10	Call order desk	RIVET POP	12	12		P
11	Call order desk	RIVET POP	2	2		P
12	Call order desk	PLUG CAP 1x1 1/4 BLK POLY	1	1		P
		A) WITH SEAT MODEL W6693				
		B) WITH SEAT MODEL W6696				
		C) WITH SEAT MODEL W7694				
		D) WITH SEAT MODEL W7696				
		E) WITH SEAT MODEL W6694 & W6696				
		F) WITH SEAT MODEL W7694 & W7696				
		4) NO PARTS NUMBER				
		P) CALL ORDER DESK FOR SPECIFIC APPLICATION (V.I.N.)				

From R-012 To 2-4416

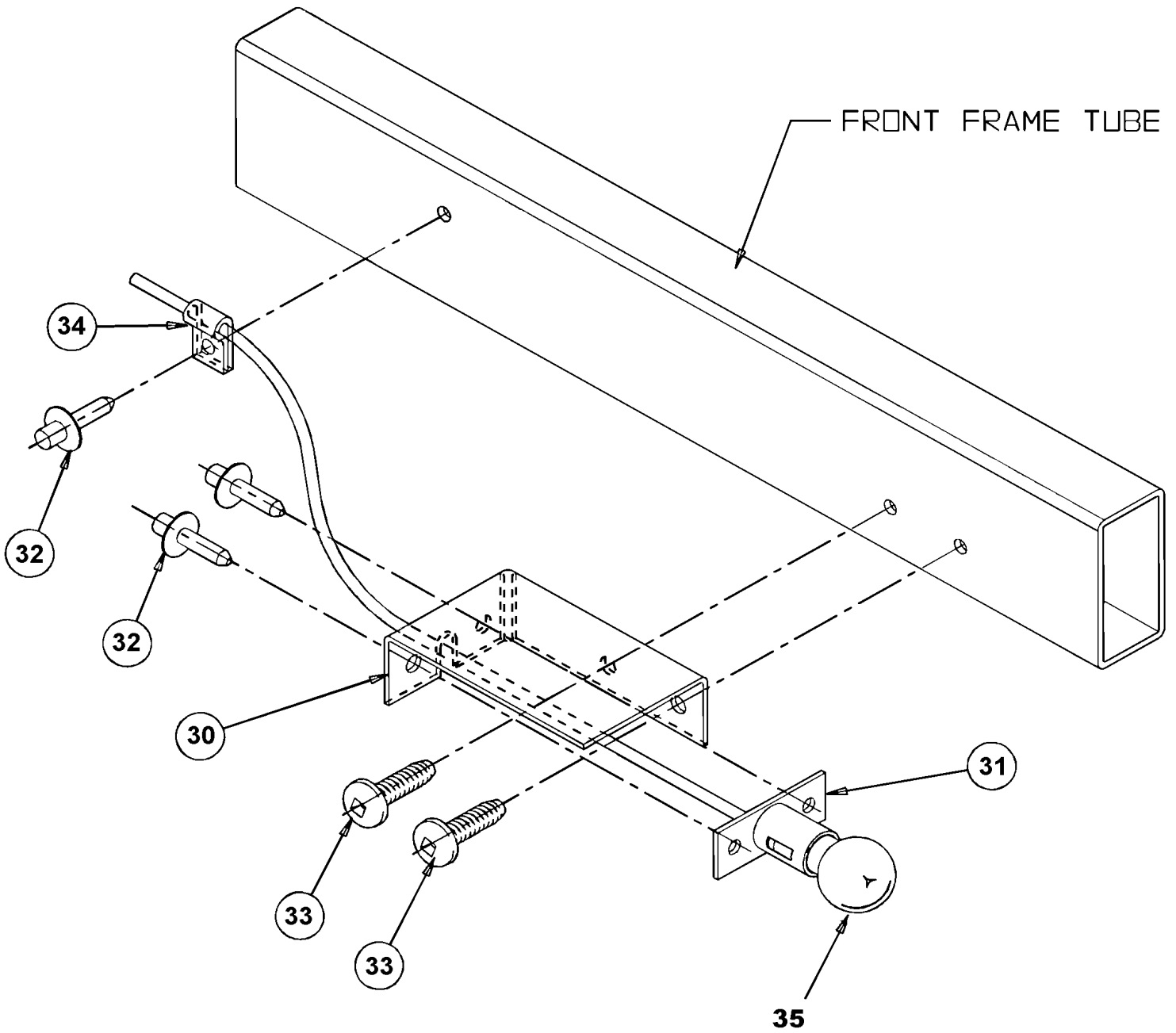
Date:10/2022

PAGE:H3-1825-40

PASSENGER'S SEAT - "AMERICAN" - FOOTREST



From R-012 To 2-4416	Date:10/2022	PAGE:H3-1825-40
PASSENGER'S SEAT - "AMERICAN" - FOOTREST		



From R-012 To 2-4416	Date:10/2022	PAGE:H3-1825-40
PASSENGER'S SEAT - "AMERICAN" - FOOTREST		

Item#	Part	Description	H 3 4 1	H 3 4 5	V I P 4 5	N O T E S
	864788	FOOTREST ASSY (AISLE SIDE)	1	1	1	
	Call order desk	FOOTREST ASSY (WALL SIDE)	1	1		P
1	500690	. NUT HEX NYRT 1/4-28 Z050	2	2		
2	862724	. WASHER TENSIONER	2	2		
3	862723	. WASHER FL NYLON	2	2		
4	862722	. PIN PIVOT	2	2		
5	865126	. PLATE HANGER	2	2		
6	19509601	. SCREW MA PAN PH #10-24x3/4	4	4		
7	Call order desk	. EXTRUSION FOOTREST (AISLE SIDE)	1	1		P
8	Call order desk	. EXTRUSION FOOTREST (WALL SIDE)	1	1		P
30	Call order desk	ASILE LITE ASSEMBLY	1	1		P
30	Call order desk	ASILE LITE ASSEMBLY (REVERSIBLE)	1	1		P A
30	Call order desk	. HOUSING ASILE LITE	1	1		P
30	Call order desk	. HOUSING ASILE LITE (REVERSIBLE)	1	1		P A
31	Call order desk	. LAMP SOCKET ASSEMBLY	1	1		P
32	504105	. RIVET POP DOME OE 1/8x3/16 AL	7	7		
33	Call order desk	. SCREW MA BUT SQ #6-32x1/2	2	2		P
34	Call order desk	. CLAMP	5	5		P
35	560141	. BULB / 3WATT-24VOLTS / SAE# 1251	AR	AR		
35	563546	BULB / 7 LEDS BLUE / UNDER SEAT / #B607-2PB-028W	AR	AR		
35	564100	BULB / 7 LEDS BLUE / UNDER SEAT / #270015	1	1		
		A) WITH REVERSIBLE SEAT				
		P) CALL ORDER DESK FOR SPECIFIC APPLICATION (V.I.N.)				

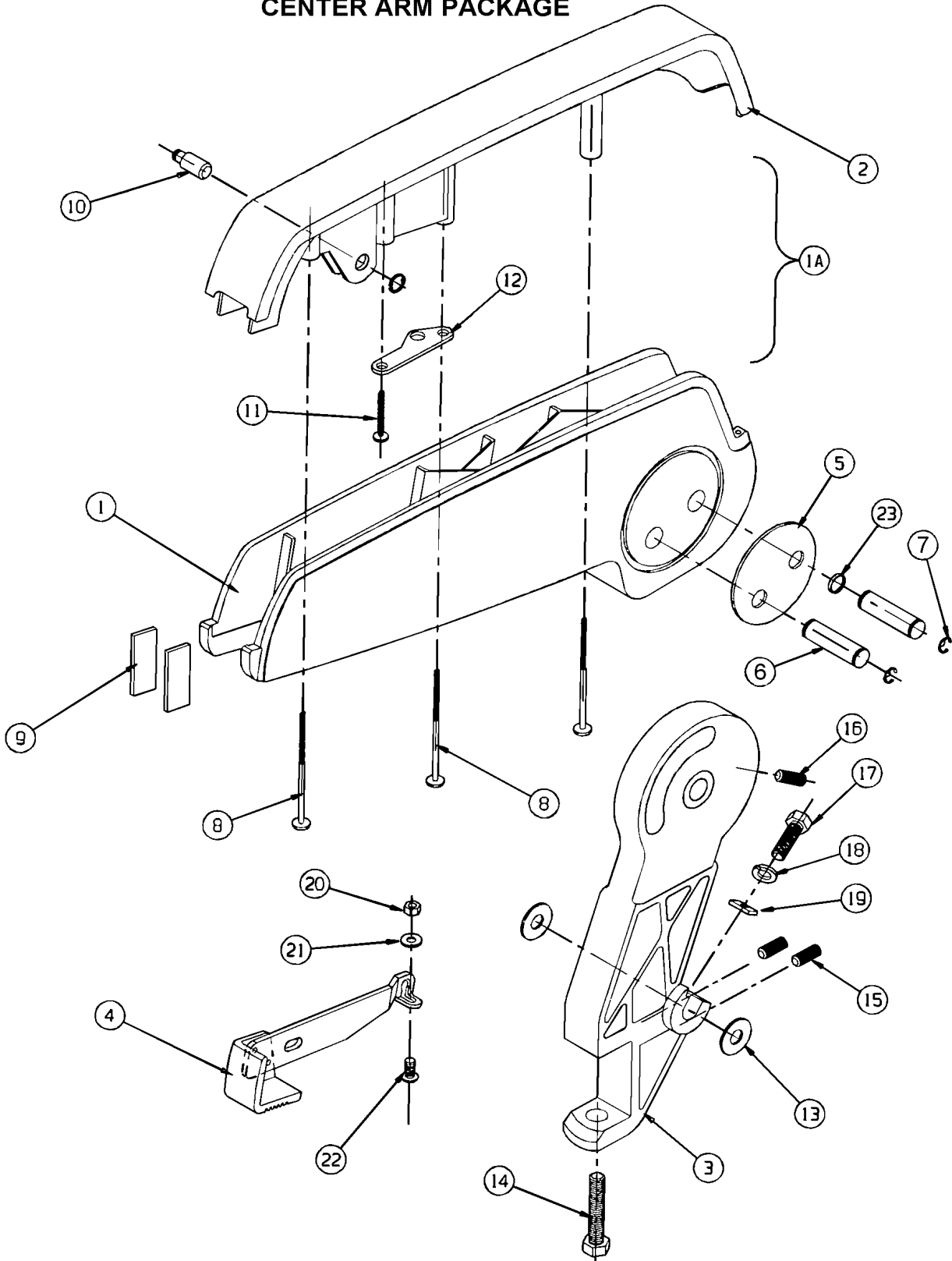
From R-012 To 2-4416

Date:10/2022

PAGE:H3-1825-50

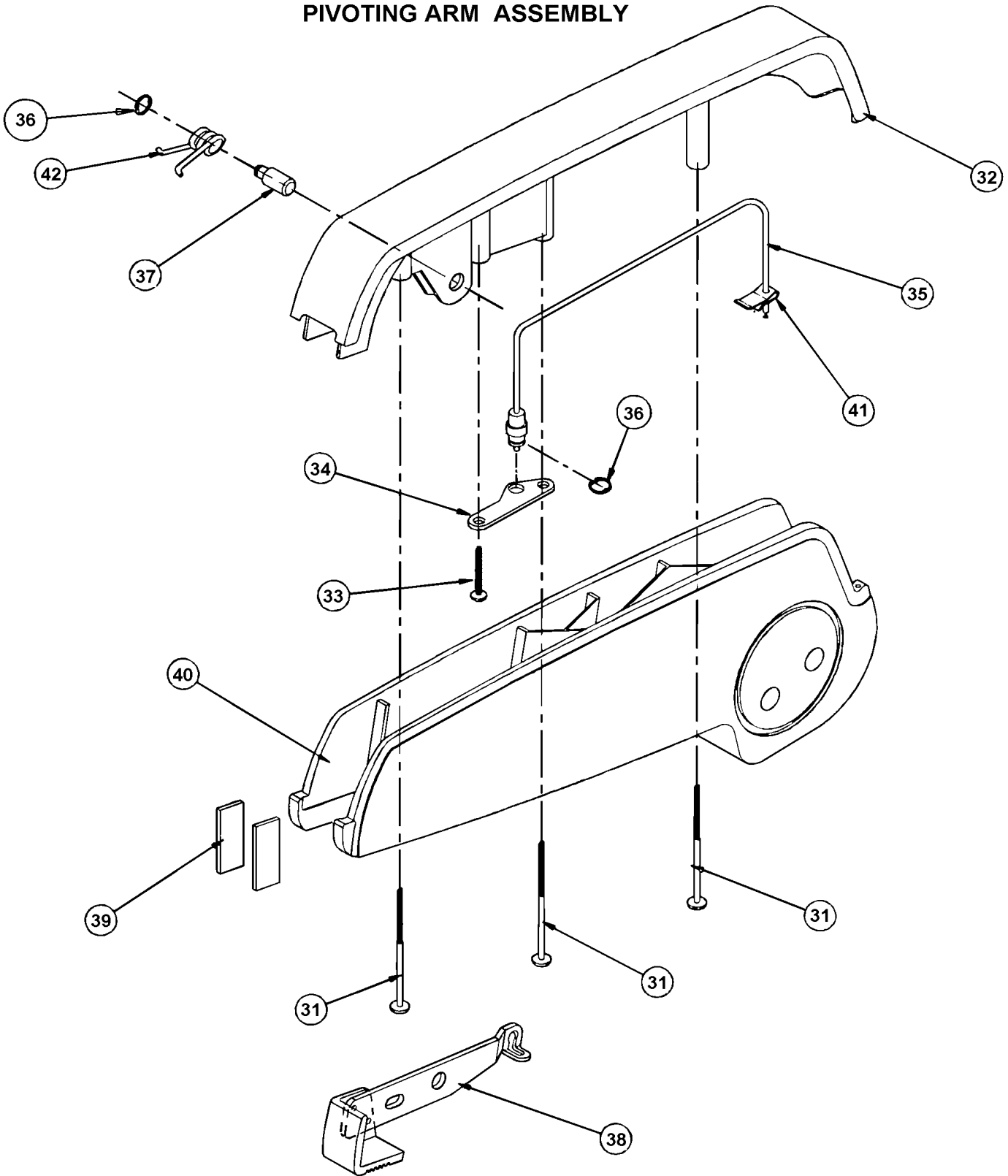
PASSENGER'S SEAT - "AMERICAN" - ARMREST

CENTER ARM PACKAGE



From R-012 To 2-4416	Date:10/2022	PAGE:H3-1825-50
PASSENGER'S SEAT - "AMERICAN" - ARMREST		

PIVOTING ARM ASSEMBLY



From R-012 To 2-4416	Date:10/2022	PAGE:H3-1825-50
PASSENGER'S SEAT - "AMERICAN" - ARMREST		

Item#	Part	Description	H 3 4 1	H 3 4 5	V I P 4 5	N O T E S
	Call order desk	CENTER ARM PACKAGE	1	1		P
1	Call order desk	. ARM BASE	1	1		P
2	Call order desk	. CAP - ARM	1	1		P
3	Call order desk	. CASTING SUPPORT	1	1		P
4	Call order desk	. LEVER ASSY RECLINE	1	1		P
5	Call order desk	. PLATE REINFORCEMENT	2	2		P
6	Call order desk	. PIN - PIVOT	2	2		P
7	Call order desk	. RETAINER RING	4	4		P
8	Call order desk	. SCREW #10x2 1/4	3	3		P
9	Call order desk	. SOUND ABSORBER	2	2		P
10	Call order desk	. PIN - PIVOT RECLINE	1	1		P
11	Call order desk	. SCREW MA PAN PH #10-32	1	1		P
12	Call order desk	. PLATE - CABLE RETAINER	1	1		P
13	Call order desk	. WASHER FL NYL	2	2		P
14	Call order desk	. SCREW CAP HEX 3/8-16x2 1/2	1	1		P
15	Call order desk	. SCREW - SET 1/4-20	2	2		P
16	Call order desk	. SCREW - SET	1	1		P
17	Call order desk	. SCREW CAP HEX 3/8-16x1 1/8	1	1		P
18	Call order desk	. WASHER LO SPT	1	1		P
19	Call order desk	. PLATE RETAINER	1	1		P
20	Call order desk	. NUT HEX #6-32	1	1		P
21	Call order desk	. WASHER FL	1	1		P
22	Call order desk	. SCREW CAP HEX #6-32x1/2	1	1		P
23	Call order desk	. WASHER SPR WAVE	1	1		P
NS	Call order desk	ARM ASSY	1	1		P A
30	865803	PIVOTING ARM ASSY	1	1		
31	Call order desk	. SCREW #10x2 1/4	3	3		P
32	Call order desk	. CAP - ARM	1	1		P
33	Call order desk	. SCREW MA PAN PH #10-32	1	1		P
34	Call order desk	. PLATE - CABLE RETAINER	1	1		P
35	864192	. CABLE PORTER RELEASE	1	1		
36	Call order desk	. E-RING - BOWED	2	2		P
37	Call order desk	. PIN - PIVOT RECLINE	1	1		P
38	Call order desk	. LEVER ASSY RECLINE	1	1		P
39	Call order desk	. SOUND ABSORBER	2	2		P
40	Call order desk	. ARM BASE	1	1		P
41	861486	. CLIP / WIRE RETAINER	1	1		
42	Call order desk	. SPRING RETURN	1	1		P

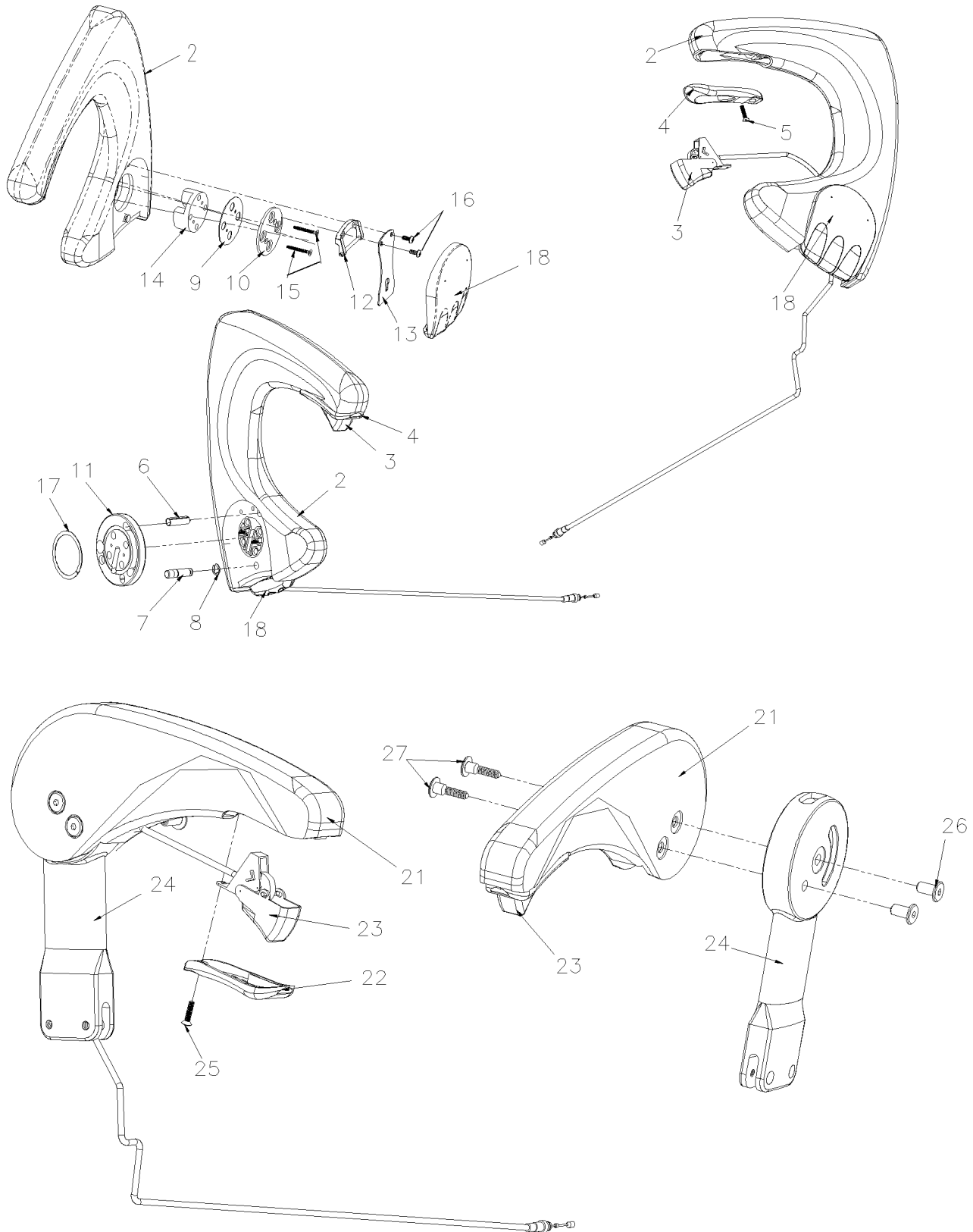
From R-012 To 2-4416		Date:10/2022	PAGE:H3-1825-50			
PASSENGER'S SEAT - "AMERICAN" - ARMREST						
Item#	Part	Description	H 3 4 1	H 3 4 5	V I P 4 5	N O T E S
		A) INCLUDE ITEMS #1 & 3				
		P) CALL ORDER DESK FOR SPECIFIC APPLICATION (V.I.N.)				

From Y-3867 To 2-4416

Date:10/2022

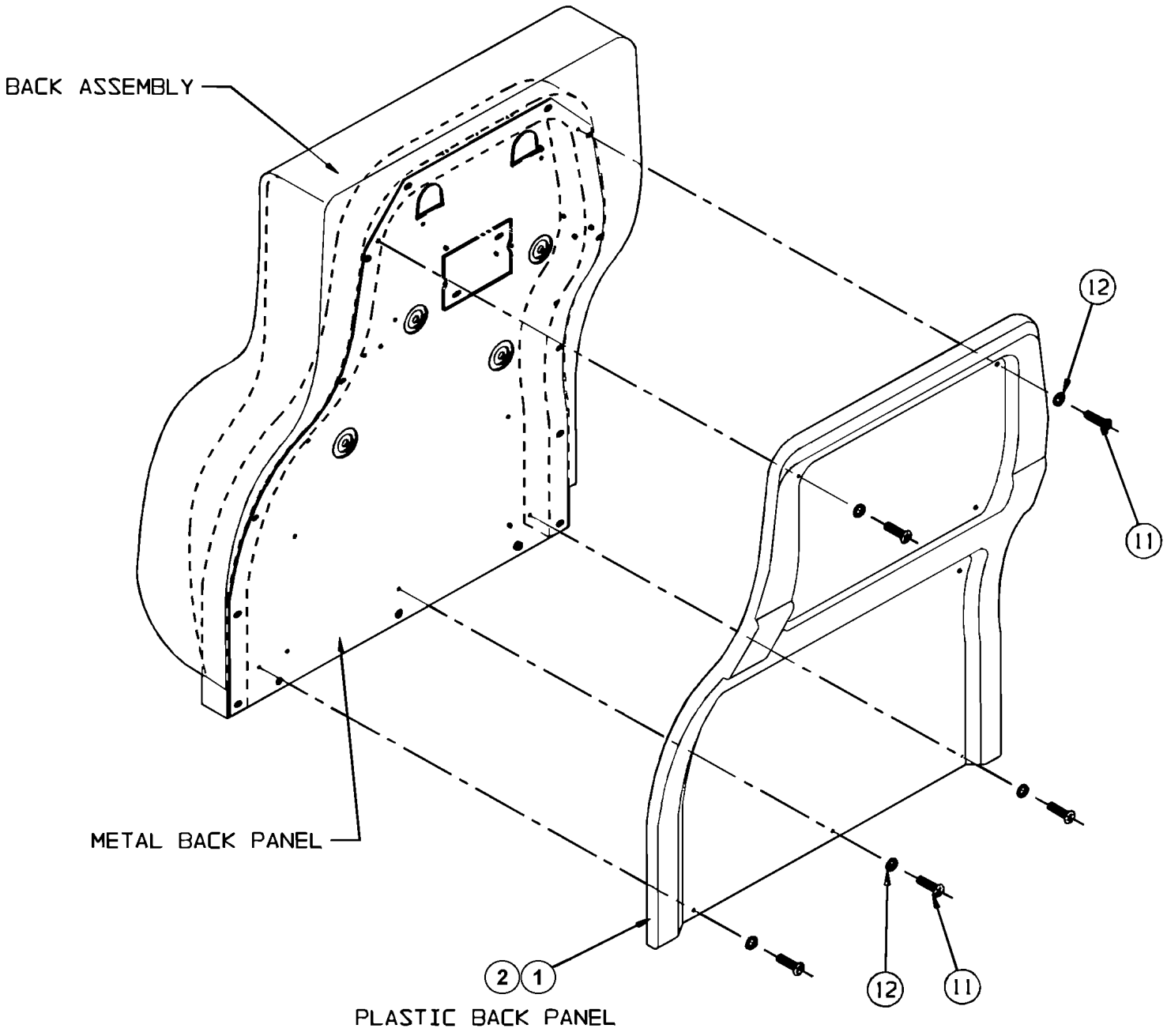
PAGE:H3-1825-51

PASSENGER'S SEAT - "AMERICAN" - ARMREST SERIES 2000 & MORE



From Y-3867 To 2-4416		Date:10/2022	PAGE:H3-1825-51			
PASSENGER'S SEAT - "AMERICAN" - ARMREST SERIES 2000 & MORE						
Item#	Part	Description	H 3 4 1	H 3 4 5	V I P 4 5	N O T E S
1	Call order desk	ARM ASSY L.H. (FOLD-DOWN)	1	1		P
1	Call order desk	. ARM WELDMENT AISLE	1	1		P
2	Call order desk	. ARM AISLE	1	1		P
3	196436	. CABLE ASSY RELEASE	1	1		
4	865349	. BEZEL	1	1		
5	865887	. SCREW MA FL PH #8-18x3/4	1	1		
6	Call order desk	. PIN SLOTTER 5/16"x1 1/4"	1	1		P
7	Call order desk	. LOCK PIN	1	1		P
8	Call order desk	. E-RING	1	1		P
9	Call order desk	. PLATE END WASHER	1	1		P
10	Call order desk	. PLATE END	1	1		P
11	Call order desk	. PLATE INDEX	1	1		P
12	Call order desk	. BRACKET ARMREST PIVOT	1	1		P
13	Call order desk	. SPRING HANDLE	1	1		P
14	Call order desk	. HUB	1	1		P
15	Call order desk	. SCREW #10-24x3/4 SR P	2	2		P
16	Call order desk	. SCREW BUT HEAD #8x7/8" CRO	2	2		P
17	Call order desk	. WASHER, WAVE	1	1		P
18	864092	. HANDLE PIVOT	1	1		
20	Call order desk	ARM ASSY STATIONARY WALL SIDE	1	1		P
21	Call order desk	. ARM AISLE	1	1		P
22	865349	. BEZEL	1	1		
23	196436	. CABLE ASSY RELEASE	1	1		
24	865888	. CASTING ARM EXTENSION RH	1	1		
25	865887	. SCREW MA FL PH #8-18x3/4	1	1		
26	865886	. NUT JCN-CAP 1/4-20	2	2		
27	865885	. BOLT LOW PROFILE 1/4-20	2	2		
		P) CALL ORDER DESK FOR SPECIFIC APPLICATION (V.I.N.)				

From R-012 To 2-4416	Date:10/2022	PAGE:H3-1825-60
PASSENGER'S SEAT - "AMERICAN" - BACK & ACCESS		

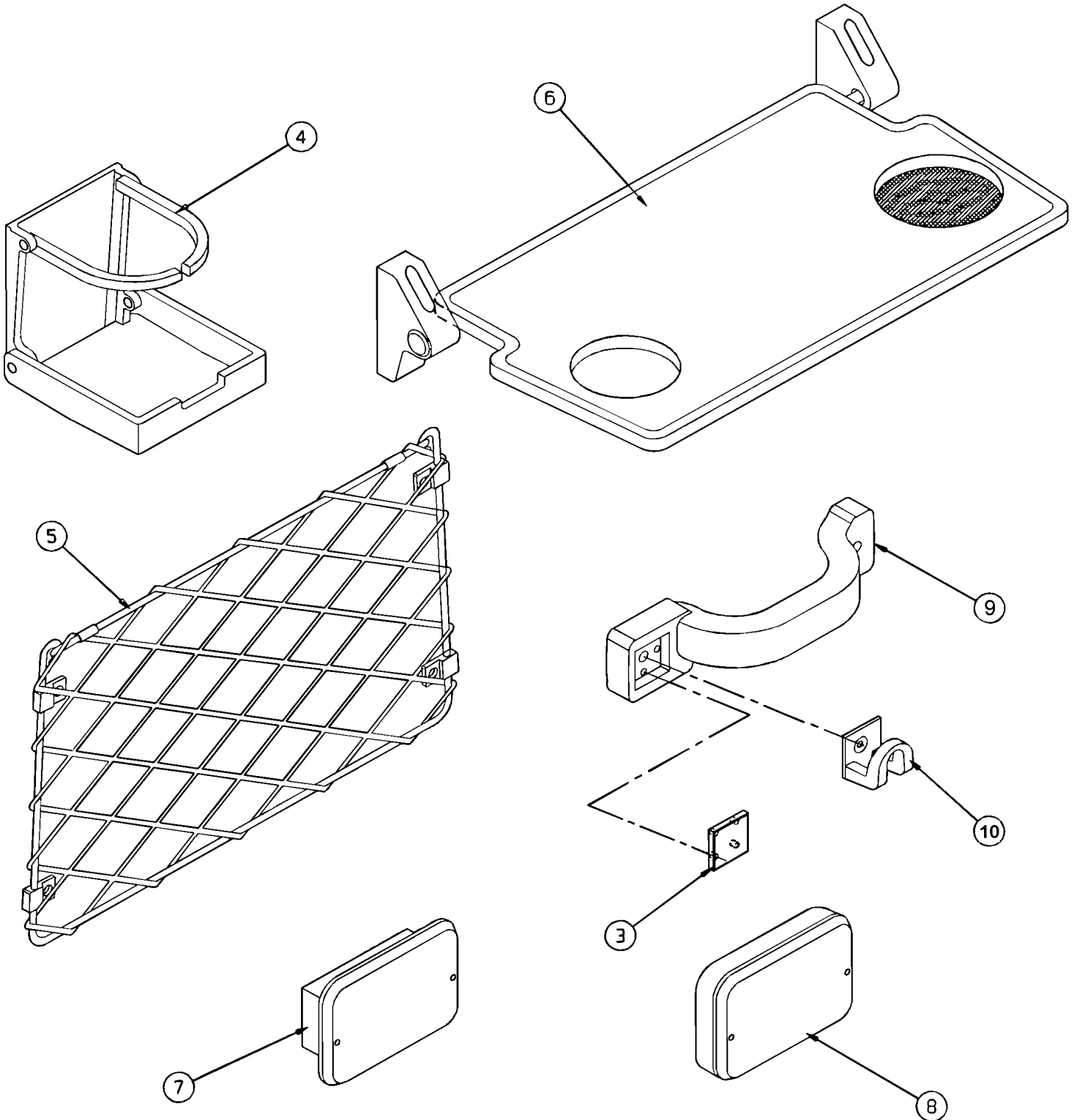


From R-012 To 2-4416

Date:10/2022

PAGE:H3-1825-60

PASSENGER'S SEAT - "AMERICAN" - BACK & ACCESS



From R-012 To 2-4416	Date:10/2022	PAGE:H3-1825-60
PASSENGER'S SEAT - "AMERICAN" - BACK & ACCESS		

Item#	Part	Description	H 3 4 1	H 3 4 5	V I P 4 5	N O T E S
1	Call order desk	PANEL W/O OPTIONS - CHARCOAL	1	1		PA
1	Call order desk	PANEL W/O OPTIONS - RED	1	1		PA
1	Call order desk	PANEL W/O OPTIONS - BLUE	1	1		PA
1	Call order desk	PANEL W/O OPTIONS - BROWN	1	1		PA
1	Call order desk	PANEL W/GRABHANDLE & COAT HOOK - CHARCOAL	1	1		PA
1	Call order desk	PANEL W/GRABHANDLE & COAT HOOK - RED	1	1		PA
1	Call order desk	PANEL W/GRABHANDLE & COAT HOOK - BLUE	1	1		PA
1	Call order desk	PANEL W/GRABHANDLE & COAT HOOK - BROWN	1	1		PA
1	Call order desk	PANEL W/MAGAZINE POCKET - CHARCOAL	1	1		PA
1	Call order desk	PANEL W/MAGAZINE POCKET - RED	1	1		PA
1	Call order desk	PANEL W/MAGAZINE POCKET - BLUE	1	1		PA
1	Call order desk	PANEL W/MAGAZINE POCKET - BROWN	1	1		PA
1	Call order desk	PANEL W/MAGAZINE POCKET & CUP HOLDER - CHARCOAL	1	1		PA
1	Call order desk	PANEL W/MAGAZINE POCKET & CUP HOLDER - RED	1	1		PA
1	Call order desk	PANEL W/MAGAZINE POCKET & CUP HOLDER - BLUE	1	1		PA
1	Call order desk	PANEL W/MAGAZINE POCKET & CUP HOLDER - BROWN	1	1		PA
1	Call order desk	PANEL W/MAGAZINE POCKET & GRABHANDLE - CHARCOAL	1	1		PA
1	Call order desk	PANEL W/MAGAZINE POCKET & GRABHANDLE - RED	1	1		PA
1	Call order desk	PANEL W/MAGAZINE POCKET & GRABHANDLE - BLUE	1	1		PA
1	Call order desk	PANEL W/MAGAZINE POCKET & GRABHANDLE - BROWN	1	1		PA
1	Call order desk	PANEL W/MAGAZINE POCKET & RECESSED ASHTRAY - CHARCOAL	1	1		PA
1	Call order desk	PANEL W/MAGAZINE POCKET & RECESSED ASHTRAY - RED	1	1		PA
1	Call order desk	PANEL W/MAGAZINE POCKET & RECESSED ASHTRAY - BLUE	1	1		PA
1	Call order desk	PANEL W/MAGAZINE POCKET & RECESSED ASHTRAY - BROWN	1	1		PA
1	Call order desk	PANEL W/MAGAZINE POCKET & SNACK TRAYS - CHARCOAL	1	1		PA
1	Call order desk	PANEL W/MAGAZINE POCKET & SNACK TRAYS - RED	1	1		PA
1	Call order desk	PANEL W/MAGAZINE POCKET & SNACK TRAYS - BLUE	1	1		PA
1	Call order desk	PANEL W/MAGAZINE POCKET & SNACK TRAYS - BROWN	1	1		PA
1	Call order desk	PANEL W/RECESSED ASHTRAY - CHARCOAL	1	1		PA
1	Call order desk	PANEL W/RECESSED ASHTRAY - RED	1	1		PA
1	Call order desk	PANEL W/RECESSED ASHTRAY - BLUE	1	1		PA
1	Call order desk	PANEL W/RECESSED ASHTRAY - BROWN	1	1		PA
1	Call order desk	PANEL W/SNACK TRAYS - CHARCOAL	1	1		PA
1	Call order desk	PANEL W/SNACK TRAYS - RED	1	1		PA
1	Call order desk	PANEL W/SNACK TRAYS - BLUE	1	1		PA
1	Call order desk	PANEL W/SNACK TRAYS - BROWN	1	1		PA
2	Call order desk	PANEL W/O OPTIONS - CHARCOAL	1	1		PB
2	Call order desk	PANEL W/O OPTIONS - RED	1	1		PB
2	Call order desk	PANEL W/O OPTIONS - BLUE	1	1		PB
2	Call order desk	PANEL W/O OPTIONS - BROWN	1	1		PB
2	Call order desk	PANEL W/COAT HOOK - CHARCOAL	1	1		PB

From R-012 To 2-4416	Date:10/2022	PAGE:H3-1825-60
PASSENGER'S SEAT - "AMERICAN" - BACK & ACCESS		

Item#	Part	Description	H 3 4 1	H 3 4 5	V I P 4 5	N O T E S
2	Call order desk	PANEL W/COAT HOOK - RED	1	1		P B
2	Call order desk	PANEL W/COAT HOOK - BLUE	1	1		P B
2	Call order desk	PANEL W/COAT HOOK - BROWN	1	1		P B
2	Call order desk	PANEL W/CUP HOLDER - CHARCOAL	1	1		P B
2	Call order desk	PANEL W/CUP HOLDER - RED	1	1		P B
2	Call order desk	PANEL W/CUP HOLDER - BLUE	1	1		P B
2	Call order desk	PANEL W/CUP HOLDER - BROWN	1	1		P B
2	Call order desk	PANEL W/GRABHANDLE & COAT HOOK - CHARCOAL	1	1		P B
2	Call order desk	PANEL W/GRABHANDLE & COAT HOOK - RED	1	1		P B
2	Call order desk	PANEL W/GRABHANDLE & COAT HOOK - BLUE	1	1		P B
2	Call order desk	PANEL W/GRABHANDLE & COAT HOOK - BROWN	1	1		P B
2	Call order desk	PANEL W/GRABHANDLE & RECESSED ASHTRAY - CHARCOAL	1	1		P B
2	Call order desk	PANEL W/GRABHANDLE & RECESSED ASHTRAY - RED	1	1		P B
2	Call order desk	PANEL W/GRABHANDLE & RECESSED ASHTRAY - BLUE	1	1		P B
2	Call order desk	PANEL W/GRABHANDLE & RECESSED ASHTRAY - BROWN	1	1		P B
2	Call order desk	PANEL W/MAGAZINE POCKET - CHARCOAL	1	1		P B
2	Call order desk	PANEL W/MAGAZINE POCKET - RED	1	1		P B
2	Call order desk	PANEL W/MAGAZINE POCKET - BLUE	1	1		P B
2	Call order desk	PANEL W/MAGAZINE POCKET - BROWN	1	1		P B
2	Call order desk	PANEL W/MAGAZINE POCKET & GRABHANDLE - CHARCOAL	1	1		P B
2	Call order desk	PANEL W/MAGAZINE POCKET & GRABHANDLE - RED	1	1		P B
2	Call order desk	PANEL W/MAGAZINE POCKET & GRABHANDLE - BLUE	1	1		P B
2	Call order desk	PANEL W/MAGAZINE POCKET & GRABHANDLE - BROWN	1	1		P B
2	Call order desk	PANEL W/MAGAZINE POCKET & RECESSED ASHTRAY - CHARCOAL	1	1		P B
2	Call order desk	PANEL W/MAGAZINE POCKET & RECESSED ASHTRAY - RED	1	1		P B
2	Call order desk	PANEL W/MAGAZINE POCKET & RECESSED ASHTRAY - BLUE	1	1		P B
2	Call order desk	PANEL W/MAGAZINE POCKET & RECESSED ASHTRAY - BROWN	1	1		P B
2	Call order desk	PANEL W/RECESSED ASHTRAY - CHARCOAL	1	1		P B
2	Call order desk	PANEL W/RECESSED ASHTRAY - RED	1	1		P B
2	Call order desk	PANEL W/RECESSED ASHTRAY - BLUE	1	1		P B
2	Call order desk	PANEL W/RECESSED ASHTRAY - BROWN	1	1		P B
2	Call order desk	PANEL W/SNACK TRAYS - CHARCOAL	1	1		P B
2	Call order desk	PANEL W/SNACK TRAYS - RED	1	1		P B
2	Call order desk	PANEL W/SNACK TRAYS - BLUE	1	1		P B
2	Call order desk	PANEL W/SNACK TRAYS - BROWN	1	1		P B
3	284049	. PLUG / SQUARE / BLACK	1	1		
4	900527	. GLASS HOLDER	1	1		
5	866007	. MAGAZINE POCKET	1	1		
6	860657	. SHELF	1	1		
7	Call order desk	. ASHTRAY - RECESSED	1	1		P
8	Call order desk	. ASHTRAY - SURFACED MTD	1	1		P

From R-012 To 2-4416	Date:10/2022	PAGE:H3-1825-60
PASSENGER'S SEAT - "AMERICAN" - BACK & ACCESS		

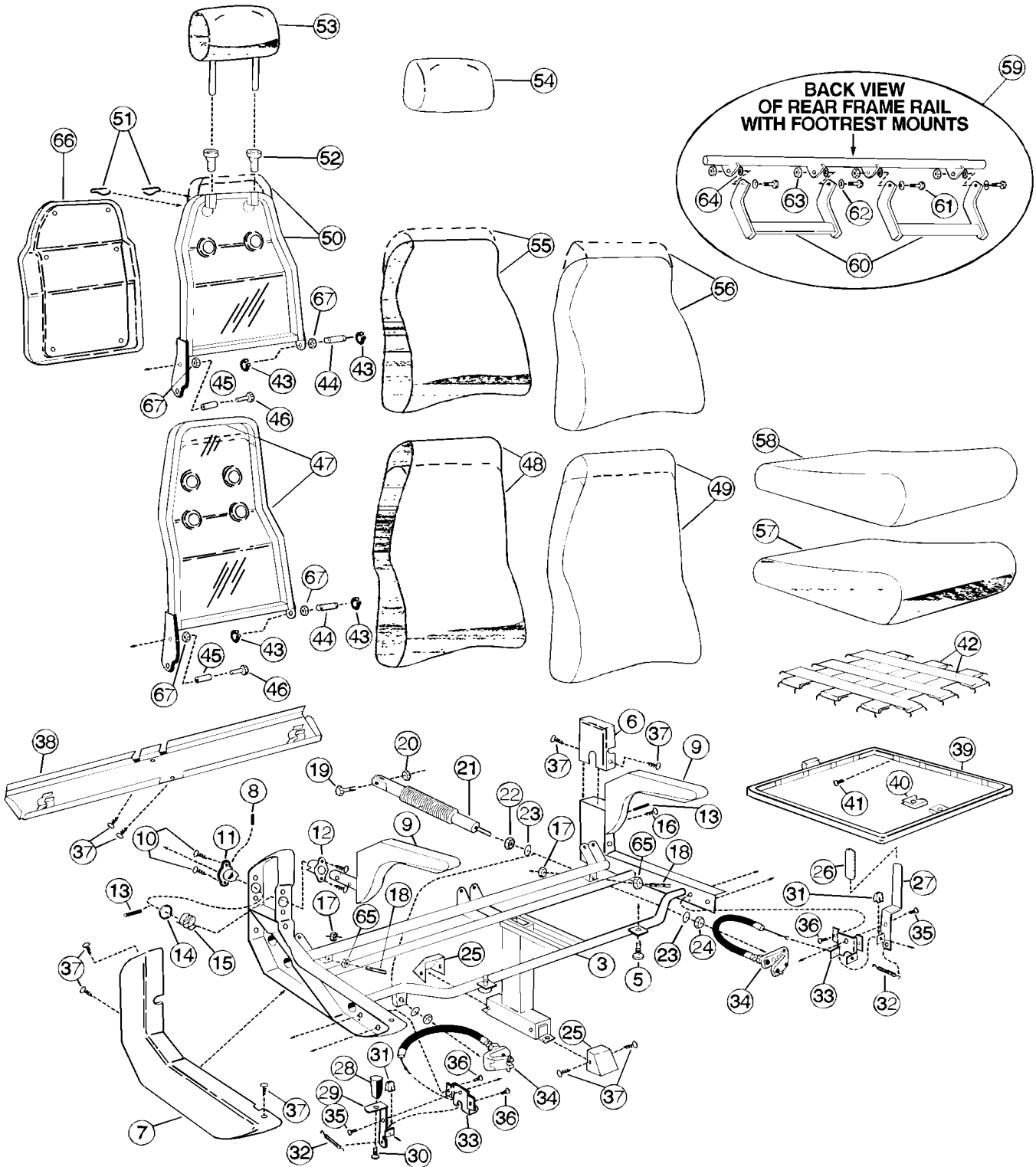
Item#	Part	Description	H 3 4 1	H 3 4 5	V I P 4 5	N O T E S
9	860422	. HANDLE	1	1		
NS	Call order desk	. SCREW #8 1" TYPE AB	AR	AR		P
NS	Call order desk	. SCREW TC #8-32x1	AR	AR		P
10	860421	. HOOK	1	1		
11	Call order desk	SCREW PLASTIC PANEL	9	9		P
12	Call order desk	WASHER NYL	9	9		P
		A) WITH SEAT MODEL W6693 & W7693				
		B) WITH SEAT MODEL W6694, W7694, W6696 & W76960				
		P) CALL ORDER DESK FOR SPECIFIC APPLICATION (V.I.N.)				

From R-012 To 2-4416

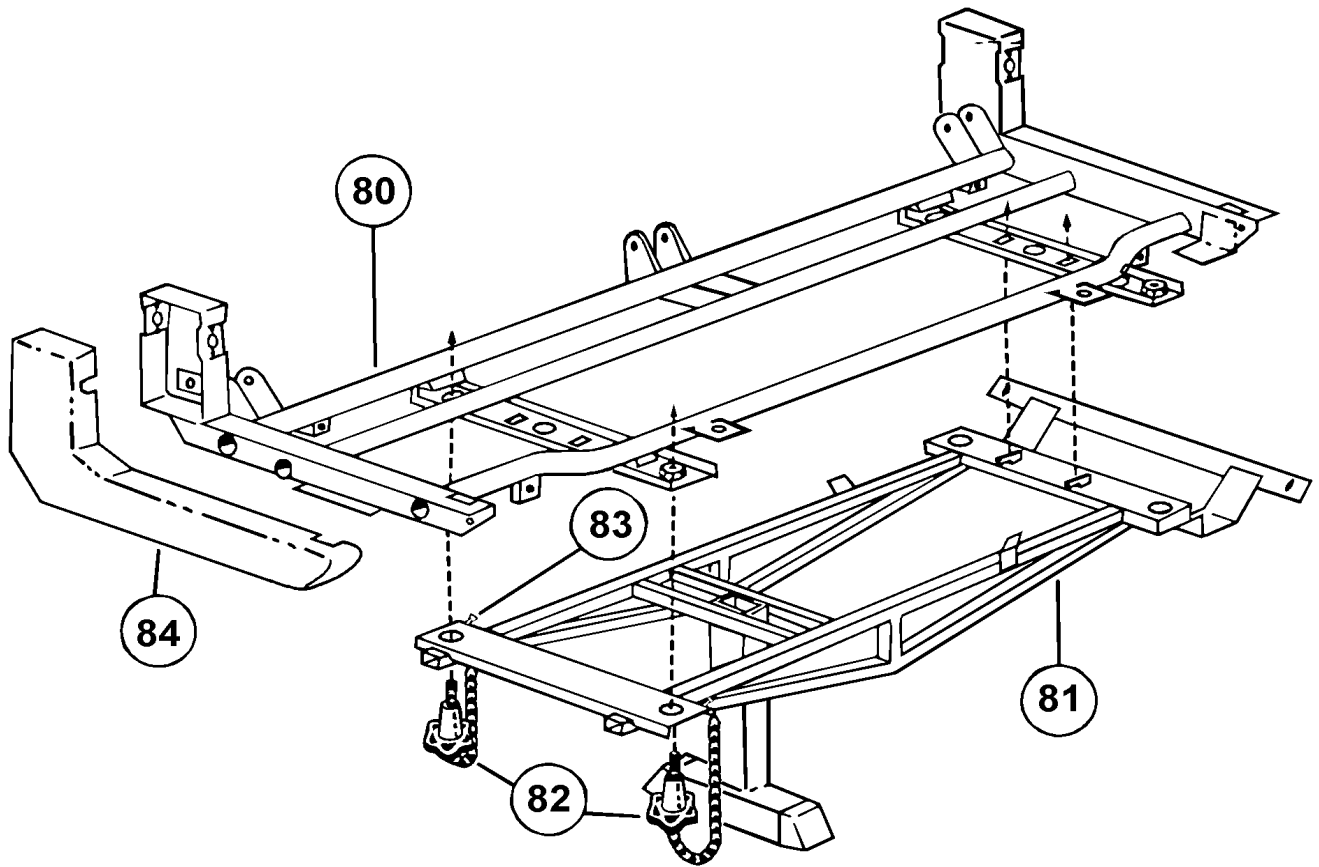
Date:10/2022

PAGE:H3-1826-00

PASSENGER'S SEAT - "NATIONAL" - 4209 & 4210



From R-012 To 2-4416	Date:10/2022	PAGE:H3-1826-00
PASSENGER'S SEAT - "NATIONAL" - 4209 & 4210		



From R-012 To 2-4416	Date:10/2022	PAGE:H3-1826-00
PASSENGER'S SEAT - "NATIONAL" - 4209 & 4210		

Item#	Part	Description	H 3 4 1	H 3 4 5	V I P 4 5	N O T E S
		IMPORTANT NOTE:				
		TO ORDER COMPLETE PASSENGER'S SEAT KIT #,				
		SEE THE FINAL VEHICLE RECORD				
3	863291	PAINTED FRAME ASSY W/FOOTREST BRACKET - L.H.	1	1		
3	864790	PAINTED FRAME ASSY W/FOOTREST BRACKET - R.H.	1	1		
3	Call order desk	PAINTED FRAME ASSY W/O FOOTREST BRACKET - L.H.	1	1		P
3	Call order desk	PAINTED FRAME ASSY W/O FOOTREST BRACKET - R.H.	1	1		P
3	Call order desk	KIT	1	1		PA
5	865988	SCREW TP TR PH #8-32x1/2	2	2		
6	Call order desk	TRIM PANEL - WALL SIDE	2	2		P B
7	864090	TRIM PANEL - AISLE SIDE - CURBSIDE	1	1		
7	864091	TRIM PANEL - AISLE SIDE - STREET SIDE	1	1		
8	860054	ROLL PIN 3/16" X 1/2"	2	2		
9	865648	FOLD DOWN ARM	2	2		B
10	865988	SCREW TP TR PH #8-32x1/2	8	8		
11	192318	BUSHING - WELDED	1	1		
12	866239	BUSHING ARM - P/M	3	3		
13	860055	ROLL PIN 1/4" X 1 1/8"	2	2		
14	860056	WASHER	2	2		
15	860057	SPRING - ARM	2	2		
16	Call order desk	SCREW TC CAP HEX 1/4-20x3/4	1	1		P
17	502600	NUT HEX NYRT 5/16-18 Z050	2	2		
18	Call order desk	SCREW SET HEXS CUP 5/16-18x1 3/4	2	2		P
19	Call order desk	SCREW CAP HEX 5/16-18x1.00 HD	2	2		P
20	500181	SCREW CAP HEX 5/16-18x1 G5 Z050	2	2		
21	863598	ACTUATOR	2	2		
22	500705	NUT HEX 3/8-24 ZP	2	2		
23	Call order desk	WASHER SPHERICAL 3/8"	4	4		P
24	502592	NUT HEX THN 3/8-24x3/32 Z050	2	2		
25	195894	PEDESTAL CAP	2	2		
NS	500305	SCREW CAP HEX 3/8-16x7/8 G5 Z050	2	2		
NS	500478	WASHER LO SPT .380x.683x.094 Z050	2	2		
NS	500270	WASHER FL .406x1.000x.063 SS	2	2		
NS	362627	PLATE ANCHOR / 3/8-16 BOLT INSIDE TRACK / 1 1/4" X 1 1/4"	2	2		
26	860205	HANDLE BOOT - WALL SIDE	1	1		
27	864618	HANDLE ACTUATOR - WALL SIDE	1	1		
28	195895	KNOB	1	1		C
29	864862	HANDLE ACTUATOR - AISLE SIDE	1	1		C
30	Call order desk	SCREW MA TR PH 1/4-20x3/4	1	1		P
31	864394	CABLE ATTACHMENT SPRING CLIP	2	2		
32	Call order desk	SPRING LINK RETURN	2	2		P

From R-012 To 2-4416	Date:10/2022	PAGE:H3-1826-00
PASSENGER'S SEAT - "NATIONAL" - 4209 & 4210		

Item#	Part	Description	H 3 4 1	H 3 4 5	V I P 4 5	N O T E S
33	864121	ACTUATOR CABLE BRACKET	2	2		
34	863290	OUTPUT & CABLE ASSY 12"	2	2		
34	863803	OUTPUT & CABLE ASSY 26"	2	2		
35	Call order desk	RIVET	2	2		P
36	Call order desk	RIVET	4	4		P
37	862355	SCREW TP TR PH #10x1/2	11	11		
38	Call order desk	TRIM PANEL ASSY	1	1		P B
39	Call order desk	CUSHION FRAME ASSY	2	2		P
39	Call order desk	CUSHION BOARD (3 PASS SEAT)	3	3		P
40	502935	NUT SPR U 5/16-18 .025-.150	1	1		
41	Call order desk	STUD D.O.T.	32	32		P
42	865214	LATEX WEBBING	12	12		
43	866244	TRUARC RETAINING RING	2	2		
44	Call order desk	PIN - CENTER PIVOT - 4209 HIGH BACK / 4210	1	1		P
44	Call order desk	PIN - CENTER PIVOT - 4209/10 W/CTR. FLDG. OR 4209 LOW BACK	1	1		P
44	Call order desk	PIN - CENTER PIVOT - 4209 LOW BACK	1	1		P
45	865989	PIN - PIVOT	2	2		
46	193005	SCREW CAP HEX 1/4-20x2.000	2	2		
47	Call order desk	BACK FRAME ASSY - L.H. - 4209 HIGH BACK	1	1		P
47	Call order desk	BACK FRAME ASSY - R.H. - 4209 HIGH BACK	1	1		P
47	Call order desk	BACK FRAME ASSY - L.H. - 4209 LOW BACK	1	1		P
47	Call order desk	BACK FRAME ASSY - R.H. - 4209 LOW BACK	1	1		P
47	Call order desk	BACK BOARD - INDIVIDUAL (3 PASS SEAT)	3	3		P
48	Call order desk	BACK POLY - 4209A HIGH BACK	2	2		P
48	Call order desk	BACK POLY - 4209A (3 PASS SEAT)	3	3		P
48	Call order desk	BACK POLY - 4209A LOW BACK	2	2		P
49	Call order desk	BACK COVER - 4209A HIGH BACK	2	2		P
49	Call order desk	BACK COVER - 4209A (3 PASS SEAT)	3	3		P
49	Call order desk	BACK COVER - 4209A LOW BACK	2	2		P
50	Call order desk	BACK FRAME ASSY - L.H. 4210 LOW BACK	1	1		P
50	Call order desk	BACK FRAME ASSY - R.H. 4210 LOW BACK	1	1		P
50	Call order desk	BACK FRAME ASSY - L.H. 4210 HIGH BACK	1	1		P
50	862738	BACK FRAME ASSY - R.H. 4210 HIGH BACK	1	1		
50	Call order desk	BACK BOARD - INDIVIDUAL (3 PASS SEAT)	3	3		P
51	860186	SPRING CLIP - HEADREST - 4210	4	4		
52	Call order desk	BUSHING - HEADREST - 4210	4	4		P
53	863770	HEADREST POLY - FLAT - 4210 LOW BACK	1	1		
53	Call order desk	HEADREST POLY - FLAT - 4210 (3 PASS SEAT)	3	3		P
53	863728	HEADREST BOARD - 4210	3	3		
53	863729	HEADREST POLY ASSY - 4210 HIGH BACK	2	2		
54	Call order desk	HEADREST COVER - FLAT - 4210 LOW BACK	2	2		P
54	862739	HEADREST COVER - FLAT - 4210 HIGH BACK / S.C.C.	1	1		

From R-012 To 2-4416	Date:10/2022	PAGE:H3-1826-00
PASSENGER'S SEAT - "NATIONAL" - 4209 & 4210		

Item#	Part	Description	H 3 4 1	H 3 4 5	V I P 4 5	N O T E S
54	863771	HEADREST COVER - FLAT - 4210 LOW BACK / S.C.C.	1	1		
54	Call order desk	HEADREST COVER - FLAT - 4210 (3 PASS SEAT)	3	3		P
55	Call order desk	BACK POLY - 4210A LOW BACK	2	2		P
55	Call order desk	BACK POLY - 4210 (3 PASS SEAT)	3	3		P
55	Call order desk	BACK POLY - 4210A HIGH BACK	2	2		P
56	Call order desk	BACK COVER - 4210A LOW BACK	2	2		P
56	Call order desk	BACK COVER - 4210A (3 PASS SEAT)	3	3		P
56	Call order desk	BACK COVER - 4210A HIGH BACK	2	2		P
57	860037	CUSHION POLY - 4209A & 4210A	2	2		
57	Call order desk	CUSHION POLY	3	3		P
58	862740	CUSHION COVER - 4209A & 4210A S.C.C.	1	1		
58	Call order desk	CUSHION COVER	3	3		P
59	Call order desk	FOOTREST INSTALLATION	1	1		P
60	860444	FOOTREST CENTRAL SECTION	1	1		
60	864791	HANGER & TREADLE ASSY UP TO MARCH 2000	2	2		
. NS	864037	. SPRING	AR	AR		
. NS	865264	. BRACKET	AR	AR		
. NS	865263	. BOLT	AR	AR		
60	864099	HANGER & TREADLE ASSY (RETROFIT KIT) FROM MARCH 2000	AR	AR		
. NS	864037	. SPRING	AR	AR		
. NS	865264	. BRACKET	AR	AR		
. NS	865263	. BOLT	AR	AR		
61	863625	FOOTREST PIVOT PIN	4	4		
62	500476	WASHER LO SPT .317x.586x.078 Z050	4	4		
63	863626	NUT HEX 5/16-24	4	4		
64	863627	BEARING - FOOTREST	4	4		
65	500701	NUT HEX 5/16-18 ZP	2	2		
66	Call order desk	PANEL-BACK (OPTIONAL) 4210 BIG	2	2		P B
66	Call order desk	PANEL-BACK (OPTIONAL) 4210 SMALL	2	2		P
67	864147	BUSHING - BACK PIVOT	4	4		
80	N.S.S.	PAINTED FRAME ASSY - UPPER W/FOOTREST BRACKET	1	1		1
80	N.S.S.	PAINTED FRAME ASSY - UPPER W/O FOOTREST BRACKET	1	1		1
81	863757	PAINTED FRAME ASSY - LOWER	1	1		
82	196686	ATTACHMENT KNOB ASSY	2	2		
83	Call order desk	SOUTHCO DRIVE RIVET	2	2		P
84	N.S.S.	TRIM PANEL - L.H. W/O ACCENT	1	1		1
84	N.S.S.	TRIM PANEL - R.H. W/O ACCENT	1	1		1
NS	192360	GLASS HOLDER "NATIONAL"	AR	AR		
NS	195960	NET MAGAZINE "NATIONAL"	AR	AR		
NS	860018	CLAMP ASSY / TO FIX SEAT TO THE WALL	AR	AR	AR	

From R-012 To 2-4416	Date:10/2022	PAGE:H3-1826-00
PASSENGER'S SEAT - "NATIONAL" - 4209 & 4210		

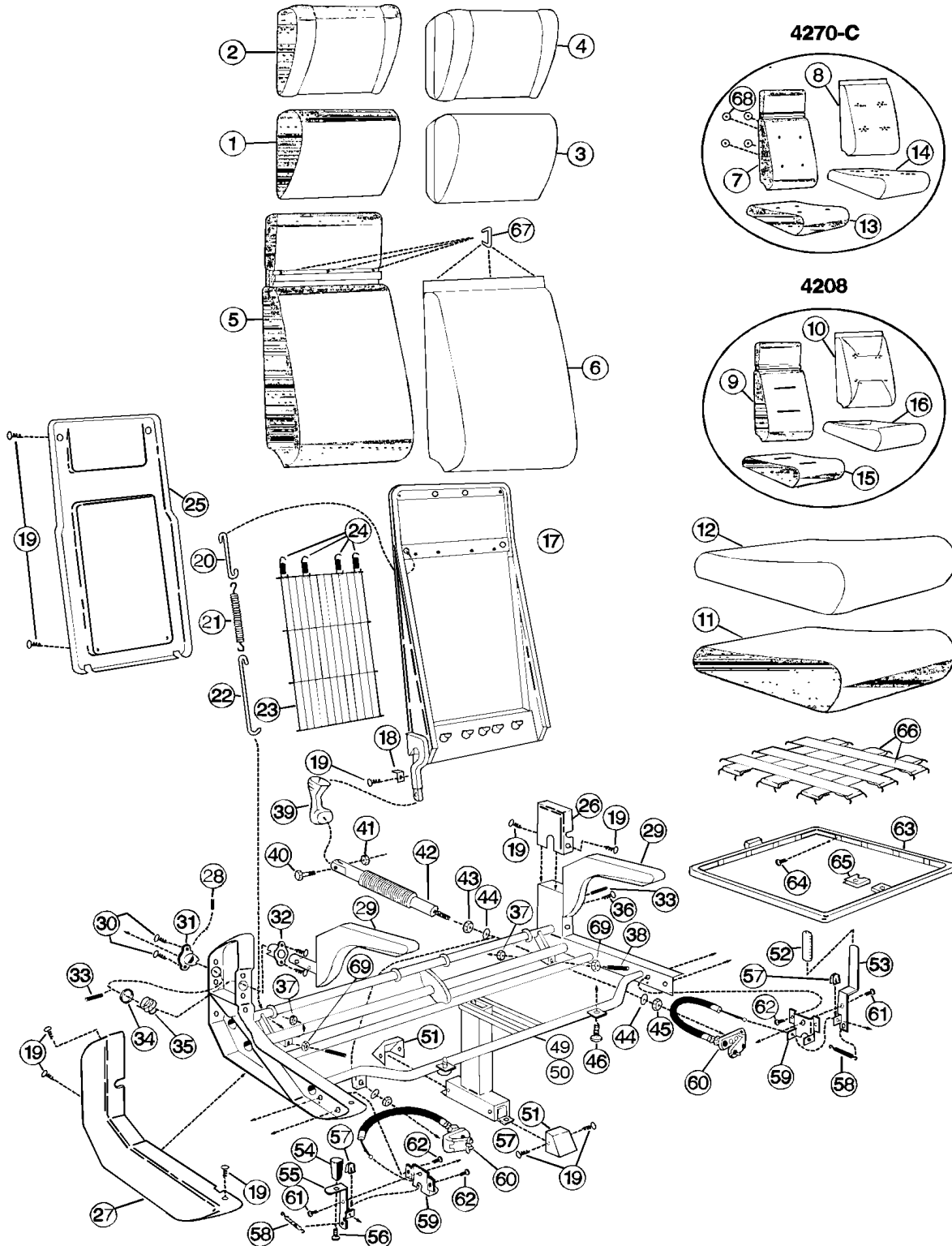
Item#	Part	Description	H 3 4 1	H 3 4 5	V I P 4 5	N O T E S
		A) FOR SEAT PRIO MARCH 1997				
		B) A.R. = POSITION & COLOR				
		C) RELEASE HANDLE WITH KNOB USED ON AISLE SIDE STANDARD SEAT AND BOTH SIDES OF REVERSIBLE SEAT				
		1) NOT SOLD SEPARATELY				
		P) CALL ORDER DESK FOR SPECIFIC APPLICATION (V.I.N.)				

From R-012 To 2-4416

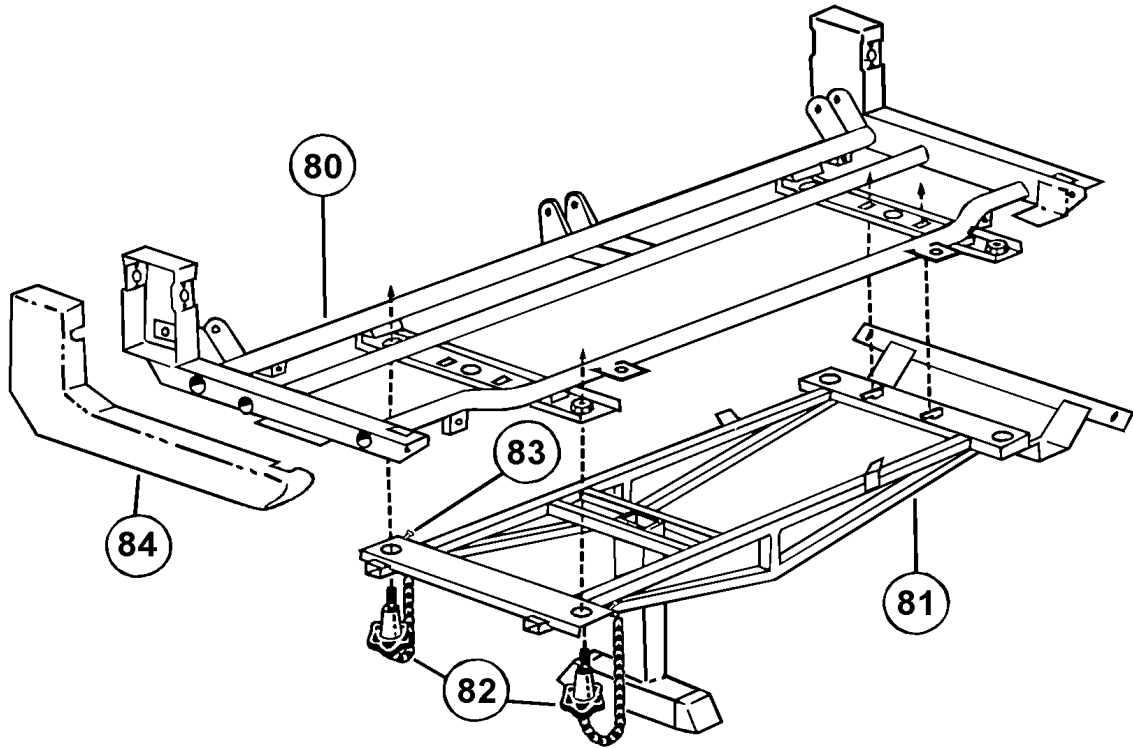
Date:10/2022

PAGE:H3-1826-01

PASSENGER'S SEAT - "NATIONAL" - 4208 & 4270



From R-012 To 2-4416	Date:10/2022	PAGE:H3-1826-01
PASSENGER'S SEAT - "NATIONAL" - 4208 & 4270		



From R-012 To 2-4416	Date:10/2022	PAGE:H3-1826-01
PASSENGER'S SEAT - "NATIONAL" - 4208 & 4270		

Item#	Part	Description	H 3 4 1	H 3 4 5	V I P 4 5	N O T E S
		IMPORTANT NOTE:				
		TO ORDER COMPLETE PASSENGER'S SEAT KIT #,				
		SEE THE FINAL VEHICLE RECORD				
1	Call order desk	HEADREST POLY - FLAT	2	2		P
1	Call order desk	HEADREST POLY - FLAT (3 PASS SEAT)	3	3		P
2	Call order desk	HEADREST POLY - WINGED	2	2		P
2	Call order desk	HEADREST POLY - WINGED (3 PASS SEAT)	3	3		P
3	Call order desk	HEADREST COVER - FLAT - LOW BACK	2	2		P
3	Call order desk	HEADREST COVER - FLAT - HIGH BACK	2	2		P
3	Call order desk	HEADREST COVER - FLAT (3 PASS SEAT)	3	3		P
4	Call order desk	HEADREST COVER - WINGED - LOW BACK	2	2		P
4	Call order desk	HEADREST COVER - WINGED - HIGH BACK	2	2		P
4	Call order desk	HEADREST COVER - WINGED (3 PASS SEAT)	2	2		P
5	Call order desk	BACK POLY - 4270 & 4270C LOW BACK	2	2		P
5	Call order desk	BACK POLY - 4270 & 4270C HIGH BACK	2	2		P
5	Call order desk	BACK POLY - 4270 & 4270C (3 PASS SEAT)	3	3		P
6	Call order desk	BACK COVER - 4270 LOW BACK	2	2		P
6	Call order desk	BACK COVER - 4270 HIGH BACK	2	2		P
6	Call order desk	BACK COVER - 4270 (3 PASS SEAT)	3	3		P
7	Call order desk	BACK POLY - 4270 & 4270C LOW BACK	2	2		P
7	Call order desk	BACK POLY - 4270 & 4270C HIGH BACK	2	2		P
7	Call order desk	BACK POLY - 4270 & 4270C (3 PASS SEAT)	3	3		P
8	Call order desk	BACK COVER - 4270-C LOW BACK	2	2		P
8	Call order desk	BACK COVER - 4270-C HIGH BACK	2	2		P
8	Call order desk	BACK COVER - 4270-C (3 PASS SEAT)	3	3		P
9	Call order desk	BACK POLY - 4208 LOW BACK	2	2		P
9	Call order desk	BACK POLY - 4208 HIGH BACK	2	2		P
9	Call order desk	BACK POLY - 4208 (3 PASS SEAT)	3	3		P
10	Call order desk	BACK COVER - 4208 LOW BACK	2	2		P
10	Call order desk	BACK COVER - 4208 HIGH BACK	2	2		P
10	Call order desk	BACK COVER - 4208 (3 PASS SEAT)	3	3		P
11	Call order desk	CUSHION POLY - 4270 & 4270-C	2	2		P
11	Call order desk	CUSHION POLY	3	3		P
12	Call order desk	CUSHION COVER - 4270	2	2		P
12	Call order desk	CUSHION COVER	3	3		P
13	Call order desk	CUSHION POLY - 4270 & 4270-C	2	2		P
13	Call order desk	CUSHION POLY	3	3		P
14	Call order desk	CUSHION COVER - 4270-C	2	2		P
14	Call order desk	CUSHION COVER - 4270-C (3 PASS SEAT)	3	3		P
15	Call order desk	CUSHION POLY - 4208	2	2		P
15	Call order desk	CUSHION POLY - 4208 (3 PASS SEAT)	3	3		P

From R-012 To 2-4416	Date:10/2022	PAGE:H3-1826-01
PASSENGER'S SEAT - "NATIONAL" - 4208 & 4270		

Item#	Part	Description	H 3 4 1	H 3 4 5	V I P 4 5	N O T E S
16	Call order desk	CUSHION COVER - 4208	2	2		P
16	Call order desk	CUSHION COVER - 4208 (3 PASS SEAT)	3	3		P
17	Call order desk	BACK FRAME - LOW - L.H.	1	1		P
17	Call order desk	BACK FRAME - LOW - R.H.	1	1		P
17	Call order desk	BACK FRAME - LOW - L.H. (W/PROVISION FOR GRAB HANDLES)	1	1		P
17	Call order desk	BACK FRAME - LOW - R.H. (W/PROVISION FOR GRAB HANDLES)	1	1		P
17	Call order desk	BACK FRAME - HIGH - L.H.	1	1		P
17	Call order desk	BACK FRAME - HIGH - R.H.	1	1		P
17	Call order desk	BACK FRAME - HIGH - L.H. (W/PROVISION FOR GRAB HANDLES)	1	1		P
17	Call order desk	BACK FRAME - HIGH - R.H. (W/PROVISION FOR GRAB HANDLES)	1	1		P
17	Call order desk	BACK BOARD - INDIVIDUAL (3 PASS SEAT)	1	1		P
18	Call order desk	BACK RETAINER CLIP	4	4		P
19	865091	SCREW #10 X 3/4	AR	AR		
20	Call order desk	UPPER LINK	2	2		P
21	Call order desk	BACK TENSION SPRING	2	2		P
22	Call order desk	LOWER LINK	2	2		P
23	Call order desk	FLEX-O-LATER	2	2		P
24	Call order desk	SPRING (FLEX-O-LATER)	8	8		P
25	Call order desk	BACK SHELL - LOW BACK	2	2		P B
25	Call order desk	BACK SHELL - HIGH BACK	2	2		P B
26	Call order desk	TRIM PANEL - WALL SIDE	2	2		P B
27	864090	TRIM PANEL - AISLE SIDE - CURBSIDE	1	1		
27	864091	TRIM PANEL - AISLE SIDE - STREET SIDE	1	1		
28	860054	ROLL PIN 3/16" X 1/2"	2	2		
29	865648	FOLD DOWN ARM	2	2		B
30	Call order desk	SCREW MA FL PH #8-32 X 1/2	8	8		P
31	192318	BUSHING - WELDED	1	1		
32	866239	BUSHING ARM - P/M	3	3		
33	860055	ROLL PIN 1/4" X 1 1/8"	2	2		
34	860056	WASHER	2	2		
35	860057	SPRING - ARM	2	2		
36	Call order desk	SCREW TC CAP HEX 1/4-20x3/4	1	1		P
37	502600	NUT HEX NYRT 5/16-18 Z050	2	2		
38	Call order desk	SCREW SET HEXS CUP 5/16-18x1 3/4	2	2		P
39	Call order desk	TRIM BOOT (ACTUATOR ATTACHMENT)	2	2		P
40	Call order desk	SCREW CAP HEX 5/16-18x1.00	2	2		P
41	500181	SCREW CAP HEX 5/16-18x1 G5 Z050	2	2		
42	863598	ACTUATOR	2	2		
43	500705	NUT HEX 3/8-24 ZP	2	2		
44	Call order desk	WASHER SPHERICAL 3/8"	4	4		P
45	502592	NUT HEX THN 3/8-24x3/32 Z050	2	2		
46	865988	SCREW TP TR PH #8-32x1/2	2	2		

From R-012 To 2-4416	Date:10/2022	PAGE:H3-1826-01
PASSENGER'S SEAT - "NATIONAL" - 4208 & 4270		

Item#	Part	Description	H 3 4 1	H 3 4 5	V I P 4 5	N O T E S
49	863291	PAINTED FRAME ASSY W/FOOTREST BRACKET - L.H.	1	1		
49	864790	PAINTED FRAME ASSY W/FOOTREST BRACKET - R.H.	1	1		
49	Call order desk	KIT	AR	AR		P A
50	Call order desk	PAINTED FRAME ASSY W/O FOOTREST BRACKET - L.H.	1	1		P
50	Call order desk	PAINTED FRAME ASSY W/O FOOTREST BRACKET - R.H.	1	1		P
50	Call order desk	KIT	AR	AR		P A
51	195894	PEDESTRAL CAP	2	2		
NS	500305	SCREW CAP HEX 3/8-16x7/8 G5 Z050	2	2		
NS	500478	WASHER LO SPT .380x.683x.094 Z050	2	2		
NS	500270	WASHER FL .406x1.000x.063 SS	2	2		
NS	362627	PLATE ANCHOR / 3/8-16 BOLT INSIDE TRACK / 1 1/4" X 1 1/4"	2	2		
52	860205	HANDLE BOOT - WALL SIDE	1	1		
53	864618	HANDLE ACTUATOR - WALL SIDE	1	1		
54	195895	KNOB	1	1		
55	864862	HANDLE ACTUATOR - AISLE SIDE	1	1		C
56	Call order desk	SCREW MA TR PH 1/4-20x3/4	1	1		P
57	864394	CABLE ATTACHMENT SPRING CLIP	2	2		
58	Call order desk	SPRING LINK RETURN	2	2		P
59	864121	ACTUATOR CABLE BRACKET	2	2		
60	863290	OUTPUT & CABLE ASSY 12"	2	2		
60	863803	OUTPUT & CABLE ASSY 26"	2	2		
61	Call order desk	RIVET	2	2		P
62	Call order desk	RIVET	4	4		P
63	Call order desk	CUSHION FRAME	2	2		P
63	Call order desk	CUSHION FRAME (3 PASS SEAT)	3	3		P
64	Call order desk	STUD D.O.T.	32	32		P
65	502935	NUT SPR U 5/16-18 .025-.150	1	1		
66	865214	LATEX WEBBING	12	12		
67	Call order desk	HOG RINGS	6	6		P
68	Call order desk	JIFFY TUFT WASHER	8	8		P
69	500701	NUT HEX 5/16-18 ZP	2	2		
80	N.S.S.	PAINTED FRAME ASSY - UPPER W/FOOTREST BRACKET	1	1		1
80	N.S.S.	PAINTED FRAME ASSY - UPPER W/O FOOTREST BRACKET	1	1		1
81	N.S.S.	PAINTED FRAME ASSY - LOWER	1	1		1
82	196686	ATTACHMENT KNOB ASSY	2	2		
83	Call order desk	SOUTHCO DRIVE RIVET	2	2		P
84	N.S.S.	TRIM PANEL - L.H. W/O ACCENT	1	1		1
84	N.S.S.	TRIM PANEL - R.H. W/O ACCENT	1	1		1
NS	192360	GLASS HOLDER "NATIONAL	AR	AR		
NS	195960	NET MAGAZINE "NATIONAL"	AR	AR		

From R-012 To 2-4416	Date:10/2022	PAGE:H3-1826-01
PASSENGER'S SEAT - "NATIONAL" - 4208 & 4270		

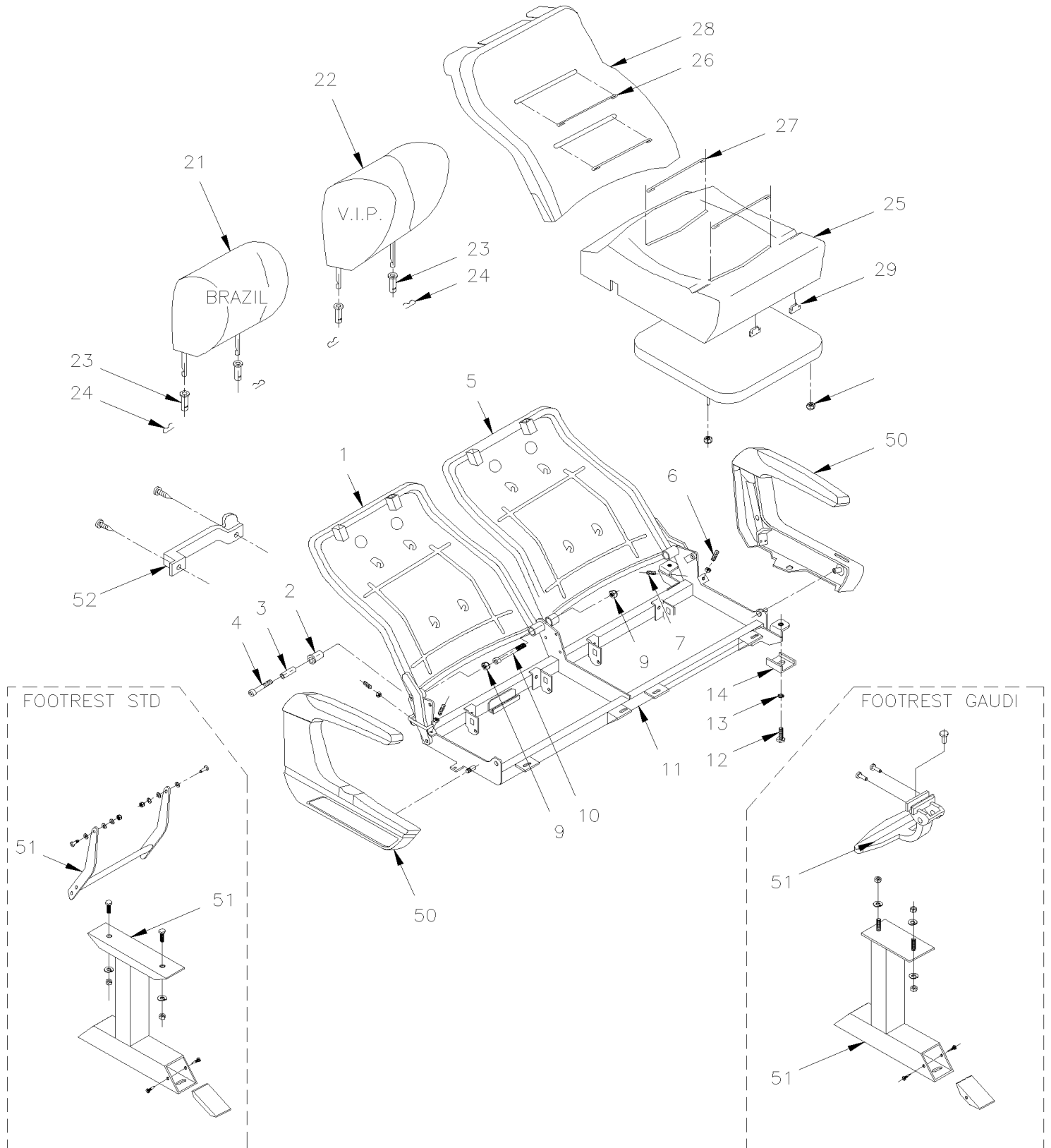
Item#	Part	Description	H 3 4 1	H 3 4 5	V I P 4 5	N O T E S
		A) FOR SEAT PRIO MARCH 1997				
		B) A.R. = POSITION & COLOR				
		C) RELEASE HANDLE WITH KNOB USED ON AISLE SIDE STANDARD SEAT AND BOTH SIDES OF REVERSIBLE SEAT				
		1) NOT SOLD SEPARATELY				
		P) CALL ORDER DESK FOR SPECIFIC APPLICATION (V.I.N.)				

From R-012 To 2-4416

Date:10/2022

PAGE:H3-1826-05

PASSENGER'S SEAT - "AMAYA" "EUROTECH"

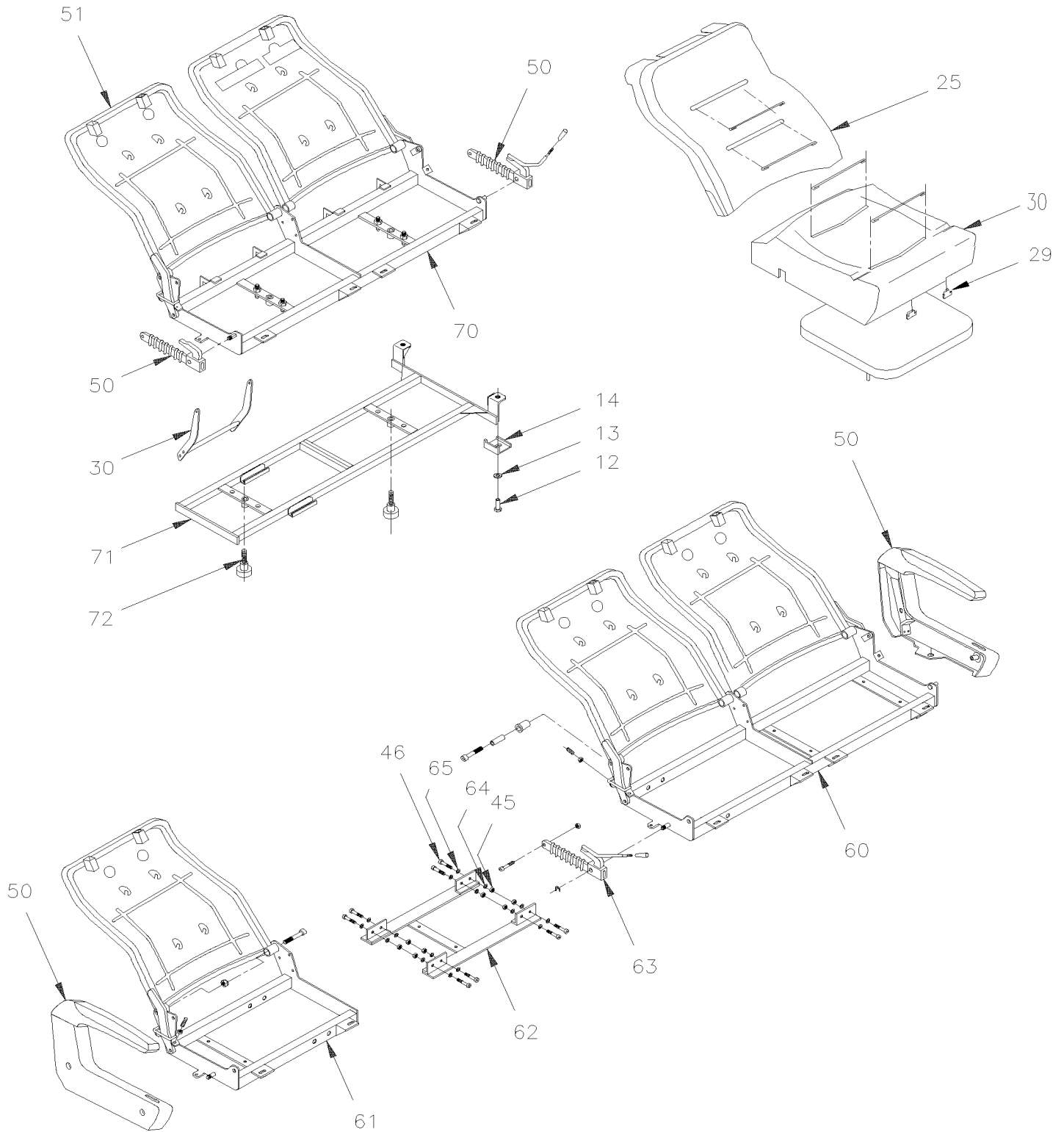


From R-012 To 2-4416

Date:10/2022

PAGE:H3-1826-05

PASSENGER'S SEAT - "AMAYA" "EUROTECH"

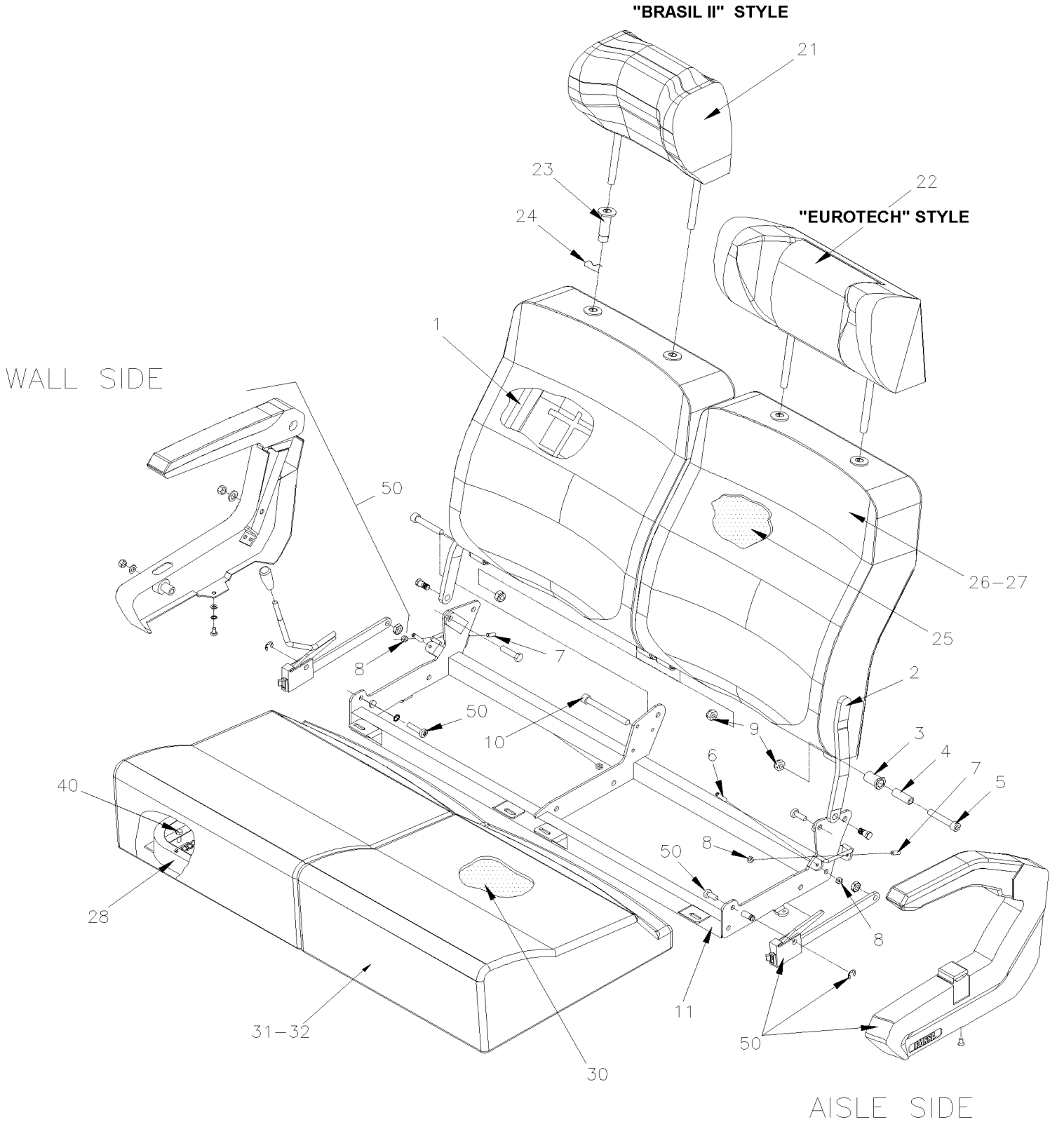


From R-012 To 2-4416	Date:10/2022	PAGE:H3-1826-05
PASSENGER'S SEAT - "AMAYA" "EUROTECH"		

Item#	Part	Description	H 3 4 1	H 3 4 5	V I P 4 5	N O T E S
		IMPORTANT NOTE:				
		TO ORDER COMPLETE PASSENGER'S SEAT KIT #, SEE THE FINAL VEHICLE RECORD.				
1	193017	BACKREST STRUCTURE R.H.	1	1		
1	Call order desk	BACKREST STRUCTURE R.H. / W/IND "REI"	1	1		P
2	865560	BUSHING HYTREL	1	1		
3	Call order desk	INSIDE METAL BUSHING	1	1		P
4	70314705	SCREW CAP HEXS M10-1.5x60 G8.8 ZP	1	1		
5	Call order desk	BACKREST STRUCTURE L.H.	1	1		P
5	Call order desk	BACKREST STRUCTURE L.H. / W/IND "REI"	1	1		P
6	Call order desk	LOCK BOLT M6-1x30	1	1		P
7	Call order desk	LOCK BOLT M6-1x20	1	1		P
9	500680	NUT HEX STO M10-1.5 Z050	1	1		
10	502765	SCREW CAP HEXS M10-1.5x100 G8.8 PT ZP	1	1		
11	Call order desk	STRUCTURE R.H. / W/STD FOOTREST	1	1		P
11	Call order desk	STRUCTURE R.H. / W/STD FOOTREST	1	1		P
11	Call order desk	STRUCTURE L.H. / W/STD FOOTREST	1	1		P
11	Call order desk	STRUCTURE L.H. / W/STD FOOTREST	1	1		P
11	Call order desk	STRUCTURE R.H. / W/GAUDI FOOTREST	1	1		P
11	Call order desk	STRUCTURE L.H. / W/GAUDI FOOTREST	1	1		P
11	Call order desk	STRUCTURE R.H. / W/GAUDI FOOTREST & AVION TABLE SEAT	1	1		P
11	Call order desk	STRUCTURE L.H. / W/GAUDI FOOTREST & AVION TABLE SEAT	1	1		P
12	500183	SCREW CAP HEX 5/16-18x1 1/2 G5 PT Z050	1	1		
13	500441	WASHER FL .312x.734x.065 Z050	1	1		
14	863541	BRACKET SUPPORT	1	1		
21	862558	HEADREST FOAM / TYPE "BRAZIL"	1	1		
21	Call order desk	COVERING ASSY S.C.C.	1	1		P
21	863315	HEADREST FOAM / TYPE "BRAZIL" & "EUROTECH"	1	1		
22	862933	HEADREST ASSY / TYPE WINGED "VIP"	1	1		
22	866011	HEADREST FOAM / TYPE WINGED "VIP"	1	1		
22	Call order desk	COVERING ASSY WING TYPE / S.C.C.	1	1		P
23	864810	GUIDE SLIDING	1	1		
24	866204	BACKREST CLIP	1	1		
25	865141	CUSHION FOAM	1	1		
26	Call order desk	BACKREST TUFTING WIRE "EUROTECH" & "BRASIL"	1	1		P
27	Call order desk	COVERING BACKREST ASSY S.C.C. "EUROTECH"	1	1		P
28	Call order desk	BACKREST FOAM	1	1		P
29	864187	FASTENER COVERING	1	1		
31	Call order desk	CUSHION TUFTING WIRE "EUROTECH" & "BRASIL"	1	1		P
33	502716	NUT HEX NYRT 1/4-20	1	1		
49	362627	PLATE ANCHOR / 3/8-16 BOLT INSIDE TRACK / 1 1/4" X 1 1/4"	1	1		

From R-012 To 2-4416		Date:10/2022	PAGE:H3-1826-05			
PASSENGER'S SEAT - "AMAYA" "EUROTECH"						
Item#	Part	Description	H 3 4 1	H 3 4 5	V I P 4 5	N O T E S
50	H3-1826-50	ARMREST PASSENGER'S SEAT - "AMAYA" WITH "EUROTECH"				
50	H3-1826-51	ARMREST PASSENGER'S SEAT - "AMAYA" WITH "BRASIL"				
50	H3-1826-52	ARMREST PASSENGER'S SEAT - "AMAYA" WITH "GAUDI"				
51	H3-1826-40	PASSENGER'S SEAT - "AMAYA" - FOOTREST				
52	H3-1826-60	ACCESSORIES PASSENGER'S SEAT - "AMAYA"				
60	Call order desk	STRUCTURE DOUBLE / USED W/3 LOUNGE SEAT	1	1		P
61	Call order desk	STRUCTURE SINGLE / USED W/3 LOUNGE SEAT	1	1		P
62	Call order desk	STRUCTURE UNION SEAT / USED W/3 LOUNGE SEAT	1	1		P
63	866004	CENTER MECHANISM	1	1		
64	500446	WASHER FL .531x1.250x.125 Z050	1	1		
65	Call order desk	FLAT WASHER	1	1		P
66	866243	PRESSURE WASHER 7/16" 10MM	1	1		
70	Call order desk	STRUCTURE FRAME ROTATING SEAT	1	1		P
71	Call order desk	STRUCTURE FRAME INFERIOR R.H. / W/STD FOOTREST	1	1		P
71	Call order desk	STRUCTURE FRAME INFERIOR L.H. / W/STD FOOTREST	1	1		P
71	Call order desk	STRUCTURE FRAME INFERIOR R.H. / W/GAUDI FOOTREST	1	1		P
71	Call order desk	STRUCTURE FRAME INFERIOR L.H. / W/GAUDI FOOTREST	1	1		P
72	862156	KNOB / ROTATING SEAT	2	2		
100	323654	SEAT TRACK COVER 12' / EACH SEAT / W/COVERING FLOOR	AR	AR		
100	323963	SEAT TRACK COVER 8' / EACH SEAT / W/COVERING FLOOR	AR	AR		
		P) CALL ORDER DESK FOR SPECIFIC APPLICATION (V.I.N.)				

From R-012 To 2-4416	Date:10/2022	PAGE:H3-1826-06
PASSENGER'S SEAT - "AMAYA" "BRASIL"		



From R-012 To 2-4416 Date:10/2022 PAGE:H3-1826-06

PASSENGER'S SEAT - "AMAYA" "BRASIL"

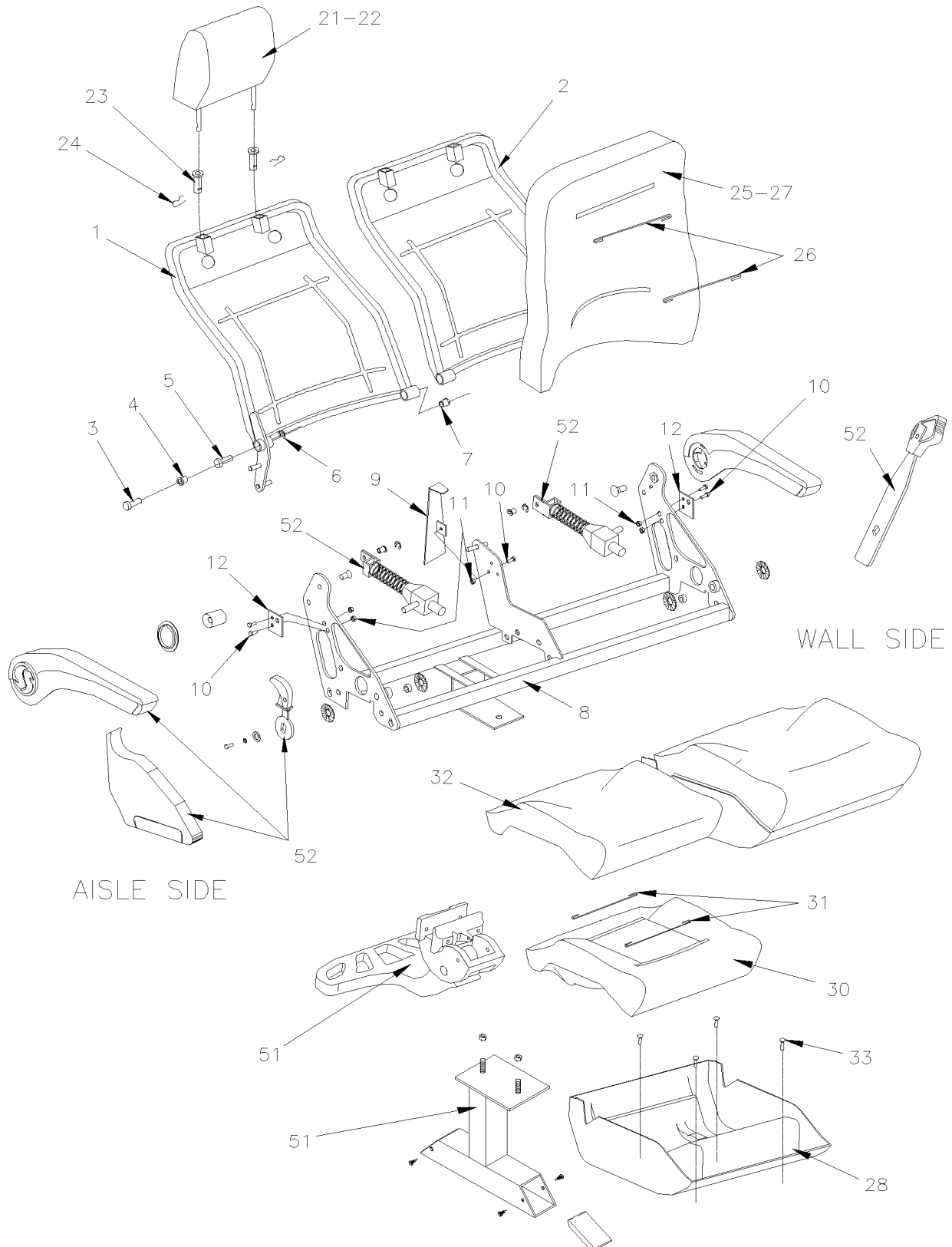
Item#	Part	Description	H 3 4 1	H 3 4 5	V I P 4 5	N O T E S
		IMPORTANT NOTE:				
		TO ORDER COMPLETE PASSENGER'S SEAT KIT #, SEE THE FINAL VEHICLE RECORD.				
1	868532	BACKREST ASSY R.H.	1	1		
1	865680	. BACKREST STRUCTURE R.H.	1	1		
2	864073	BACKREST ASSY L.H.	1	1		
2	865681	. BACKREST STRUCTURE L.H.	1	1		
3	Call order desk	INSIDE METAL BUSHING	1	1		P
4	865560	BUSHING HYTREL	1	1		
5	70314705	SCREW CAP HEXS M10-1.5x60 G8.8 ZP	2	2		
6	Call order desk	LOCK BOLT M6-1x30	1	1		P
7	Call order desk	LOCK BOLT M6-1x20	1	1		P
8	500609	NUT HEX M6-1.0 Z050	4	4		
9	500680	NUT HEX STO M10-1.5 Z050	1	1		
10	502765	SCREW CAP HEXS M10-1.5x100 G8.8 PT ZP	1	1		
11	Call order desk	STRUCTURE R.H.	1	1		P
11	Call order desk	STRUCTURE L.H.	1	1		P
21	Call order desk	HEADREST FOAM / TYPE "BRAZIL-II"	1	1		P
NS	Call order desk	COVERING HEADREST ASSY "BRAZIL-II" S.C.C.	1	1		P
22	863315	HEADREST FOAM / TYPE "BRAZIL" & "EUROTECH"	1	1		
NS	Call order desk	COVERING HEADREST ASSY "BRAZIL" & EURO S.C.C.	1	1		P
23	864810	GUIDE SLIDING	4	4		
24	866204	BACKREST CLIP	4	4		
25	Call order desk	BACKREST FOAM	2	2		P
26	867775	BACKREST TUFTING WIRE	4	4		
27	Call order desk	COVERING BACKREST ASSY S.C.C.	2	2		P
28	8611003	SEAT FRAME	2	2		
30	860039	CUSHION FOAM	2	2		
31	861716	CUSHION TUFTING WIRE	4	4		
32	Call order desk	COVERING CUSHION ASSY S.C.C.	2	2		P
40	502716	NUT HEX NYRT 1/4-20	4	4		
50	H3-1826-51	ARMREST PASSENGER'S SEAT - "AMAYA" WITH "BRASIL"				
51	H3-1826-60	ACCESSORIES PASSENGER'S SEAT - "AMAYA"				
52	864119	KNOB / ROTATING SEAT	1	1		B
		B) USE WITH SWIVEL SEAT				
		P) CALL ORDER DESK FOR SPECIFIC APPLICATION (V.I.N.)				

From R-012 To 2-4416

Date:10/2022

PAGE:H3-1826-08

PASSENGER'S SEAT - "AMAYA" "GAUDI"

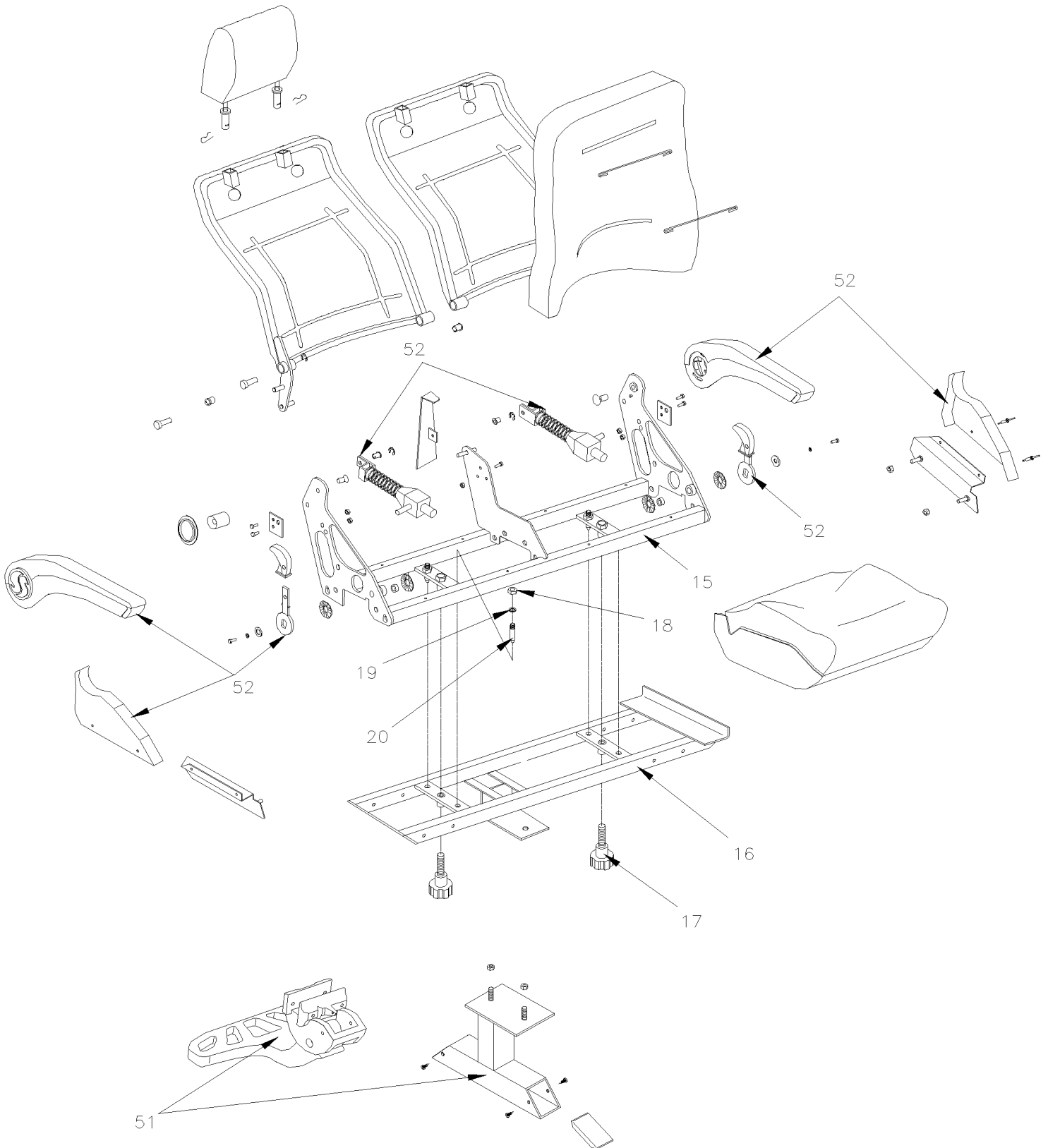


From R-012 To 2-4416

Date:10/2022

PAGE:H3-1826-08

PASSENGER'S SEAT - "AMAYA" "GAUDI"



From R-012 To 2-4416	Date:10/2022	PAGE:H3-1826-08
PASSENGER'S SEAT - "AMAYA" "GAUDI"		

Item#	Part	Description	H 3 4 1	H 3 4 5	V I P 4 5	N O T E S
		IMPORTANT NOTE: BEFORE TO				
		ORDER COMPLETE PASSENGER'S SEAT				
		OR COVERING ASSY, HEAD / BACK & CUSHION				
		SEE THE FINAL VEHICLE RECORD				
1	Call order desk	BACKREST R.H.	1	1		P
2	Call order desk	BACKREST L.H.	1	1		P
3	865560	. BUSHING HYTREL	1	1		
4	Call order desk	. INSIDE METAL BUSHING	1	1		P
5	864975	BOLT M10X25MM	2	2		
6	Call order desk	WASHER #9 DIN6799	2	2		P
7	Call order desk	BUSHING CENTER SEPARATOR	2	2		P
8	Call order desk	STRUCTURE L.H. / W/"GAUDI" HR	1	1		P
8	Call order desk	STRUCTURE R.H. / W/"GAUDI" HR	1	1		P
8	Call order desk	STRUCTURE L.H. / W/"GAUDI" SC	1	1		P
9	Call order desk	BACK COVER / W/"GAUDI" HR	1	1		P
9	Call order desk	BACK COVER / W/"GAUDI" SC	1	1		P
10	Call order desk	SCREW CAP HEX 1/4-20x3/4 ZP	6	6		P
11	500769	NUT HEX 1/4-20 Z050	6	6		
12	Call order desk	STOPPER RECLINING 3"	2	2		P
15	Call order desk	STRUCTURE UPPER / REVERSIBLE SEAT / W/"GAUDI" HR	1	1		P
15	Call order desk	STRUCTURE UPPER / REVERSIBLE SEAT / W/"GAUDI" SC	1	1		P
16	Call order desk	STRUCTURE LOWER / REVERSIBLE SEAT	1	1		P
17	862156	KNOB / ROTATING SEAT	2	2		
18	5001570	NUT HEX NYRT M10-1.5 Z050	6	6		
19	866243	PRESSURE WASHER 7/16" 10MM	6	6		
20	Call order desk	GUIDE BOLT	6	6		P
21	Call order desk	HEADREST FOAM / TYPE "GAUDI HR"	1	1		P
22	Call order desk	COVERING HEADREST ASSY "GAUDI" S.C.C.	1	1		P
23	864810	GUIDE SLIDING	2	2		
24	866204	BACKREST CLIP	2	2		
25	Call order desk	BACKREST FOAM / W/"GAUDI"	1	1		P
26	Call order desk	BACKREST TUFTING WIRE / LARGE / W/"GAUDI" & "EUROTECH"	1	1		P
26	Call order desk	BACKREST TUFTING WIRE / SMALL / W/"GAUDI"	1	1		P
27	Call order desk	COVERING BACKREST ASSY / S.C.C. / W/"GAUDI"	1	1		P
28	Call order desk	SEAT SHELL / W/"GAUDI" HR	1	1		P
28	Call order desk	CUSHION FRAME / W/"GAUDI" SC	1	1		P
30	Call order desk	CUSHION FOAM	1	1		P
31	Call order desk	CUSHION TUFTING WIRE	2	2		P
32	Call order desk	COVERING CUSHION ASSY S.C.C.	1	1		P
33	Call order desk	BOLT 6.3x19	4	4		P

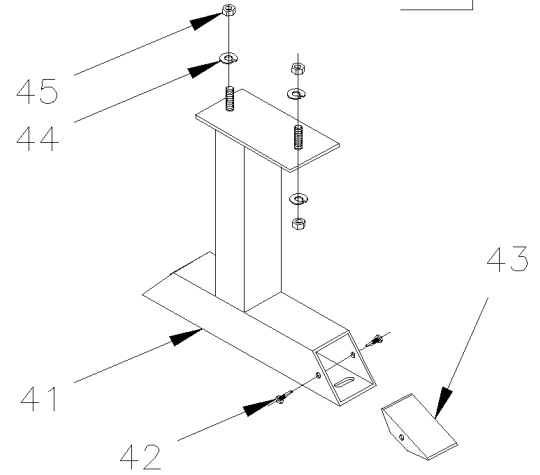
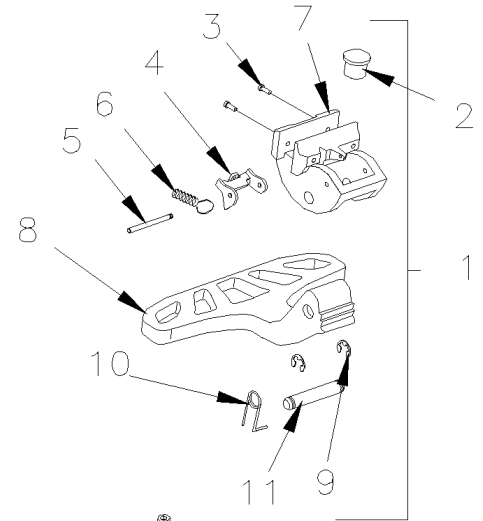
From R-012 To 2-4416	Date:10/2022	PAGE:H3-1826-08
----------------------	--------------	-----------------

PASSENGER'S SEAT - "AMAYA" "GAUDI"

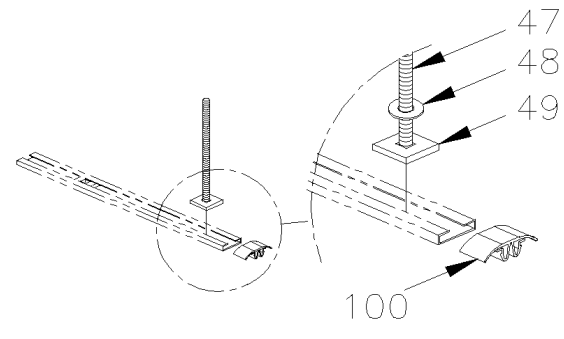
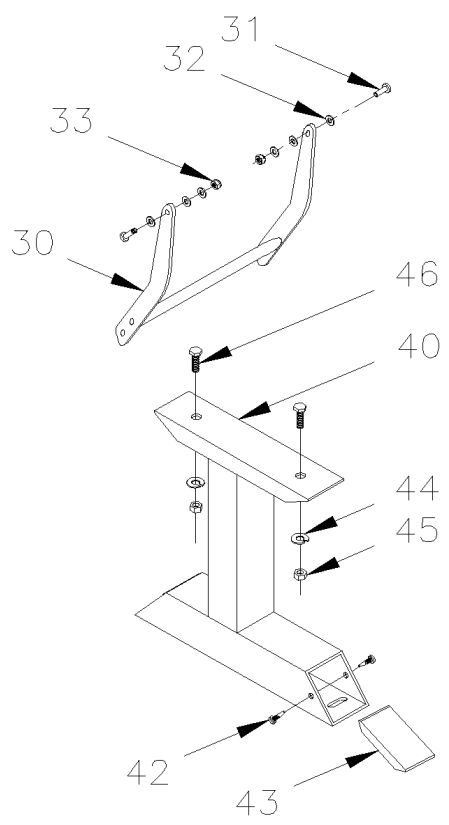
Item#	Part	Description	H 3 4 1	H 3 4 5	V I P 4 5	N O T E S
34	Call order desk	SEAT FIXING BRACKET	1	1		P
35	Call order desk	BOLT 3.9X13MM	1	1		P
50	H3-1826-60	ACCESSORIES PASSENGER'S SEAT - "AMAYA"				
51	H3-1826-40	PASSENGER'S SEAT - "AMAYA" - FOOTREST				
52	H3-1826-52	ARMREST PASSENGER'S SEAT - "AMAYA" WITH "GAUDI"				
		P) CALL ORDER DESK FOR SPECIFIC APPLICATION (V.I.N.)				

From R-012 To 2-4416	Date:10/2022	PAGE:H3-1826-40
PASSENGER'S SEAT - "AMAYA" - FOOTREST		

FOOTREST GAUDI



FOOTREST STD

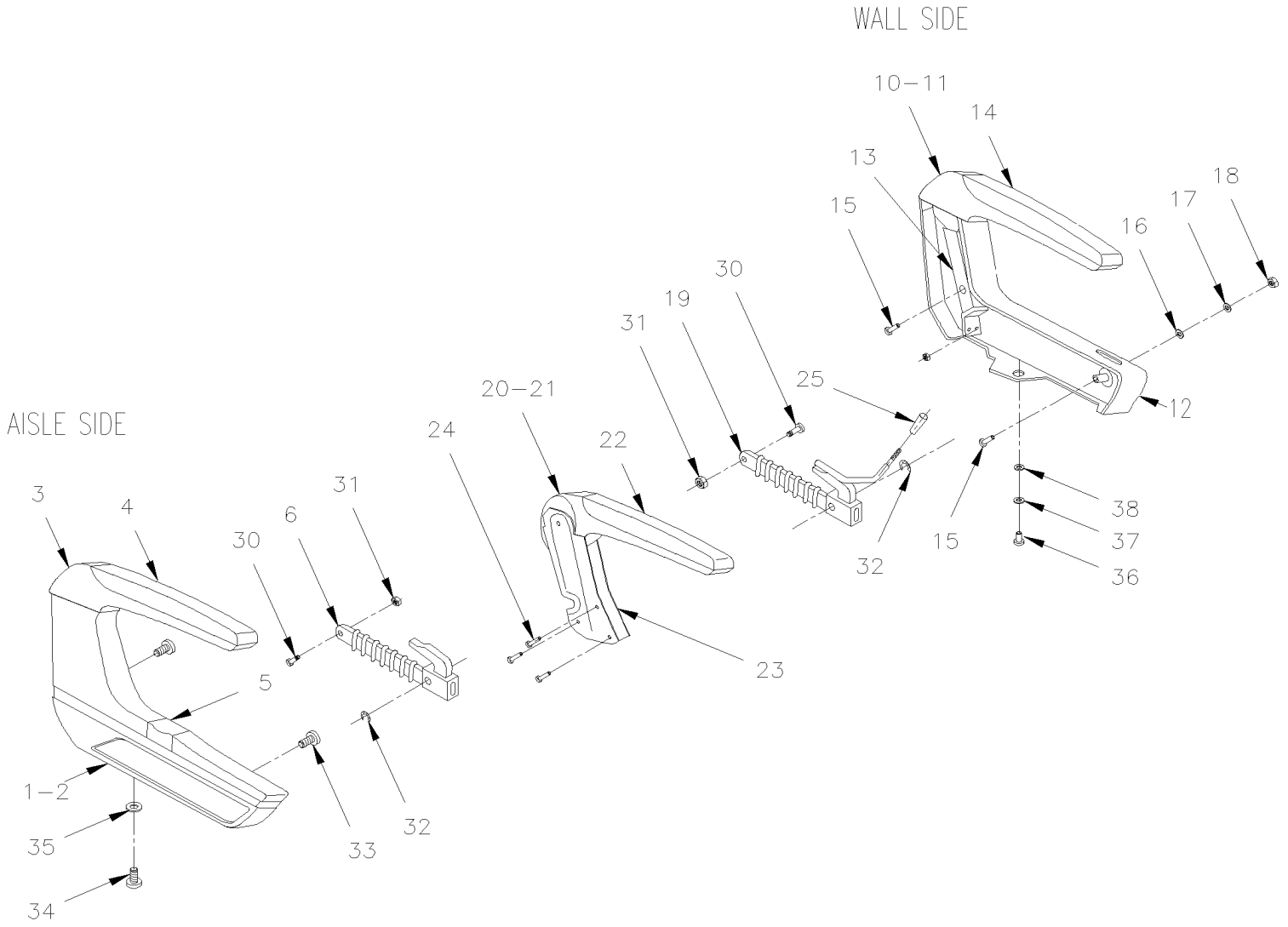


From R-012 To 2-4416	Date:10/2022	PAGE:H3-1826-40
----------------------	--------------	-----------------

PASSENGER'S SEAT - "AMAYA" - FOOTREST

Item#	Part	Description	H 3 4 1	H 3 4 5	V I P 4 5	N O T E S
1	862224	FOOTREST ASSY W/SPRING / "GAUDI" / ALUMINUM	1	1		
1	867725	FOOTREST ASSY W/AUTOMATIC RETURN / "STELAM" / PLASTIC	1	1		
1	862714	FOOTREST ASSY W/SPRING / "SIGLIUM" / PLASTIC	1	1		B
2	N.S.S.	. RUBBER BUMPER	1	1		1
3	N.S.S.	. SCREW CAP HEXS M8-1.25x50 SS	2	2		1
4	N.S.S.	. STOPPER	1	1		1
5	N.S.S.	. STOPPER AXLE	1	1		1
6	N.S.S.	. SPRING	1	1		1
7	N.S.S.	. FOOTREST SUPPORT	1	1		1
8	N.S.S.	. FOOTREST	1	1		1
9	N.S.S.	. RETAINING RING	2	2		1
10	N.S.S.	. SPRING	1	1		1
11	N.S.S.	. FOOTREST AXLE	1	1		1
30	863814	FOOTREST STANDARD 10" L x 9" U	1	1		
31	Call order desk	BOLT SPECIAL M8-1.25 x10	2	2		P
32	500441	WASHER FL .312x.734x.065 Z050	2	2		
33	500868	NUT HEX NYRT M8-1.25 Z050	2	2		
40	860116	PEDESTAL ASSY / W STD FOOTREST	1	1		
41	Call order desk	PEDESTAL ASSY / W GAUDI FOOTREST	1	1		P
41	Call order desk	PEDESTAL ASSY / W GAUDI FOOTREST	1	1		P
41	Call order desk	PEDESTAL ASSY / W GAUDI FOOTREST / W/REVERSIBLE "GAUDI" HR	1	1		P
41	Call order desk	PEDESTAL ASSY / W GAUDI FOOTREST / W/REVERSIBLE "GAUDI" SC	1	1		P
41	Call order desk	PEDESTAL ASSY / W GAUDI FLIP-UP SLIDE	1	1		P
42	504619	CLIP CHRISTMAS TREE / BLACK 7/32"O.D.x1/2" HOLE 3/16	2	2		
43	862585	PEDESTAL CAP / BLACK	1	1		
. NS	864028	. CLIP CHRISTMAS TREE / BLACK 11MM O.D. x17MM HOLE 4MM	2	2		
44	866243	PRESSURE WASHER 7/16" 10MM	1	1		
45	500256	NUT HEX M10-1.5 Z050	2	2		
46	5001526	SCREW CAP HEX M16-2.0x45 G10.9 DP	2	2		
47	500305	SCREW CAP HEX 3/8-16x7/8 G5 Z050	2	2		
48	500478	WASHER LO SPT .380x.683x.094 Z050	2	2		
49	362627	PLATE ANCHOR / 3/8-16 BOLT INSIDE TRACK / 1 1/4" X 1 1/4"	AR	AR		
100	323654	SEAT TRACK COVER 12' / EACH SEAT / W/COVERING FLOOR	AR	AR		
100	323963	SEAT TRACK COVER 8' / EACH SEAT / W/COVERING FLOOR	AR	AR		
		B) THIS MODEL HAVE FOOTREST SUPPORT DIFFER THAN PICTURE				
		1) NOT SOLD SEPARATELY				
		P) CALL ORDER DESK FOR SPECIFIC APPLICATION (V.I.N.)				

From R-012 To 2-4416	Date:10/2022	PAGE:H3-1826-50
ARMREST PASSENGER'S SEAT - "AMAYA" WITH "EUROTECH"		



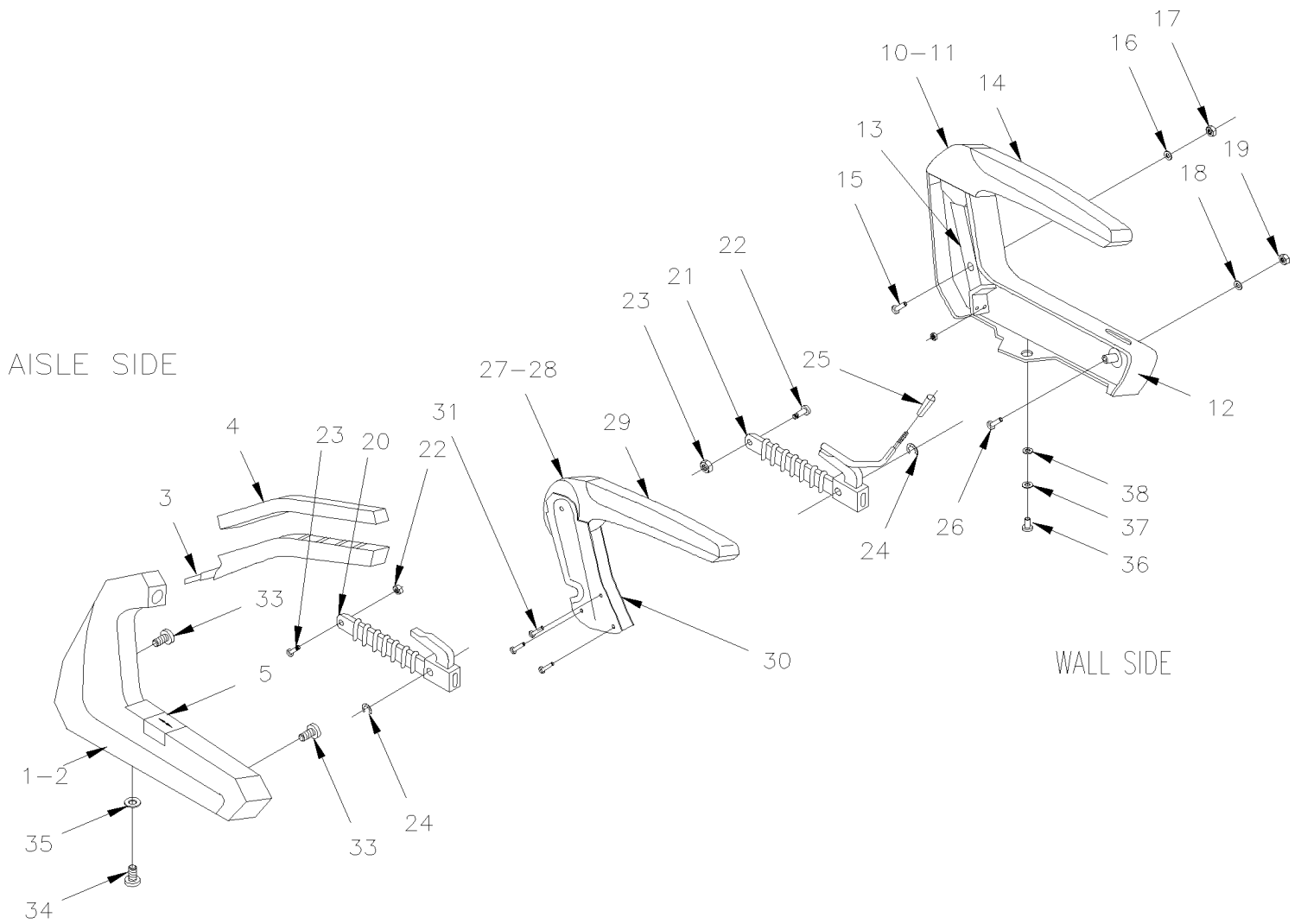
From R-012 To 2-4416	Date:10/2022	PAGE:H3-1826-50
ARMREST PASSENGER'S SEAT - "AMAYA" WITH "EUROTECH"		

Item#	Part	Description	H 3 4 1	H 3 4 5	V I P 4 5	N O T E S
1	865740	ARMREST ASSY R.H.	1	1		
1	865741	ARMREST ASSY L.H.	1	1		
2	Call order desk	. ARMREST AISLE SUPPORT L.H.	1	1		P
2	867850	. ARMREST AISLE SUPPORT R.H.	1	1		
3	864847	. ARMREST AISLE FRAME L.H.	1	1		
3	864848	. ARMREST AISLE FRAME R.H.	1	1		
NS	865534	. AXLE BOLT (ARM PIVOT)	1	1		
NS	865533	. WASHER CON	1	1		
4	862939	. ARMREST COVER RUBBER	1	1		
NS	Call order desk	. BOLT 2.5X26	1	1		P
5	863361	. PUSH BUTTON	1	1		
5	863474	. TRACK BUTTON	1	1		
NS	863475	. SPRING BUTTON	1	1		
NS	863476	. STOPPER BUTTON	1	1		
6	862545	. RECLINING MECANISM AILSE SIDE	1	1		A
10	863645	ARMREST ASSY L.H. / WALL SIDE	1	1		
10	Call order desk	ARMREST ASSY R.H. / WALL SIDE	1	1		P
11	866006	. ARMREST WALL FRAME R.H.	1	1		
11	863381	. ARMREST WALL FRAME L.H.	1	1		
NS	Call order desk	. WASHER	1	1		P
NS	866005	. SCREW CAP HEXS M12x30	1	1		
12	862937	. ARMREST WALL SUPPORT R.H.	1	1		
12	867851	. ARMREST WALL SUPPORT L.H.	1	1		
13	863425	. ARMREST REINFORCEMENT	1	1		
14	862939	. ARMREST COVER RUBBER	1	1		
NS	Call order desk	. BOLT 2.5X26	1	1		P
15	Call order desk	. BOLT M8 X 50MM	1	1		P
15	Call order desk	. SCREW MA CHE PH M8-1.25x45	1	1		P
16	Call order desk	. WASHER FL 8.4	1	1		P
17	Call order desk	. WASHER LO INT 8.4	1	1		P
18	865483	. NUT HEX M8-1.25	1	1		
19	862218	RECLINING MECANISM WALL SIDE	1	1		B
20	862544	CENTER ARMREST ASSY / PAINTED ALUMINUM	1	1		
21	865357	. ARMREST CENTER	1	1		
NS	865533	. WASHER CON	2	2		
NS	860170	. BOLT MALE	1	1		
NS	Call order desk	. BOLT FEMALE	1	1		P
22	862939	. ARMREST COVER RUBBER	1	1		
23	Call order desk	. ARMREST CENTER SUPPORT	1	1		P
24	Call order desk	SCREW MA CHE PH M6x15	1	1		P
25	862225	KNOB W/ ROUND ROD INSERT MECHANISM (FORMER)	1	1		
30	866248	BOLT SPECIAL FIXING	1	1		

From R-012 To 2-4416	Date:10/2022	PAGE:H3-1826-50
ARMREST PASSENGER'S SEAT - "AMAYA" WITH "EUROTECH"		

Item#	Part	Description	H 3 4 1	H 3 4 5	V I P 4 5	N O T E S
31	500256	NUT HEX M10-1.5 Z050	1	1		
32	Call order desk	WASHER #9 DIN6799	1	1		P
33	Call order desk	SCREW OVAL HEAD M8-1.25x20	1	1		P
34	Call order desk	SCREW CAP HEXS M8x20	1	1		P
35	865515	WASHER FL 6.4	1	1		
36	Call order desk	SCREW BUT HEXS M6x10	1	1		P
37	Call order desk	PRESSURE WASHER	1	1		P
38	Call order desk	WASHER J6.4 DIN 125	1	1		P
		A) INCLUDE ITEMS # 30,31 & 32				
		B) INCLUDE ITEMS # 25, 30, 31 & 32				
		P) CALL ORDER DESK FOR SPECIFIC APPLICATION (V.I.N.)				

From R-012 To 2-4416	Date:10/2022	PAGE:H3-1826-51
ARMREST PASSENGER'S SEAT - "AMAYA" WITH "BRASIL"		



From R-012 To 2-4416	Date:10/2022	PAGE:H3-1826-51
ARMREST PASSENGER'S SEAT - "AMAYA" WITH "BRASIL"		

Item#	Part	Description	H 3 4 1	H 3 4 5	V I P 4 5	N O T E S
1	863843	ARMREST ASSY R.H.	1	1		
1	863844	ARMREST ASSY L.H.	1	1		
1	862934	ARMREST ASSY L.H.	1	1		
2	867849	. ARMREST AISLE SUPPORT L.H.	1	1		
2	Call order desk	. ARMREST AISLE SUPPORT R.H.	1	1		P
3	860128	. ARMREST AISLE FRAME L.H.	1	1		
3	Call order desk	. ARMREST AISLE FRAME R.H.	1	1		P
NS	Call order desk	. ARMREST CLIP	1	1		P
NS	Call order desk	. FIBER ARMREST WASHER	1	1		P
4	863427	. ARMREST COVER AISLE	1	1		
5	863361	. PUSH BUTTON	1	1		
5	863474	. TRACK BUTTON	1	1		
NS	863475	. SPRING BUTTON	1	1		
NS	863476	. STOPPER BUTTON	1	1		
10	863645	ARMREST ASSY L.H. / WALL SIDE	1	1		
10	Call order desk	ARMREST ASSY R.H. / WALL SIDE	1	1		P
11	866006	. ARMREST WALL FRAME R.H.	1	1		
11	863381	. ARMREST WALL FRAME L.H.	1	1		
NS	Call order desk	. WASHER	1	1		P
NS	866005	. SCREW CAP HEXS M12x30	1	1		
12	862937	. ARMREST WALL SUPPORT R.H.	1	1		
12	867851	. ARMREST WALL SUPPORT L.H.	1	1		
13	863425	. ARMREST REINFORCEMENT	1	1		
14	862939	. ARMREST COVER RUBBER	1	1		
NS	Call order desk	. BOLT 2.5X26	1	1		P
15	500193	SCREW CAP HEX 3/8-16x1 1/2 G5 Z050	1	1		
16	500445	WASHER FL .437x1.000x.083 Z050	1	1		
17	500783	NUT HEX 3/8-16 Z050	1	1		
18	502507	WASHER LO SPT 8.1x14.8x2.0 Z050	1	1		
19	502543	NUT HEX M8-1.25 Z050	1	1		
20	862545	RECLINING MECANISM AILSE SIDE	1	1		
21	862218	RECLINING MECANISM WALL SIDE	1	1		
22	866248	. BOLT SPECIAL FIXING	1	1		
23	500256	. NUT HEX M10-1.5 Z050	1	1		
24	Call order desk	. SNAP RING	1	1		P
25	862225	. KNOB W/ ROUND ROD INSERT MECHANISM (FORMER)	1	1		
26	865486	SCREW MA OV PH M8-1.25x35	1	1		
27	863743	CENTER ARMREST ASSY / PAINTED SILVER	1	1		
28	865357	. ARMREST CENTER	1	1		
NS	865533	. WASHER CON	2	2		
NS	860170	. BOLT MALE	1	1		
NS	Call order desk	. BOLT FEMALE	1	1		P

From R-012 To 2-4416	Date:10/2022	PAGE:H3-1826-51
ARMREST PASSENGER'S SEAT - "AMAYA" WITH "BRASIL"		

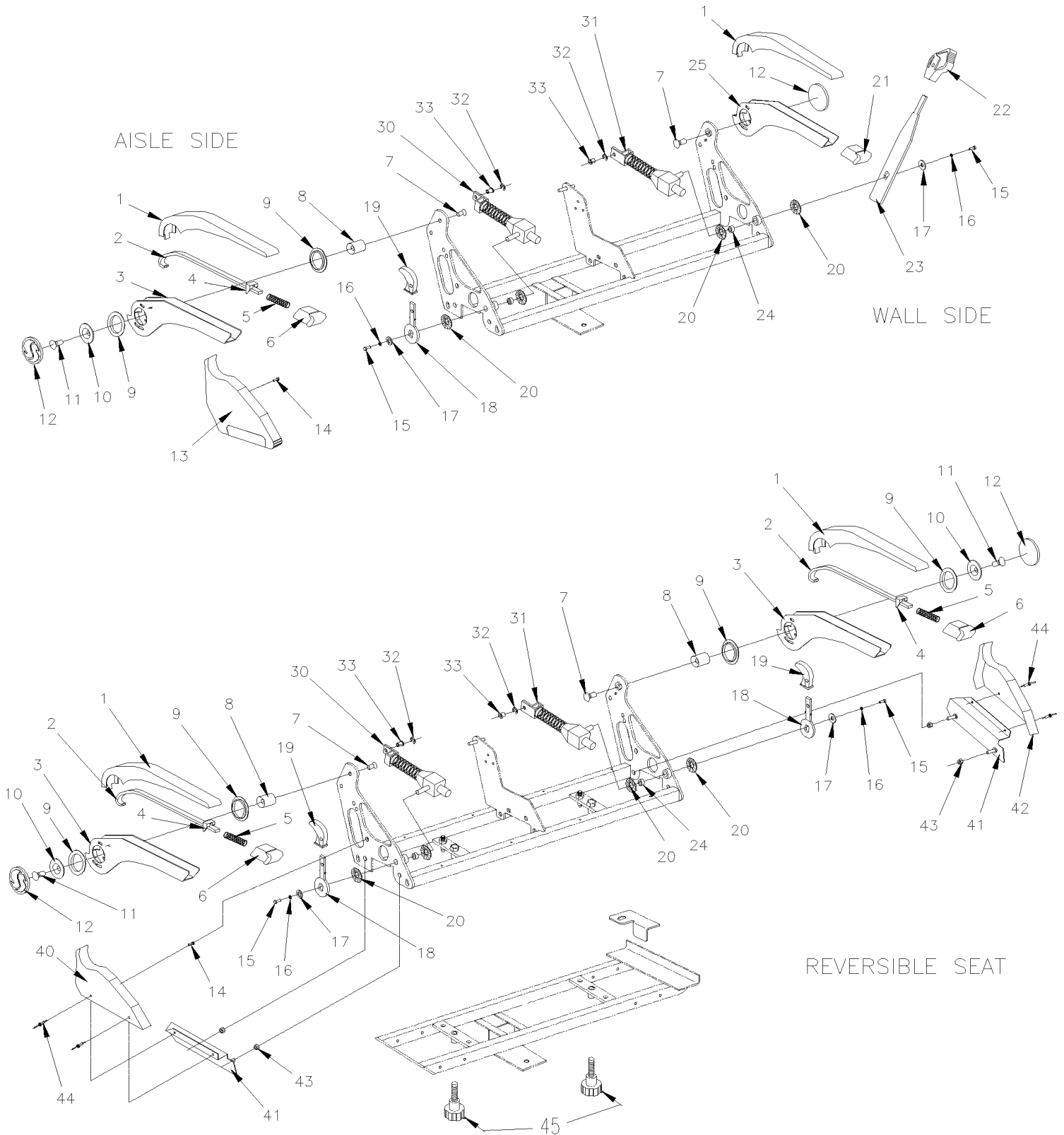
Item#	Part	Description	H 3 4 1	H 3 4 5	V I P 4 5	N O T E S
29	863539	. ARMREST COVER CENTER	1	1		
30	Call order desk	. ARMREST CENTER SUPPORT	1	1		P
31	Call order desk	SCREW MA CHE PH M6x15	1	1		P
33	Call order desk	SCREW OVAL HEAD M8-1.25x20	1	1		P
34	N32018	SCREW MA PAN PH M6-1.0x12 BKP	1	1		
35	865485	SCREW MA OV PH M8-1.25x25	1	1		
36	502806	SCREW MA FL PH M6-1.0x10 Z050	1	1		
37	Call order desk	PRESSURE WASHER	1	1		P
38	Call order desk	WASHER J6.4 DIN 125	1	1		P
		P) CALL ORDER DESK FOR SPECIFIC APPLICATION (V.I.N.)				

From R-012 To 2-4416

Date:10/2022

PAGE:H3-1826-52

ARMREST PASSENGER'S SEAT - "AMAYA" WITH "GAUDI"

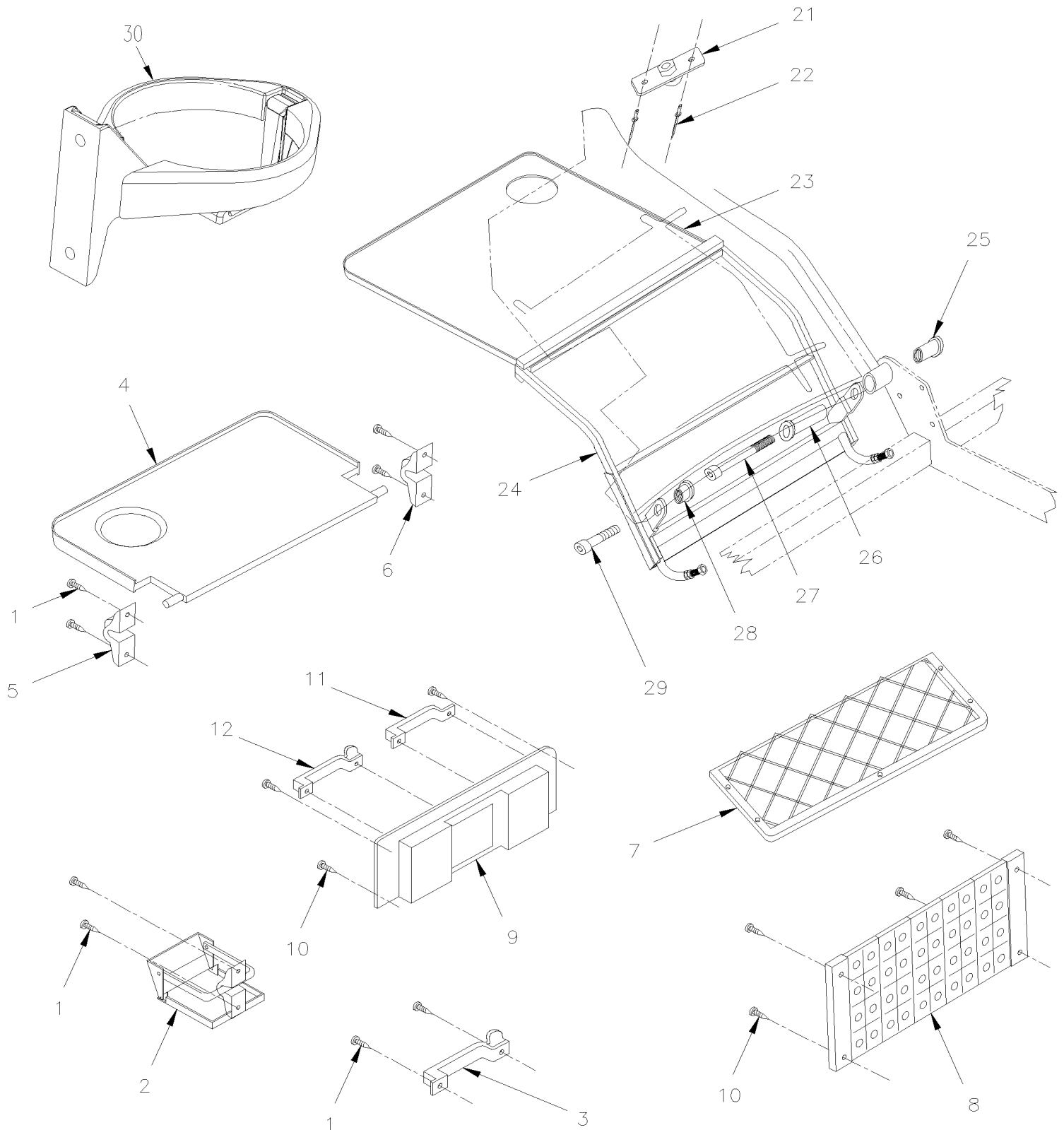


From R-012 To 2-4416	Date:10/2022	PAGE:H3-1826-52
ARMREST PASSENGER'S SEAT - "AMAYA" WITH "GAUDI"		

Item#	Part	Description	H 3 4 1	H 3 4 5	V I P 4 5	N O T E S
	866091	ARMREST ASSY / AISLE SIDE / GAUDI	1	1		
1	864965	. ARMREST COVER	1	1		
2	N.S.S.	. FOLD DOWN ARMREST LEVER	1	1		1
3	N.S.S.	. AISLE ARMREST FRAME	1	1		1
4	N.S.S.	. FOLD DOWN ARMREST STOPPER	1	1		1
5	N.S.S.	. ARMREST SPRING	1	1		1
6	866078	. PUSH BUTTON	1	1		
7	N.S.S.	. BOLT M10x19MM	1	1		1
8	N.S.S.	. AXLE ARMREST	1	1		1
9	N.S.S.	. PLASTIC BUSHING	2	2		1
10	N.S.S.	. COVER	1	1		1
11	N.S.S.	. BOLT M10X25MM	1	1		1
12	864976	. ARMREST LOGO CAP R-7010	1	1		
13	864789	COVER AISLE SIDE W/L.H. SEAT	1	1		
13	864831	COVER AISLE SIDE W/R.H. SEAT	1	1		
14	Call order desk	BOLT 6.3x19	1	1		P
15	Call order desk	BOLT M6x15MM	1	1		P
16	Call order desk	WASHER B6.1 DIN 127	1	1		P
17	Call order desk	WASHER 6.4 DIN 9021	1	1		P
18	Call order desk	AISLE LEVER RECLINING	1	1		P
19	864093	KNOB RECLINING	1	1		
20	866260	UNSULATED WASHER	2	2		
21	Call order desk	BUTTON FIXED ARMREST	1	1		P
22	864094	KNOB WALL MECHANISM	1	1		
23	Call order desk	LEVER WALL MECHANISM	1	1		P
23	Call order desk	LEVER WALL MECHANISM (RIGHT SEAT ONLY) / W/"GAUDI" SC	1	1		P
24	Call order desk	BUSHING AXLE / W/"GAUDI" HR	1	1		P
24	865647	BUSHING AXLE / W/"GAUDI" SC	1	1		
25	Call order desk	WALL ARMREST FRAME	1	1		P
30	864045	RECLINING MECHANISM AISLE / W/"GAUDI" HR	1	1		
30	863881	RECLINING MECHANISM AISLE / W/"GAUDI" SC	1	1		
31	8611002	RECLINING MECHANISM WALL / W/"GAUDI" HR	1	1		
31	863882	RECLINING MECHANISM WALL / W/"GAUDI" SC	1	1		
32	Call order desk	WASHER #9 DIN6799	1	1		P
33	866260	UNSULATED WASHER	1	1		
40	Call order desk	COVER R.H. LATERAL W/REVERSIBLE SEAT	1	1		P
41	Call order desk	COVER LATERAL COMPLEMENT W/REVERSIBLE SEAT	2	2		P
42	864972	COVER L.H. LATERAL W/REVERSIBLE SEAT	1	1		
43	5001570	NUT HEX NYRT M10-1.5 Z050	4	4		
44	504108	RIVET POP DOME OE 1/8x1/2 AL	4	4		
45	862156	KNOB / ROTATING SEAT	2	2		

From R-012 To 2-4416		Date:10/2022	PAGE:H3-1826-52			
ARMREST PASSENGER'S SEAT - "AMAYA" WITH "GAUDI"						
Item#	Part	Description	H 3 4 1	H 3 4 5	V I P 4 5	N O T E S
		1) NOT SOLD SEPARATELY				
		P) CALL ORDER DESK FOR SPECIFIC APPLICATION (V.I.N.)				

From R-012 To 2-4416	Date:10/2022	PAGE:H3-1826-60
ACCESSORIES PASSENGER'S SEAT - "AMAYA"		



From R-012 To 2-4416	Date:10/2022	PAGE:H3-1826-60
ACCESSORIES PASSENGER'S SEAT - "AMAYA"		

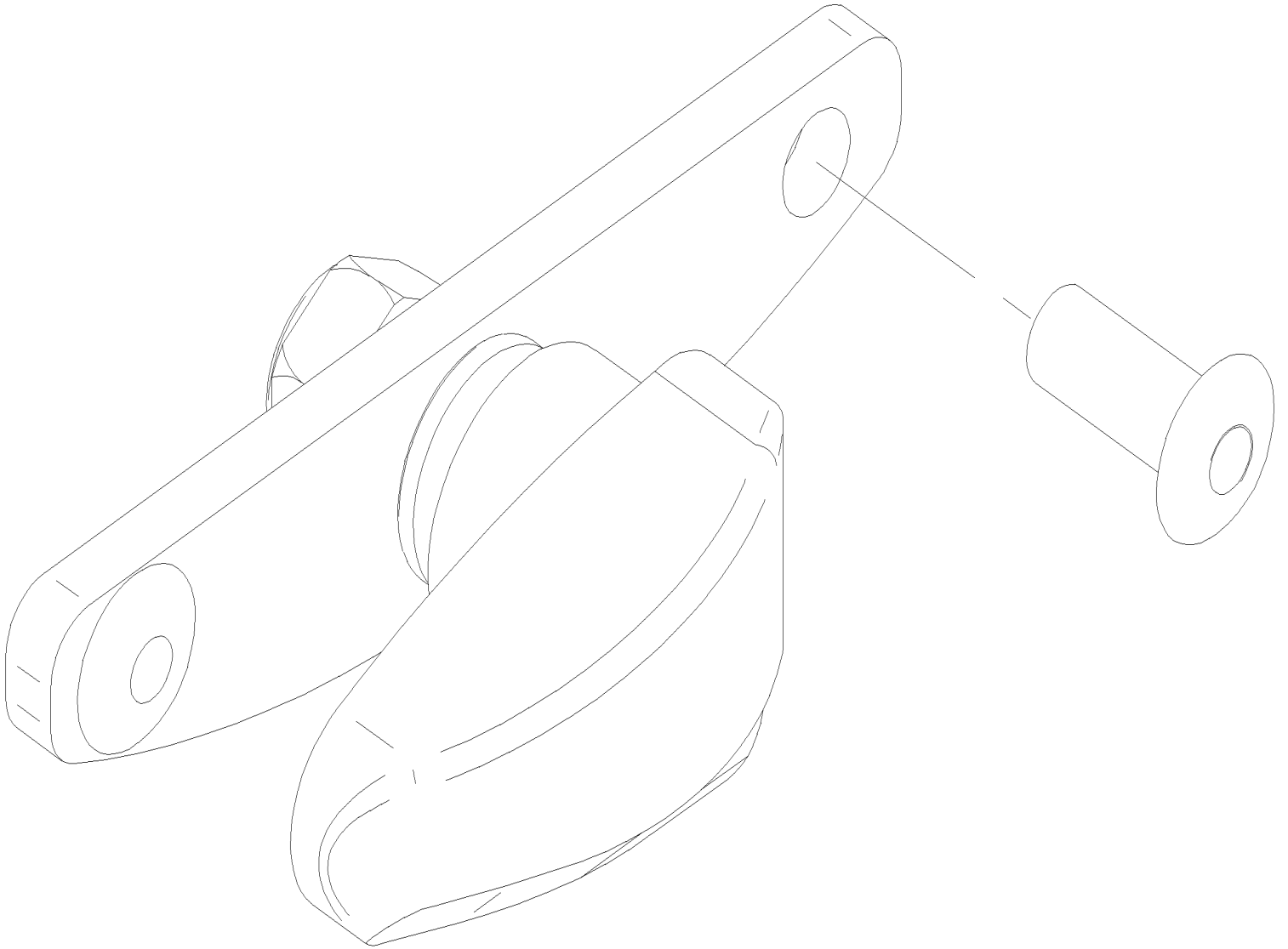
Item#	Part	Description	H 3 4 1	H 3 4 5	V I P 4 5	N O T E S
1	500936	SCREW TP OV PH #10x1 1/4 ZP	1	1		
2	861923	GLASS HOLDER / W/"AMAYA" / W/2 HOLES FOR SCREW	1	1		A
NS	862932	GLASS HOLDER / W/"AMAYA" / W/3 HOLES FOR SCREW	1	1		
3	860422	HANDLE	1	1		
NS	860421	HOOK	1	1		
4	862774	TABLE STD	1	1		
4	863777	TABLE STD	1	1		
5	N.S.S.	. SUPPORT R.H.	1	1		1
6	N.S.S.	. SUPPORT L.H.	1	1		1
7	861922	MAGAZINE NET 16" x 6 3/4"	1	1		
7	865369	SCREW #10 1 1/4	5	5		
8	861924	MAGAZINE RACK / PLASTIC 310MM x 145MM = GREY 5 BARS	1	1		
8	863535	MAGAZINE RACK / PLASTIC 350MM x 145MM = GREY 6 BARS	1	1		
9	Call order desk	BASE	1	1		P
10	865369	SCREW #10 1 1/4	1	1		
11	862938	HANDLE	1	1		
12	860422	HANDLE	1	1		
12	860421	HOOK	1	1		
21	863417	KNOB / BLACK	1	1		
21	863418	KNOB / GREY / FORMER	1	1		
21	866266	KNOB / GREY / CURRENT	1	1		
22	504126	RIVET POP DOME OE 3/16x5/8 AL	1	1		
23	861920	FOOD TRAY / GREY / W/AIRPLANE TYPE	1	1		
24	864799	FRAME TABLE AIRPLANE TYPE	1	1		
25	864800	SCREW CENTER BUSHING	1	1		
26	864801	CENTER BUSHING	1	1		
27	502765	SCREW CAP HEXS M10-1.5x100 G8.8 PT ZP	1	1		
28	864802	SHORT BUSHING	1	1		
29	70314705	SCREW CAP HEXS M10-1.5x60 G8.8 ZP	1	1		
NS	405795	SUPPORT TABLE, AIRPLANE TYPE / ON GALLEY WALL	1	1		
30	862844	CUP HOLDER, RUSPA, BLACK	AR	AR		
30	863181	CUP HOLDER, RUSPA, BLACK	AR	AR		
NS	864860	CUP HOLDER, FLEX, GREY	1	1		
		A) AS SHOWN				
		1) NOT SOLD SEPARATELY				
		P) CALL ORDER DESK FOR SPECIFIC APPLICATION (V.I.N.)				

From R-012 To 2-4416

Date:10/2022

PAGE:863418

KNOB / GREY / FORMER



From R-012 To 2-4416		Date:10/2022	PAGE:863418
KNOB / GREY / FORMER			

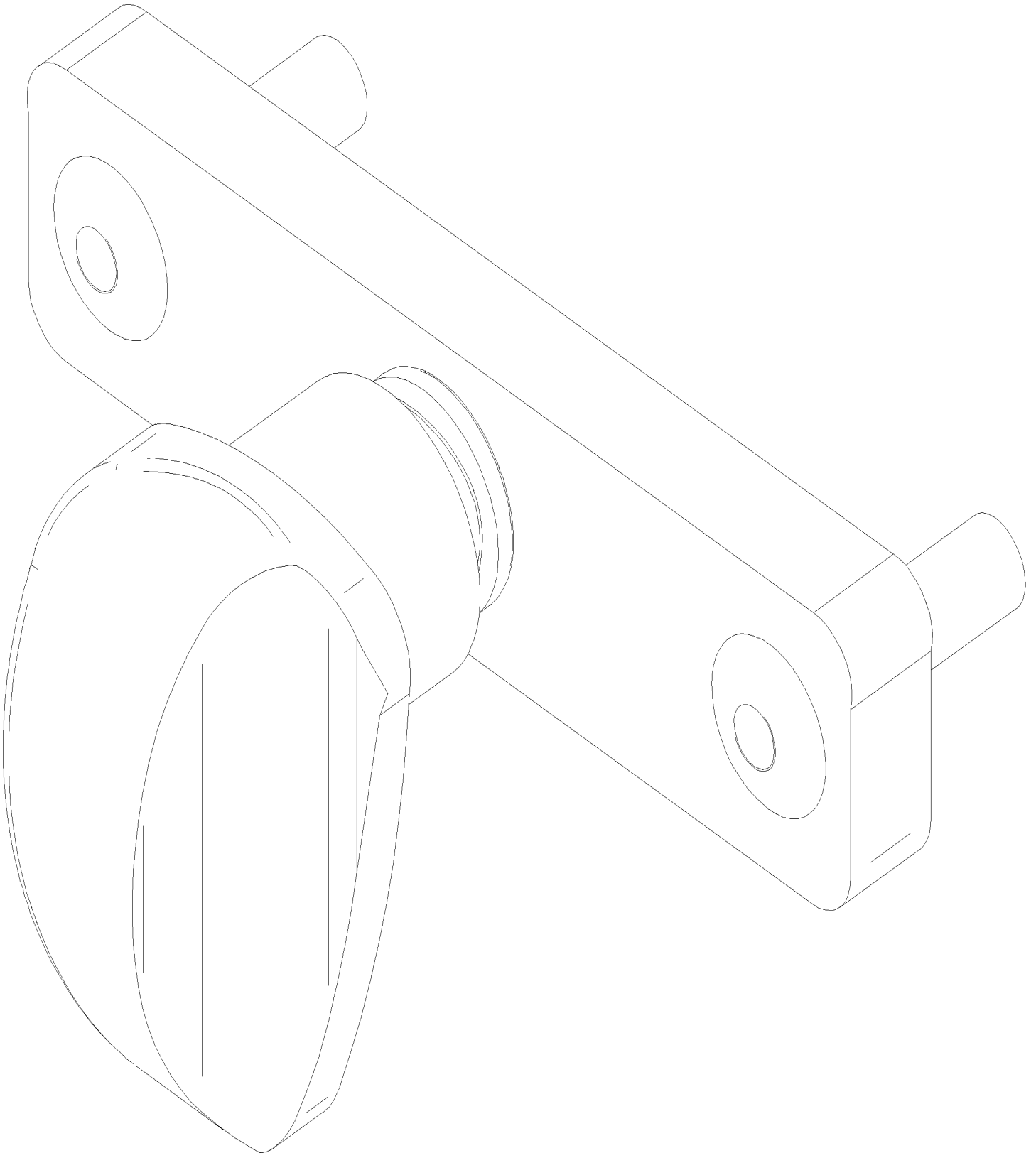
Item#	Part	Description	H 3 4 1	H 3 4 5	V I P 4 5	N O T E S

From R-012 To 2-4416

Date:10/2022

PAGE:866266

KNOB / GREY / CURRENT



From R-012 To 2-4416		Date:10/2022	PAGE:866266
KNOB / GREY / CURRENT			

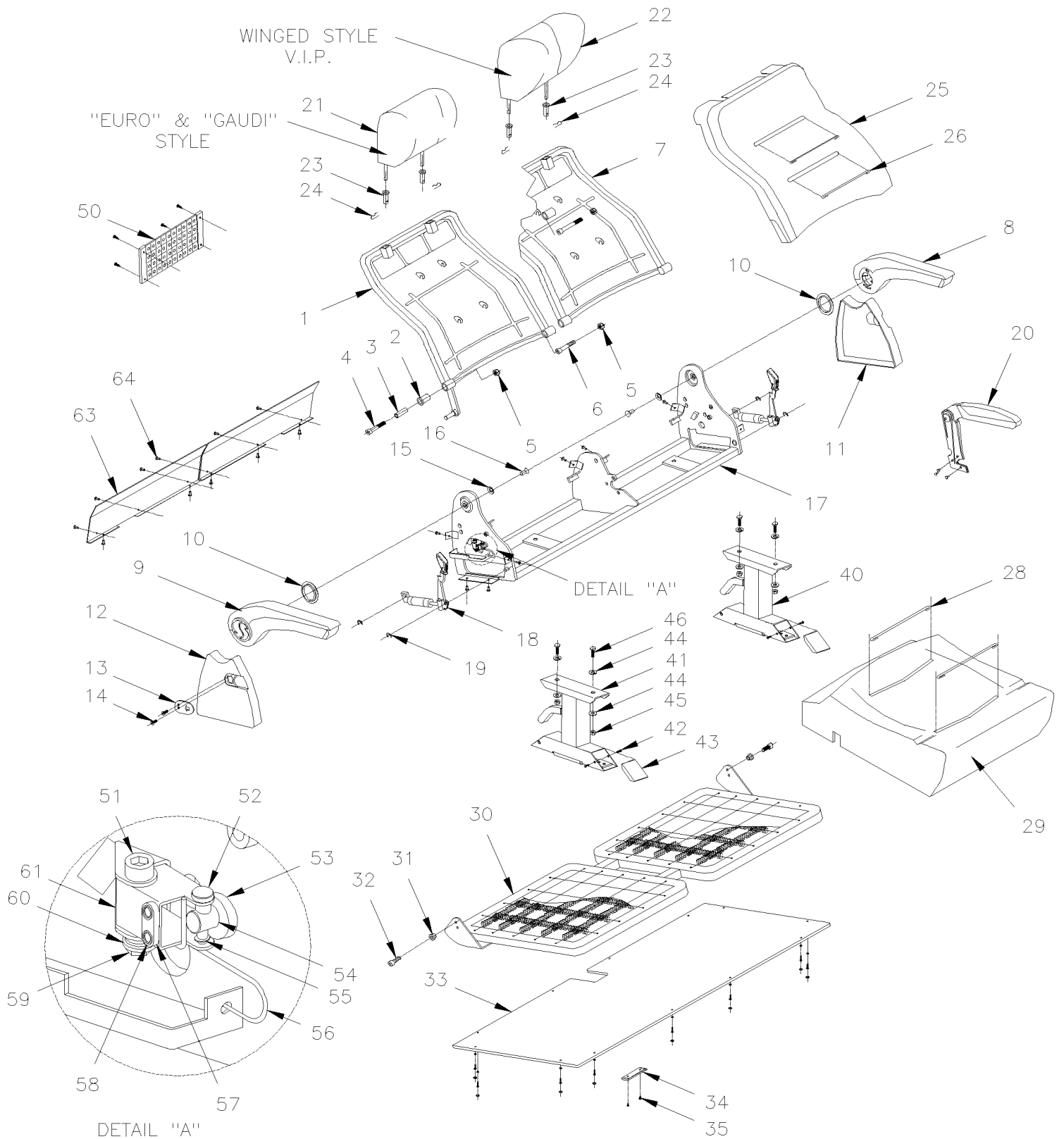
Item#	Part	Description	H 3 4 1	H 3 4 5	V I P 4 5	N O T E S

From R-012 To 2-4416

Date:10/2022

PAGE:H3-1826-71

PASSENGER'S SEAT - "AMAYA" - FLIP-UP "GAUDI" HR & SC - W/ W.C.L.



From R-012 To 2-4416	Date:10/2022	PAGE:H3-1826-71
----------------------	--------------	-----------------

PASSENGER'S SEAT - "AMAYA" - FLIP-UP "GAUDI" HR & SC - W/ W.C.L.

Item#	Part	Description	H 3 4 1	H 3 4 5	V I P 4 5	N O T E S
		IMPORTANT NOTE: BEFORE TO				
		TO ORDER COMPLETE PASSENGER'S SEAT				
		OR COVERING ASSY, HEAD / BACK & CUSHION				
		SEE THE FINAL VEHICLE RECORD.				
1	Call order desk	BACKREST R.H. / W/FLIPPER SEAT & AVION TABLE SEAT	1	1		P
1	Call order desk	BACKREST R.H. / W/FLIPPER SEAT / W/"GAUDI"	1	1		P
1	Call order desk	BACKREST R.H. ASSY / W/FLIPPER SEAT / W/"GAUDI" GI	1	1		P
1	Call order desk	BACKREST SHELL / W/"GAUDI" GI	1	1		P
2	865560	BUSHING HYTREL	1	1		
2	Call order desk	BUSHING PLASTIC / W/"GAUDI" SC	1	1		P
3	Call order desk	INSIDE METAL BUSHING	1	1		P
3	Call order desk	INSIDE METAL BUSHING / W/"GAUDI" SC	1	1		P
4	70314705	SCREW CAP HEXS M10-1.5x60 G8.8 ZP	1	1		
5	500256	NUT HEX M10-1.5 Z050	1	1		
6	502765	SCREW CAP HEXS M10-1.5x100 G8.8 PT ZP	1	1		
7	Call order desk	BACKREST L.H. / W/FLIPPER SEAT & AVION TABLE SEAT	1	1		P
7	Call order desk	BACKREST L.H. / W/FLIPPER SEAT / W/"GAUDI"	1	1		P
7	Call order desk	BACKREST L.H. ASSY / W/FLIPPER SEAT / W/"GAUDI" GI	1	1		P
7	Call order desk	BACKREST SHELL / W/"GAUDI" GI	1	1		P
8	864020	ARMREST ASSY L.H. / W/FLIPPER SEAT	1	1		
9	864019	ARMREST ASSY R.H. / W/FLIPPER SEAT	1	1		
10	N.S.S.	PLASTIC BUSHING	1	1		1
11	865351	CAP PLASTIC L.H. / W/"GAUDI" STATIONARY	1	1		
11	Call order desk	CAP PLASTIC L.H. / W/"GAUDI" SLIDE	1	1		P
12	865352	CAP PLASTIC R.H.	1	1		
13	Call order desk	BLOCK HANDLE	1	1		P
14	Call order desk	SCREW MA CHE PH M6x15	1	1		P
15	865543	WASHER #10.5MM DIN5797	1	1		
16	860111	SCREW CAP FL HEXS M10-1.5x16	1	1		
17	Call order desk	STRUCTURE R.H. / W/FLIPPER SEAT	1	1		P
17	Call order desk	STRUCTURE R.H. / W/FLIPPER SEAT	1	1		P
17	Call order desk	STRUCTURE L.H. / W/FLIPPER SEAT	1	1		P
17	Call order desk	STRUCTURE R.H. / W/FLIPPER SEAT & AVION TABLE SEAT	1	1		P
17	Call order desk	STRUCTURE L.H. / W/FLIPPER SEAT & AVION TABLE SEAT	1	1		P
17	Call order desk	STRUCTURE L.H. / W/FLIPPER SEAT / SLIDE TO VERIFIED	1	1		P
18	863540	RECLINING MECHANISM ASSY AISLE SIDE	1	1		
. NS	IS-136	. INSTRUCTION SHEET	1	1		
18	862546	RECLINING MECHANISM ASSY WALL SIDE	1	1		
. NS	IS-136	. INSTRUCTION SHEET	1	1		
19	Call order desk	WASHER #9 DIN6799	1	1		P
20	863352	CENTER ARMREST ASSY / PAINTED CHARCOAL	1	1		

From R-012 To 2-4416	Date:10/2022	PAGE:H3-1826-71
----------------------	--------------	-----------------

PASSENGER'S SEAT - "AMAYA" - FLIP-UP "GAUDI" HR & SC - W/ W.C.L.

Item#	Part	Description	H 3 4 1	H 3 4 5	V I P 4 5	N O T E S
20	Call order desk	SCREW MA CHE PH M6x15	1	1		P
21	863315	HEADREST FOAM / TYPE "BRAZIL" & "EUROTECH"	1	1		
21	Call order desk	HEADREST FOAM / TYPE "GAUDI HR"	1	1		P
NS	Call order desk	COVERING HEADREST ASSY "GAUDI" S.C.C.	1	1		P
22	862933	HEADREST ASSY / TYPE WINGED "VIP"	1	1		
23	864810	GUIDE SLIDING	1	1		
24	866204	BACKREST CLIP	1	1		
25	865141	CUSHION FOAM	1	1		
25	Call order desk	BACKREST FOAM / W/"GAUDI"	1	1		P
25	Call order desk	BACKREST FOAM AISLE / W/"GAUDI" GI	1	1		P
25	Call order desk	BACKREST FOAM WALL / W/"GAUDI" GI	1	1		P
26	Call order desk	BACKREST TUFTING WIRE "EUROTECH" & "BRASIL	1	1		P
26	Call order desk	BACKREST TUFTING WIRE / LARGE / W/"GAUDI" & "EUROTECH"	1	1		P
NS	Call order desk	COVERING BACKREST ASSY S.C.C. / W/"GAUDI"	1	1		P
27	Call order desk	COVERING BACKREST ASSY S.C.C. / W/"GAUDI" GI	1	1		P
28	Call order desk	CUSHION TUFTING WIRE "EUROTECH" & "BRASIL	1	1		P
29	Call order desk	CUSHION FOAM	1	1		P
NS	Call order desk	COVERING CUSHION ASSY S.C.C. / W/"GAUDI"	1	1		P
30	865599	CUSHION SET STRUCTURE / STREET SIDE	1	1		
30	Call order desk	SEAT FRAME ASSY /W/FLIPPER SEAT / STATIONARY / W/"GAUDI"	1	1		P
30	Call order desk	SEAT FRAME ASSY /W/FLIPPER SEAT / SLIDE / W/"GAUDI"	1	1		P
31	866191	SWIVEL BUSHING	1	1		
32	Call order desk	SCREW CAP HEXS M10x25	1	1		P
33	Call order desk	CAP CUSHION SEAT / W/FLIPPER SEAT	1	1		P
34	Call order desk	SEAT FIXING BRACKET	1	1		P
35	Call order desk	BOLT 3.9X13MM	1	1		P
40	862917	PEDESTAL ASSY R.H. / WFLIPPER SEAT / SLIDE	1	1		
41	865028	PEDESTAL ASSY L.H. / WFLIPPER SEAT / SLIDE	1	1		
42	504619	CLIP CHRISTMAS TREE / BLACK 7/32"O.D.x1/2" HOLE 3/16	4	4		
43	862585	PEDESTAL CAP / BLACK	1	1		
NS	864028	CLIP CHRISTMAS TREE / BLACK 11MM O.D. x17MM HOLE 4MM	2	2		
44	866243	PRESSURE WASHER 7/16" 10MM	1	1		
45	500256	NUT HEX M10-1.5 Z050	1	1		
46	5001526	SCREW CAP HEX M16-2.0x45 G10.9 DP	1	1		
50	H3-1826-60	ACCESSORIES PASSENGER'S SEAT - "AMAYA"				
51	860197	SCREW CAP HEXS M8-1.25x50	1	1		
52	Call order desk	BLOCKING PIN	1	1		P
53	865491	REFERENCE BUSHING FM810120J	1	1		
54	Call order desk	BLOCKING AXLE	1	1		P
55	Call order desk	WASHER DIN-6799 5MM	1	1		P
56	Call order desk	SPRING	1	1		P
57	Call order desk	INSERT	1	1		P

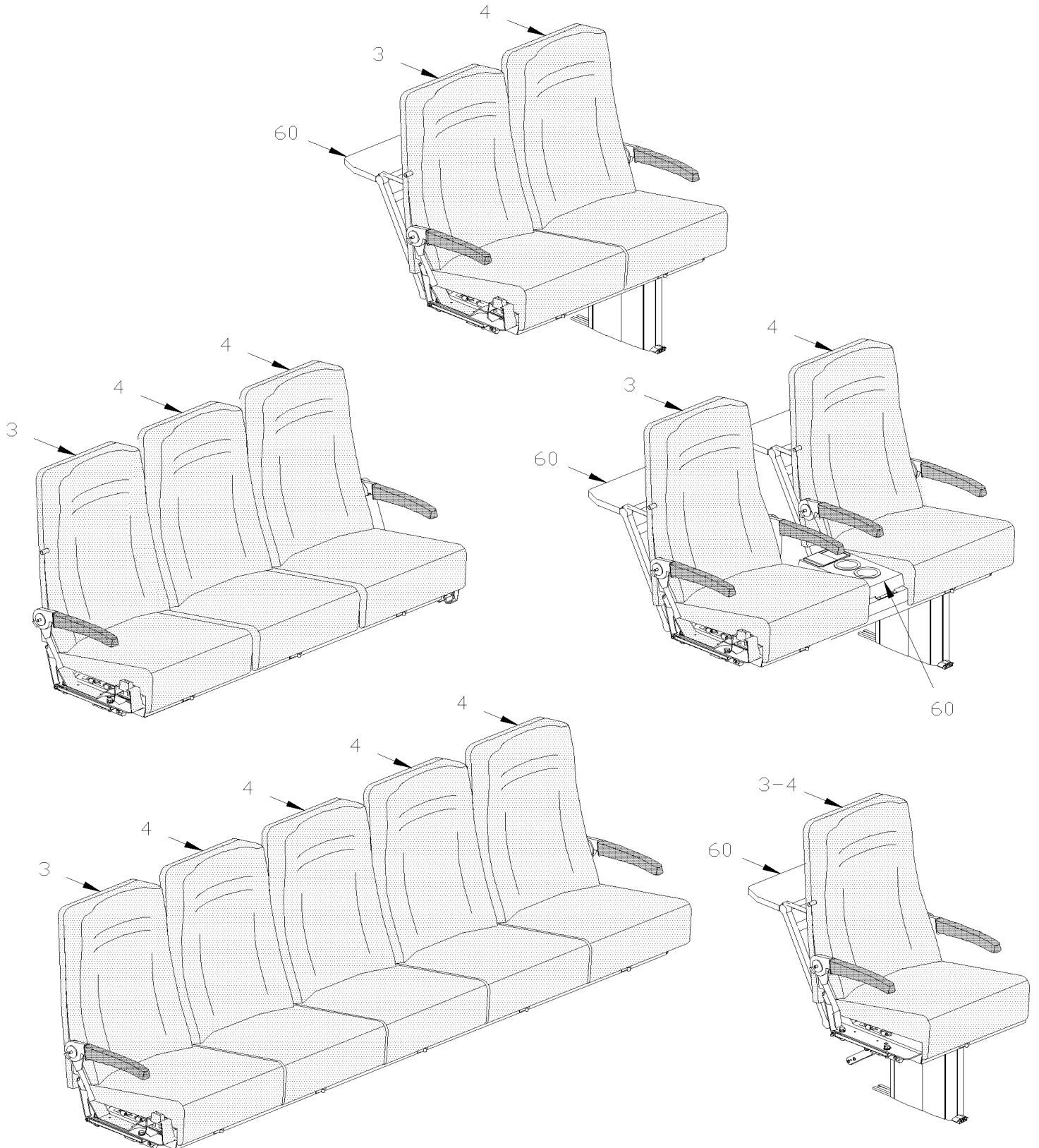
From R-012 To 2-4416		Date:10/2022	PAGE:H3-1826-71			
PASSENGER'S SEAT - "AMAYA" - FLIP-UP "GAUDI" HR & SC - W/ W.C.L.						
Item#	Part	Description	H 3 4 1	H 3 4 5	V I P 4 5	N O T E S
58	Call order desk	RIVET	1	1		P
59	Call order desk	NUT HEX NYRT M8-1.25	1	1		P
60	Call order desk	ACTION SPRING	1	1		P
61	Call order desk	POPPER	1	1		P
63	Call order desk	KICK PLATE BACKREST	1	1		P
64	504118	RIVET POP DOME OE 3/16x3/8 AL	1	1		
70	H3-1826-40	PASSENGER'S SEAT - "AMAYA" - FOOTREST				
100	323654	SEAT TRACK COVER 12' / EACH SEAT / W/COVERING FLOOR	AR	AR		
100	323963	SEAT TRACK COVER 8' / EACH SEAT / W/COVERING FLOOR	AR	AR		
		1) NOT SOLD SEPARATELY				
		P) CALL ORDER DESK FOR SPECIFIC APPLICATION (V.I.N.)				

From R-012 To 2-4416

Date:10/2022

PAGE:H3-1827-01

PASSENGER'S SEAT - "SILHOUETTE" CHARCOAL

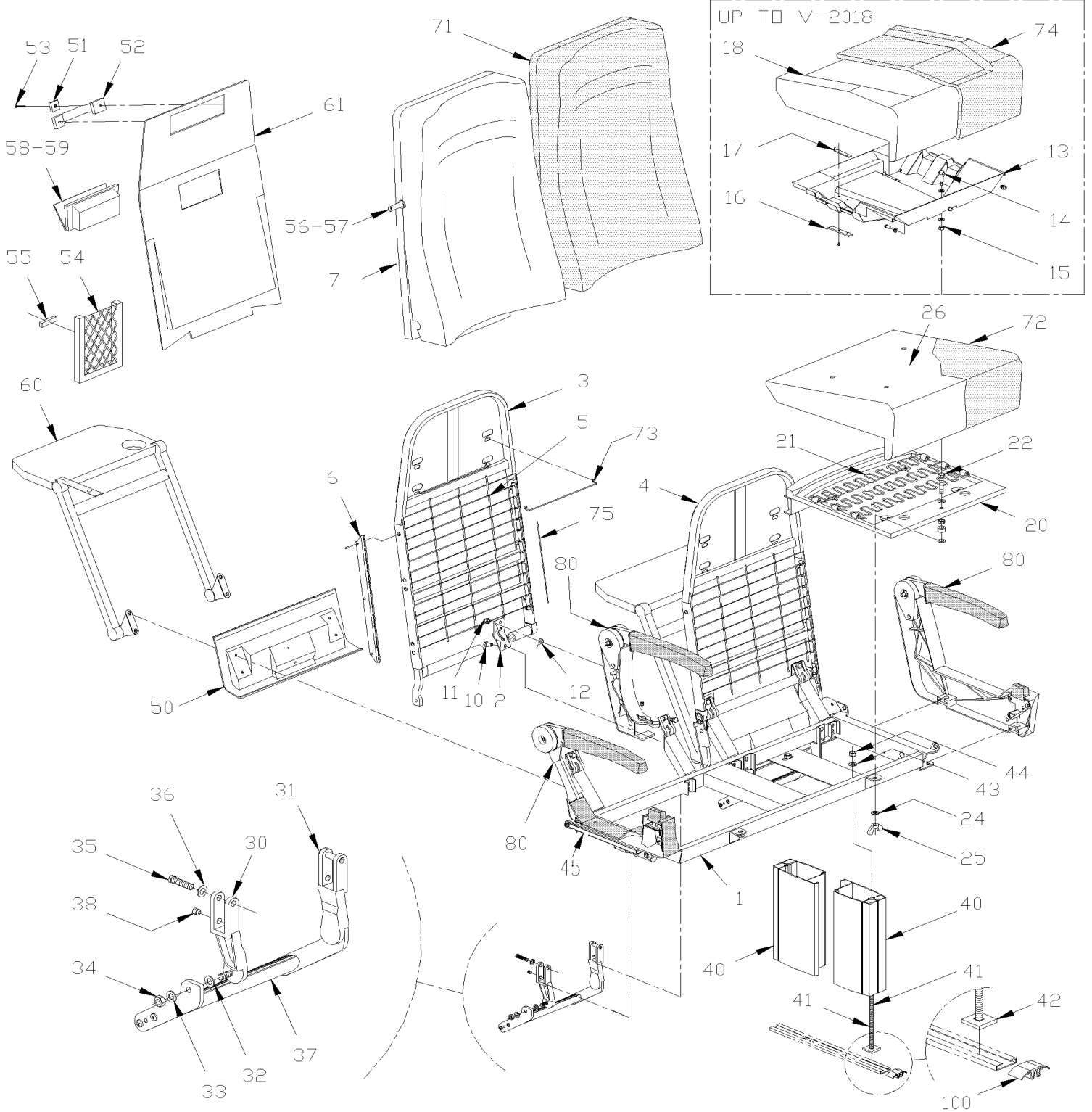


From R-012 To 2-4416

Date:10/2022

PAGE:H3-1827-01

PASSENGER'S SEAT - "SILHOUETTE" CHARCOAL



From R-012 To 2-4416	Date:10/2022	PAGE:H3-1827-01
PASSENGER'S SEAT - "SILHOUETTE" CHARCOAL		

Item#	Part	Description	H 3 4 1	H 3 4 5	V I P 4 5	N O T E S
	362982	SEAT ASSY L.H. / 2 PASSENGERS To V-2018	AR	AR		
	363651	SEAT ASSY L.H. / 2 PASSENGERS From V-2019 To Y-3486	AR	AR		
	363915	SEAT ASSY L.H. / 2 PASSENGERS From Y-3487	AR	AR		
	362983	SEAT ASSY R.H. / 2 PASSENGERS To V-2018	AR	AR		
	363652	SEAT ASSY R.H. / 2 PASSENGERS From V-2019 To Y-3486	AR	AR		
	363916	SEAT ASSY R.H. / 2 PASSENGERS From Y-3487	AR	AR		
	362984	SEAT ASSY ROTATING / "SILHOUETTE" PAINTED CHARCOAL To V-2018	AR	AR		
	363653	SEAT ASSY ROTATING / "SILHOUETTE" PAINTED CHARCOAL From V-2019	AR	AR		
	363917	SEAT ASSY ROTATING / "SILHOUETTE" From Y-3487	AR	AR		
	362985	SEAT ASSY REAR / 1 PASSENGER To V-2018	AR	AR		
	363656	SEAT ASSY REAR / 5 PASSENGERS From V-2019 To Y-3486	AR	AR		
	363920	SEAT ASSY REAR / 5 PASSENGERS From Y-3487	AR	AR		
	362988	SEAT ASSY R.H. / 1 PASSENGER V.I.P. To V-2018	AR	AR		
	362989	SEAT ASSY L.H. / 1 PASSENGER V.I.P. To V-2018	AR	AR		
	362986	SEAT ASSY R.H. / 2 PASSENGERS V.I.P. To V-2018	AR	AR		
	362987	SEAT ASSY L.H. / 2 PASSENGERS V.I.P. To V-2018	AR	AR		
1	363315	. STRUCTURE ASSY L.H. / 2 PASSENGERS To V-2018	1	1		
1	363619	. STRUCTURE ASSY L.H. / 2 PASSENGERS From V-2019 To Y-3486	1	1		
1	363842	. STRUCTURE ASSY L.H. / 2 PASSENGERS From Y-3487	1	1		
1	363314	. STRUCTURE ASSY R.H. / 2 PASSENGERS To V-2018	1	1		
1	363618	. STRUCTURE ASSY R.H. / 2 PASSENGERS From V-2019 To Y-3486	1	1		
1	363841	. STRUCTURE ASSY R.H. / 2 PASSENGERS From Y-3487	1	1		
1	363316	. STRUCTURE ASSY / "ROTATING" SEAT	1	1		
1	363318	. STRUCTURE ASSY REAR / 1 PASSENGER To V-2018	1	1		
1	362723	. STRUCTURE ASSY REAR / 3 PASSENGERS To V-2018	1	1		
1	363317	. STRUCTURE ASSY REAR / 3 PASSENGERS From V-2019	1	1		
1	363323	. STRUCTURE ASSY REAR / 5 PASSENGERS To V-2018	1	1		
1	363621	. STRUCTURE ASSY REAR / 5 PASSENGERS From V-2019	1	1		
1	363320	. STRUCTURE ASSY R.H. / 2 PASSENGERS V.I.P. To V-2018	1	1		
1	363321	. STRUCTURE ASSY L.H. / 2 PASSENGERS V.I.P. To V-2018	1	1		
1	363319	. STRUCTURE ASSY R.H. / 1 PASSENGER V.I.P. To V-2018	1	1		
1	363322	. STRUCTURE ASSY L.H. / 1 PASSENGER V.I.P. To V-2018	1	1		
2	363246	. COLLAR	4	4		
3	363106	. BACKREST ASSY R.H.	1	1		
4	363105	. BACKREST ASSY L.H.	1	1		
5	362853	. . LATTICE	1	1		
6	362854	. . ATTACHMENT / LATTICE	2	2		
7	362529P	. FOAM ASSY, BACKREST	1	1		
7	362526	. . FOAM THICK	1	1		
7	362525	. . FOAM THIN	1	1		
10	500179	. SCREW CAP HEX 5/16-18x3/4 G5 Z050	4	4		
11	5001113	. NUT HEX JAM NYRT 5/16-18	4	4		

From R-012 To 2-4416	Date:10/2022	PAGE:H3-1827-01
PASSENGER'S SEAT - "SILHOUETTE" CHARCOAL		

Item#	Part	Description	H 3 4 1	H 3 4 5	V I P 4 5	N O T E S
12	363273	. SPRING EYE	1	1		
13	362464P	. SEATREST ASSY W/HOOK / BOTTOM PLASTIC To V-2018	1	1		
14	362353	. . SCREW To V-2018	1	1		
15	500685	. . NUT HEX NYRT 5/16-18 SS To V-2018	1	1		
16	362779	. . BRACKET RETAINER / 3" To V-2018	2	2		
17	362781	. . BRACKET RETAINER / 2 1/4" To V-2018	2	2		
18	362528P	. FOAM ASSY, SEATREST / "SILHOUETTE"	1	1		
18	362527	. . FOAM THICK	1	1		
18	362524	. . FOAM THIN	1	1		
20	363646	. SEAT FRAME ASSY W/SPRING From V-2019	1	1		
21	363650	. . SPRING From V-2019	3	3		
22	362353	. . SCREW From V-2019	1	1		
24	500441	. WASHER FL .312x.734x.065 Z050	2	2		
25	500782	. NUT WING 5/16-18 Z050	2	2		
26	363645	. FOAM From V-2019	1	1		
30	363437	. BRACKET L.H.	1	1		
31	363436	. BRACKET R.H.	1	1		
32	502723	. WASHER FL .386x.750x.050 NYL	2	2		
33	500441	. WASHER FL .312x.734x.065 Z050	2	2		
34	500777	. NUT HEX STO 5/16-18 Z050	2	2		
35	500183	. SCREW CAP HEX 5/16-18x1 1/2 G5 PT Z050	2	2		
36	500476	. WASHER LO SPT .317x.586x.078 Z050	2	2		
37	362928	. FOOTREST ASSY	1	1		
38	502781	. SCREW SET HEXS CUP 5/16-18x1/4	2	2		
40	363517	. PEDESTAL OBLONG / 279MM / 10.98" To V-1836	1	1		
40	363577	. PEDESTAL SQ END / 279MM / 10.98" / 2 PIECES From V-1837	1	1		A
41	5001600	. SCREW CRG 3/8-16x12 G5 Z050	2	2		
42	363085	. PLATE ANCHOR / CARRIAGE BOLT INSIDE TRACK / 1 1/4" X 1 1/4"	2	2		
43	500445	. WASHER FL .437x1.000x.083 Z050	2	2		
44	500265	. NUT HEX STO 3/8-16 Z050	2	2		
45	362355	. ATTACHMENT NUT / "J" SHAPE TO FIX SEAT TO WALL TRACK WALL TRACK	2	2		
45	363821	. ATTACHMENT PLATE / "J" SHAPE TO FIX SEAT TO WALL TRACK WALL TRACK	1	1		
. NS	500183	. . SCREW CAP HEX 5/16-18x1 1/2 G5 PT Z050	2	2		
. NS	500942	. . WASHER LO SPT 8.1x14.8x2.0 N500	2	2		
45	364132	. ATTACHMENT PLATE / "J" SHAPE TO FIX SEAT TO WALL TRACK WALL TRACK	1	1		
. NS	500829	. . SCREW CAP HEX M10-1.5x40 G8.8	2	2		
. NS	500257	. . WASHER LO SPT 10.2x18.1x2.2 Z050	2	2		
50	362867	. FINISHING LOWER / R.H. / NORYL	1	1		
50	362866	. FINISHING LOWER / L.H. / NORYL	1	1		
NS	500982	. NUT HEX JAM 5/16-18 Z050	2	2		
NS	502777	. SCREW SET HEXS CUP 5/16-18x1	2	2		
51	860421	. HOOK	1	1		

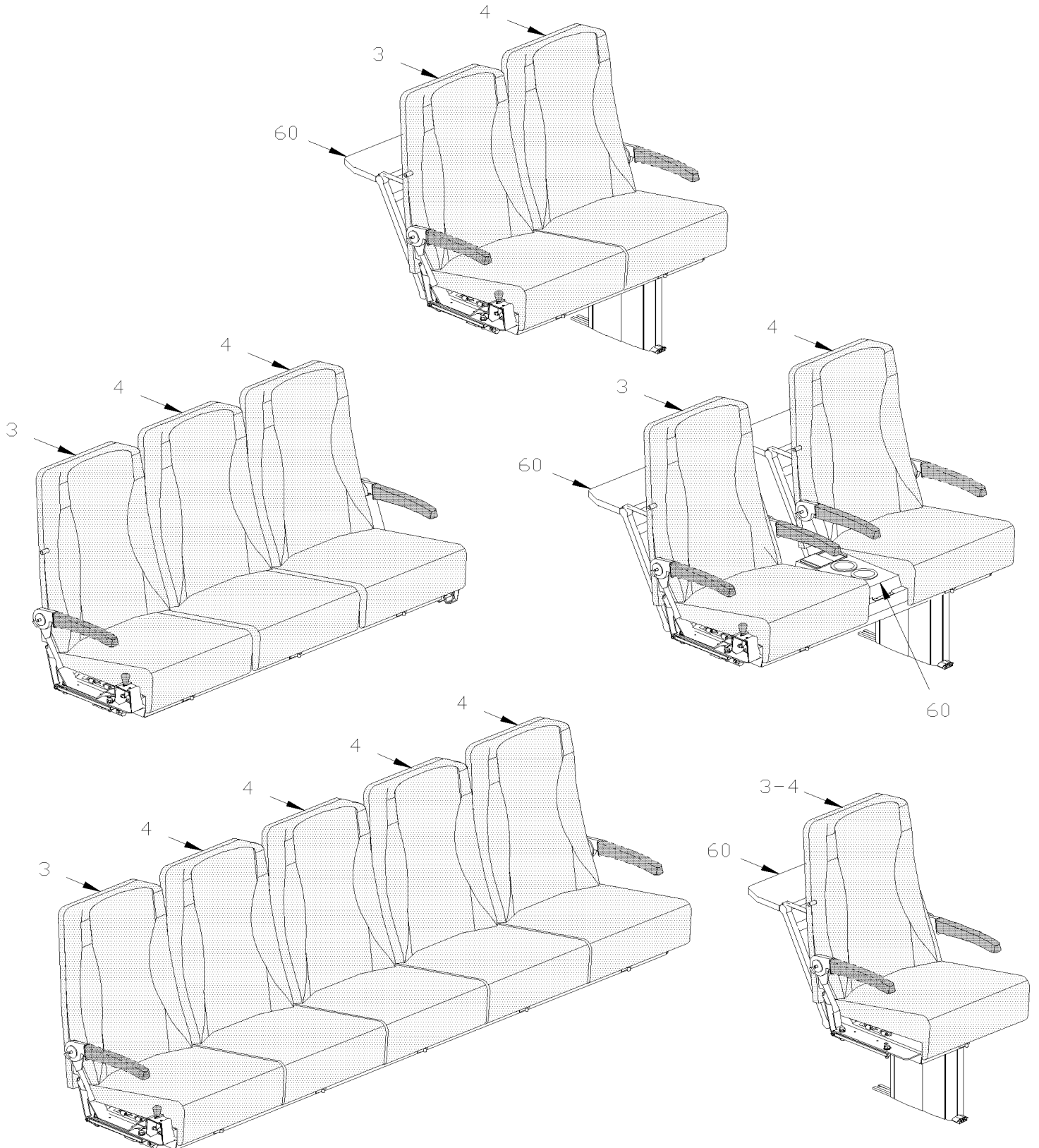
From R-012 To 2-4416		Date:10/2022	PAGE:H3-1827-01			
PASSENGER'S SEAT - "SILHOUETTE" CHARCOAL						
Item#	Part	Description	H 3 4 1	H 3 4 5	V I P 4 5	N O T E S
52	860422	. HANDLE	1	1		
53	500360	. SCREW TP FL PH #8x1 1/4 BK	2	2		
54	362707	. MAGAZINE NET 13" x 6 1/2"	1	1		
54	860809	. MAGAZINE NET 14" x 7 1/4"	1	1		
55	500353	. SCREW TP FL PH #8x3/4 BK	4	4		
56	362943	. STOPPER LONG / WV.I.P. SEAT	1	1		
56	362942	. STOPPER SHORT / W/STANDARD SEAT	1	1		
57	5001019	. SCREW TP OV PH #10x2 EMN	2	2		
58	361538	. REINFORCEMENT / W/ASHTRAY	1	1		
59	860423	. ASHTRAY	1	1		
NS	500360	. SCREW TP FL PH #8x1 1/4 BK	2	2		
NS	504123	. RIVET POP DOME OE 3/32x1/8 AL	1	1		
60	H3-1829-00	. ACCESSORIES PASSENGER'S SEAT - "PREVOST"				
61	362850	. FINISHING BACKREST / HIGH RISE W/O ASHTRAY NORYL	1	1		
61	362865	. FINISHING BACKREST / HIGH RISE W/ ASHTRAY / NORYL	1	1		
61	362849	. FINISHING BACKREST / REGULAR / W/O ASHTRAY NORYL	1	1		
61	362864	. FINISHING BACKREST / REGULAR / W/ASHTRAY / NORYL	1	1		
NS	500333	. SCREW TP OV PH #6x3/4 BK	AR	AR		
NS	500345	. WASHER FN CKF .187x.500x.090 BR BK	AR	AR		
71	362870P	. COVERING ASSY, BACKREST / S.C.C.	1	1		
72	363676	. COVERING SEATREST ASSY / S.C.C. / ALL NEW W/SPRING From V-2019	1	1		
73	361915	. SPRING WIRE 9 3/4" X 3/4" / TO FIX COVERI	1	1		
NS	362716	. ATTACHMENT / ROUND "W" SHAPE TO FIX COVER	4	4		
NS	504474	. HOG RING	12	12		
74	362462P	. COVERING SEATREST ASSY / S.C.C. / ALL W/NORYL TRAY To V-2018	1	1		
75	362416	. WIRE 9 1/4" / TO FIX COVERING	2	2		
80	H3-1827-51	. ARMREST PASSENGER'S - "CHARCOAL"				
100	323654	SEAT TRACK COVER 12' / EACH SEAT / W/COVERING FLOOR	AR	AR		
100	323963	SEAT TRACK COVER 8' / EACH SEAT / W/COVERING FLOOR	AR	AR		
100	361338	SEAT TRACK COVER 12' / EACH SEAT / W/CARPET FLOOR	AR	AR		
		A) THIS PEDESTAL HAVE SQUARE END				

From R-012 To 2-4416

Date:10/2022

PAGE:H3-1827-02

PASSENGER'S SEAT - "ULTRA"

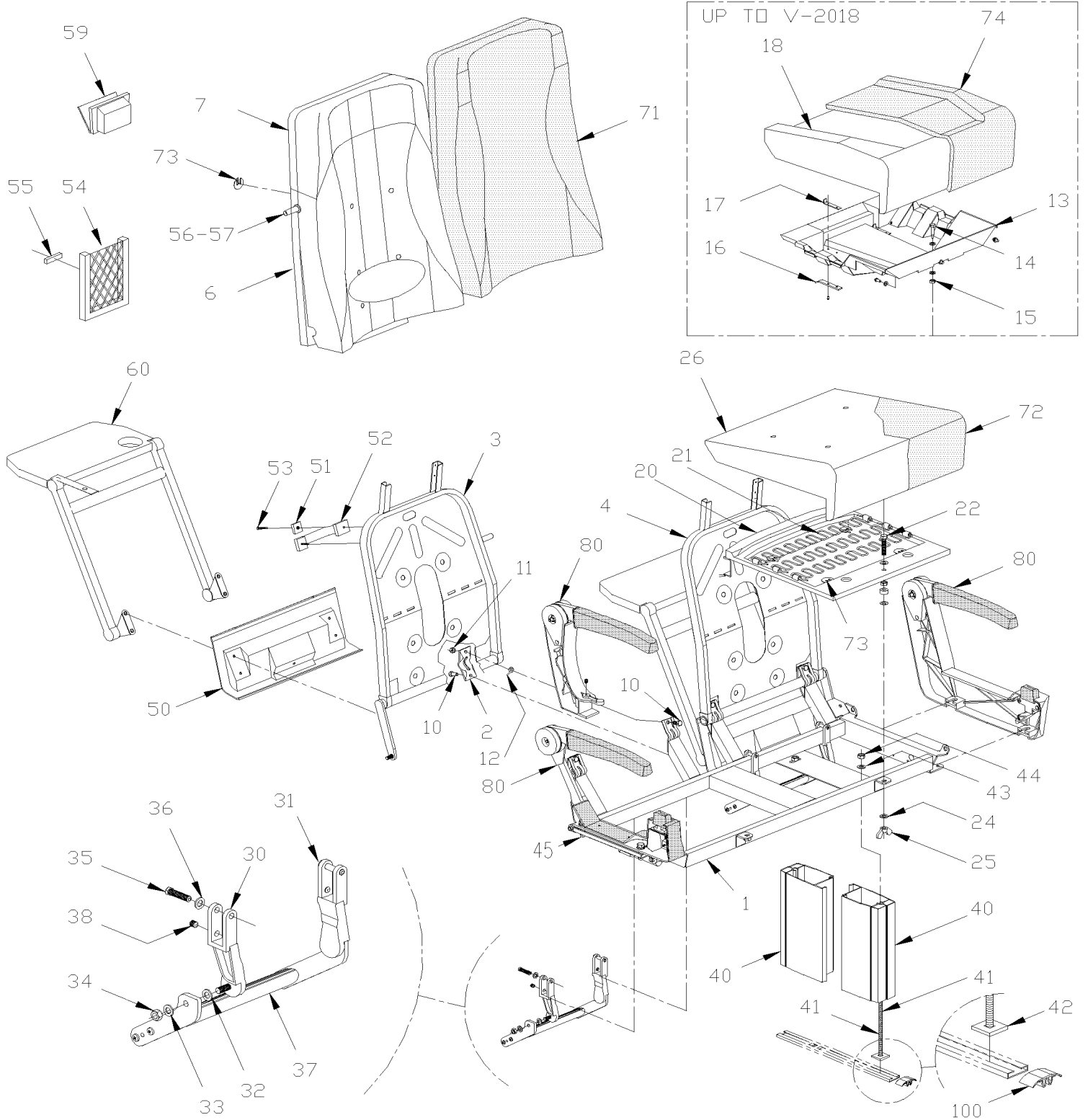


From R-012 To 2-4416

Date:10/2022

PAGE:H3-1827-02

PASSENGER'S SEAT - "ULTRA"



From R-012 To 2-4416	Date:10/2022	PAGE:H3-1827-02
PASSENGER'S SEAT - "ULTRA"		

Item#	Part	Description	H 3 4 1	H 3 4 5	V I P 4 5	N O T E S
	363401	SEAT ASSY L.H. / 2 PASSENGERS / 42" HIGH To V-2018	AR	AR		
	363663	SEAT ASSY L.H. / 2 PASSENGERS / 42" HIGH From V-2019 To Y-3486	AR	AR		
	363927	SEAT ASSY L.H. / 2 PASSENGERS / 42" HIGH From Y-3487	AR	AR		
	363664	SEAT ASSY R.H. / 2 PASSENGERS / 42" HIGH From V-2019 To Y-3486	AR	AR		
	363928	SEAT ASSY R.H. / 2 PASSENGERS / 42" HIGH From Y-3487	AR	AR		
	363404	SEAT ASSY ROTATING / "ULTRA" PAINTED CHARCOAL To V-2018	AR	AR		
	363665	SEAT ASSY ROTATING / "ULTRA" PAINTED CHARCOAL From V-2019 To Y-3486	AR	AR		
	363929	SEAT ASSY ROTATING / "ULTRA" From Y-3487	AR	AR		
	363667	SEAT ASSY REAR / 2 PASSENGERS / 42" HIGH From V-2019 To Y-3486	AR	AR		
	363931	SEAT ASSY REAR / 2 PASSENGERS / 42" HIGH From Y-3487	AR	AR		
	363666	SEAT ASSY REAR / 3 PASSENGERS / 42" HIGH To V-2018	AR	AR		
	363930	SEAT ASSY REAR / 3 PASSENGERS / 42" HIGH From V-2019 To Y-3486	AR	AR		
	N.P.N.	SEAT ASSY REAR / 3 PASSENGERS / 42" HIGH From Y-3487	AR	AR		4
	363668	SEAT ASSY REAR / 5 PASSENGERS / 42" HIGH From V-2019 To Y-3486	AR	AR		
	363932	SEAT ASSY REAR / 5 PASSENGERS / 42" HIGH From Y-3487	AR	AR		
	363448	SEAT ASSY L.H. / 1 PASSENGER V.I.P. / 42" HIGH To Y-3486	AR	AR		
	N.P.N.	SEAT ASSY L.H. / 1 PASSENGER V.I.P. / 42" HIGH From Y-3487	AR	AR		4
	363449	SEAT ASSY R.H. / 1 PASSENGER V.I.P. / 42" HIGH To Y-3486	AR	AR		
	N.P.N.	SEAT ASSY R.H. / 1 PASSENGER V.I.P. / 42" HIGH From Y-3487	AR	AR		4
	363446	SEAT ASSY L.H. / 2 PASSENGERS V.I.P. / 42" HIGH To Y-3486	AR	AR		
	N.P.N.	SEAT ASSY L.H. / 2 PASSENGERS V.I.P. / 42" HIGH From Y-3487	AR	AR		4
	363447	SEAT ASSY R.H. / 2 PASSENGERS V.I.P. / 42" HIGH To Y-3486	AR	AR		
	N.P.N.	SEAT ASSY R.H. / 2 PASSENGERS V.I.P. / 42" HIGH From Y-3487	AR	AR		4
1	363315	. STRUCTURE ASSY L.H. / 2 PASSENGERS To V-2018	1	1		
1	363619	. STRUCTURE ASSY L.H. / 2 PASSENGERS From V-2019 To Y-3486	1	1		
1	363842	. STRUCTURE ASSY L.H. / 2 PASSENGERS From Y-3487	1	1		
1	363314	. STRUCTURE ASSY R.H. / 2 PASSENGERS To V-2018	1	1		
1	363618	. STRUCTURE ASSY R.H. / 2 PASSENGERS From V-2019 To Y-3486	1	1		
1	363841	. STRUCTURE ASSY R.H. / 2 PASSENGERS From Y-3487	1	1		
1	363316	. STRUCTURE ASSY / "ROTATING" SEAT To Y-3486	1	1		
1	363836	. SEAT FRAME ASSY / "ROTATING" SEAT From Y-3487	1	1		
1	363317	. STRUCTURE ASSY REAR / 3 PASSENGERS To V-2018	1	1		
1	363620	. STRUCTURE ASSY REAR / 3 PASSENGERS From V-2019 To Y-3486	1	1		
1	363843	. STRUCTURE ASSY REAR / 3 PASSENGERS From Y-3487	1	1		
1	363323	. STRUCTURE ASSY REAR / 5 PASSENGERS To V-2018	1	1		
1	363621	. STRUCTURE ASSY REAR / 5 PASSENGERS From V-2019 To Y-3486	1	1		
1	363844	. STRUCTURE ASSY REAR / 5 PASSENGERS From Y-3487	1	1		
1	363319	. STRUCTURE ASSY R.H. / 1 PASSENGER V.I.P. To Y-3486	1	1		
1	363837	. STRUCTURE ASSY R.H. V.I.P. / 1 PASSENGERS From Y-3486	1	1		
1	363322	. STRUCTURE ASSY L.H. / 1 PASSENGER V.I.P. To Y-3486	1	1		
1	363840	. STRUCTURE ASSY L.H. V.I.P. / 1 PASSENGERS From Y-3487	1	1		
1	363320	. STRUCTURE ASSY R.H. / 2 PASSENGERS V.I.P. To Y-3486	1	1		

From R-012 To 2-4416	Date:10/2022	PAGE:H3-1827-02
PASSENGER'S SEAT - "ULTRA"		

Item#	Part	Description	H 3 4 1	H 3 4 5	V I P 4 5	N O T E S
1	363838	. STRUCTURE ASSY R.H. / 2 PASSENGERS V.I.P. From Y-3487	1	1		
1	363321	. STRUCTURE ASSY L.H. / 2 PASSENGERS V.I.P. To Y-3486	1	1		
1	363839	. STRUCTURE ASSY R.H. V.I.P. / 2 PASSENGERS From Y-3487	1	1		
2	363246	. COLLAR	4	4		
3	363180	. BACKREST R.H. To Y-3486	1	1		
3	363834	. BACKREST R.H. From Y-3487	1	1		
4	363181	. BACKREST L.H. To Y-3486	1	1		B
4	363835	. BACKREST L.H. From Y-3487	1	1		B
6	363186	. FOAM BACKREST THICK	1	1		
6	363252	. FOAM BACKREST THIN W/42"	1	1		
6	363350	. FOAM BACKREST THIN W/40"	1	1		
7	363348	. FOAM ASSY, HEADREST 40" HIGHT / "ULTRA"	1	1		
7	363251	. FOAM ASSY, HEADREST 42" HIGHT / "ULTRA"	1	1		
NS	500583	. SCREW TP PAN PH #6x1/2 Z050	4	4		
NS	500240	. WASHER LO EXT .195x.410x.025 Z050	4	4		
10	5001336	. SCREW CAP HEXF SERR 5/16-18x3/4 Z050	8	8		
11	5001113	. NUT HEX JAM NYRT 5/16-18	8	8		
12	363273	. SPRING EYE	4	4		
13	362464P	. SEATREST ASSY W/HOOK / BOTTOM PLASTIC To V-2018	1	1		
14	362353	. . SCREW To V-2018	1	1		
15	500685	. . NUT HEX NYRT 5/16-18 SS To V-2018	1	1		
16	362779	. . BRACKET RETAINER / 3" To V-2018	1	1		
17	362781	. . BRACKET RETAINER / 2 1/4" To V-2018	1	1		
18	362666	. . FOAM ASSY, SEATREST / "TOURISMO & ULTRA" To V-2018	1	1		
20	363646	. SEAT FRAME ASSY W/SPRING From V-2019	1	1		
21	363650	. . SPRING From V-2019	3	3		
22	362353	. . SCREW From V-2019	1	1		
24	500441	. WASHER FL .312x.734x.065 Z050	2	2		
25	500782	. NUT WING 5/16-18 Z050	2	2		
26	363645	. FOAM From V-2019	1	1		
30	363437	. BRACKET L.H.	1	1		
31	363436	. BRACKET R.H.	1	1		
32	502723	. WASHER FL .386x.750x.050 NYL	2	2		
33	500441	. WASHER FL .312x.734x.065 Z050	2	2		
34	500777	. NUT HEX STO 5/16-18 Z050	2	2		
35	500183	. SCREW CAP HEX 5/16-18x1 1/2 G5 PT Z050	2	2		
36	500476	. WASHER LO SPT .317x.586x.078 Z050	2	2		
37	362928	. FOOTREST ASSY	1	1		
38	502781	. SCREW SET HEXS CUP 5/16-18x1/4	2	2		
40	363577	. PEDESTAL SQ END / 279MM / 10.98" / 2 PIECES	2	2		
41	5001600	. SCREW CRG 3/8-16x12 G5 Z050	2	2		
42	363085	. PLATE ANCHOR / CARRIAGE BOLT INSIDE TRACK / 1 1/4" X 1 1/4"	1	1		

From R-012 To 2-4416	Date:10/2022	PAGE:H3-1827-02
----------------------	--------------	-----------------

PASSENGER'S SEAT - "ULTRA"

Item#	Part	Description	H 3 4 1	H 3 4 5	V I P 4 5	N O T E S
43	500445	. WASHER FL .437x1.000x.083 Z050	2	2		
44	500265	. NUT HEX STO 3/8-16 Z050	2	2		
45	363821	. ATTACHMENT PLATE / "J" SHAPE TO FIX SEAT TO WALL TRACK WALL TRACK	2	2		
. NS	500183	. . SCREW CAP HEX 5/16-18x1 1/2 G5 PT Z050	2	2		
. NS	500942	. . WASHER LO SPT 8.1x14.8x2.0 N500	2	2		
45	364132	. ATTACHMENT PLATE / "J" SHAPE TO FIX SEAT TO WALL TRACK WALL TRACK	1	1		
. NS	500829	. . SCREW CAP HEX M10-1.5x40 G8.8	2	2		
. NS	500257	. . WASHER LO SPT 10.2x18.1x2.2 Z050	2	2		
50	362866	. FINISHING LOWER / L.H. / NORYL To Y-4386	1	1		
50	363946	. FINISHING LOWER / L.H. / NORYL From Y-4387	1	1		
50	362867	. FINISHING LOWER / R.H. / NORYL To Y-4386	1	1		
50	363947	. FINISHING LOWER / R.H. / NORYL From Y-4387	1	1		
51	860421	. HOOK	1	1		
52	860422	. HANDLE	1	1		
NS	505229	. SPACER 3/8 I.D. X 3/8 LG	2	2		
53	502521	. SCREW TC OV PH #8-32x1 BK	2	2		
54	362707	. MAGAZINE NET 13" x 6 1/2"	1	1		
54	860809	. MAGAZINE NET 14" x 7 1/4"	1	1		
55	500353	. SCREW TP FL PH #8x3/4 BK	4	4		
56	362943	. STOPPER LONG / WV.I.P. SEAT	1	1		
56	362942	. STOPPER SHORT / W/STANDARD SEAT	1	1		
57	5001019	. SCREW TP OV PH #10x2 EMN	1	1		
NS	5001116	. NUT SPR U #10A .025-.062	1	1		
59	860625	. ASHTRAY / METAL To W-2092	1	1		
59	861277	. ASHTRAY / PLASTIC From W-2093	1	1		
NS	860626	. SUPPORT ASHTRAY / PLASTIC To W-2092	1	1		
60	H3-1829-00	ACCESSORIES PASSENGER'S SEAT - "PREVOST"				
71	Call order desk	. COVERING BACKREST ASSY / S.C.C. W/40" HIGHT / "ULTRA"	1	1		P
71	363254P	. COVERING ASSY, BACKREST / S.C.C. W/42" HIGHT	1	1		
72	363676	. COVERING SEATREST ASSY / S.C.C. / ALL NEW W/SPRING From V-2019	1	1		
73	362716	. ATTACHMENT / ROUND "W" SHAPE TO FIX COVER	8	8		
NS	682259	. SEALANT TAPE / CLEAR / 1/32"x1 1/2"x65' / 1795	AR	AR		
74	362462P	. COVERING SEATREST ASSY / S.C.C. / ALL W/NORYL TRAY To V-2018	1	1		
80	H3-1827-51	. ARMREST PASSENGER'S - "CHARCOAL" To Y-3486	1	1		
80	H3-1827-52	. ARMREST PASSENGER'S - "CHARCOAL" W/LEVER From Y-3487				
100	323654	SEAT TRACK COVER 12' / EACH SEAT / W/COVERING FLOOR	AR	AR		
100	361338	SEAT TRACK COVER 12' / EACH SEAT / W/CARPET FLOOR	AR	AR		
100	323963	SEAT TRACK COVER 8' / EACH SEAT / W/COVERING FLOOR	AR	AR		
		B) QTY OF 2 WITH 3 PASSENGERS REAR SEAT AND QTY OF 4 WITH 5 PASSENGERS REAR SEAT				

From R-012 To 2-4416		Date:10/2022	PAGE:H3-1827-02
PASSENGER'S SEAT - "ULTRA"			

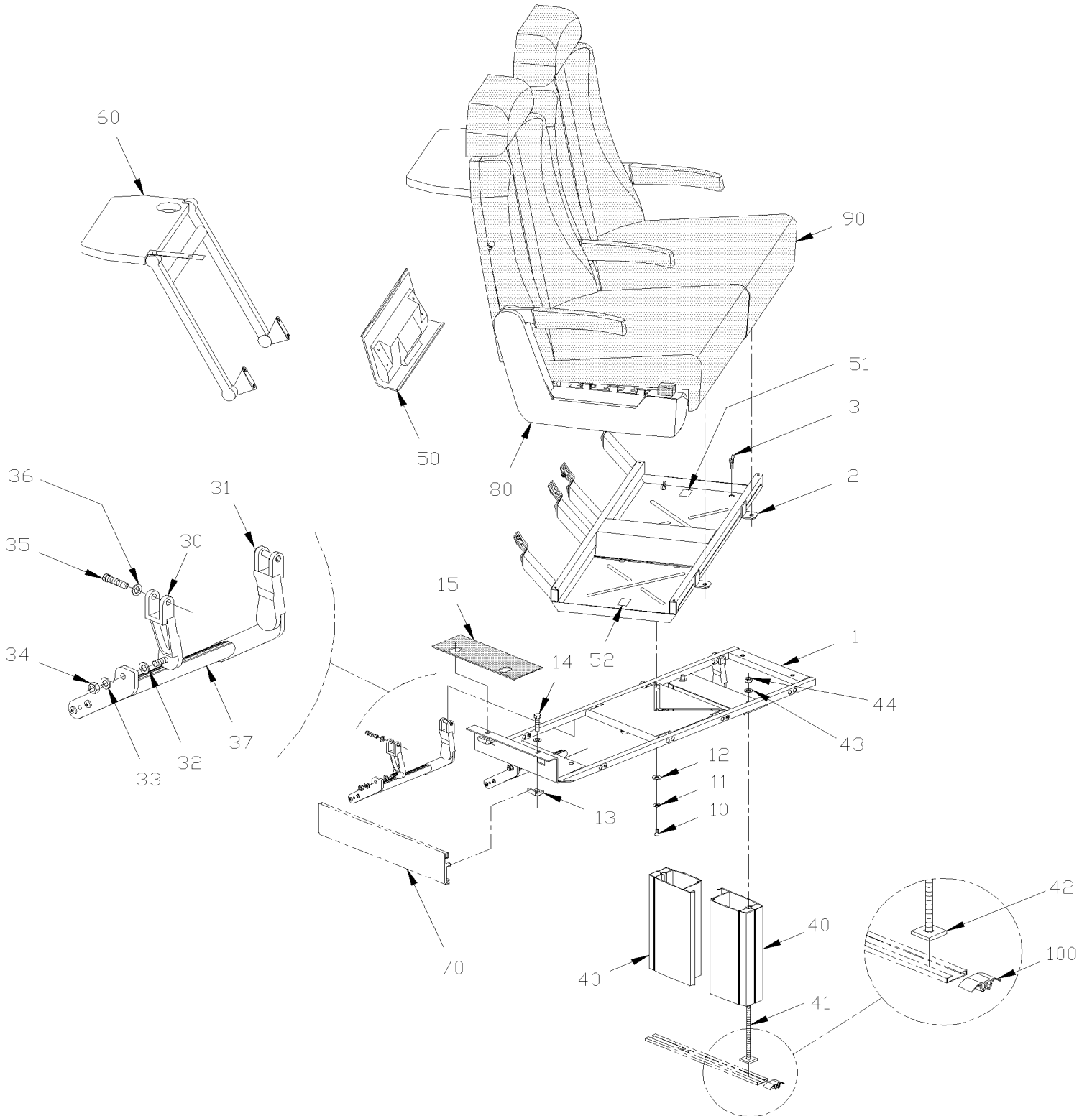
Item#	Part	Description	H 3 4 1	H 3 4 5	V I P 4 5	N O T E S
		4) NO PARTS NUMBER				
		P) CALL ORDER DESK FOR SPECIFIC APPLICATION (V.I.N.)				

From R-012 To 2-4416

Date:10/2022

PAGE:H3-1827-10

PASSENGER'S SEAT - ROTATING



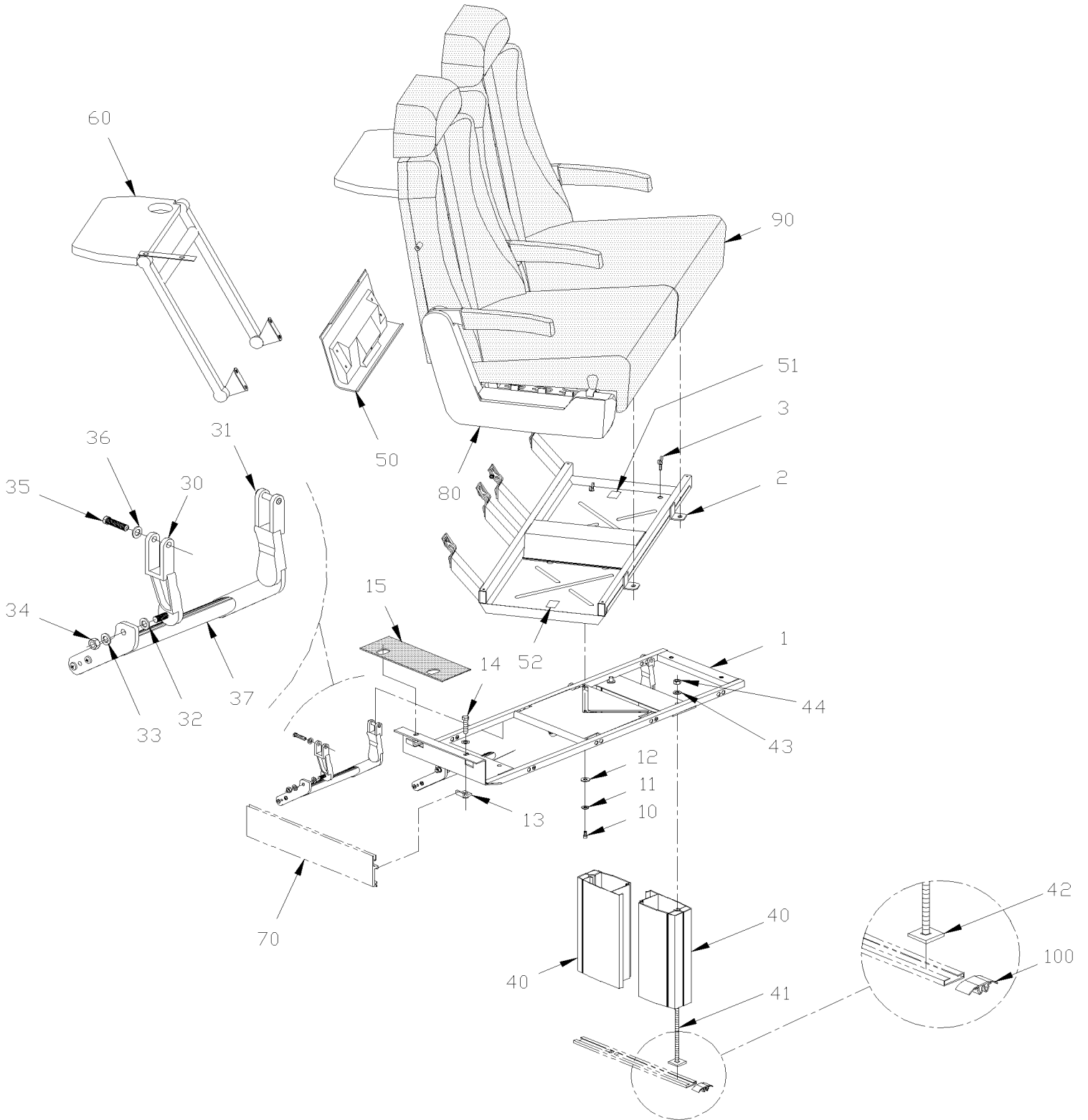
From R-012 To 2-4416	Date:10/2022	PAGE:H3-1827-10
PASSENGER'S SEAT - ROTATING		

Item#	Part	Description	H 3 4 1	H 3 4 5	V I P 4 5	N O T E S
		THIS PAGE SHOWS ONLY PARTS RELATED				
		WITH ROTATING SEAT. ALLS				
		OTHERS PARTS ARE ILLUSTRATED IN PAGES				
NS	362984	SEAT ASSY ROTATING / "SILHOUETTE" PAINTED CHARCOAL To V-2018	AR	AR		
NS	363653	SEAT ASSY ROTATING / "SILHOUETTE" PAINTED CHARCOAL From V-2019	AR	AR		
NS	363198	SEAT ASSY ROTATING / "TOURISMO II" / 42" PAINTED CHARCOAL To V-2018	AR	AR		
NS	363659	SEAT ASSY ROTATING / "TOURISMO II" / 42" PAINTED CHARCOAL From V-2019	AR	AR		
NS	363404	SEAT ASSY ROTATING / "ULTRA" PAINTED CHARCOAL To V-2018	AR	AR		
NS	363665	SEAT ASSY ROTATING / "ULTRA" PAINTED CHARCOAL From V-2019	AR	AR		
1	362340	MOUNTING BASE ASSY / "ROTATING" SEAT	1	1		
2	363316	STRUCTURE ASSY / "ROTATING" SEAT From R-033	1	1		
3	361734	SCREW WING	1	1		
10	500162	SCREW CAP HEX 1/4-20x1/2 G5 Z050	1	1		
11	500473	WASHER LO SPT .262x.489x.062 Z050	1	1		
12	500462	WASHER FL .343x1.500x.083 SS	1	1		
13	362333	ATTACHMENT NUT / "L" SHAPE TO FIX SEAT TO WALL TRACK WALL TRACK	2	2		
14	500182	SCREW CAP HEX 5/16-18x1 1/4 G5 PT Z050	2	2		
15	362405	RUBBER PROTECTOR PAD	1	1		
30	363439	BRACKET L.H.	2	2		
31	363438	BRACKET R.H.	2	2		
32	502723	WASHER FL .386x.750x.050 NYL	4	4		
33	502584	WASHER LO SERR 8.2x26.3x1.8 Z050	4	4		
34	500777	NUT HEX STO 5/16-18 Z050	2	2		
35	500183	SCREW CAP HEX 5/16-18x1 1/2 G5 PT Z050	2	2		
36	500476	WASHER LO SPT .317x.586x.078 Z050	2	2		
37	362928	FOOTREST ASSY	1	1		
40	362936	PEDESTAL OBLONG / W/ROTATING SEAT / 224MM / 8 81" To T-1404	2	2		
40	363516	PEDESTAL OBLONG / W/ROTATING SEAT / 224MM / 8 81" From T-1405 To V-1836	2	2		
40	363579	PEDESTAL SQ END / W/ROTATING SEAT / 224MM 8.81" From V-1837	2	2		A
41	5001078	SCREW CRG 3/8-16x9 3/4 Z050	2	2		
42	363085	PLATE ANCHOR / CARRIAGE BOLT INSIDE TRACK / 1 1/4" X 1 1/4"	2	2		
43	362410	WASHER	2	2		
44	500265	NUT HEX STO 3/8-16 Z050	2	2		
50	362702	FINISHING LOWER R.H.	1	1		
50	362701	FINISHING LOWER L.H.	1	1		
51	361752	DECAL "TO OPERATE.." / FIXED AT SEAT STRUCTURE / ENGLISH & FRANCAIS	1	1		
52	361751	DECAL "TO OPERATE.." / FIXED AT WINDOW	1	1		
60	H3-1829-00	ACCESSORIES PASSENGER'S SEAT - "PREVOST"				
70	H3-2221-11	DUCTING HEATER & A/C To X-3128				
70	H3-2221-12	DUCTING HEATER & A/C From X-3129				

From R-012 To 2-4416	Date:10/2022	PAGE:H3-1827-10
PASSENGER'S SEAT - ROTATING		

Item#	Part	Description	H 3 4 1	H 3 4 5	V I P 4 5	N O T E S
80	H3-1827-51	ARMREST PASSENGER'S - "CHARCOAL"				
90	H3-1827-01	PASSENGER'S SEAT - "SILHOUETTE" CHARCOAL				
90	H3-1827-02	PASSENGER'S SEAT - "ULTRA"				
90	H3-1828-01	PASSENGER'S SEAT - "TOURISMO II"				
100	323654	SEAT TRACK COVER 12' / EACH SEAT / W/COVERING FLOOR	AR	AR		
100	323963	SEAT TRACK COVER 8' / EACH SEAT / W/COVERING FLOOR	AR	AR		
100	361338	SEAT TRACK COVER 12' / EACH SEAT / W/CARPET FLOOR	AR	AR		
		A) THIS PEDESTAL HAVE SQUARE END				

From R-012 To 2-4416	Date:10/2022	PAGE:H3-1827-11
PASSENGER'S SEAT - ROTATING		



From R-012 To 2-4416	Date:10/2022	PAGE:H3-1827-11
PASSENGER'S SEAT - ROTATING		

Item#	Part	Description	H 3 4 1	H 3 4 5	V I P 4 5	N O T E S
		THIS PAGE SHOWS ONLY PARTS RELATED				
		WITH ROTATING SEAT. ALLS				
		OTHERS PARTS ARE ILLUSTRATED IN PAGES				
	363923	SEAT ASSY ROTATING / "TOURISMO II" / 42" HIGH	AR	AR		
	363917	SEAT ASSY ROTATING / "SILHOUETTE"	AR	AR		
	363929	SEAT ASSY ROTATING / "ULTRA"	AR	AR		
1	362340	MOUNTING BASE ASSY / "ROTATING" SEAT	1	1		
2	363836	SEAT FRAME ASSY / "ROTATING" SEAT	1	1		
3	5001302	SCREW TH SHR 1/4-20x3/4 SS	4	4		
3	500468	WASHER FL .281x1.250x.065 Z050	4	4		
10	500162	SCREW CAP HEX 1/4-20x1/2 G5 Z050	1	1		
11	500473	WASHER LO SPT .262x.489x.062 Z050	1	1		
12	500462	WASHER FL .343x1.500x.083 SS	1	1		
13	362333	ATTACHMENT NUT / "L" SHAPE TO FIX SEAT TO WALL TRACK WALL TRACK	2	2		
14	500182	SCREW CAP HEX 5/16-18x1 1/4 G5 PT Z050	2	2		
15	362405	RUBBER PROTECTOR PAD	1	1		
30	363439	BRACKET L.H.	2	2		
31	363438	BRACKET R.H.	2	2		
32	502723	WASHER FL .386x.750x.050 NYL	2	2		
33	500441	WASHER FL .312x.734x.065 Z050	2	2		
34	500777	NUT HEX STO 5/16-18 Z050	2	2		
35	5001335	SCREW CAP HEXF SERR 5/16-18x1 1/2 Z050	2	2		
36	500476	WASHER LO SPT .317x.586x.078 Z050	2	2		
37	362928	FOOTREST ASSY	2	2		
40	363579	PEDESTAL SQ END / W/ROTATING SEAT / 224MM 8.81"	2	2		
41	5001078	SCREW CRG 3/8-16x9 3/4 Z050	2	2		
42	363085	PLATE ANCHOR / CARRIAGE BOLT INSIDE TRACK / 1 1/4" X 1 1/4"	2	2		
43	500265	NUT HEX STO 3/8-16 Z050	2	2		
44	362410	WASHER	2	2		
46	362627	PLATE ANCHOR / 3/8-16 BOLT INSIDE TRACK / 1 1/4" X 1 1/4"	AR	AR		
46	500270	WASHER FL .406x1.000x.063 SS	AR	AR		
46	500305	SCREW CAP HEX 3/8-16x7/8 G5 Z050	AR	AR		
46	500478	WASHER LO SPT .380x.683x.094 Z050	AR	AR		
50	362702	FINISHING LOWER R.H.	1	1		
50	362701	FINISHING LOWER L.H.	1	1		
51	361752	DECAL "TO OPERATE.." / FIXED AT SEAT STRUCTURE / ENGLISH & FRANCAIS	1	1		
52	361751	DECAL "TO OPERATE.." / FIXED AT WINDOW	1	1		
60	H3-1829-00	ACCESSORIES PASSENGER'S SEAT - "PREVOST"				
70	H3-2221-11	DUCTING HEATER & A/C To X-3128				
70	H3-2221-12	DUCTING HEATER & A/C From X-3129				

From R-012 To 2-4416	Date:10/2022	PAGE:H3-1827-11
PASSENGER'S SEAT - ROTATING		

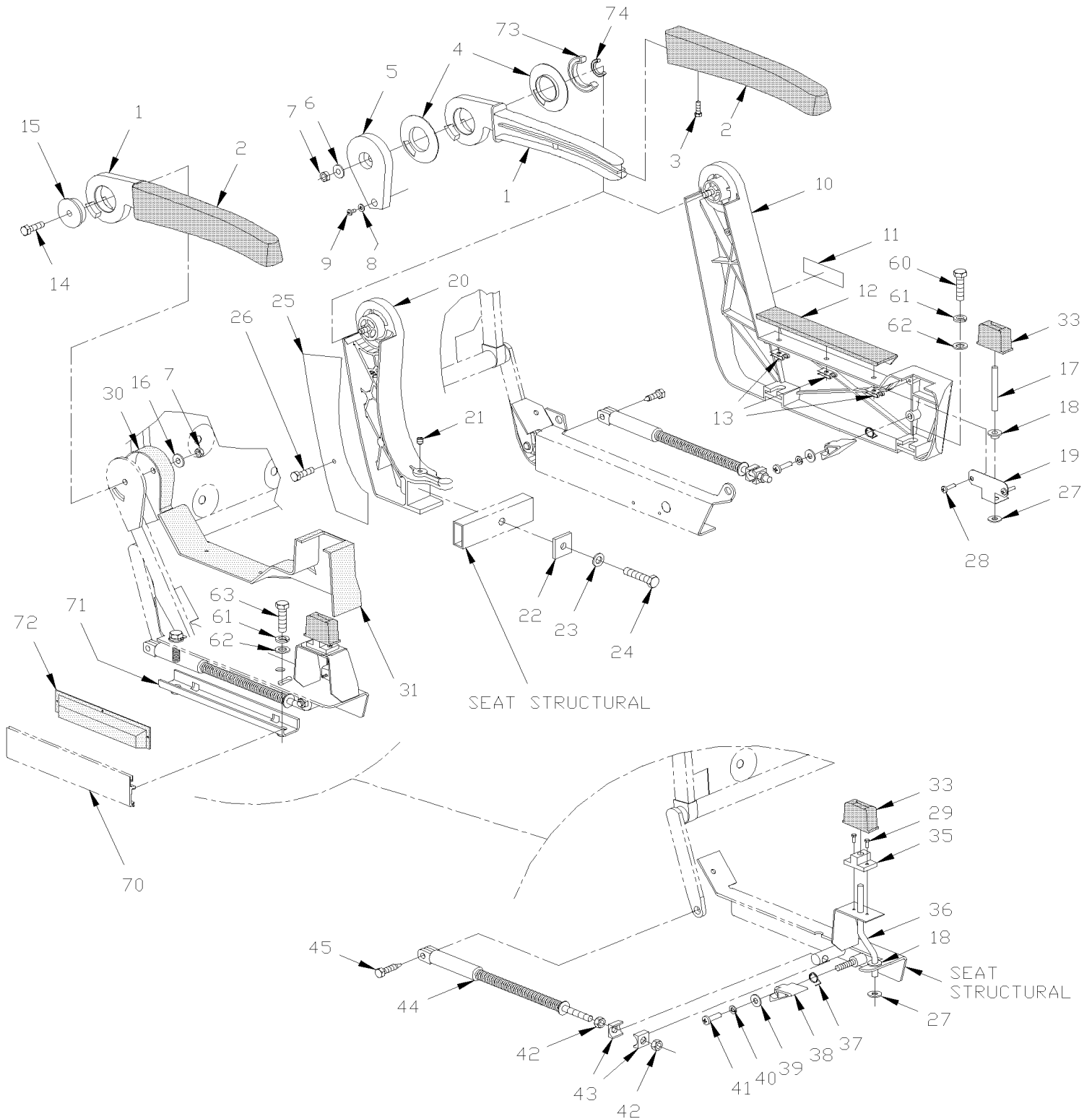
Item#	Part	Description	H 3 4 1	H 3 4 5	V I P 4 5	N O T E S
80	H3-1827-51	ARMREST PASSENGER'S - "CHARCOAL" To Y-3486				
80	H3-1827-52	ARMREST PASSENGER'S - "CHARCOAL" W/LEVER From Y-3487				
90	H3-1827-01	PASSENGER'S SEAT - "SILHOUETTE" CHARCOAL				
90	H3-1827-02	PASSENGER'S SEAT - "ULTRA"				
90	H3-1828-01	PASSENGER'S SEAT - "TOURISMO II"				
100	323654	SEAT TRACK COVER 12' / EACH SEAT / W/COVERING FLOOR	AR	AR		
100	323963	SEAT TRACK COVER 8' / EACH SEAT / W/COVERING FLOOR	AR	AR		

From R-012 To 2-4416

Date:10/2022

PAGE:H3-1827-51

ARMREST PASSENGER'S - "CHARCOAL"



From R-012 To 2-4416	Date:10/2022	PAGE:H3-1827-51
ARMREST PASSENGER'S - "CHARCOAL"		

Item#	Part	Description	H 3 4 1	H 3 4 5	V I P 4 5	N O T E S
1	362939	ARMREST / LONG To V-2018	3	3		
1	363597	ARMREST / SHORT From V-2019	3	3		
1	362933	ARMREST L.H. / V.I.P.	2	2		
1	362934	ARMREST R.H. / V.I.P.	2	2		
2	362316	COVERING ARMREST / LONG	1	1		
2	363624	COVERING ARMREST / LONG To V-2018	1	1		
2	363598	COVERING ARMREST / SHORT From V-2019	1	1		
2	362541	COVERING ARMREST / V.I.P.	1	1		
2	363425	FOAM COVERING ARMREST V.I.P.	AR	AR		
NS	363638	ARMREST COVERING "TISSUS" W/STD ARMREST / SPECIFY COLOR To V-2018				
NS	363637	ARMREST COVERING "TISSUS" W/V.I.P. ARMREST / SPECIFY COLOR To V-2018				
3	500686	SCREW TP OV PH #6x1/2 BK	1	1		
NS	500345	WASHER FN CKF .187x.500x.090 BR BK	1	1		
4	362877	. SPACER PLASTIC / FRICTION DISK To V-2018	1	1		
4	363575	. SPACER PLASTIC / FRICTION DISK From V-2019	1	1		
5	362913	CLOSING / GREY CHARCOAL To V-2018	2	2		
5	363440	CLOSING / GREY CHARCOAL From V-1825 To V-2018	2	2		A
5	362913	CLOSING / GREY CHARCOAL	2	2		V
5	363565	CLOSING L.H. / GREY CHARCOAL From V-2019	1	1		
5	363566	CLOSING R.H. / GREY CHARCOAL From V-2019	1	1		
6	502510	WASHER FL .375x.875x.083	1	1		
7	5001113	NUT HEX JAM NYRT 5/16-18	1	1		
8	500658	SCREW TC PAN PH #10-24x3/4 Z050	1	1		
9	500470	WASHER LO SPT .193x.334x.047 Z050	1	1		
10	363391	SIDE CASTING ASSY L.H. / PAINTED CHARCOAL To V-2018	1	1		
10	363702	SIDE CASTING ASSY L.H. / PAINTED CHARCOAL From V-2019	1	1		
10	363392	SIDE CASTING ASSY R.H. / PAINTED CHARCOAL To V-2018	1	1		
10	363703	SIDE CASTING ASSY R.H. / PAINTED CHARCOAL From V-2019	1	1		
10	362873	. SIDE L.H. / CASTING PAINTED CHARCOAL To V-2018	1	1		
10	363568	. SIDE L.H. / CASTING PAINTED CHARCOAL From V-2019	1	1		
10	363434	. SIDE L.H. / CASTING PAINTED CHARCOAL / W/ROAD SHOW SYSTEM To V-2018	1	1		
10	362874	. SIDE R.H. / CASTING PAINTED CHARCOAL To V-2018	1	1		
10	363567	. SIDE R.H. / CASTING PAINTED CHARCOAL From V-2019	1	1		
10	363433	. SIDE R.H. / CASTING PAINTED CHARCOAL / W/ROAD SHOW SYSTEM To V-2018	1	1		
11	362907	. DECAL / "PREVOST"	1	1		
12	362871	. COVERING L.H.	1	1		
12	362971	. COVERING R.H.	1	1		
13	502776	. NUT PUSH RND ARC 1/8	3	3		
13	509814	. NUT PUSH RND ARC 3/16	3	3		
14	500182	SCREW CAP HEX 5/16-18x1 1/4 G5 PT Z050	1	1		
15	362315	WASHER RETAINING W/FLANGED 40.26MM O.D. X 44.5 MM O.D.	1	1		
16	500441	WASHER FL .312x.734x.065 Z050	1	1		

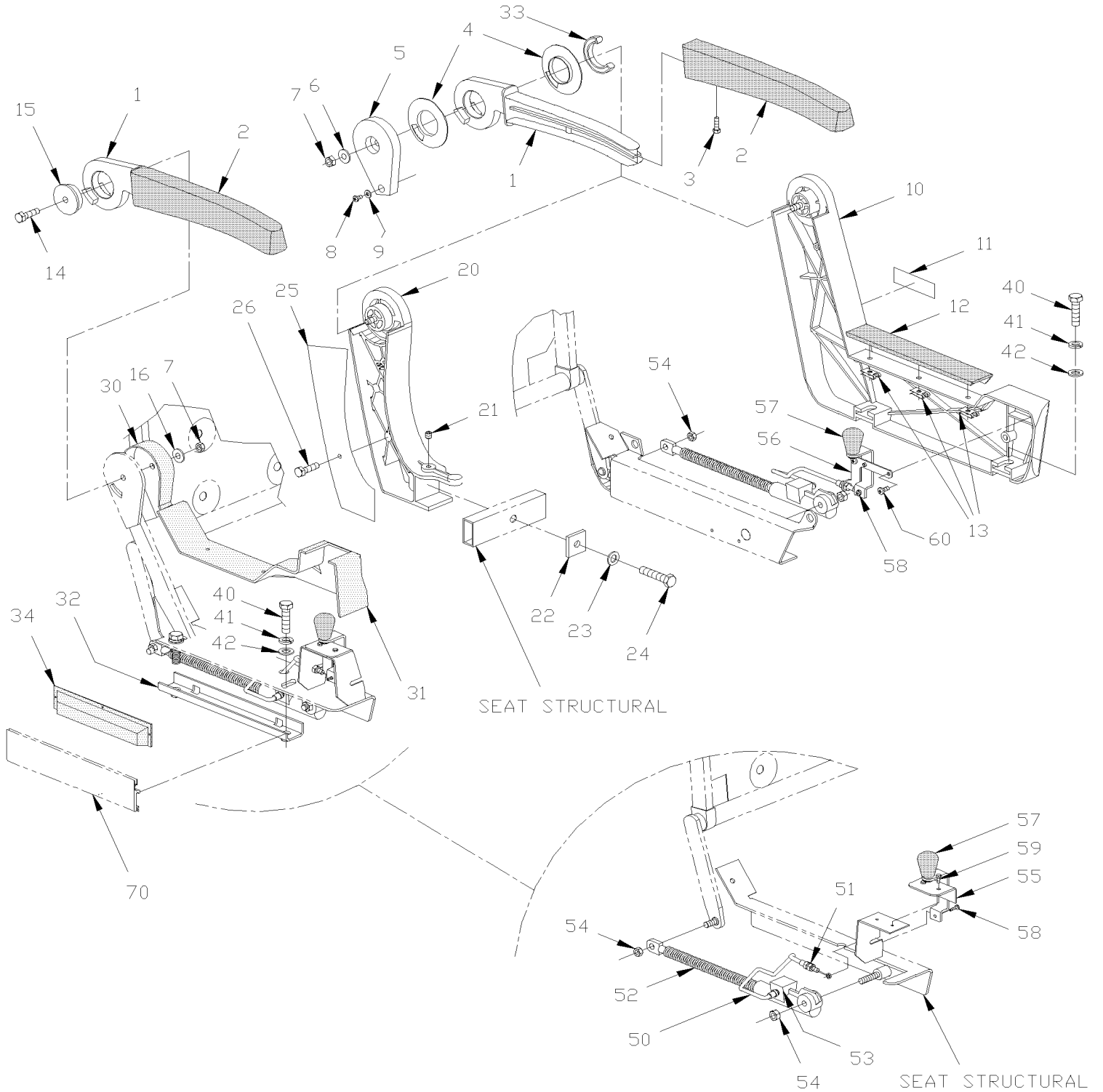
From R-012 To 2-4416	Date:10/2022	PAGE:H3-1827-51
ARMREST PASSENGER'S - "CHARCOAL"		

Item#	Part	Description	H 3 4 1	H 3 4 5	V I P 4 5	N O T E S
17	362388	. ROD	1	1		
18	362325	. BUSHING NYLON	1	1		
19	362385	. PLATE ANGLE	1	1		
20	362904	SUPPORT / CENTRAL ARMREST / PAINTED CHARCOAL To V-2018	1	1		
NS	363564	SUPPORT / CENTRAL ARMREST / PAINTED CHARCOAL From V-2019	1	1		
21	502781	SCREW SET HEXS CUP 5/16-18x1/4	1	1		
22	362711	PLATE TIGHTENING / SEAT	1	1		
23	500476	WASHER LO SPT .317x.586x.078 Z050	1	1		
24	500185	SCREW CAP HEX 5/16-18x2 1/4 G5 Z050	1	1		
25	362927	PLATE / W/V.I.P. CENTRAL SUPPORT / CHARCOAL	1	1		
26	500654	SCREW TC BDG PH #8-32x1/2 Z050	2	2		
27	502601	. NUT SPR PO RND 7/16	1	1		
28	500611	. SCREW TC PAN PH #10-24x1/2 Z050	2	2		
29	5001312	SCREW TP TR PH #8x5/8 Z050	1	1		
30	362697	COVER R.H. / NORYL / WINDOW SIDE	1	1		
30	362712	COVER L.H. / NORYL / WINDOW SIDE	1	1		
31	362371	GUARD L.H. / MECHANISM	1	1		
31	363427	GUARD R.H. / MECHANISM / W/ROAD SHOW SYSTEM	1	1		
31	362398	GUARD R.H. / MECHANISM	1	1		
31	363426	GUARD L.H. / MECHANISM / W/ROAD SHOW SYSTEM	1	1		
31	362580	GUARD R.H. / MECHANISM / V.I.P.	1	1		
31	363428	GUARD L.H. / MECHANISM / V.I.P. W/ROAD SHOW SYSTEM	1	1		
31	362633	GUARD L.H. / MECHANISM / V.I.P.	1	1		
31	363429	GUARD R.H. / MECHANISM / V.I.P. W/ROAD SHOW SYSTEM	1	1		
33	362318	. BUTTON ORANGE	1	1		
35	362675	GUIDE	1	1		
36	362395	ROD LONG	1	1		
37	362357	. SPRING, TORSION / L.H. / .500 I.D. x .230 x	1	1		
37	362358	. SPRING, TORSION / R.H. / .500 I.D. x .230 x	1	1		
38	362319	. LEVER	1	1		
39	500593	. WASHER FL .200x.437x.036 BR	1	1		
40	500470	. WASHER LO SPT .193x.334x.047 Z050	1	1		
41	500386	SCREW MA RND PH #10-24x1/2 Z050	1	1		
42	500956	NUT HEX JAM 3/8-24 Z050	4	4		
42	502592	NUT HEX THN 3/8-24x3/32 Z050	2	2		
43	362659	JOINT BALL	4	4		
NS	362803	. COVER BALL JOINT	2	2		
44	860592	CYLINDER	1	1		
45	362354	SCREW "SPECIAL / TO FIX BACKREST	2	2		
60	500183	SCREW CAP HEX 5/16-18x1 1/2 G5 PT Z050	2	2		
61	500476	WASHER LO SPT .317x.586x.078 Z050	2	2		
62	502510	WASHER FL .375x.875x.083	2	2		

From R-012 To 2-4416	Date:10/2022	PAGE:H3-1827-51
ARMREST PASSENGER'S - "CHARCOAL"		

Item#	Part	Description	H 3 4 1	H 3 4 5	V I P 4 5	N O T E S
63	500183	SCREW CAP HEX 5/16-18x1 1/2 G5 PT Z050	2	2		
70	H3-2221-11	DUCTING HEATER & A/C To X-3128				
70	H3-2221-12	DUCTING HEATER & A/C From X-3129				
71	362355	ATTACHMENT NUT / "J" SHAPE TO FIX SEAT TO WALL TRACK WALL TRACK To X-3213	2	2		
71	363821	ATTACHMENT PLATE / "J" SHAPE TO FIX SEAT TO WALL TRACK WALL TRACK From X-3214	1	1		
. NS	500183	. SCREW CAP HEX 5/16-18x1 1/2 G5 PT Z050 From X-3214	2	2		
. NS	500942	. WASHER LO SPT 8.1x14.8x2.0 N500 From X-3214	2	2		
71	364132	ATTACHMENT PLATE / "J" SHAPE TO FIX SEAT TO WALL TRACK WALL TRACK	1	1		
. NS	500829	. SCREW CAP HEX M10-1.5x40 G8.8	2	2		
. NS	500257	. WASHER LO SPT 10.2x18.1x2.2 Z050	2	2		
72	362579	CAP FINISHING / WALL / V.I.P.	1	1		
73	362941	SLIDE INSERT PLASTIC / LONG 150 DEG	3	3		
73	363571	SLIDE INSERT PLASTIC / LONG 125 DEG	1	1		
73	362941	SLIDE INSERT PLASTIC / LONG 150 DEG	1	1		V
73	362876	. SLIDE INSERT PLASTIC / LONG 242 DEG To V-2018	1	1		
NS	363570	. STOPPER SHORT / ALUMINUM	1	1		A
NS	363569	. STOPPER LONG / ALUMINUM	1	1		A
74	362512	. SPRING COMPRESSION / .312 O.D. x 3.75 x .070	1	1		
NS	363573	KIT, REINFORCEMENT ARMREST	AR	AR		
. NS	SB-9617	. SEE SERVICE BULLETIN	1	1		
		A) THOSE PARTS ARE RELATED W/ SB9617 INCLUDE IN KIT #363573, THIS KIT ARE OEM FROM V-1825 TO V-2018				
		V) WITH V.I.P. SEAT ONLY				

From R-012 To 2-4416	Date:10/2022	PAGE:H3-1827-52
ARMREST PASSENGER'S - "CHARCOAL" W/LEVER		



From R-012 To 2-4416	Date:10/2022	PAGE:H3-1827-52
ARMREST PASSENGER'S - "CHARCOAL" W/LEVER		

Item#	Part	Description	H 3 4 1	H 3 4 5	V I P 4 5	N O T E S
1	363597	ARMREST / SHORT	3	3		
1	362933	ARMREST L.H. / V.I.P.	2	2		
1	362934	ARMREST R.H. / V.I.P.	2	2		
2	363598	COVERING ARMREST / SHORT	1	1		
2	362541	COVERING ARMREST / V.I.P.	1	1		
NS	363425	FOAM COVERING ARMREST V.I.P.	AR	AR		
3	500686	SCREW TP OV PH #6x1/2 BK	1	1		
NS	500345	WASHER FN CKF .187x.500x.090 BR BK	1	1		
4	363575	. SPACER PLASTIC / FRICTION DISK	2	2		
5	363565	CLOSING L.H. / GREY CHARCOAL	1	1		
5	362913	CLOSING / GREY CHARCOAL	2	2		V
5	363566	CLOSING R.H. / GREY CHARCOAL	1	1		
6	502510	WASHER FL .375x.875x.083	1	1		
7	5001113	NUT HEX JAM NYRT 5/16-18	2	2		
8	500658	SCREW TC PAN PH #10-24x3/4 Z050	1	1		
9	500470	WASHER LO SPT .193x.334x.047 Z050	1	1		
10	363833	. SIDE L.H. / CASTING PAINTED CHARCOAL	1	1		
10	363832	. SIDE R.H. / CASTING PAINTED CHARCOAL	1	1		
10	363858	. SIDE R.H. / CASTING PAINTED CHARCOAL / V.I.	1	1		V
10	363859	. SIDE L.H. / CASTING PAINTED CHARCOAL / V.I.	1	1		V
11	362907	. DECAL / "PREVOST"	1	1		
12	362871	. COVERING L.H.	1	1		
12	362971	. COVERING R.H.	1	1		
13	502776	. NUT PUSH RND ARC 1/8	3	3		
13	509814	. NUT PUSH RND ARC 3/16	3	3		
14	500182	SCREW CAP HEX 5/16-18x1 1/4 G5 PT Z050	1	1		
15	362315	WASHER RETAINING W/FLANGED 40.26MM O.D. X 44.5 MM O.D.	1	1		
16	500441	WASHER FL .312x.734x.065 Z050	1	1		
20	363564	SUPPORT / CENTRAL ARMREST / PAINTED CHARCOAL	1	1		
20	362904	SUPPORT / CENTRAL ARMREST / PAINTED CHARCOAL	2	2		V
21	502781	SCREW SET HEXS CUP 5/16-18x1/4	1	1		
22	362711	PLATE TIGHTENING / SEAT	1	1		
23	500476	WASHER LO SPT .317x.586x.078 Z050	1	1		
24	500186	SCREW CAP HEX 5/16-18x2 1/2 G5 Z050	1	1		
25	362927	PLATE / W/V.I.P. CENTRAL SUPPORT / CHARCOAL	1	1		
26	500654	SCREW TC BDG PH #8-32x1/2 Z050	2	2		
30	362697	COVER R.H. / NORYL / WINDOW SIDE	1	1		
30	362712	COVER L.H. / NORYL / WINDOW SIDE	1	1		
31	363780	GUARD L.H. / MECHANISM	1	1		
31	363779	GUARD R.H. / MECHANISM	1	1		
31	363958	GUARD R.H. / MECHANISM LOUNGE SEAT ONLY	1	1		A
31	362580	GUARD R.H. / MECHANISM / V.I.P. To Y-4387	1	1		

From R-012 To 2-4416 Date:10/2022 PAGE:H3-1827-52

ARMREST PASSENGER'S - "CHARCOAL" W/LEVER

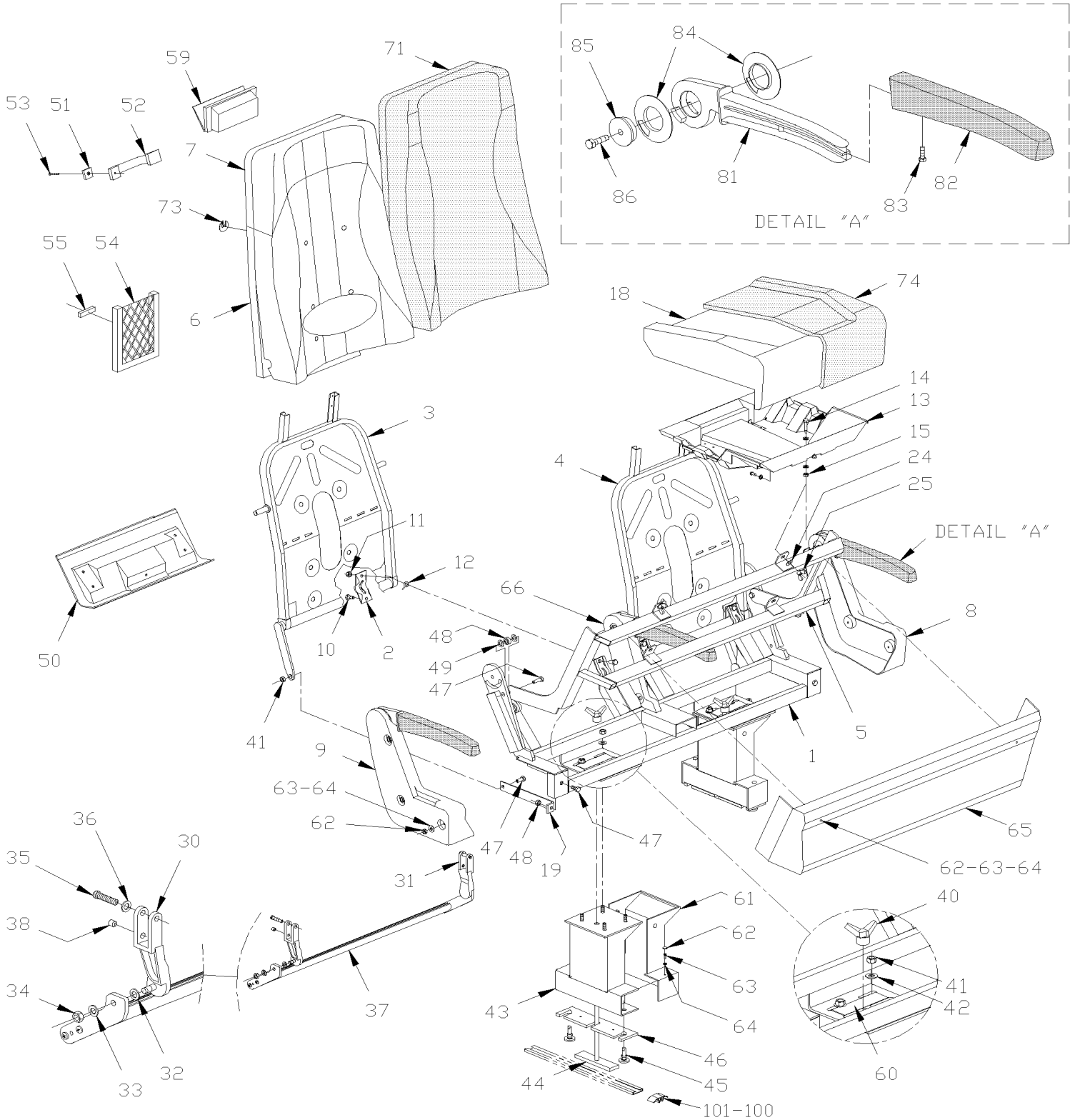
Item#	Part	Description	H 3 4 1	H 3 4 5	V I P 4 5	N O T E S
31	363857	GUARD R.H. / MECHANISM / W/VIP SEAT From Y-4386	1	1		
31	362633	GUARD L.H. / MECHANISM / V.I.P. To Y-4387	1	1		
31	363856	GUARD L.H. / MECHANISM / W/VIP SEAT From Y-4386	1	1		
32	363821	ATTACHMENT PLATE / "J" SHAPE TO FIX SEAT TO WALL TRACK WALL TRACK	1	1		
. NS	500183	. SCREW CAP HEX 5/16-18x1 1/2 G5 PT Z050	2	2		
. NS	500942	. WASHER LO SPT 8.1x14.8x2.0 N500	2	2		
32	364132	ATTACHMENT PLATE / "J" SHAPE TO FIX SEAT TO WALL TRACK WALL TRACK	1	1		
. NS	500829	. SCREW CAP HEX M10-1.5x40 G8.8	2	2		
. NS	500257	. WASHER LO SPT 10.2x18.1x2.2 Z050	2	2		
33	362941	SLIDE INSERT PLASTIC / LONG 150 DEG	4	4		V
34	362579	CAP FINISHING / WALL / V.I.P.	1	1		V
40	500183	SCREW CAP HEX 5/16-18x1 1/2 G5 PT Z050	2	2		
41	500476	WASHER LO SPT .317x.586x.078 Z050	2	2		
42	502510	WASHER FL .375x.875x.083	2	2		
50	861444	CABLE ASSY	1	1		
51	500692	. NUT HEX 1/4-28 Z050	2	2		
52	363782	CYLINDER L.H. To Y-4387	1	1		
52	861926	CYLINDER L.H. From Y-4386	1	1		
52	363783	CYLINDER R.H. To Y-4387	1	1		
52	861927	CYLINDER R.H. From Y-4386	1	1		
53	861486	CLIP / WIRE RETAINER	2	2		
54	500690	NUT HEX NYRT 1/4-28 Z050	2	2		
55	363830	LEVER L.H. / WINDOW SIDE	1	1		
55	363829	LEVER R.H. / WINDOW SIDE	1	1		
56	363825	LEVER L.H. / CASTING	1	1		
56	363826	LEVER R.H. / CASTING	1	1		
57	861442	. KNOB	1	1		
NS	500394	. SCREW MA TR SLT 1/4-20x1/2 Z050	1	1		
58	500557	SCREW MA PAN PH #8-32x3/8 SS	2	2		
59	5001312	SCREW TP TR PH #8x5/8 Z050	1	1		
60	500657	SCREW TC TR PH #10-24x1/2 Z050	2	2		
70	H3-2221-12	DUCTING HEATER & A/C				
		A) USE ONLY WITH LOUNGE SEAT BACK OF THE VEHICLE				
		V) WITH V.I.P. SEAT ONLY				

From R-012 To 2-4416

Date:10/2022

PAGE:H3-1827-70

PASSENGER'S SEAT - "TOURISMO II" - FLIP-UP W/W.C.L.



From R-012 To 2-4416	Date:10/2022	PAGE:H3-1827-70
PASSENGER'S SEAT - "TOURISMO II" - FLIP-UP W/W.C.L.		

Item#	Part	Description	H 3 4 1	H 3 4 5	V I P 4 5	N O T E S
	363376P	SEAT ASSY "FLIP-UP" ULTRA	1	1		
1	363302	. MOUNTING BASE ASSY / "FLIP-UP" SEAT	1	1		
2	363246	. COLLAR	4	4		
3	363180	. BACKREST R.H.	1	1		
4	363181	. BACKREST L.H.	1	1		
5	363303	. SEAT FRAME ASSY / SEATREST "FLIP-UP" SEAT	1	1		
NS	363538	. ROD RETAINING SEATREST	1	1		
6	363178P	. FOAM ASSY, BACKREST / "TOURISMO II "	1	1		
6	363186	. . FOAM BACKREST THICK	1	1		
6	363252	. . FOAM BACKREST THIN W/42"	1	1		
6	363350	. . FOAM BACKREST THIN W/40"	1	1		
7	363251	. FOAM ASSY, HEADREST 42" HIGHT / "ULTRA"	1	1		
NS	500583	. SCREW TP PAN PH #6x1/2 Z050	4	4		
NS	500240	. WASHER LO EXT .195x.410x.025 Z050	4	4		
8	363226	. COVER R.H. / PLASTIC	1	1		
9	363227	. COVER L.H. / PLASTIC	1	1		
10	5001336	. SCREW CAP HEXF SERR 5/16-18x3/4 Z050	8	8		
11	5001113	. NUT HEX JAM NYRT 5/16-18	8	8		
12	363273	. SPRING EYE	4	4		
13	Call order desk	. STRUCTURE ASSY REAR / 5 PASSENGERS	1	1		P
14	362353	. SCREW	1	1		
15	500685	. NUT HEX NYRT 5/16-18 SS	1	1		
18	362666	. FOAM ASSY, SEATREST / "TOURISMO & ULTRA"	1	1		
19	363279	. FLAT BAR / ANGLE 198MM x 28MM	2	2		
24	500441	. WASHER FL .312x.734x.065 Z050	2	2		
25	500782	. NUT WING 5/16-18 Z050	2	2		
30	363437	. BRACKET L.H.	1	1		
31	363436	. BRACKET R.H.	1	1		
32	502723	. WASHER FL .386x.750x.050 NYL	2	2		
33	500441	. WASHER FL .312x.734x.065 Z050	2	2		
34	500777	. NUT HEX STO 5/16-18 Z050	2	2		
35	500183	. SCREW CAP HEX 5/16-18x1 1/2 G5 PT Z050	2	2		
36	500476	. WASHER LO SPT .317x.586x.078 Z050	2	2		
37	363304	. FOOTREST ASSY / DOUBLE SEAT W/FLIP-UP SEAT	1	1		
38	502781	. SCREW SET HEXS CUP 5/16-18x1/4	2	2		
40	860837	. HANDLE W/DOUBLE EXCENTRIC To S-275	2	2		
NS	5001212	. ROD END 3/8-16 x 4 1/2 To S-275	2	2		
NS	5001211	. NUT HEX CPG 3/8-16x1 3/4 Z050 To S-275	1	1		
NS	500783	. NUT HEX 3/8-16 Z050 To S-275	2	2		
40	860874	. HANDLE NUT 3/8-16 From S-275	2	2		
41	500777	. NUT HEX STO 5/16-18 Z050	7	7		
42	502510	. WASHER FL .375x.875x.083	1	1		

From R-012 To 2-4416	Date:10/2022	PAGE:H3-1827-70
PASSENGER'S SEAT - "TOURISMO II" - FLIP-UP W/W.C.L.		

Item#	Part	Description	H 3 4 1	H 3 4 5	V I P 4 5	N O T E S
43	363292	. PEDESTAL	2	2		
44	363278	. "T" BOLT RETAINER 3/8-16 X 10 5/8" From S-275	2	2		
45	363280	. GUIDE 28MM O.D. / M10 - 1.5	4	4		
46	363281	. SLIDING TRACK / 60MM x 240MM PLASTIC	2	2		
47	500179	. SCREW CAP HEX 5/16-18x3/4 G5 Z050	AR	AR		
48	363460	. SPACER 10MM I.D. x 19MM O.D. X 8.5MM	2	2		
49	502723	. WASHER FL .386x.750x.050 NYL	4	4		
50	363311	. FINISHING LOWER R.H.	1	1		
50	363310	. FINISHING LOWER L.H.	1	1		
51	860421	. HOOK	1	1		
52	860422	. HANDLE	1	1		
NS	505229	. SPACER 3/8 I.D. X 3/8 LG	2	2		
52	363424	. HANDLE REINFORCEMENT SUPPORT	1	1		
53	502521	. SCREW TC OV PH #8-32x1 BK	2	2		
54	860809	. MAGAZINE NET 14" x 7 1/4"	1	1		
55	500353	. SCREW TP FL PH #8x3/4 BK	4	4		
59	861277	. ASHTRAY / PLASTIC	1	1		
60	404094	. DECAL "DOIT ÊTRE VERROUIL...."	2	2		
60	404093	. DECAL "MUST BE LOCKED..." / ENGLISH	2	2		
60	405646	. DECAL "MUST BE LOCKED..." / ENGLISH & SPANISH	1	1		
61	363296	. COVER PEDESTAL / PLASTIC	2	2		
62	500686	. SCREW TP OV PH #6x1/2 BK	AR	AR		
63	504412	. WASHER RETAINER SNAP CAP #8	AR	AR		
64	504403	. SNAP CAP #8 FINISHING BLACK	AR	AR		
65	323228	. CAP, INTERIOR REAR	1	1		
66	363229	. COVER CENTER ARMREST / PLASTIC	1	1		
71	363385P	. COVERING ASSY, BACKREST / S.C.C. W/42" HIGHT	1	1		
73	362716	. ATTACHMENT / ROUND "W" SHAPE TO FIX COVER	8	8		
NS	682259	. SEALANT TAPE / CLEAR / 1/32"x1 1/2"x65' / 1795	AR	AR		
74	362736P	. COVERING SEATREST ASSY / S.C.C. / "SILHOUETTE"	1	1		
81	362939	. ARMREST / LONG	3	3		
82	363624	. COVERING ARMREST / LONG	3	3		
83	500686	. SCREW TP OV PH #6x1/2 BK	3	3		
84	363575	. SPACER PLASTIC / FRICTION DISK	6	6		
85	363282	. GUIDE ARMREST	1	1		
86	500182	. SCREW CAP HEX 5/16-18x1 1/4 G5 PT Z050	3	3		
100	323654	SEAT TRACK COVER 12' / EACH SEAT / W/COVERING FLOOR	AR	AR		
100	361338	SEAT TRACK COVER 12' / EACH SEAT / W/CARPET FLOOR	AR	AR		
100	323963	SEAT TRACK COVER 8' / EACH SEAT / W/COVERING FLOOR	AR	AR		
101	820027	HANDLE	1	1		B
101	5001119	SCREW TP BDG PH #8x3/4 SS	1	1		B
101	502630	WASHER FL .156x.375x.049 Z050	1	1		B

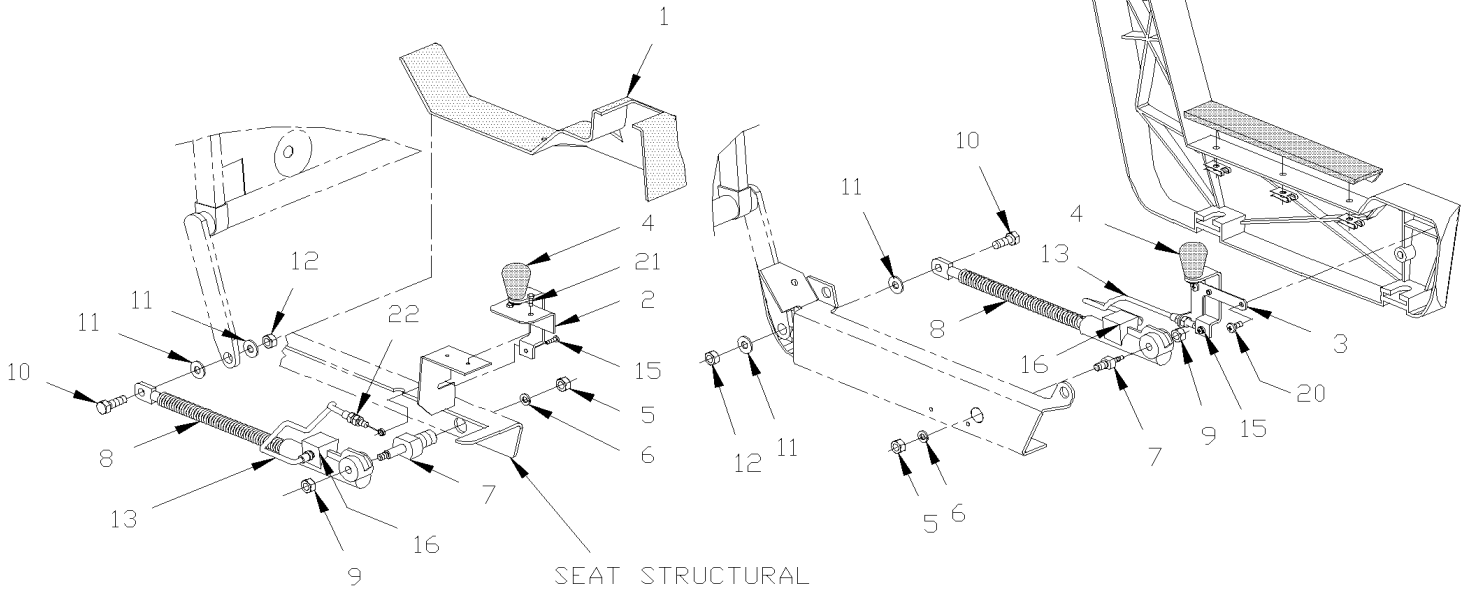
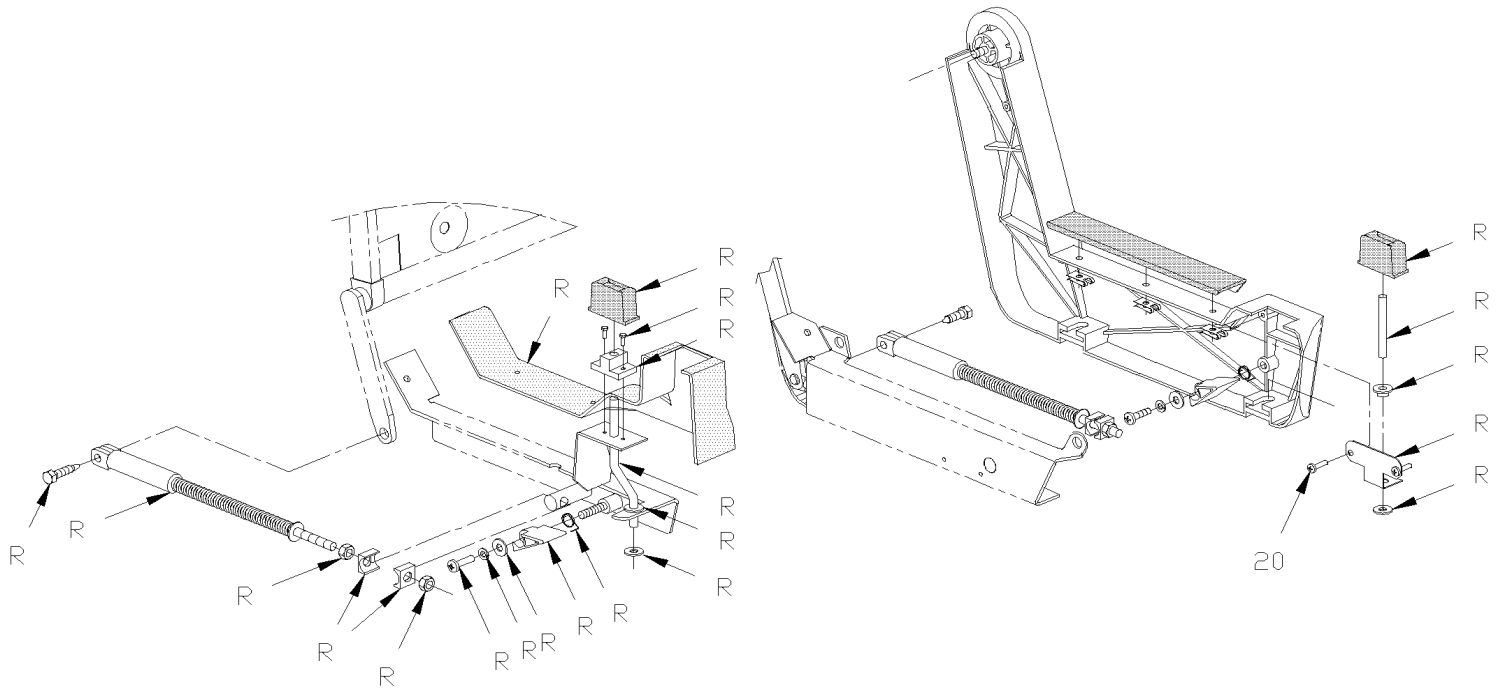
From R-012 To 2-4416		Date:10/2022		PAGE:H3-1827-70			
PASSENGER'S SEAT - "TOURISMO II" - FLIP-UP W/W.C.L.							
Item#	Part	Description	H 3 4 1	H 3 4 5	V I P 4 5	N O T E S	
		B) FIXED ON SEAT TRACK FOR EASIER REMOVABLE					
		P) CALL ORDER DESK FOR SPECIFIC APPLICATION (V.I.N.)					

From R-012 To 2-4416

Date:10/2022

PAGE:H3-1827-99

ARMREST PASSENGER'S - "RETROFIT"



From R-012 To 2-4416	Date:10/2022	PAGE:H3-1827-99
ARMREST PASSENGER'S - "RETROFIT"		

Item#	Part	Description	H 3 4 1	H 3 4 5	V I P 4 5	N O T E S
1	363779	GUARD R.H. / MECHANISM	1	1		
1	363780	GUARD L.H. / MECHANISM	1	1		
2	363829	LEVER R.H. / WINDOW SIDE	1	1		
2	363830	LEVER L.H. / WINDOW SIDE	1	1		
3	363773	LEVER R.H. / CASTING / RETROFIT ONLY	1	1		
3	363772	LEVER L.H. / CASTING / RETROFIT ONLY	1	1		
4	861442	. KNOB	1	1		
NS	500394	. SCREW MA TR SLT 1/4-20x1/2 Z050	1	1		
5	500721	NUT HEX 9/16-18 ZP	1	1		
6	500483	WASHER LO SPT .570x.971x.141 ZP	1	1		
7	363778	CYLINDER PIVOT	1	1		
8	861926	CYLINDER L.H.	1	1		
8	861927	CYLINDER R.H.	1	1		
9	500690	NUT HEX NYRT 1/4-28 Z050	1	1		
10	500181	SCREW CAP HEX 5/16-18x1 G5 Z050	1	1		
11	500476	WASHER LO SPT .317x.586x.078 Z050	1	1		
12	500778	NUT HEX 5/16-18 N500	1	1		
13	861444	CABLE ASSY	1	1		
14	500692	NUT HEX 1/4-28 Z050	1	1		
15	500557	SCREW MA PAN PH #8-32x3/8 SS	1	1		
16	861486	CLIP / WIRE RETAINER	2	2		
20	500611	SCREW TC PAN PH #10-24x1/2 Z050	2	2		
21	5001312	SCREW TP TR PH #8x5/8 Z050	1	1		
22	500692	NUT HEX 1/4-28 Z050	1	1		
NS	363781	RETROFIT KIT RH SEAT	1	1		
. NS	IS-98107	. SEE INSTRUCTION SHEET	1	1		
NS	363784	RETROFIT KIT LH SEAT	1	1		
. NS	IS-98107	. SEE INSTRUCTION SHEET	1	1		
NS	363786	RETROFIT KIT ROTATING SEAT	1	1		
. NS	IS-98107	. SEE INSTRUCTION SHEET	1	1		
NS	363785	RETROFIT KIT LOUNGE SEAT	1	1		
. NS	IS-98107	. SEE INSTRUCTION SHEET	1	1		
NS	363909	RETROFIT KIT RH SEAT VIP	1	1		
. NS	IS-98107	. SEE INSTRUCTION SHEET	1	1		
NS	363910	RETROFIT KIT LH SEAT VIP	1	1		
. NS	IS-98107	. SEE INSTRUCTION SHEET	1	1		
NS	363911	RETROFIT KIT RH SEAT VIP SINGLE	1	1		
. NS	IS-98107	. SEE INSTRUCTION SHEET	1	1		
NS	363912	RETROFIT KIT LH SEAT VIP SINGLE	1	1		
. NS	IS-98107	. SEE INSTRUCTION SHEET	1	1		

From R-012 To 2-4416	Date:10/2022	PAGE:H3-1827-99
ARMREST PASSENGER'S - "RETROFIT"		

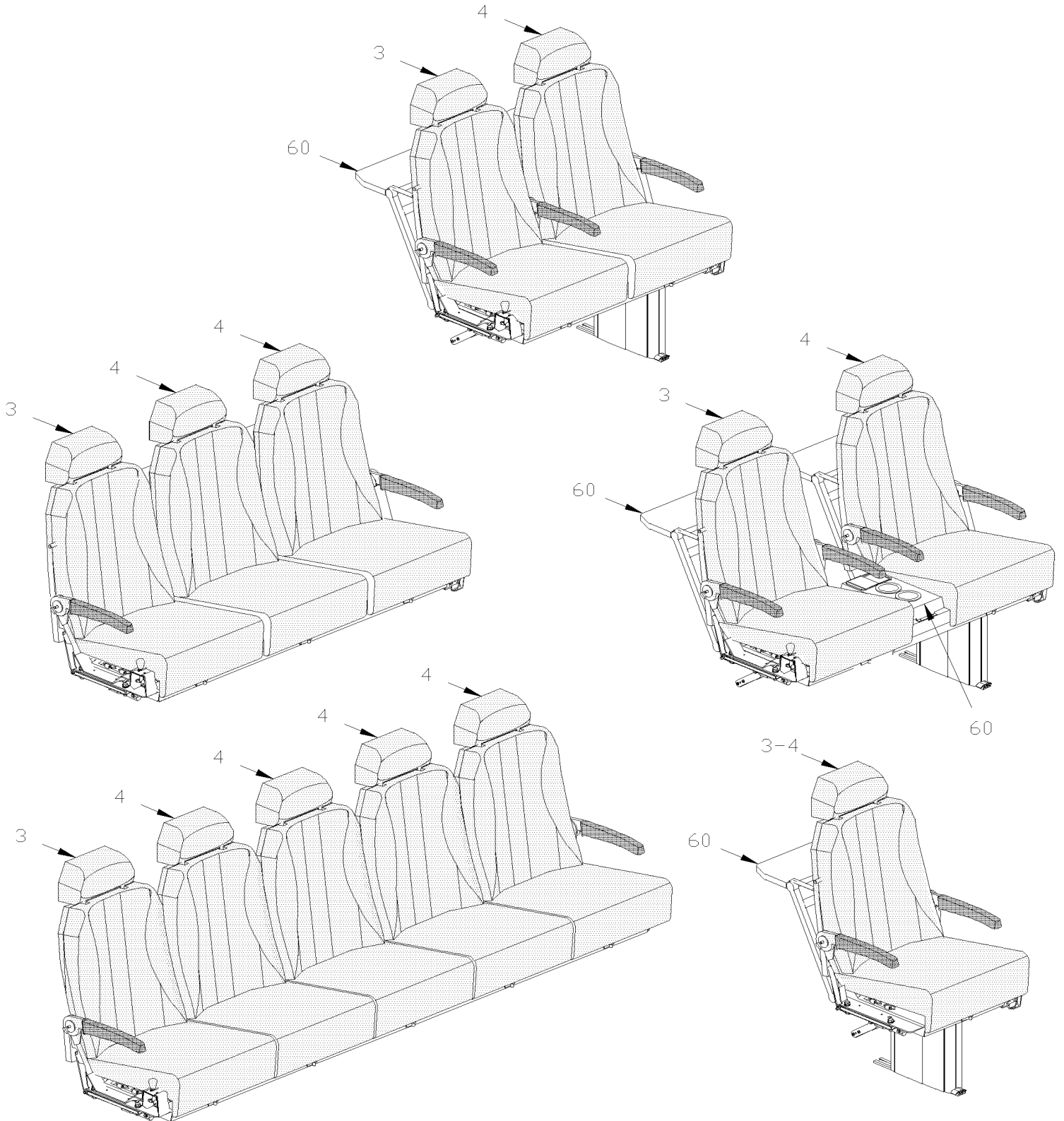
Item#	Part	Description	H 3 4 1	H 3 4 5	V I P 4 5	N O T E S
		ALLS PARTS TO BE REMOVED				

From R-012 To 2-4416

Date:10/2022

PAGE:H3-1828-01

PASSENGER'S SEAT - "TOURISMO II"

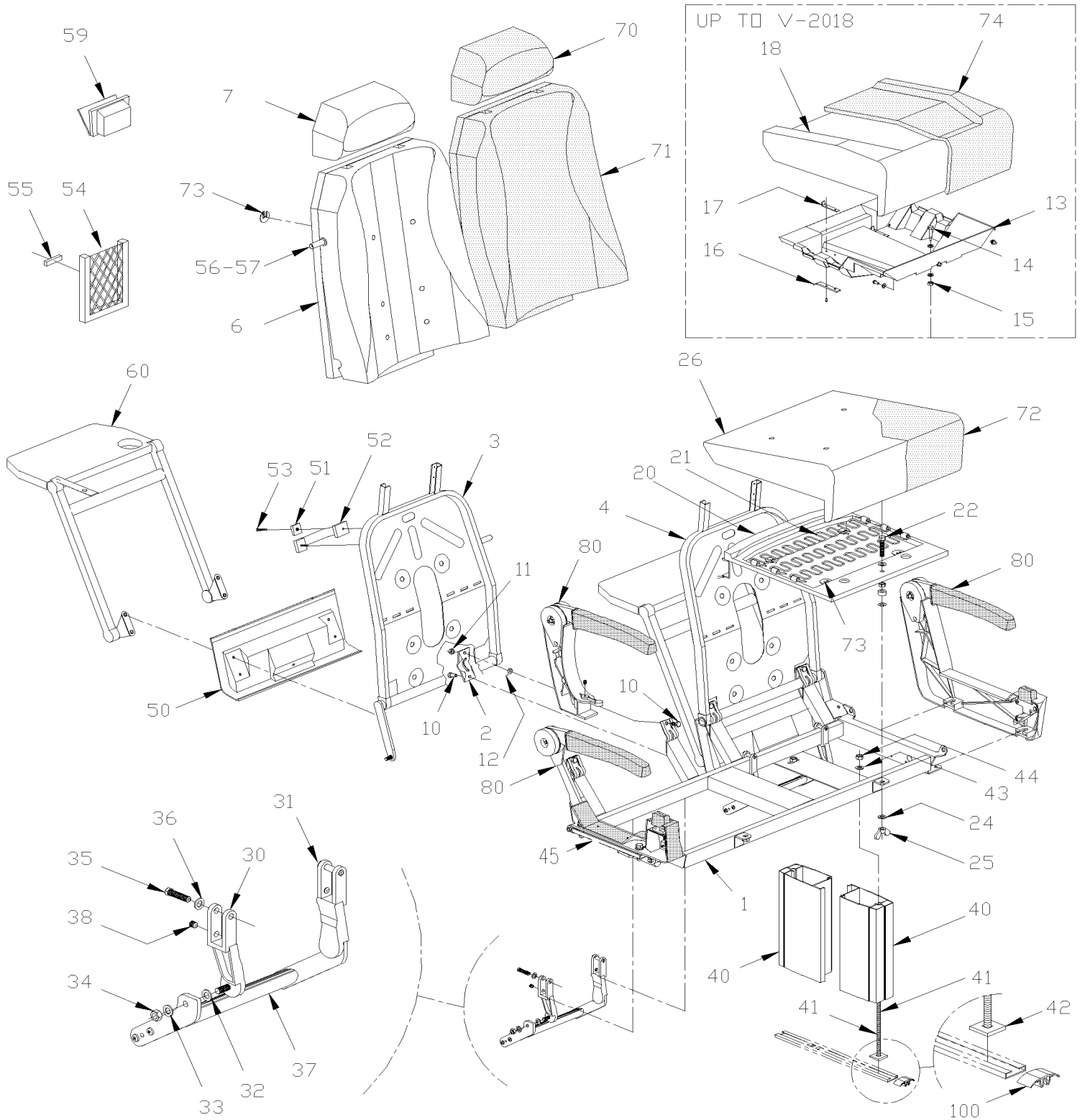


From R-012 To 2-4416

Date:10/2022

PAGE:H3-1828-01

PASSENGER'S SEAT - "TOURISMO II"



From R-012 To 2-4416	Date:10/2022	PAGE:H3-1828-01
PASSENGER'S SEAT - "TOURISMO II"		

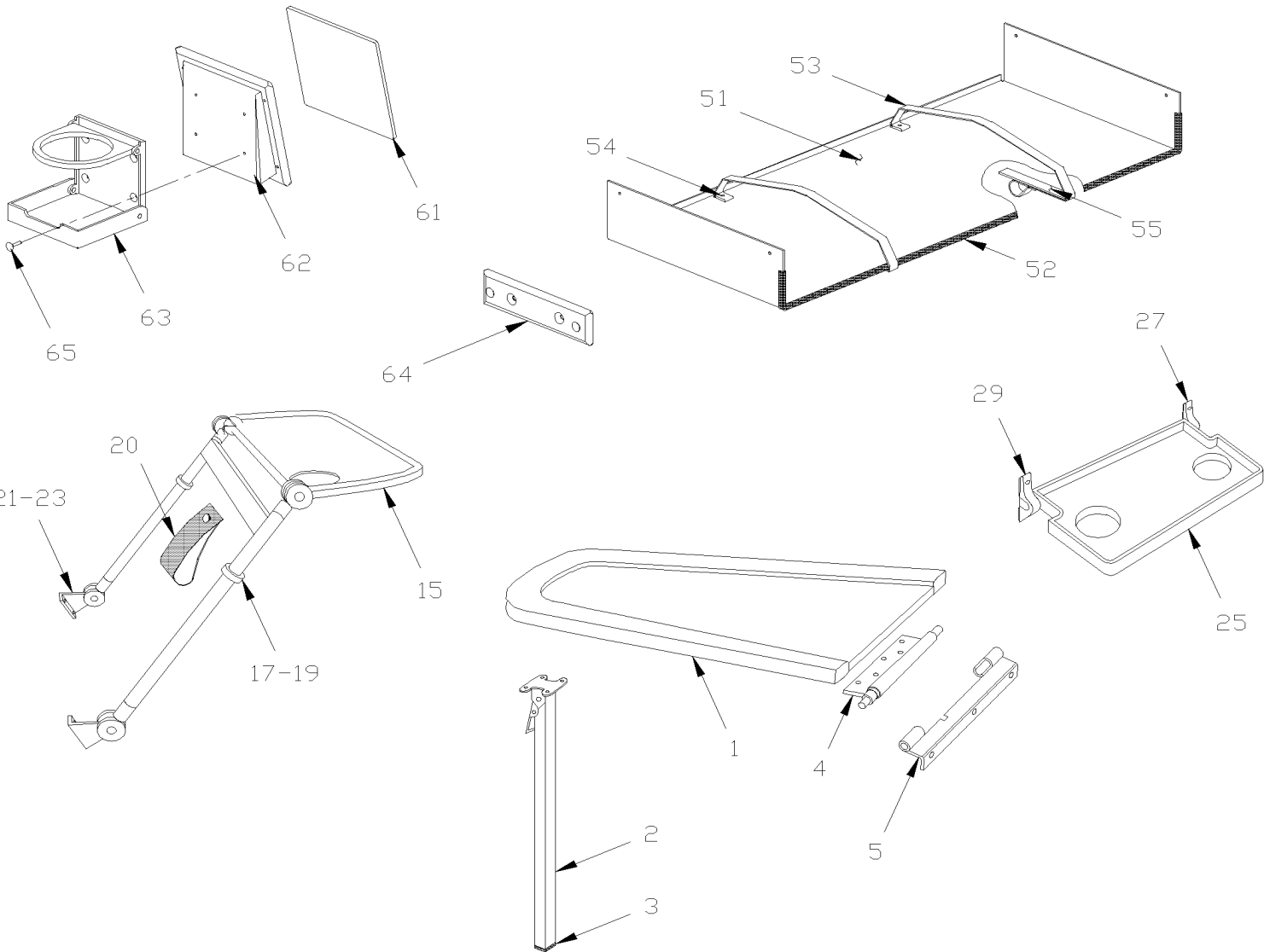
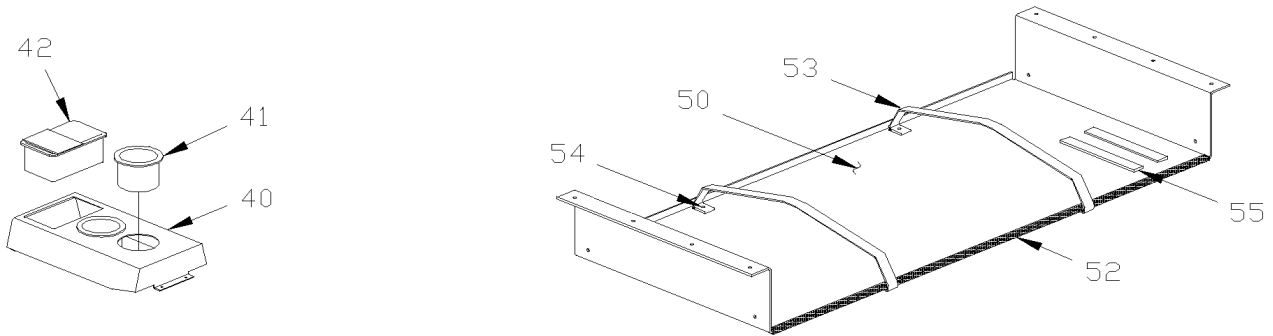
Item#	Part	Description	H 3 4 1	H 3 4 5	V I P 4 5	N O T E S
	363196	SEAT ASSY R.H. / 2 PASSENGERS / 42" HIGH To V-2018	AR	AR		
	363658	SEAT ASSY R.H. / 2 PASSENGERS / 42" HIGH From V-2019 To Y-3486	AR	AR		
	363922	SEAT ASSY R.H. / 2 PASSENGERS / 42" HIGH From Y-3487	AR	AR		
	363197	SEAT ASSY L.H. / 2 PASSENGERS / 42" HIGH To V-2018	AR	AR		
	363657	SEAT ASSY L.H. / 2 PASSENGERS / 42" HIGH From V-2019 To Y-3486	AR	AR		
	363921	SEAT ASSY L.H. / 2 PASSENGERS / 42" HIGH From Y-3487	AR	AR		
	363201	SEAT ASSY REAR / 2 PASSENGERS / 42" HIGH To V-2018	AR	AR		
	363661	SEAT ASSY REAR / 2 PASSENGERS / 42" HIGH From V-2019 To Y-3486	AR	AR		
	363925	SEAT ASSY REAR / 2 PASSENGERS / 42" HIGH From Y-3487	AR	AR		
	363202	SEAT ASSY REAR / 3 PASSENGERS / 42" HIGH To V-2018	AR	AR		
	363660	SEAT ASSY REAR / 3 PASSENGERS / 42" HIGH From V-2019 To Y-3486	AR	AR		
	363924	SEAT ASSY REAR / 3 PASSENGERS / 42" HIGH From Y-3487	AR	AR		
	363203	SEAT ASSY REAR / 5 PASSENGERS / 42" HIGH To V-2018	AR	AR		
	363662	SEAT ASSY REAR / 5 PASSENGERS / 42" HIGH From V-2019 To Y-3486	AR	AR		
	363926	SEAT ASSY REAR / 5 PASSENGERS / 42" HIGH From Y-3487	AR	AR		
1	363314	. STRUCTURE ASSY R.H. / 2 PASSENGERS To V-2018	1	1		
1	363618	. STRUCTURE ASSY R.H. / 2 PASSENGERS From V-2019 To Y-3486	1	1		
1	363841	. STRUCTURE ASSY R.H. / 2 PASSENGERS From Y-3487	1	1		
1	363315	. STRUCTURE ASSY L.H. / 2 PASSENGERS To V-2018	1	1		
1	363619	. STRUCTURE ASSY L.H. / 2 PASSENGERS From V-2019 To Y-3486	1	1		
1	363842	. STRUCTURE ASSY L.H. / 2 PASSENGERS From Y-3487	1	1		
1	363417	. STRUCTURE ASSY REAR / 3 PASSENGERS To V-2018	1	1		
1	363620	. STRUCTURE ASSY REAR / 3 PASSENGERS From V-2019 To Y-3486	1	1		
1	363843	. STRUCTURE ASSY REAR / 3 PASSENGERS From Y-3487	1	1		
1	363323	. STRUCTURE ASSY REAR / 5 PASSENGERS To V-2018	1	1		
1	363621	. STRUCTURE ASSY REAR / 5 PASSENGERS From V-2019 To Y-3486	1	1		
1	363844	. STRUCTURE ASSY REAR / 5 PASSENGERS From Y-3487	1	1		
2	363246	. COLLAR	1	1		
3	363180	. BACKREST R.H. To Y-3486	1	1		
3	363834	. BACKREST R.H. From Y-3487	1	1		
4	363181	. BACKREST L.H. To Y-3486	1	1		C
4	363835	. BACKREST L.H.	1	1	1	C
6	363178P	. FOAM ASSY, BACKREST / "TOURISMO II "	1	1		
6	363186	. . FOAM BACKREST THICK	1	1		
6	363177	. . FOAM BACKREST THIN	1	1		
6	363174	. . FOAM THIN, OBLONG 4" X 13" APPROX	1	1		
7	363156	. FOAM ASSY, HEADREST 42" HIGHT / "TOURISMO II "	1	1		
7	362753	. FOAM ASSY, HEADREST 40" HIGHT / "TOURISMO"	1	1		
NS	5001312	. SCREW TP TR PH #8x5/8 Z050	4	4		
10	5001336	. SCREW CAP HEXF SERR 5/16-18x3/4 Z050	4	4		
11	5001113	. NUT HEX JAM NYRT 5/16-18	4	4		
12	363273	. SPRING EYE	4	4		

From R-012 To 2-4416	Date:10/2022	PAGE:H3-1828-01
PASSENGER'S SEAT - "TOURISMO II"		

Item#	Part	Description	H 3 4 1	H 3 4 5	V I P 4 5	N O T E S
13	362464P	. SEATREST ASSY W/HOOK / BOTTOM PLASTIC To V-2018	1	1		
14	362353	. . SCREW To V-2018	1	1		
15	500685	. . NUT HEX NYRT 5/16-18 SS To V-2018	1	1		
16	362779	. . BRACKET RETAINER / 3" To V-2018	2	2		
17	362780	. . WASHER FL .137x.250 GA 24 SS To V-2018	2	2		
18	362666	. FOAM ASSY, SEATREST / "TOURISMO & ULTRA" To V-2018	1	1		
20	363646	. SEAT FRAME ASSY W/SPRING From V-2019	1	1		
21	363650	. . SPRING From V-2019	3	3		
22	362353	. . SCREW From V-2019	1	1		
23	500685	. NUT HEX NYRT 5/16-18 SS From V-2019	1	1		
24	500826	. WASHER LO EXT .320x.610x.034 ZP From V-2019	1	1		
25	500782	. NUT WING 5/16-18 Z050 From V-2019	2	2		
26	363645	. FOAM From V-2019	2	2		
30	363437	. BRACKET L.H.	1	1		
31	363436	. BRACKET R.H.	1	1		
32	502723	. WASHER FL .386x.750x.050 NYL	2	2		
33	500441	. WASHER FL .312x.734x.065 Z050	2	2		
34	500777	. NUT HEX STO 5/16-18 Z050	2	2		
35	5001375	. SCREW CAP HEX M10-1.5x18 SS	2	2		
36	500476	. WASHER LO SPT .317x.586x.078 Z050	2	2		
37	362928	. FOOTREST ASSY	1	1		
38	502781	. SCREW SET HEXS CUP 5/16-18x1/4	2	2		
40	362935	. PEDESTAL OBLONG / 279MM / 10.98" To T-1405	2	2		
40	363517	. PEDESTAL OBLONG / 279MM / 10.98" From T-1406 To V-1836	2	2		
40	363577	. PEDESTAL SQ END / 279MM / 10.98" / 2 PIECES From V-1837	2	2		
41	5001600	. SCREW CRG 3/8-16x12 G5 Z050	2	2		
42	363085	. PLATE ANCHOR / CARRIAGE BOLT INSIDE TRACK / 1 1/4" X 1 1/4"	1	1		
43	500445	. WASHER FL .437x1.000x.083 Z050	2	2		
44	500265	. NUT HEX STO 3/8-16 Z050	2	2		
45	362355	. ATTACHMENT NUT / "J" SHAPE TO FIX SEAT TO WALL TRACK WALL TRACK	2	2		
45	364132	. ATTACHMENT PLATE / "J" SHAPE TO FIX SEAT TO WALL TRACK WALL TRACK	1	1		
. NS	500829	. . SCREW CAP HEX M10-1.5x40 G8.8	2	2		
. NS	500257	. . WASHER LO SPT 10.2x18.1x2.2 Z050	2	2		
50	362867	. FINISHING LOWER / R.H. / NORYL To Y-4385	1	1		
50	363947	. FINISHING LOWER / R.H. / NORYL From Y-4386	1	1		
50	362866	. FINISHING LOWER / L.H. / NORYL To Y-4385	1	1		
50	363946	. FINISHING LOWER / L.H. / NORYL From Y-4386	1	1		
51	860421	. HOOK	1	1		
52	860422	. HANDLE	1	1		
53	500871	. SCREW TP OV PH #8x1 BK	2	2		
54	860809	. MAGAZINE NET 14" x 7 1/4"	1	1		
55	500353	. SCREW TP FL PH #8x3/4 BK	4	4		

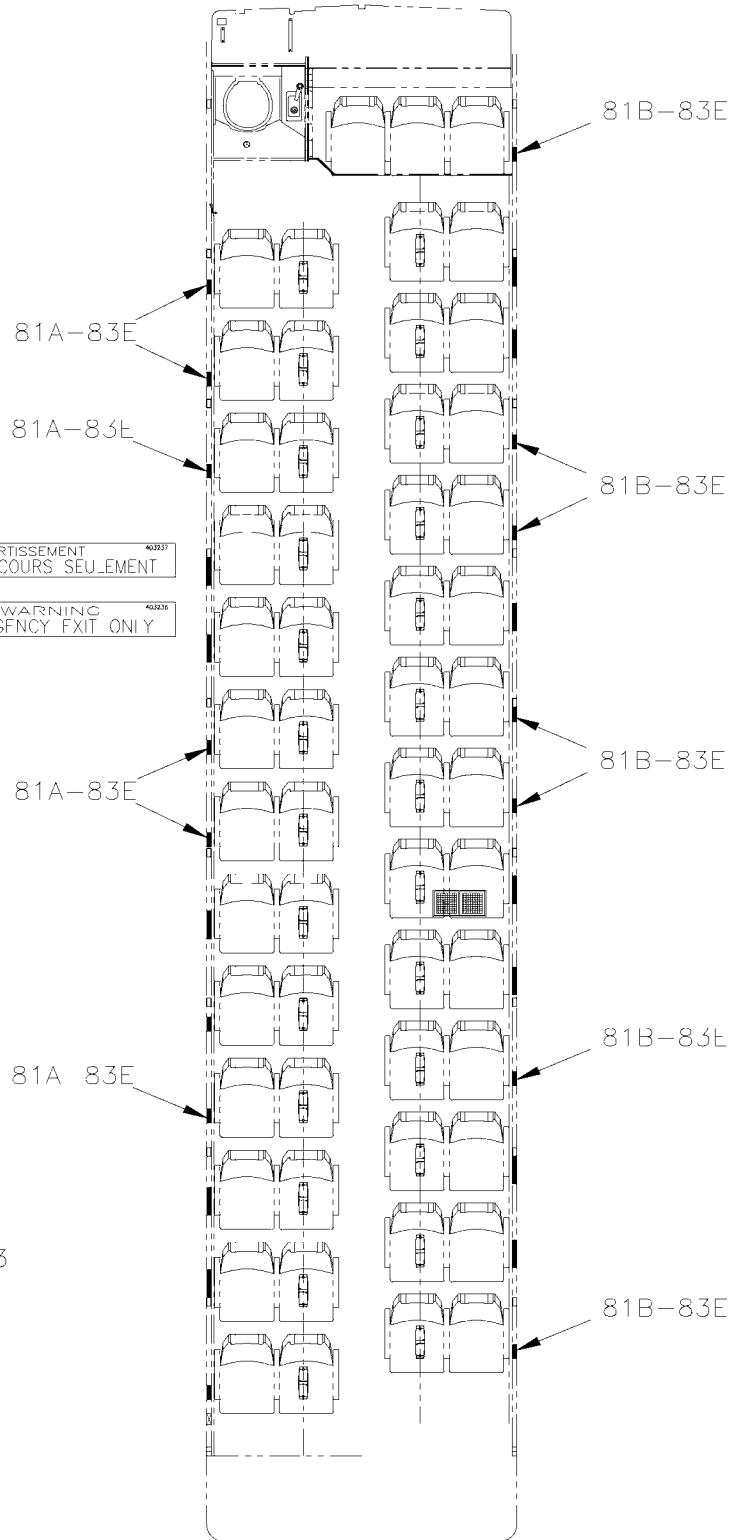
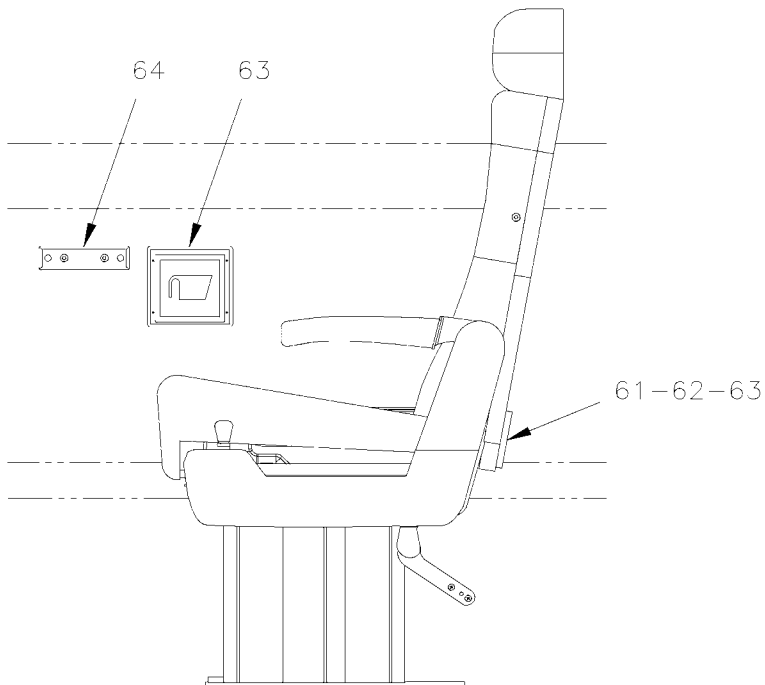
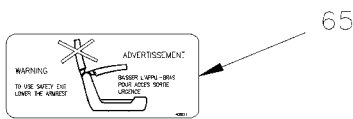
From R-012 To 2-4416		Date:10/2022	PAGE:H3-1828-01			
PASSENGER'S SEAT - "TOURISMO II"						
Item#	Part	Description	H 3 4 1	H 3 4 5	V I P 4 5	N O T E S
56	5001019	. SCREW TP OV PH #10x2 EMN	1	1		
56	5001016	. SCREW CAP HEX M10-1.5x90 G8.8 Z050	1	1		
57	362942	. STOPPER SHORT / W/STANDARD SEAT	1	1		
57	362943	. STOPPER LONG / WV.I.P. SEAT	1	1		
59	861277	. ASHTRAY / PLASTIC	1	1		
NS	502778	. SCREW TP FL PH #6x2 BK	2	2		
NS	860626	. SUPPORT ASHTRAY / PLASTIC	1	1		
60	H3-1829-00	ACCESSORIES PASSENGER'S SEAT - "PREVOST"				
70	363162P	. COVERING HEADREST 40" ASSY / S.C.C. / "TOURISMO II "	1	1		
70	363167P	. COVERING HEADREST 42" ASSY / S.C.C. / "TOURISMO II "	1	1		
71	363172P	. COVERING BACKREST ASSY / S.C.C. / "TOURISMO II "	1	1		
72	363676	. COVERING SEATREST ASSY / S.C.C. / ALL NEW W/SPRING From V-2019	1	1		
73	362716	. ATTACHMENT / ROUND "W" SHAPE TO FIX COVER	8	8		
74	362462P	. COVERING SEATREST ASSY / S.C.C. / ALL W/NORYL TRAY To V-2018	1	1		
80	H3-1827-51	ARMREST PASSENGER'S - "CHARCOAL" To Y-3486				
80	H3-1827-52	ARMREST PASSENGER'S - "CHARCOAL" W/LEVER From Y-3487				
100	361338	SEAT TRACK COVER 12' / EACH SEAT / W/CARPET FLOOR	AR	AR		
100	323654	SEAT TRACK COVER 12' / EACH SEAT / W/COVERING FLOOR	AR	AR		
100	323963	SEAT TRACK COVER 8' / EACH SEAT / W/COVERING FLOOR	AR	AR		
		C) QTY OF 2 WITH 3 PASSENGERS REAR SEAT AND QTY OF 4 WITH 5 PASSENGERS REAR SEAT				

From R-012 To 2-4416	Date:10/2022	PAGE:H3-1829-00
ACCESSORIES PASSENGER'S SEAT - "PREVOST"		



From R-012 To 2-4416	Date:10/2022	PAGE:H3-1829-00
ACCESSORIES PASSENGER'S SEAT - "PREVOST"		

- 81 {
 - A-
 - B-
- 82 {
 - C-
 - D-
- 83 → F-
- 84 → F-
- 85 → G-
- 86 → H-



From R-012 To 2-4416	Date:10/2022	PAGE:H3-1829-00
ACCESSORIES PASSENGER'S SEAT - "PREVOST"		

Item#	Part	Description	H 3 4 1	H 3 4 5	V I P 4 5	N O T E S
1	362215P	TABLE ASSY / "FORMICA" & LEATHERETTE SPECIFY COLOR	1	1		
1	Call order desk	TABLE ASSY / "FORMICA" & LEATHERETTE V.I.P. 2 PASSENGER	1	1		P
1	Call order desk	TABLE ASSY / "FORMICA" & LEATHERETTE V.I.P. 1 PASSENGER	1	1		P
1	363207	TABLE ASSY / GREY PLASTIC COVERING W/2 GLASS HOLDER To X-2929	1	1		
1	363796	TABLE ASSY / GREY ABS COVERING W/4 GLASS 857MM From X-2930	1	1		
. NS	364187	. TABLE TOP ASSY W/OUT HARDWARE From X-2930	1	1		
1	363185	. COVERING W/2 GLASS HOLDER / GREY To X-2929	1	1		
1	363795	. COVERING W/4 GLASS HOLDER / MEDIUM GREY 857MM From X-2930	1	1		
2	361432	. LEG (MODIFIED)	1	1		
2	860333	. . LEG 25 1/8" / 639.8MM	1	1		
3	860718	. . . GLIDE SQUARE END 1 X 1 X TUBE 13 GA / P	1	1		
4	360255	. HINGE / TABLE SECTION	1	1		
. A	360620	. . ROD LOCK	1	1		
. B	363604	. . SPRING COMPRESSION / .500 O.D. x 6.25 x .062	1	1		
. C	505221	. . SPRING, PIN 1/8 X 3/8	1	1		
NS	500841	. SCREW TP PAN PH #14x3/4 Z050	9	9		
NS	506006	. TAPE RUB ADH1 CC POL 3/8" x 1 1/4" x 20' / GREY 2520	AR	AR		
NS	360325	. DECAL "INSTALLATION OF CARD TABLE...." "BILINGUAL"	1	1		
5	361658	HINGE / WALL SECTION 1 1/8"x1 5/16" ANGLE	1	1		
NS	360622	ENVELOPE ASSY TABLE	1	1		
NS	500136	SCREW MA OV PH 1/4-20x1 1/2 SS EMN	3	3		
		UTILITY TABLE				
15	362924	TABLE / W/"TOURISMO II" & "ULTRA" To V-1772	1	1		
15	363611	TABLE / W/"TOURISMO II" & "ULTRA" / BLACK From V-1773	1	1		A
15	363423	STRAP / 145MM	1	1		
15	363464	WASHER RETAINER	1	1		
15	500583	SCREW TP PAN PH #6x1/2 Z050	1	1		
17	363036	SPACER	4	4		
NS	860859	NYLON BUSHING / LOWER HINGE	2	2		
19	500552	SCREW TP OV PH #6x3/4 Z050	4	4		
20	363423	STRAP / 145MM	1	1		
20	363464	WASHER RETAINER	1	1		
20	500583	SCREW TP PAN PH #6x1/2 Z050	1	1		
21	502526	SCREW TC BDG PH #12-24x3/4 Z050	4	4		
23	502646	WASHER LO INT .129x.280x.021 ZP	4	4		
		UTILITY SHELF / W/"TOURISMO II" & "ULTRA"				
25	860657	SHELF	1	1		
27	860659	ATTACHMENT	2	2		

From R-012 To 2-4416	Date:10/2022	PAGE:H3-1829-00
ACCESSORIES PASSENGER'S SEAT - "PREVOST"		

Item#	Part	Description	H 3 4 1	H 3 4 5	V I P 4 5	N O T E S
NS	860892	PIVOT ASSY	2	2		
29	500871	SCREW TP OV PH #8x1 BK	4	4		
		V.I.P PASSENGER'S SEAT CENTER CONSOLE				
40	363519	CENTER CONSOLE V.I.P./ PLAIN	1	1		
40	363235	CENTER CONSOLE V.I.P. W/GLASS HOLDER To T-1551	1	1		
40	363557	CENTER CONSOLE V.I.P./ W/2 GLASS HOLDER From T-1552	1	1		
40	362576	CENTER CONSOLE V.I.P./ W/2 GLASS HOLDER & ASHTRAY To T-1551	1	1		
40	363558	CENTER CONSOLE V.I.P./ W/2 GLASS HOLDER & ASHTRAY From T-1552	1	1		
40	363608	CENTER CONSOLE V.I.P./ W/2 SELECTOR HEAD SET From T-1552	1	1		
40	363983	CENTER CONSOLE V.I.P./ W/2 GLASS HOLDER & 2 SELECTOR HEAD SET From T-1552	1	1		
41	900675	GLASS HOLDER, PLASTIC BLACK From T-1552	1	1		
42	900518	ASHTRAY	1	1		
NS	363083	KIT FOR RETROFIT TABLE / SPACER WALL AND STRUCTURE	AR	AR		
. NS	IS-91077	. SEE INSTRUCTION SHEET	1	1		
50	364021	SUPPORT ASSY CARD TABLE UPPER 900MM	1	1		
. NS	364020	. SUPPORT UPPER	1	1		
51	364024	SUPPORT ASSY CARD TABLE LOWER 900MM	1	1		
. NS	364023	. SUPPORT LOWER	1	1		
52	506025	. RUBBER CHANNEL / 1/18" x 5/16" INT "U" SHAPE / SQUARE C.T.L.	AR	AR		
53	364022	. STRAP RETAINER	2	2		
54	504113	. RIVET POP DOME CLE 3/16x1/4 AL	2	2		
55	506756	. VELCRO / LOOP ADHESIF 1" x 75'	AR	AR		
61	363897	PLATE	AR	AR		
62	363518	SUPPORT	AR	AR		
63	900527	GLASS HOLDER	AR	AR		
63	900788	GLASS HOLDER	AR	AR		
NS	860642	GLASS HOLDER / W/"AMAYA" / W/2 HOLES FOR SCREW	1	1		
64	860875	TRASH BAG, SUPPORT / BLACK FIXED TO WALL	AR	AR		SP
64	863976	TRASH BAG, SUPPORT / GREY FIXED TO WALL	AR	AR		
NS	861107	TRASH BAG / BOX OF 5000	AR	AR		
81	403868	DECAL, "EMERGENCY EXIT" >> / CLEAR / ENGLISH	AR	AR		
81	407594	DECAL, "EMERGENCY EXIT" >> / CLEAR / ENGLISH & SPANISH	AR	AR		
81	407547	DECAL / "EMERGENCY EXIT >> / CLEAR / ENGLISH & FRANCAIS	AR	AR		
81	402776	DECAL,	AR	AR		
81	403694	DECAL / BRAILLE / EMERGENCY EXIT TO YOUR RIGHT	AR	AR		
81	403695	DECAL / BRAILLE / EMERGENCY EXIT TO YOUR LEFT	AR	AR		
81	403707	DECAL / BRAILLE / TIRER LA BARRE POUSSER LA FENETRE / FRENCH	1	1		
82	403869	DECAL / "ISSUE SECOURS" >> / CLEAR	AR	AR		

From R-012 To 2-4416	Date:10/2022	PAGE:H3-1829-00
ACCESSORIES PASSENGER'S SEAT - "PREVOST"		

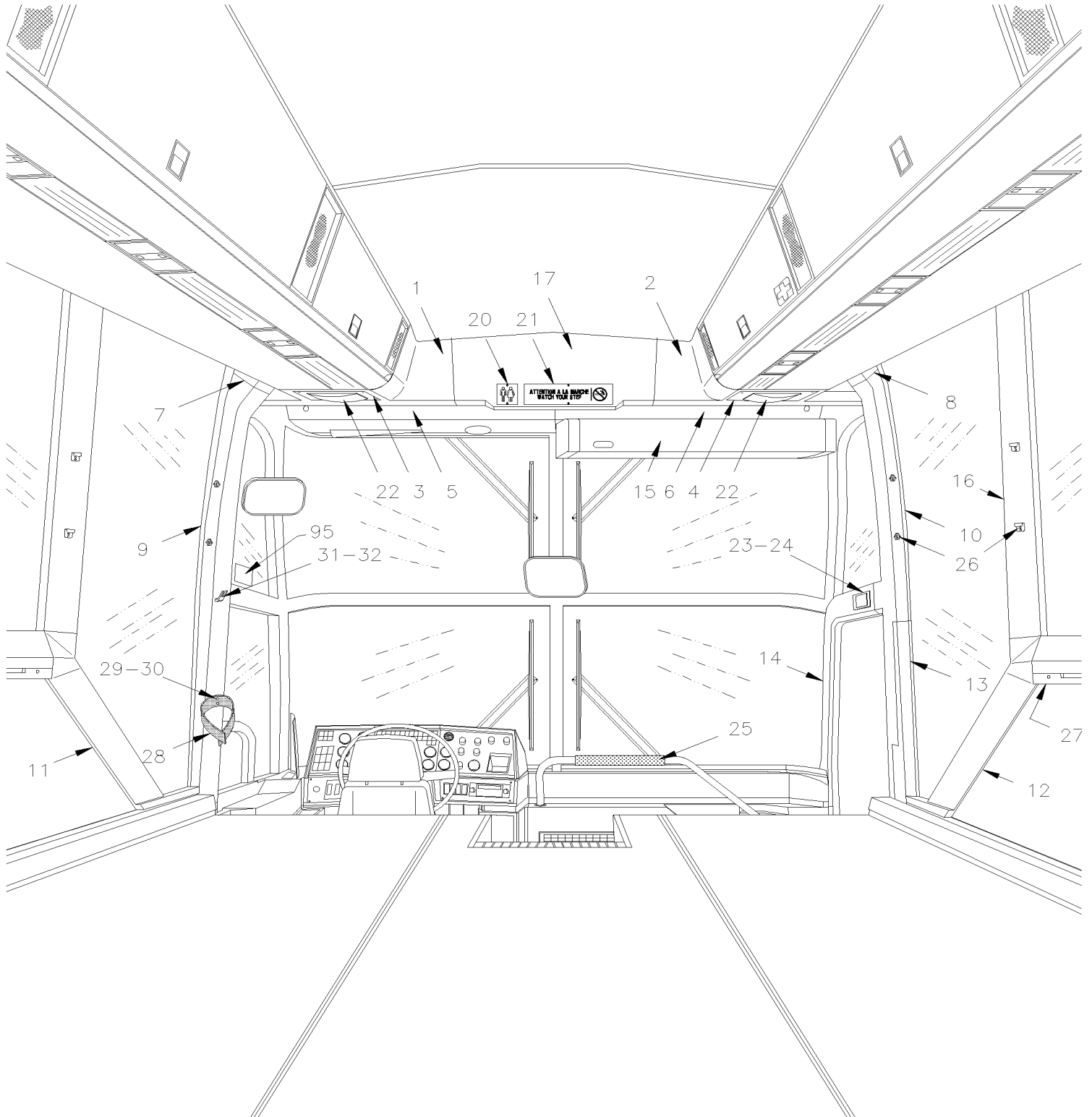
Item#	Part	Description	H 3 4 1	H 3 4 5	V I P 4 5	N O T E S
82	402777	DECAL /	AR	AR		
83	403854	DECAL SEAT EVEN-NUMBERED ON AISLE / 1-2 / CLEAR TO FIX ON TRAPEZOID	AR	AR		
83	403741	DECAL SEAT EVEN-NUMBERED ON AISLE / 5-60	AR	AR		
83	403856	DECAL SEAT ODD-NUMBERED ON AISLE / 3-4 / CLEAR TO FIX ON TRAPEZOID	AR	AR		
83	403743	DECAL SEAT ODD-NUMBERED ON AISLE / 5-60	AR	AR		
83	403865	DECAL SEAT ODD-NUMBERED ON AISLE / 3-52	AR	AR		
83	403863	DECAL SEAT EVEN-NUMBERED ON AISLE / 3-52	AR	AR		
84	403855	DECAL SEAT EVEN-NUMBERED ON AISLE / 1-2 / CLEAR TO FIX ON TRAPEZOID	AR	AR		
84	403862	DECAL SEAT EVEN-NUMBERED ON AISLE / 3-52	AR	AR		
84	403740	DECAL SEAT EVEN-NUMBERED ON AISLE / 5-60	AR	AR		
84	403857	DECAL SEAT ODD-NUMBERED ON AISLE / 3-4 / CLEAR TO FIX ON TRAPEZOID	AR	AR		
84	403864	DECAL SEAT ODD-NUMBERED ON AISLE / 3-52	AR	AR		A
84	403742	DECAL SEAT ODD-NUMBERED ON AISLE / 5-60	AR	AR		
85	403237	DECAL, "EMERGENCY EXIT" / INSTRUCTION / ENGLISH & FRANCAIS	AR	AR		
85	403693	DECAL / BRAILLE / PULL UP BAR PUSH OUT WINDOW / ENGLISH	AR	AR		
86	403236	DECAL, "EMERGENCY EXIT" / INSTRUCTION / ENGLISH	AR	AR		
		P) CALL ORDER DESK FOR SPECIFIC APPLICATION (V.I.N.)				

From R-012 To W-2284

Date:10/2022

PAGE:H3-1832-01

FRONT FINISHING CAP



From R-012 To W-2284	Date:10/2022	PAGE:H3-1832-01
FRONT FINISHING CAP		

Item#	Part	Description	H 3 4 1	H 3 4 5	V I P 4 5	N O T E S
1	340717	PANEL, L.H. / FRONT CAP CEILING	1	1		
2	340749	PANEL, R.H. / FRONT CAP CEILING	1	1		
3	340718	COVER, L.H. / FRONT CAP CEILING	1	1		
4	340748	COVER, R.H. / FRONT CAP CEILING	1	1		
NS	500563	NUT SPR U #8-32 .094-.125	AR	AR		
NS	504412	WASHER RETAINER SNAP CAP #8	AR	AR		
NS	504403	SNAP CAP #8 FINISHING BLACK	AR	AR		
5	340716	PANEL, UPPER WINDSHIELD L.H.	1	1		
6	340715	PANEL, UPPER WINDSHIELD R.H.	1	1		
NS	340767	BRACKET, L.H./ TO FIX ITEM 5 / 1150MM	1	1		
NS	340766	BRACKET, R.H. / TO FIX ITEM 6 / 1150MM	1	1		
NS	340754	ANGLE ASSY / W/WELD NUT 1/4-20 / TO FIX ITEMS 5-6	2	2		
NS	340753	ANGLE ASSY / W/2 WELD NUT 1/4-20 / TO FIX ITEMS 5-6	4	4		
NS	506025	RUBBER CHANNEL / 1/18" x 5/16" INT "U" SHAPE / SQUARE C.T.L.	AR	AR		
7	324052	EXTENSION CLOSING, POST CAP / UPPER	1	1		
8	324053	EXTENSION CLOSING, POST CAP / UPPER	1	1		
9	324185	FINISHING POST CAP	1	1		
10	324424	CAP FINISHING POST	1	1		
11	324211	MOULDING FINISHING L.H.	1	1		
12	324200	MOULDING FINISHING R.H.	1	1		
NS	324432	GRILLE SPACER 650MM	2	2		B
13	324253	FINISHING CAP	1	1		
14	323859	CAP FINISHING	1	1		
15	H3-1814-05	DESTINATION SIGN - INSTALLATION				
16	324316	CAP FINISHING / POST / RUBBER #1 L.H. & R.H.	2	2		
NS	322646	CAP FINISHING / POST / RUBBER #2 TO 7 L.H. & R.H.	12			
NS	322646	CAP FINISHING / POST / RUBBER #2 TO 7 L.H. & R.H.		14		
NS	680093	SEALANT TAPE BUTYL / GREY / 1/16"x1 1/2"x50' /71079B11760	AR	AR		
NS	680532	SEALANT SIKA #221 / GREY / 310ml CARTRIDGE	AR	AR		
NS	500641	SCREW TP PAN PH #8x3/4 Z050	1	1		
NS	504403	SNAP CAP #8 FINISHING BLACK	1	1		
17	340848	PANEL, FRONT CENTRAL To T-1514	1	1		
17	340837	PANEL, FRONT CENTRAL / W/VIDEO To T-1514	1	1		
17	340926	PANEL, FRONT CENTRAL From T-1515 To V-1686	1	1		C
17	340931	PANEL, FRONT CENTRAL From V-1687	1	1		
20	322967	LENS / "RESTROOM OCCUPIED"	1	1		
21	323206	LENS / "WATCH YOUR STEP" To V-1686	1	1		
21	322970	LENS / "WATCH YOUR STEP" / "ATTENTION A LA MARCHE" / To V-1686	1	1		
21	325440	LENS / "WATCH ..." ATTENTION..." & "NO- SMOKING" / ENGLISH & FRANCAIS From V-1687	1	1		
21	325441	LENS/"WATCH YOUR STEP" & "NO-SMOKING" / ENGLISH From V-1687	1	1		
NS	330265	SOCKET ASSY W/CONNECTOR / W2.1x9.Dd	3	3		
NS	562295	SOCKET BULB / PLASTIC W/WIRE / W2.1x9.5d	1	1		

From R-012 To W-2284		Date:10/2022	PAGE:H3-1832-01
FRONT FINISHING CAP			

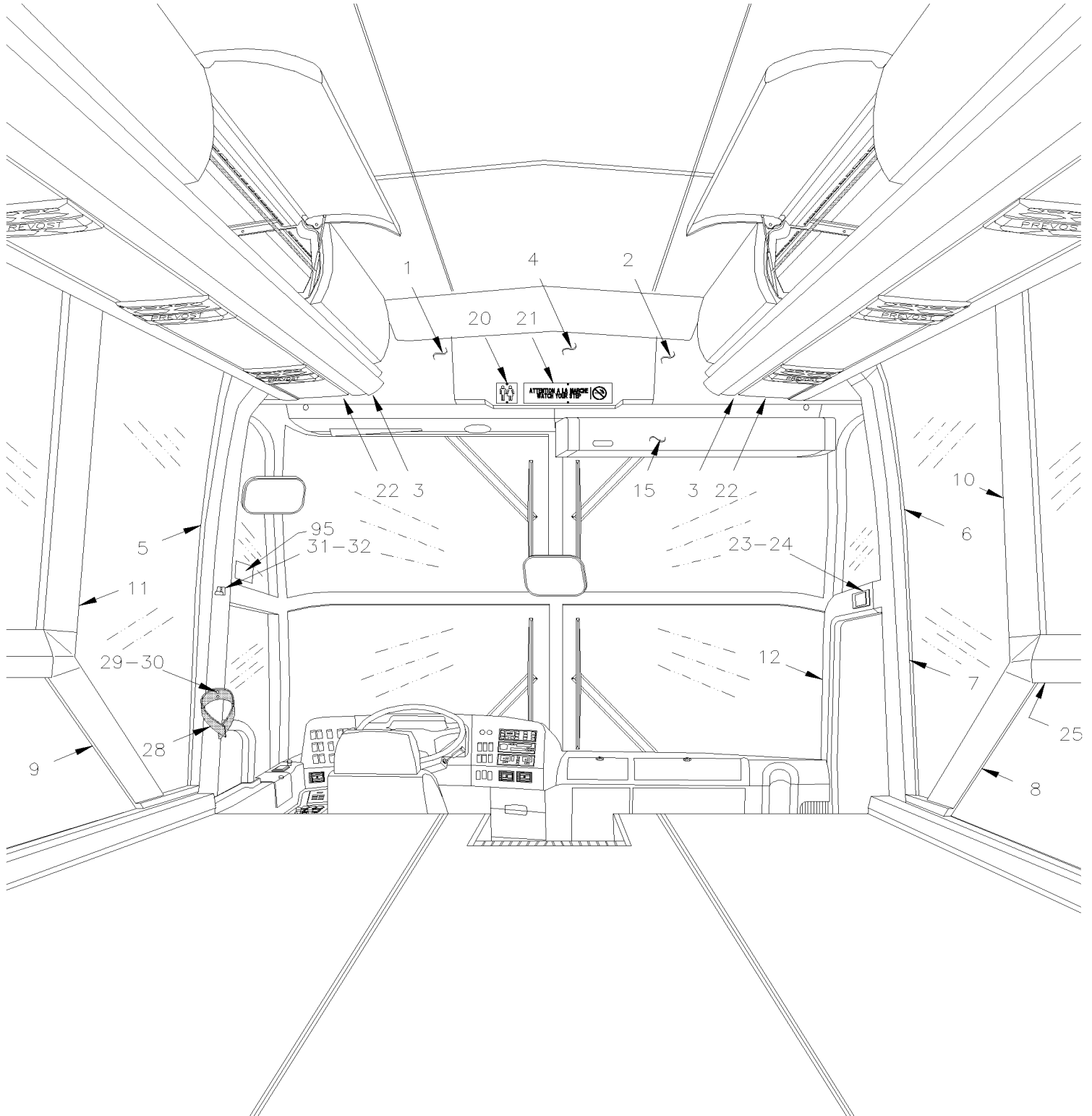
Item#	Part	Description	H 3 4 1	H 3 4 5	V I P 4 5	N O T E S
. NS	561248	. CONNECTOR / UNIVERSAL MATE-N-LOK / PH 2C / AMP 1-480699-0	1	1		
. NS	562122	. PIN TERMINAL / 20-14 / AMP 350547-1	2	2		
NS	561166	BULB / 3WATT-24VOLTS / SAE# 464	3	3		
NS	500504	SCREW TC OV PH #6-32x1/2 BK	4	4		
NS	500422	NUT SPR U #6-32 .110-.120 SS	4	4		
22	830110	LAMP ASSY	2	2		A
23	400638	MOULDING / 11" / "U" SHAPE DRIVER'S NAME HO	1	1		
24	402352	PLATE FRONT / STAMPED "NAME OF DRIVER & BUS NUMBER" /	1	1		
24	400601	PLATE (BLANK) / FOR DRIVER'S NAME / SPECIFY NAME	1	1		
NS	400637	PLATE / STAMPED "DRIVER'S NAME" / REAR	1	1		
NS	400636	PLATE / STAMPED "NOM DU CONDUCTEUR"	1	1		
25	363077	HAND RAIL PROTECTOR ASSY / W/HOSTESS SEAT ONLY	1	1		
26	H3-1816-11	SUN SHADE - PASSENGER'S WINDOW				
27	H3-1884-01	SIDE WINDOW - BUS To S-207				
27	H3-1884-02	SIDE WINDOW - BUS From S-208				
28	409112	JACKET BAND	1	1		
29	5001429	SCREW MA FL PH M4-0.7x25 BK	2	2		
30	500345	WASHER FN CKF .187x.500x.090 BR BK	2	2		
31	900297	HOOK / COAT	1	1		
32	500333	SCREW TP OV PH #6x3/4 BK	2	2		
NS	IS19921	BELT CUTTER INSTALLATION IN THE DRIVER AREA	1	1		
. NS	860584	. BELT CUTTER	1	1		
. NS	7770495	. 3M DUAL LOCK VELCRO	1	1		
. NS	IS-19921	. SEE INSTRUCTION SHEET	1	1		
. NS	FI-19921	. VOIR FEUILLE D'INSTRUCTION	1	1		
NS	340930	KIT, CEILING REPLACEMENT	1	1		
. NS	IS-96120	. SEE INSTRUCTION SHEET	1	1		
95	0691001	DECAL EMISSION WARNING CALIFORNIA				D
		A) DRIVER				
		B) FOR PRODUCT IMPROVMENT AIR DISTRIBUTION ASK FOR KIT GRILL #327475				
		C) THIS PART IS SUPERSEDED BY KIT #340930				
		D) REGULATIONS OF CALIFORNIA				

From W-2285 To 2-4416

Date:10/2022

PAGE:H3-1832-02

FRONT FINISHING CAP



From W-2285 To 2-4416		Date:10/2022	PAGE:H3-1832-02
FRONT FINISHING CAP			

Item#	Part	Description	H 3 4 1	H 3 4 5	V I P 4 5	N O T E S
1	340937	PANEL, L.H. / FRONT CAP CEILING	1	1		
2	340938	PANEL, R.H. / FRONT CAP CEILING	1	1		
NS	340952	SUPPORT / TO FIX ITEM #1 & 2 EACH SIDE	2	2		
3	340939	COVER, L.H. & R.H. / FRONT CAP CEILING	2	2		
4	340936	PANEL, FRONT CENTRAL	1	1		
NS	340953	ANGLE / CURBSIDE 140MM	1	1		
NS	340951	ANGLE / CENTER 150MM	1	1		
NS	340965	ANGLE / STREETSIDE 160MM	1	1		
NS	340957	ANGLE, BRIDGE / LOWER	1	1		
NS	340956	SUPPORT PLATE / CEILING PANEL / 95MM x 864MM	1	1		
NS	500181	SCREW CAP HEX 5/16-18x1 G5 Z050	12	12		
NS	500277	RIVET NUT FL KNURLED OKS 5/16-18 .150-.312	12	12		
NS	502584	WASHER LO SERR 8.2x26.3x1.8 Z050	10	10		
NS	500179	SCREW CAP HEX 5/16-18x3/4 G5 Z050	3	3		
NS	502507	WASHER LO SPT 8.1x14.8x2.0 Z050	5	5		
NS	504412	WASHER RETAINER SNAP CAP #8	AR	AR		
NS	504403	SNAP CAP #8 FINISHING BLACK	AR	AR		
5	326195	CAP FINISHING / POST / FRONT L.H.	1	1		
6	326193	CAP FINISHING / POST / FRONT R.H.	1	1		
NS	506025	RUBBER CHANNEL / 1/18" x 5/16" INT "U" SHAPE / SQUARE C.T.L.	AR	AR		
7	326249	FINISHING POST CAP	1	1		
8	326197	FINISHING CAP R.H. LOWER WINDOW	1	1		
NS	326317	ANGLE SUPPORT / TO FIX CAP / 350MM	1	1		
9	326199	FINISHING CAP L.H. WINDOW	1	1		
NS	326322	ANGLE SUPPORT / TO FIX CAP / 850MM	1	1		
NS	324432	GRILLE SPACER 650MM To 1-4171	2	2		B
NS	327466	GRILLE SPACER 650MM From 1-4172	2	2		
10	326205	CAP FINISHING / POST / W/SINGLE GLASS / #1 R.H.	1	1		
10	326325	CAP FINISHING / POST / W/THERMO GLASS / BLACK / #1 R.H.	1	1		
11	326265	CAP FINISHING / POST / W/SINGLE GLASS / #1 L.H.	1	1		
11	326326	CAP FINISHING / POST / W/THERMO GLASS / BLACK / #1 L.H.	1	1		
NS	680532	SEALANT SIKA #221 / GREY / 310ml CARTRIDGE	AR	AR		
12	326209	CAP FINISHING / POST	1	1		
15	H3-1814-05	DESTINATION SIGN - INSTALLATION				
20	322967	LENS / "RESTROOM OCCUPIED"	1	1		
21	325440	LENS / "WATCH ..." ATTENTION..." & "NO- SMOKING" / ENGLISH & FRANCAIS	1	1		
21	325441	LENS/"WATCH YOUR STEP" & "NO-SMOKING" / ENGLISH	1	1		
NS	330265	SOCKET ASSY W/CONNECTOR / W2.1x9.Dd	3	3		
. NS	562295	. SOCKET BULB / PLASTIC W/WIRE / W2.1x9.5d	1	1		
. NS	561248	. CONNECTOR / UNIVERSAL MATE-N-LOK / PH 2C / AMP 1-480699-0	1	1		
. NS	562122	. PIN TERMINAL / 20-14 / AMP 350547-1	2	2		
NS	561166	BULB / 3WATT-24VOLTS / SAE# 464	3	3		

From W-2285 To 2-4416	Date:10/2022	PAGE:H3-1832-02
FRONT FINISHING CAP		

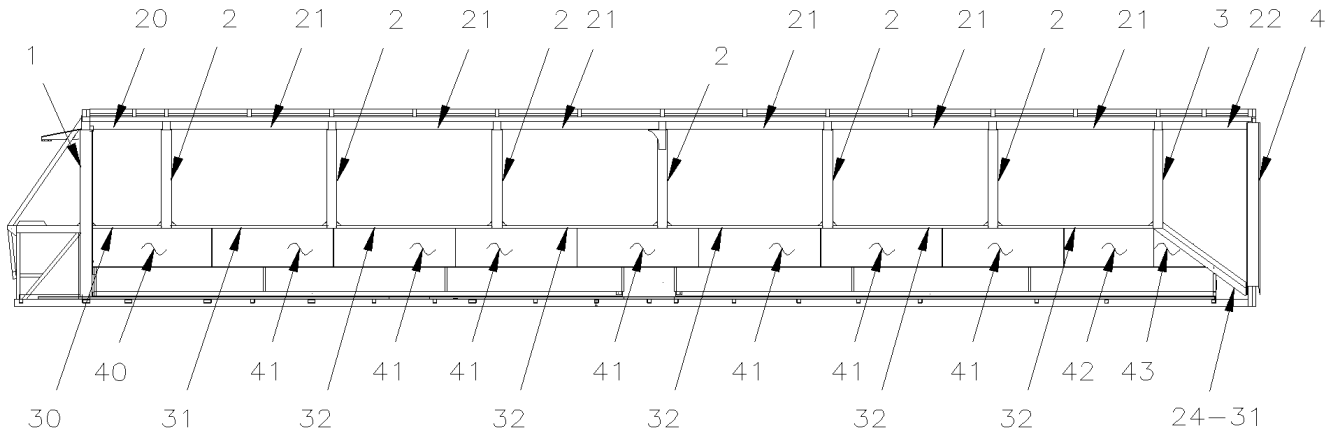
Item#	Part	Description	H 3 4 1	H 3 4 5	V I P 4 5	N O T E S
NS	500504	SCREW TC OV PH #6-32x1/2 BK	4	4		
NS	500422	NUT SPR U #6-32 .110-.120 SS	4	4		
NS	404638	DECAL MOUNTING PLATE / 250MM x 50MM	1	1		
NS	404636	DECAL / "WATCH YOUR STEP"	1	1		
NS	404637	DECAL / "ATTENTION À LA MARCHE" / BILINGUAL	1	1		
22	H3-0655-02	INTERIOR LIGHTING				
23	400638	MOULDING / 11" / "U" SHAPE DRIVER'S NAME HO	1	1		
24	402352	PLATE FRONT / STAMPED "NAME OF DRIVER & BUS NUMBER" /	1	1		
24	400601	PLATE (BLANK) / FOR DRIVER'S NAME / SPECIFY NAME	1	1		
NS	400637	PLATE / STAMPED "DRIVER'S NAME" / REAR	1	1		
NS	400636	PLATE / STAMPED "NOM DU CONDUCTEUR"	1	1		
25	H3-1884-03	SIDE WINDOW - BUS				
28	409112	JACKET BAND	1	1		
29	5001429	SCREW MA FL PH M4-0.7x25 BK	2	2		
30	500345	WASHER FN CKF .187x.500x.090 BR BK	2	2		
31	900297	HOOK / COAT	1	1		
32	500333	SCREW TP OV PH #6x3/4 BK	2	2		
NS	IS19921	BELT CUTTER INSTALLATION IN THE DRIVER AREA	1	1		
. NS	860584	. BELT CUTTER	1	1		
. NS	7770495	. 3M DUAL LOCK VELCRO	1	1		
. NS	IS-19921	. SEE INSTRUCTION SHEET	1	1		
. NS	FI-19921	. VOIR FEUILLE D'INSTRUCTION	1	1		
95	0691001	DECAL EMISSION WARNING CALIFORNIA	1	1	1	D
		B) FOR PRODUCT IMPROVMENT ABOUT AIR DISTRIBUTION FOR COACH UP TO 1-4171 ASK FOR KIT GRILL #327475				
		D) REGULATIONS OF CALIFORNIA				

From R-012 To W-2284

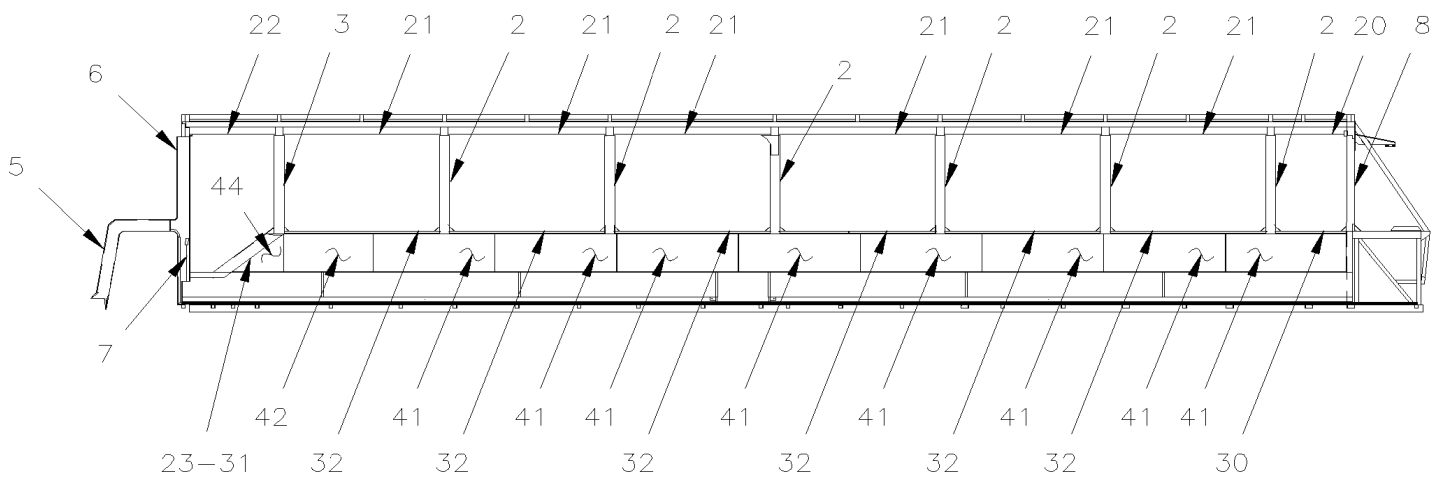
Date:10/2022

PAGE:H3-1833-00

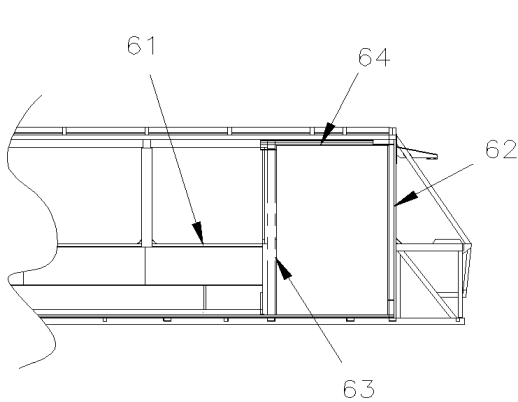
WINDOW FINISHING CAP & WALL



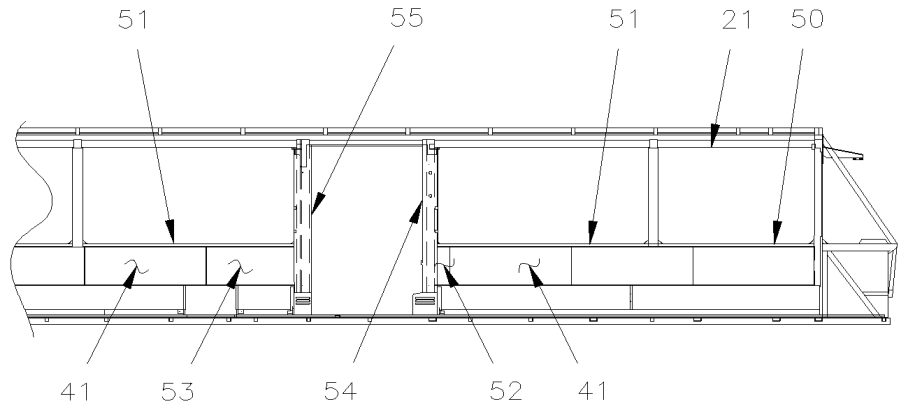
H3-45 LEFT SIDE



H3-45 RIGHT SIDE

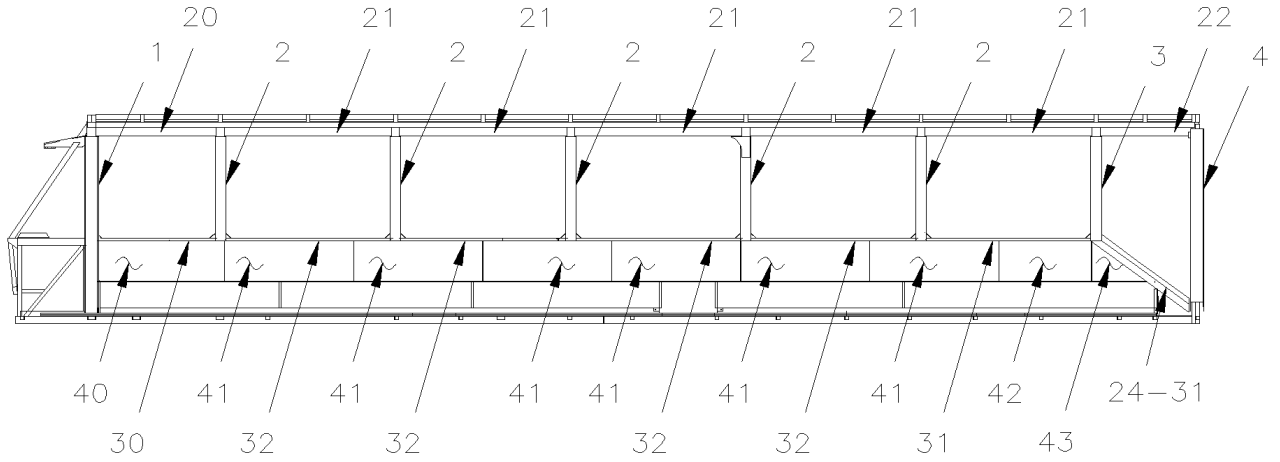


H3-45 W.C.L. ST & ST.

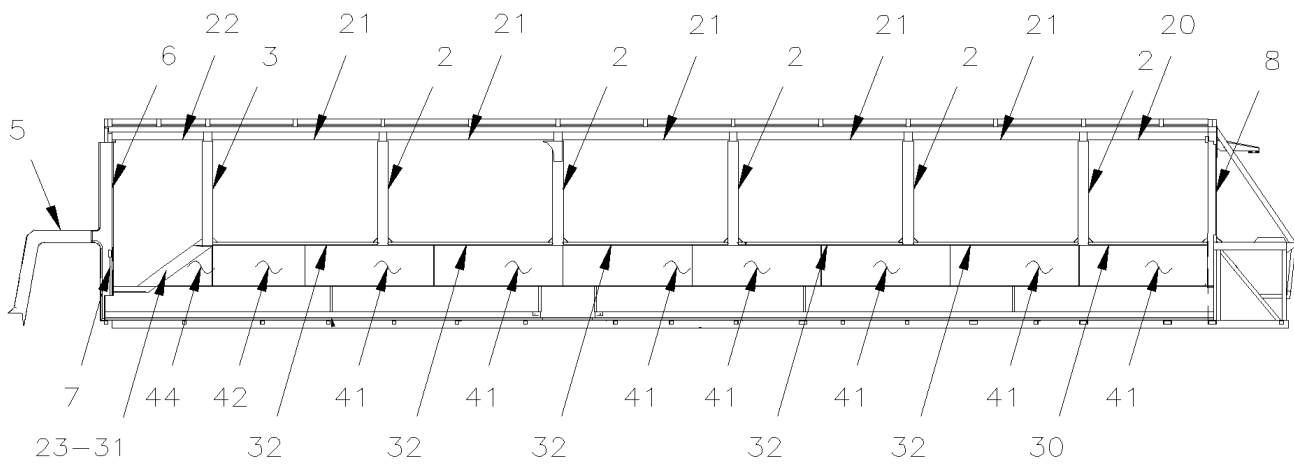


H3-45 W.C.L. RICON 9000

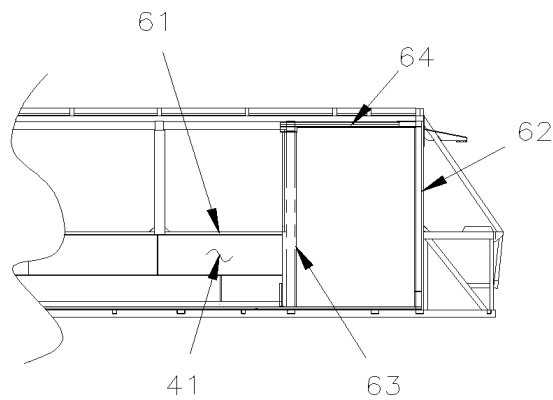
From R-012 To W-2284	Date:10/2022	PAGE:H3-1833-00
WINDOW FINISHING CAP & WALL		



H3-41 LEFT SIDE



H3-41 RIGHT SIDE



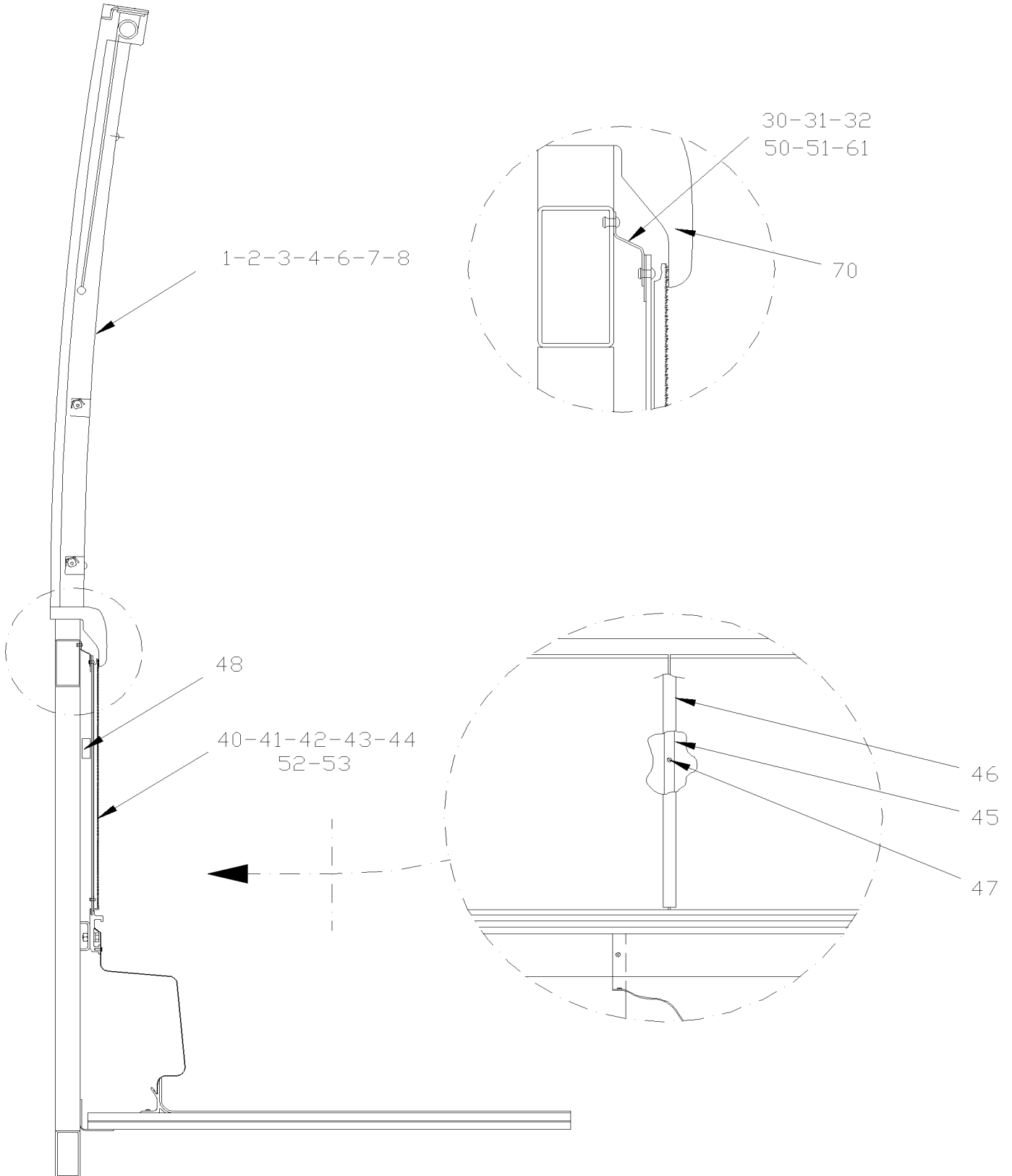
H3-41 W.C.L. ST & ST.

From R-012 To W-2284

Date:10/2022

PAGE:H3-1833-00

WINDOW FINISHING CAP & WALL



From R-012 To W-2284	Date:10/2022	PAGE:H3-1833-00
WINDOW FINISHING CAP & WALL		

Item#	Part	Description	H 3 4 1	H 3 4 5	V I P 4 5	N O T E S
1	323248	CAP FINISHING / POST #8 L.H.	1	1		
2	322646	CAP FINISHING / POST / RUBBER #2 TO 7 L.H. & R.H.	10			
2	322646	CAP FINISHING / POST / RUBBER #2 TO 7 L.H. & R.H.		12		
3	324316	CAP FINISHING / POST / RUBBER #1 L.H. & R.H.	2	2		
NS	680093	SEALANT TAPE BUTYL / GREY / 1/16"x1 1/2"x50' /71079B11760	AR	AR		
NS	680532	SEALANT SIKA #221 / GREY / 310ml CARTRIDGE	AR	AR		
4	324185	FINISHING POST CAP	1	1		
NS	324052	EXTENSION CLOSING, POST CAP / UPPER	1	1		
5	323859	CAP FINISHING	1	1		
6	324424	CAP FINISHING POST	1	1		
NS	324053	EXTENSION CLOSING, POST CAP / UPPER	1	1		
7	324253	FINISHING CAP	1	1		
8	325051	CAP FINISHING / POST / #8 R.H.	1			
8	323423	CAP FINISHING / POST #8 R.H.		1		
20	H3-1837-01	CEILING PANELS & MOULDING				
21	H3-1837-01	CEILING PANELS & MOULDING				
22	H3-1837-01	CEILING PANELS & MOULDING				
23	324200	MOULDING FINISHING R.H.	1	1		
24	324211	MOULDING FINISHING L.H.	1	1		
28	H3-1884-01	SIDE WINDOW - BUS To S-207				
28	H3-1884-02	SIDE WINDOW - BUS From S-208				
30	324707	GRILLE SPACER 730MM	2	2		
31	324432	GRILLE SPACER 650MM	2	2		
32	322835	GRILLE SPACER 1660MM	10			
32	322835	GRILLE SPACER 1660MM		12		
40	Call order desk	PANEL ASSY / CARPET / #9 L.H. To S-145	1			P
40	324738P	PANEL ASSY / CARPET / #9 L.H. From S-146	1			
40	Call order desk	PANEL ASSY / CARPET / #10 L.H. To S-145		1		P
40	324736P	PANEL ASSY / CARPET / #10 L.H. From S-146		1		
40	Call order desk	PANEL ASSY / FABRIC / #9 L.H. To S-145	1			P
40	324733P	PANEL ASSY / FABRIC / #9 L.H. From S-146	1			
40	Call order desk	PANEL ASSY / FABRIC / #10 L.H. To S-145		1		P
40	324740P	PANEL ASSY / FABRIC / #10 L.H. From S-146		1		
40	Call order desk	PANEL ASSY / FORMICA / #9 L.H. To S-145	1			P
40	Call order desk	PANEL ASSY / FORMICA / #9 L.H. From S-146	1			P
40	Call order desk	PANEL ASSY / FORMICA / #10 L.H. To S-145		1		P
40	Call order desk	PANEL ASSY / FORMICA / #10 L.H. From S-146		1		P
41	322921P	PANEL ASSY / CARPET / L.H. & R.H.	AR	AR		
41	322939P	PANEL ASSY / FABRIC / L.H. & R.H.	AR	AR		
41	Call order desk	PANEL ASSY / FORMICA / L.H. & R.H.	AR	AR		P
42	324289P	PANEL ASSY / CARPET / #2 L.H. & R.H. From S-146		2		
42	Call order desk	PANEL ASSY / CARPET / #2 L.H. & R.H. From S-146	2			P

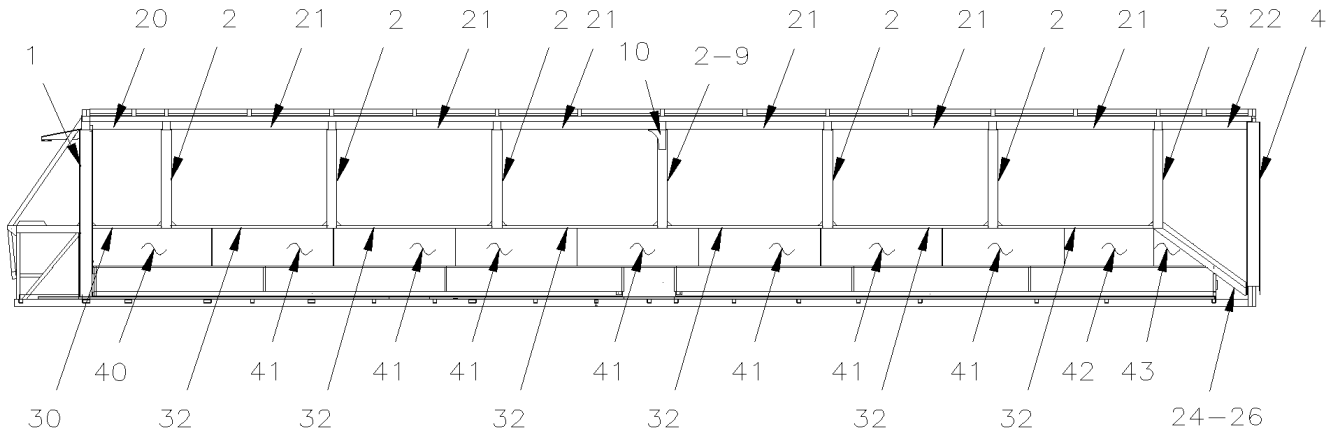
From R-012 To W-2284	Date:10/2022	PAGE:H3-1833-00
WINDOW FINISHING CAP & WALL		

Item#	Part	Description	H 3 4 1	H 3 4 5	V I P 4 5	N O T E S
42	324279P	PANEL ASSY / FABRIC / #2 L.H. & R.H. From S-146		2		
42	Call order desk	PANEL ASSY / FABRIC / #2 L.H. & R.H. From S-146	2			P
42	Call order desk	PANEL ASSY / FORMICA / #2 L.H. & R.H. From S-146		2		P
42	Call order desk	PANEL ASSY / FORMICA / #2 L.H. & R.H. From S-146	2			P
43	324292P	PANEL ASSY / CARPET / #1 L.H. / (TRIANGULAR SHAPE)	1	1		
43	324285P	PANEL ASSY / FABRIC / #1 L.H. / (TRIANGULAR SHAPE)	1	1		
43	Call order desk	PANEL ASSY / FORMICA / #1 L.H. / (TRIANGULAR SHAPE)	1	1		P
44	324291P	PANEL ASSY / CARPET / #1 R.H. / (TRIANGULAR SHAPE)	1	1		
44	324282P	PANEL ASSY / FABRIC / #1 R.H. / (TRIANGULAR SHAPE)	1	1		
44	Call order desk	PANEL ASSY / FORMICA / #1 R.H. / (TRIANGULAR SHAPE)	1	1		P
NS	324428	CLOSING PANEL To S-215	1	1		
NS	325111	CLOSING PANEL / (REAR OF TRIANGULAR BLACK PAINTED R.H. ONLY)	1	1		
NS	322870	MOULDING CAP / SS 409MM (16 1/8")	17	17		
NS	322869	MOULDING RETAINER / 400MM (15 3/4")	17	17		
NS	509043	. MOULDING CAP / SS 3658MM (144")	AR	AR		
NS	509650	. MOULDING RETAINER / 3658MM (144")	AR	AR		
NS	5001085	SCREW TP PAN PH #6x1 1/4 Z050	AR	AR		
NS	322871	WOOD SPACER 1/2" X 32MM X 32MM	AR	AR		
45	322869	MOULDING RETAINER / 400MM (15 3/4")	AR	AR		
46	322870	MOULDING CAP / SS 409MM (16 1/8")	AR	AR		
47	5001085	SCREW TP PAN PH #6x1 1/4 Z050	AR	AR		
48	324704	WOOD SPACER 1/4" X 32 MM X 32MM	AR	AR		
48	324705	WOOD SPACER 3/8" X 32MM X 32MM	AR	AR		
48	322871	WOOD SPACER 1/2" X 32MM X 32MM	AR	AR		
50	325309	GRILLE SPACER / W/W.C.L. "RICON" / 1583MM		1		
51	325308	GRILLE SPACER / W/W.C.L. "RICON" / 2210MM		2		
52	Call order desk	PANEL ASSY / FABRIC / REAR DOOR / W/W.C.L. RICON		1		P
53	Call order desk	PANEL ASSY / FABRIC / FRONT DOOR / W/W.C.L. RICON		1		P
54	325256	FINISHING POST CAR REAR W/W.C.L. DOOR RICON		1		
55	325257	FINISHING POST CAR FRONT W/W.C.L. DOOR RICON		1		
61	324753	GRILLE SPACER / W/W.C.L. "ST & ST" / 1247MM	1	1		
62	324746	CAP FINISHING / POST/ REAR OF REAR DOOR	1	1		
63	324945	CAP FINISHING / POST / FRONT OF REAR DOOR	1			
63	324766	CAP FINISHING / POST / FRONT OF REAR DOOR		1		W
64	324767	CAP FINISHING / POST/ TOP OF REAR DOOR	1	1		
NS	500641	SCREW TP PAN PH #8x3/4 Z050	AR	AR		
NS	504403	SNAP CAP #8 FINISHING BLACK	AR	AR		
NS	504412	WASHER RETAINER SNAP CAP #8	AR	AR		
NS	680453	SEALANT TAPE / CLEAR / 1/32"x1/2"x65' / 1795	AR	AR		
66	324767	CAP FINISHING / POST/ TOP OF REAR DOOR	1	1		W
70	H3-1884-01	SIDE WINDOW - BUS To S-207				
70	H3-1884-02	SIDE WINDOW - BUS From S-208				

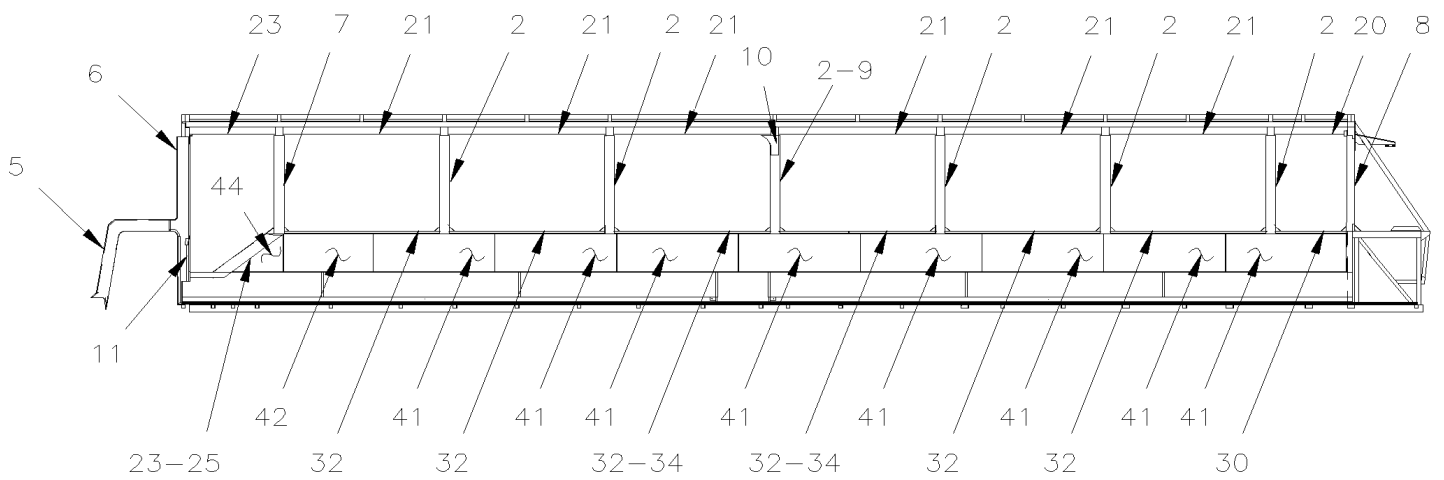
From R-012 To W-2284	Date:10/2022	PAGE:H3-1833-00
WINDOW FINISHING CAP & WALL		

Item#	Part	Description	H 3 4 1	H 3 4 5	V I P 4 5	N O T E S
		W) WITH WCL "ST & ST"				
		P) CALL ORDER DESK FOR SPECIFIC APPLICATION (V.I.N.)				

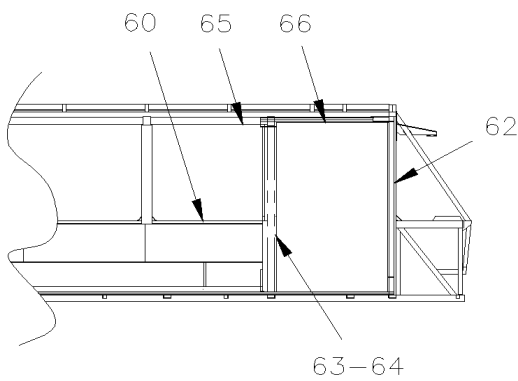
From W-2285 To X-3128	Date:10/2022	PAGE:H3-1833-01
WINDOW FINISHING CAP & WALL		



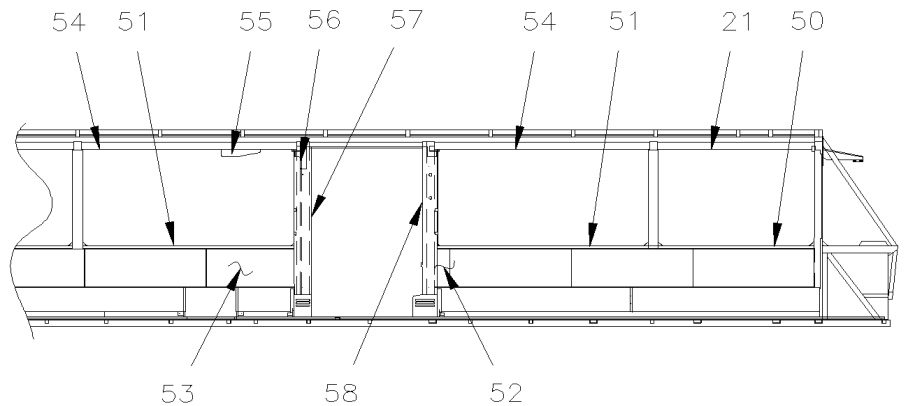
H3-45 LEFT SIDE



H3-45 RIGHT SIDE

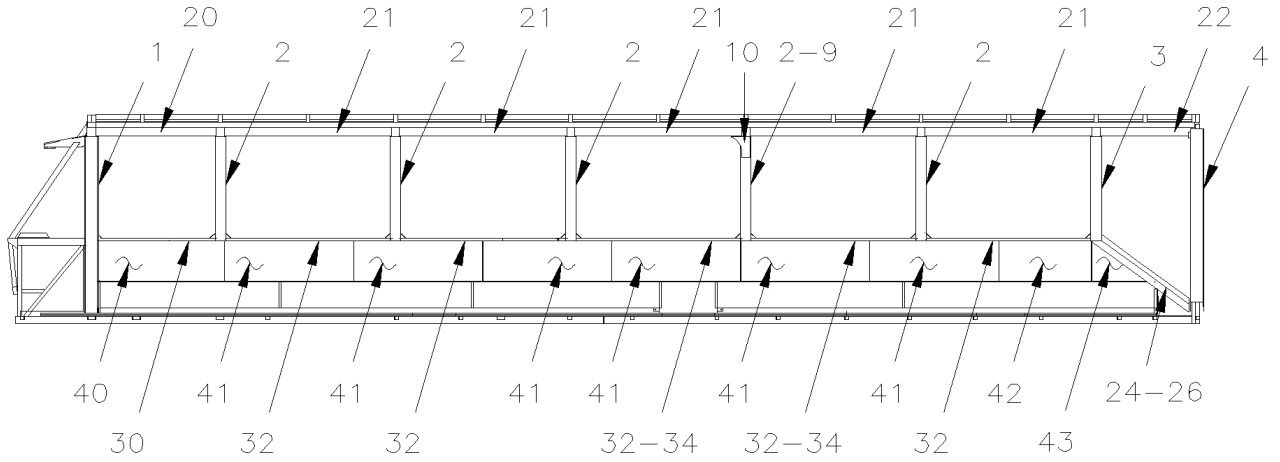


H3-45 W.C.L. ST & ST.

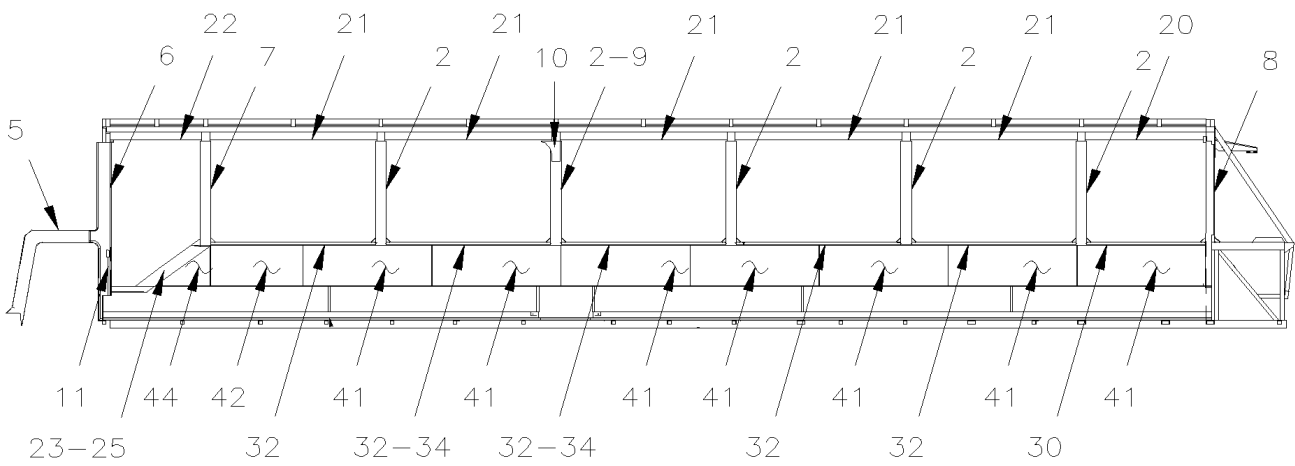


H3-45 W.C.L. RICON 9000

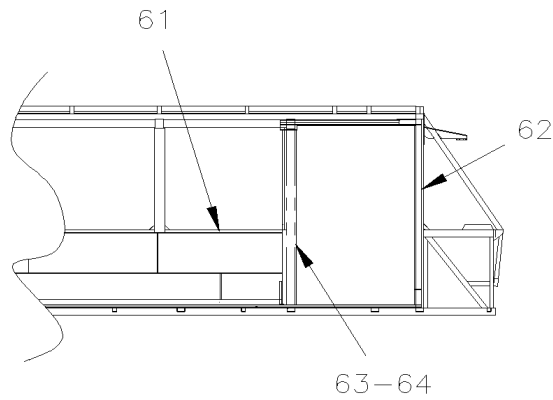
From W-2285 To X-3128	Date:10/2022	PAGE:H3-1833-01
WINDOW FINISHING CAP & WALL		



H3-41 LEFT SIDE



H3-41 RIGHT SIDE



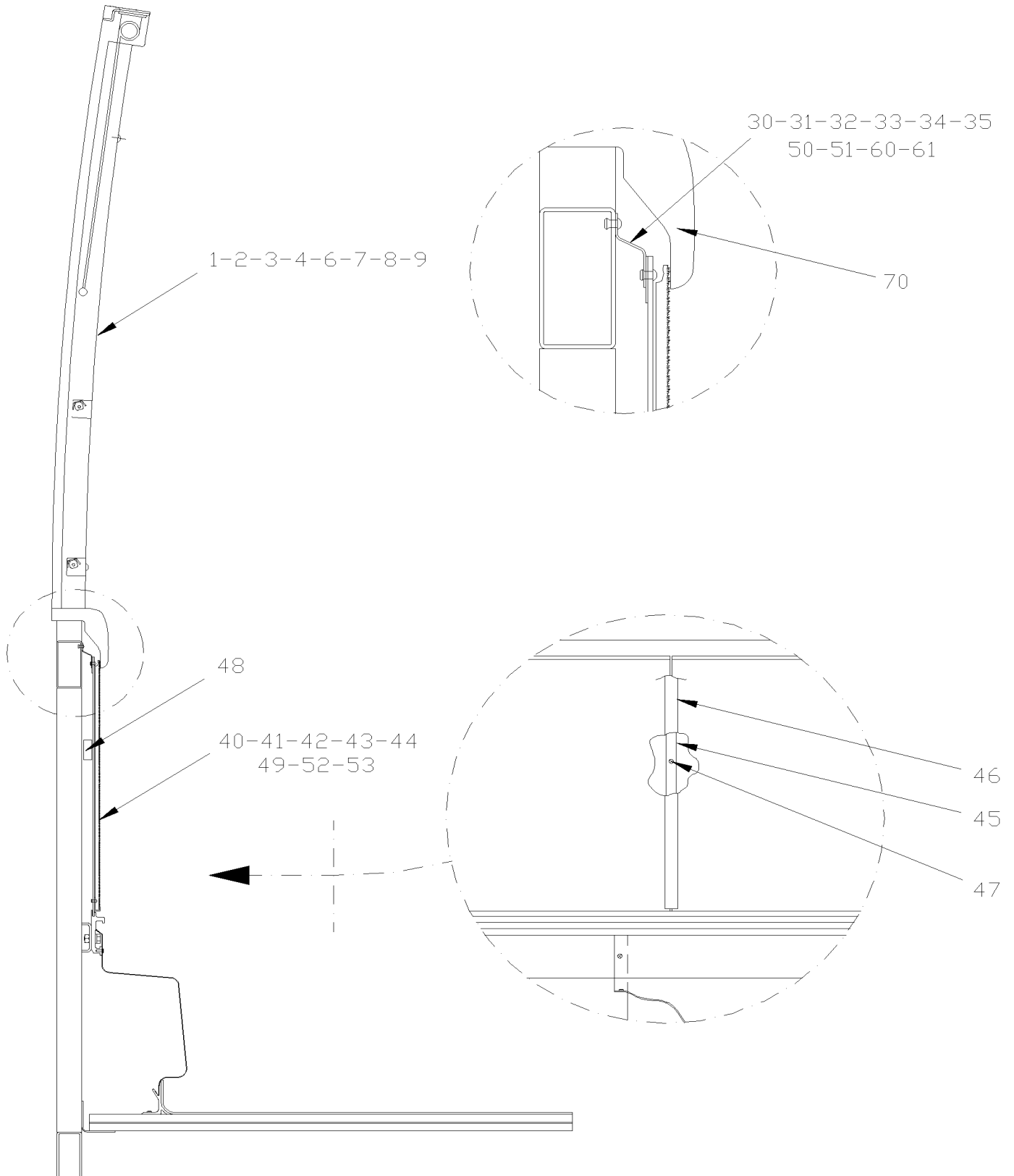
H3-41 W.C.L. ST & ST.

From W-2285 To X-3128

Date:10/2022

PAGE:H3-1833-01

WINDOW FINISHING CAP & WALL



From W-2285 To X-3128	Date:10/2022	PAGE:H3-1833-01
WINDOW FINISHING CAP & WALL		

Item#	Part	Description	H 3 4 1	H 3 4 5	V I P 4 5	N O T E S
1	326196	CAP FINISHING / POST / REAR L.H. / W/SINGLE GLASS	1	1		
1	326258	CAP FINISHING / POST / REAR L.H. / W/THERMO GLASS	1	1		
2	326192	CAP FINISHING / POST / W/SINGLE GLASS / #2 TO 7 L.H. & R.H. /	12			
2	326192	CAP FINISHING / POST / W/SINGLE GLASS / #2 TO 7 L.H. & R.H. /		14		
2	326254	CAP FINISHING / POST / W/THERMO GLASS / BLACK / #2 TO 7 L.H. & R.H. /	12			
2	326254	CAP FINISHING / POST / W/THERMO GLASS / BLACK / #2 TO 7 L.H. & R.H. /		14		
3	326265	CAP FINISHING / POST / W/SINGLE GLASS / #1 L.H.	1	1		
3	326326	CAP FINISHING / POST / W/THERMO GLASS / BLACK / #1 L.H.	1	1		
4	326195	CAP FINISHING / POST / FRONT L.H.	1	1		
5	326209	CAP FINISHING / POST	1	1		
6	326193	CAP FINISHING / POST / FRONT R.H.	1	1		
7	326205	CAP FINISHING / POST / W/SINGLE GLASS / #1 R.H.	1	1		
7	326325	CAP FINISHING / POST / W/THERMO GLASS / BLACK / #1 R.H.	1	1		
8	326194	CAP FINISHING / POST / REAR R.H. / W/SINGLE GLASS	1	1		
8	326256	CAP FINISHING / POST / REAR R.H. / W/THERMO GLASS	1	1		
9	326449	CAP FINISHING / POST W/A/C PARCEL RACK / W/SINGLE GLASS	1	1		
9	326450	CAP FINISHING / POST W/A/C PARCEL RACK / W/THERMO GLASS / BLACK	1	1		
10	326446	CAP FINISHING / CLOSING POST W/A/C	2	2		
11	326249	FINISHING POST CAP	1	1		
NS	680093	SEALANT TAPE BUTYL / GREY / 1/16"x1 1/2"x50' /71079B11760	AR	AR		
NS	680532	SEALANT SIKA #221 / GREY / 310ml CARTRIDGE	AR	AR		
20	326250	FINISHING MOULDING / W/SINGLE GLASS / REAR	2			
20	326266	FINISHING MOULDING / W/THERMO GLASS / REAR	2			
20	326208	FINISHING MOULDING / W/SINGLE GLASS / REAR		2		
20	326264	FINISHING MOULDING / W/THERMO GLASS / REAR		2		
21	326201	FINISHING MOULDING / W/SINGLE GLASS	10			
21	326201	FINISHING MOULDING / W/SINGLE GLASS		12		
21	326262	FINISHING MOULDING / W/THERMO GLASS	10			
21	326262	FINISHING MOULDING / W/THERMO GLASS		12		
22	326198	FINISHING MOULDING / UPPER TRAPEZ WINDOW	2	2		
23	326197	FINISHING CAP R.H. LOWER WINDOW	1	1		
24	326199	FINISHING CAP L.H. WINDOW	1	1		
25	326317	ANGLE SUPPORT / TO FIX CAP / 350MM	1	1		
26	326322	ANGLE SUPPORT / TO FIX CAP / 850MM	1	1		
30	324707	GRILLE SPACER 730MM To 1-4171		1		B
30	327468	GRILLE SPACER 730MM From 1-4172	1	1		
31	324432	GRILLE SPACER 650MM To 1-4171	2	2		B
31	327466	GRILLE SPACER 650MM From 1-4172	2	2		
32	322835	GRILLE SPACER 1660MM	9	9		
32	322835	GRILLE SPACER 1660MM	11	11		
34	326451	GRILLE SPACER / #2 W/A/C INPARCEL RACK / 1610MM	2	2		
35	324521	GRILLE SPACER 274MM		1		B

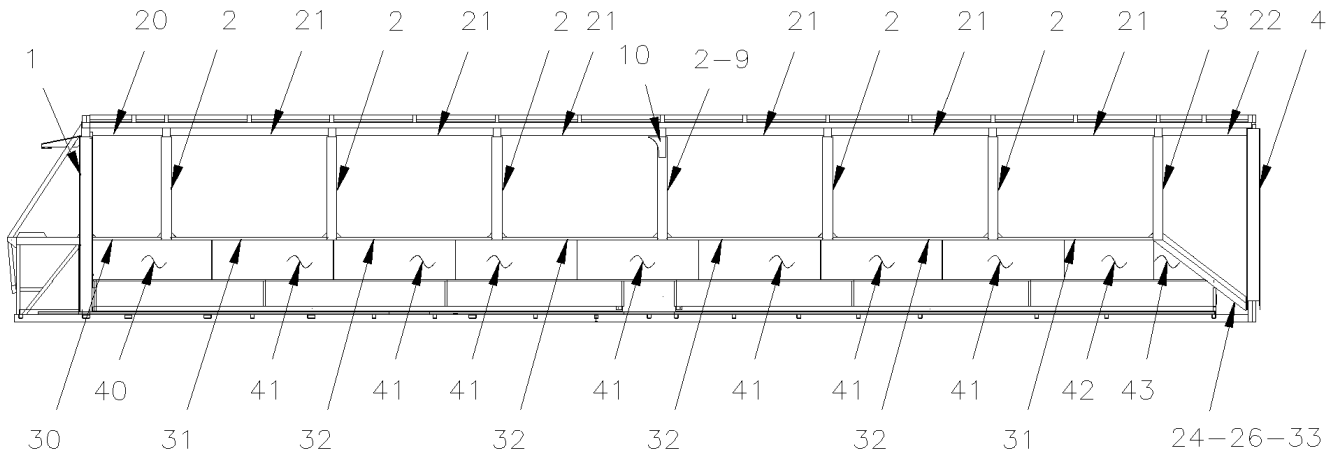
From W-2285 To X-3128	Date:10/2022	PAGE:H3-1833-01
WINDOW FINISHING CAP & WALL		

Item#	Part	Description	H 3 4 1	H 3 4 5	V I P 4 5	N O T E S
40	324738P	PANEL ASSY / CARPET / #9 L.H.	1			
40	324736P	PANEL ASSY / CARPET / #10 L.H.		1		
40	324733P	PANEL ASSY / FABRIC / #9 L.H.	1			
40	324740P	PANEL ASSY / FABRIC / #10 L.H.		1		
40	Call order desk	PANEL ASSY / FORMICA / #9 L.H.	1			P
40	Call order desk	PANEL ASSY / FORMICA / #10 L.H.		1		P
41	322921P	PANEL ASSY / CARPET / L.H. & R.H.	AR	AR		
41	322939P	PANEL ASSY / FABRIC / L.H. & R.H.	AR	AR		
41	Call order desk	PANEL ASSY / FORMICA / L.H. & R.H.	AR	AR		P
42	324289P	PANEL ASSY / CARPET / #2 L.H. & R.H.		2		
42	Call order desk	PANEL ASSY / CARPET / #2 L.H. & R.H.	2			P
42	324279P	PANEL ASSY / FABRIC / #2 L.H. & R.H.		2		
42	Call order desk	PANEL ASSY / FABRIC / #2 L.H. & R.H.	2			P
42	Call order desk	PANEL ASSY / FORMICA / #2 L.H. & R.H.		2		P
42	Call order desk	PANEL ASSY / FORMICA / #2 L.H. & R.H.	2			P
43	324292P	PANEL ASSY / CARPET / #1 L.H. / (TRIANGULAR SHAPE)	1	1		
43	324285P	PANEL ASSY / FABRIC / #1 L.H. / (TRIANGULAR SHAPE)	1	1		
43	Call order desk	PANEL ASSY / FORMICA / #1 L.H. / (TRIANGULAR SHAPE)	1	1		P
44	324291P	PANEL ASSY / CARPET / #1 R.H. / (TRIANGULAR SHAPE)	1	1		
44	324282P	PANEL ASSY / FABRIC / #1 R.H. / (TRIANGULAR SHAPE)	1	1		
44	Call order desk	PANEL ASSY / FORMICA / #1 R.H. / (TRIANGULAR SHAPE)	1	1		P
45	322869	MOULDING RETAINER / 400MM (15 3/4")	17	17		
45	509650	. MOULDING RETAINER / 3658MM (144")	AR	AR		
46	322870	MOULDING CAP / SS 409MM (16 1/8")	17	17		
46	509043	. MOULDING CAP / SS 3658MM (144")	AR	AR		
47	5001085	SCREW TP PAN PH #6x1 1/4 Z050	AR	AR		
48	322871	WOOD SPACER 1/2" X 32MM X 32MM	31			
48	322871	WOOD SPACER 1/2" X 32MM X 32MM		34		
48	324704	WOOD SPACER 1/4" X 32 MM X 32MM	33	33		
48	324705	WOOD SPACER 3/8" X 32MM X 32MM	33	33		
50	325309	GRILLE SPACER / W/W.C.L. "RICON" / 1583MM		2		
51	325308	GRILLE SPACER / W/W.C.L. "RICON" / 2210MM	1			
52	Call order desk	PANEL ASSY / FABRIC / FRONT DOOR / W/W.C.L. RICON		1		P
53	Call order desk	PANEL ASSY / FABRIC / REAR DOOR / W/W.C.L. RICON		1		P
54	326280	FINISHING MOULDING / W/SINGLE GLASS & W/W.C.L. "RICON"		2		
54	326287	FINISHING MOULDING / W/THERMO GLASS & W/W.C.L. "RICON"		2		
55	326601	FINISHING MOULDING GREY		1		
56	326602	FINISHING POST UPPER FRONT/W/W.C.L. DOOR "RIC ON" TRIANGULAR SHAPE To 1-4208		1		A
56	328918	FINISHING POST UPPER FRONT/W/W.C.L. DOOR "RIC ON" TRIANGULAR SHAPE From 1-4209		1		A
57	326284	CAP FINISHING / POST / W/T. GLASS		1		
57	327598	CAP FINISHING / POST / W/T. GLASS		1		A
57	326283	CAP FINISHING / POST / W/S. GLASS		1		

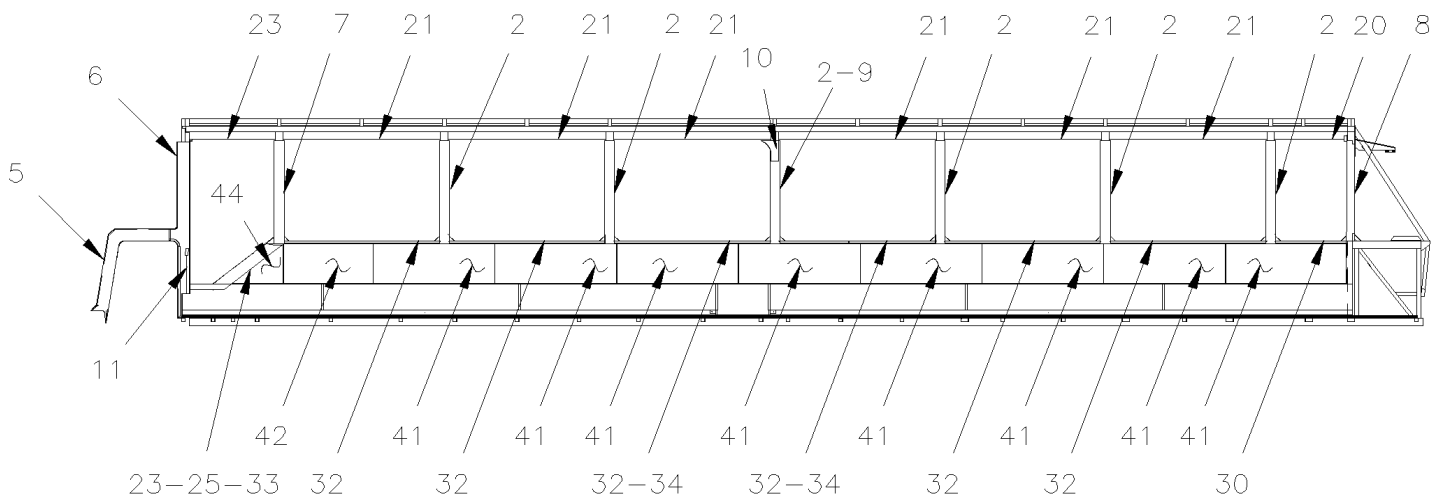
From W-2285 To X-3128	Date:10/2022	PAGE:H3-1833-01
WINDOW FINISHING CAP & WALL		

Item#	Part	Description	H 3 4 1	H 3 4 5	V I P 4 5	N O T E S
57	327545	CAP FINISHING / POST / W/S. GLASS		1		A
58	326281	CAP FINISHING / POST / W/S. GLASS		1		
58	326282	CAP FINISHING / POST / W/T. GLASS		1		
60	324753	GRILLE SPACER / W/W.C.L. "ST & ST" / 1247MM To 1-4171	1	1		B
60	327471	GRILLE SPACER / W.C.L. / 1247MM From 1-4172	1	1		
61	325017	GRILLE SPACER / W/W.C.L. "ST & ST" / 1618MM To 1-4171	1			B
61	327472	GRILLE SPACER / W/W.C.L. "ST & ST" / 1618MM From 1-4172	1			
NS	327475	KIT GRILL / AIR DISTRIBUTION	1	1		A
. NS	IS-00071	. SEE INSTRUCTION SHEET	1	1		A
62	326704	POST CAPPING R.H.	1	1		
63	326705	POST CAPPING L.H. / W/SINGLE GLASS	1	1		
64	506007	TAPE RUB ADH1 CC NEO 3/4" x 1" x 10' / BLACK 1220	1	1		
65	326266	FINISHING MOULDING / W/THERMO GLASS / REAR	1	1		
65	326250	FINISHING MOULDING / W/SINGLE GLASS / REAR	1	1		
66	324767	CAP FINISHING / POST/ TOP OF REAR DOOR	1	1		
70	H3-1884-03	SIDE WINDOW - BUS				
		A) WITH A/C IN PARCEL RACK				
		B) FOR PRODUCT IMPROVMENT AIR DISTRIBUTION ASK FOR KIT GRILL #327475				
		P) CALL ORDER DESK FOR SPECIFIC APPLICATION (V.I.N.)				

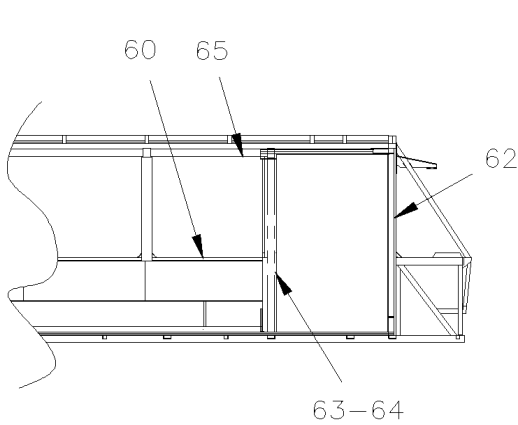
From X-3129 To 2-4416	Date:10/2022	PAGE:H3-1833-02
WINDOW FINISHING CAP & WALL		



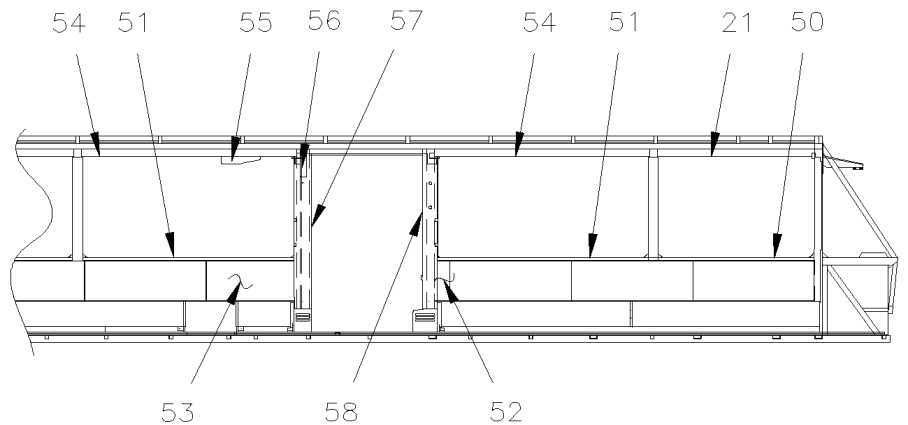
H3-45 LEFT SIDE



H3-45 RIGHT SIDE

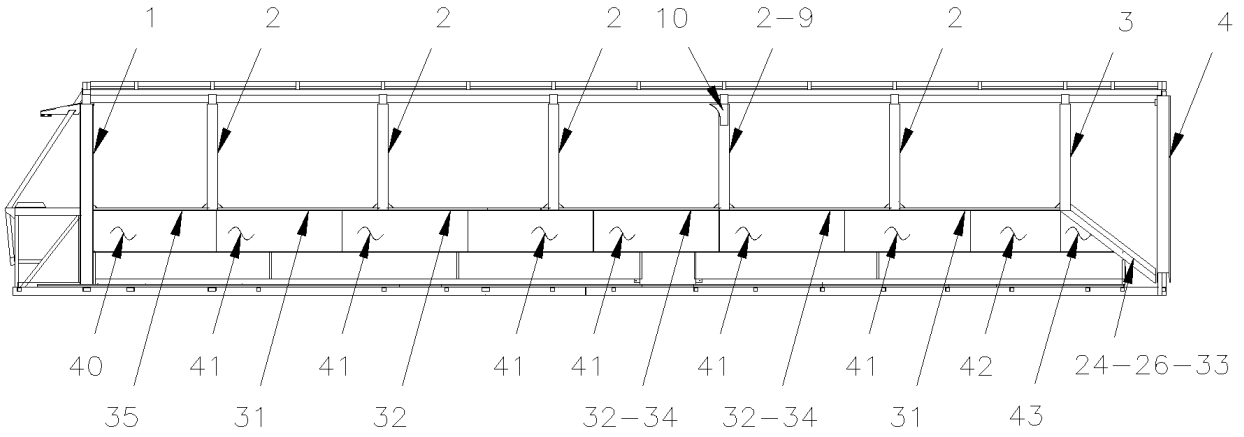


H3-45 W.C.L. ST & ST.

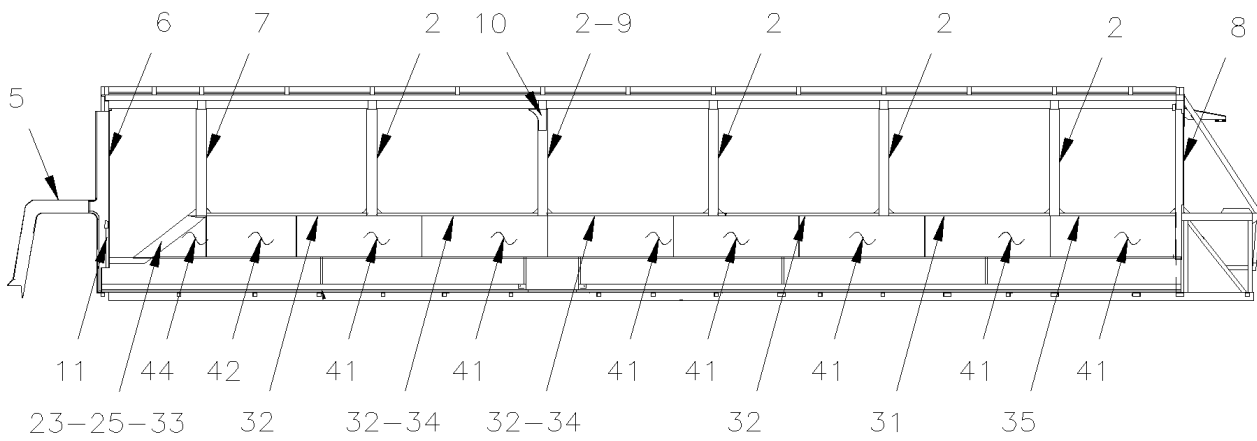


H3-45 W.C.L. RICON 9000

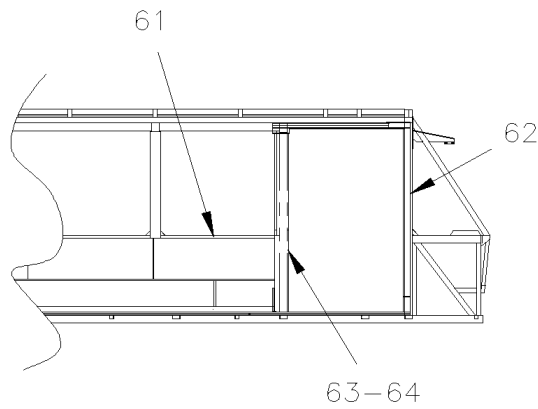
From X-3129 To 2-4416	Date:10/2022	PAGE:H3-1833-02
WINDOW FINISHING CAP & WALL		



H3-41 LEFT SIDE



H3-41 RIGHT SIDE



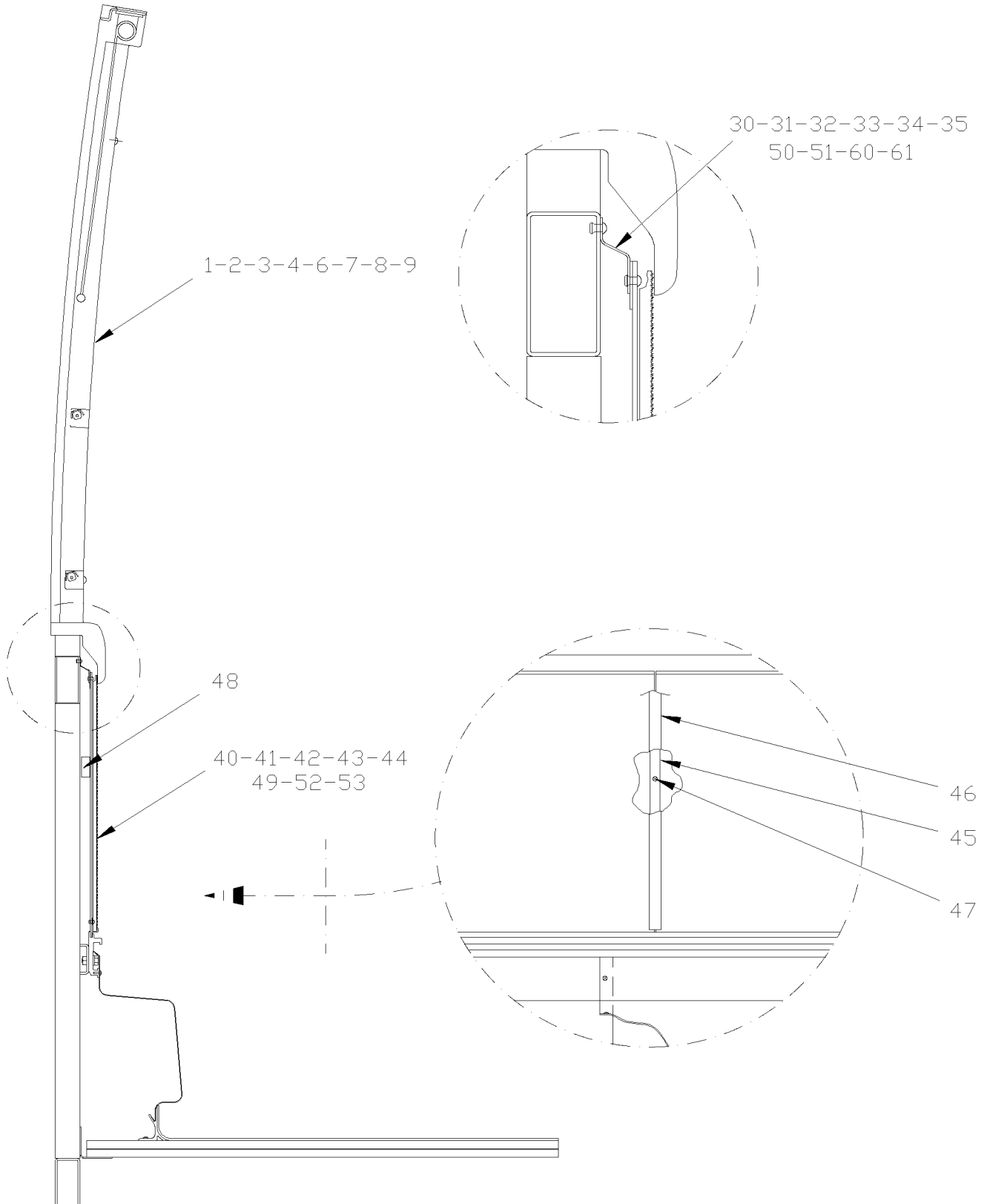
H3-41 W.C.L. ST & ST.

From X-3129 To 2-4416

Date:10/2022

PAGE:H3-1833-02

WINDOW FINISHING CAP & WALL



From X-3129 To 2-4416	Date:10/2022	PAGE:H3-1833-02
WINDOW FINISHING CAP & WALL		

Item#	Part	Description	H 3 4 1	H 3 4 5	V I P 4 5	N O T E S
1	326196	CAP FINISHING / POST / REAR L.H. / W/SINGLE GLASS	1	1		
1	326258	CAP FINISHING / POST / REAR L.H. / W/THERMO GLASS	1	1		
2	326192	CAP FINISHING / POST / W/SINGLE GLASS	12			
2	326192	CAP FINISHING / POST / W/SINGLE GLASS		14		
2	326254	CAP FINISHING / POST / W/THERMO GLASS / BLACK	12			
2	326254	CAP FINISHING / POST / W/THERMO GLASS / BLACK		14		
3	326265	CAP FINISHING / POST / W/SINGLE GLASS / #1 L.H.	1	1		
3	326326	CAP FINISHING / POST / W/THERMO GLASS / BLACK / #1 L.H.	1	1		
4	326195	CAP FINISHING / POST / FRONT L.H.	1	1		
5	326209	CAP FINISHING / POST	1	1		
6	326193	CAP FINISHING / POST / FRONT R.H.	1	1		
7	326325	CAP FINISHING / POST / W/THERMO GLASS / BLACK	1	1		
8	326256	CAP FINISHING / POST / REAR R.H. / W/THERMO GLASS	1	1		
8	326194	CAP FINISHING / POST / REAR R.H. / W/SINGLE GLASS	1	1		
9	326449	CAP FINISHING / POST W/A/C PARCEL RACK / W/SINGLE GLASS	1	1		A
10	326446	CAP FINISHING / CLOSING POST W/A/C	2	2		A
11	326249	FINISHING POST CAP	2	2		
20	326208	FINISHING MOULDING / W/SINGLE GLASS / REAR	1	1		
20	326264	FINISHING MOULDING / W/THERMO GLASS / REAR	1	1		
21	326261	CAP FINISHING / POST / REAR	1	1		
21	326264	FINISHING MOULDING / W/THERMO GLASS / REAR	10			
21	326264	FINISHING MOULDING / W/THERMO GLASS / REAR		12		
22	326198	FINISHING MOULDING / UPPER TRAPEZ WINDOW	10			
22	326198	FINISHING MOULDING / UPPER TRAPEZ WINDOW		12		
23	326317	ANGLE SUPPORT / TO FIX CAP / 350MM	1	1		
24	326322	ANGLE SUPPORT / TO FIX CAP / 850MM	1	1		
25	326197	FINISHING CAP R.H. LOWER WINDOW	1	1		
26	326199	FINISHING CAP L.H. WINDOW	1	1		
NS	500923	SCREW TC CAP HEX 1/4-20x3/4 Z050	4	4		
NS	500473	WASHER LO SPT .262x.489x.062 Z050	4	4		
30	327468	GRILLE SPACER 730MM	1	1		
31	327467	GRILLE SPACER 1660MM	2	2		
32	322835	GRILLE SPACER 1660MM	AR	AR		
33	327466	GRILLE SPACER 650MM	2	2		
34	326451	GRILLE SPACER / #2 W/A/C INPARCEL RACK / 1610MM	2	2		A
35	327473	GRILLE SPACER 274MM	2			
40	Call order desk	PANEL ASSY / FORMICA / #10 L.H.		1		P
40	324738P	PANEL ASSY / CARPET / #9 L.H.		1		
40	324733P	PANEL ASSY / FABRIC / #9 L.H.		1		
41	Call order desk	PANEL ASSY / FORMICA / L.H. & R.H.	1	1		P
41	322939P	PANEL ASSY / FABRIC / L.H. & R.H.	1	1		
41	322921P	PANEL ASSY / CARPET / L.H. & R.H.	1	1		

From X-3129 To 2-4416	Date:10/2022	PAGE:H3-1833-02
WINDOW FINISHING CAP & WALL		

Item#	Part	Description	H 3 4 1	H 3 4 5	V I P 4 5	N O T E S
42	Call order desk	PANEL ASSY / FORMICA / #2 L.H. & R.H.		2		P
42	324279P	PANEL ASSY / FABRIC / #2 L.H. & R.H.		2		
42	324289P	PANEL ASSY / CARPET / #2 L.H. & R.H.		2		
42	Call order desk	PANEL ASSY / FORMICA / #2 L.H. & R.H.	2			P
42	Call order desk	PANEL ASSY / FABRIC / #2 L.H. & R.H.	2			P
42	Call order desk	PANEL ASSY / CARPET / #2 L.H. & R.H.	2			P
43	Call order desk	PANEL ASSY / FORMICA / #1 L.H. / (TRIANGULAR SHAPE)	1	1		P
43	324285P	PANEL ASSY / FABRIC / #1 L.H. / (TRIANGULAR SHAPE)	1	1		
43	324292P	PANEL ASSY / CARPET / #1 L.H. / (TRIANGULAR SHAPE)	1	1		
44	Call order desk	PANEL ASSY / FORMICA / #1 R.H. / (TRIANGULAR SHAPE)	1	1		P
44	324282P	PANEL ASSY / FABRIC / #1 R.H. / (TRIANGULAR SHAPE)	1	1		
44	324291P	PANEL ASSY / CARPET / #1 R.H. / (TRIANGULAR SHAPE)	1	1		
45	322869	MOULDING RETAINER / 400MM (15 3/4")	AR	AR		
46	322870	MOULDING CAP / SS 409MM (16 1/8")	AR	AR		
47	5001085	SCREW TP PAN PH #6x1 1/4 Z050	AR	AR		
48	322871	WOOD SPACER 1/2" X 32MM X 32MM	AR	AR		
50	325309	GRILLE SPACER / W/W.C.L. "RICON" / 1583MM		1		
51	325308	GRILLE SPACER / W/W.C.L. "RICON" / 2210MM		2		
52	Call order desk	PANEL ASSY / FABRIC / FRONT DOOR / W/W.C.L. RICON		1		P
53	Call order desk	PANEL ASSY / FABRIC / REAR DOOR / W/W.C.L. RICON		1		P
NS	506264	TAPE RUB ADH1 URE 3/4" x 1" x 12.5' / GREY 1820X	AR	AR		
54	326287	FINISHING MOULDING / W/THERMO GLASS & W/W.C.L. "RICON"		2		
55	326601	FINISHING MOULDING GREY		1		
56	328918	FINISHING POST UPPER FRONT/W/W.C.L. DOOR "RIC ON" TRIANGULAR SHAPE		1		
57	328919	CAP FINISHING / POST / W/T. GLASS		1		
57	285102	MOULDING AL / W/RECESS FOR HINGE 743MM		1		
57	285979	MOULDING AL 1187MM		1		
58	326281	CAP FINISHING / POST / W/S. GLASS		1		
58	326282	CAP FINISHING / POST / W/T. GLASS		1		
58	287021	MOULDING AL 743MM		1		
58	287293	MOULDING AL / W/RECESS FOR HINGE 1187MM		1		
60	327471	GRILLE SPACER / W.C.L. / 1247MM		1		
61	327472	GRILLE SPACER / W/W.C.L. "ST & ST" / 1618MM	1			
62	326704	POST CAPPING R.H.	1			
63	326705	POST CAPPING L.H. / W/SINGLE GLASS	1	1		
63	326706	POST CAPPING L.H. / W/THERMO GLASS	1	1		
64	506007	TAPE RUB ADH1 CC NEO 3/4" x 1" x 10' / BLACK 1220	AR	AR		
65	326250	FINISHING MOULDING / W/SINGLE GLASS / REAR		1		
65	326266	FINISHING MOULDING / W/THERMO GLASS / REAR		1		

From X-3129 To 2-4416	Date:10/2022	PAGE:H3-1833-02
-----------------------	--------------	-----------------

WINDOW FINISHING CAP & WALL

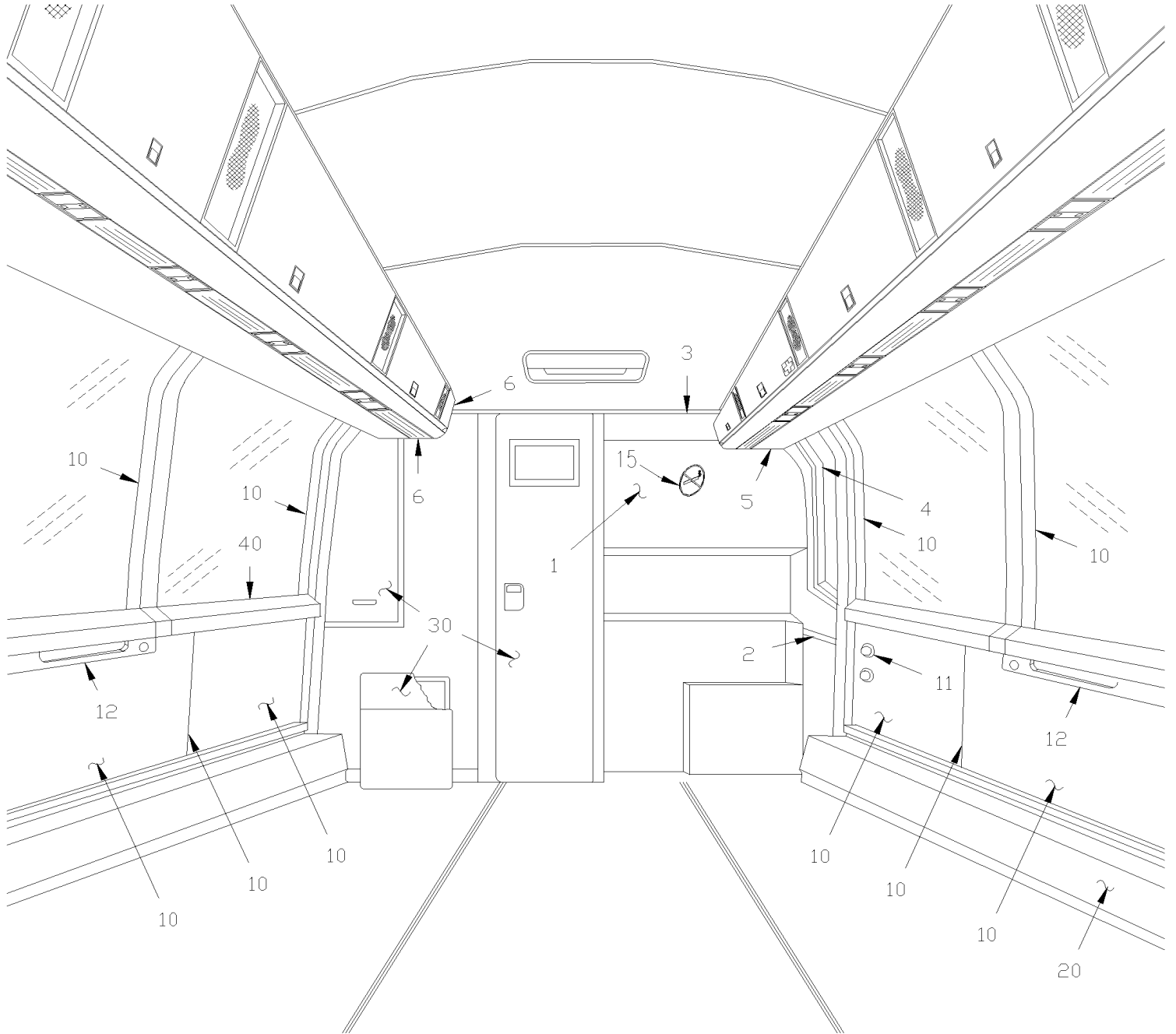
Item#	Part	Description	H 3 4 1	H 3 4 5	V I P 4 5	N O T E S
		A) WITH A/C IN PARCEL RACK				
		P) CALL ORDER DESK FOR SPECIFIC APPLICATION (V.I.N.)				

From R-012 To W-2284

Date:10/2022

PAGE:H3-1834-00

REAR FINISHING CAP



From R-012 To W-2284	Date:10/2022	PAGE:H3-1834-00
REAR FINISHING CAP		

Item#	Part	Description	H 3 4 1	H 3 4 5	V I P 4 5	N O T E S
1	Call order desk	CAP REAR / CARPET / SPECIFY COLOR	1	1		P
1	323435P	CAP REAR / FABRIC / SPECIFY COLOR	1	1		
1	324060	. CAP REAR / FIBERGLASS To S-127	1	1		
1	324765	. CAP REAR / FIBERGLASS From S-128 To V-1746	1	1		
1	325561	. CAP REAR / FIBERGLASS From V-1747	1	1		
1	324102	. CAP REAR / FIBERGLASS / TO USE W/W.C.L. To V-1746	1	1		
1	325560	. CAP REAR / FIBERGLASS / TO USE W/W.C.L. From V-1747	1	1		
NS	504106	RIVET POP DOME OE 1/8x1/4 AL	AR	AR		A
2	340836	MOULDING CAP / GREY PLATINE 1676MM / 66"	1	1		
NS	340851	MOULDING RETAINER / 1956MM (77")	1	1		
NS	500641	SCREW TP PAN PH #8x3/4 Z050	AR	AR		B
3	340841	MOULDING CAP / GREY PLATINE 955MM / 37 5/8"	1	1		
NS	402542	MOULDING RETAINER / 908MM (35 3/4")	1	1		
4	323229	COVER, CENTER ARMREST / PLASTIC To T-1604	1	1		
4	325495	CAP FINISHING / WINDOW From T-1605	1	1		
5	311380	PANEL / (ALUMINUM)	1	1		
5	311560P	CLOSING PANEL ASSY	1	1		C
5	Call order desk	CLOSING PANEL ASSY	1	1		P D
5	311550	PANEL / (ALUMINUM)	1	1		
6	Call order desk	FINISHING PANEL ASSY / UNDER PARCEL RACK L.H. TISSUS / SPECIFY COLOR	1	1		P E
6	Call order desk	FINISHING PANEL ASSY / UNDER PARCEL RACK L.H. LEATHERETTE / SPECIFY COL	1	1	1	P
6	311404	. PANEL ALUMINUM 54MM	1	1		
10	H3-1833-00	WINDOW FINISHING CAP & WALL	1	1	1	
11	870898	OUTLET AIR ADJUSTABLE To T-1497	2	2		
NS	502664	SCREW TP PAN PH #8x1 SS EMN	8	8		F
12	292010	BAR PLASTIC PROTECTION	6			G
12	292010	BAR PLASTIC PROTECTION		8		
15	405177	DECAL "NO SMOKING" ASSY 8 1/4" O.D. / W MOUNTING PLATE	1	1		
. NS	405178	. MOUNTING PLATE 228MM x 228MM SS	1	1		
. NS	901027	. DECAL / "NO SMOKING" / 8 1/4" O.D.	1	1		
NS	500286	NUT WELL #6-32	4	4		
NS	500339	SCREW MA RND PH #6-32x3/4 SS	4	4		
15	901026	DECAL / "NO SMOKING" / 4" O.D.	1	1		
20	H3-2221-11	DUCTING HEATER & A/C				
30	H3-2328-00	LAVATORY WALL - INSTALLATION				
40	H3-1884-01	SIDE WINDOW - BUS To S-207				
40	H3-1884-02	SIDE WINDOW - BUS From S-208				
		A) TO FIX REAR CAP				
		B) TO FIX MOULDING				

From R-012 To W-2284		Date:10/2022	PAGE:H3-1834-00
REAR FINISHING CAP			

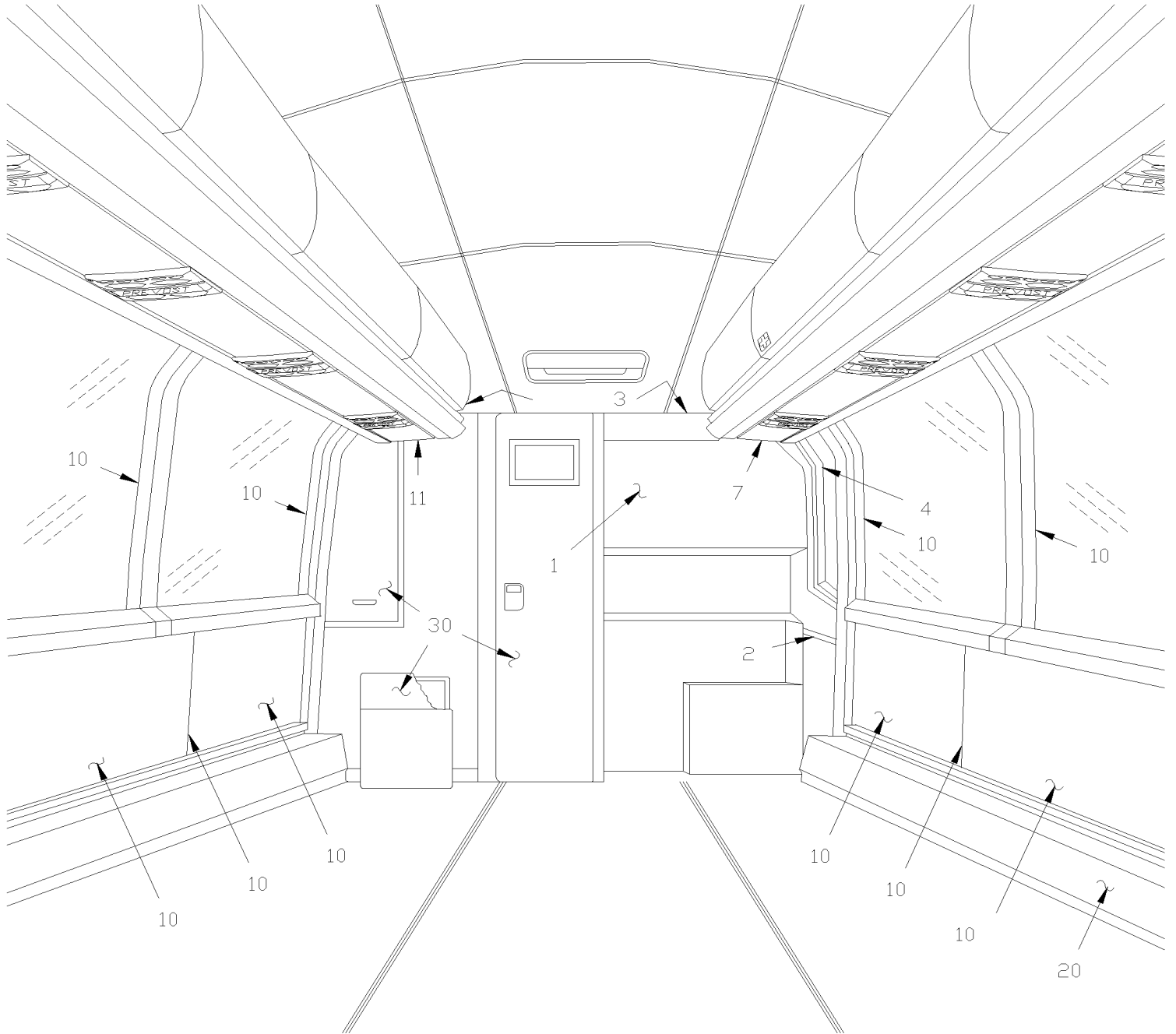
Item#	Part	Description	H 3 4 1	H 3 4 5	V I P 4 5	N O T E S
		C) FABRIC / SPECIFY COLOR / (UNDER PARCEL RACK)				
		D) LEATHERETTE / SPECIFY COLOR / (UNDER PARCEL RACK)				
		E) FABRIC / SPECIFY COLOR / (UNDER PARCEL RACK)				
		F) TO FIX OUTLET				
		G) ON INTERIOR WALL OPENING WINDOW				
		P) CALL ORDER DESK FOR SPECIFIC APPLICATION (V.I.N.)				

From W-2285 To 2-4416

Date:10/2022

PAGE:H3-1834-01

REAR FINISHING CAP



From W-2285 To 2-4416	Date:10/2022	PAGE:H3-1834-01
REAR FINISHING CAP		

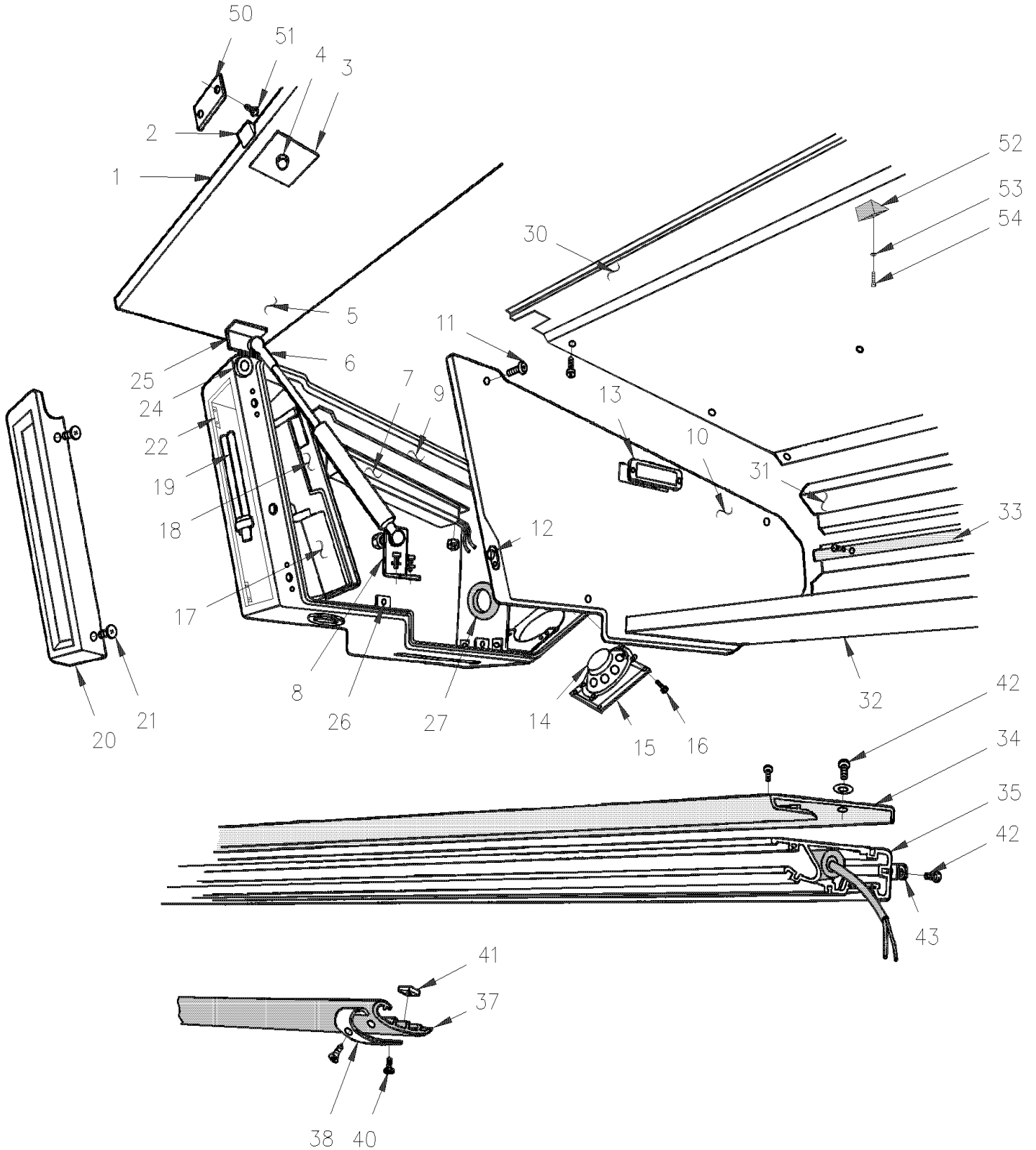
Item#	Part	Description	H 3 4 1	H 3 4 5	V I P 4 5	N O T E S
1	Call order desk	CAP REAR / CARPET / SPECIFY COLOR	1	1		P
1	323435P	CAP REAR / FABRIC / SPECIFY COLOR	1	1		
1	Call order desk	CAP REAR / CARPET & FABRIC / SPECIFY COLOR	1	1		P
1	326315	. CAP REAR / FIBERGLASS To 1-4387	1	1		
1	327620	. CAP REAR / FIBERGLASS From 1-4388	1	1		
1		. CAP REAR / FIBERGLASS / TO USE W/W.C.L.	1	1		
1	350335	PAD INSULATING	1	1		
NS	504106	RIVET POP DOME OE 1/8x1/4 AL	AR	AR		
2	340836	MOULDING CAP / GREY PLATINE 1676MM / 66"	1	1		
NS	340851	MOULDING RETAINER / 1956MM (77")	1	1		
NS	500641	SCREW TP PAN PH #8x3/4 Z050	AR	AR		
3	340841	MOULDING CAP / GREY PLATINE 955MM / 37 5/8"	1	1		
NS	402542	MOULDING RETAINER / 908MM (35 3/4")	1	1		
4	326230	CAP FINISHING / WINDOW	1	1		
10	H3-1833-01	WINDOW FINISHING CAP & WALL				
20	H3-2221-11	DUCTING HEATER & A/C				
30	H3-2328-00	LAVATORY WALL - INSTALLATION				
		P) CALL ORDER DESK FOR SPECIFIC APPLICATION (V.I.N.)				

From R-012 To V-1967

Date:10/2022

PAGE:H3-1836-00

PARCEL RACK



From R-012 To V-1967	Date:10/2022	PAGE:H3-1836-00
PARCEL RACK		

Item#	Part	Description	H 3 4 1	H 3 4 5	V I P 4 5	N O T E S
1	311347	DOOR ASSY / 1534MM To V-1947	10			F
1	311347	DOOR ASSY / 1534MM To V-1947		12		F
1	312321	DOOR ASSY / 1534MM From V-1948	10			F
1	312321	DOOR ASSY / 1534MM From V-1948		12		F
1	311349	DOOR, PARCEL RACK / 670MM To V-1947	2	2		F
1	312322	DOOR, PARCEL RACK / 670MM From V-1948	2	2		F
1	311539	DOOR ASSY / L.H. REAR / 646MM	1	1		F
1	311611	DOOR ASSY / 534MM To V-1947		1		F
1	312324	DOOR ASSY / 534MM From V-1948		1		F
1	311679	DOOR ASSY / 948MM To V-1947	2			F
1	312325	DOOR ASSY / 948MM From V-1948	2			F
1	311528	DOOR, PARCEL RACK / W/LARGE LOCK / 670MM To T-1512	AR	AR		F
1	312066	DOOR, PARCEL RACK / W/SMALL LOCK / 670MM From T-1513 To V-1947	AR	AR		F
1	312328	DOOR, PARCEL RACK / W/LOCK / 670MM From V-1948	AR	AR		F
1	311529	DOOR ASSY / W/LARGE LOCK / 1534MM To T-1512	AR	AR		F
1	312065	DOOR ASSY / W/SMALL LOCK / 1534MM From T-1513 To V-1947	AR	AR		F
1	312327	DOOR ASSY / W/LOCK / 1534MM From V-1948	AR	AR		F
1	311350	DOOR, PARCEL RACK / 400MM To V-1947		1		F
1	312323	DOOR, PARCEL RACK / 400MM From V-1948		1		F
1	311733	DOOR ASSY / 1396MM To V-1947		1		F
1	312326	DOOR ASSY / 1396MM From V-1948		1		F
1	504527	. BUMPER PLUG / .625ODx.312THx.250HOLEx.125	2	2		
2	810075	. HANDLE / W/O KEY	1	1		S
2	810082	. HANDLE / W/LOCK / LARGE MODEL To T-1512	1	1		
2	810085	. HANDLE / W/LOCK / SMALL MODEL From T-1513	1	1		
NS	810084	. . KEY / (CH751) To T-1512	1	1		
2	N.S.S.	. . KEY / SMALL From T-1513	1	1		1
4	500772	. NUT HEX CAP 1/4-20 NP	1	1		T
4	500995	. NUT HEX CAP #10-32 Z050	1	1		
NS	500468	. WASHER FL .281x1.250x.065 Z050	3	3		
NS	502564	. WASHER LO SPT 6.1x11.8x1.6 Z050	1	1		
5	311062	. PIVOT / DOOR To V-1947	2	2		
5	Call order desk	. PIVOT / DOOR From V-1948	2	2		P
5	500344	. SCREW MA RND PH M4-0.7x12 Z050	2	2		
6	980020	CYLINDER GAZ / 244/164MM C/C / 35LBS	AR	AR		U
6	980021	CYLINDER GAZ / 244/164MM C/C / 20LBS	AR	AR		
NS	500874	WASHER FL 8.4x17.0x1.6 Z050	AR	AR		
NS	502509	WASHER LO INT 8.4x15.0x0.8 Z050	AR	AR		
6	502638	WASHER FL .312x.734x.065 N500	AR	AR		
NS	980015	BALL STUD / W/10 MM X M8-1.25 / 29.18 MM	AR	AR		
6	980027	BALL STUD / W/10 MM X M8-1.25 / 36.5MM	AR	AR		
NS	980016	NUT, CYLINDER RETAINER	AR	AR		

From R-012 To V-1967	Date:10/2022	PAGE:H3-1836-00
PARCEL RACK		

Item#	Part	Description	H 3 4 1	H 3 4 5	V I P 4 5	N O T E S
6	502838	NUT HEX TWAY M8-1.25 N500	AR	AR		
7	H3-0655-01	INTERIOR LIGHTING				
NS	063068	CABLE ASSY / TO USE W/110V BALLAST ONLY	1	1		
NS	311070	SUPPORT "V" SHAPE / UPPER 2 BALLAST	1	1		
NS	500441	WASHER FL .312x.734x.065 Z050	AR	AR		V
NS	500770	NUT HEX STO 1/4-20 Z050	AR	AR		V
8	311118	BRACKET / LOWER	AR	AR		
NS	500470	WASHER LO SPT .193x.334x.047 Z050	AR	AR		
NS	500611	SCREW TC PAN PH #10-24x1/2 Z050	AR	AR		
9	310988	BOX FIBERGLASS / #1 L.H. To T-1575	1	1		
9	312008	BOX FIBERGLASS / #1 L.H. From T-1576	1	1		
9	311037	BOX FIBERGLASS / #2 TO #7 R.H. / (AS SHOWN) From T-1576	6			
9	311037	BOX FIBERGLASS / #2 TO #7 R.H. / (AS SHOWN) From T-1576		7		
9	312009	BOX FIBERGLASS / #2 TO #7 R.H. / (AS SHOWN) From T-1576	6			
9	312009	BOX FIBERGLASS / #2 TO #7 R.H. / (AS SHOWN) From T-1576		7		
9	311055	BOX FIBERGLASS / #2 TO #8 L.H. & #8 R.H. To T-1575	8			
9	311055	BOX FIBERGLASS / #2 TO #8 L.H. & #8 R.H. To T-1575		9		
9	311868	BOX FIBERGLASS / #2 TO #8 L.H. & #8 R.H. From T-1576	8			
9	311868	BOX FIBERGLASS / #2 TO #8 L.H. & #8 R.H. From T-1576		9		
9	311162	BOX FIBERGLASS / #1 R.H. To T-1575	1	1		
9	312010	BOX FIBERGLASS / #1 R.H. From T-1576	1	1		
NS	311171	WASHER / TO FIX PARCEL RACK	AR	AR		
NS	500147	WASHER FL SQ .187x.625x.063	AR	AR		
NS	500182	SCREW CAP HEX 5/16-18x1 1/4 G5 PT Z050	AR	AR		W
NS	502523	RIVET NUT FL OKS 5/16-18 .059-.119	AR	AR		
NS	504118	RIVET POP DOME OE 3/16x3/8 AL	AR	AR		W
10	311173	COVER ASSY, R.H. / W/CORD To T-1575	AR	AR		A
10	312096	COVER ASSY, R.H. / W/CORD From T-1576	1	1		A
10	311103	. COVER, R.H.	1	1		
10	311174	COVER ASSY, L.H. / W/CORD To T-1575	AR	AR		A
10	312106	COVER ASSY, L.H. / W/CORD From T-1576	1	1		
10	311102	. COVER, L.H.	1	1		
10	311122	COVER ASSY, R.H. / W/LIGHT & DOOR (AS SHOWN) To T-1575	AR	AR		
10	312108	COVER ASSY, R.H. / W/LIGHT & DOOR (AS SHOWN) From T-1576	1	1		
10	310994	. COVER, R.H. / W/DOOR	1	1		
10	311123	COVER ASSY, L.H. / W/LIGHT & DOOR To T-1575	AR	AR		
10	312107	COVER ASSY, L.H. / W/LIGHT & DOOR From T-1576	1	1		
10	310998	. COVER, L.H. / W/DOOR	1	1		
NS	404575	. INSULATION ACOUSTIC FIBERGLASS WOOL To T-1575	1	1		
NS	506268	. TAPE RUB ADH1 URE 3/8" x 1/2" x 25' / GREY 1820	AR	AR		
11	500816	. SCREW TP OV PH #8x1/2 SS410	AR	AR		
12	561563	. SWITCH / S.P.S.T. / N.C.	1	1		

From R-012 To V-1967	Date:10/2022	PAGE:H3-1836-00
PARCEL RACK		

Item#	Part	Description	H 3 4 1	H 3 4 5	V I P 4 5	N O T E S
NS	500467	. WASHER LO INT .138x.275x.019 Z050	1	1		
NS	500663	. SCREW MA FL PH #6-32x3/4 ZP	1	1		
NS	500689	. NUT HEX #6-32 Z050	1	1		
13	H3-0655-01	. INTERIOR LIGHTING				
NS	061967	. CABLE ASSY / LIGHT & SWITCH	1	1		
NS	311438	ATTACHMENT PLATE / TO FIX SPEAKER	1	1		
NS	403960	SPACER ADAPTOR / PLASTIC BLACK	1	1		
14	H3-2315-00	SOUND SYSTEM & ACCESSORIES				
14	H3-2315-10	SOUND SYSTEM - INSTALLATION				
15	H3-2315-00	SOUND SYSTEM & ACCESSORIES				
15	H3-2315-10	SOUND SYSTEM - INSTALLATION				
16	500617	SCREW TP PAN PH #8x1 Z050	AR	AR		
17	H3-0655-01	INTERIOR LIGHTING				
18	311005	SUPPORT REAR BALLAST To T-1404	1	1		
18	311994	SUPPORT REAR BALLAST From T-1405	1	1		
NS	311003	SUPPORT LOWER / USE ON L.H. SIDE To T-1404	1	1		
NS	311994	SUPPORT REAR BALLAST From T-1405	1	1		
NS	311004	SUPPORT LOWER / USE ON R.H. SIDE	1	1		
NS	500638	SCREW TP PAN PH #8x1/2 Z050	1	1		X
NS	500989	WASHER FL .219x.875x.062 Z050	1	1		
19	830108	TUBE / 7WATT / PL7	AR	AR		
20	311461	LENS COVER ASSY / TO USE W/CORD	AR	AR		A
20	311462	LENS COVER ASSY / TO USE W/DOOR	AR	AR		
20	312146	LENS COVER "SPECIAL"	AR	AR		B
NS	311460	. LENS	1	1		
21	500124	SCREW TP TR PH #8x1/2 SS	AR	AR		
22	311076	ATTACHMENT LOWER / TO FIX ITEM #20 TO 9	4	4		
24	311544	BUSHING NYLON / TO USE W/LAST L.H. DOOR	2	2		
24	502514	WASHER SHR .440 ID NYL	2	2		
NS	502623	WASHER FL .443x.750x.125 NYL	2	2		
NS	504586	WASHER FL SPACER .450x.625x.875 NYL	AR	AR		
25	311093	BRACKET / UPPER	AR	AR		
NS	500470	WASHER LO SPT .193x.334x.047 Z050	AR	AR		
NS	502529	SCREW MA BDG PH M5-0.8x12 BZC	AR	AR		
26	311075	ATTACHMENT / TO FIX COVER	AR	AR		
27	310999	PLATE ASSY / SPEAKER & BALLAST	1	1		
NS	311000	. PLATE, ACOUSTIC	1	1		
NS	311001	. INSULATING, NOISE	1	1		
NS	504460	. GROMMET / 1.500x1.750x.062x.437x2.125	1	1		
NS	310992	ANGLE, BRACKET / TO FIX PLATE	AR	AR		
28	504453	GROMMET / 1.500x1.750x.250x.625x2.125	1	1		R
30	310990	TOP / 1650MM To T-1575	10			

From R-012 To V-1967	Date:10/2022	PAGE:H3-1836-00
PARCEL RACK		

Item#	Part	Description	H 3 4 1	H 3 4 5	V I P 4 5	N O T E S
30	310990	TOP / 1650MM To T-1575		11		
30	311827	TOP / 1650MM #2 TO 6 R.H. & L.H. From T-1576 To V-1701	10			
30	311827	TOP / 1650MM #2 TO 6 R.H. & L.H. From T-1576 To V-1701		11		
30	312217	TOP / 1650MM #2 TO 6 R.H. & L.H. From V-1702	10			
30	312217	TOP / 1650MM #2 TO 6 R.H. & L.H. From V-1702		11		
30	311222	TOP / #1 R.H. / 848MM To T-1575	1	1		
30	311828	TOP / #1 R.H. / 848MM From T-1576 To V-1701	1	1		
30	312218	TOP / #1 R.H. / 848MM From V-1702	1	1		
30	311223	TOP / #1 L.H. / 848MM To T-1575	1	1		
30	311829	TOP / #1 L.H. / 848MM From T-1576 To V-1701	1	1		
30	312219	TOP / #1 L.H. / 848MM From V-1702	1	1		
30	311621	TOP / #8 L.H. / 655MM To T-1575		1		
30	311835	TOP / #8 L.H. / 655MM From T-1576 To V-1701		1		
30	312229	TOP / #8 L.H. / 655MM From V-1702		1		
30	311625	TOP / #8 R.H. / 712MM To T-1575		1		
30	311864	TOP / #8 R.H. / 712MM From T-1576 To V-1701		1		
30	312232	TOP / #8 R.H. / 712MM From V-1702		1		
30	311662	TOP / #7 R.H. / 1126MM To T-1575	1			
30	311836	TOP / #7 R.H. / 1126MM From T-1576 To V-1701	1			
30	312230	TOP / #7 R.H. / 1126MM From V-1702	1			
30	311672	TOP / #7 L.H. / 1069MM To T-1575	1			
30	311837	TOP / #7 L.H. / 1069MM From T-1576 To V-1701	1			
30	312231	TOP / #7 L.H. / 1069MM From V-1702	1			
30	312243	INSULATING / TOP PANEL & STRUCTURE 1371.6MM	10			
30	312243	INSULATING / TOP PANEL & STRUCTURE 1371.6MM		12		
NS	500147	WASHER FL SQ .187x.625x.063	AR	AR		
NS	504118	RIVET POP DOME OE 3/16x3/8 AL	AR	AR		W
NS	504248	RIVET CHY Q PRDG 3/16x1/4 SS	AR	AR		W
NS	507300	HOLE PLUG BUTTON / 2.000 O.D. WHITE	AR	AR		
31	311085	HOOK / RIVETED TO PARCEL RACK	4	4		
NS	311232	RAIL SUPPORT / #2-3 L.H. & R.H. / 3318MM	4	4		
NS	311233	RAIL SUPPORT / #1 L.H. & R.H. / 2560MM	2	2		
NS	311675	RAIL SUPPORT / #4 L.H. & R.H. / 1168MM	2			
NS	311628	RAIL SUPPORT / #4 L.H. & R.H. / 2451MM		2		
NS	311976	RAIL SUPPORT / #1 R.H. / W/"RICON" / 1658MM		1		
NS	311977	RAIL SUPPORT / #2-3 R.H. / W/"RICON" / 2239MM		2		
NS	311978	RAIL SUPPORT/ #4 R.H. W/"RICON"		1		
NS	311810	RAIL SUPPORT/ #4 R.H. W/W.C.L. ST & ST	1			
NS	311712	RAIL SUPPORT / #4 R.H. W/W.C.L. "ST & ST" 1200MM		1		
NS	311616	RAIL SUPPORT / #4 R.H. / 2319MM		1		
NS	311665	RAIL SUPPORT / #4 L.H. & R.H. / 1073MM To T-1575	2			
NS	311722	RAIL SUPPORT / #4 L.H. / 2319MM To T-1575		1		

From R-012 To V-1967	Date:10/2022	PAGE:H3-1836-00
PARCEL RACK		

Item#	Part	Description	H 3 4 1	H 3 4 5	V I P 4 5	N O T E S
NS	311254	RAIL SUPPORT / 3321 MM / C.T.L.	AR	AR		
NS	500659	SCREW TC PAN PH #10-32x1 Z050	AR	AR		Y
32	311508	PANEL / #1 L.H.	1	1		
32	311514	PANEL / #1 R.H.	1	1		
32	311425	PANEL / #2 TO 6 L.H. & R.H.	6			
32	311425	PANEL / #2 TO 6 L.H. & R.H.		10		
32	311670	PANEL / #7 L.H.	1			
32	311619	PANEL / #7 L.H.				
32	311663	PANEL / #7 R.H.	1			
32	311623	PANEL / #7 R.H.				
32	311705	PANEL / #7 R.H. / W/W.C.L.				
NS	311560P	CLOSING PANEL ASSY				R
NS	311706	SUPPORT #7 R.H. / W/W.C.L.				
NS	810034	CARPET OZITE / S.L. 12 FT WIDE	AR	AR		
33	311271	MOULDING / ALUMINIUM 360MM (14 3/16") To T-1575				
33	311629	MOULDING / ALUMINIUM 484MM (19 1/16") To T-1575				
33	311092	MOULDING / ALUMINIUM 620MM (24 3/8") To T-1575	2	2		
33	311674	MOULDING / ALUMINIUM 898MM (35 3/8") To T-1575	2			
33	311709	MOULDING / ALUMINIUM 898MM (35 3/8") To T-1575				
33	311759	MOULDING / ALUMINIUM 1348MM (53") To T-1575	1	1		
33	311091	MOULDING / ALUMINIUM 1484MM (58 7/16") To T-1575	10			
33	311091	MOULDING / ALUMINIUM 1484MM (58 7/16") To T-1575		11		
33	311077	MOULDING / ALUMINIUM 2019MM (79 1/2") To T-1575	AR	AR		
34	310996	EXTRUSION PLASTIC / 364" APROX To S-224	AR	AR		
34	311839	EXTRUSION PLASTIC / 36' From S-225	AR	AR		
34	311669	EXTRUSION PLASTIC / 36'	AR	AR		
35	311571	HAND RAIL & LIGHTING CHANEL / 198 11/32"	AR	AR		
35	311573	HAND RAIL & LIGHTING CHANEL / 165" APROX	AR	AR		
NS	311250	ROD / TO JOINT HAND RAIL EXTRUSION	AR	AR		
NS	311251	PLATE / TO JOINT HAND RAIL EXTRUSION	AR	AR		
NS	311389	END CLOSED AT REAR END	1	1		
37	311617	EXTRUSION RUBBER / 492" To S-224	AR	AR		
37	311778	EXTRUSION RUBBER / 492" From S-225	AR	AR		
38	311095	SUPPORT / RAIL / S.L.	AR	AR		
40	500654	SCREW TC BDG PH #8-32x1/2 Z050	AR	AR		
41	311152	SPACER	3	3		
42	502526	SCREW TC BDG PH #12-24x3/4 Z050	AR	AR		
43	500989	WASHER FL .219x.875x.062 Z050	AR	AR		
50	311068	PLATE, CATCH / TO USE W/DOOR, W/O LOCK	1	1		
50	311530	PLATE, CATCH / TO USE W/DOOR, W/LOCK	1	1		
NS	311352	SPACER / TO USE W/PLATE CATCH IF REQUIRE	AR	AR		
51	500650	SCREW TC PAN PH #6-32x3/8 ZP	AR	AR		

From R-012 To V-1967	Date:10/2022	PAGE:H3-1836-00
PARCEL RACK		

Item#	Part	Description	H 3 4 1	H 3 4 5	V I P 4 5	N O T E S
52	292322	SILENT BLOCK	1	1		
53	311559	CONICAL WASHER / TO FIX BLOCK	2	2		
54	502664	SCREW TP PAN PH #8x1 SS EMN	2	2		Z
NS	506066	CORD, RUBBER EXTRUSION NEO 7/16" O.D. / C.T.L.	AR	AR		A
NS	311421	. CORD, RUBBER 15"	AR	AR		A
NS	311637	. CORD, RUBBER 21"	AR	AR		A
. NS	506066	. . CORD, RUBBER EXTRUSION NEO 7/16" O.D. / C.T.L.	AR	AR		A
NS	311155	. CORD, RUBBER 26"	2	2		A
. NS	506066	. . CORD, RUBBER EXTRUSION NEO 7/16" O.D. / C.T.L.	AR	AR		A
NS	311684	. CORD, RUBBER 37"	2	2		A
. NS	506066	. . CORD, RUBBER EXTRUSION NEO 7/16" O.D. / C.T.L.	1	1		A
NS	311154	. CORD, RUBBER 59"	10			A
. NS	506066	. . CORD, RUBBER EXTRUSION NEO 7/16" O.D. / C.T.L.	AR			A
NS	311154	. CORD, RUBBER 59"		12		A
. NS	506066	. . CORD, RUBBER EXTRUSION NEO 7/16" O.D. / C.T.L.		AR		A
NS	502525	WASHER FL .484x.750x.031 Z050	AR	AR		A
NS	504452	CLAMP "E-Z CLIP" / "TUBE-O" / 7/16" / HC9-7	AR	AR		A
		FOLLOWING PARTS ARE RELATED WITH				
		CLOSING PANEL BETWEEN				
		RH PARCEL RACK AND LAVATORY WALL				
NS	311398	FRONT COVER R.H. / NORYL GREY RACK & LAVATORY WALL	1	1		
NS	311399	ANGLE / TO FIX FRONT COVER	1	1		
NS	Call order desk	FINISHING PANEL ASSY / UNDER PARCEL RACK L.H. TISSUS / SPECIFY COLOR	1	1		P K
NS	Call order desk	FINISHING PANEL ASSY / UNDER PARCEL RACK L.H. LEATHERETTE / SPECIFY COL	1	1		P H
NS	311404	. PANEL ALUMINUM 54MM	1	1		
NS	340878	END COVER R.H. / REAR END W/ ST & ST	1	1		
NS	340907	END COVER R.H. / REAR END	1	1		
		FOLLOWING PARTS ARE RELATED WITH				
		CLOSING PANEL BETWEEN				
		L.H. PARCEL RACK AND WALL				
NS	311560P	CLOSING PANEL ASSY	1	1		K
NS	Call order desk	CLOSING PANEL ASSY	1	1		P J
NS	311377	ANGLE / "Z" SHAPE / TO FIX PARCEL RACK TO REAR CAP	1	1		
NS	311542	ANGLE RETAINING / TOP	1	1		
NS	311543	SUPPORT "L" SHAPE / PAINTED GREY	1	1		
NS	311540	FINISHING PANEL ASSY / W/LEATHERETTE INSIDE ON L.H.	1	1		
NS	500179	SCREW CAP HEX 5/16-18x3/4 G5 Z050	AR	AR		

From R-012 To V-1967	Date:10/2022	PAGE:H3-1836-00
PARCEL RACK		

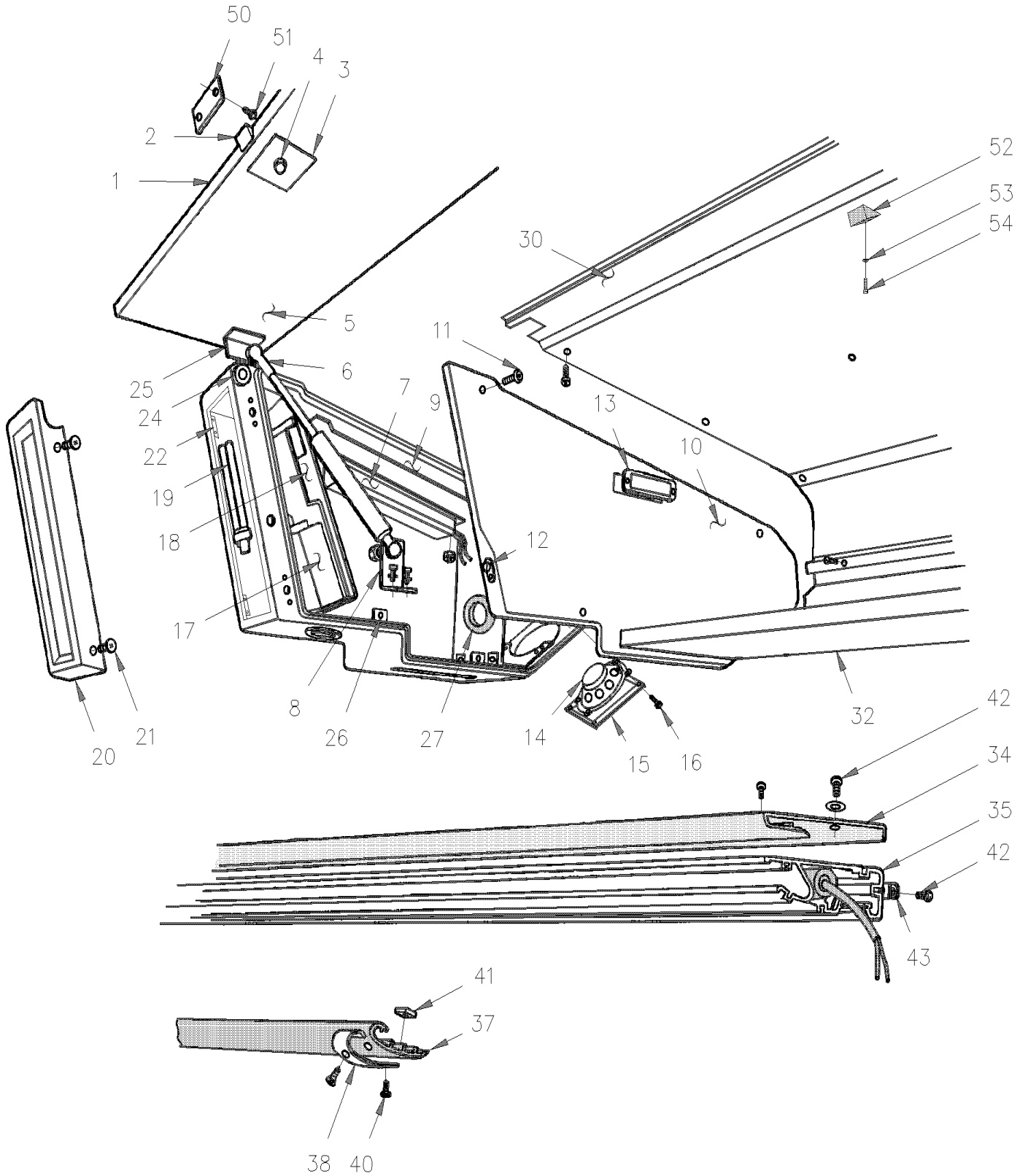
Item#	Part	Description	H 3 4 1	H 3 4 5	V I P 4 5	N O T E S
NS	500641	SCREW TP PAN PH #8x3/4 Z050	AR	AR		
NS	504346	SNAP-IN PLUG / .500 O.D.	1	1		D
NS	504422	HOLE PLUG BUTTON / .625 O.D. WHITE	1	1		
NS	311590	FINISHING PANEL ASSY / W/CARPET ON R.H.	1	1		
NS	311554	. PANEL ALUMINUM	1	1		
		FOLLOWING PARTS ARE RELATED WITH CLOSING PANEL END OF PARCEL RACK R.H. WITH WHEEL CHAIR LIFT				
NS	340910	END CLOSING / PARCEL RACK / W/"RICON" HINGE SIDE OF DOOR		1		
NS	340909	END CLOSING / PARCEL RACK / W/"RICON" CATCH SIDE OF DOOR		1		
NS	311560P	CLOSING PANEL ASSY		1		R
NS	311706	SUPPORT #7 R.H. / W/W.C.L.		1		
NS	810034	CARPET OZITE / S.L. 12 FT WIDE		1		
NS	311590	FINISHING PANEL ASSY / W/CARPET ON R.H.		1		
NS	311554	. PANEL ALUMINUM		1		
		A) PART FOR INSTALLATION WITH CORD				
		B) DOOR ASSY W/SINGLE ACTION UPPER LOCK, INCLUDING CABLE LH SIDE OF LENS AND DOOR ON R.H. SIDE OF LENS				
		D) TO USE W/DOOR				
		F) FOR DOOR REPLACEMENT USE 1 EACH: 980027 (BALL STUD) ,502638 (FL WASHER) & 520838 (NUT)				
		H) UNDER PARCEL RACK TISSUS / S.C.C.				
		J) UNDER PARCEL RACK LEATHERRETTE/S.C.C.				
		K) UNDER PARCEL RACK TISSUS / S.C.C.				
		R) R.H. REAR / W/W.C.L.				
		S) SMALL MODEL				
		T) LARGE				
		V) TO FIX BALLAST				
		W) USE WITH "ELECTRICAL AWNING WINDOW"				
		X) TO FIX SUPPORT				
		Y) TO FIX PARCEL RACK TO RAIL				
		Z) TO FIX BLOCK				
		1) NOT SOLD SEPARATELY				
		P) CALL ORDER DESK FOR SPECIFIC APPLICATION (V.I.N.)				

From V-1968 To W-2284

Date:10/2022

PAGE:H3-1836-01

PARCEL RACK



From V-1968 To W-2284	Date:10/2022	PAGE:H3-1836-01
PARCEL RACK		

Item#	Part	Description	H 3 4 1	H 3 4 5	V I P 4 5	N O T E S
1	312323	DOOR, PARCEL RACK / 400MM				M
1	312324	DOOR ASSY / 534MM				M
1	312322	DOOR, PARCEL RACK / 670MM	2	2		M
1	312325	DOOR ASSY / 948MM	2			M
1	312326	DOOR ASSY / 1396MM				M
1	312321	DOOR ASSY / 1534MM	10			M
1	312321	DOOR ASSY / 1534MM		12		M
1	312328	DOOR, PARCEL RACK / W/LOCK / 670MM	AR	AR		M
1	312327	DOOR ASSY / W/LOCK / 1534MM	AR	AR		M
1	504527	. BUMPER PLUG / .625ODx.312Thx.250HOLEx.125	2	2		
2	810075	. HANDLE / W/O KEY	1	1		S
2	810085	. HANDLE / W/LOCK / SMALL MODEL	1	1		
2	N.S.S.	. . KEY / SMALL	1	1		1
4	500995	. NUT HEX CAP #10-32 Z050	1	1		
5	Call order desk	. PIVOT / DOOR	2	2		P
5	500344	. SCREW MA RND PH M4-0.7x12 Z050	2	2		
6	980020	CYLINDER GAZ / 244/164MM C/C / 35LBS	AR	AR		T
6	980021	CYLINDER GAZ / 244/164MM C/C / 20LBS	AR	AR		
NS	500874	WASHER FL 8.4x17.0x1.6 Z050	AR	AR		
NS	502509	WASHER LO INT 8.4x15.0x0.8 Z050	AR	AR		
6	502638	WASHER FL .312x.734x.065 N500	AR	AR		
NS	980015	BALL STUD / W/10 MM X M8-1.25 / 29.18 MM	AR	AR		
6	980027	BALL STUD / W/10 MM X M8-1.25 / 36.5MM	AR	AR		
NS	980016	NUT, CYLINDER RETAINER	AR	AR		
6	502838	NUT HEX TWAY M8-1.25 N500	AR	AR		
7	330331	BALLAST ASSY / 24 VOLTS	AR	AR		
NS	500441	WASHER FL .312x.734x.065 Z050	AR	AR		U
NS	500770	NUT HEX STO 1/4-20 Z050	AR	AR		U
9	312257	FRAME BOX STEEL	16			
9	312257	FRAME BOX STEEL		18		
NS	500441	WASHER FL .312x.734x.065 Z050	AR	AR		
NS	500770	NUT HEX STO 1/4-20 Z050	AR	AR		U
NS	504118	RIVET POP DOME OE 3/16x3/8 AL	AR	AR		V
NS	506338	RUBBER CHANNEL / 1/16" x 1/4" INT "U" SHAPE / ROUND C.T.L.	AR	AR		W
10	312295	COVER ASSY, R.H.	1	1		A
10	312296	COVER ASSY, L.H.	1	1		A
10	312294	COVER ASSY, R.H. / W/LIGHT & DOOR (AS SHOWN)	1	1		
. NS	312256	. COVER R.H. / W/LIGHT HOLE	1	1		
10	312297	COVER ASSY, L.H. / W/LIGHT & DOOR	1	1		
. NS	312274	. COVER L.H. / W/LIGHT HOLE	1	1		
10	Call order desk	COVER ASSY, L.H.	1	1		P B
10	Call order desk	COVER ASSY, R.H.	1	1		P B

From V-1968 To W-2284	Date:10/2022	PAGE:H3-1836-01
PARCEL RACK		

Item#	Part	Description	H 3 4 1	H 3 4 5	V I P 4 5	N O T E S
NS	506268	. TAPE RUB ADH1 URE 3/8" x 1/2" x 25' / GREY 1820	AR	AR		
11	500626	. SCREW TP OV PH #8x3/4 Z050	AR	AR		
12	561563	. SWITCH / S.P.S.T. / N.C.	1	1		
NS	500467	. WASHER LO INT .138x.275x.019 Z050	1	1		
NS	500663	. SCREW MA FL PH #6-32x3/4 ZP	1	1		
NS	500689	. NUT HEX #6-32 Z050	1	1		
13	H3-0655-01	. INTERIOR LIGHTING				
NS	061967	. CABLE ASSY / LIGHT & SWITCH	1	1		
NS	403960	SPACER ADAPTOR / PLASTIC BLACK	1	1		
14	H3-2315-00	SOUND SYSTEM & ACCESSORIES				
14	H3-2315-10	SOUND SYSTEM - INSTALLATION				
15	H3-2315-00	SOUND SYSTEM & ACCESSORIES				
15	H3-2315-10	SOUND SYSTEM - INSTALLATION				
16	502664	SCREW TP PAN PH #8x1 SS EMN	AR	AR		
17	330332	BALLAST ASSY / 24 VOLTS	AR	AR		
18	312283	SUPPORT REAR BALLAST	1	1		
NS	500638	SCREW TP PAN PH #8x1/2 Z050	1	1		X
NS	500438	WASHER FL .187x.437x.050 Z050	1	1		
19	830108	TUBE / 7WATT / PL7	AR	AR		
20	311461	LENS COVER ASSY / TO USE W/CORD	AR	AR		A
20	311462	LENS COVER ASSY / TO USE W/DOOR	AR	AR		
20	312146	LENS COVER "SPECIAL"	AR	AR		C
NS	311460	. LENS	1	1		
21	500124	SCREW TP TR PH #8x1/2 SS	AR	AR		
24	311544	BUSHING NYLON / TO USE W/LAST L.H. DOOR	2	2		
NS	502514	WASHER SHR .440 ID NYL	2	2		
NS	502623	WASHER FL .443x.750x.125 NYL	2	2		
NS	504586	WASHER FL SPACER .450x.625x.875 NYL	AR	AR		
25	311093	BRACKET / UPPER	AR	AR		
NS	500470	WASHER LO SPT .193x.334x.047 Z050	AR	AR		
NS	502529	SCREW MA BDG PH M5-0.8x12 BZC	AR	AR		
27	504453	GROMMET / 1.500x1.750x.250x.625x2.125	1	1		
NS	312300	PLATE, ACOUSTIC	1	1		
NS	404525	INSULATING, NOISE	1	1		
30	312217	TOP / 1650MM	10			R
30	312217	TOP / 1650MM		11		
30	312218	TOP / #1 R.H. / 848MM	1	1		
30	312219	TOP / #1 L.H. / 848MM	1	1		
30	312229	TOP / #8 L.H. / 655MM				
30	312232	TOP / #8 R.H. / 712MM				
30	312230	TOP / #7 R.H. / 1126MM	1			
30	312231	TOP / #7 L.H. / 1069MM	1			

From V-1968 To W-2284	Date:10/2022	PAGE:H3-1836-01
PARCEL RACK		

Item#	Part	Description	H 3 4 1	H 3 4 5	V I P 4 5	N O T E S
NS	312243	INSULATING / TOP PANEL & STRUCTURE 1371.6MM	10			
NS	312243	INSULATING / TOP PANEL & STRUCTURE 1371.6MM		12		
NS	500147	WASHER FL SQ .187x.625x.063	AR	AR		
NS	504118	RIVET POP DOME OE 3/16x3/8 AL	AR	AR		V
NS	504248	RIVET CHY Q PRDG 3/16x1/4 SS	AR	AR		V
NS	507300	HOLE PLUG BUTTON / 2.000 O.D. WHITE	AR	AR		
NS	311254	RAIL SUPPORT / 3321 MM / C.T.L.	AR	AR		
NS	500659	SCREW TC PAN PH #10-32x1 Z050	AR	AR		Y
32	311820	PANEL / #1 L.H.	1	1		
32	311811	PANEL / #1 R.H.	1	1		
32	311815	PANEL / #2 TO 6 L.H. & R.H.	6			
32	311815	PANEL / #2 TO 6 L.H. & R.H.		10		
32	311812	PANEL / #7 L.H.	1	1		
32	311823	PANEL / #7 R.H.	1	1		
34	311779	EXTRUSION PLASTIC / 40'	AR	AR		
35	311886	HAND RAIL & LIGHTING CHANEL / 198" APROX	AR	AR		
35	311887	HAND RAIL & LIGHTING CHANEL / 165" APROX	AR	AR		
35	311888	HAND RAIL & LIGHTING CHANEL	AR	AR		
NS	311250	ROD / TO JOINT HAND RAIL EXTRUSION	AR	AR		
NS	311251	PLATE / TO JOINT HAND RAIL EXTRUSION	AR	AR		
NS	311389	END CLOSED AT REAR END	1	1		
37	311778	EXTRUSION RUBBER / 492"	AR	AR		
38	311095	SUPPORT / RAIL / S.L.	AR	AR		
40	500654	SCREW TC BDG PH #8-32x1/2 Z050	AR	AR		
41	311152	SPACER	3	3		
42	5001304	SCREW TC CAP HEXW SLT #12-24x5/8 ZP	AR	AR		
42	502526	SCREW TC BDG PH #12-24x3/4 Z050	AR	AR		
50	311068	PLATE, CATCH / TO USE W/DOOR, W/O LOCK	1	1		
50	311530	PLATE, CATCH / TO USE W/DOOR, W/LOCK	1	1		
NS	311352	SPACER / TO USE W/PLATE CATCH IF REQUIRE	AR	AR		
51	500650	SCREW TC PAN PH #6-32x3/8 ZP	AR	AR		
52	292322	SILENT BLOCK	1	1		
53	311559	CONICAL WASHER / TO FIX BLOCK	2	2		
54	502664	SCREW TP PAN PH #8x1 SS EMN	2	2		Z
NS	506066	CORD, RUBBER EXTRUSION NEO 7/16" O.D. / C.T.L.	AR	AR		A
NS	311421	. CORD, RUBBER 15"	AR	AR		A
NS	311637	. CORD, RUBBER 21"	AR	AR		A
. NS	506066	. . CORD, RUBBER EXTRUSION NEO 7/16" O.D. / C.T.L.	AR	AR		A
NS	311155	. CORD, RUBBER 26"	2	2		A
. NS	506066	. . CORD, RUBBER EXTRUSION NEO 7/16" O.D. / C.T.L.	AR	AR		A
NS	311684	. CORD, RUBBER 37"	2	2		A

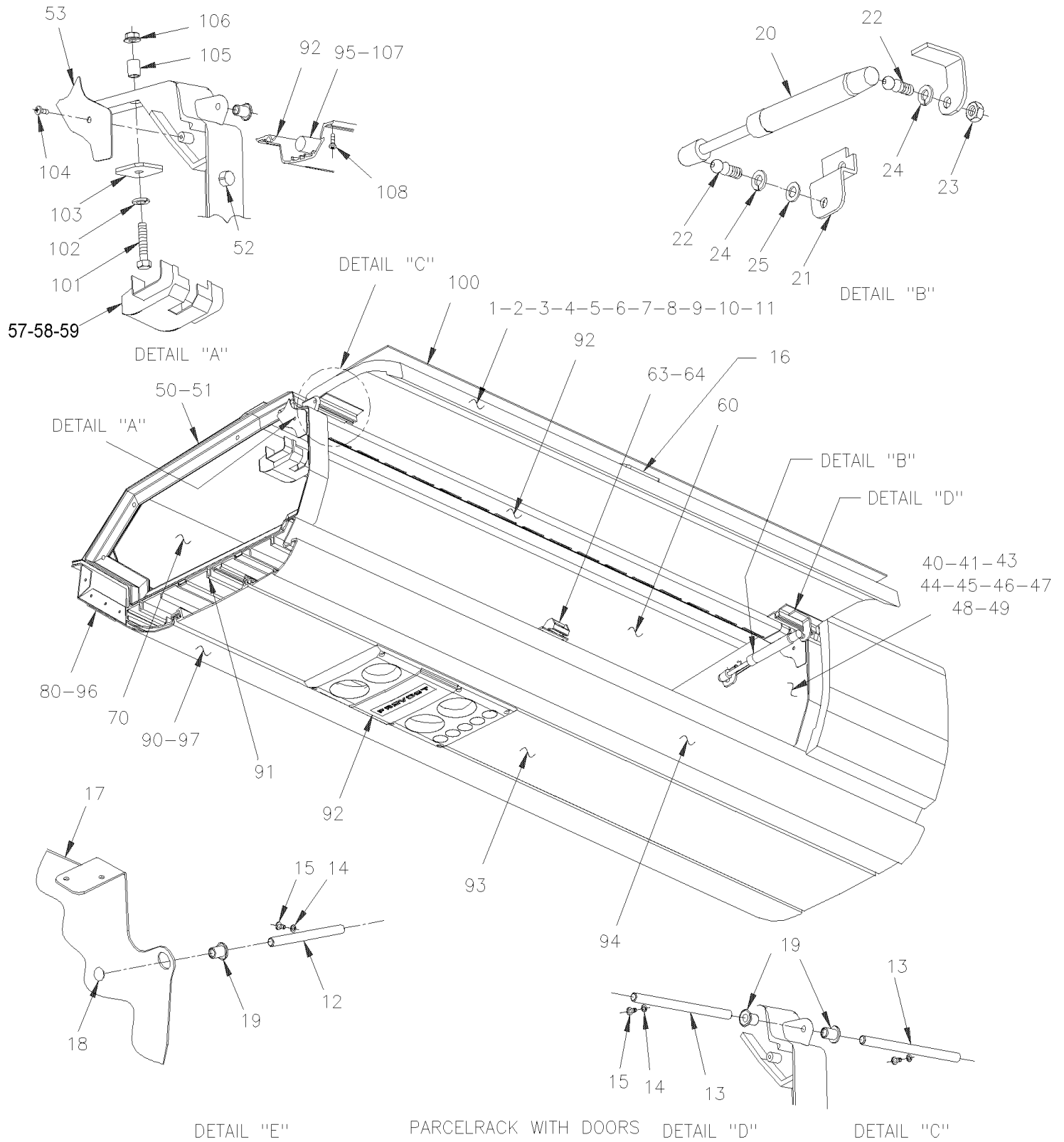
From V-1968 To W-2284	Date:10/2022	PAGE:H3-1836-01
PARCEL RACK		

Item#	Part	Description	H 3 4 1	H 3 4 5	V I P 4 5	N O T E S
. NS	506066	. . CORD, RUBBER EXTRUSION NEO 7/16" O.D. / C.T.L.	1	1		A
NS	311154	. CORD, RUBBER 59"	10			A
. NS	506066	. . CORD, RUBBER EXTRUSION NEO 7/16" O.D. / C.T.L.	AR			A
NS	311154	. CORD, RUBBER 59"		12		A
. NS	506066	. . CORD, RUBBER EXTRUSION NEO 7/16" O.D. / C.T.L.		AR		A
NS	502525	WASHER FL .484x.750x.031 Z050	AR	AR		A
NS	504452	CLAMP "E-Z CLIP" / "TUBE-O" / 7/16" / HC9-7	AR	AR		A
		FOLLOWING PARTS ARE RELATED				
		WITH CLOSING PANEL BETWEEN				
		RH PARCEL RACK AND LAVATORY WALL				
NS	311398	FRONT COVER R.H. / NORYL GREY RACK & LAVATORY WALL	1	1		
NS	311399	ANGLE / TO FIX FRONT COVER	1	1		
NS	Call order desk	FINISHING PANEL ASSY / UNDER PARCEL RACK L.H. TISSUS / SPECIFY COLOR	1	1		P K
NS	Call order desk	FINISHING PANEL ASSY / UNDER PARCEL RACK L.H. LEATHERETTE / SPECIFY COL	1	1		P F
NS	311404	. PANEL ALUMINUM 54MM	1	1		
NS	340878	END COVER R.H. / REAR END W/ ST & ST	1	1		
NS	340907	END COVER R.H. / REAR END	1	1		
		FOLLOWING PARTS ARE RELATED				
		WITH CLOSING PANEL BETWEEN				
		L.H. PARCEL RACK AND WALL				
NS	311560P	CLOSING PANEL ASSY	1	1		K
NS	Call order desk	CLOSING PANEL ASSY	1	1		P G
NS	311377	ANGLE / "Z" SHAPE / TO FIX PARCEL RACK TO REAR CAP	1	1		
NS	311542	ANGLE RETAINING / TOP	1	1		
NS	312041	SUPPORT "L" SHAPE / PAINTED GREY	1	1		
NS	311540	FINISHING PANEL ASSY / W/LEATHERETTE INSIDE ON L.H.	1	1		
NS	500179	SCREW CAP HEX 5/16-18x3/4 G5 Z050	AR	AR		
NS	500641	SCREW TP PAN PH #8x3/4 Z050	AR	AR		
NS	504346	SNAP-IN PLUG / .500 O.D.	1	1		
NS	504422	HOLE PLUG BUTTON / .625 O.D. WHITE	1	1		
NS	311590	FINISHING PANEL ASSY / W/CARPET ON R.H.	1	1		
NS	311554	. PANEL ALUMINUM	1	1		
		FOLLOWING PART ARE RELATED				
		WITH CLOSING PANEL END OF PARCEL RACK R.H.				
		WITH WHEEL CHAIR LIFT				
NS	340910	END CLOSING / PARCEL RACK / W/"RICON" HINGE SIDE OF DOOR				B

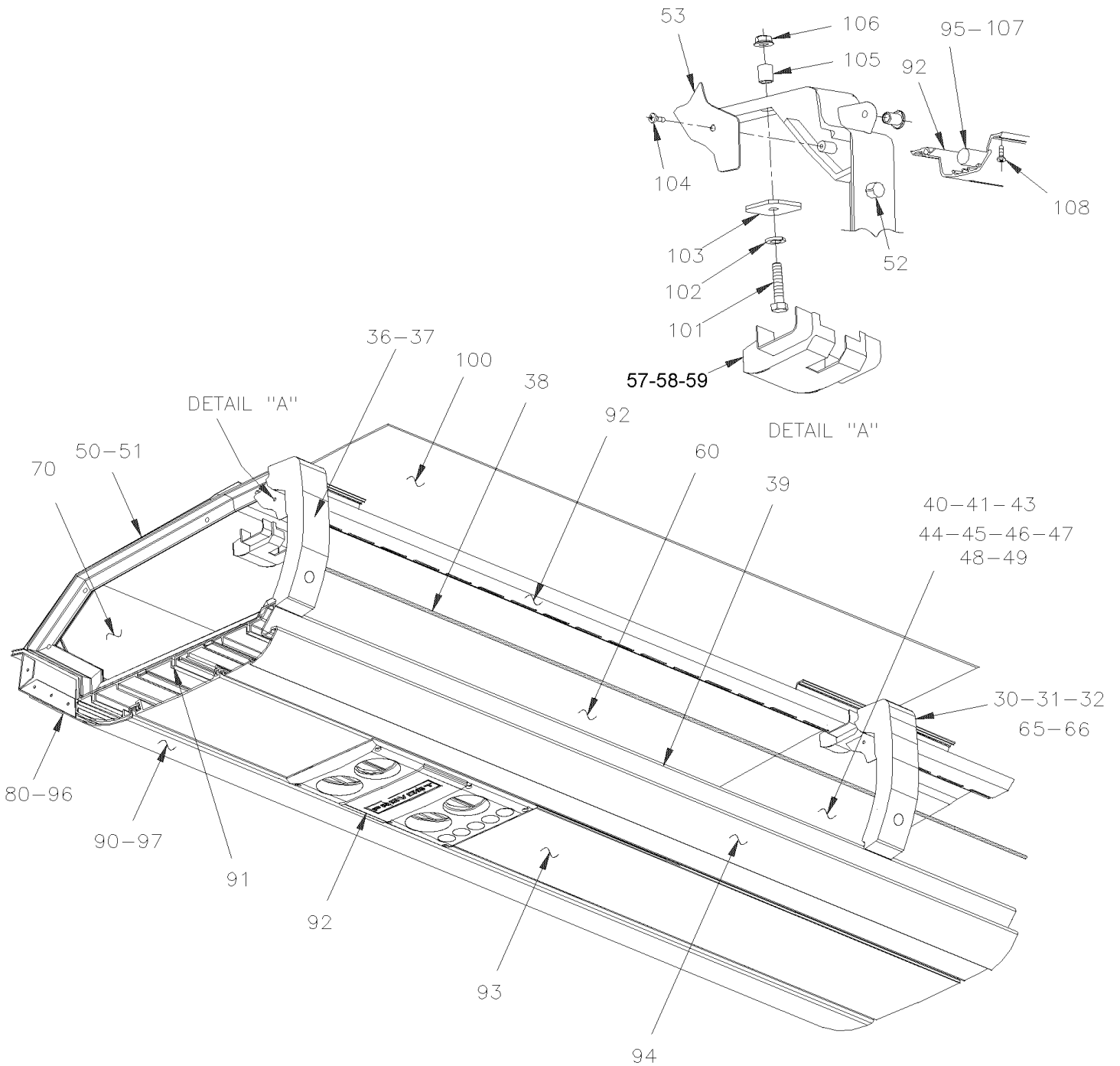
From V-1968 To W-2284	Date:10/2022	PAGE:H3-1836-01
PARCEL RACK		

Item#	Part	Description	H 3 4 1	H 3 4 5	V I P 4 5	N O T E S
NS	340909	END CLOSING / PARCEL RACK / W/"RICON" CATCH SIDE OF DOOR				B
NS	311560P	CLOSING PANEL ASSY				B
NS	311706	SUPPORT #7 R.H. / W/W.C.L.				B
NS	810034	CARPET OZITE / S.L. 12 FT WIDE				B
NS	311590	FINISHING PANEL ASSY / W/CARPET ON R.H.				B
NS	311554	. PANEL ALUMINUM				B
		A) PARTS ARE USE W/INSTALLATION W/CORD				
		B) THOSE COVER ARE USE OPPOSITE SIDE OF BOX WITH DOOR INSTALLATION				
		C) THIS LENS COVER IT USE WITH INSTALLATION W/CORD ON LH SIDE OF LENS & A DOOR ON RH SIDE OF LENS.				
		F) UNDER PARCEL RACK LEATHERETTE/ S.C.C.				
		G) UNDER PARCEL RACK LEATHERETTE/S.C.C.				
		K) UNDER PARCEL RACK TISSUS / S.C.C.				
		M) FOR DOOR REPALCEMENT USE 1 EACH: 980027 (BALL STUD) ,502638 (FL WASHER) & 520838 (NUT)				
		R) R.H. REAR / W/W.C.L.				
		S) SMALL MODEL				
		T) TO USE W/1534MM DOOR				
		V) TO FIX PARCEL RACK				
		W) SUPPORT				
		X) TO FIX SUPPORT				
		Y) TO FIX PARCEL RACK TO RAIL				
		Z) TO FIX BLOCK				
		1) NOT SOLD SEPARATELY				
		P) CALL ORDER DESK FOR SPECIFIC APPLICATION (V.I.N.)				

From W-2285 To 2-4416	Date:10/2022	PAGE:H3-1836-02
PARCEL RACK		

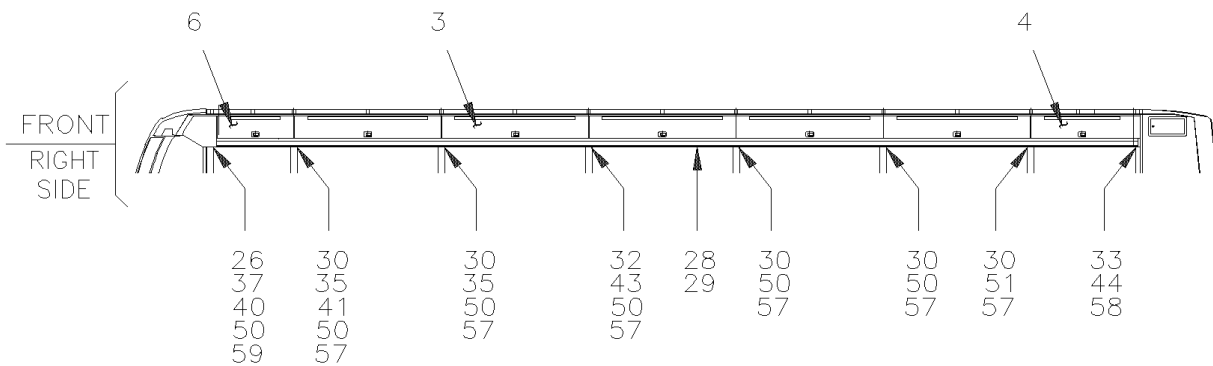
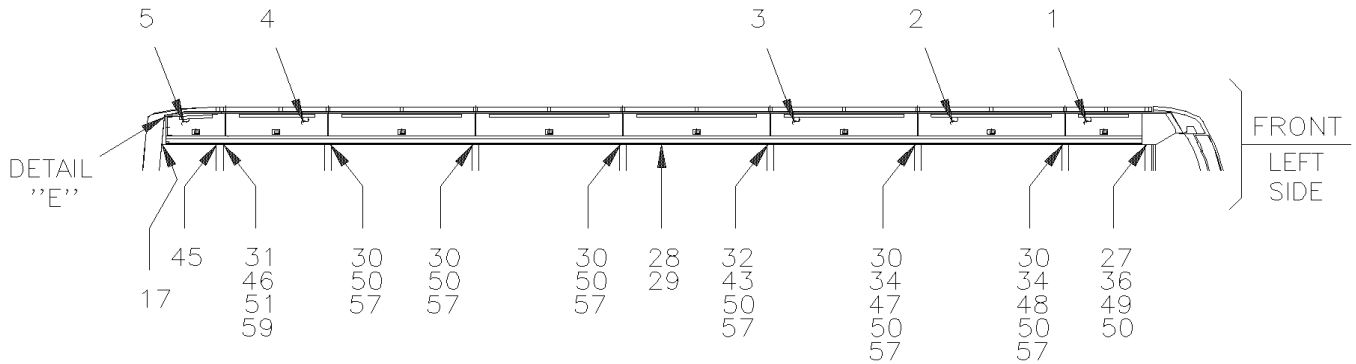


From W-2285 To 2-4416	Date:10/2022	PAGE:H3-1836-02
PARCEL RACK		

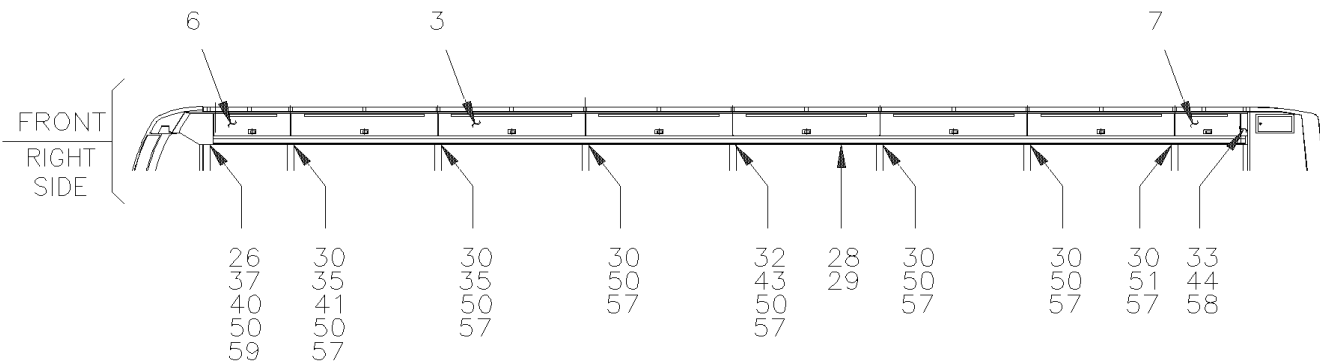
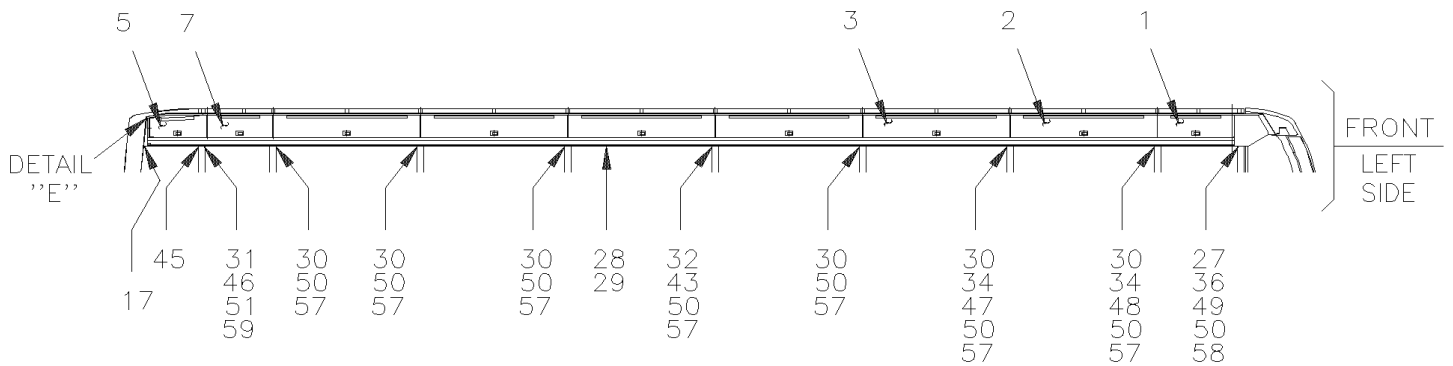


PARCEL RACK WITH CORD

From W-2285 To 2-4416	Date:10/2022	PAGE:H3-1836-02
PARCEL RACK		

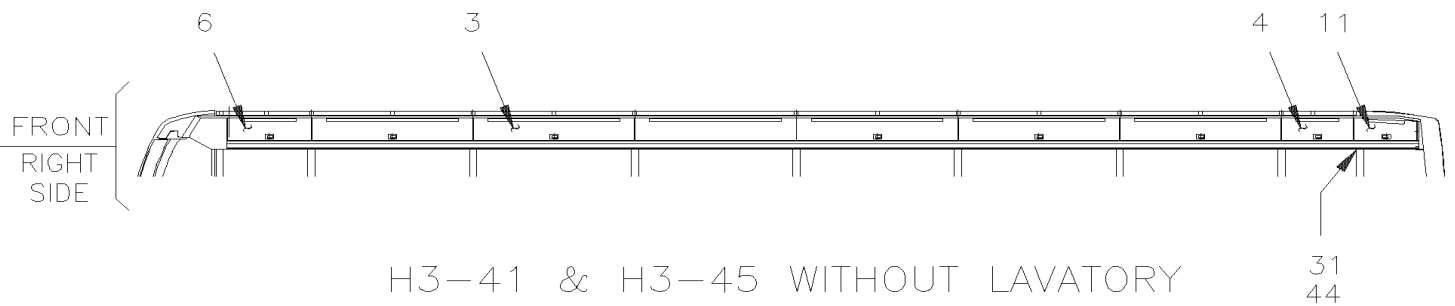
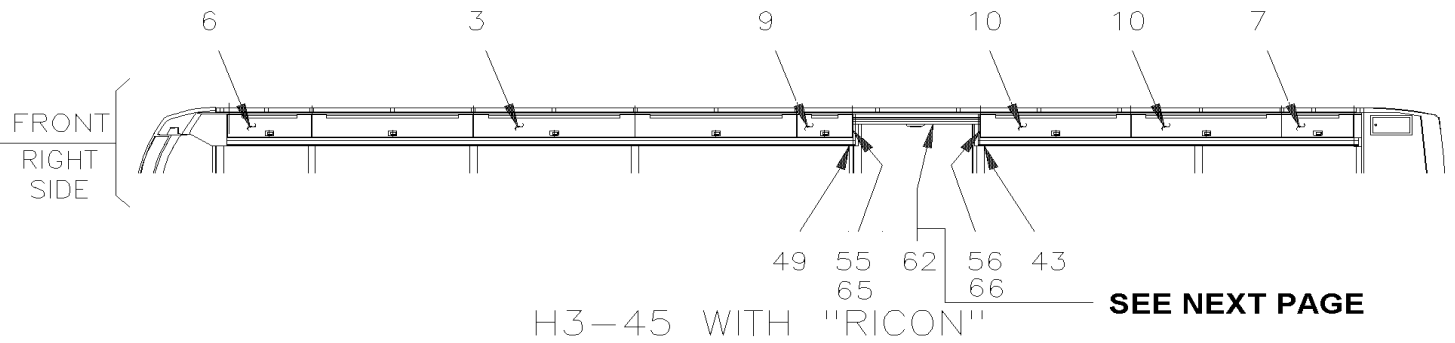
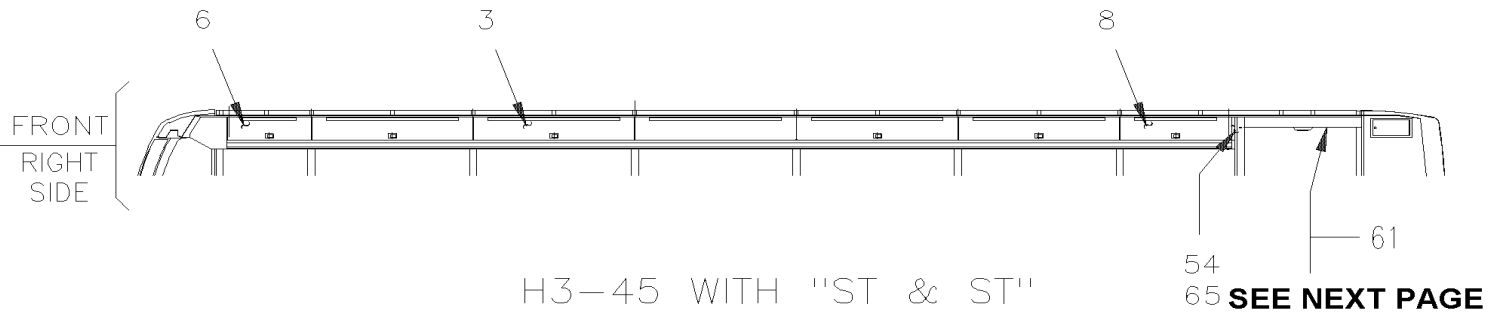
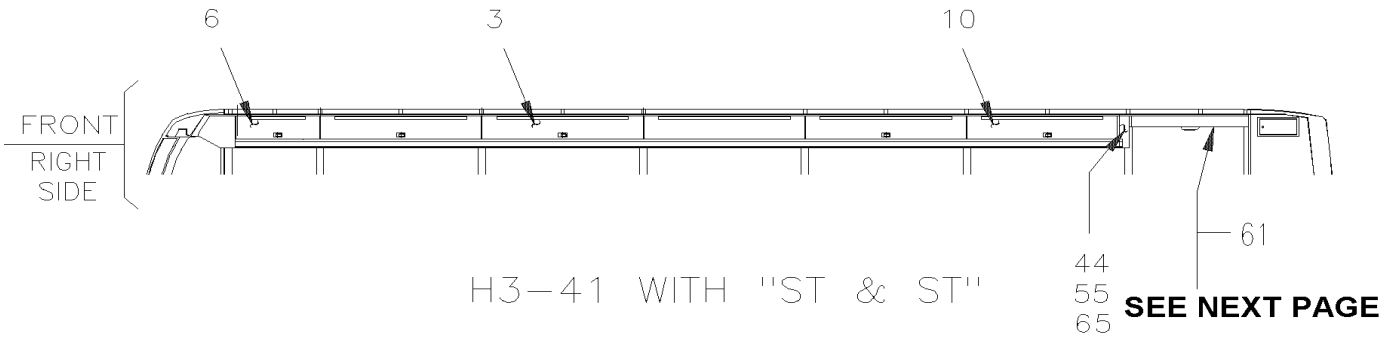


H3-41



H3-45

From W-2285 To 2-4416	Date:10/2022	PAGE:H3-1836-02
PARCEL RACK		

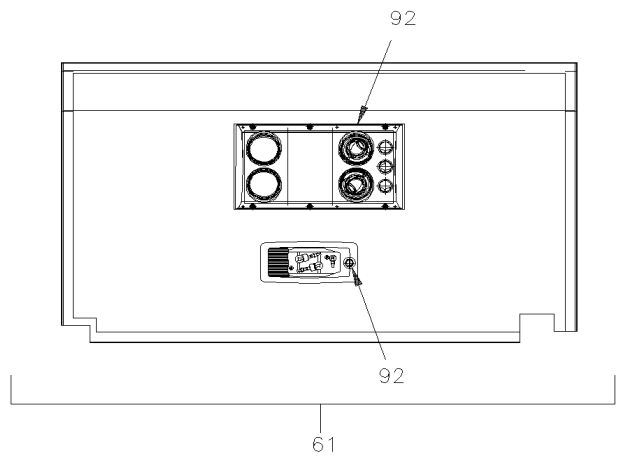
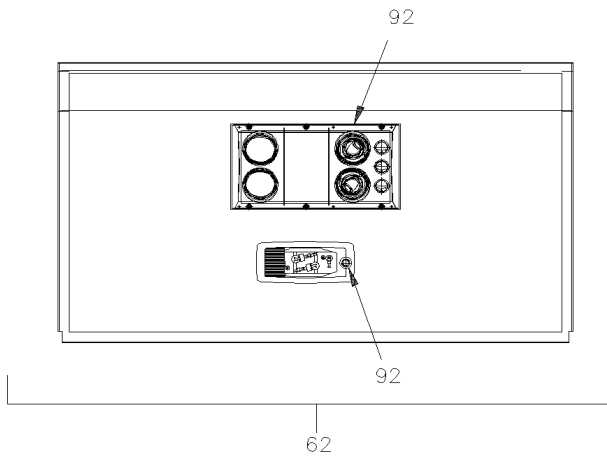


From W-2285 To 2-4416

Date:10/2022

PAGE:H3-1836-02

PARCEL RACK



From W-2285 To 2-4416		Date:10/2022	PAGE:H3-1836-02
PARCEL RACK			

Item#	Part	Description	H 3 4 1	H 3 4 5	V I P 4 5	N O T E S
1	312464	DOOR, PARCEL RACK / L.H. / 864MM To Y-3444	1	1		B
1	313315	DOOR, PARCEL RACK / L.H. / 864MM From Y-3445	1	1		C
2	312708	DOOR, PARCEL RACK / W/LOCK / 1654MM To Y-3444	1	1		B
2	313485	DOOR, PARCEL RACK / W/LOCK / 1654MM From Y-3445	1	1		C
3	312463	DOOR, PARCEL RACK / 1654MM To Y-3444	9			B
3	312463	DOOR, PARCEL RACK / 1654MM To Y-3444		11		B
3	313314	DOOR, PARCEL RACK / 1654MM From Y-3445	9			C
3	313314	DOOR, PARCEL RACK / 1654MM From Y-3445		11		C
4	312467	DOOR, PARCEL RACK / 1151MM To Y-3444	2			B
4	313318	DOOR, PARCEL RACK / 1151MM From Y-3445	2			C
5	312461	DOOR, PARCEL RACK / L.H. / 667MM To Y-3444	1	1		B
5	313312	DOOR, PARCEL RACK / L.H. / 667MM From Y-3445	1	1		C
6	312470	DOOR, PARCEL RACK / R.H. / 861MM To Y-3444	1	1		B
6	313321	DOOR, PARCEL RACK / R.H. / 861MM From Y-3445	1	1		C
6	312644	DOOR, PARCEL RACK / R.H. W/LOCK / 861MM To Y-3444	1	1		B
6	313322	DOOR, PARCEL RACK / R.H. W/LOCK / 861MM From Y-3445	1	1		C
7	312466	DOOR, PARCEL RACK / 736MM To Y-3444		1		B
7	313317	DOOR, PARCEL RACK / 736MM From Y-3445		1		C
8	312469	DOOR, PARCEL RACK / 1145MM To Y-3444		1		B
8	313320	DOOR, PARCEL RACK / 1145MM From Y-3445		1		C
9	312465	DOOR, PARCEL RACK / 568MM To Y-3444		1		B
9	313316	DOOR, PARCEL RACK / 568MM From Y-3445		1		C
10	312468	DOOR, PARCEL RACK / 1541MM To Y-3444		2		B
10	313319	DOOR, PARCEL RACK / 1541MM From Y-3445		2		C
11	312462	DOOR, PARCEL RACK / R.H. / 667MM To Y-3444		1		B
11	313313	DOOR, PARCEL RACK / R.H. / 667MM From Y-3445		1		C
12	312993	. PIVOT ROD 3 1/8" To Y-3444	1	1		
12	312993	PIVOT ROD 3 1/8" From Y-3445	1	1		
13	313273	. PIVOT ROD 6" To Y-3444	1	1		B
13	313273	PIVOT ROD 6" From Y-3445	1	1		B
13	M103-02	SEE MAINTENANCE INFORMATION				B
14	500240	WASHER LO EXT .195x.410x.025 Z050	1	1		
15	5001036	SCREW MA PAN PH M4-0.7x10 Z050	1	1		
16	810089	. HANDLE To Y-3444	1	1		
16	810092	. HANDLE From Y-3445	1	1		
16	810090	. HANDLE W/LOCK To Y-3444	1	1		
. NS	810094	. . KEY (7216) To Y-3444	1	1		
16	810093	. HANDLE W/LOCK From Y-3445	1	1		
. NS	810104	. . KEY (7216) From Y-3445	1	1		
17	312512	SUPPORT, L.H. REAR / W/DOOR	1	1		
NS	500441	WASHER FL .312x.734x.065 Z050	54	54		
NS	500163	SCREW CAP HEX 1/4-20x3/4 G5 Z050	54	54		

From W-2285 To 2-4416	Date:10/2022	PAGE:H3-1836-02
PARCEL RACK		

Item#	Part	Description	H 3 4 1	H 3 4 5	V I P 4 5	N O T E S
17	312951	SUPPORT, L.H. REAR / W/CORD	1	1		
NS	506236	TAPE RUB ADH1 CC POL 1/16" x 1/2" x 100' / GREY 2520	AR	AR		
NS	Call order desk	FINISHING PLATE ALU. / UNDER OF P.R. To X-2814	1	1		P
NS	313094	FINISHING CAP L.H. / UNDER OF P.R. From X-2815	1	1		
18	504528	HOLE PLUG BUTTON / .437 O.D. BLACK	1	1		
19	313285	BUSHING NYLON FLANGE / 8.5 I.D. X 13.6 O.D. O	AR	AR		
NS	312438	BUSHING NYLON FLANGE / 8.5 I.D. X 13.6 O.D. C	1	1		
NS	5001481	SPACER NYLON .323 I.D. X .750 O.D. X .125	2	2		
20	980020	CYLINDER GAZ / 244/164MM C/C / 35LBS	AR	AR		
21	312841	SUPPORT, CYLINDER DOOR To 2-4366	AR	AR		
22	980015	BALL STUD / W/10 MM X M8-1.25 / 29.18 MM	1	1		
22	980027	BALL STUD / W/10 MM X M8-1.25 / 36.5MM	1	1		C
23	980016	NUT, CYLINDER RETAINER	1	1		
23	502838	NUT HEX TWAY M8-1.25 N500	1	1		C
24	502509	WASHER LO INT 8.4x15.0x0.8 Z050	1	1		
24	502638	WASHER FL .312x.734x.065 N500	1	1		C
25	500874	WASHER FL 8.4x17.0x1.6 Z050	AR	AR		
26	312904	SUPPORT FRONT R.H. / "C" FORM 390MM	1	1		
27	312902	SUPPORT FRONT R.H. / "C" FORM 390MM	1	1		
28	312930	COVER / L.H. SIDE OF VENTILATOR BOX	2	2		
29	312929	COVER / FRONT OF VENTILATOR BOX	2	2		
30	312648	PILAR COVERING	10			
30	312648	PILAR COVERING		12		
31	312963	PILAR COVERING / W/O BACK RIB	1	1		
32	312964	PILAR COVERING GREY	2	2		
33	312950	FINISHING CAP R.H. / FRONT OF P.R.	1	1		
NS	312922	ANGLE / TO FIX FINISHING CAP	2	2		
NS	Call order desk	FINISHING PLATE ALU. / UNDER OF P.R. To X-2814	1	1		P
NS	313095	FINISHING CAP R.H. / UNDER OF P.R. From X-2815	1	1		
34	312920	FINISHING CAP L.H. / FRONT OF P.R.	2	2		
35	312938	PILAR COVERING GREY	1	1		
36	312965	PILAR COVERING R.H.	1	1		
37	312966	PILAR COVERING L.H.	1	1		
38	312713	CORD, RUBBER 335"	1			
. NS	506066	. CORD, RUBBER EXTRUSION NEO 7/16" O.D. / C.T.L.	AR			
38	312659	CORD, RUBBER 359"	1			
. NS	506066	. CORD, RUBBER EXTRUSION NEO 7/16" O.D. / C.T.L.	AR			
38	312656	CORD, RUBBER 384"		1		
. NS	506066	. CORD, RUBBER EXTRUSION NEO 7/16" O.D. / C.T.L.		AR		
38	312660	CORD, RUBBER 400"	1			
. NS	506066	. CORD, RUBBER EXTRUSION NEO 7/16" O.D. / C.T.L.	AR			
38	312661	CORD, RUBBER 407"	1	1		

From W-2285 To 2-4416		Date:10/2022	PAGE:H3-1836-02
PARCEL RACK			

Item#	Part	Description	H 3 4 1	H 3 4 5	V I P 4 5	N O T E S
. NS	506066	. CORD, RUBBER EXTRUSION NEO 7/16" O.D. / C.T.L.	AR	AR		
38	312658	CORD, RUBBER 434"	1			
. NS	506066	. CORD, RUBBER EXTRUSION NEO 7/16" O.D. / C.T.L.	AR			
38	312655	CORD, RUBBER 449"		1		
. NS	506066	. CORD, RUBBER EXTRUSION NEO 7/16" O.D. / C.T.L.		AR		
38	312654	CORD, RUBBER 456"		1		
. NS	506066	. CORD, RUBBER EXTRUSION NEO 7/16" O.D. / C.T.L.		AR		
38	312653	CORD, RUBBER 483"		1		
. NS	506066	. CORD, RUBBER EXTRUSION NEO 7/16" O.D. / C.T.L.		AR		
38	506066	. CORD, RUBBER EXTRUSION NEO 7/16" O.D. / C.T.L.	AR	AR		
NS	502525	WASHER FL .484x.750x.031 Z050	AR	AR		
NS	504452	CLAMP "E-Z CLIP" / "TUBE-O" / 7/16" / HC9-7	AR	AR		
39	312984	EDGE MOULDING GREY 1600MM	1	1		
39	312985	EDGE MOULDING GREY 785MM	1	1		
39	312986	EDGE MOULDING GREY 682MM	1	1		
39	312987	EDGE MOULDING GREY 641MM	1	1		
39	312988	EDGE MOULDING GREY 1097MM	1	1		
39	312989	EDGE MOULDING GREY 1063MM	1	1		
39	312990	EDGE MOULDING GREY 516MM	1	1		
39	312991	EDGE MOULDING GREY 1487MM	1	1		
40	312905	COVER / PLAIN / W/CORD To 1-4208	1	1		
40	313586	COVER L.H. / PLAIN / W/CORD From 1-4209	1	1		
40	312595	COVER L.H. ASSY / W/LIGHT	1	1		
. NS	312593	. COVER L.H. / W/LIGHT HOLE	1	1		
41	312594	COVER L.H. / PLAIN To 1-4208	1	1		
41	313584	COVER L.H. / PLAIN From 1-4209	1	1		
41	312905	COVER / PLAIN / W/CORD To 1-4208	1	1		
41	313586	COVER L.H. / PLAIN / W/CORD From 1-4209	1	1		
43	312905	COVER / PLAIN / W/CORD To 1-4208	2	2		
43	313586	COVER L.H. / PLAIN / W/CORD From 1-4209	1	1		
43	312594	COVER L.H. / PLAIN To 1-4208	1	1		
43	313584	COVER L.H. / PLAIN From 1-4209	1	1		
44	312514	COVER R.H. / PLAIN OFFSET W/CORD GREY	1	1		
44	312890	COVER R.H. ASSY / W/LIGHT OFFSET	1	1		
. NS	312892	. COVER R.H. / W/LIGHT HOLE OFFSET	1	1		
45	312910	COVER R.H. / PLAIN OFFSET W/CORD	1	1		
45	312916	COVER R.H. ASSY / W/LIGHT OFFSET	1	1		
. NS	312909	. COVER R.H. / W/LIGHT HOLE OFFSET	1	1		
46	312581	COVER L.H. / PLAIN OFFSET W/CORD	1	1		
46	312889	COVER L.H. ASSY / W/LIGHT OFFSET	1	1		
. NS	312891	. COVER L.H. / W/LIGHT HOLE OFFSET	1	1		
47	312906	COVER / PLAIN / W/CORD To 1-4208	1	1		

From W-2285 To 2-4416		Date:10/2022	PAGE:H3-1836-02
PARCEL RACK			

Item#	Part	Description	H 3 4 1	H 3 4 5	V I P 4 5	N O T E S
47	313587	COVER R.H. / PLAIN / W/CORD From 1-4209	1	1		
47	312596	COVER R.H. / PLAIN	1	1		
48	312906	COVER / PLAIN / W/CORD	1	1		
49	312516	COVER R.H. ASSY / W/LIGHT To 1-4208	1	1		
. NS	312515	. COVER R.H. / W/LIGHT HOLE To 1-4208	1	1		
49	313591	COVER R.H. ASSY / W/LIGHT From 1-4209	1	1		
. NS	313588	. COVER R.H. / W/LIGHT HOLE From 1-4209	1	1		
49	312906	COVER / PLAIN / W/CORD To 1-4208	1	1		
49	313587	COVER R.H. / PLAIN / W/CORD From 1-4209	1	1		
50	312420	SUPPORT, PARCEL RACK To Y-3444	14			
50	313287	SUPPORT, PARCEL RACK From Y-3445 To 2-4362	14			
50	312921	SUPPORT, PARCEL RACK From 2-4363	14			
50	312420	SUPPORT, PARCEL RACK To Y-3444		16		
50	313287	SUPPORT, PARCEL RACK From Y-3445 To 2-4362		16		
50	312921	SUPPORT, PARCEL RACK From 2-4363		16		
51	312772	SUPPORT, PARCEL RACK To 2-4362	2	2		
51	313623	SUPPORT, PARCEL RACK From 2-4363	2	2		
52	561563	SWITCH / S.P.S.T. / N.C.	AR	AR		
53	312454	COVER UPPER GRIS	8			
53	312454	COVER UPPER GRIS		9		
54	313000	COVER END CLOSING	1			
55	312961	COVER R.H. END CLOSING To 1-4208	1	1		
55	313599	COVER R.H. END CLOSING From 1-4209	1	1		
55	313598	COVER R.H. END CLOSING To 1-4208		1		A
55	313620	COVER R.H. END CLOSING From 1-4209		1		A
56	312962	COVER L.H. END CLOSING To 1-4208		1		
56	313622	COVER L.H. END CLOSING From 1-4209		1		
57	312509	COVER FINISHING PILAR LIGHTING MODULE	12			
57	312509	COVER FINISHING PILAR LIGHTING MODULE		14		
58	312446	COVER FINISHING PILAR L.H. LIGHTING MODULE	2	2		
59	312508	COVER FINISHING PILAR R.H. LIGHTING MODULE	2	2		
60	312477	CEILING PANEL #1 R.H.	1	1		
60	312479	CEILING PANEL #1 L.H.	1	1		
60	312483	CEILING PANEL #7 R.H. / W/W.C.L. "RICON"	1			
60	312482	CEILING PANEL #6 R.H. / W/W.C.L. "RICON"		1		
60	312481	CEILING PANEL #7 L.H.	1			
60	Call order desk	CEILING PANEL #7 L.H.	1			P
. NS	312488	. CEILING PANEL	1			
60	312638	CEILING PANEL #7 R.H. / W/W.C.L. "ST&ST"		1		
60	312489	CEILING PANEL #8 R.H.	1			
60	312475	CEILING PANEL #8 L.H.		1		
60	312473	CEILING PANEL #8 R.H. / W/W.C.L. "RICON"		1		

From W-2285 To 2-4416	Date:10/2022	PAGE:H3-1836-02
PARCEL RACK		

Item#	Part	Description	H 3 4 1	H 3 4 5	V I P 4 5	N O T E S
NS	312243	INSULATING / TOP PANEL & STRUCTURE 1371.6MM	10			
NS	312243	INSULATING / TOP PANEL & STRUCTURE 1371.6MM		12		
NS	500964	WASHER FL .203x.500x.047 Z050	48	48		
NS	500654	SCREW TC BDG PH #8-32x1/2 Z050	48	48		
NS	5001440	SCREW TP RND PH WSHR HD #8x1/2	AR	AR		
NS	504118	RIVET POP DOME OE 3/16x3/8 AL	AR	AR		
60	506500	TAPE RUB ADH2 NEO .045" x 1" x 100' / BLACK 4965	AR	AR		
61	Call order desk	CEILING PANEL ASSY W/READING LIGHT	1			P
62	Call order desk	CEILING PANEL ASSY W/READING LIGHT To 1-4208		1		P
62	Call order desk	CEILING PANEL ASSY W/READING LIGHT From 1-4209		1		P
63	312812	CATCH To 2-4366	AR	AR		
63	313624	CATCH From 2-4367	AR	AR		
64	500638	SCREW TP PAN PH #8x1/2 Z050	9	9		
NS	500470	WASHER LO SPT .193x.334x.047 Z050	1	1		
65	313625	PILAR COVERING / FRONT W.C.L. DOOR	1			
66	313626	PILAR COVERING / BACKWARD W.C.L. DOOR		1		
70	312456P	PANEL, INSIDE 1657MM #2,3,5,6 LH & #2,4,5,6 RH	8			
70	312456P	PANEL, INSIDE 1657MM #2,3,4,6,7 LH & #2,3,5,6,7 RH		10		
70	Call order desk	PANEL, INSIDE 1657MM #4 LH & #3 RH	2			P
70	Call order desk	PANEL, INSIDE 1657MM #5 LH & #4 RH		2		P
70	312553P	PANEL, INTERIOR ASSY 868 MM #1 RH & LH	2	2		
70	Call order desk	PANEL, INSIDE / W/W.C.L. "ST&ST" OR GALLEY 1594MM #7 R.H.	1	1		P
70	Call order desk	PANEL, INSIDE 1205.5MM #7 R.H.	1			P
70	Call order desk	PANEL, INSIDE 1826MM	1			P
70	Call order desk	PANEL, INSIDE / W/W.C.L. "ST&ST" 597MM #5 R.H		1		P
70	Call order desk	PANEL, INSIDE 791MM #8 R.H.		1		P
70	312641P	PANEL, INSIDE 766MM #8 L.H.		1		
NS	810034	CARPET OZITE / S.L. 12 FT WIDE	AR	AR		
80	312427P	PANEL ASSY / W/O SPEAKER	1	1		
80	312428P	PANEL ASSY #1 W/SPEAKER HOLE	1	1		
80	312429P	PANEL ASSY #2,3,4,5 & 6 L.H. & R.H.	8			
80	312429P	PANEL ASSY #2,3,4,5 & 6 L.H. & R.H.		10		
80	Call order desk	PANEL ASSY #4 R.H. & #5 L.H.	2	2		P
80	Call order desk	PANEL ASSY #6 R.H. / W/W.C.L. "ST&ST"	1			P
80	Call order desk	PANEL ASSY #6 R.H. / W/W.C.L. "RICON"		1		P
80	Call order desk	PANEL ASSY #7 R.H.	1			P
80	Call order desk	PANEL ASSY #7 R.H. / W/W.C.L. "RICON"	1			P
80	Call order desk	PANEL ASSY #7 R.H. / W/W.C.L. "RICON" To 1-4252		1		P
80	Call order desk	PANEL ASSY #7 R.H. / W/W.C.L. "RICON" From 1-4253		1		P
80	Call order desk	PANEL ASSY #7 R.H. / W/W.C.L. "ST&ST"		1		P
80	Call order desk	PANEL ASSY #8 L.H. To 1-4252		1		P
80	313607P	PANEL ASSY #8 L.H. From 1-4253		1		

From W-2285 To 2-4416	Date:10/2022	PAGE:H3-1836-02
PARCEL RACK		

Item#	Part	Description	H 3 4 1	H 3 4 5	V I P 4 5	N O T E S
80	Call order desk	PANEL ASSY #8 R.H. To 1-4252		1		P
80	313608P	PANEL ASSY #8 L.H. From 1-4253		1		
90	312532	EXTRUSION, ALUMINIUM 6395 MM		1		
90	312371	EXTRUSION, ALUMINIUM 6395MM / C.T.L.		1		
90	312528	EXTRUSION, REAR, ALUMINIUM 5850MM / S.C.C		1		
90	312534	EXTRUSION, REAR, ALUMINIUM 4448 MM		1		
90	312535	EXTRUSION, REAR, ALUMINIUM 6450MM / S.C.C		1		
90	312530	EXTRUSION, REAR, ALUMINIUM 5773MM / S.C.C		1		
NS	312511	PLATE, JUNCTION / EXTRUSION RETAINER		2		
NS	504114	RIVET POP DOME OE 3/16x1/4 AL	8	8		
NS	504567	GROMMET / .687x1.000x.250x.562x1.312	2	2		
NS	504666	GROMMET / 1.000x1.375x.250x.625x1.750	1	1		
NS	504460	GROMMET / 1.500x1.750x.062x.437x2.125	1	1		
91	312527	EXTRUSION, ALUMINIUM 6395MM / S.C.C		1		
91	312372	EXTRUSION, ALUMINIUM 6395MM / C.T.L.		1		
91	312525	EXTRUSION, ALUMINIUM 5850MM / S.C.C		1		
91	312538	EXTRUSION, ALUMINIUM 5148MM / S.C.C		1		
91	312531	EXTRUSION, ALUMINIUM 6450MM		1		
91	312537	EXTRUSION, ALUMINIUM 4527MM / S.C.C		1		
91	312526	EXTRUSION, ALUMINIUM 5773MM / S.C.C		1		
91	312539	EXTRUSION, ALUMINIUM 3256MM	1			
91	312532	EXTRUSION, ALUMINIUM 6395 MM		1		
91	312536	EXTRUSION, REAR, ALUMINIUM 3913MM / S.C.C		1		
NS	810087	CARPET (OZITE) SELF ADHESIVE	AR	AR		
NS	502513	SCREW TP CAP HEX 5/16x1 Z050	AR	AR		
92	H3-0655-02	INTERIOR LIGHTING				
92	H3-2240-20	BLOWER VENTILATION - PARCEL RACK				
93	312720P	PANEL 427MM	1	1		
93	312721P	PANEL 279MM	1	1		
93	312722P	PANEL 605MM	1	1		
93	312723P	PANEL 525MM	1	1		
93	312724P	PANEL 343MM	1	1		
93	312725P	PANEL 510MM	1	1		
93	Call order desk	PANEL 366MM	1	1		P
93	312728P	PANEL 500MM	1	1		
93	312729P	PANEL 356MM	1	1		
93	312730P	PANEL 478MM	1	1		
93	Call order desk	PANEL 631MM	1	1		P
93	312733P	PANEL 447MM	1	1		
93	312734P	PANEL 299 MM	1	1		
93	312735P	PANEL 402MM	1	1		
93	312736P	PANEL 248MM	1	1		

From W-2285 To 2-4416	Date:10/2022	PAGE:H3-1836-02
PARCEL RACK		

Item#	Part	Description	H 3 4 1	H 3 4 5	V I P 4 5	N O T E S
93	312737P	PANEL 542MM	1	1		
93	312738P	PANEL 773MM	1	1		
93	312739P	PANEL 550MM	1	1		
93	Call order desk	PANEL 292MM	1	1		P
93	312741P	PANEL 538MM	1	1		
93	312742P	PANEL 763MM	1	1		
93	Call order desk	PANEL 529MM	1	1		P
93	312745P	PANEL 472MM	1	1		
93	312746P	PANEL 705MM	1	1		
93	312747P	PANEL 454MM	1	1		
93	312748P	PANEL 700MM	1	1		
93	312749P	PANEL 421MM	1	1		
93	Call order desk	PANEL 747MM	1	1		P
93	312751P	PANEL 408MM	1	1		
93	312752P	PANEL 484MM	1	1		
93	312756P	PANEL 575MM	1	1		
93	312757P	PANEL 598MM	1	1		
93	312759P	PANEL 711MM	1	1		
93	312760P	PANEL 269MM	1	1		
93	312761P	PANEL 315MM	1	1		
93	312762P	PANEL 310MM	1	1		
93	Call order desk	PANEL 352MM	1	1		P
93	312764P	PANEL 325MM	1	1		
93	312765P	PANEL 731MM	1	1		
93	312766P	PANEL 590MM	1	1		
93	312767P	PANEL 457MM	1	1		
93	Call order desk	PANEL 741MM	1	1		P
93	312770P	PANEL 759MM	1	1		
93	312771P	PANEL 495MM	1	1		
93	312774P	PANEL 431MM	1	1		
93	312839P	PANEL 375MM	1	1		
93	312840P	PANEL 753MM	1	1		
93	Call order desk	PANEL 722MM	1	1		P
93	312946P	PANEL 437MM	1	1		
93	312971P	PANEL 51MM	1	1		
93	313076P	PANEL 490MM	1	1		
93	313077P	PANEL 253MM	1	1		
93	Call order desk	PANEL 243MM	1	1		P
93	313079P	PANEL 716MM	1	1		
93	Call order desk	PANEL 213MM	1	1		P
93	313328P	PANEL 388MM	1	1		
93	313333P	PANEL 415MM	1	1		

From W-2285 To 2-4416		Date:10/2022	PAGE:H3-1836-02
PARCEL RACK			

Item#	Part	Description	H 3 4 1	H 3 4 5	V I P 4 5	N O T E S
94	312814	HAND RAIL / EXTRUSION W/HOLE 3320 MM		2		
94	312523	HAND RAIL / EXTRUSION W/HOLE 2260 MM		1		
94	312816	HAND RAIL / EXTRUSION W/HOLE 4190 MM	1			
94	312815	HAND RAIL / EXTRUSION W/HOLE 3320 MM	1			
94	312518	HAND RAIL / EXTRUSION 4190 MM		1		
94	312370	HAND RAIL / EXTRUSION 4190 MM		1		
94	312522	HAND RAIL / EXTRUSION 2808 MM		1		
94	312521	HAND RAIL / EXTRUSION 4735 MM		1		
94	312524	HAND RAIL / EXTRUSION 3913 MM		1		
94	312520	HAND RAIL / EXTRUSION 4113 MM		1		
94	312543	HAND RAIL / EXTRUSION 2867 MM		1		
NS	312510	ROD , JUNCTION / EXTRUSION RETAINER		7		
95	064562	CABLE HARNESS / IND LIGHT R.H. / W/DOOR		1		
95	064564	CABLE HARNESS / IND LIGHT L.H. / W/DOOR		1		
95	064563	CABLE HARNESS / IND LIGHT R.H. / W/O DOOR		1		
95	064565	CABLE HARNESS / IND LIGHT L.H. / W/O DOOR		1		
95	064570	CABLE HARNESS / IND LIGHT R.H. / W/DOOR	1			
95	064572	CABLE HARNESS / IND LIGHT L.H. / W/DOOR	1			
95	064571	CABLE HARNESS / IND LIGHT R.H. / W/O DOOR	1			
95	064573	CABLE HARNESS / IND LIGHT L.H. / W/O DDOR	1			
95	064712	CABLE ASSY IND LIGHT R.H. / W/DOOR & "RICON"		1		
95	064713	CABLE ASSY IND LIGHT R.H. / W/DOOR & "RICON"		1		
95	064714	CABLE ASSY IND LIGHT R.H. / W/O DOOR & "RICON"		1		
95	064715	CABLE ASSY IND LIGHT R.H. / W/O DOOR & "RICON"		1		
96	064560	CABLE ASSY / DIRECT LIGHT & SPEAKER L.H. To 1-4252		1		
96	065494	CABLE ASSY / DIRECT LIGHT & SPEAKER L.H. From 1-4253		1		
96	064561	CABLE ASSY / DIRECT LIGHT & SPEAKER R.H. To 1-4252		1		
96	065495	CABLE ASSY / DIRECT LIGHT & SPEAKER R.H. From 1-4253		1		
96	064568	CABLE ASSY / DIRECT LIGHT & SPEAKER L.H.	1			
96	064569	CABLE ASSY / DIRECT LIGHT & SPEAKER R.H.	1			
96	064710	CABLE ASSY SIDE LIGHT R.H. / FRONT W/"RICON" To 1-4252		1		
96	065496	CABLE ASSY SIDE LIGHT R.H. / FRONT W/"RICON" From 1-4253		1		
96	064711	CABLE ASSY SIDE LIGHT R.H. / REAR W/"RICON" To 1-4252		1		
96	065497	CABLE ASSY SIDE LIGHT R.H. / REAR W/"RICON" From 1-4253		1		
96	064705	CABLE ASSY SIDE LIGHT R.H. / W/O LAVATORY		1		
97	064840	CABLE HARNESS / READING LIGHT STREETSIDE		1		
97	064842	CABLE HARNESS / READING LIGHT CURB SIDE		1		
97	064841	CABLE HARNESS / READING LIGHT STREETSIDE	1			
97	064842	CABLE HARNESS / READING LIGHT CURB SIDE	1			
97	064846	CABLE ASSY READING LIGHT R.H. / FRONT W/"RICON"		1		
97	064847	CABLE ASSY READING LIGHT R.H. / REAR W/"RICON"		1		
97	064844	CABLE ASSY READING LIGHT R.H. / W/O LAVATORY		1		

From W-2285 To 2-4416	Date:10/2022	PAGE:H3-1836-02
PARCEL RACK		

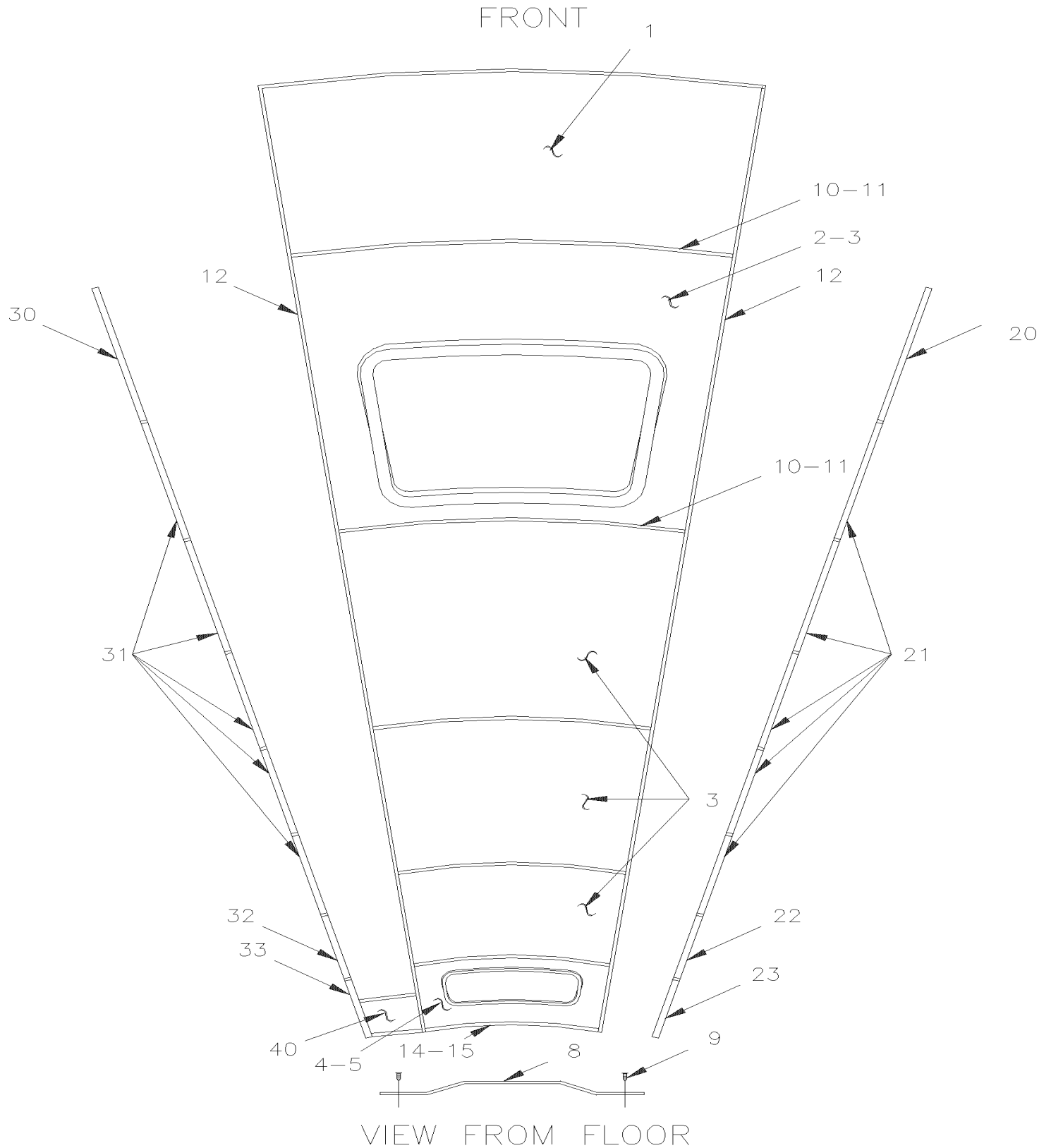
Item#	Part	Description	H 3 4 1	H 3 4 5	V I P 4 5	N O T E S
97	064845	CABLE ASSY READING LIGHT R.H. / W/O LAVATORY	1			
100	H3-1837-02	CEILING PANELS & MOULDING				
101	500183	SCREW CAP HEX 5/16-18x1 1/2 G5 PT Z050	AR	AR		
102	500476	WASHER LO SPT .317x.586x.078 Z050	AR	AR		
103	312367	FIXING PLATE	AR	AR		
104	500638	SCREW TP PAN PH #8x1/2 Z050	18	18		
105	313003	SPACER	AR	AR		
106	502523	RIVET NUT FL OKS 5/16-18 .059-.119	AR	AR		
107	830153	TUBE / 32WATT / F32T8SPX41 - 48"	AR	AR		
108	500583	SCREW TP PAN PH #6x1/2 Z050	AR	AR		
NS	500896	SCREW TC FL PH #8-32x5/8 Z050	AR	AR		
NS	454010	KIT / PARCEL RACK W/O DOOR PARCEL RACK		AR		
. NS	IS-00147	. SEE INSTRUCTION SHEET		1		
NS	454013	KIT / PARCEL RACK WITH DOOR PARCEL RACK		AR		
. NS	IS-00147	. SEE INSTRUCTION SHEET		1		
		A) WITH A/C IN PARCEL RACK				
		B) SEE MAINTENANCE INFORMATION				
		C) FOR DOOR REPLACEMENT USE 1 EACH: 980027 (BALL STUD) ,502638 (FL WASHER) & 520838 (NUT)				
		P) CALL ORDER DESK FOR SPECIFIC APPLICATION (V.I.N.)				

From R-012 To W-2284

Date:10/2022

PAGE:H3-1837-01

CEILING PANELS & MOULDING



From R-012 To W-2284	Date:10/2022	PAGE:H3-1837-01
CEILING PANELS & MOULDING		

Item#	Part	Description	H 3 4 1	H 3 4 5	V I P 4 5	N O T E S
1	340720	PANEL #1 FIBERGLASS CEILING	1	1		
1	Call order desk	PANEL #1 CEILING FABRIC / SPECIFY COLOR	1	1		P
1	340796	. PANEL UNFINISHING	1	1		
2	340721	PANEL #2 FIBERGLASS / W/EMERGENCY EXIT	AR	AR		A
2	Call order desk	PANEL #2 FABRIC / W/EMERGENCY EXIT / SPECIFY COLOR	AR	AR		P A
2	340788	. PANEL UNFINISHING	1	1		
3	340719	PANEL #2-3-4-5-6 FIBERGLASS CEILING	4			
3	340719	PANEL #2-3-4-5-6 FIBERGLASS CEILING		5		
3	340797P	PANEL # 2-3-4-5-6 FABRIC / SPECIFY COLOR	4			
3	340797P	PANEL # 2-3-4-5-6 FABRIC / SPECIFY COLOR		5		
3	340795	. PANEL UNFINISHING	1	1		
4	340873	PANEL #7 FIBERGLASS	1			
4	Call order desk	PANEL #7 FABRIC / SPECIFY COLOR	1			P
4	340875	. PANEL, UNFINISHING	1			
5	340862	PANEL #8 FIBERGLASS		1		
5	340863P	PANEL #8 FABRIC / SPECIFY COLOR		1		
5	340864	. PANEL, UNFINISHING		1		
8	340827	BRACKET, SS	1	1		
9	504124	RIVET POP DOME OE 1/8x.280 MNL	2	2		D
10	340760	MOULDING CAP / GREY PLATINE 920MM / 36 1/4"	7			
10	340760	MOULDING CAP / GREY PLATINE 920MM / 36 1/4"		8		
11	402542	MOULDING RETAINER / 908MM (35 3/4")	7			
11	402542	MOULDING RETAINER / 908MM (35 3/4")		8		
NS	500576	SCREW TC PAN PH #6-32x1/2 Z050	AR	AR		C
12	311678	MOULDING / ALUMINIUM / 280MM	2			
12	311639	MOULDING / ALUMINIUM 1524MM (60")		2		
12	311077	MOULDING / ALUMINIUM 2019MM (79 1/2")	10	10		
NS	500552	SCREW TP OV PH #6x3/4 Z050	AR	AR		C
20	311213	MOULDING L.H. / #1 921MM LG To T-1575	1	1		
20	312024	MOULDING L.H. / #1 921MM LG From T-1576	1	1		
21	311219	MOULDING L.H. / #2-3-4-5-6-7 1710MM To T-1575	5			
21	311219	MOULDING L.H. / #2-3-4-5-6-7 1710MM To T-1575		6		
21	312025	MOULDING L.H. / #2-3-4-5-6-7 1710MM From T-1576	5			
21	312025	MOULDING L.H. / #2-3-4-5-6-7 1710MM From T-1576		6		
22	311677	MOULDING L.H. / #7 1204MM LG To T-1575	1			
22	312027	MOULDING R.H. / #7 1204MM From T-1576	1			
23	311641	MOULDING L.H. / #8 790MM LG To T-1575		1		
23	312037	MOULDING L.H. / #8 760MM LG From T-1576		1		
30	311214	MOULDING R.H. / #1 921MM LG To T-1575	1	1		
30	312023	MOULDING R.H. / #1 921MM LG From T-1576	1	1		
31	311215	MOULDING R.H. / #2-3-4-5-6 1710MM To T-1575		1		
31	312026	MOULDING R.H. / #2-3-4-5-6 1695MM From T-1576		6		

From R-012 To W-2284	Date:10/2022	PAGE:H3-1837-01
CEILING PANELS & MOULDING		

Item#	Part	Description	H 3 4 1	H 3 4 5	V I P 4 5	N O T E S
32	311676	MOULDING R.H. / #7 1204MM To T-1575	1			
32	312028	MOULDING R.H. / #7 1189MM From T-1576	1			
32	312061	MOULDING R.H. / W/W.C.L. "ST & ST" / #7 1197MM		1		
32	312027	MOULDING R.H. / #7 1204MM	1			
33	311640	MOULDING R.H. / #8 790MM To T-1575		1		
33	312038	MOULDING R.H. / #8 775MM From T-1576		1		
33	312063	MOULDING R.H. / W/W.C.L. "RICON" / #4 2209MM		1		
33	312062	MOULDING R.H. / W/W.C.L. "RICON" / #5 2224MM		1		
33	312064	MOULDING R.H. / W/W.C.L. "RICON" / #6 1628MM		1		
40	Call order desk	PANEL CEILING OVER W.C.L. DOOR / W/ ST & ST TISSUS	1	1		P
40	Call order desk	PANEL CEILING OVER W.C.L. DOOR / W/ ST & ST LEATHERETTE	1	1		P
40	Call order desk	PANEL CEILING OVER W.C.L. DOOR / W/ "RICON" TISSUS	1	1		P
		A) WE USE SAME PART W/REAR EMERGENCY EXIT				
		C) TO FIX MOULDING				
		D) TO FIX ATTACHMENT PLATE				
		P) CALL ORDER DESK FOR SPECIFIC APPLICATION (V.I.N.)				

From W-2285 To 2-4416	Date:10/2022	PAGE:H3-1837-02
CEILING PANELS & MOULDING		

Item#	Part	Description	H 3 4 1	H 3 4 5	V I P 4 5	N O T E S
1	312793P	CEILING PANEL ASSY #1 R.H. To X-2643	1	1		
. NS	312478	. CEILING PANEL To X-2643	1	1		
1	313042P	CEILING PANEL ASSY #1 R.H. From X-2644	1	1		
. NS	313057	. CEILING PANEL 922MM x 374MM From X-2644	1	1		
2	Call order desk	CEILING PANEL ASSY #1 L.H. To X-2643	1	1		P
. NS	312480	. CEILING PANEL To X-2643	1	1		
2	313043P	CEILING PANEL ASSY #1 L.H. From X-2644	1	1		
. NS	313058	. CEILING PANEL 922MM x 374MM From X-2644	1	1		
3	312819P	CEILING PANEL ASSY / W/EMERGENCY EXIT To X-2643	AR	AR		
. NS	312818	. CEILING PANEL To X-2643	1	1		
3	313046P	CEILING PANEL ASSY / W/EMERGENCY EXIT From X-2644	AR	AR		
. NS	313063	. CEILING PANEL 1657MM x 374MM From X-2644	1	1		
4	312820P	CEILING PANEL ASSY / W/EMERGENCY EXIT To X-2643	AR	AR		
. NS	312817	. CEILING PANEL To X-2643	1	1		
4	313045P	CEILING PANEL ASSY / W/EMERGENCY EXIT From X-2644	AR	AR		
. NS	313062	. CEILING PANEL 1657MM x 374MM From X-2644	1	1		
5	312799P	CEILING PANEL ASSY #2-3-4-5-6 & 7 To X-2643	AR	AR		
. NS	312393	. CEILING PANEL To X-2643	1	1		
5	313040P	CEILING PANEL ASSY #2-3-4-5-6 & 7 From X-2644	AR	AR		
. NS	313054	. CEILING PANEL 1657MM x 374MM From X-2644	1	1		
6	312802P	CEILING PANEL ASSY #8 R.H. To X-2643		1		
. NS	312474	. CEILING PANEL To X-2643		1		
6	313044P	CEILING PANEL ASSY #8 R.H. From X-2644		1		
. NS	313059	. CEILING PANEL 780MM x 374MM From X-2644		1		
7	Call order desk	CEILING PANEL ASSY #7 R.H. To X-2643	1			P
. NS	312490	. CEILING PANEL To X-2643	1			
7	Call order desk	CEILING PANEL ASSY #7 R.H. From X-2644	1			P
. NS	313060	. CEILING PANEL 1195MM x 374MM From X-2644	1			
8	312791P	CEILING PANEL ASSY #8 L.H. To X-2643		1		
. NS	312476	. CEILING PANEL To X-2643		1		
8	313041P	CEILING PANEL ASSY #8 L.H. From X-2644		1		
. NS	313056	. CEILING PANEL 780MM x 374MM From X-2644		1		
9	Call order desk	CEILING PANEL #7 L.H. To X-2643	1			P
. NS	312488	. CEILING PANEL To X-2643	1			
9	Call order desk	CEILING PANEL ASSY #7 L.H. From X-2644	1			P
. NS	313067	. CEILING PANEL 1195MM x 374MM From X-2644	1			
10	340990P	CEILING PANEL ASSY FRONT CENTER 321MM x 623MM	1	1		
. NS	340985	. CEILING PANEL AL FRONT 325MM X 623MM	1	1		
NS	340962	CEILING PANEL ASSY TRANSITION 320MM x 906MM	1	1		
NS	506003	TAPE RUB ADH1 CC POL 3/16" x 3/4" x 40' / GREY 2520X	AR	AR		
NS	680453	SEALANT TAPE / CLEAR / 1/32"x1/2"x65' / 1795	AR	AR		
NS	500333	SCREW TP OV PH #6x3/4 BK	AR	AR		

From W-2285 To 2-4416	Date:10/2022	PAGE:H3-1837-02
CEILING PANELS & MOULDING		

Item#	Part	Description	H 3 4 1	H 3 4 5	V I P 4 5	N O T E S
11	340940P	CEILING PANEL ASSY #1 To X-2643	1	1		
. NS	312566	. CEILING PANEL To X-2643	1	1		
11	340981P	CEILING PANEL ASSY #1 922MM x 640MM From X-2644	1	1		
. NS	313016	. CEILING PANEL 922MM x 640MM From X-2644	1	1		
12	340943P	CEILING PANEL ASSY / W/EMERGENCY EXIT To X-2643	AR	AR		
. NS	312575	. CEILING PANEL To X-2643	1	1		
12	340982P	CEILING PANEL ASSY / W/EMERGENCY EXIT From X-2644	AR	AR		
. NS	313017	. CEILING PANEL 1051MM x 640MM From X-2644	1	1		
13	340946P	CEILING PANEL ASSY #2-3-4-5-6 & 7 To X-2643	4			
. NS	312550	. CEILING PANEL To X-2643	1			
13	340946P	CEILING PANEL ASSY #2-3-4-5-6 & 7 To X-2643		5		
. NS	312550	. CEILING PANEL To X-2643		1		
13	340979P	CEILING PANEL ASSY #2-3-4-5-6 & 7 From X-2644	4			
. NS	311014	. CEILING PANEL 1656MM x 640MM From X-2644	1			
13	340979P	CEILING PANEL ASSY #2-3-4-5-6 & 7 From X-2644		5		
. NS	311014	. CEILING PANEL 1656MM x 640MM From X-2644		1		
14	340949P	CEILING PANEL ASSY #8 To X-2643		1		
. NS	312570	. CEILING PANEL To X-2643		1		
14	340980P	CEILING PANEL ASSY #8 From X-2644		1		
. NS	313015	. CEILING PANEL 780MM x 640MM From X-2644		1		
14	Call order desk	CEILING PANEL ASSY #7 To X-2643	1			P
. NS	312571	. CEILING PANEL To X-2643	1			
14	340984P	CEILING PANEL ASSY #7 From X-2644	1			
. NS	313019	. CEILING PANEL 1195MM x 640MM From X-2644	1			
15	Call order desk	CEILING PANEL ASSY #5 R.H. / W/W.C.L. "RICON" To X-2643		1		P
. NS	312472	. CEILING PANEL To X-2643		1		
15	Call order desk	CEILING PANEL ASSY #5 R.H. / W/W.C.L. "RICON" From X-2644		1		P
. NS	313061	. CEILING PANEL 1657MM x 374MM From X-2644		1		
16	Call order desk	CEILING PANEL ASSY #6 R.H. / W/W.C.L. "RICON" To X-2643		1		P
. NS	312394	. CEILING PANEL To X-2643		1		
16	Call order desk	CEILING PANEL ASSY #6 R.H. / W/W.C.L. "RICON" From X-2644		1		P
. NS	313055	. CEILING PANEL 1657MM x 374MM From X-2644		1		
17	Call order desk	CEILING PANEL ASSY #7 R.H. / W/W.C.L. "ST & S T" To X-2643		1		P
. NS	312829	. PANEL 1657MM To X-2643		1		
17	Call order desk	CEILING PANEL ASSY #7 R.H. / W/W.C.L. "ST & S T" From X-2644		1		P
. NS	313066	. CEILING PANEL 1657MM x 374MM From X-2644		1		
17	Call order desk	CEILING PANEL ASSY #7 R.H. / W/W.C.L. "RICON" To X-2643		1		P
. NS	312823	. CEILING PANEL To X-2643		1		
17	Call order desk	CEILING PANEL ASSY #7 R.H. / W/W.C.L. "RICON" From X-2644		1		P
. NS	313064	. CEILING PANEL 1657MM x 374MM From X-2644		1		
18	Call order desk	CEILING PANEL ASSY #6 R.H. / W/W.C.L. "ST & S T" To X-2643	1			P
. NS	312827	. CEILING PANEL To X-2643	1			

From W-2285 To 2-4416	Date:10/2022	PAGE:H3-1837-02
CEILING PANELS & MOULDING		

Item#	Part	Description	H 3 4 1	H 3 4 5	V I P 4 5	N O T E S
18	Call order desk	CEILING PANEL ASSY #6 R.H. / W/W.C.L. "ST & S T" From X-2644	1			P
. NS	313065	. CEILING PANEL From X-2644	1			
19	340983P	CEILING PANEL ASSY / SMALL W/EMERGENCY EXIT / (USED W/ITEM # 34 ONLY)	1	1		
. NS	313018	. CEILING PANEL 222MM x 640MM	1	1		
20	326198	FINISHING MOULDING / UPPER TRAPEZ WINDOW	2	2		A
21	326201	FINISHING MOULDING / W/SINGLE GLASS	10			A
21	326201	FINISHING MOULDING / W/SINGLE GLASS		12		A
21	326262	FINISHING MOULDING / W/THERMO GLASS	10			A
21	326262	FINISHING MOULDING / W/THERMO GLASS		12		A
22	326208	FINISHING MOULDING / W/SINGLE GLASS / REAR		2		A
22	326264	FINISHING MOULDING / W/THERMO GLASS / REAR		2		A
23	326250	FINISHING MOULDING / W/SINGLE GLASS / REAR	2			A
23	326266	FINISHING MOULDING / W/THERMO GLASS / REAR	2			A
24	326280	FINISHING MOULDING / W/SINGLE GLASS & W/W.C.L. "RICON"		1		
24	326287	FINISHING MOULDING / W/THERMO GLASS & W/W.C.L. "RICON"		1		
31	313021	FINISHING MOULDING SS "J" W/EMERGENCY 1660MM SS To 2-4419	AR	AR		
31	313658	FINISHING MOULDING SS "J" W/EMERGENCY 1660MM SS From 2-4420	AR	AR		
32	313023	FINISHING MOULDING SS "J" 1660MM SS To 2-4419	8			
32	313023	FINISHING MOULDING SS "J" 1660MM SS To 2-4419		10		
32	313642	FINISHING MOULDING SS "J" 1660MM SS From 2-4420	8			
32	313642	FINISHING MOULDING SS "J" 1660MM SS From 2-4420		10		
33	313020	FINISHING MOULDING SS "J" W/EMERGENCY 1660MM SS To 2-4419	AR	AR		
33	313639	FINISHING MOULDING SS "J" W/EMERGENCY 1660MM SS From 2-4420	AR	AR		
34	313022	FINISHING MOULDING "J" 924MM SS To 2-4419	2	2		
34	313641	FINISHING MOULDING "J" 924MM SS From 2-4420	2	2		
35	313025	FINISHING MOULDING "J" 1197MM SS To 2-4419	2			
35	313644	FINISHING MOULDING "J" 1197MM SS From 2-4420	2			
36	313024	FINISHING MOULDING "J" 785MM SS To 2-4419		2		
36	313643	FINISHING MOULDING "J" 785MM SS From 2-4420		2		
39	504339	RIVET POP DOME OE 1/8x3/8 SS	AR	AR		
40	313119	FINISHING MOULDING PLASTIC	1	1		
41	500552	SCREW TP OV PH #6x3/4 Z050	5	5		
42	500463	WASHER FN CKF .187x.500x.090 BR Z050	5	5		
43	502249	SPRING PIN 3/16" x 1 1/2	4	4		
44	340939	COVER, L.H. & R.H. / FRONT CAP CEILING	2	2		
45	341021	TAPE DUAL LOCK 2" x 530MM / BLACK SJ3541	9	9		
50	H3-0655-02	INTERIOR LIGHTING				
51	H3-1832-02	FRONT FINISHING CAP				
		A) THIS IS LOCATED UPPER SIDE WINDOWS				

From W-2285 To 2-4416			Date:10/2022	PAGE:H3-1837-02			
CEILING PANELS & MOULDING							
Item#	Part	Description	H 3 4 1	H 3 4 5	V I P 4 5	N O T E S	
		P) CALL ORDER DESK FOR SPECIFIC APPLICATION (V.I.N.)					

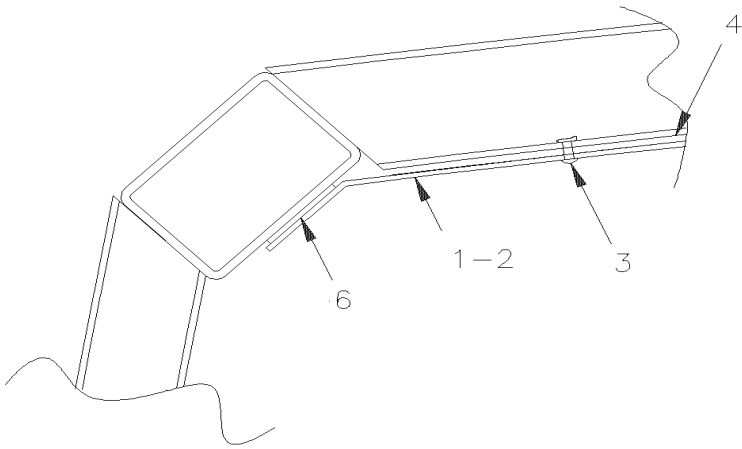
From R-012 To 2-4416

Date:10/2022

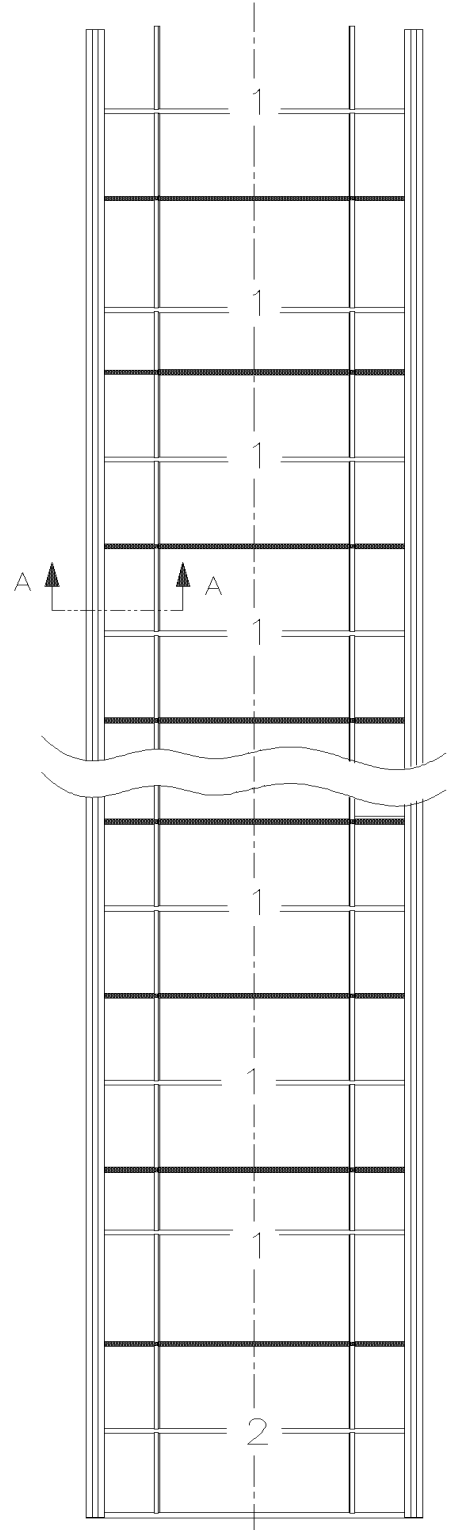
PAGE:H3-1837-50

CEILING PANELS & MOULDING - V.I.P.

FRONT



SECTION A-A



From R-012 To 2-4416	Date:10/2022	PAGE:H3-1837-50
CEILING PANELS & MOULDING - V.I.P.		

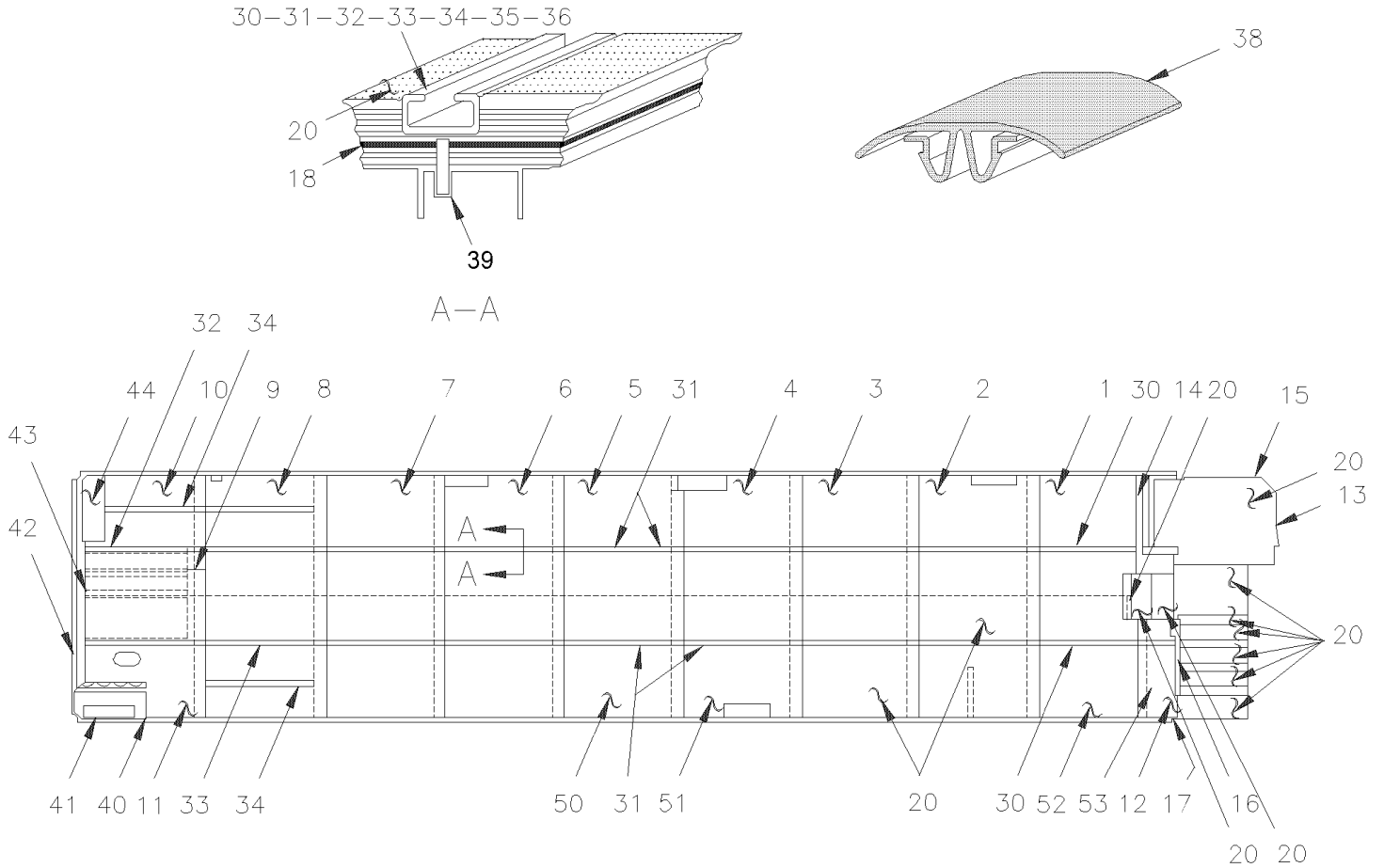
Item#	Part	Description	H 3 4 1	H 3 4 5	V I P 4 5	N O T E S
1	340966	ALUMINUM CEILING PANEL			12	
2	340967	ALUMINUM CEILING PANEL			1	
3	504339	RIVET POP DOME OE 1/8x3/8 SS			AR	
4	506466	TAPE RUB ADH1 CC POL 1/16" x 1 1/2" x 100 / GREY 2520			AR	
6	680532	SEALANT SIKA #221 / GREY / 310ml CARTRIDGE			5	

From R-012 To 2-4416

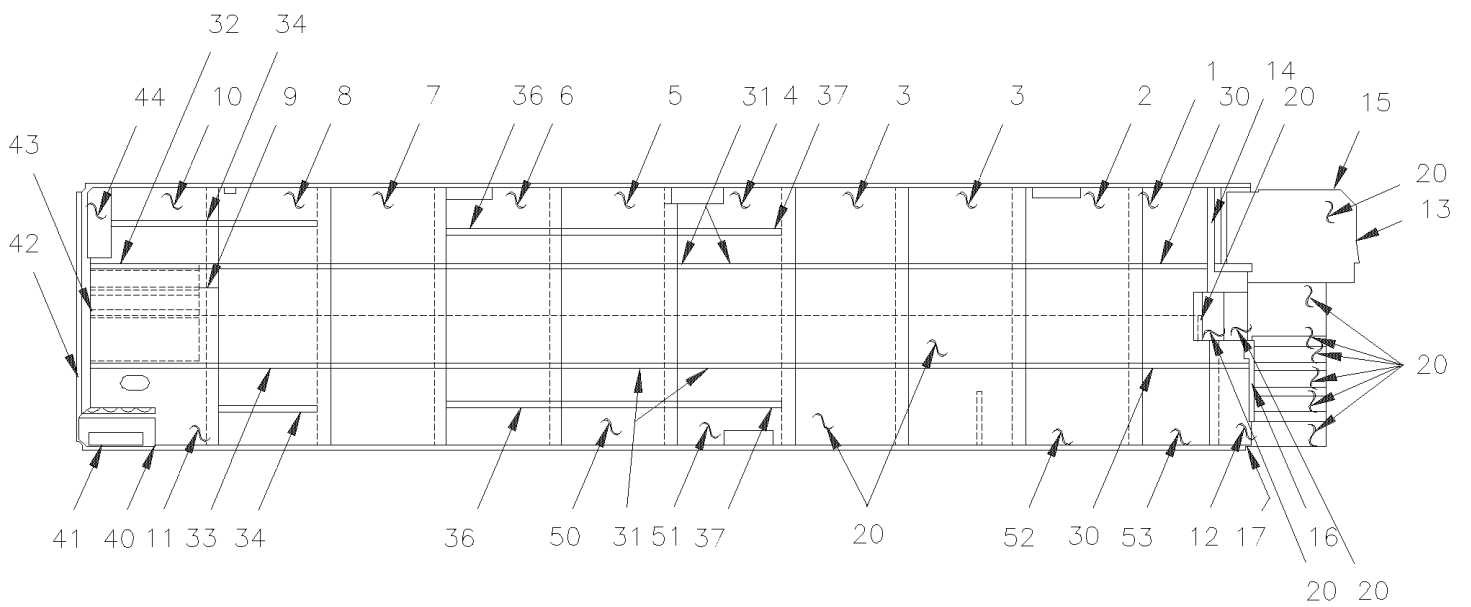
Date:10/2022

PAGE:H3-1838-01

FLOOR - BUS



H3-41



H3-45

From R-012 To 2-4416	Date:10/2022	PAGE:H3-1838-01
FLOOR - BUS		

Item#	Part	Description	H 3 4 1	H 3 4 5	V I P 4 5	N O T E S
1	Call order desk	FLOOR / W/STD SEAT To Y-4007	1	1		P
1	Call order desk	FLOOR / W/STD SEAT From Y-4008	1	1		P
1	Call order desk	FLOOR / W/1 V.I.P. PASSENGER STREETSIDE To Y-4007	1	1		P
1	Call order desk	FLOOR / W/1 V.I.P. PASSENGER STREETSIDE From Y-4008	1	1		P
1	Call order desk	FLOOR / W/1 V.I.P. PASSENGER CURBSIDE To Y-4007		1		P
1	Call order desk	FLOOR / W/1 V.I.P. PASSENGER CURBSIDE From Y-4008		1		P
2	Call order desk	FLOOR / W/STD SEAT To Y-4007	1	1		P
2	328808P	FLOOR / W/1 V.I.P. PASSENGER CURBSIDE From Y-4008	1	1		
2	Call order desk	FLOOR / W/1 V.I.P. PASSENGER STREETSIDE To Y-4007	1	1		P
2	Call order desk	FLOOR / W/1 V.I.P. PASSENGER STREETSIDE From Y-4008	1	1		P
2	Call order desk	FLOOR / W/1 V.I.P. PASSENGER CURBSIDE To Y-4007		1		P
2	Call order desk	FLOOR / W/1 V.I.P. PASSENGER CURBSIDE From Y-4008		1		P
3	Call order desk	FLOOR / W/STD SEAT To Y-4007	1			P
3	Call order desk	FLOOR / W/STD SEAT From Y-4008	1			P
3	Call order desk	FLOOR / W/STD SEAT To Y-4007		2		P
3	Call order desk	FLOOR LAVATORY & "ST & ST" 1/HOLE From Y-4008		2		P
3	Call order desk	FLOOR / W/1 V.I.P. PASSENGER STREETSIDE To Y-4007	1			P
3	Call order desk	FLOOR / W/1 V.I.P. PASSENGER STREETSIDE From Y-4008	1			P
3	Call order desk	FLOOR / W/1 V.I.P. PASSENGER STREETSIDE To Y-4007		2		P
3	Call order desk	FLOOR / W/1 V.I.P. PASSENGER STREETSIDE From Y-4008		2		P
3	Call order desk	FLOOR / W/1 V.I.P. PASSENGER CURBSIDE To Y-4007		1		P
3	Call order desk	FLOOR / W/1 V.I.P. PASSENGER CURBSIDE From Y-4008		1		P
4	Call order desk	FLOOR / W/STD SEAT To Y-4007	1	1		P
4	328810P	FLOOR / W/STD SEAT From Y-4008	1	1		
4	Call order desk	FLOOR / W/1 V.I.P. PASSENGER STREETSIDE To Y-4007	1	1		P
4	Call order desk	FLOOR / W/1 V.I.P. PASSENGER STREETSIDE From Y-4008	1	1		P
4	Call order desk	FLOOR / W/1 V.I.P. PASSENGER CURBSIDE To Y-4007		1		P
4	Call order desk	FLOOR / W/1 V.I.P. PASSENGER CURBSIDE From Y-4008		1		P
4	Call order desk	FLOOR / W/STD SEAT & "RICON" To Y-4007		1		P
4	Call order desk	FLOOR / W/STD SEAT & "RICON" From Y-4008		1		P
5	Call order desk	FLOOR / W/STD SEAT To Y-4007	1	1		P
5	328811P	FLOOR / W/STD SEAT From Y-4008	1	1		
5	Call order desk	FLOOR / W/1 V.I.P. PASSENGER STREETSIDE To Y-4007	1	1		P
5	Call order desk	FLOOR / W/1 V.I.P. PASSENGER STREETSIDE From Y-4008	1	1		P
5	Call order desk	FLOOR / W/1 V.I.P. PASSENGER CURBSIDE To Y-4007		1		P
5	Call order desk	FLOOR / W/1 V.I.P. PASSENGER CURBSIDE From Y-4008		1		P
5	Call order desk	FLOOR / W/STD SEAT & "RICON" To Y-4007		1		P
5	Call order desk	FLOOR / W/STD SEAT & "RICON" From Y-4008		1		P
6	Call order desk	FLOOR / W/STD SEAT To Y-4007	1	1		P
6	Call order desk	FLOOR / W/STD SEAT From Y-4008	1	1		P
6	Call order desk	FLOOR / W/1 V.I.P. PASSENGER STREETSIDE To Y-4007	1	1		P
6	Call order desk	FLOOR / W/1 V.I.P. PASSENGER STREETSIDE From Y-4008	1	1		P

From R-012 To 2-4416	Date:10/2022	PAGE:H3-1838-01
FLOOR - BUS		

Item#	Part	Description	H 3 4 1	H 3 4 5	V I P 4 5	N O T E S
6	Call order desk	FLOOR / W/1 V.I.P. PASSENGER CURBSIDE To Y-4007		1		P
6	Call order desk	FLOOR / W/1 V.I.P. PASSENGER CURBSIDE From Y-4008		1		P
6	Call order desk	FLOOR / W/STD SEAT & "RICON"		1		P
7	Call order desk	FLOOR / W/STD SEAT To Y-4007	1	1		P
7	328817P	FLOOR / W/STD SEAT From Y-4008	1	1		
7	Call order desk	FLOOR / W/1 V.I.P. PASSENGER STREETSIDE To Y-4007	1	1		P
7	Call order desk	FLOOR / W/1 V.I.P. PASSENGER STREETSIDE From Y-4008	1	1		P
7	Call order desk	FLOOR / W/1 V.I.P. PASSENGER CURBSIDE To Y-4007		1		P
7	Call order desk	FLOOR / W/1 V.I.P. PASSENGER CURBSIDE From Y-4008		1		P
8	Call order desk	FLOOR / W/V.I.P. SEAT / W.C.L. 1 SEAT To Y-4007		1		P
8	Call order desk	FLOOR / W/STD SEAT & "ST & ST" To Y-4007	1	1		P
8	Call order desk	FLOOR / W/STD SEAT & "ST & ST" From Y-4008	1	1		P
8	Call order desk	FLOOR / W/STD SEAT / W.C.L.1 SEAT To Y-4007		1		P
8	Call order desk	FLOOR / W/1 V.I.P. PASSENGER STREETSIDE To Y-4007	1	1		P
8	Call order desk	FLOOR / W/1 V.I.P. PASSENGER STREETSIDE From Y-4008	1	1		P
8	Call order desk	FLOOR / L.H. / W/STD SEAT To Y-4007	1	1		P
8	Call order desk	FLOOR / W/STD SEAT From Y-4008	1	1		P
8	Call order desk	FLOOR / W/1 V.I.P. PASSENGER CURBSIDE To Y-4007		1		P
8	Call order desk	FLOOR / W/1 V.I.P. PASSENGER CURBSIDE From Y-4008		1		P
9	Call order desk	FLOOR CENTER / WSTD SEAT & "ST & ST" 1/HOLE		1		P
9	Call order desk	FLOOR CENTER / WSTD SEAT & "ST & ST" 2/HOLE To Y-4007	1	1		P
9	Call order desk	FLOOR / W/STD SEAT & "ST & ST" From Y-4008	1	1		P
9	Call order desk	FLOOR CENTER / WSTD SEAT & "ST & ST" 1/HOLE		1		P
9	Call order desk	FLOOR CENTER / WSTD SEAT From S-128	1	1		P
9	Call order desk	FLOOR To S-127	1	1		P
10	Call order desk	FLOOR / W/STD SEAT & "ST & ST" To Y-4007		1		P
10	Call order desk	FLOOR / W/STD SEAT & "ST & ST" From Y-4008		1		P
10	Call order desk	FLOOR LAVATORY	1	1		P
10	Call order desk	FLOOR / W/STD SEAT	1	1		P
10	Call order desk	FLOOR / W/1 V.I.P. PASSENGER STREETSIDE To Y-4007		1		P
10	Call order desk	FLOOR / W/1 V.I.P. PASSENGER STREETSIDE From Y-4008		1		P
11	324665	INSULATING PANEL / W/STD SEAT / W.C.L. 1 SEAT		1		
11	Call order desk	FLOOR / W/STD SEAT & "ST & ST" To Y-4007		1		P
11	Call order desk	FLOOR / W/STD SEAT & "ST & ST" From Y-4008		1		P
11	Call order desk	FLOOR LAVATORY To Y-4007	1	1		P
11	Call order desk	FLOOR LAVATORY From Y-4008	1	1		P
12	Call order desk	FLOOR / R.H. / W/STD SEAT	1	1		P
13	Call order desk	FLOOR / DRIVER'S W/AUTO TRANS To V-1778	1	1		P
13	Call order desk	FLOOR / DRIVER'S W/AUTO TRANS From V-1779 To W-2284	1	1		P
13	Call order desk	FLOOR / DRIVER'S W/AUTO TRANS From W-2285 To X-3052	1	1		P
13	326734P	FLOOR / DRIVER'S W/AUTO TRANS From X-3053	1	1		
13	Call order desk	FLOOR / DRIVER'S W/MAN TRANS To V-1778	1	1		P

From R-012 To 2-4416	Date:10/2022	PAGE:H3-1838-01
FLOOR - BUS		

Item#	Part	Description	H 3 4 1	H 3 4 5	V I P 4 5	N O T E S
13	Call order desk	FLOOR / DRIVER'S W/MAN TRANS From V-1779 To W-2284	1	1		P
13	Call order desk	FLOOR / DRIVER'S W/MAN TRANS From W-2285 To X-3052	1	1		P
13	326735P	FLOOR / DRIVER'S W/MAN TRANS From X-3053	1	1		
13	Call order desk	FLOOR / DRIVER'S W/"EATON" TRANS To X-3052	1	1		P
13	508068	. VENEER PLYWOOD / 1/2" THICK 4' X 8' To Y-4007	AR	AR		
13	508392	. VENEER PLYWOOD / 7/16" THICK 4' X 8' From Y-4008	AR	AR		
NS	5001143	SCREW DR WF TORX #12x2 CP To Y-4007	AR	AR		
13	5001531	SCREW TP FL PH #10x1 SS410 From Y-4008	AR	AR		
14	323791	MOULDING SS / TO USE W/CARPET COVERING	1	1		
14	324458	FLOOR LAVATORY & "ST & ST" 1/HOLE	1	1		
NS	5001120	SCREW TP FL PH #10x1 1/4 SS410 To Y-4007	4	4		
14	5001531	SCREW TP FL PH #10x1 SS410 From Y-4008	AR	AR		
15	323175	MOULDING SS / TO FIX CONSOLE	1	1		
16	324460	MOULDING / FRONT FINISHING FLOOR / 707MM SS To W-2150	1	1		
16	325953	MOULDING / FRONT FINISHING FLOOR / 822MM SS From W-2150	1	1		
17	324459	MOULDING / FRONT FINISHING FLOOR / 211MM SS To W-2150	1	1		
17	326345	MOULDING / FRONT FINISHING FLOOR / 147MM SS From W-2150	1	1		
18	850027	INSULATING PAD NOISE ADH2 1/16" x 39" x 48"	AR	AR		
20	H3-1838-05	FLOOR COVERING - "R.C.A."				
20	H3-1838-10	FLOOR COVERING - "TARAFLEX"				
30	324498	SEAT TRACK 513MM	2			
30	324224	SEAT TRACK 1759MM		2		
31	321369	SEAT TRACK 4572MM	4	4		
32	325149	SEAT TRACK 1068MM	1	1		
32	324410	SEAT TRACK 878MM	1	1		
33	325148	SEAT TRACK 793MM	1	1		
33	323278	SEAT TRACK 813MM	1	1		
34	324660	SEAT TRACK 1219MM	1	1		
35	324798	SEAT TRACK 2279MM		1		
36	325262	SEAT TRACK 1378MM		2		
37	324798	SEAT TRACK 2279MM		2		
38	323654	SEAT TRACK COVER 12' / EACH SEAT / W/COVERING FLOOR	AR	AR		
38	361338	SEAT TRACK COVER 12' / EACH SEAT / W/CARPET FLOOR	AR	AR		
38	323963	SEAT TRACK COVER 8' / EACH SEAT / W/COVERING FLOOR	AR	AR		
NS	324791	MOULDING CARPET PROTECTOR / W/CARPET ON FLOOR / 29MM X 2438MM SS	AR	AR		
NS	820027	HANDLE	AR	AR		W
NS	5001119	SCREW TP BDG PH #8x3/4 SS	AR	AR		W
NS	502630	WASHER FL .156x.375x.049 Z050	AR	AR		W
39	500310	SCREW TC FL PH #10-24x1 1/4 SS410	AR	AR		
40	481665	PANEL FRONT OF AIR INTAKE	1	1		
41	482156	PANEL INSIDE To V-1706	1	1		
41	270980	PANEL R.H. OUTSIDE From V-1707	1	1		

From R-012 To 2-4416	Date:10/2022	PAGE:H3-1838-01
FLOOR - BUS		

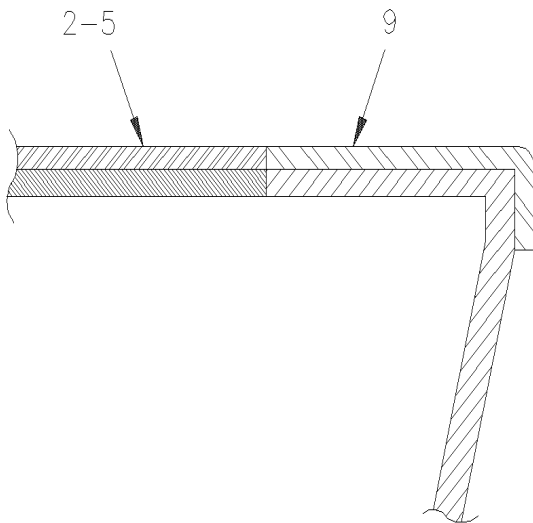
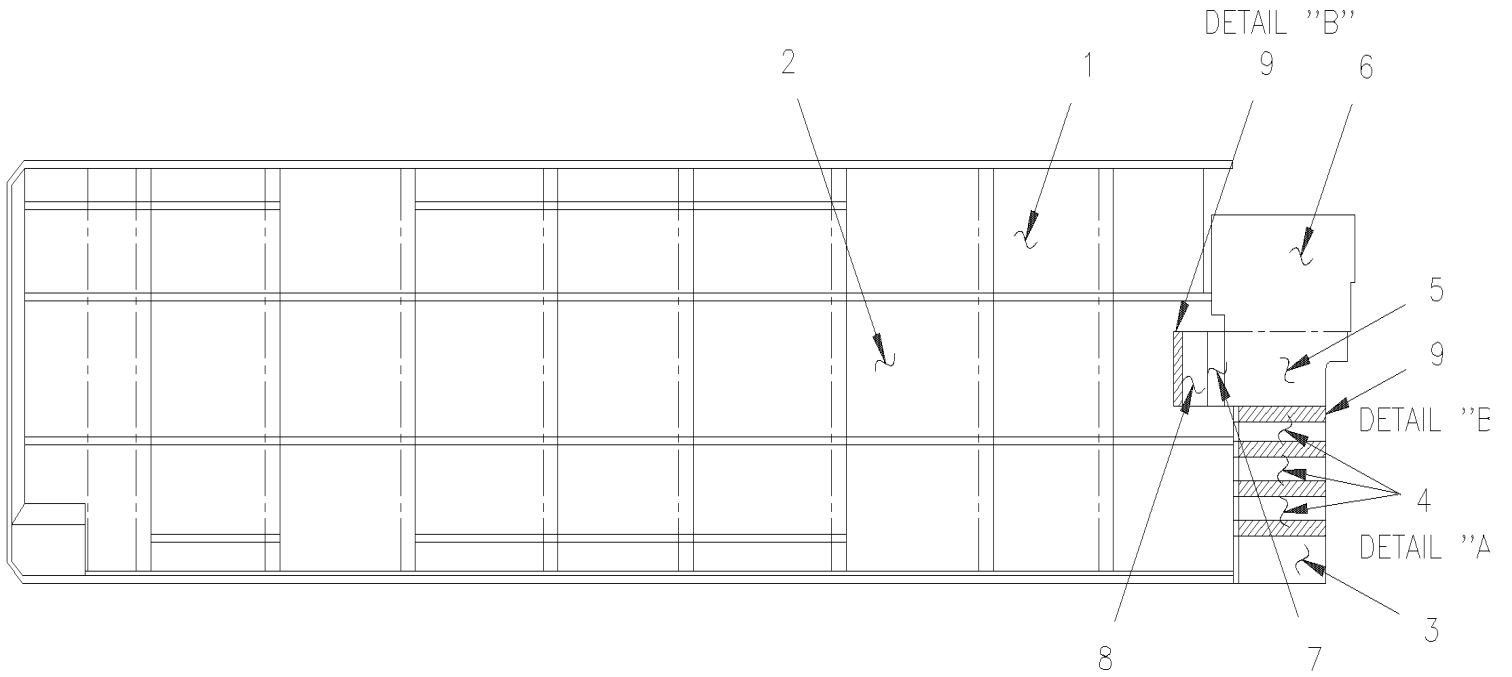
Item#	Part	Description	H 3 4 1	H 3 4 5	V I P 4 5	N O T E S
42	481670	PANEL OUTSIDE /	1	1		
43	481668	PANEL INSIDE /	1	1		
44	481667	PANEL / FRONT & TOP SURGE TANK	1	1		
50	323285	STEEL NOISE PANEL	1	1		
51	323320	STEEL NOISE PANEL	1	1		
52	323365	STEEL NOISE PANEL	1	1		
53	324232	STEEL NOISE PANEL	1	1		
NS	323384P	REAR PANEL ASSY / (2090MM X 762MM)	1	1		
NS	323289	REAR CONER ASSY / (515MM X 125MM)	1	1		
NS	Call order desk	REAR UPPER AIR INLET ASSY	1	1		P
NS	Call order desk	REAR LOWER AIR INLET ASSY	1	1		P
NS	323275	PANEL ASSY	1	1		
NS	323277	PANEL ASSY	1	1		
NS	323276	PANEL ASSY	1	1		
		W) USE WITH W.C.L. SEAT TRACK				
		P) CALL ORDER DESK FOR SPECIFIC APPLICATION (V.I.N.)				

From R-012 To 2-4416

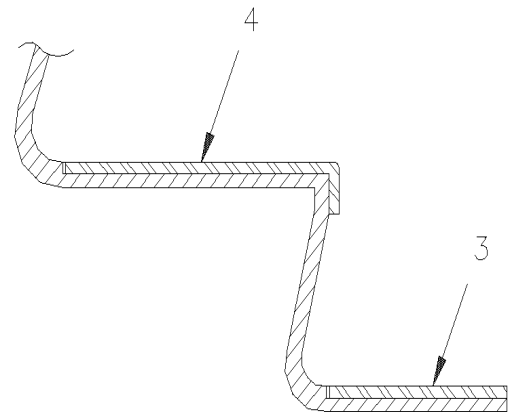
Date:10/2022

PAGE:H3-1838-05

FLOOR COVERING - "R.C.A."



DETAIL "B"



DETAIL "A"

From R-012 To 2-4416	Date:10/2022	PAGE:H3-1838-05
FLOOR COVERING - "R.C.A."		

Item#	Part	Description	H 3 4 1	H 3 4 5	V I P 4 5	N O T E S
		FLOOR COVERING SIDE SECTION / 26 1/8" X 36'1"	X			
		FLOOR COVERING SIDE SECTION / 26 1/8" X 40'2"		X		
1	506706	COVERING / CODE "A" = 702	2			
1	506694	COVERING / CODE "A" = 702		2		
1	5060029	COVERING / CODE "B" = 777	2			
1	506746	COVERING / CODE "B" = 777		2		
1	506774	COVERING / CODE "C" = 653	2			
1	506772	COVERING / CODE "C" = 653		2		
1	506692	COVERING / CODE "E" = 766	2			
1	506686	COVERING / CODE "E" = 766		2		
1	5060031	COVERING / CODE "F" = 604	2			
1	506767	COVERING / CODE "F" = 604		2		
1	506744	COVERING / CODE "H" = 630	2			
1	506771	COVERING / CODE "H" = 630		2		
1	506870	COVERING / CODE "I" = 895	2			
1	506731	COVERING / CODE "I" = 895		2		
1	5060033	COVERING / CODE "J" = 466	2			
1	5061005	COVERING / CODE "J" = 466		2		
1	5060035	COVERING / CODE "X" = TR455	2			
1	5061043	COVERING / CODE "X" = TR455		2		
1	506704	COVERING / CODE "Q" = 788	2			
1	506701	COVERING / CODE "Q" = 788		2		
1	Call order desk	CARPET FLOOR COVERING / SIDE L.H. & R.H. / SPECIFY COLOR	2			P
1	Call order desk	CARPET FLOOR COVERING / SIDE L.H. & R.H. / SPECIFY COLOR		2		P
2		FLOOR COVERING AISLE SECTION / 35 3/8" X37'	X			
2		FLOOR COVERING AISLE SECTION / 35 3/8" X 41'2"		X		
2	506707	COVERING / CODE "A" = 702	1			
2	506695	COVERING / CODE "A" = 702		1		
2	5060030	COVERING / CODE "B" = 777	1			
2	506747	COVERING / CODE "B" = 777		1		
2	506775	COVERING / CODE "C" = 653	1			
2	506772	COVERING / CODE "C" = 653		1		
2	506693	COVERING / CODE "E" = 766	1			
2	506687	COVERING / CODE "E" = 766		1		
2	5060032	COVERING / CODE "F" = 604	1			
2	506768	COVERING / CODE "F" = 604		1		
2	506745	COVERING / CODE "H" = 630	1			
2	506750	COVERING / CODE "H" = 630		1		
2	506871	COVERING / CODE "I" = 895	1			

From R-012 To 2-4416	Date:10/2022	PAGE:H3-1838-05
FLOOR COVERING - "R.C.A."		

Item#	Part	Description	H 3 4 1	H 3 4 5	V I P 4 5	N O T E S
2	506732	COVERING / CODE "I" = 895		1		
2	5060034	COVERING / CODE "J" = 466	1			
2	5061006	COVERING / CODE "J" = 466		1		
2	5060036	COVERING / CODE "X" = TR455	1			
2	5061044	COVERING / CODE "X" = TR455		1		
2	506705	COVERING / CODE "Q" = 788	1			
2	506702	COVERING / CODE "Q" = 788		1		
2	Call order desk	CARPET FLOOR COVERING / CENTRAL / SPECIFY COLOR	1			P
2	Call order desk	CARPET FLOOR COVERING / CENTRAL / SPECIFY COLOR		1		P
		STEP TREAD 1ST STEP / 9" X 32 3/8"				
3	506542	STEP TREAD COVERING / CODE "A" = 702	1	1		
3	506543	STEP TREAD COVERING / CODE "B" = 777	1	1		
3	506544	STEP TREAD COVERING / CODE "C" = 653	1	1		
3	506545	STEP TREAD COVERING / CODE "D" = 747	1	1		
3	506546	STEP TREAD COVERING / CODE "E" = 766	1	1		
3	506974	STEP TREAD COVERING / CODE "E" = 766 From Y-3321	1	1		A
3	506763	STEP TREAD COVERING / CODE "F" = 604	1	1		
3	506743	STEP TREAD COVERING / CODE "H" = 630	1	1		
3	506734	STEP TREAD COVERING / CODE "I" = 895	1	1		
3	5061010	STEP TREAD COVERING / CODE "J" = 466	1	1		
3	506671	STEP TREAD COVERING / CODE "L" = 975	1	1		
3	5061048	STEP TREAD COVERING / CODE "M" = TR455	1	1		
3	506700	STEP TREAD COVERING / CODE "Q" = 788	1	1		
		STEP TREAD 2-3-4 / 8 5/8" X 27 1/2"				
4	506547	STEP TREAD COVERING / CODE "A" = 702	3	3		
4	506548	STEP TREAD COVERING / CODE "B" = 777	3	3		
4	506549	STEP TREAD COVERING / CODE "C" = 653	3	3		
4	506550	STEP TREAD COVERING / CODE "D" = 747	3	3		
4	506551	STEP TREAD COVERING / CODE "E" = 766	3	3		
4	506973	STEP TREAD COVERING / CODE "E" = 766 From Y-3321	3	3		A
4	506764	STEP TREAD COVERING / CODE "F" = 604	3	3		
4	506742	STEP TREAD COVERING / CODE "H" = 630	3	3		
4	506735	STEP TREAD COVERING / CODE "I" = 895	3	3		
4	5061004	STEP TREAD COVERING / CODE "J" = 466	3	3		
4	506672	STEP TREAD COVERING / CODE "L" = 975	3	3		
4	5061042	STEP TREAD COVERING / CODE "M" = TR455	1	1		
4	506699	STEP TREAD COVERING / CODE "Q" = 788	3	3		

From R-012 To 2-4416	Date:10/2022	PAGE:H3-1838-05
FLOOR COVERING - "R.C.A."		

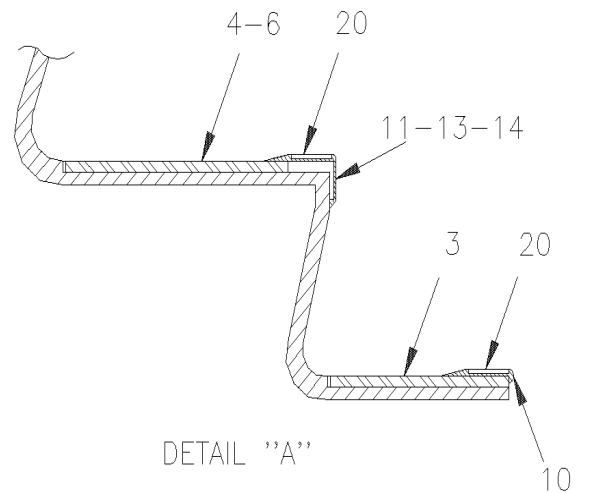
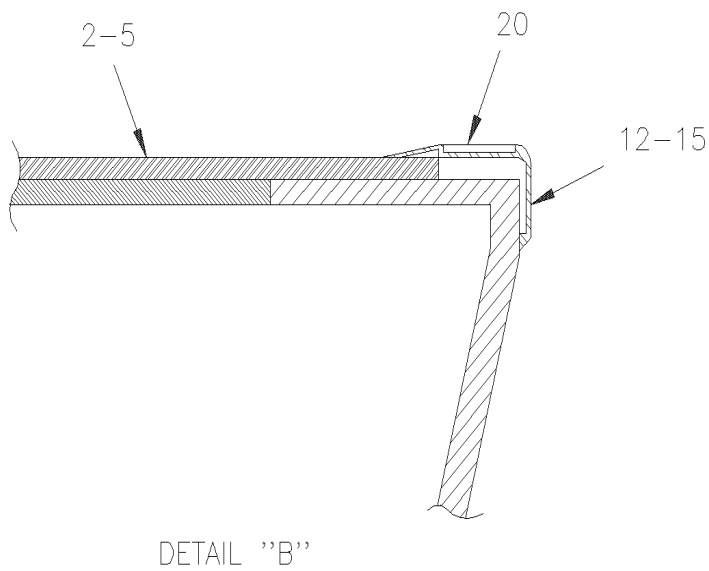
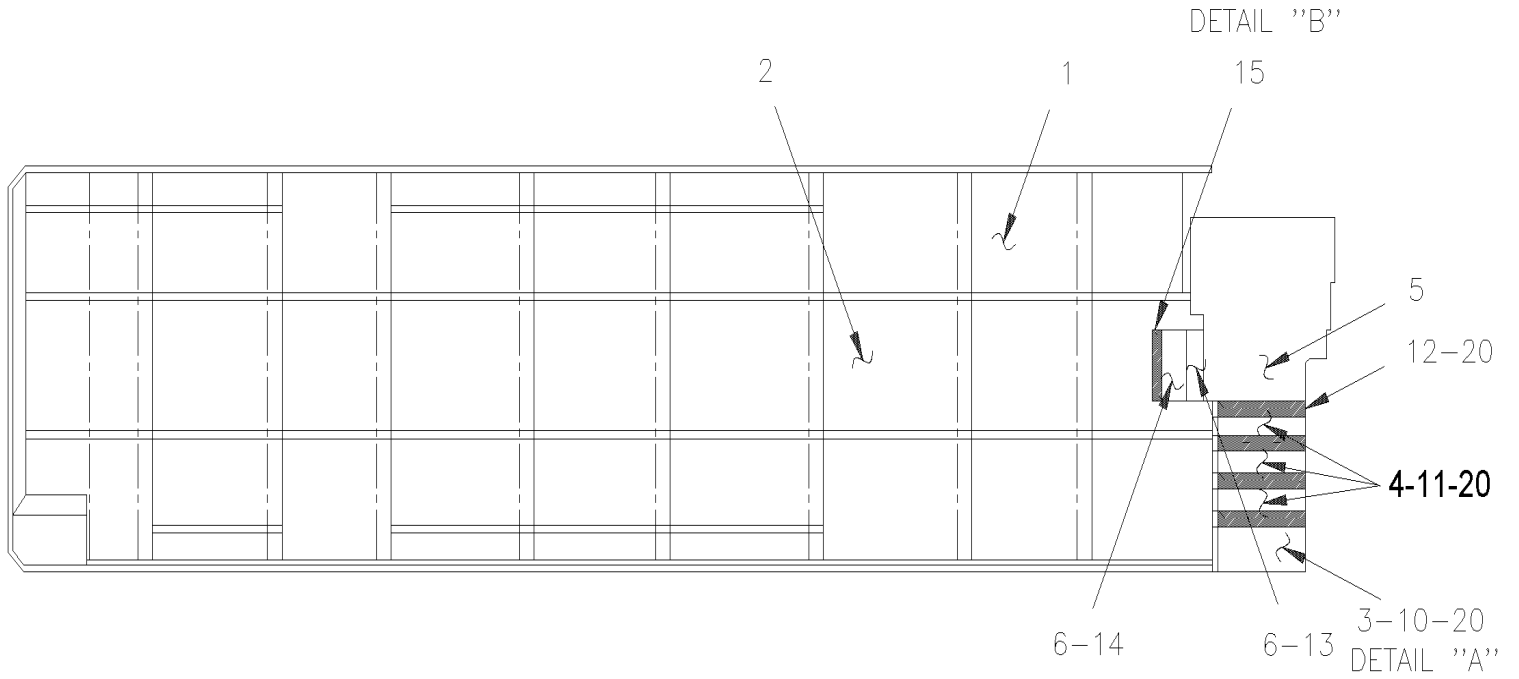
Item#	Part	Description	H 3 4 1	H 3 4 5	V I P 4 5	N O T E S
		FLOOR COVERING UPPER STEPWELL / 22" X 40 1/4"				
5	506571	RIB COVERING / CODE "A" = 702	1	1		
5	506569	RIB COVERING / CODE "B" = 777	1	1		
5	506570	RIB COVERING / CODE "C" = 653	1	1		
5	506568	RIB COVERING / CODE "D" = 747	1	1		
5	506567	RIB COVERING / CODE "E" = 766	1	1		
5	506762	RIB COVERING / CODE "F" = 604	1	1		
5	506741	RIB COVERING / CODE "H" = 630	1	1		
5	506733	RIB COVERING / CODE "I" = 895	1	1		
5	5061003	RIB COVERING / CODE "J" = 466	1	1		
5	506670	RIB COVERING / CODE "L" = 975	1	1		
5	5061041	RIB COVERING / CODE "M" = TR-455	1	1		
5	506698	RIB COVERING / CODE "Q" = 788	1	1		
		FLOOR COVERING DRIVER'S SECTION / 36 3/8" X 50"				
6	506436	COVERING / CODE "A" = 702	1	1		
6	506437	COVERING / CODE "B" = 777	1	1		
6	506438	COVERING / CODE "C" = 653	1	1		
6	506439	COVERING / CODE "D" = 747	1	1		
6	506440	COVERING / CODE "E" = 766	1	1		
6	506456	COVERING / CODE "F" = 604	1	1		
6	506487	COVERING / CODE "H" = 630	1	1		
6	506486	COVERING / CODE "I" = 895	1	1		
6	5061007	COVERING / CODE "J" = 466	1	1		
6	506585	COVERING / CODE "L" = 975	1	1		
6	5061045	COVERING / CODE "M" = TR455	1	1		
6	506658	COVERING / CODE "Q" = 788	1	1		
		STEP TREAD COVERING 1ST AISLE / 8 1/4" X 18 1/8"				
7	506532	STEP TREAD COVERING / CODE "A" = 702	1	1		
7	506533	STEP TREAD COVERING / CODE "B" = 777	1	1		
7	506534	STEP TREAD COVERING / CODE "C" = 653	1	1		
7	506535	STEP TREAD COVERING / CODE "D" = 747	1	1		
7	506536	STEP TREAD COVERING / CODE "E" = 766	1	1		
7	506971	STEP TREAD COVERING / CODE "E" = 766 From Y-3321	1	1		A
7	506740	STEP TREAD COVERING / CODE "H" = 630	1	1		
7	506673	STEP TREAD COVERING / CODE "L" = 975	1	1		
		STEP TREAD COVERING 2ND AISLE / 8 1/4" X 17"				

From R-012 To 2-4416	Date:10/2022	PAGE:H3-1838-05
FLOOR COVERING - "R.C.A."		

Item#	Part	Description	H 3 4 1	H 3 4 5	V I P 4 5	N O T E S
8	506527	STEP TREAD COVERING / CODE "A" = 702	1	1		
8	506528	STEP TREAD COVERING / CODE "B" = 777	1	1		
8	506529	STEP TREAD COVERING / CODE "C" = 653	1	1		
8	506530	STEP TREAD COVERING / CODE "D" = 747	1	1		
8	506531	STEP TREAD COVERING / CODE "E" = 766	1	1		
8	506970	STEP TREAD COVERING / CODE "E" = 766 From Y-3321	1	1		A
8	506739	STEP TREAD COVERING / CODE "H" = 630	1	1		
8	506674	STEP TREAD COVERING / CODE "L" = 975	1	1		
9	506442	STEP NOZING 3" X 27" / WHITE	1	1		
9	506441	STEP NOZING 3" X 19" / WHITE	1	1		
9	506073	STEP NOZING 3" X 48" / WHITE	1	1		
9	506969	STEP NOZING 3" X 48" / YELLOW From Y-3321	1	1		A
NS	680028	GLUE / 15LITERS	AR	AR		W
NS	684654	GLUE CONTACT "SCOTCH-GRIP" / 3M #1357-NEUTRAL 18.9 LITERS	AR	AR		F
NS	684655	GLUE CONTACT "SCOTCH-GRIP" / 3M #1357-NEUTRAL 3.8 LITERS	AR	AR		F
		SPECIFY COLOR WHEN ORDERING RUBBER COVERING				
		SEE CODE ON FINAL VEHICLE RECORD.				
NS	CODE A	#702 R.C.A. LIGHT BLUE				
NS	CODE B	#777 R.C.A. LIGHT CREAM				
NS	CODE C	#653 R.C.A. LIGHT GREEN				
NS	CODE D	#747 R.C.A. LIGHT BROWN				
NS	CODE E	#766 R.C.A. DARK GREY				
9	CODE F	#604 R.C.A. BLACK				
9	CODE G	#758 R.C.A. CREAM				
9	CODE H	#630 R.C.A. BROWN				
9	CODE I	#895 R.C.A. RED				
9	CODE J	#602 R.C.A. ORANGE				
NS	CODE L	#975 R.C.A. RED				
9	CODE M	#793 R.C.A. GREEN				
NS	CODE Q	#788 R.C.A. LIGHT GREY				
9	CODE R	#411 R.C.A. LIGHT GREY				
		A) WITH YELLOW STEP NOZING (SPECIAL ON PWT COACHES)				
		F) TO FIX COVERING ON FIBERGLASS				
		W) TO FIX COVERING ON WOOD				

From R-012 To 2-4416			Date:10/2022	PAGE:H3-1838-05			
FLOOR COVERING - "R.C.A."							
Item#	Part	Description	H 3 4 1	H 3 4 5	V I P 4 5	N O T E S	
		P) CALL ORDER DESK FOR SPECIFIC APPLICATION (V.I.N.)					

From R-012 To 2-4416	Date:10/2022	PAGE:H3-1838-10
FLOOR COVERING - "TARAFLEX"		



From R-012 To 2-4416	Date:10/2022	PAGE:H3-1838-10
FLOOR COVERING - "TARAFLEX"		

Item#	Part	Description	H 3 4 1	H 3 4 5	V I P 4 5	N O T E S
1		COVERING WINDOW SIDE SECTION / 664MM X 12243MM		X		
1		COVERING WINDOW SIDE SECTION / 664MM X 10998MM	X			
1	506911	COVERING BLUE #8423 AQUILIA	1	1		
1	506923	COVERING DARK GREY TARABUS #8750 TUCUNA	1	1		
1	506967	COVERING LIGHT GREY #6768 GRIFFON	1	1		
1	5060004	COVERING GRAPHITE #6801	1	1		
1	506798	COVERING DARK GREY #8780 PEGASUS	1			
1	506796	COVERING DARK GREY #8780 PEGASUS		1		
1	506837	COVERING BROWN #6017 HAVANA		1		
1	506846	COVERING BROWN #6017 HAVANA	1			
1	506835	COVERING RED #6132 RUBIS	1	1		
1	506882	COVERING RED & GREY #8778 ARIES	1	1		
1	506917	COVERING GREEN #8544 ORION	1	1		
1	506831	COVERING LIGHT GREY #8779 CYGNUS		1		
1	506833	COVERING LIGHT GREY #8779 CYGNUS	1			
2		COVERING CENTRAL AILSE SECTION / 898MMX12615MM		X		
2		COVERING CENTRAL AILSE SECTION / 898MMX11303MM	X			
2	506912	COVERING BLUE #8423 AQUILIA	1	1		
2	506924	COVERING DARK GREY TARABUS #8750 TUCUNA	1	1		
2	506968	COVERING LIGHT GREY #6768 GRIFFON	1	1		
2	5060005	COVERING GRAPHITE #6801	1	1		
2	506799	COVERING DARK GREY #8780 PEGASUS	1			
2	506797	COVERING DARK GREY #8780 PEGASUS		1		
2	506847	COVERING BROWN #6017 HAVANA	1			
2	506838	COVERING BROWN #6017 HAVANA		1		
2	506836	COVERING RED #6132 RUBIS	1	1		
2	506883	COVERING RED & GREY #8778 ARIES	1	1		
2	506918	COVERING GREEN #8544 ORION	1	1		
2	506834	COVERING LIGHT GREY #8779 CYGNUS	1			
2	506832	COVERING LIGHT GREY #8779 CYGNUS		1		
		FLOOR COVERING 1ST STEP / 180MM X 705MM				
3	506910	COVERING BLUE #8423 AQUILIA	1	1		
3	506922	COVERING DARK GREY #8758 TUCUNA	1	1		
3	506964	COVERING LIGHT GREY #6768 GRIFFON	1	1		
3	5060003	COVERING GRAPHITE #6801	1	1		
3	506810	COVERING DARK GREY #8780 PEGASUS	1	1		
3	506845	COVERING BROWN #6017 HAVANA	1	1		

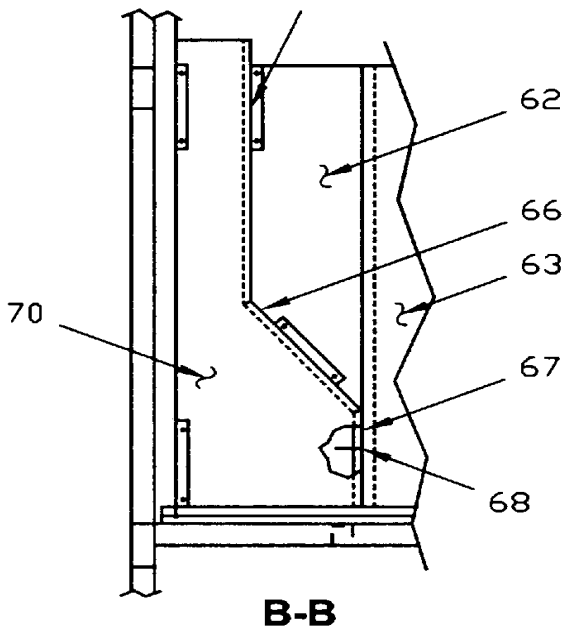
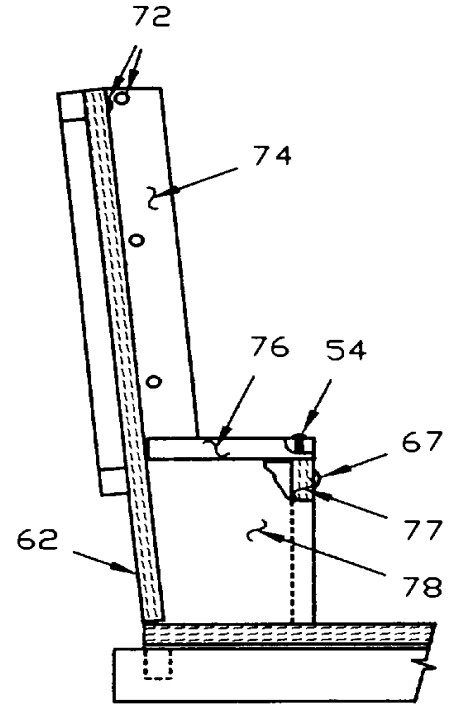
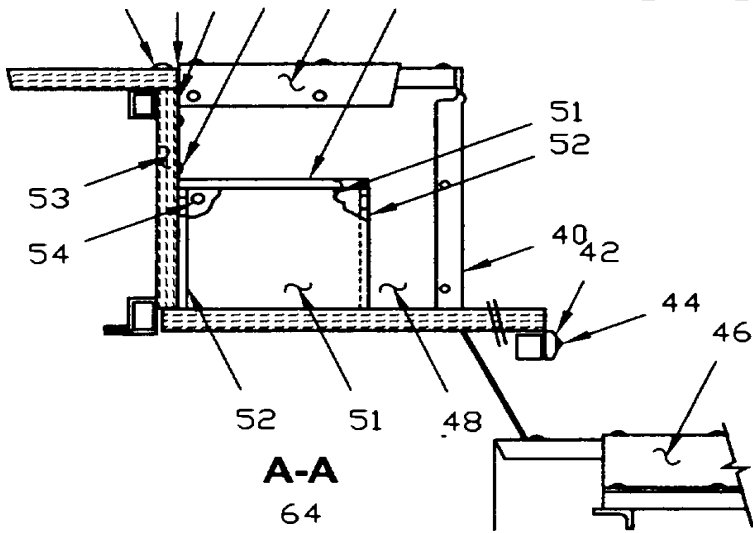
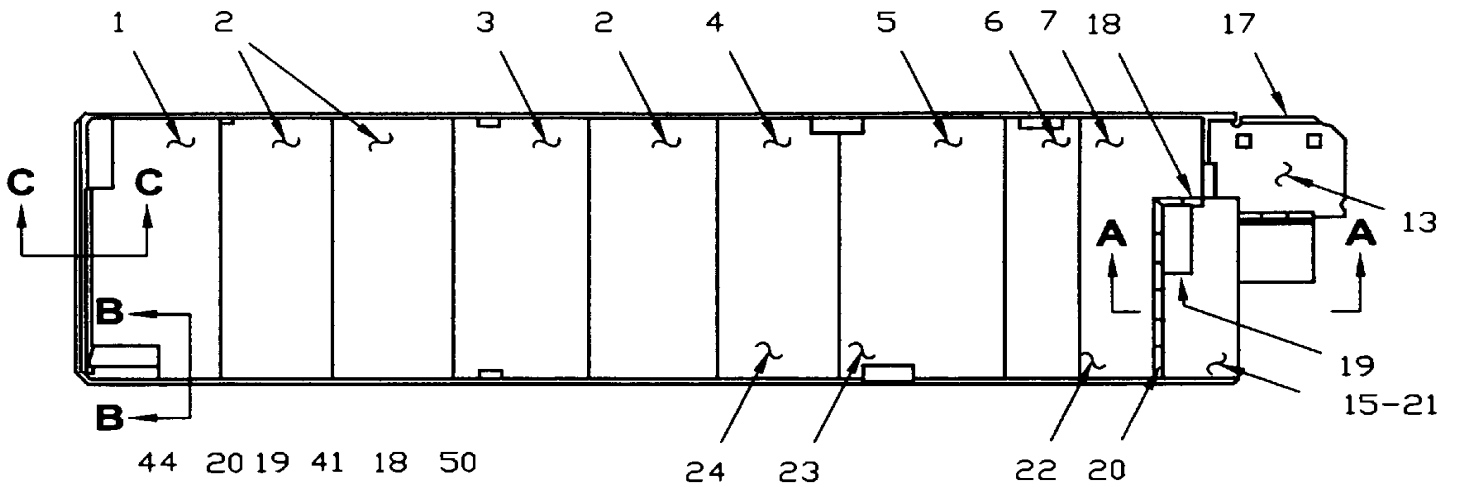
From R-012 To 2-4416	Date:10/2022	PAGE:H3-1838-10
FLOOR COVERING - "TARAFLEX"		

Item#	Part	Description	H 3 4 1	H 3 4 5	V I P 4 5	N O T E S
3	506858	COVERING RED #6132 RUBIS	1	1		
3	506881	COVERING RED & GREY #8778 ARIES	1	1		
3	506916	COVERING GREEN #8544 ORION	1	1		
3	506830	COVERING LIGHT GREY #8779 CYGNUS	1	1		
		FLOOR COVERING STEP 2,3,4 / 168MM X 670MM				
4	506909	COVERING BLUE #8423 AQUILIA	1	1		
4	506921	COVERING DARK GREY #8758 TUCUNA	1	1		
4	506963	COVERING LIGHT GREY #6768 GRIFFON	1	1		
4	5060002	COVERING GRAPHITE #6801	1	1		
4	506809	COVERING DARK GREY #8780 PEGASUS	1	1		
4	506844	COVERING BROWN #6017 HAVANA	1	1		
4	506859	COVERING RED #6132 RUBIS	1	1		
4	506880	COVERING RED & GREY #8778 ARIES	1	1		
4	506915	COVERING GREEN #8544 ORION	1	1		
4	506829	COVERING LIGHT GREY #8779 CYGNUS	1	1		
		DRIVER & ENTRANCE SECTION / 1330MM X 1270MM				
5	506913	COVERING BLUE #8423 AQUILIA	1	1		
5	506925	COVERING DARK GREY #8758 TUCUNA	1	1		
5	506966	COVERING LIGHT GREY #6768 GRIFFON	1	1		
5	5060006	COVERING GRAPHITE #6801	1	1		
5	506792	COVERING DARK GREY #8780 PEGASUS	1	1		
5	506842	COVERING BROWN #6017 HAVANA	1	1		
5	506854	COVERING RED #6132 RUBIS	1	1		
5	506884	COVERING RED & GREY #8778 ARIES	1	1		
5	506919	COVERING GREEN #8544 ORION	1	1		
5	506827	COVERING LIGHT GREY #8779 CYGNUS	1	1		
		FLOOR COVERING 1ST & 2ND STEPS / 155MM X 405MM				
6	506908	COVERING BLUE #8423 AQUILIA	1	1		
6	506920	COVERING DARK GREY #8758 TUCUNA	1	1		
6	506965	COVERING LIGHT GREY #6768 GRIFFON	1	1		
6	5060001	COVERING GRAPHITE #6801	1	1		
6	506811	COVERING DARK GREY #8780 PEGASUS	1	1		
6	506843	COVERING BROWN #6017 HAVANA	1	1		
6	506860	COVERING RED #6132 RUBIS	1	1		
6	506879	COVERING RED & GREY #8778 ARIES	1	1		
6	506914	COVERING GREEN #8544 ORION	1	1		

From R-012 To 2-4416	Date:10/2022	PAGE:H3-1838-10
FLOOR COVERING - "TARAFLEX"		

Item#	Part	Description	H 3 4 1	H 3 4 5	V I P 4 5	N O T E S
6	506828	COVERING LIGHT GREY #8779 CYGNUS	1	1		
10	506802	EXTRUSION "STEPBUS" 751MM	1	1		
11	506803	EXTRUSION "STEPBUS" 688MM	1	1		
12	506804	EXTRUSION "STEPBUS" 697MM	1	1		
13	506805	EXTRUSION "STEPBUS" 426MM	1	1		
14	506806	EXTRUSION "STEPBUS" 401MM	1	1		
15	506807	EXTRUSION "STEPBUS" 426MM	1	1		
20	506808	WHITE STRIP "STEPBUS" 34MM x 1490MM / BOX OF 20	1	1		
20	506088	WHITE STRIP "STEPBUS" 34MM x 565MM	1	1		
NS	680028	GLUE / 15LITERS	AR	AR		W
NS	684654	GLUE CONTACT "SCOTCH-GRIP" / 3M #1357-NEUTRAL 18.9 LITERS	AR	AR		F
NS	684655	GLUE CONTACT "SCOTCH-GRIP" / 3M #1357-NEUTRAL 3.8 LITERS	AR	AR		F
22	683084	SEALANT SIKA #221 / GREY / 600 ml SAUSAGE	AR	AR		
		F) TO FIX COVERING ON FIBERGLASS				
		W) TO FIX COVERING ON WOOD				

From R-012 To 2-4416	Date:10/2022	PAGE:H3-1838-50
FLOOR & REAR WALL - V.I.P.		



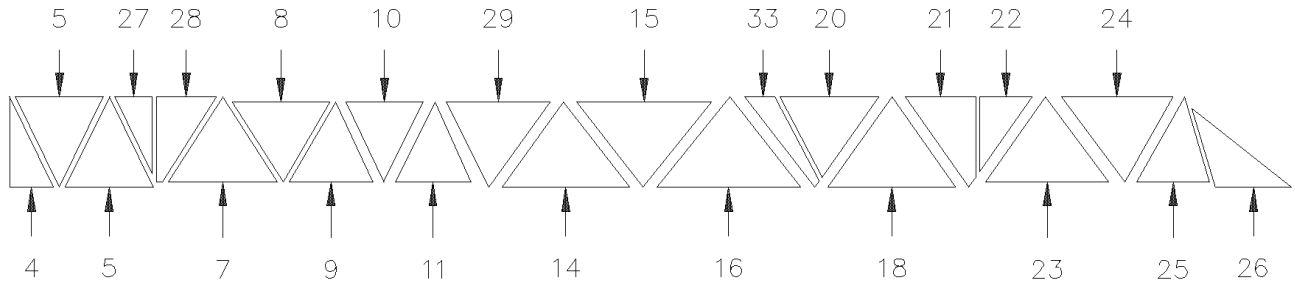
From R-012 To 2-4416	Date:10/2022	PAGE:H3-1838-50
FLOOR & REAR WALL - V.I.P.		

Item#	Part	Description	H 3 4 1	H 3 4 5	V I P 4 5	N O T E S
1	Call order desk	FLOOR ASSY From S-128			1	P
NS	Call order desk	STEEL NOISELESS PANEL			1	P
NS	324299	FLOOR CENTER To S-127			1	
NS	Call order desk	FLOOR R.H. To S-127			1	P
NS	Call order desk	FLOOR L.H. To S-127			1	P
2	324529	FLOOR ASSY			2	
3	324528	FLOOR ASSY			1	
4	Call order desk	FLOOR ASSY			1	P
5	323904	FLOOR ASSY			2	
6	Call order desk	FLOOR ASSY			1	P
7	Call order desk	FLOOR ASSY			1	P
13	Call order desk	FLOOR ASSY			1	P
14	Call order desk	FLOOR ASSY			1	P
15	Call order desk	FLOOR ASSY			1	P
NS	5001143	SCREW DR WF TORX #12x2 CP			AR	
NS	850027	INSULATING PAD NOISE ADH2 1/16" x 39" x 48"			AR	
NS	508068	VENEER PLYWOOD / 1/2" THICK 4' X 8'			AR	
17	323175	MOULDING SS / TO FIX CONSOLE			1	
NS	500638	SCREW TP PAN PH #8x1/2 Z050			AR	A
18	324557	MOULDING / FRONT L.H. FLOOR			1	
NS	324537	MOULDING / SIDE L.H. FLOOR			1	
19	322598	GRILL AIR / AISLE STEPWELL / RETURN			1	
20	323370	MOULDING / STEPS			1	
21	324539	STEEL NOISELESS PANEL			1	
22	324531	STEEL NOISELESS PANEL			1	
23	323320	STEEL NOISE PANEL			1	
24	323285	STEEL NOISE PANEL			1	
40	324558	MOULDING / SIDE FLOOR			1	
41	500583	SCREW TP PAN PH #6x1/2 Z050			6	
42	323526	SPACER			1	
44	500434	SCREW TP FL PH #8x3/4 Z050			AR	
46	323367	MOULDING			1	
48	324535	PANEL / SIDE FLOOR			1	
50	323353	PANEL / STEPS FLOOR			1	
51	323352	STEPS SIDE / SPLIT LEVEL			2	
52	323351	PANEL / FRONT & REAR			2	
53	Call order desk	PANEL ASSY / FRONT FLOOR			1	P
54	500637	SCREW TP PAN PH #8x1 1/2 Z050			6	
62	Call order desk	PANEL ASSY / BACK WALL			1	P
NS	500508	SCREW TC PAN PH #10-32x1 1/2 Z050			AR	
63	325270	PANEL / BACK WALL			1	
64	323350	PANEL / AIR OUTLET			1	

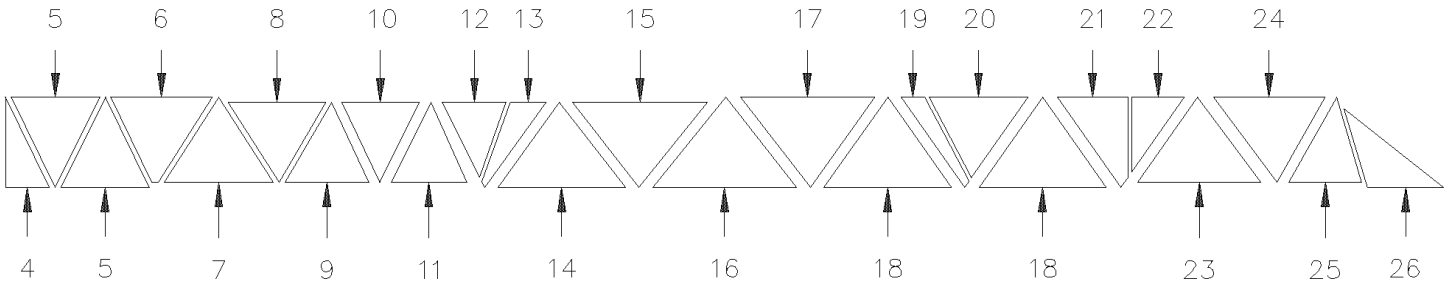
From R-012 To 2-4416	Date:10/2022	PAGE:H3-1838-50
FLOOR & REAR WALL - V.I.P.		

Item#	Part	Description	H 3 4 1	H 3 4 5	V I P 4 5	N O T E S
66	323349	PANEL / AIR OUTLET			1	
67	500632	SCREW TP OV PH #8x1 1/2 Z050			AR	
68	323474	PANEL / AIR OUTLET			1	
NS	323588	BRACKET / TO FIX ITEM 68			3	
70	323473	PANEL / AIR OUTLET			1	
74	323289	REAR CONER ASSY / (515MM X 125MM)			1	
76	323275	PANEL ASSY			1	
77	323276	PANEL ASSY			1	
78	323277	PANEL ASSY			1	
NS	970260	STEEL NOISELESS PANEL / 3' X 8' / S.Q.			AR	
NS	850042	STEEL NOISELESS PANEL / 4' X 8' / S.Q.			AR	
		A) TO FIX CONSOLE				
		P) CALL ORDER DESK FOR SPECIFIC APPLICATION (V.I.N.)				

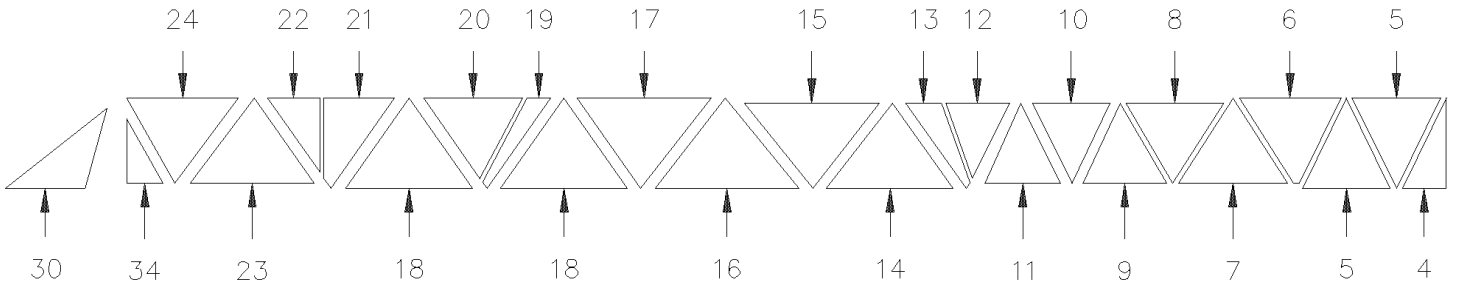
From R-012 To 2-4416	Date:10/2022	PAGE:H3-1839-00
INSULATING SIDE WALL - LOWER PANEL		



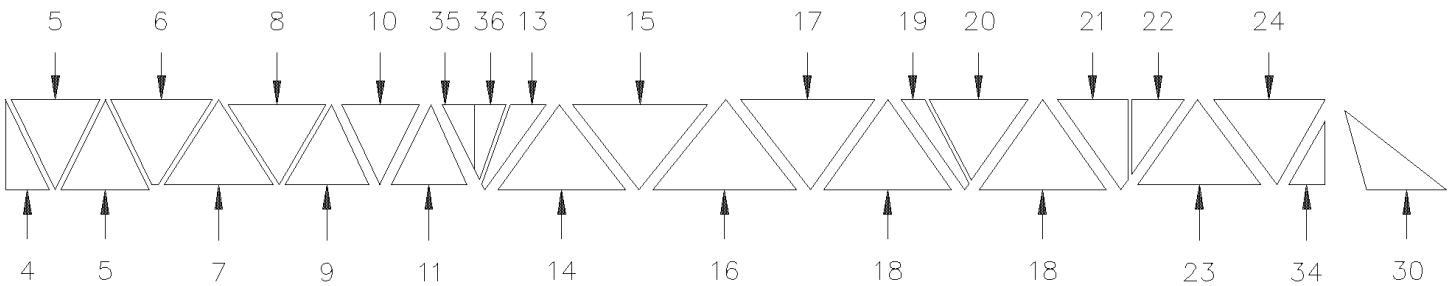
BUS H3-41 LH & RH



BUS H3-45 LH & RH

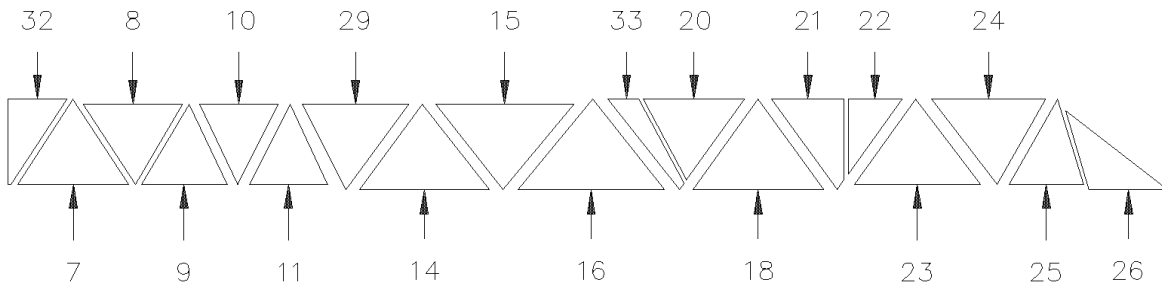


V.I.P. H3-45 LH

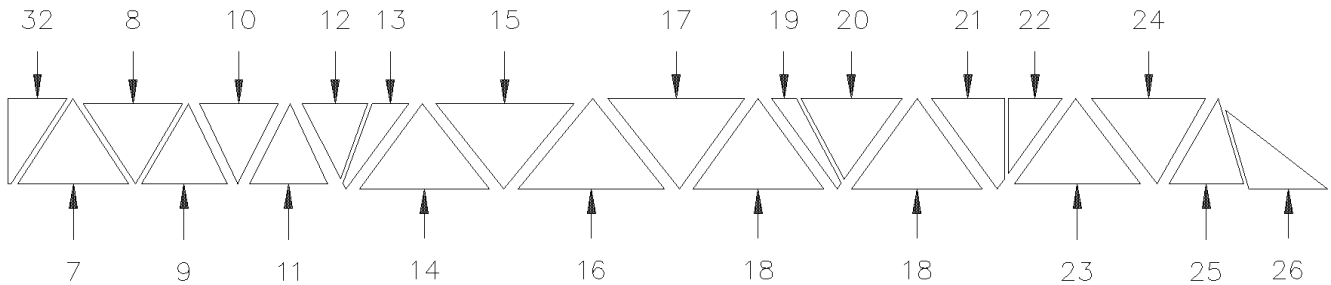


V.I.P. H3-45 RH

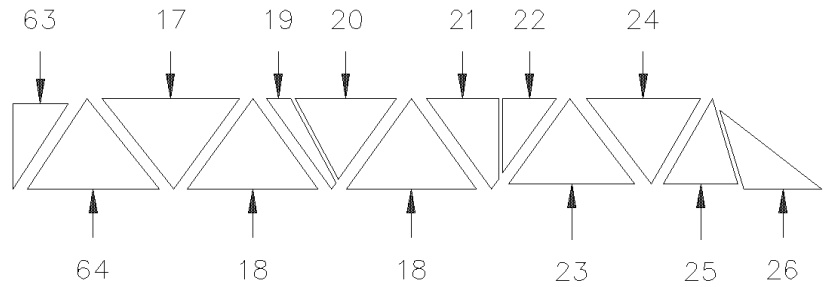
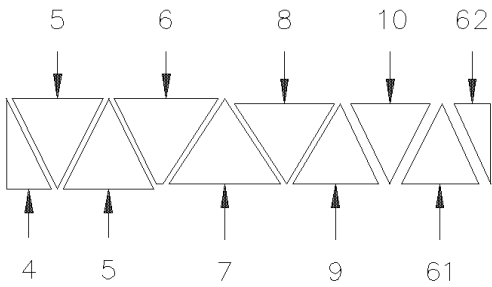
From R-012 To 2-4416	Date:10/2022	PAGE:H3-1839-00
INSULATING SIDE WALL - LOWER PANEL		



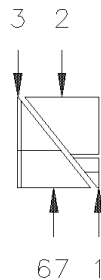
BUS H3-41 (W.C.L. ST. & ST.) RH



BUS H3-45 (W.C.L. ST. & ST.) RH



BUS H3-45 (W.C.L. RIC.-9) RH



BUS & V.I.P., LH SIDE ONLY

From R-012 To 2-4416	Date:10/2022	PAGE:H3-1839-00
INSULATING SIDE WALL - LOWER PANEL		

Item#	Part	Description	H 3 4 1	H 3 4 5	V I P 4 5	N O T E S
	350434	KIT INSULATING LOWER SIDE WALL RH		2		
	350437	KIT INSULATING LOWER SIDE WALL RH	2			
	350438	KIT INSULATING LOWER SIDE WALL RH W/"ST & ST"	1			
	350436	KIT INSULATING LOWER SIDE WALL RH W/"ST & ST"		1		
	350440	KIT INSULATING LOWER SIDE WALL LH		1		
	350435	KIT INSULATING LOWER SIDE WALL RH			1	
	350442	KIT INSULATING LOWER SIDE WALL LH (1-2-3-67)			1	
	350443	KIT INSULATING LOWER SIDE WALL RH (35)	1	1	1	
1	350492	SIDE INSULATION PANEL			1	
2	350493	SIDE INSULATION PANEL	1	1	1	
3	350494	SIDE INSULATION PANEL	1	1	1	
4	350495	SIDE INSULATION PANEL	2	2	2	
5	350496	SIDE INSULATION PANEL	4	4	4	
6	350497	SIDE INSULATION PANEL		2	2	
7	350498	SIDE INSULATION PANEL	2	2	2	
8	350499	SIDE INSULATION PANEL	2	2	2	
9	350500	SIDE INSULATION PANEL	2	2	2	
10	350501	SIDE INSULATION PANEL	2	2	2	
11	350502	SIDE INSULATION PANEL	2	2	2	
12	350503	SIDE INSULATION PANEL		2		
13	350504	SIDE INSULATION PANEL		2	2	
14	350505	SIDE INSULATION PANEL	2	2	2	
15	350506	SIDE INSULATION PANEL	2	2	2	
16	350507	SIDE INSULATION PANEL	2	2	2	
17	350508	SIDE INSULATION PANEL	2	2	2	
18	350509	SIDE INSULATION PANEL	2		2	
18	350509	SIDE INSULATION PANEL		4		
19	350510	SIDE INSULATION PANEL		2	2	
20	350511	SIDE INSULATION PANEL	2	2	2	
21	350512	SIDE INSULATION PANEL	2	2	2	
22	350513	SIDE INSULATION PANEL	2	2	2	
23	350514	SIDE INSULATION PANEL	2	2	2	
24	350515	SIDE INSULATION PANEL	2	2	2	
25	350516	SIDE INSULATION PANEL	2	2		
26	350517	SIDE INSULATION PANEL	2	2		
27	Call order desk	SIDE INSULATION PANEL	2			P
28	Call order desk	SIDE INSULATION PANEL	2			P
29	Call order desk	SIDE INSULATION PANEL	2			P
30	350521	SIDE INSULATION PANEL				
32	350523	SIDE INSULATION PANEL	1	1		
33	Call order desk	SIDE INSULATION PANEL	2			P

From R-012 To 2-4416	Date:10/2022	PAGE:H3-1839-00
INSULATING SIDE WALL - LOWER PANEL		

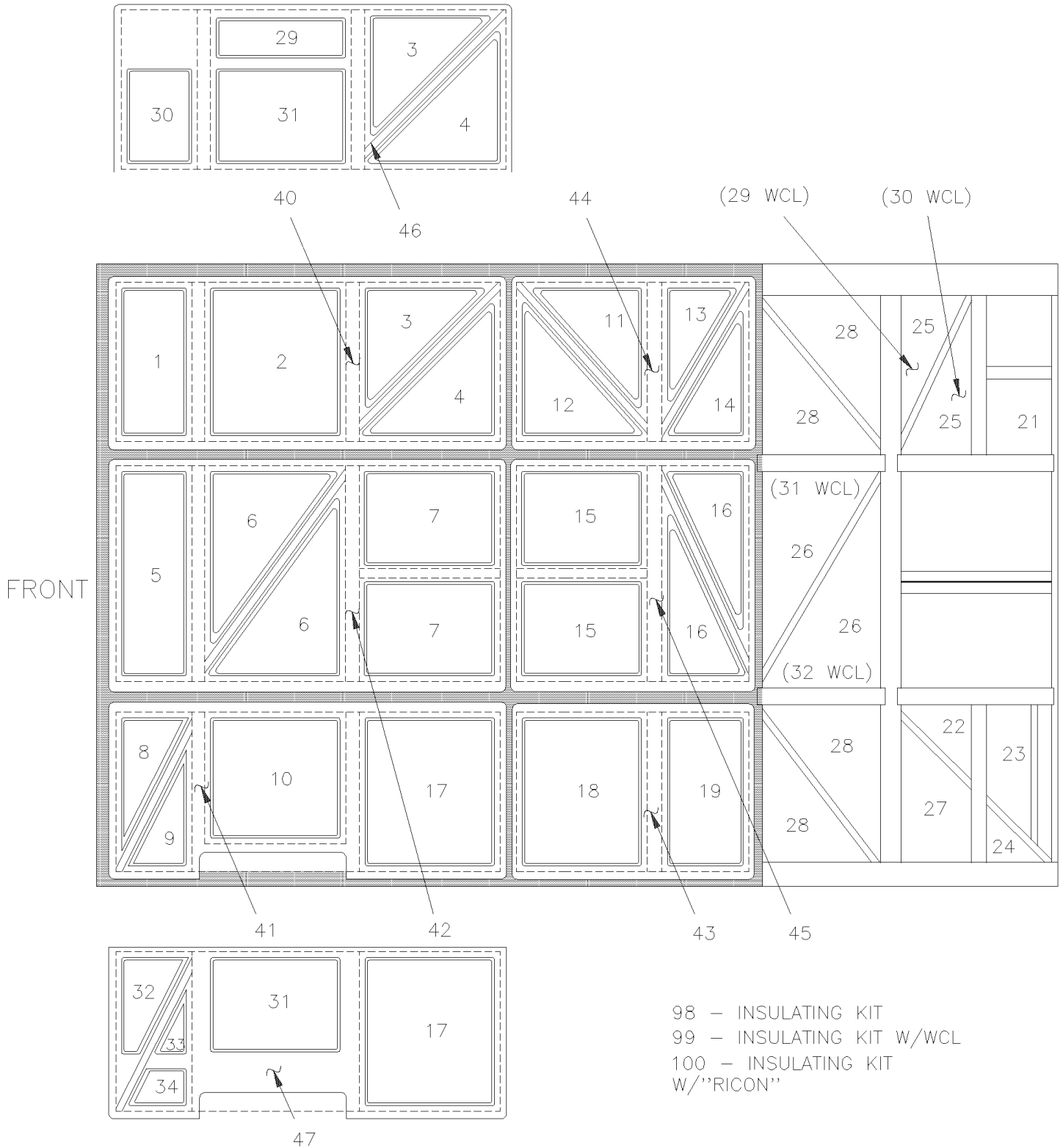
Item#	Part	Description	H 3 4 1	H 3 4 5	V I P 4 5	N O T E S
34	Call order desk	SIDE INSULATION PANEL	2		2	P
35	Call order desk	SIDE INSULATION PANEL			1	P
36	Call order desk	SIDE INSULATION PANEL			1	P
61	350552	SIDE INSULATION PANEL		1		
62	350553	SIDE INSULATION PANEL		1		
63	350554	SIDE INSULATION PANEL		1		
64	350555	SIDE INSULATION PANEL		1		
67	350558	SIDE INSULATION PANEL	1	1	1	
NS	850067	ALUMINUM WALL COVERING ADHESIVE / 29" X 409"	2			
NS	850068	ALUMINUM WALL COVERING ADHESIVE / 29" X 458"		2		
NS	850072	ALUMINUM WALL COVERING ADHESIVE / 29" X 432"			2	
NS	684196	PRIMER ELASTOCOL # 593	AR	AR	AR	
		P) CALL ORDER DESK FOR SPECIFIC APPLICATION (V.I.N.)				

From R-012 To 2-4416

Date:10/2022

PAGE:H3-1839-10

INSULATING FLOOR REAR AXLE - W/60



From R-012 To 2-4416	Date:10/2022	PAGE:H3-1839-10
INSULATING FLOOR REAR AXLE - W/60		

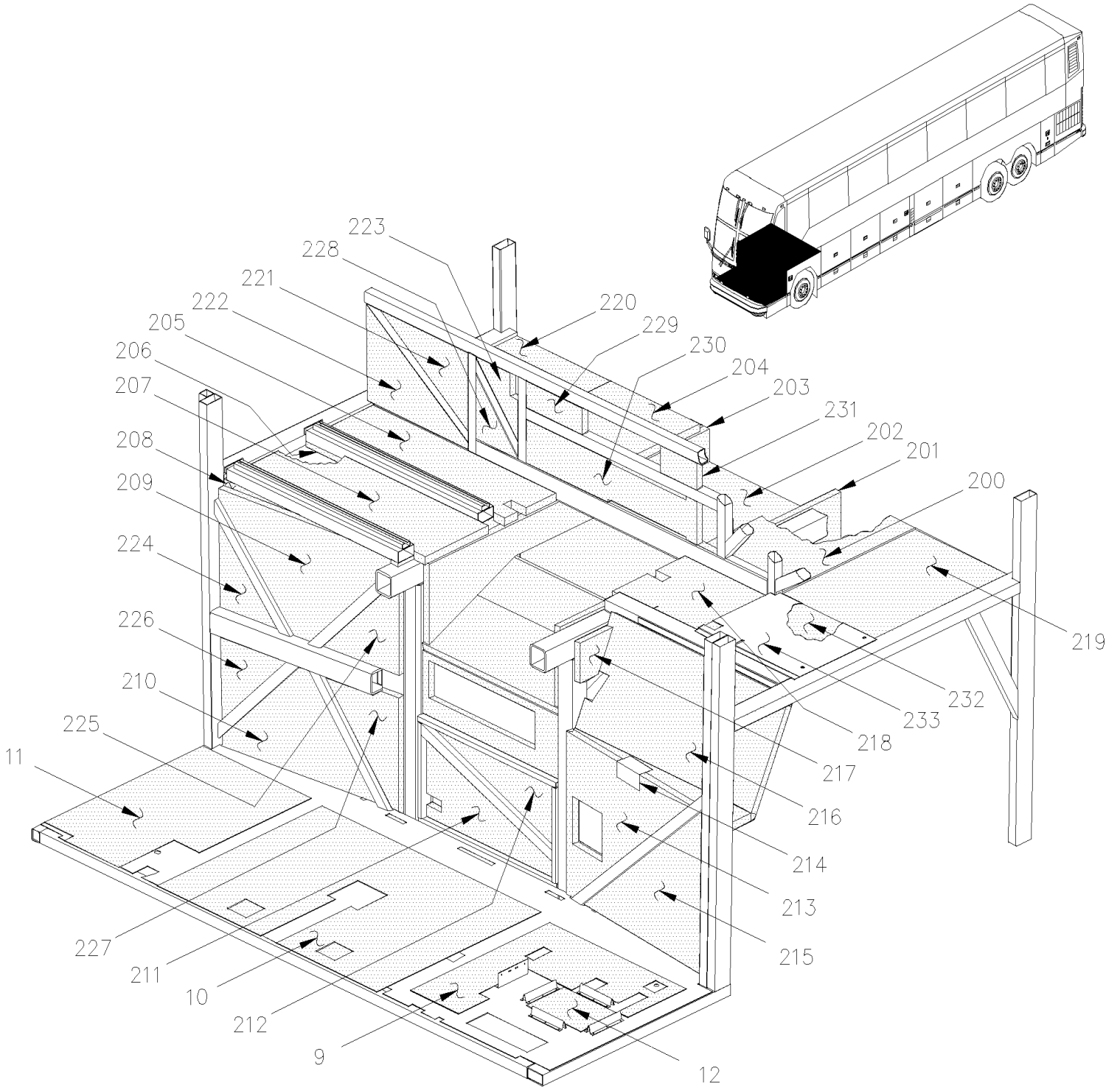
Item#	Part	Description	H 3 4 1	H 3 4 5	V I P 4 5	N O T E S
40	324565	INSULATING HOLDER	1	1	1	
41	324566	INSULATING HOLDER	1	1	1	
42	324567	INSULATING HOLDER	1	1	1	
43	324568	INSULATING HOLDER	1	1	1	
44	324569	INSULATING HOLDER	1	1	1	
45	324570	INSULATING HOLDER	1	1	1	
46	327541	INSULATING HOLDER	1	1	1	
47	327542	INSULATING HOLDER	1	1	1	
98	324321	INSULATING KIT INCLUDE ITEMS 1# TO 28#	AR	AR	AR	
99	325095	INSULATING KIT WCL ST-ST INCL.ITEMS 29 TO 32	AR	AR		
100	327544	INSULATING KIT WCL "RICON"		1		
NS	329069	INSULATING PAD 48" X 48" / CUT TO FIT	AR	AR	AR	

From R-012 To 2-4416

Date:10/2022

PAGE:H3-1839-15

INSULATING FRONT - SUBFRAME



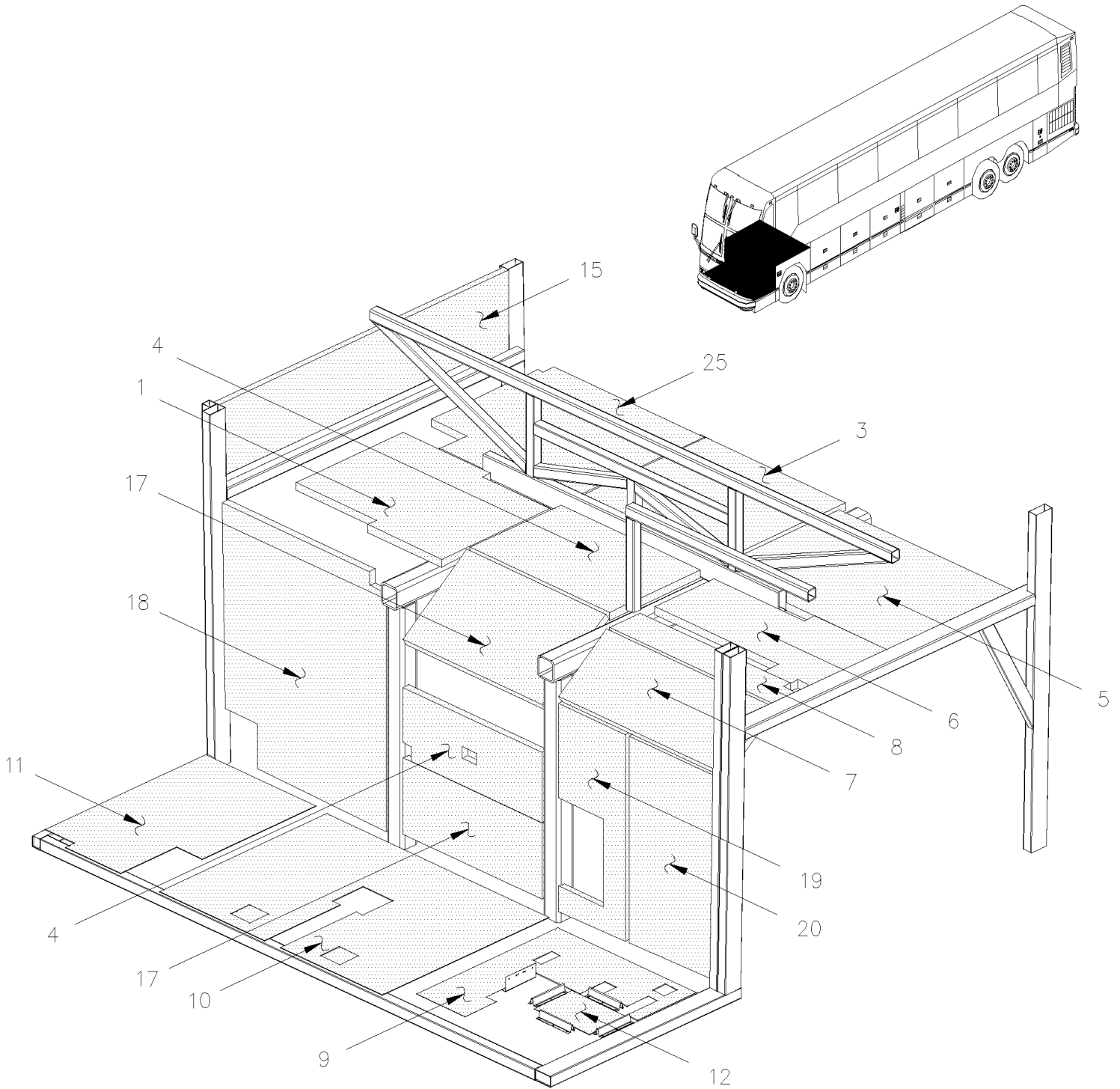
V.I.P. WITH INDEPENDANT SUSPENSION

From R-012 To 2-4416

Date:10/2022

PAGE:H3-1839-15

INSULATING FRONT - SUBFRAME



BUS (VIP UP TO W-2457)

From R-012 To 2-4416	Date:10/2022	PAGE:H3-1839-15
INSULATING FRONT - SUBFRAME		

Item#	Part	Description	H 3 4 1	H 3 4 5	V I P 4 5	N O T E S
	850024	INSULATING PAD NOISE ADH1 1/16" x 40" x 54"	AR	AR	AR	A
1	350185	SOUND INSULATOR PANEL	1	1		
NS	350477	SOUND INSULATOR PANEL / FORWARD			1	
NS	350261	SOUND INSULATOR PANEL / BACKWARD			1	
NS	350479	SOUND INSULATOR PANEL			1	
2	350186	SOUND INSULATOR PANEL To V-1856	2	2	2	
3	350476	SOUND INSULATOR PANEL From V-1857	1	1		
NS	350483	SOUND INSULATOR PANEL			1	
NS	350484	SOUND INSULATOR PANEL			2	
4	350188	SOUND INSULATOR PANEL To T-1419	2	2	2	
4	350793	SOUND INSULATOR PANEL / W/SMALL A/C From V-1857	2	2	2	
4	350259	SOUND INSULATOR PANEL To T-1419	1	1	1	
4	350477	SOUND INSULATOR PANEL / FORWARD From T-1420 To V-1856	1	1		
4	350478	SOUND INSULATOR PANEL From T-1420 To V-1856			1	
5	350558	SIDE INSULATION PANEL	1	1	1	
6	350345	SOUND INSULATOR PANEL	1	1	1	
NS	350369	SOUND INSULATOR PANEL To V-1856	1	1	1	
NS	350370	SOUND INSULATOR PANEL To V-1856	1	1	1	
NS	350793	SOUND INSULATOR PANEL / W/SMALL A/C			1	
NS	350360	SOUND INSULATOR PANEL To V-1856	1	1	1	
7	350371	SOUND INSULATOR PANEL	1	1	1	
8	350346	SOUND INSULATOR PANEL	1	1	1	
9	350193	SOUND INSULATOR PANEL	1	1	1	
10	350194	SOUND INSULATOR PANEL	1	1	1	
10	350685	SOUND INSULATOR PANEL From W-2458			1	
11	350195	SOUND INSULATOR PANEL To W-2149	1	1	1	
11	350668	SOUND INSULATOR PANEL / (UNDER FLOOR) From W-2150	1	1	1	
11	326206	SOUND INSULATOR PANEL / (UNDER FLOOR)	1	1	1	
12	350219	SOUND INSULATOR PANEL	1	1	1	
15	350196	SOUND INSULATOR PANEL	1	1	1	
17	350198	SOUND INSULATOR PANEL	2	2	2	
18	350199	SOUND INSULATOR PANEL To V-1856	1	1	1	
18	351333	INSULATING PAD 1" 1/2 WHITE (850018) From W-2163	1	1	1	W
18	350667	INSULATING PAD 1" 1/2 WHITE (850018)	1	1	1	W
18	350475	SOUND INSULATOR PANEL From V-1857	1	1	1	
NS	350258	SOUND INSULATOR PANEL To W-2457			1	
19	350200	SOUND INSULATOR PANEL	1	1	1	
20	350201	SOUND INSULATOR PANEL To V-1778	1	1	1	
20	350637	SOUND INSULATOR PANEL From V-1779	1	1	1	
25	350260	SOUND INSULATOR PANEL	1	1	1	
25	350202	SOUND INSULATOR PANEL To V-1856	1	1	1	
25	350347	SOUND INSULATOR PANEL	1	1	1	

From R-012 To 2-4416	Date:10/2022	PAGE:H3-1839-15
INSULATING FRONT - SUBFRAME		

Item#	Part	Description	H 3 4 1	H 3 4 5	V I P 4 5	N O T E S
25	350720	SOUND INSULATOR PANEL	2	2	2	
NS	350348	SOUND INSULATOR PANEL	1	1	1	
200	326054	INSULATING PAD 1" 1/16	1	1	1	
201	325360	INSULATING PAD 1"	1	1	1	
202	326329	INSULATING PAD 1" 1/16				
203	325357	INSULATING PAD NOISE 1"	1	1	1	
204	326047	INSULATING PAD 1" 1/16	1	1	1	
205	326048	INSULATING PAD 1" 1/16	1	1	1	
206	326049	INSULATING PAD 13/16"	1	1	1	
207	326050	INSULATING PAD 1" 1/16	1	1	1	
208	326052	INSULATING PAD 13/16"	1	1	1	
209	326051	INSULATING PAD 1" 1/16	1	1	1	
210	326053	INSULATING PAD 1" 1/16	1	1	1	
211	325353	INSULATING PAD 1"	1	1	1	
212	325352	INSULATING PAD 1"	1	1	1	
213	326056	INSULATING PAD 1" 1/16	1	1	1	
215	326081	INSULATING PAD 1" 1/16	1	1	1	
216	326055	INSULATING PAD 1" 1/16	1	1	1	
217	326082	INSULATING PAD 1" 1/16	1	1	1	
218	326084	INSULATING PAD 1" 1/16	1	1	1	
219	326253	INSULATING PAD 1" 1/16	1	1	1	
220	326124	INSULATING PAD 1" 1/16	1	1	1	
222	326400	INSULATING PAD 1" 1/16	1	1	1	
223	326397	INSULATING PAD 1" 1/16	1	1	1	
224	326334	INSULATING PAD 1" 1/16	1	1	1	
225	326331	INSULATING PAD 1" 1/16	1	1	1	
226	326333	INSULATING PAD 1" 1/16	1	1	1	
227	326332	INSULATING PAD 1" 1/16	1	1	1	
228	326398	INSULATING PAD 1" 1/16	1	1	1	
229	326414	INSULATING PAD 1" 1/16	1	1	1	
230	326416	INSULATING PAD 1" 1/16	1	1	1	
231	326415	INSULATING PAD 1" 1/16	1	1	1	
232	326684	INSULATING PAD 1" 1/16	1	1	1	
232	850032	INSULATION PAD NOISE 1" x 48" x 35' / ARMAFLEX POLYURETHANE FOAM	AR	AR	AR	
NS	850058	INSULATING PAD 13/16" X 40" X 54"	AR	AR	AR	B
NS	850061	SOUND INSULATION 1"1/16X36X54	AR	AR	AR	B
NS	850030	INSULATING PAD NOISE ADH1 1" x 54" x 72"	AR	AR	AR	B
		A) RAW MATERIAL TO MAKE ITEM 1 TO 25				
		B) RAW MATERIAL TO MAKE ITEM 200 AND MORE				

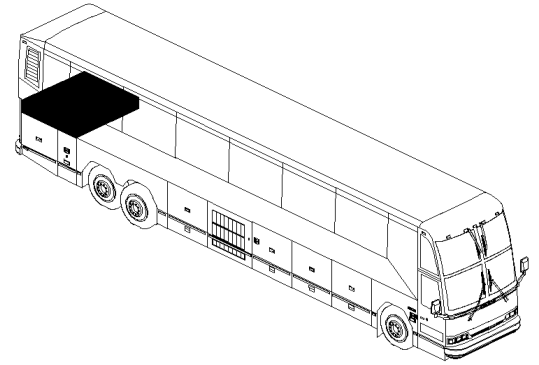
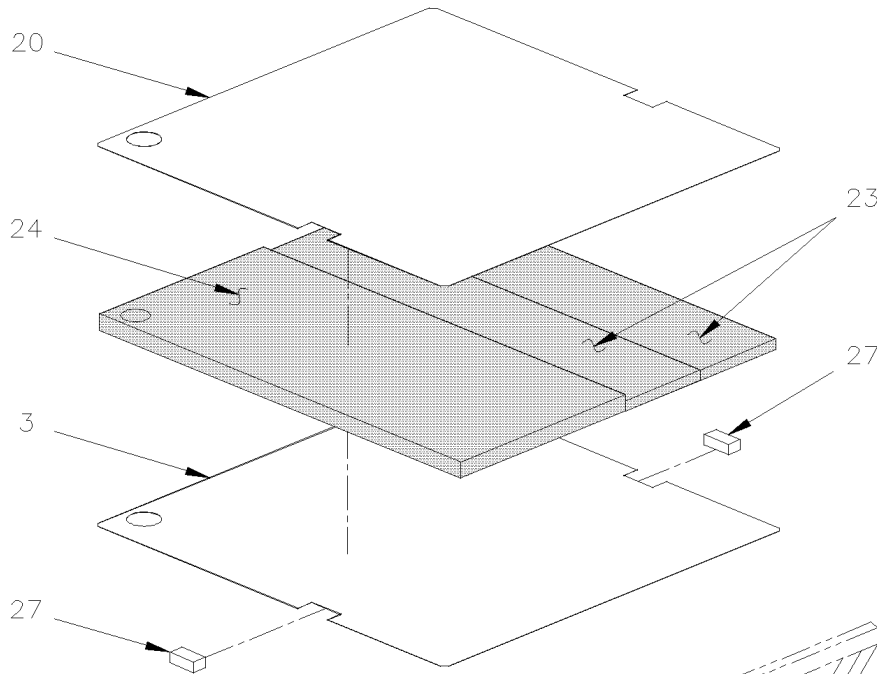
From R-012 To 2-4416			Date:10/2022	PAGE:H3-1839-15			
INSULATING FRONT - SUBFRAME							
Item#	Part	Description	H 3 4 1	H 3 4 5	V I P 4 5	N O T E S	
		W) AS REQUIRE BY WB-92-21					

From R-012 To 2-4416

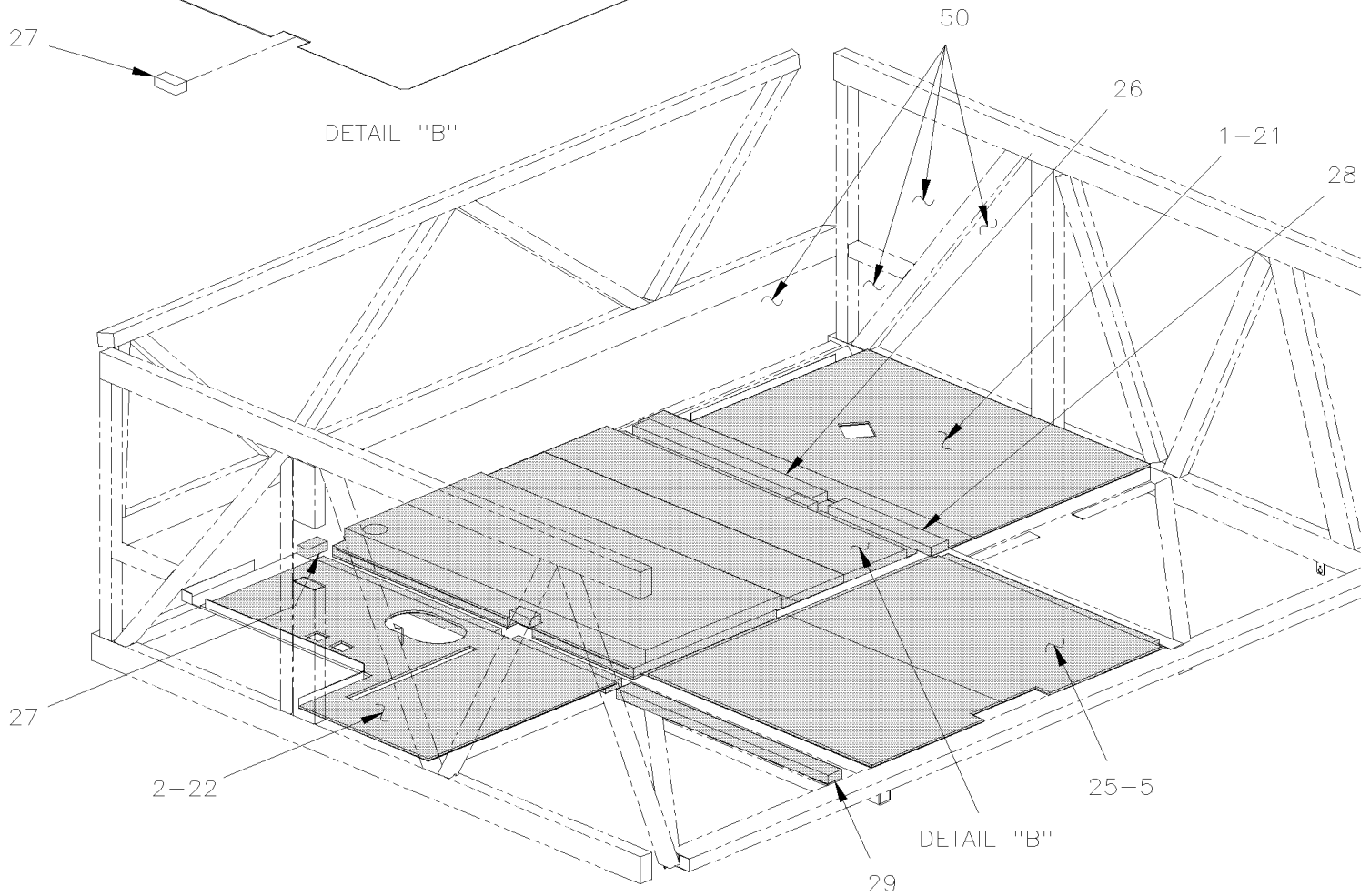
Date:10/2022

PAGE:H3-1839-20

INSULATING REAR ENGINE COMPARTMENT



DETAIL "B"



From R-012 To 2-4416	Date:10/2022	PAGE:H3-1839-20
INSULATING REAR ENGINE COMPARTMENT		

Item#	Part	Description	H 3 4 1	H 3 4 5	V I P 4 5	N O T E S
1	350385	INSULATING HOLDER PERFORATED ALUMINUM / STREETSIDE	1	1		
1	350385	INSULATING HOLDER PERFORATED ALUMINUM / STREETSIDE To T-1408			1	
1	350482	INSULATING HOLDER PERFORATED ALUMINUM / STREETSIDE From T-1409 To W-2457			1	
1	350683	INSULATING HOLDER PERFORATED ALUMINUM / STREETSIDE From W-2458			1	
1	350482	INSULATING HOLDER PERFORATED ALUMINUM / STREETSIDE From W-2458			1	A
2	350349	INSULATING HOLDER PERFORATED ALUMINUM / CURBSIDE To V-1642	1	1		
2	350621	INSULATING HOLDER PERFORATED ALUMINUM / CURBSIDE From V-1643	1	1		
2	350380	INSULATING HOLDER PERFORATED ALUMINUM / CURBSIDE To V-1642			1	
2	350623	INSULATING HOLDER PERFORATED ALUMINUM / CURBSIDE From V-1643 To 1-4224			1	
2	351047	INSULATING HOLDER PERFORATED ALUMINUM / CURBSIDE From 1-4225			1	
3	350368	INSULATING HOLDER PERFORATED ALUMINUM / OVER ENGINE To S-127	1	1		
3	350408	INSULATING HOLDER PERFORATED ALUMINUM / OVER ENGINE From S-128 To V-1914	1	1		
3	350424	INSULATING HOLDER PERFORATED ALUMINUM / OVER ENGINE From V-1915	1	1		
3	350393	INSULATING HOLDER PERFORATED ALUMINUM / OVER ENGINE To S-127			1	
3	350408	INSULATING HOLDER PERFORATED ALUMINUM / OVER ENGINE From S-128 To T-1568			1	
3	350589	INSULATING HOLDER PERFORATED ALUMINUM / OVER ENGINE From T-1569			1	
4	350373	INSULATING HOLDER PERFORATED ALUMINUM / SURGE TANK	1	1	1	
5	350364	INSULATING HOLDER PERFORATED ALUMINUM / OVER ENGINE & TRANS	1	1	1	
NS	970251	ALUMINUM SHEET 48" X 96" W/5MM HOLES PERFORATED	AR	AR	AR	
NS	504379	RIVET POP DOME OE 3/16x1/4 SS	AR	AR	AR	
NS	680257	TAPE ALUMINUM ADH1 .005" x 2" x 300' TRM425-2	AR	AR	AR	
NS	682484	TAPE ALUMINUM ADH1 .005" x 3" x 300' ALUMINUM FSK3"	AR	AR	AR	
NS	680096	SEALANT BUTYL ALUM / GREY / 310ml CARTRIDGE	AR	AR	AR	
20	Call order desk	INSULATING PAD / 897MM X 1010MM To S-127	1	1	1	P
21	350384	INSULATING PAD / STREET SIDE / 690MM X 1053MM	1	1		
21	350384	INSULATING PAD / STREET SIDE / 690MM X 1053MM To W-2457			1	
21	350682	INSULATING PAD / STREET SIDE / 690MM X 1053MM From W-2458			1	
21	350481	INSULATING PAD / STREET SIDE / 690MM X 1053MM From W-2458			1	A
22	350561	INSULATING PAD / CURBSIDE / 642MM X 1025MM From V-1659 To W-2284	1	1		
22	350350	INSULATING PAD / CURBSIDE / 642MM X 1025MM From W-2285	1	1		
22	350620	INSULATING PAD / CURBSIDE / 680MM X 1025MM	1	1		S
22	350381	INSULATING PAD / CURBSIDE / 652MM X 1011MM To V-1642			1	
22	350622	INSULATING PAD / CURBSIDE / 690MM X 1011MM From V-1643			1	
23	Call order desk	INSULATING PAD / OVER ENGINE / 215MM X 1023MM To S-127	2	2	2	P
23	Call order desk	INSULATING PAD / OVER ENGINE / 215MM X 1048MM To S-127	2	2	2	P
23	350415	INSULATING PAD / OVER ENGINE / 213MM X 868MM From S-128 To T-1568	2	2	2	
23	350593	INSULATING PAD / OVER ENGINE / 213MM X 1022MM From T-1569	2	2	2	
23	350588	INSULATING PAD / OVER ENGINE // OVER ENGINE 487MM X 1024MM From T-1569	1	1	1	
24	350417	INSULATING PAD / OVER ENGINE / 150MM X 895MM From S-128 To T-1568	1	1		
24	350592	INSULATING PAD / OVER ENGINE / 464MM X 1022MM From T-1569	1	1		
24	Call order desk	INSULATING PAD / OVER ENGINE / 464MM X 1023MM To S-127	1	1		P
24	Call order desk	INSULATING PAD / OVER ENGINE / 464MM X 1023MM To S-127			1	P

From R-012 To 2-4416	Date:10/2022	PAGE:H3-1839-20
INSULATING REAR ENGINE COMPARTMENT		

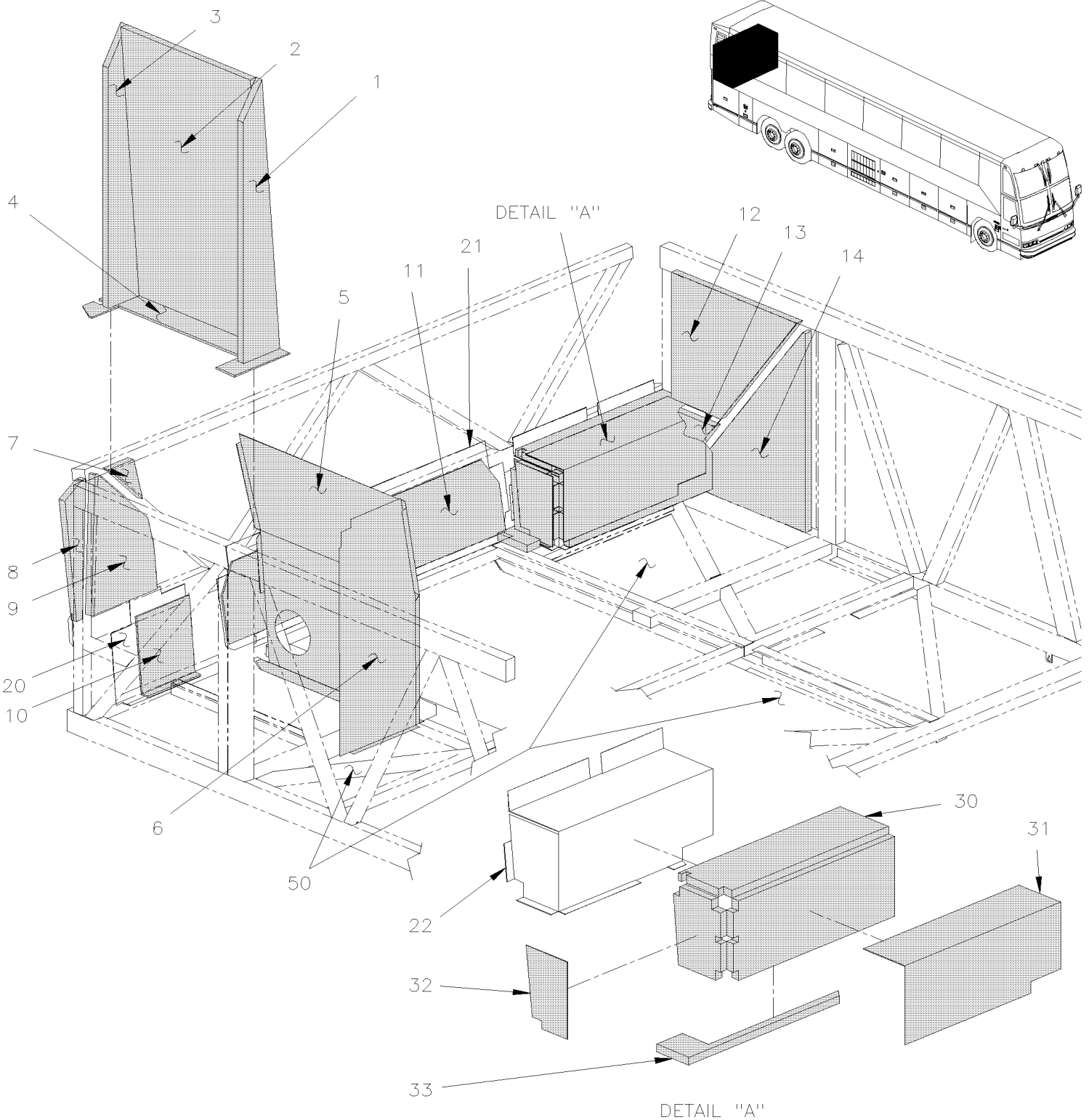
Item#	Part	Description	H 3 4 1	H 3 4 5	V I P 4 5	N O T E S
24	Call order desk	INSULATING PAD / 464MM X 1048MM To S-127			1	P
24	350416	INSULATING PAD / OVER ENGINE // OVER ENGINE 464MM X 868MM From S-128 To V-1914			1	
24	350661	INSULATING PAD / OVER ENGINE / 464MM X 1022MM From V-1915			1	
25	350362	INSULATING PAD / OVER ENGINE & TRANS / 760MM X 788MM	1	1	1	
26	350386	INSULATING PAD 57MM X 605MM	2	2	2	
27	350324	INSULATING PAD 70MM X 35MM	3	3	3	
28	350387	INSULATING PAD 57MM X 305MM	2	2	2	
29	350388	INSULATING PAD 48MM X 720MM	2	2	2	
50	H3-1839-25	INSULATING REAR END - STRUCTURE & CAP				
		A) VIP WITH 430HP ENGINE "CALHOUN"				
		S) WITH "ST & ST" W.C.L.				
		P) CALL ORDER DESK FOR SPECIFIC APPLICATION (V.I.N.)				

From R-012 To 2-4416

Date:10/2022

PAGE:H3-1839-25

INSULATING REAR END - STRUCTURE & CAP



From R-012 To 2-4416	Date:10/2022	PAGE:H3-1839-25
INSULATING REAR END - STRUCTURE & CAP		

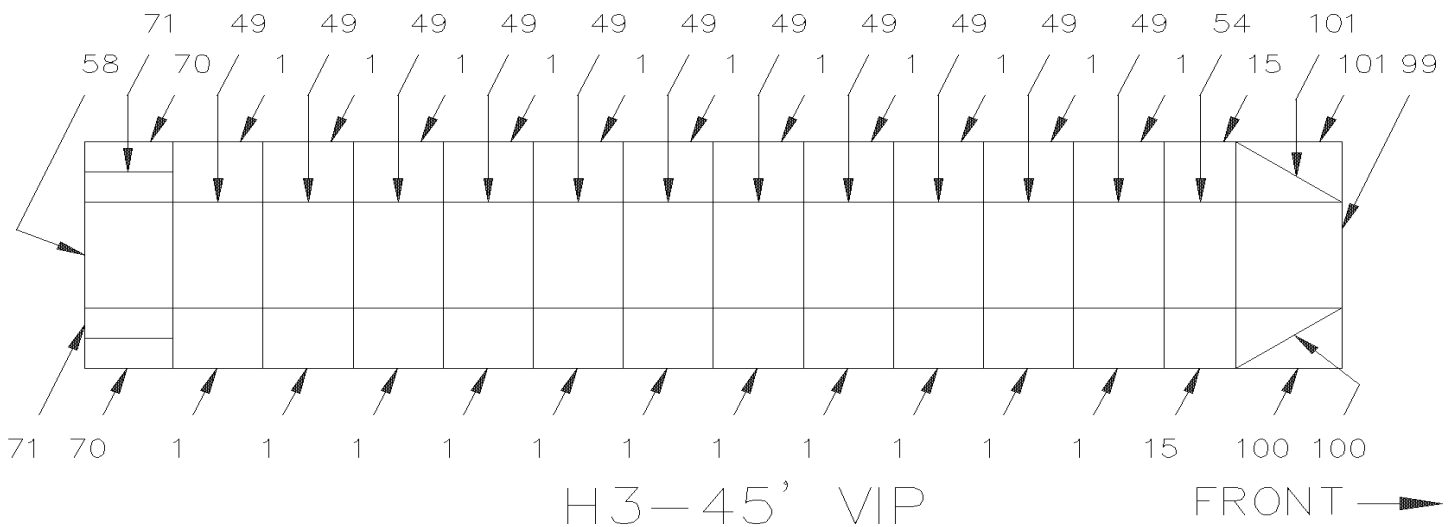
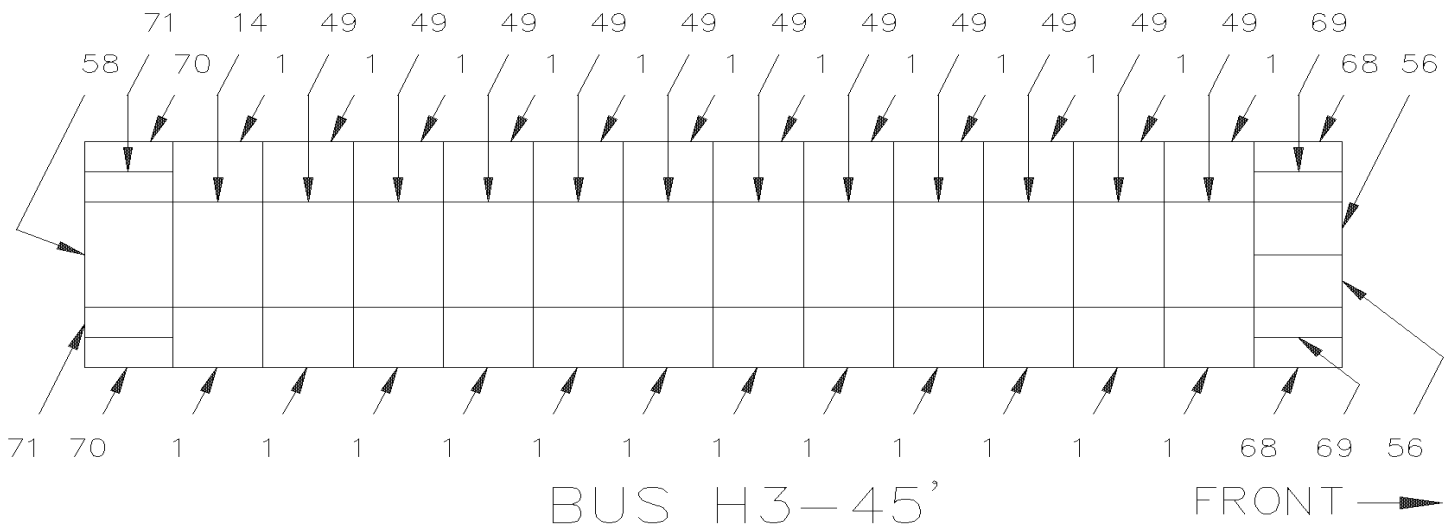
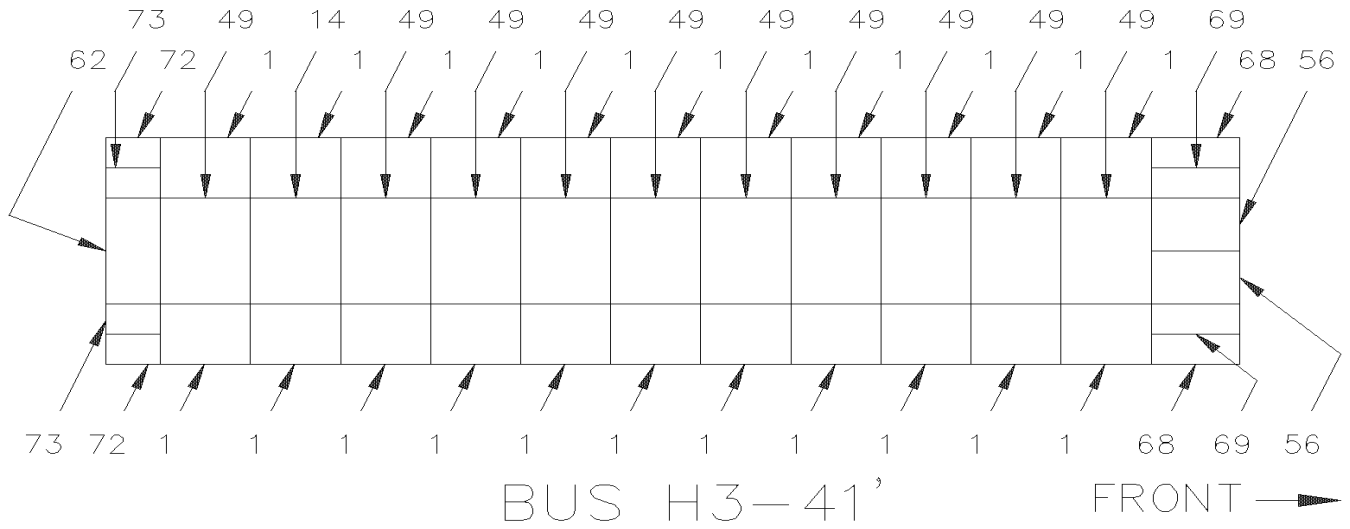
Item#	Part	Description	H 3 4 1	H 3 4 5	V I P 4 5	N O T E S
1	323761	INSULATING PAD 156MM X 965MM			1	
2	323561	INSULATING PAD 550MM X 965MM	1	1	1	
3	323562	INSULATING PAD 156MM X 965MM	1	1	1	
4	350300	INSULATING PAD 235MM X 654MM	1	1	1	
5	350603	INSULATING PAD 681MM X 830MM To V-1658	1	1		
5	350636	INSULATING PAD 681MM X 830MM From V-1659 To W-2284	1	1		
5	350155	INSULATING PAD 681MM X 830MM From W-2285	1	1		
6	350157	INSULATING PAD 368MM 830MM	1	1		
7	350352	INSULATING PAD 80MM X 50MM To V-1706	1	1	1	
7	350624	INSULATING PAD 105MM X 162MM From V-1707	1	1	1	
8	350353	INSULATING PAD 462MM X 162MM To V-1706	1	1	1	
8	350625	INSULATING PAD 88MM X 466MM From V-1707	1	1	1	
9	350356	INSULATING PAD 462MM X 240MM To V-1706	1	1	1	
NS	350336	INSULATING PAD 89MM X 495MM To V-1706	1	1	1	
9	350626	INSULATING PAD 282MM X 459MM From V-1707	1	1	1	
10	350351	INSULATING PAD / CURBSIDE VERTICAL 290MM X 305MM	1	1		
10	350379	INSULATING PAD / CURBSIDE VERTICAL 290MM X 622MM			1	
11	350367	INSULATING PAD / CENTER PART VERTICAL 258MM X 1180MM	1	1	1	
12	350299	INSULATING PAD 355MM X 482MM	1	1	1	
12	350430	INSULATING PAD 444MM X 535MM	1	1	1	
13	350298	INSULATING PAD 216MM X 465MM	1	1	1	
13	350432	INSULATING PAD 160MM X 215MM	1	1	1	
14	350297	INSULATING PAD 623MM X 673MM	1	1	1	
14	350431	INSULATING PAD 520MM X 695MM	1	1	1	
20	350372	INSULATING HOLDER PERFORATED ALUMINUM / CURBSIDE VERTICAL	1	1		
20	350382	INSULATING HOLDER PERFORATED ALUMINUM / CURBSIDE VERTICAL			1	
21	350359	INSULATING HOLDER PERFORATED ALUMINUM / CENTER PART VERTICAL	1	1	1	
22	350373	INSULATING HOLDER PERFORATED ALUMINUM / SURGE TANK	1	1	1	
30	350304	INSULATING PAD 440MM X 811MM	1	1	1	
31	350144	INSULATING PAD 411MM X 606MM	1	1	1	
32	350146	INSULATING PAD 160MM X 246MM	1	1	1	
33	350322	INSULATING PAD 125MM X 606MM	1	1	1	
50	H3-1839-20	INSULATING REAR ENGINE COMPARTMENT				
NS	504379	RIVET POP DOME OE 3/16x1/4 SS	1	1	1	
NS	680257	TAPE ALUMINUM ADH1 .005" x 2" x 300' TRM425-2	1	1	1	
NS	682484	TAPE ALUMINUM ADH1 .005" x 3" x 300' ALUMINUM FSK3"	1	1	1	
NS	680096	SEALANT BUTYL ALUM / GREY / 310ml CARTRIDGE	1	1	1	

From R-012 To 2-4416

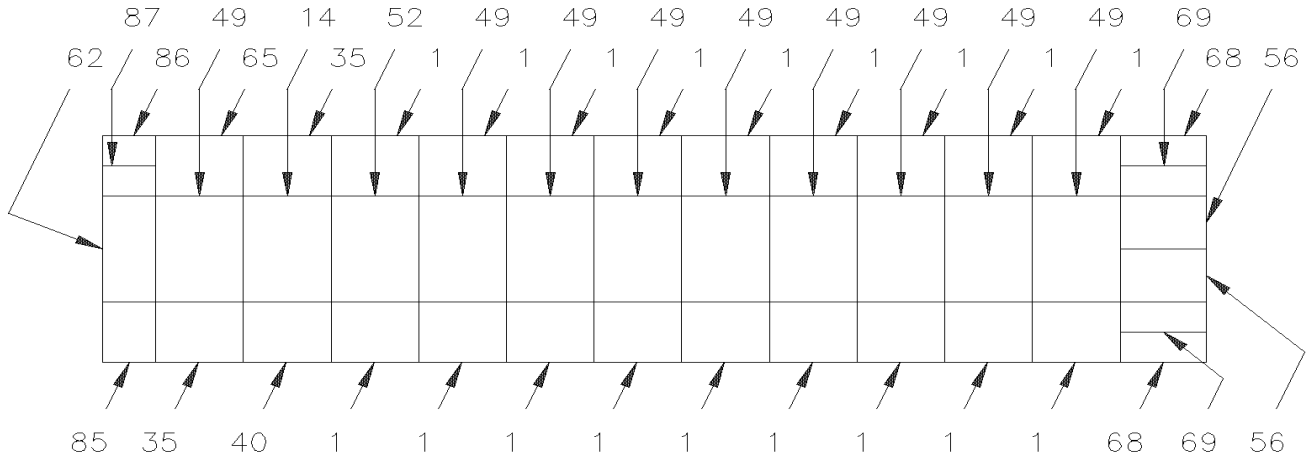
Date:10/2022

PAGE:H3-1839-30

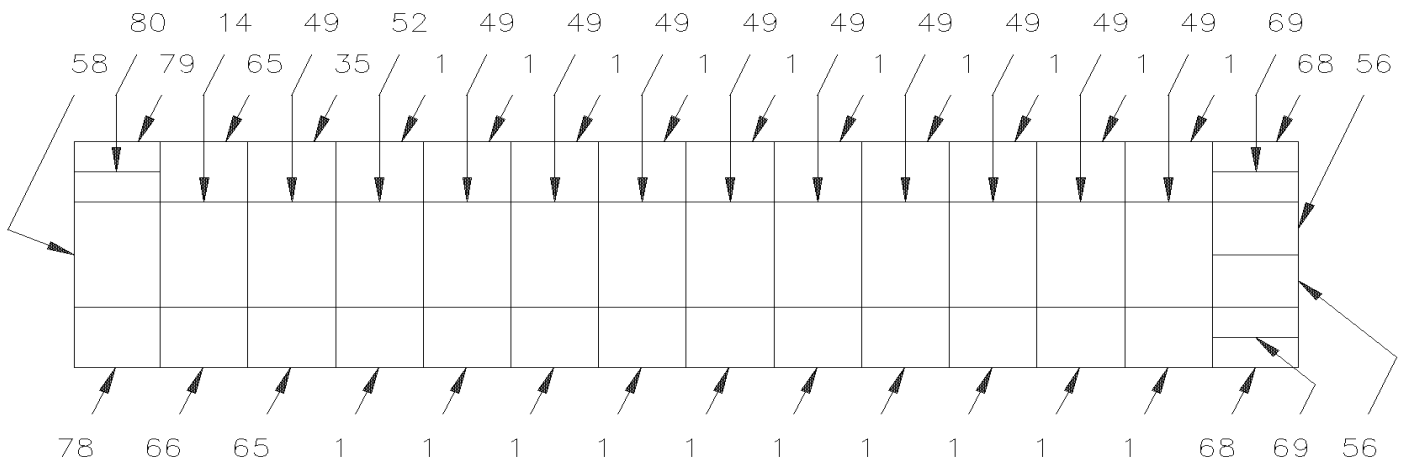
INSULATING ROOF PANELS



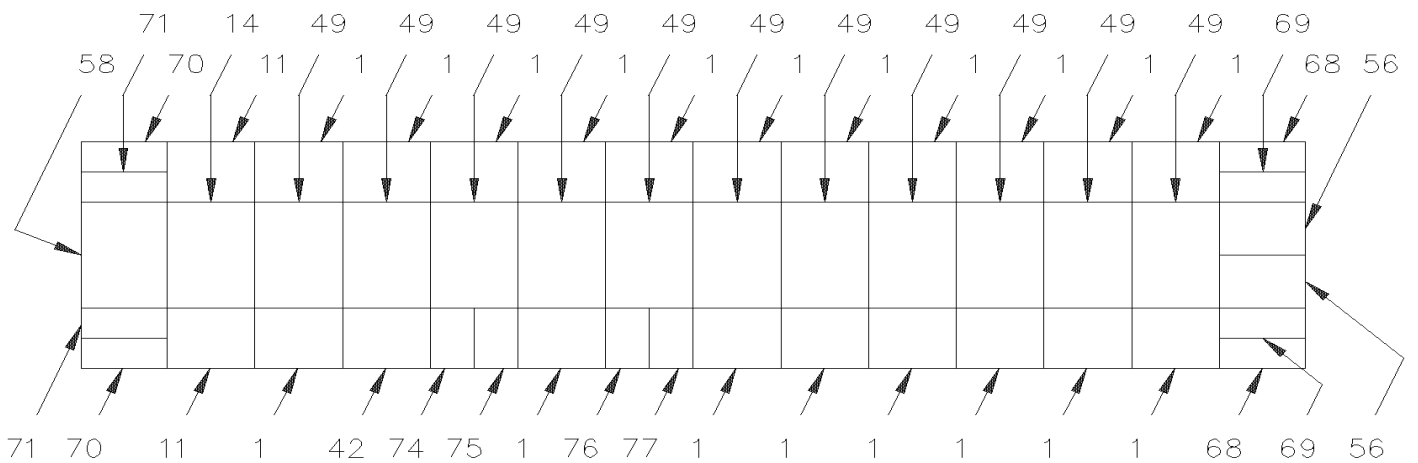
From R-012 To 2-4416	Date:10/2022	PAGE:H3-1839-30
INSULATING ROOF PANELS		



H3-41' W.C.L. ST. & ST. FRONT →



H3-45' W.C.L. ST. & ST. FRONT →



H3-45' VIP FRONT →

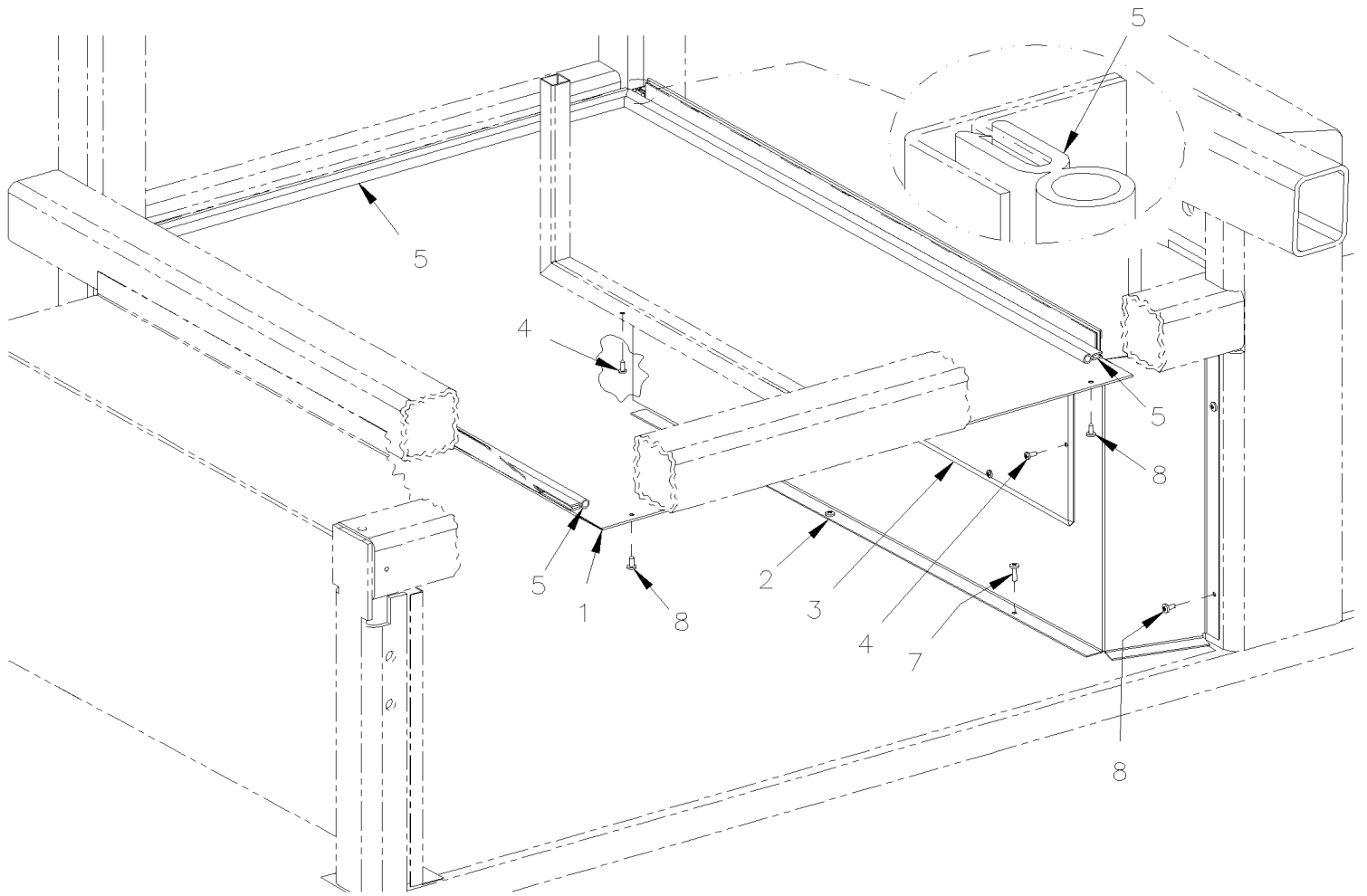
From R-012 To 2-4416	Date:10/2022	PAGE:H3-1839-30
INSULATING ROOF PANELS		

Item#	Part	Description	H 3 4 1	H 3 4 5	V I P 4 5	N O T E S
	350634	KIT INSULATING ROOF PANEL			1	
	350670	KIT INSULATING ROOF PANEL		1		
	350671	KIT INSULATING ROOF PANEL / W/"ST & ST"		1		
	350672	KIT INSULATING ROOF PANEL / W/"RICON"		1		
	350673	KIT INSULATING ROOF PANEL	1			
	350674	KIT INSULATING ROOF PANEL / W/"ST & ST"	1			
1	350746	ROOF INSULATION PANEL	22		22	
1	350746	ROOF INSULATION PANEL		24		
14	350747	ROOF INSULATION PANEL	1	1		
15	350748	ROOF INSULATION PANEL			2	
35	350750	ROOF INSULATION PANEL	2			
35	350750	ROOF INSULATION PANEL		1		
42	350751	ROOF INSULATION PANEL		1		
49	350752	ROOF INSULATION PANEL	10			
49	350752	ROOF INSULATION PANEL		11	11	
52	350753	ROOF INSULATION PANEL	1	1		
54	350754	ROOF INSULATION PANEL			1	
56	350755	ROOF INSULATION PANEL	2	2		
58	350756	ROOF INSULATION PANEL		1	1	
62	350757	ROOF INSULATION PANEL	1			
65	350758	ROOF INSULATION PANEL		2		
65	350758	ROOF INSULATION PANEL	1			
68	350766	ROOF INSULATION PANEL	2	2		
69	350771	ROOF INSULATION PANEL	2	2		
70	350772	ROOF INSULATION PANEL		2	2	
71	350773	ROOF INSULATION PANEL		2	2	
72	350777	ROOF INSULATION PANEL	2			
73	350778	ROOF INSULATION PANEL	2			
74	350779	ROOF INSULATION PANEL		1		
75	350780	ROOF INSULATION PANEL		1		
76	350781	ROOF INSULATION PANEL		1		
77	350782	ROOF INSULATION PANEL		1		
78	350783	ROOF INSULATION PANEL		1		
79	350784	ROOF INSULATION PANEL		1		
80	350785	ROOF INSULATION PANEL		1		
81	350787	ROOF INSULATION PANEL	1	1	1	
82	350798	ROOF INSULATION PANEL	1	1	1	
83	350815	ROOF INSULATION PANEL	1			
84	350819	ROOF INSULATION PANEL	1			
85	350820	ROOF INSULATION PANEL	1			

From R-012 To 2-4416	Date:10/2022	PAGE:H3-1839-30
INSULATING ROOF PANELS		

Item#	Part	Description	H 3 4 1	H 3 4 5	V I P 4 5	N O T E S
86	350821	ROOF INSULATION PANEL	1			
87	350822	ROOF INSULATION PANEL	1			
99	350825	ROOF INSULATION PANEL			1	
100	350826	ROOF INSULATION PANEL			2	
101	350827	ROOF INSULATION PANEL			2	

From R-012 To 2-4416	Date:10/2022	PAGE:H3-1840-00
CLOSING PANEL SPARE COMPARTMENT		



From R-012 To 2-4416	Date:10/2022	PAGE:H3-1840-00
CLOSING PANEL SPARE COMPARTMENT		

Item#	Part	Description	H 3 4 1	H 3 4 5	V I P 4 5	N O T E S
1	350227	PANEL CLOSING / W/I BEAM SUSPENTION / 1010MM X 797MM			1	
1	350654	PANEL CLOSING / W/IND SUSPENTION / 955MM X 728MM			1	
1	350657	PANEL CLOSING / 1010MM X 823MM From V-1766 To V-1766			1	
2	350229	PANEL ASSY SIDE / W/I BEAM SUSPENTION			1	
2	350665	PANEL ASSY SIDE / W/IND SUSPENTION			1	
3	350225	PANEL ACCESS / STEERING BOX			1	
4	500638	SCREW TP PAN PH #8x1/2 Z050			5	
5	506302	RUBBER EXTRUSION TRIM SEAL / GRIP .024 / 7/16" HOLLOW BULB C.T.L.			AR	
7	500642	SCREW TP PAN PH #10x3/4 Z050			2	
8	500657	SCREW TC TR PH #10-24x1/2 Z050			5	

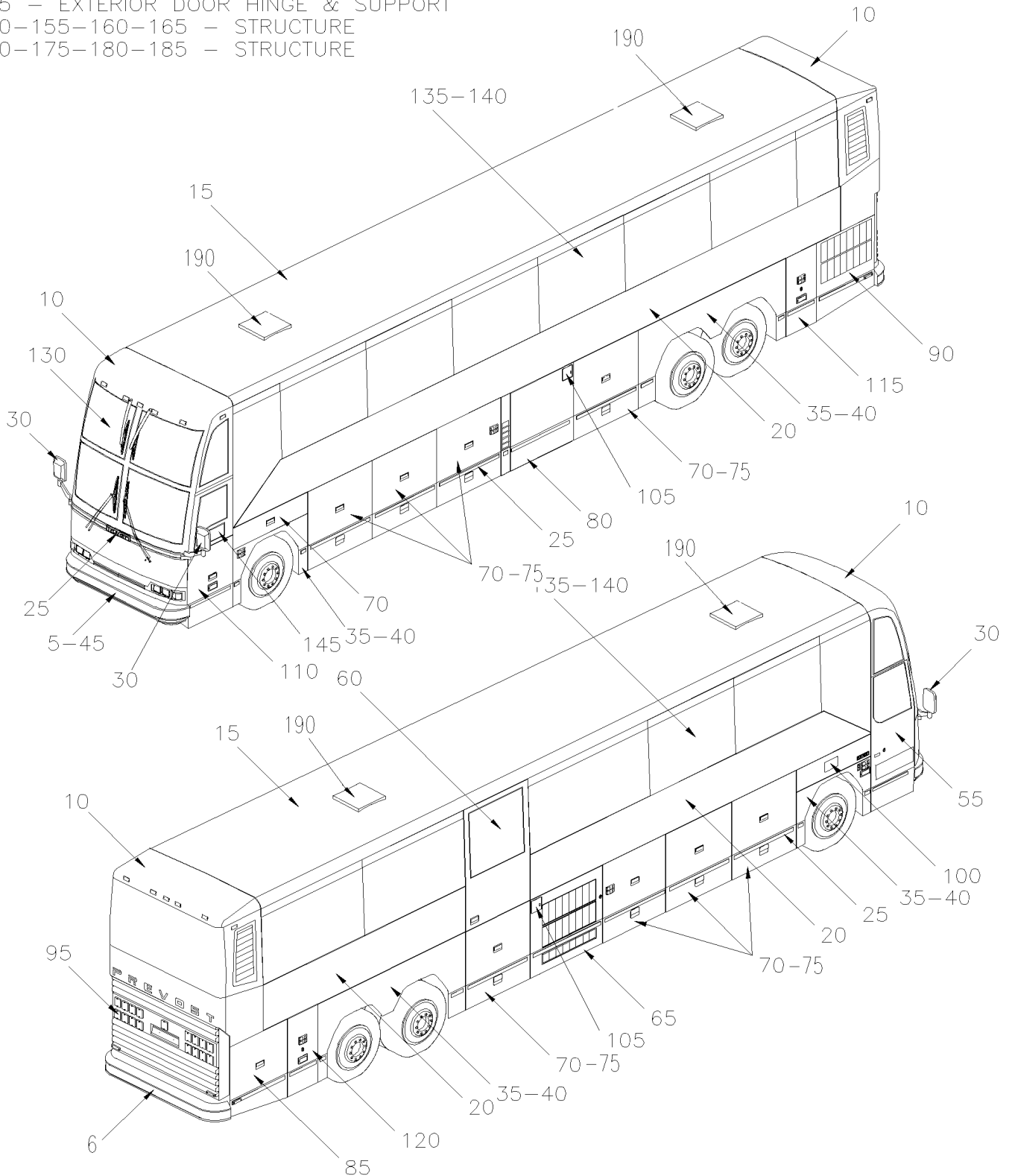
From R-012 To 2-4416

Date:10/2022

PAGE:H3-18-EXT

BODY EXTERIOR

- 75 – BAGGAGE COMPARTMENT PANELS
- 125 – EXTERIOR DOOR HINGE & SUPPORT
- 150-155-160-165 – STRUCTURE
- 170-175-180-185 – STRUCTURE



From R-012 To 2-4416		Date:10/2022	PAGE:H3-18-EXT
BODY EXTERIOR			

Item#	Part	Description	H 3 4 1	H 3 4 5	V I P 4 5	N O T E S
5	H3-1850-00	BUMPER FRONT - BUS From R-012 To 2-4416				
5	H3-1850-15	BUMPER FRONT - V.I.P. From R-012 To 2-4416				
6	H3-1850-10	BUMPER REAR - BUS From R-012 To 2-4416				
6	H3-1850-20	BUMPER REAR - V.I.P. From R-012 To 2-4416				
6	H3-1850-50	BUMPER REAR - V.I.P. - S.S. W/"ENTERTAINER" From X-2458 To 2-4416				
10	H3-1851-00	CAP - FRONT & REAR - INSTALLATION From R-012 To W-2284				
10	H3-1851-01	CAP - FRONT & REAR - INSTALLATION From W-2285 To 2-4416				
10	H3-1851-10	FRONT PANEL - INSTALLATION From R-012 To 2-4416				
10	H3-1851-99	CAP - FRONT & REAR - INSTALLATION SERVICE & RETROFIT From R-012 To 2-4416				
15	H3-1852-01	ROOF PANELS From R-012 To 2-4416				
20	H3-1854-01	SIDE PANELS - BUS From R-012 To W-2284				
20	H3-1854-02	SIDE PANELS - BUS From W-2285 To 2-4416				
20	H3-1854-51	SIDE PANELS - V.I.P. From R-012 To 2-4416				
20	H3-1854-90	SIDE PANELS - V.I.P. WITH "SLIDE-OUT" by "CONVERTER" From R-012 To 2-4416				
20	H3-1854-95	SIDE PANELS - STREET SIDE - "SLIDE-OUT" "PREVOST" / REFERENCE ONLY From X-3218 To X-3218				
20	H3-1854-95	SIDE PANELS - STREET SIDE - "SLIDE-OUT" "PREVOST" / REFERENCE ONLY From Y-3622 To Y-3622				
25	H3-1855-01	EXTERIOR TRIMS & CREST From R-012 To 2-4416				
30	H3-1856-00	MIRROR - EXTERIOR - INSTALLATION From R-012 To Y-3548				
30	H3-1856-10	MIRROR "SPARTAN" MANUAL From R-012 To Y-3548				
30	H3-1856-15	MIRROR "SPARTAN" ELECTRICAL From R-012 To Y-3548				
30	H3-1856-20	MIRROR "RAMCO" FLAT GLASS / SILVER PAINTED From R-012 To 2-4416				
30	H3-1856-22	MIRROR "RAMCO" FLAT GLASS / BLACK PAINTED From R-012 To 2-4416				
30	H3-1856-23	MIRROR "RAMCO" FLAT GLASS / CHROME From R-012 To 2-4416				
30	H3-1856-30	MIRROR "RAMCO" 2 GLASSES / SILVER PAINTED From R-012 To 2-4416				
30	H3-1856-32	MIRROR "RAMCO" 2 GLASSES / BLACK PAINTED From R-012 To 2-4416				
30	H3-1856-33	MIRROR "RAMCO" 2 GLASSES / CHROME From R-012 To 2-4416				
35	H3-1857-01	FENDERS From R-012 To 2-4416				
40	H3-1859-01	SPLASH GUARD - FRONT & REAR From R-012 To 2-4416				
45	H3-1860-10	SPARE WHEEL DOOR MECHANISM FRONT BUMPER From R-012 To 2-4416				
45	H3-1860-50	BUMPER DOOR FRONT - V.I.P. From R-012 To 2-4416				
55	H3-1862-10	ENTRANCE DOOR ASSY - "SEDAN" From R-012 To 2-4416				
55	H3-1862-50	ENTRANCE DOOR ASSY - V.I.P. From R-012 To 2-4416				
55	H3-1862-60	ENTRANCE DOOR FRAME - INSTALLATION From R-012 To 2-4416				
60	H3-1862-80	ENTRANCE DOOR ASSY - W.C.L. From R-012 To 2-4416				
65	H3-1863-00	CONDENSOR DOOR ASSY From R-012 To S-133				
65	H3-1863-01	CONDENSOR DOOR ASSY (LARGE) From S-134 To V-1960				
65	H3-1863-02	CONDENSOR DOOR ASSY From V-1961 To 2-4416				
65	H3-1863-40	CONDENSOR DOOR ASSY (SMALL) From R-012 To V-1960				
70	H3-1864-01	BAGGAGE COMPARTMENT DOOR From R-012 To V-1856				
70	H3-1864-02	BAGGAGE COMPARTMENT DOOR From V-1857 To 2-4416				
70	H3-1864-30	HANDLE LOCK & KEYS - TYPE "PS" From R-012 To 2-4416				
70	H3-1864-31	PNEUMATIC DOOR LOCK CONTROL VALVE From R-012 To 2-4416				

From R-012 To 2-4416		Date:10/2022	PAGE:H3-18-EXT
BODY EXTERIOR			

Item#	Part	Description	H 3 4 1	H 3 4 5	V I P 4 5	N O T E S
70	H3-1864-35	BAGGAGE COMPARTMENT ELECTRICAL LOCK - V.I.P From R-012 To 2-4416				
70	H3-1864-36	BAGGAGE COMPARTMENT ELECTRICAL LOCK - V.I.P / SERVICE & RETROFIT From R-012 To 2-4416				
70	H3-1864-51	FRONT JUNCTION DOOR ASSY From R-012 To 2-4416				
70	H3-1864-55	BAGGAGE DOOR ASSY - V.I.P. - "CALHOUN" STYLE From X-2458 To 2-4416				
70	H3-1864-80	BAGGAGE DOOR - W.C.L."RICON" From R-012 To 2-4416				
70	H3-1864-90	BAGGAGE DOOR - W/"SLIDE-OUT" INSTALLTION REFERENCE ONLY From X-3218 To X-3218				
70	H3-1864-90	BAGGAGE DOOR - W/"SLIDE-OUT" INSTALLTION REFERENCE ONLY From Y-3622 To Y-3622				
70	H3-1864-99	HANDLE LOCK & KEYS - TYPE "NS" / SERVICE & RETROFIT From R-012 To 2-4416				
75	H3-1865-01	BAGGAGE COMPARTMENT PANELS From R-012 To 2-4416				
75	H3-1865-20	EVAPORATOR & CONDENSOR WALL INSTALLATION From R-012 To 2-4416				
80	H3-1866-00	EVAPORATOR DOOR ASSY From R-012 To 2-4416				
85	H3-1868-01	A/C COMPRESSOR DOOR ASSY From R-012 To 2-4416				
90	H3-1869-02	RADIATOR DOOR ASSY From R-012 To 2-4416				
95	H3-1870-00	ENGINE DOOR ASSY From R-012 To 2-4416				
95	H3-1870-10	REAR ENGINE DOOR - INSTALLATION From R-012 To 2-4416				
100	H3-1872-00	ENTRANCE DOOR OPENING SWITCH From R-012 To V-1778				
105	H3-1875-00	FUEL TANK FILLING DOOR From R-012 To 2-4416				
105	H3-1875-50	FUEL TANK FILLING DOOR - V.I.P. From X-2781 To 2-4416				
110	H3-1879-00	FRONT SERVICE DOOR ASSY From R-012 To T-1510				
110	H3-1879-01	FRONT SERVICE DOOR ASSY From T-1511 To 2-4416				
110	H3-1879-10	FRONT SERVICE DOOR - INSTALLATION From R-012 To 2-4416				
115	H3-1879-50	REAR SIDE SERVICE DOOR ASSY L.H. From R-012 To 2-4416				
120	H3-1879-60	REAR SIDE SERVICE DOOR ASSY R.H. From R-012 To 2-4416				
125	H3-1879-91	EXTERIOR DOOR HINGE AND SUPPORT From R-012 To T-1510				
125	H3-1879-92	EXTERIOR DOOR HINGE AND SUPPORT From T-1511 To 2-4416				
130	H3-1880-00	WINDSHIELD & CHANNEL From R-012 To 2-4416				
130	H3-1880-99	WINDSHIELD & CHANNEL SERVICE & RETROFIT From R-012 To 2-4416				
135	H3-1884-01	SIDE WINDOW - BUS From R-012 To S-207				
135	H3-1884-02	SIDE WINDOW - BUS From S-208 To W-2284				
135	H3-1884-03	SIDE WINDOW - BUS From W-2285 To 2-4416				
140	H3-1884-51	SIDE WINDOW ASSY - V.I.P. From R-012 To 2-4416				
140	H3-1884-71	SIDE WINDOW ASSY (SLIDING) "PREVOST" From R-012 To 2-4416				
140	H3-1884-90	SIDE WINDOW - "SLIDE-OUT" REFERENCE ONLY From X-3218 To X-3218				
140	H3-1884-90	SIDE WINDOW - "SLIDE-OUT" REFERENCE ONLY From Y-3622 To Y-3622				
145	H3-1886-00	POWER WINDOW - ELECTRICAL INSTALLATION From R-012 To 2-4416				
145	H3-1886-01	POWER WINDOW - ELECTRICAL INSTALLATION / SERVICE & RETROFIT From R-012 To 2-4416				
150	H3-1890-00	ROOF STRUCTURE From R-012 To 2-4416				
150	H3-1890-10	STRUCTURE WALL - UPPER From R-012 To 2-4416				
155	H3-1891-00	WALL STRUCTURE - LOWER BUS From R-012 To 2-4416				
155	H3-1891-50	WALL STRUCTURE - LOWER V.I.P. From R-012 To 2-4416				
160	H3-1893-00	BAGGAGE COMPARTMENT STRUCT. From R-012 To 2-4416				
165	H3-1894-00	REAR STRUCTURE From R-012 To 2-4416				

From R-012 To 2-4416	Date:10/2022	PAGE:H3-18-EXT
BODY EXTERIOR		

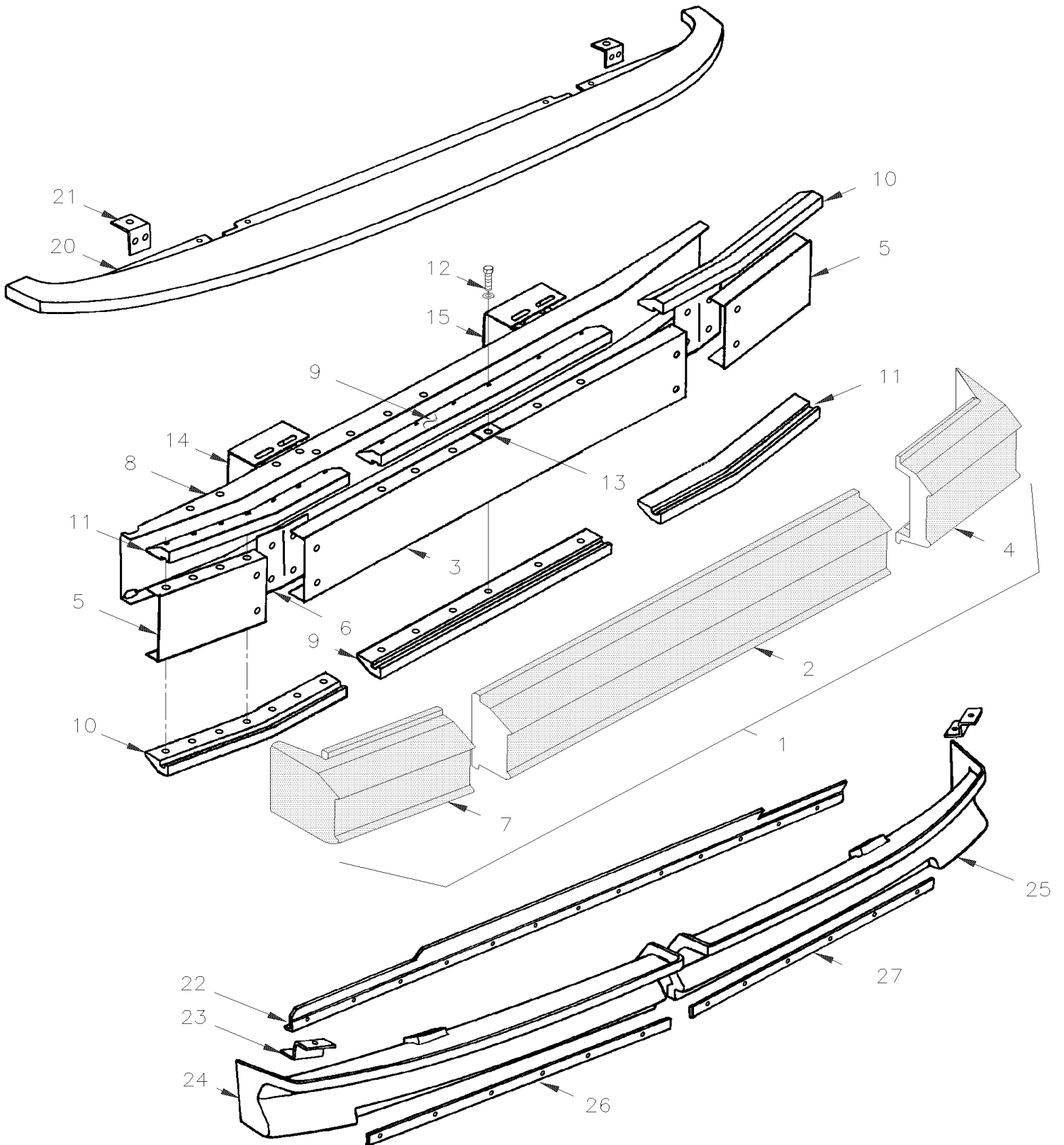
Item#	Part	Description	H 3 4 1	H 3 4 5	V I P 4 5	N O T E S
165	H3-1894-05	REAR - L.H. SERVICE COMPARTMENT STRUCTURE From R-012 To 2-4416				
165	H3-1894-10	REAR - R.H. SERVICE COMPARTMENT STRUCTURE From R-012 To 2-4416				
165	H3-1894-20	REAR UPPER SHEATING From R-012 To 2-4416				
170	H3-1895-00	FRONT STRUCTURE From R-012 To W-2284				
170	H3-1895-01	FRONT STRUCTURE From W-2285 To 2-4416				
175	H3-1895-10	FRONT FLOOR STRUCTURE - W/RIGID SUSPENSION From R-012 To 2-4416				
175	H3-1895-20	ENTRANCE DOOR STRUCTURE From R-012 To 2-4416				
175	H3-1895-30	FRONT UPPER STRUCTURE From R-012 To 2-4416				
175	H3-1895-40	FRONT END STRUCTURE - BUS From R-012 To 2-4416				
175	H3-1895-50	FRONT FLOOR STRUCTURE - W/IND SUSPENSION From W-2458 To 2-4416				
175	H3-1895-55	FRONT END STRUCTURE - I BEAM SUSPENSION - V.I.P. From R-012 To 2-4416				
175	H3-1895-60	FRONT END STRUCTURE - W/IND SUSPENSION - V.I.P. From W-2458 To 2-4416				
180	H3-1896-00	FRONT SHEATING - BUS From R-012 To 2-4416				
180	H3-1896-50	FRONT SHEATING - V.I.P. From R-012 To 2-4416				
185	H3-1897-00	FRONT SUB-FRAME / W/RIGID SUSPENSION From R-012 To 2-4416				
185	H3-1897-10	REAR SUB-FRAME From R-012 To 2-4416				
185	H3-1897-50	FRONT SUB-FRAME / W/INDEPENDENT SUSPENSION - 16500 LBS From W-2458 To 2-4416				
190	H3-1898-00	ESCAPE HATCH - INSTALLATION From R-012 To 2-4416				
191	H3-1898-99	ESCAPE HATCH - INSTALLATION / SERVICE From R-012 To 2-4416				

From R-012 To 2-4416

Date:10/2022

PAGE:H3-1850-00

BUMPER FRONT - BUS



From R-012 To 2-4416	Date:10/2022	PAGE:H3-1850-00
BUMPER FRONT - BUS		

Item#	Part	Description	H 3 4 1	H 3 4 5	V I P 4 5	N O T E S
	410454P	BUMPER ASSY / W/COMPLETE DOOR MECHANISM				A
1	410587	. BUMPER ASSY	1	1		
2	910010	. . MODULE CENTER	1	1		
3	910013	. . PLATE BACK / CENTER	1	1		
4	410590	. . MODULE END / L.H. / (STAMPED 0075)	1	1		
5	910016	. . PLATE BACK / L.H. & R.H.	2	2		
6	N.P.N.	. . WASHER, M5 X .3	2	2		4
7	410589	. . MODULE END / R.H. / (STAMPED 0076)	1	1		
8	910007	. . STRUCTURE BACK-UP	1	1		
9	910014	. . CLAMP CENTER	2	2		
10	910008	. . CLAMP END / L.H. TOP& R.H. BOTTOM	2	2		
11	910009	. . CLAMP END / R.H. TOP& L.H. BOTTOM	2	2		
12	910023	. . SCREW CAP HEXF 1/2-13x2 1/4 BKC	38	38		
NS	910025	. . NUT HEXF 1/2-13 BK / 2 EACH CORNER	4	4		
13	910024	. . NUT RETAINER SPRING	42	42		
14	410375	. BRACKET ASSY / R.H. To W-2570	1	1		
14	410630	. BRACKET ASSY / R.H. From W-2571	1	1		
15	410383	. BRACKET ASSY / L.H. To W-2570	1	1		
15	410629	. BRACKET ASSY / L.H. From W-2571	1	1		
NS	500483	. WASHER LO SPT .570x.971x.141 ZP	12	12		
NS	500547	. WASHER FL .484x.750x.031 ZP	42	42		
20	410602	. CAP FINISHING / TOP FIBERGLASS	1	1		
21	410405	. ANGLE REAR SUPPORT MOULDING	2	2		
NS	500948	. SCREW TC CAP HEX 1/4-20x1 Z050	4	4		
NS	502686	. SCREW CAP HEX M6-1.0x30 SS BK	12	12		E
NS	410435	. RETAINER FRONT CAP	3	3		
22	410400	. SUPPORT SPOILER / LOWER	1	1		
23	410433	. SUPPORT SPOILER / UPPER	2	2		
NS	502728	. SCREW TP BDG PH #14x1 SS EMN	2	2		
24	410404	. SPOILER R.H.	1	1		
25	410403	. SPOILER L.H.	1	1		
26	410567	. CRAMP L.H. & R.H. 370MM / TO FIX SPOILER TO BUMPER	2	2		
NS	410401	. CRAMP 930MM / TO FIX SPOILER TO HINGE	2	2		
27	410568	. CRAMP CENTER 1520MM / TO FIX SPOILER	2	2		
NS	500411	WASHER FL .260x.697x.050 SS	AR	AR		D
NS	502573	WASHER FL 6.4x12.5x1.6 SS	AR	AR		D
NS	502581	NUT HEX M6-1.0 Z050	AR	AR		D
NS	502726	SCREW CAP HEX M6-1.0x30 SS EMN	AR	AR		
NS	502714	SCREW TP OV PH #14x1 SS EMN	AR	AR		

From R-012 To 2-4416	Date:10/2022	PAGE:H3-1850-00
BUMPER FRONT - BUS		

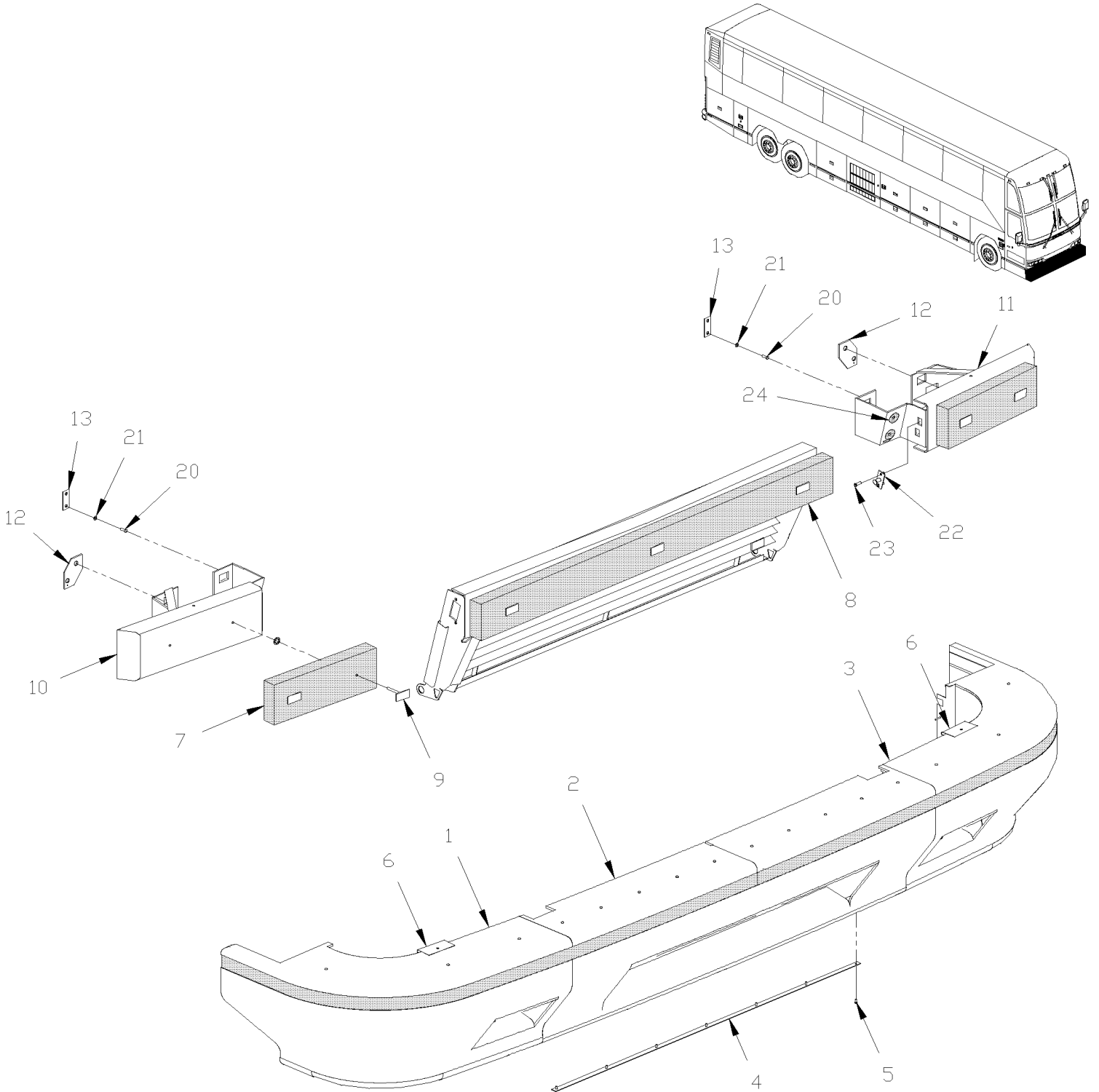
Item#	Part	Description	H 3 4 1	H 3 4 5	V I P 4 5	N O T E S
		A) INCLUDES ALL PARTS SHOWN AT PAGE H3-1860-10				
		D) TO FIX FINISHING CAP & SPOILER				
		E) TO FIX CAP TO ANGLE				
		4) NO PARTS NUMBER				

From R-012 To 2-4416

Date:10/2022

PAGE:H3-1850-15

BUMPER FRONT - V.I.P.



From R-012 To 2-4416	Date:10/2022	PAGE:H3-1850-15
BUMPER FRONT - V.I.P.		

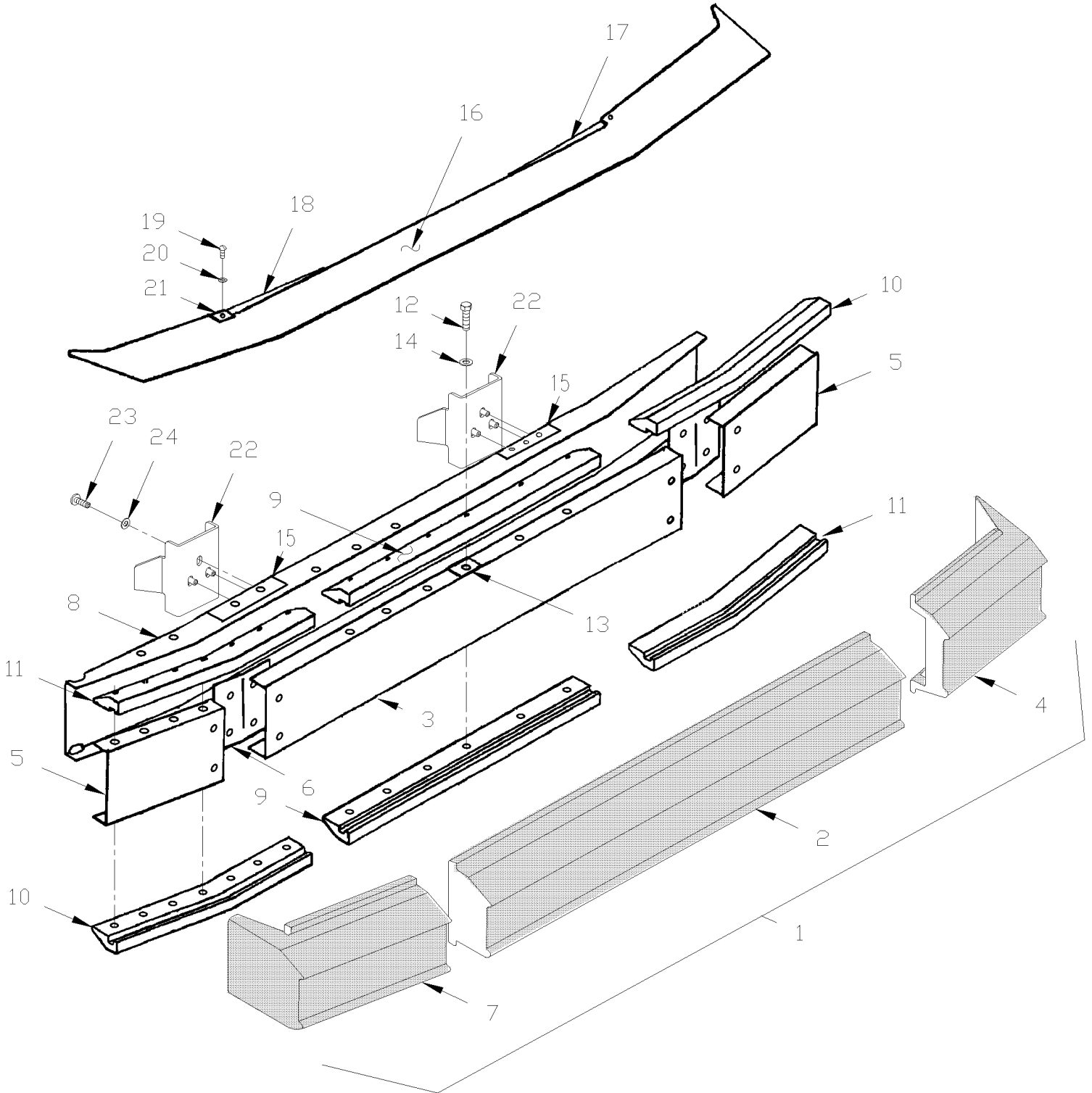
Item#	Part	Description	H 3 4 1	H 3 4 5	V I P 4 5	N O T E S
1	410513	BUMPER / R.H. To X-2786			1	
1	410719	BUMPER / R.H. From X-2787			1	
NS	410540	ANGLE 25MM X 40MM X 150MM To X-3024			1	A
2	410514	BUMPER / CENTER			1	
3	410512	BUMPER / L.H. To X-2756			1	
3	410718	BUMPER / L.H. From X-2757			1	
4	410528	REINFORCEMENT / LOWER / 15MM X 1246MM SS			1	
5	504249	RIVET CHY Q PRDG 3/16x3/8 SS			19	
6	410533	RETAINER U-SHAPED / TO FIX UPPER SIDE BUMPER			2	
NS	502570	WASHER LO SPT 6.1x11.8x1.6 SS			1	
NS	502737	SCREW CAP HEX M6-1.0x25 SS BK			2	
7	410531	CUSHION / L.H. & R.H.			2	
8	410529	CUSHION / CENTER			1	
9	505319	ANCHOR SELF-STICK 2 1/2" GAL			8	
NS	500748	WASHER INSU G.10x1.125x1.250 Z050			8	
10	410519	BRACKET / R.H. To X-2744			1	
10	410711	BRACKET / R.H. From X-2745			1	
11	410522	BRACKET / L.H. To X-2744			1	
11	410712	BRACKET / L.H. From X-2745			1	
12	410521	PLATE REINFORCEMENT To X-2724			2	
12	410720	PLATE REINFORCEMENT From X-2725			2	
13	410521	PLATE REINFORCEMENT To X-2724			2	
13	410721	PLATE REINFORCEMENT From X-2725			2	
20	500806	SCREW CAP HEX M12-1.75X35 G10.9 G500			4	
21	500810	WASHER LO SPT 12.2x21.1x2.5 Z050			4	
22	780278	PIN, STRIKER STUD			2	
23	502773	SCREW MA OV PH 1/4-20x1 SS EMN			4	
NS	500440	WASHER FL .250x.562x.065 Z050			4	
NS	502716	NUT HEX NYRT 1/4-20			4	
24	504553	BUMPER PLUG / 7/8 X 7/16 / R.H. & L.H.			4	
		A) TO FIX ON HINGE COVER				

From R-012 To 2-4416

Date:10/2022

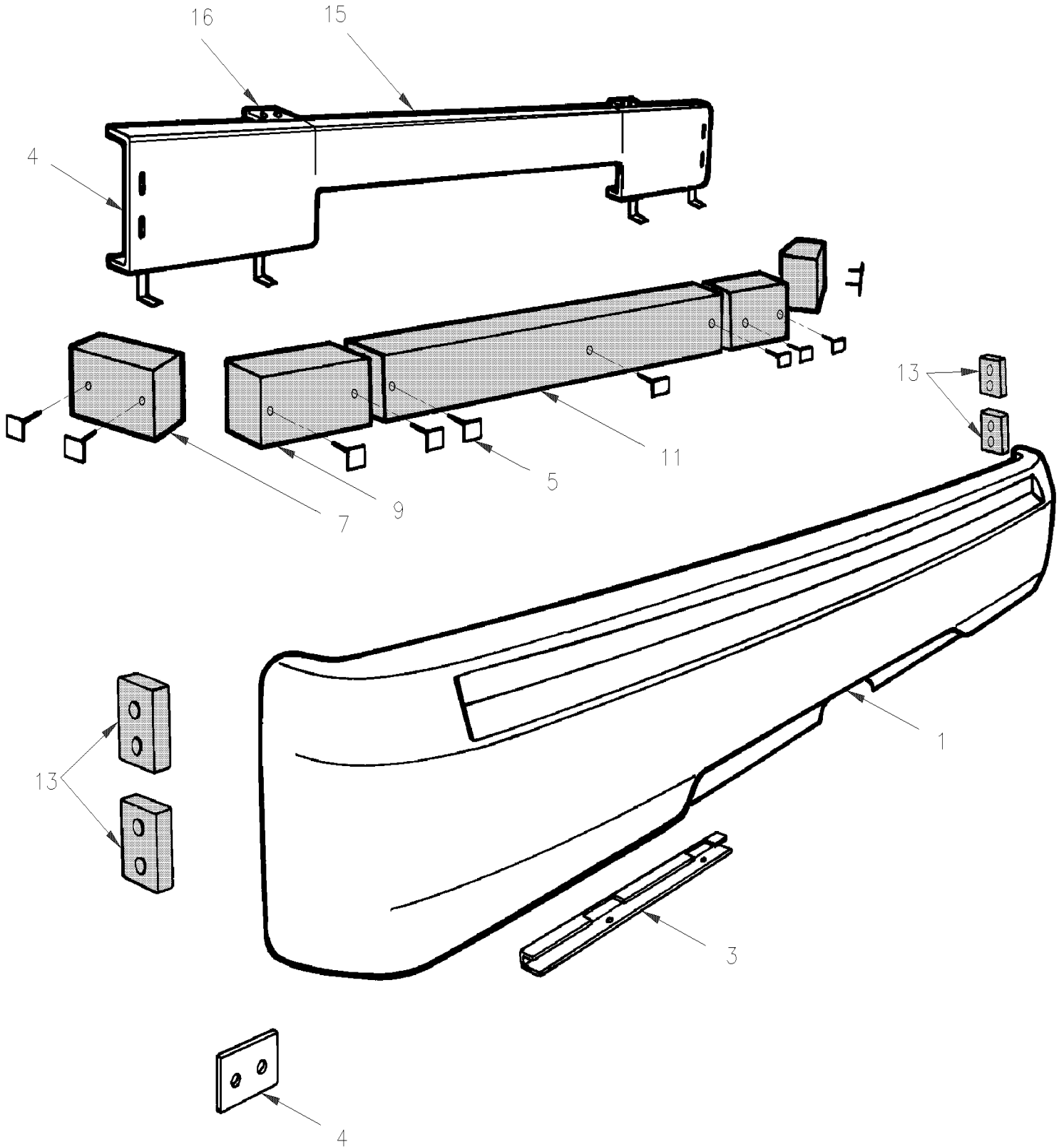
PAGE:H3-1850-10

BUMPER REAR - BUS



From R-012 To 2-4416		Date:10/2022	PAGE:H3-1850-10			
BUMPER REAR - BUS						
Item#	Part	Description	H 3 4 1	H 3 4 5	V I P 4 5	N O T E S
1	410588	BUMPER ASSY To W-2109	1	1		
1	410624	BUMPER ASSY From W-2110	1	1		
2	910010	. MODULE CENTER	1	1		
3	910013	. PLATE BACK / CENTER	1	1		
4	410592	. MODULE END / R.H.	1	1		
5	910016	. PLATE BACK / L.H. & R.H.	2	2		
6	910015	. SPACER PLASTIC	1	1		
7	410591	. MODULE END / L.H.	1	1		
8	910007	. STRUCTURE BACK-UP	1	1		
9	910014	. CLAMP CENTER	2	2		
10	910029	. CLAMP END / L.H. TOP & R.H. BOTTOM	2	2		
11	910028	. CLAMP END / R.H. TOP & L.H. BOTTOM	2	2		
12	910023	. SCREW CAP HEXF 1/2-13x2 1/4 BKC	38	38		
13	910024	. NUT RETAINER SPRING	34	34		
13	910025	. NUT HEXF 1/2-13 BK / 2 EACH CORNER	4	4		
14	500547	. WASHER FL .484x.750x.031 ZP	42	42		
15	910031	. SUPPORT W/3 BOLTS From W-2110	2	2		A
16	410523	PANEL / BLACK PAINTED	1	1		
16	410475	. PANEL / UNPAINT	1	1		
17	410473	ATTACHMENT R.H. MOUNTING / REAR BUMPER	1	1		
18	410472	ATTACHMENT L.H. MOUNTING / REAR BUMPER	1	1		
19	502531	SCREW CAP HEX M6-1.0x16 G8.8 Z050	4	4		
20	502573	WASHER FL 6.4x12.5x1.6 SS	4	4		
21	502738	NUT SPR U M6-1.0 0.6-4.0	4	4		
22	212411	BRACKET BUMPER L.H. & R.H. / (WELDED AT STRUCTURE) To W-2109	2	2		
22	213514	BRACKET BUMPER L.H. & R.H. / (WELDED AT STRUCTURE) From W-2110	1	1		
23	502696	SCREW CAP HEX 1/2-13x1 1/4 G5 ZP To W-2109	6	6		
23	500789	NUT HEX 1/2-13 Z050 From W-2110	6	6		
24	500446	WASHER FL .531x1.250x.125 Z050	6	6		
24	500482	WASHER LO SPT .506x.873x.125 Z050	6	6		
		A) REMOVE THIS PARTS FOR USE WITH VEHICLE UP TO W-2109				

From R-012 To 2-4416	Date:10/2022	PAGE:H3-1850-20
BUMPER REAR - V.I.P.		



From R-012 To 2-4416	Date:10/2022	PAGE:H3-1850-20
BUMPER REAR - V.I.P.		

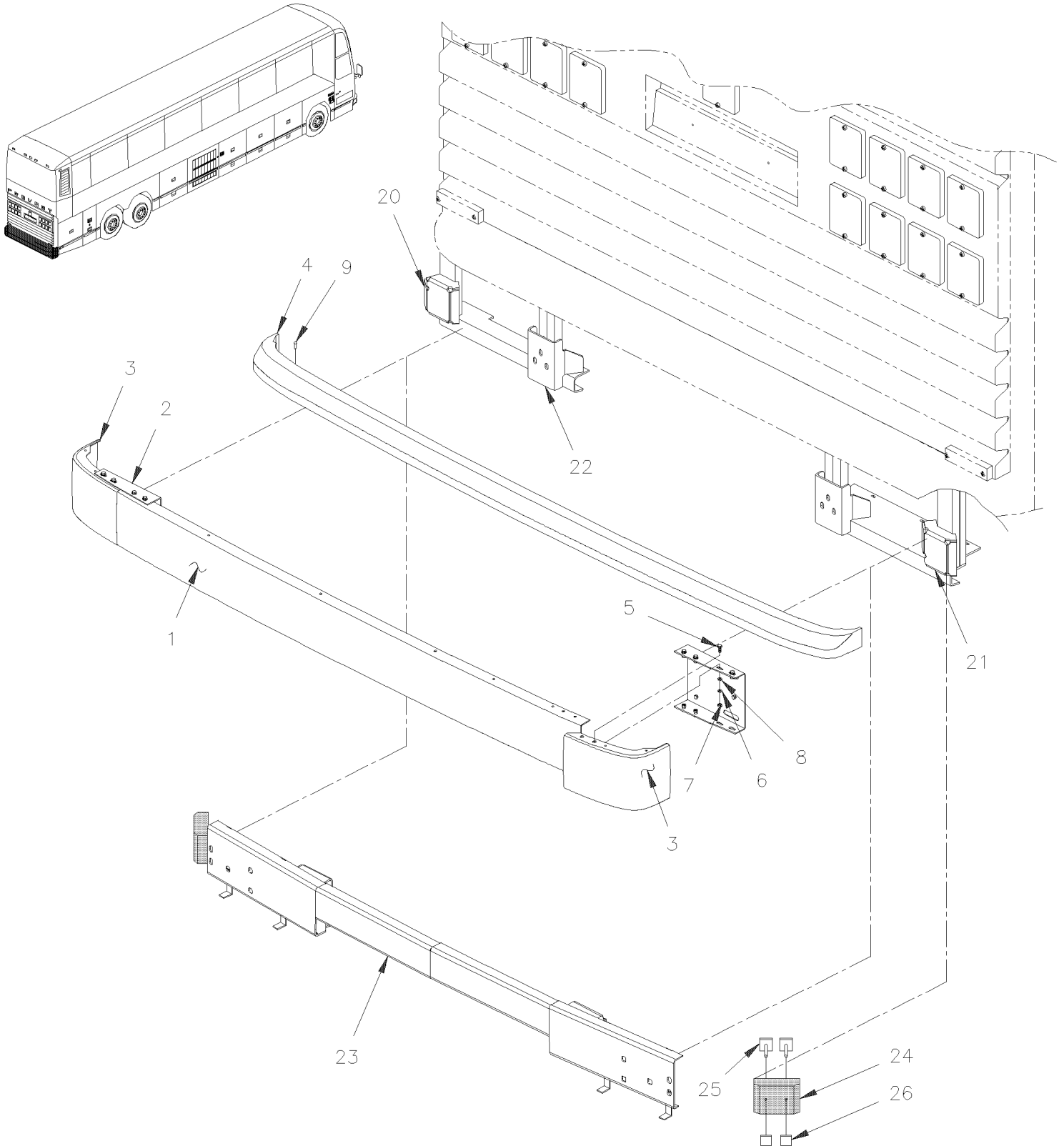
Item#	Part	Description	H 3 4 1	H 3 4 5	V I P 4 5	N O T E S
	410482P	REAR BUMPER ASSY V.I.P.			1	
1	410466	BUMPER			1	
NS	502511	NUT HEX NYRT M6-1.0 Z050			2	
NS	500468	WASHER FL .281x1.250x.065 Z050			2	
3	410510	BRACKET R.H.			1	
3	410547	BRACKET L.H.			1	
NS	500432	SCREW TC PAN PH #8-32x3/4 Z050			13	
4	410555	ATTACHMENT PLATE WASHER			2	
5	505319	ANCHOR SELF-STICK 2 1/2" GAL			11	
NS	500748	WASHER INSU G.10x1.125x1.250 Z050			11	A
7	410507	ABSORBER L.H. & R.H.			2	
NS	211603	BRACKET L.H. & R.H. / (WELDED AT STRUCTURE)				
NS	212660	BRACKET BUMPER R.H. / (WELDED AT STRUCTURE)			1	
NS	212662	BRACKET BUMPER L.H. / (WELDED AT STRUCTURE)			1	
9	410506	ABSORBER L.H. & R.H.			2	
11	410553	ABSORBER CENTRAL			1	
13	506250	RUBBER BUMPER			4	
15	410551	BEAM BUMPER			1	
16	212610	BRACKET R.H. CENTER / (WELDED AT STRUCTURE)			1	
16	212609	BRACKET L.H. CENTER / (WELDED AT STRUCTURE)			1	
NS	502591	NUT HEX NYRT M12-1.75 CP			8	
NS	500806	SCREW CAP HEX M12-1.75X35 G10.9 G500			12	
NS	500948	SCREW TC CAP HEX 1/4-20x1 Z050			4	
NS	500958	WASHER FL .531x1.062x.095 SS			16	
NS	500411	WASHER FL .260x.697x.050 SS			5	
NS	500810	WASHER LO SPT 12.2x21.1x2.5 Z050			4	
		A) INSULATING RETAINER				

From X-2458 To 2-4416

Date:10/2022

PAGE:H3-1850-50

BUMPER REAR - V.I.P. - S.S. W/"ENTERTAINER"



From X-2458 To 2-4416	Date:10/2022	PAGE:H3-1850-50
BUMPER REAR - V.I.P. - S.S. W/"ENTERTAINER"		

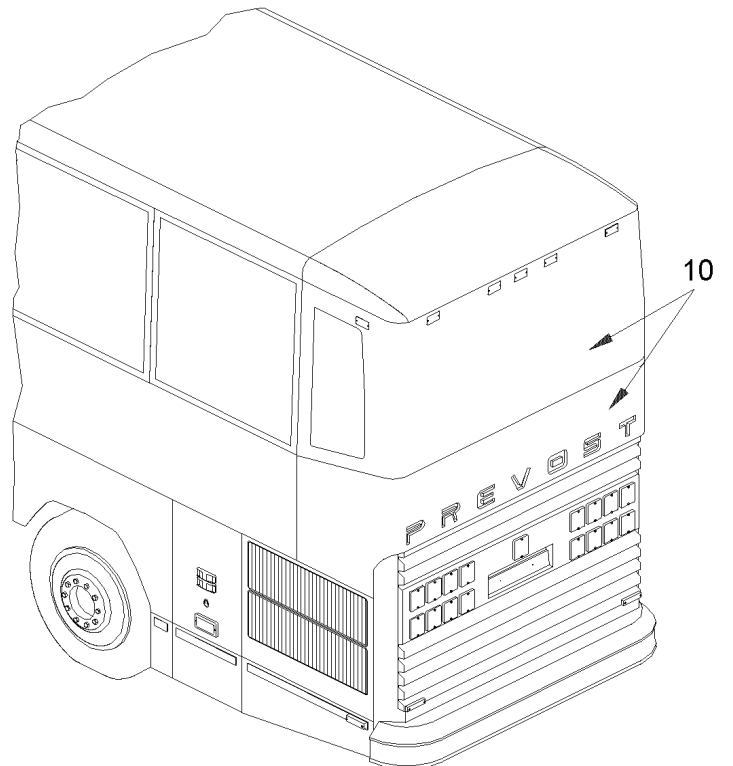
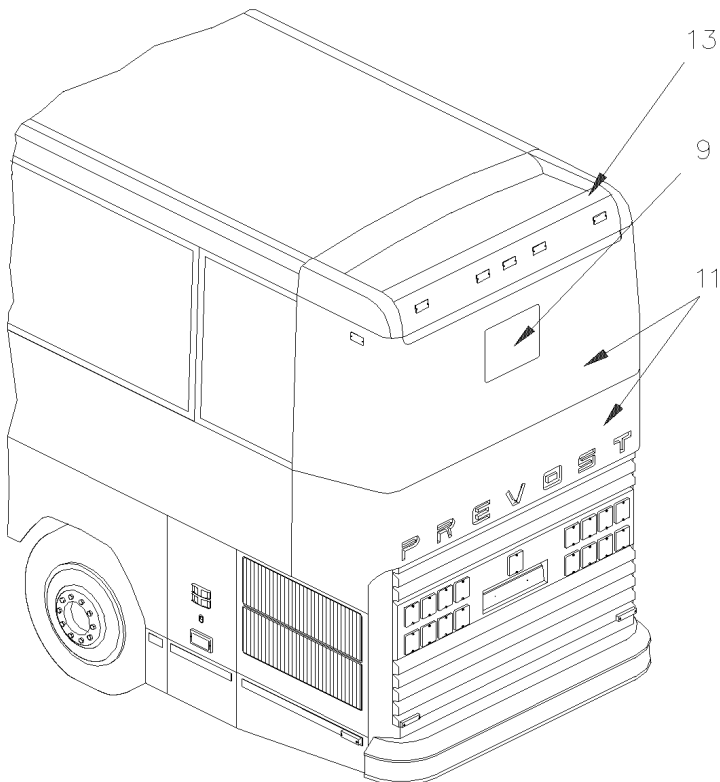
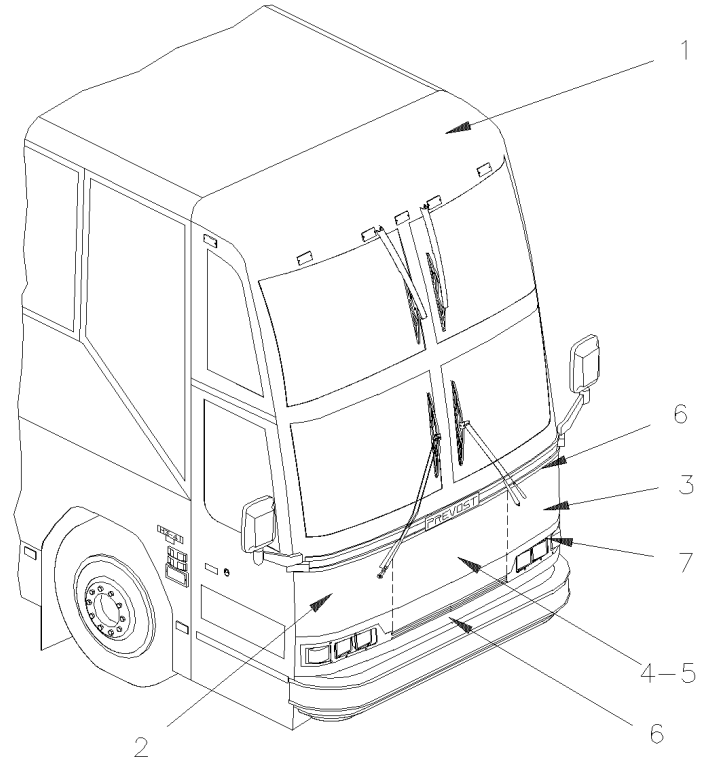
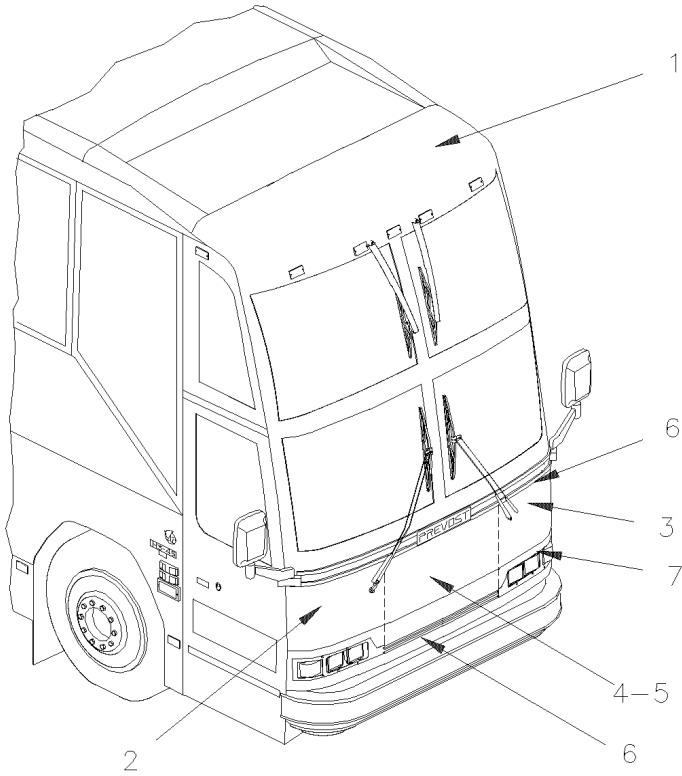
Item#	Part	Description	H 3 4 1	H 3 4 5	V I P 4 5	N O T E S
1	410882	CENTRAL PLATE			1	
2	410877	SUPPORT L.H.			1	
2	410879	SUPPORT R.H.			1	
3	410689	BUMPER / CORNER / SS / S.B.			2	
4	410884	TRIM REAR BUMPER			1	
5	5001231	SCREW CAP HEX M10-1.5x25 SS			16	
6	500958	WASHER FL .531x1.062x.095 SS			16	
7	502585	WASHER LO SERR 10.2x26.3x1.4 ZP			16	
8	502567	NUT HEX M10-1.5 SS			16	
9	5001438	RIVET DRV TR 1/4x3/4 NYL			12	
10	284447	WASHERS BELLEVILLE			6	
20	212660	BRACKET BUMPER R.H. / (WELDED AT STRUCTURE)			1	
21	212662	BRACKET BUMPER L.H. / (WELDED AT STRUCTURE)			1	
22	212609	BRACKET L.H. CENTER / (WELDED AT STRUCTURE)			1	
22	212610	BRACKET R.H. CENTER / (WELDED AT STRUCTURE)			1	
23	410551	BEAM BUMPER			1	
24	410887	ABSORBER L.H. & R.H.			2	
25	505319	ANCHOR SELF-STICK 2 1/2" GAL			4	
26	500748	WASHER INSU G.10x1.125x1.250 Z050			4	

From R-012 To W-2284

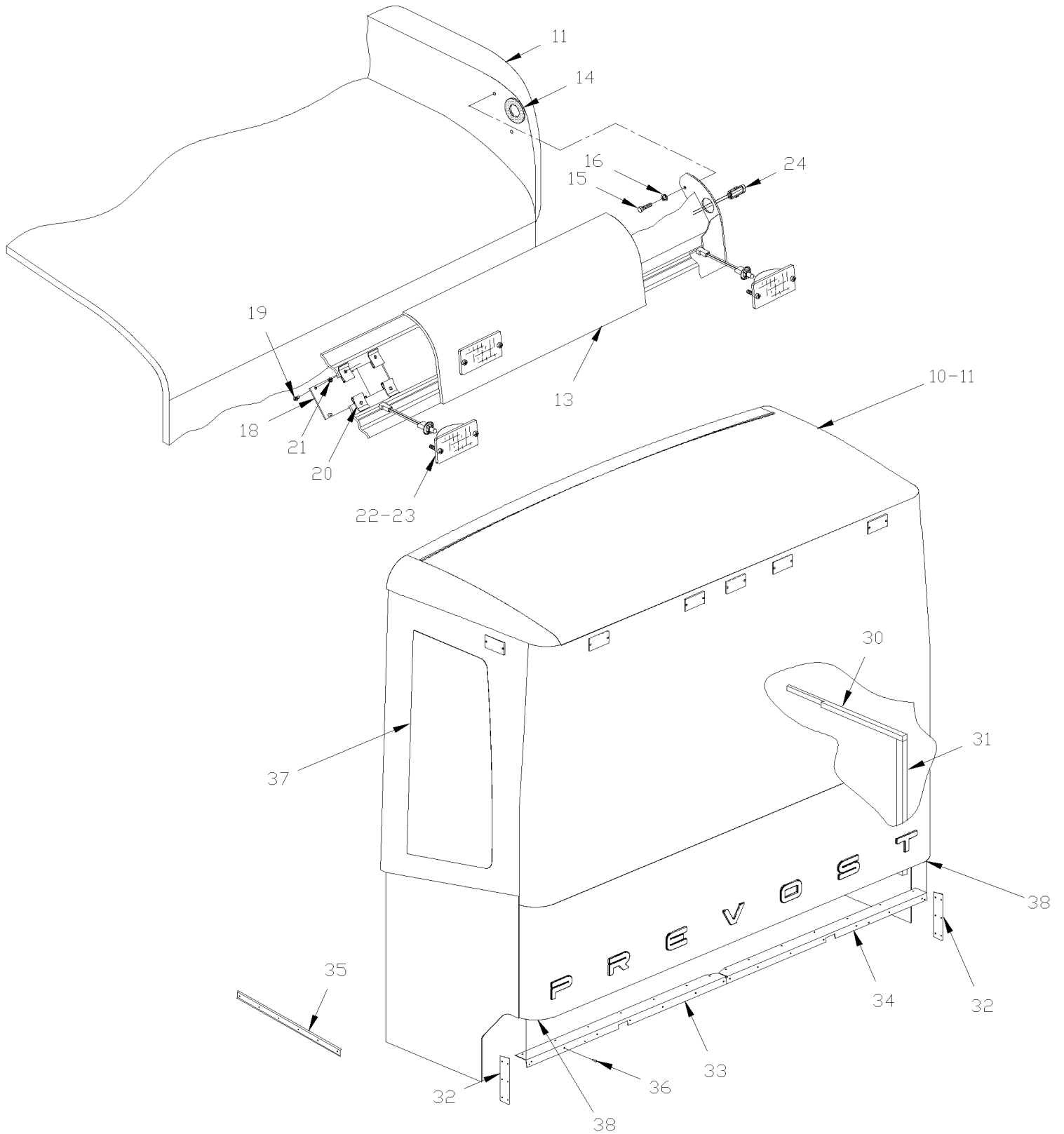
Date:10/2022

PAGE:H3-1851-00

CAP - FRONT & REAR - INSTALLATION



From R-012 To W-2284	Date:10/2022	PAGE:H3-1851-00
CAP - FRONT & REAR - INSTALLATION		



From R-012 To W-2284 Date:10/2022 PAGE:H3-1851-00

CAP - FRONT & REAR - INSTALLATION

Item#	Part	Description	H 3 4 1	H 3 4 5	V I P 4 5	N O T E S
		THOSE CAPS ARE USED W/UPPER MIRROR ARM				
1	472118P	CAP, FRONT ASSY	1	1	1	A
1	473040	CAP, FRONT ASSY	1	1	1	B
1	472401P	. CAP, FRONT / PAINTED CHARCOAL	1	1	1	
1	472681	. . CAP, FRONT / UNPAINT	1	1	1	
		THOSE CAP ARE USED W/LOWER MIRROR "RAMCO"				
1	472746P	CAP, FRONT ASSY	1	1	1	A
1	473039	CAP, FRONT ASSY	1	1	1	B
1	472744P	. CAP, FRONT / PAINTED CHARCOAL	1	1	1	
1	472744	. . CAP, FRONT / UNPAINT	1	1	1	
		FOLLOWING NEXT ITEMS # 2-3-4- ARE USED				
		WITH VEHICLE UP TO T-1303				
		WITH FRONT LOWER END IN 3 PIECES				
2	472150P	PANEL ASSY R.H. / W/LIGHT To T-1303	1	1	1	C
2	472559	. PANEL R.H. To T-1303	1	1	1	
NS	350267	. INSULATING PAD To T-1303	1	1	1	
NS	5001040	SCREW TC PAN PH #6-32x3/4 SS	22	22	22	
3	472151P	PANEL ASSY L.H. / W/LIGHT To T-1303	1	1	1	C
3	472560	. PANEL L.H. To T-1303	1	1	1	
NS	350102	. INSULATING PAD To T-1303	1	1	1	
NS	5001040	SCREW TC PAN PH #6-32x3/4 SS	22	22	22	
4	472558	PANEL CENTER / LOWER WINDSHIELD To T-1303	1	1	1	
		FOLLOWING ITEMS #5 ARE USED				
		WITH VEHICLE FROM T-1304				
		WITH FRONT LOWER IN ONE PIECE				
5	473179P	PANEL ASSY LOWER FACE / W/LIGHT From T-1304 To V-1778	1	1	1	C
5	473447	PANEL ASSY LOWER FACE / W/LIGHT From V-1779	1	1	1	C
5	473139	. PANEL LOWER FACE / FIBERGLASS From T-1304 To W-2284	1	1	1	
NS	475705	KIT STONE PROTECTOR / VINYL FILM / "H3 BUS	1	1		
NS	475706	KIT STONE PROTECTOR / VINYL FILM / "H3 V.I.P.			1	
NS	5001040	SCREW TC PAN PH #6-32x3/4 SS	22	22	22	
6	H3-1851-10	FRONT PANEL - INSTALLATION				
7	H3-0660-00	HEADLAMP & FRONT DIRECTIONAL LAMPS				
9	H3-2355-01	BACK-UP CAMERA - INSTALLATION				
10	472777	CAP, REAR To V-2072	1	1		E

From R-012 To W-2284	Date:10/2022	PAGE:H3-1851-00
CAP - FRONT & REAR - INSTALLATION		

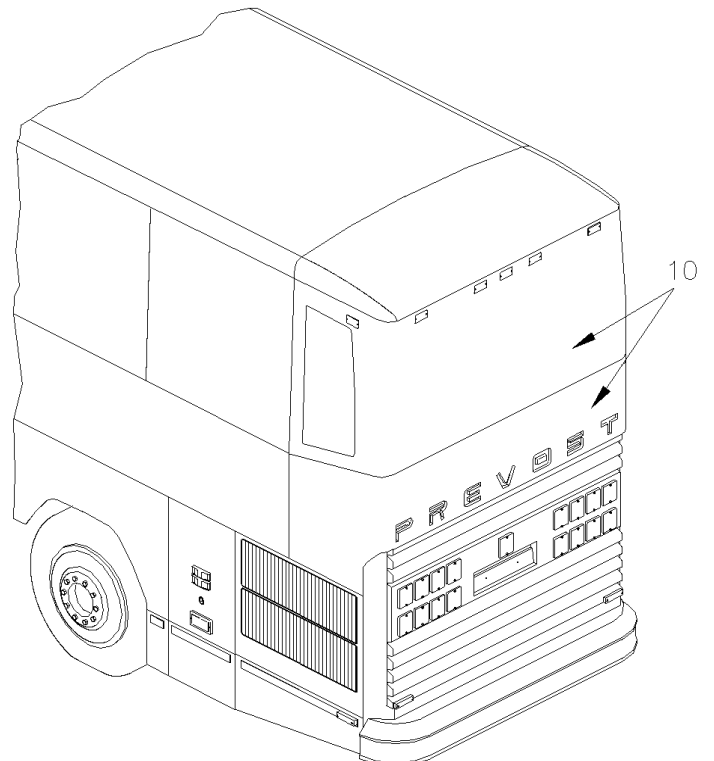
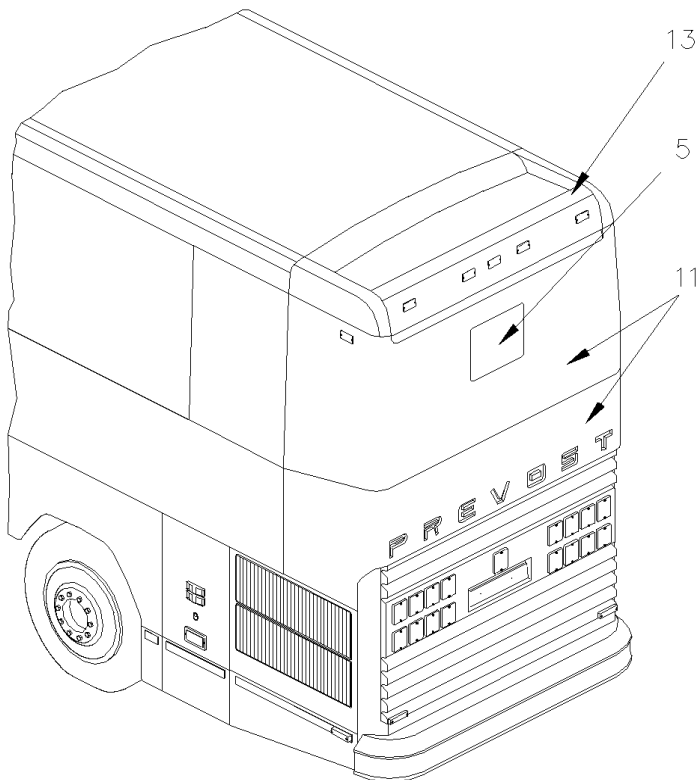
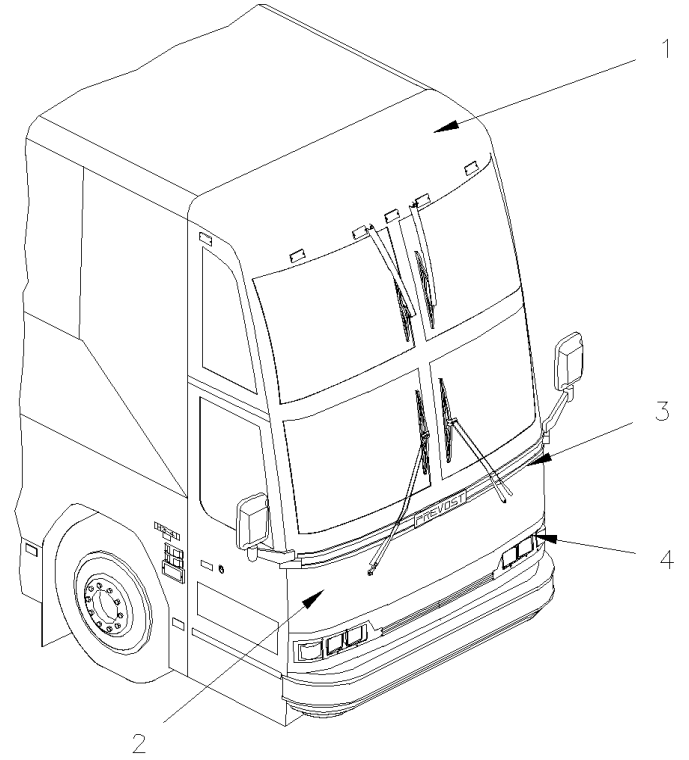
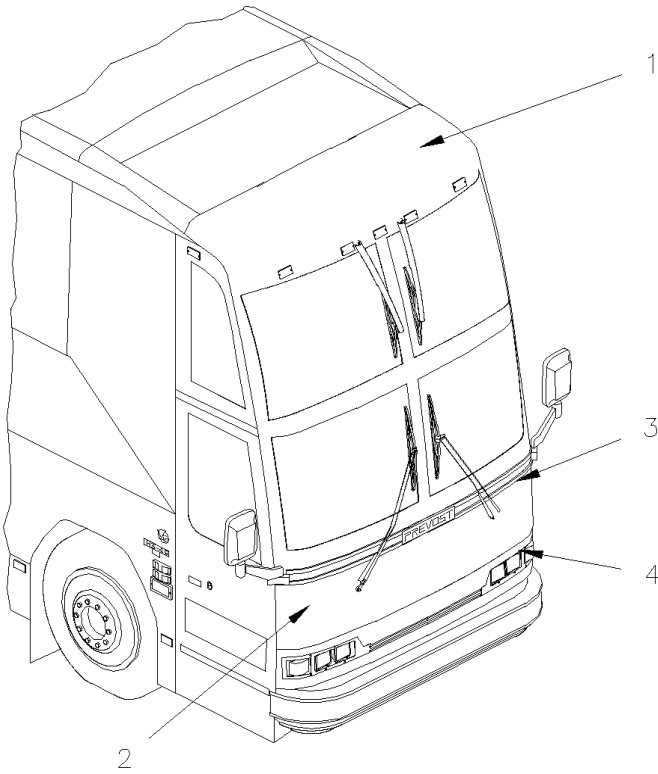
Item#	Part	Description	H 3 4 1	H 3 4 5	V I P 4 5	N O T E S
10	473550	CAP, REAR From V-2073	1	1		
11	472889	CAP, REAR / V.I.P.				
NS	500414	SCREW TP BDG PH #10x3/4 SS	AR	AR	AR	
13	472693	SPOILER			1	
14	472535	GASKET			2	
15	502780	SCREW CAP HEX M8-1.25x25 SS BK			4	
16	500035	WASHER LO SPT .317x.586x.078 SS			4	
17	502584	WASHER LO SERR 8.2x26.3x1.8 Z050			4	
18	472385	PLATE			1	
19	500148	SCREW MA RND PH #6-32x1/2 SS			18	
20	500996	NUT SPR U #6-32 .135-.150			18	
21	506648	TAPE RUB ADH1 CC POL 1/8" x 1/2"x 50' / GREY 2542			AR	
22	H3-0662-01	CLEARANCE & MARKER LIGHT				
23	H3-0662-01	CLEARANCE & MARKER LIGHT				
24	062692	CABLE HARNESS, CLEAR. LIGHT REAR IN DEFLECTOR			1	
30	472849	INSULATED PAD R.H. SIDE OF REAR CAP 720MM x 38MM	1	1	1	
31	472850	INSULATED PAD R.H. SIDE OF REAR CAP 695MM x 38MM	1	1	1	
32	472843	PLATE 225MM X 58MM	2	2	2	
33	472808	SUPPORT / LOWER REAR CAP L.H.SIDE / ANGLE 1221MM X 35MM 45MM	1	1	1	
34	472809	SUPPORT / LOWER REAR CAP R.H. SIDE	1	1	1	
35	473364	SUPPORT / LOWER REAR CAP EACH SIDE / 633 MM	2	2	2	
36	504248	RIVET CHY Q PRDG 3/16x1/4 SS	AR	AR	AR	
37	H3-1884-01	SIDE WINDOW - BUS To S-207				
37	H3-1884-02	SIDE WINDOW - BUS From S-208				
38	504656	BUMPER PLUG / 3/8X41/64X1/4	2	2	2	
NS	680257	TAPE ALUMINUM ADH1 .005" x 2" x 300' TRM425-2	AR	AR	AR	
NS	680307	SEALER TREMTHANE / UPPER & CENTER PANELS	AR	AR	AR	
NS	680096	SEALANT BUTYL ALUM / GREY / 310ml CARTRIDGE	AR	AR	AR	
NS	680532	SEALANT SIKA #221 / GREY / 310ml CARTRIDGE	AR	AR	AR	
NS	680067	SEALANT TAPE BUTYL / BLACK / 1/8"x3/4"x25' / 75211E760	5	5	5	
		A) THOSE ASSY INCLUDE SIDE UPPER WINDOW W/DRIVER'S WINDOWS, INSIDE MIRROR & EXT LIGHT				
		B) THOSE ASSY INCLUDE SIDE UPPER WINDOW LEXAN, DRIVER'S WINDOWS, INSIDE MIRROR & EXT LIGHT				
		C) THOSE ASSY INCLUDE ALL ITEMS #1 TO 29 ON PAGE H3-0660-00				
		E) THIS CAP IS NOT INTERCHANGEABLE WITH #473550 FOR VEHICLE FROM V-1734 TO V-2072				

From W-2285 To 2-4416

Date:10/2022

PAGE:H3-1851-01

CAP - FRONT & REAR - INSTALLATION

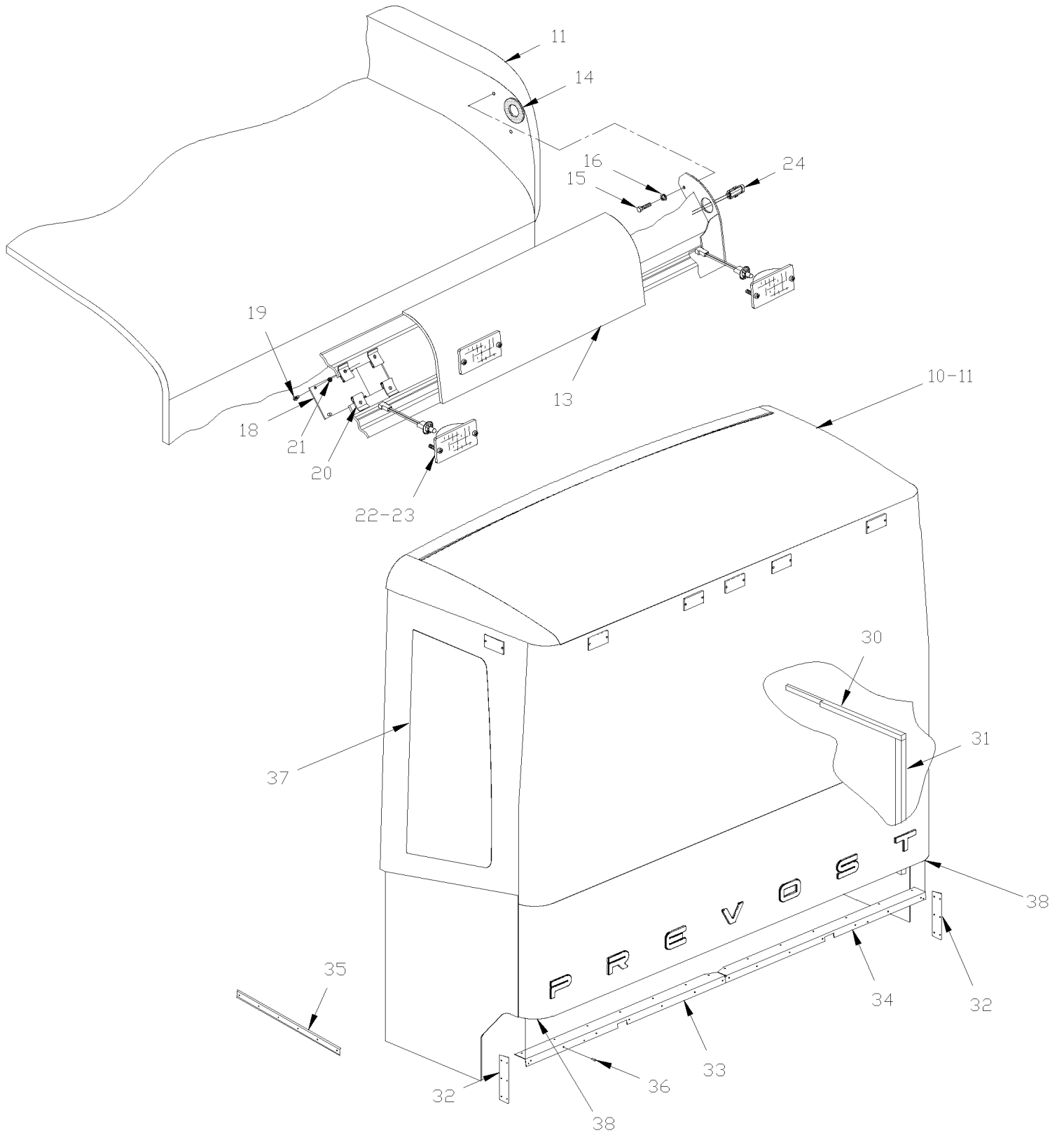


From W-2285 To 2-4416

Date:10/2022

PAGE:H3-1851-01

CAP - FRONT & REAR - INSTALLATION



From W-2285 To 2-4416	Date:10/2022	PAGE:H3-1851-01
CAP - FRONT & REAR - INSTALLATION		

Item#	Part	Description	H 3 4 1	H 3 4 5	V I P 4 5	N O T E S
		THOSE CAPS ARE USED WITH UPPER MIRROR ARM				
1	474438	CAP, FRONT ASSY	1	1		A
1	474439	CAP, FRONT ASSY	1	1		B
1	474440	CAP, FRONT ASSY	1	1		D
1	473712	. CAP, FRONT / PAINTED MEDIUM GREY	1	1		
1	472681	. . CAP, FRONT / UNPAINT To X-2718	1	1		
1	473787	. . CAP, FRONT / UNPAINT From X-2719	1	1		
		THOSE CAPS ARE USED WITH LOWER MIRROR "RAMCO"				
1	474441	CAP, FRONT ASSY	1	1	1	A
1	474442	CAP, FRONT ASSY	1	1	1	B
1	474443	CAP, FRONT ASSY	1	1	1	
1	474436	. CAP, FRONT / PAINTED MEDIUM GREY	1	1	1	
1	473722	. . CAP, FRONT / UNPAINT To X-2718	1	1	1	
1	473786	. . CAP, FRONT / UNPAINT From X-2719	1	1	1	
1	474437	CAP, FRONT / PAINTED BLACK GLOSS			1	
2	473447	PANEL ASSY LOWER FACE / W/LIGHT	1	1	1	C
2	473616	. FACE PANEL, FIBERGLASS From W-2285	1	1	1	
NS	475703	KIT STONE PROTECTOR / VINYL FILM 2x25"x120 + 1x16"x120"	1	1	1	
2	475704	KIT STONE PROTECTOR / VINYL FILM 2x25"x120 + 1x8"x120"	1	1	1	
NS	5001040	SCREW TC PAN PH #6-32x3/4 SS	2	2	2	
3	H3-1851-10	FRONT PANEL - INSTALLATION				
4	H3-0660-00	HEADLAMP & FRONT DIRECTIONAL LAMPS				
5	H3-2355-01	BACK-UP CAMERA - INSTALLATION				
10	473550	CAP, REAR To X-2718	1	1		
10	473723	CAP, REAR From X-2719	1	1		
11	472889	CAP, REAR / V.I.P.			1	
11	474178	CAP, REAR / V.I.P. / WITHOUT BACK-UP CAMERA			1	
13	472693	SPOILER			1	
14	472535	GASKET			2	
15	502780	SCREW CAP HEX M8-1.25x25 SS BK			4	
16	500035	WASHER LO SPT .317x.586x.078 SS			4	
17	502584	WASHER LO SERR 8.2x26.3x1.8 Z050			4	
18	472385	PLATE			1	
19	500148	SCREW MA RND PH #6-32x1/2 SS			18	
20	500996	NUT SPR U #6-32 .135-.150			18	
21	506648	TAPE RUB ADH1 CC POL 1/8" x 1/2"x 50' / GREY 2542			AR	
22	H3-0662-01	CLEARANCE & MARKER LIGHT				
23	H3-0662-01	CLEARANCE & MARKER LIGHT				
24	062692	CABLE HARNESS, CLEAR. LIGHT REAR IN DEFLECTOR To Y-3354			1	

From W-2285 To 2-4416	Date:10/2022	PAGE:H3-1851-01
CAP - FRONT & REAR - INSTALLATION		

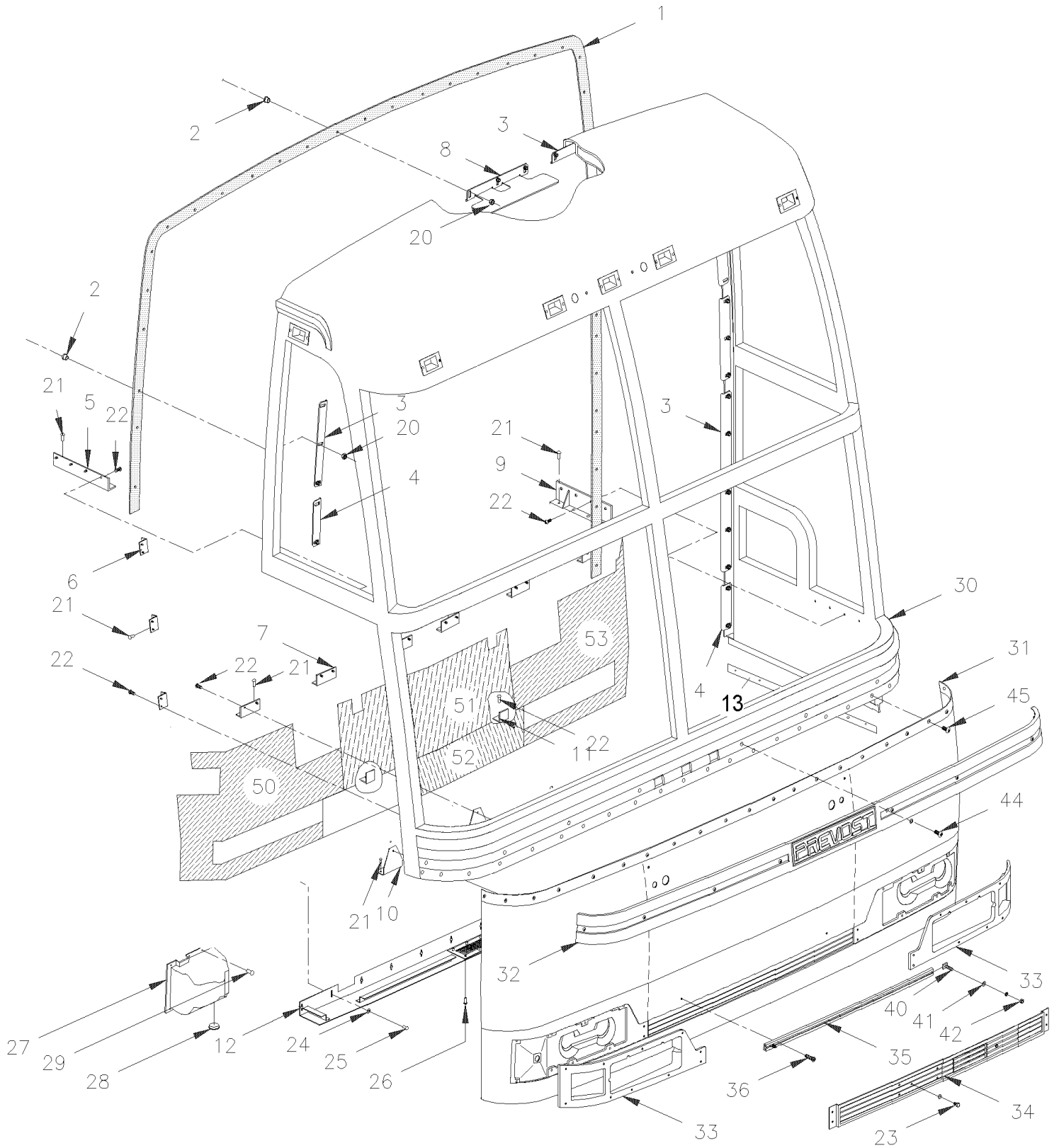
Item#	Part	Description	H 3 4 1	H 3 4 5	V I P 4 5	N O T E S
24	065278	CABLE HARNESS, CLEAR. LIGHT REAR IN DEFLECTOR From Y-3355			1	
30	472849	INSULATED PAD R.H. SIDE OF REAR CAP 720MM x 38MM	1	1	1	
31	472850	INSULATED PAD R.H. SIDE OF REAR CAP 695MM x 38MM	1	1	1	
32	472843	PLATE 225MM X 58MM	2	2	2	
33	472808	SUPPORT / LOWER REAR CAP L.H.SIDE / ANGLE 1221MM X 35MM 45MM	1	1	1	
34	472809	SUPPORT / LOWER REAR CAP R.H. SIDE	1	1	1	
35	473364	SUPPORT / LOWER REAR CAP EACH SIDE / 633 MM	2	2	2	
36	504487	RIVET MGLP PRDG 3/16x7/16 SS	AR	AR	AR	
37	H3-1884-03	SIDE WINDOW - BUS				
NS	680257	TAPE ALUMINUM ADH1 .005" x 2" x 300' TRM425-2	AR	AR	AR	
NS	680307	SEALER TREMTHANE / UPPER & CENTER PANELS	AR	AR	AR	
NS	680096	SEALANT BUTYL ALUM / GREY / 310ml CARTRIDGE	AR	AR	AR	
NS	680532	SEALANT SIKA #221 / GREY / 310ml CARTRIDGE	AR	AR	AR	
NS	680067	SEALANT TAPE BUTYL / BLACK / 1/8"x3/4"x25' / 75211E760	5	5	5	
38	504656	BUMPER PLUG / 3/8X41/64X1/4	2	2	2	
		A) THOSE ASSY INCLUDE SIDE UPPER WINDOW W/SINGLE GLASS UPPER DRIVER GLASS, INSIDE MIRROR				
		B) THOSE ASSY INCLUDE SIDE UPPER WINDOW W/LEXAN UPPER DRIVER GLASS, INSIDE MIRROR & EXT LIGHT				
		C) THOSE ASSY INCLUDE ALL ITEMS #1 TO 29 ON PAGE H3-0660-00				
		D) THOSE ASSY INCLUDE SIDE UPPER WINDOW W/THERMOS UPPER DRIVER GLASS, INSIDE MIRROR				

From R-012 To 2-4416

Date:10/2022

PAGE:H3-1851-10

FRONT PANEL - INSTALLATION



From R-012 To 2-4416	Date:10/2022	PAGE:H3-1851-10
FRONT PANEL - INSTALLATION		

Item#	Part	Description	H 3 4 1	H 3 4 5	V I P 4 5	N O T E S
1	472113	RUBBER GASKET ASSY To T-1303	1	1	1	
1	473153	RUBBER GASKET ASSY From T-1304	1	1	1	
1	506501	. RUB NEO 1/2" x 1 7/16" x 18.5' To T-1303	AR	AR	AR	
1	473152	. NEOPRENE RUBBER 1/2" X 1 1/2" From T-1304	12	12	12	
2	472767	. BUSHING SPACER To T-1303	12	12	12	
2	473183	. BUSHING SPACER From T-1304 To V-1730	AR	AR	AR	
3	472108	ANGLE RETAINER / REAR / W/3 HOLES	11	11	11	
4	472109	ANGLE RETAINER / REAR / W/2 HOLES To V-1947	2	2	2	
4	473463	ANGLE RETAINER / REAR / W/5 HOLES From V-1948	3	3	3	
5	472141	ANGLE RETAINER / ABOVE FRONT DOOR	1	1	1	
6	283917	ANGLE RETAINER & SUPPORT	3	3	3	
7	472142	ANGLE RETAINER / BOTTOM OF LOWER WINDSHIELD	6	6	6	
8	472578	ANGLE RETAINER & SUPPORT To T-1452	1	1	1	
8	404135	ANGLE RETAINER & SUPPORT From T-1453 To 1-4278	1	1	1	
8	404523	ANGLE RETAINER & SUPPORT From 1-4279	1	1	1	
9	472143	ANGLE RETAINER / BOTTOM OF DRIVER'S WINDOW To W-2284	6	6	6	
9	473716	ANGLE RETAINER / BOTTOM OF DRIVER'S WINDOW From W-2285	6	6	6	
10	472208	BRACKET / EACH SIDE AT LOWER / TO FIX ITEM 31 To T-1303	2	2	2	
11	472578	ANGLE RETAINER & SUPPORT To T-1303	2	2	2	A
NS	500310	SCREW TC FL PH #10-24x1 1/4 SS410	4	4	4	
NS	502582	WASHER LO SERR 6.1x16.2x0.9 Z050	4	4	4	
NS	506644	TAPE RUB ADH1 CC NEO 1/8" x 21" x 25" / BLACK 1220SC	AR	AR	AR	
12	473151	PANEL AIR INTAKE To T-1303	1	1	1	
12	473286	PANEL AIR INTAKE From T-1304 To W-2284	1	1	1	
12	473609	PANEL AIR INTAKE W/GRILL From W-2285	1	1	1	
13	282711	SUPPORT / (WELDED) To T-1510	1	1	1	
13	285334	ANGLE / TO FIX FRONT CAP From T-1511	1	1	1	
20	5001083	NUT HEXF NYRT 5/16-18 Z050	40	40	40	
21	504488	RIVET MGLP PRDG 3/16x17/64 SS	28	28	28	
22	500638	SCREW TP PAN PH #8x1/2 Z050	20	20	20	
23	502533	SCREW CAP HEX M6-1.0x30 G8.8 Z050 To T-1303	2	2	2	
NS	502571	WASHER FL SEAL .281x.625x20GA SS To T-1303	2	2	2	B
24	502637	WASHER FL .200x.437x.037 SS	18	18	18	
25	504416	RIVET POP DOME OE 3/16x5/8 SS	3	3	3	
26	504379	RIVET POP DOME OE 3/16x1/4 SS	6	6	6	
NS	680067	SEALANT TAPE BUTYL / BLACK / 1/8"x3/4"x25' / 75211E760	8	8	8	
NS	683084	SEALANT SIKA #221 / GREY / 600 ml SAUSAGE	3	3	3	
27	410566	COVER LOWER HINGE / REAR OF BUMPER	1	1	1	
28	504443	SNAP-IN PLUG / 1.500 O.D.	1	1	1	
29	504473	RIVET POP DOME OE 1/8x1/4 SS	10	10	10	
29	504464	RIVET POP CK OE 1/8x3/8 SS	4	4	4	
NS	5001067	WASHER FL .128x.312x.032 SS	4	4	4	

From R-012 To 2-4416		Date:10/2022	PAGE:H3-1851-10
FRONT PANEL - INSTALLATION			

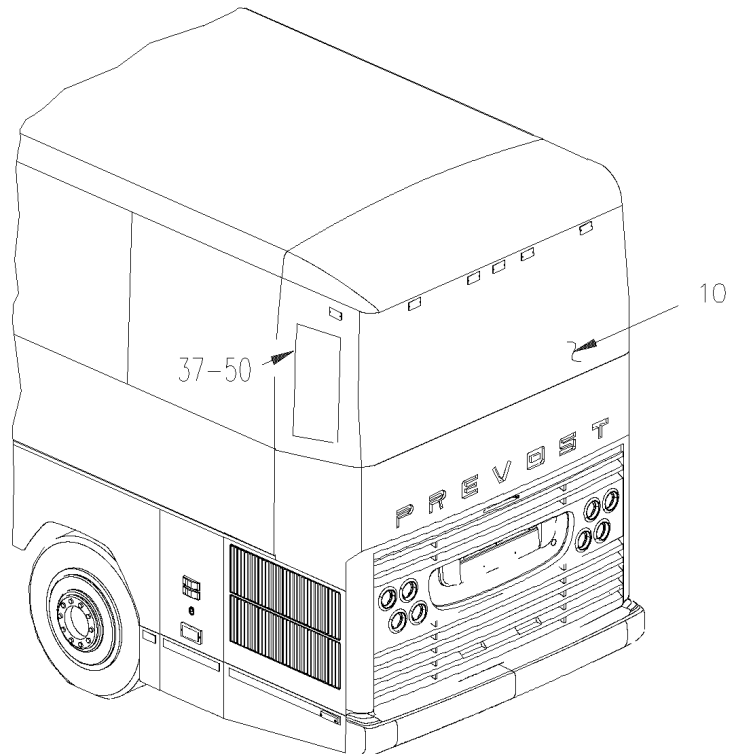
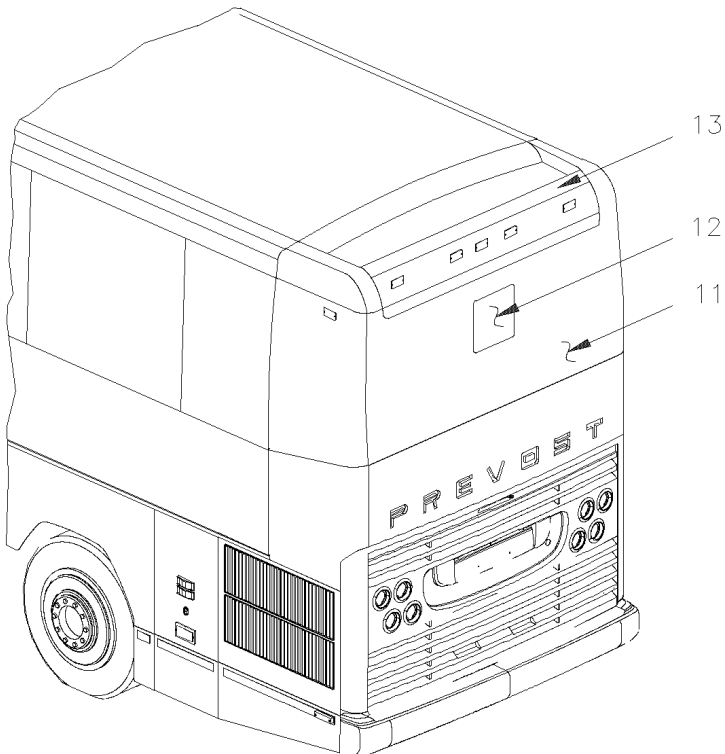
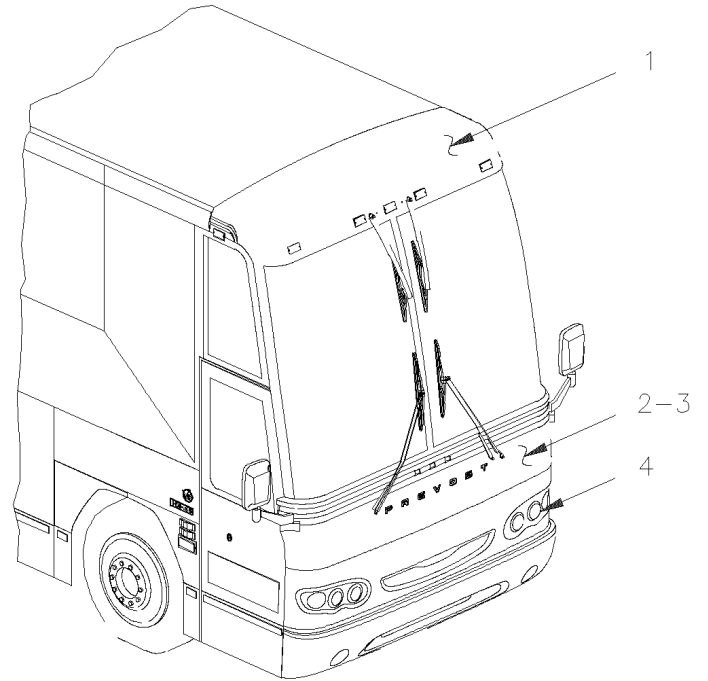
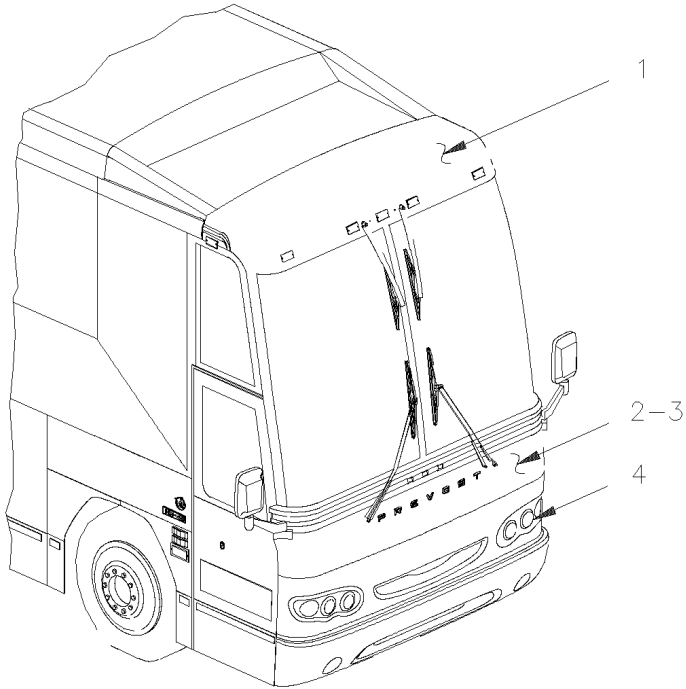
Item#	Part	Description	H 3 4 1	H 3 4 5	V I P 4 5	N O T E S
30	H3-1851-00	CAP - FRONT & REAR - INSTALLATION To W-2284				
30	H3-1851-01	CAP - FRONT & REAR - INSTALLATION From W-2285				
31	H3-1851-00	CAP - FRONT & REAR - INSTALLATION To W-2284				
31	H3-1851-01	CAP - FRONT & REAR - INSTALLATION From W-2285				
32	439005	MOULDING FRONT / LOWER WINDSHIELD / W/UPPER ARM MIRROR MOUNT	1	1		
32	430442	MOULDING FRONT / LOWER WINDSHIELD / W/2 RAMCO MIRROR MOUNTED	1	1	1	
33	H3-0660-00	HEADLAMP & FRONT DIRECTIONAL LAMPS				
34	430342	MOULDING CENTER / BEZEL To T-1303	1	1	1	
35	472261	TRACK / LICENCE PLATE HOLDER 1028MM	1	1		
36	500873	SCREW MA RND PH #8-32x3/4 SS BK	2	2		C
36	502666	SCREW MA FL PH #6-32x3/4 SS BK	7	7		D
NS	500286	NUT WELL #6-32	7	7		
NS	500678	NUT WELL #8-32x.450	2	2		
40	504286	T SCREW 10-24 X 3/4" / SS / PLATE HOLDER	AR	AR		
41	502637	WASHER FL .200x.437x.037 SS	AR	AR		
41	502570	WASHER LO SPT 6.1x11.8x1.6 SS	AR	AR		
42	500787	NUT HEX #10-24 SS	AR	AR		
44	500414	SCREW TP BDG PH #10x3/4 SS	AR	AR		
44	500310	SCREW TC FL PH #10-24x1 1/4 SS410	4	4	4	
45	500524	SCREW TP PAN PH #12x5/8 SS	8	8	8	
NS	502573	WASHER FL 6.4x12.5x1.6 SS	8	8	8	
50	350267	INSULATING PAD To T-1303	1	1	1	
50	350450	INSULATING PAD From T-1304	1	1	1	
51	350448	INSULATING PAD From T-1304	1	1	1	
52	350101	INSULATING PAD To T-1303	1	1	1	
52	350449	INSULATING PAD From T-1304	1	1	1	
53	350447	INSULATING PAD From T-1304	1	1	1	
53	350102	INSULATING PAD To T-1303	1	1	1	
		A) MIDDLE CENTER PANEL				
		B) WEATHERSTRIP				
		C) EACH END				
		D) CENTER				

From R-012 To 2-4416

Date:10/2022

PAGE:H3-1851-99

CAP - FRONT & REAR - INSTALLATION SERVICE & RETROFIT

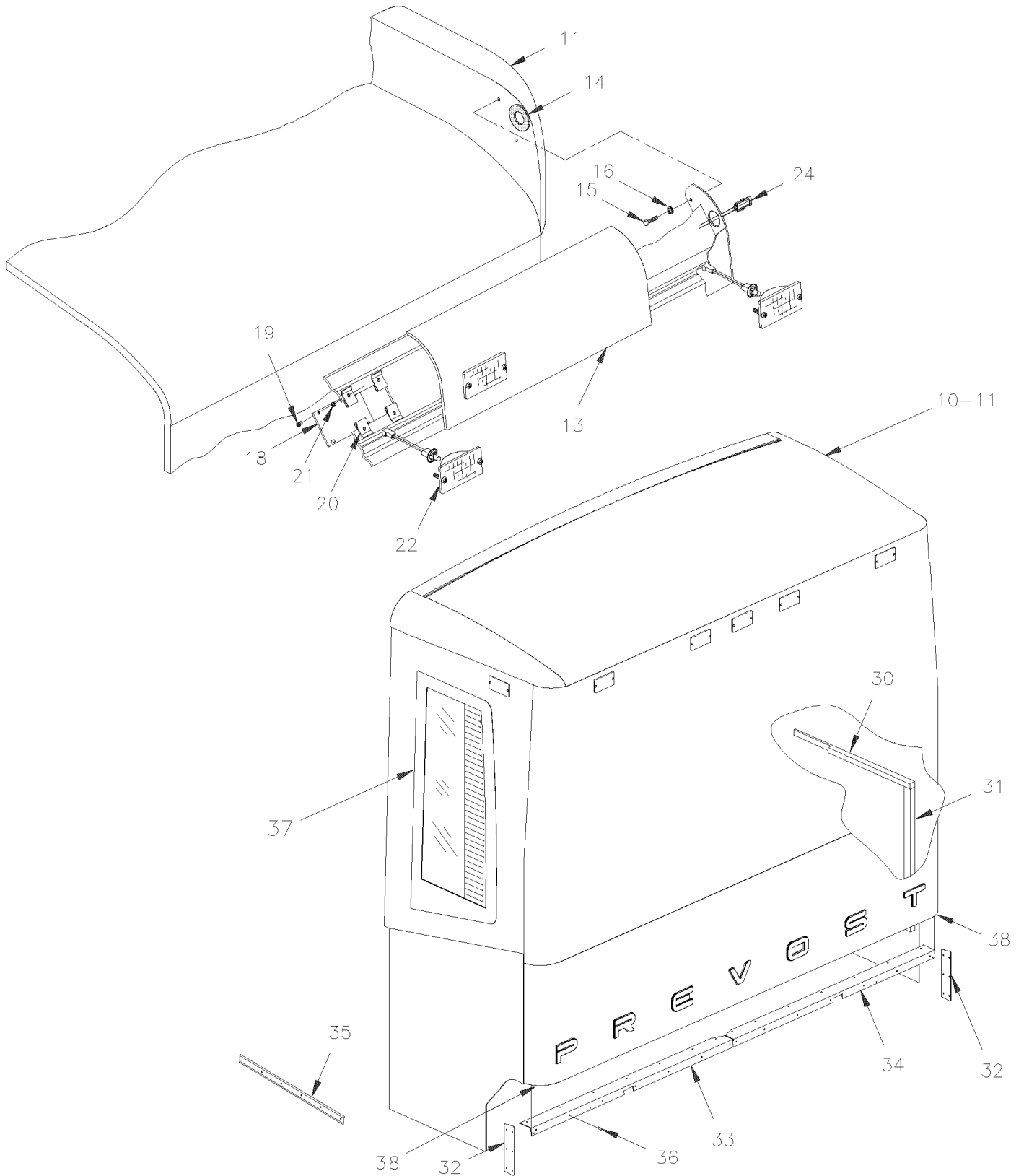


From R-012 To 2-4416

Date:10/2022

PAGE:H3-1851-99

CAP - FRONT & REAR - INSTALLATION SERVICE & RETROFIT



From R-012 To 2-4416	Date:10/2022	PAGE:H3-1851-99
CAP - FRONT & REAR - INSTALLATION SERVICE & RETROFIT		

Item#	Part	Description	H 3 4 1	H 3 4 5	V I P 4 5	N O T E S
	 "WARNING" - "WARNING" - "WARNING"				
		ALLS NEXT ITEMS #1 ARE USED IN SERVICE IN REPLACEMENT OF FRONT CAP WITH 4 WINDSHIEDS				
1	475982	FRONT CAP ASSY / BUS W/THERMO GLASS	1	1		B
1	475280P	. CAP, FRONT / PAINTED MEDIUM GREY & BLACK	1	1		
1	475989	FRONT CAP ASSY / BUS W/SINGLE GLASS	1	1		B
1	475280P	. CAP, FRONT / PAINTED MEDIUM GREY & BLACK	1	1		
1	475980	FRONT CAP ASSY / V.I.P. W/ UPPER WIPER HOLES			1	B
1	475279P	. CAP, FRONT / PAINTED BLACK / W/UPPER WIPER HOLES			1	
1	475981	FRONT CAP ASSY / V.I.P. W/O WIPER HOLES			1	B
1	475278P	. CAP, FRONT / PAINTED BLACK / W/O UPPER WIPER HOLES			1	
		NEXT FOLLOWING ITEMS ARE RELATED ONLY IF CUSTOMER INSTALL IN RETROFIT NEW STYLE HEADLAMP				
2	476269	FRONT LOWER PANEL ASSY / W/LIGHTS & CONNECTOR / W/HALOGENE LIGHT	1	1	1	A
2	476270	FRONT LOWER PANEL ASSY / W/LIGHTS & CONNECTOR / W/XENON LIGHT	1	1	1	C
2	476255	. PANEL LOWER FACE / FIBERGLASS / W/HALOGENE & XENON	1	1	1	
2	476706	. PANEL LOWER FACE / FIBERGLASS / W/HALOGENE & XENON	1	1	1	W
NS	5001040	SCREW TC PAN PH #6-32x3/4 SS	2	2	2	
3	H3-1851-10	FRONT PANEL - INSTALLATION				
NS	475707	KIT STONE PROTECTOR / VINYL FILM / "H3 FACE LIFT	1	1	1	
4	H3-0660-98	HEADLAMP "HALOGENE" & FRONT DIRECTIONAL LAMPS "RETROFIT" INSTALLATION				
4	H3-0660-99	HEADLAMP "XENON" & FRONT DIRECTIONAL LAMPS "RETROFIT" INSTALLATION				
10	473723	CAP, REAR	1	1		
11	472889	CAP, REAR / V.I.P.			1	
11	474178	CAP, REAR / V.I.P./ WITHOUT BACK-UP CAMERA			1	
12	H3-2355-01	BACK-UP CAMERA - INSTALLATION				
13	472693	SPOILER			1	
14	472535	GASKET			2	
15	502780	SCREW CAP HEX M8-1.25x25 SS BK			4	
16	500035	WASHER LO SPT .317x.586x.078 SS			4	
17	502584	WASHER LO SERR 8.2x26.3x1.8 Z050			4	
18	472385	PLATE			1	
19	500148	SCREW MA RND PH #6-32x1/2 SS			18	
20	500996	NUT SPR U #6-32 .135-.150			18	
21	506645	TAPE RUB ADH1 CC POL 1/8" x 1/2"x 50' / GREY 2542			AR	
22	H3-0662-01	CLEARANCE & MARKER LIGHT				
24	062692	CABLE HARNESS, CLEAR. LIGHT REAR IN DEFLECTOR			1	
24	065278	CABLE HARNESS, CLEAR. LIGHT REAR IN DEFLECTOR			1	
30	472849	INSULATED PAD R.H. SIDE OF REAR CAP 720MM x 38MM	1	1	1	

From R-012 To 2-4416	Date:10/2022	PAGE:H3-1851-99
CAP - FRONT & REAR - INSTALLATION SERVICE & RETROFIT		

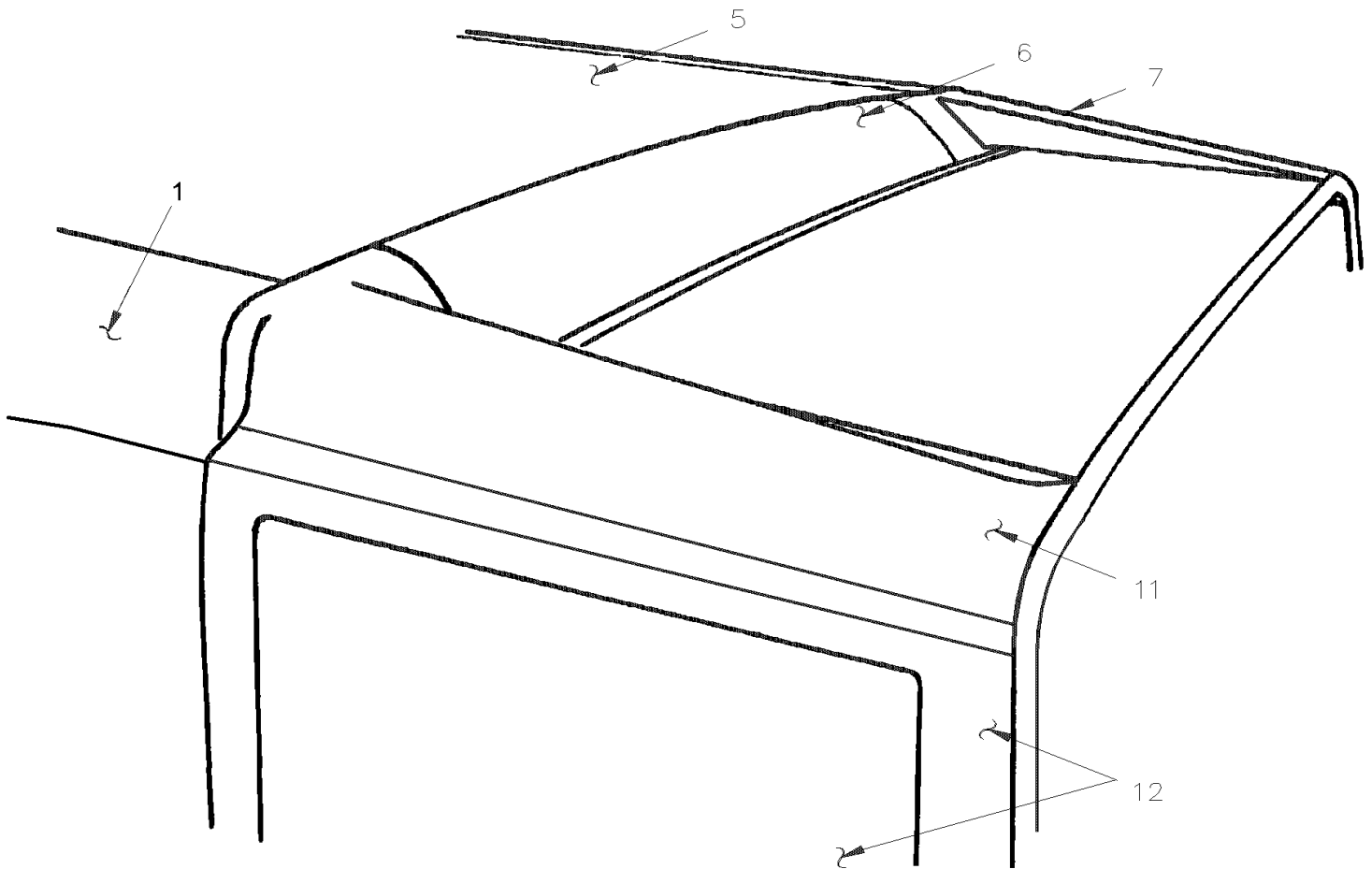
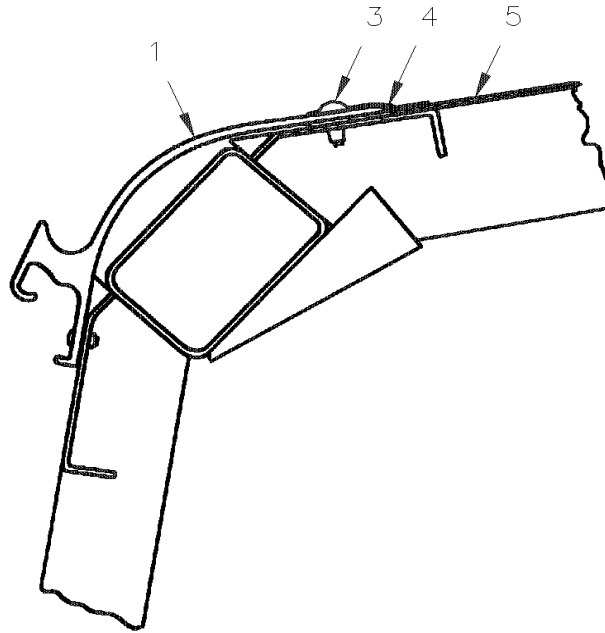
Item#	Part	Description	H 3 4 1	H 3 4 5	V I P 4 5	N O T E S
31	472850	INSULATED PAD R.H. SIDE OF REAR CAP 695MM x 38MM	1	1	1	
32	472843	PLATE 225MM X 58MM	2	2	2	
33	472808	SUPPORT / LOWER REAR CAP L.H.SIDE / ANGLE 1221MM X 35MM 45MM	1	1	1	
34	472809	SUPPORT / LOWER REAR CAP R.H. SIDE	1	1	1	
35	473364	SUPPORT / LOWER REAR CAP EACH SIDE / 633 MM	2	2	2	
36	504248	RIVET CHY Q PRDG 3/16x1/4 SS	AR	AR	AR	
37	H3-1884-03	SIDE WINDOW - BUS				
38	504656	BUMPER PLUG / 3/8X41/64X1/4	2	2	2	
		A) THIS PANEL INCLUDE ALLS ITEMS LISTED AT PAGE HF-0660-00 AND MORE				
		B) THOSE FRONT CAP ASSY INCLUDE 2 UPPER SIDE WINDOW & DRIVER'S WINDOW				
		C) THIS PANEL INCLUDES ALL ITEMS LISTED AT PAGE HF-0660-01 AND MORE				
		W) WITH HEADLAMP WASHER				

From R-012 To 2-4416

Date:10/2022

PAGE:H3-1852-01

ROOF PANELS



From R-012 To 2-4416	Date:10/2022	PAGE:H3-1852-01
ROOF PANELS		

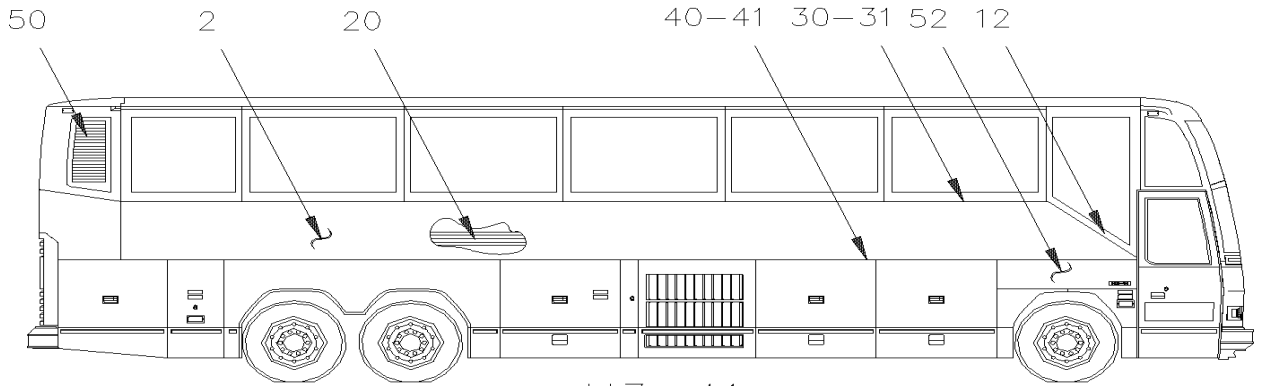
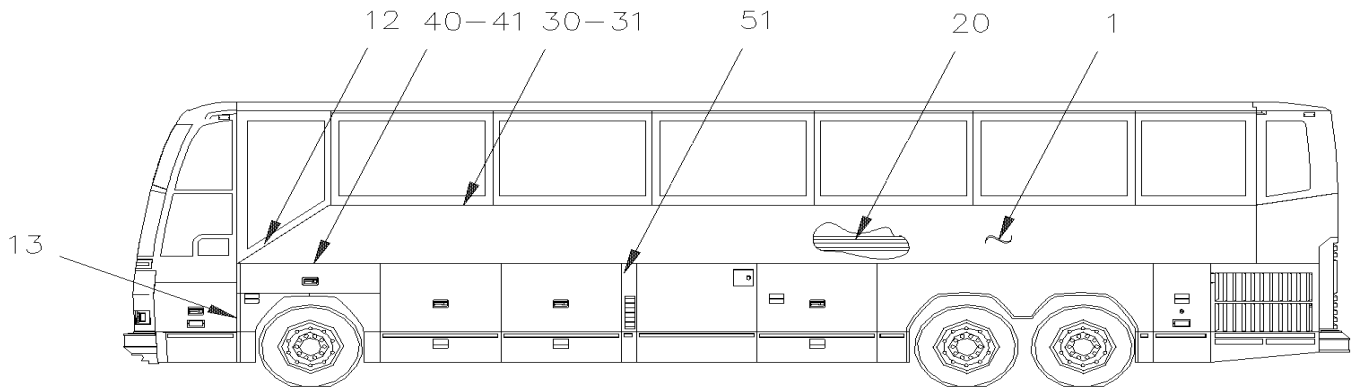
Item#	Part	Description	H 3 4 1	H 3 4 5	V I P 4 5	N O T E S
1	472936	EXTRUSION ALUMINUM 10545MM To W-2284	2			
1	292899	EXTRUSION ALUMINUM 11786MM From W-2285		2		
1	472804	EXTRUSION ALUMINUM 11791MM To W-2284		2		
1	292900	EXTRUSION, ALUMINUM 10540MM From W-2285	2			
1	292560	EXTRUSION ALUMINUM 10805MM			2	
3	504545	RIVET CHY MONOLOK PRDG 1/4x3/8 ZP	AR	AR	AR	
3	504546	RIVET CHY MONOLOK PRDG 1/4x5/8 ZP	AR	AR	AR	
4	683083	ADHESIVE SIKA #252 / BLACK / 600 ml SAUSAGE	AR	AR	AR	
5	472937P	SHEET, ALUMINUM / ROOF	1			
5	472805P	SHEET, ALUMINUM / ROOF		1		
5	472940P	SHEET, ALUMINUM / ROOF			1	
6	472554	ROOF TRANSITION / FIBERGLASS			1	
7	472945	FRAME WINDOW / FIBERGLASS FRONT L.H.			1	
11	472946	FRAME WINDOW / FIBERGLASS FRONT R.H.			1	
12	H3-1884-01	SIDE WINDOW - BUS To S-207				
12	H3-1884-02	SIDE WINDOW - BUS From S-208 To W-2284				
12	H3-1884-03	SIDE WINDOW - BUS From W-2285				
12	H3-1884-51	SIDE WINDOW ASSY - V.I.P.				
12	H3-1884-71	SIDE WINDOW ASSY (SLIDING) "PREVOST"				

From R-012 To W-2284

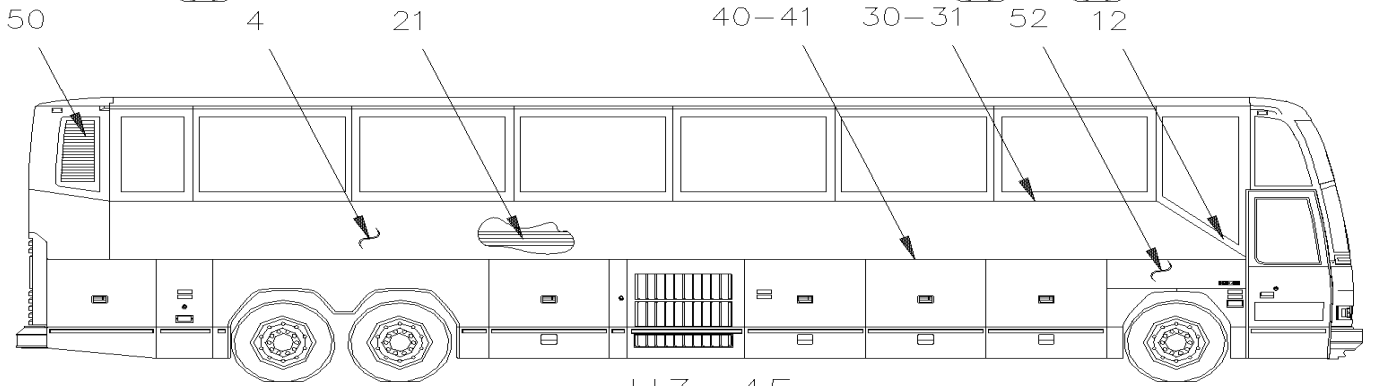
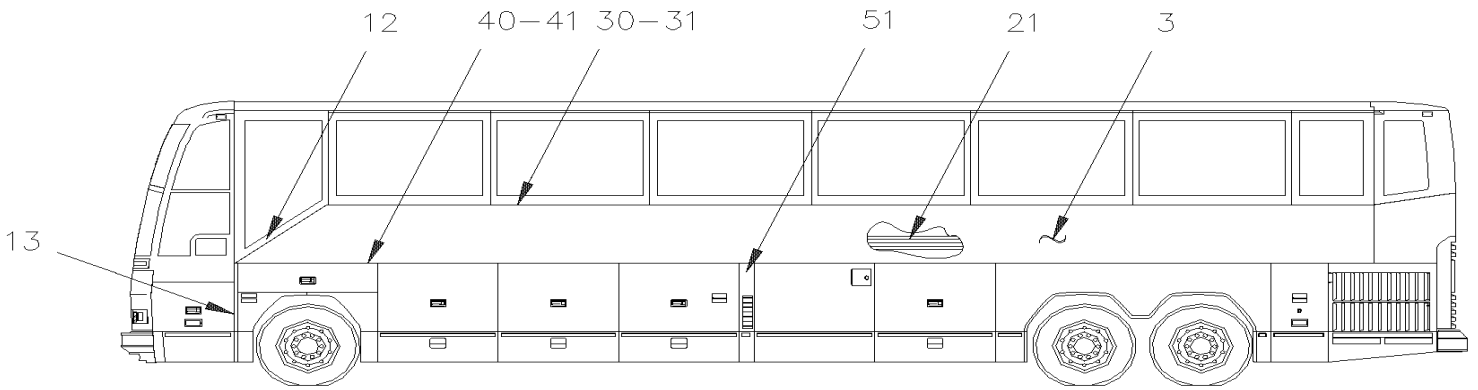
Date:10/2022

PAGE:H3-1854-01

SIDE PANELS - BUS



H3-41



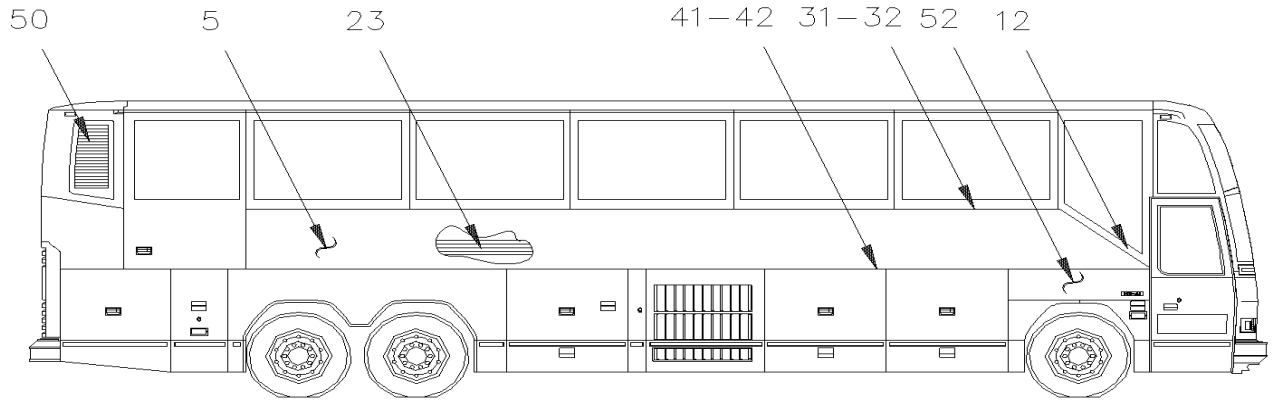
H3-45

From R-012 To W-2284

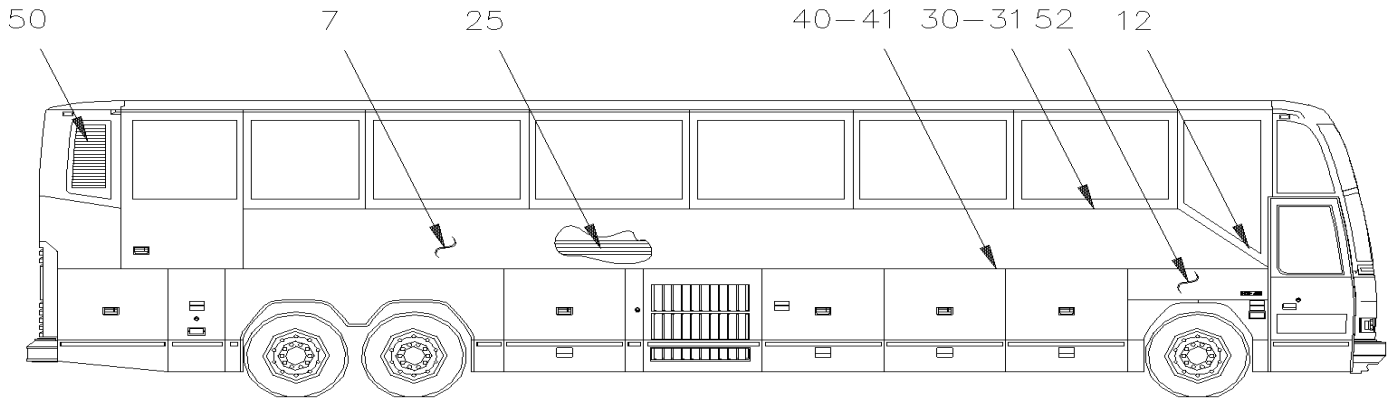
Date:10/2022

PAGE:H3-1854-01

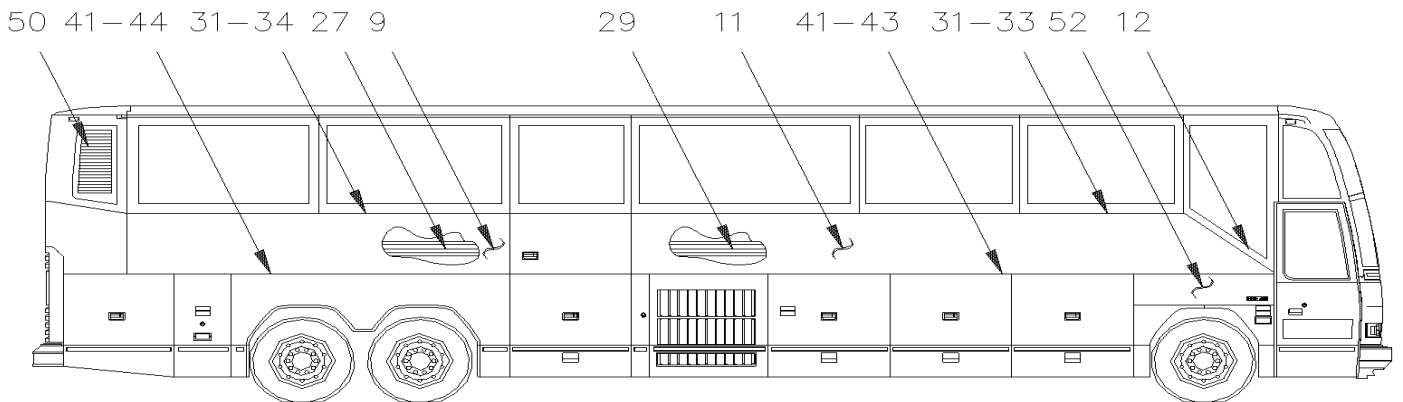
SIDE PANELS - BUS



H3-41 WITH W.C.L. ST & ST



H3-45 WITH W.C.L. ST & ST



H3-45 WITH W.C.L. RICON

From R-012 To W-2284		Date:10/2022	PAGE:H3-1854-01
SIDE PANELS - BUS			

Item#	Part	Description	H 3 4 1	H 3 4 5	V I P 4 5	N O T E S
1	472875	PANEL L.H.	1			
2	472874	PANEL R.H.	1			
3	472795	PANEL L.H.		1		
4	472793	PANEL R.H.		1		
5	473061	PANEL R.H.	1			
7	473026	PANEL R.H.		1		
9	473298	PANEL R.H. REAR 3932MM		1		
11	473299	PANEL R.H.		1		
12	473714	MOULDING REINFORCEMENT / SS				A
13	472577	MOULDING TRANSITION / LOWER To V-1778	1	1		
20	473170	SUPPORT / 9008MM	2			
21	473165	SUPPORT / 9754MM		2		
23	473171	SUPPORT / 7754MM To V-1806	1			
23	473312	SUPPORT / 2900MM From V-1807	1			
25	473170	SUPPORT / 9008MM		1		
27	473310	REINFORCEMENT PANEL 1482 MM		1		
29	473313	SUPPORT / 4854MM		1		
NS	506738	TAPE RUB ADH1 CC POL 1/8" x 1" x 50' / GREY 2520	AR	AR		
NS	504340	RIVET POP DOME OE 1/8x3/16 SS	AR	AR		
30	472942	REINFORCEMENT STRIP / FRONT L.H & R.H. / 2240MM SS	2			
30	472926	REINFORCEMENT STRIP / FRONT L.H & R.H. / 1048MM SS		2		
31	472925	REINFORCEMENT STRIP / L.H. & R.H. 2438 MM SS	6			
31	472925	REINFORCEMENT STRIP / L.H. & R.H. 2438 MM SS		8		
32	473062	REINFORCEMENT STRIP 994 MM SS	1			
33	473311	REINFORCEMENT STRIP 740 MM SS		1		
34	473310	REINFORCEMENT PANEL 1482 MM		1		
40	472944	SUPPORT LOWER / FRONT L.H. & R.H. / 745MM SS	2			
40	472924	SUPPORT LOWER / FRONT L.H. & R.H. / 1992MM SS		2		
41	472917	SUPPORT LOWER / L.H. & R.H. / W17 HOLES / 2438MM SS	6			
41	472917	SUPPORT LOWER / L.H. & R.H. / W17 HOLES / 2438MM SS		8		
42	473063	SUPPORT LOWER 1938 MM SS		1		
43	473308	SUPPORT LOWER 1684MM SS		1		
44	473309	SUPPORT LOWER 1482MM SS		1		
NS	504610	RIVET MGLP PRDG 1/4x5/8 SS	AR	AR		
NS	682462	ADHESIVE SIKA #252 / BLACK / 310ml CARTRIDGE	AR	AR		F
50	472228	GRILLE / AIR INLET	1	1		
NS	506769	TAPE RUB ADH2 CC POL 1/8" x 1/4" x 60' / BLACK H1CC-N-#14	ar	ar		
51	472911	PANEL AIR INTAKE EVAPORATOR To W-2269	1	1		
51	473639	PANEL AIR INTAKE EVAPORATOR / W/SCREEN From W-2270	1	1		
NS	502764	NUT SPR J #14A .035-.046	AR	AR		
NS	500535	SCREW TP CAP HEX #14x3/4 Z050	AR	AR		G
NS	500468	WASHER FL .281x1.250x.065 Z050	AR	AR		G

From R-012 To W-2284	Date:10/2022	PAGE:H3-1854-01
SIDE PANELS - BUS		

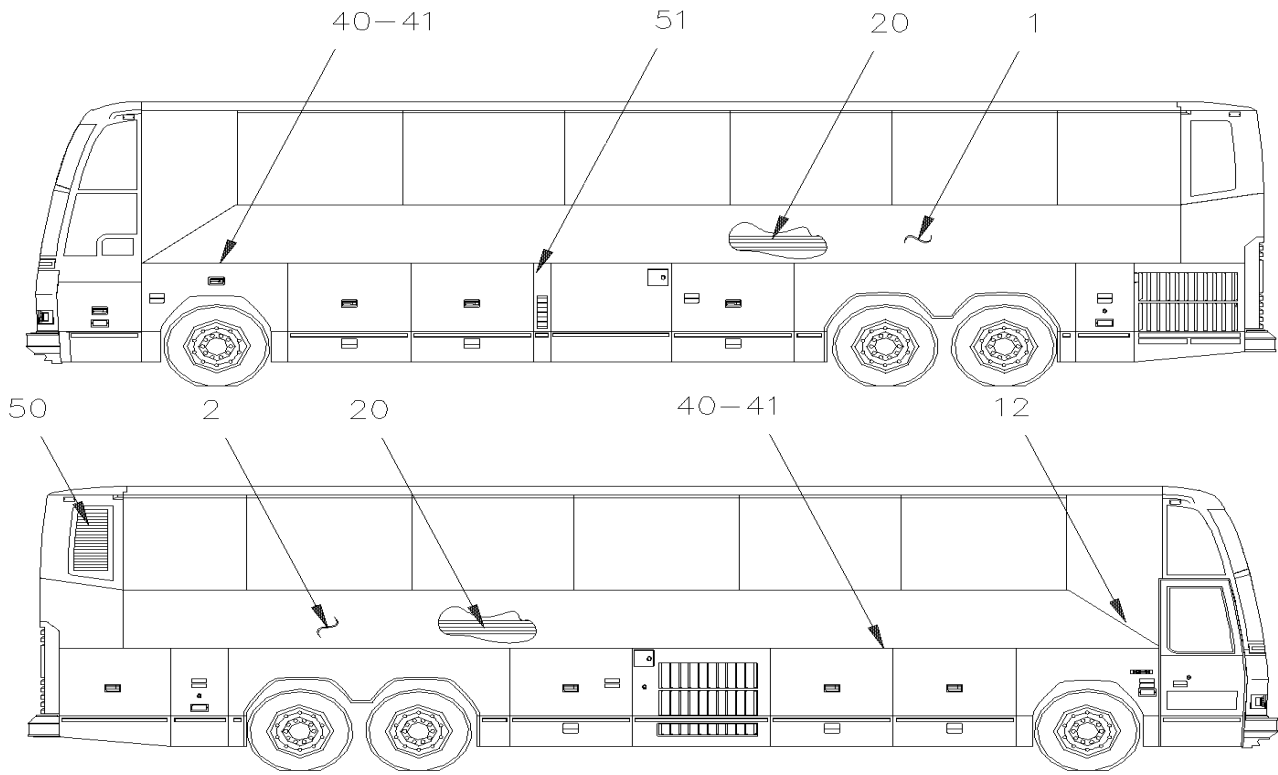
Item#	Part	Description	H 3 4 1	H 3 4 5	V I P 4 5	N O T E S
52	472950	PANEL L.H. To V-1778	1	1		
NS	472050	PLATE SUPPORT 60MM x 31MM W/25° BEND	3	3		
NS	504459	RIVET MGLP PRDG 1/4x3/8 SS	AR	AR		
NS	506007	TAPE RUB ADH1 CC NEO 3/4" x 1" x 10' / BLACK 1220	AR	AR		H
NS	506466	TAPE RUB ADH1 CC POL 1/16" x 1 1/2" x 100 / GREY 2520	AR	AR		E
NS	504459	RIVET MGLP PRDG 1/4x3/8 SS	3	3		
NS	292418	RUBBER SEAL EXTRUSION / ADHESIVE / RAW MATERIAL To V-1778	AR	AR		
		A) PRODUCT IMPROVMENT ASK FOR MAINTENANCE INFORMATION #MI-97034				
		E) VERTICAL				
		F) TO FIX PANELS				
		G) TO FIX ITEM #51				
		H) HORIZONTAL				

From W-2285 To 2-4416

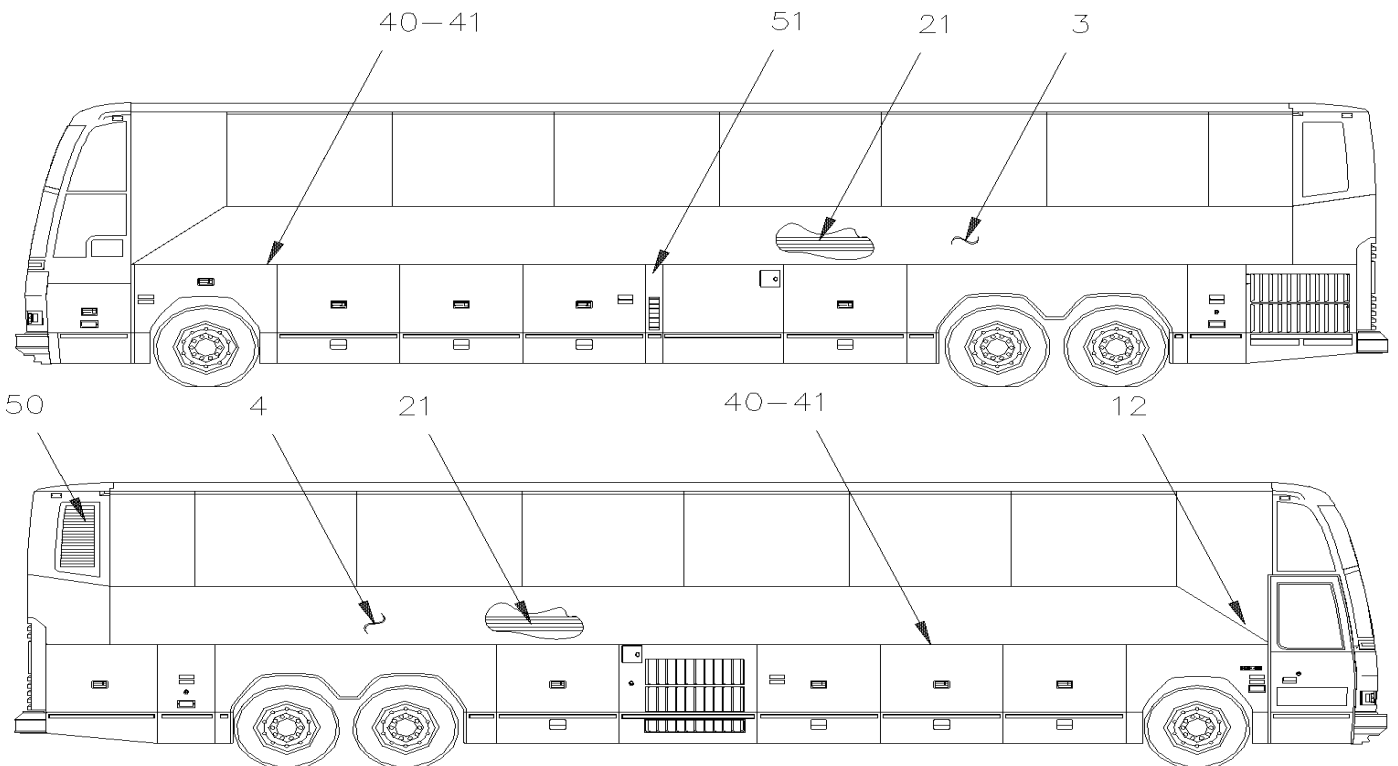
Date:10/2022

PAGE:H3-1854-02

SIDE PANELS - BUS

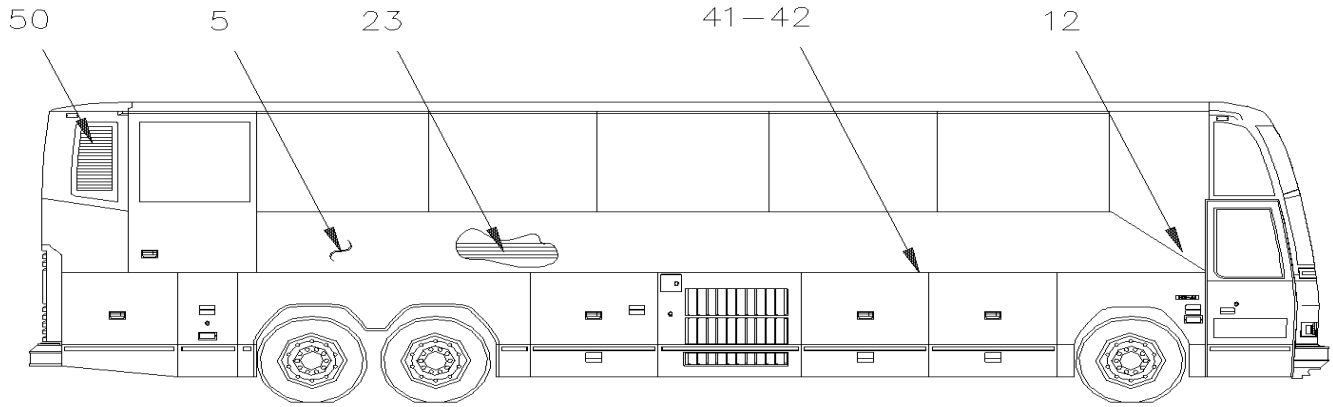


H3-41

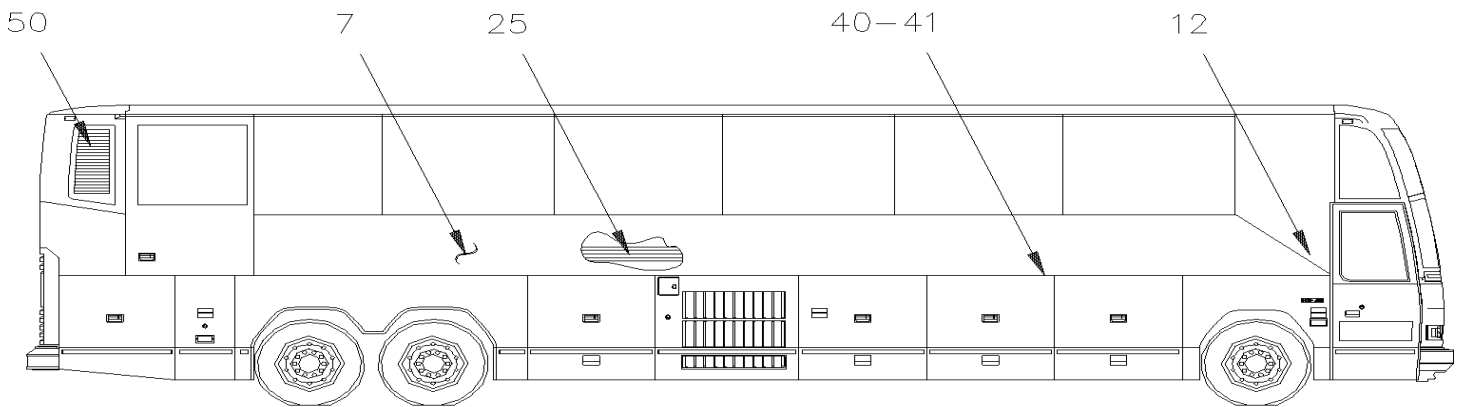


H3-45

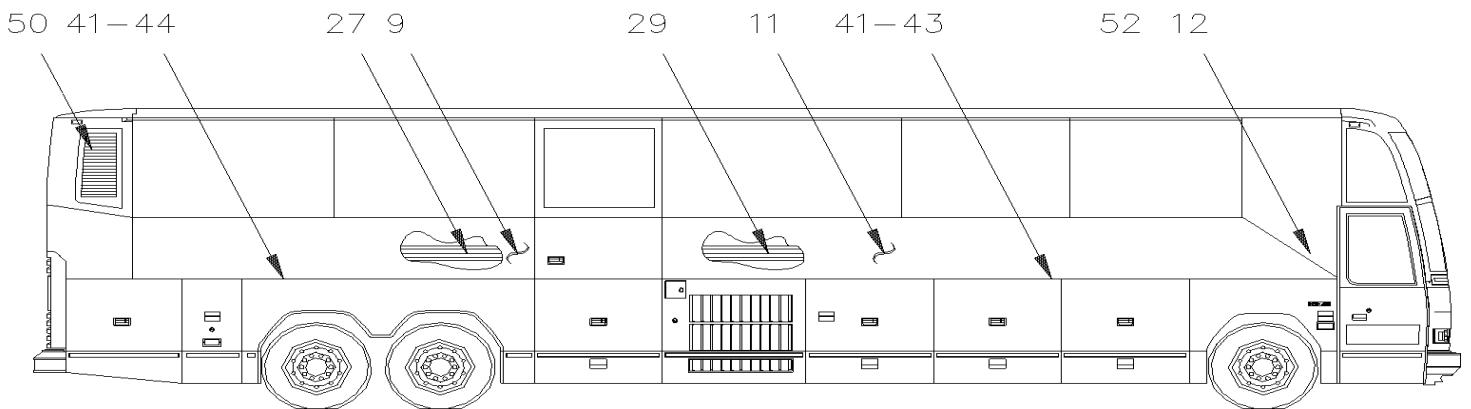
From W-2285 To 2-4416	Date:10/2022	PAGE:H3-1854-02
SIDE PANELS - BUS		



H3-41 WITH W.C.L. ST & ST



H3-45 WITH W.C.L. ST & ST

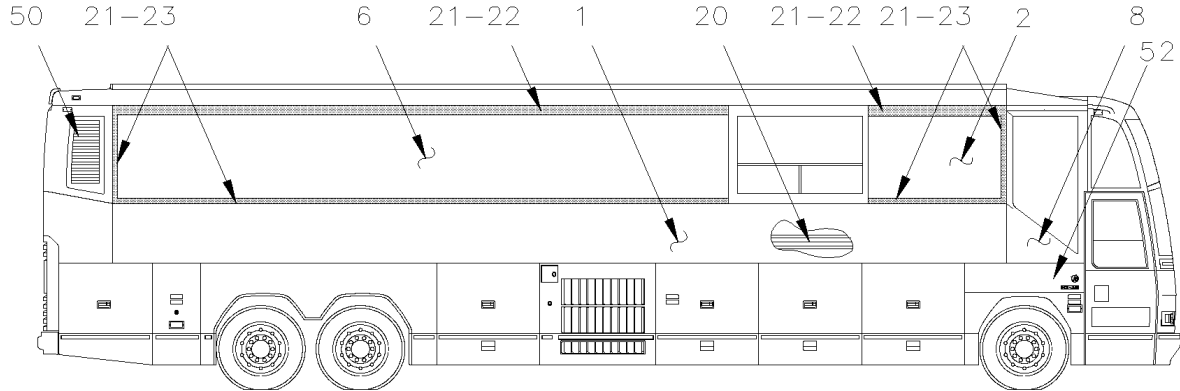
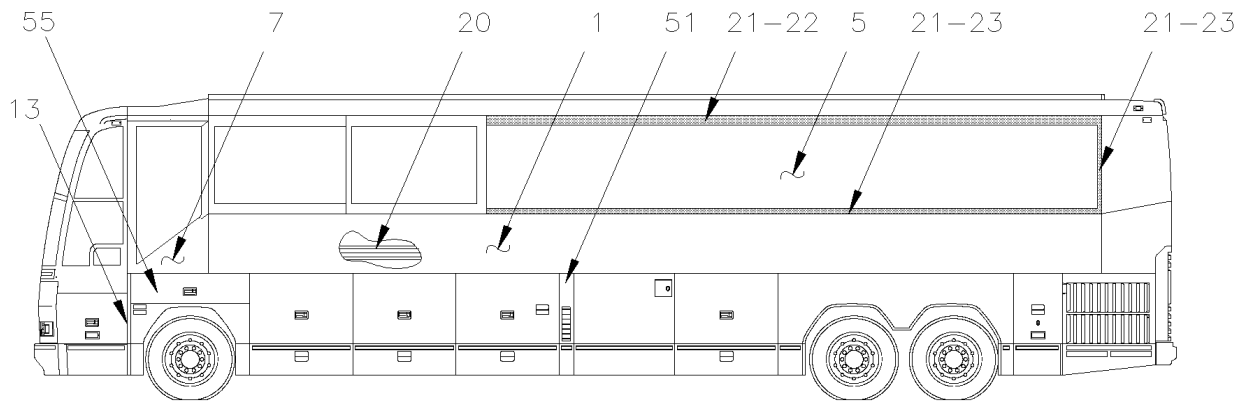
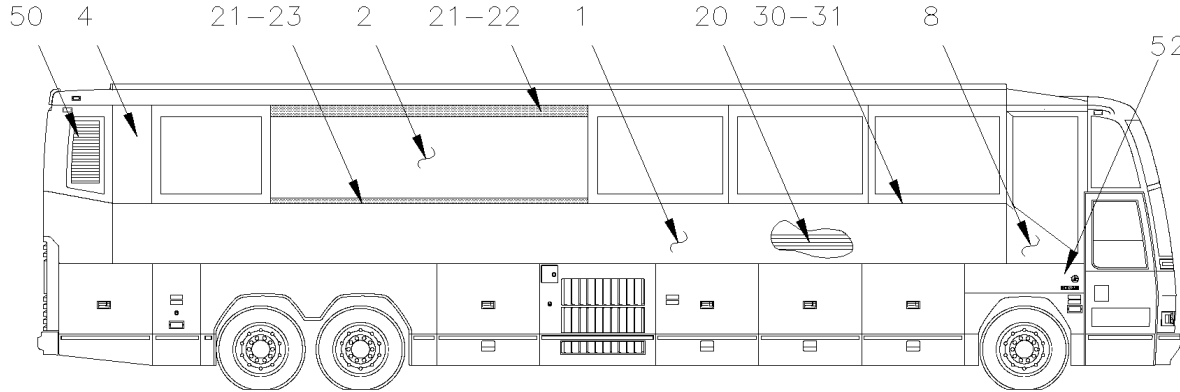
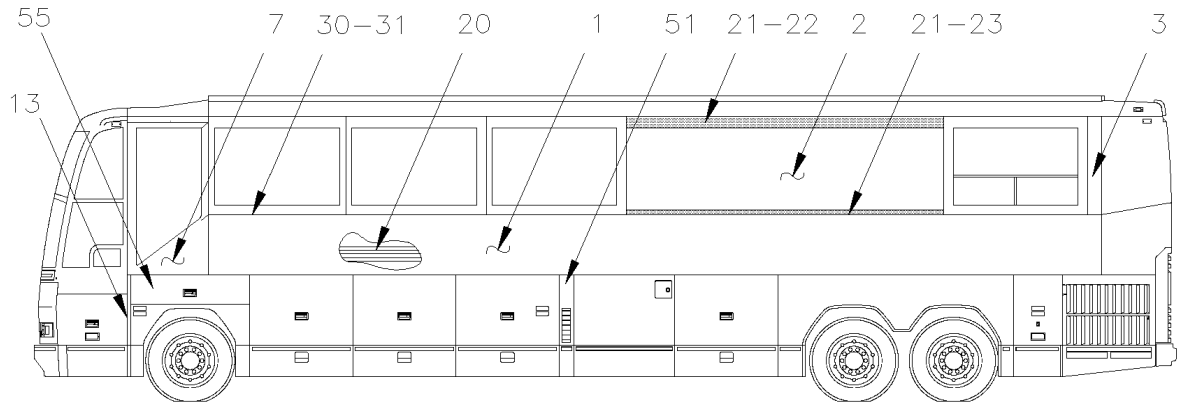


H3-45 WITH W.C.L. RICON

From W-2285 To 2-4416	Date:10/2022	PAGE:H3-1854-02
SIDE PANELS - BUS		

Item#	Part	Description	H 3 4 1	H 3 4 5	V I P 4 5	N O T E S
1	473620	SIDE PANEL L.H.	1			
2	473619	SIDE PANEL R.H.	1			
3	473618	SIDE PANEL L.H.		1		
4	473617	SIDE PANEL R.H.		1		
5	473622	PANEL R.H.	1			
7	473621	PANEL R.H.		1		
9	473657	PANEL R.H. BACKWARD 3972MM		1		
11	473623	PANEL R.H. FORWARD 6553MM		1		
12	473714	MOULDING REINFORCEMENT / SS				
20	473170	SUPPORT / 9008MM	2			
21	473165	SUPPORT / 9754MM		2		
23	473312	SUPPORT / 2900MM	1			
25	473170	SUPPORT / 9008MM		1		
27	473310	REINFORCEMENT PANEL 1482 MM		1		
29	473313	SUPPORT / 4854MM		1		
NS	506738	TAPE RUB ADH1 CC POL 1/8" x 1" x 50' / GREY 2520	AR	AR		
NS	504340	RIVET POP DOME OE 1/8x3/16 SS	AR	AR		
40	473629	DRIP MOLDING / FRONT L.H. & R.H. / 727MM SS	2			
40	473632	DRIP MOLDING / FRONT L.H. & R.H. / 1973MM SS ADH		2		
40	683621	TAPE RUB ADH2 ACRYLIC .045" x 1" x 108' / WHITE 4945	AR	AR		
41	473627	DRIP MOULDING / L.H. & R.H. / 2438MM SS ADH	6			
. NS	683621	. TAPE RUB ADH2 ACRYLIC .045" x 1" x 108' / WHITE 4945	AR			
41	473627	DRIP MOULDING / L.H. & R.H. / 2438MM SS ADH		8		
. NS	683621	. TAPE RUB ADH2 ACRYLIC .045" x 1" x 108' / WHITE 4945		AR		
42	473628	DRIP MOULDING 1919.5MM SS ADH		1		
. NS	683621	. TAPE RUB ADH2 ACRYLIC .045" x 1" x 108' / WHITE 4945		AR		
43	473631	DRIP MOULDING 1665.5MM SS ADH		1		
43	683478	TAPE VHB ADH2 1.1MMx18MMx32.9M	AR	AR	AR	
44	473630	DRIP MOULDING 1482MM SS ADH		1		
NS	683478	TAPE VHB ADH2 1.1MMx18MMx32.9M	AR	AR		
NS	682462	ADHESIVE SIKA #252 / BLACK / 310ml CARTRIDGE	AR	AR		
50	472228	GRILLE / AIR INLET	1	1		
. NS	506769	. TAPE RUB ADH2 CC POL 1/8" x 1/4" x 60' / BLACK H1CC-N-#14	ar	ar		
51	473639	PANEL AIR INTAKE EVAPORATOR / W/SCREEN	1	1		
NS	502764	NUT SPR J #14A .035-.046	AR	AR		
NS	500535	SCREW TP CAP HEX #14x3/4 Z050	AR	AR		
NS	500468	WASHER FL .281x1.250x.065 Z050	AR	AR		

From R-012 To 2-4416	Date:10/2022	PAGE:H3-1854-51
SIDE PANELS - V.I.P.		

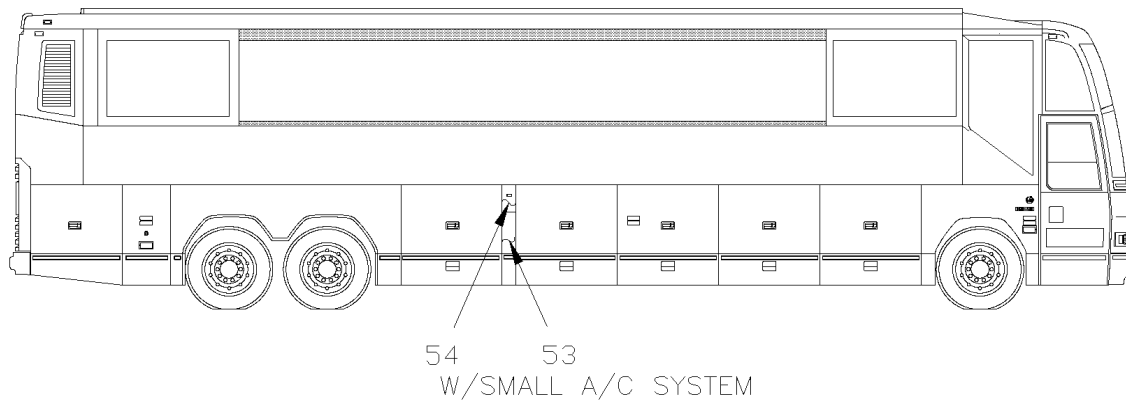
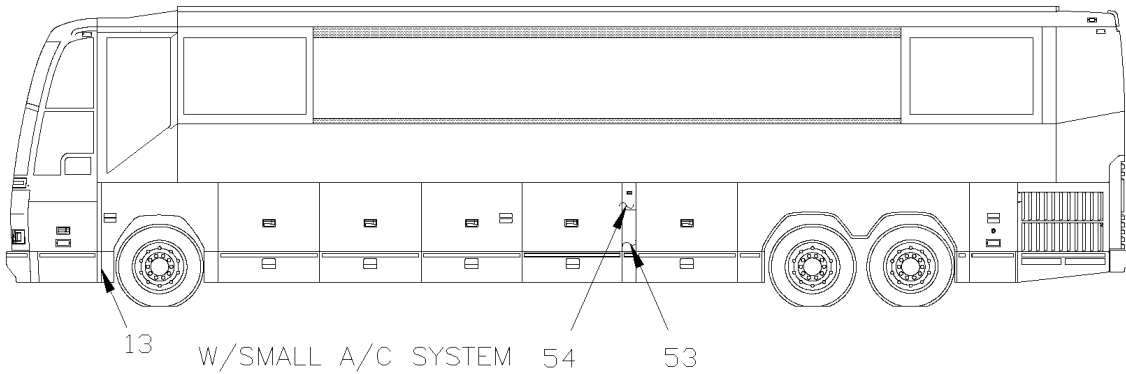
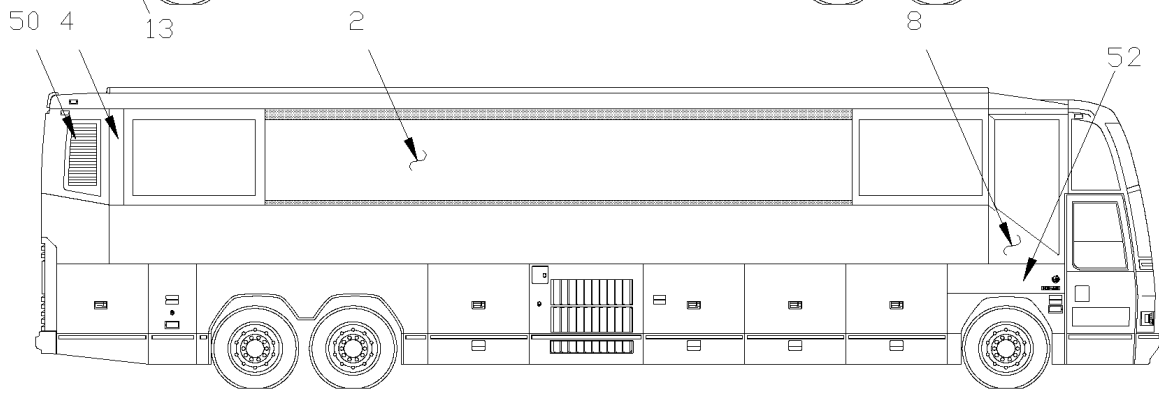
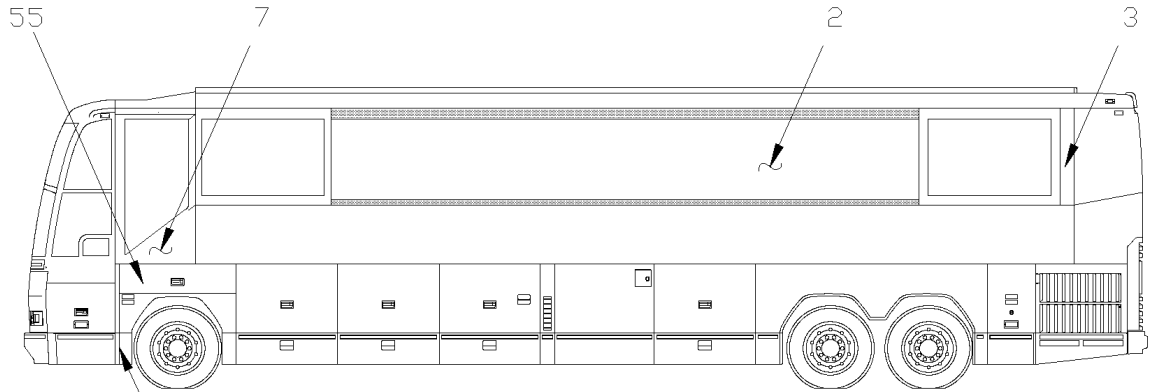


From R-012 To 2-4416

Date:10/2022

PAGE:H3-1854-51

SIDE PANELS - V.I.P.

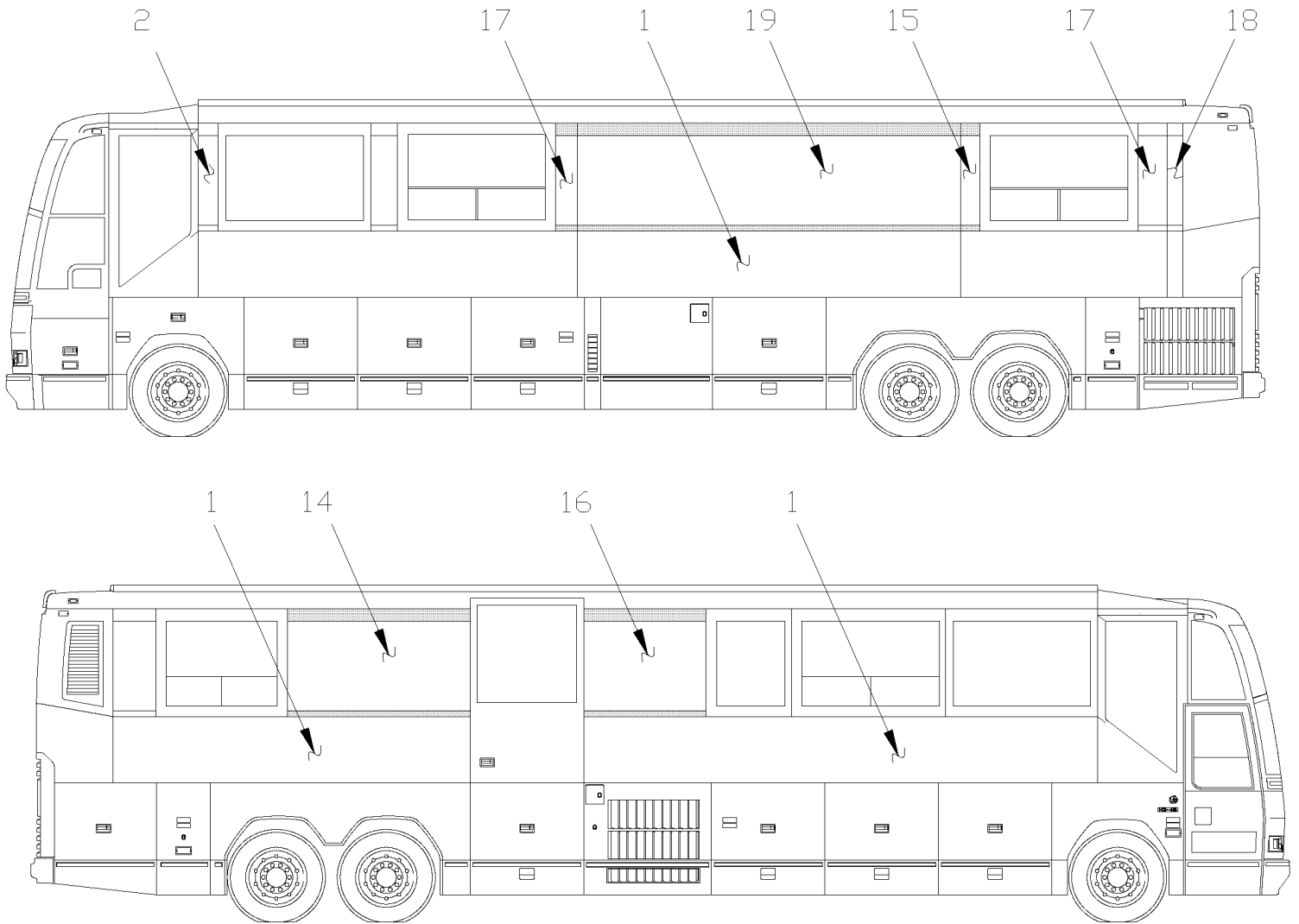


From R-012 To 2-4416

Date:10/2022

PAGE:H3-1854-51

SIDE PANELS - V.I.P.

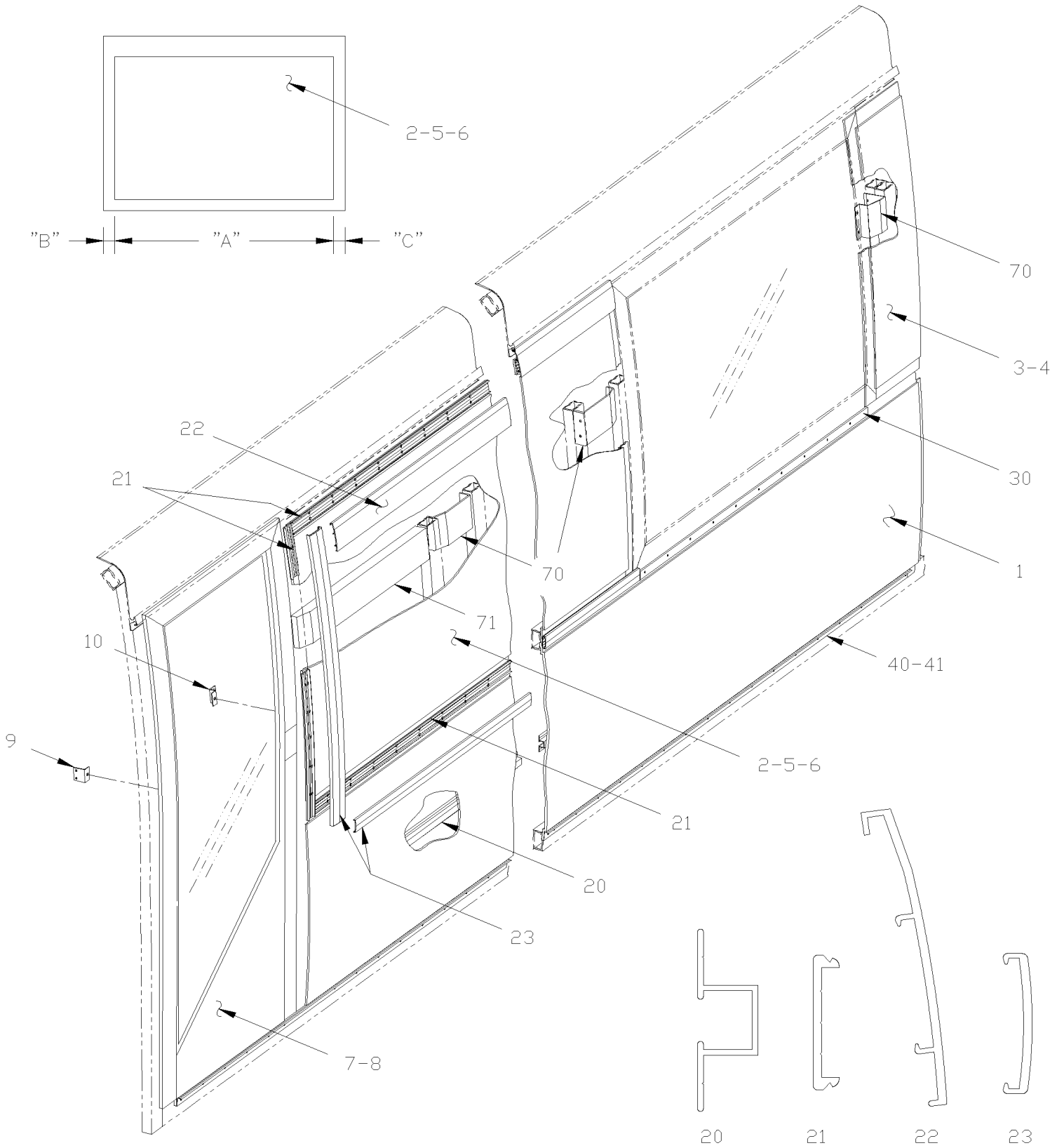


From R-012 To 2-4416

Date:10/2022

PAGE:H3-1854-51

SIDE PANELS - V.I.P.



From R-012 To 2-4416	Date:10/2022	PAGE:H3-1854-51
SIDE PANELS - V.I.P.		

Item#	Part	Description	H 3 4 1	H 3 4 5	V I P 4 5	N O T E S
1	472941	PANEL L.H. & R.H.			2	
NS	473298	PANEL R.H. REAR 3932MM			1	A
NS	473476	PANEL R.H. FRONT 5620MM			1	A
		FOLLOWING PANELS ARE USED				
		WITH DOOR R.H.				
1	473679	PANEL / FRONT / 6561MM / #1			1	
1	473680	PANEL 4237MM / #2 REAR			1	
		FOLLOWING PANELS DIMENSIONS ARE GIVEN				
		A, B & C RESPECTIVELY.				
2	474257	PANEL UPPER / 111MM, 53MM, 53MM			1	
2	473839	PANEL UPPER / 138MM, 53MM, 53MM			1	
2	474120	PANEL UPPER / 162MM, 53MM, 53MM				
2	473403	PANEL UPPER / 186MM, 53MM, 53MM			1	
2	473404	PANEL UPPER / 299MM, 53MM, 53MM			1	
2	473789	PANEL UPPER / 394MM, 53MM, 53MM			1	
2	473840	PANEL UPPER / 429MM, 53MM, 53MM			1	
2	473968	PANEL UPPER / 430MM, 53MM, 53MM			1	
2	474331	PANEL UPPER / 432MM, 53MM, 53MM			1	
2	474015	PANEL UPPER / 432MM, 53MM, 53MM			1	
2	473841	PANEL UPPER / 467MM, 53MM, 53MM			1	
2	474279	PANEL UPPER / 469MM, 53MM, 53MM			1	
2	473597	PANEL UPPER / 537MM, 53MM, 53MM			1	
2	474383	PANEL UPPER / 695MM, 53MM, 53MM			1	
2	474373	PANEL UPPER / 870MM, 53MM, 53MM			1	
2	473893	PANEL UPPER / 907MM, 53MM, 53MM			1	
2	473563	PANEL UPPER / 1100MM, 53MM, 53MM			1	
2	473874	PANEL UPPER / 2202MM, 53MM, 53MM			1	
2	472530	PANEL UPPER / 2211MM, 53MM, 53MM			1	
2	473381	PANEL UPPER / 2370MM, 53MM, 53MM			1	
2	474176	PANEL UPPER / 2375MM, 53MM, 53MM			1	
2	474381	PANEL UPPER / 2857MM, 53MM, 53MM			1	
2	472498	PANEL UPPER / 2929MM, 53MM, 53MM			1	
2	474377	PANEL UPPER / 2930MM, 53MM, 53MM			1	
2	473966	PANEL UPPER / 2973MM, 53MM, 53MM			1	
2	473457	PANEL UPPER / 3049MM, 53MM, 53MM			1	
2	472377	PANEL UPPER / 3229MM, 53MM, 53MM			1	
2	473448	PANEL UPPER / 3232MM, 53MM, 53MM			1	
2	473881	PANEL UPPER / 3332MM, 53MM, 53MM			1	

From R-012 To 2-4416	Date:10/2022	PAGE:H3-1854-51
SIDE PANELS - V.I.P.		

Item#	Part	Description	H 3 4 1	H 3 4 5	V I P 4 5	N O T E S
2	473958	PANEL UPPER / 3347MM, 53MM, 53MM			1	
2	474097	PANEL UPPER / 3366MM, 53MM, 53MM			1	
2	473046	PANEL UPPER / 3375MM, 53MM, 53MM			1	
2	474309	PANEL UPPER / 3394MM, 53MM, 53MM			1	
2	473453	PANEL UPPER / 3457MM, 53MM, 53MM			1	
2	473425	PANEL UPPER / 3468MM, 53MM, 53MM			1	
2	473562	PANEL UPPER / 3516MM, 53MM, 53MM			1	
2	473143	PANEL UPPER / 3527MM, 53MM, 53MM			1	
2	472514	PANEL UPPER / 3535MM, 53MM, 53MM			1	
2	473192	PANEL UPPER / 3557MM, 53MM, 53MM			1	
2	473982	PANEL UPPER / 3608MM, 53MM, 53MM			1	
2	473438	PANEL UPPER / 3641MM, 53MM, 53MM			1	
2	473513	PANEL UPPER / 3674MM, 53MM, 53MM			1	
2	473350	PANEL UPPER / 3684MM, 53MM, 53MM			1	
2	473422	PANEL UPPER / 3735MM, 53MM, 53MM			1	
2	473565	PANEL UPPER / 3810MM, 53MM, 53MM			1	
2	472949	PANEL UPPER / 3862MM, 53MM, 53MM			1	
2	472433	PANEL UPPER / 3871MM, 53MM, 53MM			1	
2	473560	PANEL UPPER / 3919MM, 53MM, 53MM			1	
2	473598	PANEL UPPER / 3944MM, 53MM, 53MM			1	
2	473380	PANEL UPPER / 4030MM, 53MM, 53MM			1	
2	473032	PANEL UPPER / 4036MM, 53MM, 53MM			1	
2	474335	PANEL UPPER / 4048MM, 53MM, 53MM			1	
2	473964	PANEL UPPER / 4099MM, 53MM, 53MM			1	
2	472513	PANEL UPPER / 4171MM, 53MM, 53MM			1	
2	473407	PANEL UPPER / 4174MM, 53MM, 53MM			1	
2	474027	PANEL UPPER / 4186MM, 53MM, 53MM			1	
2	473482	PANEL UPPER / 4275MM, 53MM, 53MM			1	
2	474277	PANEL UPPER / 4315MM, 53MM, 53MM			1	
2	474017	PANEL UPPER / 4352MM, 53MM, 53MM			1	
2	473451	PANEL UPPER / 4401MM, 53MM, 53MM			1	
2	473405	PANEL UPPER / 4435MM, 53MM, 53MM			1	
2	473198	PANEL UPPER / 4453MM, 53MM, 53MM			1	
2	474349	PANEL UPPER / 4492MM, 53MM, 53MM			1	
2	474093	PANEL UPPER / 4696MM, 53MM, 53MM			1	
2	474169	PANEL UPPER / 4752MM, 53MM, 53MM			1	
2	473262	PANEL UPPER / 4876MM, 53MM, 53MM			1	
2	473007	PANEL UPPER / 4888MM, 53MM, 53MM			1	
2	473956	PANEL UPPER / 5007MM, 53MM, 53MM			1	
2	474116	PANEL UPPER / 5026MM, 53MM, 53MM			1	
2	473044	PANEL UPPER / 5035MM, 53MM, 53MM			1	
2	474307	PANEL UPPER / 5054MM, 53MM, 53MM			1	

From R-012 To 2-4416	Date:10/2022	PAGE:H3-1854-51
SIDE PANELS - V.I.P.		

Item#	Part	Description	H 3 4 1	H 3 4 5	V I P 4 5	N O T E S
2	473638	PANEL UPPER / 5065MM, 53MM, 53MM			1	
2	474259	PANEL UPPER / 5128MM, 53MM, 53MM			1	
2	473444	PANEL UPPER / 5128MM, 53MM, 53MM			1	
2	473090	PANEL UPPER / 5187MM, 53MM, 53MM			1	
2	473189	PANEL UPPER / 5217MM, 53MM, 53MM			1	
2	473980	PANEL UPPER / 5268MM, 53MM, 53MM			1	
2	473779	PANEL UPPER / 5289MM, 53MM, 53MM			1	
2	473432	PANEL UPPER / 5301MM, 53MM, 53MM			1	
2	474238	PANEL UPPER / 5380MM, 53MM, 53MM			1	
2	473764	PANEL UPPER / 5695MM, 53MM, 53MM			1	
2	473974	PANEL UPPER / 6412MM, 53MM, 53MM			1	
2	473488	PANEL UPPER / 6548MM, 53MM, 53MM			1	
2	473951	PANEL UPPER / 7355MM, 53MM, 53MM			1	
3	473024	PANEL UPPER R.H. / 291MM			1	
3	473351	PANEL UPPER R.H. / 343MM			1	
3	473176	PANEL UPPER R.H. / 164MM			1	
3	473515	PANEL UPPER R.H. / 351MM			1	
3	473516	PANEL UPPER R.H. / 4457MM, 00MM, 53MM			1	
4	473175	PANEL UPPER L.H. / 164MM			1	
4	473023	PANEL UPPER L.H. / 291MM			1	
4	473349	PANEL UPPER L.H. / 343MM			1	
4	473517	PANEL UPPER L.H. / 351MM			1	
4	473191	PANEL UPPER / 409MM, 30MM, 53MM			1	
5	472953	PANEL UPPER / 104MM, 53MM, 30MM			1	
5	472436	PANEL UPPER / 231MM, 53MM, 30MM			1	
5	472994	PANEL UPPER / 231MM, 53MM, 30MM			1	
5	473433	PANEL UPPER / 324MM, 53MM, 30MM			1	
5	473781	PANEL UPPER / 337MM, 53MM, 30MM			1	
5	473899	PANEL UPPER / 0307MM, 53MM, 30MM			1	
5	474084	PANEL UPPER / 0358MM, 30MM, 53MM			1	
5	473190	PANEL UPPER / 409MM, 53MM, 30MM			1	
5	473144	PANEL UPPER / 439MM, 53MM, 30MM			1	
5	473426	PANEL UPPER / 498MM, 53MM, 30MM			1	
5	473406	PANEL UPPER / 508MM, 53MM, 30MM			1	
5	474311	PANEL UPPER / 572MM, 53MM, 30MM			1	
5	473045	PANEL UPPER / 591MM, 53MM, 30MM			1	
5	474095	PANEL UPPER / 599MM, 53MM, 30MM			1	
5	473960	PANEL UPPER / 618MM, 53MM, 30MM			1	
5	474333	PANEL UPPER / 636MM, 53MM, 53MM			1	
5	473008	PANEL UPPER / 738MM, 53MM, 30MM			1	
5	473561	PANEL UPPER / 764MM, 53MM, 30MM			1	
5	472658	PANEL UPPER / 874MM, 53MM, 30MM			1	

From R-012 To 2-4416	Date:10/2022	PAGE:H3-1854-51
SIDE PANELS - V.I.P.		

Item#	Part	Description	H 3 4 1	H 3 4 5	V I P 4 5	N O T E S
5	473456	PANEL UPPER / 917MM, 53MM, 30MM			1	
5	473970	PANEL UPPER / 993MM, 53MM, 30MM			1	
5	474154	PANEL UPPER / 1006MM, 53MM, 30MM			1	
5	472341	PANEL UPPER / 2534MM, 53MM, 30MM			1	
5	473013	PANEL UPPER / 3229MM, 53MM, 30MM			1	
5	473263	PANEL UPPER / 4058MM, 53MM, 30MM			1	
5	472541	PANEL UPPER / 4194MM, 53MM, 30MM			1	
5	472993	PANEL UPPER / 5395MM, 53MM, 30MM			1	
5	472500	PANEL UPPER / 5854MM, 53MM, 30MM			1	
5	473636	PANEL UPPER / 7378MM, 53MM, 30MM			1	
5	472281	PANEL UPPER / 7514MM, 53MM, 30MM			1	
5	472279	PANEL UPPER / 9162MM, 53MM, 30MM			1	
5	473258	PANEL UPPER / 10686MM,53MM,30MM			1	
6	472954	PANEL UPPER / 104MM, 30MM, 53MM			1	
6	472438	PANEL UPPER / 231MM, 30MM, 53MM			1	
6	472995	PANEL UPPER / 231MM, 30MM, 53MM			1	
6	473902	PANEL UPPER / 307MM, 30MM, 53MM			1	
6	473434	PANEL UPPER / 324MM, 30MM, 53MM			1	
6	473783	PANEL UPPER / 337MM, 30MM, 53MM			1	
6	473564	PANEL UPPER / 362MM, 30MM, 53MM			1	
6	473191	PANEL UPPER / 409MM, 30MM, 53MM			1	
6	473145	PANEL UPPER / 439MM, 30MM, 53MM			1	
6	473427	PANEL UPPER / 498MM, 30MM, 53MM			1	
6	473408	PANEL UPPER / 508MM, 30MM, 53MM			1	
6	473637	PANEL UPPER / 561MM, 30MM, 53MM			1	
6	473047	PANEL UPPER / 591MM, 30MM, 53MM			1	
6	474099	PANEL UPPER / 599MM, 30MM, 53MM			1	
6	473962	PANEL UPPER / 618MM, 30MM, 53MM			1	
6	473009	PANEL UPPER / 738MM, 30MM, 53MM			1	
6	472660	PANEL UPPER / 874MM, 30MM, 53MM			1	
6	473455	PANEL UPPER / 917MM, 30MM, 53MM			1	
6	473972	PANEL UPPER / 993MM, 30MM, 53MM			1	
6	472340	PANEL UPPER / 2534MM, 30MM, 53MM			1	
6	472540	PANEL UPPER / 4194MM, 30MM, 53MM			1	
6	472499	PANEL UPPER / 5854MM, 30MM, 53MM			1	
6	472280	PANEL UPPER / 7514MM, 30MM, 53MM			1	
6	472278	PANEL UPPER / 9162MM, 30MM, 53MM			1	
6	473259	PANEL UPPER / 10686MM,30MM,53MM			1	
NS	473489	PANEL UPPER / 3872MM R.H.			AR	A
NS	473475	PANEL UPPER / 3914MM R.H.			1	A
7	472945	FRAME WINDOW / FIBERGLASS FRONT L.H.			1	
8	472946	FRAME WINDOW / FIBERGLASS FRONT R.H.			1	

From R-012 To 2-4416	Date:10/2022	PAGE:H3-1854-51
SIDE PANELS - V.I.P.		

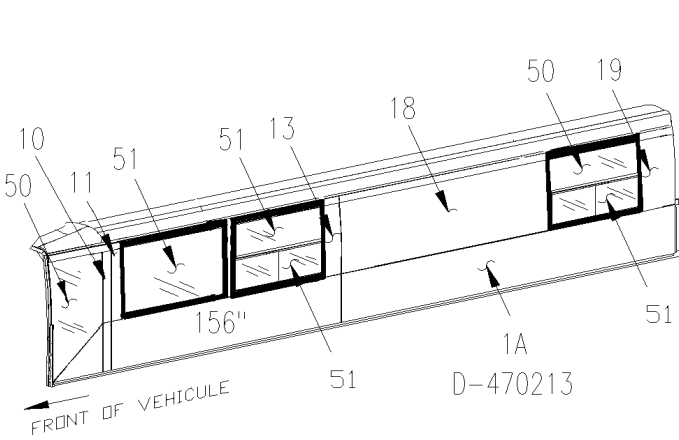
Item#	Part	Description	H 3 4 1	H 3 4 5	V I P 4 5	N O T E S
9	472349	RETAINER ANGLE / FRONT			6	
NS	504488	RIVET MGLP PRDG 3/16x17/64 SS			6	H
10	472350	RETAINER "Z" SHAPED / REAR			6	
NS	5001202	SCREW CAP HEX 7/16-20x1 3/4 G5 Z050			16	
NS	502789	SCREW MA PAN PH M6-1.0x20 Z050			16	
NS	502570	WASHER LO SPT 6.1x11.8x1.6 SS			16	
NS	500411	WASHER FL .260x.697x.050 SS			16	
NS	502573	WASHER FL 6.4x12.5x1.6 SS			1	
NS	505193	SHIM 1/8" THICK			AR	
NS	505216	SHIM 1/16" THICK			AR	
13	472577	MOULDING TRANSITION / LOWER To V-1778				
14	474015	PANEL UPPER / 432MM, 53MM, 53MM			1	
14	474156	PANEL UPPER / 3872MM, 30MM, 00MM			1	
14	474266	PANEL UPPER / 1382MM, 53MM, 00MM			1	
14	474011	PANEL UPPER / 1711MM, 53MM, 00MM			1	
15	474371	PANEL UPPER / 1035MM, 00MM, 53MM			1	
15	473478	PANEL UPPER / 0297MM, 0MM, 53MM			1	
15	473516	PANEL UPPER R.H. / 4457MM, 00MM, 53MM			1	
16	474158	PANEL UPPER / 4938MM, 00MM, 53MM			1	
16	474268	PANEL UPPER / 2254MM, 00MM, 53MM			1	
16	474010	PANEL UPPER / 1312MM, 00MM, 53MM			1	
17	473479	PANEL UPPER / 0300MM, 53MM, 00MM			1	
17	473416	PANEL UPPER / 0189MM, 53MM, 00MM			1	
19	473477	PANEL UPPER / 4036MM, 00MM, 00MM			1	
19	474369	PANEL UPPER / 1779MM, 00MM, 00MM			1	
20	473312	SUPPORT / 2900MM			1	G
20	473313	SUPPORT / 4854MM			1	
21	420202	MOULDING RETAINER / 48MM x 9270MM (43MM Grip)			AR	
22	420203	MOULDING CAP / BLACK 107MM X 9270			AR	
23	420201	MOULDING CAP / BLACK PLASTIC 50MM X 9270MM			AR	
30	473554	REINFORCEMENT STRIP 712MM SS			AR	
30	472955	REINFORCEMENT STRIP 1660MM SS			AR	
30	472956	REINFORCEMENT STRIP 1692MM SS			AR	
30	472957	REINFORCEMENT STRIP 1736MM SS			AR	
31	504610	RIVET MGLP PRDG 1/4x5/8 SS			AR	I
40	472943	SUPPORT LOWER 2021MM SS To W-2284			2	
40	473677	SUPPORT LOWER 1051MM SS From W-2285			1	
40	473743	SUPPORT LOWER 970MM SS From W-2285			1	
41	473309	SUPPORT LOWER 1482MM SS			AR	
41	473308	SUPPORT LOWER 1684MM SS			1	
41	472917	SUPPORT LOWER / L.H. & R.H. / W17 HOLES / 2438MM SS To W-2284			8	
41	473627	DRIP MOULDING / L.H. & R.H. / 2438MM SS ADH From W-2285			4	

From R-012 To 2-4416	Date:10/2022	PAGE:H3-1854-51
SIDE PANELS - V.I.P.		

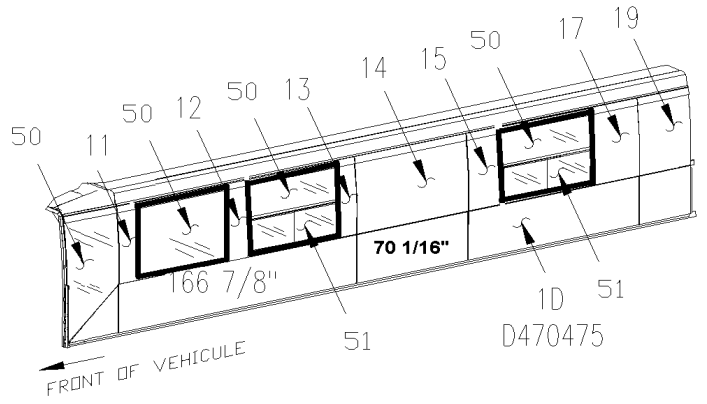
Item#	Part	Description	H 3 4 1	H 3 4 5	V I P 4 5	N O T E S
. NS	683621	. TAPE RUB ADH2 ACRYLIC .045" x 1" x 108' / WHITE 4945 From W-2285			AR	
NS	504610	RIVET MGLP PRDG 1/4x5/8 SS			AR	I
NS	682462	ADHESIVE SIKA #252 / BLACK / 310ml CARTRIDGE			AR	J
50	472228	GRILLE / AIR INLET			1	
. NS	506769	. TAPE RUB ADH2 CC POL 1/8" x 1/4" x 60' / BLACK H1CC-N-#14			ar	
51	472911	PANEL AIR INTAKE EVAPORATOR To W-2269			1	
51	473639	PANEL AIR INTAKE EVAPORATOR / W/SCREEN From W-2270			AR	
NS	502764	NUT SPR J #14A .035-.046			AR	
NS	500535	SCREW TP CAP HEX #14x3/4 Z050			AR	K
NS	500468	WASHER FL .281x1.250x.065 Z050			1	K
52	472951	PANEL L.H. To V-1778			1	
NS	504459	RIVET MGLP PRDG 1/4x3/8 SS			4	
NS	472050	PLATE SUPPORT 60MM x 31MM W/25° BEND			AR	
NS	506466	TAPE RUB ADH1 CC POL 1/16" x 1 1/2" x 100 / GREY 2520			AR	L
NS	506007	TAPE RUB ADH1 CC NEO 3/4" x 1" x 10' / BLACK 1220			3	G
NS	504459	RIVET MGLP PRDG 1/4x3/8 SS			AR	
NS	292418	RUBBER SEAL EXTRUSION / ADHESIVE / RAW MATERIAL To V-1778			AR	
53	H3-1875-50	FUEL TANK FILLING DOOR - V.I.P.				
54	473767	PANEL LOWER FUEL DOOR L.H. / W/SMALL A/C To X-2861			1	
54	473983	PANEL LOWER FUEL DOOR L.H. / W/SMALL A/C From X-2862			2	
55	H3-1864-51	FRONT JUNCTION DOOR ASSY				
70	473485	REINFORCEMENT / TO FIX AWNING 95MM			AR	
70	472585	REINFORCEMENT / TO FIX AWNING 235MM			AR	
70	473484	REINFORCEMENT / TO FIX AWNING 235MM			AR	
70	473486	REINFORCEMENT / TO FIX AWNING 273MM			AR	
70	473519	REINFORCEMENT / TO FIX AWNING 283MM			AR	
70	473487	REINFORCEMENT / TO FIX AWNING 315MM			AR	
71	472600	REINFORCEMENT / TO FIX AWNING 864MM			AR	
		A) FOR V.I.P. EQUIPPED W/CENTRAL DOOR / SEE PAGE H3-1862-9				
		G) HORIZONTAL				
		H) TO FIX ITEM #9				
		I) TO FIX MOULDINGS & PANELS				
		J) TO FIX PANELS				
		K) TO FIX ITEM #51				
		L) VERTICAL				

From R-012 To 2-4416	Date:10/2022	PAGE:H3-1854-90
SIDE PANELS - V.I.P. WITH "SLIDE-OUT" by "CONVERTER"		

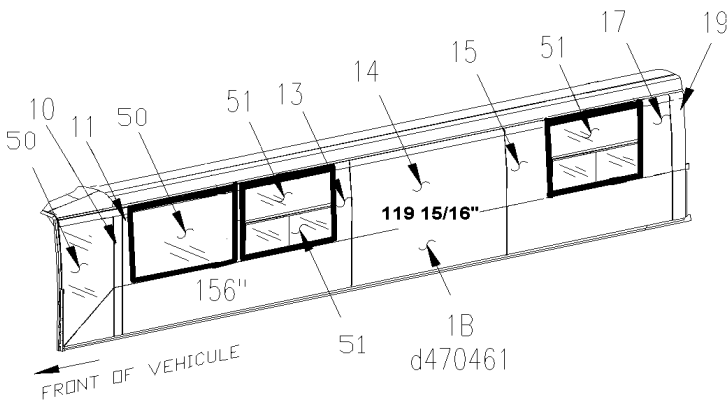
FOR SIDE PANELING WHITOUT SLIDE-OUT SEE PAGE H3-1854-51



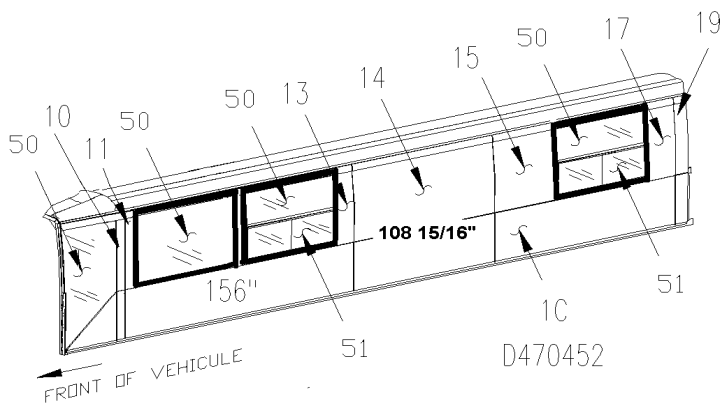
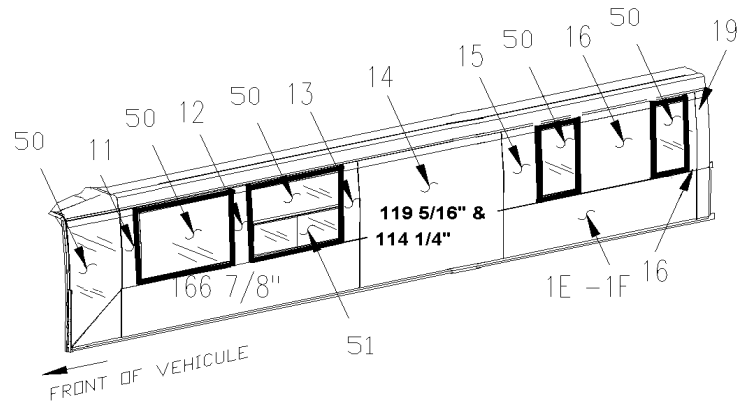
D-470213



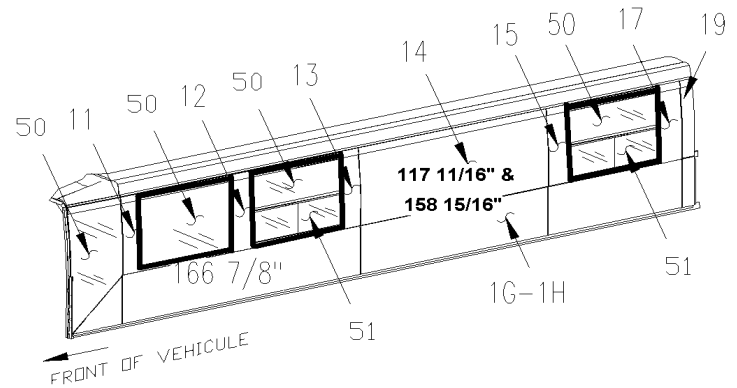
D470475



d470461



D470452



NOTE :: REAR SLIDE-OUT WINDOW LAYOUT MAY BE MIXED FROM DRAWING

From R-012 To 2-4416	Date:10/2022	PAGE:H3-1854-90
SIDE PANELS - V.I.P. WITH "SLIDE-OUT" by "CONVERTER"		

Item#	Part	Description	H 3 4 1	H 3 4 5	V I P 4 5	N O T E S
		NEXT ITEM # 10 IS LOCATED				
		BETWEEN FRONT SLIDE OUT & FRONT WINDOW				
10	474469	PANEL UPPER / 0208MM, 00MM, 00MM			1	
10	474883	PANEL UPPER / 4446MM, 00MM, 00MM			1	B
		NEXT ITEM # 11 IS LOCATED				
		FORWARD FRONT SLIDE OUT				
11	473403	PANEL UPPER / 186MM, 53MM, 53MM			1	
11	474471	PANEL UPPER / 0275MM, 00MM, 53MM			1	
		NEXT ITEM # 12 IS LOCATED				
		BETWEEN FRONT SLIDE-OUT WINDOW				
12	473404	PANEL UPPER / 299MM, 53MM, 53MM			1	
		NEXT ITEM # 13 IS LOCATED				
		BACKWARD FRONT SLIDE OUT				
13	473416	PANEL UPPER / 0189MM, 53MM, 00MM			1	
13	474473	PANEL UPPER / 0275MM, 53MM, 00MM			1	
		NEXT ITEM # 14 IS LOCATED				
		BETWEEN FRONT SLIDE & REAR SLIDE OUT				
14	474369	PANEL UPPER / 1779MM, 00MM, 00MM			1	
14	475350	PANEL UPPER / 2768MM, 00MM, 00MM			1	
14	475208	PANEL UPPER / 2901MM, 00MM, 00MM			1	
14	475443	PANEL UPPER / 2989MM, 00MM, 00MM			1	
14	475475	PANEL UPPER / 3030MM, 00MM, 00MM			1	
14	474475	PANEL UPPER / 3047MM, 00MM, 00MM			1	
14	473477	PANEL UPPER / 4036MM, 00MM, 00MM			1	
		NEXT ITEM # 15 IS LOCATED				
		FORWARD REAR SLIDE OUT				
15	473478	PANEL UPPER / 0297MM, 0MM, 53MM			1	
15	475184	PANEL UPPER / 0472MM, 00MM, 53MM			1	
15	475209	PANEL UPPER / 675.5MM, 00MM, 53MM			1	
15	475466	PANEL UPPER / 0766MM, 00MM, 53MM			1	
15	474371	PANEL UPPER / 1035MM, 00MM, 53MM			1	

From R-012 To 2-4416	Date:10/2022	PAGE:H3-1854-90
SIDE PANELS - V.I.P. WITH "SLIDE-OUT" by "CONVERTER"		

Item#	Part	Description	H 3 4 1	H 3 4 5	V I P 4 5	N O T E S
15	475444	PANEL UPPER / 1102MM, 00MM, 53MM			1	
15	475426	PANEL UPPER / 1142MM, 00MM, 53MM			1	
15	474477	PANEL UPPER / 1156MM, 00MM, 53MM			1	
15	475451	PANEL UPPER / 1186MM, 00MM, 53MM			1	
15	475402	PANEL UPPER / 1295MM, 00MM, 53MM			1	
15	475351	PANEL UPPER / 1359MM, 00MM, 53MM			1	
		NEXT ITEM # 16 IS LOCATED				
		BETWEEN REAR SLIDE-OUT WINDOW				
16	475445	PANEL UPPER / 0464MM, 53MM, 53MM			1	
16	474373	PANEL UPPER / 870MM, 53MM, 53MM			1	
16	475210	PANEL UPPER / 0895.5MM, 53MM, 53MM			1	
16	473893	PANEL UPPER / 907MM, 53MM, 53MM			1	
16	475214	PANEL UPPER / 1048MM, 53MM, 53MM			1	
		NEXT ITEM # 17 IS LOCATED				
		BACKWARD REAR SLIDE OUT				
17	475468	PANEL UPPER / 082.4MM, 53MM, 00MM			1	
17	475211	PANEL UPPER / 0122MM, 53MM, 00MM			1	
17	474479	PANEL UPPER / 0242MM, 53MM, 00MM			1	
17	473479	PANEL UPPER / 0300MM, 53MM, 00MM			1	
17	475403	PANEL UPPER / 0307MM, 53MM, 00MM			1	
17	475355	PANEL UPPER / 0318MM, 53MM, 00MM			1	
17	475446	PANEL UPPER / 0332.5MM, 53MM, 00MM			1	
17	475452	PANEL UPPER / 0418MM, 53MM, 00MM			1	
17	475427	PANEL UPPER / 0462MM, 53MM, 00MM			1	
18	474579	PANEL UPPER / 4325MM, 00MM, 53MM			1	A
18	474882	PANEL UPPER / 3839.6MM, 00MM, 00MM			1	B
		NEXT ITEM # 19 IS LOCATED				
		LAST BACKWARD SLIDE-OUT OR NOT				
180	474546	PANEL UPPER / 4502MM, 00MM, 53MM			1	A
19	475447	PANEL UPPER / 0149MM, 00MM, 30MM			1	
19	473420	PANEL UPPER / 0164MM, 00MM, 00MM			1	
19	473899	PANEL UPPER / 0307MM, 53MM, 30MM			1	
19	474481	PANEL UPPER / 0352MM, 00MM, 30MM			1	
19	475212	PANEL UPPER / 0437.5MM, 00MM, 30MM			1	
19	474581	PANEL UPPER / 0483MM, 53MM, 30MM			1	
19	474375	PANEL UPPER / 1352MM, 00MM, 30MM			1	

From R-012 To 2-4416	Date:10/2022	PAGE:H3-1854-90
SIDE PANELS - V.I.P. WITH "SLIDE-OUT" by "CONVERTER"		

Item#	Part	Description	H 3 4 1	H 3 4 5	V I P 4 5	N O T E S
19	474881	PANEL UPPER / 2503.4MM, 00MM, 00MM			1	B
50	H3-1884-51	SIDE WINDOW ASSY - V.I.P.				
51	H3-1884-71	SIDE WINDOW ASSY (SLIDING) "PREVOST"				
52	H3-1854-51	SIDE PANELS - V.I.P.				
1A	474547	KIT LOWER PANEL L.H. W/FRONT SLIDE OUT ONLY			1	
. NS	474486	. PANEL LOWER FORWARD SLIDE-OUT 0208MM			1	
. NS	474487	. PANEL LOWER FRONT SLIDE-OUT 3962MM			1	
. NS	474548	. PANEL LOWER REAR SECTION 6622MM			1	
1B	474485	KIT LOWER PANEL L.H. W/SLIDE-OUT / 119 15/16" BETWEEN			1	
. NS	474486	. PANEL LOWER FORWARD SLIDE-OUT 0208MM			1	
. NS	474487	. PANEL LOWER FRONT SLIDE-OUT 3962MM			1	
. NS	474488	. PANEL LOWER SLIDE OUT 3047.1MM			1	
. NS	474489	. PANEL LOWER REAR SLIDE-OUT 3149.6MM			1	
. NS	474490	. PANEL LOWER BACKWARD 412MM			1	
1C	475347	KIT LOWER PANEL L.H. W/SLIDE OUT / 108 15/16" BETWEEN			1	
. NS	474486	. PANEL LOWER FORWARD SLIDE-OUT 0208MM			1	
. NS	474487	. PANEL LOWER FRONT SLIDE-OUT 3962MM			1	
. NS	475348	. PANEL LOWER REAR SLIDE-OUT 2767.7MM			1	
. NS	475349	. PANEL LOWER BACKWARD 3426MM			1	
. NS	474490	. PANEL LOWER BACKWARD 412MM			1	
1D	474363	KIT LOWER PANEL L.H. W/SLIDE OUT / 70 1/16" BETWEEN			1	
. NS	473663	. PANEL LOWER FRONT SLIDE-OUT 4237MM			1	
. NS	474364	. PANEL LOWER SLIDE OUT 1780MM			1	
. NS	474365	. PANEL LOWER REAR SLIDE-OUT 3356MM			1	
. NS	474366	. PANEL LOWER BACKWARD 1414MM			1	
1E	475472	KIT LOWER PANEL L.H. W/SLIDE OUT / 119 5/16" BETWEEN			1	
. NS	473667	. PANEL LOWER FRONT SLIDE-OUT 4237MM			1	
. NS	475467	. PANEL LOWER SLIDE OUT 3030MM			1	
. NS	475469	. PANEL LOWER REAR SLIDE-OUT 3356MM			1	
. NS	475471	. PANEL LOWER BACKWARD 163MM			1	
1F	475224	KIT LOWER PANEL L.H. W/SLIDE OUT / 114 1/4" BETWEEN			1	
. NS	473663	. PANEL LOWER FRONT SLIDE-OUT 4237MM			1	
. NS	475225	. PANEL LOWER SLIDE OUT 2901MM			1	
. NS	475226	. PANEL LOWER REAR SLIDE-OUT 3149.6MM			1	
. NS	475227	. PANEL LOWER BACKWARD 504.3MM			1	
1G	475434	KIT LOWER PANEL L.H. W/SLIDE OUT / 117 11/16" BETWEEN			1	
. NS	473667	. PANEL LOWER FRONT SLIDE-OUT 4237MM			1	
. NS	475435	. PANEL LOWER SLIDE OUT 2989MM			1	
. NS	475436	. PANEL LOWER REAR SLIDE-OUT 3356MM			1	
. NS	475437	. PANEL 204MM / #4			1	
1H	473661	KIT LOWER PANEL L.H. W/SLIDE OUT / 158 15/16" BETWEEN			1	

From R-012 To 2-4416	Date:10/2022	PAGE:H3-1854-90
SIDE PANELS - V.I.P. WITH "SLIDE-OUT" by "CONVERTER"		

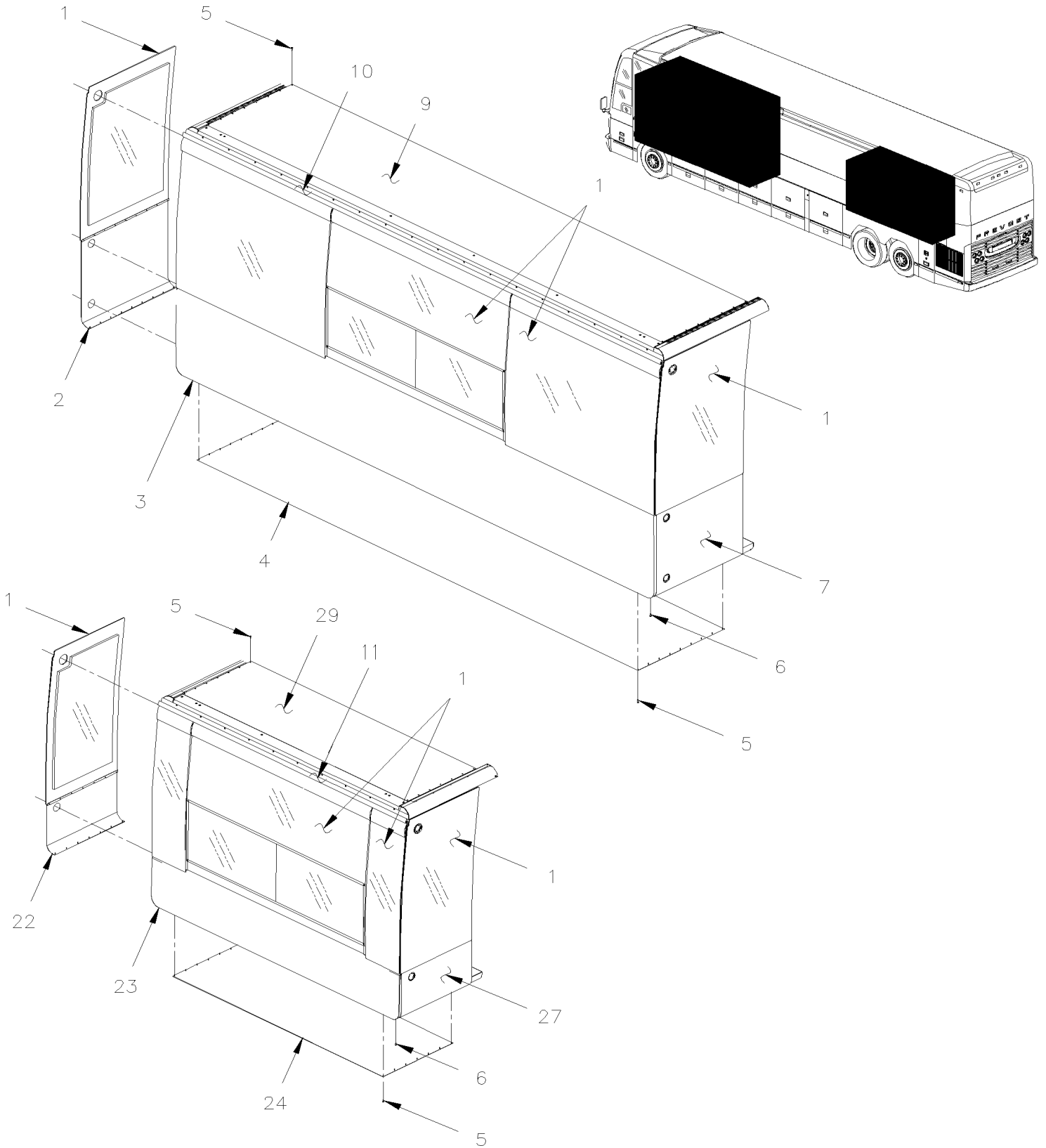
Item#	Part	Description	H 3 4 1	H 3 4 5	V I P 4 5	N O T E S
. NS	473663	. PANEL LOWER FRONT SLIDE-OUT 4237MM			1	
. NS	473664	. PANEL LOWER SLIDE OUT 4037MM			1	
. NS	473665	. PANEL LOWER REAR SLIDE-OUT 2349MM			1	
. NS	473666	. PANEL LOWER BACKWARD 163MM			1	
1H	474884	KIT LOWER PANEL L.H. W/SLIDE OUT / 151 5/8" BETWEEN			1	B
. NS	474885	. PANEL LOWER FRONT SLIDE-OUT 4446MM			1	B
. NS	474886	. PANEL LOWER SLIDE OUT 3839.6MM			1	B
. NS	474887	. PANEL LOWER BACKWARD 2505MM			1	B
		A) THIS PANEL USED WHITOUT REAR SLIDE-OUT				
		B) THIS INSTALLATION ARE USE WHITOUT WINDOW INSTALLATION AT FACTORY				

From X-3218 To X-3218

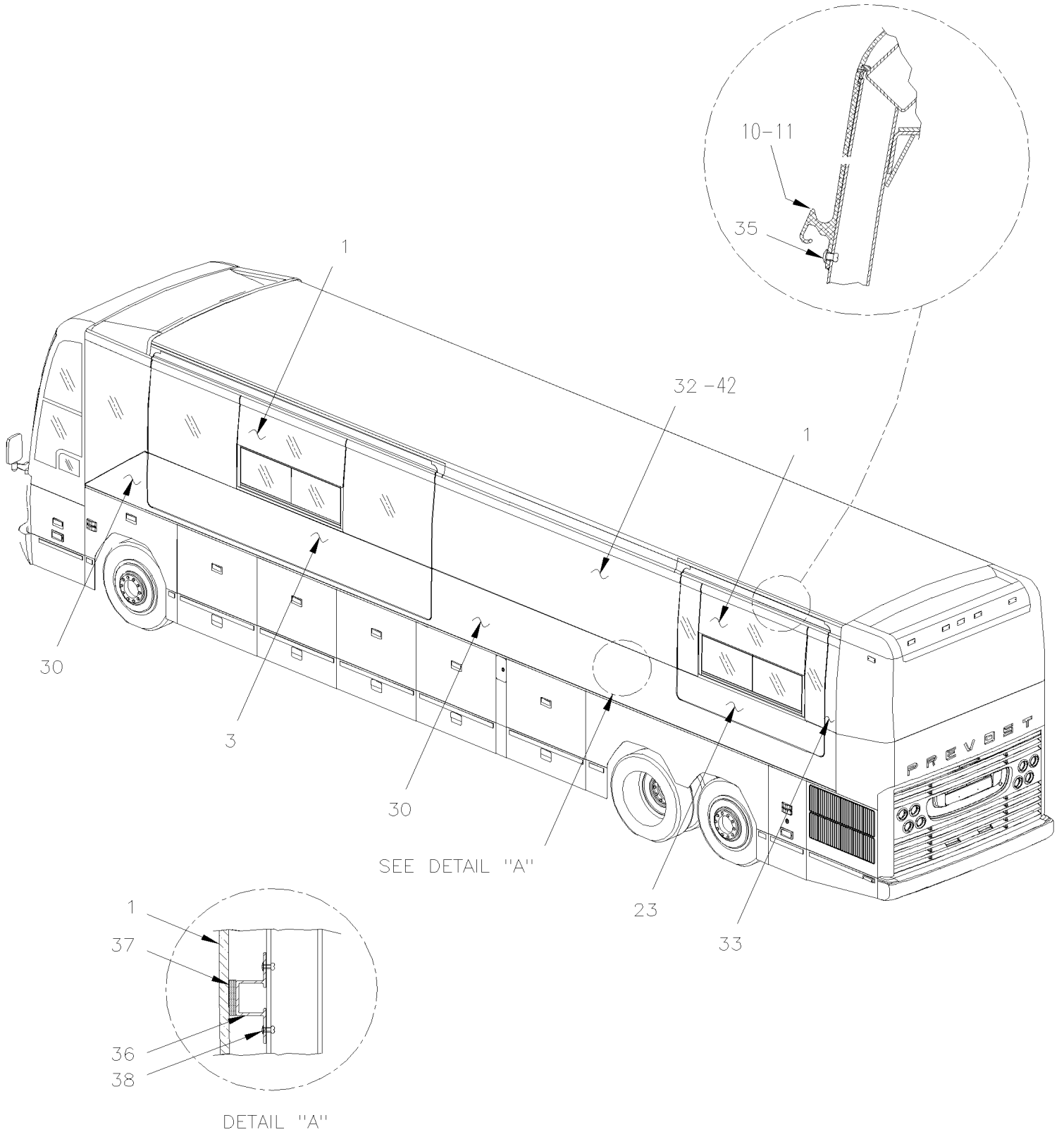
Date:10/2022

PAGE:H3-1854-95

SIDE PANELS - STREET SIDE - "SLIDE-OUT" "PREVOST" / REFERENCE ONLY



From X-3218 To X-3218	Date:10/2022	PAGE:H3-1854-95
SIDE PANELS - STREET SIDE - "SLIDE-OUT" "PREVOST" / REFERENCE ONLY		



From X-3218 To X-3218		Date:10/2022	PAGE:H3-1854-95
-----------------------	--	--------------	-----------------

SIDE PANELS - STREET SIDE - "SLIDE-OUT" "PREVOST" / REFERENCE ONLY

Item#	Part	Description	H 3 4 1	H 3 4 5	V I P 4 5	N O T E S
		"WARNING" "WARNING" "WARNING"				
		NEXT FOLLOWING PANELS ARE RELATED WITH				
		SIDE PANELING WITH "SLIDE OUT" "PREVOST" INSTALLATION				
		FOR SIDE PANELING WITHOUT SLIDE-OUT				
		SEE RESPECTIVE PAGES				
	H3-1854-51	SIDE PANELS - V.I.P.				
1	H3-1884-90	SIDE WINDOW - "SLIDE-OUT" REFERENCE ONLY				
2	475691	FRONT PANEL SS			1	
3	475694	SIDE PANEL FRONT / 4426MM FIBERGLASS			1	
4	690186	UNDER FLOOR PANEL AL.			1	
5	690268	RIVET POP CK CLE 1/8x1/4 AL			AR	
6	690273	RVT CLE CK 120° S. STEEL 1/8" X 0.313" LG.			AR	
7	475690	REAR PANEL SS			1	
9	690185	ROOF PANEL AL.			1	
NS	690335	RUB AD1 1/32"X1/4"X100'			AR	
NS	684500	ADHESIVE SIKA #254 / WHITE / 23 Liters			AR	
NS	683448	ACCELERATOR SIKA / 600ml SAUSAGE			AR	
10	293656	FRONT WINDOW KEY 4425MM			1	
11	293657	REAR WINDOW KEY 2292MM			1	
22	475692	FRONT PANEL SS			1	
23	475695	SIDE PANEL REAR / 2293MM FIBERGLASS			1	
24	690146	UNDER FLOOR PANEL AL.			1	
27	475693	REAR PANEL S.S.			1	
29	690145	ROOF PANEL AL.			1	
30	475697	PANEL 5173MM / FRONT SECTION			1	
30	475698	PANEL / REAR SECTION / 6561MM			1	
32	475699	PANEL UPPER / 3830MM			1	
33	475700	PANEL UPPER / 173MM			1	
35	504320	SCREW FST SLT #12 5.8x12.3 STL			AR	
36	473165	SUPPORT / 9754MM			1	
37	506738	TAPE RUB ADH1 CC POL 1/8" x 1" x 50' / GREY 2520			AR	
38	504340	RIVET POP DOME OE 1/8x3/16 SS			AR	
42	476562	PANEL UPPER 1203MM			1	S1
42	475729	PANEL UPPER 3867MM			1	S1
42	474679	PANEL UPPER 3943MM			1	S1
42	476577	PANEL UPPER 4152MM			1	S1
42	475738	PANEL UPPER 4612MM			1	S1

From X-3218 To X-3218	Date:10/2022	PAGE:H3-1854-95
-----------------------	--------------	-----------------

SIDE PANELS - STREET SIDE - "SLIDE-OUT" "PREVOST" / REFERENCE ONLY

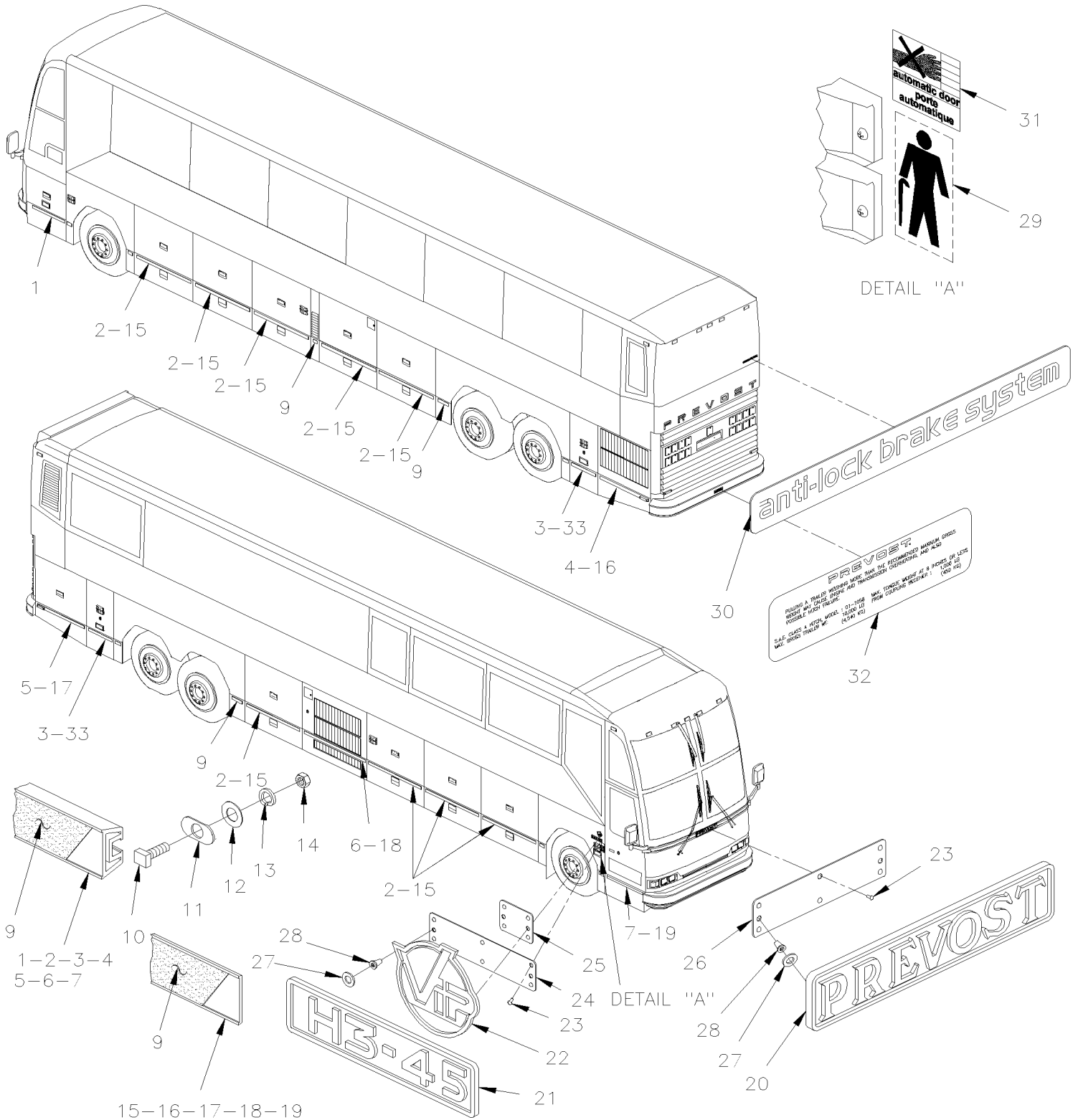
Item#	Part	Description	H 3 4 1	H 3 4 5	V I P 4 5	N O T E S
		S1) USE BACKWARD FRONT SLIDE-OUT WITHOUT REAR SLIDE-OUT				

From R-012 To 2-4416

Date:10/2022

PAGE:H3-1855-01

EXTERIOR TRIMS & CREST



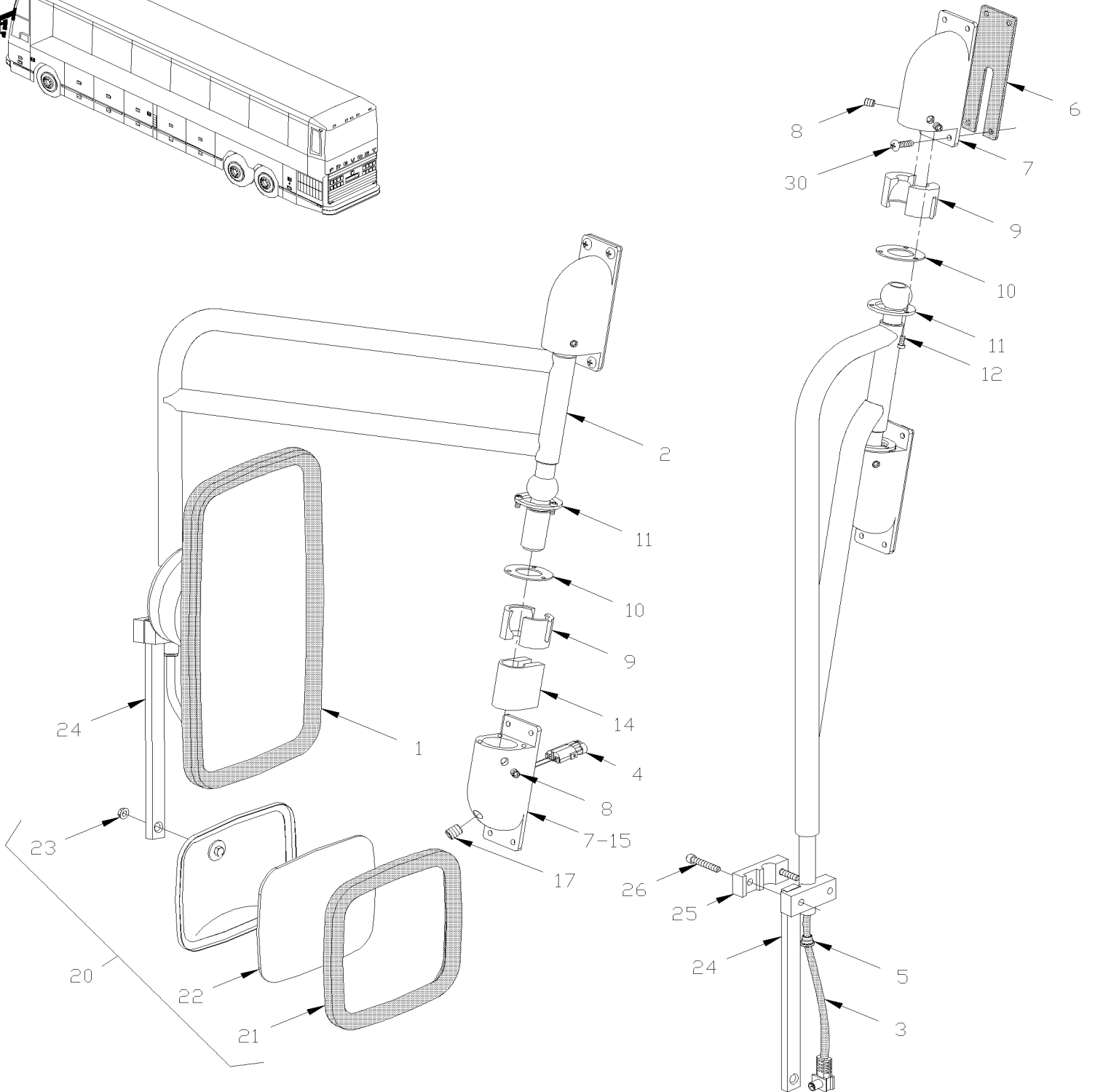
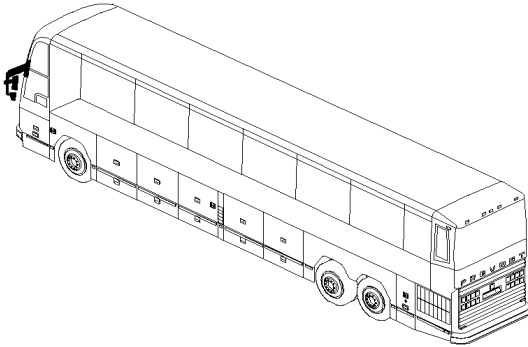
From R-012 To 2-4416	Date:10/2022	PAGE:H3-1855-01
EXTERIOR TRIMS & CREST		

Item#	Part	Description	H 3 4 1	H 3 4 5	V I P 4 5	N O T E S
1	282559	EXTRUSION PROFILE 678MM / THICK EXTRUSION 20MM	1	1	1	
2	282569	EXTRUSION PROFILE 1182MM To V-1856	6	6		
2	282569	EXTRUSION PROFILE 1182MM To V-1856			8	
3	284758	EXTRUSION PROFILE 488MM	2	2	2	
4	284751	EXTRUSION PROFILE 1024MM To Y-3702	1	1	1	
5	283081	EXTRUSION PROFILE 1072MM To W-2457	1	1	1	
6	285025	EXTRUSION PROFILE 1145MM To V-1960	1	1	1	
7	283376	EXTRUSION PROFILE 773MM To V-1960	1	1		
7	283376	EXTRUSION PROFILE 773MM To X-2598			1	
9	283100	STRIPE, REFLECTIVE WHITE / 38MM X 15' ROLL	AR	AR	AR	
. NS	780277	. STRIPE, REFLECTIVE WHITE / 38MM X 150' ROLL	AR	AR	AR	
10	502534	SCREW CAP SQ 5/16-18x1 G2 Z050	AR	AR	AR	A
11	283219	WASHER ,REINFORCEMENT	AR	AR	AR	
12	500374	WASHER FL .375x.625x.062 RUB	AR	AR	AR	
13	502583	WASHER LO SERR 8.15x22.3x1.0 Z050	AR	AR	AR	
14	500701	NUT HEX 5/16-18 ZP	AR	AR	AR	
15	285709	EXTRUSION BACKING ASSY W/REFLECTOR 1189MM From V-1857	6			C
. NS	285542	. EXTRUSION BACKING 1189MM From V-1857	1			C
15	280237	EXTRUSION BACKING ASSY W/REFLECTOR 1185MM From V-1857	6			C SVC
. NS	280116	. EXTRUSION 1185MM From V-1857	1			C SVC
NS	685126	ADHESIVE SIMSON #ISR 70-03 / GREY / 600ml SAUSAGE From V-1857	AR			SVC
15	285709	EXTRUSION BACKING ASSY W/REFLECTOR 1189MM From V-1857		8	8	C
. NS	285542	. EXTRUSION BACKING 1189MM From V-1857		1	1	C
15	280237	EXTRUSION BACKING ASSY W/REFLECTOR 1185MM From V-1857		8	8	C SVC
. NS	280116	. EXTRUSION 1185MM From V-1857		1	1	C SVC
NS	685126	ADHESIVE SIMSON #ISR 70-03 / GREY / 600ml SAUSAGE From V-1857		AR	AR	SVC
16	285956	EXTRUSION BACKING ASSY W/REFLECTOR 1074MM From Y-3703	1	1	1	C
. NS	285864	. EXTRUSION BACKING 1074MM From Y-3703	1	1	1	C
16	280234	EXTRUSION BACKING ASSY W/REFLECTOR 1070MM From Y-3703	1	1	1	C SVC
. NS	280119	. EXTRUSION 1070MM From Y-3703	1	1	1	C SVC
NS	685126	ADHESIVE SIMSON #ISR 70-03 / GREY / 600ml SAUSAGE From Y-3703	AR	AR	AR	SVC
17	285956	EXTRUSION BACKING ASSY W/REFLECTOR 1074MM From W-2458	1	1	1	C
. NS	285864	. EXTRUSION BACKING 1074MM From W-2458	1	1	1	C
17	280234	EXTRUSION BACKING ASSY W/REFLECTOR 1070MM From W-2458	1	1	1	C SVC
. NS	280119	. EXTRUSION 1070MM From W-2458	1	1	1	C SVC
NS	685126	ADHESIVE SIMSON #ISR 70-03 / GREY / 600ml SAUSAGE From W-2458	AR	AR	AR	SVC
18	285699	EXTRUSION BACKING ASSY W/REFLECTOR 1345MM From V-1961	1	1	1	C
. NS	285653	. EXTRUSION BACKING 1345MM From V-1961	1	1	1	C
18	280236	EXTRUSION BACKING ASSY W/REFLECTOR 1342MM From V-1961	1	1	1	C SVC
. NS	280117	. EXTRUSION 1342MM From V-1961	1	1	1	C SVC
18	685126	ADHESIVE SIMSON #ISR 70-03 / GREY / 600ml SAUSAGE From V-1961	AR	AR	AR	SVC
19	285683	EXTRUSION BACKING ASSY W/REFLECTOR 771MM From V-1961	1	1		C

From R-012 To 2-4416	Date:10/2022	PAGE:H3-1855-01
EXTERIOR TRIMS & CREST		

Item#	Part	Description	H 3 4 1	H 3 4 5	V I P 4 5	N O T E S
. NS	285659	. EXTRUSION BACKING 771MM From V-1961	1	1		C
19	280235	EXTRUSION BACKING ASSY W/REFLECTOR 768MM From V-1961	1	1		C SVC
. NS	280118	. EXTRUSION 768MM From V-1961	1	1		C SVC
NS	685126	ADHESIVE SIMSON #ISR 70-03 / GREY / 600ml SAUSAGE From V-1961	AR	AR		SVC
19	285683	EXTRUSION BACKING ASSY W/REFLECTOR 771MM From X-2599			1	
. NS	285659	. EXTRUSION BACKING 771MM From X-2599			1	
19	280235	EXTRUSION BACKING ASSY W/REFLECTOR 768MM From X-2599			1	SVC
. NS	280118	. EXTRUSION 768MM From X-2599			1	SVC
NS	685126	ADHESIVE SIMSON #ISR 70-03 / GREY / 600ml SAUSAGE From X-2599			AR	SVC
20	490550	CREST "PREVOST"	1	1	1	
21	490771	CREST "H3-41"	1			
21	490742	CREST "H3-45"		1	1	
22	490553	CREST "V.I.P."			1	
23	500952	SCREW TP BDG PH #8x1/2 SS	AR	AR	AR	B
24	490593	PLATE MOUNTING	1	1	1	
25	490594	PLATE MOUNTING			1	
26	490592	PLATE, MOUNTING	1	1	1	
27	490601	GASKET	AR	AR	AR	
28	502814	NUT SPR PO TUB .184-.190	AR	AR	AR	
29	130622	DECAL "FRONT KNEELING" / BLACK ON CLEAR To W-2082	1	1		
29	131406	DECAL "FRONT KNEELING" / BLACK ON WHITE To W-2082	1	1		
29	131490	DECAL "FRONT KNEELING" / BLACK ON ALUMINIUM From W-2083	1	1		
30	141531	DECAL "ANTI-LOCK SYSTEM" / ON REAR CAP	1	1	1	
31	284452	DECAL "AUTOMATIC DOOR" / HAND OFF / WHITE To W-2082	1	1		
31	284451	DECAL "AUTOMATIC DOOR" / HAND OFF / BLACK To W-2082	1	1		
31	285813	DECAL / "AUTOMATIC DOOR" / HAND OFF / ALU / ENGLISH & FRANCAIS From W-2083	1	1		
31	282473	DECAL / "AUTOMATIC DOOR" / HAND OFF / CLEAR / ENGLISH & FRANCAIS	1	1		
32	410626	DECAL "MAXIMUM HITCH CAPACITY"			1	
33	288036	EXTRUSION BACKING ASSY W/REFLECTOR 511MM	1	1	1	S
. NS	288035	. EXTRUSION BACKING 511MM	1	1	1	S
33	280229	EXTRUSION BACKING ASSY W/REFLECTOR 511MM	1	1	1	S
. NS	280121	. EXTRUSION 511MM	1	1	1	S
NS	685126	ADHESIVE SIMSON #ISR 70-03 / GREY / 600ml SAUSAGE	AR	AR	AR	S
		A) TO FIX EXTRUSION				
		B) TO FIX MOUNTING PLATE				
		C) ASSY WITH REFLECTOR				
		S) SERVICE				
		SVC) SERVICE				

From R-012 To Y-3548	Date:10/2022	PAGE:H3-1856-00
MIRROR - EXTERIOR - INSTALLATION		



From R-012 To Y-3548	Date:10/2022	PAGE:H3-1856-00
MIRROR - EXTERIOR - INSTALLATION		

Item#	Part	Description	H 3 4 1	H 3 4 5	V I P 4 5	N O T E S
1	H3-1856-15	MIRROR "SPARTAN" ELECTRICAL				
1	H3-1856-10	MIRROR "SPARTAN" MANUAL				
2	490565	ARM ASSY / W/ELECTRICAL ADJUSTMENT To S-147	2	2		
2	490791	ARM ASSY / W/ELECTRICAL ADJUSTMENT From S-148	1	1		
2	490607	ARM ASSY / W/MANUAL ADJUSTMENT To S-147	2	2		
2	490792	ARM ASSY / W/MANUAL ADJUSTMENT From S-148	1	1		
2	490566	. ARM To S-147	1	1		
2	490790	. ARM From S-148	1	1		
3	990158	. HARNESS / W/ELECTRICAL ADJUSTMENT	1	1		
3	561866	. HARNESS / W/MANUAL ADJUSTMENT	1	1		
4	562069	. CONNECTOR / (.062) / SH 6C / MOLEX 03-06-1062	1	1		
NS	561478	. SOCKET TERMINAL / 24-18 / MOLEX 02-06-1103	5	5		
5	490576	. CAP / CLOSING TUBE	1	1		
NS	062711	CABLE ASSY / MIRROR INSIDE SIDE WINDSHIELD POST INSIDE SIDE WINDSHIELD POST	2	2		
6	490476	GASKET	2	2		
7	490480	SUPPORT From S-148	1	1		
7	490480	SUPPORT To S-147	2	2		
8	502812	SCREW SET HEXS CUP 3/8-16X3/8 SS	2	2		
9	490439	CUP BALL	2	2		
10	490440	GASKET	1	1		
11	490441	RING RETAINING	1	1		
12	502698	SCREW MA PAN PH M4-0.7x16 SS BK	3	3		
14	490789	COLLAR LOWER From S-148	1	1		
15	490788	SUPPORT LOWER From S-148	1	1		
17	500341	SCREW SET HEXS CUP M12-1.75x20 From S-148	1	1		
20	490485	CONVEX MIRROR SQUARE / BLACK PAINTED	1	1		
20	990292	CONVEX MIRROR LH / TRIANGULAR SHAPE	1	1		A
20	990293	CONVEX MIRROR RH / TRIANGULAR SHAPE	1	1		A
20	990047	. MIRROR CONVEX / CHROME PLATED	1	1		
21	990112	. . RETAINER RUBBER / GREY	1	1		
21	990113	. . RETAINER RUBBER / BLACK	1	1		
22	990111	. . GLASS RECTANGULAR / CONVEX	1	1		
23	5001189	. NUT HEX 5/16-18 SS	1	1		
24	490822	ARM	1	1		
25	490820	BRACKET	2	2		
26	502770	SCREW MA RND PH 1/4-20x1 3/4 SS EMN	2	2		
NS	5001251	NUT HEX NYRT 1/4-20 SS	2	2		
30	502703	SCREW TP FL PH #12x1 SS EMN	8	8		
NS	502684	RIVET NUT FL OKS 1/4-20 .119-.179	8	8		
		FOLLOWING ITEMS ARE RELATED WITH				
		CONVEX MIRROR INSTALLATION PRIOR MAY-1995				

From R-012 To Y-3548	Date:10/2022	PAGE:H3-1856-00
MIRROR - EXTERIOR - INSTALLATION		

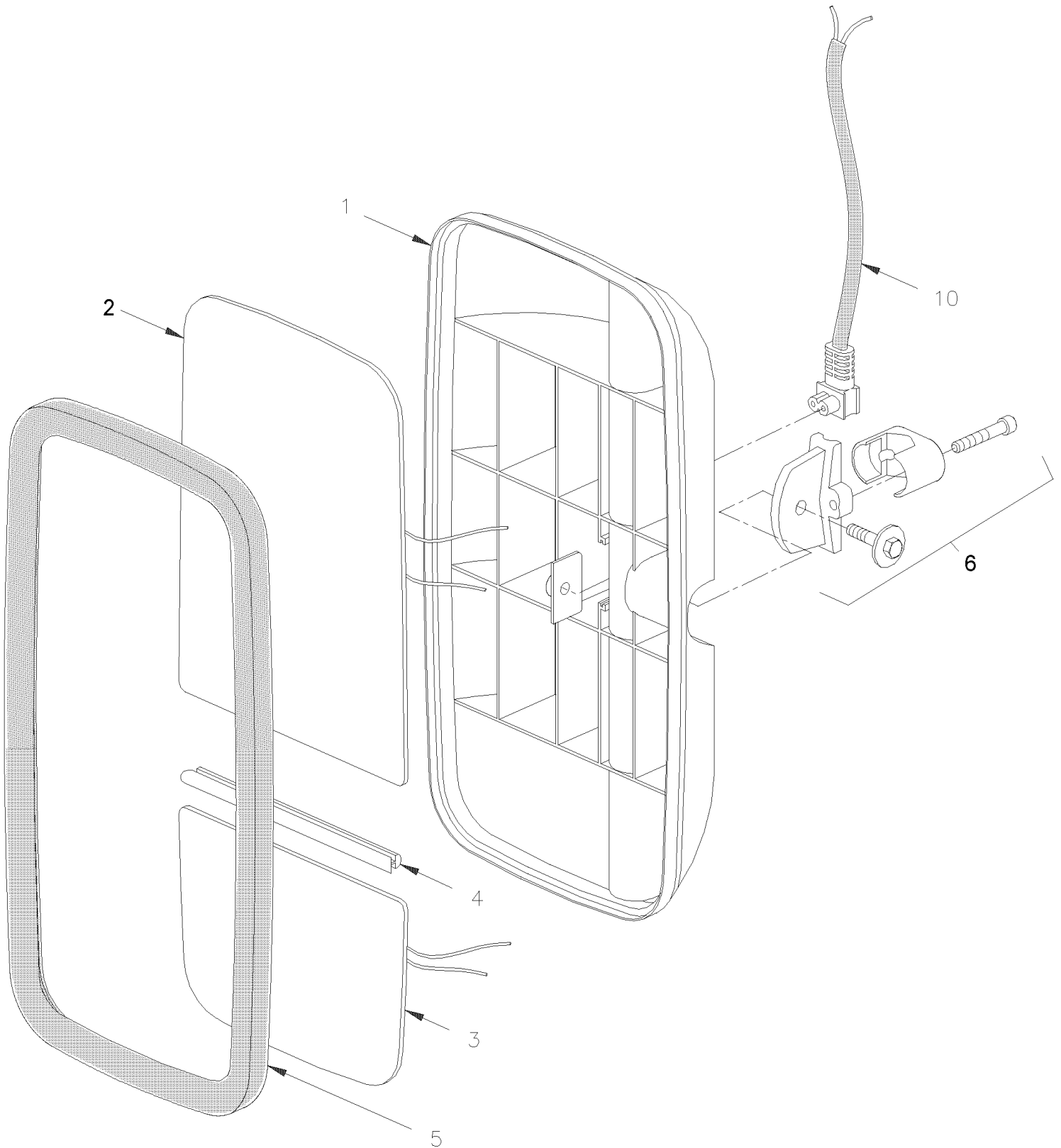
Item#	Part	Description	H 3 4 1	H 3 4 5	V I P 4 5	N O T E S
NS	500411	WASHER FL .260x.697x.050 SS	2	2		
NS	490484	CLAMP / TO FIX EXTENSION ARM TO MIRROR.	1	1		
NS	990258	EXTENSION ARM / FOR LOWER CONVEX	1	1		
NS	402853	BUSHING / ALUMINUM BLACK PAINTED	1	1		
NS	500347	SCREW CAP HEX 5/16-18x1 1/4 SS	1	1		
NS	500035	WASHER LO SPT .317x.586x.078 SS	1	1		
NS	5001189	NUT HEX 5/16-18 SS	1	1		
NS	507306	BUSHING / NYLON ARM & CLAMP	1	1		
		A) "SPRAGUE" DEVICE MODEL				

From R-012 To Y-3548

Date:10/2022

PAGE:H3-1856-10

MIRROR "SPARTAN" MANUAL



From R-012 To Y-3548	Date:10/2022	PAGE:H3-1856-10
MIRROR "SPARTAN" MANUAL		

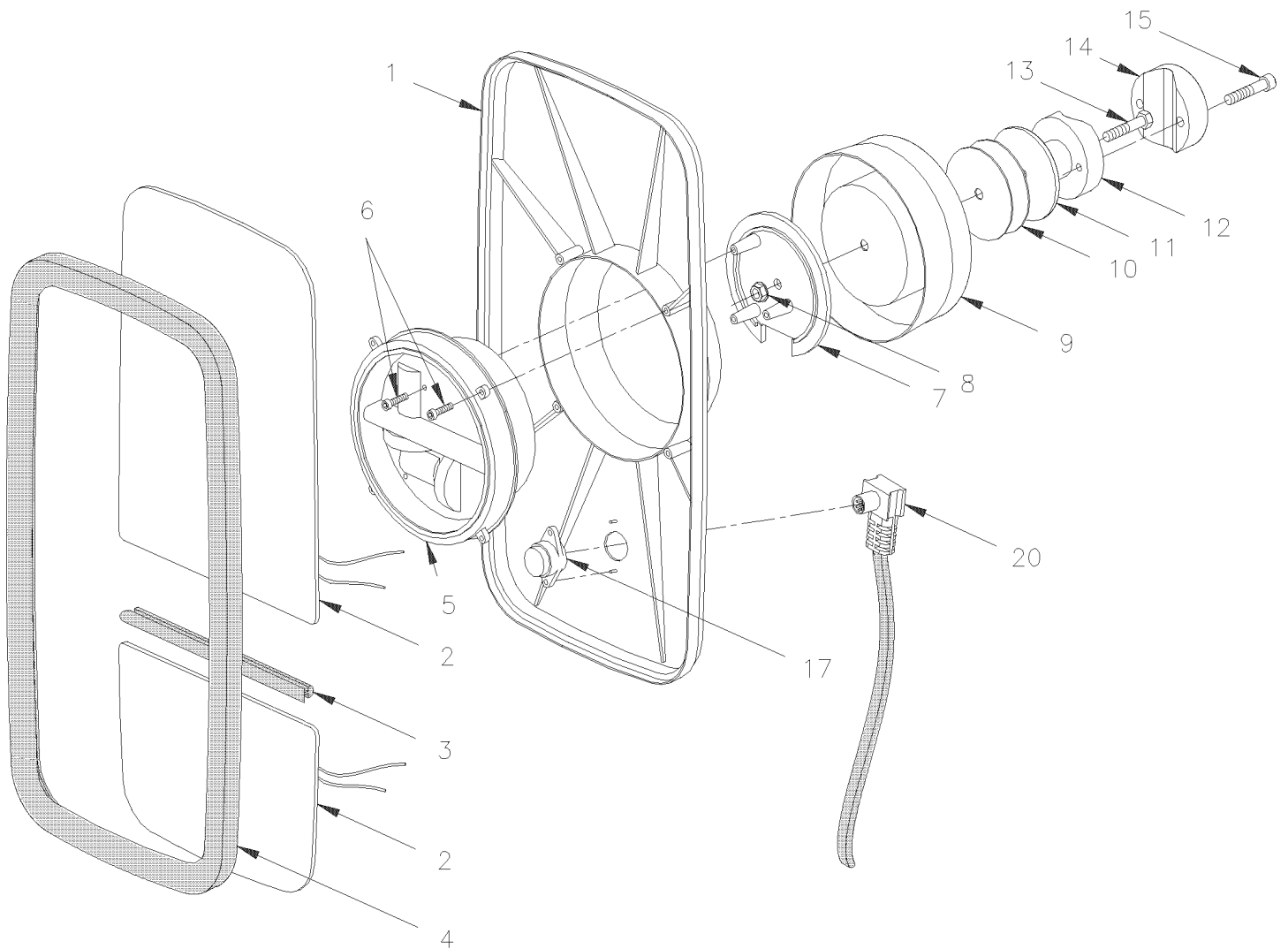
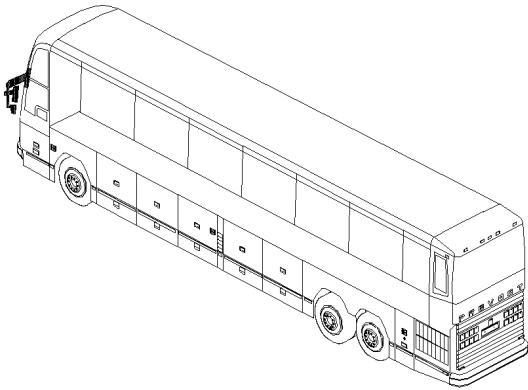
Item#	Part	Description	H 3 4 1	H 3 4 5	V I P 4 5	N O T E S
	990166	HEAD ASSY / R.H.	1	1		
	990167	HEAD ASSY / L.H.	1	1		
1	990172	. HOUSING / L.H. & R.H.	1	1		
2	990168	. FLAT GLASS ASSY / HEATED 24V	1	1		
3	990169	. CONVEX GLASS ASSY W/HEATER 24V	1	1		
4	990170	. BAR, SPACER / BETWEEN GLASS	1	1		
5	990171	. SEAL RUBBER	1	1		
6	990173	. BRACKET ASSY	1	1		
10	561866	HARNESS / W/MANUAL ADJUSTMENT	1	1		

From R-012 To Y-3548

Date:10/2022

PAGE:H3-1856-15

MIRROR "SPARTAN" ELECTRICAL



From R-012 To Y-3548	Date:10/2022	PAGE:H3-1856-15
MIRROR "SPARTAN" ELECTRICAL		

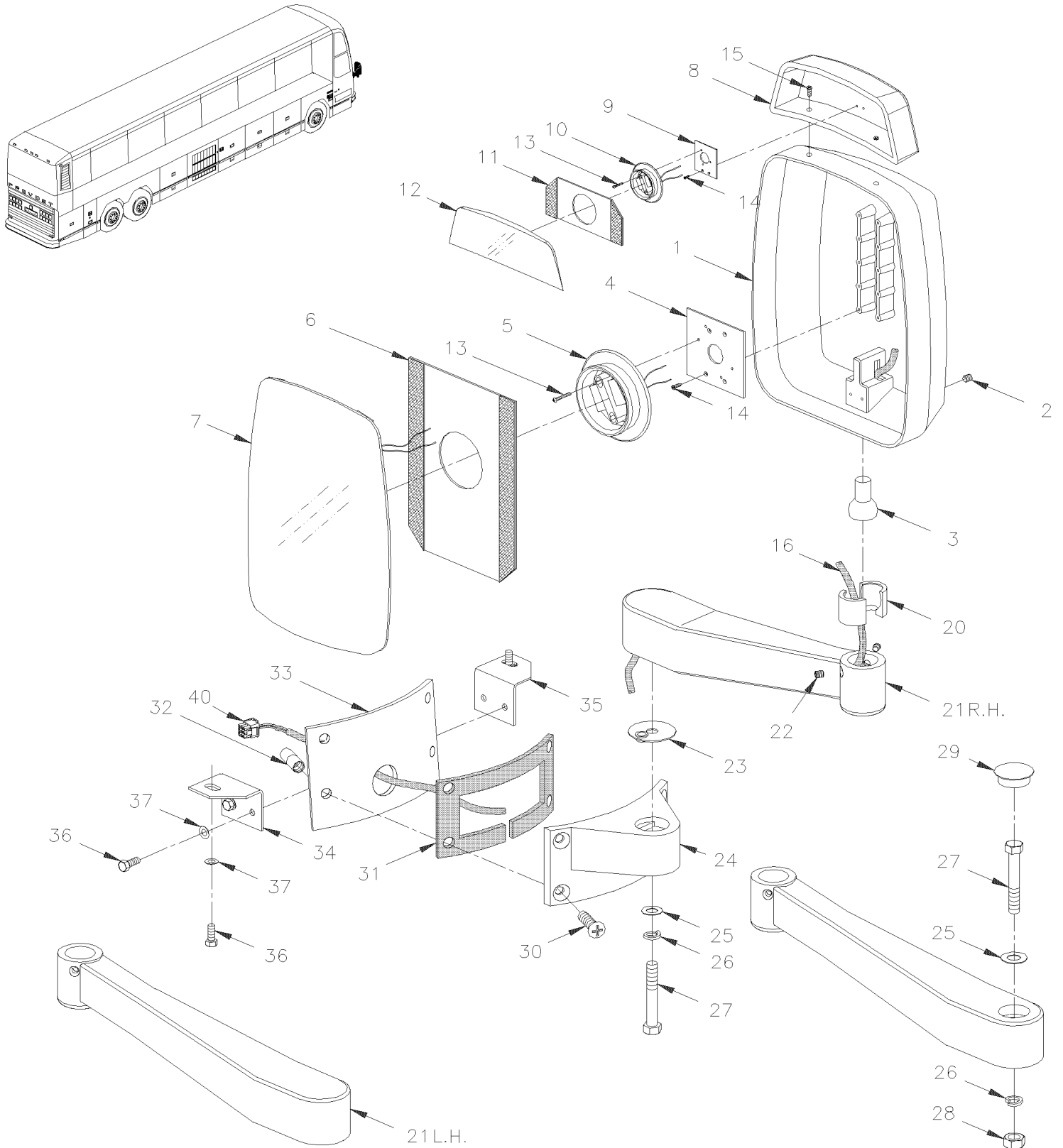
Item#	Part	Description	H 3 4 1	H 3 4 5	V I P 4 5	N O T E S
	990196	HEAD MIRROR ASSY / W/FLAT GLASS	2	2		
	990159	HEAD MIRROR ASSY / W/FLAT & CONVEX GLASSES	2	2		
1	990179	. HOUSING	1	1		
2	990181	. FLAT & CONVEX GLASS ASSY / HEATED 24V	1	1		
NS	990197	. FLAT GLASS ASSY / HEATED 24V	1	1		
3	990170	. BAR, SPACER / BETWEEN GLASS	1	1		
4	990174	. SEAL, RUBBER	1	1		
4	990177	. MOTOR & GEAR ASSY 24V	1	1		
. NS	564494	. . . TAB TERMINAL / 20-16 / AMP 63138-1	4	4		
5	990178	. . MOTOR ASSY / 24V	1	1		
. NS	564494	. . . TAB TERMINAL / 20-16 / AMP 63138-1	4	4		
6	N.P.N.	. . . SCREW	2	2		4
7	N.P.N.	. . . MOUNTING PLATE MOTOR	1	1		4
8	5001082	. . . NUT HEXF M8-1.25 G500	1	1		
9	N.P.N.	. . . SEALING BOOT	1	1		4
10	N.P.N.	. . . WASHER SHIM	2	2		4
11	N.P.N.	. . . WASHER	1	1		4
11	990180	. . KIT, CLAMPING RING	1	1		
12	N.P.N.	. . . MOUNTING BRACKET	1	1		4
13	N.P.N.	. . . SCREW MA CRG M8 X 50 ZP	1	1		4
14	N.P.N.	. . . MOUNTING BRACKET	1	1		4
15	N.P.N.	. . . SCREW CAP HEXS M6 X 30	2	2		4
17	N.P.N.	. CONNECTOR	1	1		4
20	990158	HARNESS / W/ELECTRICAL ADJUSTMENT	1	1		
		4) NO PARTS NUMBER				

From R-012 To 2-4416

Date:10/2022

PAGE:H3-1856-20

MIRROR "RAMCO" FLAT GLASS / SILVER PAINTED



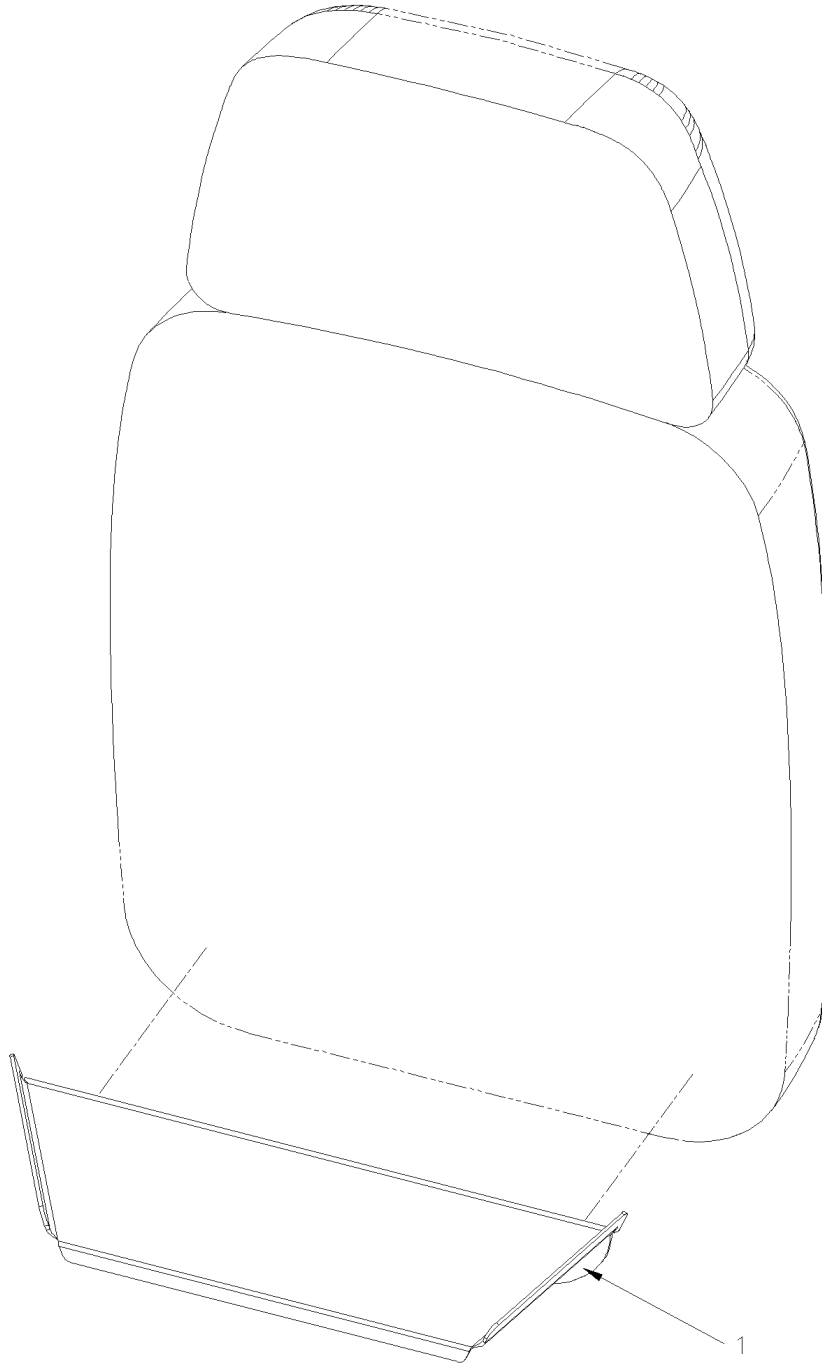
From R-012 To 2-4416		Date:10/2022	PAGE:H3-1856-20
MIRROR "RAMCO" FLAT GLASS / SILVER PAINTED			

Item#	Part	Description	H 3 4 1	H 3 4 5	V I P 4 5	N O T E S
	990285	MIRROR ASSY, R.H. / MANUAL / W/CONVEX MANUAL OVER	1	1		
	990289	MIRROR ASSY, R.H. / ELECTRIC / W/CONVEX ELEC. OVER	1	1		
	990286	MIRROR ASSY, L.H. / MANUAL / W/CONVEX MANUAL OVER	1	1		
	990290	MIRROR ASSY, L.H. / ELECTRIC / W/CONVEX ELEC. OVER	1	1		
1	990200	. HEAD ASSY / MANUAL	1	1		
2	502812	. . SCREW SET HEXS CUP 3/8-16X3/8 SS	1	1		
3	990186	. . STUD, BALL	1	1		
4	990272	. . NOTCHED BACK MOUNTING PLATE (2" X 3")	1	1		
5	990220	. . MOTOR 12V / LARGE / BLACK & WHITE / 133MM / 5 1/4" O.D.	1	1		C
. NS	564494	. . . TAB TERMINAL / 20-16 / AMP 63138-1	4	4		C
. NS	G5009096	. . . MOTOR 12V / LARGE / BLACK & WHITE / 133MM / 5 1/4" O.D.	1	1		C
5	990349	. . MOTOR 12V / MEDIUM / BLACK / 108MM / 4 1/4" O.D.	1	1		D
. NS	564494	. . . TAB TERMINAL / 20-16 / AMP 63138-1	4	4		D
5	990274	. . MECHANISM MANUAL ASSY, LARGE / 133MM / 5 1/4" O.D.	1	1		
6	990268	. . . VELCRO PLATE / 8" X 8"	1	1		
7	990199	. . GLASS ASSY W/HEATER 12V	1	1		
8	990203	. . MIRROR ASSY / CONVEX MANUAL	1	1		
8	990271	. . MIRROR ASSY / CONVEX ELECTRIC	1	1		
9	990295	. . . PLATE, TOP MOTOR MOUNTING	1	1		
10	990275	. . . MECHANISM MANUAL ASSY, SMALL / 75MM / 3" O.D.	1	1		
10	990402	. . . MECHANISM MANUAL ASSY, SMALL / 85MM / 3 5/16" O.D. / W/SNAP	1	1		S
10	990219	. . . MOTOR 12V / SMALL / BLACK / 85MM / 3 5/16" O.D.	1	1		
. NS	564494 TAB TERMINAL / 20-16 / AMP 63138-1	4	4		
11	990269 VELCRO PLATE / 3" X 4"	1	1		
12	990270	. . . GLASS CONVEX ASSY	1	1		
12	990339	. . . GLASS CONVEX ASSY W/HEATER 12V	1	1		S
13	N.P.N.	. . SCREW TC PAN PH ZP 6-32 X 1 1/8"	3	3		4
14	500660	. . SCREW TC FL PH #6-32x3/8 Z050	3	3		
15	990530	. . SCREW CAP HEX #10-24x1" SS	2	2		
NS	500787	. . NUT HEX #10-24 SS	2	2		
16	990282	. CABLE ASSY W/2 WIRES HEATER ELEMENT	1	1		
20	990187	. CUP, BALL	2	2		
21	990241	. ARM, L.H. / 15"	1	1		
21	990277	. ARM, L.H. / W/PLUG / 15"	1	1		
21	990240	. ARM, R.H. / 13" X 7"	1	1		
21	990276	. ARM, R.H. / W/PLUG / 13" X 7"	1	1		
22	502812	. SCREW SET HEXS CUP 3/8-16X3/8 SS	2	2		
23	990265	. WASHER ALUMINUM / 2 " O.D.	1	1		
NS	504082	. . SNAP BUSHING / .125x.312x.312	1	1		
24	990242	. BRACKET, MOUNTING	1	1		
25	500958	. WASHER FL .531x1.062x.095 SS	1	1		
26	N.P.N.	. WASHER LO SPT .317x.586x.078 SS	1	1		4

From R-012 To 2-4416	Date:10/2022	PAGE:H3-1856-20
MIRROR "RAMCO" FLAT GLASS / SILVER PAINTED		

Item#	Part	Description	H 3 4 1	H 3 4 5	V I P 4 5	N O T E S
27	990500	. SCREW 1/2-13x2 HHCS SS	1	1		
28	N.P.N.	. NUT 1/2-13 SS	1	1		4
29	N.P.N.	. PLUG	1	1		4
30	500976	SCREW MA FL PH 5/16-18x1 1/2 SS	4	4		
31	490727	GASKET ADH / FOAM GREY	2	2		
32	500924	NUT AN JK 5/16-18	4	4		
33	490725	SUPPORT R.H. / BOLTED FIX TO STRUCTURE To S-252	1	1		
33	490814	SUPPORT R.H. / BOLTED & ADJUSTABLE W/STRUCTURE From S-253	1	1		
33	490726	SUPPORT L.H. / BOLTED FIX TO STRUCTURE To S-252	1	1		
33	490815	SUPPORT L.H. / BOLTED & ADJUSTABLE W/STRUCTURE From S-253	1	1		
34	490817	ANGLE From S-253	2	2		
35	490816	ANGLE ASSY W/NUT From S-253	2	2		
36	502589	SCREW CAP HEX M8-1.25x25 G8.8 Z050	4	4		A
37	502584	WASHER LO SERR 8.2x26.3x1.8 Z050	4	4		A
40	561669	CONNECTOR / UNIVERSAL MATE-N-LOK / SH 9C / AMP 1-480706-0	1	1		
NS	562131	SOCKET TERMINAL / 20-14 / AMP 350550-1	9	9		
NS	062784	HARNESS, WIRE / TO R.H. MIRROR	1	1		
NS	062783	HARNESS, WIRE / TO L.H. MIRROR	1	1		
NS	561670	CONNECTOR / UNIVERSAL MATE-N-LOK / PH 9C / AMP 1-480707-0	1	1		
NS	561671	PIN TERMINAL / 24-18 / AMP 350690-1	9	9		
NS	062781	HARNESS, WIRE / TO FRONT JUNCTION BOX	1	1		
NS	062782	HARNESS, WIRE / TO SWITCH	1	1		
NS	064904	KIT SEAL 6 HOLES PIN CONNECTOR	AR	AR		
. NS	IS-98103	. SEE INSTRUCTION SHEET	1	1		
NS	064905	KIT SEAL 9 HOLES PIN CONNECTOR	AR	AR		
. NS	IS-98103	. SEE INSTRUCTION SHEET	1	1		
NS	MI16-28	DRIP EDGE ADDITION ON FRONT MIRRORS / PRODUCT IMPROVMENT	1	1		
		A) TO FIX SUPPORT TO STRUCTURE				
		C) USE WITH SERIE 5000 HEAD				
		D) USE WITH SERIE 6000 HEAD				
		S) SERVICE				
		4) NO PARTS NUMBER				

From R-012 To 2-4416		Date:10/2022	PAGE:MI16-28
DRIP EDGE ADDITION ON FRONT MIRRORS / PRODUCT IMPROVMENT			



From R-012 To 2-4416	Date:10/2022	PAGE:MI16-28
DRIP EDGE ADDITION ON FRONT MIRRORS / PRODUCT IMPROVMENT		

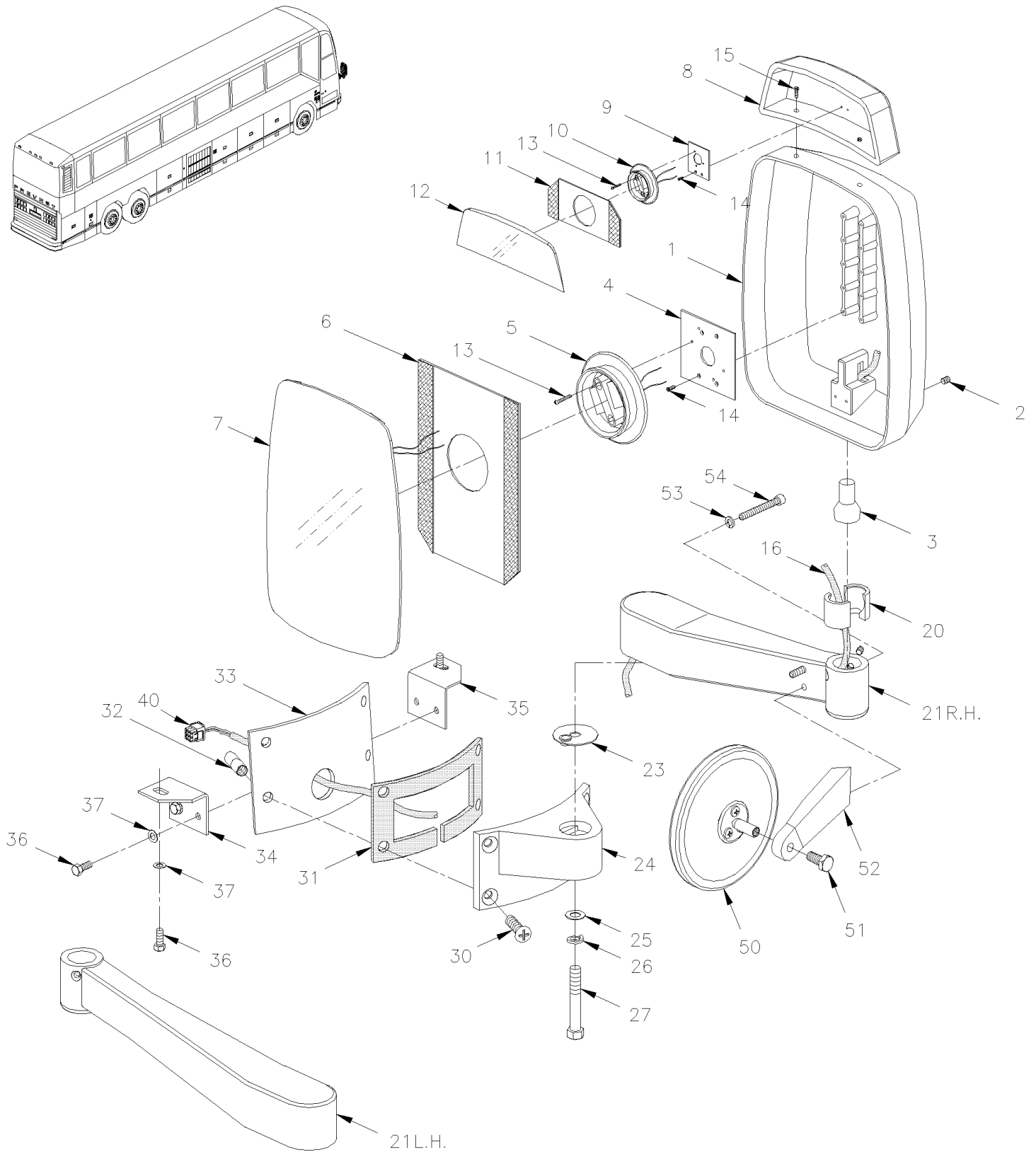
Item#	Part	Description	H 3 4 1	H 3 4 5	V I P 4 5	N O T E S
1	491507	MIRROR EXT. DRIP MOLDING ASSY	2	2	2	
2		MAINTENANCE INFORMATION	1	1	1	

From R-012 To 2-4416

Date:10/2022

PAGE:H3-1856-22

MIRROR "RAMCO" FLAT GLASS / BLACK PAINTED



From R-012 To 2-4416	Date:10/2022	PAGE:H3-1856-22
MIRROR "RAMCO" FLAT GLASS / BLACK PAINTED		

Item#	Part	Description	H 3 4 1	H 3 4 5	V I P 4 5	N O T E S
	990221	MIRROR ASSY, R.H. / ELECTRIC / W/CONVEX MANUAL OVER	1	1		
	990222	MIRROR ASSY, L.H. / ELECTRIC / W/CONVEX MANUAL OVER	1	1		
	990283	MIRROR ASSY, R.H. / ELECTRIC / W/CONVEX ELEC. OVER	1	1		
	990284	MIRROR ASSY, L.H. / ELECTRIC / W/CONVEX ELEC. OVER	1	1		
	990255	MIRROR ASSY, R.H. / MANUAL / W/CONVEX MANUAL OVER	1	1		
	990256	MIRROR ASSY, L.H. / MANUAL / W/CONVEX MANUAL OVER	1	1		
1	990298	. HEAD ASSY / ELECTRIC / W/CONVEX MANUAL OVER	1	1		
1	990419	. HEAD ASSY / ELECTRIC / W/CONVEX ELEC. OVER	1	1		
1	990299	. HEAD ASSY / MANUAL	1	1		
2	502812	. . SCREW SET HEXS CUP 3/8-16X3/8 SS	1	1		
3	990186	. . STUD, BALL	1	1		
4	990272	. . NOTCHED BACK MOUNTING PLATE (2" X 3")	1	1		
5	990220	. . MOTOR 12V / LARGE / BLACK & WHITE / 133MM / 5 1/4" O.D.	1	1		C
. NS	564494	. . . TAB TERMINAL / 20-16 / AMP 63138-1	4	4		C
. NS	G5009096	. . . MOTOR 12V / LARGE / BLACK & WHITE / 133MM / 5 1/4" O.D.	1	1		C
5	990349	. . MOTOR 12V / MEDIUM / BLACK / 108MM / 4 1/4" O.D.	1	1		D
. NS	564494	. . . TAB TERMINAL / 20-16 / AMP 63138-1	4	4		D
5	990274	. . MECHANISM MANUAL ASSY, LARGE / 133MM / 5 1/4" O.D.	1	1		
6	990268	. . . VELCRO PLATE / 8" X 8"	1	1		
7	990199	. . GLASS ASSY W/HEATER 12V	1	1		
8	990296	. . MIRROR ASSY / CONVEX MANUAL	1	1		
8	990297	. . MIRROR ASSY / CONVEX ELECTRIC	1	1		
9	990295	. . . PLATE, TOP MOTOR MOUNTING	1	1		
10	990219	. . . MOTOR 12V / SMALL / BLACK / 85MM / 3 5/16" O.D.	1	1		
. NS	564494	. . . TAB TERMINAL / 20-16 / AMP 63138-1	4	4		
10	990275	. . . MECHANISM MANUAL ASSY, SMALL / 75MM / 3" O.D.	1	1		
10	990402	. . . MECHANISM MANUAL ASSY, SMALL / 85MM / 3 5/16" O.D. / W/SNAP	1	1		S
11	990269	. . . VELCRO PLATE / 3" X 4"	1	1		
12	990270	. . . GLASS CONVEX ASSY	1	1		
12	990339	. . . GLASS CONVEX ASSY W/HEATER 12V	1	1		S
13	N.P.N.	. . SCREW TC PAN PH ZP 6-32 X 1 1/8"	3	3		4
14	500660	. . SCREW TC FL PH #6-32x3/8 Z050	3	3		
15	990530	. . SCREW CAP HEX #10-24x1" SS	2	2		
NS	500787	. . NUT HEX #10-24 SS	2	2		
16	990282	. . CABLE ASSY W/2 WIRES HEATER ELEMENT	1	1		
20	990187	. CUP, BALL	2	2		
21	990212	. ARM, L.H. / 15"	1	1		
21	990211	. ARM, R.H. / 13" X 7"	1	1		
22	502812	. SCREW SET HEXS CUP 3/8-16X3/8 SS	2	2		
23	990265	. WASHER ALUMINUM / 2 " O.D.	1	1		
NS	504082	. . SNAP BUSHING / .125x.312x.312	1	1		
24	990213	. BRACKET, MOUNTING	1	1		

From R-012 To 2-4416	Date:10/2022	PAGE:H3-1856-22
MIRROR "RAMCO" FLAT GLASS / BLACK PAINTED		

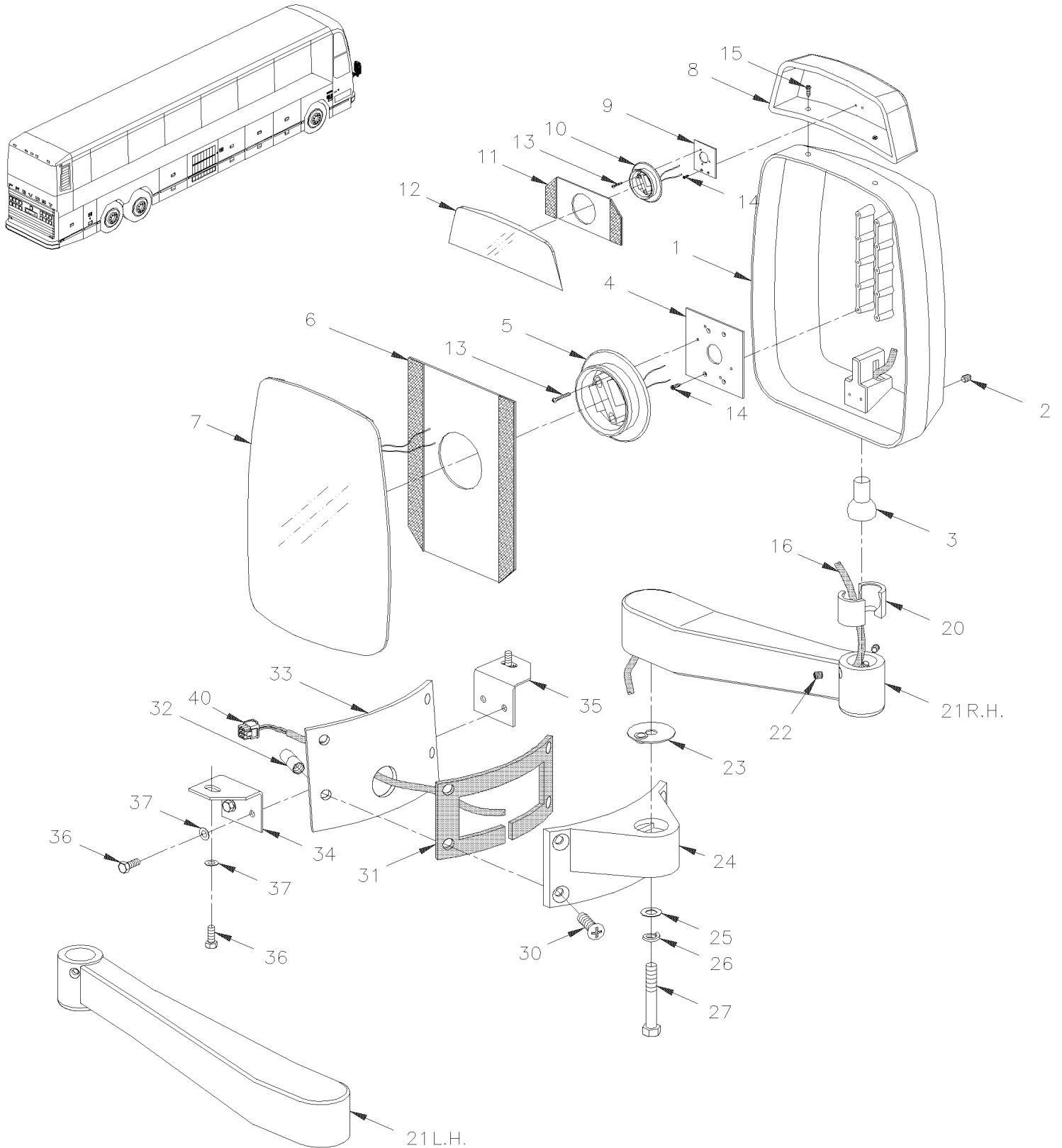
Item#	Part	Description	H 3 4 1	H 3 4 5	V I P 4 5	N O T E S
25	500958	. WASHER FL .531x1.062x.095 SS	1	1		
26	N.P.N.	. WASHER LO SPT .317x.586x.078 SS	1	1		4
27	990500	. SCREW 1/2-13x2 HHCS SS	1	1		
30	500976	SCREW MA FL PH 5/16-18x1 1/2 SS	4	4		
31	490727	GASKET ADH / FOAM GREY	2	2		
32	500924	NUT AN JK 5/16-18	4	4		
33	490725	SUPPORT R.H. / BOLTED FIX TO STRUCTURE To S-252	1	1		
33	490814	SUPPORT R.H. / BOLTED & ADJUSTABLE W/STRUCTURE From S-253	1	1		
33	490726	SUPPORT L.H. / BOLTED FIX TO STRUCTURE To S-252	1	1		
33	490815	SUPPORT L.H. / BOLTED & ADJUSTABLE W/STRUCTURE From S-253	1	1		
34	490817	ANGLE From S-253	2	2		
35	490816	ANGLE ASSY W/NUT From S-253	2	2		
36	502589	SCREW CAP HEX M8-1.25x25 G8.8 Z050	4	4		A
37	502584	WASHER LO SERR 8.2x26.3x1.8 Z050	4	4		A
40	561669	CONNECTOR / UNIVERSAL MATE-N-LOK / SH 9C / AMP 1-480706-0	1	1		
NS	562131	SOCKET TERMINAL / 20-14 / AMP 350550-1	9	9		
NS	062783	HARNESS, WIRE / TO L.H. MIRROR	1	1		
NS	062784	HARNESS, WIRE / TO R.H. MIRROR	1	1		
NS	561670	CONNECTOR / UNIVERSAL MATE-N-LOK / PH 9C / AMP 1-480707-0	1	1		
NS	561671	PIN TERMINAL / 24-18 / AMP 350690-1	9	9		
NS	062781	HARNESS, WIRE / TO FRONT JUNCTION BOX	1	1		
NS	062782	HARNESS, WIRE / TO SWITCH	1	1		
50	990348	MIRROR CONVEX 6" O.D.	1	1		
51	N.P.N.	SCREW	1	1		4
52	490914	ARM, AUXILIARY	1	1		
53	500473	WASHER LO SPT .262x.489x.062 Z050	1	1		
54	500170	SCREW CAP HEX 1/4-20x2 G5 PT Z050	1	1		
NS	064904	KIT SEAL 6 HOLES PIN CONNECTOR	AR	AR		
. NS	IS-98103	. SEE INSTRUCTION SHEET	1	1		
NS	064905	KIT SEAL 9 HOLES PIN CONNECTOR	AR	AR		
. NS	IS-98103	. SEE INSTRUCTION SHEET	1	1		
NS	MI16-28	DRIP EDGE ADDITION ON FRONT MIRRORS / PRODUCT IMPROVMENT	1	1		
		A) TO FIX SUPPORT TO STRUCTURE				
		C) USE WITH SERIE 5000 HEAD				
		D) USE WITH SERIE 6000 HEAD				
		S) SERVICE				
		4) NO PARTS NUMBER				

From R-012 To 2-4416

Date:10/2022

PAGE:H3-1856-23

MIRROR "RAMCO" FLAT GLASS / CHROME



From R-012 To 2-4416	Date:10/2022	PAGE:H3-1856-23
MIRROR "RAMCO" FLAT GLASS / CHROME		

Item#	Part	Description	H 3 4 1	H 3 4 5	V I P 4 5	N O T E S
	990261	MIRROR ASSY, R.H. / ELECTRIC / W/CONVEX / CHROME			1	
	7771798	MIRROR ASSY, R.H. / ELECTRIC / W/CONVEX ALUMINUM POLISHED			1	
	990262	MIRROR ASSY, L.H. / ELECTRIC / W/CONVEX / CHROME			1	
	7771799	MIRROR ASSY, L.H. / ELECTRIC / W/CONVEX / ALUMINUM POLISHED			1	
1	990301	. HEAD ASSY / ELECTRIC			1	
2	502812	. . SCREW SET HEXS CUP 3/8-16X3/8 SS			1	
3	990186	. . STUD, BALL			1	
4	990272	. . NOTCHED BACK MOUNTING PLATE (2" X 3")			1	
5	990220	. . MOTOR 12V / LARGE / BLACK & WHITE / 133MM / 5 1/4" O.D.			1	C
. NS	564494	. . . TAB TERMINAL / 20-16 / AMP 63138-1			4	C
. NS	G5009096	. . . MOTOR 12V / LARGE / BLACK & WHITE / 133MM / 5 1/4" O.D.			1	C
5	990349	. . MOTOR 12V / MEDIUM / BLACK / 108MM / 4 1/4" O.D.			1	D
. NS	564494	. . . TAB TERMINAL / 20-16 / AMP 63138-1			4	D
6	990268	. . . VELCRO PLATE / 8" X 8"			1	
7	990199	. . GLASS ASSY W/HEATER 12V			1	
8	990302	. . MIRROR ASSY / CONVEX ELECTRIC			1	
9	990295	. . PLATE, TOP MOTOR MOUNTING			1	
10	990219	. . . MOTOR 12V / SMALL / BLACK / 85MM / 3 5/16" O.D.			1	
. NS	564494 TAB TERMINAL / 20-16 / AMP 63138-1			4	
11	990269 VELCRO PLATE / 3" X 4"			1	
12	990270	. . . GLASS CONVEX ASSY			1	
13	N.P.N.	. . SCREW TC PAN PH ZP 6-32 X 1 1/8"			3	4
14	500660	. . SCREW TC FL PH #6-32x3/8 Z050			2	
15	990530	. . SCREW CAP HEX #10-24x1" SS			2	
NS	500787	. . NUT HEX #10-24 SS			2	
16	990282	. CABLE ASSY W/2 WIRES HEATER ELEMENT			1	
20	990187	. CUP, BALL			2	B
21	990232	. ARM, L.H. / 13" X 7"			1	
21	990231	. ARM, R.H. / 15"			1	
22	502812	. SCREW SET HEXS CUP 3/8-16X3/8 SS			2	
23	990265	. WASHER ALUMINUM / 2 " O.D.			1	
NS	504082	. . SNAP BUSHING / .125x.312x.312			1	
24	990233	. BRACKET, MOUNTING			1	
25	500958	. WASHER FL .531x1.062x.095 SS			1	
26	N.P.N.	. WASHER LO SPT .317x.586x.078 SS			1	4
27	990500	. SCREW 1/2-13x2 HHCS SS			1	
30	500976	SCREW MA FL PH 5/16-18x1 1/2 SS			4	
31	490727	GASKET ADH / FOAM GREY			2	
32	500924	NUT AN JK 5/16-18			4	
33	490725	SUPPORT R.H. / BOLTED FIX TO STRUCTURE To S-252			1	
33	490814	SUPPORT R.H. / BOLTED & ADJUSTABLE W/STRUCTURE From S-253			1	
33	490726	SUPPORT L.H. / BOLTED FIX TO STRUCTURE To S-252			1	

From R-012 To 2-4416	Date:10/2022	PAGE:H3-1856-23
MIRROR "RAMCO" FLAT GLASS / CHROME		

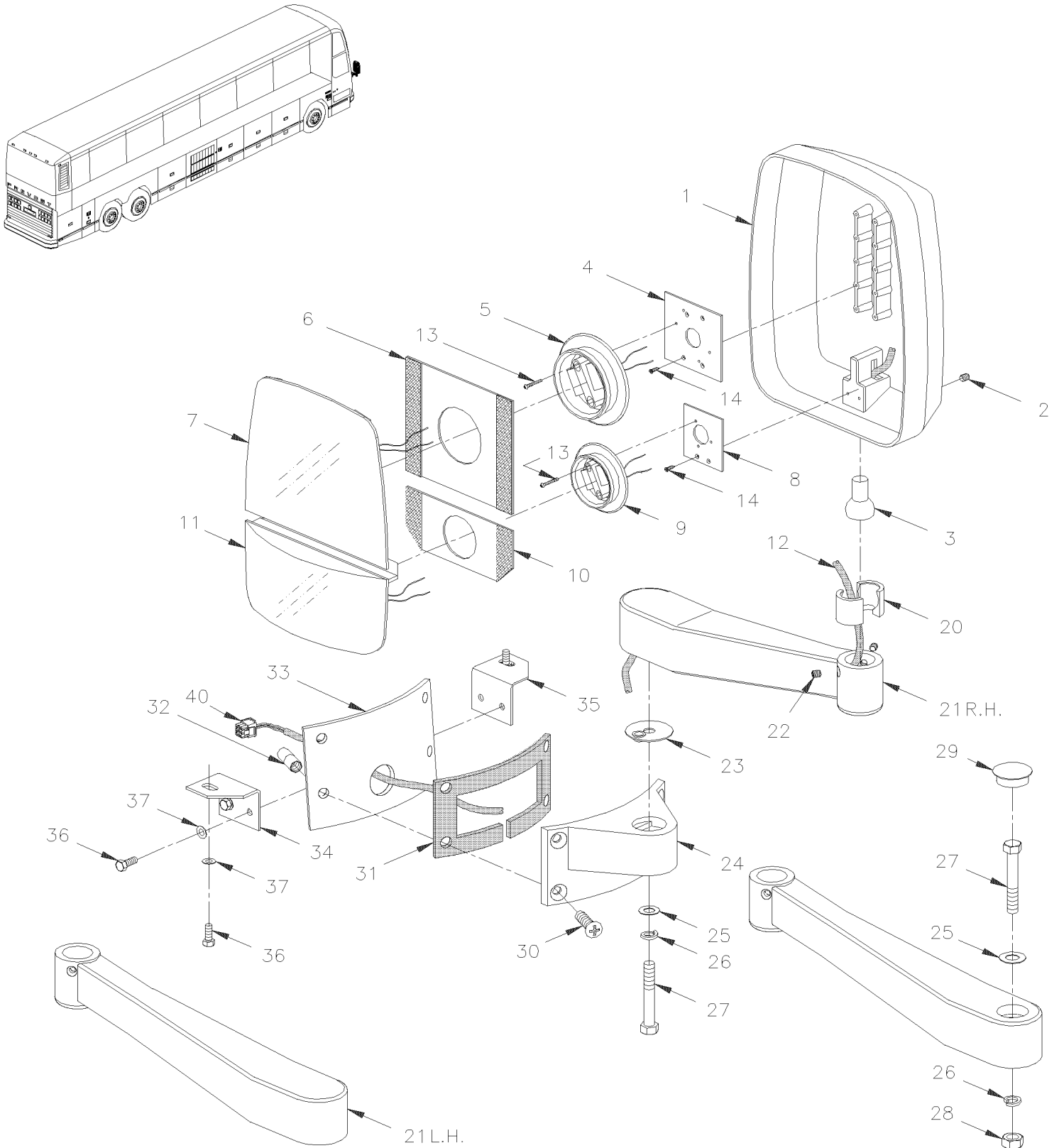
Item#	Part	Description	H 3 4 1	H 3 4 5	V I P 4 5	N O T E S
33	490815	SUPPORT L.H. / BOLTED & ADJUSTABLE W/STRUCTURE From S-253			1	
34	490817	ANGLE From S-253			2	
35	490816	ANGLE ASSY W/NUT From S-253			2	
36	502589	SCREW CAP HEX M8-1.25x25 G8.8 Z050			4	A
37	502584	WASHER LO SERR 8.2x26.3x1.8 Z050			4	A
40	561669	CONNECTOR / UNIVERSAL MATE-N-LOK / SH 9C / AMP 1-480706-0			1	
NS	562131	SOCKET TERMINAL / 20-14 / AMP 350550-1			9	
NS	062783	HARNESS, WIRE / TO L.H. MIRROR			1	
NS	062784	HARNESS, WIRE / TO R.H. MIRROR			1	
NS	561670	CONNECTOR / UNIVERSAL MATE-N-LOK / PH 9C / AMP 1-480707-0			1	
NS	561671	PIN TERMINAL / 24-18 / AMP 350690-1			9	
NS	062781	HARNESS, WIRE / TO FRONT JUNCTION BOX			1	
NS	062782	HARNESS, WIRE / TO SWITCH			1	
NS	064904	KIT SEAL 6 HOLES PIN CONNECTOR			AR	
. NS	IS-98103	. SEE INSTRUCTION SHEET			1	
NS	064905	KIT SEAL 9 HOLES PIN CONNECTOR			AR	
. NS	IS-98103	. SEE INSTRUCTION SHEET			1	
NS	MI16-28	DRIP EDGE ADDITION ON FRONT MIRRORS / PRODUCT IMPROVMENT			1	
		A) TO FIX SUPPORT TO STRUCTURE				
		B) TO FIX SUPPORT TO STRUCTURE				
		C) USE WITH SERIE 5000 HEAD				
		D) USE WITH SERIE 6000 HEAD				
		4) NO PARTS NUMBER				

From R-012 To 2-4416

Date:10/2022

PAGE:H3-1856-30

MIRROR "RAMCO" 2 GLASSES / SILVER PAINTED



From R-012 To 2-4416	Date:10/2022	PAGE:H3-1856-30
MIRROR "RAMCO" 2 GLASSES / SILVER PAINTED		

Item#	Part	Description	H 3 4 1	H 3 4 5	V I P 4 5	N O T E S
	990238	MIRROR ASSY, R.H. / MANUAL To V-1721	1	1		
	990263	MIRROR ASSY, R.H. / MANUAL From V-1722	1	1		
	990239	MIRROR ASSY, L.H. / MANUAL To V-1721	1	1		
	990264	MIRROR ASSY, L.H. / MANUAL / SERVICE From V-1722	1	1		
1	990246	. HEAD ASSY / MANUAL	1	1		
2	502812	. . SCREW SET HEXS CUP 3/8-16X3/8 SS	1	1		
3	990186	. . STUD, BALL	1	1		
4	990272	. . NOTCHED BACK MOUNTING PLATE (2" X 3")	1	1		
5	990274	. . MECHANISM MANUAL ASSY, LARGE / 133MM / 5 1/4" O.D.	1	1		
6	990266	. . . VELCRO PLATE / 6" X 7"	1	1		
7	990182	. . FLAT GLASS ASSY W/HEATER 12V	1	1		
9	990275	. . MECHANISM MANUAL ASSY, SMALL / 75MM / 3" O.D.	1	1		
9	990402	. . MECHANISM MANUAL ASSY, SMALL / 85MM / 3 5/16" O.D. / W/SNAP	1	1		S
10	990267	. . . VELCRO PLATE / 3" X 7"	1	1		
11	990183	. . CONVEX GLASS ASSY W/HEATER 12V	1	1		
11	990338	. . CONVEX GLASS ASSY W/HEATER 12V	1	1		S
12	990282	. . CABLE ASSY W/2 WIRES HEATER ELEMENT	1	1		
13	N.P.N.	. . SCREW TC PAN PH ZP 6-32 X 1 1/8"	7	7		4
20	990187	. CUP, BALL	2	2		
21	990240	. ARM, R.H. / 13" X 7" To V-1721	1	1		
21	990276	. ARM, R.H. / W/PLUG / 13" X 7" From V-1722	1	1		
21	990241	. ARM, L.H. / 15" To V-1721	1	1		
21	990277	. ARM, L.H. / W/PLUG / 15" From V-1722	1	1		
22	502812	. SCREW SET HEXS CUP 3/8-16X3/8 SS	2	2		
23	990265	. WASHER ALUMINUM / 2 " O.D.	1	1		
NS	504082	. . SNAP BUSHING / .125x.312x.312	1	1		
24	990242	. BRACKET, MOUNTING	1	1		
25	500958	. WASHER FL .531x1.062x.095 SS	1	1		
26	500035	. WASHER LO SPT .317x.586x.078 SS	1	1		
27	990500	. SCREW 1/2-13x2 HHCS SS	1	1		
28	502595	. NUT HEX NYRT 1/2-13 Z050	1	1		
29	N.P.N.	. HOLE PLUG From V-1722	1	1		4
30	500976	SCREW MA FL PH 5/16-18x1 1/2 SS	4	4		
31	490727	GASKET ADH / FOAM GREY	2	2		
32	500924	NUT AN JK 5/16-18	4	4		
33	490725	SUPPORT R.H. / BOLTED FIX TO STRUCTURE To S-252	1	1		
33	490814	SUPPORT R.H. / BOLTED & ADJUSTABLE W/STRUCTURE From S-253	1	1		
33	490726	SUPPORT L.H. / BOLTED FIX TO STRUCTURE To S-252	1	1		
33	490815	SUPPORT L.H. / BOLTED & ADJUSTABLE W/STRUCTURE From S-253	1	1		
34	490817	ANGLE From S-253	2	2		
35	490816	ANGLE ASSY W/NUT From S-253	2	2		
36	502589	SCREW CAP HEX M8-1.25x25 G8.8 Z050	4	4		A

From R-012 To 2-4416	Date:10/2022	PAGE:H3-1856-30
MIRROR "RAMCO" 2 GLASSES / SILVER PAINTED		

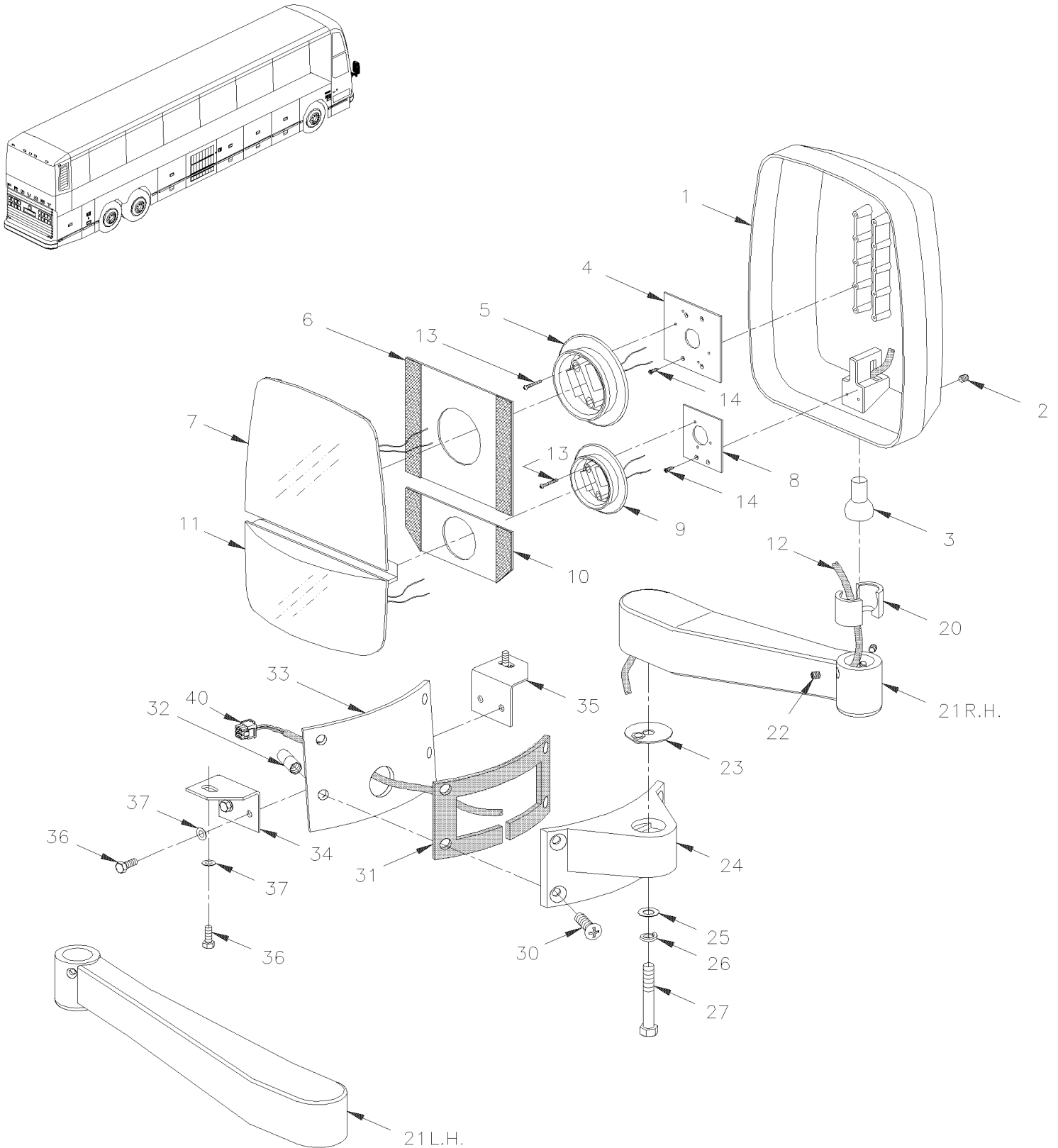
Item#	Part	Description	H 3 4 1	H 3 4 5	V I P 4 5	N O T E S
37	502584	WASHER LO SERR 8.2x26.3x1.8 Z050	4	4		A
40	561669	CONNECTOR / UNIVERSAL MATE-N-LOK / SH 9C / AMP 1-480706-0	1	1		
NS	562131	SOCKET TERMINAL / 20-14 / AMP 350550-1	9	9		
NS	062783	HARNESS, WIRE / TO L.H. MIRROR	1	1		
NS	062784	HARNESS, WIRE / TO R.H. MIRROR	1	1		
NS	561670	CONNECTOR / UNIVERSAL MATE-N-LOK / PH 9C / AMP 1-480707-0	1	1		
NS	561671	PIN TERMINAL / 24-18 / AMP 350690-1	9	9		
NS	062781	HARNESS, WIRE / TO FRONT JUNCTION BOX	1	1		
NS	062782	HARNESS, WIRE / TO SWITCH	1	1		
NS	064904	KIT SEAL 6 HOLES PIN CONNECTOR	AR	AR		
. NS	IS-98103	. SEE INSTRUCTION SHEET	1	1		
NS	064905	KIT SEAL 9 HOLES PIN CONNECTOR	AR	AR		
. NS	IS-98103	. SEE INSTRUCTION SHEET	1	1		
		A) TO FIX SUPPORT TO STRUCTURE				
		S) SERVICE				
		4) NO PARTS NUMBER				

From R-012 To 2-4416

Date:10/2022

PAGE:H3-1856-32

MIRROR "RAMCO" 2 GLASSES / BLACK PAINTED



From R-012 To 2-4416	Date:10/2022	PAGE:H3-1856-32
MIRROR "RAMCO" 2 GLASSES / BLACK PAINTED		

Item#	Part	Description	H 3 4 1	H 3 4 5	V I P 4 5	N O T E S
	990205	MIRROR ASSY, R.H. / ELECTRIC	1	1		
	990206	MIRROR ASSY, L.H. / ELECTRIC	1	1		
	990243	MIRROR ASSY, R.H. / MANUAL	1	1		
	990244	MIRROR ASSY, L.H. / MANUAL	1	1		
1	990218	. HEAD ASSY / ELECTRIC	1	1		
1	990245	. HEAD ASSY / MANUAL	1	1		
2	502812	. . SCREW SET HEXS CUP 3/8-16X3/8 SS	1	1		
3	990186	. . STUD, BALL	1	1		
4	990272	. . NOTCHED BACK MOUNTING PLATE (2" X 3")	1	1		
5	990220	. . MOTOR 12V / LARGE / BLACK & WHITE / 133MM / 5 1/4" O.D.	1	1		C
. NS	564494	. . . TAB TERMINAL / 20-16 / AMP 63138-1	4	4		C
. NS	G5009096	. . . MOTOR 12V / LARGE / BLACK & WHITE / 133MM / 5 1/4" O.D.	1	1		C
5	990349	. . MOTOR 12V / MEDIUM / BLACK / 108MM / 4 1/4" O.D.	1	1		
. NS	564494	. . . TAB TERMINAL / 20-16 / AMP 63138-1	4	4		
5	990274	. . MECHANISM MANUAL ASSY, LARGE / 133MM / 5 1/4" O.D.	1	1		
6	990266	. . . VELCRO PLATE / 6" X 7"	1	1		
7	990182	. . FLAT GLASS ASSY W/HEATER 12V	1	1		
8	990273	. . POWER CONVEX MOTOR BASE PLATE	1	1		
9	990219	. . MOTOR 12V / SMALL / BLACK / 85MM / 3 5/16" O.D.	1	1		
. NS	564494	. . . TAB TERMINAL / 20-16 / AMP 63138-1	4	4		
9	990275	. . MECHANISM MANUAL ASSY, SMALL / 75MM / 3" O.D.	1	1		
9	990275	. . MECHANISM MANUAL ASSY, SMALL / 75MM / 3" O.D.	1	1		S
10	990267	. . . VELCRO PLATE / 3" X 7"	1	1		
11	990183	. . CONVEX GLASS ASSY W/HEATER 12V	1	1		
11	990338	. . CONVEX GLASS ASSY W/HEATER 12V	1	1		S
12	990282	. . CABLE ASSY W/2 WIRES HEATER ELEMENT	1	1		
13	N.P.N.	. . SCREW TC PAN PH ZP 6-32 X 1 1/8"	7	7		4
14	500660	. . SCREW TC FL PH #6-32x3/8 Z050	2	2		
20	990187	. CUP, BALL	2	2		
21	990212	. ARM, L.H. / 15"	1	1		
21	990211	. ARM, R.H. / 13" X 7"	1	1		
22	502812	. SCREW SET HEXS CUP 3/8-16X3/8 SS	2	2		
23	990265	. WASHER ALUMINUM / 2 " O.D.	1	1		
NS	504082	. . SNAP BUSHING / .125x.312x.312	1	1		
24	990213	. BRACKET, MOUNTING	1	1		
25	500958	. WASHER FL .531x1.062x.095 SS	1	1		
26	N.P.N.	. WASHER LO SPT .317x.586x.078 SS	1	1		4
27	990500	. SCREW 1/2-13x2 HHCS SS	1	1		
30	500976	SCREW MA FL PH 5/16-18x1 1/2 SS	4	4		
31	490727	GASKET ADH / FOAM GREY	2	2		
32	500924	NUT AN JK 5/16-18	4	4		
33	490725	SUPPORT R.H. / BOLTED FIX TO STRUCTURE To S-252	1	1		

From R-012 To 2-4416	Date:10/2022	PAGE:H3-1856-32
MIRROR "RAMCO" 2 GLASSES / BLACK PAINTED		

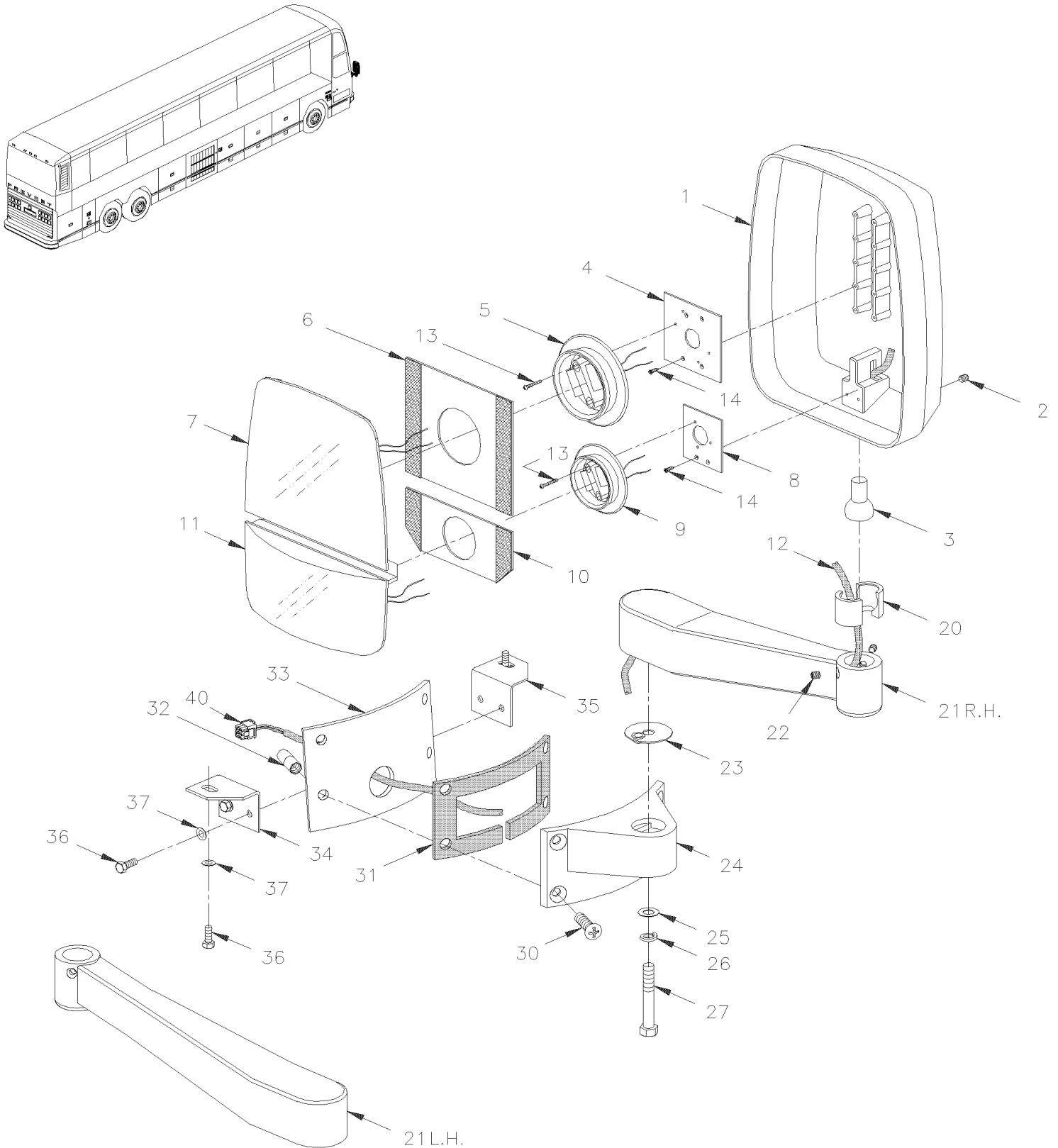
Item#	Part	Description	H 3 4 1	H 3 4 5	V I P 4 5	N O T E S
33	490814	SUPPORT R.H. / BOLTED & ADJUSTABLE W/STRUCTURE From S-253	1	1		
33	490726	SUPPORT L.H. / BOLTED FIX TO STRUCTURE To S-252	1	1		
33	490815	SUPPORT L.H. / BOLTED & ADJUSTABLE W/STRUCTURE From S-253	1	1		
34	490817	ANGLE From S-253	2	2		
35	490816	ANGLE ASSY W/NUT From S-253	2	2		
36	502589	SCREW CAP HEX M8-1.25x25 G8.8 Z050	4	4		A
37	502584	WASHER LO SERR 8.2x26.3x1.8 Z050	4	4		A
40	561669	CONNECTOR / UNIVERSAL MATE-N-LOK / SH 9C / AMP 1-480706-0	1	1		
NS	562131	SOCKET TERMINAL / 20-14 / AMP 350550-1	9	9		
NS	062783	HARNESS, WIRE / TO L.H. MIRROR	1	1		
NS	062784	HARNESS, WIRE / TO R.H. MIRROR	1	1		
NS	561670	CONNECTOR / UNIVERSAL MATE-N-LOK / PH 9C / AMP 1-480707-0	1	1		
NS	561671	PIN TERMINAL / 24-18 / AMP 350690-1	9	9		
NS	062781	HARNESS, WIRE / TO FRONT JUNCTION BOX	1	1		
NS	062782	HARNESS, WIRE / TO SWITCH	1	1		
NS	064904	KIT SEAL 6 HOLES PIN CONNECTOR	AR	AR		
. NS	IS-98103	. SEE INSTRUCTION SHEET	1	1		
NS	064905	KIT SEAL 9 HOLES PIN CONNECTOR	AR	AR		
. NS	IS-98103	. SEE INSTRUCTION SHEET	1	1		
		A) TO FIX SUPPORT TO STRUCTURE				
		C) USE WITH SERIE 5000 HEAD				
		S) SERVICE				
		4) NO PARTS NUMBER				

From R-012 To 2-4416

Date:10/2022

PAGE:H3-1856-33

MIRROR "RAMCO" 2 GLASSES / CHROME



From R-012 To 2-4416	Date:10/2022	PAGE:H3-1856-33
MIRROR "RAMCO" 2 GLASSES / CHROME		

Item#	Part	Description	H 3 4 1	H 3 4 5	V I P 4 5	N O T E S
	990229	MIRROR ASSY, R.H. / ELECTRIC			1	
	990230	MIRROR ASSY, L.H. / ELECTRIC			1	
1	990237	. HEAD ASSY / ELECTRIC			1	
2	502812	. . SCREW SET HEXS CUP 3/8-16X3/8 SS			1	
3	990186	. . STUD, BALL			1	
4	990272	. . NOTCHED BACK MOUNTING PLATE (2" X 3")			1	
5	990349	. . MOTOR 12V / MEDIUM / BLACK / 108MM / 4 1/4" O.D.			1	D
. NS	564494	. . . TAB TERMINAL / 20-16 / AMP 63138-1			4	D
5	990220	. . MOTOR 12V / LARGE / BLACK & WHITE / 133MM / 5 1/4" O.D.			1	C
. NS	564494	. . . TAB TERMINAL / 20-16 / AMP 63138-1			4	C
. NS	G5009096	. . . MOTOR 12V / LARGE / BLACK & WHITE / 133MM / 5 1/4" O.D.			1	C
6	990266	. . . VELCRO PLATE / 6" X 7"			1	
7	990182	. . FLAT GLASS ASSY W/HEATER 12V			1	
8	990273	. . POWER CONVEX MOTOR BASE PLATE			1	
9	990219	. . MOTOR 12V / SMALL / BLACK / 85MM / 3 5/16" O.D.			1	
. NS	564494	. . . TAB TERMINAL / 20-16 / AMP 63138-1			4	
10	990267	. . . VELCRO PLATE / 3" X 7"			1	
11	990183	. . CONVEX GLASS ASSY W/HEATER 12V			1	
12	990282	. . CABLE ASSY W/2 WIRES HEATER ELEMENT			1	
13	N.S.P.	. . SCREW TC PAN PH ZP 6-32 X 1 1/8"			7	2
14	500660	. . SCREW TC FL PH #6-32x3/8 Z050			2	
20	990187	. CUP, BALL			2	B
21	990232	. ARM, L.H. / 13" X 7"			1	
21	990231	. ARM, R.H. / 15"			1	
22	502812	. SCREW SET HEXS CUP 3/8-16X3/8 SS			2	
23	990265	. WASHER ALUMINUM / 2 " O.D.			1	
NS	504082	. . SNAP BUSHING / .125x.312x.312			1	
24	990233	. BRACKET, MOUNTING			1	
25	500958	. WASHER FL .531x1.062x.095 SS			1	
26	N.S.S.	. WASHER LO SPT .317x.586x.078 SS			1	1
27	990500	. SCREW 1/2-13x2 HHCS SS			1	
30	500976	SCREW MA FL PH 5/16-18x1 1/2 SS			4	
31	490727	GASKET ADH / FOAM GREY			2	
32	500924	NUT AN JK 5/16-18			4	
33	490725	SUPPORT R.H. / BOLTED FIX TO STRUCTURE To S-252			1	
33	490814	SUPPORT R.H. / BOLTED & ADJUSTABLE W/STRUCTURE From S-253			1	
33	490726	SUPPORT L.H. / BOLTED FIX TO STRUCTURE To S-252			1	
33	490815	SUPPORT L.H. / BOLTED & ADJUSTABLE W/STRUCTURE From S-253			1	
34	490817	ANGLE From S-253			2	
35	490816	ANGLE ASSY W/NUT From S-253			2	
36	502589	SCREW CAP HEX M8-1.25x25 G8.8 Z050			4	A
37	502584	WASHER LO SERR 8.2x26.3x1.8 Z050			4	A

From R-012 To 2-4416	Date:10/2022	PAGE:H3-1856-33
MIRROR "RAMCO" 2 GLASSES / CHROME		

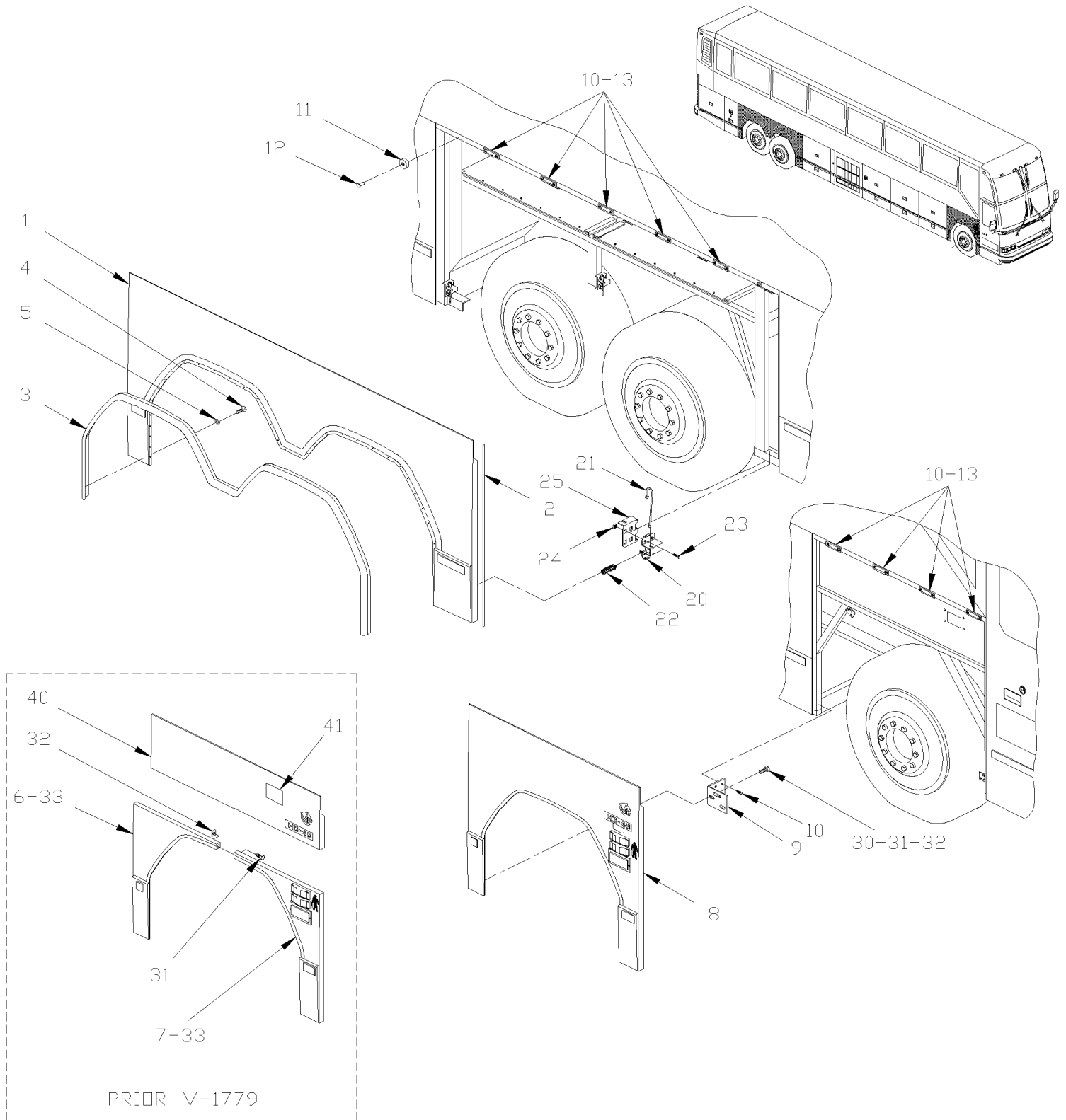
Item#	Part	Description	H 3 4 1	H 3 4 5	V I P 4 5	N O T E S
40	561669	CONNECTOR / UNIVERSAL MATE-N-LOK / SH 9C / AMP 1-480706-0			1	
NS	562131	SOCKET TERMINAL / 20-14 / AMP 350550-1			9	
NS	062783	HARNESS, WIRE / TO L.H. MIRROR			1	
NS	062784	HARNESS, WIRE / TO R.H. MIRROR			1	
NS	561670	CONNECTOR / UNIVERSAL MATE-N-LOK / PH 9C / AMP 1-480707-0			1	
NS	561671	PIN TERMINAL / 24-18 / AMP 350690-1			9	
NS	062781	HARNESS, WIRE / TO FRONT JUNCTION BOX			1	
NS	062782	HARNESS, WIRE / TO SWITCH			1	
40	064904	KIT SEAL 6 HOLES PIN CONNECTOR			AR	
. NS	IS-98103	. SEE INSTRUCTION SHEET			1	
40	064905	KIT SEAL 9 HOLES PIN CONNECTOR			AR	
. NS	IS-98103	. SEE INSTRUCTION SHEET			1	
		A) TO FIX SUPPORT TO STRUCTURE				
		B) TO FIX SUPPORT TO STRUCTURE				
		C) USE WITH SERIE 5000 HEAD				
		D) USE WITH SERIE 6000 HEAD				
		1) NOT SOLD SEPARATELY				
		2) NOT SOLD BY PREVOST (SEE MANUFACTURING PART NUMBER AT END OF DESCRIPTION LINE)				

From R-012 To 2-4416

Date:10/2022

PAGE:H3-1857-01

FENDERS



From R-012 To 2-4416	Date:10/2022	PAGE:H3-1857-01
FENDERS		

Item#	Part	Description	H 3 4 1	H 3 4 5	V I P 4 5	N O T E S
1	472827	FENDER FIBERGLASS R.H. REAR / ASSY W/FENDER MOULDING To V-1907	1	1	1	A
. A	472918	. GUIDE / FIXED ON TOP To V-1907	5	5	5	A
. B	472919	. GUIDE PIN / FIXED LOWER REAR To V-1907	1	1	1	A
. C	472846	. GUIDE PIN / FIXED LOWER FRONT & CENTER To V-1907	2	2	2	A
1	473499	FENDER FIBERGLASS R.H. REAR From V-1908	1	1	1	
. NS	473423	. GUIDE / FIXED ON TOP CENTER From V-1908	3	3	3	
. NS	473534	. GUIDE / FIXED ON TOP EACH SIDE From V-1908	2	2	2	
. NS	473525	. GUIDE PIN / FIXED ON CENTER From V-1908	1	1	1	
. NS	473501	. GUIDE PIN / FIXED LOWER FRONT & REAR From V-1908	2	2	2	
1	472834	FENDER FIBERGLASS L.H. REAR / ASSY W/FENDER MOULDING To V-1907	1	1	1	A
. A	472918	. GUIDE / FIXED ON TOP To V-1907	5	5	5	A
. B	472922	. GUIDE PIN / FIXED LOWER REAR To V-1907	1	1	1	A
. C	472846	. GUIDE PIN / FIXED LOWER FRONT & CENTER To V-1907	2	2	2	A
1	473500	FENDER FIBERGLASS L.H. REAR From V-1908	1	1	1	
. NS	473423	. GUIDE / FIXED ON TOP CENTER From V-1908	3	3	3	
. NS	473534	. GUIDE / FIXED ON TOP EACH SIDE From V-1908	2	2	2	
. NS	473525	. GUIDE PIN / FIXED ON CENTER From V-1908	1	1	1	
. NS	473523	. GUIDE PIN / FIXED LOWER FRONT & REAR From V-1908	2	2	2	
. NS	680537	. GLUE, PLEXUS MA830 380 ML From V-1908	1	1	1	
3	472825	FENDER MOULDING To V-1907	2	2	2	
4	5001163	SCREW MA PAN PH M5-0.8x12 SS To V-1907	48	48	48	
5	502637	WASHER FL .200x.437x.037 SS To V-1907	48	48	48	
6	472217	FENDER FIBERGLASS / REAR, FRONT R.H. WHEEL To V-1778	1	1	1	
NS	472212	FENDER FIBERGLASS / REAR, FRONT L.H. WHEEL To V-1778	1	1	1	
7	472214	FENDER FIBERGLASS / FRONT, FRONT R.H. WHEEL / W/LIGHT To V-1778	1	1	1	
7	472215	FENDER FIBERGLASS / FRONT, FRONT L.H. WHEEL / W/LIGHT To V-1778	1	1	1	
8	473431	FENDER FIBERGLASS R.H. FRONT From V-1779	1	1	1	
. NS	282961	. LOWER SUPPORT RETAINER / "HAT" SHAPED From V-1779	3	3	3	
8	473409	FENDER FIBERGLASS L.H. FRONT From V-1779	1	1	1	
. NS	282961	. LOWER SUPPORT RETAINER / "HAT" SHAPED From V-1779	3	3	3	
9	472379	ANGLE SUPPORT / TO FIX FENDER TO FRAME	10	10	10	
10	504248	RIVET CHY Q PRDG 3/16x1/4 SS	24	24	24	
11	504334	BUMPER RUBBER / .625 OD x .406 TH x .156 HOLE	4	4	4	
12	504339	RIVET POP DOME OE 1/8x3/8 SS	4	4	4	
13	212052	EYELET To V-1778	8	8	8	
13	473414	RETAINER PLASTIC From V-1779	8	8	8	
20	472836	GUIDE	6	6	6	
NS	285452	SHIM SPACER W/2 SLOTS 74MM x 56MM	9	9	9	
21	472830	SPRING GUIDE HOLDER	6	6	6	
22	472829	SPRING COMPRESSION / .610 O.D. x 2.18 x .072	6	6	6	
23	502622	SCREW CAP HEX M6-1.0x20 SS BK	24	24	24	
24	500270	WASHER FL .406x1.000x.063 SS	24	24	24	

From R-012 To 2-4416	Date:10/2022	PAGE:H3-1857-01
FENDERS		

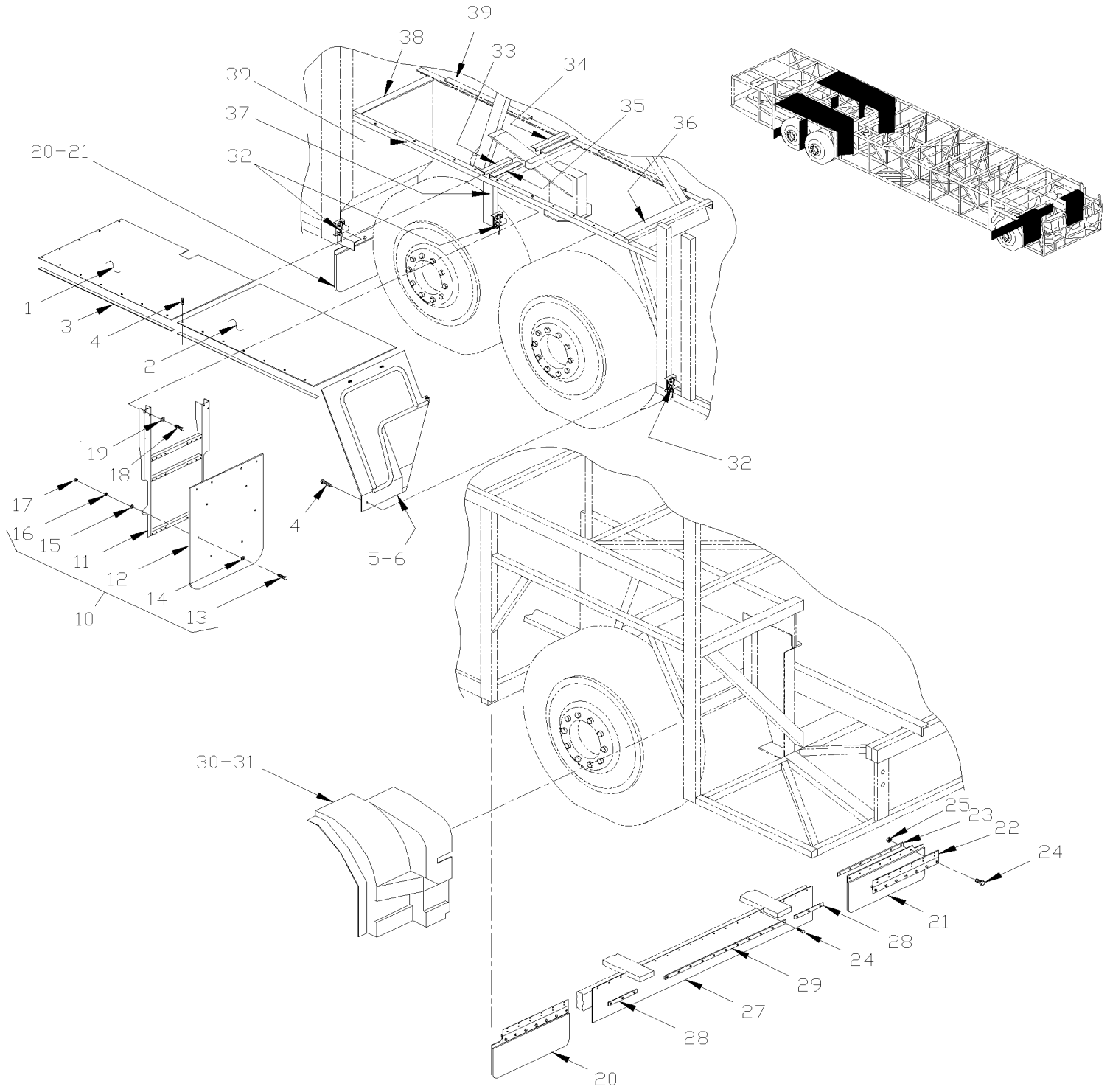
Item#	Part	Description	H 3 4 1	H 3 4 5	V I P 4 5	N O T E S
25	472832	BRACKET / "U" SHAPE / (WELDED) To V-1907	4	4	4	
25	285668	ADJUSTMENT PLATE R.H. From V-1908	2	2	2	
25	285674	ADJUSTMENT PLATE L.H. From V-1908	2	2	2	
30	500535	SCREW TP CAP HEX #14x3/4 Z050	16	16	16	
31	502764	NUT SPR J #14A .035-.046	12	12	12	
32	500468	WASHER FL .281x1.250x.065 Z050	16	16	16	
33	506225	TAPE RUB ADH1 CC POL 1/16" x 1/4" x 100' / GREY 2520	AR	AR	AR	
NS	504459	RIVET MGLP PRDG 1/4x3/8 SS	2	2	2	
40	H3-1854-01	SIDE PANELS - BUS To W-2284				
40	H3-1854-02	SIDE PANELS - BUS From W-2285				
41	H3-1872-00	ENTRANCE DOOR OPENING SWITCH				
		A) THOSE FENDERS ASSY INCLUDE ITEMS #3,4 & 5				

From R-012 To 2-4416

Date:10/2022

PAGE:H3-1859-01

SPLASH GUARD - FRONT & REAR



From R-012 To 2-4416	Date:10/2022	PAGE:H3-1859-01
SPLASH GUARD - FRONT & REAR		

Item#	Part	Description	H 3 4 1	H 3 4 5	V I P 4 5	N O T E S
1	460347	SPLASH GUARD PANEL W/"ST & ST" W.C.L. 675MM X 590MM	1	1		
1	460339	SPLASH GUARD PANEL 675MM X 1092MM	2	2	2	
1	460369	SPLASH GUARD PANEL 675MM X 1092MM To S-252			2	A
2	460338	SPLASH GUARD PANEL 675MM X 996MM	2	2	2	
2	460368	SPLASH GUARD PANEL 675MM X 1018MM From S-253			2	A
3	460336	SEAL RUBBER EXTRUSION EPDM 2100MM	1	1	1	
3	460090	SEAL RUBBER EXTRUSION EPDM 2100MM	1	1	1	
4	5001169	SCREW TP CAP HEXW #12x3/4 SS410	30	30	30	
5	460360	SPLASH GUARD / R.H. DRIVE	1	1	1	
5	460328	SPLASH GUARD / R.H. DRIVE From S-253			1	A
6	460361	SPLASH GUARD / L.H. DRIVE	1	1	1	
6	460366	SPLASH GUARD / L.H. DRIVE From S-253			1	A
10	460330	SPLASH GUARD / R.H. / DRIVE & TAG To S-252	1	1	1	
10	460365	SPLASH GUARD / R.H. / DRIVE & TAG From S-253 To V-1907	1	1	1	
10	460392	SPLASH GUARD / R.H. / DRIVE & TAG From V-1908	1	1	1	
10	460329	SPLASH GUARD / L.H. / DRIVE & TAG To S-252	1	1	1	
10	460364	SPLASH GUARD / L.H. / DRIVE & TAG From S-253 To V-1907	1	1	1	
10	460391	SPLASH GUARD / L.H. / DRIVE & TAG From V-1908	1	1	1	
11	460327	. SUPPORT R.H. To S-252	1	1	1	
11	460362	. SUPPORT R.H. From S-253 To V-1907	1	1	1	
11	460389	. SUPPORT R.H. From V-1908	1	1	1	
11	460326	. SUPPORT L.H. To S-252	1	1	1	
11	460363	. SUPPORT L.H. From S-253 To V-1907	1	1	1	
11	460390	. SUPPORT L.H. From V-1908	1	1	1	
12	960015	. RUBBER PAD To S-252	1	1	1	
12	460351	. RUBBER PAD From S-253	1	1	1	
. NS	960015	. . RUBBER PAD From S-253	1	1	1	
13	502737	. SCREW CAP HEX M6-1.0x25 SS BK	10	10	10	
14	500411	. WASHER FL .260x.697x.050 SS	10	10	10	
15	502573	. WASHER FL 6.4x12.5x1.6 SS	10	10	10	
16	502570	. WASHER LO SPT 6.1x11.8x1.6 SS	10	10	10	
17	502565	. NUT HEX M6-1.0 SS	10	10	10	
18	5001178	SCREW CAP HEX M8-1.25x60 SS BK	4	4	4	
18	5001160	SCREW CAP HEX M8-1.25x100 SS EMN	4	4	4	
19	500270	WASHER FL .406x1.000x.063 SS	16	16	16	
19	5001161	WASHER LO SPT 8.1x14.8x2.0 SS-304	8	8	8	
NS	5001188	NUT HEX M8-1.25 SS	4	4	4	
20	460293	SPLASH GUARD ASSY / R.H. FRONT & R.H. TAG	2	2	2	
21	460291	SPLASH GUARD ASSY / L.H. FRONT	1	1	1	
21	460295	SPLASH GUARD ASSY / L.H. TAG	1	1	1	
21	460292	. SPLASH GUARD / L.H.	1	1	1	
21	460294	. SPLASH GUARD / R.H.	1	1	1	

From R-012 To 2-4416	Date:10/2022	PAGE:H3-1859-01
SPLASH GUARD - FRONT & REAR		

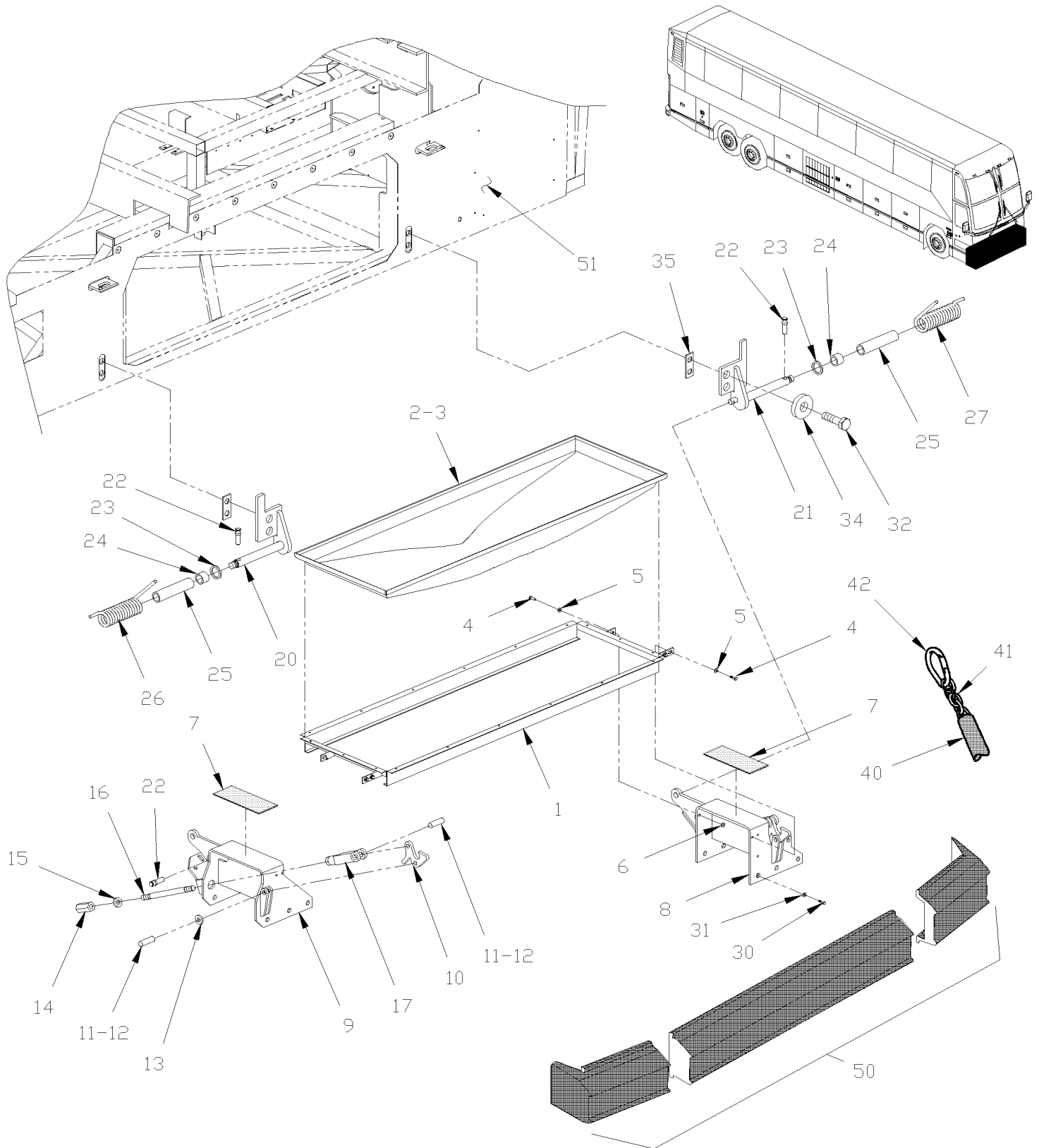
Item#	Part	Description	H 3 4 1	H 3 4 5	V I P 4 5	N O T E S
22	460290	. HINGE	1	1	1	
23	460274	. PLATE REINFORCEMENT 434MM	1	1	1	
24	502622	. SCREW CAP HEX M6-1.0x20 SS BK	7	7	7	
25	502621	. NUT HEX STO M6-1.0 Z050	7	7	7	
27	460312	SPLASH GUARD / CENTER FRONT SPLASH / 1466MM X 247MM				
28	460313	STRAP / TO FIX CENTER SPLASH GUARD / 220MM X 20MM	2	2	2	
29	460314	STRAP / TO FIX CENTER SPLASH GUARD / 806MM X 20MM	1	1	1	
30	460346	SPLASH GUARD / R.H. FRONT	1	1	1	
30	460394	SPLASH GUARD / R.H. FRONT			1	E
31	460270	SPLASH GUARD / L.H. FRONT	1	1	1	
31	460393	SPLASH GUARD / L.H. FRONT			1	E
NS	460248	SUPPORT ANGLE LOWER / FRONT	6	6	6	
NS	504487	RIVET MGLP PRDG 3/16x7/16 SS	18	18	18	B
32	472832	BRACKET / "U" SHAPE / (WELDED) To V-1907	3	3	3	
32	285667	BRACKET / "U" SHAPE / (WELDED) From V-1908	3	3	3	
33	212531	SUPPORT / "T" SHAPE (WELDED) / 245MM SS	1	1	1	
34	213012	SUPPORT / "W" SHAPE (WELDED) / 170MM SS	1	1	1	
35	171682	SUPPORT R.H. To S-252	1	1	1	
35	171954	SUPPORT R.H. From S-253	1	1	1	
35	171779	SUPPORT L.H. To S-252	1	1	1	
35	171957	SUPPORT L.H. From S-253	1	1	1	
36	212521	SUPPORT ANGLE 45° / SLOTTED TO HOLD PANEL (WELDED) 648MM	1	1		
36	212998	SUPPORT ANGLE 45° / SLOTTED TO HOLD PANEL (WELDED) 648MM			1	
37	212997	TUBE 286MM	1	1		
37	212997	TUBE 286MM To S-252			1	
37	212029	TUBE 248MM From S-253			1	
NS	213389	REINFORCEMENT ANGLE 30MM X 64MM	AR	AR	AR	
38	212522	ANGLE 25MM x 65MM x 628MM / (WELDED)	2	2		
38	212522	ANGLE 25MM x 65MM x 628MM / (WELDED) To S-252			2	
38	212999	ANGLE R.H. / 25MM x 65MM x 628MM / (WELDED) From S-253			1	
38	213031	ANGLE L.H. / 25MM x 65MM x 628MM / (WELDED) From S-253			1	
39	212541	TUBE 2462MM SS	2	2	2	
39	172060	RETAINER PLASTIC FENDER "F" SHAPE 2105MM SS	2	2	2	
		A) V.I.P. PRIOR S-253 REQUIRE SAME SPLASH GUARD THAN BUS				
		B) TO FIX FRONT				
		E) WITH INDENDANT SUSPENSION				

From R-012 To 2-4416

Date:10/2022

PAGE:H3-1860-10

SPARE WHEEL DOOR MECHANISM FRONT BUMPER



From R-012 To 2-4416	Date:10/2022	PAGE:H3-1860-10
SPARE WHEEL DOOR MECHANISM FRONT BUMPER		

Item#	Part	Description	H 3 4 1	H 3 4 5	V I P 4 5	N O T E S
	410454P	BUMPER ASSY / W/COMPLETE DOOR MECHANISM	1	1		
1	410455	. FRAME ASSY	1	1		
2	410453	. PANEL CLOSING / SPARE COMPARTMENT / PLASTIC	1	1		
NS	504488	. RIVET MGLP PRDG 3/16x17/64 SS	AR	AR		
3	410605	. RUBBER EXTRUSION SEAL / GRIP .062 X 3140MM	1	1		A
4	502622	. SCREW CAP HEX M6-1.0x20 SS BK	8	8		
5	500411	. WASHER FL .260x.697x.050 SS	6	6		
5	502582	. WASHER LO SERR 6.1x16.2x0.9 Z050	6	6		
6	500609	. NUT HEX M6-1.0 Z050	6	6		
7	410429	. SPACER RUBBER	2	2		
8	410383	. BRACKET ASSY / L.H. To W-2570	1	1		
8	410629	. BRACKET ASSY / L.H. From W-2571	1	1		
9	410375	. BRACKET ASSY / R.H. To W-2570	1	1		
9	410630	. BRACKET ASSY / R.H. From W-2571	1	1		
10	410569	. HOOK To W-2570	2	2		
10	410647	. HOOK From W-2571 To X-2821	2	2		
10	410569	. HOOK From X-2822	2	2		
11	502027	. PIN, CLEVIS 1/2 x 1 1/4 BZC	1	1		
12	502111	. PIN, COTTER 1/8 x 1 1/2 SS	2	2		
13	500958	. WASHER FL .531x1.062x.095 SS	2	2		
14	410399	. NUT HEX CPG 5/8-11 X 2 1/8 To W-2284	2	2		
14	502547	. NUT HEX CPG 5/8-11x2 1/8 ZP From W-2285 To W-2570	2	2		
14	410643	. NUT HEX 5/8-11 X 2" LG BRASS From W-2571	2	2		
15	500449	. WASHER FL .625x1.500 SS	2	2		
16	410397	. THREADED ROD 229MM To W-2570	2	2		
16	410649	. THREADED ROD 229MM From W-2571	2	2		
17	640129	. YOKE 5/8-18x1 3/8 C/Lx9/16Wx1/2	2	2		
NS	500730	. NUT HEX JAM THN 5/8-18x3/8 ZP	2	2		
20	410372	. BRACKET ASSY / R.H. To W-2570	1	1		
20	410632	. BRACKET ASSY / R.H. From W-2571	1	1		
21	410365	. BRACKET ASSY / L.H. To W-2570	1	1		
21	410631	. BRACKET ASSY / L.H. From W-2571	1	1		
22	410640	. STOPPER From W-2571	4	4		
NS	505406	. SPRING, PIN 1/4 X 1 1/2 To W-2570	2	2		
23	410648	. SPACER WASHER From W-2571	1	1		
24	507362	BUSHING TEFLON 1" I.D. X 1 1/2" O.D. X 3/4" From W-2571	2	2		
25	507363	BUSHING TEFLON 1" I.D. X 1 1/2" O.D. X 5" From W-2571	2	2		
26	410389	. SPRING, TORSION / R.H. To R-017	1	1		
26	410598	. SPRING, TORSION / R.H. / 1.49 I.D. x .343 From R-018 To W-2570	1	1		
26	410645	. SPRING, TORSION / R.H. / 1.594 I.D. x .343 From W-2571	1	1		B
27	410361	. SPRING, TORSION / L.H. To R-017	1	1		
27	410597	. SPRING, TORSION / L.H. / 1.49 I.D. x .343 From R-018 To W-2570	1	1		

From R-012 To 2-4416	Date:10/2022	PAGE:H3-1860-10
SPARE WHEEL DOOR MECHANISM FRONT BUMPER		

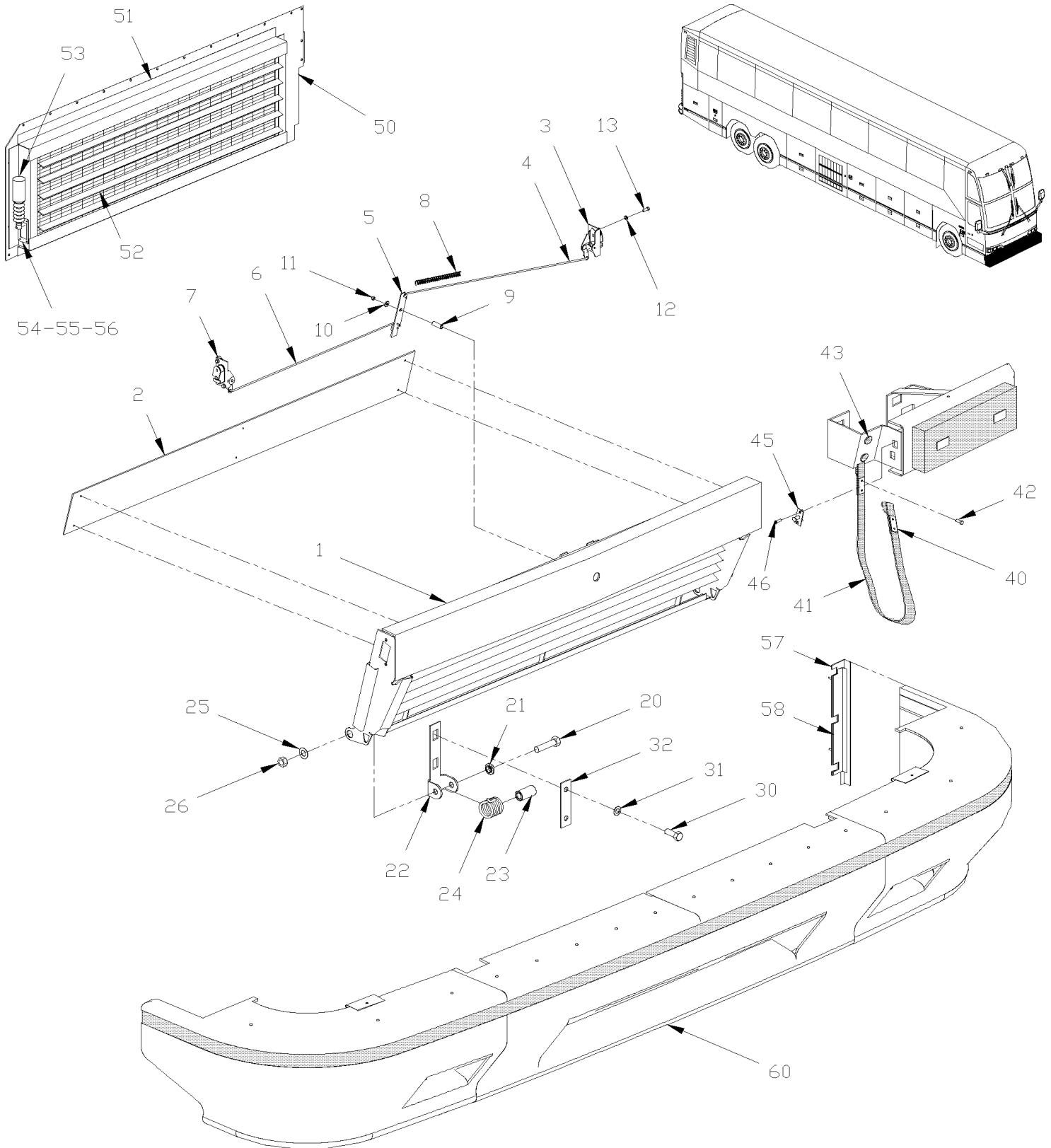
Item#	Part	Description	H 3 4 1	H 3 4 5	V I P 4 5	N O T E S
27	410644	. SPRING, TORSION / L.H. / 1.594 I.D. x .343 From W-2571	1	1		B
30	502696	. SCREW CAP HEX 1/2-13x1 1/4 G5 ZP	12	12		
31	500482	. WASHER LO SPT .506x.873x.125 Z050	12	12		
32	502544	. SCREW CAP HEX M16-2.0x40 G8.8 Z050	4	4		
33	410460	. PLATE 76MM X 30MM	2	2		
34	500802	WASHER LO SPT 16.2x37.4x3.5 Z050 From X-2822	4	4		
40	560388	. PLASTIC TUBING / 3/4" / CLEAR	AR	AR		
41	650152	. CHAIN / S.L.	AR	AR		
42	504522	. HOOK	3	3		
NS	502548	. EYE BOLT M10-1.5x50 CJ To W-2570	2	2		
NS	500256	. NUT HEX M10-1.5 Z050 To W-2570	4	4		
NS	410464	HOSE 3/4" I.D. 420MM	1	1		
NS	410671	KIT TOOL BUMPER SPRING INSTALLATION	1	1		
. NS	IS-97064	. SEE INSTRUCTION SHEET	1	1		
50	H3-1850-00	BUMPER FRONT - BUS				
51	H3-1896-00	FRONT SHEATING - BUS				
		A) ALSO SOLD IN 20' ON PART #482051 OR 100' ON PART #506410				
		B) TO INSTALL THOSE SPRING YOU NEED TOOL KIT #410671. SEE INSTRUCTION SHEET IS-97064 FOR HELP				

From R-012 To 2-4416

Date:10/2022

PAGE:H3-1860-50

BUMPER DOOR FRONT - V.I.P.



From R-012 To 2-4416	Date:10/2022	PAGE:H3-1860-50
BUMPER DOOR FRONT - V.I.P.		

Item#	Part	Description	H 3 4 1	H 3 4 5	V I P 4 5	N O T E S
1	410530	BUMPER / CENTER			1	
2	410546	PLATE ANTISKID 145MM X 1340MM AL			1	
NS	410453	PANEL CLOSING / SPARE COMPARTMENT / PLASTIC			AR	A
3	780282	LOCK SPAGNOLET L.H.			1	
4	410504	ROD / L.H.			1	
5	410490	HANDLE			1	
6	410502	ROD / R.H.			1	
7	780283	LOCK SPAGNOLET R.H.			1	
. NS	780340	. CLIP, RETAINER ROD			1	
8	502155	SPRING EXTENSION / .250 O.D. x 2.5 x .024			1	
9	481012	BUSHING LEVER			1	
10	500411	WASHER FL .260x.697x.050 SS			2	
11	502716	NUT HEX NYRT 1/4-20			1	
12	502570	WASHER LO SPT 6.1x11.8x1.6 SS			2	
13	5001181	SCREW CAP HEX M6-1.0x12 SS			4	
20	5001002	SCREW SHR HEXS 16x90 {M12-1.75			2	
21	410485	SHOULDER WASHER			4	
22	211664	HINGE To X-2724			2	B
22	213946	HINGE From X-2725			2	
23	410520	SPRING SPACER NYLON			2	
24	410564	SPRING, TORSION / 1.25 I.D. x 2.027 x .250			2	
25	500449	WASHER FL .625x1.500 SS			2	
26	502591	NUT HEX NYRT M12-1.75 CP			2	
30	5001338	SCREW CAP HEX M12-1.75x45 G10.9 N500 From X-2725			4	
31	500810	WASHER LO SPT 12.2x21.1x2.5 Z050 From X-2725			4	
32	213947	MOUNTING PLATE 38MM X 140MM From X-2725			2	
40	410526	PLATE STRAP / HOLD DOWN			4	
41	410541	STRAP / HOLD DOWN / 635MM			2	
41	505507	. STRAP NYLON 1" WIDE / S.L.			AR	
42	504379	RIVET POP DOME OE 3/16x1/4 SS			4	
43	504553	BUMPER PLUG / 7/8 X 7/16 / R.H. & L.H.			2	
45	780278	PIN, STRIKER STUD			2	
NS	410532	SHIM 11GA 25MM X 60MM			2	
46	502773	SCREW MA OV PH 1/4-20x1 SS EMN			4	
NS	500440	WASHER FL .250x.562x.065 Z050			4	
NS	502716	NUT HEX NYRT 1/4-20			4	
50	410525	PANEL / W/HOLES To W-2457			1	
50	410650	PANEL / W/HOLES From W-2458 To X-2724			1	
50	410729	PANEL / W/HOLES From X-2725			1	
50	410524	PANEL / PLAIN From W-2457			1	
50	410651	PANEL / PLAIN From W-2458 To X-2724			1	
50	410730	PANEL / PLAIN From X-2725			1	

From R-012 To 2-4416	Date:10/2022	PAGE:H3-1860-50
BUMPER DOOR FRONT - V.I.P.		

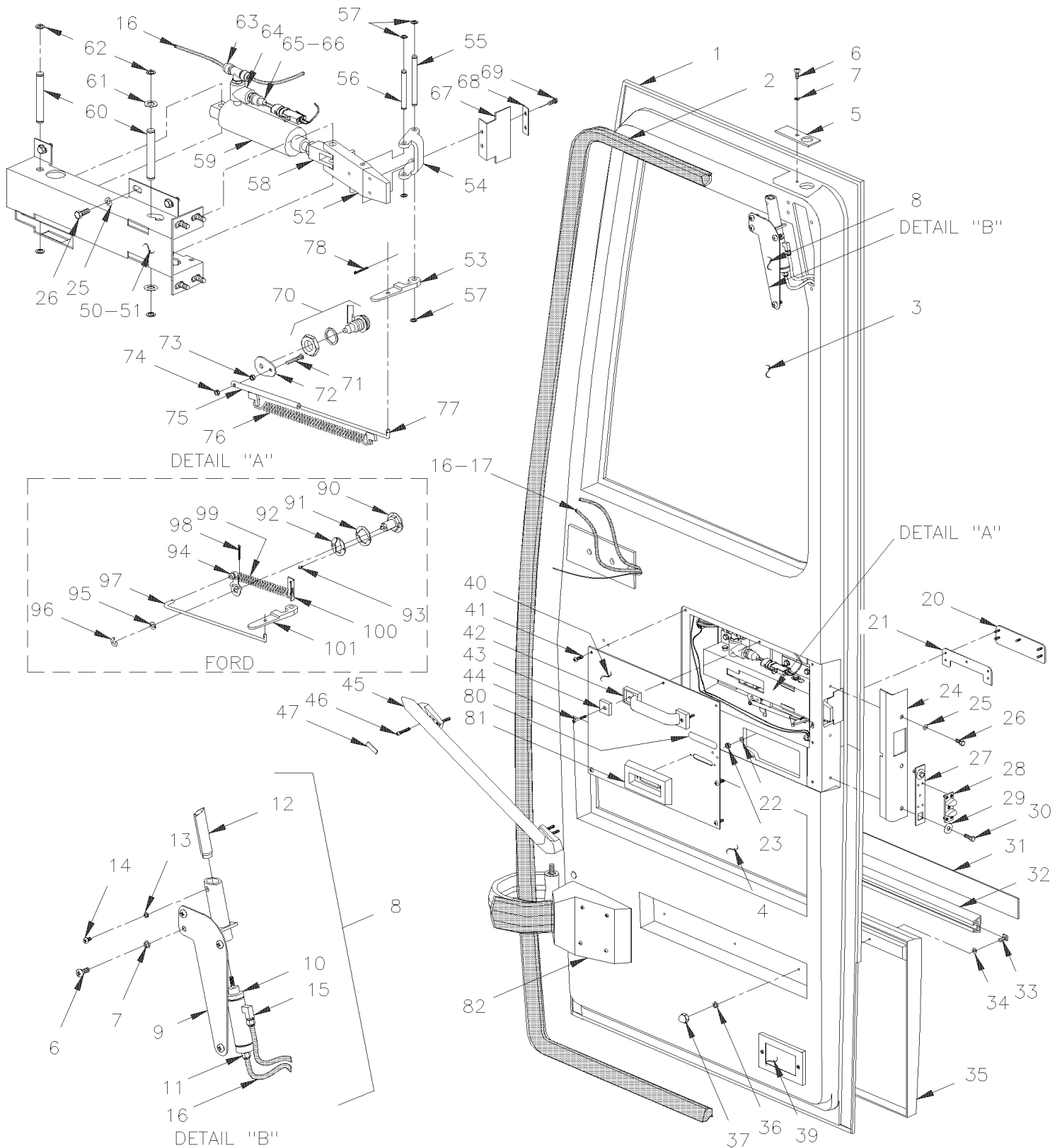
Item#	Part	Description	H 3 4 1	H 3 4 5	V I P 4 5	N O T E S
51	410501	ANGLE / TO FIX SHUTTER UPPER			1	
NS	502761	SCREW TP BDG PH #10x3/4 SS BK			13	
NS	502573	WASHER FL 6.4x12.5x1.6 SS			13	
52	051570	SHUTTER ASSY			1	
. NS	550568	. CYLINDER AIR / SHUTTER / W/4" MOUNT			1	
. NS	550569	. BOOT RUBBER			1	
. NS	550577	. SPRING EXTENSION / .350 O.D. x 6.875 x .069			1	
. NS	550179	. BUSHING 5/16" I.D. / NYLON			AR	
52	550577	. SPRING EXTENSION / .350 O.D. x 6.875 x .069			1	
52	550568	. CYLINDER AIR / SHUTTER / W/4" MOUNT			1	
52	550569	. . BOOT RUBBER			1	
52	550179	. BUSHING 5/16" I.D. / NYLON			AR	
53	506227	TAPE RUB ADH1 CC POL 1/16" x 3/4" x 100' / GREY 2520			AR	
54	282954	GASKET			1	
55	282953	PLATE, CLOSING			1	
56	504340	RIVET POP DOME OE 1/8x3/16 SS			4	
57	410538	ATTACHMENT / SIDE OF SERVICE DOOR 390MM			1	
58	502557	. NUT HEX NYRT M4-0.7 SS			2	
NS	502556	WASHER FL 4.3x9.0x0.8 SS			2	
60	H3-1850-15	BUMPER FRONT - V.I.P.				
		A) USED ONLY W/BUS WITH V.I.P. FRONT BUMPER				
		B) WELDED TO STRUCTURE				

From R-012 To 2-4416

Date:10/2022

PAGE:H3-1862-10

ENTRANCE DOOR ASSY - "SEDAN"



From R-012 To 2-4416	Date:10/2022	PAGE:H3-1862-10
ENTRANCE DOOR ASSY - "SEDAN"		

Item#	Part	Description	H 3 4 1	H 3 4 5	V I P 4 5	N O T E S
	284614P	ENTRANCE DOOR ASSY / SEDAN To S-137	1	1		A
	285059	ENTRANCE DOOR ASSY / SEDAN From S-138 To V-1796	1	1		B
	285691	ENTRANCE DOOR ASSY / SEDAN From V-1797 To V-1960	1	1		C
	285682	ENTRANCE DOOR ASSY / SEDAN From V-1961 To W-2284	1	1		C
	285870	ENTRANCE DOOR ASSY / SEDAN / GREY & BLACK From W-2285	1	1		
1	285003	. DOOR MOULDED / FIBERGLASS To V-1960	1	1		
1	285636	. DOOR MOULDED / FIBERGLASS From V-1961	1	1		
1	289691	. DOOR MOULDED / FIBERGLASS W/O WIRE HOLE FOR DOCKING LAMP	1	1		
1	285223	. DOOR MOULDED / FIBERGLASS / W/"FORD" KEY To V-1960	1	1		
1	285644	. DOOR MOULDED / FIBERGLASS / W/"FORD" KEY From V-1961	1	1		
1	289692	. DOOR MOULDED / FIBERGLASS / W/"FORD" KEY W/O WIRE HOLE FOR DOCKING LAMP	1	1		
2	285464	. RUBBER SEAL EXTRUSION 5800MM	AR	AR		
2	280136	. RUBBER SEAL EXTRUSION 5800MM	1	1		
2	2800115	. RUBBER SEAL EXTRUSION 5800MM	1	1		
3	299055	. GLASS, THERMOS To X-2862	1	1		
3	293204	. GLASS, THERMOS From X-2863	1	1		
4	299057	. GLASS, THERMOS To X-2862	1	1		
4	293205	. GLASS, THERMOS From X-2863	1	1		
NS	681089	. SEALANT TAPE BUTYL / BLACK / 1/8"x5/16"x15' / 753152760	AR	AR		
NS	681091	. PRIMER SIKA #206 / BLACK / 250ml	AR	AR		
NS	681092	. ADHESIVE SIKA #255FC / BLACK / 310ml CARTRIDGE	AR	AR		
5	284567	. PLATE FINISHING To W-2284	1	1		
5	285876	. PLATE FINISHING From W-2285	1	1		
6	502569	. SCREW MA PAN PH M6-1.0x16 BK	1	1		O
7	500472	. WASHER LO INT .256x.478x.028 Z050	1	1		P
8	285030	. LOCK ASSY, UPPER To V-1796	1	1		D
8	285599	. LOCK ASSY, UPPER From V-1797 To W-2284	1	1		
8	285877	. LOCK ASSY, UPPER From W-2285	1	1		
9	284629	. . PLATE, LOCK To S-287	1	1		
9	285269	. . PLATE, LOCK From S-288 To W-2284	1	1		
9	285878	. . PLATE, LOCK From W-2285	1	1		
10	641259	. . CYLINDER, AIR 7/8" SINGLE ACTION To V-1796	1	1		
10	641392	. . CYLINDER 7/8" X 1" STROKE / DOUBLE ACTION From V-1797	1	1		
11	641242	. . MALE CONNECTOR / PUSH-IN FITTING / #4x1/8NPT-M BR	2	2		
12	284819	. . CATCH To S-187	1	1		
12	285271	. . CATCH From S-188	1	1		
12	282383	. . CATCH	1	1		
12	683276	. . GREASE LOW TEMPERATURE 450GR	AR	AR		
13	502636	. . WASHER LO SPT 4.1x7.6x0.9 Z050	1	1		
14	500560	. SCREW MA PAN PH M4-0.7x6 Z050	1	1		
15	641369	. MALE ELBOW 90° NON-SWIVEL / PUSH-IN FITTING / #4x1/8NPT-M BR From V-1793	1	1		

From R-012 To 2-4416	Date:10/2022	PAGE:H3-1862-10
ENTRANCE DOOR ASSY - "SEDAN"		

Item#	Part	Description	H 3 4 1	H 3 4 5	V I P 4 5	N O T E S
		THE 7 FOLLOWING PARTS ARE LOCATED INSIDE				
		THE DOOR				
16	503402	. TUBE, NYLON 1/4 O.D. / BLACK S.L.	AR	AR		
NS	504421	. GROMMET / .625x.875x.187x.437x1.125	3	3		
NS	500510	. SCREW MA BDG PH #10-32x3/4 SS EMN	1	1		
NS	500519	. NUT WELL #10-32x.518	1	1		
NS	560503	. CLAMP / 1/4" I.D.	1	1		
17	063468	. CABLE ASSY / PRESSURE SWITCH & LIGHT To S-137	1	1		F
17	063951	. CABLE ASSY / DOOR ACCESSORIES From S-138	1	1		G
NS	560503	. CLAMP / 1/4" I.D.	1	1		
20	283956	. HANDLE ASSY / W/5 STUDS	1	1		
21	283954	. GASKET / HANDLE & BODY	1	1		
22	502556	. WASHER FL 4.3x9.0x0.8 SS	5	5		Q
23	502557	. NUT HEX NYRT M4-0.7 SS	5	5		Q
24	284053	. PLATE, FINISHING To W-2284	1	1		
24	285880	. PLATE, FINISHING From W-2285	1	1		
24	288944	. PLATE, FINISHING	1	1		
25	502582	. WASHER LO SERR 6.1x16.2x0.9 Z050	11	11		
26	502531	. SCREW CAP HEX M6-1.0x16 G8.8 Z050	11	11		R
27	283929	. PLATE / TO FIX DOVETAIL	1	1		
NS	5001058	. SCREW MA FL PH M4-0.7x8 Z050	3	3		
28	780496	. DOVETAIL, MALE	1	1		
29	502622	. SCREW CAP HEX M6-1.0x20 SS BK	2	2		
30	502583	. WASHER LO SERR 8.15x22.3x1.0 Z050	4	4		
31	283100	. STRIPE, REFLECTIVE WHITE / 38MM X 15' ROLL	AR	AR		
NS	780277	. . STRIPE, REFLECTIVE WHITE / 38MM X 150' ROLL	AR	AR		
32	283376	. EXTRUSION PROFILE 773MM To V-1960	1	1		
32	285683	. EXTRUSION BACKING ASSY W/REFLECTOR 771MM From V-1961	1	1		
NS	285659	. . EXTRUSION BACKING 771MM From V-1961	1	1		
32	285659	. . EXTRUSION BACKING 771MM From V-1961	1	1		
32	280235	. EXTRUSION BACKING ASSY W/REFLECTOR 768MM From V-1961	1	1		SVC
NS	280118	. . EXTRUSION 768MM From V-1961	1	1		SVC
32	685126	. ADHESIVE SIMSON #ISR 70-03 / GREY / 600ml SAUSAGE From V-1961	AR	AR		SVC
NS	680025	. CAULKING STRIP 3/16" O.D. X 14'	AR	AR		
33	502534	. SCREW CAP SQ 5/16-18x1 G2 Z050 To V-1960	4	4		
33	500120	. SCREW TP BDG PH #6x1/2 SS From V-1961	4	4		
34	283219	. WASHER ,REINFORCEMENT To V-1960	4	4		
35	283375	. PROTECTOR PANEL / DP To V-1960	1	1		
35	284794	. PROTECTOR PANEL / WITH GRAVEL GUARD / DP To V-1960	1	1		H
35	285654	. PROTECTOR PANEL / SH From V-1961	1	1		
35	285898	. PROTECTOR PANEL / WITH GRAVEL GUARD / SH From V-1961	1	1		H

From R-012 To 2-4416	Date:10/2022	PAGE:H3-1862-10
ENTRANCE DOOR ASSY - "SEDAN"		

Item#	Part	Description	H 3 4 1	H 3 4 5	V I P 4 5	N O T E S
NS	681348	. TAPE RUB ADH2 ACRYLIC .045" x 1" x 108' / VHB4952	AR	AR		
37	5001189	. NUT HEX 5/16-18 SS	4	4		
NS	504573	. CAP, FINISHING / PLASTIC To V-1960	4	4		
39	H3-0655-01	INTERIOR LIGHTING To W-2284				
39	H3-0655-02	INTERIOR LIGHTING From W-2285				
NS	500862	. SCREW TC PAN PH #6-32x3/4 Z050	2	2		S
NS	500422	. NUT SPR U #6-32 .110-.120 SS	2	2		S
40	283977	. PLATE, CLOSING To W-2284	1	1		
40	285879	. PLATE, CLOSING From W-2285	1	1		
41	502761	. SCREW TP BDG PH #10x3/4 SS BK	7	7		
42	860422	. HANDLE	1	1		
43	284049	. PLUG / SQUARE / BLACK	1	1		
44	500360	. SCREW TP FL PH #8x1 1/4 BK	2	2		
45	900489	. HANDLE	1	1		
46	500619	. SCREW TP FL PH #10x1 1/4 Z050	4	4		
47	900490	. CAP / W/HANDLE	2	2		
50	285065	. CATCH ASSY	1	1		
51	283974	. . BASE To S-145	1	1		
51	285087	. . BASE From S-146	1	1		
52	283975	. . CATCH	1	1		
53	283968	. . HOOK	1	1		
54	283945	. . LEVER	1	1		
55	283947	. . AXE LONG / 69.9MM	1	1		
56	283946	. . AXE SHORT / 54.4MM	1	1		
57	504402	. . RING RETAINER / EXT .250 x .210 x .025"	6	6		
58	641216	. . YOKE	1	1		
NS	642225	. . . CLIP	2	2		
59	641209	. . CYLINDER 1 3/4" X 3/4" STROKE	1	1		
60	283948	. . AXE	2	2		
60	500444	. . WASHER FL .406x.812x.065 Z050	2	2		
62	504477	. . RING RETAINER / EXT 14.0 X 13.4 X 1.0MM	2	2		
63	641006	. . MALE BRANCH TEE / NTA FITTING / #4x#4x1/4NPT-M BR	1	1		
64	501338	. MALE RUN TEE / PIPE FITTING / 1/4NPT-Mx1/4NPT-Fx1/4NPT-F BR	1	1		
65	452081	. PRESSURE SWITCH N.O. 30-5 20SP001AA030C005C To S-137	1	1		
65	950245	. PRESSURE SWITCH N.C. 20-30 LO-UNLOAD W/WIRE BLACK From S-138 To S-168	1	1		
65	285218	. PRESSURE SWITCH N.C. 30-10 20PS001AB030E010E From S-169	1	1		
65	452831	. PRESSURE SWITCH N.O. 30-5 20SP001MA030C005C	1	1		E
66	950249	. SCHRADER VALVE 1/4NPT-M From S-138	1	1		
67	284051	. RUBBER, CLOSING	1	1		
67	680066	. ADHESIVE / ADBOND #5014 / 23.6ML BOTTLE	AR	AR		
68	284052	. PLATE / TO FIX CLOSING RUBBER	1	1		
69	500650	. SCREW TC PAN PH #6-32x3/8 ZP	1	1		O

From R-012 To 2-4416	Date:10/2022	PAGE:H3-1862-10
ENTRANCE DOOR ASSY - "SEDAN"		

Item#	Part	Description	H 3 4 1	H 3 4 5	V I P 4 5	N O T E S
70	H3-1864-30	HANDLE LOCK & KEYS - TYPE "PS"				
71	500418	. SCREW MA RND SLT #8-32x1 ZP	1	1		
72	780279	. LEVER, LOCK / CYLINDER / PLASTIC BLACK / 7MM SQ HOLE	1	1		
72	288324	. LEVER, LOCK / CYLINDER / PLASTIC BLACK / 8MM SQ HOLE From SERVICE	1	1		J
73	500764	. NUT HEX #8-32 Z050	1	1		
74	500670	. NUT HEX NYRT #8-32 Z050	1	1		
75	283962	. ROD / LOCK CYLINDER SIDE / 136 MM	1	1		
76	502147	. SPRING EXTENSION / .500 O.D. 3.5 x .054	1	1		
77	283960	. ROD "L" SHAPE 173MM	1	1		
80	284055	. DECAL / CLOSE - OPEN / ENGLISH	1	1		
81	284056	CAP, FINISHING To W-2284	1	1		
81	285862	CAP, FINISHING From W-2285	1	1		
81	500686	SCREW TP OV PH #6x1/2 BK	2	2		
81	500345	WASHER FN CKF .187x.500x.090 BR BK	2	2		
82	H3-1862-60	ENTRANCE DOOR FRAME - INSTALLATION				
		FOLLOWING PARTS ARE RELATED TO "FORD"				
		ENTRANCE DOOR CYLINDER LOCK OPTION				
90	284561	CYLINDER LOCK MODIFIED / CODE A	1	1		
90	Call order desk	CYLINDER LOCK MODIFIED / CODE FA 0001	1	1		P
90	286156	CYLINDER LOCK / CODE M / FA 0013	1	1		
90	Call order desk	CYLINDER LOCK MODIFIED / CODE FA 0020	1	1		P
90	287079	CYLINDER LOCK / CODE O / FA 0028	1	1		
90	Call order desk	CYLINDER LOCK MODIFIED / CODE FA 0107	1	1		P
90	Call order desk	CYLINDER LOCK MODIFIED / CODE FA 0109	1	1		P
90	Call order desk	CYLINDER LOCK MODIFIED / CODE FA 0206	1	1		P
90	Call order desk	CYLINDER LOCK MODIFIED / CODE FA 0208	1	1		P
90	Call order desk	CYLINDER LOCK MODIFIED / CODE FA 0268	1	1		P
90	284841	CYLINDER LOCK MODIFIED / CODE FA 0368	1	1		
90	285264	CYLINDER LOCK / CODE AB / FA 0443	1	1		
90	285577	CYLINDER LOCK MODIFIED / CODE FA 0528	1	1		
90	Call order desk	CYLINDER LOCK MODIFIED / CODE FA 0563	1	1		P
90	285545	CYLINDER LOCK / CODE AG / FA 0625	1	1		
90	284373	CYLINDER LOCK / CODE AH / FA 0648	1	1		
90	285276	CYLINDER LOCK / CODE AI / FA 0668	1	1		
90	286418	CYLINDER LOCK / CODE AL / FA 0714	1	1		
90	285861	CYLINDER LOCK / CODE AM / FA 0721	1	1		
90	284935	CYLINDER LOCK / CODE AO / FA 1116	1	1		
90	285572	CYLINDER LOCK / CODE AQ / FA 1316	1	1		
90	285066	CYLINDER LOCK / CODE AT / FA 1486	1	1		
91	780237	SEAL RUBBER 1/32" TH	1	1		

From R-012 To 2-4416	Date:10/2022	PAGE:H3-1862-10
ENTRANCE DOOR ASSY - "SEDAN"		

Item#	Part	Description	H 3 4 1	H 3 4 5	V I P 4 5	N O T E S
91	2800032	SEAL RUBBER 1/16" TH	1	1		
92	284361	WASHER / CYLINDER LOCK RETAINER To W-2095	1	1		
92	285811	WASHER / CYLINDER LOCK RETAINER From W-2096	1	1		
93	500518	SCREW MA BDG PH #4-40x1/2 Z050	2	2		
94	284358	LEVER ASSY	1	1		
NS	500438	WASHER FL .187x.437x.050 Z050	2	2		
95	283853	SPACER / WASHER 9/16" O.D. X 1/4" I.D.	1	1		
96	504402	RING RETAINER / EXT .250 x .210 x .025"	1	1		
97	284363	ROD / 178MM	1	1		
98	502094	PIN, COTTER 1/16 x 1/2 SS	1	1		
99	284376	SPRING EXTENSION / .312 O.D. x ? x .031 To S-221	1	1		
99	502184	SPRING EXTENSION / .360 O.D. x 1.25 x .031 From S-222	1	1		
100	284362	SUPPORT / "T" SHAPE To S-221	1	1		
100	284940	SUPPORT From S-222 To W-2095	1	1		
100	285639	SUPPORT From W-2096	1	1		
101	284852	HOOK To S-221	1	1		
NS	780238	KEY BLANK UNCUT	1	1		
NS	780217	KEY CODE / FA 0000	1	1		
NS	780654	KEY CODE / FA 0001	1	1		
NS	780604	KEY CODE / FA 0013	1	1		
NS	780628	KEY CODE / FA 0020	1	1		
NS	780624	KEY CODE / FA 0028	1	1		
NS	780634	KEY CODE / FA 0107	1	1		
NS	780656	KEY CODE / FA 0109	1	1		
NS	780631	KEY CODE / FA 0206	1	1		
NS	780659	KEY CODE / FA 0208	1	1		
NS	780572	KEY CODE / FA 0268	1	1		
NS	780582	KEY CODE / FA 0368	1	1		
NS	780552	KEY CODE / FA 0443	1	1		
NS	780579	KEY CODE / FA 0528	1	1		
NS	780791	KEY CODE / FA 0563	1	1		
NS	780575	KEY CODE / FA 0625	1	1		
NS	780534	KEY CODE / FA 0648	1	1		
NS	780554	KEY CODE / FA 0668	1	1		
102	780632	KEY CODE / FA 0692	1	1		
NS	780608	KEY CODE / FA 0714	1	1		
NS	780591	KEY CODE / FA 0721	1	1		
NS	780541	KEY CODE / FA 1116	1	1		
NS	780577	KEY CODE / FA 1316	1	1		
NS	780545	KEY CODE / FA 1486	1	1		
NS	285467	KIT, LATCH SUPPORT SEDAN DOOR	AR	AR		
. NS	IS-96157A	. SEE INSTRUCTION SHEET	1	1		

From R-012 To 2-4416	Date:10/2022	PAGE:H3-1862-10
ENTRANCE DOOR ASSY - "SEDAN"		

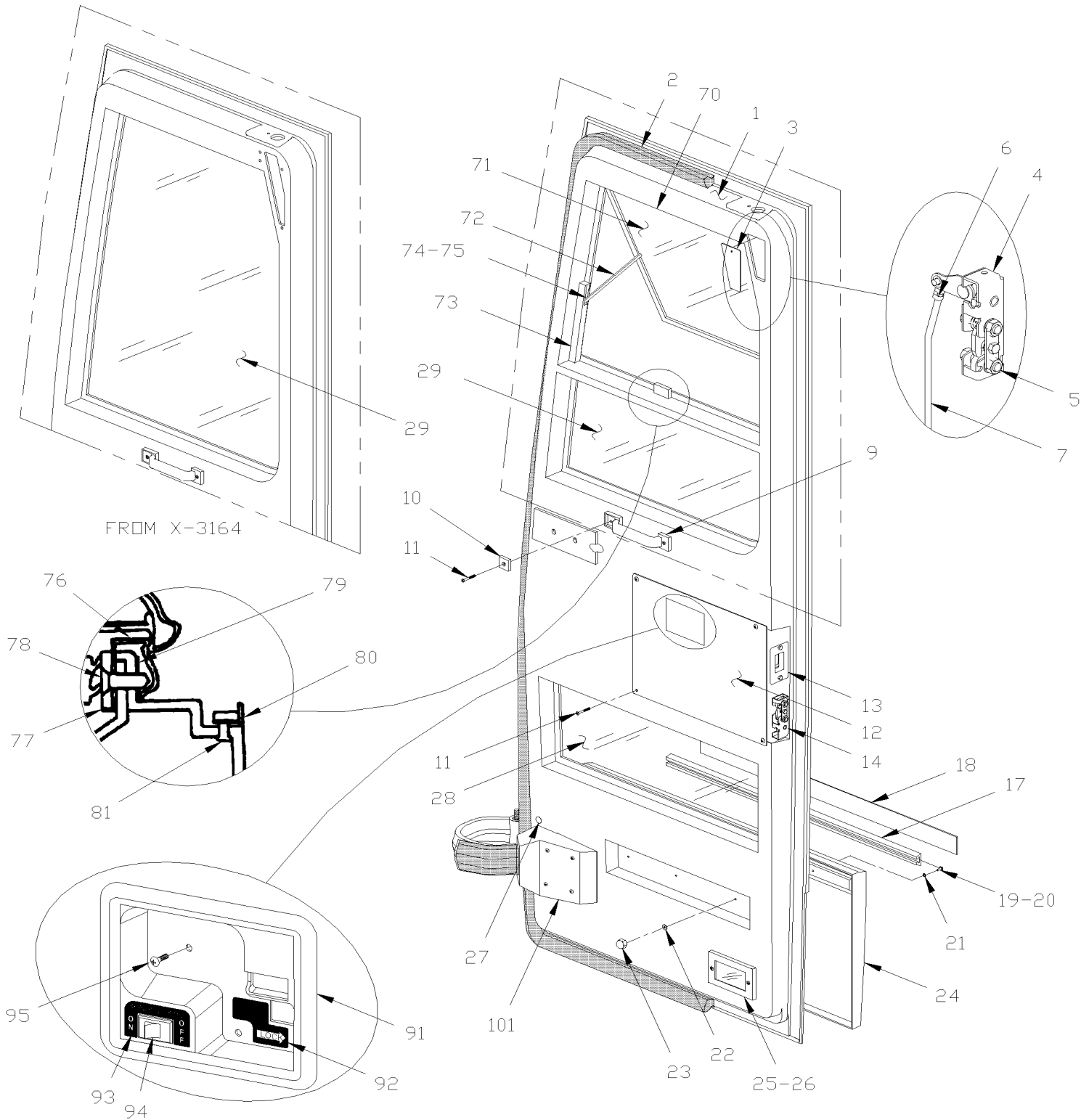
Item#	Part	Description	H 3 4 1	H 3 4 5	V I P 4 5	N O T E S
		A) DOOR ASSY WITH SINGLE ACTION UPPER LOCK, INCLUDING PRESSURE SWITCH AND CABLE #063468				
		B) DOOR ASSY WITH SINGLE ACTION UPPER LOCK, INCLUDING CABLE #063951 AND WITHOUT PRESSURE SWITCH				
		C) DOOR ASSY WITH DOUBLE ACTION UPPER LOCK INCLUDING CABLE #063951 AND WITHOUT PRESSURE SWITCH				
		D) TO CHANGE TO DOUBLE ACTION CYLINDER ASK FOR KIT #285467				
		E) THIS SWITCH SUPERSEED THE OLD ONE #452081 AND REQUIRE #950249 "SHREADER" VALVE				
		F) THIS CABLE ASSY IT USE W/ELECTRONIC MODUL WITH N.O. PRESSURE SWITCH				
		G) THIS CABLE ASSY IT USE W/RELAY MODUL WITH N.C. PRESSURE SWITCH				
		H) THIS PROTECTOR IS COATED WITH GRAVEL GUARD AND IS BLACK PAINTED, READY TO INSTALL.				
		J) SEE KITS AT END OF PAGE H3-1864-99				
		O) TO FIX PLATE				
		P) TO FIX PLATE & UPPER LOCK				
		Q) TO FIX HANDLE				
		R) TO FIX CLOSING PLATE & CATCH				
		S) TO FIX LAMP				
		SVC) SERVICE				
		P) CALL ORDER DESK FOR SPECIFIC APPLICATION (V.I.N.)				

From R-012 To 2-4416

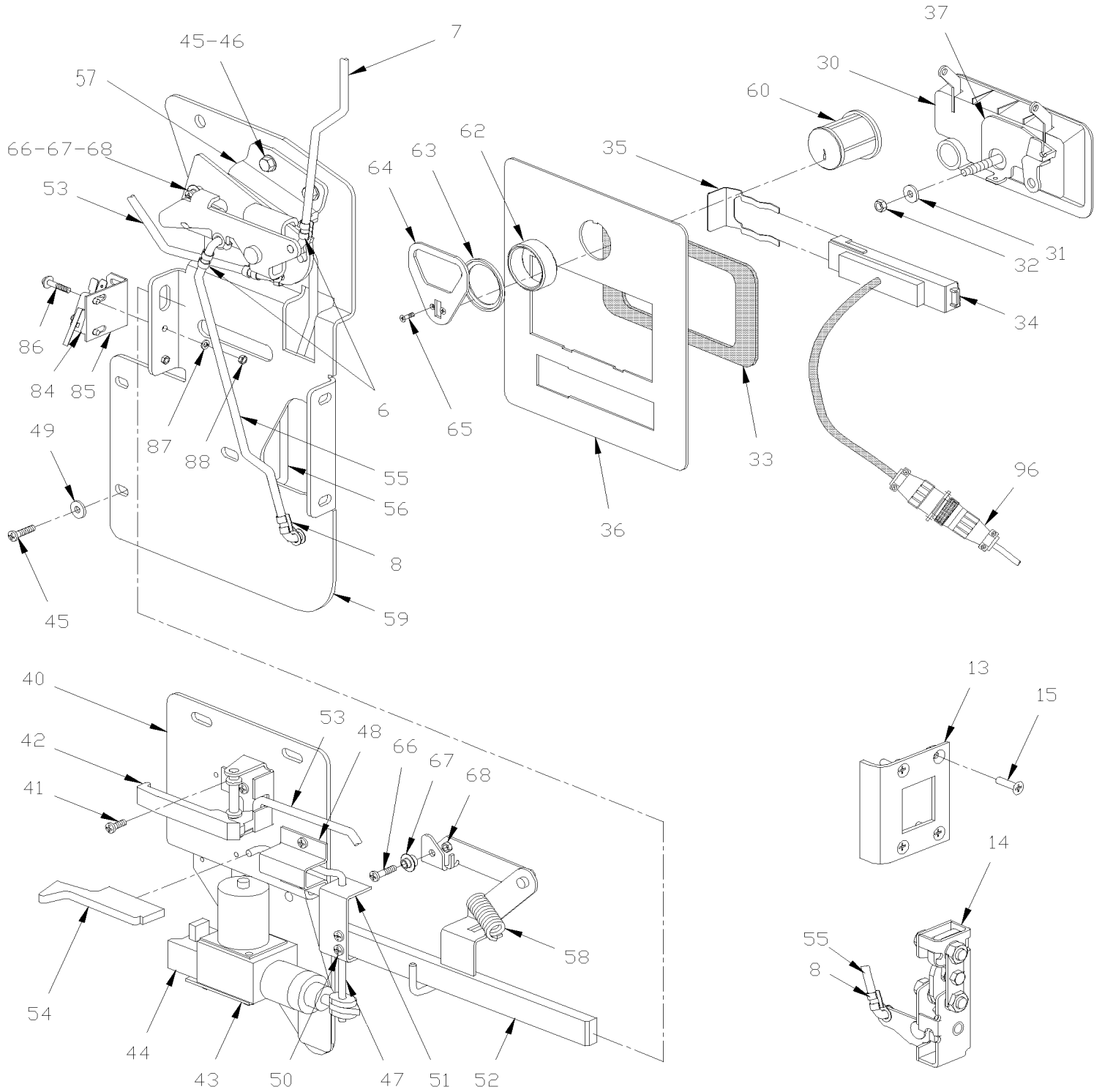
Date:10/2022

PAGE:H3-1862-50

ENTRANCE DOOR ASSY - V.I.P.



From R-012 To 2-4416	Date:10/2022	PAGE:H3-1862-50
ENTRANCE DOOR ASSY - V.I.P.		



From R-012 To 2-4416	Date:10/2022	PAGE:H3-1862-50
ENTRANCE DOOR ASSY - V.I.P.		

Item#	Part	Description	H 3 4 1	H 3 4 5	V I P 4 5	N O T E S
	283641P	ENTRANCE DOOR ASSY / V.I.P. To W-2457			1	
	286108	ENTRANCE DOOR ASSY / V.I.P. From X-2458 To Y-3896			1	D
	069141	KEYBOARD REPLACEMENT KIT			1	D
. NS	069071	. HARNESS ENTRANCE DOOR KEYLESS SKIM			1	D
. NS	069164	. SUPPORT SKIM MODULE			1	D
. NS	069166	. HARNESS KEYLESS KEYPAD - CPC			1	D
. NS	502868	. SCREW TC TR PH #10-16x1/2 N500			2	D
. NS	502903	. SCREW TC FL PH #10-24x1 1/4 N500			3	D
. NS	504013	. TIE MOUNT / 1/4" X 1/4" I.D.			3	D
. NS	504637	. CABLE TIE / 3/16" x 13"			6	D
. NS	565914	. KEYPAD, DOOR LOCK W/CONNECTOR			1	D
. NS	565916	. MODULE INTERFACE KEYLESS SYSTEM			1	D
. NS	IS-13158	. SEE INSTRUCTION SHEET			1	D
. NS	FI-13158	. VOIR FEUILLE D'INSTRUCTION			1	D
1	283437	. DOOR MOULDED / FIBERGLASS To W-2293			1	
1	285840	. DOOR MOULDED / FIBERGLASS From W-2294 To X-2598			1	
1	285859	. DOOR MOULDED / FIBERGLASS From X-2599 To X-3163			1	
1	286430	. DOOR MOULDED / FIBERGLASS From X-3164			1	
1	289690	. DOOR MOULDED / FIBERGLASS			1	
2	283336	. RUBBER SEAL EXTRUSION / ADHESIVE / 120METER / RAW MATERIAL To T-1510			1	C
2	285464	. RUBBER SEAL EXTRUSION 5800MM From T-1511			1	
2	280136	. RUBBER SEAL EXTRUSION 5800MM From T-1511			1	
2	2800115	. RUBBER SEAL EXTRUSION 5800MM From T-1511			1	
3	283372	. PLATE, CLOSING UPPER LOCK To X-2598			1	
3	285939	. PLATE, CLOSING UPPER LOCK From X-2599			1	
NS	500996	. NUT SPR U #6-32 .135-.150			1	
4	283492	. LATCH / R.H. To W-2314			1	
4	285202	. LATCH / R.H. From W-2315			1	
5	502818	. SCREW CAP HEX M6-1.0x35 G8.8 Z050			6	
NS	502564	. WASHER LO SPT 6.1x11.8x1.6 Z050			6	
6	504541	. CLIP ROD 1/4" R.H.			6	
7	283392	. ROD 7/32" O.D.			1	
NS	500950	. WASHER FL .187x.625x.094 RUB			3	
NS	682175	. UNDERCOATING BLACK PROTECTOR (GRAVELGUARD) 567gr			AR	
8	504243	. CLIP ROD 1/4" L.H.			1	
9	860422	. HANDLE			1	
10	860421	. HOOK			1	
11	502761	. SCREW TP BDG PH #10x3/4 SS BK			4	F
12	283366	. PLATE, CLOSING To X-2598			1	
12	285940	. PLATE, CLOSING From X-2599			1	
NS	506225	. TAPE RUB ADH1 CC POL 1/16" x 1/4" x 100' / GREY 2520			AR	
13	283397	. GUIDE ASSY			1	

From R-012 To 2-4416	Date:10/2022	PAGE:H3-1862-50
ENTRANCE DOOR ASSY - V.I.P.		

Item#	Part	Description	H 3 4 1	H 3 4 5	V I P 4 5	N O T E S
14	283491	. LATCH / L.H.			1	
15	500654	. SCREW TC BDG PH #8-32x1/2 Z050			4	
17	283376	. EXTRUSION PROFILE 773MM To X-2598			1	
17	285683	. EXTRUSION BACKING ASSY W/REFLECTOR 771MM From X-2599			1	
. NS	285659	. . EXTRUSION BACKING 771MM From X-2599			1	
17	285659	. . EXTRUSION BACKING 771MM From X-2599			1	
17	280235	. EXTRUSION BACKING ASSY W/REFLECTOR 768MM From X-2599			1	SVC
. NS	280118	. . EXTRUSION 768MM From X-2599			1	SVC
17	685126	. ADHESIVE SIMSON #ISR 70-03 / GREY / 600ml SAUSAGE From X-2599			AR	SVC
18	283100	. . STRIPE, REFLECTIVE WHITE / 38MM X 15' ROLL			AR	
. NS	780277	. . . STRIPE, REFLECTIVE WHITE / 38MM X 150' ROLL			AR	
19	502534	. SCREW CAP SQ 5/16-18x1 G2 Z050 To X-2598			4	
19	500120	. SCREW TP BDG PH #6x1/2 SS From X-2599			4	
20	283219	. WASHER ,REINFORCEMENT To X-2598			4	E
21	500374	. WASHER FL .375x.625x.062 RUB To X-2598			4	
22	502583	. WASHER LO SERR 8.15x22.3x1.0 Z050 To X-2598			4	
23	500701	. NUT HEX 5/16-18 ZP To X-2598			4	
24	283375	. PROTECTOR PANEL / DP To X-2598			1	
24	285654	. PROTECTOR PANEL / SH From X-2599			1	
NS	681348	. TAPE RUB ADH2 ACRYLIC .045" x 1" x 108' / VHB4952			AR	
NS	682462	. ADHESIVE SIKA #252 / BLACK / 310ml CARTRIDGE			AR	
NS	682348	. TAPE, DOUBLE COATED ACRYLIC			AR	
25	H3-0655-01	. INTERIOR LIGHTING To W-2284				
25	H3-0655-02	. INTERIOR LIGHTING From W-2285				
26	500862	. SCREW TC PAN PH #6-32x3/4 Z050			3	
NS	500422	. NUT SPR U #6-32 .110-.120 SS			3	G
27	504433	. SNAP-IN PLUG / 1.090 O.D.			1	
28	299057	. GLASS, THERMOS To X-2889			1	
28	293205	. GLASS, THERMOS From X-2890			1	
29	292106	. GLASS, THERMOS To X-2899			1	
29	293206	. GLASS, THERMOS From X-2900 To X-3163			1	
29	293204	. GLASS, THERMOS From X-3164			1	B
NS	681091	. PRIMER SIKA #206 / BLACK / 250ml			AR	
NS	506769	. TAPE RUB ADH2 CC POL 1/8" x 1/4" x 60' / BLACK H1CC-N-#14			AR	
30	IS18903	. ENTRANCE DOOR HANDLE			1	
. NS	780432	. . HANDLE ASSY			1	
. NS	284058	. . LEVER			1	
. NS	IS-18903	. . SEE INSTRUCTION SHEET			1	
31	500441	. WASHER FL .312x.734x.065 Z050			1	
32	502819	. NUT HEX JAM 1/4-20 Z050			1	
33	680307	. SEALER TREMTHANE / UPPER & CENTER PANELS			AR	
34	062709	. KEYBOARD ASSY To Y-3896			1	

From R-012 To 2-4416	Date:10/2022	PAGE:H3-1862-50
ENTRANCE DOOR ASSY - V.I.P.		

Item#	Part	Description	H 3 4 1	H 3 4 5	V I P 4 5	N O T E S
34	065303	. KEYBOARD ASSY From Y-3897			1	
34	065422	. GASKET ADHESIVE TO FIX 065303 IN SERVICE From SERVICE To Y-3896			1	
NS	504465	. GROMMET / .375x.500x.250x.500x.750			1	
34	069141	. KEYBOARD REPLACEMENT KIT			1	SAV
. NS	069071	. . HARNESS ENTRANCE DOOR KEYLESS SKIM			1	SAV
. NS	069164	. . SUPPORT SKIM MODULE			1	SAV
. NS	069166	. . HARNESS KEYLESS KEYPAD - CPC			1	SAV
. NS	502868	. . SCREW TC TR PH #10-16x1/2 N500			2	SAV
. NS	502903	. . SCREW TC FL PH #10-24x1 1/4 N500			3	SAV
. NS	504013	. . TIE MOUNT / 1/4" X 1/4" I.D.			3	SAV
. NS	504637	. . CABLE TIE / 3/16" x 13"			6	SAV
. NS	565914	. . KEYPAD, DOOR LOCK W/CONNECTOR			1	SAV
. NS	565916	. . MODULE INTERFACE KEYLESS SYSTEM			1	SAV
. NS	IS-13158	. . SEE INSTRUCTION SHEET			1	SAV
. NS	FI-13158	. . VOIR FEUILLE D'INSTRUCTION			1	SAV
35	780429	. CLIP RETAINER To Y-3896			1	
35	780637	. CLIP RETAINER From Y-3897			1	
36	283363	. PLATE / HANDLE To Y-3619			1	
36	286980	. PLATE / HANDLE From Y-3620			1	
NS	681092	. ADHESIVE SIKA #255FC / BLACK / 310ml CARTRIDGE			AR	
37	284058	. LEVER			1	
40	283394	. PLATE, MOUNTING			1	
41	500654	. SCREW TC BDG PH #8-32x1/2 Z050			AR	
42	780484	. LEVER, RELEASE			1	
43	284834	. SUPPORT ACTUATOR			1	
44	780428	. LOCK ACTUATOR / 12V			1	
. NS	562076	. . CONNECTOR / PACK-CON I / FEMALE HOUSING / 2C / PED 8911772			1	
44	2810382	. ACTUATOR SERVICE KIT OLD NUMBER STILL AVAILABLE			1	
45	502531	. SCREW CAP HEX M6-1.0x16 G8.8 Z050			15	
46	500472	. WASHER LO INT .256x.478x.028 Z050			12	
47	284836	. ROD			1	
48	780483	. CLAMP			1	
49	502582	. WASHER LO SERR 6.1x16.2x0.9 Z050			9	
NS	500472	. WASHER LO INT .256x.478x.028 Z050			12	
50	500393	. SCREW TC PAN PH #10-24x3/8 Z050			2	
51	283364	. TIE			1	
52	284079	. ROD 259MM C/C			1	
53	283387	. ROD			1	
54	284127	. BUTTON			1	
55	284076	. ROD 259MM C/C			1	
56	283371	. ROD 171MM C/C			1	

From R-012 To 2-4416	Date:10/2022	PAGE:H3-1862-50
ENTRANCE DOOR ASSY - V.I.P.		

Item#	Part	Description	H 3 4 1	H 3 4 5	V I P 4 5	N O T E S
57	284078	. SHUTTER, RELEASE ASSY To V-1749			1	
57	285563	. SHUTTER, RELEASE ASSY From V-1750 To X-2500			1	
57	285992	. SHUTTER, RELEASE ASSY From X-2501 To X-3004			1	
57	285748	. SHUTTER, RELEASE ASSY From X-3005			1	
58	502156	. SPRING EXTENSION / .437 O.D. x 2 x .041			1	
59	283393	. PLATE, MOUNTING			1	
60	780430	. CYLINDER LOCK ASSY W/2 KEYS / "CORBIN"			1	SS
. NS	780562	. . KEY / "CORBIN" BLANK			2	SS
60	780803	. CYLINDER LOCK ASSY W/2 KEYS / "SCHLAGE" SERVICE			1	
. NS	780902	. . KEY / "SCHLAGE" BLANK			1	
61	780562	. KEY / "CORBIN" BLANK			AR	
62	283380	. SPACER / LOCK & NUT			1	
63	780427	. NUT			1	
64	284074	. LEVER, TRIANGULAR SHAPE / W/"CORBIN"			1	
64	289030	. LEVER, TRIANGULAR SHAPE / W/"SCHLAGE" SERVICE			1	
65	N.S.S.	. SCREW			2	1
66	502746	. SCREW MA PAN PH M5-0.8x20 SS BK			1	
67	284077	. STOPPER To V-1749			1	
67	285546	. STOPPER From V-1750			1	
68	502782	. NUT HEX NYRT M5-0.8 Z050			2	
70	292244	. HINGE, THERMOS GLASS			1	
70	504344	. RIVET POP DOME OE 5/32x3/8 SS			5	
71	292117	. WINDOW ASSY / GLASS To W-2293			1	A
71	292916	. WINDOW ASSY / GLASS From W-2294			1	
71	293207	. WINDOW ASSY / GLASS To X-3163			1	TS
71	790450	. SEAL, RUBBER From W-2294			1	
72	292118	. LEVER 247.7 MM LG To X-3163			1	
73	292119	. RAIL 62MM To X-3163			1	
73	292114	. STOPPER / INSIDE OF RAIL To X-3163			2	
NS	500952	. SCREW TP BDG PH #8x1/2 SS To X-3163			2	H
NS	504412	. WASHER RETAINER SNAP CAP #8 To X-3163			2	
NS	504403	. SNAP CAP #8 FINISHING BLACK To X-3163			2	
74	292243	. SLIDER BLOCK / PLASTIC To X-3163			1	
NS	502574	. SCREW SET HEXS CUP M4-0.7x12 SS To X-3163			3	E
75	292121	. STOPPER, SCREW To X-3163			1	
. NS	504556	. . RING RETAINER / EXT 6.00 x 5.00 x 0.72MM To X-3163			1	
76	790374	. LATCH To W-2293			1	
76	790447	. LATCH From W-2294 To X-3163			1	
77	292115	. STOPPER, WINDOW / RUBBER 16MM X 65MM LG To W-2293			1	
78	500896	. SCREW TC FL PH #8-32x5/8 Z050 To X-3163			2	
79	292116	. PLATE 12MM X 65MM LG To W-2293			1	
80	292123	. SCREEN RETAINING ANGLE / LOWER To X-3163			1	

From R-012 To 2-4416	Date:10/2022	PAGE:H3-1862-50
ENTRANCE DOOR ASSY - V.I.P.		

Item#	Part	Description	H 3 4 1	H 3 4 5	V I P 4 5	N O T E S
80	292124	. SCREEN RETAINING ANGLE / UPPER To X-3163			1	
80	292122	. SCREEN To X-3163			1	
81	504106	. RIVET POP DOME OE 1/8x1/4 AL To X-3163			10	
81	403466	. DECAL / REMOVE SCREEN To X-3163			1	
82	506645	. TAPE RUB ADH1 CC POL 1/8" x 1/2"x 50' / GREY 2542 To X-3163			AR	
84	561677	. MICRO SWITCH From W-2458			1	
85	064763	. SUPPORT			1	
86	502577	. SCREW MA PAN PH M3-0.5x16 ZP			2	
87	500467	. WASHER LO INT .138x.275x.019 Z050			2	
88	502579	. NUT HEX M3-0.5 NP			2	
91	283777	BEZEL HANDLE ASSY To Y-3896			1	
91	283778	. BEZEL To Y-3896			1	
91	780482	. . BEZEL From Y-3897			1	
92	283769	. DECAL / "LOCK"			1	
93	283768	. DECAL / "KEYBOARD BYPASS" To Y-3896			1	
94	062809	. SWITCH ASSY W/CONNERTOR To Y-3896			1	
95	500409	. SCREW TP PAN PH #8x1/2 BK			2	
96	064666	. WIRING HARNESS KEYLESS MODULE To W-2632			1	
96	064831	. CABLE KEYLESS MODULE From W-2633			1	
NS	562674	. KEYLESS / TRANSMITTER KEY RING / W/DESCRIPT From X-2501			1	S
. NS	IS-03103	. . SEE INSTRUCTION SHEET From X-2501			1	S
NS	563542	. KEYLESS / TRANSMITTER KEY RING / W/PICTOGRA From SERVICE			1	
100	H3-0650-50	KEYLESS MODULE				
101	H3-1862-60	ENTRANCE DOOR FRAME - INSTALLATION				
NS	292917	KIT, WINDOW DOOR VIP From R-012 To X-3162			AR	
. NS	IS-97096	. SEE INSTRUCTION SHEET From R-012 To X-3162			1	
		A) FOR PRODUCT IMPROVMENT SEE INSTRUCTION SHEET IS-97096				
		B) EFFECTIVE WITH X-3164 WE USE ONE GLASS SAME THAN COACH #293204				
		C) SOLD IN 20' LONG ON #283875				
		D) WHEN YOU ORDER 286108 YOU HAVE TO ORDER 069141				
		E) TO FIX LEVER TO SLIDER				
		F) TO FIX PLATE				
		G) TO FIX LAMP				
		H) TO FIX ANGLE				
		S) WHEN YOU REPLACE KEYLESS 562674 WITH THE NEW 563542 YOU NEED TO REPLACE MODULE 562673 BY THE NEW 563541 / SEE INSTRUCTION SHEET IS-03103				
		SAV) SERVICE				
		SS) THIS MODEL IT OBSOLETED REPLACE BY 780803 WITH NEW LEVER # 289030				
		SVC) SERVICE				
		TS) TEMPORALY THIS GLASS DO NOT INCLUDE ALUMINUM FRAME PLEASE BE CAREFULL WEN YOU REQUIRE TO CHANGE THERMOS GLASS.				

From R-012 To 2-4416		Date:10/2022	PAGE:H3-1862-50
----------------------	--	--------------	-----------------

ENTRANCE DOOR ASSY - V.I.P.

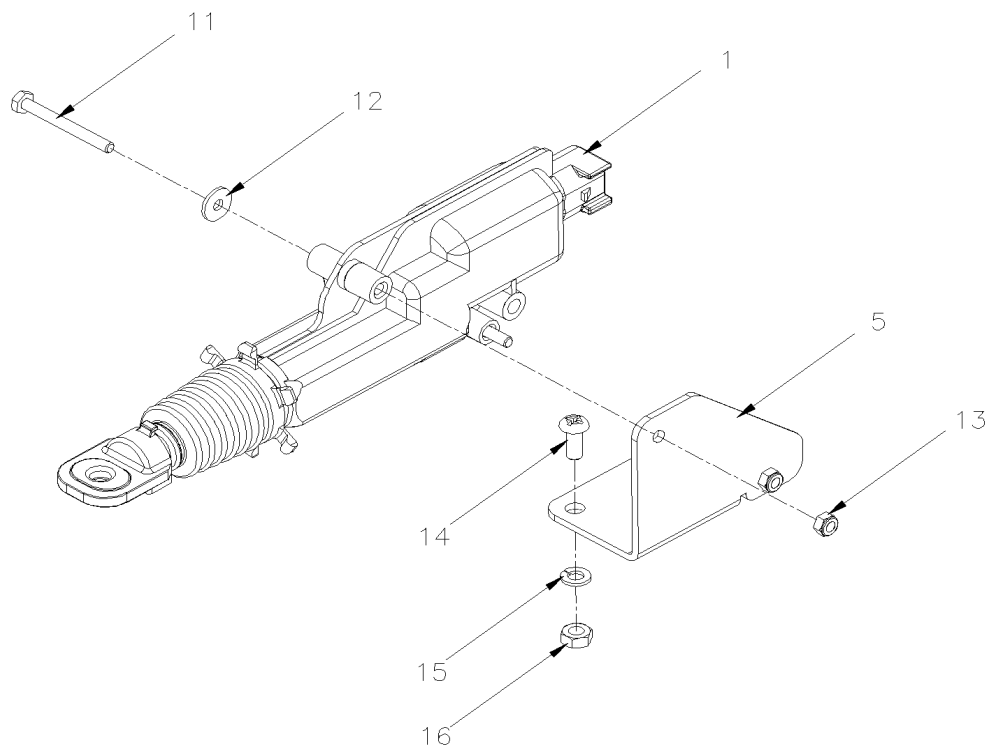
Item#	Part	Description	H 3 4 1	H 3 4 5	V I P 4 5	N O T E S
		1) NOT SOLD SEPARATELY				

From R-012 To 2-4416

Date:10/2022

PAGE:2810382

ACTUATOR SERVICE KIT



From R-012 To 2-4416	Date:10/2022	PAGE:2810382
ACTUATOR SERVICE KIT		

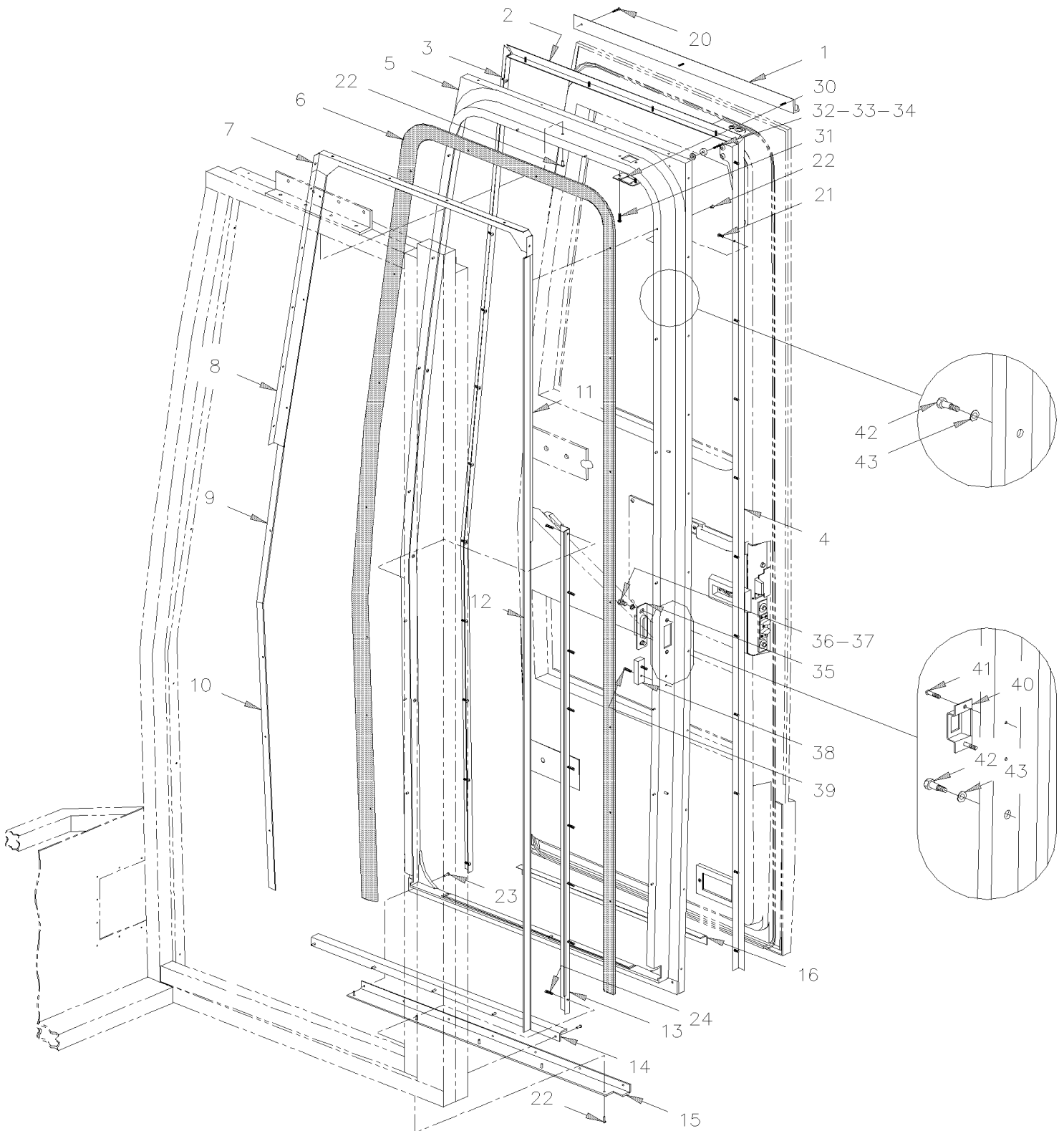
Item#	Part	Description	H 3 4 1	H 3 4 5	V I P 4 5	N O T E S
1	2800049	LOCK ACTUATOR / 12V	1	1	1	
1	068011	CABLE INTERFACE DOOR LOCK ACTUATOR (780428 vs 2800049)	1	1	1	
5	2810380	SUPPORT	1	1	1	
11	5001100	SCREW CAP HEX M3-0.5x30 G8.8 ZP	2	2	2	
12	500437	WASHER FL .125x.375x.040 Z050	2	2	2	
13	5001408	NUT HEX STO M3-0.5 ZP	2	2	2	
14	5001036	SCREW MA PAN PH M4-0.7x10 Z050	2	2	2	
15	502524	NUT HEX M4-0.7 Z050	2	2	2	
16	502636	WASHER LO SPT 4.1x7.6x0.9 Z050	2	2	2	
NS	IS-19092	SEE INSTRUCTION SHEET	1	1	1	
NS	FI-19092	VOIR FEUILLE D'INSTRUCTION	1	1	1	

From R-012 To 2-4416

Date:10/2022

PAGE:H3-1862-60

ENTRANCE DOOR FRAME - INSTALLATION

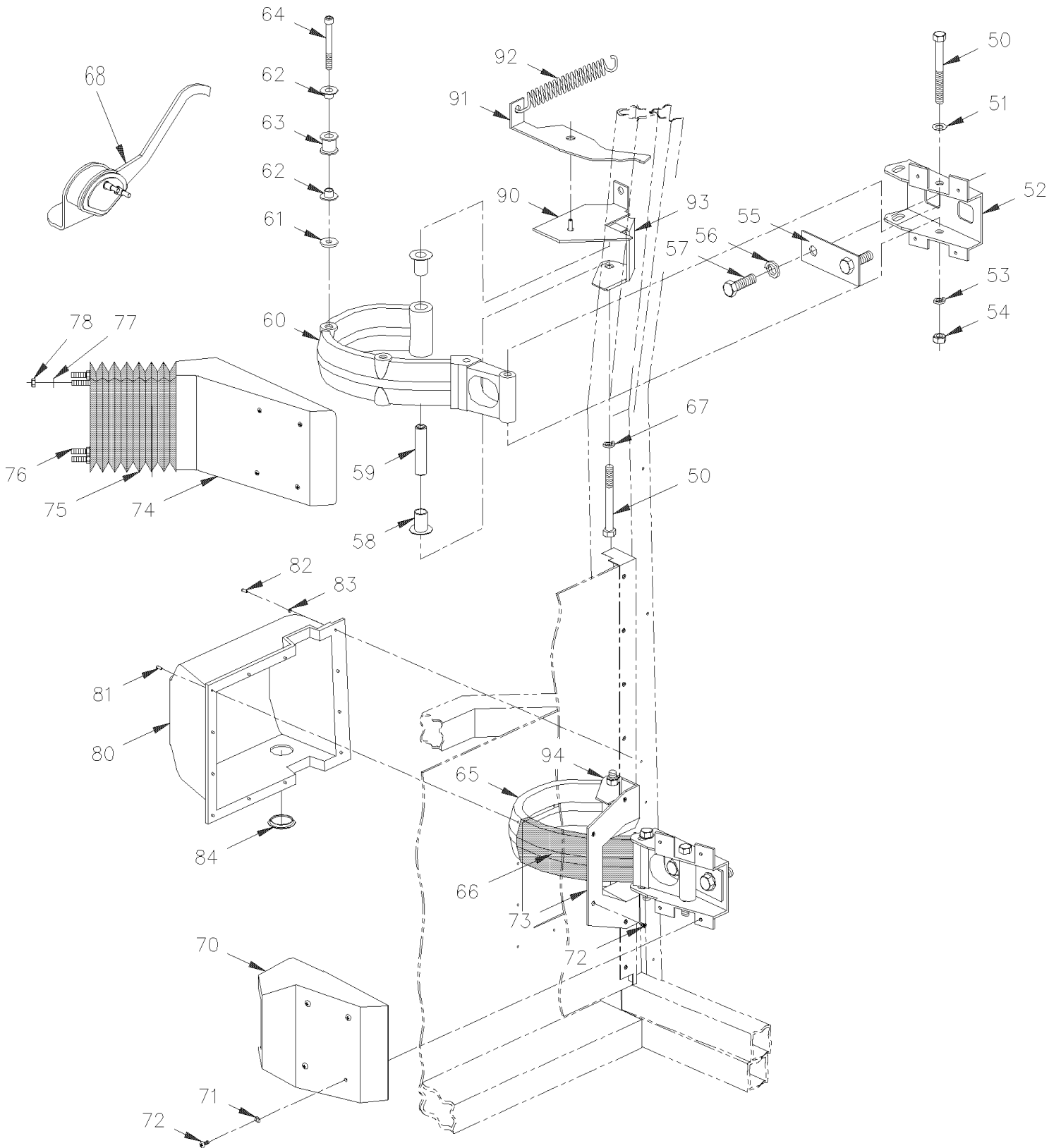


From R-012 To 2-4416

Date:10/2022

PAGE:H3-1862-60

ENTRANCE DOOR FRAME - INSTALLATION



From R-012 To 2-4416	Date:10/2022	PAGE:H3-1862-60
ENTRANCE DOOR FRAME - INSTALLATION		

Item#	Part	Description	H 3 4 1	H 3 4 5	V I P 4 5	N O T E S
1	472251	DRIP MOULDING To W-2127	1	1	1	B
1	285785	DRIP MOULDING From W-2128	1	1	1	
2	283430	FINISHING MOULDING TOP To W-2127	1	1	1	B
2	285893	DRIP MOULDING From W-2285	1	1	1	
3	283431	FINISHING MOULDING FRONT	1	1	1	
NS	5001040	SCREW TC PAN PH #6-32x3/4 SS	22	22	22	
4	283432	FINISHING MOULDING REAR To W-2284	1	1	1	
4	285894	FINISHING MOULDING REAR / UPPER SECTION From W-2285	1	1	1	
4	285895	FINISHING MOULDING REAR / LOWER SECTION From W-2285	1	1	1	
NS	504583	RIVET POP DOME OE 3/16x3/8 AL BK To V-1960	16	16	16	
NS	504108	RIVET POP DOME OE 1/8x1/2 AL From V-1900	23	23	23	C
5	284590	FRAME, MOULDED To V-1960	1	1		
5	285661	FRAME, MOULDED From V-1961	1	1		
5	284591	FRAME, MOULDED To V-1960			1	
5	285660	FRAME, MOULDED From V-1961			1	
6	283229	SEAL, INTERIOR	1	1	1	
6	280151	SEAL, INTERIOR	1	1	1	
7	283507	SEAL RETAINER / TOP / 662MM	1	1	1	
8	283510	SEAL RETAINER / FRONT UPPER / 758MM	1	1	1	
9	283779	SEAL RETAINER / FRONT CENTER / 439MM	1	1	1	
10	284047	SEAL RETAINER / FRONT LOWER / 495MM	1	1		
10	283781	SEAL RETAINER / FRONT LOWER / 808MM			1	
11	323868	SEAL RETAINER, REAR UPPER	1	1		
12	283509	SEAL RETAINER / REAR / 1993MM			1	
13	284112	SEAL RETAINER / REAR LOWER / 1993MM	1	1		
14	283494	ANGLE SUPPORT / LOWER INTERIOR / 763MM To X-3012	1	1	1	
14	214075	FRAME SUPPORT From X-3013	1	1	1	
15	283493	ANGLE SUPPORT / LOWER EXTERIOR / 825MM To X-3012	1	1	1	
15	214075	FRAME SUPPORT From X-3013	1	1	1	
16	285666	ANGLE S/S From V-1961	1	1	1	
20	502611	SCREW TP FL PH #6x1/2 Z050	3	3	3	
NS	5001040	SCREW TC PAN PH #6-32x3/4 SS	26	26	26	
21	504582	RIVET POP DOME OE 3/16x1/4 SS BK	20	20	20	
22	504582	RIVET POP DOME OE 3/16x1/4 SS BK	10	10	10	
23	504581	RIVET MGLP PRDG 3/16x7/16 SS BK	6	6	6	
24	5001119	SCREW TP BDG PH #8x3/4 SS To V-1960	AR	AR	AR	
24	504339	RIVET POP DOME OE 1/8x3/8 SS From V-1961	AR	AR	AR	
30	284808	FINITION PLATE	1	1		
31	500658	SCREW TC PAN PH #10-24x3/4 Z050	1	1		
32	504334	BUMPER RUBBER / .625 OD x .406 TH x .156 HOLE	1	1	1	
33	500950	WASHER FL .187x.625x.094 RUB	AR	AR	AR	
34	500814	SCREW TP BDG PH #6x3/4 BK	1	1	1	

From R-012 To 2-4416	Date:10/2022	PAGE:H3-1862-60
ENTRANCE DOOR FRAME - INSTALLATION		

Item#	Part	Description	H 3 4 1	H 3 4 5	V I P 4 5	N O T E S
35	283969	STRIKING PLATE	1	1		
36	502528	SCREW CAP HEX M8-1.25x20 G8.8 EMN	2	2		
37	502584	WASHER LO SERR 8.2x26.3x1.8 Z050	2	2		
38	780497	DOVETAIL, FEMALE / FIXED ON STRUCTURE	1	1		
39	500260	SCREW TC FL PH #8-32x3/4 BK	2	2		
39	500896	SCREW TC FL PH #8-32x5/8 Z050	2	2		
40	283368	STRIKING PLATE			1	
41	500642	SCREW TP PAN PH #10x3/4 Z050			2	
42	780415	BOLT STRIKER			2	
43	283355	SPACER			4	
50	5001016	SCREW CAP HEX M10-1.5x90 G8.8 Z050	2	2	2	
51	500445	WASHER FL .437x1.000x.083 Z050	2	2		
52	284040	ATTACHMENT	2	2		
53	502585	WASHER LO SERR 10.2x26.3x1.4 ZP	4	4		
54	500256	NUT HEX M10-1.5 Z050	4	4		
55	283402	SUPPORT PLATE	2	2		
56	500810	WASHER LO SPT 12.2x21.1x2.5 Z050	4	4		
57	502731	SCREW CAP HEX M12-1.75x40 G8.8 Z050	4	4		
58	507326	BEARING FLANGE	2	2	2	
59	284285	SPACER / BEARING FLANGE To 2-4484	2	2	2	
59	287337	SPACER / BEARING FLANGE From 2-4485	2	2	2	
60	284284	HINGE UPPER & LOWER To T-1318	1	1		
60	285287	HINGE UPPER From T-1319 To X-2906	1	1		
60	285937	HINGE UPPER From X-2907 To 2-4484	1	1		D
60	287340	HINGE UPPER From 2-4485	1	1		
60	285480	HINGE UPPER	1	1		A
60	284287	HINGE UPPER To 2-4450			1	
60	287339	HINGE UPPER From 2-4451			1	
61	282956	WASHER			1	
62	507301	BUSHING NYLINER			2	
63	284214	ROLLER SS 9.5MM I.D.x14.5 O.D. 19Flx17Th			1	
64	5001108	SCREW SHR HEXS 5/16x3/4 {1/4-20			1	
65	284569	HINGE, LOWER To X-3129	1	1	1	
65	286477	HINGE From X-3130 To 2-4416	1	1	1	
65	287341	HINGE From 2-4417	1	1	1	
66	324063	COVER HINGE LOWER / PLASTIC To W-2284	1	1		
66	326228	COVER HINGE LOWER / PLASTIC From W-2285	1	1		
67	500257	WASHER LO SPT 10.2x18.1x2.2 Z050	2	2	2	
68	060338	SWITCH DOOR LIGHT			1	
70	324065	CAP COVER LOWER To W-2284	1	1		
70	326226	CAP COVER LOWER From W-2285	1	1		
71	500950	WASHER FL .187x.625x.094 RUB	8	8		

From R-012 To 2-4416	Date:10/2022	PAGE:H3-1862-60
ENTRANCE DOOR FRAME - INSTALLATION		

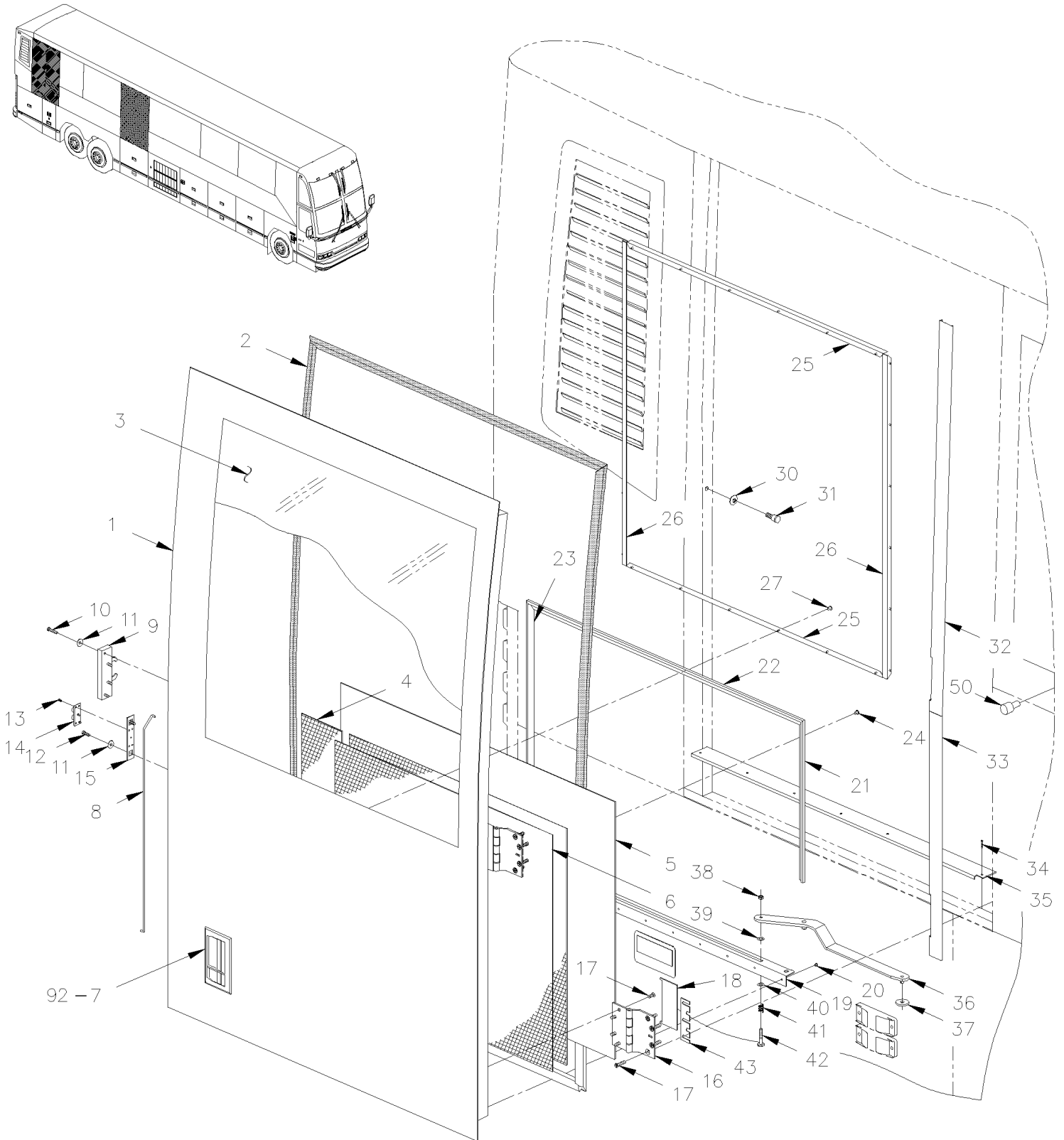
Item#	Part	Description	H 3 4 1	H 3 4 5	V I P 4 5	N O T E S
72	500409	SCREW TP PAN PH #8x1/2 BK	8	8		
73	324064	PANEL FINISHING LOWER / HINGE IN STEPWALL To W-2284	1	1	1	
73	326227	PANEL FINISHING LOWER From W-2285	1	1	1	
74	391498	CAP COVER UPPER			1	
74	391498	CAP COVER UPPER To V-1756	1	1		
74	391885	CAP COVER UPPER From V-1757 To W-2284	1	1		
74	326229	CAP COVER UPPER From W-2285	1	1		
75	283998	BELLOWS / RUBBER To W-2284			2	
75	285492	BELLOWS / RUBBER From W-2285			2	
75	283998	BELLOWS / RUBBER To V-1756	2	2		
75	285492	BELLOWS / RUBBER From V-1757	2	2		
76	284039	PLATE BELLOW RETAINER			2	
76	284039	PLATE BELLOW RETAINER To V-1756	2	2		
76	285491	PLATE BELLOW RETAINER From V-1757	2	2		
77	500964	WASHER FL .203x.500x.047 Z050	8	8		
78	502782	NUT HEX NYRT M5-0.8 Z050	8	8		
80	410566	COVER LOWER HINGE / REAR OF BUMPER	1	1	1	
81	504473	RIVET POP DOME OE 1/8x1/4 SS	10	10	10	
82	504464	RIVET POP CK OE 1/8x3/8 SS	4	4	4	
83	5001067	WASHER FL .128x.312x.032 SS	4	4	4	
84	504443	SNAP-IN PLUG / 1.500 O.D.	1	1	1	
90	212096	LEVER AND SUPPORT ASSY (WELDED TO FRAME) To 2-4352			1	
90	214669	LEVER AND SUPPORT ASSY SS (WELDED TO FRAME) From 2-4353			1	
NS	504543	. RIVET SHR FL 3/8x3/16 STL			1	
91	212098	. DOOR STOPPER To 2-4352			1	
91	214664	. DOOR STOPPER From 2-4353			1	
92	502191	SPRING EXTENSION / .814 O.D. x 3.975 x .148			1	
93	211984	HINGE SUPPORT / (WELDED TO STRUCTURE)	1	1		
93	211988	PLATE	1	1		
93	211992	PLATE	2	2		
93	211992	PLATE			1	
NS	212099	GUSSET / 50 X 45			1	
NS	212100	GUSSET / 30 X 45			1	
94	211983	HINGE SUPPORT / (WELDED TO STRUCTURE)	1	1		
94	211992	PLATE	2	2	2	
		A) FOR VEHICLE V-1628,V-1629,V-1652,V-1665,V-1681,V-1702,V-1719,V-1734 & V-1744				
		B) THOSE MOULDINGS ARE SUPERSEDED BY #285785				
		C) TO FIX MOULDING TO STRUCTURE.				
		D) ALSO FOR VEHICLE W-2348,W-2359,W-2355,W-2356,W-2357 & W-2361				

From R-012 To 2-4416

Date:10/2022

PAGE:H3-1862-80

ENTRANCE DOOR ASSY - W.C.L.



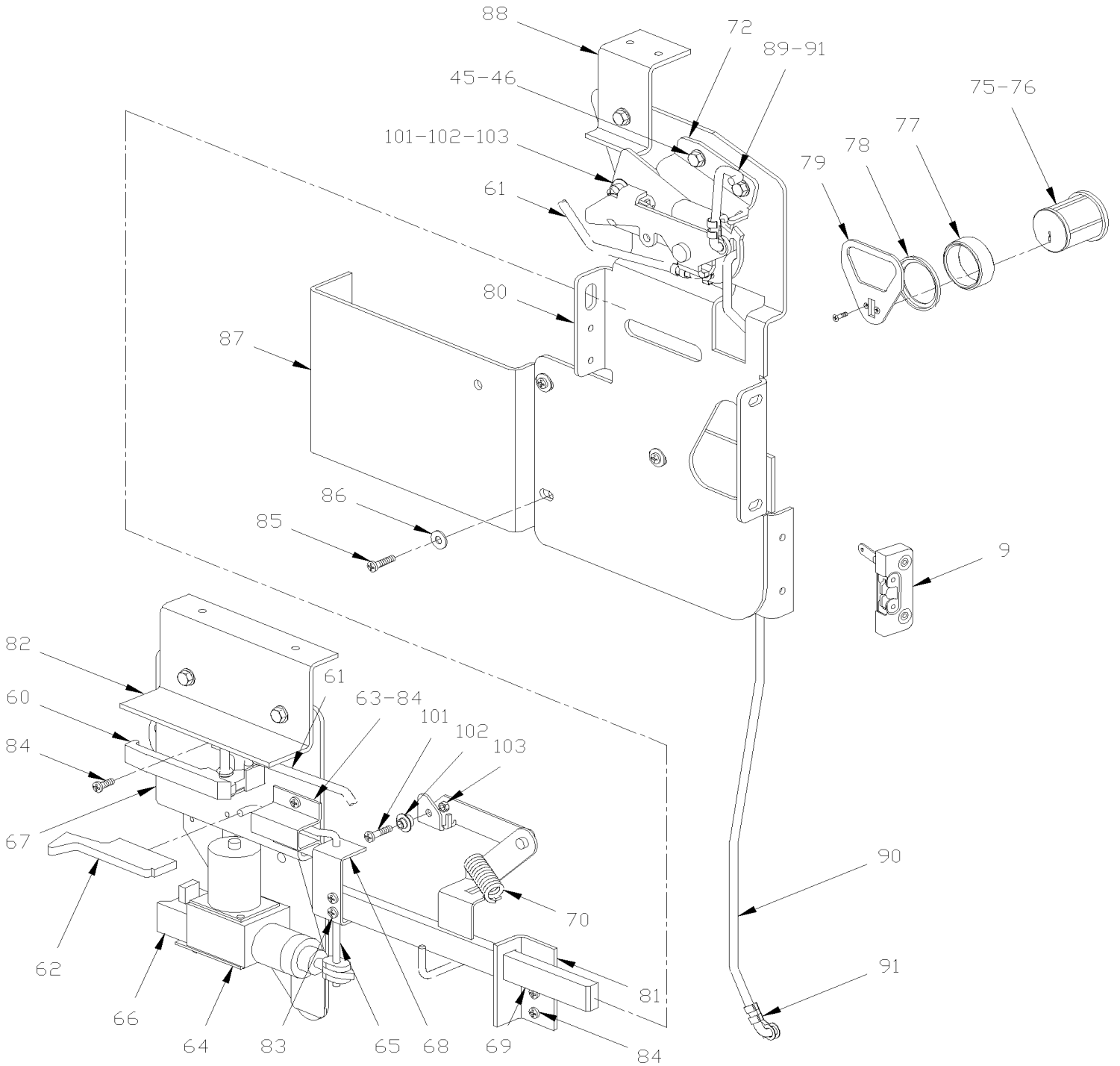
From R-012 To 2-4416

Date:10/2022

PAGE:H3-1862-80

ENTRANCE DOOR ASSY - W.C.L.

V.I.P



From R-012 To 2-4416	Date:10/2022	PAGE:H3-1862-80
ENTRANCE DOOR ASSY - W.C.L.		

Item#	Part	Description	H 3 4 1	H 3 4 5	V I P 4 5	N O T E S
	285612P	W.C.L. DOOR ASSY / V.I.P.			1	
	285078P	W.C.L. DOOR ASSY / BUS W/"ST & ST" From W-2285	1	1		
	287279P	W.C.L. DOOR ASSY / BUS W/"RICON"		1		R
1	284597	DOOR ASSY (WELDED) / BUS To W-2284	1	1		
1	285985	DOOR ASSY (WELDED) / BUS From W-2285	1	1		
1	285597	DOOR ASSY (WELDED) / V.I.P.			1	
2	285038	RUBBER SEAL EXTRUSION / 1880MM X 1171.5MM	1	1		
2	287411	RUBBER SEAL EXTRUSION / 1880MM X 1171.5MM	1	1		
2	2800120	RUBBER SEAL EXTRUSION / 1880MM X 1171.5MM	1	1		
2	285615	RUBBER SEAL EXTRUSION / 2033MM X 1171.5MM			1	
2	280148	RUBBER SEAL EXTRUSION / 2033MM X 1171.5MM			1	
2	2800142	RUBBER SEAL EXTRUSION / 2033MM X 1171.5MM			1	
3	292599	GLASS, THERMOS 28% W.C.L. DOOR To W-2284	1	1	1	
3	293208	GLASS, THERMOS 13% W.C.L. DOOR From W-2285	1	1	1	
NS	506759	TAPE RUB ADH2 CC POL 1/8" x 1/2" x 100' / BLACK I1C-N-A	AR	AR	AR	
NS	292357	BLOCK, RUBBER SPACER 1" X 5/16" x 1/ ADHESIVE	8	8	8	
4	285106	INSULATING	1	1	1	
NS	Call order desk	PANEL ASSY / S.C.C.	1	1		P
NS	287260P	PANEL ASSY / S.C.C.		1		R
5	285090	PANEL	1	1	1	
NS	502673	SCREW TC PAN PH #6-32x1/2 SS	5	5	5	
NS	285095	MOULDING CAP / SS 1078MM (42 1/2")	1	1	1	
NS	285094	MOULDING RETAINER / 1070MM (42 1/8")	1	1	1	
NS	504105	RIVET POP DOME OE 1/8x3/16 AL	3	3	3	
5	287261	PANEL		1		R
6	285105	INSULATING	1	1	1	
NS	285104	INSULATING	2	2	2	
7	H3-1864-30	HANDLE LOCK & KEYS - TYPE "PS"				
7	H3-1864-99	HANDLE LOCK & KEYS - TYPE "NS" / SERVICE & RETROFIT				
NS	502563	SCREW CAP HEX M6-1.0x12 G8.8 Z050	4	4		A
NS	502582	WASHER LO SERR 6.1x16.2x0.9 Z050	4	4		A
8	285057	ROD / HANDLE & LATCH / 645.7MM	1	1		
8	289347	ROD / HANDLE & LATCH / 633.6MM	1	1	1	S
9	780187	LATCH	1	1	1	
10	502793	SCREW CAP HEX M6-1.0x45 G8.8 Z050	4	4	4	
11	502583	WASHER LO SERR 8.15x22.3x1.0 Z050	6	6	6	
12	502737	SCREW CAP HEX M6-1.0x25 SS BK	2	2	2	
13	5001058	SCREW MA FL PH M4-0.7x8 Z050	3	3	3	
14	780496	DOVETAIL, MALE	1	1	1	
NS	780497	DOVETAIL, FEMALE / FIXED ON STRUCTURE	1	1	1	
15	283929	PLATE / TO FIX DOVETAIL	1	1	1	
16	283836	HINGE	2	2	2	

From R-012 To 2-4416	Date:10/2022	PAGE:H3-1862-80
ENTRANCE DOOR ASSY - W.C.L.		

Item#	Part	Description	H 3 4 1	H 3 4 5	V I P 4 5	N O T E S
17	500976	SCREW MA FL PH 5/16-18x1 1/2 SS	8	8	8	
18	285088	FINISHING PLATE	2	2	2	
NS	680100	THREAD LOCKER LOCTITE #271 / RED / 250ml	AR	AR	AR	
NS	506785	TAPE RUB ADH2 CC POL 1/16" x 1/4" x 200' / BLACK 11C-N-A	AR	AR	AR	
19	285200	SLIDING	1	1	1	
NS	780648	LATCH	1	1		
19	287307	SLIDING / W/"RICON" DOOR		1		R
20	504581	RIVET MGLP PRDG 3/16x7/16 SS BK	8	8	8	G
21	285092	MOULDING "J" FORM / 490MM (19 1/4") / A/F	1	1	1	
21	287262	MOULDING 467MM (18 13/32") / A/F		1		R
22	285091	MOULDING "J" FORM / 1090MM (42 15/16") / A/A	1	1	1	
23	285093	MOULDING "J" FORM / 492MM (19 3/8") / F/A	1	1	1	
23	287263	MOULDING 467MM (18 13/32") / F/A		1		R
24	504105	RIVET POP DOME OE 1/8x3/16 AL	10	10	10	
25	285080	MOULDING HORIZONTAL / GLASS RETAINER To W-2284	2	2		
25	285080	MOULDING HORIZONTAL / GLASS RETAINER			2	
25	285987	MOULDING HORIZONTAL / GLASS RETAINER From W-2285	2	2		
26	285081	MOULDING VERTICAL / GLASS RETAINER To W-2284	2	2		
26	285081	MOULDING VERTICAL / GLASS RETAINER			2	
26	285986	MOULDING VERTICAL / GLASS RETAINER From W-2285	2	2		
27	500814	SCREW TP BDG PH #6x3/4 BK	24	24	24	
30	284447	WASHERS BELLEVILLE	1	1	1	
NS	285235	WASHER SPACER SS .875" x 438" x .125"	1	1	1	
NS	681092	ADHESIVE SIKA #255FC / BLACK / 310ml CARTRIDGE	AR	AR	AR	
31	285037	PIN STRIKER	1	1	1	
32	285103	MOULDING AL / W/RECESS FOR HINGE 1169MM To W-2284	1	1	1	
32	285979	MOULDING AL 1187MM From W-2285	1	1		
32	285634	MOULDING AL / W/RECESS FOR HINGE 1815MM			1	
NS	285979	MOULDING AL 1187MM	1	1		G
NS	504105	RIVET POP DOME OE 1/8x3/16 AL	20	20	20	B
33	285102	MOULDING AL / W/RECESS FOR HINGE 743MM			1	
NS	287021	MOULDING AL 743MM	2	2	2	G
NS	506322	TAPE RUB ADH2 POL .045" x 1" x 223' / WHITE 4085	AR	AR	AR	
34	500289	SCREW TC OV PH #6-32x3/4 SS410	7	7	7	
35	285067	FLOOR MOULDING	1	1	1	
35	287298	FLOOR MOULDING / W/"RICON" DOOR		1		R
36	285112	ARM DOOR RETAINER To W-2179	1	1	1	
36	285837	ARM DOOR RETAINER From W-2180	1	1	1	
36	287305	ARM DOOR RETAINER / W/"RICON" DOOR		1		R
NS	500987	. SCREW SHR HEXS 3/8x5/8 {5/16-18		1		R
37	285120	BUSHING	1	1	1	
NS	505221	SPRING, PIN 1/8 X 3/8	1	1	1	C

From R-012 To 2-4416	Date:10/2022	PAGE:H3-1862-80
ENTRANCE DOOR ASSY - W.C.L.		

Item#	Part	Description	H 3 4 1	H 3 4 5	V I P 4 5	N O T E S
38	5001028	NUT HEX JAM M8-1.25 Z050	1	1	1	
39	5001233	WASHER FL .500x1.250x.062 NYL	1	1	1	
40	500445	WASHER FL .437x1.000x.083 Z050	1	1	1	
41	480705	SPRING COMPRESSION / .600 O.D. x 1 x .055 CROMAT	1	1	1	
42	285114	SHOULDER SCREW	1	1	1	
43	285107	SPACER	2	2	2	
NS	5001315	SCREW CAP HEX 1/4-20x1 SS	2	2	2	
		FOLLOWING ITEMS ARE USED				
		ON V.I.P. MODEL ONLY				
45	502531	SCREW CAP HEX M6-1.0x16 G8.8 Z050			AR	
46	500472	WASHER LO INT .256x.478x.028 Z050			AR	
50	504454	BUMPER RUBBER BOLT / 20MM ODx20MM TH X M6X15MM STUD			1	
NS	482644	DRIP MOULDING FRONT			1	
NS	482650	DRIP MOULDING REAR			1	
NS	482651	DRIP MOULDING UPPER			1	
NS	506001	TAPE RUB ADH1 CC POL 1/8" x 3/4" x 50' / GREY 2520X			AR	
60	780484	LEVER, RELEASE			1	
61	283387	ROD			1	
62	284127	BUTTON			1	
63	780483	CLAMP			1	
64	284834	SUPPORT ACTUATOR			1	
65	284836	ROD			1	
66	780428	LOCK ACTUATOR / 12V			1	
. NS	562076	. CONNECTOR / PACK-CON I / FEMALE HOUSING / 2C / PED 8911772			1	
66	2810382	ACTUATOR SERVICE KIT			1	
67	283394	PLATE, MOUNTING			1	
68	283364	TIE			1	
69	285652	BAR ASSY, RIVETED			1	
70	502156	SPRING EXTENSION / .437 O.D. x 2 x .041			1	
71	285546	STOPPER			1	
NS	502747	STUD WD WC SS M8-1.25x40			1	
NS	502782	NUT HEX NYRT M5-0.8 Z050			2	
72	285563	SHUTTER, RELEASE ASSY To X-2500			1	
72	285992	SHUTTER, RELEASE ASSY From X-2501 To X-3004			1	
72	285748	SHUTTER, RELEASE ASSY From X-3005			1	
73	284836	ROD			1	
74	504541	CLIP ROD 1/4" R.H.			5	
75	780430	CYLINDER LOCK ASSY W/2 KEYS / "CORBIN"			1	SS
. NS	780562	. KEY / "CORBIN" BLANK			2	SS
75	780803	CYLINDER LOCK ASSY W/2 KEYS / "SCHLAGE" SERVICE			1	

From R-012 To 2-4416	Date:10/2022	PAGE:H3-1862-80
ENTRANCE DOOR ASSY - W.C.L.		

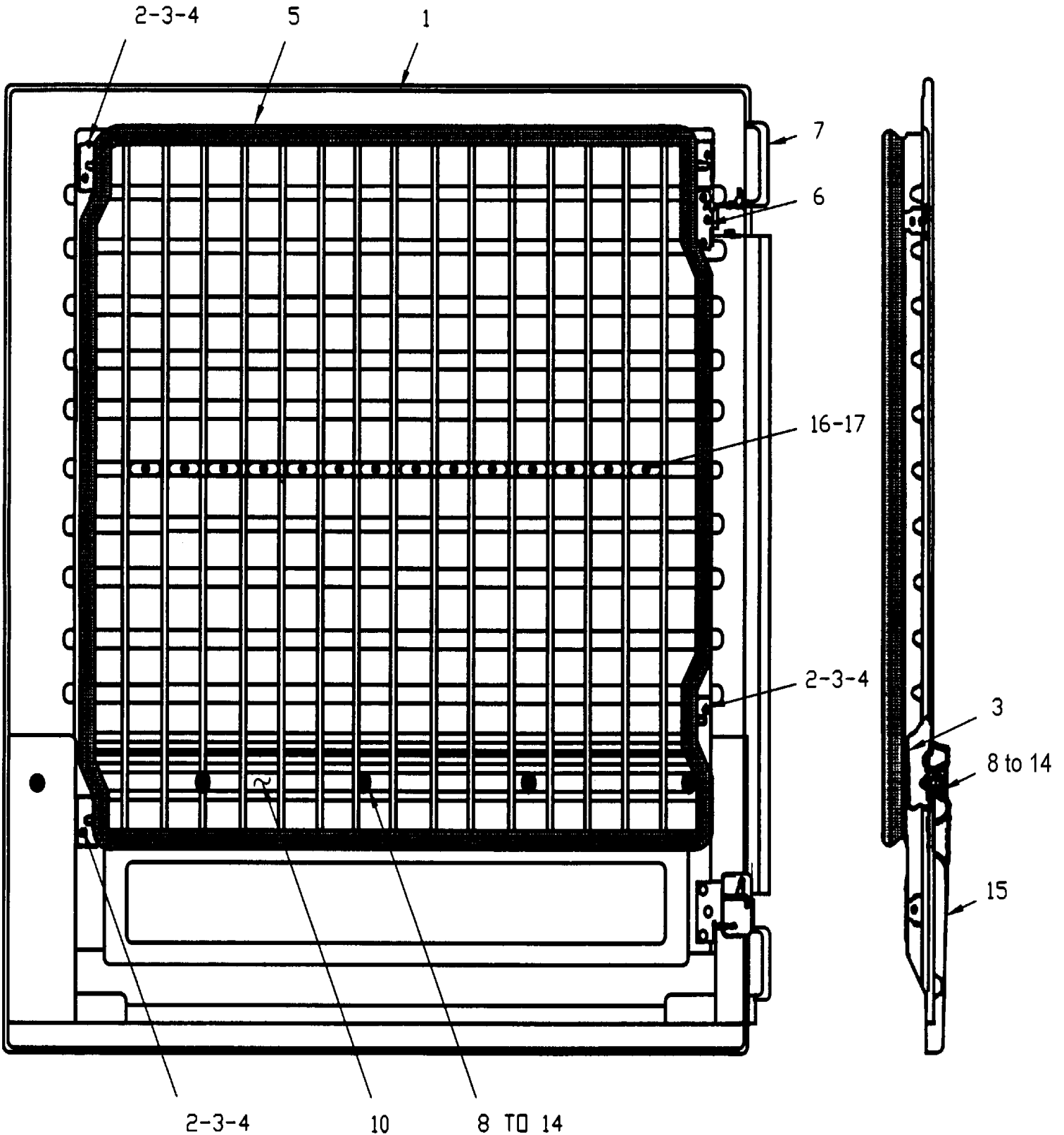
Item#	Part	Description	H 3 4 1	H 3 4 5	V I P 4 5	N O T E S
. NS	780902	. KEY / "SCHLAGE" BLANK			1	
76	780562	KEY / "CORBIN" BLANK			1	
77	283380	SPACER / LOCK & NUT			1	
78	780427	NUT			1	
79	284074	LEVER, TRIANGULAR SHAPE / W/"CORBIN"			1	
79	289030	LEVER, TRIANGULAR SHAPE / W/"SCHLAGE" SERVICE			1	
80	283393	PLATE, MOUNTING			1	
81	285651	GUIDE, BAR ASSY			1	
82	285649	SUPPORT, PLATE MOUNTING			1	
83	500641	SCREW TP PAN PH #8x3/4 Z050			2	
84	500654	SCREW TC BDG PH #8-32x1/2 Z050			4	
85	502531	SCREW CAP HEX M6-1.0x16 G8.8 Z050			15	F
85	500472	WASHER LO INT .256x.478x.028 Z050			12	
86	502592	NUT HEX THN 3/8-24x3/32 Z050			9	
87	285650	SUPPORT, PLATE MOUNTING			1	
88	285648	SUPPORT, PLATE MOUNTING			1	
89	285647	ROD			1	
90	285645	ROD			1	
91	504541	CLIP ROD 1/4" R.H.			5	
91	504543	RIVET SHR FL 3/8x3/16 STL			1	
92	780573	HANDLE ASSY			1	
93	780589	CLIP REAR			2	
101	502746	SCREW MA PAN PH M5-0.8x20 SS BK			1	
102	285546	STOPPER			1	
		A) TO FIX HANDLE				
		B) TO FIX EXTENSION MOULDING				
		C) TO FIX ARM				
		F) TO FIX ITEMS #67, 72, 79 & 80				
		G) USE ALSO BACWARD DOOR				
		R) USE ONLY WITH "RICON (FOR RETROFIT ASK FOR KIT #453788)				
		S) THIS ROD ARE REQUIRE ONLY IF YOU CHANGE FORMER HANDLE FOR NEW MODEL #780794				
		SS) THIS MODEL IT OBSOLETED REPLACE BY 780803 WITH NEW LEVER # 289030				
		P) CALL ORDER DESK FOR SPECIFIC APPLICATION (V.I.N.)				

From R-012 To S-133

Date:10/2022

PAGE:H3-1863-00

CONDENSOR DOOR ASSY



From R-012 To S-133	Date:10/2022	PAGE:H3-1863-00
CONDENSOR DOOR ASSY		

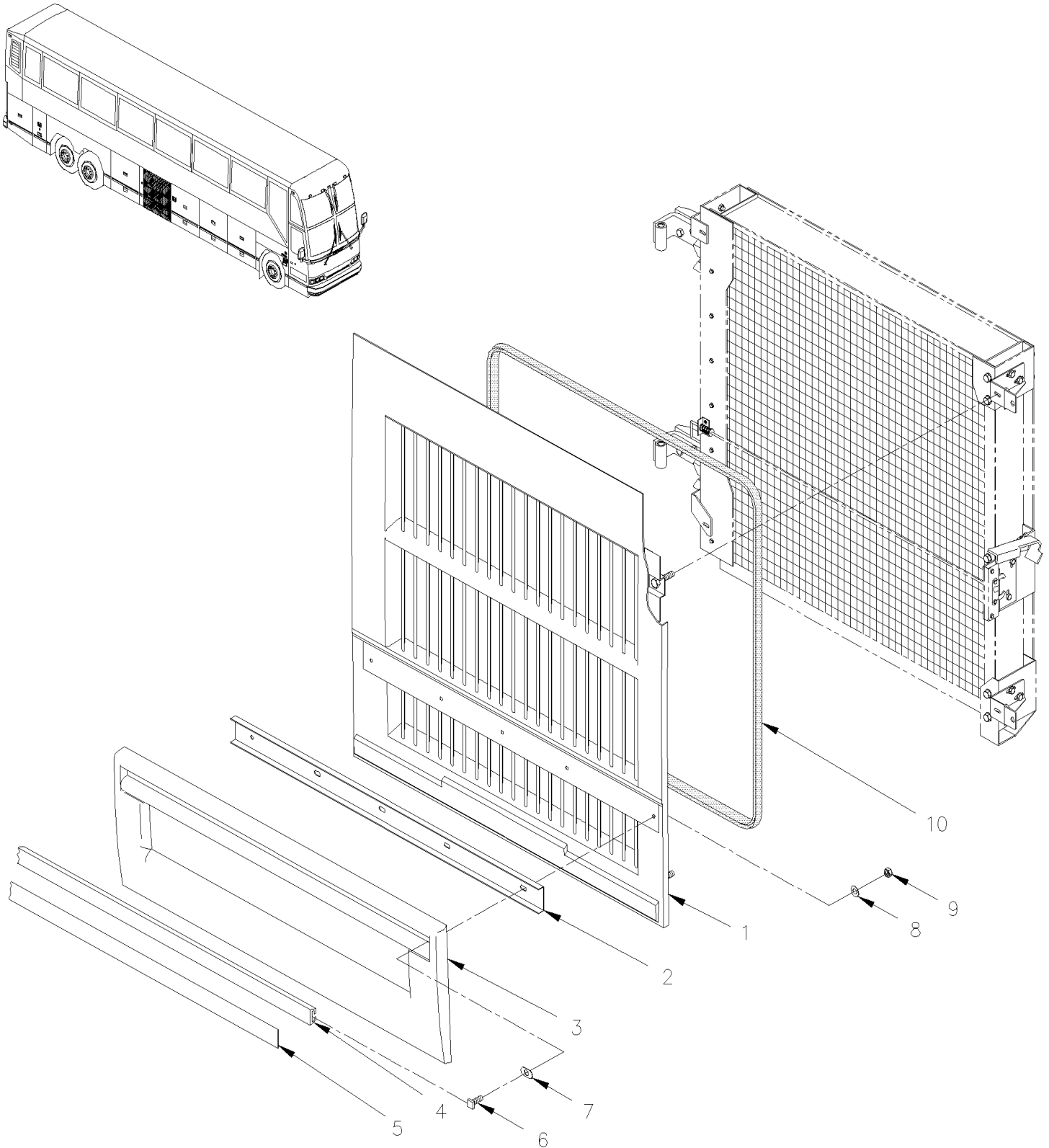
Item#	Part	Description	H 3 4 1	H 3 4 5	V I P 4 5	N O T E S
	283091P	CONDENSOR DOOR ASSY	1	1	1	
1	282951	. DOOR MOULDED / FIBERGLASS	1	1	1	
2	282549	. PLATE REINFORCEMENT 60MM x 37MM & SLOTTED	4	4	4	
3	289158	. PLATE REINFORCEMENT 40MM x 34MM & SLOTTED	4	4	4	
4	504464	. RIVET POP CK OE 1/8x3/8 SS	8	8	8	
5	506410	. RUBBER EXTRUSION SEAL / GRIP .062 X 100' / RAW MATERIAL	16	16	16	
6	282966	. HINGE SUPPORT/SMALL CONDENSER DOOR H3-1863-40	2	2	2	
NS	504250	. RIVET CHY Q PRDG 3/16x1/2 SS	10	10	10	
7	506339	. TAPE RUB ADH1 NIT 1/4" x 1" x 35' / BLACK 1220	AR	AR	AR	
8	282640	. EXTRUSION PROFILE 1152MM	1	1	1	
NS	680025	. CAULKING STRIP 3/16" O.D. X 14'	AR	AR	AR	
9	283100	. STRIPE, REFLECTIVE WHITE / 38MM X 15' ROLL	AR	AR	AR	
. NS	780277	. . STRIPE, REFLECTIVE WHITE / 38MM X 150' ROLL	AR	AR	AR	
10	282645	. CHANEL REINFORCEMENT	1	1	1	
11	502534	. SCREW CAP SQ 5/16-18x1 G2 Z050	5	5	5	
NS	283219	. WASHER ,REINFORCEMENT	5	5	5	
12	5001189	. NUT HEX 5/16-18 SS	5	5	5	
13	502583	. WASHER LO SERR 8.15x22.3x1.0 Z050	5	5	5	
14	500374	. WASHER FL .375x.625x.062 RUB	5	5	5	
15	283010	. PROTECTOR PANEL / DP	1	1	1	
15	284792	. PROTECTOR PANEL / WITH GRAVEL GUARD / DP	1	1	1	A
NS	681348	. TAPE RUB ADH2 ACRYLIC .045" x 1" x 108' / VHB4952	AR	AR	AR	
NS	680532	. SEALANT SIKA #221 / GREY / 310ml CARTRIDGE	AR	AR	AR	
16	282641	. RETAINER / GRILL	1	1	1	
17	500650	. SCREW TC PAN PH #6-32x3/8 ZP	14	14	14	
		FOLLOWING PARTS ARE RELATED				
		WITH DOOR SWITCH				
NS	561109	MICRO SWITCH	1	1	1	
NS	062619	SUPPORT	1	1	1	
NS	063982	CABLE HARNESS	1	1	1	
		A) THIS PROTECTOR IS COATED WITH GRAVEL GUARD AND IS BLACK PAINTED, READY TO INSTALL				

From S-134 To V-1960

Date:10/2022

PAGE:H3-1863-01

CONDENSOR DOOR ASSY (LARGE)



From S-134 To V-1960	Date:10/2022	PAGE:H3-1863-01
CONDENSOR DOOR ASSY (LARGE)		

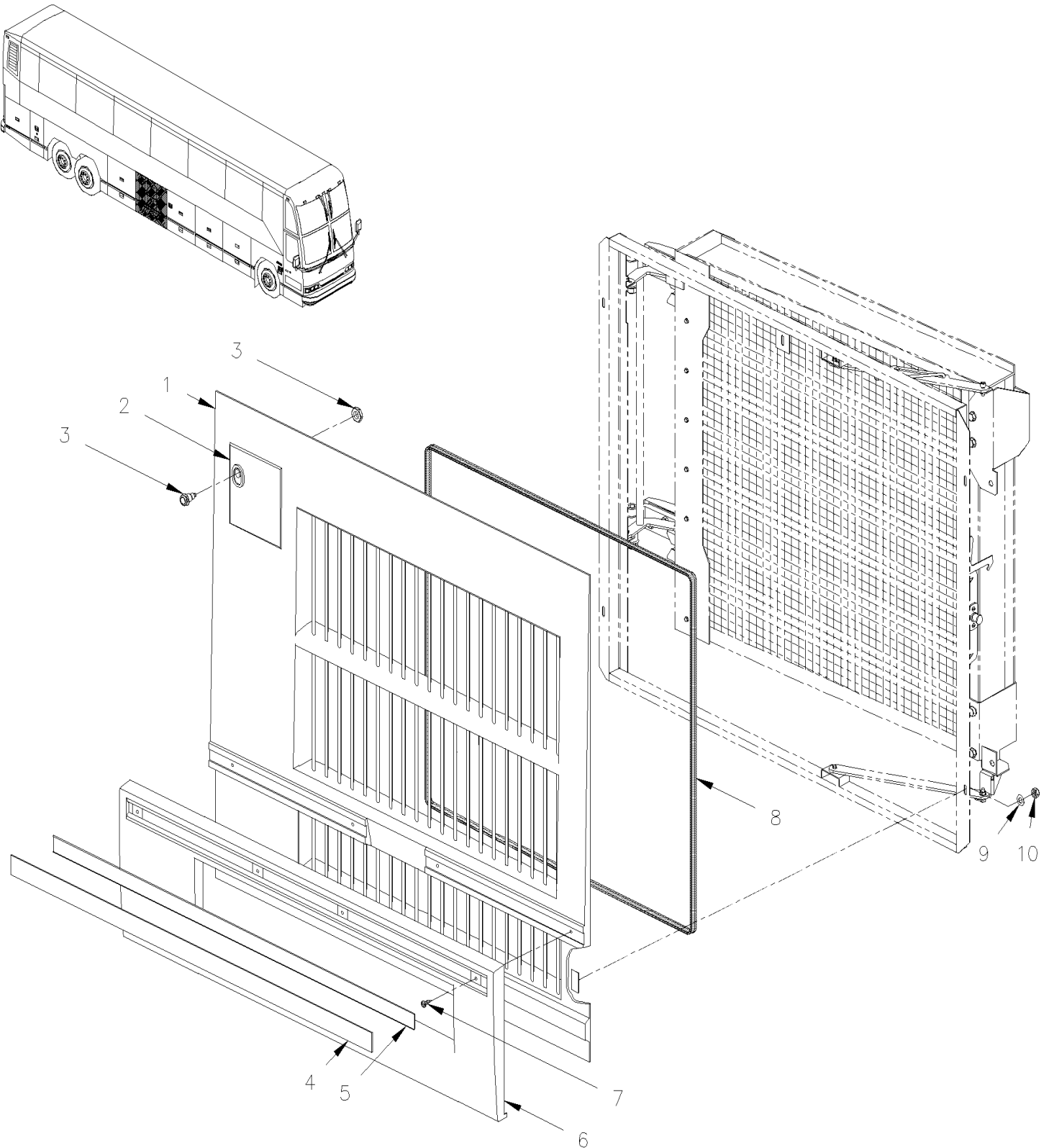
Item#	Part	Description	H 3 4 1	H 3 4 5	V I P 4 5	N O T E S
	285023P	CONDENSOR DOOR ASSY	1	1	1	
1	284929	. DOOR MOULDED / FIBERGLASS	1	1	1	
. NS	288096	. . LOUVER ROD 37 1/4"	AR	AR	AR	
2	284920	. CHANEL REINFORCEMENT	1	1	1	
3	284930	. PROTECTOR PANEL / DP 1214MM	1	1	1	
3	285131	. PROTECTOR PANEL / WITH GRAVEL GUARD / DP 1214MM	1	1	1	A
NS	681348	. TAPE RUB ADH2 ACRYLIC .045" x 1" x 108' / VHB4952	AR	AR	AR	
NS	682462	. ADHESIVE SIKA #252 / BLACK / 310ml CARTRIDGE	AR	AR	AR	
4	285025	. EXTRUSION PROFILE 1145MM	1	1	1	
NS	680025	. CAULKING STRIP 3/16" O.D. X 14'	AR	AR	AR	
5	283100	. STRIPE, REFLECTIVE WHITE / 38MM X 15' ROLL	AR	AR	AR	
. NS	780277	. . STRIPE, REFLECTIVE WHITE / 38MM X 150' ROLL	AR	AR	AR	
6	502534	. SCREW CAP SQ 5/16-18x1 G2 Z050	5	5	5	
7	283219	. WASHER ,REINFORCEMENT	5	5	5	
8	502583	. WASHER LO SERR 8.15x22.3x1.0 Z050	5	5	5	B
9	500698	. NUT HEX 5/16-18 BR	5	5	5	
10	506410	. RUBBER EXTRUSION SEAL / GRIP .062 X 100' / RAW MATERIAL	16	16	16	
		A) THIS PROTECTOR IS COATED WITH GRAVEL GUARD AND IS BLACK PAINTED, READY TO INSTALL				
		B) W/ITEMS 4 & 16				

From V-1961 To 2-4416

Date:10/2022

PAGE:H3-1863-02

CONDENSOR DOOR ASSY



From V-1961 To 2-4416		Date:10/2022	PAGE:H3-1863-02
CONDENSOR DOOR ASSY			

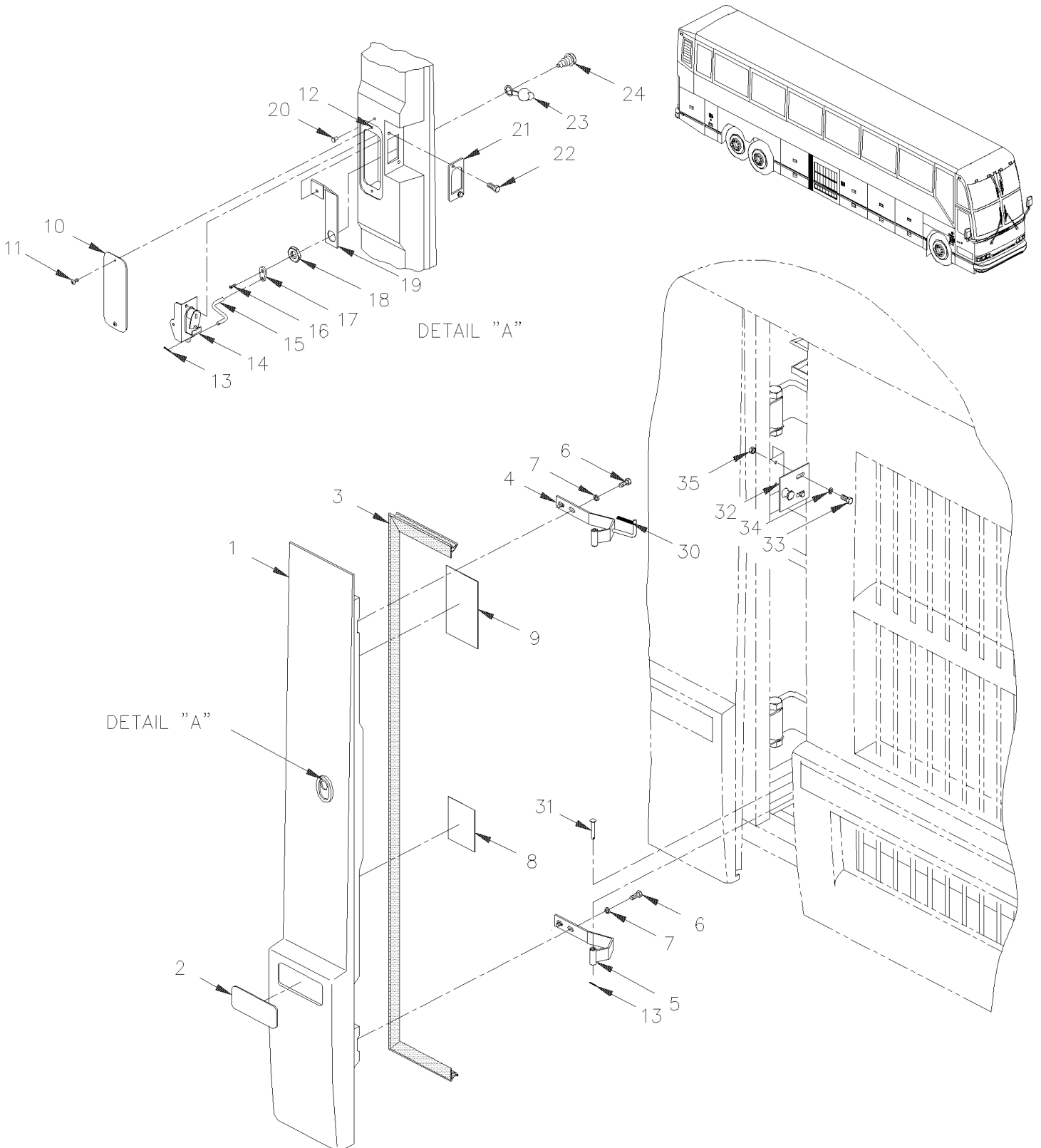
Item#	Part	Description	H 3 4 1	H 3 4 5	V I P 4 5	N O T E S
1	285624	CONDENSOR DOOR ASSY To W-2207	1	1	1	
. NS	288096	. LOUVER ROD 37 1/4" To W-2207	1	1	1	
1	285824	CONDENSOR DOOR ASSY From W-2208	1	1	1	
. NS	288096	. LOUVER ROD 37 1/4" From W-2208	1	1	1	
2	285637	FUEL DOOR / RH FIXED AT CONDENSOR DOOR	1	1	1	
3	H3-1875-00	FUEL TANK FILLING DOOR				
4	283100	STRIPE, REFLECTIVE WHITE / 38MM X 15' ROLL	AR	AR	AR	
. NS	780277	. STRIPE, REFLECTIVE WHITE / 38MM X 150' ROLL	AR	AR	AR	
5	285699	EXTRUSION BACKING ASSY W/REFLECTOR 1345MM	1	1	1	
. NS	285653	. EXTRUSION BACKING 1345MM	1	1	1	
5	285653	. EXTRUSION BACKING 1345MM	1	1	1	
5	280236	EXTRUSION BACKING ASSY W/REFLECTOR 1342MM	1	1	1	SVC
. NS	280117	. EXTRUSION 1342MM	1	1	1	SVC
5	685126	ADHESIVE SIMSON #ISR 70-03 / GREY / 600ml SAUSAGE	AR	AR	AR	SVC
6	285635	PROTECTOR PANEL / SH 1257MM	1	1	1	
6	285904	PROTECTOR PANEL / WITH GRAVEL GUARD / SH 1257MM	1	1	1	A
NS	682462	ADHESIVE SIKA #252 / BLACK / 310ml CARTRIDGE	AR	AR	AR	B
7	500120	SCREW TP BDG PH #6x1/2 SS	4	4	4	
8	506302	RUBBER EXTRUSION TRIM SEAL / GRIP .024 / 7/16" HOLLOW BULB C.T.L.	16	16	16	
9	500441	WASHER FL .312x.734x.065 Z050	5	5	5	
10	5001353	NUT HEX NYRT M6-1.0 SS	5	5	5	
		A) THIS PROTECTOR IS COATED WITH GRAVEL GUARD AND IS BLACK PAINTED READY TO INSTALL				
		B) TO FIX PANELS				
		SVC) SERVICE				

From R-012 To V-1960

Date:10/2022

PAGE:H3-1863-40

CONDENSOR DOOR ASSY (SMALL)



From R-012 To V-1960	Date:10/2022	PAGE:H3-1863-40
CONDENSOR DOOR ASSY (SMALL)		

Item#	Part	Description	H 3 4 1	H 3 4 5	V I P 4 5	N O T E S
	283083P	CONDENSOR DOOR ASSY / SMALL To S-133	1	1	1	
	285026P	CONDENSOR DOOR ASSY / SMALL From S-134	1	1	1	
1	282959	. DOOR MOULDED / FIBERGLASS To S-133	1	1	1	
1	284798	. DOOR MOULDED / FIBERGLASS / WITH GRAVEL GUARD To S-133	1	1	1	A
1	285005	. DOOR MOULDED / FIBERGLASS From S-134	1	1	1	
2	283100	. STRIPE, REFLECTIVE WHITE / 38MM X 15' ROLL	AR	AR	AR	
. NS	780277	. . STRIPE, REFLECTIVE WHITE / 38MM X 150' ROLL	AR	AR	AR	
3	480154	. WEATHERSTRIP RUBBER / ADH / RAW MATERIAL To S-133	AR	AR	AR	
3	292418	. RUBBER SEAL EXTRUSION / ADHESIVE / RAW MATERIAL From S-134	AR	AR	AR	
4	283170	. HINGE ASSY / UPPER	1	1	1	
5	283222	. HINGE / LOWER	1	1	1	
6	502533	. SCREW CAP HEX M6-1.0x30 G8.8 Z050	4	4	4	
7	502582	. WASHER LO SERR 6.1x16.2x0.9 Z050	4	4	4	
8	283090	. DECAL / TO OPEN PULL 1+ 3	1	1	1	
9	283089	. DECAL / CAUTION 1-2-3	1	1	1	
10	283085	. CLOSING PLATE 154MM x 60MM	1	1	1	
11	500510	. SCREW MA BDG PH #10-32x3/4 SS EMN	2	2	2	
12	500519	. NUT WELL #10-32x.518	2	2	2	
13	502094	. PIN, COTTER 1/16 x 1/2 SS	AR	AR	AR	D
14	780283	. LOCK SPAGNOLET R.H.	1	1	1	F
. NS	780340	. . CLIP, RETAINER ROD	1	1	1	F
15	283084	. ROD LEVER	1	1	1	
16	500560	. SCREW MA PAN PH M4-0.7x6 Z050	1	1	1	
17	780279	. LEVER, LOCK / CYLINDER / PLASTIC BLACK / 7MM SQ HOLE	1	1	1	
17	288324	. LEVER, LOCK / CYLINDER / PLASTIC BLACK / 8MM SQ HOLE / SERVICE	1	1	1	J
18	500022	. WASHER LO INT .168x.340x.023 Z050	1	1	1	
19	283080	. FIXATION / LOCK	1	1	1	
20	504340	. RIVET POP DOME OE 1/8x3/16 SS	2	2	2	
21	282649	. PLATE SUPPORT / W/SPAGNOLET LOCK	1	1	1	
22	502531	. SCREW CAP HEX M6-1.0x16 G8.8 Z050	2	2	2	C
23	780318	. CAP PROTECTOR CLOSED / BLACK SERIES PS	1	1	1	
24	H3-1864-30	HANDLE LOCK & KEYS - TYPE "PS"				
30	282627	SPRING EXTENSION / .360 O.D x 3. X .058	1	1	1	
31	282636	AXLE HINGE	2	2	2	
32	282634	SUPPORT STUD LOCK / TO FIX FRAME	1	1	1	
33	502790	SCREW CAP HEX M8-1.25x20 G8.8 Z050	2	2	2	
34	502584	WASHER LO SERR 8.2x26.3x1.8 Z050	2	2	2	
35	502543	NUT HEX M8-1.25 Z050	2	2	2	
NS	285832	KIT SERVICE DOOR LOCK / SERVICE	1	1	1	
. NS	IS-97037	. SEE INSTRUCTION SHEET	1	1	1	

From R-012 To V-1960	Date:10/2022	PAGE:H3-1863-40
CONDENSOR DOOR ASSY (SMALL)		

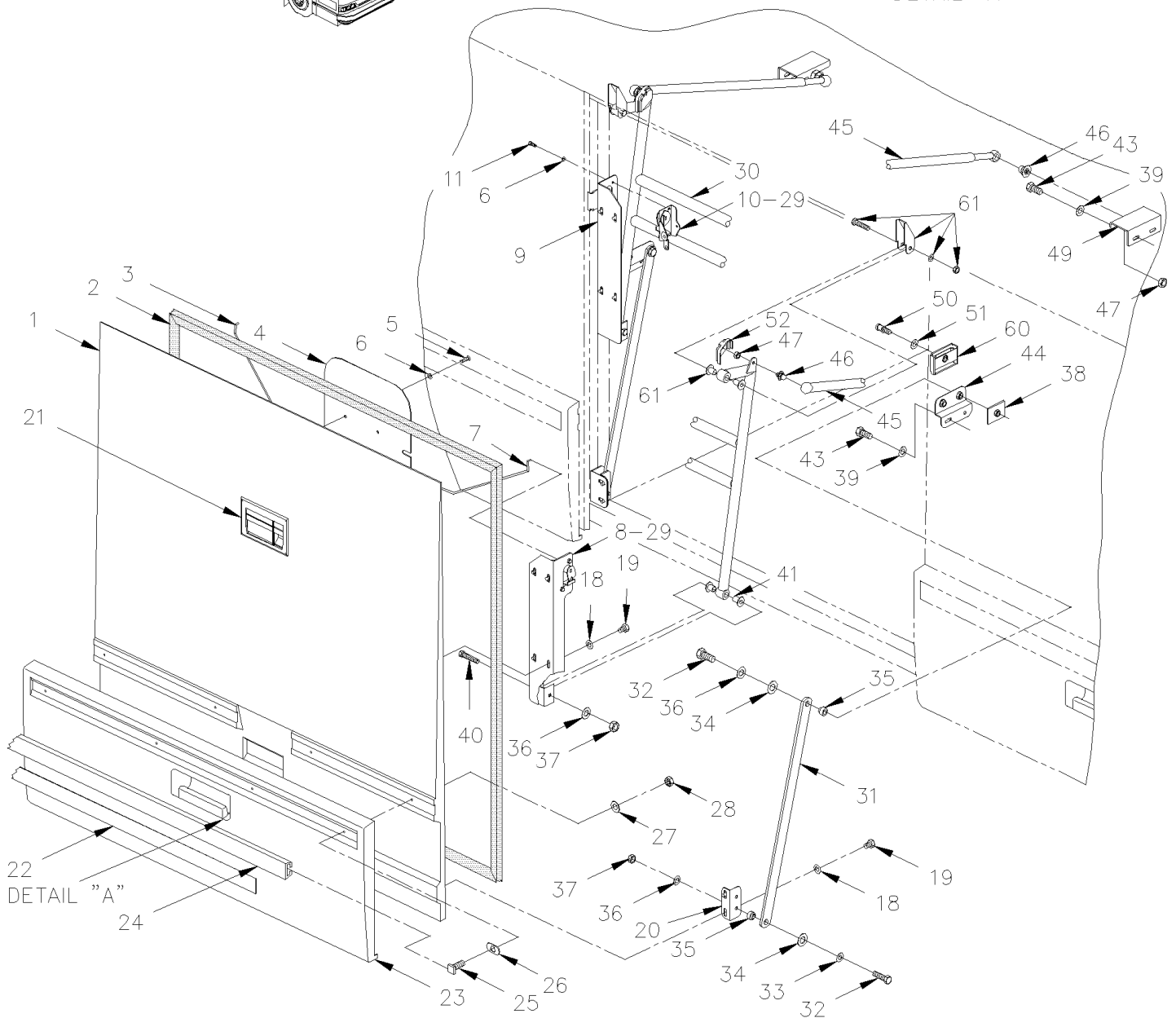
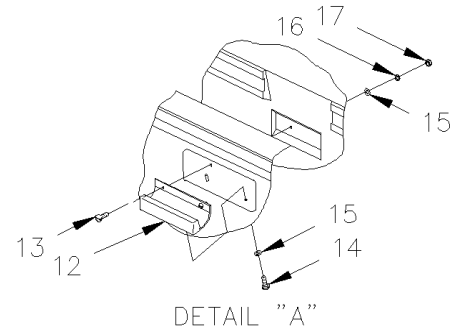
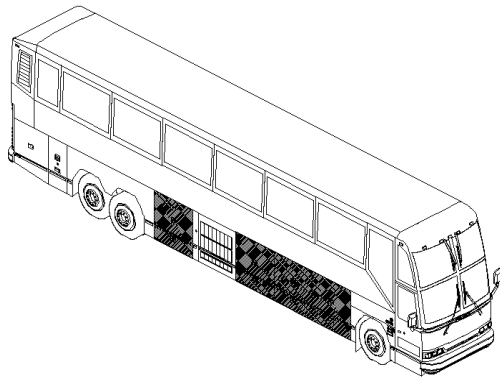
Item#	Part	Description	H 3 4 1	H 3 4 5	V I P 4 5	N O T E S
		A) THIS PROTECTOR IS COATED WITH GRAVEL GUARD ANS IS BLACK PAINTED READY TO INSTALL				
		C) TO FIX SUPPORT PLATE				
		D) TO FIX HINGE AXLE				
		F) PRODUCT IMPROVMENT, ASK KIT #285832				
		J) SEE KIT AT END OF PAGE H3-1864-99				

From R-012 To V-1856

Date:10/2022

PAGE:H3-1864-01

BAGGAGE COMPARTMENT DOOR



From R-012 To V-1856	Date:10/2022	PAGE:H3-1864-01
BAGGAGE COMPARTMENT DOOR		

Item#	Part	Description	H 3 4 1	H 3 4 5	V I P 4 5	N O T E S
	284732P	BAGGAGE DOOR ASSY 48"	6			
	284732P	BAGGAGE DOOR ASSY 48"		8		
	285220	BAGGAGE DOOR ASSY 48" W/ELEC			8	B
	287166	BAGGAGE DOOR ASSY 48" W/ELEC / W/"SMC" PROCESS			AR	S
1	284997	. DOOR MOULDED / FIBERGLASS			1	
1	284727	. DOOR MOULDED / FIBERGLASS	1	1		
1	286972	. DOOR MOULDED / FIBERGLASS "SMC"			1	C
2	284704	. RUBBER SEAL 1352MM X 1115MM	1	1	1	
2	285500	. RUBBER SEAL EXTRUSION / 1152MM X 1121MM	1	1	1	
2	287490	RUBBER SEAL EXTRUSION / 1152MM X 1121MM	1	1	1	
2	288902	RUBBER SEAL EXTRUSION / 1152MM X 1121MM	1	1	1	
2	2800122	RUBBER SEAL EXTRUSION / 1152MM X 1121MM	1	1	1	
3	284462	. ROD L.H. / W/SMALL DOOR / W/SMALL DOOR548MM	1	1	1	
3	289363	. ROD L.H. / W/SMALL DOOR / 536.6MM	1	1	1	R
3	287142	. ROD L.H. 546MM			1	C
3	289333	. ROD L.H. 529.8MM	1	1	1	R
4	284821	. PLATE CLOSING / PRODUCTION	1	1		
4	285544	. PLATE CLOSING / SERVICE	1	1		
NS	504069	. GROMMET / .281x.375x.062x.250x.562	1	1	1	
5	502563	. SCREW CAP HEX M6-1.0x12 G8.8 Z050	4	4	4	
6	502582	. WASHER LO SERR 6.1x16.2x0.9 Z050	12	12	12	
7	284466	. ROD R.H. / W/SMALL DOOR / 498MM	1	1	1	
7	289359	. ROD R.H. 504MM	1	1	1	R
7	287143	. ROD R.H. 496MM			1	C
7	289337	. ROD R.H. 497MM	1	1	1	
8	284473	. FIXTURE R.H.	1	1	1	
8	287140	. FIXTURE R.H.			1	C
9	284475	. FIXTURE L.H.	1	1	1	
9	287141	. FIXTURE L.H.			1	C
10	780282	. LOCK SPAGNOLET L.H.	1	1	1	
10	780283	. LOCK SPAGNOLET R.H.	1	1	1	
. NS	780340	. . CLIP, RETAINER ROD	1	1	1	
NS	504456	. CLIP / RETAINER ROD / WHITE OR RED	2	2	2	
11	502531	. SCREW CAP HEX M6-1.0x16 G8.8 Z050	4	4	4	
12	282562	. HANDLE / DOOR	1	1	1	
13	502746	. SCREW MA PAN PH M5-0.8x20 SS BK	2	2	2	
14	500641	. SCREW TP PAN PH #8x3/4 Z050	2	2	2	
15	500438	. WASHER FL .187x.437x.050 Z050	8	8	8	
16	500470	. WASHER LO SPT .193x.334x.047 Z050	2	2	2	
17	502580	. NUT HEX CAP M5-0.8 ZP	2	2	2	
18	502584	. WASHER LO SERR 8.2x26.3x1.8 Z050	12	12	12	
19	502589	. SCREW CAP HEX M8-1.25x25 G8.8 Z050	12	12	12	

From R-012 To V-1856		Date:10/2022	PAGE:H3-1864-01
BAGGAGE COMPARTMENT DOOR			

Item#	Part	Description	H 3 4 1	H 3 4 5	V I P 4 5	N O T E S
20	283238	. ATTACHMENT / LOWER L.H. & R.H.	2	2	2	
20	285543	. FASTNER			1	C
21	H3-1864-30	. HANDLE LOCK & KEYS - TYPE "PS"				
21	H3-1864-99	. HANDLE LOCK & KEYS - TYPE "NS" / SERVICE & RETROFIT				
21	H3-1864-35	. BAGGAGE COMPARTMENT ELECTRICAL LOCK - V.I.P				
21	H3-1864-36	. BAGGAGE COMPARTMENT ELECTRICAL LOCK - V.I.P / SERVICE & RETROFIT				
22	283100	. STRIPE, REFLECTIVE WHITE / 38MM X 15' ROLL	AR	AR	AR	
. NS	780277	. . STRIPE, REFLECTIVE WHITE / 38MM X 150' ROLL	AR	AR	AR	
23	284623	. PROTECTOR PANEL / DP	1	1	1	
23	285130	. PROTECTOR PANEL / WITH GRAVEL GUARD / DP	1	1	1	A
23	287159	. PROTECTOR PANEL / SH			1	C
24	282569	. EXTRUSION PROFILE 1182MM	1	1	1	
NS	680025	. CAULKING STRIP 3/16" O.D. X 14'	AR	AR	AR	
24	285709	. EXTRUSION BACKING ASSY W/REFLECTOR 1189MM			1	C
. NS	285542	. . EXTRUSION BACKING 1189MM			1	C
24	280237	. EXTRUSION BACKING ASSY W/REFLECTOR 1185MM			1	C S
. NS	280116	. . EXTRUSION 1185MM			1	C S
NS	685126	. ADHESIVE SIMSON #ISR 70-03 / GREY / 600ml SAUSAGE	AR	AR	AR	S
25	502534	. SCREW CAP SQ 5/16-18x1 G2 Z050	5	5	5	
26	283219	. WASHER ,REINFORCEMENT	AR	AR	AR	
27	502583	. WASHER LO SERR 8.15x22.3x1.0 Z050	5	5	5	
28	5001189	. NUT HEX 5/16-18 SS	5	5	5	
NS	507295	. HOLE PLUG BUTTON / 1.375 O.D. BLACK	4	4	4	
29	504454	. BUMPER RUBBER BOLT / 20MM ODx20MM TH X M6X15MM STUD	2	2	2	
30	282460	ARM PANTOGRAPH	1	1	1	
31	283236	ARM AUXILIARY 638MM C/C	2	2	2	
32	500544	SCREW CAP HEX M8-1.25x30 G8.8 Z050	4	4	4	
33	5001164	WASHER FL 8.4x25.0x2.0 Z050	4	4	4	
34	507289	BUSHING NYLINER / AUXILIARY ARM & ATTACHMENT	4	4	4	
35	282540	SPACER BUSHING FLANGE / AUX. ARM & SUPPORT	4	4	4	
36	502583	WASHER LO SERR 8.15x22.3x1.0 Z050	8	8	8	
37	502543	NUT HEX M8-1.25 Z050	6	6	6	
38	282520	PLATE ASSY W/NUT M8-1.25 36MM x 50MM	2	2	2	
39	502584	WASHER LO SERR 8.2x26.3x1.8 Z050	8	8	8	
40	502527	SCREW CAP HEX M8-1.25x50 G8.8 Z050	4	4	4	
41	507142	BUSHING, NYLINER W/SHOULDER (8-L-8-F)	8	8	8	
NS	282541	SPACER TUBE 31MM x 12.7MM x 8.5MM	AR	AR	AR	
43	502790	SCREW CAP HEX M8-1.25x20 G8.8 Z050	8	8	8	
44	283241	SUPPORT / 24MM OFFSET	6			
44	283241	SUPPORT / 24MM OFFSET		8	8	
44	283239	SUPPORT / 43MM OFFSET	2	2	2	
44	283235	SUPPORT / 62MM OFFSET	4			

From R-012 To V-1856	Date:10/2022	PAGE:H3-1864-01
BAGGAGE COMPARTMENT DOOR		

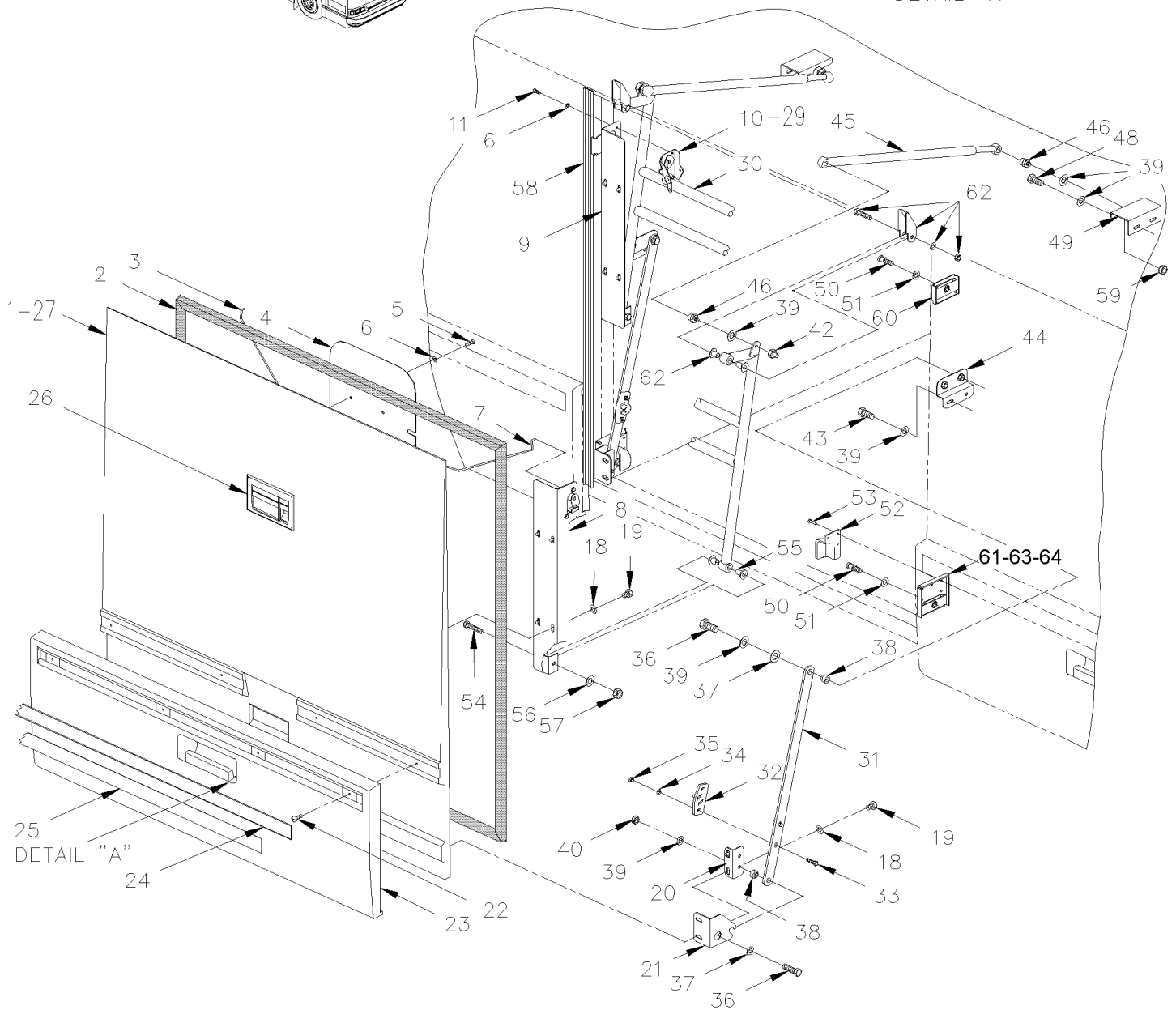
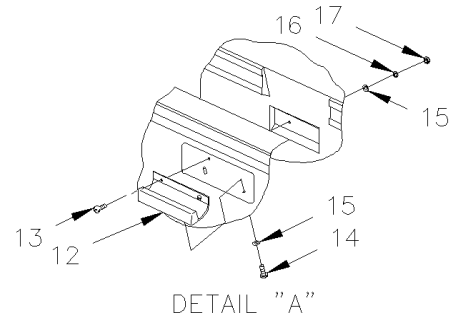
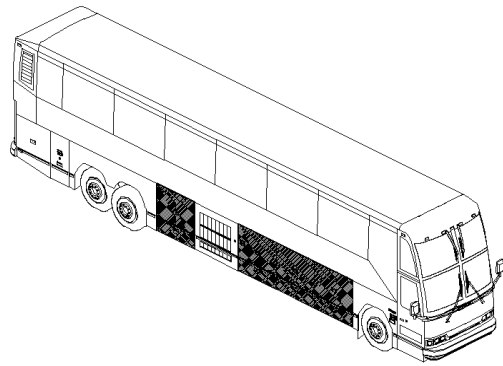
Item#	Part	Description	H 3 4 1	H 3 4 5	V I P 4 5	N O T E S
44	283235	SUPPORT / 62MM OFFSET		6	6	
45	980014	CYLINDER GAZ / 669/409MM C/C / 190LBS To T-1518	AR	AR	AR	
45	980024	CYLINDER GAZ / 669/409MM C/C / 200LBS From T-1519	AR	AR	AR	
46	980015	BALL STUD / W/10 MM X M8-1.25 / 29.18 MM	AR	AR	AR	
47	502760	NUT HEX TWAY M8-1.25 Z050	AR	AR	AR	
49	284829	ATTACHMENT CYLINDER	6			
49	284829	ATTACHMENT CYLINDER		8	8	
49	284828	ATTACHMENT CYLINDER	6			
49	284828	ATTACHMENT CYLINDER		8	8	
50	284438	PIN STRIKER	2	2	2	
51	284447	WASHERS BELLEVILLE	2	2	2	F
52	282848	PROTECTOR L.H. & R.H. To S-222	2	2	2	
52	285040	PROTECTOR L.H. From S-223	1	1	1	
52	285207	PROTECTOR R.H. From S-223	1	1	1	
NS	282849	PROTECTOR COVER To S-222	2	2	2	
NS	282916	SPACER / ITEMS #30 & 52 To S-222	2	2	2	
NS	500883	SCREW TC PAN PH #8-32x3/8 Z050	2	2	2	D
60	282869	FLOATING NUT ASSY WITH CASE	AR	AR	AR	
61	H3-1879-91	EXTERIOR DOOR HINGE AND SUPPORT				
NS	IS-95064	SEE INSTRUCTION SHEET	1	1	1	
		A) THIS PROTECTOR IS COATED WITH GRAVEL GUARD ANS IS BLACK PAINTED READY TO INSTALL				
		B) PRODUCT IMPROVMENT, THIS DOOR IS SUPERSEDED BY 287166 WITH "SMC" FIBERGLASS PROCESS				
		C) USE ONLY WITH #287166 DOOR ASSY				
		D) THIS PART IS SUPERSEDED BY 980024. SEE INSTRUCTION SHEET IS-95064 TO COMPLETE THE NEW INSTALLATION				
		F) STRIKER & BODY				
		R) THOSE RODS ARE REQUIRE ONLY IF YOU CHANGE FORMER HANDLE FOR NEW MODEL # 780794 OR 780795				
		S) SERVICE ONLY				

From V-1857 To 2-4416

Date:10/2022

PAGE:H3-1864-02

BAGGAGE COMPARTMENT DOOR



From V-1857 To 2-4416	Date:10/2022	PAGE:H3-1864-02
BAGGAGE COMPARTMENT DOOR		

Item#	Part	Description	H 3 4 1	H 3 4 5	V I P 4 5	N O T E S
	285632	BAGGAGE DOOR ASSY 48"	1	1		SD
	285633	BAGGAGE DOOR ASSY 48" W/ELEC			1	SD
	286036P	DOOR ASSY 48" W/1.78 SQF PERFORATED AREA			1	SD
1	285495	. DOOR MOULDED / FIBERGLASS To 1-4274	1	1		SD
1	286973	. DOOR MOULDED / FIBERGLASS "SMC" From 1-4275	1	1		SD
1	285494	. DOOR MOULDED / FIBERGLASS To 1-4274			1	SD
1	286972	. DOOR MOULDED / FIBERGLASS "SMC" From 1-4275			1	SD
1	286026	. DOOR 48" W/1.78 SQF PERFORATED AREA / FIBERGLASS To 1-4274			2	SD
1	286971	. DOOR 48" W/1.78 SQF PERFORATED AREA / FIBERGLASS "SMC" From 1-4275			2	SD
1	286169	. DOOR MOULDED / FIBERGLASS To 1-4274	1	1		G
1	286976	. DOOR MOULDED / FIBERGLASS "SMC" From 1-4275	1	1		G
1	286170	. DOOR MOULDED / FIBERGLASS To 1-4274	1	1		H
1	286977	. DOOR MOULDED / FIBERGLASS "SMC" From 1-4275	1	1		H
1	286168	. DOOR MOULDED / FIBERGLASS To 1-4274			1	G
1	286975	. DOOR MOULDED / FIBERGLASS "SMC" From 1-4275			1	G
1	286167	. DOOR MOULDED / FIBERGLASS To 1-4274			1	H
1	286974	. DOOR MOULDED / FIBERGLASS "SMC" From 1-4275			1	H
2	285500	. RUBBER SEAL EXTRUSION / 1152MM X 1121MM	7	7	7	
2	287490	. RUBBER SEAL EXTRUSION / 1152MM X 1121MM	1	1	1	
2	288902	. RUBBER SEAL EXTRUSION / 1152MM X 1121MM	1	1	1	
2	2800122	. RUBBER SEAL EXTRUSION / 1152MM X 1121MM	1	1	1	
3	285511	. ROD L.H. 541.3MM	1	1	1	
3	289333	. ROD L.H. 529.8MM	1	1	1	S
4	285544	. PLATE CLOSING / SERVICE	1	1		
4	285515	. PLATE CLOSING / 289MM X 314MM			1	
NS	506236	. TAPE RUB ADH1 CC POL 1/16" x 1/2" x 100' / GREY 2520	AR	AR	AR	
5	502563	. SCREW CAP HEX M6-1.0x12 G8.8 Z050	4	4	4	
6	502582	. WASHER LO SERR 6.1x16.2x0.9 Z050	8	8	8	
7	285510	. ROD R.H. 491MM	1	1	1	
7	289337	. ROD R.H. 497MM	1	1	1	S
8	285513	. FIXTURE L.H. To V-2042	1	1	1	
8	285703	. FIXTURE L.H. From V-2043	1	1	1	
9	285512	. FIXTURE R.H. To V-2042	1	1	1	
9	285702	. FIXTURE R.H. From V-2043	1	1	1	
10	780282	. LOCK SPAGNOLET L.H.	1	1	1	
10	780283	. LOCK SPAGNOLET R.H.	1	1	1	
. NS	780340	. . CLIP, RETAINER ROD	1	1	1	
NS	504456	. CLIP / RETAINER ROD / WHITE OR RED	AR	AR	AR	
11	502531	. SCREW CAP HEX M6-1.0x16 G8.8 Z050	4	4	4	
12	282562	. HANDLE / DOOR	1	1	1	
NS	680025	. CAULKING STRIP 3/16" O.D. X 14'	AR	AR	AR	
13	502532	. SCREW MA PAN PH M5-0.8x25 SS EMN	2	2	2	

From V-1857 To 2-4416	Date:10/2022	PAGE:H3-1864-02
BAGGAGE COMPARTMENT DOOR		

Item#	Part	Description	H 3 4 1	H 3 4 5	V I P 4 5	N O T E S
14	500641	. SCREW TP PAN PH #8x3/4 Z050	2	2	2	
15	500438	. WASHER FL .187x.437x.050 Z050	4	4	4	
16	500470	. WASHER LO SPT .193x.334x.047 Z050	2	2	2	
17	502580	. NUT HEX CAP M5-0.8 ZP	2	2	2	
18	502584	. WASHER LO SERR 8.2x26.3x1.8 Z050	12	12	12	
19	502790	. SCREW CAP HEX M8-1.25x20 G8.8 Z050	12	12	12	
20	285543	. FASTNER To 1-4153	2	2	2	
20	289237	. FASTNER From 1-4154	2	2	2	
21	285493	. LOWER HOOK R.H.	1	1	1	
21	285501	. LOWER HOOK L.H.	1	1	1	
22	500120	. SCREW TP BDG PH #6x1/2 SS	4	4	4	
23	285504	. PROTECTOR PANEL / SH	1	1	1	
23	285800	. PROTECTOR PANEL / WITH GRAVEL GUARD / SH	1	1	1	A
NS	682462	. ADHESIVE SIKA #252 / BLACK / 310ml CARTRIDGE	AR	AR	AR	E
NS	681348	. TAPE RUB ADH2 ACRYLIC .045" x 1" x 108' / VHB4952	AR	AR	AR	
NS	682348	. TAPE, DOUBLE COATED ACRYLIC	AR	AR	AR	
24	285709	. EXTRUSION BACKING ASSY W/REFLECTOR 1189MM	1	1	1	
. NS	285542	. . EXTRUSION BACKING 1189MM	1	1	1	
24	280237	. EXTRUSION BACKING ASSY W/REFLECTOR 1185MM	1	1	1	SVC
. NS	280116	. . EXTRUSION 1185MM	1	1	1	SVC
24	685126	. ADHESIVE SIMSON #ISR 70-03 / GREY / 600ml SAUSAGE	AR	AR	AR	SVC
25	283100	. . STRIPE, REFLECTIVE WHITE / 38MM X 15' ROLL	AR	AR	AR	
. NS	780277	. . . STRIPE, REFLECTIVE WHITE / 38MM X 150' ROLL	AR	AR	AR	
26	H3-1864-30	. HANDLE LOCK & KEYS - TYPE "PS"				
26	H3-1864-99	. HANDLE LOCK & KEYS - TYPE "NS" / SERVICE & RETROFIT				
26	H3-1864-35	. BAGGAGE COMPARTMENT ELECTRICAL LOCK - V.I.P				
26	H3-1864-36	. BAGGAGE COMPARTMENT ELECTRICAL LOCK - V.I.P / SERVICE & RETROFIT				
27	Call order desk	BAGGAGE DOOR 48" W/1.78 SQF PERFORATED AREA To 1-4274				P
27	Call order desk	BAGGAGE DOOR 48" W/1.78 SQF PERFORATED AREA From 1-4275				P
29	504454	BUMPER RUBBER BOLT / 20MM ODx20MM TH X M6X15MM STUD	2	2	2	
30	285518	ARM PANTOGRAPH To Y-3678	1	1	1	
30	285865	ARM PANTOGRAPH To Y-3678	1	1	1	C
30	286749	ARM PANTOGRAPH From Y-3679	1	1	1	
30	286750	ARM PANTOGRAPH From Y-3679	1	1	1	C
31	283236	ARM AUXILIARY 638MM C/C	2	2	2	
32	285489	DOOR STOPPER L.H. To 2-4366	1	1	1	
32	288012	DOOR STOPPER L.H. From 2-4367	1	1	1	
32	285503	DOOR STOPPER R.H. To 2-4366	1	1	1	
32	288011	DOOR STOPPER R.H. From 2-4367	1	1	1	
33	502631	SCREW CAP HEX M6-1.0x20 G8.8 Z050	4	4	4	
34	502582	WASHER LO SERR 6.1x16.2x0.9 Z050	4	4	4	
35	502581	NUT HEX M6-1.0 Z050	4	4	4	

From V-1857 To 2-4416	Date:10/2022	PAGE:H3-1864-02
BAGGAGE COMPARTMENT DOOR		

Item#	Part	Description	H 3 4 1	H 3 4 5	V I P 4 5	N O T E S
36	500544	SCREW CAP HEX M8-1.25x30 G8.8 Z050	4	4	4	
37	5001164	WASHER FL 8.4x25.0x2.0 Z050	4	4	4	
38	285530	SPACER BUSHING FLANGE / AUX. ARM & SUPPORT ACETAL 8.3MM I.D. To Y-3699	4	4	4	
38	286716	SPACER BUSHING FLANGE / AUX. ARM & SUPPORT ACETAL 8.3MM I.D. From Y-3700	4	4	4	
39	502583	WASHER LO SERR 8.15x22.3x1.0 Z050	4	4	4	
NS	502584	WASHER LO SERR 8.2x26.3x1.8 Z050	4	4	4	
40	502543	NUT HEX M8-1.25 Z050	6	6	6	
41	502527	SCREW CAP HEX M8-1.25x50 G8.8 Z050	4	4	4	
42	285487	STRICKER PIN NUT M8-1.25 x 19MM SS To Y-3678	2	2	2	
42	286751	STRICKER PIN / (WELDED TO ARM PANTOGRAPH) From Y-3279	2	2	2	
43	502790	SCREW CAP HEX M8-1.25x20 G8.8 Z050	8	8	8	
44	285522	SUPPORT / 24MM OFFSET	6			
44	285522	SUPPORT / 24MM OFFSET		8	8	
44	285524	SUPPORT / 42MM OFFSET	2	2	2	
44	285523	SUPPORT / 62MM OFFSET	4			
44	285523	SUPPORT / 62MM OFFSET		6	6	
45	980024	CYLINDER GAZ / 669/409MM C/C / 200LBS	2	2	2	
45	192226	CYLINDER GAZ / 669/409MM C/C / 200LBS HD			AR	
NS	980017	. CLIP BALL STUD 10MM RETAINER			2	
46	980015	BALL STUD / W/10 MM X M8-1.25 / 29.18 MM	4	4	4	
48	502790	SCREW CAP HEX M8-1.25x20 G8.8 Z050	8	8	8	
49	285547	CYLINDER FIXATION To Y-3678	2	2	2	
49	286758	CYLINDER FIXATION From Y-3679	2	2	2	
50	284438	PIN STRIKER	4	4	4	
NS	680025	CAULKING STRIP 3/16" O.D. X 14'	AR	AR	AR	
51	284447	WASHERS BELLEVILLE	4	4	4	D
52	285507	PROTECTOR L.H. To 2-4429	1	1	1	
52	288009	PROTECTOR L.H. From 2-4430	1	1	1	
52	285508	PROTECTOR R.H. To 2-4429	1	1	1	
52	288010	PROTECTOR R.H. From 2-4430	1	1	1	
53	504487	RIVET MGLP PRDG 3/16x7/16 SS	6	6	6	
NS	502637	WASHER FL .200x.437x.037 SS	6	6	6	
54	502527	SCREW CAP HEX M8-1.25x50 G8.8 Z050 To V-2042	4	4	4	
54	502793	SCREW CAP HEX M6-1.0x45 G8.8 Z050 From V-2043	4	4	4	
55	285478	FLANGE BUSHING To V-2042	8	8	8	
55	285710	BUSHING SPACER ACETAL 6.5MM I.D. x 14.15MM O.D. x 31 From V-2043	2	2	2	
56	502582	WASHER LO SERR 6.1x16.2x0.9 Z050	4	4	4	
57	502692	NUT HEXF STO M8-1.25 Z050 To V-2042	4	4	4	
57	502581	NUT HEX M6-1.0 Z050 From V-2043	4	4	4	
58	285488	LATERAL EXTRUSION	8	8	8	
58	289558	LATERAL EXTRUSION 31MM x 1203MM	8	8	8	
59	502760	NUT HEX TWAY M8-1.25 Z050	2	2	2	

From V-1857 To 2-4416	Date:10/2022	PAGE:H3-1864-02
BAGGAGE COMPARTMENT DOOR		

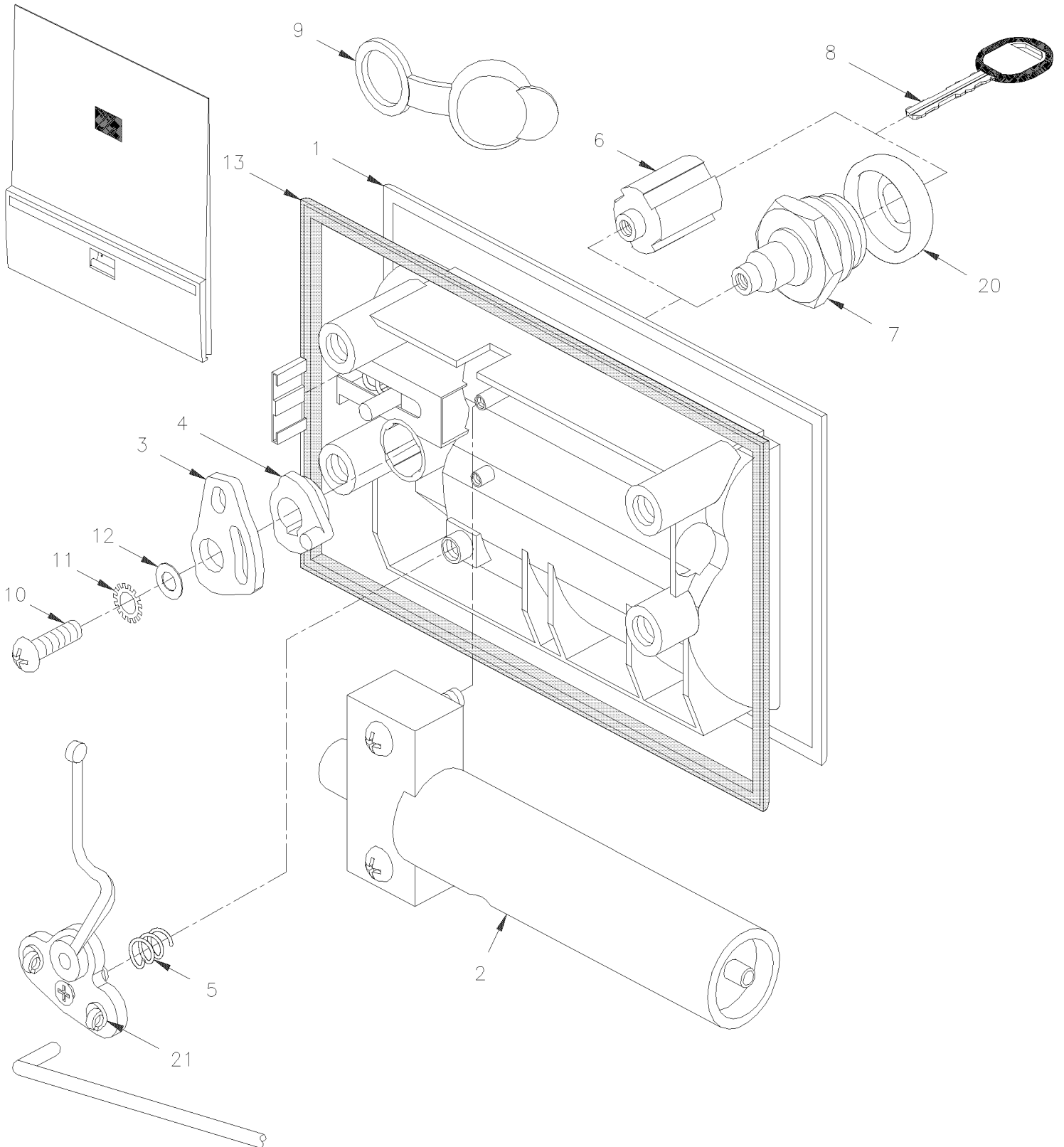
Item#	Part	Description	H 3 4 1	H 3 4 5	V I P 4 5	N O T E S
60	282869	FLOATING NUT ASSY WITH CASE To 1-4237	AR	AR	AR	
60	287943	FLOATING NUT ASSY WITH CASE From 1-4238	AR	AR	AR	
61	285516	SUPPORT LOWER / (WELDED TO STRUCTURE) To 1-4237	1	1	1	J
61	285517	SUPPORT LOWER / (WELDED TO STRUCTURE) To 1-4237	1	1	1	
61	287903	SUPPORT LOWER / (WELDED TO STRUCTURE) From 1-4238	1	1	1	
62	H3-1879-92	EXTERIOR DOOR HINGE AND SUPPORT				
63	482777	SPLASH PROTECTOR PLASTIC / REAR LOWER / 123MM X 192MM X 30MM	2	2	2	B
64	482778	SPLASH PROTECTOR PLASTIC / REAR UPPER / 66MM X 184MM X 30MM	2	2	2	B
64	482779	SPLASH PROTECTOR PLASTIC / FRONT LOWER / 142MM X 142MM X 36MM	2	2	2	B
64	483403	BOLT PROTECTOR PLASTIC / 140MM X 92MM X 15MM From 1-4233	AR	AR	AR	
		A) THIS PROTECTOR ASSY WITH HANDLE IS COATED WITH GRAVEL GUARD AND IS BLACK PAINTED, READY TO INSTALL				
		B) FOR PRODUCT IMPROVMENT USE THOSE PROTECTOR FOR VEHICLE UP TO X-2749				
		C) USE WITH ENTERTAINER				
		D) STRIKER & BODY				
		E) TO FIX PANELS				
		G) THOSE DOORS HAVE HOLES FOR MARKER LIGHT LH SIDE OF HANDLE				
		H) THOSE DOORS HAVE HOLES FOR MARKER LIGHT RH SIDE OF HANDLE				
		J) WITH BEND IN BOTTOM				
		S) THOSE RODS ARE REQUIRES ALSO IF YOU CHANGE FORMER HANDLE FOR NEW HANDLE # 780794 OR 780795				
		SD) THIS SERVICE DOOR DO NOT HAVE HOLES FOR INSTALL MAKERS LIGHTS				
		SVC) SERVICE				
		P) CALL ORDER DESK FOR SPECIFIC APPLICATION (V.I.N.)				

From R-012 To 2-4416

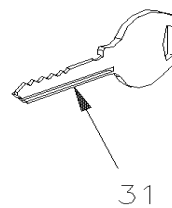
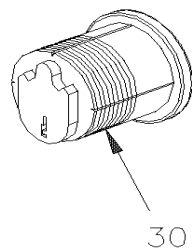
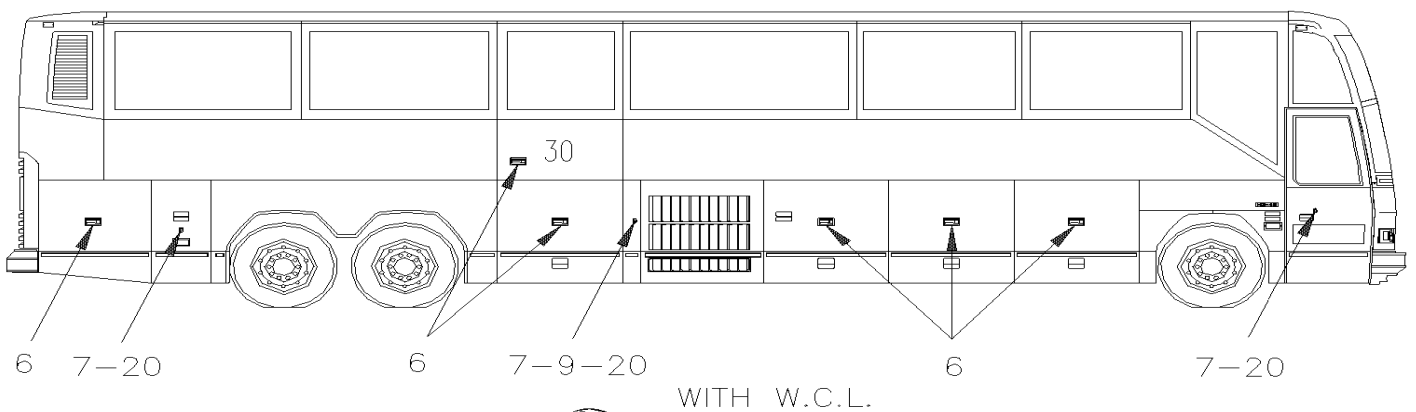
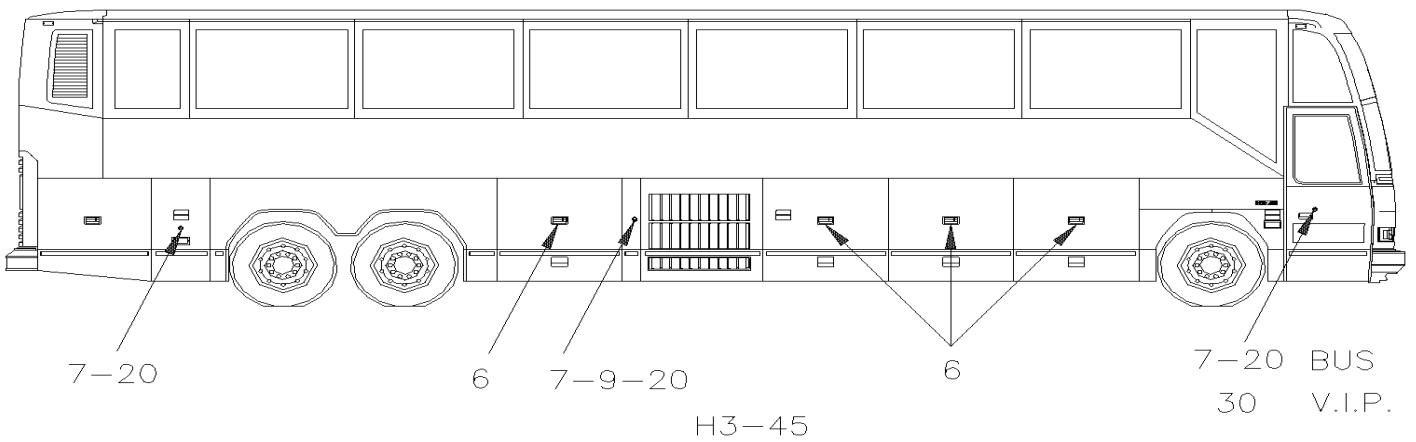
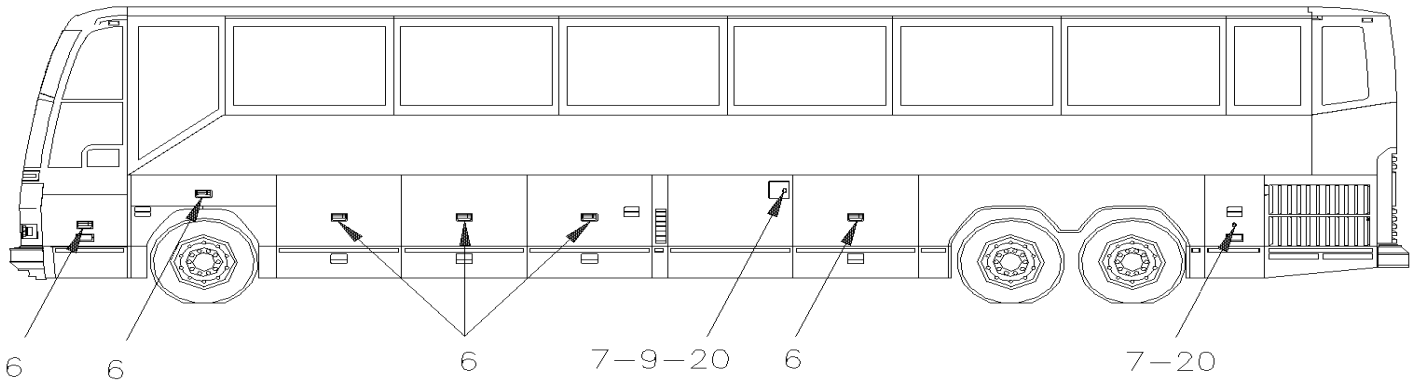
Date:10/2022

PAGE:H3-1864-30

HANDLE LOCK & KEYS - TYPE "PS"



From R-012 To 2-4416	Date:10/2022	PAGE:H3-1864-30
HANDLE LOCK & KEYS - TYPE "PS"		



From R-012 To 2-4416	Date:10/2022	PAGE:H3-1864-30
HANDLE LOCK & KEYS - TYPE "PS"		

Item#	Part	Description	H 3 4 1	H 3 4 5	V I P 4 5	N O T E S
1	780350	HANDLE ASSY / MANUAL TYPE "PS"	AR	AR	AR	A
1	780351	HANDLE ASSY / W/AIR CYLINDER TYPE "PS"	AR	AR		
2	N.S.S.	. AIR CYLINDER	AR	AR		1
NS	286110	SUPPORT, HANDLE From 1-4275	AR	AR		
3	780353	LEVER / W/AIR CYLINDER	AR	AR		
3	780354	LEVER / W/MANUAL OPERATION & ELECTRIC	AR	AR	AR	
4	780352	LEVER	AR	AR	AR	
5	780305	. SPRING COMPRESSION / .700 O.D. x .515 x .055	1	1	1	
6	780394	CYLINDER LOCK / PS175	AR	AR	AR	
6	780393	CYLINDER LOCK / PS174	AR	AR	AR	
6	780392	CYLINDER LOCK / PS173	AR	AR	AR	
6	780391	CYLINDER LOCK / PS172	AR	AR	AR	
6	780390	CYLINDER LOCK / PS171	AR	AR	AR	
6	780389	CYLINDER LOCK / PS170	AR	AR	AR	
6	780388	CYLINDER LOCK / PS169	AR	AR	AR	
6	780387	CYLINDER LOCK / PS168	AR	AR	AR	
6	780386	CYLINDER LOCK / PS167	AR	AR	AR	
6	780385	CYLINDER LOCK / PS166	AR	AR	AR	
6	780384	CYLINDER LOCK / PS165	AR	AR	AR	
6	780383	CYLINDER LOCK / PS164	AR	AR	AR	
6	780382	CYLINDER LOCK / PS163	AR	AR	AR	
6	780381	CYLINDER LOCK / PS162	AR	AR	AR	
6	780380	CYLINDER LOCK / PS161	AR	AR	AR	
6	780379	CYLINDER LOCK / PS160	AR	AR	AR	
6	780378	CYLINDER LOCK / PS159	AR	AR	AR	
6	780377	CYLINDER LOCK / PS158	AR	AR	AR	
6	780376	CYLINDER LOCK / PS157	AR	AR	AR	
6	780375	CYLINDER LOCK / PS156	AR	AR	AR	
6	780374	CYLINDER LOCK / PS20	AR	AR	AR	
6	780373	CYLINDER LOCK / PS19	AR	AR	AR	
6	780372	CYLINDER LOCK / PS18	AR	AR	AR	
6	780371	CYLINDER LOCK / PS17	AR	AR	AR	
6	780370	CYLINDER LOCK / PS16	AR	AR	AR	
6	780369	CYLINDER LOCK / PS15	AR	AR	AR	
6	780368	CYLINDER LOCK / PS14	AR	AR	AR	
6	780367	CYLINDER LOCK / PS13	AR	AR	AR	
6	780366	CYLINDER LOCK / PS12	AR	AR	AR	
6	780365	CYLINDER LOCK / PS11	AR	AR	AR	
6	780364	CYLINDER LOCK / PS10	AR	AR	AR	
6	780363	CYLINDER LOCK / PS9	AR	AR	AR	
6	780362	CYLINDER LOCK / PS8	AR	AR	AR	
6	780361	CYLINDER LOCK / PS7	AR	AR	AR	

From R-012 To 2-4416	Date:10/2022	PAGE:H3-1864-30
HANDLE LOCK & KEYS - TYPE "PS"		

Item#	Part	Description	H 3 4 1	H 3 4 5	V I P 4 5	N O T E S
6	780360	CYLINDER LOCK / PS6	AR	AR	AR	
6	780359	CYLINDER LOCK / PS5	AR	AR	AR	
6	780358	CYLINDER LOCK / PS4	AR	AR	AR	
6	780357	CYLINDER LOCK / PS3	AR	AR	AR	
6	780356	CYLINDER LOCK / PS2	AR	AR	AR	
6	780355	CYLINDER LOCK / PS1	AR	AR	AR	
7	780414	CYLINDER LOCK / PS175	AR	AR	AR	
7	780413	CYLINDER LOCK / PS174	AR	AR	AR	
7	780412	CYLINDER LOCK / PS173	AR	AR	AR	
7	780411	CYLINDER LOCK / PS172	AR	AR	AR	
7	780410	CYLINDER LOCK / PS171	AR	AR	AR	
7	780409	CYLINDER LOCK / PS170	AR	AR	AR	
7	780408	CYLINDER LOCK / PS169	AR	AR	AR	
7	780407	CYLINDER LOCK / PS168	AR	AR	AR	
7	780406	CYLINDER LOCK / PS167	AR	AR	AR	
7	780405	CYLINDER LOCK / PS166	AR	AR	AR	
7	780404	CYLINDER LOCK / PS165	AR	AR	AR	
7	780403	CYLINDER LOCK / PS164	AR	AR	AR	
7	780402	CYLINDER LOCK / PS163	AR	AR	AR	
7	780401	CYLINDER LOCK / PS162	AR	AR	AR	
7	780400	CYLINDER LOCK / PS161	AR	AR	AR	
7	780399	CYLINDER LOCK / PS160	AR	AR	AR	
7	780398	CYLINDER LOCK / PS159	AR	AR	AR	
7	780397	CYLINDER LOCK / PS158	AR	AR	AR	
7	780396	CYLINDER LOCK / PS157	AR	AR	AR	
7	780395	CYLINDER LOCK / PS156	AR	AR	AR	
7	780274	CYLINDER LOCK / PS20	AR	AR	AR	
7	780273	CYLINDER LOCK / PS19	AR	AR	AR	
7	780267	CYLINDER LOCK / PS18	AR	AR	AR	
7	780266	CYLINDER LOCK / PS17	AR	AR	AR	
7	780265	CYLINDER LOCK / PS16	AR	AR	AR	
7	780264	CYLINDER LOCK / PS15	AR	AR	AR	
7	780263	CYLINDER LOCK / PS14	AR	AR	AR	
7	780262	CYLINDER LOCK / PS13	AR	AR	AR	
7	780261	CYLINDER LOCK / PS12	AR	AR	AR	
7	780260	CYLINDER LOCK / PS11	AR	AR	AR	
7	780259	CYLINDER LOCK / PS10	AR	AR	AR	
7	780258	CYLINDER LOCK / PS9	AR	AR	AR	
7	780257	CYLINDER LOCK / PS8	AR	AR	AR	
7	780256	CYLINDER LOCK / PS7	AR	AR	AR	
7	780255	CYLINDER LOCK / PS6	AR	AR	AR	
7	780272	CYLINDER LOCK / PS5	AR	AR	AR	

From R-012 To 2-4416	Date:10/2022	PAGE:H3-1864-30
HANDLE LOCK & KEYS - TYPE "PS"		

Item#	Part	Description	H 3 4 1	H 3 4 5	V I P 4 5	N O T E S
7	780271	CYLINDER LOCK / PS4	AR	AR	AR	
7	780270	CYLINDER LOCK / PS3	AR	AR	AR	
7	780269	CYLINDER LOCK / PS2	AR	AR	AR	
7	780268	CYLINDER LOCK / PS1	AR	AR	AR	
8	780528	KEY, UN CUT / PS SERIE	AR	AR	AR	
8	780480	KEY / PS175	AR	AR	AR	
8	780479	KEY / PS174	AR	AR	AR	
8	780478	KEY / PS173	AR	AR	AR	
8	780477	KEY / PS172	AR	AR	AR	
8	780476	KEY / PS171	AR	AR	AR	
8	780475	KEY / PS170	AR	AR	AR	
8	780474	KEY / PS169	AR	AR	AR	
8	780473	KEY / PS168	AR	AR	AR	
8	780472	KEY / PS167	AR	AR	AR	
8	780471	KEY / PS166	AR	AR	AR	
8	780470	KEY / PS165	AR	AR	AR	
8	780469	KEY / PS164	AR	AR	AR	
8	780468	KEY / PS163	AR	AR	AR	
8	780467	KEY / PS162	AR	AR	AR	
8	780466	KEY / PS161	AR	AR	AR	
8	780465	KEY / PS160	AR	AR	AR	
8	780464	KEY / PS159	AR	AR	AR	
8	780463	KEY / PS158	AR	AR	AR	
8	780462	KEY / PS157	AR	AR	AR	
8	780461	KEY / PS156	AR	AR	AR	
8	780338	KEY / PS20	AR	AR	AR	
8	780337	KEY / PS19	AR	AR	AR	
8	780331	KEY / PS18	AR	AR	AR	
8	780330	KEY / PS17	AR	AR	AR	
8	780329	KEY / PS16	AR	AR	AR	
8	780328	KEY / PS15	AR	AR	AR	
8	780327	KEY / PS14	AR	AR	AR	
8	780326	KEY / PS13	AR	AR	AR	
8	780325	KEY / PS12	AR	AR	AR	
8	780324	KEY / PS11	AR	AR	AR	
8	780323	KEY / PS10	AR	AR	AR	
8	780322	KEY / PS9	AR	AR	AR	
8	780321	KEY / PS8	AR	AR	AR	
8	780320	KEY / PS7	AR	AR	AR	
8	780319	KEY / PS6	AR	AR	AR	
8	780336	KEY / PS5	AR	AR	AR	
8	780335	KEY / PS4	AR	AR	AR	

From R-012 To 2-4416	Date:10/2022	PAGE:H3-1864-30
HANDLE LOCK & KEYS - TYPE "PS"		

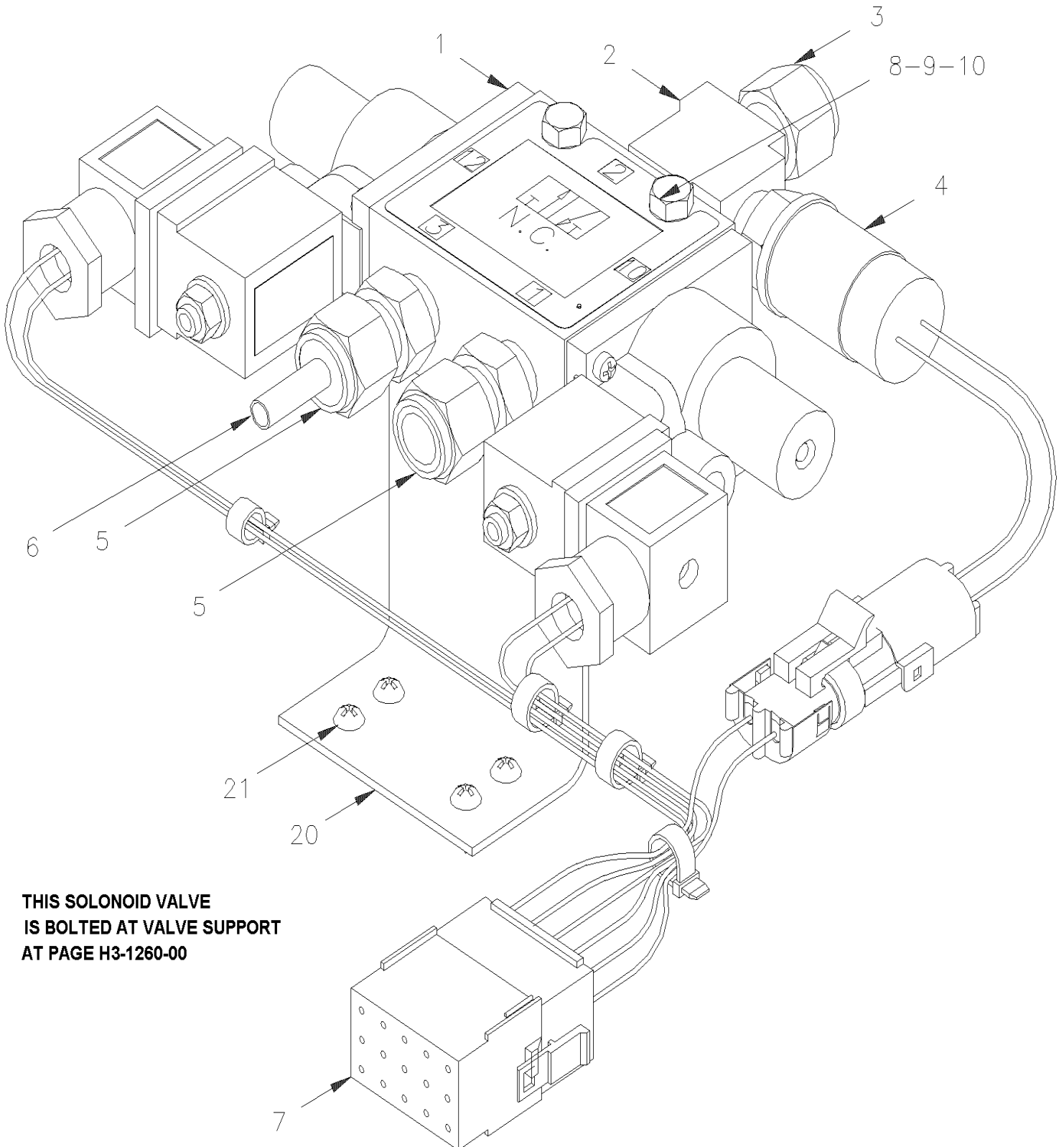
Item#	Part	Description	H 3 4 1	H 3 4 5	V I P 4 5	N O T E S
8	780334	KEY / PS3	AR	AR	AR	
8	780333	KEY / PS2	AR	AR	AR	
8	780332	KEY / PS1	AR	AR	AR	
NS	681136	KEY CHAIN / "PREVOST"	AR	AR	AR	
9	780318	CAP PROTECTOR CLOSED / BLACK SERIES PS	AR	AR	AR	B
10	500560	SCREW MA PAN PH M4-0.7x6 Z050	1	1	1	C
11	500022	WASHER LO INT .168x.340x.023 Z050	1	1	1	
12	500591	WASHER FL 4.3x9.0x0.8 Z050	1	1	1	
13	780303	GASKET	1	1	1	
20	283971	CAP PROTECTOR OPEN / BLACK	1	1	1	
21	780340	CLIP, RETAINER ROD	1	1	1	
21	504456	CLIP / RETAINER ROD / WHITE OR RED	1	1	1	
30	780430	CYLINDER LOCK ASSY W/2 KEYS / "CORBIN"			1	SS
. NS	780562	. KEY / "CORBIN" BLANK			2	SS
30	780803	CYLINDER LOCK ASSY W/2 KEYS / "SCHLAGE" SERVICE			1	
. NS	780902	. KEY / "SCHLAGE" BLANK			1	
31	780562	KEY / "CORBIN" BLANK			1	
		A) MANUAL OR ELECTRIC				
		B) (AS SHOWN)				
		C) TO FIX LEVER ITEM #3				
		SS) THIS MODEL IT OBSOLETED REPLACE BY 780803 WITH NEW LEVER # 289030				
		1) NOT SOLD SEPARATELY				

From R-012 To 2-4416

Date:10/2022

PAGE:H3-1864-31

PNEUMATIC DOOR LOCK CONTROL VALVE



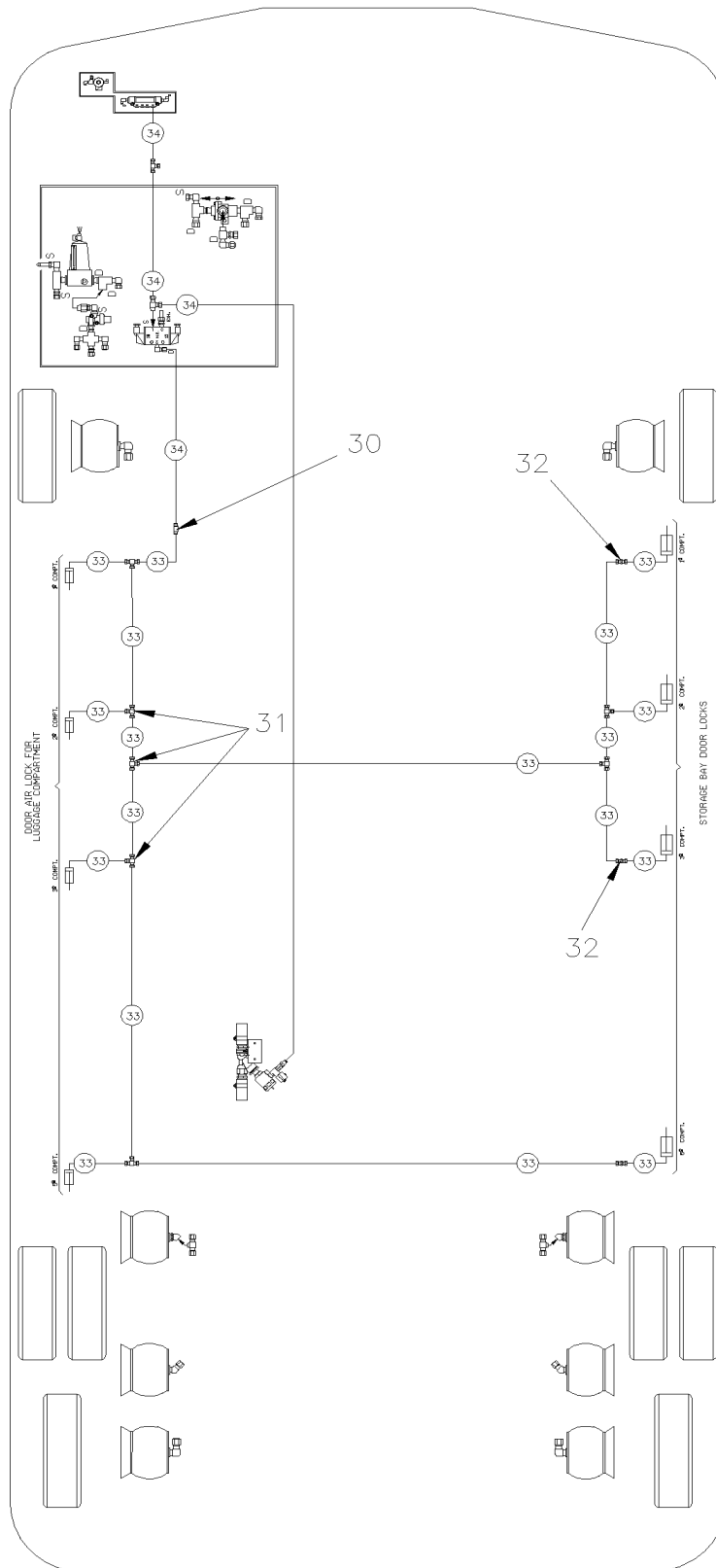
**THIS SOLONOID VALVE
IS BOLTED AT VALVE SUPPORT
AT PAGE H3-1260-00**

From R-012 To 2-4416

Date:10/2022

PAGE:H3-1864-31

PNEUMATIC DOOR LOCK CONTROL VALVE



From R-012 To 2-4416	Date:10/2022	PAGE:H3-1864-31
PNEUMATIC DOOR LOCK CONTROL VALVE		

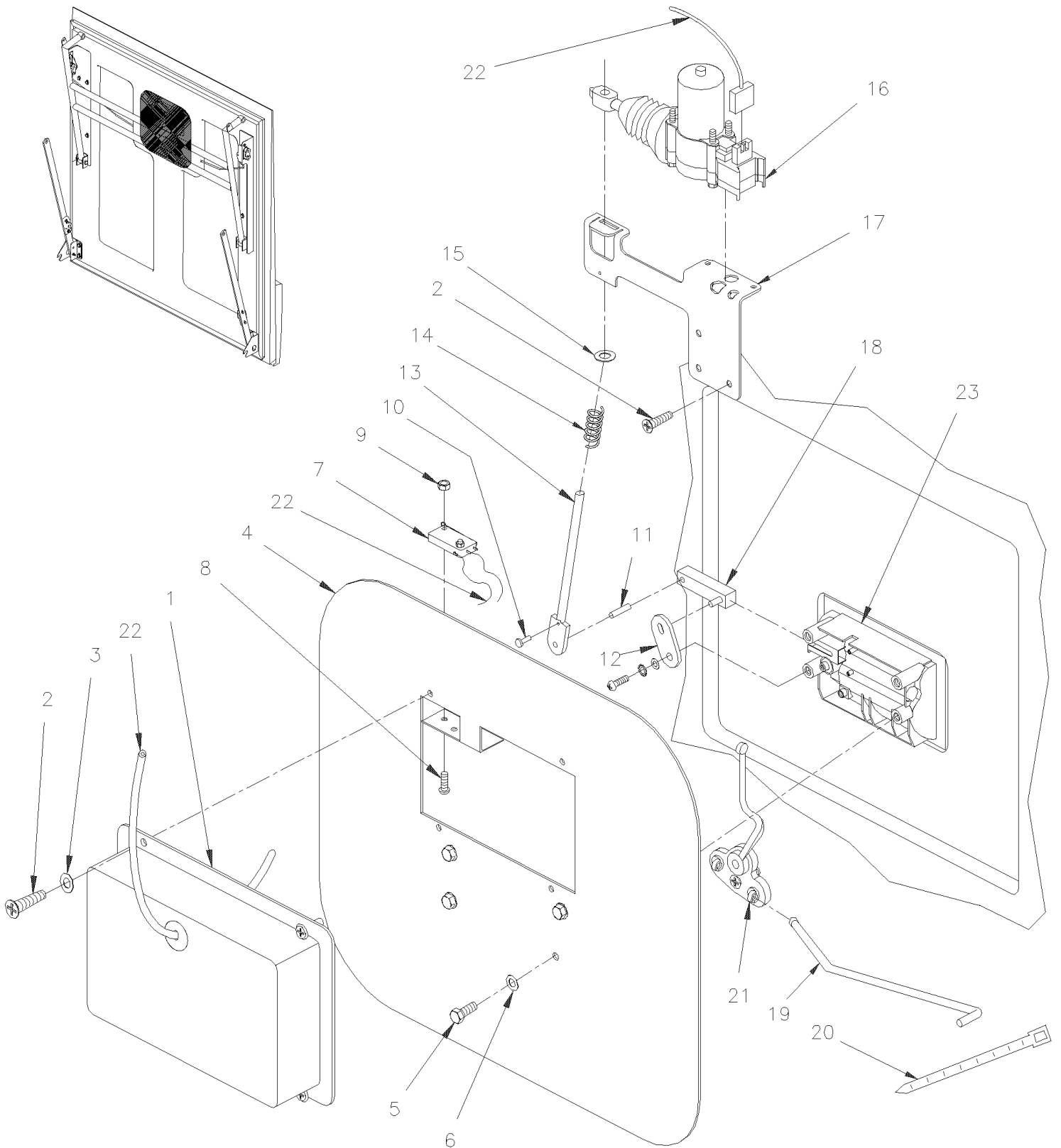
Item#	Part	Description	H 3 4 1	H 3 4 5	V I P 4 5	N O T E S
	285573	VALVE DOOR LOCK ASSY W/FITTING & CABLE	1	1		
1	641316	. VALVE, 3 WAYS, 2 POSITIONS / 2 SOLONOID To X-3238	1	1		
1	641530	. VALVE, 3 WAYS, 2 POSITIONS / 2 SOLONOIDS From X-3239	1	1		
. NS	641929	. . COIL 24V From X-3239	1	1		
. NS	641169	. . SPOOL From X-3239	1	1		
. NS	641385	. . CONNECTOR / SOCKET HOUSING ASSY 3C / PNEUMAC 54934-01 From X-3239	1	1		
1	562353	. DIODE / 1AMP	1	1		
2	501338	. MALE RUN TEE / PIPE FITTING / 1/4NPT-Mx1/4NPT-Fx1/4NPT-F BR	1	1		
3	640997	. MALE ELBOW 90° / NTA FITTING / #4x1/4NPT-M BR	1	1		
4	452043	. PRESSURE SWITCH N.O. 60-35 20SP001AA060E035E	1	1		
5	641332	. MALE CONNECTOR / PUSH-IN FITTING / #4x1/4NPT-M BR	2	2		
6	503402	. TUBE, NYLON 1/4 O.D. / BLACK S.L.	AR	AR		
7	062416	. CABLE ASSY	1	1		
8	502793	SCREW CAP HEX M6-1.0x45 G8.8 Z050	2	2		
9	502511	NUT HEX NYRT M6-1.0 Z050	2	2		
10	502573	WASHER FL 6.4x12.5x1.6 SS	2	2		
20	283505	SUPPORT "Z" SHAPE / TO FIX CONTROL VALVE	1	1		A
21	500952	SCREW TP BDG PH #8x1/2 SS	4	4		A
NS	504062	GROMMET / .4375x.687x.125x.375x.937	1	1		
30	641507	UNION / PUSH-IN FITTING / #4 x 6MM NP	AR	AR		
31	641188	UNION TEE / PUSH-IN FITTING / 6MM x 6MM x 6MM PLAS	7	7		
32	641203	UNION / PUSH-IN FITTING / 6MM x 6MM PLAS	AR	AR		
33	503747	TUBE, NYLON 6MM O.D. / BLACK S.L.	AR	AR		
34	503402	TUBE, NYLON 1/4 O.D. / BLACK S.L.	AR	AR		
40	H3-1260-00	VALVE SUPPORT ASSY				
		A) TO FIX Z SHAPPED SUPPORT				

From R-012 To 2-4416

Date:10/2022

PAGE:H3-1864-35

BAGGAGE COMPARTMENT ELECTRICAL LOCK - V.I.P



From R-012 To 2-4416 Date:10/2022 PAGE:H3-1864-35

BAGGAGE COMPARTMENT ELECTRICAL LOCK - V.I.P

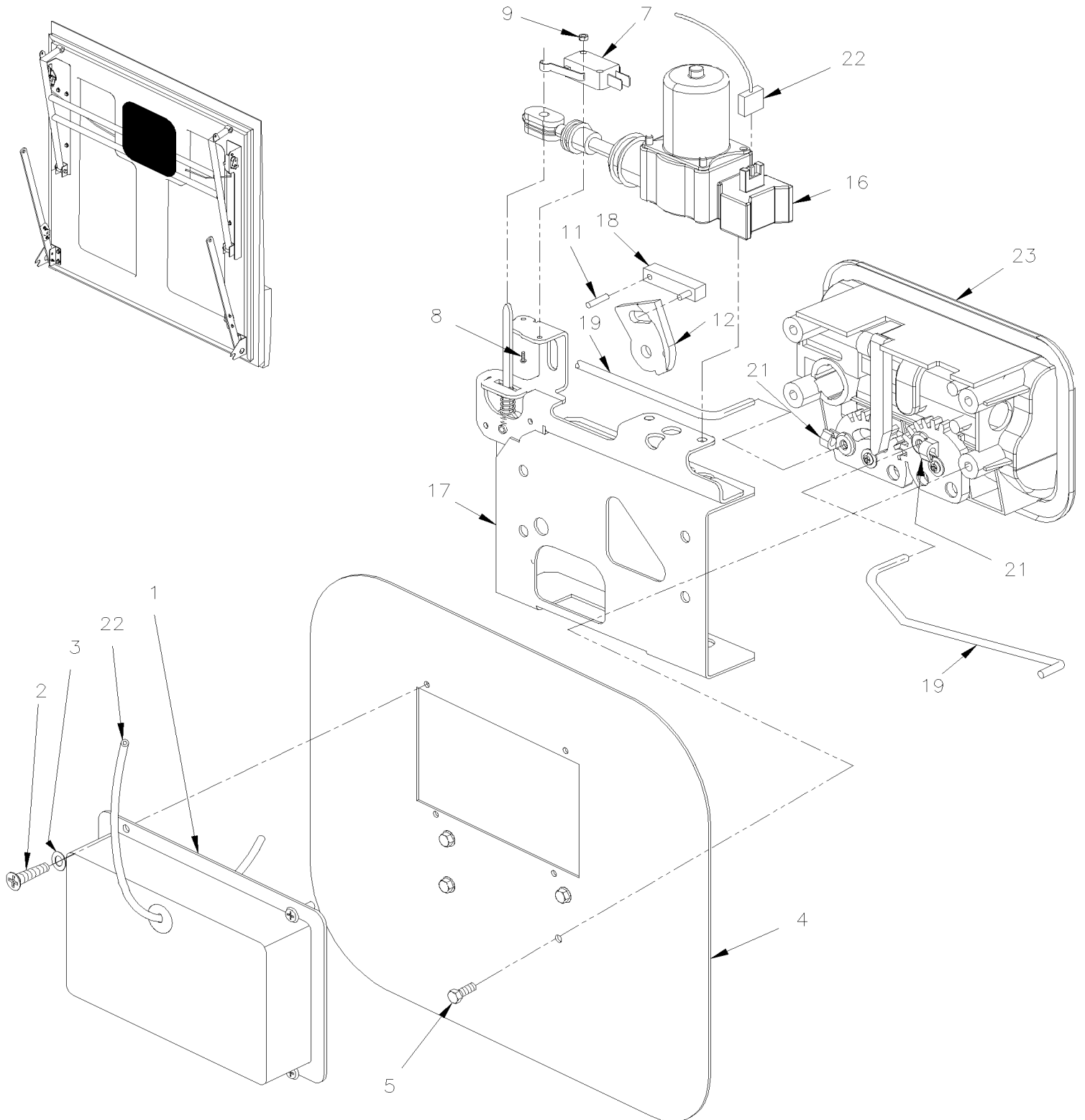
Item#	Part	Description	H 3 4 1	H 3 4 5	V I P 4 5	N O T E S
1	283516	COVER			1	
2	500263	SCREW TP PAN PH #8x3/8 BK			7	
3	500438	WASHER FL .187x.437x.050 Z050			4	
4	283823	PLATE CLOSING / 293MM X 318MM To V-1856			1	
4	285515	PLATE CLOSING / 289MM X 314MM From V-1857 To 1-4274			1	
4	286144	PLATE CLOSING / 289MM X 314MM From 1-4275			1	
5	502563	SCREW CAP HEX M6-1.0x12 G8.8 Z050			10	
6	502582	WASHER LO SERR 6.1x16.2x0.9 Z050			10	
7	562096	MICRO SWITCH			1	
8	502577	SCREW MA PAN PH M3-0.5x16 ZP			2	
9	502579	NUT HEX M3-0.5 NP			2	
10	504542	RIVET SHR FL 9/32x3/32 STL			1	
11	505420	SPRING, PIN M4.5 x 20			2	
12	284413	LEVER / W/MANUAL OPERATION & ELECTRIC / 7MM SQ HOLE			1	
13	283514	LEVER			1	
14	502151	SPRING COMPRESSION / .300 O.D. x 1 x .032			1	
15	500440	WASHER FL .250x.562x.065 Z050			1	
16	780428	LOCK ACTUATOR / 12V			1	
. NS	562076	. CONNECTOR / PACK-CON I / FEMALE HOUSING / 2C / PED 8911772			1	
16	2810382	ACTUATOR SERVICE KIT			1	
17	2800915	SUPPORT ACTUATOR ASSY			1	
17	283517	. SUPPORT ACTUATOR To 1-4274			1	
17	286145	. SUPPORT ACTUATOR From 1-4275			1	B
17	283514	. LEVER			1	
17	502151	. SPRING COMPRESSION / .300 O.D. x 1 x .032			1	
17	500440	. WASHER FL .250x.562x.065 Z050			1	
17	504542	. RIVET SHR FL 9/32x3/32 STL			1	
18	283513	GUIDE			1	
19	H3-1864-01	BAGGAGE COMPARTMENT DOOR To V-1856				
19	H3-1864-02	BAGGAGE COMPARTMENT DOOR From V-1857				
20	504273	CABLE TIE / 1/8" X 3"1/2			1	
21	780340	CLIP, RETAINER ROD			2	A
22	062768	CABLE HARNESS ASSY			1	
NS	068011	CABLE INTERFACE DOOR LOCK ACTUATOR (780428 vs 2800049)			1	
23	H3-1864-30	HANDLE LOCK & KEYS - TYPE "PS"				
23	H3-1864-99	HANDLE LOCK & KEYS - TYPE "NS" / SERVICE & RETROFIT				
		A) LOCK ROD / BLACK				
		B) USE WITH "SMC" FIBERGLASS DOOR ONLY SEE NOTE "C" AT PAGE H3-1864-01				

From R-012 To 2-4416

Date:10/2022

PAGE:H3-1864-36

BAGGAGE COMPARTMENT ELECTRICAL LOCK - V.I.P / SERVICE & RETROFIT



From R-012 To 2-4416	Date:10/2022	PAGE:H3-1864-36
BAGGAGE COMPARTMENT ELECTRICAL LOCK - V.I.P / SERVICE & RETROFIT		

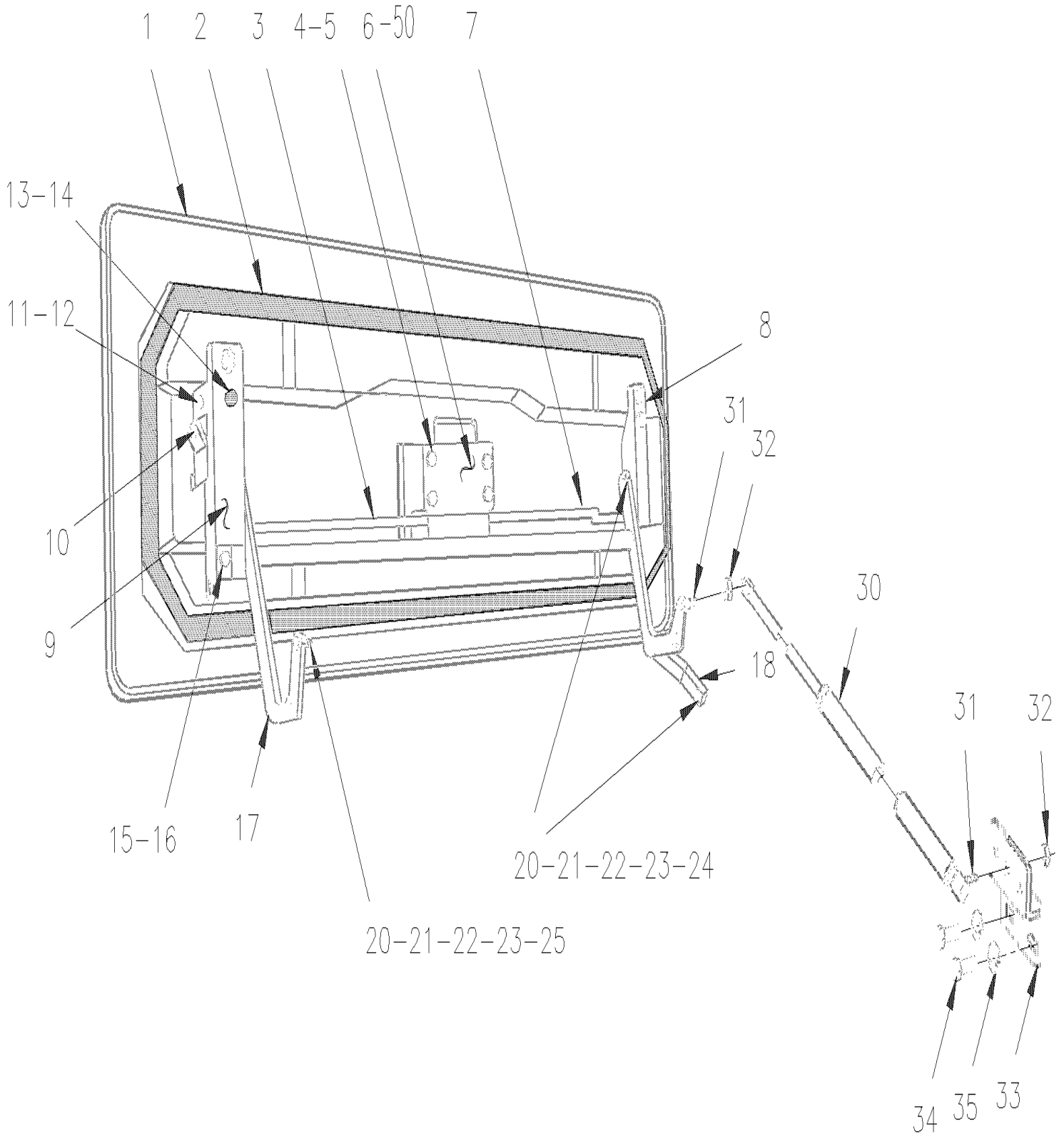
Item#	Part	Description	H 3 4 1	H 3 4 5	V I P 4 5	N O T E S
1	283516	COVER			1	
2	500883	SCREW TC PAN PH #8-32x3/8 Z050			4	
3	500438	WASHER FL .187x.437x.050 Z050			4	
4	289341	PLATE CLOSING / 289MM X 314MM			1	
4	506071	TAPE RUB ADH1 CC POL 1/8" x 1/2" x 50' / GREY 2520X			AR	
5	5001630	SCREW TP BUTF TORX M6x20 SS			4	
7	562096	MICRO SWITCH			1	
8	502577	SCREW MA PAN PH M3-0.5x16 ZP			2	
9	502579	NUT HEX M3-0.5 NP			2	
11	505420	SPRING, PIN M4.5 x 20			2	
12	288539	LEVER / W/MANUAL OPERATION & ELECTRIC			1	
16	780428	LOCK ACTUATOR / 12V			1	
. NS	562076	. CONNECTOR / PACK-CON I / FEMALE HOUSING / 2C / PED 8911772			1	
16	2810382	ACTUATOR SERVICE KIT			1	
17	289339	SUPPORT HANDLE ASSY W/LEVER / W/ELECTRICAL LOCK			1	
18	283513	GUIDE			1	
19		FOR RODS SEE RESPECTIVE PAGES FOR APPLICATION			1	
21	780340	CLIP, RETAINER ROD			1	
22	062768	CABLE HARNESS ASSY			1	
23	H3-1864-99	HANDLE LOCK & KEYS - TYPE "NS" / SERVICE & RETROFIT				

From R-012 To 2-4416

Date:10/2022

PAGE:H3-1864-51

FRONT JUNCTION DOOR ASSY



From R-012 To 2-4416	Date:10/2022	PAGE:H3-1864-51
FRONT JUNCTION DOOR ASSY		

Item#	Part	Description	H 3 4 1	H 3 4 5	V I P 4 5	N O T E S
	283140P	FRONT JUNCTION DOOR ASSY 1432MM	1	1	1	
1	282974	. DOOR MOULDED / FIBERGLASS / 1432MM	1	1	1	
2	285540	. RUBBER SEAL EXTRUSION / FRONT JCT DOOR / 3300MM	1	1	1	
3	283301	. ROD L.H. 530.5MM	1	1	1	
3	289366	. ROD L.H. 540MM	1	1	1	S
4	502563	. SCREW CAP HEX M6-1.0x12 G8.8 Z050	4	4	4	
5	502582	. WASHER LO SERR 6.1x16.2x0.9 Z050	4	4	4	
6	283297	. SUPPORT HANDLE	1	1	1	
7	283298	. ROD R.H. / W/JCT DOOR / W/JCT DOOR397.5MM	1	1	1	
7	289351	. ROD R.H. / W/JCT DOOR / W/JCT DOOR390MM	1	1	1	S
9	284093	. ATTACHMENT ASSY / 947MM CENTER LINE / W/FRONT JCT DOOR W/FRONT JCT DOOR				
10	780282	. LOCK SPAGNOLET L.H.	1	1	1	
10	780283	. LOCK SPAGNOLET R.H.	1	1	1	
. NS	780340	. . CLIP, RETAINER ROD	1	1	1	
11	502531	. SCREW CAP HEX M6-1.0x16 G8.8 Z050	4	4	4	
12	502582	. WASHER LO SERR 6.1x16.2x0.9 Z050	8	8	8	
13	504334	. BUMPER RUBBER / .625 OD x .406 TH x .156 HOLE	2	2	2	
14	504339	. RIVET POP DOME OE 1/8x3/8 SS	2	2	2	
15	502755	. SCREW CAP HEXS M8-1.25x20 PT Z050	4	4	4	
16	502583	. WASHER LO SERR 8.15x22.3x1.0 Z050	4	4	4	
17	284014	ARM PANTOGRAPH / 891MM	1	1	1	
18	282753	ARM AUXILIARY	1	1	1	
20	502625	SCREW SHR HEXS 5/16x3/8 {1/4-20	6	6	6	
21	507301	BUSHING NYLINER	6	6	6	
22	502582	WASHER LO SERR 6.1x16.2x0.9 Z050	10	10		
22	502582	WASHER LO SERR 6.1x16.2x0.9 Z050			1	
23	500769	NUT HEX 1/4-20 Z050	6	6	6	
24	282956	WASHER	4	4	4	
25	500440	WASHER FL .250x.562x.065 Z050	2	2	2	
30	980024	CYLINDER GAZ / 669/409MM C/C / 200LBS	1	1	1	
31	980015	BALL STUD / W/10 MM X M8-1.25 / 29.18 MM	2	2	2	
32	502760	NUT HEX TWAY M8-1.25 Z050	2	2	2	
33	284735	BRACKET / CYLINDER	1	1	1	
34	500069	SCREW CAP HEX M8-1.25x16 G10.9 DP	2	2	2	
35	502584	WASHER LO SERR 8.2x26.3x1.8 Z050	2	2	2	
50	H3-1864-30	HANDLE LOCK & KEYS - TYPE "PS"	1	1	1	
50	H3-1864-99	HANDLE LOCK & KEYS - TYPE "NS" / SERVICE & RETROFIT	1	1	1	
50	H3-1864-35	BAGGAGE COMPARTMENT ELECTRICAL LOCK - V.I.P	1	1	1	
50	H3-1864-36	BAGGAGE COMPARTMENT ELECTRICAL LOCK - V.I.P / SERVICE & RETROFIT	1	1	1	

From R-012 To 2-4416		Date:10/2022	PAGE:H3-1864-51
----------------------	--	--------------	-----------------

FRONT JUNCTION DOOR ASSY

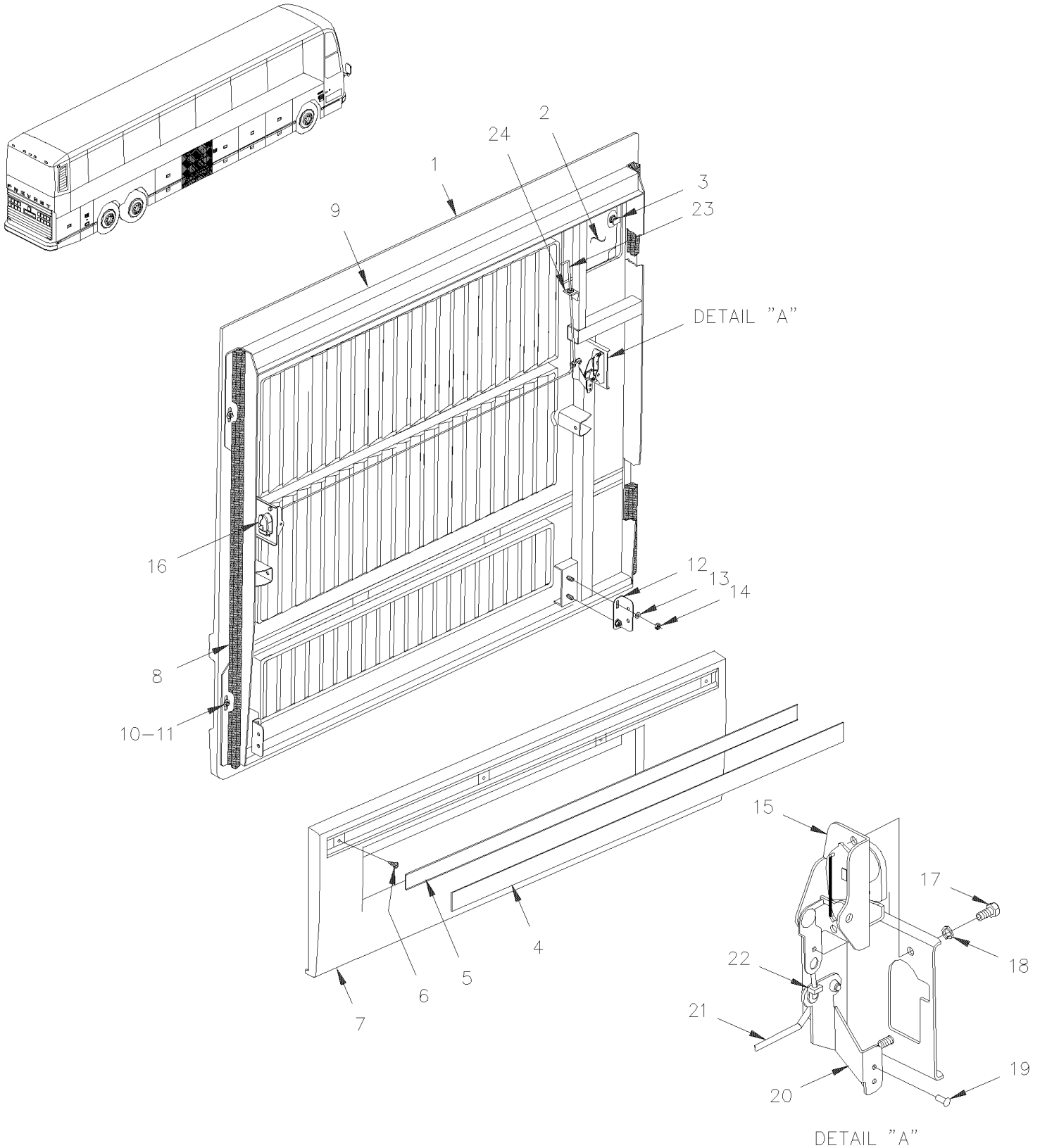
Item#	Part	Description	H 3 4 1	H 3 4 5	V I P 4 5	N O T E S
		S) THOSE RODS ARE REQUIRES ONLY IF YOU CHANGE FORMER HANDLE WITH NEW 780794 OR 780795				

From X-2458 To 2-4416

Date:10/2022

PAGE:H3-1864-55

BAGGAGE DOOR ASSY - V.I.P. - "CALHOUN" STYLE



From X-2458 To 2-4416	Date:10/2022	PAGE:H3-1864-55
BAGGAGE DOOR ASSY - V.I.P. - "CALHOUN" STYLE		

Item#	Part	Description	H 3 4 1	H 3 4 5	V I P 4 5	N O T E S
	286447	DOOR ASSY W/GRILL			1	
. NS	288096	. LOUVER ROD 37 1/4"			AR	
1	285824	. CONDENSOR DOOR ASSY			1	
. NS	288096	. . LOUVER ROD 37 1/4"			1	
2	285637	. FUEL DOOR / RH FIXED AT CONDENSOR DOOR			1	
3	H3-1864-30	. HANDLE LOCK & KEYS - TYPE "PS"				
4	283100	. STRIPE, REFLECTIVE WHITE / 38MM X 15' ROLL			AR	
. NS	780277	. . STRIPE, REFLECTIVE WHITE / 38MM X 150' ROLL			AR	
5	285699	. EXTRUSION BACKING ASSY W/REFLECTOR 1345MM			1	
. NS	285653	. . EXTRUSION BACKING 1345MM			1	
5	280236	. EXTRUSION BACKING ASSY W/REFLECTOR 1342MM			1	SVC
. NS	280117	. . EXTRUSION 1342MM			1	SVC
5	685126	. ADHESIVE SIMSON #ISR 70-03 / GREY / 600ml SAUSAGE			1	SVC
6	500120	. SCREW TP BDG PH #6x1/2 SS			4	
7	285635	. PROTECTOR PANEL / SH 1257MM			1	
NS	682462	. ADHESIVE SIKA #252 / BLACK / 310ml CARTRIDGE			AR	
8	285465	. RUBBER SEAL EXTRUSION 2900MM			1	
8	280150	. RUBBER SEAL EXTRUSION 2900MM			1	
8	2800143	. RUBBER SEAL EXTRUSION 2900MM			1	
NS	506302	. RUBBER EXTRUSION TRIM SEAL / GRIP .024 / 7/16" HOLLOW BULB C.T.L.			AR	
9	286007	. FRAME ASSY			1	
10	500441	. WASHER FL .312x.734x.065 Z050			5	
11	502511	. NUT HEX NYRT M6-1.0 Z050			5	
12	285543	. FASTNER To 1-4153			2	
12	289237	. FASTNER From 1-4154			2	
13	502584	. WASHER LO SERR 8.2x26.3x1.8 Z050			4	
14	502543	. NUT HEX M8-1.25 Z050			4	
15	780587	. LOCK SPAGNOLET L.H. / W/G-FITTING To 2-4364			1	
. NS	507607	. . GREASE FITTING / M6-1.00 To 2-4364			1	
15	780652	. LOCK SPAGNOLET L.H. / W/G-FITTING From 2-4363			1	
. NS	780340	. . CLIP, RETAINER ROD From 2-4363			1	
. NS	507607	. . GREASE FITTING / M6-1.00 From 2-4363			1	
16	780588	. LOCK SPAGNOLET R.H. / W/G-FITTING To 2-4364			1	
. NS	780340	. . CLIP, RETAINER ROD To 2-4364			1	
. NS	507607	. . GREASE FITTING / M6-1.00 To 2-4364			1	
16	780652	. LOCK SPAGNOLET L.H. / W/G-FITTING From 2-4363			1	C
. NS	780340	. . CLIP, RETAINER ROD From 2-4363			1	C
. NS	507607	. . GREASE FITTING / M6-1.00 From 2-4363			1	C
17	502531	. SCREW CAP HEX M6-1.0x16 G8.8 Z050			4	
18	502582	. WASHER LO SERR 6.1x16.2x0.9 Z050			4	
19	504379	. RIVET POP DOME OE 3/16x1/4 SS			1	
20	286025	. PIVOT			1	

From X-2458 To 2-4416	Date:10/2022	PAGE:H3-1864-55
BAGGAGE DOOR ASSY - V.I.P. - "CALHOUN" STYLE		

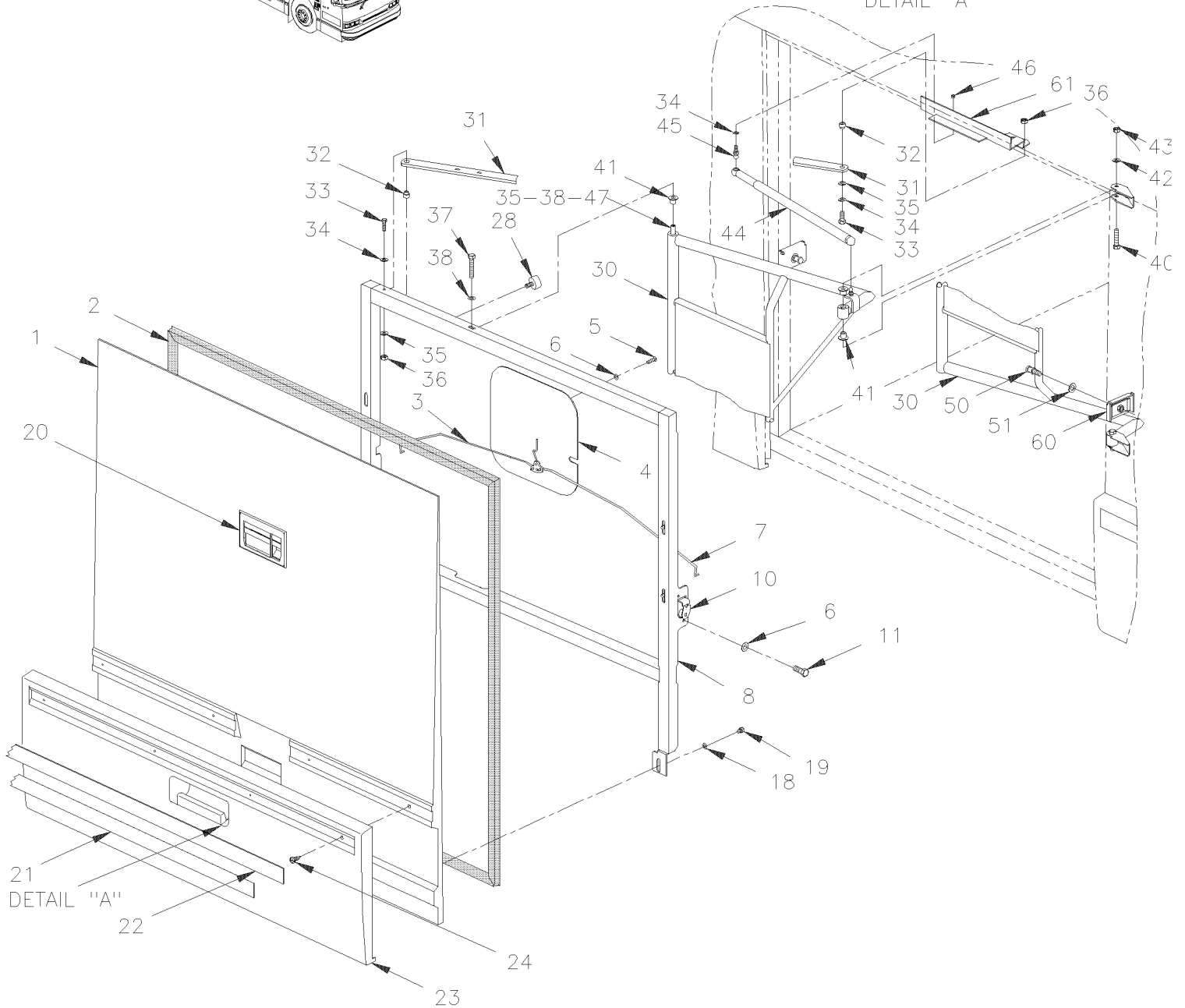
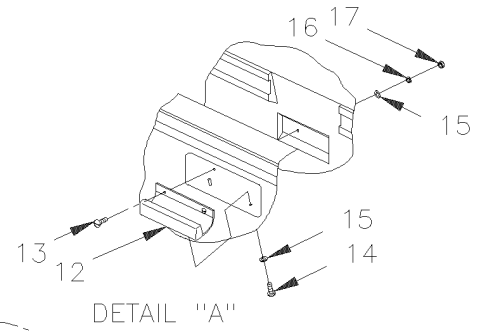
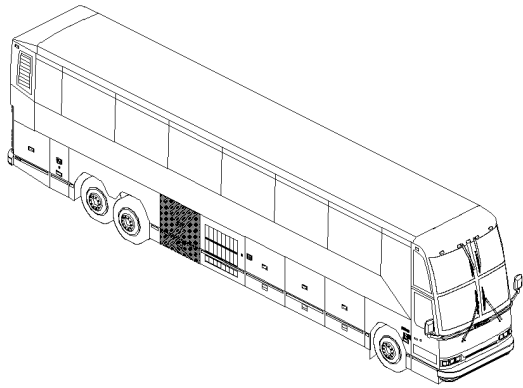
Item#	Part	Description	H 3 4 1	H 3 4 5	V I P 4 5	N O T E S
21	286032	. ROD, TRANSFER			1	
22	504456	. CLIP / RETAINER ROD / WHITE OR RED			1	
23	286033	. ROD, OPENING			1	
24	504083	. SNAP BUSHING / .250x.468.406			1	
		C) FOR PRODUCT IMPROVEMENT REPLACE BY #285708				
		SVC) SERVICE				

From R-012 To 2-4416

Date:10/2022

PAGE:H3-1864-80

BAGGAGE DOOR - W.C.L."RICON"



From R-012 To 2-4416	Date:10/2022	PAGE:H3-1864-80
BAGGAGE DOOR - W.C.L."RICON"		

Item#	Part	Description	H 3 4 1	H 3 4 5	V I P 4 5	N O T E S
	286403	BAGGAGE DOOR ASSY 48" / W.C.L.		1		
1	284727	. DOOR MOULDED / FIBERGLASS To V-2033		1		
1	285495	. DOOR MOULDED / FIBERGLASS From V-2034		1		
2	285500	. RUBBER SEAL EXTRUSION / 1152MM X 1121MM		1		
2	287490	. RUBBER SEAL EXTRUSION / 1152MM X 1121MM		1		
2	288902	. RUBBER SEAL EXTRUSION / 1152MM X 1121MM		1		
2	2800122	. RUBBER SEAL EXTRUSION / 1152MM X 1121MM		1		
3	285393	. ROD L.H. 548MM From T-1423 To V-2033		1		
3	285746	. ROD L.H. 548MM From V-2034		1		
3	289356	. ROD L.H. 537.5MM		1		S
4	285544	. PLATE CLOSING / SERVICE		1		
5	502563	. SCREW CAP HEX M6-1.0x12 G8.8 Z050		4		
6	502582	. WASHER LO SERR 6.1x16.2x0.9 Z050		8		
7	285394	. ROD R.H. 498MM From T-1423 To V-2033		1		
7	285745	. ROD R.H. 499MM From V-2034		1		
7	289357	. ROD R.H. 505.4MM		1		S
8	285330	. EXTERIOR PANEL SS To V-2033		1		
8	285731	. DOOR FRAME From V-2034		1		
10	780282	. LOCK SPAGNOLET L.H.		1		B
10	286109	. LOCK SPAGNOLET R.H.		1		B
NS	504456	. CLIP / RETAINER ROD / WHITE OR RED		2		
11	502531	. SCREW CAP HEX M6-1.0x16 G8.8 Z050		4		
12	282562	. HANDLE / DOOR		1		
13	502746	. SCREW MA PAN PH M5-0.8x20 SS BK		2		
14	500641	. SCREW TP PAN PH #8x3/4 Z050		2		
15	500438	. WASHER FL .187x.437x.050 Z050		4		
16	500470	. WASHER LO SPT .193x.334x.047 Z050		2		
17	502580	. NUT HEX CAP M5-0.8 ZP		2		
18	502584	. WASHER LO SERR 8.2x26.3x1.8 Z050		6		
19	502589	. SCREW CAP HEX M8-1.25x25 G8.8 Z050		6		
20	H3-1864-30	. HANDLE LOCK & KEYS - TYPE "PS"				
20	H3-1864-99	. HANDLE LOCK & KEYS - TYPE "NS" / SERVICE & RETROFIT				
21	283100	. STRIPE, REFLECTIVE WHITE / 38MM X 15' ROLL		AR		
. NS	780277	. . STRIPE, REFLECTIVE WHITE / 38MM X 150' ROLL		AR		
22	282569	. EXTRUSION PROFILE 1182MM To V-2033		1		
22	285709	. EXTRUSION BACKING ASSY W/REFLECTOR 1189MM From V-2034		1		
. NS	285542	. . EXTRUSION BACKING 1189MM From V-2034		1		
22	280237	. EXTRUSION BACKING ASSY W/REFLECTOR 1185MM From V-2034		1		SVC
. NS	280116	. . EXTRUSION 1185MM From V-2034		1		SVC
22	685126	. ADHESIVE SIMSON #ISR 70-03 / GREY / 600ml SAUSAGE From V-2034		AR		SVC
NS	680025	. CAULKING STRIP 3/16" O.D. X 14'		1		
23	284623	. PROTECTOR PANEL / DP To V-2033		1		

From R-012 To 2-4416	Date:10/2022	PAGE:H3-1864-80
BAGGAGE DOOR - W.C.L."RICON"		

Item#	Part	Description	H 3 4 1	H 3 4 5	V I P 4 5	N O T E S
23	285130	. PROTECTOR PANEL / WITH GRAVEL GUARD / DP		1		A
23	285504	. PROTECTOR PANEL / SH From V-2034		1		
23	285800	. PROTECTOR PANEL / WITH GRAVEL GUARD / SH		1		A
24	502534	. SCREW CAP SQ 5/16-18x1 G2 Z050 To V-2033		5		
24	500120	. SCREW TP BDG PH #6x1/2 SS From V-2034		5		
25	283219	. WASHER ,REINFORCEMENT To V-2033		5		
26	502583	. WASHER LO SERR 8.15x22.3x1.0 Z050 To V-2033		5		
27	500698	. NUT HEX 5/16-18 BR To V-2033		5		
NS	507295	. HOLE PLUG BUTTON / 1.375 O.D. BLACK To V-2033		5		
28	504454	. BUMPER RUBBER BOLT / 20MM ODx20MM TH X M6X15MM STUD		6		
30	285338	PANTOGRAPH ARM To V-2033		1		
30	285737	PANTOGRAPH ARM (AS SHOWN) From V-2034		1		
31	283236	ARM AUXILIARY 638MM C/C		1		
32	282540	SPACER BUSHING FLANGE / AUX. ARM & SUPPORT		2		
NS	507289	BUSHING NYLINER / AUXILIARY ARM & ATTACHMENT		2		
33	500544	SCREW CAP HEX M8-1.25x30 G8.8 Z050		2		
33	507142	BUSHING, NYLINER W/SHOULDER (8-L-8-F)		4		
34	502583	WASHER LO SERR 8.15x22.3x1.0 Z050		4		D
35	5001164	WASHER FL 8.4x25.0x2.0 Z050		AR		
37	502527	SCREW CAP HEX M8-1.25x50 G8.8 Z050 To V-2033		2		
37	500544	SCREW CAP HEX M8-1.25x30 G8.8 Z050 From V-2034		2		
NS	502543	NUT HEX M8-1.25 Z050 To V-2033		2		
38	502584	WASHER LO SERR 8.2x26.3x1.8 Z050 From V-2034		2		
40	502793	SCREW CAP HEX M6-1.0x45 G8.8 Z050 From V-2034		4		
41	507142	BUSHING, NYLINER W/SHOULDER (8-L-8-F)		8		
NS	285530	SPACER BUSHING FLANGE / AUX. ARM & SUPPORT ACETAL 8.3MM I.D. From V-2034 To Y-3699		4		
41	286716	SPACER BUSHING FLANGE / AUX. ARM & SUPPORT ACETAL 8.3MM I.D. From Y-3700		4		
42	502583	WASHER LO SERR 8.15x22.3x1.0 Z050 To V-2033		6		
42	502798	WASHER FL 17.0x30.0x3.0 BR From V-2034		6		
43	502543	NUT HEX M8-1.25 Z050 To V-2033		4		
43	502581	NUT HEX M6-1.0 Z050 From V-2034		4		
44	980024	CYLINDER GAZ / 669/409MM C/C / 200LBS		1		
45	980015	BALL STUD / W/10 MM X M8-1.25 / 29.18 MM		2		
46	502760	NUT HEX TWAY M8-1.25 Z050		2		
47	282541	SPACER TUBE 31MM x 12.7MM x 8.5MM		2		
50	284438	PIN STRIKER		2		
51	284447	WASHERS BELLEVILLE		2		C
60	282869	FLOATING NUT ASSY WITH CASE To 1-4237		2		
60	287943	FLOATING NUT ASSY WITH CASE From 1-4238		2		
61	213125	ARM SUPPORT / (WELDED TO STRUCTURE)		1		
NS	285401	ARM PROTECTOR / (TRIANGULAR SHAPE PLASTIC)		1		
NS	285416	PROTECTOR CHANEL / "C" SHAPE 1300MM		1		

From R-012 To 2-4416	Date:10/2022	PAGE:H3-1864-80
BAGGAGE DOOR - W.C.L."RICON"		

Item#	Part	Description	H 3 4 1	H 3 4 5	V I P 4 5	N O T E S
		A) THIS PROTECTOR IS COATED WITH GRAVEL GUARD AND BLACK PAINTED READY TO INSTALL				
		B) #780282 IS INSTALLED FORWARD AND #286109 IS INSTALLED BACKWARD				
		C) STRIKER & BODY				
		D) W/ITEMS 4 & 16				
		S) THOSE RODS ARE REQUIRE ONLY IF YOU CHANGE FORMER HANDLE MODEL FOR NEW MODEL # 780794 OR 780795				
		SVC) SERVICE				

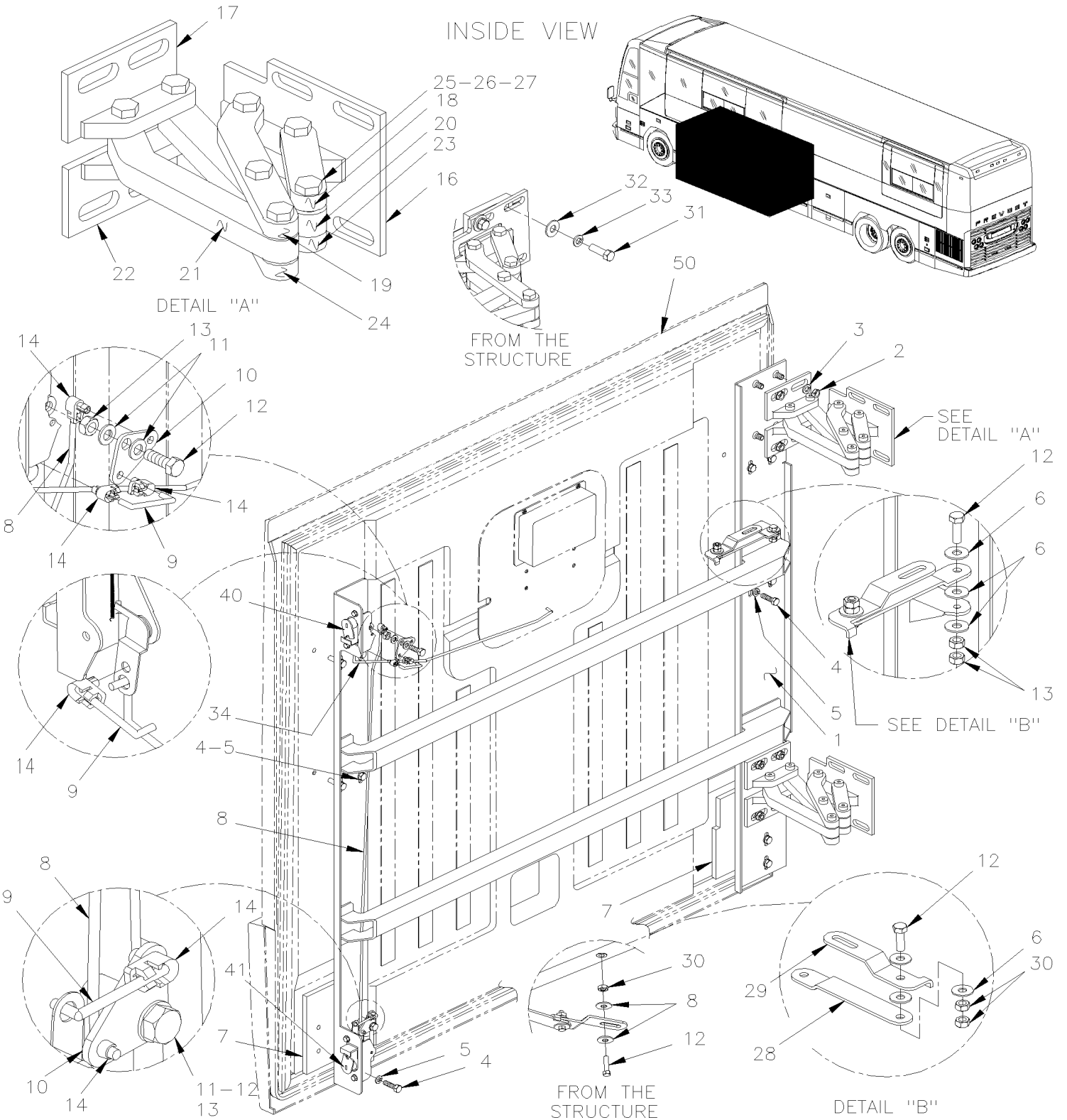
From X-3218 To X-3218

Date:10/2022

PAGE:H3-1864-90

BAGGAGE DOOR - W/"SLIDE-OUT" INSTALLTION REFERENCE ONLY

INSIDE VIEW



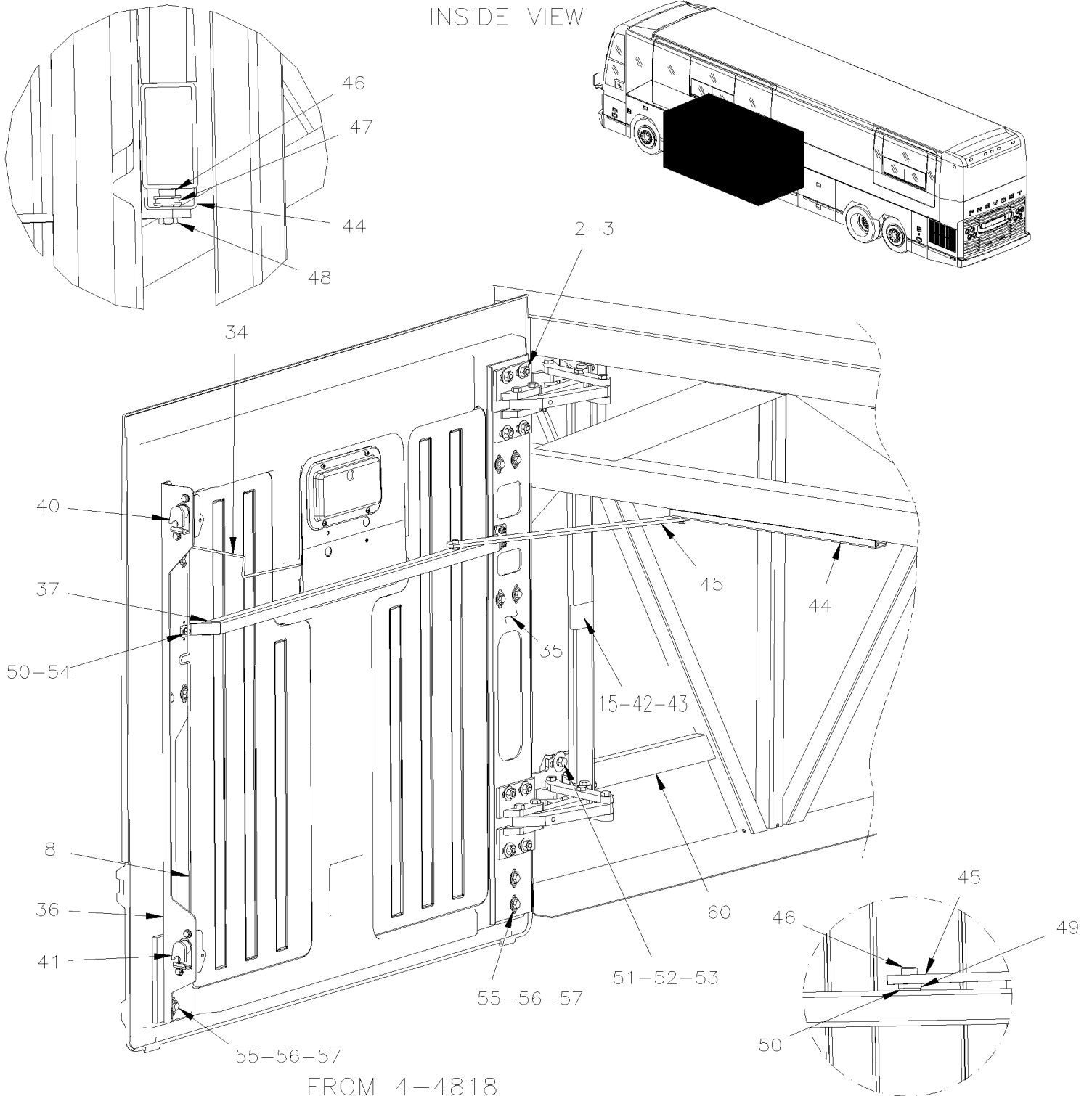
From X-3218 To X-3218

Date:10/2022

PAGE:H3-1864-90

BAGGAGE DOOR - W/"SLIDE-OUT" INSTALLTION REFERENCE ONLY

INSIDE VIEW



From X-3218 To X-3218	Date:10/2022	PAGE:H3-1864-90
BAGGAGE DOOR - W/"SLIDE-OUT" INSTALLTION REFERENCE ONLY		

Item#	Part	Description	H 3 4 1	H 3 4 5	V I P 4 5	N O T E S
	288126	BAGGAGE DOOR ASSY 48" / W/LH HINGE STREET SIDE	1	1	1	
1	287448	DOOR FRAME			1	A
2	500102	NUT HEX 3/8-16 SS			8	
3	5001214	WASHER BEL SPR 10.2x28.0x1.3			8	
4	500544	SCREW CAP HEX M8-1.25x30 G8.8 Z050			12	
5	5001003	WASHER LO SPT 8.1x12.7x2.0 Z050			12	
6	5001210	WASHER FL .317x.500x.062 NYL			13	
7	287443	SPACER			2	
8	287444	ROD 862MM			1	
9	287445	ROD 45MM			2	
10	287442	PLATE LEVER ROD			2	
11	500874	WASHER FL 8.4x17.0x1.6 Z050			4	
12	502589	SCREW CAP HEX M8-1.25x25 G8.8 Z050			8	
13	502543	NUT HEX M8-1.25 Z050			8	
14	504456	CLIP / RETAINER ROD / WHITE OR RED			4	
14	780340	CLIP, RETAINER ROD			1	
16	287433	. . HINGE SUPPORT ASSY / FRAME SECTION			1	
17	287434	. . HINGE SUPPORT ASSY / UPPER SECTION			1	
18	287435	. . ARM UPPER SECTION / PLAIN SHORT			1	
19	287436	. . ARM UPPER SECTION / PLAIN LONG			1	
20	287437	. . ARM CENTER SECTION / INTERIOR			1	
21	287438	. . ARM CENTER SECTION / EXTERIOR			1	
22	287439	. . HINGE SUPPORT ASSY / LOWER SECTION			1	
23	287440	. . ARM LOWER SECTION / THREADED SHORT			1	
24	287441	. . ARM LOWER SECTION / THREADED LONG			1	
25	287449	. . SHOULDER SCREW M8-1,25			7	
26	289251	. . FLANGE BEARING 10MM I.D. 13MM O.D. X 8MM			14	
27	N25539	. . THREAD LOCKER LOCTITE #262 / RED / 250ml			AR	
28	287446	ARM			1	
29	287447	ARM W/STOPPER			1	
30	502543	NUT HEX M8-1.25 Z050			2	
31	5001231	SCREW CAP HEX M10-1.5x25 SS			32	
32	502644	WASHER FL 10.5x30.0x2.5 Z050			32	
33	500257	WASHER LO SPT 10.2x18.1x2.2 Z050			32	
34	287450	ROD			1	
40	780282	LOCK SPAGNOLET L.H.			1	
41	780283	LOCK SPAGNOLET R.H.			1	
. NS	780340	. CLIP, RETAINER ROD			1	
NS	284438	PIN STRIKER			2	
NS	285224	LH SUPPORT, BELT			1	V
NS	284439	PLATE, STRAP RETAINING / OBLONG 16.5MM x 25.4MM W/2 HOLES			1	V
NS	505507	STRAP NYLON 1" WIDE / S.L.			AR	V

From X-3218 To X-3218	Date:10/2022	PAGE:H3-1864-90
BAGGAGE DOOR - W/"SLIDE-OUT" INSTALLTION REFERENCE ONLY		

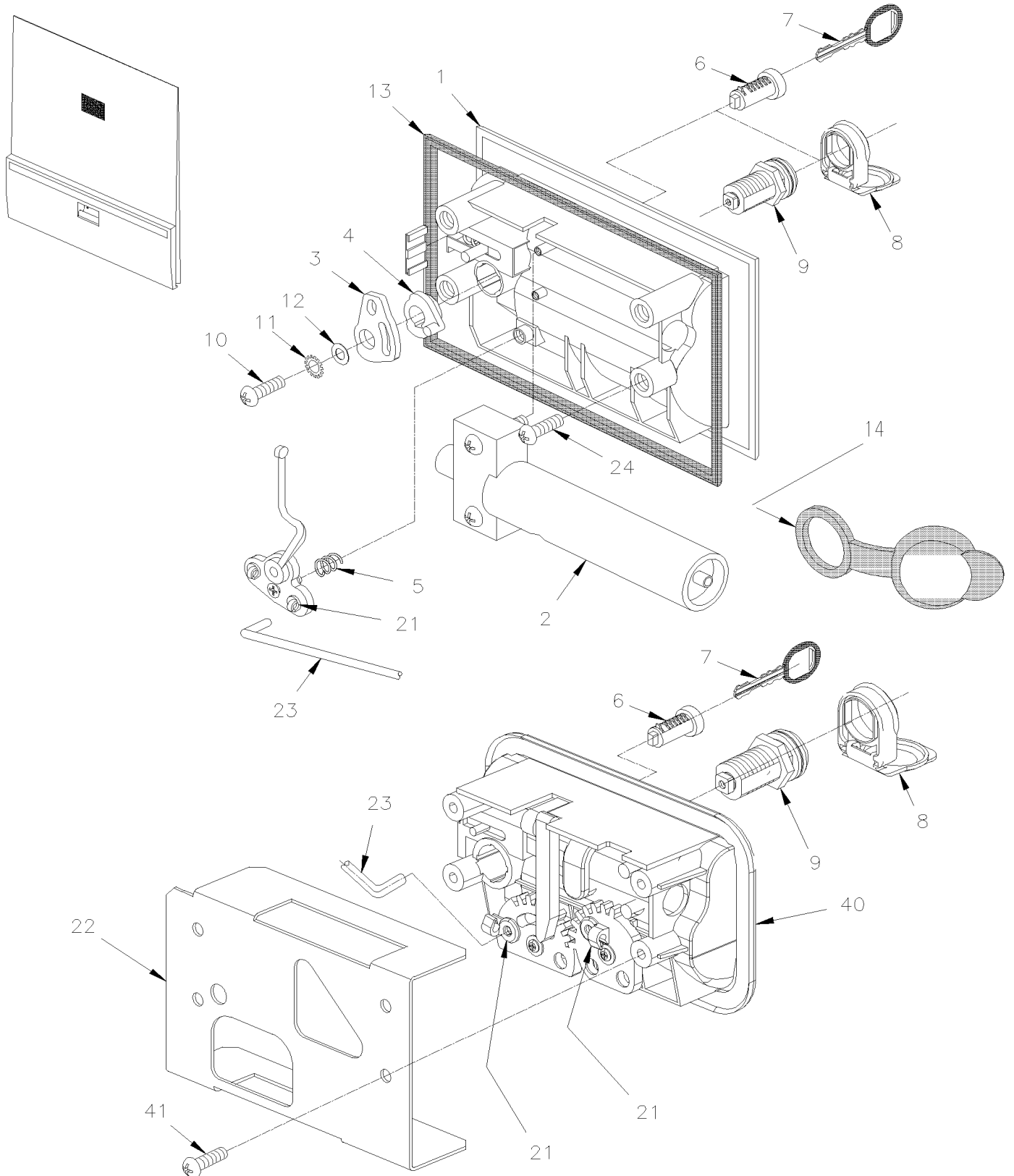
Item#	Part	Description	H 3 4 1	H 3 4 5	V I P 4 5	N O T E S
NS	504379	RIVET POP DOME OE 3/16x1/4 SS			4	V
50	H3-1864-02	BAGGAGE COMPARTMENT DOOR				
53	288939	SHIM 21MM X 85MM / W2 HOLES 11MM OD 61MM C/C / SERVICE			4	
54	502681	NUT HEX NYRT M6-1.0 N500 G8 From 4-4818			3	
55	502857	WASHER LO SERR 8.2x26.3x1.8 N500 From 4-4818			4	
56	502836	SCREW CAP HEX M8-1.25x35 G8.8 N500 From 4-4818			4	
57	289260	SPACER PLASTIC 103MM X 165MM X 10MM From 4-4818			2	
60	H3-1893-00	BAGGAGE COMPARTMENT STRUCT.				
		FOR NEW HINGE DOOR INSTALLATION SEE PAGE H7-1864-91				
70	288875P	HINGE ASSY W/ TRANSFERT TUBE	1	1	1	
70	288991	HINGE ASSY W/ TRANSFERT TUBE	1	1	1	
71	288934	. PLATE HOLDER STRUCTURE SIDE	2	2	2	
72	288928	. HINGE ARM "H" SHAPE SMALL	2	2	2	
73	288926	. HINGE ARM "H" SHAPE LARGE	2	2	2	
74	288930	. ARM CENTER SECTION / EXTERIOR	2	2	2	
75	288932	. ARM CENTER SECTION / INTERIOR	2	2	2	
76	288924	. PLATE HOLDER DOOR SIDE	1	1	1	
77	502843	. SCREW CAP HEX M6-1.0x45 G8.8 N500	4	4	4	
78	5001182	. NUT HEX NYRT M6-1.0 SS	18	18	18	
79	502573	. WASHER FL 6.4x12.5x1.6 SS	18	18	18	
80	288935	. SUPPORT TUBE TRANFERT 744MM	1	1	1	
81	507217	. FLANGE BEARING 12MM I.D. 20MM O.D. X 10MM	28	28	28	
83	288937	. PIN DOWEL 12MM O.D. X 41MM	12	12	12	
84	288936	. PIN DOWEL 12MM O.D. X 64MM	2	2	2	
		A) AS SHOWN				
		V) SPECIAL APPLICATION FOR SOME CONVERTER'S				

From R-012 To 2-4416

Date:10/2022

PAGE:H3-1864-99

HANDLE LOCK & KEYS - TYPE "NS" / SERVICE & RETROFIT

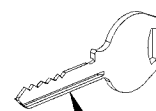
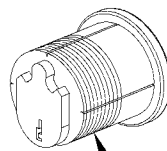
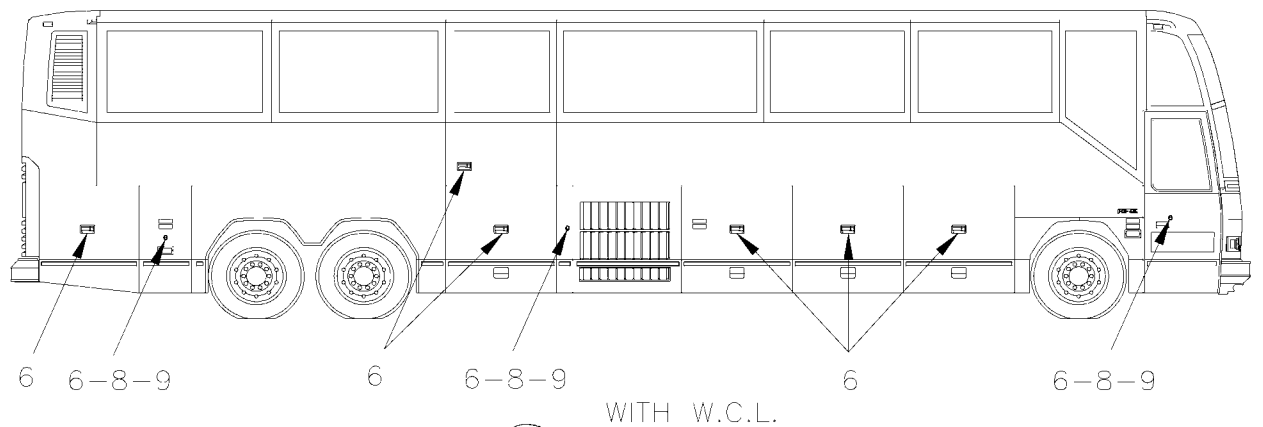
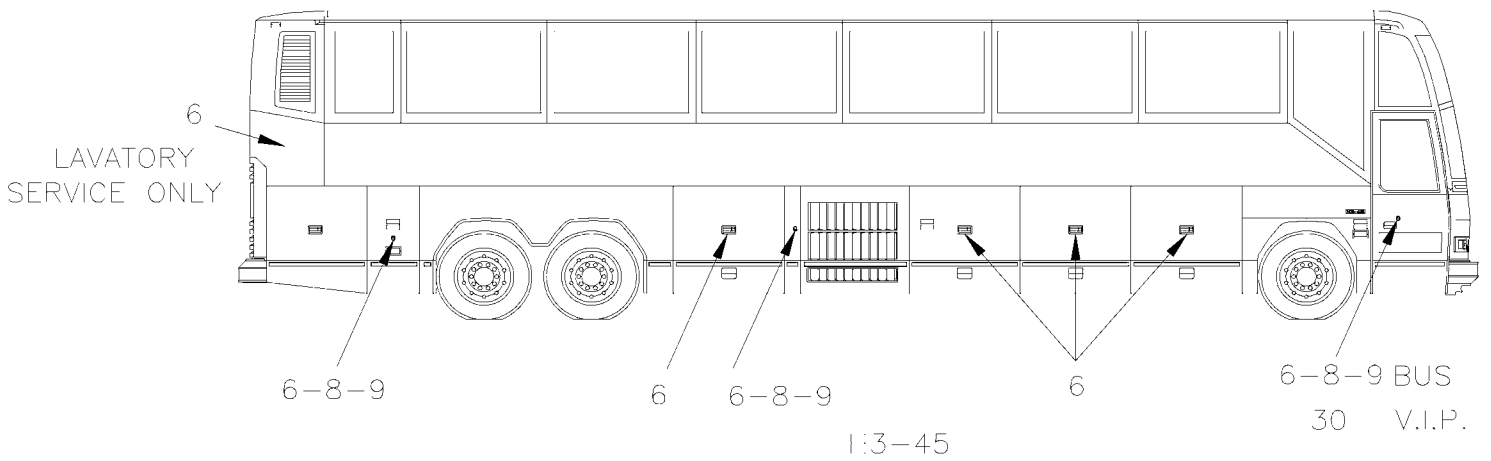
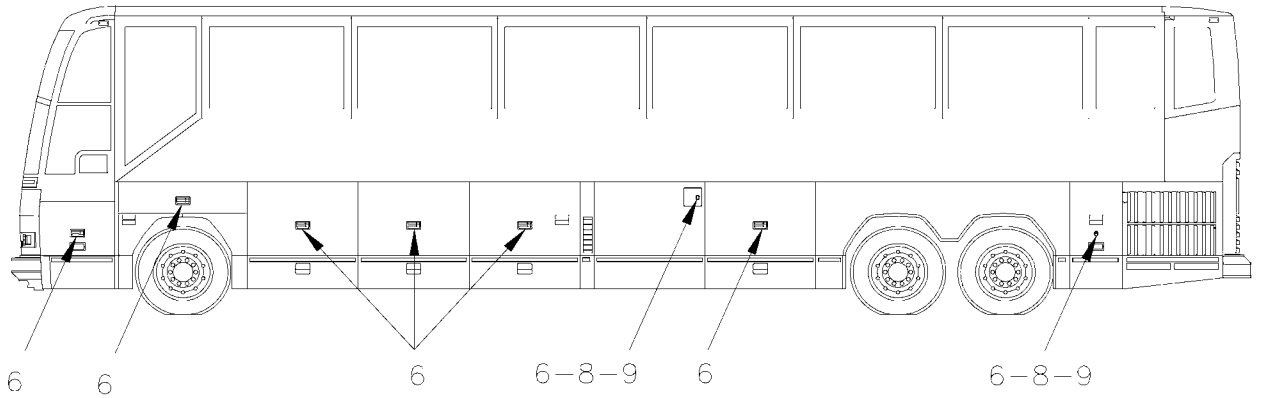


From R-012 To 2-4416

Date:10/2022

PAGE:H3-1864-99

HANDLE LOCK & KEYS - TYPE "NS" / SERVICE & RETROFIT



30

31

From R-012 To 2-4416	Date:10/2022	PAGE:H3-1864-99
HANDLE LOCK & KEYS - TYPE "NS" / SERVICE & RETROFIT		

Item#	Part	Description	H 3 4 1	H 3 4 5	V I P 4 5	N O T E S
		"WARNING" - "WARNING" -"WARNING" - "WARNING"				
		IF YOU INSTALL NEW HANDLE #780794 OR 780795 IN REPLACEMENT OF FORMER ONE YOU REQUIRE NEW RODS BETWEEN HANDLE & LOCK FOR PROPER USE INSTALLATION SEE RESPECTIVES PAGE FOR PARTS NUMBERS OF RODS				
1	780711	HANDLE ASSY / MANUAL TYPE "NS"	AR	AR	AR	A
. NS	780340	. CLIP, RETAINER ROD	2	2	2	A
1	780712	HANDLE ASSY / W/AIR CYLINDER TYPE "NS"	AR	AR		
. NS	780340	. CLIP, RETAINER ROD	2	2		
2	N.S.S.	. AIR CYLINDER	AR	AR		1
3	780353	LEVER / W/AIR CYLINDER	AR	AR		
3	780354	LEVER / W/MANUAL OPERATION & ELECTRIC			AR	D
3	288539	LEVER / W/MANUAL OPERATION & ELECTRIC SERVICE			AR	S
4	780352	LEVER	AR	AR	AR	D
5	780305	. SPRING COMPRESSION / .700 O.D. x .515 x .055	1	1	1	D
6	780691	CYLINDER LOCK / NS 8888	AR	AR	AR	
. NS	780660	. KEY / NS 8888	1	1	1	
6	780692	CYLINDER LOCK / NS 8701	AR	AR	AR	
. NS	780661	. KEY / NS 8701	1	1	1	
6	780693	CYLINDER LOCK / NS 8702	AR	AR	AR	
. NS	780662	. KEY / NS 8702	1	1	1	
6	780694	CYLINDER LOCK / NS 8703	AR	AR	AR	
. NS	780662	. KEY / NS 8702	1	1	1	
6	780695	CYLINDER LOCK / NS 8704	AR	AR	AR	
. NS	780664	. KEY / NS 8704	1	1	1	
6	780696	CYLINDER LOCK / NS 8705	AR	AR	AR	
. NS	780665	. KEY / NS 8705	1	1	1	
6	780697	CYLINDER LOCK / NS 8707	AR	AR	AR	
. NS	780667	. KEY / NS 8707	1	1	1	
6	780698	CYLINDER LOCK / NS 8708	AR	AR	AR	
. NS	780668	. KEY / NS 8708	1	1	1	
6	780699	CYLINDER LOCK / NS 8709	AR	AR	AR	
. NS	780669	. KEY / NS 8709	1	1	1	
6	780700	CYLINDER LOCK / NS 8710	AR	AR	AR	
. NS	780670	. KEY / NS 8710	1	1	1	
6	780701	CYLINDER LOCK / NS 8711	AR	AR	AR	
. NS	780671	. KEY / NS 8711	1	1	1	

From R-012 To 2-4416	Date:10/2022	PAGE:H3-1864-99
HANDLE LOCK & KEYS - TYPE "NS" / SERVICE & RETROFIT		

Item#	Part	Description	H 3 4 1	H 3 4 5	V I P 4 5	N O T E S
6	780702	CYLINDER LOCK / NS 8712	AR	AR	AR	
. NS	780672	. KEY / NS 8712	1	1	1	
6	780703	CYLINDER LOCK / NS 8713	AR	AR	AR	
. NS	780673	. KEY / NS 8713	1	1	1	
6	780704	CYLINDER LOCK / NS 8714	AR	AR	AR	
. NS	780674	. KEY / NS 8714	1	1	1	
6	780705	CYLINDER LOCK / NS 8715	AR	AR	AR	
. NS	780675	. KEY / NS 8715	1	1	1	
6	780706	CYLINDER LOCK / NS 8716	AR	AR	AR	
. NS	780676	. KEY / NS 8716	1	1	1	
6	780707	CYLINDER LOCK / NS 8717	AR	AR	AR	
. NS	780677	. KEY / NS 8717	1	1	1	
6	780708	CYLINDER LOCK / NS 8718	AR	AR	AR	
. NS	780678	. KEY / NS 8718	1	1	1	
6	780709	CYLINDER LOCK / NS 8719	AR	AR	AR	
. NS	780679	. KEY / NS 8719	1	1	1	
6	780710	CYLINDER LOCK / NS 8720	AR	AR	AR	
. NS	780680	. KEY / NS 8720	1	1	1	
6	780666	CYLINDER LOCK / NS 8721	AR	AR	AR	
. NS	780681	. KEY / NS 8721	1	1	1	
6	780726	CYLINDER LOCK / NS 8722	AR	AR	AR	
. NS	780682	. KEY / NS 8722	1	1	1	
6	780727	CYLINDER LOCK / NS 8723	AR	AR	AR	
. NS	780683	. KEY / NS 8723	1	1	1	
6	780728	CYLINDER LOCK / NS 8724	AR	AR	AR	
. NS	780684	. KEY / NS 8724	1	1	1	
6	780729	CYLINDER LOCK / NS 8725	AR	AR	AR	
. NS	780685	. KEY / NS 8725	1	1	1	
6	780730	CYLINDER LOCK / NS 8726	AR	AR	AR	
. NS	780686	. KEY / NS 8726	1	1	1	
6	780731	CYLINDER LOCK / NS 8727	AR	AR	AR	
. NS	780687	. KEY / NS 8727	1	1	1	
6	780732	CYLINDER LOCK / NS 8728	AR	AR	AR	
. NS	780688	. KEY / NS 8728	1	1	1	
6	780733	CYLINDER LOCK / NS 8729	AR	AR	AR	
. NS	780689	. KEY / NS 8729	1	1	1	
6	780734	CYLINDER LOCK / NS 8730	AR	AR	AR	
. NS	780690	. KEY / NS 8730	1	1	1	
6	780735	CYLINDER LOCK / NS 8731	AR	AR	AR	
. NS	780716	. KEY / NS 8731	1	1	1	
6	780736	CYLINDER LOCK / NS 8732	AR	AR	AR	
. NS	780717	. KEY / NS 8732	1	1	1	

From R-012 To 2-4416	Date:10/2022	PAGE:H3-1864-99
HANDLE LOCK & KEYS - TYPE "NS" / SERVICE & RETROFIT		

Item#	Part	Description	H 3 4 1	H 3 4 5	V I P 4 5	N O T E S
6	780737	CYLINDER LOCK / NS 8733	AR	AR	AR	
. NS	780718	. KEY / NS 8733	1	1	1	
6	780738	CYLINDER LOCK / NS 8734	AR	AR	AR	
. NS	780719	. KEY / NS 8734	1	1	1	
6	780739	CYLINDER LOCK / NS 8735	AR	AR	AR	
. NS	780720	. KEY / NS 8735	1	1	1	
6	780740	CYLINDER LOCK / NS 8736	AR	AR	AR	
. NS	780721	. KEY / NS 8736	1	1	1	
6	780741	CYLINDER LOCK / NS 8737	AR	AR	AR	
. NS	780722	. KEY / NS 8737	1	1	1	
6	780742	CYLINDER LOCK / NS 8738	AR	AR	AR	
. NS	780723	. KEY / NS 8738	1	1	1	
6	780743	CYLINDER LOCK / NS 8739	AR	AR	AR	
. NS	780724	. KEY / NS 8739	1	1	1	
6	780744	CYLINDER LOCK / NS 8740	AR	AR	AR	
. NS	780725	. KEY / NS 8740	1	1	1	
7	780780	KEY, UNCUT / NS SERIE NS SERIES	AR	AR	AR	
7	780660	KEY / NS 8888	AR	AR	AR	
7	780661	KEY / NS 8701	AR	AR	AR	
7	780662	KEY / NS 8702	AR	AR	AR	
7	780663	KEY / NS 8703	AR	AR	AR	
7	780664	KEY / NS 8704	AR	AR	AR	
7	780665	KEY / NS 8705	AR	AR	AR	
7	780667	KEY / NS 8707	AR	AR	AR	
7	780668	KEY / NS 8708	AR	AR	AR	
7	780669	KEY / NS 8709	AR	AR	AR	
7	780670	KEY / NS 8710	AR	AR	AR	
7	780671	KEY / NS 8711	AR	AR	AR	
7	780672	KEY / NS 8712	AR	AR	AR	
7	780673	KEY / NS 8713	AR	AR	AR	
7	780674	KEY / NS 8714	AR	AR	AR	
7	780675	KEY / NS 8715	AR	AR	AR	
7	780676	KEY / NS 8716	AR	AR	AR	
7	780677	KEY / NS 8717	AR	AR	AR	
7	780678	KEY / NS 8718	AR	AR	AR	
7	780679	KEY / NS 8719	AR	AR	AR	
7	780680	KEY / NS 8720	AR	AR	AR	
7	780681	KEY / NS 8721	AR	AR	AR	
7	780682	KEY / NS 8722	AR	AR	AR	
7	780683	KEY / NS 8723	AR	AR	AR	
7	780684	KEY / NS 8724	AR	AR	AR	
7	780685	KEY / NS 8725	AR	AR	AR	

From R-012 To 2-4416	Date:10/2022	PAGE:H3-1864-99
HANDLE LOCK & KEYS - TYPE "NS" / SERVICE & RETROFIT		

Item#	Part	Description	H 3 4 1	H 3 4 5	V I P 4 5	N O T E S
7	780686	KEY / NS 8726	AR	AR	AR	
7	780687	KEY / NS 8727	AR	AR	AR	
7	780688	KEY / NS 8728	AR	AR	AR	
7	780689	KEY / NS 8729	AR	AR	AR	
7	780690	KEY / NS 8730	AR	AR	AR	
7	780716	KEY / NS 8731	AR	AR	AR	
7	780717	KEY / NS 8732	AR	AR	AR	
7	780718	KEY / NS 8733	AR	AR	AR	
7	780719	KEY / NS 8734	AR	AR	AR	
7	780720	KEY / NS 8735	AR	AR	AR	
7	780721	KEY / NS 8736	AR	AR	AR	
7	780722	KEY / NS 8737	AR	AR	AR	
7	780723	KEY / NS 8738	AR	AR	AR	
7	780724	KEY / NS 8739	AR	AR	AR	
7	780725	KEY / NS 8740	AR	AR	AR	
8	288543	CAP PROTECTOR	1	1	1	
9	780745	CYLINDER LOCK BODY	AR	AR	AR	
10	500560	SCREW MA PAN PH M4-0.7x6 Z050	1	1	1	C
11	500022	WASHER LO INT .168x.340x.023 Z050	1	1	1	
12	500591	WASHER FL 4.3x9.0x0.8 Z050	1	1	1	
13	780303	GASKET	1	1	1	
14	780802	CAP PROTECTOR CLOSED / BLACK SERIES NS	AR	AR	AR	
21	780340	CLIP, RETAINER ROD	1	1	1	
21	504456	CLIP / RETAINER ROD / WHITE OR RED	1	1	1	
22	286110	SUPPORT, HANDLE	1	1	1	D
22	289340	SUPPORT, HANDLE	1	1	1	B
23		SEE RESPECTIVES PAGES FOR APPLICATION	1	1	1	
24	502563	SCREW CAP HEX M6-1.0x12 G8.8 Z050	4	4	4	D
30	780430	CYLINDER LOCK ASSY W/2 KEYS / "CORBIN"			1	
. NS	780562	. KEY / "CORBIN" BLANK			2	
30	780803	CYLINDER LOCK ASSY W/2 KEYS / "SCHLAGE" SERVICE			1	
. NS	780902	. KEY / "SCHLAGE" BLANK			1	
31	780562	KEY / "CORBIN" BLANK			1	
40	780795	HANDLE ASSY / W/AIR CYLINDER TYPE "NS"	AR	AR		
. NS	780800	. CYLINDER AIR	1	1		
. NS	780340	. CLIP, RETAINER ROD	2	2		
40	780794	HANDLE ASSY / MANUAL TYPE "NS"	AR	AR	AR	A
. NS	780340	. CLIP, RETAINER ROD	2	2	2	A
NS	780303	. GASKET	1	1	1	
41	5001630	SCREW TP BUTF TORX M6x20 SS	4	4	4	B
NS	288546	KIT, ADAPTOR ELECTRIC BAGGAGE DOOR / MODIFICATION "NS" CYLINDER K	1	1		
. NS	IS-03064A	. SEE INSTRUCTION SHEET	1	1		

From R-012 To 2-4416	Date:10/2022	PAGE:H3-1864-99
HANDLE LOCK & KEYS - TYPE "NS" / SERVICE & RETROFIT		

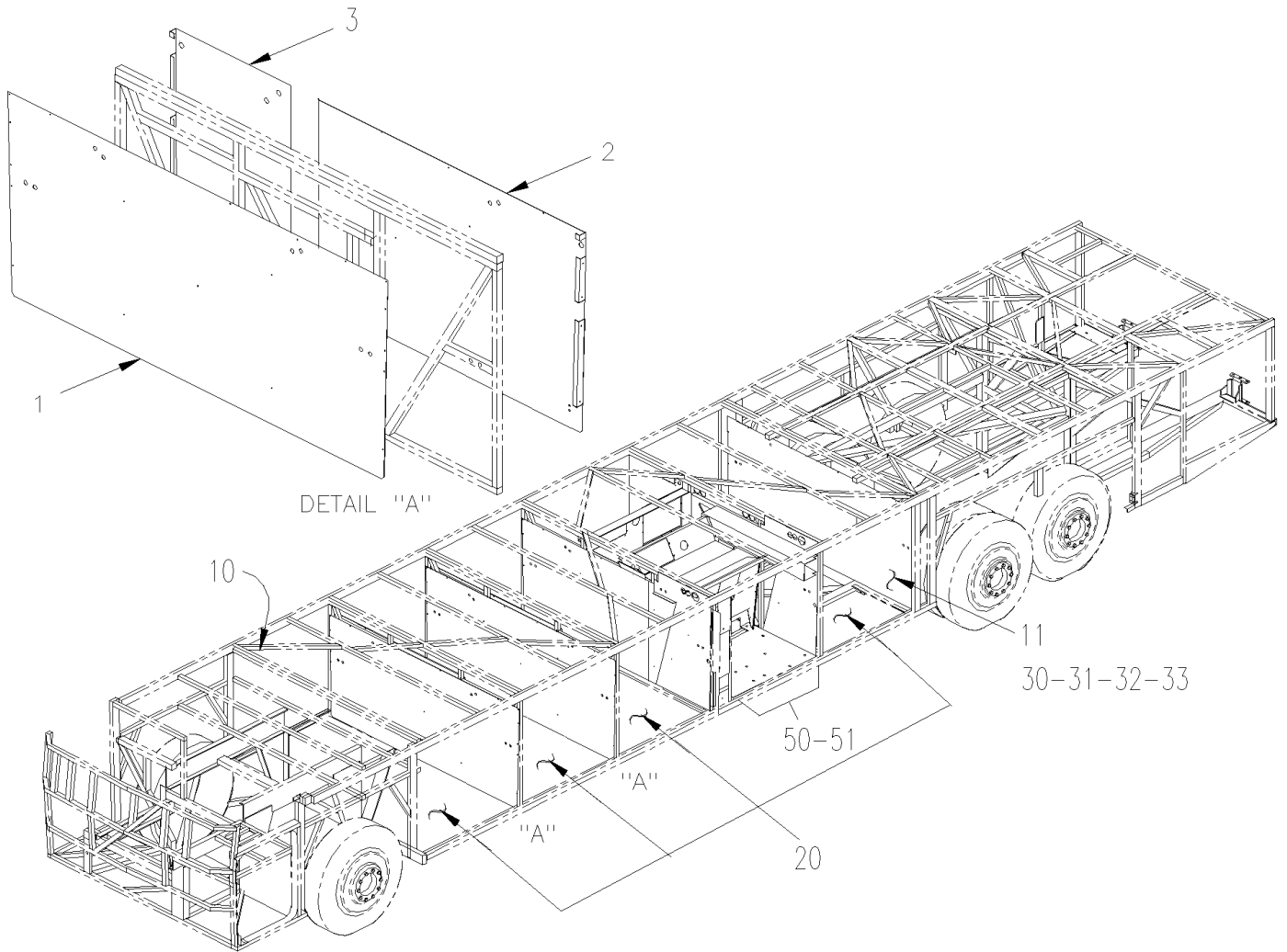
Item#	Part	Description	H 3 4 1	H 3 4 5	V I P 4 5	N O T E S
NS	288546	KIT, ADAPTOR ELECTRIC BAGGAGE DOOR / MODIFICATION "NS" CYLINDER K			10	
. NS	IS-03064A	. SEE INSTRUCTION SHEET			1	
NS	288547	KIT, ADAPTOR MAN & AIR BAGGAGE DOOR / MODIFICATION "NS" CYLINDER K	8			
. NS	IS-03064A	. SEE INSTRUCTION SHEET	1			
NS	288547	KIT, ADAPTOR MAN & AIR BAGGAGE DOOR / MODIFICATION "NS" CYLINDER K		10		
. NS	IS-03064A	. SEE INSTRUCTION SHEET		1		
NS	288548	KIT, ADAPTOR SMALL LH FUEL DOOR / MODIFICATION "NS" CYLINDER K	2	2	2	
. NS	IS-03064A	. SEE INSTRUCTION SHEET	1	1	1	
NS	288549	KIT, ADAPTOR REAR SERVICE DOOR / MODIFICATION "NS" CYLINDER K	2	2	2	
. NS	IS-03064A	. SEE INSTRUCTION SHEET	1	1	1	
NS	288550	KIT, ADAPTOR LARGE RH FUEL DOOR / MODIFICATION "NS" CYLINDER K			AR	
. NS	IS-03064A	. SEE INSTRUCTION SHEET			1	
NS	288551	KIT, ADAPTOR LARGE LH FUEL DOOR / MODIFICATION "NS" CYLINDER K			AR	
. NS	IS-03064A	. SEE INSTRUCTION SHEET			1	
		A) MANUAL OR ELECTRIC				
		B) USE WITH HANDLE #780794 & 780795				
		C) TO FIX LEVER ITEM #3				
		D) USE ONLY WITH HANDLE # 780711 & 780712				
		S) TO FIX LEVER ITEM #3				
		1) NOT SOLD SEPARATELY				

From R-012 To 2-4416

Date:10/2022

PAGE:H3-1865-01

BAGGAGE COMPARTMENT PANELS



From R-012 To 2-4416	Date:10/2022	PAGE:H3-1865-01
BAGGAGE COMPARTMENT PANELS		

Item#	Part	Description	H 3 4 1	H 3 4 5	V I P 4 5	N O T E S
1	482194	PANEL 2450MM / FRONT OF WALL To V-1856	1			
1	482194	PANEL 2450MM / FRONT OF WALL To V-1856		2	2	
1	482638	PANEL 2450MM / FRONT OF WALL From V-1857	1			
1	482638	PANEL 2450MM / FRONT OF WALL From V-1857		2	2	
1	483758	PANEL / FRONT OF WALL / W/SLIDE-OUT / 1717MM			1	
2	482054	PANEL / REAR OF WALL 2463MM x 1075MM To V-1856	2	2	2	
2	482636	PANEL / REAR OF WALL / 1724MM From V-1857	2	2	2	
2	483757	PANEL 2443MM / REAR OF WALL / W/SLIDE-OUT			1	
3	482637	PANEL 770MM / REAR OF WALL	1			
3	482637	PANEL 770MM / REAR OF WALL		2	2	
10	211230	PANEL / FRONT BAGGAGE COMPARTMENT To V-1760	1	1	1	
10	213402	PANEL / FRONT BAGGAGE COMPARTMENT From V-1761 To V-1856	1	1	1	
10	213417	PANEL / FRONT BAGGAGE COMPARTMENT From V-1857	1	1	1	
10	214704	PANEL / FRONT BAGGAGE COMPARTMENT / W/"SLIDE-OUT"			1	H
NS	214790	COVER PROTECTOR / HINGE "SLIDE-OUT"			1	H
11	212453	PANEL / REAR To V-1856	1	1	1	
11	213459	PANEL / REAR From V-1857 To W-2284	1	1	1	
11	213504	PANEL / REAR From W-2285 To Y-3915	1	1	1	
11	214483	PANEL / REAR From Y-3916	1	1	1	
20	481500	PANEL / FLOOR 1181MM WIDE To T-1522	3			
20	481500	PANEL / FLOOR 1181MM WIDE To T-1522		4	4	
20	482533	PANEL / FLOOR 1181MM WIDE / FIBERGLASS From T-1523	3			
. NS	IS-96037	. SEE INSTRUCTION SHEET From T-1523	1			
20	482533	PANEL / FLOOR 1181MM WIDE / FIBERGLASS From T-1523		4	4	
. NS	IS-96037	. SEE INSTRUCTION SHEET From T-1523		1	1	
NS	483741	PANEL ALUMINUM / FLOOR BAGGAGE	AR	AR		
NS	482418	PANEL ALUMINUM / FLOOR BAGGAGE / 2 KNOCK 45MM X 90MM	AR	AR	AR	
NS	504461	PIN HUCKBOLT 6.55 SS To T-1522	AR	AR	AR	
NS	504479	RIVET COLLAR HUCK 6.5DIA SS To T-1522	AR	AR	AR	B
20	482533	PANEL / FLOOR 1181MM WIDE / FIBERGLASS From T-1523	1	1	1	D
. NS	IS-96037	. SEE INSTRUCTION SHEET From T-1523	1	1	1	D
		THE NEXT 3 ALUMINIUM MOULDINGS ARE USED FOR				
		BAGGAGE FINISHING WITH CARPET				
		ON WALLS FOR ANY POSITIONS				
30	850027	INSULATING PAD NOISE ADH2 1/16" x 39" x 48"	AR	AR	AR	
31	481776	MOULDING "J" FORM / 2510MM (98 13/16") / A/A	2	2	2	
31	482209	MOULDING "J" FORM / 902MM (35 1/2") / A/A	4	4	4	
32	482210	CARPET (OZITE) FRONT	1	1	1	

From R-012 To 2-4416	Date:10/2022	PAGE:H3-1865-01
BAGGAGE COMPARTMENT PANELS		

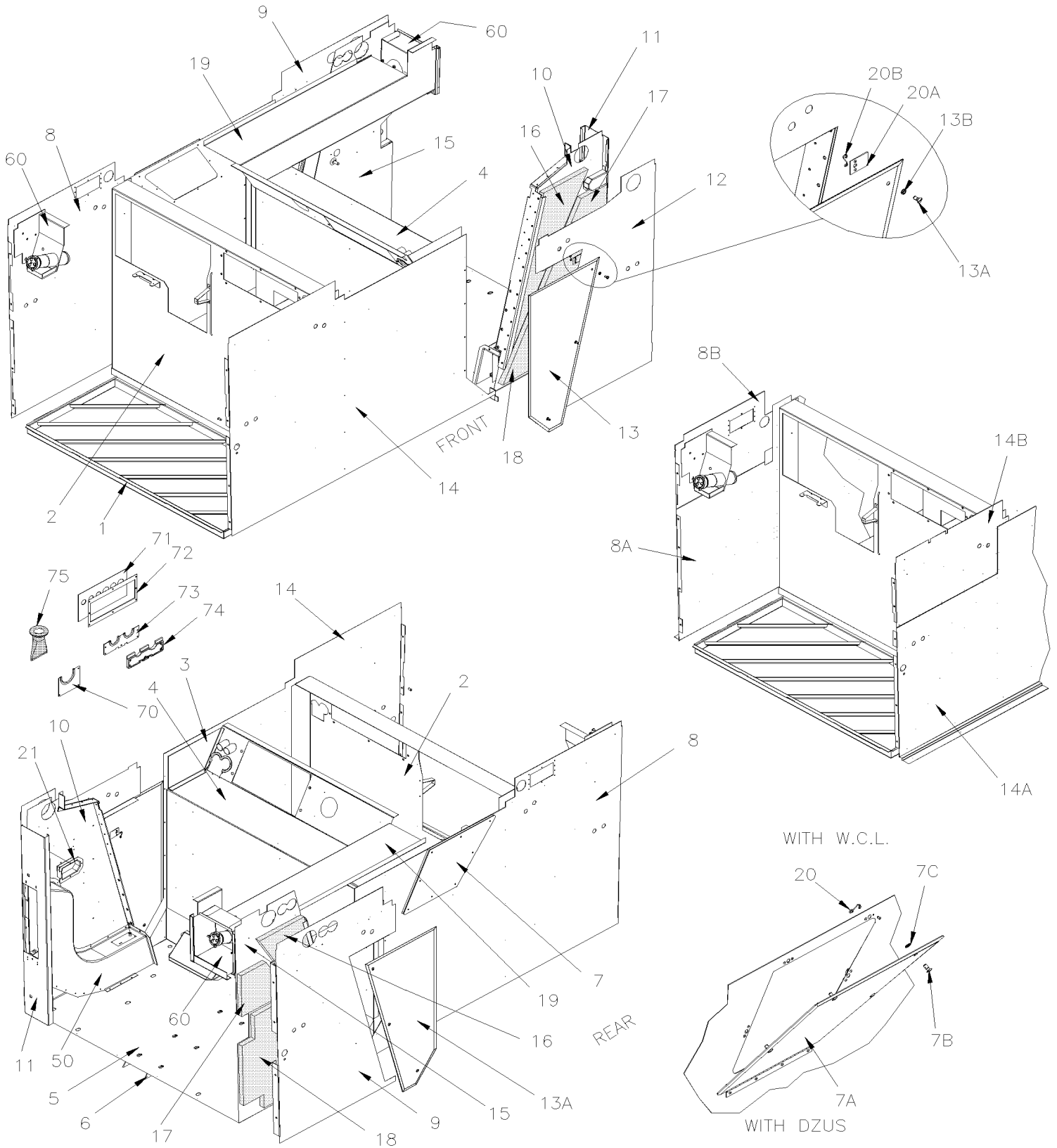
Item#	Part	Description	H 3 4 1	H 3 4 5	V I P 4 5	N O T E S
33	482214	CARPET (OZITE) REAR	1	1	1	
33	810034	. CARPET OZITE / S.L. 12 FT WIDE	AR	AR	AR	
50	H3-2865-20	EVAPORATOR & CONDENSOR WALL INSTALLATION	1	1	1	
51	H3-1893-00	BAGGAGE COMPARTMENT STRUCT.	1	1	1	
		B) TO FIX FLOOR				
		D) SEE INSTRUCTION SHEET IIS-96037 FOR INSTALLATION				
		H) USE ONLY WITH " OPTION" BAGGAGE DOOR WITH HINGE "SLIDEOUT"				

From R-012 To 2-4416

Date:10/2022

PAGE:H3-1865-20

EVAPORATOR & CONDENSOR WALL INSTALLATION



From R-012 To 2-4416	Date:10/2022	PAGE:H3-1865-20
EVAPORATOR & CONDENSOR WALL INSTALLATION		

Item#	Part	Description	H 3 4 1	H 3 4 5	V I P 4 5	N O T E S
1	211191P	DEFLECTOR FLOOR LOUVER ASSY / WELDED 1341MM x 607MM To V-1760	1	1	1	
1	213365P	DEFLECTOR FLOOR LOUVER ASSY / WELDED 1341MM x 582MM From V-1761 To V-2062	1	1	1	
1	213354P	DEFLECTOR FLOOR LOUVER ASSY / WELDED 1265MM x 582MM From V-2063	1	1	1	
2	451914	WALL PANEL / COND & FUEL COMPARTMENT To S-057		1		
2	452572	WALL PANEL / COND & FUEL COMPARTMENT From S-058 To T-1606	1	1	1	
2	452936	WALL PANEL / COND & FUEL COMPARTMENT From T-1607 To V-1721	1	1	1	
2	452989	WALL PANEL / COND & FUEL COMPARTMENT From V-1722 To V-1778	1	1	1	
2	452996	WALL PANEL / COND & FUEL COMPARTMENT From V-1779 To V-2062	1	1	1	
2	452961	WALL PANEL / COND & FUEL COMPARTMENT From V-2063 To W-2284	1	1	1	
2	453224	WALL PANEL / COND & FUEL COMPARTMENT From W-2285	1	1	1	
2	452791	WALL PANEL / COND & FUEL COMPARTMENT W/W.C.L. From T-1423 To T-1606		1		
2	452939	WALL PANEL / COND & FUEL COMPARTMENT W/W.C.L. From T-1607 To V-2030		1		
3	451884	CLOSING PANEL / FRONT SIDE To W-2404	1	1	1	
3	453117	CLOSING PANEL / FRONT SIDE From W-2405	1	1	1	
4	451893	WALL PANEL / EVAP, & FUEL COMPARTMENT To S-057		1		
4	452563	WALL PANEL / EVAP, & FUEL COMPARTMENT To V-1778	1	1		A
4	453029	WALL PANEL / EVAP, & FUEL COMPARTMENT From V-1779 To W-2404	1	1	1	
4	453118	WALL PANEL / EVAP, & FUEL COMPARTMENT From W-2405	1	1	1	
5	451889	FLOOR PANEL / EVAPORATOR	1	1	1	
6	211240	ANGLE SUPPORT 708MM To V-1760	2	2	2	
6	213363	ANGLE SUPPORT 702MM From V-1761	2	2	2	
7	482355	ACCESS PANEL	1	1	1	
7A	484271	ACCESS PANEL / W/"DZUS" FASTENER	1	1	1	
. A	483663	. ACCESS PANEL / W/"DZUS" FASTENER	1	1	1	
. B	504363	. STUD 5/16 O.D. X 7/16 (DZUS)	4	4	4	
. C	504353	. RETAINER, 5/16"DIA. (DZUS) STUD	4	4	4	
. NS	506268	. TAPE RUB ADH1 URE 3/8" x 1/2" x 25' / GREY 1820	AR	AR	AR	
8	481722	PANEL / FUEL & COND BACKWARD To S-057		1		
8	482199	PANEL / FUEL & COND BACKWARD From S-058 To V-1856	1	1	1	
8	482643	PANEL / FUEL & COND BACKWARD From V-1857 To Y-3909	1	1	1	
8	483345	PANEL / FUEL & COND BACKWARD From Y-3910	1	1	1	
8	214789	PANEL / FUEL & COND BACKWARD / W/"DZUS" FASTENER To V-1856	1	1	1	
9	481705	PANEL / EVAPORATOR BACKWARD To V-1856	1	1	1	
9	482642	PANEL / EVAPORATOR BACKWARD From V-1857	1	1	1	
10	451892	PANEL / INTERIOR / FRONT EVAPORATOR	1	1	1	
11	451887	EXTERIOR PANEL ASSY / W/SCREEN To V-1760	1	1	1	
. NS	451883	. SCREEN To V-1760	1	1	1	
11	453045	EXTERIOR PANEL ASSY / W/SCREEN From V-1761 To W-2269	1	1	1	
. NS	451883	. SCREEN From V-1761 To W-2269	1	1	1	
11	213576	EXTERIOR PANEL ASSY / W/HINGE SUPPORT From W-2270 To 5-0167	1	1	1	
11	215697	EXTERIOR PANEL ASSY / W/HINGE SUPPORT From 5-0168	1	1		
11	215731	EXTERIOR PANEL ASSY / W/HINGE SUPPORT W/SLIDE-OUT From 5-0168 To 6-0435			1	

From R-012 To 2-4416	Date:10/2022	PAGE:H3-1865-20
EVAPORATOR & CONDENSOR WALL INSTALLATION		

Item#	Part	Description	H 3 4 1	H 3 4 5	V I P 4 5	N O T E S
11	215866	EXTERIOR PANEL ASSY / W/HINGE SUPPORT W/SLIDE-OUT From 6-0436			1	
12	481672	PANEL / EVAPORATOR FORWARD To V-1856	1	1	1	
12	482640	PANEL / EVAPORATOR FORWARD From V-1857	1	1	1	
13	481656	DOOR ASSY BACKWARD To V-1756	1	1	1	
	. A 504363	. STUD 5/16 O.D. X 7/16 (DZUS) To V-1756	3	3	3	
	. B 504353	. RETAINER, 5/16"DIA. (DZUS) STUD To V-1756	3	3	3	
13	482645	DOOR ASSY BACKWARD From V-1857	1	1	1	
	. A 504363	. STUD 5/16 O.D. X 7/16 (DZUS) From V-1857	3	3	3	
	. B 504353	. RETAINER, 5/16"DIA. (DZUS) STUD From V-1857	3	3	3	
14	481673	PANEL / FUEL & COND FORWARD To V-1778	1	1	1	
14	482626	PANEL / FUEL & COND FORWARD From V-1779 To V-1856	1	1	1	
14	482701	PANEL / FUEL & COND FORWARD From V-1857	1	1	1	
15	451890	PANEL / INTERIOR / REAR EVAPORATOR To 2-4344	1	1	1	
15	453606	PANEL / INTERIOR / REAR EVAPORATOR From 2-4345 To 4-4832	1	1	1	
15	453971	PANEL / INTERIOR / REAR EVAPORATOR From 4-4833 To 5-0167	1	1	1	
15	454221	PANEL / INTERIOR / REAR EVAPORATOR From 5-0168	1	1	1	
16	452030	INSULATING / UPPER SECTION	2	2	2	
17	453071	INSULATING / CENTER SECTION From V-1857	2	2	2	
18	452029	INSULATING / LOWER SECTION To V-1856	2	2	2	
18	453069	INSULATING / LOWER SECTION From V-1857	2	2	2	
19	451976	DUCT ASSY / FOR FUEL HOSE	1	1	1	
20	481717	PLATE ASSY / TO CLOSE DOOR W/"DZUS"	1	1	1	
	. A 481718	. PLATE	1	1	1	
	. B 504365	. SPRING HOOK / DZUS 5/16	1	1	1	
21	452041	BOX PLASTIC / HINGE CLEARANCE	2	2	2	
22	481719	DOOR ASSY FORWARD To V-1856	1	1	1	
	. A 504363	. STUD 5/16 O.D. X 7/16 (DZUS) To V-1856	3	3	3	
	. B 504353	. RETAINER, 5/16"DIA. (DZUS) STUD To V-1856	3	3	3	
22	482646	DOOR ASSY FORWARD From V-1857	1	1	1	
	. A 504363	. STUD 5/16 O.D. X 7/16 (DZUS) From V-1857	3	3	3	
	. B 504353	. RETAINER, 5/16"DIA. (DZUS) STUD From V-1857	3	3	3	
31	482694	PANEL / EVAPORATOR BACKWARD W/W.C.L. RICON From T-1423		1		
35	900825	8" CLOSED LID C/W RIM From T-1423		1		
35	504717	RIVET POP DOME OE 1/8x1/4 SS From T-1423		6		
35	680096	SEALANT BUTYL ALUM / GREY / 310ml CARTRIDGE From T-1423		1		
50	H3-2215-01	EVAPORATOR & DAMPER CONTROL COMPONENTS	1	1	1	
60	H3-0310-10	FUEL FILLING CAP				
71	481714	RUBBER CLOSING AROUND 6 TUBES 130MM x 250MM	1	1	1	

From R-012 To 2-4416	Date:10/2022	PAGE:H3-1865-20
EVAPORATOR & CONDENSOR WALL INSTALLATION		

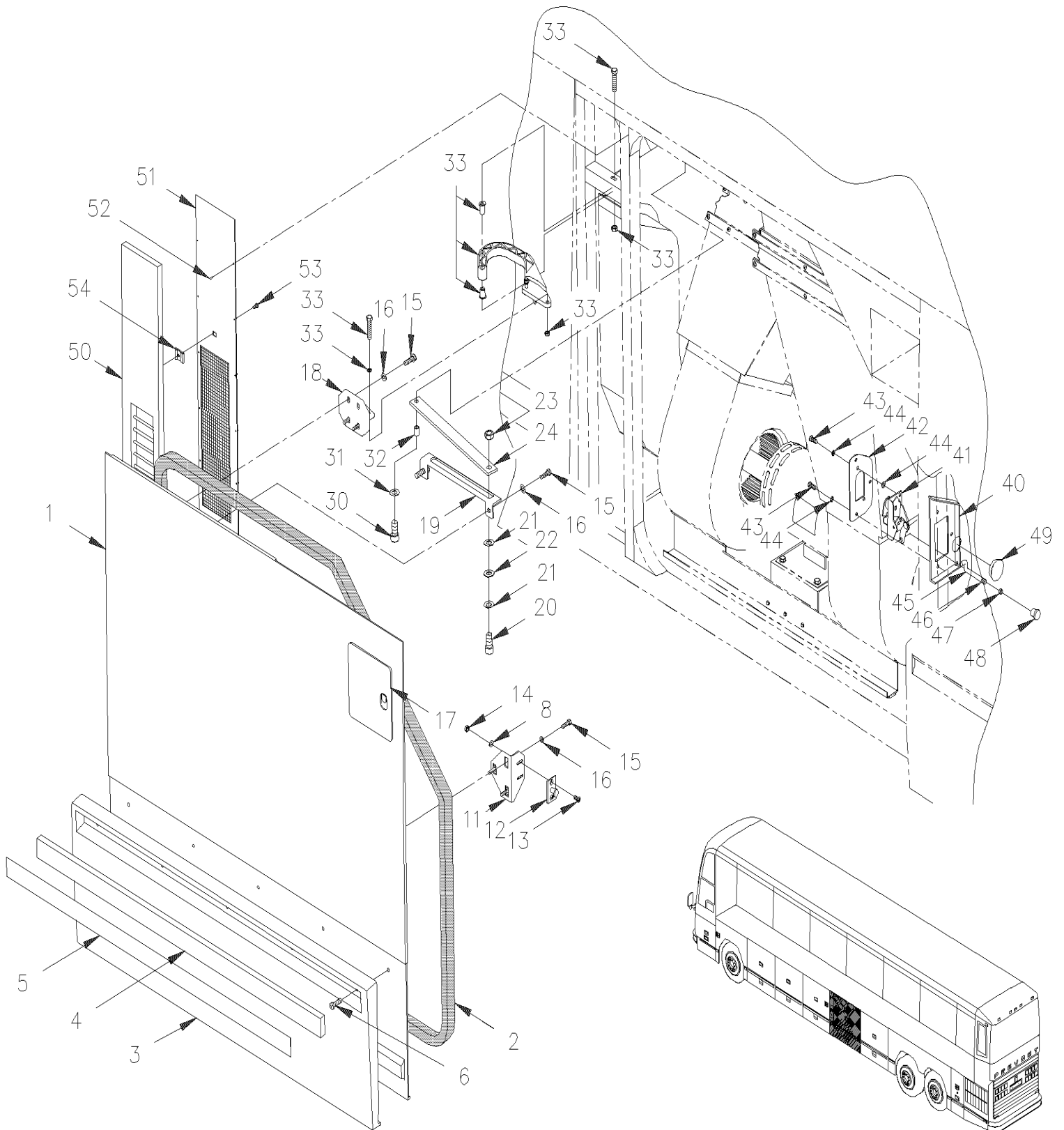
Item#	Part	Description	H 3 4 1	H 3 4 5	V I P 4 5	N O T E S
71	482802	RUBBER CLOSING AROUND 2 TUBES 130MM x 94MM W/S/A/C	1	1	1	
72	481764	PLATE HOLDING RUBBER 130MM x 250MM	1	1	1	
72	482801	PLATE HOLDING RUBBER 130MM x 94MM W/S/A/C	1	1	1	
73	373155	CLOSING / PIPE TUNNEL SS 51MM x 181MM To W-2457	1	1	1	
73	453145	CLOSING / PIPE TUNNEL SS 55.0MM x 181MM From W-2458	1	1	1	
74	457424	CLOSING / PIPE TUNNEL PLASTIC / RH 57.2MM x 181MM	1	1	1	
74	457425	CLOSING / PIPE TUNNEL PLASTIC / LH 57.2MM x 181MM	1	1	1	
75	590284	DRAIN BOOT 1" I.D. X 5" / FLAT	3	3	3	
NS	504021	HOSE CLAMP / 11/16"-1"1/2 SS / HS-16	3	3	3	
		A) WITH A/C IN PARCEL RACK				

From R-012 To 2-4416

Date:10/2022

PAGE:H3-1866-00

EVAPORATOR DOOR ASSY



From R-012 To 2-4416	Date:10/2022	PAGE:H3-1866-00
EVAPORATOR DOOR ASSY		

Item#	Part	Description	H 3 4 1	H 3 4 5	V I P 4 5	N O T E S
	284941P	EVAPORATOR DOOR ASSY To T-1510	1	1	1	
	285402P	EVAPORATOR DOOR ASSY From T-1511 To W-2269	1	1	1	
	287618	EVAPORATOR DOOR ASSY From W-2270	1	1	1	
1	284910	. DOOR MOULDED / FIBERGLASS To W-2269	1	1	1	
1	285772	. DOOR MOULDED / FIBERGLASS From W-2270	1	1	1	
2	283336	. RUBBER SEAL EXTRUSION / ADHESIVE / 120METER / RAW MATERIAL To T-1510	AR	AR	AR	A
2	285539	. RUBBER SEAL EXTRUSION / EVAPORATOR DOOR / 4390MM From T-1511 To W-2269	1	1	1	
2	285778	. RUBBER SEAL EXTRUSION / EVAPORATOR DOOR / 1146MM X 1115MM From W-2270	1	1	1	
2	289934	. RUBBER SEAL EXTRUSION / EVAPORATOR DOOR / 1146MM X 1115MM / SERVICE	1	1	1	
NS	680066	. ADHESIVE / ADBOND #5014 / 23.6ML BOTTLE	AR	AR	AR	
3	283215	. PROTECTOR PANEL / DP To W-2269	1	1	1	
3	284796	. PROTECTOR PANEL / WITH GRAVEL GUARD / DP To W-2269	1	1	1	
3	285771	. PROTECTOR PANEL / SH From W-2270	1	1	1	
3	285905	. PROTECTOR PANEL / WITH GRAVEL GUARD / SH From W-2270	1	1	1	
NS	681348	. TAPE RUB ADH2 ACRYLIC .045" x 1" x 108' / VHB4952	AR	AR	AR	
NS	682462	. ADHESIVE SIKA #252 / BLACK / 310ml CARTRIDGE	AR	AR	AR	
4	282569	. EXTRUSION PROFILE 1182MM To W-2269	1	1	1	
4	285709	. EXTRUSION BACKING ASSY W/REFLECTOR 1189MM From W-2270	1	1	1	
. NS	285542	. . EXTRUSION BACKING 1189MM From W-2270	1	1	1	
4	280237	. EXTRUSION BACKING ASSY W/REFLECTOR 1185MM From W-2270	1	1	1	S
. NS	280116	. . EXTRUSION 1185MM From W-2270	1	1	1	S
4	685126	. ADHESIVE SIMSON #ISR 70-03 / GREY / 600ml SAUSAGE From W-2270	AR	AR	AR	S
5	283100	. . STRIPE, REFLECTIVE WHITE / 38MM X 15' ROLL	AR	AR	AR	
. NS	780277	. . . STRIPE, REFLECTIVE WHITE / 38MM X 150' ROLL	AR	AR	AR	
NS	680025	. CAULKING STRIP 3/16" O.D. X 14'	AR	AR	AR	
6	502534	. SCREW CAP SQ 5/16-18x1 G2 Z050 To W-2269	5	5	5	
6	500120	. SCREW TP BDG PH #6x1/2 SS From W-2270	5	5	5	
7	283219	. WASHER ,REINFORCEMENT To W-2269	5	5	5	
8	502583	. WASHER LO SERR 8.15x22.3x1.0 Z050 To W-2269	AR	AR	AR	
9	500698	. NUT HEX 5/16-18 BR To W-2269	5	5	5	
10	507295	. HOLE PLUG BUTTON / 1.375 O.D. BLACK To W-2269	2	2	2	
11	282990	. ANGLE / STRIKER PIN SUPPORT To W-2269	1	1	1	
11	285773	. ANGLE / STRIKER PIN SUPPORT From W-2270	1	1	1	
12	780278	. PIN, STRIKER STUD To W-2269	1	1	1	
12	284438	. PIN STRIKER From W-2270	1	1	1	
13	500316	. SCREW MA FL PH 1/4-28x3/4 SS To W-2269	2	2	2	
14	500692	. NUT HEX 1/4-28 Z050 To W-2269	2	2	2	
14	502883	. NUT HEX 7/16-14 N500 From W-2270	1	1	1	
15	502790	. SCREW CAP HEX M8-1.25x20 G8.8 Z050 To W-2269	AR	AR	AR	
15	502862	. SCREW CAP HEX M8-1.25x20 G8.8 N500 From W-2270	AR	AR	AR	
16	502584	. WASHER LO SERR 8.2x26.3x1.8 Z050 To W-2269	AR	AR	AR	
16	5001699	. WASHER BEL SPR 8.2x22x1.4 N500 From W-2270	AR	AR	AR	

From R-012 To 2-4416	Date:10/2022	PAGE:H3-1866-00
EVAPORATOR DOOR ASSY		

Item#	Part	Description	H 3 4 1	H 3 4 5	V I P 4 5	N O T E S
17	H3-1875-00	FUEL TANK FILLING DOOR				
18	H3-1879-91	EXTERIOR DOOR HINGE AND SUPPORT To T-1510				
18	H3-1879-92	EXTERIOR DOOR HINGE AND SUPPORT From T-1511				
19	283776	. GUIDE RETAINING ARM	1	1	1	
20	502625	. SCREW SHR HEXS 5/16x3/8 {1/4-20	1	1	1	
21	500270	. WASHER FL .406x1.000x.063 SS	2	2	2	
22	502768	. WASHER FL RUB .312x.625x.125 NEO	1	1	1	
23	502819	. NUT HEX JAM 1/4-20 Z050	1	1	1	
24	283774	. ARM RETAINING	1	1	1	
30	502780	SCREW CAP HEX M8-1.25x25 SS BK	1	1	1	
NS	502523	RIVET NUT FL OKS 5/16-18 .059-.119	1	1	1	
31	502583	WASHER LO SERR 8.15x22.3x1.0 Z050	1	1	1	
32	283770	SPACER / TO FIX RETAINING ARM	1	1	1	
33	H3-1879-91	EXTERIOR DOOR HINGE AND SUPPORT To T-1510				
33	H3-1879-92	EXTERIOR DOOR HINGE AND SUPPORT From T-1511				
40	282988	PLATE HOLDER / WELDED TO STRUCTURE	1	1	1	
41	780282	LOCK SPAGNOLET L.H. To V-2077	1	1	1	F
41	780587	LOCK SPAGNOLET L.H. / W/G-FITTING From V-2078 To 2-4363	1	1	1	
. NS	507607	. GREASE FITTING / M6-1.00 From V-2078 To 2-4363	1	1	1	
41	780652	LOCK SPAGNOLET L.H. / W/G-FITTING From 2-4364	1	1	1	
. NS	780340	. CLIP, RETAINER ROD From 2-4364	1	1	1	
. NS	507607	. GREASE FITTING / M6-1.00 From 2-4364	1	1	1	
42	282989	PLATE ADAPTOR To V-2077	1	1	1	
42	285765	PLATE ADAPTOR From V-2078	1	1	1	
43	502563	SCREW CAP HEX M6-1.0x12 G8.8 Z050	5	5	5	
44	502564	WASHER LO SPT 6.1x11.8x1.6 Z050	5	5	5	
45	282984	ROD OPENING 52MM	1	1	1	
46	504083	SNAP BUSHING / .250x.468.406	1	1	1	
47	500764	NUT HEX #8-32 Z050	1	1	1	
48	505504	KNOB, PULL / 8-32	1	1	1	
49	504393	SNAP-IN PLUG / 1.200 O.D.	1	1	1	
50	282963	PANEL AIR INTAKE EVAPORATOR To R-090	1	1	1	
50	472911	PANEL AIR INTAKE EVAPORATOR From R-091 To W-2269	1	1	1	
50	473639	PANEL AIR INTAKE EVAPORATOR / W/SCREEN From W-2270	1	1	1	
51	451887	EXTERIOR PANEL ASSY / W/SCREEN To V-1760	1	1	1	
. NS	451883	. SCREEN To V-1760	1	1	1	
51	453045	EXTERIOR PANEL ASSY / W/SCREEN From V-1761 To W-2269	1	1	1	
. NS	451883	. SCREEN From V-1761 To W-2269	1	1	1	
51	213544	EXTERIOR PANEL SS From W-2270	1	1	1	
52	504248	RIVET CHY Q PRDG 3/16x1/4 SS	AR	AR	AR	
53	500535	SCREW TP CAP HEX #14x3/4 Z050	AR	AR	AR	
54	502764	NUT SPR J #14A .035-.046	AR	AR	AR	

From R-012 To 2-4416	Date:10/2022	PAGE:H3-1866-00
EVAPORATOR DOOR ASSY		

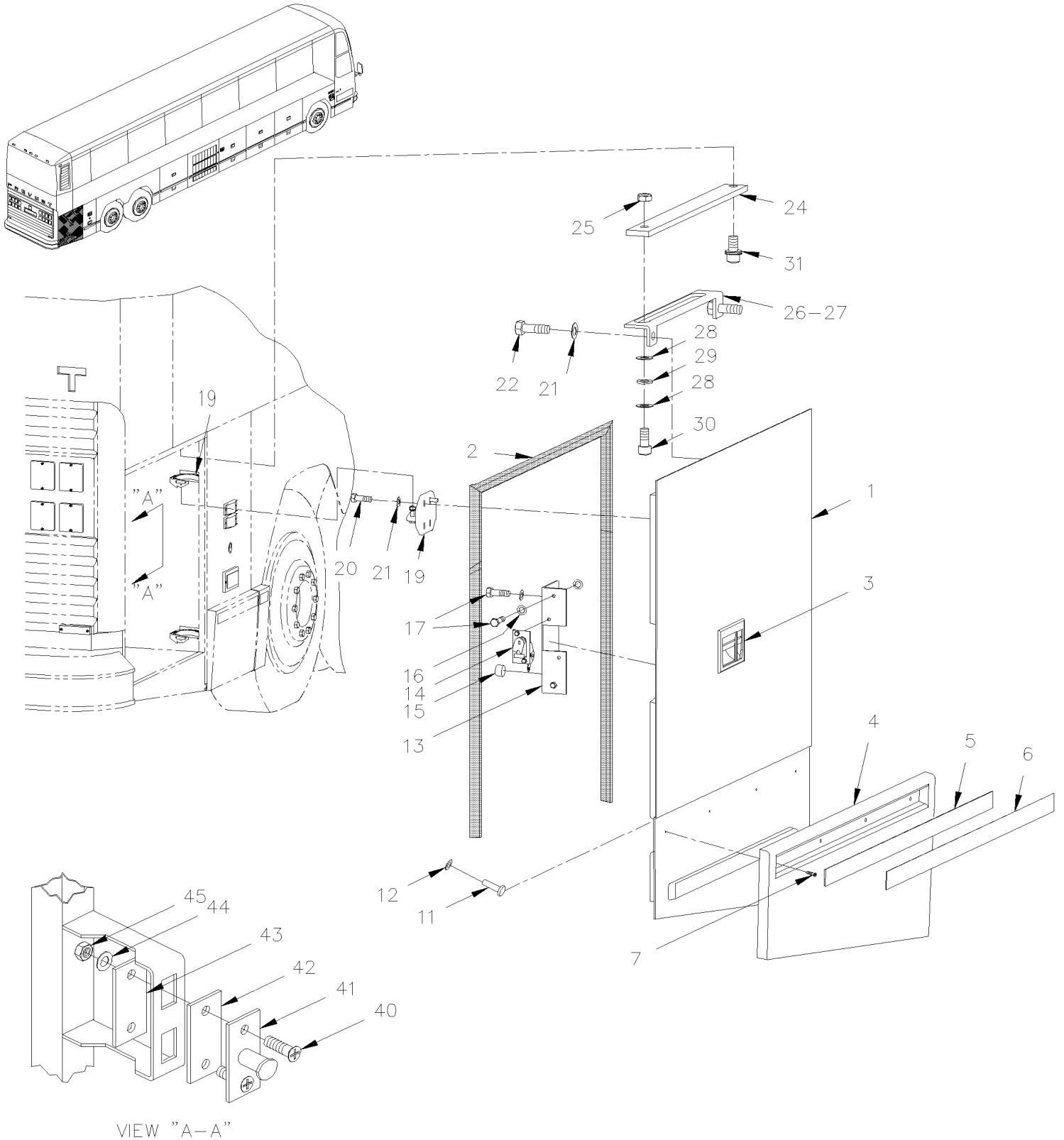
Item#	Part	Description	H 3 4 1	H 3 4 5	V I P 4 5	N O T E S
NS	285833	KIT SERVICE DOOR LOCK	1	1	1	
. NS	IS-97037	. SEE INSTRUCTION SHEET	1	1	1	
		A) SOLD IN 20' LONG ON PART #283875				
		F) PRODUCT IMPROVMENT, ASK KIT #285833				
		S) SERVICE				

From R-012 To 2-4416

Date:10/2022

PAGE:H3-1868-01

A/C COMPRESSOR DOOR ASSY



From R-012 To 2-4416	Date:10/2022	PAGE:H3-1868-01
A/C COMPRESSOR DOOR ASSY		

Item#	Part	Description	H 3 4 1	H 3 4 5	V I P 4 5	N O T E S
	283821P	COMPRESSOR DOOR ASSY / W/LOCK To T-1510	1	1	1	
	285400P	COMPRESSOR DOOR ASSY From T-1511 To W-2457	1	1	1	
	286236P	COMPRESSOR DOOR ASSY From W-2458	1	1	1	
	285084P	COMPRESSOR DOOR ASSY / W/W.C.L. To T-1510	1	1		
	285273P	COMPRESSOR DOOR ASSY / W/W.C.L. From T-1511	1	1		
1	283822	. COMPRESSOR DOOR / FIBERGLASS NEW To W-2457	1	1	1	
1	285860	. COMPRESSOR DOOR / FIBERGLASS NEW From W-2458	1	1	1	
2	283336	. RUBBER SEAL EXTRUSION / ADHESIVE / 120METER / RAW MATERIAL To T-1510	1	1	1	C
2	285392	. RUBBER SEAL EXTRUSION / COMPRESSOR DOOR / 2900MM From T-1511	1	1	1	
2	287240	. RUBBER SEAL EXTRUSION 1035MM X 840MM From SERVICE	1	1	1	
2	289936	. RUBBER SEAL EXTRUSION 1035MM X 840MM From SERVICE	1	1	1	
2	288908	. RUBBER SEAL EXTRUSION 1035MM X 840MM From SERVICE	1	1	1	
2	2800148	. RUBBER SEAL EXTRUSION 1035MM X 840MM From SERVICE	1	1	1	
3	H3-1864-30	. HANDLE LOCK & KEYS - TYPE "PS"				
3	H3-1864-99	. HANDLE LOCK & KEYS - TYPE "NS" / SERVICE & RETROFIT				
NS	283823	. PLATE CLOSING / 293MM X 318MM	1	1		
4	283009	. PROTECTOR PANEL / DP To T-1510	1	1	1	
4	284789	. PROTECTOR PANEL / WITH GRAVEL GUARD / DP To T-1510	1	1	1	A
4	284606	. PROTECTOR PANEL / DP From T-1511 To W-2457	1	1	1	
4	285350	. PROTECTOR PANEL / WITH GRAVEL GUARD / DP From T-1511 To W-2457	1	1	1	A
4	285863	. PROTECTOR PANEL / SH From W-2458	1	1	1	
4	286213	. PROTECTOR PANEL / WITH GRAVEL GUARD / SH From W-2458	1	1	1	A
5	283081	. EXTRUSION PROFILE 1072MM To W-2457	1	1	1	
5	285956	. EXTRUSION BACKING ASSY W/REFLECTOR 1074MM From W-2458	1	1	1	B
. NS	285864	. . EXTRUSION BACKING 1074MM From W-2458	1	1	1	B
5	280234	. EXTRUSION BACKING ASSY W/REFLECTOR 1070MM From W-2458	1	1	1	B SVC
. NS	280119	. . EXTRUSION 1070MM From W-2458	1	1	1	B SVC
NS	685126	. ADHESIVE SIMSON #ISR 70-03 / GREY / 600ml SAUSAGE From W-2458	AR	AR	AR	SVC
6	283100	. . STRIPE, REFLECTIVE WHITE / 38MM X 15' ROLL	AR	AR	AR	
. NS	780277	. . . STRIPE, REFLECTIVE WHITE / 38MM X 150' ROLL	AR	AR	AR	
7	502534	. SCREW CAP SQ 5/16-18x1 G2 Z050 To W-2457	4	4	4	
7	500120	. SCREW TP BDG PH #6x1/2 SS From W-2458	4	4	4	
8	283219	. WASHER ,REINFORCEMENT	4	4	4	
9	502583	. WASHER LO SERR 8.15x22.3x1.0 Z050	4	4	4	G
10	500698	. NUT HEX 5/16-18 BR	4	4	4	
11	504108	. RIVET POP DOME OE 1/8x1/2 AL	AR	AR	AR	H
12	500437	. WASHER FL .125x.375x.040 Z050	AR	AR	AR	
13	282666	. SUPPORT LOCK To V-2077	1	1	1	
13	285764	. SUPPORT LOCK / UPPER From V-2078	1	1	1	
14	780283	. LOCK SPAGNOLET R.H.	1	1	1	
. NS	780340	. . CLIP, RETAINER ROD	1	1	1	
14	780588	. LOCK SPAGNOLET R.H. / W/G-FITTING To 2-4363	1	1	1	

From R-012 To 2-4416		Date:10/2022	PAGE:H3-1868-01
A/C COMPRESSOR DOOR ASSY			

Item#	Part	Description	H 3 4 1	H 3 4 5	V I P 4 5	N O T E S
. NS	780340	. . CLIP, RETAINER ROD To 2-4363	1	1	1	
. NS	507607	. . GREASE FITTING / M6-1.00 To 2-4363	1	1	1	
14	780653	. LOCK SPAGNOLET R.H. / W/G-FITTING From 2-4364	1	1	1	
. NS	780340	. . CLIP, RETAINER ROD From 2-4364	1	1	1	
. NS	507607	. . GREASE FITTING / M6-1.00 From 2-4364	1	1	1	
NS	283277	. ROD / HANDLE & LATCH / 465MM	1	1	1	
14	289369	. ROD / HANDLE & LATCH / 454.6MM	1	1	1	S
15	507295	. HOLE PLUG BUTTON / 1.375 O.D. BLACK	1	1	1	
16	502582	. WASHER LO SERR 6.1x16.2x0.9 Z050	10	10	10	
17	502563	. SCREW CAP HEX M6-1.0x12 G8.8 Z050	10	10	10	
19	H3-1879-91	EXTERIOR DOOR HINGE AND SUPPORT To T-1510				
19	H3-1879-92	EXTERIOR DOOR HINGE AND SUPPORT From T-1511				
20	502790	. SCREW CAP HEX M8-1.25x20 G8.8 Z050	4	4	4	
21	502584	. WASHER LO SERR 8.2x26.3x1.8 Z050	4	4	4	
22	502790	. SCREW CAP HEX M8-1.25x20 G8.8 Z050	4	4	4	
24	283772	ARM RETAINING	1	1	1	
25	502819	NUT HEX JAM 1/4-20 Z050	1	1	1	
26	283771	GUIDE RETAINING ARM	1	1	1	
27	284640	STRAP-HOLDER / W/W.C.L.	1	1		
NS	284439	PLATE, STRAP RETAINING / OBLONG 16.5MM x 25.4MM W/2 HOLES	1	1		
NS	5001161	WASHER LO SPT 8.1x14.8x2.0 SS-304	1	1		
NS	504379	RIVET POP DOME OE 3/16x1/4 SS	2	2		J
NS	505507	STRAP NYLON 1" WIDE / S.L.	1	1		
28	500441	WASHER FL .312x.734x.065 Z050	1	1	1	
29	502768	WASHER FL RUB .312x.625x.125 NEO	1	1	1	
30	502625	SCREW SHR HEXS 5/16x3/8 {1/4-20	1	1	1	
31	500347	SCREW CAP HEX 5/16-18x1 1/4 SS	1	1	1	
NS	283770	SPACER / TO FIX RETAINING ARM	1	1	1	
NS	502523	RIVET NUT FL OKS 5/16-18 .059-.119	1	1	1	
NS	502583	WASHER LO SERR 8.15x22.3x1.0 Z050	1	1	1	
40	500316	SCREW MA FL PH 1/4-28x3/4 SS	2	2	2	F
41	780278	PIN, STRIKER STUD	1	1	1	
42	283046	STRIKER SHIM / W/SLOT / 60MM X 25MM	AR	AR	AR	
43	283326	STRIKER PLATE, MOUNTING / 60MM X 25MM	1	1	1	
44	502582	WASHER LO SERR 6.1x16.2x0.9 Z050	2	2	2	
45	500692	NUT HEX 1/4-28 Z050	2	2	2	
46	285832	KIT SERVICE DOOR LOCK To 2-4363	1	1	1	
. NS	IS-97037	. SEE INSTRUCTION SHEET To 2-4363	1	1	1	
		A) THIS PROTECTOR IS COATED WITH GRAVEL GUARD AND IS BLACK PAINTED, READY TO INSTALL				

From R-012 To 2-4416	Date:10/2022	PAGE:H3-1868-01
A/C COMPRESSOR DOOR ASSY		

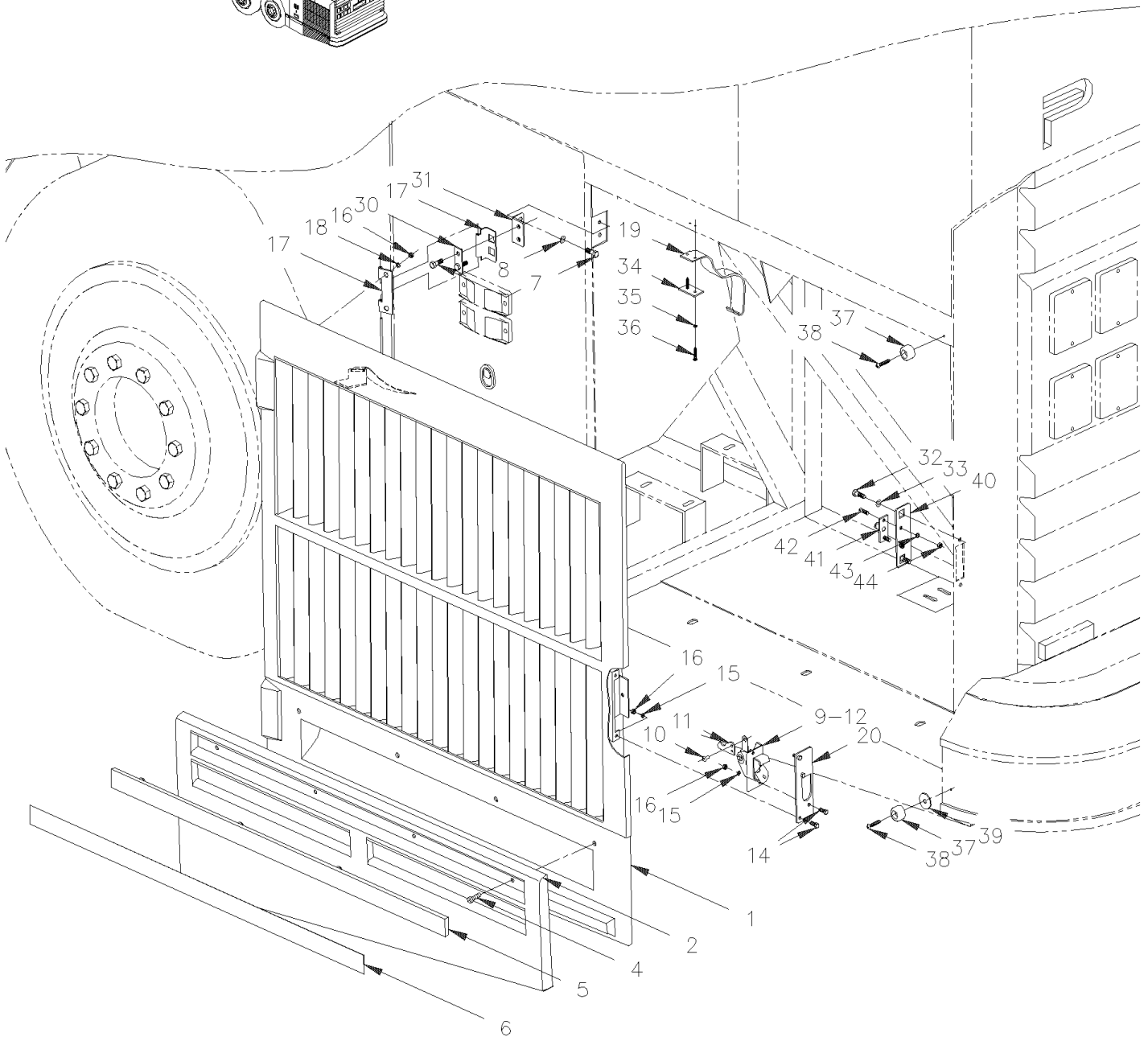
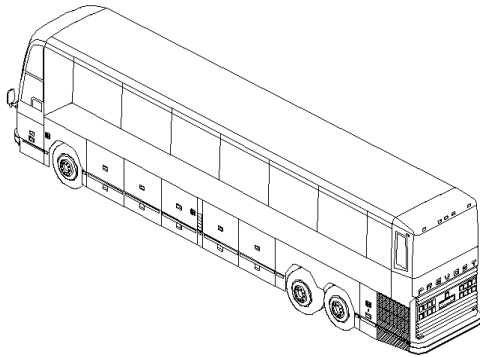
Item#	Part	Description	H 3 4 1	H 3 4 5	V I P 4 5	N O T E S
		B) ASSEMBLY WITH REFLECTOR				
		C) SOLD IN 20' LONG ON PART #283875				
		F) TO FIX STRIKER PIN				
		G) TO FIX RETAINING ARM				
		H) TO FIX RUBBER SEAL				
		J) TO FIX RETAINER STRAP				
		S) THIS ROD ARE REQUIRE ONLY IF YOU CHANGE FORMER HANDLE FOR NEW MODEL # 780794				
		SVC) SERVICE				

From R-012 To 2-4416

Date:10/2022

PAGE:H3-1869-02

RADIATOR DOOR ASSY



From R-012 To 2-4416	Date:10/2022	PAGE:H3-1869-02
RADIATOR DOOR ASSY		

Item#	Part	Description	H 3 4 1	H 3 4 5	V I P 4 5	N O T E S
	284747P	RADIATOR DOOR ASSY To Y-3702	1	1	1	
	286711P	RADIATOR DOOR ASSY From Y-3703	1	1	1	
1	284695	. RADIATOR DOOR / FIBERGLASS NEW To Y-3702	1	1	1	
1	286666	. RADIATOR DOOR / FIBERGLASS NEW From Y-3703	1	1	1	
NS	284705	. . ATTACHMENT / TO FIX HINGE	1	1	1	
NS	284717	. . ATTACHMENT / TO FIX LOCK	1	1	1	
NS	284777	. . ATTACHMENT / TO FIX STRAP RETAINER	1	1	1	
2	284604	. PROTECTOR PANEL / DP To Y-3702	1	1	1	
2	285133	. PROTECTOR PANEL / WITH GRAVEL GUARD / DP To Y-3702	1	1		A
2	286665	. PROTECTOR PANEL / SH From Y-3703	1	1	1	
2	287344	. PROTECTOR PANEL / WITH GRAVEL GUARD / SH From Y-3703	1	1		A
NS	681348	. TAPE RUB ADH2 ACRYLIC .045" x 1" x 108' / VHB4952	AR	AR	AR	
NS	682462	. ADHESIVE SIKA #252 / BLACK / 310ml CARTRIDGE	AR	AR	AR	D
3	283219	. WASHER ,REINFORCEMENT To Y-3702	4	4	4	
4	502534	. SCREW CAP SQ 5/16-18x1 G2 Z050 To Y-3702	4	4	4	
5	284751	. EXTRUSION PROFILE 1024MM To Y-3702	1	1	1	
5	285956	. EXTRUSION BACKING ASSY W/REFLECTOR 1074MM From Y-3703	1	1	1	
. NS	285864	. . EXTRUSION BACKING 1074MM From Y-3703	1	1	1	
5	280234	. EXTRUSION BACKING ASSY W/REFLECTOR 1070MM From Y-3703	1	1	1	SVC
. NS	280119	. . EXTRUSION 1070MM From Y-3703	1	1	1	SVC
NS	685126	. ADHESIVE SIMSON #ISR 70-03 / GREY / 600ml SAUSAGE From Y-3703	AR	AR	AR	SVC
6	283100	. . STRIPE, REFLECTIVE WHITE / 38MM X 15' ROLL	AR	AR	AR	
. NS	780277	. . . STRIPE, REFLECTIVE WHITE / 38MM X 150' ROLL	AR	AR	AR	
7	500374	. WASHER FL .375x.625x.062 RUB To Y-3702	4	4	4	
8	500698	. NUT HEX 5/16-18 BR To Y-3702	4	4	4	
9	780283	. LOCK SPAGNOLET R.H. To V-2077	1	1	1	F
. NS	780340	. . CLIP, RETAINER ROD To V-2077	1	1	1	F
9	780588	. LOCK SPAGNOLET R.H. / W/G-FITTING From V-2078 To 2-4363	1	1	1	
. NS	780340	. . CLIP, RETAINER ROD From V-2078 To 2-4363	1	1	1	
. NS	507607	. . GREASE FITTING / M6-1.00 From V-2078 To 2-4363	1	1	1	
9	780653	. LOCK SPAGNOLET R.H. / W/G-FITTING From 2-4364	1	1	1	
. NS	780340	. . CLIP, RETAINER ROD From 2-4364	1	1	1	
. NS	507607	. . GREASE FITTING / M6-1.00 From 2-4364	1	1	1	
10	504379	. RIVET POP DOME OE 3/16x1/4 SS	2	2	2	
11	284749	. LEVER To 2-4363	1	1	1	
11	288007	. LEVER From 2-4364	1	1	1	
12	284914	. SPRING EXTENSION / .305 O.D. x 1.562 x .051	1	1	1	
14	502531	. SCREW CAP HEX M6-1.0x16 G8.8 Z050	5	5	5	
15	502582	. WASHER LO SERR 6.1x16.2x0.9 Z050	5	5	5	
16	502565	. NUT HEX M6-1.0 SS	5	5	5	
17	284750	. HINGE	2	2	2	
18	502570	. WASHER LO SPT 6.1x11.8x1.6 SS	4	4	4	

From R-012 To 2-4416	Date:10/2022	PAGE:H3-1869-02
RADIATOR DOOR ASSY		

Item#	Part	Description	H 3 4 1	H 3 4 5	V I P 4 5	N O T E S
19	505507	. STRAP NYLON 1" WIDE / S.L.	AR	AR	AR	
20	284748	. SUPPORT LOCK To V-2077	1	1	1	
20	285763	. SUPPORT LOCK From V-2078	1	1	1	
30	284773	PLATE RETAINING	2	2	2	
31	284753	ANGLE / RETAINING HINGE TO STRUCTURAL	2	2	2	
32	502780	SCREW CAP HEX M8-1.25x25 SS BK	8	8	8	
33	502583	WASHER LO SERR 8.15x22.3x1.0 Z050	8	8	8	
34	284439	PLATE, STRAP RETAINING / OBLONG 16.5MM x 25.4MM W/2 HOLES	1	1	1	
35	500157	WASHER FL .125x.375x.032 SS	2	2	2	
36	5001040	SCREW TC PAN PH #6-32x3/4 SS	2	2	2	
37	5001168	BUMPER RUBBER / .750 OD x .562 TH x .187 HOLE	3	3	3	
38	502553	SCREW TP PAN PH #8x1 SS	3	3	3	
39	502820	WASHER FL .187x1.000x.125 RUB BK	2	2	2	
40	284752	PLATE RETAINING	1	1	1	
41	780278	PIN, STRIKER STUD	1	1	1	
42	500316	SCREW MA FL PH 1/4-28x3/4 SS	2	2		
42	500316	SCREW MA FL PH 1/4-28x3/4 SS			1	
43	500473	WASHER LO SPT .262x.489x.062 Z050	2	2	2	
44	500692	NUT HEX 1/4-28 Z050	2	2	2	
NS	285832	KIT SERVICE DOOR LOCK	1	1	1	
. NS	IS-97037	. SEE INSTRUCTION SHEET	1	1	1	
		A) THIS PROTECTOR IS COATED WITH GRAVEL GUARD AND BLACK PAINTED, READY TO INSTALL				
		D) TO FIX PANELS				
		F) PRODUCT IMPROVMENT, ASK KIT #285832				
		SVC) SERVICE				

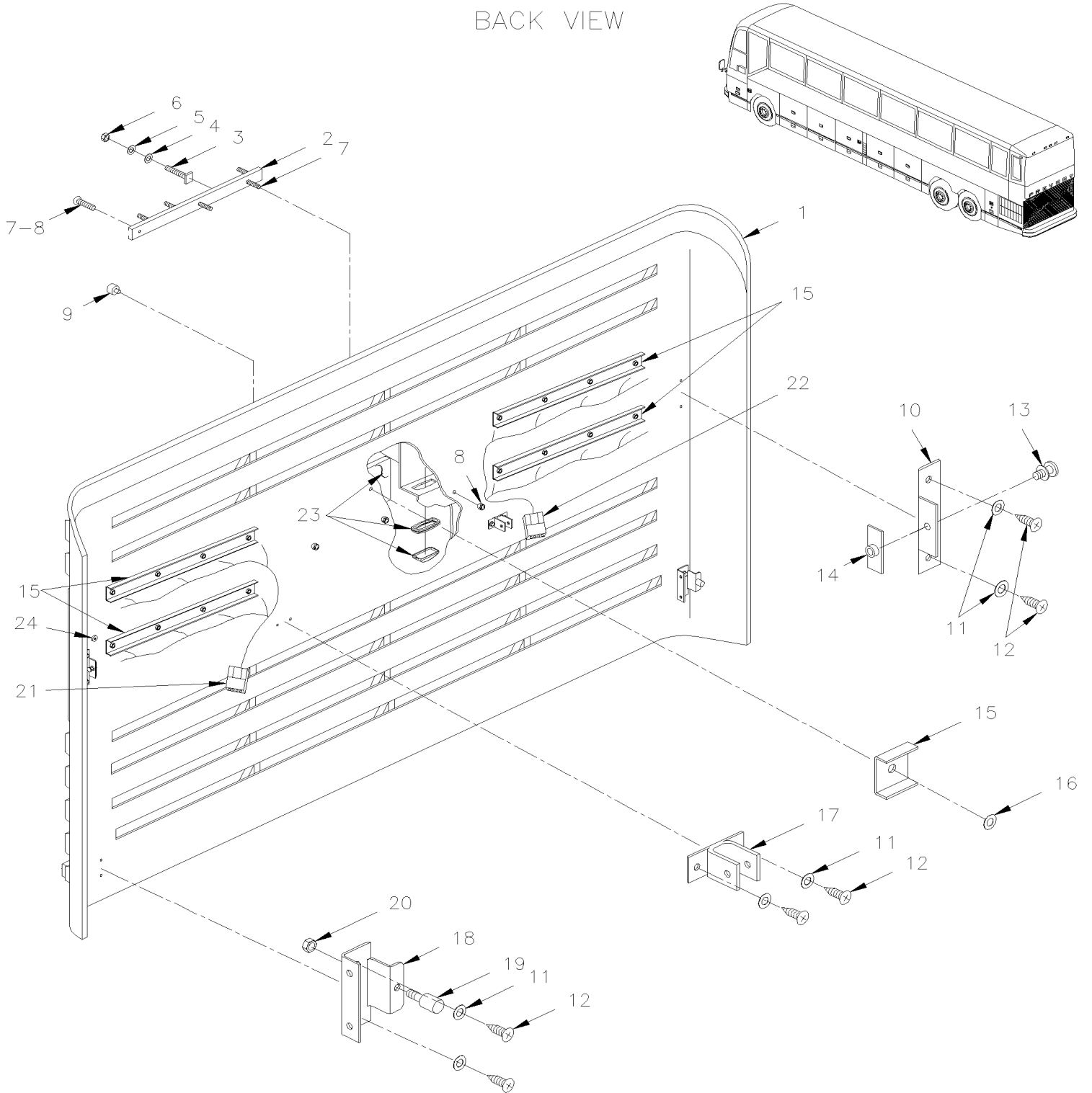
From R-012 To 2-4416

Date:10/2022

PAGE:H3-1870-00

ENGINE DOOR ASSY

BACK VIEW



From R-012 To 2-4416	Date:10/2022	PAGE:H3-1870-00
ENGINE DOOR ASSY		

Item#	Part	Description	H 3 4 1	H 3 4 5	V I P 4 5	N O T E S
	283071P	ENGINE DOOR ASSY	1	1		D
1	282967	. DOOR MOULDED / FIBERGLASS To V-1681	1	1		A
1	285447	. DOOR MOULDED / FIBERGLASS From V-1682	1	1		A
1	284423	. DOOR MOULDED / FIBERGLASS To V-1681	1	1	1	C
1	285460	. DOOR MOULDED / FIBERGLASS From V-1682	1	1	1	C
2	283030	. TRACK / LICENCE PLATE HOLDER 680MM	1	1	1	
2	281343	. TRACK / LICENCE PLATE HOLDER 680 MM	1	1	1	
3	504286	. T SCREW 10-24 X 3/4" / SS / PLATE HOLDER	4	4	4	
4	502637	. WASHER FL .200x.437x.037 SS	4	4	4	
5	502570	. WASHER LO SPT 6.1x11.8x1.6 SS	4	4	4	
6	500787	. NUT HEX #10-24 SS	4	4	4	
7	502666	. SCREW MA FL PH #6-32x3/4 SS BK	3	3	3	
8	500286	. NUT WELL #6-32	3	3	3	
9	504498	. BUMPER PLUG / .406ODx.218THx.250HOLEx.125	2	2	2	
10	283029	. BRACKET ASSY To T-1611	2	2	2	
10	285466	. BRACKET ASSY From T-1612	2	2	2	
11	502584	. WASHER LO SERR 8.2x26.3x1.8 Z050	12	12	12	
12	502790	. SCREW CAP HEX M8-1.25x20 G8.8 Z050	12	12	12	
13	780415	. BOLT STRIKER	2	2	2	
14	283330	. NUT SPECIAL / TO FIX STRIKER	2	2	2	
15	283329	. PLATE To T-1680	4	4	4	
16	502582	. WASHER LO SERR 6.1x16.2x0.9 Z050	34	34	34	
17	283024	. BRACKET / TO FIX PANTHOGRAPH	2	2	2	
18	283032	. BRACKET / STOPPER To T-1611	2	2	2	
18	285274	. BRACKET / STOPPER From T-1612	2	2	2	
19	504454	. BUMPER RUBBER BOLT / 20MM ODx20MM TH X M6X15MM STUD	2	2	2	
20	502565	. NUT HEX M6-1.0 SS	2	2	2	
21	063209	. CABLE ASSY R.H. LAMP / REAR ENGINE DOOR	1	1	1	
22	063210	. CABLE ASSY L.H. LAMP / REAR ENGINE DOOR	1	1	1	
NS	065528	. INTERFACE CABLE ASSY / W/LED FLASHER	4	4	4	B
NS	065529	. INTERFACE CABLE ASSY / W/LED STOP	5	5	5	B
NS	065530	. INTERFACE CABLE ASSY / W/LED TAIL	4	4	4	B
NS	506277	. TAPE RUB ADH1 CC POL 1/2" x 3/4" x 15' / GREY 2520X	AR	AR	AR	
NS	680415	. TAPE ADHESIVE 3" WIDE BLUE	AR	AR	AR	
23	H3-0664-00	. REAR EXTERIOR LIGHTS & PLATE HOLDER				
24	562949	. MAGNET ROUND .200x.700 DIA	1	1	1	
		A) THOSE DOORS HAVE A HOLE FOR BLOCK HEATER CONNECTOR				
		B) USED WITH VEHICLE WITH LED				
		C) THOSE DOORS DO NOT HAVE HOLE FOR BLOCK HEATER CONNECTOR				

From R-012 To 2-4416	Date:10/2022	PAGE:H3-1870-00
----------------------	--------------	-----------------

ENGINE DOOR ASSY

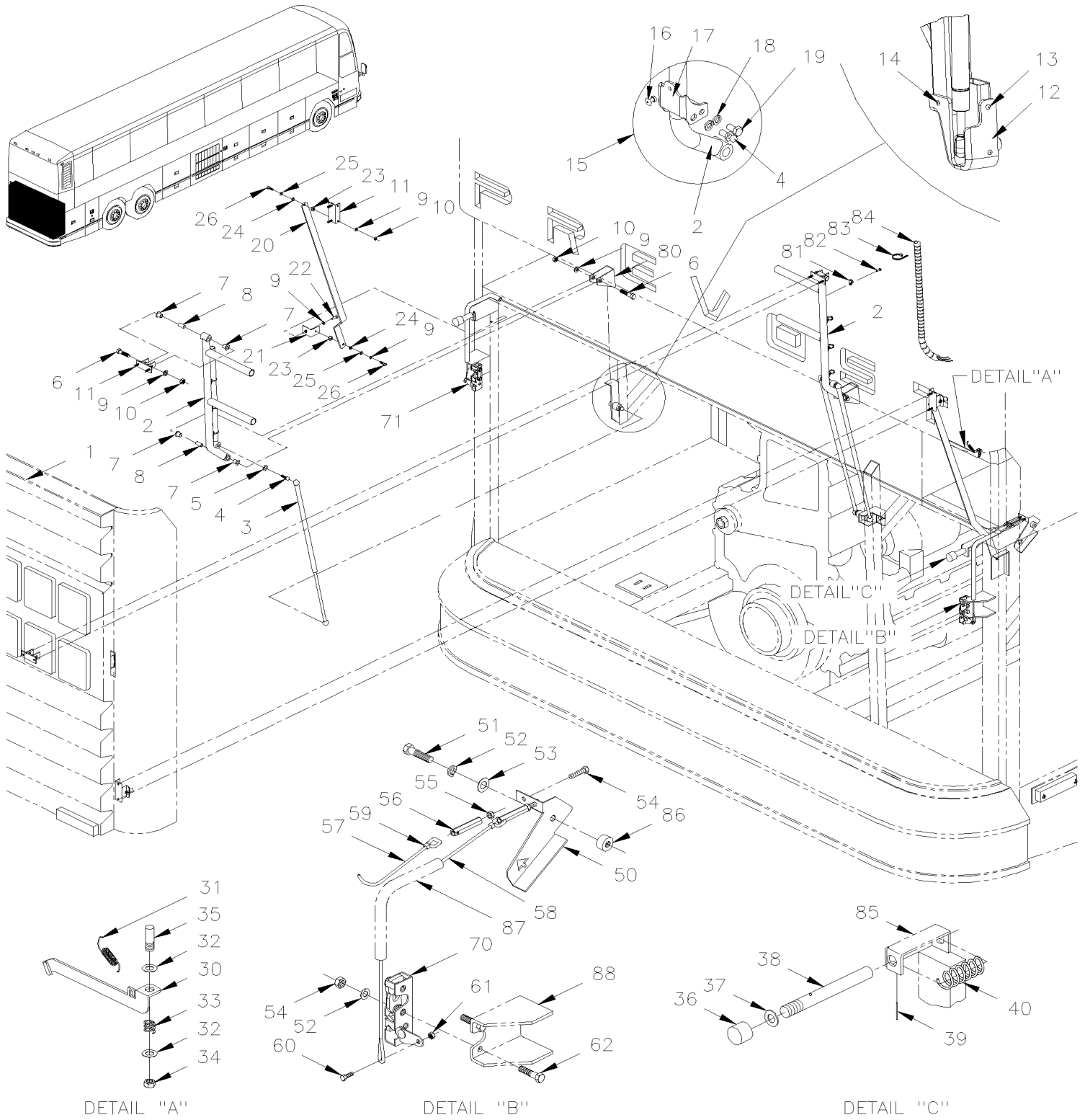
Item#	Part	Description	H 3 4 1	H 3 4 5	V I P 4 5	N O T E S
		D) ASSY WITH LAMPS WITHOUT HOLE FOR BLOCK HEATER				

From R-012 To 2-4416

Date:10/2022

PAGE:H3-1870-10

REAR ENGINE DOOR - INSTALLATION



From R-012 To 2-4416	Date:10/2022	PAGE:H3-1870-10
-----------------------------	---------------------	------------------------

REAR ENGINE DOOR - INSTALLATION

Item#	Part	Description	H 3 4 1	H 3 4 5	V I P 4 5	N O T E S
1	H3-1870-00	ENGINE DOOR ASSY				
2	283035	PANTOGRAPH LEVER	1	1	1	
3	980024	CYLINDER GAZ / 669/409MM C/C / 200LBS	3	3	3	
3	192226	CYLINDER GAZ / 669/409MM C/C / 200LBS HD			AR	
. NS	980017	. CLIP BALL STUD 10MM RETAINER			2	
NS	283023	CYLINDER MOUNTING PLATE To T-1610	3	3	3	
4	980015	BALL STUD / W/10 MM X M8-1.25 / 29.18 MM	6	6	6	
5	980016	NUT, CYLINDER RETAINER	2	2	2	
5	502760	NUT HEX TWAY M8-1.25 Z050	2	2	2	
6	502527	SCREW CAP HEX M8-1.25x50 G8.8 Z050 To T-1610	4	4	4	
6	5001178	SCREW CAP HEX M8-1.25x60 SS BK From T-1611	4	4	4	
7	507142	BUSHING, NYLINER W/SHOULDER (8-L-8-F)	8	8	8	
8	282541	SPACER TUBE 31MM x 12.7MM x 8.5MM	4	4	4	
9	502583	WASHER LO SERR 8.15x22.3x1.0 Z050	AR	AR	AR	
10	502543	NUT HEX M8-1.25 Z050	AR	AR	AR	
10	5001188	NUT HEX M8-1.25 SS	AR	AR	AR	
11	H3-1870-00	ENGINE DOOR ASSY				
12	491130	CYLINDER PROTECTOR / PLASTIC	1	1	1	
13	504717	RIVET POP DOME OE 1/8x1/4 SS	2	2	2	
14	504339	RIVET POP DOME OE 1/8x3/8 SS	1	1	1	
15	289949	KIT RETROFIT ENGINE DOOR CYLINDER PRESSURE INCREASE ADAPTOR	AR	AR	AR	KS
16	504747	. RIVET HKL MMS 3/16x3/8 SS	1	1	1	
17	289951	. CYLINDER ADAPTOR ENGINE DOOR SERIE "H" / "U" SHAPE	1	1	1	
18	5001161	. WASHER LO SPT 8.1x14.8x2.0 SS-304	2	2	2	
19	5001527	. SCREW CAP HEX M8-1.25x16 SS BK	2	2	2	
20	283033	ARM STABILIZER / 30MM OFFSET	2	2	2	D
21	283346	ANGLE SUPPORT / ARM STABILISATOR ON L.H. POST	1	1	1	
22	502790	SCREW CAP HEX M8-1.25x20 G8.8 Z050	2	2	2	A
23	282540	SPACER BUSHING FLANGE / AUX. ARM & SUPPORT	4	4	4	
24	507289	BUSHING NYLINER / AUXILIARY ARM & ATTACHMENT	4	4	4	
25	500444	WASHER FL .406x.812x.065 Z050	4	4	4	
26	502651	SCREW CAP HEX M8-1.25x35 G8.8 Z050	4	4	4	
30	283328	HOOK SAFETY LOCK	1	1	1	
31	502184	SPRING EXTENSION / .360 O.D. x 1.25 x .031	1	1	1	
32	500441	WASHER FL .312x.734x.065 Z050	2	2	2	B
33	480705	SPRING COMPRESSION / .600 O.D. x 1 x .055 CROMAT	1	1	1	
34	5001189	NUT HEX 5/16-18 SS	1	1	1	
35	481287	SPACER To 2-4440	1	1	1	
35	481496	SPACER From 2-4441	1	1	1	
36	504454	BUMPER RUBBER BOLT / 20MM ODx20MM TH X M6X15MM STUD	2	2	2	
37	500411	WASHER FL .260x.697x.050 SS	4	4	4	
38	283014	STOPPER 120MM	2	2	2	

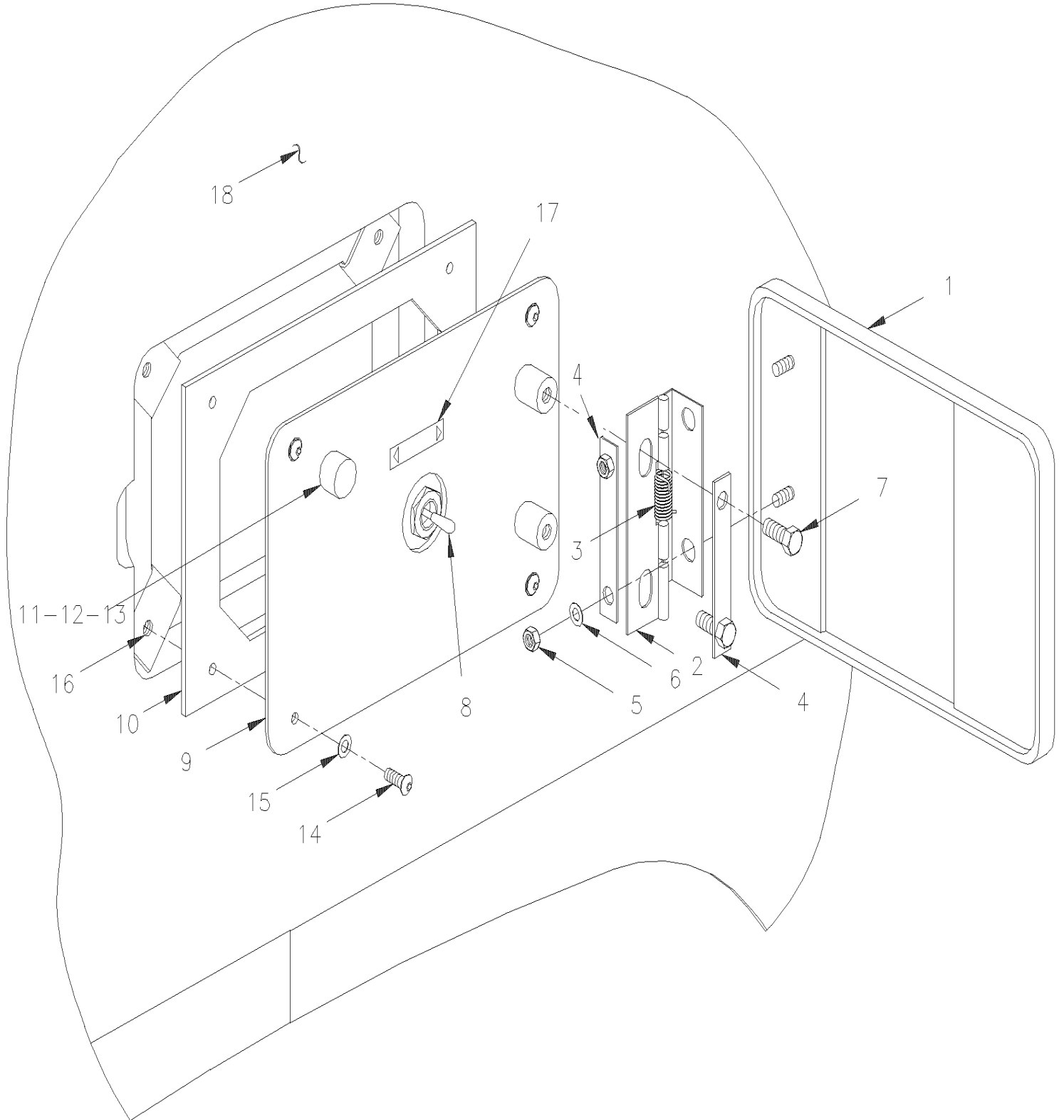
From R-012 To 2-4416	Date:10/2022	PAGE:H3-1870-10
REAR ENGINE DOOR - INSTALLATION		

Item#	Part	Description	H 3 4 1	H 3 4 5	V I P 4 5	N O T E S
39	505513	SPRING, PIN M3 x 24 SS	2	2	2	
40	502181	SPRING COMPRESSION / .720 O.D. x 3 x .067	2	2	2	
50	283037	LEVER	1	1	1	
51	502563	SCREW CAP HEX M6-1.0x12 G8.8 Z050	1	1	1	
52	502582	WASHER LO SERR 6.1x16.2x0.9 Z050	AR	AR	AR	C
53	500468	WASHER FL .281x1.250x.065 Z050	1	1	1	
54	502686	SCREW CAP HEX M6-1.0x30 SS BK	2	2	2	
55	502581	NUT HEX M6-1.0 Z050	2	2	2	
56	283015	TENSIONER	2	2	2	
57	283045	CABLE 1/16 DIA / 2970MM	1	1	1	
58	283069	CABLE 1/16 DIA. / 565MM LG	1	1	1	
59	780341	SLEEVE / TO HOLDING CABLE 1/16OD SS	2	2	2	
60	502550	SCREW CAP HEX M4-0.7x16 G8.8 Z050	2	2	2	D
61	502557	NUT HEX NYRT M4-0.7 SS	2	2	2	
62	502533	SCREW CAP HEX M6-1.0x30 G8.8 Z050	2	2	2	
63	502581	NUT HEX M6-1.0 Z050	2	2	2	
70	283492	LATCH / R.H. To S-264	1	1	1	
70	285202	LATCH / R.H. From S-265 To X-3021	1	1	1	
70	289302	LATCH / R.H. From X-3022	1	1	1	
71	283491	LATCH / L.H.	1	1	1	
80	284746	ANCHOR BRACKET PANTHOGRAPH LEVER / WELDED TO STRUCTURE	2	2	2	
81	504531	TIE MOUNT / 3/16" #10 SCREW / TA1S8-C	AR	AR	AR	
82	504106	RIVET POP DOME OE 1/8x1/4 AL	AR	AR	AR	
83	504637	CABLE TIE / 3/16" x 13"	AR	AR	AR	
84	063509	CABLE HARNESS / ENGINE ACCESSORIES To S-264	1	1	1	
84	064059	CABLE HARNESS / ENGINE ACCESSORIES From S-265 To T-1473	1	1	1	
84	064231	CABLE HARNESS / ENGINE ACCESSORIES From T-1474 To T-1583	1	1	1	
84	064271	CABLE HARNESS / ENGINE ACCESSORIES From T-1584 To V-1778	1	1	1	
84	064397	CABLE HARNESS / ENGINE ACCESSORIES From V-1779 To W-2284	1	1	1	
84	064634	CABLE HARNESS / ENGINE ACCESSORIES From W-2285 To W-2366	1	1	1	
84	064665	CABLE HARNESS / ENGINE ACCESSORIES From W-2366 To X-3021	1	1	1	
84	065012	CABLE HARNESS / ENGINE ACCESSORIES From X-3022 To Y-3831	1	1	1	
84	065287	CABLE HARNESS / ENGINE ACCESSORIES From Y-3832 To 2-4350	1	1	1	
84	065490	CABLE HARNESS / ENGINE ACCESSORIES From 2-4351 To 2-4419	1	1	1	
85	212246	GUIDE PIN R.H. / WELDED TO STRUCTURE	1	1	1	
85	212245	GUIDE PIN L.H. / WELDED TO STRUCTURE	1	1	1	
86	283017	PIVOT LEVER / WELDED TO STRUCTURE	1	1	1	
87	283036	GUIDE TUBE R.H. / WELDED TO STRUCTURE	1	1	1	
87	283038	GUIDE TUBE L.H. / WELDED TO STRUCTURE	1	1	1	
NS	211594	SUPPORT GUIDE TUBE WELDED TO STRUCTURE / 36MMX 50MM	2	2	2	
88	211863	SUPPORT LATCH / WELDED TO STRUCTURE	2	2	2	

From R-012 To 2-4416	Date:10/2022	PAGE:H3-1870-10
REAR ENGINE DOOR - INSTALLATION		

Item#	Part	Description	H 3 4 1	H 3 4 5	V I P 4 5	N O T E S
		A) TO FIX ANGLE SUPPORT TO POST				
		B) BUSHING FLANGEC W/ITEM #30				
		C) TO FIX LATCH				
		D) TO FIX CABLE TO LATCH				
		KS) THIS KIT IT USE TO MOVE CYLINDER FOR INCREASE THE POWER AT DOOR CYLINDER FOR DOOR WHO HAVE MORE WEIGHT WITH ADD ACCESSORIES BY CONVERTERS				

From R-012 To V-1778	Date:10/2022	PAGE:H3-1872-00
ENTRANCE DOOR OPENING SWITCH		



From R-012 To V-1778	Date:10/2022	PAGE:H3-1872-00
ENTRANCE DOOR OPENING SWITCH		

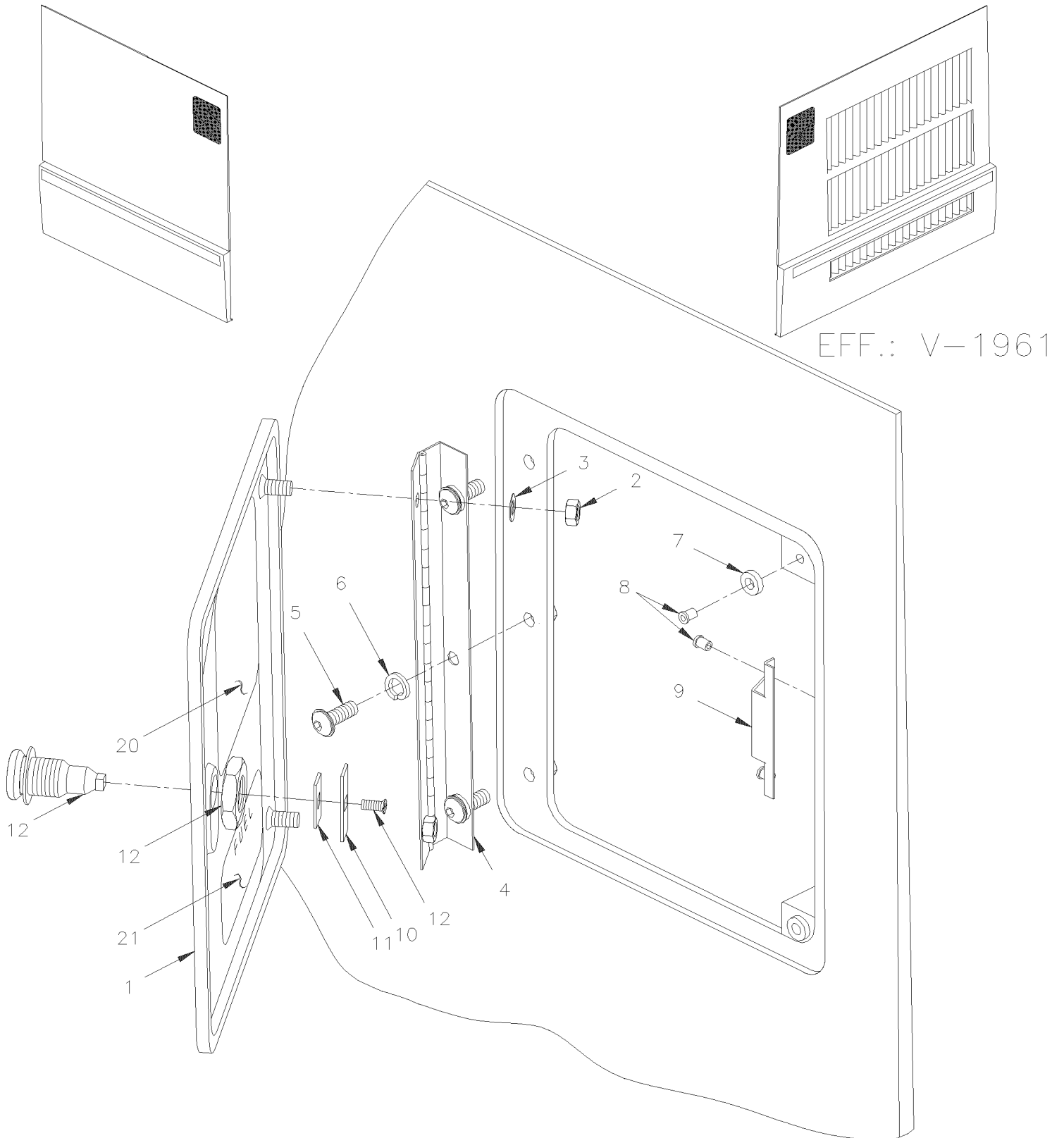
Item#	Part	Description	H 3 4 1	H 3 4 5	V I P 4 5	N O T E S
1	282563	PANEL DOOR	1	1		
2	283460	HINGE ASSY	1	1		
3	283465	. SPRING, TORSION / .185 I.D. x .744 x .048	1	1		
4	283461	ATTACHMENT / FOR SPRING	2	2		
5	502707	NUT HEX STO M5-0.8 Z050	2	2		
6	500964	WASHER FL .203x.500x.047 Z050	2	2		
7	5001106	SCREW CAP HEX M6-1.0x10 G8.8 Z050	2	2		
8	562253	SWITCH / M/ON-OFF-M/ON / S.P.S.T.	1	1		A B
9	284035	PLATE ASSY	1	1		
10	283925	GASKET / PLATE & DOOR	1	1		
11	504454	BUMPER RUBBER BOLT / 20MM ODx20MM TH X M6X15MM STUD	1	1		
12	507166	O-RING 1/4 I.D. X 3/8 O.D.	1	1		
13	502565	NUT HEX M6-1.0 SS	1	1		
NS	502570	WASHER LO SPT 6.1x11.8x1.6 SS	1	1		
14	502706	SCREW TP PAN PH #14x1 SS	4	4		
15	502571	WASHER FL SEAL .281x.625x20GA SS	4	4		
16	502764	NUT SPR J #14A .035-.046	4	4		
NS	284081	PLATE RETAINING	1	1		
17	284050	DECAL / W/2 RED ARROWS	1	1		
18	H3-1854-01	SIDE PANELS - BUS				
NS	065380	KIT ENTRANCE DOOR SWITCH	1	1		
		A) W/SEDAN DOOR				
		B) FOR PRODUCT IMPROVMENT ASK FOR KIT #065380				

From R-012 To 2-4416

Date:10/2022

PAGE:H3-1875-00

FUEL TANK FILLING DOOR



From R-012 To 2-4416	Date:10/2022	PAGE:H3-1875-00
FUEL TANK FILLING DOOR		

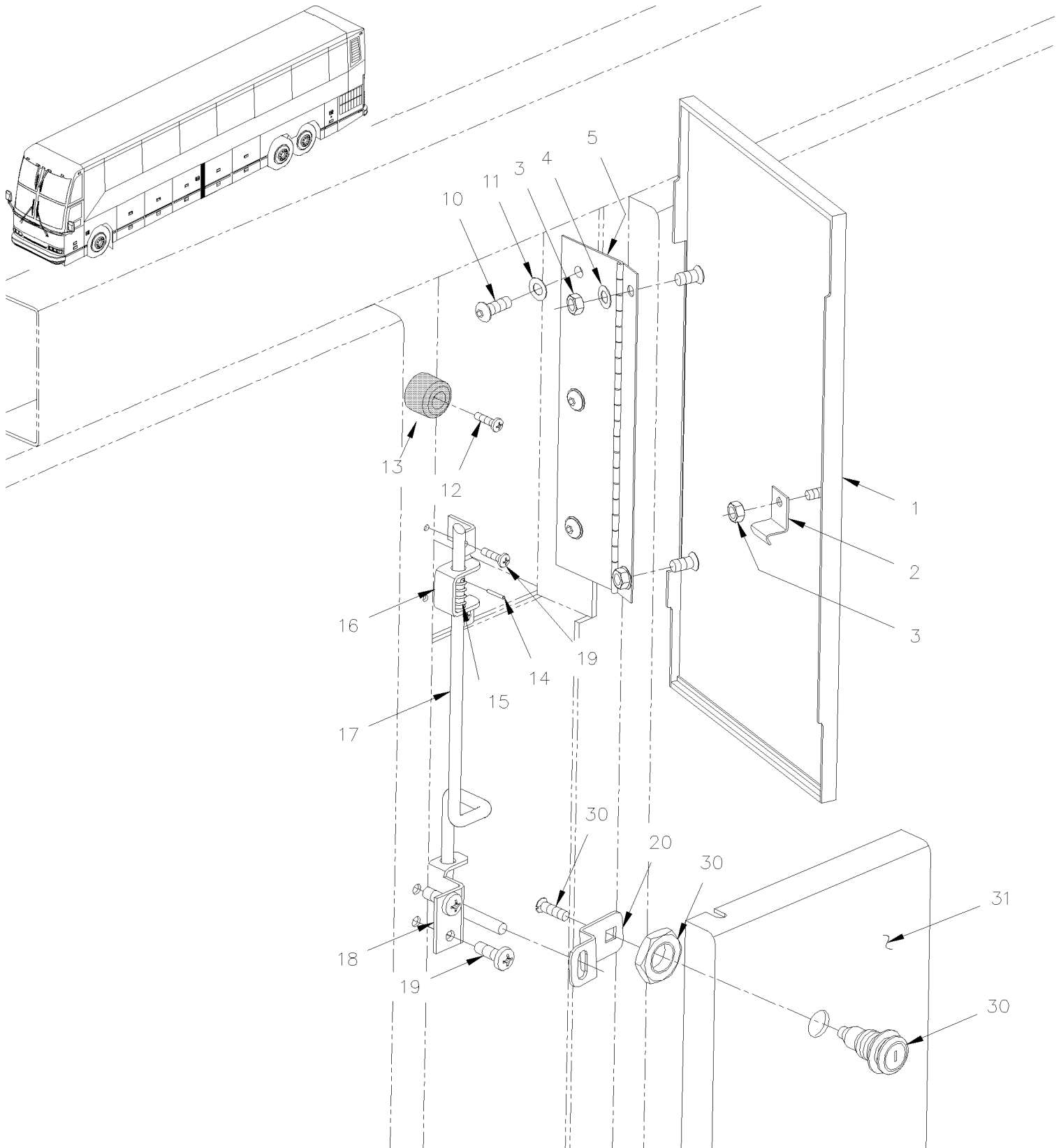
Item#	Part	Description	H 3 4 1	H 3 4 5	V I P 4 5	N O T E S
1	283214	FUEL DOOR / LH FIXED AT EVAPORATOR DOOR	1	1	1	
1	285637	FUEL DOOR / RH FIXED AT CONDENSOR DOOR From V-1691	1	1	1	
1	H3-1875-50	FUEL TANK FILLING DOOR - V.I.P. From X-2781				
2	502707	NUT HEX STO M5-0.8 Z050	2	2	2	
3	500964	WASHER FL .203x.500x.047 Z050	2	2	2	
4	282610	HINGE / FUEL DOOR	1	1	1	
5	502569	SCREW MA PAN PH M6-1.0x16 BK	3	3	3	
6	502582	WASHER LO SERR 6.1x16.2x0.9 Z050	3	3	3	
7	504334	BUMPER RUBBER / .625 OD x .406 TH x .156 HOLE	2	2	2	
8	504339	RIVET POP DOME OE 1/8x3/8 SS	4	4	4	
9	790279	SPRING, CATCH	1	1	1	
10	282613	PLATE, LOCK / 7MM SQ HOLE	1	1	1	
11	282612	SPACER / 7MM SQ X 17MM O.D X 16GA	1	1	1	
11	288806	SPACER / 8MM SQ X 17MM O.D X 16GA / SERVICE	1	1	1	J
12	H3-1864-30	HANDLE LOCK & KEYS - TYPE "PS"				
12	H3-1864-99	HANDLE LOCK & KEYS - TYPE "NS" / SERVICE & RETROFIT				
20	403315	DECAL / "TANK CAPACITY" ENGLISH 235 U.S. GALLONS	AR	AR	AR	
21	402789	DECAL / "CARBURANT" DIESEL #1	AR	AR	AR	
21	402788	DECAL / FUEL RECOMMENDED # 1 OR # 2 AC.. / ENGLISH & FRANCAIS	AR	AR	AR	
21	405636	DECAL / FUEL RECOMMENDED # 1 OR # 2 AC.. / ENGLISH & SPANISH	AR	AR	AR	
		J) SEE KIT AT END OF PAGE H3-1864-99				

From X-2781 To 2-4416

Date:10/2022

PAGE:H3-1875-50

FUEL TANK FILLING DOOR - V.I.P.



From X-2781 To 2-4416	Date:10/2022	PAGE:H3-1875-50
FUEL TANK FILLING DOOR - V.I.P.		

Item#	Part	Description	H 3 4 1	H 3 4 5	V I P 4 5	N O T E S
1	285960	FUEL DOOR / W/SMALL A/C SYSTEM To X-2948			2	
1	286172	FUEL DOOR / W/SMALL A/C SYSTEM From X-2949			2	
2	473935	HOOK			1	
3	502561	NUT HEX M5-0.8 Z050			3	
4	502582	WASHER LO SERR 6.1x16.2x0.9 Z050			3	
5	473936	HINGE R.H.			1	
. NS	473934	. SPRING, TORSION / 3.19 I.D. x 38.1 x 29GA			1	
5	473933	HINGE L.H.			1	
. NS	473934	. SPRING, TORSION / 3.19 I.D. x 38.1 x 29GA			1	
NS	5001451	SPACERS ROLLER			1	
NS	502531	SCREW CAP HEX M6-1.0x16 G8.8 Z050			1	
NS	502573	WASHER FL 6.4x12.5x1.6 SS			1	
10	502531	SCREW CAP HEX M6-1.0x16 G8.8 Z050			3	
11	500964	WASHER FL .203x.500x.047 Z050			3	
NS	502583	WASHER LO SERR 8.15x22.3x1.0 Z050			1	
12	500658	SCREW TC PAN PH #10-24x3/4 Z050			1	
13	5001168	BUMPER RUBBER / .750 OD x .562 TH x .187 HOLE			1	
14	505532	SPRING, PIN 3/32 x 5/8 SS			1	
15	474008	SPRING COMPRESSION / .360 O.D. x .625 x .035			1	
NS	502573	WASHER FL 6.4x12.5x1.6 SS			1	
16	473931	ROD GUIDE			1	
17	473930	ROD L.H.			1	
17	473929	ROD R.H.			1	
18	473928	ROD GUIDE LOWER LH			1	
18	473927	ROD GUIDE LOWER RH			1	
19	500133	SCREW TP RND PH #6x3/8 ZP			4	
20	473926	SHUTTER L.H.			1	
20	477471	SHUTTER L.H. / B.A. / SERVICE			1	J
20	473925	SHUTTER R.H.			1	
20	477472	SHUTTER R.H. / B.A. / SERVICE			1	J
NS	282612	SPACER / 7MM SQ X 17MM O.D X 16GA			1	
20	288806	SPACER / 8MM SQ X 17MM O.D X 16GA / SERVICE			1	J
30	H3-1864-30	HANDLE LOCK & KEYS - TYPE "PS"				
30	H3-1864-99	HANDLE LOCK & KEYS - TYPE "NS" / SERVICE & RETROFIT				
NS	507212	O-RING			1	
31	473767	PANEL LOWER FUEL DOOR L.H. / W/SMALL A/C To X-2948			1	
31	473983	PANEL LOWER FUEL DOOR L.H. / W/SMALL A/C From X-2949			1	
NS	500536	SCREW TP HEXW SLT #14x1 ZP			2	A
NS	500468	WASHER FL .281x1.250x.065 Z050			2	A
NS	502520	NUT HEX #4-40 Z050			2	A
NS	502764	NUT SPR J #14A .035-.046			2	A

From X-2781 To 2-4416	Date:10/2022	PAGE:H3-1875-50
FUEL TANK FILLING DOOR - V.I.P.		

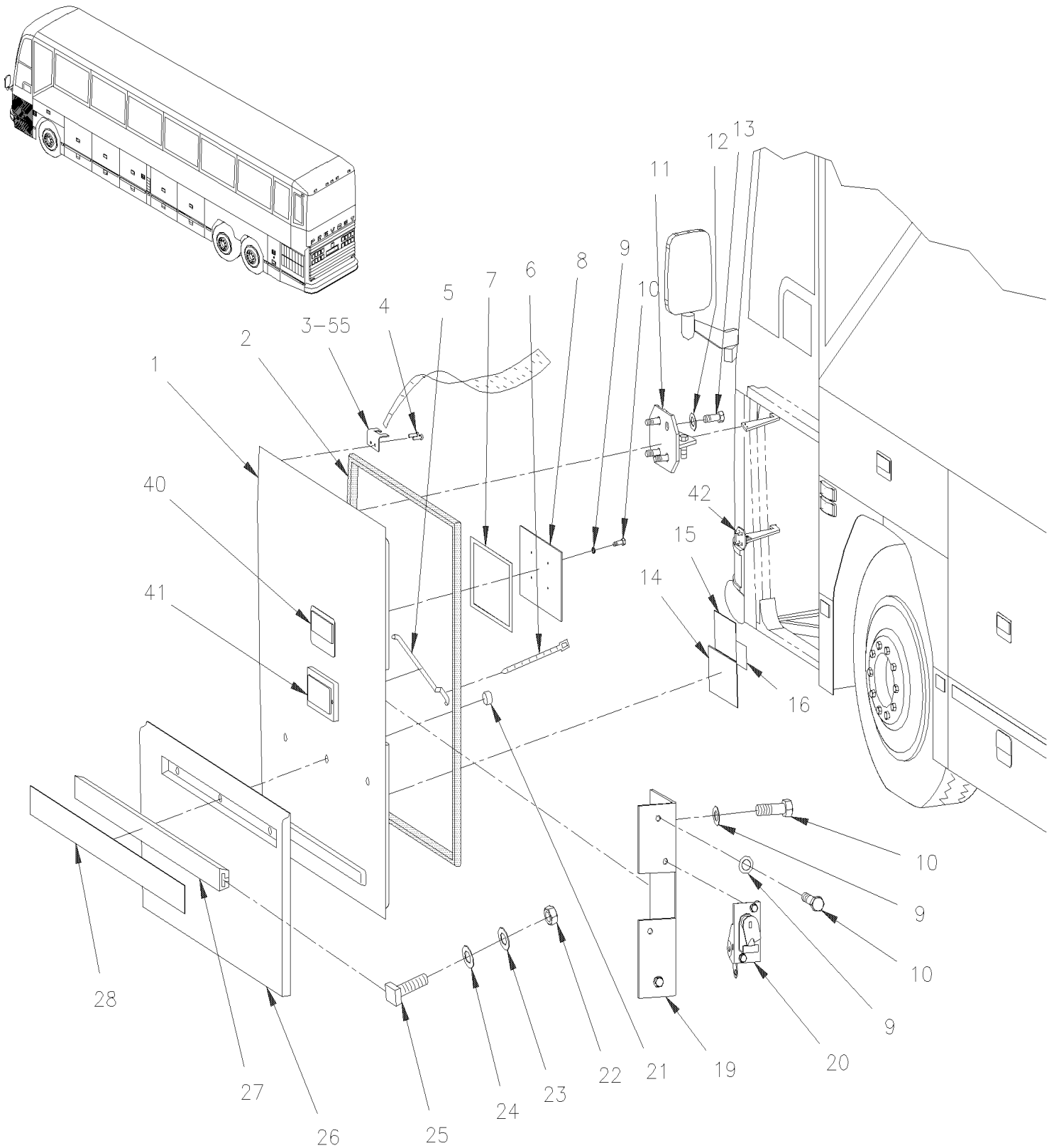
Item#	Part	Description	H 3 4 1	H 3 4 5	V I P 4 5	N O T E S
		A) TO FIX LOWER PANEL FUEL DOOR				
		J) SEE KIT AT END OF PAGE H3-1864-99				

From R-012 To T-1510

Date:10/2022

PAGE:H3-1879-00

FRONT SERVICE DOOR ASSY



From R-012 To T-1510	Date:10/2022	PAGE:H3-1879-00
FRONT SERVICE DOOR ASSY		

Item#	Part	Description	H 3 4 1	H 3 4 5	V I P 4 5	N O T E S
	283816P	FRONT SERVICE DOOR ASSY To T-1510	1	1	1	
1	283813	. DOOR MOULDED / FIBERGLASS	1	1	1	
2	283336	. RUBBER SEAL EXTRUSION / ADHESIVE / 120METER / RAW MATERIAL	1	1	1	C
3	284440	. SUPPORT	1	1	1	
4	504249	. RIVET CHY Q PRDG 3/16x3/8 SS	2	2	2	
5	283261	. ROD / HANDLE & LATCH / 294MM	1	1	1	
5	289331	. ROD / HANDLE & LATCH / 296.8MM	1	1	1	S
6	504273	. CABLE TIE / 1/8" X 3"1/2	1	1	1	
7	506236	. TAPE RUB ADH1 CC POL 1/16" x 1/2" x 100' / GREY 2520	1	1	1	
8	283823	. PLATE CLOSING / 293MM X 318MM	1	1	1	
9	502582	. WASHER LO SERR 6.1x16.2x0.9 Z050	1	1	1	
10	502531	. SCREW CAP HEX M6-1.0x16 G8.8 Z050	10	10	10	
11	284097	. PLATE ASSY / TO FIX DOOR	2	2	2	
12	502584	. WASHER LO SERR 8.2x26.3x1.8 Z050	8	8	8	
13	502790	. SCREW CAP HEX M8-1.25x20 G8.8 Z050	8	8	8	
14	160295	. DECAL / "IT FORBIDDEN TO STOCK ANYTING IN TH. / ENGLISH & FRANCAIS	1	1	1	
14	161191	. DECAL / "IT FORBIDDEN TO STOCK ANYTING IN TH. / ENGLISH & SPANISH	1	1	1	
15	063711	. DECAL / "WELDING..." / W/SERIES 60 & "WORLD TRANSMISSION / ENGLISH	1	1	1	
15	066046	. DECAL / "WELDING..." / W/SERIES 60 & "WORLD TRANSMISSION / ENGLISH & SPANISH	1	1	1	
16	141064	. DECAL / COLOR CODE / PNEUMATIC SYSTEM / ENGLISH & FRANCAIS	1	1	1	
16	142370	. DECAL / COLOR CODE / PNEUMATIC SYSTEM / ENGLISH & SPANISH	1	1	1	
NS	062279	. DECAL POWER JUNCTION BOX	1	1	1	
NS	562334	. DECAL DIAGNOSTIC CODES FOR "DDEC" II ONLY	1	1	1	
19	282666	. SUPPORT LOCK	1	1	1	
20	780283	. LOCK SPAGNOLET R.H.	1	1	1	F
. NS	780340	. . CLIP, RETAINER ROD	1	1	1	F
21	507295	. HOLE PLUG BUTTON / 1.375 O.D. BLACK	3	3	3	
22	500698	. NUT HEX 5/16-18 BR	3	3	3	
23	502583	. WASHER LO SERR 8.15x22.3x1.0 Z050	3	3	3	
24	283219	. WASHER ,REINFORCEMENT	3	3	3	
25	502534	. SCREW CAP SQ 5/16-18x1 G2 Z050	3	3	3	B
26	282664	. PROTECTOR PANEL / DP	1	1	1	
26	284795	. PROTECTOR PANEL / WITH GRAVEL GUARD / DP	1	1	1	A
26	287244	. PROTECTOR PANEL / THICK EXTRUSION 20MM / SERVICE	1	1	1	D
26	287390	. PROTECTOR PANEL / WITH GRAVEL GUARD / DP THICK EXTRUSION 20MM / SERVICE	1	1	1	D
26	287316	. PROTECTOR PANEL / SH THIN EXTRUSION .090" / SERVICE	1	1	1	D
26	288790	. PROTECTOR PANEL / WITH GRAVEL GUARD / SH THIN EXTRUSION .090" / SERVICE	1	1	1	D
NS	681348	. TAPE RUB ADH2 ACRYLIC .045" x 1" x 108' / VHB4952	AR	AR	AR	
27	282559	. EXTRUSION PROFILE 678MM / THICK EXTRUSION 20MM	1	1	1	
27	287389	. EXTRUSION PROFILE 760MM / THICK EXTRUSION 20MM / SERVICE	1	1	1	D
27	285475	. EXTRUSION BACKING ASSY W/REFLECTOR 760MM / THIN EXTRUSION .090" / SERVICE	1	1	1	D
. NS	286205	. . EXTRUSION BACKING 760MM	1	1	1	D

From R-012 To T-1510	Date:10/2022	PAGE:H3-1879-00
FRONT SERVICE DOOR ASSY		

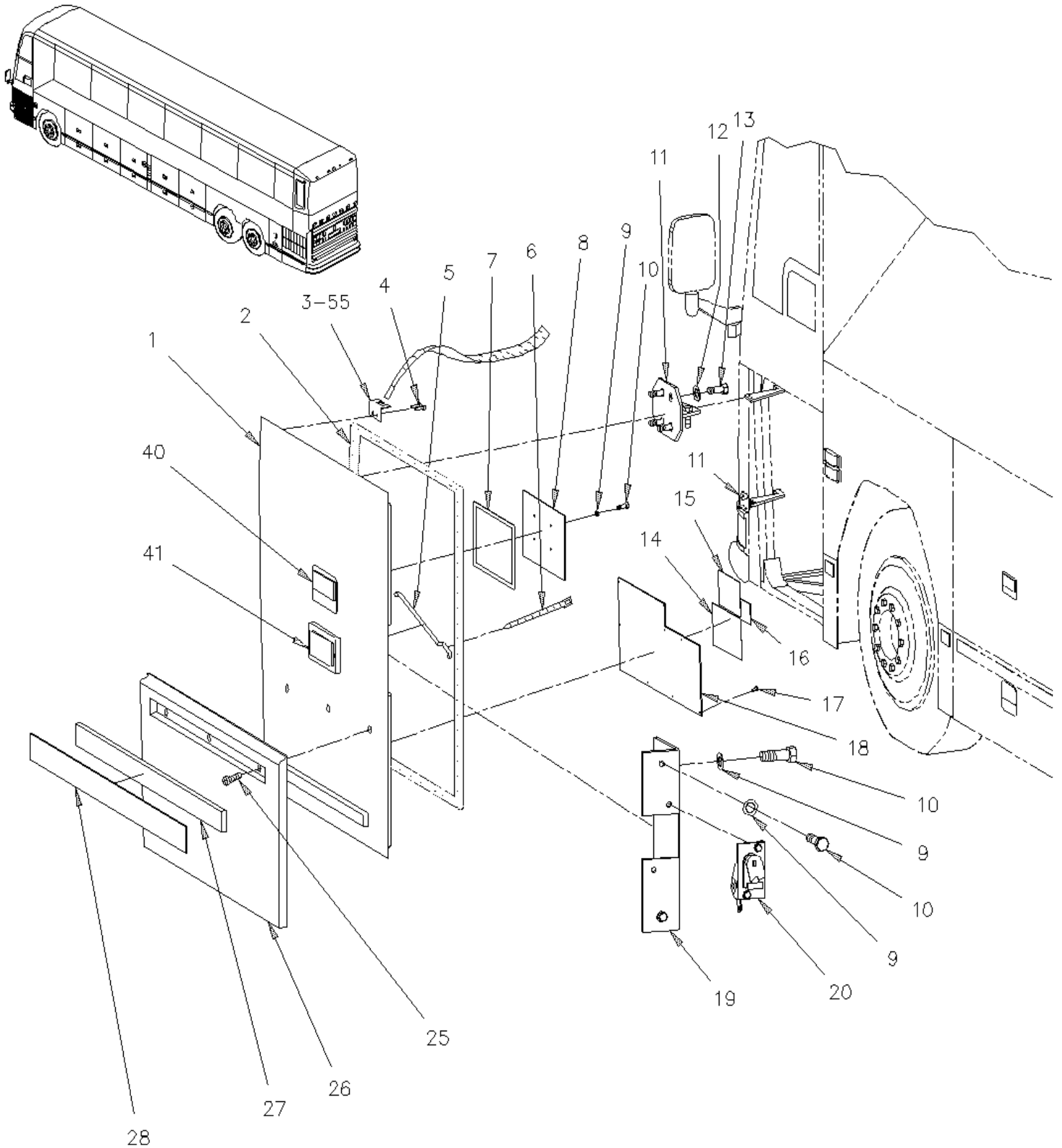
Item#	Part	Description	H 3 4 1	H 3 4 5	V I P 4 5	N O T E S
27	280230	. EXTRUSION BACKING ASSY W/REFLECTOR 759MM / THIN EXTRUSION .090"	1	1	1	SVC
. NS	280120	. . EXTRUSION 759MM	1	1	1	SVC
27	685126	. ADHESIVE SIMSON #ISR 70-03 / GREY / 600ml SAUSAGE	AR	AR	AR	SVC
28	283100	. STRIPE, REFLECTIVE WHITE / 38MM X 15' ROLL	AR	AR	AR	
. NS	780277	. . STRIPE, REFLECTIVE WHITE / 38MM X 150' ROLL	AR	AR	AR	
40	H3-1864-30	HANDLE LOCK & KEYS - TYPE "PS"				
40	H3-1864-99	HANDLE LOCK & KEYS - TYPE "NS" / SERVICE & RETROFIT				
41	H3-0663-00	DOCK & CORNERING LIGHT				
42	H3-1879-91	EXTERIOR DOOR HINGE AND SUPPORT				
55	505507	STRAP NYLON 1" WIDE / S.L.	AR	AR	AR	
NS	285832	KIT SERVICE DOOR LOCK	1	1	1	
. NS	IS-97037	. SEE INSTRUCTION SHEET	1	1	1	
		A) FIXED ON STREETSIDE OF ITEM #				
		B) TO FIX EXTRUSION				
		C) SOLD IN 20' LONG ON PART #283875				
		D) USE IN SERVICE				
		F) PRODUCT IMPROVMENT, ASK KIT #285832				
		S) THIS ROD ARE REQUIRE ONLY IF YOU CHANGE FORMER HANDLE FOR NEW MODEL #780794				
		SVC) SERVICE				

From T-1511 To 2-4416

Date:10/2022

PAGE:H3-1879-01

FRONT SERVICE DOOR ASSY



From T-1511 To 2-4416	Date:10/2022	PAGE:H3-1879-01
FRONT SERVICE DOOR ASSY		

Item#	Part	Description	H 3 4 1	H 3 4 5	V I P 4 5	N O T E S
	285389P	FRONT SERVICE DOOR ASSY	1	1	1	
1	285282	. DOOR MOULDED / FIBERGLASS To V-1778	1	1	1	A
1	285567	. DOOR MOULDED / FIBERGLASS From V-1779	1	1	1	B
2	285335	. RUBBER SEAL EXTRUSION / FRONT SERVICE DOOR	1	1	1	
2	280149	. RUBBER SEAL EXTRUSION / FRONT SERVICE DOOR	1	1	1	
2	2800116	. RUBBER SEAL EXTRUSION / FRONT SERVICE DOOR	1	1	1	
3	285224	. LH SUPPORT, BELT From T-1404	1	1	1	
4	504249	. RIVET CHY Q PRDG 3/16x3/8 SS	2	2	2	
5	283261	. ROD / HANDLE & LATCH / 294MM	1	1	1	
5	289331	. ROD / HANDLE & LATCH / 296.8MM	1	1	1	R
6	504273	. CABLE TIE / 1/8" X 3"1/2	1	1	1	
7	506236	. TAPE RUB ADH1 CC POL 1/16" x 1/2" x 100' / GREY 2520	1	1	1	
8	283823	. PLATE CLOSING / 293MM X 318MM	1	1	1	
9	502582	. WASHER LO SERR 6.1x16.2x0.9 Z050	1	1	1	
10	502531	. SCREW CAP HEX M6-1.0x16 G8.8 Z050	10	10	10	
11	H3-1879-92	EXTERIOR DOOR HINGE AND SUPPORT				
12	502584	. WASHER LO SERR 8.2x26.3x1.8 Z050	8	8	8	
13	502780	. SCREW CAP HEX M8-1.25x25 SS BK	8	8	8	
14	160295	. DECAL / "IT FORBIDDEN TO STOCK ANYTING IN TH. / ENGLISH & FRANCAIS	1	1	1	
14	161191	. DECAL / "IT FORBIDDEN TO STOCK ANYTING IN TH. / ENGLISH & SPANISH	1	1	1	
NS	180246	. DECAL / VEHICULE WHEELHOUSING....TREATED / ENGLISH & FRANCAIS From 2-4694	1	1	1	
NS	180252	. DECAL / VEHICULE WHEELHOUSING....TREATED / ENGLISH & SPANISH From 2-4694	1	1	1	
15	063711	. DECAL / "WELDING..." / W/SERIES 60 & "WORLD TRANSMISSION / ENGLISH	1	1	1	
15	066046	. DECAL / "WELDING..." / W/SERIES 60 & "WORLD TRANSMISSION / ENGLISH & SPANISH	1	1	1	
16	141064	. DECAL / COLOR CODE / PNEUMATIC SYSTEM / ENGLISH & FRANCAIS	1	1	1	
16	142370	. DECAL / COLOR CODE / PNEUMATIC SYSTEM / ENGLISH & SPANISH	1	1	1	
17	504105	. RIVET POP DOME OE 1/8x3/16 AL	12	12	12	
18	285390	. PANEL	1	1	1	
19	284761	. PLATE / LOCK HOLDER / R.H. DOOR To V-2077	1	1	1	
19	285766	. PLATE / LOCK HOLDER / R.H. DOOR From V-2078	1	1	1	
20	780283	. LOCK SPAGNOLET R.H. To V-2077	1	1	1	F
. NS	780340	. . CLIP, RETAINER ROD To V-2077	1	1	1	F
20	780588	. LOCK SPAGNOLET R.H. / W/G-FITTING From V-2078 To 2-4363	1	1	1	
. NS	780340	. . CLIP, RETAINER ROD From V-2078 To 2-4363	1	1	1	
. NS	507607	. . GREASE FITTING / M6-1.00 From V-2078 To 2-4363	1	1	1	
20	780653	. LOCK SPAGNOLET R.H. / W/G-FITTING From 2-4364	1	1	1	
. NS	780340	. . CLIP, RETAINER ROD From 2-4364	1	1	1	
. NS	507607	. . GREASE FITTING / M6-1.00 From 2-4364	1	1	1	
21	507295	. HOLE PLUG BUTTON / 1.375 O.D. BLACK	3	3	3	
22	500698	. NUT HEX 5/16-18 BR	3	3	3	
23	502583	. WASHER LO SERR 8.15x22.3x1.0 Z050	3	3	3	
24	283219	. WASHER ,REINFORCEMENT	3	3	3	

From T-1511 To 2-4416	Date:10/2022	PAGE:H3-1879-01
FRONT SERVICE DOOR ASSY		

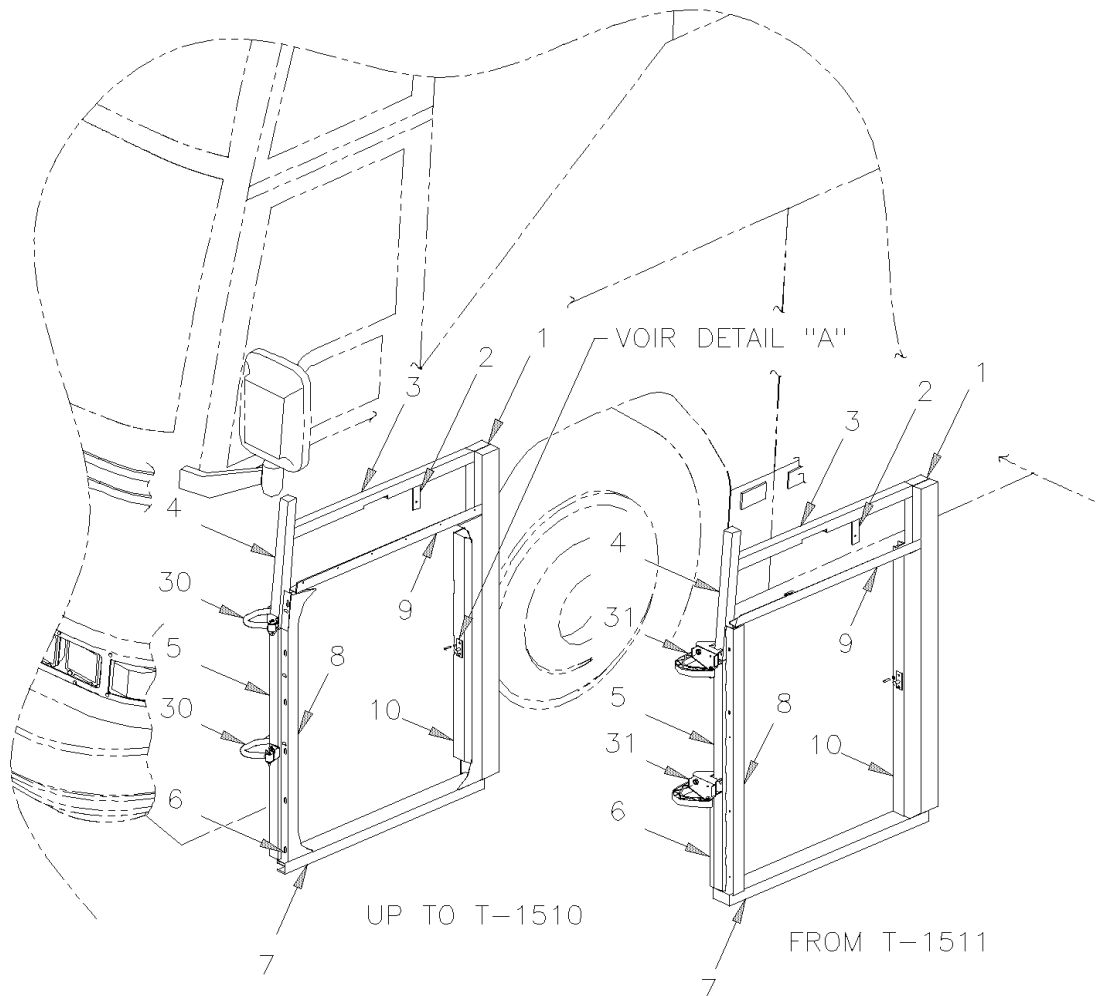
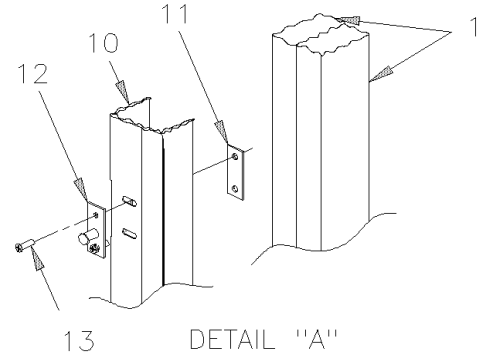
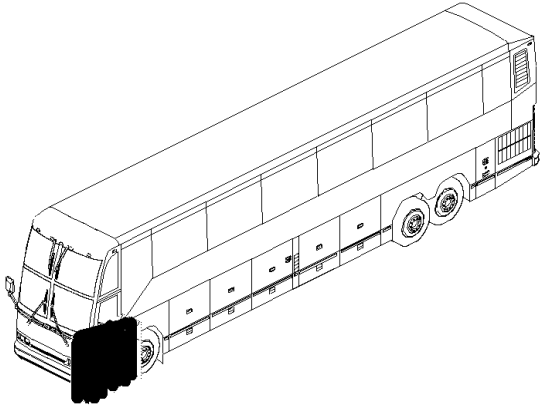
Item#	Part	Description	H 3 4 1	H 3 4 5	V I P 4 5	N O T E S
25	502534	. SCREW CAP SQ 5/16-18x1 G2 Z050	3	3	3	C
26	285317	. PROTECTOR PANEL / DP / PRODUCTION	1	1	1	D
26	285714	. . PROTECTOR PANEL / WITH GRAVEL GUARD // PRODUCTION	1	1	1	D
26	287244	. PROTECTOR PANEL / THICK EXTRUSION 20MM / SERVICE	1	1	1	S
26	287390	. . PROTECTOR PANEL / WITH GRAVEL GUARD / DP THICK EXTRUSION 20MM / SERVICE	1	1	1	S
26	287316	. PROTECTOR PANEL / SH THIN EXTRUSION .090" / SERVICE	1	1	1	S
26	288790	. . PROTECTOR PANEL / WITH GRAVEL GUARD / SH THIN EXTRUSION .090" / SERVICE	1	1	1	S
NS	681348	. TAPE RUB ADH2 ACRYLIC .045" x 1" x 108' / VHB4952	AR	AR	AR	
27	282559	EXTRUSION PROFILE 678MM / THICK EXTRUSION 20MM	1	1	1	
27	287389	EXTRUSION PROFILE 760MM / THICK EXTRUSION 20MM / SERVICE	1	1	1	S
27	285475	EXTRUSION BACKING ASSY W/REFLECTOR 760MM / THIN EXTRUSION .090" / SERVICE	1	1	1	S
. NS	286205	. EXTRUSION BACKING 760MM	1	1	1	S
27	280230	EXTRUSION BACKING ASSY W/REFLECTOR 759MM / THIN EXTRUSION .090"	1	1	1	S
. NS	280120	. EXTRUSION 759MM	1	1	1	S
27	685126	ADHESIVE SIMSON #ISR 70-03 / GREY / 600ml SAUSAGE	AR	AR	AR	S
28	283100	STRIPE, REFLECTIVE WHITE / 38MM X 15' ROLL	AR	AR	AR	
. NS	780277	. STRIPE, REFLECTIVE WHITE / 38MM X 150' ROLL	AR	AR	AR	
40	H3-1864-30	HANDLE LOCK & KEYS - TYPE "PS"				
40	H3-1864-99	HANDLE LOCK & KEYS - TYPE "NS" / SERVICE & RETROFIT				
41	H3-0663-00	DOCK & CORNERING LIGHT				
NS	063275	DECAL / ALARM UNIT To S-206	1	1	1	
NS	064086	DECAL / ALARM UNIT From S-207 To T-1509	1	1	1	
NS	064109	DECAL / ALARM UNIT From T-1510 To T-1680	1	1	1	
NS	064319	DECAL / ALARM UNIT From T-1681 To V-1778	1	1	1	
NS	064423	DECAL / FRONT JUNCTION PANEL - BUS From V-1779 To W-2284	1	1		
NS	064621	DECAL / FRONT JUNCTION PANEL - BUS From W-2285	1	1		
NS	064446	DECAL / FRONT JUNCTION PANEL - V.I.P. From V-1779 To W-2457			1	
NS	064674	DECAL / FRONT JUNCTION PANEL - V.I.P. From W-2458			1	
55	505507	STRAP NYLON 1" WIDE / S.L.	AR	AR	AR	
NS	285832	KIT SERVICE DOOR LOCK	1	1	1	
. NS	IS-97037	. SEE INSTRUCTION SHEET	1	1	1	
		A) THIS DOOR IT USE WITH DOCKING LIGHT #930235				
		B) THIS DOOR IT USE WITH DOCKING LIGHT #930319				
		C) TO FIX EXTRUSION				
		D) USE IN PRODUCTION				
		F) PRODUCT IMPROVMENT, ASK KIT #285832				
		R) THIS ROD ARE REQUIRE ONLY IF YOU CHANGE FORMER HANDLE FOR NEW MODEL # 780794				
		S) USE IN SERVICE				

From R-012 To 2-4416

Date:10/2022

PAGE:H3-1879-10

FRONT SERVICE DOOR - INSTALLATION



From R-012 To 2-4416	Date:10/2022	PAGE:H3-1879-10
FRONT SERVICE DOOR - INSTALLATION		

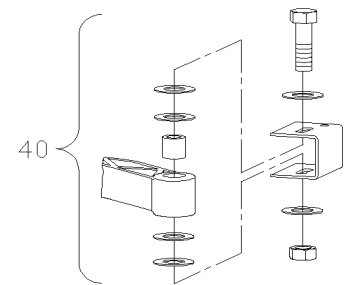
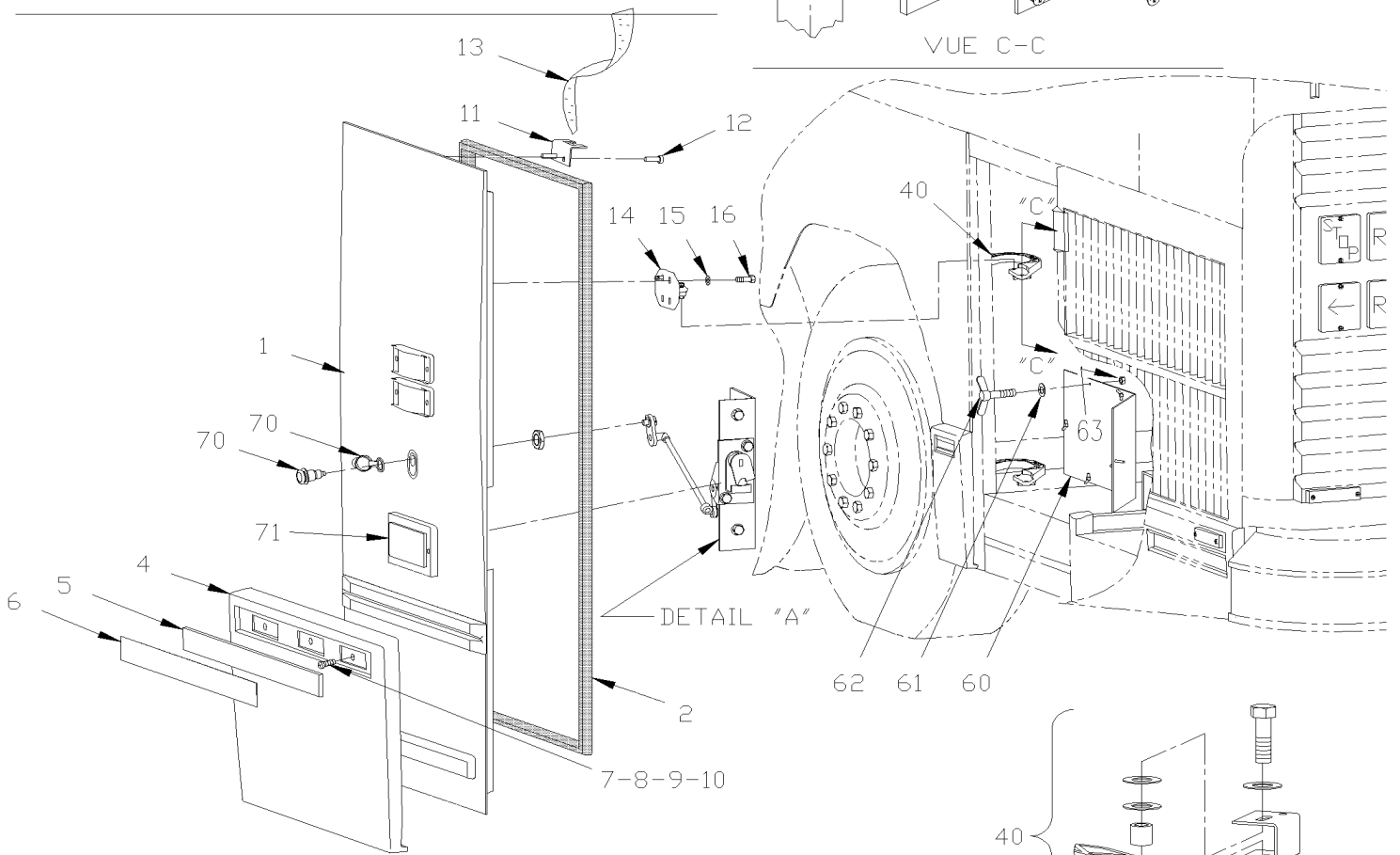
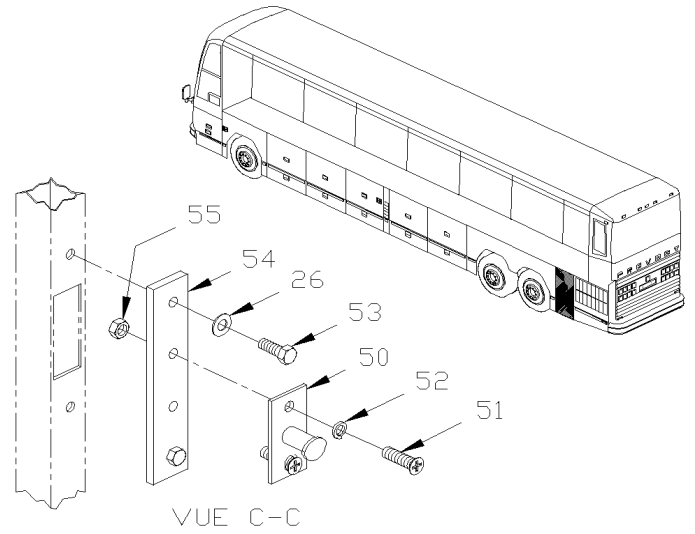
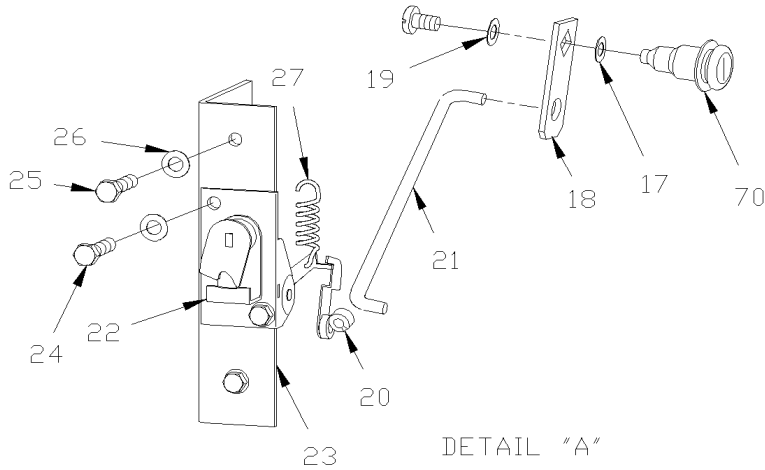
Item#	Part	Description	H 3 4 1	H 3 4 5	V I P 4 5	N O T E S
1	210936	TUBE 1156MM To 1-4232	2	2	2	
1	214552P	TUBE ASSY From 1-4233	1	1	1	
2	211976	ANGLE / TO FIX DRIVER'S WINDOW MOTOR	1	1	1	
3	211977	TUBE	1	1	1	
4	250855	TUBE To T-1510	1	1	1	
4	250874	TUBE From T-1511	1	1	1	
5	250850	TUBE To T-1510	1	1	1	
5	250875	TUBE From T-1511	1	1	1	
6	250870	ANGLE SUPPORT From T-1511	1	1	1	
7	210930	TUBE 900MM To T-1303	1	1	1	
7	171767	TUBE 900MM From T-1304	1	1	1	
8	212204	ANGLE POST FRONT To T-1510	1	1	1	
8	285325	ANGLE SUPPORT From T-1511	1	1	1	
9	212207	ANGLE "J" FORM TOP To T-1510	1	1	1	
9	285324	ANGLE "J" FORM TOP From T-1511 To W-2487	1	1	1	
9	286008	ANGLE "J" FORM TOP From W-2488	1	1	1	
10	212205	ANGLE POST REAR To T-1458	1	1	1	
10	285444	ANGLE POST REAR From T-1459 To T-1510	1	1	1	
10	285396	ANGLE POST REAR From T-1511	1	1	1	
10	213481	ANGLE POST REAR / W/IND SUSPENSION ONLY From X-2458			1	
11	284217	PLATE TIE To T-1510	1	1	1	
12	780278	PIN, STRIKER STUD	1	1	1	
13	500541	SCREW MA FL PH 1/4-20x1/2 SS BK	2	2	2	
30	H3-1879-91	EXTERIOR DOOR HINGE AND SUPPORT				
31	H3-1879-92	EXTERIOR DOOR HINGE AND SUPPORT				

From R-012 To 2-4416

Date:10/2022

PAGE:H3-1879-50

REAR SIDE SERVICE DOOR ASSY L.H.



From R-012 To 2-4416	Date:10/2022	PAGE:H3-1879-50
REAR SIDE SERVICE DOOR ASSY L.H.		

Item#	Part	Description	H 3 4 1	H 3 4 5	V I P 4 5	N O T E S
	284757P	REAR SERVICE DOOR ASSY L.H To T-1510	1	1	1	
	285398P	REAR SERVICE DOOR ASSY L.H From T-1511 To V-1778	1	1	1	
	285628	REAR SERVICE DOOR ASSY L.H From V-1779	1	1	1	A
1	284723	. DOOR MOULDED / FIBERGLASS To V-1778	1	1	1	
1	285568	. DOOR MOULDED / FIBERGLASS From V-1779	1	1	1	
NS	682462	. ADHESIVE SIKA #252 / BLACK / 310ml CARTRIDGE	AR	AR	AR	
2	284754	. RUBBER SEAL EXTRUSION / REAR SERVICE DOOR / 1095MM X 515MM To T-1510	1	1	1	
2	285169	. RUBBER SEAL EXTRUSION / REAR SERVICE DOOR / 1095MM X 515MM From T-1511 To V-1827	1	1	1	
2	285621	. RUBBER SEAL EXTRUSION / REAR SERVICE DOOR / 1095MM X 515MM From V-1828	1	1	1	
2	287507	. RUBBER SEAL EXTRUSION / REAR SERVICE DOOR / 1095MM X 515MM	1	1	1	
2	288912	. RUBBER SEAL EXTRUSION / REAR SERVICE DOOR / 1095MM X 515MM	1	1	1	
2	2800127	. RUBBER SEAL EXTRUSION / REAR SERVICE DOOR / 1095MM X 515MM	1	1	1	
4	284744	. PROTECTOR PANEL / DP	1	1	1	
4	285132	. PROTECTOR PANEL / WITH GRAVEL GUARD / DP	1	1	1	B
NS	680532	. SEALANT SIKA #221 / GREY / 310ml CARTRIDGE	AR	AR	AR	
NS	681348	. TAPE RUB ADH2 ACRYLIC .045" x 1" x 108' / VHB4952	AR	AR	AR	
5	284758	. EXTRUSION PROFILE 488MM	1	1	1	
6	283100	. STRIPE, REFLECTIVE WHITE / 38MM X 15' ROLL	AR	AR	AR	
. NS	780277	. . STRIPE, REFLECTIVE WHITE / 38MM X 150' ROLL	AR	AR	AR	
7	502534	. SCREW CAP SQ 5/16-18x1 G2 Z050	3	3	3	
8	283219	. WASHER ,REINFORCEMENT	3	3	3	
9	500374	. WASHER FL .375x.625x.062 RUB	3	3	3	
10	500698	. NUT HEX 5/16-18 BR	3	3	3	
11	284440	. SUPPORT	1	1	1	
12	504249	. RIVET CHY Q PRDG 3/16x3/8 SS	2	2	2	
13	505507	. STRAP NYLON 1" WIDE / S.L.	AR	AR	AR	
14	284097	. PLATE ASSY / TO FIX DOOR To T-1510	2	2	2	
14	285273	. SUPPORT From T-1511	2	2	2	
15	502584	. WASHER LO SERR 8.2x26.3x1.8 Z050	4	4	4	
16	502780	. SCREW CAP HEX M8-1.25x25 SS BK	4	4	4	
17	282612	. SPACER / 7MM SQ X 17MM O.D X 16GA	1	1	1	
17	288806	. SPACER / 8MM SQ X 17MM O.D X 16GA / SERVICE	1	1	1	J
18	284759	. LEVER / 7MM SQ HOLE	1	1	1	
19	500411	. WASHER FL .260x.697x.050 SS	3	3	3	
20	780340	. CLIP, RETAINER ROD	2	2	2	
21	284760	. ROD LOCK 221MM	1	1	1	
22	780282	. LOCK SPAGNOLET L.H. To V-2077	1	1	1	F
22	780587	. LOCK SPAGNOLET L.H. / W/G-FITTING From V-2078 To 2-4363	1	1	1	
. NS	507607	. . GREASE FITTING / M6-1.00 From V-2078 To 2-4363	1	1	1	
22	780652	. LOCK SPAGNOLET L.H. / W/G-FITTING From 2-4364	1	1	1	
. NS	780340	. . CLIP, RETAINER ROD From 2-4364	1	1	1	
. NS	507607	. . GREASE FITTING / M6-1.00 From 2-4364	1	1	1	

From R-012 To 2-4416	Date:10/2022	PAGE:H3-1879-50
REAR SIDE SERVICE DOOR ASSY L.H.		

Item#	Part	Description	H 3 4 1	H 3 4 5	V I P 4 5	N O T E S
23	284763	. PLATE / LOCK HOLDER / L.H. DOOR To V-2077	1	1	1	
23	285767	. PLATE / LOCK HOLDER / L.H. DOOR From V-2078	1	1	1	
24	502531	. SCREW CAP HEX M6-1.0x16 G8.8 Z050	2	2	2	
25	502737	. SCREW CAP HEX M6-1.0x25 SS BK	4	4	4	
26	502582	. WASHER LO SERR 6.1x16.2x0.9 Z050	4	4	4	
27	284914	. SPRING EXTENSION / .305 O.D. x 1.562 x .051	1	1	1	
27	285063	. SPRING EXTENSION / .287 O.D. x 1.562 x .051	1	1	1	
40	H3-1879-91	EXTERIOR DOOR HINGE AND SUPPORT To T-1510				
40	H3-1879-92	EXTERIOR DOOR HINGE AND SUPPORT From T-1511				
50	780278	PIN, STRIKER STUD	1	1	1	
51	500316	SCREW MA FL PH 1/4-28x3/4 SS	2	2	2	
52	500473	WASHER LO SPT .262x.489x.062 Z050	2	2	2	
53	502790	SCREW CAP HEX M8-1.25x20 G8.8 Z050	2	2	2	
54	284770	PLATE SUPPORT / STRIKER PIN	1	1	1	
55	500692	NUT HEX 1/4-28 Z050	2	2	2	
60	482189	COVER PANEL ASSY / WATER HEATER To T-1472	1	1	1	
. NS	482185	. COVER PANEL / WATER HEATER To T-1472	1	1	1	
. NS	506003	. TAPE RUB ADH1 CC POL 3/16" x 3/4" x 40' / GREY 2520X To T-1472	AR	AR	AR	
60	482451	COVER PANEL ASSY / WATER HEATER From T-1473	1	1	1	
. NS	482450	. COVER PANEL / WATER HEATER From T-1473	1	1	1	
. NS	506003	. TAPE RUB ADH1 CC POL 3/16" x 3/4" x 40' / GREY 2520X From T-1473	AR	AR	AR	
60	483318	COVER PANEL / WATER HEATER - "ESPAR" 103,000 B.T.U. & - "PROHEAT" 80,000 B.T.U.	1	1	1	
61	500411	WASHER FL .260x.697x.050 SS From Y-3478	6	6	6	
62	500414	SCREW TP BDG PH #10x3/4 SS To T-1472	6	6	6	
62	5001035	NUT WING M5-0.8 NP From T-1473 To Y-3377	6	6	6	
62	5001302	SCREW TH SHR 1/4-20x3/4 SS From Y-3478	6	6	6	
63	481249	NUT To T-1472	6	6	6	
63	214400	NUT SPR U 1/4-20 .064-.125 YC From Y-3478	6	6	6	
. NS	500837	. NUT SPR U 1/4-20 .064-.125 From Y-3478	1	1	1	
NS	504565	HOLE PLUG BUTTON / 1.375 O.D. BLACK	1	1	1	
NS	507295	HOLE PLUG BUTTON / 1.375 O.D. BLACK	1	1	1	
70	H3-1864-30	HANDLE LOCK & KEYS - TYPE "PS"				
71	H3-0663-00	DOCK & CORNERING LIGHT				
NS	285502	SPRING, TORSION / .625 O.D. x .629 x .125 From V-1661	1	1	1	
NS	285833	KIT SERVICE DOOR LOCK	1	1	1	
. NS	IS-97037	. SEE INSTRUCTION SHEET	1	1	1	
		A) THOSE DOOR ASSY DO NOT INCLUDE ITEM #14 BUT INCLUDE NEW MODEL OF ITEMS #71				
		B) THIS PROTECTOR IS COATED WITH GRAVEL GUARD AND BLACK PAINTED, READY TO INSTALL				
		F) PRODUCT IMPROVMENT, ASK KIT #285833				

From R-012 To 2-4416		Date:10/2022	PAGE:H3-1879-50
----------------------	--	--------------	-----------------

REAR SIDE SERVICE DOOR ASSY L.H.

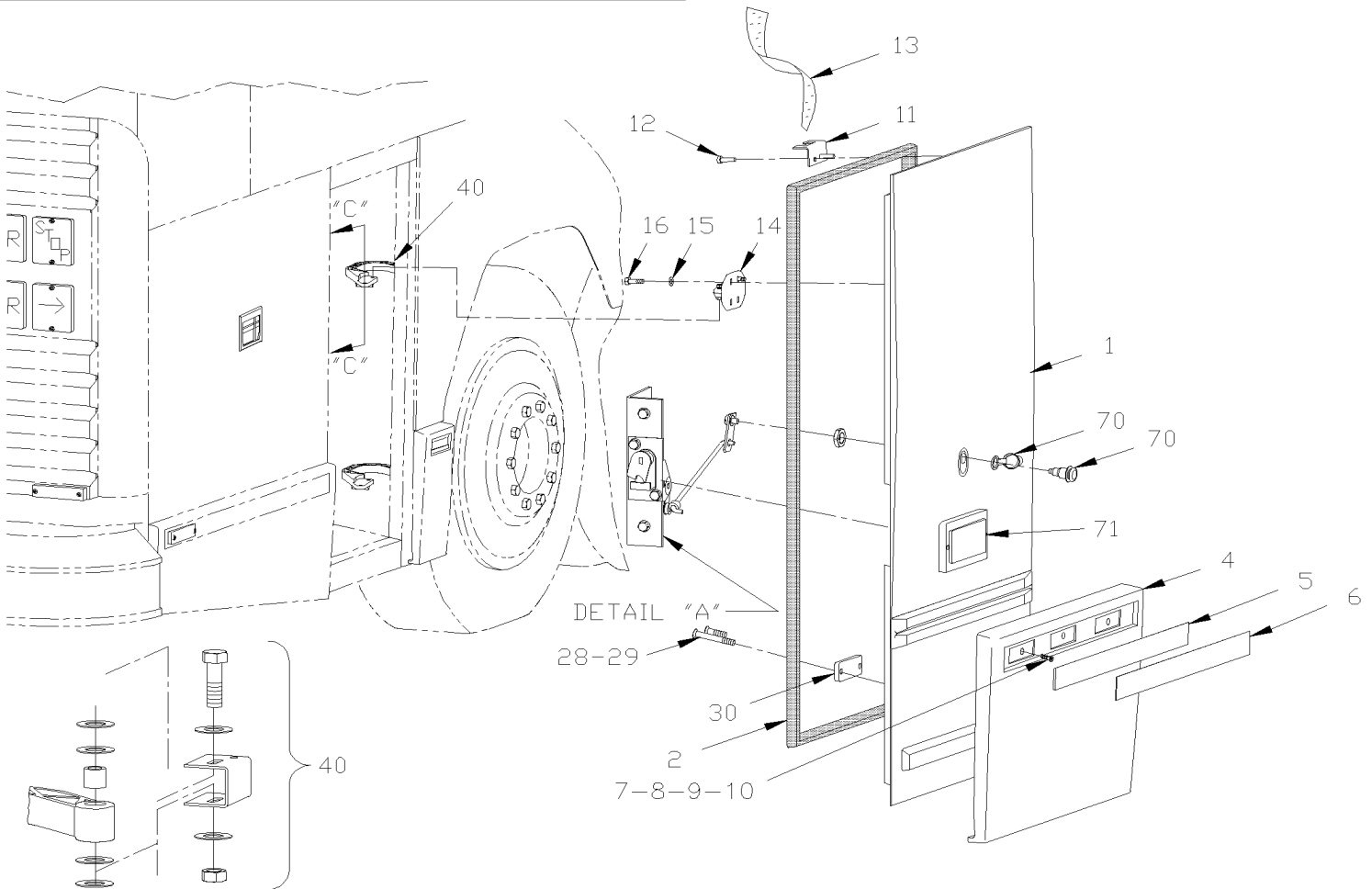
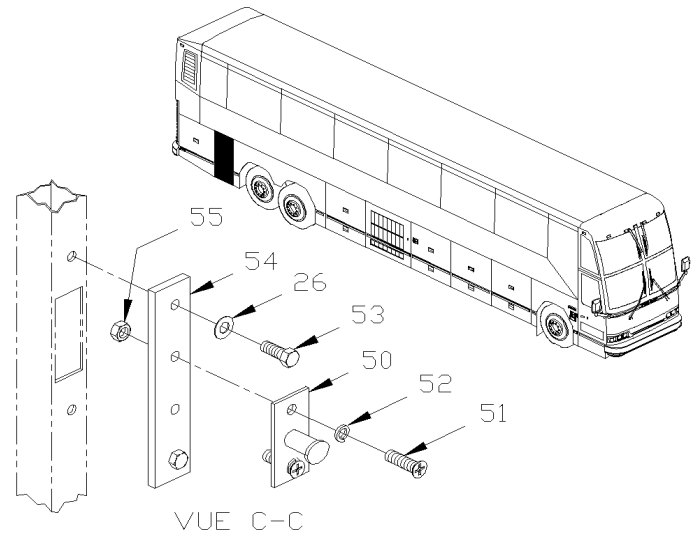
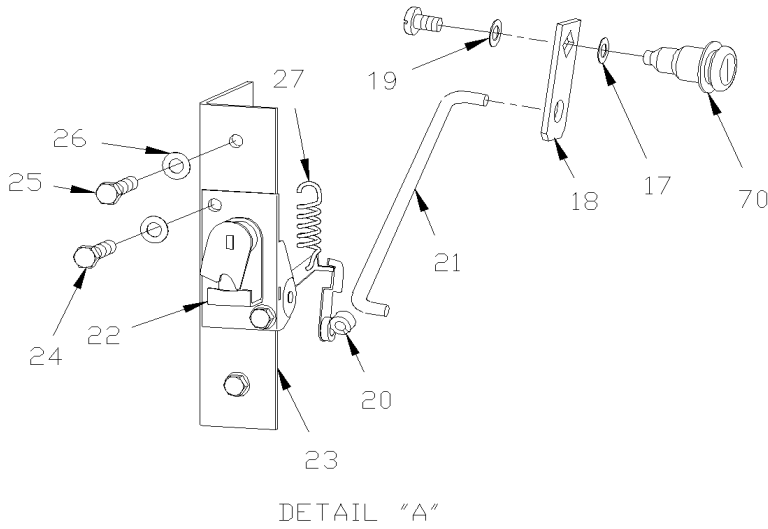
Item#	Part	Description	H 3 4 1	H 3 4 5	V I P 4 5	N O T E S
		J) SEE KIT AT END OF PAGE H3-1864-99				

From R-012 To 2-4416

Date:10/2022

PAGE:H3-1879-60

REAR SIDE SERVICE DOOR ASSY R.H.



From R-012 To 2-4416	Date:10/2022	PAGE:H3-1879-60
REAR SIDE SERVICE DOOR ASSY R.H.		

Item#	Part	Description	H 3 4 1	H 3 4 5	V I P 4 5	N O T E S
	284756P	REAR SERVICE DOOR ASSY R.H To T-1510	1	1	1	
	285397P	REAR SERVICE DOOR ASSY R.H From T-1511 To V-1778	1	1	1	
	285629	REAR SERVICE DOOR ASSY R.H From V-1779	1	1	1	A
1	284723	. DOOR MOULDED / FIBERGLASS To V-1778	1	1	1	
1	285568	. DOOR MOULDED / FIBERGLASS From V-1779	1	1	1	
NS	682462	. ADHESIVE SIKA #252 / BLACK / 310ml CARTRIDGE	AR	AR	AR	
2	284754	. RUBBER SEAL EXTRUSION / REAR SERVICE DOOR / 1095MM X 515MM To T-1510	1	1	1	
2	285169	. RUBBER SEAL EXTRUSION / REAR SERVICE DOOR / 1095MM X 515MM From T-1511 To V-1827	1	1	1	
2	285621	. RUBBER SEAL EXTRUSION / REAR SERVICE DOOR / 1095MM X 515MM From V-1828	1	1	1	
2	287507	. RUBBER SEAL EXTRUSION / REAR SERVICE DOOR / 1095MM X 515MM	1	1	1	
2	288912	. RUBBER SEAL EXTRUSION / REAR SERVICE DOOR / 1095MM X 515MM	1	1	1	
2	2800127	. RUBBER SEAL EXTRUSION / REAR SERVICE DOOR / 1095MM X 515MM	1	1	1	
4	284744	. PROTECTOR PANEL / DP	1	1	1	
4	285132	. PROTECTOR PANEL / WITH GRAVEL GUARD / DP	1	1	1	B
NS	680532	. SEALANT SIKA #221 / GREY / 310ml CARTRIDGE	AR	AR	AR	
NS	681348	. TAPE RUB ADH2 ACRYLIC .045" x 1" x 108' / VHB4952	AR	AR	AR	
5	284758	. EXTRUSION PROFILE 488MM	1	1	1	
6	283100	. STRIPE, REFLECTIVE WHITE / 38MM X 15' ROLL	AR	AR	AR	
. NS	780277	. . STRIPE, REFLECTIVE WHITE / 38MM X 150' ROLL	AR	AR	AR	
7	502534	. SCREW CAP SQ 5/16-18x1 G2 Z050	3	3	3	
8	283219	. WASHER ,REINFORCEMENT	3	3	3	
9	500374	. WASHER FL .375x.625x.062 RUB	3	3	3	
10	500698	. NUT HEX 5/16-18 BR	3	3	3	
11	284440	. SUPPORT	1	1	1	
12	504249	. RIVET CHY Q PRDG 3/16x3/8 SS	2	2	2	
13	505507	. STRAP NYLON 1" WIDE / S.L.	AR	AR	AR	
14	284097	PLATE ASSY / TO FIX DOOR To T-1510	2	2	2	
14	285273	SUPPORT From T-1511	2	2	2	
15	502584	. WASHER LO SERR 8.2x26.3x1.8 Z050	4	4	4	
16	502780	. SCREW CAP HEX M8-1.25x25 SS BK	4	4	4	
17	282612	. SPACER / 7MM SQ X 17MM O.D X 16GA	1	1	1	
17	288806	. SPACER / 8MM SQ X 17MM O.D X 16GA / SERVICE	1	1	1	J
18	284759	. LEVER / 7MM SQ HOLE	1	1	1	
19	500411	. WASHER FL .260x.697x.050 SS	3	3	3	
20	780340	. CLIP, RETAINER ROD	2	2	2	
21	284760	. ROD LOCK 221MM	1	1	1	
22	780283	. LOCK SPAGNOLET R.H. To V-2077	1	1	1	F
. NS	780340	. . CLIP, RETAINER ROD To V-2077	1	1	1	F
22	780588	. LOCK SPAGNOLET R.H. / W/G-FITTING From V-2078 To 2-4363	1	1	1	
. NS	780340	. . CLIP, RETAINER ROD From V-2078 To 2-4363	1	1	1	
. NS	507607	. . GREASE FITTING / M6-1.00 From V-2078 To 2-4363	1	1	1	
22	780653	. LOCK SPAGNOLET R.H. / W/G-FITTING From 2-4364	1	1	1	

From R-012 To 2-4416	Date:10/2022	PAGE:H3-1879-60
REAR SIDE SERVICE DOOR ASSY R.H.		

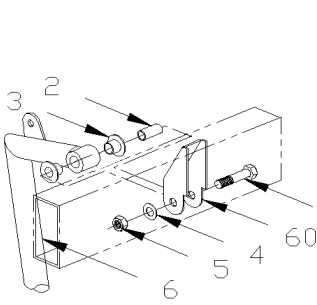
Item#	Part	Description	H 3 4 1	H 3 4 5	V I P 4 5	N O T E S
. NS	780340	. . CLIP, RETAINER ROD From 2-4364	1	1	1	
. NS	507607	. . GREASE FITTING / M6-1.00 From 2-4364	1	1	1	
23	284761	. PLATE / LOCK HOLDER / R.H. DOOR To V-2077	1	1	1	
23	285766	. PLATE / LOCK HOLDER / R.H. DOOR From V-2078	1	1	1	
24	502531	. SCREW CAP HEX M6-1.0x16 G8.8 Z050	2	2	2	
25	502737	. SCREW CAP HEX M6-1.0x25 SS BK	4	4	4	
26	502582	. WASHER LO SERR 6.1x16.2x0.9 Z050	4	4	4	
27	284914	. SPRING EXTENSION / .305 O.D. x 1.562 x .051	1	1	1	
27	285063	. SPRING EXTENSION / .287 O.D. x 1.562 x .051	1	1	1	
28	502576	. SCREW MA FL PH M8-1.25x25 Z050	1	1	1	
29	500293	. SCREW TP PAN PH #10x1 SS	1	1	1	
30	506250	. RUBBER BUMPER	1	1	1	
40	H3-1879-91	EXTERIOR DOOR HINGE AND SUPPORT To T-1510				
40	H3-1879-92	EXTERIOR DOOR HINGE AND SUPPORT From T-1511				
50	780278	PIN, STRIKER STUD	1	1	1	
51	500316	SCREW MA FL PH 1/4-28x3/4 SS	2	2	2	
52	500473	WASHER LO SPT .262x.489x.062 Z050	2	2	2	
53	502790	SCREW CAP HEX M8-1.25x20 G8.8 Z050	2	2	2	
54	284770	PLATE SUPPORT / STRIKER PIN	1	1	1	
55	500692	NUT HEX 1/4-28 Z050	2	2	2	
70	H3-1864-30	HANDLE LOCK & KEYS - TYPE "PS"				
70	H3-1864-99	HANDLE LOCK & KEYS - TYPE "NS" / SERVICE & RETROFIT				
71	H3-0663-00	DOCK & CORNERING LIGHT				
NS	285832	KIT SERVICE DOOR LOCK	1	1	1	
. NS	IS-97037	. SEE INSTRUCTION SHEET	1	1	1	
		A) THOSE DOOR ASSY DO NOT INCLUDE ITEM #14 BUT INCLUDE NEW MODEL OF ITEMS #71				
		B) THIS PROTECTOR IS COATED WITH GRAVEL GUARD AND BLACK PAINTED, READY TO INSTALL				
		F) PRODUCT IMPROVMENT, ASK KIT #285833				
		J) SEE KIT AT END OF PAGE H3-1864-99				

From R-012 To T-1510

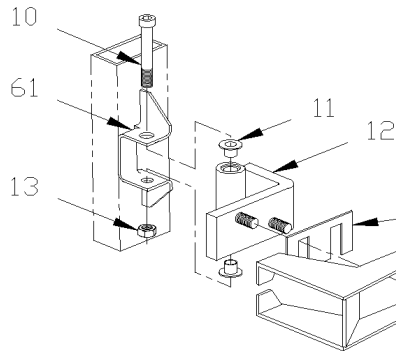
Date:10/2022

PAGE:H3-1879-91

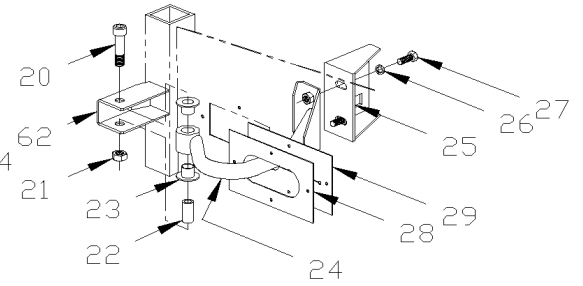
EXTERIOR DOOR HINGE AND SUPPORT



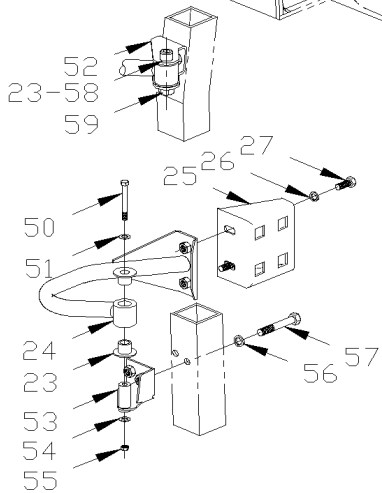
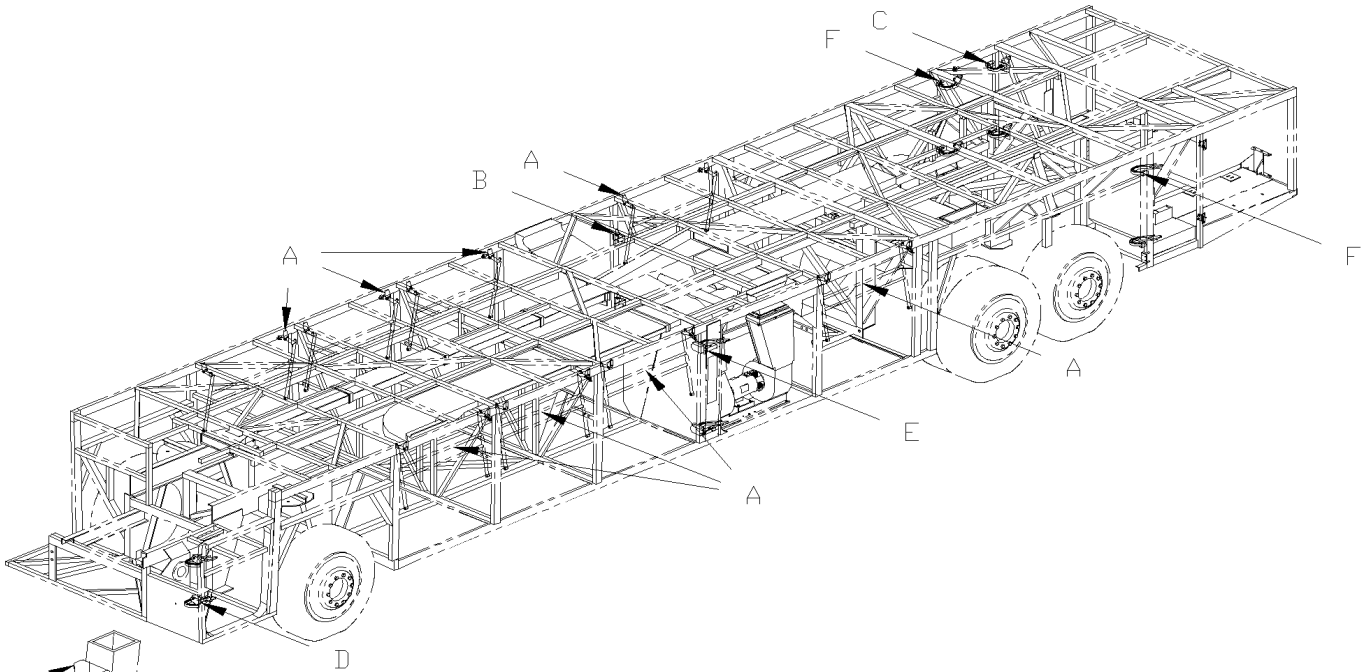
DETAIL "A"



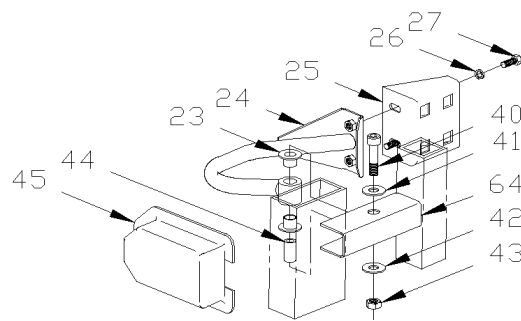
DETAIL "B"



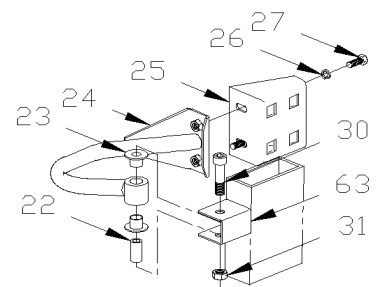
DETAIL "C"



DETAIL "D"



DETAIL "E"



DETAIL "F"

From R-012 To T-1510	Date:10/2022	PAGE:H3-1879-91
EXTERIOR DOOR HINGE AND SUPPORT		

Item#	Part	Description	H 3 4 1	H 3 4 5	V I P 4 5	N O T E S
1	502527	SCREW CAP HEX M8-1.25x50 G8.8 Z050	1	1	1	
2	282541	SPACER TUBE 31MM x 12.7MM x 8.5MM	1	1	1	
3	507142	BUSHING, NYLINER W/SHOULDER (8-L-8-F)	2	2	2	A
4	502583	WASHER LO SERR 8.15x22.3x1.0 Z050	1	1	1	
5	502543	NUT HEX M8-1.25 Z050	1	1	1	
6	282460	ARM PANTOGRAPH	6			
6	282460	ARM PANTOGRAPH		8	8	
10	502596	SCREW SHR HEXS 5/8x2 1/4 {1/2-13 Z050	1	1	1	
11	507299	BUSHING NYLINER	2	2	2	
12	283001	HINGE / CONDENSER DOOR	2	2	2	
13	502595	NUT HEX NYRT 1/2-13 Z050	1	1	1	
14	H3-2255-00	CONDENSOR - INSTALLATION				
20	500829	SCREW CAP HEX M10-1.5x40 G8.8	2	2	2	B
21	502543	NUT HEX M8-1.25 Z050	2	2	2	
22	212101	SPACER / HINGE & SCREW / STEEL	2	2	2	
23	507142	BUSHING, NYLINER W/SHOULDER (8-L-8-F)	AR	AR	AR	
24	284098	HINGE / UPPER & LOWER	AR	AR	AR	
25	284097	PLATE ASSY / TO FIX DOOR	AR	AR	AR	
26	502584	WASHER LO SERR 8.2x26.3x1.8 Z050	AR	AR	AR	
27	502790	SCREW CAP HEX M8-1.25x20 G8.8 Z050	AR	AR	AR	
28	284932	PLATE	2	2	2	
NS	504307	RIVET POP DOME OE 1/8x1/4 STL	8	8	8	
29	284933	RUBBER SEAL	2	2	2	
NS	680042	GLUE LOCTITE 430 BOTTLE 1OZ	AR	AR	AR	
30	500072	SCREW CAP HEX M10-1.5x45 G10.9 Z050	4	4	4	
31	502617	NUT HEX NYRT M10-1.5 Z050	AR	AR	AR	
40	500094	SCREW CAP HEX 1/2-20x2 1/2 G5 ZP To T-1345	2	2	2	
40	502527	SCREW CAP HEX M8-1.25x50 G8.8 Z050 From T-1346	1	1	1	
41	5001164	WASHER FL 8.4x25.0x2.0 Z050 From T-1346	1	1	1	
42	502583	WASHER LO SERR 8.15x22.3x1.0 Z050 From T-1346	1	1	1	
43	500718	NUT HEX STO 1/2-20 Z050 To T-1345	1	1	1	
43	502543	NUT HEX M8-1.25 Z050 From T-1346	1	1	1	
44	212101	SPACER / HINGE & SCREW / STEEL To T-1345	2	2	2	
44	285315	SPACER / BUSHING / 28MM / SS From T-1346	2	2	2	
45	452041	BOX PLASTIC / HINGE CLEARANCE	2	2	2	
48	502782	NUT HEX NYRT M5-0.8 Z050	1	1	1	
50	502560	SCREW CAP HEX M5-0.8x45 G8.8 Z050	1	1	1	
51	500989	WASHER FL .219x.875x.062 Z050	1	1	1	
52	282674	BRACKET / UPPER HINGE	1	1	1	
53	282970	BRACKET / LOWER HINGE	1	1	1	
54	500964	WASHER FL .203x.500x.047 Z050	1	1	1	
55	502782	NUT HEX NYRT M5-0.8 Z050	1	1	1	

From R-012 To T-1510	Date:10/2022	PAGE:H3-1879-91
EXTERIOR DOOR HINGE AND SUPPORT		

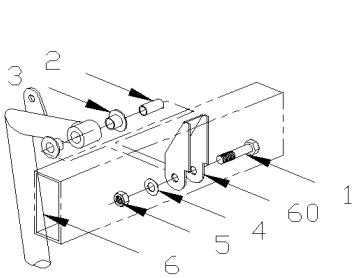
Item#	Part	Description	H 3 4 1	H 3 4 5	V I P 4 5	N O T E S
56	502509	WASHER LO INT 8.4x15.0x0.8 Z050	4	4	4	
56	502530	SCREW MA OV PH M4-0.7x40 SS	1	1	1	
57	502527	SCREW CAP HEX M8-1.25x50 G8.8 Z050	4	4	4	
58	283345	SCREW, SHOULDER 3/8-16	1	1	1	B
NS	502585	WASHER LO SERR 10.2x26.3x1.4 ZP	1	1	1	
59	500783	NUT HEX 3/8-16 Z050	1	1	1	
60	282432	SUPPORT / (WELDED)	14			
60	282432	SUPPORT / (WELDED)		16	16	
61	282491	SUPPORT (WELDED)	2	2	2	
62	212461	SUPPORT / (WELDED)	2	2	2	
63	212435	SUPPORT / (WELDED)	4	4	4	
64	282991	SUPPORT / (WELDED) To T-1345	2	2	2	
64	285314	SUPPORT / (WELDED) From T-1346	2	2	2	
		A) TO FIX PANTOGRAPH ARM				
		B) W/LOWER HINGE				

From T-1511 To 2-4416

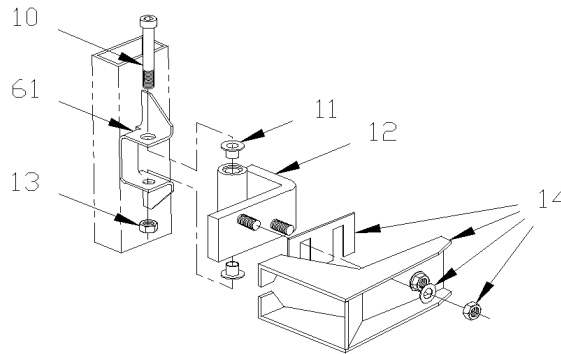
Date:10/2022

PAGE:H3-1879-92

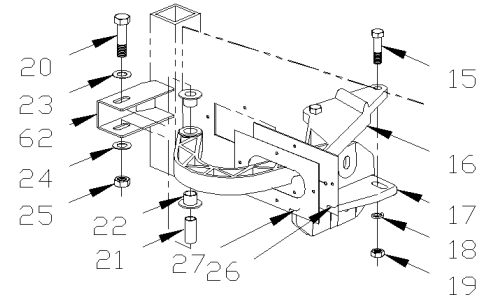
EXTERIOR DOOR HINGE AND SUPPORT



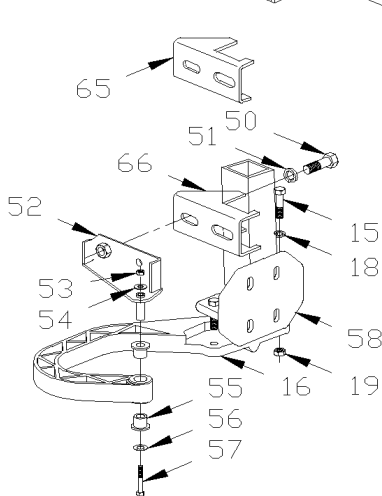
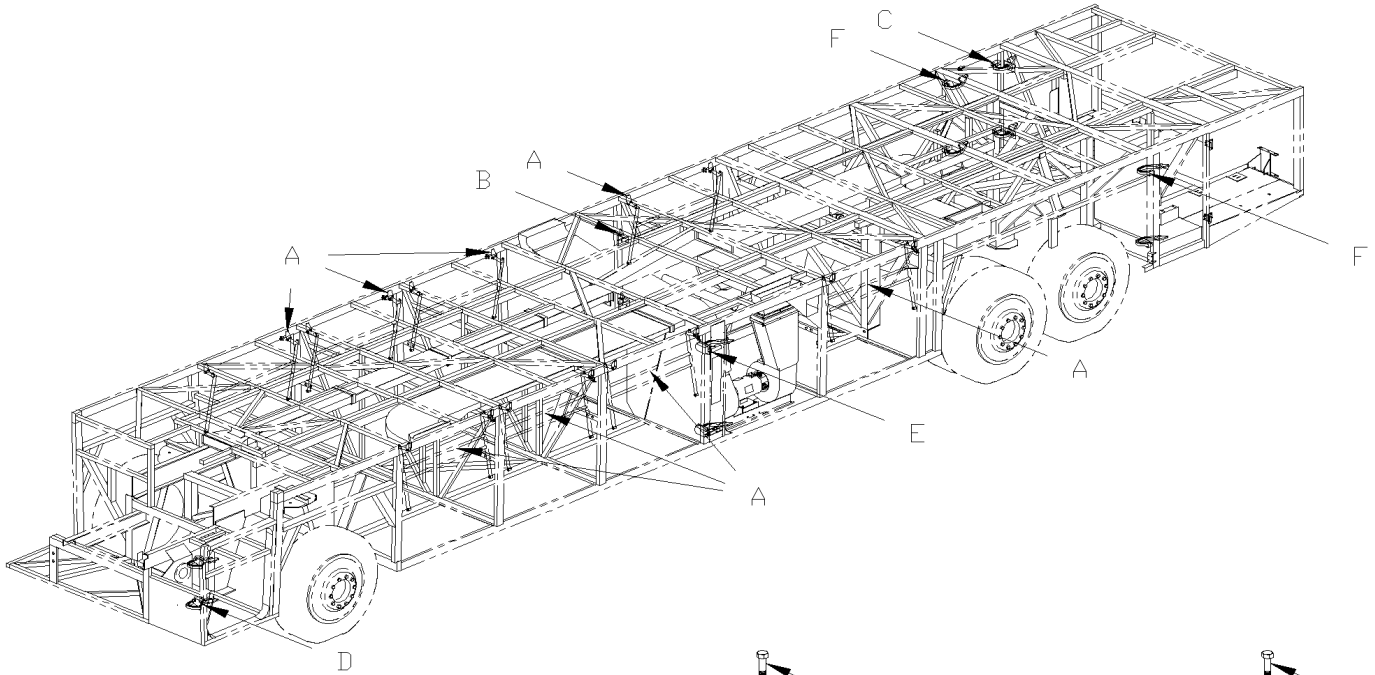
DETAIL "A"



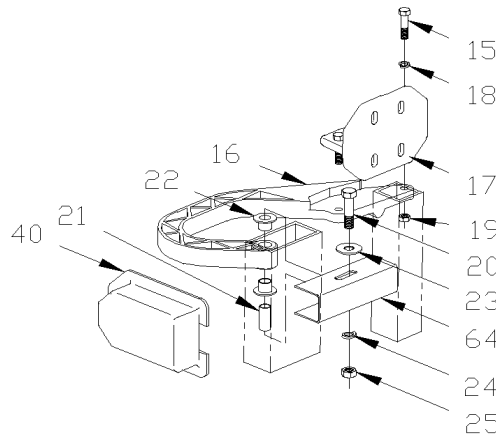
DETAIL "B"



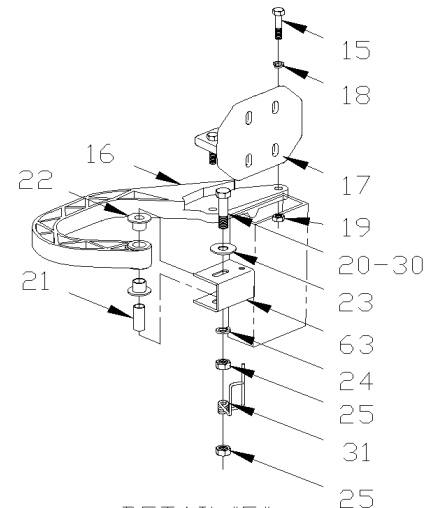
DETAIL "C"



DETAIL "D"



DETAIL "E"



DETAIL "F"

From T-1511 To 2-4416	Date:10/2022	PAGE:H3-1879-92
EXTERIOR DOOR HINGE AND SUPPORT		

Item#	Part	Description	H 3 4 1	H 3 4 5	V I P 4 5	N O T E S
1	502527	SCREW CAP HEX M8-1.25x50 G8.8 Z050 To V-2042	1	1	1	
1	502793	SCREW CAP HEX M6-1.0x45 G8.8 Z050 From V-2043	1	1	1	
2	282541	SPACER TUBE 31MM x 12.7MM x 8.5MM To V-1856	1	1	1	
2	285710	BUSHING SPACER ACETAL 6.5MM I.D. x 14.15MM O.D. x 31 From V-2036	2	2	2	
NS	504660	RING RETAINER / EXT .750 x 0575 x .050" From V-2036	AR	AR	AR	
3	507142	BUSHING, NYLINER W/SHOULDER (8-L-8-F) To V-1856	2	2	2	A
3	285478	FLANGE BUSHING From V-1857 To V-2035	2	2	2	
4	502583	WASHER LO SERR 8.15x22.3x1.0 Z050 To V-1856	1	1	1	
4	502582	WASHER LO SERR 6.1x16.2x0.9 Z050 From V-1857	1	1	1	
5	502543	NUT HEX M8-1.25 Z050 To V-1856	1	1	1	
5	502581	NUT HEX M6-1.0 Z050 From V-1857	1	1	1	
6	282460	ARM PANTOGRAPH	6			
6	282460	ARM PANTOGRAPH		8	8	
6	285518	ARM PANTOGRAPH	6			
6	285518	ARM PANTOGRAPH		8	8	
10	502596	SCREW SHR HEXS 5/8x2 1/4 {1/2-13 Z050	1	1	1	
11	507299	BUSHING NYLINER	2	2	2	
12	283001	HINGE / CONDENSER DOOR	2	2	2	
13	502595	NUT HEX NYRT 1/2-13 Z050	1	1	1	
14	H3-2255-00	CONDENSOR - INSTALLATION To V-1960				
14	H3-2255-01	CONDENSOR - INSTALLATION From V-1961				
15	502651	SCREW CAP HEX M8-1.25x35 G8.8 Z050	AR	AR	AR	
16	285272	HINGE DOOR	AR	AR	AR	
17	285273	SUPPORT	AR	AR	AR	
18	502583	WASHER LO SERR 8.15x22.3x1.0 Z050	AR	AR	AR	B
19	500868	NUT HEX NYRT M8-1.25 Z050	AR	AR	AR	
20	502527	SCREW CAP HEX M8-1.25x50 G8.8 Z050	AR	AR	AR	
21	285315	SPACER / BUSHING / 28MM / SS To V-1660	AR	AR	AR	
22	285478	FLANGE BUSHING	AR	AR	AR	
22	507142	BUSHING, NYLINER W/SHOULDER (8-L-8-F) To V-1660	AR	AR	AR	A
23	5001164	WASHER FL 8.4x25.0x2.0 Z050	AR	AR	AR	
24	502583	WASHER LO SERR 8.15x22.3x1.0 Z050	AR	AR	AR	B
25	502543	NUT HEX M8-1.25 Z050	AR	AR	AR	
26	285462	RUBBER SEAL	2	2	2	
NS	680042	GLUE LOCTITE 430 BOTTLE 1OZ	AR	AR	AR	
27	284932	PLATE	2	2	2	
28	504473	RIVET POP DOME OE 1/8x1/4 SS	8	8	8	
30	5001347	SCREW CAP HEX M8-1.25x70 SS	1	1	1	
31	285502	SPRING, TORSION / .625 O.D. x .629 x .125 From V-1779	1	1	1	C
40	452041	BOX PLASTIC / HINGE CLEARANCE	2	2	2	
50	502719	SCREW CAP HEX M10-1.5x20 SS EMN	2	2	2	
51	502585	WASHER LO SERR 10.2x26.3x1.4 ZP	2	2	2	

From T-1511 To 2-4416	Date:10/2022	PAGE:H3-1879-92
EXTERIOR DOOR HINGE AND SUPPORT		

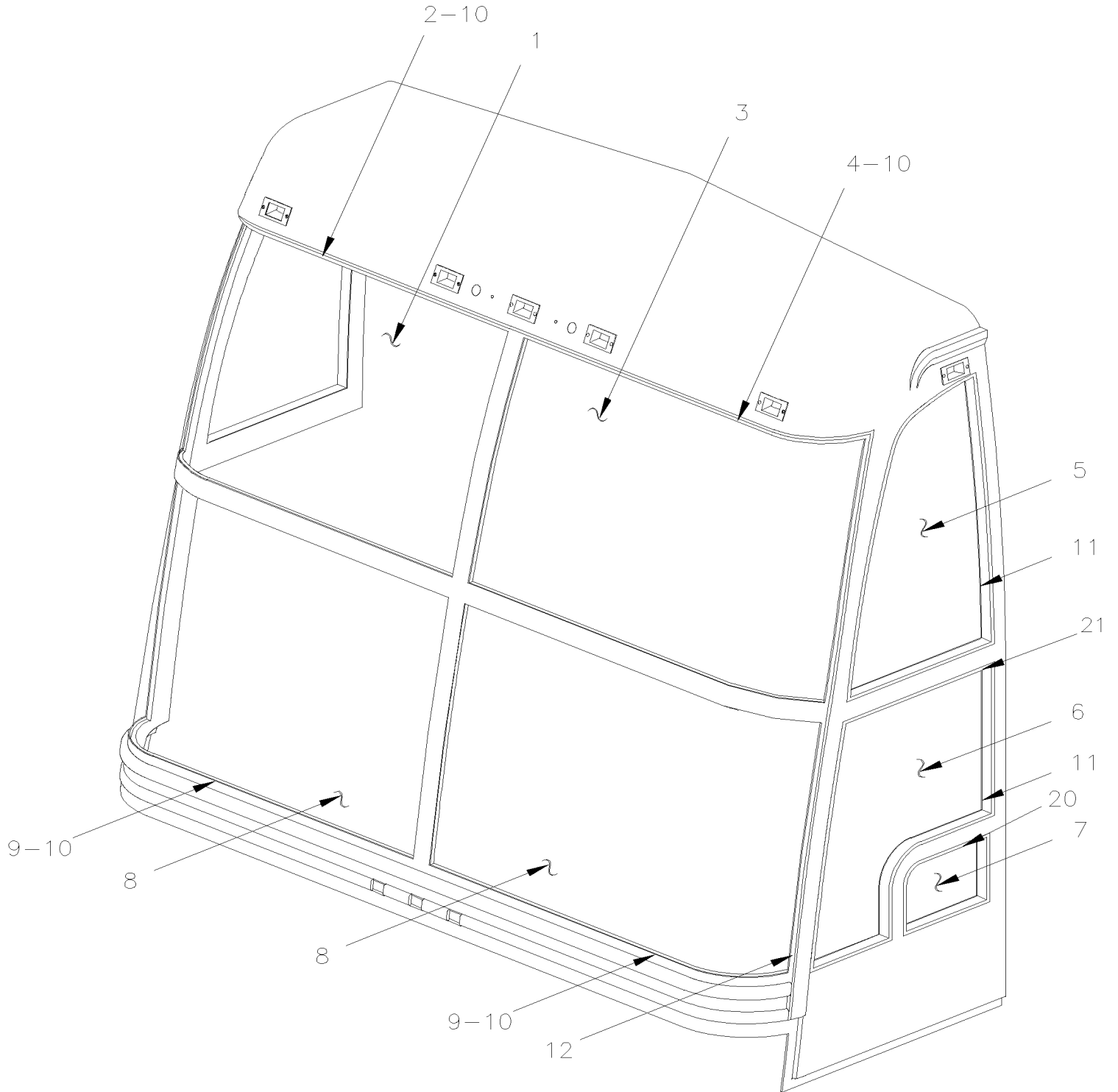
Item#	Part	Description	H 3 4 1	H 3 4 5	V I P 4 5	N O T E S
52	285333	SUPPORT UPPER & LOWER	2	2	2	
53	502782	NUT HEX NYRT M5-0.8 Z050	2	2	2	
54	500964	WASHER FL .203x.500x.047 Z050	2	2	2	
55	507142	BUSHING, NYLINER W/SHOULDER (8-L-8-F)	4	4	4	A
56	500989	WASHER FL .219x.875x.062 Z050	2	2	2	
57	502560	SCREW CAP HEX M5-0.8x45 G8.8 Z050	2	2	2	
58	285454	SUPPORT To W-2194	2	2	2	
58	285814	SUPPORT From W-2195	2	2	2	
60	282432	SUPPORT / (WELDED) To V-2042	14			
60	282432	SUPPORT / (WELDED) To V-2042		16	16	
60	285711	SUPPORT / (WELDED) From V-2043	14			
60	285711	SUPPORT / (WELDED) From V-2043		16	16	
61	282491	SUPPORT (WELDED)	2	2	2	
62	213193	SUPPORT / (WELDED)	2	2	2	
63	285399	SUPPORT / (WELDED)	4	4	4	
64	285314	SUPPORT / (WELDED) To W-2269	2	2	2	
64	285768	SUPPORT / (WELDED) From W-2270	2	2	2	
65	285332	SUPPORT UPPER	1	1	1	
66	285323	SUPPORT LOWER	1	1	1	
		A) TO FIX PANTOGRAPH ARM				
		B) W/ITEMS 4 & 16				
		C) UPPER				

From R-012 To 2-4416

Date:10/2022

PAGE:H3-1880-00

WINDSHIELD & CHANNEL



From R-012 To 2-4416	Date:10/2022	PAGE:H3-1880-00
WINDSHIELD & CHANNEL		

Item#	Part	Description	H 3 4 1	H 3 4 5	V I P 4 5	N O T E S
1	300272	WINDSHIELD UPPER R.H. / HEATING	1	1	1	
. NS	309013	. CHANNEL LOCKING / S.L. ROLL 400'	14FT	14FT	14FT	
1	309011	WINDSHIELD UPPER R.H.	1	1	1	
. NS	309013	. CHANNEL LOCKING / S.L. ROLL 400'	14	14	14	
2	309024	CHANNEL UPPER R.H.	1	1	1	
. NS	309013	. CHANNEL LOCKING / S.L. ROLL 400'	14	14	14	
3	300273	WINDSHIELD UPPER L.H. / HEATING	1	1	1	
. NS	309013	. CHANNEL LOCKING / S.L. ROLL 400'	14FT	14FT	14FT	
3	309012	WINDSHIELD UPPER L.H.	1	1	1	
. NS	309013	. CHANNEL LOCKING / S.L. ROLL 400'	14	14	14	
4	309025	CHANNEL UPPER FRONT L.H.	1	1	1	
. NS	309013	. CHANNEL LOCKING / S.L. ROLL 400'	14	14	14	
5	291829	GLASS UPPER R.H. To V-1690	1	1	1	
5	292804	GLASS UPPER R.H. From V-1691 To W-2284	1	1	1	
5	292913	GLASS UPPER R.H. From W-2285 To X-2767	1	1	1	
5	293095	GLASS UPPER R.H. SINGLE From X-2768	1	1		
5	293093	GLASS UPPER R.H. THERMOS	1	1	1	
5	291830	GLASS UPPER L.H. To V-1690	1	1	1	
5	292805	GLASS UPPER L.H. From V-1691 To W-2284	1	1	1	
5	292911	GLASS UPPER L.H. From W-2285 To X-2767	1	1	1	
5	293094	GLASS UPPER L.H. SINGLE From X-2768	1	1		
5	293092	GLASS UPPER L.H. THERMOS	1	1	1	
5	292828	LEXAN UPPER L.H. To Y-3943	1	1	1	
5	292829	LEXAN UPPER R.H. To Y-3943	1	1	1	
NS	506962	RUB POL 1/4 X 7/16 X 1 LG	AR	AR	AR	
6	299063	GLASS DRIVER'S WINDOW To X-2844	1	1	1	
6	293203	GLASS DRIVER'S WINDOW From X-2845	1	1	1	
NS	5060013	TAPE RUB ADH2 CC POL 1/8" x 1/8" x 100' / BLACK I1C-N-A	AR	AR	AR	
7	299045	GLASS / DRIVER'S WINDOW	1	1	1	
8	309010	WINDSHIELD LOWER To Y-3381	2	2	2	A
. NS	309013	. CHANNEL LOCKING / S.L. ROLL 400' To Y-3381	15	15	15	A
8	300409	WINDSHIELD LOWER From Y-3382	2	2	2	A
8	300337	WINDSHIELD LOWER To Y-3381	2	2	2	B
. NS	309013	. CHANNEL LOCKING / S.L. ROLL 400' To Y-3381	15	15	15	B
9	309023	CHANNEL LOWER L.H. & R.H.	2	2	2	
. NS	309013	. CHANNEL LOCKING / S.L. ROLL 400'	15	15	15	
10	309013	CHANNEL LOCKING / S.L. ROLL 400'	AR	AR	AR	
10	300267	. CHANNEL ROLL 50'	AR	AR	AR	
10	300270	. CHANNEL ROLL 15'	AR	AR	AR	
NS	680565	TAPE, SEAL 1/2 / BLACK / S.L.	AR	AR	AR	
11	681092	ADHESIVE SIKA #255FC / BLACK / 310ml CARTRIDGE	AR	AR	AR	
NS	681091	PRIMER SIKA #206 / BLACK / 250ml	AR	AR	AR	

From R-012 To 2-4416	Date:10/2022	PAGE:H3-1880-00
WINDSHIELD & CHANNEL		

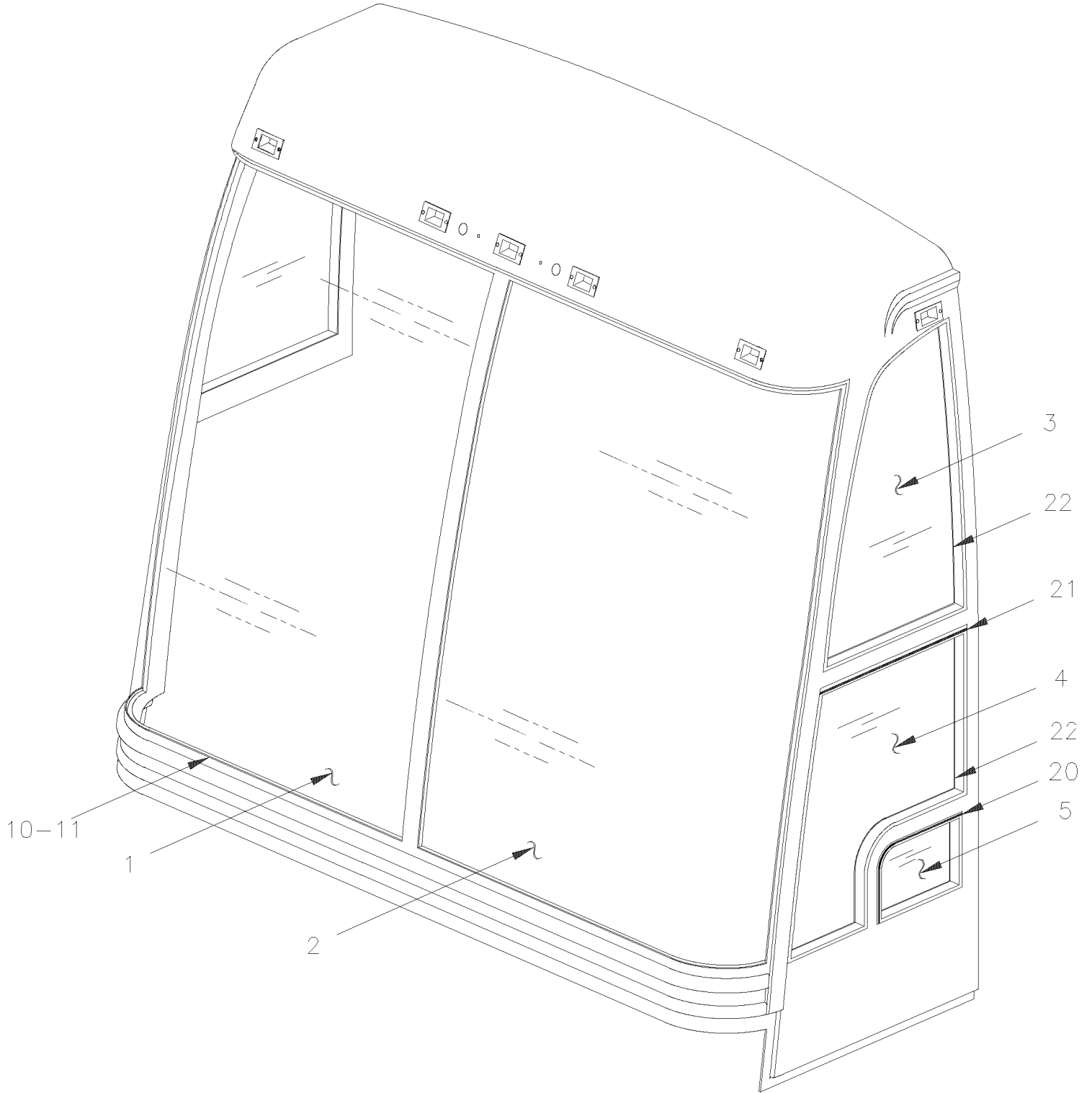
Item#	Part	Description	H 3 4 1	H 3 4 5	V I P 4 5	N O T E S
12	420230	AIR DEFLECTOR / RUBBER CHANNEL & CAP	1	1		
12	420230	AIR DEFLECTOR / RUBBER CHANNEL & CAP			AR	
20	293401	DRIP MOULDING DRIVER'S WINDOW	1	1	1	
21	293402	DRIP MOULDING ENTRANCE DOOR WINDOW	1	1	1	
		FOLLOWING PARTS ARE RELATED WITH				
		SPECIAL TOOL FOR				
		WINDSHIELD CHANNEL INSTALLATION.				
NS	292285	HANDLE ASSY (TO FIX FRONT GLASS CHANNEL)	1	1	1	
NS	292286	. HANDLE	1	1	1	
NS	292287	. GUIDE ROD	1	1	1	
NS	292111	. END TIP	1	1	1	
NS	500303	. SCREW SET HEXS CUP #10-24x3/16	1	1	1	
		A) BRONZE COLOR				
		B) GREEN COLOR (SERVICE USE ONLY)				

From R-012 To 2-4416

Date:10/2022

PAGE:H3-1880-99

WINDSHIELD & CHANNEL SERVICE & RETROFIT



From R-012 To 2-4416	Date:10/2022	PAGE:H3-1880-99
WINDSHIELD & CHANNEL SERVICE & RETROFIT		

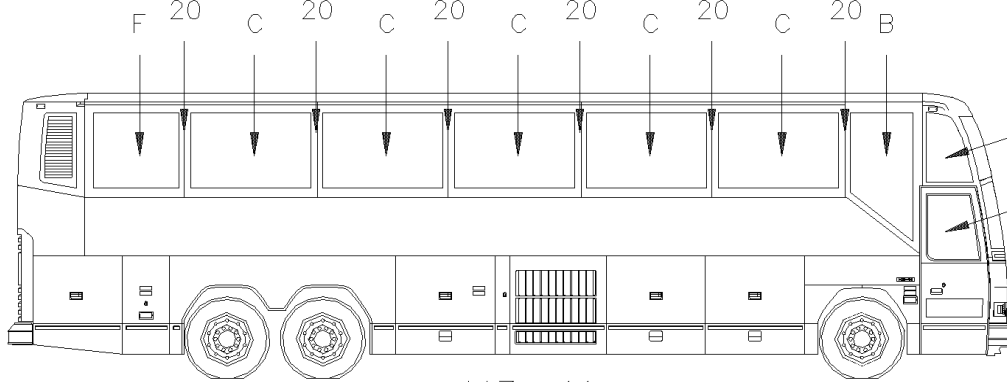
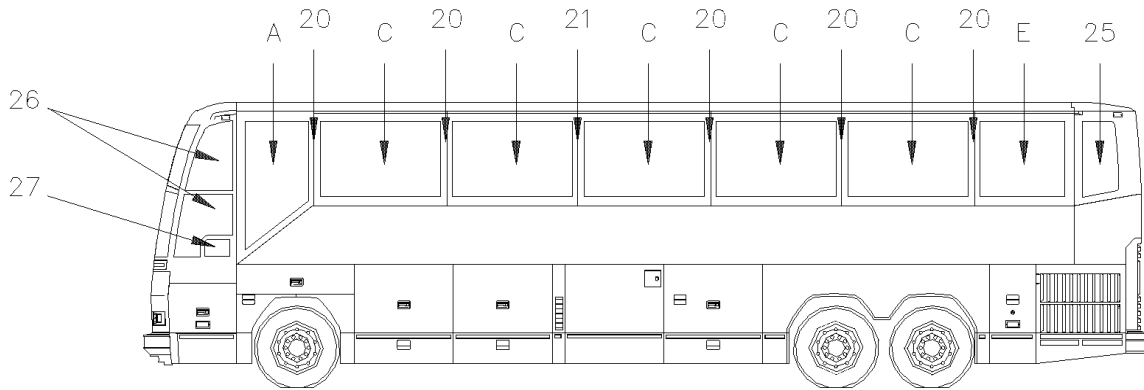
Item#	Part	Description	H 3 4 1	H 3 4 5	V I P 4 5	N O T E S
	 "WARNING" - "WARNING" - "WARNING"				
		ALLS NEXT ITEMS ARE USED IN SERVICE IN REPLACEMENT OF FRONT CAP WITH 4 WINDSHIEDS				
1	300450	WINDSHIELD R.H.	1	1	1	
2	300449	WINDSHIELD L.H.	1	1	1	
3	293092	GLASS UPPER L.H. THERMOS	1	1	1	
3	293094	GLASS UPPER L.H. SINGLE	1	1	1	
3	293093	GLASS UPPER R.H. THERMOS	1	1	1	
3	293095	GLASS UPPER R.H. SINGLE	1	1	1	
NS	506962	RUB POL 1/4 X 7/16 X 1 LG	AR	AR	AR	
4	293203	GLASS DRIVER'S WINDOW	1	1	1	
4	5060013	TAPE RUB ADH2 CC POL 1/8" x 1/8" x 100' / BLACK I1C-N-A	AR	AR	AR	
5	H3-1886-00	POWER WINDOW - ELECTRICAL INSTALLATION				
5	H3-1886-01	POWER WINDOW - ELECTRICAL INSTALLATION / SERVICE & RETROFIT				
10	300451	CHANNEL / WINDSHIELD RUBBER	1	1	1	
11	293059	STRIP, LOCKING / S.L.	80	80	80	
20	293401	DRIP MOULDING DRIVER'S WINDOW	1	1	1	
21	293402	DRIP MOULDING ENTRANCE DOOR WINDOW	1	1	1	
22	683885	ADHESIVE SIKA TACK ULTRA FAST 2 / BLACK / 325ml	AR	AR	AR	
NS	5060013	TAPE RUB ADH2 CC POL 1/8" x 1/8" x 100' / BLACK I1C-N-A	AR	AR	AR	
NS	506962	RUB POL 1/4 X 7/16 X 1 LG	AR	AR	AR	
NS	800355	LUBRICANT CLEAR LUBE 32A / 20 LITER	AR	AR	AR	
NS	800356	LUBRICANT CLEAR LUBE 32A / 430 Gr	AR	AR	AR	
NS	293842	HANDLE ASSY (TO FIX FRONT GLASS CHANNEL)	1	1	1	
. NS	293843	. END TIP "PRÉVOST"	AR	AR	AR	

From R-012 To S-207

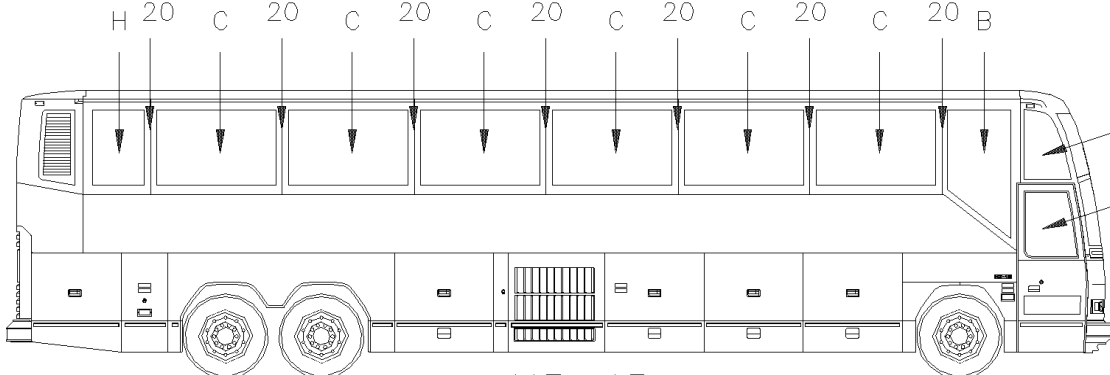
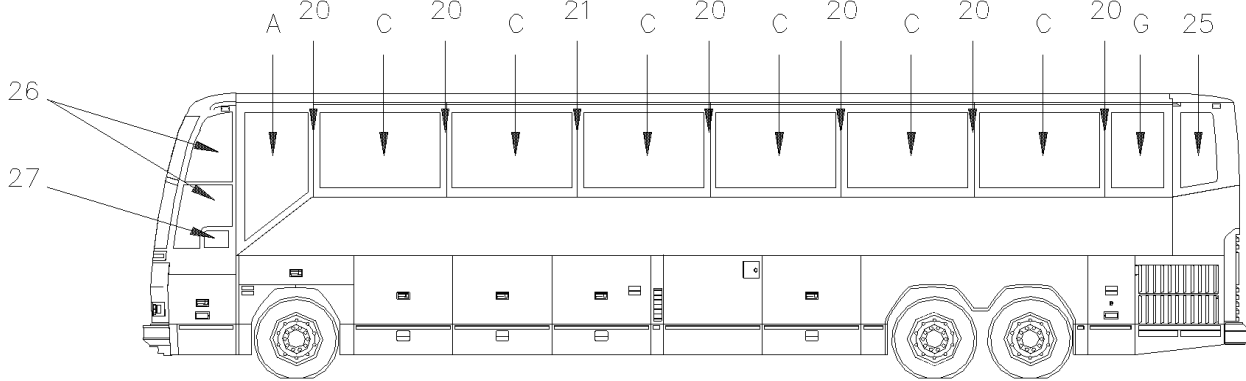
Date:10/2022

PAGE:H3-1884-01

SIDE WINDOW - BUS

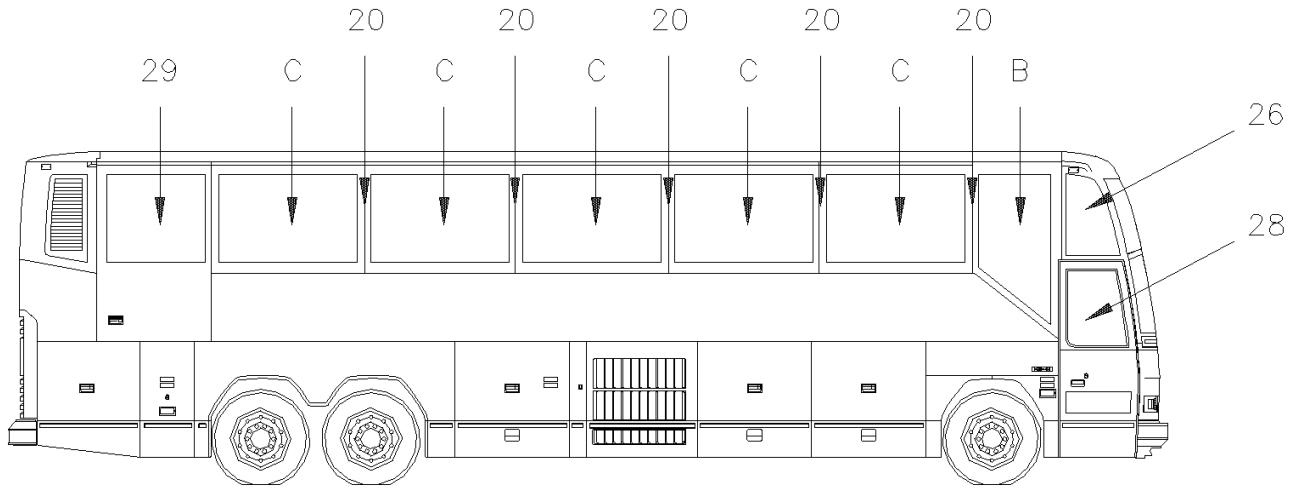


H3-41

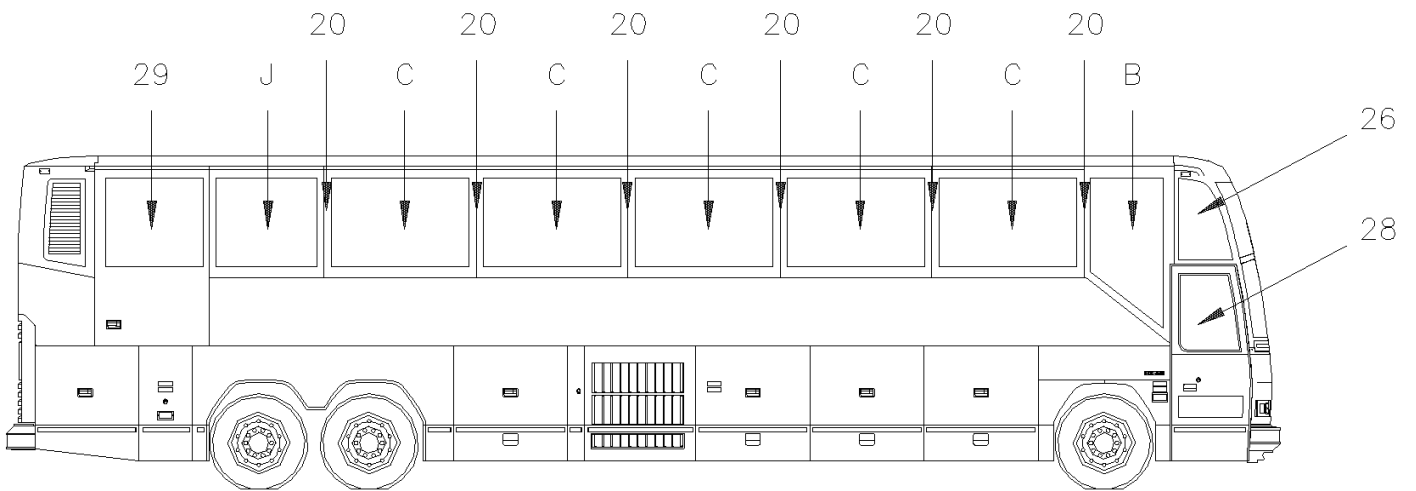


H3-45

From R-012 To S-207	Date:10/2022	PAGE:H3-1884-01
SIDE WINDOW - BUS		



H3-41 WITH W.C.L. ST & ST



H3-45 WITH W.C.L. ST & ST

From R-012 To S-207	Date:10/2022	PAGE:H3-1884-01
SIDE WINDOW - BUS		

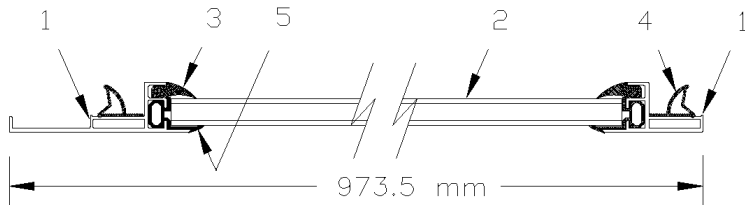
Item#	Part	Description	H 3 4 1	H 3 4 5	V I P 4 5	N O T E S
20	292411	MOULDING 1182MM X 26MM To S-115	12			
20	292411	MOULDING 1182MM X 26MM To S-115		14		
20	292624	MOULDING 1182MM X 18MM From S-116	12			
20	292624	MOULDING 1182MM X 18MM From S-116		14		
21	292413	MOULDING / W/CB ANTENNA 500MM X 26MM To S-115	1	1		
21	292412	MOULDING / W/CB ANTENNA 640MM X 26MM To S-115	1	1		
21	292618	MOULDING / W/CB ANTENNA 500MM X 18MM From S-116	1	1		
21	292621	MOULDING / W/CB ANTENNA 640MM X 18MM From S-116	1	1		
25	291947	GLASS, THERMOS 28%	1	1		
26	H3-1880-00	WINDSHIELD & CHANNEL				
27	H3-1886-00	POWER WINDOW - ELECTRICAL INSTALLATION				
28	H3-1862-10	ENTRANCE DOOR ASSY - "SEDAN"				
29	H3-1862-80	ENTRANCE DOOR ASSY - W.C.L.				
A	H3-1884-01A	POSITION "A" From R-012 To S-207				
B	H3-1884-01B	POSITION "B" From R-012 To S-207				
C	H3-1884-01C	POSITION "C" From R-012 To S-207				
E	H3-1884-01E	POSITION "E" From R-012 To S-207				
F	H3-1884-01F	POSITION "F" From R-012 To S-207				
G	H3-1884-01G	POSITION "G" From R-012 To S-207				
H	H3-1884-01H	POSITION "H" From R-012 To S-207				
J	H3-1884-01J	POSITION "J" From R-012 To S-207				

From R-012 To S-207

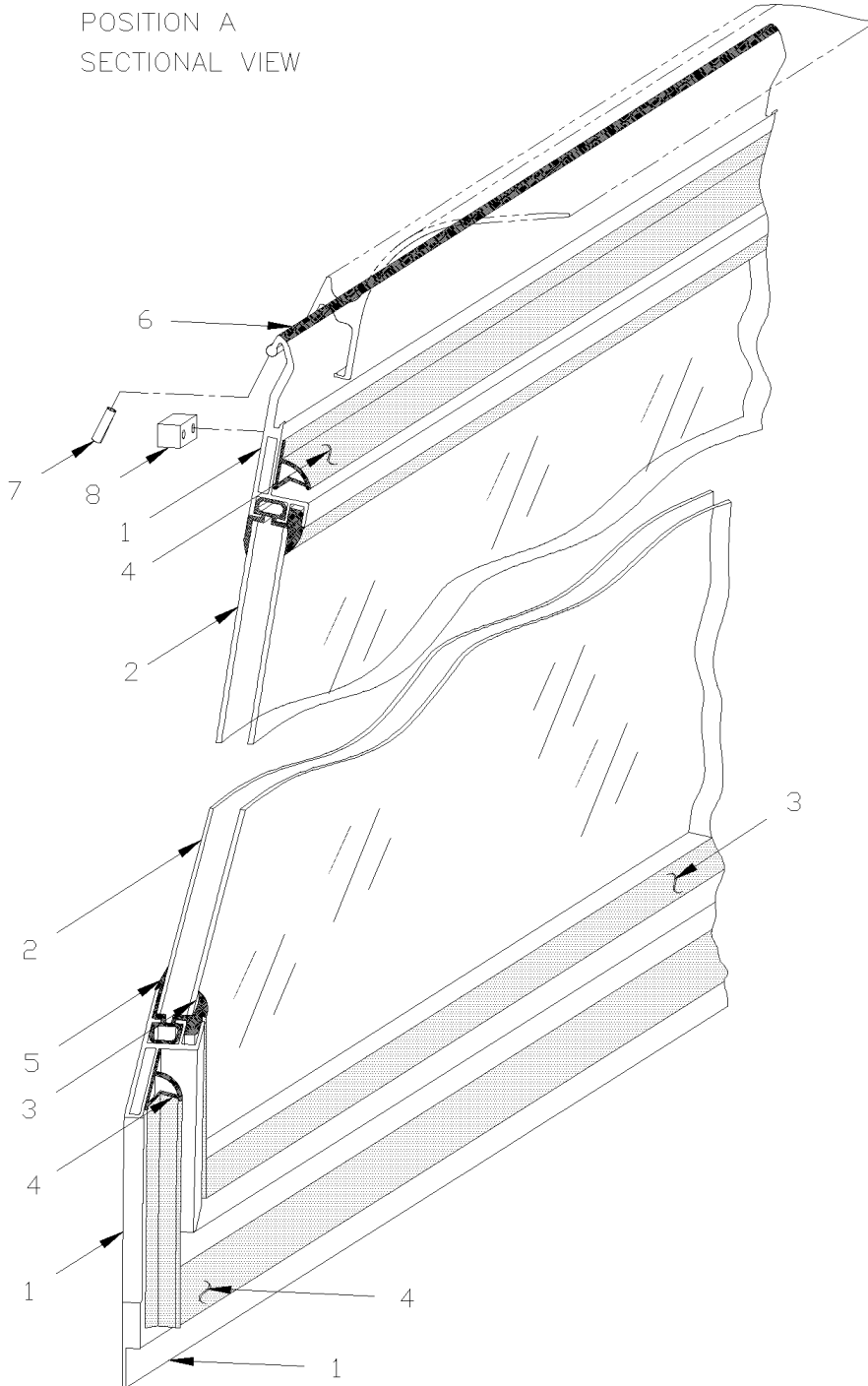
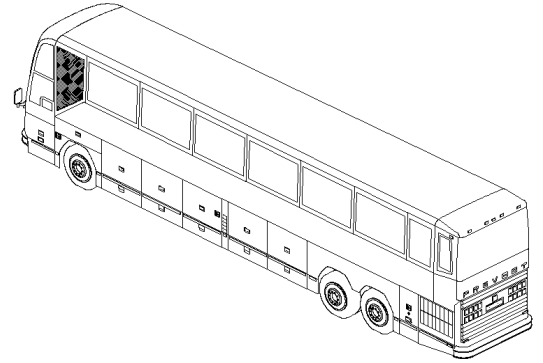
Date:10/2022

PAGE:H3-1884-01A

POSITION "A"



POSITION A
SECTIONAL VIEW



From R-012 To S-207	Date:10/2022	PAGE:H3-1884-01A
POSITION "A"		

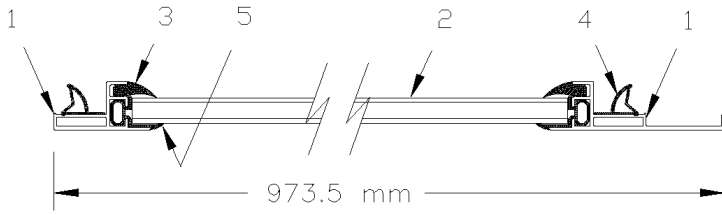
Item#	Part	Description	H 3 4 1	H 3 4 5	V I P 4 5	N O T E S
	292504P	WINDOW ASSY, THERMOS 28%	1	1		
	292731P	WINDOW ASSY, THERMOS 9%	1	1		
1	292460	FRAME	1	1		
2	292463	GLASS, THERMOS 28%	1	1		
2	292515	GLASS, THERMOS 9%	1	1		
3	292470	LOCKING STRIP 1055MM X 845MM / W/THERMOS	1	1		
4	292469	WINDOW SEAL / 1830MM X 904MM	1	1		
5	292338	EXTERIOR GLASS SEAL 829MM / HORIZONTAL	1	1		
5	292499	EXTERIOR GLASS SEAL 1052MM / HORIZONTAL	1	1		
5	292500	EXTERIOR GLASS SEAL 1046MM / HORIZONTAL	1	1		
5	292501	EXTERIOR GLASS SEAL 1693MM / HORIZONTAL	1	1		
NS	292512	ATTACHMENT	1	1		
NS	500473	WASHER LO SPT .262x.489x.062 Z050	4	4		
NS	500883	SCREW TC PAN PH #8-32x3/8 Z050	3	3		
NS	500923	SCREW TC CAP HEX 1/4-20x3/4 Z050	4	4		
6	682481	LOW FRICTION TAPE (HOCKEY)	AR	AR		
7	505421	SPRING, PIN M3 x 18	AR	AR		
8	292344	STOPPER BLOCK WINDOW	2	2		
NS	500896	SCREW TC FL PH #8-32x5/8 Z050	4	4		
		NEXT DECAL DOESN'T HAVE "NO SMOKING"				
NS	403855	DECAL SEAT EVEN-NUMBERED ON AISLE / 1-2 / CLEAR TO FIX ON TRAPEZOID	1	1		
NS	403857	DECAL SEAT ODD-NUMBERED ON AISLE / 3-4 / CLEAR TO FIX ON TRAPEZOID	1	1		
		NEXT DECAL HAS "NO-SMOKING" SIGN				
NS	403854	DECAL SEAT EVEN-NUMBERED ON AISLE / 1-2 / CLEAR TO FIX ON TRAPEZOID	1	1		
NS	403856	DECAL SEAT ODD-NUMBERED ON AISLE / 3-4 / CLEAR TO FIX ON TRAPEZOID		1		

From R-012 To S-207

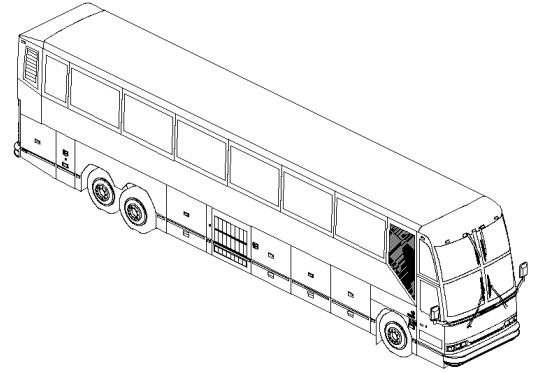
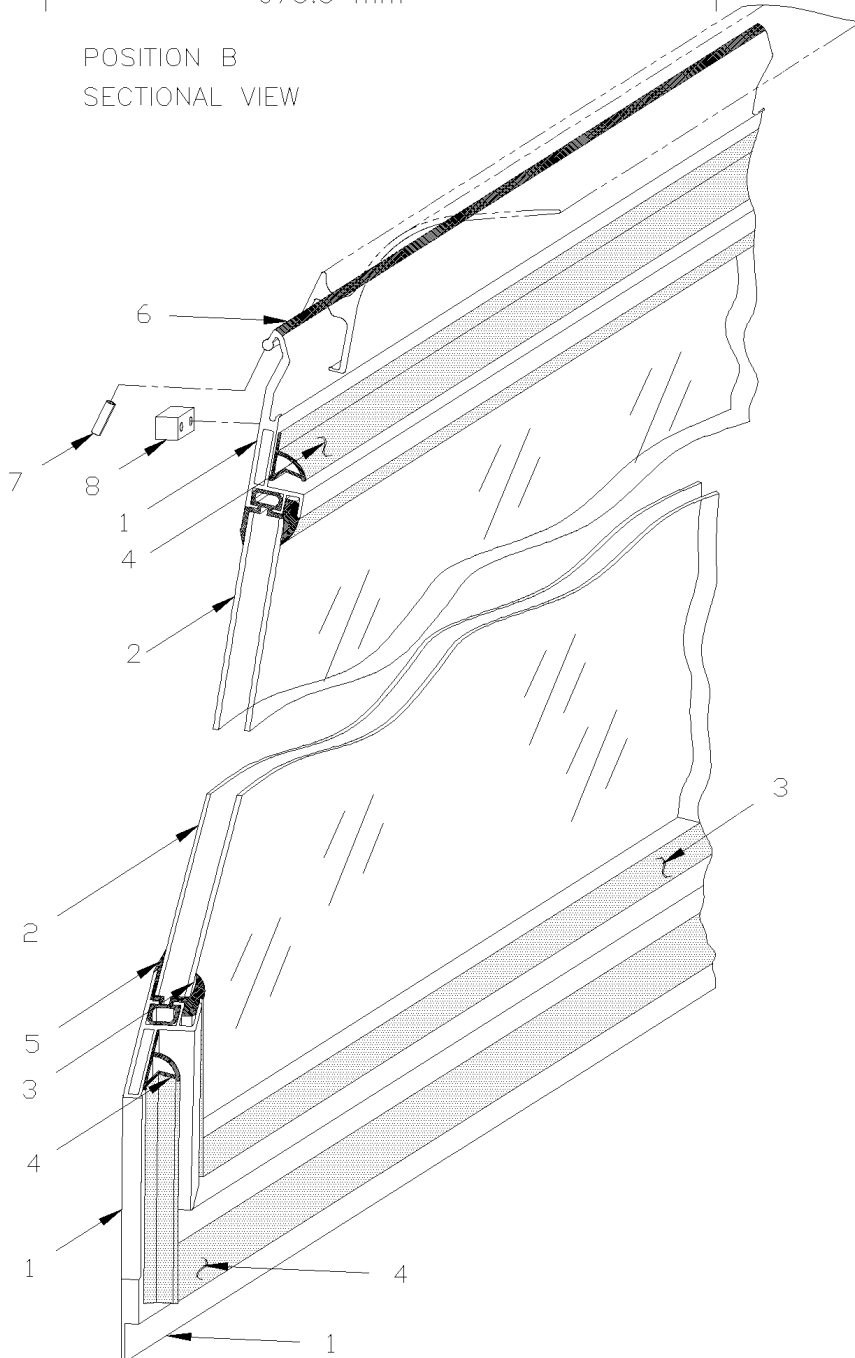
Date:10/2022

PAGE:H3-1884-01B

POSITION "B"



POSITION B
SECTIONAL VIEW



From R-012 To S-207	Date:10/2022	PAGE:H3-1884-01B
POSITION "B"		

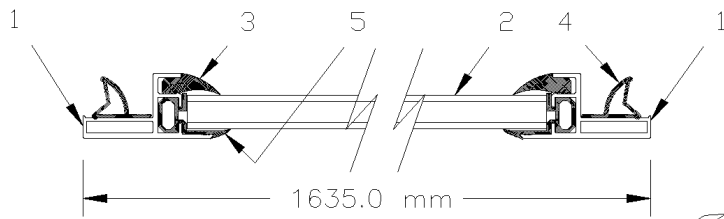
Item#	Part	Description	H 3 4 1	H 3 4 5	V I P 4 5	N O T E S
	292503P	WINDOW ASSY, THERMOS 28%	1	1		
	292730P	WINDOW ASSY, THERMOS 9%	1	1		
1	292461	FRAME	1	1		
2	292462	GLASS, THERMOS 28%	1	1		
2	292514	GLASS, THERMOS 9%	1	1		
3	292495	LOCKING STRIP 1055MM X 845MM / W/THERMOS	1	1		
4	292468	WINDOW SEAL / 1830MM X 904MM	1	1		
5	292338	EXTERIOR GLASS SEAL 829MM / HORIZONTAL	1	1		
5	292496	EXTERIOR GLASS SEAL 1052MM / HORIZONTAL	1	1		
5	292497	EXTERIOR GLASS SEAL 1046MM / HORIZONTAL	1	1		
5	292498	EXTERIOR GLASS SEAL 1693MM / HORIZONTAL	1	1		
NS	292053	SUPPORT / TO FIX WINDOW TO STRUCTURE	2	2		
NS	292512	ATTACHMENT	1	1		
NS	500473	WASHER LO SPT .262x.489x.062 Z050	4	4		
NS	500883	SCREW TC PAN PH #8-32x3/8 Z050	3	3		
NS	500923	SCREW TC CAP HEX 1/4-20x3/4 Z050	4	4		
6	682481	LOW FRICTION TAPE (HOCKEY)	AR	AR		
7	505421	SPRING, PIN M3 x 18	AR	AR		
8	292344	STOPPER BLOCK WINDOW	2	2		
NS	500896	SCREW TC FL PH #8-32x5/8 Z050	4	4		
		NEXT DECAL DOESN'T HAVE "NO SMOKING"				
NS	403855	DECAL SEAT EVEN-NUMBERED ON AISLE / 1-2 / CLEAR TO FIX ON TRAPEZOID	1	1		
NS	403857	DECAL SEAT ODD-NUMBERED ON AISLE / 3-4 / CLEAR TO FIX ON TRAPEZOID	1	1		
		NEXT DECAL HAS "NO-SMOKING" SIGN				
NS	403854	DECAL SEAT EVEN-NUMBERED ON AISLE / 1-2 / CLEAR TO FIX ON TRAPEZOID	1	1		
NS	403856	DECAL SEAT ODD-NUMBERED ON AISLE / 3-4 / CLEAR TO FIX ON TRAPEZOID	1	1		

From R-012 To S-207

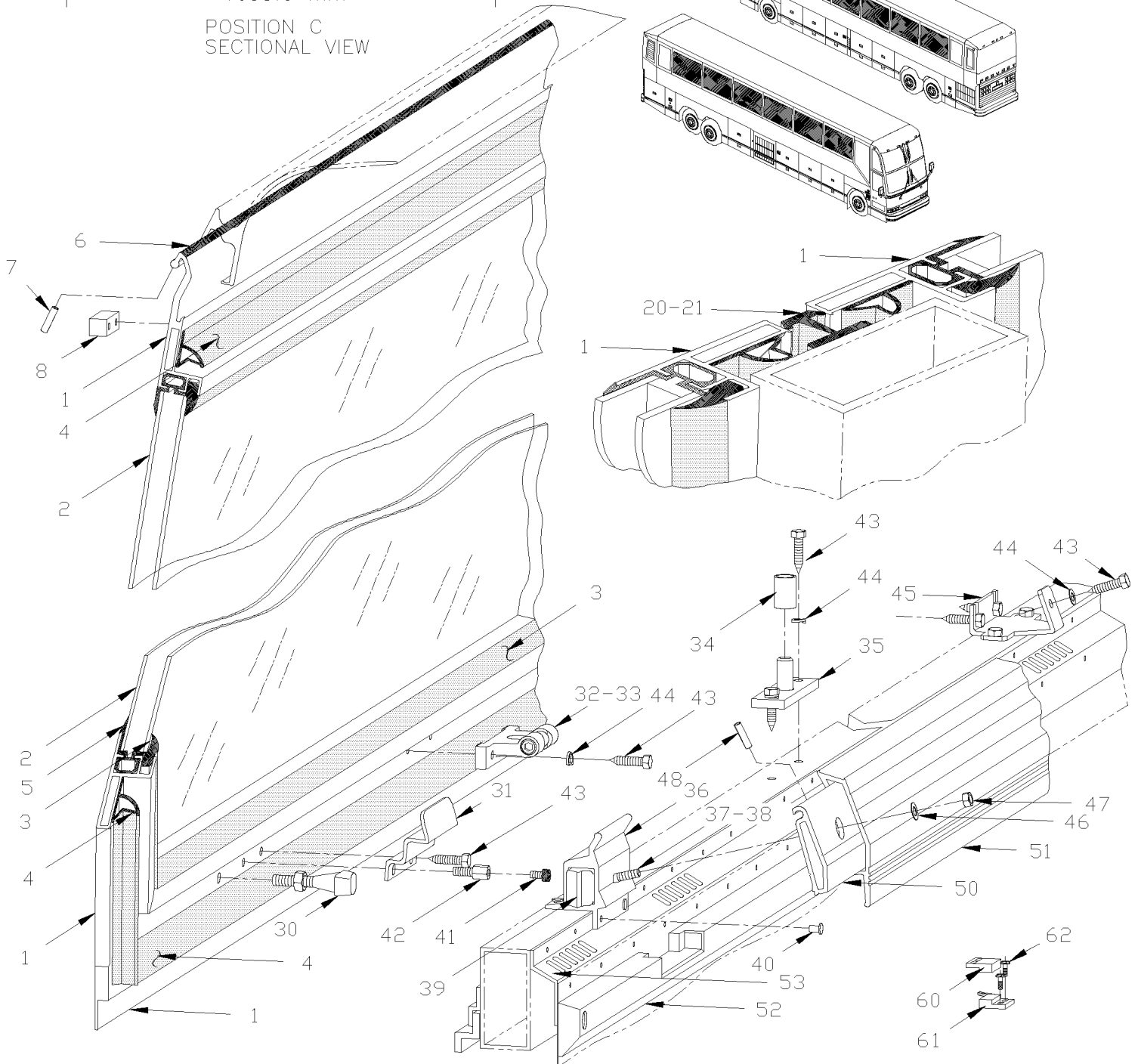
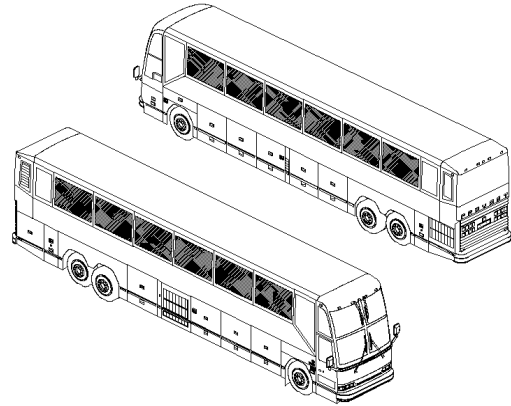
Date:10/2022

PAGE:H3-1884-01C

POSITION "C"



POSITION C
SECTIONAL VIEW



From R-012 To S-207	Date:10/2022	PAGE:H3-1884-01C
POSITION "C"		

Item#	Part	Description	H 3 4 1	H 3 4 5	V I P 4 5	N O T E S
	291778P	WINDOW ASSY, THERMOS 28%	10			
	291778P	WINDOW ASSY, THERMOS 28%		12		
	292716P	WINDOW ASSY, THERMOS 9%	10			
	292716P	WINDOW ASSY, THERMOS 9%		12		
	292029P	WINDOW ASSY, SINGLE 28%	10			
	292029P	WINDOW ASSY, SINGLE 28%		12		
	292741P	WINDOW ASSY, SINGLE 9%	10			
	292741P	WINDOW ASSY, SINGLE 9%		12		
1	291805	FRAME	1	1		
2	299041	GLASS, THERMOS 28% / 1531MM	1	1		
2	292513	GLASS, THERMOS 9% / 1531MM	1	1		
2	292040	GLASS, SINGLE 28% / 1531MM	1	1		
2	292736	GLASS, SINGLE 9% / 1531MM	1	1		
3	292262	LOCKING STRIP 1005MM X 1551MM / W/THERMOS	1	1		
3	292261	LOCKING STRIP 1005MM X 1551MM / W/SINGLE	1	1		
4	292279	WINDOW SEAL / 1091MM X 1622MM	1	1		
5	292339	EXTERIOR GLASS SEAL 997MM / VERTICAL	1	1		
5	292340	EXTERIOR GLASS SEAL 1553MM / HORIZONTAL	1	1		
6	682481	LOW FRICTION TAPE (HOCKEY)	AR	AR		
7	505421	SPRING, PIN M3 x 18	AR	AR		
8	292344	STOPPER BLOCK WINDOW	2	2		
NS	500896	SCREW TC FL PH #8-32x5/8 Z050	4	4		
20	292411	MOULDING 1182MM X 26MM To S-115	12			
20	292411	MOULDING 1182MM X 26MM To S-115		14		
20	292624	MOULDING 1182MM X 18MM From S-116	12			
20	292624	MOULDING 1182MM X 18MM From S-116		14		
21	292413	MOULDING / W/CB ANTENNA 500MM X 26MM To S-115	1			
21	292413	MOULDING / W/CB ANTENNA 500MM X 26MM To S-115		1		
21	292412	MOULDING / W/CB ANTENNA 640MM X 26MM From S-116	1			
21	292412	MOULDING / W/CB ANTENNA 640MM X 26MM From S-116		1		
21	292618	MOULDING / W/CB ANTENNA 500MM X 18MM To S-115	1	1		
21	292621	MOULDING / W/CB ANTENNA 640MM X 18MM From S-116	1	1		
NS	681348	TAPE RUB ADH2 ACRYLIC .045" x 1" x 108' / VHB4952	AR	AR		A
25	291947	GLASS, THERMOS 28%	1	1		
26	H3-1880-00	WINDSHIELD & CHANNEL				
27	H3-1886-00	POWER WINDOW - ELECTRICAL INSTALLATION				
28	H3-1862-10	ENTRANCE DOOR ASSY - "SEDAN"				
30	291781	BOLT LOCKING	2	2		
30	502710	NUT HEX THN M8-1.5x4.5 ZP	2	2		
31	292012	HANDLE WINDOW	2	2		
32	292047	BRACKET ASSY CENTERING	1	1		
32	292021	BRACKET CENTERING	1	1		

From R-012 To S-207	Date:10/2022	PAGE:H3-1884-01C
POSITION "C"		

Item#	Part	Description	H 3 4 1	H 3 4 5	V I P 4 5	N O T E S
33	507314	PLUNGER BALL M12 X 1.75	1	1		
34	504586	WASHER FL SPACER .450x.625x.875 NYL	1	1		
35	292410	PIN, CENTERING	1	1		
36	291838	LATCH ASSY / L.H. ASSY SHOWN	1	1		
36	291837	LATCH ASSY / R.H. ASSY	1	1		
36	291789	. SUPPORT / L.H.	1	1		
36	291782	. SUPPORT / R.H.	1	1		
37	291797	. ROD LOCKING	1	1		
38	505415	. SPRING, PIN M2.5 X 36	1	1		
39	291795	. LATCH / L.H.	1	1		
39	291796	. LATCH / R.H.	1	1		
39	291940	. SPRING COMPRESSION / .511 O.D. x 30 MM x .040	1	1		
40	504256	RIVET POP CK OE 3/16x1/4 AL	AR	AR		
41	504572	BUMPER RUBBER BOLT / .625 ODx.296TH x 8-32X.25 STUD	2	2		
42	292349	ADAPTOR STUD 1/4-20 Male x 8-32 Female	2	2		
43	500923	SCREW TC CAP HEX 1/4-20x3/4 Z050	AR	AR		
44	500473	WASHER LO SPT .262x.489x.062 Z050	AR	AR		
45	292350	SUPPORT "U" SHAPE / TO FIX HANDLE & WINDOW TO STRUCTURE	2	2		
46	5001114	WASHER FL .260x.687x.060 NYL	2	2		
47	502511	NUT HEX NYRT M6-1.0 Z050	2	2		
48	505421	SPRING, PIN M3 x 18	AR	AR		
50	291887	SUPPORT HANDLE / 1531MM	10			
50	291887	SUPPORT HANDLE / 1531MM		12		
NS	504572	BUMPER RUBBER BOLT / .625 ODx.296TH x 8-32X.25 STUD	2	2		
50	5011016	WASHER FL .177x.500x.109 AL GAL	2	2		
51	292356	HANDLE / 1550MM	10			
52	292010	BAR PLASTIC PROTECTION	6			
52	292010	BAR PLASTIC PROTECTION		7		
52	500345	WASHER FN CKF .187x.500x.090 BR BK	8	8		
52	500686	SCREW TP OV PH #6x1/2 BK	8	8		
53	H3-1833-00	WINDOW FINISHING CAP & WALL				
		NEXT DECAL DOESN'T HAVE "NO SMOKING"				
NS	403855	DECAL SEAT EVEN-NUMBERED ON AISLE / 1-2 / CLEAR TO FIX ON TRAPEZOID	1	1		
NS	403862	DECAL SEAT EVEN-NUMBERED ON AISLE / 3-52	1			
NS	403740	DECAL SEAT EVEN-NUMBERED ON AISLE / 5-60		1		
NS	403857	DECAL SEAT ODD-NUMBERED ON AISLE / 3-4 / CLEAR TO FIX ON TRAPEZOID	1	1		
NS	403864	DECAL SEAT ODD-NUMBERED ON AISLE / 3-52	1			
NS	403742	DECAL SEAT ODD-NUMBERED ON AISLE / 5-60		1		
		NEXT DECAL HAS "NO-SMOKING" SIGN				

From R-012 To S-207	Date:10/2022	PAGE:H3-1884-01C
POSITION "C"		

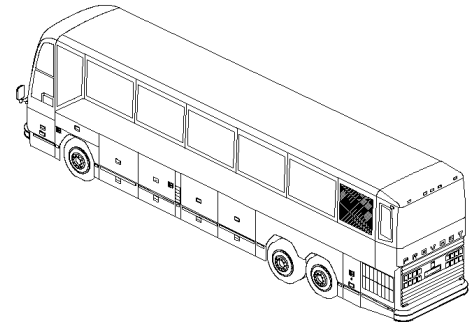
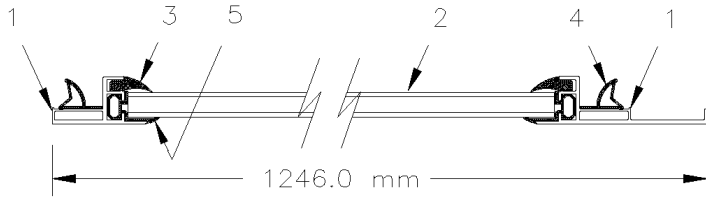
Item#	Part	Description	H 3 4 1	H 3 4 5	V I P 4 5	N O T E S
NS	403854	DECAL SEAT EVEN-NUMBERED ON AISLE / 1-2 / CLEAR TO FIX ON TRAPEZOID	1	1		
NS	403741	DECAL SEAT EVEN-NUMBERED ON AISLE / 5-60		1		
NS	403856	DECAL SEAT ODD-NUMBERED ON AISLE / 3-4 / CLEAR TO FIX ON TRAPEZOID	1	1		
NS	403743	DECAL SEAT ODD-NUMBERED ON AISLE / 5-60		1		
NS	403865	DECAL SEAT ODD-NUMBERED ON AISLE / 3-52	1			
NS	403863	DECAL SEAT EVEN-NUMBERED ON AISLE / 3-52	1			
60	064679	MAGNET SENSOR ASSY W/TAPE DUAL LOCK	AR	AR		
61	064678	SWITCH MAGNETIC ASSY W/TAPE DUAL LOCK	AR	AR		
NS	293345	SUPPORT / SWITCH MAGNETIC	AR	AR		
62	504248	RIVET CHY Q PRDG 3/16x1/4 SS	AR	AR		
		A) TO FIX MOULDING				

From R-012 To S-207

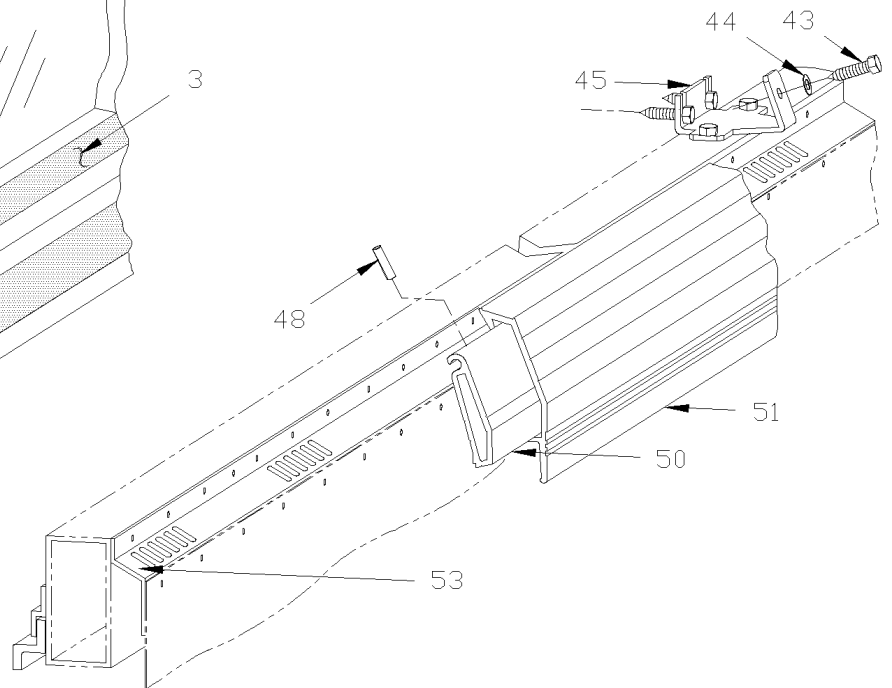
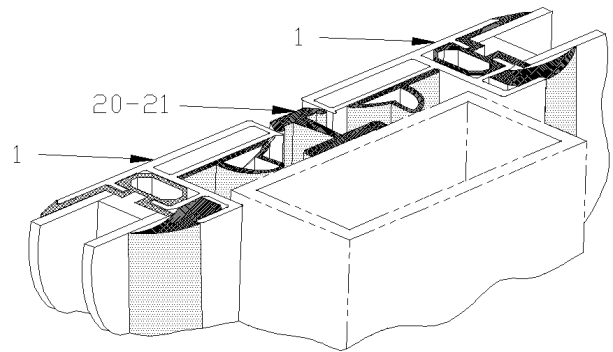
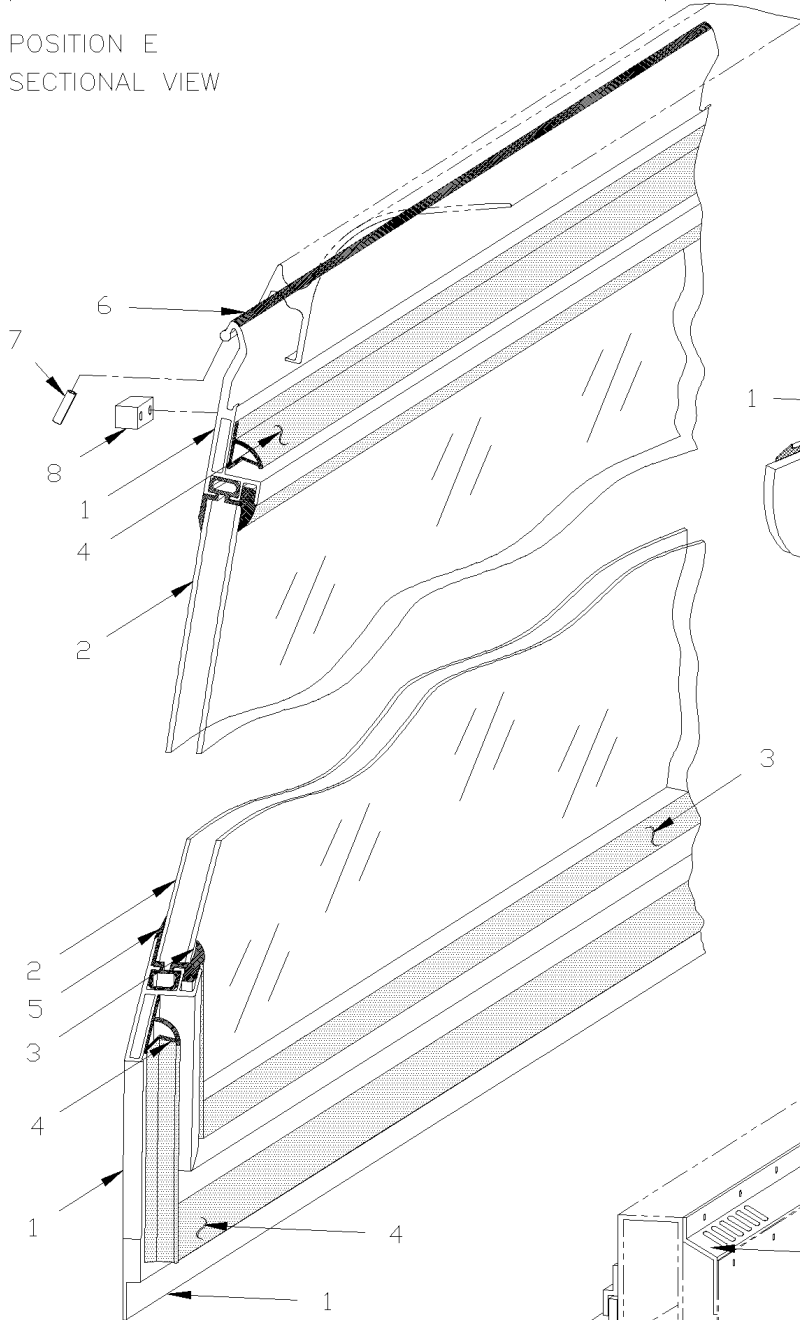
Date:10/2022

PAGE:H3-1884-01E

POSITION "E"



POSITION E
SECTIONAL VIEW



From R-012 To S-207	Date:10/2022	PAGE:H3-1884-01E
POSITION "E"		

Item#	Part	Description	H 3 4 1	H 3 4 5	V I P 4 5	N O T E S
	292551P	WINDOW ASSY, THERMOS 28% / 1092MM	1			
	292728P	WINDOW ASSY, THERMOS 9% / 1092MM	1			
	292553P	WINDOW ASSY, SINGLE 28% / 1092MM	1			
	292785P	WINDOW ASSY, SINGLE 9%	1			
1	292544	FRAME	1			
2	292466	GLASS, THERMOS 28% / 1092MM	1			
2	292713	GLASS, THERMOS 9% / 1092MM	1			
2	292467	GLASS, SINGLE 28% / 1092MM	1			
2	292740	GLASS, SINGLE 9% / 1092MM	1			
3	292549	LOCKING STRIP 1005MM X 1117MM / W/THERMOS	1			
3	292548	LOCKING STRIP 1005MM X 1117MM / W/SINGLE	1			
4	292546	WINDOW SEAL / 1091MM X 1182MM	1			
5	292339	EXTERIOR GLASS SEAL 997MM / VERTICAL	1			
5	292547	EXTERIOR GLASS SEAL 1109MM / HORIZONTAL	1			
6	682481	LOW FRICTION TAPE (HOCKEY)	AR			
7	505421	SPRING, PIN M3 x 18	AR			
8	292344	STOPPER BLOCK WINDOW	2			
NS	500896	SCREW TC FL PH #8-32x5/8 Z050	4			
20	292411	MOULDING 1182MM X 26MM To S-115	12			
20	292624	MOULDING 1182MM X 18MM From S-116	12			
21	292413	MOULDING / W/CB ANTENNA 500MM X 26MM To S-115	1			
21	292412	MOULDING / W/CB ANTENNA 640MM X 26MM From S-116	1			
21	292618	MOULDING / W/CB ANTENNA 500MM X 18MM To S-115	1			
21	292621	MOULDING / W/CB ANTENNA 640MM X 18MM From S-116	1			
NS	681348	TAPE RUB ADH2 ACRYLIC .045" x 1" x 108' / VHB4952	AR			A
43	500923	SCREW TC CAP HEX 1/4-20x3/4 Z050	AR			
44	500473	WASHER LO SPT .262x.489x.062 Z050	AR			
45	292350	SUPPORT "U" SHAPE / TO FIX HANDLE & WINDOW TO STRUCTURE	2			
50	292558	SUPPORT HANDLE / 1073MM	AR			
NS	504572	BUMPER RUBBER BOLT / .625 ODx.296TH x 8-32X.25 STUD	2			
50	5011016	WASHER FL .177x.500x.109 AL GAL	2			
51	292557	HANDLE / 1094MM	AR			
53	H3-1833-00	WINDOW FINISHING CAP & WALL				
		NEXT DECAL DOESN'T HAVE "NO SMOKING"				
NS	403855	DECAL SEAT EVEN-NUMBERED ON AISLE / 1-2 / CLEAR TO FIX ON TRAPEZOID	AR			
NS	403862	DECAL SEAT EVEN-NUMBERED ON AISLE / 3-2	AR			
NS	403857	DECAL SEAT ODD-NUMBERED ON AISLE / 3-4 / CLEAR TO FIX ON TRAPEZOID	AR			
NS	403864	DECAL SEAT ODD-NUMBERED ON AISLE / 3-52	AR			
		NEXT DECAL HAS "NO-SMOKING" SIGN				

From R-012 To S-207	Date:10/2022	PAGE:H3-1884-01E
POSITION "E"		

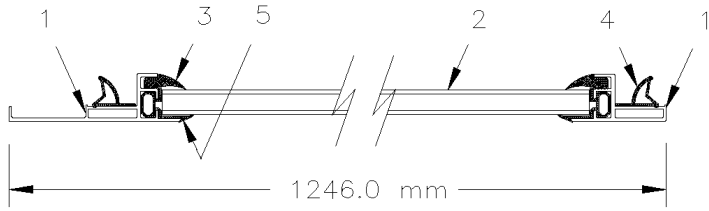
Item#	Part	Description	H 3 4 1	H 3 4 5	V I P 4 5	N O T E S
NS	403854	DECAL SEAT EVEN-NUMBERED ON AISLE / 1-2 / CLEAR TO FIX ON TRAPEZOID	AR			
NS	403856	DECAL SEAT ODD-NUMBERED ON AISLE / 3-4 / CLEAR TO FIX ON TRAPEZOID	AR			
NS	403865	DECAL SEAT ODD-NUMBERED ON AISLE / 3-52	AR			
NS	403863	DECAL SEAT EVEN-NUMBERED ON AISLE / 3-52	AR			
		A) TO FIX MOULDING				

From R-012 To S-207

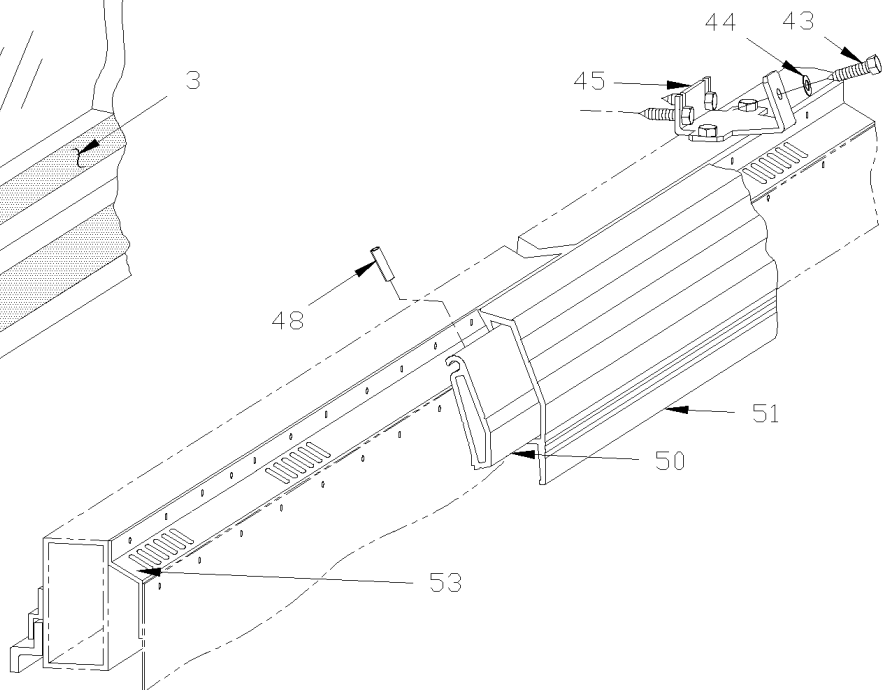
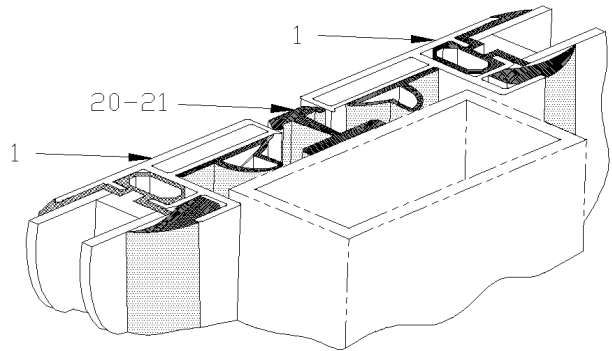
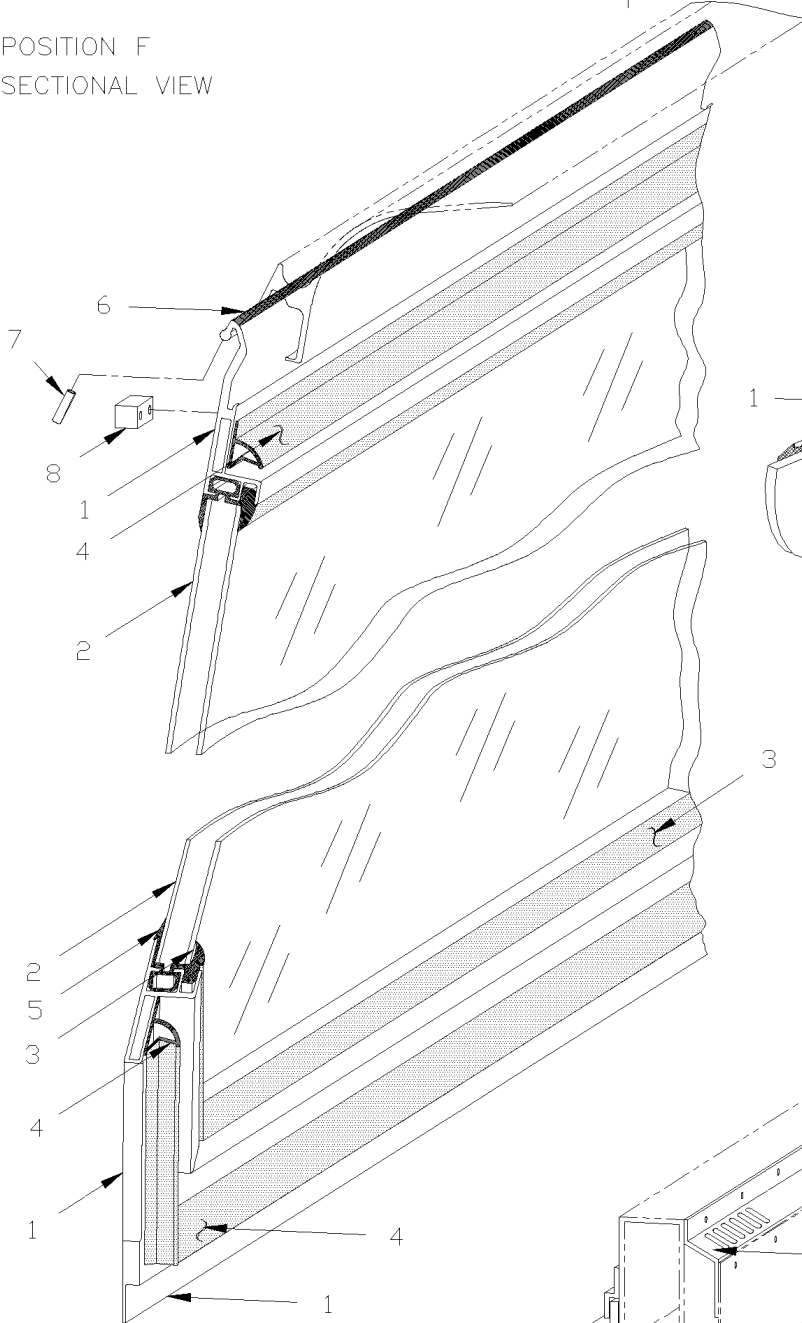
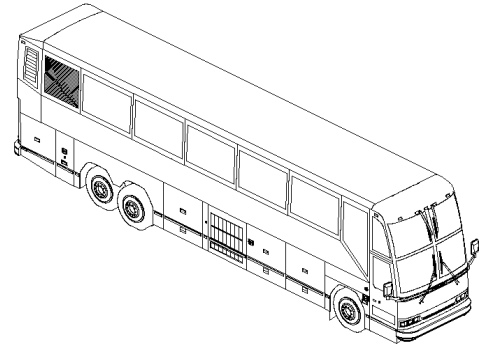
Date:10/2022

PAGE:H3-1884-01F

POSITION "F"



POSITION F
SECTIONAL VIEW



From R-012 To S-207	Date:10/2022	PAGE:H3-1884-01F
POSITION "F"		

Item#	Part	Description	H 3 4 1	H 3 4 5	V I P 4 5	N O T E S
	292550P	WINDOW ASSY, THERMOS 28% / 1092MM	1			
	292718P	WINDOW ASSY, THERMOS 9% / 1092MM	1			
	292552P	WINDOW ASSY, SINGLE 28% / 1092MM	1			
	292745P	WINDOW ASSY, SINGLE 9%	1			
1	292545	FRAME	1			
2	292466	GLASS, THERMOS 28% / 1092MM	1			
2	292713	GLASS, THERMOS 9% / 1092MM	1			
2	292467	GLASS, SINGLE 28% / 1092MM	1			
2	292740	GLASS, SINGLE 9% / 1092MM	1			
3	292549	LOCKING STRIP 1005MM X 1117MM / W/THERMOS	1			
3	292548	LOCKING STRIP 1005MM X 1117MM / W/SINGLE	1			
4	292546	WINDOW SEAL / 1091MM X 1182MM	1			
5	292339	EXTERIOR GLASS SEAL 997MM / VERTICAL	1			
5	292547	EXTERIOR GLASS SEAL 1109MM / HORIZONTAL	1			
6	682481	LOW FRICTION TAPE (HOCKEY)	AR			
7	505421	SPRING, PIN M3 x 18	AR			
8	292344	STOPPER BLOCK WINDOW	2			
NS	500896	SCREW TC FL PH #8-32x5/8 Z050	4			
20	292411	MOULDING 1182MM X 26MM To S-115	12			
20	292624	MOULDING 1182MM X 18MM From S-116	12			
21	292413	MOULDING / W/CB ANTENNA 500MM X 26MM To S-115	1			
21	292412	MOULDING / W/CB ANTENNA 640MM X 26MM From S-116	1			
21	292618	MOULDING / W/CB ANTENNA 500MM X 18MM To S-115	1			
21	292621	MOULDING / W/CB ANTENNA 640MM X 18MM From S-116	1			
NS	681348	TAPE RUB ADH2 ACRYLIC .045" x 1" x 108' / VHB4952	AR			A
43	500923	SCREW TC CAP HEX 1/4-20x3/4 Z050	AR			
44	500473	WASHER LO SPT .262x.489x.062 Z050	AR			
45	292350	SUPPORT "U" SHAPE / TO FIX HANDLE & WINDOW TO STRUCTURE	2			
48	505421	SPRING, PIN M3 x 18	AR			
50	292558	SUPPORT HANDLE / 1073MM	1			
NS	504572	BUMPER RUBBER BOLT / .625 ODx.296TH x 8-32X.25 STUD	2			
50	5011016	WASHER FL .177x.500x.109 AL GAL	2			
51	292555	HANDLE / 1111MM	1			
53	H3-1833-00	WINDOW FINISHING CAP & WALL				
		NEXT DECAL DOESN'T HAVE "NO SMOKING"				
NS	403855	DECAL SEAT EVEN-NUMBERED ON AISLE / 1-2 / CLEAR TO FIX ON TRAPEZOID	AR			
NS	403862	DECAL SEAT EVEN-NUMBERED ON AISLE / 3-52	AR			
NS	403857	DECAL SEAT ODD-NUMBERED ON AISLE / 3-4 / CLEAR TO FIX ON TRAPEZOID	AR			
NS	403864	DECAL SEAT ODD-NUMBERED ON AISLE / 3-52	AR			

From R-012 To S-207	Date:10/2022	PAGE:H3-1884-01F
POSITION "F"		

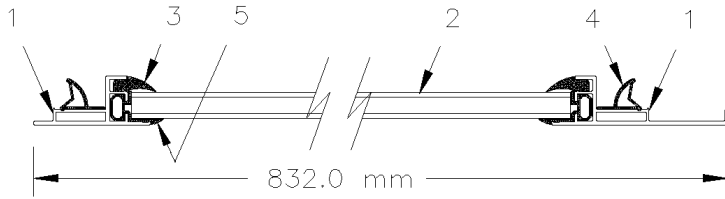
Item#	Part	Description	H 3 4 1	H 3 4 5	V I P 4 5	N O T E S
		NEXT DECAL HAS "NO-SMOKING" SIGN				
NS	403854	DECAL SEAT EVEN-NUMBERED ON AISLE / 1-2 / CLEAR TO FIX ON TRAPEZOID	AR			
NS	403856	DECAL SEAT ODD-NUMBERED ON AISLE / 3-4 / CLEAR TO FIX ON TRAPEZOID	AR			
NS	403865	DECAL SEAT ODD-NUMBERED ON AISLE / 3-52	AR			
NS	403863	DECAL SEAT EVEN-NUMBERED ON AISLE / 3-52	AR			
		A) TO FIX MOULDING				

From R-012 To S-207

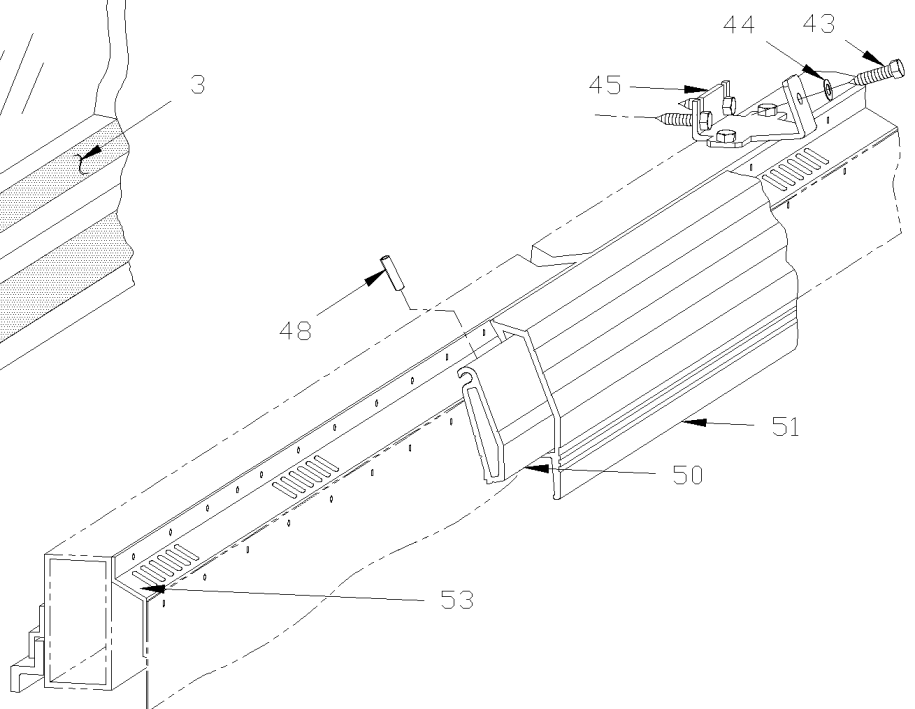
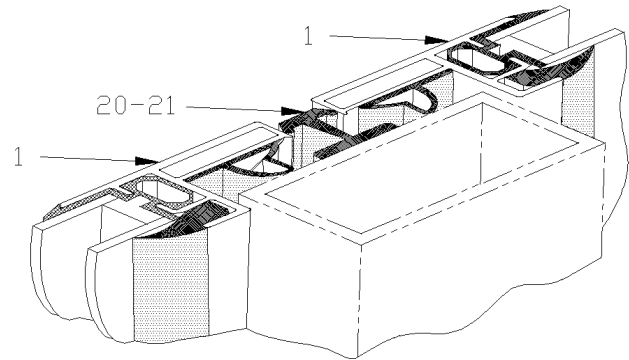
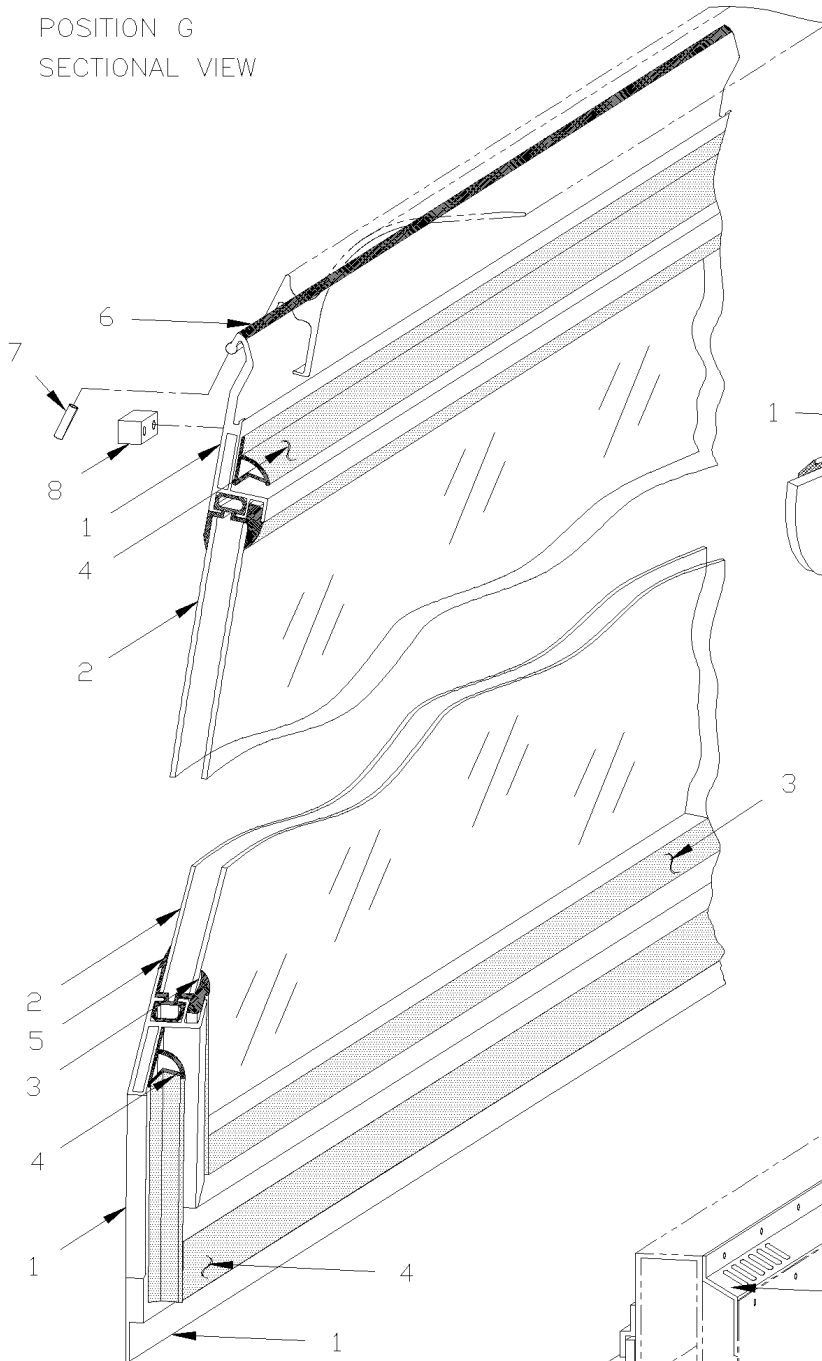
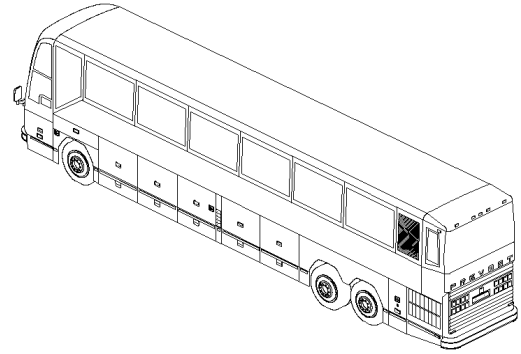
Date:10/2022

PAGE:H3-1884-01G

POSITION "G"



POSITION G
SECTIONAL VIEW



From R-012 To S-207	Date:10/2022	PAGE:H3-1884-01G
POSITION "G"		

Item#	Part	Description	H 3 4 1	H 3 4 5	V I P 4 5	N O T E S
	292450P	WINDOW ASSY, THERMOS 28% / 678MM		1		
	292451P	WINDOW ASSY, SINGLE 28% / 678MM		1		
1	292446	FRAME		1		
2	292442	GLASS, THERMOS 28% / 678MM		1		
2	292516	GLASS, THERMOS 9% / 678MM		1		
2	292445	GLASS, SINGLE 28% / 678MM		1		
2	292737	GLASS, SINGLE 9% / 678MM		1		
3	292443	LOCKING STRIP 1005MM X 703MM / W/THERMOS		1		
3	292441	LOCKING STRIP 1005MM X 703MM / W/SINGLE		1		
4	292444	WINDOW SEAL / 1091MM X 768MM		1		
5	292339	EXTERIOR GLASS SEAL 997MM / VERTICAL		1		
5	292440	EXTERIOR GLASS SEAL 692MM / HORIZONTAL		1		
6	682481	LOW FRICTION TAPE (HOCKEY)		AR		
7	505421	SPRING, PIN M3 x 18		AR		
8	292344	STOPPER BLOCK WINDOW		2		
NS	500896	SCREW TC FL PH #8-32x5/8 Z050		4		
20	292411	MOULDING 1182MM X 26MM To S-115		14		
20	292624	MOULDING 1182MM X 18MM From S-116		14		
21	292413	MOULDING / W/CB ANTENNA 500MM X 26MM To S-115		1		
21	292412	MOULDING / W/CB ANTENNA 640MM X 26MM From S-116		1		
21	292618	MOULDING / W/CB ANTENNA 500MM X 18MM To S-115		1		
21	292621	MOULDING / W/CB ANTENNA 640MM X 18MM From S-116		1		
NS	681348	TAPE RUB ADH2 ACRYLIC .045" x 1" x 108' / VHB4952		AR		A
43	500923	SCREW TC CAP HEX 1/4-20x3/4 Z050		AR		
44	500473	WASHER LO SPT .262x.489x.062 Z050		AR		
45	292350	SUPPORT "U" SHAPE / TO FIX HANDLE & WINDOW TO STRUCTURE		2		
48	505421	SPRING, PIN M3 x 18		AR		
50	292436	SUPPORT HANDLE / 659MM		AR		
NS	504572	BUMPER RUBBER BOLT / .625 ODx.296TH x 8-32X.25 STUD		2		
50	5011016	WASHER FL .177x.500x.109 AL GAL		2		
51	292437	HANDLE / 680MM		AR		
53	H3-1833-00	WINDOW FINISHING CAP & WALL				
		NEXT DECAL DOESN'T HAVE "NO SMOKING"				
NS	403855	DECAL SEAT EVEN-NUMBERED ON AISLE / 1-2 / CLEAR TO FIX ON TRAPEZOID		AR		
NS	403740	DECAL SEAT EVEN-NUMBERED ON AISLE / 5-60		AR		
NS	403857	DECAL SEAT ODD-NUMBERED ON AISLE / 3-4 / CLEAR TO FIX ON TRAPEZOID		AR		
NS	403742	DECAL SEAT ODD-NUMBERED ON AISLE / 5-60		AR		
		NEXT DECAL HAS "NO-SMOKING" SIGN				

From R-012 To S-207	Date:10/2022	PAGE:H3-1884-01G
POSITION "G"		

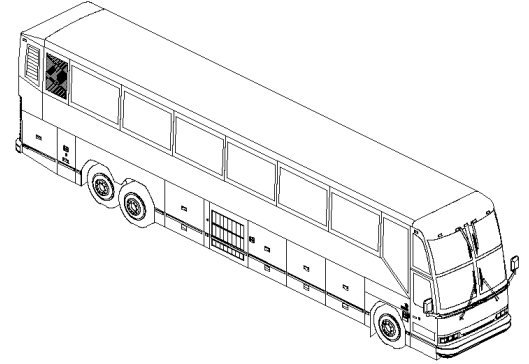
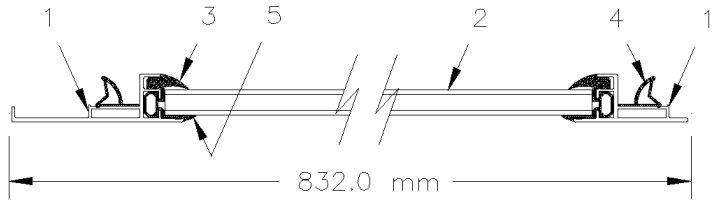
Item#	Part	Description	H 3 4 1	H 3 4 5	V I P 4 5	N O T E S
NS	403854	DECAL SEAT EVEN-NUMBERED ON AISLE / 1-2 / CLEAR TO FIX ON TRAPEZOID		AR		
NS	403741	DECAL SEAT EVEN-NUMBERED ON AISLE / 5-60		AR		
NS	403856	DECAL SEAT ODD-NUMBERED ON AISLE / 3-4 / CLEAR TO FIX ON TRAPEZOID		AR		
NS	403743	DECAL SEAT ODD-NUMBERED ON AISLE / 5-60		AR		
		A) TO FIX MOULDING				

From R-012 To S-207

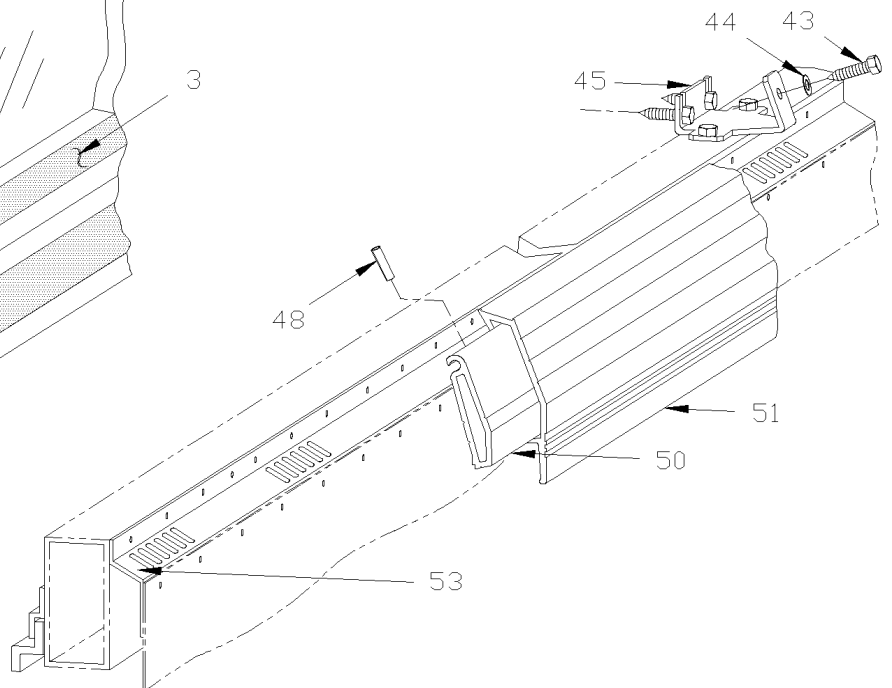
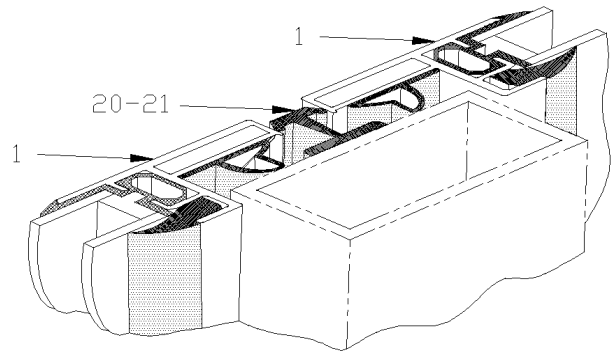
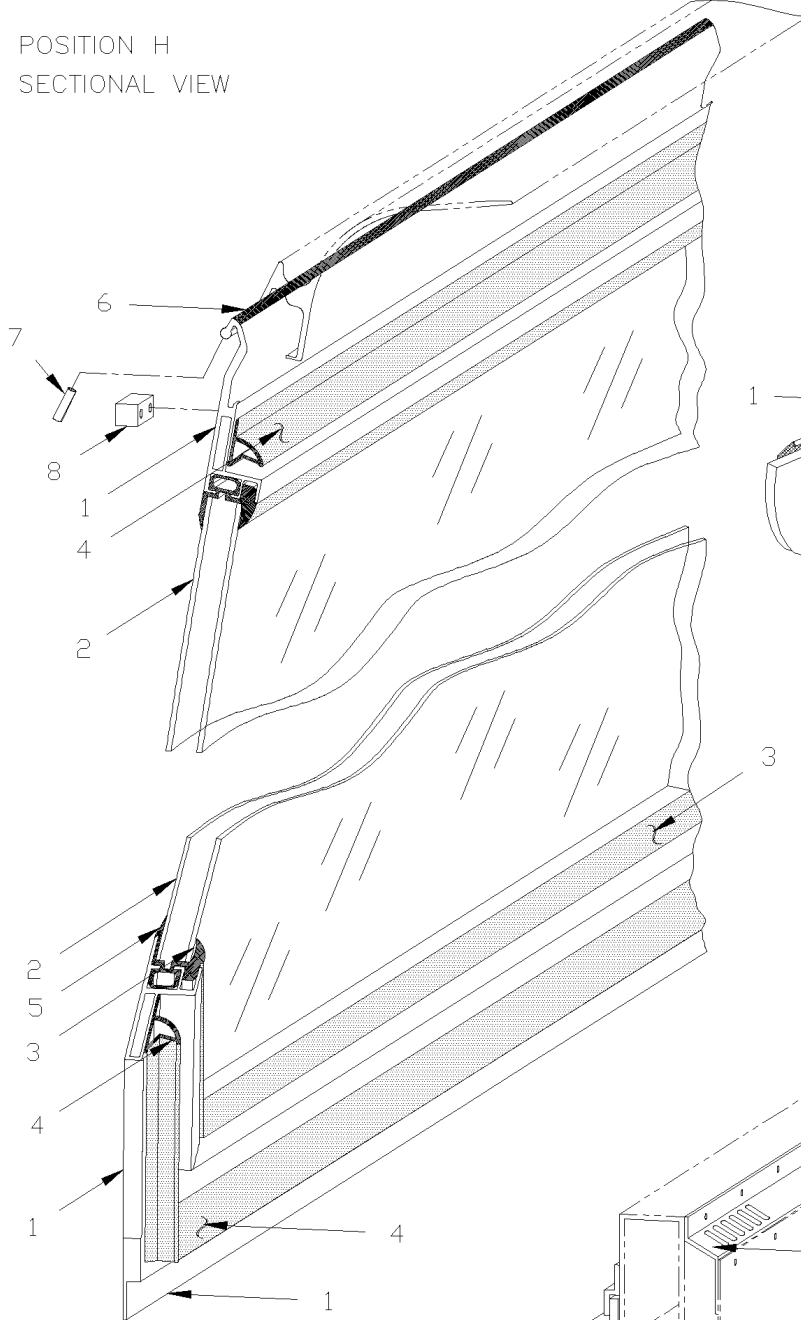
Date:10/2022

PAGE:H3-1884-01H

POSITION "H"



POSITION H
SECTIONAL VIEW



From R-012 To S-207	Date:10/2022	PAGE:H3-1884-01H
POSITION "H"		

Item#	Part	Description	H 3 4 1	H 3 4 5	V I P 4 5	N O T E S
	292448P	WINDOW ASSY, THERMOS 28% / 678MM		1		
	292449P	WINDOW ASSY, SINGLE 28% / 678MM		1		
1	292447	FRAME		1		
2	292442	GLASS, THERMOS 28% / 678MM		1		
2	292516	GLASS, THERMOS 9% / 678MM		1		
2	292445	GLASS, SINGLE 28% / 678MM		1		
2	292737	GLASS, SINGLE 9% / 678MM		1		
3	292443	LOCKING STRIP 1005MM X 703MM / W/THERMOS		1		
3	292441	LOCKING STRIP 1005MM X 703MM / W/SINGLE		1		
4	292444	WINDOW SEAL / 1091MM X 768MM		1		
5	292339	EXTERIOR GLASS SEAL 997MM / VERTICAL		1		
5	292440	EXTERIOR GLASS SEAL 692MM / HORIZONTAL		1		
6	682481	LOW FRICTION TAPE (HOCKEY)		AR		
7	505421	SPRING, PIN M3 x 18		AR		
8	292344	STOPPER BLOCK WINDOW		2		
NS	500896	SCREW TC FL PH #8-32x5/8 Z050		4		
20	292411	MOULDING 1182MM X 26MM To S-115		14		
20	292624	MOULDING 1182MM X 18MM From S-116		14		
21	292413	MOULDING / W/CB ANTENNA 500MM X 26MM To S-115		1		
21	292412	MOULDING / W/CB ANTENNA 640MM X 26MM From S-116		1		
21	292618	MOULDING / W/CB ANTENNA 500MM X 18MM To S-115		1		
21	292621	MOULDING / W/CB ANTENNA 640MM X 18MM From S-116		1		
NS	681348	TAPE RUB ADH2 ACRYLIC .045" x 1" x 108' / VHB4952		AR		A
43	500923	SCREW TC CAP HEX 1/4-20x3/4 Z050		AR		
44	500473	WASHER LO SPT .262x.489x.062 Z050		AR		
45	292350	SUPPORT "U" SHAPE / TO FIX HANDLE & WINDOW TO STRUCTURE		2		
48	505421	SPRING, PIN M3 x 18		AR		
50	292438	SUPPORT HANDLE / 676MM		AR		
NS	504572	BUMPER RUBBER BOLT / .625 ODx.296TH x 8-32X.25 STUD		2		
50	5011016	WASHER FL .177x.500x.109 AL GAL		2		
51	292439	HANDLE / 697MM		AR		
53	H3-1833-00	WINDOW FINISHING CAP & WALL				
		NEXT DECAL DOESN'T HAVE "NO SMOKING"				
NS	403855	DECAL SEAT EVEN-NUMBERED ON AISLE / 1-2 / CLEAR TO FIX ON TRAPEZOID		AR		
NS	403740	DECAL SEAT EVEN-NUMBERED ON AISLE / 5-60		AR		
NS	403857	DECAL SEAT ODD-NUMBERED ON AISLE / 3-4 / CLEAR TO FIX ON TRAPEZOID		AR		
NS	403742	DECAL SEAT ODD-NUMBERED ON AISLE / 5-60		AR		
		NEXT DECAL HAS "NO-SMOKING" SIGN				

From R-012 To S-207	Date:10/2022	PAGE:H3-1884-01H
POSITION "H"		

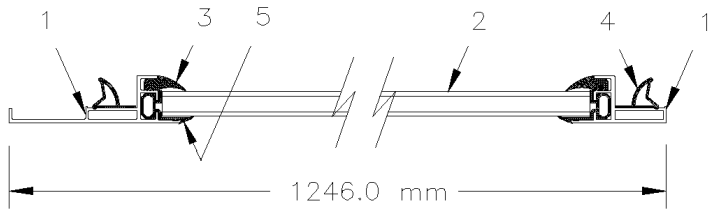
Item#	Part	Description	H 3 4 1	H 3 4 5	V I P 4 5	N O T E S
NS	403854	DECAL SEAT EVEN-NUMBERED ON AISLE / 1-2 / CLEAR TO FIX ON TRAPEZOID		AR		
NS	403741	DECAL SEAT EVEN-NUMBERED ON AISLE / 5-60		AR		
NS	403856	DECAL SEAT ODD-NUMBERED ON AISLE / 3-4 / CLEAR TO FIX ON TRAPEZOID		AR		
NS	403743	DECAL SEAT ODD-NUMBERED ON AISLE / 5-60		AR		
		A) TO FIX MOULDING				

From R-012 To S-207

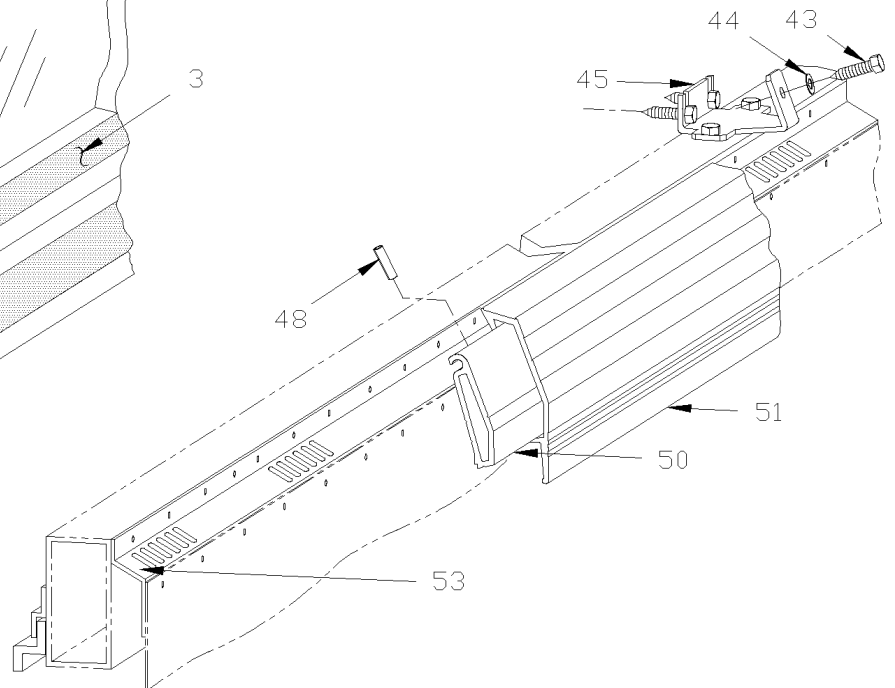
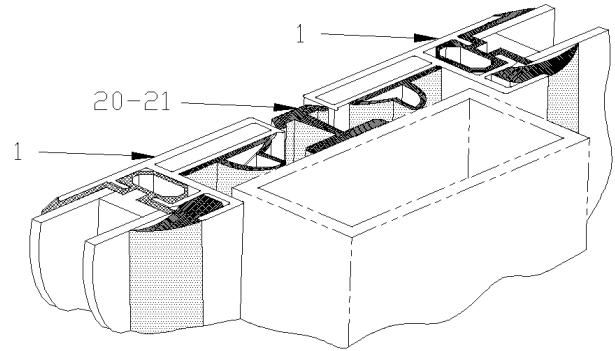
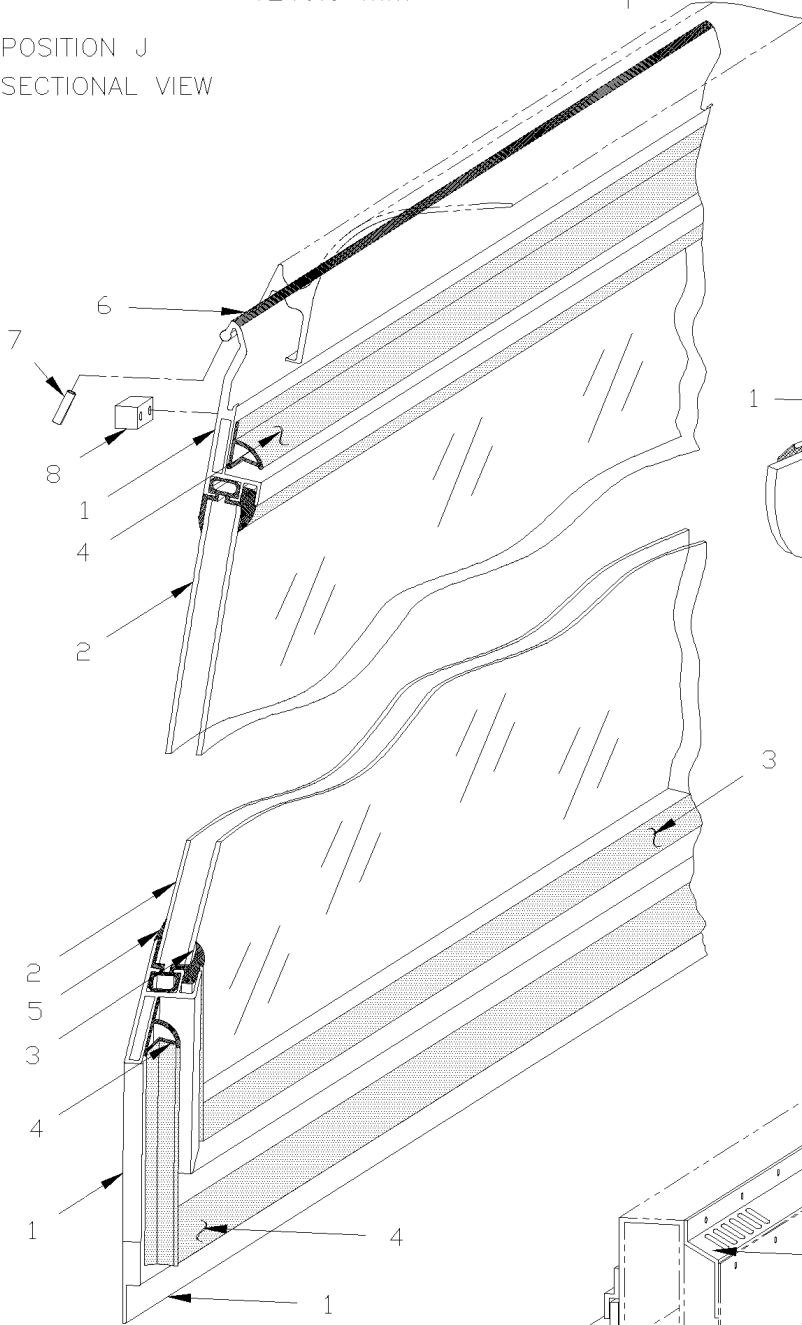
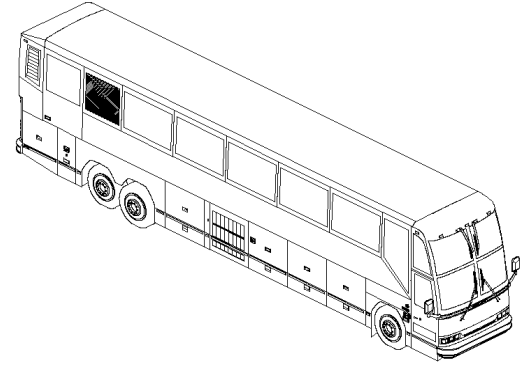
Date:10/2022

PAGE:H3-1884-01J

POSITION "J"



POSITION J
SECTIONAL VIEW



From R-012 To S-207	Date:10/2022	PAGE:H3-1884-01J
POSITION "J"		

Item#	Part	Description	H 3 4 1	H 3 4 5	V I P 4 5	N O T E S
	292550P	WINDOW ASSY, THERMOS 28% / 1092MM		1		
	292552P	WINDOW ASSY, SINGLE 28% / 1092MM		1		
1	292545	FRAME		1		
2	292466	GLASS, THERMOS 28% / 1092MM		1		
2	292713	GLASS, THERMOS 9% / 1092MM		1		
2	292467	GLASS, SINGLE 28% / 1092MM		1		
2	292740	GLASS, SINGLE 9% / 1092MM		1		
3	292549	LOCKING STRIP 1005MM X 1117MM / W/THERMOS		1		
3	292548	LOCKING STRIP 1005MM X 1117MM / W/SINGLE		1		
4	292546	WINDOW SEAL / 1091MM X 1182MM		1		
5	292339	EXTERIOR GLASS SEAL 997MM / VERTICAL		1		
5	292547	EXTERIOR GLASS SEAL 1109MM / HORIZONTAL		1		
6	682481	LOW FRICTION TAPE (HOCKEY)		AR		
7	505421	SPRING, PIN M3 x 18		AR		
8	292344	STOPPER BLOCK WINDOW		2		
NS	500896	SCREW TC FL PH #8-32x5/8 Z050		4		
20	292411	MOULDING 1182MM X 26MM To S-115		14		
20	292624	MOULDING 1182MM X 18MM From S-116		14		
21	292413	MOULDING / W/CB ANTENNA 500MM X 26MM To S-115		1		
21	292412	MOULDING / W/CB ANTENNA 640MM X 26MM From S-116		1		
21	292618	MOULDING / W/CB ANTENNA 500MM X 18MM To S-115		1		
21	292621	MOULDING / W/CB ANTENNA 640MM X 18MM From S-116		1		
NS	681348	TAPE RUB ADH2 ACRYLIC .045" x 1" x 108' / VHB4952		AR		A
43	500923	SCREW TC CAP HEX 1/4-20x3/4 Z050		AR		
44	500473	WASHER LO SPT .262x.489x.062 Z050		AR		
45	292350	SUPPORT "U" SHAPE / TO FIX HANDLE & WINDOW TO STRUCTURE		2		
48	505421	SPRING, PIN M3 x 18		AR		
50	292558	SUPPORT HANDLE / 1073MM		AR		
NS	504572	BUMPER RUBBER BOLT / .625 ODx.296TH x 8-32X.25 STUD		2		
50	5011016	WASHER FL .177x.500x.109 AL GAL		2		
51	292555	HANDLE / 1111MM		AR		
53	H3-1833-00	WINDOW FINISHING CAP & WALL				
		NEXT DECAL DOESN'T HAVE "NO SMOKING"				
NS	403855	DECAL SEAT EVEN-NUMBERED ON AISLE / 1-2 / CLEAR TO FIX ON TRAPEZOID		AR		
NS	403740	DECAL SEAT EVEN-NUMBERED ON AISLE / 5-60		AR		
NS	403857	DECAL SEAT ODD-NUMBERED ON AISLE / 3-4 / CLEAR TO FIX ON TRAPEZOID		AR		
NS	403742	DECAL SEAT ODD-NUMBERED ON AISLE / 5-60		AR		
		NEXT DECAL HAS "NO-SMOKING" SIGN				

From R-012 To S-207	Date:10/2022	PAGE:H3-1884-01J
POSITION "J"		

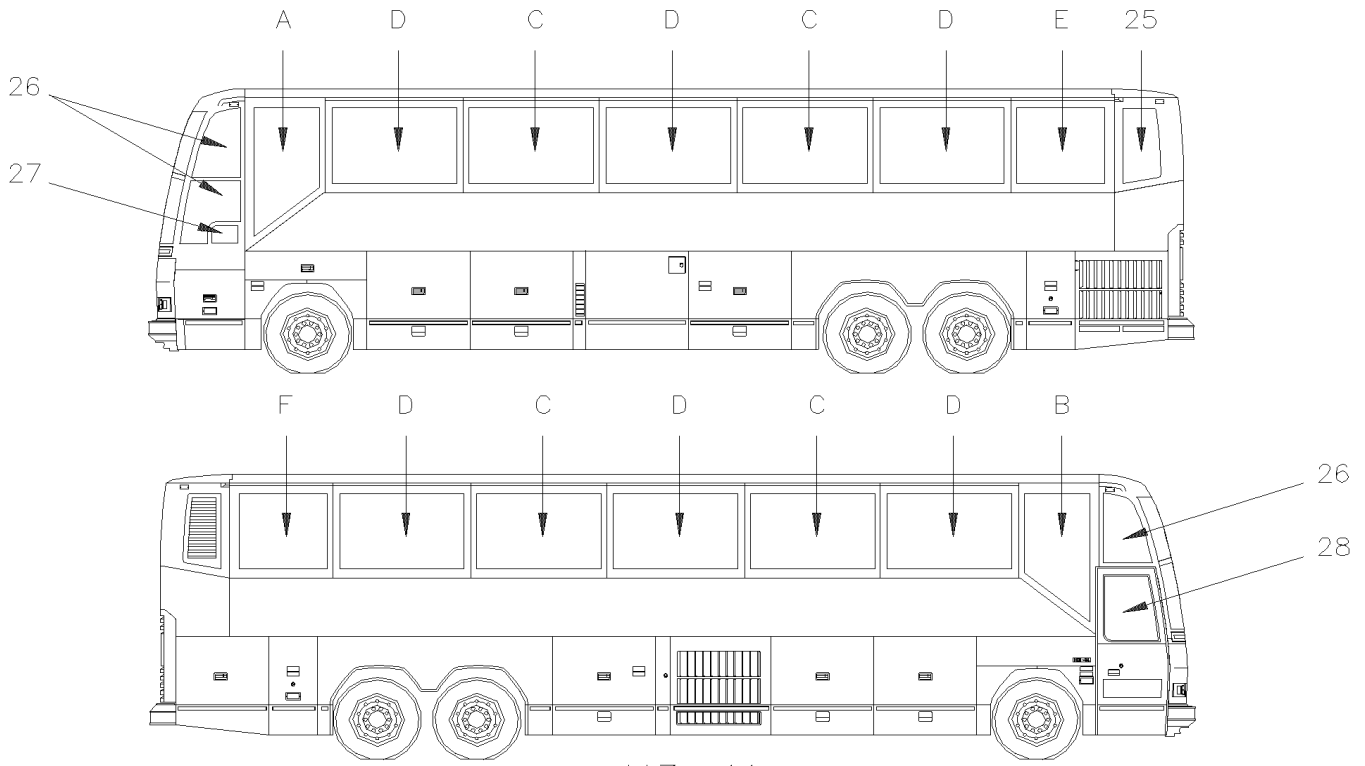
Item#	Part	Description	H 3 4 1	H 3 4 5	V I P 4 5	N O T E S
NS	403854	DECAL SEAT EVEN-NUMBERED ON AISLE / 1-2 / CLEAR TO FIX ON TRAPEZOID		AR		
NS	403741	DECAL SEAT EVEN-NUMBERED ON AISLE / 5-60		AR		
NS	403856	DECAL SEAT ODD-NUMBERED ON AISLE / 3-4 / CLEAR TO FIX ON TRAPEZOID		AR		
NS	403743	DECAL SEAT ODD-NUMBERED ON AISLE / 5-60		AR		
		A) TO FIX MOULDING				

From S-208 To W-2284

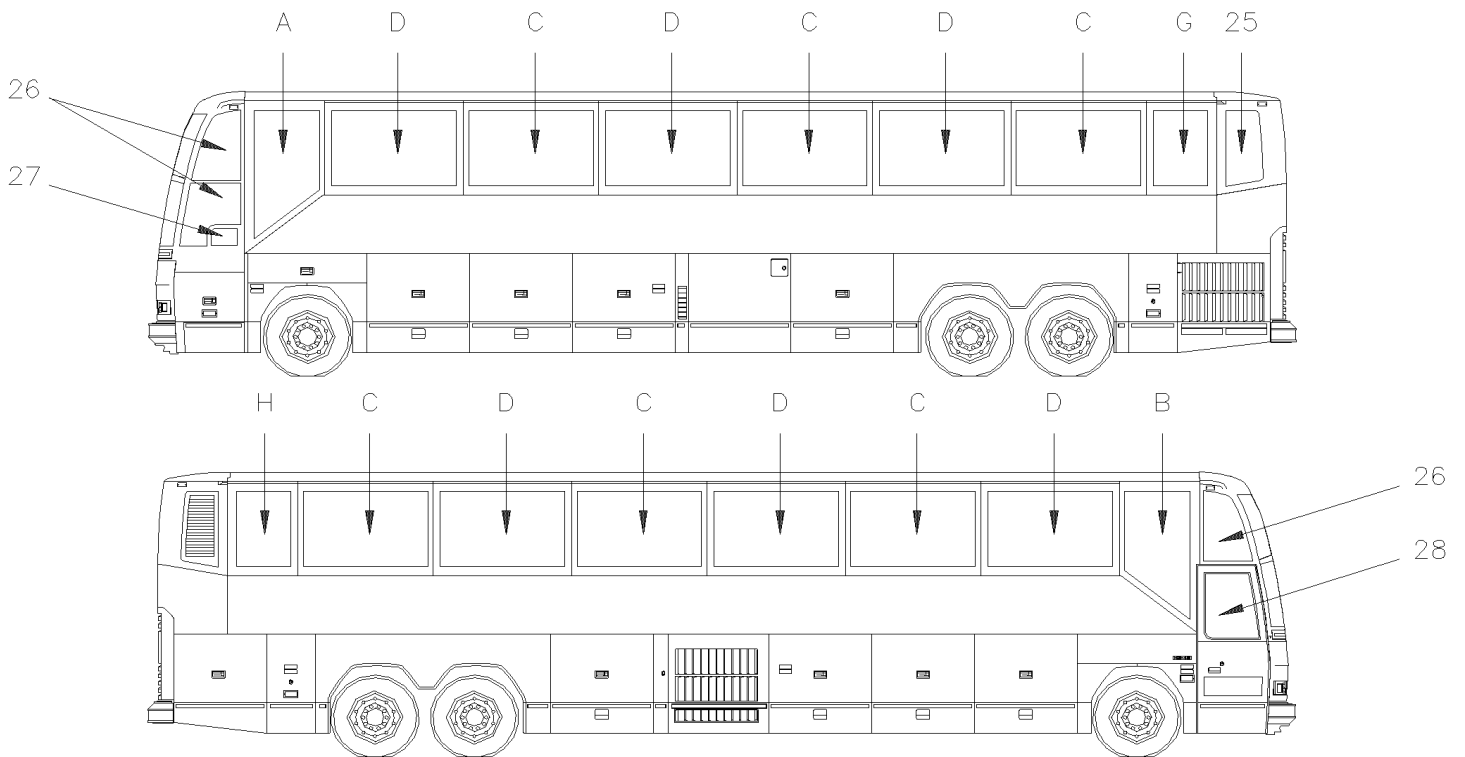
Date:10/2022

PAGE:H3-1884-02

SIDE WINDOW - BUS



H3-41



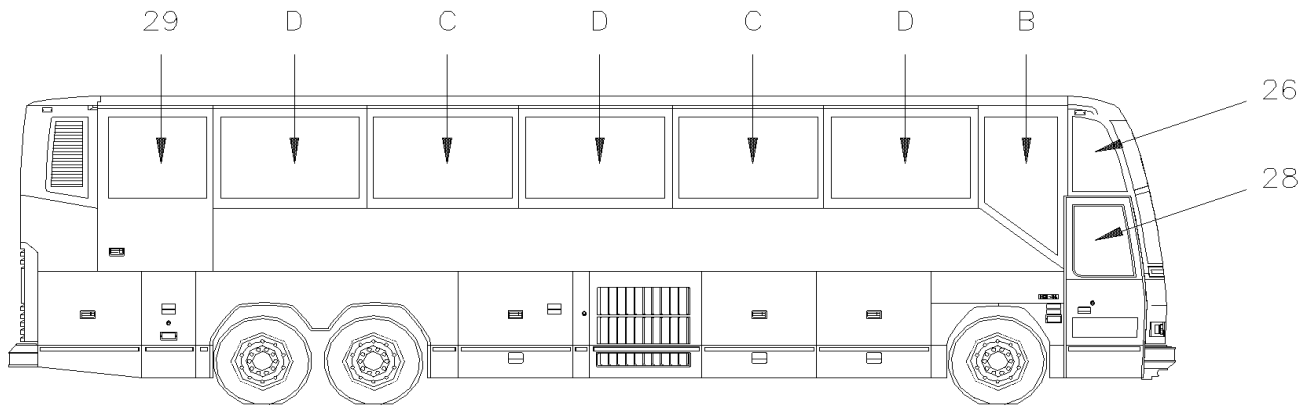
H3-45

From S-208 To W-2284

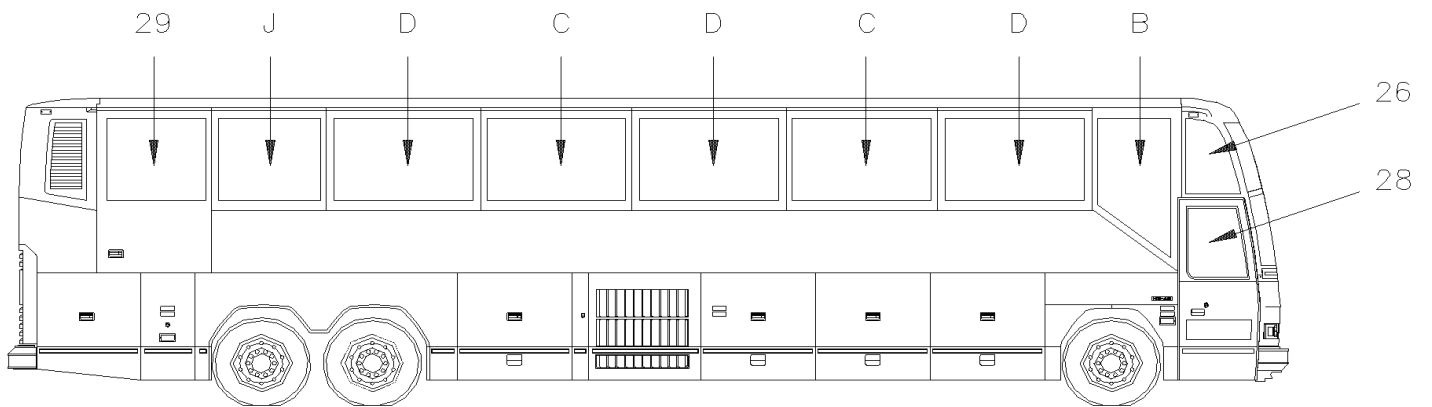
Date:10/2022

PAGE:H3-1884-02

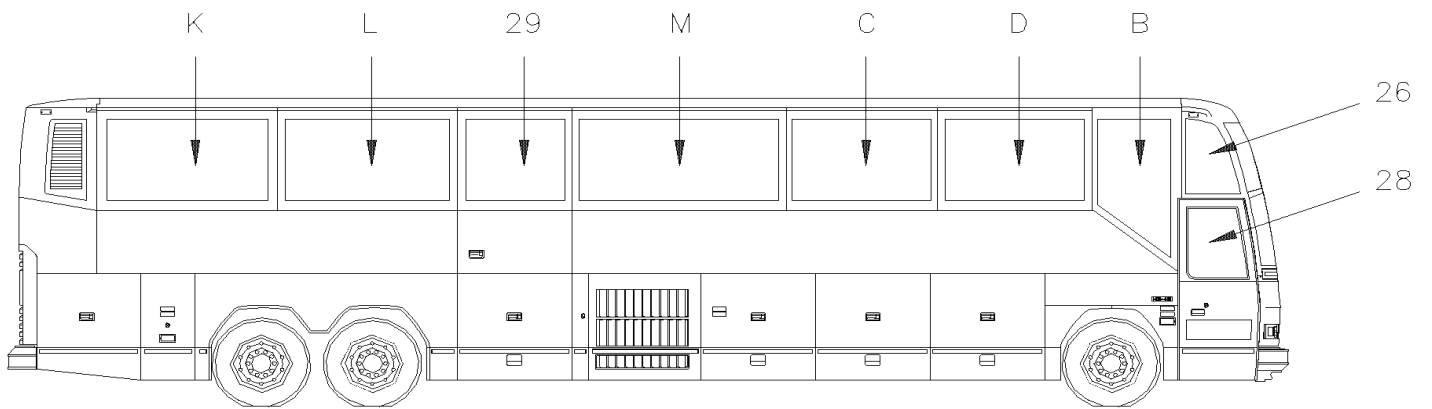
SIDE WINDOW - BUS



H3-41 WITH W.C.L. ST & ST



H3-45 WITH W.C.L. ST & ST



H3-45 WITH W.C.L. RICON

From S-208 To W-2284	Date:10/2022	PAGE:H3-1884-02
SIDE WINDOW - BUS		

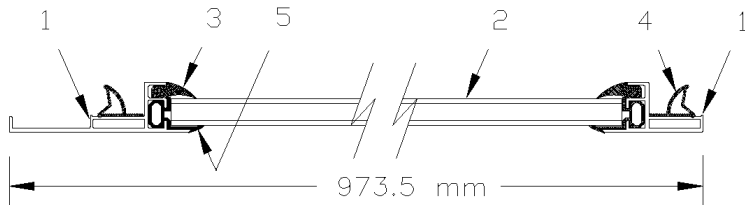
Item#	Part	Description	H 3 4 1	H 3 4 5	V I P 4 5	N O T E S
25	291947	GLASS, THERMOS 28%	1	1		
26	H3-1880-00	WINDSHIELD & CHANNEL				
27	H3-1886-00	POWER WINDOW - ELECTRICAL INSTALLATION				
28	H3-1862-10	ENTRANCE DOOR ASSY - "SEDAN"				
29	H3-1862-80	ENTRANCE DOOR ASSY - W.C.L.				
A	H3-1884-02A	POSITION "A" From S-208 To W-2284				
B	H3-1884-02B	POSITION "B" From S-208 To W-2284				
C	H3-1884-02C	POSITION "C" From S-208 To W-2284				
D	H3-1884-02D	POSITION "D" From S-208 To W-2284				
E	H3-1884-02E	POSITION "E" From S-208 To W-2284				
F	H3-1884-02F	POSITION "F" From S-208 To W-2284				
G	H3-1884-02G	POSITION "G" From S-208 To W-2284				
H	H3-1884-02H	POSITION "H" From S-208 To W-2284				
J	H3-1884-02J	POSITION "J" From S-208 To W-2284				
K	H3-1884-02K	POSITION "K" From S-208 To W-2284				
L	H3-1884-02L	POSITION "L" From S-208 To W-2284				
M	H3-1884-02M	POSITION "M" From S-208 To W-2284				

From S-208 To W-2284

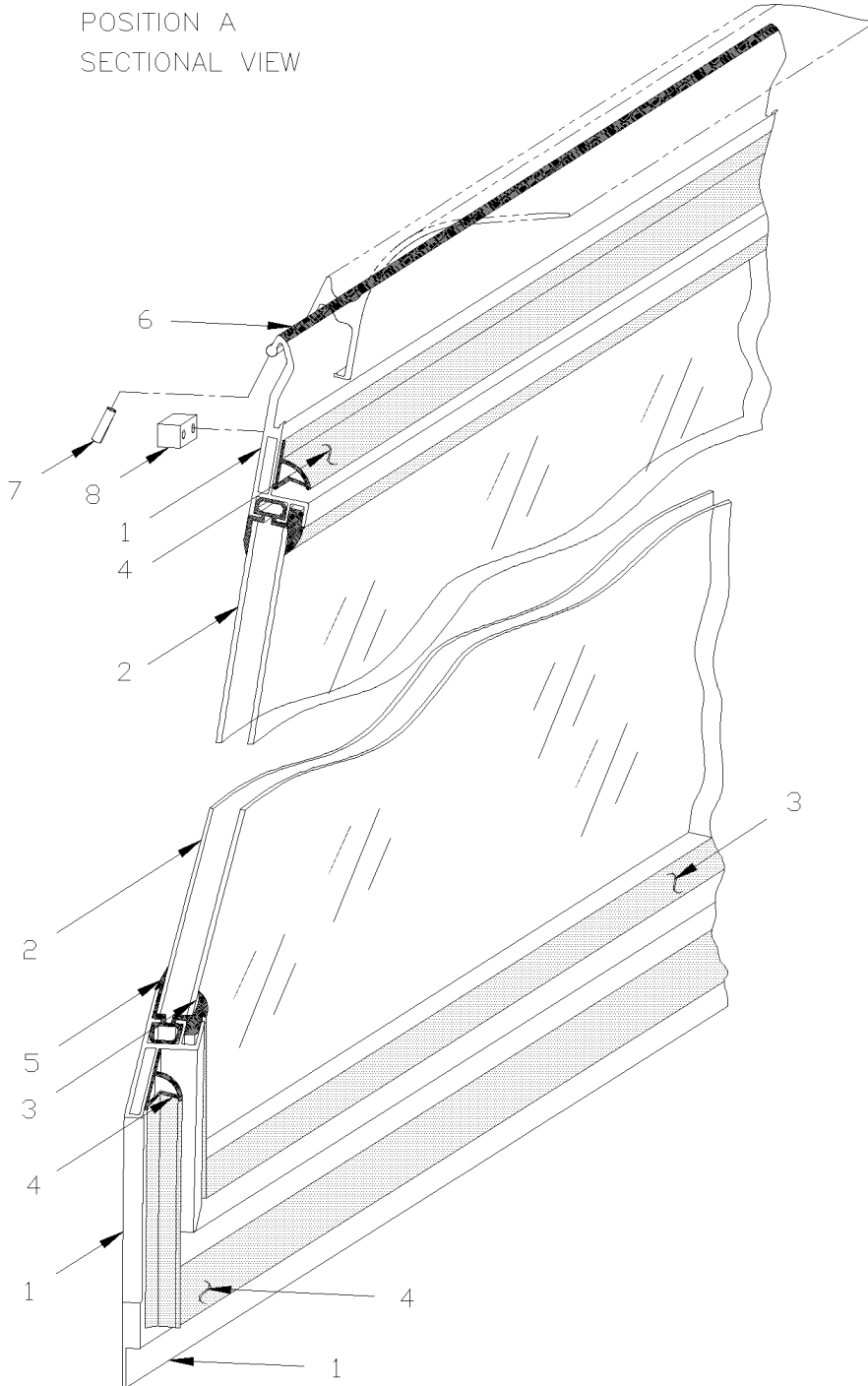
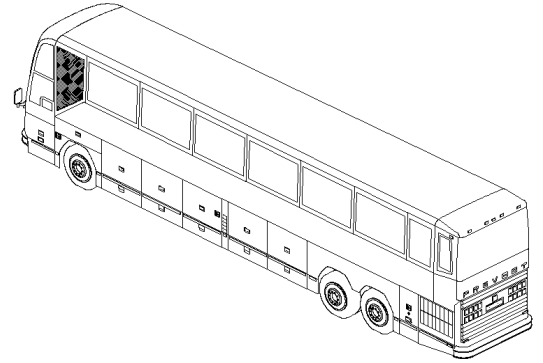
Date:10/2022

PAGE:H3-1884-02A

POSITION "A"



POSITION A
SECTIONAL VIEW



From S-208 To W-2284	Date:10/2022	PAGE:H3-1884-02A
POSITION "A"		

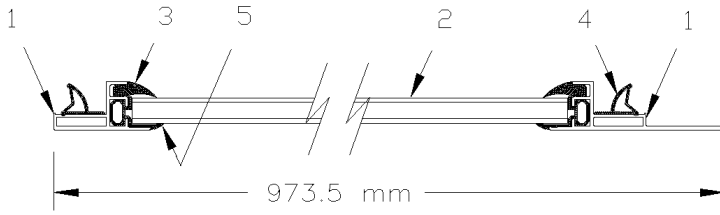
Item#	Part	Description	H 3 4 1	H 3 4 5	V I P 4 5	N O T E S
	292504P	WINDOW ASSY, THERMOS 28%	1	1		
	292731P	WINDOW ASSY, THERMOS 9%	1	1		
1	292460	. FRAME	1	1		
2	292463	. GLASS, THERMOS 28%	1	1		
2	292515	. GLASS, THERMOS 9%	1	1		
3	292470	. LOCKING STRIP 1055MM X 845MM / W/THERMOS	1	1		
4	292469	. WINDOW SEAL / 1830MM X 904MM	1	1		
5	292338	. EXTERIOR GLASS SEAL 829MM / HORIZONTAL	1	1		
5	292496	. EXTERIOR GLASS SEAL 1052MM / HORIZONTAL	1	1		
5	292497	. EXTERIOR GLASS SEAL 1046MM / HORIZONTAL	1	1		
5	292498	. EXTERIOR GLASS SEAL 1693MM / HORIZONTAL	1	1		
5	292509	. SUPPORT	1	1		
5	292512	. ATTACHMENT	1	1		
5	500473	. WASHER LO SPT .262x.489x.062 Z050	4	4		
5	500883	. SCREW TC PAN PH #8-32x3/8 Z050	3	3		
5	500923	. SCREW TC CAP HEX 1/4-20x3/4 Z050	4	4		
6	682481	. LOW FRICTION TAPE (HOCKEY)	AR	AR		
7	505421	SPRING, PIN M3 x 18	AR	AR		
8	292684	STOPPER BLOCK WINDOW / W/OPENING WINDOWS ONLY	2	2		
8	292344	STOPPER BLOCK WINDOW	2	2		
8	500896	SCREW TC FL PH #8-32x5/8 Z050	4	4		
		NEXT DECAL DOESN'T HAVE "NO SMOKING" SIGN				
NS	403855	DECAL SEAT EVEN-NUMBERED ON AISLE / 1-2 / CLEAR TO FIX ON TRAPEZOID	AR	AR		
NS	403857	DECAL SEAT ODD-NUMBERED ON AISLE / 3-4 / CLEAR TO FIX ON TRAPEZOID	AR	AR		
		NEXT DECAL HAS "NO SMOKING" SIGN ON IT				
NS	403854	DECAL SEAT EVEN-NUMBERED ON AISLE / 1-2 / CLEAR TO FIX ON TRAPEZOID	AR	AR		
NS	403856	DECAL SEAT ODD-NUMBERED ON AISLE / 3-4 / CLEAR TO FIX ON TRAPEZOID	AR	AR		
NS	403357	DECAL, "NO SMOKING" / S.Q.	AR	AR		

From S-208 To W-2284

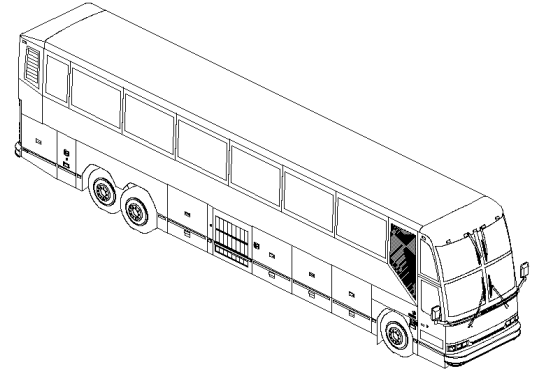
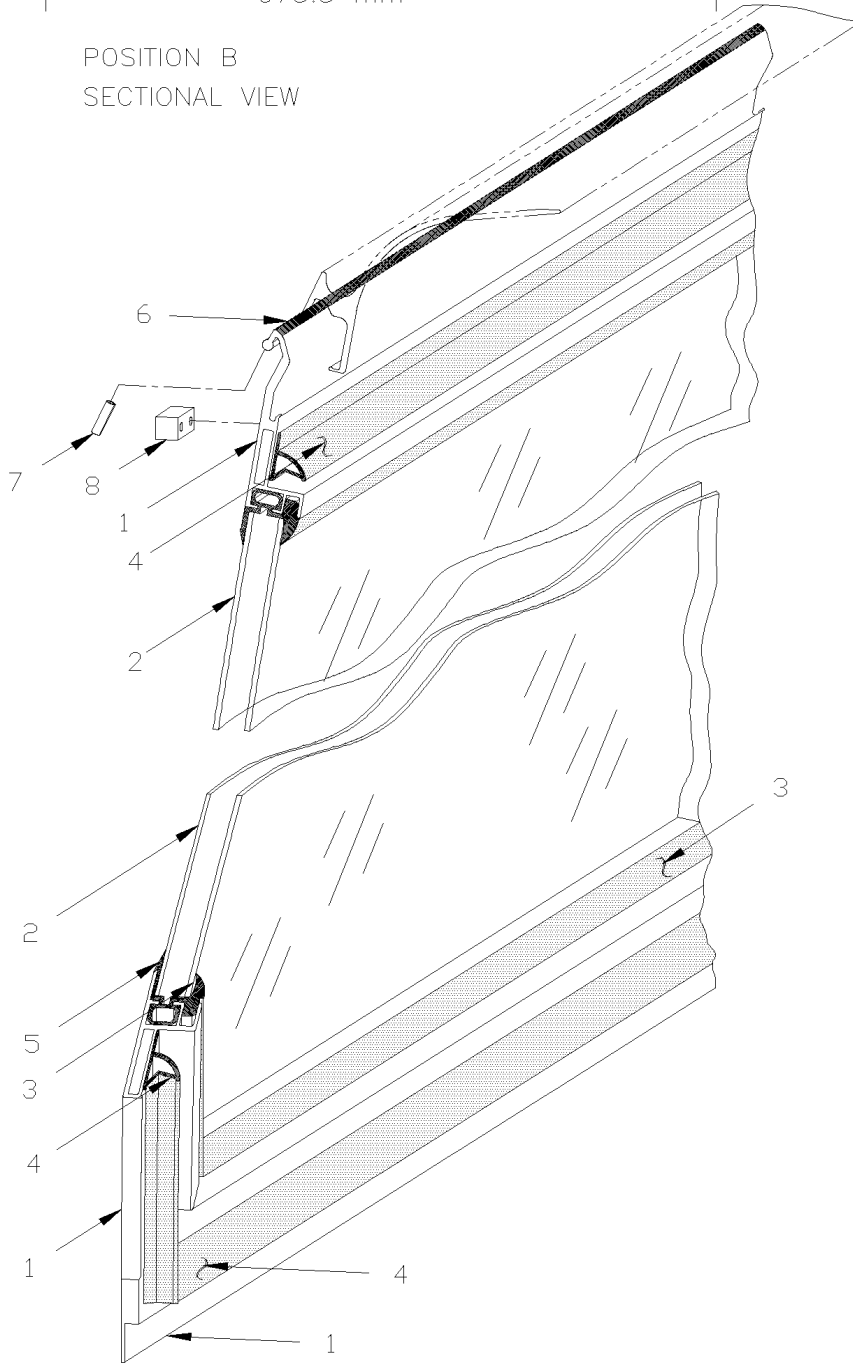
Date:10/2022

PAGE:H3-1884-02B

POSITION "B"



POSITION B
SECTIONAL VIEW



From S-208 To W-2284	Date:10/2022	PAGE:H3-1884-02B
POSITION "B"		

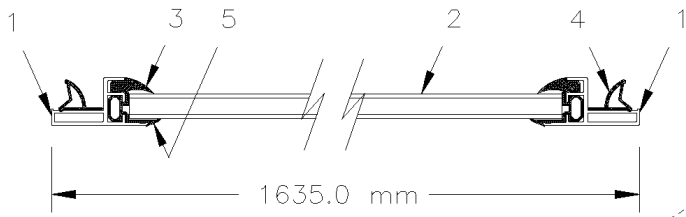
Item#	Part	Description	H 3 4 1	H 3 4 5	V I P 4 5	N O T E S
	292503P	WINDOW ASSY, THERMOS 28%	1	1		
	292730P	WINDOW ASSY, THERMOS 9%	1	1		
1	292461	. FRAME	1	1		
2	292462	. GLASS, THERMOS 28%	1	1		
2	292514	. GLASS, THERMOS 9%	1	1		
3	292495	. LOCKING STRIP 1055MM X 845MM / W/THERMOS	1	1		
4	292468	. WINDOW SEAL / 1830MM X 904MM	1	1		
5	292338	. EXTERIOR GLASS SEAL 829MM / HORIZONTAL	1	1		
5	292499	. EXTERIOR GLASS SEAL 1052MM / HORIZONTAL	1	1		
5	292500	. EXTERIOR GLASS SEAL 1046MM / HORIZONTAL	1	1		
5	292501	. EXTERIOR GLASS SEAL 1693MM / HORIZONTAL	1	1		
NS	292508	. SUPPORT	1	1		
5	292512	. ATTACHMENT	1	1		
5	500473	. WASHER LO SPT .262x.489x.062 Z050	4	4		
5	500883	. SCREW TC PAN PH #8-32x3/8 Z050	3	3		
5	500923	. SCREW TC CAP HEX 1/4-20x3/4 Z050	4	4		
6	682481	. LOW FRICTION TAPE (HOCKEY)	AR	AR		
7	505421	SPRING, PIN M3 x 18	AR	AR		
8	292684	STOPPER BLOCK WINDOW / W/OPENING WINDOWS ONLY	2	2		
8	292344	STOPPER BLOCK WINDOW	2	2		
8	500896	SCREW TC FL PH #8-32x5/8 Z050	4	4		
		NEXT DECAL DOESN'T HAVE "NO SMOKING" SIGN				
NS	403855	DECAL SEAT EVEN-NUMBERED ON AISLE / 1-2 / CLEAR TO FIX ON TRAPEZOID	AR	AR		
NS	403857	DECAL SEAT ODD-NUMBERED ON AISLE / 3-4 / CLEAR TO FIX ON TRAPEZOID	AR	AR		
		NEXT DECAL HAS "NO SMOKING" SIGN ON IT				
NS	403854	DECAL SEAT EVEN-NUMBERED ON AISLE / 1-2 / CLEAR TO FIX ON TRAPEZOID	AR	AR		
NS	403856	DECAL SEAT ODD-NUMBERED ON AISLE / 3-4 / CLEAR TO FIX ON TRAPEZOID	AR	AR		

From S-208 To W-2284

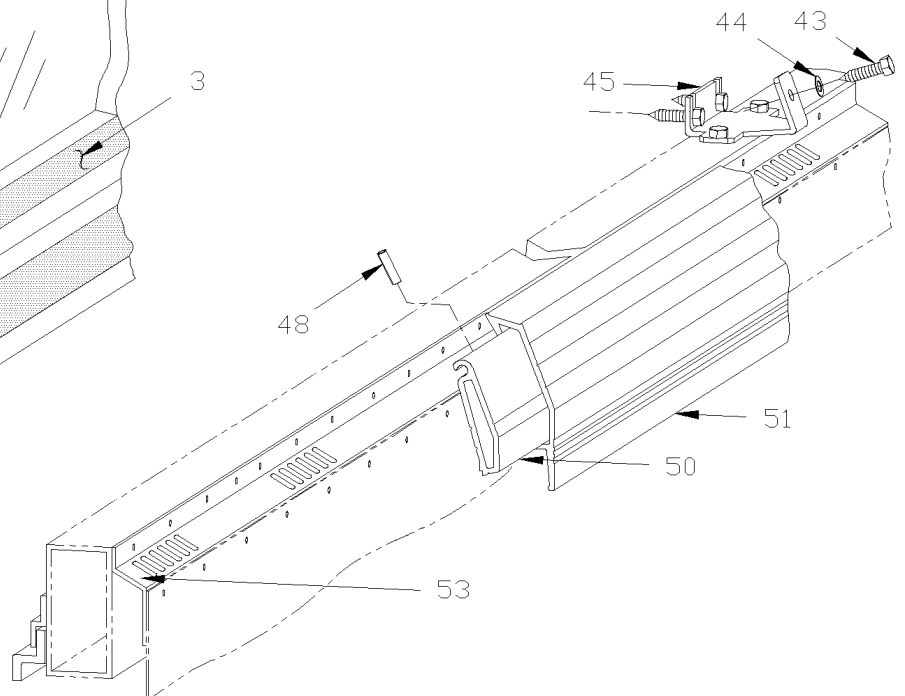
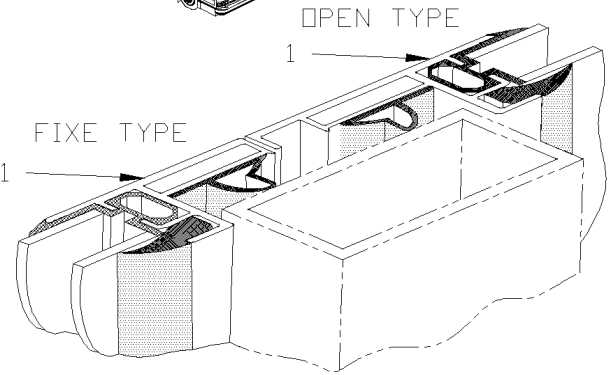
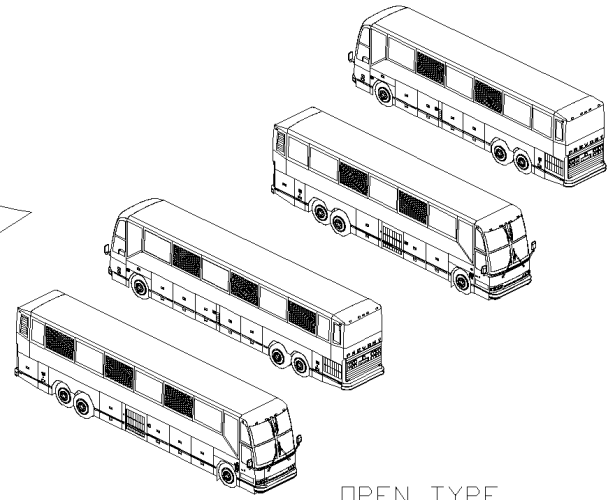
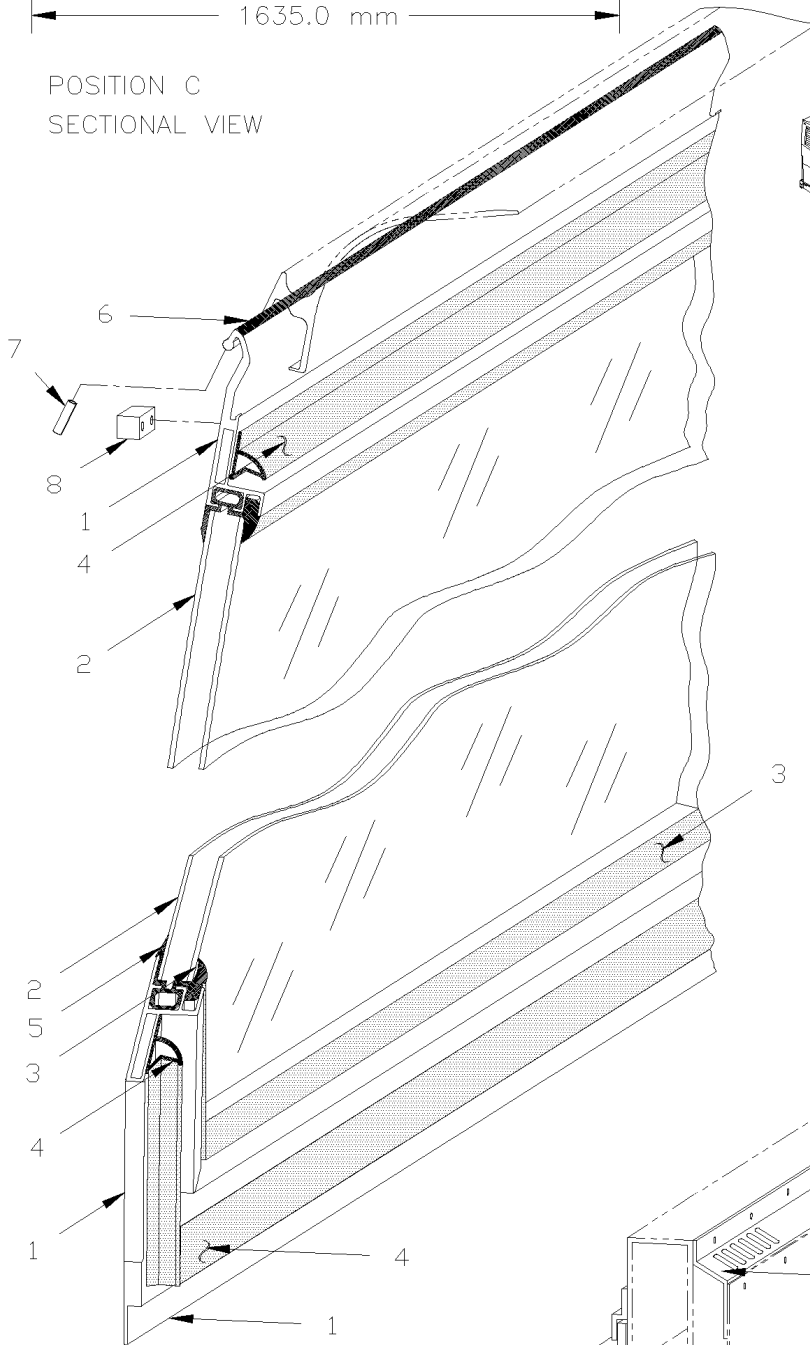
Date:10/2022

PAGE:H3-1884-02C

POSITION "C"



POSITION C
SECTIONAL VIEW



From S-208 To W-2284	Date:10/2022	PAGE:H3-1884-02C
POSITION "C"		

Item#	Part	Description	H 3 4 1	H 3 4 5	V I P 4 5	N O T E S
	291778P	WINDOW ASSY, THERMOS 28%	1	1		
	292716P	WINDOW ASSY, THERMOS 9%	1	1		
	292029P	WINDOW ASSY, SINGLE 28%	1	1		
	292741P	WINDOW ASSY, SINGLE 9%	1	1		
1	291805	. FRAME To T-1616	1	1		
1	292801	. FRAME From T-1617	1	1		
2	299041	. GLASS, THERMOS 28% / 1531MM	1	1		
2	292513	. GLASS, THERMOS 9% / 1531MM	1	1		
2	292040	. GLASS, SINGLE 28% / 1531MM	1	1		
2	292736	. GLASS, SINGLE 9% / 1531MM	1	1		
3	292262	. LOCKING STRIP 1005MM X 1551MM / W/THERMOS	1	1		
3	292261	. LOCKING STRIP 1005MM X 1551MM / W/SINGLE	1	1		
4	292279	. WINDOW SEAL / 1091MM X 1622MM	1	1		
5	292339	. EXTERIOR GLASS SEAL 997MM / VERTICAL	2	2		
5	292340	. EXTERIOR GLASS SEAL 1553MM / HORIZONTAL	2	2		
6	682481	. LOW FRICTION TAPE (HOCKEY)	AR	AR		
7	505421	SPRING, PIN M3 x 18	AR	AR		
8	292684	STOPPER BLOCK WINDOW / W/OPENING WINDOWS ONLY	2	2		
8	292344	STOPPER BLOCK WINDOW	2	2		
8	500896	SCREW TC FL PH #8-32x5/8 Z050	4	4		
43	500923	SCREW TC CAP HEX 1/4-20x3/4 Z050	AR	AR		
44	500473	WASHER LO SPT .262x.489x.062 Z050	AR	AR		
45	292350	SUPPORT "U" SHAPE / TO FIX HANDLE & WINDOW TO STRUCTURE	2	2		
48	505421	SPRING, PIN M3 x 18	AR	AR		
50	291887	SUPPORT HANDLE / 1531MM	10			
NS	504572	BUMPER RUBBER BOLT / .625 ODx.296TH x 8-32X.25 STUD	2	2		
NS	5011016	WASHER FL .177x.500x.109 AL GAL	2	2		
51	292356	HANDLE / 1550MM	10			
53	H3-1833-00	WINDOW FINISHING CAP & WALL				
		NEXT DECAL DOESN'T HAVE "NO SMOKING" SIGN				
NS	403855	DECAL SEAT EVEN-NUMBERED ON AISLE / 1-2 / CLEAR TO FIX ON TRAPEZOID	AR	AR		
NS	403862	DECAL SEAT EVEN-NUMBERED ON AISLE / 3-52	AR			
NS	403740	DECAL SEAT EVEN-NUMBERED ON AISLE / 5-60		AR		
NS	403857	DECAL SEAT ODD-NUMBERED ON AISLE / 3-4 / CLEAR TO FIX ON TRAPEZOID	AR	AR		
NS	403864	DECAL SEAT ODD-NUMBERED ON AISLE / 3-52	AR			
NS	403742	DECAL SEAT ODD-NUMBERED ON AISLE / 5-60		AR		
		NEXT DECAL HAS "NO SMOKING" SIGN ON IT				
NS	403854	DECAL SEAT EVEN-NUMBERED ON AISLE / 1-2 / CLEAR TO FIX ON TRAPEZOID	AR	AR		

From S-208 To W-2284	Date:10/2022	PAGE:H3-1884-02C
POSITION "C"		

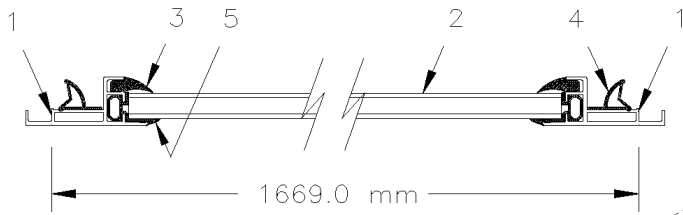
Item#	Part	Description	H 3 4 1	H 3 4 5	V I P 4 5	N O T E S
NS	403741	DECAL SEAT EVEN-NUMBERED ON AISLE / 5-60		AR		
NS	403856	DECAL SEAT ODD-NUMBERED ON AISLE / 3-4 / CLEAR TO FIX ON TRAPEZOID	AR	AR		
NS	403743	DECAL SEAT ODD-NUMBERED ON AISLE / 5-60		AR		
NS	403865	DECAL SEAT ODD-NUMBERED ON AISLE / 3-52	AR			
NS	403863	DECAL SEAT EVEN-NUMBERED ON AISLE / 3-52	AR			
NS	403357	DECAL, "NO SMOKING" / S.Q.	AR	AR	AR	

From S-208 To W-2284

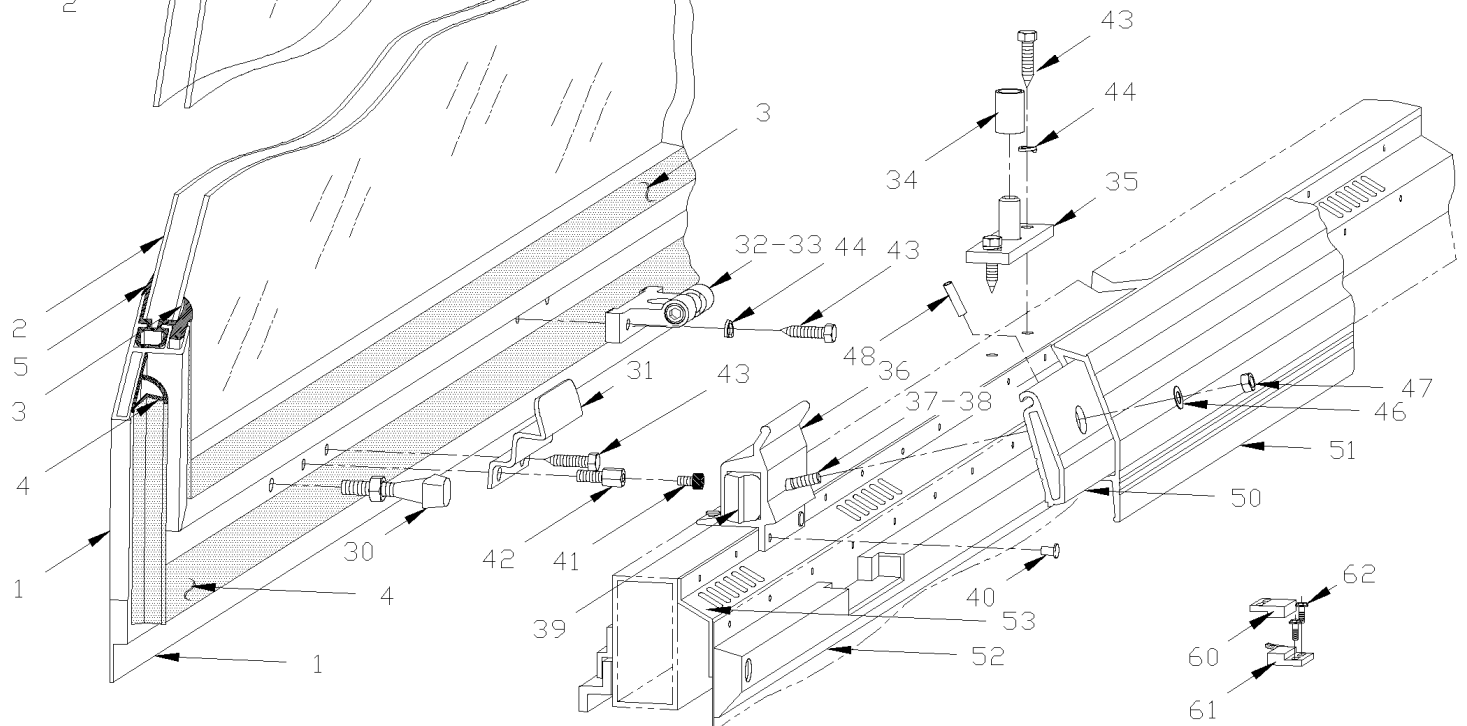
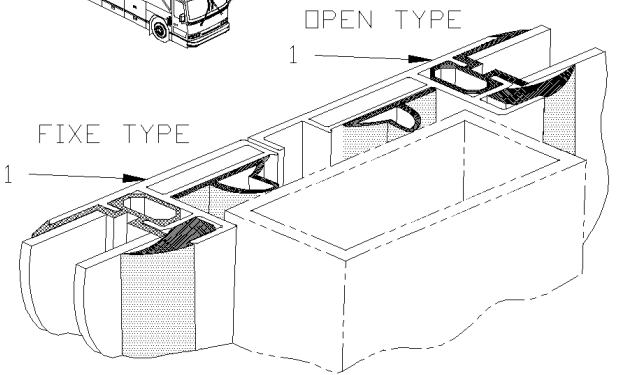
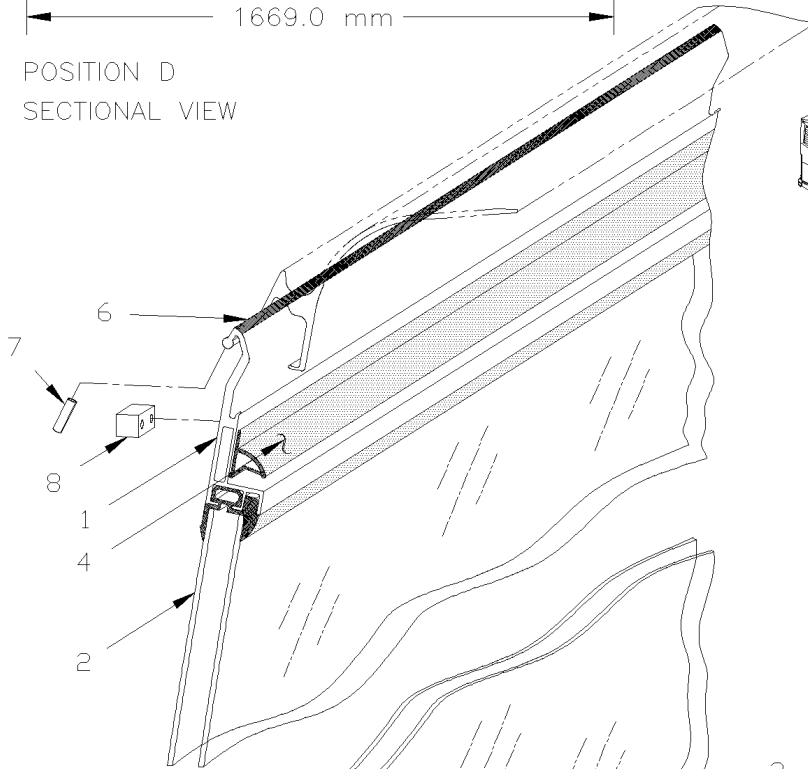
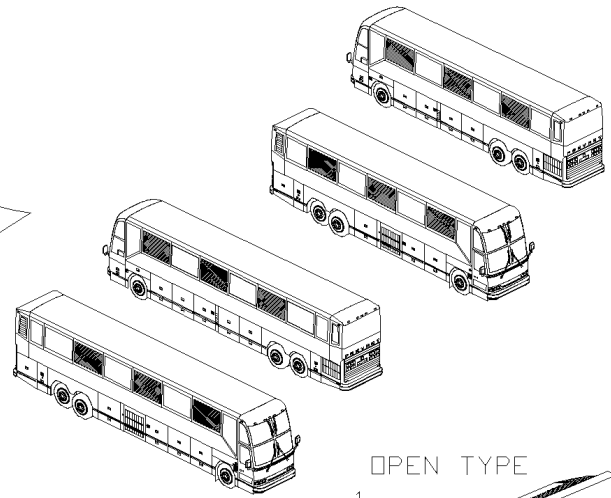
Date:10/2022

PAGE:H3-1884-02D

POSITION "D"



POSITION D
SECTIONAL VIEW



From S-208 To W-2284	Date:10/2022	PAGE:H3-1884-02D
POSITION "D"		

Item#	Part	Description	H 3 4 1	H 3 4 5	V I P 4 5	N O T E S
	292677P	WINDOW ASSY, THERMOS 28% / 1531MM	1	1		
	292719P	WINDOW ASSY, THERMOS 9% / 1531MM	1	1		
	292682P	WINDOW ASSY, SINGLE 28% / 1531MM	1	1		
	292744P	WINDOW ASSY, SINGLE 9%	1	1		
1	292676	. FRAME To T-1616	1	1		
1	292800	. FRAME From T-1617	1	1		
2	299041	. GLASS, THERMOS 28% / 1531MM	1	1		
2	292513	. GLASS, THERMOS 9% / 1531MM	1	1		
2	292040	. GLASS, SINGLE 28% / 1531MM	1	1		
2	292736	. GLASS, SINGLE 9% / 1531MM	1	1		
3	292262	. LOCKING STRIP 1005MM X 1551MM / W/THERMOS	1	1		
3	292261	. LOCKING STRIP 1005MM X 1551MM / W/SINGLE	1	1		
4	292279	. WINDOW SEAL / 1091MM X 1622MM	1	1		
5	292339	. EXTERIOR GLASS SEAL 997MM / VERTICAL	1	1		
5	292340	. EXTERIOR GLASS SEAL 1553MM / HORIZONTAL	1	1		
6	682481	. LOW FRICTION TAPE (HOCKEY)	AR	AR		
7	505421	SPRING, PIN M3 x 18	AR	AR		
8	292684	STOPPER BLOCK WINDOW / W/OPENING WINDOWS ONLY	2	2		
8	292344	STOPPER BLOCK WINDOW	2	2		
8	500896	SCREW TC FL PH #8-32x5/8 Z050	4	4		
25	291947	GLASS, THERMOS 28%	1	1		
26	H3-1880-00	WINDSHIELD & CHANNEL				
27	H3-1886-00	POWER WINDOW - ELECTRICAL INSTALLATION				
28	H3-1862-10	ENTRANCE DOOR ASSY - "SEDAN"				
29	H3-1862-80	ENTRANCE DOOR ASSY - W.C.L.				
30	291781	BOLT LOCKING	2	2		
30	502710	NUT HEX THN M8-1.5x4.5 ZP	2	2		
31	292012	HANDLE WINDOW	2	2		
32	292047	BRACKET ASSY CENTERING	1	1		
32	292021	. BRACKET CENTERING	1	1		
33	507314	. PLUNGER BALL M12 X 1.75	1	1		
34	504586	WASHER FL SPACER .450x.625x.875 NYL	1	1		
35	292410	PIN, CENTERING	1	1		
36	291838	LATCH ASSY / L.H. ASSY SHOWN	1	1		
36	291837	LATCH ASSY / R.H. ASSY	1	1		
36	291789	. SUPPORT / L.H.	1	1		
36	291782	. SUPPORT / R.H.	1	1		
37	291797	. ROD LOCKING	1	1		
38	505415	. SPRING, PIN M2.5 X 36	1	1		
39	291795	. LATCH / L.H.	1	1		
39	291796	. LATCH / R.H.	1	1		
39	291940	. SPRING COMPRESSION / .511 O.D. x 30 MM x .040	1	1		

From S-208 To W-2284	Date:10/2022	PAGE:H3-1884-02D
POSITION "D"		

Item#	Part	Description	H 3 4 1	H 3 4 5	V I P 4 5	N O T E S
40	504256	RIVET POP CK OE 3/16x1/4 AL	AR	AR		
41	504572	BUMPER RUBBER BOLT / .625 ODx.296TH x 8-32X.25 STUD	2	2		
42	292349	ADAPTOR STUD 1/4-20 Male x 8-32 Female	2	2		
46	5001114	WASHER FL .260x.687x.060 NYL	2	2		
47	502511	NUT HEX NYRT M6-1.0 Z050	2	2		
48	505421	SPRING, PIN M3 x 18	AR	AR		
50	291887	SUPPORT HANDLE / 1531MM	10			
50	291887	SUPPORT HANDLE / 1531MM		12		
NS	504572	BUMPER RUBBER BOLT / .625 ODx.296TH x 8-32X.25 STUD	2	2		
NS	5011016	WASHER FL .177x.500x.109 AL GAL	2	2		
51	292356	HANDLE / 1550MM	10			
51	292356	HANDLE / 1550MM		12		
52	292010	BAR PLASTIC PROTECTION	6			
52	292010	BAR PLASTIC PROTECTION		7		
52	500345	WASHER FN CKF .187x.500x.090 BR BK	8	8		
52	500686	SCREW TP OV PH #6x1/2 BK	8	8		
53	H3-1833-00	WINDOW FINISHING CAP & WALL				
		NEXT DECAL DOESN'T HAVE "NO SMOKING" SIGN				
NS	403855	DECAL SEAT EVEN-NUMBERED ON AISLE / 1-2 / CLEAR TO FIX ON TRAPEZOID	AR	AR		
NS	403862	DECAL SEAT EVEN-NUMBERED ON AISLE / 3-52	AR			
NS	403740	DECAL SEAT EVEN-NUMBERED ON AISLE / 5-60		AR		
NS	403857	DECAL SEAT ODD-NUMBERED ON AISLE / 3-4 / CLEAR TO FIX ON TRAPEZOID	AR	AR		
NS	403864	DECAL SEAT ODD-NUMBERED ON AISLE / 3-52	AR			
NS	403742	DECAL SEAT ODD-NUMBERED ON AISLE / 5-60		AR		
		NEXT DECAL HAS "NO SMOKING" SIGN ON IT				
NS	403854	DECAL SEAT EVEN-NUMBERED ON AISLE / 1-2 / CLEAR TO FIX ON TRAPEZOID	AR	AR		
NS	403741	DECAL SEAT EVEN-NUMBERED ON AISLE / 5-60		AR		
NS	403856	DECAL SEAT ODD-NUMBERED ON AISLE / 3-4 / CLEAR TO FIX ON TRAPEZOID	AR	AR		
NS	403743	DECAL SEAT ODD-NUMBERED ON AISLE / 5-60		AR		
NS	403865	DECAL SEAT ODD-NUMBERED ON AISLE / 3-52	AR			
NS	403863	DECAL SEAT EVEN-NUMBERED ON AISLE / 3-52	AR			
NS	403357	DECAL, "NO SMOKING" / S.Q.	AR	AR		
60	064679	MAGNET SENSOR ASSY W/TAPE DUAL LOCK	AR	AR		
61	064678	SWITCH MAGNETIC ASSY W/TAPE DUAL LOCK	AR	AR		
NS	293345	SUPPORT / SWITCH MAGNETIC	AR	AR		
62	504248	RIVET CHY Q PRDG 3/16x1/4 SS	AR	AR		

From S-208 To W-2284	Date:10/2022	PAGE:H3-1884-02D
POSITION "D"		

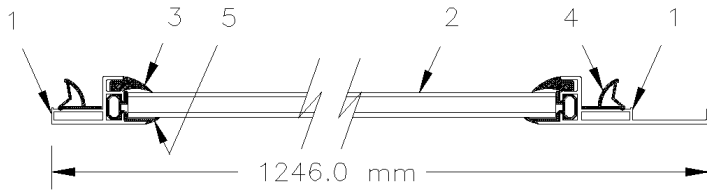
Item#	Part	Description	H 3 4 1	H 3 4 5	V I P 4 5	N O T E S

From S-208 To W-2284

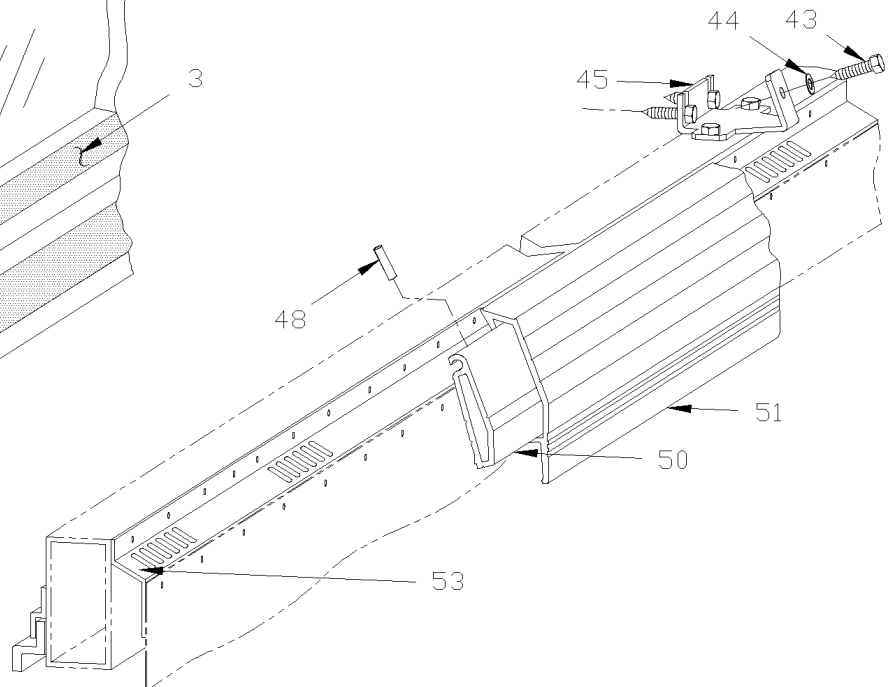
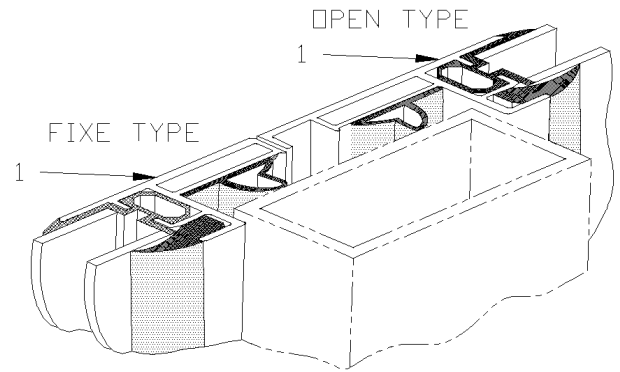
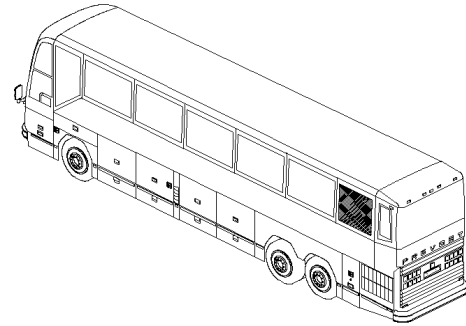
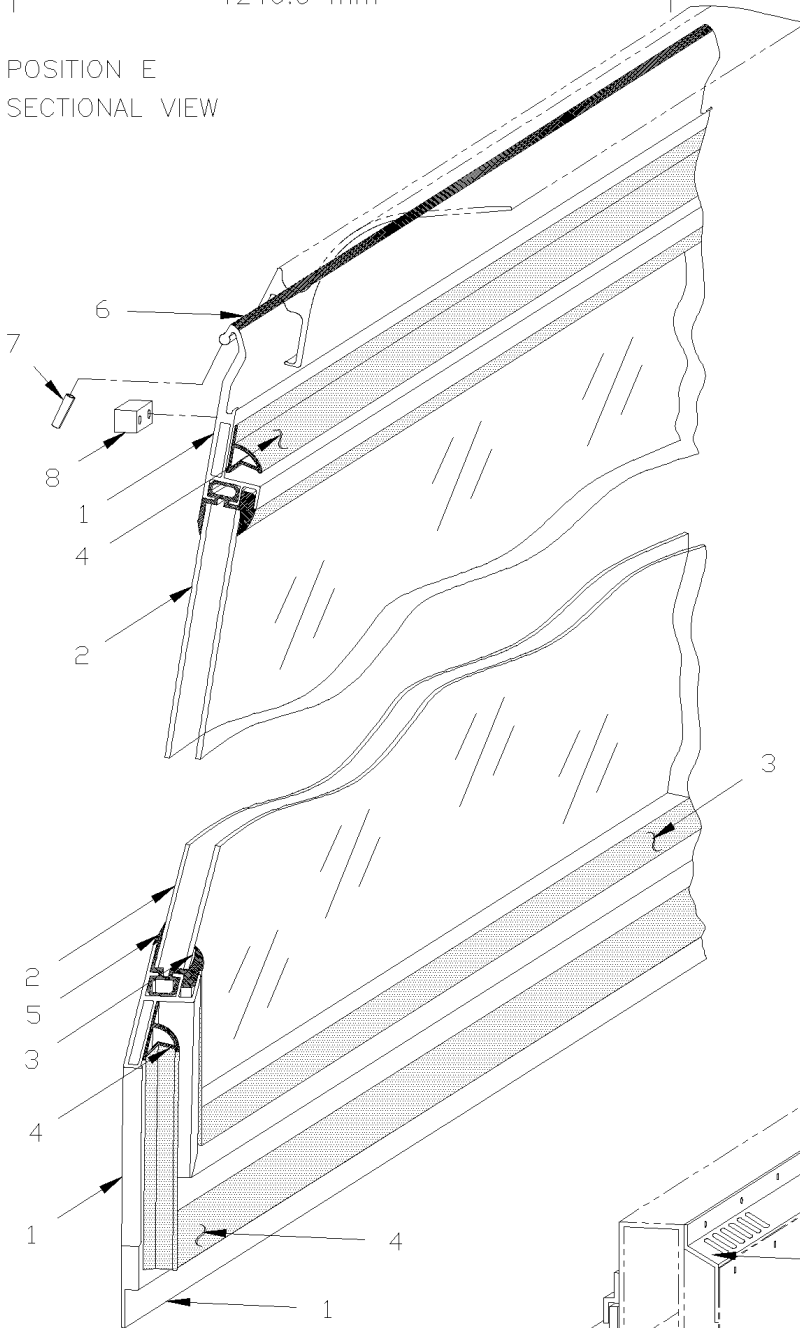
Date:10/2022

PAGE:H3-1884-02E

POSITION "E"



POSITION E
SECTIONAL VIEW



From S-208 To W-2284	Date:10/2022	PAGE:H3-1884-02E
POSITION "E"		

Item#	Part	Description	H 3 4 1	H 3 4 5	V I P 4 5	N O T E S
	292551P	WINDOW ASSY, THERMOS 28% / 1092MM	1			
	292728P	WINDOW ASSY, THERMOS 9% / 1092MM	1			
	292553P	WINDOW ASSY, SINGLE 28% / 1092MM	1			
	292785P	WINDOW ASSY, SINGLE 9%	1			
1	292544	. FRAME	1			
2	292466	. GLASS, THERMOS 28% / 1092MM	1			
2	292713	. GLASS, THERMOS 9% / 1092MM	1			
2	292467	. GLASS, SINGLE 28% / 1092MM	1			
2	292740	. GLASS, SINGLE 9% / 1092MM	1			
3	292549	. LOCKING STRIP 1005MM X 1117MM / W/THERMOS	1			
3	292548	. LOCKING STRIP 1005MM X 1117MM / W/SINGLE	1			
4	292546	. WINDOW SEAL / 1091MM X 1182MM	1			
5	292339	. EXTERIOR GLASS SEAL 997MM / VERTICAL	2			
51	292547	. EXTERIOR GLASS SEAL 1109MM / HORIZONTAL	2			
6	682481	. LOW FRICTION TAPE (HOCKEY)	AR			
7	505421	SPRING, PIN M3 x 18	AR			
8	292684	STOPPER BLOCK WINDOW / W/OPENING WINDOWS ONLY	2			
8	292344	STOPPER BLOCK WINDOW	2			
8	500896	SCREW TC FL PH #8-32x5/8 Z050	4			
43	500923	SCREW TC CAP HEX 1/4-20x3/4 Z050	AR			
44	500473	WASHER LO SPT .262x.489x.062 Z050	AR			
45	292350	SUPPORT "U" SHAPE / TO FIX HANDLE & WINDOW TO STRUCTURE	2			
48	505421	SPRING, PIN M3 x 18	AR			
50	292558	SUPPORT HANDLE / 1073MM	AR			
NS	504572	BUMPER RUBBER BOLT / .625 ODx.296TH x 8-32X.25 STUD	2			
NS	5011016	WASHER FL .177x.500x.109 AL GAL	2			
51	292557	HANDLE / 1094MM	AR			
53	H3-1833-00	WINDOW FINISHING CAP & WALL				
		NEXT DECAL DOESN'T HAVE "NO SMOKING" SIGN				
NS	403855	DECAL SEAT EVEN-NUMBERED ON AISLE / 1-2 / CLEAR TO FIX ON TRAPEZOID	AR			
NS	403862	DECAL SEAT EVEN-NUMBERED ON AISLE / 3-52	AR			
NS	403857	DECAL SEAT ODD-NUMBERED ON AISLE / 3-4 / CLEAR TO FIX ON TRAPEZOID	AR			
NS	403864	DECAL SEAT ODD-NUMBERED ON AISLE / 3-52	AR			
		NEXT DECAL HAS "NO SMOKING" SIGN ON IT				
NS	403854	DECAL SEAT EVEN-NUMBERED ON AISLE / 1-2 / CLEAR TO FIX ON TRAPEZOID	AR			
NS	403856	DECAL SEAT ODD-NUMBERED ON AISLE / 3-4 / CLEAR TO FIX ON TRAPEZOID	AR			
NS	403865	DECAL SEAT ODD-NUMBERED ON AISLE / 3-52	AR			
NS	403863	DECAL SEAT EVEN-NUMBERED ON AISLE / 3-52	AR			

From S-208 To W-2284	Date:10/2022	PAGE:H3-1884-02E
----------------------	--------------	------------------

POSITION "E"

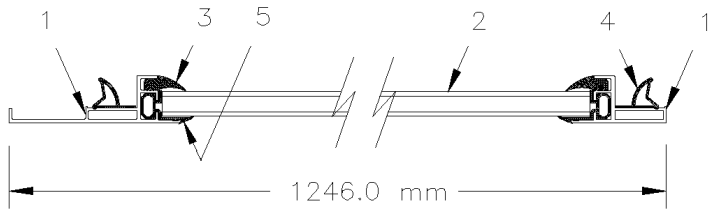
Item#	Part	Description	H 3 4 1	H 3 4 5	V I P 4 5	N O T E S
NS	403357	DECAL, "NO SMOKING" / S.Q.	AR			

From S-208 To W-2284

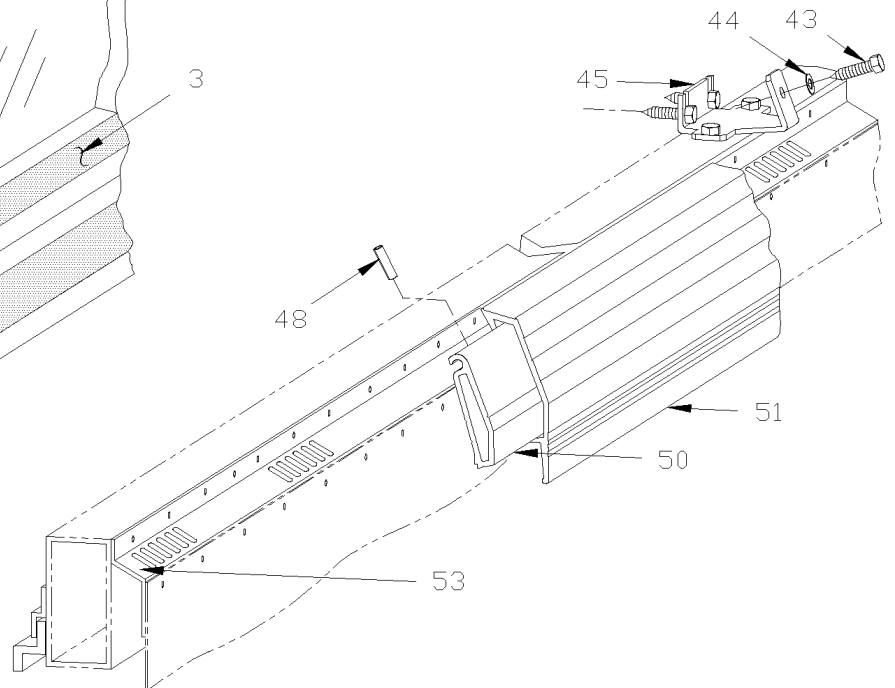
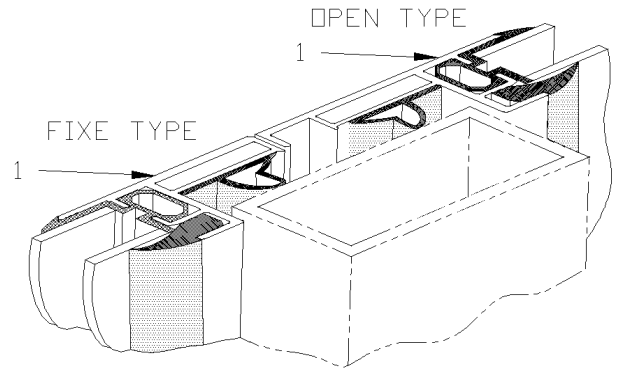
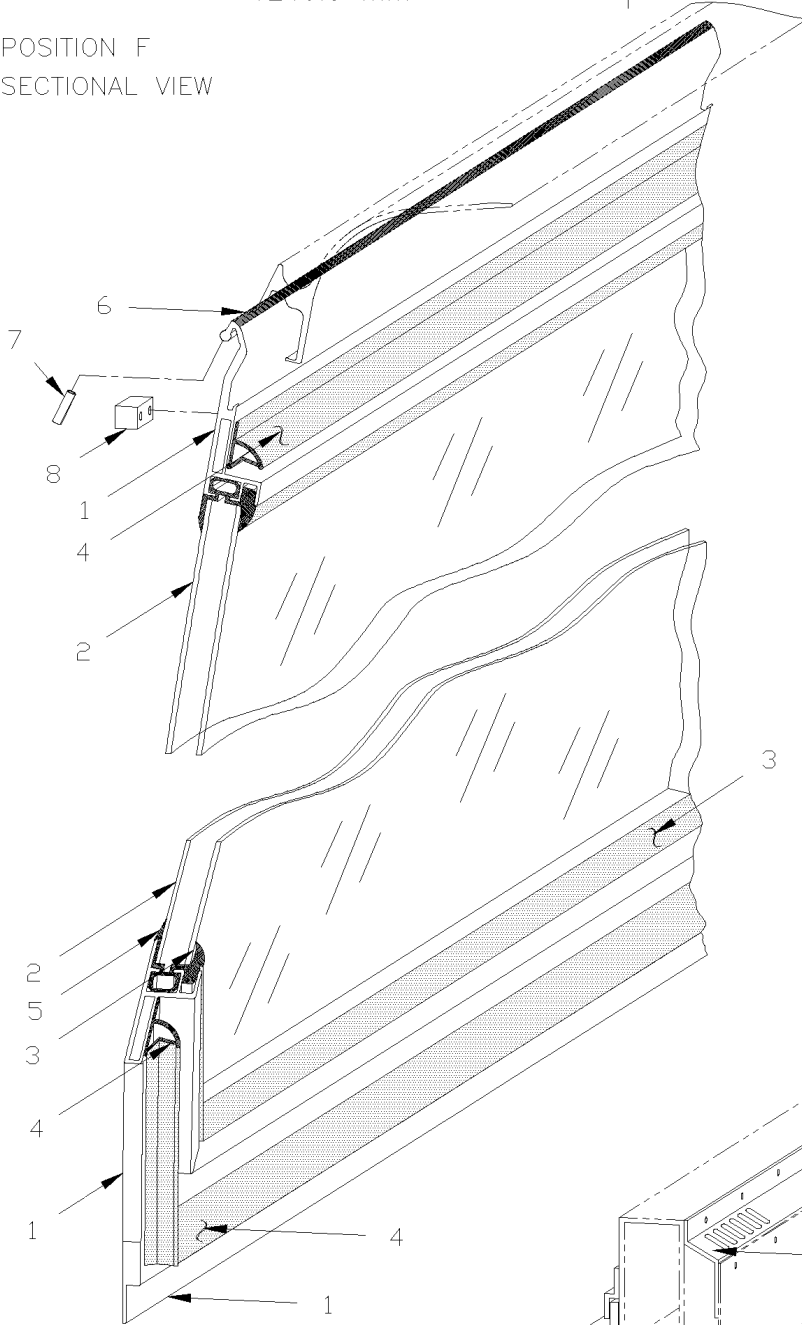
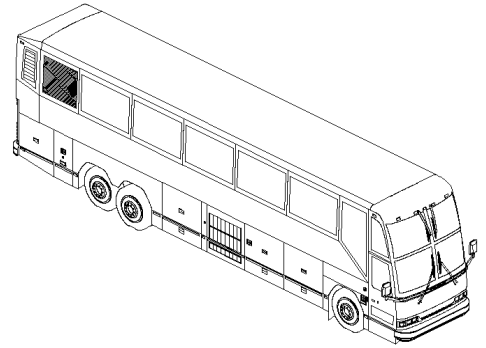
Date:10/2022

PAGE:H3-1884-02F

POSITION "F"



POSITION F
SECTIONAL VIEW



From S-208 To W-2284	Date:10/2022	PAGE:H3-1884-02F
POSITION "F"		

Item#	Part	Description	H 3 4 1	H 3 4 5	V I P 4 5	N O T E S
	292550P	WINDOW ASSY, THERMOS 28% / 1092MM	1			
	292718P	WINDOW ASSY, THERMOS 9% / 1092MM	1			
	292552P	WINDOW ASSY, SINGLE 28% / 1092MM	1			
	292745P	WINDOW ASSY, SINGLE 9%	1			
1	292545	. FRAME	1			
2	292466	. GLASS, THERMOS 28% / 1092MM	1			
2	292713	. GLASS, THERMOS 9% / 1092MM	1			
2	292467	. GLASS, SINGLE 28% / 1092MM	1			
2	292740	. GLASS, SINGLE 9% / 1092MM	1			
3	292549	. LOCKING STRIP 1005MM X 1117MM / W/THERMOS	1			
3	292548	. LOCKING STRIP 1005MM X 1117MM / W/SINGLE	1			
4	292546	. WINDOW SEAL / 1091MM X 1182MM	1			
5	292339	. EXTERIOR GLASS SEAL 997MM / VERTICAL	2			
5	292547	. EXTERIOR GLASS SEAL 1109MM / HORIZONTAL	2			
6	682481	. LOW FRICTION TAPE (HOCKEY)	AR			
7	505421	SPRING, PIN M3 x 18	AR			
8	292684	STOPPER BLOCK WINDOW / W/OPENING WINDOWS ONLY	2			
8	292344	STOPPER BLOCK WINDOW	2			
8	500896	SCREW TC FL PH #8-32x5/8 Z050	4			
43	500923	SCREW TC CAP HEX 1/4-20x3/4 Z050	AR			
44	500473	WASHER LO SPT .262x.489x.062 Z050	AR			
45	292350	SUPPORT "U" SHAPE / TO FIX HANDLE & WINDOW TO STRUCTURE	2			
48	505421	SPRING, PIN M3 x 18	AR			
50	292558	SUPPORT HANDLE / 1073MM	AR			
NS	504572	BUMPER RUBBER BOLT / .625 ODx.296TH x 8-32X.25 STUD	2			
NS	5011016	WASHER FL .177x.500x.109 AL GAL	2			
51	292555	HANDLE / 1111MM	AR			
52	292010	BAR PLASTIC PROTECTION	6			
52	500345	WASHER FN CKF .187x.500x.090 BR BK	8			
52	500686	SCREW TP OV PH #6x1/2 BK	8			
53	H3-1833-00	WINDOW FINISHING CAP & WALL				
		NEXT DECAL DOESN'T HAVE "NO SMOKING" SIGN				
NS	403855	DECAL SEAT EVEN-NUMBERED ON AISLE / 1-2 / CLEAR TO FIX ON TRAPEZOID	AR			
NS	403862	DECAL SEAT EVEN-NUMBERED ON AISLE / 3-52	AR			
NS	403857	DECAL SEAT ODD-NUMBERED ON AISLE / 3-4 / CLEAR TO FIX ON TRAPEZOID	AR			
NS	403864	DECAL SEAT ODD-NUMBERED ON AISLE / 3-52	AR			
		NEXT DECAL HAS "NO SMOKING" SIGN ON IT				
NS	403854	DECAL SEAT EVEN-NUMBERED ON AISLE / 1-2 / CLEAR TO FIX ON TRAPEZOID	AR			

From S-208 To W-2284	Date:10/2022	PAGE:H3-1884-02F
POSITION "F"		

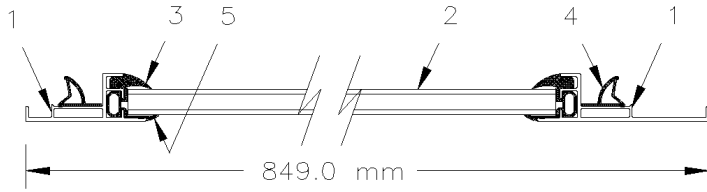
Item#	Part	Description	H 3 4 1	H 3 4 5	V I P 4 5	N O T E S
NS	403856	DECAL SEAT ODD-NUMBERED ON AISLE / 3-4 / CLEAR TO FIX ON TRAPEZOID	AR			
NS	403865	DECAL SEAT ODD-NUMBERED ON AISLE / 3-52	AR			
NS	403863	DECAL SEAT EVEN-NUMBERED ON AISLE / 3-52	AR			
NS	403357	DECAL, "NO SMOKING" / S.Q.	AR			

From S-208 To W-2284

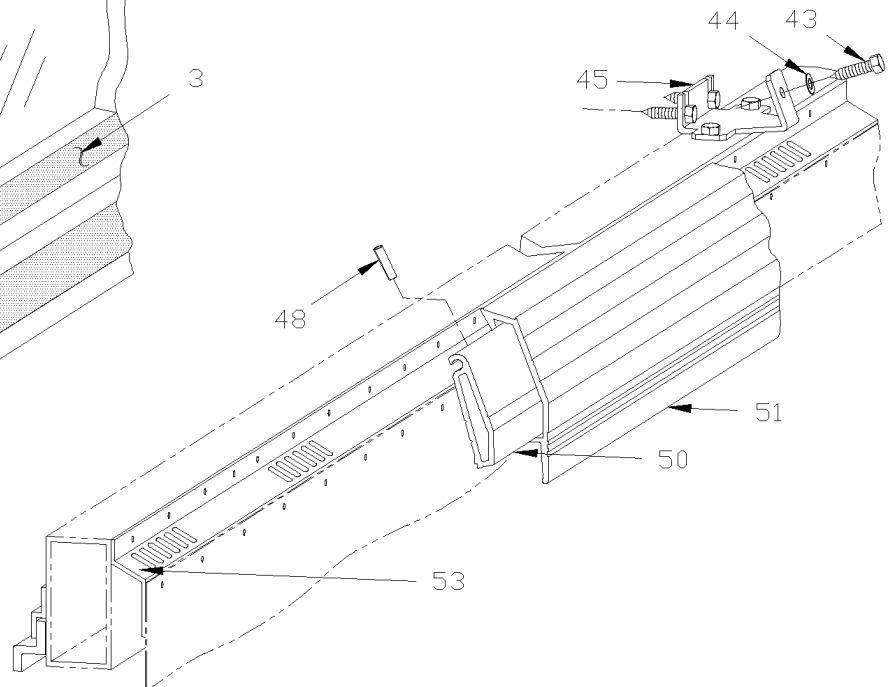
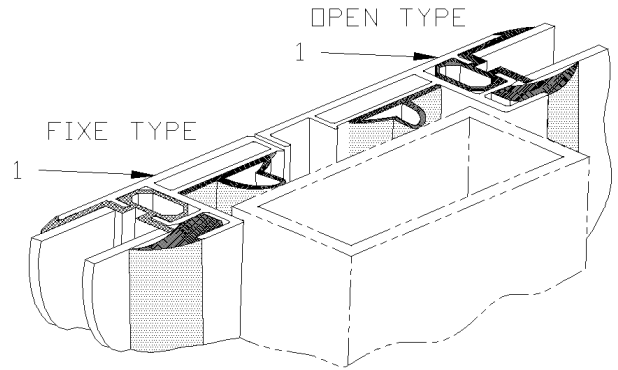
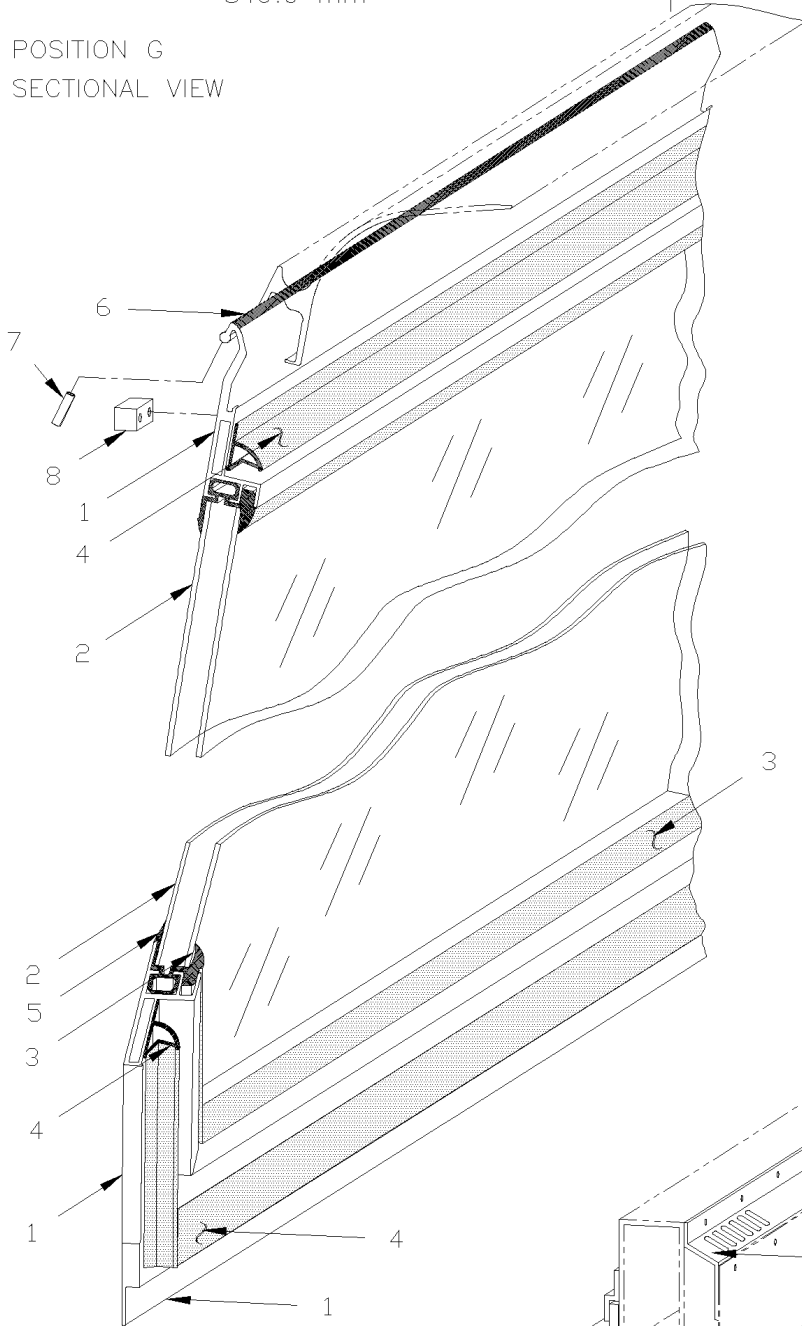
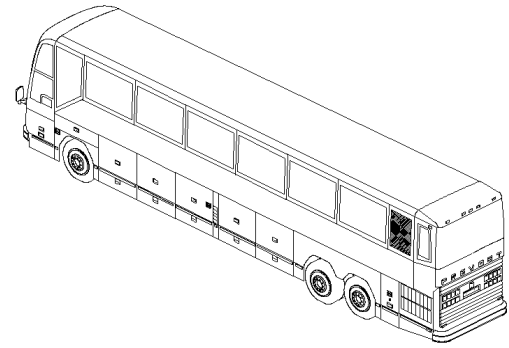
Date:10/2022

PAGE:H3-1884-02G

POSITION "G"



POSITION G
SECTIONAL VIEW



From S-208 To W-2284	Date:10/2022	PAGE:H3-1884-02G
POSITION "G"		

Item#	Part	Description	H 3 4 1	H 3 4 5	V I P 4 5	N O T E S
	292707P	WINDOW ASSY, THERMOS 28% / 678MM		1		
	292717P	WINDOW ASSY, THERMOS 9% / 678MM		1		
	292708P	WINDOW ASSY, SINGLE 28% / 678MM		1		
	292743P	WINDOW ASSY, SINGLE 9%		1		
1	292675	. FRAME		1		
2	292442	. GLASS, THERMOS 28% / 678MM		1		
2	292516	. GLASS, THERMOS 9% / 678MM		1		
2	292445	. GLASS, SINGLE 28% / 678MM		1		
2	292737	. GLASS, SINGLE 9% / 678MM		1		
3	292443	. LOCKING STRIP 1005MM X 703MM / W/THERMOS		1		
3	292441	. LOCKING STRIP 1005MM X 703MM / W/SINGLE		1		
4	292444	. WINDOW SEAL / 1091MM X 768MM		1		
5	292339	. EXTERIOR GLASS SEAL 997MM / VERTICAL		1		
5	292440	. EXTERIOR GLASS SEAL 692MM / HORIZONTAL		2		
6	682481	. LOW FRICTION TAPE (HOCKEY)		AR		
7	505421	SPRING, PIN M3 x 18		AR		
8	292684	STOPPER BLOCK WINDOW / W/OPENING WINDOWS ONLY		2		
8	292344	STOPPER BLOCK WINDOW		2		
8	500896	SCREW TC FL PH #8-32x5/8 Z050		4		
43	500923	SCREW TC CAP HEX 1/4-20x3/4 Z050		AR		
44	500473	WASHER LO SPT .262x.489x.062 Z050		AR		
45	292350	SUPPORT "U" SHAPE / TO FIX HANDLE & WINDOW TO STRUCTURE		2		
48	505421	SPRING, PIN M3 x 18		AR		
50	292436	SUPPORT HANDLE / 659MM		1		
NS	504572	BUMPER RUBBER BOLT / .625 ODx.296TH x 8-32X.25 STUD		2		
NS	5011016	WASHER FL .177x.500x.109 AL GAL		2		
51	292437	HANDLE / 680MM		1		
53	H3-1833-00	WINDOW FINISHING CAP & WALL				
		NEXT DECAL DOESN'T HAVE "NO SMOKING" SIGN				
NS	403855	DECAL SEAT EVEN-NUMBERED ON AISLE / 1-2 / CLEAR TO FIX ON TRAPEZOID		AR		
NS	403740	DECAL SEAT EVEN-NUMBERED ON AISLE / 5-60		AR		
NS	403857	DECAL SEAT ODD-NUMBERED ON AISLE / 3-4 / CLEAR TO FIX ON TRAPEZOID		AR		
NS	403742	DECAL SEAT ODD-NUMBERED ON AISLE / 5-60		AR		
		NEXT DECAL HAS "NO SMOKING" SIGN ON IT				
NS	403854	DECAL SEAT EVEN-NUMBERED ON AISLE / 1-2 / CLEAR TO FIX ON TRAPEZOID		AR		
NS	403741	DECAL SEAT EVEN-NUMBERED ON AISLE / 5-60		AR		
NS	403856	DECAL SEAT ODD-NUMBERED ON AISLE / 3-4 / CLEAR TO FIX ON TRAPEZOID		AR		
NS	403743	DECAL SEAT ODD-NUMBERED ON AISLE / 5-60		AR		

From S-208 To W-2284	Date:10/2022	PAGE:H3-1884-02G
POSITION "G"		

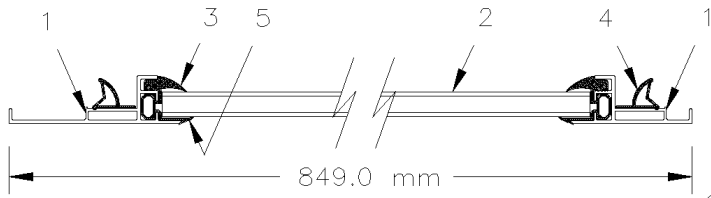
Item#	Part	Description	H 3 4 1	H 3 4 5	V I P 4 5	N O T E S
NS	403357	DECAL, "NO SMOKING" / S.Q.		AR		

From S-208 To W-2284

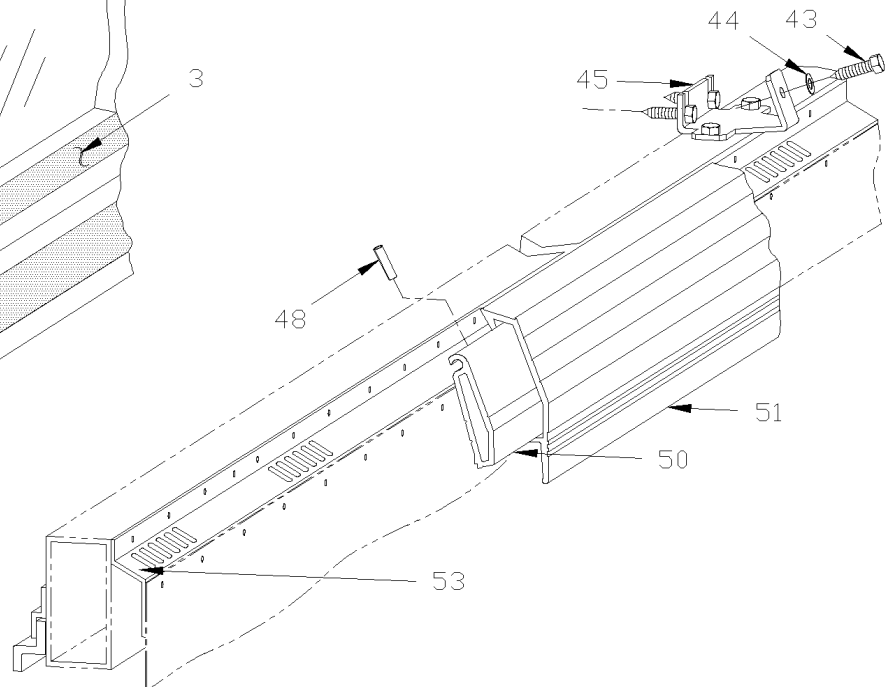
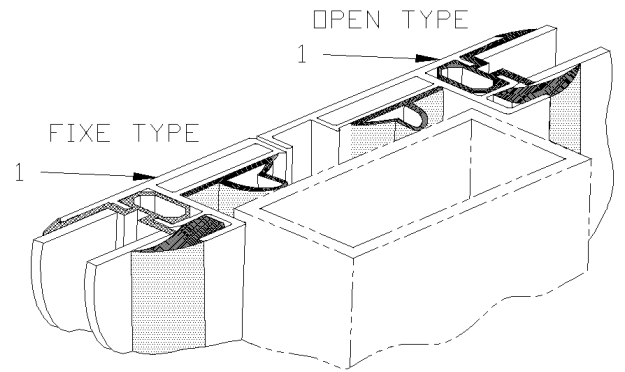
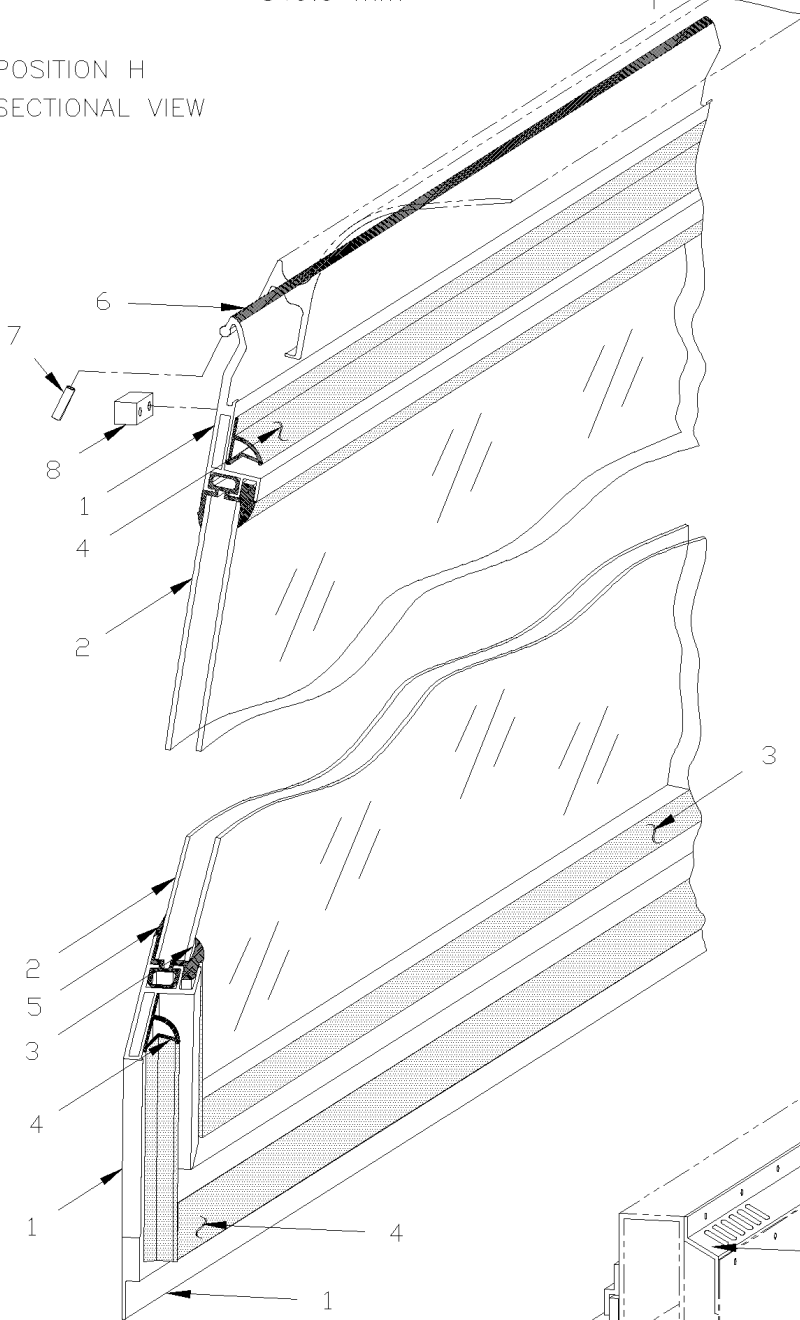
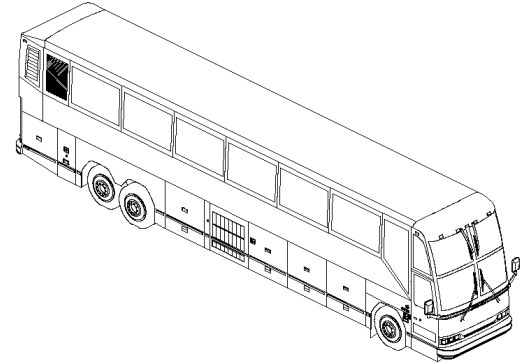
Date:10/2022

PAGE:H3-1884-02H

POSITION "H"



POSITION H
SECTIONAL VIEW



From S-208 To W-2284	Date:10/2022	PAGE:H3-1884-02H
POSITION "H"		

Item#	Part	Description	H 3 4 1	H 3 4 5	V I P 4 5	N O T E S
	292709P	WINDOW ASSY, THERMOS 28% / 678MM		1		
	292722P	WINDOW ASSY, THERMOS 9% / 678MM		1		
	292710P	WINDOW ASSY, SINGLE 28% / 678MM		1		
	292742P	WINDOW ASSY, SINGLE 9%		1		
1	292674	. FRAME		1		
2	292442	. GLASS, THERMOS 28% / 678MM		1		
2	292516	. GLASS, THERMOS 9% / 678MM		1		
2	292445	. GLASS, SINGLE 28% / 678MM		1		
2	292737	. GLASS, SINGLE 9% / 678MM		1		
3	292443	. LOCKING STRIP 1005MM X 703MM / W/THERMOS		1		
3	292441	. LOCKING STRIP 1005MM X 703MM / W/SINGLE		1		
4	292444	. WINDOW SEAL / 1091MM X 768MM		1		
5	292339	. EXTERIOR GLASS SEAL 997MM / VERTICAL		2		
5	292440	. EXTERIOR GLASS SEAL 692MM / HORIZONTAL		2		
6	682481	. LOW FRICTION TAPE (HOCKEY)		AR		
7	505421	SPRING, PIN M3 x 18		AR		
8	292684	STOPPER BLOCK WINDOW / W/OPENING WINDOWS ONLY		2		
8	292344	STOPPER BLOCK WINDOW		2		
8	500896	SCREW TC FL PH #8-32x5/8 Z050		4		
43	500923	SCREW TC CAP HEX 1/4-20x3/4 Z050		AR		
44	500473	WASHER LO SPT .262x.489x.062 Z050		AR		
45	292350	SUPPORT "U" SHAPE / TO FIX HANDLE & WINDOW TO STRUCTURE		2		
48	505421	SPRING, PIN M3 x 18		AR		
50	292438	SUPPORT HANDLE / 676MM		AR		
NS	504572	BUMPER RUBBER BOLT / .625 ODx.296TH x 8-32X.25 STUD		2		
NS	5011016	WASHER FL .177x.500x.109 AL GAL		2		
51	292439	HANDLE / 697MM		AR		
53	H3-1833-00	WINDOW FINISHING CAP & WALL				
		NEXT DECAL DOESN'T HAVE "NO SMOKING" SIGN				
NS	403855	DECAL SEAT EVEN-NUMBERED ON AISLE / 1-2 / CLEAR TO FIX ON TRAPEZOID		AR		
NS	403740	DECAL SEAT EVEN-NUMBERED ON AISLE / 5-60		AR		
NS	403857	DECAL SEAT ODD-NUMBERED ON AISLE / 3-4 / CLEAR TO FIX ON TRAPEZOID		AR		
NS	403742	DECAL SEAT ODD-NUMBERED ON AISLE / 5-60		AR		
		NEXT DECAL HAS "NO SMOKING" SIGN ON IT				
NS	403854	DECAL SEAT EVEN-NUMBERED ON AISLE / 1-2 / CLEAR TO FIX ON TRAPEZOID		AR		
NS	403741	DECAL SEAT EVEN-NUMBERED ON AISLE / 5-60		AR		
NS	403856	DECAL SEAT ODD-NUMBERED ON AISLE / 3-4 / CLEAR TO FIX ON TRAPEZOID		AR		
NS	403743	DECAL SEAT ODD-NUMBERED ON AISLE / 5-60		AR		

From S-208 To W-2284	Date:10/2022	PAGE:H3-1884-02H
POSITION "H"		

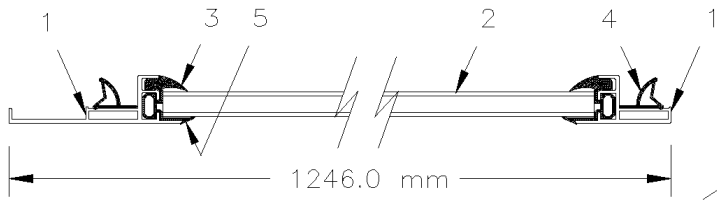
Item#	Part	Description	H 3 4 1	H 3 4 5	V I P 4 5	N O T E S
NS	403357	DECAL, "NO SMOKING" / S.Q.		AR		

From S-208 To W-2284

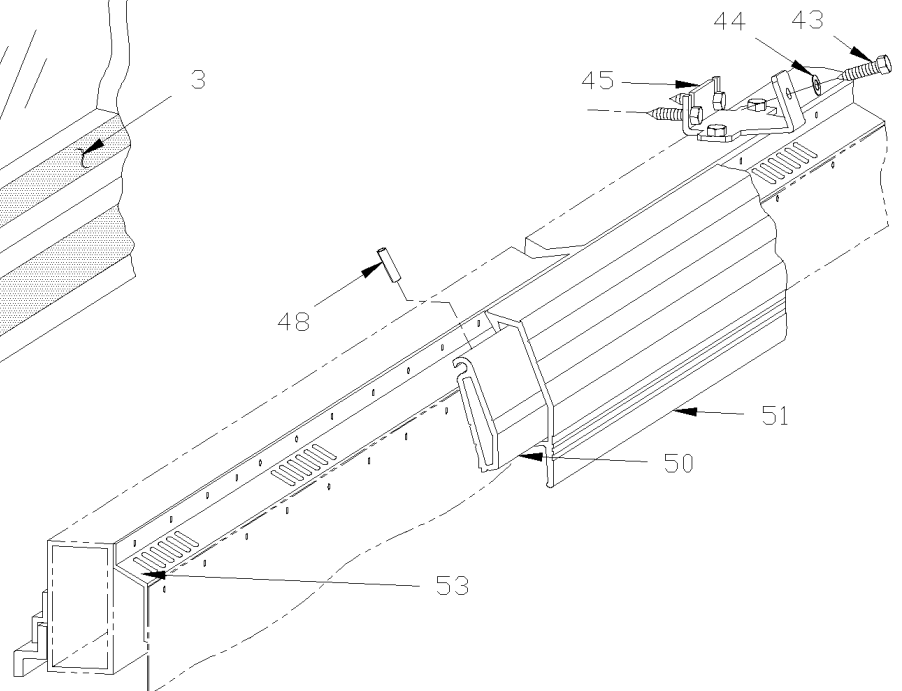
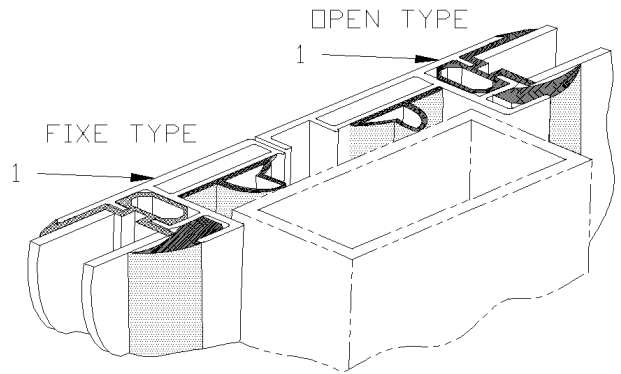
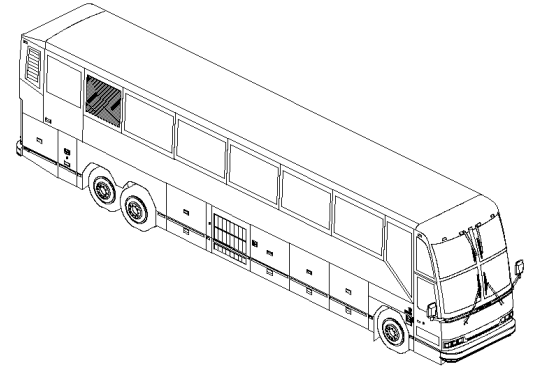
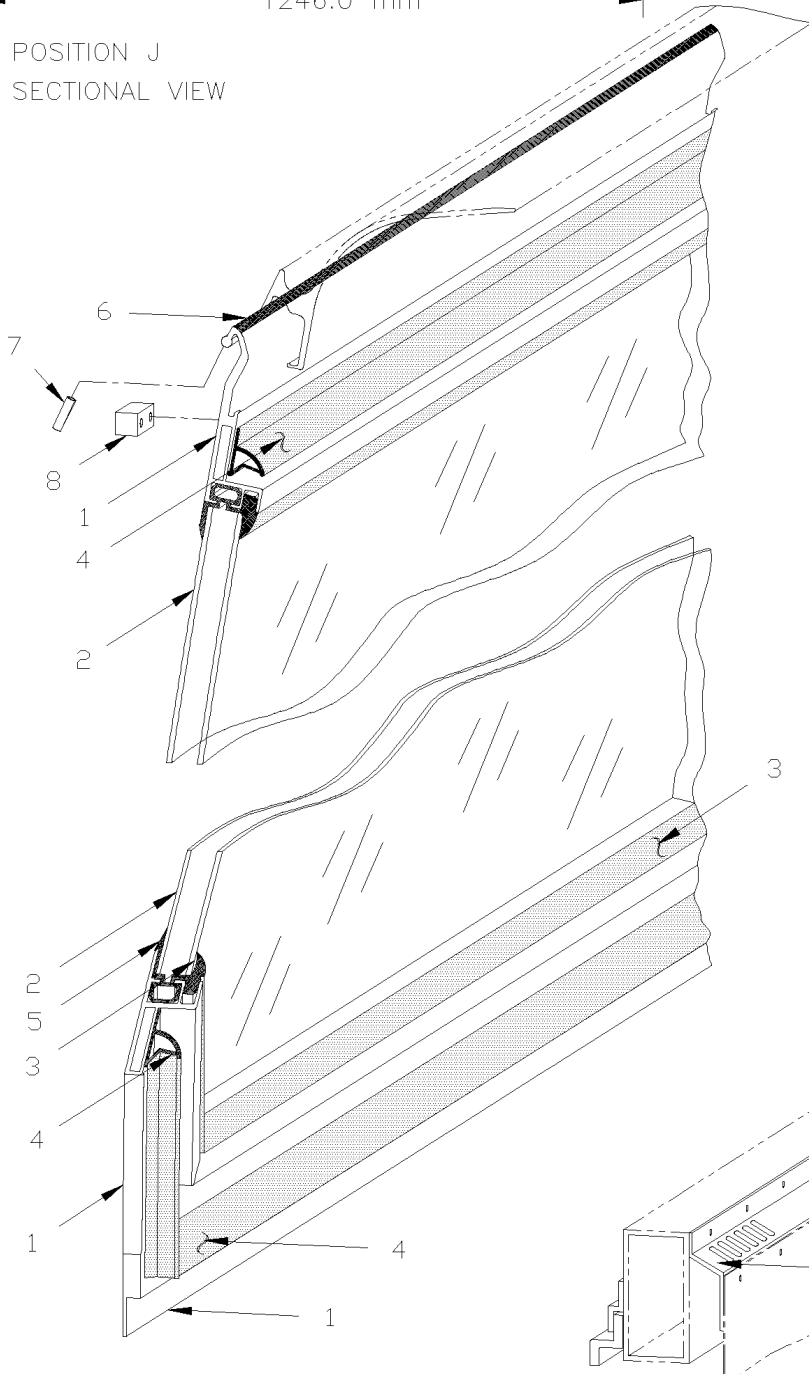
Date:10/2022

PAGE:H3-1884-02J

POSITION "J"



POSITION J
SECTIONAL VIEW



From S-208 To W-2284	Date:10/2022	PAGE:H3-1884-02J
POSITION "J"		

Item#	Part	Description	H 3 4 1	H 3 4 5	V I P 4 5	N O T E S
	292550P	WINDOW ASSY, THERMOS 28% / 1092MM		1		
	292718P	WINDOW ASSY, THERMOS 9% / 1092MM		1		
	292552P	WINDOW ASSY, SINGLE 28% / 1092MM		1		
	292745P	WINDOW ASSY, SINGLE 9%		1		
1	292545	. FRAME		1		
2	292466	. GLASS, THERMOS 28% / 1092MM		1		
2	292713	. GLASS, THERMOS 9% / 1092MM		1		
2	292467	GLASS, SINGLE 28% / 1092MM		1		
2	292740	GLASS, SINGLE 9% / 1092MM		1		
3	292549	. LOCKING STRIP 1005MM X 1117MM / W/THERMOS		1		
3	292548	. LOCKING STRIP 1005MM X 1117MM / W/SINGLE		1		
4	292546	. WINDOW SEAL / 1091MM X 1182MM		1		
5	292339	. EXTERIOR GLASS SEAL 997MM / VERTICAL		2		
5	292547	. EXTERIOR GLASS SEAL 1109MM / HORIZONTAL		2		
6	682481	. LOW FRICTION TAPE (HOCKEY)		AR		
7	505421	SPRING, PIN M3 x 18		AR		
8	292684	STOPPER BLOCK WINDOW / W/OPENING WINDOWS ONLY		2		
8	292344	STOPPER BLOCK WINDOW		2		
8	500896	SCREW TC FL PH #8-32x5/8 Z050		4		
43	500923	SCREW TC CAP HEX 1/4-20x3/4 Z050		AR		
44	500473	WASHER LO SPT .262x.489x.062 Z050		AR		
45	292350	SUPPORT "U" SHAPE / TO FIX HANDLE & WINDOW TO STRUCTURE		2		
48	505421	SPRING, PIN M3 x 18		AR		
50	292558	SUPPORT HANDLE / 1073MM		1		
NS	504572	BUMPER RUBBER BOLT / .625 ODx.296TH x 8-32X.25 STUD		2		
NS	5011016	WASHER FL .177x.500x.109 AL GAL		2		
51	292555	HANDLE / 1111MM		1		
53	H3-1833-00	WINDOW FINISHING CAP & WALL				
		NEXT DECAL DOESN'T HAVE "NO SMOKING" SIGN				
NS	403855	DECAL SEAT EVEN-NUMBERED ON AISLE / 1-2 / CLEAR TO FIX ON TRAPEZOID		AR		
NS	403740	DECAL SEAT EVEN-NUMBERED ON AISLE / 5-60		AR		
NS	403857	DECAL SEAT ODD-NUMBERED ON AISLE / 3-4 / CLEAR TO FIX ON TRAPEZOID		AR		
NS	403742	DECAL SEAT ODD-NUMBERED ON AISLE / 5-60		AR		
		NEXT DECAL HAS "NO SMOKING" SIGN ON IT				
NS	403854	DECAL SEAT EVEN-NUMBERED ON AISLE / 1-2 / CLEAR TO FIX ON TRAPEZOID		AR		
NS	403741	DECAL SEAT EVEN-NUMBERED ON AISLE / 5-60		AR		
NS	403856	DECAL SEAT ODD-NUMBERED ON AISLE / 3-4 / CLEAR TO FIX ON TRAPEZOID		AR		
NS	403743	DECAL SEAT ODD-NUMBERED ON AISLE / 5-60		AR		

From S-208 To W-2284	Date:10/2022	PAGE:H3-1884-02J
POSITION "J"		

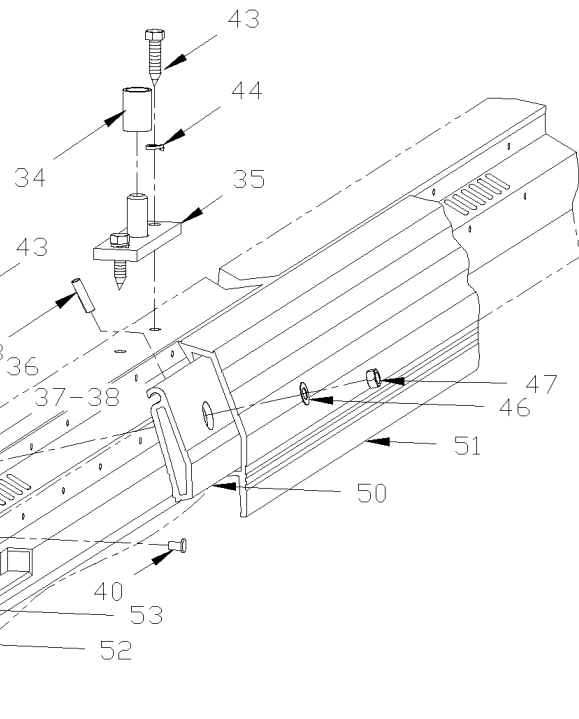
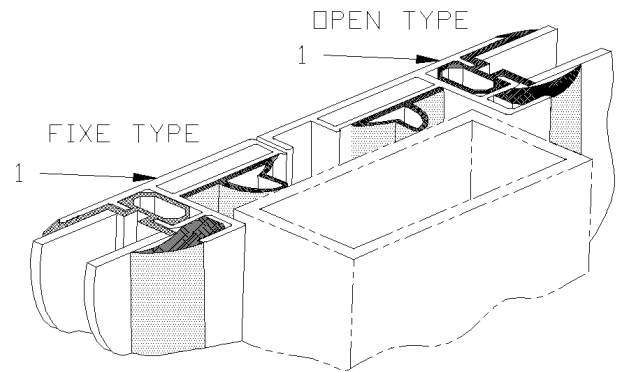
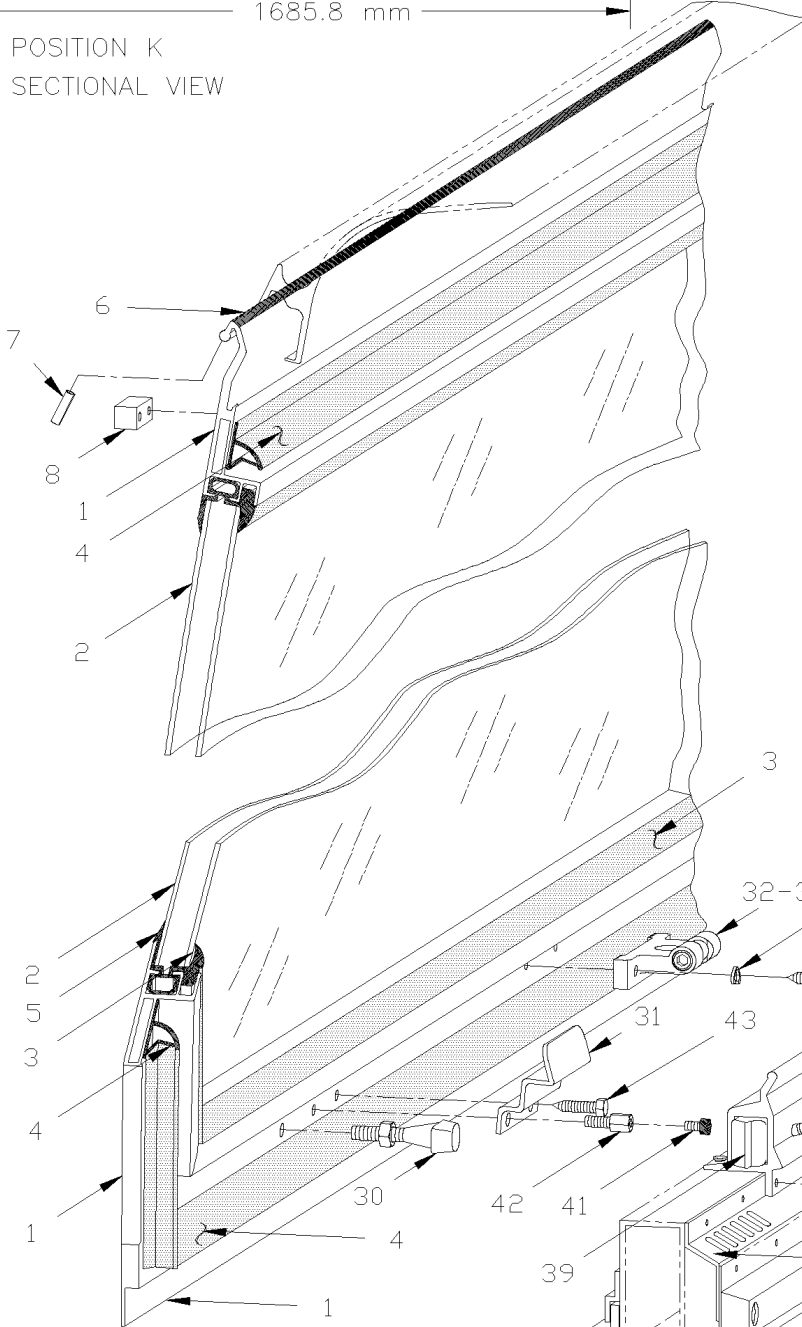
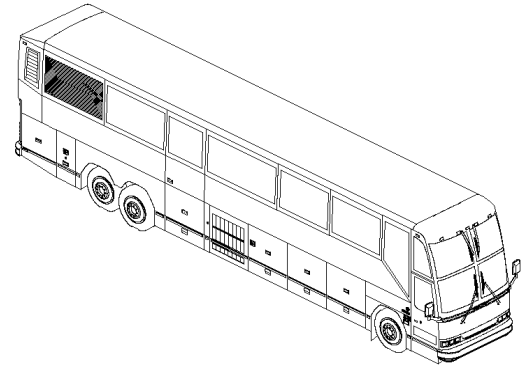
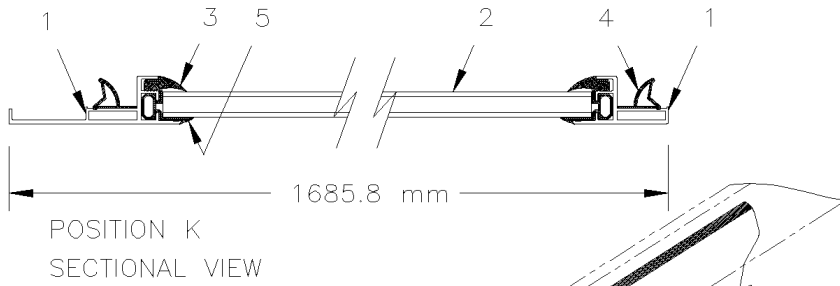
Item#	Part	Description	H 3 4 1	H 3 4 5	V I P 4 5	N O T E S
NS	403357	DECAL, "NO SMOKING" / S.Q.		AR		

From S-208 To W-2284

Date:10/2022

PAGE:H3-1884-02K

POSITION "K"



From S-208 To W-2284	Date:10/2022	PAGE:H3-1884-02K
POSITION "K"		

Item#	Part	Description	H 3 4 1	H 3 4 5	V I P 4 5	N O T E S
	291996P	WINDOW ASSY, THERMOS 28% W/GLASS / 1531MM		1		
	292761P	WINDOW ASSY, SIMPLE 28%		1		
1	291994	. FRAME / 1685.8 MM		1		
2	299041	. GLASS, THERMOS 28% / 1531MM		1		
2	292513	. GLASS, THERMOS 9% / 1531MM		1		
2	292040	. GLASS, SINGLE 28% / 1531MM		1		
2	292736	. GLASS, SINGLE 9% / 1531MM		1		
3	292262	. LOCKING STRIP 1005MM X 1551MM / W/THERMOS		1		
3	292261	. LOCKING STRIP 1005MM X 1551MM / W/SINGLE		1		
4	292279	. WINDOW SEAL / 1091MM X 1622MM		1		
5	292339	. EXTERIOR GLASS SEAL 997MM / VERTICAL		2		
5	292340	. EXTERIOR GLASS SEAL 1553MM / HORIZONTAL		2		
6	682481	. LOW FRICTION TAPE (HOCKEY)		AR		
7	505421	SPRING, PIN M3 x 18		AR		
8	292684	STOPPER BLOCK WINDOW / W/OPENING WINDOWS ONLY		2		
8	292344	STOPPER BLOCK WINDOW		2		
8	500896	SCREW TC FL PH #8-32x5/8 Z050		4		
25	291947	GLASS, THERMOS 28%		1		
30	291781	BOLT LOCKING		2		
30	502710	NUT HEX THN M8-1.5x4.5 ZP		2		
31	292012	HANDLE WINDOW		2		
32	292047	BRACKET ASSY CENTERING		1		
32	292021	. BRACKET CENTERING		1		
33	507314	. PLUNGER BALL M12 X 1.75		1		
34	504586	WASHER FL SPACER .450x.625x.875 NYL		1		
35	292410	PIN, CENTERING		1		
36	291838	LATCH ASSY / L.H. ASSY SHOWN		1		
36	291837	LATCH ASSY / R.H. ASSY		1		
36	291782	. SUPPORT / R.H.		1		
36	291789	. SUPPORT / L.H.		1		
37	291797	. ROD LOCKING		1		
38	505415	. SPRING, PIN M2.5 X 36		1		
39	291795	. LATCH / L.H.		1		
39	291796	. LATCH / R.H.		1		
39	291940	. SPRING COMPRESSION / .511 O.D. x 30 MM x .040		1		
40	504256	RIVET POP CK OE 3/16x1/4 AL		AR		
41	504572	BUMPER RUBBER BOLT / .625 ODx.296TH x 8-32X.25 STUD		2		
42	292349	ADAPTOR STUD 1/4-20 Male x 8-32 Female		2		
46	5001114	WASHER FL .260x.687x.060 NYL		2		
47	502511	NUT HEX NYRT M6-1.0 Z050		2		
48	505421	SPRING, PIN M3 x 18		AR		
50	291887	SUPPORT HANDLE / 1531MM		12		

From S-208 To W-2284	Date:10/2022	PAGE:H3-1884-02K
POSITION "K"		

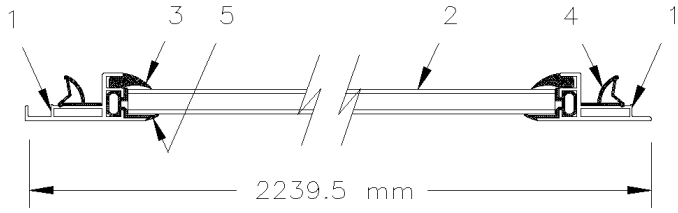
Item#	Part	Description	H 3 4 1	H 3 4 5	V I P 4 5	N O T E S
NS	504572	BUMPER RUBBER BOLT / .625 ODx.296TH x 8-32X.25 STUD		2		
NS	5011016	WASHER FL .177x.500x.109 AL GAL		2		
51	292356	HANDLE / 1550MM		12		
52	292010	BAR PLASTIC PROTECTION		7		
52	500345	WASHER FN CKF .187x.500x.090 BR BK		8		
52	500686	SCREW TP OV PH #6x1/2 BK		8		
53	H3-1833-00	WINDOW FINISHING CAP & WALL				
		NEXT DECAL DOESN'T HAVE "NO SMOKING" SIGN				
NS	403855	DECAL SEAT EVEN-NUMBERED ON AISLE / 1-2 / CLEAR TO FIX ON TRAPEZOID		AR		
NS	403740	DECAL SEAT EVEN-NUMBERED ON AISLE / 5-60		AR		
NS	403857	DECAL SEAT ODD-NUMBERED ON AISLE / 3-4 / CLEAR TO FIX ON TRAPEZOID		AR		
NS	403742	DECAL SEAT ODD-NUMBERED ON AISLE / 5-60		AR		
		NEXT DECAL HAS "NO SMOKING" SIGN ON IT				
NS	403854	DECAL SEAT EVEN-NUMBERED ON AISLE / 1-2 / CLEAR TO FIX ON TRAPEZOID		AR		
NS	403741	DECAL SEAT EVEN-NUMBERED ON AISLE / 5-60		AR		
NS	403856	DECAL SEAT ODD-NUMBERED ON AISLE / 3-4 / CLEAR TO FIX ON TRAPEZOID		AR		
NS	403743	DECAL SEAT ODD-NUMBERED ON AISLE / 5-60		AR		
NS	403357	DECAL, "NO SMOKING" / S.Q.		AR		

From S-208 To W-2284

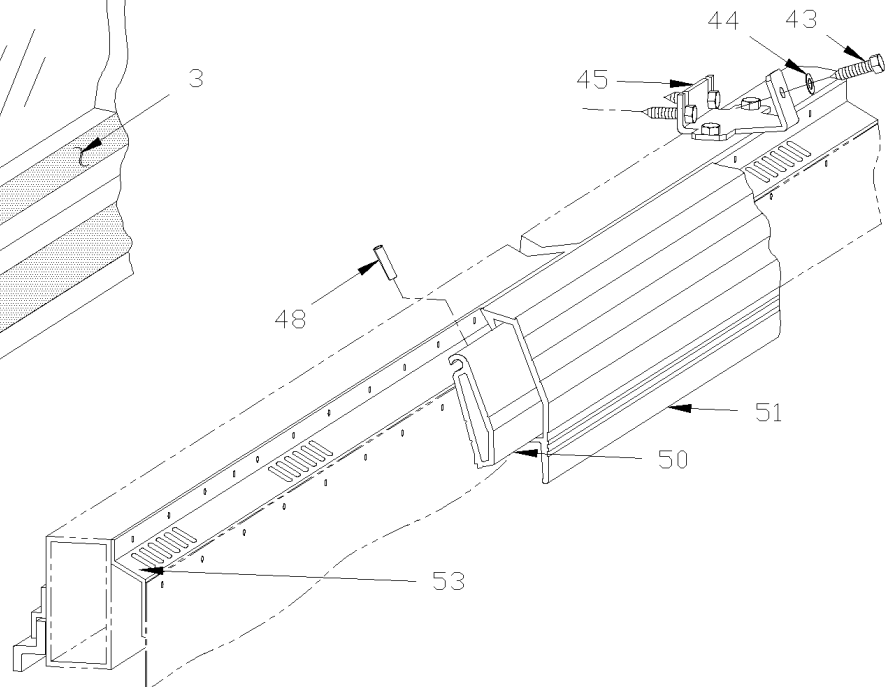
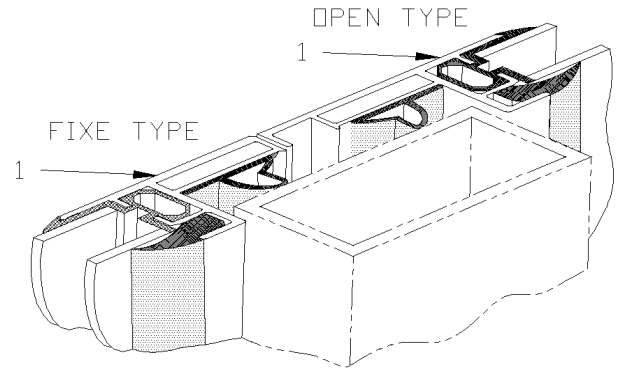
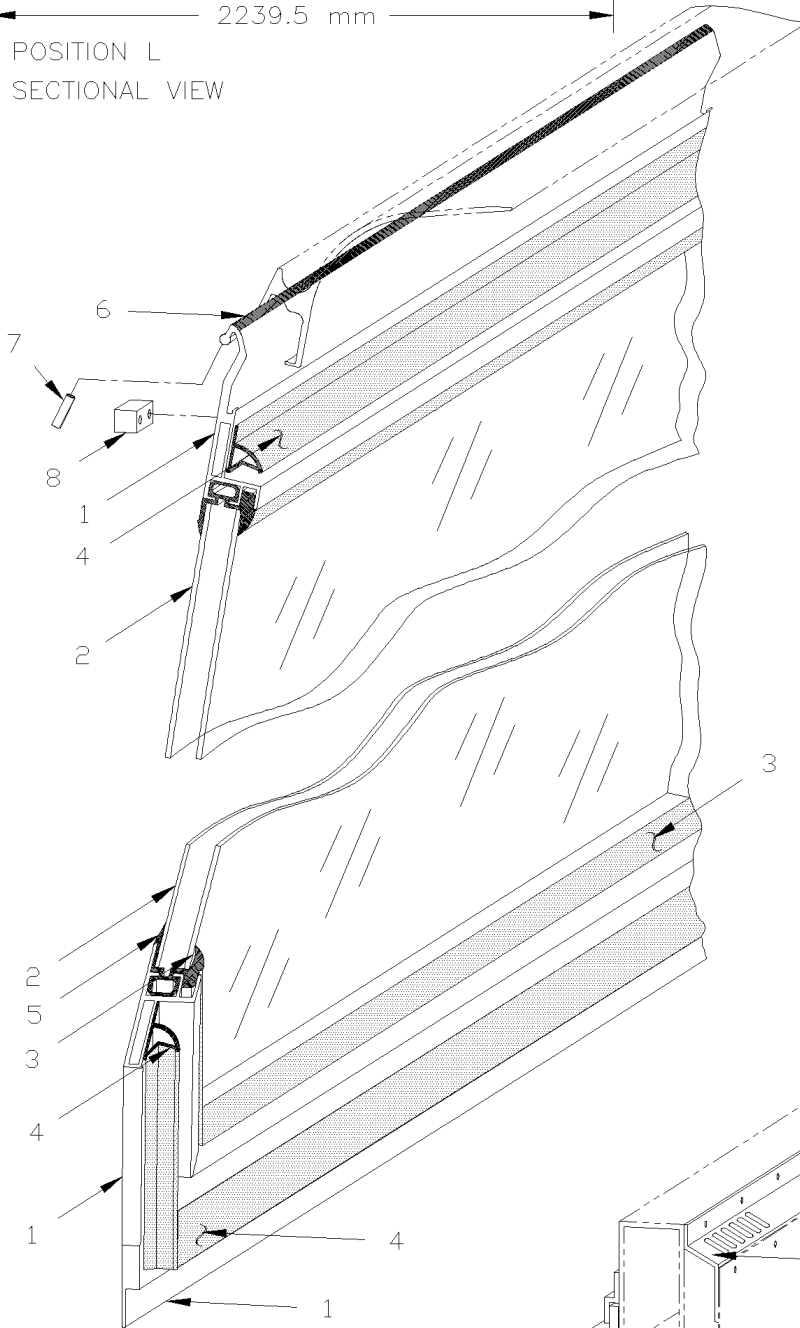
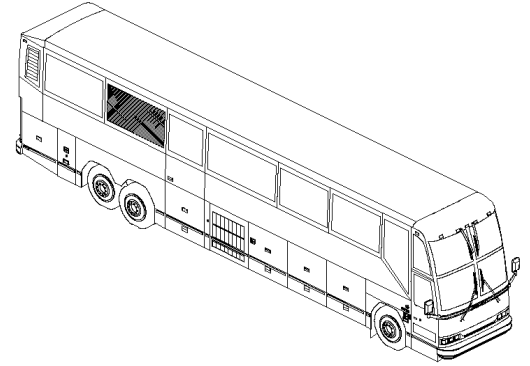
Date:10/2022

PAGE:H3-1884-02L

POSITION "L"



POSITION L
SECTIONAL VIEW



From S-208 To W-2284	Date:10/2022	PAGE:H3-1884-02L
POSITION "L"		

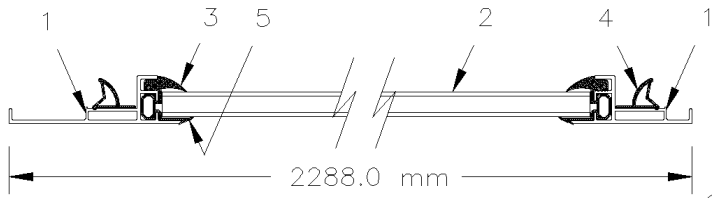
Item#	Part	Description	H 3 4 1	H 3 4 5	V I P 4 5	N O T E S
	292773P	WINDOW ASSY, THERMOS 28%		1		
	292776P	WINDOW ASSY, SIMPLE 28%		1		
1	292778	. FRAME		1		
2	292768	. GLASS, THERMOS 28% / 2112MM		1		
2	292767	. GLASS, SINGLE 28% / 2112MM		1		
3	292779	. LOCKING STRIP 1005MM X 2137MM / W/THERMOS		1		
3	292783	. LOCKING STRIP 1005MM X 2137MM / W/SINGLE		1		
4	292781	. WINDOW SEAL / 1091MM X 2202MM		1		
5	292339	. EXTERIOR GLASS SEAL 997MM / VERTICAL		2		
5	292780	. EXTERIOR GLASS SEAL 2138MM / HORIZONTAL		2		
6	682481	. LOW FRICTION TAPE (HOCKEY)		AR		
7	505421	SPRING, PIN M3 x 18		AR		
8	292684	STOPPER BLOCK WINDOW / W/OPENING WINDOWS ONLY		2		
8	292344	STOPPER BLOCK WINDOW		2		
8	500896	SCREW TC FL PH #8-32x5/8 Z050		4		
43	500923	SCREW TC CAP HEX 1/4-20x3/4 Z050		AR		
44	500473	WASHER LO SPT .262x.489x.062 Z050		AR		
45	292350	SUPPORT "U" SHAPE / TO FIX HANDLE & WINDOW TO STRUCTURE		2		
48	505421	SPRING, PIN M3 x 18		AR		
50	292771	SUPPORT HANDLE / 2110 MM		1		
NS	504572	BUMPER RUBBER BOLT / .625 ODx.296TH x 8-32X.25 STUD		2		
NS	5011016	WASHER FL .177x.500x.109 AL GAL		2		
51	292770	HANDLE / 2131MM		1		
53	H3-1833-00	WINDOW FINISHING CAP & WALL				
		NEXT DECAL DOESN'T HAVE "NO SMOKING" SIGN				
NS	403855	DECAL SEAT EVEN-NUMBERED ON AISLE / 1-2 / CLEAR TO FIX ON TRAPEZOID		AR		
NS	403740	DECAL SEAT EVEN-NUMBERED ON AISLE / 5-60		AR		
NS	403857	DECAL SEAT ODD-NUMBERED ON AISLE / 3-4 / CLEAR TO FIX ON TRAPEZOID		AR		
NS	403742	DECAL SEAT ODD-NUMBERED ON AISLE / 5-60		AR		
		NEXT DECAL HAS "NO SMOKING" SIGN ON IT				
NS	403854	DECAL SEAT EVEN-NUMBERED ON AISLE / 1-2 / CLEAR TO FIX ON TRAPEZOID		AR		
NS	403741	DECAL SEAT EVEN-NUMBERED ON AISLE / 5-60		AR		
NS	403856	DECAL SEAT ODD-NUMBERED ON AISLE / 3-4 / CLEAR TO FIX ON TRAPEZOID		AR		
NS	403743	DECAL SEAT ODD-NUMBERED ON AISLE / 5-60		AR		
NS	403357	DECAL, "NO SMOKING" / S.Q.		AR		

From S-208 To W-2284

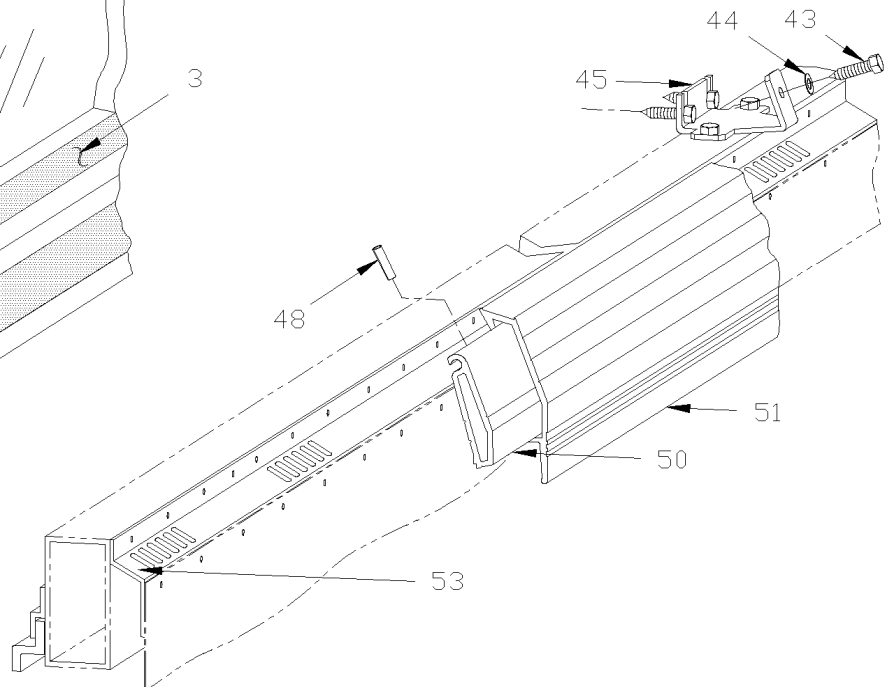
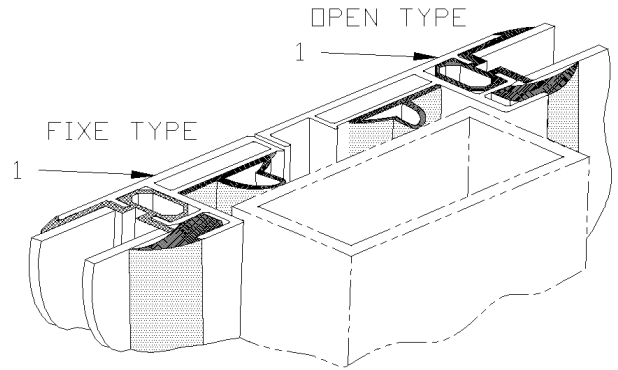
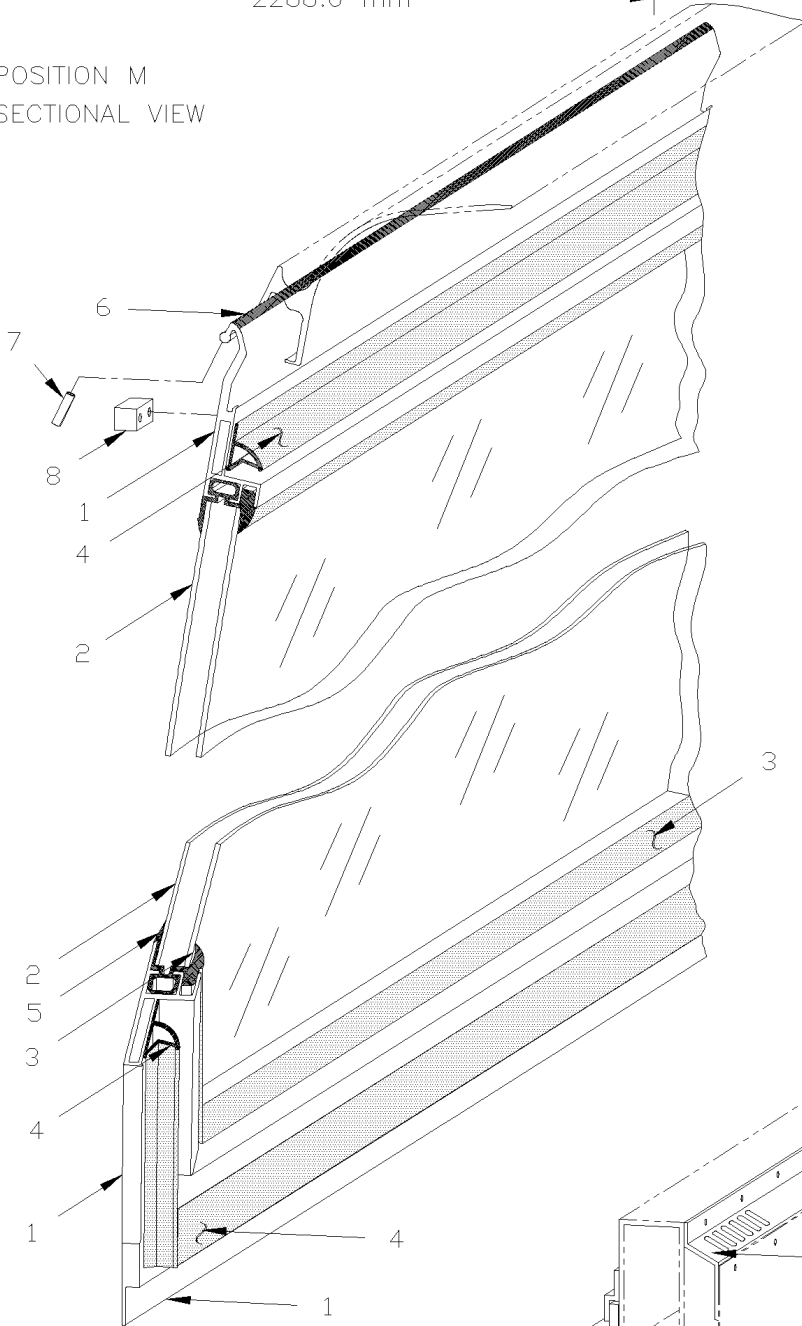
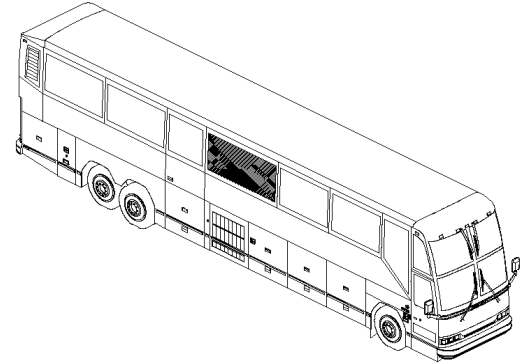
Date:10/2022

PAGE:H3-1884-02M

POSITION "M"



POSITION M
SECTIONAL VIEW



From S-208 To W-2284	Date:10/2022	PAGE:H3-1884-02M
POSITION "M"		

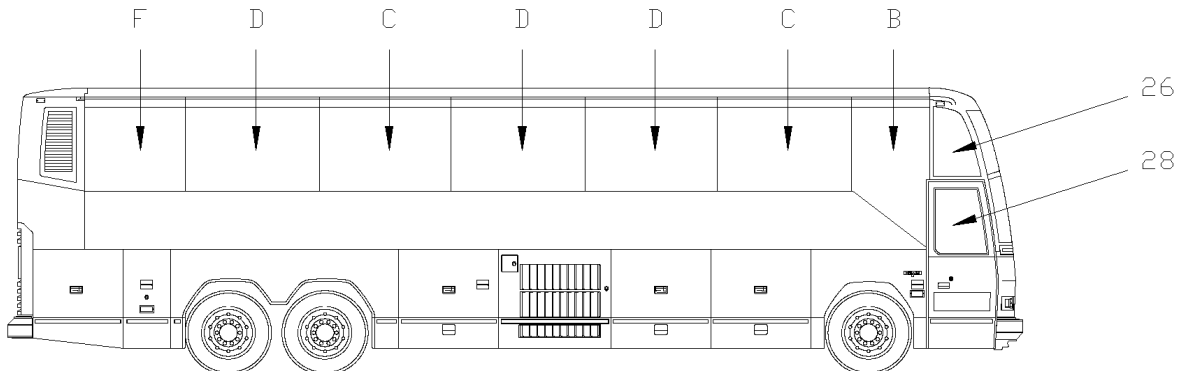
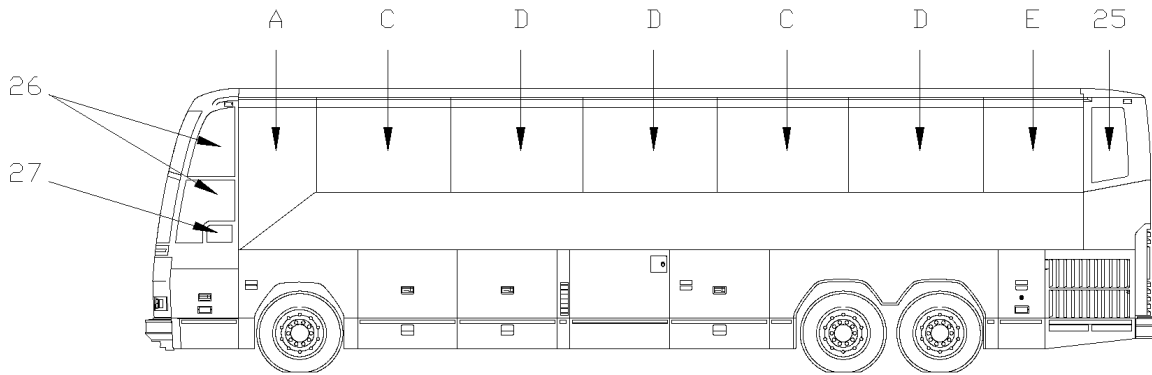
Item#	Part	Description	H 3 4 1	H 3 4 5	V I P 4 5	N O T E S
	292774P	WINDOW ASSY, THERMOS 28%		1		
	292777P	WINDOW ASSY, SIMPLE 28%		1		
1	292782	. FRAME		1		
2	292768	. GLASS, THERMOS 28% / 2112MM		1		
2	292767	. GLASS, SINGLE 28% / 2112MM		1		
3	292779	. LOCKING STRIP 1005MM X 2137MM / W/THERMOS		1		
3	292783	. LOCKING STRIP 1005MM X 2137MM / W/SINGLE		1		
4	292781	. WINDOW SEAL / 1091MM X 2202MM		1		
5	292339	. EXTERIOR GLASS SEAL 997MM / VERTICAL		2		
5	292780	. EXTERIOR GLASS SEAL 2138MM / HORIZONTAL		2		
6	682481	. LOW FRICTION TAPE (HOCKEY)		AR		
7	505421	SPRING, PIN M3 x 18		AR		
8	292684	STOPPER BLOCK WINDOW / W/OPENING WINDOWS ONLY		2		
8	292344	STOPPER BLOCK WINDOW		2		
8	500896	SCREW TC FL PH #8-32x5/8 Z050		4		
43	500923	SCREW TC CAP HEX 1/4-20x3/4 Z050		AR		
44	500473	WASHER LO SPT .262x.489x.062 Z050		AR		
45	292350	SUPPORT "U" SHAPE / TO FIX HANDLE & WINDOW TO STRUCTURE		2		
48	505421	SPRING, PIN M3 x 18		AR		
50	292771	SUPPORT HANDLE / 2110 MM		AR		
NS	504572	BUMPER RUBBER BOLT / .625 ODx.296TH x 8-32X.25 STUD		2		
NS	5011016	WASHER FL .177x.500x.109 AL GAL		2		
51	292770	HANDLE / 2131MM		AR		
53	H3-1833-00	WINDOW FINISHING CAP & WALL				
		NEXT DECAL DOESN'T HAVE "NO SMOKING" SIGN				
NS	403855	DECAL SEAT EVEN-NUMBERED ON AISLE / 1-2 / CLEAR TO FIX ON TRAPEZOID		AR		
NS	403740	DECAL SEAT EVEN-NUMBERED ON AISLE / 5-60		AR		
NS	403857	DECAL SEAT ODD-NUMBERED ON AISLE / 3-4 / CLEAR TO FIX ON TRAPEZOID		AR		
NS	403742	DECAL SEAT ODD-NUMBERED ON AISLE / 5-60		AR		
		NEXT DECAL HAS "NO SMOKING" SIGN ON IT				
NS	403854	DECAL SEAT EVEN-NUMBERED ON AISLE / 1-2 / CLEAR TO FIX ON TRAPEZOID		AR		
NS	403741	DECAL SEAT EVEN-NUMBERED ON AISLE / 5-60		AR		
NS	403856	DECAL SEAT ODD-NUMBERED ON AISLE / 3-4 / CLEAR TO FIX ON TRAPEZOID		AR		
NS	403743	DECAL SEAT ODD-NUMBERED ON AISLE / 5-60		AR		
NS	403357	DECAL, "NO SMOKING" / S.Q.		AR		

From W-2285 To 2-4416

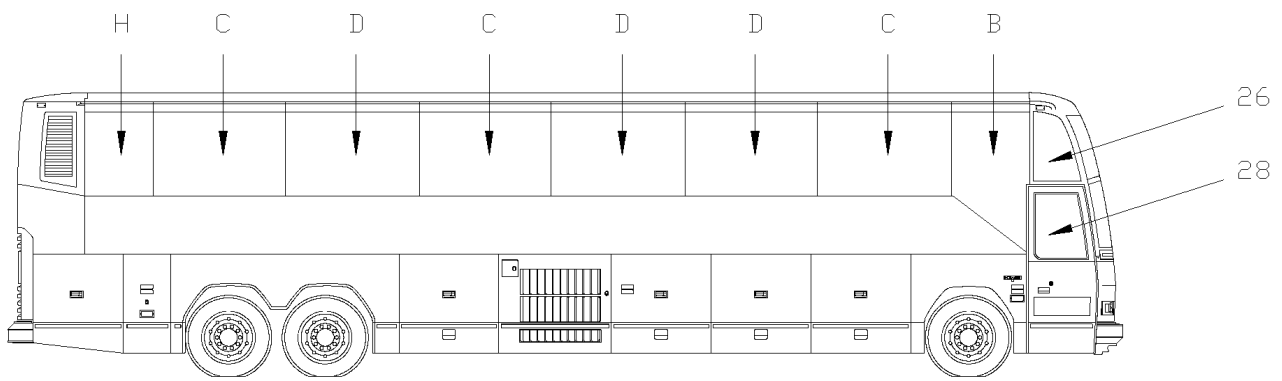
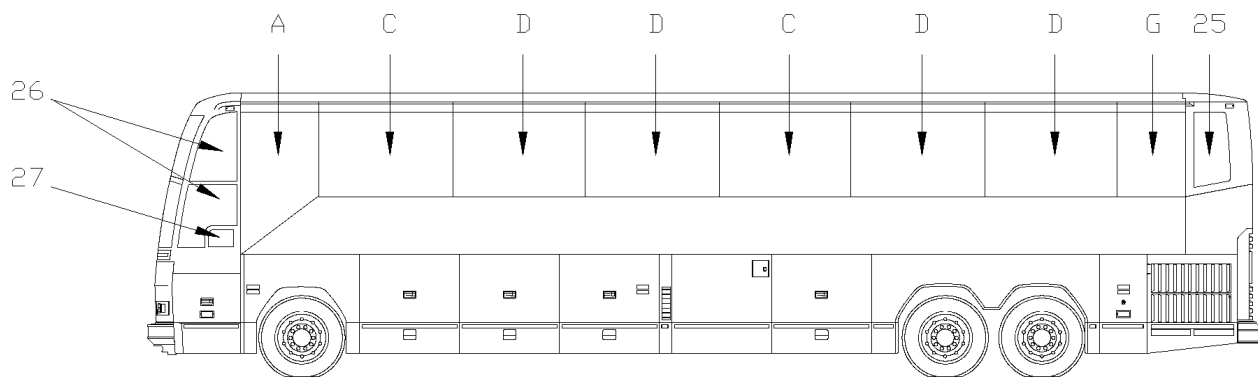
Date:10/2022

PAGE:H3-1884-03

SIDE WINDOW - BUS



H3-41



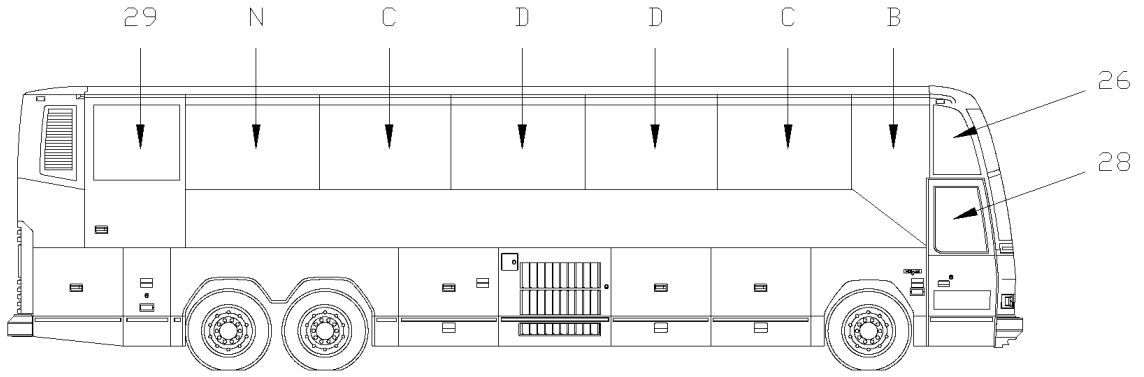
H3-45

From W-2285 To 2-4416

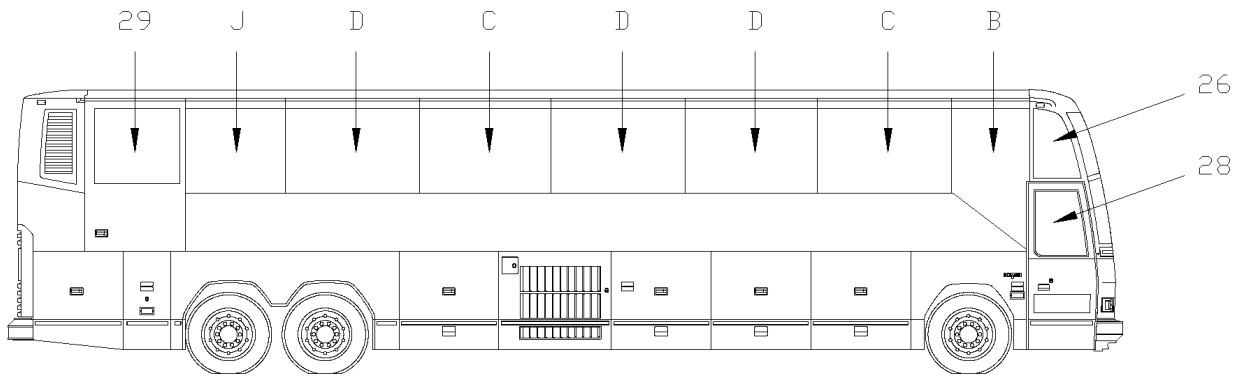
Date:10/2022

PAGE:H3-1884-03

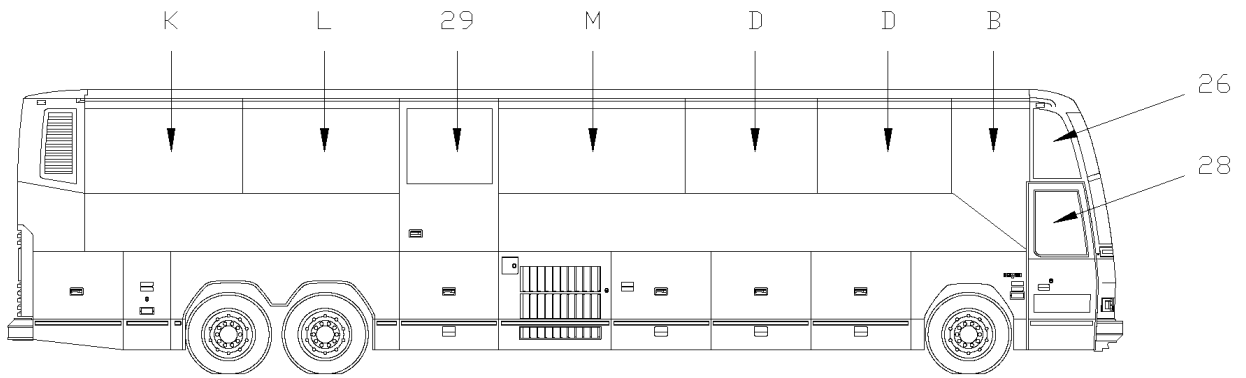
SIDE WINDOW - BUS



H3-41 WITH W.C.L. ST & ST



H3-45 WITH W.C.L. ST & ST



H3-45 WITH W.C.L. RICON

From W-2285 To 2-4416		Date:10/2022	PAGE:H3-1884-03
SIDE WINDOW - BUS			

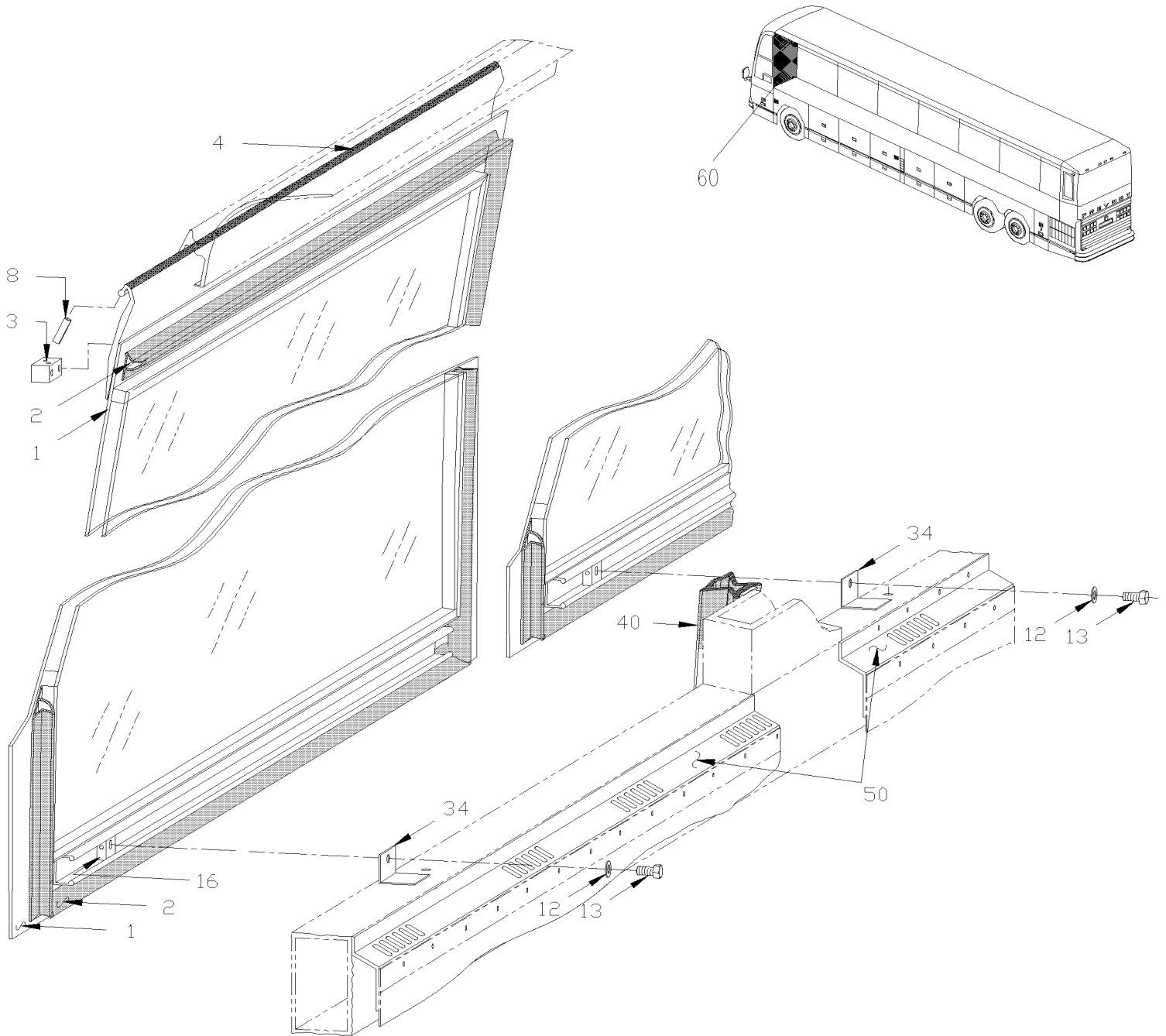
Item#	Part	Description	H 3 4 1	H 3 4 5	V I P 4 5	N O T E S
25	292912	GLASS THERMOS 13% To Y-2844	1	1		
25	293202	GLASS THERMOS 13% From Y-2845	1	1		
26	H3-1880-00	WINDSHIELD & CHANNEL				
27	H3-1886-00	POWER WINDOW - ELECTRICAL INSTALLATION				
28	H3-1862-10	ENTRANCE DOOR ASSY - "SEDAN"				
29	H3-1862-80	ENTRANCE DOOR ASSY - W.C.L.				
NS	293084	EMERGENCY KIT / PLASTIC WINDOW	1	1		A
. NS	293087	. EMERGENCY PLEXIGLASS WINDOW 1652MM	1	1		A
. NS	293189	. SUPPORT	2	2		A
. NS	293216	. DECAL	1	1		A
. NS	504114	. RIVET POP DOME OE 3/16x1/4 AL	4	4		A
. NS	5001381	. SCREW TC CAP HEX 1/4-20x1/2 Z050	2	2		A
. NS	506004	. TAPE RUB ADH1 CC POL 3/8" x 1/2" x 20' / GREY 2520X	AR	AR		A
. NS	IS-98076	. SEE INSTRUCTION SHEET	1	1		A
A	H3-1884-03A	POSITION "A"				
B	H3-1884-03B	POSITION "B" From W-2285				
C	H3-1884-03C	POSITION "C" (FIX TYPE) From W-2285				
D	H3-1884-03D	POSITION "D" (OPENING TYPE) From W-2285				
E	H3-1884-03E	POSITION "E" From W-2285				
F	H3-1884-03F	POSITION "F" From W-2285				
G	H3-1884-03G	POSITION "G" From W-2285				
H	H3-1884-03H	POSITION "H" From W-2285				
J	H3-1884-03J	POSITION "J" From W-2285				
K	H3-1884-03K	POSITION "K" From W-2285				
L	H3-1884-03L	POSITION "L" From W-2285				
M	H3-1884-03M	POSITION "M" From W-2285				
N	H3-1884-03N	POSITION "N" From W-2285				
		A) THIS ITEM IS LOCATED IN BAGGAGE COMPARTMENT				

From W-2285 To 2-4416

Date:10/2022

PAGE:H3-1884-03A

POSITION "A"



From W-2285 To 2-4416	Date:10/2022	PAGE:H3-1884-03A
POSITION "A"		

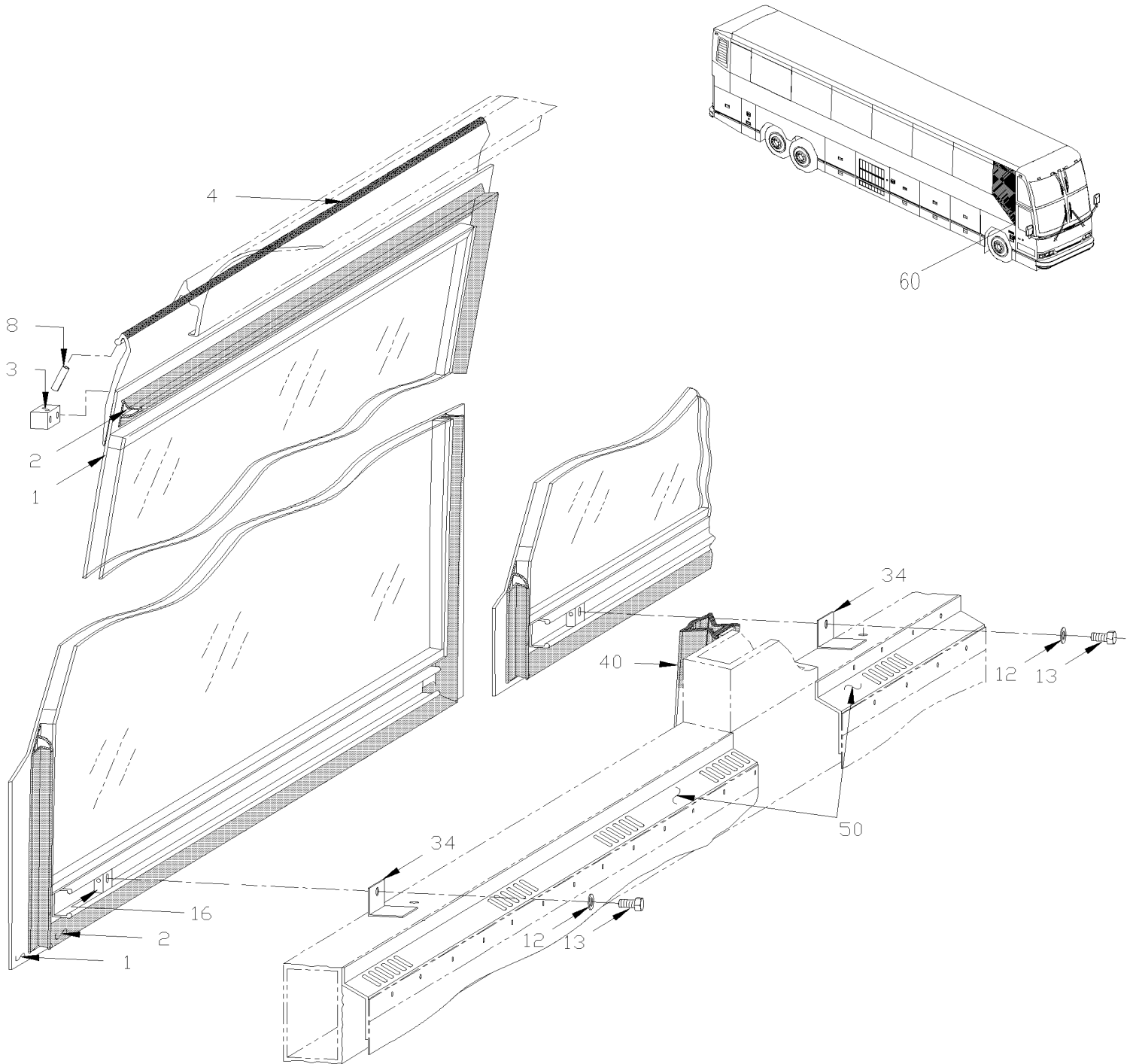
Item#	Part	Description	H 3 4 1	H 3 4 5	V I P 4 5	N O T E S
1	292937	GLASS ASSY, THERMO 13% / TRAPEZOIDAL / LH BUS	1	1		
2	292958	. WINDOW SEAL / TRAPEZOIDAL LH 1822MM X 896MM	1	1		
3	293020	. STOPPER BLOCK W/EDGE	1	1		
3	293021	. STOPPER BLOCK	1	1		
NS	500260	. SCREW TC FL PH #8-32x3/4 BK	2	2		
4	682481	. LOW FRICTION TAPE (HOCKEY)	AR	AR		
8	505421	. SPRING, PIN M3 x 18	AR	AR		
12	502585	WASHER LO SERR 10.2x26.3x1.4 ZP	2	2		
NS	505213	SHIM 1/16" THICK	AR	AR		
13	5001375	SCREW CAP HEX M10-1.5x18 SS	2	2		
13	5001628	NUT HEX NYRT M10-1.5 SS SERVICE	2	2		
16	292810	ANCHOR BLOCK W/THREAD M10-1.5	2	2		
16	290302	ANCHOR BLOCK W/SCREW M10-1.5 x 30 SERVICE	2	2		
34	292931	ANGLE / (WELDED)	AR	AR		
40	292946	SEAL RUBBER 1125MM	12			
40	292946	SEAL RUBBER 1125MM		14		
50	H3-1833-01	WINDOW FINISHING CAP & WALL To X-3128				
50	H3-1833-02	WINDOW FINISHING CAP & WALL From X-3129				
60	5001168	BUMPER RUBBER / .750 OD x .562 TH x .187 HOLE	1	1		A
NS	680066	ADHESIVE / ADBOND #5014 / 23.6ML BOTTLE	AR	AR		
		A) THIS ITEM IS FIXED AT THE LOWER ARROW				

From W-2285 To 2-4416

Date:10/2022

PAGE:H3-1884-03B

POSITION "B"



From W-2285 To 2-4416	Date:10/2022	PAGE:H3-1884-03B
POSITION "B"		

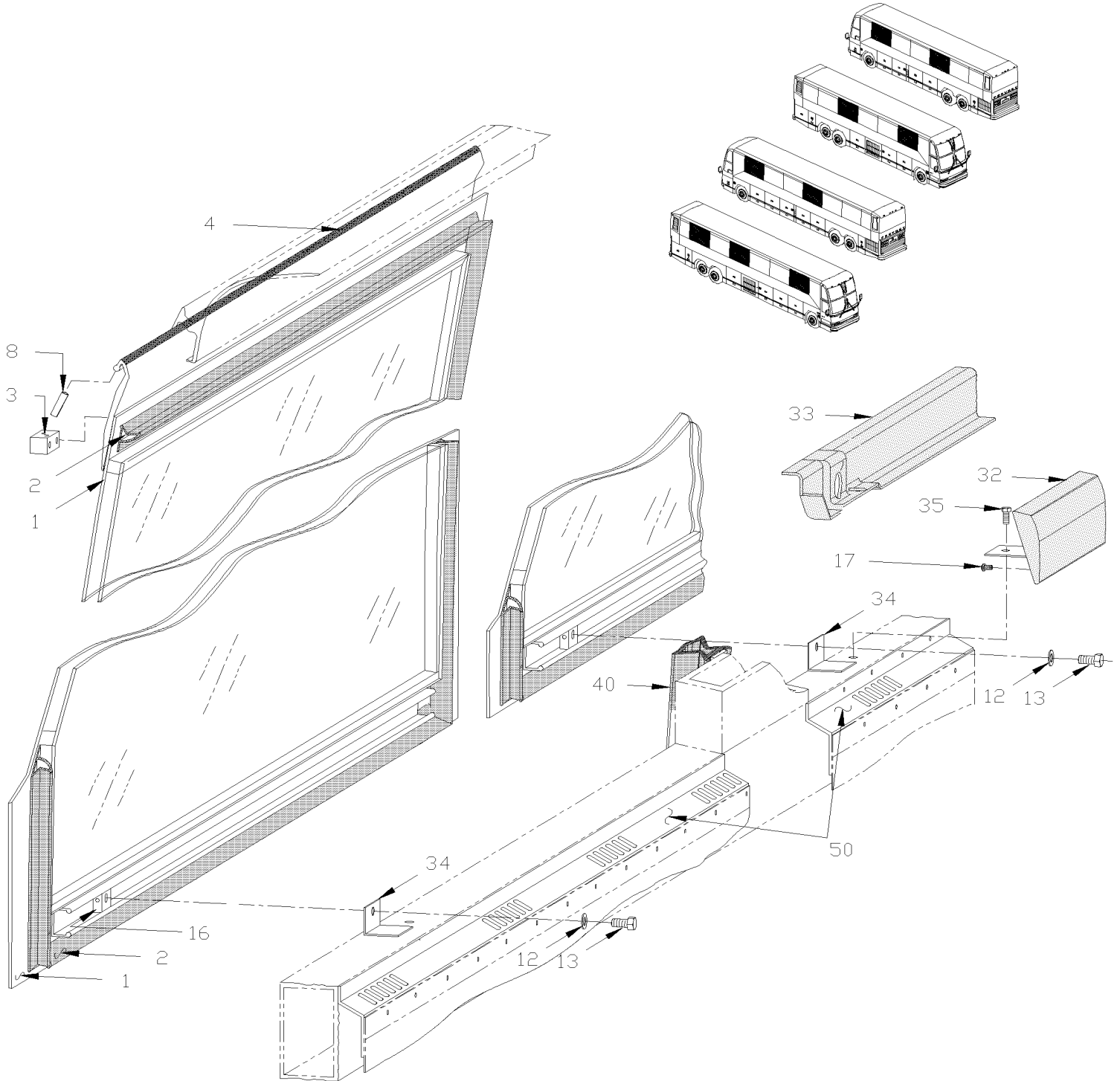
Item#	Part	Description	H 3 4 1	H 3 4 5	V I P 4 5	N O T E S
1	292881	GLASS ASSY, THERMO 13% / TRAPEZOIDAL / RH BUS	1	1		
2	292919	. WINDOW SEAL / TRAPEZOIDAL RH 1822MM X 896MM	1	1		
3	293020	. STOPPER BLOCK W/EDGE	1	1		
3	293021	. STOPPER BLOCK	1	1		
NS	500260	. SCREW TC FL PH #8-32x3/4 BK	2	2		
4	682481	. LOW FRICTION TAPE (HOCKEY)	AR	AR		
8	505421	. SPRING, PIN M3 x 18	AR	AR		
12	502585	WASHER LO SERR 10.2x26.3x1.4 ZP	2	2		
NS	505213	SHIM 1/16" THICK	AR	AR		
13	5001375	SCREW CAP HEX M10-1.5x18 SS	2	2		
13	5001628	NUT HEX NYRT M10-1.5 SS SERVICE	2	2		
16	292810	ANCHOR BLOCK W/THREAD M10-1.5	2	2		
16	290302	ANCHOR BLOCK W/SCREW M10-1.5 x 30 SERVICE	2	2		
34	292931	ANGLE / (WELDED)	AR	AR		
40	292946	SEAL RUBBER 1125MM	12			
40	292946	SEAL RUBBER 1125MM		14		
50	H3-1833-01	WINDOW FINISHING CAP & WALL To X-3128				
50	H3-1833-02	WINDOW FINISHING CAP & WALL From X-3129				
60	5001168	BUMPER RUBBER / .750 OD x .562 TH x .187 HOLE	1	1		A
NS	680066	ADHESIVE / ADBOND #5014 / 23.6ML BOTTLE	AR	AR		
		A) THIS ITEM IS FIXED AT THE LOWER ARROW				

From W-2285 To 2-4416

Date:10/2022

PAGE:H3-1884-03C

POSITION "C" (FIX TYPE)



From W-2285 To 2-4416	Date:10/2022	PAGE:H3-1884-03C
POSITION "C" (FIX TYPE)		

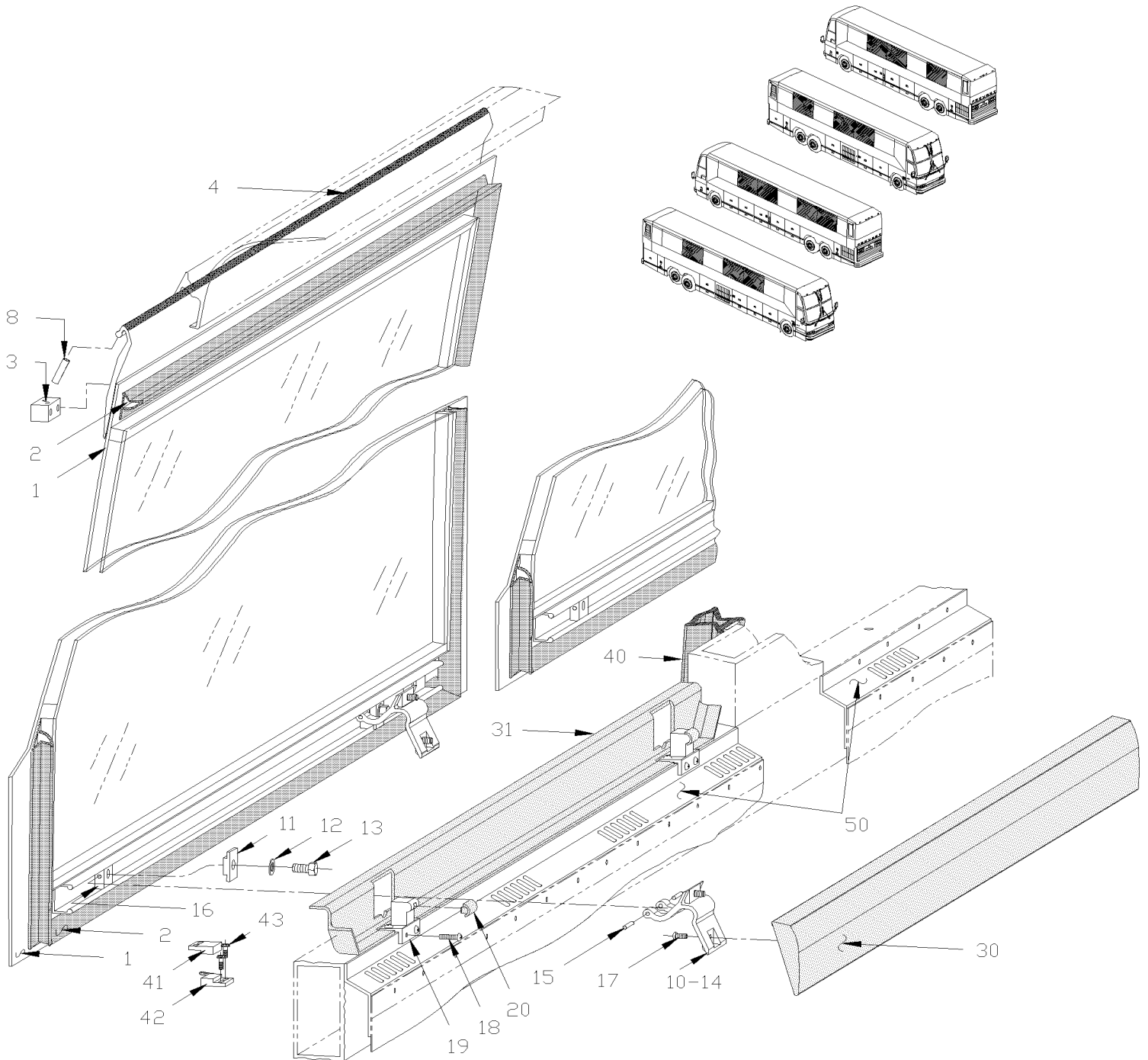
Item#	Part	Description	H 3 4 1	H 3 4 5	V I P 4 5	N O T E S
1	292934	GLASS ASSY, THERMOS 13% / FIX TYPE / 1652MM	4			
1	292934	GLASS ASSY, THERMOS 13% / FIX TYPE / 1652MM		5		
1	292935	GLASS ASSY, SINGLE 13% / FIX TYPE / 1652MM	4			
1	292935	GLASS ASSY, SINGLE 13% / FIX TYPE / 1652MM		5		
2	292918	. WINDOW SEAL / 1083MM X 1613MM	1	1		
3	293020	. STOPPER BLOCK W/EDGE	1	1		
3	293021	. STOPPER BLOCK	1	1		
NS	500260	. SCREW TC FL PH #8-32x3/4 BK	2	2		
4	682481	. LOW FRICTION TAPE (HOCKEY)	AR	AR		
NS	292869	. EXTRUSION PLASTIC / WINDOW / 5MM I.D. 1650MM	1	1		
8	505421	. SPRING, PIN M3 x 18	AR	AR		
NS	293068	REINFORCEMENT ANGLE / W/SINGLE FIXED GLASS	2	2		A
12	502585	WASHER LO SERR 10.2x26.3x1.4 ZP	2	2		
NS	505213	SHIM 1/16" THICK	AR	AR		
13	5001375	SCREW CAP HEX M10-1.5x18 SS	2	2		
13	5001628	NUT HEX NYRT M10-1.5 SS SERVICE	2	2		
16	292810	ANCHOR BLOCK W/THREAD M10-1.5	2	2		
16	290302	ANCHOR BLOCK W/SCREW M10-1.5 x 30 SERVICE	2	2		
17	5001374	SCREW CAP HEX M5-0.8x10 SS	AR	AR		
32	292966	HANDLE ASSY / W/FIXED WINDOW	4			
32	292966	HANDLE ASSY / W/FIXED WINDOW		5		
33	326335	FINISHING MOULDING / W/SINGLE GLASS WINDOW	4			
33	326335	FINISHING MOULDING / W/SINGLE GLASS WINDOW		5		
33	326344	FINISHING MOULDING / W/THERMO GLASS WINDOW	4			
33	326344	FINISHING MOULDING / W/THERMO GLASS WINDOW		5		
34	292931	ANGLE / (WELDED)	3	3		
35	500923	SCREW TC CAP HEX 1/4-20x3/4 Z050	3	3		
40	292946	SEAL RUBBER 1125MM	12			
40	292946	SEAL RUBBER 1125MM		14		
50	H3-1833-01	WINDOW FINISHING CAP & WALL To X-3128				
50	H3-1833-02	WINDOW FINISHING CAP & WALL From X-3129				
		A) WITH SINGLE GLASS ONLY				

From W-2285 To 2-4416

Date:10/2022

PAGE:H3-1884-03D

POSITION "D" (OPENING TYPE)



From W-2285 To 2-4416		Date:10/2022	PAGE:H3-1884-03D
POSITION "D" (OPENING TYPE)			

Item#	Part	Description	H 3 4 1	H 3 4 5	V I P 4 5	N O T E S
1	292880	GLASS ASSY, THERMOS 13% / OPEN TYPE / 1652MM	6			
1	292880	GLASS ASSY, THERMOS 13% / OPEN TYPE / 1652MM		7		
1	292947	GLASS ASSY, SINGLE 13% / OPEN TYPE / 1652MM To X-2663	6			A
1	292947	GLASS ASSY, SINGLE 13% / OPEN TYPE / 1652MM To X-2663		7		A
1	293080	GLASS ASSY, SINGLE 13% / OPEN TYPE / 1652MM From X-2664	6			
1	293080	GLASS ASSY, SINGLE 13% / OPEN TYPE / 1652MM From X-2664		7		
2	292918	. WINDOW SEAL / 1083MM X 1613MM	1	1		
3	293020	. STOPPER BLOCK W/EDGE	1	1		
3	293021	. STOPPER BLOCK	1	1		
NS	500260	. SCREW TC FL PH #8-32x3/4 BK	2	2		
4	682481	. LOW FRICTION TAPE (HOCKEY)	AR	AR		
NS	292869	. EXTRUSION PLASTIC / WINDOW / 5MM I.D. 1650MM	1	1		
8	505421	. SPRING, PIN M3 x 18	AR	AR		
10	293006	. HINGE ASSY	2	2		
11	292879	. THEIGHTENING BLOCK	1	1		
12	502585	. WASHER LO SERR 10.2x26.3x1.4 ZP	1	1		
13	5001375	. SCREW CAP HEX M10-1.5x18 SS	1	1		
13	5001628	NUT HEX NYRT M10-1.5 SS SERVICE	2	2		
14	292807	. LEVER	1	1		
15	5001373	. SPRING, PIN M4 x 24	2	2		
16	292810	. ANCHOR BLOCK W/THREAD M10-1.5	1	1		
16	290302	ANCHOR BLOCK W/SCREW M10-1.5 x 30 SERVICE	2	2		
17	5001374	SCREW CAP HEX M5-0.8x10 SS	AR	AR		
17	5001378	WASHER LO EXT 5.3x10x0.6 Z050	AR	AR		
18	504249	RIVET CHY Q PRDG 3/16x3/8 SS	4	4		
19	292836	SUPPORT To Y-3494	2	2		
. NS	504700	. BUMPER RUBBER BOLT / 14MM ODx10MM TH X M5X17MM STUD To Y-3494	1	1		
19	293343	SUPPORT From Y-3495	1	1		
. NS	504700	. BUMPER RUBBER BOLT / 14MM ODx10MM TH X M5X17MM STUD From Y-3495	1	1		
20	292837	CUSHION 2.0MM TH / BLACK PLASTIC	2	2		
20	298215	CUSHION / BLACK PLASTIC / 1.5MM TH From SERVICE	AR	AR		
20	298225	CUSHION / BLACK PLASTIC / 2.5MM TH From SERVICE	AR	AR		
30	293048	HANDLE ASSY / W/OPENING WINDOW	6			
30	293048	HANDLE ASSY / W/OPENING WINDOW		7		
30	H3-1829-00	ACCESSORIES PASSENGER'S SEAT - "PREVOST"				
31	326338	FINISHING MOULDING / W/SINGLE GLASS WINDOW	6			
31	326338	FINISHING MOULDING / W/SINGLE GLASS WINDOW		7		
31	326339	FINISHING MOULDING / W/THERMO GLASS WINDOW	6			
31	326339	FINISHING MOULDING / W/THERMO GLASS WINDOW		7		
40	292946	SEAL RUBBER 1125MM	12			
40	292946	SEAL RUBBER 1125MM		14		
41	562641	MAGNET	6			

From W-2285 To 2-4416	Date:10/2022	PAGE:H3-1884-03D
POSITION "D" (OPENING TYPE)		

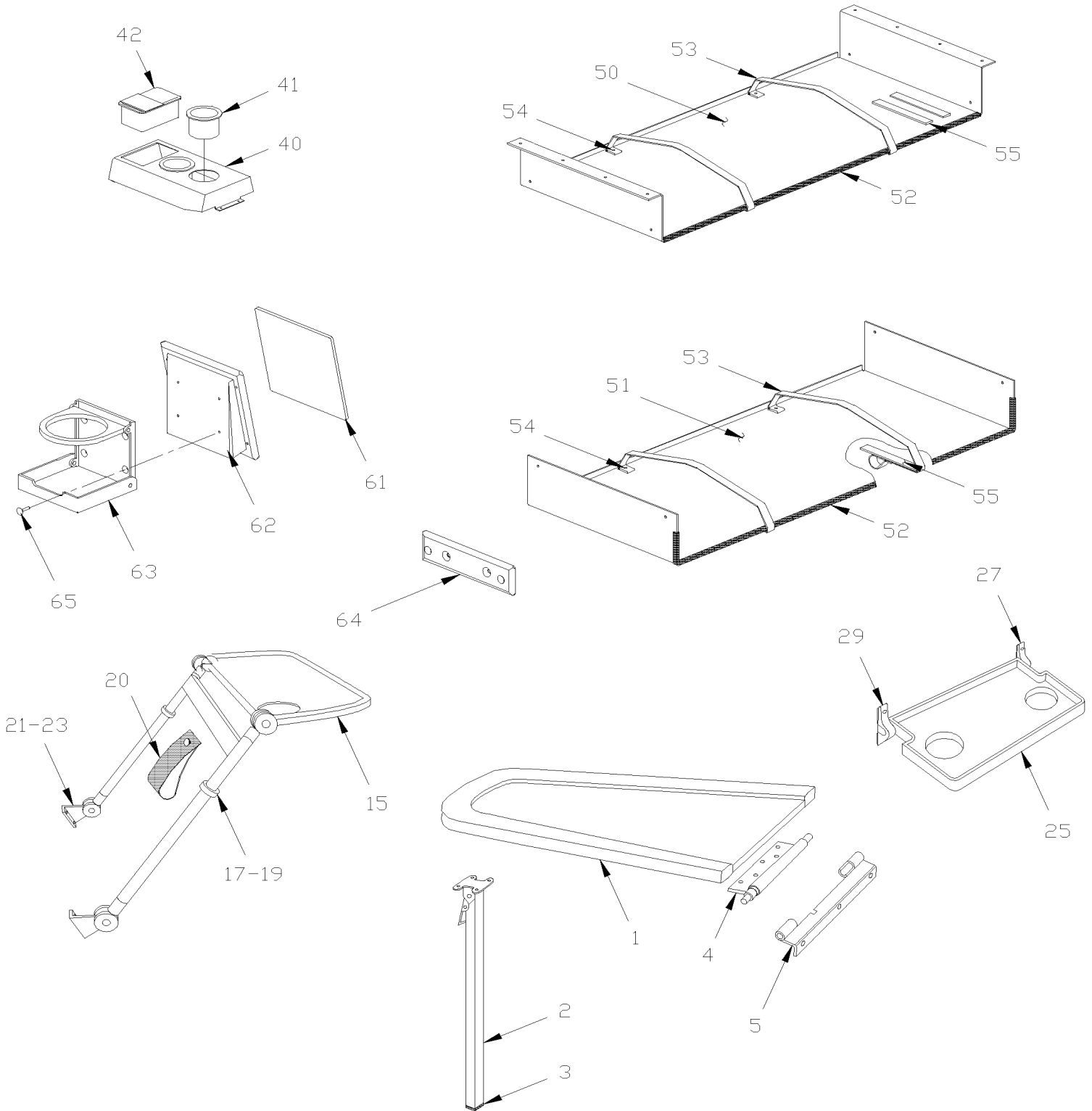
Item#	Part	Description	H 3 4 1	H 3 4 5	V I P 4 5	N O T E S
41	562641	MAGNET		7		
42	064360	SWITCH MAGNETIC ASSY	6			
42	064360	SWITCH MAGNETIC ASSY		7		
42	064678	SWITCH MAGNETIC ASSY W/TAPE DUAL LOCK	AR	AR		
43	500862	SCREW TC PAN PH #6-32x3/4 Z050	12	12		
50	H3-1833-01	WINDOW FINISHING CAP & WALL To X-3128				
50	H3-1833-02	WINDOW FINISHING CAP & WALL From X-3129				
		A) FOR PRODUCT IMPROVMENT FOR VEHICLE PRIOR X-2664 WE FIX ANGLE 293068 SEE WB-9818				

From W-2285 To 2-4416

Date:10/2022

PAGE:H3-1829-00

ACCESSORIES PASSENGER'S SEAT - "PREVOST"

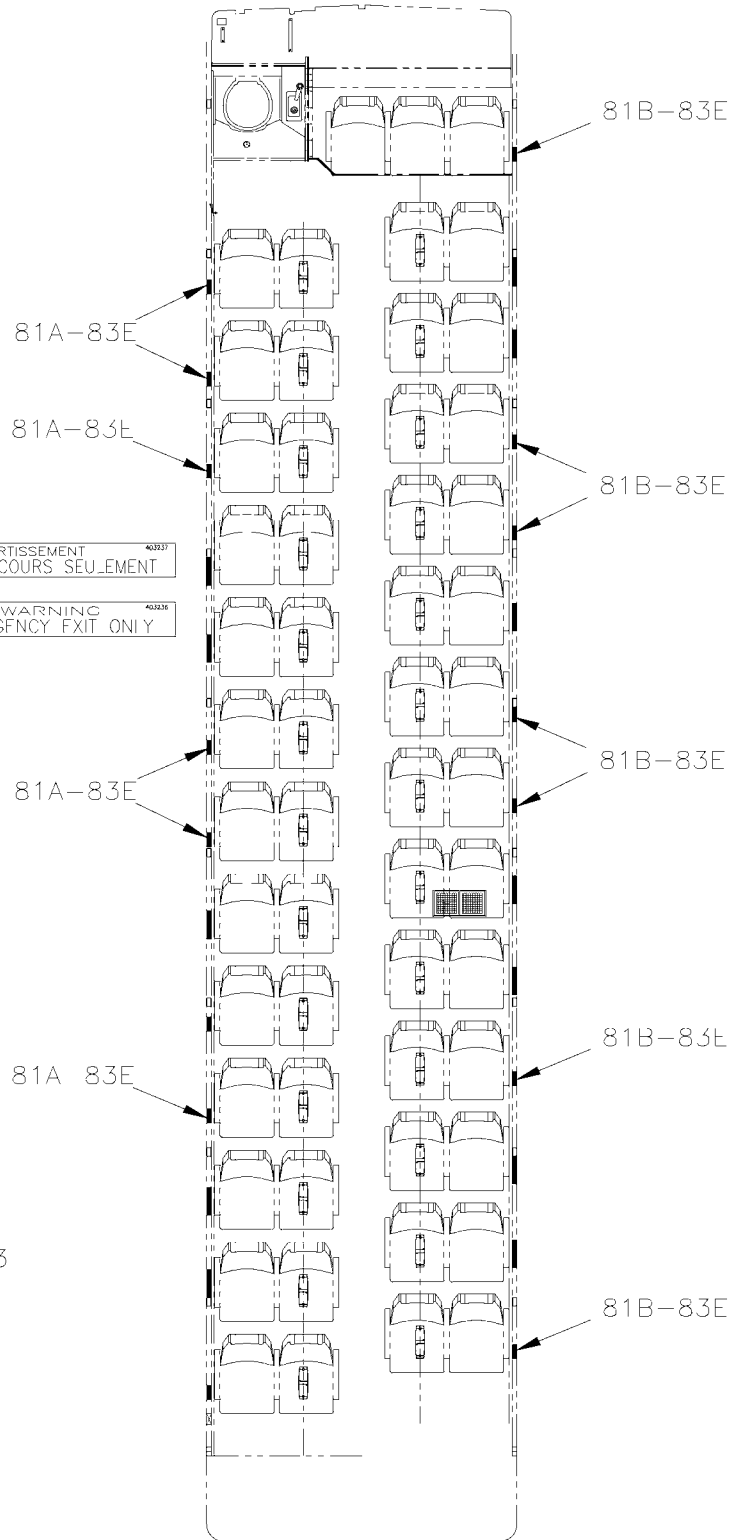
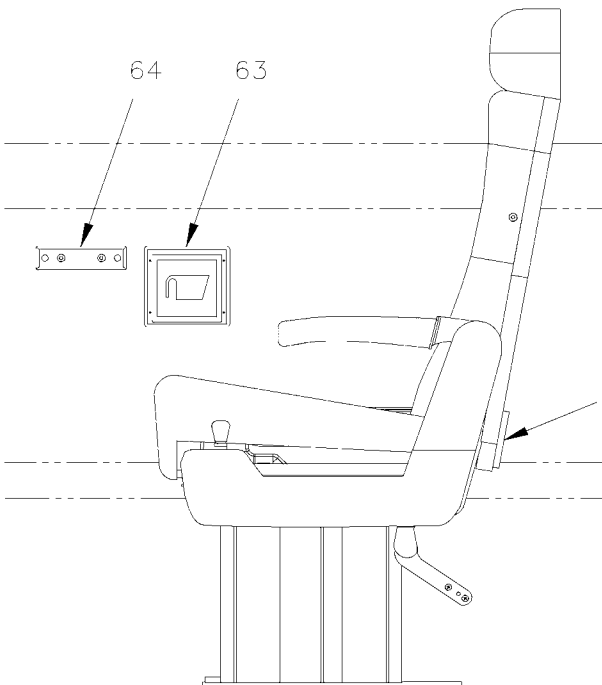
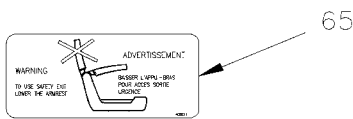
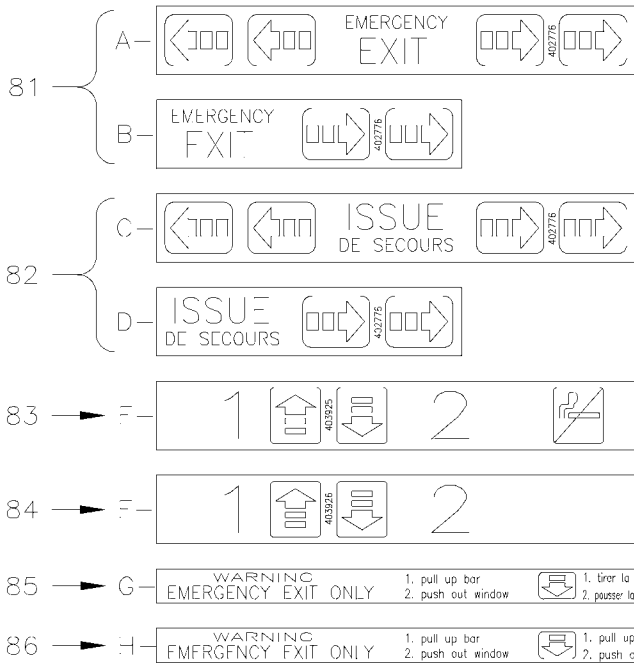


From W-2285 To 2-4416

Date:10/2022

PAGE:H3-1829-00

ACCESSORIES PASSENGER'S SEAT - "PREVOST"



From W-2285 To 2-4416	Date:10/2022	PAGE:H3-1829-00
ACCESSORIES PASSENGER'S SEAT - "PREVOST"		

Item#	Part	Description	H 3 4 1	H 3 4 5	V I P 4 5	N O T E S
1	362215P	TABLE ASSY / "FORMICA" & LEATHERETTE SPECIFY COLOR	1	1		
1	Call order desk	TABLE ASSY / "FORMICA" & LEATHERETTE V.I.P. 2 PASSENGER	1	1		P
1	Call order desk	TABLE ASSY / "FORMICA" & LEATHERETTE V.I.P. 1 PASSENGER	1	1		P
1	363207	TABLE ASSY / GREY PLASTIC COVERING W/2 GLASS HOLDER To X-2929	1	1		
1	363796	TABLE ASSY / GREY ABS COVERING W/4 GLASS 857MM From X-2930	1	1		
. NS	364187	. TABLE TOP ASSY W/OUT HARDWARE From X-2930	1	1		
1	363185	. COVERING W/2 GLASS HOLDER / GREY To X-2929	1	1		
1	363795	. COVERING W/4 GLASS HOLDER / MEDIUM GREY 857MM From X-2930	1	1		
2	361432	. LEG (MODIFIED)	1	1		
2	860333	. . LEG 25 1/8" / 639.8MM	1	1		
3	860718	. . . GLIDE SQUARE END 1 X 1 X TUBE 13 GA / P	1	1		
4	360255	. HINGE / TABLE SECTION	1	1		
. A	360620	. . ROD LOCK	1	1		
. B	363604	. . SPRING COMPRESSION / .500 O.D. x 6.25 x .062	1	1		
. C	505221	. . SPRING, PIN 1/8 X 3/8	1	1		
NS	500841	. SCREW TP PAN PH #14x3/4 Z050	9	9		
NS	506006	. TAPE RUB ADH1 CC POL 3/8" x 1 1/4" x 20' / GREY 2520	AR	AR		
NS	360325	. DECAL "INSTALLATION OF CARD TABLE...." "BILINGUAL"	1	1		
5	361658	HINGE / WALL SECTION 1 1/8"x1 5/16" ANGLE	1	1		
NS	360622	ENVELOPE ASSY TABLE	1	1		
NS	500136	SCREW MA OV PH 1/4-20x1 1/2 SS EMN	3	3		
		UTILITY TABLE				
15	362924	TABLE / W/"TOURISMO II" & "ULTRA" To V-1772	1	1		
15	363611	TABLE / W/"TOURISMO II" & "ULTRA" / BLACK From V-1773	1	1		A
15	363423	STRAP / 145MM	1	1		
15	363464	WASHER RETAINER	1	1		
15	500583	SCREW TP PAN PH #6x1/2 Z050	1	1		
17	363036	SPACER	4	4		
NS	860859	NYLON BUSHING / LOWER HINGE	2	2		
19	500552	SCREW TP OV PH #6x3/4 Z050	4	4		
20	363423	STRAP / 145MM	1	1		
20	363464	WASHER RETAINER	1	1		
20	500583	SCREW TP PAN PH #6x1/2 Z050	1	1		
21	502526	SCREW TC BDG PH #12-24x3/4 Z050	4	4		
23	502646	WASHER LO INT .129x.280x.021 ZP	4	4		
		UTILITY SHELF / W/"TOURISMO II" & "ULTRA"				
25	860657	SHELF	1	1		
27	860659	ATTACHMENT	2	2		

From W-2285 To 2-4416	Date:10/2022	PAGE:H3-1829-00
ACCESSORIES PASSENGER'S SEAT - "PREVOST"		

Item#	Part	Description	H 3 4 1	H 3 4 5	V I P 4 5	N O T E S
NS	860892	PIVOT ASSY	2	2		
29	500871	SCREW TP OV PH #8x1 BK	4	4		
		V.I.P PASSENGER'S SEAT CENTER CONSOLE				
40	363519	CENTER CONSOLE V.I.P./ PLAIN	1	1		
40	363235	CENTER CONSOLE V.I.P. W/GLASS HOLDER To T-1551	1	1		
40	363557	CENTER CONSOLE V.I.P./ W/2 GLASS HOLDER From T-1552	1	1		
40	362576	CENTER CONSOLE V.I.P./ W/2 GLASS HOLDER & ASHTRAY To T-1551	1	1		
40	363558	CENTER CONSOLE V.I.P./ W/2 GLASS HOLDER & ASHTRAY From T-1552	1	1		
40	363608	CENTER CONSOLE V.I.P./ W/2 SELECTOR HEAD SET From T-1552	1	1		
40	363983	CENTER CONSOLE V.I.P./ W/2 GLASS HOLDER & 2 SELECTOR HEAD SET From T-1552	1	1		
41	900675	GLASS HOLDER, PLASTIC BLACK From T-1552	1	1		
42	900518	ASHTRAY	1	1		
NS	363083	KIT FOR RETROFIT TABLE / SPACER WALL AND STRUCTURE	AR	AR		
. NS	IS-91077	. SEE INSTRUCTION SHEET	1	1		
50	364021	SUPPORT ASSY CARD TABLE UPPER 900MM	1	1		
. NS	364020	. SUPPORT UPPER	1	1		
51	364024	SUPPORT ASSY CARD TABLE LOWER 900MM	1	1		
. NS	364023	. SUPPORT LOWER	1	1		
52	506025	. RUBBER CHANNEL / 1/18" x 5/16" INT "U" SHAPE / SQUARE C.T.L.	AR	AR		
53	364022	. STRAP RETAINER	2	2		
54	504113	. RIVET POP DOME CLE 3/16x1/4 AL	2	2		
55	506756	. VELCRO / LOOP ADHESIF 1" x 75'	AR	AR		
61	363897	PLATE	AR	AR		
62	363518	SUPPORT	AR	AR		
63	900527	GLASS HOLDER	AR	AR		
63	900788	GLASS HOLDER	AR	AR		
NS	860642	GLASS HOLDER / W/"AMAYA" / W/2 HOLES FOR SCREW	1	1		
64	860875	TRASH BAG, SUPPORT / BLACK FIXED TO WALL	AR	AR		SP
64	863976	TRASH BAG, SUPPORT / GREY FIXED TO WALL	AR	AR		
NS	861107	TRASH BAG / BOX OF 5000	AR	AR		
81	403868	DECAL, "EMERGENCY EXIT" >> / CLEAR / ENGLISH	AR	AR		
81	407594	DECAL, "EMERGENCY EXIT" >> / CLEAR / ENGLISH & SPANISH	AR	AR		
81	407547	DECAL / "EMERGENCY EXIT >> / CLEAR / ENGLISH & FRANCAIS	AR	AR		
81	402776	DECAL,	AR	AR		
81	403694	DECAL / BRAILLE / EMERGENCY EXIT TO YOUR RIGHT	AR	AR		
81	403695	DECAL / BRAILLE / EMERGENCY EXIT TO YOUR LEFT	AR	AR		
81	403707	DECAL / BRAILLE / TIRER LA BARRE POUSSER LA FENETRE / FRENCH	1	1		
82	403869	DECAL / "ISSUE SECOURS" >> / CLEAR	AR	AR		

From W-2285 To 2-4416	Date:10/2022	PAGE:H3-1829-00
ACCESSORIES PASSENGER'S SEAT - "PREVOST"		

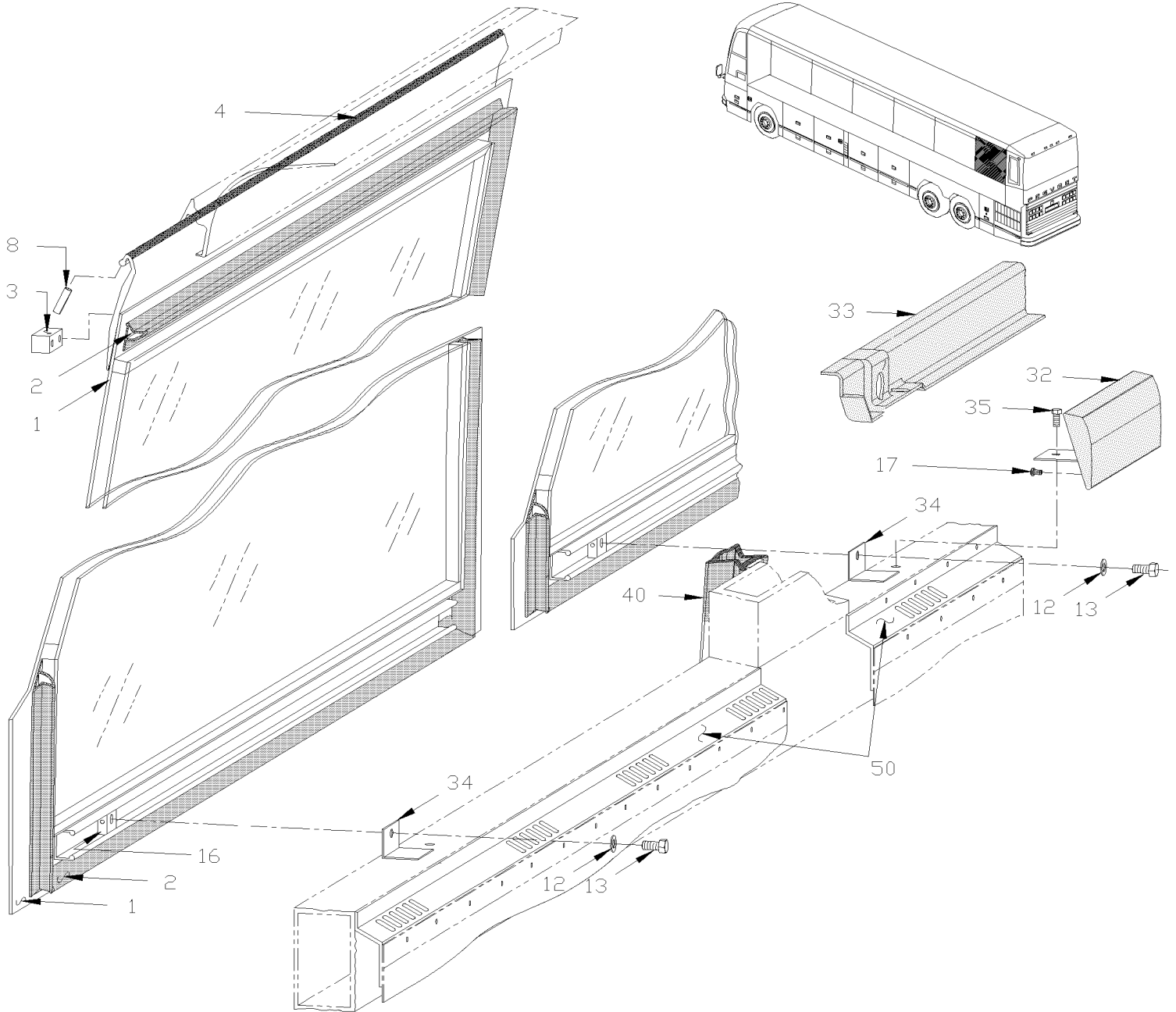
Item#	Part	Description	H 3 4 1	H 3 4 5	V I P 4 5	N O T E S
82	402777	DECAL /	AR	AR		
83	403854	DECAL SEAT EVEN-NUMBERED ON AISLE / 1-2 / CLEAR TO FIX ON TRAPEZOID	AR	AR		
83	403741	DECAL SEAT EVEN-NUMBERED ON AISLE / 5-60	AR	AR		
83	403856	DECAL SEAT ODD-NUMBERED ON AISLE / 3-4 / CLEAR TO FIX ON TRAPEZOID	AR	AR		
83	403743	DECAL SEAT ODD-NUMBERED ON AISLE / 5-60	AR	AR		
83	403865	DECAL SEAT ODD-NUMBERED ON AISLE / 3-52	AR	AR		
83	403863	DECAL SEAT EVEN-NUMBERED ON AISLE / 3-52	AR	AR		
84	403855	DECAL SEAT EVEN-NUMBERED ON AISLE / 1-2 / CLEAR TO FIX ON TRAPEZOID	AR	AR		
84	403862	DECAL SEAT EVEN-NUMBERED ON AISLE / 3-52	AR	AR		
84	403740	DECAL SEAT EVEN-NUMBERED ON AISLE / 5-60	AR	AR		
84	403857	DECAL SEAT ODD-NUMBERED ON AISLE / 3-4 / CLEAR TO FIX ON TRAPEZOID	AR	AR		
84	403864	DECAL SEAT ODD-NUMBERED ON AISLE / 3-52	AR	AR		A
84	403742	DECAL SEAT ODD-NUMBERED ON AISLE / 5-60	AR	AR		
85	403237	DECAL, "EMERGENCY EXIT" / INSTRUCTION / ENGLISH & FRANCAIS	AR	AR		
85	403693	DECAL / BRAILLE / PULL UP BAR PUSH OUT WINDOW / ENGLISH	AR	AR		
86	403236	DECAL, "EMERGENCY EXIT" / INSTRUCTION / ENGLISH	AR	AR		
		P) CALL ORDER DESK FOR SPECIFIC APPLICATION (V.I.N.)				

From W-2285 To 2-4416

Date:10/2022

PAGE:H3-1884-03E

POSITION "E"



From W-2285 To 2-4416	Date:10/2022	PAGE:H3-1884-03E
POSITION "E"		

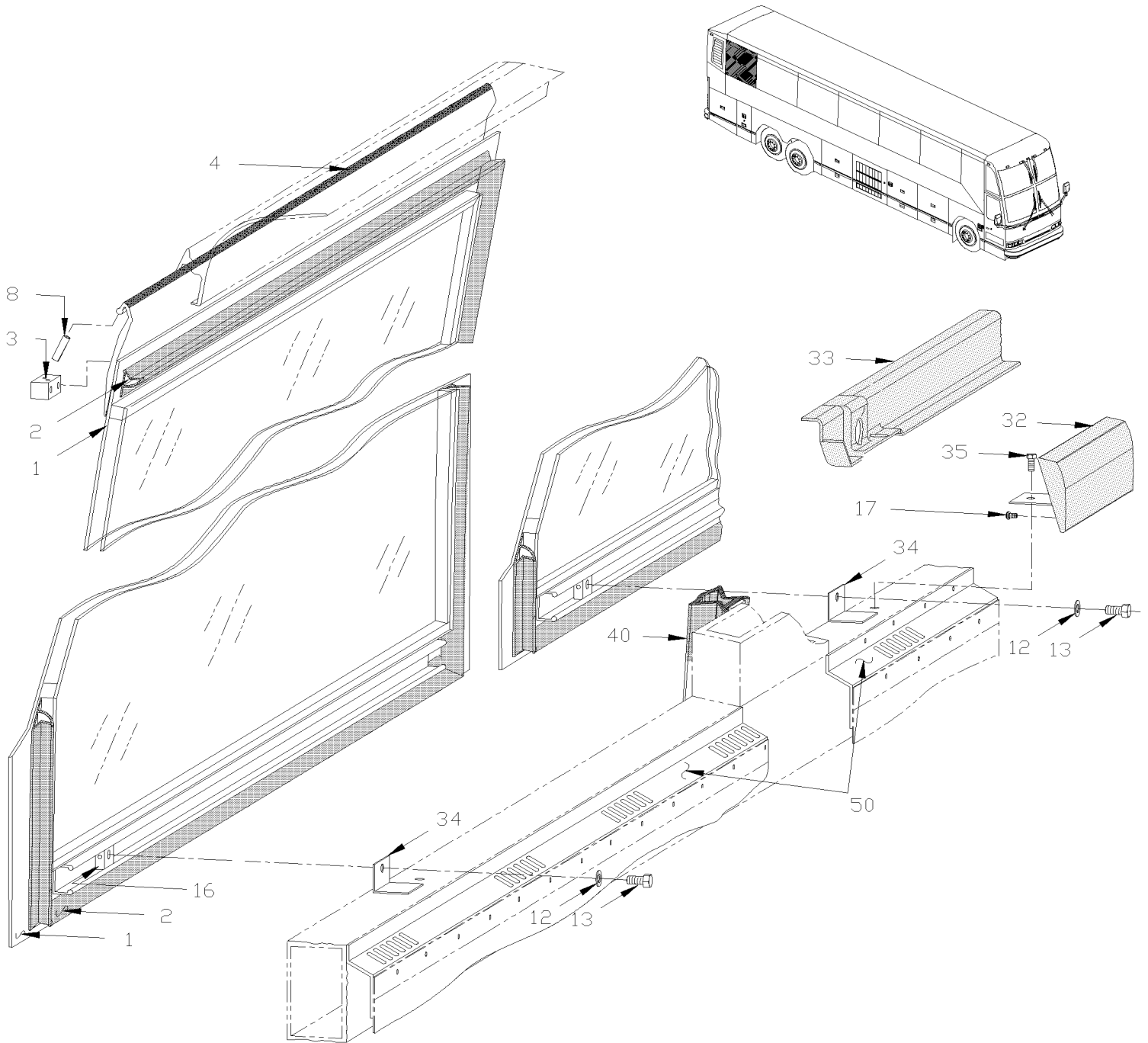
Item#	Part	Description	H 3 4 1	H 3 4 5	V I P 4 5	N O T E S
1	292938	GLASS ASSY, THERMOS 13% / 1254MM	1			
1	292950	GLASS ASSY, SINGLE 13% / 1254MM	1			
2	292957	. WINDOW SEAL / 1083MM X 1174MM	1			
3	293020	. STOPPER BLOCK W/EDGE	1			
3	293021	. STOPPER BLOCK	1			
NS	500260	. SCREW TC FL PH #8-32x3/4 BK	2			
4	682481	. LOW FRICTION TAPE (HOCKEY)	AR			
8	505421	. SPRING, PIN M3 x 18	AR			
NS	293068	REINFORCEMENT ANGLE / W/SINGLE FIXED GLASS	2			A
12	502585	WASHER LO SERR 10.2x26.3x1.4 ZP	2			
NS	505213	SHIM 1/16" THICK	AR			
13	5001375	SCREW CAP HEX M10-1.5x18 SS	2			
13	5001628	NUT HEX NYRT M10-1.5 SS SERVICE	2			
16	292810	ANCHOR BLOCK W/THREAD M10-1.5	2			
16	290302	ANCHOR BLOCK W/SCREW M10-1.5 x 30 SERVICE	2			
17	5001374	SCREW CAP HEX M5-0.8x10 SS	AR			
32	292983	HANDLE ASSY / W/FIXED WINDOW / L.H. REAR	1			
33	326342	FINISHING MOULDING / W/SINGLE GLASS / REAR	2			
33	326346	FINISHING MOULDING / W/THERMO GLASS / REAR	2			
34	292931	ANGLE / (WELDED)	3			
35	500923	SCREW TC CAP HEX 1/4-20x3/4 Z050	3			
40	292946	SEAL RUBBER 1125MM	12			
50	H3-1833-01	WINDOW FINISHING CAP & WALL To X-3128				
50	H3-1833-02	WINDOW FINISHING CAP & WALL From X-3129				
		A) WITH SINGLE GLASS ONLY				

From W-2285 To 2-4416

Date:10/2022

PAGE:H3-1884-03F

POSITION "F"



From W-2285 To 2-4416	Date:10/2022	PAGE:H3-1884-03F
POSITION "F"		

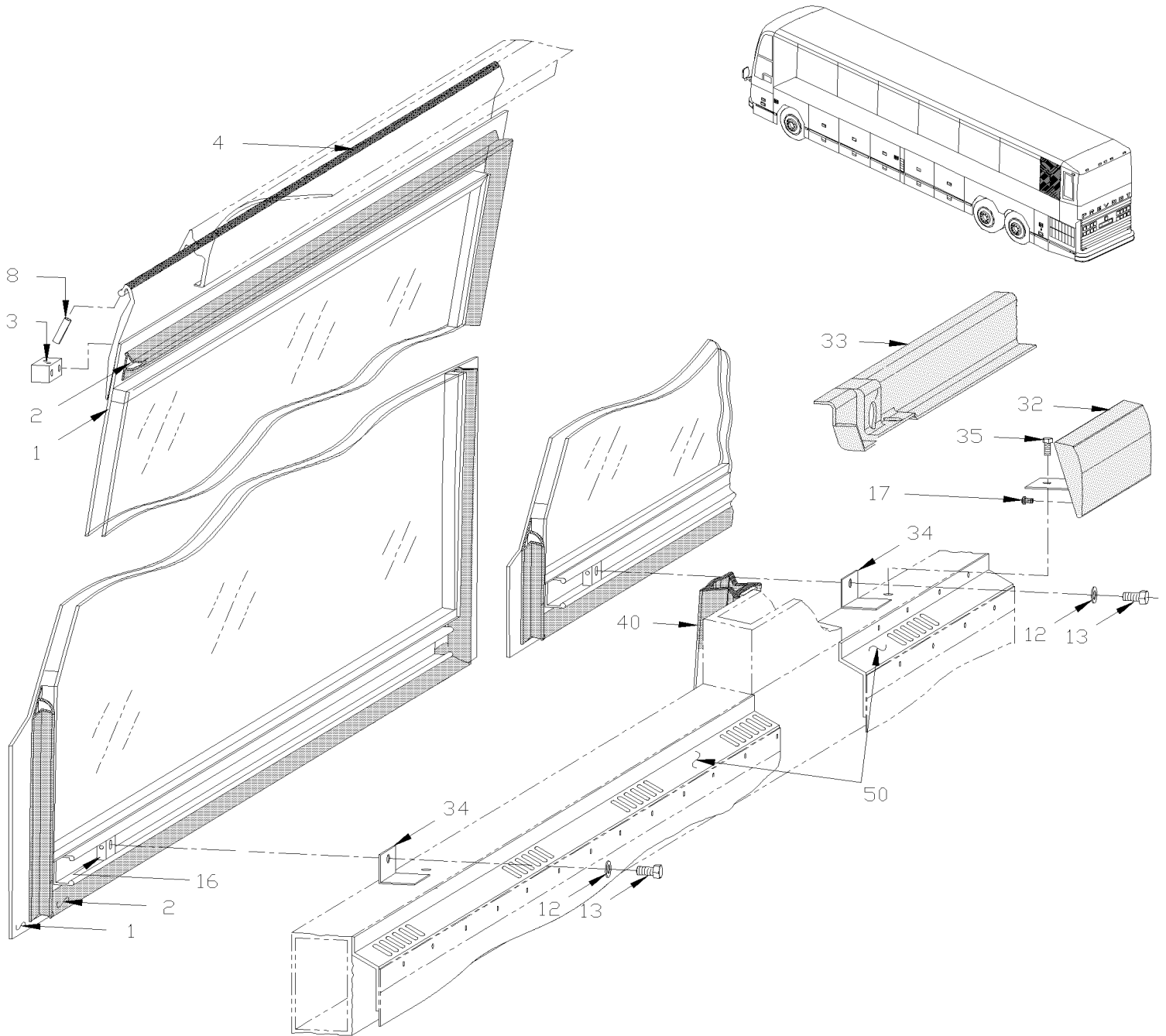
Item#	Part	Description	H 3 4 1	H 3 4 5	V I P 4 5	N O T E S
1	292933	GLASS ASSY, THERMOS 13% / 1254MM	1			
1	292945	GLASS ASSY, SINGLE 13% / 1254MM	1			
2	292957	. WINDOW SEAL / 1083MM X 1174MM	1			
3	293020	. STOPPER BLOCK W/EDGE	1			
3	293021	. STOPPER BLOCK	1			
NS	500260	. SCREW TC FL PH #8-32x3/4 BK	2			
4	682481	. LOW FRICTION TAPE (HOCKEY)	AR			
8	505421	. SPRING, PIN M3 x 18	AR			
NS	293068	REINFORCEMENT ANGLE / W/SINGLE FIXED GLASS	2			A
12	502585	WASHER LO SERR 10.2x26.3x1.4 ZP	2			
12	505213	SHIM 1/16" THICK	AR			
13	5001375	SCREW CAP HEX M10-1.5x18 SS	2			
13	5001628	NUT HEX NYRT M10-1.5 SS SERVICE	2			
16	292810	ANCHOR BLOCK W/THREAD M10-1.5	2			
16	290302	ANCHOR BLOCK W/SCREW M10-1.5 x 30 SERVICE	2			
17	5001374	SCREW CAP HEX M5-0.8x10 SS	AR			
32	292984	HANDLE ASSY / W/FIXED WINDOW / R.H. REAR / W/ W.C.L. "ST&ST"	1			
33	326342	FINISHING MOULDING / W/SINGLE GLASS / REAR	2			
33	326346	FINISHING MOULDING / W/THERMO GLASS / REAR	2			
34	292931	ANGLE / (WELDED)	3			
35	500923	SCREW TC CAP HEX 1/4-20x3/4 Z050	3			
40	292946	SEAL RUBBER 1125MM	12			
50	H3-1833-01	WINDOW FINISHING CAP & WALL To X-3128				
50	H3-1833-02	WINDOW FINISHING CAP & WALL From X-3129				
		A) WITH SINGLE GLASS ONLY				

From W-2285 To 2-4416

Date:10/2022

PAGE:H3-1884-03G

POSITION "G"



From W-2285 To 2-4416	Date:10/2022	PAGE:H3-1884-03G
POSITION "G"		

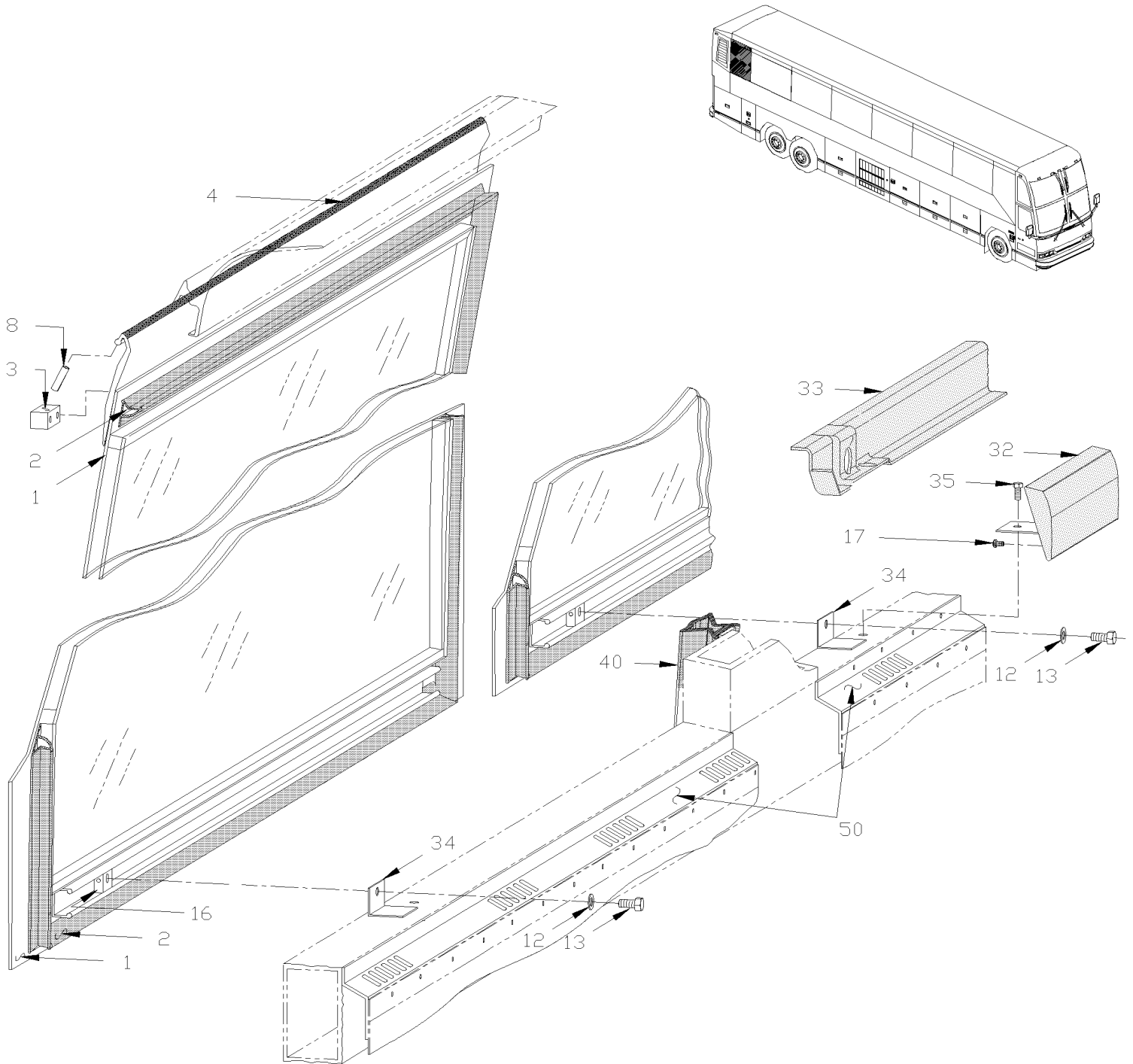
Item#	Part	Description	H 3 4 1	H 3 4 5	V I P 4 5	N O T E S
1	292936	GLASS ASSY, THERMOS 13% / 840MM		1		
1	292948	GLASS ASSY, SINGLE 13% / 840MM		1		
2	292956	. WINDOW SEAL / 1083MM X 760MM		1		
3	293020	. STOPPER BLOCK W/EDGE		1		
3	293021	. STOPPER BLOCK		1		
NS	500260	. SCREW TC FL PH #8-32x3/4 BK		2		
4	682481	. LOW FRICTION TAPE (HOCKEY)		AR		
8	505421	. SPRING, PIN M3 x 18		AR		
NS	293068	REINFORCEMENT ANGLE / W/SINGLE FIXED GLASS		2		A
12	502585	WASHER LO SERR 10.2x26.3x1.4 ZP		2		
NS	505213	SHIM 1/16" THICK		AR		
13	5001375	SCREW CAP HEX M10-1.5x18 SS		2		
13	5001628	NUT HEX NYRT M10-1.5 SS SERVICE		2		
16	292810	ANCHOR BLOCK W/THREAD M10-1.5		2		
16	290302	ANCHOR BLOCK W/SCREW M10-1.5 x 30 SERVICE		2		
17	5001374	SCREW CAP HEX M5-0.8x10 SS		AR		
32	292967	HANDLE ASSY / W/FIXED WINDOW / L.H. REAR		1		
33	326343	FINISHING MOULDING / W/SINGLE GLASS / REAR WINDOW		2		
33	326347	FINISHING MOULDING / W/THERMO GLASS / REAR WINDOW		2		
34	292931	ANGLE / (WELDED)		3		
35	500923	SCREW TC CAP HEX 1/4-20x3/4 Z050		3		
40	292946	SEAL RUBBER 1125MM		14		
50	H3-1833-01	WINDOW FINISHING CAP & WALL To X-3128				
50	H3-1833-02	WINDOW FINISHING CAP & WALL From X-3129				
		A) WITH SINGLE GLASS ONLY				

From W-2285 To 2-4416

Date:10/2022

PAGE:H3-1884-03H

POSITION "H"



From W-2285 To 2-4416	Date:10/2022	PAGE:H3-1884-03H
POSITION "H"		

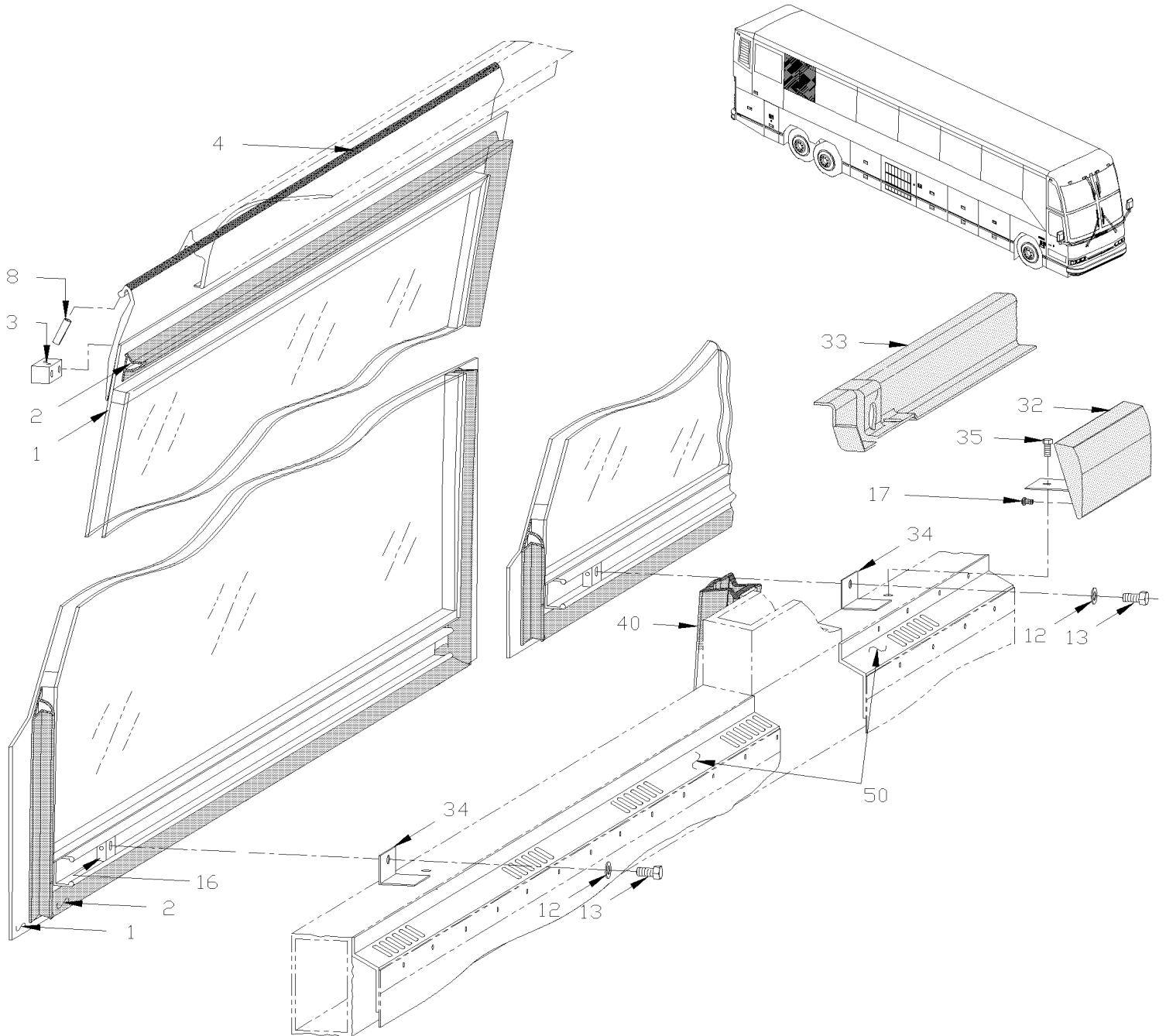
Item#	Part	Description	H 3 4 1	H 3 4 5	V I P 4 5	N O T E S
1	292932	GLASS ASSY, THERMOS 13% / 840MM		1		
1	292944	GLASS ASSY, SINGLE 13% / 840MM		1		
2	292956	. WINDOW SEAL / 1083MM X 760MM		1		
3	293020	. STOPPER BLOCK W/EDGE		1		
3	293021	. STOPPER BLOCK		1		
NS	500260	. SCREW TC FL PH #8-32x3/4 BK		2		
4	682481	. LOW FRICTION TAPE (HOCKEY)		AR		
8	505421	. SPRING, PIN M3 x 18		AR		
NS	293068	REINFORCEMENT ANGLE / W/SINGLE FIXED GLASS		2		A
12	502585	WASHER LO SERR 10.2x26.3x1.4 ZP		2		
NS	505213	SHIM 1/16" THICK		AR		
13	5001375	SCREW CAP HEX M10-1.5x18 SS		2		
13	5001628	NUT HEX NYRT M10-1.5 SS SERVICE		2		
16	292810	ANCHOR BLOCK W/THREAD M10-1.5		2		
16	290302	ANCHOR BLOCK W/SCREW M10-1.5 x 30 SERVICE		2		
17	5001374	SCREW CAP HEX M5-0.8x10 SS		AR		
32	292968	HANDLE ASSY / W/FIXED WINDOW / R.H. REAR		1		
33	326343	FINISHING MOULDING / W/SINGLE GLASS / REAR WINDOW		2		
33	326347	FINISHING MOULDING / W/THERMO GLASS / REAR WINDOW		2		
34	292931	ANGLE / (WELDED)		3		
35	500923	SCREW TC CAP HEX 1/4-20x3/4 Z050		3		
40	292946	SEAL RUBBER 1125MM		14		
50	H3-1833-01	WINDOW FINISHING CAP & WALL To X-3128				
50	H3-1833-02	WINDOW FINISHING CAP & WALL From X-3129				
		A) WITH SINGLE GLASS ONLY				

From W-2285 To 2-4416

Date:10/2022

PAGE:H3-1884-03J

POSITION "J"



From W-2285 To 2-4416	Date:10/2022	PAGE:H3-1884-03J
POSITION "J"		

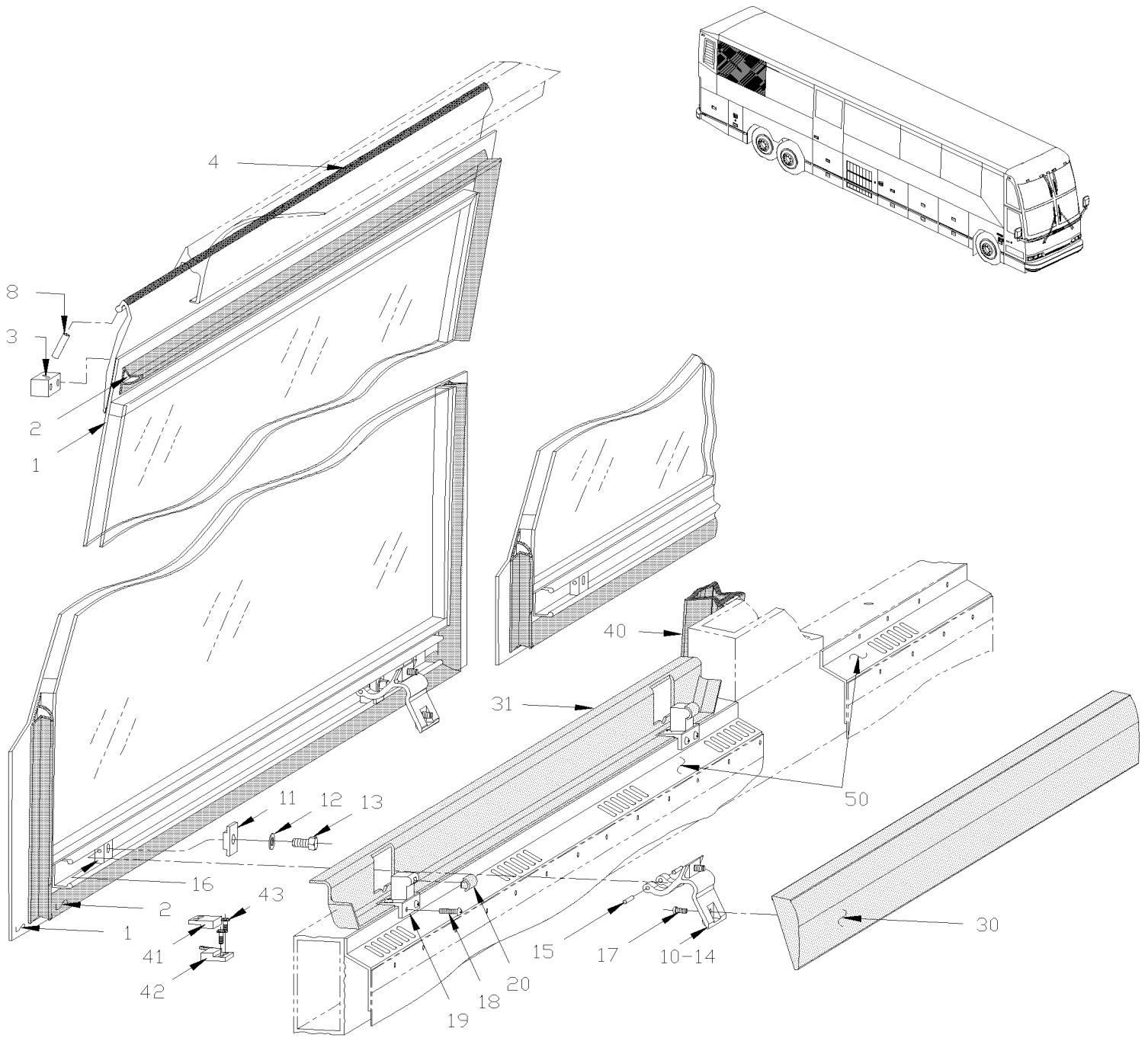
Item#	Part	Description	H 3 4 1	H 3 4 5	V I P 4 5	N O T E S
1	292939	GLASS ASSY, THERMOS 13% / 1254MM		1		
1	292951	GLASS ASSY, SINGLE 13% / 1254MM		1		
2	292957	. WINDOW SEAL / 1083MM X 1174MM		1		
3	293020	. STOPPER BLOCK W/WEDGE		1		
3	293021	. STOPPER BLOCK		1		
NS	500260	. SCREW TC FL PH #8-32x3/4 BK		2		
4	682481	. LOW FRICTION TAPE (HOCKEY)		AR		
NS	292960	. EXTRUSION PLASTIC / WINDOW / 5MM I.D. 1252MM		1		
8	505421	. SPRING, PIN M3 x 18		AR		
NS	293068	REINFORCEMENT ANGLE / W/SINGLE FIXED GLASS		2		A
12	502585	WASHER LO SERR 10.2x26.3x1.4 ZP		2		
NS	505213	SHIM 1/16" THICK		AR		
13	5001375	SCREW CAP HEX M10-1.5x18 SS		2		
13	5001628	NUT HEX NYRT M10-1.5 SS SERVICE		2		
16	292810	ANCHOR BLOCK W/THREAD M10-1.5		2		
16	290302	ANCHOR BLOCK W/SCREW M10-1.5 x 30 SERVICE		2		
17	5001374	SCREW CAP HEX M5-0.8x10 SS		AR		
32	292984	HANDLE ASSY / W/FIXED WINDOW / R.H. REAR / W/ W.C.L. "ST&ST"		1		
33	326342	FINISHING MOULDING / W/SINGLE GLASS / REAR		2		
33	326346	FINISHING MOULDING / W/THERMO GLASS / REAR		2		
34	292931	ANGLE / (WELDED)		3		
35	500923	SCREW TC CAP HEX 1/4-20x3/4 Z050		3		
40	292946	SEAL RUBBER 1125MM		14		
50	H3-1833-01	WINDOW FINISHING CAP & WALL To X-3128				
50	H3-1833-02	WINDOW FINISHING CAP & WALL From X-3129				
		A) WITH SINGLE GLASS ONLY				

From W-2285 To 2-4416

Date:10/2022

PAGE:H3-1884-03K

POSITION "K"



From W-2285 To 2-4416	Date:10/2022	PAGE:H3-1884-03K
POSITION "K"		

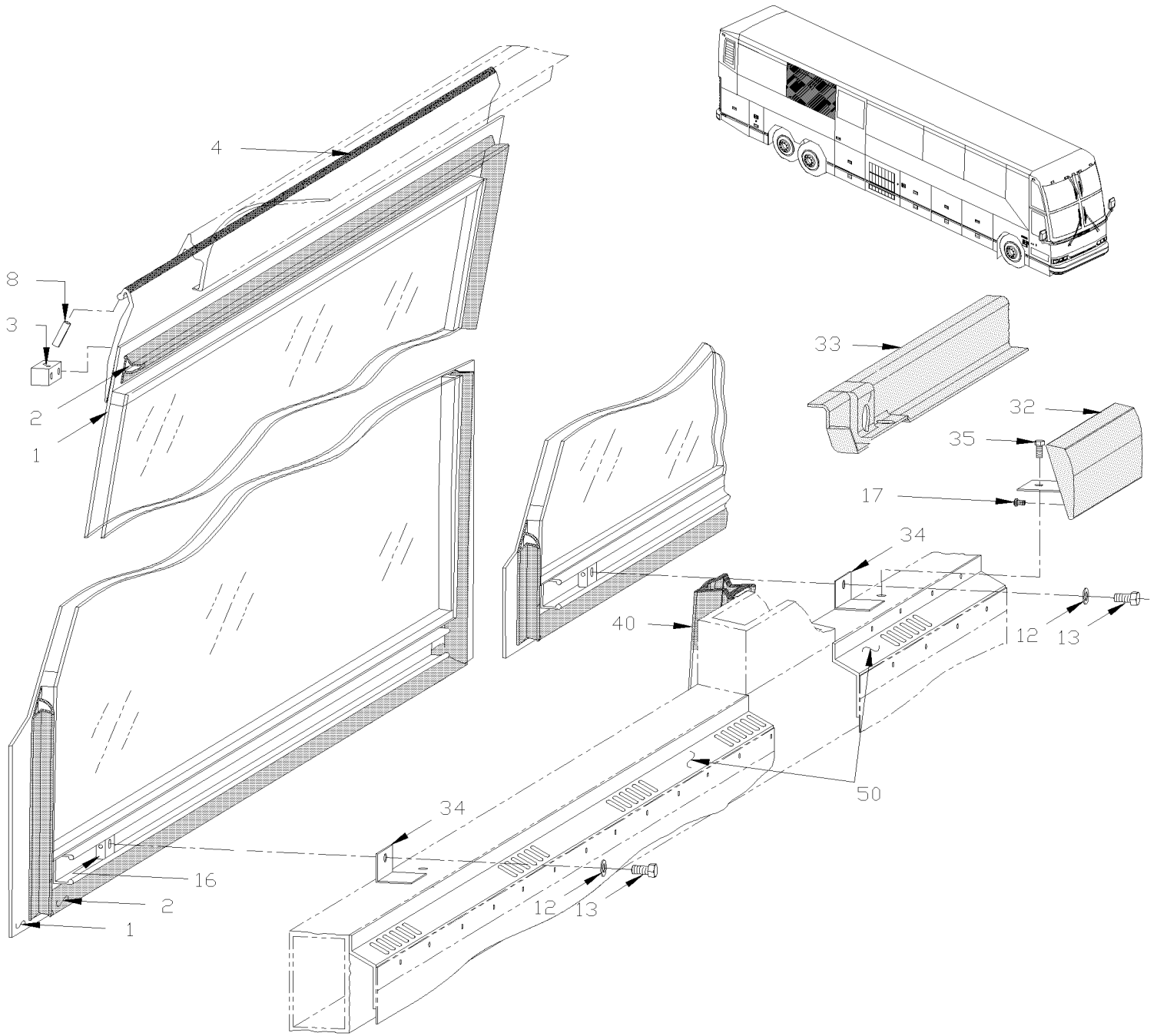
Item#	Part	Description	H 3 4 1	H 3 4 5	V I P 4 5	N O T E S
1	292941	GLASS ASSY, THERMOS 13% / 1693.1MM		1		
1	292953	GLASS ASSY, SINGLE 13% / 1693.1MM		1		
2	292918	. WINDOW SEAL / 1083MM X 1613MM		1		
3	293020	. STOPPER BLOCK W/EDGE		1		
3	293021	. STOPPER BLOCK		1		
NS	500260	. SCREW TC FL PH #8-32x3/4 BK		2		
4	682481	. LOW FRICTION TAPE (HOCKEY)		AR		
NS	292962	. EXTRUSION PLASTIC / WINDOW / 5MM I.D. 1691MM		1		
8	505421	. SPRING, PIN M3 x 18		AR		
10	293006	. HINGE ASSY		2		
11	292879	. THEIGHTENING BLOCK		1		
12	502585	. WASHER LO SERR 10.2x26.3x1.4 ZP		1		
13	5001375	. SCREW CAP HEX M10-1.5x18 SS		1		
13	5001628	NUT HEX NYRT M10-1.5 SS SERVICE		2		
14	292807	. LEVER		1		
15	5001373	. SPRING, PIN M4 x 24		2		
16	292810	. ANCHOR BLOCK W/THREAD M10-1.5		1		
16	290302	ANCHOR BLOCK W/SCREW M10-1.5 x 30 SERVICE		2		
17	5001374	SCREW CAP HEX M5-0.8x10 SS		AR		
17	5001378	WASHER LO EXT 5.3x10x0.6 Z050		AR		
18	504249	RIVET CHY Q PRDG 3/16x3/8 SS		4		
19	292836	SUPPORT To Y-3494		2		
. NS	504700	. BUMPER RUBBER BOLT / 14MM ODx10MM TH X M5X17MM STUD To Y-3494		1		
19	293343	SUPPORT From Y-3495		2		
. NS	504700	. BUMPER RUBBER BOLT / 14MM ODx10MM TH X M5X17MM STUD From Y-3495		1		
20	292837	CUSHION 2.0MM TH / BLACK PLASTIC		2		
20	298215	CUSHION / BLACK PLASTIC / 1.5MM TH SERVICE		AR		
20	298225	CUSHION / BLACK PLASTIC / 2.5MM TH SERVICE		AR		
30	293048	HANDLE ASSY / W/OPENING WINDOW		1		
30	H3-1829-00	ACCESSORIES PASSENGER'S SEAT - "PREVOST"				
31	326338	FINISHING MOULDING / W/SINGLE GLASS WINDOW		6		
31	326339	FINISHING MOULDING / W/THERMO GLASS WINDOW		6		
40	292946	SEAL RUBBER 1125MM		14		
41	562641	MAGNET		1		
42	064360	SWITCH MAGNETIC ASSY		1		
42	064678	SWITCH MAGNETIC ASSY W/TAPE DUAL LOCK		1		
43	500862	SCREW TC PAN PH #6-32x3/4 Z050		12		
50	H3-1833-01	WINDOW FINISHING CAP & WALL To X-3128				
50	H3-1833-02	WINDOW FINISHING CAP & WALL From X-3129				

From W-2285 To 2-4416

Date:10/2022

PAGE:H3-1884-03L

POSITION "L"



From W-2285 To 2-4416	Date:10/2022	PAGE:H3-1884-03L
POSITION "L"		

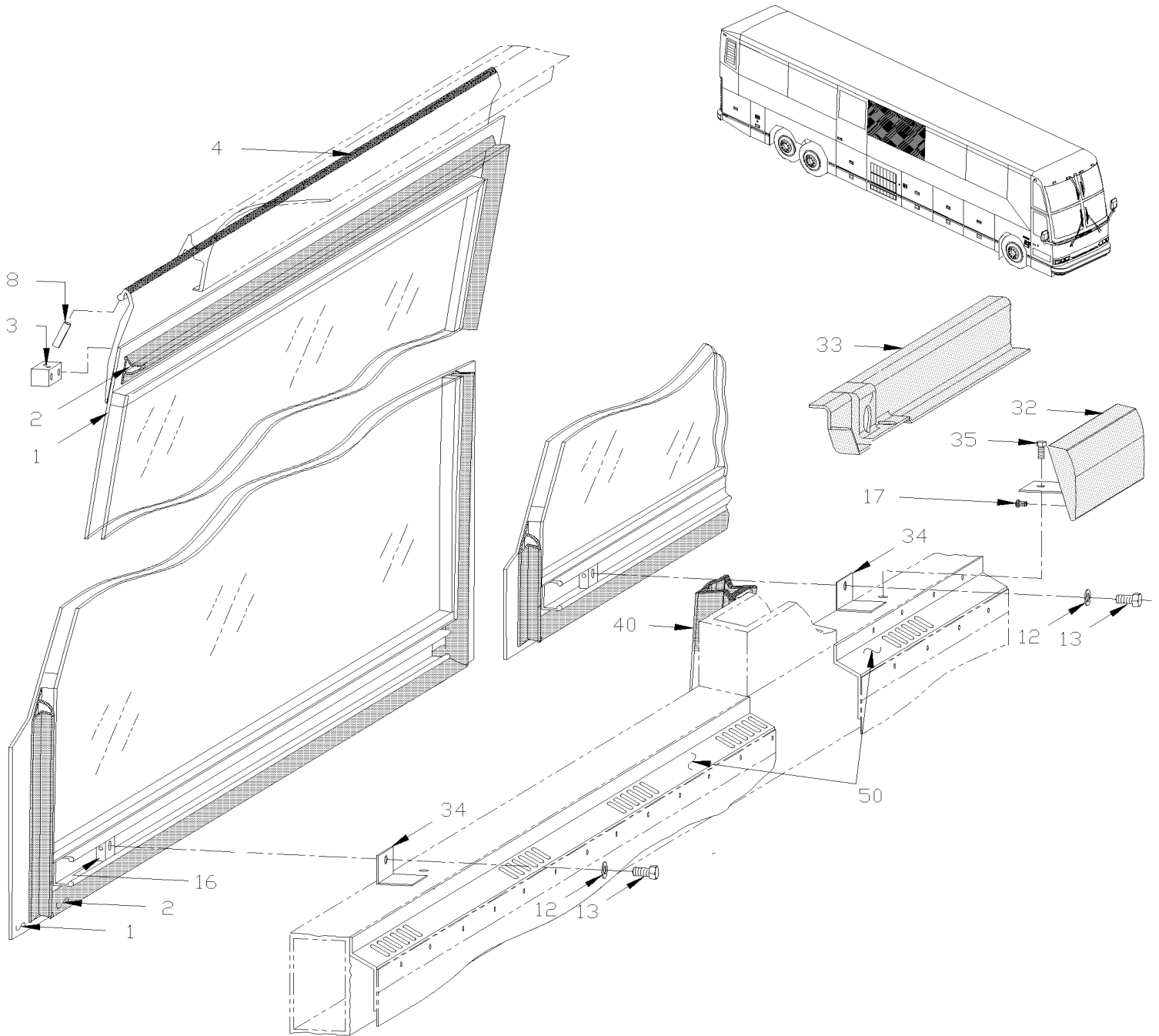
Item#	Part	Description	H 3 4 1	H 3 4 5	V I P 4 5	N O T E S
1	292942	GLASS ASSY, THERMOS 13% / 2223MM		1		
1	292954	GLASS ASSY, SINGLE 13% / 2223MM		1		
2	292959	. WINDOW SEAL / 1083MM X 2194MM		1		
3	293020	. STOPPER BLOCK W/WEDGE		1		
3	293021	. STOPPER BLOCK		1		
NS	500260	. SCREW TC FL PH #8-32x3/4 BK		2		
4	682481	. LOW FRICTION TAPE (HOCKEY)		AR		
NS	292963	. EXTRUSION PLASTIC / WINDOW / 5MM I.D. 2221MM		1		
8	505421	. SPRING, PIN M3 x 18		AR		
NS	293068	REINFORCEMENT ANGLE / W/SINGLE FIXED GLASS		2		A
12	502585	WASHER LO SERR 10.2x26.3x1.4 ZP		2		
NS	505213	SHIM 1/16" THICK		AR		
13	5001375	SCREW CAP HEX M10-1.5x18 SS		2		
13	5001628	NUT HEX NYRT M10-1.5 SS SERVICE		2		
16	292810	ANCHOR BLOCK W/THREAD M10-1.5		2		
16	290302	ANCHOR BLOCK W/SCREW M10-1.5 x 30 SERVICE		2		
17	5001374	SCREW CAP HEX M5-0.8x10 SS		AR		
32	292985	HANDLE ASSY / W/FIXED WINDOW / R.H. CENTER /W /W.C.L. "RICON"		1		
33	326354	FINISHING MOULDING / W/SINGLE GLASS WINDOW		1		
33	326353	FINISHING MOULDING / W/THERMO GLASS WINDOW		1		
34	292931	ANGLE / (WELDED)		3		
35	500923	SCREW TC CAP HEX 1/4-20x3/4 Z050		3		
40	292946	SEAL RUBBER 1125MM		14		
50	H3-1833-01	WINDOW FINISHING CAP & WALL To X-3128				
50	H3-1833-02	WINDOW FINISHING CAP & WALL From X-3129				
		A) WITH SINGLE GLASS ONLY				

From W-2285 To 2-4416

Date:10/2022

PAGE:H3-1884-03M

POSITION "M"



From W-2285 To 2-4416	Date:10/2022	PAGE:H3-1884-03M
POSITION "M"		

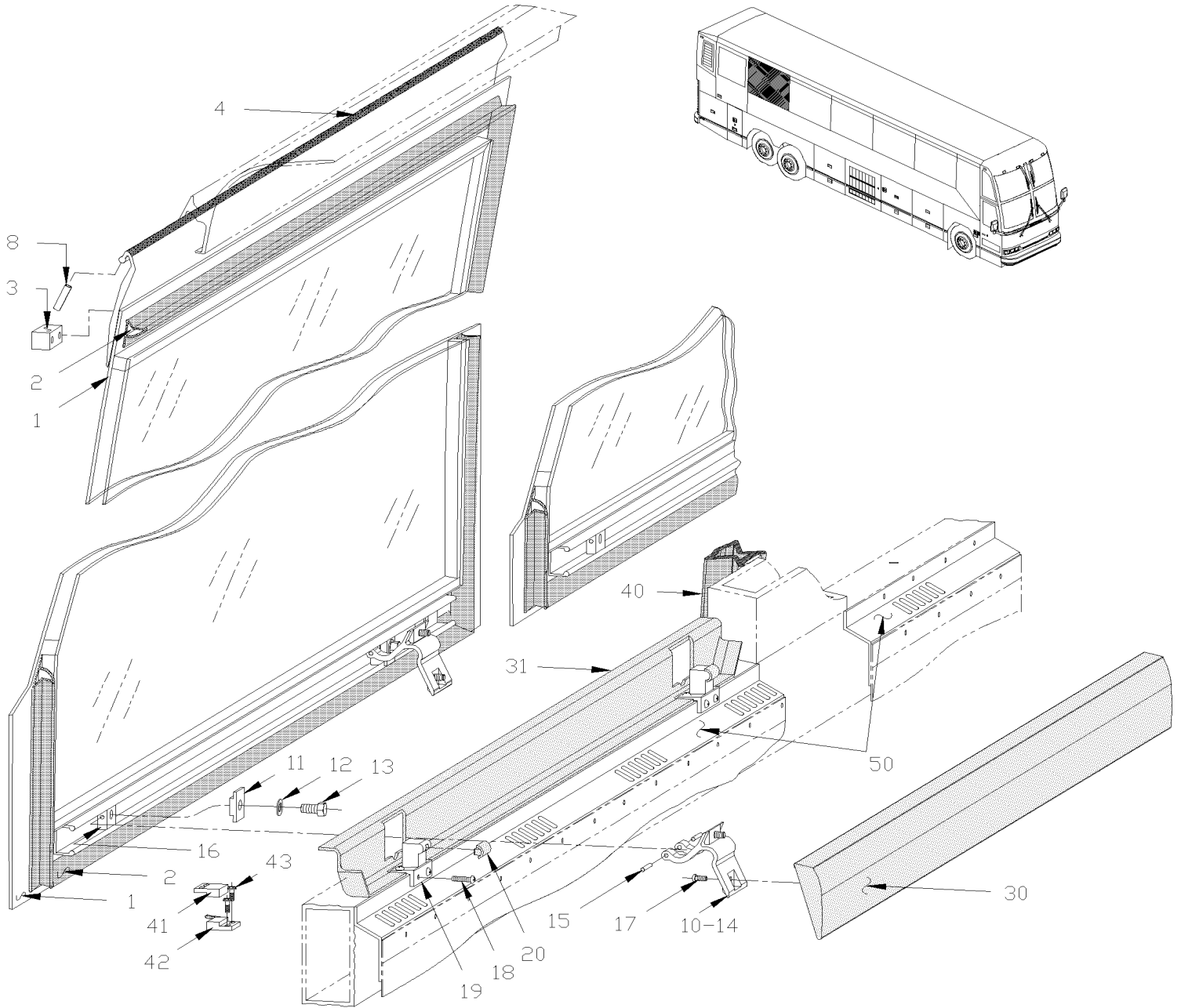
Item#	Part	Description	H 3 4 1	H 3 4 5	V I P 4 5	N O T E S
1	292943	GLASS ASSY, THERMOS 13% / 2288.5MM		1		
1	292955	. GLASS ASSY, SINGLE 13% / 2288.5MM		1		
2	292959	. WINDOW SEAL / 1083MM X 2194MM		1		
3	293020	. STOPPER BLOCK W/WEDGE		1		
3	293021	. STOPPER BLOCK		1		
NS	500260	. SCREW TC FL PH #8-32x3/4 BK		2		
4	682481	. LOW FRICTION TAPE (HOCKEY)		AR		
NS	292964	. EXTRUSION PLASTIC / WINDOW / 5MM I.D. 2286MM		1		
8	505421	. SPRING, PIN M3 x 18		AR		
NS	293068	REINFORCEMENT ANGLE / W/SINGLE FIXED GLASS		2		A
12	502585	WASHER LO SERR 10.2x26.3x1.4 ZP		2		
NS	505213	SHIM 1/16" THICK		AR		
13	5001375	SCREW CAP HEX M10-1.5x18 SS		2		
13	5001628	NUT HEX NYRT M10-1.5 SS SERVICE		2		
16	292810	ANCHOR BLOCK W/THREAD M10-1.5		2		
16	290302	ANCHOR BLOCK W/SCREW M10-1.5 x 30 SERVICE		2		
17	5001374	SCREW CAP HEX M5-0.8x10 SS		AR		
32	292985	HANDLE ASSY / W/FIXED WINDOW / R.H. CENTER /W /W.C.L. "RICON"		1		
33	326354	FINISHING MOULDING / W/SINGLE GLASS WINDOW		1		
33	326353	FINISHING MOULDING / W/THERMO GLASS WINDOW		1		
34	292931	ANGLE / (WELDED)		3		
35	500923	SCREW TC CAP HEX 1/4-20x3/4 Z050		3		
40	292946	SEAL RUBBER 1125MM		14		
50	H3-1833-01	WINDOW FINISHING CAP & WALL To X-3128				
50	H3-1833-02	WINDOW FINISHING CAP & WALL From X-3129				
		A) WITH SINGLE GLASS ONLY				

From W-2285 To 2-4416

Date:10/2022

PAGE:H3-1884-03N

POSITION "N"



From W-2285 To 2-4416	Date:10/2022	PAGE:H3-1884-03N
POSITION "N"		

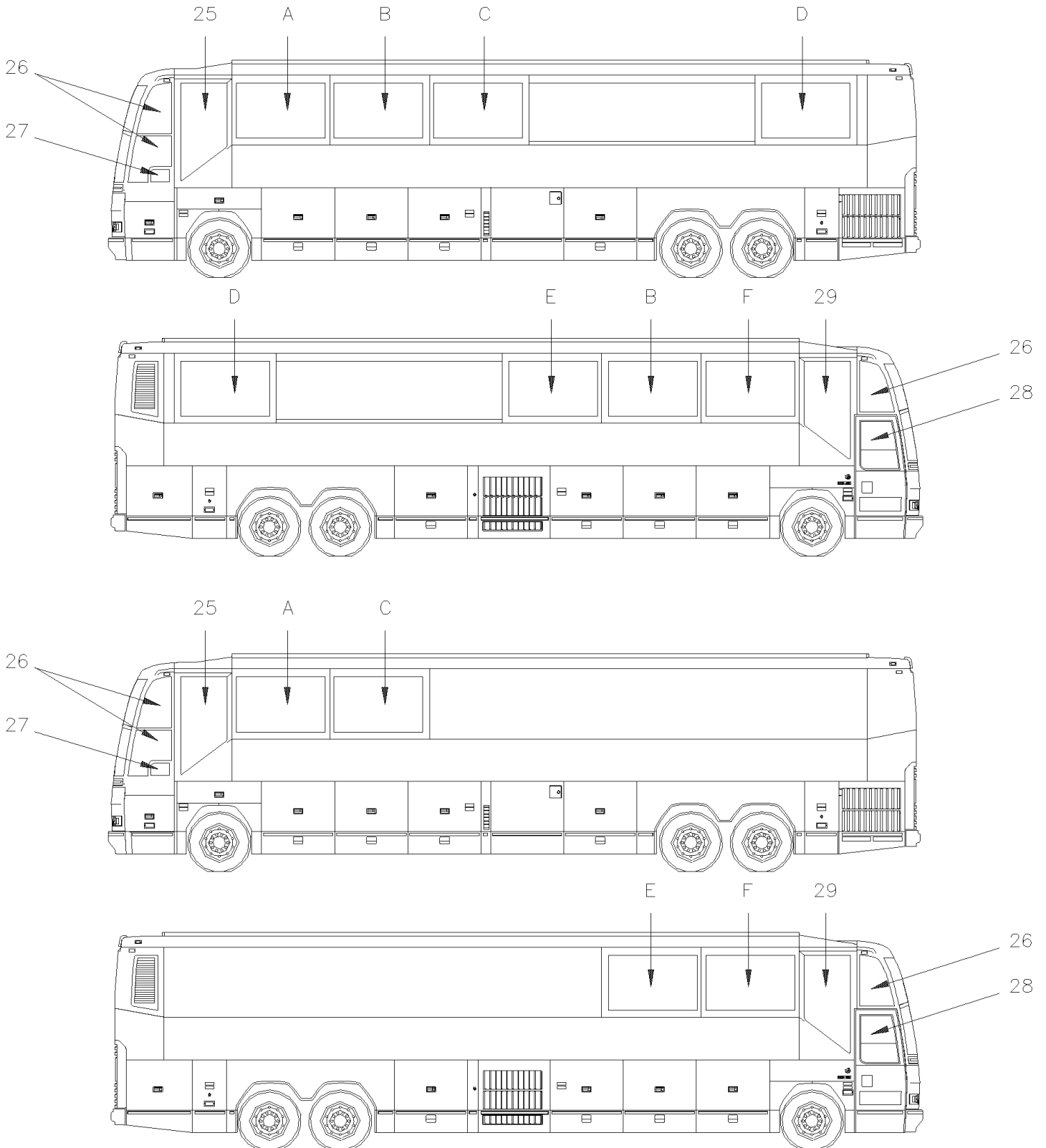
Item#	Part	Description	H 3 4 1	H 3 4 5	V I P 4 5	N O T E S
1	292940	GLASS ASSY, THERMOS 13% / 1668MM	1			
1	292952	GLASS ASSY, SINGLE 13% / 1668MM	1			
2	292918	. WINDOW SEAL / 1083MM X 1613MM	1			
3	293020	. STOPPER BLOCK W/EDGE	1			
3	293021	. STOPPER BLOCK	1			
NS	500260	. SCREW TC FL PH #8-32x3/4 BK	2			
4	682481	. LOW FRICTION TAPE (HOCKEY)	AR			
NS	292961	. EXTRUSION PLASTIC / WINDOW / 5MM I.D. 1666MM	1			
8	505421	. SPRING, PIN M3 x 18	AR			
10	293006	. HINGE ASSY	2			
11	292879	. THEIGHTENING BLOCK	1			
12	502585	. WASHER LO SERR 10.2x26.3x1.4 ZP	1			
13	5001375	. SCREW CAP HEX M10-1.5x18 SS	1			
13	5001628	NUT HEX NYRT M10-1.5 SS SERVICE	2			
14	292807	. LEVER	1			
15	5001373	. SPRING, PIN M4 x 24	2			
16	292810	. ANCHOR BLOCK W/THREAD M10-1.5	1			
16	290302	ANCHOR BLOCK W/SCREW M10-1.5 x 30 SERVICE	2			
17	5001374	SCREW CAP HEX M5-0.8x10 SS	AR			
17	5001378	WASHER LO EXT 5.3x10x0.6 Z050	AR			
18	504249	RIVET CHY Q PRDG 3/16x3/8 SS	4			
19	292836	SUPPORT To Y-3494	2			
. NS	504700	. BUMPER RUBBER BOLT / 14MM ODx10MM TH X M5X17MM STUD To Y-3494	1			
19	293343	SUPPORT From Y-3495	2			
. NS	504700	. BUMPER RUBBER BOLT / 14MM ODx10MM TH X M5X17MM STUD From Y-3495	1			
20	292837	CUSHION 2.0MM TH / BLACK PLASTIC	2			
20	298215	CUSHION / BLACK PLASTIC / 1.5MM TH SERVICE	AR			
20	298225	CUSHION / BLACK PLASTIC / 2.5MM TH SERVICE	AR			
30	293048	HANDLE ASSY / W/OPENING WINDOW	1			
30	H3-1829-00	ACCESSORIES PASSENGER'S SEAT - "PREVOST"				
31	326338	FINISHING MOULDING / W/SINGLE GLASS WINDOW	1			
31	326339	FINISHING MOULDING / W/THERMO GLASS WINDOW	1			
40	292946	SEAL RUBBER 1125MM	12			
41	562641	MAGNET	1			
42	064360	SWITCH MAGNETIC ASSY	1			
42	064678	SWITCH MAGNETIC ASSY W/TAPE DUAL LOCK	1			
43	500862	SCREW TC PAN PH #6-32x3/4 Z050	12			
50	H3-1833-01	WINDOW FINISHING CAP & WALL To X-3128				
50	H3-1833-02	WINDOW FINISHING CAP & WALL From X-3129				

From R-012 To 2-4416

Date:10/2022

PAGE:H3-1884-51

SIDE WINDOW ASSY - V.I.P.

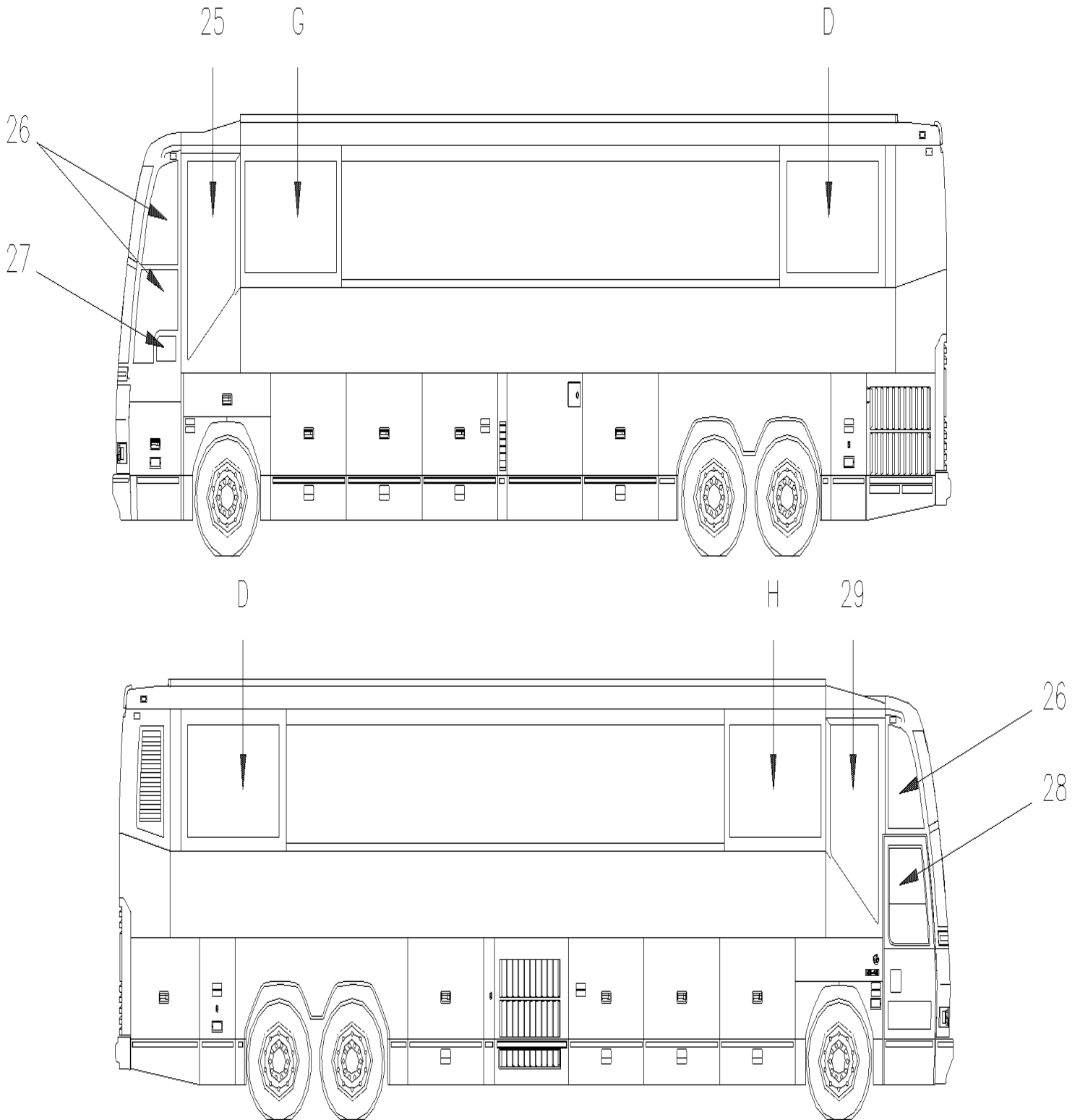


From R-012 To 2-4416

Date:10/2022

PAGE:H3-1884-51

SIDE WINDOW ASSY - V.I.P.



From R-012 To 2-4416	Date:10/2022	PAGE:H3-1884-51
SIDE WINDOW ASSY - V.I.P.		

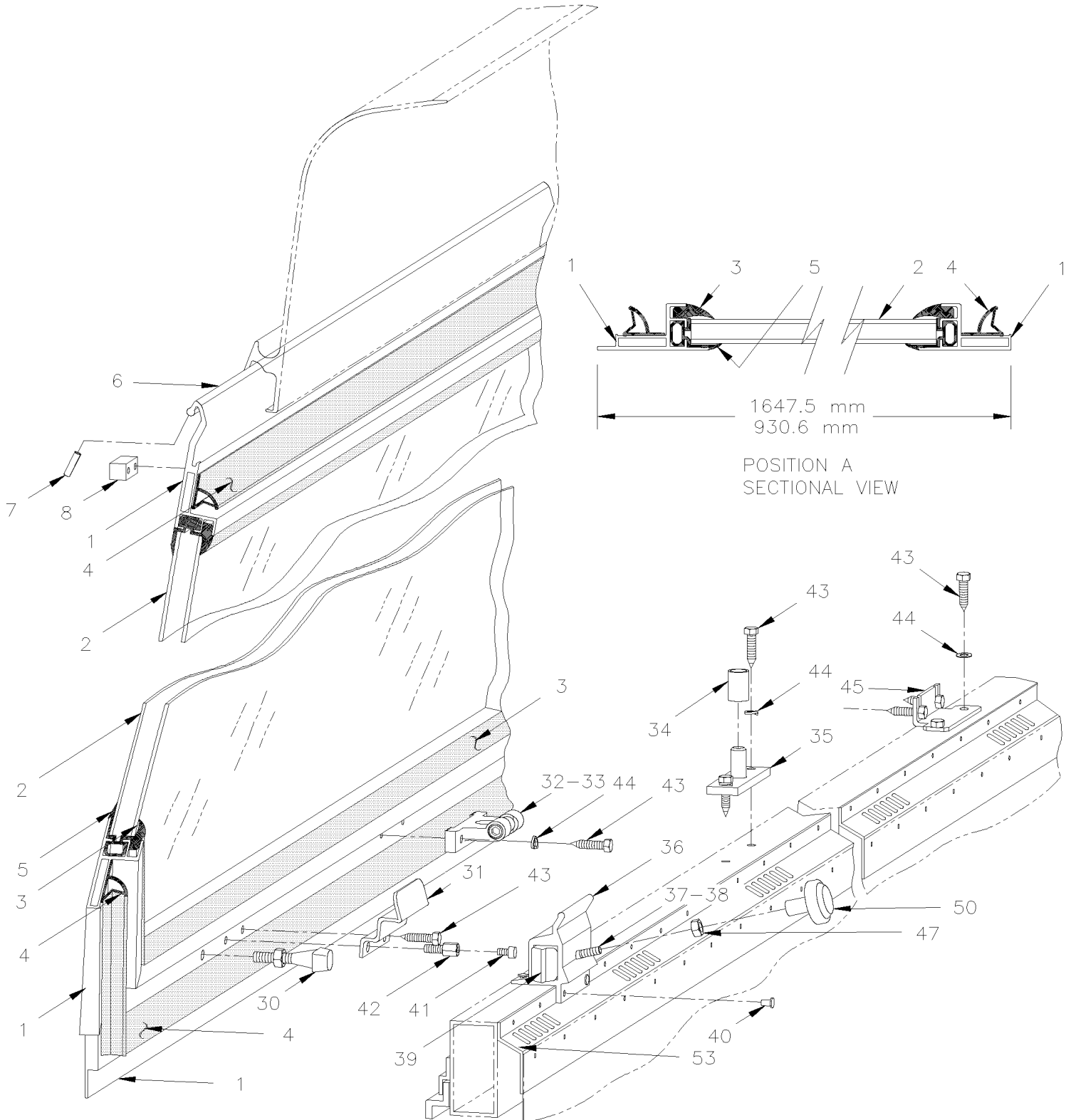
Item#	Part	Description	H 3 4 1	H 3 4 5	V I P 4 5	N O T E S
25	291977	GLASS THERMOS L.H.			1	
26	H3-1880-00	WINDSHIELD & CHANNEL				
27	H3-1886-00	POWER WINDOW - ELECTRICAL INSTALLATION				
28	H3-1862-50	ENTRANCE DOOR ASSY - V.I.P.				
29	291976	GLASS THERMOS R.H.			1	
NS	292624	MOULDING 1182MM X 18MM			AR	A
A	H3-1884-51A	POSITION "A"				
B	H3-1884-51B	POSITION "B"				
C	H3-1884-51C	POSITION "C"				
D	H3-1884-51D	POSITION "D"				
E	H3-1884-51E	POSITION "E"				
F	H3-1884-51F	POSITION "F"				
G	H3-1884-51G	POSITION "G"				
H	H3-1884-51H	POSITION "H"				
		A) BETWEEN WINDOWS				

From R-012 To 2-4416

Date:10/2022

PAGE:H3-1884-51A

POSITION "A"



From R-012 To 2-4416	Date:10/2022	PAGE:H3-1884-51A
POSITION "A"		

Item#	Part	Description	H 3 4 1	H 3 4 5	V I P 4 5	N O T E S
	291779P	WINDOW ASSY, THERMOS / W/GLASS 1531MM			AR	
1	291806	. FRAME / 1647.5 MM			1	
2	299041	. GLASS, THERMOS 28% / 1531MM			1	
3	292262	. LOCKING STRIP 1005MM X 1551MM / W/THERMOS			1	
4	292279	. WINDOW SEAL / 1091MM X 1622MM			1	
5	292339	. EXTERIOR GLASS SEAL 997MM / VERTICAL			2	
5	292340	. EXTERIOR GLASS SEAL 1553MM / HORIZONTAL			2	
6	682481	LOW FRICTION TAPE (HOCKEY)			AR	
7	505421	SPRING, PIN M3 x 18			1	
8	291777	STOPPER BLOCK WINDOW To T-1616			1	
8	292684	STOPPER BLOCK WINDOW / W/OPENING WINDOWS ONLY From T-1617			1	
NS	500260	SCREW TC FL PH #8-32x3/4 BK			1	
30	291781	BOLT LOCKING			2	
30	502710	NUT HEX THN M8-1.5x4.5 ZP			2	
31	292012	HANDLE WINDOW			2	
32	292047	BRACKET ASSY CENTERING			1	
32	292021	BRACKET CENTERING			1	
33	507314	PLUNGER BALL M12 X 1.75			1	
34	504586	WASHER FL SPACER .450x.625x.875 NYL			1	
35	292410	PIN, CENTERING			1	
36	291838	LATCH ASSY / L.H. ASSY SHOWN			1	
36	291837	LATCH ASSY / R.H. ASSY			1	
36	291782	. SUPPORT / R.H.			1	
36	291789	. SUPPORT / L.H.			1	
37	291797	. ROD LOCKING			1	
38	505415	. SPRING, PIN M2.5 X 36			1	
39	291795	. LATCH / L.H.			1	
39	291796	. LATCH / R.H.			1	
39	291940	. SPRING COMPRESSION / .511 O.D. x 30 MM x .040			1	
40	504256	RIVET POP CK OE 3/16x1/4 AL			AR	
41	504572	BUMPER RUBBER BOLT / .625 ODx.296TH x 8-32X.25 STUD			2	
42	292349	ADAPTOR STUD 1/4-20 Male x 8-32 Female			2	
43	500923	SCREW TC CAP HEX 1/4-20x3/4 Z050 To Y-3821			AR	
43	5001515	SCREW CAP HEX 1/4-20x3/4 G8 Z050 From Y-3822			AR	
44	500473	WASHER LO SPT .262x.489x.062 Z050			AR	
45	292053	SUPPORT / TO FIX WINDOW TO STRUCTURE To Y-3821			2	
45	293377	SUPPORT / TO FIX WINDOW TO STRUCTURE From Y-3822			2	
NS	293382	SHIM RUBBER 100MM X 20MM From Y-3822			AR	
NS	293383	SHIM RUBBER 100MM X 38MM From Y-3822			AR	
47	502511	NUT HEX NYRT M6-1.0 Z050			2	
50	292054	BUTTON, RELEASE / BLACK			AR	
50	292046	BUTTON, RELEASE / RED			AR	

From R-012 To 2-4416	Date:10/2022	PAGE:H3-1884-51A
----------------------	--------------	------------------

POSITION "A"

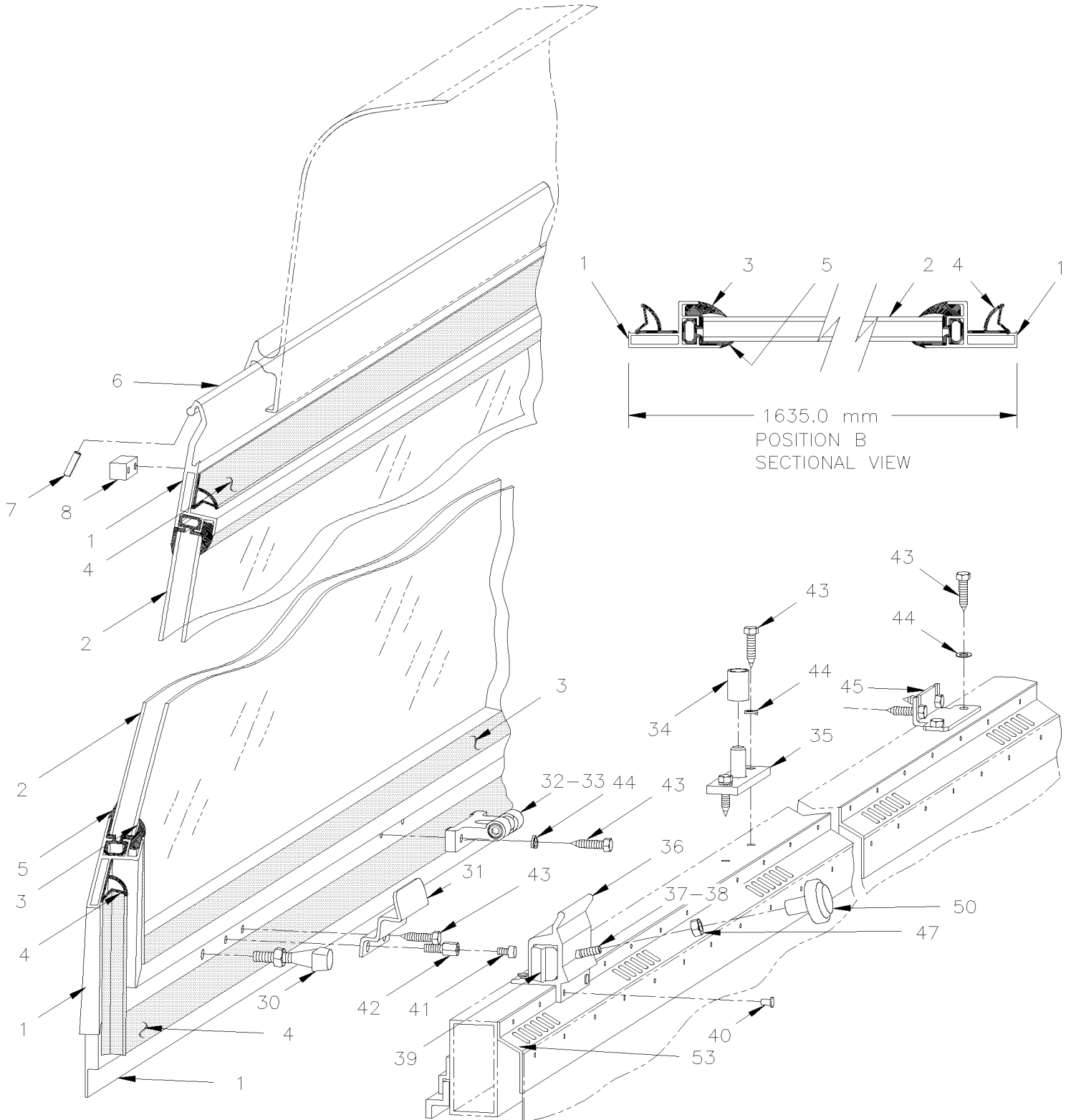
Item#	Part	Description	H 3 4 1	H 3 4 5	V I P 4 5	N O T E S
53	322835	GRILLE SPACER 1660MM			AR	

From R-012 To 2-4416

Date:10/2022

PAGE:H3-1884-51B

POSITION "B"



From R-012 To 2-4416	Date:10/2022	PAGE:H3-1884-51B
POSITION "B"		

Item#	Part	Description	H 3 4 1	H 3 4 5	V I P 4 5	N O T E S
	291778P	WINDOW ASSY, THERMOS 28%			AR	
1	291805	. FRAME			1	
2	299041	. GLASS, THERMOS 28% / 1531MM			1	
3	292262	. LOCKING STRIP 1005MM X 1551MM / W/THERMOS			1	
4	292279	. WINDOW SEAL / 1091MM X 1622MM			1	
5	292339	. EXTERIOR GLASS SEAL 997MM / VERTICAL			2	
5	292340	. EXTERIOR GLASS SEAL 1553MM / HORIZONTAL			2	
6	682481	LOW FRICTION TAPE (HOCKEY)			AR	
7	505421	SPRING, PIN M3 x 18			1	
8	291777	STOPPER BLOCK WINDOW To T-1616			1	
8	292684	STOPPER BLOCK WINDOW / W/OPENING WINDOWS ONLY From T-1617			1	
NS	500260	SCREW TC FL PH #8-32x3/4 BK			1	
30	291781	BOLT LOCKING			2	
30	502710	NUT HEX THN M8-1.5x4.5 ZP			2	
31	292012	HANDLE WINDOW			2	
32	292047	BRACKET ASSY CENTERING			1	
32	292021	BRACKET CENTERING			1	
33	507314	PLUNGER BALL M12 X 1.75			1	
34	504586	WASHER FL SPACER .450x.625x.875 NYL			1	
35	292410	PIN, CENTERING			1	
36	291838	LATCH ASSY / L.H. ASSY SHOWN			1	
36	291837	LATCH ASSY / R.H. ASSY			1	
36	291782	. SUPPORT / R.H.			1	
36	291789	. SUPPORT / L.H.			1	
37	291797	. ROD LOCKING			1	
38	505415	. SPRING, PIN M2.5 X 36			1	
39	291795	. LATCH / L.H.			1	
39	291796	. LATCH / R.H.			1	
39	291940	. SPRING COMPRESSION / .511 O.D. x 30 MM x .040			1	
40	504256	RIVET POP CK OE 3/16x1/4 AL			AR	
41	504572	BUMPER RUBBER BOLT / .625 ODx.296TH x 8-32X.25 STUD			2	
42	292349	ADAPTOR STUD 1/4-20 Male x 8-32 Female			2	
43	500923	SCREW TC CAP HEX 1/4-20x3/4 Z050 To Y-3821			AR	
43	5001515	SCREW CAP HEX 1/4-20x3/4 G8 Z050 From Y-3822			AR	
44	500473	WASHER LO SPT .262x.489x.062 Z050			AR	
45	292053	SUPPORT / TO FIX WINDOW TO STRUCTURE To Y-3821			2	
45	293377	SUPPORT / TO FIX WINDOW TO STRUCTURE From Y-3822			2	
NS	293382	SHIM RUBBER 100MM X 20MM From Y-3822			AR	
NS	293383	SHIM RUBBER 100MM X 38MM From Y-3822			AR	
47	502511	NUT HEX NYRT M6-1.0 Z050			2	
50	292054	BUTTON, RELEASE / BLACK			AR	
50	292046	BUTTON, RELEASE / RED			AR	

From R-012 To 2-4416	Date:10/2022	PAGE:H3-1884-51B
POSITION "B"		

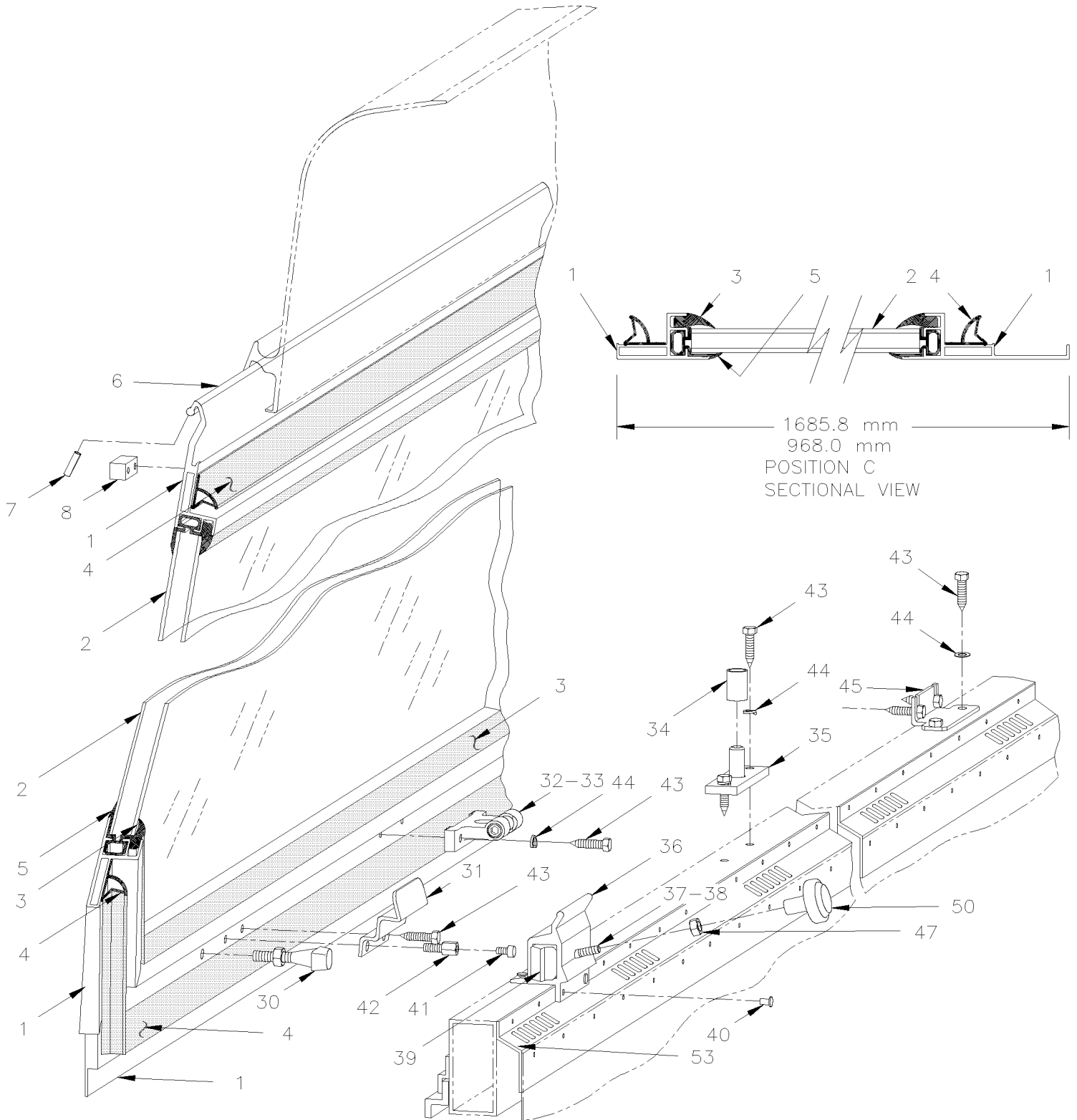
Item#	Part	Description	H 3 4 1	H 3 4 5	V I P 4 5	N O T E S
53	322835	GRILLE SPACER 1660MM			AR	

From R-012 To 2-4416

Date:10/2022

PAGE:H3-1884-51C

POSITION "C"



From R-012 To 2-4416	Date:10/2022	PAGE:H3-1884-51C
POSITION "C"		

Item#	Part	Description	H 3 4 1	H 3 4 5	V I P 4 5	N O T E S
	291999P	WINDOW ASSY, THERMOS 28% W/GLASS / 1531MM			AR	
	292015P	WINDOW ASSY, THERMOS 28% W/GLASS / 814MM			1	
1	291995	. FRAME / 1685.8 MM			1	
1	292014	. FRAME / 968 MM			1	A
2	299041	. GLASS, THERMOS 28% / 1531MM			1	
2	299042	. GLASS, THERMOS 28% / 814MM			1	A
3	292262	. LOCKING STRIP 1005MM X 1551MM / W/THERMOS			1	
3	292264	. LOCKING STRIP 1005MM X 854MM / W/THERMOS			1	A
4	292279	. WINDOW SEAL / 1091MM X 1622MM			1	
4	292288	. WINDOW SEAL / 1091MM X 904MM			1	A
5	292339	. EXTERIOR GLASS SEAL 997MM / VERTICAL			2	
5	292340	. EXTERIOR GLASS SEAL 1553MM / HORIZONTAL			2	
5	292338	. EXTERIOR GLASS SEAL 829MM / HORIZONTAL			1	A
6	682481	LOW FRICTION TAPE (HOCKEY)			AR	
7	505421	SPRING, PIN M3 x 18			1	
8	291777	STOPPER BLOCK WINDOW To T-1616			1	
8	292684	STOPPER BLOCK WINDOW / W/OPENING WINDOWS ONLY From T-1617			1	
NS	500260	SCREW TC FL PH #8-32x3/4 BK			1	
30	291781	BOLT LOCKING			2	
30	502710	NUT HEX THN M8-1.5x4.5 ZP			2	
31	292012	HANDLE WINDOW			2	
32	292047	BRACKET ASSY CENTERING			1	
32	292021	BRACKET CENTERING			1	
33	507314	PLUNGER BALL M12 X 1.75			1	
34	504586	WASHER FL SPACER .450x.625x.875 NYL			1	
35	292410	PIN, CENTERING			1	
36	291838	LATCH ASSY / L.H. ASSY SHOWN			1	
36	291837	LATCH ASSY / R.H. ASSY			1	
36	291782	. SUPPORT / R.H.			1	
36	291789	. SUPPORT / L.H.			1	
37	291797	. ROD LOCKING			1	
38	505415	. SPRING, PIN M2.5 X 36			1	
39	291795	. LATCH / L.H.			1	
39	291796	. LATCH / R.H.			1	
39	291940	. SPRING COMPRESSION / .511 O.D. x 30 MM x .040			1	
40	504256	RIVET POP CK OE 3/16x1/4 AL			AR	
41	504572	BUMPER RUBBER BOLT / .625 ODx.296TH x 8-32X.25 STUD			2	
42	292349	ADAPTOR STUD 1/4-20 Male x 8-32 Female			2	
43	500923	SCREW TC CAP HEX 1/4-20x3/4 Z050 To Y-3821			AR	
43	5001515	SCREW CAP HEX 1/4-20x3/4 G8 Z050 From Y-3822			AR	
44	500473	WASHER LO SPT .262x.489x.062 Z050			AR	
45	292053	SUPPORT / TO FIX WINDOW TO STRUCTURE To Y-3821			2	

From R-012 To 2-4416	Date:10/2022	PAGE:H3-1884-51C
POSITION "C"		

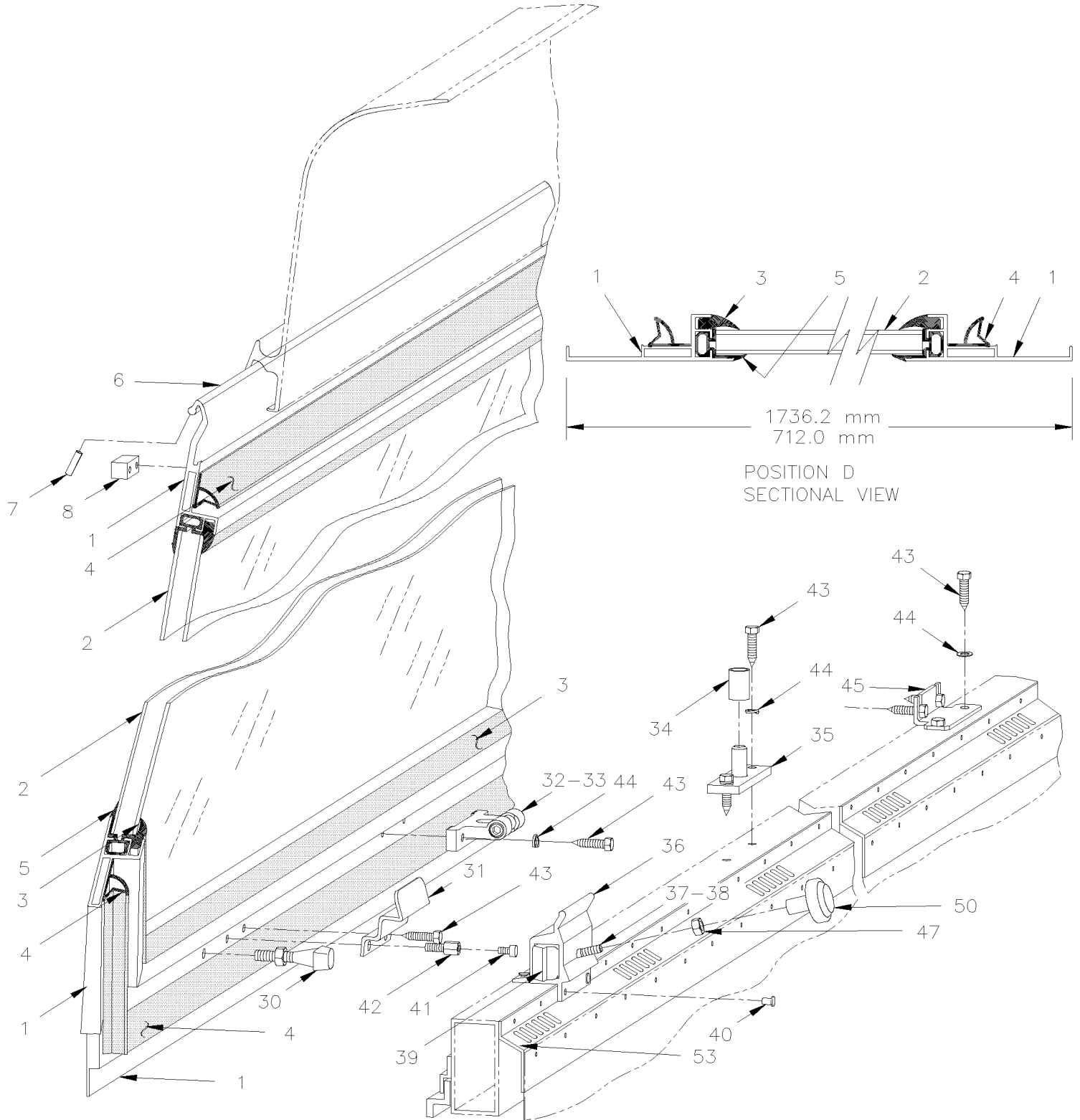
Item#	Part	Description	H 3 4 1	H 3 4 5	V I P 4 5	N O T E S
45	293377	SUPPORT / TO FIX WINDOW TO STRUCTURE From Y-3822			2	
45	293382	SHIM RUBBER 100MM X 20MM From Y-3822			AR	
45	293383	SHIM RUBBER 100MM X 38MM From Y-3822			AR	
47	502511	NUT HEX NYRT M6-1.0 Z050			2	
50	292054	BUTTON, RELEASE / BLACK			AR	
50	292046	BUTTON, RELEASE / RED			AR	
53	322835	GRILLE SPACER 1660MM			AR	
		A) WITH WINDOW ASSY #292015P				

From R-012 To 2-4416

Date:10/2022

PAGE:H3-1884-51D

POSITION "D"



From R-012 To 2-4416	Date:10/2022	PAGE:H3-1884-51D
POSITION "D"		

Item#	Part	Description	H 3 4 1	H 3 4 5	V I P 4 5	N O T E S
	292018P	WINDOW ASSY THERMOS / W/GLASS 1531MM			AR	
	292845P	WINDOW ASSY, SMALL THERMOS			1	
1	292016	. FRAME / 662 MM			1	
1	292846	. FRAME			1	A
2	299041	. GLASS, THERMOS 28% / 1531MM			1	
2	299043	. GLASS, THERMOS 28% / 508MM			1	A
3	292262	. LOCKING STRIP 1005MM X 1551MM / W/THERMOS			1	
3	292265	. LOCKING STRIP 1005MM X 703MM / W/THERMOS			1	A
4	292279	. WINDOW SEAL / 1091MM X 1622MM			1	
4	292289	. WINDOW SEAL / 1091MM X 598MM			1	A
5	292339	. EXTERIOR GLASS SEAL 997MM / VERTICAL			2	
5	292340	. EXTERIOR GLASS SEAL 1553MM / HORIZONTAL			2	
5	292337	. EXTERIOR GLASS SEAL 520MM / HORIZONTAL			1	A
6	682481	LOW FRICTION TAPE (HOCKEY)			AR	
7	505421	SPRING, PIN M3 x 18			1	
8	291777	STOPPER BLOCK WINDOW To T-1616			1	
8	292684	STOPPER BLOCK WINDOW / W/OPENING WINDOWS ONLY From T-1617			1	
NS	500260	SCREW TC FL PH #8-32x3/4 BK			1	
30	291781	BOLT LOCKING			2	
30	502710	NUT HEX THN M8-1.5x4.5 ZP			2	
31	292012	HANDLE WINDOW			2	
32	292047	BRACKET ASSY CENTERING			1	
32	292021	BRACKET CENTERING			1	
33	507314	PLUNGER BALL M12 X 1.75			1	
34	504586	WASHER FL SPACER .450x.625x.875 NYL			1	
35	292410	PIN, CENTERING			1	
36	291838	LATCH ASSY / L.H. ASSY SHOWN			1	
36	291837	LATCH ASSY / R.H. ASSY			1	
36	291782	. SUPPORT / R.H.			1	
36	291789	. SUPPORT / L.H.			1	
37	291797	. ROD LOCKING			1	
38	505415	. SPRING, PIN M2.5 X 36			1	
39	291795	. LATCH / L.H.			1	
39	291796	. LATCH / R.H.			1	
39	291940	. SPRING COMPRESSION / .511 O.D. x 30 MM x .040			1	
40	504256	RIVET POP CK OE 3/16x1/4 AL			AR	
41	504572	BUMPER RUBBER BOLT / .625 ODx.296TH x 8-32X.25 STUD			2	
42	292349	ADAPTOR STUD 1/4-20 Male x 8-32 Female			2	
43	500923	SCREW TC CAP HEX 1/4-20x3/4 Z050 To Y-3821			AR	
43	5001515	SCREW CAP HEX 1/4-20x3/4 G8 Z050 From Y-3822			AR	
44	500473	WASHER LO SPT .262x.489x.062 Z050			AR	
45	292053	SUPPORT / TO FIX WINDOW TO STRUCTURE To Y-3821			2	

From R-012 To 2-4416	Date:10/2022	PAGE:H3-1884-51D
POSITION "D"		

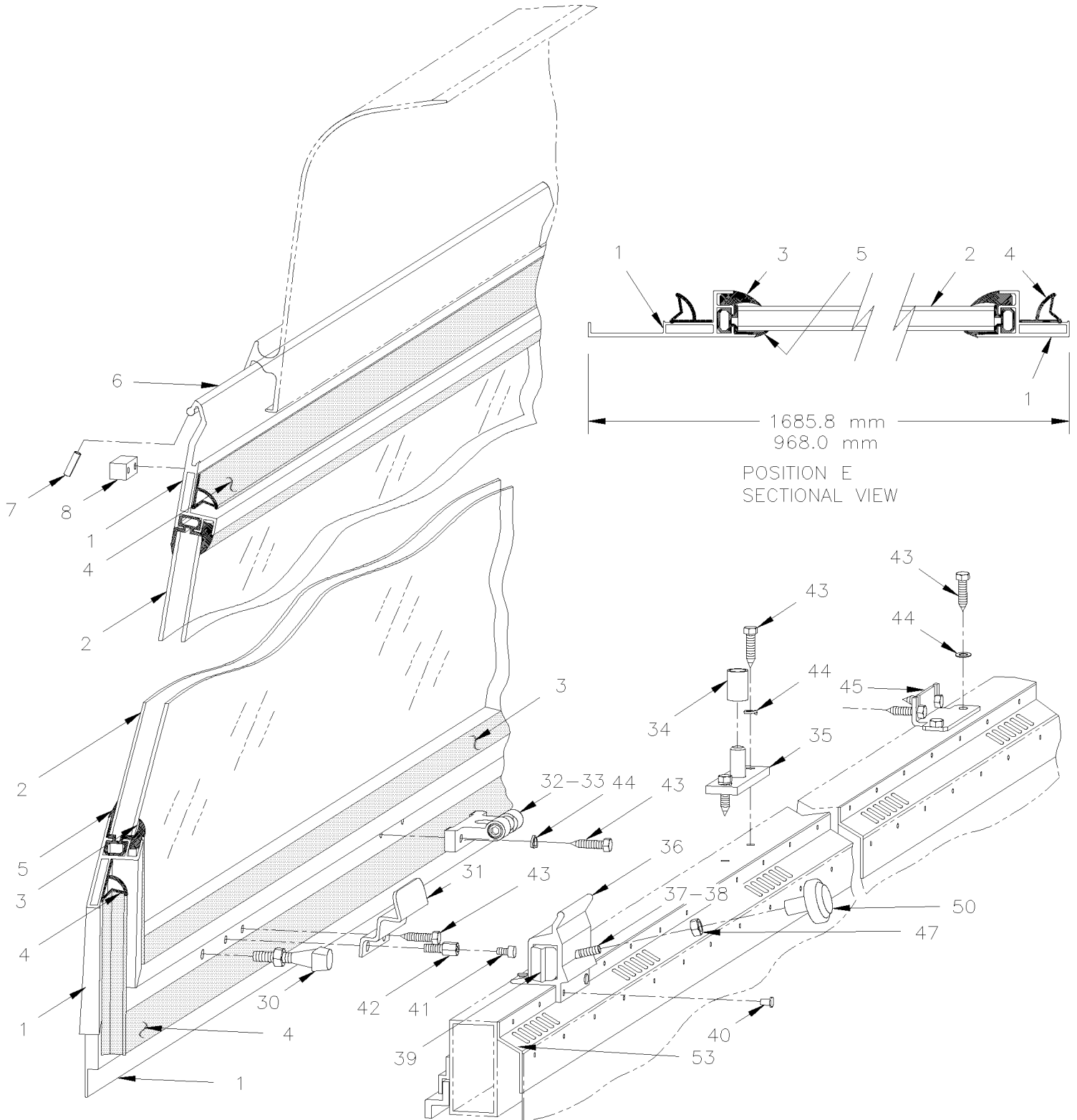
Item#	Part	Description	H 3 4 1	H 3 4 5	V I P 4 5	N O T E S
45	293377	SUPPORT / TO FIX WINDOW TO STRUCTURE From Y-3822			2	
45	293382	SHIM RUBBER 100MM X 20MM From Y-3822			AR	
45	293383	SHIM RUBBER 100MM X 38MM From Y-3822			AR	
47	502511	NUT HEX NYRT M6-1.0 Z050			2	
50	292054	BUTTON, RELEASE / BLACK			AR	
50	292046	BUTTON, RELEASE / RED			AR	
53	322835	GRILLE SPACER 1660MM			AR	
		A) RELATED TO WINDOW ASSY #292845P□				

From R-012 To 2-4416

Date:10/2022

PAGE:H3-1884-51E

POSITION "E"



From R-012 To 2-4416	Date:10/2022	PAGE:H3-1884-51E
POSITION "E"		

Item#	Part	Description	H 3 4 1	H 3 4 5	V I P 4 5	N O T E S
	291996P	WINDOW ASSY, THERMOS 28% W/GLASS / 1531MM			AR	
	291801P	WINDOW ASSY, THERMOS 28% / 814MM			AR	
1	291994	. FRAME / 1685.8 MM			1	
1	291810	. FRAME / 968 MM			1	A
2	299041	. GLASS, THERMOS 28% / 1531MM			1	
2	299042	. GLASS, THERMOS 28% / 814MM			1	A
3	292262	. LOCKING STRIP 1005MM X 1551MM / W/THERMOS			1	
3	292264	. LOCKING STRIP 1005MM X 854MM / W/THERMOS			1	A
4	292279	. WINDOW SEAL / 1091MM X 1622MM			1	
5	292339	. EXTERIOR GLASS SEAL 997MM / VERTICAL			2	
5	292340	. EXTERIOR GLASS SEAL 1553MM / HORIZONTAL			2	
5	292338	. EXTERIOR GLASS SEAL 829MM / HORIZONTAL			1	A
6	682481	LOW FRICTION TAPE (HOCKEY)			AR	
7	505421	SPRING, PIN M3 x 18			1	
8	291777	STOPPER BLOCK WINDOW To T-1616			1	
8	292684	STOPPER BLOCK WINDOW / W/OPENING WINDOWS ONLY From T-1617			1	
NS	500260	SCREW TC FL PH #8-32x3/4 BK			1	
30	291781	BOLT LOCKING			2	
30	502710	NUT HEX THN M8-1.5x4.5 ZP			2	
31	292012	HANDLE WINDOW			2	
32	292047	BRACKET ASSY CENTERING			1	
32	292021	BRACKET CENTERING			1	
33	507314	PLUNGER BALL M12 X 1.75			1	
34	504586	WASHER FL SPACER .450x.625x.875 NYL			1	
35	292410	PIN, CENTERING			1	
36	291838	LATCH ASSY / L.H. ASSY SHOWN			1	
36	291837	LATCH ASSY / R.H. ASSY			1	
36	291782	. SUPPORT / R.H.			1	
36	291789	. SUPPORT / L.H.			1	
37	291797	. ROD LOCKING			1	
38	505415	. SPRING, PIN M2.5 X 36			1	
39	291795	. LATCH / L.H.			1	
39	291796	. LATCH / R.H.			1	
39	291940	. SPRING COMPRESSION / .511 O.D. x 30 MM x .040			1	
40	504256	RIVET POP CK OE 3/16x1/4 AL			AR	
41	504572	BUMPER RUBBER BOLT / .625 ODx.296TH x 8-32X.25 STUD			2	
42	292349	ADAPTOR STUD 1/4-20 Male x 8-32 Female			2	
43	500923	SCREW TC CAP HEX 1/4-20x3/4 Z050 To Y-3821			AR	
43	5001515	SCREW CAP HEX 1/4-20x3/4 G8 Z050 From Y-3822			AR	
44	500473	WASHER LO SPT .262x.489x.062 Z050			AR	
45	292053	SUPPORT / TO FIX WINDOW TO STRUCTURE To Y-3821			2	
45	293377	SUPPORT / TO FIX WINDOW TO STRUCTURE From Y-3822			2	

From R-012 To 2-4416	Date:10/2022	PAGE:H3-1884-51E
POSITION "E"		

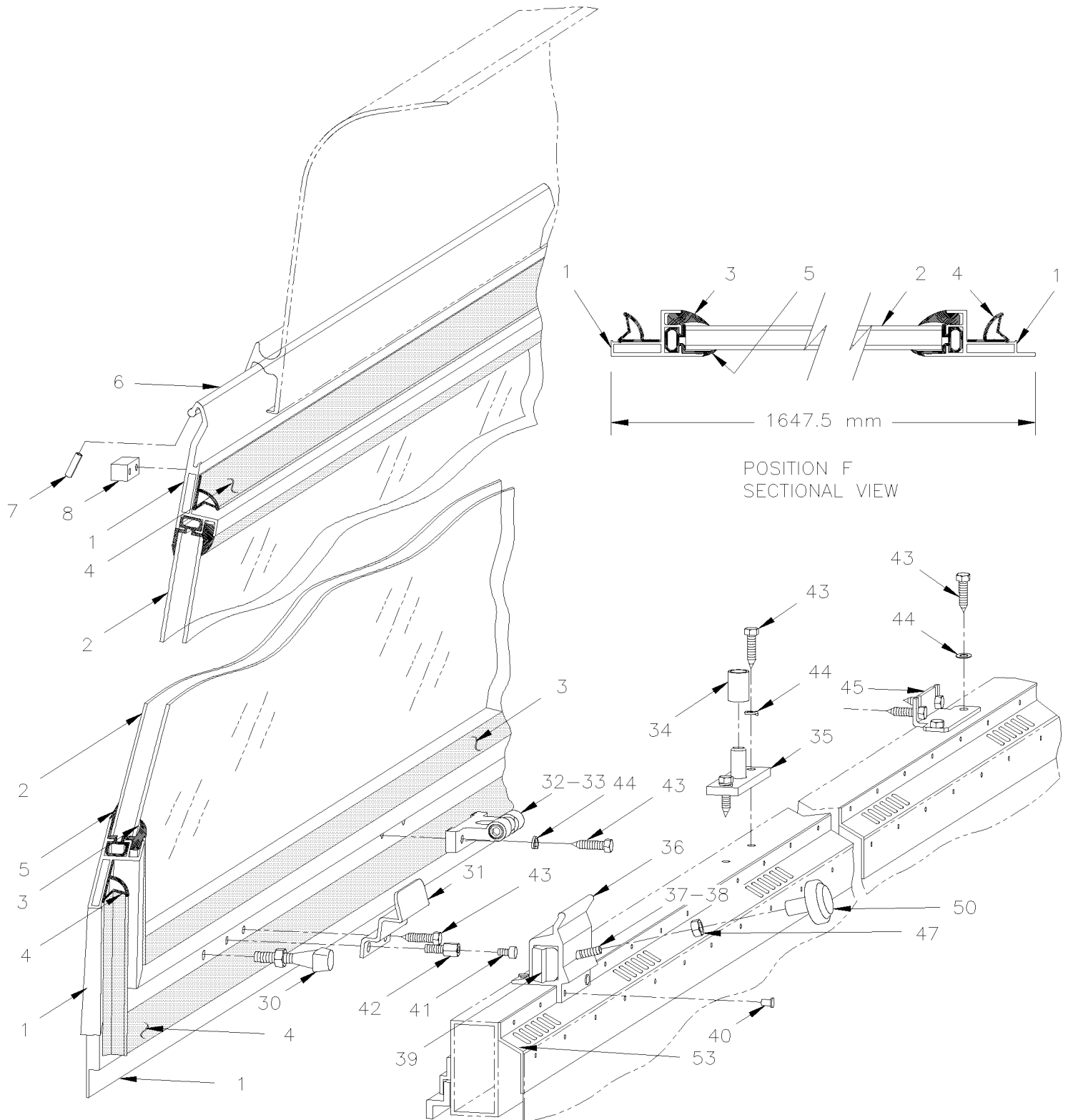
Item#	Part	Description	H 3 4 1	H 3 4 5	V I P 4 5	N O T E S
45	293382	SHIM RUBBER 100MM X 20MM From Y-3822			AR	
45	293383	SHIM RUBBER 100MM X 38MM From Y-3822			AR	
47	502511	NUT HEX NYRT M6-1.0 Z050			2	
50	292054	BUTTON, RELEASE / BLACK			AR	
50	292046	BUTTON, RELEASE / RED			AR	
53	322835	GRILLE SPACER 1660MM			AR	
		A) RELATED TO WINDOWS #291801P				

From R-012 To 2-4416

Date:10/2022

PAGE:H3-1884-51F

POSITION "F"



From R-012 To 2-4416	Date:10/2022	PAGE:H3-1884-51F
POSITION "F"		

Item#	Part	Description	H 3 4 1	H 3 4 5	V I P 4 5	N O T E S
	291812P	WINDOW ASSY, THERMOS / W/GLASS 1531MM			AR	
1	291811	. FRAME / 1647.5 MM			1	
2	299041	. GLASS, THERMOS 28% / 1531MM			1	
3	292262	. LOCKING STRIP 1005MM X 1551MM / W/THERMOS			1	
4	292279	. WINDOW SEAL / 1091MM X 1622MM			1	
5	292339	. EXTERIOR GLASS SEAL 997MM / VERTICAL			2	
5	292340	. EXTERIOR GLASS SEAL 1553MM / HORIZONTAL			2	
6	682481	LOW FRICTION TAPE (HOCKEY)			AR	
7	505421	SPRING, PIN M3 x 18			1	
8	291777	STOPPER BLOCK WINDOW To T-1616			1	
8	292684	STOPPER BLOCK WINDOW / W/OPENING WINDOWS ONLY From T-1617			1	
NS	500260	SCREW TC FL PH #8-32x3/4 BK			1	
30	291781	BOLT LOCKING			2	
30	502710	NUT HEX THN M8-1.5x4.5 ZP			2	
31	292012	HANDLE WINDOW			2	
32	292047	BRACKET ASSY CENTERING			1	
32	292021	BRACKET CENTERING			1	
33	507314	PLUNGER BALL M12 X 1.75			1	
34	504586	WASHER FL SPACER .450x.625x.875 NYL			1	
35	292410	PIN, CENTERING			1	
36	291838	LATCH ASSY / L.H. ASSY SHOWN			1	
36	291837	LATCH ASSY / R.H. ASSY			1	
36	291782	. SUPPORT / R.H.			1	
36	291789	. SUPPORT / L.H.			1	
37	291797	. ROD LOCKING			1	
38	505415	. SPRING, PIN M2.5 X 36			1	
39	291795	. LATCH / L.H.			1	
39	291796	. LATCH / R.H.			1	
39	291940	. SPRING COMPRESSION / .511 O.D. x 30 MM x .040			1	
40	504256	RIVET POP CK OE 3/16x1/4 AL			AR	
41	504572	BUMPER RUBBER BOLT / .625 ODx.296TH x 8-32X.25 STUD			2	
42	292349	ADAPTOR STUD 1/4-20 Male x 8-32 Female			2	
43	500923	SCREW TC CAP HEX 1/4-20x3/4 Z050 To Y-3821			AR	
43	5001515	SCREW CAP HEX 1/4-20x3/4 G8 Z050 From Y-3822			AR	
44	500473	WASHER LO SPT .262x.489x.062 Z050			AR	
45	292053	SUPPORT / TO FIX WINDOW TO STRUCTURE To Y-3821			2	
45	293377	SUPPORT / TO FIX WINDOW TO STRUCTURE From Y-3822			2	
45	293382	SHIM RUBBER 100MM X 20MM From Y-3822			AR	
45	293383	SHIM RUBBER 100MM X 38MM From Y-3822			AR	
47	502511	NUT HEX NYRT M6-1.0 Z050			2	
50	292054	BUTTON, RELEASE / BLACK			AR	
50	292046	BUTTON, RELEASE / RED			AR	

From R-012 To 2-4416	Date:10/2022	PAGE:H3-1884-51F
POSITION "F"		

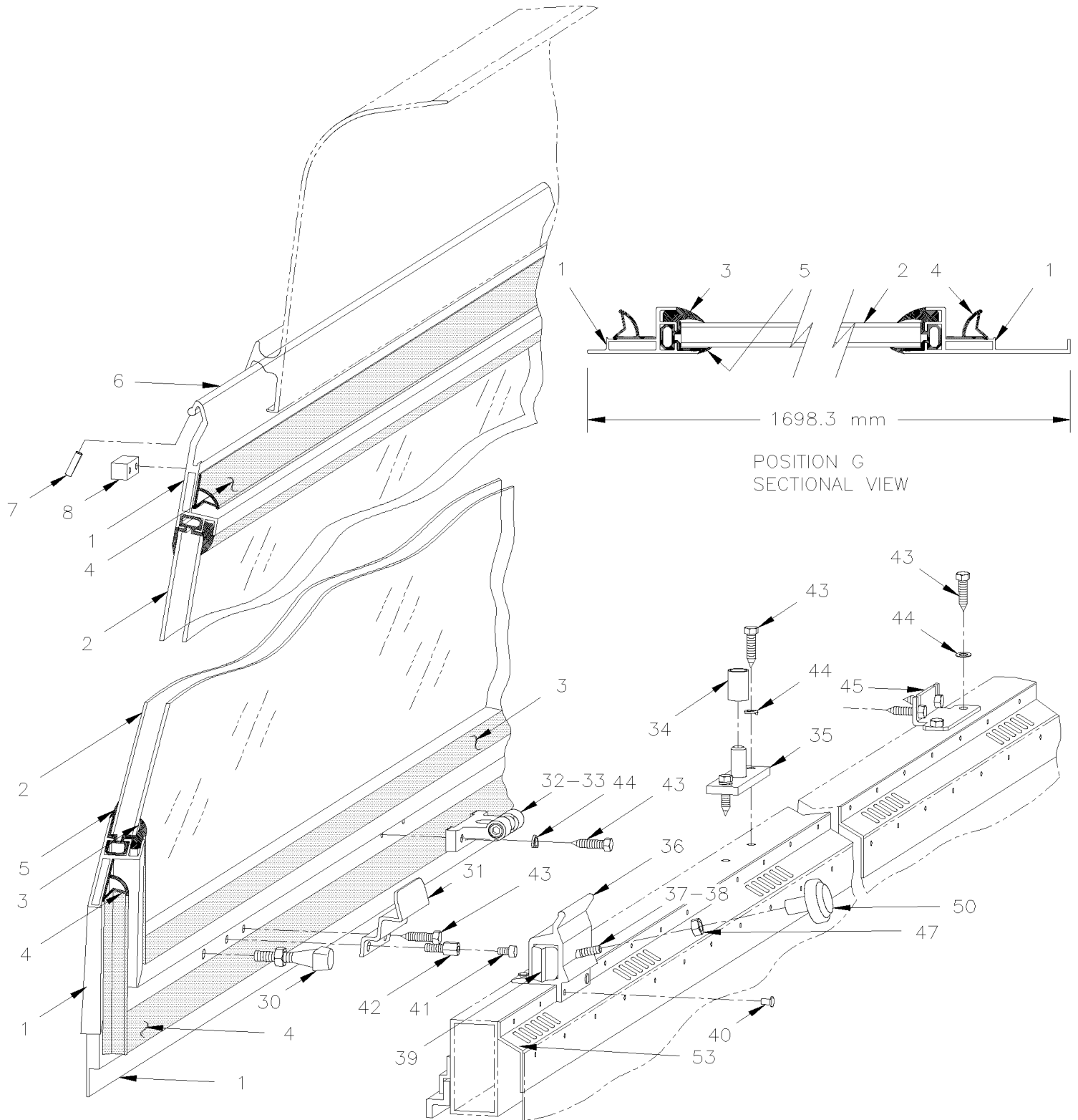
Item#	Part	Description	H 3 4 1	H 3 4 5	V I P 4 5	N O T E S
53	322835	GRILLE SPACER 1660MM			AR	

From R-012 To 2-4416

Date:10/2022

PAGE:H3-1884-51G

POSITION "G"



From R-012 To 2-4416	Date:10/2022	PAGE:H3-1884-51G
POSITION "G"		

Item#	Part	Description	H 3 4 1	H 3 4 5	V I P 4 5	N O T E S
	292076P	WINDOW ASSY, THERMOS / W/GLASS 1531MM			AR	
1	292064	. FRAME / 930.6MM			1	
2	299041	. GLASS, THERMOS 28% / 1531MM			1	
3	292262	. LOCKING STRIP 1005MM X 1551MM / W/THERMOS			1	
4	292279	. WINDOW SEAL / 1091MM X 1622MM			1	
5	292339	. EXTERIOR GLASS SEAL 997MM / VERTICAL			2	
5	292340	. EXTERIOR GLASS SEAL 1553MM / HORIZONTAL			2	
6	682481	LOW FRICTION TAPE (HOCKEY)			AR	
7	505421	SPRING, PIN M3 x 18			1	
8	291777	STOPPER BLOCK WINDOW To T-1616			1	
8	292684	STOPPER BLOCK WINDOW / W/OPENING WINDOWS ONLY From T-1617			1	
NS	500260	SCREW TC FL PH #8-32x3/4 BK			1	
30	291781	BOLT LOCKING			2	
30	502710	NUT HEX THN M8-1.5x4.5 ZP			2	
31	292012	HANDLE WINDOW			2	
32	292047	BRACKET ASSY CENTERING			1	
32	292021	BRACKET CENTERING			1	
33	507314	PLUNGER BALL M12 X 1.75			1	
34	504586	WASHER FL SPACER .450x.625x.875 NYL			1	
35	292410	PIN, CENTERING			1	
36	291838	LATCH ASSY / L.H. ASSY SHOWN			1	
36	291837	LATCH ASSY / R.H. ASSY			1	
36	291782	. SUPPORT / R.H.			1	
36	291789	. SUPPORT / L.H.			1	
37	291797	. ROD LOCKING			1	
38	505415	. SPRING, PIN M2.5 X 36			1	
39	291795	. LATCH / L.H.			1	
39	291796	. LATCH / R.H.			1	
39	291940	. SPRING COMPRESSION / .511 O.D. x 30 MM x .040			1	
40	504256	RIVET POP CK OE 3/16x1/4 AL			AR	
41	504572	BUMPER RUBBER BOLT / .625 ODx.296TH x 8-32X.25 STUD			2	
42	292349	ADAPTOR STUD 1/4-20 Male x 8-32 Female			2	
43	500923	SCREW TC CAP HEX 1/4-20x3/4 Z050 To Y-3821			AR	
43	5001515	SCREW CAP HEX 1/4-20x3/4 G8 Z050 From Y-3822			AR	
44	500473	WASHER LO SPT .262x.489x.062 Z050			AR	
45	292053	SUPPORT / TO FIX WINDOW TO STRUCTURE To Y-3821			2	
45	293377	SUPPORT / TO FIX WINDOW TO STRUCTURE From Y-3822			1	
NS	293382	SHIM RUBBER 100MM X 20MM From Y-3822			AR	
NS	293383	SHIM RUBBER 100MM X 38MM From Y-3822			AR	
47	502511	NUT HEX NYRT M6-1.0 Z050			2	
50	292054	BUTTON, RELEASE / BLACK			AR	
50	292046	BUTTON, RELEASE / RED			AR	

From R-012 To 2-4416	Date:10/2022	PAGE:H3-1884-51G
----------------------	--------------	------------------

POSITION "G"

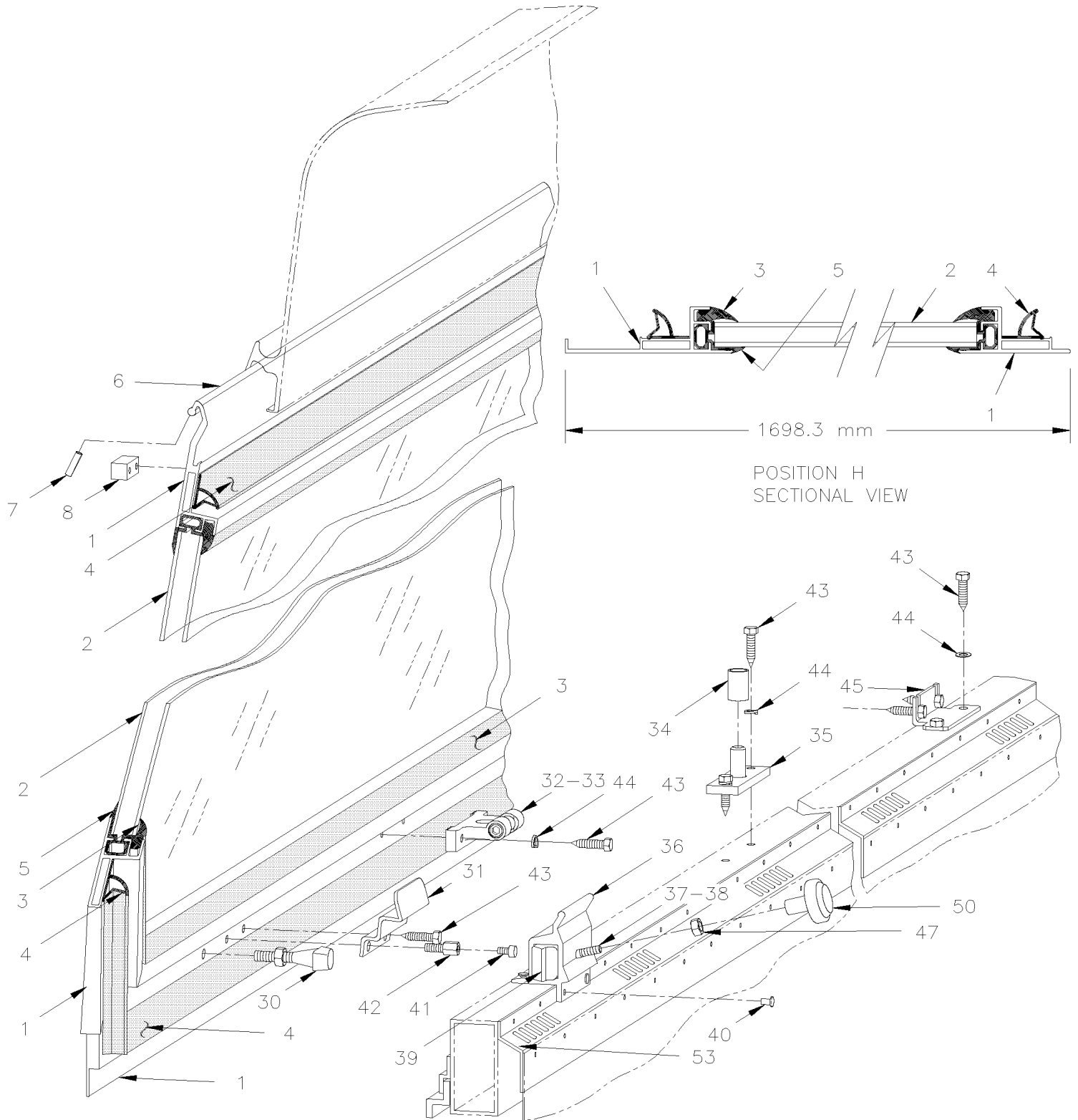
Item#	Part	Description	H 3 4 1	H 3 4 5	V I P 4 5	N O T E S
53	322835	GRILLE SPACER 1660MM			AR	

From R-012 To 2-4416

Date:10/2022

PAGE:H3-1884-51H

POSITION "H"



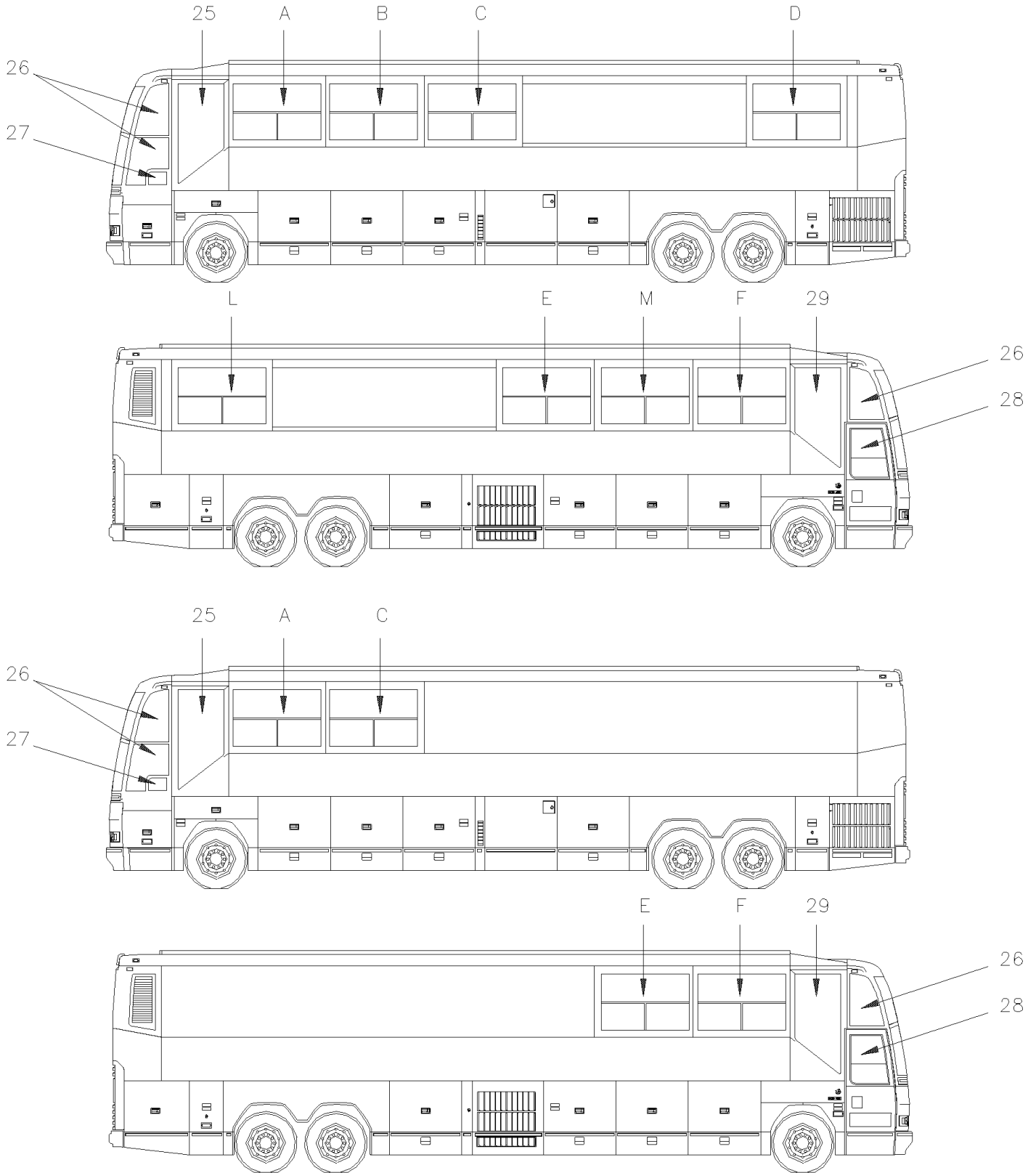
From R-012 To 2-4416	Date:10/2022	PAGE:H3-1884-51H
POSITION "H"		

Item#	Part	Description	H 3 4 1	H 3 4 5	V I P 4 5	N O T E S
	292077P	WINDOW ASSY, THERMOS / W/GLASS / 1531MM			AR	
1	292065	. FRAME / 1698.3 MM			1	
2	299041	. GLASS, THERMOS 28% / 1531MM			1	
3	292262	. LOCKING STRIP 1005MM X 1551MM / W/THERMOS			1	
4	292279	. WINDOW SEAL / 1091MM X 1622MM			1	
5	292339	. EXTERIOR GLASS SEAL 997MM / VERTICAL			2	
5	292340	. EXTERIOR GLASS SEAL 1553MM / HORIZONTAL			2	
6	682481	LOW FRICTION TAPE (HOCKEY)			AR	
7	505421	SPRING, PIN M3 x 18			1	
8	291777	STOPPER BLOCK WINDOW To T-1616			1	
8	292684	STOPPER BLOCK WINDOW / W/OPENING WINDOWS ONLY From T-1617			1	
NS	500260	SCREW TC FL PH #8-32x3/4 BK			1	
30	291781	BOLT LOCKING			2	
30	502710	NUT HEX THN M8-1.5x4.5 ZP			2	
31	292012	HANDLE WINDOW			2	
32	292047	BRACKET ASSY CENTERING			1	
32	292021	BRACKET CENTERING			1	
33	507314	PLUNGER BALL M12 X 1.75			1	
34	504586	WASHER FL SPACER .450x.625x.875 NYL			1	
35	292410	PIN, CENTERING			1	
36	291838	LATCH ASSY / L.H. ASSY SHOWN			1	
36	291837	LATCH ASSY / R.H. ASSY			1	
36	291782	. SUPPORT / R.H.			1	
36	291789	. SUPPORT / L.H.			1	
37	291797	. ROD LOCKING			1	
38	505415	. SPRING, PIN M2.5 X 36			1	
39	291795	. LATCH / L.H.			1	
39	291796	. LATCH / R.H.			1	
39	291940	. SPRING COMPRESSION / .511 O.D. x 30 MM x .040			1	
40	504256	RIVET POP CK OE 3/16x1/4 AL			AR	
41	504572	BUMPER RUBBER BOLT / .625 ODx.296TH x 8-32X.25 STUD			2	
42	292349	ADAPTOR STUD 1/4-20 Male x 8-32 Female			2	
43	500923	SCREW TC CAP HEX 1/4-20x3/4 Z050 To Y-3821			AR	
43	5001515	SCREW CAP HEX 1/4-20x3/4 G8 Z050 From Y-3822			AR	
44	500473	WASHER LO SPT .262x.489x.062 Z050			AR	
45	292053	SUPPORT / TO FIX WINDOW TO STRUCTURE To Y-3821			2	
45	293377	SUPPORT / TO FIX WINDOW TO STRUCTURE From Y-3822			2	
NS	293382	SHIM RUBBER 100MM X 20MM From Y-3822			AR	
NS	293383	SHIM RUBBER 100MM X 38MM From Y-3822			AR	
47	502511	NUT HEX NYRT M6-1.0 Z050			2	
50	292054	BUTTON, RELEASE / BLACK			AR	
50	292046	BUTTON, RELEASE / RED			AR	

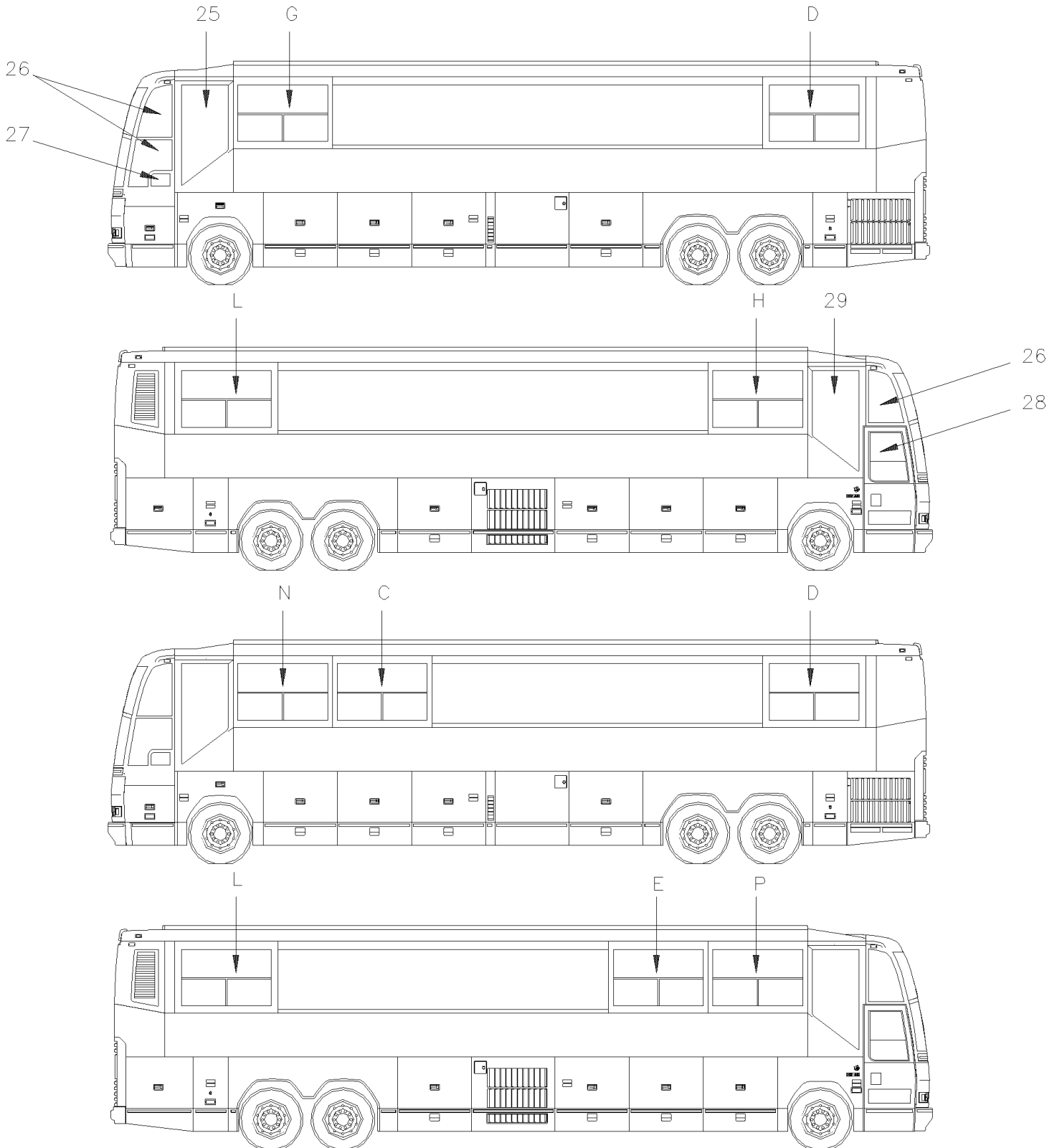
From R-012 To 2-4416	Date:10/2022	PAGE:H3-1884-51H
POSITION "H"		

Item#	Part	Description	H 3 4 1	H 3 4 5	V I P 4 5	N O T E S
53	322835	GRILLE SPACER 1660MM			AR	

From R-012 To 2-4416	Date:10/2022	PAGE:H3-1884-71
SIDE WINDOW ASSY (SLIDING) "PREVOST"		



From R-012 To 2-4416	Date:10/2022	PAGE:H3-1884-71
SIDE WINDOW ASSY (SLIDING) "PREVOST"		



From R-012 To 2-4416	Date:10/2022	PAGE:H3-1884-71
SIDE WINDOW ASSY (SLIDING) "PREVOST"		

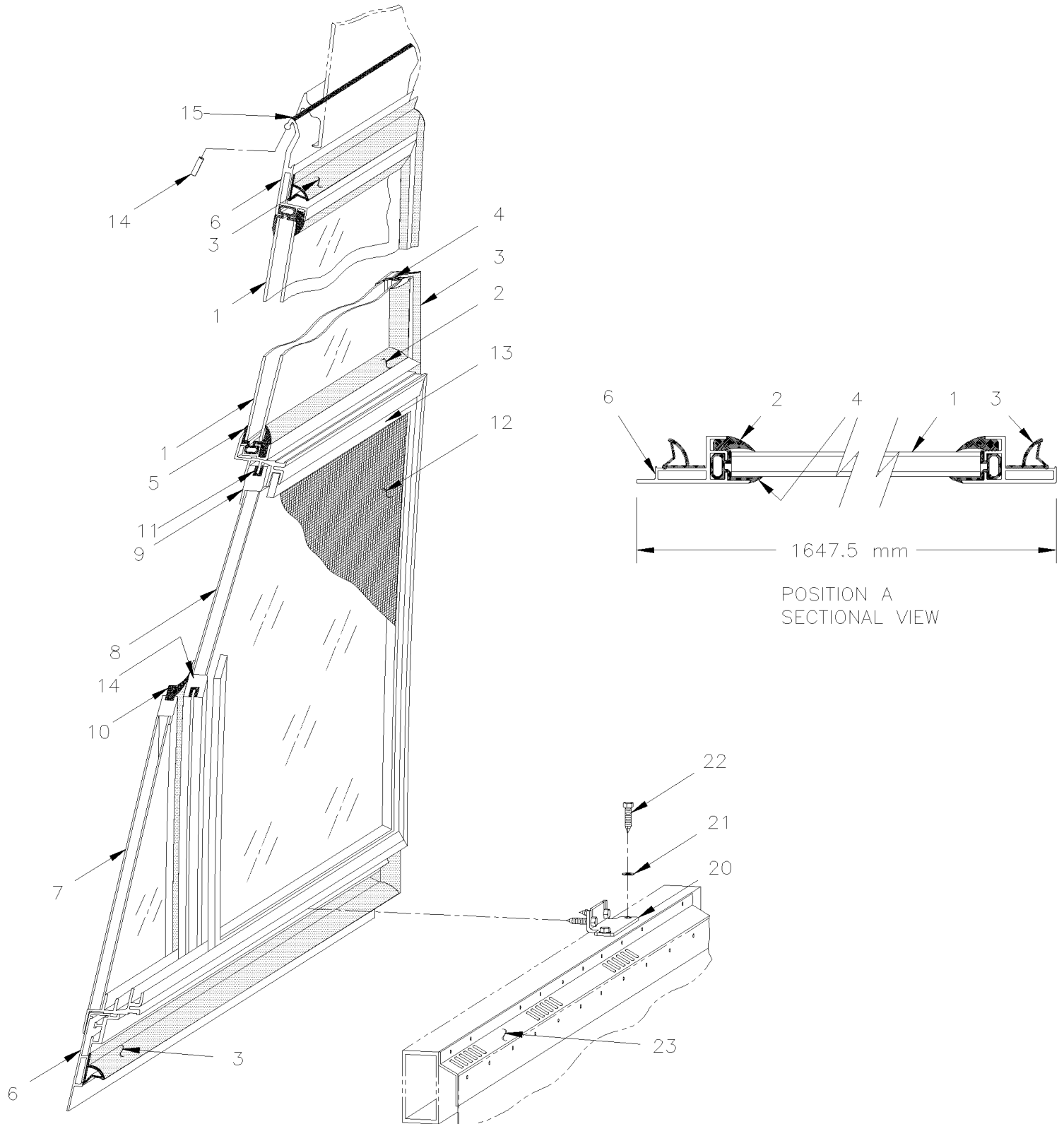
Item#	Part	Description	H 3 4 1	H 3 4 5	V I P 4 5	N O T E S
25	291977	GLASS THERMOS L.H.			1	
26	H3-1880-00	WINDSHIELD & CHANNEL				
27	H3-1886-00	POWER WINDOW - ELECTRICAL INSTALLATION				
28	H3-1862-50	ENTRANCE DOOR ASSY - V.I.P.				
29	291976	GLASS THERMOS R.H.			1	
30	292624	MOULDING 1182MM X 18MM			AR	A
A	H3-1884-71A	POSITION "A"				
B	H3-1884-71B	POSITION "B"				
C	H3-1884-71C	POSITION "C"				
D	H3-1884-71D	POSITION "D"				
E	H3-1884-71E	POSITION "E"				
F	H3-1884-71F	POSITION "F"				
G	H3-1884-71G	POSITION "G"				
H	H3-1884-71H	POSITION "H"				
L	H3-1884-71L	POSITION "L"				
M	H3-1884-71M	POSITION "M"				
N	H3-1884-71N	POSITION "N"				
P	H3-1884-71P	POSITION "P"				
		A) BETWEEN WINDOWS				

From R-012 To 2-4416

Date:10/2022

PAGE:H3-1884-71A

POSITION "A"



From R-012 To 2-4416	Date:10/2022	PAGE:H3-1884-71A
POSITION "A"		

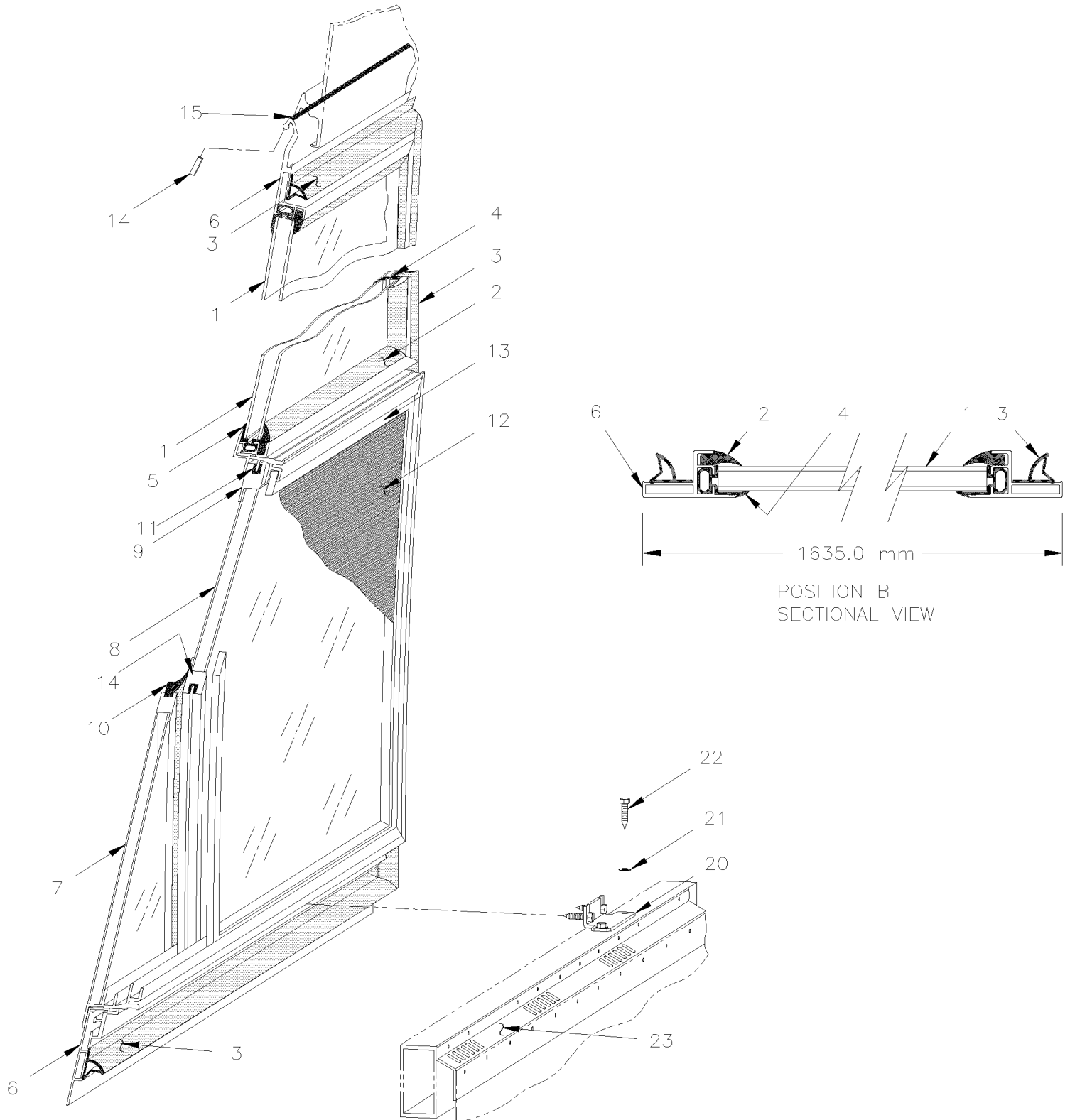
Item#	Part	Description	H 3 4 1	H 3 4 5	V I P 4 5	N O T E S
	292374P	WINDOW ASSY			1	
1	292126	. GLASS, THERMOS UPPER			1	
1	680115	. SEALANT TAPE BUTYL / BLACK / 1/16"x1/2"x50' / 71010W1760			AR	
2	292266	. SEAL, INTERIOR			1	
3	292279	. WINDOW SEAL / 1091MM X 1622MM			1	
4	292336	. EXTERIOR GLASS SEAL 493MM / VERTICAL			2	
5	292340	. EXTERIOR GLASS SEAL 1553MM / HORIZONTAL			2	
6	292369	. WINDOW SUBASSY			1	
7	790410	. . GLASS FIXED			1	
8	790409	. . GLASS, SLIDING			1	
. NS	790464	. . . KNOB			1	
9	681092	. . ADHESIVE SIKA #255FC / BLACK / 310ml CARTRIDGE			AR	
10	790329	. . RUBBER FLAP SEAL			1	
11	790365	. . SEAT, SLIDING			1	
12	790411	. . SCREEN			1	
13	790321	. . . CLIP, RETAINER / PLASTIC			2	
14	790424	. . SEAL, SCHLEGEL VERTICAL			AR	
15	506071	. TAPE RUB ADH1 CC POL 1/8" x 1/2" x 50' / GREY 2520X			AR	
20	292053	SUPPORT / TO FIX WINDOW TO STRUCTURE To Y-3821			2	
20	293377	SUPPORT / TO FIX WINDOW TO STRUCTURE From Y-3822			2	
NS	293382	SHIM RUBBER 100MM X 20MM From Y-3822			AR	
NS	293383	SHIM RUBBER 100MM X 38MM From Y-3822			AR	
21	500923	SCREW TC CAP HEX 1/4-20x3/4 Z050 To Y-3821			4	
21	5001515	SCREW CAP HEX 1/4-20x3/4 G8 Z050 From Y-3822			4	
22	500441	WASHER FL .312x.734x.065 Z050			1	
23	322835	GRILLE SPACER 1660MM			AR	

From R-012 To 2-4416

Date:10/2022

PAGE:H3-1884-71B

POSITION "B"



From R-012 To 2-4416	Date:10/2022	PAGE:H3-1884-71B
POSITION "B"		

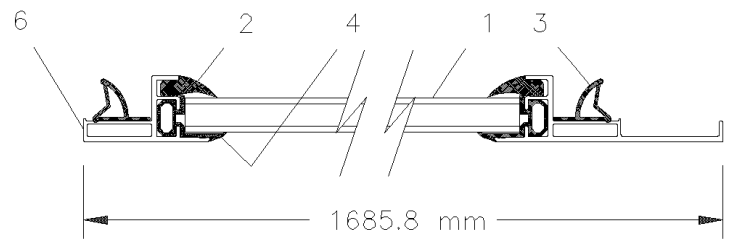
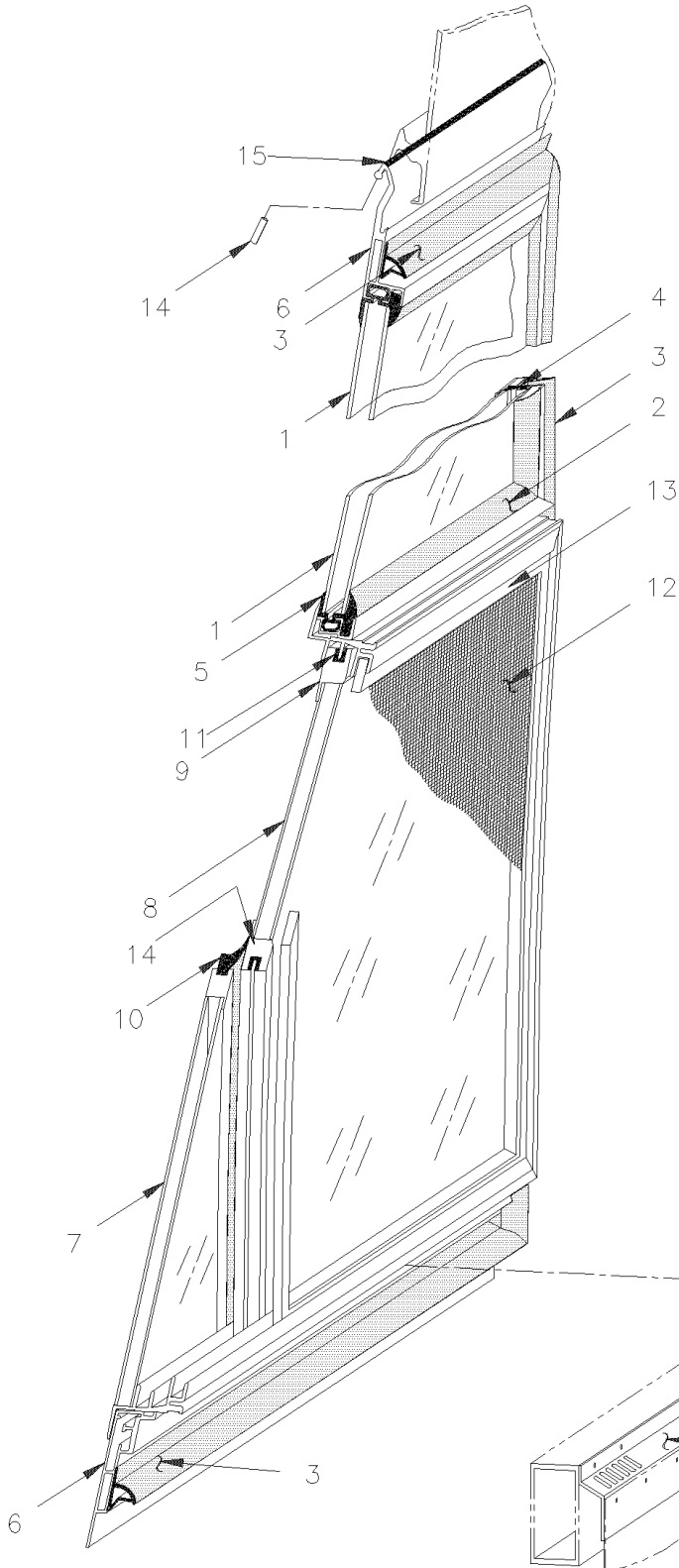
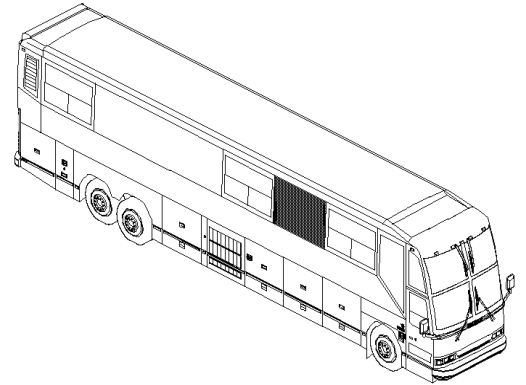
Item#	Part	Description	H 3 4 1	H 3 4 5	V I P 4 5	N O T E S
	292377P	WINDOW ASSY			1	
	293570	WINDOW ASSY / W/SLIDING TOP POSSITION From 1-4119 To 1-4119			1	
1	292126	. GLASS, THERMOS UPPER			1	
1	680115	. SEALANT TAPE BUTYL / BLACK / 1/16"x1/2"x50' / 71010W1760			AR	
2	292266	. SEAL, INTERIOR			1	
3	292279	. WINDOW SEAL / 1091MM X 1622MM			1	
4	292336	. EXTERIOR GLASS SEAL 493MM / VERTICAL			2	
5	292340	. EXTERIOR GLASS SEAL 1553MM / HORIZONTAL			2	
6	292372	. WINDOW SUBASSY			1	
6	293576	. WINDOW SUBASSY / W/SLIDING TOP POSITION From 1-4119 To 1-4119			1	
7	790410	. . GLASS FIXED			1	
8	790409	. . GLASS, SLIDING			1	
. NS	790464	. . . KNOB			1	
9	681092	. . ADHESIVE SIKA #255FC / BLACK / 310ml CARTRIDGE			AR	
10	790329	. . RUBBER FLAP SEAL			1	
11	790365	. . SEAT, SLIDING			1	
12	790411	. . SCREEN			1	
13	790321	. . . CLIP, RETAINER / PLASTIC			2	
14	790424	. . SEAL, SCHLEGEL VERTICAL			AR	
15	506071	. TAPE RUB ADH1 CC POL 1/8" x 1/2" x 50' / GREY 2520X			AR	
20	292053	SUPPORT / TO FIX WINDOW TO STRUCTURE To Y-3821			2	
20	293377	SUPPORT / TO FIX WINDOW TO STRUCTURE From Y-3822			2	
NS	293382	SHIM RUBBER 100MM X 20MM From Y-3822			1	
NS	293383	SHIM RUBBER 100MM X 38MM From Y-3822			1	
21	500923	SCREW TC CAP HEX 1/4-20x3/4 Z050 To Y-3821			4	
21	5001515	SCREW CAP HEX 1/4-20x3/4 G8 Z050 From Y-3822			1	
22	500441	WASHER FL .312x.734x.065 Z050			1	
23	322835	GRILLE SPACER 1660MM			AR	

From R-012 To 2-4416

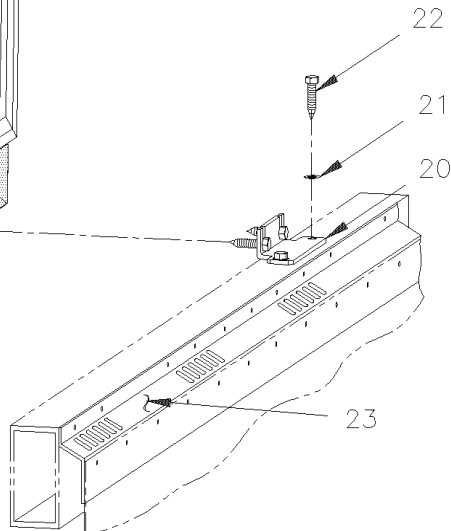
Date:10/2022

PAGE:H3-1884-71C

POSITION "C"



POSITION C
SECTIONAL VIEW



From R-012 To 2-4416	Date:10/2022	PAGE:H3-1884-71C
POSITION "C"		

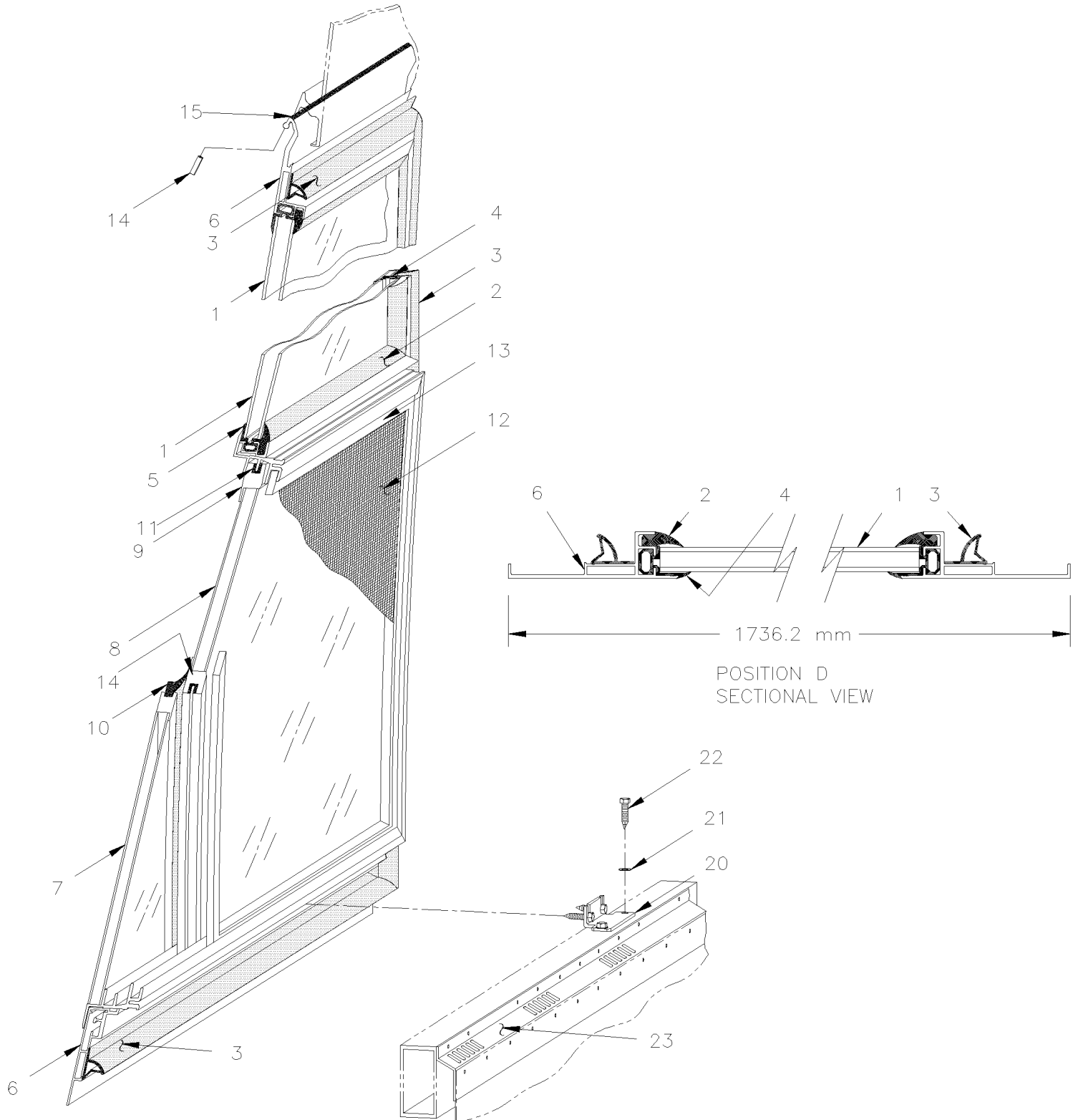
Item#	Part	Description	H 3 4 1	H 3 4 5	V I P 4 5	N O T E S
	292375P	WINDOW ASSY			1	
	293571	WINDOW ASSY / W/SLIDING TOP POSSITION From 1-4119 To 1-4119			1	
1	292126	. GLASS, THERMOS UPPER			1	
1	680115	. SEALANT TAPE BUTYL / BLACK / 1/16"x1/2"x50' / 71010W1760			AR	
2	292266	. SEAL, INTERIOR			1	
3	292279	. WINDOW SEAL / 1091MM X 1622MM			1	
4	292336	. EXTERIOR GLASS SEAL 493MM / VERTICAL			2	
5	292340	. EXTERIOR GLASS SEAL 1553MM / HORIZONTAL			2	
6	292370	. WINDOW SUBASSY			1	
6	293577	. WINDOW SUBASSY / W/SLIDING TOP POSITION From 1-4119 To 1-4119			1	
7	790410	. . GLASS FIXED			1	
8	790409	. . GLASS, SLIDING			1	
. NS	790464	. . . KNOB			1	
9	681092	. . ADHESIVE SIKA #255FC / BLACK / 310ml CARTRIDGE			AR	
10	790329	. . RUBBER FLAP SEAL			1	
11	790365	. . SEAT, SLIDING			1	
12	790411	. . SCREEN			1	
13	790321	. . . CLIP, RETAINER / PLASTIC			2	
14	790424	. . SEAL, SCHLEGEL VERTICAL			AR	
15	506071	. TAPE RUB ADH1 CC POL 1/8" x 1/2" x 50' / GREY 2520X			AR	
20	292053	SUPPORT / TO FIX WINDOW TO STRUCTURE To Y-3821			2	
20	293377	SUPPORT / TO FIX WINDOW TO STRUCTURE From Y-3822			2	
20	293382	SHIM RUBBER 100MM X 20MM From Y-3822			AR	
20	293383	SHIM RUBBER 100MM X 38MM From Y-3822			AR	
21	500923	SCREW TC CAP HEX 1/4-20x3/4 Z050 To Y-3821			4	
21	5001515	SCREW CAP HEX 1/4-20x3/4 G8 Z050 From Y-3822			4	
22	500441	WASHER FL .312x.734x.065 Z050			1	
23	322835	GRILLE SPACER 1660MM			AR	

From R-012 To 2-4416

Date:10/2022

PAGE:H3-1884-71D

POSITION "D"



From R-012 To 2-4416	Date:10/2022	PAGE:H3-1884-71D
POSITION "D"		

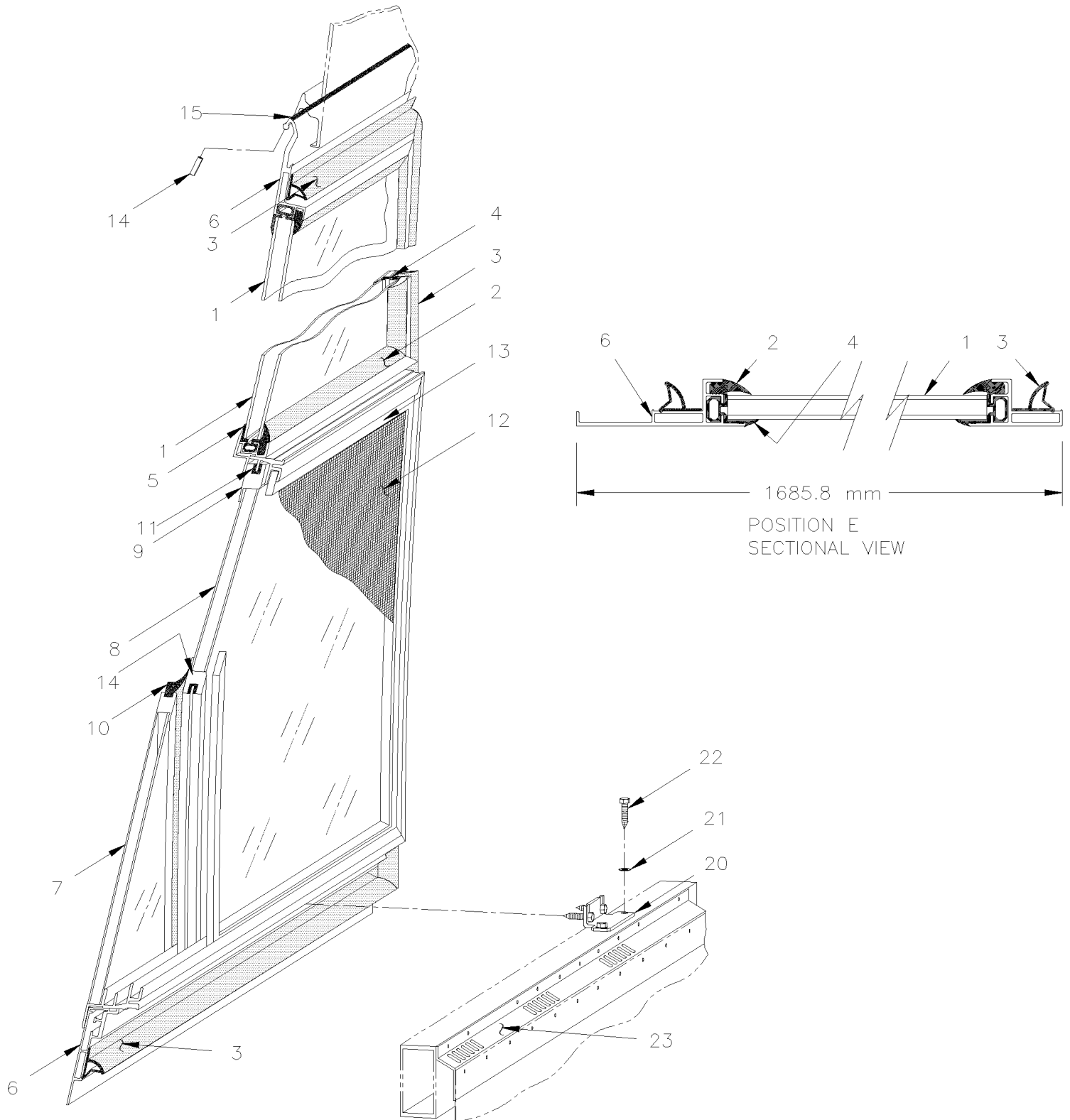
Item#	Part	Description	H 3 4 1	H 3 4 5	V I P 4 5	N O T E S
	292378P	WINDOW ASSY			1	
	293572	WINDOW ASSY / W/SLIDING TOP POSSITION From 1-4119 To 1-4119			1	
1	292126	. GLASS, THERMOS UPPER			1	
1	680115	. SEALANT TAPE BUTYL / BLACK / 1/16"x1/2"x50' / 71010W1760			AR	
2	292266	. SEAL, INTERIOR			1	
3	292279	. WINDOW SEAL / 1091MM X 1622MM			1	
4	292336	. EXTERIOR GLASS SEAL 493MM / VERTICAL			2	
5	292340	. EXTERIOR GLASS SEAL 1553MM / HORIZONTAL			2	
6	292373	. WINDOW SUBASSY			1	
6	293578	. WINDOW SUBASSY / W/SLIDING TOP POSITION From 1-4119 To 1-4119			1	
7	790410	. . GLASS FIXED			1	
8	790409	. . GLASS, SLIDING			1	
. NS	790464	. . . KNOB			1	
9	681092	. . ADHESIVE SIKA #255FC / BLACK / 310ml CARTRIDGE			AR	
10	790329	. . RUBBER FLAP SEAL			1	
11	790365	. . SEAT, SLIDING			1	
12	790411	. . SCREEN			1	
13	790321	. . . CLIP, RETAINER / PLASTIC			2	
14	790424	. . SEAL, SCHLEGEL VERTICAL			AR	
15	506071	. TAPE RUB ADH1 CC POL 1/8" x 1/2" x 50' / GREY 2520X			AR	
20	292053	SUPPORT / TO FIX WINDOW TO STRUCTURE To Y-3821			2	
20	293377	SUPPORT / TO FIX WINDOW TO STRUCTURE From Y-3822			2	
20	293382	SHIM RUBBER 100MM X 20MM From Y-3822			AR	
20	293383	SHIM RUBBER 100MM X 38MM From Y-3822			AR	
21	500923	SCREW TC CAP HEX 1/4-20x3/4 Z050 To Y-3821			4	
21	5001515	SCREW CAP HEX 1/4-20x3/4 G8 Z050 From Y-3822			4	
22	500441	WASHER FL .312x.734x.065 Z050			1	
23	322835	GRILLE SPACER 1660MM			AR	

From R-012 To 2-4416

Date:10/2022

PAGE:H3-1884-71E

POSITION "E"



From R-012 To 2-4416	Date:10/2022	PAGE:H3-1884-71E
POSITION "E"		

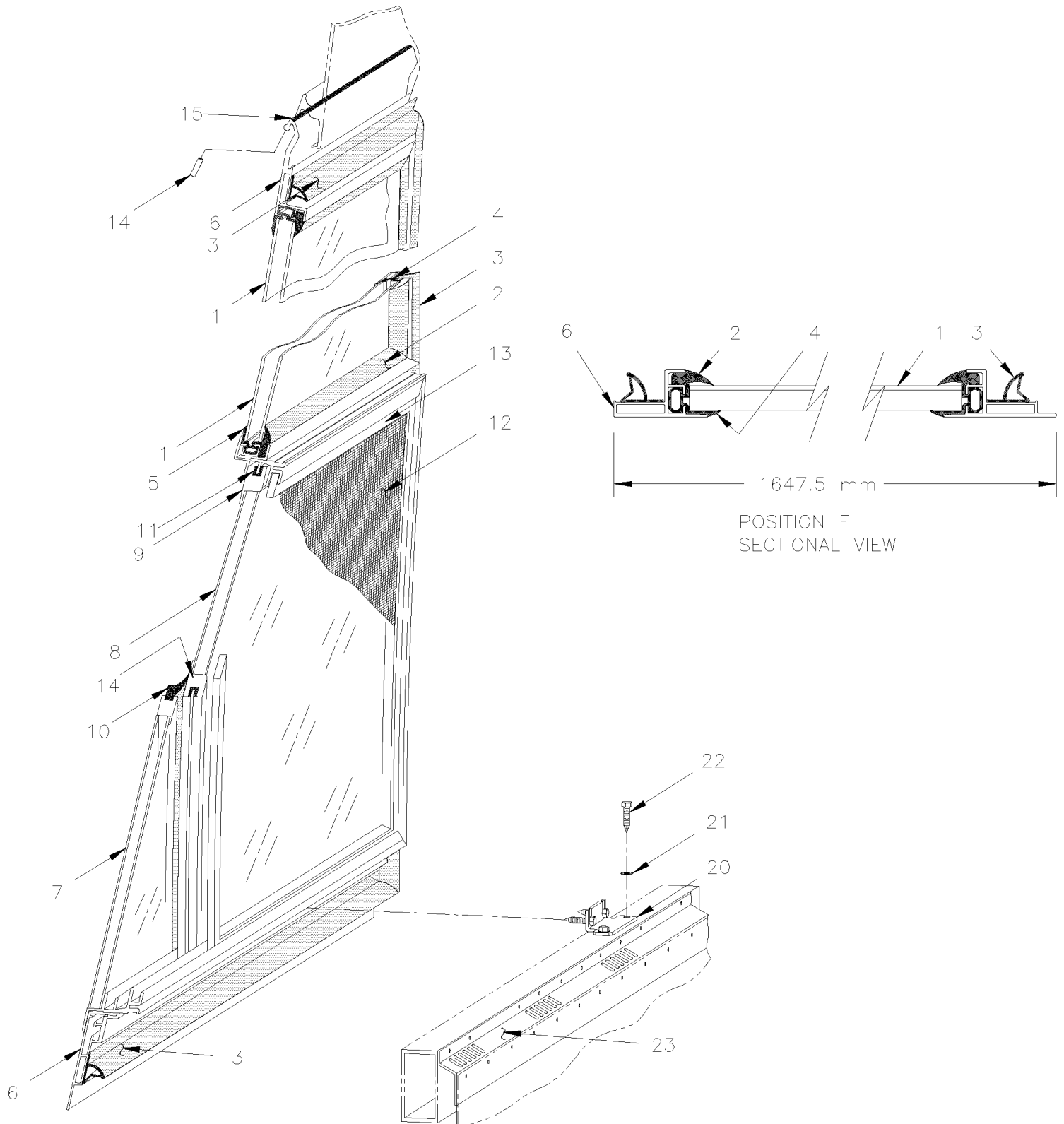
Item#	Part	Description	H 3 4 1	H 3 4 5	V I P 4 5	N O T E S
	292381P	WINDOW ASSY			1	
	293574	WINDOW ASSY / W/SLIDING TOP POSSITION From 1-4119 To 1-4119			1	
1	292126	. GLASS, THERMOS UPPER			1	
1	680115	. SEALANT TAPE BUTYL / BLACK / 1/16"x1/2"x50' / 71010W1760			AR	
2	292266	. SEAL, INTERIOR			1	
3	292279	. WINDOW SEAL / 1091MM X 1622MM			1	
4	292336	. EXTERIOR GLASS SEAL 493MM / VERTICAL			2	
5	292340	. EXTERIOR GLASS SEAL 1553MM / HORIZONTAL			2	
6	292366	. WINDOW SUBASSY			1	
6	293580	. WINDOW SUBASSY / W/SLIDING TOP POSITION From 1-4119 To 1-4119			1	
7	790410	. . GLASS FIXED			1	
8	790409	. . GLASS, SLIDING			1	
. NS	790464	. . . KNOB			1	
9	681092	. . ADHESIVE SIKA #255FC / BLACK / 310ml CARTRIDGE			AR	
10	790329	. . RUBBER FLAP SEAL			1	
11	790365	. . SEAT, SLIDING			1	
12	790411	. . SCREEN			1	
13	790321	. . . CLIP, RETAINER / PLASTIC			2	
14	790424	. . SEAL, SCHLEGEL VERTICAL			AR	
15	506071	. TAPE RUB ADH1 CC POL 1/8" x 1/2" x 50' / GREY 2520X			AR	
20	292053	SUPPORT / TO FIX WINDOW TO STRUCTURE To Y-3821			2	
20	293377	SUPPORT / TO FIX WINDOW TO STRUCTURE From Y-3822			2	
NS	293382	SHIM RUBBER 100MM X 20MM From Y-3822			AR	
NS	293383	SHIM RUBBER 100MM X 38MM From Y-3822			AR	
21	500923	SCREW TC CAP HEX 1/4-20x3/4 Z050 To Y-3821			4	
21	5001515	SCREW CAP HEX 1/4-20x3/4 G8 Z050 From Y-3822			4	
22	500441	WASHER FL .312x.734x.065 Z050			1	
23	322835	GRILLE SPACER 1660MM			AR	

From R-012 To 2-4416

Date:10/2022

PAGE:H3-1884-71F

POSITION "F"



From R-012 To 2-4416	Date:10/2022	PAGE:H3-1884-71F
POSITION "F"		

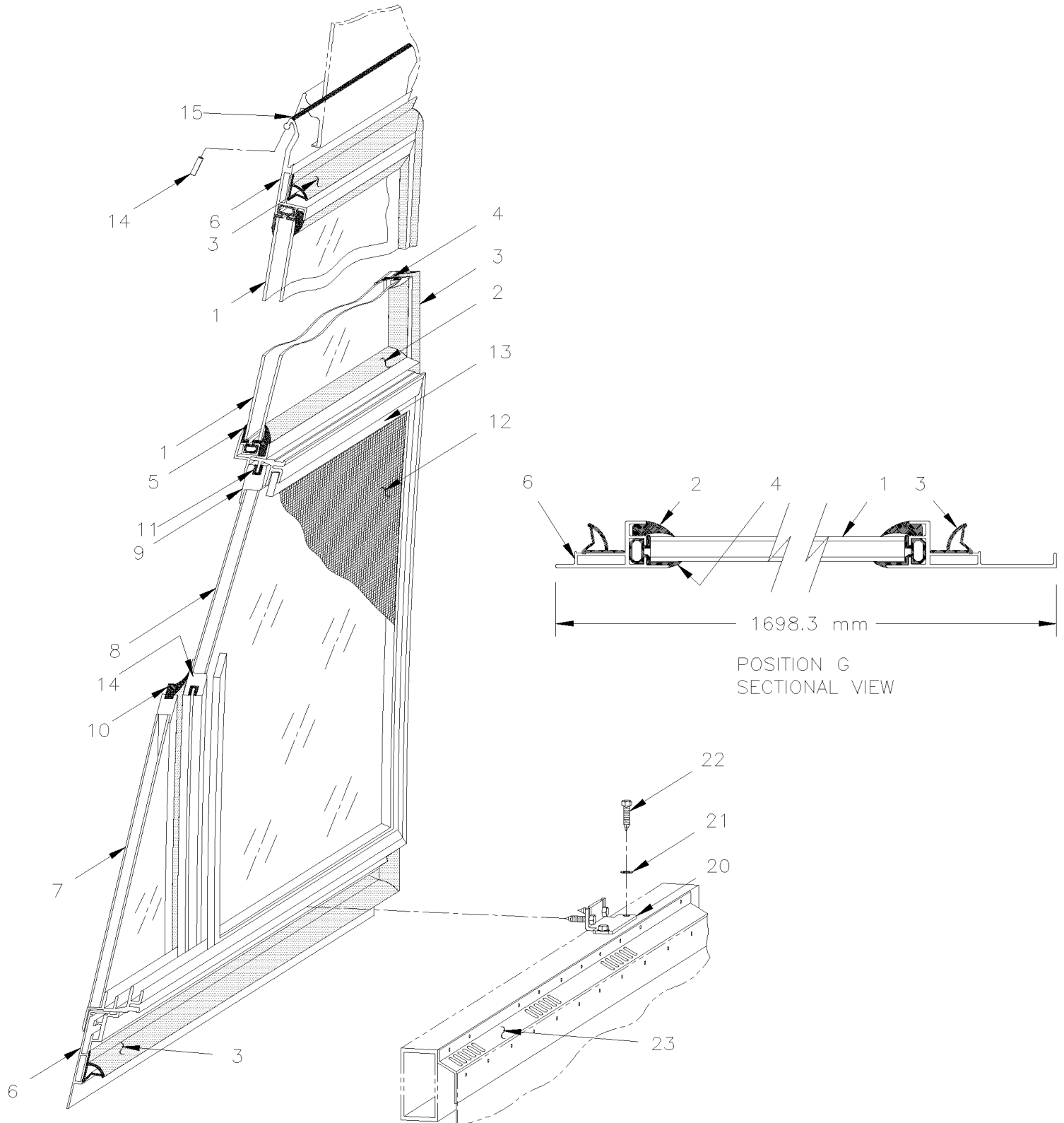
Item#	Part	Description	H 3 4 1	H 3 4 5	V I P 4 5	N O T E S
	292379P	WINDOW ASSY			1	
1	292126	. GLASS, THERMOS UPPER			1	
1	680115	. SEALANT TAPE BUTYL / BLACK / 1/16"x1/2"x50' / 71010W1760			AR	
2	292266	. SEAL, INTERIOR			1	
3	292279	. WINDOW SEAL / 1091MM X 1622MM			1	
4	292336	. EXTERIOR GLASS SEAL 493MM / VERTICAL			2	
5	292340	. EXTERIOR GLASS SEAL 1553MM / HORIZONTAL			2	
6	292364	. WINDOW SUBASSY			1	
7	790410	. . GLASS FIXED			1	
8	790409	. . GLASS, SLIDING			1	
. NS	790464	. . . KNOB			1	
9	681092	. . ADHESIVE SIKA #255FC / BLACK / 310ml CARTRIDGE			AR	
10	790329	. . RUBBER FLAP SEAL			1	
11	790365	. . SEAT, SLIDING			1	
12	790411	. . SCREEN			1	
13	790321	. . . CLIP, RETAINER / PLASTIC			2	
14	790424	. . SEAL, SCHLEGEL VERTICAL			AR	
15	506071	. TAPE RUB ADH1 CC POL 1/8" x 1/2" x 50' / GREY 2520X			AR	
20	292053	SUPPORT / TO FIX WINDOW TO STRUCTURE To Y-3821			2	
20	293377	SUPPORT / TO FIX WINDOW TO STRUCTURE From Y-3822			2	
20	293382	SHIM RUBBER 100MM X 20MM From Y-3822			AR	
20	293383	SHIM RUBBER 100MM X 38MM From Y-3822			AR	
21	500923	SCREW TC CAP HEX 1/4-20x3/4 Z050 To Y-3821			4	
21	5001515	SCREW CAP HEX 1/4-20x3/4 G8 Z050 From Y-3822			4	
22	500441	WASHER FL .312x.734x.065 Z050			1	
23	322835	GRILLE SPACER 1660MM			AR	

From R-012 To 2-4416

Date:10/2022

PAGE:H3-1884-71G

POSITION "G"



From R-012 To 2-4416	Date:10/2022	PAGE:H3-1884-71G
POSITION "G"		

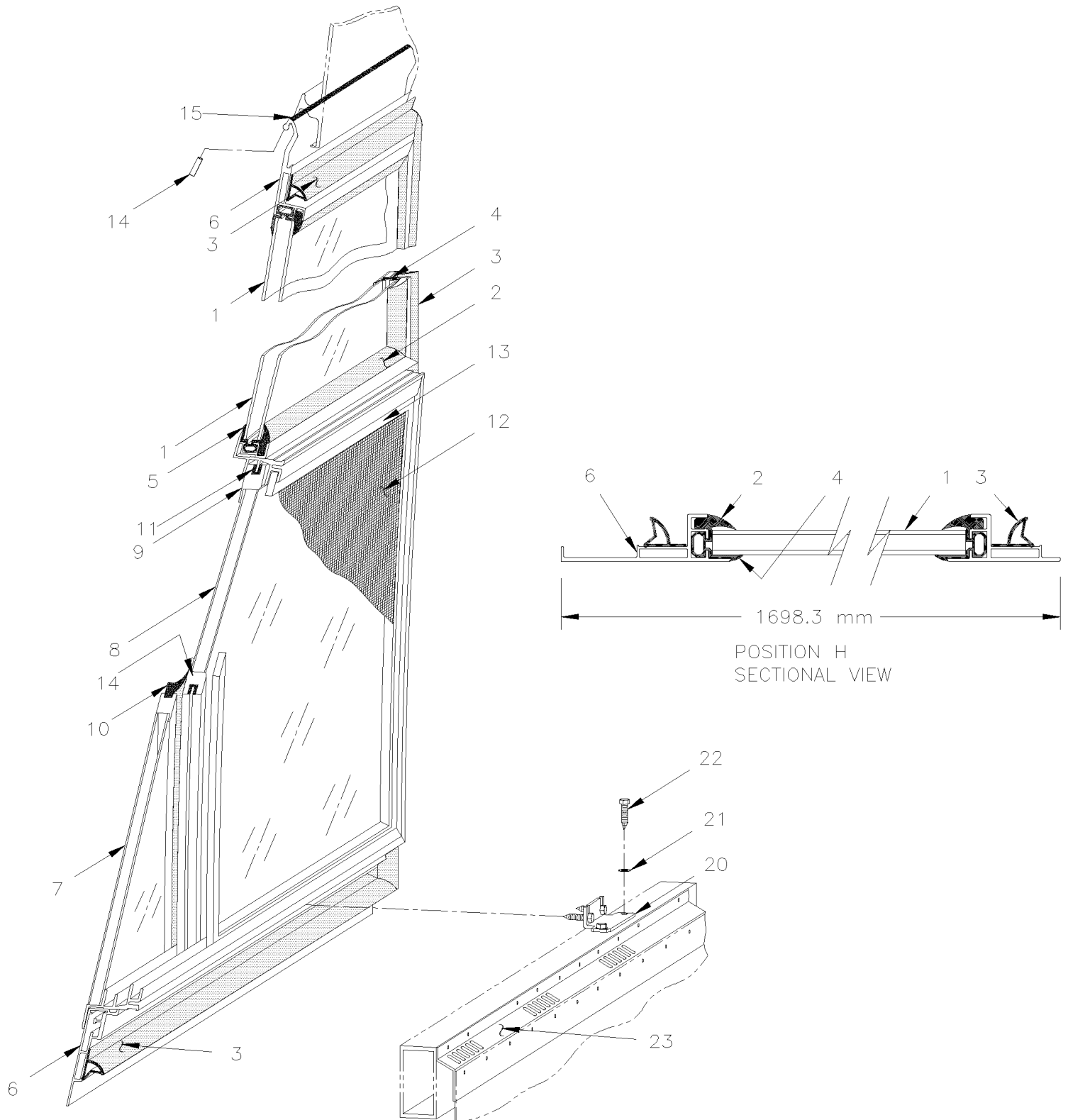
Item#	Part	Description	H 3 4 1	H 3 4 5	V I P 4 5	N O T E S
	292376P	WINDOW ASSY			1	
1	292126	. GLASS, THERMOS UPPER			1	
1	680115	. SEALANT TAPE BUTYL / BLACK / 1/16"x1/2"x50' / 71010W1760			AR	
2	292266	. SEAL, INTERIOR			1	
3	292279	. WINDOW SEAL / 1091MM X 1622MM			1	
4	292336	. EXTERIOR GLASS SEAL 493MM / VERTICAL			2	
5	292340	. EXTERIOR GLASS SEAL 1553MM / HORIZONTAL			2	
6	292371	. WINDOW SUBASSY			1	
7	790410	. . GLASS FIXED			1	
8	790409	. . GLASS, SLIDING			1	
. NS	790464	. . . KNOB			1	
9	681092	. . ADHESIVE SIKA #255FC / BLACK / 310ml CARTRIDGE			AR	
10	790329	. . RUBBER FLAP SEAL			1	
11	790365	. . SEAT, SLIDING			1	
12	790411	. . SCREEN			1	
13	790321	. . . CLIP, RETAINER / PLASTIC			2	
14	790424	. . SEAL, SCHLEGEL VERTICAL			AR	
15	506071	. TAPE RUB ADH1 CC POL 1/8" x 1/2" x 50' / GREY 2520X			AR	
20	292053	SUPPORT / TO FIX WINDOW TO STRUCTURE To Y-3821			2	
20	293377	SUPPORT / TO FIX WINDOW TO STRUCTURE From Y-3822			2	
20	293382	SHIM RUBBER 100MM X 20MM From Y-3822			AR	
20	293383	SHIM RUBBER 100MM X 38MM From Y-3822			AR	
21	500923	SCREW TC CAP HEX 1/4-20x3/4 Z050 To Y-3821			4	
21	5001515	SCREW CAP HEX 1/4-20x3/4 G8 Z050 From Y-3822			4	
22	500441	WASHER FL .312x.734x.065 Z050			1	
23	322835	GRILLE SPACER 1660MM			AR	

From R-012 To 2-4416

Date:10/2022

PAGE:H3-1884-71H

POSITION "H"



From R-012 To 2-4416	Date:10/2022	PAGE:H3-1884-71H
POSITION "H"		

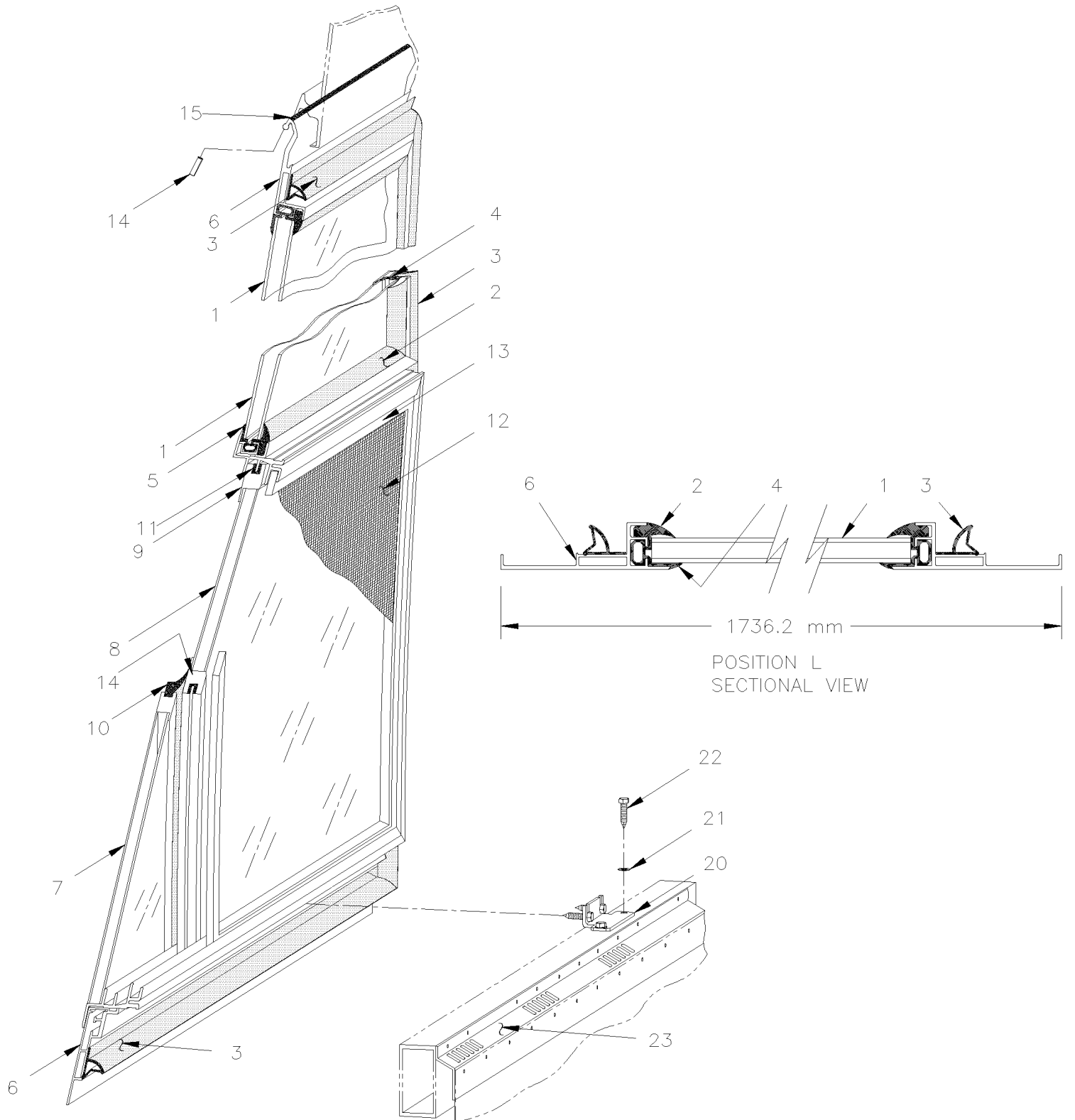
Item#	Part	Description	H 3 4 1	H 3 4 5	V I P 4 5	N O T E S
	292383P	WINDOW ASSY			1	
1	292126	. GLASS, THERMOS UPPER			1	
1	680115	. SEALANT TAPE BUTYL / BLACK / 1/16"x1/2"x50' / 71010W1760			AR	
2	292266	. SEAL, INTERIOR			1	
3	292279	. WINDOW SEAL / 1091MM X 1622MM			1	
4	292336	. EXTERIOR GLASS SEAL 493MM / VERTICAL			2	
5	292340	. EXTERIOR GLASS SEAL 1553MM / HORIZONTAL			2	
6	292368	. WINDOW SUBASSY			1	
7	790410	. . GLASS FIXED			1	
8	790409	. . GLASS, SLIDING			1	
. NS	790464	. . . KNOB			1	
9	681092	. . ADHESIVE SIKA #255FC / BLACK / 310ml CARTRIDGE			AR	
10	790329	. . RUBBER FLAP SEAL			1	
11	790365	. . SEAT, SLIDING			1	
12	790411	. . SCREEN			1	
13	790321	. . . CLIP, RETAINER / PLASTIC			2	
14	790424	. . SEAL, SCHLEGEL VERTICAL			AR	
15	506071	. TAPE RUB ADH1 CC POL 1/8" x 1/2" x 50' / GREY 2520X			AR	
20	292053	SUPPORT / TO FIX WINDOW TO STRUCTURE To Y-3821			2	
20	293377	SUPPORT / TO FIX WINDOW TO STRUCTURE From Y-3822			2	
NS	293382	SHIM RUBBER 100MM X 20MM From Y-3822			AR	
NS	293383	SHIM RUBBER 100MM X 38MM From Y-3822			AR	
21	500923	SCREW TC CAP HEX 1/4-20x3/4 Z050 To Y-3821			4	
21	5001515	SCREW CAP HEX 1/4-20x3/4 G8 Z050 From Y-3822			4	
22	500441	WASHER FL .312x.734x.065 Z050			1	
23	322835	GRILLE SPACER 1660MM			AR	

From R-012 To 2-4416

Date:10/2022

PAGE:H3-1884-71L

POSITION "L"



From R-012 To 2-4416	Date:10/2022	PAGE:H3-1884-71L
POSITION "L"		

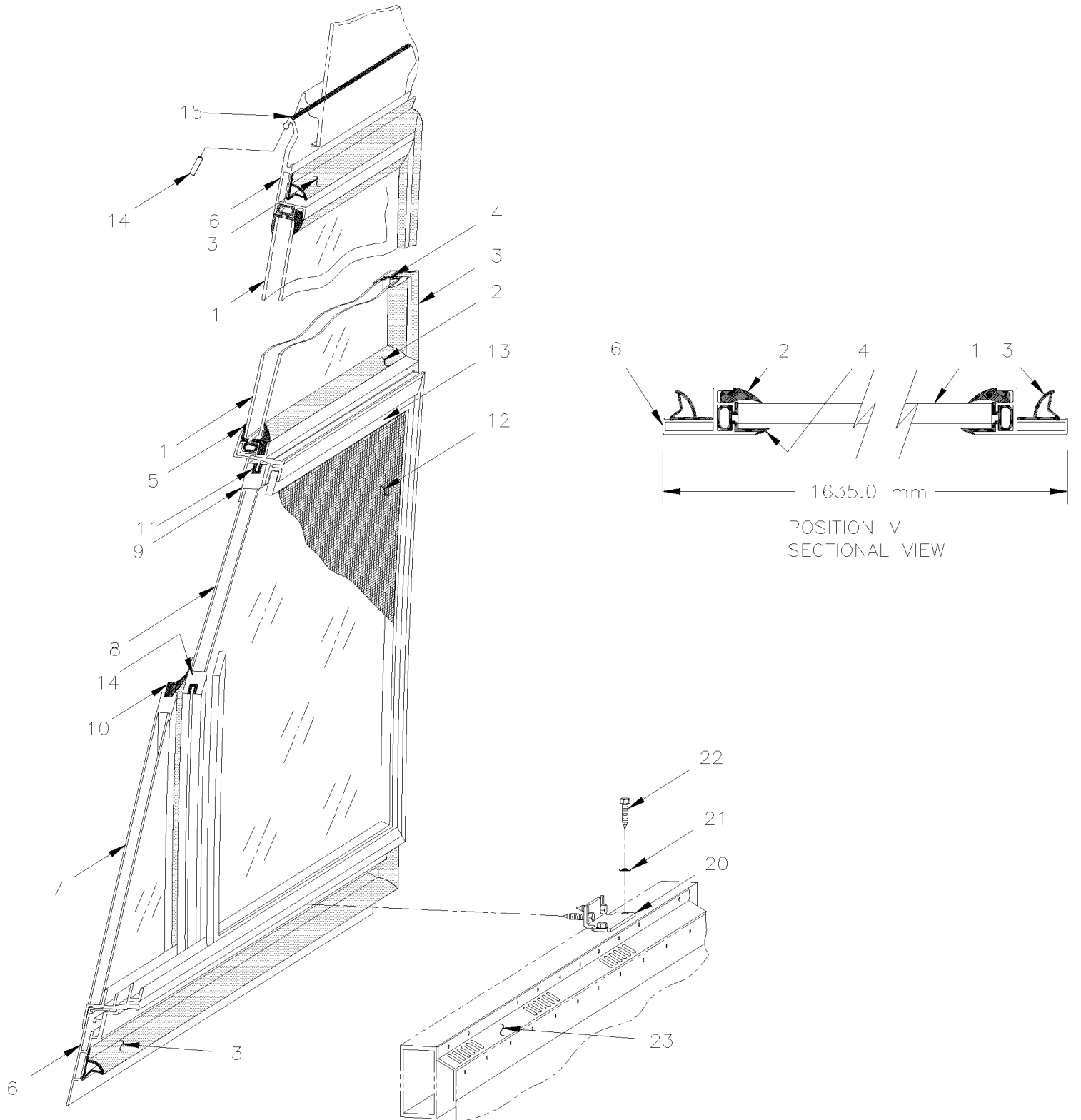
Item#	Part	Description	H 3 4 1	H 3 4 5	V I P 4 5	N O T E S
	292382P	WINDOW ASSY			1	
	293575	WINDOW ASSY / W/SLIDING TOP POSSITION From 1-4119 To 1-4119			1	
1	292126	. GLASS, THERMOS UPPER			1	
1	680115	. SEALANT TAPE BUTYL / BLACK / 1/16"x1/2"x50' / 71010W1760			AR	
2	292266	. SEAL, INTERIOR			1	
3	292279	. WINDOW SEAL / 1091MM X 1622MM			1	
4	292336	. EXTERIOR GLASS SEAL 493MM / VERTICAL			2	
5	292340	. EXTERIOR GLASS SEAL 1553MM / HORIZONTAL			2	
6	292367	. WINDOW SUBASSY			1	
6	293581	. WINDOW SUBASSY / W/SLIDING TOP POSITION From 1-4119 To 1-4119			1	
7	790410	. . GLASS FIXED			1	
8	790409	. . GLASS, SLIDING			1	
. NS	790464	. . . KNOB			1	
9	681092	. . ADHESIVE SIKA #255FC / BLACK / 310ml CARTRIDGE			AR	
10	790329	. . RUBBER FLAP SEAL			1	
11	790365	. . SEAT, SLIDING			1	
12	790411	. . SCREEN			1	
13	790321	. . . CLIP, RETAINER / PLASTIC			2	
14	790424	. . SEAL, SCHLEGEL VERTICAL			AR	
15	506071	. TAPE RUB ADH1 CC POL 1/8" x 1/2" x 50' / GREY 2520X			AR	
20	292053	SUPPORT / TO FIX WINDOW TO STRUCTURE To Y-3821			2	
20	293377	SUPPORT / TO FIX WINDOW TO STRUCTURE From Y-3822			2	
20	293382	SHIM RUBBER 100MM X 20MM From Y-3822			1	
20	293383	SHIM RUBBER 100MM X 38MM From Y-3822			1	
21	500923	SCREW TC CAP HEX 1/4-20x3/4 Z050 To Y-3821			4	
21	5001515	SCREW CAP HEX 1/4-20x3/4 G8 Z050 From Y-3822			4	
22	500441	WASHER FL .312x.734x.065 Z050			1	
23	322835	GRILLE SPACER 1660MM			AR	

From R-012 To 2-4416

Date:10/2022

PAGE:H3-1884-71M

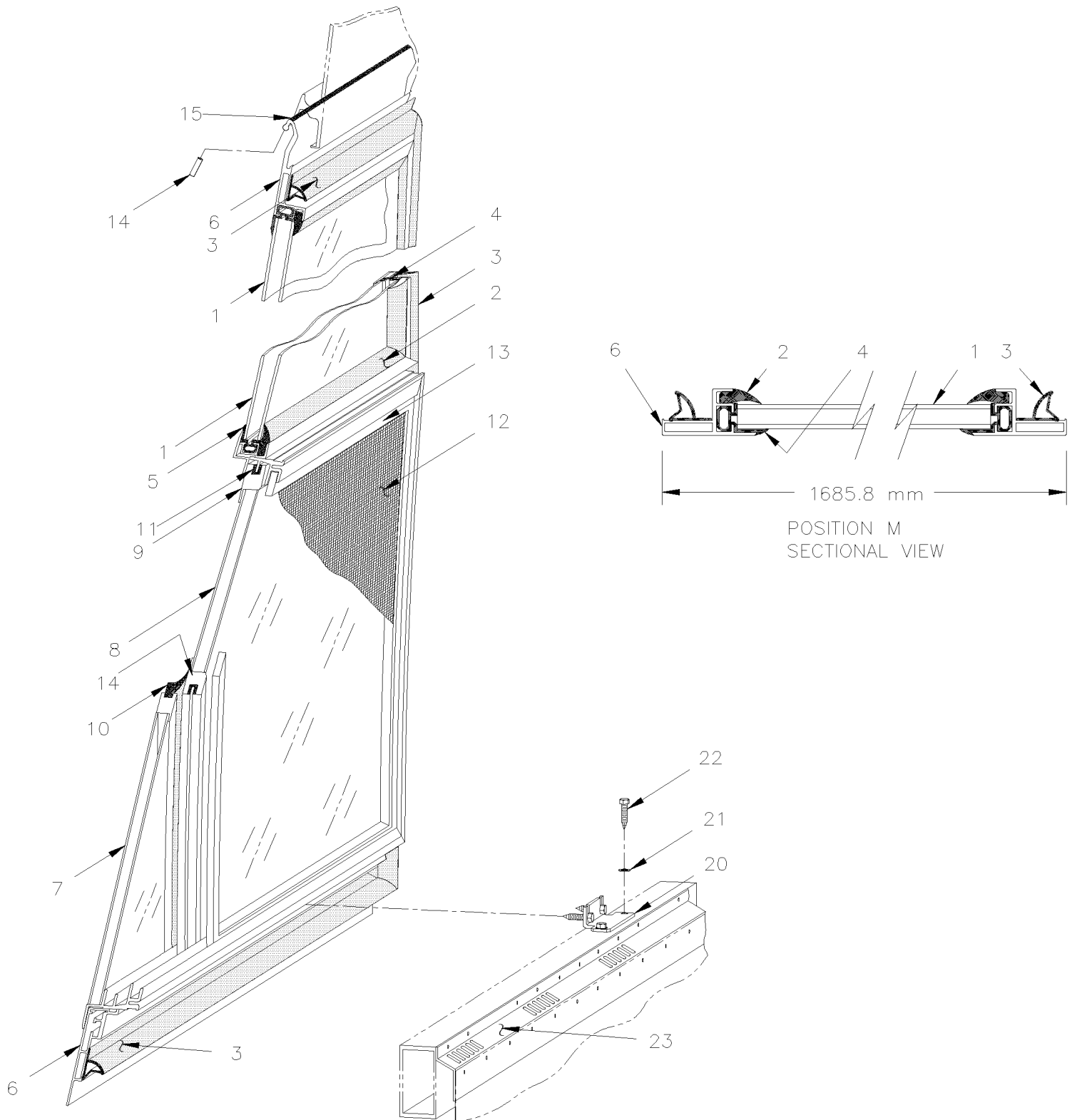
POSITION "M"



From R-012 To 2-4416	Date:10/2022	PAGE:H3-1884-71M
POSITION "M"		

Item#	Part	Description	H 3 4 1	H 3 4 5	V I P 4 5	N O T E S
	292380P	WINDOW ASSY			1	
	293573	WINDOW ASSY / W/SLIDING TOP POSSITION From 1-4119 To 1-4119			1	
1	292126	. GLASS, THERMOS UPPER			1	
1	680115	. SEALANT TAPE BUTYL / BLACK / 1/16"x1/2"x50' / 71010W1760			AR	
2	292266	. SEAL, INTERIOR			1	
3	292279	. WINDOW SEAL / 1091MM X 1622MM			1	
4	292336	. EXTERIOR GLASS SEAL 493MM / VERTICAL			2	
5	292340	. EXTERIOR GLASS SEAL 1553MM / HORIZONTAL			2	
6	292365	. WINDOW SUBASSY			1	
6	293579	. WINDOW SUBASSY / W/SLIDING TOP POSITION From 1-4119 To 1-4119			1	
7	790410	. . GLASS FIXED			1	
8	790409	. . GLASS, SLIDING			1	
. NS	790464	. . . KNOB			1	
9	681092	. . ADHESIVE SIKA #255FC / BLACK / 310ml CARTRIDGE			AR	
10	790329	. . RUBBER FLAP SEAL			1	
11	790365	. . SEAT, SLIDING			1	
12	790411	. . SCREEN			1	
13	790321	. . . CLIP, RETAINER / PLASTIC			2	
14	790424	. . SEAL, SCHLEGEL VERTICAL			AR	
15	506071	. TAPE RUB ADH1 CC POL 1/8" x 1/2" x 50' / GREY 2520X			AR	
20	292053	SUPPORT / TO FIX WINDOW TO STRUCTURE To Y-3821			2	
20	293377	SUPPORT / TO FIX WINDOW TO STRUCTURE From Y-3822			2	
NS	293382	SHIM RUBBER 100MM X 20MM From Y-3822			AR	
NS	293383	SHIM RUBBER 100MM X 38MM From Y-3822			AR	
21	500923	SCREW TC CAP HEX 1/4-20x3/4 Z050 To Y-3821			4	
21	5001515	SCREW CAP HEX 1/4-20x3/4 G8 Z050 From Y-3822			4	
22	500441	WASHER FL .312x.734x.065 Z050			1	
23	322835	GRILLE SPACER 1660MM			AR	

From R-012 To 2-4416	Date:10/2022	PAGE:H3-1884-71N
POSITION "N"		



From R-012 To 2-4416	Date:10/2022	PAGE:H3-1884-71N
POSITION "N"		

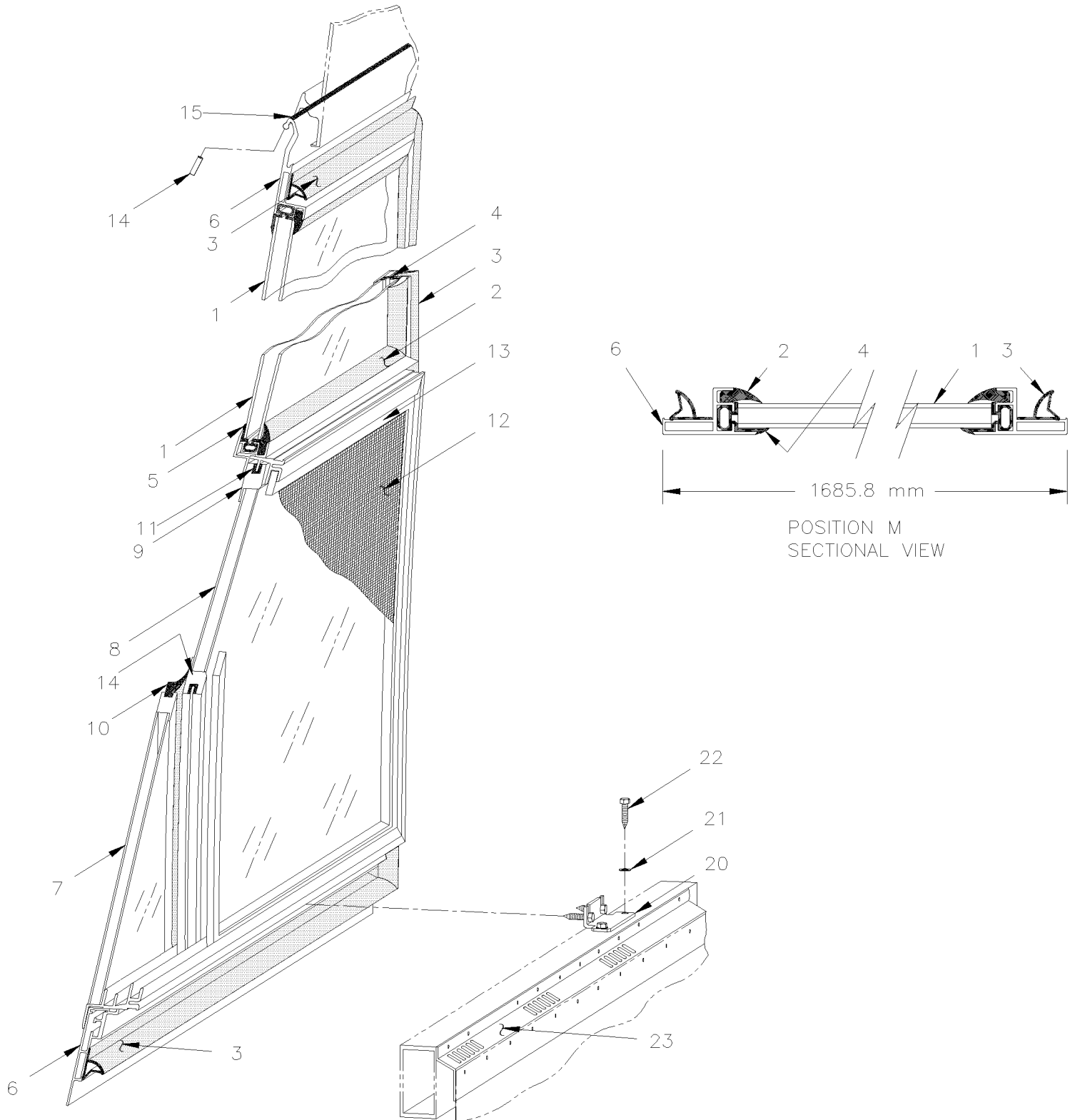
Item#	Part	Description	H 3 4 1	H 3 4 5	V I P 4 5	N O T E S
	292617P	WINDOW ASSY			1	
1	292126	. GLASS, THERMOS UPPER			1	
1	680115	. SEALANT TAPE BUTYL / BLACK / 1/16"x1/2"x50' / 71010W1760			AR	
2	292266	. SEAL, INTERIOR			1	
3	292279	. WINDOW SEAL / 1091MM X 1622MM			1	
4	292336	. EXTERIOR GLASS SEAL 493MM / VERTICAL			2	
5	292340	. EXTERIOR GLASS SEAL 1553MM / HORIZONTAL			2	
6	292615	. WINDOW SUBASSY			1	
7	790410	. . GLASS FIXED			1	
8	790409	. . GLASS, SLIDING			1	
. NS	790464	. . . KNOB			1	
9	681092	. . ADHESIVE SIKA #255FC / BLACK / 310ml CARTRIDGE			AR	
10	790329	. . RUBBER FLAP SEAL			1	
11	790365	. . SEAT, SLIDING			1	
12	790411	. . SCREEN			1	
13	790321	. . . CLIP, RETAINER / PLASTIC			2	
14	790424	. . SEAL, SCHLEGEL VERTICAL			AR	
15	506071	. TAPE RUB ADH1 CC POL 1/8" x 1/2" x 50' / GREY 2520X			AR	
20	292053	SUPPORT / TO FIX WINDOW TO STRUCTURE To Y-3821			2	
20	293377	SUPPORT / TO FIX WINDOW TO STRUCTURE From Y-3822			2	
NS	293382	SHIM RUBBER 100MM X 20MM From Y-3822			AR	
NS	293383	SHIM RUBBER 100MM X 38MM From Y-3822			AR	
21	500923	SCREW TC CAP HEX 1/4-20x3/4 Z050 To Y-3821			4	
21	5001515	SCREW CAP HEX 1/4-20x3/4 G8 Z050 From Y-3822			4	
22	500441	WASHER FL .312x.734x.065 Z050			1	
23	322835	GRILLE SPACER 1660MM			AR	

From R-012 To 2-4416

Date:10/2022

PAGE:H3-1884-71P

POSITION "P"



From R-012 To 2-4416	Date:10/2022	PAGE:H3-1884-71P
POSITION "P"		

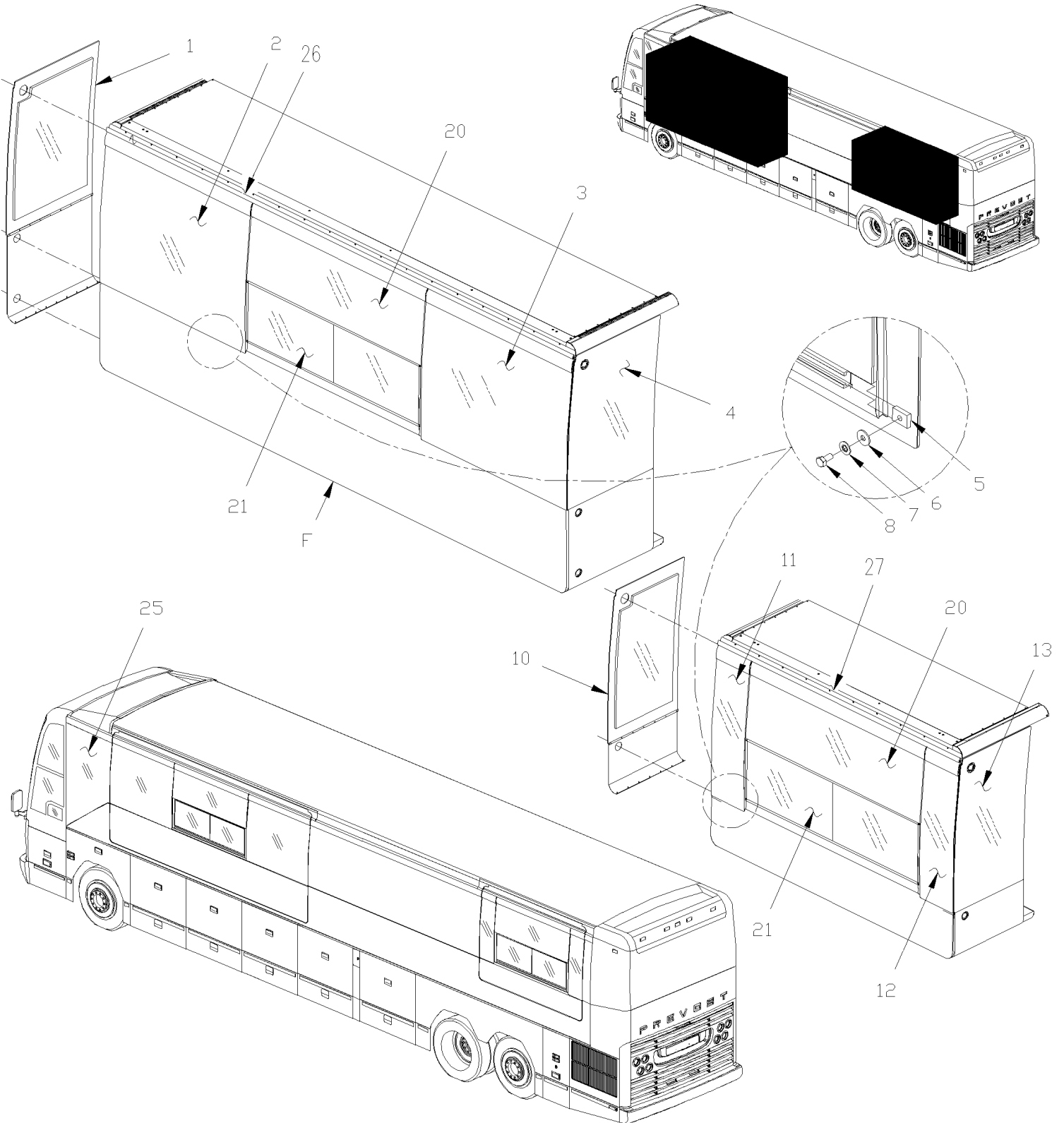
Item#	Part	Description	H 3 4 1	H 3 4 5	V I P 4 5	N O T E S
	292616P	WINDOW ASSY			1	
1	292126	. GLASS, THERMOS UPPER			1	
1	680115	. SEALANT TAPE BUTYL / BLACK / 1/16"x1/2"x50' / 71010W1760			AR	
2	292266	. SEAL, INTERIOR			1	
3	292279	. WINDOW SEAL / 1091MM X 1622MM			1	
4	292336	. EXTERIOR GLASS SEAL 493MM / VERTICAL			2	
5	292340	. EXTERIOR GLASS SEAL 1553MM / HORIZONTAL			2	
6	292614	. WINDOW SUBASSY			1	
7	790410	. . GLASS FIXED			1	
8	790409	. . GLASS, SLIDING			1	
. NS	790464	. . . KNOB			1	
9	681092	. . ADHESIVE SIKA #255FC / BLACK / 310ml CARTRIDGE			AR	
10	790329	. . RUBBER FLAP SEAL			1	
11	790365	. . SEAT, SLIDING			1	
12	790411	. . SCREEN			1	
13	790321	. . . CLIP, RETAINER / PLASTIC			2	
14	790424	. . SEAL, SCHLEGEL VERTICAL			AR	
15	506071	. TAPE RUB ADH1 CC POL 1/8" x 1/2" x 50' / GREY 2520X			AR	
20	292053	SUPPORT / TO FIX WINDOW TO STRUCTURE To Y-3821			2	
20	293377	SUPPORT / TO FIX WINDOW TO STRUCTURE From Y-3822			2	
20	293382	SHIM RUBBER 100MM X 20MM From Y-3822			AR	
20	293383	SHIM RUBBER 100MM X 38MM From Y-3822			AR	
21	500923	SCREW TC CAP HEX 1/4-20x3/4 Z050 To Y-3821			4	
21	5001515	SCREW CAP HEX 1/4-20x3/4 G8 Z050 From Y-3822			4	
22	500441	WASHER FL .312x.734x.065 Z050			1	
23	322835	GRILLE SPACER 1660MM			AR	

From X-3218 To X-3218

Date:10/2022

PAGE:H3-1884-90

SIDE WINDOW - "SLIDE-OUT" REFERENCE ONLY



From X-3218 To X-3218	Date:10/2022	PAGE:H3-1884-90
SIDE WINDOW - "SLIDE-OUT" REFERENCE ONLY		

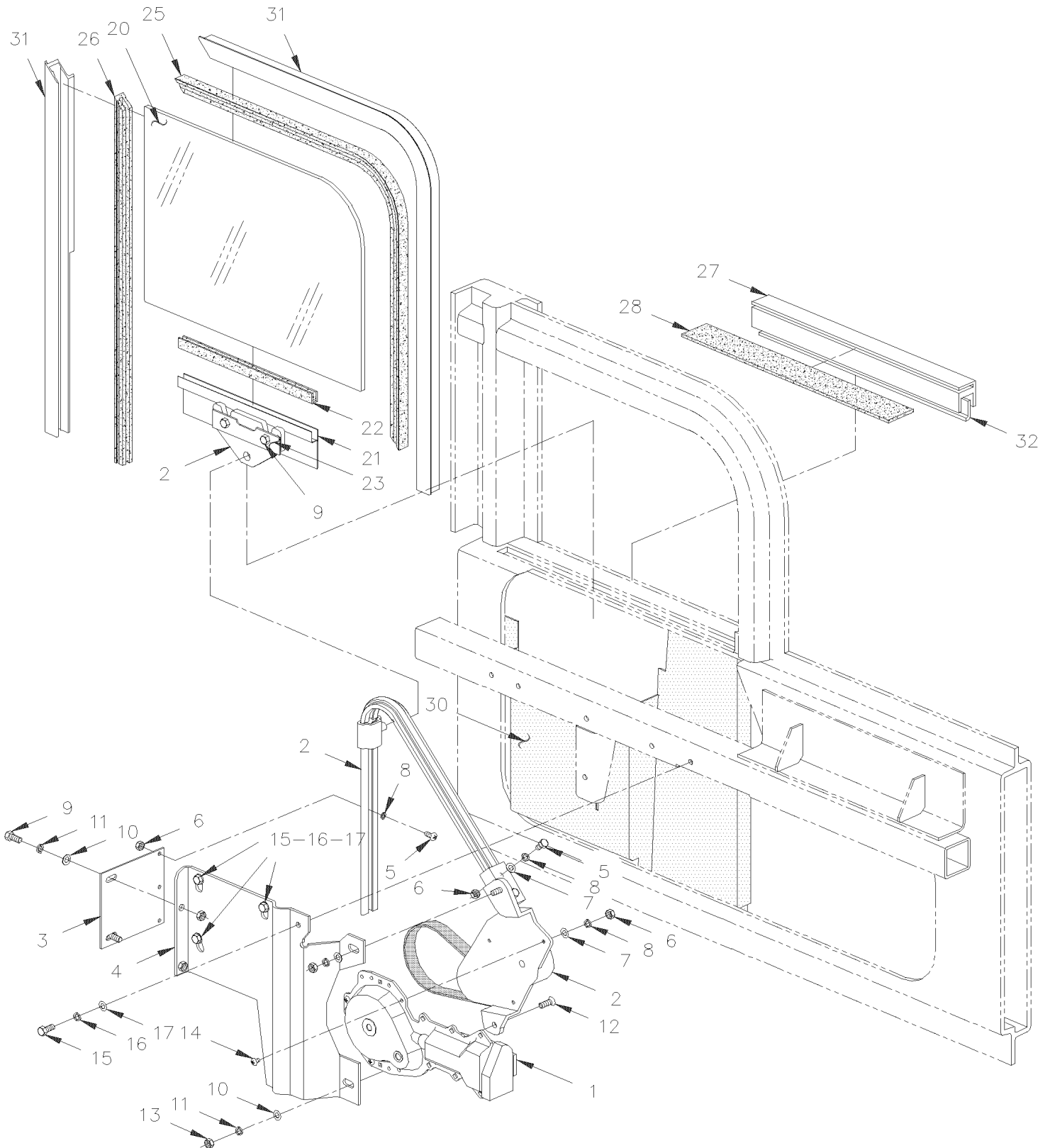
Item#	Part	Description	H 3 4 1	H 3 4 5	V I P 4 5	N O T E S
1	290883	GLASS, THERMO / FRONT SIDE			1	
2	293658	GLASS, THERMOS / FRONT / 1378MM			1	
. NS	293762	. WINDOW SEAL / 1286MM X 1091MM			1	
3	293659	GLASS, THERMOS / REAR / 1378MM			1	
. NS	293762	. WINDOW SEAL / 1286MM X 1091MM			1	
4	290939	GLASS, THERMO / REAR SIDE			1	
5	292810	ANCHOR BLOCK W/THREAD M10-1.5			AR	
6	502644	WASHER FL 10.5x30.0x2.5 Z050			2	
NS	505213	SHIM 1/16" THICK			AR	
7	502585	WASHER LO SERR 10.2x26.3x1.4 ZP			2	
8	502719	SCREW CAP HEX M10-1.5x20 SS EMN			2	
10	293663	GLASS, THERMO / FRONT SIDE			1	
11	293660	GLASS, SINGLE W/RETAINER / FRONT 312MM			1	
. NS	293768	. WINDOW SEAL / 223MM X 1091MM			1	
12	293665	GLASS, SINGLE W/RETAINER / REAR 312MM			1	
. NS	293768	. WINDOW SEAL / 223MM X 1091MM			1	
13	293664	GLASS, THERMO / REAR SIDE			1	
20	293396	GLASS ASSY, THERMO 13% / UPPER 1652MM x 614.4MM			1	
25	293408	GLASS ASSY, THERMO 13% / TRAPEZOIDAL / LH VIP / W/SLIDE-OUT "PRÉVOST"			1	
. NS	292958	. WINDOW SEAL / TRAPEZOIDAL LH 1822MM X 896MM			1	
26	293656	FRONT WINDOW KEY 4425MM			1	
27	293657	REAR WINDOW KEY 2292MM			1	

From R-012 To 2-4416

Date:10/2022

PAGE:H3-1886-00

POWER WINDOW - ELECTRICAL INSTALLATION



From R-012 To 2-4416	Date:10/2022	PAGE:H3-1886-00
POWER WINDOW - ELECTRICAL INSTALLATION		

Item#	Part	Description	H 3 4 1	H 3 4 5	V I P 4 5	N O T E S
	291949	REGULATOR & MOTOR ASSY / MODIFIED	1	1	1	B
1	790336	. MOTOR ASSY / 12V / WINDOW R	1	1	1	B
1	197925	. MOTOR ASSY / 12V / WINDOW R	1	1	1	
2	291745	. REGULATOR ASSY / MODIFIED	1	1	1	B A
2	790337	. . REGULATOR ASSY / NON MODIFIED	1	1	1	B
3	291744	. SUPPORT	1	1	1	
NS	680025	. CAULKING STRIP 3/16" O.D. X 14'	AR	AR	AR	
4	292276	. SUPPORT	1	1	1	
5	502688	SCREW MA PAN PH M3.5-0.6x10 ZP	5	5	5	
6	502689	NUT HEX M3.5-0.6 NP	5	5	5	
7	502690	WASHER FL 4.3x9.0x0.8 Z050	5	5	5	
8	502691	WASHER LO SPT 3.6x6.7x0.8 Z050	5	5	5	
9	502531	SCREW CAP HEX M6-1.0x16 G8.8 Z050	5	5	5	
10	500440	WASHER FL .250x.562x.065 Z050	8	8	8	
11	502582	WASHER LO SERR 6.1x16.2x0.9 Z050	8	8	8	
12	500442	SCREW MA OV PH 1/4-20x3/4 ZP	2	2	2	
13	500769	NUT HEX 1/4-20 Z050	2	2	2	
14	500668	SCREW MA PAN PH M3.5-0.6x20 Z050	3	3	3	
15	500923	SCREW TC CAP HEX 1/4-20x3/4 Z050	3	3	3	
16	502583	WASHER LO SERR 8.15x22.3x1.0 Z050	3	3	3	
17	500473	WASHER LO SPT .262x.489x.062 Z050	1	1	1	
20	291948	GLASS ASSY	1	1	1	
20	299045	. GLASS / DRIVER'S WINDOW	1	1	1	
21	299049	. SUPPORT ASSY	1	1	1	
22	681092	. ADHESIVE SIKA #255FC / BLACK / 310ml CARTRIDGE	AR	AR	AR	
NS	681091	PRIMER SIKA #206 / BLACK / 250ml	AR	AR	AR	
23	299048	PLATE, ANCHOR	1	1	1	
24	500609	NUT HEX M6-1.0 Z050	4	4	4	
25	291854	FELT SLIDING 610MM	1	1	1	
26	291855	FELT SLIDING 375MM	1	1	1	
NS	680044	SEALANT TAPE BUTYL / GREY / 1/8"x1/2"x25' / 71017F1760	AR	AR	AR	
27	299050	ALUMINIUM EXTRUSION, DRIVER WINDOW / TO FIX FELT LOWER SEAL	AR	AR	AR	
28	292277	FLAP SEAL / W/FLOCKING 25MM x 312MM	1	1	1	
NS	293085	SEAL INTERIOR / CONSOLE & GLASS / 340MM	1	1	1	
30	292326	PROTECTOR, WATER / WHITE PLASTIC	1	1	1	
30	506322	TAPE RUB ADH2 POL .045" x 1" x 223' / WHITE 4085	AR	AR	AR	
NS	680088	SEALANT BUTYL 692 12X203 / BLACK / 310ml CARTRIDGE	AR	AR	AR	
31	292798	ALUMINIUM EXTRUSION / TO FIX SIDE & TOP FELT	1	1	1	
NS	506769	TAPE RUB ADH2 CC POL 1/8" x 1/4" x 60' / BLACK H1CC-N-#14	AR	AR	AR	
31	681091	PRIMER SIKA #206 / BLACK / 250ml	AR	AR	AR	
31	681092	ADHESIVE SIKA #255FC / BLACK / 310ml CARTRIDGE	AR	AR	AR	
32	H3-1851-00	CAP - FRONT & REAR - INSTALLATION To W-2284				

From R-012 To 2-4416	Date:10/2022	PAGE:H3-1886-00
POWER WINDOW - ELECTRICAL INSTALLATION		

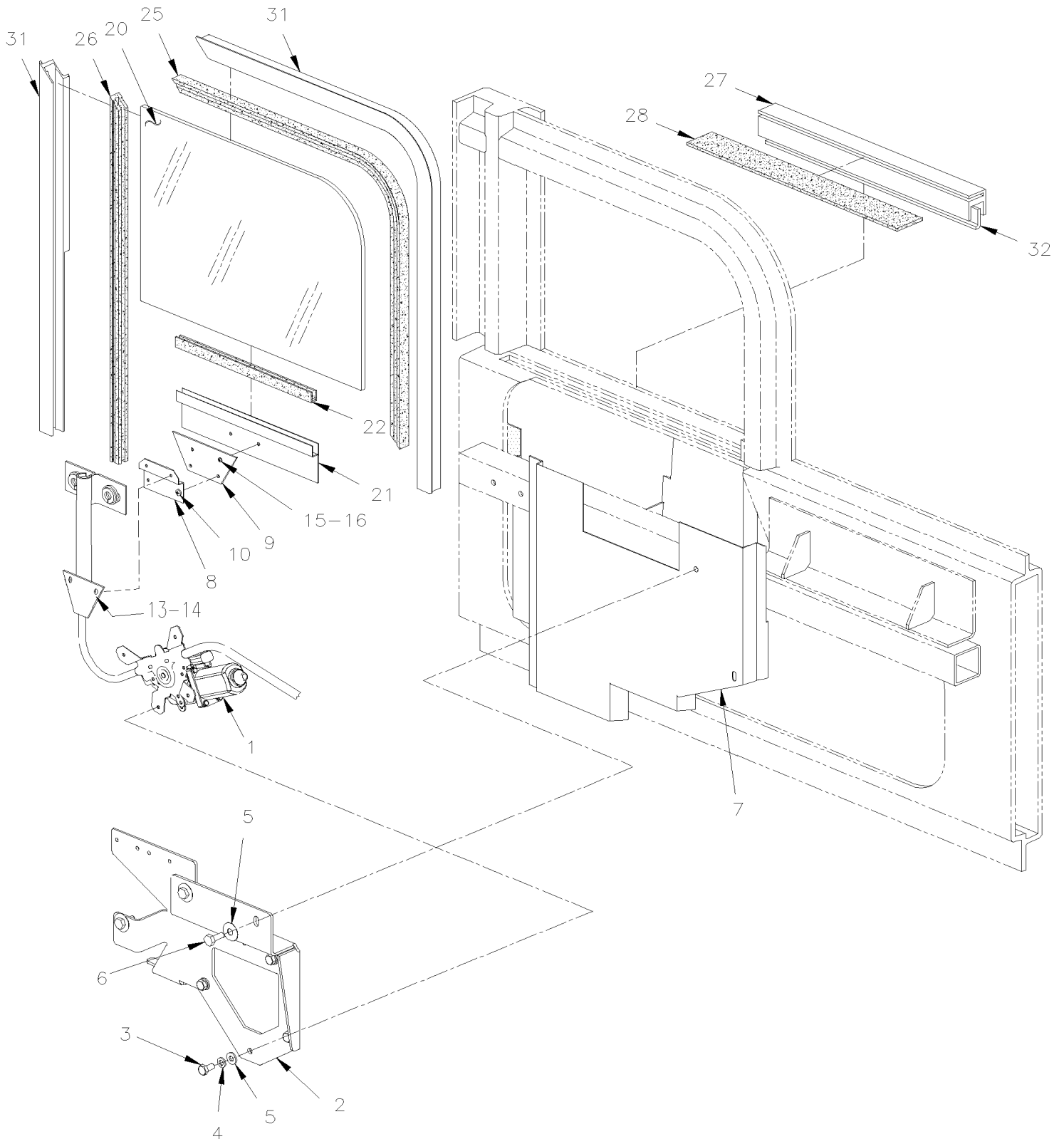
Item#	Part	Description	H 3 4 1	H 3 4 5	V I P 4 5	N O T E S
32	H3-1851-01	CAP - FRONT & REAR - INSTALLATION From W-2285				
50	293872	KIT, RETROFIT ELECTRICAL DRIVER'S WINDOW / SERIES "H"	1	1	1	
. NS	IS-05010	. SEE INSTRUCTION SHEET	1	1	1	
		A) ONLY SOLD ASSY WITH MOTOR				
		B) THIS COMPONENT ARE SUPPERSEDED BY # 293872				

From R-012 To 2-4416

Date:10/2022

PAGE:H3-1886-01

POWER WINDOW - ELECTRICAL INSTALLATION / SERVICE & RETROFIT



From R-012 To 2-4416	Date:10/2022	PAGE:H3-1886-01
----------------------	--------------	-----------------

POWER WINDOW - ELECTRICAL INSTALLATION / SERVICE & RETROFIT

Item#	Part	Description	H 3 4 1	H 3 4 5	V I P 4 5	N O T E S
		"WARNING" "WARNING" "WARNING"				
		BEFORE INSTALL THIS MOTOR ASSY 293855P				
		FOR THE FIRST TIME YOU REQUIRE COMPLETE KIT				
		# 293872 TO SUPPERSEDED OLD MODEL				
	293872	KIT, RETROFIT ELECTRICAL DRIVER'S WINDOW / SERIES "H"	1	1	1	
NS	IS-05010	. SEE INSTRUCTION SHEET	1	1	1	
	293855P	. MOTOR ASSY W/SUPPORT	1	1	1	
1	790501	. . MOTOR & REGULATOR ASSY / SERIES "H"	1	1	1	
2	293846	. . SUPPORT ASSY	1	1	1	
3	502772	. . SCREW CAP HEX 1/4-20x1/2 G5 N500	4	4	4	
4	500440	. . WASHER FL .250x.562x.065 Z050	5	5	5	
5	500270	. . WASHER FL .406x1.000x.063 SS	4	4	4	
6	502557	. . NUT HEX NYRT M4-0.7 SS	3	3	3	
7	293867	. . PROTECTOR, WATER / WHITE PLASTIC	1	1	1	
NS	293902	. ADAPTOR TRANSITION ASSY	1	1	1	
8	293899	. SUPPORT "Z" SHAPE	1	1	1	
9	293898	. SUPPORT TRANSITION PLASTIC BLACK	1	1	1	
10	5001198	SCREW MA FL PH M6-1.0x16 Z050	2	2	2	
NS	5001182	NUT HEX NYRT M6-1.0 SS	2	2	2	
13	502772	SCREW CAP HEX 1/4-20x1/2 G5 N500	2	2	2	
14	502570	WASHER LO SPT 6.1x11.8x1.6 SS	2	2	2	
NS	500440	WASHER FL .250x.562x.065 Z050	2	2	2	
15	5001633	SCREW MA FL PH M6-1.0x12 Z050	2	2	2	
16	680066	ADHESIVE / ADBOND #5014 / 23.6ML BOTTLE	AR	AR	AR	
20	291948	GLASS ASSY	1	1	1	
20	299045	. GLASS / DRIVER'S WINDOW	1	1	1	
21	299049	. SUPPORT ASSY	1	1	1	
22	681092	. ADHESIVE SIKA #255FC / BLACK / 310ml CARTRIDGE	AR	AR	AR	
22	681091	. PRIMER SIKA #206 / BLACK / 250ml	AR	AR	AR	
25	291854	FELT SLIDING 610MM	1	1	1	
26	291855	FELT SLIDING 375MM	1	1	1	
26	680044	SEALANT TAPE BUTYL / GREY / 1/8"x1/2"x25' / 71017F1760	AR	AR	AR	
27	299050	ALUMINIUM EXTRUSION, DRIVER WINDOW / TO FIX FELT LOWER SEAL	1	1	1	
28	292277	FLAP SEAL / W/FLOCKING 25MM x 312MM	1	1	1	
30	293867	PROTECTOR, WATER / WHITE PLASTIC	1	1	1	
30	680088	SEALANT BUTYL 692 12X203 / BLACK / 310ml CARTRIDGE	AR	AR	AR	
31	292798	ALUMINIUM EXTRUSION / TO FIX SIDE & TOP FELT	1	1	1	
31	506769	TAPE RUB ADH2 CC POL 1/8" x 1/4" x 60' / BLACK H1CC-N-#14	AR	AR	AR	
32	H3-1851-00	CAP - FRONT & REAR - INSTALLATION To W-2284				
32	H3-1851-01	CAP - FRONT & REAR - INSTALLATION From W-2285				

From R-012 To 2-4416	Date:10/2022	PAGE:H3-1886-01
----------------------	--------------	-----------------

POWER WINDOW - ELECTRICAL INSTALLATION / SERVICE & RETROFIT

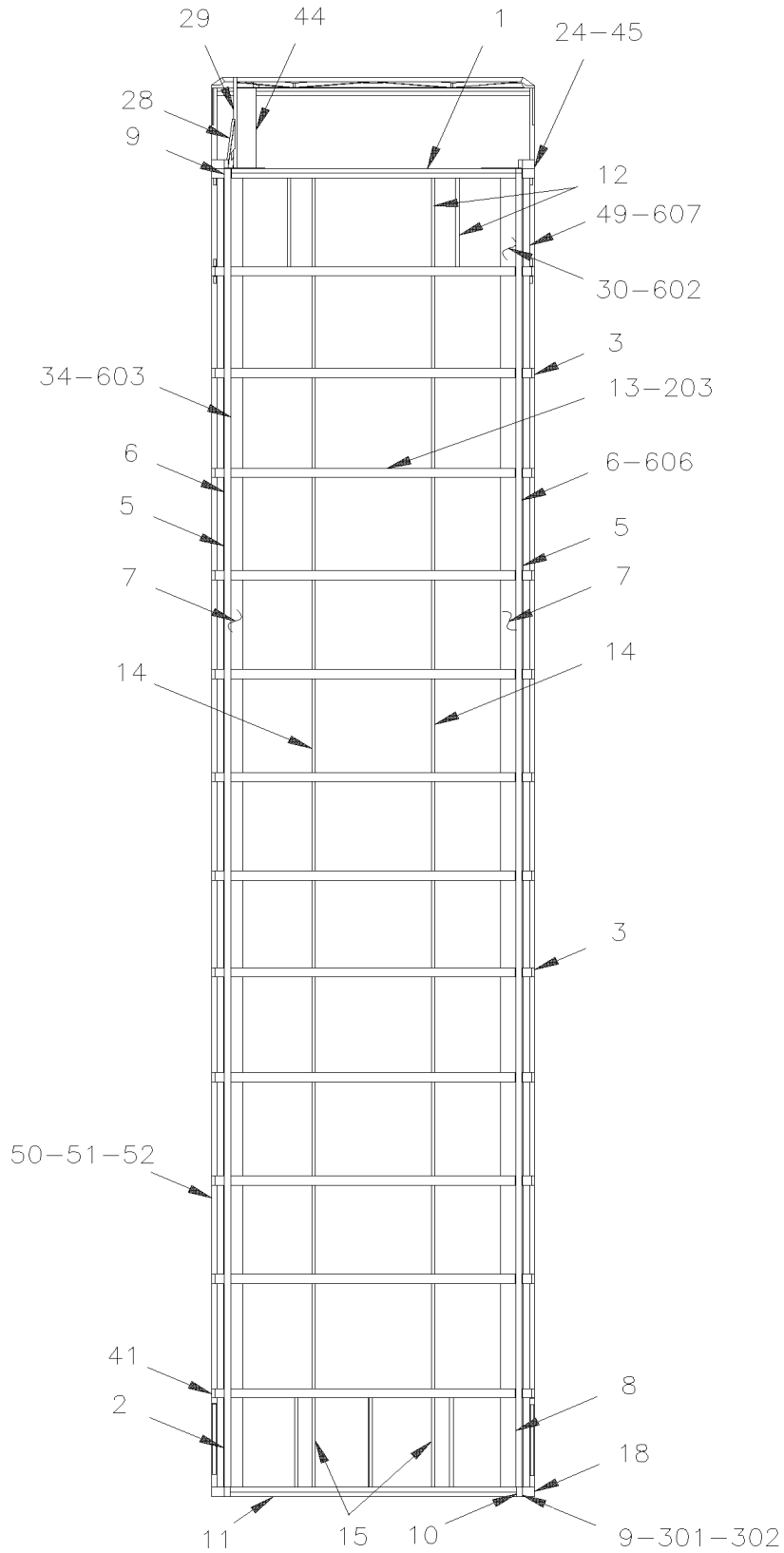
Item#	Part	Description	H 3 4 1	H 3 4 5	V I P 4 5	N O T E S

From R-012 To 2-4416

Date:10/2022

PAGE:H3-1890-00

ROOF STRUCTURE

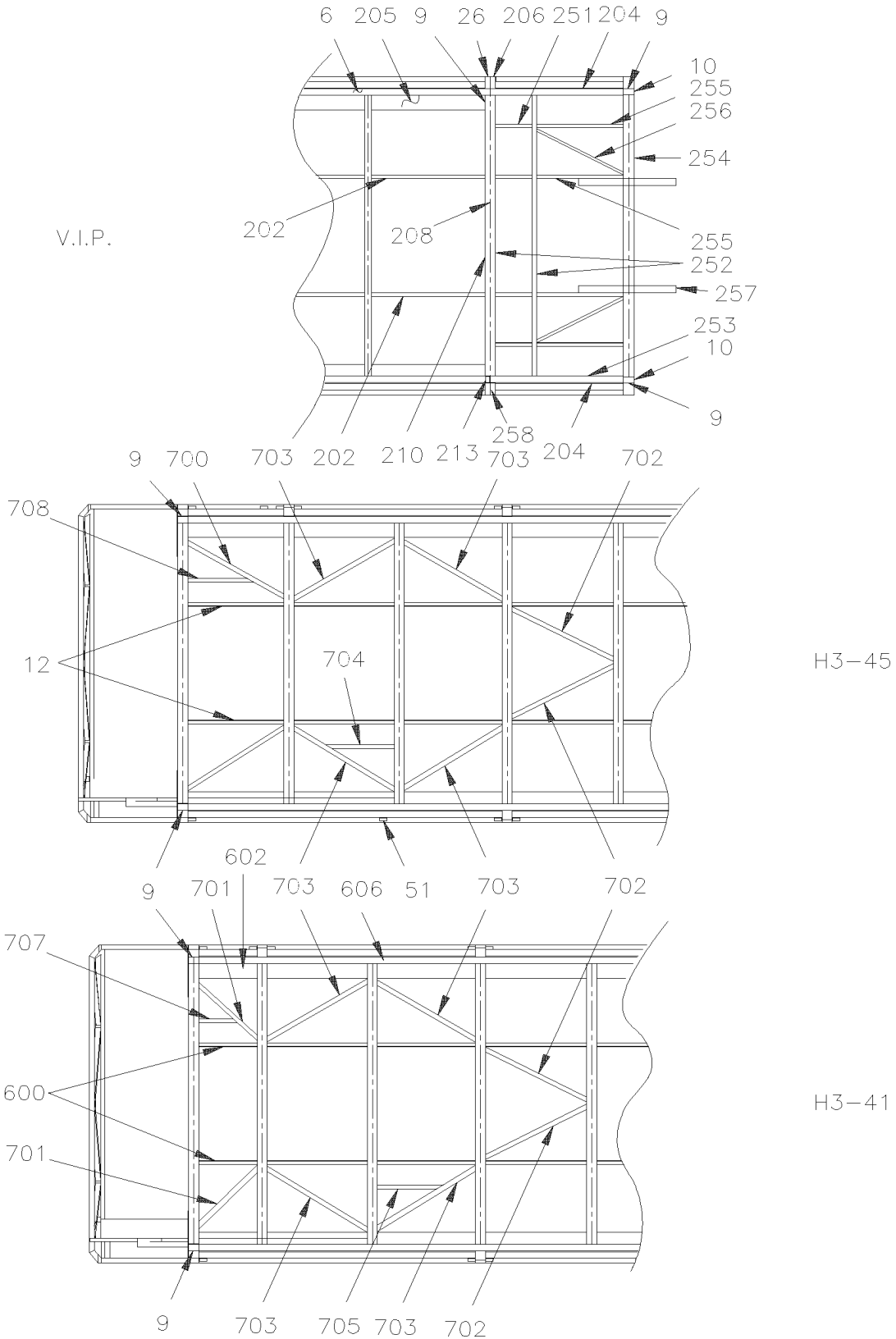


From R-012 To 2-4416

Date:10/2022

PAGE:H3-1890-00

ROOF STRUCTURE



From R-012 To 2-4416	Date:10/2022	PAGE:H3-1890-00
ROOF STRUCTURE		

Item#	Part	Description	H 3 4 1	H 3 4 5	V I P 4 5	N O T E S
1	Call order desk	ROOF ARCH ASSY	1	1	1	P
2	271051	CORNER FORM	2	2	2	
3	H3-1890-10	STRUCTURE WALL - UPPER				
4	270553	REINFORCEMENT / BETWEEN WINDOW	4	4	4	
5	270584	REINFORCEMENT R.H. To V-1856	9	9	9	
5	270998	CORNER FORM From V-1856 To W-2284	9	9	9	
5	271053	CORNER FORM From W-2285		9		
6	270919	TUBE		4		
6	270921	TUBE			4	
7	270558	CORNER PANEL	24			
7	270558	CORNER PANEL		22	22	
8	270559	CORNER FORM To V-1856	2	2	2	
8	271006	CORNER FORM From V-1857	2	2	2	
9	271104	PLATE (CURVED)	6	6	6	
10	270541	CLOSING PLATE	2	2	2	
11	270566P	ROOF ARCH ASSY	1	1	1	
12	271080	FORM / BETWEN ARCH To 2-4369		4		
12	271574	FORM / BETWEEN ARCH From 2-4370		4		
13	270564	ARCH To Y-3457	12			
13	271288	ARCH From Y-3458	12			
13	270564	ARCH To Y-3457		13		
13	271288	ARCH From Y-3458		13		
14	270520	FORM / BETWEEN ARCH To V-1856	22		22	
14	270520	FORM / BETWEN ARCH To V-1856		24		
14	270989	FORM / BETWEEN ARCH From V-1857 To W-2284	22		22	
14	270989	FORM / BETWEEN ARCH From V-1857 To W-2284		24		
14	271041	FORM / BETWEEN ARCH From W-2285	22		22	
14	271041	FORM / BETWEEN ARCH From W-2285		24		
15	270584	REINFORCEMENT R.H. To V-1856	5	5	5	
15	270998	CORNER FORM From V-1857 To W-2284	5	5	5	
15	271103	CORNER FORM From W-2285	5	5	5	
18	270596P	FRONT POST ASSY L.H.	1	1	1	
24	270831	TUBE		1		
24	270915	TUBE		1		
24	270889	TUBE			1	
24	270940	TUBE			1	
26	270624	IN BETWEEN WINDOW TUBE			5	
28	211561	SUPPORT	1	1	1	
29	271207	REINFORCEMENT ASSY	1	1	1	
30	271005	CORNER FORM		2	2	
34	270822	RIGHT CORNER FORM To V-1706		1		
34	270987	RIGHT CORNER FORM From V-1707 To V-1856		1		

From R-012 To 2-4416	Date:10/2022	PAGE:H3-1890-00
ROOF STRUCTURE		

Item#	Part	Description	H 3 4 1	H 3 4 5	V I P 4 5	N O T E S
34	271023	RIGHT CORNER FORM From V-1857 To W-2284		1		
34	271055	RIGHT CORNER FORM From W-2285		1		
40	211832	REINFORCEMENT	2	2	2	
41	H3-1890-10	STRUCTURE WALL - UPPER				
44	271208	PLATE	1	1	1	
45	270833P	TUBES ASSY		1		
49	271022	REAR LEFT CORNER FORM To W-2284		1		
49	271054	REAR LEFT CORNER FORM From W-2285		1		
50	H3-1890-10	STRUCTURE WALL - UPPER				
51	292931	ANGLE / (WELDED)	14			
51	292931	ANGLE / (WELDED)		16	16	
52	293062	ANGLE / (WELDED)	4	4	4	
201	210787	PLATE	4	4	4	
202	271007	FORM / BETWEEN ARCH			2	
203	270516	CORNER REINFORCEMENT	26	26	26	
204	270760	CORNER SUPPORT			2	
205	270621	CORNER PANEL			2	
206	270623	IN BETWEEN WINDOW TUBE			2	
208	270761	CLOSING PANEL			1	
210	270533	ROOF ARCH			1	
213	260625	CORNER TUBE To 1-4225			2	
251	270652	TUBE			4	
252	271288	ARCH			2	
253	270762	REINFORCEMENT			2	
254	271288	ARCH			2	
255	270616	TUBE			4	
256	270635	TUBE			2	
257	270677	TUBE			2	
258	270516	CORNER REINFORCEMENT			4	
301	270922	CORNER FORM	2	2	2	
302	270591	REINFORCEMENT	2	2	2	
600	271101	FORM / BETWEN ARCH To 2-4369	2			
600	271575	FORM / BETWEEN ARCH From 2-4370	2			
602	270841	CORNER FORM To V-1856	1			
602	271002	CORNER FORM From V-1857	1			
603	270844	PANEL, CORNER To V-1706	1			
603	270988	PANEL, CORNER From V-1707 To V-1856	1			
603	271025	PANEL, CORNER From V-1857 To W-2284	1			
603	271057	PANEL, CORNER From W-2285	1			
606	270920	TUBE	4			
607	271024	CORNER FORM REAR LEFT To W-2284	1			
607	271056	CORNER FORM REAR LEFT From W-2285	1			

From R-012 To 2-4416	Date:10/2022	PAGE:H3-1890-00
----------------------	--------------	-----------------

ROOF STRUCTURE

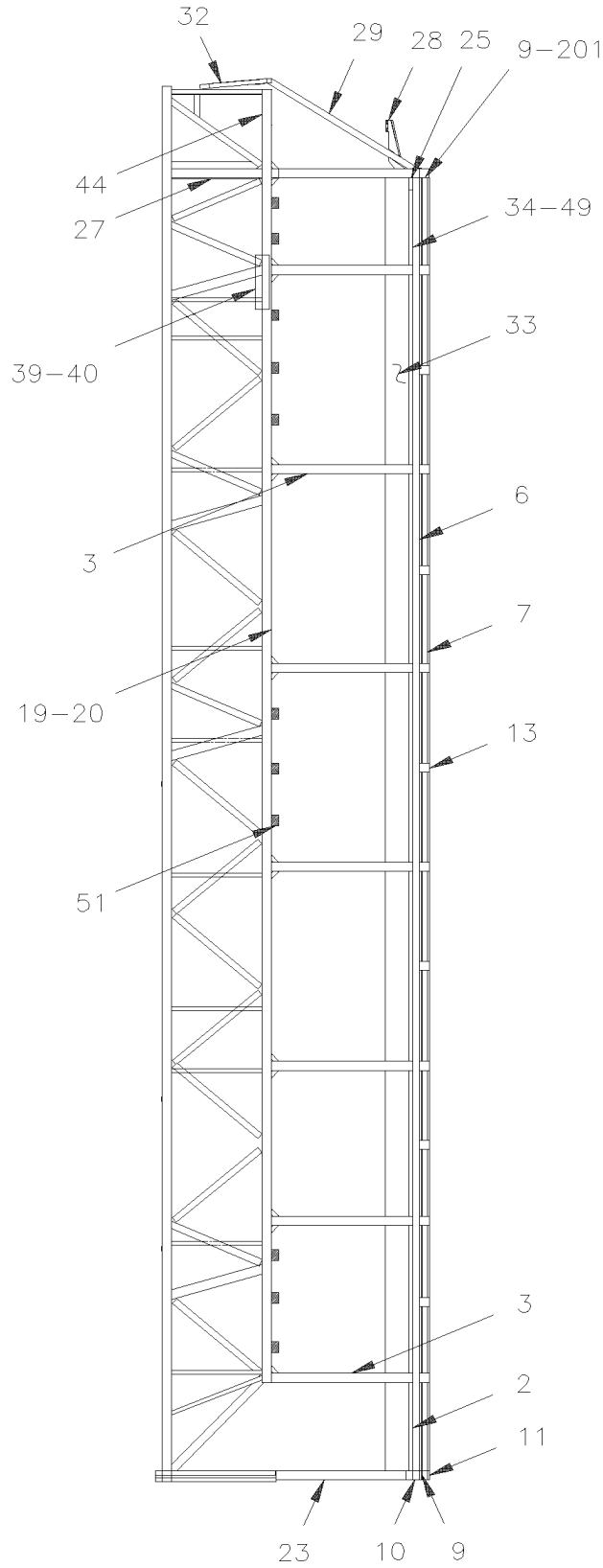
Item#	Part	Description	H 3 4 1	H 3 4 5	V I P 4 5	N O T E S
700	271059	REINFORCEMENT	2	2		
701	271062	REINFORCEMENT	2			
702	270867	REINFORCEMENT TUBE	2	2		
703	270868	REINFORCEMENT TUBE	4	4		
704	271068	FORM / BETWEEN ARCH	1	1		
705	271061	FORM / BETWEEN ARCH	1			
707	271071	FORM / BETWEEN ARCH	1			
708	271070	FORM / BETWEEN ARCH To 2-4369	1	1		
708	271572	FORM / BETWEEN ARCH From 2-4370	1	1		
		P) CALL ORDER DESK FOR SPECIFIC APPLICATION (V.I.N.)				

From R-012 To 2-4416

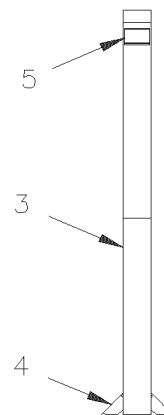
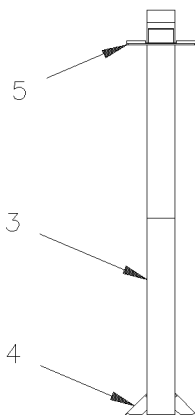
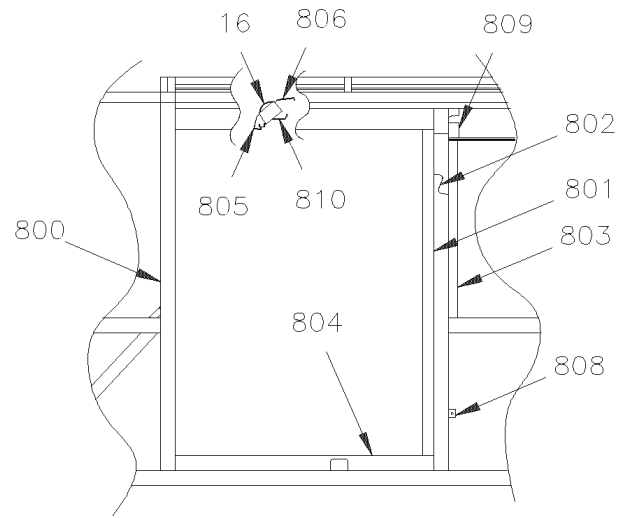
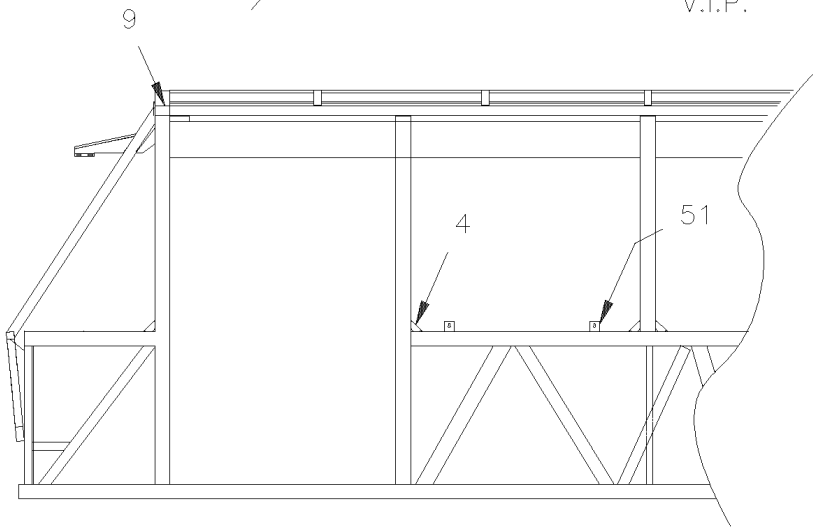
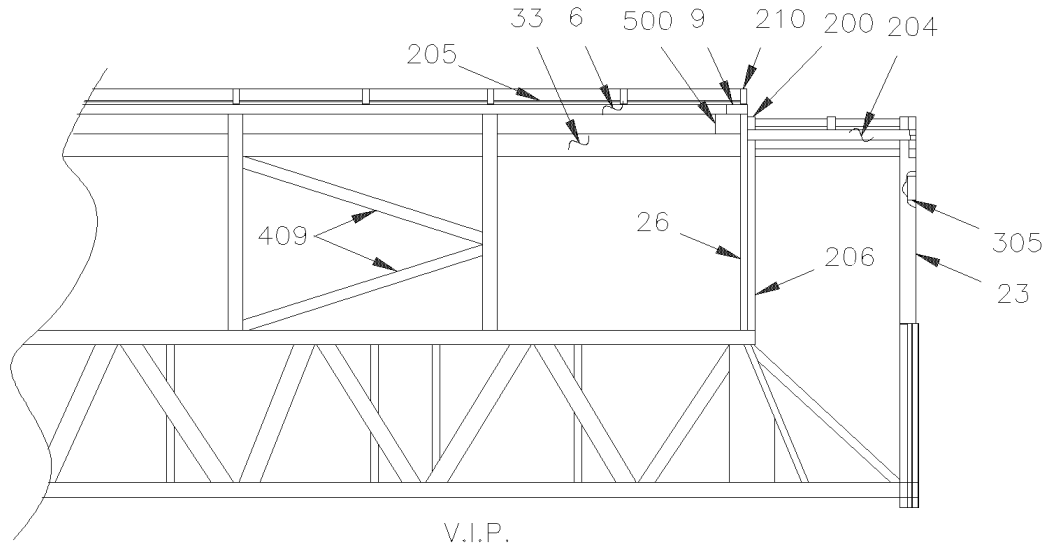
Date:10/2022

PAGE:H3-1890-10

STRUCTURE WALL - UPPER



From R-012 To 2-4416	Date:10/2022	PAGE:H3-1890-10
STRUCTURE WALL - UPPER		



From R-012 To 2-4416	Date:10/2022	PAGE:H3-1890-10
STRUCTURE WALL - UPPER		

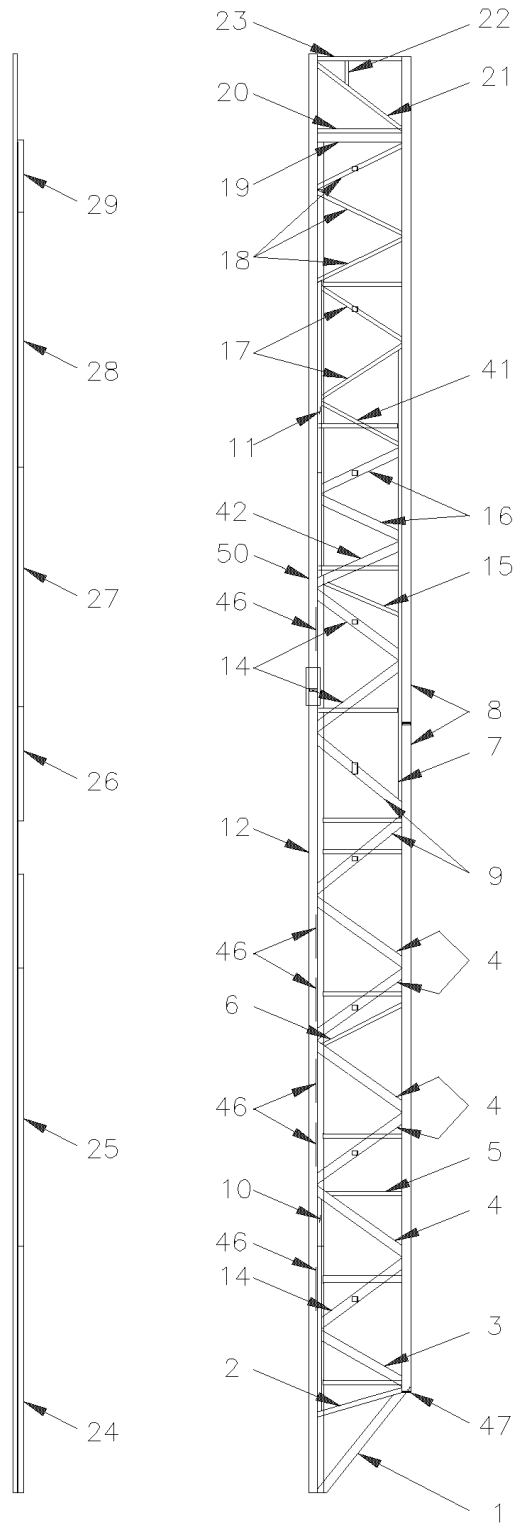
Item#	Part	Description	H 3 4 1	H 3 4 5	V I P 4 5	N O T E S
2	271051	CORNER FORM	2	2	2	
3	270556	POST / BETWEN WINDOW / 1129MM	AR	AR		
3	270622	POST / BETWEN WINDOW / 1283MM			AR	
4	270553	REINFORCEMENT / BETWEEN WINDOW	AR	AR	AR	
5	270961	SUPPORT PARCEL RACK To W-2284	AR	AR		
5	271048	SUPPORT PARCEL RACK From W-2285	AR	AR		
6	270919	TUBE		4		
6	270921	TUBE			4	
7	270558	CORNER PANEL	24			
7	270558	CORNER PANEL		22	22	
9	271104	PLATE (CURVED)	6	6	6	
10	270541	CLOSING PLATE	2	2	2	
11	270566P	ROOF ARCH ASSY	1	1	1	
13	271288	ARCH	12			
13	271288	ARCH		13		
16	271104	PLATE (CURVED)	6	6		
16	271104	PLATE (CURVED)			4	
19	H3-1891-00	WALL STRUCTURE - LOWER BUS				
20	H3-1891-00	WALL STRUCTURE - LOWER BUS				
23	270595P	FRONT POST ASSY R.H.	1	1	1	
23	270596P	FRONT POST ASSY L.H.	1	1	1	
25	271098	SUPPORT PARCEL RACK	4	4		
26	270624	IN BETWEEN WINDOW TUBE			5	
27	270601	SUPPORT	2	2	2	
28	211561	SUPPORT	1	1	1	
29	271207	REINFORCEMENT ASSY	1	1	1	
32	H3-1894-00	REAR STRUCTURE				
33	270629	SUPPORT			14	
34	270822	RIGHT CORNER FORM To V-1706		1		
34	270987	RIGHT CORNER FORM From V-1707 To V-1856		1		
34	271023	RIGHT CORNER FORM From V-1857 To W-2284		1		
34	271055	RIGHT CORNER FORM From W-2285		1		
39	362599	SUPPORT	2	2	2	
40	211832	REINFORCEMENT	2	2	2	
44	271208	PLATE	1	1	1	
49	271022	REAR LEFT CORNER FORM To W-2284		1		
49	271054	REAR LEFT CORNER FORM From W-2285		1		
51	292931	ANGLE / (WELDED)	14			
51	292931	ANGLE / (WELDED)		16		
201	210787	PLATE	4	4	4	
203	270516	CORNER REINFORCEMENT	26	26	26	
204	270760	CORNER SUPPORT			2	

From R-012 To 2-4416	Date:10/2022	PAGE:H3-1890-10
STRUCTURE WALL - UPPER		

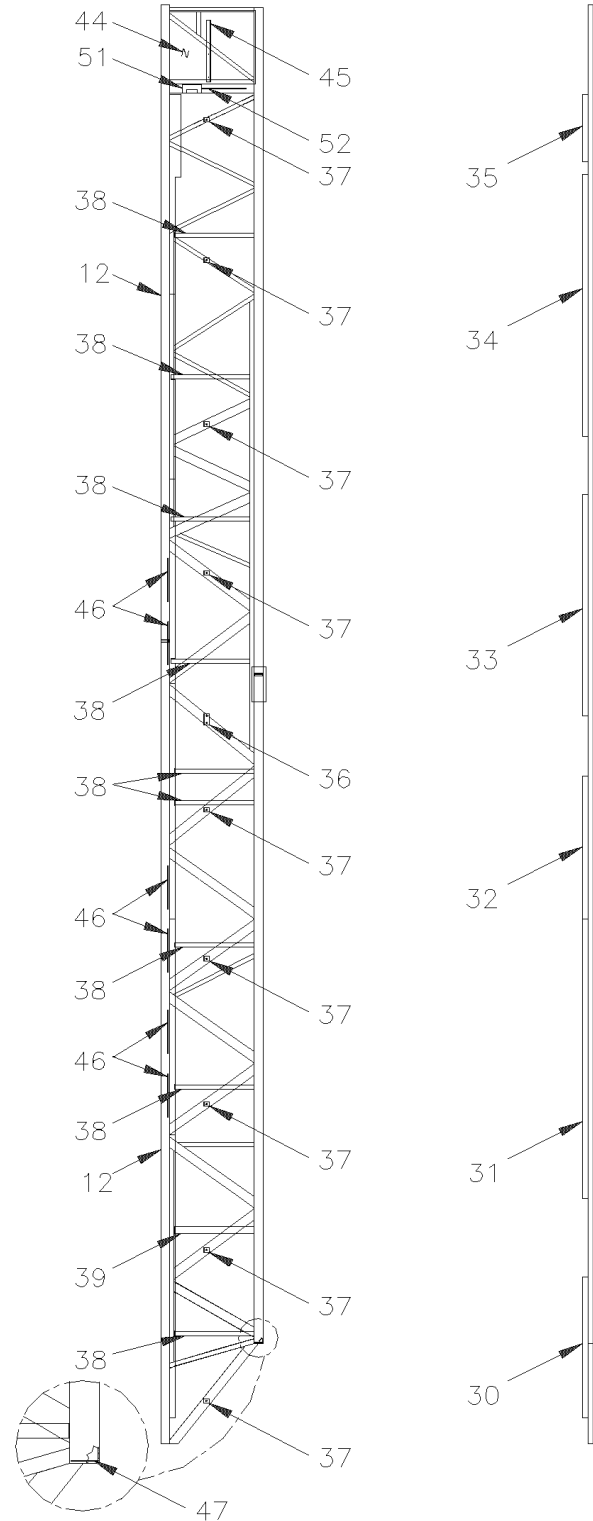
Item#	Part	Description	H 3 4 1	H 3 4 5	V I P 4 5	N O T E S
205	270621	CORNER PANEL			2	
206	270623	IN BETWEEN WINDOW TUBE			AR	
210	270533	ROOF ARCH			1	
305	270674	REINFORCEMENT			2	
409	270678	TUBE			4	
500	271107	PLATE			2	
607	271024	CORNER FORM REAR LEFT To W-2284	1			
607	271056	CORNER FORM REAR LEFT From W-2285	1			
800	270916	DOUBLE REAR TUBE	1	1	1	
801	270865	STAND TUBE	1	1	1	
802	270854	DOUBLE FRONT TUBE	1	1	1	
803	270963	STAND TUBE	1	1	1	
804	270858	TUBE	1	1	1	
805	270855	CORNER PANEL	1	1	1	
806	271001	CORNER EXTRUSION	1	1	1	
807	270877	FIXTURE	1	1	1	
808	231469	SUPPORT SINGLE	1	1	1	
809	271100	SUPPORT	1	1	1	
810	270872	ROOF SUPPORT	1	1	1	
900	Call order desk	POST ASSY / W/"RICON"		1		P
900	271010	POST ASSY			1	
901	270927	POST ASSY / W/"RICON"		1		
901	Call order desk	POST ASSY			1	P
910	271052	CORNER EXTRUSION W/RICON		2		
911	271066	SUPPORT W/RICON		1		
		P) CALL ORDER DESK FOR SPECIFIC APPLICATION (V.I.N.)				

WALL STRUCTURE - LOWER BUS

H3-45



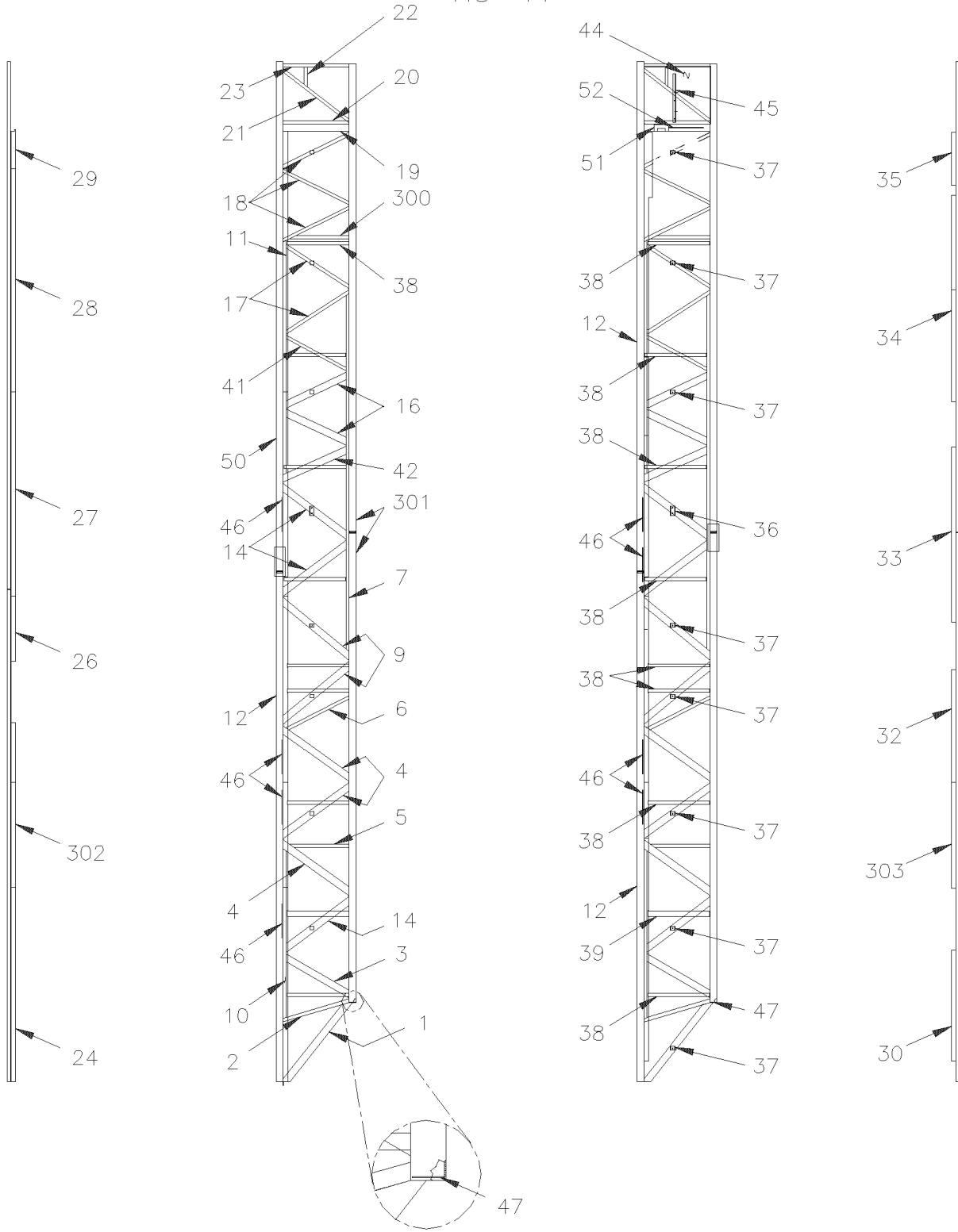
TOP VIEW RH RH FROM OUTSIDE



LH FROM INSIDE TOP VIEW LH

From R-012 To 2-4416	Date:10/2022	PAGE:H3-1891-00
WALL STRUCTURE - LOWER BUS		

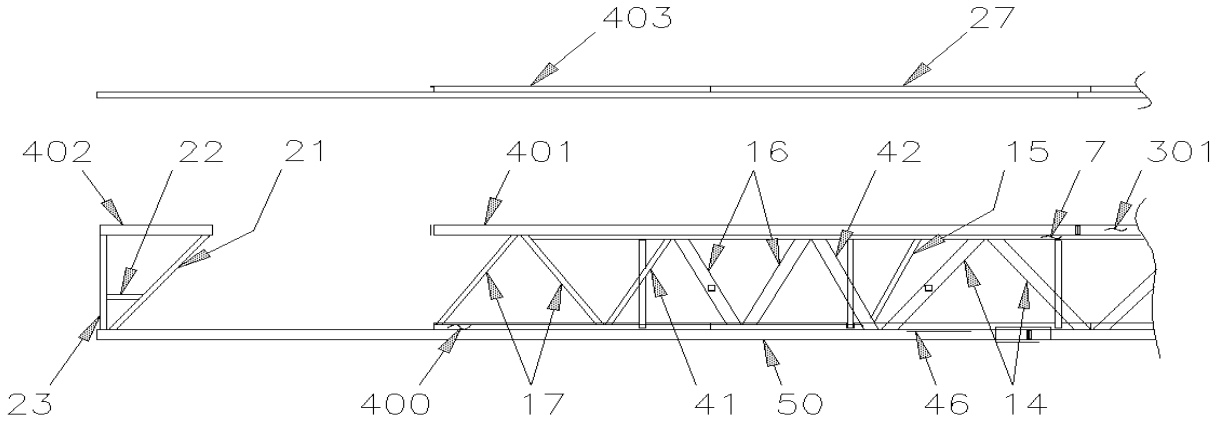
H3-41



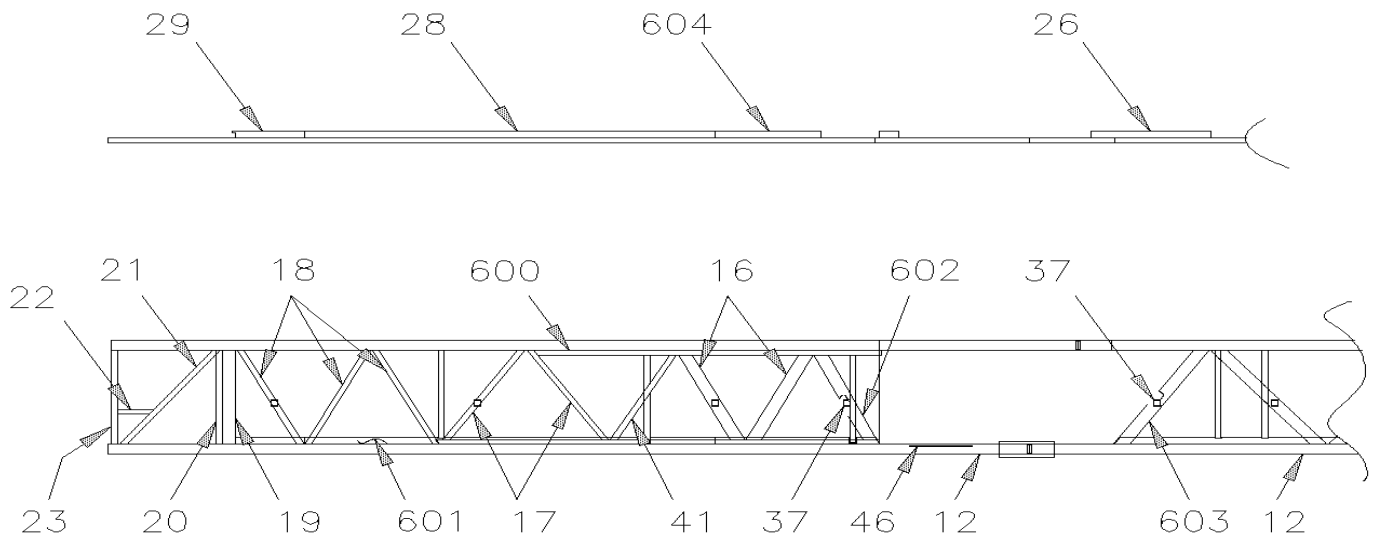
TOP VIEW RH RH FROM OUTSIDE

LH FROM INSIDE TOP VIEW LH

From R-012 To 2-4416	Date:10/2022	PAGE:H3-1891-00
WALL STRUCTURE - LOWER BUS		



RH FROM OUTSIDE
W.C.L. "ST & ST"



RH FROM OUTSIDE
W.C.L. "RICON"
BUS 45'

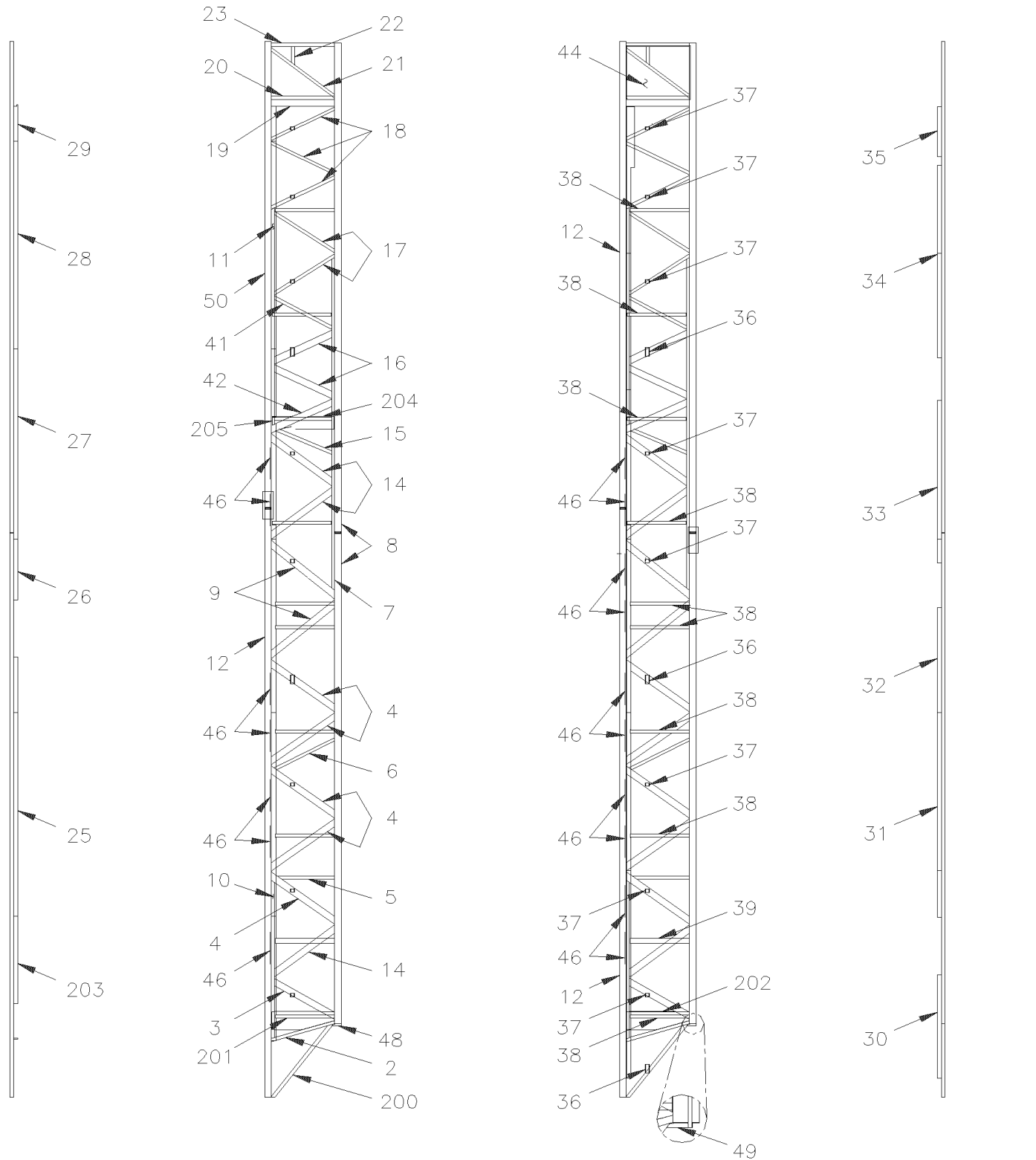
From R-012 To 2-4416	Date:10/2022	PAGE:H3-1891-00
WALL STRUCTURE - LOWER BUS		

Item#	Part	Description	H 3 4 1	H 3 4 5	V I P 4 5	N O T E S
1	231006	TUBE	1	1		
2	230954	TUBE	1	1		
3	230945	TUBE	1	1		
4	230951	TUBE	3			
4	230951	TUBE		5		
5	231048	TUBE	1	1		
6	231047	TUBE	1	1		
7	231044	TUBE	1	1		
8	230882	TUBE	1			
8	230882	TUBE		2		
9	230952	TUBE	2	2		
10	230967	TUBE	1	1		
11	230966	TUBE	1	1		
12	231163	TUBE		2		
12	231014	TUBE	2			
14	230953	TUBE	3	3		
15	231046	TUBE		1		
16	230948	TUBE	2	2		
17	231051	TUBE	2	2		
18	231050	TUBE	1	1		
19	230962	TUBE	1	1		
20	230963	PLATE	1	1		
21	231053	TUBE	1	1		
22	231045	TUBE	1	1		
23	230688	TUBE 1 1/2" X 1 1/2" / S.L.	1	1		
24	230986	ANGLE #1 R.H.	1	1		
25	230985	ANGLE	1	1		
26	231288	ANGLE			1	B
26	230984	ANGLE			1	C
26	231451	ANGLE	1	1		A
26	230988	ANGLE	1			
27	230988	ANGLE		1		
28	230983	ANGLE	1	1		
29	230898	ANGLE	1	1		
30	230980	ANGLE	1	1		
31	230987	ANGLE	1	1		
32	230990	ANGLE	1	1	1	
32	231284	ANGLE BAR			1	B
32	231453	FLOOR ANGLE BAR	1	1		A
32	231284	ANGLE BAR			1	B
32	230981	ANGLE	1			
33	230981	ANGLE	1	1		

From R-012 To 2-4416	Date:10/2022	PAGE:H3-1891-00
WALL STRUCTURE - LOWER BUS		

Item#	Part	Description	H 3 4 1	H 3 4 5	V I P 4 5	N O T E S
34	230982	ANGLE	1	1		
35	231105	ANGLE	1	1		
36	231470	DOUBLE SUPPORT	1	1		
37	231469	SUPPORT SINGLE	8			
37	231469	SUPPORT SINGLE		9		
38	230918	SUPPORT	8	8		
39	230994	SUPPORT	1	1		
40	231019	JOINT BUTT 15MM X 68MM / (WELDED)	4	4		
41	231052	TUBE	1	1		
42	231004	TUBE	1	1		
44	270887	SIDE PANEL	1	1		
45	230761	ANGLE SEAT RETAINER	1	1		
45	230795	ANGLE SEAT RETAINER W/AMERICAN SEATING ONLY	1	1		
46	212655	ATTACHMENT ROD / WELDED (TO FIX ANYTHING) / 373MM x 11MM DEEP	6			
46	212655	ATTACHMENT ROD / WELDED (TO FIX ANYTHING) / 373MM x 11MM DEEP		7		
47	230695	PLATE, CLOSING	1	1		
48	270675	REINFORCEMENT	1	1		
50	231251	RIGHT REAR LOWER TUBE	1	1		
51	326324	MOULDING SUPPORT To 2-4369	1	1		
51	321249	MOULDING SUPPORT From 2-4370	1	1		
52	212655	ATTACHMENT ROD / WELDED (TO FIX ANYTHING) / 373MM x 11MM DEEP	1	1		
300	231049	TUBE	1			
301	231015	TUBE	2			
302	230991	ANGLE	1			
303	230992	ANGLE	1			
304	231019	JOINT BUTT 15MM X 68MM / (WELDED)	4			
400	231010	TUBE	1	1		
401	231009	TUBE	1			
401	231500	TUBE		1		
402	231008	TUBE	1	1		
403	231013	ANGLE	1	1		
600	231130	TUBE		1		
601	231132	TUBE		1		
602	231133	TUBE		1		
603	231134	TUBE		1		
604	231135	TUBE		1		
		A) WITH A/C IN PARCEL RACK				
		B) WITH SMALL A/C				
		C) WITH CENTRAL A/C				

From R-012 To 2-4416	Date:10/2022	PAGE:H3-1891-50
WALL STRUCTURE - LOWER V.I.P.		



TOP VIEW RH RH FROM OUTSIDE

LH FROM INSIDE TOP VIEW LH

From R-012 To 2-4416	Date:10/2022	PAGE:H3-1891-50
WALL STRUCTURE - LOWER V.I.P.		

Item#	Part	Description	H 3 4 1	H 3 4 5	V I P 4 5	N O T E S
2	230954	TUBE			1	
3	230945	TUBE			1	
4	230951	TUBE			5	
5	231048	TUBE			1	
6	231047	TUBE			1	
7	231044	TUBE			1	
8	230882	TUBE			2	
9	230952	TUBE			2	
10	230967	TUBE			1	
11	230966	TUBE			1	
12	231163	TUBE			1	
14	230953	TUBE			3	
15	231046	TUBE			1	
16	230948	TUBE			2	
17	231051	TUBE			2	
18	231050	TUBE			3	
19	230962	TUBE			1	
20	230963	PLATE			1	
21	231053	TUBE			1	
22	231045	TUBE			1	
23	230688	TUBE 1 1/2" X 1 1/2" / S.L.			1	
25	230985	ANGLE			1	
26	230984	ANGLE			1	
27	230988	ANGLE			1	
28	230983	ANGLE			1	
29	230898	ANGLE			1	
30	230980	ANGLE			1	
31	230987	ANGLE			1	
32	230990	ANGLE			1	
33	230981	ANGLE			1	
34	230982	ANGLE			1	
35	231105	ANGLE			1	
36	230972	SUPPORT			2	
37	230974	SUPPORT			8	
38	230918	SUPPORT			10	
39	230994	SUPPORT			1	
40	231019	JOINT BUTT 15MM X 68MM / (WELDED)			4	
41	231052	TUBE			1	
42	231004	TUBE			1	
44	270887	SIDE PANEL			1	
46	212655	ATTACHMENT ROD / WELDED (TO FIX ANYTHING) / 373MM x 11MM DEEP			6	
48	270675	REINFORCEMENT			1	

From R-012 To 2-4416	Date:10/2022	PAGE:H3-1891-50
WALL STRUCTURE - LOWER V.I.P.		

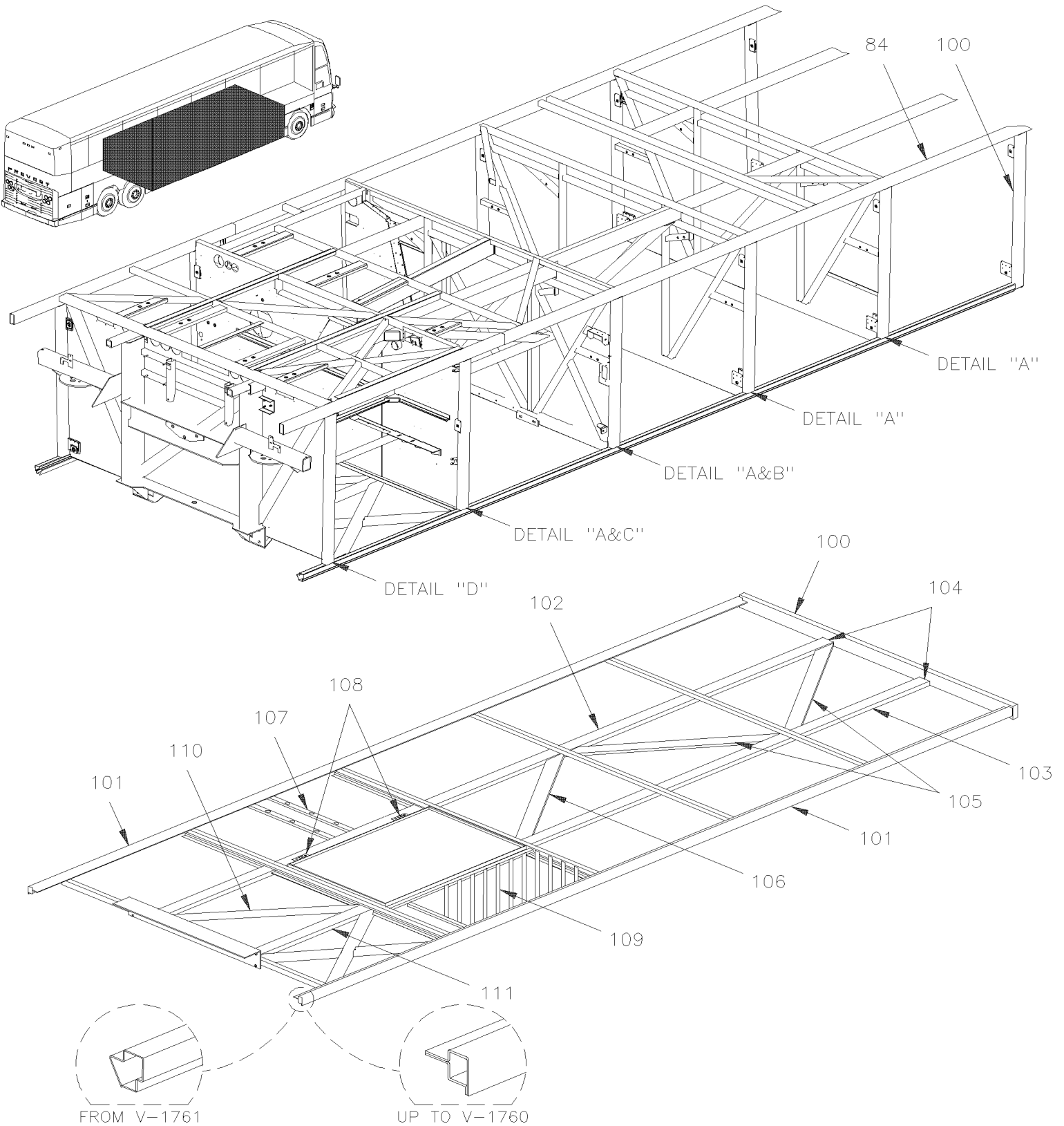
Item#	Part	Description	H 3 4 1	H 3 4 5	V I P 4 5	N O T E S
49	270676	REINFORCEMENT			1	
50	231251	RIGHT REAR LOWER TUBE			1	
200	231041	TUBE			1	
201	230969	REINFORCEMENT			1	
202	230971	REINFORCEMENT			1	
203	230993	ANGLE			1	
204	231509	SUPPORT			1	
205	231510	SUPPORT			1	

From R-012 To 2-4416

Date:10/2022

PAGE:H3-1893-00

BAGGAGE COMPARTMENT STRUCT.

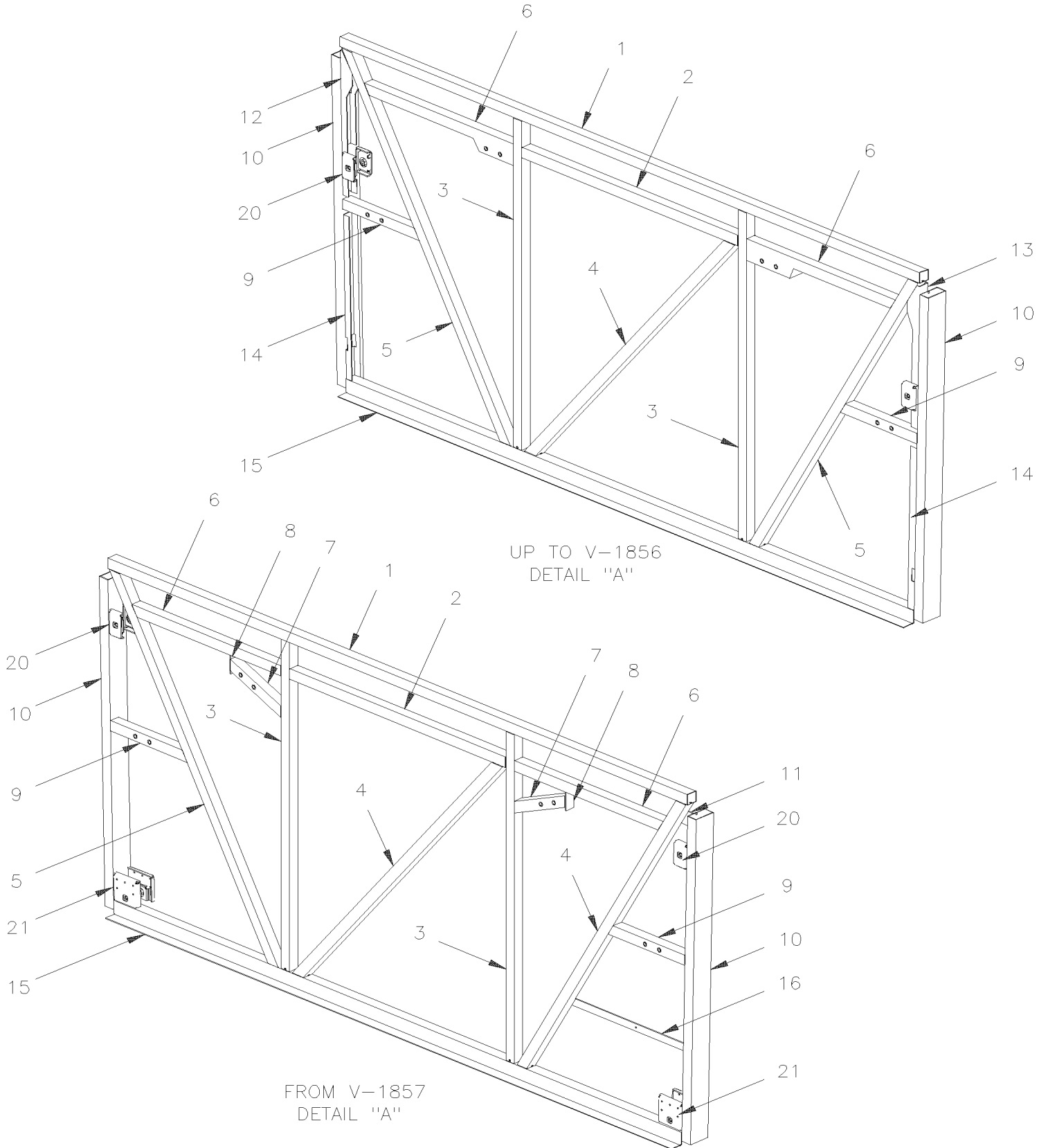


From R-012 To 2-4416

Date:10/2022

PAGE:H3-1893-00

BAGGAGE COMPARTMENT STRUCT.

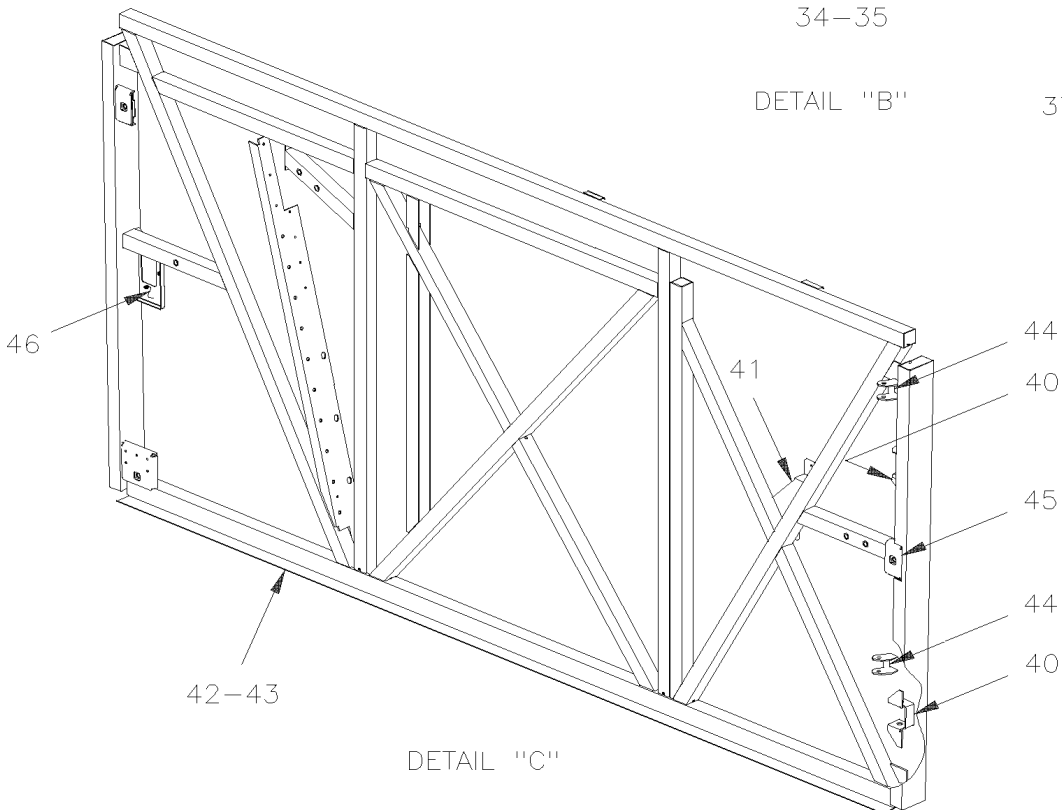
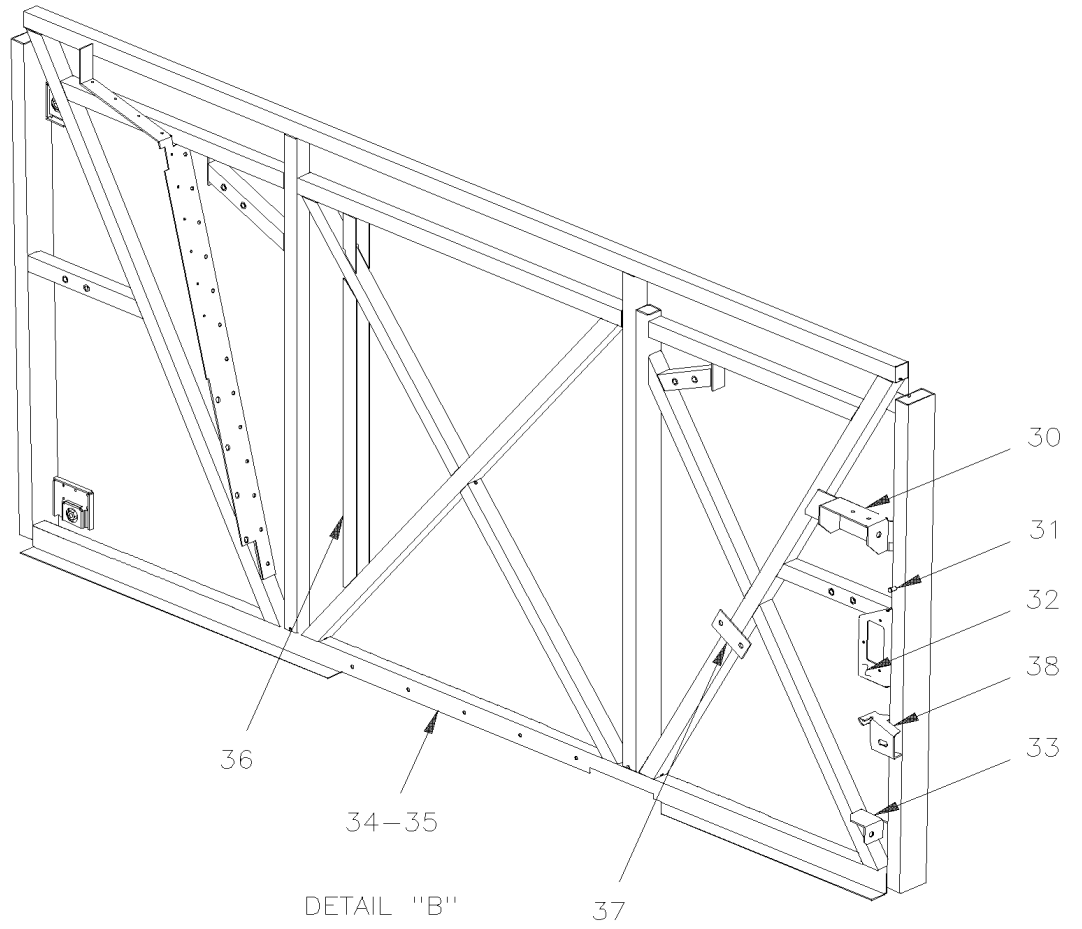


From R-012 To 2-4416

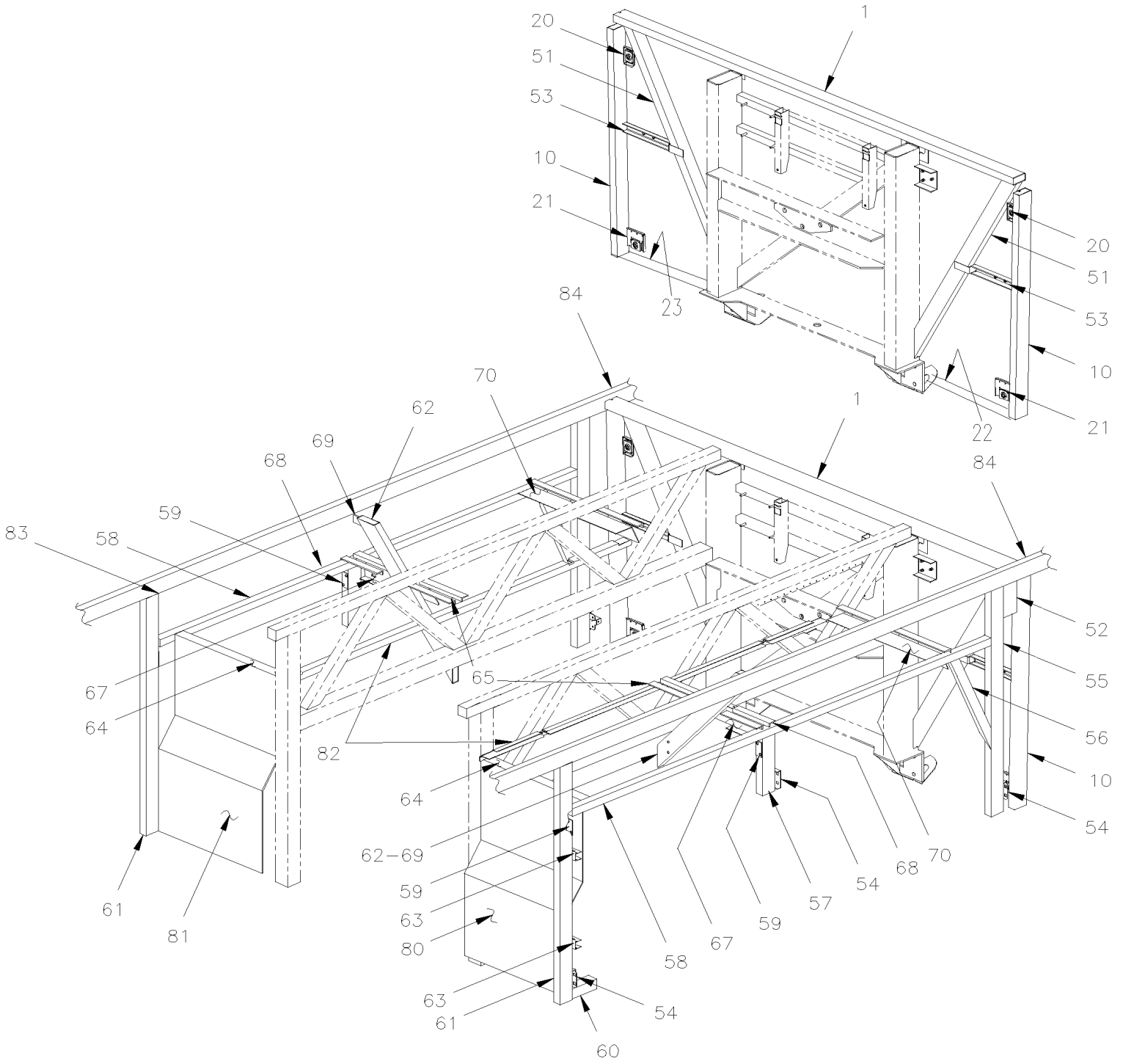
Date:10/2022

PAGE:H3-1893-00

BAGGAGE COMPARTMENT STRUCT.



From R-012 To 2-4416	Date:10/2022	PAGE:H3-1893-00
BAGGAGE COMPARTMENT STRUCT.		



DETAIL "D"

From R-012 To 2-4416	Date:10/2022	PAGE:H3-1893-00
BAGGAGE COMPARTMENT STRUCT.		

Item#	Part	Description	H 3 4 1	H 3 4 5	V I P 4 5	N O T E S
1	210608	TUBE 2460MM	1	1	1	
2	210550	TUBE 916MM	1	1	1	
3	210961	TUBE 1145MM	2	2	2	
4	210549	TUBE 1363MM To V-1856	1	1	1	
4	213407	TUBE 1354MM From V-1857	1	1	1	
5	210551	TUBE 1356MM To V-1856	2	2	2	
5	213408	TUBE 1351MM From V-1857	2	2	2	
6	210566	SUPPORT CYLINDER "U" FORM 1000MM To V-1856	2	2	2	
6	213388	TUBE 631MM From V-1857	2	2	2	
7	213386	TUBE CYLINDER ATTACHMENT ASSY 249MM From V-1857	2	2	2	
8	213387	CLOSING PLATE 34MM X 55MM From V-1857	2	2	2	
9	212114	TUBE CYLINDER ATTACHMENT ASSY 326MM To V-1856	2	2	2	
9	213409	TUBE CYLINDER ATTACHMENT ASSY 325MM From V-1857	2	2	2	
10	210699	TUBE 1140MM To V-1856	2	2	2	
10	213399	TUBE 1139MM From V-1857 To V-2064	2	2	2	
10	213557	TUBE 1139MM From V-2065	2	2		
10	213564	TUBE / W/ONE FACE SAND / 1139MM From V-2065			2	
11	213410	REINFORCEMENT PLATE To V-1857	1	1	1	
12	211814	REINFORCEMENT / STREET SIDE / 500MM / To V-1856	1	1	1	
13	211815	REINFORCEMENT / CURBSIDE / 500MM / To V-1856	1	1	1	
14	211768	SUPPORT "U" 566MM To V-1856	1	1	1	
15	212466	FLOOR SUPPORT FORM 2410MM / 133MM WIDE 2410MM / 133MM WIDE	1	1	1	
16	363998	SUPPORT LOWER HOSTESS SEAT / BAGGAGE COMP	1	1		
20	282869	FLOATING NUT ASSY WITH CASE	2	2	2	
20	287943	FLOATING NUT ASSY WITH CASE	2	2	2	
21	285516	SUPPORT LOWER / (WELDED TO STRUCTURE) To 1-4237	2	2	2	A
21	285517	SUPPORT LOWER / (WELDED TO STRUCTURE) To 1-4238	2	2	2	
21	287903	SUPPORT LOWER / (WELDED TO STRUCTURE)	2	2	2	
22	210661	ANGLE FLOOR SUPPORT / CURBSIDE To V-1760	1	1	1	
22	213361	ANGLE FLOOR SUPPORT / CURBSIDE From V-1761	1	1	1	
23	210660	ANGLE FLOOR SUPPORT / STREETSIDE To V-1760	1	1	1	
23	213362	ANGLE FLOOR SUPPORT / STREETSIDE From V-1761	1	1	1	
30	213314	SUPPORT SAFETY LOCK From V-1961	1	1	1	
31	285688	PIN PIVOT / (WELDED) From V-1961	1	1	1	
32	285704	SUPPORT / LATCH / (WELDED) From V-1961	1	1	1	
33	213316	ATTACHMENT From V-1961	1	1	1	
34	211396	FLOOR SUPPORT FORM 2410MM / 113.5MM WIDE 2410MM / 113.5MM WIDE	1	1	1	
34	212402	FLOOR SUPPORT FORM 2410MM / 133MM WIDE 2410MM / 133MM WIDE	1	1	1	
35	211405	REINFORCEMENT 45MM X 692MM	1	1	1	
36	211324	SUPPORT "U" 864MM To V-1856	1	1	1	
36	213435	SUPPORT "U" 871MM From V-1857	1	1	1	
37	211687	MOUNTING PLATE / MOTOR SUPPORT To V-1960	1	1	1	

From R-012 To 2-4416	Date:10/2022	PAGE:H3-1893-00
BAGGAGE COMPARTMENT STRUCT.		

Item#	Part	Description	H 3 4 1	H 3 4 5	V I P 4 5	N O T E S
38	211586	SAFETY CATCH SUPPORT To V-1960	1	1	1	
40	282491	SUPPORT (WELDED)	1	1	1	
41	213291	SUPPORT A/C FILTER DRYER To V-1856	1	1	1	
41	213752	SUPPORT A/C FILTER DRYER From V-1857 To 1-4274	1	1	1	
41	214518	SUPPORT A/C FILTER DRYER From 1-4275	1	1	1	
42	211396	FLOOR SUPPORT FORM 2410MM / 113.5MM WIDE 2410MM / 113.5MM WIDE	1	1	1	
43	211405	REINFORCEMENT 45MM X 692MM	1	1	1	
44	285351	SUPPORT / (WELDED)		1		
45	287943	FLOATING NUT ASSY WITH CASE		1		
46	282988	PLATE HOLDER / WELDED TO STRUCTURE	1	1	1	
51	171548	TUBE 1272MM	2	2	2	
52	212572	REINFORCEMENT PLATE / 134MM X 200MM	2	2	2	
53	212843	CYLINDER ATTACHMENT 326MM	2	2	2	
54	285667	BRACKET / "U" SHAPE / (WELDED)	3	3	3	
55	212457	TUBE 1139MM	2	2	2	
56	212529	TUBE 608MM	2	2		
56	212996	TUBE 564MM			2	
57	212029	TUBE 248MM			2	
57	212997	TUBE 286MM	2	2		
58	212541	TUBE 2462MM SS	2	2	2	
59	213389	REINFORCEMENT ANGLE 30MM X 64MM	AR	AR	AR	
60	212596	ANGLE 100MM	1	1	1	
61	213179	TUBE ASSY / CURBSIDE	1	1	1	
61	213180	TUBE ASSY / STREETSIDE	1	1	1	
62	171692	TUBE 932MM	1	1	1	
63	285399	SUPPORT / (WELDED)	2	2	2	
64	212522	ANGLE 25MM x 65MM x 628MM / (WELDED)	2	2		
64	212999	ANGLE R.H. / 25MM x 65MM x 628MM / (WELDED)			1	
64	213031	ANGLE L.H. / 25MM x 65MM x 628MM / (WELDED)			1	
65	213012	SUPPORT / "W" SHAPE (WELDED) / 170MM SS			2	
65	212553	SUPPORT / "W" SHAPE (WELDED) / 206MM SS	2	2		
NS	212532	SUPPORT	2	2		
NS	213001	SUPPORT			2	
67	171954	SUPPORT R.H.	1	1	1	
67	171957	SUPPORT L.H.	1	1	1	
68	212531	SUPPORT / "T" SHAPE (WELDED) / 245MM SS	2	2	2	
69	213546	REINFORCEMENT	2	2	2	
70	212521	SUPPORT ANGLE 45° / SLOTTED TO HOLD PANEL (WELDED) 648MM	2	2		
70	212998	SUPPORT ANGLE 45° / SLOTTED TO HOLD PANEL (WELDED) 648MM			2	
80	H3-1894-10	REAR - R.H. SERVICE COMPARTMENT STRUCTURE				
81	H3-1894-05	REAR - L.H. SERVICE COMPARTMENT STRUCTURE				
82	H3-1897-10	REAR SUB-FRAME				

From R-012 To 2-4416	Date:10/2022	PAGE:H3-1893-00
BAGGAGE COMPARTMENT STRUCT.		

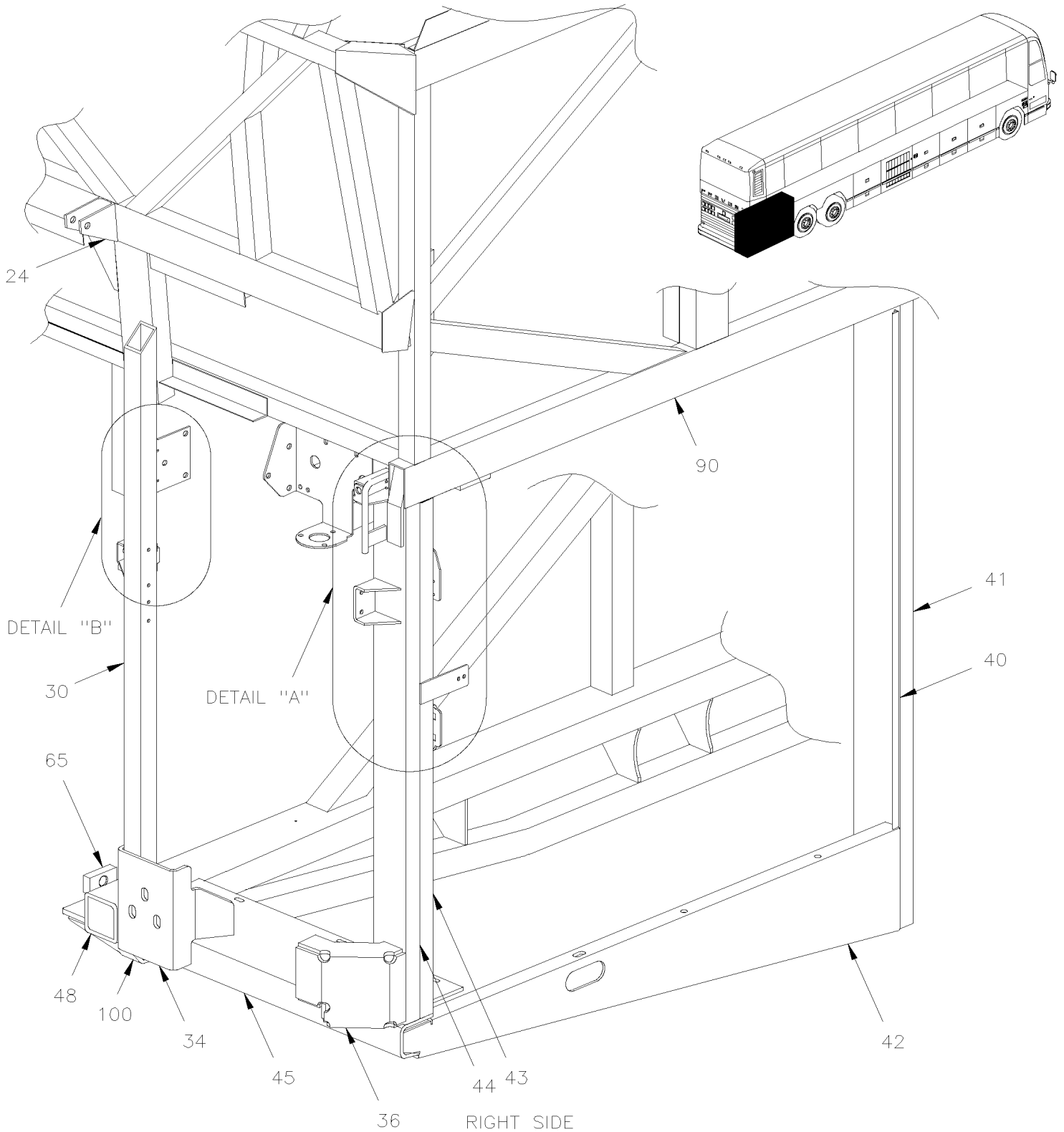
Item#	Part	Description	H 3 4 1	H 3 4 5	V I P 4 5	N O T E S
83	250851	REINFORCEMENT	1	1	1	
84	H3-1891-00	WALL STRUCTURE - LOWER BUS				
100	H3-1895-40	FRONT END STRUCTURE - BUS				
100	H3-1895-55	FRONT END STRUCTURE - I BEAM SUSPENSION - V.I.P.				
100	H3-1895-60	FRONT END STRUCTURE - W/IND SUSPENSION - V.I.P.				
101	212391	PROFILE LOWER BAGGAGE DOOR 6584.8MM L.H. To V-1760	1	1	1	
101	212386	PROFILE LOWER BAGGAGE DOOR 6584.8MM R.H. To V-1760	1	1	1	
101	213654	PROFILE LOWER BAGGAGE DOOR 2438MM / SERVICE To V-1760	AR	AR	AR	
101	213345	PROFILE LOWER BAGGAGE DOOR 5338.8MM From V-1761 To V-2064	2			
101	213344	PROFILE LOWER BAGGAGE DOOR 6584.8MM From V-1761 To V-2064	2			
101	213798	PROFILE LOWER BAGGAGE DOOR 5348MM From W-2285	2			
101	213555	PROFILE LOWER BAGGAGE DOOR 5417.8MM From V-2065 To W-2284		2	2	
101	213556	PROFILE LOWER BAGGAGE DOOR 6663.8MM From V-2065 To W-2284		2	2	
101	213796	PROFILE LOWER BAGGAGE DOOR 6594MM From W-2285		2	2	
101	213657	PROFILE LOWER BAGGAGE DOOR 3297MM / SERVICE From V-1761	AR	AR	AR	
102	212385	TUBE 6323MM To X-2598		1	1	
102	213276	TUBE 6327MM From X-2599		1	1	
102	212621	TUBE 5077MM To X-2598	1			
102	213486	TUBE 5086MM From X-2599	1			
103	212398	TUBE 3744MM To X-2598		1	1	
103	212622	TUBE 2498MM From X-2599		1	1	
104	230695	PLATE, CLOSING	2	2	2	
105	212683	TUBE 1474MM	2	2	2	
106	212717	TUBE 1517MM	1	1	1	
107	211240	ANGLE SUPPORT 708MM To V-1760	2	2	2	
107	213363	ANGLE SUPPORT 702MM From V-1761	2	2	2	
108	211411	SUPPORT FUEL TANK	2	2	2	
109	211191P	DEFLECTOR FLOOR LOUVER ASSY / WELDED 1341MM x 607MM To V-1760	1	1	1	
109	213365P	DEFLECTOR FLOOR LOUVER ASSY / WELDED 1341MM x 582MM From V-1761 To V-2062	1	1	1	
109	213354P	DEFLECTOR FLOOR LOUVER ASSY / WELDED 1265MM x 582MM From V-2063	1	1	1	
110	212682	TUBE 1426MM	1	1	1	
111	212400	TUBE 1228MM To X-2598	1	1	1	
111	213832	TUBE 1226MM From X-2599	1	1	1	
		A) WITH BEND BOTTOM				

From R-012 To 2-4416

Date:10/2022

PAGE:H3-1894-00

REAR STRUCTURE

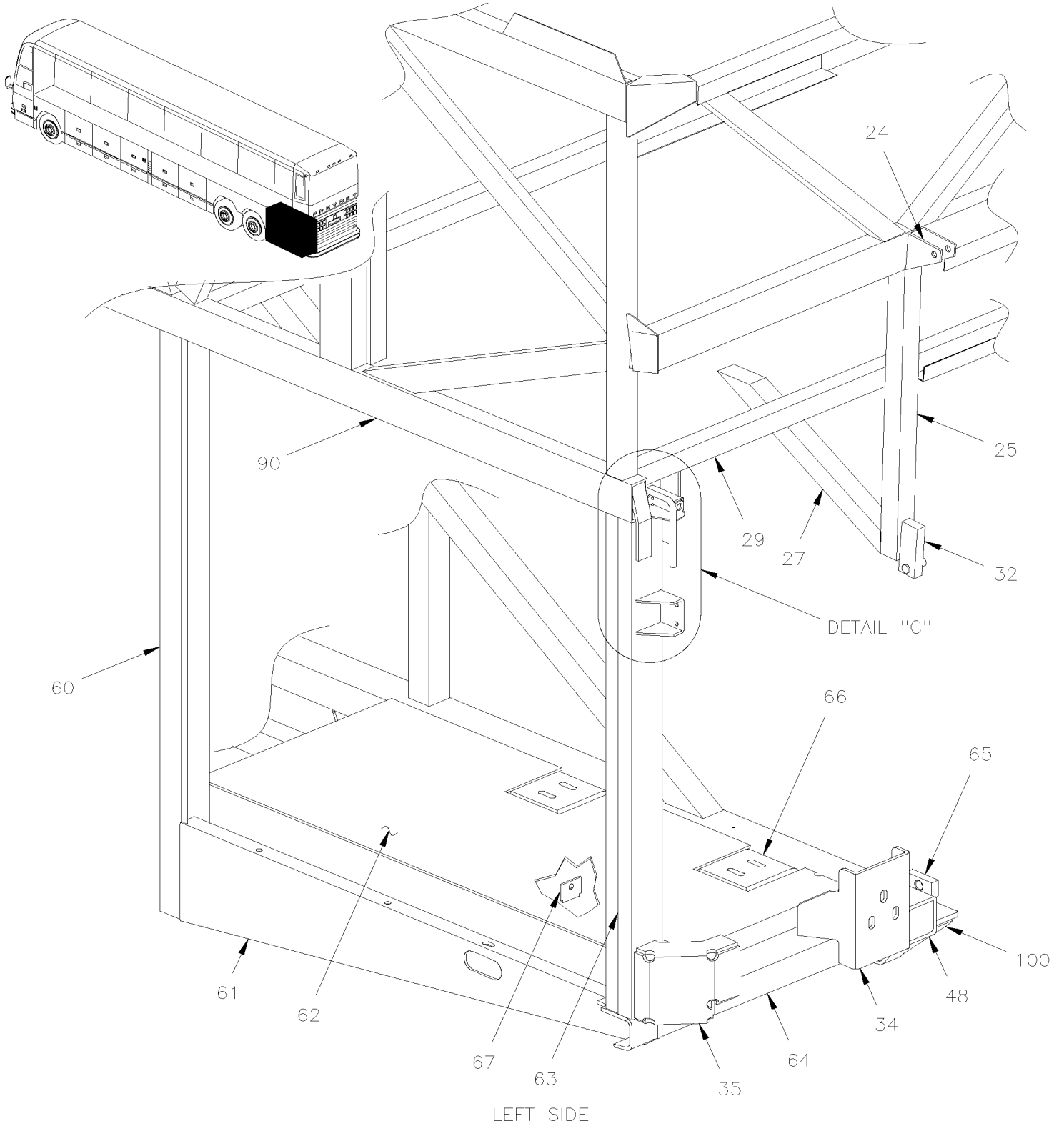


From R-012 To 2-4416

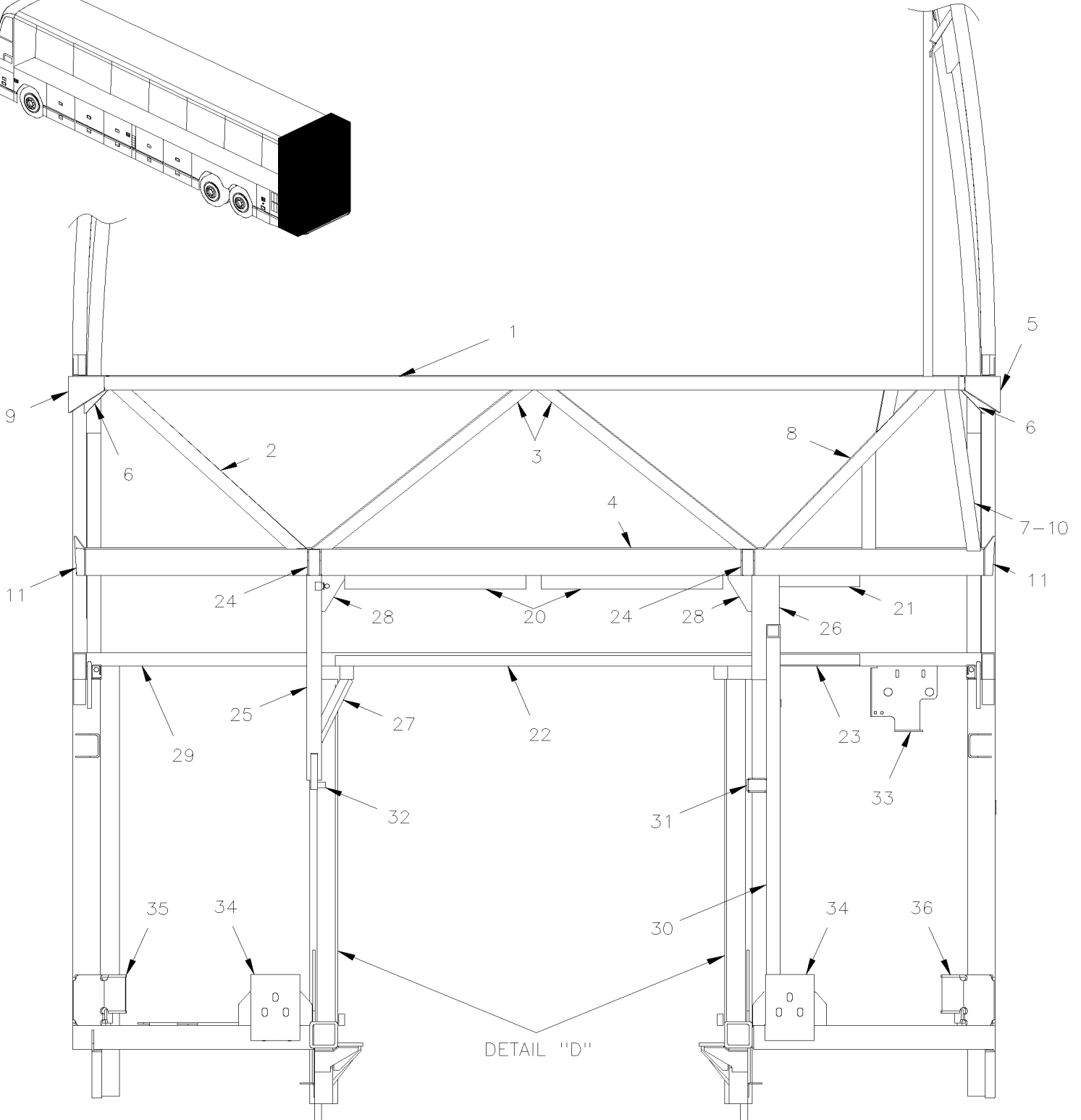
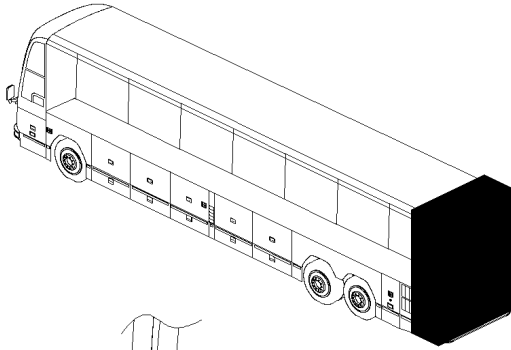
Date:10/2022

PAGE:H3-1894-00

REAR STRUCTURE



From R-012 To 2-4416	Date:10/2022	PAGE:H3-1894-00
REAR STRUCTURE		

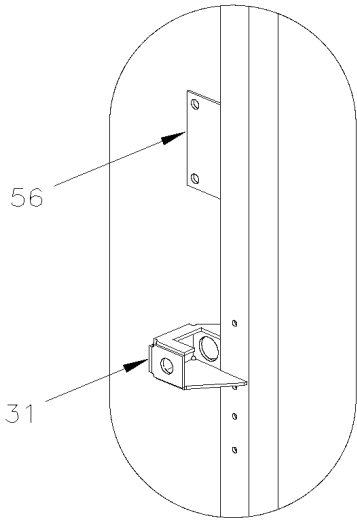


From R-012 To 2-4416

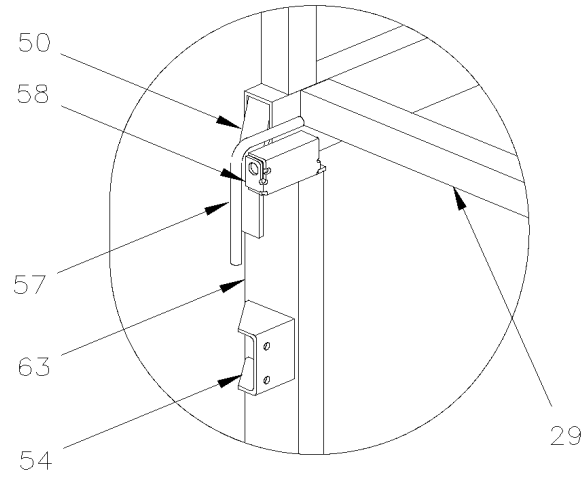
Date:10/2022

PAGE:H3-1894-00

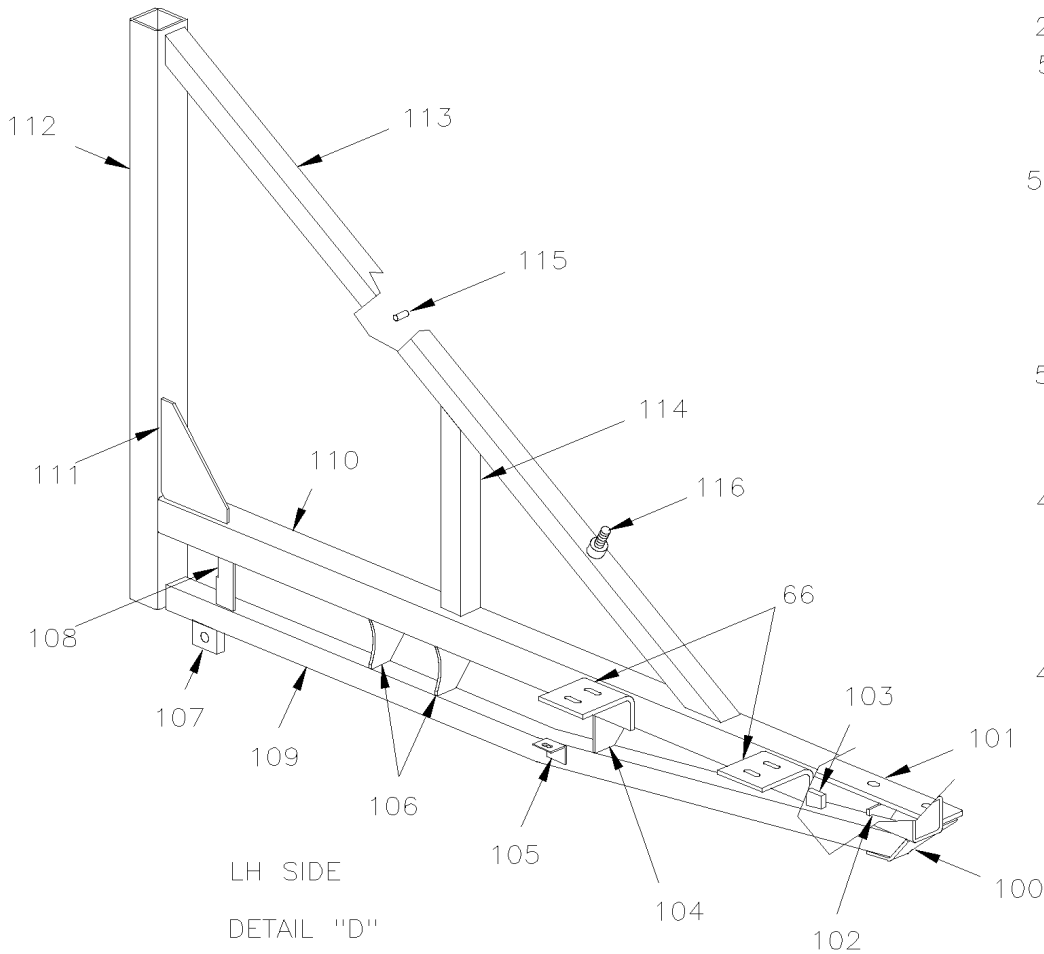
REAR STRUCTURE



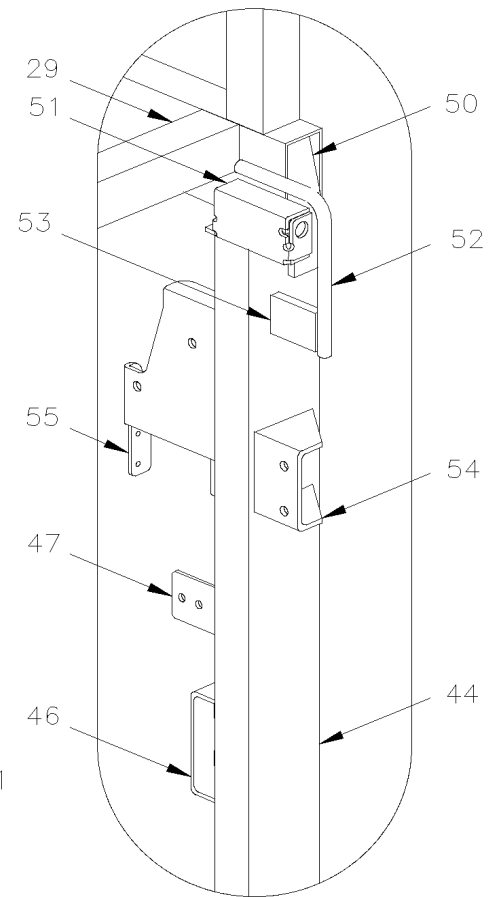
DETAIL "B"



DETAIL "C"



LH SIDE
DETAIL "D"



DETAIL "A"

From R-012 To 2-4416	Date:10/2022	PAGE:H3-1894-00
REAR STRUCTURE		

Item#	Part	Description	H 3 4 1	H 3 4 5	V I P 4 5	N O T E S
	Call order desk	REAR END STRUCRURE ASSY	1	1	1	P
1	270984	. TUBE UPPER	1	1	1	
2	270812	. TUBE	1	1	1	
3	270813	. TUBE	2	2	2	
4	270973	. TUBE	1	1	1	
5	270981	. PLATE R.H.	1	1	1	
6	270982	. REINFORCEMENT	2	2	2	
7	270817	. TUBE	1	1	1	
8	270818	. TUBE	1	1	1	
9	270983	. PLATE L.H	1	1	1	
10	270980	. PANEL R.H. OUTSIDE	1	1	1	
11	270985	. PLATE	2	2	2	
20	211715	SUPPORT 500MM	1	1	1	
21	212200	SUPPORT 500MM	2	2	2	
22	212173	SUPPORT 1181MM	1	1	1	
23	212172	SUPPORT 222MM	1	1	1	
24	284746	ANCHOR BRACKET PANTHOGRAPH LEVER / WELDED TO STRUCTURE	2	2	2	
25	212350	TUBE To W-2284	1	1	1	
25	213747	TUBE From W-2285	1	1	1	
26	212182	TUBE	1	1	1	
NS	212183	REINFORCEMENT	1	1	1	
27	212190	REINFORCEMENT	1	1	1	
28	211432	SUPPORT	2	2	2	
29	211434	TUBE 2460MM	1	1	1	
30	212181	TUBE	1	1		
30	212611	TUBE			1	
31	212180	ATTACHMENT To T-1611	1	1	1	
31	213285	ATTACHMENT ASSY / CYLINDER LOWER From T-1612	1	1	1	
32	212189	ATTACHMENT ASSY To T-1611	1	1	1	
32	213287	ATTACHMENT ASSY From T-1612 To W-2284	1	1	1	
32	213746	ATTACHMENT ASSY From W-2285 To X-2900	1	1	1	
32	214215	ATTACHMENT ASSY / CYLINDER LOWER From X-2901	1	1	1	
33	211593	ATTACHMENT OIL TANK R.H. To T-1610	1	1		
33	213266	ATTACHMENT OIL TANK R.H. From T-1611 To 1-4295	1	1		
33	214602	ATTACHMENT OIL TANK R.H. From 1-4296	1	1		
34	212411	BRACKET BUMPER L.H. & R.H. / (WELDED AT STRUCTURE) To W-2109	2	2		
34	213514	BRACKET BUMPER L.H. & R.H. / (WELDED AT STRUCTURE) From W-2110	2	2		
34	212609	BRACKET L.H. CENTER / (WELDED AT STRUCTURE)			1	
34	212610	BRACKET R.H. CENTER / (WELDED AT STRUCTURE)			1	
35	212662	BRACKET BUMPER L.H. / (WELDED AT STRUCTURE)			1	
36	212660	BRACKET BUMPER R.H. / (WELDED AT STRUCTURE)			1	
40	212473	SUPPORT / SEAL To S-127	1	1	1	

From R-012 To 2-4416	Date:10/2022	PAGE:H3-1894-00
REAR STRUCTURE		

Item#	Part	Description	H 3 4 1	H 3 4 5	V I P 4 5	N O T E S
40	212785	SUPPORT / SEAL From S-128	1	1	1	
41	H3-1894-10	REAR - R.H. SERVICE COMPARTMENT STRUCTURE				
42	212314	REINFORCEMENT R.H. / "TRIANGULAR SHAPE" To S-127	1	1	1	
42	212814	REINFORCEMENT R.H. / "TRIANGULAR SHAPE" From S-128	1	1	1	
43	212474	SUPPORT / SEAL	1	1	1	
44	211292P	ASSY WITH GUIDE TUBE & GUIDE PIN	1	1	1	A
45	212315	REINFORCEMENT To Y-2900	1	1		
45	214000	REINFORCEMENT From Y-2901	1	1		
45	212668	REINFORCEMENT To W-2457			1	
45	214001	REINFORCEMENT From W-2458			1	
46	211863	SUPPORT LATCH / WELDED TO STRUCTURE	1	1	1	
47	212203	SUPPORT BACK UP ALARM	1	1	1	
47	212276	SUPPORT BACK UP ALARM & 110V OUTLET	1	1	1	
48	212596	ANGLE 100MM	2	2	2	
50	213257	REINFORCEMENT	2	2	2	
51	212246	GUIDE PIN R.H. / WELDED TO STRUCTURE	1	1	1	
52	283036	GUIDE TUBE R.H. / WELDED TO STRUCTURE	1	1	1	
53	211594	SUPPORT GUIDE TUBE WELDED TO STRUCTURE / 36MMX 50MM	2	2	2	
54	283327	SUPPORT	2	2	2	
55	212543	SUPPORT To T-1611	1	1		
55	213267	ATTACHMENT From T-1612	1	1		
55	213267	ATTACHMENT			1	
56	212178	ATTACHMENT OIL TANK L.H. To T-1611	1	1	1	
56	213288	ATTACHMENT OIL TANK L.H. From T-1612	1	1	1	
57	283038	GUIDE TUBE L.H. / WELDED TO STRUCTURE	1	1	1	
58	212245	GUIDE PIN L.H. / WELDED TO STRUCTURE	1	1	1	
60	H3-1894-05	REAR - L.H. SERVICE COMPARTMENT STRUCTURE				
61	212316	REINFORCEMENT L.H. / "TRIANGULAR SHAPE" To V-1935	1	1	1	
61	213751	SIDE MEMBER RADIATOR FLOOR PANEL From V-1936	1	1	1	
62	212600	FLOOR / RADIATOR To V-1935	1	1	1	
62	213750	FLOOR FAN RADIATOR From V-1936	1	1	1	
63	212349	TUBE	1	1	1	
64	212323	REINFORCEMENT	1	1	1	
65	212489	ATTACHMENT ENGINE CRADDLE	2	2	2	
66	212598	SUPPORT FAN RADIATOR	2	2	2	
67	212573	SUPPORT, ANGLE / MUFFLER (WELDED)	1	1	1	
90	H3-1891-00	WALL STRUCTURE - LOWER BUS				
100	171809	REINFORCEMENT	1	1	1	
101	172537	TUBE	1	1	1	
102	172538	REINFORCEMENT / L.H.	1	1	1	
102	171812	REINFORCEMENT / R.H.	1	1	1	
103	171810	ATTACHMENT	1	1	1	

From R-012 To 2-4416	Date:10/2022	PAGE:H3-1894-00
REAR STRUCTURE		

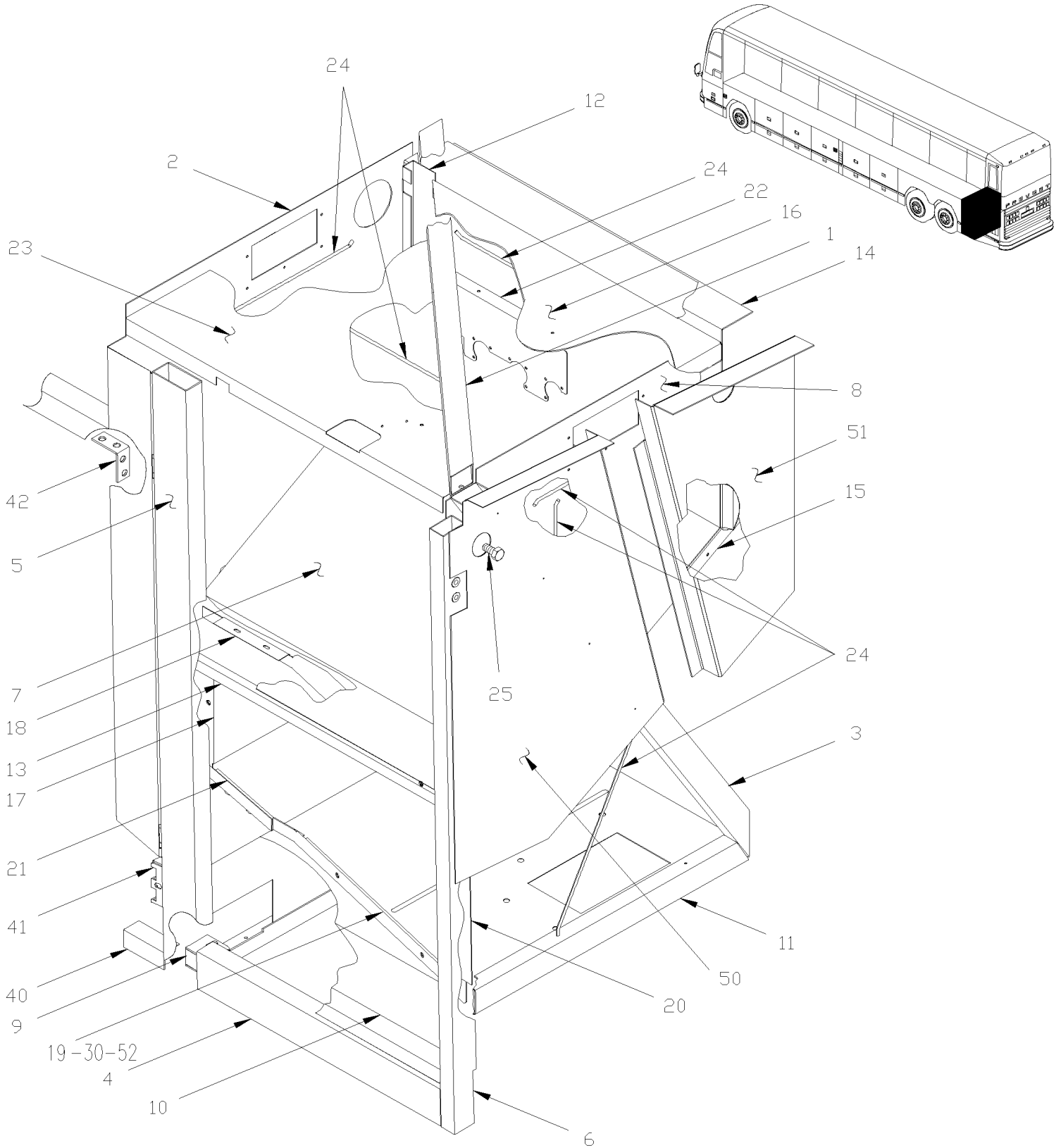
Item#	Part	Description	H 3 4 1	H 3 4 5	V I P 4 5	N O T E S
104	171546	REINFORCEMENT	1	1	1	
105	212329	ATTACHMENT	1	1	1	
106	171561	REINFORCEMENT	2	2	2	
107	171849	ATTACHMENT	1	1	1	
108	212362	ATTACHMENT	1	1	1	
109	171560	SKID	1	1	1	
110	171559	TUBE	1	1	1	
111	171636	REINFORCEMENT	1	1	1	
112	171557	TUBE	1	1	1	
113	171551	TUBE	1	1	1	
114	171550	TUBE	1	1	1	
115	5001146	SCREW CAP HEX M5-0.8x20 SS BK	2	2	2	
116	380360	STUD, GROUND (WELDED TO STRUCTURE) 1/2-13	1	1	1	
		A) INCLUDES ITEMS 44, 46, 47, 51, 52, 53 & 54				
		P) CALL ORDER DESK FOR SPECIFIC APPLICATION (V.I.N.)				

From R-012 To 2-4416

Date:10/2022

PAGE:H3-1894-05

REAR - L.H. SERVICE COMPARTMENT STRUCTURE



From R-012 To 2-4416	Date:10/2022	PAGE:H3-1894-05
REAR - L.H. SERVICE COMPARTMENT STRUCTURE		

Item#	Part	Description	H 3 4 1	H 3 4 5	V I P 4 5	N O T E S
1	212407	TUBE	1	1	1	
2	212365	PANEL / FOWARD To T-1510	1	1	1	
2	213181	PANEL / FOWARD From T-1511 To W-2072	1	1	1	
2	213411	PANEL / FOWARD From W-2073 To W-2284	1	1	1	
2	213661	PANEL / FOWARD From W-2285 To Y-3255	1	1	1	
2	214359	PANEL / FOWARD From Y-3256	1	1	1	
2	213786	PANEL / FOWARD / W SMALL A/C SYSTEM From W-2458 To Y-3299			1	
2	214358	PANEL / FOWARD / W SMALL A/C SYSTEM From Y-3300			1	
3	212326	TUBE / REINFORCEMENT / BACKWARD	1	1	1	
4	212313	TUBE / LOWER	1	1	1	
5	213179	TUBE ASSY / CURBSIDE	1	1	1	
6	212436	TUBE / BACKWARD	1	1	1	
7	213424	PANEL CENTER	1	1	1	
8	212364	PANEL / BACKWARD	1	1	1	
8	213787	PANEL / BACKWARD / W SMALL A/C SYSTEM			1	
9	212354	SUPPORT	1	1	1	
10	212361	PANEL / FLOOR To T-1598	1	1	1	
10	213264	PANEL / FLOOR From T-1599	1	1	1	
11	212488	TUBE / BACKWARD / HORIZONTAL	1	1	1	
12	212451	MOULDING REAR L.H.	1	1	1	
13	212415	MOULDING FRONT CENTER	1	1	1	
14	212414	PANEL / CURBSIDE UPPER	1	1	1	
15	212452	MOULDING CENTER BACKWARD	1	1	1	
16	212480	PACEL CEILLING / CURBSIDE	1	1	1	
17	212592	ATTACHMENT COVER 330MM To T-1472	1	1	1	
17	213161	ATTACHMENT COVER 330MM From T-1473 To Y-3477	1	1	1	
17	214344	ATTACHMENT COVER 330MM From Y-3478	1	1	1	
18	212593	ATTACHMENT COVER 704MM To T-1472	1	1	1	
18	213162	ATTACHMENT COVER 704MM From T-1473 To Y-3477	1	1	1	
18	214345	ATTACHMENT COVER 704MM From Y-3478	1	1	1	
19	212594	ATTACHMENT COVER 550MM To T-1472	1	1	1	
19	213163	ATTACHMENT COVER 550MM From T-1473 To Y-3477	1	1	1	
19	214347	ATTACHMENT COVER 550MM From Y-3478	1	1	1	
20	212595	ATTACHMENT COVER 368MM To T-1472	1	1	1	
20	213164	ATTACHMENT COVER 368MM From T-1473 To Y-3477	1	1	1	
20	214346	ATTACHMENT COVER 368MM From Y-3478	1	1	1	
21	212650	ANGLE ATTACHMENT 150MM To T-1472	1	1	1	
21	212031	ANGLE ATTACHMENT 150MM From T-1473	1	1	1	
22	381812	SUPPORT / CONNECTOR	1	1	1	
23	212479	PACEL CEILLING / STREESIDE	1	1	1	
24	212655	ATTACHMENT ROD / WELDED (TO FIX ANYTHING) / 373MM x 11MM DEEP	1	1	1	
25	5001330	SCREW CAP HEX 1/2-13x1 SS	1	1	1	

From R-012 To 2-4416	Date:10/2022	PAGE:H3-1894-05
REAR - L.H. SERVICE COMPARTMENT STRUCTURE		

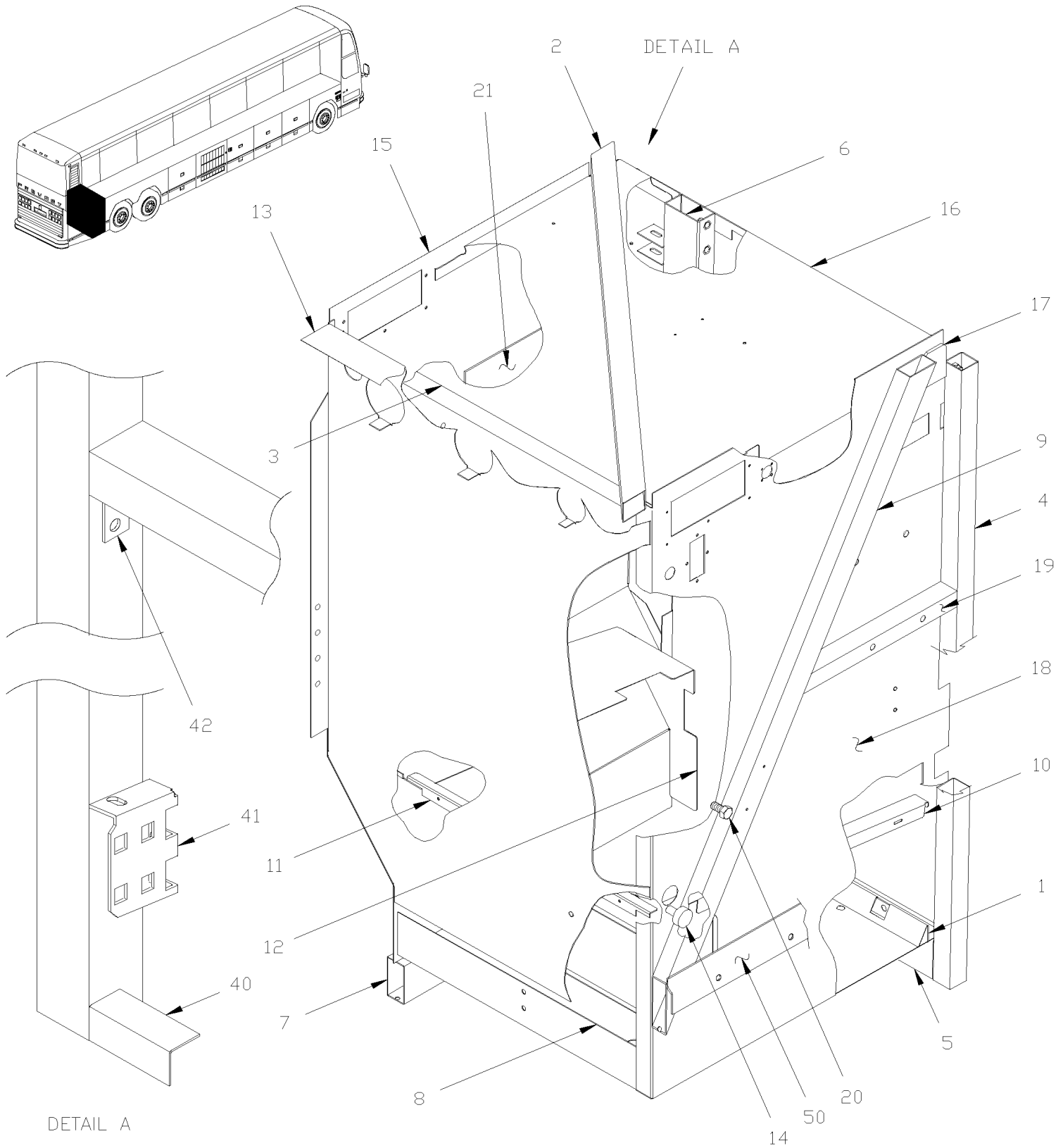
Item#	Part	Description	H 3 4 1	H 3 4 5	V I P 4 5	N O T E S
NS	5001354	STUD WD WOC M6-1.0X20 SS	2	2	2	
30	482189	COVER PANEL ASSY / WATER HEATER To T-1472	1	1	1	
. NS	482185	. COVER PANEL / WATER HEATER To T-1472	1	1	1	
. NS	506003	. TAPE RUB ADH1 CC POL 3/16" x 3/4" x 40' / GREY 2520X To T-1472	AR	AR	AR	
30	482451	COVER PANEL ASSY / WATER HEATER From T-1473	1	1	1	
. NS	482450	. COVER PANEL / WATER HEATER From T-1473	1	1	1	
. NS	506003	. TAPE RUB ADH1 CC POL 3/16" x 3/4" x 40' / GREY 2520X From T-1473	AR	AR	AR	
30	483318	COVER PANEL / WATER HEATER - "ESPAR" 103,000 B.T.U. & - "PROHEAT" 80,000 B.T.U.	1	1	1	
NS	500414	SCREW TP BDG PH #10x3/4 SS To T-1472	6	6	6	
NS	5001035	NUT WING M5-0.8 NP From T-1473 To Y-3477	6	6	6	
NS	481249	NUT From T-1472 To Y-3477	6	6	6	
NS	214400	NUT SPR U 1/4-20 .064-.125 YC From Y-3478	6	6	6	
. NS	500837	. NUT SPR U 1/4-20 .064-.125 From Y-3478	1	1	1	
NS	500411	WASHER FL .260x.697x.050 SS From Y-3478	6	6	6	
40	212596	ANGLE 100MM	1	1	1	
41	472832	BRACKET / "U" SHAPE / (WELDED) To V-1907	1	1	1	
41	285667	BRACKET / "U" SHAPE / (WELDED) From V-1908	1	1	1	
42	213389	REINFORCEMENT ANGLE 30MM X 64MM	1	1	1	
50	213797	PANEL			1	B
50	212366	PANEL L.H.	1	1	1	A
51	212542	PANEL R.H.	1	1	1	A
52	H3-1879-50	REAR SIDE SERVICE DOOR ASSY L.H.	1	1	1	
54	214400	NUT SPR U 1/4-20 .064-.125 YC	1	1	1	
. NS	500837	. NUT SPR U 1/4-20 .064-.125	1	1	1	
55	500837	NUT SPR U 1/4-20 .064-.125	1	1	1	
		A) USE WITH LARGE A/C SYSTEM				
		B) USE WITH SMALL A/C SYSTEM				

From R-012 To 2-4416

Date:10/2022

PAGE:H3-1894-10

REAR - R.H. SERVICE COMPARTMENT STRUCTURE



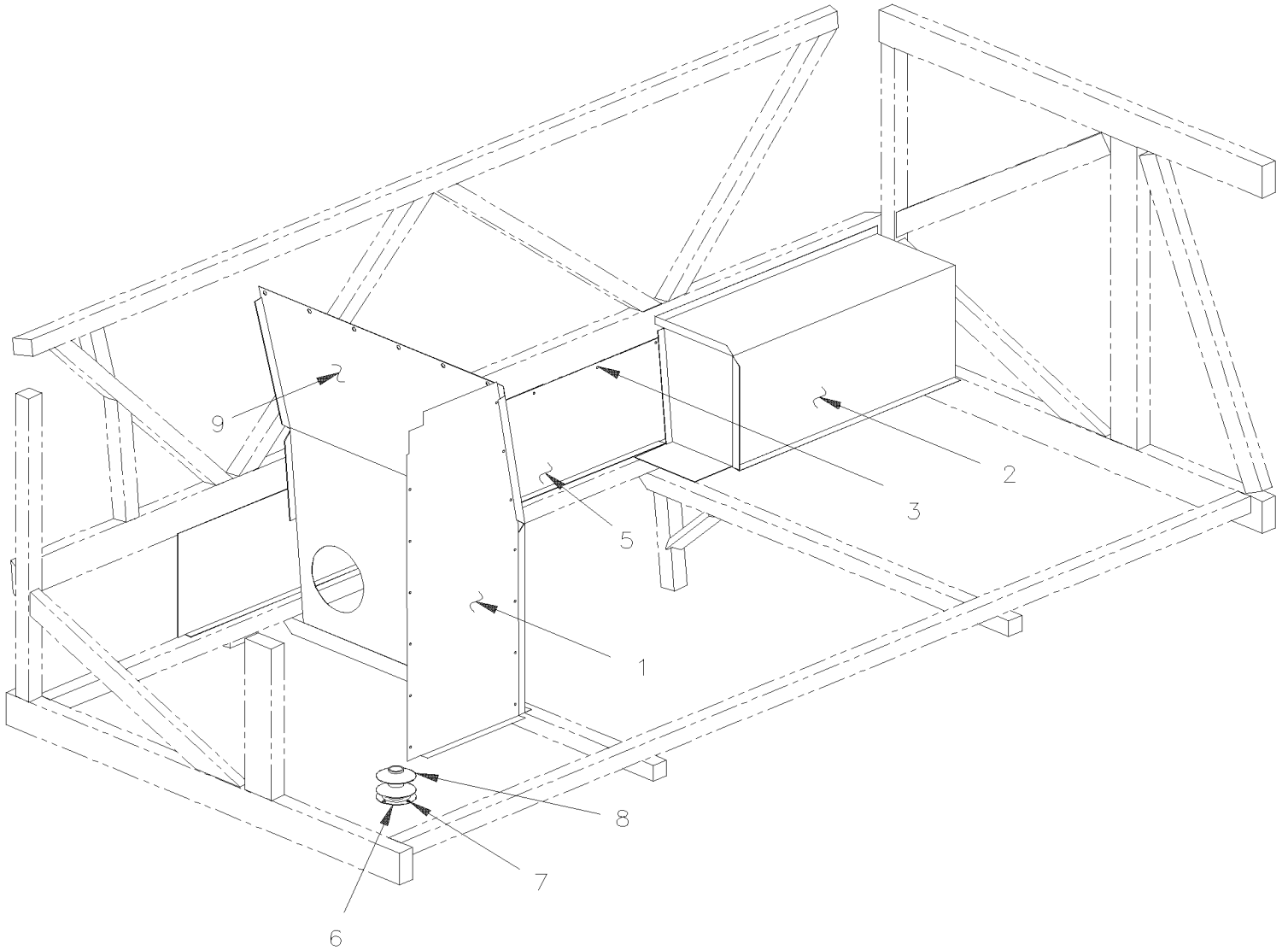
From R-012 To 2-4416	Date:10/2022	PAGE:H3-1894-10
REAR - R.H. SERVICE COMPARTMENT STRUCTURE		

Item#	Part	Description	H 3 4 1	H 3 4 5	V I P 4 5	N O T E S
1	212657	SUPPORT FRONT COVER 523MM	1	1	1	
2	212407	TUBE	1	1	1	
3	212478	PANEL CEILLING / STREETSIDE	1	1	1	
4	213194	TUBE / BACKWARD	1	1	1	
. NS	213193	. SUPPORT / (WELDED)	1	1	1	
5	212313	TUBE / LOWER	1	1	1	
6	213180	TUBE ASSY / STREETSIDE	1	1	1	
7	212325	TUBE / LOWER FORWARD	1	1	1	
8	212359	PANEL / FLOOR	1	1	1	
9	212412	TUBE / REINFORCEMENT / BACKWARD	1	1	1	
10	212659	SUPPORT BATTERY COVER / BACKWARD	1	1	1	
11	212658	SUPPORT BATTERY COVER / BACKWARD	1	1	1	
12	213185	PANEL BATTERY COVER / FORWARD	1	1	1	
13	213187	PANEL / REAR BOX	1	1	1	
14	380360	STUD, GROUND (WELDED TO STRUCTURE) 1/2-13	1	1	1	
15	212355	PANEL / FOWARD To T-1422	1	1	1	
15	213182	PANEL / FOWARD From T-1423 To V-1642	1	1	1	
15	213293	PANEL / FOWARD From V-1643 To X-3212	1	1	1	
15	214177	PANEL / FOWARD From X-3213 To 1-4241	1	1	1	
15	214522	PANEL / FOWARD From 1-4242	1	1	1	
15	213184	PANEL / FOWARD / W/W.C.L. "ST & ST" To X-3212	1	1		
15	214176	PANEL / FOWARD / W/W.C.L. "ST & ST" From X-3213 To 1-4241	1	1		
15	214523	PANEL / FOWARD / W/W.C.L. "ST & ST" From 1-4242	1	1		
15	213784	PANEL / FOWARD / W SMALL A/C SYSTEM To 1-4241			1	
15	214524	PANEL / FOWARD / W SMALL A/C SYSTEM From 1-4242			1	
16	213294	PANEL CEILLING / CURBSIDE	1	1	1	
16	212816	PANEL CEILLING / CURBSIDE / W/W.C.L. "ST & ST"	1	1		
17	213295	REINFORCEMENT	1	1	1	
17	212815	REINFORCEMENT / W/W.C.L. "ST & ST"	1	1		
18	213170	PANEL / BACKWARD	1	1	1	
18	213215	PANEL / BACKWARD / W/W.C.L.	1	1		
18	213785	PANEL / BACKWARD / W SMALL A/C SYSTEM			1	
19	213169	PLATE SUPPORT / W/W.C.L. "RICON"		1		
20	5001330	SCREW CAP HEX 1/2-13x1 SS	1	1	1	
21	064626	SUPPORT BATTERIES CHARGER From W-2285 To X-3212	1	1		
21	065096	SUPPORT BATTERIES CHARGER From X-3213 To 1-4241	1	1		
21	065415	SUPPORT BATTERIES CHARGER From 1-4242	1	1		
40	212596	ANGLE 100MM	1	1	1	
41	472832	BRACKET / "U" SHAPE / (WELDED) To V-1907	1	1	1	
41	285667	BRACKET / "U" SHAPE / (WELDED) From V-1908	1	1	1	
42	213389	REINFORCEMENT ANGLE 30MM X 64MM	1	1	1	
50	212324	ATTACHMENT / SUMP TANK FLOOR To S-127	1	1	1	

From R-012 To 2-4416	Date:10/2022	PAGE:H3-1894-10
REAR - R.H. SERVICE COMPARTMENT STRUCTURE		

Item#	Part	Description	H 3 4 1	H 3 4 5	V I P 4 5	N O T E S
50	212787	ATTACHMENT / SUMP TANK FLOOR From S-128	1	1	1	

From R-012 To 2-4416	Date:10/2022	PAGE:H3-1894-20
REAR UPPER SHEATING		



From R-012 To 2-4416	Date:10/2022	PAGE:H3-1894-20
REAR UPPER SHEATING		

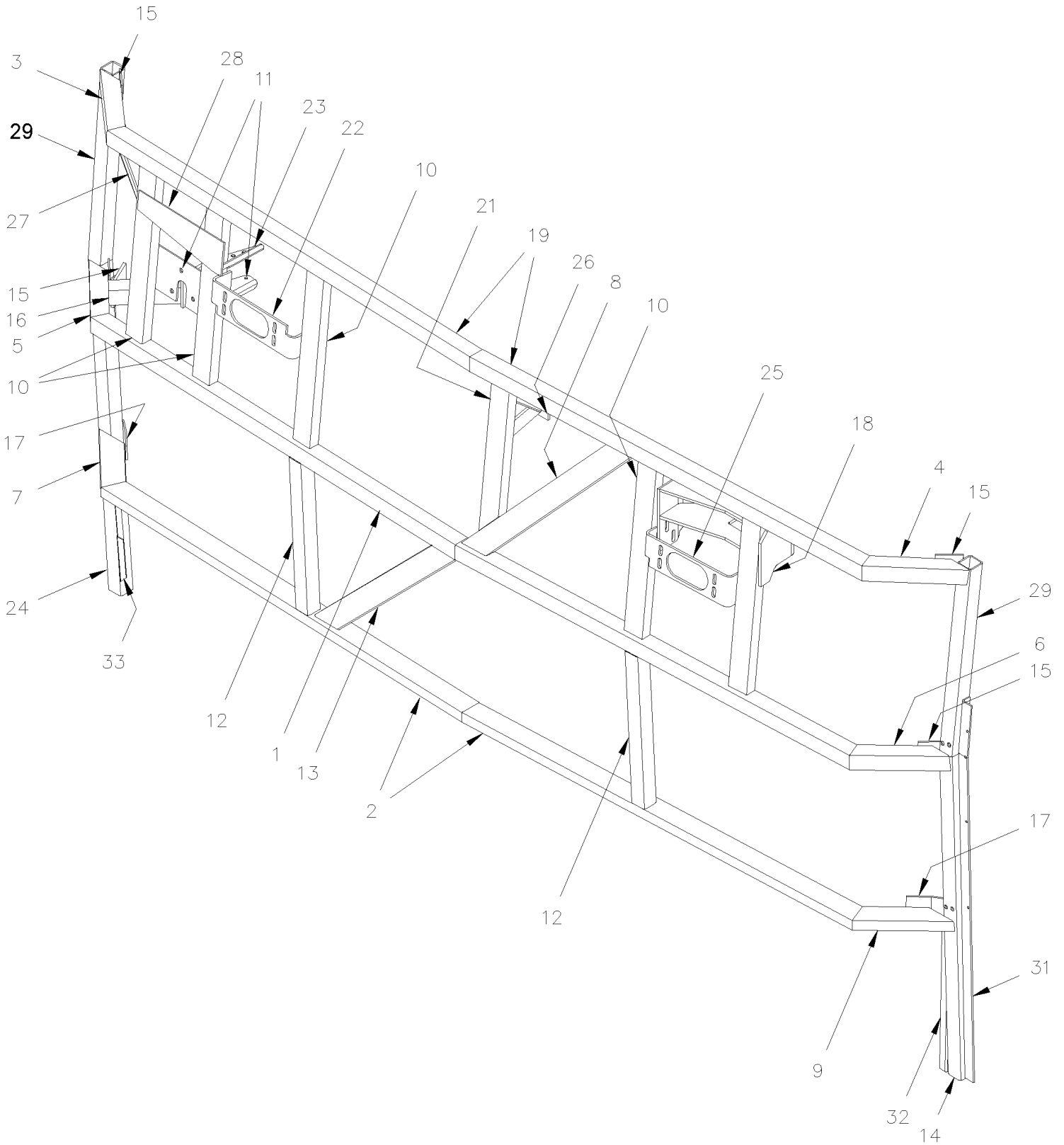
Item#	Part	Description	H 3 4 1	H 3 4 5	V I P 4 5	N O T E S
1	481669	SIDE PANEL	1	1	1	
2	482195	REAR HUMP ASSY	1	1	1	
3	504488	RIVET MGLP PRDG 3/16x17/64 SS	AR	AR	AR	
3	504347	RIVET POP DOME OE 3/16x1/4 AL	AR	AR	AR	
NS	680096	SEALANT BUTYL ALUM / GREY / 310ml CARTRIDGE	AR	AR	AR	
5	481668	PANEL INSIDE /	1	1	1	
6	020375	RETAINING RING 57MM I.D. x 82MM O.D. SS	1	1	1	
7	500120	SCREW TP BDG PH #6x1/2 SS	4	4	4	
8	504526	CUFF END BELLOW / 1 1/4" I.D. x 3 1/4" x 2 5/8"	1	1	1	
9	481665	PANEL FRONT OF AIR INTAKE	1	1	1	

From R-012 To W-2284

Date:10/2022

PAGE:H3-1895-00

FRONT STRUCTURE



From R-012 To W-2284		Date:10/2022	PAGE:H3-1895-00
FRONT STRUCTURE			

Item#	Part	Description	H 3 4 1	H 3 4 5	V I P 4 5	N O T E S
	250876	FRONT STRUCTURE ASSY To T-1510	1	1		
	250880	FRONT STRUCTURE ASSY From T-1511	1	1		
	250879	FRONT STRUCTURE ASSY To T-1510			1	
	250881	FRONT STRUCTURE ASSY From T-1511			1	
1	250845	. TUBE	2	2	2	
2	250846	. TUBE 1062MM	2	2	2	
3	250863	. TUBE	1	1	1	
4	250864	. TUBE	1	1	1	
5	250865	. TUBE	1	1	1	
6	250866	. TUBE	1	1	1	
7	250847	. TUBE	1	1	1	
8	250867	. TUBE	1	1	1	
9	250848	. TUBE	1	1	1	
10	250849	. TUBE	5	5	5	
11	250740	. SUPPORT, WIPER MOTOR (WELDED AT STRUCTURE) To T-1318	1	1	1	
11	285292	. SUPPORT WIPER MOTOR From T-1319 To T-1473	1	1	1	C
11	H3-1802-01	ENTRANCE DOOR CONTROL				
12	250664	. TUBE	2	2	2	
13	250862	. TUBE	1	1	1	
14	250850	. TUBE To T-1510	2	2	2	
14	250875	. TUBE From T-1511	1	1	1	
15	250851	. REINFORCEMENT	4	4	4	
16	250781	. SUPPORT ASSY, HANDRAIL / UPPER	2	2		A
17	250852	. REINFORCEMENT	2	2	2	
18	160732	. STEERING COLUMN SUPPORT	1	1	1	
NS	502737	. SCREW CAP HEX M6-1.0x25 SS BK	4	4	4	
19	250853	. TUBE	2	2	2	
21	250856	. SUPPORT ASSY	1	1	1	A
22	250741	. SUPPORT, WIPER PIVOT R.H. / (WELDED AT STRUCTURE)	1	1	1	
23	285290	. SUPPORT UPPER From T-1319 To T-1473	1	1	1	B
23	H3-1802-01	ENTRANCE DOOR CONTROL				
24	250875	. TUBE	2	2	2	
25	250742	. SUPPORT, WIPER PIVOT L.H. / (WELDED AT STRUCTURE)	1	1	1	
26	250780	. SUPPORT ASSY, HANDRAIL / LOWER	1	1	1	A
27	211729	. TUBE	1	1	1	
28	250791	. REINFORCEMENT	1	1	1	
29	250855	. TUBE To T-1510	1	1	1	
29	250874	. TUBE From T-1511	1	1	1	
31	212208	ANGLE SUPPORT To T-1510	1	1	1	
31	285325	ANGLE SUPPORT From T-1511	1	1	1	
32	250870	ANGLE SUPPORT	1	1	1	
33	250871	ANGLE SUPPORT	1	1	1	

From R-012 To W-2284	Date:10/2022	PAGE:H3-1895-00
FRONT STRUCTURE		

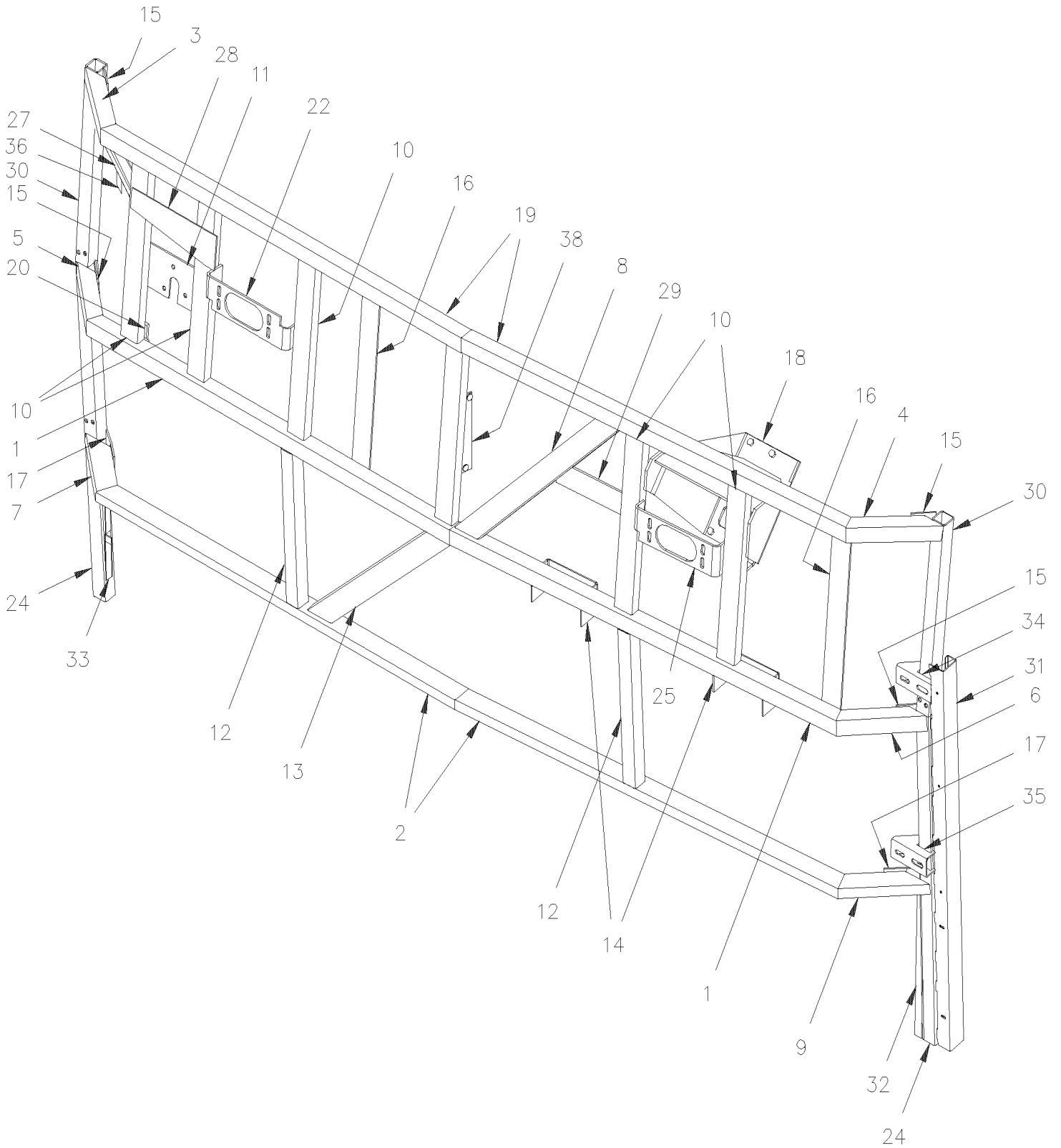
Item#	Part	Description	H 3 4 1	H 3 4 5	V I P 4 5	N O T E S
34	285332	SUPPORT UPPER From T-1511	1	1	1	
35	285323	SUPPORT LOWER From T-1511	1	1	1	
36	250971	SUPPORT	1	1	1	
38	250964	TUBE ASSY W/PLATE TO FIX HANDRAIL	1	1	1	
. NS	250976	. TUBE	1	1	1	
. NS	250956	. HANDRAIL SUPPORT	1	1	1	
NS	250882	ANGULAR			1	
		A) TO FIX HANDRAIL				
		B) TO FIX EMERGENCY EXIT VALVE				
		C) INCLUDE CYLINDER DOOR BRACKET				

From W-2285 To 2-4416

Date:10/2022

PAGE:H3-1895-01

FRONT STRUCTURE



From W-2285 To 2-4416	Date:10/2022	PAGE:H3-1895-01
FRONT STRUCTURE		

Item#	Part	Description	H 3 4 1	H 3 4 5	V I P 4 5	N O T E S
	251164	FRONT STRUCTURE ASSY	1	1		
	251165	FRONT STRUCTURE ASSY			1	
1	250845	. TUBE	2	2	2	
2	250846	. TUBE 1062MM	2	2	2	
3	250863	. TUBE	1	1	1	
4	250864	. TUBE	1	1	1	
5	250865	. TUBE	1	1	1	
6	250866	. TUBE	1	1	1	
7	250847	. TUBE	1	1	1	
8	250867	. TUBE	1	1	1	
9	250848	. TUBE	1	1	1	
10	250976	. TUBE	5	5	5	
11	285322	. SUPPORT	1	1	1	
12	250664	. TUBE	2	2	2	
13	250862	. TUBE	1	1	1	
14	250934	. DASH SUPPORT	2	2	2	
15	250851	. REINFORCEMENT	4	4	4	
16	250942	. DASH SUPPORT	2	2	2	
17	250852	. REINFORCEMENT	2	2	2	
18	161072	. STEERING COLUMN SUPPORT	1	1	1	
NS	502737	. SCREW CAP HEX M6-1.0x25 SS BK	4	4	4	
19	250853	. TUBE	2	2	2	
20	250967	. DASH SUPPORT	1	1	1	
22	250741	. SUPPORT, WIPER PIVOT R.H. / (WELDED AT STRUCTURE)	1	1	1	
24	250875	. TUBE	2	2	2	
25	250742	. SUPPORT, WIPER PIVOT L.H. / (WELDED AT STRUCTURE)	1	1	1	
27	211729	. TUBE	1	1	1	
28	250791	. REINFORCEMENT	1	1	1	
29	250937	. DASH SUPPORT	1	1	1	
30	250874	. TUBE	2	2	2	
31	285325	ANGLE SUPPORT	1	1	1	
32	250870	ANGLE SUPPORT	1	1		
33	250871	ANGLE SUPPORT	1	1	1	
34	285332	SUPPORT UPPER	1	1	1	
35	285323	SUPPORT LOWER	1	1	1	
36	250971	SUPPORT	1	1	1	
38	250964	TUBE ASSY W/PLATE TO FIX HANDRAIL	1	1	1	
. NS	250976	. TUBE	1	1	1	
. NS	250956	. HANDRAIL SUPPORT	1	1	1	
NS	250882	ANGULAR			1	

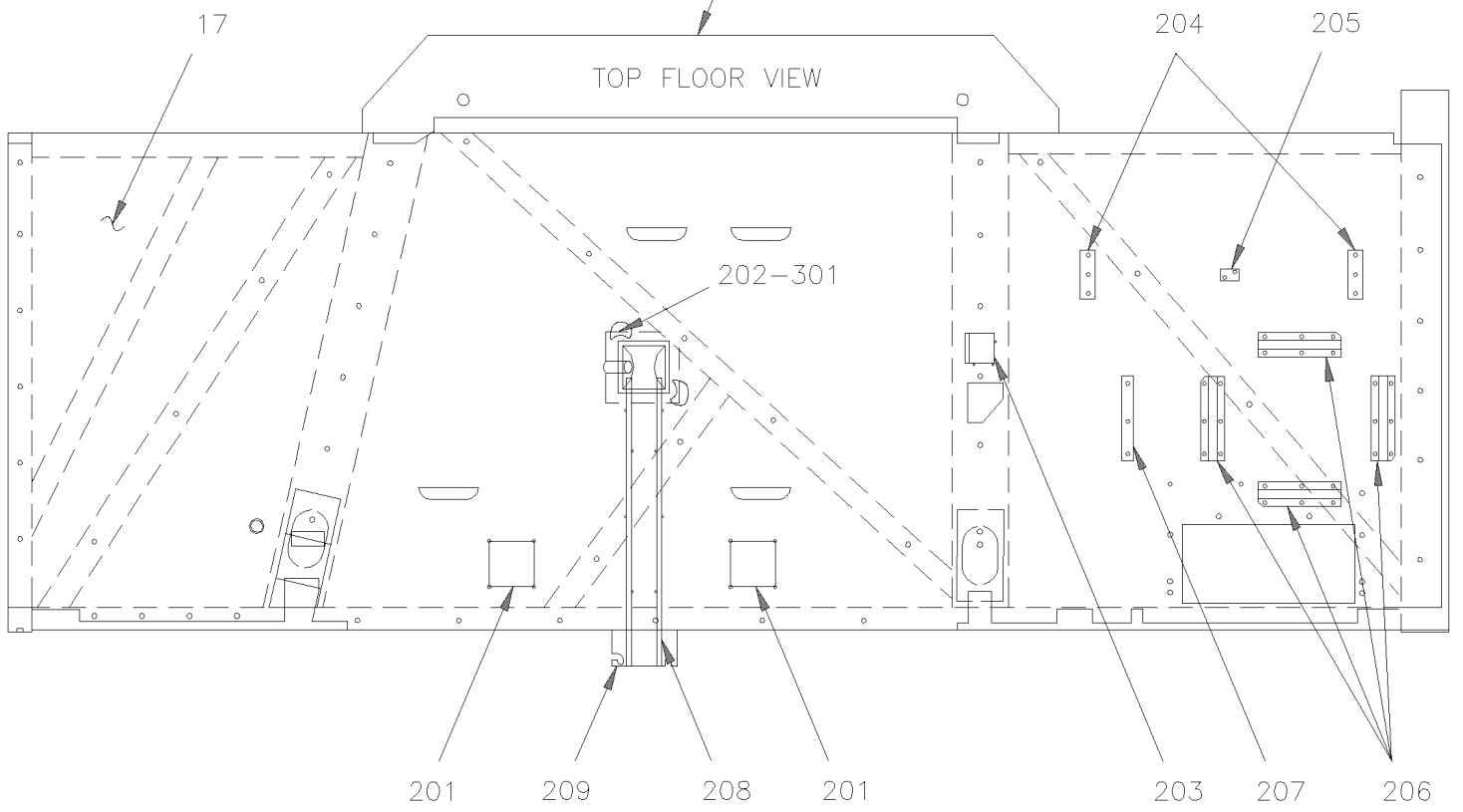
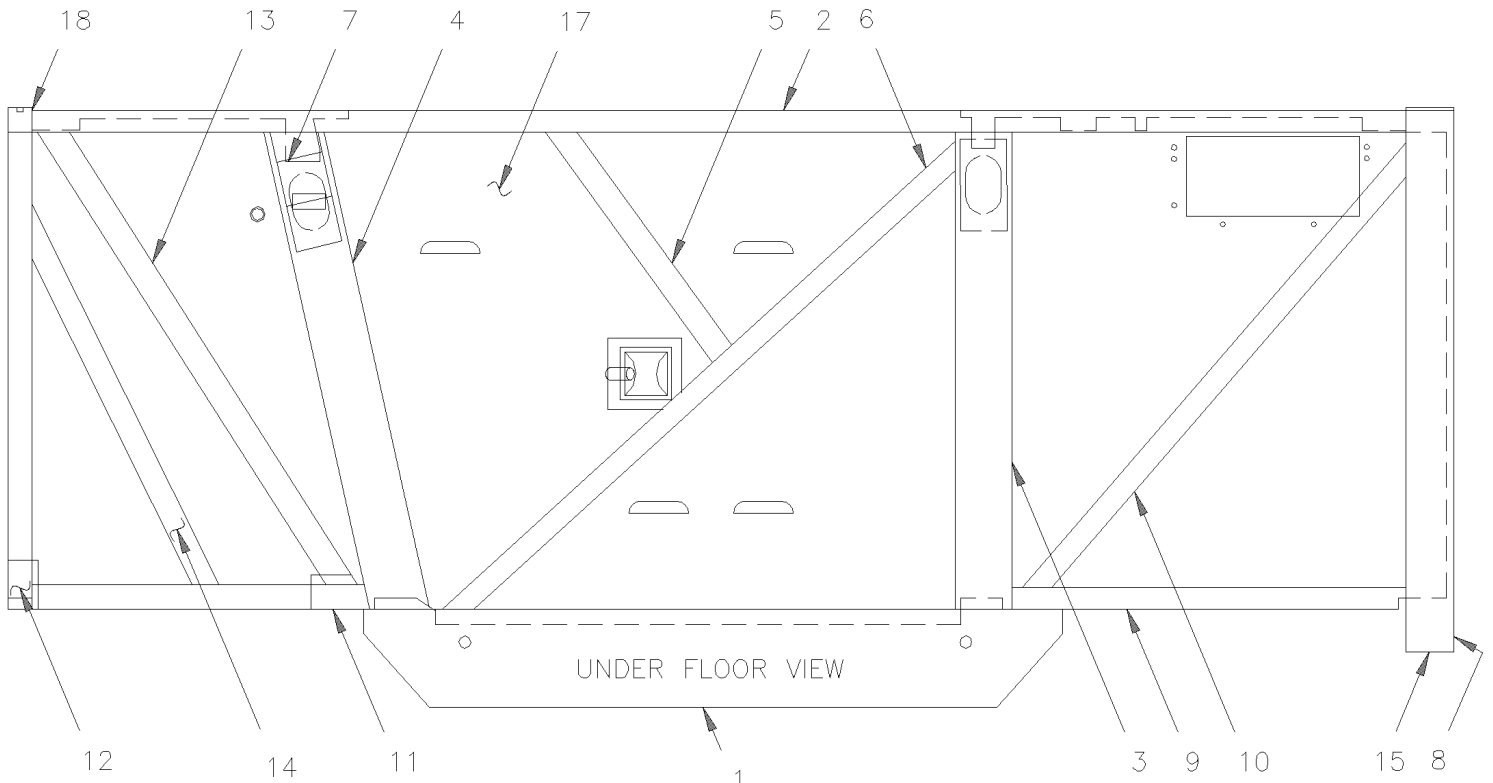
From W-2285 To 2-4416			Date:10/2022	PAGE:H3-1895-01			
FRONT STRUCTURE							
Item#	Part	Description	H 3 4 1	H 3 4 5	V I P 4 5	N O T E S	

From R-012 To 2-4416

Date:10/2022

PAGE:H3-1895-10

FRONT FLOOR STRUCTURE - W/RIGID SUSPENSION



From R-012 To 2-4416		Date:10/2022	PAGE:H3-1895-10
FRONT FLOOR STRUCTURE - W/RIGID SUSPENSION			

Item#	Part	Description	H 3 4 1	H 3 4 5	V I P 4 5	N O T E S
	172498	STRUCTURE FLOOR W/PANEL	1	1		
	172499	STRUCTURE FLOOR W/PANEL To W-2457			1	
	172497	STRUCTURE FLOOR W/O PANEL	1	1	1	A
1	171529	. . REINFORCEMENT INFERIOR	1	1	1	
2	170911	. . TUBE	1	1	1	
3	171418	. . REINFORCEMENT	1	1	1	
4	171415	. . REINFORCEMENT	1	1	1	
5	171109	. . TUBE	1	1	1	
6	171108	. . TUBE	1	1	1	
7	171419	. . HOOK, TOWING	1	1	1	
8	210930	. . TUBE 900MM To T-1303	1	1	1	
8	171767	. . TUBE 900MM From T-1304	1	1	1	
9	210766	. . REINFORCEMENT	1	1	1	
10	210764	. . REINFORCEMENT	1	1	1	
11	210767	. . REINFORCEMENT	1	1	1	
12	210768	. . TUBE To T-1303	1	1	1	
12	171637	. . TUBE From T-1304	1	1	1	
13	210769	. . REINFORCEMENT	1	1	1	
14	210842	. . TUBE To T-1303	1	1	1	
15	150122	. . PLATE / SPARE CHAIN HOOK RETAINER To T-1303	1	1	1	
15	230695	. . PLATE, CLOSING From T-1304	1	1	1	
16	230695	. . PLATE, CLOSING	1	1	1	
17	211264	. POST SIDE WINDOW / 1167.6MM (45.96") REF To T-1303	1	1		C
17	211612	. BOTTOM PANEL ASSY / STREET SIDE To T-1303			1	C
17	Call order desk	. . POST SIDE WINDOW / 1320MM (51.96") REF To T-1303	1	1		P
17	Call order desk	. . BOTTOM PANEL / STREET-SIDE To T-1303			1	P
17	211262	. BOTTOM PANEL / CENTER To T-1303	1	1	1	
17	210881	. BOTTOM PANEL / CURBSIDE To T-1303	1	1	1	
17	213121	. . BOTTOM PANEL From T-1304 To V-1760	1	1	1	
17	213341	. . BOTTOM PANEL From V-1761 To Y-3536	1	1	1	B
17	214273	. . BOTTOM PANEL From Y-3537	1	1	1	B
18	260120	. . PLATE, CLOSING / TUBE 33MM x 33MM	1	1	1	
201	150187	. . SPACER	2	2		
202	240023	. . DRAIN ASSY	1	1		
203	150188	. . STOP, SAFETY	1	1		
204	211637	. . PLATE, SUPPORT	2	2		
205	211641	. . BRACE	1	1		
206	309048	. . RESERVOIR SUPPORT FOR HOOK / WINDSHIELD WASH.	1	1	1	
207	300160	. . SUPPORT, PUMP To 2-4396	1	1	1	
208	211638	. . ROD	2	2		
209	212927	. . PLATE, SPARE TIRE	1	1		
300	213959	. PLATE CLOSING	1	1	1	

From R-012 To 2-4416	Date:10/2022	PAGE:H3-1895-10
FRONT FLOOR STRUCTURE - W/RIGID SUSPENSION		

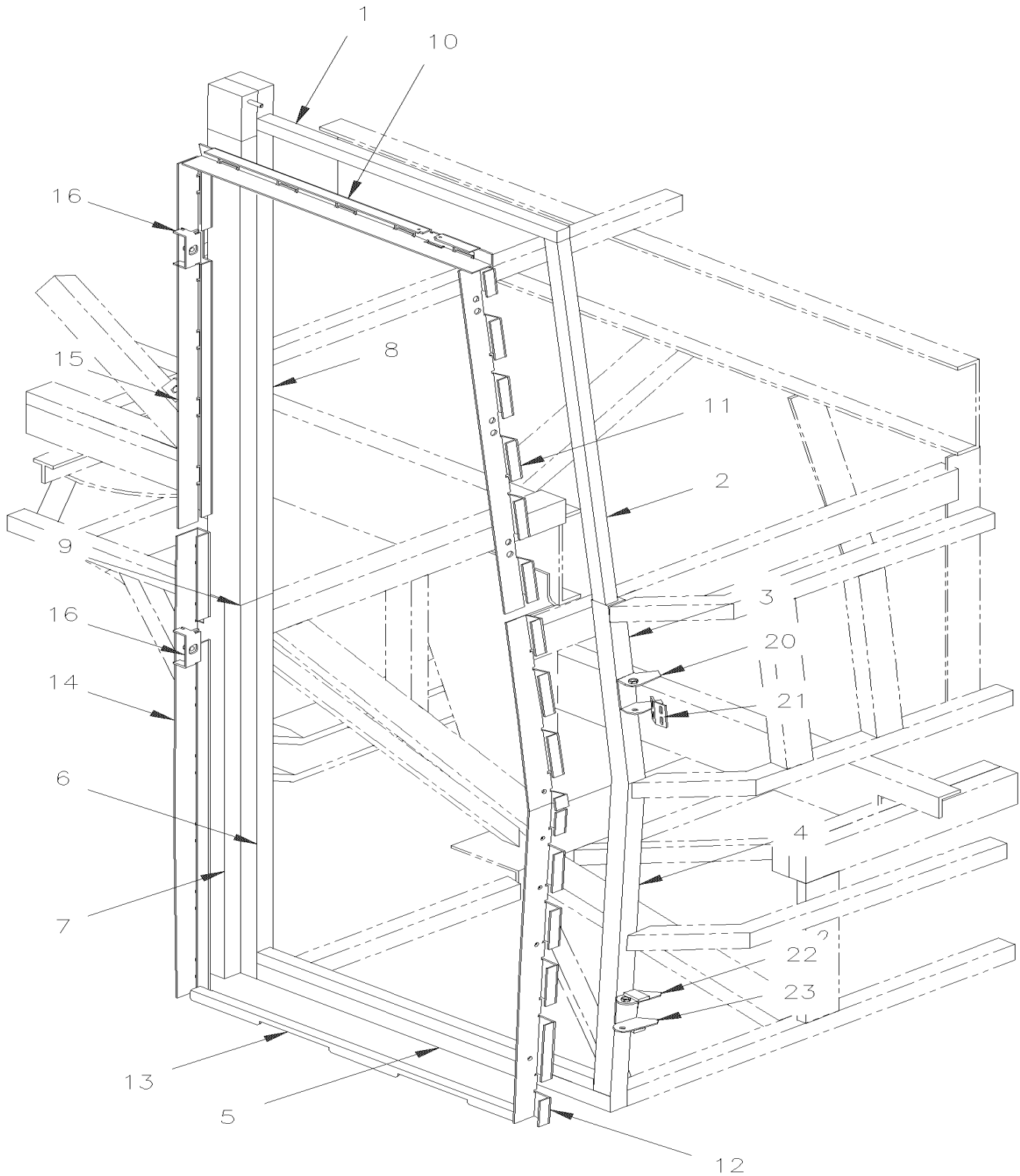
Item#	Part	Description	H 3 4 1	H 3 4 5	V I P 4 5	N O T E S
301	213911	. PLATE CLOSING			1	
		A) DO NOT INCLUDE ITEMS #17, 200 TO 209				
		B) BOTTOM PANEL IN ON PIECE				
		C) INCLUDE ITEMS #203 TO 207				
		P) CALL ORDER DESK FOR SPECIFIC APPLICATION (V.I.N.)				

From R-012 To 2-4416

Date:10/2022

PAGE:H3-1895-20

ENTRANCE DOOR STRUCTURE



From R-012 To 2-4416		Date:10/2022	PAGE:H3-1895-20
ENTRANCE DOOR STRUCTURE			

Item#	Part	Description	H 3 4 1	H 3 4 5	V I P 4 5	N O T E S
	214427	ENTRANCE DOOR STRUCTURE ASSY	1	1		B
	216838	ENTRANCE DOOR STRUCTURE ASSY			1	B
1	250763	TUBE 649MM	1	1	1	
1	251196	TUBE 644MM	1	1	1	
2	250762	TUBE 860MM	1	1	1	
2	251195	TUBE 857MM	1	1	1	
3	250874	TUBE	1	1	1	
4	250875	TUBE	1	1	1	
5	210768	TUBE To T-1303	1	1	1	
5	171637	TUBE From T-1304	1	1	1	
6	214554P	TUBE ASSY From 1-4233	1	1	1	A
. NS	211730	. TUBE From 1-4233	1	1	1	A
. NS	260120	. PLATE, CLOSING / TUBE 33MM x 33MM From 1-4233	1	1	1	A
. NS	210832	. TUBE From 1-4233	1	1	1	A
. NS	211731	. FINISHING PANEL From 1-4233	1	1	1	A
. NS	230695	. PLATE, CLOSING From 1-4233	1	1	1	A
7	210832	TUBE To 1-4232	1	1		
7	211732	TUBE To 1-4232			1	
8	270595P	FRONT POST ASSY R.H.	1	1	1	
9	231465	JOINT BUTT 33MM X 33MM / (WELDED)	1	1	1	
9	231466	JOINT BUTT 33MM X 68MM / (WELDED)	1	1	1	
10	211970	FRAME SUPPORT	1	1		
10	211723	FRAME SUPPORT			1	
11	211964	FRAME SUPPORT To T-1463	1	1	1	
11	213153	FRAME SUPPORT From T-1464	1	1	1	
12	211725	FRAME SUPPORT To T-1463	1	1	1	
12	213152	FRAME SUPPORT From T-1464 To X-3011	1	1	1	
12	214114	FRAME SUPPORT From X-3012	1	1	1	
13	210708	TUBE To T-1303	1	1	1	
13	214075	FRAME SUPPORT From T-1304	1	1	1	
14	211971	FRAME SUPPORT To T-1463	1	1		
14	213154	FRAME SUPPORT From T-1464 To X-3012	1	1		
14	214115	FRAME SUPPORT From X-3013	1	1		
14	211726	FRAME SUPPORT To T-1463			1	
14	213199	FRAME SUPPORT From T-1464			1	
15	211722	FRAME SUPPORT To T-1463	1	1	1	
15	213151	FRAME SUPPORT From T-1464 To W-2284	1	1	1	
15	213151	FRAME SUPPORT From T-1464			1	
15	213664	FRAME SUPPORT From W-2285	1	1		
16	211757	CATCH SUPPORT			2	
20	211984	HINGE SUPPORT / (WELDED TO STRUCTURE)	1	1	1	
21	211988	PLATE	1	1	1	

From R-012 To 2-4416		Date:10/2022	PAGE:H3-1895-20
----------------------	--	--------------	-----------------

ENTRANCE DOOR STRUCTURE

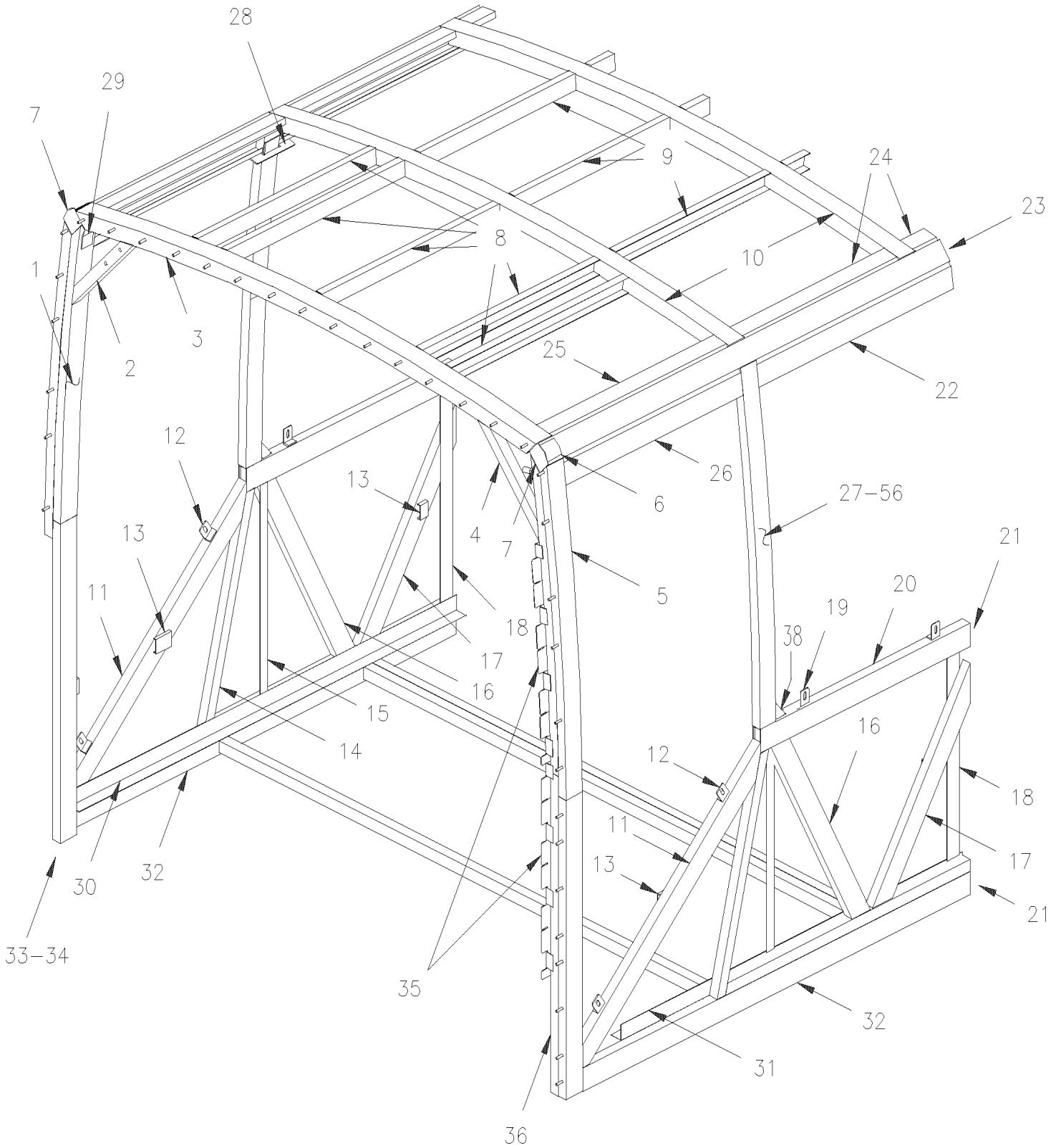
Item#	Part	Description	H 3 4 1	H 3 4 5	V I P 4 5	N O T E S
22	211992	PLATE	4	4	4	
23	211983	HINGE SUPPORT / (WELDED TO STRUCTURE)	1	1	1	
		A) INCLUDE ITEMS 6 & 7				
		B) INCLUDE ITEMS #1, 2, 3, 4, 10, 12, 13, 14, 15, 20, 21, 22 & 23				

From R-012 To 2-4416

Date:10/2022

PAGE:H3-1895-30

FRONT UPPER STRUCTURE

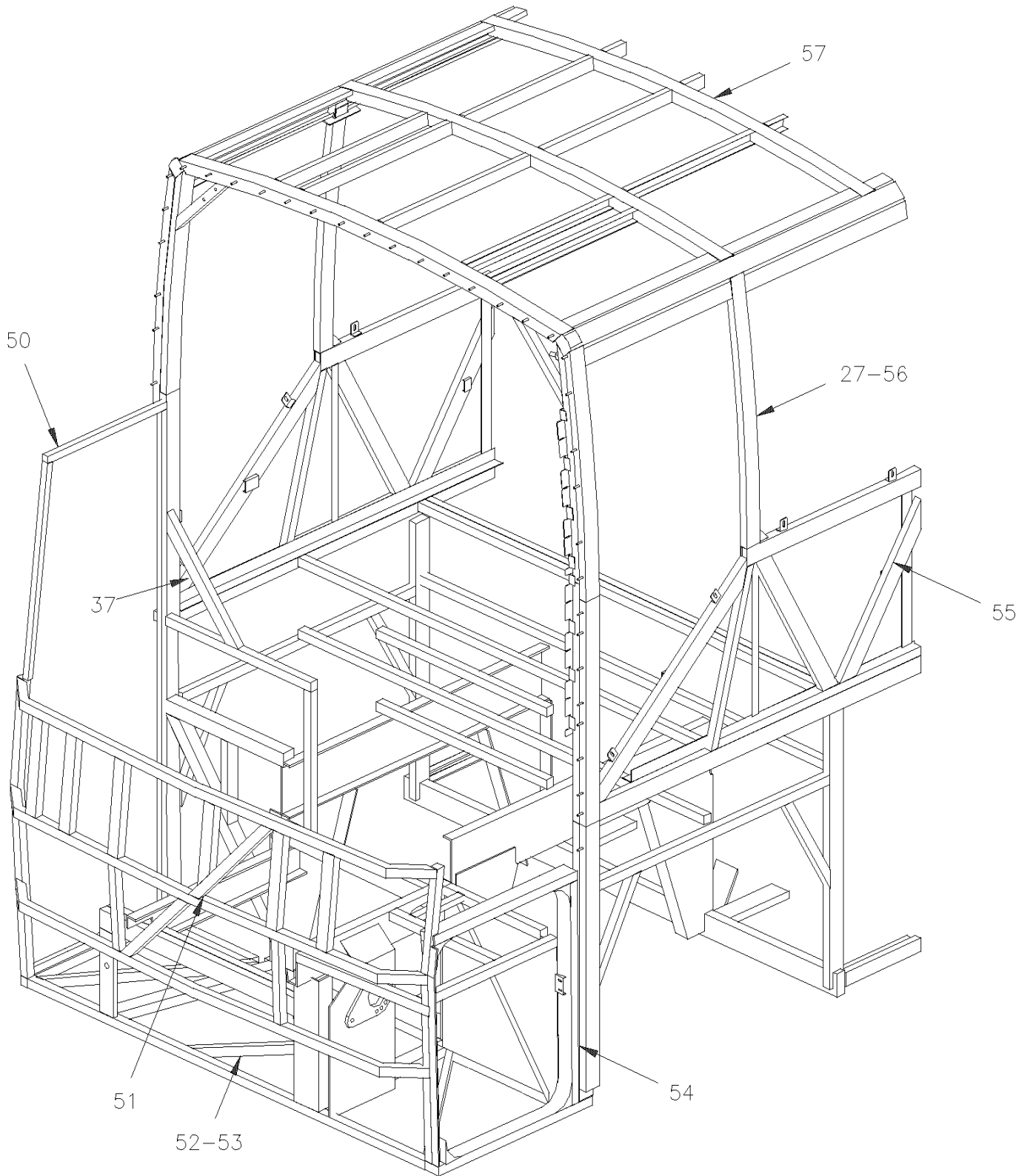


From R-012 To 2-4416

Date:10/2022

PAGE:H3-1895-30

FRONT UPPER STRUCTURE



From R-012 To 2-4416	Date:10/2022	PAGE:H3-1895-30
FRONT UPPER STRUCTURE		

Item#	Part	Description	H 3 4 1	H 3 4 5	V I P 4 5	N O T E S
1	270595P	FRONT POST ASSY R.H.	1	1	1	
NS	5001300	STUD WD WOC 5/16-18x1 1/4 SS	AR	AR	AR	
2	160799	REINFORCEMENT	2	2	2	
3	270566P	ROOF ARCH ASSY	1	1	1	
NS	5001300	STUD WD WOC 5/16-18x1 1/4 SS	AR	AR	AR	
4	160760	REINFORCEMENT	1	1	1	
5	270596P	FRONT POST ASSY L.H.	1	1	1	
NS	5001300	STUD WD WOC 5/16-18x1 1/4 SS	AR	AR	AR	
6	271104	PLATE (CURVED)	6	6	6	
7	270541	CLOSING PLATE	2	2	2	
NS	270922	CORNER FORM	2	2		
8	270584	REINFORCEMENT R.H. To V-1856	5	5	5	
8	270998	CORNER FORM From V-1857 To W-2284	5	5	5	
8	271103	CORNER FORM From W-2285	5	5	5	
9	270520	FORM / BETWEN ARCH To V-1856	AR	AR	AR	
9	270989	FORM / BETWEEN ARCH From V-1857 To W-2284	AR	AR	AR	
9	271041	FORM / BETWEEN ARCH From W-2285	AR	AR	AR	
10	270564	ARCH To Y-3457	AR	AR	AR	
10	271288	ARCH From Y-3458	AR	AR	AR	
11	231006	TUBE	1	1	1	
12	293062	ANGLE / (WELDED)	1	1	1	
13	231469	SUPPORT SINGLE	1	1	1	
14	230954	TUBE	1	1	1	
15	230918	SUPPORT	1	1	1	
16	230945	TUBE	1	1	1	
17	230953	TUBE	1	1	1	
18	230994	SUPPORT	1	1	1	
19	292931	ANGLE / (WELDED)	1	1	1	
20	231015	TUBE	1	1	1	
20	230882	TUBE	1	1	1	
21	231019	JOINT BUTT 15MM X 68MM / (WELDED)	1	1	1	
22	270546	CORNER FORM To V-1706	AR	AR	AR	
22	270986	CORNER FORM From V-1707 To W-2284	AR	AR	AR	
22	271053	CORNER FORM From W-2285	AR	AR	AR	
23	270919	TUBE		1		
23	270920	TUBE	1			
23	270921	TUBE			1	
24	270558	CORNER PANEL	1			
24	270558	CORNER PANEL		1	1	
25	270559	CORNER FORM To V-1856	2	2	2	
25	271006	CORNER FORM From V-1857	2	2	2	
26	270547	PLATE To W-2284	2	2	2	

From R-012 To 2-4416	Date:10/2022	PAGE:H3-1895-30
FRONT UPPER STRUCTURE		

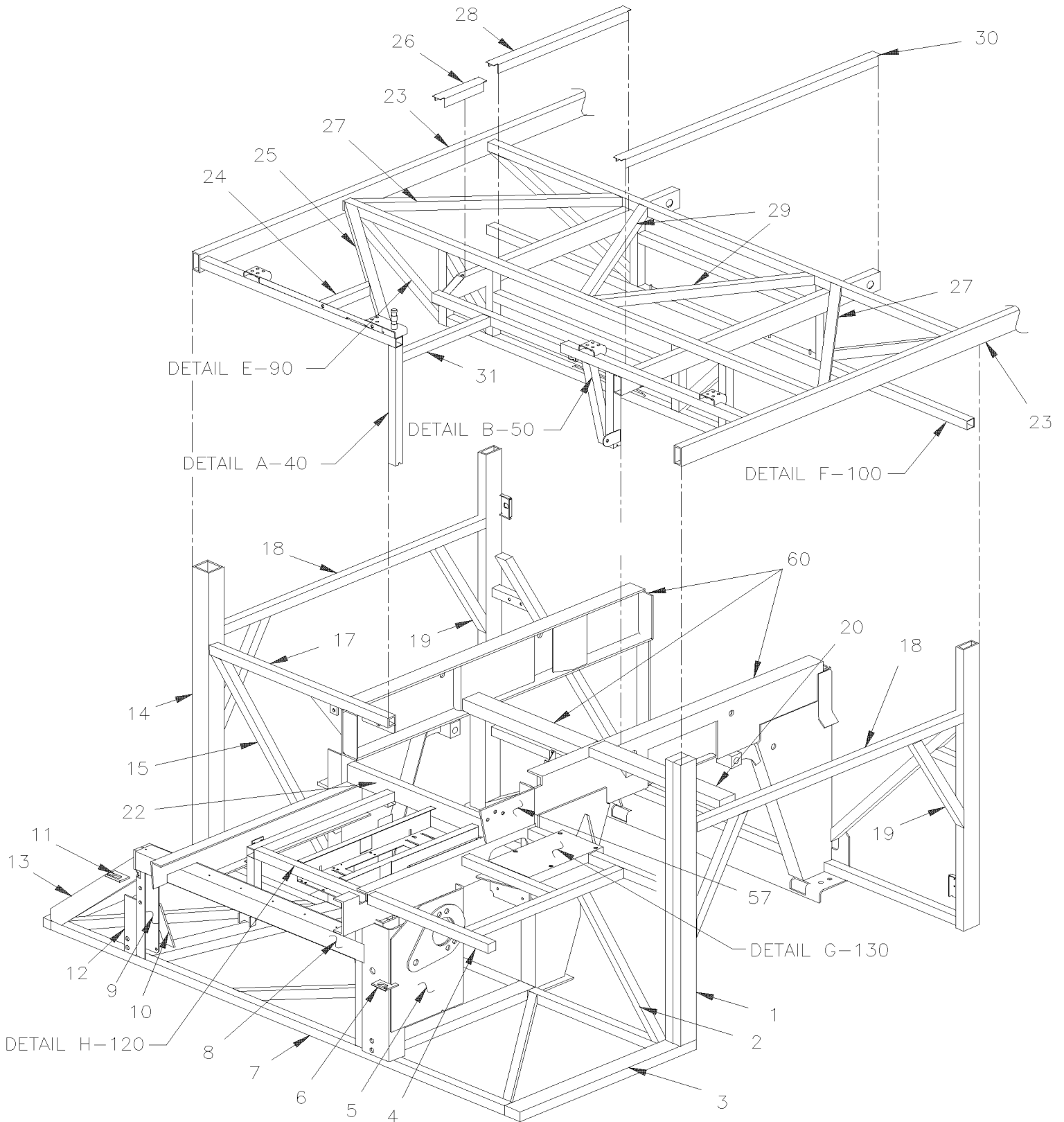
Item#	Part	Description	H 3 4 1	H 3 4 5	V I P 4 5	N O T E S
26	271051	CORNER FORM From W-2285	2	2	2	
27	270556	POST / BETWEN WINDOW / 1129MM	AR	AR	AR	
28	270961	SUPPORT PARCEL RACK To W-2284	AR	AR		
28	271048	SUPPORT PARCEL RACK From W-2285	AR	AR		
NS	270516	CORNER REINFORCEMENT	AR	AR	AR	
29	270591	REINFORCEMENT	2	2	2	
30	230980	ANGLE	1	1	1	
31	230986	ANGLE #1 R.H.	1	1	1	
32	231163	TUBE	1	1	1	
33	231465	JOINT BUTT 33MM X 33MM / (WELDED)	1	1	1	
34	231466	JOINT BUTT 33MM X 68MM / (WELDED)	1	1	1	
35	270828	SUPPORT	2	2		
36	270837	ANGLE	1	1		
37	212520	TUBE / MODESTY PANEL	1	1	1	
38	270553	REINFORCEMENT / BETWEEN WINDOW	AR	AR	AR	
50	H3-1895-20	ENTRANCE DOOR STRUCTURE	1	1	1	
51	H3-1895-01	FRONT STRUCTURE	1	1	1	
52	H3-1895-10	FRONT FLOOR STRUCTURE - W/RIGID SUSPENSION	1	1	1	
53	H3-1895-50	FRONT FLOOR STRUCTURE - W/WIND SUSPENSION	1	1	1	
54	H3-1879-10	FRONT SERVICE DOOR - INSTALLATION	1	1	1	
55	H3-1891-00	WALL STRUCTURE - LOWER BUS	1	1	1	
55	H3-1891-50	WALL STRUCTURE - LOWER V.I.P.	1	1	1	
56	H3-1890-10	STRUCTURE WALL - UPPER	1	1	1	
57	H3-1890-00	ROOF STRUCTURE	1	1	1	

From R-012 To 2-4416

Date:10/2022

PAGE:H3-1895-40

FRONT END STRUCTURE - BUS

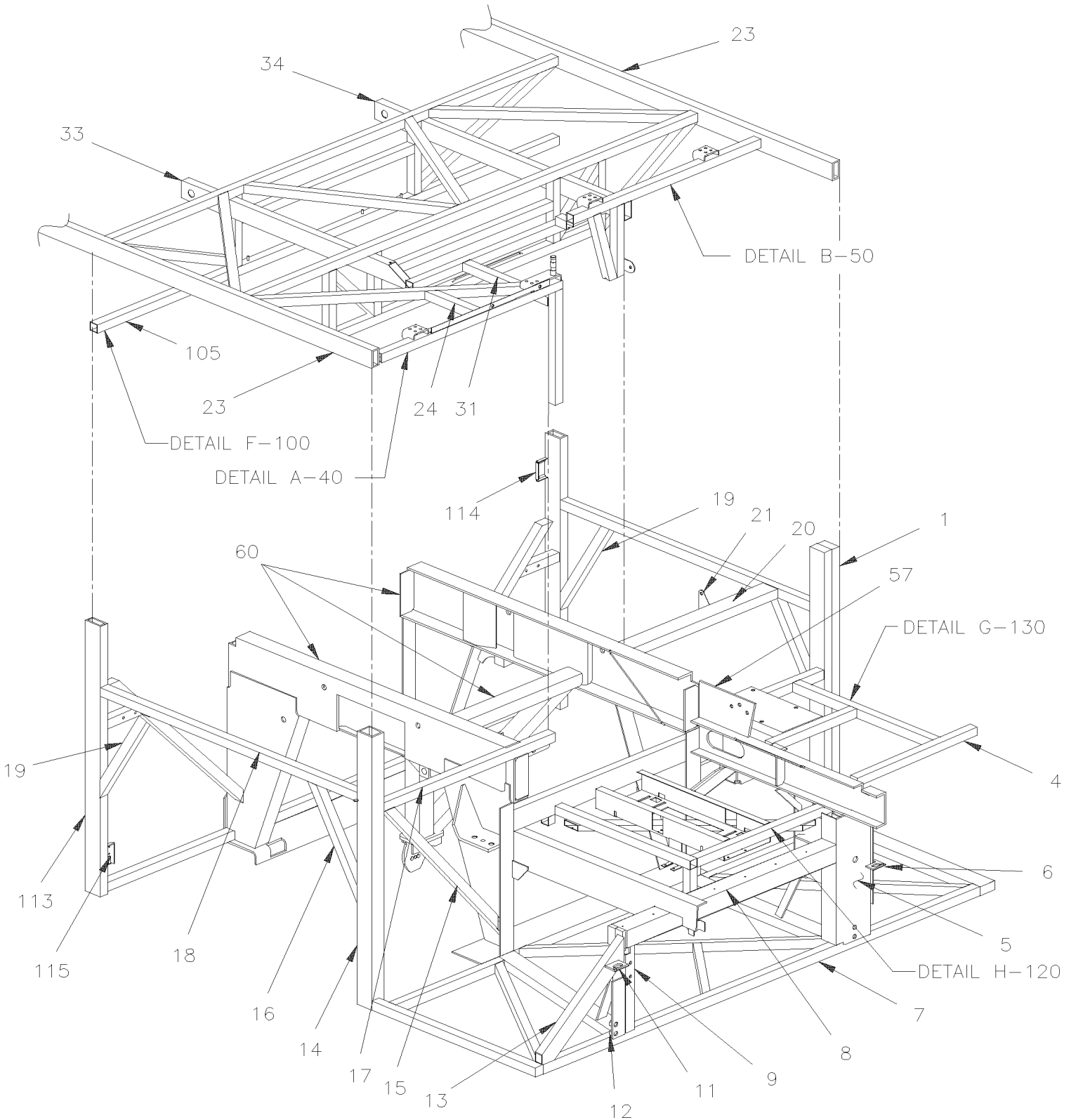


From R-012 To 2-4416

Date:10/2022

PAGE:H3-1895-40

FRONT END STRUCTURE - BUS

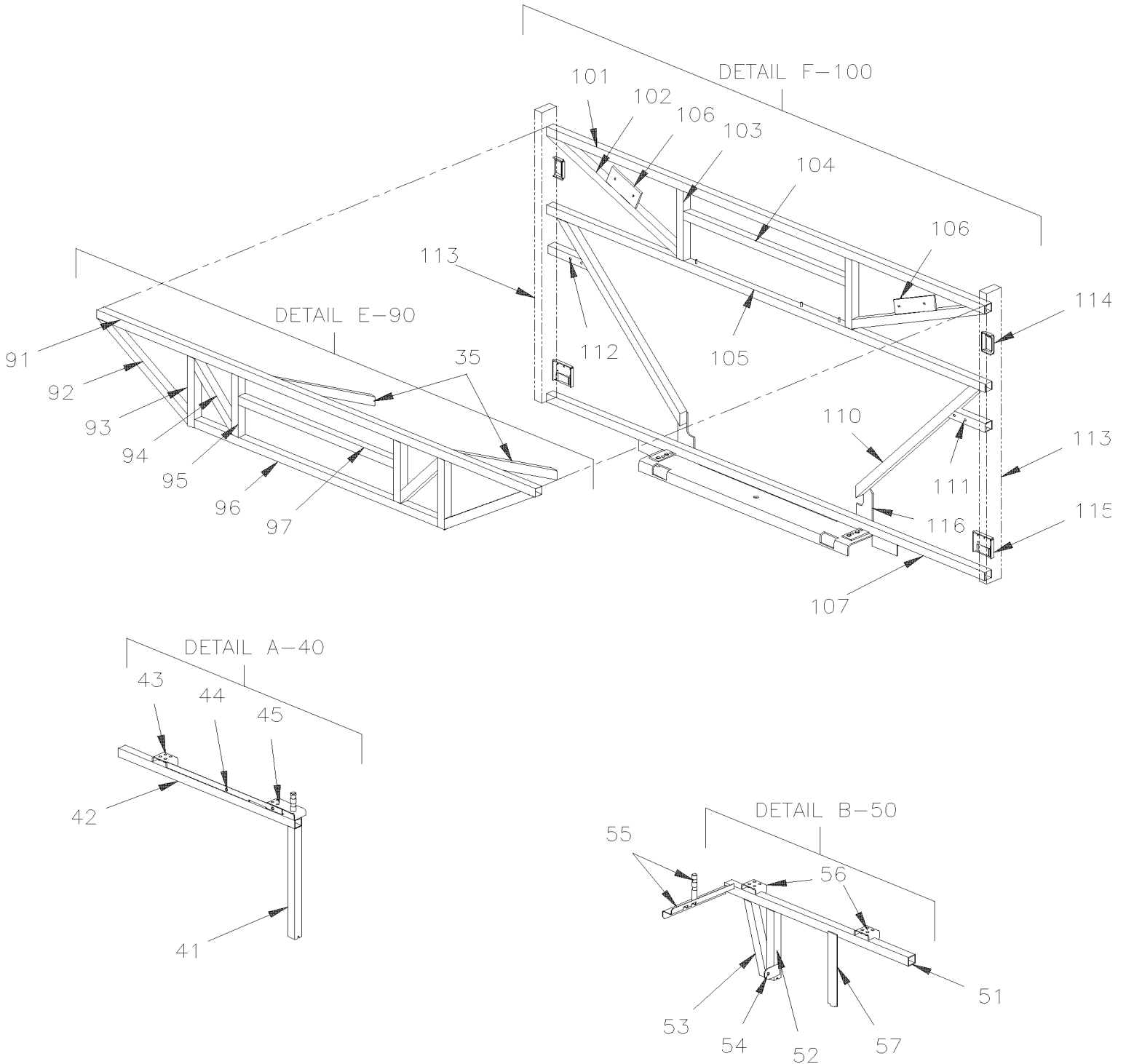


From R-012 To 2-4416

Date:10/2022

PAGE:H3-1895-40

FRONT END STRUCTURE - BUS

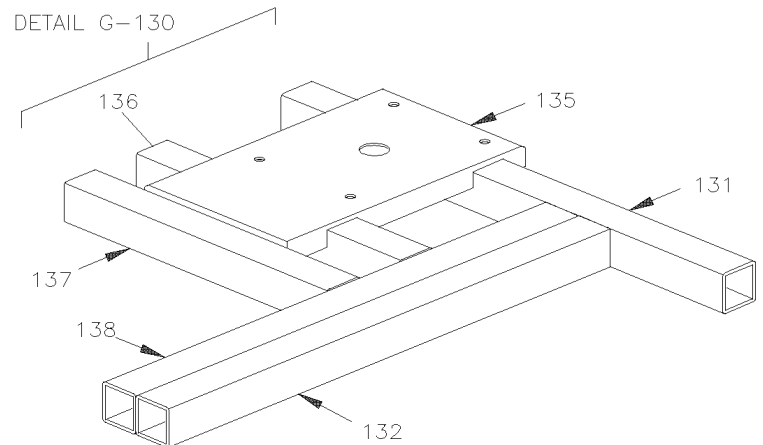
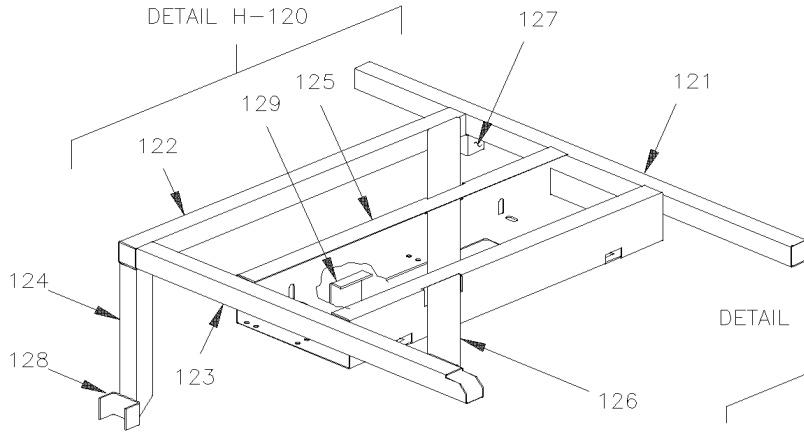


From R-012 To 2-4416

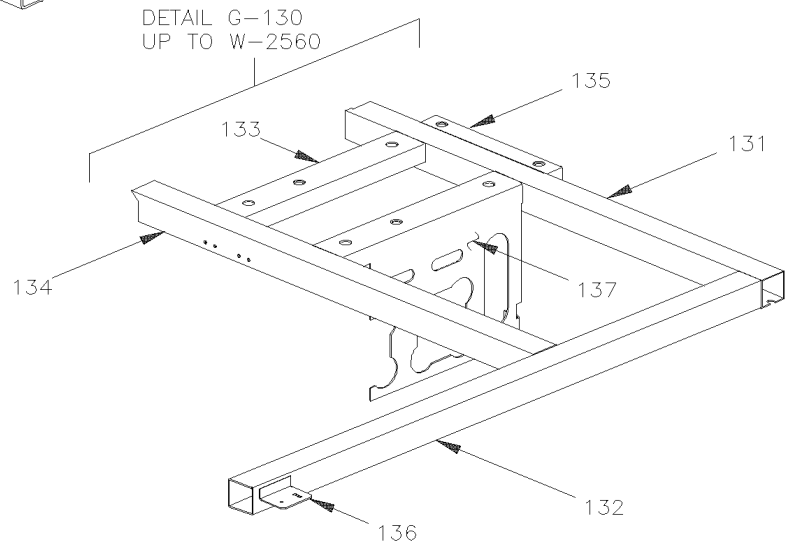
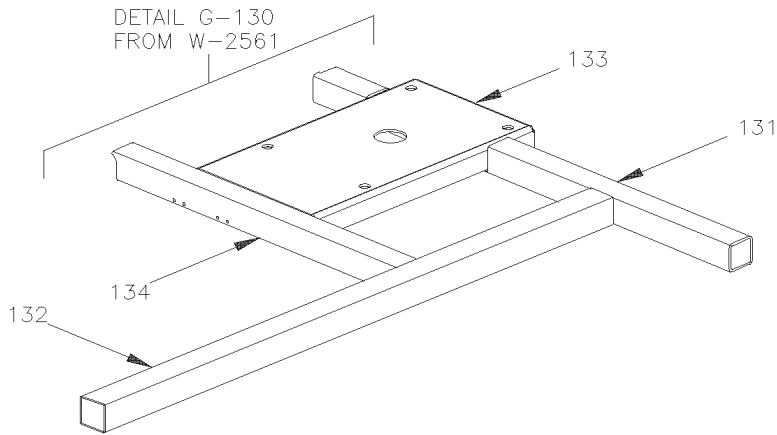
Date:10/2022

PAGE:H3-1895-40

FRONT END STRUCTURE - BUS



WITH SEAT "RECARO"



From R-012 To 2-4416	Date:10/2022	PAGE:H3-1895-40
FRONT END STRUCTURE - BUS		

Item#	Part	Description	H 3 4 1	H 3 4 5	V I P 4 5	N O T E S
	172500	FRONT STRUCTURE ASSY COMPLETE AS SHOWN BUS W/ "I" BEAM SUSPENSION	1	1		
1	210936	TUBE 1156MM	2	2		
1	H3-1879-10	FRONT SERVICE DOOR - INSTALLATION				
2	211294	TUBE 868MM	1	1		
3	210930	TUBE 900MM To T-1303	1	1		
3	171767	TUBE 900MM From T-1304	1	1		
4	210783	TUBE / DRIVER'S FLOOR SUPPORT / 725MM To V-1778	1	1		
4	213392	TUBE / DRIVER'S FLOOR SUPPORT / 737MM From V-1779	1	1		
5	171757P	SUPPORT GEAR BOX STEERING / W/ "TRW" To 1-4306	1	1		
5	172630	SUPPORT GEAR BOX STEERING / W/ "ZF" From 1-4307	1	1		
6	211263	BUMPER RETAINER L.H	1	1		
7	H3-1895-10	FRONT FLOOR STRUCTURE - W/RIGID SUSPENSION				
8	171205	TUBE 1172MM	1	1		
9	171421	SUPPORT R.H. / "C" FORM	1	1		
10	171423	REINFORCEMENT / TRIANGULAR SHAPE	1	1		
11	210951	BUMPER RETAINER R.H.	1	1		
12	211070	BUMPER HINGE ATTACHMENT L.H. To X-2820	1	1		
12	213961	BUMPER HINGE ATTACHMENT R.H. From X-2821	1	1		
13	210742	TUBE 597MM	1	1		
14	H3-1895-20	ENTRANCE DOOR STRUCTURE				
15	170775	TUBE 1046MM	1	1		
16	211616	TUBE 655MM	1	1		
17	172088	TUBE 920MM	1	1		
18	211615	TUBE 1367MM To V-1856	2	2		
18	213451	TUBE 1405MM From V-1857	2	2		
19	211960	TUBE 560MM	2	2		
20	171652	TUBE 695MM	1	1		
21	212483	ATTACHMENT SEAT BELT To S-057	1	1		
21	212664	ATTACHMENT SEAT BELT From S-058 To V-1856	1	1		
21	213458	ATTACHMENT SEAT BELT From V-1857	1	1		
22	171122	REINFORCEMENT	1	1		
23	H3-1891-00	WALL STRUCTURE - LOWER BUS				
24	171763	TUBE 228MM	1	1		
25	170930	TUBE 1177MM	1	1		
26	170850	SEAT SUPPORT 237MM	1	1		
27	171023	TUBE 982MM	2	2		
28	171027	SEAT SUPPORT 739MM	1	1		
29	172081	TUBE 836MM	2	2		
30	171641	SEAT SUPPORT 980MM	1	1		
31	170780	TUBE 462MM	1	1		
32	212446	TUBE 59MM	1	1		
33	212427	TUBE 1233MM	1	1		

From R-012 To 2-4416	Date:10/2022	PAGE:H3-1895-40
FRONT END STRUCTURE - BUS		

Item#	Part	Description	H 3 4 1	H 3 4 5	V I P 4 5	N O T E S
34	212419	TUBE 1330MM	1	1		
35	171024	TUBE 758MM	2	2		
40	Call order desk	STRUCTURE ASSY / R.H MODESTY PANEL	1	1		P
41	170796	. TUBE 496MM	1	1		
42	170788	. TUBE 965MM	1	1		
43	214537	. ANCHOR / MODESTY PANEL	1	1		
44	172565	. ANCHOR ASSY / HOSTESS SEAT	1	1		
45	214538	. ANCHOR ASSY / HAND-RAIL	1	1		
50	Call order desk	STRUCTURE ASSY / L.H MODESTY PANEL From V-1857	1	1		P
51	172070	. TUBE 1004MM From V-1857	1	1		
52	171651	. TUBE 312MM From V-1857	1	1		
53	171650	. TUBE 335MM From V-1857	1	1		
54	212485	. ATTACHMENT SEAT BELT From V-1857	1	1		
55	214537	. ANCHOR / MODESTY PANEL	2	2		
56	214538	ANCHOR ASSY / HAND-RAIL	2	2		
57	213470	REINFORCEMENT 50MM X 328MM From V-1857	1	1		
58	071062	SUPPORT	1	1		M
60	H3-1897-00	FRONT SUB-FRAME / W/RIGID SUSPENSION				
90	N.S.A.	CROSS MEMBER SUB FLOOR FORWARD	1	1		3
91	172026	. TUBE 2463MM	1	1		
92	172030	. TUBE 578MM	2	2		
93	172069	. TUBE 312MM	2	2		
94	172038	. TUBE 327MM	2	2		
95	172036	. TUBE 273MM	2	2		
96	172029	. TUBE 1396MM	1	1		
97	210550	. TUBE 916MM	1	1		
98	213548	. REINFORCEMENT	2	2		
100	N.S.A.	CROSS MEMBER SUB FLOOR BACKWARD	1	1		3
101	172026	. TUBE 2463MM	1	1		
102	172024	. TUBE 785MM	2	2		
103	172027	. TUBE 312MM	2	2		
104	170732	. TUBE 913MM	1	1		
105	172025	. TUBE 2447MM	1	1		
106	172031	. DOOR CYLINDER SUPPORT / "U" SHAPE 125MM	2	2		
107	172047	. TUBE	1	1		
110	170777	TUBE 1058MM To V-1856	2	2		
110	213447	TUBE 1040MM From V-1857	2	2		
111	212113	TUBE ASSY / W/INSERT / STREETSIDE To V-1856	1	1		
111	213449	TUBE ASSY / W/INSERT / STREETSIDE From V-1857	1	1		
112	212112	TUBE ASSY / W/INSERT / CURBSIDE To V-1856	1	1		
112	213448	TUBE ASSY / W/INSERT / CURBSIDE From V-1857	1	1		
113	210699	TUBE 1140MM To V-1856	2	2		

From R-012 To 2-4416	Date:10/2022	PAGE:H3-1895-40
FRONT END STRUCTURE - BUS		

Item#	Part	Description	H 3 4 1	H 3 4 5	V I P 4 5	N O T E S
113	213399	TUBE 1139MM From V-1857 To V-2064	2	2		
113	213558	TUBE ASSY / STREET SIDE / W/FLOATING NUT / 1139MM From V-2065 To W-2457	1	1		
113	213559	TUBE ASSY / CURBSIDE / W/FLOATING NUT / 1139MM From V-2065 To W-2457	1	1		
113	213789	TUBE ASSY / STREET SIDE / W/FLOATING NUT / 1196MM From X-2458	1	1		
113	213790	TUBE ASSY / CURBSIDE / W/FLOATING NUT / 1196MM From X-2458	1	1		
113	213557	. TUBE 1139MM From V-1857 To W-2457	1	1		
113	213450	. TUBE 1196MM From X-2458	1	1		
114	282869	. FLOATING NUT ASSY WITH CASE To 1-4237	1	1		
114	287943	. FLOATING NUT ASSY WITH CASE From 1-4238	1	1		
115	285516	. SUPPORT LOWER / (WELDED TO STRUCTURE) To 1-4237	1	1		
115	287903	. SUPPORT LOWER / (WELDED TO STRUCTURE) From 1-4238	1	1		
116	171524	REINFORCEMENT	2	2		
120	171769P	FLOOR STEPWELL ASSY	1	1		
121	170909	. TUBE 953MM	1	1		
122	170859	. TUBE 721MM	1	1		
123	170860	. TUBE 721MM	1	1		
124	170862	. TUBE 273MM	1	1		
125	171771	. SUPPORT LOWER / (WELDED TO FRAME) / TO FIX TANK ACCESSORIES	1	1		
126	171121	. TUBE 947MM	1	1		
127	171764	. TUBE 36MM	1	1		
128	170858	. SUPPORT	1	1		
129	372742	. SUPPORT / TO FIX WATER VALVE	1	1		
130	212482	DRIVER'S FLOOR ASSY To T-1458	1	1		
130	213177	DRIVER'S FLOOR ASSY From T-1459 To V-1778	1	1		
130	213385	DRIVER'S FLOOR ASSY From V-1779 To W-2560	1	1		
130	213791	DRIVER'S FLOOR ASSY / W/"ISRI" SEAT From W-2561	1	1		
130	214438	DRIVER'S FLOOR ASSY / W/"RECARO" SEAT	1	1		
131	210780	. TUBE 682MM To V-1778	1	1		
131	213381	. SUPPORT "C" 681MM From V-1779 To W-2560	1	1		
131	213793	. TUBE 682MM From W-2561	1	1		
132	250668	. TUBE 822MM To V-1778	1	1		
132	213384	. TUBE 835MM From V-1779	1	1		
133	210778	. SUPPORT "C" 281MM To V-1778	2	2		
133	213383	. FORM "C" 390MM From V-1779 To W-2560	2	2		
133	213792	. PLATE 197MM X 362MM From W-2561	1	1		
NS	5001086	. NUT HEXF M12-1.75 DP From T-1459	4	4		
134	210781	. TUBE 658MM To V-1778	1	1		
134	213382	. SUPPORT "C" 469MM From V-1779 To W-2560	1	1		
134	213735	. TUBE 465MM From W-2561	1	1		
135	212481	. SUPPORT 209MM To V-1778	1	1		
135	214439	. PLATE / W/"RECARO" SEAT / 197MM X 362MM	1	1		
136	211168	. SUPPORT DOOR LIGHT SWITCH / (WELDED TO TUBE To V-1778	1	1		

From R-012 To 2-4416	Date:10/2022	PAGE:H3-1895-40
FRONT END STRUCTURE - BUS		

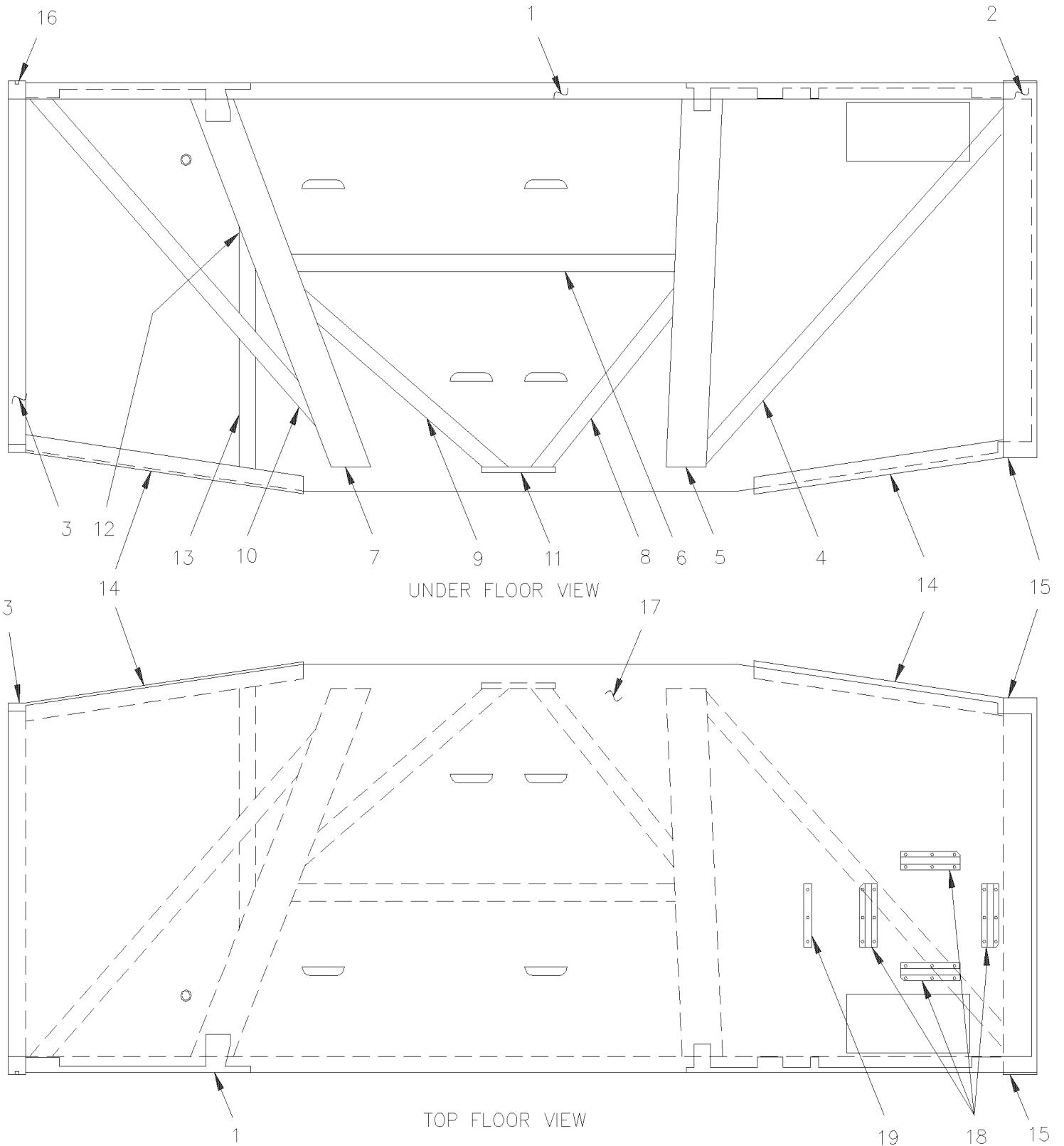
Item#	Part	Description	H 3 4 1	H 3 4 5	V I P 4 5	N O T E S
136	214441	. TUBE / W/"RECARO" SEAT / 418MM	1	1		
137	211477	. SUPPORT To T-1458	1	1		
137	214440	. TUBE / W/"RECARO" SEAT / 430MM	1	1		
138	214442	. TUBE / W/"RECARO" SEAT / 838MM	1	1		
NS	214443	TUBE / VERTICAL / W/"RECARO" SEAT / 330MM	1	1		
		M) WITH MANUAL TRANSMISSION				
		3) NOT SOLD ASSEMBLY				
		P) CALL ORDER DESK FOR SPECIFIC APPLICATION (V.I.N.)				

From W-2458 To 2-4416

Date:10/2022

PAGE:H3-1895-50

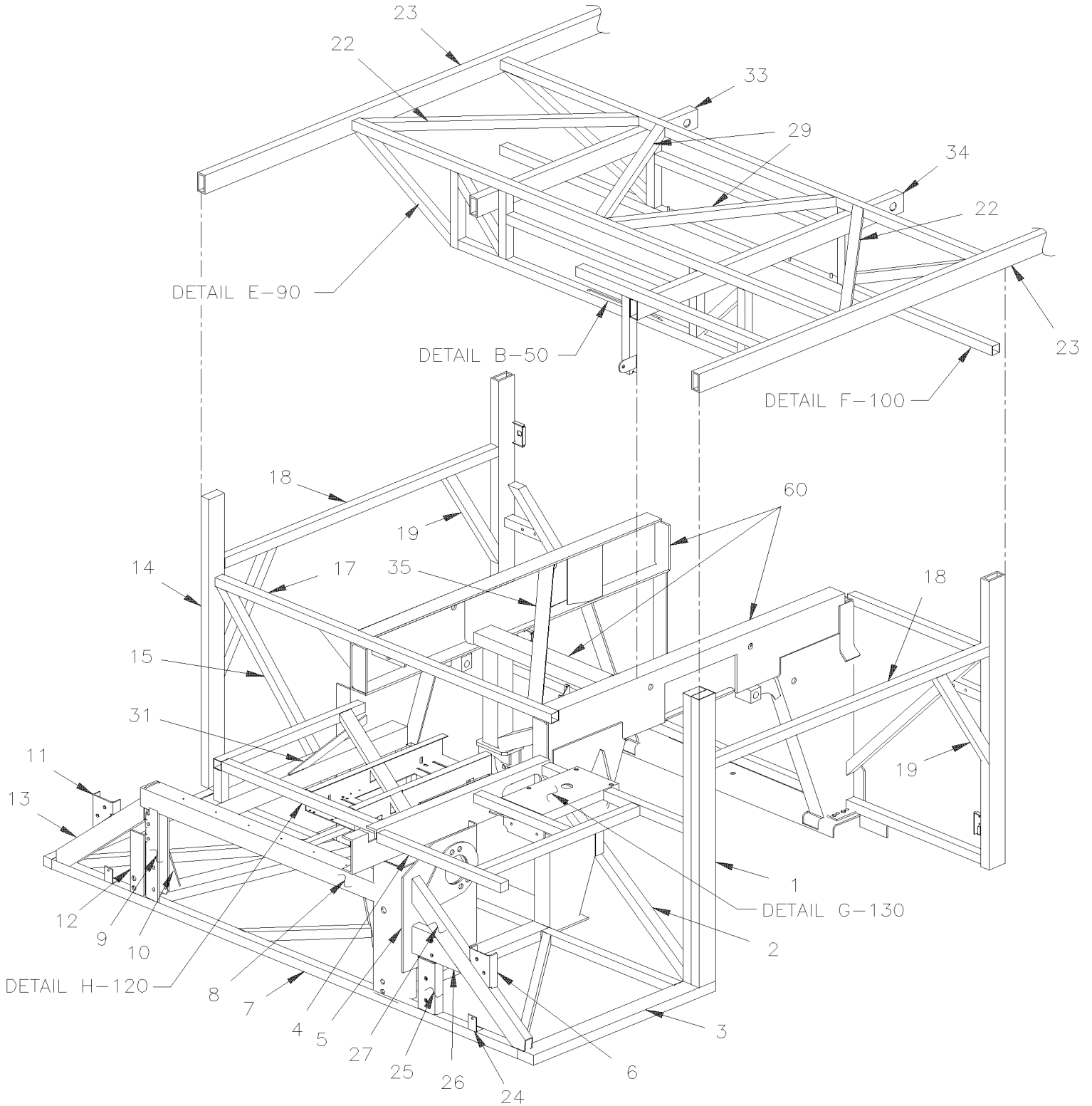
FRONT FLOOR STRUCTURE - W/IND SUSPENSION



From W-2458 To 2-4416	Date:10/2022	PAGE:H3-1895-50
FRONT FLOOR STRUCTURE - W/IND SUSPENSION		

Item#	Part	Description	H 3 4 1	H 3 4 5	V I P 4 5	N O T E S
1	170911	TUBE			1	
2	171767	TUBE 900MM			1	
3	171637	TUBE			1	
4	213425	TUBE			1	
5	213423	TUBE			1	
6	213430	TUBE			1	
7	213422	TUBE			1	
8	213432	TUBE			1	
9	213431	TUBE			1	
10	213427	TUBE			1	
11	213503	PLATE			1	
12	172251	SUPPORT			1	
13	172252	SUPPORT			1	
14	213438	TUBE			1	
15	230695	PLATE, CLOSING			1	
16	260120	PLATE, CLOSING / TUBE 33MM x 33MM			1	
17	213495	PANEL To 1-4381			1	
17	214566	PANEL From 1-4382			1	
18	309048	RESERVOIR SUPPORT FOR HOOK / WINDSHIELD WASH.			1	
19	300160	SUPPORT, PUMP To 2-4376			1	

From R-012 To 2-4416	Date:10/2022	PAGE:H3-1895-55
FRONT END STRUCTURE - I BEAM SUSPENSION - V.I.P.		

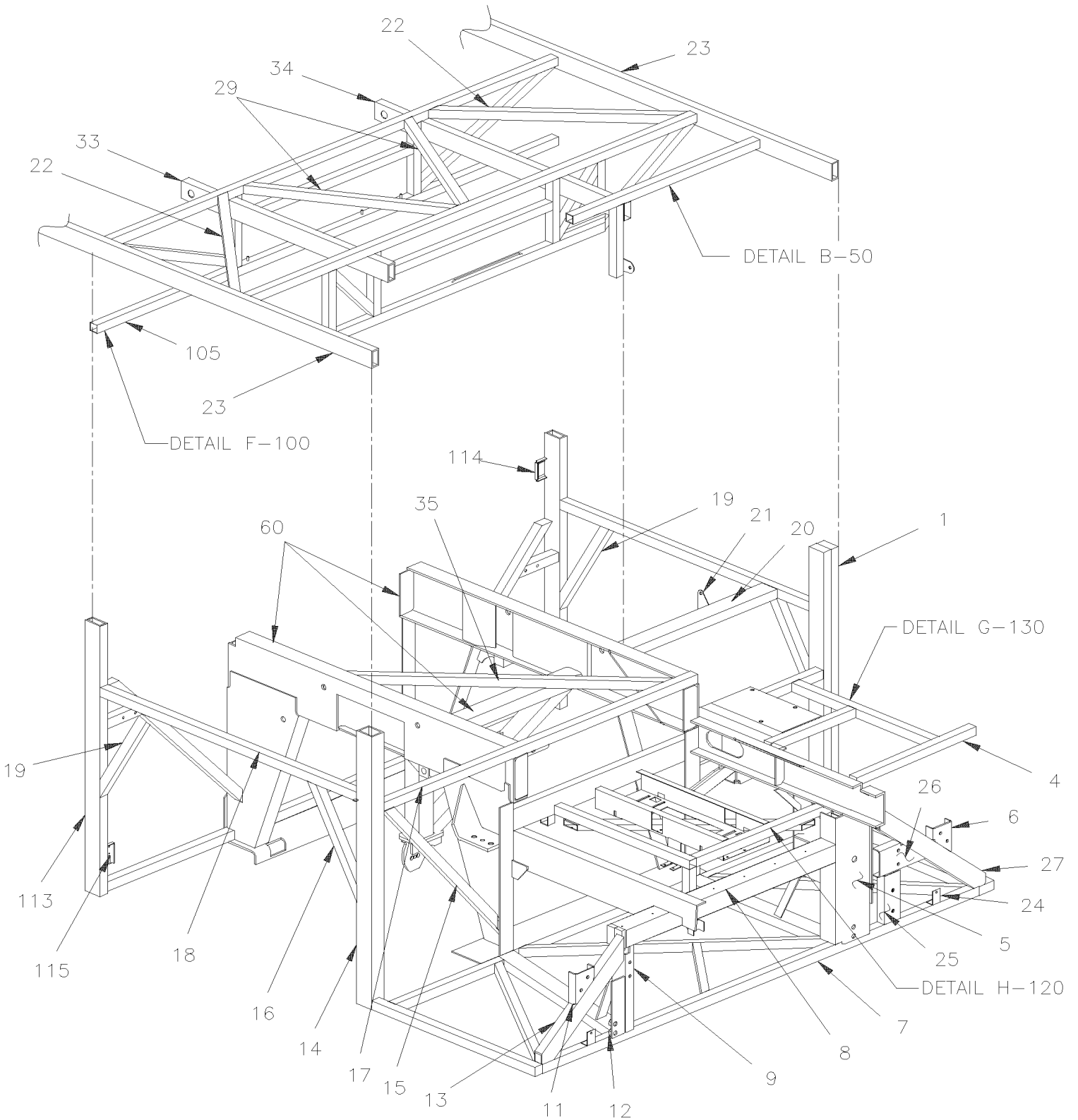


From R-012 To 2-4416

Date:10/2022

PAGE:H3-1895-55

FRONT END STRUCTURE - I BEAM SUSPENSION - V.I.P.

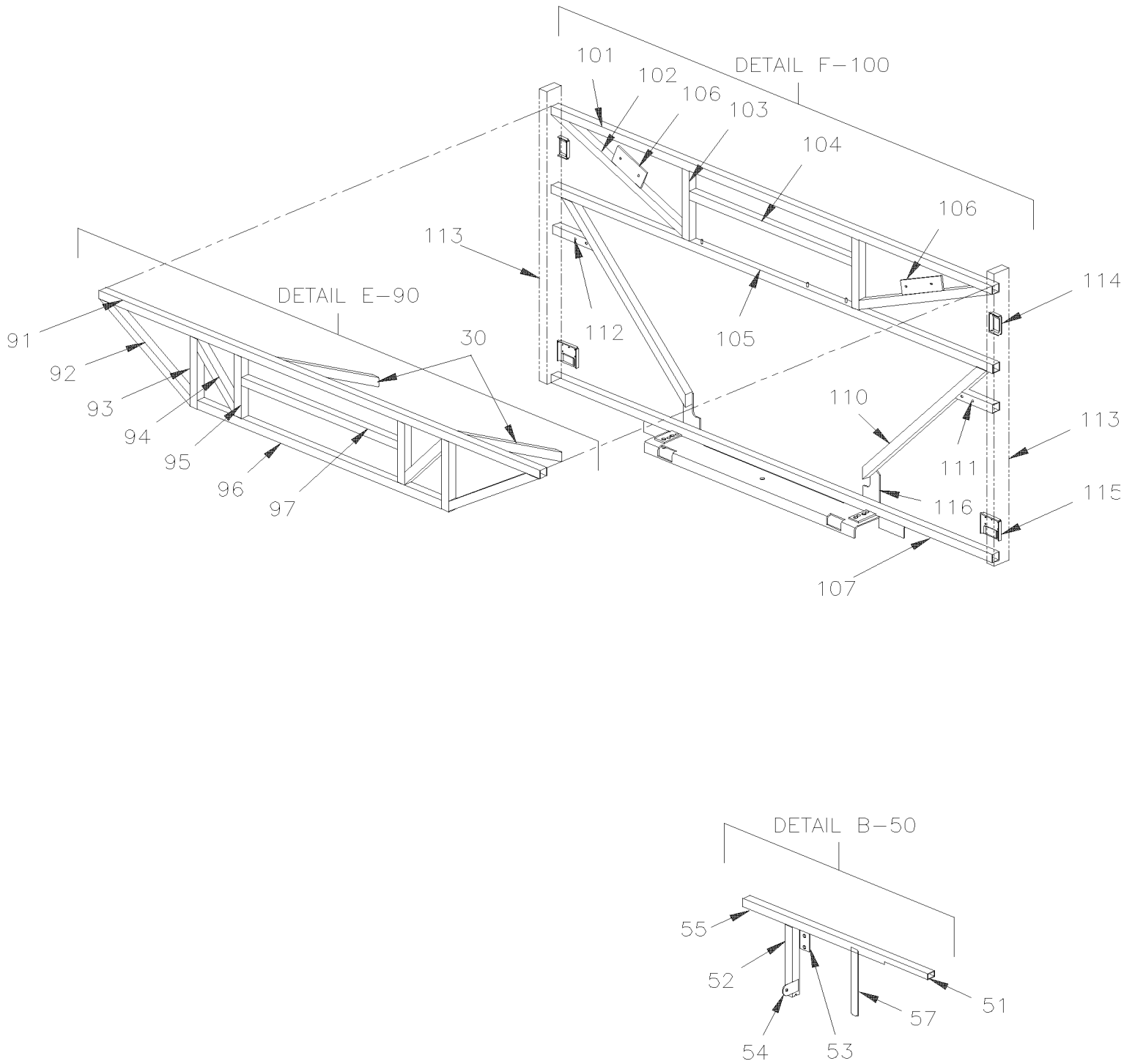


From R-012 To 2-4416

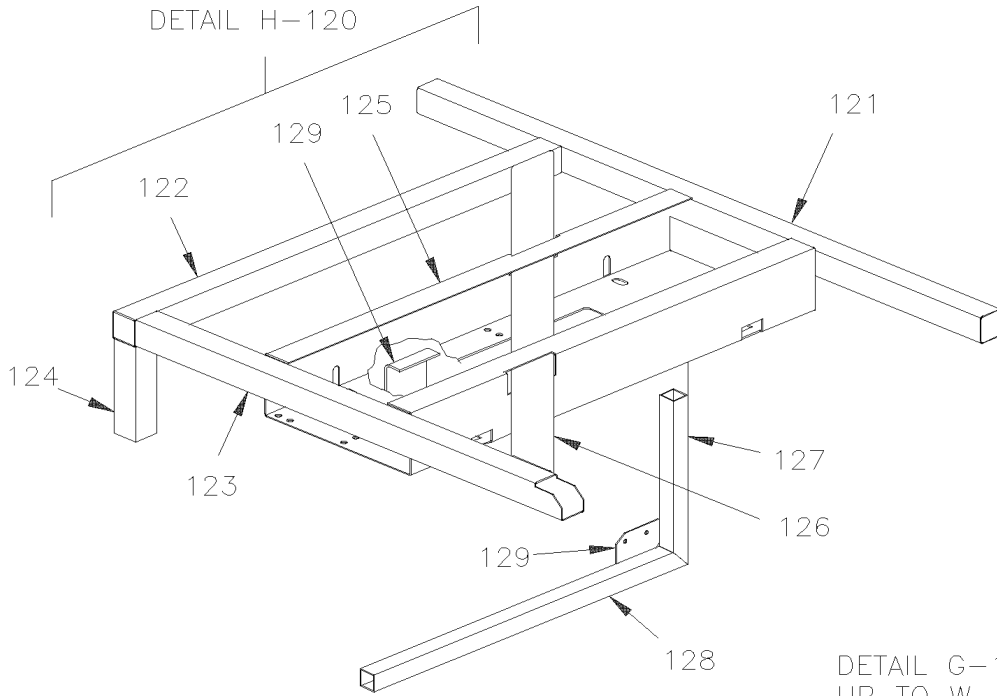
Date:10/2022

PAGE:H3-1895-55

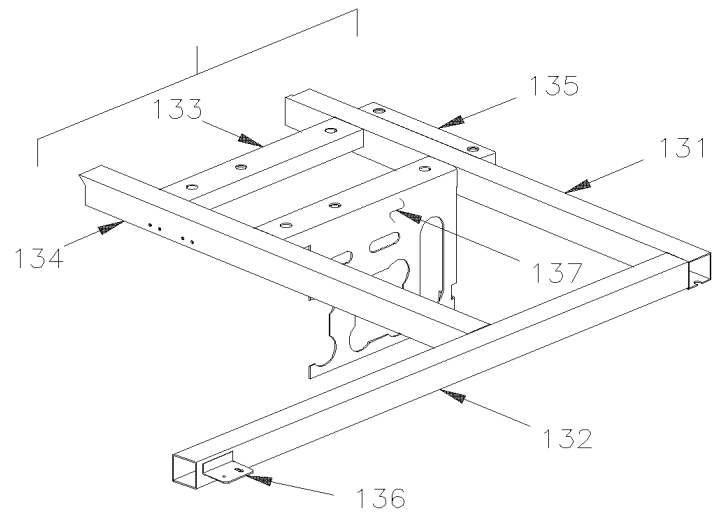
FRONT END STRUCTURE - I BEAM SUSPENSION - V.I.P.



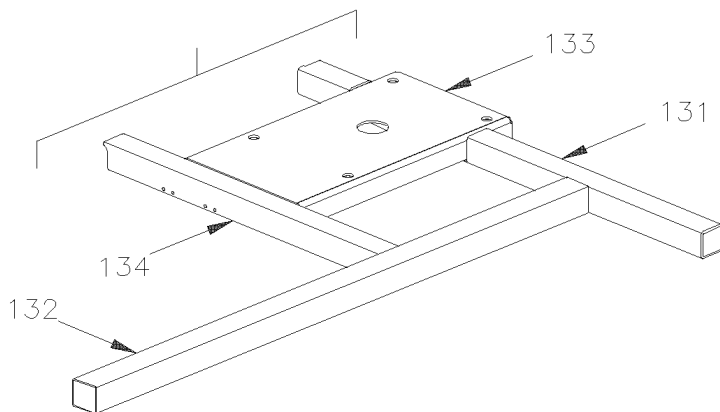
From R-012 To 2-4416	Date:10/2022	PAGE:H3-1895-55
FRONT END STRUCTURE - I BEAM SUSPENSION - V.I.P.		



DETAIL G-130
UP TO W-2560



DETAIL G-130
FROM W-2561



From R-012 To 2-4416	Date:10/2022	PAGE:H3-1895-55
FRONT END STRUCTURE - I BEAM SUSPENSION - V.I.P.		

Item#	Part	Description	H 3 4 1	H 3 4 5	V I P 4 5	N O T E S
1	210936	TUBE 1156MM			2	
1	H3-1879-10	FRONT SERVICE DOOR - INSTALLATION				
2	211294	TUBE 868MM			1	
3	210930	TUBE 900MM To T-1303			1	
3	171767	TUBE 900MM From T-1304			1	
4	210783	TUBE / DRIVER'S FLOOR SUPPORT / 725MM To V-1778			1	
4	213392	TUBE / DRIVER'S FLOOR SUPPORT / 737MM From V-1779			1	
5	171757P	SUPPORT GEAR BOX STEERING / W/ "TRW" To 1-4306			1	
5	172630	SUPPORT GEAR BOX STEERING / W/ "ZF" From 4-4307 To 4-4808			1	
6	211741	SUPPORT ASSY L.H. / BUMPER To Y-3843			1	
6	214447	SUPPORT ASSY L.H. / BUMPER From Y-3844			1	
7	H3-1895-10	FRONT FLOOR STRUCTURE - W/RIGID SUSPENSION				
8	171205	TUBE 1172MM			1	
8	213502	TUBE 1188MM			1	
9	Call order desk	SUPPORT R.H. / "C" FORM To X-2726			1	P
9	172311	SUPPORT ASSY / BUMPER HINGE L.H. From X-2727 To Y-3842			1	
9	214446	SUPPORT R.H. / "C" FORM From Y-3842			1	
10	171423	REINFORCEMENT / TRIANGULAR SHAPE			1	
11	211740	SUPPORT ASSY R.H. / BUMPER To Y-3843			1	
11	214448	SUPPORT ASSY R.H. / BUMPER From Y-3844			1	
12	211070	BUMPER HINGE ATTACHMENT L.H. To X-2820			1	
12	213961	BUMPER HINGE ATTACHMENT R.H. From X-2821			1	
13	210742	TUBE 597MM			1	
14	H3-1895-20	ENTRANCE DOOR STRUCTURE				
15	170775	TUBE 1046MM			1	
16	211616	TUBE 655MM			1	
17	211357	TUBE 978MM To V-1856			1	
17	172090	TUBE 1681MM From V-1857			1	
18	211615	TUBE 1367MM To V-1856			2	
18	213451	TUBE 1405MM From V-1857			2	
19	211960	TUBE 560MM			2	
20	171652	TUBE 695MM			1	
21	212483	ATTACHMENT SEAT BELT To S-057			1	
21	212664	ATTACHMENT SEAT BELT From S-058 To V-1856			1	
21	213458	ATTACHMENT SEAT BELT From V-1857			1	
22	171023	TUBE 982MM			2	
23	H3-1891-50	WALL STRUCTURE - LOWER V.I.P.				
24	211961	REINFORCEMENT To W-2457			2	
25	213926	SUPPORT SPARE DOOR / STREET SIDE From X-2725			1	
26	211743	SUPPORT / BUMPER L.H. INSIDE To Y-3843			1	
26	214486	SUPPORT / BUMPER / L.H. INSIDE From Y-3844			1	
27	211663	TUBE 799MM To 1-4256			1	

From R-012 To 2-4416	Date:10/2022	PAGE:H3-1895-55
FRONT END STRUCTURE - I BEAM SUSPENSION - V.I.P.		

Item#	Part	Description	H 3 4 1	H 3 4 5	V I P 4 5	N O T E S
27	214568	TUBE 782MM From 1-4257			1	
28	171130	TUBE 402MM			1	
29	171022	TUBE 822MM To V-1856			1	
29	172081	TUBE 836MM From V-1857			2	
30	171024	TUBE 758MM			2	
31	171130	TUBE 402MM			1	
33	171805	TUBE 992MM			1	
34	212419	TUBE 1330MM			1	
35	211356	TUBE			2	
50	Call order desk	STRUCTURE ASSY / L.H. / REAR DRIVER'S To V-1856			1	P
50	Call order desk	STRUCTURE ASSY / L.H. / REAR DRIVER'S From V-1857			1	P
51	171684	CLOSING TUBE To V-1856			1	
52	171651	. TUBE 312MM From V-1857			1	
53	212486	ANCHOR			1	
54	212485	. ATTACHMENT SEAT BELT From V-1857			1	
55	171802	TUBE 772MM To V-1856			1	
55	172087	TUBE 772MM From V-1857			1	
57	213470	. REINFORCEMENT 50MM X 328MM			1	
60	H3-1897-00	FRONT SUB-FRAME / W/RIGID SUSPENSION				
90	N.S.A.	CROSS MEMBER SUB FLOOR FORWARD			1	3
91	172026	. TUBE 2463MM			1	
92	172030	. TUBE 578MM			2	
93	172069	. TUBE 312MM			2	
94	172038	. TUBE 327MM			2	
95	172036	. TUBE 273MM			2	
96	172029	. TUBE 1396MM			1	
97	210550	. TUBE 916MM			1	
98	213548	. REINFORCEMENT			2	
100	N.S.A.	CROSS MEMBER SUB FLOOR BACKWARD			1	3
101	172026	. TUBE 2463MM			1	
102	172024	. TUBE 785MM			2	
103	172027	. TUBE 312MM			2	
104	170732	. TUBE 913MM			1	
105	172025	. TUBE 2447MM			1	
106	172031	. DOOR CYLINDER SUPPORT / "U" SHAPE 125MM			2	
107	172047	. TUBE			1	
110	170777	TUBE 1058MM To V-1856			2	
110	213447	TUBE 1040MM From V-1857			2	
111	212113	TUBE ASSY / W/INSERT / STREETSIDE To V-1856			1	
111	213449	TUBE ASSY / W/INSERT / STREETSIDE From V-1857			1	
112	212112	TUBE ASSY / W/INSERT / CURBSIDE To V-1856			1	
112	213448	TUBE ASSY / W/INSERT / CURBSIDE From V-1857			1	

From R-012 To 2-4416	Date:10/2022	PAGE:H3-1895-55
FRONT END STRUCTURE - I BEAM SUSPENSION - V.I.P.		

Item#	Part	Description	H 3 4 1	H 3 4 5	V I P 4 5	N O T E S
113	210699	TUBE 1140MM To V-1856			2	
113	213399	TUBE 1139MM From V-1857 To V-2064			2	
113	213558	TUBE ASSY / STREET SIDE / W/FLOATING NUT / 1139MM From V-2065 To W-2457			1	
113	213559	TUBE ASSY / CURBSIDE / W/FLOATING NUT / 1139MM From V-2065 To W-2457			1	
113	213789	TUBE ASSY / STREET SIDE / W/FLOATING NUT / 1196MM From X-2458			1	
113	213790	TUBE ASSY / CURBSIDE / W/FLOATING NUT / 1196MM From X-2458			1	
113	213557	. TUBE 1139MM From V-1857 To W-2457			1	
113	213450	. TUBE 1196MM From X-2458			1	
114	282869	. FLOATING NUT ASSY WITH CASE To 1-4237			1	
114	287943	. FLOATING NUT ASSY WITH CASE From 1-4238			1	
115	285516	. SUPPORT LOWER / (WELDED TO STRUCTURE) To 1-4237			1	
115	287903	. SUPPORT LOWER / (WELDED TO STRUCTURE) From 1-4238			1	
116	171524	REINFORCEMENT			2	
120	Call order desk	FLOOR STEPWELL ASSY			1	P
122	170859	. TUBE 721MM			1	
123	171804	. TUBE 901MM			1	
124	171133	. TUBE 130MM			1	
125	171817	. SUPPORT LOWER / (WELDED TO FRAME) / TO FIX			1	
126	171185	. TUBE 1076MM			1	
127	171806	. TUBE / W/SMALL A/C / 245MM			1	
128	171301	. TUBE / W/SMALL A/C / 554MM			1	
128	453148	SUPPORT A/C VALVE / W/SMALL A/C			1	
128	171186	ANGLE SUPPORT 745MM			1	
129	372742	. SUPPORT / TO FIX WATER VALVE			1	
130	212482	DRIVER'S FLOOR ASSY To T-1458			1	
130	213177	DRIVER'S FLOOR ASSY From T-1459 To V-1778			1	
130	213385	DRIVER'S FLOOR ASSY From V-1779 To W-2560			1	
130	213791	DRIVER'S FLOOR ASSY / W/"ISRI" SEAT From W-2561			1	
131	210780	. TUBE 682MM To V-1778			1	
131	213381	. SUPPORT "C" 681MM From V-1779 To W-2560			1	
131	213793	. TUBE 682MM From W-2561			1	
132	250668	. TUBE 822MM To V-1778			1	
132	213384	. TUBE 835MM From V-1779			1	
133	210778	. SUPPORT "C" 281MM To V-1778			2	
133	213383	. FORM "C" 390MM From V-1779 To W-2560			2	
133	213792	. PLATE 197MM X 362MM From W-2561			1	
NS	5001086	. NUT HEXF M12-1.75 DP From T-1459			4	
134	210781	. TUBE 658MM To V-1778			1	
134	213382	. SUPPORT "C" 469MM From V-1779 To W-2560			1	
134	213735	. TUBE 465MM From W-2561			1	
135	212481	. SUPPORT 209MM To V-1778			1	
136	211168	. SUPPORT DOOR LIGHT SWITCH / (WELDED TO TUBE To V-1778			1	

From R-012 To 2-4416	Date:10/2022	PAGE:H3-1895-55
FRONT END STRUCTURE - I BEAM SUSPENSION - V.I.P.		

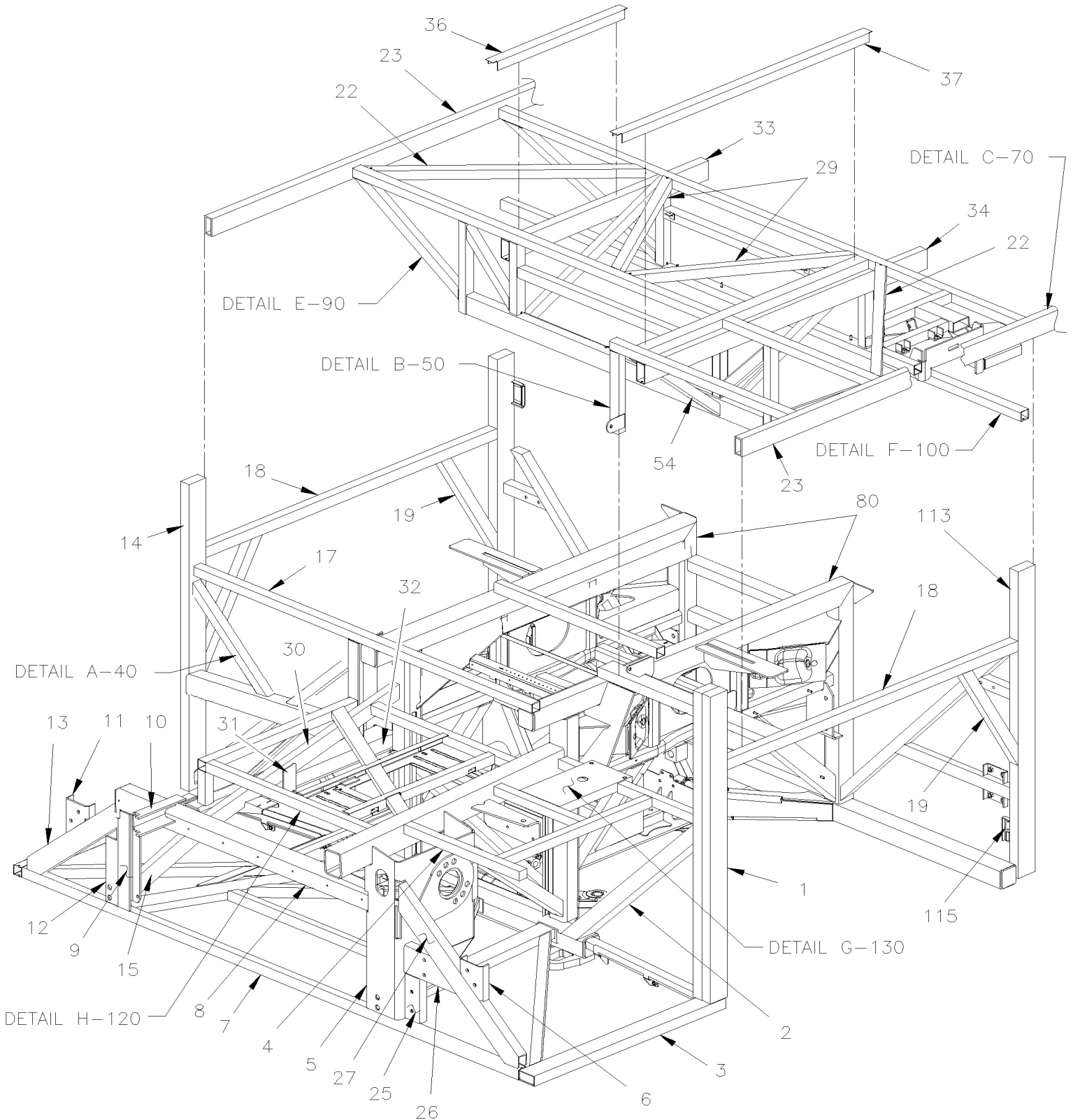
Item#	Part	Description	H 3 4 1	H 3 4 5	V I P 4 5	N O T E S
137	211477	SUPPORT To T-1458			1	
		3) NOT SOLD ASSEMBLY				
		P) CALL ORDER DESK FOR SPECIFIC APPLICATION (V.I.N.)				

From W-2458 To 2-4416

Date:10/2022

PAGE:H3-1895-60

FRONT END STRUCTURE - WIND SUSPENSION - V.I.P.

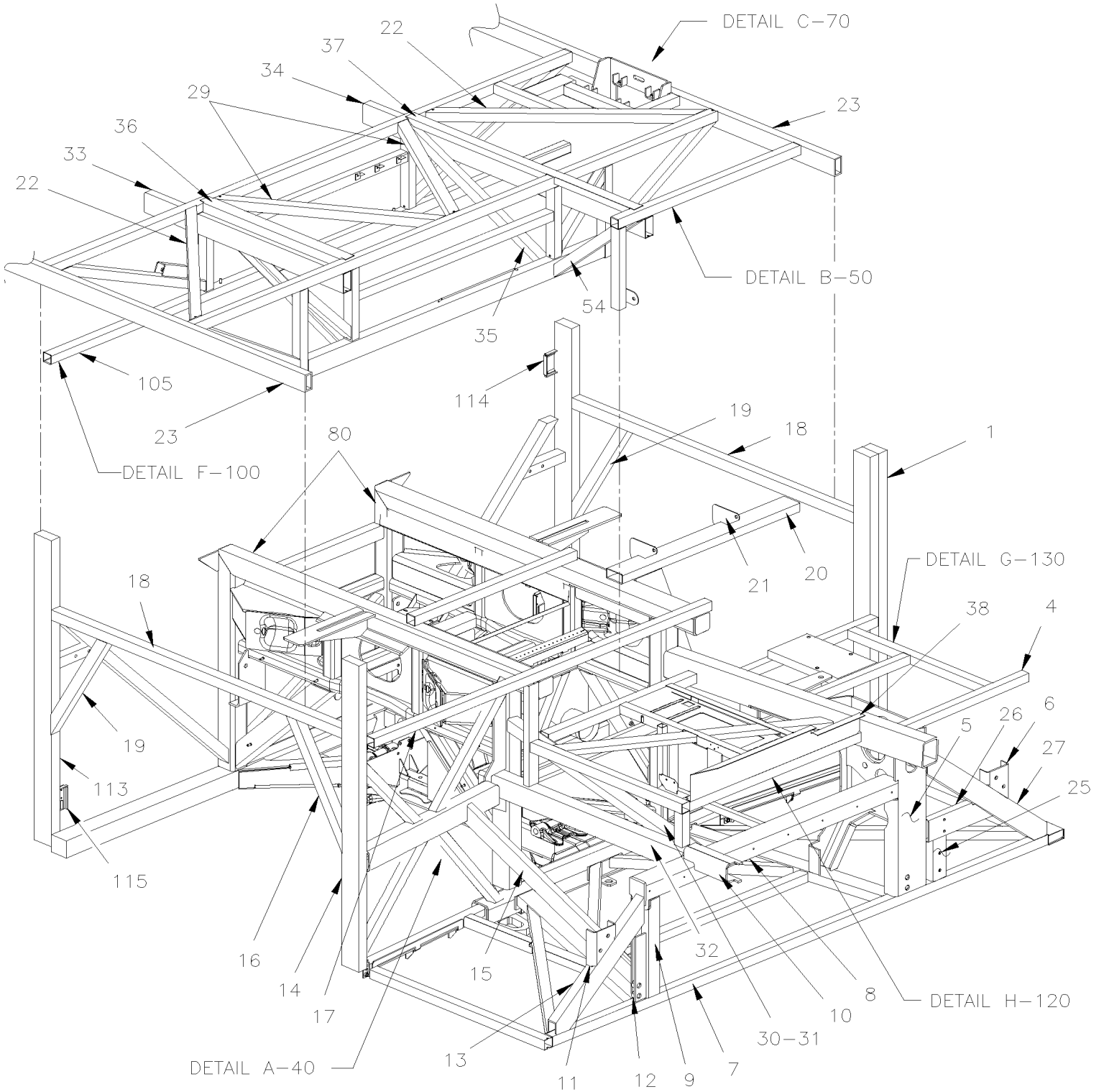


From W-2458 To 2-4416

Date:10/2022

PAGE:H3-1895-60

FRONT END STRUCTURE - WIND SUSPENSION - V.I.P.

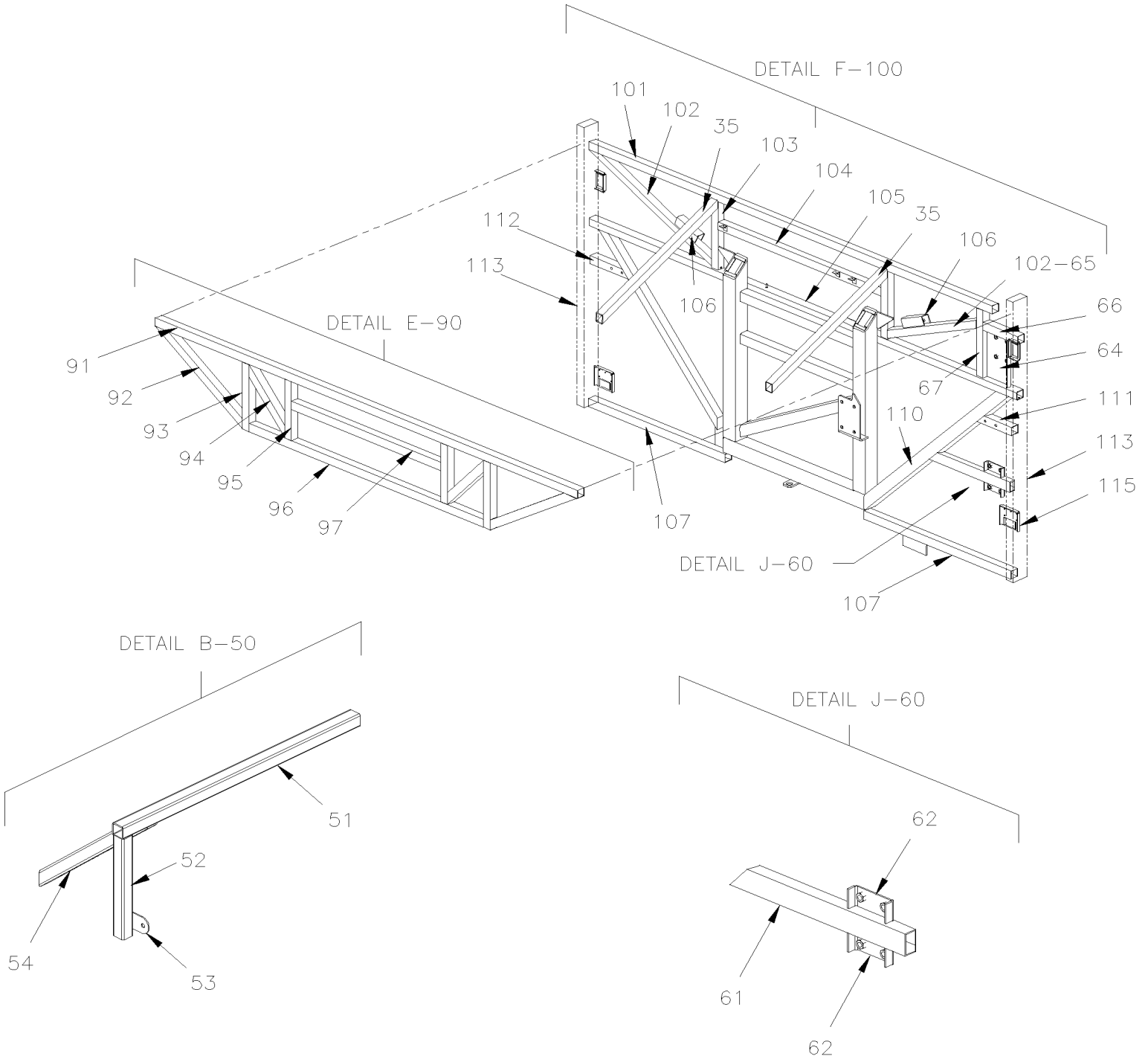


From W-2458 To 2-4416

Date:10/2022

PAGE:H3-1895-60

FRONT END STRUCTURE - WIND SUSPENSION - V.I.P.

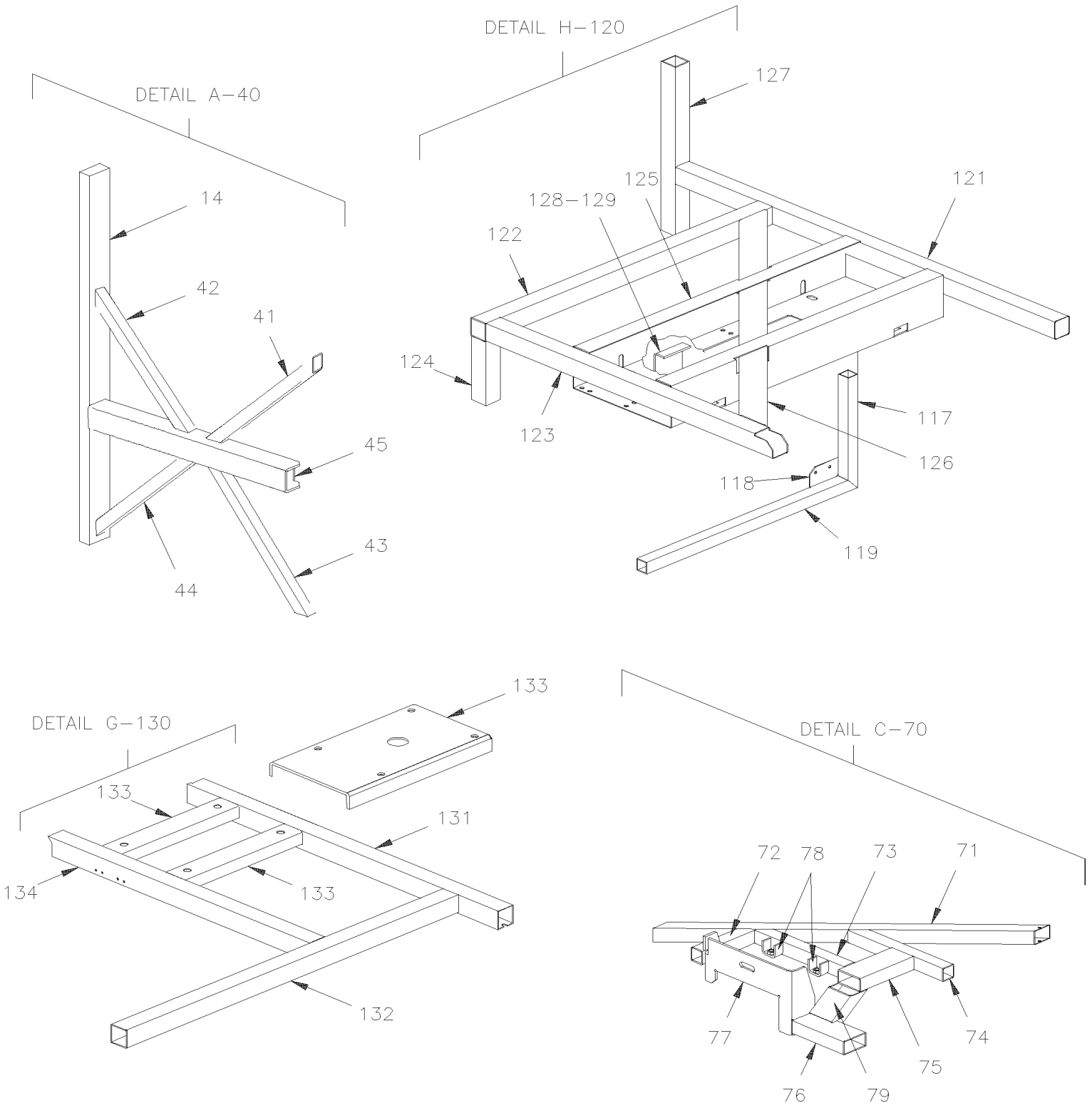


From W-2458 To 2-4416

Date:10/2022

PAGE:H3-1895-60

FRONT END STRUCTURE - WIND SUSPENSION - V.I.P.



From W-2458 To 2-4416	Date:10/2022	PAGE:H3-1895-60
FRONT END STRUCTURE - W/IND SUSPENSION - V.I.P.		

Item#	Part	Description	H 3 4 1	H 3 4 5	V I P 4 5	N O T E S
1	210936	TUBE 1156MM			2	
1	H3-1879-10	FRONT SERVICE DOOR - INSTALLATION				
2	213475	TUBE 1005MM			1	
3	171767	TUBE 900MM			1	
4	213474	TUBE / DRIVER'S FLOOR SUPPORT / W/IND SUSPENSION ONLY / 776MM			1	
5	172134	SUPPORT GEAR BOX STEERING / W/ "TRW" / W/IND SUSPENSION ONLY From W-2458 To 1-4293			1	
5	172573	SUPPORT GEAR BOX STEERING / W/ "ZF" / W/IND SUSPENSION ONLY From 1-4294			1	
6	211741	SUPPORT ASSY L.H. / BUMPER To Y-3843			1	
6	214447	SUPPORT ASSY L.H. / BUMPER From Y-3844			1	
7	H3-1895-50	FRONT FLOOR STRUCTURE - W/IND SUSPENSION				
8	213502	TUBE 1188MM			1	
9	Call order desk	SUPPORT R.H. / "C" FORM To Y-3841			1	P
9	214446	SUPPORT R.H. / "C" FORM From Y-3842			1	
9	214591	SUPPORT R.H. / "C" FORM			1	
10	213499	SUPPORT INSIDE			1	
11	211740	SUPPORT ASSY R.H. / BUMPER To Y-3843			1	
11	214448	SUPPORT ASSY R.H. / BUMPER From Y-3844			1	
12	211070	BUMPER HINGE ATTACHMENT L.H. To X-2820			1	
12	213961	BUMPER HINGE ATTACHMENT R.H. From X-2821			1	
13	210742	TUBE 597MM			1	
14	H3-1895-20	ENTRANCE DOOR STRUCTURE				
15	213731	TUBE 904MM			1	
16	211616	TUBE 655MM			1	
17	213440	TUBE 1591MM			1	
18	213451	TUBE 1405MM			2	
19	211960	TUBE 560MM			2	
20	213530	TUBE 835MM			1	
21	213458	ATTACHMENT SEAT BELT			2	
22	172104	TUBE 937MM			2	
23	H3-1891-50	WALL STRUCTURE - LOWER V.I.P.				
25	213926	SUPPORT SPARE DOOR / STREET SIDE			1	
25	213926	SUPPORT SPARE DOOR / STREET SIDE From Y-4294			1	
26	214486	SUPPORT / BUMPER / L.H. INSIDE To 1-4293			1	
26	213535	SUPPORT / BUMPER / L.H. INSIDE From 1-4294			1	
27	211663	TUBE 799MM To 1-4257			1	
27	214568	TUBE 782MM From 1-4257			1	
28	171130	TUBE 402MM			1	
29	172108	TUBE 788MM			2	
30	213497	TUBE 937MM			1	
31	171221	SUPPORT WATER VALVE To X-2643			1	
31	172296	SUPPORT WATER VALVE From X-2644 To Y-3114			1	
31	172449	SUPPORT WATER VALVE From Y-3115			1	

From W-2458 To 2-4416	Date:10/2022	PAGE:H3-1895-60
FRONT END STRUCTURE - W/WIND SUSPENSION - V.I.P.		

Item#	Part	Description	H 3 4 1	H 3 4 5	V I P 4 5	N O T E S
32	171336	TUBE 957MM			1	
33	172103	TUBE 937MM			1	
34	172105	TUBE 1330MM			1	
35	172028	TUBE 737MM			2	
36	172106	SEAT SUPPORT 684MM			1	
37	172107	SEAT SUPPORT 1077MM			1	
38	213803	SUPPORT From W-2458 To Y-4007			1	
38	213839	SUPPORT From X-2488 To Y-4007			1	A
38	284540	HINGE ASSY, R.H. L.H.			1	
38	Call order desk	SERVICE DOOR From Y-4008			1	P A
40	Call order desk	WALL STRUCTURE STEPWELL ASSY			1	P
41	213728	. TUBE 534MM			1	
42	213729	. TUBE 489MM			1	
43	233730	. TUBE			1	
44	213727	. TUBE 504MM			1	
45	213726	. TUBE 705MM			1	
50	N.S.A.	STRUCTURE ASSY L.H.			1	3
51	172140	TUBE 860MM			1	
52	172141	. TUBE 312MM			1	
53	212485	. ATTACHMENT SEAT BELT From V-1857			1	
54	213753	TUBE 519MM			1	
57	213470	REINFORCEMENT 50MM X 328MM			1	
60	214782	TUBE ASSY W/HINGE SUPPORT / W/SLIDE-OUT			1	
61	214787	TUBE / W/SLIDE-OUT / 642MM			1	
62	214788	HINGE DOOR LOWER PLATE SUPPORT / W/SLIDE-OUT			2	
64	215169	HINGE DOOR UPPER PLATE SUPPORT / W/SLIDE-OUT			1	
65	215166	. TUBE / W/SLIDE-OUT / 559MM			1	
66	215168	TUBE / W/SLIDE-OUT / 196MM			1	
67	172027	TUBE 312MM			1	
70	Call order desk	LOWER SHAFT MOUNTING PLATE ASSY / W/SLIDE-OUT			1	P
71	172104	. TUBE 937MM			1	
72	214926	. TUBE / W/SLIDE-OUT / 183MM			1	
73	214927	. TUBE / W/SLIDE-OUT / 298MM			1	
74	214930	. TUBE / W/SLIDE-OUT / 316MM			1	
75	214931	. TUBE / W/SLIDE-OUT / 179MM			1	
76	214958	. TUBE / W/SLIDE-OUT / 171MM			1	
77	214966	. PLATE "C" FORM / W/SLIDE-OUT			1	
78	214928	. ATTACHMENT "U" SHAPE / W/SLIDE-OUT / W/SLIDE-OUT			1	
79	214961	. TUBE / W/SLIDE-OUT / 128MM			1	
80	H3-1897-50	FRONT SUB-FRAME / W/INDEPENDENT SUSPENSION - 16500 LBS				
90	N.S.A.	CROSS MEMBER SUB FLOOR FORWARD			1	3
91	172026	. TUBE 2463MM			1	

From W-2458 To 2-4416	Date:10/2022	PAGE:H3-1895-60
FRONT END STRUCTURE - W/WIND SUSPENSION - V.I.P.		

Item#	Part	Description	H 3 4 1	H 3 4 5	V I P 4 5	N O T E S
92	172030	. TUBE 578MM			2	
93	172035	. TUBE 350MM			2	
94	172038	. TUBE 327MM			2	
95	172036	. TUBE 273MM			2	
96	172037	. TUBE 1396MM			1	
97	210550	. TUBE 916MM			1	
98	213548	. REINFORCEMENT			2	
100	N.S.A.	CROSS MEMBER SUB FLOOR BACKWARD			1	3
100	Call order desk	CROSS MEMBER SUB FLOOR BACKWARD			1	P
101	172026	. TUBE 2463MM			1	
101	215170	. TUBE / W/SLIDE-OUT / 2308MM			1	
102	172024	. TUBE 785MM			2	
103	172027	. TUBE 312MM			2	
104	170732	. TUBE 913MM			1	
105	172025	. TUBE 2447MM			1	
106	172031	. DOOR CYLINDER SUPPORT / "U" SHAPE 125MM			2	
107	213412	. TUBE 798MM To 3-4637			1	
110	213413	TUBE 1133MM			2	
111	213415	TUBE ASSY / W/INSERT / STREETSIDE			1	
112	213414	TUBE ASSY / W/INSERT / CURBSIDE			1	
113	210699	TUBE 1140MM To V-1856			2	
113	213399	TUBE 1139MM From V-1857 To V-2064			2	
113	213789	TUBE ASSY / STREET SIDE / W/FLOATING NUT / 1196MM From X-2458			1	
113	213790	TUBE ASSY / CURBSIDE / W/FLOATING NUT / 1196MM From X-2458			1	
113	213450	. TUBE 1196MM From X-2458			1	
114	282869	. FLOATING NUT ASSY WITH CASE To 1-4237			1	
114	287943	. FLOATING NUT ASSY WITH CASE From 1-4238			1	
115	285516	. SUPPORT LOWER / (WELDED TO STRUCTURE) To 1-4237			1	
115	287903	. SUPPORT LOWER / (WELDED TO STRUCTURE) From 1-4238			1	
117	171806	TUBE / W/SMALL A/C / 245MM			1	
118	453148	SUPPORT A/C VALVE / W/SMALL A/C			1	
119	171301	TUBE / W/SMALL A/C / 554MM			1	
120	Call order desk	FLOOR STEPWELL ASSY			1	P
121	172101	. TUBE 698MM			1	
122	172197	. TUBE 715MM			1	
123	172077	. TUBE 807MM			1	
124	171133	. TUBE 130MM			1	
125	171817	. SUPPORT LOWER / (WELDED TO FRAME) / TO FIX			1	
126	172078	. TUBE 956MM			1	
127	172102	. TUBE 388MM			1	
128	372742	. SUPPORT / TO FIX WATER VALVE			1	
129	373595	SUPPORT WATER PUMP / W/SMALL A/C To 4-4798			1	

From W-2458 To 2-4416	Date:10/2022	PAGE:H3-1895-60
FRONT END STRUCTURE - W/IND SUSPENSION - V.I.P.		

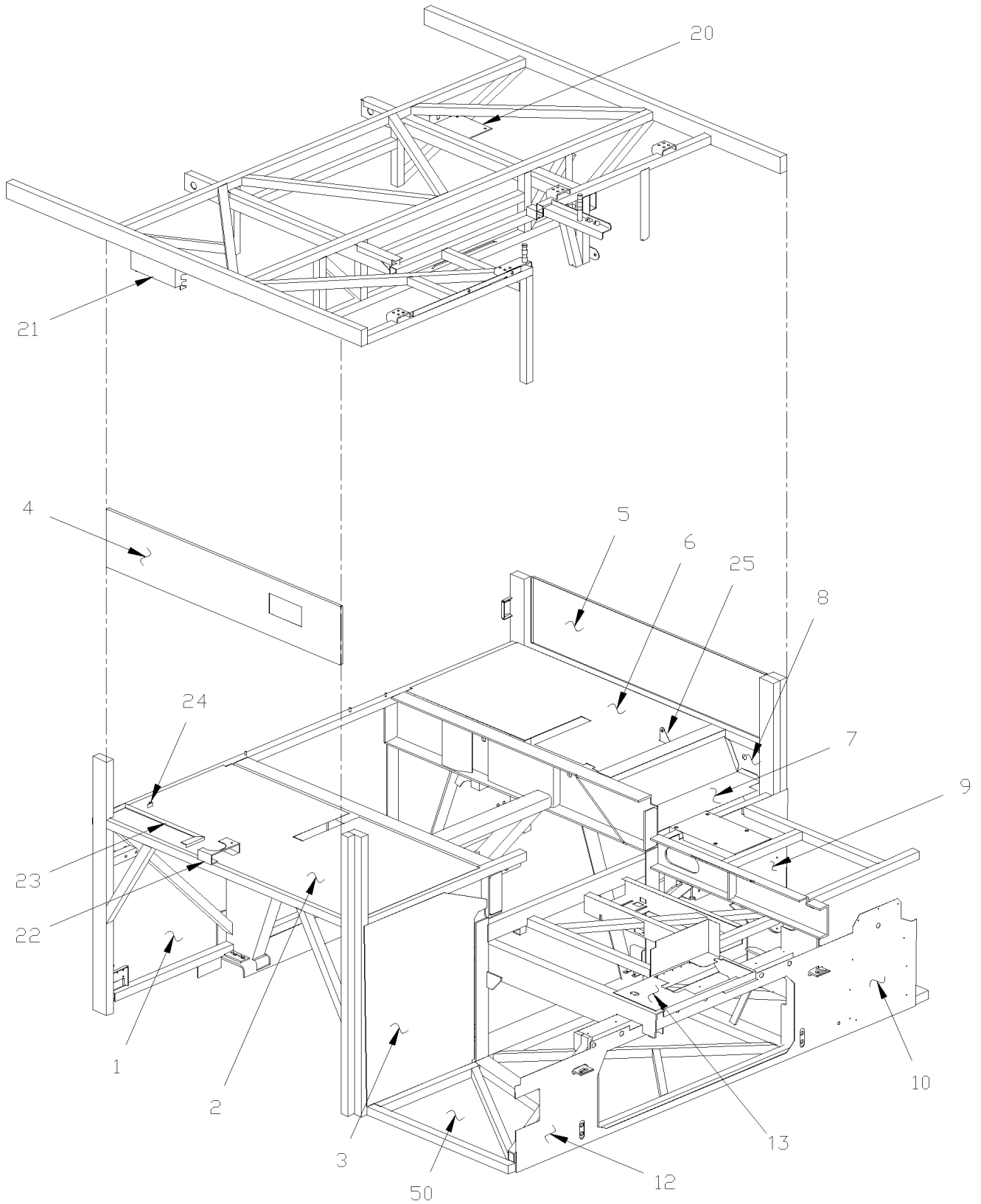
Item#	Part	Description	H 3 4 1	H 3 4 5	V I P 4 5	N O T E S
129	172869	SUPPORT WATER PUMP / W/SMALL A/C From 4-4799			1	
130	213439	DRIVER'S FLOOR ASSY / W/IND SUSPENSION ONLY From W-2458 To W-2558			1	
130	213860	DRIVER'S FLOOR ASSY / W/IND SUSPENSION ONLY From W-2559			1	
131	213472	. TUBE / W/IND SUSPENSION ONLY / 920MM To W-2558			1	
131	213859	. TUBE / W/IND SUSPENSION ONLY / 920MM From W-2559			1	
132	213500	. TUBE / W/IND SUSPENSION ONLY / 911MM			1	
133	213496	. SUPPORT "C" / W/IND SUSPENSION ONLY 307MM From W-2458 To W-2558			2	
133	213858	. PLATE From W-2559			1	
NS	5001086	. NUT HEXF M12-1.75 DP From T-1459			4	
134	213471	. TUBE / W/IND SUSPENSION ONLY / 593MM From W-2458 To W-2558			1	
		A) WITH SMALL A/C				
		3) NOT SOLD ASSEMBLY				
		P) CALL ORDER DESK FOR SPECIFIC APPLICATION (V.I.N.)				

From R-012 To 2-4416

Date:10/2022

PAGE:H3-1896-00

FRONT SHEATING - BUS

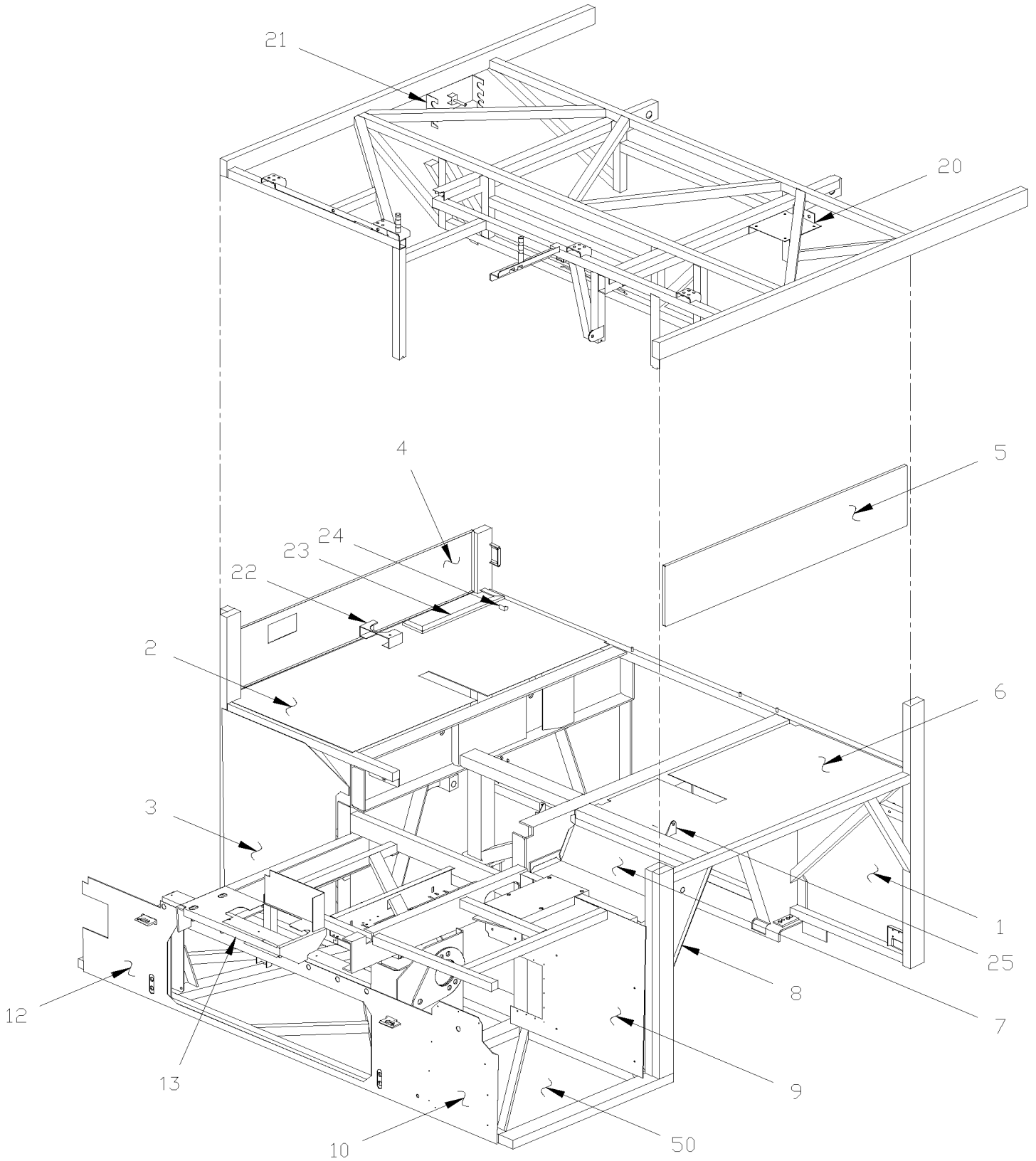


From R-012 To 2-4416

Date:10/2022

PAGE:H3-1896-00

FRONT SHEATING - BUS



From R-012 To 2-4416	Date:10/2022	PAGE:H3-1896-00
FRONT SHEATING - BUS		

Item#	Part	Description	H 3 4 1	H 3 4 5	V I P 4 5	N O T E S
1	211230	PANEL / FRONT BAGGAGE COMPARTMENT To V-1760	1	1		
1	213402	PANEL / FRONT BAGGAGE COMPARTMENT From V-1761 To V-1960	1	1		
1	213417	PANEL / FRONT BAGGAGE COMPARTMENT From V-1961	1	1		
2	211333	PANEL / R.H. TOP WHEELHOUSE / BACKWARD SECTION To V-1856	1	1		
2	212684	PANEL / R.H. TOP WHEELHOUSE / FOWARD SECTION To V-1856	1	1		
2	213454	PANEL / R.H. TOP WHEELHOUSE From V-1857	1	1		
3	210880	PANEL / R.H. FRONT WHEELHOUSE To S-080	1	1		
3	212680	PANEL / R.H. FRONT WHEELHOUSE From S-081 To W-2457	1	1		
3	213640	PANEL / R.H. FRONT WHEELHOUSE From X-2458	1	1		
4	212320	PANEL SIDE / OVER WHEELHOUSE To V-1778	1	1		
4	213375	PANEL SIDE / OVER WHEELHOUSE From V-1779 To W-2284	1	1		
4	213641	PANEL SIDE / OVER WHEELHOUSE From W-2285	1	1		
5	213375	PANEL SIDE / OVER WHEELHOUSE From V-1779	1	1		
6	212653	PANEL / L.H. TOP WHEELHOUSE / BACKWARD SECTIO To V-1778	1	1		
6	212665	PANEL / L.H. TOP WHEELHOUSE / FOWARD SECTION To V-1778	1	1		
6	213380	PANEL / L.H. TOP WHEELHOUSE / BACKWARD SECTIO From V-1779 To V-1856	1	1		
6	213379	PANEL / L.H. TOP WHEELHOUSE / FOWARD SECTION From V-1779 To V-1856	1	1		
6	213453	PANEL / L.H. TOP WHEELHOUSE From V-1857	1	1		
7	212465	PANEL / L.H. FRONT TOP WHEELHOUSE	1	1		
8	210945	PANEL SIDE CLOSING L.H. WHEELHOUSE / (TRIANGULAR SHAPE)	1	1		
9	212597	PANEL / L.H. FRONT WHEELHOUSE To T-1458	1	1		
9	213175	PANEL / L.H. FRONT WHEELHOUSE From T-1459 To V-1778	1	1		
9	213397	PANEL / L.H. FRONT WHEELHOUSE From V-1779 To W-2560	1	1		
9	213838	PANEL / L.H. FRONT WHEELHOUSE From W-2561	1	1		
10	211993	PANEL LOWER L.H.REAR BUMPER To T-1303	1	1		A
10	213066	PANEL LOWER REAR BUMPER From T-1304 To T-1458	1	1		B
10	213122	PANEL LOWER REAR BUMPER From T-1459	1	1		B
12	211994	PANEL LOWER R.H. & CENTER REAR BUMPER To T-1303	1	1		A
13	372487	SUPPORT, DEFROSTER To V-1767	1	1		
13	373418	SUPPORT, DEFROSTER From V-1768 To W-2284	1	1		
13	172200	SUPPORT, DEFROSTER From W-2285	1	1		
20	381583	SUPPORT "ABS" CONTROL MODULE	1	1		
20	213445	SUPPORT "ABS" CONTROL MODULE From V-1779 To W-2284	1	1		
20	213659	SUPPORT "ABS" CONTROL MODULE From W-2285	1	1		
21	211887	SUPPORT ACCESSORIES TOOL To 1-4199	1	1		
21	213593	SUPPORT / JACK ACCESSORIES From 1-4200	1	1		
22	215539	SUPPORT JACK / CURRENT DEC 2003	1	1		
23	211556	RETAINER FLARE BOX	1	1		
24	211115	ANGLE RETAINER	1	1		
25	212483	ATTACHMENT SEAT BELT To S-057	1	1		
25	212664	ATTACHMENT SEAT BELT From S-058 To V-1856	1	1		
25	213458	ATTACHMENT SEAT BELT From V-1857	1	1		

From R-012 To 2-4416	Date:10/2022	PAGE:H3-1896-00
FRONT SHEATING - BUS		

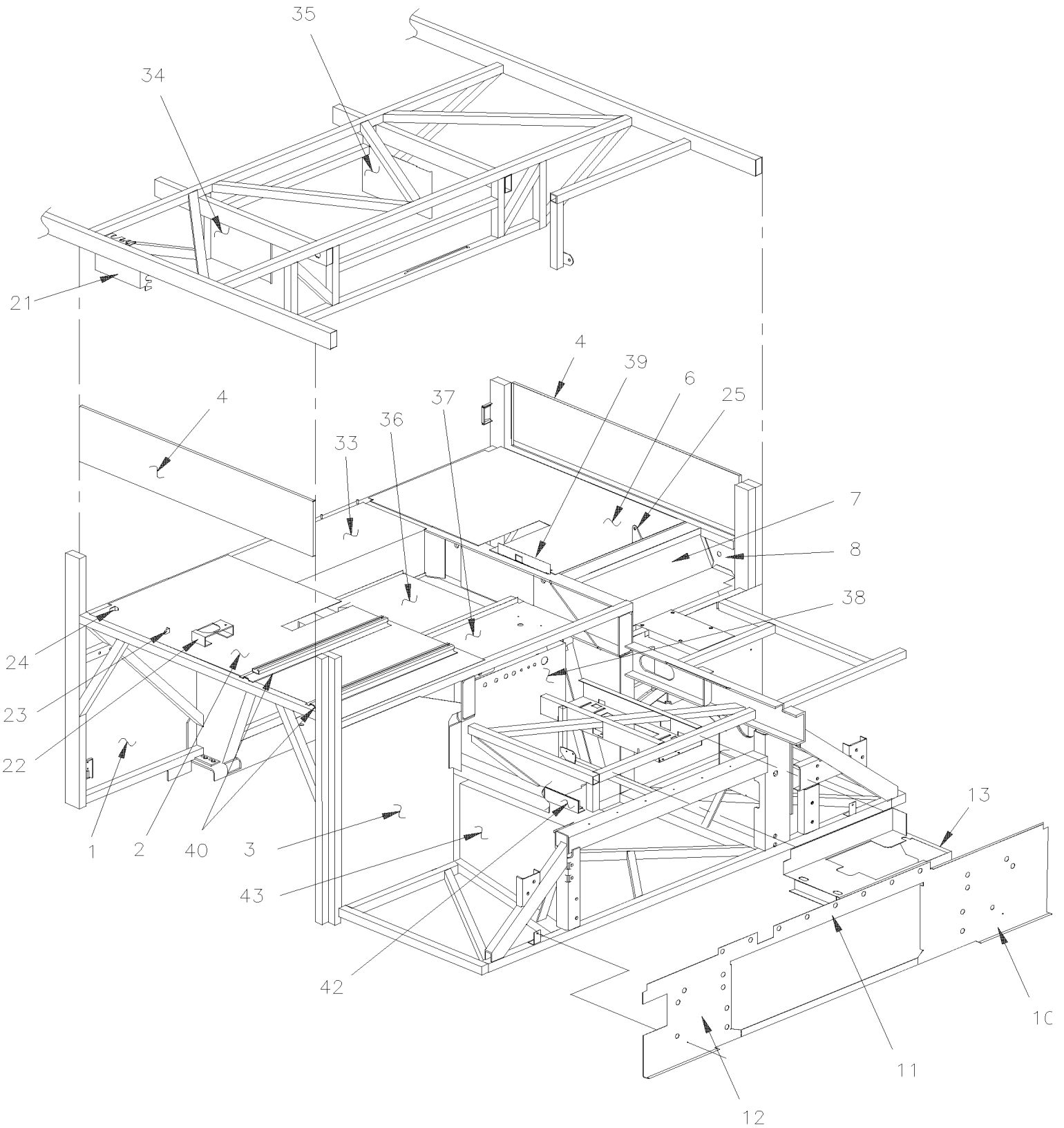
Item#	Part	Description	H 3 4 1	H 3 4 5	V I P 4 5	N O T E S
50	H3-1895-10	FRONT FLOOR STRUCTURE - W/RIGID SUSPENSION				
		A) FOR COVERING FRONT, YOU NEED 2 PIECES				
		B) FOR COVERING FRONT, YOU NEED 1 PIECE				

From R-012 To 2-4416

Date:10/2022

PAGE:H3-1896-50

FRONT SHEATING - V.I.P.

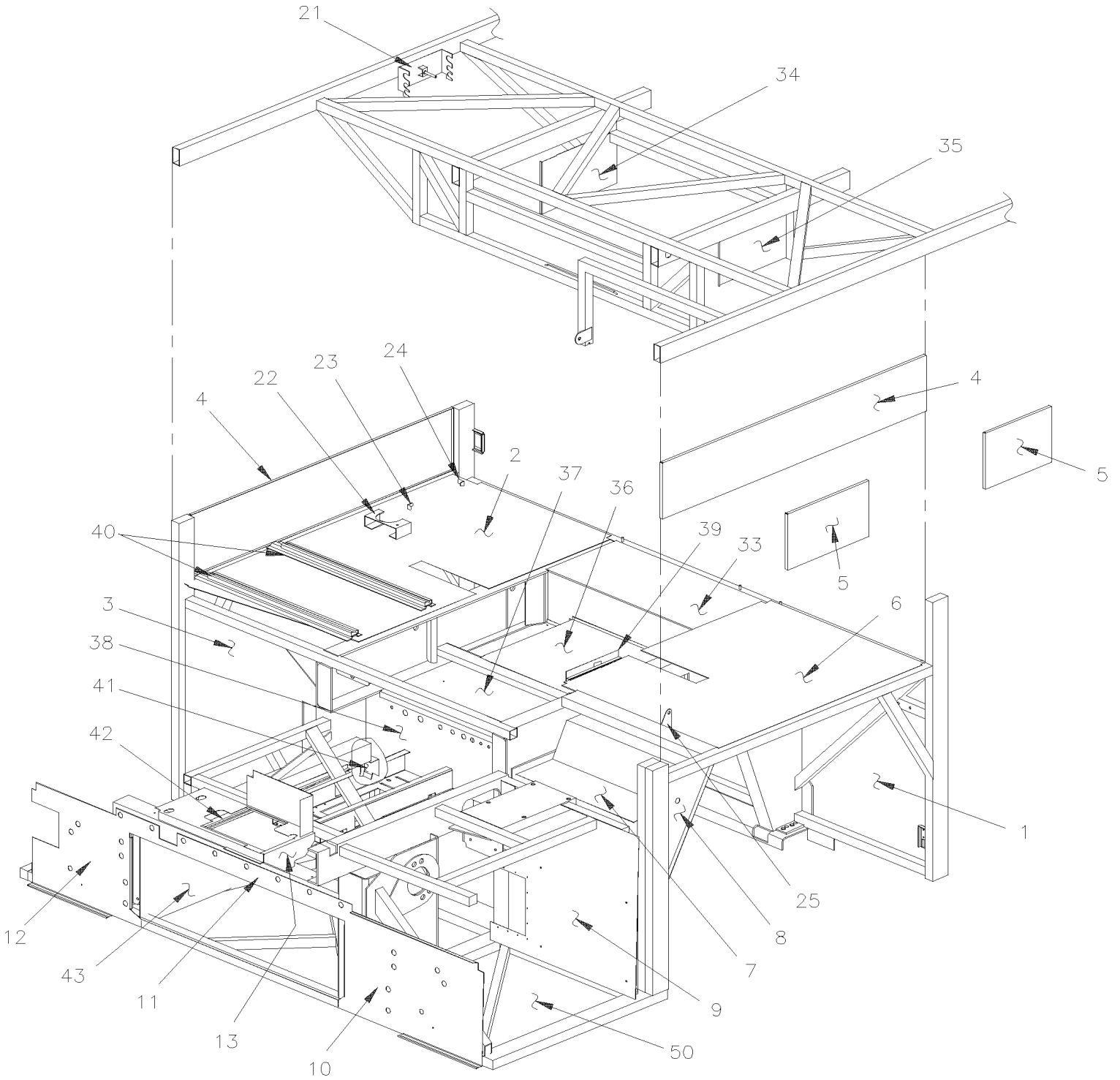


From R-012 To 2-4416

Date:10/2022

PAGE:H3-1896-50

FRONT SHEATING - V.I.P.



From R-012 To 2-4416	Date:10/2022	PAGE:H3-1896-50
FRONT SHEATING - V.I.P.		

Item#	Part	Description	H 3 4 1	H 3 4 5	V I P 4 5	N O T E S
1	211230	PANEL / FRONT BAGGAGE COMPARTMENT To V-1760			1	
1	213402	PANEL / FRONT BAGGAGE COMPARTMENT From V-1761 To V-1960			1	
1	213417	PANEL / FRONT BAGGAGE COMPARTMENT From V-1961			1	
2	211333	PANEL / R.H. TOP WHEELHOUSE / BACKWARD SECTION To V-1856			1	
2	212684	PANEL / R.H. TOP WHEELHOUSE / FOWARD SECTION			1	
2	213454	PANEL / R.H. TOP WHEELHOUSE From V-1857			1	R
2	213478	PANEL / R.H. TOP WHEELHOUSE From W-2458			1	I
3	210880	PANEL / R.H. FRONT WHEELHOUSE To S-080			1	
3	212680	PANEL / R.H. FRONT WHEELHOUSE From S-081 To W-2457			1	
3	213640	PANEL / R.H. FRONT WHEELHOUSE From X-2458			1	C R
3	213477	PANEL / R.H. FRONT WHEELHOUSE			1	I
4	212320	PANEL SIDE / OVER WHEELHOUSE To V-1778			1	
4	213375	PANEL SIDE / OVER WHEELHOUSE From V-1779			1	
4	213375	PANEL SIDE / OVER WHEELHOUSE From V-1779 To W-2284			1	
4	213641	PANEL SIDE / OVER WHEELHOUSE From W-2285			1	
5	213906	PANEL SIDE / OVER WHEELHOUSE / W/SMALL A/C From W-2488			2	
6	212653	PANEL / L.H. TOP WHEELHOUSE / BACKWARD SECTIO To V-1778			1	
6	212665	PANEL / L.H. TOP WHEELHOUSE / FOWARD SECTION To V-1778			1	
6	213380	PANEL / L.H. TOP WHEELHOUSE / BACKWARD SECTIO From V-1779 To V-1856			1	
6	213379	PANEL / L.H. TOP WHEELHOUSE / FOWARD SECTION From V-1779 To V-1856			1	
6	213453	PANEL / L.H. TOP WHEELHOUSE From V-1857			1	
6	213479	PANEL / L.H. TOP WHEELHOUSE			1	I
6	213997	SUPPORT ASSY			1	C
6	213831	PANEL / L.H. TOP WHEELHOUSE			1	C R
7	212465	PANEL / L.H. FRONT TOP WHEELHOUSE			1	R
7	213437	PANEL / L.H. FRONT TOP WHEELHOUSE			1	I
8	210945	PANEL SIDE CLOSING L.H. WHEELHOUSE / (TRIANGULAR SHAPE)			1	
9	212597	PANEL / L.H. FRONT WHEELHOUSE To T-1458			1	
9	213175	PANEL / L.H. FRONT WHEELHOUSE From T-1459 To V-1778			1	
9	213397	PANEL / L.H. FRONT WHEELHOUSE From V-1779 To W-2560			1	R
9	213838	PANEL / L.H. FRONT WHEELHOUSE From W-2561			1	R
9	213436	PANEL / L.H. FRONT WHEELHOUSE			1	I
10	213932	PANEL LOWER REAR BUMPER From X-2725 To Y-3843			1	
10	214449	PANEL LOWER REAR BUMPER From Y-3844			1	
10	212990	PANEL LOWER REAR BUMPER From T-1304 To X-2724			1	B
10	211546	PANEL LOWER L.H.REAR BUMPER To T-1303			1	A
11	211545	PANEL LOWER CENTER REAR BUMPER To T-1303			1	A
12	211548	PANEL LOWER R.H. REAR BUMPER To T-1303			1	A
13	Call order desk	SUPPORT, DEFROSTER To V-1767			1	P
13	373417	SUPPORT, DEFROSTER From V-1768 To W-2284			1	
13	172201	SUPPORT, DEFROSTER From W-2285			1	
20	381583	SUPPORT "ABS" CONTROL MODULE			1	

From R-012 To 2-4416	Date:10/2022	PAGE:H3-1896-50
FRONT SHEATING - V.I.P.		

Item#	Part	Description	H 3 4 1	H 3 4 5	V I P 4 5	N O T E S
20	213445	SUPPORT "ABS" CONTROL MODULE From V-1779 To W-2284			1	
20	213659	SUPPORT "ABS" CONTROL MODULE From W-2285			1	
21	211887	SUPPORT ACCESSORIES TOOL To 1-4199			1	
21	213593	SUPPORT / JACK ACCESSORIES From 1-4200			1	
22	215539	SUPPORT JACK / CURRENT DEC 2003			1	
23	211556	RETAINER FLARE BOX			1	
24	211115	ANGLE RETAINER			1	
25	212483	ATTACHMENT SEAT BELT To S-057			1	
25	212664	ATTACHMENT SEAT BELT From S-058 To V-1856			1	
25	213458	ATTACHMENT SEAT BELT From V-1857			1	
33	213464	PANEL CENTRAL BACKWARD From V-1857			1	R
34	213457	PANEL CLOSING CURBSIDE 392MM X 224MM From V-1857			1	R
35	213465	PANEL CLOSING STREET SIDE 392MM X 224MM			1	R
36	213032	CENTER PANEL			1	R
37	212628	PANEL CENTRAL FORWARD			1	R
38	212626	PANEL CENTRAL FRONT LOWER			1	R
38	213395	PANEL CENTRAL FRONT LOWER From V-1796 To W-2587			1	
38	213846	PANEL CENTRAL FRONT LOWER From W-2588 To 2-4422			1	
38	172591	PANEL CENTRAL FRONT LOWER From 2-4423			1	
38	212630	PANEL CENTRAL FRONT LOWER To W-2584			1	R
38	213899	PANEL CENTRAL FRONT LOWER From W-2585 To 2-4387			1	R
38	172600	PANEL CENTRAL FRONT LOWER From 2-4388			1	R
39	171807	ANGLE RETAINER			1	
40	323465	SEAT TRACK ASSY			2	R
40	325744	SEAT TRACK ASSY			2	I
41	211933	PANEL CLOSING / UNDER STEPWELL / NEAR SUB-FRAME			1	R
41	213635	PANEL CLOSING / UNDER STEPWELL / NEAR SUB-FRAME			1	I
42	211932	ANGLE ASSY 965MM			1	
43	211930	PANEL CLOSING / UNDER STEPWELL			1	
43	213634	PANEL CLOSING / UNDER STEPWELL From W-2458 To X-2724			1	I
43	213955	FRONT PANEL From X-2725			1	I
50	H3-1895-10	FRONT FLOOR STRUCTURE - W/RIGID SUSPENSION				
NS	211932	ANGLE ASSY 965MM			1	
147	213754	ANGLE 25MM X 55MM X 345MM SS			1	
		A) FOR FRONT COVERING, YOU NEED 3 PIECES				
		B) FOR COVERING FRONT, YOU NEED 1 PIECE				
		C) WITH SMALL A/C SYSTEM				
		I) WITH INDEPENDANT SUSPENSION				
		R) WITH "I" BEAM RIGID SUSPENSION				

From R-012 To 2-4416	Date:10/2022	PAGE:H3-1896-50
FRONT SHEATING - V.I.P.		

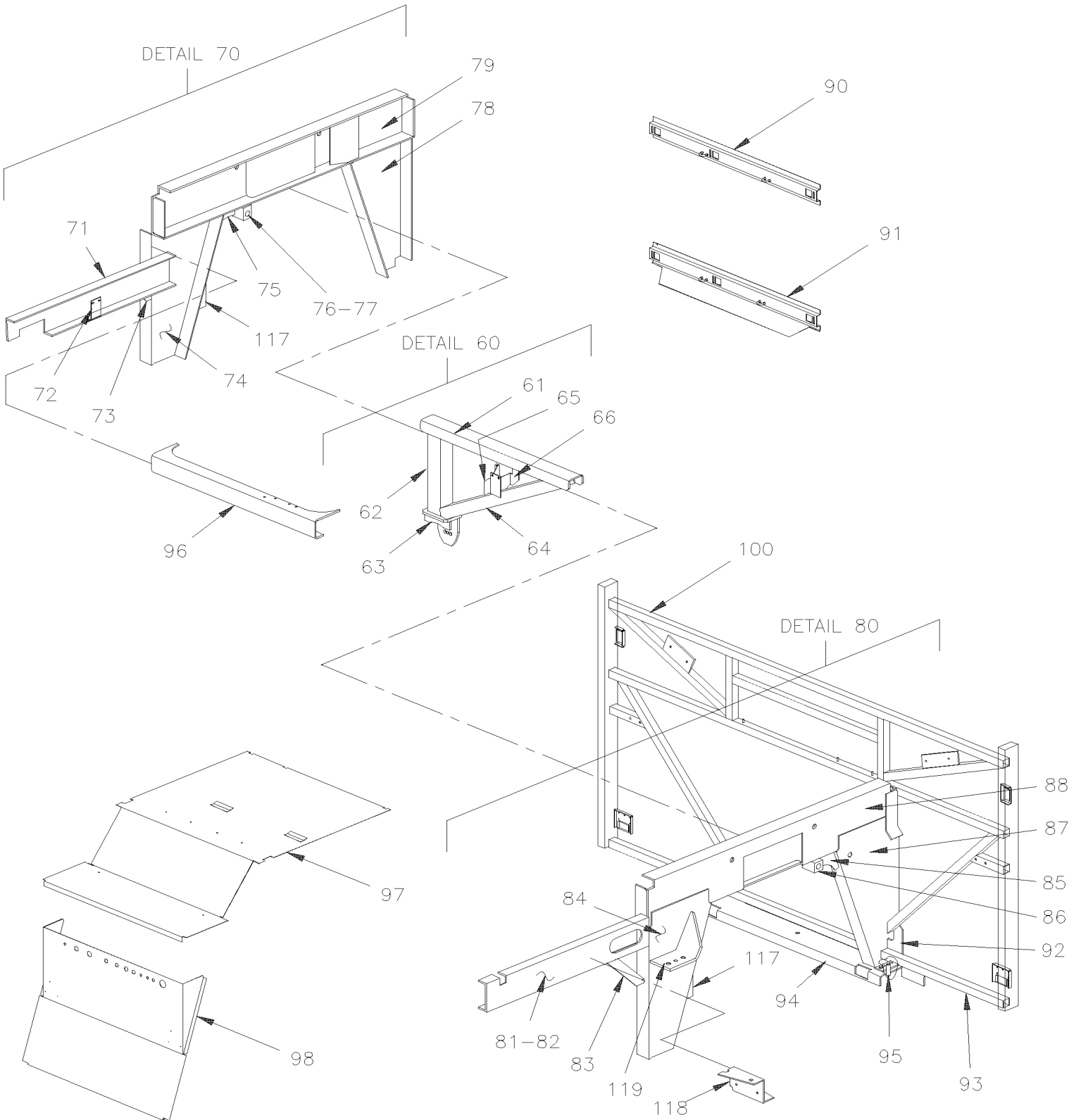
Item#	Part	Description	H 3 4 1	H 3 4 5	V I P 4 5	N O T E S
		P) CALL ORDER DESK FOR SPECIFIC APPLICATION (V.I.N.)				

From R-012 To 2-4416

Date:10/2022

PAGE:H3-1897-00

FRONT SUB-FRAME / W/RIGID SUSPENSION



From R-012 To 2-4416	Date:10/2022	PAGE:H3-1897-00
FRONT SUB-FRAME / W/RIGID SUSPENSION		

Item#	Part	Description	H 3 4 1	H 3 4 5	V I P 4 5	N O T E S
60	171755P	ATTACHMENT PANHARD / FRONT	1	1	1	
61	171748	. CHANNEL "C" 900MM	1	1	1	
62	171750	. TUBE 439MM	1	1	1	
63	131691	. SUPPORT ASSY / (WELDED)	1	1	1	
64	171749	. CHANNEL "C" 835MM	1	1	1	
65	171160	. SUPPORT	1	1	1	
66	172513	. SUPPORT HEIGHT CONTROL VALVE / (WELDED)	1	1	1	
70	172054P	SUB FRAME R.H. ASSY	1	1	1	
NS	171972	BELLOW PLATE SUPPORT	1	1	1	
NS	171970	REINFORCMENT BELLOW SUPPORT	1	1	1	
NS	172068	REINFORCMENT BELLOW PLATE SUPPORT	1	1	1	
71	172040	BEAM "C" 1076MM	1	1		
71	171336	TUBE 957MM			1	
72	172296	SUPPORT WATER VALVE	1	1		
72	373567	SUPPORT / WATER PUMP			1	
73	171207	REINFORCEMENT	1	1	1	
74	171532	FRONT BASE FORWARD / CURBSIDE	1	1	1	
75	171837	REINFORCEMENT	1	1	1	
76	110627	ATTACHMENT PIN 1"-14 / SHOCK ABSORBER / 50.8MM LONG	1	1	1	
77	171838	REINFORCEMENT	1	1	1	
78	172046	REAR BASE BACKWARD / CURBSIDE	1	1	1	
79	172043	UPPER SUB FRAME	1	1	1	
80	172052P	SUB FRAME L.H. ASSY	1	1	1	
NS	171972	BELLOW PLATE SUPPORT	1	1	1	
NS	171970	REINFORCMENT BELLOW SUPPORT	1	1	1	
NS	172068	REINFORCMENT BELLOW PLATE SUPPORT	1	1	1	
81	172039	BEAM "C" 987MM	1	1	1	
82	171745	REINFORCEMENT 126MM X 43MM	1	1	1	
83	171744	REINFORCEMENT ANGLE	1	1	1	
84	171720	FRONT BASE FORWARD / STREETSIDE	1	1	1	
85	171731	REINFORCEMENT	1	1	1	
86	171732	ATTACHMENT PIN 1"-14 / SHOCK ABSORBER / 76MM LONG	1	1	1	
87	172044	REAR BASE BACKWARD / STREETSIDE	1	1	1	
88	172043	UPPER SUB FRAME	1	1	1	
90	171171	SUPPORT LOWER / (WELDED TO FRAME)	1	1	1	
91	171170	SUPPORT UPPER / (WELDED TO FRAME)	1	1	1	
92	171524	REINFORCEMENT	2	2	2	
93	172047	TUBE	1	1	1	
94	171528	REINFORCEMENT	1	1	1	
. NS	502164	. PIN DOWEL M16 X 40MM	2	2	2	
96	171122	REINFORCEMENT	1	1	1	
97	213456	CENTRAL PANEL	1	1	1	

From R-012 To 2-4416	Date:10/2022	PAGE:H3-1897-00
FRONT SUB-FRAME / W/RIGID SUSPENSION		

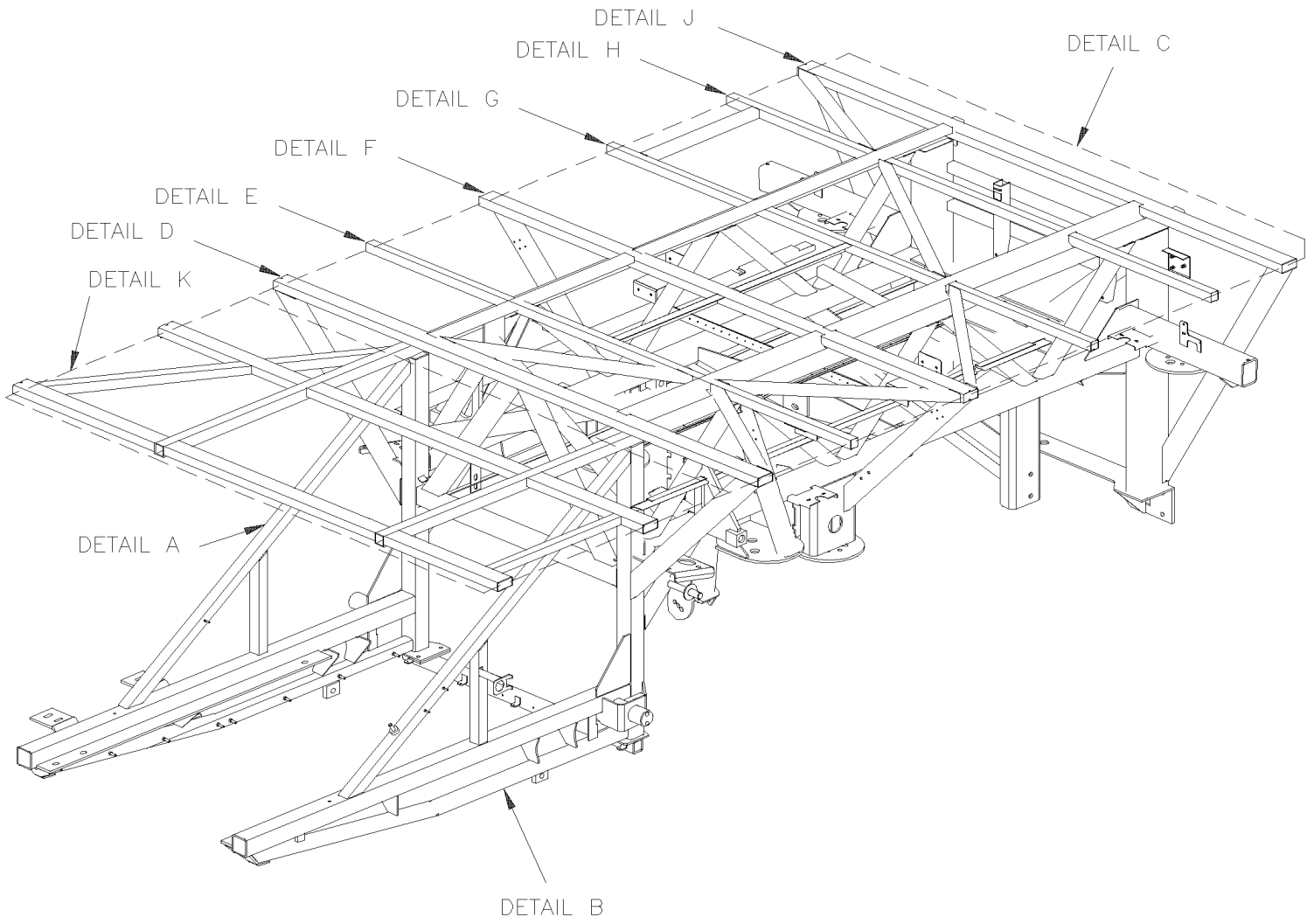
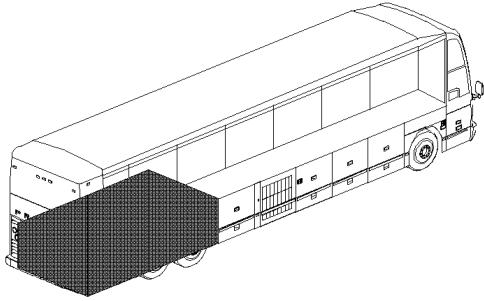
Item#	Part	Description	H 3 4 1	H 3 4 5	V I P 4 5	N O T E S
98	213846	PANEL CENTRAL FRONT LOWER To 2-4387	1	1	1	
98	172591	PANEL CENTRAL FRONT LOWER From 2-4388	1	1	1	
100	H3-1895-40	FRONT END STRUCTURE - BUS				
100	H3-1895-55	FRONT END STRUCTURE - I BEAM SUSPENSION - V.I.P.				
117	172274	SUPPORT "C" FORM / (WELDED)	1	1	1	
118	171138	SUPPORT / BRAKE VALVE	1	1	1	
119	171700	RADIUS ROD SUPPORT STREET SIDE	1	1	1	
NS	502164	PIN DOWEL M16 X 40MM	AR	AR	AR	

From R-012 To 2-4416

Date:10/2022

PAGE:H3-1897-10

REAR SUB-FRAME

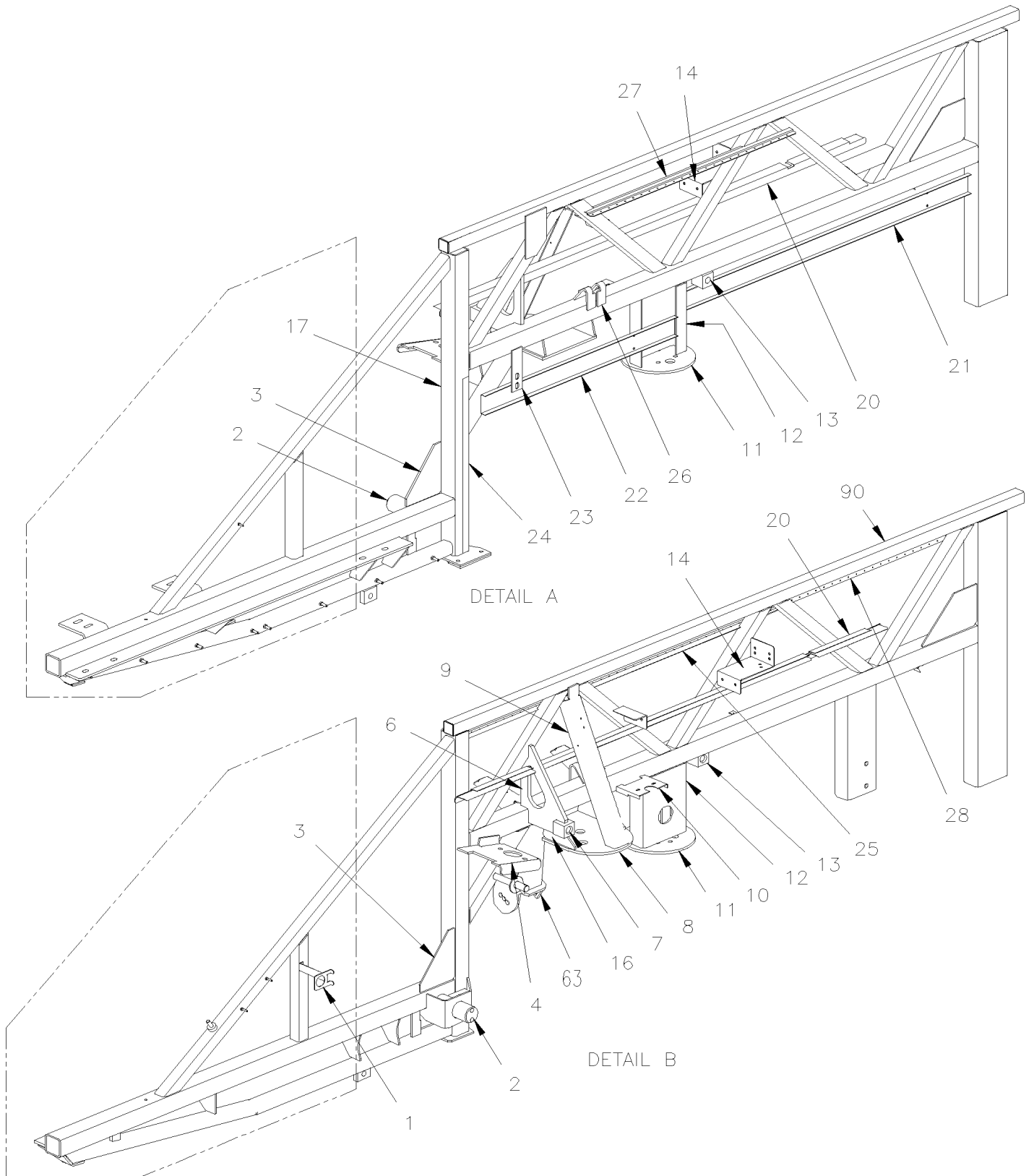


From R-012 To 2-4416

Date:10/2022

PAGE:H3-1897-10

REAR SUB-FRAME

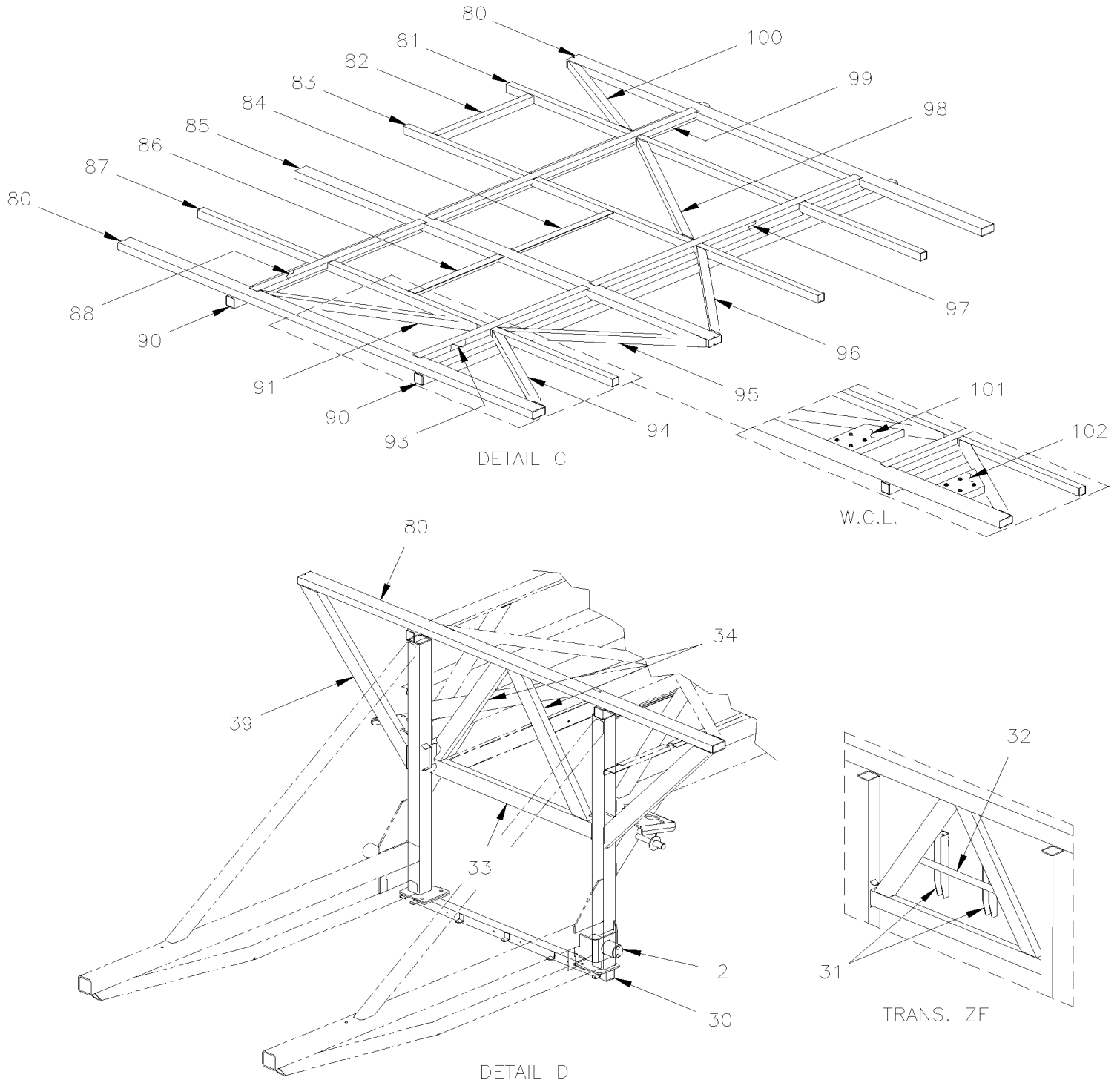


From R-012 To 2-4416

Date:10/2022

PAGE:H3-1897-10

REAR SUB-FRAME

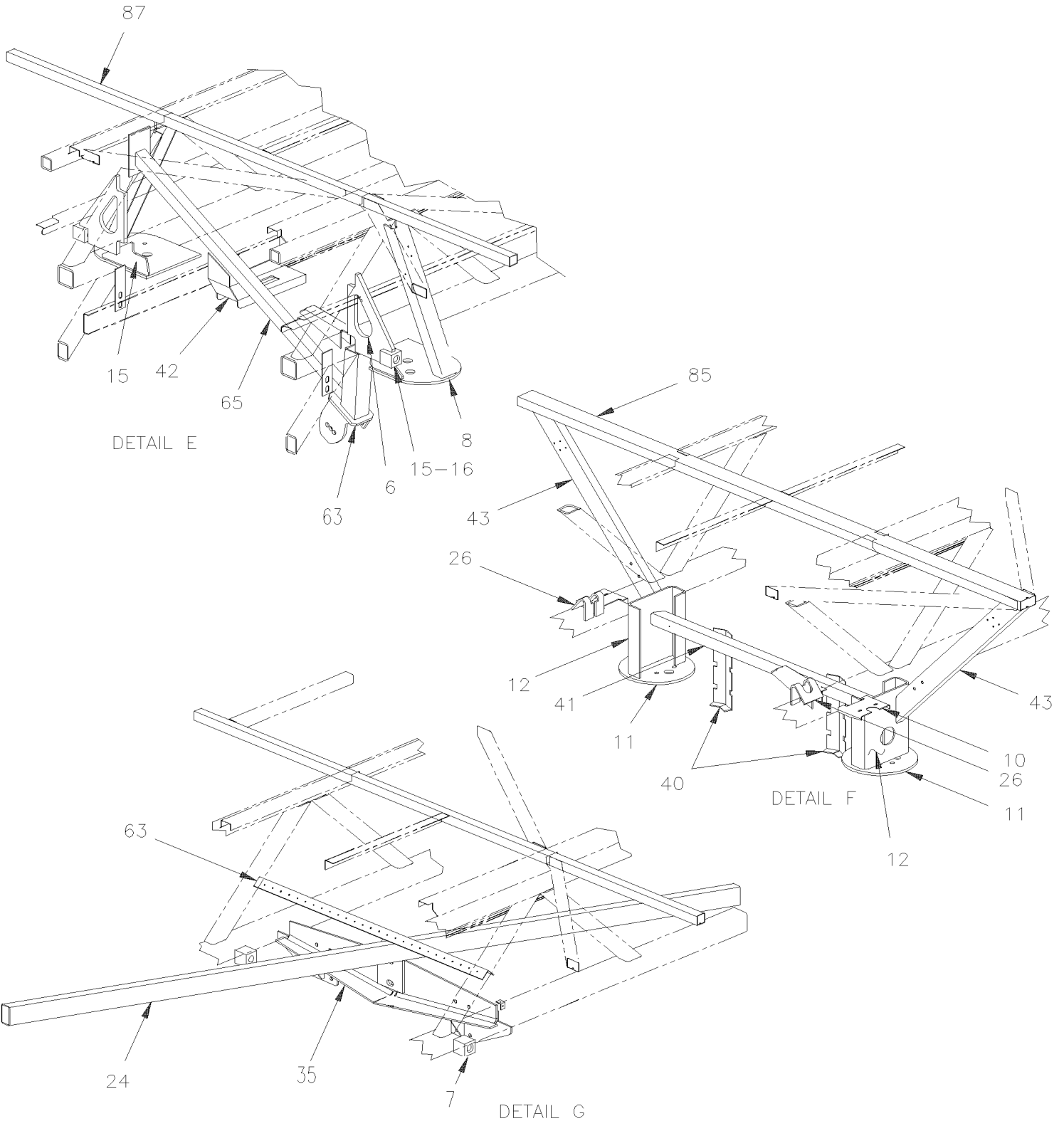


From R-012 To 2-4416

Date:10/2022

PAGE:H3-1897-10

REAR SUB-FRAME

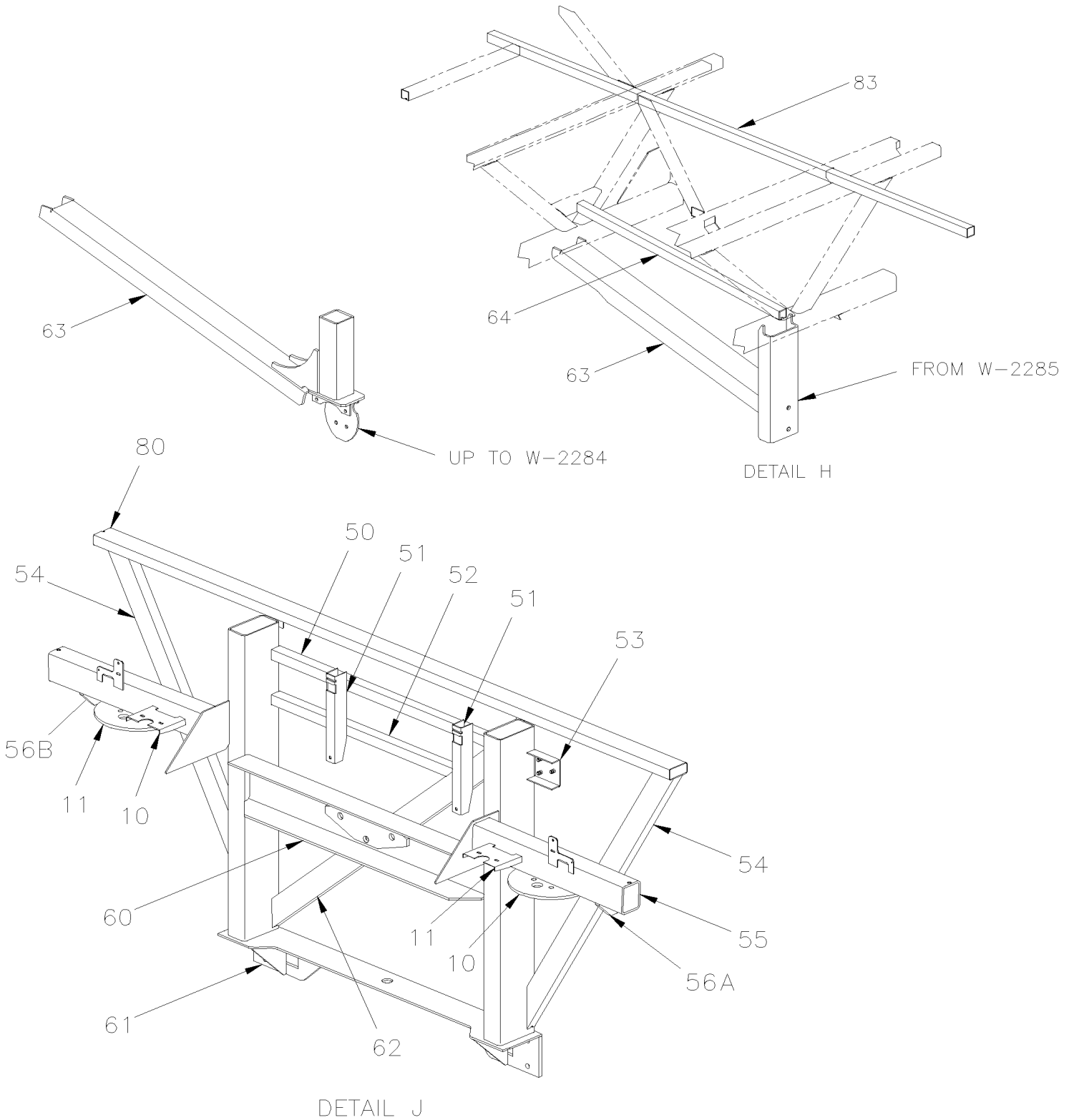


From R-012 To 2-4416

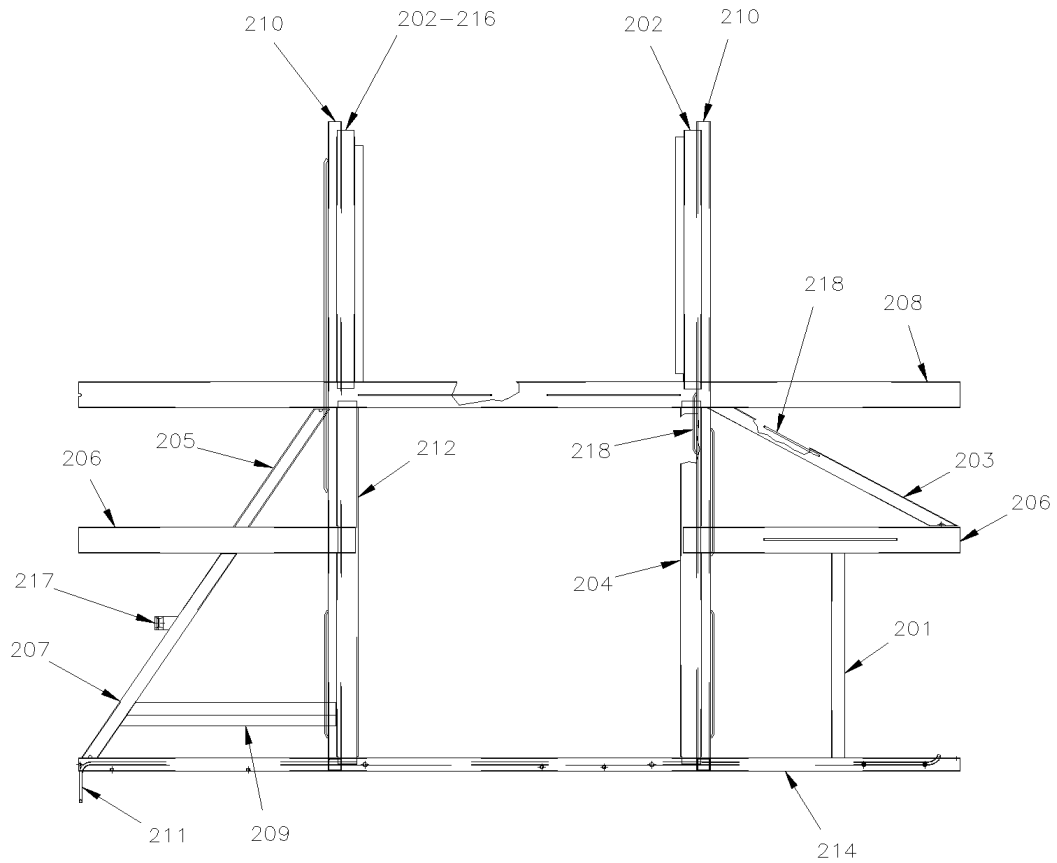
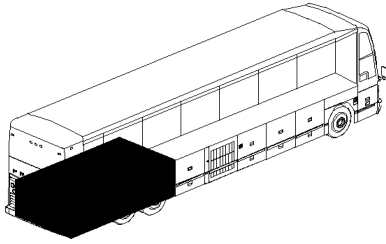
Date:10/2022

PAGE:H3-1897-10

REAR SUB-FRAME



From R-012 To 2-4416	Date:10/2022	PAGE:H3-1897-10
REAR SUB-FRAME		



DETAIL K
FLOOR OVERVIEW ENGINE COMPARTMENT

From R-012 To 2-4416	Date:10/2022	PAGE:H3-1897-10
REAR SUB-FRAME		

Item#	Part	Description	H 3 4 1	H 3 4 5	V I P 4 5	N O T E S
1	215222	SUPPORT CONNECTOR "ZF" TRANS	1	1		
2	171582	ATTACHMENT ROD R.H.	1	1	1	
2	171583	ATTACHMENT ROD L.H.	1	1	1	
3	171636	REINFORCEMENT	2	2	2	
4	171568	BRACKET / R.H. To V-1836	1	1	1	
4	172585	BRACKET / R.H. From V-1837	1	1	1	
4	171569	BRACKET / L.H. To V-1836	1	1	1	
4	172586	BRACKET / L.H. From V-1837	1	1	1	
6	172441	SUPPORT SHOCK ASSY To Y-3332	2	2	2	
6	172062	SUPPORT SHOCK ASSY From Y-3333	2	2	2	
7	171032	. SUPPORT 1"-14 / SHOCK ABSORBER / 55MM To Y-3332	1	1	1	
7	130969	. ATTACHMENT / SHOCK ABSORBER (ROUND WELDED) W/TAPER PIN SHOCK From Y-3333	1	1	1	
8	171752	BELLOW PLATE R.H. / STREETSIDE	1	1	1	
8	171042	BELLOW PLATE / CURBSIDE	1	1	1	
9	171590	REINFORCEMENT BELLOW PLATE	2	2	2	
10	172196	SUPPORT VALVE	4	4	4	
11	131356	BELLOW PLATE	2	2	2	
12	171036	SUPPORT BELLOW R.H.	1	1	1	
12	172216	SUPPORT BELLOW L.H.	1	1	1	
13	171032	SUPPORT 1"-14 / SHOCK ABSORBER / 55MM	2	2	2	
14	171679	SUPPORT VALVE "Z" SHAPE	2	2	2	
15	171048	REINFORCEMENT FORWARD	3	3	3	
16	171751	REINFORCEMENT BACKWARD	1	1	1	
17	171557	TUBE	1	1	1	
20	172060	RETAINER PLASTIC FENDER "F" SHAPE 2105MM SS	2	2	2	
21	172000	SUPPORT "Z" 255MM From W-2285 To 2-4416	1	1	1	E
22	172001	SUPPORT "U" 78MM X 1430MM LG From W-2285 To 2-4416	1	1	1	E
23	071100	PLATE From W-2285 To 2-4416	2	2	2	E
24	211590	SUPPORT	2	2	2	
25	171795	SUPPORT	1	1	1	
26	131525	ATTACHMENT	1	1	1	
27	171796	SUPPORT	2	2	2	
28	171808	SUPPORT	1	1	1	
30	171605	BAR, TRANSMISSION PROTECTOR	1	1	1	
31	172820	SUPPORT / (WELDED TO FRAME)	2	2		
32	172821	BACK PLATE	1	1		
33	171547	TUBE 1012MM	1	1	1	
34	171621	TUBE 775MM	2	2	2	
35	171761P	ATTACHMENT SUSPENSION ROD ASS.	1	1	1	
36	171660	PLATE	1	1	1	
37	171695	REINFORCEMENT	1	1	1	
38	171797	SUPPORT	1	1	1	

From R-012 To 2-4416	Date:10/2022	PAGE:H3-1897-10
REAR SUB-FRAME		

Item#	Part	Description	H 3 4 1	H 3 4 5	V I P 4 5	N O T E S
39	171692	TUBE 932MM	2	2	2	
40	171973	SUPPORT AIR TANK			2	
41	171729	TUBE 1154MM			1	
42	171813	SUPPORT	1	1	1	
43	171544	TUBE 932MM	2	2	2	
50	171673	TUBE 932MM To S-205	1	1	1	
50	171946	TUBE 961MM From S-206	1	1	1	
51	171669	BRACKET	2	2	2	
52	171672	TUBE 762MM To S-205	1	1	1	
52	171945	TUBE 788MM From S-206 To 2-4349	1	1	1	
52	172580	TUBE 961MM From 2-4350	1	1	1	
53	172032	SUPPORT DOOR CYLINDER	2	2	2	
54	171548	TUBE 1272MM	2	2	2	
55	171587	TUBE 638MM To V-1916	2	2	2	
55	172129	TUBE 649MM From V-1917	2	2	2	
55	172578P	TUBE ASSY W/COMPONENTS L.H.	1	1	1	B
55	172579P	TUBE ASSY W/COMPONENTS R.H.	1	1	1	B
56A	130966	ATTACHMENT / SHOCK ABSORBER R.H. W/TAPER PIN SHOCK STREET SIDE To V-1916	1	1	1	
56A	121568	SUPPORT SHOCK ASSY STREET SIDE From V-1917	1	1	1	
. NS	171032	. SUPPORT 1"-14 / SHOCK ABSORBER / 55MM From V-1917	1	1	1	
56B	130971	ATTACHMENT / SHOCK ABSORBER L.H. W/TAPER PIN SHOCK CURB SIDE To V-1916	1	1	1	
56B	121564	SUPPORT SHOCK ASSY CURB SIDE From V-1917	1	1	1	
. NS	171032	. SUPPORT 1"-14 / SHOCK ABSORBER / 55MM From V-1917	1	1	1	
57	171671	SUPPORT VALVE HEIGHT CONTROL To V-1916	1	1	1	
57	172083	SUPPORT VALVE HEIGHT CONTROL From V-1917	1	1	1	S
60	172583P	CHANNEL W/REINFORCEMENT / TRIPODE REAR AXLE / 1014MM WIDE	1	1	1	
61	211180	REAR RADIUS ROD ATTACHMENT ANGLE ASSY To W-2284	1	1	1	
61	213277	REAR RADIUS ROD ATTACHMENT ANGLE ASSY To W-2284	1			M
61	213682	REAR RADIUS ROD ATTACHMENT ANGLE ASSY From W-2285	1			M
61	213280	REAR RADIUS ROD ATTACHMENT ANGLE ASSY From W-2285 To X-2598	1	1	1	
61	172269	REAR RADIUS ROD ATTACHMENT ANGLE ASSY From X-2599 To Y-3916	1	1	1	
61	172532	REAR RADIUS ROD ATTACHMENT ANGLE ASSY From Y-3917 To 1-4229	1	1	1	
61	172584	REAR RADIUS ROD ATTACHMENT ANGLE ASSY From 1-4230	1	1	1	
62	171622	TUBE 1459MM To S-205	1	1	1	
62	171931	TUBE 1441MM From S-206	1	1	1	
63	Call order desk	SUPPORT LATERAL ROD To W-2284	1	1	1	P
63	Call order desk	SUPPORT LATERAL ROD From W-2285 To Y-3507	1	1	1	P
63	Call order desk	SUPPORT LATERAL ROD From Y-3508 To Y-3613	1	1	1	P
63	172519P	ROD ATTACHMENT From Y-3614	1	1	1	
64	171611	TUBE 1050MM	1	1	1	
65	171753P	SUPPORT LATERAL ROD	1	1	1	
80	210989	TUBE 2460MM	2	2	2	

From R-012 To 2-4416	Date:10/2022	PAGE:H3-1897-10
REAR SUB-FRAME		

Item#	Part	Description	H 3 4 1	H 3 4 5	V I P 4 5	N O T E S
81	210608	TUBE 2460MM	1	1	1	
82	171635	TUBE 570MM	1	1	1	
83	210608	TUBE 2460MM To S-079	1	1	1	
83	212703	TUBE From S-080	1	1	1	
83	211136	SUPPORT	AR	AR	AR	
84	171633	ANGLE 571MM	1	1	1	
85	216822	TUBE	1	1	1	
85	211136	SUPPORT	AR	AR	AR	
86	171634	ANGLE 532MM	1	1	1	
87	210608	TUBE 2460MM	1	1	1	
88	171624	SEAT SUPPORT / L.H. / 980MM	1	1		
90	171567	TUBE 2818MM	1	1	1	
91	171632	TUBE 797MM	1	1	1	
93	171623	SEAT SUPPORT / R.H. / 1006MM	1	1		
93	171818	SEAT SUPPORT / R.H. / 1006MM	1	1		
94	171630	TUBE 803MM	1	1	1	
95	171629	TUBE 879MM	1	1	1	
96	171628	TUBE 903MM	1	1	1	
97	171625	SEAT SUPPORT / R.H. / 1579MM	1	1		
97	171820	SEAT SUPPORT / R.H. / 1579MM	1	1		
98	171631	TUBE 1063MM	1	1	1	
99	171626	SEAT SUPPORT / L.H. / 1579MM	1	1		
99	171821	SEAT SUPPORT / L.H. / 1579MM	1	1		
100	171627	TUBE 769MM	1	1	1	
101	171873	ANCHOR PLATE W.C.L. To 3-4684	1	1		
102	171872	ANCHOR PLATE W.C.L. To 3-4684	1	1		
201	211221	REINFORCEMENT "U" 599MM	1	1	1	
201	211636	TUBE 599MM	1	1	1	
202	212406	SEAT SUPPORT 757MM	1	1	1	
203	212409	TUBE 780MM	1	1	1	
204	214624	SEAT SUPPORT / R.H. / 1060MM	1	1	1	
204	212797	SEAT SUPPORT / R.H. / 1060MM	1	1	1	
205	212352	TUBE 436MM	1	1	1	
206	212347	TUBE 773MM	1	1	1	
207	212351	TUBE 737MM	1	1	1	
208	210989	TUBE 2460MM	1	1	1	
209	212353	REINFORCEMENT "Z" 603MM	1	1	1	
210	212348	TUBE 1899MM	1	1	1	
211	283038	GUIDE TUBE L.H. / WELDED TO STRUCTURE	1	1	1	
212	214625	SEAT SUPPORT / L.H. / 1060MM	1	1	1	
212	212798	SEAT SUPPORT / L.H. / 1060MM	1	1	1	
214	211434	TUBE 2460MM	1	1	1	

From R-012 To 2-4416	Date:10/2022	PAGE:H3-1897-10
REAR SUB-FRAME		

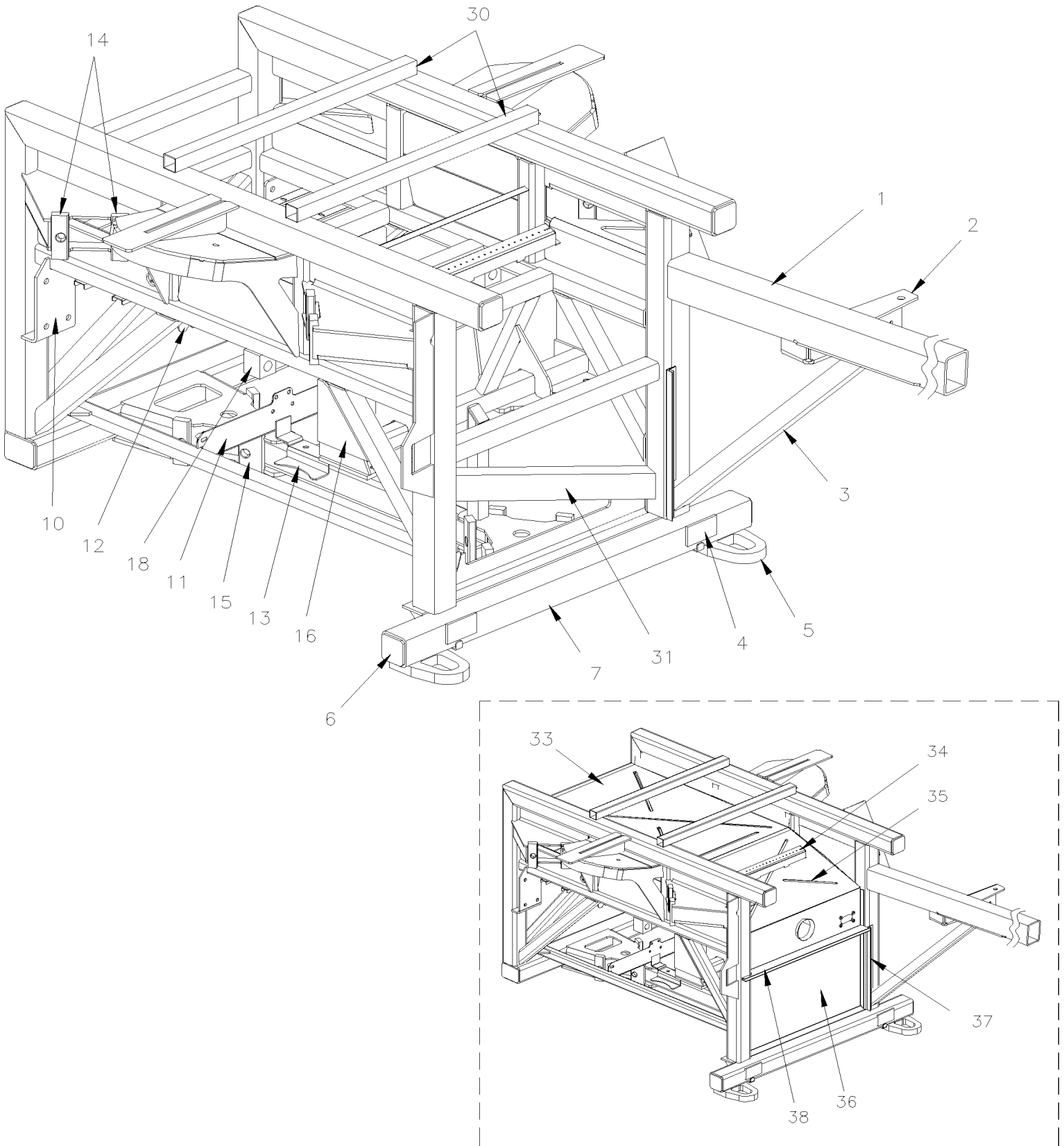
Item#	Part	Description	H 3 4 1	H 3 4 5	V I P 4 5	N O T E S
215	212575	CLOSING PLATE 48MM X 35MM	1	1	1	
216	212810	SEAT SUPPORT 757MM	1	1	1	
217	213034	ATTACHMENT RADIATOR	1	1	1	
217	260769	ATTACHMENT RADIATOR	1	1	1	
217	052059	ATTACHMENT ANGLE / (WELDED TO STRUCTURE)	1	1	1	
217	5001499	SCREW CAP HEX M8-1.25x30 SS	1	1	1	
218	212655	ATTACHMENT ROD / WELDED (TO FIX ANYTHING) / 373MM x 11MM DEEP	AR	AR	AR	
218	214026	ATTACHMENT ROD / WELDED (TO FIX ANYTHING) / 977MM x 12MM DEEP	AR	AR	AR	
218	214025	ATTACHMENT ROD / WELDED (TO FIX ANYTHING) / 177MM x 11MM DEEP	AR	AR	AR	
		B) INCLUS ITEMS # 10, 11, 55, 56 & 57				
		E) WITH "EATON" TRANSMISSION				
		M) WITH HYDRAULIC SHIFTER ONLY				
		S) AS SHOWN				
		P) CALL ORDER DESK FOR SPECIFIC APPLICATION (V.I.N.)				

From W-2458 To 2-4416

Date:10/2022

PAGE:H3-1897-50

FRONT SUB-FRAME / W/INDEPENDENT SUSPENSION - 16500 LBS

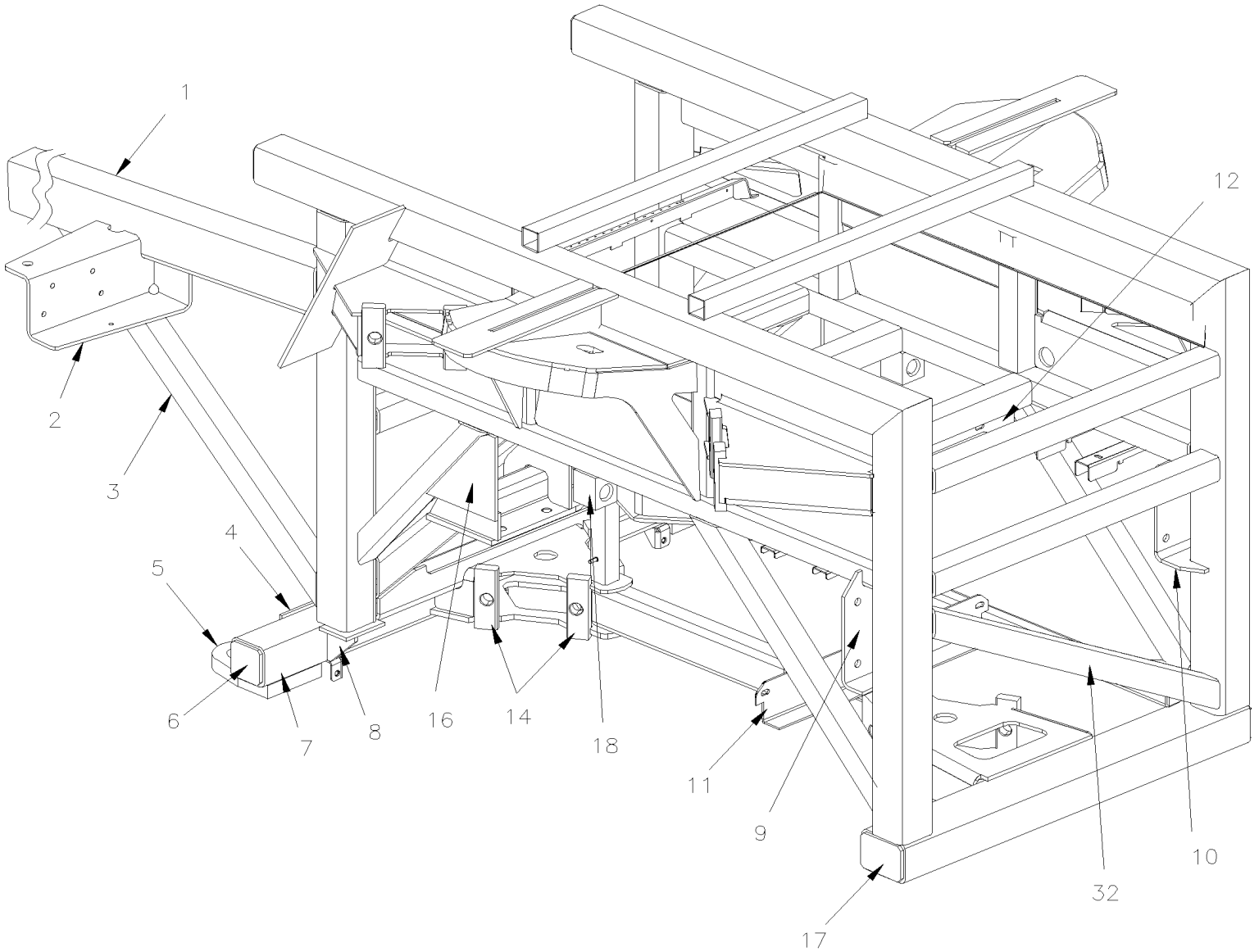


From W-2458 To 2-4416

Date:10/2022

PAGE:H3-1897-50

FRONT SUB-FRAME / W/INDEPENDENT SUSPENSION - 16500 LBS



From W-2458 To 2-4416	Date:10/2022	PAGE:H3-1897-50
FRONT SUB-FRAME / W/INDEPENDENT SUSPENSION - 16500 LBS		

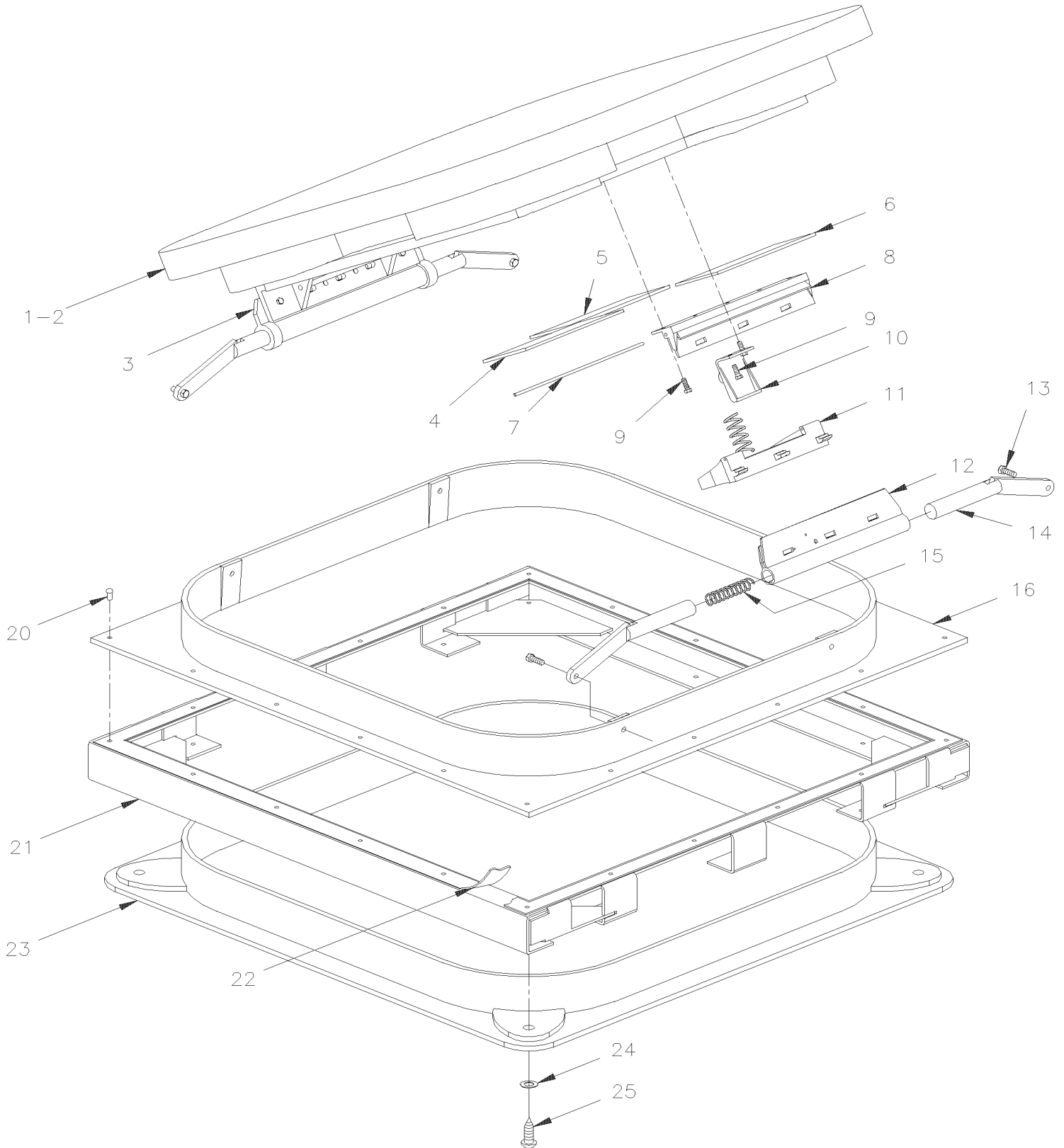
Item#	Part	Description	H 3 4 1	H 3 4 5	V I P 4 5	N O T E S
	172330P	FRONT SUB-FRAME ASSY / V.I.P. W/IND 16500			1	
1	172075	. TUBE 1143MM			1	
2	172133	. SUPPORT / BRAKE VALVE			1	
3	172110	. TUBE 793MM			1	
4	213527	. PLATE JOINT 92MM X 51MM			2	
5	171991	. ATTACHMENT / TOWING			2	
6	220944	. CLOSING PLATE 67MM X 67MM			2	
7	172082	. TUBE 1095MM			1	
8	171709	. REINFORCEMENT			2	
9	171908	. ATTACHMENT SWAY BAR STREETSIDE			1	
10	171718	. ATTACHMENT SWAY BAR CURBSIDE			1	
11	171942	. SUPPORT AIR TANK / LOWER			1	
12	171815	. SUPPORT AIR TANK / UPPER			1	
13	172193	. SUPPORT AIR TANK / LOWER			1	
14	171789	. ATTACHMENT 38MM WIDE			14	
15	171710	. ATTACHMENT 57MM WIDE			2	
16	171856	. REINFORCEMENT			2	
17	171888	. CLOSING PLATE 67MM X 92MM			2	
18	110627	. ATTACHMENT PIN 1"-14 / SHOCK ABSORBER / 50.8MM LONG			2	
30	172132	. TUBE 765MM			2	
31	172432	. TUBE 721MM			1	
32	171713	. TUBE 779MM			1	
33	212774	. PANEL CENTRAL BACKWARD			1	
34	172235	. SUPPORT PIPE & HARNESS			1	
35	213684	PANEL CENTRAL FORWARD / W/LARGE A/C To 2-4387			1	
35	172631	PANEL CENTRAL FORWARD / W/LARGE A/C From 2-4388			1	
35	172317	PANEL CENTRAL FORWARD / W/SMALL A/C			1	
35	172632	PANEL CENTRAL FORWARD / W/SMALL A/C			1	C
36	212773	PANEL CENTRAL FRONT LOWER			1	
37	213625	SLIDING TRACK ASSY / VERTICAL			1	
38	213623	SLIDE ASSY			1	
		C) WITH SMALL A/C "CALHOUN" WITH AUX A/C				

From R-012 To 2-4416

Date:10/2022

PAGE:H3-1898-00

ESCAPE HATCH - INSTALLATION



From R-012 To 2-4416		Date:10/2022	PAGE:H3-1898-00
ESCAPE HATCH - INSTALLATION			

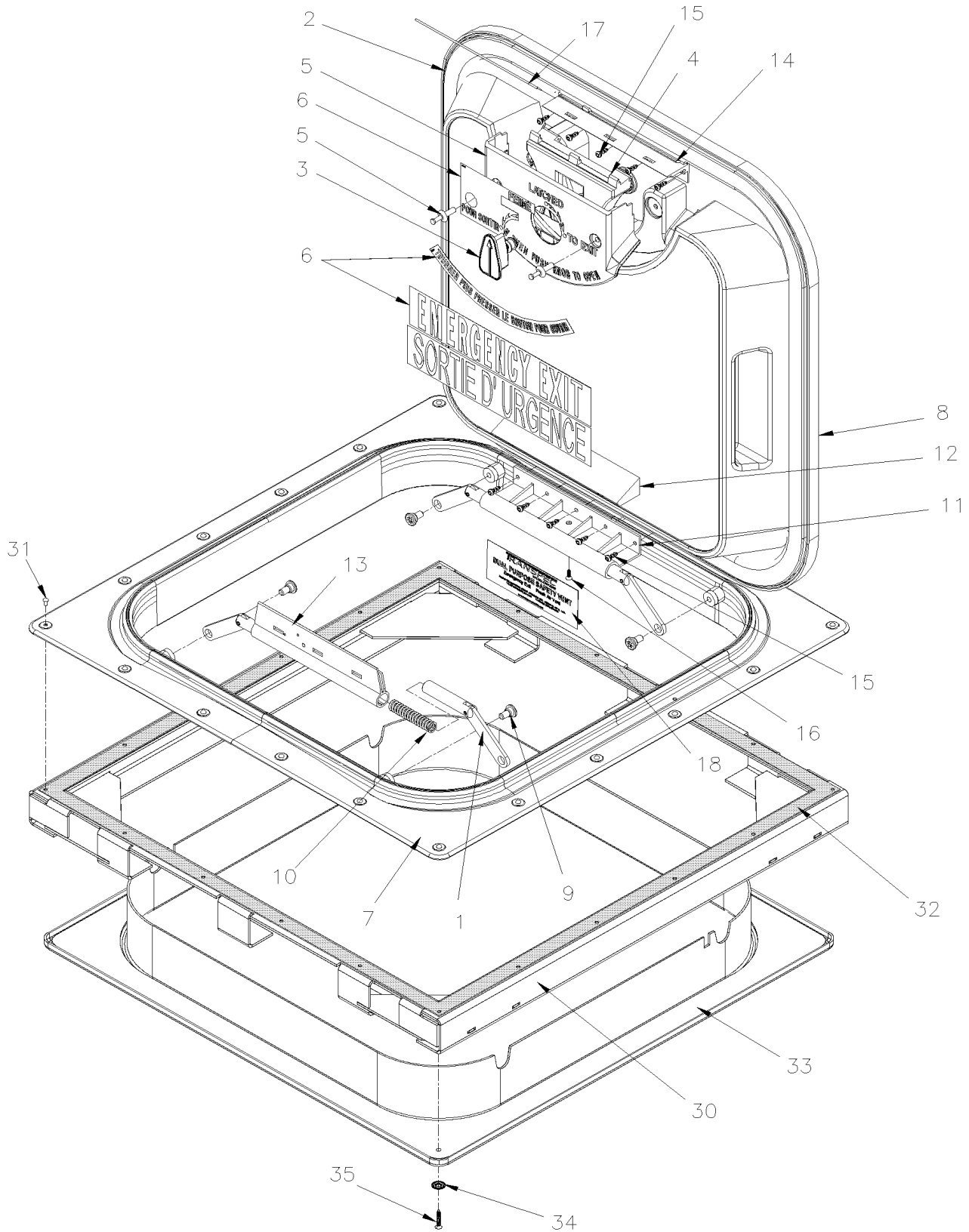
Item#	Part	Description	H 3 4 1	H 3 4 5	V I P 4 5	N O T E S
1	950209	HATCH ASSY / 23" X 23" GREY To W-2284	1	1	1	
1	950291	HATCH ASSY / 23" X 23" GREY From W-2285	1	1	1	
2	950069	. SEAL, GASKET KIT	1	1	1	
3	N.S.S.	. HINGE	1	1	1	1
4	291263	. DECAL / "EMERGENCY..." / ENGLISH & FRANCAIS	1	1	1	
5	403696	. DECAL / BRAILLE / EMERGENCY EXIT ONLY / ENGLISH & FRANCAIS	1	1	1	
5	403651	. DECAL, "EMERGEGENCY... JAPAN"	1	1	1	
5	291265	. DECAL, "INSTRUCTION... FRENCH..."	1	1	1	
6	291264	. DECAL, "SORTIE D'URGENCE..."	1	1	1	
7	950046	. DECAL "EMERGENCY..."	1	1	1	
8	790373	. BASE, RELEASE / GREY	1	1	1	
9	N.S.P.	. SCREW	AR	AR	AR	2
10	790236	. TAB, BLACK	1	1	1	
11	790371	. HANDLE, RELEASE W/SPRING / GREY	1	1	1	
12	790375	. HINGE, RELEASE / GREY	1	1	1	
13	790372	. SCREW SHR HEXS 7/16x3/16 {5/16-18	4	4	4	
14	790436	. LINK & LEVER ASSY	4	4	4	
15	790435	. SPRING COMPRESSION / .549 O.D. x 2.590 To W-2284	4	4	4	
15	790449	. SPRING COMPRESSION / .549 O.D. x 2.590 x .078 From W-2285	4	4	4	
16	950205	. FRAME ASSY, EXTERIOR FIBERGLASS / 23" X 23" GREY	1	1	1	
NS	680532	SEALANT SIKA #221 / GREY / 310ml CARTRIDGE	1	1	1	
20	504546	RIVET CHY MONOLOK PRDG 1/4x5/8 ZP	AR	AR	AR	
21	292398	FRAME ASSY, MOUNTING 23" X 23"	1	1	1	
22	680093	SEALANT TAPE BUTYL / GREY / 1/16"x1 1/2"x50' /71079B11760	AR	AR	AR	
23	291720	MOULDING, INTERIOR 23" X 23" GREY	1	1	1	
24	504399	WASHER RETAINER SNAP CAP #10	4	4	4	
25	500641	SCREW TP PAN PH #8x3/4 Z050	4	4	4	
NS	504400	SNAP CAP #10 FINISHING BLACK	4	4	4	
		1) NOT SOLD SEPARATELY				
		2) NOT SOLD BY PREVOST (SEE MANUFACTURING PART NUMBER AT END OF DESCRIPTION LINE)				

From R-012 To 2-4416

Date:10/2022

PAGE:H3-1898-99

ESCAPE HATCH - INSTALLATION / SERVICE



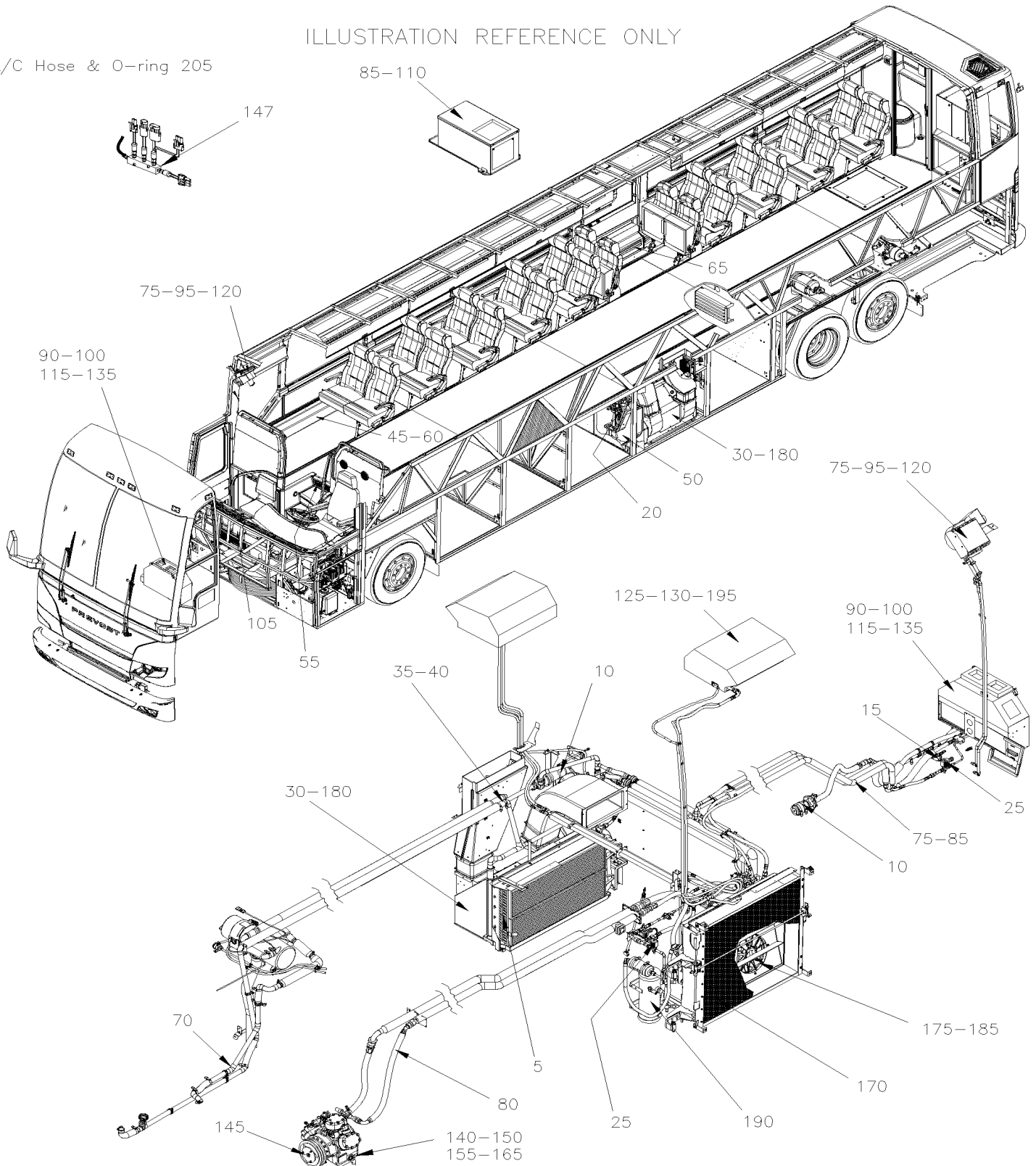
From R-012 To 2-4416	Date:10/2022	PAGE:H3-1898-99
ESCAPE HATCH - INSTALLATION / SERVICE		

Item#	Part	Description	H 3 4 1	H 3 4 5	V I P 4 5	N O T E S
	950396	HATCH ASSY / 23" X 23" GREY / LOW PROFILE GREY / ENG & FRENCH	1	1	1	
1	790436	. LINK & LEVER ASSY	4	4	4	
2	950069	. SEAL, GASKET KIT	1	1	1	
3	790663	. RELEASE KNOB W/SCREW / RED	1	1	1	
4	790664	. RELEASE HANDLE ASSY GREY	1	1	1	
4	790371	. HANDLE, RELEASE W/SPRING / GREY	1	1	1	
5	790662	. RELEASE HINGE SHIELD ASSY GREY	1	1	1	
6	950690	. DECAL KIT INSTRUCTION / ENGLISH & FRANCAIS	1	1	1	
NS	950229	. DECAL KIT INSTRUCTION / ENGLISH & FRANCAIS	1	1	1	
NS	403651	. DECAL, "EMERGEGENCY... JAPAN"	AR	AR	AR	
NS	405775	. DECAL / BRAILLE / EMERGENCY EXIT ONLY / ENGLISH & FRANCAIS	AR	AR	AR	
7	950205	. FRAME ASSY, EXTERIOR FIBERGLASS / 23" X 23" GREY	1	1	1	
8	950464	. COVER ASSY / LOW PROFILE / GREY ENGLISH & FRENCH	1	1	1	
9	790372	. SCREW SHR HEXS 7/16x3/16 {5/16-18	4	4	4	
9	950449	. SCREW CAP BUT TORX 5/16-18x3/4 BK G8	4	4	4	
9	950450	. SPACER BUSHING 5/16I.D.x 7/16O.D.x 3/16TH	4	4	4	
10	790449	. SPRING COMPRESSION / .549 O.D. x 2.590 x .078	4	4	4	
11	N.S.S.	. HINGE COVER SECTION	1	1	1	1
12	N8891498	. HINGE COVER GREY	1	1	1	
13	790375	. HINGE, RELEASE / GREY	1	1	1	
14	6982866	. HANDLE BASE	1	1	1	
15	N8880007	. SPECIAL TORX SCREW #10 x 1/2 SS	10	10	10	
16	7775130	. SCREW FL PH #8 x 1/2 SS	1	1	1	
17	950693	. HINGE PIN SS	1	1	1	
18	N8891500	DECAL PURPOSE SAFETY VENT	1	1	1	
30	292398	FRAME ASSY, MOUNTING 23" X 23"	1	1	1	
NS	680532	SEALANT SIKA #221 / GREY / 310ml CARTRIDGE	1	1	1	
31	504546	RIVET CHY MONOLOK PRDG 1/4x5/8 ZP	20	20	20	
32	680093	SEALANT TAPE BUTYL / GREY / 1/16"x1 1/2"x50' /71079B11760	AR	AR	AR	
33	291720	MOULDING, INTERIOR 23" X 23" GREY	1	1	1	
34	500464	WASHER FN CKF .210x.540 SS	4	4	4	
35	500629	SCREW TP OV PH #8x1 Z050	4	4	4	
		1) NOT SOLD SEPARATELY				

	Date:10/2022	H3-22
HEATING & AIR CONDITIONING		

ILLUSTRATION REFERENCE ONLY

A/C Hose & O-ring 205



		Date:10/2022	H3-22			
HEATING & AIR CONDITIONING						
Item#	Part	Description	H 3 4 1	H 3 4 5	V I P 4 5	N O T E S
1	H3-2200-00	AIR CONDITIONING SYSTEM From R-012 To 2-4416				
3	H3-2200-05	HEATING SYSTEM From R-012 To 2-4416				
5	H3-2205-00	HEATER & EVAPORATOR COIL & FILTER ASSY From R-012 To 2-4416				
10	H3-2206-02	WATER PUMP #871052 & #871204 From R-012 To 2-4416				
10	H3-2206-98	WATER PUMP #874296 / RETROFIT From R-012 To 2-4419				A
10	H3-2206-99	WATER PUMP #871342 SEALLESS / RETROFIT From R-012 To 2-4416				A
15	H3-2207-01	WATER VALVE "VERSADRIVE" From R-012 To X-3297				
15	H3-2207-02	WATER VALVE "VERSADRIVE" From X-3298 To 2-4416				
15	H3-2207-11	WATER VALVE - DRIVER'S From R-012 To 2-4416				
15	H3-2207-20	WATER VALVE - BYPASS W/WATER HEATER From S-128 To 2-4416				
20	H3-2208-00	A/C EXPANSION VALVE From R-012 To 2-4416				
25	H3-2208-10	REFRIGERENT SOLENOID VALVE From R-012 To 2-4416				
30	H3-2210-00	HEATER & EVAPORATOR BLOWER - INSTALLATION From R-012 To 2-4416				
35	H3-2210-11	WATER HEATER PUMP & FILTER - INSTALLATION From R-012 To 2-4416				
40	H3-2210-20	WATER HEATER PUMP & FILTER - INSTALLATION From X-2458 To 2-4416				
45	H3-2210-51	AIR MAIN SENSOR From R-012 To T-1572				
45	H3-2210-52	AIR MAIN SENSOR From T-1573 To W-2284				
45	H3-2210-53	AIR MAIN SENSOR From W-2285 To 2-4416				
50	H3-2215-01	EVAPORATOR & DAMPER CONTROL COMPONENTS From R-012 To 2-4416				
55	H3-2220-01	UNDER FLOOR AIR DUCTING From R-012 To 2-4416				
60	H3-2221-11	DUCTING HEATER & A/C From R-012 To X-3128				
60	H3-2221-12	DUCTING HEATER & A/C From X-3129 To 2-4416				
65	H3-2221-80	AIR DUCT W.C.L. DOOR "RICON" / RETROFIT From R-012 To 2-4416				A
70	H3-2222-01	HEATER LINE REAR SECTION From R-012 To 2-4416				
75	H3-2222-10	A/C & HEATING LINE FRONT SECTION From R-012 To 2-4416				
80	H3-2222-15	A/C LINE REAR SECTION W/05G From R-012 To 2-4416				
85	H3-2222-50	SMALL A/C LINE & HEATER LINE From X-2458 To 2-4416				
90	H3-2225-03	DRIVER'S HEATER & DEFROSTER ASSY From R-012 To W-2284				
90	H3-2225-04	DRIVER'S HEATER & DEFROSTER ASSY From W-2285 To 2-4416				
95	H3-2225-50	A/C & HEATER AUXILIARY - V.I.P. From X-2458 To 2-4416				
100	H3-2225-99	DRIVER'S HEATER & DEFROSTER ASSY W/ RETROFIT DOUBLE FANS From W-2285 To 2-4416				A
105	H3-2230-00	DEFROSTER - INSTALLATION From R-012 To W-2457				
105	H3-2230-01	DEFROSTER - INSTALLATION From X-2458 To 2-4416				
110	H3-2230-50	A/C AUXILIARY V.I.P. - INSTALLATION From X-2458 To 2-4416				
115	870844	BLOWER & MOTOR ASSY - "M.C.C." "CW" / FAN END From R-012 To 2-4416				
120	H3-2240-10	UPPER WINDSHIELD FAN - INSTALLATION From R-012 To 2-4416				
125	H3-2240-20	BLOWER VENTILATION - PARCEL RACK From W-2285 To 2-4416				
130	H3-2240-25	BLOWER ASSY - PARCEL RACK From W-2285 To 2-4416				
135	H3-2240-99	BLOWER & MOTOR ASSY - "M.C.C." / RETROFIT From W-2285 To 2-4416				A
140	H3-2245-01	A/C COMPRESSOR 05G - INSTALLATION From R-012 To 2-4416				
140	H3-2245-02	A/C COMPRESSOR "THERMOKING" - INSTALLATION From R-012 To 2-4416				
140	H3-2245-12	A/C COMPRESSOR "SPECIAL" From R-012 To 2-4416				

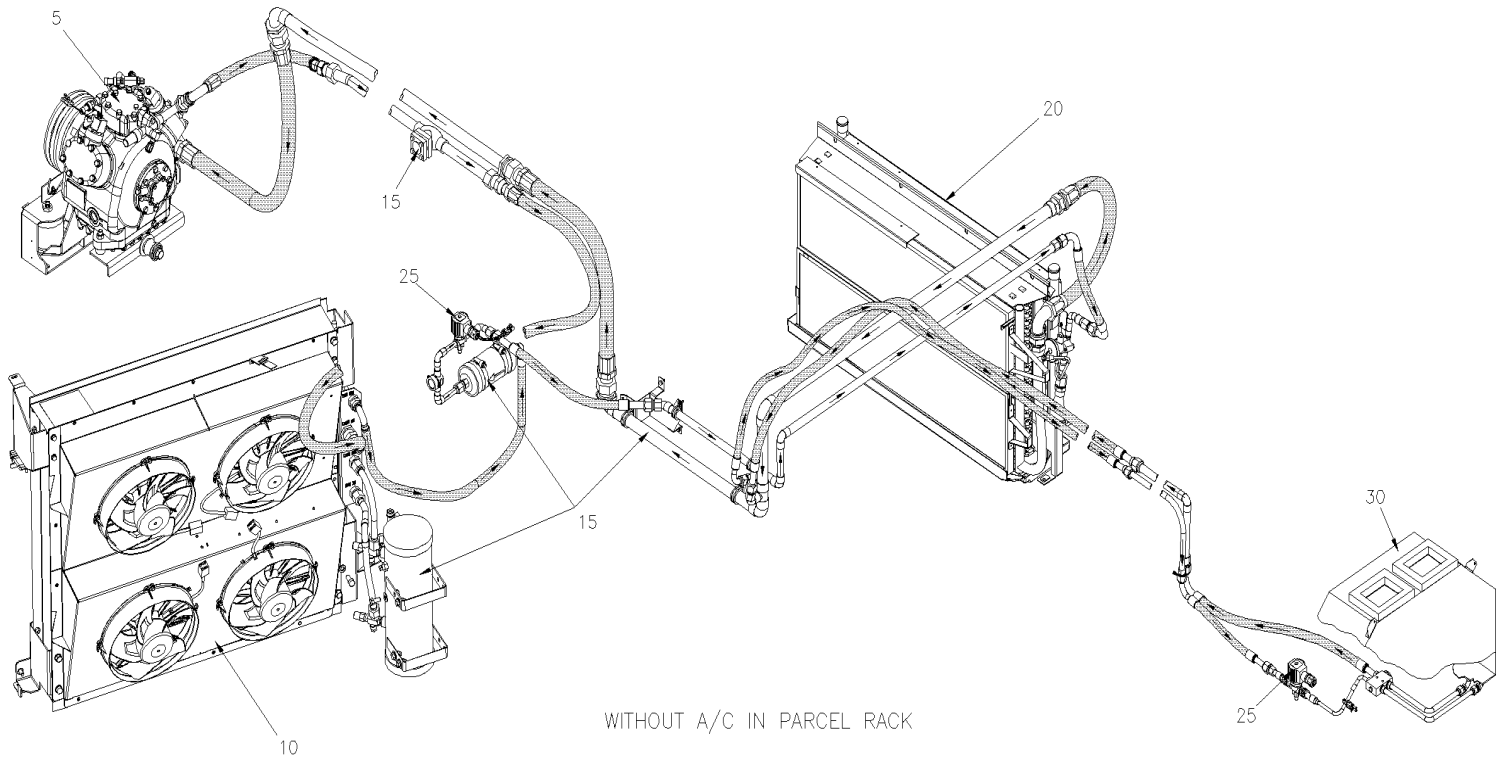
		Date:10/2022	H3-22			
HEATING & AIR CONDITIONING						
Item#	Part	Description	H 3 4 1	H 3 4 5	V I P 4 5	N O T E S
145	H3-2246-01	A/C CLUTCH 05G - HOUSING MOUNTED From R-012 To 2-4416				
147	H3-2248-00	A/C PRESSURE SWITCH From V-1779 To 2-4416				
150	H3-2250-00	A/C COMPRESSOR ASSY 05G - THREE PORT From R-012 To 2-4416				
150	H3-2250-01	A/C COMPRESSOR ASSY 05G - TWIN PORT / SERVICE From R-012 To 2-4416				A
155	H3-2250-15	A/C ELECTRIC UNLOADER - W/05G COMPRESSOR From R-012 To 2-4416				
165	H3-2251-00	GASKET - 05G A/C COMPRESSOR From R-012 To 2-4416				
170	H3-2255-00	CONDENSOR - INSTALLATION From R-012 To V-1960				
170	H3-2255-01	CONDENSOR - INSTALLATION From V-1961 To 2-4416				
170	H3-2255-50	CONDENSOR - INSTALLATION SMALL A/C SYSTEM From X-2458 To 2-4416				
175	H3-2260-00	CONDENSOR FAN - INSTALLATION From R-012 To V-1960				
175	H3-2260-01	CONDENSOR FAN - INSTALLATION From V-1961 To 2-4416				
180	H3-2265-01	MOTOR - EVAPORATOR - "PREVOST" - T-19 From R-012 To T-1505				
180	H3-2265-02	MOTOR - EVAPORATOR - "PREVOST" - T-17 From T-1506 To 2-4314				
180	H3-2265-03	MOTOR - EVAPORATOR - "PREVOST" - T-17 - 2 SPEEDS From 2-4315 To 2-4416				
180	H3-2265-04	MOTOR - EVAPORATOR BRUSHLESS / OPTION From R-012 To 2-4416				
185	H3-2265-50	MOTOR - CONDENSOR - "PREVOST" - TAP-12 & TF-12 From R-012 To 2-4416				
185	H3-2265-51	MOTOR - CONDENSOR BRUSHLESS / OPTION From V-1961 To 2-4416				
185	H3-2265-98	MOTOR - CONDENSOR - "PREVOST" - T114 / SERVICE From R-012 To 2-4416				A
185	H3-2265-99	MOTOR - CONDENSOR - "PREVOST" - T11G / SERVICE From R-012 To 2-4416				A
190	H3-2270-01	RECEIVER TANK & FILTER DRYER From R-012 To T-1606				
190	H3-2270-02	RECEIVER TANK & FILTER DRYER From T-1607 To V-1960				
190	H3-2270-03	RECEIVER TANK & FILTER DRYER From V-1961 To 1-4274				
190	H3-2270-04	RECEIVER TANK & FILTER DRYER From 1-4275 To 2-4416				
195	H3-2270-10	A/C HOSE PARCEL RACK - INSTALLATION From X-2670 To 2-4416				
205	H3-2299-01	A/C HOSE & O-RING - W/R-134A & R-22 From R-012 To T-1606				
205	H3-2299-02	A/C HOSE & O-RING - W/R-134A & R-22 From T-1607 To W-2284				
205	H3-2299-03	A/C HOSE & O-RING - W/R-134A From W-2285 To 1-4274				
205	H3-2299-04	A/C HOSE & O-RING - W/R-134A From 1-4275 To 2-4416				
		A) SERVICE				

From R-012 To 2-4416

Date:10/2022

PAGE:H3-2200-00

AIR CONDITIONING SYSTEM



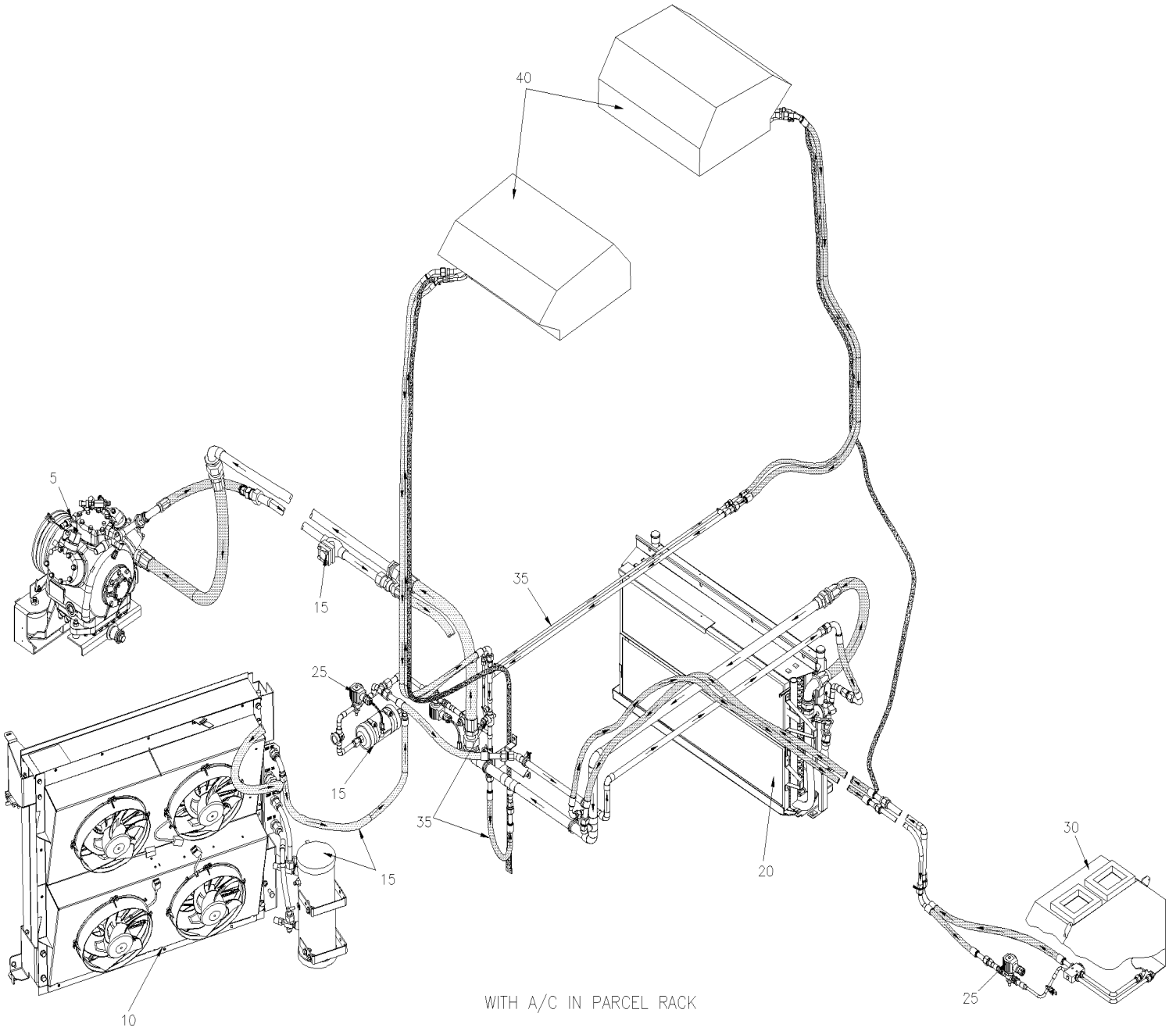
Typical fans illustration

From R-012 To 2-4416

Date:10/2022

PAGE:H3-2200-00

AIR CONDITIONING SYSTEM



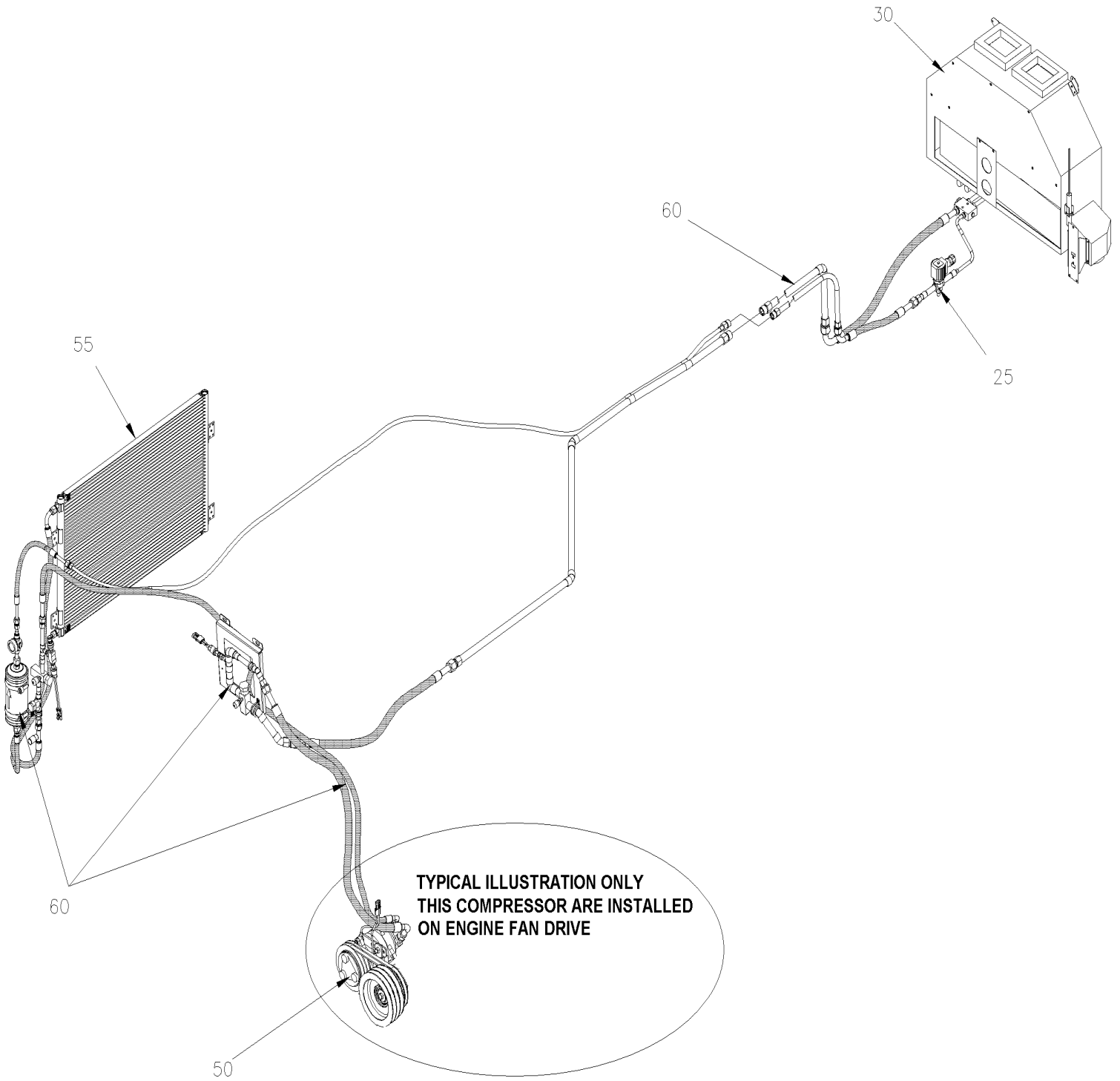
Typical fans illustration

From R-012 To 2-4416

Date:10/2022

PAGE:H3-2200-00

AIR CONDITIONING SYSTEM



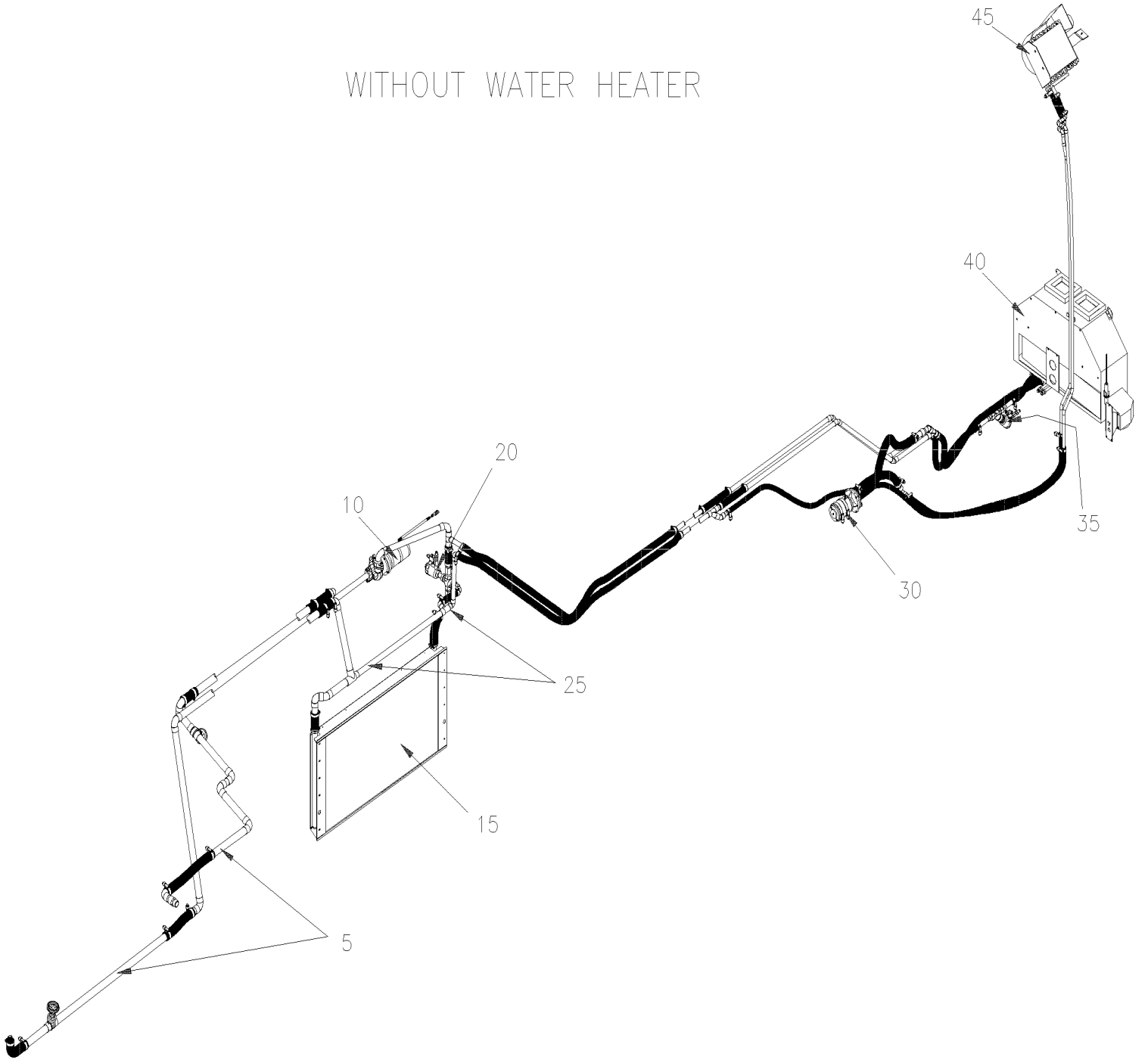
VIP-45 WITH SMALL A/C SYSTEM

From R-012 To 2-4416	Date:10/2022	PAGE:H3-2200-00
AIR CONDITIONING SYSTEM		

Item#	Part	Description	H 3 4 1	H 3 4 5	V I P 4 5	N O T E S
105	H3-2245-01	A/C COMPRESSOR 05G - INSTALLATION From R-012 To 2-4416				
105	H3-2250-00	A/C COMPRESSOR ASSY 05G - THREE PORT From R-012 To 2-4416				
105	H3-2250-01	A/C COMPRESSOR ASSY 05G - TWIN PORT / SERVICE From R-012 To 2-4416				
110	H3-2255-00	CONDENSOR - INSTALLATION From R-012 To V-1960				
110	H3-2255-01	CONDENSOR - INSTALLATION From V-1961 To 2-4416				
110	H3-2260-00	CONDENSOR FAN - INSTALLATION From R-012 To V-1960				
110	H3-2260-01	CONDENSOR FAN - INSTALLATION From V-1961 To 2-4416				
115	H3-2270-01	RECEIVER TANK & FILTER DRYER From R-012 To T-1606				
115	H3-2270-02	RECEIVER TANK & FILTER DRYER From T-1607 To V-1960				
115	H3-2270-03	RECEIVER TANK & FILTER DRYER From V-1961 To 1-4274				
115	H3-2270-04	RECEIVER TANK & FILTER DRYER From 1-4275 To 2-4416				
120	H3-2205-00	HEATER & EVAPORATOR COIL & FILTER ASSY From R-012 To 2-4416				
120	H3-2210-00	HEATER & EVAPORATOR BLOWER - INSTALLATION From R-012 To 2-4416				
125	H3-2208-10	REFRIGERENT SOLENOID VALVE From R-012 To 2-4416				
130	H3-2225-03	DRIVER'S HEATER & DEFROSTER ASSY From R-012 To W-2284				
130	H3-2225-04	DRIVER'S HEATER & DEFROSTER ASSY From W-2285 To 2-4416				
130	H3-2225-99	DRIVER'S HEATER & DEFROSTER ASSY W/ RETROFIT DOUBLE FANS From W-2285 To 2-4416				
135	H3-2270-10	A/C HOSE PARCEL RACK - INSTALLATION From X-2670 To 2-4416				
140	H3-2240-20	BLOWER VENTILATION - PARCEL RACK From W-2285 To 2-4416				
150	H3-2245-12	A/C COMPRESSOR "SPECIAL" From R-012 To 2-4416				
155	H3-2255-50	CONDENSOR - INSTALLATION SMALL A/C SYSTEM From X-2458 To 2-4416				
160	H3-2225-50	A/C & HEATER AUXILIARY - V.I.P. From X-2458 To 2-4416				

From R-012 To 2-4416	Date:10/2022	PAGE:H3-2200-05
HEATING SYSTEM		

WITHOUT WATER HEATER



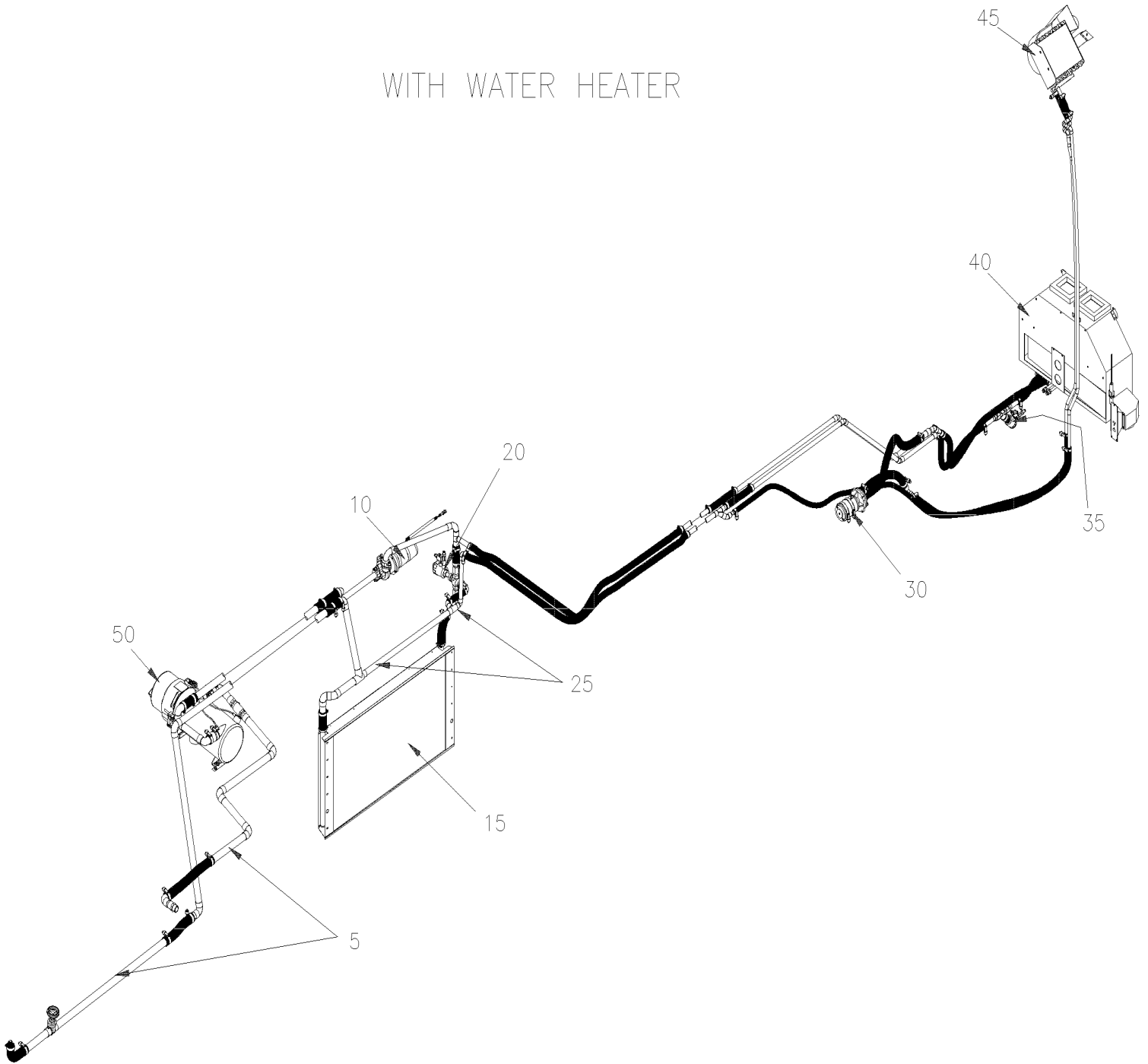
From R-012 To 2-4416

Date:10/2022

PAGE:H3-2200-05

HEATING SYSTEM

WITH WATER HEATER



From R-012 To 2-4416	Date:10/2022	PAGE:H3-2200-05
HEATING SYSTEM		

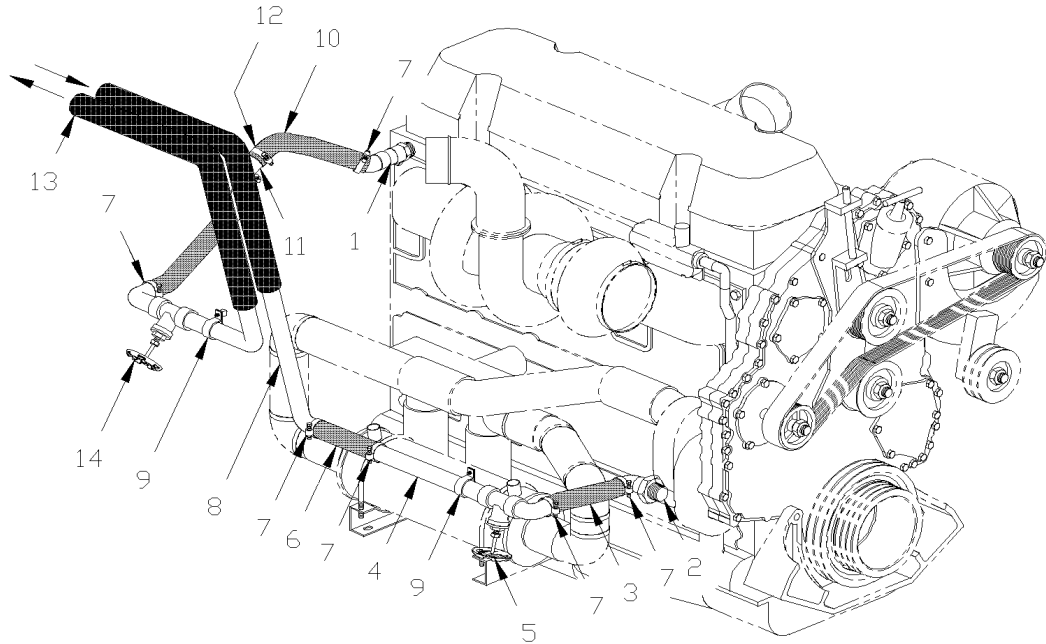
Item#	Part	Description	H 3 4 1	H 3 4 5	V I P 4 5	N O T E S
5	H3-2222-01	HEATER LINE REAR SECTION From R-012 To 2-4416				
10	H3-2206-02	WATER PUMP #871052 & #871204 From R-012 To 2-4416				
10	H3-2206-99	WATER PUMP #871342 SEALLESS / RETROFIT From R-012 To 2-4416				
10	H3-2210-20	WATER HEATER PUMP & FILTER - INSTALLATION From X-2458 To 2-4416				
15	H3-2205-00	HEATER & EVAPORATOR COIL & FILTER ASSY From R-012 To 2-4416				
15	H3-2210-00	HEATER & EVAPORATOR BLOWER - INSTALLATION From R-012 To 2-4416				
20	H3-2207-01	WATER VALVE "VERSADRIVE" From R-012 To X-3297				
20	H3-2207-02	WATER VALVE "VERSADRIVE" From X-3298 To 2-4416				
25	H3-2210-11	WATER HEATER PUMP & FILTER - INSTALLATION From R-012 To 2-4416				
30	H3-2206-98	WATER PUMP #874296 / RETROFIT From R-012 To 2-4419				
35	H3-2207-11	WATER VALVE - DRIVER'S From R-012 To 2-4416				
40	H3-2225-03	DRIVER'S HEATER & DEFROSTER ASSY From R-012 To W-2284				
40	H3-2225-04	DRIVER'S HEATER & DEFROSTER ASSY From W-2285 To 2-4416				
40	H3-2225-50	A/C & HEATER AUXILIARY - V.I.P. From X-2458 To 2-4416				
40	H3-2230-00	DEFROSTER - INSTALLATION From R-012 To W-2457				
40	H3-2230-01	DEFROSTER - INSTALLATION From X-2458 To 2-4416				
45	H3-2240-10	UPPER WINDSHIELD FAN - INSTALLATION From R-012 To 2-4416				
50	H3-2350-11	WATER HEATER - INSTALLATION From R-012 To 2-4416				
50	871036	WATER HEATER - "WEBASTO" 80,000 B.T.U.				
50	871085	WATER HEATER - "WEBASTO" 45,000 B.T.U.				
50	871097	WATER HEATER - "ESPAR" 41,000 B.T.U.				
50	871100	WATER HEATER - "PROHEAT" 80,000 B.T.U.				
50	871197	WATER HEATER - "ESPAR" 103,000 B.T.U.				

From R-012 To 2-4416

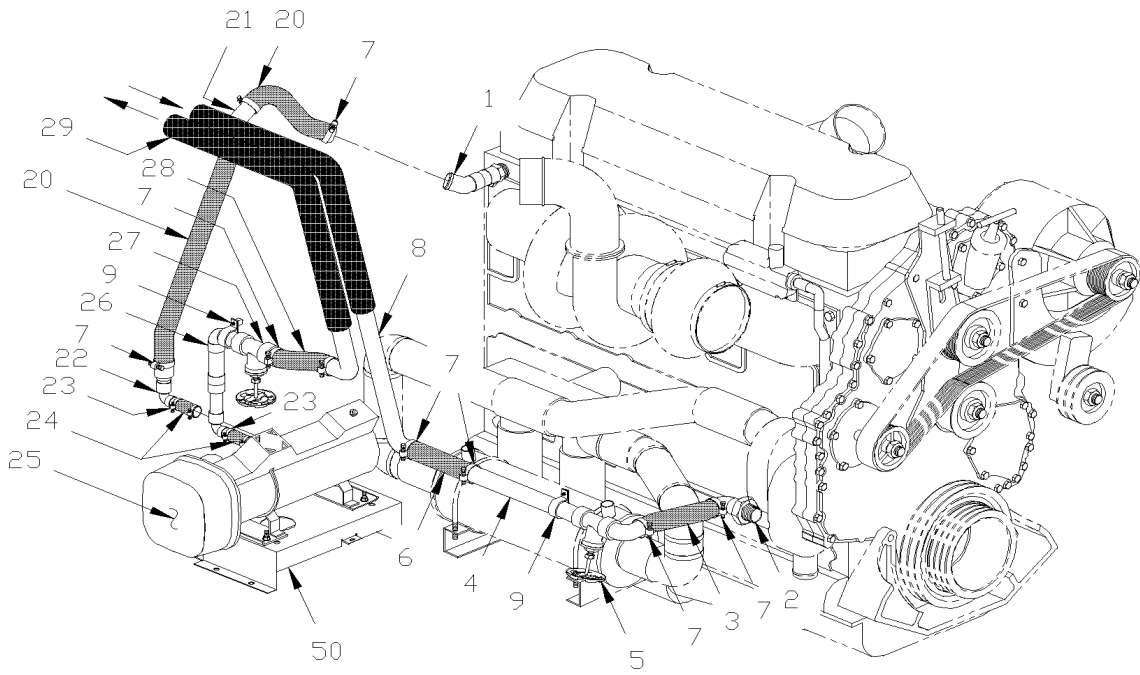
Date:10/2022

PAGE:H3-2222-01

HEATER LINE REAR SECTION



WITHOUT WATER HEATER



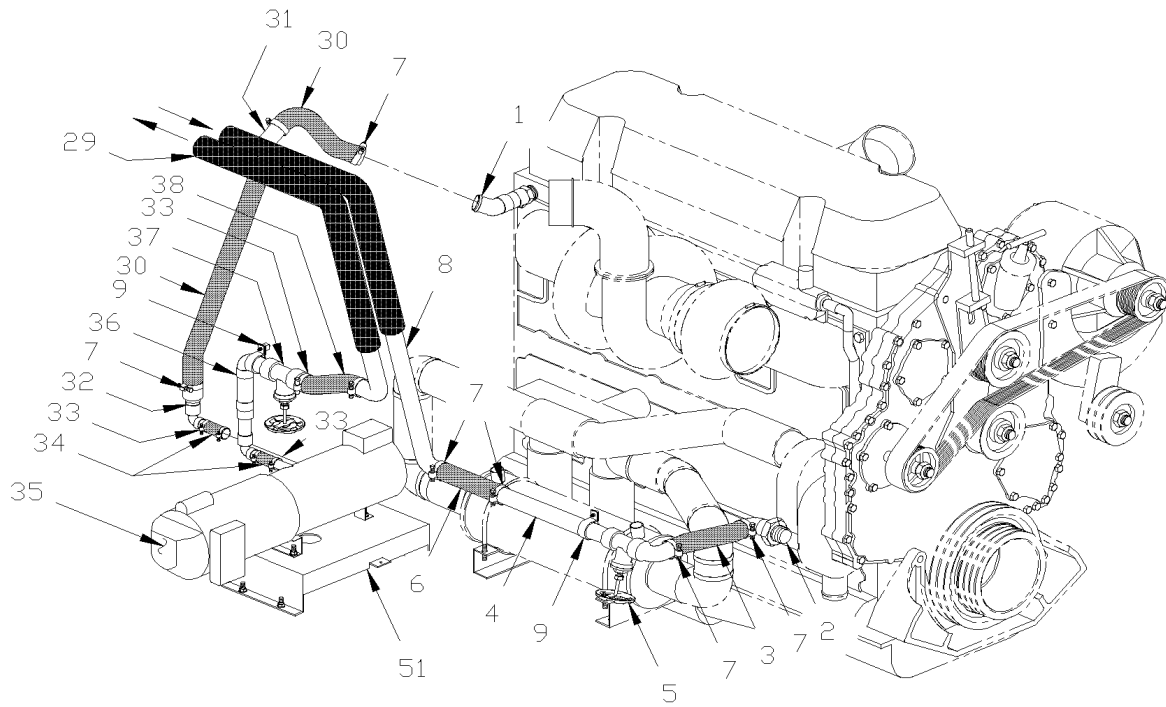
WITH "ESPAR" 40 000 B.T.U.

From R-012 To 2-4416

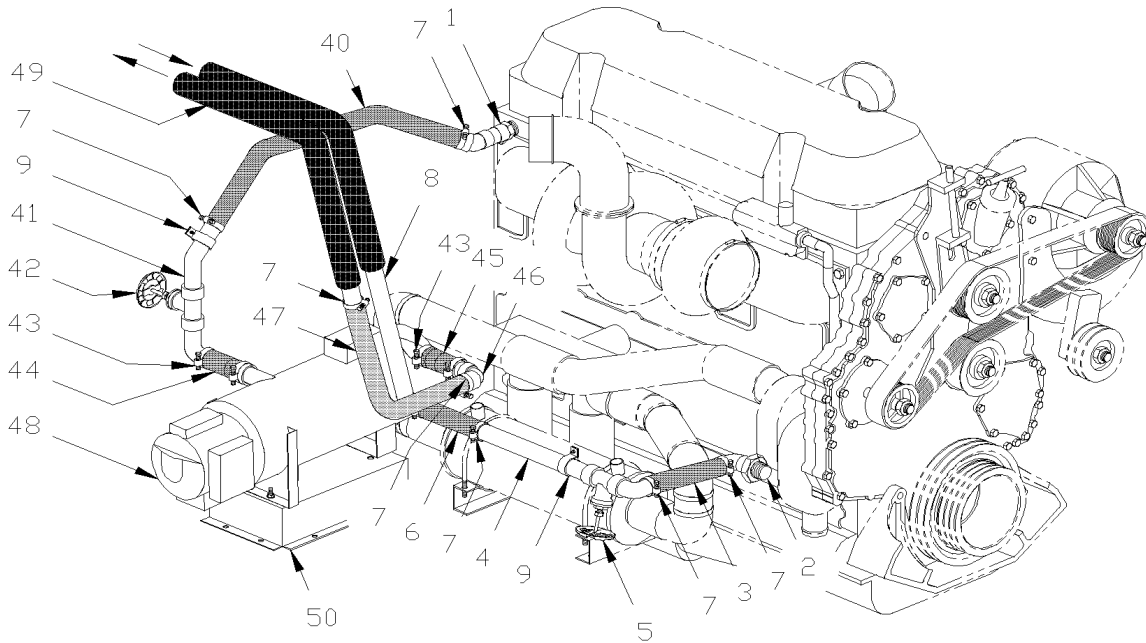
Date:10/2022

PAGE:H3-2222-01

HEATER LINE REAR SECTION



WITH "WEBASTO" 45 000 B.T.U.



WITH "WEBASTO" 80 000 B.T.U.

From R-012 To 2-4416	Date:10/2022	PAGE:H3-2222-01
HEATER LINE REAR SECTION		

Item#	Part	Description	H 3 4 1	H 3 4 5	V I P 4 5	N O T E S
1	373040	ADAPTOR ELBOW 45°/ CYLINDER HEAD EXIT	1	1	1	
2	372958	ADAPTOR ELBOW 90° / WATER PUMP INLET	1	1	1	
3	373236	HOSE / ENGINE INLET / 1 3/8" I.D. 195MM	1	1	1	
4	373235	PIPE ASSY W/GATE VALVE	1	1	1	
5	501861	. GATE VALVE 1 ¼" (WELDED)	1	1	1	
6	372960	HOSE 1 3/8" I.D. 229MM	1	1	1	
6	503392	. HOSE SILICONE 4PLY 1 3/8" I.D. x 4'	AR	AR	AR	
7	504657	HOSE CLAMP / 1"1/16-2" C.T. 9424	AR	AR	AR	
8	373125P	PIPE ASSY / RETURN LINE TO ENGINE COMPARTMENT	1	1	1	
9	561569	CLAMP / 1 3/8 I.D.	AR	AR	AR	
NS	502557	NUT HEX NYRT M4-0.7 SS	AR	AR	AR	
NS	505233	SPACER 7/16 I.D. X 9/16 LG	AR	AR	AR	
		FOLLOWING PARTS ARE RELATED				
		WITHOUT PRE-HEATER				
10	373383	HOSE ASSY W/ELBOW / 1 3/8" I.D.	1	1	1	
10	503392	. HOSE SILICONE 4PLY 1 3/8" I.D. x 4'	AR	AR	AR	
11	N.S.S.	. ELBOW 45°	1	1	1	1
12	504657	. HOSE CLAMP / 1"1/16-2" C.T. 9424	2	2	2	
13	373185P	PIPE ASSY W/GATE VALVE / ENGINE COMP & HEATER COIL HEATER COIL	1	1	1	
14	501861	. GATE VALVE 1 ¼" (WELDED)	1	1	1	
		FOLLOWING PARTS ARE RELATED				
		WITH 40000 BTU PRE-HEATER				
20	373375	HOSE ASSY W/ELBOW / 1 3/8" I.D.	1	1		
20	503392	. HOSE SILICONE 4PLY 1 3/8" I.D. x 4'	AR	AR		
21	N.S.S.	. ELBOW 45°	1	1		1
21	504657	. HOSE CLAMP / 1"1/16-2" C.T. 9424	2	2		
22	373030	PIPE ELBOW 90° ASSY	1	1		
23	504646	HOSE CLAMP / 11/16"-1"1/4 / C.T. 9412	4	4		
24	403641	HOSE 3/4" I.D. 53MM	2	2		
24	503523	. HOSE SILICONE 1PLY 3/4" I.D. x 100' / S.L.	AR	AR		
25	870969	WATER HEATER - "ESPAR" 40,000 B.T.U.	1	1	1	
26	373408	PIPE ASSY W/GATE VALVE	1	1		
27	501861	. GATE VALVE 1 ¼" (WELDED)	1	1		
28	371223	HOSE 1 3/8" I.D. 6"	1	1		
28	503392	. HOSE SILICONE 4PLY 1 3/8" I.D. x 4'	AR	AR		
29	373122P	PIPE ASSY / ENGINE COMP & WATER FILTER To W-2426	1	1	1	
29	373573P	PIPE ASSY / ENGINE COMP & WATER FILTER From W-2427	1	1	1	

From R-012 To 2-4416	Date:10/2022	PAGE:H3-2222-01
HEATER LINE REAR SECTION		

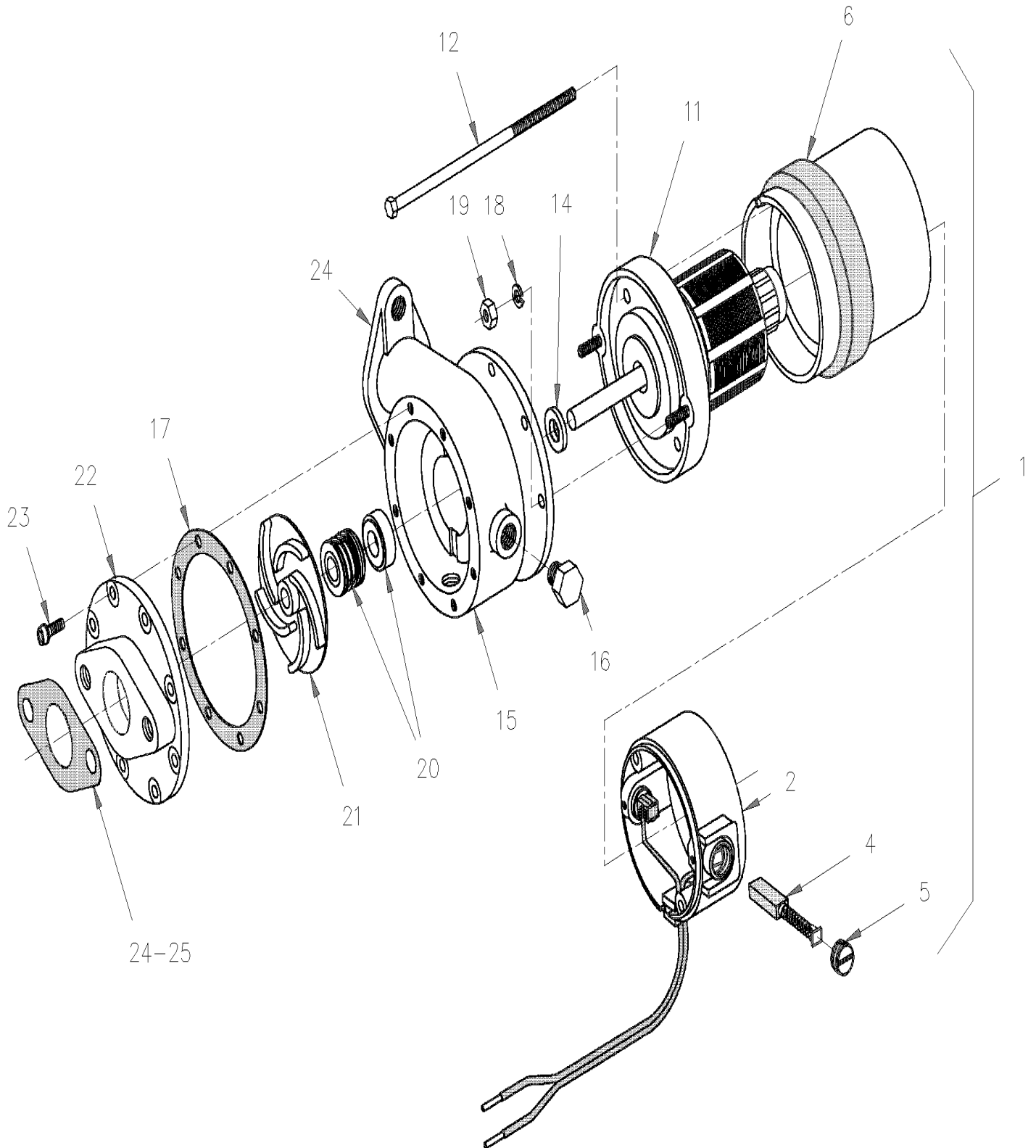
Item#	Part	Description	H 3 4 1	H 3 4 5	V I P 4 5	N O T E S
		FOLLOWING PARTS ARE RELATED				
29		WITH 45000 BTU PRE-HEATER	1	1	1	
30	373375	HOSE ASSY W/ELBOW / 1 3/8" I.D.	1	1		
30	503392	. HOSE SILICONE 4PLY 1 3/8" I.D. x 4'	AR	AR		
31	N.S.S.	. ELBOW 45°	AR	AR		1
31	504657	. HOSE CLAMP / 1"-1/16-2" C.T. 9424	2	2		
32	373030	PIPE ELBOW 90° ASSY	1	1		
33	504319	HOSE CLAMP / 1"-1"1/2 SS / E.T. 16	4	4		
34	403641	HOSE 3/4" I.D. 53MM	2	2		
34	503523	. HOSE SILICONE 1PLY 3/4" I.D. x 100' / S.L.	AR	AR		
35	871085	WATER HEATER - "WEBASTO" 45,000 B.T.U.				
36	373427	PIPE ASSY W/GATE VALVE	1	1		
37	501861	. GATE VALVE 1 1/4" (WELDED)	1	1		
38	371223	HOSE 1 3/8" I.D. 6"	1	1		
38	503392	. HOSE SILICONE 4PLY 1 3/8" I.D. x 4'	AR	AR		
		FOLLOWING PARTS ARE RELATED				
39		WITH 80000 BTU PRE-HEATER	1	1	1	
40	503392	HOSE SILICONE 4PLY 1 3/8" I.D. x 4'			1	
41	373280	PIPE ASSY / W/GATE VALVE			1	
42	501861	. GATE VALVE 1 1/4" (WELDED)			1	
43	504657	HOSE CLAMP / 1"-1/16-2" C.T. 9424			4	
44	373484	HOSE REDUCER / 1 1/2" I.D.x1 3/8" I.D.x90MM			1	
45	871099	HOSE REDUCER 1 1/2" I.D. X 1 3/8" I.D. x 127M / SILICONE			1	
46	373281	PIPE ELBOW 90° ASSY			1	
47	871031	ELBOW 90° X 1 3/8" I.D. / 177MM x 249.7 C/C / SILICONE			1	
48	871036	WATER HEATER - "WEBASTO" 80,000 B.T.U.				
49	Call order desk	PIPE ASSY			1	P A
50	373406	BOX SUPPORT / W/40000 & 80000 BTU	1	1	1	
51	373425	BOX SUPPORT / W/45000 BTU	1	1		
		A) ENGINE COMP & WATER FILTER W/80000 BTU WEBASTO				
		1) NOT SOLD SEPARATELY				
		P) CALL ORDER DESK FOR SPECIFIC APPLICATION (V.I.N.)				

From R-012 To 2-4416

Date:10/2022

PAGE:H3-2206-02

WATER PUMP #871052 & #871204

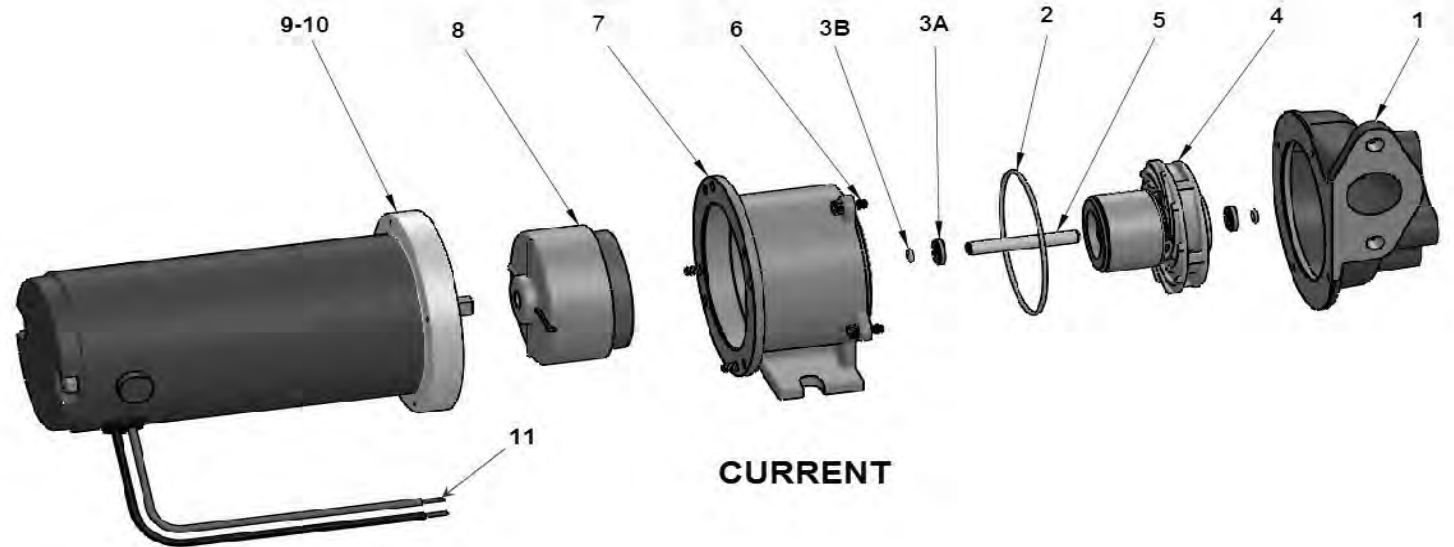
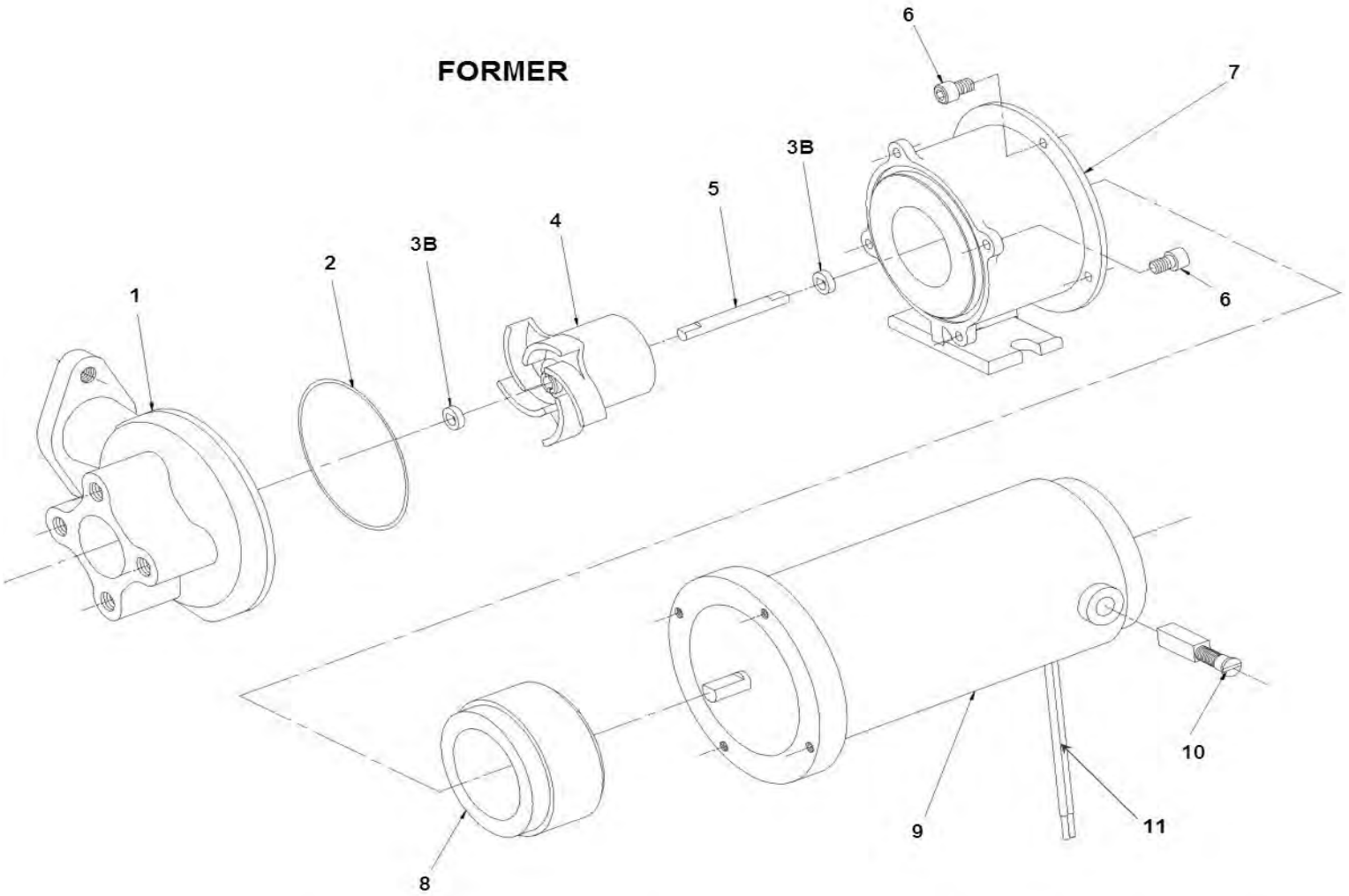


From R-012 To 2-4416	Date:10/2022	PAGE:H3-2206-02
WATER PUMP #871052 & #871204		

Item#	Part	Description	H 3 4 1	H 3 4 5	V I P 4 5	N O T E S
	871052	WATER PUMP ASSY / 24V / (28689) To 1-4074	1	1	1	R
	871204	WATER PUMP ASSY / 24V / (31726) From 1-4075	1	1	1	R
1	N.S.P.	. MOTOR ASSY (28538)	1	1	1	2
2	N.S.P.	. . HEAD ASSY (28884)	1	1	1	2
2	N.S.S.	. . . BRUSH HOLDER	2	2	2	1
4	871062	. . BRUSH	2	2	2	
5	871063	. . CAP BRUSH	2	2	2	
6	N.S.P.	. . STATOR ASSY (28883)	1	1	1	2
11	N.S.P.	. . ARMATURE ADAPTOR ASSY (28882)	1	1	1	2
11	N.S.S.	. . BEARING	2	2	2	1
12	N.S.S.	. . STUD CASE #10-32 X 5"	2	2	2	1
14	870440	. SLINGER	1	1	1	
15	N.S.P.	. CARRIER / PUMP (21586)	1	1	1	2
16	501303	. PLUG SQUARE HEAD / PIPE FITTING / 1/8NPT-M BR	2	2	2	
17	870439	. GASKET / CARRIER To 1-4074	1	1	1	
17	871205	. GASKET / CARRIER From 1-4075	1	1	1	
18	500470	. WASHER LO SPT .193x.334x.047 Z050	2	2	2	
19	500700	. NUT HEX #10-32 Z050	2	2	2	
20	870437	. KIT SEAL To 1-4074	1	1	1	
20	871310	. KIT SEAL From 1-4075	1	1	1	
21	870436	. IMPELLER	1	1	1	
22	N.S.P.	. FLANGE ADAPTOR (21634)	1	1	1	2
23	N.S.P.	. SCREW #8-32 X 1/2 / BRASS	8	8	8	2
24	870441	GASKET PUMP INLET & OUTLET	2	2	2	
25	871207	QUAD RING From 1-4075	1	1	1	A
		A) USE WITH PUMP #871204 ONLY INLET				
		R) THOSE PUMP MAY BE SUPPERSEDED BY KIT #374027 WITH "SEALLESS PUMP" SEE PAGE H3-2206-99				
		1) NOT SOLD SEPARATELY				
		2) NOT SOLD BY PREVOST (SEE MANUFACTURING PART NUMBER AT END OF DESCRIPTION LINE)				

From R-012 To 2-4416	Date:10/2022	PAGE:H3-2206-99
WATER PUMP #871342 SEALLESS / RETROFIT		

FORMER

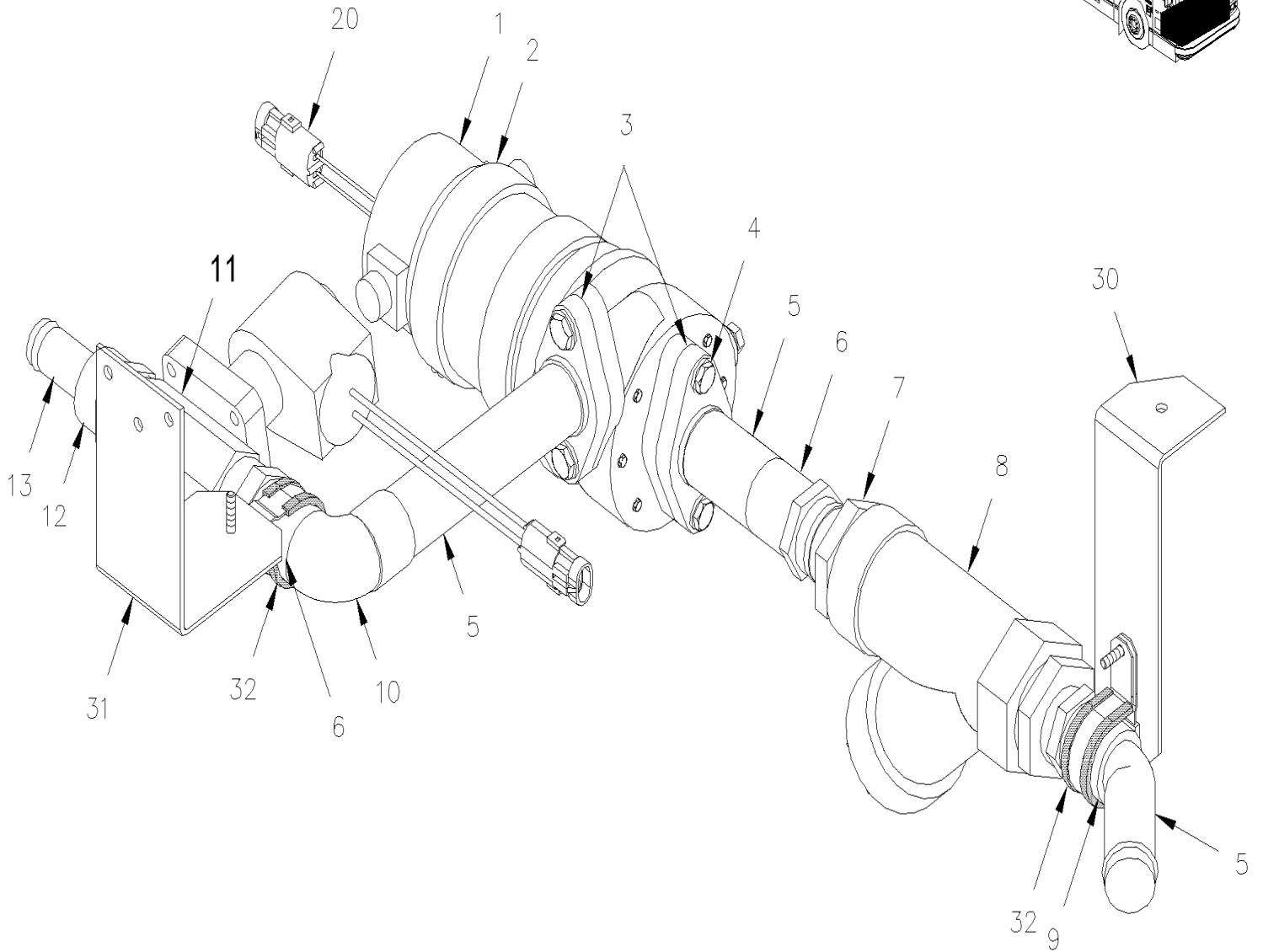
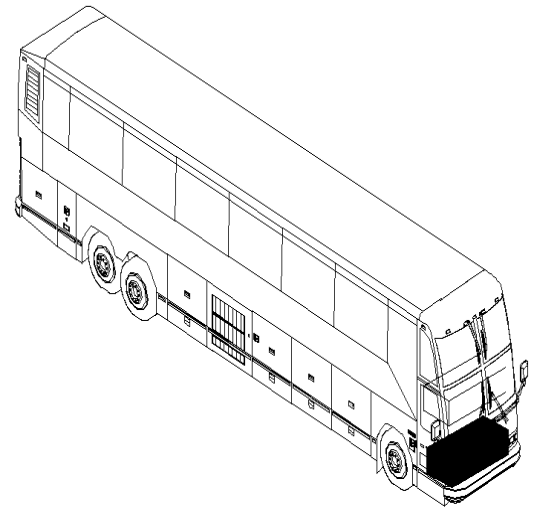


CURRENT

From R-012 To 2-4416	Date:10/2022	PAGE:H3-2206-99
WATER PUMP #871342 SEALLESS / RETROFIT		

Item#	Part	Description	H 3 4 1	H 3 4 5	V I P 4 5	N O T E S
	374032	PUMP WATER ASSY WITH CONNECTOR / SEALLESS MODEL	1	1	1	
	871414	. WATER PUMP ASSY / 24V / SEALLESS / "MP PUMPS"	1	1	1	A
	871342	. WATER PUMP ASSY / 24V / SEALLESS / "MP PUMPS"	1	1	1	
1	N.S.S.	. . HOUSING	1	1	1	1
2	871236	. . O-RING	1	1	1	
3A	870138	. . O-RING	2	2	2	C
3B	871239	. . WASHER SS	2	2	2	F
3B	Call order desk	. . WASHER THRUST	2	2	2	P C
4	871240	. . ROTOR ASSY	1	1	1	F
4	870117	. . ROTOR ASSY	1	1	1	C
5	871241	. . SHAFT SS	1	1	1	F
5	Call order desk	. . SHAFT SS	1	1	1	P C
6	G1094056	. . SCREW CAP HEXS 8-32x3/8	8	8	8	
7	G1094057	. . ADAPTOR	1	1	1	
8	871242	. . DRIVE MAGNET	1	1	1	
9	871322	. . MOTOR ASSY 24V	1	1	1	
10	871323	. . BRUSH	2	2	2	
11	561566	. CONNECTOR / WEATHER PACK / PH 2C / BLACK / PED 12010973	1	1	1	
NS	561568	. PIN TERMINAL / 16-14 / PED 12089305	2	2	2	
NS	561786	. CABLE SEAL / GRAY / PED 15324980	2	2	2	
NS	374027	KIT, RETROFIT SEALLESS WATER PUMP	1	1	1	
NS	374061	WATER PUMP ASSY W/SUPPORT / W/"H" / V.I.P.			1	
. NS	IS-03044	. SEE INSTRUCTION SHEET			1	
		A) THIS PUMP IS PACKAGING INDIVIDUALLY WITHOUT ELECTRICAL CONNECTORS				
		C) CURRENT				
		F) FORMER				
		1) NOT SOLD SEPARATELY				
		P) CALL ORDER DESK FOR SPECIFIC APPLICATION (V.I.N.)				

From R-012 To 2-4416	Date:10/2022	PAGE:H3-2210-20
WATER HEATER PUMP & FILTER - INSTALLATION		



From R-012 To 2-4416	Date:10/2022	PAGE:H3-2210-20
WATER HEATER PUMP & FILTER - INSTALLATION		

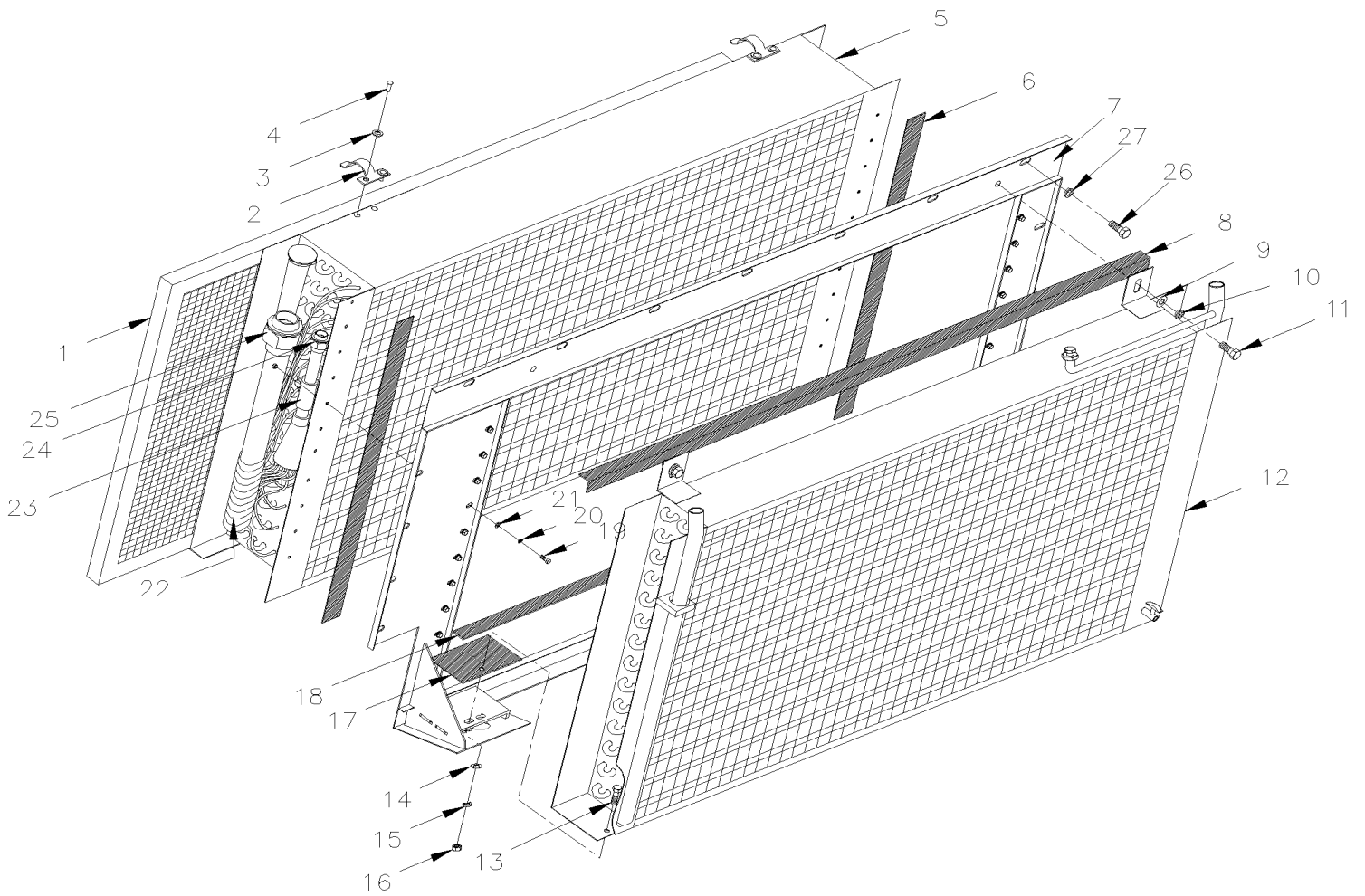
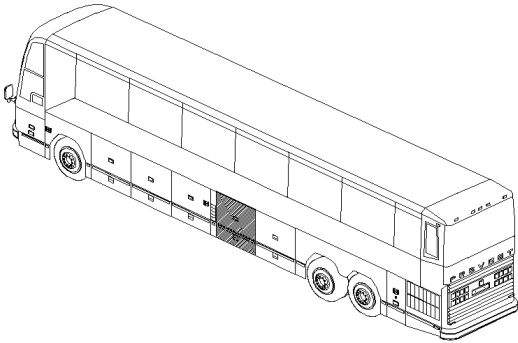
Item#	Part	Description	H 3 4 1	H 3 4 5	V I P 4 5	N O T E S
1	H3-2206-02	WATER PUMP #871052 & #871204				
2	504026	HOSE CLAMP / 2"13/16-3"3/4 SS / HS-52			1	
NS	506728	TAPE RUB ADH1 NEO 1/4" x 3/4" x 10' / BLACK			1	
3	870862	FLANGE ADAPTOR / W/GASKET To 1-4074			1	
3	871206	FLANGE ADAPTOR / W/QUAD RING From 1-4075			1	
NS	870441	GASKET PUMP INLET & OUTLET To 1-4074			1	
NS	871207	QUAD RING From 1-4075			1	
4	500305	SCREW CAP HEX 3/8-16x7/8 G5 Z050			1	
NS	500478	WASHER LO SPT .380x.683x.094 Z050			1	
5	503199	COPPER TUBE 1.125" O.D.x .050" x 240"			1	
6	501794	ADAPTER / COPPER @ PIPE / 1Mx3/4NPT-M			1	
7	501922	ADAPTER / PIPE FITTING / 3/4NPT-Fx1 1/4NPT-M BR			1	
8	870807	STRAINER FILTER, WATER 1" 1/4" N.P.T.			1	
9	501567	STREET ELBOW 45° / COPPER TUBE / 1Mx1F			1	
10	501762	STREET ELBOW 90° SHORT RADIUS / COPPER TUBE / 1Mx1F			1	
11	372854	VALVE ASSY / W/CONNECTOR			1	
12	501866	ADAPTER / COPPER @ PIPE / 3/4Fx3/4NPT-M			1	
13	503198	COPPER TUBE .875" O.D. x .045" x 240"			1	
20	561781	CONNECTOR / WEATHER PACK / PH 3C / BLACK / PED 12010717			1	
NS	561783	SEAL PLUG CAVITY / GREEN / PED 12010300			1	
NS	561786	CABLE SEAL / GRAY / PED 15324980			1	
NS	561568	PIN TERMINAL / 16-14 / PED 12089305			1	
30	373565	SUPPORT W/PUMP / OUTPUT			1	
31	Call order desk	WATER PUMP ASSY W/STRAINER & VALVE			1	P
32	560912	CLAMP / 1"1/4 I.D.			2	
33	500642	SCREW TP PAN PH #10x3/4 Z050			2	
		P) CALL ORDER DESK FOR SPECIFIC APPLICATION (V.I.N.)				

From R-012 To 2-4416

Date:10/2022

PAGE:H3-2205-00

HEATER & EVAPORATOR COIL & FILTER ASSY



From R-012 To 2-4416	Date:10/2022	PAGE:H3-2205-00
HEATER & EVAPORATOR COIL & FILTER ASSY		

Item#	Part	Description	H 3 4 1	H 3 4 5	V I P 4 5	N O T E S
1	871051	FILTER 1" x 23 3/8" x 43 1/2"	1	1	1	
1	870146	AIR FILTER PLEATED 1" x 23 3/8" x 43 1/2" - MERV8	1	1	1	
1	870147	AIR FILTER PLEATED 1" x 23 3/8" x 43 1/2" -MERV13	1	1	1	
2	391009	CLIP RETAINING	2	2	2	
3	500437	WASHER FL .125x.375x.040 Z050	4	4	4	
4	504104	RIVET POP DOME OE 1/8x1/8 SS	4	4	4	
5	950233	COIL EVAPORATOR To X-3174	1	1	1	
5	950315	COIL EVAPORATOR From X-3175	1	1	1	
. NS	507346	. O-RING / ORS FITTING / #24 NEO From X-3175	1	1	1	
. NS	507280	. O-RING / ORS FITTING / #12 NEO From X-3175	1	1	1	
6	506277	TAPE RUB ADH1 CC POL 1/2" x 3/4" x 15' / GREY 2520X	AR	AR	AR	
7	452484	SUPPORT ASSY	1	1	1	
8	506337	RUBBER CHANNEL / 3/32" x 11/32" INT "U" SHAPE / ROUND C.T.L.	AR	AR	AR	
9	500444	WASHER FL .406x.812x.065 Z050	2	2	2	
10	500478	WASHER LO SPT .380x.683x.094 Z050	2	2	2	
11	500044	SCREW CAP HEX 3/8-24x3/4 G5 Z050	2	2	2	
12	871050	HEATER COIL ASSY	1	1	1	
. NS	870124	. BLEEDER VALVE	2	2	2	
NS	501354	. NEEDLE VALVE 1/8 NPT M x 1/8 NPT F	1	1	1	
NS	370355	DECAL "DRAIN..." / ENGLISH & FRANCAIS	1	1	1	
NS	374062	DECAL "DRAIN..." / ENGLISH & SPANISH	1	1	1	
13	500181	SCREW CAP HEX 5/16-18x1 G5 Z050	2	2	2	
14	500441	WASHER FL .312x.734x.065 Z050	2	2	2	
15	500476	WASHER LO SPT .317x.586x.078 Z050	2	2	2	
16	500778	NUT HEX 5/16-18 N500	2	2	2	
17	371735	RUBBER 4 3/4" X 2 7/8" X 3/16" THICK	2	2	2	
18	372543	SEAL RUBBER 19MM X 1065MM	1	1	1	
19	500386	SCREW MA RND PH #10-24x1/2 Z050	20	20	20	
20	500470	WASHER LO SPT .193x.334x.047 Z050	20	20	20	
21	500964	WASHER FL .203x.500x.047 Z050	20	20	20	
22	680091	TAPE INSULATING / 1/8" x 2" x 30' / BLACK PT-1	AR	AR	AR	
23	H3-2208-00	A/C EXPANSION VALVE				
24	373292	HOSE ASSY /EXPANSION VALVE & TUBE / #12 590MM	1	1	1	
. NS	507280	. O-RING / ORS FITTING / #12 NEO	2	2	2	
24	370725	HOSE ASSY /EXPANSION VALVE & TUBE / #12 590MM	1	1	1	S
. NS	507280	. O-RING / ORS FITTING / #12 NEO	2	2	2	S
25	373132	HOSE ASSY /SUCTION & EVAPO.W/R-134a / #24 701MM	1	1	1	
25	950254	HOSE ASSY / W/R-22 / #24 701MM / SS BELLOW	1	1		
NS	507346	O-RING / ORS FITTING / #24 NEO	1	1	1	
26	502513	SCREW TP CAP HEX 5/16x1 Z050	13	13	13	
26	500162	SCREW CAP HEX 1/4-20x1/2 G5 Z050	1	1	1	
NS	500837	NUT SPR U 1/4-20 .064-.125	8	8	8	

From R-012 To 2-4416	Date:10/2022	PAGE:H3-2205-00
----------------------	--------------	-----------------

HEATER & EVAPORATOR COIL & FILTER ASSY

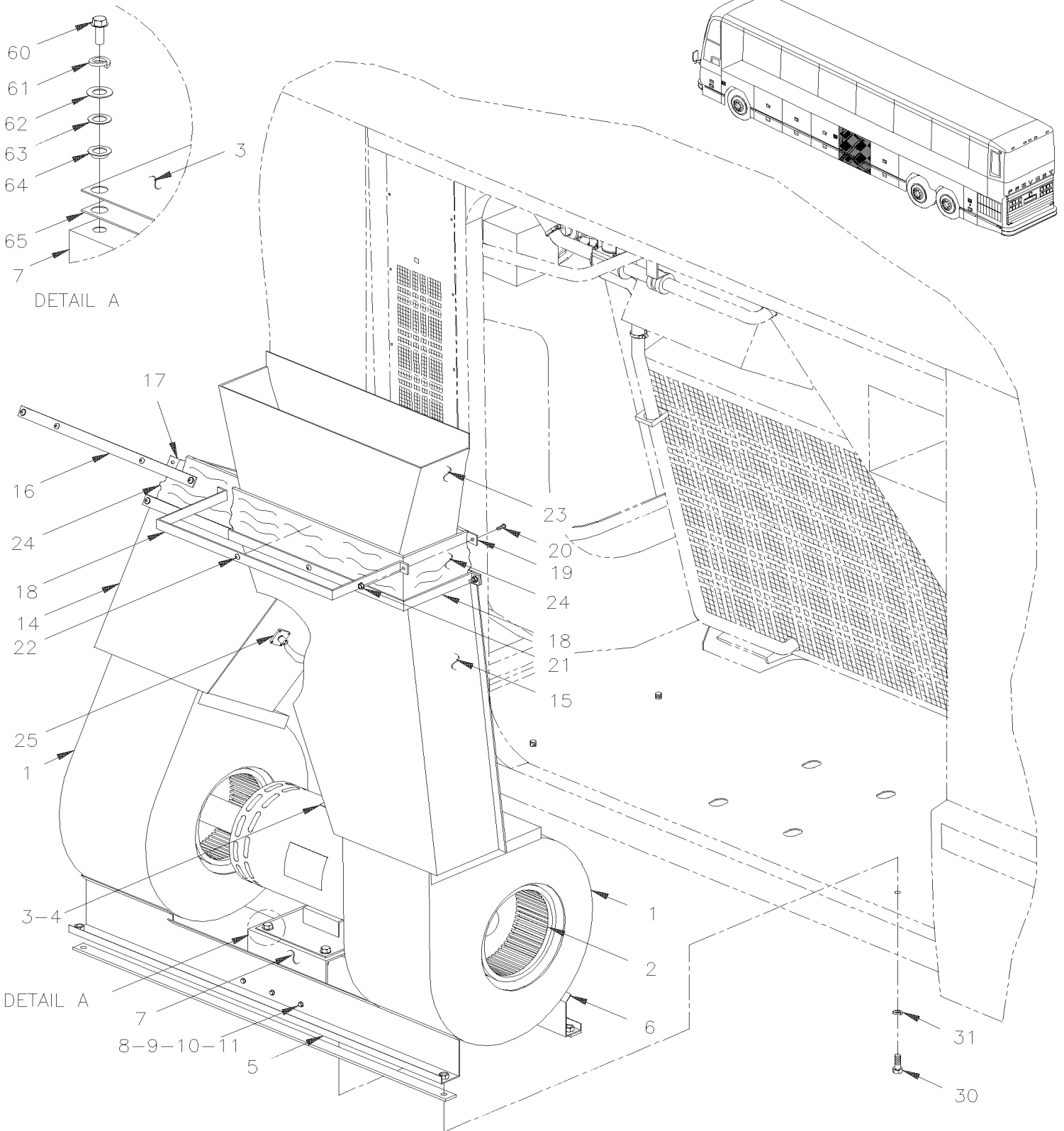
Item#	Part	Description	H 3 4 1	H 3 4 5	V I P 4 5	N O T E S
27	502583	WASHER LO SERR 8.15x22.3x1.0 Z050	14	14	14	
		S) SERVICE				

From R-012 To 2-4416

Date:10/2022

PAGE:H3-2210-00

HEATER & EVAPORATOR BLOWER - INSTALLATION



From R-012 To 2-4416	Date:10/2022	PAGE:H3-2210-00
HEATER & EVAPORATOR BLOWER - INSTALLATION		

Item#	Part	Description	H 3 4 1	H 3 4 5	V I P 4 5	N O T E S
	451820P	MOTOR & BLOWER ASSY	1	1	1	A
1	870955	. HOUSING ASSY	1	1	1	
1	871306	. HOUSING ASSY W/BLOWER WHEEL	1	1	1	
1	871308	. . HOUSING ASSY, GALVANISED	1	1	1	
NS	500524	. . SCREW TP PAN PH #12x5/8 SS	12	12	12	F
2	870956	. . BLOWER WHEEL	1	1	1	
3	452085	. KEY 3/16 X 82 MM	2	2	2	
4	H3-2265-01	MOTOR - EVAPORATOR - "PREVOST" - T-19 To T-1505				
4	H3-2265-02	MOTOR - EVAPORATOR - "PREVOST" - T-17 From T-1506 To Y-3909				
4	H3-2265-03	MOTOR - EVAPORATOR - "PREVOST" - T-17 - 2 SPEEDS From Y-3910				
NS	453337	SUPPORT ASSY	1	1	1	
NS	451124	SHIM 3/8" TH.	AR	AR	AR	
NS	451172	SHIM .074" TH.	AR	AR	AR	
NS	451173	SHIM 1/8" TH.	AR	AR	AR	
5	452208	. SUPPORT FRONT To X-2869	1	1	1	
5	453284	. SUPPORT FRONT From X-2870	1	1	1	
6	452209	. SUPPORT REAR To X-2869	1	1	1	
6	453285	. SUPPORT REAR From X-2870	1	1	1	
7	452207	. BASE SUB ASSY To T-1527	1	1	1	B
7	452894	. BASE SUB ASSY From T-1528 To X-2869	1	1	1	C
7	453283	. BASE SUB ASSY From X-2870	1	1	1	
NS	500296	. . NUT WD FLRET 3/8-24 To T-1527	4	4	4	
NS	500297	. . NUT WD FLRET 5/16-24	AR	AR	AR	
8	5001447	. . SCREW CAP HEX #10-24x5/8 PT SS BK	6	6	6	
9	5001180	. . NUT HEX NYRT #10-24 SS	6	6	6	
10	5001137	. . WASHER FL .203x.438x.050 SS	6	6	6	
11	506071	. . TAPE RUB ADH1 CC POL 1/8" x 1/2" x 50' / GREY 2520X	AR	AR	AR	E
NS	506227	. . TAPE RUB ADH1 CC POL 1/16" x 3/4" x 100' / GREY 2520	AR	AR	AR	
NS	500220	. WASHER FL .437x1.000x.983 ZP	4	4	4	
NS	500546	. WASHER LO EXT .384x.694x.040 Z050	4	4	4	
14	452506	. DUCT ASSY L.H. To T-1572	1	1	1	
14	452930	. DUCT ASSY L.H. From T-1573	1	1	1	
15	452247	. DUCT ASSY R.H.	1	1	1	
16	452594	RETAINER STRAP / W/SLIDE-OUT / 380MM X 25MM SS	2	2	2	
17	452593	RETAINER STRAP / "U" SHAPE / W/SLIDE-OUT / 343MM X 192MM SS	2	2	2	
18	452728P	RETAINER STRAP / "U" SHAPE 388MM X 139MM SS	2	2	2	
18	453292	PLATE RETAINER	1	1	1	
19	452729P	RETAINER STRAP / 425MM X 25MM SS	2	2	2	
20	502708	SCREW CAP HEX M5-0.8x35 SS	6	6	6	
21	502782	NUT HEX NYRT M5-0.8 Z050	6	6	6	
22	5001184	SCREW TP PAN PH #12x1/2 SS	20	20	20	
NS	500964	WASHER FL .203x.500x.047 Z050	20	20	20	

From R-012 To 2-4416	Date:10/2022	PAGE:H3-2210-00
HEATER & EVAPORATOR BLOWER - INSTALLATION		

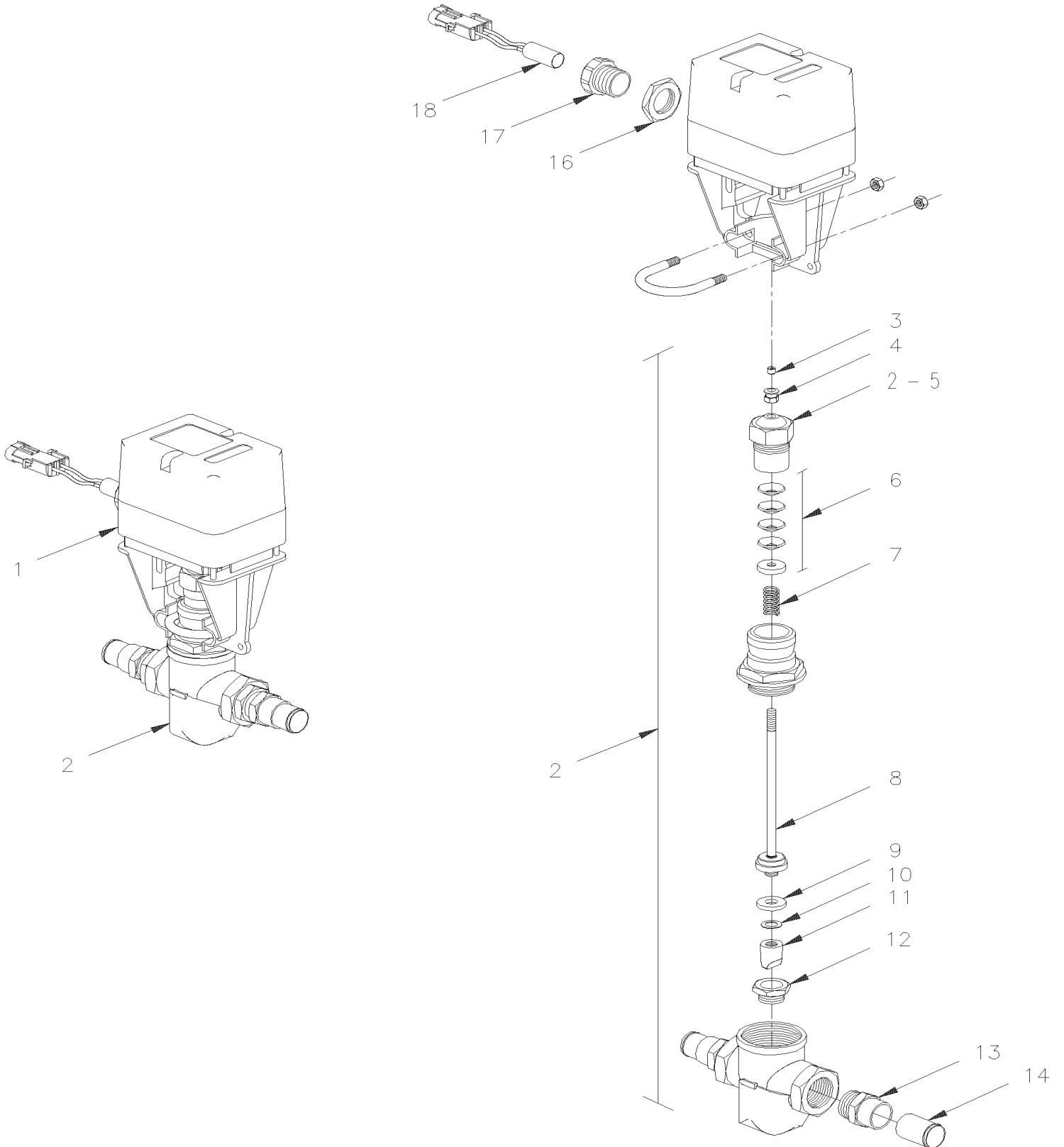
Item#	Part	Description	H 3 4 1	H 3 4 5	V I P 4 5	N O T E S
23	372949	DUCT, AIR INLET L.H.			1	
23	453002	DUCT, AIR INLET L.H.	1	1		
24	452248	DUCT LEATHERETTE 127MM X 1100MM	2	2	2	
NS	372711	ANGLE SUPPORT	2	2	2	
25	H3-2210-51	AIR MAIN SENSOR To T-1572				
25	H3-2210-52	AIR MAIN SENSOR From T-1573				
30	500025	SCREW CAP HEX 5/16-24x1 G5 ZP	4	4	4	
30	500046	SCREW CAP HEX 3/8-24x1 G5 Z050 To T-1527	4	4	4	
31	500985	WASHER FL .343x.875x.125 Z050	4	4	4	
31	500445	WASHER FL .437x1.000x.083 Z050	4	4	4	
NS	453121	KIT ELECTRICAL INSULATION EVAP. MOTOR				
. NS	IS-96010	. SEE INSTRUCTION SHEET				
60	500046	. SCREW CAP HEX 3/8-24x1 G5 Z050 To T-1527	4	4	4	B
60	500025	. SCREW CAP HEX 5/16-24x1 G5 ZP From T-1528	4	4	4	C
61	500478	. WASHER LO SPT .380x.683x.094 Z050 To T-1527	4	4	4	
61	500476	. WASHER LO SPT .317x.586x.078 From T-1528	4	4	4	
62	500441	. WASHER FL .312x.734x.065 Z050	4	4	4	
63	5001242	. WASHER SHR .375x.110 NYL From V-1858	4	4	4	
64	504503	. BUSHING, NYLON 5/16 DIA.	4	4	4	
65	452896	. INSULATED PAD	1	1	1	C
		A) THIS PART NUMBER INCLUDE MOTOR, SEE PAGE H3-2265-00 & H3-2265-01				
		B) FOR PRODUCT IMPROVMENT BEARING LIFE FOR VEHICLE WITH 3/8" SCREW UP TO T-1527 ORDER KIT #453088				
		C) FOR PRODUCT IMPROVMENT BEARING LIFE FOR VEHICLE WITH 5/16" SCREW UP TO V-1898 ORDER KIT #453121				
		E) BASE & SUPPORT / C.T.L.				
		F) TO FIX HOUSING TO SUPPORT				

From R-012 To 2-4416

Date:10/2022

PAGE:H3-2207-01

WATER VALVE "VERSADRIVE"



From R-012 To 2-4416	Date:10/2022	PAGE:H3-2207-01
WATER VALVE "VERSADRIVE"		

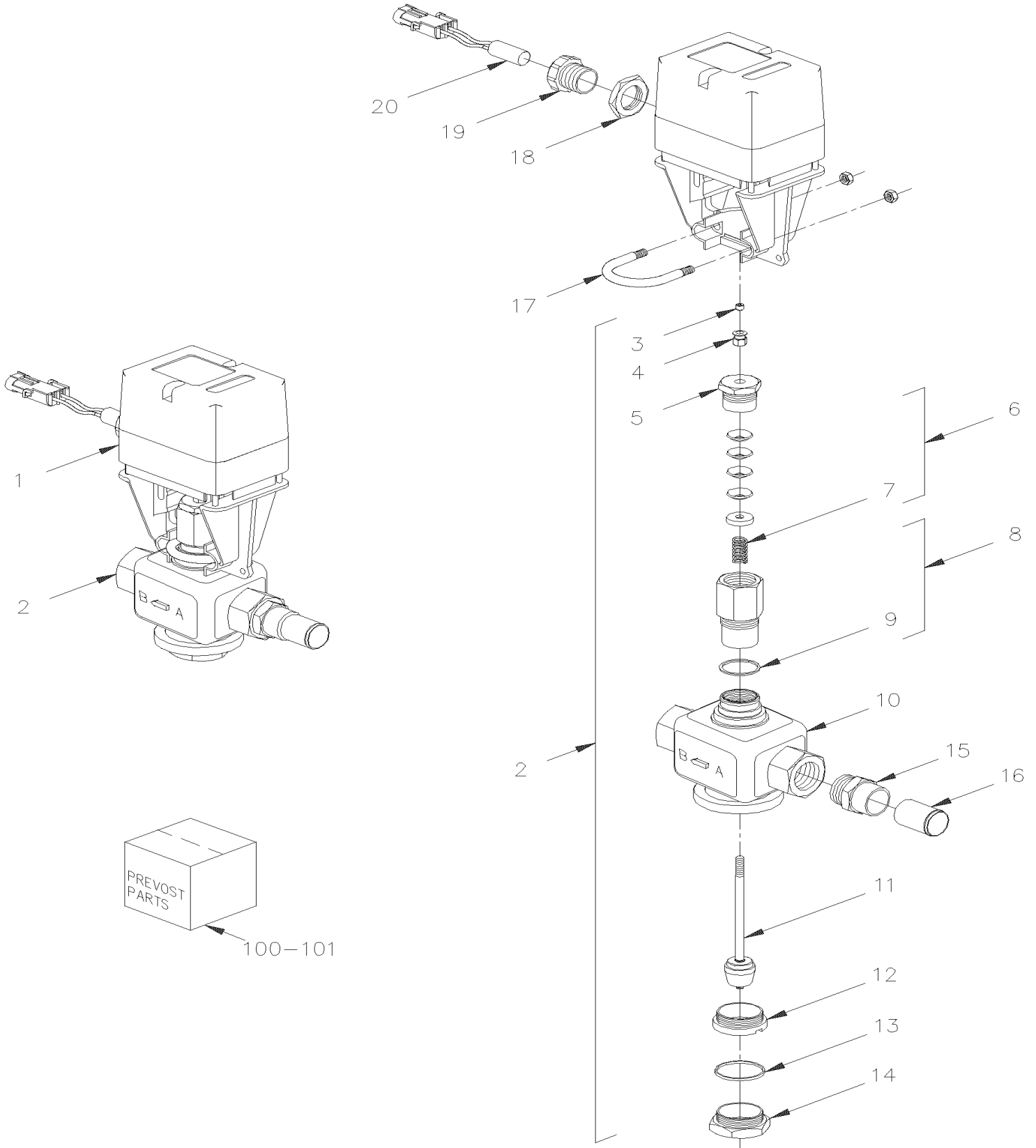
Item#	Part	Description	H 3 4 1	H 3 4 5	V I P 4 5	N O T E S
	372937	VALVE ASSY W/FITTING	1	1	1	
1	641238	. VALVE ACTUATOR 0-10 VOLTS	1	1	1	
2	641239	. VALVE BODY ASSY 3/4" NPT	1	1	1	
3	500870	. . SCREW SET HEXS CUP 1/4-28x3/16	1	1	1	
4	N.S.P.	. . BUTTON (14004623-001)	1	1	1	2
5	641260	. . PACKING NUT	1	1	1	
6	641348	. . KIT PACKING NUT	1	1	1	
7	N.S.P.	. . . SPRING	1	1	1	2
8	N.S.P.	. . STERN & DISC HOLDER ASSY (311094A)	1	1	1	2
9	641263	. . WASHER SPR WAVE .375x.594	1	1	1	
10	641262	. . DISC SPRING	1	1	1	
11	641264	. . PLUG	1	1	1	
12	641265	. . SEAT	1	1	1	
13	501794	. ADAPTER / COPPER @ PIPE / 1Mx3/4NPT-M	2	2	2	
14	372544	. PIPE OUTLET	2	2	2	
NS	372939	. SUPPORT WATER VALVE "Z" SHAPE	1	1	1	
16	560433	. NUT LOCK 1/2" PIPE	1	1	1	
17	560434	. CONNECTOR 1/2" PIPE	1	1	1	
18	063332	. CABLE ASSY	1	1	1	
		2) NOT SOLD BY PREVOST (SEE MANUFACTURING PART NUMBER AT END OF DESCRIPTION LINE)				

From R-012 To 2-4416

Date:10/2022

PAGE:H3-2207-02

WATER VALVE "VERSADRIVE"



From R-012 To 2-4416	Date:10/2022	PAGE:H3-2207-02
WATER VALVE "VERSADRIVE"		

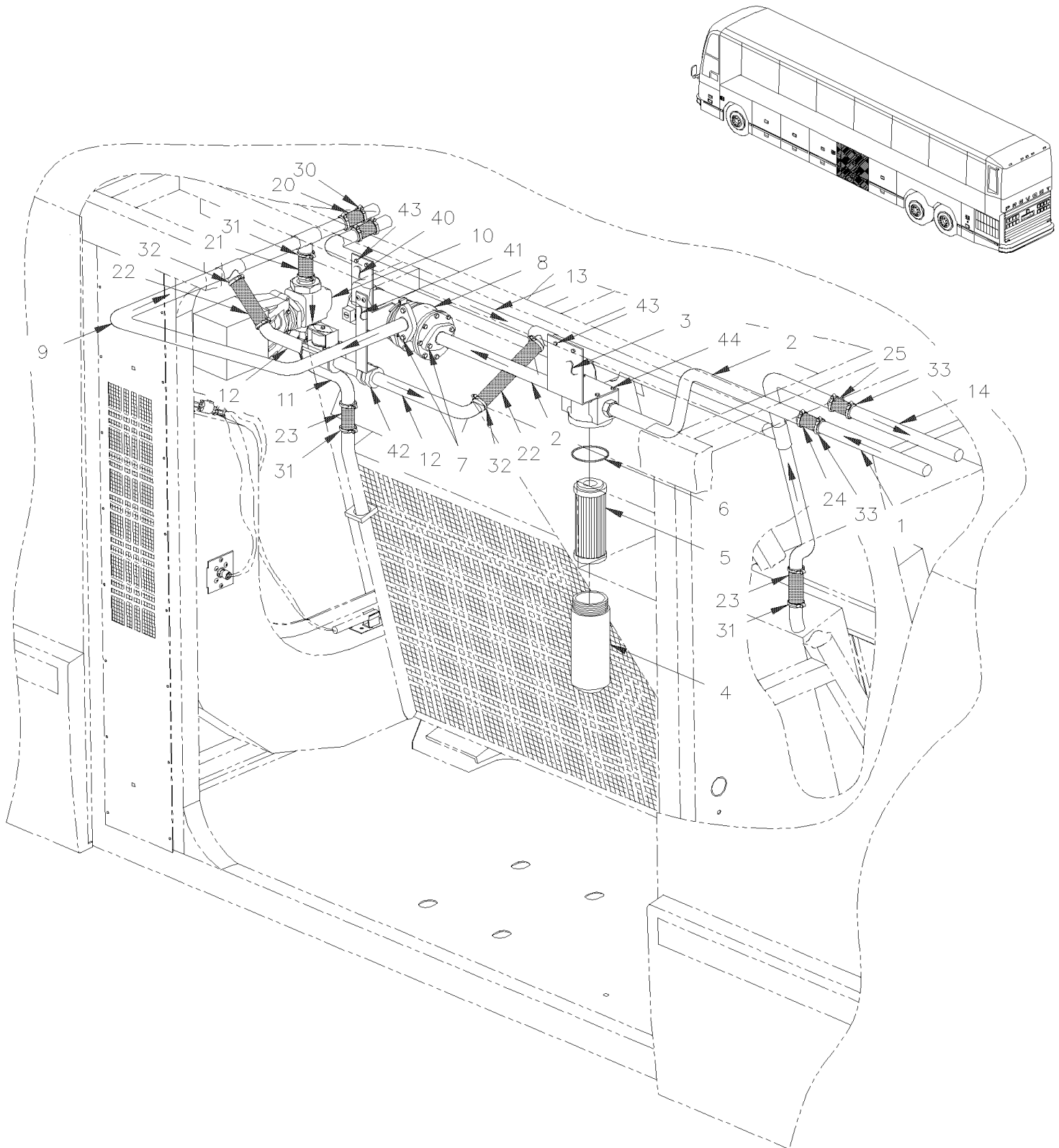
Item#	Part	Description	H 3 4 1	H 3 4 5	V I P 4 5	N O T E S
	373729	VALVE ASSY W/FITTING	1	1	1	
1	871184	. VALVE ACTUATOR 0-10 VOLTS	1	1	1	
2	871183	. VALVE BODY ASSY 3/4" NPT	1	1	1	
3	500870	. . SCREW SET HEXS CUP 1/4-28x3/16	1	1	1	
4	N.P.N.	. . BUTTON	1	1	1	4
5	N.P.N.	. . PACKING NUT	1	1	1	4
6	N.P.N.	. . SEAL	1	1	1	4
7	N.P.N.	. . . SPRING	1	1	1	4
8	N.P.N.	. . PACKING CARTRIDGE	1	1	1	4
9	N.P.N.	. . . RING SEAL	1	1	1	4
10	N.P.N.	. . BODY	1	1	1	4
11	N.P.N.	. . PLUG SEAL	1	1	1	4
12	N.P.N.	. . SEAT RING	1	1	1	4
13	N.P.N.	. . RING NUT	1	1	1	4
14	N.P.N.	. . BOTTOM NUT	1	1	1	4
15	501794	. ADAPTER / COPPER @ PIPE / 1Mx3/4NPT-M	2	2	2	
16	372544	. PIPE OUTLET	2	2	2	
17	N.P.N.	. U-BOLT	1	1	1	4
NS	372939	. SUPPORT WATER VALVE "Z" SHAPE	1	1	1	
18	560433	. NUT LOCK 1/2" PIPE	1	1	1	
19	560434	. CONNECTOR 1/2" PIPE	1	1	1	
20	063332	. CABLE ASSY	1	1	1	
100	871187	. . PACKING NUT INCLUDE ITEM 6 + 7	1	1	1	
101	871188	. . KIT MASTER REPAIR PACKING ITEM 8 + 9	1	1	1	
NS	374835	REPLACEMENT OF THE HOT WATER VALVE EQUIPPED WITH ACTUATOR #871184	1	1	1	
. NS	373898	. WATER VALVE ASSY / 24V	1	1	1	
. NS	503402	. TUBE, NYLON 1/4 O.D. / BLACK S.L.	25FT	25FT	25FT	
. NS	563204	. CONNECTOR / SOCKET HOUSING ASSY 4C / BURKET 303148	1	1	1	
. NS	IS-14905	. SEE INSTRUCTION SHEET	1	1	1	
		4) NO PARTS NUMBER				

From R-012 To 2-4416

Date:10/2022

PAGE:H3-2210-11

WATER HEATER PUMP & FILTER - INSTALLATION



From R-012 To 2-4416	Date:10/2022	PAGE:H3-2210-11
WATER HEATER PUMP & FILTER - INSTALLATION		

Item#	Part	Description	H 3 4 1	H 3 4 5	V I P 4 5	N O T E S
1	373122P	PIPE ASSY / ENGINE COMP & WATER FILTER To W-2426	1	1	1	
1	373573P	PIPE ASSY / ENGINE COMP & WATER FILTER From W-2427	1	1	1	
NS	373198	CLOSING PLATE To W-2426	2	2	2	
NS	373572	CLOSING PLATE From W-2427	2	2	2	
2	372870	FILTER ASSY W/TUBE	1	1	1	
3	372863	. SUPPORT / WATER FILTER	1	1	1	
3	871028	. FILTER "PARKER" ASSY	1	1	1	
4	871043	. . BOWL	1	1	1	
5	871029	. . CARTRIDGE	1	1	1	
6	871044	. . SEAL BOWL	2	2	2	
7	870441	GASKET PUMP INLET & OUTLET	2	2	2	
NS	680527	SEALANT 473ml	AR	AR	AR	
NS	500305	SCREW CAP HEX 3/8-16x7/8 G5 Z050	4	4	4	
NS	500478	WASHER LO SPT .380x.683x.094 Z050	4	4	4	
8	H3-2206-02	WATER PUMP #871052 & #871204				
9	373118	PIPE ASSY / WATER PUMP & WATER VALVE	1	1		
9	372942	PIPE ASSY / WATER PUMP & WATER VALVE			1	
10	H3-2207-01	WATER VALVE "VERSADRIVE"				
11	373229	PIPE ASSY / WATER VALVE & HEATER CORE	1	1	1	
12	H3-2207-20	WATER VALVE - BYPASS W/WATER HEATER				
13	373106	PIPE ASSY / RETURN LINE / W/BYPASS VALVE	1	1		
13	373228	PIPE ASSY / RETURN LINE / W/O BYPASS VALVE			1	
14	373125P	PIPE ASSY / RETURN LINE TO ENGINE COMPARTMENT To W-2426	1	1	1	
14	373574P	PIPE ASSY / RETURN LINE TO ENGINE COMPARTMENT From W-2427	1	1	1	
14	Call order desk	PIPE ASSY	1	1		P A
14	373199	CLOSING PLATE To W-2416	2	2	2	
14	373571	CLOSING PLATE From W-2417	2	2	2	
20	372632	HOSE 7/8" I.D. X 1848MM	2	2	2	
20	503684	. HOSE SILICONE 1 PLY 7/8" I.D. x 100' / S.L.	AR	AR	AR	
21	050937	HOSE / W/O BYPASS VALVE / 1 1/8" I.D. X 3"			2	
21	402376	HOSE / W/BYPASS VALVE / 1 3/8" I.D. X 2 1/4"	2	2		
22	373303	HOSE 7/8" I.D. X 130MM	2	2		
. NS	503684	. HOSE SILICONE 1 PLY 7/8" I.D. x 100' / S.L.	ar	ar		
23	371217	HOSE 1 1/8" I.D. X 4"	2	2	2	
24	373218	HOSE 1 3/8" I.D. x 3"	1	1	1	
25	371535	HOSE 1 3/8" I.D. X 127MM	1	1	1	
30	504646	HOSE CLAMP / 11/16"-1"1/4 / C.T. 9412	4	4	4	
31	504291	HOSE CLAMP / 1"1/8-1"3/4 SS / E.T. 20	8	8	8	
32	504020	HOSE CLAMP / 9/16"-1"1/4 SS / HS-12	4	4	4	
33	504657	HOSE CLAMP / 1"1/16-2" C.T. 9424	4	4	4	
40	373227	SUPPORT / WATER PUMP	1	1	1	
NS	504235	HOSE CLAMP / 3"9/16"-4"1/2 SS / HS-64	2	2	2	

From R-012 To 2-4416	Date:10/2022	PAGE:H3-2210-11
WATER HEATER PUMP & FILTER - INSTALLATION		

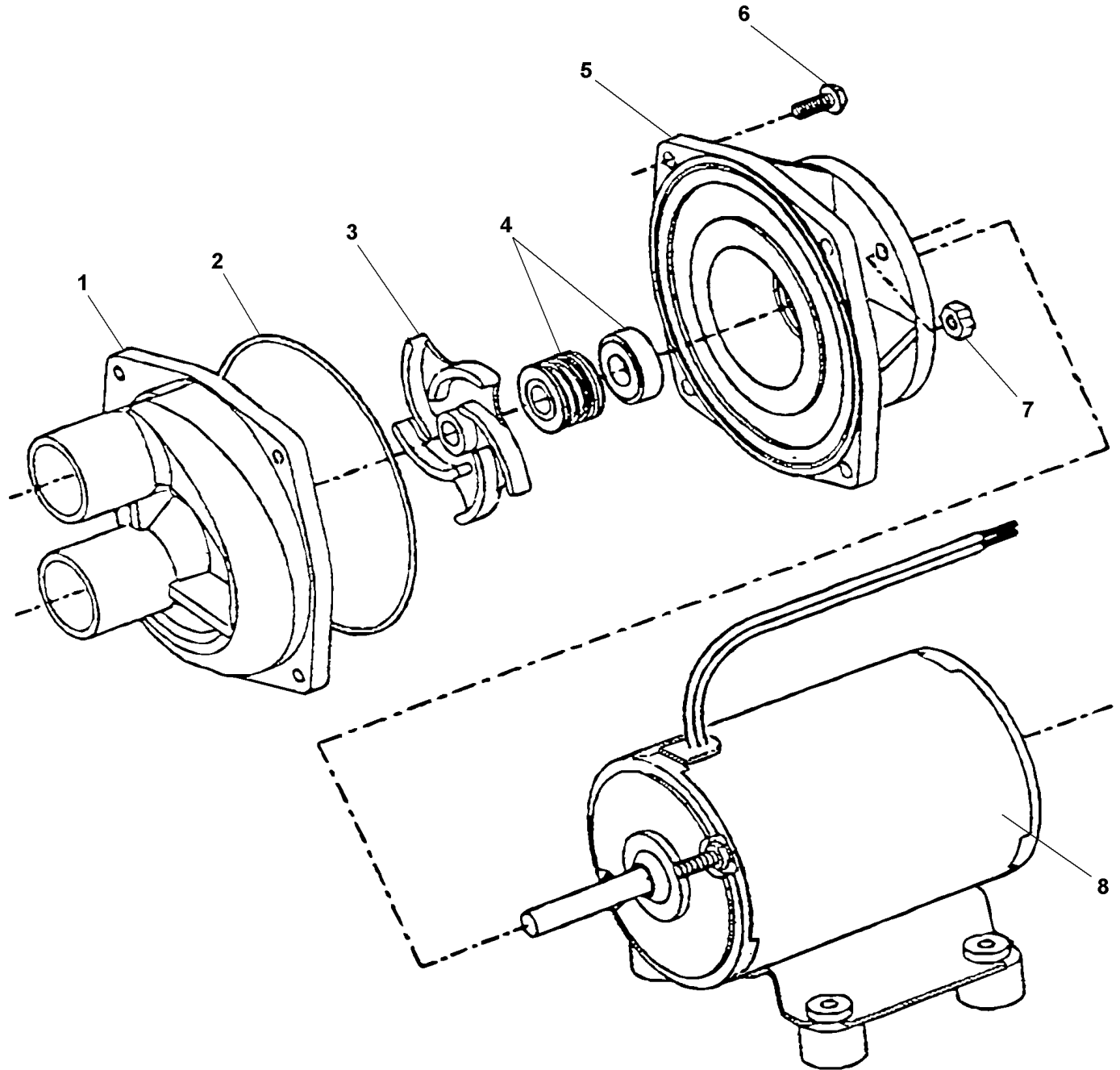
Item#	Part	Description	H 3 4 1	H 3 4 5	V I P 4 5	N O T E S
41	373302	SUPPORT W/O BYPASS VALVE To S-127	1	1	1	
41	452727	SUPPORT / BY-PASS VALVE From S-128	1	1	1	
42	500657	SCREW TC TR PH #10-24x1/2 Z050	3	3	3	
42	560483	CLAMP / 7/8" I.D.	1	1	1	
43	500365	SCREW TP CAP HEX #12x1 Z050	4	4	4	
44	500162	SCREW CAP HEX 1/4-20x1/2 G5 Z050	4	4	4	
NS	500473	WASHER LO SPT .262x.489x.062 Z050	4	4	4	
		A) RETURN LINE TO ENG. COMP. W/ 80000 BTU WEBASTO				
		P) CALL ORDER DESK FOR SPECIFIC APPLICATION (V.I.N.)				

From R-012 To 2-4416

Date:10/2022

PAGE:H3-2206-98

WATER PUMP #874296 / RETROFIT



From R-012 To 2-4416	Date:10/2022	PAGE:H3-2206-98
WATER PUMP #874296 / RETROFIT		

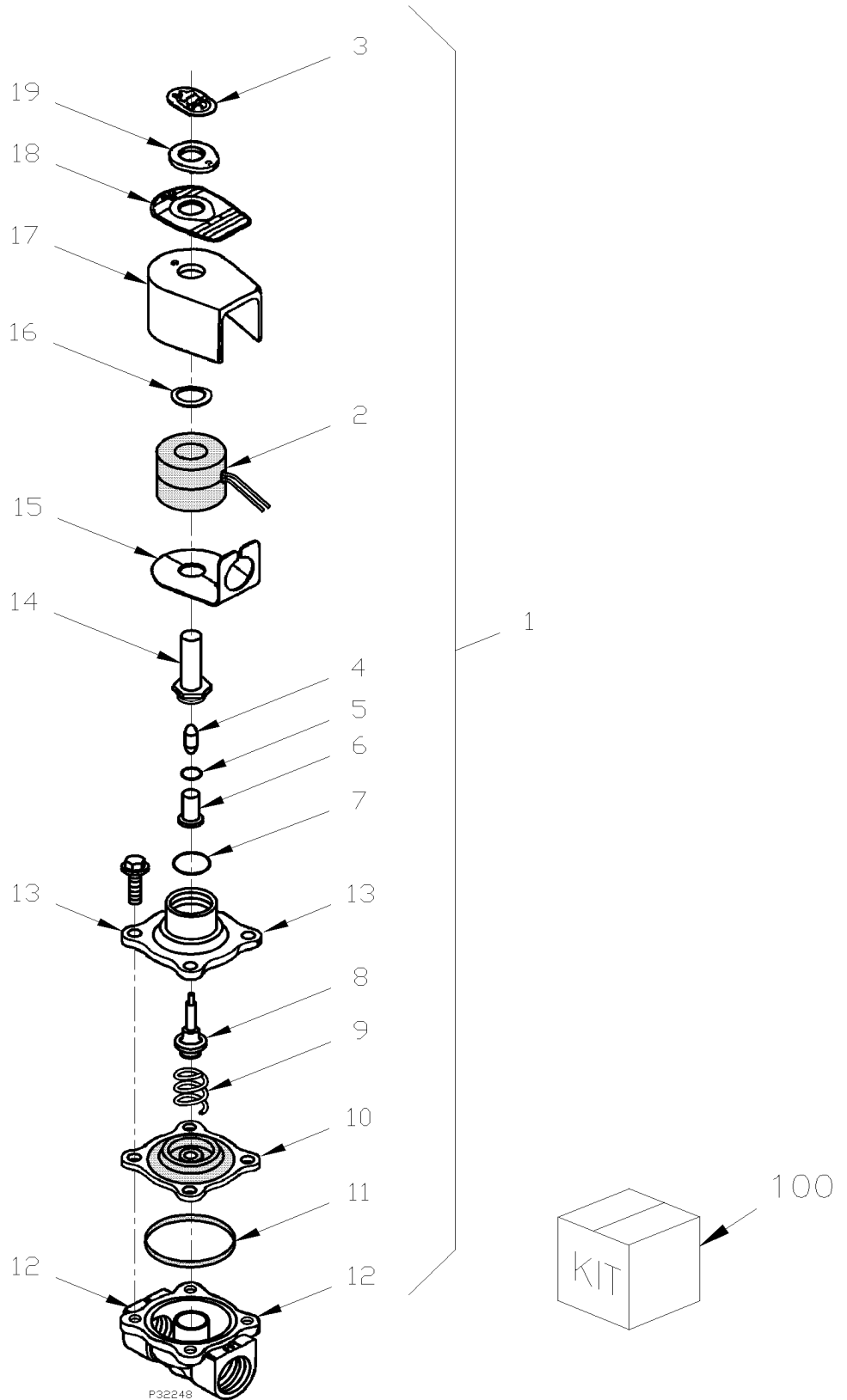
Item#	Part	Description	H 3 4 1	H 3 4 5	V I P 4 5	N O T E S
	067484	WATER PUMP ASSY / W/CONNECTOR				
	874296	. WATER PUMP ASSY / 24V / "MP PUMPS"	1	1		
1	871047	. . COVER	1	1		
2	871065	. . O-RING	1	1		
3	870436	. . IMPELLER	1	1		
4	871346	. . KIT SEAL	1	1		
5	N.P.N.	. . ADAPTER / (28733)	1	1		4
6	N.P.N.	. . SCREW BRASS / (28834)	1	1		4
7	N.P.N.	. . NUT BRASS / (21543)	1	1		4
8	871347	. . MOTOR ASSY 24V	1	1		
NS	561566	. CONNECTOR / WEATHER PACK / PH 2C / BLACK / PED 12010973	1	1		
NS	561568	. PIN TERMINAL / 16-14 / PED 12089305	2	2		
NS	561786	. CABLE SEAL / GRAY / PED 15324980	2	2		
		4) NO PARTS NUMBER				

From R-012 To 2-4416

Date:10/2022

PAGE:H3-2207-11

WATER VALVE - DRIVER'S



From R-012 To 2-4416	Date:10/2022	PAGE:H3-2207-11
WATER VALVE - DRIVER'S		

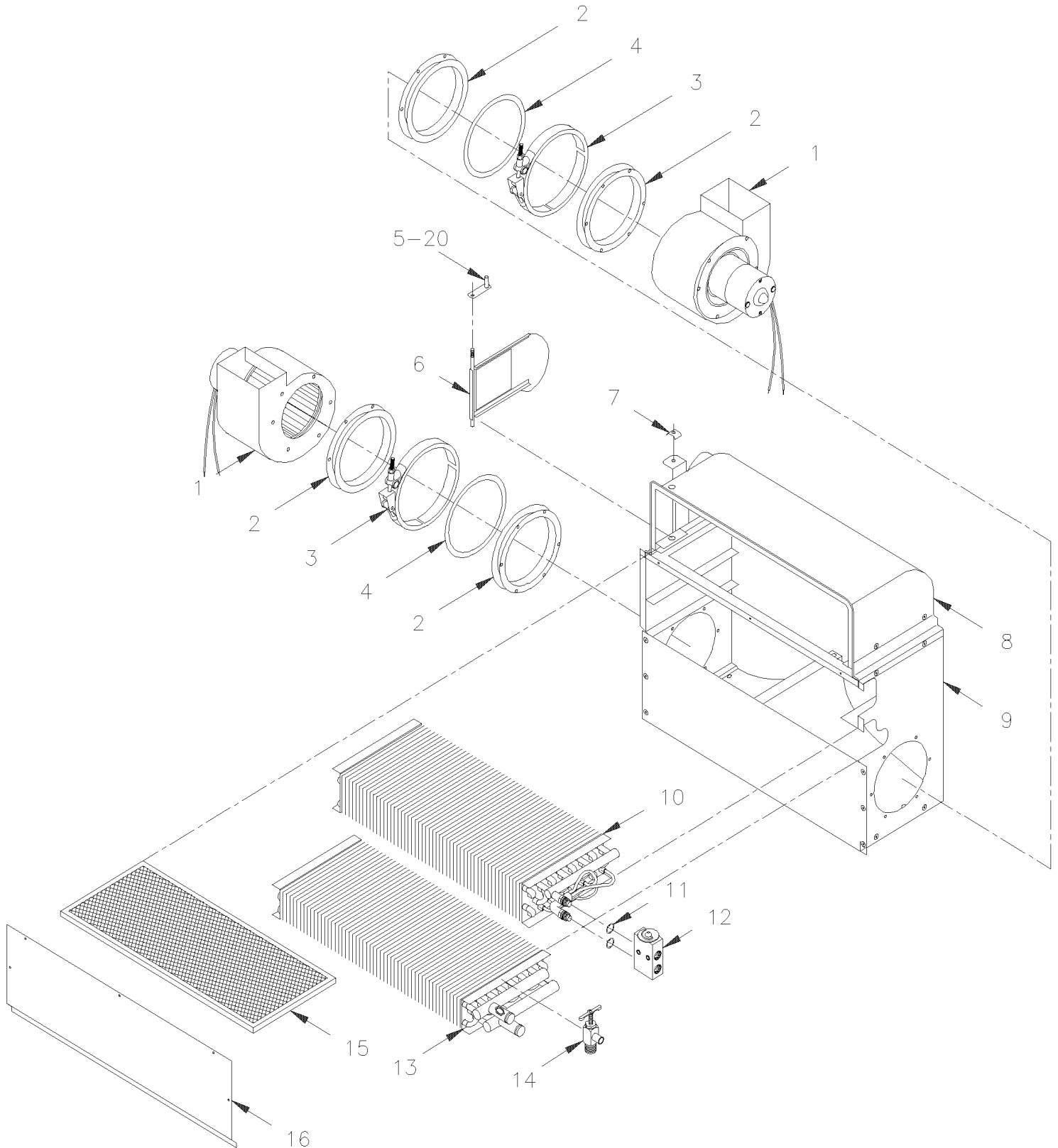
Item#	Part	Description	H 3 4 1	H 3 4 5	V I P 4 5	N O T E S
1	870812	. . VALVE WATER ASSY / 24 V	1	1	1	
2	870960	. . . COIL 24V	1	1	1	
3	N.S.S.	. . RETAINING CLIP	1	1	1	1
4	N.S.S.	. . CORE	1	1	1	1
5	N.S.S.	. . PLUGNUT GASKET	1	1	1	1
6	N.S.S.	. . PLUGNUT ASSY	1	1	1	1
7	N.S.S.	. . GASKET	1	1	1	1
8	N.S.S.	. . DISC HOLDER	1	1	1	1
9	N.S.S.	. . SPRING	1	1	1	1
10	N.S.S.	. . DIAPHRAGM	1	1	1	1
11	N.S.S.	. . GASKET	1	1	1	1
12	N.S.S.	. . BODY	1	1	1	1
13	N.S.S.	. . VALVE BONNET	1	1	1	1
14	N.S.S.	. . SOLENOID BASE	1	1	1	1
15	N.S.S.	. . HOUSING	1	1	1	1
16	N.S.S.	. . SPRING WASHER	1	1	1	1
17	N.S.S.	. . COVER	1	1	1	1
18	N.S.S.	. . NAMEPLATE	1	1	1	1
19	N.S.S.	. . SPACER	1	1	1	1
21	560931	. DIODE / 3AMPS	1	1	1	
22	561566	. CONNECTOR / WEATHER PACK / PH 2C / BLACK / PED 12010973	1	1	1	
NS	561565	. CABLE SEAL / GREEN / PED 15324982	2	2	2	
NS	561568	. PIN TERMINAL / 16-14 / PED 12089305	2	2	2	
NS	504356	. GROMMET / .625x.875x.062x.312x1.125	1	1	1	
100	870872	KIT REPAIR	AR	AR	AR	A
A	372855	VALVE ASSY / W/PIPE	1	1	1	
B	372854	. VALVE ASSY / W/CONNECTOR	1	1	1	
		A) INCLUDE ITEMS #3 TO 11				
		1) NOT SOLD SEPARATELY				

From R-012 To 2-4416

Date:10/2022

PAGE:H3-2225-03

DRIVER'S HEATER & DEFROSTER ASSY

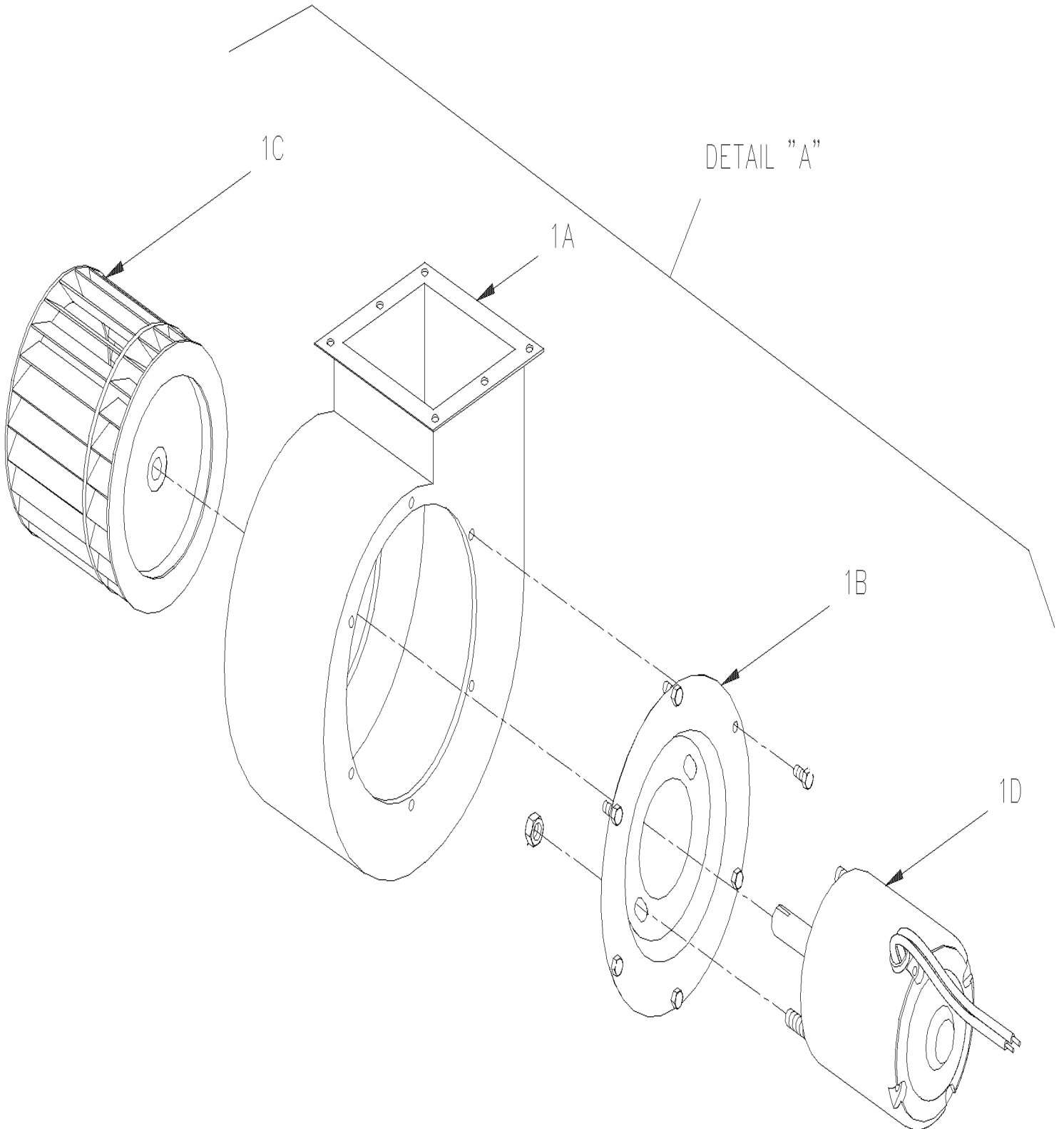


From R-012 To 2-4416

Date:10/2022

PAGE:H3-2225-03

DRIVER'S HEATER & DEFROSTER ASSY



From R-012 To 2-4416	Date:10/2022	PAGE:H3-2225-03
DRIVER'S HEATER & DEFROSTER ASSY		

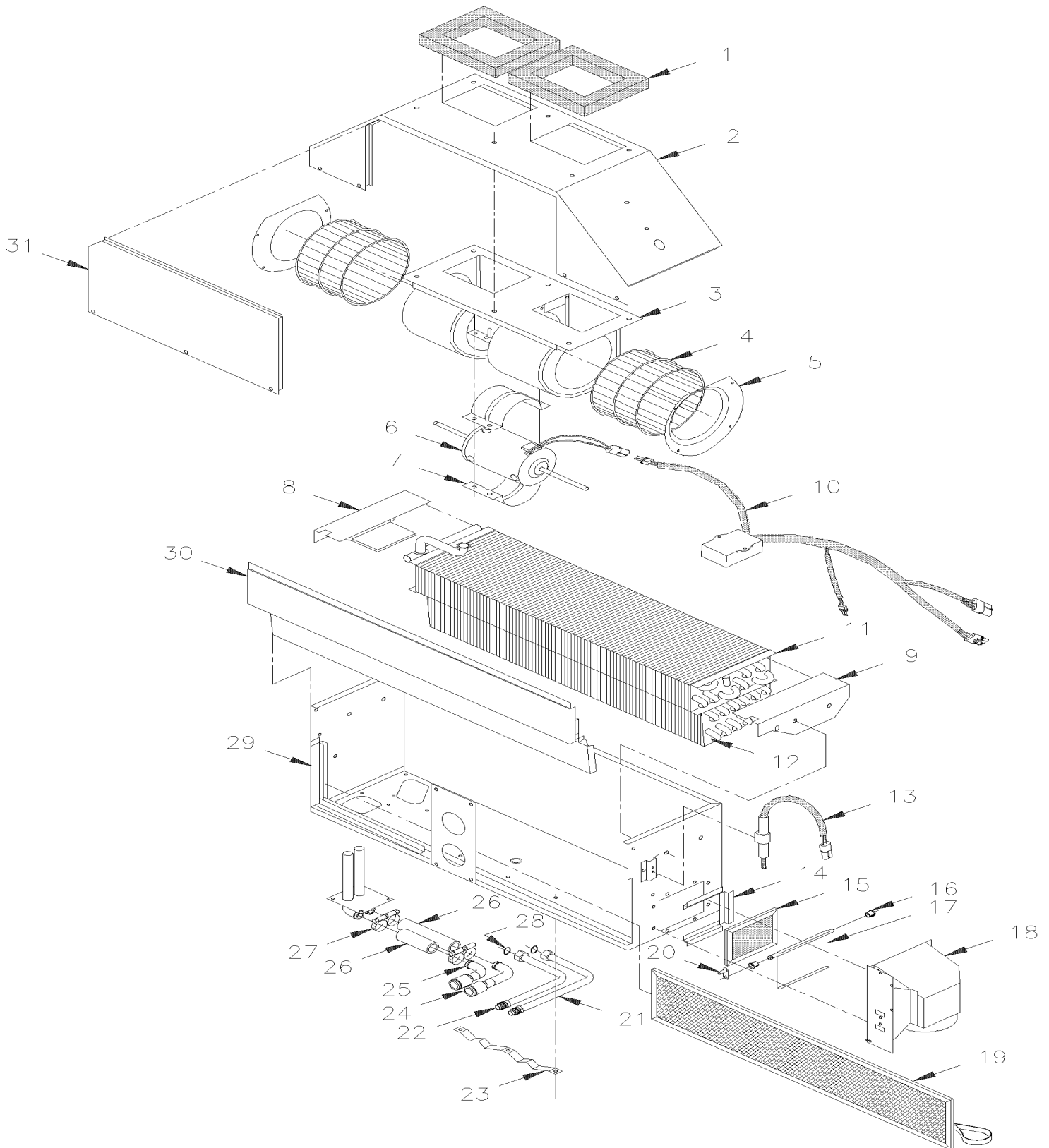
Item#	Part	Description	H 3 4 1	H 3 4 5	V I P 4 5	N O T E S
	372768	DEFROSTER & A/C UNIT ASSY / W/R22 To V-1767	AR	AR		
	871091	DEFROSTER & A/C UNIT ASSY / W/R22 From V-1768	AR	AR		
	871048	DEFROSTER & A/C UNIT ASSY / W/R134A To V-1767	1	1	1	
	871087	DEFROSTER & A/C UNIT ASSY / W/R134A From V-1768	1	1	1	
1A	871018	. HOUSING BLOWER	1	1	1	
1B	871020	. PLATE MOUNTING / MOTOR	1	1	1	
1C	871017	. BLOWER WHEEL / STEEL	1	1	1	
1D	562167	. MOTOR ASSY / 24V	1	1	1	
2	871021	. RING MOUNTING / FAN	4	4	4	
3	504432	. V-CLAMP / 6" I.D.	2	2	2	
4	N.S.P.	. SPACER-RING	2	2	2	2
5	871023	. PIVOT CABLE / FRESH AIR DAMPER	1	1	1	
6	871022	. DAMPER FRESH AIR	1	1	1	
NS	871025	. BUSHING / CABLE PIVOT	1	1	1	
7	871024	. CLAMP CABLE	1	1	1	
8	871016	. PLENUM PLASTIC	1	1	1	
9	871015	. CASING ASSY / COMPOSITE MATERIAL	1	1	1	
10	372355	. COIL EVAPORATOR / W/R-22 To V-1767	1	1		
10	950057	. COIL EVAPORATOR From V-1768	1	1		A
10	950057	. COIL EVAPORATOR	1	1	1	B
11	507279	. O-RING / ORS FITTING / #8 NEO	2	2	2	C
12	H3-2208-00	. A/C EXPANSION VALVE				
13	870839	. COIL HEATER To V-1767	1	1	1	
13	871094	. COIL HEATER From V-1768	1	1	1	
14	501023	. . DRAIN VALVE 1/4NPTM 3/8TUBE	1	1	1	
15	871049	. FILTER 1/4" x 8" x 18 3/4"	1	1	1	
16	871026	. COVER	1	1	1	
20	372460	WIRE ASSY / FRESH AIR	1	1	1	
NS	500925	. NUT SPR PO RND 1/4	1	1	1	
		A) W/R-22				
		B) W/R134A				
		C) FOR 1/2 TUBE FITTING				
		2) NOT SOLD BY PREVOST (SEE MANUFACTURING PART NUMBER AT END OF DESCRIPTION LINE)				

From R-012 To 2-4416

Date:10/2022

PAGE:H3-2225-04

DRIVER'S HEATER & DEFROSTER ASSY



From R-012 To 2-4416	Date:10/2022	PAGE:H3-2225-04
DRIVER'S HEATER & DEFROSTER ASSY		

Item#	Part	Description	H 3 4 1	H 3 4 5	V I P 4 5	N O T E S
	871104	DEFROSTER & A/C UNIT ASSY	1	1	1	
	871105	DEFROSTER & A/C UNIT ASSY	1	1		
1	871129	. SEAL	2	2	2	
2	871130	. TOP	1	1	1	
3	871131	. BLOWER ASSY 24V / W/SINGLE MOTOR MOUNT / WITH CONNECTOR	1	1	1	A
3	N8893462	. BLOWER ASSY 24V / W/SINGLE MOTOR MOUNT / WITH CONNECTOR	1	1	1	
3	871132	. . BLOWER HOUSING	1	1	1	
4	871133	. . BLOWER WHEEL / PLASTIC 5 1/8" x 3 1/2" x 5/16" x I.D.	2	2	2	
NS	N8888160	. . SPRING CLIP	2	2	2	
5	871134	. . VENTURI	2	2	2	
6	871135	. . MOTOR ASSY / 24V	1	1	1	
6	N8893990	. . MOTOR ASSY / 24V / WITH CONNECTOR	1	1	1	
7	871136	. . MOTOR MOUNTING	2	2	2	
8	871137	. BRACKET L.H.	1	1	1	
9	871138	. BRACKET R.H.	1	1	1	
10	871139	. MODULE CONTROL FAN SPEED /W/SINGLE MOTOR / (STAMPED 35-0060)	1	1	1	
11	871140	. HEATER COIL	1	1	1	
. NS	870127	. . DRAIN VALVE ROBINET VIDANGE	1	1	1	
12	871141	. EVAPORATOR COIL	1	1	1	
13	871142	. ACTUATOR, THERMAL	1	1	1	
14	871143	. CHANNEL, FILTER F/A	1	1	1	
15	871144	. FILTER / FRESH AIR 1/4" x 3 5/8" x 5 1/4"	1	1	1	
16	871025	. BUSHING / CABLE PIVOT	2	2	2	
17	871145	. DAMPER TRAP	1	1	1	
18	871146	. BOX, FRESH AIR	1	1	1	
19	871147	. FILTER / RECIRCULATING 1/4" x 6 1/4" x 28"	1	1	1	
20	871148	. LEVER , F/A DAMPER	1	1	1	
21	871149	. TUBE, A/C	1	1	1	
22	871150	. TUBE, A/C	1	1	1	
23	871151	. TUBE SUPPORT	1	1	1	
24	871152	. TUBE HEATER	1	1	1	
25	871153	. TUBE HEATER	1	1	1	
26	503007	. HOSE 2 PLY / RADIATOR HOSE / 5/8" I.D. / S.L.	AR	AR	AR	
27	504646	. HOSE CLAMP / 11/16"-1"1/4 / C.T. 9412	4	4	4	
28	507279	. O-RING / ORS FITTING / #8 NEO	2	2	2	
28	H3-2208-00	A/C EXPANSION VALVE				
29	871154	. CASING	1	1	1	
30	871155	. COVER	1	1	1	
31	871156	. COVER / BLOWER ACCESS	1	1	1	

From R-012 To 2-4416	Date:10/2022	PAGE:H3-2225-04
----------------------	--------------	-----------------

DRIVER'S HEATER & DEFROSTER ASSY

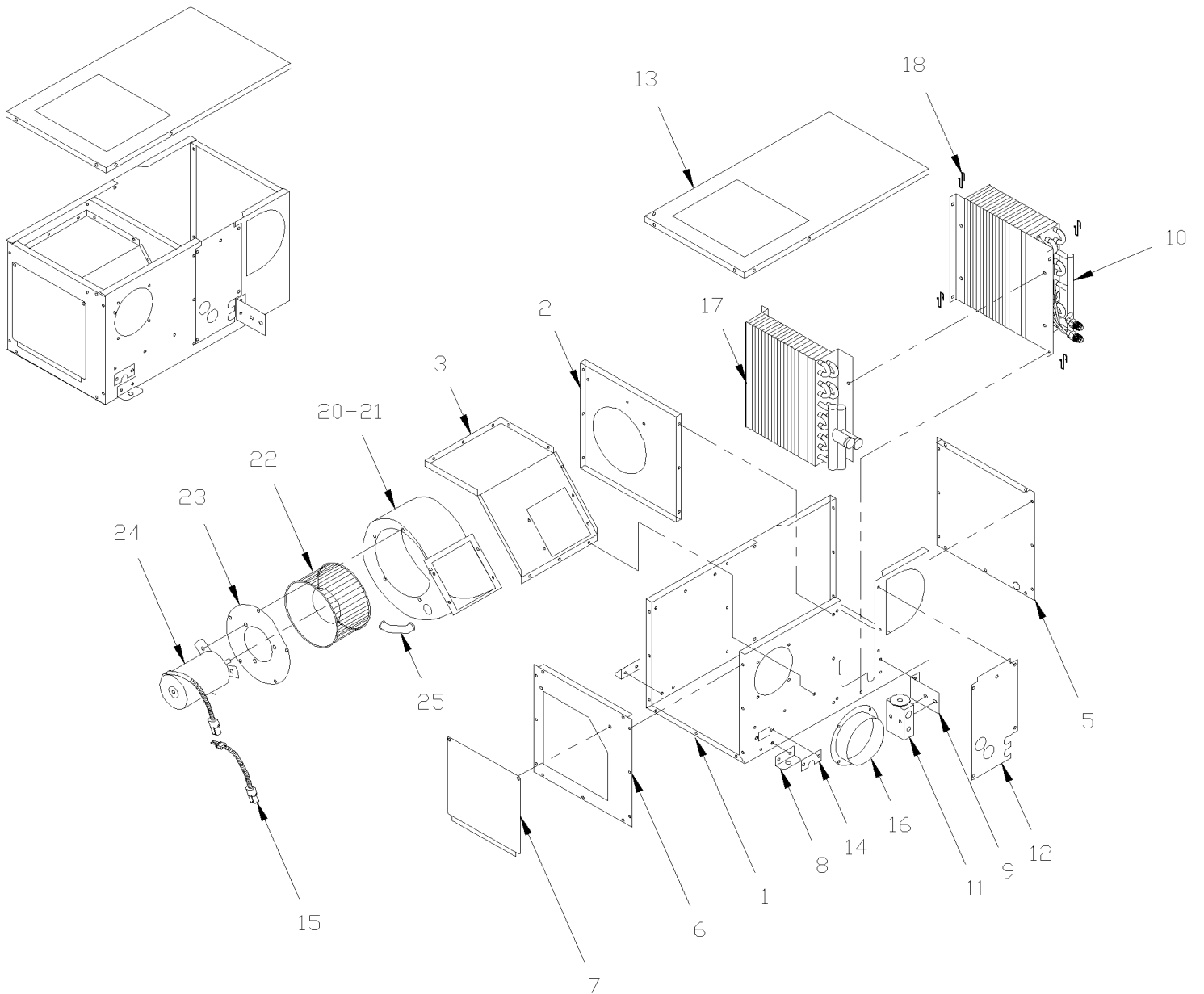
Item#	Part	Description	H 3 4 1	H 3 4 5	V I P 4 5	N O T E S
		A) FOR PRODUCT IMPROVEMENT, ASK FOR #871359 AS SHOWN AT PAGE H3-2225-99				

From R-012 To 2-4416

Date:10/2022

PAGE:H3-2225-50

A/C & HEATER AUXILIARY - V.I.P.



From R-012 To 2-4416		Date:10/2022	PAGE:H3-2225-50
A/C & HEATER AUXILIARY - V.I.P.			

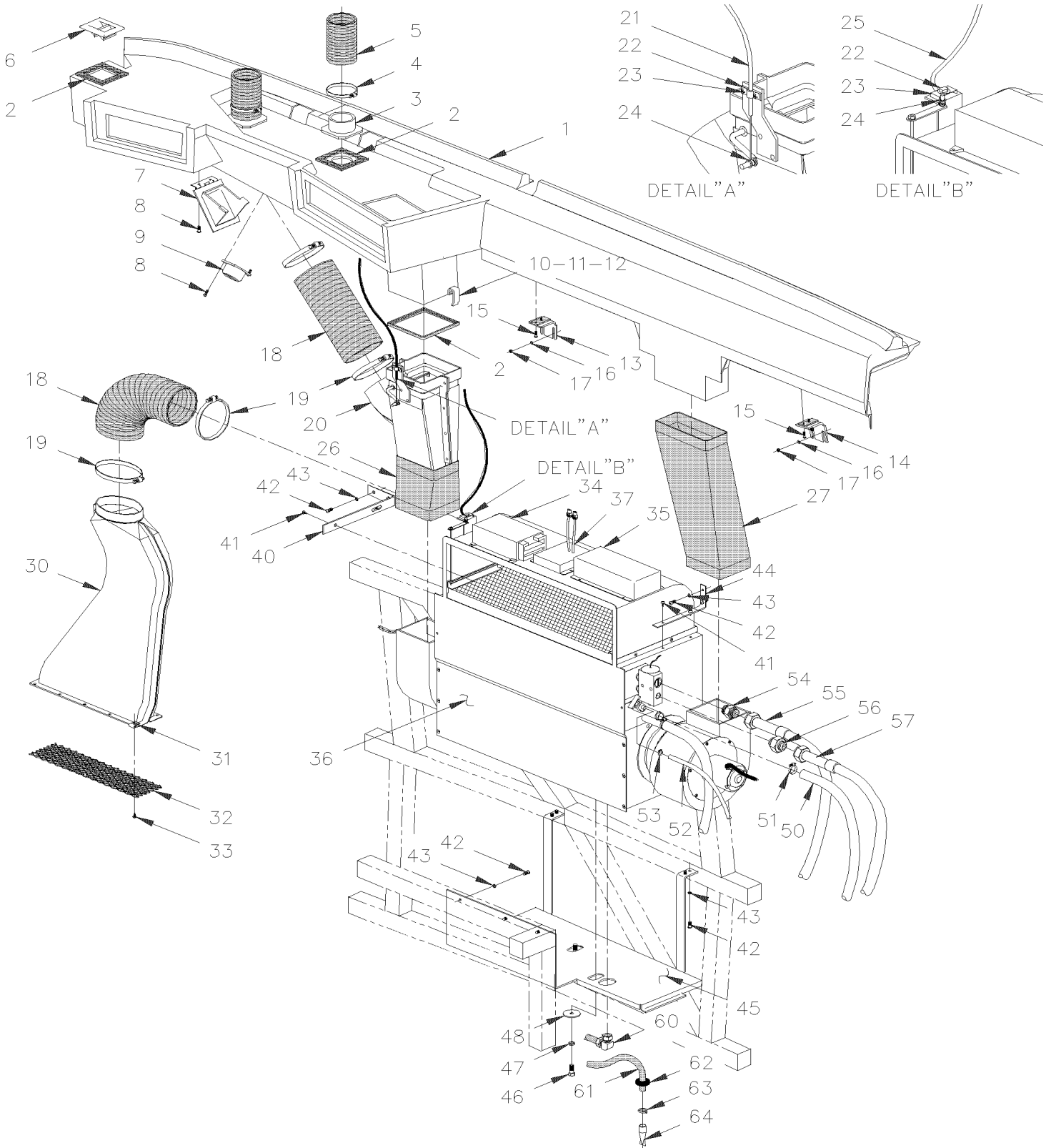
Item#	Part	Description	H 3 4 1	H 3 4 5	V I P 4 5	N O T E S
	871162	A/C UNIT AUXILLIARY ASSY			1	
	871177	A/C UNIT AUXILLIARY ASSY W/HEATER COIL			1	
1	N.S.P.	. CASING / (24-3709)			1	2
2	N.S.P.	. PARTITION / (24-3233)			1	2
3	N.S.P.	. BLOWER MTG PLATE / (24-3234)			1	2
5	N.S.P.	. END COVER - COIL END / (24-3232)			1	2
6	N.S.P.	. END COVER - BLOWER END / (24-3231)			1	2
7	N.S.P.	. BLOWER ACCESS DOOR / (24-3235)			1	2
8	N.S.P.	. MTG BRACKET / (24-3240)			2	2
9	N.S.P.	. MTG BRACKET (VALVE) / (24-3238)			1	2
10	871216	. EVAPORATOR COIL			1	
11	950221	. VALVE, EXPANSION / DRIVER'S W/R134A			1	
12	N.S.P.	. COVER PLATE / (24-3710)			1	2
13	N.S.P.	. COVER / (24-3237)			1	2
14	N.S.P.	. HARNESS COVER / (24-3239)			1	2
15	N.S.P.	. BLOWER WIRE EXTENSION / (35-0089)			1	2
16	871335	. HOSE ADAPTOR 4"			1	
17	871215	. HEATER COIL			1	
18	N.S.P.	. CLIPS / (29-0437)			4	2
20	871217	. BLOWER 24V			1	
21	871218	. BLOWER HOUSING			1	
22	871219	. BLOWER WHEEL			1	
23	871220	. MOTOR PLATE			1	
24	871221	. MOTOR 24V			1	
25	871222	. TUBE			1	
		2) NOT SOLD BY PREVOST (SEE MANUFACTURING PART NUMBER AT END OF DESCRIPTION LINE)				

From R-012 To 2-4416

Date:10/2022

PAGE:H3-2230-00

DEFROSTER - INSTALLATION



From R-012 To 2-4416	Date:10/2022	PAGE:H3-2230-00
DEFROSTER - INSTALLATION		

Item#	Part	Description	H 3 4 1	H 3 4 5	V I P 4 5	N O T E S
1	390967P	BOARD ASSY To T-1645	1	1	1	
1	391509P	BOARD ASSY From T-1646 To W-2284	1	1		
1	391509P	BOARD ASSY From T-1646			1	
2	506191	. TAPE RUB ADH1 CC POL 1/8" x 1/4" x 50' / GREY 2520X	AR	AR	AR	
3	372448	. HOSE ADAPTOR To T-1645	2	2	2	
3	391883	. HOSE ADAPTOR From T-1646	2	2	2	
4	504023	. HOSE CLAMP / 1"5/16"-2"1/4 SS / HS-28 To T-1645	2	2	2	
4	504024	. HOSE CLAMP / 1"13/16"-2"3/4 SS / HS-36 From T-1646	2	2	2	
5	390943	. HOSE #28 250MM To T-1645	2	2	2	
5	391881	. HOSE #36 250MM From T-1646	2	2	2	
6	390944	. DEFLECTOR / AIR	1	1	1	
7	372470	. TRAP ASSY	1	1	1	
8	500409	. SCREW TP PAN PH #8x1/2 BK	AR	AR	AR	
9	870898	. OUTLET AIR ADJUSTABLE To T-1645	2	2	2	
9	871082	. AIR OUTLET From T-1646	2	2	2	
10	504484	. CLIPS	2	2	2	
11	502828	. WASHER FL .094x.218x.020 ZP	4	4	4	
12	504485	. RIVET POP DOME OE 3/32x1/4 STL	4	4	4	
13	391054	BRACKET ANGLE	1	1	1	A
14	391052	BRACKET ANGLE / R.H.	1	1	1	
15	500120	SCREW TP BDG PH #6x1/2 SS	AR	AR	AR	
16	502556	WASHER FL 4.3x9.0x0.8 SS	AR	AR	AR	
17	500590	NUT HEX NYRT M4-0.7 Z050	AR	AR	AR	
NS	506001	TAPE RUB ADH1 CC POL 1/8" x 3/4" x 50' / GREY 2520X	AR	AR	AR	
18	503434	HOSE FLEXIBLE / AIR DUCT 4" I.D. X 12' / RUBBER	1	1	1	
19	504235	HOSE CLAMP / 3"9/16"-4"1/2 SS / HS-64	4	4	4	
20	372465	DUCT "Y" ASSY To T-1466	1	1	1	
20	373385	DUCT "Y" ASSY From T-1467	1	1	1	
21	372459	WIRE ASSY / DEFROSTER	1	1	1	
22	504351	WIRE CLAMP / 5/32" I.D. / 750-F3	1	1	1	
23	500582	SCREW TP PAN PH #8x3/8 Z050	2	2	2	
24	500925	NUT SPR PO RND 1/4	4	4	4	
25	372460	WIRE ASSY / FRESH AIR	1	1	1	
26	372776	FLEXIBLE DUCT L.H. 145MM HEIGHT	1	1	1	
27	372771	FLEXIBLE DUCT R.H. 385MM HEIGHT	1	1	1	
30	372440	DUCT, AIR INTAKE	1	1	1	
31	500981	NUT SPR U #10-23/32x5/8	10	10	10	
32	372446	GRILL	1	1	1	
33	500414	SCREW TP BDG PH #10x3/4 SS	10	10	10	
34	562064	KEY PAD CONTROL			1	
35	871030	CONTROL SPEED / DEFROSTER MOTOR To S-093	1	1	1	
35	871059	CONTROL SPEED / DEFROSTER MOTOR From S-094	1	1	1	

From R-012 To 2-4416	Date:10/2022	PAGE:H3-2230-00
DEFROSTER - INSTALLATION		

Item#	Part	Description	H 3 4 1	H 3 4 5	V I P 4 5	N O T E S
36	H3-2225-03	DRIVER'S HEATER & DEFROSTER ASSY				
37	871093	THERMOSTAT From V-1779	1	1	1	E
40	372540	ANGLE	1	1	1	
41	500641	SCREW TP PAN PH #8x3/4 Z050	AR	AR	AR	
42	500642	SCREW TP PAN PH #10x3/4 Z050	AR	AR	AR	
43	500473	WASHER LO SPT .262x.489x.062 Z050	AR	AR	AR	
44	372588	ANGLE	1	1	1	
45	372732	SUPPORT, DEFROSTER To V-1767	1	1	1	
45	373417	SUPPORT, DEFROSTER From V-1768	1	1	1	
45	372487	SUPPORT, DEFROSTER To V-1767	1	1		
45	373418	SUPPORT, DEFROSTER From V-1768	1	1		
45	372732	SUPPORT, DEFROSTER To V-1767			1	
45	373417	SUPPORT, DEFROSTER From V-1768			1	
46	500179	SCREW CAP HEX 5/16-18x3/4 G5 Z050	3	3	3	
47	500476	WASHER LO SPT .317x.586x.078 Z050	3	3	3	
48	500462	WASHER FL .343x1.500x.083 SS	3	3	3	
50	503523	HOSE SILICONE 1PLY 3/4" I.D. x 100' / S.L.	AR	AR	AR	
51	504646	HOSE CLAMP / 11/16"-1"1/4 / C.T. 9412	2	2	2	
52	560384	PLASTIC TUBING / 3/8" / CLEAR	AR	AR	AR	
53	504014	HOSE CLAMP / 1/4"-5/8" SS / HM-4	1	1	1	
54	507278	O-RING / ORS FITTING / #4 NEO	1	1	1	
55	373142	HOSE ASSY / W/R-134a / #6 1372MM	1	1	1	
. NS	507278	. O-RING / ORS FITTING / #4 NEO	2	2	2	
55	370721	HOSE ASSY / W/R-134a / #6 1372MM	1	1	1	S
. NS	507278	. O-RING / ORS FITTING / #4 NEO	2	2	2	S
55	373343	HOSE ASSY / W/R-22 / #6 1370MM	1	1	1	
. NS	507278	. O-RING / ORS FITTING / #4 NEO	2	2	2	
55	370726	HOSE ASSY / W/R-22 / #6 1370MM	1	1	1	S
. NS	507278	. O-RING / ORS FITTING / #4 NEO	2	2	2	S
NS	452452	ADAPTOR W/R-22	1	1	1	
56	507344	O-RING / ORS FITTING / #10 NEO	1	1	1	
57	373139	HOSE ASSY / W/R-134a / #10 2184MM	1	1	1	B
. NS	507344	. O-RING / ORS FITTING / #10 NEO	2	2	2	B
57	370454	HOSE ASSY / W/R-134a / #10 2184MM	1	1	1	B S
. NS	507344	. O-RING / ORS FITTING / #10 NEO	2	2	2	B S
57	373344	HOSE ASSY / W/R-22 / #10 2185MM	1	1	1	
. NS	507344	. O-RING / ORS FITTING / #10 NEO	2	2	2	
57	370727	HOSE ASSY / W/R-22 / #10 2185MM	1	1	1	S
. NS	507344	. O-RING / ORS FITTING / #10 NEO	2	2	2	S
57	373139	HOSE ASSY / W/R-134a / #10 2184MM	1	1	1	C
. NS	507344	. O-RING / ORS FITTING / #10 NEO	2	2	2	C

From R-012 To 2-4416	Date:10/2022	PAGE:H3-2230-00
DEFROSTER - INSTALLATION		

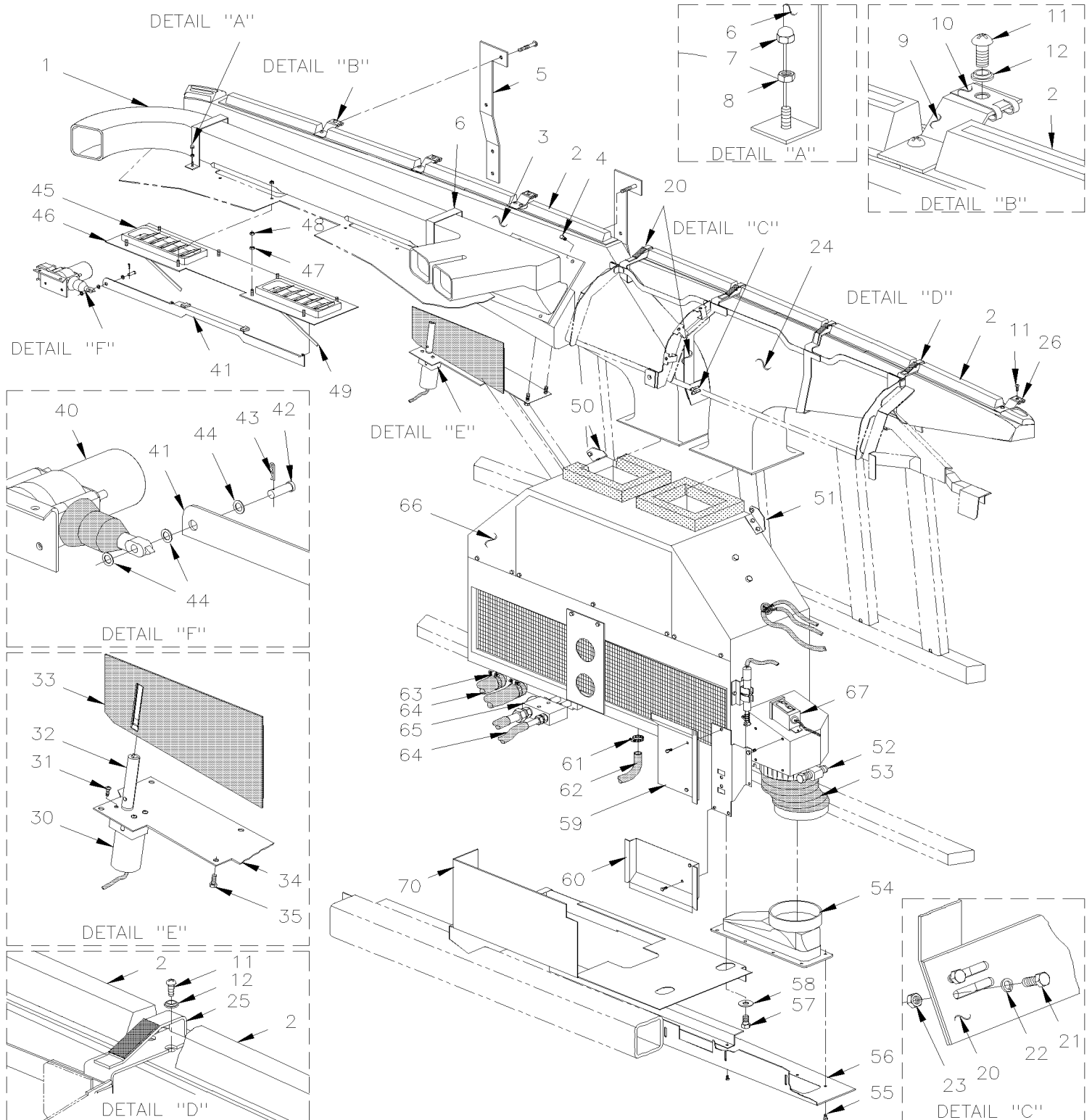
Item#	Part	Description	H 3 4 1	H 3 4 5	V I P 4 5	N O T E S
57	370454	HOSE ASSY / W/R-134a / #10 2184MM	1	1	1	C S
. NS	507344	. O-RING / ORS FITTING / #10 NEO	2	2	2	C S
58	507279	O-RING / ORS FITTING / #8 NEO	1	1	1	D
60	641418	ELBOW UNION 90° / COMPRESSION FITTING / #10x#10 PLAS WHITE	1	1	1	
61	503666	HOSE 1/2" I.D. 100' / S.L.	AR	AR	AR	
62	504356	GROMMET / .625x.875x.062x.312x1.125	1	1	1	
63	504637	CABLE TIE / 3/16" x 13"	1	1	1	
64	590284	DRAIN BOOT 1" I.D. X 5" / FLAT	1	1	1	
64	590286	DRAIN BOOT 1 1/4" I.D. X 4" / FLAT	1	1	1	
NS	064723	SUPPORT	1	1	1	E
NS	504356	GROMMET / .625x.875x.062x.312x1.125	1	1	1	E
NS	500638	SCREW TP PAN PH #8x1/2 Z050	6	6	6	E
		A) L.H.				
		B) W/R-134				
		C) W/R-22				
		D) EXPAN. VALVE & EVAPOR. COIL				
		E) THIS ITEM IS RELATED W/SAV 2525 FROM V-1779 TO W-2284				
		S) SERVICE				

From R-012 To 2-4416

Date:10/2022

PAGE:H3-2230-01

DEFROSTER - INSTALLATION



From R-012 To 2-4416	Date:10/2022	PAGE:H3-2230-01
DEFROSTER - INSTALLATION		

Item#	Part	Description	H 3 4 1	H 3 4 5	V I P 4 5	N O T E S
1	391970	DUCT DRIVER To X-2843	1	1		
1	391970	DUCT DRIVER From X-2458 To X-2843			1	
1	392057	DUCT DRIVER LH SECTION From X-2844	1	1	1	
1	392058	DUCT DRIVER RH SECTION From X-2844 To X-3096	1	1	1	
1	392084	DUCT DRIVER RH SECTION From X-3097	1	1	1	
NS	392064	SUPPORT From X-2844	1	1	1	
NS	392085	. DEFLECTOR (INSIDE DUCT) From X-3097	1	1	1	
2	391931	. LOUVER	4	4	4	
3	391925	. DEFROSTER DUCT STREETSIDE	1	1	1	
NS	392292	GASKET / DRIVER'S DUCT & WINDSHIELD DUCT	1	1	1	
NS	391979	DEFLECTOR / (INSIDE OF DUCT)	1	1	1	
3	392014	. DEFROSTER DUCT ASSY STREETSIDE	1	1	1	A
4	500641	SCREW TP PAN PH #8x3/4 Z050	1	1	1	
4	500841	SCREW TP PAN PH #14x3/4 Z050				
5	392016	STRAP / TO FIX DUCT LH TO STRUCTURE	2	2	2	
6	392015	STRAP / TO FIX DUCT DRIVER TO STRUCTURE	2	2	2	
7	5001404	NUT HEX CAP M4-0.7 SS	4	4	4	
8	502557	NUT HEX NYRT M4-0.7 SS	4	4	4	
9	392163	CAP SUPPORT L.H. & CENTER	2	2	2	
9	392164	CAP SUPPORT R.H.	1	1	1	
10	5001405	NUT SPR U M4-0.7 0.8-4.0x9.5	AR	AR	AR	
11	5001411	SCREW MA FL PH M4-0.7x20 BK	AR	AR	AR	
12	500345	WASHER FN CKF .187x.500x.090 BR BK	AR	AR	AR	
20	391956	STRUCTURE / R.H.	1	1		
20	391996	STRUCTURE / R.H.				
21	502529	SCREW MA BDG PH M5-0.8x12 BZC	2	2	2	
22	500440	WASHER FL .250x.562x.065 Z050	2	2	2	
23	502782	NUT HEX NYRT M5-0.8 Z050	2	2	2	
24	391923	DEFROSTER DUCT CURBSIDE	1	1		
25	392018	STRAP R.H. / TO FIX DUCT TO STRUCTURE	1	1	1	
25	392019	STRAP L.H. / TO FIX DUCT TO STRUCTURE	1	1	1	
26	392017	SUPPORT / R.H. WINDSHIELD	1	1	1	
30	391962	DAMPER	1	1	1	
30	871424	. MOTOR	1	1	1	
31	N.P.N.	. SCREW	7	7	7	4
32	N.P.N.	. SHAFT	1	1	1	4
33	N.P.N.	. TRAP ASSY	1	1	1	4
34	N.P.N.	. PLATE	1	1	1	4
35	N.P.N.	SCREW	4	4	4	4
35	563429	SWITCH MAGNETIC ASSY	1	1	1	
. NS	562641	. MAGNET	1	1	1	
40	890009	LOCK ACTUATOR / 12V	1	1	1	

From R-012 To 2-4416	Date:10/2022	PAGE:H3-2230-01
DEFROSTER - INSTALLATION		

Item#	Part	Description	H 3 4 1	H 3 4 5	V I P 4 5	N O T E S
. NS	562076	. CONNECTOR / PACK-CON I / FEMALE HOUSING / 2C / PED 8911772	1	1	1	
NS	391969	DAMPER, FOOT To X-2844	1	1	1	
NS	392063	DAMPER, FOOT ASSY From X-2845	1	1	1	
41	392020	. ACTUATOR ROD	1	1	1	
42	502023	. PIN, CLEVIS 1/4 x 51/64	1	1	1	
43	502180	. PIN HITCH CLIP 3/32 x 1/2 Z050	1	1	1	
44	500411	. WASHER FL .260x.697x.050 SS	2	2	2	
45	870887	. DEFLECTOR, AIR	2	2	2	
46	N.P.N.	PLATE	1	1	1	4
47	502557	NUT HEX NYRT M4-0.7 SS	3	3	3	
48	5001404	NUT HEX CAP M4-0.7 SS	3	3	3	
49	N.S.S.	SEE ITEM 45	1	1	1	1
50	373551	ATTACHMENT L.H.	1	1	1	
51	373552	ATTACHMENT R.H.	1	1	1	
NS	500642	SCREW TP PAN PH #10x3/4 Z050	2	2	2	
NS	504114	RIVET POP DOME OE 3/16x1/4 AL	4	4	4	
52	504235	HOSE CLAMP / 3"9/16"-4"1/2 SS / HS-64	2	2	2	
53	373530	HOSE 4" I.D. 85MM	1	1	1	
53	503434	. HOSE FLEXIBLE / AIR DUCT 4" I.D. X 12' / RUBBER	AR	AR	AR	
54	373503	TRANSITION AIR INLET	1	1	1	
55	500414	SCREW TP BDG PH #10x3/4 SS	8	8	8	
56	473609	PANEL AIR INTAKE W/GRILL	1	1	1	
57	500179	SCREW CAP HEX 5/16-18x3/4 G5 Z050	3	3	3	
58	500462	WASHER FL .343x1.500x.083 SS	3	3	3	
NS	500476	WASHER LO SPT .317x.586x.078 Z050	3	3	3	
59	373542	DEFLECTOR, UPPER / ALU	1	1	1	
59	373553	DEFLECTOR, ONE PIECE, ALU			1	
60	373535	DEFLECTOR, LOWER / ALU	1	1	1	
NS	502761	SCREW TP BDG PH #10x3/4 SS BK	5	5	5	
NS	500803	NUT SPR J #10A .035-.050	5	5	5	
NS	506268	TAPE RUB ADH1 URE 3/8" x 1/2" x 25' / GREY 1820	AR	AR	AR	
61	504014	HOSE CLAMP / 1/4"-5/8" SS / HM-4	2	2	2	
62	373421	HOSE #10 900MM	1	1	1	
62	373428	HOSE #10 50MM	1	1	1	
62	503666	. HOSE 1/2" I.D. 100' / S.L.	AR	AR	AR	
NS	641418	ELBOW UNION 90° / COMPRESSION FITTING / #10x#10 PLAS WHITE	1	1	1	
NS	504356	GROMMET / .625x.875x.062x.312x1.125	1	1	1	
NS	590286	DRAIN BOOT 1 1/4" I.D. X 4" / FLAT	1	1	1	
63	504646	HOSE CLAMP / 11/16"-1"1/4 / C.T. 9412	2	2	2	
64	H3-2222-10	A/C & HEATING LINE FRONT SECTION				
65	H3-2208-00	A/C EXPANSION VALVE				
66	H3-2225-04	DRIVER'S HEATER & DEFROSTER ASSY				

From R-012 To 2-4416	Date:10/2022	PAGE:H3-2230-01
DEFROSTER - INSTALLATION		

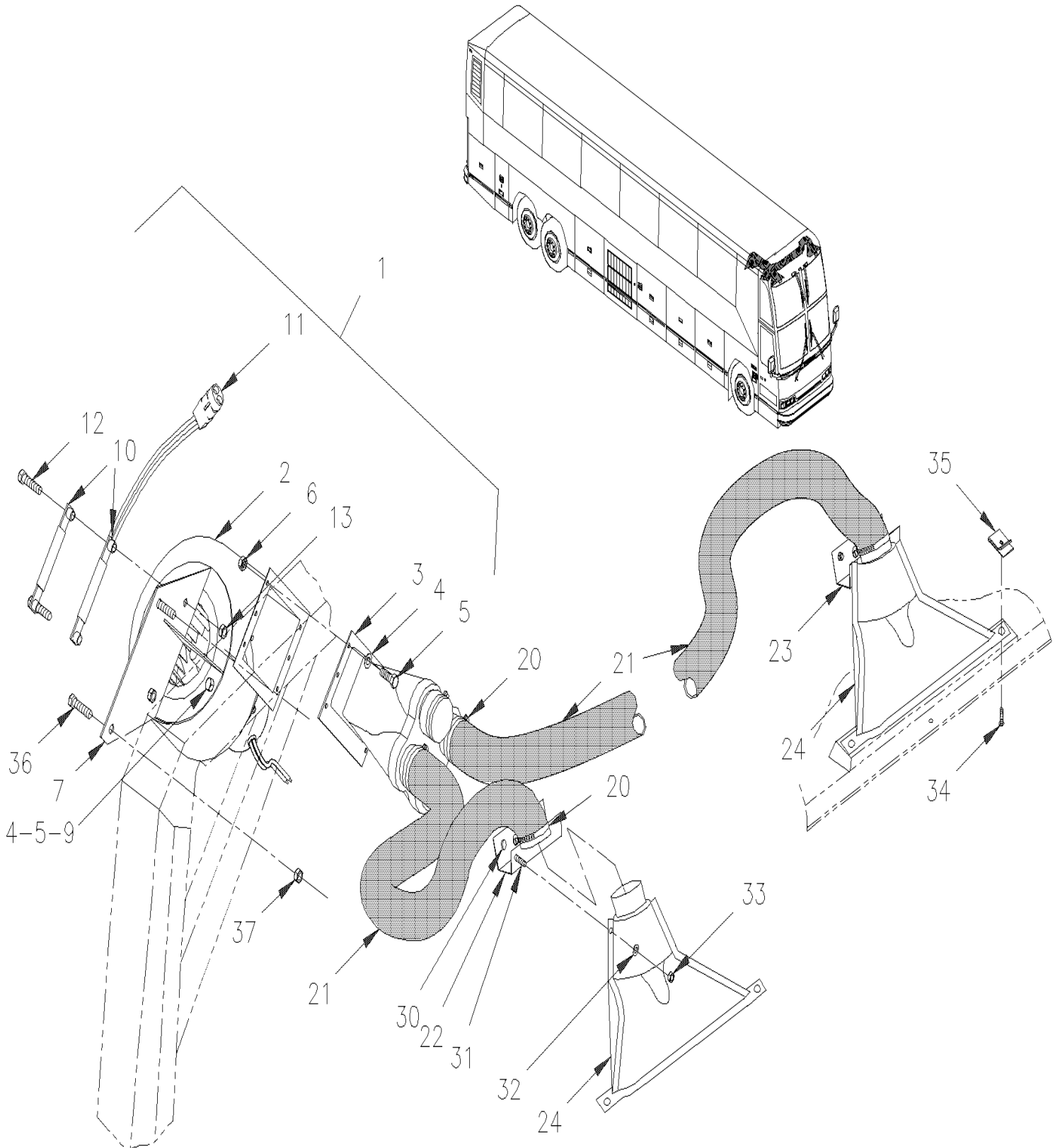
Item#	Part	Description	H 3 4 1	H 3 4 5	V I P 4 5	N O T E S
67	950035	THERMOSTAT			1	B
67	500583	SCREW TP PAN PH #6x1/2 Z050			2	B
70	172200	SUPPORT, DEFROSTER	1	1		
70	172201	SUPPORT, DEFROSTER			1	
		A) INCLUDE ITEMS 2, 3, 9, 10, 30 TO 35				
		B) WITH SMALL A/C SYSTEM				
		1) NOT SOLD SEPARATELY				
		4) NO PARTS NUMBER				

From R-012 To 2-4416

Date:10/2022

PAGE:H3-2240-10

UPPER WINDSHIELD FAN - INSTALLATION



From R-012 To 2-4416	Date:10/2022	PAGE:H3-2240-10
UPPER WINDSHIELD FAN - INSTALLATION		

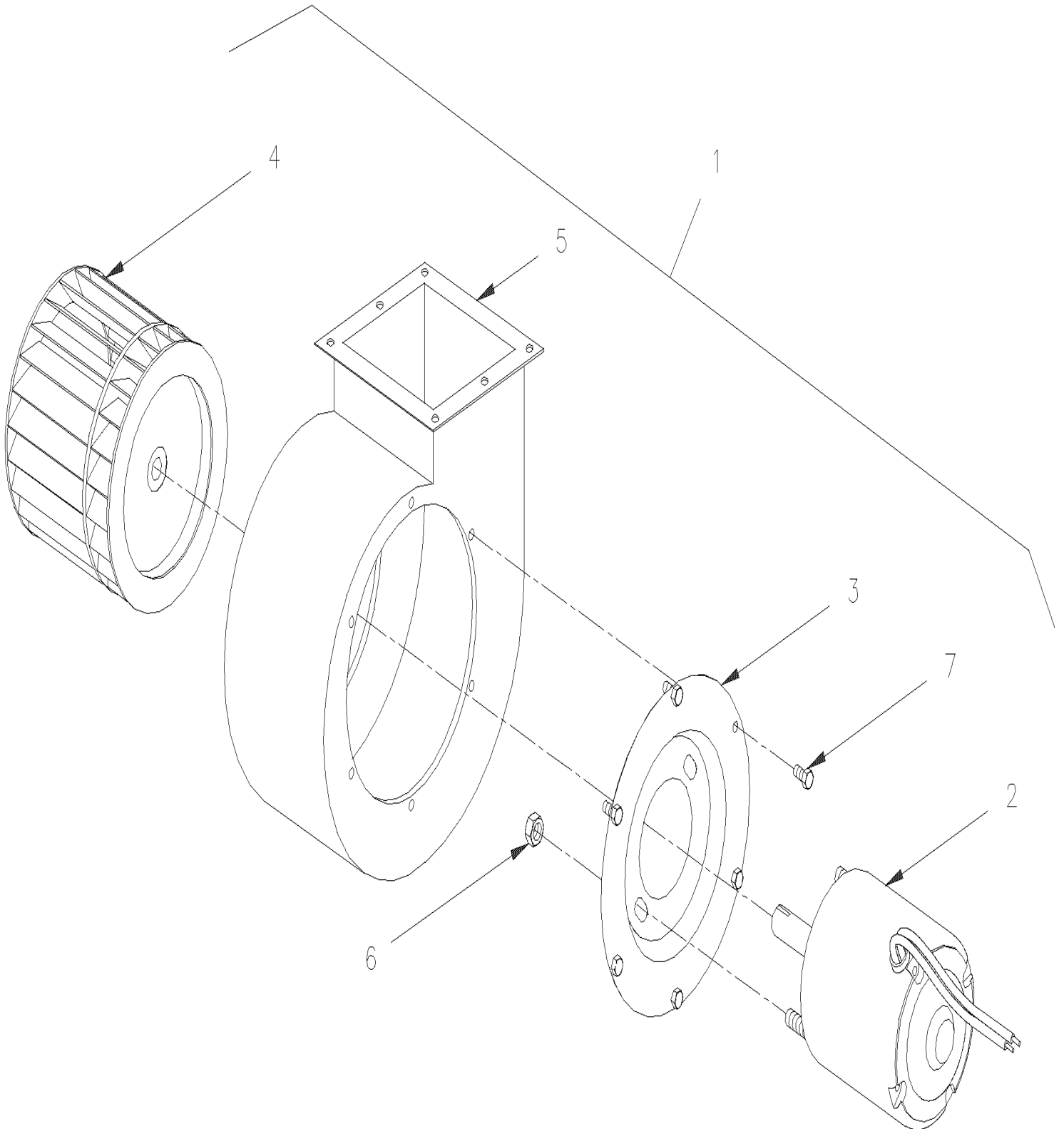
Item#	Part	Description	H 3 4 1	H 3 4 5	V I P 4 5	N O T E S
1	N.S.S.	BLOWER ASSY / UPPER WINDSHIELD				1
2	371974	. BLOWER ASSY W/CONNECTOR	1	1		
2	870844	. . BLOWER & MOTOR ASSY - "M.C.C." "CW" / FAN END				
NS	560997	. . CONNECTOR / 56 SERIES / TAB RH 2C / BLACK / PED 2973872	1	1		
NS	560998	. . TAB RECEPTACLE TERMINAL / 16-14 / PED 2965142	2	2		
3	372524	. DUCT AIR OUTLET / BLOWER	1	1		
4	500591	. WASHER FL 4.3x9.0x0.8 Z050	7	7		
5	500588	. SCREW CAP HEX M4-0.7x20 G8.8 Z050	7	7		
6	500590	. NUT HEX NYRT M4-0.7 Z050	4	4		
7	372515	. SUPPORT / BLOWER	1	1		
9	500589	. NUT WELL M4-0.7x13.5	3	3		
10	561191	. RESISTOR / 12 OHMS / 40 W	2	2		
11	062275	. HARNESS ASSY	1	1		
12	502708	. SCREW CAP HEX M5-0.8x35 SS	2	2		
13	502707	. NUT HEX STO M5-0.8 Z050	2	2		
20	504024	HOSE CLAMP / 1"13/16"-2"3/4 SS / HS-36	4	4		
21	503031	HOSE FLEXIBLE / AIR DUCT 2 1/2" I.D. X 12' RUBBER	AR	AR		
22	372522	SUPPORT AIR NOZZLE / R.H. To W-2284	1	1		
22	340955	SUPPORT AIR NOZZLE / R.H. From W-2285	1	1		
23	372517	SUPPORT AIR NOZZLE / L.H. To W-2284	1	1		
23	340954	SUPPORT AIR NOZZLE / L.H. From W-2285	1	1		
24	870900	NOZZLE AIR	2	2		
30	504473	RIVET POP DOME OE 1/8x1/4 SS	6	6		
31	502531	SCREW CAP HEX M6-1.0x16 G8.8 Z050	4	4		
32	500440	WASHER FL .250x.562x.065 Z050	4	4		
33	502511	NUT HEX NYRT M6-1.0 Z050	4	4		
34	500432	SCREW TC PAN PH #8-32x3/4 Z050	4	4		
35	500563	NUT SPR U #8-32 .094-.125	4	4		
36	500179	SCREW CAP HEX 5/16-18x3/4 G5 Z050	2	2		
37	502523	RIVET NUT FL OKS 5/16-18 .059-.119	2	2		
		1) NOT SOLD SEPARATELY				

From R-012 To 2-4416

Date:10/2022

PAGE:870844

BLOWER & MOTOR ASSY - "M.C.C." "CW" / FAN END



From R-012 To 2-4416	Date:10/2022	PAGE:870844
BLOWER & MOTOR ASSY - "M.C.C." "CW" / FAN END		

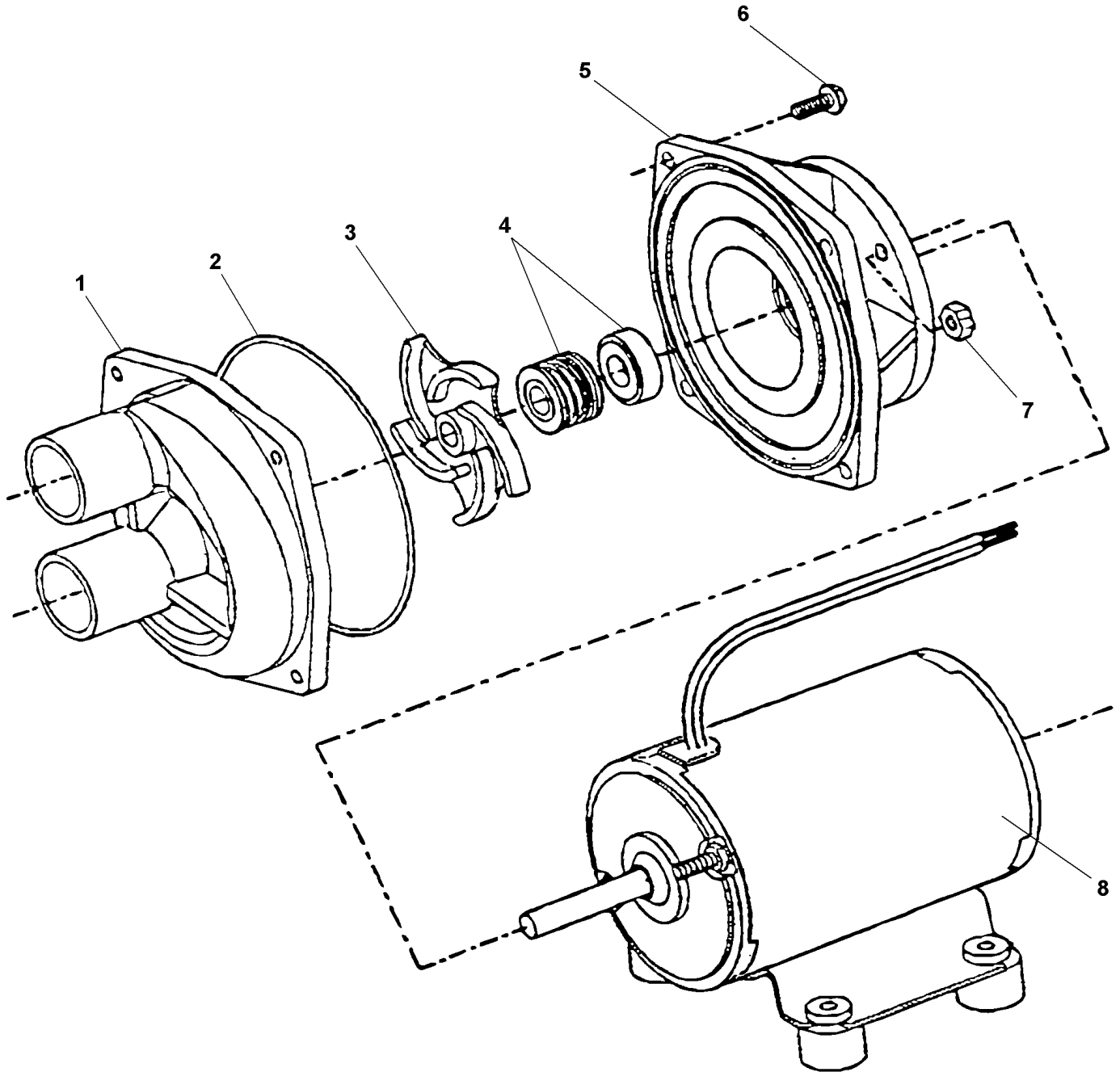
Item#	Part	Description	H 3 4 1	H 3 4 5	V I P 4 5	N O T E S
1		BLOWER ASSY 24V / CW	1	1	1	
2	562167	. MOTOR ASSY / 24V	1	1	1	
3	871020	. PLATE MOUNTING / MOTOR	1	1	1	
4	871017	. BLOWER WHEEL / STEEL	1	1	1	
5	871440	. HOUSING BLOWER	1	1	1	
6	500786	. NUT HEX #10-24 Z050	2	2	2	
7	500978	. SCREW CAP HEX #10-24x3/4 Z050	6	6	6	

From R-012 To 2-4419

Date:10/2022

PAGE:H3-2206-98

WATER PUMP #874296 / RETROFIT



From R-012 To 2-4419	Date:10/2022	PAGE:H3-2206-98
WATER PUMP #874296 / RETROFIT		

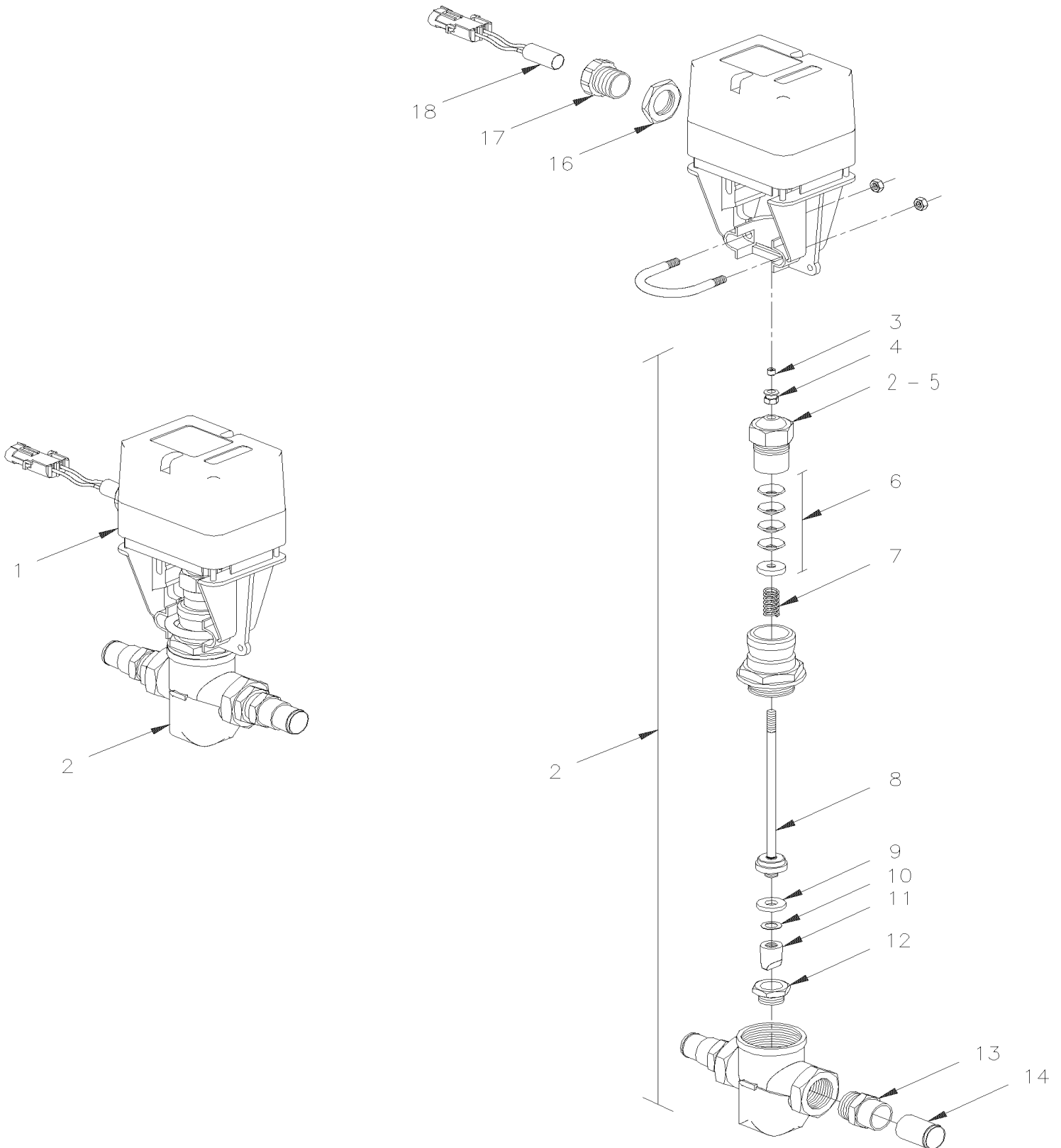
Item#	Part	Description	H 3 4 1	H 3 4 5	V I P 4 5	N O T E S
	067484	WATER PUMP ASSY / W/CONNECTOR				
	874296	. WATER PUMP ASSY / 24V / "MP PUMPS"	1	1		
1	871047	. . COVER	1	1		
2	871065	. . O-RING	1	1		
3	870436	. . IMPELLER	1	1		
4	871346	. . KIT SEAL	1	1		
5	N.P.N.	. . ADAPTER / (28733)	1	1		4
6	N.P.N.	. . SCREW BRASS / (28834)	1	1		4
7	N.P.N.	. . NUT BRASS / (21543)	1	1		4
8	871347	. . MOTOR ASSY 24V	1	1		
NS	561566	. CONNECTOR / WEATHER PACK / PH 2C / BLACK / PED 12010973	1	1		
NS	561568	. PIN TERMINAL / 16-14 / PED 12089305	2	2		
NS	561786	. CABLE SEAL / GRAY / PED 15324980	2	2		
		4) NO PARTS NUMBER				

From R-012 To X-3297

Date:10/2022

PAGE:H3-2207-01

WATER VALVE "VERSADRIVE"



From R-012 To X-3297	Date:10/2022	PAGE:H3-2207-01
WATER VALVE "VERSADRIVE"		

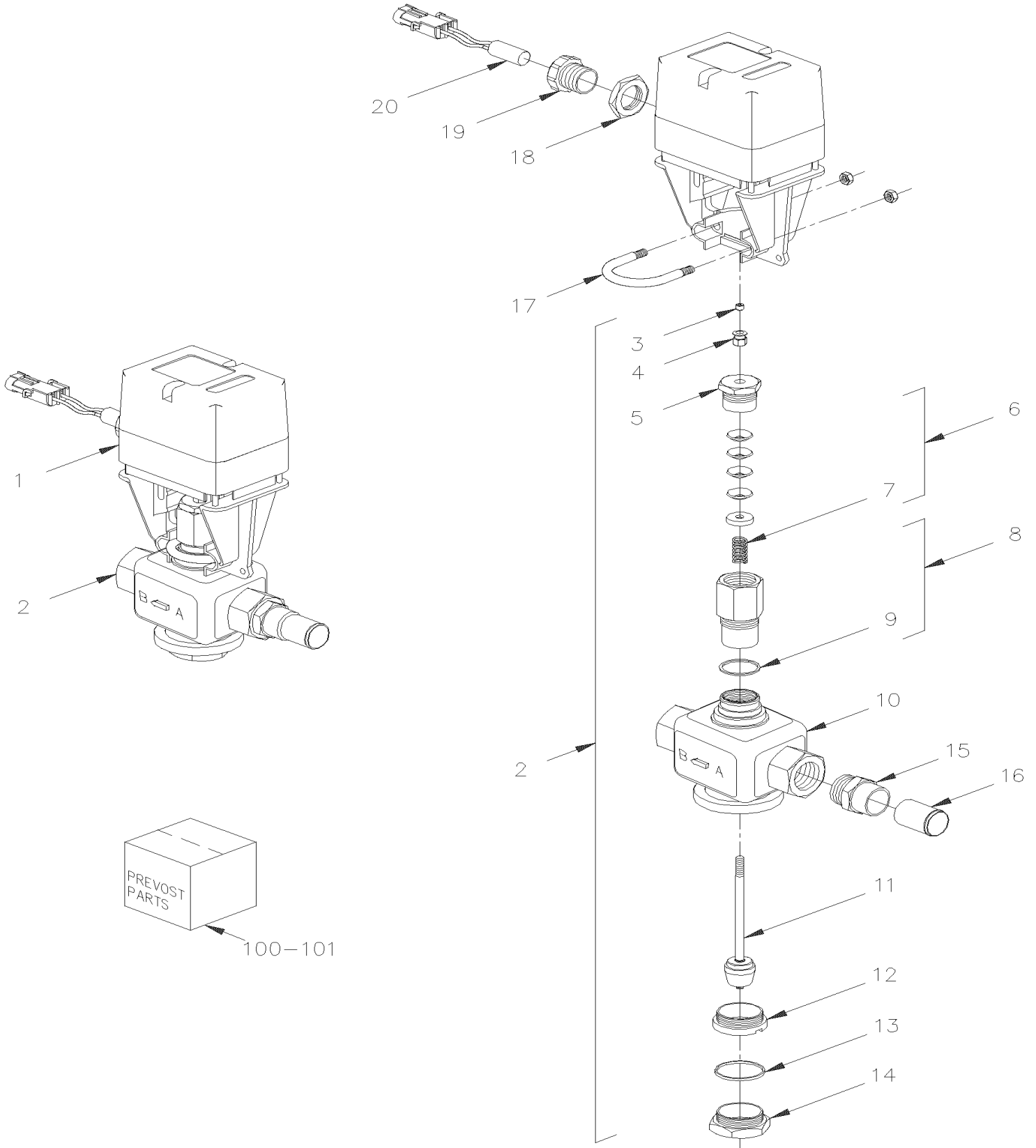
Item#	Part	Description	H 3 4 1	H 3 4 5	V I P 4 5	N O T E S
	372937	VALVE ASSY W/FITTING	1	1	1	
1	641238	. VALVE ACTUATOR 0-10 VOLTS	1	1	1	
2	641239	. VALVE BODY ASSY 3/4" NPT	1	1	1	
3	500870	. . SCREW SET HEXS CUP 1/4-28x3/16	1	1	1	
4	N.S.P.	. . BUTTON (14004623-001)	1	1	1	2
5	641260	. . PACKING NUT	1	1	1	
6	641348	. . KIT PACKING NUT	1	1	1	
7	N.S.P.	. . . SPRING	1	1	1	2
8	N.S.P.	. . STERN & DISC HOLDER ASSY (311094A)	1	1	1	2
9	641263	. . WASHER SPR WAVE .375x.594	1	1	1	
10	641262	. . DISC SPRING	1	1	1	
11	641264	. . PLUG	1	1	1	
12	641265	. . SEAT	1	1	1	
13	501794	. ADAPTER / COPPER @ PIPE / 1Mx3/4NPT-M	2	2	2	
14	372544	. PIPE OUTLET	2	2	2	
NS	372939	. SUPPORT WATER VALVE "Z" SHAPE	1	1	1	
16	560433	. NUT LOCK 1/2" PIPE	1	1	1	
17	560434	. CONNECTOR 1/2" PIPE	1	1	1	
18	063332	. CABLE ASSY	1	1	1	
		2) NOT SOLD BY PREVOST (SEE MANUFACTURING PART NUMBER AT END OF DESCRIPTION LINE)				

From X-3298 To 2-4416

Date:10/2022

PAGE:H3-2207-02

WATER VALVE "VERSADRIVE"



From X-3298 To 2-4416	Date:10/2022	PAGE:H3-2207-02
WATER VALVE "VERSADRIVE"		

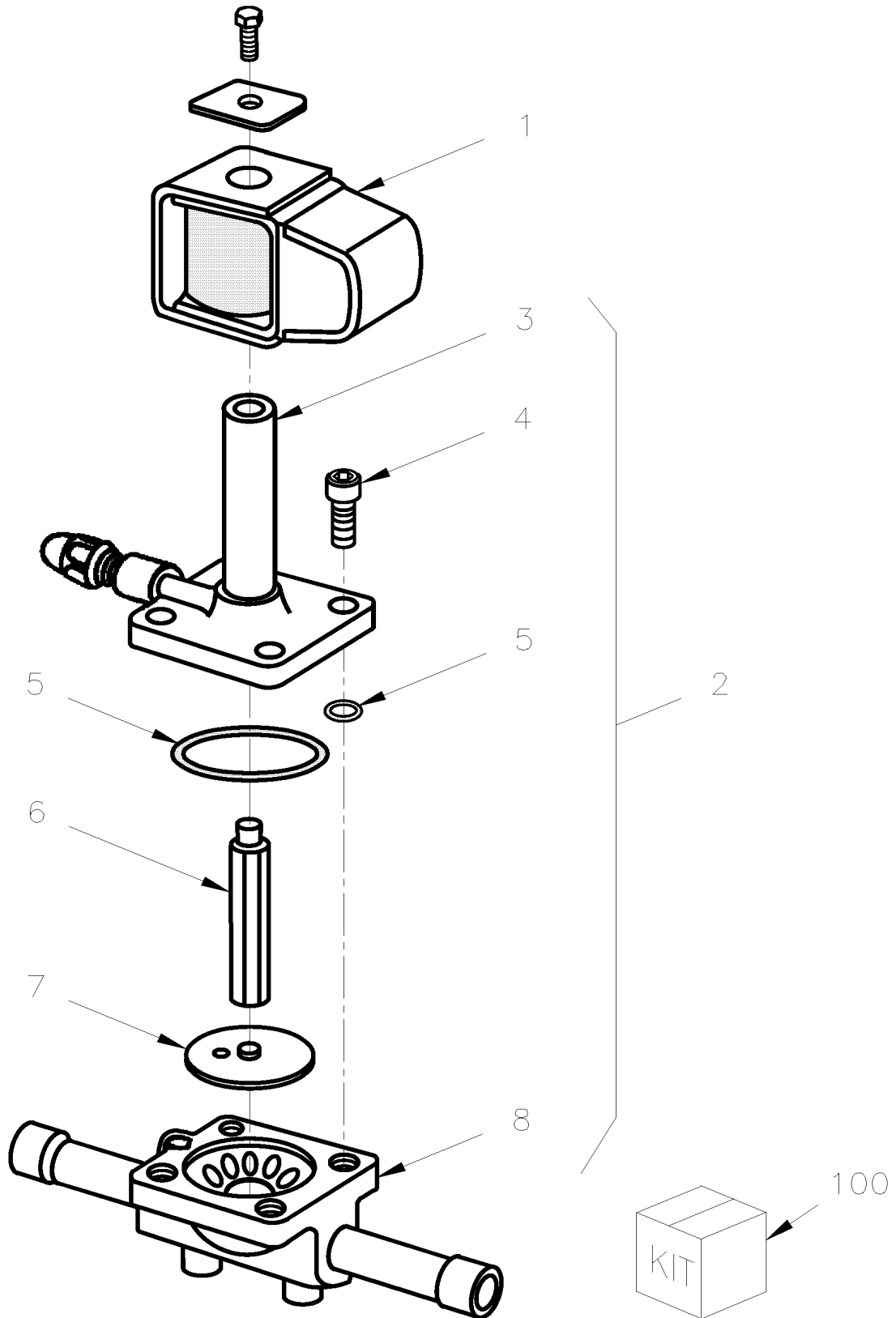
Item#	Part	Description	H 3 4 1	H 3 4 5	V I P 4 5	N O T E S
	373729	VALVE ASSY W/FITTING	1	1	1	
1	871184	. VALVE ACTUATOR 0-10 VOLTS	1	1	1	
2	871183	. VALVE BODY ASSY 3/4" NPT	1	1	1	
3	500870	. . SCREW SET HEXS CUP 1/4-28x3/16	1	1	1	
4	N.P.N.	. . BUTTON	1	1	1	4
5	N.P.N.	. . PACKING NUT	1	1	1	4
6	N.P.N.	. . SEAL	1	1	1	4
7	N.P.N.	. . . SPRING	1	1	1	4
8	N.P.N.	. . PACKING CARTRIDGE	1	1	1	4
9	N.P.N.	. . . RING SEAL	1	1	1	4
10	N.P.N.	. . BODY	1	1	1	4
11	N.P.N.	. . PLUG SEAL	1	1	1	4
12	N.P.N.	. . SEAT RING	1	1	1	4
13	N.P.N.	. . RING NUT	1	1	1	4
14	N.P.N.	. . BOTTOM NUT	1	1	1	4
15	501794	. ADAPTER / COPPER @ PIPE / 1Mx3/4NPT-M	2	2	2	
16	372544	. PIPE OUTLET	2	2	2	
17	N.P.N.	. U-BOLT	1	1	1	4
NS	372939	. SUPPORT WATER VALVE "Z" SHAPE	1	1	1	
18	560433	. NUT LOCK 1/2" PIPE	1	1	1	
19	560434	. CONNECTOR 1/2" PIPE	1	1	1	
20	063332	. CABLE ASSY	1	1	1	
100	871187	. . PACKING NUT INCLUDE ITEM 6 + 7	1	1	1	
101	871188	. . KIT MASTER REPAIR PACKING ITEM 8 + 9	1	1	1	
NS	374835	REPLACEMENT OF THE HOT WATER VALVE EQUIPPED WITH ACTUATOR #871184	1	1	1	
. NS	373898	. WATER VALVE ASSY / 24V	1	1	1	
. NS	503402	. TUBE, NYLON 1/4 O.D. / BLACK S.L.	25FT	25FT	25FT	
. NS	563204	. CONNECTOR / SOCKET HOUSING ASSY 4C / BURKET 303148	1	1	1	
. NS	IS-14905	. SEE INSTRUCTION SHEET	1	1	1	
		4) NO PARTS NUMBER				

From S-128 To 2-4416

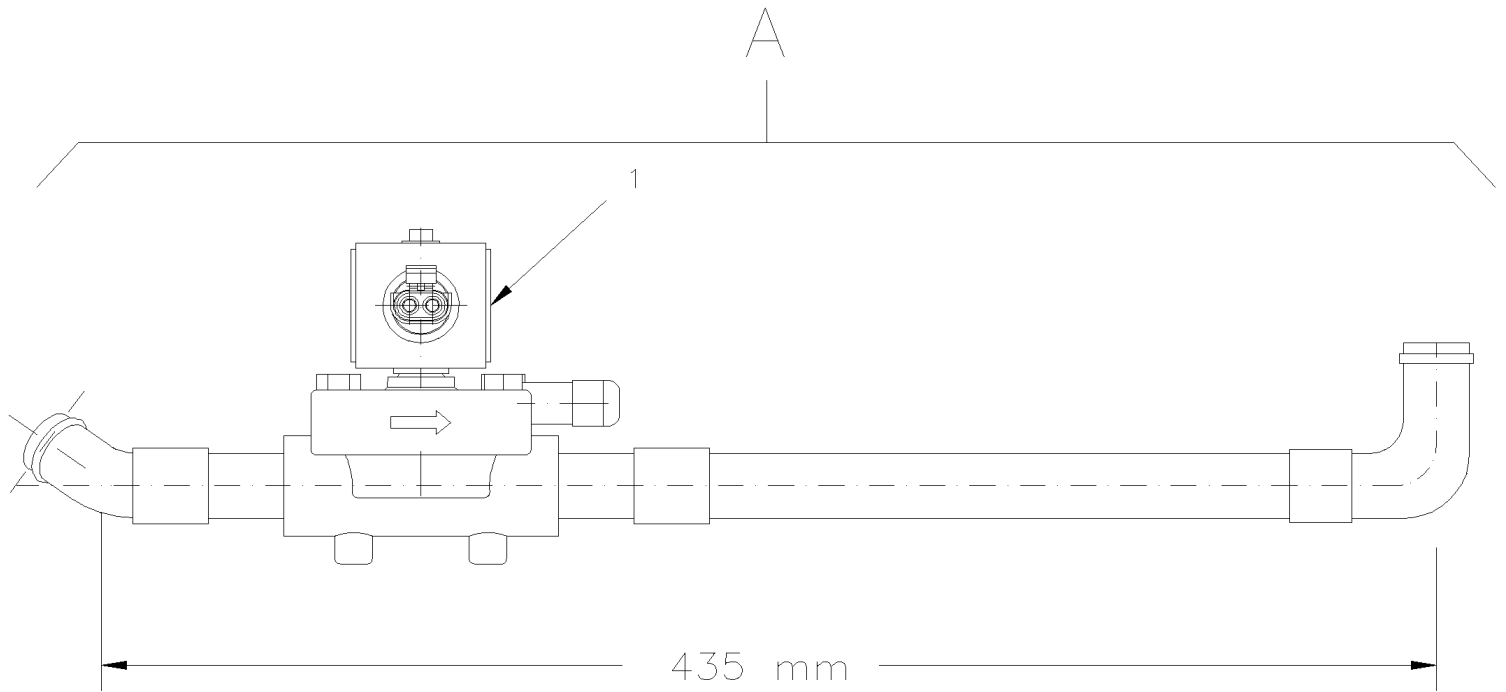
Date:10/2022

PAGE:H3-2207-20

WATER VALVE - BYPASS W/WATER HEATER



From S-128 To 2-4416	Date:10/2022	PAGE:H3-2207-20
WATER VALVE - BYPASS W/WATER HEATER		



From S-128 To 2-4416	Date:10/2022	PAGE:H3-2207-20
WATER VALVE - BYPASS W/WATER HEATER		

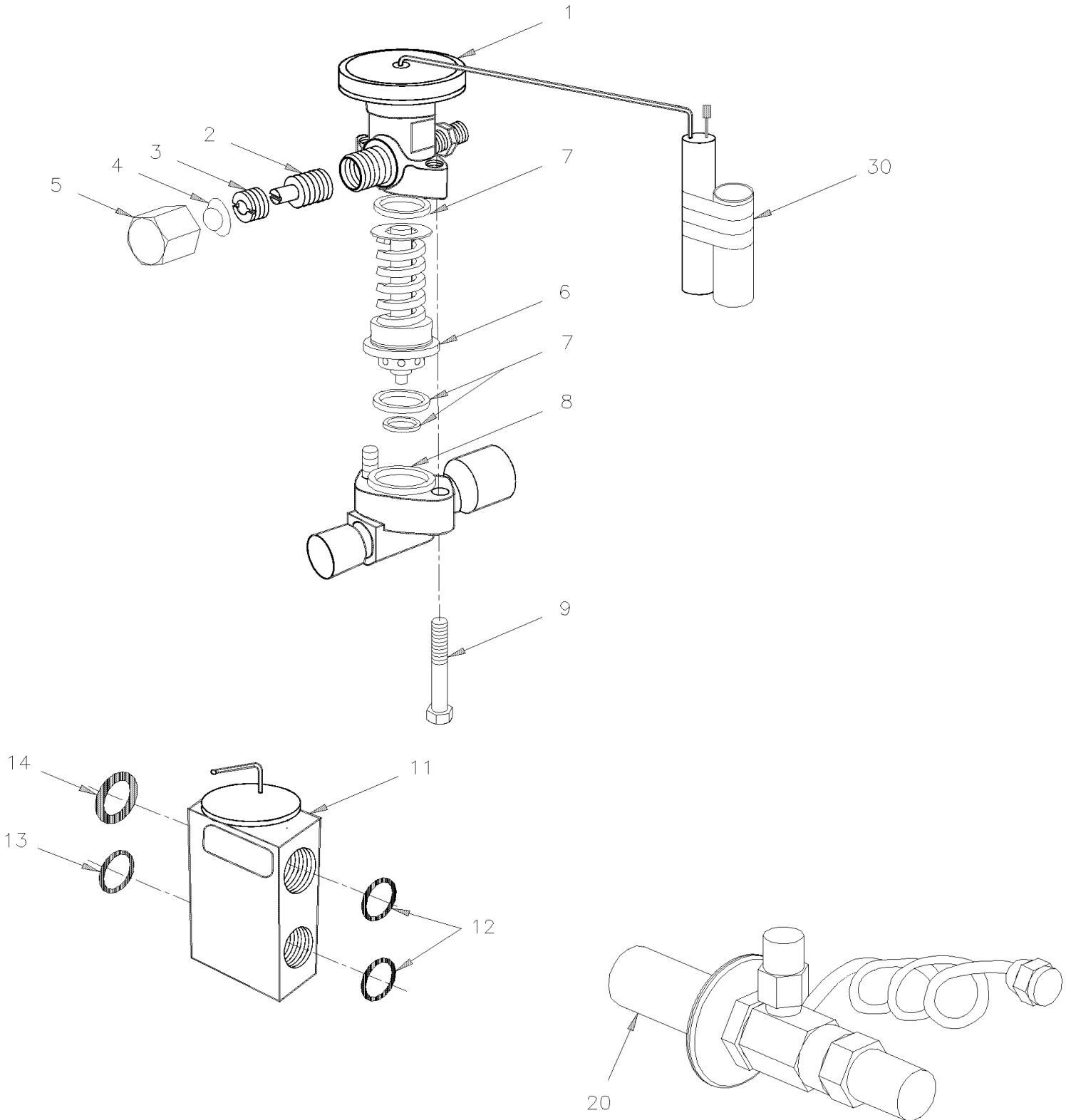
Item#	Part	Description	H 3 4 1	H 3 4 5	V I P 4 5	N O T E S
1	950055	. COIL 24V	1	1	1	F
1	950953	. COIL 24V / SERVICE	1	1	1	C
2	870886	. VALVE WATER BYPASS	1	1	1	S
2	950952	. VALVE WATER BYPASS / SERVICE	1	1	1	
3	N.S.S.	. . BONNET & ENCLOSING TUBE ASSY	1	1	1	1
4	500238	. . SCREW CAP HEXS 1/4-20x3/4 ZP	4	4	4	
5	N.S.S.	. . O-RING	1	1	1	1
6	N.S.S.	. . PLUNGER ASSY	1	1	1	1
7	N.S.S.	. . DIAPHRAGM ASSY	1	1	1	1
8	N.S.S.	. . BODY VALVE	1	1	1	1
20	561690	. CONNECTOR / WEATHER PACK / SH 2C / BLACK / PED 12015792	1	1	1	
NS	561689	. SOCKET TERMINAL / 20-18 / PED 12089188	2	2	2	
20	561565	. CABLE SEAL / GREEN / PED 15324982	2	2	2	
100	870980	KIT REPAIR	AR	AR	AR	F
A	372961	WATER BY-PASS VALVE ASSY / W/TUBE & CONNECTOR	1	1	1	
		C) USE OMLY WITH SERVICE VALVE # 950952				
		F) USED ONLY WITH FORMER VALVE 870886				
		S) THIS VALVE IT SUPPERSEDED BY # 950952 WITH COIL 950953				
		1) NOT SOLD SEPARATELY				

From R-012 To 2-4416

Date:10/2022

PAGE:H3-2208-00

A/C EXPANSION VALVE



From R-012 To 2-4416	Date:10/2022	PAGE:H3-2208-00
A/C EXPANSION VALVE		

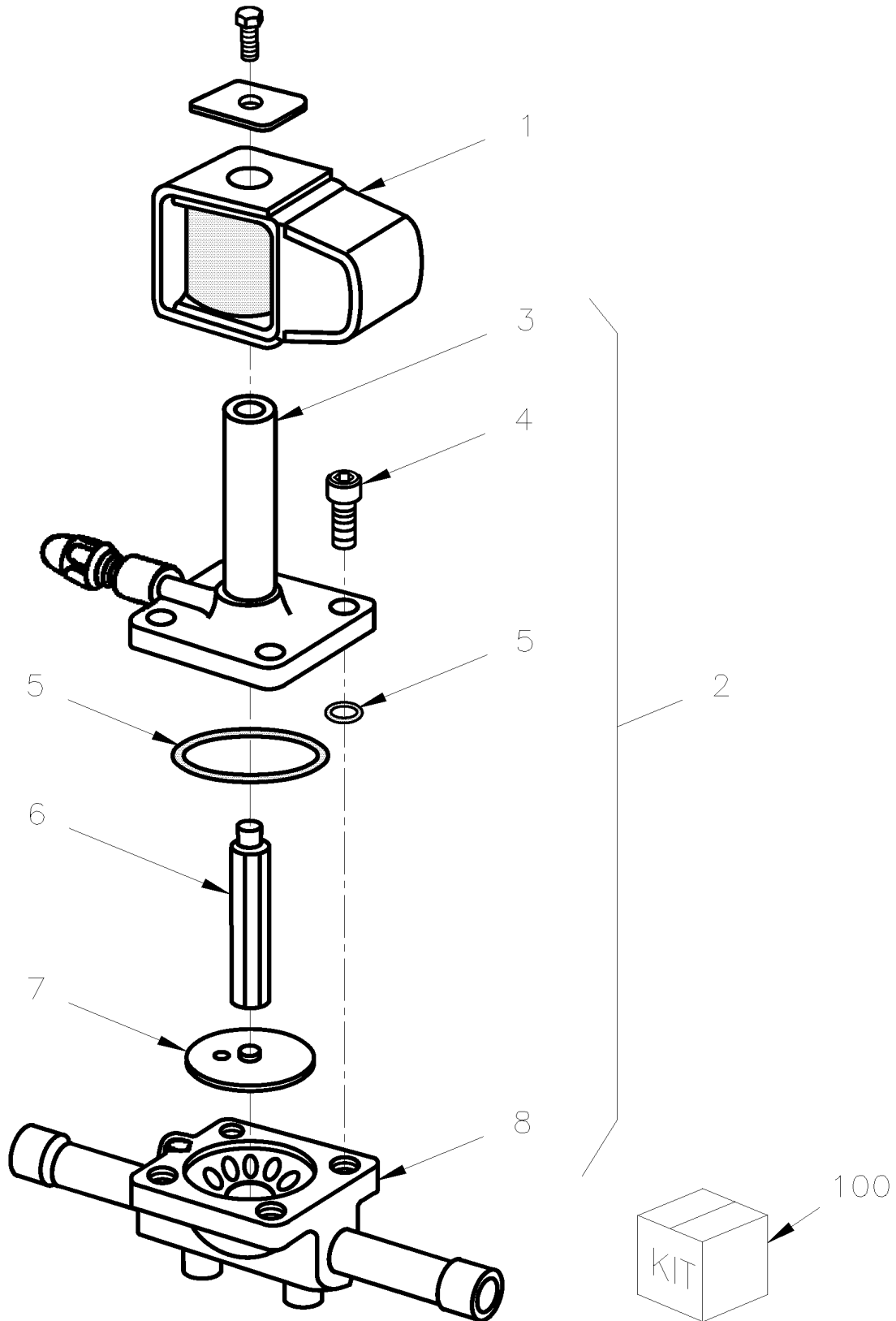
Item#	Part	Description	H 3 4 1	H 3 4 5	V I P 4 5	N O T E S
	950290	VALVE, EXPANSION 9 TON W/R134A To X-3174	1	1	1	A
	950316	VALVE, EXPANSION 5 1/2 TON W/R134A From X-3175	1	1	1	A
	950292	VALVE, EXPANSION 10 TONS	1	1		B
	950074	VALVE, EXPANSION 2 TON To V-1767	1	1		C
1	950222	. ELEMENT POWER R-22	1	1		E
1	950241	. ELEMENT POWER R134A	1	1	1	H
2	870622	. ADJUSTING STEM & PACKING ASSY	1	1	1	
3	870621	. NUT PACKING	1	1	1	
4	N.S.S.	. SEAL	1	1	1	1
5	870619	. NUT CAP	1	1	1	
6	870883	. CAGE ASSY & SPRING / B8B To X-3174	1	1	1	G
6	950317	. CAGE ASSY & SPRING / B6B From X-3175	1	1	1	
6	950242	. CAGE ASSY & SPRING / B7B	1	1		B
6	950258	. CAGE ASSY & SPRING / B3B To V-1767	1	1		C
7	870709	. SET GASKET	1	1	1	
8	870687	. FLANGE BODY	1	1		
8	N.S.S.	. FLANGE BODY	1	1	1	1 A
9	500054	. SCREW CAP HEX 3/8-24x2 1/2 G5 ZP	2	2	2	
11	950221	VALVE, EXPANSION / DRIVER'S W/R134A	1	1	1	
11	950282	VALVE, EXPANSION R-22 From V-1768	1	1		
12	507279	O-RING / ORS FITTING / #8 NEO	2	2	2	
13	507278	O-RING / ORS FITTING / #4 NEO	1	1	1	
14	507344	O-RING / ORS FITTING / #10 NEO	1	1	1	
20	950322	VALVE, EXPANSION R-134 / PARCEL-RACK	1	1		
30	680091	TAPE INSULATING / 1/8" x 2" x 30' / BLACK PT-1	AR	AR	AR	F
		A) RELATED TO EXPANSION VALVE ON MAIN EVAPORATOR WITH R-134A				
		B) RELATED TO EXPANSION VALVE ON MAIN EVAPORATOR WITH R-22				
		C) RELATED TO EXPANSION VALVE ON DRIVER'S EVAPORATOR W/ R-22				
		E) RELATED TO EXPANSION VALVE WITH R-22				
		F) USE FOR COVERING POWER ELEMENT BULB ON A/C PIPE IN EVAPORATOR COMPARTMENT				
		G) RELATED TO EXPANSION VALVE ON MAIN EVAPORATOR WITH R134A FOR IMPROVMENT JUST CHANGE WITH #950317				
		H) RELATED TO EXPANSION VALVE WITH R-134A				
		1) NOT SOLD SEPARATELY				

From R-012 To 2-4416

Date:10/2022

PAGE:H3-2208-10

REFRIGERENT SOLENOID VALVE

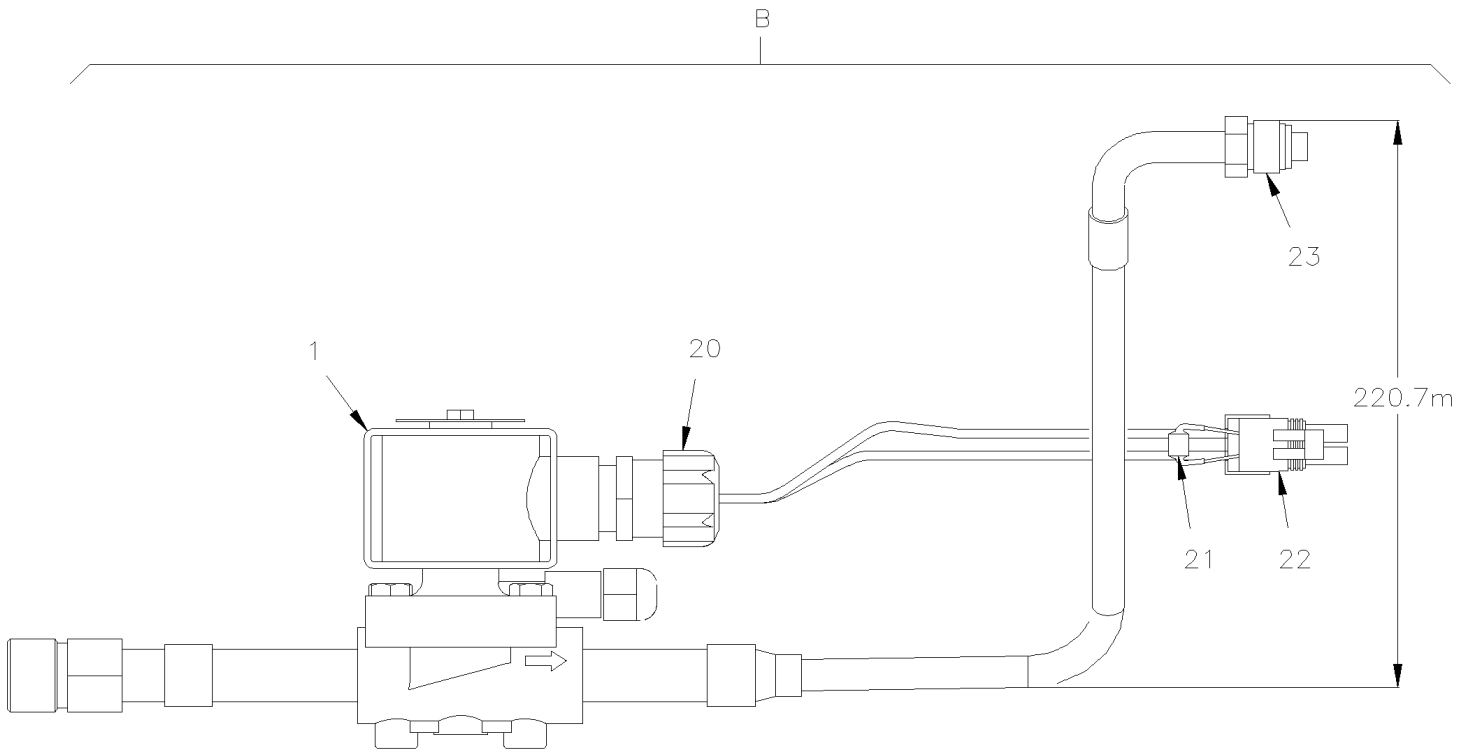
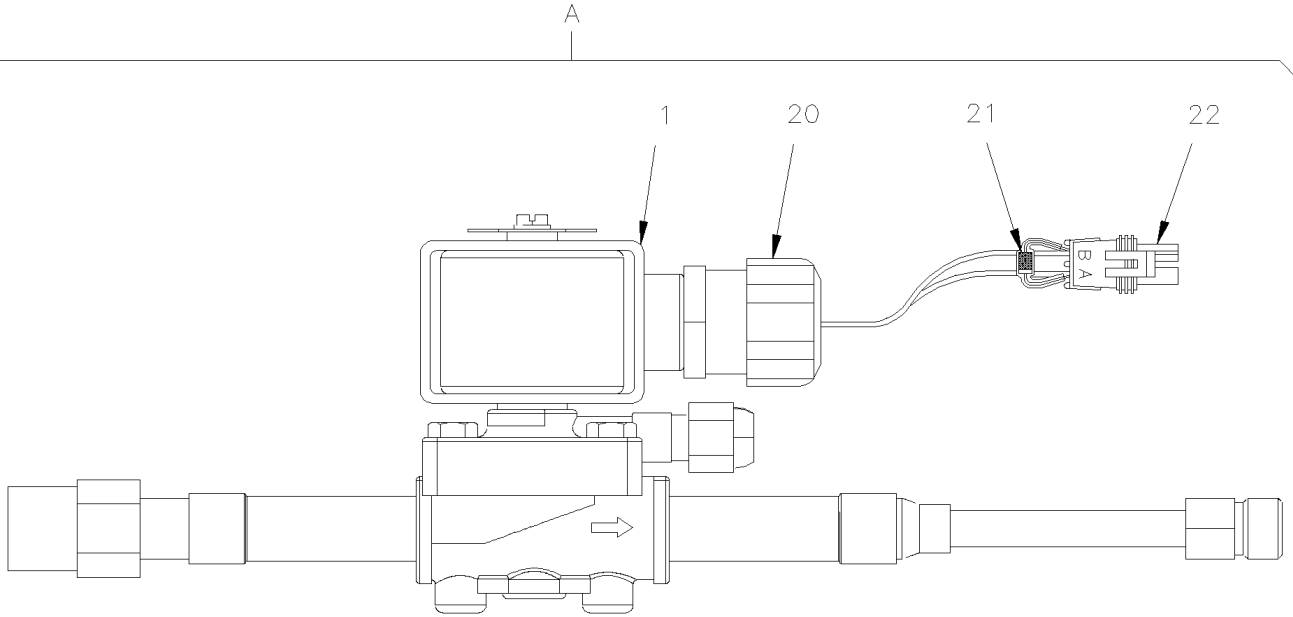


From R-012 To 2-4416

Date:10/2022

PAGE:H3-2208-10

REFRIGERENT SOLENOID VALVE

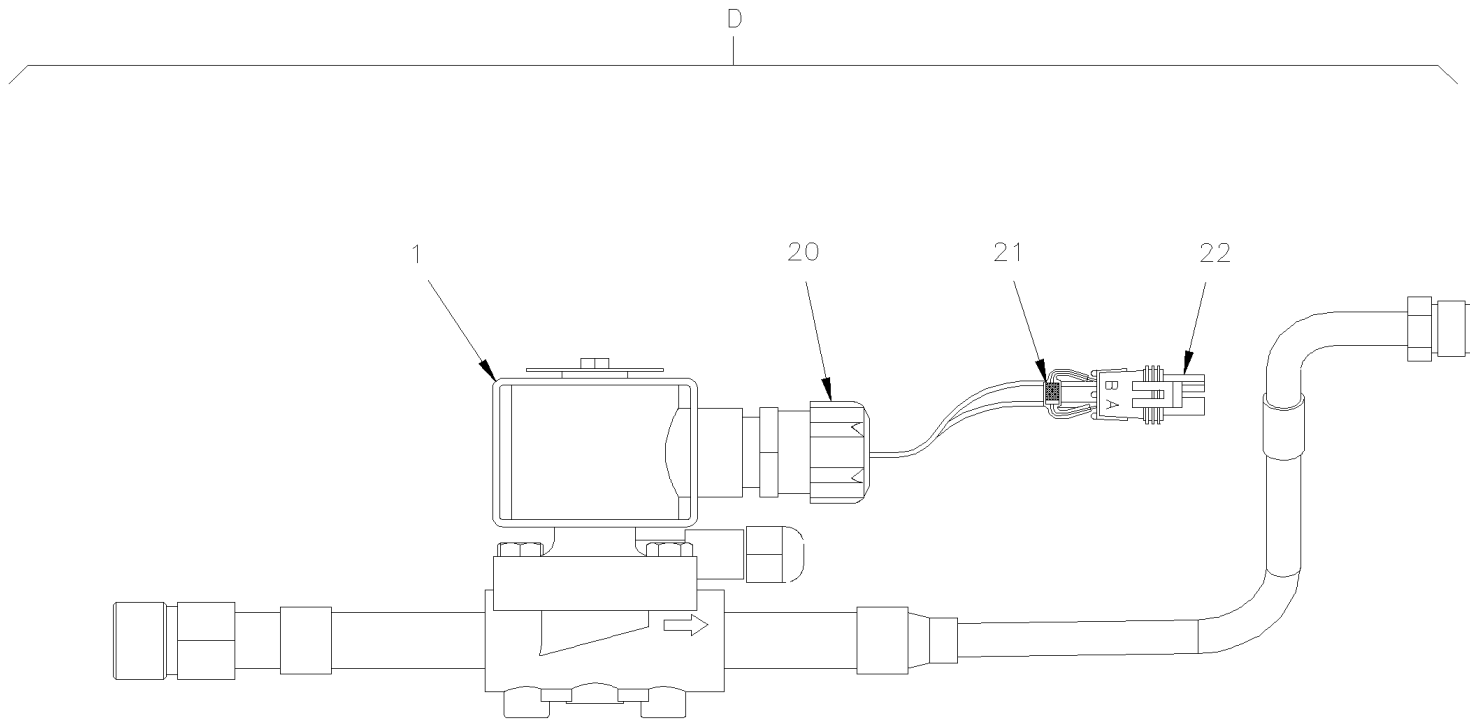
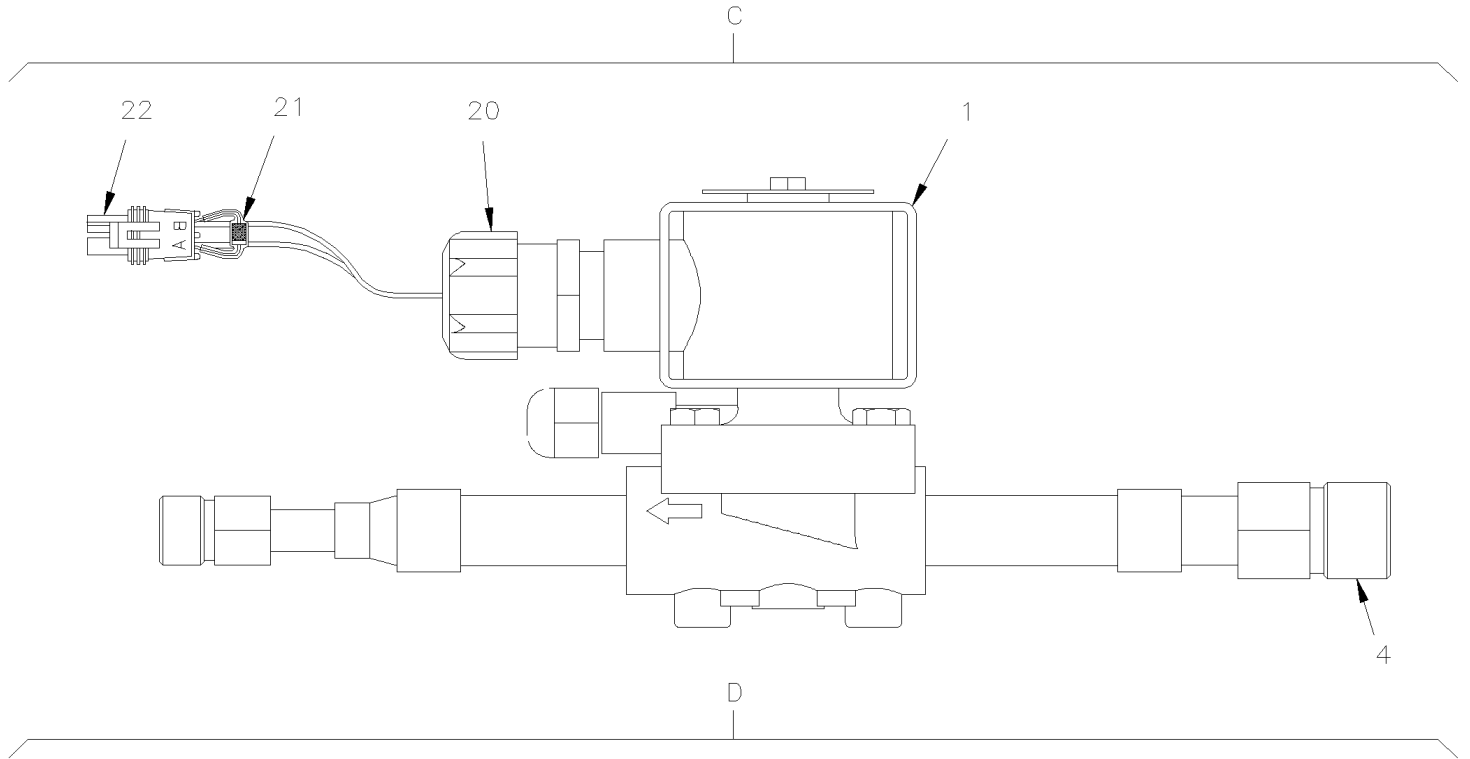


From R-012 To 2-4416

Date:10/2022

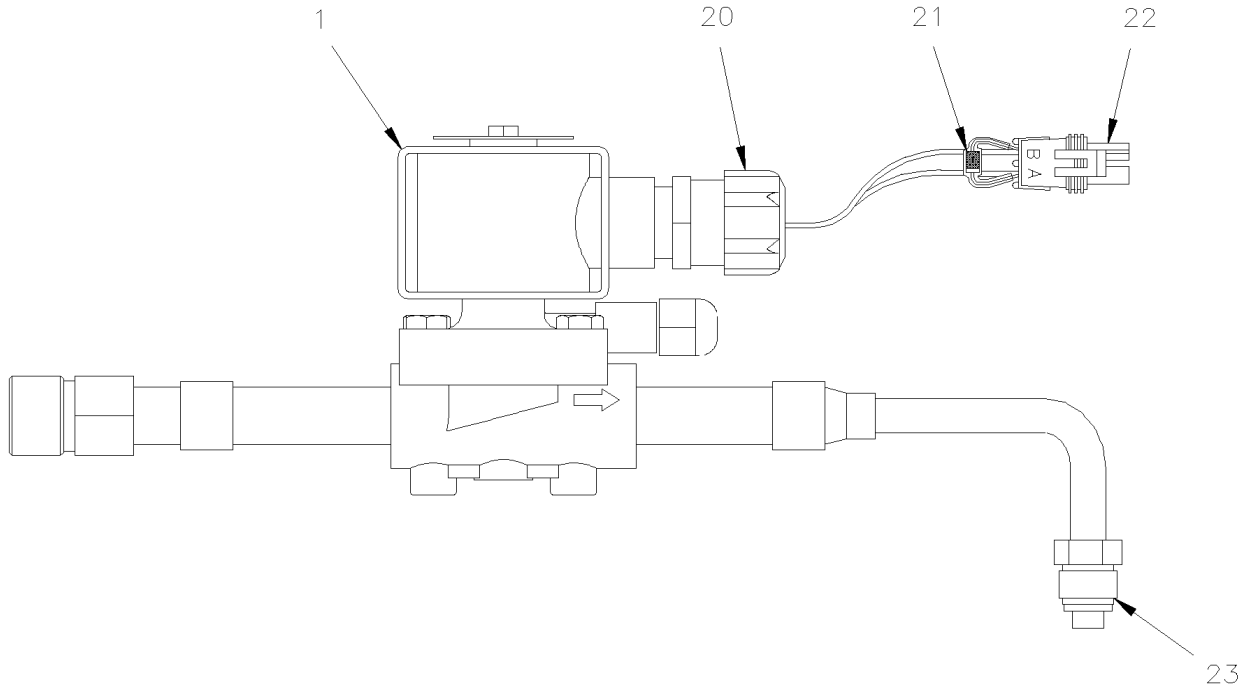
PAGE:H3-2208-10

REFRIGERENT SOLENOID VALVE



From R-012 To 2-4416	Date:10/2022	PAGE:H3-2208-10
REFRIGERENT SOLENOID VALVE		

E



From R-012 To 2-4416	Date:10/2022	PAGE:H3-2208-10
REFRIGERENT SOLENOID VALVE		

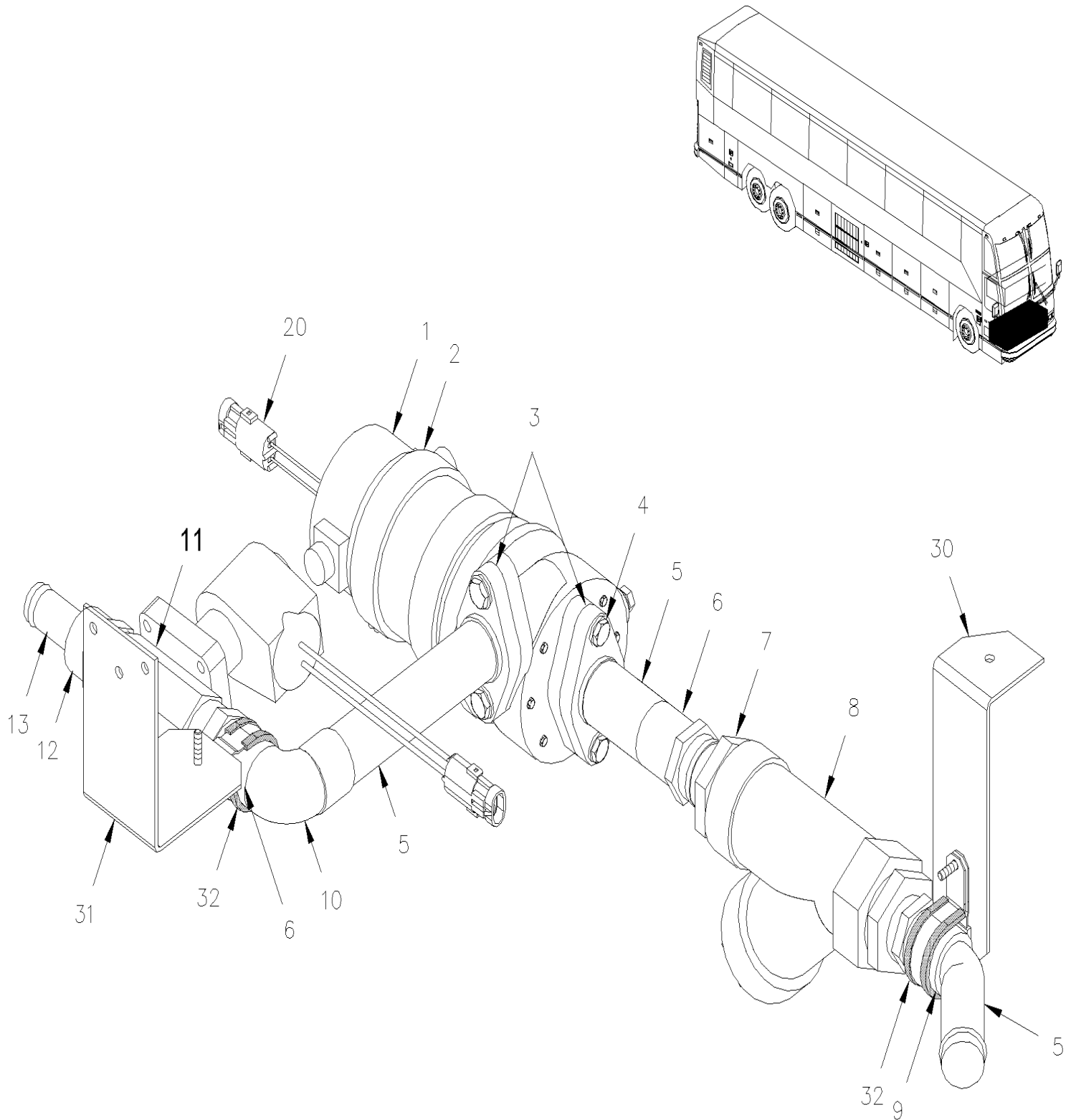
Item#	Part	Description	H 3 4 1	H 3 4 5	V I P 4 5	N O T E S
1	950055	. COIL 24V	1	1	1	F A
1	950953	. COIL 24V / SERVICE	1	1	1	
2	950087	. VALVE REFRIGERANT SOLENOID	1	1	1	S
2	950951	. VALVE REFRIGERANT SOLENOID	1	1	1	
3	N.S.S.	. . BONNET & ENCLOSING TUBE ASSY	1	1	1	1
4	500238	. . SCREW CAP HEXS 1/4-20x3/4 ZP	4	4	4	
5	N.S.S.	. . O-RING	1	1	1	1
6	N.S.S.	. . PLUNGER ASSY	1	1	1	1
7	N.S.S.	. . DIAPRAGM ASSY	1	1	1	1
8	N.S.S.	. . BODY	1	1	1	1
20	560434	. CONNECTOR 1/2" PIPE	1	1	1	
21	560931	. DIODE / 3AMPS	1	1	1	
22	561690	. CONNECTOR / WEATHER PACK / SH 2C / BLACK / PED 12015792	1	1	1	
NS	561578	. SOCKET TERMINAL / 16-14 / PED 12010182	2	2	2	
NS	561565	. CABLE SEAL / GREEN / PED 15324982	2	2	2	
23	507278	. O-RING / ORS FITTING / #4 NEO	1	1	1	
100	950056	KIT REPAIR	AR	AR	AR	F
A	373141	VALVE ASSY / REFRIGERANT SOLENOID To X-3114	1	1	1	
B	373648	VALVE ASSY / REFRIGERANT SOLENOID From X-3115	1	1	1	
C	453151	VALVE ASSY / REFRIGERANT SOLENOID			2	B
D	373675	VALVE ASSY / REFRIGERANT SOLENOID From X-2861			1	
E	453290	VALVE ASSY / REFRIGERANT SOLENOID From X-2862			1	C
		A) REFRIGERANT SOLENOID VALVE				
		B) WITH SMALL A/C SYSTEM				
		C) WITH SMALL A/C SYSTEM & W/AUX A/C SYSTEM REAR OF DRIVER				
		F) USED ONLY WITH FORMER VALVE 950087				
		S) THIS VALVE IT SUPPERSEDED BY # 950951 WITH COIL 950953				
		1) NOT SOLD SEPARATELY				

From X-2458 To 2-4416

Date:10/2022

PAGE:H3-2210-20

WATER HEATER PUMP & FILTER - INSTALLATION



From X-2458 To 2-4416	Date:10/2022	PAGE:H3-2210-20
WATER HEATER PUMP & FILTER - INSTALLATION		

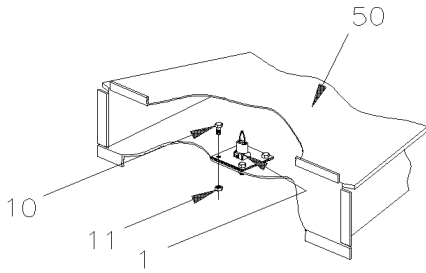
Item#	Part	Description	H 3 4 1	H 3 4 5	V I P 4 5	N O T E S
1	H3-2206-02	WATER PUMP #871052 & #871204				
2	504026	HOSE CLAMP / 2"13/16-3"3/4 SS / HS-52			1	
NS	506728	TAPE RUB ADH1 NEO 1/4" x 3/4" x 10' / BLACK			1	
3	870862	FLANGE ADAPTOR / W/GASKET To 1-4074			1	
3	871206	FLANGE ADAPTOR / W/QUAD RING From 1-4075			1	
NS	870441	GASKET PUMP INLET & OUTLET To 1-4074			1	
NS	871207	QUAD RING From 1-4075			1	
4	500305	SCREW CAP HEX 3/8-16x7/8 G5 Z050			1	
NS	500478	WASHER LO SPT .380x.683x.094 Z050			1	
5	503199	COPPER TUBE 1.125" O.D.x .050" x 240"			1	
6	501794	ADAPTER / COPPER @ PIPE / 1Mx3/4NPT-M			1	
7	501922	ADAPTER / PIPE FITTING / 3/4NPT-Fx1 1/4NPT-M BR			1	
8	870807	STRAINER FILTER, WATER 1" 1/4" N.P.T.			1	
9	501567	STREET ELBOW 45° / COPPER TUBE / 1Mx1F			1	
10	501762	STREET ELBOW 90° SHORT RADIUS / COPPER TUBE / 1Mx1F			1	
11	372854	VALVE ASSY / W/CONNECTOR			1	
12	501866	ADAPTER / COPPER @ PIPE / 3/4Fx3/4NPT-M			1	
13	503198	COPPER TUBE .875" O.D. x .045" x 240"			1	
20	561781	CONNECTOR / WEATHER PACK / PH 3C / BLACK / PED 12010717			1	
NS	561783	SEAL PLUG CAVITY / GREEN / PED 12010300			1	
NS	561786	CABLE SEAL / GRAY / PED 15324980			1	
NS	561568	PIN TERMINAL / 16-14 / PED 12089305			1	
30	373565	SUPPORT W/PUMP / OUTPUT			1	
31	Call order desk	WATER PUMP ASSY W/STRAINER & VALVE			1	P
32	560912	CLAMP / 1"1/4 I.D.			2	
33	500642	SCREW TP PAN PH #10x3/4 Z050			2	
		P) CALL ORDER DESK FOR SPECIFIC APPLICATION (V.I.N.)				

From R-012 To T-1572

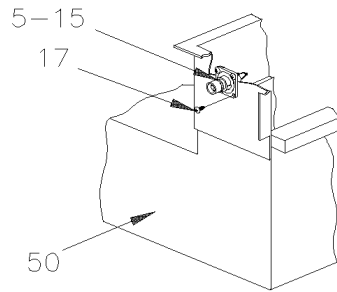
Date:10/2022

PAGE:H3-2210-51

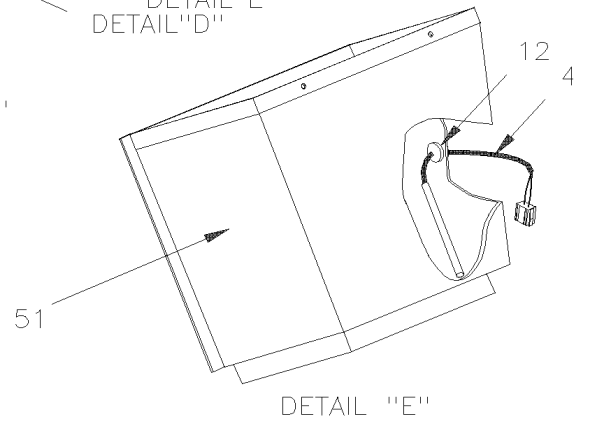
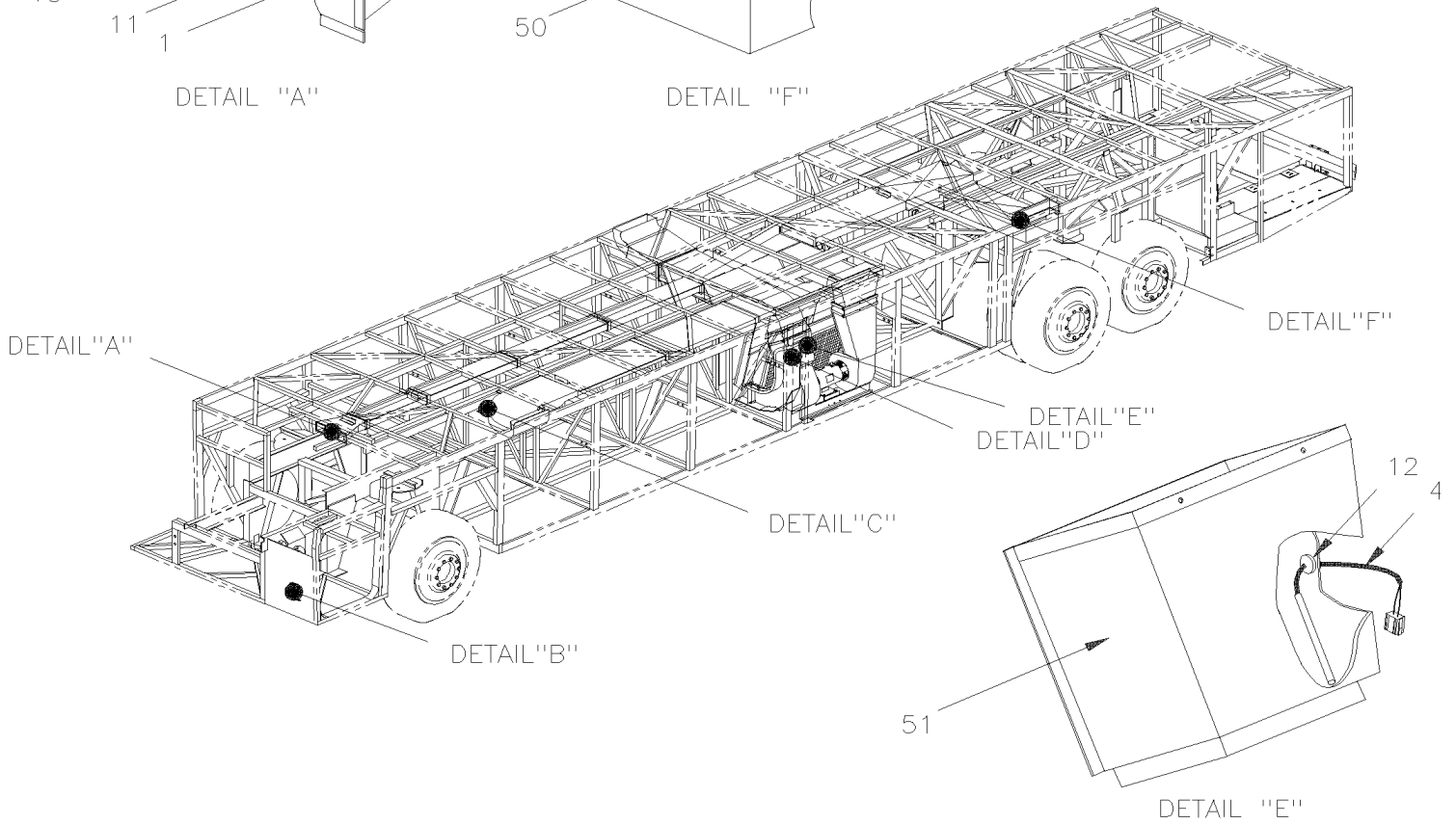
AIR MAIN SENSOR



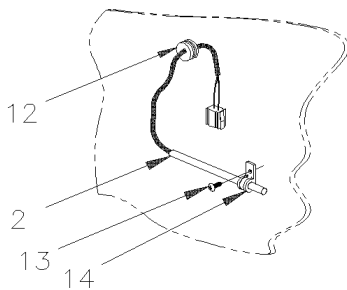
DETAIL "A"



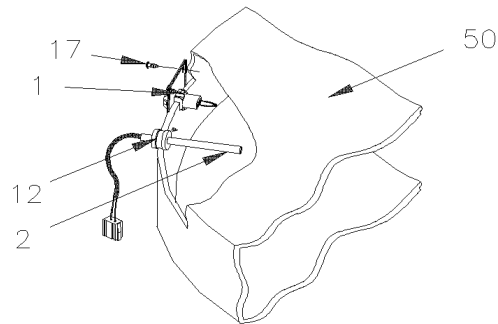
DETAIL "F"



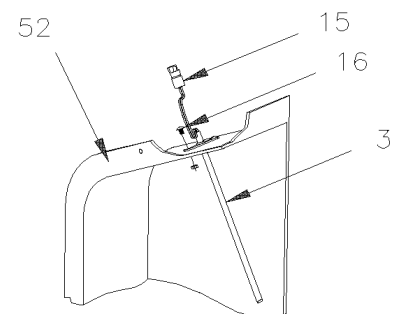
DETAIL "E"



DETAIL "B"



DETAIL "C"



DETAIL "D"

From R-012 To T-1572	Date:10/2022	PAGE:H3-2210-51
AIR MAIN SENSOR		

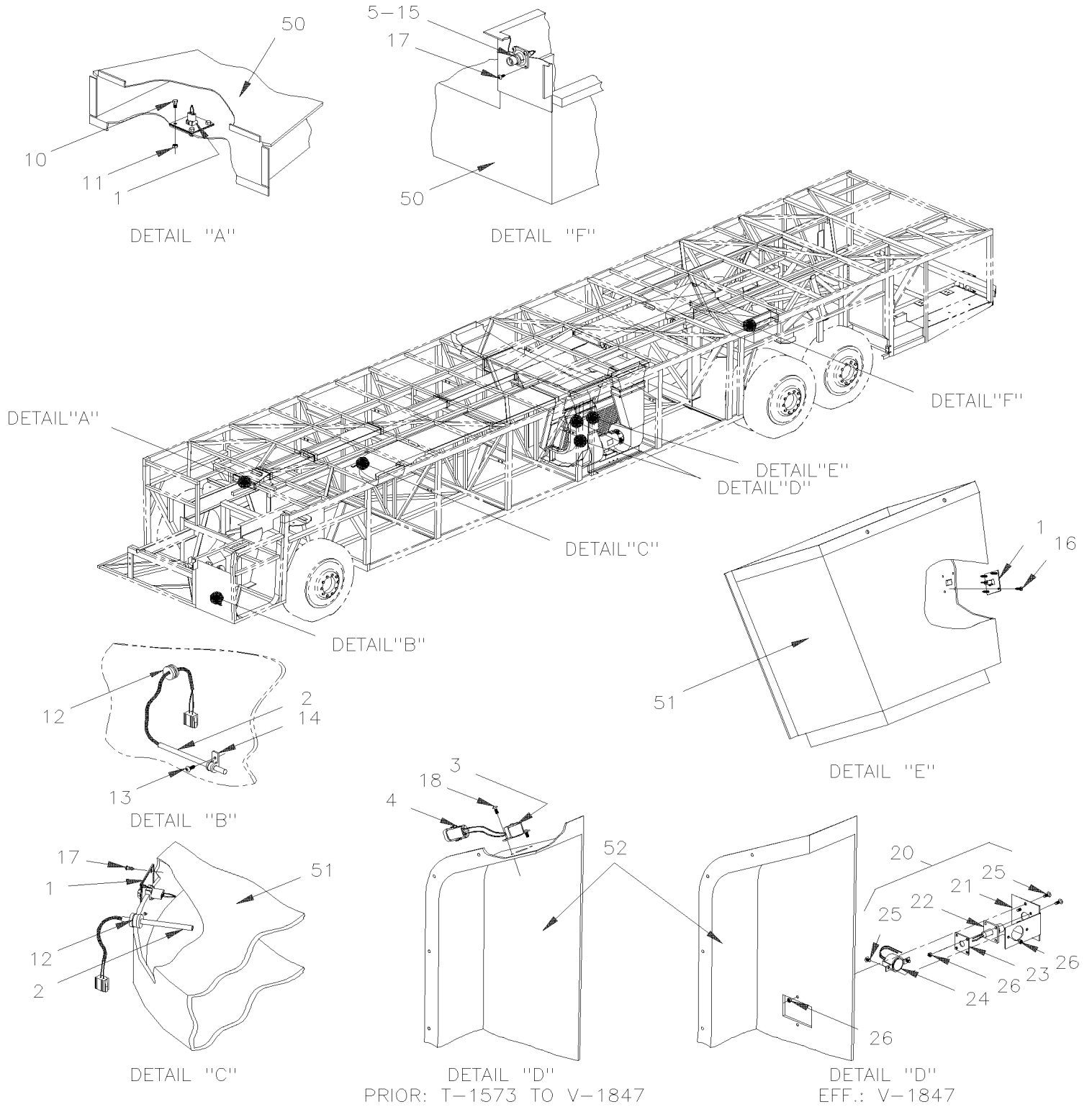
Item#	Part	Description	H 3 4 1	H 3 4 5	V I P 4 5	N O T E S
1	061961	THERMISTOR ASSY W/CONNECTOR	7	7	7	
NS	680091	TAPE INSULATING / 1/8" x 2" x 30' / BLACK PT-1	AR	AR	AR	
2	372479	SENSOR / TEMPERATURE CONTROL	2	2	2	B
3	451699	SENSOR ASSY / FRESH AIR	1	1	1	C
4	451640	THERMISTOR ASSY	1	1	1	
5	063740	SENSOR ASSY	1	1	1	
NS	562144	MOUNTING PLATE / ITT CANNON 066-8516-000	1	1	1	
10	5001297	SCREW CAP HEX M4-0.7x20 SS	4	4	4	
11	500589	NUT WELL M4-0.7x13.5	4	4	4	
12	504323	GROMMET / .375x.500x.062x.281x.687	2	2	2	
13	500952	SCREW TP BDG PH #8x1/2 SS	1	1	1	
14	560479	CLAMP / 3/8" I.D.	1	1	1	
15	561815	CLAMP W/ 2 / ITT CANNON 029-0263-000	1	1	1	
16	500638	SCREW TP PAN PH #8x1/2 Z050	2	2	2	
NS	500438	WASHER FL .187x.437x.050 Z050	2	2	2	
17	500657	SCREW TC TR PH #10-24x1/2 Z050	4	4	4	
50	H3-2220-01	UNDER FLOOR AIR DUCTING				
51	H3-2210-00	HEATER & EVAPORATOR BLOWER - INSTALLATION				
52	H3-2215-01	EVAPORATOR & DAMPER CONTROL COMPONENTS				
NS	064321	RESISTOR ASSY 3.32K OHMS / 1/4 W	1	1	1	
. NS	IS-96070	. SEE INSTRUCTION SHEET	1	1	1	
		B) USE WITH CONSOLE THERMOMETER AT PAGE H3-0645-50				
		C) SEE KIT #064321 (IS-96070)				

From T-1573 To W-2284

Date:10/2022

PAGE:H3-2210-52

AIR MAIN SENSOR



From T-1573 To W-2284	Date:10/2022	PAGE:H3-2210-52
------------------------------	---------------------	------------------------

AIR MAIN SENSOR

Item#	Part	Description	H 3 4 1	H 3 4 5	V I P 4 5	N O T E S
1	061961	THERMISTOR ASSY W/CONNECTOR To W-2284	2	2	2	
1	064651	THERMISTOR ASSY W/CONNECTOR From W-2285 To W-2457	2	2	2	
NS	680091	TAPE INSULATING / 1/8" x 2" x 30' / BLACK PT-1	AR	AR	AR	
2	372479	SENSOR / TEMPERATURE CONTROL To V-1778	2	2	2	E C
2	562636	SENSOR / PASSENGER'S TEMP. CONTROL From V-1779	1	1	1	D E
2	562636	SENSOR / PASSENGER'S TEMP. CONTROL From V-1779 To V-1899	1	1	1	
2	453074	SENSOR / TEMP. CONTROL / INSIDE DUCT SERVICE	1	1	1	D E
3	373416	THERMOSTAT ASSY To V-1846	1	1	1	B
NS	562616	. THERMOSTAT FIX	1	1	1	
4	562486	CONNECTOR / DT SERIES / PH 2C / GRAY / DEUTSCH DT04-2P	2	2	2	
NS	562487	SECONDARY LOCK / DT SERIES / PH 2C / DEUTSCH W2P	2	2	2	
NS	562286	PIN TERMINAL / 18-16 / DEUTSCH 0460-202-16141	4	4	4	
5	063740	SENSOR ASSY	1	1	1	
NS	562144	MOUNTING PLATE / ITT CANNON 066-8516-000	1	1	1	
10	5001297	SCREW CAP HEX M4-0.7x20 SS	4	4	4	
11	500589	NUT WELL M4-0.7x13.5	4	4	4	
12	504323	GROMMET / .375x.500x.062x.281x.687	2	2	2	
12	504547	GROMMET / .375x.500x.125x.375x.812 x.625x.125 From V-1779	2	2	2	
13	500952	SCREW TP BDG PH #8x1/2 SS	1	1	1	
14	560479	CLAMP / 3/8" I.D.	1	1	1	
15	561815	CLAMP W/ 2 / ITT CANNON 029-0263-000	2	2	2	
16	500638	SCREW TP PAN PH #8x1/2 Z050	2	2	2	
17	500657	SCREW TC TR PH #10-24x1/2 Z050	4	4	4	
18	500641	SCREW TP PAN PH #8x3/4 Z050	2	2	2	
20	373444	SUPPORT THERMOSTAT ASSY From V-1847 To W-2284	1	1	1	A
21	373445	. SUPPORT THERMOSTAT	1	1	1	
22	562159	. CONNECTOR / SURE-SEAL / MALE HOUSING 2C / ITT CANNON 120-8552-200	1	1	1	
22	561023	. PIN TERMINAL / 18-14 / ITT CANNON 030-2196-001	1	1	1	
22	561024	. SOCKET TERMINAL / 18-14 / ITT CANNON 031-1267-001	1	1	1	
23	562144	. MOUNTING PLATE / ITT CANNON 066-8516-000	1	1	1	
24	562616	. THERMOSTAT FIX	AR	AR	AR	
25	502787	. SCREW MA PAN PH M3-0.5x10 ZP	6	6	6	
25	502691	. WASHER LO SPT 3.6x6.7x0.8 Z050	2	2	2	
26	502579	. NUT HEX M3-0.5 NP	6	6	6	
NS	680437	TAPE TRANSFER ADH2 CLEAR 12.7MM x 55M / TRM950-0500	AR	AR	AR	
50	H3-2220-01	UNDER FLOOR AIR DUCTING				
51	H3-2210-00	HEATER & EVAPORATOR BLOWER - INSTALLATION				
52	H3-2215-01	EVAPORATOR & DAMPER CONTROL COMPONENTS				
		A) FOR PRODUCT IMPROVMENT & COLD PUMPING A/C COMPRESSOR, ADD 064630 & 064631 FOR VEHICLE UP TO W-2203				

From T-1573 To W-2284	Date:10/2022	PAGE:H3-2210-52
-----------------------	--------------	-----------------

AIR MAIN SENSOR

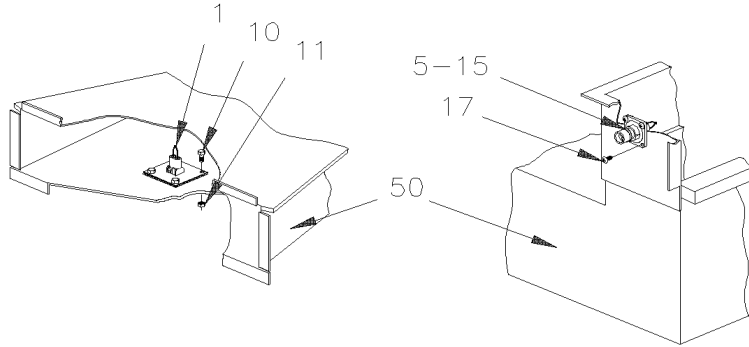
Item#	Part	Description	H 3 4 1	H 3 4 5	V I P 4 5	N O T E S
		B) FOR PRODUCT IMPROVMENT USE KIT #064507				
		C) USE WITH CONSOLE THERMOMETER AT PAGE H3-0645-50				
		D) USE WITH CONSOLE THERMOMETER AT PAGE H3-0645-31, H3-0645-32, H3-0645-35 AND H3-0645-36				
		E) SEE WARRANTY BULLETIN WB-9709				

From W-2285 To 2-4416

Date:10/2022

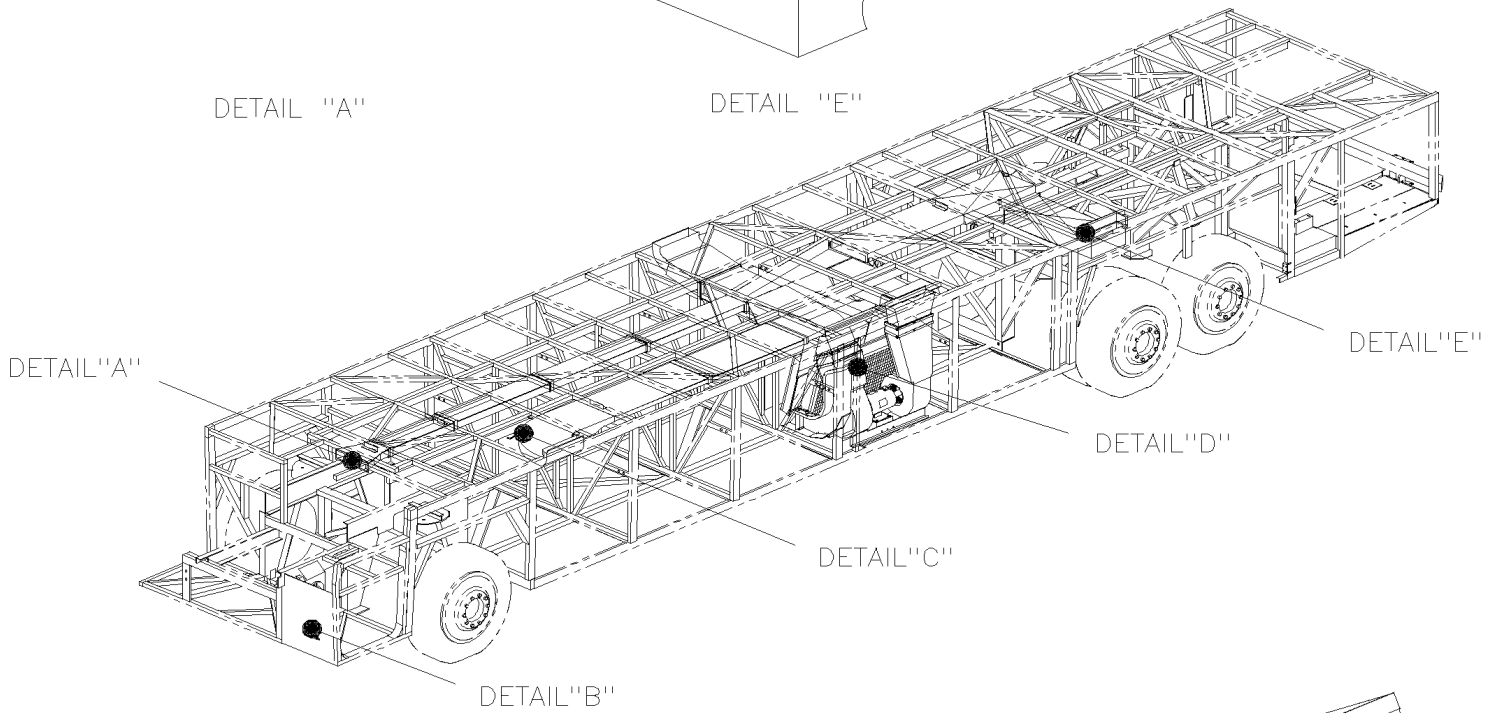
PAGE:H3-2210-53

AIR MAIN SENSOR



DETAIL "A"

DETAIL "E"



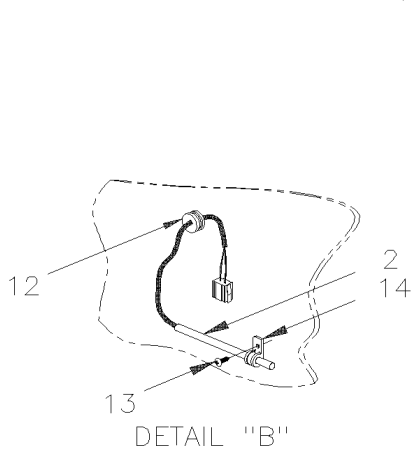
DETAIL "A"

DETAIL "B"

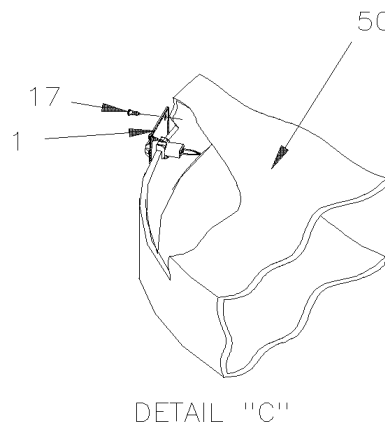
DETAIL "C"

DETAIL "D"

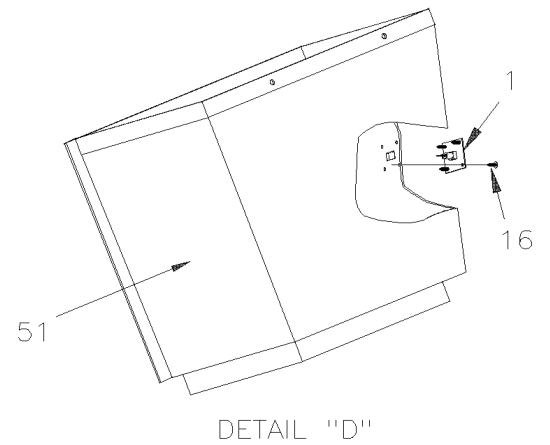
DETAIL "E"



DETAIL "B"



DETAIL "C"



DETAIL "D"

From W-2285 To 2-4416		Date:10/2022	PAGE:H3-2210-53
-----------------------	--	--------------	-----------------

AIR MAIN SENSOR

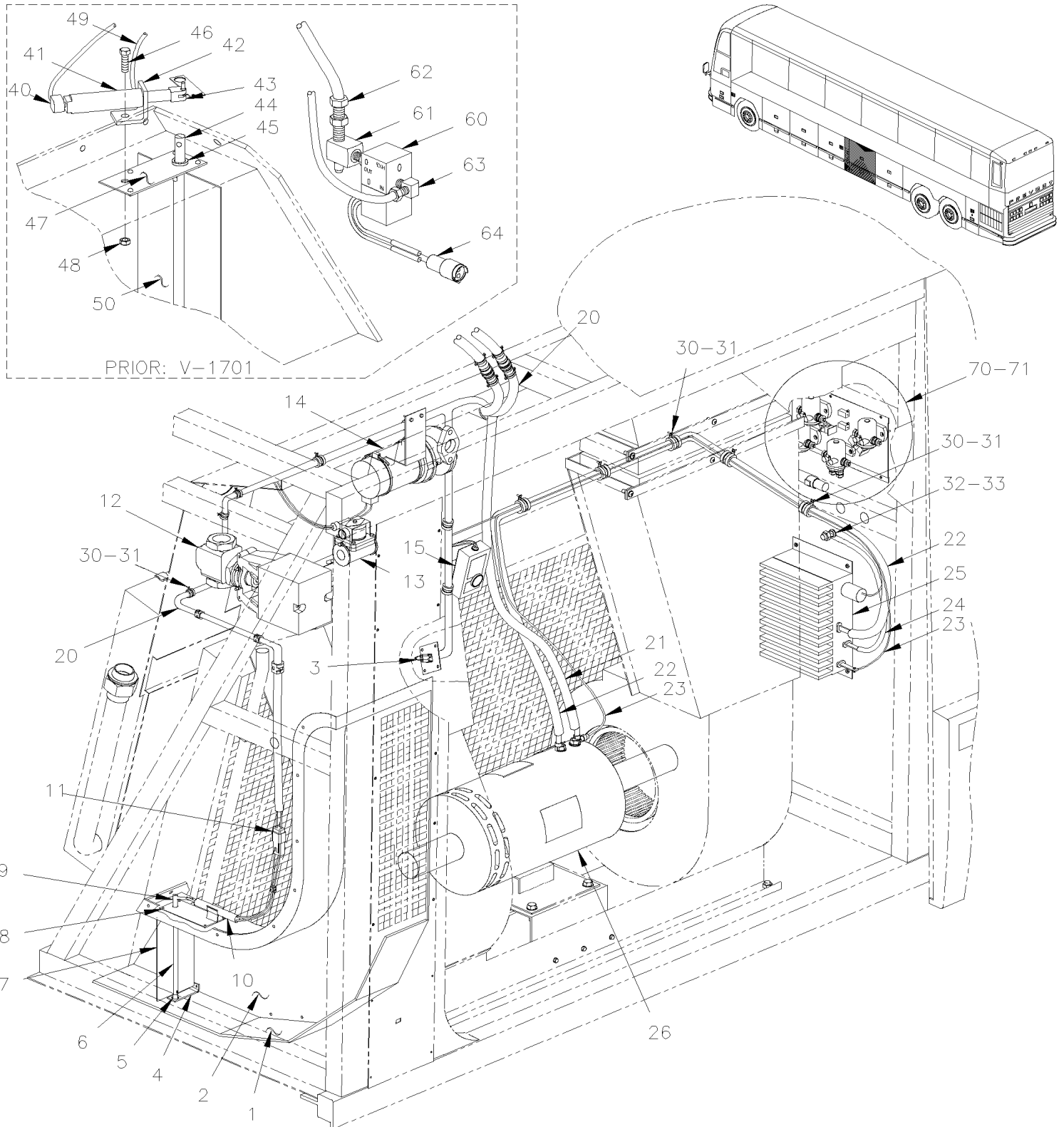
Item#	Part	Description	H 3 4 1	H 3 4 5	V I P 4 5	N O T E S
1	064651	THERMISTOR ASSY W/CONNECTOR To W-2457	3	3	3	
1	064651	THERMISTOR ASSY W/CONNECTOR From W-2458	2	2	2	
2	562636	SENSOR / PASSENGER'S TEMP. CONTROL	1	1	1	A
5	064650	SENSOR ASSY To W-2457	1	1	1	
5	064670	SENSOR ASSY From W-2458	1	1	1	
NS	562144	MOUNTING PLATE / ITT CANNON 066-8516-000	1	1	1	
10	5001297	SCREW CAP HEX M4-0.7x20 SS	4	4	4	
11	500589	NUT WELL M4-0.7x13.5	4	4	4	
12	504323	GROMMET / .375x.500x.062x.281x.687	2	2	2	
12	504547	GROMMET / .375x.500x.125x.375x.812 x.625x.125	2	2	2	
13	500952	SCREW TP BDG PH #8x1/2 SS	1	1	1	
14	560479	CLAMP / 3/8" I.D.	1	1	1	
15	561815	CLAMP W/ 2 / ITT CANNON 029-0263-000	2	2	2	
16	500657	SCREW TC TR PH #10-24x1/2 Z050	4	4	4	
17	500657	SCREW TC TR PH #10-24x1/2 Z050	4	4	4	
50	H3-2220-01	UNDER FLOOR AIR DUCTING				
51	H3-2210-00	HEATER & EVAPORATOR BLOWER - INSTALLATION				
		A) USE WITH CONSOLE THERMOMETER AT PAGE H3-0645-32 AND H3-0645-36				

From R-012 To 2-4416

Date:10/2022

PAGE:H3-2215-01

EVAPORATOR & DAMPER CONTROL COMPONENTS



From R-012 To 2-4416	Date:10/2022	PAGE:H3-2215-01
EVAPORATOR & DAMPER CONTROL COMPONENTS		

Item#	Part	Description	H 3 4 1	H 3 4 5	V I P 4 5	N O T E S
1	451895	PANEL / BOTTOM / INTAKE DUCT	1	1	1	
2	372571	FIBERGLASS DUCT To V-1700	1	1	1	
2	373413	FIBERGLASS DUCT From V-1701 To V-1846	1	1	1	
2	373446	FIBERGLASS DUCT From V-1847 To W-2269	1	1	1	
2	373509	FIBERGLASS DUCT From W-2270 To W-2284	1	1	1	
2	453123	DAMPER DUCT ASSY W/ACTUATOR From W-2285 To X-3164	1	1	1	
2	453432	DAMPER DUCT ASSY W/ACTUATOR From X-3165	1	1	1	
2	373556	. FIBERGLASS DUCT From W-2285	1	1	1	
3	H3-2210-51	AIR MAIN SENSOR To T-1572				
3	H3-2210-52	AIR MAIN SENSOR From T-1573 To W-2284				
3	H3-2210-53	AIR MAIN SENSOR From W-2285				
4	452027	SUPPORT / LOWER SHAFT & BEARING To X-3164	1	1	1	
4	453426	SUPPORT From X-3165	1	1	1	
5	504449	. HOLE PLUG BUTTON / .500 O.D. BLACK	1	1	1	
6	452965	. SHAFT	1	1	1	
NS	504689	. RING RETAINER / EXT .312 x .243 x .025 / SS From X-3165	1	1	1	
7	452967	. DAMPER	1	1	1	
8	452966	. FIXTURE PLATE	1	1	1	
9	502243	. SPRING PIN	1	1	1	
10	373415	ACTUATOR ASSY From V-1701	1	1	1	C
10	871180	. ACTUATOR W/BOOT From V-1701	1	1	1	G
. NS	871452	. . CLIP MOUTING ACTUATOR From V-1701	1	1	1	G
. NS	N.S.S.	. . ACTUATOR From V-1701	1	1	1	1 G
. NS	N.S.S.	. . BOOT From V-1701	1	1	1	1 G
10	870135	. ACTUATOR W/BOOT W/E-COAT PROTECTION From V-1701	1	1	1	
. NS	871452	. . CLIP MOUTING ACTUATOR From V-1701	1	1	1	
11	562486	. CONNECTOR / DT SERIES / PH 2C / GRAY / DEUTSCH DT04-2P From V-1701	2	2	2	
NS	562487	. SECONDARY LOCK / DT SERIES / PH 2C / DEUTSCH W2P From V-1701	2	2	2	
NS	562286	. PIN TERMINAL / 18-16 / DEUTSCH 0460-202-16141 From V-1701	4	4	4	
12	H3-2207-01	WATER VALVE "VERSADRIVE"				
13	H3-2207-20	WATER VALVE - BYPASS W/WATER HEATER From S-128				
14	H3-2206-02	WATER PUMP #871052 & #871204				
15	561803	HUMIDISTAT To T-1642	1	1	1	
15	562620	HUMIDISTAT From T-1643 To X-2813	1	1	1	
NS	452941	SUPPORT ADAPTOR FOR NEW HUMIDISTAT TO VEHICLE To T-1642	1	1	1	
NS	560952	SPRING, TORSION / .896 O.D. x .248 x .020	4	4	4	
20	063308	CABLE HARNESS To S-127	1	1	1	
20	063982	CABLE HARNESS From S-128 To S-193	1	1	1	E
20	064058	CABLE HARNESS From S-194 To V-1701	1	1	1	
20	064365	CABLE HARNESS From V-1702 To V-1778	1	1	1	F
20	064331	CABLE HARNESS / A/C JCT PANEL & EVAP COMP From V-1779 To V-1846	1			
20	064493	CABLE HARNESS / A/C JCT PANEL & EVAP COMP From V-1847	1			

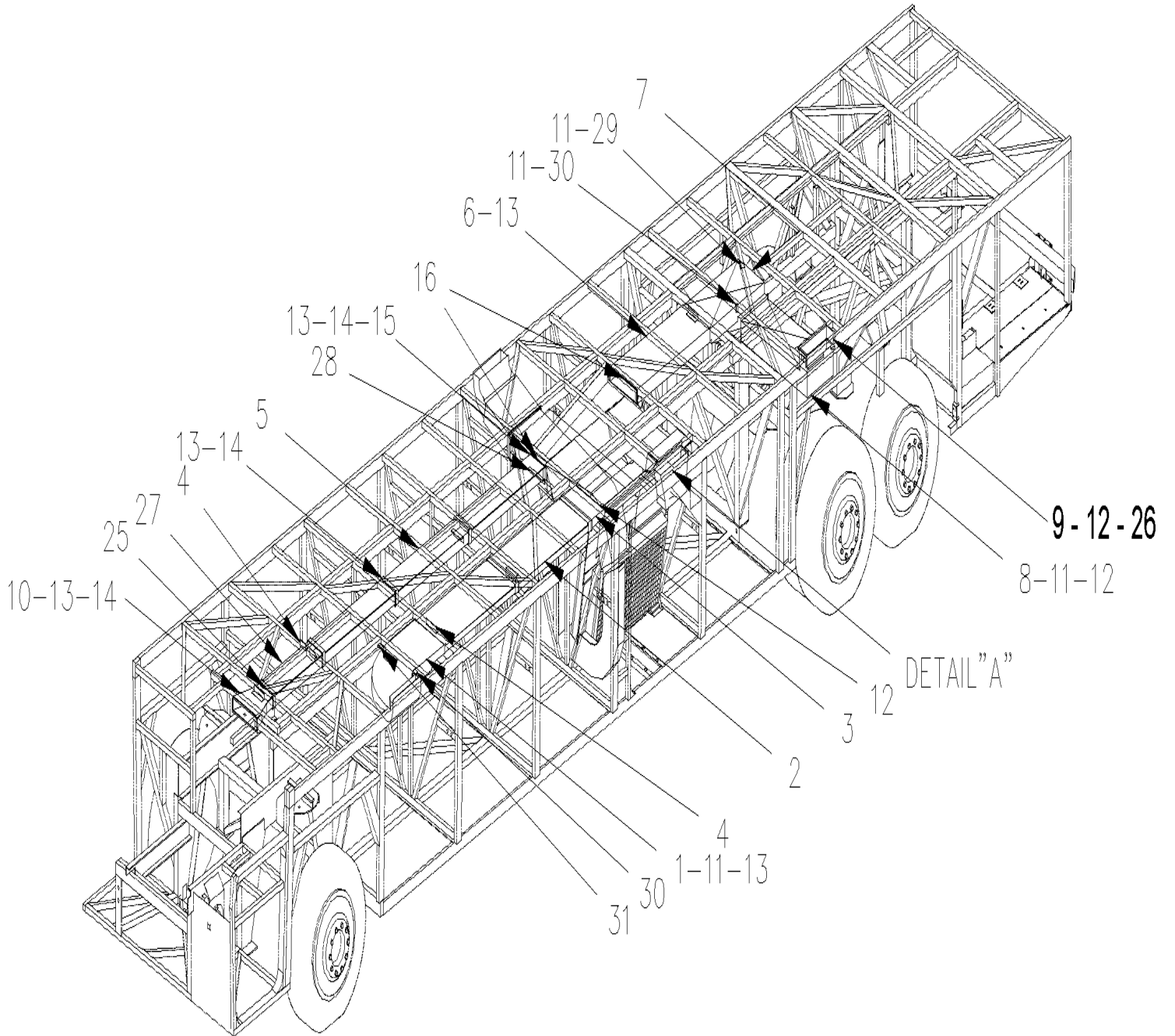
From R-012 To 2-4416	Date:10/2022	PAGE:H3-2215-01
EVAPORATOR & DAMPER CONTROL COMPONENTS		

Item#	Part	Description	H 3 4 1	H 3 4 5	V I P 4 5	N O T E S
20	064330	CABLE HARNESS / A/C JCT PANEL & EVAP COMP From V-1779 To V-1846		1		
20	064492	CABLE HARNESS / A/C JCT PANEL & EVAP COMP From V-1847		1		
20	064329	CABLE HARNESS / ACCESSORIES LUGGAGE COMPT From V-1779 To V-1846			1	
20	064491	CABLE HARNESS / ACCESSORIES LUGGAGE COMPT From V-1847			1	
21	062578	CABLE / SPEED CONTROL & MOTOR #0A To 2-4314	1	1	1	
22	062577	CABLE / MOTOR & A/C JUNCTION BOX #90H To 2-4314	1	1	1	
23	062580	CABLE / SPEED CONTROL & MOTOR #166B To 2-4314	1	1	1	
24	062706	CABLE / GROUND & SPEED CONTROL #0 To 2-4314	1	1	1	
25	870967	CONTROL SPEED To S-142	1	1	1	A
25	871060	CONTROL SPEED From S-143 To V-1692	1	1	1	A
25	871086	CONTROL SPEED From V-1693 To 2-4314	1	1	1	
26	H3-2265-01	MOTOR - EVAPORATOR - "PREVOST" - T-19 To T-1505				
26	H3-2265-02	MOTOR - EVAPORATOR - "PREVOST" - T-17 From T-1506 To Y-3909				
26	H3-2265-03	MOTOR - EVAPORATOR - "PREVOST" - T-17 - 2 SPEEDS From Y-3910				
30	500638	SCREW TP PAN PH #8x1/2 Z050	AR	AR	AR	D
31	560479	CLAMP / 3/8" I.D.	AR	AR	AR	
31	560480	CLAMP / 1/2" I.D.	AR	AR	AR	
31	561569	CLAMP / 1 3/8 I.D.	AR	AR	AR	
32	500998	NUT HEX 1/2-13 BR	1	1	1	
NS	500857	WASHER LO INT .512x.900x.045 Z050	1	1	1	
33	380360	STUD, GROUND (WELDED TO STRUCTURE) 1/2-13	1	1	1	
NS	451952	DAMPER ASSY / FRESH AIR To V-1700	1	1	1	
40	642167	. MALE ELBOW 90° SWIVEL / PUSH-IN FITTING / #2x10-32 BR To V-1700	2	2	2	
41	950200	. CYLINDER DOUBLE-ACTION To V-1700	1	1	1	
42	452203	. SUPPORT / CYLINDER To V-1700				
43	950202	. YOKE To V-1700	1	1	1	
NS	507166	. O-RING 1/4 I.D. X 3/8 O.D. To V-1700	1	1	1	
44	452202	. SHAFT To V-1700	1	1	1	
45	507309	. BUSHING NYLINED .312x.375x.078x.500 To V-1700	1	1	1	
46	500977	. SCREW CAP HEX #10-24x5/8 ZP To V-1700	1	1	1	
NS	507135	. BUSHING, NYLINER To V-1700	1	1	1	
47	451886	. PLATE FIXTURE To V-1700	AR	AR	AR	
48	500767	. NUT HEX #10-24 Z050 To V-1700	1	1	1	
49	503536	TUBE, NYLON 1/8 O.D. / BLACK S.L. To V-1700	AR	AR	AR	
50	451917	DAMPER To V-1700	1	1	1	
60	641217	VALVE, 3 WAYS, 2 POSITIONS To T-1560	1	1	1	S
60	641394	VALVE, 3 WAYS, 2 POSITIONS 24V From T-1561 To V-1700	1	1	1	S
61	780233	VALVE, CONTROL / FCP2 To V-1700	1	1	1	
NS	501320	NIPPLE HEX / PIPE FITTING / 1/8NPT-Mx1/8NPT-Mx31/32 BR To V-1700	1	1	1	
62	641129	FEMALE CONNECTOR / PUSH-IN FITTING / #2x1/8NPT-F BR To V-1700	1	1	1	
63	640996	MALE ELBOW 90° / NTA FITTING / #4x1/8NPT-M BR To V-1700	1	1	1	
64	561813	CONNECTOR / SURE-SEAL / FEMALE HOUSING 2C / ITT CANNON 120-1804-000 To V-1700	1	1	1	

From R-012 To 2-4416	Date:10/2022	PAGE:H3-2215-01
EVAPORATOR & DAMPER CONTROL COMPONENTS		

Item#	Part	Description	H 3 4 1	H 3 4 5	V I P 4 5	N O T E S
NS	561023	PIN TERMINAL / 18-14 / ITT CANNON 030-2196-001 To V-1700	1	1	1	
NS	561024	SOCKET TERMINAL / 18-14 / ITT CANNON 031-1267-001 To V-1700	1	1	1	
NS	501815	BULKHEAD UNION / JIC 37° FITTING / #8JIC-Mx#8JIC-M STL	1	1	1	
70	H3-0621-10	A/C CONDENSOR MOTOR RELAY				
71	H3-0621-99	A/C CONDENSOR MOTOR RELAY / SERVICE				
100	289649	KIT, REPLACEMENT AIR VALVE SEDAN VALVE AND DAMPER CONTROL To V-1702	AR	AR	AR	
. NS	IS-05900	. SEE INSTRUCTION SHEET To V-1702	1	1	1	
101	064370P	KIT, SPEED CONTROL To V-1702	AR	AR	AR	
. NS	IS-96101	. SEE INSTRUCTION SHEET To V-1702	1	1	1	
NS	065394	KIT, FRESH AIR DAMPER WIRING From V-1779 To W-2284	AR	AR	AR	
. NS	IS-00061	. SEE INSTRUCTION SHEET From V-1779 To W-2284	1	1	1	
		A) FOR SERVICE YOU REQUIRE ONE #064370P KIT SPEED CONTROL				
		C) FOR PRODUCT IMPROVEMENT USE KIT# 065394				
		D) TO FIX CLAMP				
		E) JCT BOX & EVAP COMP				
		F) A/C JCT BOX & EVAP COMP				
		G) FOR PRODUCT IMPROVEMENT ASK FOR 870135				
		S) SERVICE SEE KIT # 289649 FOR SERVICE WITH INSTRUCTION SHEET IS-05900				
		1) NOT SOLD SEPARATELY				

From R-012 To 2-4416	Date:10/2022	PAGE:H3-2220-01
UNDER FLOOR AIR DUCTING		

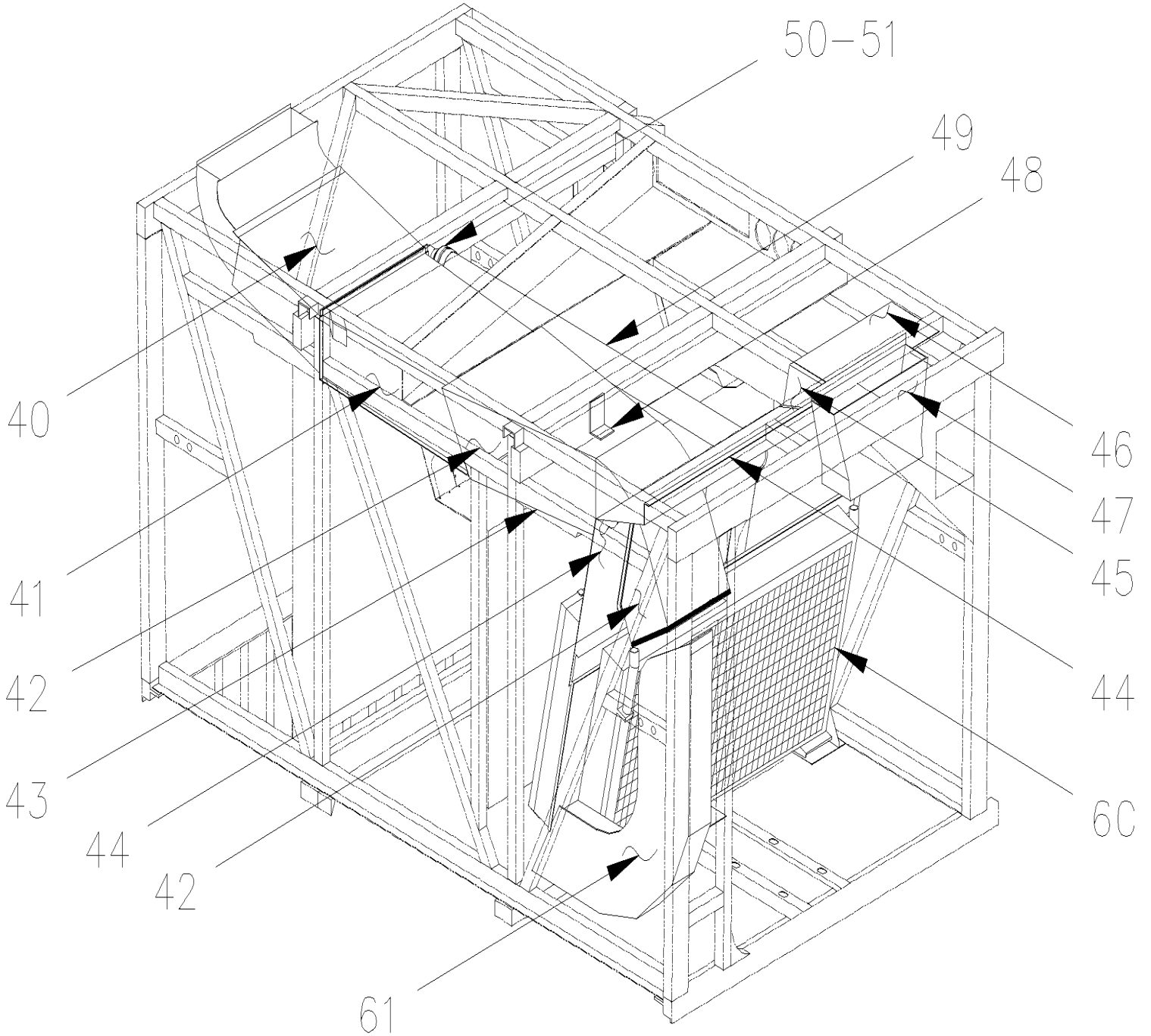


From R-012 To 2-4416

Date:10/2022

PAGE:H3-2220-01

UNDER FLOOR AIR DUCTING



DETAIL "A"

From R-012 To 2-4416	Date:10/2022	PAGE:H3-2220-01
UNDER FLOOR AIR DUCTING		

Item#	Part	Description	H 3 4 1	H 3 4 5	V I P 4 5	N O T E S
1	452396	DUCT LEFT	1	1	1	
2	452397	DUCT RIGHT 1164MM	1			
2	452397	DUCT RIGHT 1164MM		2	2	
3	452404	DUCT ASSY	1	1	1	
4	451832	ANGULAR BRACKET	7			
4	451832	ANGULAR BRACKET		6	6	
5	452410	FRONT DUCT ASSY	2			
5	452410	FRONT DUCT ASSY		3	3	
6	452407	DUCT ASSY	1	1	1	
7	452377	CENTER REAR DUCT ASSY	1	1	1	
8	452376	REAR DUCT	1	1	1	
9	452462	REAR DUCT	1	1	1	
10	451783	FRONT OUTFLOW DUCT To W-2149	1	1	1	
10	453085	FRONT OUTFLOW DUCT From W-2150	1	1	1	
11	500657	SCREW TC TR PH #10-24x1/2 Z050	AR	AR	AR	
12	680096	SEALANT BUTYL ALUM / GREY / 310ml CARTRIDGE	AR	AR	AR	
13	504114	RIVET POP DOME OE 3/16x1/4 AL	AR	AR	AR	
14	506227	TAPE RUB ADH1 CC POL 1/16" x 3/4" x 100' / GREY 2520	AR	AR	AR	
15	451835	ANGULAR BRACKET	2	2	2	
16	506002	TAPE RUB ADH1 CC POL 3/16" x 1/2" x 40' / GREY 2520	AR	AR	AR	
25	506236	TAPE RUB ADH1 CC POL 1/16" x 1/2" x 100' / GREY 2520	AR	AR	AR	
26	500659	SCREW TC PAN PH #10-32x1 Z050	4	4	4	
27	452413	DUCT, AIR INLET ASSY #1 886MM		1		
27	452522	DUCT, AIR INLET ASSY #1 812MM	1			
27	453095	DUCT, AIR INLET ASSY #1 590MM			1	
28	451801	DUCT SUPPORT	1	1	1	
29	452507	SUPPORT	1	1	1	
30	452509	SUPPORT	3	3	3	
31	452510	SUPPORT	1	1	1	
40	451948	AIR DUCT COMPT CONDENSOR ASSY	1	1		
40	451995	AIR DUCT COMPT CONDENSOR ASSY			1	
40	452867	AIR DUCT COMPT CONDENSOR ASSY / W/RICON		1		
40	453037	AIR DUCT COMPT CONDENSOR ASSY / W/W.C.L. DOOR			1	
41	451950	AIR DUCT CENTRAL ASSY	1	1	1	
42	451951	AIR DUCT LEFT ASSY	1	1	1	
43	451934	FRONT INSULATING	1	1	1	
43	451762	CENTER INSULATING	1	1	1	
43	452899	REAR INSULATING	1	1	1	
44	452491	EVAPORATOR PANEL To T-1642	1	1	1	
44	452942	EVAPORATOR PANEL From T-1643 To V-1778	1	1	1	
44	453028	EVAPORATOR PANEL From V-1779 To X-2669	1	1	1	
44	453274	EVAPORATOR PANEL From X-2670	1	1	1	

From R-012 To 2-4416	Date:10/2022	PAGE:H3-2220-01
UNDER FLOOR AIR DUCTING		

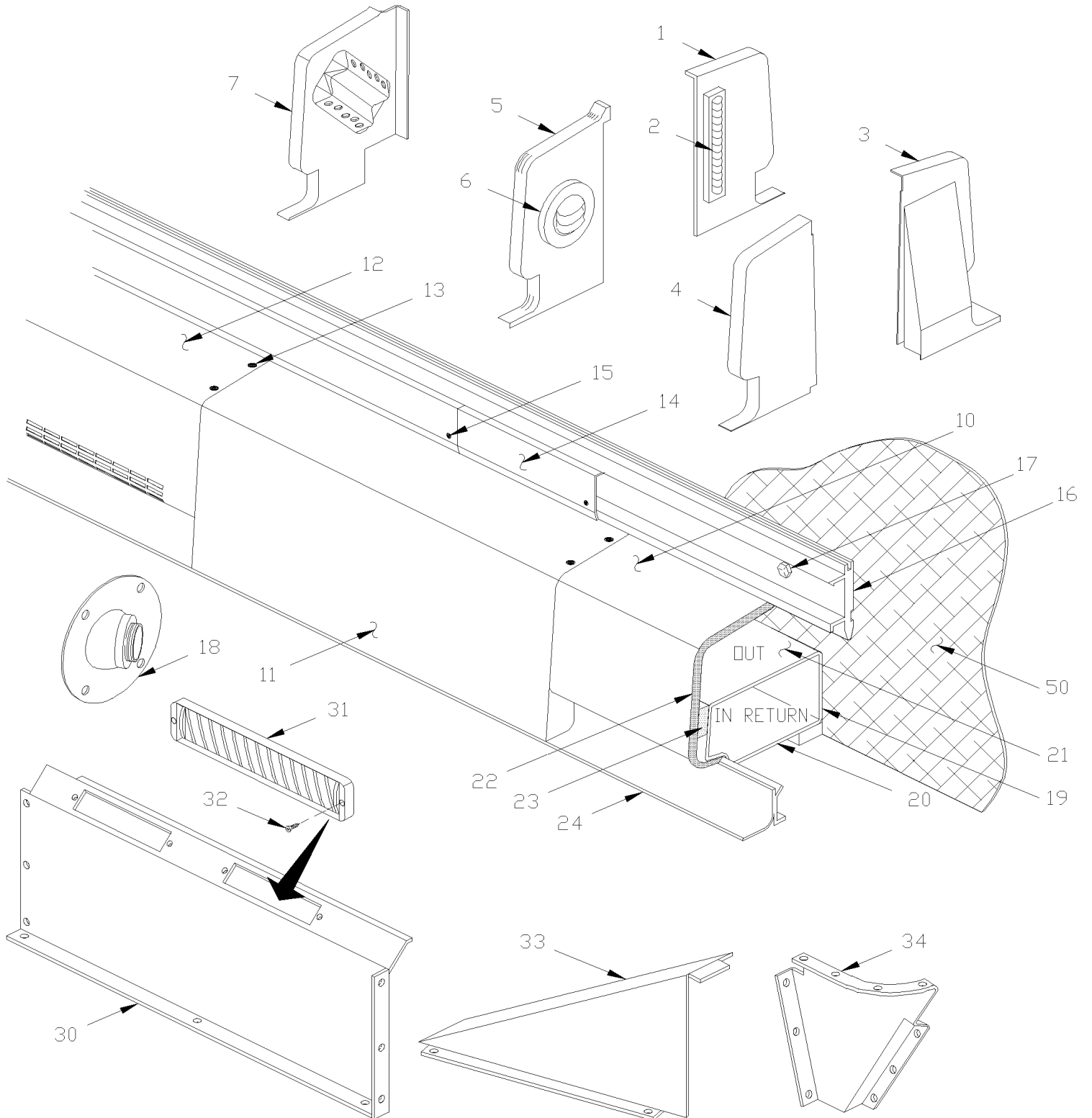
Item#	Part	Description	H 3 4 1	H 3 4 5	V I P 4 5	N O T E S
44	453310	EVAPORATOR PANEL From X-2670	1	1	1	B
NS	506236	TAPE RUB ADH1 CC POL 1/16" x 1/2" x 100' / GREY 2520	AR	AR	AR	
NS	500165	SCREW CAP HEX 1/4-20x1 G5 Z050	4	4	4	
NS	506001	TAPE RUB ADH1 CC POL 1/8" x 3/4" x 50' / GREY 2520X	AR	AR	AR	
NS	506338	RUBBER CHANNEL / 1/16" x 1/4" INT "U" SHAPE / ROUND C.T.L.	AR	AR	AR	
45	451937	PLATE CLOSING / UPPER / ITEM 44 & 46	1	1	1	
46	452492	EVAPORATOR PANEL	1	1	1	
47	372949	DUCT, AIR INLET L.H.			1	
47	453002	DUCT, AIR INLET L.H.	1	1		
NS	372711	ANGLE SUPPORT			1	
48	451932	SUPPORT	1	1	1	
NS	500613	SCREW TP PAN PH #10x1/2 Z050	AR	AR	AR	
49	451954	TUBE PVC / 3" X 1440MM	1	1	1	
50	504441	CUFF END BELLOW / 3 1/2" I.D. x 3 1/2" x 5 5/8"	1	1	1	
51	504026	HOSE CLAMP / 2"13/16-3"3/4 SS / HS-52	1	1	1	
60	H3-2205-00	HEATER & EVAPORATOR COIL & FILTER ASSY				
61	H3-2215-01	EVAPORATOR & DAMPER CONTROL COMPONENTS				
		B) WITH A/C PARCEL RACK				

From R-012 To X-3128

Date:10/2022

PAGE:H3-2221-11

DUCTING HEATER & A/C



From R-012 To X-3128	Date:10/2022	PAGE:H3-2221-11
DUCTING HEATER & A/C		

Item#	Part	Description	H 3 4 1	H 3 4 5	V I P 4 5	N O T E S
1	372591	CAP CLOSING / R.H. FRONT To W-2149	1	1		
1	373523	CAP CLOSING / R.H. FRONT From W-2150	1	1		
NS	372604	CAP CLOSING ALUMINIUM / R.H. FRONT			1	
2	870887	DEFLECTOR, AIR	1	1		
2	325310	CAP CLOSING / REAR W/W.C.L. / (CATCH SIDE OF DOOR)		1		
NS	372603	CAP CLOSING ALUMINIUM / L.H. FRONT			1	
NS	500260	SCREW TC FL PH #8-32x3/4 BK	2	2		
3	373475	CAP CLOSING / R.H. FRONT From W-2150	1	1		
4	372569	CAP CLOSING / L.H. REAR To T-1497	1	1		
NS	371716	CAP L.H. / FRONT			1	
NS	371715	CAP R.H. / FRONT			1	
5	379082	CAP CLOSING / L.H. FRONT DUCT	1	1		
5	324754	CAP CLOSING / REAR W/W.C.L. / (HINGE SIDE OF DOOR)	1	1		
5	325310	CAP CLOSING / REAR W/W.C.L. / (CATCH SIDE OF DOOR)		1		
NS	372603	CAP CLOSING ALUMINIUM / L.H. FRONT			1	
5	373524	CAP CLOSING / L.H. FRONT DUCT	1	1		
5	373579	CAP CLOSING / FRONT W/W.C.L. "RICON" / (CATCH		1		C
6	870901	LOUVER, ADJUSTABLE / ROUND 3" O.D.	1	1	1	
7	373390	CAP CLOSING / L.H. REAR From T-1498 To W-2284	1	1		
7	373522	CAP CLOSING / L.H. REAR From W-2285	1	1		
10	373262	DUCT, AIR 1034 MM			1	A
10	323415	DUCT, AIR 1379 MM		1		
10	324256	DUCT, AIR 1464 MM	1	1		
10	322696	DUCT, AIR 1520MM		1		
10	323411	DUCT, AIR 1717MM		1		
10	324504	DUCT, AIR 1718 MM	1			
10	324257	DUCT, AIR 1794 MM	1	1		
10	324254	DUCT, AIR 1843 MM	1	1		
10	372609	DUCT, AIR 1923 MM			1	
10	373258	DUCT, AIR 2111 MM			1	
10	322695	DUCT, AIR 2305MM	1	1		
10	329115	DUCT, AIR 2438 MM	1	1		
10	372608	DUCT, AIR 2438 MM			5	
10	324757	DUCT, AIR / W/W.C.L. "ST & ST" 490MM		1		
10	325298	DUCT, AIR / W/W.C.L. "RICON" 610MM		1		
10	325299	DUCT, AIR / W/W.C.L. "RICON" 2086 MM		1		
11	329045	DUCT, AIR 548 MM / TRANSITION	2	2		
NS	452466	DEFLECTOR / OUTPUT DUCT LH To S-079	1	1		
NS	452467	DEFLECTOR / OUTPUT DUCT RH To S-079	1	1		
NS	452575	DEFLECTOR / OUTPUT DUCT LH & RH From S-080 To S-127	2	2		
NS	452649	DEFLECTOR / OUTPUT DUCT LH & RH From S-128 To S-145	2	2		
NS	452689	DEFLECTOR / OUTPUT DUCT LH & RH From S-146	2	2		

From R-012 To X-3128	Date:10/2022	PAGE:H3-2221-11
DUCTING HEATER & A/C		

Item#	Part	Description	H 3 4 1	H 3 4 5	V I P 4 5	N O T E S
NS	452551	DEFLECTOR / OUTPUT DUCT LH To S-079			1	
NS	452552	DEFLECTOR / OUTPUT DUCT RH To S-079			1	
NS	452576	DEFLECTOR / OUTPUT DUCT LH & RH From S-080 To S-145			2	
NS	452685	DEFLECTOR / OUTPUT DUCT LH & RH From S-146			2	
12	324255	DUCT, AIR W/HOLE 1790MM	1	1		
12	322698	DUCT, AIR W/HOLE 1800MM	1			
12	322699	DUCT, AIR W/HOLE 1800MM	1	1		
12	323414	DUCT, AIR W/HOLE 1809MM	1	1		
NS	372610	DUCT, AIR W/HOLE 2438MM			2	
NS	372611	DUCT, AIR W/HOLE 2438MM			1	
NS	323416	SUPPORT / "Y" SHAPED	5			
NS	323416	SUPPORT / "Y" SHAPED		6		
NS	323416	SUPPORT / "Y" SHAPED			14	
13	500583	SCREW TP PAN PH #6x1/2 Z050	AR	AR	AR	
14	323646	PROTECTOR, CABLE 327MM		1		
14	324505	PROTECTOR, CABLE 623MM	1			
14	324505	PROTECTOR, CABLE 623MM		4		
14	325778	PROTECTOR, CABLE 660MM	1	1		
14	324265	PROTECTOR, CABLE W/1 HOLE AT 730MM RH / 1198MM	1	1		
14	324523	PROTECTOR, CABLE W/1 HOLE AT 162MM RH / 1519 MM	1			
14	324264	PROTECTOR, CABLE 1869MM		1		
14	322956	PROTECTOR, CABLE 2438 MM	3			
14	322956	PROTECTOR, CABLE 2438 MM		4		
14	323390	PROTECTOR, CABLE W/1 HOLE AT 770MM RH / 2438	1	1		
14	323391	PROTECTOR, CABLE W/2 HOLES AT 356MM LH & 162MM RH / 2438	1	1		
14	323392	PROTECTOR, CABLE W/2 HOLES AT 432MM LH & 306MM RH / 2438	1	1		
14	323393	PROTECTOR, CABLE W/1 HOLE AT 344MM RH / 2438	1	1		
14	324755	PROTECTOR, CABLE W/W.C.L. "ST & ST" / 647MM		1		
14	325016	PROTECTOR, CABLE W/W.C.L. "ST & ST" / 1777MM	1			
14	325305	PROTECTOR, CABLE W/W.C.L. "RICON" / 1398MM		1		
14	325301	PROTECTOR, CABLE W/W.C.L. "RICON" / 1563MM		1		
15	500417	SCREW TP PAN PH #6x3/8 Z050	AR	AR		
16	324626	RAIL	2	2		
16	324251	RAIL, 11'6"7/8	2			
16	324251	RAIL, 11'6"7/8		1		
16	324250	RAIL, 12'8"5/16	2			
16	324252	RAIL 358 MM	1	1		
16	324627	RAIL, 15' 2 1/2"	2			
16	324628	RAIL, 19' 3 9/16"		2		
16	325300	RAIL, W/W.C.L. "RICON"		1		
16	323947	RAIL, W/W.C.L. "RICON"		1		
16	325304	RAIL, W/W.C.L. "RICON"		1		

From R-012 To X-3128	Date:10/2022	PAGE:H3-2221-11
DUCTING HEATER & A/C		

Item#	Part	Description	H 3 4 1	H 3 4 5	V I P 4 5	N O T E S
16	325015	RAIL, W/W.C.L. "ST & ST"	2			
16	325016	PROTECTOR, CABLE W/W.C.L. "ST & ST" / 1777MM	2	2		
16	324758	RAIL, W/W.C.L. "ST & ST"		1		
NS	372601	"T" SUPPORT, AIR DUCT 1308MM			2	
NS	372583	"T" SUPPORT, AIR DUCT 70 7/8"			2	
NS	372600	"T" SUPPORT, AIR DUCT 2204MM			2	
NS	372602	"T" SUPPORT, AIR DUCT 3849MM			2	
17	500517	SCREW TC CAP HEXW 5/16-18x3/4 Z050	AR	AR		
NS	500642	SCREW TP PAN PH #10x3/4 Z050			30	
18	870899	LOUVER, ADJUSTABLE To T-1417	2	2		
NS	502664	SCREW TP PAN PH #8x1 SS EMN To T-1417	4	4		
19	451474	DUCT, AIR RETURN (1143 MM)	2	2		
19	372689	DUCT, AIR RETURN (1143 MM)			2	
NS	459165	ANGLE / TO FIX RETURN DUCT TO FLOOR	4	4	4	
NS	500642	SCREW TP PAN PH #10x3/4 Z050	AR	AR	AR	
20	373261	PANEL, PROTECTOR / FLOOR (114 X 127MM)			1	
20	372687	PANEL, PROTECTOR / FLOOR (114 X 346MM)			1	
20	372686	PANEL, PROTECTOR / FLOOR (114 X 471MM)			2	
20	373260	PANEL, PROTECTOR / FLOOR (114 X 556MM)			1	
20	323426	PANEL, PROTECTOR / FLOOR (120 X 58MM)	1	1		
20	324258	PANEL, PROTECTOR / FLOOR (120 X 138MM)	1			
20	323427	PANEL, PROTECTOR / FLOOR (120 X 634MM)	1	1		
20	323429	PANEL, PROTECTOR / FLOOR (120 X 641MM)	2	2		
20	500505	SCREW WO PAN PH #10x1 Z050	AR	AR	AR	
21	451475	DEFLECTOR / L.H. /END OF RETURN DUCT)	1	1		
21	451476	DEFLECTOR / R.H. /END OF RETURN DUCT)	2	2		
21	323412	DEFLECTOR, ANGLE / REAR L.H. SIDE / TOP OF RETURN	1	1		
22	506025	RUBBER CHANNEL / 1/18" x 5/16" INT "U" SHAPE / SQUARE C.T.L.	AR	AR		A
23	506268	TAPE RUB ADH1 URE 3/8" x 1/2" x 25' / GREY 1820	AR	AR	AR	
24	324261	RAIL, LOWER 806MM	1			
24	325226	RAIL, LOWER 1198MM	1			
24	324262	RAIL, LOWER 1292MM	1	1		
24	324260	RAIL, LOWER 1765MM	1	1		
24	325227	RAIL, LOWER 1765MM	1	1		
24	325225	RAIL, LOWER 2340MM	1	1		
24	324502	RAIL, LOWER 2408MM	1			
24	324263	RAIL, LOWER 3538MM	1	1		
24	325297	RAIL, LOWER 3875MM		1		
24	324259	RAIL, LOWER 3954MM	1	1		
24	324756	RAIL, LOWER / W/W.C.L. "RICON" 3250 MM		1		
24	324503	RAIL, LOWER 4132MM	1			
24	325696	RAIL, LOWER 4525MM	1	1		

From R-012 To X-3128	Date:10/2022	PAGE:H3-2221-11
DUCTING HEATER & A/C		

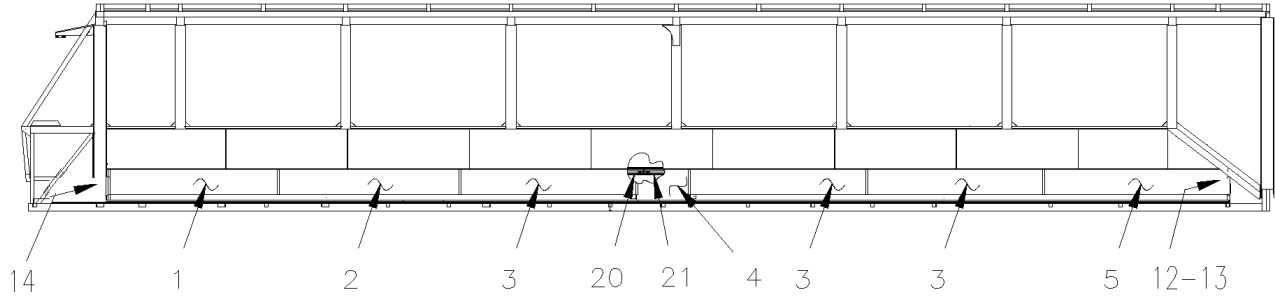
Item#	Part	Description	H 3 4 1	H 3 4 5	V I P 4 5	N O T E S
30	372842	DUCT, AIR / R.H. FRONT LOWER To X-2861			1	
30	373487	DUCT, AIR / R.H. FRONT LOWER From X-2862			1	
31	871027	DIFFUSOR			2	
32	502611	SCREW TP FL PH #6x1/2 Z050			1	
33	372858	CAP CLOSING DEFLECTOR			1	
34	372821	DEFLECTOR / UNDER FLOOR			1	
50	850067	ALUMINUM WALL COVERING ADHESIVE / 29" X 409"	2			
50	850068	ALUMINUM WALL COVERING ADHESIVE / 29" X 458"		2		
50	850072	ALUMINUM WALL COVERING ADHESIVE / 29" X 432"			2	
		A) NEAR LAVATORY				
		C) FOR PRODUCT IMPROVEMENT ASK KIT # 453788 SEE PAGE H3-2221-10				

From X-3129 To 2-4416

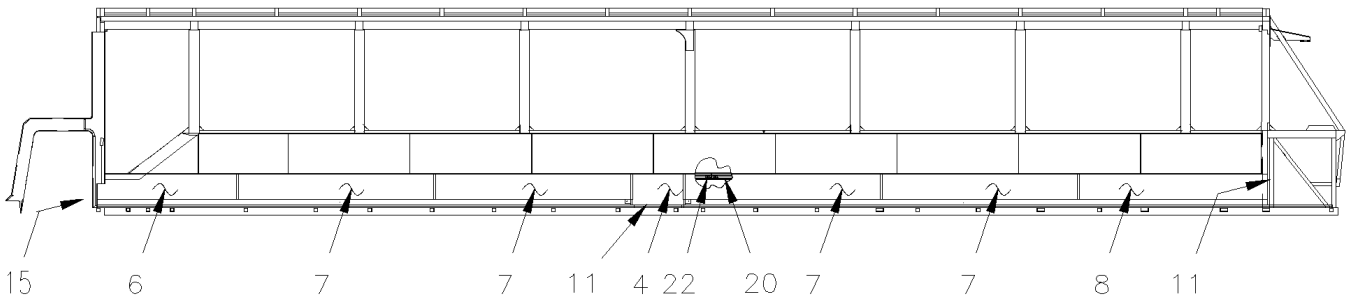
Date:10/2022

PAGE:H3-2221-12

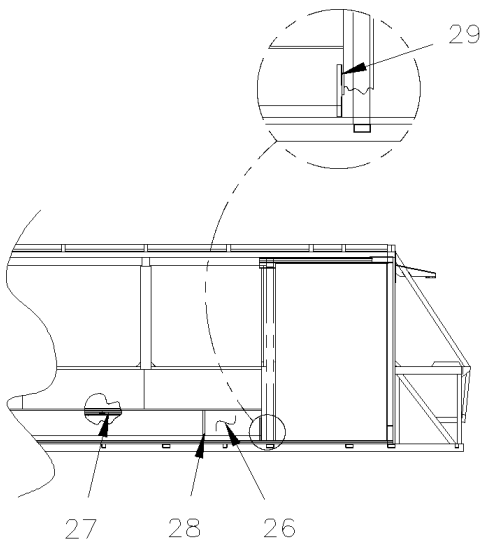
DUCTING HEATER & A/C



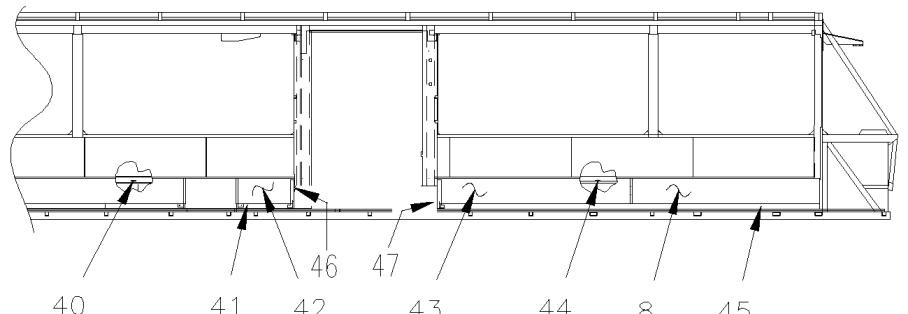
H3-45 LEFT SIDE



H3-45 RIGHT SIDE



H3-45 W.C.L. ST & ST.



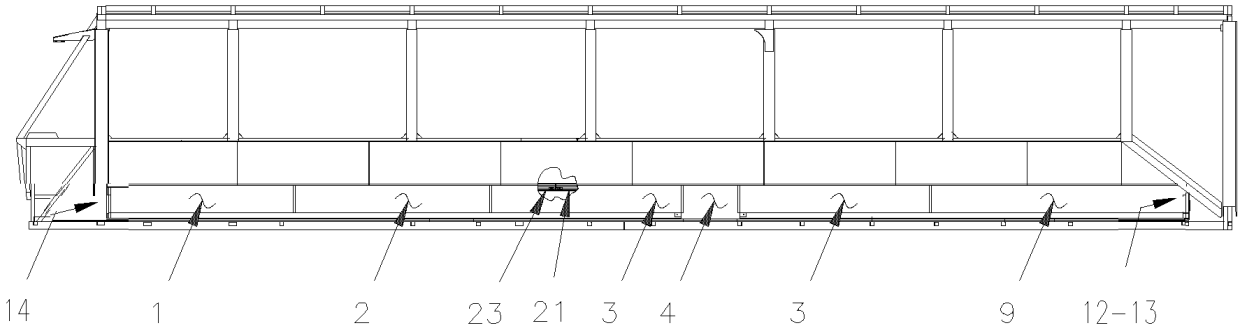
H3-45 W.C.L. RICON 9000

From X-3129 To 2-4416

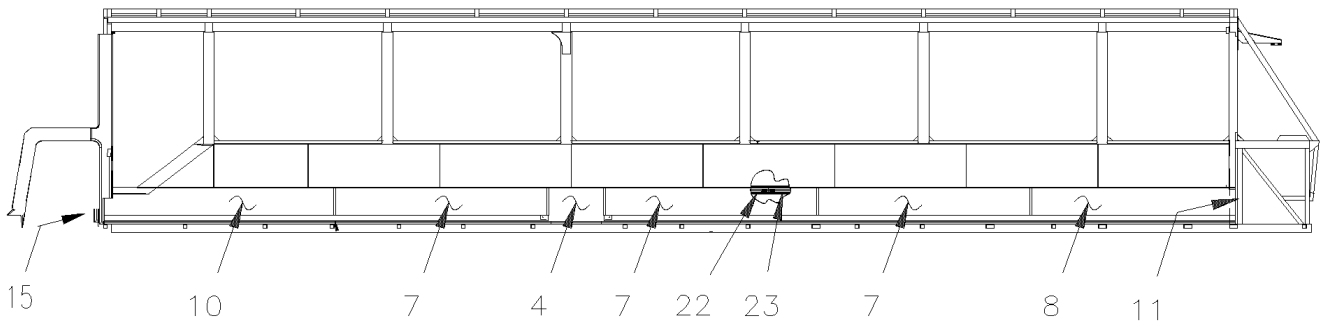
Date:10/2022

PAGE:H3-2221-12

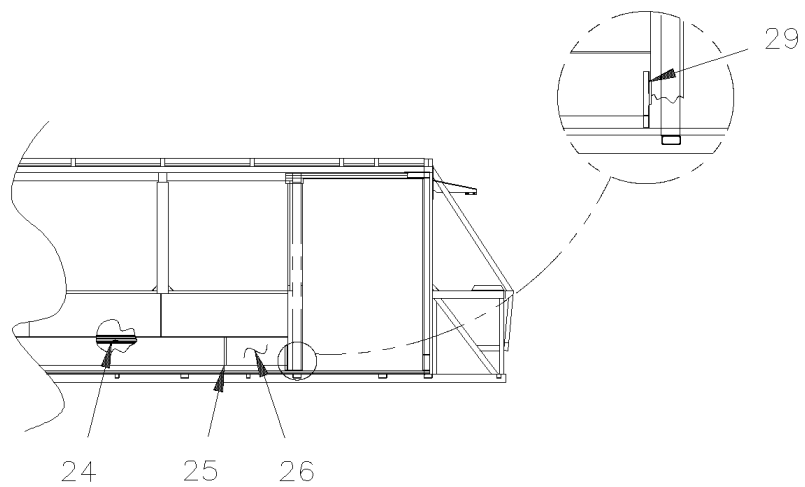
DUCTING HEATER & A/C



H3-41 LEFT SIDE



H3-41 RIGHT SIDE



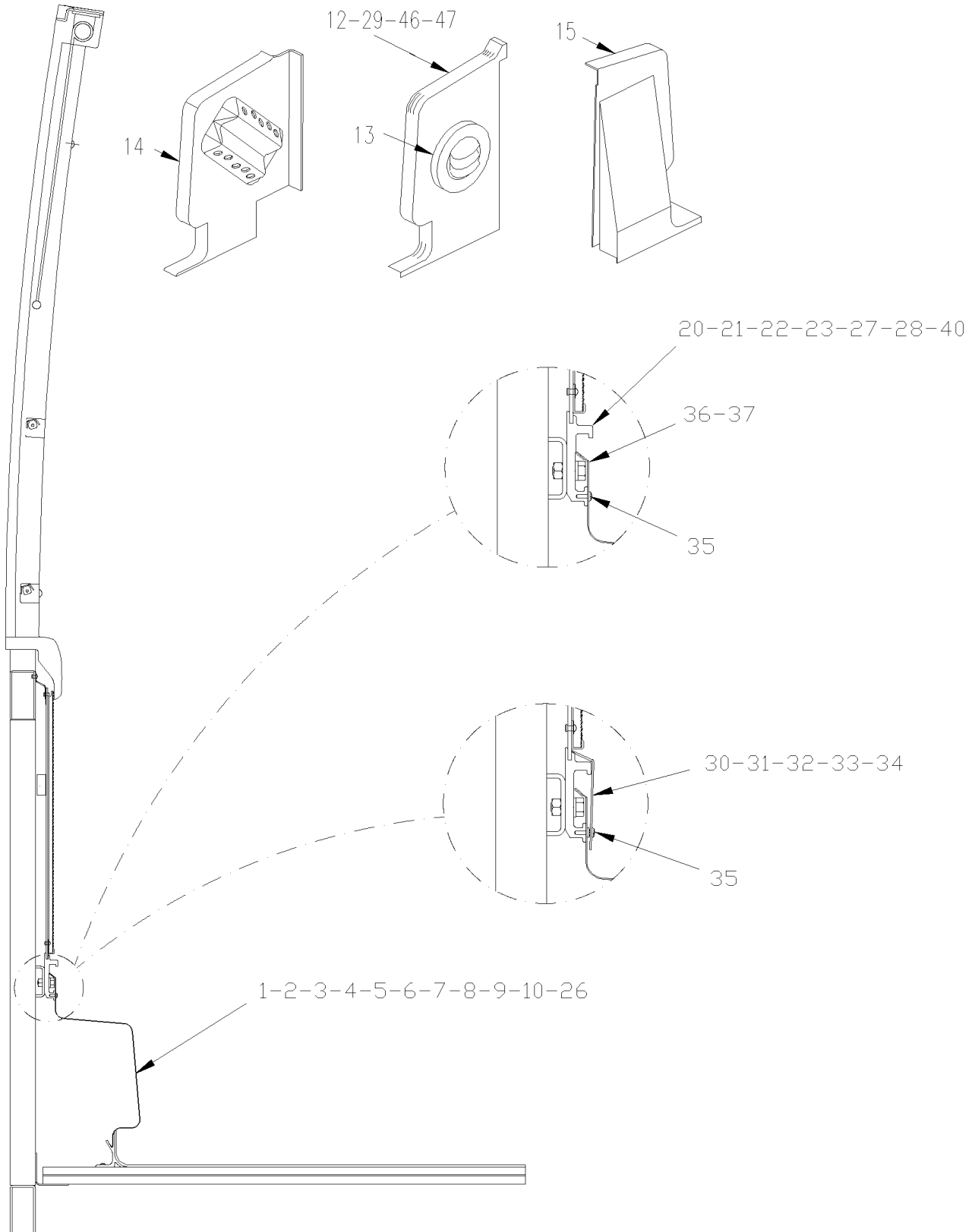
H3-41 W.C.L. ST & ST.

From X-3129 To 2-4416

Date:10/2022

PAGE:H3-2221-12

DUCTING HEATER & A/C



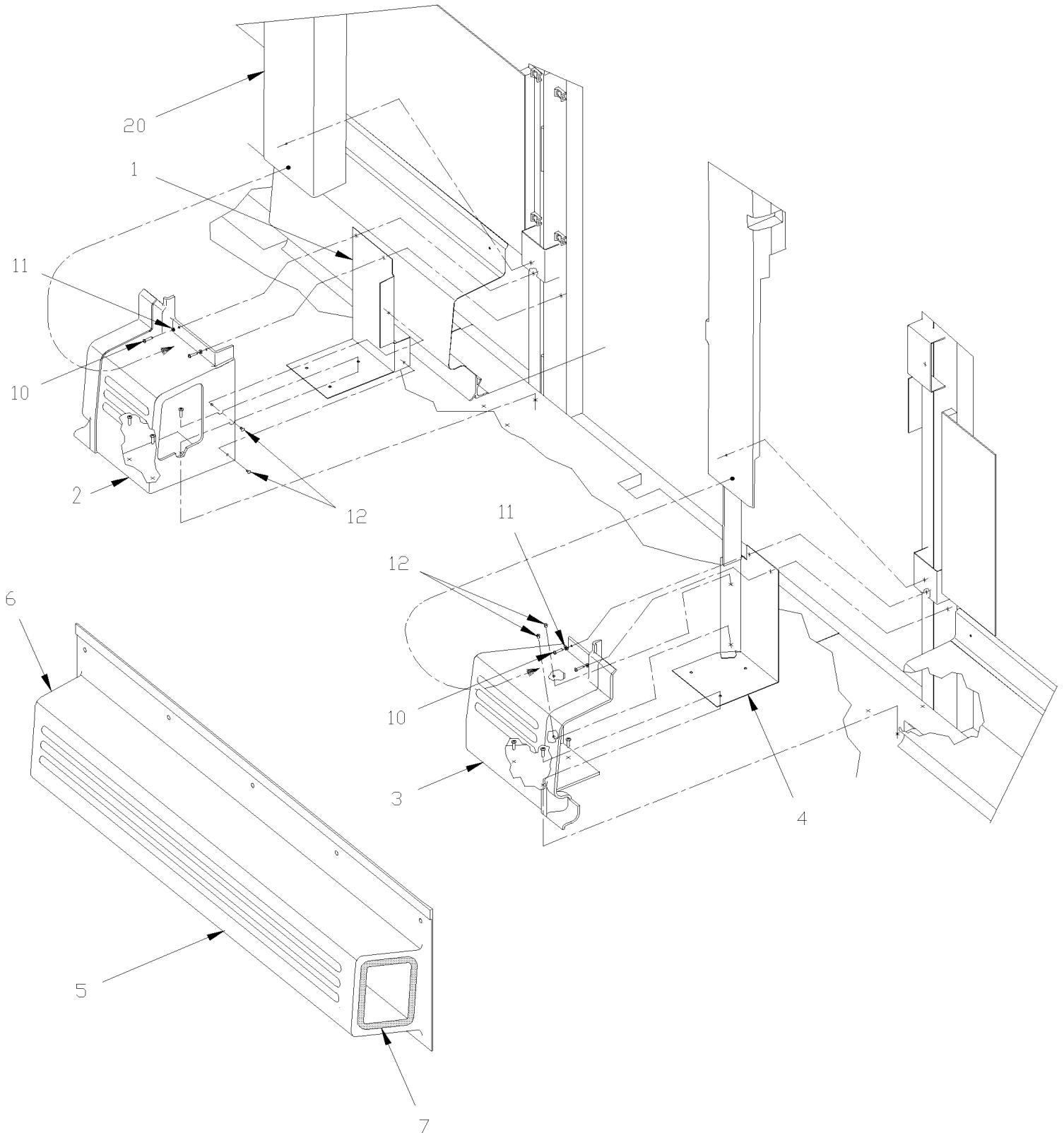
From X-3129 To 2-4416	Date:10/2022	PAGE:H3-2221-12
DUCTING HEATER & A/C		

Item#	Part	Description	H 3 4 1	H 3 4 5	V I P 4 5	N O T E S
1	326690	DUCT, AIR 2000MM	1	1		
2	326691	DUCT, AIR 1843MM	1	1		
3	326692	DUCT, AIR 1800MM	2			
3	326692	DUCT, AIR 1800MM		3		
4	326693	DUCT, AIR 548MM	2	2		
5	326694	DUCT, AIR W/HOLE 1877MM		1		
6	326695	DUCT, AIR 1422MM		1		
7	326696	DUCT, AIR 2000MM	3	3		
8	326697	DUCT, AIR 1908MM		1		
9	326698	DUCT, AIR W/HOLE 2411MM	1			
10	326699	DUCT, AIR 2156MM	1			
11	506025	RUBBER CHANNEL / 1/18" x 5/16" INT "U" SHAPE / SQUARE C.T.L.	AR	AR		
12	379082	CAP CLOSING / L.H. FRONT DUCT To X-3130		1		
12	326589	CAP CLOSING / L.H. FRONT DUCT From X-3131		1		
13	870901	LOUVER, ADJUSTABLE / ROUND 3" O.D.		1		
14	326587	CAP CLOSING / L.H. REAR DUCT	1	1		
15	326585	CAP CLOSING	1	1		
20	326621	EXTRUSION, LOWER WALL 5370MM		2		
21	326617	EXTRUSION, LOWER WALL 5890MM	1	1		
22	326616	EXTRUSION, LOWER WALL 6236MM	1	1		
23	326619	EXTRUSION, LOWER WALL 4123MM	2			
24	326620	EXTRUSION, LOWER WALL 2920MM	1			
25	326653	EXTRUSION, FLOOR 4272MM	1			
26	326702	DUCT, AIR 586MM	1	1		
27	326622	EXTRUSION, WALL 4165MM		1		
28	326648	EXTRUSION, FLOOR 4512MM		1		
29	326586	CAP CLOSING	1	1		
30	328983	MOULDING, COVER CABLE / 203MM	AR	AR		
31	326824	MOULDING, COVER CABLE / 360MM	AR	AR		
32	326825	MOULDING, COVER CABLE / 390MM	AR	AR		
33	326826	MOULDING, COVER CABLE / 465MM	AR	AR		
34	326590	MOULDING, COVER CABLE / 530MM	AR	AR		
35	500583	SCREW TP PAN PH #6x1/2 Z050	AR	AR		
35	500417	SCREW TP PAN PH #6x3/8 Z050	AR	AR		
36	5001473	SCREW CAP HEXS 5/16-18x3/4 NYRT	AR	AR		
37	500441	WASHER FL .312x.734x.065 Z050	AR	AR		
40	326618	EXTRUSION, LOWER WALL 6420 MM		1		
41	326649	EXTRUSION, FLOOR 606 MM		1		
42	326700	DUCT, AIR 610 MM		1		
43	326701	DUCT, AIR 1987 MM		1		
44	326623	EXTRUSION, LOWER WALL 3800 MM		1		
45	326650	EXTRUSION, FLOOR 3875 MM		1		

From X-3129 To 2-4416	Date:10/2022	PAGE:H3-2221-12
DUCTING HEATER & A/C		

Item#	Part	Description	H 3 4 1	H 3 4 5	V I P 4 5	N O T E S
46	326586	CAP CLOSING		1		C
47	326585	CAP CLOSING		1		C
50	500552	SCREW TP OV PH #6x3/4 Z050		AR		
51	500463	WASHER FN CKF .187x.500x.090 BR Z050		AR		
52	504105	RIVET POP DOME OE 1/8x3/16 AL		AR		
53	500640	SCREW TP PAN PH #6x3/4 Z050		AR		
		C) FOR PRODUCT IMPROVEMENT ASK KIT # 453788 SEE PAGE H3-2221-10				

From R-012 To 2-4416	Date:10/2022	PAGE:H3-2221-80
AIR DUCT W.C.L. DOOR "RICON" / RETROFIT		



From R-012 To 2-4416	Date:10/2022	PAGE:H3-2221-80
AIR DUCT W.C.L. DOOR "RICON" / RETROFIT		

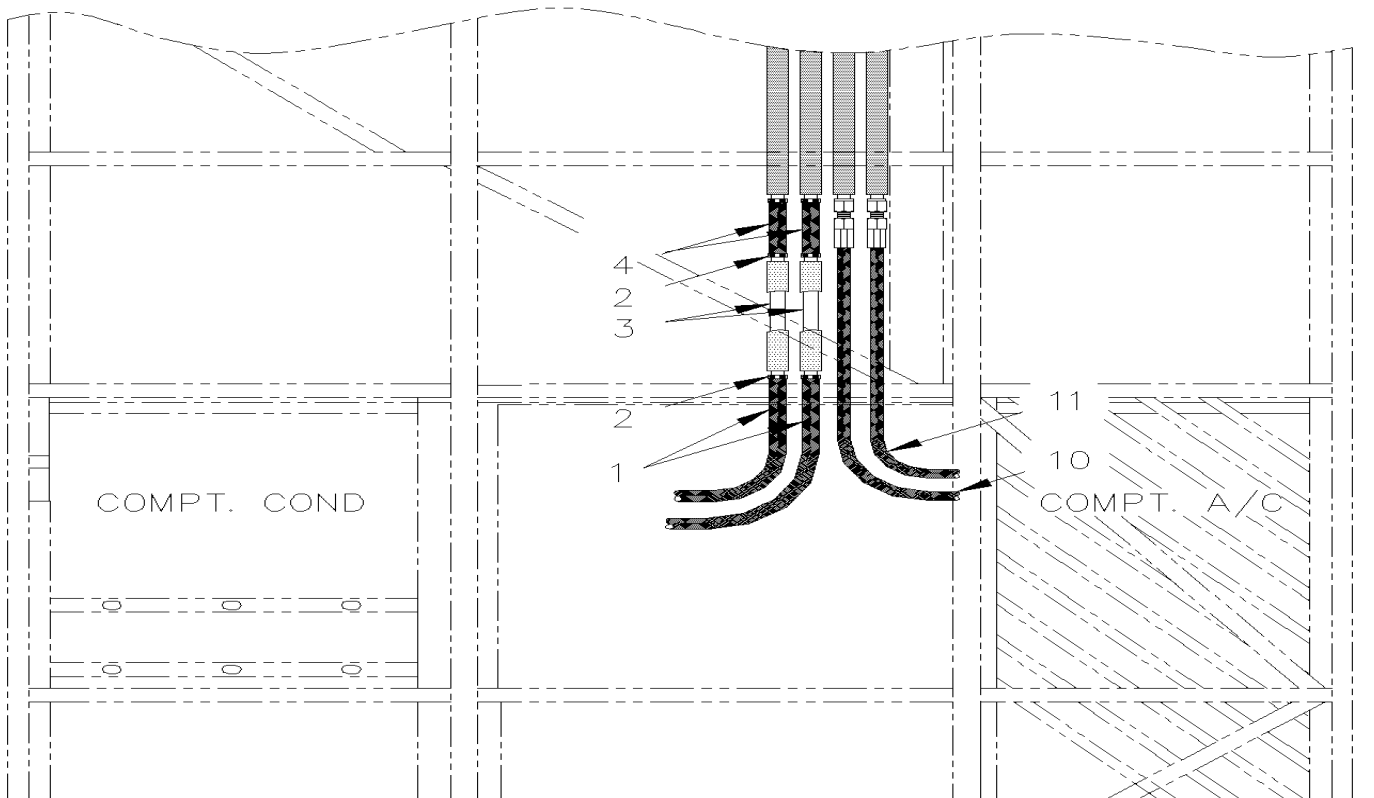
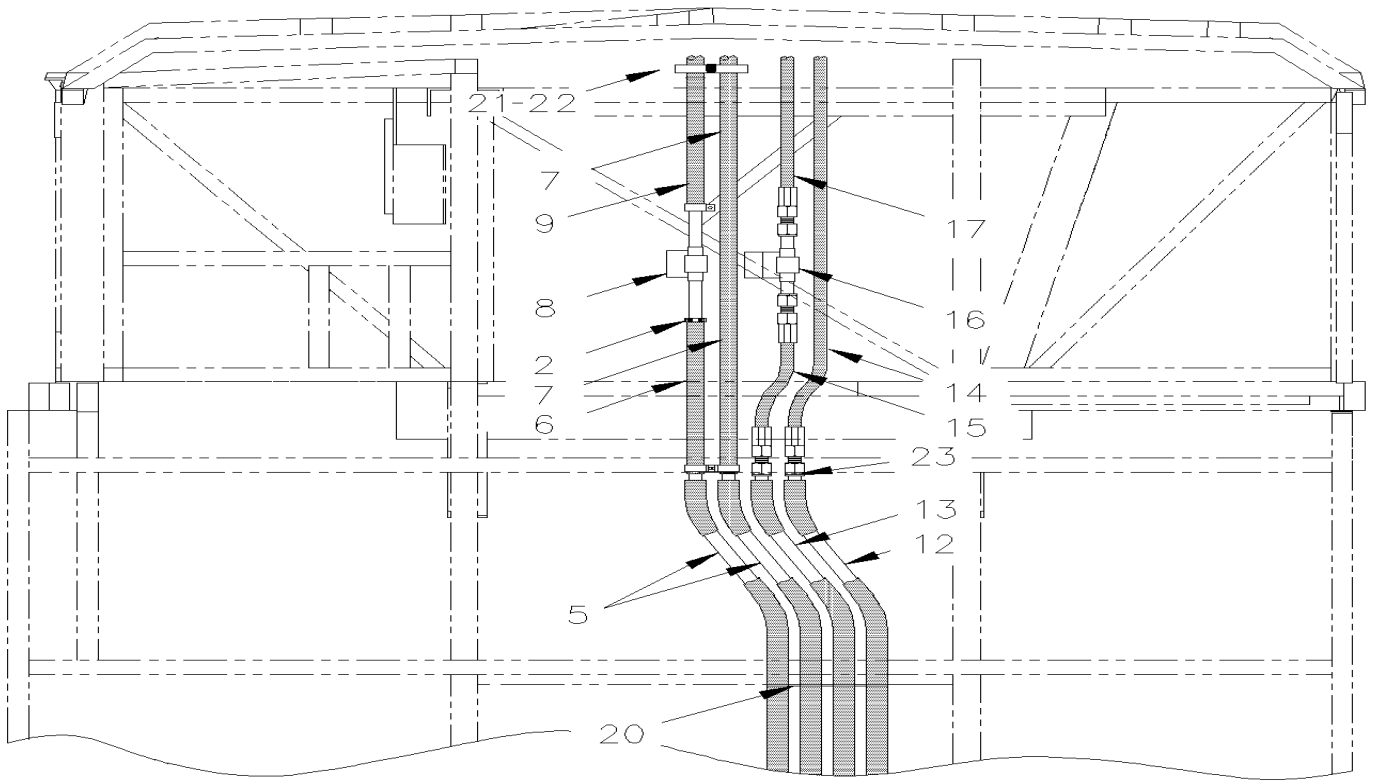
Item#	Part	Description	H 3 4 1	H 3 4 5	V I P 4 5	N O T E S
		KIT INCLUD ALLS ITEMS LISTED BELOW	1	1	1	
NS	453788	KIT AIR DUCT DOOR W/"RICON"	1	1		
. NS	IS-00140	. SEE INSTRUCTION SHEET	1	1		
1	327561	. CLOSING PANEL FORWARD AIR DUCT	1	1		
NS	453787	. END PLATE	1	1		A
2	327559	. DUCT END FORWARD AIR DUCT	1	1		
3	327558	. DUCT END BACKWARD AIR DUCT	1	1		
4	327562	. CLOSING PANEL BACKWARD AIR DUCT	1	1		
5	327557	. DUCT DOOR / PLASTIC	1	1		
5	H3-1862-80	ENTRANCE DOOR ASSY - W.C.L.				
6	327614	. SEAL DUCT 485MM	1	1		?
. NS	5061011	. . RUBBER EXTRUSION TRIM SEAL / GRIP .090/.120 / 5/8" HOLLOW BULB C.T.L.	AR	AR		
7	327659	. SEAL DUCT 513MM	1	1		?
. NS	5061011	. . RUBBER EXTRUSION TRIM SEAL / GRIP .090/.120 / 5/8" HOLLOW BULB C.T.L.	AR	AR		
10	500552	. SCREW TP OV PH #6x3/4 Z050	25	25		
11	500463	. WASHER FN CKF .187x.500x.090 BR Z050	25	25		
12	504105	. RIVET POP DOME OE 1/8x3/16 AL	25	25		
NS	504487	. RIVET MGLP PRDG 3/16x7/16 SS	12	12		
13	506268	. TAPE RUB ADH1 URE 3/8" x 1/2" x 25' / GREY 1820	AR	AR		
14	505319	. ANCHOR SELF-STICK 2 1/2" GAL	4	4		
15	505221	. SPRING, PIN 1/8 X 3/8	1	1		
16	287305	. ARM DOOR RETAINER / W/"RICON" DOOR	1	1		
16	500987	. SCREW SHR HEXS 3/8x5/8 {5/16-18	1	1		
17	287307	. SLIDING / W/"RICON" DOOR	1	1		
18	5001233	. WASHER FL .500x1.250x.062 NYL	2	2		
19	5001315	. SCREW CAP HEX 1/4-20x1 SS	2	2		
19	500411	. WASHER FL .260x.697x.050 SS	6	6		
19	500640	. SCREW TP PAN PH #6x3/4 Z050	4	4		
19	500748	. WASHER INSU G.10x1.125x1.250 Z050	4	4		
19	270932	. FINISHING SUPPORT	2	2		
19	780648	. LATCH	1	1		
19	500982	. NUT HEX JAM 5/16-18 Z050	1	1		
20	H3-1833-02	WINDOW FINISHING CAP & WALL				
		A) THIS PART ARE USE ONLY IN RETROFIT KIT #453788 FOR VEHICULE Up to 2-4416				
		?) SEE DETAIL SCREEN				

From R-012 To 2-4416

Date:10/2022

PAGE:H3-2222-10

A/C & HEATING LINE FRONT SECTION



From R-012 To 2-4416	Date:10/2022	PAGE:H3-2222-10
A/C & HEATING LINE FRONT SECTION		

Item#	Part	Description	H 3 4 1	H 3 4 5	V I P 4 5	N O T E S
1	372632	HOSE 7/8" I.D. X 1848MM	2	2	2	
1	503523	. HOSE SILICONE 1PLY 3/4" I.D. x 100' / S.L.	AR	AR	AR	
2	504646	HOSE CLAMP / 11/16"-1"1/4 / C.T. 9412	AR	AR	AR	
3	373250	PIPE ASSY To V-1935	2			
3	373453	PIPE ASSY 1294MM From V-1936	2			
3	373223	PIPE ASSY To V-1935		2	2	
3	373450	PIPE ASSY 2450MM From V-1936		2	2	
3	506276	. PIPE INSULATING / 7/8" I.D. X 1/2" TH. X 72 / APT07812	AR	AR	AR	
4	373134	HOSE /WATER VALVE & HEATER / 7/8" I.D. 229MM	2	2	2	
4	503523	. HOSE SILICONE 1PLY 3/4" I.D. x 100' / S.L.	AR	AR	AR	
5	372661	PIPE ASSY To T-1488	2	2	2	
5	373267	PIPE ASSY From T-1489 To V-1935	2	2	2	
5	373456	PIPE ASSY From V-1936	2	2	2	
6	372738	HOSE 3/4" I.D. 815 MM To W-2147	1	1	1	
6	373500	HOSE / PIPE & WATER VALVE / 7/8" I.D. 650MM From W-2148	1	1	1	
7	372633	HOSE / PIPE & HEATER / 3/4" I.D. 7' 3" To W-2147	1	1	1	
7	373499	HOSE / PIPE & HEATER / 3/4" I.D. 7' 3" From W-2148 To W-2284	1	1	1	
7	373550	HOSE / PIPE & HEATER / 7/8" I.D. 1130MM From W-2285	1	1	1	
7	503523	. HOSE SILICONE 1PLY 3/4" I.D. x 100' / S.L.	AR	AR	AR	
NS	506267	. PIPE INSULATING / 1 1/8" I.D. X 1/2" TH. X / APT11812	AR	AR	AR	
8	H3-2207-11	WATER VALVE - DRIVER'S				
NS	372742	SUPPORT / TO FIX WATER VALVE	1	1	1	
NS	500642	SCREW TP PAN PH #10x3/4 Z050	2	2	2	D
9	372634	HOSE /WATER VALVE & HEATER / 3/4" I.D. 4' 75" To W-2284	1	1	1	
9	373134	HOSE /WATER VALVE & HEATER / 7/8" I.D. 229MM From W-2285	1	1	1	
NS	503523	. HOSE SILICONE 1PLY 3/4" I.D. x 100' / S.L.	AR	AR	AR	
10	373248	HOSE ASSY / #10 4164MM To V-1935	1			
. NS	507344	. O-RING / ORS FITTING / #10 NEO To V-1935	2			
10	370723	HOSE ASSY / #10 4164MM To V-1935	1			S
. NS	507344	. O-RING / ORS FITTING / #10 NEO To V-1935	2			S
10	373451	HOSE ASSY / #10 4570MM From V-1936 To W-2284	1			
. NS	507344	. O-RING / ORS FITTING / #10 NEO From V-1936 To W-2284	2			
10	370730	HOSE ASSY / #10 4570MM From V-1936 To W-2284	1			S
. NS	507344	. O-RING / ORS FITTING / #10 NEO From V-1936 To W-2284	2			S
10	373451	HOSE ASSY / #10 4570MM From W-2285	1			
. NS	507344	. O-RING / ORS FITTING / #10 NEO From W-2285	2			
10	370730	HOSE ASSY / #10 4570MM From W-2285	1			S
. NS	507344	. O-RING / ORS FITTING / #10 NEO From W-2285	2			S
10	373130	HOSE ASSY / #10 5200MM To V-1935		1	1	
. NS	507344	. O-RING / ORS FITTING / #10 NEO To V-1935		2	2	
10	374408	HOSE ASSY / #10 5200MM To V-1935		1	1	S
. NS	507344	. O-RING / ORS FITTING / #10 NEO To V-1935		2	2	S

From R-012 To 2-4416	Date:10/2022	PAGE:H3-2222-10
A/C & HEATING LINE FRONT SECTION		

Item#	Part	Description	H 3 4 1	H 3 4 5	V I P 4 5	N O T E S
10	373448	HOSE ASSY / #10 5606MM From V-1936 To W-2284		1	1	
. NS	507344	. O-RING / ORS FITTING / #10 NEO From V-1936 To W-2284		2	2	
10	370728	HOSE ASSY / #10 5606MM From V-1936 To W-2284		1	1	S
. NS	507344	. O-RING / ORS FITTING / #10 NEO From V-1936 To W-2284		2	2	S
10	373448	HOSE ASSY / #10 5606MM From W-2285		1	1	
. NS	507344	. O-RING / ORS FITTING / #10 NEO From W-2285		2	2	
10	370728	HOSE ASSY / #10 5606MM From W-2285		1	1	S
. NS	507344	. O-RING / ORS FITTING / #10 NEO From W-2285		2	2	S
11	373249	HOSE ASSY / #12 2895MM To V-1935	1			
. NS	507280	. O-RING / ORS FITTING / #12 NEO To V-1935	2			
11	370724	HOSE ASSY / #12 2895MM To V-1935	1			S
. NS	507280	. O-RING / ORS FITTING / #12 NEO To V-1935	2			S
11	373452	HOSE ASSY / #12 3300MM From V-1936	1			
. NS	507280	. O-RING / ORS FITTING / #12 NEO From V-1936	2			
11	370731	HOSE ASSY / #12 3300MM From V-1936	1			S
. NS	507280	. O-RING / ORS FITTING / #12 NEO From V-1936	2			S
11	373131	HOSE ASSY / #12 4139MM To V-1935		1	1	
. NS	507280	. O-RING / ORS FITTING / #12 NEO To V-1935		2	2	
11	374409	HOSE ASSY / #12 4139MM To V-1935		1	1	S
. NS	507280	. O-RING / ORS FITTING / #12 NEO To V-1935		2	2	S
11	373449	HOSE ASSY / #12 4546MM From V-1936		1	1	
. NS	507280	. O-RING / ORS FITTING / #12 NEO From V-1936		2	2	
11	370729	HOSE ASSY / #12 4546MM From V-1936		1	1	S
. NS	507280	. O-RING / ORS FITTING / #12 NEO From V-1936		2	2	S
12	373137	PIPE ASSY RETURN A/C To T-1488	1	1		
12	452568	PIPE ASSY RETURN A/C From T-1489 To V-1935	1	1		
12	373454	PIPE ASSY RETURN A/C From V-1936 To X-3114	1	1		
12	453565	PIPE ASSY RETURN A/C From X-3115	1	1		
12	373137	PIPE ASSY RETURN A/C To V-1935			1	
12	373457	PIPE ASSY RETURN A/C From V-1936 To W-2457			1	
12	453111	PIPE ASSY RETURN A/C From X-2458 To X-3114			1	
12	453415	PIPE ASSY RETURN A/C From X-3115			1	
13	373138	PIPE ASSY PRESSURE A/C To T-1488	1	1		
13	452569	PIPE ASSY PRESSURE A/C From T-1489 To V-1935	1	1		
13	373455	PIPE ASSY PRESSURE A/C From T-1936 To X-3114	1	1		
13	373138	PIPE ASSY PRESSURE A/C To V-1935			1	
13	373458	PIPE ASSY PRESSURE A/C From V-1936 To W-2457			1	
13	453112	PIPE ASSY PRESSURE A/C From X-2458 To X-3114			1	
13	453416	PIPE ASSY PRESSURE A/C From X-3115			1	
14	373139	HOSE ASSY / W/R-134a / #10 2184MM To W-2147	1	1	1	
. NS	507344	. O-RING / ORS FITTING / #10 NEO To W-2147	2	2	2	
14	370454	HOSE ASSY / W/R-134a / #10 2184MM To W-2147	1	1	1	S

From R-012 To 2-4416	Date:10/2022	PAGE:H3-2222-10
A/C & HEATING LINE FRONT SECTION		

Item#	Part	Description	H 3 4 1	H 3 4 5	V I P 4 5	N O T E S
. NS	507344	. O-RING / ORS FITTING / #10 NEO To W-2147	2	2	2	S
14	373497	HOSE ASSY / W/R-134a / #10 2184MM From W-2148 To W-2284	1	1	1	
. NS	507344	. O-RING / ORS FITTING / #10 NEO From W-2148 To W-2284	2	2	2	
14	370732	HOSE ASSY / W/R-134a / #10 2184MM From W-2148 To W-2284	1	1	1	S
. NS	507344	. O-RING / ORS FITTING / #10 NEO From W-2148 To W-2284	2	2	2	S
14	453119	HOSE ASSY / W/R-134a / #10 935MM From W-2285 To X-3114	1	1	1	
. NS	507344	. O-RING / ORS FITTING / #10 NEO From W-2285 To X-3114	2	2	2	
14	455185	HOSE ASSY / W/R-134a / #10 935MM From W-2285 To X-3114	1	1	1	S
. NS	507344	. O-RING / ORS FITTING / #10 NEO From W-2285 To X-3114	2	2	2	S
14	453420	HOSE ASSY / #12 675 MM From X-3115	1	1	1	
. NS	507280	. O-RING / ORS FITTING / #12 NEO From X-3115	1	1	1	
. NS	507344	. O-RING / ORS FITTING / #10 NEO From X-3115	1	1	1	
14	455229	HOSE ASSY / #12 693 MM From X-3115	1	1	1	S
. NS	507280	. O-RING / ORS FITTING / #12 NEO From X-3115	1	1	1	S
. NS	507344	. O-RING / ORS FITTING / #10 NEO From X-3115	1	1	1	S
14	373344	HOSE ASSY / W/R-22 / #10 2185MM To V-1786	1	1		
. NS	507344	. O-RING / ORS FITTING / #10 NEO To V-1786	2	2		
14	370727	HOSE ASSY / W/R-22 / #10 2185MM To V-1786	1	1		S
. NS	507344	. O-RING / ORS FITTING / #10 NEO To V-1786	2	2		S
15	373140	HOSE ASSY / #10 419MM To W-2147	1	1	1	
. NS	507344	. O-RING / ORS FITTING / #10 NEO To W-2147	2	2	2	
15	370733	HOSE ASSY / TO DRIVER A/C VALVE / #10 419MM To W-2147	1	1	1	S
. NS	507344	. O-RING / ORS FITTING / #10 NEO To W-2147	2	2	2	S
15	373498	HOSE ASSY / TO DRIVER A/C VALVE / #10 419MM From W-2148 To X-3114	1	1	1	
. NS	507344	. O-RING / ORS FITTING / #10 NEO From W-2148 To X-3114	2	2	2	
15	370733	HOSE ASSY / TO DRIVER A/C VALVE / #10 419MM From W-2148 To X-3114	1	1	1	S
. NS	507344	. O-RING / ORS FITTING / #10 NEO From W-2148 To X-3114	2	2	2	S
15	453479	HOSE ASSY / #10 235MM From X-3115			1	
. NS	507344	. O-RING / ORS FITTING / #10 NEO From X-3115			2	
15	455247	HOSE ASSY / #10 235MM From X-3115			1	S
. NS	507344	. O-RING / ORS FITTING / #10 NEO From X-3115			2	S
15	453425	HOSE ASSY / #10 365 MM From X-3115	1	1		
. NS	507344	. O-RING / ORS FITTING / #10 NEO From X-3115	2	2		
15	455231	HOSE ASSY / #10 365 MM From X-3115	1	1		S
. NS	507344	. O-RING / ORS FITTING / #10 NEO From X-3115	2	2		S
NS	506216	. PIPE INSULATING / 5/8" I.D. X 1/2" TH. X 72 / APT05812	AR	AR	AR	
16	H3-2208-10	REFRIGERENT SOLENOID VALVE				
17	373142	HOSE ASSY / W/R-134a / #6 1372MM To W-2284	1	1	1	
. NS	507278	. O-RING / ORS FITTING / #4 NEO To W-2284	2	2	2	
17	370721	HOSE ASSY / W/R-134a / #6 1372MM To W-2284	1	1	1	S
. NS	507278	. O-RING / ORS FITTING / #4 NEO To W-2284	2	2	2	S
17	453120	HOSE ASSY / W/R-134a / #6 310MM From W-2285	1	1	1	

From R-012 To 2-4416	Date:10/2022	PAGE:H3-2222-10
A/C & HEATING LINE FRONT SECTION		

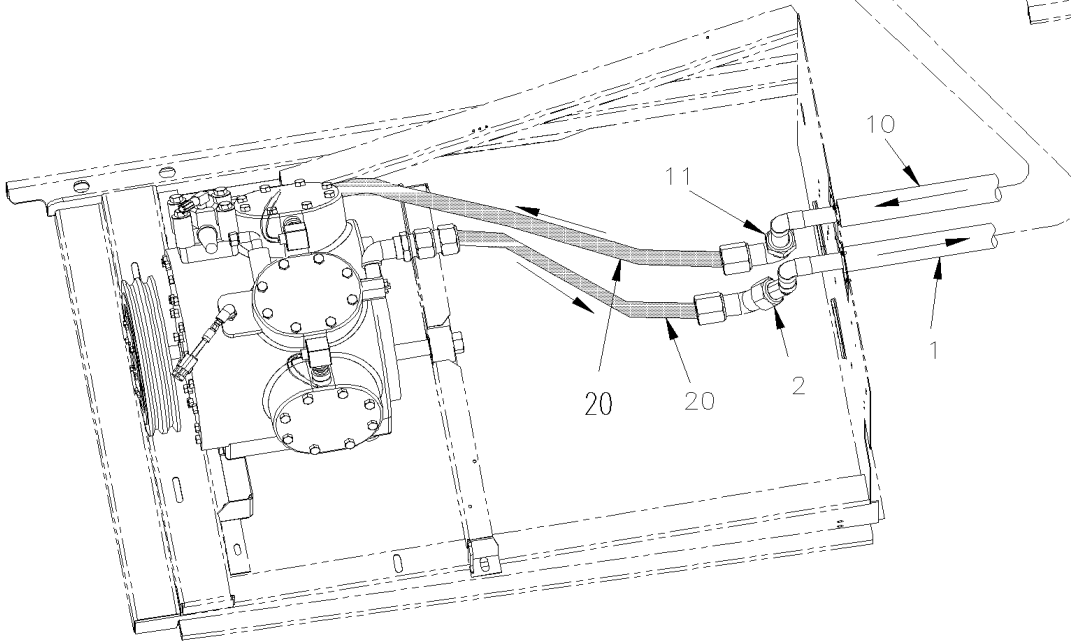
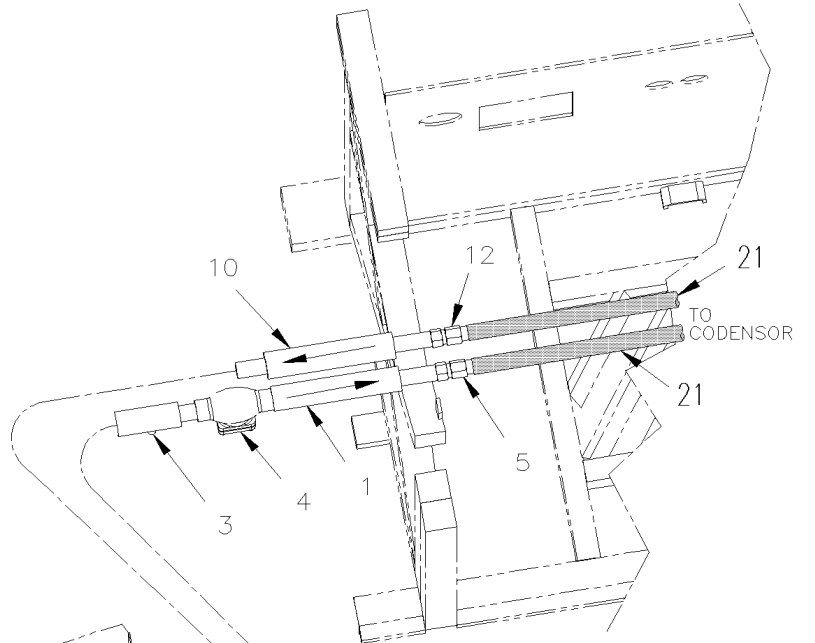
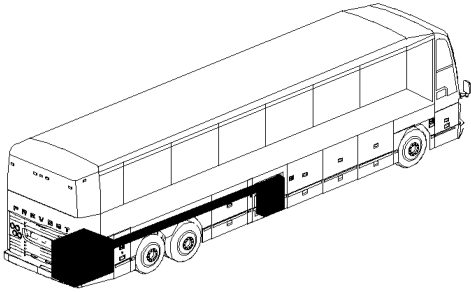
Item#	Part	Description	H 3 4 1	H 3 4 5	V I P 4 5	N O T E S
. NS	507278	. O-RING / ORS FITTING / #4 NEO From W-2285	2	2	2	
17	455186	HOSE ASSY / W/R-134a / #6 310MM From W-2285	1	1	1	S
. NS	507278	. O-RING / ORS FITTING / #4 NEO From W-2285	2	2	2	S
17	373343	HOSE ASSY / W/R-22 / #6 1370MM To V-1786	1	1		A
. NS	507278	. O-RING / ORS FITTING / #4 NEO To V-1786	2	2		A
17	370726	HOSE ASSY / W/R-22 / #6 1370MM To V-1786	1	1		A S
. NS	507278	. O-RING / ORS FITTING / #4 NEO To V-1786	2	2		A S
20	372653	PIPE SUPPORT / OVER / FIRST BAGGAGE	1	1	1	
20	500481	WASHER LO INT .437x.760x.040 ZP	AR	AR	AR	
20	500483	WASHER LO SPT .570x.971x.141 ZP	AR	AR	AR	
21	504016	CABLE TIE / 5/16" X 14"1/2	AR	AR	AR	
22	504586	WASHER FL SPACER .450x.625x.875 NYL	AR	AR	AR	
23	372652	PIPE STRAP / UNDER AISLE STEPWELL	1	1	1	
23	372722	PIPE SUPPORT / UNDER AISLE STEPWELL	1	1	1	
		FOR A/C LINE REAR SECTION				
		SEE PAGE H3-2270-00				
		FOR HEATER LINE REAR SECTION				
		SEE PAGE H3-2210-10 & H3-2222-00				
		A) FOR R-22 COACH FROM V-1787 USE SAME HOSE THAN R-134A				
		D) TO FIX WATER VALVE				
		S) SERVICE				

From R-012 To 2-4416

Date:10/2022

PAGE:H3-2222-15

A/C LINE REAR SECTION W/05G



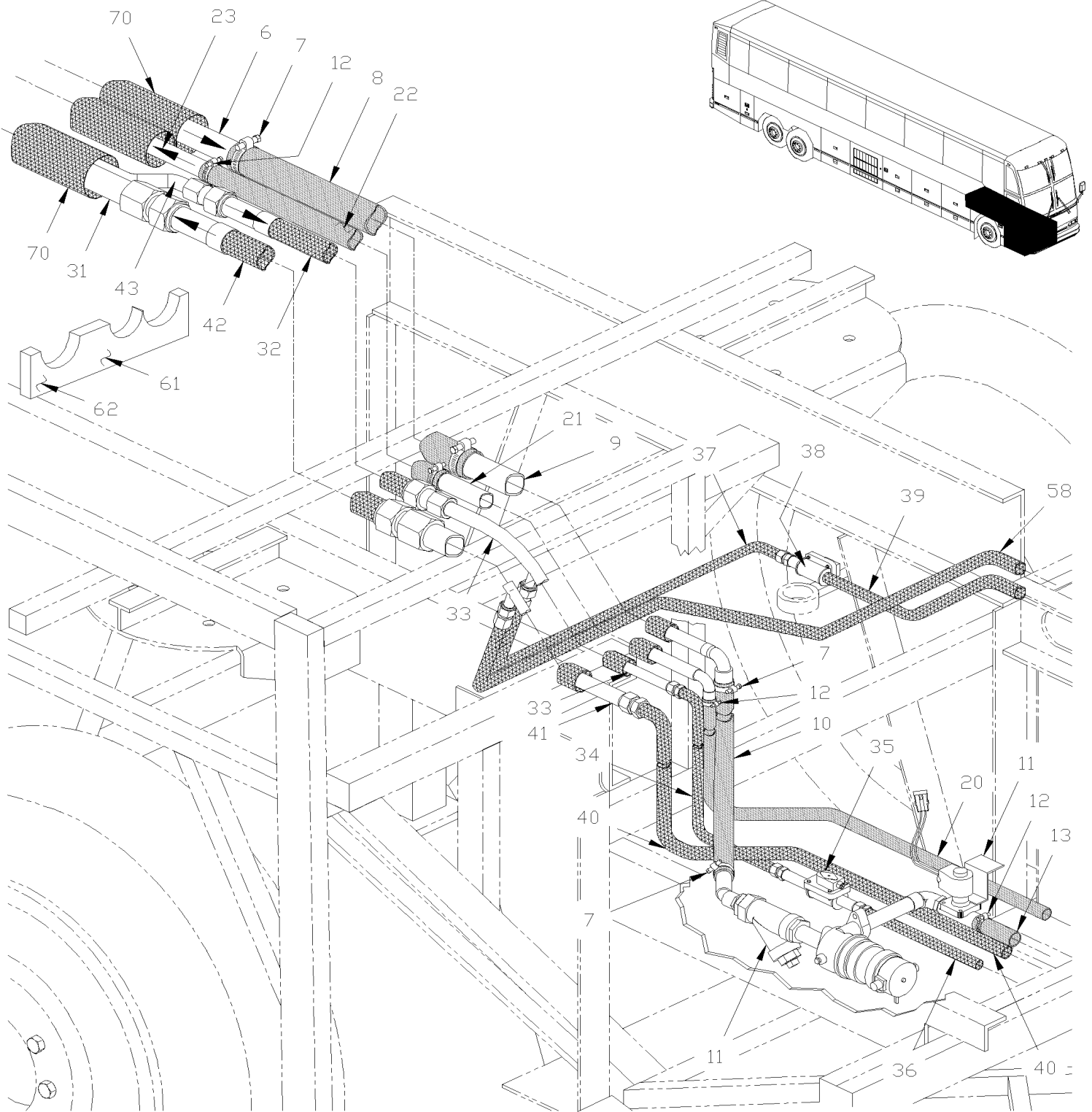
From R-012 To 2-4416		Date:10/2022		PAGE:H3-2222-15		
A/C LINE REAR SECTION W/05G						
Item#	Part	Description	H 3 4 1	H 3 4 5	V I P 4 5	N O T E S
1	373123P	TUBE ASSY, PRESSURE / A/C COMPRESSOR To W-2284	1	1	1	
1	373323P	TUBE ASSY, PRESSURE / A/C COMPRESSOR To W-2284	1	1		
1	Call order desk	TUBE ASSY, PRESSURE / A/C COMPRESSOR W/"RICON" To W-2284		1		P
1	Call order desk	TUBE ASSY, PRESSURE / A/C COMPRESSOR W/"RICON" W/R22 To W-2284		1		P
1	Call order desk	TUBE ASSY, PRESSURE / A/C COMPRESSOR From W-2285 To X-3174	1	1	1	P
1	453142P	TUBE ASSY, PRESSURE / A/C COMPRESSOR From W-2285 To X-3174		1		
1	Call order desk	TUBE ASSY, PRESSURE / A/C COMPRESSOR W/"RICON" From W-2285 To X-3174		1		P
1	Call order desk	TUBE ASSY, PRESSURE / A/C COMPRESSOR W/"RICON" W/R22 From W-2285 To X-3174		1		P
1	453534	TUBE ASSY, PRESSURE / A/C COMPRESSOR From X-3175 To 2-4389	1	1	1	
1	453535	TUBE ASSY, PRESSURE / A/C COMPRESSOR W/RICON From X-3175 To 2-4389		1		
1	454017	TUBE ASSY, PRESSURE / A/C COMPRESSOR From 2-4390	1	1	1	
1	454018	TUBE ASSY, PRESSURE / A/C COMPRESSOR W/"RICON" From 2-4390		1		
2	5011106	BULKHEAD MALE CONNECTOR / ORS FITTING / #16ORS-Mx#18BRAZE-F BR	1	1	1	
. NS	507345	. O-RING / ORS FITTING / #16 NEO	1	1	1	
3	950249	SCHRADER VALVE 1/4NPT-M	1	1	1	
4	870386	CHECK VALVE	1	1	1	
. NS	870615	. SPRING	1	1	1	
. NS	870616	. PISTON	1	1	1	
. NS	870617	. GASKET	1	1	1	
5	5011106	BULKHEAD MALE CONNECTOR / ORS FITTING / #16ORS-Mx#18BRAZE-F BR	1	1	1	
. NS	507345	. O-RING / ORS FITTING / #16 NEO	1	1	1	
10	373124P	TUBE ASSY, VACUUM / A/C COMPRESSOR	1	1	1	
10	Call order desk	TUBE ASSY, VACUUM / A/C COMPRESSOR W/R-22 To W-2284		1		P
10	373386P	TUBE ASSY, VACUUM / A/C COMPRESSOR W/"RICON"		1		
10	Call order desk	TUBE ASSY, VACUUM / A/C COMPRESSOR W/"RICON" W/R22 To X-3174		1		P
11	5011107	BULKHEAD MALE CONNECTOR / ORS FITTING / #24ORS-Mx#22BRAZE-F BR	1	1	1	
. NS	507346	. O-RING / ORS FITTING / #24 NEO	1	1	1	
11	501717	ADAPTER JIC @ BRAZE W/O-RING / / #20JIC-Mx#22BRAZE-F BR	1	1	1	
. NS	501803	. O-RING / ORS FITTING / #20 NEO	1	1	1	
12	5011107	BULKHEAD MALE CONNECTOR / ORS FITTING / #24ORS-Mx#22BRAZE-F BR	1	1	1	
. NS	507346	. O-RING / ORS FITTING / #24 NEO	1	1	1	
20	H3-2245-01	A/C COMPRESSOR 05G - INSTALLATION				
20	H3-2245-02	A/C COMPRESSOR "THERMOKING" - INSTALLATION				
21	H3-2270-01	RECEIVER TANK & FILTER DRYER To T-1606				
21	H3-2270-02	RECEIVER TANK & FILTER DRYER From T-1607 To V-1960				
21	H3-2270-03	RECEIVER TANK & FILTER DRYER From V-1691 To 1-4274				
21	H3-2270-04	RECEIVER TANK & FILTER DRYER From 1-4275				
		P) CALL ORDER DESK FOR SPECIFIC APPLICATION (V.I.N.)				

From X-2458 To 2-4416

Date:10/2022

PAGE:H3-2222-50

SMALL A/C LINE & HEATER LINE

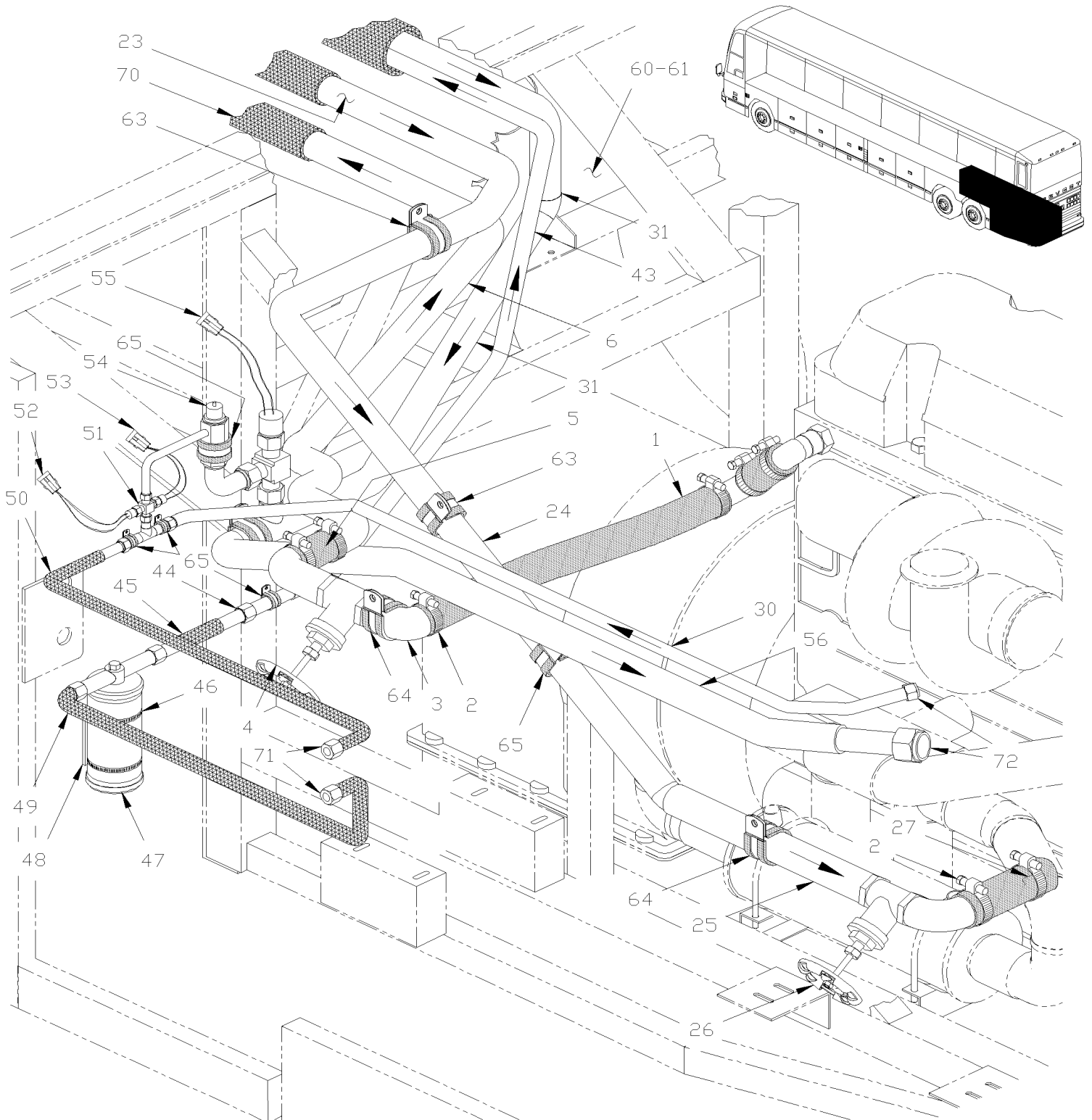


From X-2458 To 2-4416

Date:10/2022

PAGE:H3-2222-50

SMALL A/C LINE & HEATER LINE



From X-2458 To 2-4416	Date:10/2022	PAGE:H3-2222-50
SMALL A/C LINE & HEATER LINE		

Item#	Part	Description	H 3 4 1	H 3 4 5	V I P 4 5	N O T E S
1	373383	HOSE ASSY W/ELBOW / 1 3/8" I.D.			1	
2	504657	HOSE CLAMP / 1"1/16-2" C.T. 9424			6	
3	373577	PIPE ASSY			1	
4	501861	. GATE VALVE 1 1/4" (WELDED)			1	
5	372960	HOSE 1 3/8" I.D. 229MM			1	
6	Call order desk	PIPE ASSY / ENGINE COMP & WATER FILTER / W/SMALL A/C SYSTEM			1	P
7	504291	HOSE CLAMP / 1"1/8-1"3/4 SS / E.T. 20			1	
8	503652	HOSE SILICONE 2PLY 1 1/8" I.D. x 3'			1	
9	Call order desk	PIPE ASSY / TO HEATER			1	P
9	Call order desk	PIPE ASSY / TO HEATER From X-2862			1	P B
10	373586	HOSE ASSY W/ELBOW / 1 3/8" I.D.			1	
11	H3-2210-20	WATER HEATER PUMP & FILTER - INSTALLATION				
12	504646	HOSE CLAMP / 11/16"-1"1/4 / C.T. 9412			1	
13	373134	HOSE /WATER VALVE & HEATER / 7/8" I.D. 229MM			1	
20	373550	HOSE / PIPE & HEATER / 7/8" I.D. 1130MM			1	
21	373459	PIPE ASSY / RETURN FRONT SECTION			1	
21	Call order desk	PIPE ASSY / RETURN FRONT SECTION From X-2862			1	P B
21	Call order desk	PIPE ASSY / RETURN REAR SECTION From X-2862			1	P B
NS	373601	HOSE / AUX HEATER & PIPE / 7/8" I.D. 1675MM From X-2862			2	B
NS	373589	SUPPORT PIPE (UNDER FLOOR)			2	
NS	373510	PIPE SUPPORT			1	
NS	372722	PIPE SUPPORT / UNDER AISLE STEPWELL			1	
22	373582	HOSE 7/8" I.D. 1050MM			1	
23	Call order desk	PIPE ASSY / RETURN LINE TO ENGINE COMPARTMENT / W/SMALL A/C SYSTEM			1	P
24	373583	HOSE 7/8" I.D. 405MM			1	
25	373578	PIPE ASSY			1	
26	501861	. GATE VALVE 1 1/4" (WELDED)			1	
27	373236	HOSE / ENGINE INLET / 1 3/8" I.D. 195MM			1	
30	453190	HOSE ASSY / #8 1455MM To X-3100			1	
. NS	507343	. O-RING / ORS FITTING / #8 NEO To X-3100			2	
30	455329	HOSE ASSY / #8 1455MM To X-3100			1	S
. NS	507343	. O-RING / ORS FITTING / #8 NEO To X-3100			2	S
30	453407	HOSE ASSY / #8 1505MM From X-3101			1	
. NS	507343	. O-RING / ORS FITTING / #8 NEO From X-3101			2	
. NS	950358	. PROTECTOR CAP LOW PRESSURE PORT / "TUBE-O" From X-3101			1	
30	455223	HOSE ASSY / #8 1505MM From X-3101			1	S
. NS	507343	. O-RING / ORS FITTING / #8 NEO From X-3101			2	S
. NS	950358	. PROTECTOR CAP LOW PRESSURE PORT / "TUBE-O" From X-3101			1	S
31	Call order desk	PIPE ASSY To X-3100			1	P
31	Call order desk	PIPE ASSY / A/C PRESSURE & SUCTION From X-3101			1	P
32	453187	HOSE ASSY / #10 740MM			1	
. NS	507344	. O-RING / ORS FITTING / #10 NEO			2	

From X-2458 To 2-4416	Date:10/2022	PAGE:H3-2222-50
SMALL A/C LINE & HEATER LINE		

Item#	Part	Description	H 3 4 1	H 3 4 5	V I P 4 5	N O T E S
32	455193	HOSE ASSY / #10 740MM			1	S
. NS	507344	. O-RING / ORS FITTING / #10 NEO			2	S
33	453149	FREON PIPE ASSY To X-2861			1	
33	453421	PIPE ASSY / A/C PRESSURE From X-3115			1	
33	453418	PIPE ASSY / A/C PRESSURE From X-3115			1	A
33	453289	PIPE ASSY From X-2862 To X-3114			1	
33	453285	SUPPORT REAR To X-3114			1	
34	453213	HOSE ASSY / #10 520MM To X-3114			1	
. NS	507344	. O-RING / ORS FITTING / #10 NEO To X-3114			2	
34	455201	HOSE ASSY / #10 520MM To X-3114			1	S
. NS	507344	. O-RING / ORS FITTING / #10 NEO To X-3114			2	S
34	453424	HOSE ASSY / #10 225MM From X-3115			1	
. NS	507344	. O-RING / ORS FITTING / #10 NEO From X-3115			2	
34	455230	HOSE ASSY / #10 225MM From X-3115			1	S
. NS	507344	. O-RING / ORS FITTING / #10 NEO From X-3115			2	S
35	H3-2208-10	REFRIGERENT SOLENOID VALVE				
NS	500160	SCREW CAP HEX #10-24x1/2 Z050			1	C
NS	500470	WASHER LO SPT .193x.334x.047 Z050			1	C
NS	500438	WASHER FL .187x.437x.050 Z050			1	C
36	453212	HOSE ASSY / #6 265MM			1	
. NS	507278	. O-RING / ORS FITTING / #4 NEO			2	
36	455200	HOSE ASSY / #6 265MM			1	S
. NS	507278	. O-RING / ORS FITTING / #4 NEO			2	S
37	453194	HOSE ASSY / TO A/C AUX VALVE / #10 750MM			1	A
. NS	507344	. O-RING / ORS FITTING / #10 NEO			2	A
37	455197	HOSE ASSY / TO A/C AUX VALVE / #10 750MM			1	A S
. NS	507344	. O-RING / ORS FITTING / #10 NEO			2	A S
37	453342	HOSE ASSY / #10 1100MM To X-2861			1	B
. NS	507344	. O-RING / ORS FITTING / #10 NEO To X-2861			2	B
37	455213	HOSE ASSY / #10 1100MM To X-2861			1	B S
. NS	507344	. O-RING / ORS FITTING / #10 NEO To X-2861			2	B S
38	H3-2208-10	REFRIGERENT SOLENOID VALVE				
39	453201	HOSE ASSY / TO A/C AUX / #6 425MM			1	
. NS	507278	. O-RING / ORS FITTING / #4 NEO			2	
39	455199	HOSE ASSY / TO A/C AUX / #6 425MM			1	S
. NS	507278	. O-RING / ORS FITTING / #4 NEO			2	S
40	453119	HOSE ASSY / W/R-134a / #10 935MM To X-3114			1	
. NS	507344	. O-RING / ORS FITTING / #10 NEO To X-3114			2	
40	455185	HOSE ASSY / W/R-134a / #10 935MM To X-3114			1	S
. NS	507344	. O-RING / ORS FITTING / #10 NEO To X-3114			2	S
40	453420	HOSE ASSY / #12 675 MM From X-3115			1	
. NS	507280	. O-RING / ORS FITTING / #12 NEO From X-3115			1	

From X-2458 To 2-4416	Date:10/2022	PAGE:H3-2222-50
SMALL A/C LINE & HEATER LINE		

Item#	Part	Description	H 3 4 1	H 3 4 5	V I P 4 5	N O T E S
. NS	507344	. O-RING / ORS FITTING / #10 NEO From X-3115			1	
40	455229	HOSE ASSY / #12 693 MM From X-3115			1	S
. NS	507280	. O-RING / ORS FITTING / #12 NEO From X-3115			1	S
. NS	507344	. O-RING / ORS FITTING / #10 NEO From X-3115			1	S
41	453150	PIPE ASSY To X-3114			1	
41	453419	PIPE ASSY / A/C SUCTION From X-3115			1	
41	Call order desk	PIPE ASSY From X-2862 To X-3114			1	P B
41	453417	PIPE ASSY / A/C SUCTION From X-3115			1	B
42	453188	HOSE ASSY / #12 740MM			1	
. NS	507280	. O-RING / ORS FITTING / #12 NEO			2	
42	455194	HOSE ASSY / #12 766MM			1	S
. NS	507280	. O-RING / ORS FITTING / #12 NEO			2	S
43	Call order desk	PIPE ASSY To X-3100			1	P
43	Call order desk	PIPE ASSY / A/C PRESSURE & SUCTION From X-3101			1	P
44	452437	PIPE ASSY			1	
45	453186	HOSE ASSY / #6 210MM			1	
. NS	507278	. O-RING / ORS FITTING / #4 NEO			2	
45	455192	HOSE ASSY / #6 210MM			1	S
. NS	507278	. O-RING / ORS FITTING / #4 NEO			2	S
46	504025	HOSE CLAMP / 2"5/16-3"1/4 SS / HS-44			1	
47	950220	DRYER, RECEIVER TANK			1	
48	452375	SUPPORT RECEIVER TANK			1	
NS	504488	RIVET MGLP PRDG 3/16x17/64 SS			1	
49	453189	HOSE ASSY / #6 800MM To X-2861			1	
. NS	507278	. O-RING / ORS FITTING / #4 NEO To X-2861			2	
49	455195	HOSE ASSY / #6 800MM To X-2861			1	S
. NS	507278	. O-RING / ORS FITTING / #4 NEO To X-2861			2	S
49	453295	HOSE ASSY / #6 1180MM			1	
. NS	507278	. O-RING / ORS FITTING / #4 NEO			2	
49	455208	HOSE ASSY / #6 1180MM			1	
. NS	507278	. O-RING / ORS FITTING / #4 NEO			2	
50	453192	HOSE ASSY / #8 1130MM To X-2861			1	
. NS	507343	. O-RING / ORS FITTING / #8 NEO To X-2861			2	
50	455196	HOSE ASSY / #8 1130MM To X-2861			1	S
. NS	507343	. O-RING / ORS FITTING / #8 NEO To X-2861			2	S
50	453294	HOSE ASSY / #8 1500MM From X-2862			1	
. NS	507343	. O-RING / ORS FITTING / #8 NEO From X-2862			2	
50	455207	HOSE ASSY / #8 1500MM From X-2862			1	
. NS	507343	. O-RING / ORS FITTING / #8 NEO From X-2862			2	
51	453177	PIPE ASSY W/HIGH PRESSURE SWITCH To X-3163			1	
51	453381	PIPE ASSY W/HIGH PRESSURE SWITCH From X-3164			1	
NS	501902	. CROSS / PIPE FITTING / 1/4NPT-Fx1/4NPT-Fx 1/4NPT-Fx1/4NPT-F BR			1	

From X-2458 To 2-4416	Date:10/2022	PAGE:H3-2222-50
SMALL A/C LINE & HEATER LINE		

Item#	Part	Description	H 3 4 1	H 3 4 5	V I P 4 5	N O T E S
NS	950249	. SCHRADER VALVE 1/4NPT-M			1	
NS	950249	SCHRADER VALVE 1/4NPT-M			1	
52	452405	. PRESSURE SWITCH N.C. 320-245 20SP001MB320K245R To X-3163			1	
52	453380	. PRESSURE SWITCH N.C. 350-245 20PS001MB350K245R From X-3164			1	
53	452832	. PRESSURE SWITCH N.O. 170-130 20SP001MA170J130J			1	
54	453180	BY-PASS VALVE ASSY			1	
54	950065	. BY-PASS VALVE			1	
NS	5011080	MALE CONNECTOR / ORS FITTING / #6ORS-Mx1/4NPT-M STL			1	D
NS	5011082	ADAPTOR / ORS@COPPER TUBE / #6ORS-Fx#6COPPER TUBE			1	D
NS	5011079	MALE CONNECTOR / ORS FITTING / #4ORS-Mx1/4NPT-M STL			1	D
NS	5011081	ADAPTOR / ORS@COPPER TUBE / #4ORS-Fx#4COPPER TUBE			1	D
55	452831	PRESSURE SWITCH N.O. 30-5 20SP001MA030C005C			1	
55	950249	SCHRADER VALVE 1/4NPT-M			1	
56	453191	HOSE ASSY / #12 1420MM To X-3100			1	
. NS	507344	. O-RING / ORS FITTING / #10 NEO To X-3100			1	
56	455330	HOSE ASSY / #12 1420MM To X-3100			1	S
. NS	507344	. O-RING / ORS FITTING / #10 NEO To X-3100			1	S
56	453406	HOSE ASSY / #12 1420MM From X-3101			1	
. NS	507344	. O-RING / ORS FITTING / #10 NEO From X-3101			2	
. NS	950367	. PROTECTOR CAP HIGH PRESSURE PORT / "TUBE-O" From X-3101			1	
56	455222	HOSE ASSY / #12 1420MM From X-3101			1	S
. NS	507344	. O-RING / ORS FITTING / #10 NEO From X-3101			2	S
. NS	950367	. PROTECTOR CAP HIGH PRESSURE PORT / "TUBE-O" From X-3101			1	S
58	453195	HOSE ASSY / FROM A/C AUX / #10 1450MM			1	
. NS	507344	. O-RING / ORS FITTING / #10 NEO			2	
58	455198	HOSE ASSY / FROM A/C AUX / #10 1450MM			1	S
. NS	507344	. O-RING / ORS FITTING / #10 NEO			2	S
60	453174	PIPE CLOSING ASSY TRIANGULAR SGHAPE			1	
61	453193	CLOSING ASSY (UNDER FLOOR) 110MM X 266MM			3	
61	453174	PIPE CLOSING ASSY TRIANGULAR SGHAPE			1	
NS	680096	SEALANT BUTYL ALUM / GREY / 310ml CARTRIDGE			1	
62	500642	SCREW TP PAN PH #10x3/4 Z050			1	
62	372652	PIPE STRAP / UNDER AISLE STEPWELL			1	
63	560483	CLAMP / 7/8" I.D.			3	
64	560912	CLAMP / 1"1/4 I.D.			4	
65	560481	CLAMP / 5/8" I.D.			2	
NS	560872	CLAMP / 1"1/16 I.D.			2	
65	560480	CLAMP / 1/2" I.D.			4	
65	560484	CLAMP / 1" I.D.			1	
70	506283	PIPE INSULATING / 1 5/8" I.D. X 1/2" TH. X 72 / APT15812			1	
71	H3-2255-50	CONDENSOR - INSTALLATION SMALL A/C SYSTEM				
72	H3-2245-12	A/C COMPRESSOR "SPECIAL"				

From X-2458 To 2-4416	Date:10/2022	PAGE:H3-2222-50
SMALL A/C LINE & HEATER LINE		

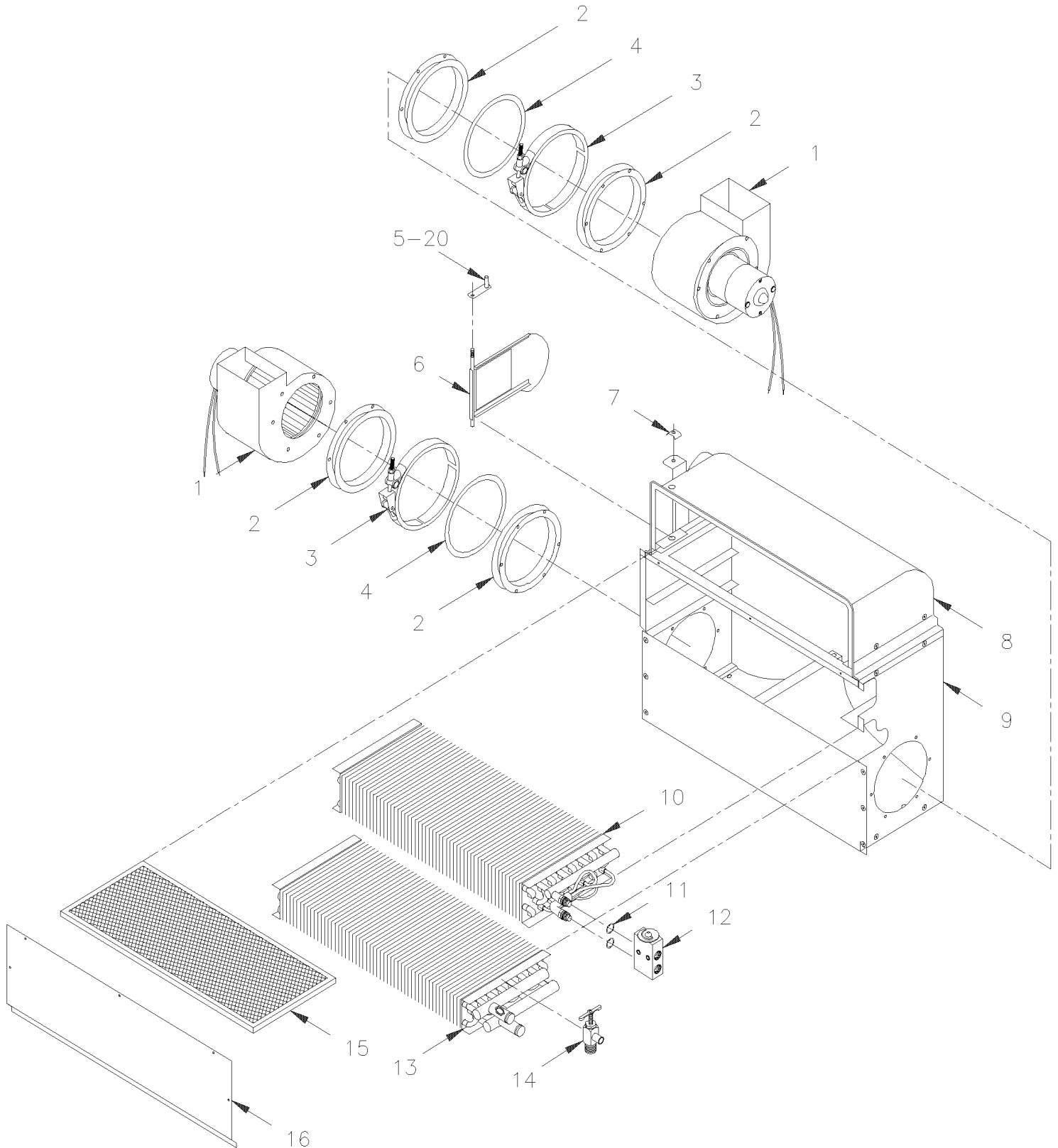
Item#	Part	Description	H 3 4 1	H 3 4 5	V I P 4 5	N O T E S
NS	373306	. DECAL (R-134A)	1	1	1	
		A) WITH AUX A/C				
		B) WITH AUX A/C & HEATER				
		C) TO FIX VALVE				
		D) TO FIX BY-PASS VALVE				
		S) SERVICE				
		P) CALL ORDER DESK FOR SPECIFIC APPLICATION (V.I.N.)				

From R-012 To W-2284

Date:10/2022

PAGE:H3-2225-03

DRIVER'S HEATER & DEFROSTER ASSY

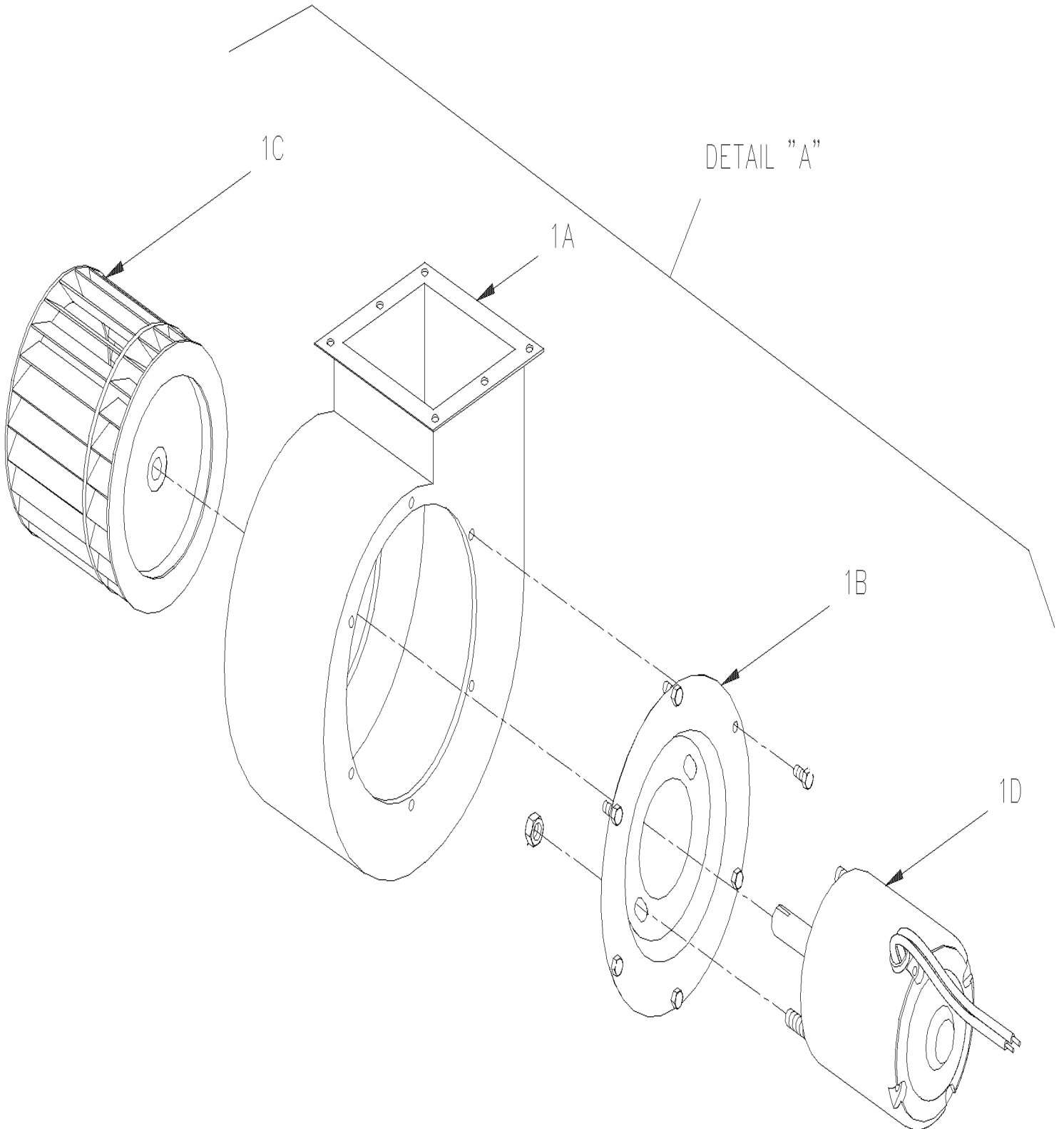


From R-012 To W-2284

Date:10/2022

PAGE:H3-2225-03

DRIVER'S HEATER & DEFROSTER ASSY



From R-012 To W-2284	Date:10/2022	PAGE:H3-2225-03
DRIVER'S HEATER & DEFROSTER ASSY		

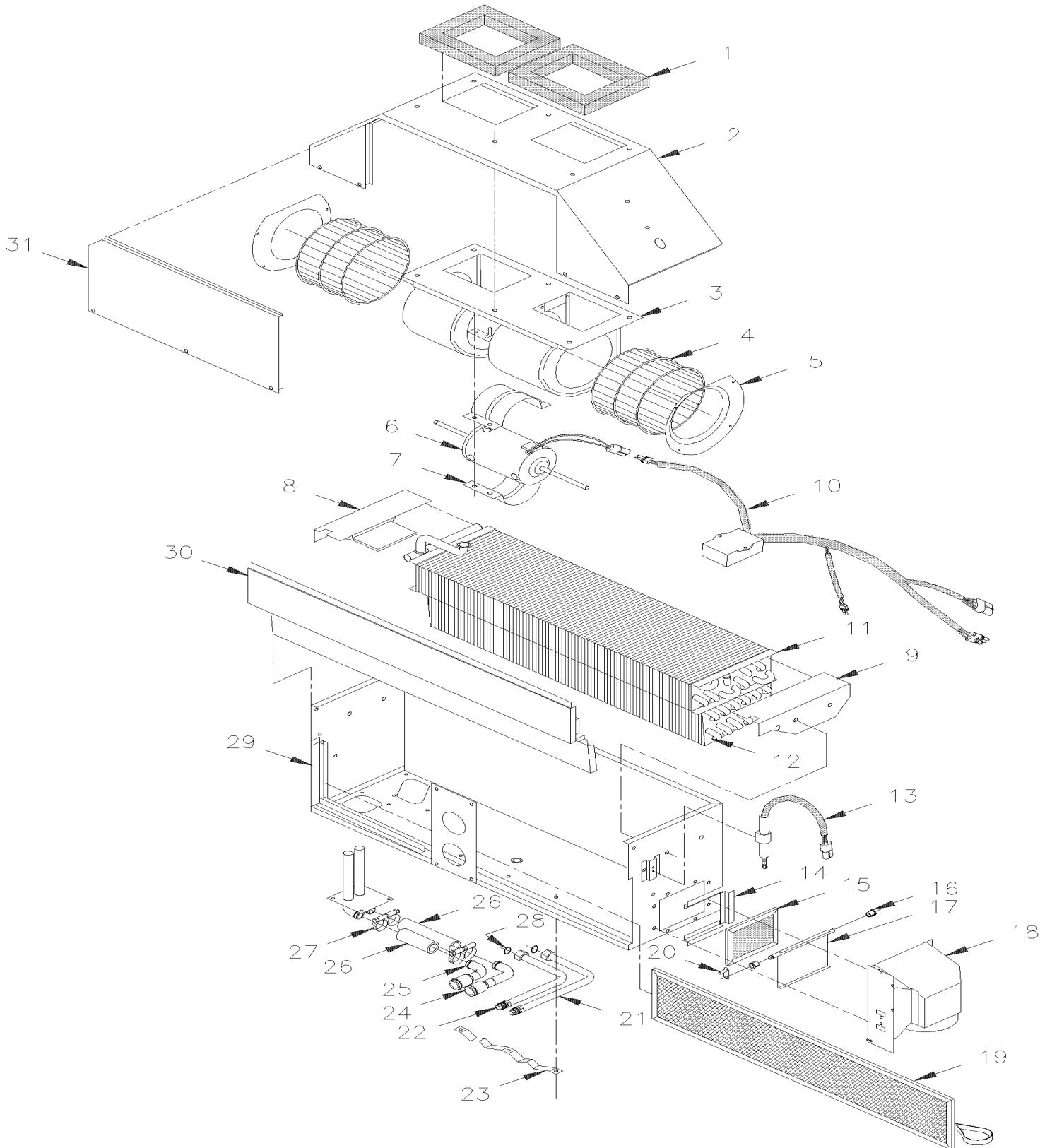
Item#	Part	Description	H 3 4 1	H 3 4 5	V I P 4 5	N O T E S
	372768	DEFROSTER & A/C UNIT ASSY / W/R22 To V-1767	AR	AR		
	871091	DEFROSTER & A/C UNIT ASSY / W/R22 From V-1768	AR	AR		
	871048	DEFROSTER & A/C UNIT ASSY / W/R134A To V-1767	1	1	1	
	871087	DEFROSTER & A/C UNIT ASSY / W/R134A From V-1768	1	1	1	
1A	871018	. HOUSING BLOWER	1	1	1	
1B	871020	. PLATE MOUNTING / MOTOR	1	1	1	
1C	871017	. BLOWER WHEEL / STEEL	1	1	1	
1D	562167	. MOTOR ASSY / 24V	1	1	1	
2	871021	. RING MOUNTING / FAN	4	4	4	
3	504432	. V-CLAMP / 6" I.D.	2	2	2	
4	N.S.P.	. SPACER-RING	2	2	2	2
5	871023	. PIVOT CABLE / FRESH AIR DAMPER	1	1	1	
6	871022	. DAMPER FRESH AIR	1	1	1	
NS	871025	. BUSHING / CABLE PIVOT	1	1	1	
7	871024	. CLAMP CABLE	1	1	1	
8	871016	. PLENUM PLASTIC	1	1	1	
9	871015	. CASING ASSY / COMPOSITE MATERIAL	1	1	1	
10	372355	. COIL EVAPORATOR / W/R-22 To V-1767	1	1		
10	950057	. COIL EVAPORATOR From V-1768	1	1		A
10	950057	. COIL EVAPORATOR	1	1	1	B
11	507279	. O-RING / ORS FITTING / #8 NEO	2	2	2	C
12	H3-2208-00	. A/C EXPANSION VALVE				
13	870839	. COIL HEATER To V-1767	1	1	1	
13	871094	. COIL HEATER From V-1768	1	1	1	
14	501023	. . DRAIN VALVE 1/4NPTM 3/8TUBE	1	1	1	
15	871049	. FILTER 1/4" x 8" x 18 3/4"	1	1	1	
16	871026	. COVER	1	1	1	
20	372460	WIRE ASSY / FRESH AIR	1	1	1	
NS	500925	. NUT SPR PO RND 1/4	1	1	1	
		A) W/R-22				
		B) W/R134A				
		C) FOR 1/2 TUBE FITTING				
		2) NOT SOLD BY PREVOST (SEE MANUFACTURING PART NUMBER AT END OF DESCRIPTION LINE)				

From W-2285 To 2-4416

Date:10/2022

PAGE:H3-2225-04

DRIVER'S HEATER & DEFROSTER ASSY



From W-2285 To 2-4416	Date:10/2022	PAGE:H3-2225-04
DRIVER'S HEATER & DEFROSTER ASSY		

Item#	Part	Description	H 3 4 1	H 3 4 5	V I P 4 5	N O T E S
	871104	DEFROSTER & A/C UNIT ASSY	1	1	1	
	871105	DEFROSTER & A/C UNIT ASSY	1	1		
1	871129	. SEAL	2	2	2	
2	871130	. TOP	1	1	1	
3	871131	. BLOWER ASSY 24V / W/SINGLE MOTOR MOUNT / WITH CONNECTOR	1	1	1	A
3	N8893462	. BLOWER ASSY 24V / W/SINGLE MOTOR MOUNT / WITH CONNECTOR	1	1	1	
3	871132	. . BLOWER HOUSING	1	1	1	
4	871133	. . BLOWER WHEEL / PLASTIC 5 1/8" x 3 1/2" x 5/16" x I.D.	2	2	2	
NS	N8888160	. . SPRING CLIP	2	2	2	
5	871134	. . VENTURI	2	2	2	
6	871135	. . MOTOR ASSY / 24V	1	1	1	
6	N8893990	. . MOTOR ASSY / 24V / WITH CONNECTOR	1	1	1	
7	871136	. . MOTOR MOUNTING	2	2	2	
8	871137	. BRACKET L.H.	1	1	1	
9	871138	. BRACKET R.H.	1	1	1	
10	871139	. MODULE CONTROL FAN SPEED /W/SINGLE MOTOR / (STAMPED 35-0060)	1	1	1	
11	871140	. HEATER COIL	1	1	1	
. NS	870127	. . DRAIN VALVE ROBINET VIDANGE	1	1	1	
12	871141	. EVAPORATOR COIL	1	1	1	
13	871142	. ACTUATOR, THERMAL	1	1	1	
14	871143	. CHANNEL, FILTER F/A	1	1	1	
15	871144	. FILTER / FRESH AIR 1/4" x 3 5/8" x 5 1/4"	1	1	1	
16	871025	. BUSHING / CABLE PIVOT	2	2	2	
17	871145	. DAMPER TRAP	1	1	1	
18	871146	. BOX, FRESH AIR	1	1	1	
19	871147	. FILTER / RECIRCULATING 1/4" x 6 1/4" x 28"	1	1	1	
20	871148	. LEVER , F/A DAMPER	1	1	1	
21	871149	. TUBE, A/C	1	1	1	
22	871150	. TUBE, A/C	1	1	1	
23	871151	. TUBE SUPPORT	1	1	1	
24	871152	. TUBE HEATER	1	1	1	
25	871153	. TUBE HEATER	1	1	1	
26	503007	. HOSE 2 PLY / RADIATOR HOSE / 5/8" I.D. / S.L.	AR	AR	AR	
27	504646	. HOSE CLAMP / 11/16"-1"1/4 / C.T. 9412	4	4	4	
28	507279	. O-RING / ORS FITTING / #8 NEO	2	2	2	
28	H3-2208-00	A/C EXPANSION VALVE				
29	871154	. CASING	1	1	1	
30	871155	. COVER	1	1	1	
31	871156	. COVER / BLOWER ACCESS	1	1	1	

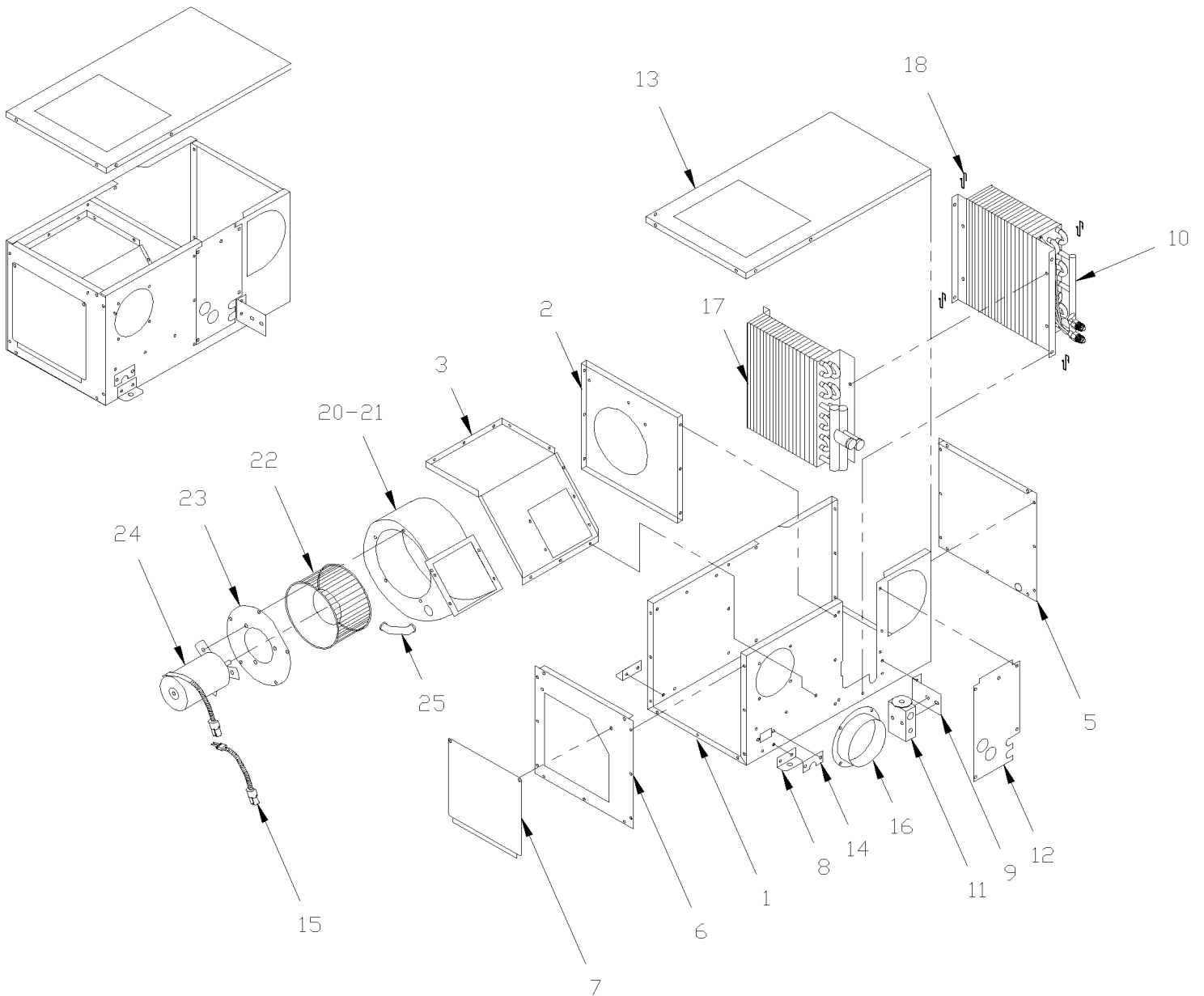
From W-2285 To 2-4416		Date:10/2022	PAGE:H3-2225-04			
DRIVER'S HEATER & DEFROSTER ASSY						
Item#	Part	Description	H 3 4 1	H 3 4 5	V I P 4 5	N O T E S
		A) FOR PRODUCT IMPROVEMENT, ASK FOR #871359 AS SHOWN AT PAGE H3-2225-99				

From X-2458 To 2-4416

Date:10/2022

PAGE:H3-2225-50

A/C & HEATER AUXILIARY - V.I.P.



From X-2458 To 2-4416	Date:10/2022	PAGE:H3-2225-50
A/C & HEATER AUXILIARY - V.I.P.		

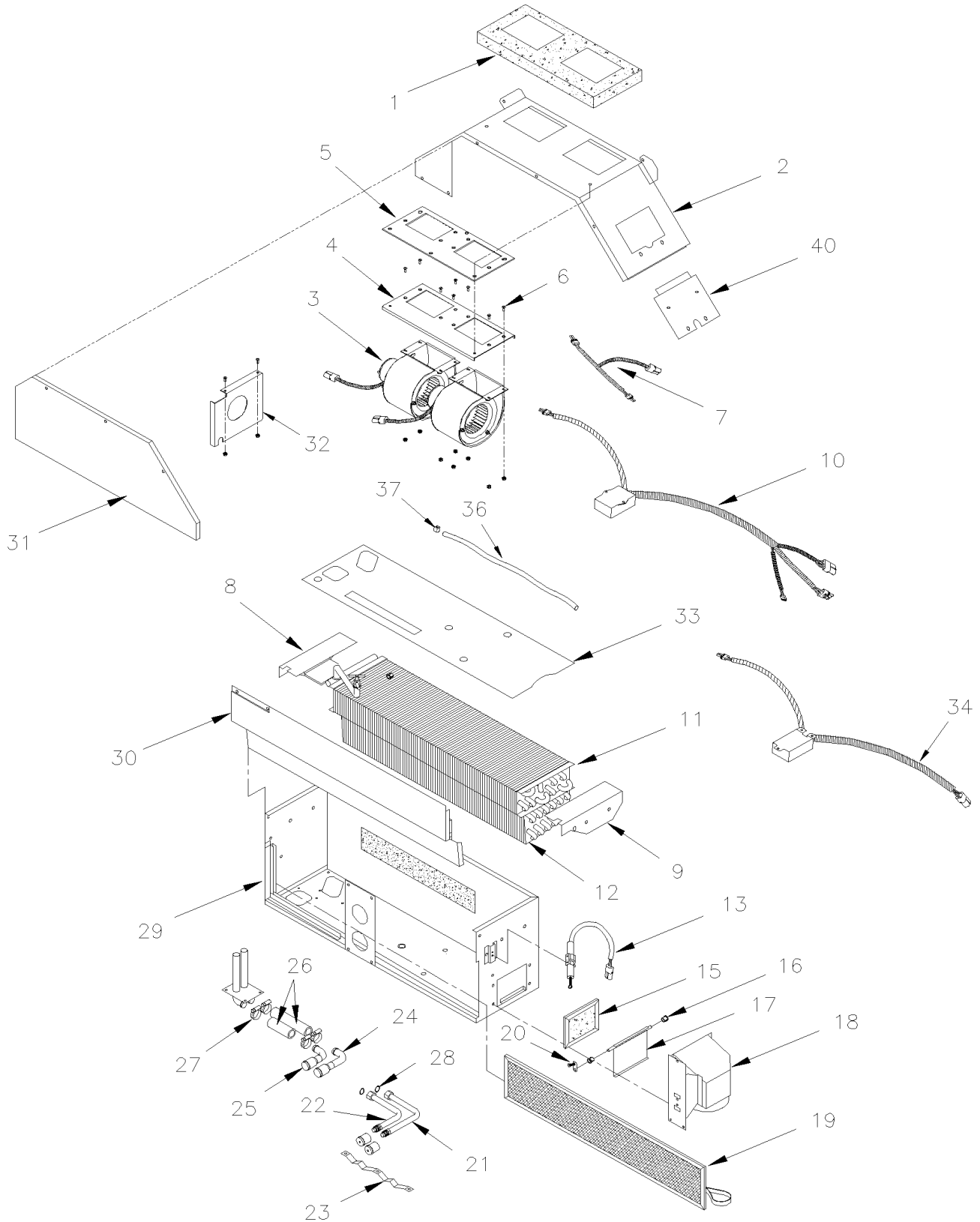
Item#	Part	Description	H 3 4 1	H 3 4 5	V I P 4 5	N O T E S
	871162	A/C UNIT AUXILLIARY ASSY			1	
	871177	A/C UNIT AUXILLIARY ASSY W/HEATER COIL			1	
1	N.S.P.	. CASING / (24-3709)			1	2
2	N.S.P.	. PARTITION / (24-3233)			1	2
3	N.S.P.	. BLOWER MTG PLATE / (24-3234)			1	2
5	N.S.P.	. END COVER - COIL END / (24-3232)			1	2
6	N.S.P.	. END COVER - BLOWER END / (24-3231)			1	2
7	N.S.P.	. BLOWER ACCESS DOOR / (24-3235)			1	2
8	N.S.P.	. MTG BRACKET / (24-3240)			2	2
9	N.S.P.	. MTG BRACKET (VALVE) / (24-3238)			1	2
10	871216	. EVAPORATOR COIL			1	
11	950221	. VALVE, EXPANSION / DRIVER'S W/R134A			1	
12	N.S.P.	. COVER PLATE / (24-3710)			1	2
13	N.S.P.	. COVER / (24-3237)			1	2
14	N.S.P.	. HARNESS COVER / (24-3239)			1	2
15	N.S.P.	. BLOWER WIRE EXTENSION / (35-0089)			1	2
16	871335	. HOSE ADAPTOR 4"			1	
17	871215	. HEATER COIL			1	
18	N.S.P.	. CLIPS / (29-0437)			4	2
20	871217	. BLOWER 24V			1	
21	871218	. BLOWER HOUSING			1	
22	871219	. BLOWER WHEEL			1	
23	871220	. MOTOR PLATE			1	
24	871221	. MOTOR 24V			1	
25	871222	. TUBE			1	
		2) NOT SOLD BY PREVOST (SEE MANUFACTURING PART NUMBER AT END OF DESCRIPTION LINE)				

From W-2285 To 2-4416

Date:10/2022

PAGE:H3-2225-99

DRIVER'S HEATER & DEFROSTER ASSY W/ RETROFIT DOUBLE FANS



From W-2285 To 2-4416	Date:10/2022	PAGE:H3-2225-99
DRIVER'S HEATER & DEFROSTER ASSY W/ RETROFIT DOUBLE FANS		

Item#	Part	Description	H 3 4 1	H 3 4 5	V I P 4 5	N O T E S
		"WARNING" - "WARNING" - "WARNING" - "WARNING"				
		THIS MODEL USED IN RETROFIT ONLY				
	871355	DEFROSTER & A/C UNIT ASSY	1	1		
	871355	DEFROSTER & A/C UNIT ASSY			1	
1	871129	. SEAL	2	2	2	
2	871130	. TOP	1	1	1	
3	871359	. BLOWER ASSY 24V / W/DOUBLE MOTOR MOUNT	1	1	1	
3	871360	. . BLOWER & MOTOR ASSY - "M.C.C." "CCW" / FAN END	2	2	2	
4	871410	. . PLATE MOUNTING	1	1	1	
5	871411	. . FOAM ASSY	1	1	1	
6	684605	. . SCREW CAP HEXS #10-32x1/2	8	8	8	
6	500423	. . NUT HEX NYRT #10-32 SS	8	8	8	
7	871364	. . CABLE HARNESS	1	1	1	
8	871137	. BRACKET L.H.	1	1	1	
9	871138	. BRACKET R.H.	1	1	1	
10	871380	. MODULE CONTROL FAN SPEED / W/DOUBLE MOTOR (STAMPED 35-0520)	1	1	1	
11	871140	. HEATER COIL	1	1	1	
. NS	870127	. . DRAIN VALVE ROBINET VIDANGE	1	1	1	
12	871141	. EVAPORATOR COIL	1	1	1	
13	871142	. ACTUATOR, THERMAL	1	1	1	
15	871144	. FILTER / FRESH AIR 1/4" x 3 5/8" x 5 1/4"	1	1	1	
16	871025	. BUSHING / CABLE PIVOT	2	2	2	
17	871145	. DAMPER TRAP	1	1	1	
18	871146	. BOX, FRESH AIR	1	1	1	
19	871147	. FILTER / RECIRCULATING 1/4" x 6 1/4" x 28"	1	1	1	
20	871148	. LEVER , F/A DAMPER	1	1	1	
21	871149	. TUBE, A/C	1	1	1	
22	871150	. TUBE, A/C	1	1	1	
23	871151	. TUBE SUPPORT	1	1	1	
24	871152	. TUBE HEATER	1	1	1	
25	871153	. TUBE HEATER	1	1	1	
26	503007	. HOSE 2 PLY / RADIATOR HOSE / 5/8" I.D. / S.L.	AR	AR	AR	
27	504646	. HOSE CLAMP / 11/16"-1"1/4 / C.T. 9412	4	4	4	
28	507279	. O-RING / ORS FITTING / #8 NEO	2	2	2	
28	H3-2208-00	A/C EXPANSION VALVE				
29	871154	. CASING	1	1	1	
30	871155	. COVER	1	1	1	
31	871156	. COVER / BLOWER ACCESS	1	1	1	
36	8860148	. TUBE, NYLON 5/16 O.D. / BLACK S.L.	1	1	1	
37	N8888160	. SPRING CLIP	1	1	1	
40	871227	. HARNESS COVER	1	1	1	

From W-2285 To 2-4416	Date:10/2022	PAGE:H3-2225-99
-----------------------	--------------	-----------------

DRIVER'S HEATER & DEFROSTER ASSY W/ RETROFIT DOUBLE FANS

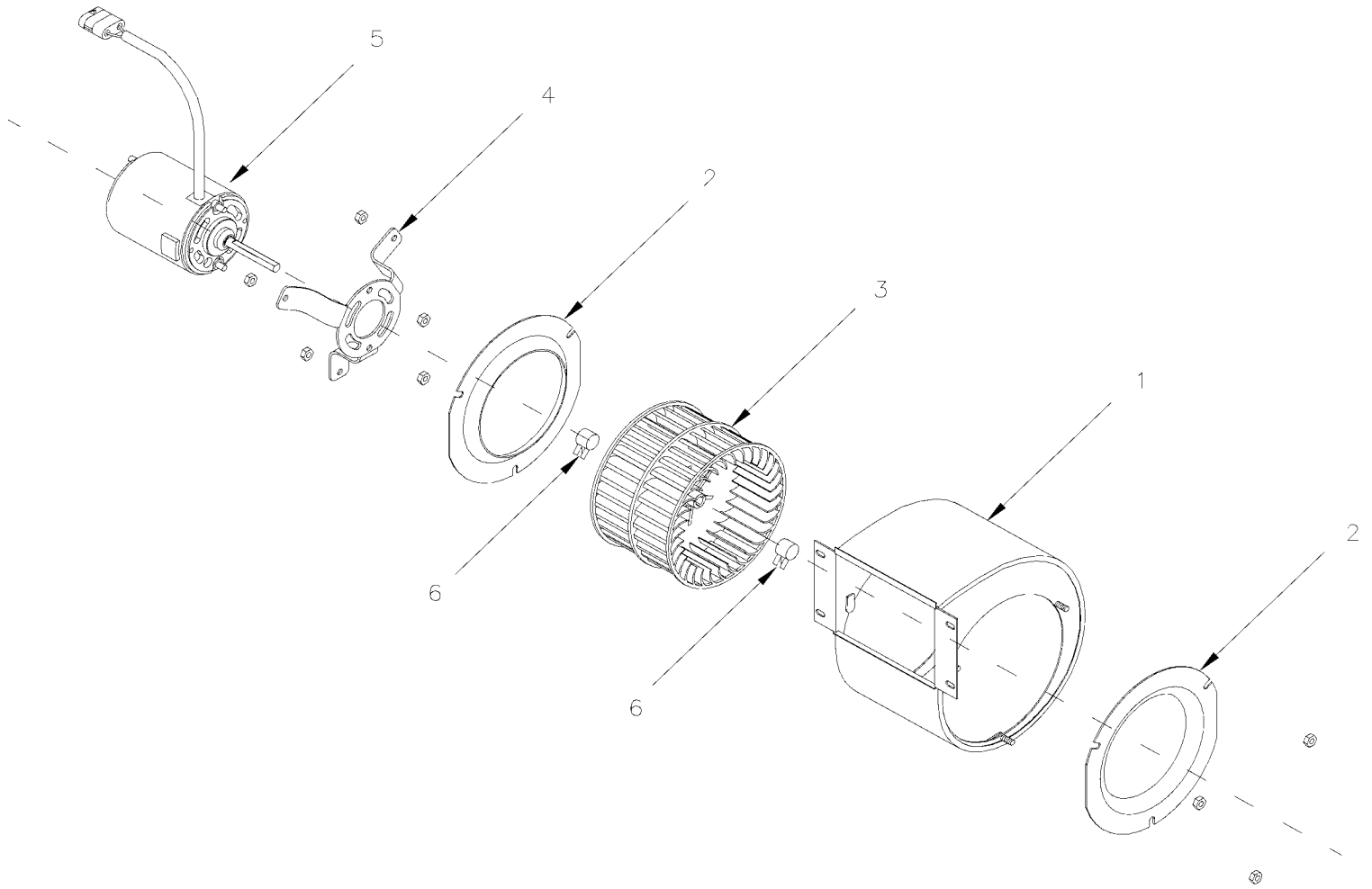
Item#	Part	Description	H 3 4 1	H 3 4 5	V I P 4 5	N O T E S

From W-2285 To 2-4416

Date:10/2022

PAGE:871360

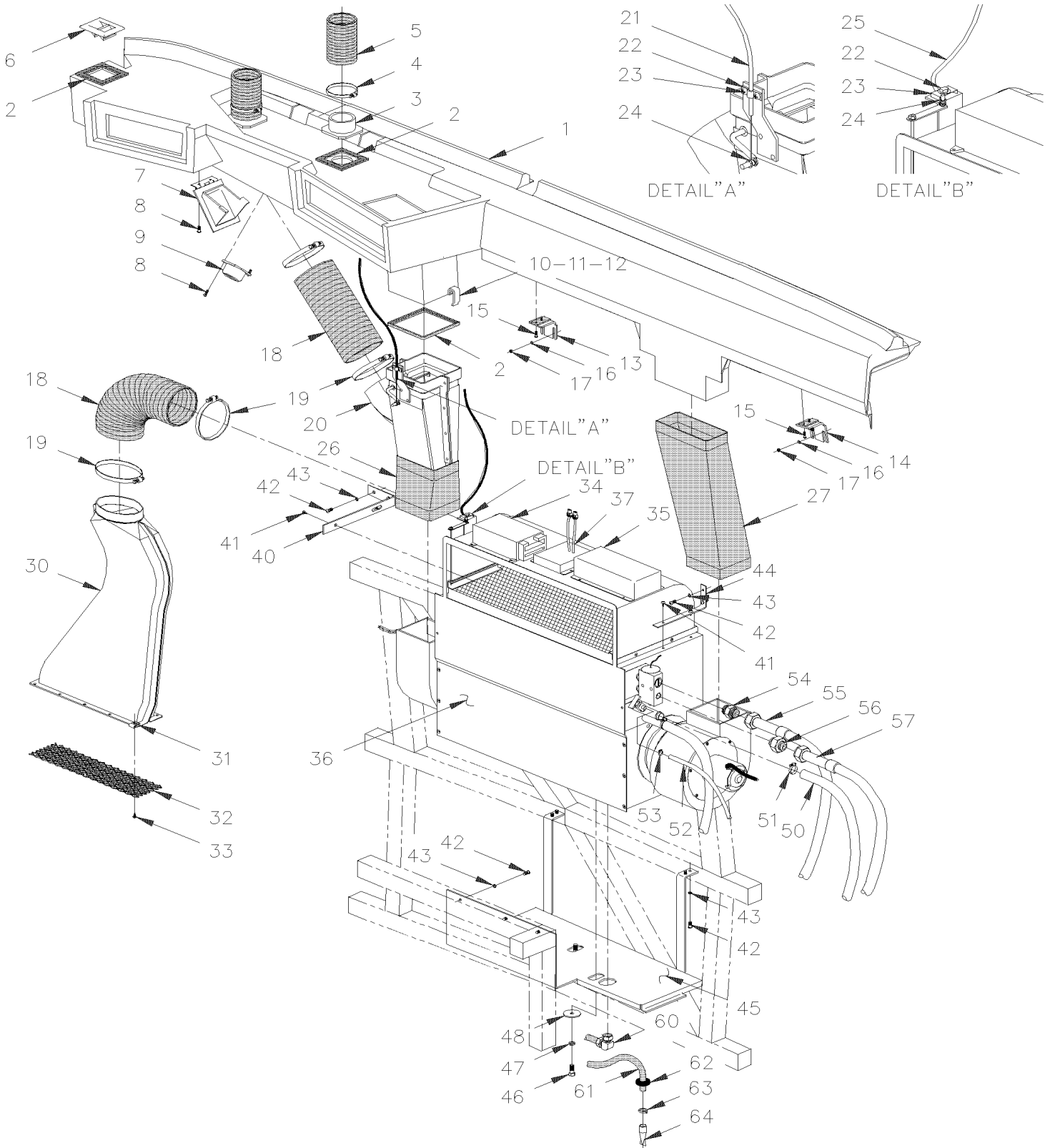
BLOWER & MOTOR ASSY - "M.C.C." "CCW" / FAN END



From W-2285 To 2-4416	Date:10/2022	PAGE:871360
BLOWER & MOTOR ASSY - "M.C.C." "CCW" / FAN END		

Item#	Part	Description	H 3 4 1	H 3 4 5	V I P 4 5	N O T E S
		BLOWER ASSY 24V / CCW	1	1	1	
1	871365	. BLOWER HOUSING	1	1	1	
2	N8889479	. VENTURY	2	2	2	
3	871133	. BLOWER WHEEL / PLASTIC 5 1/8" x 3 1/2" x 5/16" x I.D.	1	1	1	
4	N8890530	. MOUNTING MOTOR BRACKET	1	1	1	
5	871366	. MOTOR ASSY 24V / CCW	1	1	1	
6	N8888160	. SPRING CLIP	2	2	2	

From R-012 To W-2457	Date:10/2022	PAGE:H3-2230-00
DEFROSTER - INSTALLATION		



From R-012 To W-2457	Date:10/2022	PAGE:H3-2230-00
DEFROSTER - INSTALLATION		

Item#	Part	Description	H 3 4 1	H 3 4 5	V I P 4 5	N O T E S
1	390967P	BOARD ASSY To T-1645	1	1	1	
1	391509P	BOARD ASSY From T-1646 To W-2284	1	1		
1	391509P	BOARD ASSY From T-1646			1	
2	506191	. TAPE RUB ADH1 CC POL 1/8" x 1/4" x 50' / GREY 2520X	AR	AR	AR	
3	372448	. HOSE ADAPTOR To T-1645	2	2	2	
3	391883	. HOSE ADAPTOR From T-1646	2	2	2	
4	504023	. HOSE CLAMP / 1"5/16"-2"1/4 SS / HS-28 To T-1645	2	2	2	
4	504024	. HOSE CLAMP / 1"13/16"-2"3/4 SS / HS-36 From T-1646	2	2	2	
5	390943	. HOSE #28 250MM To T-1645	2	2	2	
5	391881	. HOSE #36 250MM From T-1646	2	2	2	
6	390944	. DEFLECTOR / AIR	1	1	1	
7	372470	. TRAP ASSY	1	1	1	
8	500409	. SCREW TP PAN PH #8x1/2 BK	AR	AR	AR	
9	870898	. OUTLET AIR ADJUSTABLE To T-1645	2	2	2	
9	871082	. AIR OUTLET From T-1646	2	2	2	
10	504484	. CLIPS	2	2	2	
11	502828	. WASHER FL .094x.218x.020 ZP	4	4	4	
12	504485	. RIVET POP DOME OE 3/32x1/4 STL	4	4	4	
13	391054	BRACKET ANGLE	1	1	1	A
14	391052	BRACKET ANGLE / R.H.	1	1	1	
15	500120	SCREW TP BDG PH #6x1/2 SS	AR	AR	AR	
16	502556	WASHER FL 4.3x9.0x0.8 SS	AR	AR	AR	
17	500590	NUT HEX NYRT M4-0.7 Z050	AR	AR	AR	
NS	506001	TAPE RUB ADH1 CC POL 1/8" x 3/4" x 50' / GREY 2520X	AR	AR	AR	
18	503434	HOSE FLEXIBLE / AIR DUCT 4" I.D. X 12' / RUBBER	1	1	1	
19	504235	HOSE CLAMP / 3"9/16"-4"1/2 SS / HS-64	4	4	4	
20	372465	DUCT "Y" ASSY To T-1466	1	1	1	
20	373385	DUCT "Y" ASSY From T-1467	1	1	1	
21	372459	WIRE ASSY / DEFROSTER	1	1	1	
22	504351	WIRE CLAMP / 5/32" I.D. / 750-F3	1	1	1	
23	500582	SCREW TP PAN PH #8x3/8 Z050	2	2	2	
24	500925	NUT SPR PO RND 1/4	4	4	4	
25	372460	WIRE ASSY / FRESH AIR	1	1	1	
26	372776	FLEXIBLE DUCT L.H. 145MM HEIGHT	1	1	1	
27	372771	FLEXIBLE DUCT R.H. 385MM HEIGHT	1	1	1	
30	372440	DUCT, AIR INTAKE	1	1	1	
31	500981	NUT SPR U #10-23/32x5/8	10	10	10	
32	372446	GRILL	1	1	1	
33	500414	SCREW TP BDG PH #10x3/4 SS	10	10	10	
34	562064	KEY PAD CONTROL			1	
35	871030	CONTROL SPEED / DEFROSTER MOTOR To S-093	1	1	1	
35	871059	CONTROL SPEED / DEFROSTER MOTOR From S-094	1	1	1	

From R-012 To W-2457	Date:10/2022	PAGE:H3-2230-00
DEFROSTER - INSTALLATION		

Item#	Part	Description	H 3 4 1	H 3 4 5	V I P 4 5	N O T E S
36	H3-2225-03	DRIVER'S HEATER & DEFROSTER ASSY				
37	871093	THERMOSTAT From V-1779	1	1	1	E
40	372540	ANGLE	1	1	1	
41	500641	SCREW TP PAN PH #8x3/4 Z050	AR	AR	AR	
42	500642	SCREW TP PAN PH #10x3/4 Z050	AR	AR	AR	
43	500473	WASHER LO SPT .262x.489x.062 Z050	AR	AR	AR	
44	372588	ANGLE	1	1	1	
45	372732	SUPPORT, DEFROSTER To V-1767	1	1	1	
45	373417	SUPPORT, DEFROSTER From V-1768	1	1	1	
45	372487	SUPPORT, DEFROSTER To V-1767	1	1		
45	373418	SUPPORT, DEFROSTER From V-1768	1	1		
45	372732	SUPPORT, DEFROSTER To V-1767			1	
45	373417	SUPPORT, DEFROSTER From V-1768			1	
46	500179	SCREW CAP HEX 5/16-18x3/4 G5 Z050	3	3	3	
47	500476	WASHER LO SPT .317x.586x.078 Z050	3	3	3	
48	500462	WASHER FL .343x1.500x.083 SS	3	3	3	
50	503523	HOSE SILICONE 1PLY 3/4" I.D. x 100' / S.L.	AR	AR	AR	
51	504646	HOSE CLAMP / 11/16"-1"1/4 / C.T. 9412	2	2	2	
52	560384	PLASTIC TUBING / 3/8" / CLEAR	AR	AR	AR	
53	504014	HOSE CLAMP / 1/4"-5/8" SS / HM-4	1	1	1	
54	507278	O-RING / ORS FITTING / #4 NEO	1	1	1	
55	373142	HOSE ASSY / W/R-134a / #6 1372MM	1	1	1	
. NS	507278	. O-RING / ORS FITTING / #4 NEO	2	2	2	
55	370721	HOSE ASSY / W/R-134a / #6 1372MM	1	1	1	S
. NS	507278	. O-RING / ORS FITTING / #4 NEO	2	2	2	S
55	373343	HOSE ASSY / W/R-22 / #6 1370MM	1	1	1	
. NS	507278	. O-RING / ORS FITTING / #4 NEO	2	2	2	
55	370726	HOSE ASSY / W/R-22 / #6 1370MM	1	1	1	S
. NS	507278	. O-RING / ORS FITTING / #4 NEO	2	2	2	S
NS	452452	ADAPTOR W/R-22	1	1	1	
56	507344	O-RING / ORS FITTING / #10 NEO	1	1	1	
57	373139	HOSE ASSY / W/R-134a / #10 2184MM	1	1	1	B
. NS	507344	. O-RING / ORS FITTING / #10 NEO	2	2	2	B
57	370454	HOSE ASSY / W/R-134a / #10 2184MM	1	1	1	B S
. NS	507344	. O-RING / ORS FITTING / #10 NEO	2	2	2	B S
57	373344	HOSE ASSY / W/R-22 / #10 2185MM	1	1	1	
. NS	507344	. O-RING / ORS FITTING / #10 NEO	2	2	2	
57	370727	HOSE ASSY / W/R-22 / #10 2185MM	1	1	1	S
. NS	507344	. O-RING / ORS FITTING / #10 NEO	2	2	2	S
57	373139	HOSE ASSY / W/R-134a / #10 2184MM	1	1	1	C
. NS	507344	. O-RING / ORS FITTING / #10 NEO	2	2	2	C

From R-012 To W-2457	Date:10/2022	PAGE:H3-2230-00
DEFROSTER - INSTALLATION		

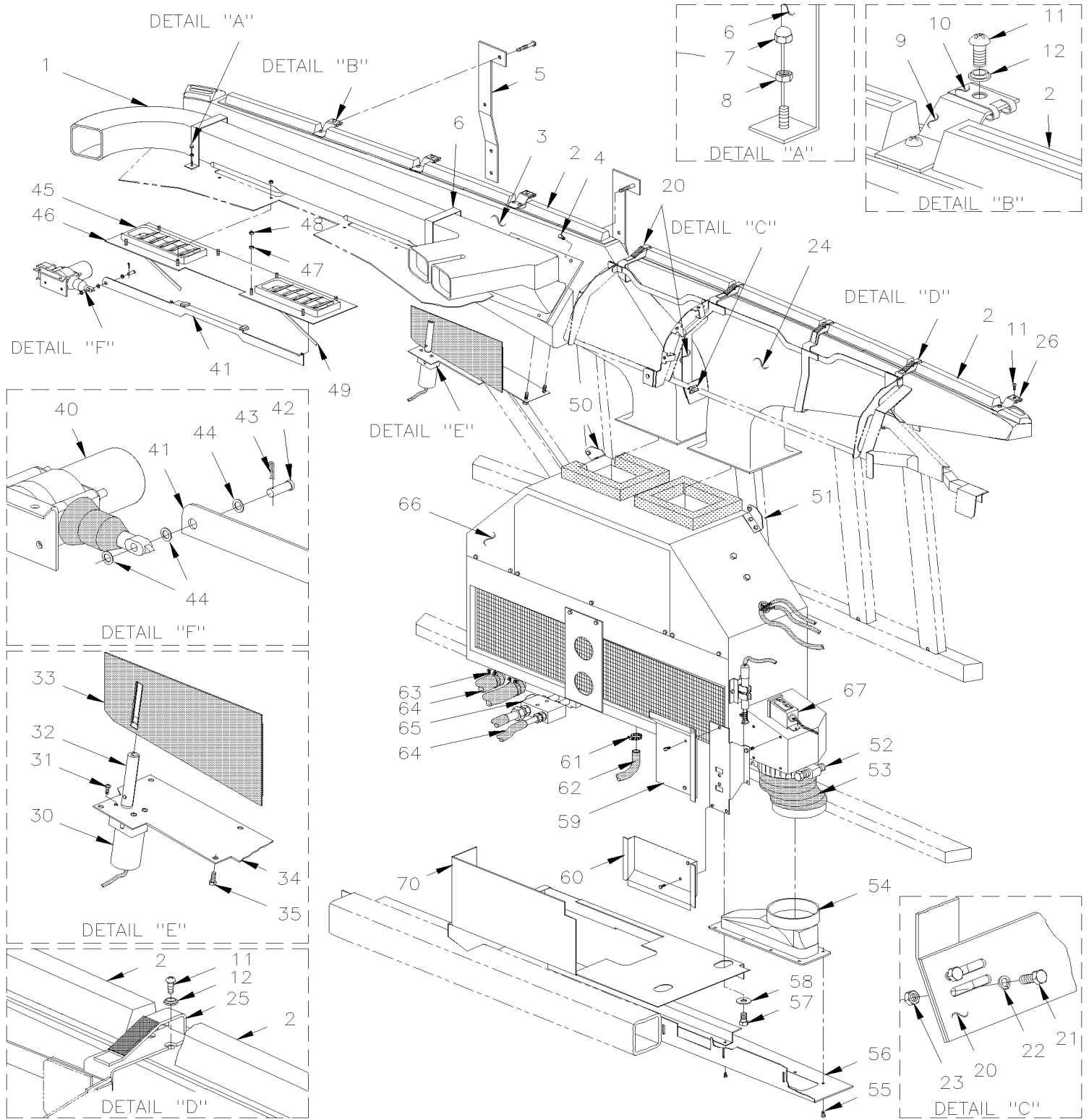
Item#	Part	Description	H 3 4 1	H 3 4 5	V I P 4 5	N O T E S
57	370454	HOSE ASSY / W/R-134a / #10 2184MM	1	1	1	C S
NS	507344	O-RING / ORS FITTING / #10 NEO	2	2	2	C S
58	507279	O-RING / ORS FITTING / #8 NEO	1	1	1	D
60	641418	ELBOW UNION 90° / COMPRESSION FITTING / #10x#10 PLAS WHITE	1	1	1	
61	503666	HOSE 1/2" I.D. 100' / S.L.	AR	AR	AR	
62	504356	GROMMET / .625x.875x.062x.312x1.125	1	1	1	
63	504637	CABLE TIE / 3/16" x 13"	1	1	1	
64	590284	DRAIN BOOT 1" I.D. X 5" / FLAT	1	1	1	
64	590286	DRAIN BOOT 1 1/4" I.D. X 4" / FLAT	1	1	1	
NS	064723	SUPPORT	1	1	1	E
NS	504356	GROMMET / .625x.875x.062x.312x1.125	1	1	1	E
NS	500638	SCREW TP PAN PH #8x1/2 Z050	6	6	6	E
		A) L.H.				
		B) W/R-134				
		C) W/R-22				
		D) EXPAN. VALVE & EVAPOR. COIL				
		E) THIS ITEM IS RELATED W/SAV 2525 FROM V-1779 TO W-2284				
		S) SERVICE				

From X-2458 To 2-4416

Date:10/2022

PAGE:H3-2230-01

DEFROSTER - INSTALLATION



From X-2458 To 2-4416	Date:10/2022	PAGE:H3-2230-01
DEFROSTER - INSTALLATION		

Item#	Part	Description	H 3 4 1	H 3 4 5	V I P 4 5	N O T E S
1	391970	DUCT DRIVER To X-2843	1	1		
1	391970	DUCT DRIVER From X-2458 To X-2843			1	
1	392057	DUCT DRIVER LH SECTION From X-2844	1	1	1	
1	392058	DUCT DRIVER RH SECTION From X-2844 To X-3096	1	1	1	
1	392084	DUCT DRIVER RH SECTION From X-3097	1	1	1	
NS	392064	SUPPORT From X-2844	1	1	1	
NS	392085	. DEFLECTOR (INSIDE DUCT) From X-3097	1	1	1	
2	391931	. LOUVER	4	4	4	
3	391925	. DEFROSTER DUCT STREETSIDE	1	1	1	
NS	392292	GASKET / DRIVER'S DUCT & WINDSHIELD DUCT	1	1	1	
NS	391979	DEFLECTOR / (INSIDE OF DUCT)	1	1	1	
3	392014	. DEFROSTER DUCT ASSY STREETSIDE	1	1	1	A
4	500641	SCREW TP PAN PH #8x3/4 Z050	1	1	1	
4	500841	SCREW TP PAN PH #14x3/4 Z050				
5	392016	STRAP / TO FIX DUCT LH TO STRUCTURE	2	2	2	
6	392015	STRAP / TO FIX DUCT DRIVER TO STRUCTURE	2	2	2	
7	5001404	NUT HEX CAP M4-0.7 SS	4	4	4	
8	502557	NUT HEX NYRT M4-0.7 SS	4	4	4	
9	392163	CAP SUPPORT L.H. & CENTER	2	2	2	
9	392164	CAP SUPPORT R.H.	1	1	1	
10	5001405	NUT SPR U M4-0.7 0.8-4.0x9.5	AR	AR	AR	
11	5001411	SCREW MA FL PH M4-0.7x20 BK	AR	AR	AR	
12	500345	WASHER FN CKF .187x.500x.090 BR BK	AR	AR	AR	
20	391956	STRUCTURE / R.H.	1	1		
20	391996	STRUCTURE / R.H.				
21	502529	SCREW MA BDG PH M5-0.8x12 BZC	2	2	2	
22	500440	WASHER FL .250x.562x.065 Z050	2	2	2	
23	502782	NUT HEX NYRT M5-0.8 Z050	2	2	2	
24	391923	DEFROSTER DUCT CURBSIDE	1	1		
25	392018	STRAP R.H. / TO FIX DUCT TO STRUCTURE	1	1	1	
25	392019	STRAP L.H. / TO FIX DUCT TO STRUCTURE	1	1	1	
26	392017	SUPPORT / R.H. WINDSHIELD	1	1	1	
30	391962	DAMPER	1	1	1	
30	871424	. MOTOR	1	1	1	
31	N.P.N.	. SCREW	7	7	7	4
32	N.P.N.	. SHAFT	1	1	1	4
33	N.P.N.	. TRAP ASSY	1	1	1	4
34	N.P.N.	. PLATE	1	1	1	4
35	N.P.N.	SCREW	4	4	4	4
35	563429	SWITCH MAGNETIC ASSY	1	1	1	
. NS	562641	. MAGNET	1	1	1	
40	890009	LOCK ACTUATOR / 12V	1	1	1	

From X-2458 To 2-4416	Date:10/2022	PAGE:H3-2230-01
DEFROSTER - INSTALLATION		

Item#	Part	Description	H 3 4 1	H 3 4 5	V I P 4 5	N O T E S
. NS	562076	. CONNECTOR / PACK-CON I / FEMALE HOUSING / 2C / PED 8911772	1	1	1	
NS	391969	DAMPER, FOOT To X-2844	1	1	1	
NS	392063	DAMPER, FOOT ASSY From X-2845	1	1	1	
41	392020	. ACTUATOR ROD	1	1	1	
42	502023	. PIN, CLEVIS 1/4 x 51/64	1	1	1	
43	502180	. PIN HITCH CLIP 3/32 x 1/2 Z050	1	1	1	
44	500411	. WASHER FL .260x.697x.050 SS	2	2	2	
45	870887	. DEFLECTOR, AIR	2	2	2	
46	N.P.N.	PLATE	1	1	1	4
47	502557	NUT HEX NYRT M4-0.7 SS	3	3	3	
48	5001404	NUT HEX CAP M4-0.7 SS	3	3	3	
49	N.S.S.	SEE ITEM 45	1	1	1	1
50	373551	ATTACHMENT L.H.	1	1	1	
51	373552	ATTACHMENT R.H.	1	1	1	
NS	500642	SCREW TP PAN PH #10x3/4 Z050	2	2	2	
NS	504114	RIVET POP DOME OE 3/16x1/4 AL	4	4	4	
52	504235	HOSE CLAMP / 3"9/16"-4"1/2 SS / HS-64	2	2	2	
53	373530	HOSE 4" I.D. 85MM	1	1	1	
53	503434	. HOSE FLEXIBLE / AIR DUCT 4" I.D. X 12' / RUBBER	AR	AR	AR	
54	373503	TRANSITION AIR INLET	1	1	1	
55	500414	SCREW TP BDG PH #10x3/4 SS	8	8	8	
56	473609	PANEL AIR INTAKE W/GRILL	1	1	1	
57	500179	SCREW CAP HEX 5/16-18x3/4 G5 Z050	3	3	3	
58	500462	WASHER FL .343x1.500x.083 SS	3	3	3	
NS	500476	WASHER LO SPT .317x.586x.078 Z050	3	3	3	
59	373542	DEFLECTOR, UPPER / ALU	1	1	1	
59	373553	DEFLECTOR, ONE PIECE, ALU			1	
60	373535	DEFLECTOR, LOWER / ALU	1	1	1	
NS	502761	SCREW TP BDG PH #10x3/4 SS BK	5	5	5	
NS	500803	NUT SPR J #10A .035-.050	5	5	5	
NS	506268	TAPE RUB ADH1 URE 3/8" x 1/2" x 25' / GREY 1820	AR	AR	AR	
61	504014	HOSE CLAMP / 1/4"-5/8" SS / HM-4	2	2	2	
62	373421	HOSE #10 900MM	1	1	1	
62	373428	HOSE #10 50MM	1	1	1	
62	503666	. HOSE 1/2" I.D. 100' / S.L.	AR	AR	AR	
NS	641418	ELBOW UNION 90° / COMPRESSION FITTING / #10x#10 PLAS WHITE	1	1	1	
NS	504356	GROMMET / .625x.875x.062x.312x1.125	1	1	1	
NS	590286	DRAIN BOOT 1 1/4" I.D. X 4" / FLAT	1	1	1	
63	504646	HOSE CLAMP / 11/16"-1"1/4 / C.T. 9412	2	2	2	
64	H3-2222-10	A/C & HEATING LINE FRONT SECTION				
65	H3-2208-00	A/C EXPANSION VALVE				
66	H3-2225-04	DRIVER'S HEATER & DEFROSTER ASSY				

From X-2458 To 2-4416	Date:10/2022	PAGE:H3-2230-01
DEFROSTER - INSTALLATION		

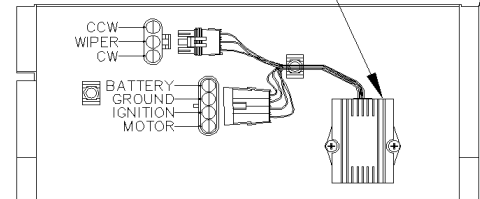
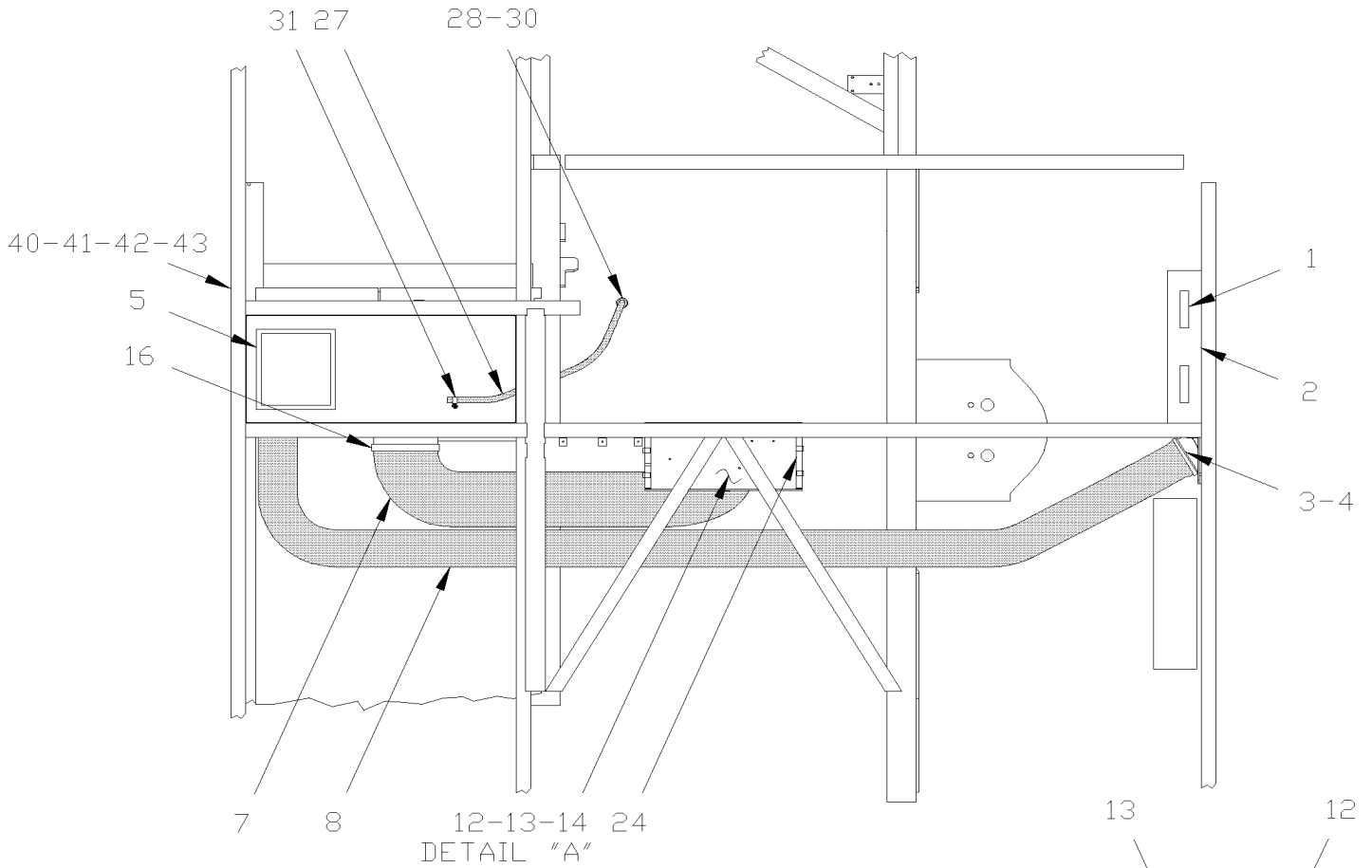
Item#	Part	Description	H 3 4 1	H 3 4 5	V I P 4 5	N O T E S
67	950035	THERMOSTAT			1	B
67	500583	SCREW TP PAN PH #6x1/2 Z050			2	B
70	172200	SUPPORT, DEFROSTER	1	1		
70	172201	SUPPORT, DEFROSTER			1	
		A) INCLUDE ITEMS 2, 3, 9, 10, 30 TO 35				
		B) WITH SMALL A/C SYSTEM				
		1) NOT SOLD SEPARATELY				
		4) NO PARTS NUMBER				

From X-2458 To 2-4416

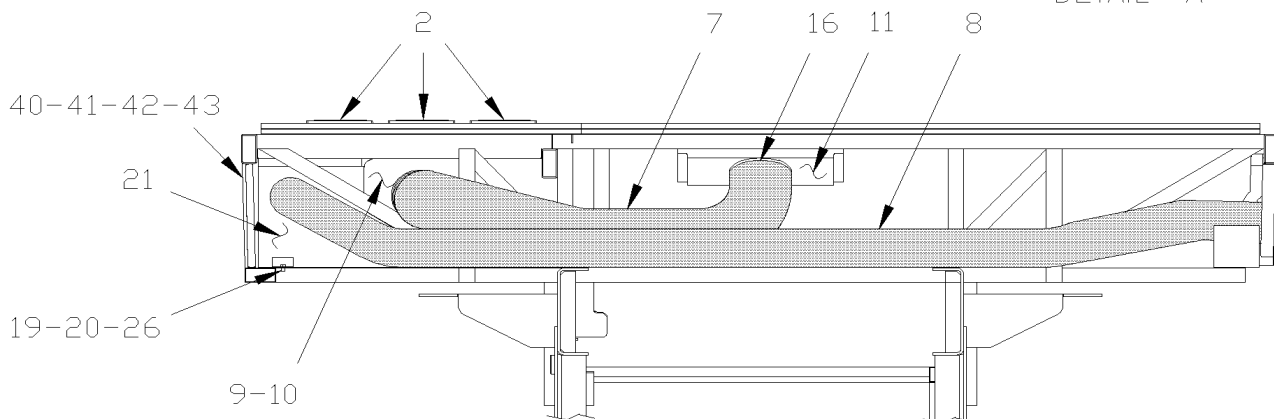
Date:10/2022

PAGE:H3-2230-50

A/C AUXILIARY V.I.P. - INSTALLATION



DETAIL "A"



From X-2458 To 2-4416	Date:10/2022	PAGE:H3-2230-50
A/C AUXILIARY V.I.P. - INSTALLATION		

Item#	Part	Description	H 3 4 1	H 3 4 5	V I P 4 5	N O T E S
1	372842	DUCT, AIR / R.H. FRONT LOWER To X-2861			1	
1	373487	DUCT, AIR / R.H. FRONT LOWER From X-2862			1	
NS	5001119	SCREW TP BDG PH #8x3/4 SS			12	
2	871027	DIFFUSOR			5	
NS	502611	SCREW TP FL PH #6x1/2 Z050			10	
3	453162	CONDUIT CO-PILOTE (PLASTIC)			1	
NS	506268	TAPE RUB ADH1 URE 3/8" x 1/2" x 25' / GREY 1820			AR	
4	500638	SCREW TP PAN PH #8x1/2 Z050			11	
5	453205	GASKET To X-2861			1	
5	453304	GASKET From X-2862			1	
7	453197	HOSE 6" I.D.1300MM			1	
7	503670	. HOSE FLEXIBLE / AIR DUCT 6" I.D. X 25' / RUBBER			AR	
8	453196	HOSE 4" I.D. 2850MM			1	
8	503434	. HOSE FLEXIBLE / AIR DUCT 4" I.D. X 12' / RUBBER			AR	
NS	504235	HOSE CLAMP / 3"9/16"-4"1/2 SS / HS-64			2	
9	453182	AIR RETURN (PLASTIC)			1	
10	453183	GASKET			1	
NS	680532	SEALANT SIKA #221 / GREY / 310ml CARTRIDGE			AR	
11	Call order desk	AIR INTAKE ASSY			1	P
12	453161	. AIR RETURN (PLASTIC)			1	
13	064803	. MODULE CONTROL FAN SPEED ASSY W/CONNECTOR / W/SINGLE MOTOR			1	
13	871169	. . MODULE CONTROL FAN SPEED /W/SINGLE MOTOR / (STAMPED 35-0041)			1	
14	453202	FILTER ASSY			1	
NS	871164	. FILTER 1/4" X 6 1/4" X 14 1/2"			1	
14	506268	. TAPE RUB ADH1 URE 3/8" x 1/2" x 25' / GREY 1820			1	
16	504031	HOSE CLAMP / 5"-7" SS / HS-104			1	
19	5001003	WASHER LO SPT 8.1x12.7x2.0 Z050			1	
20	500069	SCREW CAP HEX M8-1.25x16 G10.9 DP			2	
21	H3-2225-50	A/C & HEATER AUXILIARY - V.I.P.				
NS	454046	DRAIN PAN / PLASTIC / (UNDER UNIT)			1	A
24	5001394	CLIP "U-TYPE FASTENERS"			4	
NS	504114	RIVET POP DOME OE 3/16x1/4 AL			3	
26	500874	WASHER FL 8.4x17.0x1.6 Z050			2	
27	453203	HOSE 1/2" I.D. 875MM			1	
27	503666	. HOSE 1/2" I.D. 100' / S.L.			AR	
28	590286	DRAIN BOOT 1 1/4" I.D. X 4" / FLAT			1	
NS	504637	CABLE TIE / 3/16" x 13"			1	
30	504356	GROMMET / .625x.875x.062x.312x1.125			1	
31	504014	HOSE CLAMP / 1/4"-5/8" SS / HM-4			1	
40	453216	ACCESS PANEL COVER ASSY			1	
NS	481249	NUT			14	
NS	500414	SCREW TP BDG PH #10x3/4 SS			14	

From X-2458 To 2-4416	Date:10/2022	PAGE:H3-2230-50
A/C AUXILIARY V.I.P. - INSTALLATION		

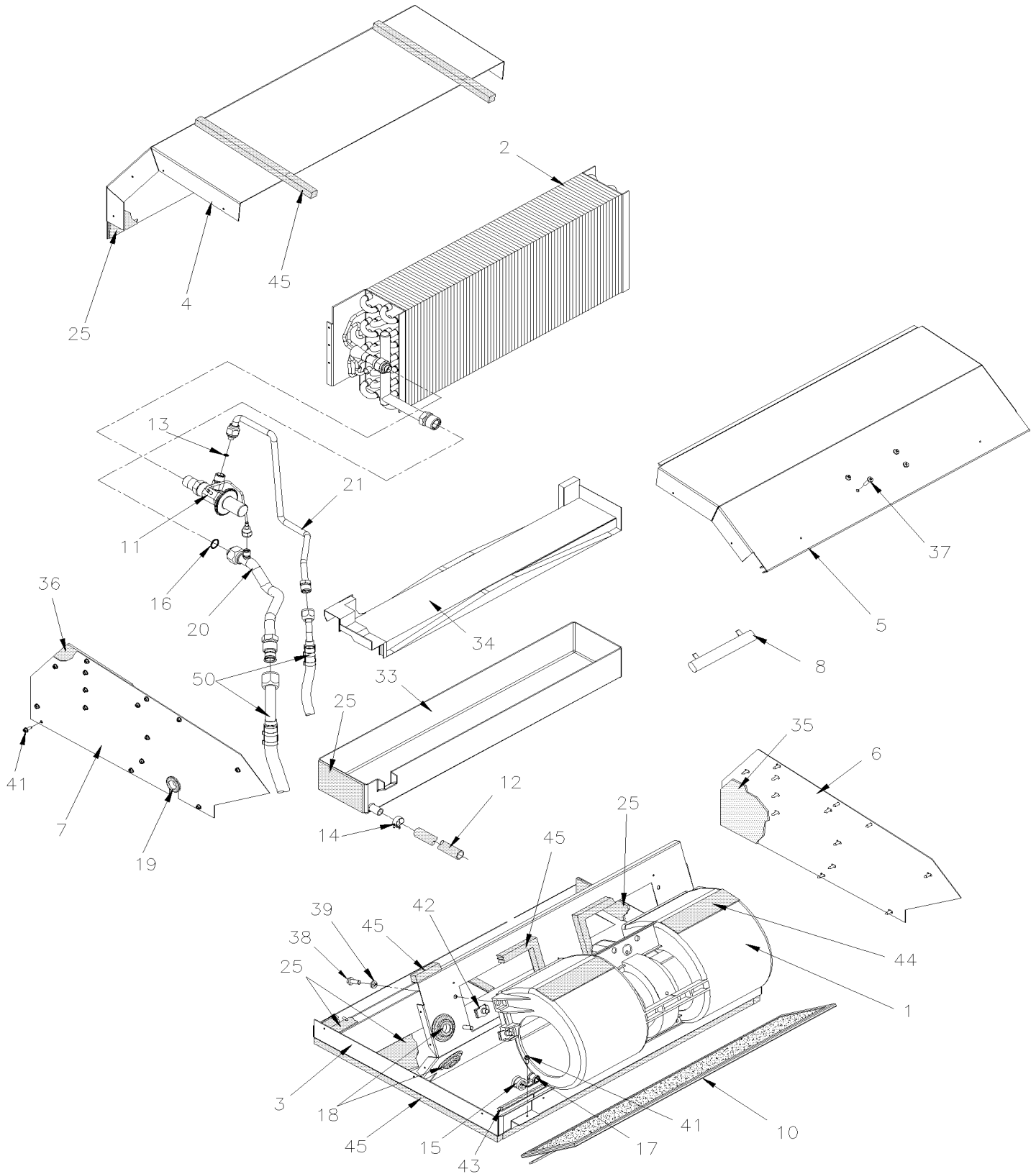
Item#	Part	Description	H 3 4 1	H 3 4 5	V I P 4 5	N O T E S
41	453214	FRAME ACCESS PANEL			1	
42	453217	ANGLE BAR			2	
NS	500438	WASHER FL .187x.437x.050 Z050			28	
NS	500432	SCREW TC PAN PH #8-32x3/4 Z050			10	
43	506302	RUBBER EXTRUSION TRIM SEAL / GRIP .024 / 7/16" HOLLOW BULB C.T.L.			AR	
		A) FOR PRODUCT IMPROVMENT ADD 454046 UP TO 3-4732				
		P) CALL ORDER DESK FOR SPECIFIC APPLICATION (V.I.N.)				

From W-2285 To 2-4416

Date:10/2022

PAGE:H3-2240-20

BLOWER VENTILATION - PARCEL RACK

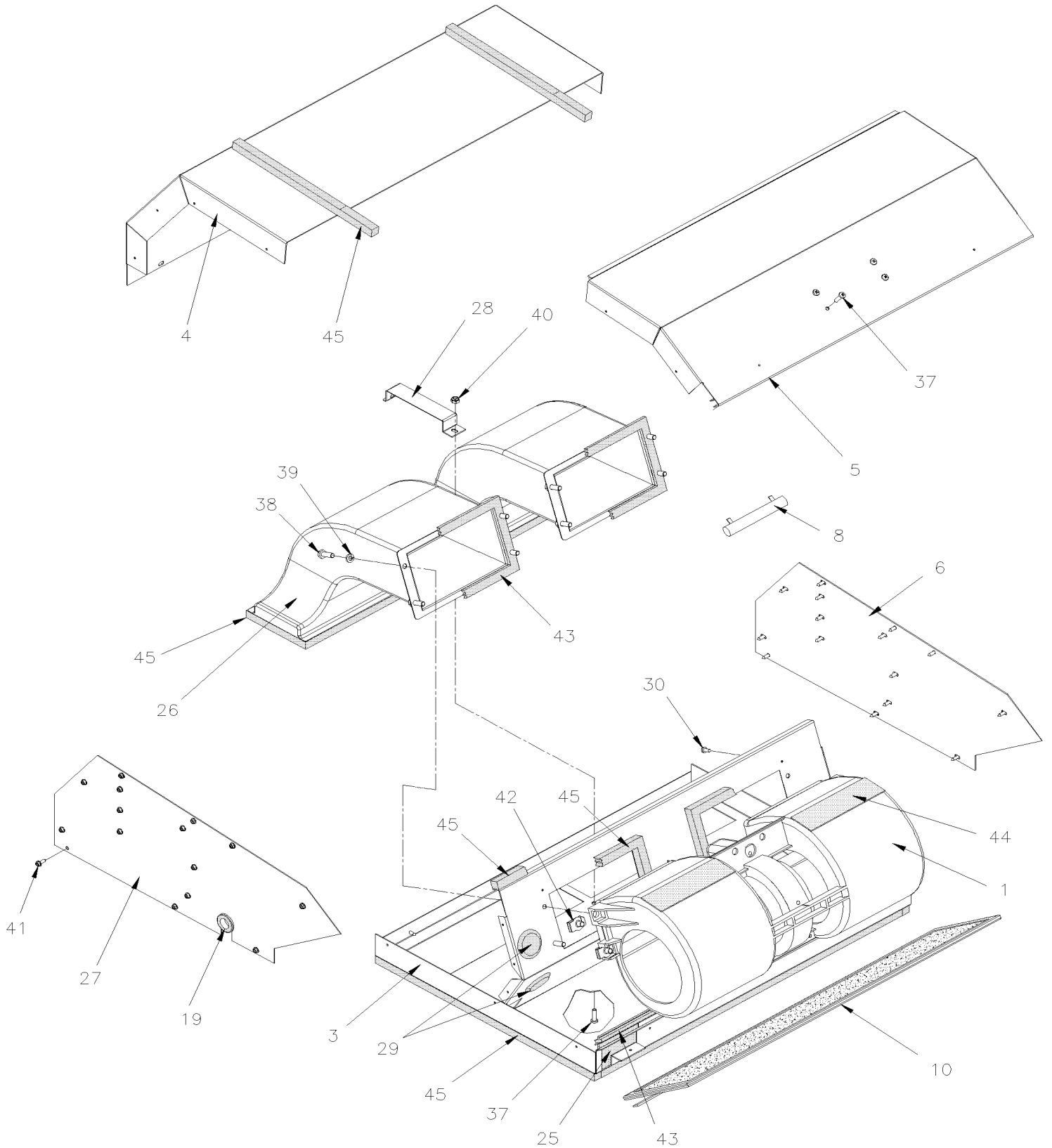


From W-2285 To 2-4416

Date:10/2022

PAGE:H3-2240-20

BLOWER VENTILATION - PARCEL RACK



From W-2285 To 2-4416	Date:10/2022	PAGE:H3-2240-20
BLOWER VENTILATION - PARCEL RACK		

Item#	Part	Description	H 3 4 1	H 3 4 5	V I P 4 5	N O T E S
	950293	VENTILATION UNIT ASSY W/A/C SYSTEM	1	1		
	871107	VENTILLATION UNIT ASSY To X-2725	1	1		B
	871173	VENTILLATION UNIT ASSY From X-2726	1	1		
1	H3-2240-25	. BLOWER ASSY - PARCEL RACK				
NS	871264	. WIRE HARNESS	1	1		
1	871158	. BLOWER SPEED CONTROL To X-2725	1	1		A
1	064855	. CABLE HARNESS / SPEED CONTROL To X-2725	1	1		A
2	950321	. EVAPORATOR COIL	1	1		
3	871266	. BASE PLATE ASSY	1	1		
4	871189	. TOP COVER	1	1		
5	871268	. BLOWER COVER	1	1		
6	871267	. LEFT SIDE PANEL	1	1		
7	871267	. LEFT SIDE PANEL	1	1		
8	871261	. RESISTOR 100 WATT / CYLINDRICAL	1	1		
10	871159	. FILTER 1/4" x 5 3/4" x 23"	1	1		
11	950322	. VALVE, EXPANSION R-134 / PARCEL-RACK	1	1		
NS	871445	. O-RING #4	1	1		
12	503707	. HOSE / PVC REINFORCED 1/2" I.D. 100' / S.L.	1	1		
13	N8894484	. O-RING #6	1	1		
14	Call order desk	. HOSE CLAMP / 1 /2"	1	1		P
15	N8887164	. CLAMP / #10	1	1		
16	871444	. O-RING #10	1	1		
17	N8895767	. CLAMP / 3/8"	1	1		
18	G5009550	. GROMMET 5/8"	2	2		
19	N8889852	. GROMMET	1	1		
20	871272	. LO-SIDE HARDLINE	1	1		
21	871271	. HI-SIDE HARDLINE	1	1		
25	Call order desk	. NEOPRENE / 1 /8"	2	2		P
26	871262	. DUCT ASSY	2	2		
27	871265	. RIGHT SIDE PANEL	1	1		
28	Call order desk	. BRACKET	1	1		P
29	Call order desk	. HOLE PLUG / 1 1/4"	2	2		P
30	Call order desk	. SCREW TP PAN PH #8x1/2	4	4		P
33	871273	. DRAIN PAN	1	1		
34	Call order desk	. INSERT / DRAIN PAN	1	1		P
35	Call order desk	. FOAM / 1/8"	1	1		P
36	Call order desk	. FOAM / 1/8"	1	1		P
37	N8890509	. SCREW MA PAN PH #10-32x3/4 ZP	4	4		
38	Call order desk	. SCREW CAP HEX 1/4-20x3/4	4	4		P
39	N8892465	. WASHER LO SPT 1/4	4	4		
40	Call order desk	. NUT HEX NYRT #10-32	4	4		P
41	Call order desk	. SCREW TC CAP HEXW SLT #8-32 X 1/2"	34	34		P

From W-2285 To 2-4416	Date:10/2022	PAGE:H3-2240-20
BLOWER VENTILATION - PARCEL RACK		

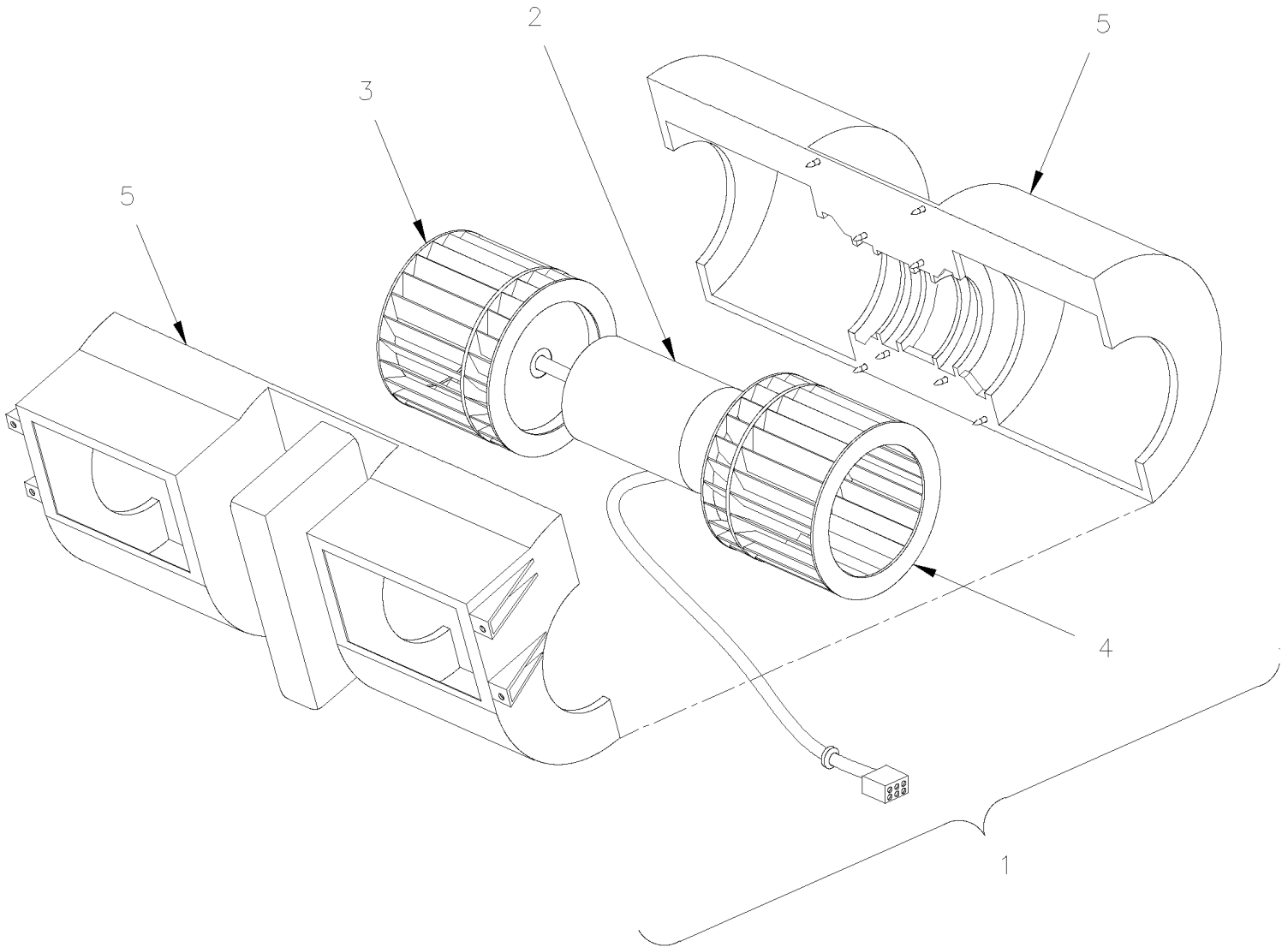
Item#	Part	Description	H 3 4 1	H 3 4 5	V I P 4 5	N O T E S
42	Call order desk	. NUT SPR U 1/4-20	4	4		P
43	N8889679	. FOAM / 3/16"x1 1/2"	1	1		
44	Call order desk	. FOAM / 1/16"x5"	2	2		P
45	Call order desk	. FOAM / 1/2"x1/2"	2	2		P
50	H3-2270-10	A/C HOSE PARCEL RACK - INSTALLATION				
		A) CONSOLE WITH HYDRAULIC SHIFTER NEED CUT TO FIT WITH CONSOLE CAP R.H. #391920 SEE H3-0705-02				
		B) IF YOU CHANGE COMPLETE UNIT YOU REQUIRE CABLE ASSY #064940, FOR VEHICLE UP TO X-2725				
		P) CALL ORDER DESK FOR SPECIFIC APPLICATION (V.I.N.)				

From W-2285 To 2-4416

Date:10/2022

PAGE:H3-2240-25

BLOWER ASSY - PARCEL RACK



From W-2285 To 2-4416	Date:10/2022	PAGE:H3-2240-25
BLOWER ASSY - PARCEL RACK		

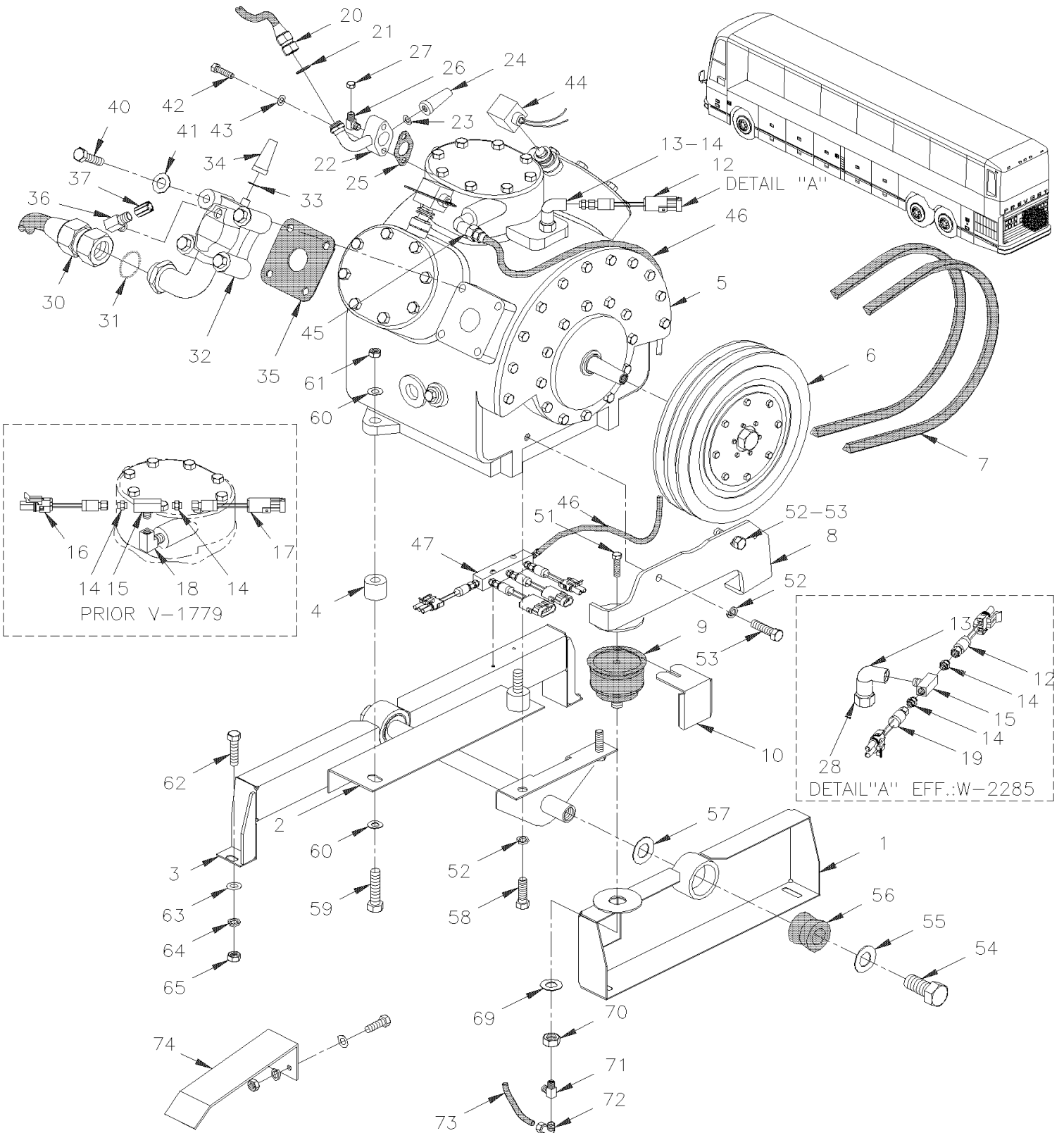
Item#	Part	Description	H 3 4 1	H 3 4 5	V I P 4 5	N O T E S
1	871157	BLOWER ASSY 24V	2	2		
2	N.P.N.	. MOTOR 24V	1	1		4
3	N.P.N.	. BLOWER WHEEL	1	1		4
4	N.P.N.	. BLOWER WHEEL	1	1		4
5	N.P.N.	. HOUSING	1	1		4
		4) NO PARTS NUMBER				

From R-012 To 2-4416

Date:10/2022

PAGE:H3-2245-01

A/C COMPRESSOR 05G - INSTALLATION



From R-012 To 2-4416	Date:10/2022	PAGE:H3-2245-01
A/C COMPRESSOR 05G - INSTALLATION		

Item#	Part	Description	H 3 4 1	H 3 4 5	V I P 4 5	N O T E S
1	452259	SUPPORT ASSY / PULLEY SIDE To S-179	1	1	1	
1	452731	SUPPORT ASSY From S-180 To V-1827	1	1	1	
1	453041	SUPPORT ASSY From V-1828 To 2-4417	1	1	1	
1	451082	SUPPORT ASSY From 2-4418	1	1	1	
2	451857	SUPPORT To S-179	1	1	1	
2	452733	SUPPORT ASSY From S-180	1	1	1	
2	451086	SUPPORT ASSY From 2-4418	1	1	1	
3	452415	SUPPORT OPPOSITE PULLEY SIDE To S-179	1	1	1	
3	452734	SUPPORT OPPOSITE PULLEY SIDE From S-180 To X-2900	1	1		
3	453309	SUPPORT OPPOSITE PULLEY SIDE From X-2901 To 2-4417	1	1		
3	451081	SUPPORT OPPOSITE PULLEY SIDE From 2-4418	1	1	1	
3	452734	SUPPORT OPPOSITE PULLEY SIDE From S-180 To 2-4417			1	
3	451084	SUPPORT OPPOSITE PULLEY SIDE From 2-4418	1	1	1	
4	452268	SLEEVE SPACER	2	2	2	
5	H3-2250-00	A/C COMPRESSOR ASSY 05G - THREE PORT	1	1	1	
5	H3-2250-01	A/C COMPRESSOR ASSY 05G - TWIN PORT / SERVICE	1	1	1	
6	H3-2246-01	A/C CLUTCH 05G - HOUSING MOUNTED				
7	506664	V-BELT / BX-97 / SET OF 2 9212-0390 To X-2900	1	1		
7	506864	V-BELT / BX-100 / SET OF 2 9212-0404 From X-2901	1	1		
7	506664	V-BELT / BX-97 / SET OF 2 9212-0390			1	
8	452258	TENSIONER FOR BELLOW To V-1827	1	1	1	
8	453040	TENSIONER FOR BELLOW From V-1828 To 2-4417	1	1	1	
8	452050	TENSIONER FOR BELLOW From 2-4418	1	1	1	
9	950208	BELLOW ASSY / BELT TENSIONER / 3" O.D.	1	1	1	
NS	504695	. HOSE CLAMP STEPLESS SPRING SS / OETIKER / 2.9-3.3	1	1	1	
10	453059	BELLOW PROTECTOR From V-1828	1	1	1	
12	452406	PRESSURE SWITCH N.O. 30-15 20SP001MA030C015C W/ R134	1	1	1	
12	452449	PRESSURE SWITCH N.O. 60-35 20SP001AA060E035E W/ R22	1	1		
13	501332	STREET ELBOW 90° / PIPE FITTING / 1/4NPT-Mx1/4NPT-F BR	1	1	1	
14	950249	SCHRADER VALVE 1/4NPT-M	1	1	1	
15	501894	MALE BRANCHE TEE / PIPE FITTING / 1/4NPT-Fx1/4NPT-Fx1/4NPT-M BR	1	1	1	
16	452405	PRESSURE SWITCH N.C. 320-245 20SP001MB320K245R To V-1778	1	1	1	
16	452448	PRESSURE SWITCH N.C. 418-320 20SP001EB418G320R To V-1778	1	1		
17	452421	PRESSURE SWITCH N.O. 280-220 20SP001MA280K220R To V-1778	1	1	1	
17	452450	PRESSURE SWITCH N.O. 390-310 20SP001EA390R310G To V-1778	1	1		
NS	064671	CABLE ASSY / PRESSURE SWITCH	1	1	1	
18	501332	STREET ELBOW 90° / PIPE FITTING / 1/4NPT-Mx1/4NPT-F BR	1	1	1	
19	950245	PRESSURE SWITCH N.C. 20-30 LO-UNLOAD W/WIRE BLACK W/ R134	1	1	1	A
19	950299	PRESSURE SWITCH N.C. 50-60 / BLACK(LO-UNLOAD) (LO-UNLOAD) W/ R22	1	1	1	A
19	064571	CABLE HARNESS / IND LIGHT R.H. / W/O DOOR	1	1	1	A
20	373127	HOSE ASSY / DISCHARGE W/R-134a / #16 430MM To T-1316	1	1	1	
20	373372	HOSE ASSY / DISCHARGE W/R-134a / #16 440MM From T-1317 To Y-3619	1	1	1	

From R-012 To 2-4416	Date:10/2022	PAGE:H3-2245-01
A/C COMPRESSOR 05G - INSTALLATION		

Item#	Part	Description	H 3 4 1	H 3 4 5	V I P 4 5	N O T E S
20	453567	HOSE ASSY / DISCHARGE W/R-134a / #16 440MM From Y-3620 To 1-4161	1	1	1	
20	453716	HOSE ASSY / DISCHARGE W/R-134a / #16 533MM / SS BELLOW From 1-4162 To 2-4389	1	1	1	
20	454019	HOSE ASSY / DISCHARGE W/R-134a / #16 788MM / SS BELLOW From 2-4390	1	1	1	
20	950255	HOSE ASSY / DISCHARGE W/R-22 / #16 546MM / SS BELLOW To T-1316	1	1		
20	950268	HOSE ASSY / DISCHARGE W/R-22 / #16 584MM / SS BELLOW From T-1317	1	1		
NS	505182	. COIL PROTECTOR / PLASTIC / #16	AR	AR	AR	
21	507345	O-RING / ORS FITTING / #16 NEO	2	2	2	
22	950266	VALVE ASSY / DISCHARGE / W/R134A To 2-4388	1	1	1	
22	950378	VALVE ASSY / DISCHARGE / W/R134A From 2-4389	1	1	1	
22	452718	VALVE ASSY / DISCHARGE W/R22 To V-1639	1	1		
22	452963	VALVE ASSY / DISCHARGE W/R22 From V-1640 To V-1863	1	1		
22	950280	VALVE ASSY / DISCHARGE / W/R22 From V-1864	1	1		
23	870751	. GASKET	1	1	1	
24	870752	. GASKET, CAP SEAL	1	1	1	
25	870753	GASKET / DISCHARGE VALVE	1	1	1	
26	5011133	ELBOW 90° 1/8 NPT X M15 / W/R134A	1	1	1	
NS	5011134	GAUGE ADAPTOR ASSY M15 / W/BLACK CAP W/R134A	1	1	1	
27	950287	SCHROUDER CAP / HIGH PRESSURE	1	1	1	
28	5011184	FEMALE CONNECTOR / PIPE @ ORB / 1/4NPT-Fx#4ORB-M STL	AR	AR	AR	
30	373126	HOSE ASSY / SUCTION W/R-134a / #24 1122MM	1	1	1	
30	950253	HOSE ASSY / SUCTION W/R-22 / #20 1122MM / SS BELLOW	1	1		
NS	505182	. COIL PROTECTOR / PLASTIC / #16	AR	AR	AR	
31	507346	O-RING / ORS FITTING / #24 NEO	2	2	2	
32	950264	VALVE ASSY / SUCTION / W/R134A	1	1	1	
32	450764	VALVE ASSY / SUCTION / W/R12, R22 & R-134A	1	1	1	B
NS	501037	. MALE ELBOW 90° / SAE 45° FITTING / #4FL-Mx1/4NPT-M BR	1	1	1	B
NS	501700	. CAP NUT / SAE 45° FITTING / #4FL-F BR	1	1	1	B
33	870751	. GASKET	1	1	1	
34	870752	. GASKET, CAP SEAL	1	1	1	
35	870754	GASKET / SUCTION VALVE	1	1	1	
36	5011131	ELBOW 90° 1/4 NPT X M13 / W/R134A	1	1	1	
NS	5011132	GAUGE ADAPTOR ASSY M13 / W/BLACK CAP W/R134A	1	1	1	
37	950288	SCHROUDER CAP / LOW PRESSURE	1	1	1	
40	870755	SCREW CAP HEX 1/2-13x2 1/2 G5 ZP	4	4	4	
41	870756	GASKET	4	4	4	
42	870877	SCREW CAP HEX 5/16-18x2 G5 ZP	2	2	2	
43	870750	GASKET	2	2	2	
44	H3-2250-15	A/C ELECTRIC UNLOADER - W/05G COMPRESSOR				
45	501037	MALE ELBOW 90° / SAE 45° FITTING / #4FL-Mx1/4NPT-M BR From V-1779	1	1	1	
NS	5011184	FEMALE CONNECTOR / PIPE @ ORB / 1/4NPT-Fx#4ORB-M STL	AR	AR	AR	
46	453010	HOSE ASSY TEFLON #4 715MM From V-1779	1	1	1	
47	H3-2248-00	A/C PRESSURE SWITCH				

From R-012 To 2-4416		Date:10/2022	PAGE:H3-2245-01
A/C COMPRESSOR 05G - INSTALLATION			

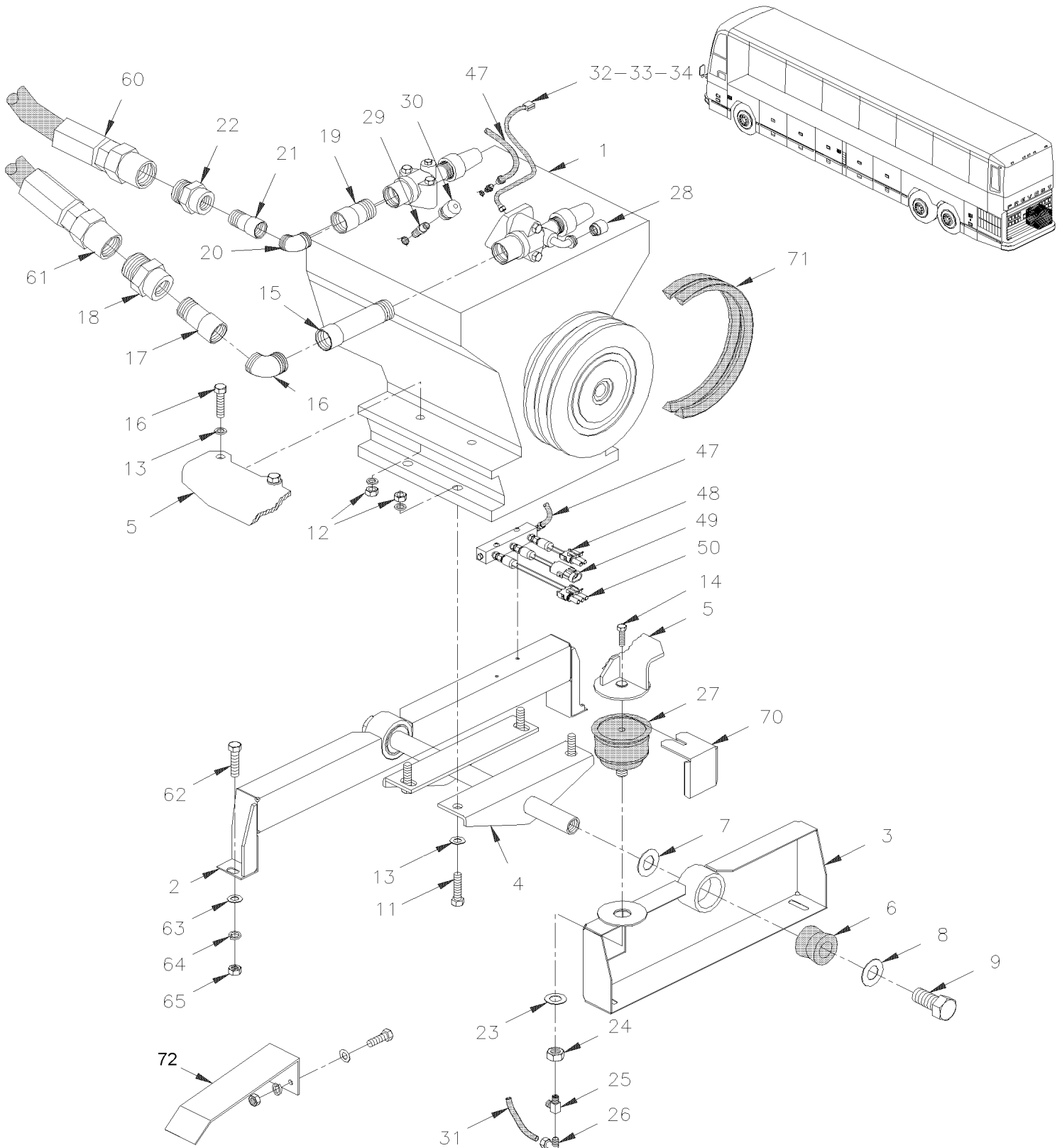
Item#	Part	Description	H 3 4 1	H 3 4 5	V I P 4 5	N O T E S
51	500845	SCREW CAP HEX 5/16-18x1/2 G5 Z050	1	1	1	
52	500478	WASHER LO SPT .380x.683x.094 Z050	2	2	2	
53	500191	SCREW CAP HEX 3/8-16x1 G5 Z050	2	2	2	
54	500225	SCREW CAP HEX 5/8-11x1 G5 Z050	2	2	2	
55	5001151	WASHER CON 16.5x50.0x4.5 ZP	2	2	2	
56	630062	BUSHING / RUBBER / (ONE PIECE) 2" x 1.005" I.D.	2	2	2	
57	500997	WASHER FL 1.062x2.500x.125 SS	2	2	2	
58	500192	SCREW CAP HEX 3/8-16x1 1/4 G5 Z050	2	2	2	
59	500096	SCREW CAP HEX 1/2-20x3 G5 Z050	2	2	2	
60	500446	WASHER FL .531x1.250x.125 Z050	4	4	4	
61	500718	NUT HEX STO 1/2-20 Z050	2	2	2	
62	502549	SCREW CAP HEX M10-1.5x35 G8.8 Z050	5	5	5	
64	502616	WASHER LO SPT 10.2x18.1x2.2 SS	5	5	5	
65	500680	NUT HEX STO M10-1.5 Z050	5	5	5	
69	5001150	WASHER FL 17.0x30.0x3.0 N500	1	1	1	
70	500792	NUT HEX 5/8-11 Z050	1	1	1	
71	501707	ADAPTER TEE / SAE 45° FITTING / #4FL-Mx1/8NPT-Mx1/8NPT-F BR	1	1	1	
72	641369	MALE ELBOW 90° NON-SWIVEL / PUSH-IN FITTING / #4x1/8NPT-M BR	1	1	1	
73	503402	TUBE, NYLON 1/4 O.D. / BLACK S.L.	AR	AR	AR	
74	H3-0120-01	DRIVE PULLEY & BELTS - BUS From R-012 To X-2900				
74	H3-0120-02	DRIVE PULLEY & BELTS - W/2 "BOSCH"				
74	H3-0120-50	DRIVE PULLEY & BELTS - V.I.P. To 1-4160				
74	H3-0120-51	DRIVE PULLEY & BELTS - V.I.P. From 1-4161				
NS	064698	KIT, RETROFIT A/C COMPRESOR SWITCH W/R134	1	1	1	
. NS	IS-97146	. SEE INSTRUCTION SHEET	1	1	1	
NS	064699	KIT, RETROFIT A/C COMPRESOR SWITCH W/R22	1	1	1	
. NS	IS-97146	. SEE INSTRUCTION SHEET	1	1	1	
		A) TO IMPROVMENT LOW UNLOAD PRESSURE SWITCH YOU REQUIRE 1 KIT #064698 W/R-134A OR #064699 W/R-22				
		B) USE ONLY WITH "OPTION" FREON R-22				

From R-012 To 2-4416

Date:10/2022

PAGE:H3-2245-02

A/C COMPRESSOR "THERMOKING" - INSTALLATION



From R-012 To 2-4416	Date:10/2022	PAGE:H3-2245-02
A/C COMPRESSOR "THERMOKING" - INSTALLATION		

Item#	Part	Description	H 3 4 1	H 3 4 5	V I P 4 5	N O T E S
1	950269	A/C COMPRESSOR ASSY "THERMOKING"	1	1		
2	452734	SUPPORT OPPOSITE PULLEY SIDE To 2-4417	1	1		
2	451084	SUPPORT OPPOSITE PULLEY SIDE From 2-4418	1	1		
3	452804	SUPPORT (WELDED)	1	1		
4	452802	SUPPORT (WELDED) To 2-4417	1	1		
4	451079	SUPPORT (WELDED) From 2-4418	1	1		
5	452914	SUPPORT (WELDED) To 2-4417	1	1		
5	452051	SUPPORT (WELDED) From 2-4418	1	1		
6	630002	BUSHING / RUBBER / (TWO PIECES) 1" x 1.005" I.D.	4	4		
7	5001151	WASHER CON 16.5x50.0x4.5 ZP	2	2		
8	500484	WASHER LO SPT .635x1.079x.156 Z050	2	2		
9	500225	SCREW CAP HEX 5/8-11x1 G5 Z050	2	2		
10	500997	WASHER FL 1.062x2.500x.125 SS	1	1		A
11	502549	SCREW CAP HEX M10-1.5x35 G8.8 Z050	6	6		
12	500680	NUT HEX STO M10-1.5 Z050	6	6		
13	500445	WASHER FL .437x1.000x.083 Z050	12	12		
14	500845	SCREW CAP HEX 5/16-18x1/2 G5 Z050	1	1		A
15	503199	COPPER TUBE 1.125" O.D.x .050" x 240"	AR	AR		
16	501871	FEMALE ELBOW 90° SHORT RADIUS / COPPER TUBE / 1 1/4" X 1F	1	1		
17	503201	COPPER TUBE 1.325" O.D. x .055" x 240"	AR	AR		
18	501717	ADAPTER JIC @ BRAZE W/O-RING / / #20JIC-Mx#22BRAZE-F BR	1	1		
. NS	501803	. O-RING / ORS FITTING / #20 NEO	1	1		
19	503199	COPPER TUBE 1.125" O.D.x .050" x 240"	AR	AR		
20	501222	FEMALE ELBOW 90° SHORT RADIUS / COPPER TUBE / 1F x 3/4F	1	1		
21	503198	COPPER TUBE .875" O.D. x .045" x 240"	AR	AR		
22	507526	ADAPTER JIC @ BRAZE W/O-RING / / #16JIC-Mx#14BRAZE-F BR	1	1		
. NS	501802	. O-RING / ORS FITTING / #16 NEO	1	1		
23	5001150	WASHER FL 17.0x30.0x3.0 N500	1	1		
24	500792	NUT HEX 5/8-11 Z050	1	1		
25	501707	ADAPTER TEE / SAE 45° FITTING / #4FL-Mx1/8NPT-Mx1/8NPT-F BR	1	1		
26	641369	MALE ELBOW 90° NON-SWIVEL / PUSH-IN FITTING / #4x1/8NPT-M BR	1	1		
27	950208	BELLOW ASSY / BELT TENSIONER / 3" O.D.	1	1		
. NS	504695	. HOSE CLAMP STEPLESS SPRING SS / OETIKER / 2.9-3.3	1	1		
28	950235	GAUGE ADAPTOR ASSY / W/BUE CAP FOR R-134A / SUCTION SIDE (ALUMINUM)	1	1		
29	950030	SCHRADER VALVE 1/8NPT-M	1	1		
30	950234	GAUGE ADAPTOR ASSY / W/RED CAP FOR R-134A / DISCHARGE SIDE (ALUMINUM)	1	1		
31	503402	TUBE, NYLON 1/4 O.D. / BLACK S.L.	2	2		
32	561566	CONNECTOR / WEATHER PACK / PH 2C / BLACK / PED 12010973	1	1		
33	561568	PIN TERMINAL / 16-14 / PED 12089305	2	2		
34	561840	CABLE SEAL / BLUE / PED 15324981	4	4		
35	561690	CONNECTOR / WEATHER PACK / SH 2C / BLACK / PED 12015792	1	1		
36	561578	SOCKET TERMINAL / 16-14 / PED 12010182	2	2		

From R-012 To 2-4416	Date:10/2022	PAGE:H3-2245-02
A/C COMPRESSOR "THERMOKING" - INSTALLATION		

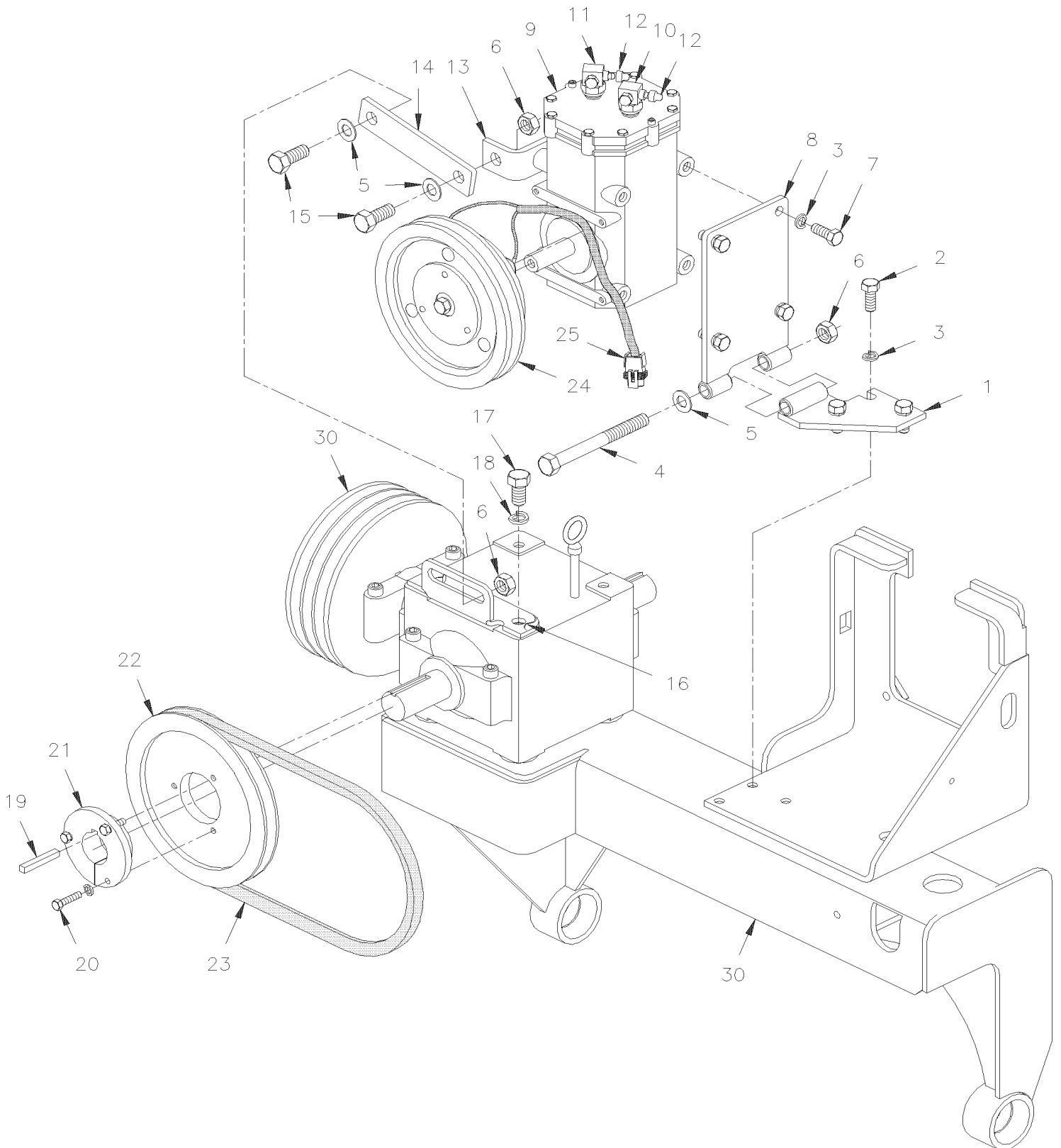
Item#	Part	Description	H 3 4 1	H 3 4 5	V I P 4 5	N O T E S
37	561813	CONNECTOR / SURE-SEAL / FEMALE HOUSING 2C / ITT CANNON 120-1804-000	1	1		
38	561023	PIN TERMINAL / 18-14 / ITT CANNON 030-2196-001	1	1		
39	561024	SOCKET TERMINAL / 18-14 / ITT CANNON 031-1267-001	1	1		
40	560083	RING TERMINAL .375 / 16-14 / INSULATED / AMP 160467-2	1	1		
41	500416	SCREW MA PAN PH #10-32x1/2 BK	1	1		
43	500579	SCREW MA RND PH #10-24x1 3/4 Z050				
44	500470	WASHER LO SPT .193x.334x.047 Z050	2	2		
45	500786	NUT HEX #10-24 Z050	2	2		
46	501027	MALE CONNECTOR / SAE 45° FITTING / #4FL-Mx1/4NPT-M BR	1	1		
47	453010	HOSE ASSY TEFLON #4 715MM	1	1		
48	452405	PRESSURE SWITCH N.C. 320-245 20SP001MB320K245R To X-3163	1	1		
48	453380	PRESSURE SWITCH N.C. 350-245 20PS001MB350K245R From X-3164	1	1		
49	453004	PRESSURE SWITCH N.O. 195-150 20PS001MA195K150K	1	1		
50	453003	PRESSURE SWITCH N.O. 138-105 20PS001MA138H105H	1	1		
NS	950030	SCHRADER VALVE 1/8NPT-M	3	3		
60	452926	HOSE ASSY / #16 534MM	1	1		
61	452927	HOSE ASSY / #20 712MM	1	1		
62	502549	SCREW CAP HEX M10-1.5x35 G8.8 Z050	4	4		
64	502616	WASHER LO SPT 10.2x18.1x2.2 SS	4	4		
65	500680	NUT HEX STO M10-1.5 Z050	4	4		
70	453059	BELLOW PROTECTOR From V-1828	1	1		
71	506752	V-BELT / BX-96 / SET OF 2 9013-2096	2	2		
72	H3-0120-01	DRIVE PULLEY & BELTS - BUS From R-012 To X-2900				
72	H3-0120-02	DRIVE PULLEY & BELTS - W/2 "BOSCH"				
72	H3-0120-50	DRIVE PULLEY & BELTS - V.I.P. To 1-4160				
72	H3-0120-51	DRIVE PULLEY & BELTS - V.I.P. From 1-4161				
		A) TO FIX BELLOW				

From R-012 To 2-4416

Date:10/2022

PAGE:H3-2245-12

A/C COMPRESSOR "SPECIAL"



From R-012 To 2-4416	Date:10/2022	PAGE:H3-2245-12
A/C COMPRESSOR "SPECIAL"		

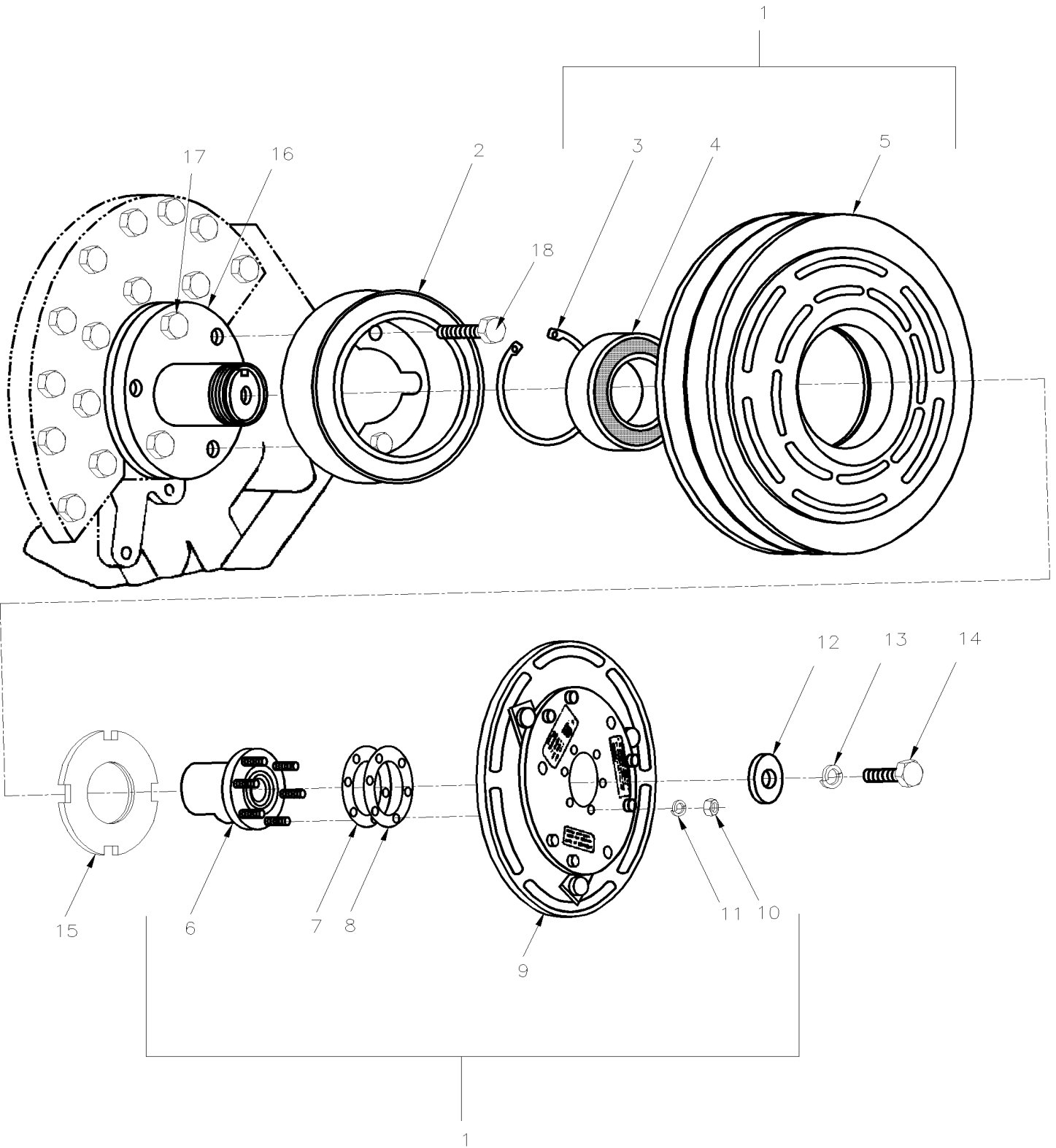
Item#	Part	Description	H 3 4 1	H 3 4 5	V I P 4 5	N O T E S
1	452444	PIVOT ASSY / SUPPORT	1	1	1	
2	502559	SCREW CAP HEX M10-1.5x25 G8.8 Z050	3	3	3	
3	500257	WASHER LO SPT 10.2x18.1x2.2 Z050	9	9	9	
4	500105	SCREW CAP HEX 1/2-20x5 1/2 G5 ZP	1	1	1	
5	571351	WASHER, 1/2" I.D. FLAT	3	3	3	
6	500718	NUT HEX STO 1/2-20 Z050	3	3	3	
7	500191	SCREW CAP HEX 3/8-16x1 G5 Z050	6	6	6	
8	452471	PIVOT ASSY / COMPRESSOR	1	1	1	
9	950219	A/C COMPRESSOR ASSY "TECUMSEH" / R-134A	1	1	1	
9	950393	A/C COMPRESSOR ASSY "CCI" / R-134A	1	1	1	S
10	950076	VALVE ASSY / DISCHARGE / W/O-RING 1/2" / W/"TECUMSEH" COMPRESSOR	1	1	1	
10	950235	GAUGE ADAPTOR ASSY / W/BBLUE CAP FOR R-134A / SUCTION SIDE (ALUMINUM)	1	1	1	
NS	950368	ADAPTOR FITTING / O-RING PORT TO ROTOLOCK	2	2	2	A
NS	950369	SEAL TEFLON / O-RING PORT TO ROTOLOCK	2	2	2	A
NS	950383	SEAL TEFLON / O-RING PORT TO ROTOLOCK	2	2	2	A
11	950077	VALVE ASSY / SUCTION / W/O-RING 5/8" / W/"TECUMSEH" COMPRESSOR	1	1	1	
11	950234	GAUGE ADAPTOR ASSY / W/RED CAP FOR R-134A / DISCHARGE SIDE (ALUMINUM)	1	1	1	
12	950157	. CAP VALVE / PROTECTOR / STEEL	1	1	1	
13	453122	TENSIONNER SUPPORT	1	1	1	
14	452442	TENSIONNER	2	2	2	
15	500086	SCREW CAP HEX 1/2-20x1 1/4 G5 Z050	2	2	2	
16	452443	TENSIONER BRACKET / GEARBOX	2	2	2	
17	500213	SCREW CAP HEX 1/2-13x1 G5 Z050	2	2	2	
18	500482	WASHER LO SPT .506x.873x.125 Z050	2	2	2	
19	550186	KEY 1/4" X 1/4" X 1 1/4"	1	1	1	
20	500167	SCREW CAP HEX 1/4-20x1 1/4 G5 PT Z050	3	3	3	
NS	500473	WASHER LO SPT .262x.489x.062 Z050	3	3	3	
21	950230	CONE BUSHING 1 1/4 I.D X 2 1/8 O.D. X 3 5/16	1	1	1	
22	950211	PULLEY DRIVE 7.15 O.D. / SINGLE "V"	1	1	1	
23	506685	V-BELT / A-35 9002-2035	1	1	1	
24	950079	PULLEY ASSY W/COIL 24V	1	1	1	
25	561566	CONNECTOR / WEATHER PACK / PH 2C / BLACK / PED 12010973	1	1	1	
NS	561568	PIN TERMINAL / 16-14 / PED 12089305	2	2	2	
NS	561565	CABLE SEAL / GREEN / PED 15324982	2	2	2	
30	H3-0520-03	FAN DRIVE - INSTALLATION				
NS	451144	OIL DIPSTICK / (REQUIRED TO CHANGE)	1	1	1	
		A) SOME COMPRESSOR MODEL REQUIRES ALL THOSE ITEMS TO INSTALL SERVICING VALVE INLET AND OUTLET				
		S) SERVICE AFTER MARKET				

From R-012 To 2-4416

Date:10/2022

PAGE:H3-2246-01

A/C CLUTCH 05G - HOUSING MOUNTED



From R-012 To 2-4416		Date:10/2022	PAGE:H3-2246-01
A/C CLUTCH 05G - HOUSING MOUNTED			

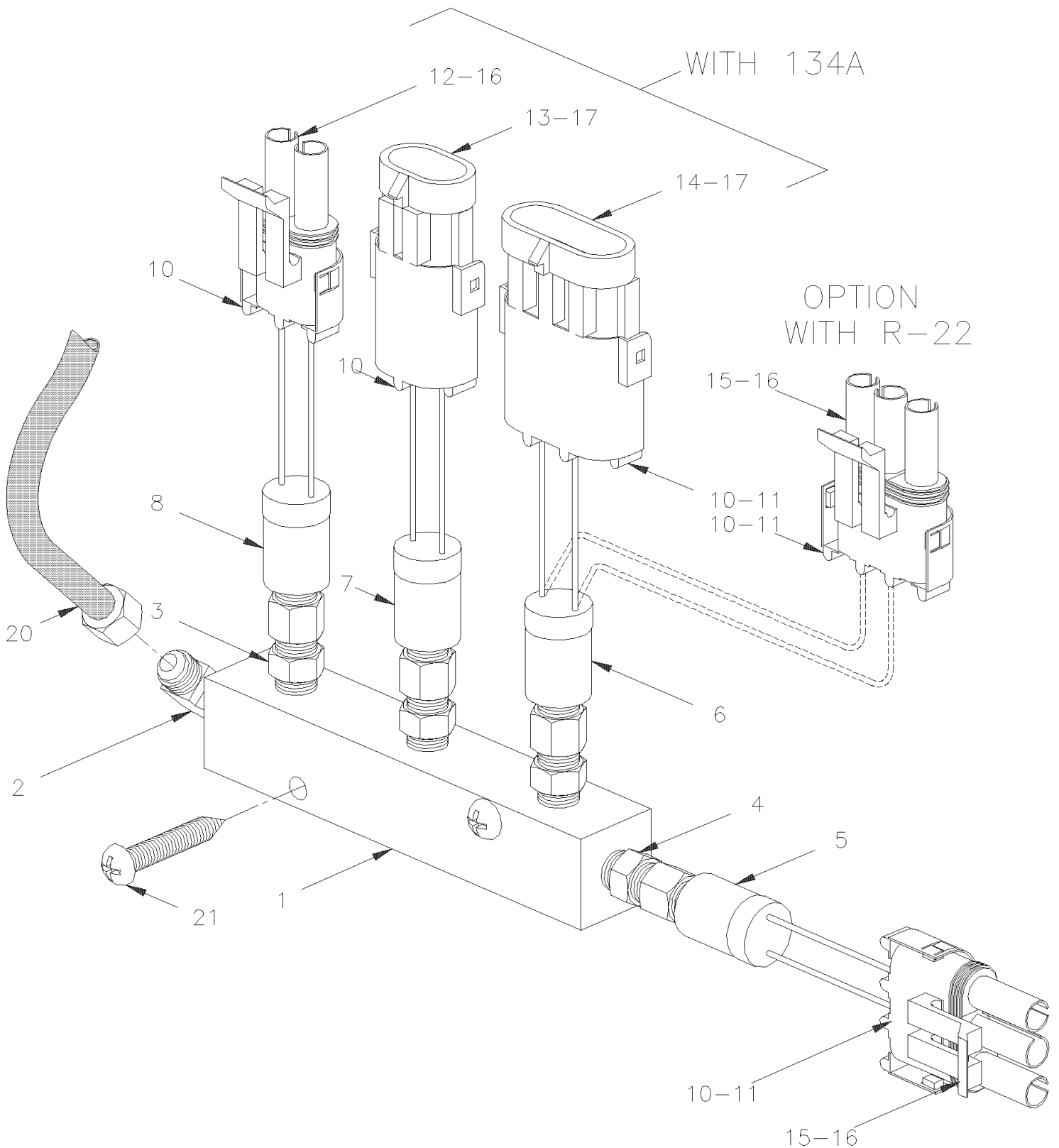
Item#	Part	Description	H 3 4 1	H 3 4 5	V I P 4 5	N O T E S
1	950204	CLUTCH HOUSING-MOUNTED/24V DC 9" DIA 2B GROVE	1	1	1	A
2	950156	COIL 24V	1	1	1	A
3	950146	. CIRCLIP INTERNAL	1	1	1	
4	950141	. BEARING	1	1	1	
5	N.S.S.	. PULLEY	1	1	1	1
6	N.S.S.	. HUB DRIVE	1	1	1	1
7	950104	. SHIM 0.010	1	1	1	
8	950103	. SHIM 0.020	5	5	5	
9	N.S.S.	. ARMATURE	1	1	1	1
10	500769	. NUT HEX 1/4-20 Z050	6	6	6	
11	500473	. WASHER LO SPT .262x.489x.062 Z050	6	6	6	
NS	561813	CONNECTOR / SURE-SEAL / FEMALE HOUSING 2C / ITT CANNON 120-1804-000	1	1	1	
NS	561023	PIN TERMINAL / 18-14 / ITT CANNON 030-2196-001	1	1	1	
NS	561024	SOCKET TERMINAL / 18-14 / ITT CANNON 031-1267-001	1	1	1	
NS	561815	CLAMP W/ 2 / ITT CANNON 029-0263-000	1	1	1	
12	870784	WASHER 13/32" I.D. X 1 1/2" O.D. X 3/16" TH	1	1	1	
13	500478	WASHER LO SPT .380x.683x.094 Z050	1	1	1	
14	870785	SCREW CAP HEX 3/8-24x7/8 G8 ZP	1	1	1	
15	950093	NUT / W/HUB MOUNTING ONLY	1	1	1	
16	950092	HUB HOUSING MOUNT	1	1	1	
16	950408	HUB HOUSING MOUNT W/GROOVE FOR TWIN PORT	1	1	1	
. NS	950409	. SEAL, LIP, SHAFT SEAL / W/TWIN PORT ONLY	1	1	1	
. NS	870795	. GASKET, HUB BEARING	1	1	1	
17	500192	SCREW CAP HEX 3/8-16x1 1/4 G5 Z050	6	6	6	
18	186679	SCREW CAP HEX 3/8-16x1 1/4 G8 ZP	1	1	1	
NS	950105	SOCKET / TOOL FOR INSTALLATION				
NS	950106	PUSHER ROTOR / TOOL				
NS	950107	SPANNER WRENCH / TOOL				
		A) THIS COIL IS NOT INCLUDE WITH #950204				
		1) NOT SOLD SEPARATELY				

From V-1779 To 2-4416

Date:10/2022

PAGE:H3-2248-00

A/C PRESSURE SWITCH

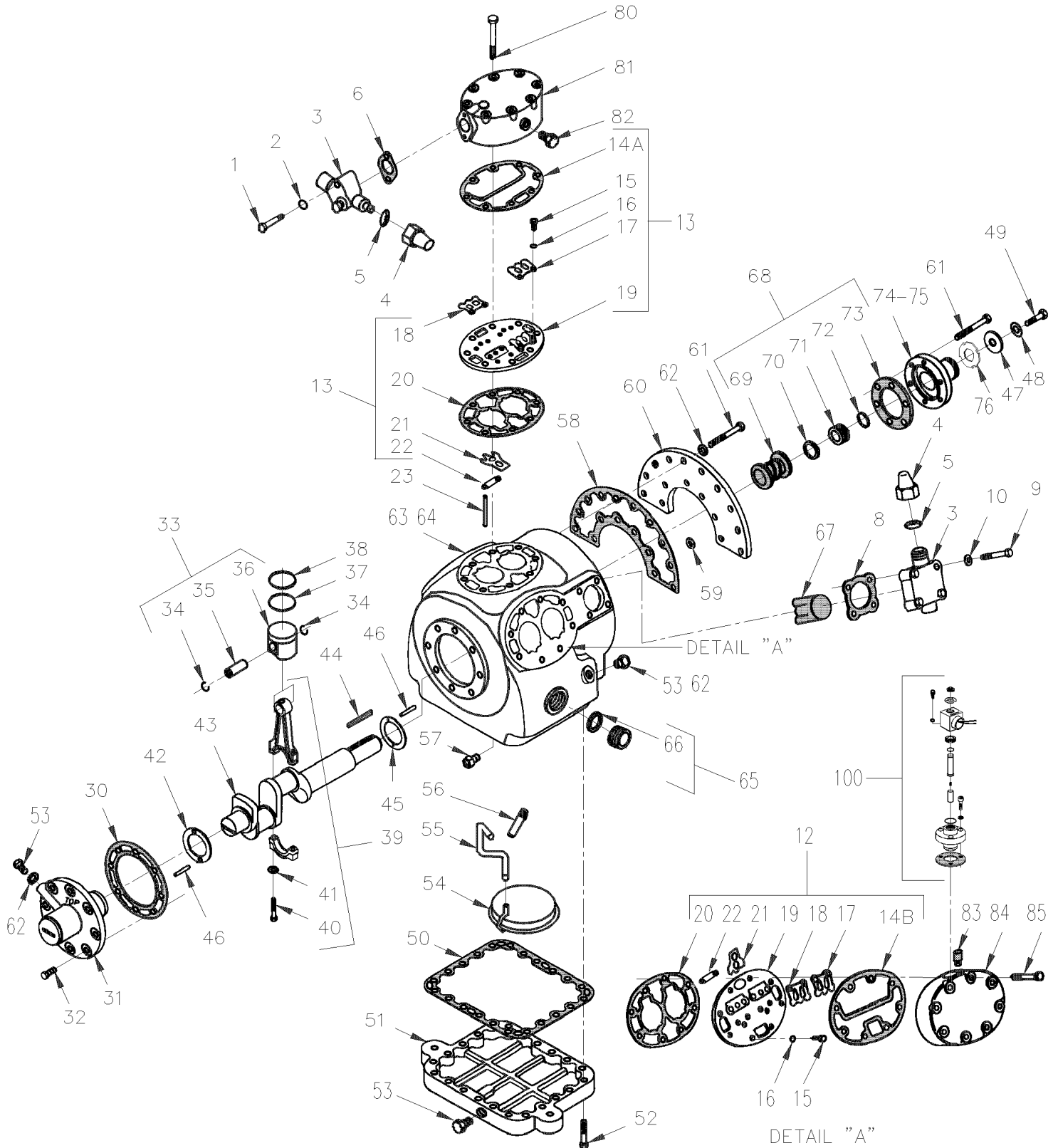


From R-012 To 2-4416

Date:10/2022

PAGE:H3-2250-00

A/C COMPRESSOR ASSY 05G - THREE PORT



From R-012 To 2-4416	Date:10/2022	PAGE:H3-2250-00
A/C COMPRESSOR ASSY 05G - THREE PORT		

Item#	Part	Description	H 3 4 1	H 3 4 5	V I P 4 5	N O T E S
	950138	A/C COMPRESSOR ASSY / W/37 C.F.M. / W/O OIL & ACCESSORIES	1	1	1	
	952643	A/C COMPRESSOR ASSY / W/37 C.F.M. / REMAN / W/O OIL & ACCESSORIES	1	1	1	
	950263	A/C COMPRESSOR ASSY / W/41 C.F.M. / W/O OIL & ACCESSORIES	1	1	1	
NS	950298D	A/C COMPRESSOR ASSY / W/41 C.F.M. / REMAN / W/O OIL & ACCESSORIES				
1	870877	. SCREW CAP HEX 5/16-18x2 G5 ZP	2	2	2	
2	870750	. GASKET	2	2	2	
3	H3-2245-01	. A/C COMPRESSOR 05G - INSTALLATION				
4	870446	. . CAP SEAL	1	1	1	
5	870752	. . . GASKET, CAP SEAL	1	1	1	
6	870753	. GASKET / DISCHARGE VALVE	1	1	1	
8	870754	. GASKET / SUCTION VALVE	1	1	1	
9	870755	. SCREW CAP HEX 1/2-13x2 1/2 G5 ZP	4	4	4	
10	870756	. GASKET	4	4	4	
12	950325	. VALVE PLATE ASSY / SIDE BANK	4	4	4	
12	870800	. . CHECK VALVE ASSY / UNLOADER	2	2	2	
13	950324	. VALVE PLATE ASSY / CENTER BANK	1	1	1	
14A	870760	. . GASKET, CENTER CYLINDER HEAD	1	1	1	
14B	870797	. . GASKET, L.H & R.H CYLINDER HEAD	1	1	1	
15	870761	. . SCREW CAP HEXES 1/4-28 x 3/8"	4	4	4	
16	500473	. . WASHER LO SPT .262x.489x.062 Z050	4	4	4	
17	870762	. . VALVE STOP DISCHARGE	2	2	2	
18	870763	. . VALVE DISCHARGE	2	2	2	
19	N.S.S.	. . PLATE VALVE	1	1	1	1
20	870764	. . GASKET, VALVE PLATE	1	1	1	
21	950276	. . VALVE SUCTION	2	2	2	
22	870766	. . SPRING / SUCTION VALVE	2	2	2	
23	870767	. PIN DOWEL VALVE PLATE	4	4	4	
30	870771	. GASKET / OIL PUMP	1	1	1	
31	870772	. OIL PUMP ASSY / LOW SPEED	1	1	1	
31	950286	. OIL PUMP ASSY / (LOW PROFIL)	1	1	1	
32	500192	. SCREW CAP HEX 3/8-16x1 1/4 G5 Z050	8	8	8	
33	870773	. PISTON & PIN ASSY / STANDARD / W/37 CFM	1	1	1	
33	950272	. PISTON & PIN ASSY / STANDARD / W/41 CFM	6	6	6	
33	870814	. PISTON & PIN ASSY/.020" OVERSIZE / W/37 CFM	1	1	1	
33	950274	. PISTON & PIN ASSY/.020" OVERSIZE / W/41 CFM	6	6	6	
34	N.S.S.	. . RETAINER	2	2	2	1
35	N.S.S.	. . PIN	1	1	1	1
36	N.S.S.	. . PISTON SINGLE RING	1	1	1	1

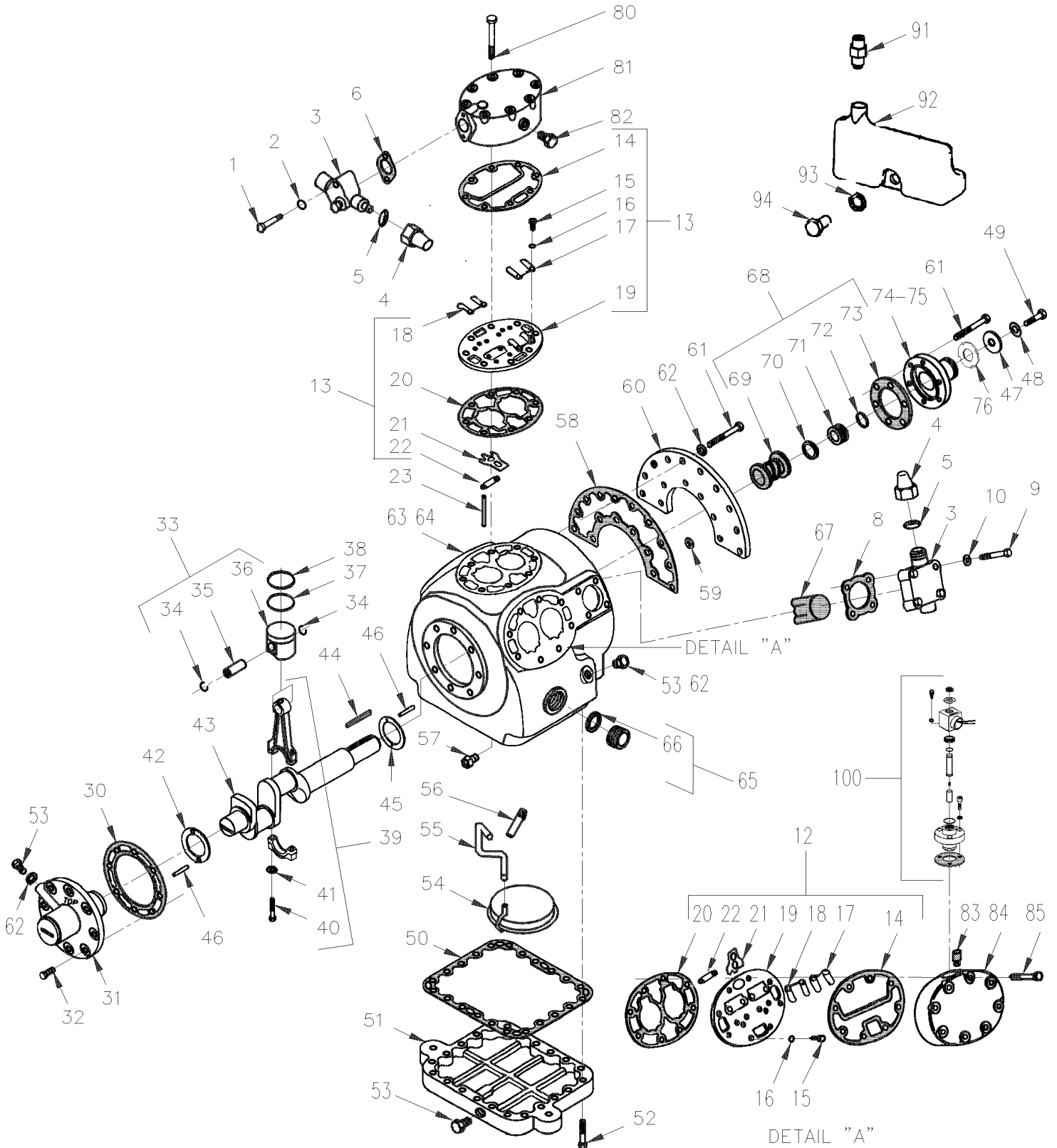
From R-012 To 2-4416	Date:10/2022	PAGE:H3-2250-00
A/C COMPRESSOR ASSY 05G - THREE PORT		

Item#	Part	Description	H 3 4 1	H 3 4 5	V I P 4 5	N O T E S
37	870774	. RING / W/DOUBLE RING PISTON ONLY	6	6	6	
38	870775	. RING COMPRESSION / STANDARD	6	6	6	
38	870815	. RING COMPRESSION / .020" OVERSIZE	6	6	6	
39	870776	. CONNECTING ROD & CLIP ASSY / STANDARD	6	6	6	
39	870816	. CONNECTING ROD & CLIP ASSY / .010" OVERSIZE	6	6	6	
NS	870767	. . PIN DOWEL VALVE PLATE	2	2	2	
40	870777	. . BOLT	2	2	2	
41	500440	. . WASHER FL .250x.562x.065 Z050	1	1	1	
42	870778	. WASHER THRUST / PUMP END	1	1	1	
43	870779	. CRANKSHAFT ASSY / W/37 CFM	1	1	1	
43	950273	. CRANKSHAFT ASSY / W/41 CFM	1	1	1	
44	950140	. KEY CRANKSHAFT / W/HOUSING-MOUNTED CLUTCH	1	1	1	
45	870781	. WASHER THRUST	1	1	1	
46	870782	. PIN STRAIGHT 1/8" DIA. X 1/2"	2	2	2	
NS	870783	. PIN STRAIGHT .094" X 5/16"	2	2	2	
47	870784	. WASHER 13/32" I.D. X 1 1/2" O.D. X 3/16" TH	1	1	1	
48	500478	. WASHER LO SPT .380x.683x.094 Z050	1	1	1	
49	870785	. SCREW CAP HEX 3/8-24x7/8 G8 ZP	1	1	1	
50	870786	. GASKET, BOTTOM PLATE	1	1	1	
51	950444	. PLATE BOTTOM	1	1	1	
52	500191	. SCREW CAP HEX 3/8-16x1 G5 Z050	22	22	22	
53	950303	. PLUG, O-RING / (CURRENT)	2	2	2	
54	870787	. SCREEN ASSY / OIL FILTER	1	1	1	
55	870788	. TUBE / OIL SUCTION	1	1	1	
56	870789	. VALVE / OIL RELIEF	1	1	1	
57	870790	. CHECK VALVE ASSY / OIL RETURN	2	2	2	
58	870791	. GASKET, SHAFT END COVER	1	1	1	
59	950139	. WASHER .393x.622x.031	2	2	2	
60	870792	. FLANGE	1	1	1	
61	500192	. SCREW CAP HEX 3/8-16x1 1/4 G5 Z050	21	21	21	
62	950139	. WASHER .393x.622x.031	21	21	21	
63	N.S.S.	. CRANKCASE	1	1	1	1
64	950283	. . BEARING, MAIN SEAL END	1	1	1	
65	870768	. SIGHT GLASS ASSY	2	2	2	
66	870769	. . GASKET, SIGHT GLASS	2	2	2	
67	870770	. STRAINER SUCTION	1	1	1	
68	950327	. SHAFT SEAL ASSY / W/HOUSING-MOUNTED CLUTCH	1	1	1	
69	N.S.S.	. . SEAL / SHAFT	1	1	1	1
70	870794	. . RING CARBON	1	1	1	
71	N.S.S.	. . RING WEAR	1	1	1	1
72	N.S.S.	. . O-RING	1	1	1	1
73	870795	. . GASKET, HUB BEARING	1	1	1	

From R-012 To 2-4416	Date:10/2022	PAGE:H3-2250-00
A/C COMPRESSOR ASSY 05G - THREE PORT		

Item#	Part	Description	H 3 4 1	H 3 4 5	V I P 4 5	N O T E S
74	950092	. HUB HOUSING MOUNT	1	1	1	
75	N.S.S.	. . RING FELT & RETAINING	1	1	1	1
76	950093	. NUT / W/HUB MOUNTING ONLY	1	1	1	
80	G1091280	. SCREW CAP HEX 3/8-16 X 3"1/4	8	8	8	
81	870757	. HEAD CYLINDER / CENTER BANK	1	1	1	
82	501303	. PLUG SQUARE HEAD / PIPE FITTING / 1/8NPT-M BR	1	1	1	
83	870799	. STRAINER	1	1	1	
84	870798	HEAD CYLINDER / UNLOADER	1	1	1	
85	502694	SCREW CAP HEX 3/8-16x3 1/4 G5 ZP	1	1	1	
100	H3-2250-15	A/C ELECTRIC UNLOADER - W/05G COMPRESSOR	1	1	1	
NS	950236	REFRIGERANT OIL POE / USE W/134A (4LITER)	AR	AR	AR	
		1) NOT SOLD SEPARATELY				

From R-012 To 2-4416	Date:10/2022	PAGE:H3-2250-01
A/C COMPRESSOR ASSY 05G - TWIN PORT / SERVICE		



From R-012 To 2-4416	Date:10/2022	PAGE:H3-2250-01
A/C COMPRESSOR ASSY 05G - TWIN PORT / SERVICE		

Item#	Part	Description	H 3 4 1	H 3 4 5	V I P 4 5	N O T E S
	950401	A/C COMPRESSOR ASSY REBUILT / W/41 C.F.M W/O ACCESSORIES TWIN PORT				
1	870877	. SCREW CAP HEX 5/16-18x2 G5 ZP	2	2	2	
2	870750	. GASKET	2	2	2	
3	H3-2245-01	. A/C COMPRESSOR 05G - INSTALLATION				
4	870446	. . CAP SEAL	1	1	1	
5	870752	. . . GASKET, CAP SEAL	1	1	1	
6	950425	. GASKET / DISCHARGE VALVE / (METAL)	1	1	1	
8	950423	. GASKET / SUCTION VALVE / (METAL)	1	1	1	
9	870755	. SCREW CAP HEX 1/2-13x2 1/2 G5 ZP	4	4	4	
10	870756	. GASKET	4	4	4	
12	950415	. VALVE PLATE ASSY / SIDE BANK / W/TWIN PORT ONLY	2	2	2	
NS	870800	. . CHECK VALVE ASSY / UNLOADER	2	2	2	
13	950414	. VALVE PLATE ASSY / CENTER BANK / W/TWIN PORT ONLY	1	1	1	
14	950421	. . GASKET, CYLINDER HEAD / W/TWIN PORT ONLY	1	1	1	
15	870761	. . SCREW CAP HEXS 1/4-28 x 3/8"	4	4	4	
16	500473	. . WASHER LO SPT .262x.489x.062 Z050	4	4	4	
17	950416	. . VALVE DISCHARGE / W/TWIN PORT ONLY	2	2	2	
18	950417	. . BACKER VALVE DISCHARGE / W/TWIN PORT ONLY	2	2	2	
19	N.S.S.	. . PLATE VALVE	1	1	1	1
20	950420	. . GASKET, VALVE PLATE / W/TWIN PORT ONLY	1	1	1	
21	950418	. . VALVE SUCTION / W/TWIN PORT ONLY	2	2	2	
22	950419	. . SPRING / SUCTION VALVE / W/TWIN PORT ONLY	2	2	2	
23	870767	. PIN DOWEL VALVE PLATE	4	4	4	
30	870771	. GASKET / OIL PUMP	1	1	1	
31	950403	. OIL PUMP ASSY / W/TWIN PORT ONLY	1	1	1	
32	500192	. SCREW CAP HEX 3/8-16x1 1/4 G5 Z050	8	8	8	
33	950272	. PISTON & PIN ASSY / STANDARD / W/41 CFM	6	6	6	
33	950274	. PISTON & PIN ASSY/.020" OVERSIZE / W/41 CFM	6	6	6	
34	N.S.S.	. . RETAINER	2	2	2	1
35	N.S.S.	. . PIN	1	1	1	1
36	N.S.S.	. . PISTON SINGLE RING	1	1	1	1
37	870774	. RING / W/DOUBLE RING PISTON ONLY	6	6	6	
38	870775	. RING COMPRESSION / STANDARD	6	6	6	
38	870815	. RING COMPRESSION / .020" OVERSIZE	6	6	6	
39	870776	. CONNECTING ROD & CLIP ASSY / STANDARD	6	6	6	
39	870816	. CONNECTING ROD & CLIP ASSY / .010" OVERSIZE	6	6	6	
NS	870767	. . PIN DOWEL VALVE PLATE	2	2	2	
40	870777	. . BOLT	2	2	2	
41	500440	. . WASHER FL .250x.562x.065 Z050	1	1	1	
42	870778	. WASHER THRUST / PUMP END	1	1	1	
43	950406	. CRANKSHAFT ASSY / W/41 CFM / W/TWIN PORT ONLY	1	1	1	

From R-012 To 2-4416	Date:10/2022	PAGE:H3-2250-01
A/C COMPRESSOR ASSY 05G - TWIN PORT / SERVICE		

Item#	Part	Description	H 3 4 1	H 3 4 5	V I P 4 5	N O T E S
44	950140	. KEY CRANKSHAFT / W/HOUSING-MOUNTED CLUTCH	1	1	1	
45	870781	. WASHER THRUST	1	1	1	
46	870782	. PIN STRAIGHT 1/8" DIA. X 1/2"	2	2	2	
NS	870783	. PIN STRAIGHT .094" X 5/16"	2	2	2	
47	870784	. WASHER 13/32" I.D. X 1 1/2" O.D. X 3/16" TH	1	1	1	
48	500478	. WASHER LO SPT .380x.683x.094 Z050	1	1	1	
49	870785	. SCREW CAP HEX 3/8-24x7/8 G8 ZP	1	1	1	
50	950402	. GASKET, BOTTOM PLATE / (METAL)	1	1	1	
51	950444	. PLATE BOTTOM	1	1	1	
52	500191	. SCREW CAP HEX 3/8-16x1 G5 Z050	22	22	22	
53	950303	. PLUG, O-RING / (CURRENT)	2	2	2	
54	870787	. SCREEN ASSY / OIL FILTER	1	1	1	
55	870788	. TUBE / OIL SUCTION	1	1	1	
56	870789	. VALVE / OIL RELIEF	1	1	1	
57	870790	. CHECK VALVE ASSY / OIL RETURN	2	2	2	
58	950412	. GASKET, SHAFT END COVER / W/TWIN PORT ONLY	1	1	1	
59	950139	. WASHER .393x.622x.031	2	2	2	
60	870792	. FLANGE	1	1	1	
61	500192	. SCREW CAP HEX 3/8-16x1 1/4 G5 Z050	21	21	21	
62	950139	. WASHER .393x.622x.031	21	21	21	
63	N.S.S.	. CRANKCASE	1	1	1	1
64	950283	. . BEARING, MAIN SEAL END	1	1	1	
65	870768	. SIGHT GLASS ASSY	2	2	2	
66	870769	. . GASKET, SIGHT GLASS	2	2	2	
67	870770	. STRAINER SUCTION	1	1	1	
68	950407	. SHAFT SEAL ASSY / W/HOUSING-MOUNTED CLUTCH / W/TWIN PORT ONLY	1	1	1	
69	N.S.S.	. . SEAL / SHAFT	1	1	1	1
70	870794	. . RING CARBON	1	1	1	
71	N.S.S.	. . RING WEAR	1	1	1	1
72	N.S.S.	. . O-RING	1	1	1	1
73	870795	. . GASKET, HUB BEARING	1	1	1	
74	950408	. HUB HOUSING MOUNT W/GROOVE FOR TWIN PORT	1	1	1	
. NS	950409	. . SEAL, LIP, SHAFT SEAL / W/TWIN PORT ONLY	1	1	1	
. NS	870795	. . GASKET, HUB BEARING	1	1	1	
75	950409	. . SEAL, LIP, SHAFT SEAL / W/TWIN PORT ONLY	1	1	1	
76	950093	. NUT / W/HUB MOUNTING ONLY	1	1	1	
80	G1091280	. SCREW CAP HEX 3/8-16 X 3"1/4	8	8	8	
81	870757	. HEAD CYLINDER / CENTER BANK	1	1	1	
82	501303	. PLUG SQUARE HEAD / PIPE FITTING / 1/8NPT-M BR	1	1	1	
83	870799	. STRAINER	1	1	1	
84	950426	HEAD CYLINDER / UNLOADER / W/TWIN PORT ONLY	1	1	1	
85	502694	SCREW CAP HEX 3/8-16x3 1/4 G5 ZP	1	1	1	

From R-012 To 2-4416	Date:10/2022	PAGE:H3-2250-01
A/C COMPRESSOR ASSY 05G - TWIN PORT / SERVICE		

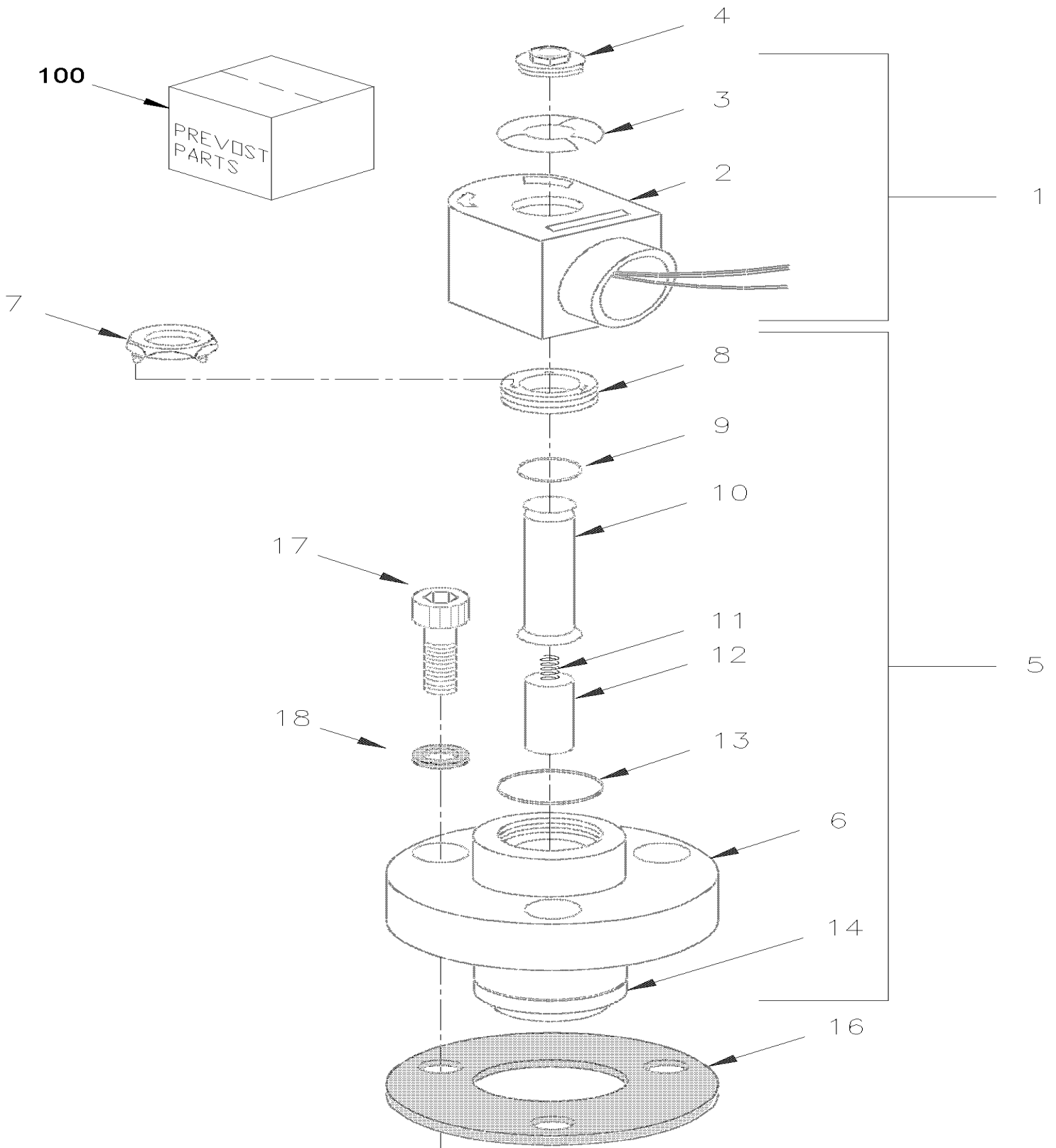
Item#	Part	Description	H 3 4 1	H 3 4 5	V I P 4 5	N O T E S
91	950410	ACCESS VALVE / W/TWIN PORT ONLY	1	1	1	
92	950411	RESERVOIR / W/TWIN PORT ONLY	1	1	1	
93	500856	WASHER LO INT .384x.692x.040 ZP	1	1	1	
94	950967	SCREW CAP HEX 3/8-16 X 3/4 G8	1	1	1	
100	H3-2250-15	A/C ELECTRIC UNLOADER - W/05G COMPRESSOR	1	1	1	
NS	950236	REFRIGERANT OIL POE / USE W/134A (4LITER)	AR	AR	AR	
		1) NOT SOLD SEPARATELY				

From R-012 To 2-4416

Date:10/2022

PAGE:H3-2250-15

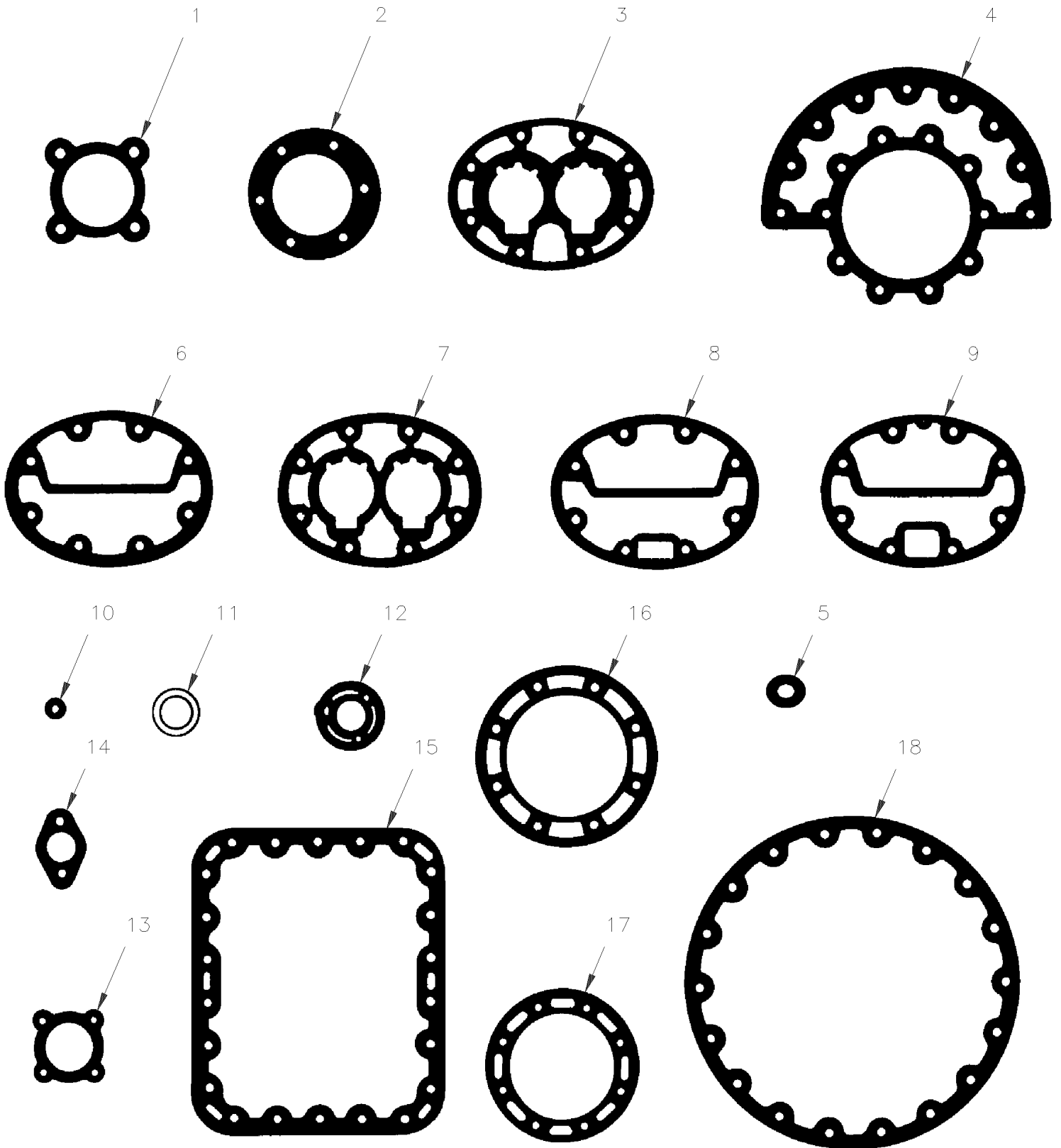
A/C ELECTRIC UNLOADER - W/05G COMPRESSOR



From R-012 To 2-4416	Date:10/2022	PAGE:H3-2250-15
A/C ELECTRIC UNLOADER - W/05G COMPRESSOR		

Item#	Part	Description	H 3 4 1	H 3 4 5	V I P 4 5	N O T E S
1	063969	COIL ASSY W/CONNECTOR	2	2	2	
2	950096	. COIL 24V	1	1	1	
3	N.S.S.	. NAMEPLATE / VOLTAGE	1	1	1	1
4	N.S.S.	. CAP, SNAP	1	1	1	1
4	N.S.S.	. CAP, SNAP	1	1	1	1
NS	561566	. CONNECTOR / WEATHER PACK / PH 2C / BLACK / PED 12010973	1	1	1	
NS	561578	. SOCKET TERMINAL / 16-14 / PED 12010182	2	2	2	
NS	561786	. CABLE SEAL / GRAY / PED 15324980	2	2	2	
5	950095	BODY / UNLOADER VALVE	1	1	1	
6	N.S.S.	. BODY, VALVE	1	1	1	1
7	N.S.S.	. NUT / FOR REMOVING OR REPLACING TUBE COLLAR	1	1	1	1
8	N.S.S.	. COLLAR / TUBE	1	1	1	1
9	N.S.S.	. O-RING	1	1	1	1
10	N.S.S.	. TUBE	1	1	1	1
11	N.S.S.	. SPRING, PLUNGER	1	1	1	1
12	N.S.S.	. PLUNGER	1	1	1	1
13	N.S.S.	. O-RING	1	1	1	1
14	870818	. RING, PISTON	1	1	1	
16	870820	GASKET, UNLOADER	1	1	1	
17	5001415	SCREW CAP HEXS 1/4-28x3/4	3	3	3	
18	950305	GASKET / W/ALLEN BOLT	3	3	3	
100	950413	KIT, STEM REPAIR	1	1	1	
		1) NOT SOLD SEPARATELY				

From R-012 To 2-4416	Date:10/2022	PAGE:H3-2251-00
GASKET - 05G A/C COMPRESSOR		



From R-012 To 2-4416	Date:10/2022	PAGE:H3-2251-00
GASKET - 05G A/C COMPRESSOR		

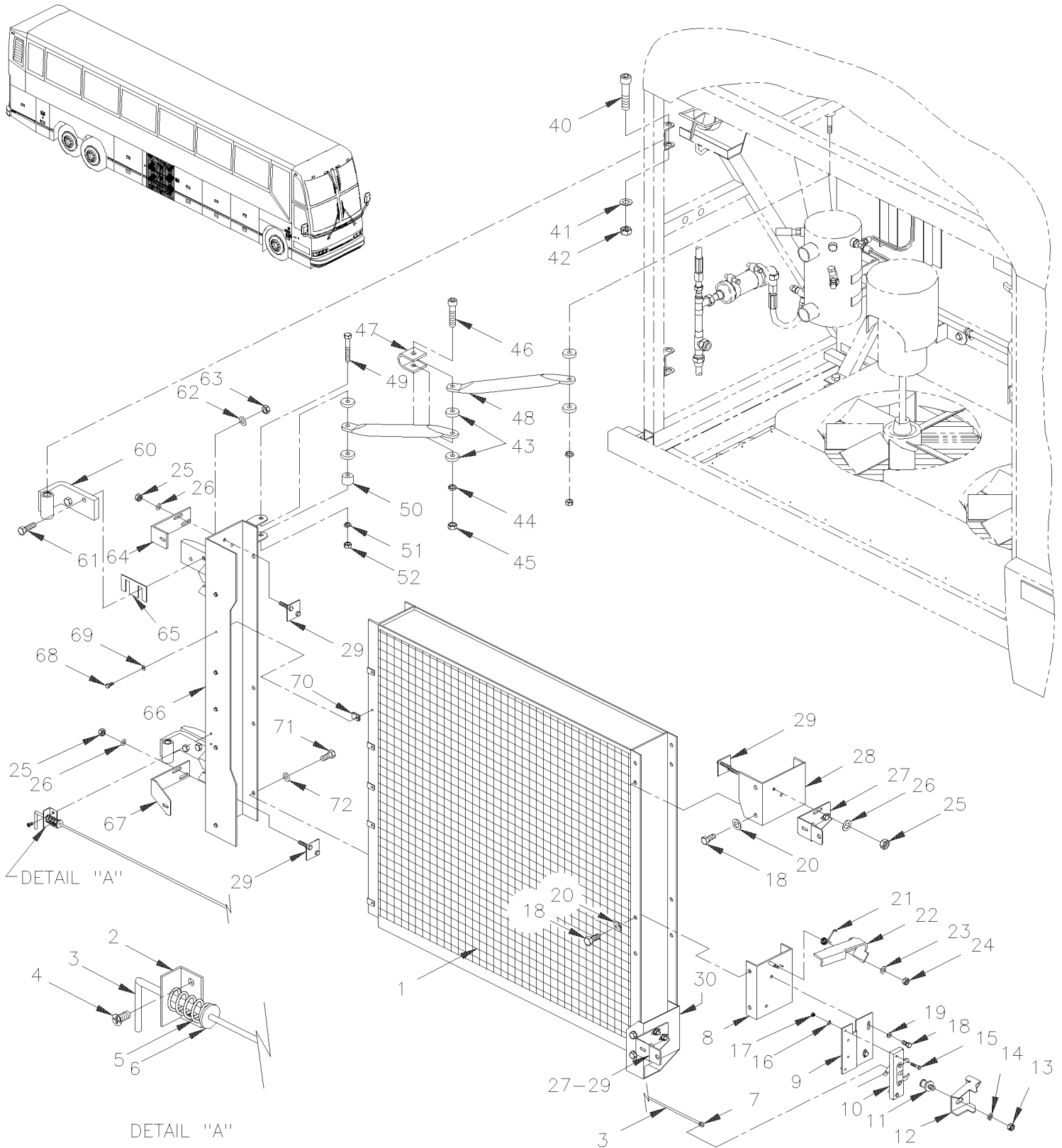
Item#	Part	Description	H 3 4 1	H 3 4 5	V I P 4 5	N O T E S
	870829	KIT GASKET	1	1	1	
1	870754	. GASKET / SUCTION VALVE	1	1	1	
2	870795	. GASKET, HUB BEARING	1	1	1	
3	870764	. GASKET, VALVE PLATE	3	3	3	
4	N.S.S.	. GASKET / END FLANGE	1	1	1	1
5	870791	. GASKET, SHAFT END COVER	2	2	2	
6	N.S.S.	. GASKET / LEFT & RIGHT CYLINDER HEAD - STANDARDS	2	2	2	1
7	N.S.S.	. GASKET / VALVE PLATE	3	3	3	1
8	870760	. GASKET, CENTER CYLINDER HEAD	1	1	1	
9	870797	. GASKET, L.H & R.H CYLINDER HEAD	2	2	2	
10	N.S.S.	. GASKET / OIL SUPPLY TUBE	1	1	1	1
11	870769	. GASKET, SIGHT GLASS	2	2	2	
12	870820	. GASKET, UNLOADER	2	2	2	
13	N.S.S.	. GASKET / OIL PUMP COVER	1	1	1	1
14	870753	. GASKET / DISCHARGE VALVE	2	2	2	
15	870786	. GASKET, BOTTOM PLATE	1	1	1	
16	870771	. GASKET / OIL PUMP	1	1	1	
17	N.S.S.	. SEAL / SHAFT	1	1	1	1
18	N.S.S.	. GASKET / MOTOR END COVER	1	1	1	1
NS	870791	. GASKET, SHAFT END COVER	1	1	1	
		1) NOT SOLD SEPARATELY				

From R-012 To V-1960

Date:10/2022

PAGE:H3-2255-00

CONDENSOR - INSTALLATION



From R-012 To V-1960		Date:10/2022	PAGE:H3-2255-00
CONDENSOR - INSTALLATION			

Item#	Part	Description	H 3 4 1	H 3 4 5	V I P 4 5	N O T E S
1	452483	CONDENSOR COPPER	1	1	1	
1	452482	CONDENSOR ALUMINUM	1	1	1	
2	289148	SUPPORT / ROD	1	1	1	
NS	504462	SNAP BUSHING / .187x.375x.312	1	1	1	
3	289147	ROD LOCK	1	1	1	
4	504379	RIVET POP DOME OE 3/16x1/4 SS	2	2	2	
5	502169	SPRING COMPRESSION / .240 O.D. x 1.5 x .032	1	1	1	
6	500438	WASHER FL .187x.437x.050 Z050	1	1	1	
7	504456	CLIP / RETAINER ROD / WHITE OR RED	1	1	1	
8	283188	PLATE / LOCK RETAINER	1	1	1	
9	289010	SUPPORT LOCK	1	1	1	
10	282517	LOCK / DOOR	1	1	1	
11	780189	STRIKER & SHIM	1	1	1	
12		SUPPORT / WELDED TO STRUCTURE	1	1	1	
13	500788	NUT HEX 7/16-14 Z050	1	1	1	
14	500445	WASHER FL .437x1.000x.083 Z050	1	1	1	A
15	502818	SCREW CAP HEX M6-1.0x35 G8.8 Z050	4	4	4	
16	502573	WASHER FL 6.4x12.5x1.6 SS	4	4	4	
17	502511	NUT HEX NYRT M6-1.0 Z050	4	4	4	
18	502528	SCREW CAP HEX M8-1.25x20 G8.8 EMN	14	14	14	
19	500868	NUT HEX NYRT M8-1.25 Z050	14	14	14	
20	500874	WASHER FL 8.4x17.0x1.6 Z050	30	30	30	
21	283194	SPRING, TORSION / .750 I.D. x .078	1	1	1	
22	283190	LOCK SAFETY	1	1	1	
23	500496	WASHER FL .437x.750x.054 Z050	1	1	1	
24	500265	NUT HEX STO 3/8-16 Z050	1	1	1	
25	5001188	NUT HEX M8-1.25 SS	8	8	8	
26	500035	WASHER LO SPT .317x.586x.078 SS	8	8	8	
27	282621	ATTACHMENT / R.H. DOOR PANEL To S-133	1	1	1	
27	284917	ATTACHMENT / UPPER R.H. DOOR PANEL From S-134	1	1	1	
NS	504446	BUMPER PLUG / .718ODx.375THX.500HOLEx.125	2	2	2	
28	289140	PLATE END / UPPER R.H.	1	1	1	
29	285032	RETAINING PLATE	4	4	4	
30	283178	PLATE END / LOWER R.H.	1	1	1	
40	502596	SCREW SHR HEXS 5/8x2 1/4 {1/2-13 Z050	2	2	2	
41	507299	BUSHING NYLINER	4	4	4	B
42	502595	NUT HEX NYRT 1/2-13 Z050	2	2	2	
43	500920	WASHER FL .540x1.125x.125 NYL	5	5	5	
44	500547	WASHER FL .484x.750x.031 ZP	2	2	2	
46	502796	SCREW SHR HEXS 1/2x3/4 {3/8-16	1	1	1	
47	283205	RETAINER ROD	1	1	1	
48	283181	ROD / DOOR RETAINING ARM	2	2	2	

From R-012 To V-1960	Date:10/2022	PAGE:H3-2255-00
CONDENSOR - INSTALLATION		

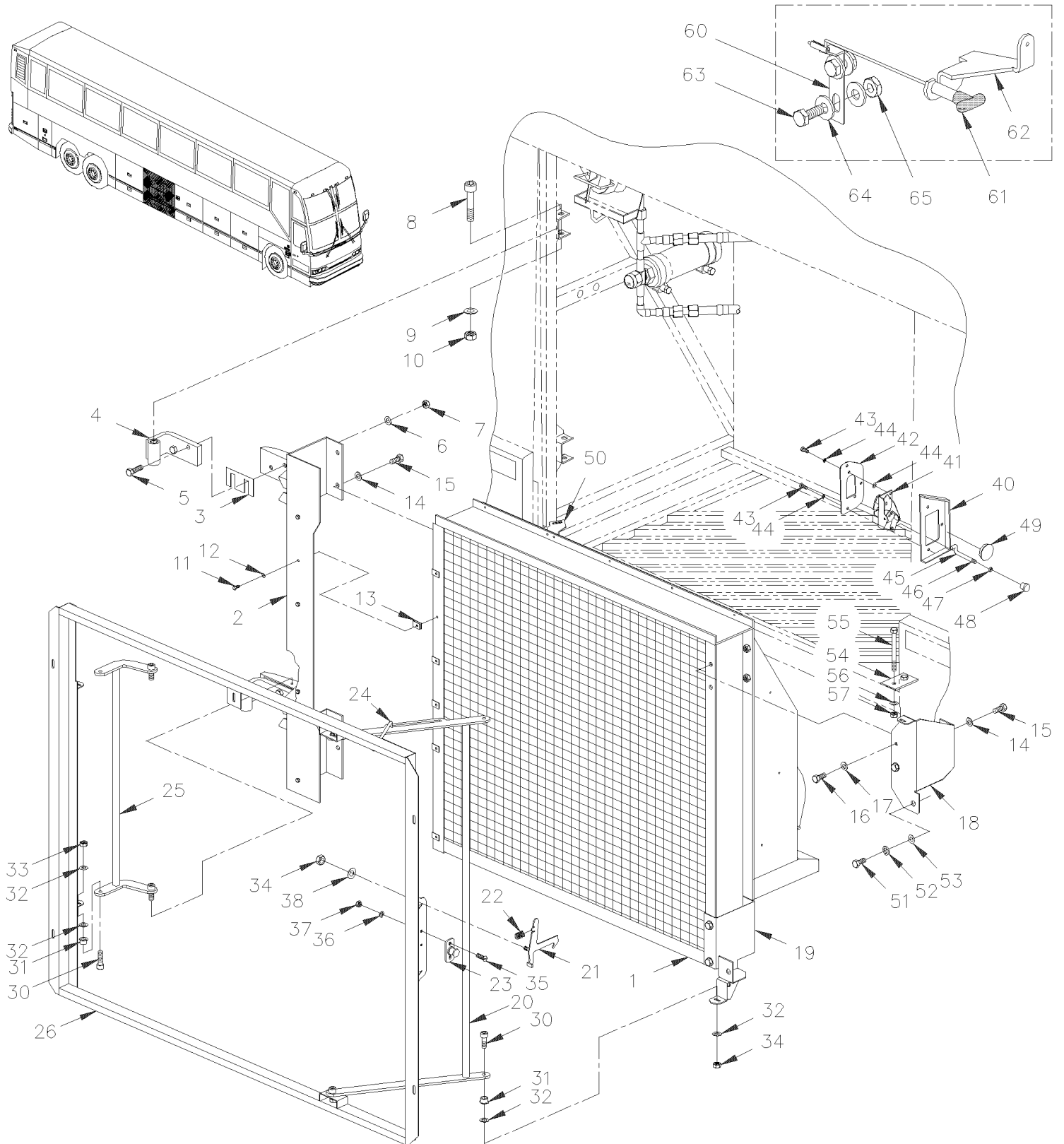
Item#	Part	Description	H 3 4 1	H 3 4 5	V I P 4 5	N O T E S
NS	450872	SPACER SMALL I.D.	1	1	1	
49	502527	SCREW CAP HEX M8-1.25x50 G8.8 Z050	1	1	1	
50	283182	SPACER LARGE I.D.	1	1	1	
51	500476	WASHER LO SPT .317x.586x.078 Z050	1	1	1	
52	502543	NUT HEX M8-1.25 Z050	1	1	1	
60	283001	HINGE / CONDENSER DOOR	2	2	2	
61	5001338	SCREW CAP HEX M12-1.75x45 G10.9 N500	4	4	4	
62	500446	WASHER FL .531x1.250x.125 Z050	12	12	12	
63	502591	NUT HEX NYRT M12-1.75 CP	8	8	8	
64	282626	ATTACHMENT / UPPER L.H. DOOR PANEL To S-133	1	1	1	
64	284916	ATTACHMENT / UPPER L.H. DOOR PANEL From S-134	1	1	1	
65	285598	SPACER SHIM	1	1	1	
66	282937	ATTACHMENT / HINGE To S-289	1	1	1	
66	285266	ATTACHMENT / HINGE From S-290	1	1	1	
67	283175	ATTACHMENT / LOWER L.H. DOOR PANEL To S-133	1	1	1	
67	284918	ATTACHMENT / LOWER L.H. DOOR PANEL From S-134	1	1	1	
67	500524	SCREW TP PAN PH #12x5/8 SS	AR	AR	AR	
68	502622	SCREW CAP HEX M6-1.0x20 SS BK	8	8	8	
69	502570	WASHER LO SPT 6.1x11.8x1.6 SS	8	8	8	
70	502738	NUT SPR U M6-1.0 0.6-4.0	8	8	8	
71	5001314	SCREW CAP HEX M12-1.75x19 G8.8 ZP	8	8	8	
72	500958	WASHER FL .531x1.062x.095 SS	8	8	8	
		A) W/STRICKER				
		B) TO FIX DOOR HINGES				

From V-1961 To 2-4416

Date:10/2022

PAGE:H3-2255-01

CONDENSOR - INSTALLATION



From V-1961 To 2-4416	Date:10/2022	PAGE:H3-2255-01
CONDENSOR - INSTALLATION		

Item#	Part	Description	H 3 4 1	H 3 4 5	V I P 4 5	N O T E S
1	453013	CONDENSOR COPPER	1	1	1	
. NS	501829	. O-RING / ORS FITTING / #12 NEO	3	3	3	
. NS	N8892888	. O-RING ORS-16, .921 ID X .139 THK	1	1	1	
. NS	N8908582	. FITTING #16 ORS	1	1	1	
. NS	950636	. FITTING	3	3	3	
1	453125P	CONDENSOR COPPER / PAINTED BLACK	1	1	1	O
. NS	501829	. O-RING / ORS FITTING / #12 NEO	3	3	3	O
. NS	N8892888	. O-RING ORS-16, .921 ID X .139 THK	1	1	1	O
2	285484	ATTACHMENT / HINGE	1	1	1	
3	285598	SPACER SHIM	1	1	1	
4	283001	HINGE / CONDENSER DOOR	2	2	2	
5	5001338	SCREW CAP HEX M12-1.75x45 G10.9 N500	4	4	4	
6	500446	WASHER FL .531x1.250x.125 Z050	12	12	12	
7	502591	NUT HEX NYRT M12-1.75 CP	8	8	8	
8	502596	SCREW SHR HEXS 5/8x2 1/4 {1/2-13 Z050	2	2	2	
9	507299	BUSHING NYLINER	4	4	4	A
10	502595	NUT HEX NYRT 1/2-13 Z050	2	2	2	
11	502622	SCREW CAP HEX M6-1.0x20 SS BK	8	8	8	
12	502570	WASHER LO SPT 6.1x11.8x1.6 SS	8	8	8	
13	502738	NUT SPR U M6-1.0 0.6-4.0	8	8	8	
14	5001003	WASHER LO SPT 8.1x12.7x2.0 Z050	8	8	8	
15	5001314	SCREW CAP HEX M12-1.75x19 G8.8 ZP	8	8	8	
16	502528	SCREW CAP HEX M8-1.25x20 G8.8 EMN	6	6	6	
17	500874	WASHER FL 8.4x17.0x1.6 Z050	6	6	6	
NS	502744	NUT HEX STO M8-1.25 Z050	8	8	8	
18	285472	PLATE END / UPPER R.H. To W-2207	1	1	1	
18	285817	PLATE END / UPPER R.H. From W-2208	1	1	1	
19	285672	PLATE END / LOWER R.H. To W-2207	1	1	1	
19	285819	PALTE END / LOWER R.H. From W-2208	1	1	1	
20	285664	PANTOGRAPH ARM RIGHT To W-2207	1	1	1	
20	285828	PANTOGRAPH ARM RIGHT From W-2208	1	1	1	
21	285690	LATCH ASSY	1	1	1	
22	502245	SPRING COMPRESSION / .600 O.D. x 1.25 x .059	1	1	1	
23	780278	PIN, STRIKER STUD	1	1	1	
24	285656	RETAINING ROD	1	1	1	
NS	504323	GROMMET / .375x.500x.062x.281x.687	1	1	1	
25	285571	PANTOGRAPH ARM LEFT To W-2207	1	1	1	
25	285826	PANTOGRAPH ARM LEFT From W-2208	1	1	1	
26	285620	DOOR FRAME (WELDED) To W-2207	1	1	1	
26	285831	DOOR FRAME (WELDED) From W-2208	1	1	1	
30	502625	SCREW SHR HEXS 5/16x3/8 {1/4-20	8	8	8	
31	507301	BUSHING NYLINER	8	8	8	

From V-1961 To 2-4416	Date:10/2022	PAGE:H3-2255-01
CONDENSOR - INSTALLATION		

Item#	Part	Description	H 3 4 1	H 3 4 5	V I P 4 5	N O T E S
32	500441	WASHER FL .312x.734x.065 Z050	8	8	8	
NS	500975	WASHER FL .378x.620x.094 NYL	8	8	8	
33	500868	NUT HEX NYRT M8-1.25 Z050	4	4	4	
34	5001352	NUT HEX NYRT 1/4-20 SS	4	4	4	
35	500316	SCREW MA FL PH 1/4-28x3/4 SS	2	2	2	
36	502583	WASHER LO SERR 8.15x22.3x1.0 Z050	2	2	2	B
37	500692	NUT HEX 1/4-28 Z050	2	2	2	
38	500985	WASHER FL .343x.875x.125 Z050	2	2	2	
40	282988	PLATE HOLDER / WELDED TO STRUCTURE	1	1	1	
41	780282	LOCK SPAGNOLET L.H. To V-2077	1	1	1	F
41	780587	LOCK SPAGNOLET L.H. / W/G-FITTING From V-2078 To 2-4364	1	1	1	
. NS	507607	. GREASE FITTING / M6-1.00 From V-2078 To 2-4364	1	1	1	
41	780652	LOCK SPAGNOLET L.H. / W/G-FITTING From 2-4365	1	1	1	
. NS	780340	. CLIP, RETAINER ROD From 2-4365	1	1	1	
. NS	507607	. GREASE FITTING / M6-1.00 From 2-4365	1	1	1	
42	282989	PLATE ADAPTOR To V-2077	1	1	1	
42	285765	PLATE ADAPTOR From V-2078	1	1	1	
43	502563	SCREW CAP HEX M6-1.0x12 G8.8 Z050	5	5	5	
44	502564	WASHER LO SPT 6.1x11.8x1.6 Z050	5	5	5	
45	282984	ROD OPENING 52MM	1	1	1	
46	504083	SNAP BUSHING / .250x.468.406	1	1	1	
47	500764	NUT HEX #8-32 Z050	1	1	1	
48	505504	KNOB, PULL / 8-32	1	1	1	
49	507295	HOLE PLUG BUTTON / 1.375 O.D. BLACK	1	1	1	
50	453015	BELT RETAINER	1	1	1	
NS	505507	STRAP NYLON 1" WIDE / S.L.	AR	AR	AR	
51	5001231	SCREW CAP HEX M10-1.5x25 SS	2	2	2	
52	502616	WASHER LO SPT 10.2x18.1x2.2 SS	2	2	2	
53	500270	WASHER FL .406x1.000x.063 SS	2	2	2	
54	483473	BLOCK SUPPORT	1	1	1	
NS	482329	SHIM	AR	AR	AR	
55	500346	SCREW MA FL PH 1/4-20x1 SS BK	2	2	2	
56	500473	WASHER LO SPT .262x.489x.062 Z050	2	2	2	
57	500771	NUT HEX 1/4-20 SS	2	2	2	
60	285845	SUPPORT From V-1961 To W-2209	1	1	1	D
61	285883	RETAINING CABLE From V-1961 To W-2209	1	1	1	D
62	285844	LEVER From V-1961 To W-2209	1	1	1	D
NS	504073	PLUG BUTTON / .375 O.D. / NICKEL From V-1961 To W-2209	1	1	1	D
NS	560506	CLAMP From V-1961 To W-2209	2	2	2	D
NS	502790	SCREW CAP HEX M8-1.25x20 G8.8 Z050 From V-1961 To W-2209	2	2	2	D
NS	502622	SCREW CAP HEX M6-1.0x20 SS BK From V-1961 To W-2209	1	1	1	D
NS	502570	WASHER LO SPT 6.1x11.8x1.6 SS From V-1961 To W-2209	1	1	1	D

From V-1961 To 2-4416	Date:10/2022	PAGE:H3-2255-01
CONDENSOR - INSTALLATION		

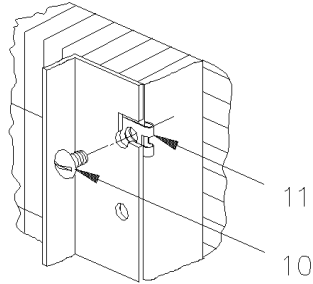
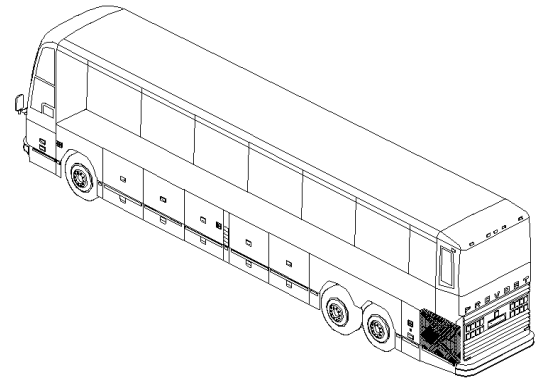
Item#	Part	Description	H 3 4 1	H 3 4 5	V I P 4 5	N O T E S
63	5001243	SCREW TP PAN PH #10x5/8 SS From V-1961 To W-2209	2	2	2	D
64	502583	WASHER LO SERR 8.15x22.3x1.0 Z050 From V-1961 To W-2209	2	2	2	D
65	502565	NUT HEX M6-1.0 SS From V-1961 To W-2209	2	2	2	D
NS	285833	KIT SERVICE DOOR LOCK	1	1	1	
. NS	IS-97037	. SEE INSTRUCTION SHEET	1	1	1	
		A) TO FIX DOOR HINGES				
		B) W/ITEM 4 & 16				
		D) FOLLOWING ITEMS ARE RELATED W/KIT #285848				
		F) PRODUCT IMPROVMENT, ASK KIT #285833				
		O) OPTION				

From X-2458 To 2-4416

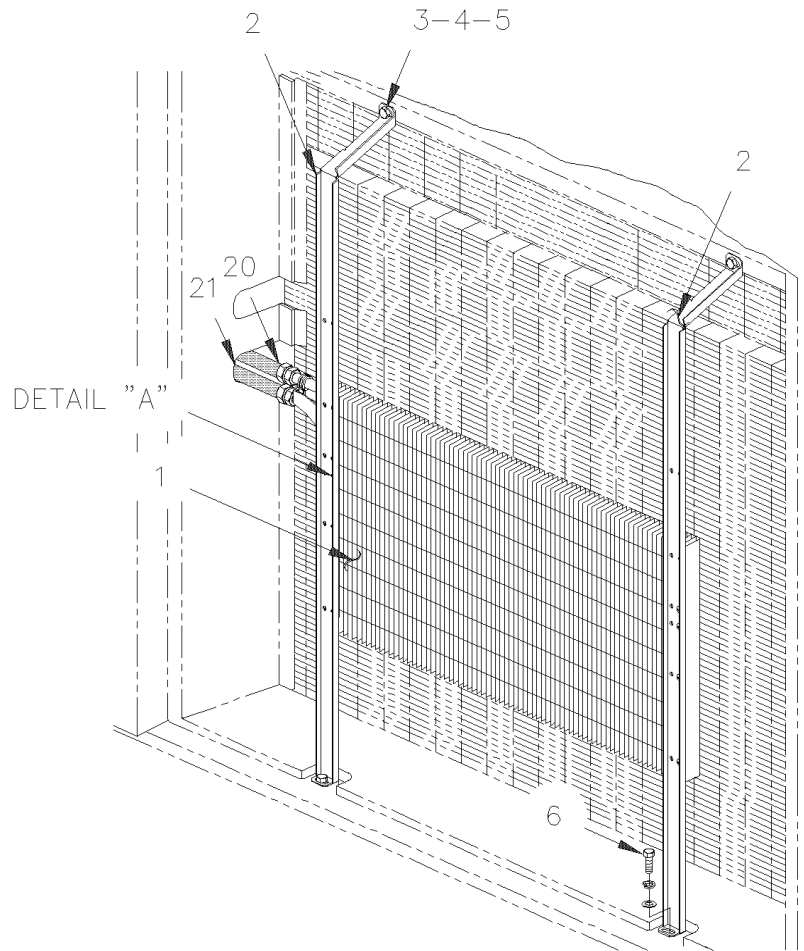
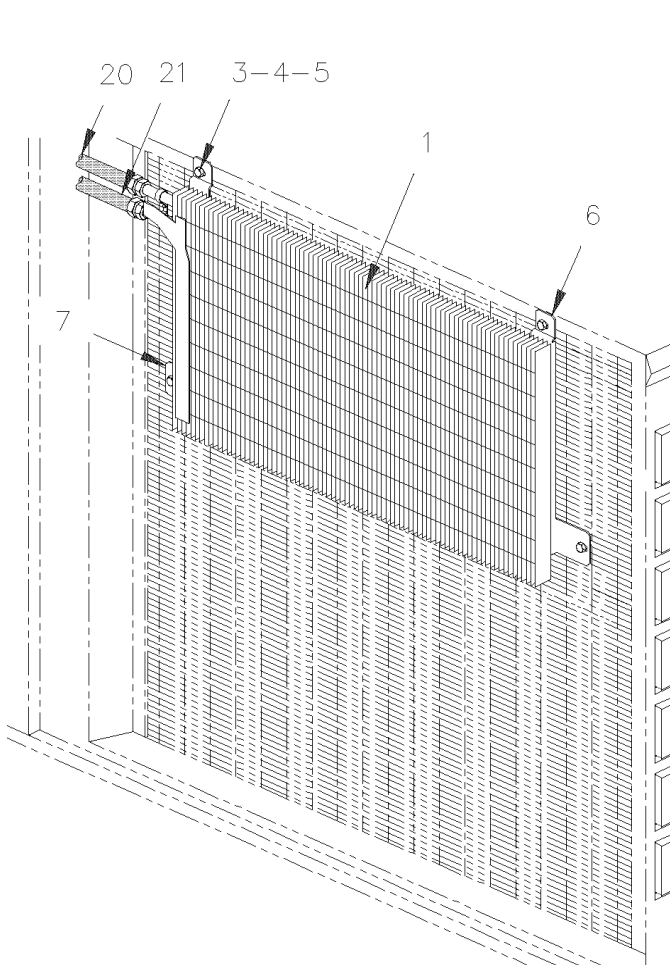
Date:10/2022

PAGE:H3-2255-50

CONDENSOR - INSTALLATION SMALL A/C SYSTEM



DETAIL "A"



DETAIL "A"

From X-2458 To 2-4416	Date:10/2022	PAGE:H3-2255-50
CONDENSOR - INSTALLATION SMALL A/C SYSTEM		

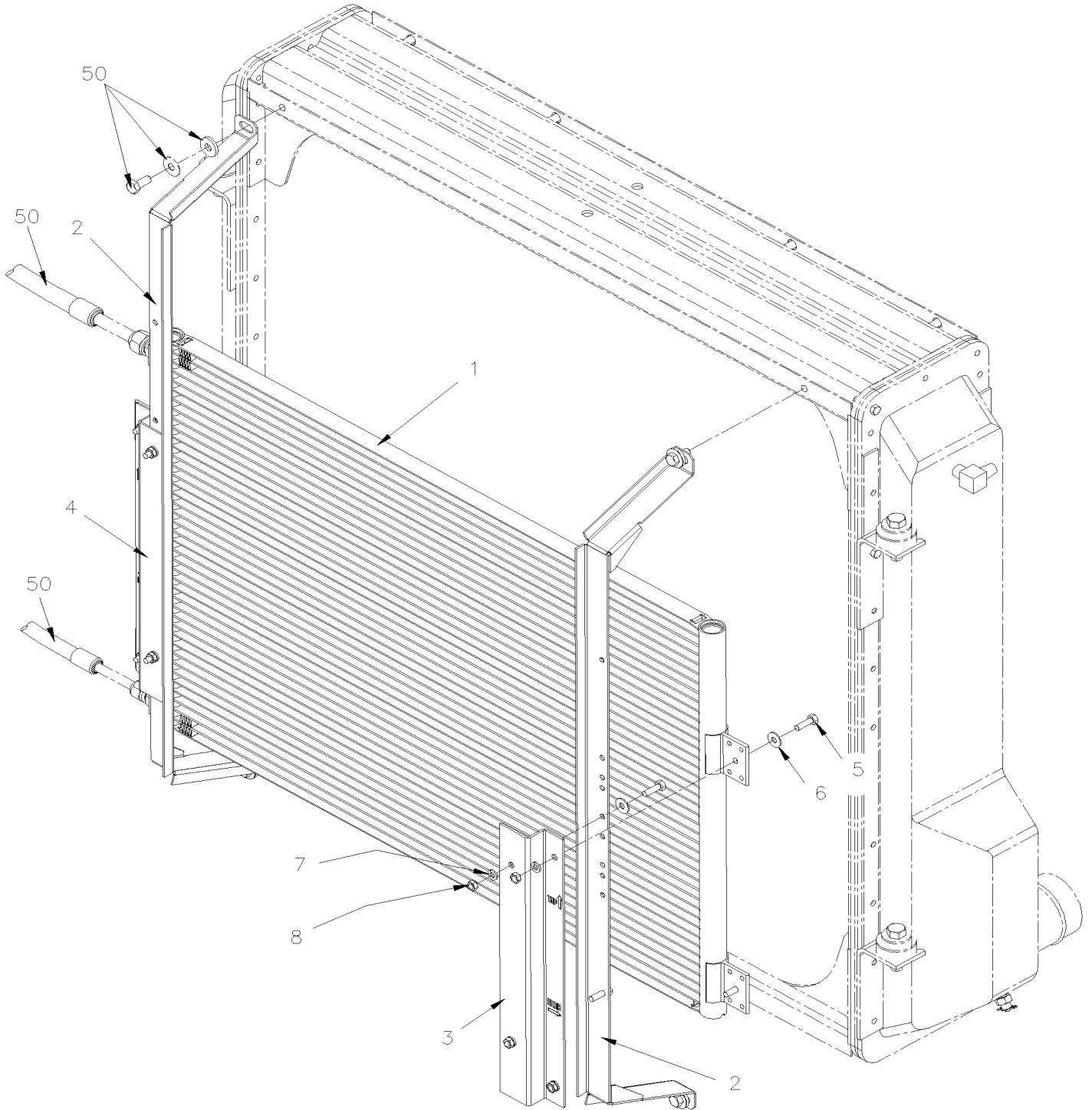
Item#	Part	Description	H 3 4 1	H 3 4 5	V I P 4 5	N O T E S
1	950018	CONDENSOR COIL To 1-4019			1	
1	950335	CONDENSER COIL From 1-4020			1	
1	IS14130	RETROFIT KIT FOR OBSOLETE CONDENSORS 950018 & 950335			1	
2	453152	CONDENSER CLAMP To X-2958			1	
3	500179	SCREW CAP HEX 5/16-18x3/4 G5 Z050			4	
4	502583	WASHER LO SERR 8.15x22.3x1.0 Z050			4	
5	500985	WASHER FL .343x.875x.125 Z050			4	
6	453138	SUPPORT FORWARD From X-2959 To Y-3642			1	
6	453586	SUPPORT FORWARD From Y-3643			1	
7	453181	SUPPORT BACKWARD From X-2959 To Y-3642			1	
7	453587	SUPPORT BACKWARD From Y-3643			1	
10	5001087	SCREW TP BDG PH #10x1/2 SS			1	
11	500981	NUT SPR U #10-23/32x5/8			1	
20	453192	HOSE ASSY / #8 1130MM To X-2861			1	
. NS	507343	. O-RING / ORS FITTING / #8 NEO To X-2861			2	
20	455196	HOSE ASSY / #8 1130MM To X-2861			1	
. NS	507343	. O-RING / ORS FITTING / #8 NEO To X-2861			2	
20	453294	HOSE ASSY / #8 1500MM From X-2862			1	
. NS	507343	. O-RING / ORS FITTING / #8 NEO From X-2862			2	
20	455207	HOSE ASSY / #8 1500MM From X-2862			1	
. NS	507343	. O-RING / ORS FITTING / #8 NEO From X-2862			2	
21	453189	HOSE ASSY / #6 800MM To X-2861			1	
. NS	507278	. O-RING / ORS FITTING / #4 NEO To X-2861			2	
21	455195	HOSE ASSY / #6 800MM To X-2861			1	
. NS	507278	. O-RING / ORS FITTING / #4 NEO To X-2861			2	
21	453295	HOSE ASSY / #6 1180MM From X-2862			1	
. NS	507278	. O-RING / ORS FITTING / #4 NEO From X-2862			2	
21	455208	HOSE ASSY / #6 1180MM From X-2862			1	
. NS	507278	. O-RING / ORS FITTING / #4 NEO From X-2862			2	

From X-2458 To 2-4416

Date:10/2022

PAGE:IS14130

RETROFIT KIT FOR OBSOLETE CONDENSORS 950018 & 950335



From X-2458 To 2-4416	Date:10/2022	PAGE:IS14130
RETROFIT KIT FOR OBSOLETE CONDENSORS 950018 & 950335		

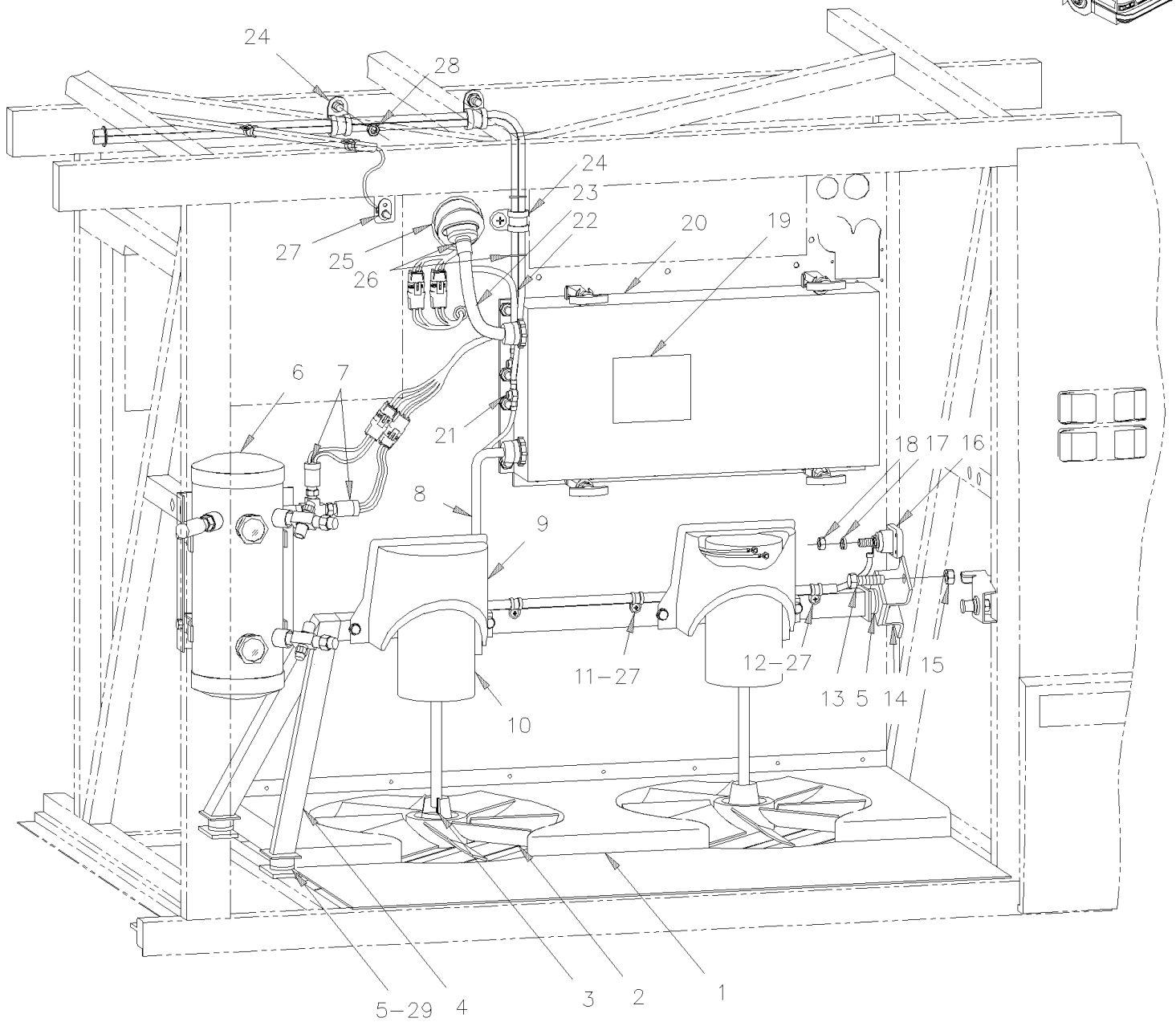
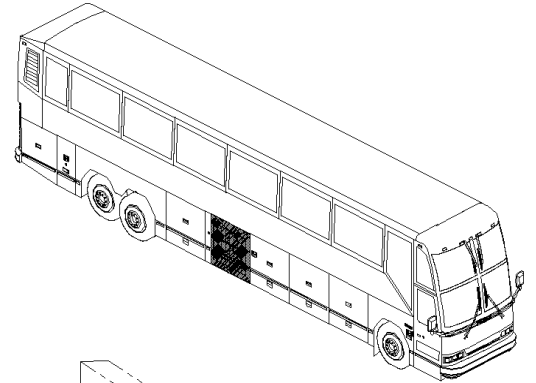
Item#	Part	Description	H 3 4 1	H 3 4 5	V I P 4 5	N O T E S
1	950958	CONDENSOR COIL E-COAT 8.2	1	1	1	
2	052382	SUPPORT	2	2	2	
3	053697	SUPPORT / REAR	1	1	1	
4	053698	SUPPORT / FRONT	1	1	1	
5	502622	SCREW CAP HEX M6-1.0x20 SS BK	8	8	8	
6	500411	WASHER FL .260x.697x.050 SS	8	8	8	
7	502570	WASHER LO SPT 6.1x11.8x1.6 SS	8	8	8	
8	502565	NUT HEX M6-1.0 SS	8	8	8	
10	IS-14130	SEE INSTRUCTION SHEET	1	1	1	
10	FI-14130	VOIR FEUILLE D'INSTRUCTION	1	1	1	
50	XL-2255-10	CONDENSOR - INSTALLATION - AUXILIARY A/C From P-722 To Y-7045				
50	Y2-2255-10	CONDENSOR - INSTALLATION SMALL A/C SYSTEM From Y-7046 To 3-8164				
50	H3-2255-50	CONDENSOR - INSTALLATION SMALL A/C SYSTEM From X-2458 To 2-4416			1	
50	HF-2255-50	CONDENSOR - INSTALLATION SMALL A/C SYSTEM From 3-4417 To 3-4757			1	

From R-012 To V-1960

Date:10/2022

PAGE:H3-2260-00

CONDENSOR FAN - INSTALLATION



From R-012 To V-1960	Date:10/2022	PAGE:H3-2260-00
CONDENSOR FAN - INSTALLATION		

Item#	Part	Description	H 3 4 1	H 3 4 5	V I P 4 5	N O T E S
1	451962	FLOOR VENTURY ASSY	1	1	1	
1	451821	. FLOOR VENTURI	1	1	1	
NS	451963	. ADAPTOR HOSE DRAIN	1	1	1	
NS	590109	. DRAIN BOOT 1" I.D. X 5" / AS SHOWN To T-1545	1	1	1	
NS	590284	. DRAIN BOOT 1" I.D. X 5" / FLAT From T-1546	1	1	1	
2	372612	FAN BLADE AXIAL 8 BLADES	2	2	2	
3	452069	KEY	2	2	2	
4	451825	FAN MOTOR SUPPORT	1	1	1	
5	510342	INSULATOR, RUBBER MOUNT	3	3	3	
6	H3-2270-01	RECEIVER TANK & FILTER DRYER To T-1606				
6	H3-2270-02	RECEIVER TANK & FILTER DRYER From T-1607 To V-1960				
7	H3-2270-01	RECEIVER TANK & FILTER DRYER To T-1606				
7	H3-2270-02	RECEIVER TANK & FILTER DRYER From T-1607 To V-1960				
8	062555	CABLE ASSY / A/C JUNCTION BOX & MOTORS To V-1778	1	1	1	
8	064401	CABLE ASSY / RR BAT. COMPT & EVAPO. PANEL From V-1779	1	1	1	
9	452011	PROTECTOR MOTOR COVER PLASTIC	2	2	2	
10	H3-2265-50	MOTOR - CONDENSOR - "PREVOST" - TAP-12 & TF-12	2	2	2	
10	H3-2265-51	MOTOR - CONDENSOR BRUSHLESS / OPTION	2	2	2	O
10	H3-2265-99	MOTOR - CONDENSOR - "PREVOST" - T11G / SERVICE	2	2	2	
10	H3-2265-98	MOTOR - CONDENSOR - "PREVOST" - T114 / SERVICE	2	2	2	
NS	283482	SHIM 138MM X 45MM X 24GA SS	AR	AR	AR	
NS	502528	SCREW CAP HEX M8-1.25x20 G8.8 EMN	8	8	8	
NS	500441	WASHER FL .312x.734x.065 Z050	8	8	8	
NS	502744	NUT HEX STO M8-1.25 Z050	8	8	8	
11	560481	CLAMP / 5/8" I.D.	2	2	2	
12	560479	CLAMP / 3/8" I.D.	6	6	6	
13	502719	SCREW CAP HEX M10-1.5x20 SS EMN	2	2	2	
14	452044	REAR SUPPORT	1	1	1	
15	500680	NUT HEX STO M10-1.5 Z050	AR	AR	AR	
16	380360	STUD, GROUND (WELDED TO STRUCTURE) 1/2-13	1	1	1	
17	500857	WASHER LO INT .512x.900x.045 Z050	1	1	1	
18	500998	NUT HEX 1/2-13 BR	1	1	1	
19	402792	DECAL / "DANGER" SHUT DOWN A/C BEFORE SERVI. / ENGLISH & FRANCAIS	1	1	1	
19	405637	DECAL / "DANGER" SHUT DOWN A/C BEFORE SERVI. / ENGLISH & SPANISH	1	1	1	
20	H3-0621-01	A/C JUNCTION BOX ASSY To S-127				
20	H3-0621-02	A/C JUNCTION BOX ASSY From S-128				
21	500379	NUT HEX 3/8-16 BR	5	5	5	
NS	500478	WASHER LO SPT .380x.683x.094 Z050	5	5	5	
22	062577	CABLE / MOTOR & A/C JUNCTION BOX #90H	1	1	1	
23	063308	CABLE HARNESS To S-127	1	1	1	A
23	063982	CABLE HARNESS From S-128 To S-193	1	1	1	
23	064058	CABLE HARNESS From S-194 To T-1452	1	1	1	A

From R-012 To V-1960	Date:10/2022	PAGE:H3-2260-00
CONDENSOR FAN - INSTALLATION		

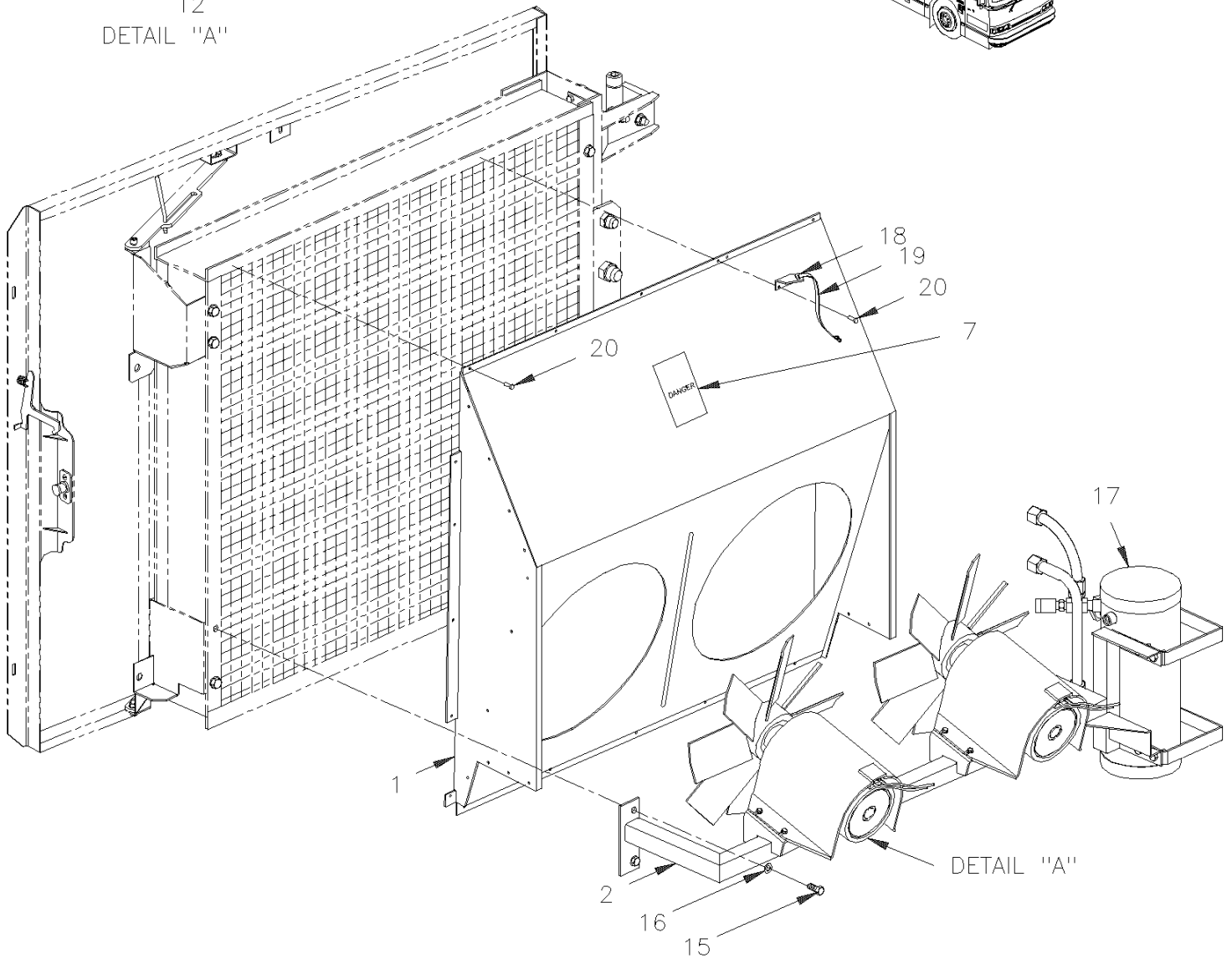
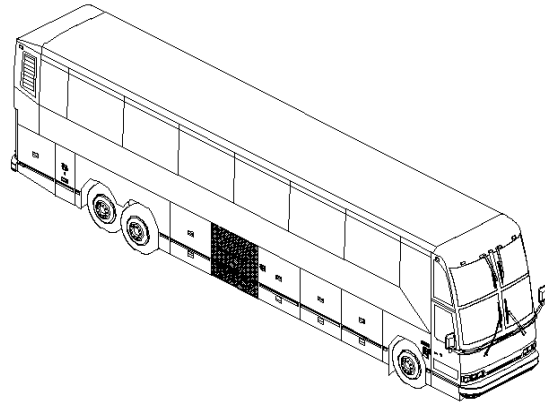
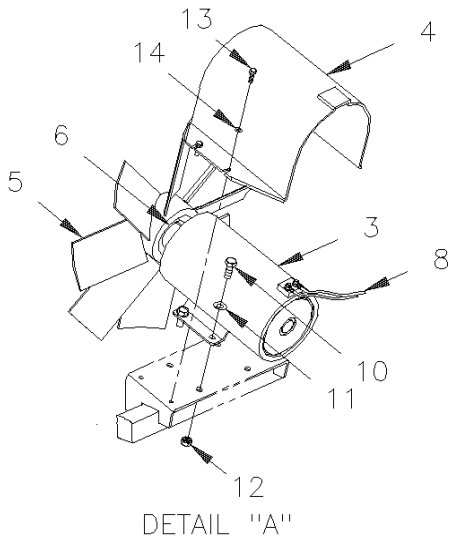
Item#	Part	Description	H 3 4 1	H 3 4 5	V I P 4 5	N O T E S
23	064365	CABLE HARNESS From T-1453	1	1	1	A
24	560483	CLAMP / 7/8" I.D.	3	3	3	
25	504441	CUFF END BELLOW / 3 1/2" I.D. x 3 1/2" x 5 5/8"	1	1	1	
26	504637	CABLE TIE / 3/16" x 13"	AR	AR	AR	
27	561109	MICRO SWITCH To S-193	1	1	1	
27	562303	SWITCH / S.P.S.T. / N.C. From S-194	1	1	1	
NS	502524	NUT HEX M4-0.7 Z050	AR	AR	AR	
NS	502636	WASHER LO SPT 4.1x7.6x0.9 Z050	AR	AR	AR	
28	502617	NUT HEX NYRT M10-1.5 Z050	2	2	2	
NS	500446	WASHER FL .531x1.250x.125 Z050	2	2	2	
29	502568	SCREW MA PAN PH M6-1.0x20 EMN	4	4	4	
NS	500468	WASHER FL .281x1.250x.065 Z050	4	4	4	
		A) A/C EVAP & COND CPT				
		O) "OPTION" SPECIAL				

From V-1961 To 2-4416

Date:10/2022

PAGE:H3-2260-01

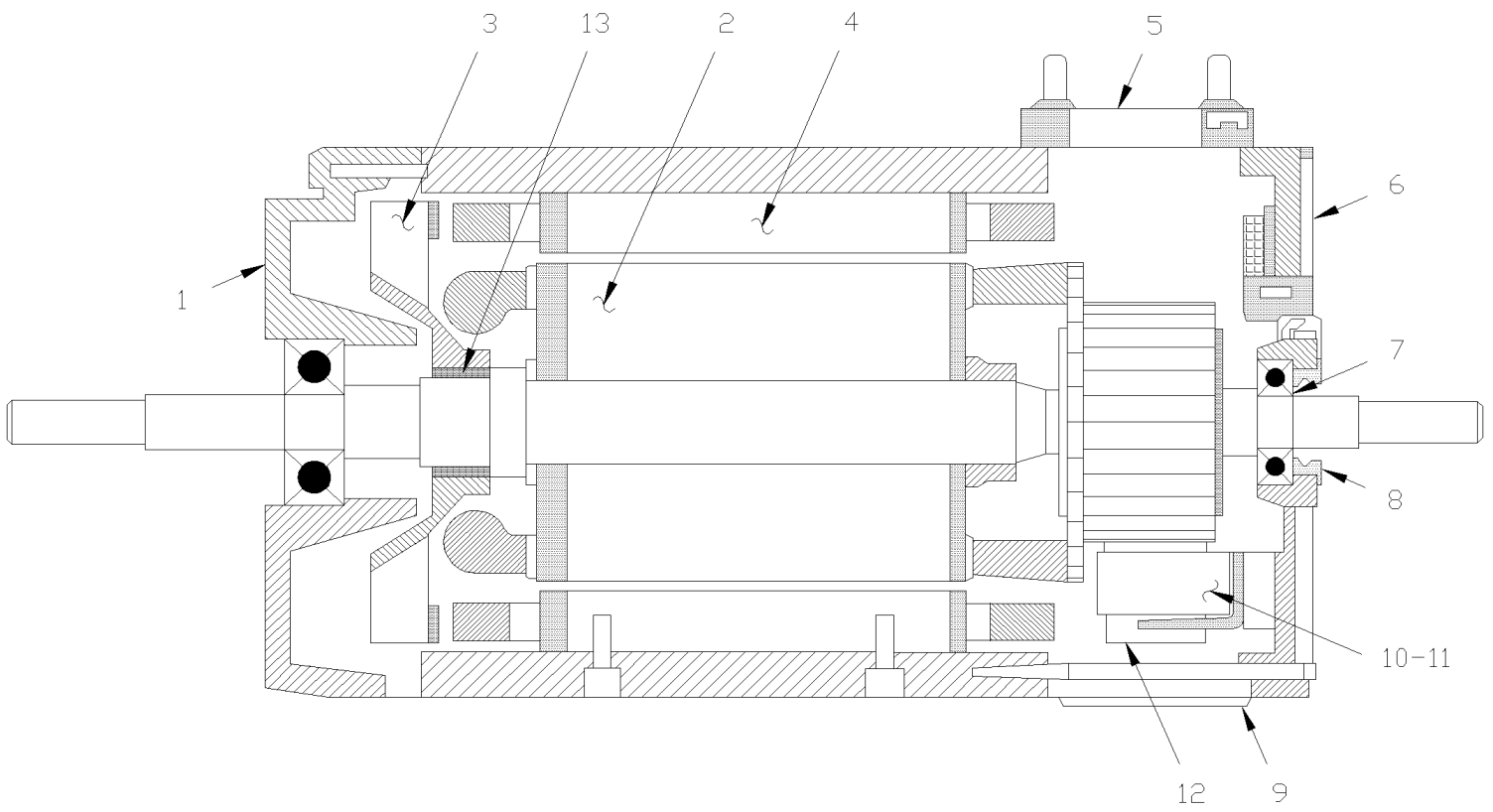
CONDENSOR FAN - INSTALLATION



From V-1961 To 2-4416	Date:10/2022	PAGE:H3-2260-01
CONDENSOR FAN - INSTALLATION		

Item#	Part	Description	H 3 4 1	H 3 4 5	V I P 4 5	N O T E S
1	452948	SHROUD	1	1	1	
2	452955	FAN MOTOR & RECEIVER TANK SUPPORT To V-2062	1	1	1	
2	453090	FAN MOTOR & RECEIVER TANK SUPPORT From V-2063 To 2-4428	1	1	1	
2	453616	FAN MOTOR & RECEIVER TANK SUPPORT From 2-4429	1	1	1	
NS	283482	SHIM 138MM X 45MM X 24GA SS To 2-4428	AR	AR	AR	
NS	453686	SHIM 142MM X 46MM X 24GA SS From 2-4429	AR	AR	AR	
3	H3-2265-50	MOTOR - CONDENSOR - "PREVOST" - TAP-12 & TF-12	2	2	2	
3	H3-2265-51	MOTOR - CONDENSOR BRUSHLESS / OPTION	2	2	2	
3	H3-2265-99	MOTOR - CONDENSOR - "PREVOST" - T11G / SERVICE	2	2	2	
3	H3-2265-98	MOTOR - CONDENSOR - "PREVOST" - T114 / SERVICE	2	2	2	
4	453016	PROTECTOR COVER	2	2	2	
5	871090	FAN BLADE	2	2	2	
6	452069	KEY	2	2	2	
7	402792	DECAL / "DANGER" SHUT DOWN A/C BEFORE SERVI. / ENGLISH & FRANCAIS	1	1	1	
7	405637	DECAL / "DANGER" SHUT DOWN A/C BEFORE SERVI. / ENGLISH & SPANISH	1	1	1	
8	064401	CABLE ASSY / RR BAT. COMPT & EVAPO. PANEL To Y-3414	1	1	1	B
8	065273	CABLE ASSY / RR BAT. COMPT & EVAPO. PANEL From Y-3415	1	1	1	
10	502528	SCREW CAP HEX M8-1.25x20 G8.8 EMN	12	12	12	
11	500874	WASHER FL 8.4x17.0x1.6 Z050	12	12	12	
12	502744	NUT HEX STO M8-1.25 Z050	8	8	8	
13	502568	SCREW MA PAN PH M6-1.0x20 EMN	8	8	8	
14	500468	WASHER FL .281x1.250x.065 Z050	8	8	8	
15	5001314	SCREW CAP HEX M12-1.75x19 G8.8 ZP	4	4	4	
16	5001003	WASHER LO SPT 8.1x12.7x2.0 Z050	4	4	4	
17	H3-2270-03	RECEIVER TANK & FILTER DRYER To 1-4274				
17	H3-2270-04	RECEIVER TANK & FILTER DRYER From 1-4275				
18	453015	BELT RETAINER	1	1	1	
19	505507	STRAP NYLON 1" WIDE / S.L.	AR	AR	AR	
20	504488	RIVET MGLP PRDG 3/16x17/64 SS	2	2	2	
NS	562303	SWITCH / S.P.S.T. / N.C.	1	1	1	
		B) FOR PRODUCT IMPROVEMENT WITH CONDENSOR RELAY LOCATION ASK FOR KIT #065271				

From R-012 To T-1505	Date:10/2022	PAGE:H3-2265-01
MOTOR - EVAPORATOR - "PREVOST" - T-19		



From R-012 To T-1505	Date:10/2022	PAGE:H3-2265-01
MOTOR - EVAPORATOR - "PREVOST" - T-19		

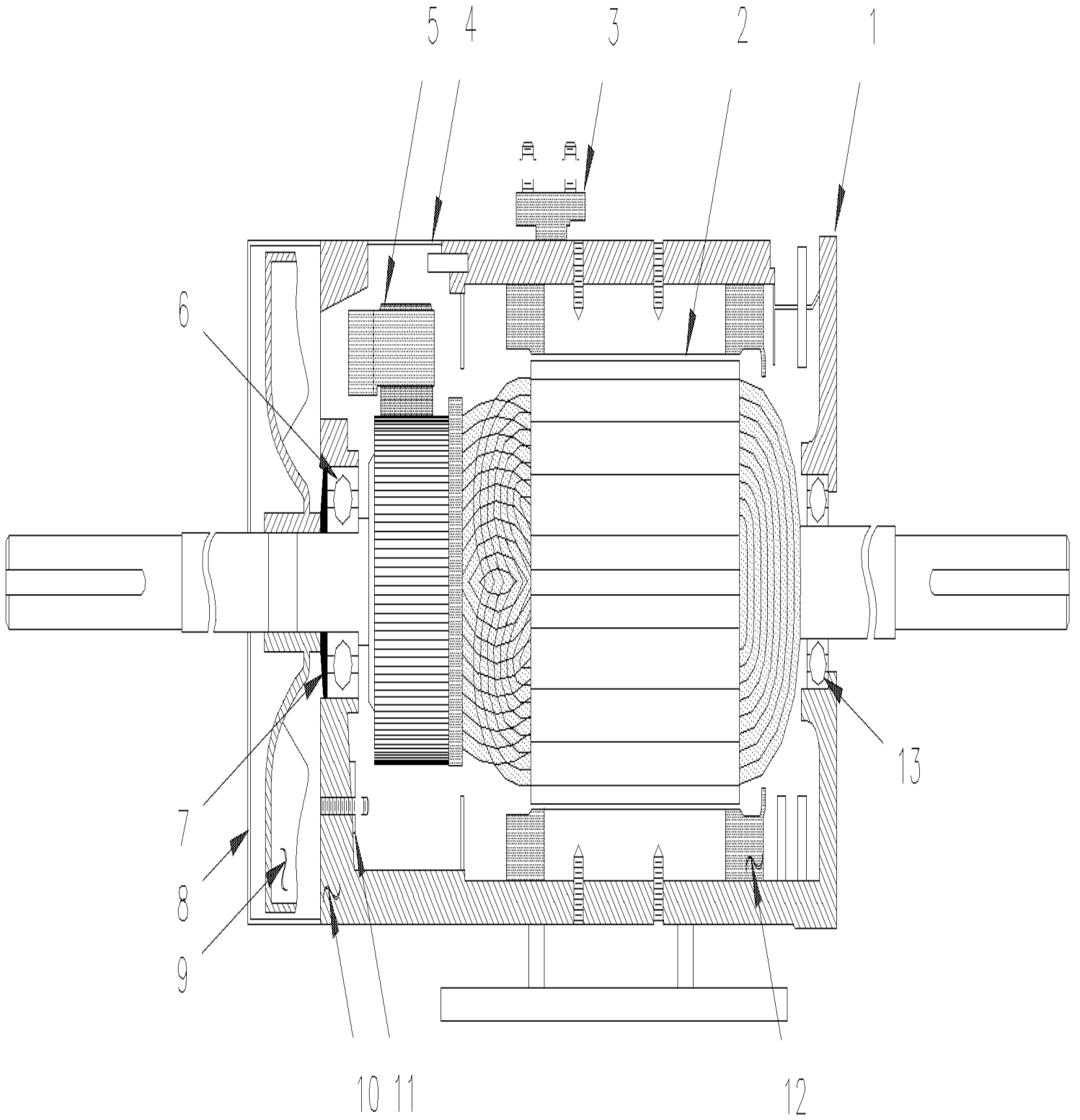
Item#	Part	Description	H 3 4 1	H 3 4 5	V I P 4 5	N O T E S
	561939	MOTOR "PREVOST" / 2 HP / 1750 RPM / (STAMPED T-19)	1	1	1	
1	562128	. COVER / FAN END	1	1	1	
2	562225	. ARMATURE MOTOR	1	1	1	
3	562126	. . FAN	1	1	1	
4	561203	. STATOR WOUND / COMPLETE	1	1	1	
5	561209	. BLOCK TERMINAL	1	1	1	
. NS	502543	. . NUT HEX M8-1.25 Z050	2	2	2	
. NS	500874	. . WASHER FL 8.4x17.0x1.6 Z050	2	2	2	
. NS	500588	. . SCREW CAP HEX M4-0.7x20 G8.8 Z050	2	2	2	
. NS	500438	. . WASHER FL .187x.437x.050 Z050	2	2	2	
6	562127	. COVER / COMMUTATOR END	1	1	1	
7	561210	. BALL BEARING	2	2	2	
8	561211	. WASHER SPRING	1	1	1	
9	561204	. GRILLE PROTECTOR / PRODUCTION	1	1	1	
9	064230	. GRILL PROTECTOR / SERVICE	1	1	1	
10	561208	. BRUSH HOLDER ASSY / W/SPRING	1	1	1	
11	562546	. . SPRING, TORSION / .750 O.D. x .322 x .020	4	4	4	
12	561202	. BRUSH	4	4	4	
13	563166	. STAR RING	1	1	1	

From T-1506 To 2-4314

Date:10/2022

PAGE:H3-2265-02

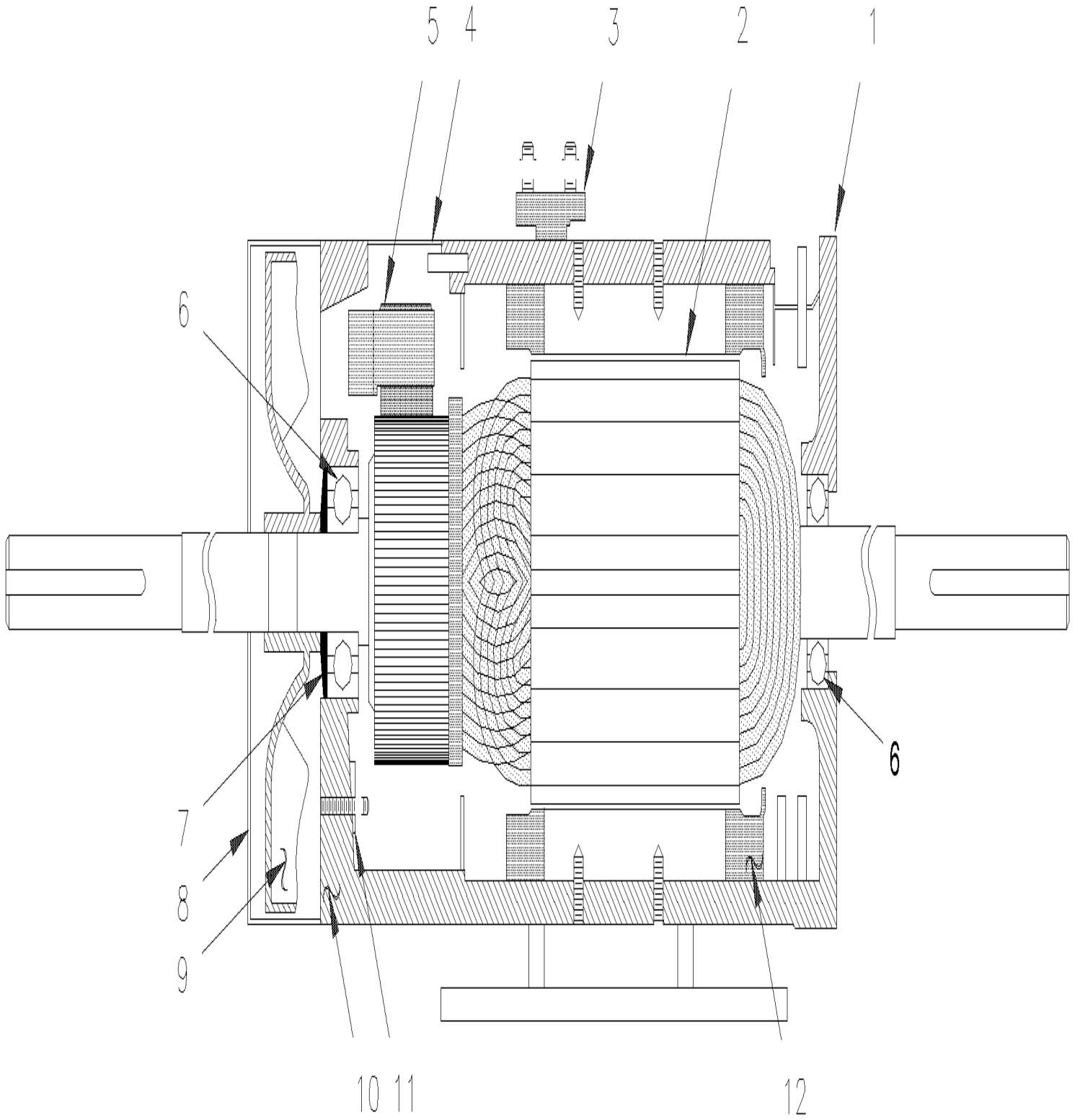
MOTOR - EVAPORATOR - "PREVOST" - T-17



From T-1506 To 2-4314	Date:10/2022	PAGE:H3-2265-02
MOTOR - EVAPORATOR - "PREVOST" - T-17		

Item#	Part	Description	H 3 4 1	H 3 4 5	V I P 4 5	N O T E S
	562375	MOTOR "PREVOST" / 2.1 HP / 1880 RPM / (STAMPED T-17)	1	1	1	A
1	562523	. COVER	1	1	1	
2	562525	. ARMATURE MOTOR	1	1	1	
3	561209	. BLOCK TERMINAL	1	1	1	
. NS	502543	. . NUT HEX M8-1.25 Z050	2	2	2	
. NS	500874	. . WASHER FL 8.4x17.0x1.6 Z050	2	2	2	
. NS	500588	. . SCREW CAP HEX M4-0.7x20 G8.8 Z050	2	2	2	
. NS	500438	. . WASHER FL .187x.437x.050 Z050	2	2	2	
4	562527	. GRILLE PROTECTOR	1	1	1	
5	562951	. BRUSH	4	4	4	
6	562520	. BALL BEARING	1	1	1	
7	561211	. WASHER SPRING	1	1	1	
8	562521	. COVER / FAN END	1	1	1	
9	562526	. FAN	1	1	1	
10	562522	. COVER / COMMUTATOR END	1	1	1	
11	561208	. BRUSH HOLDER ASSY / W/SPRING	1	1	1	
11	562546	. . SPRING, TORSION / .750 O.D. x .322 x .020	4	4	4	
12	562528	. STATOR WOUND / COMPLETE	1	1	1	
13	561210	. BALL BEARING	1	1	1	
15	453830	KIT, SERVICE, REPLACEMENT BRUSH MOTOR	1	1	1	
. NS	IS-05903	. SEE INSTRUCTION SHEET	1	1	1	
. NS	562951	. BRUSH	4	4	4	
. NS	680309	. HONING / STONE (FOR CLEAN COMMUTATOR)	2	2	2	
NS	065548	KIT, EVAPORATOR MOTOR SPEED CONTROL	1	1	1	
. NS	IS-00032	. SEE INSTRUCTION SHEET				
		A) THIS MOTOR IT SUPERSEDED BY KIT #065548				

From 2-4315 To 2-4416	Date:10/2022	PAGE:H3-2265-03
MOTOR - EVAPORATOR - "PREVOST" - T-17 - 2 SPEEDS		

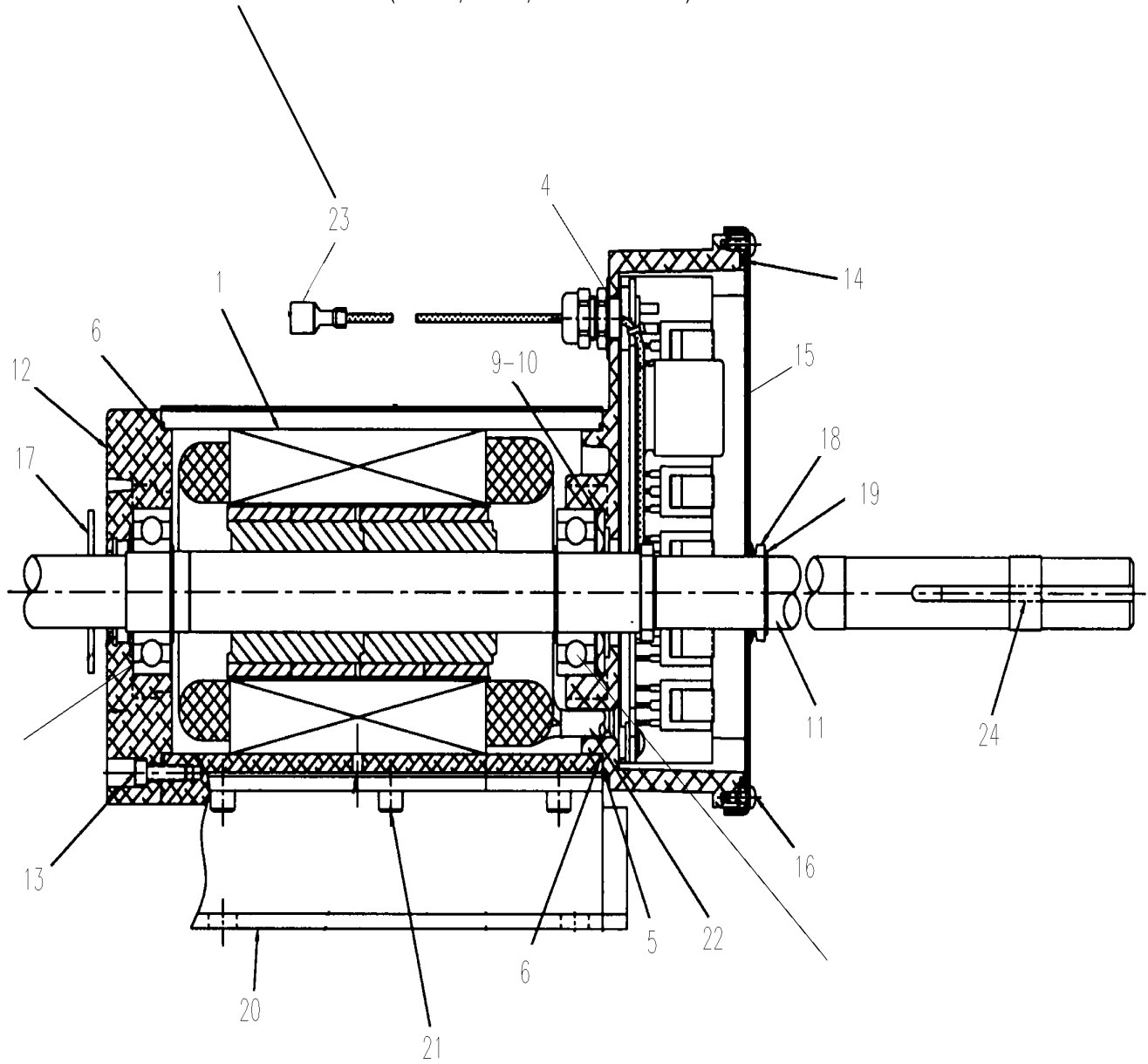


From 2-4315 To 2-4416	Date:10/2022	PAGE:H3-2265-03
MOTOR - EVAPORATOR - "PREVOST" - T-17 - 2 SPEEDS		

Item#	Part	Description	H 3 4 1	H 3 4 5	V I P 4 5	N O T E S
	563008	MOTOR "PREVOST" / 2.1 HP / 1400 & 1880 RPM / (STAMPED T-17)	1	1	1	
1	563079	. COVER	1	1	1	
2	563077	. ARMATURE MOTOR	1	1	1	
3	563122	. BLOCK, RECEPTACLE	1	1	1	
4	562527	. GRILLE PROTECTOR	1	1	1	
5	562951	. BRUSH	4	4	4	
6	561210	. BALL BEARING	2	2	2	
7	561211	. WASHER SPRING	1	1	1	
8	562521	. COVER / FAN END	1	1	1	
9	562526	. FAN	1	1	1	
10	563078	. COVER / COMMUTATOR END	1	1	1	
11	563081	. BRUSH HOLDER ASSY / W/SPRING	1	1	1	
11	562546	. . SPRING, TORSION / .750 O.D. x .322 x .020	4	4	4	
12	563080	. STATOR WOUND / COMPLETE	1	1	1	
NS	453830	KIT, SERVICE, REPLACEMENT BRUSH MOTOR	1	1	1	
. NS	IS-05903	. SEE INSTRUCTION SHEET	1	1	1	
. NS	562951	. BRUSH	4	4	4	
. NS	680309	. HONING / STONE (FOR CLEAN COMMUTATOR)	2	2	2	

From R-012 To 2-4416	Date:10/2022	PAGE:H3-2265-04
MOTOR - EVAPORATOR BRUSHLESS / OPTION		

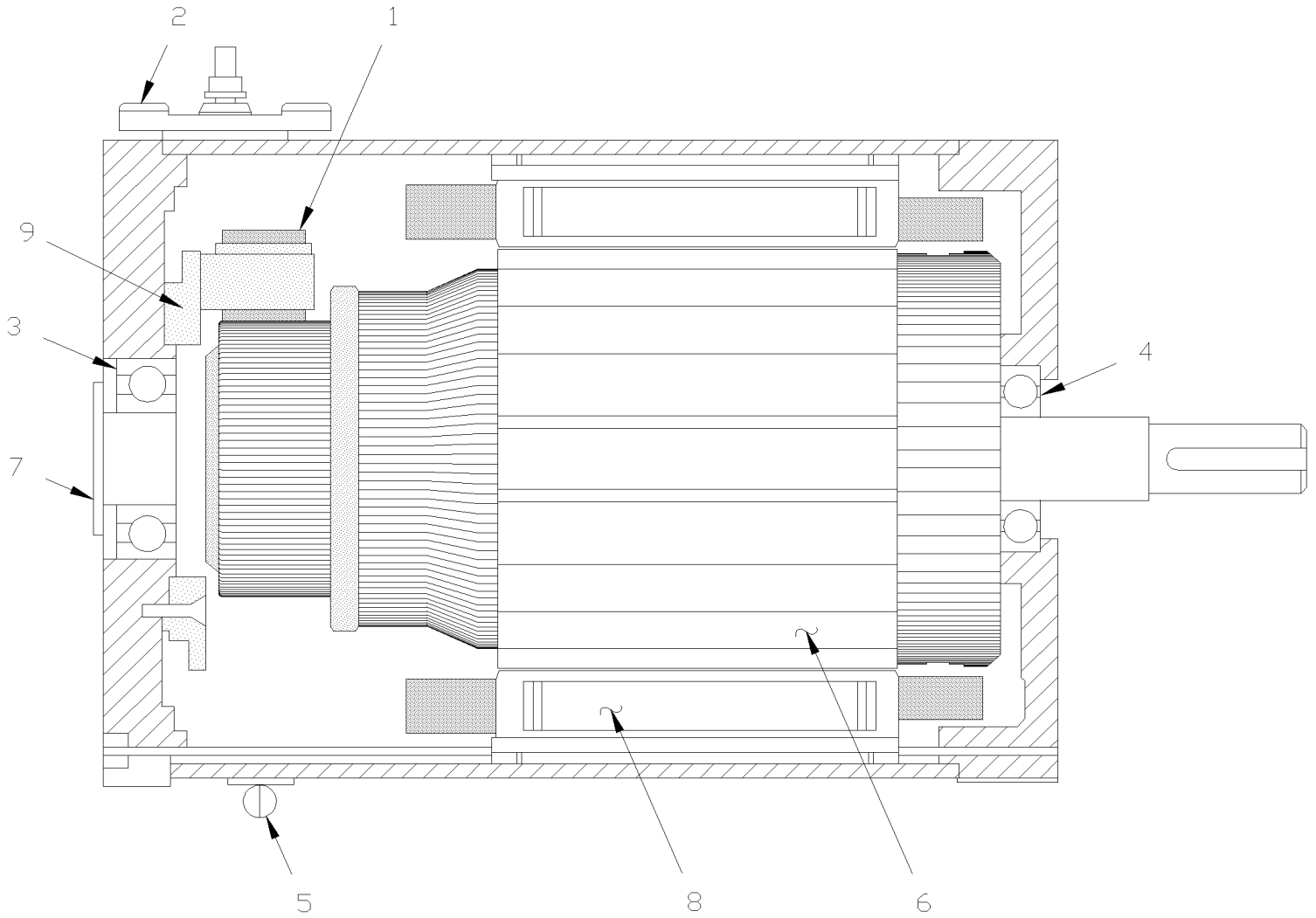
NOTE.: IN REPLACEMENT OF FORMER MOTOR MODEL YOU REQUIRE THOSE PARTS TO MODIFIED ITEM # 23 ONE OF EACH (561577,561578, 561786 & 563623)



From R-012 To 2-4416	Date:10/2022	PAGE:H3-2265-04
MOTOR - EVAPORATOR BRUSHLESS / OPTION		

Item#	Part	Description	H 3 4 1	H 3 4 5	V I P 4 5	N O T E S
	563586	MOTOR EVAPORATOR BRUSHLESS / (E-50348-0A)	1	1		
	564216	MOTOR EVAPORATOR BRUSHLESS / 2 SPEEDS	1	1		
		"WARNING" - "WARNING" -"WARNING" - "WARNING"				
		THE FOLLOWING PARTS NUMBER ARE NOT				
		"PREVOST" NUMBER AND IT NOT IN S.A.P. SYSTEM				
		THEY ARE O.E.M. MFG NUMBER				
1	Call order desk	. MOTOR ASSY / COMPLETE	1	1		P
4	564621	. CONTROLLER ASSEMBLY	1	1		
5	Call order desk	. GASKET	1	1		P
6	Call order desk	. O-RING 3.989" x .070"	1	1		P
7	Call order desk	. SCREW MA PAN 8-32 x ?	1	1		P
8	Call order desk	. HEAT-SHRINK TUBING	1	1		P
9	Call order desk	. WAVE SPRING	1	1		P
10	Call order desk	. SHIM	1	1		P
11	Call order desk	. SHAFT / ROTOR ASSY W/KEYS	1	1		P
12	Call order desk	. ENDBELL	1	1		P
13	Call order desk	. SCREW MA PAN 8-32 x .875"	1	1		P
14	Call order desk	. O-RING SEAL	1	1		P
15	Call order desk	. COVER	1	1		P
16	Call order desk	. SCREW MA PAN #6-32	1	1		P
17	Call order desk	. SLINGER	1	1		P
18	Call order desk	. V-SEAL	1	1		P
19	Call order desk	. EXTERNAL RETAINING RING	1	1		P
20	Call order desk	. BASE PLATE	1	1		P
21	Call order desk	. SCREW CAP HEXS 1/4-20 x ?	1	1		P
22	Call order desk	. TUBING	1	1		P
23	Call order desk	. TERMINAL (0.032 X 0.25)	1	1		P
24	Call order desk	. KEY SQUARE 3/16" x 3"	1	1		P
30	032937	KIT / SHAFT SHIELD	1	1		S
. NS	033188	. SHIELD / SHAFT	1	1		S
. NS	500443	. SCREW TP PAN PH #8x1/2 N500	5	5		S
. NS	IS-10125	. SEE INSTRUCTION SHEET	1	1		S
		S) USE WITH OLD MOTOR 563586 WITHOUT SEAL ON THE SHAFT				
		P) CALL ORDER DESK FOR SPECIFIC APPLICATION (V.I.N.)				

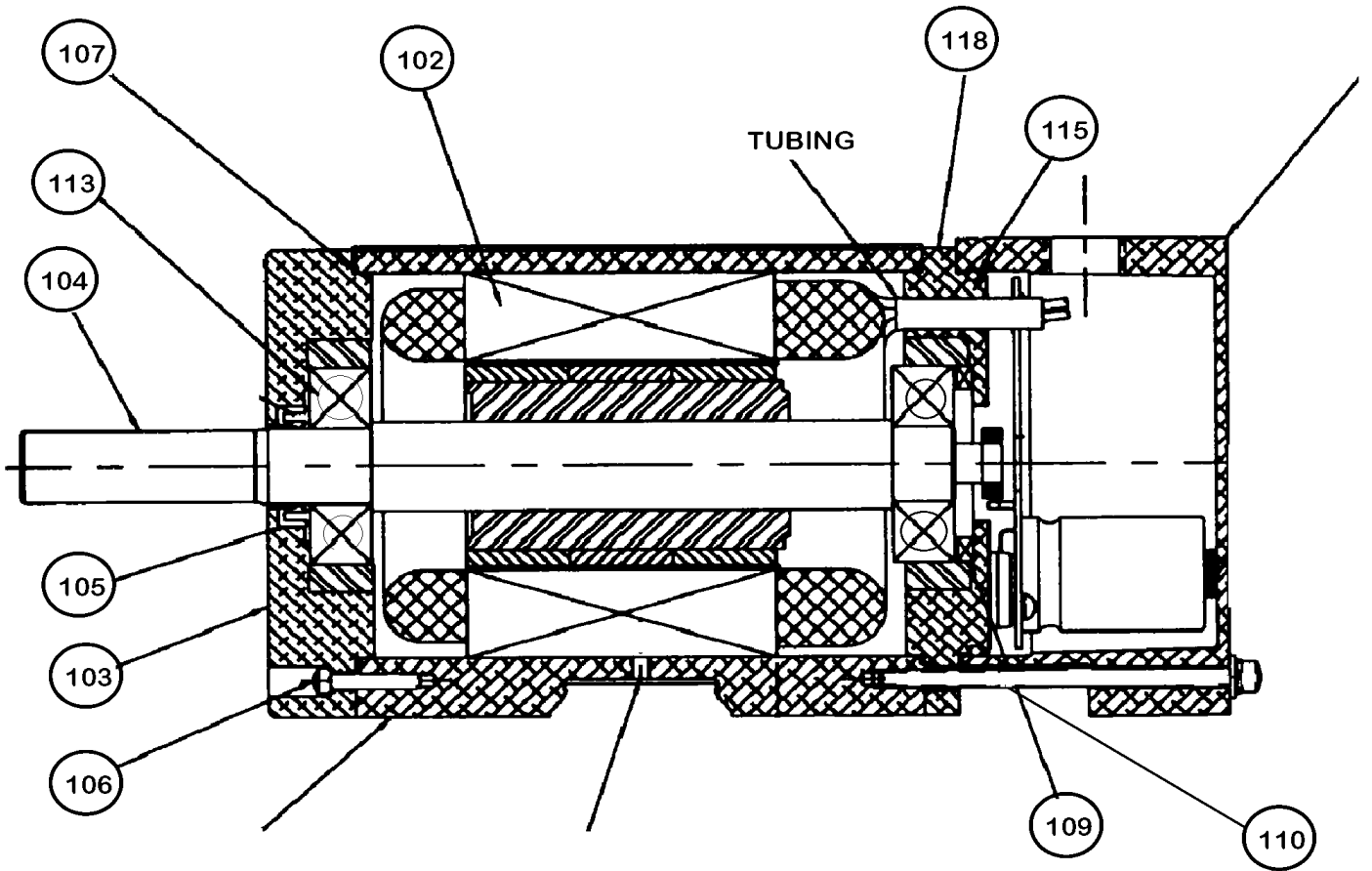
From R-012 To 2-4416	Date:10/2022	PAGE:H3-2265-50
MOTOR - CONDENSOR - "PREVOST" - TAP-12 & TF-12		



From R-012 To 2-4416		Date:10/2022	PAGE:H3-2265-50
MOTOR - CONDENSOR - "PREVOST" - TAP-12 & TF-12			

Item#	Part	Description	H 3 4 1	H 3 4 5	V I P 4 5	N O T E S
	561558	MOTOR / .57 HP / 1950 RPM / MODEL TAP-12 / W/8" SHAFT To V-1960	2	2	2	H
	562753	MOTOR / .57 HP / 1950 RPM / MODEL TF-12 // W/8" SHAFT / (SERVICE) To V-1960	2	2	2	H
	562579	MOTOR / .57 HP / 1950 RPM / MODEL TF-12 / W/2" SHAFT From V-1961	2	2	2	J
1	561914	. BRUSH	4	4	4	
2	561913	. BOARD, TERMINAL	1	1		
3	507226	. BALL BEARING	1	1	1	
4	507308	. BALL BEARING	1	1	1	
5	562097	. STRAP ASSY W/HOOK	1	1	1	
6	N.S.S.	. ARMATURE To V-1960	1	1	1	1 D
6	563120	. ARMATURE / TF12 / W/8" SHAFT To V-1960	1	1	1	E
6	563119	. ARMATURE / TF12 / W/2" SHAFT From V-1961 To 2-4416	1	1	1	F
7	562653	. CAP PROTECTOR	1	1	1	C
8	N.S.S.	. PERMANENT MAGNET / W/MODEL TAP-12 To V-1960	2	2	2	1 D
8	563121	. FIELD COIL ASSY	1	1	1	G
9	563072	. COVER ASSY / WITH BRUSH HOLDER	1	1	1	
NS	562545	. SPRING, TORSION / .875 O.D. x .317 x .0	4	4	4	
50	453624	KIT RETROFIT MOTOR / W/8" SHAFT (SERIE "H" / UP TO V-1960) / SERVICE To V-1960	1	1	1	
. NS	IS-00051	. SEE INSTRUCTION SHEET To V-1960	1	1	1	
51	453625	KIT RETROFIT MOTOR / W/2" SHAFT / SERVICE From V-1961 To 2-4416	1	1	1	
. NS	IS-00051	. SEE INSTRUCTION SHEET From V-1961 To 2-4416	1	1	1	
53	066655	KIT RETROFIT MOTOR T114 W/CONNECTORS / W/8" SHAFT / SERVICE To V-1960	1	1	1	
54	066644	KIT RETROFIT MOTOR T114 W/CONNECTORS / W/2" SHAFT / SERVICE From V-1961 To 2-4416	1	1	1	
NS	563595	PIN TERMINAL / 12-10 / PED 12052139 / SERVICE	2	2	2	
NS	563596	SOCKET TERMINAL / 12 / PED 12065197 / SERVICE	2	2	2	
NS	563597	CABLE SEAL / PURPLE / PED 15324990 / SERVICE	4	4	4	
NS	563599	CAP LOCK CONNECTOR / GRAY / PED 12020833 / SERVICE	1	1	1	
NS	563600	CONNECTOR / METRI-PACK 480 / 2C PH / PED 12052613 / SERVICE	1	1	1	
NS	563601	CONNECTOR / METRI-PACK 480 / 2C SH / PED 12065863 / SERVICE	1	1	1	
NS	563602	SECONDARY LOCK / METRI-PACK 480 / 2C / BLACK / PED 12059897 / SERVICE	2	2	2	
		C) USE THIS CAP FOR PRODUCT IMPROVMENT BEARING LIFE ON MOTOR #561558 TOO				
		D) NOT SOLD SEPARTELY FOR MOTOR MODEL TAP-12 #561558				
		E) USE WITH MOTOR #562753				
		F) USE WITH MOTOR #562579				
		G) USE WITH MOTOR #562753 & #562579				
		H) THIS MOTORS IT SUPPERSEDED BY KIT # 066655				
		J) THIS MOTORS IT SUPPERSEDED BY KIT # 066644				
		1) NOT SOLD SEPARATELY				

From V-1961 To 2-4416	Date:10/2022	PAGE:H3-2265-51
MOTOR - CONDENSOR BRUSHLESS / OPTION		

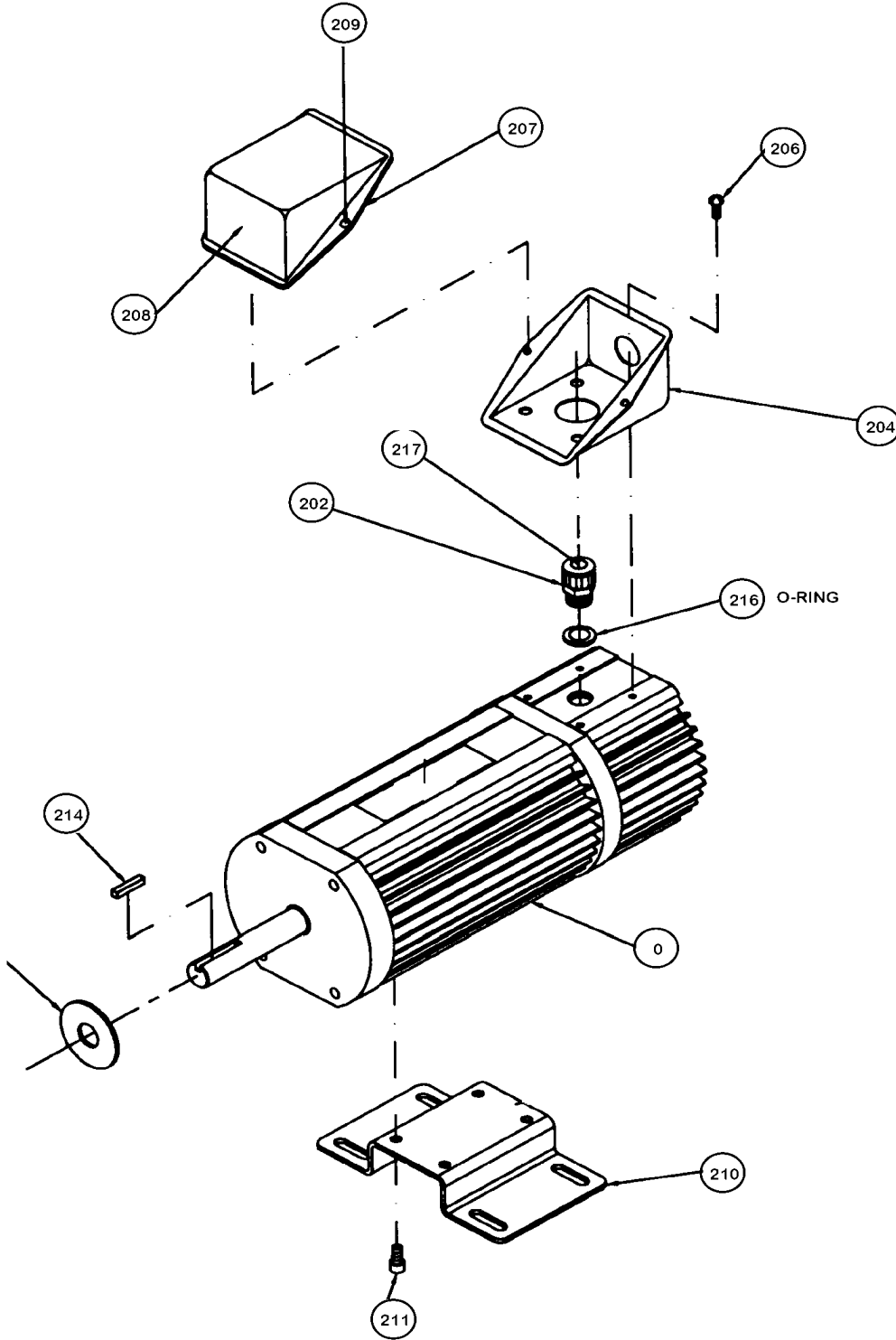


From V-1961 To 2-4416

Date:10/2022

PAGE:H3-2265-51

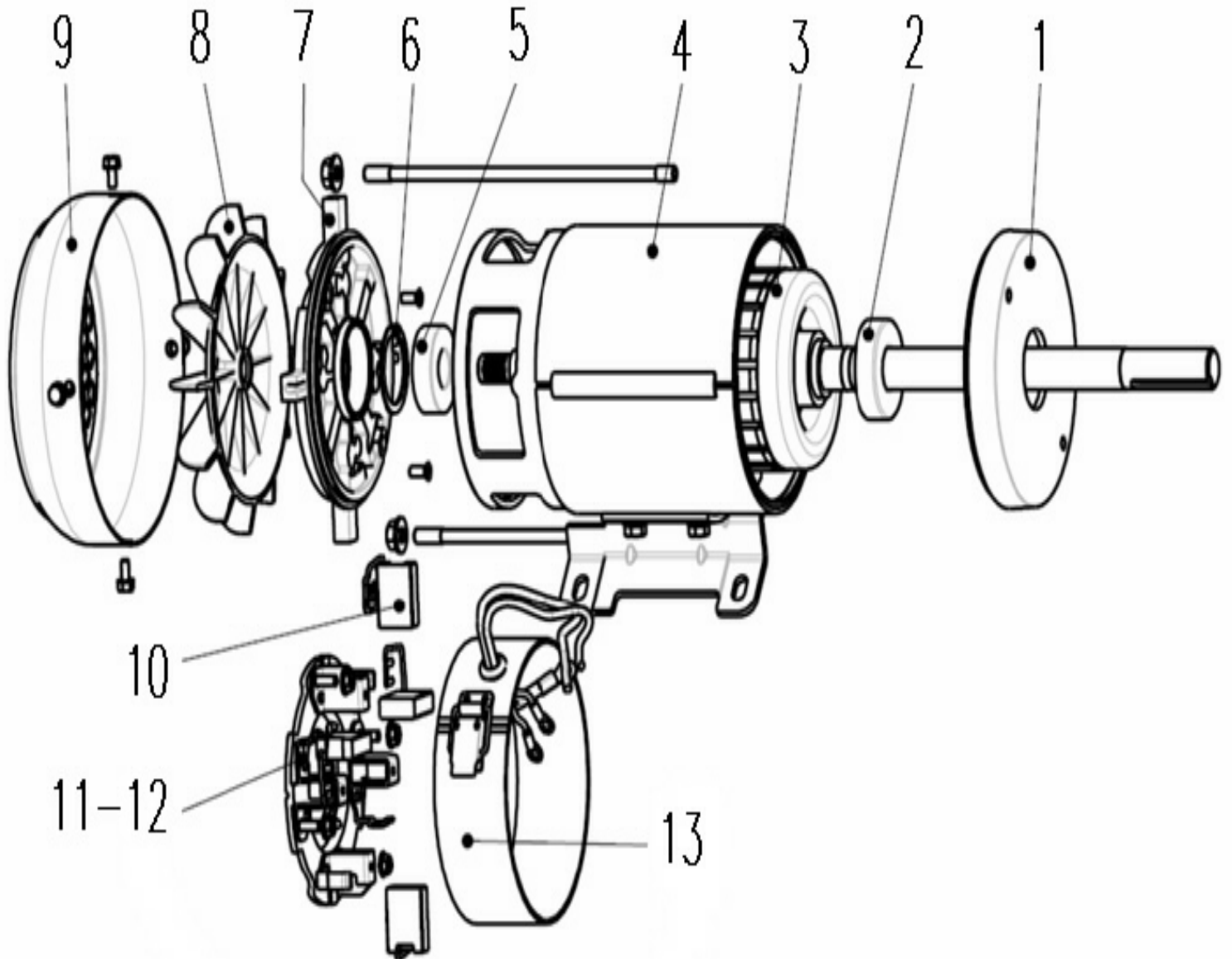
MOTOR - CONDENSOR BRUSHLESS / OPTION



From V-1961 To 2-4416	Date:10/2022	PAGE:H3-2265-51
MOTOR - CONDENSOR BRUSHLESS / OPTION		

Item#	Part	Description	H 3 4 1	H 3 4 5	V I P 4 5	N O T E S
	563585	MOTOR CONDENSOR BRUSHLESS / (E-50599-0)	2	2		
102	Call order desk	. STATOR/HOUSING ASSY	1	1		P
103	Call order desk	. REAR ENDBELL	1	1		P
104	Call order desk	. SHAFT / ROTOR ASSY W/BEARING & KEY	1	1		P
105	19510465	. LIP SEAL	1	1		
106	19501109	. SCREW MA PAN 8-32 x .875"	4	4		
107	19504444	. O-RING 3.989" x .070"	2	2		
109	N8885731	. SHIM 1.56" I.D. x 2.04 O.D.	1	1		
110	N8885730	. WAVE SPRING	1	1		
113	19501284	. BEARING	2	2		
115	N8885727	. O-RING 3.737" x .103"	2	2		
116	Call order desk	. ELECTRONICS HOUSING	1	1		P
118	Call order desk	. ENDCAP / ELECTRONICS ASSY	1	1		P
120	19512159	. WASHER FLAT #10	4	4		
121	Call order desk	. WASHER LOCK #10	1	1		P
122	Call order desk	. SCREW FIL HEAD #10	1	1		P
125	Call order desk	. SCREW CAP HEXS 10-24 x .062"	1	1		P
202	Call order desk	. STRAIN-RELIEF KIT	1	1		P
204	19501285	. JUNCTION BOX / (BOTTOM HALF)	1	1		
206	Call order desk	. SCREW MA PAN 10-24	1	1		P
207	Call order desk	. GASKET JCT BOX	1	1		P
208	19501283	. JUNCTION BOX / (TOP HALF)	1	1		
209	19501282	. SCREW 6-32	2	2		
209	Call order desk	. SCREW 6-32	1	1		P
210	Call order desk	. BASE PLATE	1	1		P
211	Call order desk	. SCREW CAP HEXS 1/4-20 x ?	1	1		P
214	Call order desk	. KEY	1	1		P
		P) CALL ORDER DESK FOR SPECIFIC APPLICATION (V.I.N.)				

From R-012 To 2-4416	Date:10/2022	PAGE:H3-2265-98
MOTOR - CONDENSOR - "PREVOST" - T114 / SERVICE		



From R-012 To 2-4416		Date:10/2022	PAGE:H3-2265-98
MOTOR - CONDENSOR - "PREVOST" - T114 / SERVICE			

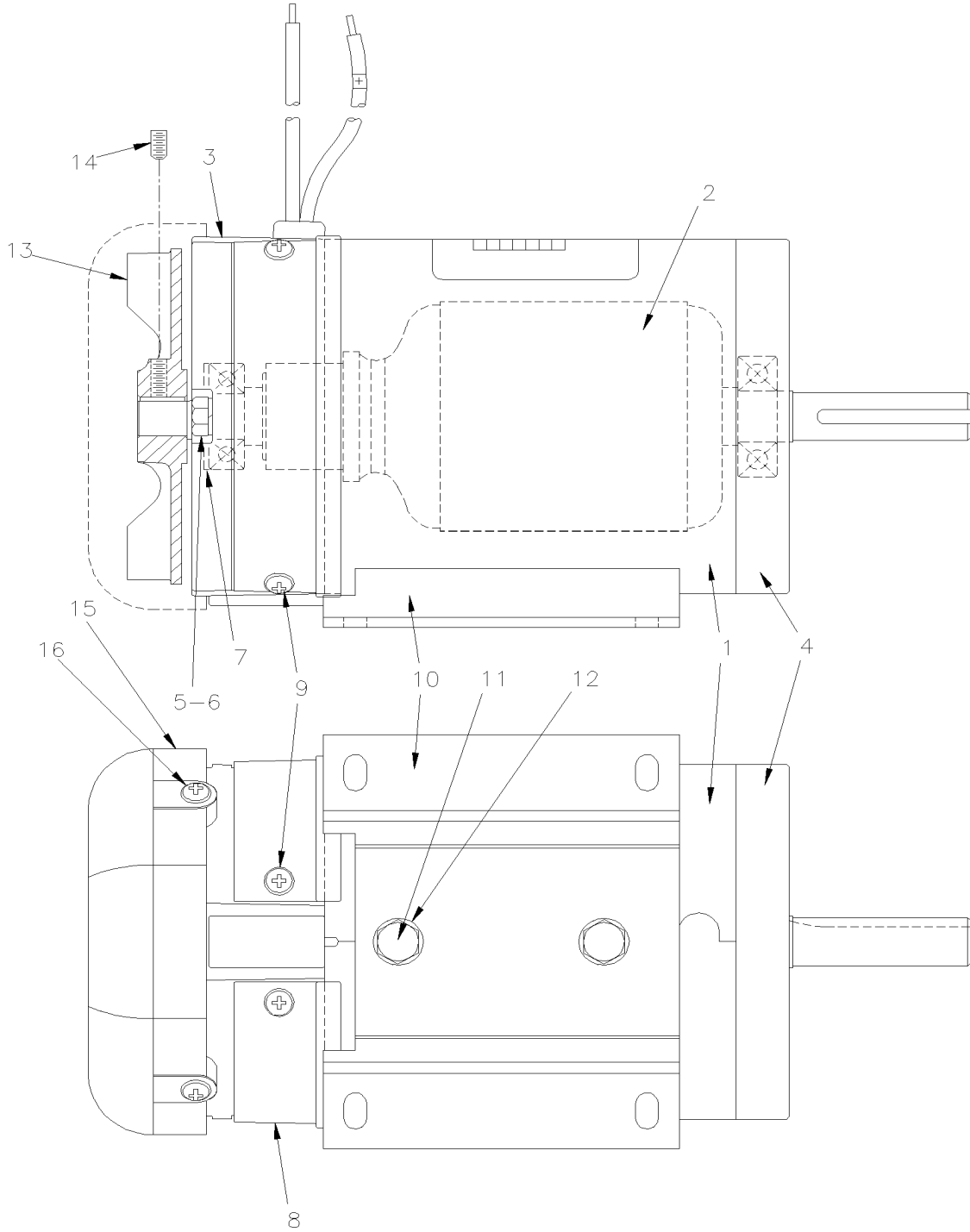
Item#	Part	Description	H 3 4 1	H 3 4 5	V I P 4 5	N O T E S
	563943	MOTOR / .57 HP / 1950 RPM / MODEL T114 / W/8" SHAFT (SERVICE) To V-1960	1	1	1	B
	563454	MOTOR / .57 HP / 1950 RPM / MODEL T114 / W/2" SHAFT / US MOTOR From V-1961	2	2	2	C A
	560424	MOTOR / .57 HP / 1950 RPM // W/2" SHAFT / SCOTT DC SERVICE From V-1961	2	2	2	C
1	563729	. COVER				
2	560974	. BALL BEARING	1	1	1	
3	563733	. ARMATURE / T114 / W/8" SHAFT To V-1960	1	1	1	
3	563726	. ARMATURE / T114 / W/2" SHAFT From V-1961				
4	563727	. PERMANENT MAGNET / ASSY W/CASE				
5	0907240	. BALL BEARING	1	1	1	
6	N.P.N.	. PRELOAD WASHER	1	1	1	4
7	563728	. COVER COMMUTATOR END				
8	563730	. FAN				
9	563732	. COVER FAN PROTECTOR				
10	561914	. BRUSH	4	4	4	
11	563111	. BRUSH HOLDER ASSY	1	1	1	
12	562545	. . SPRING, TORSION / .875 O.D. x .317 x .0	4	4	4	
13	563731	. PROTECTOR GRILL				
50	453624	KIT RETROFIT MOTOR / W/8" SHAFT (SERIE "H" / UP TO V-1960) To V-1960	1	1	1	
	. NS IS-00051	. SEE INSTRUCTION SHEET To V-1960	1	1	1	
50	454478	KIT,MOTOR COND. 563943 REPLACEMENT To V-1960	1	1	1	
	. NS 560424	. MOTOR / .57 HP / 1950 RPM // W/2" SHAFT / SCOTT DC To V-1960	1	1	1	
	. NS 505037	. 5/8 ID SET SCREW SHAFT COUPLING To V-1960	1	1	1	
	. NS 505038	. 5/8 OD KEYED ROTARY SHAFT 6"LG To V-1960	1	1	1	
	. NS 505040	. SHAFT KEY 3/16X3/16X1 To V-1960	2	2	2	
51	453625	KIT RETROFIT MOTOR / W/2" SHAFT From V-1961	1	1	1	
	. NS IS-00051	. SEE INSTRUCTION SHEET From V-1961	1	1	1	
NS	563595	. PIN TERMINAL / 12-10 / PED 12052139	2	2	2	
NS	563596	. SOCKET TERMINAL / 12 / PED 12065197	2	2	2	
NS	563597	. CABLE SEAL / PURPLE / PED 15324990	4	4	4	
NS	563599	. CAP LOCK CONNECTOR / GRAY / PED 12020833	1	1	1	
NS	563600	. CONNECTOR / METRI-PACK 480 / 2C PH / PED 12052613	1	1	1	
NS	563601	. CONNECTOR / METRI-PACK 480 / 2C SH / PED 12065863	1	1	1	
NS	563602	. SECONDARY LOCK / METRI-PACK 480 / 2C / BLACK / PED 12059897	2	2	2	
		A) THIS MOTOR IS INCLUDE IN KIT #453625 W/2" SHAFT				
		B) THIS MOTOR IS INCLUDE IN KIT #453624 W/8" SHAFT				
		C) SERVICE PARTS OF MOTOR ARE NOT INTERCHANGEABLE BETWEEN 563454 AND 560424				
		4) NO PARTS NUMBER				

From V-1961

Date:10/2022

PAGE:560424

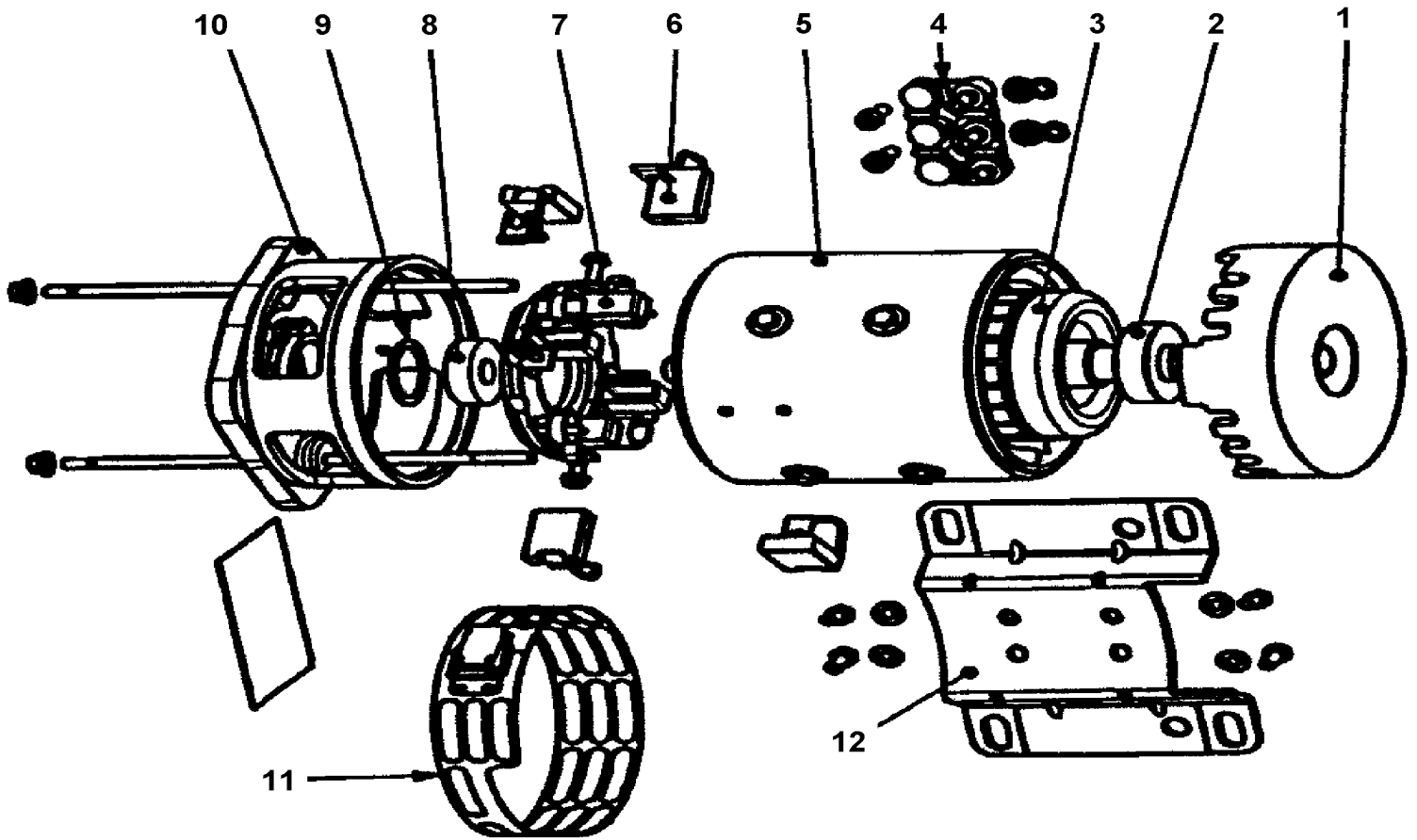
MOTOR / .57 HP / 1950 RPM // W/2" SHAFT / SCOTT DC



From V-1961	Date:10/2022	PAGE:560424
MOTOR / .57 HP / 1950 RPM // W/2" SHAFT / SCOTT DC		

Item#	Part	Description	H 3 4 1	H 3 4 5	V I P 4 5	N O T E S
1	Call order desk	FRAME ASSEMBLY	1	1	1	P
2	Call order desk	ARMATURE ASSEMBLY	1	1	1	P
3	Call order desk	BRUSH END ASSEMBLY	1	1	1	P
3	560423	. BRUSH	1	1	1	
4	Call order desk	DRIVE END CAP	1	1	1	P
5	Call order desk	SCREW CAP HEX 1/4-20x6 3/4	2	2	2	P
6	Call order desk	WASHER LOCK SPRING 1/4	2	2	2	P
7	Call order desk	WASHER SPRING	1	1	1	P
8	Call order desk	BRUSH ACCESS COVER	2	2	2	P
9	Call order desk	SCREW MA PAN PH #10-32x3/8	1	1	1	P
10	Call order desk	BASE	1	1	1	P
11	Call order desk	SCREW CAP HEX 5/16-18x1/2	2	2	2	P
12	Call order desk	WASHER LO INT 5/16	2	2	2	P
13	Call order desk	FAN 12 BLADES	1	1	1	P
14	Call order desk	SCREW SET HEXS CUP #10-32x3/8	1	1	1	P
15	Call order desk	FAN COVER W/VENT SLOTS	1	1	1	P
16	Call order desk	SCREW MA PAN PH #10-32x3/4	4	4	4	P
		P) CALL ORDER DESK FOR SPECIFIC APPLICATION (V.I.N.)				

From R-012 To 2-4416	Date:10/2022	PAGE:H3-2265-99
MOTOR - CONDENSOR - "PREVOST" - T11G / SERVICE		



From R-012 To 2-4416	Date:10/2022	PAGE:H3-2265-99
MOTOR - CONDENSOR - "PREVOST" - T11G / SERVICE		

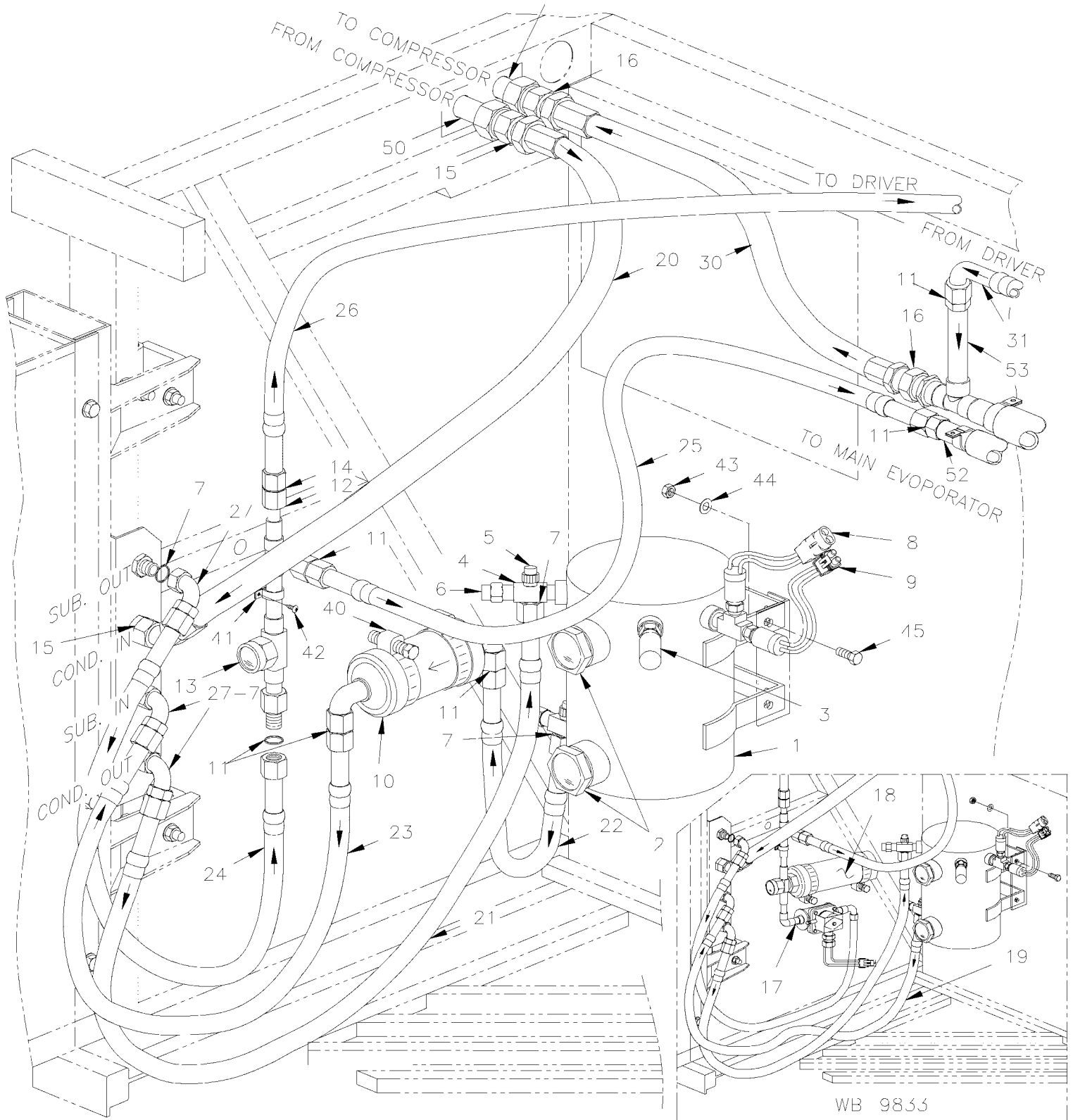
Item#	Part	Description	H 3 4 1	H 3 4 5	V I P 4 5	N O T E S
	563062	MOTOR / .57 HP / 1950 RPM / MODEL TF-11G / W/8" SHAFT / (SERVICE C.C.W.) To V-1960	2	2	2	A E
	563051	MOTOR / .57 HP / 1950 RPM / MODEL TF-11G / W/2" SHAFT From V-1961	2	2	2	B F
1	563114	. COVER	1	1	1	
2	507226	. BALL BEARING	1	1	1	
3	563112	. ARMATURE / T11G / W/2" SHAFT	1	1	1	D
3	563118	. ARMATURE / T11G / W/8" SHAFT	1	1	1	C
4	563117	. BLOCK TERMINAL	1	1	1	
5	563110	. FIELD COIL ASSY	1	1	1	
6	561914	. BRUSH	4	4	4	
7	563111	. BRUSH HOLDER ASSY	1	1	1	
7	562545	. . SPRING, TORSION / .875 O.D. x .317 x .0	4	4	4	
8	560974	. BALL BEARING	1	1	1	
9	561211	. WASHER SPRING	1	1	1	
10	563113	. COVER COMUTATOR END	1	1	1	
11	563116	. GRILL PROTECTOR	1	1	1	
12	563115	. REMOVABLE SOCKET	1	1	1	
50	453624	KIT RETROFIT MOTOR / W/8" SHAFT (SERIE "H" / UP TO V-1960) To V-1960	1	1	1	
. NS	IS-00051	. SEE INSTRUCTION SHEET To V-1960	1	1	1	
51	453625	KIT RETROFIT MOTOR / W/2" SHAFT From V-1961	1	1	1	
. NS	IS-00051	. SEE INSTRUCTION SHEET From V-1961	1	1	1	
52	066655	KIT RETROFIT MOTOR T114 W/CONNECTORS / W/8" SHAFT To V-1960	1	1	1	
53	066644	KIT RETROFIT MOTOR T114 W/CONNECTORS / W/2" SHAFT From V-1961	1	1	1	
54	563595	PIN TERMINAL / 12-10 / PED 12052139 / SERVICE	2	2	2	
55	563596	SOCKET TERMINAL / 12 / PED 12065197 / SERVICE	2	2	2	
56	563597	CABLE SEAL / PURPLE / PED 15324990 / SERVICE	4	4	4	
57	563599	CAP LOCK CONNECTOR / GRAY / PED 12020833 / SERVICE	1	1	1	
58	563600	CONNECTOR / METRI-PACK 480 / 2C PH / PED 12052613 / SERVICE	1	1	1	
59	563601	CONNECTOR / METRI-PACK 480 / 2C SH / PED 12065863 / SERVICE	1	1	1	
60	563602	SECONDARY LOCK / METRI-PACK 480 / 2C / BLACK / PED 12059897 / SERVICE	2	2	2	
		A) THIS MOTOR IS INCLUDE IN KIT #453624 W/8" SHAFT - UP TO V-1960				
		B) THIS MOTOR IS INCLUDE IN KIT #453625 W/2" SHAFT - FROM V-1961				
		C) USE WITH MOTOR #563062 W/8" SHAFT				
		D) USE WITH MOTOR #563051 W/2" SHAFT				
		E) THIS MOTORS IT SUPPERSEDED BY KIT # 066655				
		F) THIS MOTORS IT SUPPERSEDED BY KIT # 066644				

From R-012 To T-1606

Date:10/2022

PAGE:H3-2270-01

RECEIVER TANK & FILTER DRYER



From R-012 To T-1606		Date:10/2022	PAGE:H3-2270-01
RECEIVER TANK & FILTER DRYER			

Item#	Part	Description	H 3 4 1	H 3 4 5	V I P 4 5	N O T E S
1	871045	RECEIVER TANK ASSY	1	1	1	
. NS	871001	. SIGHT GLASS ASSY 1 NPT	2	2	2	
2	871001	. SIGHT GLASS ASSY 1 NPT	2	2	2	
3	870890	VALVE, SAFETY 450 PSI	1	1	1	
4	950228	VALVE ASSY / SERVICE / INLET & OUTLET	2	2	2	
. NS	950284	. CAP / PROTECTOR / FOR GAUGE	1	1	1	
. NS	507169	. O-RING 1/2 I.D.	1	1	1	
5	950285	. CAP VALVE / PROTECTOR / PLASTIC	1	1	1	
6	950284	. CAP / PROTECTOR / FOR GAUGE	1	1	1	
7	507169	O-RING 1/2 I.D.	AR	AR	AR	
8	062644	PRESSURE SWITCH N.O. 120-90 20SP001AA120G090E	1	1	1	A
8	063745	PRESSURE SWITCH N.O. 150-100 20SP001AA150K100K	1	1		
9	062643	PRESSURE SWITCH N.O. 170-130 20SP001AA170J130J To T-1422	1	1	1	A
9	452832	PRESSURE SWITCH N.O. 170-130 20SP001MA170J130J	1	1	1	
9	063746	PRESSURE SWITCH N.O. 60-35 20SP001AA060E035E	1	1		
NS	501338	MALE RUN TEE / PIPE FITTING / 1/4NPT-Mx1/4NPT-Fx1/4NPT-F BR	1	1	1	
NS	950249	SCHRADER VALVE 1/4NPT-M From T-1423	1	1	1	
10	452497	FILTER DRYER ASSY	1	1	1	
. NS	950231	. FILTER DRYER	1	1	1	
11	507280	O-RING / ORS FITTING / #12 NEO	AR	AR	AR	
12	452386	MOISTURE INDICATOR ASSY	1	1	1	
13	950029	. CAP, MOISTURE INDICATOR	1	1	1	
14	507344	O-RING / ORS FITTING / #10 NEO	AR	AR	AR	
15	507345	O-RING / ORS FITTING / #16 NEO	AR	AR	AR	
16	507346	O-RING / ORS FITTING / #24 NEO	AR	AR	AR	
17	453146	MOISTURE INDICATOR ASSY	1	1	1	W
18	950262	FILTER DRYER ASSY / W/R134a	1	1	1	W
. NS	951196	. O-RING TEFLON 1 3/8" I.D. x 1 5/8" O.D.	1	1	1	W
19	452565	HOSE ASSY / W/R-134a / #12 1000MM	1	1	1	W
20	452387	HOSE ASSY / PIPE & CONDENSOR-IN / #16 980MM	1	1	1	
20	950256	HOSE ASSY / W/R-134a / #16 1096MM / SS BELLOW	1	1		
21	452382	HOSE ASSY / CONDENSOR OUT & / #12 845MM	1	1	1	
21	455164	HOSE ASSY / CONDENSOR OUT & / #12 845MM	1	1	1	S
22	373133	HOSE ASSY / RECEIVER TANK & / #12 622MM	1	1	1	B
. NS	507280	. O-RING / ORS FITTING / #12 NEO	2	2	2	B
22	370450	HOSE ASSY / RECEIVER TANK & / #12 622MM	1	1	1	B S
. NS	507280	. O-RING / ORS FITTING / #12 NEO	2	2	2	B S
23	452596	HOSE ASSY / DRYER & COND SUB-IN #12 760MM	1	1	1	
. NS	507280	. O-RING / ORS FITTING / #12 NEO	1	1	1	
23	455180	HOSE ASSY / DRYER & COND SUB-IN #12 760MM	1	1	1	S
. NS	507280	. O-RING / ORS FITTING / #12 NEO	1	1	1	S
24	452383	HOSE ASSY / COND SUB-OUT / #12 1000MM	1	1	1	

From R-012 To T-1606	Date:10/2022	PAGE:H3-2270-01
RECEIVER TANK & FILTER DRYER		

Item#	Part	Description	H 3 4 1	H 3 4 5	V I P 4 5	N O T E S
. NS	507280	. O-RING / ORS FITTING / #12 NEO	1	1	1	
24	455259	HOSE ASSY / COND SUB-OUT / #12 1050MM	1	1	1	ST
. NS	507280	. O-RING / ORS FITTING / #12 NEO	2	2	2	ST
25	373136	HOSE ASSY /MOISTURE IND. TO MAIN #12 540MM	1	1	1	
. NS	507280	. O-RING / ORS FITTING / #12 NEO	2	2	2	
25	370452	HOSE ASSY /MOISTURE IND. TO MAIN #12 540MM	1	1	1	S
. NS	507280	. O-RING / ORS FITTING / #12 NEO	2	2	2	S
26	373248	HOSE ASSY / #10 4164MM	1			C
. NS	507344	. O-RING / ORS FITTING / #10 NEO	2			C
26	370723	HOSE ASSY / #10 4164MM	1			C S
. NS	507344	. O-RING / ORS FITTING / #10 NEO	2			C S
26	373130	HOSE ASSY / #10 5200MM		1	1	D
. NS	507344	. O-RING / ORS FITTING / #10 NEO		2	2	D
26	374408	HOSE ASSY / #10 5200MM		1	1	D S
. NS	507344	. O-RING / ORS FITTING / #10 NEO		2	2	D S
NS	505110	. COIL PROTECTOR / PLASTIC / #12	AR	AR	AR	
27	507544	SWIVEL NUT ELBOW 90° SHORT / JIC 37° FITTING/ #12JIC-Fx#12JIC-Mx1.82 STL	3	3	3	
28	507344	O-RING / ORS FITTING / #10 NEO	AR	AR	AR	
30	373135	HOSE ASSY / SUCTION LINE W/R-134a / #24 587MM	1	1	1	
30	950252	HOSE ASSY / W/R-22 / #20 587MM / SS BELLOW	1	1		
31	373249	HOSE ASSY / #12 2895MM	1			
. NS	507280	. O-RING / ORS FITTING / #12 NEO	2			
31	370724	HOSE ASSY / #12 2895MM	1			S
. NS	507280	. O-RING / ORS FITTING / #12 NEO	2			S
31	373131	HOSE ASSY / #12 4139MM		1	1	E
. NS	507280	. O-RING / ORS FITTING / #12 NEO		2	2	E
31	374409	HOSE ASSY / #12 4139MM		1	1	E S
. NS	507280	. O-RING / ORS FITTING / #12 NEO		2	2	E S
NS	505110	. COIL PROTECTOR / PLASTIC / #12	AR	AR	AR	
40	504025	HOSE CLAMP / 2"5/16-3"1/4 SS / HS-44	2	2	2	
41	560872	CLAMP / 1"1/16 I.D.	2	2	2	
42	500948	SCREW TC CAP HEX 1/4-20x1 Z050	2	2	2	
43	500256	NUT HEX M10-1.5 Z050	4	4	4	
44	500257	WASHER LO SPT 10.2x18.1x2.2 Z050	4	4	4	
45	502559	SCREW CAP HEX M10-1.5x25 G8.8 Z050	4	4	4	
50	H3-2222-15	A/C LINE REAR SECTION W/05G				
51	373155	CLOSING / PIPE TUNNEL SS 51MM x 181MM	1	1	1	
52	373129	PIPE ASSY / PRESSURE	1	1	1	
53	373128	PIPE ASSY / W/R134A	1	1	1	
53	373325	PIPE ASSY / SUCTION / W/R-22	1	1		F
NS	373306	DECAL (R-134A)	1	1	1	
NS	379034	DECAL (R-22)	1	1	1	

From R-012 To T-1606	Date:10/2022	PAGE:H3-2270-01
RECEIVER TANK & FILTER DRYER		

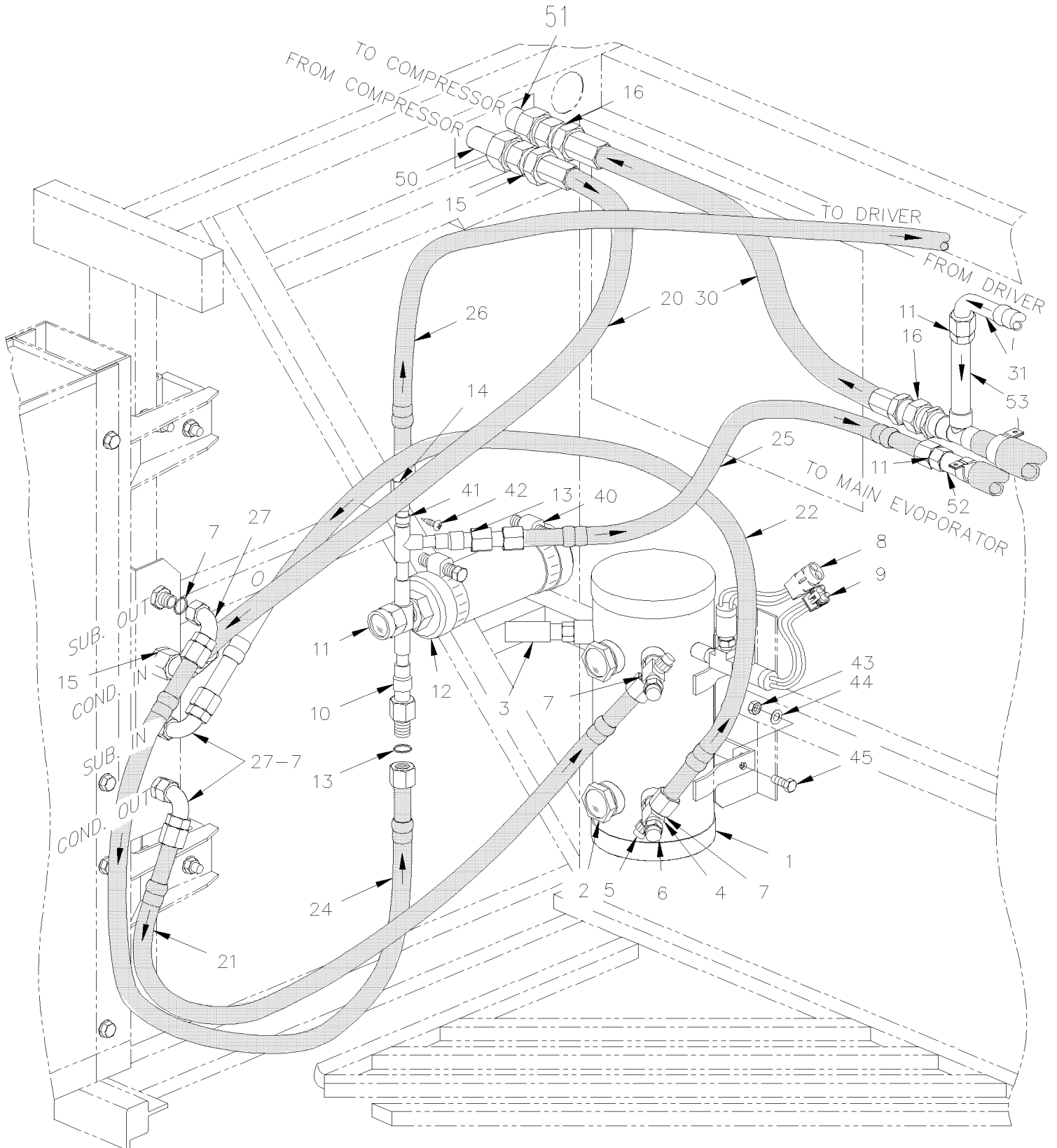
Item#	Part	Description	H 3 4 1	H 3 4 5	V I P 4 5	N O T E S
NS	452876	DECAL / NOMINAL CHARGE 24LBS From T-1496	1	1	1	
		A) W/R-134A				
		B) RECEIVER TANK & DRYER				
		C) MOISTURE IND. TO FRONT DRIVER'S PIPE				
		D) MOISTURE IND.TO FRONT DRIVER'S PIPE				
		E) SUCTION LINE DRIVER				
		F) W/R-22				
		S) SERVICE				
		T) WITH THIS HOSE CHANGE 45° ELBOW FOR 90° ELBOW # 507544 AT CONDENSOR WITH O-RING # 501802				
		W) WITH WARRANTY BULLETIN WB98-33				

From T-1607 To V-1960

Date:10/2022

PAGE:H3-2270-02

RECEIVER TANK & FILTER DRYER



From T-1607 To V-1960	Date:10/2022	PAGE:H3-2270-02
RECEIVER TANK & FILTER DRYER		

Item#	Part	Description	H 3 4 1	H 3 4 5	V I P 4 5	N O T E S
1	950261	RECEIVER TANK ASSY	1	1	1	
. NS	950428	. SIGHTGLASS / W/BALL 1NPT-M (FORMER)	1	1	1	
. NS	951198	. SIGHTGLASS / W/BALL 1 1/4NPT-F (CURRENT)	1	1	1	
3	870890	VALVE, SAFETY 450 PSI	1	1	1	
4	950228	VALVE ASSY / SERVICE / INLET & OUTLET	2	2	2	
. NS	950284	. CAP / PROTECTOR / FOR GAUGE	1	1	1	
. NS	507169	. O-RING 1/2 I.D.	1	1	1	
5	950285	. CAP VALVE / PROTECTOR / PLASTIC	1	1	1	
6	950284	. CAP / PROTECTOR / FOR GAUGE	1	1	1	
7	507169	O-RING 1/2 I.D.	AR	AR	AR	
8	062644	PRESSURE SWITCH N.O. 120-90 20SP001AA120G090E To V-1778	1	1	1	A
8	063745	PRESSURE SWITCH N.O. 150-100 20SP001AA150K100K To V-1778	1	1	1	
		PRESSURE SWITCH SEE PAGE H3-2245-05 From V-1779				
9	062643	PRESSURE SWITCH N.O. 170-130 20SP001AA170J130J To T-1422	1	1	1	A
9	452832	PRESSURE SWITCH N.O. 170-130 20SP001MA170J130J From T-1423 To V-1778	1	1	1	
9	063746	PRESSURE SWITCH N.O. 60-35 20SP001AA060E035E To V-1778	1	1	1	
NS	501338	MALE RUN TEE / PIPE FITTING / 1/4NPT-Mx1/4NPT-Fx1/4NPT-F BR	1	1	1	
NS	950249	SCHRADER VALVE 1/4NPT-M	1	1	1	
9	H3-2248-00	A/C PRESSURE SWITCH From V-1779				
10	452934	MOISTURE INDICATOR ASSY	1	1	1	
11	950029	. CAP, MOISTURE INDICATOR	1	1	1	
12	950262	. FILTER DRYER ASSY / W/R134a	1	1	1	
. NS	951196	. . O-RING TEFLON 1 3/8" I.D. x 1 5/8" O.D.	1	1	1	
13	507280	O-RING / ORS FITTING / #12 NEO	1	1	1	
14	507344	O-RING / ORS FITTING / #10 NEO	AR	AR	AR	
15	507345	O-RING / ORS FITTING / #16 NEO	AR	AR	AR	
16	507346	O-RING / ORS FITTING / #24 NEO	AR	AR	AR	
20	452387	HOSE ASSY / PIPE & CONDENSOR-IN / #16 980MM	1	1	1	
20	950256	HOSE ASSY / W/R-134a / #16 1096MM / SS BELLOW	1	1		
21	452382	HOSE ASSY / CONDENSOR OUT & / #12 845MM	1	1	1	
21	455164	HOSE ASSY / CONDENSOR OUT & / #12 845MM	1	1	1	S
22	373133	HOSE ASSY / RECEIVER TANK & / #12 622MM	1	1	1	
. NS	507280	. O-RING / ORS FITTING / #12 NEO	2	2	2	
22	370450	HOSE ASSY / RECEIVER TANK & / #12 622MM	1	1	1	S
. NS	507280	. O-RING / ORS FITTING / #12 NEO	2	2	2	S
24	452383	HOSE ASSY / COND SUB-OUT / #12 1000MM	1	1	1	
. NS	507280	. O-RING / ORS FITTING / #12 NEO	1	1	1	
24	455259	HOSE ASSY / COND SUB-OUT / #12 1050MM	1	1	1	ST
. NS	507280	. O-RING / ORS FITTING / #12 NEO	2	2	2	ST
25	373136	HOSE ASSY /MOISTURE IND. TO MAIN #12 540MM	1	1	1	
. NS	507280	. O-RING / ORS FITTING / #12 NEO	2	2	2	
25	370452	HOSE ASSY /MOISTURE IND. TO MAIN #12 540MM	1	1	1	

From T-1607 To V-1960	Date:10/2022	PAGE:H3-2270-02
RECEIVER TANK & FILTER DRYER		

Item#	Part	Description	H 3 4 1	H 3 4 5	V I P 4 5	N O T E S
. NS	507280	. O-RING / ORS FITTING / #12 NEO	2	2	2	
26	373248	HOSE ASSY / #10 4164MM To V-1935	1			C
. NS	507344	. O-RING / ORS FITTING / #10 NEO To V-1935	2			C
26	370723	HOSE ASSY / #10 4164MM To V-1935	1			C S
. NS	507344	. O-RING / ORS FITTING / #10 NEO To V-1935	2			C S
26	373451	HOSE ASSY / #10 4570MM	1	1	1	C
. NS	507344	. O-RING / ORS FITTING / #10 NEO	2	2	2	C
26	370730	HOSE ASSY / #10 4570MM	1	1	1	C S
. NS	507344	. O-RING / ORS FITTING / #10 NEO	2	2	2	C S
26	373130	HOSE ASSY / #10 5200MM	1	1	1	D
. NS	507344	. O-RING / ORS FITTING / #10 NEO	2	2	2	D
26	374408	HOSE ASSY / #10 5200MM	1	1	1	D S
. NS	507344	. O-RING / ORS FITTING / #10 NEO	2	2	2	D S
26	373448	HOSE ASSY / #10 5606MM	1	1	1	C
. NS	507344	. O-RING / ORS FITTING / #10 NEO	2	2	2	C
26	370728	HOSE ASSY / #10 5606MM	1	1	1	C S
. NS	507344	. O-RING / ORS FITTING / #10 NEO	2	2	2	C S
NS	505110	. COIL PROTECTOR / PLASTIC / #12	AR	AR	AR	
27	507544	SWIVEL NUT ELBOW 90° SHORT / JIC 37° FITTING/ #12JIC-Fx#12JIC-Mx1.82 STL	3	3	3	
28	507344	O-RING / ORS FITTING / #10 NEO	AR	AR	AR	
30	373135	HOSE ASSY / SUCTION LINE W/R-134a / #24 587MM To V-1856	1	1	1	
30	373432	HOSE ASSY / SUCTION LINE W/R-134a / #24 537MM	1	1	1	
. NS	507346	. O-RING / ORS FITTING / #24 NEO	2	2	2	
30	950252	HOSE ASSY / W/R-22 / #20 587MM / SS BELLOW	1	1	1	
31	373249	HOSE ASSY / #12 2895MM To V-1935	1			
. NS	507280	. O-RING / ORS FITTING / #12 NEO To V-1935	2			
31	370724	HOSE ASSY / #12 2895MM To V-1935	1			
. NS	507280	. O-RING / ORS FITTING / #12 NEO To V-1935	2			
31	373452	HOSE ASSY / #12 3300MM From V-1936	1			E
. NS	507280	. O-RING / ORS FITTING / #12 NEO From V-1936	2			E
31	370731	HOSE ASSY / #12 3300MM From V-1936	1			E S
. NS	507280	. O-RING / ORS FITTING / #12 NEO From V-1936	2			E S
31	373131	HOSE ASSY / #12 4139MM To V-1935		1	1	E
. NS	507280	. O-RING / ORS FITTING / #12 NEO To V-1935		2	2	E
31	374409	HOSE ASSY / #12 4139MM To V-1935		1	1	E S
. NS	507280	. O-RING / ORS FITTING / #12 NEO To V-1935		2	2	E S
31	373449	HOSE ASSY / #12 4546MM From V-1936		1	1	E
. NS	507280	. O-RING / ORS FITTING / #12 NEO From V-1936		2	2	E
31	370729	HOSE ASSY / #12 4546MM From V-1936		1	1	E S
. NS	507280	. O-RING / ORS FITTING / #12 NEO From V-1936		2	2	E S
NS	505110	. COIL PROTECTOR / PLASTIC / #12	AR	AR	AR	
33	452918	SUPPORT RECEIVER TANK TO REPLACE ABOVE	1	1	1	

From T-1607 To V-1960	Date:10/2022	PAGE:H3-2270-02
RECEIVER TANK & FILTER DRYER		

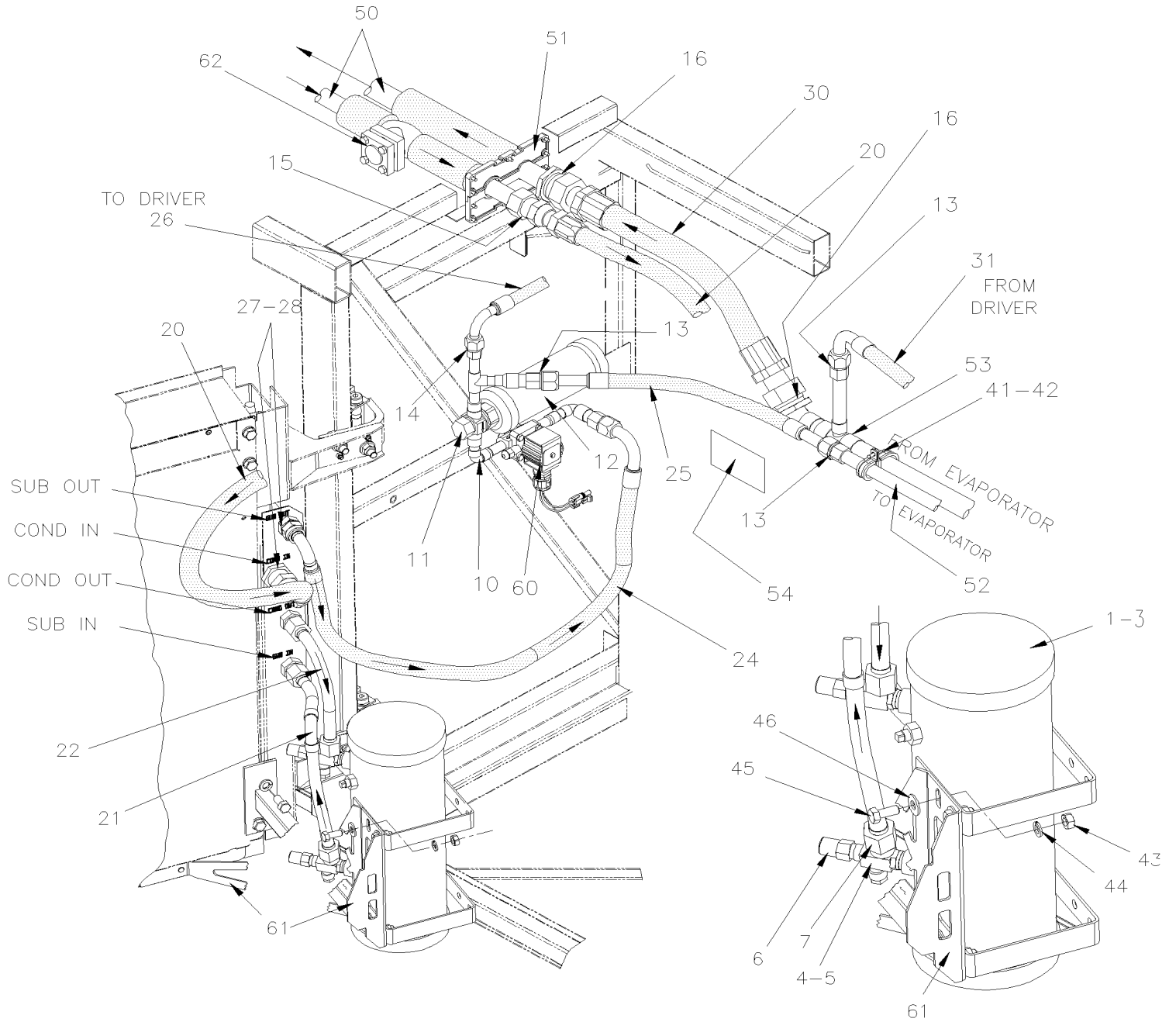
Item#	Part	Description	H 3 4 1	H 3 4 5	V I P 4 5	N O T E S
40	504025	HOSE CLAMP / 2"5/16-3"1/4 SS / HS-44	2	2	2	
41	560481	CLAMP / 5/8" I.D.	2	2	2	F
42	500642	SCREW TP PAN PH #10x3/4 Z050	2	2	2	
43	500256	NUT HEX M10-1.5 Z050	4	4	4	
44	500257	WASHER LO SPT 10.2x18.1x2.2 Z050	4	4	4	
45	502559	SCREW CAP HEX M10-1.5x25 G8.8 Z050	4	4	4	
50	H3-2222-15	A/C LINE REAR SECTION W/05G				
51	373155	CLOSING / PIPE TUNNEL SS 51MM x 181MM	1	1	1	
52	373129	PIPE ASSY / PRESSURE	1	1	1	
53	373128	PIPE ASSY / W/R134A To V-1856	1	1	1	
53	373431	PIPE ASSY / SUCTION From V-1857	1	1	1	
53	373325	PIPE ASSY / SUCTION / W/R-22	1	1		G
53	379034	DECAL (R-22) To V-1900	1	1	1	
53	453067	DECAL (R-22) 24LBS From V-1901 To W-2154	1	1	1	J
53	453101	DECAL R22 / 24LBS From W-2155	1	1	1	
53	373306	DECAL (R-134A) To V-1900	1	1	1	
53	453066	DECAL R134A / NOMINAL CHARGE 24 LBS // ENGLISH & FRANCAIS From V-1901	1	1	1	
53	454180	DECAL R134A / NOMINAL CHARGE 24 LBS // ENGLISH & SPANISH From V-1901	1	1	1	
53	452876	DECAL / NOMINAL CHARGE 24LBS	1	1	1	
		A) W/R-134A				
		C) MOISTURE INDICATOR TO				
		D) MOISTURE IND.TO FRONT DRIVER'S PIPE				
		E) SUCTION LINE DRIVER				
		F) CABLE RETAINING				
		G) W/R-22				
		J) SEE WARRANTY BULLETIN WB96-210				
		S) SERVICE				
		T) WITH THIS HOSE CHANGE 45° ELBOW FOR 90° ELBOW # 507544 AT CONDENSOR WITH O-RING # 501802				

From V-1961 To 1-4274

Date:10/2022

PAGE:H3-2270-03

RECEIVER TANK & FILTER DRYER



From V-1961 To 1-4274	Date:10/2022	PAGE:H3-2270-03
RECEIVER TANK & FILTER DRYER		

Item#	Part	Description	H 3 4 1	H 3 4 5	V I P 4 5	N O T E S
1	950261	RECEIVER TANK ASSY	1	1	1	
. NS	950428	. SIGHTGLASS / W/BALL 1NPT-M (FORMER)	1	1	1	
. NS	951198	. SIGHTGLASS / W/BALL 1 1/4NPT-F (CURRENT)	1	1	1	
3	870890	VALVE, SAFETY 450 PSI	1	1	1	
4	950228	VALVE ASSY / SERVICE / INLET & OUTLET	2	2	2	
. NS	950284	. CAP / PROTECTOR / FOR GAUGE	1	1	1	
. NS	507169	. O-RING 1/2 I.D.	1	1	1	
5	950285	. CAP VALVE / PROTECTOR / PLASTIC	1	1	1	
6	950284	. CAP / PROTECTOR / FOR GAUGE	1	1	1	
7	507169	O-RING 1/2 I.D.	AR	AR	AR	
10	452934	MOISTURE INDICATOR ASSY To V-1960	1	1	1	
10	453014	MOISTURE INDICATOR ASSY From V-1961 To W-2457	1	1	1	
10	453146	MOISTURE INDICATOR ASSY From W-2458	1	1	1	A
11	950029	. CAP, MOISTURE INDICATOR	1	1	1	
12	950262	. FILTER DRYER ASSY / W/R134a	1	1	1	
. NS	951196	. . O-RING TEFLON 1 3/8" I.D. x 1 5/8" O.D.	1	1	1	
13	507280	O-RING / ORS FITTING / #12 NEO	2	2	2	
14	507344	O-RING / ORS FITTING / #10 NEO	AR	AR	AR	
15	507345	O-RING / ORS FITTING / #16 NEO	AR	AR	AR	
16	507346	O-RING / ORS FITTING / #24 NEO	AR	AR	AR	
17	H3-2208-10	REFRIGERENT SOLENOID VALVE				
20	452387	HOSE ASSY / PIPE & CONDENSOR-IN / #16 980MM To Y-3619	1	1	1	
20	453568	HOSE ASSY / PIPE & CONDENSOR-IN / #16 980MM From Y-3620	1	1	1	
20	950256	HOSE ASSY / W/R-134a / #16 1096MM / SS BELLOW	1	1	1	
21	452999	TUBE ASSY / CONDENSOR OUT & RECEIVER TANK	1	1	1	
22	452990	TUBE ASSY / RECEIVER TANK & COND-SUB-OUT	1	1	1	
24	452383	HOSE ASSY / COND SUB-OUT / #12 1000MM To Y-3726	1	1	1	
. NS	507280	. O-RING / ORS FITTING / #12 NEO To Y-3726	1	1	1	
24	455259	HOSE ASSY / COND SUB-OUT / #12 1050MM To Y-3126	1	1	1	S T
. NS	507280	. O-RING / ORS FITTING / #12 NEO To Y-3126	2	2	2	S T
24	453604	HOSE ASSY / COND SUB-OUT / #12 1050MM From Y-3127	1	1	1	
. NS	507280	. O-RING / ORS FITTING / #12 NEO From Y-3127	2	2	2	
24	455259	HOSE ASSY / COND SUB-OUT / #12 1050MM From Y-3727	1	1	1	S
. NS	507280	. O-RING / ORS FITTING / #12 NEO From Y-3727	2	2	2	S
25	373136	HOSE ASSY /MOISTURE IND. TO MAIN #12 540MM To 1-4203	1	1	1	
. NS	507280	. O-RING / ORS FITTING / #12 NEO To 1-4203	2	2	2	
25	370452	HOSE ASSY /MOISTURE IND. TO MAIN #12 540MM To 1-4203	1	1	1	S
. NS	507280	. O-RING / ORS FITTING / #12 NEO To 1-4203	2	2	2	S
25	453785	HOSE ASSY / #12 465MM From 1-4204	1	1	1	
. NS	507280	. O-RING / ORS FITTING / #12 NEO From 1-4204	2	2	2	
25	455266	HOSE ASSY / #12 465MM From 1-4204	1	1	1	S
. NS	507280	. O-RING / ORS FITTING / #12 NEO From 1-4204	2	2	2	S

From V-1961 To 1-4274	Date:10/2022	PAGE:H3-2270-03
RECEIVER TANK & FILTER DRYER		

Item#	Part	Description	H 3 4 1	H 3 4 5	V I P 4 5	N O T E S
26	454627	HOSE ASSY / #10 2920MM	1			
. NS	507344	. O-RING / ORS FITTING / #10 NEO	2			
26	455322	HOSE ASSY / #10 2920MM	1			S
. NS	507344	. O-RING / ORS FITTING / #10 NEO	2			S
26	454437	HOSE ASSY / #10 4165MM		1	1	
. NS	507344	. O-RING / ORS FITTING / #10 NEO		2	2	
26	455306	HOSE ASSY / #10 4165MM		1	1	S
. NS	507344	. O-RING / ORS FITTING / #10 NEO		2	2	S
27	507544	SWIVEL NUT ELBOW 90° SHORT / JIC 37° FITTING/ #12JIC-Fx#12JIC-Mx1.82 STL	3	3	3	
28	507345	O-RING / ORS FITTING / #16 NEO	AR	AR	AR	
30	454612	HOSE ASSY / #24 740MM	1	1	1	
31	373452	HOSE ASSY / #12 3300MM	1			
. NS	507280	. O-RING / ORS FITTING / #12 NEO	2			
31	370731	HOSE ASSY / #12 3300MM	1			S
. NS	507280	. O-RING / ORS FITTING / #12 NEO	2			S
31	373449	HOSE ASSY / #12 4546MM		1	1	
. NS	507280	. O-RING / ORS FITTING / #12 NEO		2	2	
31	370729	HOSE ASSY / #12 4546MM		1	1	S
. NS	507280	. O-RING / ORS FITTING / #12 NEO		2	2	S
40	504025	HOSE CLAMP / 2"5/16-3"1/4 SS / HS-44	2	2	2	
41	952633	CLAMP / 7/8" I.D.	6	6	6	
42	500957	SCREW TP BDG PH #10x3/4 N500	AR	AR	AR	
43	500256	NUT HEX M10-1.5 Z050	4	4	4	
44	500257	WASHER LO SPT 10.2x18.1x2.2 Z050	4	4	4	
45	502559	SCREW CAP HEX M10-1.5x25 G8.8 Z050	4	4	4	
46	500445	WASHER FL .437x1.000x.083 Z050	4	4	4	
47	500850	SCREW CAP HEX M12-1.75X25 G8.8 Z050	2	2	2	
48	500482	WASHER LO SPT .506x.873x.125 Z050	2	2	2	
49	504487	RIVET MGLP PRDG 3/16x7/16 SS	2	2	2	
50	H3-2222-15	A/C LINE REAR SECTION W/05G				
51	373155	CLOSING / PIPE TUNNEL SS 51MM x 181MM To W-2457	2	2	2	
51	453145	CLOSING / PIPE TUNNEL SS 55.0MM x 181MM From W-2458	2	2	2	
51	454122	CLOSING / PIPE TUNNEL SS 85MM x 181MM From 4-4705	2	2	2	
NS	373373	CLOSING / PIPE TUNNEL SS 85MM x 196MM	2	2	2	
NS	500623	SCREW TC PAN PH #10-24x3/4 N500	AR	AR	AR	
52	373129	PIPE ASSY / PRESSURE	1	1	1	
52	454340	PIPE ASSY / PRESSURE	1	1	1	
52	454339	PIPE ASSY / SUCTION	1	1	1	
. NS	507346	. O-RING / ORS FITTING / #24 NEO	1	1	1	
. NS	501803	. O-RING / ORS FITTING / #20 NEO	1	1	1	
53	373431	PIPE ASSY / SUCTION	1	1	1	
54	453066	DECAL R134A / NOMINAL CHARGE 24 LBS // ENGLISH & FRANCAIS	1	1	1	

From V-1961 To 1-4274	Date:10/2022	PAGE:H3-2270-03
RECEIVER TANK & FILTER DRYER		

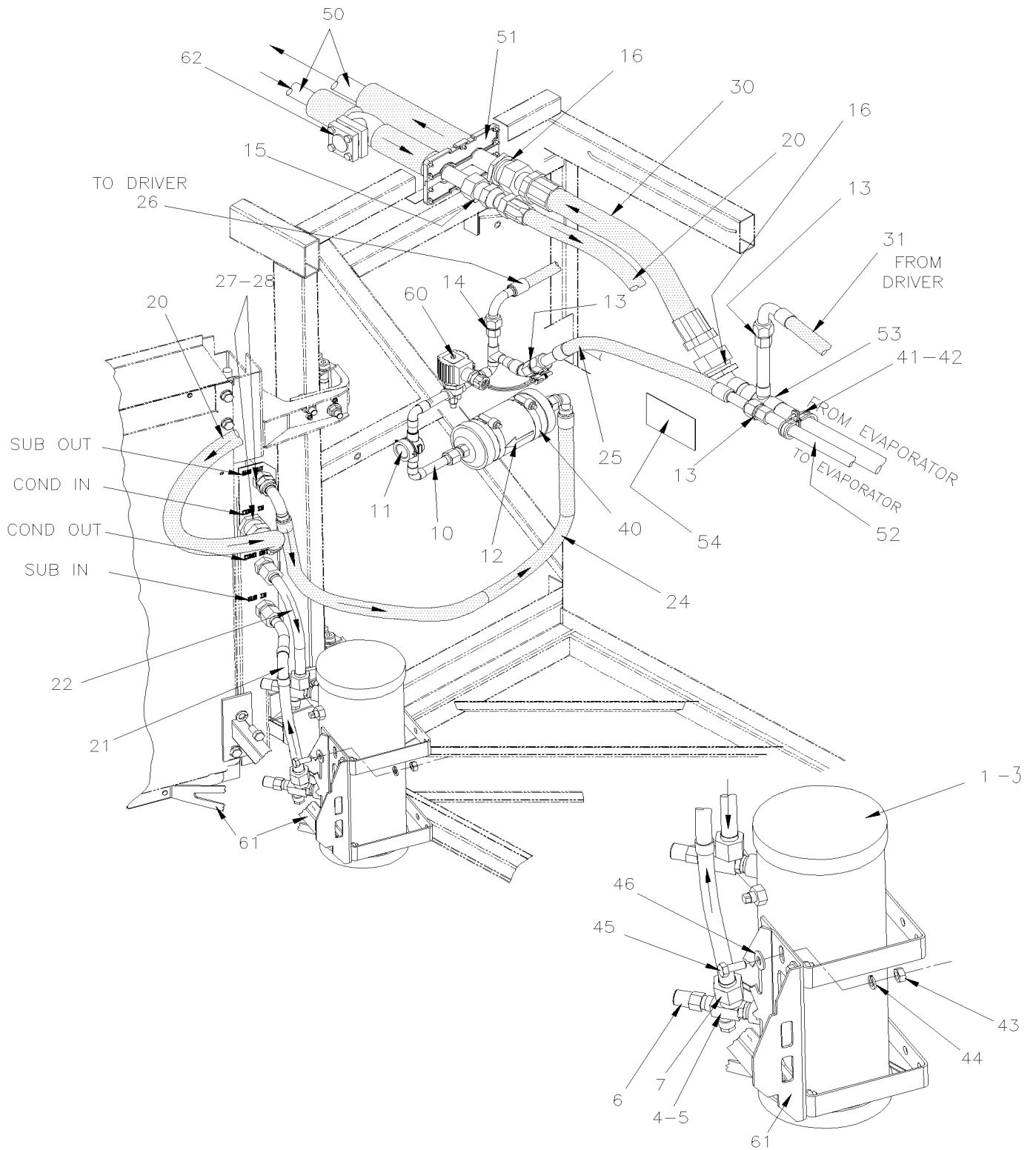
Item#	Part	Description	H 3 4 1	H 3 4 5	V I P 4 5	N O T E S
54	454180	DECAL R134A / NOMINAL CHARGE 24 LBS // ENGLISH & SPANISH	1	1	1	
60	H3-2208-10	REFRIGERENT SOLENOID VALVE				
61	H3-2260-01	CONDENSOR FAN - INSTALLATION				
62	H3-2222-15	A/C LINE REAR SECTION W/05G				
		A) AS SHOWN WITH SOLONOID VALVE				
		S) SERVICE				
		T) WITH THIS HOSE CHANGE 45° ELBOW FOR 90° ELBOW # 507544 AT CONDENSOR WITH O-RING # 501802				

From 1-4275 To 2-4416

Date:10/2022

PAGE:H3-2270-04

RECEIVER TANK & FILTER DRYER



From 1-4275 To 2-4416	Date:10/2022	PAGE:H3-2270-04
RECEIVER TANK & FILTER DRYER		

Item#	Part	Description	H 3 4 1	H 3 4 5	V I P 4 5	N O T E S
1	950261	RECEIVER TANK ASSY	1	1	1	
. NS	950428	. SIGHTGLASS / W/BALL 1NPT-M (FORMER)	1	1	1	
. NS	951198	. SIGHTGLASS / W/BALL 1 1/4NPT-F (CURRENT)	1	1	1	
3	870890	VALVE, SAFETY 450 PSI	1	1	1	
4	950228	VALVE ASSY / SERVICE / INLET & OUTLET	2	2	2	
. NS	950284	. CAP / PROTECTOR / FOR GAUGE	1	1	1	
. NS	507169	. O-RING 1/2 I.D.	1	1	1	
5	950285	. CAP VALVE / PROTECTOR / PLASTIC	1	1	1	
6	950284	. CAP / PROTECTOR / FOR GAUGE	1	1	1	
7	507169	O-RING 1/2 I.D.	AR	AR	AR	
10	453692	MOISTURE INDICATOR ASSY	1	1	1	
11	950029	. CAP, MOISTURE INDICATOR	1	1	1	
12	950332	. FILTER DRYER	1	1	1	
. NS	507370	. . O-RING #10	1	1	1	U
13	507280	O-RING / ORS FITTING / #12 NEO	2	2	2	
14	507344	O-RING / ORS FITTING / #10 NEO	AR	AR	AR	
15	507345	O-RING / ORS FITTING / #16 NEO	AR	AR	AR	
16	507346	O-RING / ORS FITTING / #24 NEO	AR	AR	AR	
17	H3-2208-10	REFRIGERENT SOLENOID VALVE				
20	950256	HOSE ASSY / W/R-134a / #16 1096MM / SS BELLOW	1	1		
21	452999	TUBE ASSY / CONDENSOR OUT & RECEIVER TANK	1	1	1	
22	452990	TUBE ASSY / RECEIVER TANK & COND-SUB-OUT	1	1	1	
24	453696	HOSE ASSY / COND SUB-OUT / #12 1100MM	1	1	1	
25	453785	HOSE ASSY / #12 465MM	1	1	1	
. NS	507280	. O-RING / ORS FITTING / #12 NEO	2	2	2	
25	455266	HOSE ASSY / #12 465MM	1	1	1	
. NS	507280	. O-RING / ORS FITTING / #12 NEO	2	2	2	
26	373451	HOSE ASSY / #10 4570MM	1			
. NS	507344	. O-RING / ORS FITTING / #10 NEO	2			
26	370730	HOSE ASSY / #10 4570MM	1			
. NS	507344	. O-RING / ORS FITTING / #10 NEO	2			
26	373448	HOSE ASSY / #10 5606MM		1	1	
. NS	507344	. O-RING / ORS FITTING / #10 NEO		2	2	
26	370728	HOSE ASSY / #10 5606MM		1	1	
. NS	507344	. O-RING / ORS FITTING / #10 NEO		2	2	
27	507544	SWIVEL NUT ELBOW 90° SHORT / JIC 37° FITTING/ #12JIC-Fx#12JIC-Mx1.82 STL	AR	AR	AR	
28	507344	O-RING / ORS FITTING / #10 NEO	AR	AR	AR	
30	373432	HOSE ASSY / SUCTION LINE W/R-134a / #24 537MM	1	1	1	
. NS	507346	. O-RING / ORS FITTING / #24 NEO	2	2	2	
31	373452	HOSE ASSY / #12 3300MM	1			
. NS	507280	. O-RING / ORS FITTING / #12 NEO	2			
31	370731	HOSE ASSY / #12 3300MM	1			

From 1-4275 To 2-4416		Date:10/2022	PAGE:H3-2270-04
RECEIVER TANK & FILTER DRYER			

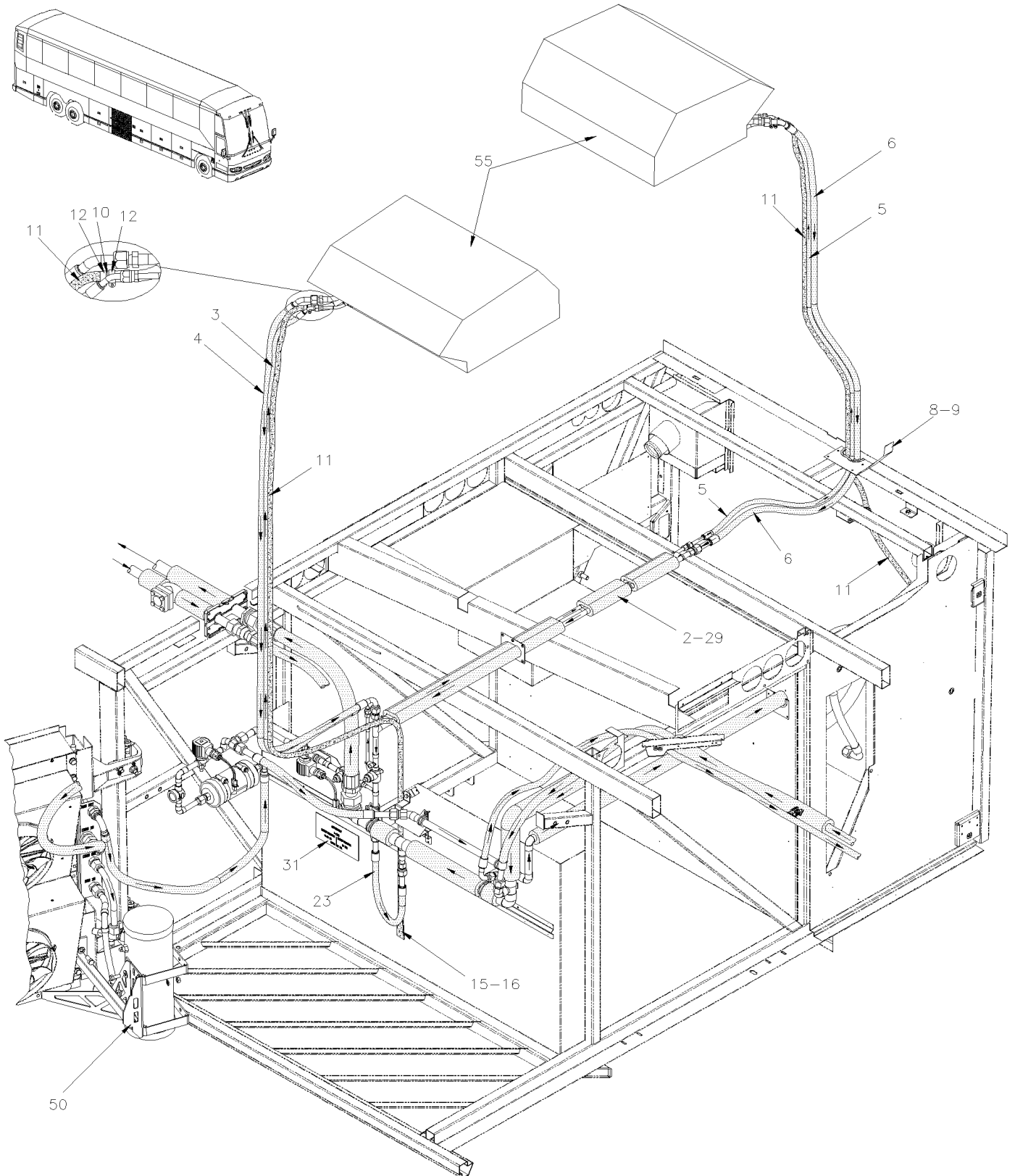
Item#	Part	Description	H 3 4 1	H 3 4 5	V I P 4 5	N O T E S
. NS	507280	. O-RING / ORS FITTING / #12 NEO	2			
31	373449	HOSE ASSY / #12 4546MM		1	1	
. NS	507280	. O-RING / ORS FITTING / #12 NEO		2	2	
31	370729	HOSE ASSY / #12 4546MM		1	1	
. NS	507280	. O-RING / ORS FITTING / #12 NEO		2	2	
40	504025	HOSE CLAMP / 2"5/16-3"1/4 SS / HS-44	2	2	2	
41	952633	CLAMP / 7/8" I.D.	6	6	6	
42	500957	SCREW TP BDG PH #10x3/4 N500	AR	AR	AR	
43	500256	NUT HEX M10-1.5 Z050	4	4	4	
44	500257	WASHER LO SPT 10.2x18.1x2.2 Z050	4	4	4	
45	502559	SCREW CAP HEX M10-1.5x25 G8.8 Z050	4	4	4	
46	500445	WASHER FL .437x1.000x.083 Z050	4	4	4	
47	500850	SCREW CAP HEX M12-1.75X25 G8.8 Z050	2	2	2	
48	500482	WASHER LO SPT .506x.873x.125 Z050	2	2	2	
49	504487	RIVET MGLP PRDG 3/16x7/16 SS	2	2	2	
50	H3-2222-15	A/C LINE REAR SECTION W/05G				
51	453145	CLOSING / PIPE TUNNEL SS 55.0MM x 181MM	2	2	2	
51	454122	CLOSING / PIPE TUNNEL SS 85MM x 181MM	2	2	2	
NS	373373	CLOSING / PIPE TUNNEL SS 85MM x 196MM	2	2	2	
NS	500623	SCREW TC PAN PH #10-24x3/4 N500	AR	AR	AR	
52	373129	PIPE ASSY / PRESSURE	1	1	1	
53	373431	PIPE ASSY / SUCTION	1	1	1	
54	453066	DECAL R134A / NOMINAL CHARGE 24 LBS // ENGLISH & FRANCAIS	1	1	1	
54	454180	DECAL R134A / NOMINAL CHARGE 24 LBS // ENGLISH & SPANISH	1	1	1	
60	H3-2208-10	REFRIGERENT SOLENOID VALVE				
61	H3-2260-00	CONDENSOR FAN - INSTALLATION				
62	H3-2222-15	A/C LINE REAR SECTION W/05G				
		U) UNDER CONSTRUCTION				

From X-2670 To 2-4416

Date:10/2022

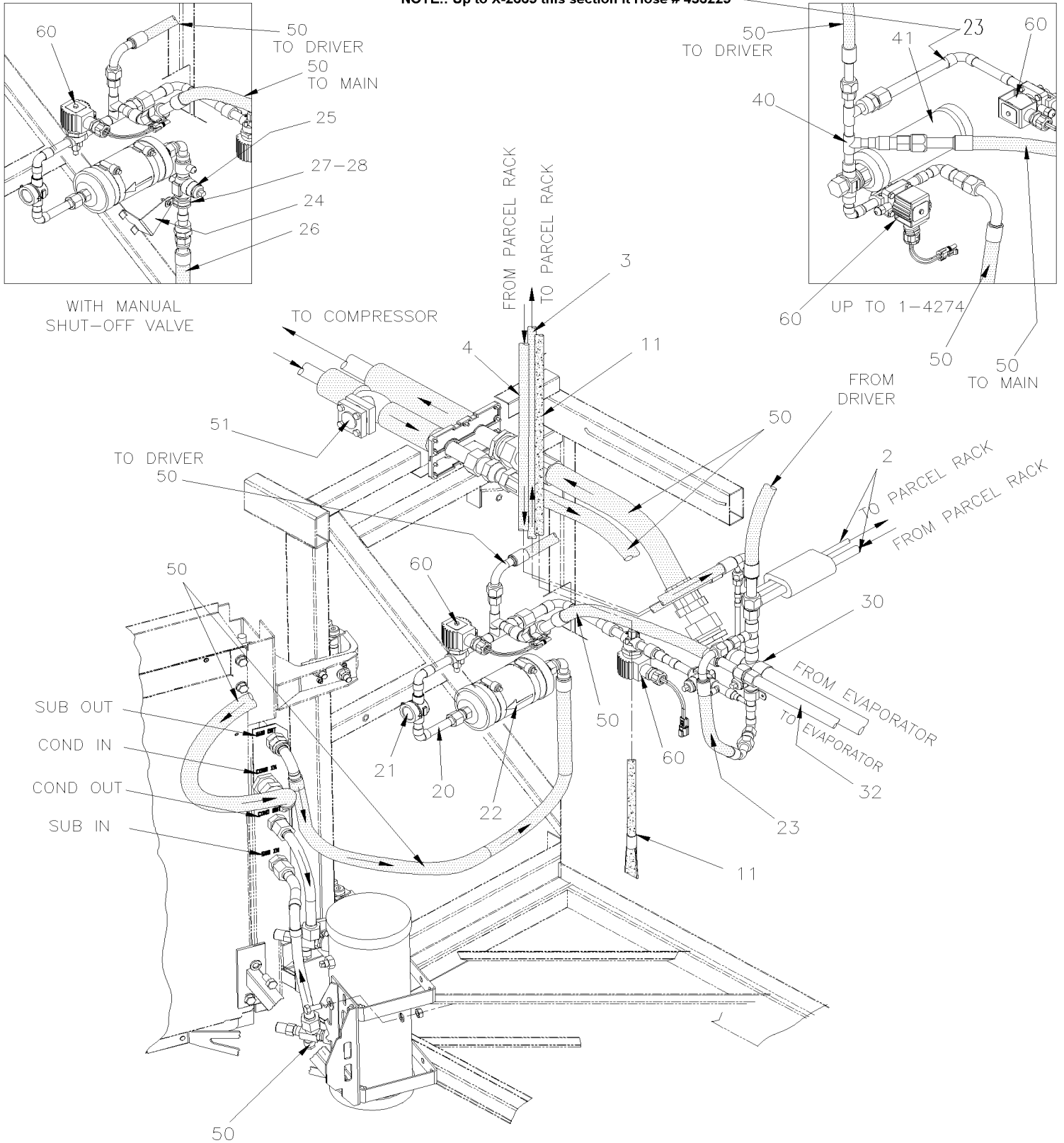
PAGE:H3-2270-10

A/C HOSE PARCEL RACK - INSTALLATION



A/C HOSE PARCEL RACK - INSTALLATION

NOTE.: Up to X-2669 this section it Hose # 453229



From X-2670 To 2-4416	Date:10/2022	PAGE:H3-2270-10
A/C HOSE PARCEL RACK - INSTALLATION		

Item#	Part	Description	H 3 4 1	H 3 4 5	V I P 4 5	N O T E S
2	Call order desk	PIPE ASSY / RETURN To W-2399	1	1		P
2	Call order desk	PIPE ASSY / PRESSURE To W-2399	1	1		P
2	Call order desk	PIPE ASSY / PRESSURE & RETURN From W-2400 To Y-3538	1	1		P
2	453545P	PIPE ASSY / PRESSURE & RETURN From Y-3539 To 1-4203	1	1		
2	453693P	PIPE ASSY / PRESSURE & RETURN From 1-4204	1	1		
3	453374	HOSE ASSY / #6 2400MM	1			
. NS	507278	. O-RING / ORS FITTING / #4 NEO	2			
3	455216	HOSE ASSY / #6 2400MM	1			
. NS	507278	. O-RING / ORS FITTING / #4 NEO	2			
3	453557	HOSE ASSY / #6 2315MM		1		
. NS	507278	. O-RING / ORS FITTING / #4 NEO		2		
3	455257	HOSE ASSY / #6 2315MM		1		
. NS	507278	. O-RING / ORS FITTING / #4 NEO		2		
3	453549	HOSE ASSY / #6 3435MM		1		W
. NS	507278	. O-RING / ORS FITTING / #4 NEO		2		W
3	455254	HOSE ASSY / #6 3435MM		1		W
. NS	507278	. O-RING / ORS FITTING / #4 NEO		2		W
4	453372	HOSE ASSY / #10 2400MM	1			
. NS	507344	. O-RING / ORS FITTING / #10 NEO	2			
4	455214	HOSE ASSY / #10 2400MM	1			
. NS	507344	. O-RING / ORS FITTING / #10 NEO	2			
4	453558	HOSE ASSY / #10 2240MM		1		
. NS	507344	. O-RING / ORS FITTING / #10 NEO		2		
4	455258	HOSE ASSY / #10 2240MM		1		
. NS	507344	. O-RING / ORS FITTING / #10 NEO		2		
4	453550	HOSE ASSY / #10 3385MM		1		W
. NS	507344	. O-RING / ORS FITTING / #10 NEO		2		W
4	455255	HOSE ASSY / #10 3385MM		1		W
. NS	507344	. O-RING / ORS FITTING / #10 NEO		2		W
NS	504634	T-CLIP / 7/8" - 1"	1	1		
NS	500267	SCREW TC FL PH #10-32x1 1/2 Z050	1	1		
5	453375	HOSE ASSY / #6 2800MM	1			
. NS	507278	. O-RING / ORS FITTING / #4 NEO	2			
5	455217	HOSE ASSY / #6 2800MM	1			
. NS	507278	. O-RING / ORS FITTING / #4 NEO	2			
5	453227	HOSE ASSY / #6 2315MM		1		
. NS	507278	. O-RING / ORS FITTING / #4 NEO		2		
5	455203	HOSE ASSY / #6 2315MM		1		
. NS	507278	. O-RING / ORS FITTING / #4 NEO		2		
6	453373	HOSE ASSY / #10 2800MM	1			
. NS	507344	. O-RING / ORS FITTING / #10 NEO	2			
6	455215	HOSE ASSY / #10 2800MM	1			

From X-2670 To 2-4416	Date:10/2022	PAGE:H3-2270-10
A/C HOSE PARCEL RACK - INSTALLATION		

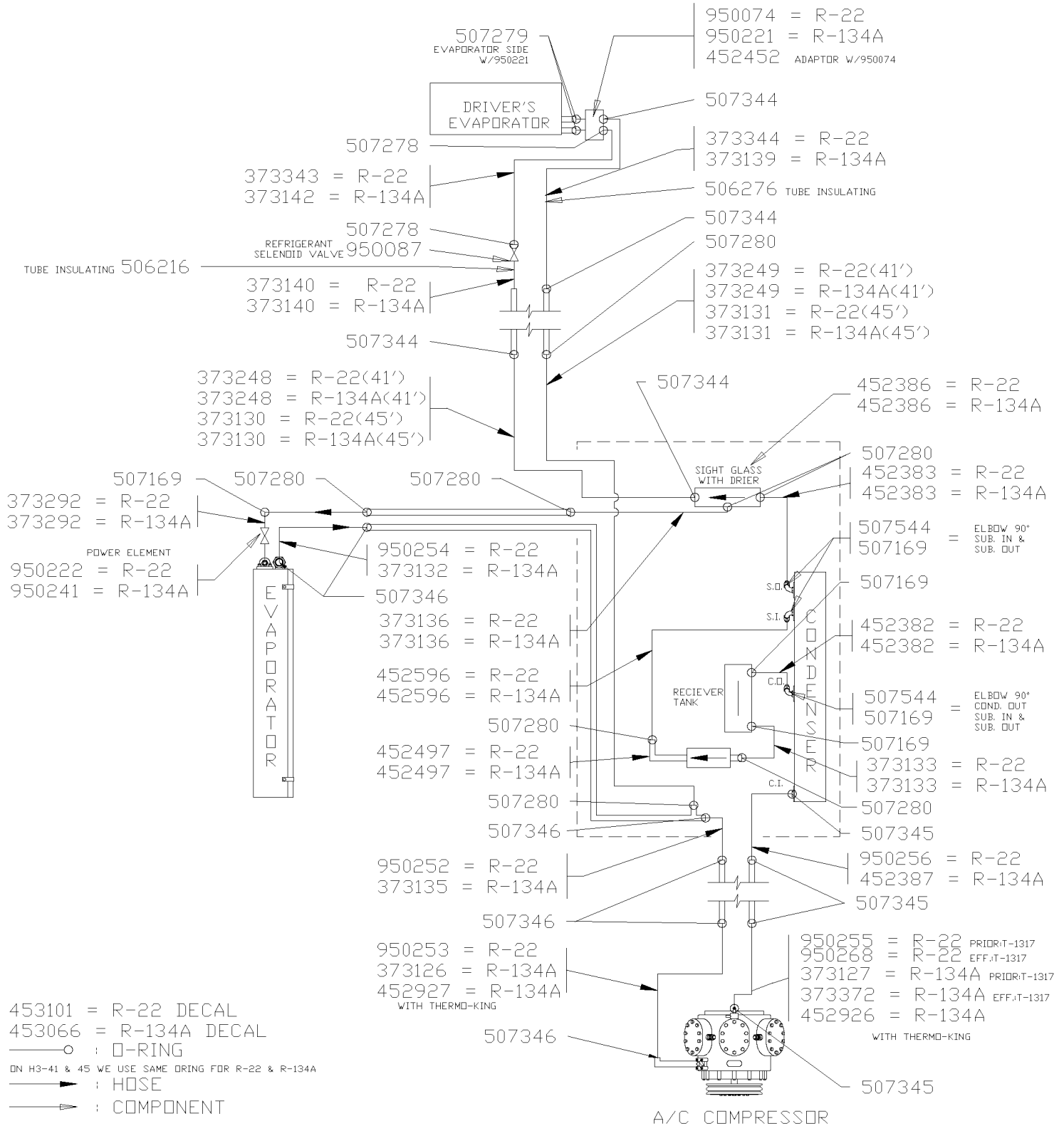
Item#	Part	Description	H 3 4 1	H 3 4 5	V I P 4 5	N O T E S
. NS	507344	. O-RING / ORS FITTING / #10 NEO	2			
6	453230	HOSE ASSY / #10 2240MM		1		
. NS	507344	. O-RING / ORS FITTING / #10 NEO		2		
6	455205	HOSE ASSY / #10 2240MM		1		
. NS	507344	. O-RING / ORS FITTING / #10 NEO		2		
8	454896	DEFLECTOR AIR	2	2		
NS	454897	CLOSING PANEL		1		W
9	500641	SCREW TP PAN PH #8x3/4 Z050	AR	AR		
10	453234	UNION / DRAIN	2	2		
11	453232	HOSE POLYETHYLENE / 1/2 ID 3175MM	2	2		
11	453556	HOSE POLYETHYLENE / 1/2 ID 3825MM		1		W
11	503666	. HOSE 1/2" I.D. 100' / S.L.	AR	AR		
12	504230	HOSE CLAMP / 3/8"-7/8" SS / HS-6	4	4		
13	952629	CLAMP / 5/8" I.D.	AR	AR		
14	500957	SCREW TP BDG PH #10x3/4 N500	AR	AR		
15	504637	CABLE TIE / 3/16" x 13"	2	2		
16	590286	DRAIN BOOT 1 1/4" I.D. X 4" / FLAT	2	2		
20	453614	MOISTURE INDICATOR ASSY / W/A/C PARCEL RACK From 1-4275	1	1		
20	453814	MOISTURE INDICATOR ASSY / W/MAN SHUT-OFF / W/A/C PARCEL RACK From 1-4275	1	1		M
. NS	457418	. VALVE ASSY MANUAL "SHUT-OFF" A/C LINE / TO "EASILY REMOVED FILTER DR From 1-4275	1	1		M
21	950029	. CAP, MOISTURE INDICATOR	1	1		
22	950332	. FILTER DRYER	1	1		
. NS	507370	. . O-RING #10	1	1		U
23	453229	HOSE ASSY / #10 235MM To X-2669	2	2		
. NS	507344	. O-RING / ORS FITTING / #10 NEO To X-2669	2	2		
23	455204	HOSE ASSY / #10 235MM To X-2669	1	1		
. NS	507344	. O-RING / ORS FITTING / #10 NEO To X-2669	2	2		
23	453555	HOSE ASSY / #10 245MM From X-2270	1	1		
. NS	507344	. O-RING / ORS FITTING / #10 NEO From X-2270	2	2		
23	455256	HOSE ASSY / #10 245MM From X-2270	1	1		
. NS	507344	. O-RING / ORS FITTING / #10 NEO From X-2270	2	2		
24	215546	SUPPORT MOISTURE INDICATOR From 1-4275	1	1		M
25	457418	VALVE ASSY MANUAL "SHUT-OFF" A/C LINE / TO "EASILY REMOVED FILTER DR From 1-4275	1	1		M
26	453815	HOSE ASSY / COND SUB-OUT / #12 1100MM From 1-4275	1	1		M
26	507280	O-RING / ORS FITTING / #12 NEO From 1-4275	1	1		M
27	952631	CLAMP / 3/4" I.D. From 1-4275	1	1		M
28	500957	SCREW TP BDG PH #10x3/4 N500 From 1-4275	1	1		M
29	506267	PIPE INSULATING / 1 1/8" I.D. X 1/2" TH. X / APT11812	1	1		
29	503390	TUBE / PVC PIPE / 3"x10' WHITE PVC	AR	AR		
30	453220	PIPE ASSY / SUCTION / W/A/C PARCEL RACK To Y-3538	1	1		
30	453546	PIPE ASSY / SUCTION / W/A/C PARCEL RACK From Y-3539	1	1		
30	453248	PIPE ASSY / SUCTION / W/R-22 / W/A/C PARCEL RACK O NEVER USE To Y-3538	1	1		

From X-2670 To 2-4416	Date:10/2022	PAGE:H3-2270-10
A/C HOSE PARCEL RACK - INSTALLATION		

Item#	Part	Description	H 3 4 1	H 3 4 5	V I P 4 5	N O T E S
30	453589	PIPE ASSY / SUCTION / W/R-22 / W/A/C PARCEL RACK O NEVER USE From Y-3539	1	1		
31	453244	DECAL R134A / NOMINAL CHARGE 26 LBS // ENGLISH & FRANCAIS	1	1		
31	454181	DECAL R134A / 26LBS / W/A/C PARCEL RACK / ENGLISH & SPANISH	1	1		
32	373129	PIPE ASSY / PRESSURE	1	1		
40	453223	MOISTURE INDICATOR ASSY / W/A/C PARCEL RACK From X-2670 To Y-3538	1	1		
40	453544	MOISTURE INDICATOR ASSY / W/A/C PARCEL RACK From Y-3539 To 1-4274	1	1		
41	950262	FILTER DRYER ASSY / W/R134a To 1-4274	1	1		
. NS	951196	. O-RING TEFLON 1 3/8" I.D. x 1 5/8" O.D. To 1-4274	1	1		
50	H3-2270-03	RECEIVER TANK & FILTER DRYER To 1-4274				
50	H3-2270-04	RECEIVER TANK & FILTER DRYER From 1-4275				
51	H3-2222-15	A/C LINE REAR SECTION W/05G				
55	H3-2240-20	BLOWER VENTILATION - PARCEL RACK				
60	H3-2208-10	REFRIGERENT SOLENOID VALVE				
		M) WITH MANUAL SHUT-OFF VALVE TO EASIER REPLACE FILTER DRIER # 950332				
		W) WITH W.C.L. RICON				
		P) CALL ORDER DESK FOR SPECIFIC APPLICATION (V.I.N.)				
		U) UNDER CONSTRUCTION				

From R-012 To T-1606	Date:10/2022	PAGE:H3-2299-01
A/C HOSE & O-RING - W/R-134A & R-22		

H3-41, H3-45 & V.I.P. 45 ONLY



From R-012 To T-1606	Date:10/2022	PAGE:H3-2299-01
A/C HOSE & O-RING - W/R-134A & R-22		

Item#	Part	Description	H 3 4 1	H 3 4 5	V I P 4 5	N O T E S
1	373126	HOSE ASSY / SUCTION W/R-134a / #24 1122MM	AR	AR	AR	
2	373127	HOSE ASSY / DISCHARGE W/R-134a / #16 430MM	AR	AR	AR	
3	373130	HOSE ASSY / #10 5200MM	AR	AR	AR	
. NS	507344	. O-RING / ORS FITTING / #10 NEO	2	2	2	
3	374408	HOSE ASSY / #10 5200MM	AR	AR	AR	S
. NS	507344	. O-RING / ORS FITTING / #10 NEO	2	2	2	S
4	373131	HOSE ASSY / #12 4139MM	AR	AR	AR	
. NS	507280	. O-RING / ORS FITTING / #12 NEO	2	2	2	
4	374409	HOSE ASSY / #12 4139MM	AR	AR	AR	S
. NS	507280	. O-RING / ORS FITTING / #12 NEO	2	2	2	S
5	373132	HOSE ASSY /SUCTION & EVAPO.W/R-134a / #24 701MM	AR	AR	AR	
6	373133	HOSE ASSY / RECEIVER TANK & / #12 622MM	AR	AR	AR	
. NS	507280	. O-RING / ORS FITTING / #12 NEO	2	2	2	
6	370450	HOSE ASSY / RECEIVER TANK & / #12 622MM	AR	AR	AR	S
. NS	507280	. O-RING / ORS FITTING / #12 NEO	2	2	2	S
7	373135	HOSE ASSY / SUCTION LINE W/R-134a / #24 587MM	AR	AR	AR	
8	373136	HOSE ASSY /MOISTURE IND. TO MAIN #12 540MM	AR	AR	AR	
. NS	507280	. O-RING / ORS FITTING / #12 NEO	2	2	2	
8	370452	HOSE ASSY /MOISTURE IND. TO MAIN #12 540MM	AR	AR	AR	S
. NS	507280	. O-RING / ORS FITTING / #12 NEO	2	2	2	S
9	373139	HOSE ASSY / W/R-134a / #10 2184MM	AR	AR	AR	
. NS	507344	. O-RING / ORS FITTING / #10 NEO	2	2	2	
9	370454	HOSE ASSY / W/R-134a / #10 2184MM	AR	AR	AR	S
. NS	507344	. O-RING / ORS FITTING / #10 NEO	2	2	2	S
10	373140	HOSE ASSY / #10 419MM	AR	AR	AR	
. NS	507344	. O-RING / ORS FITTING / #10 NEO	2	2	2	
10	370733	HOSE ASSY / TO DRIVER A/C VALVE / #10 419MM	AR	AR	AR	S
. NS	507344	. O-RING / ORS FITTING / #10 NEO	2	2	2	S
11	373142	HOSE ASSY / W/R-134a / #6 1372MM	AR	AR	AR	
. NS	507278	. O-RING / ORS FITTING / #4 NEO	2	2	2	
11	370721	HOSE ASSY / W/R-134a / #6 1372MM	AR	AR	AR	S
. NS	507278	. O-RING / ORS FITTING / #4 NEO	2	2	2	S
12	373186	DECAL REFRIGERANT R-134A	AR	AR	AR	
13	373248	HOSE ASSY / #10 4164MM	AR	AR	AR	
. NS	507344	. O-RING / ORS FITTING / #10 NEO	2	2	2	
13	370723	HOSE ASSY / #10 4164MM	AR	AR	AR	S
. NS	507344	. O-RING / ORS FITTING / #10 NEO	2	2	2	S
14	373249	HOSE ASSY / #12 2895MM	AR	AR	AR	
. NS	507280	. O-RING / ORS FITTING / #12 NEO	2	2	2	
14	370724	HOSE ASSY / #12 2895MM	AR	AR	AR	S
. NS	507280	. O-RING / ORS FITTING / #12 NEO	2	2	2	S
15	373292	HOSE ASSY /EXPANSION VALVE & TUBE / #12 590MM	AR	AR	AR	

From R-012 To T-1606	Date:10/2022	PAGE:H3-2299-01
A/C HOSE & O-RING - W/R-134A & R-22		

Item#	Part	Description	H 3 4 1	H 3 4 5	V I P 4 5	N O T E S
. NS	507280	. O-RING / ORS FITTING / #12 NEO	2	2	2	
15	370725	HOSE ASSY /EXPANSION VALVE & TUBE / #12 590MM	AR	AR	AR	S
. NS	507280	. O-RING / ORS FITTING / #12 NEO	2	2	2	S
16	373343	HOSE ASSY / W/R-22 / #6 1370MM	AR	AR	AR	
. NS	507278	. O-RING / ORS FITTING / #4 NEO	2	2	2	
16	370726	HOSE ASSY / W/R-22 / #6 1370MM	AR	AR	AR	S
. NS	507278	. O-RING / ORS FITTING / #4 NEO	2	2	2	S
17	373344	HOSE ASSY / W/R-22 / #10 2185MM	AR	AR	AR	
. NS	507344	. O-RING / ORS FITTING / #10 NEO	2	2	2	
17	370727	HOSE ASSY / W/R-22 / #10 2185MM	AR	AR	AR	S
. NS	507344	. O-RING / ORS FITTING / #10 NEO	2	2	2	S
18	373372	HOSE ASSY / DISCHARGE W/R-134a / #16 440MM	AR	AR	AR	
19	379034	DECAL (R-22)	AR	AR	AR	
20	373249	HOSE ASSY / #12 2895MM	AR	AR	AR	
. NS	507280	. O-RING / ORS FITTING / #12 NEO	2	2	2	
20	370724	HOSE ASSY / #12 2895MM	AR	AR	AR	S
. NS	507280	. O-RING / ORS FITTING / #12 NEO	2	2	2	S
21	452382	HOSE ASSY / CONDENSOR OUT & / #12 845MM	AR	AR	AR	
21	455164	HOSE ASSY / CONDENSOR OUT & / #12 845MM	AR	AR	AR	S
22	452383	HOSE ASSY / COND SUB-OUT / #12 1000MM	AR	AR	AR	
. NS	507280	. O-RING / ORS FITTING / #12 NEO	1	1	1	
22	455259	HOSE ASSY / COND SUB-OUT / #12 1050MM	AR	AR	AR	S A
. NS	507280	. O-RING / ORS FITTING / #12 NEO	2	2	2	S A
23	452386	MOISTURE INDICATOR ASSY	AR	AR	AR	
24	452387	HOSE ASSY / PIPE & CONDENSOR-IN / #16 980MM	AR	AR	AR	
25	452452	ADAPTOR W/R-22	AR	AR	AR	
26	452497	FILTER DRYER ASSY	AR	AR	AR	
. NS	950231	. FILTER DRYER	1	1	1	
27	452596	HOSE ASSY / DRYER & COND SUB-IN #12 760MM	AR	AR	AR	
. NS	507280	. O-RING / ORS FITTING / #12 NEO	1	1	1	
27	455180	HOSE ASSY / DRYER & COND SUB-IN #12 760MM	AR	AR	AR	S
. NS	507280	. O-RING / ORS FITTING / #12 NEO	1	1	1	S
28	452926	HOSE ASSY / #16 534MM	AR	AR	AR	
29	452927	HOSE ASSY / #20 712MM	AR	AR	AR	
30	507169	O-RING 1/2 I.D.	AR	AR	AR	
31	507278	O-RING / ORS FITTING / #4 NEO	AR	AR	AR	
32	507279	O-RING / ORS FITTING / #8 NEO	AR	AR	AR	
33	507280	O-RING / ORS FITTING / #12 NEO	AR	AR	AR	
34	507344	O-RING / ORS FITTING / #10 NEO	AR	AR	AR	
35	507345	O-RING / ORS FITTING / #16 NEO	AR	AR	AR	
36	507346	O-RING / ORS FITTING / #24 NEO	AR	AR	AR	
37	507544	SWIVEL NUT ELBOW 90° SHORT / JIC 37° FITTING/ #12JIC-Fx#12JIC-Mx1.82 STL	AR	AR	AR	

From R-012 To T-1606		Date:10/2022	PAGE:H3-2299-01
A/C HOSE & O-RING - W/R-134A & R-22			

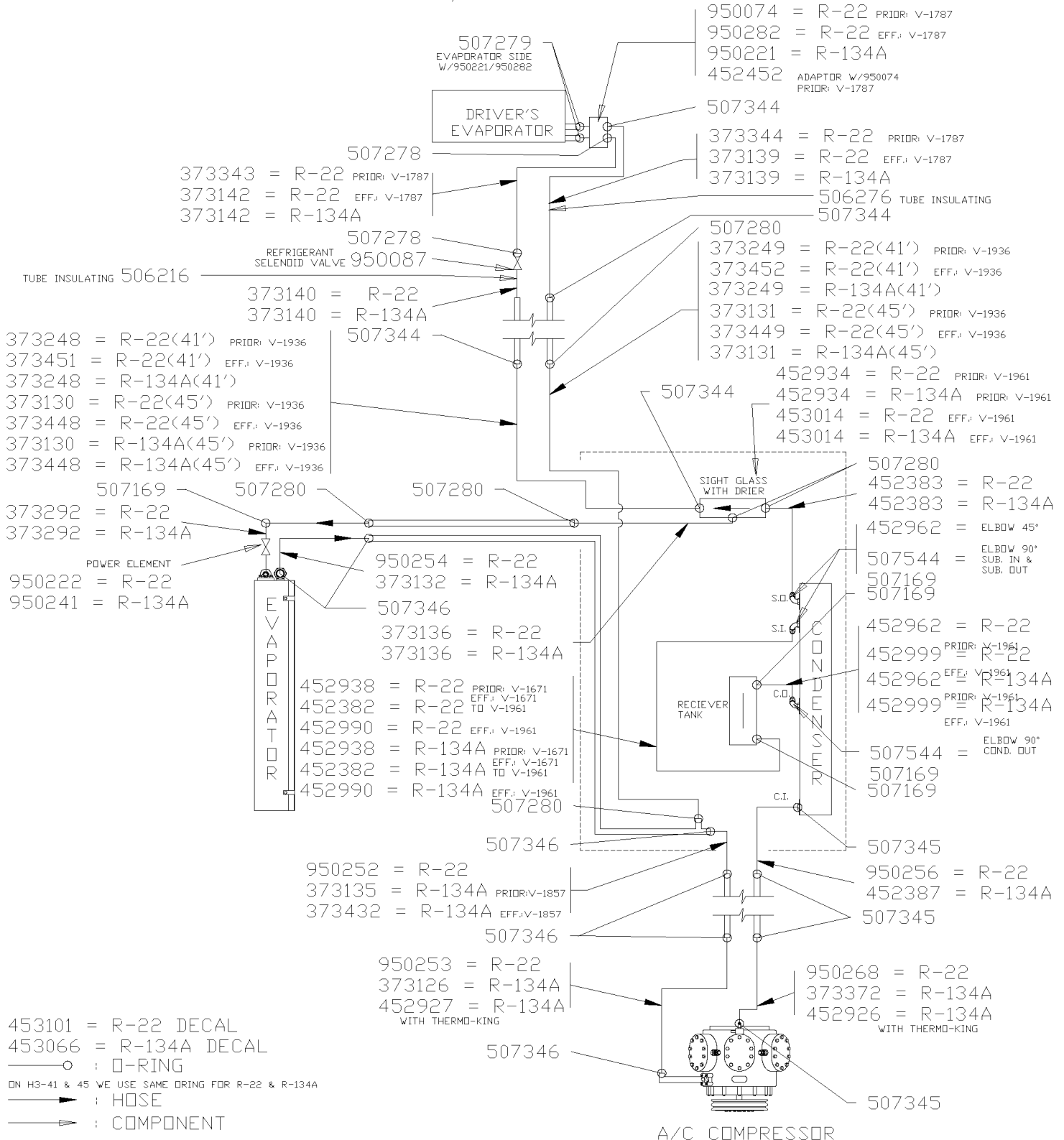
Item#	Part	Description	H 3 4 1	H 3 4 5	V I P 4 5	N O T E S
38	950087	VALVE REFRIGERANT SOLENOID	AR	AR	AR	
39	950074	VALVE, EXPANSION 2 TON	AR	AR	AR	
40	950221	VALVE, EXPANSION / DRIVER'S W/R134A	AR	AR	AR	
41	950222	ELEMENT POWER R-22	AR	AR	AR	
42	950241	ELEMENT POWER R134A	AR	AR	AR	
43	950252	HOSE ASSY / W/R-22 / #20 587MM / SS BELLOW	AR	AR	AR	
44	950253	HOSE ASSY / SUCTION W/R-22 / #20 1122MM / SS BELLOW	AR	AR	AR	
45	950254	HOSE ASSY / W/R-22 / #24 701MM / SS BELLOW	AR	AR	AR	
46	950255	HOSE ASSY / DISCHARGE W/R-22 / #16 546MM / SS BELLOW	AR	AR	AR	
47	950256	HOSE ASSY / W/R-134a / #16 1096MM / SS BELLOW	AR	AR	AR	
48	950268	HOSE ASSY / DISCHARGE W/R-22 / #16 584MM / SS BELLOW	AR	AR	AR	
49	506216	PIPE INSULATING / 5/8" I.D. X 1/2" TH. X 72 / APT05812	AR	AR	AR	
50	506276	PIPE INSULATING / 7/8" I.D. X 1/2" TH. X 72 / APT07812	AR	AR	AR	
51	453101	DECAL R22 / 24LBS	AR	AR	AR	
52	453066	DECAL R134A / NOMINAL CHARGE 24 LBS // ENGLISH & FRANCAIS	AR	AR	AR	
52	454180	DECAL R134A / NOMINAL CHARGE 24 LBS // ENGLISH & SPANISH	AR	AR	AR	
		TO CONVERT FROM R-22 TO R-134A From R-012				
		YOU REQUIRE FOLLOWING NEXT ITEMS From R-012				
NS	950282	VALVE, EXPANSION R-22 DEFROST From R-012	1	1		
NS	950316	VALVE, EXPANSION 5 1/2 TON W/R134A MAIN From R-012	1	1		
	 OR NEXT 2 ITEMS				
NS	950241	. ELEMENT POWER R134A MAIN From R-012	1	1		
NS	950317	. CAGE ASSY & SPRING / B6B MAIN From R-012	1	1		
NS	950241	ELEMENT POWER R134A DEFROST From R-012 To V-1767	AR	AR		R
NS	507269	SEAL KIT / STEMCO KIT OF 2 From R-012	2	2		
NS	507344	O-RING / ORS FITTING / #10 NEO From R-012	1	1		
NS	062644	PRESSURE SWITCH N.O. 120-90 20SP001AA120G090E From R-012	1	1		
NS	062643	PRESSURE SWITCH N.O. 170-130 20SP001AA170J130J From R-012	1	1		
NS	950236	REFRIGERANT OIL POE / USE W/134A (4LITER) From R-012	AR	AR		
NS	453066	DECAL R134A / NOMINAL CHARGE 24 LBS // ENGLISH & FRANCAIS From R-012	1	1		
NS	452497	FILTER DRYER ASSY From R-012	1	1		
. NS	950231	. FILTER DRYER From R-012	1	1		
NS	507280	. O-RING / ORS FITTING / #12 NEO From R-012	2	2		
NS	950057	COIL EVAPORATOR DEFROST From R-012	1	1		R
NS	373142	HOSE ASSY / W/R-134a / #6 1372MM DEFROST From R-012	1	1		R
. NS	507278	. O-RING / ORS FITTING / #4 NEO From R-012	2	2		R
NS	064698	KIT, RETROFIT A/C COMPRESOR SWITCH W/R134 From R-012	1	1		
. NS	IS-97146	. SEE INSTRUCTION SHEET From R-012	1	1		

From R-012 To T-1606	Date:10/2022	PAGE:H3-2299-01
A/C HOSE & O-RING - W/R-134A & R-22		

Item#	Part	Description	H 3 4 1	H 3 4 5	V I P 4 5	N O T E S
		A) WITH THIS HOSE CHANGE 45° ELBOW FOR 90° ELBOW # 507544 AT CONDENSOR WITH O-RING # 501802				
		R) IF YOU CONVERT SYSTEM R-022 TO R-134A IT INSTEAD OF REPLACE (UP TO V-1767) DEFROSTER EVAPORATOR YOU REQUIRE ONE MORE POWER ELEMENT # 950241				
		S) SERVICE				

From T-1607 To W-2284	Date:10/2022	PAGE:H3-2299-02
A/C HOSE & O-RING - W/R-134A & R-22		

H3-41, H3-45 & V.I.P. 45 ONLY



A/C COMPRESSOR

From T-1607 To W-2284	Date:10/2022	PAGE:H3-2299-02
A/C HOSE & O-RING - W/R-134A & R-22		

Item#	Part	Description	H 3 4 1	H 3 4 5	V I P 4 5	N O T E S
1	373126	HOSE ASSY / SUCTION W/R-134a / #24 1122MM	AR	AR	AR	
2	373130	HOSE ASSY / #10 5200MM	AR	AR	AR	
. NS	507344	. O-RING / ORS FITTING / #10 NEO	2	2	2	
2	374408	HOSE ASSY / #10 5200MM	AR	AR	AR	S
. NS	507344	. O-RING / ORS FITTING / #10 NEO	2	2	2	S
3	373131	HOSE ASSY / #12 4139MM	AR	AR	AR	
. NS	507280	. O-RING / ORS FITTING / #12 NEO	2	2	2	
3	374409	HOSE ASSY / #12 4139MM	AR	AR	AR	S
. NS	507280	. O-RING / ORS FITTING / #12 NEO	2	2	2	S
4	373132	HOSE ASSY /SUCTION & EVAPO.W/R-134a / #24 701MM	AR	AR	AR	
5	373135	HOSE ASSY / SUCTION LINE W/R-134a / #24 587MM	AR	AR	AR	
6	373136	HOSE ASSY /MOISTURE IND. TO MAIN #12 540MM	AR	AR	AR	
. NS	507280	. O-RING / ORS FITTING / #12 NEO	2	2	2	
6	370452	HOSE ASSY /MOISTURE IND. TO MAIN #12 540MM	AR	AR	AR	S
. NS	507280	. O-RING / ORS FITTING / #12 NEO	2	2	2	S
7	373139	HOSE ASSY / W/R-134a / #10 2184MM	AR	AR	AR	
. NS	507344	. O-RING / ORS FITTING / #10 NEO	2	2	2	
7	370454	HOSE ASSY / W/R-134a / #10 2184MM	AR	AR	AR	S
. NS	507344	. O-RING / ORS FITTING / #10 NEO	2	2	2	S
8	373140	HOSE ASSY / #10 419MM	AR	AR	AR	
. NS	507344	. O-RING / ORS FITTING / #10 NEO	2	2	2	
8	370733	HOSE ASSY / TO DRIVER A/C VALVE / #10 419MM	AR	AR	AR	S
. NS	507344	. O-RING / ORS FITTING / #10 NEO	2	2	2	S
9	373142	HOSE ASSY / W/R-134a / #6 1372MM	AR	AR	AR	
. NS	507278	. O-RING / ORS FITTING / #4 NEO	2	2	2	
9	370721	HOSE ASSY / W/R-134a / #6 1372MM	AR	AR	AR	S
. NS	507278	. O-RING / ORS FITTING / #4 NEO	2	2	2	S
10	373248	HOSE ASSY / #10 4164MM	AR	AR	AR	
. NS	507344	. O-RING / ORS FITTING / #10 NEO	2	2	2	
10	370723	HOSE ASSY / #10 4164MM	AR	AR	AR	S
. NS	507344	. O-RING / ORS FITTING / #10 NEO	2	2	2	S
11	373249	HOSE ASSY / #12 2895MM	AR	AR	AR	
. NS	507280	. O-RING / ORS FITTING / #12 NEO	2	2	2	
11	370724	HOSE ASSY / #12 2895MM	AR	AR	AR	S
. NS	507280	. O-RING / ORS FITTING / #12 NEO	2	2	2	S
12	373292	HOSE ASSY /EXPANSION VALVE & TUBE / #12 590MM	AR	AR	AR	
. NS	507280	. O-RING / ORS FITTING / #12 NEO	2	2	2	
12	370725	HOSE ASSY /EXPANSION VALVE & TUBE / #12 590MM	AR	AR	AR	S
. NS	507280	. O-RING / ORS FITTING / #12 NEO	2	2	2	S
13	373343	HOSE ASSY / W/R-22 / #6 1370MM	AR	AR	AR	
. NS	507278	. O-RING / ORS FITTING / #4 NEO	2	2	2	
13	370726	HOSE ASSY / W/R-22 / #6 1370MM	AR	AR	AR	S

From T-1607 To W-2284	Date:10/2022	PAGE:H3-2299-02
A/C HOSE & O-RING - W/R-134A & R-22		

Item#	Part	Description	H 3 4 1	H 3 4 5	V I P 4 5	N O T E S
. NS	507278	. O-RING / ORS FITTING / #4 NEO	2	2	2	S
14	373344	HOSE ASSY / W/R-22 / #10 2185MM	AR	AR	AR	
. NS	507344	. O-RING / ORS FITTING / #10 NEO	2	2	2	
14	370727	HOSE ASSY / W/R-22 / #10 2185MM	AR	AR	AR	S
. NS	507344	. O-RING / ORS FITTING / #10 NEO	2	2	2	S
15	373372	HOSE ASSY / DISCHARGE W/R-134a / #16 440MM	AR	AR	AR	
16	373432	HOSE ASSY / SUCTION LINE W/R-134a / #24 537MM	AR	AR	AR	
. NS	507346	. O-RING / ORS FITTING / #24 NEO	2	2	2	
17	373448	HOSE ASSY / #10 5606MM	AR	AR	AR	
. NS	507344	. O-RING / ORS FITTING / #10 NEO	2	2	2	
17	370728	HOSE ASSY / #10 5606MM	AR	AR	AR	S
. NS	507344	. O-RING / ORS FITTING / #10 NEO	2	2	2	S
18	373449	HOSE ASSY / #12 4546MM	AR	AR	AR	
. NS	507280	. O-RING / ORS FITTING / #12 NEO	2	2	2	
18	370729	HOSE ASSY / #12 4546MM	AR	AR	AR	S
. NS	507280	. O-RING / ORS FITTING / #12 NEO	2	2	2	S
19	373451	HOSE ASSY / #10 4570MM	AR	AR	AR	
. NS	507344	. O-RING / ORS FITTING / #10 NEO	2	2	2	
19	370730	HOSE ASSY / #10 4570MM	AR	AR	AR	S
. NS	507344	. O-RING / ORS FITTING / #10 NEO	2	2	2	S
20	373452	HOSE ASSY / #12 3300MM	AR	AR	AR	
. NS	507280	. O-RING / ORS FITTING / #12 NEO	2	2	2	
20	370731	HOSE ASSY / #12 3300MM	AR	AR	AR	S
. NS	507280	. O-RING / ORS FITTING / #12 NEO	2	2	2	S
21	452382	HOSE ASSY / CONDENSOR OUT & / #12 845MM	AR	AR	AR	
21	455164	HOSE ASSY / CONDENSOR OUT & / #12 845MM	AR	AR	AR	S
22	452383	HOSE ASSY / COND SUB-OUT / #12 1000MM	AR	AR	AR	
. NS	507280	. O-RING / ORS FITTING / #12 NEO	1	1	1	
22	455259	HOSE ASSY / COND SUB-OUT / #12 1050MM	AR	AR	AR	S A
. NS	507280	. O-RING / ORS FITTING / #12 NEO	2	2	2	S A
23	452387	HOSE ASSY / PIPE & CONDENSOR-IN / #16 980MM	AR	AR	AR	
24	452452	ADAPTOR W/R-22	AR	AR	AR	
25	452926	HOSE ASSY / #16 534MM	AR	AR	AR	
26	452927	HOSE ASSY / #20 712MM	AR	AR	AR	
27	452934	MOISTURE INDICATOR ASSY	AR	AR	AR	
28	452938	HOSE ASSY / #12 950MM	AR	AR	AR	
28	455183	HOSE ASSY / #12 950MM	AR	AR	AR	S
29	452962	HOSE ASSY / DRYER & COND SUB-IN / #12 1050MM	AR	AR	AR	
29	455184	HOSE ASSY / DRYER & COND SUB-IN / #12 1050MM	AR	AR	AR	S
30	452990	TUBE ASSY / RECEIVER TANK & COND-SUB-OUT	AR	AR	AR	
31	452999	TUBE ASSY / CONDENSOR OUT & RECEIVER TANK	AR	AR	AR	
32	453014	MOISTURE INDICATOR ASSY	AR	AR	AR	

From T-1607 To W-2284	Date:10/2022	PAGE:H3-2299-02
A/C HOSE & O-RING - W/R-134A & R-22		

Item#	Part	Description	H 3 4 1	H 3 4 5	V I P 4 5	N O T E S
33	453066	DECAL R134A / NOMINAL CHARGE 24 LBS // ENGLISH & FRANCAIS	AR	AR	AR	
33	454180	DECAL R134A / NOMINAL CHARGE 24 LBS // ENGLISH & SPANISH	AR	AR	AR	
34	453101	DECAL R22 / 24LBS	AR	AR	AR	
35	506216	PIPE INSULATING / 5/8" I.D. X 1/2" TH. X 72 / APT05812	AR	AR	AR	
36	506276	PIPE INSULATING / 7/8" I.D. X 1/2" TH. X 72 / APT07812	AR	AR	AR	
37	507169	O-RING 1/2 I.D.	AR	AR	AR	
38	507278	O-RING / ORS FITTING / #4 NEO	AR	AR	AR	
39	507279	O-RING / ORS FITTING / #8 NEO	AR	AR	AR	
40	507280	O-RING / ORS FITTING / #12 NEO	AR	AR	AR	
41	507344	O-RING / ORS FITTING / #10 NEO	AR	AR	AR	
42	507345	O-RING / ORS FITTING / #16 NEO	AR	AR	AR	
43	507346	O-RING / ORS FITTING / #24 NEO	AR	AR	AR	
44	507544	SWIVEL NUT ELBOW 90° SHORT / JIC 37° FITTING/ #12JIC-Fx#12JIC-Mx1.82 STL	AR	AR	AR	
45	950087	VALVE REFRIGERANT SOLENOID	AR	AR	AR	
46	950074	VALVE, EXPANSION 2 TON	AR	AR	AR	
47	950221	VALVE, EXPANSION / DRIVER'S W/R134A	AR	AR	AR	
48	950222	ELEMENT POWER R-22	AR	AR	AR	
49	950241	ELEMENT POWER R134A	AR	AR	AR	
50	950252	HOSE ASSY / W/R-22 / #20 587MM / SS BELLOW	AR	AR	AR	
51	950253	HOSE ASSY / SUCTION W/R-22 / #20 1122MM / SS BELLOW	AR	AR	AR	
52	950254	HOSE ASSY / W/R-22 / #24 701MM / SS BELLOW	AR	AR	AR	
53	950256	HOSE ASSY / W/R-134a / #16 1096MM / SS BELLOW	AR	AR	AR	
54	950268	HOSE ASSY / DISCHARGE W/R-22 / #16 584MM / SS BELLOW	AR	AR	AR	
55	950282	VALVE, EXPANSION R-22	AR	AR	AR	
		TO CONVERT FROM R-22 TO R-134A From R-012 To W-2284				
		YOU REQUIRE FOLLOWING NEXT ITEMS From R-012 To W-2284				
NS	950282	VALVE, EXPANSION R-22 DEFROST From R-012 To W-2284	1	1		
NS	950316	VALVE, EXPANSION 5 1/2 TON W/R134A MAIN From R-012 To W-2284	1	1		
	 OR NEXT 2 ITEMS				
NS	950241	. ELEMENT POWER R134A MAIN From R-012 To W-2284	1	1		
NS	950317	. CAGE ASSY & SPRING / B6B MAIN From R-012 To W-2284	1	1		
NS	950241	ELEMENT POWER R134A DEFROST From R-012 To V-1767	1	1		R
NS	507279	O-RING / ORS FITTING / #8 NEO From R-012 To W-2284	2	2		
NS	507344	O-RING / ORS FITTING / #10 NEO From R-012 To W-2284	2	2		
NS	453004	PRESSURE SWITCH N.O. 195-150 20PS001MA195K150K From V-1779 To W-2284	1	1		
NS	453003	PRESSURE SWITCH N.O. 138-105 20PS001MA138H105H From V-1779 To W-2284	1	1		
NS	452421	PRESSURE SWITCH N.O. 280-220 20SP001MA280K220R From V-1779 To W-2284	1	1		
NS	452405	PRESSURE SWITCH N.C. 320-245 20SP001MB320K245R From V-1779 To W-2284	1	1		
NS	062644	PRESSURE SWITCH N.O. 120-90 20SP001AA120G090E	1	1		

From T-1607 To W-2284	Date:10/2022	PAGE:H3-2299-02
A/C HOSE & O-RING - W/R-134A & R-22		

Item#	Part	Description	H 3 4 1	H 3 4 5	V I P 4 5	N O T E S
NS	062643	PRESSURE SWITCH N.O. 170-130 20SP001AA170J130J From R-012 To W-2284	1	1		
NS	950236	REFRIGERANT OIL POE / USE W/134A (4LITER) From R-012 To W-2284	AR	AR		
NS	453066	DECAL R134A / NOMINAL CHARGE 24 LBS // ENGLISH & FRANCAIS From R-012 To W-2284	1	1		
NS	452497	FILTER DRYER ASSY From R-012 To T-1606	1	1		
. NS	950231	. FILTER DRYER From R-012 To T-1606	1	1		
NS	507280	. O-RING / ORS FITTING / #12 NEO From R-012 To T-1606	2	2		
NS	950262	FILTER DRYER ASSY / W/R134a From T-1607 To W-2284	1	1		
. NS	951196	. O-RING TEFLON 1 3/8" I.D. x 1 5/8" O.D. From T-1607 To W-2284	1	1		
NS	507280	O-RING / ORS FITTING / #12 NEO From T-1607 To W-2284	2	2		
NS	950057	COIL EVAPORATOR DEFROST From R-012 To V-1767	1	1		R
NS	373142	HOSE ASSY / W/R-134a / #6 1372MM DEFROST From R-012 To V-1767	1	1		R
. NS	507278	. O-RING / ORS FITTING / #4 NEO From R-012 To V-1767	2	2		R
NS	064698	KIT, RETROFIT A/C COMPRESOR SWITCH W/R134 From R-012 To W-2284	1	1		
. NS	IS-97146	. SEE INSTRUCTION SHEET From R-012 To W-2284	1	1		
		A) WITH THIS HOSE CHANGE 45° ELBOW FOR 90° ELBOW # 507544 AT CONDENSOR WITH O-RING # 501802				
		R) IF YOU CONVERT SYSTEM R-022 TO R-134A IT INSTEAD OF REPLACE (UP TO V-1767) DEFROSTER EVAPORATOR YOU REQUIRE ONE MORE POWER ELEMENT # 950241				
		S) SERVICE				

From W-2285 To 1-4274

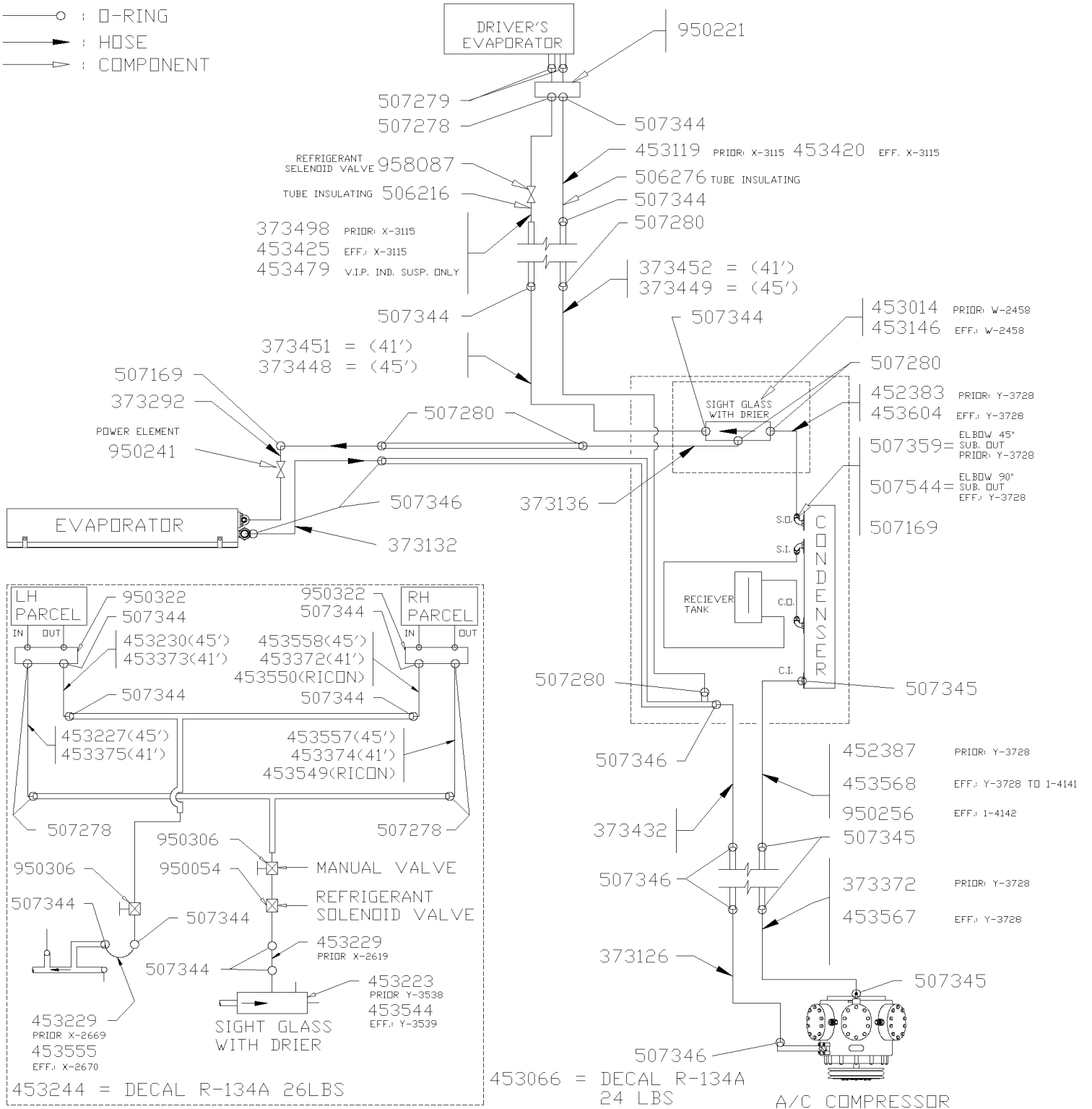
Date:10/2022

PAGE:H3-2299-03

A/C HOSE & O-RING - W/R-134A

H3-41, H3-45 & V.I.P. 45 ONLY

- : O-RING
- ▶— : HOSE
- ▷— : COMPONENT



From W-2285 To 1-4274	Date:10/2022	PAGE:H3-2299-03
A/C HOSE & O-RING - W/R-134A		

Item#	Part	Description	H 3 4 1	H 3 4 5	V I P 4 5	N O T E S
1	373126	HOSE ASSY / SUCTION W/R-134a / #24 1122MM	AR	AR	AR	
2	373132	HOSE ASSY /SUCTION & EVAPO.W/R-134a / #24 701MM	AR	AR	AR	
3	373136	HOSE ASSY /MOISTURE IND. TO MAIN #12 540MM	AR	AR	AR	
. NS	507280	. O-RING / ORS FITTING / #12 NEO	2	2	2	
3	370452	HOSE ASSY /MOISTURE IND. TO MAIN #12 540MM	AR	AR	AR	S
. NS	507280	. O-RING / ORS FITTING / #12 NEO	2	2	2	S
4	373292	HOSE ASSY /EXPANSION VALVE & TUBE / #12 590MM	AR	AR	AR	
. NS	507280	. O-RING / ORS FITTING / #12 NEO	2	2	2	
4	370725	HOSE ASSY /EXPANSION VALVE & TUBE / #12 590MM	AR	AR	AR	S
. NS	507280	. O-RING / ORS FITTING / #12 NEO	2	2	2	S
5	373372	HOSE ASSY / DISCHARGE W/R-134a / #16 440MM	AR	AR	AR	
6	373432	HOSE ASSY / SUCTION LINE W/R-134a / #24 537MM	AR	AR	AR	
. NS	507346	. O-RING / ORS FITTING / #24 NEO	2	2	2	
7	373448	HOSE ASSY / #10 5606MM	AR	AR	AR	
. NS	507344	. O-RING / ORS FITTING / #10 NEO	2	2	2	
7	370728	HOSE ASSY / #10 5606MM	AR	AR	AR	S
. NS	507344	. O-RING / ORS FITTING / #10 NEO	2	2	2	S
8	373449	HOSE ASSY / #12 4546MM	AR	AR	AR	
. NS	507280	. O-RING / ORS FITTING / #12 NEO	2	2	2	
8	370729	HOSE ASSY / #12 4546MM	AR	AR	AR	S
. NS	507280	. O-RING / ORS FITTING / #12 NEO	2	2	2	S
9	373451	HOSE ASSY / #10 4570MM	AR	AR	AR	
. NS	507344	. O-RING / ORS FITTING / #10 NEO	2	2	2	
9	370730	HOSE ASSY / #10 4570MM	AR	AR	AR	S
. NS	507344	. O-RING / ORS FITTING / #10 NEO	2	2	2	S
10	373452	HOSE ASSY / #12 3300MM	AR	AR	AR	
. NS	507280	. O-RING / ORS FITTING / #12 NEO	2	2	2	
10	370731	HOSE ASSY / #12 3300MM	AR	AR	AR	S
. NS	507280	. O-RING / ORS FITTING / #12 NEO	2	2	2	S
11	373498	HOSE ASSY / TO DRIVER A/C VALVE / #10 419MM	AR	AR	AR	
. NS	507344	. O-RING / ORS FITTING / #10 NEO	2	2	2	
11	370733	HOSE ASSY / TO DRIVER A/C VALVE / #10 419MM	AR	AR	AR	S
. NS	507344	. O-RING / ORS FITTING / #10 NEO	2	2	2	S
12	452383	HOSE ASSY / COND SUB-OUT / #12 1000MM	AR	AR	AR	
. NS	507280	. O-RING / ORS FITTING / #12 NEO	1	1	1	
12	455259	HOSE ASSY / COND SUB-OUT / #12 1050MM	AR	AR	AR	S A
. NS	507280	. O-RING / ORS FITTING / #12 NEO	2	2	2	S A
13	452387	HOSE ASSY / PIPE & CONDENSOR-IN / #16 980MM	AR	AR	AR	
16	453014	MOISTURE INDICATOR ASSY	AR	AR	AR	
17	453119	HOSE ASSY / W/R-134a / #10 935MM	AR	AR	AR	
. NS	507344	. O-RING / ORS FITTING / #10 NEO	2	2	2	
17	455185	HOSE ASSY / W/R-134a / #10 935MM	AR	AR	AR	S

From W-2285 To 1-4274	Date:10/2022	PAGE:H3-2299-03
A/C HOSE & O-RING - W/R-134A		

Item#	Part	Description	H 3 4 1	H 3 4 5	V I P 4 5	N O T E S
. NS	507344	. O-RING / ORS FITTING / #10 NEO	2	2	2	S
18	453146	MOISTURE INDICATOR ASSY	AR	AR	AR	
19	453223	MOISTURE INDICATOR ASSY / W/A/C PARCEL RACK	AR	AR	AR	
20	453227	HOSE ASSY / #6 2315MM	AR	AR	AR	
. NS	507278	. O-RING / ORS FITTING / #4 NEO	2	2	2	
20	455203	HOSE ASSY / #6 2315MM	AR	AR	AR	S
. NS	507278	. O-RING / ORS FITTING / #4 NEO	2	2	2	S
21	453229	HOSE ASSY / #10 235MM	AR	AR	AR	
. NS	507344	. O-RING / ORS FITTING / #10 NEO	2	2	2	
21	455204	HOSE ASSY / #10 235MM	AR	AR	AR	S
. NS	507344	. O-RING / ORS FITTING / #10 NEO	2	2	2	S
22	453230	HOSE ASSY / #10 2240MM	AR	AR	AR	
. NS	507344	. O-RING / ORS FITTING / #10 NEO	2	2	2	
22	455205	HOSE ASSY / #10 2240MM	AR	AR	AR	S
. NS	507344	. O-RING / ORS FITTING / #10 NEO	2	2	2	S
23	453244	DECAL R134A / NOMINAL CHARGE 26 LBS // ENGLISH & FRANCAIS	AR	AR	AR	
23	454181	DECAL R134A / 26LBS / W/A/C PARCEL RACK / ENGLISH & SPANISH	AR	AR	AR	
25	453372	HOSE ASSY / #10 2400MM	AR	AR	AR	
. NS	507344	. O-RING / ORS FITTING / #10 NEO	2	2	2	
25	455214	HOSE ASSY / #10 2400MM	AR	AR	AR	S
. NS	507344	. O-RING / ORS FITTING / #10 NEO	2	2	2	S
26	453373	HOSE ASSY / #10 2800MM	AR	AR	AR	
. NS	507344	. O-RING / ORS FITTING / #10 NEO	2	2	2	
26	455215	HOSE ASSY / #10 2800MM	AR	AR	AR	S
. NS	507344	. O-RING / ORS FITTING / #10 NEO	2	2	2	S
27	453374	HOSE ASSY / #6 2400MM	AR	AR	AR	
. NS	507278	. O-RING / ORS FITTING / #4 NEO	2	2	2	
27	455216	HOSE ASSY / #6 2400MM	AR	AR	AR	S
. NS	507278	. O-RING / ORS FITTING / #4 NEO	2	2	2	S
28	453375	HOSE ASSY / #6 2800MM	AR	AR	AR	
. NS	507278	. O-RING / ORS FITTING / #4 NEO	2	2	2	
28	455217	HOSE ASSY / #6 2800MM	AR	AR	AR	S
. NS	507278	. O-RING / ORS FITTING / #4 NEO	2	2	2	S
29	453420	HOSE ASSY / #12 675 MM	AR	AR	AR	
. NS	507280	. O-RING / ORS FITTING / #12 NEO	1	1	1	
. NS	507344	. O-RING / ORS FITTING / #10 NEO	1	1	1	
29	455229	HOSE ASSY / #12 693 MM	AR	AR	AR	S
. NS	507280	. O-RING / ORS FITTING / #12 NEO	1	1	1	S
. NS	507344	. O-RING / ORS FITTING / #10 NEO	1	1	1	S
30	453425	HOSE ASSY / #10 365 MM	AR	AR	AR	
. NS	507344	. O-RING / ORS FITTING / #10 NEO	2	2	2	
30	455231	HOSE ASSY / #10 365 MM	AR	AR	AR	S

From W-2285 To 1-4274	Date:10/2022	PAGE:H3-2299-03
A/C HOSE & O-RING - W/R-134A		

Item#	Part	Description	H 3 4 1	H 3 4 5	V I P 4 5	N O T E S
. NS	507344	. O-RING / ORS FITTING / #10 NEO	2	2	2	S
31	453479	HOSE ASSY / #10 235MM	AR	AR	AR	
. NS	507344	. O-RING / ORS FITTING / #10 NEO	2	2	2	
31	455247	HOSE ASSY / #10 235MM	AR	AR	AR	S
. NS	507344	. O-RING / ORS FITTING / #10 NEO	2	2	2	S
32	453549	HOSE ASSY / #6 3435MM	AR	AR	AR	
. NS	507278	. O-RING / ORS FITTING / #4 NEO	2	2	2	
32	455254	HOSE ASSY / #6 3435MM	AR	AR	AR	S
. NS	507278	. O-RING / ORS FITTING / #4 NEO	2	2	2	S
33	453550	HOSE ASSY / #10 3385MM	AR	AR	AR	
. NS	507344	. O-RING / ORS FITTING / #10 NEO	2	2	2	
33	455255	HOSE ASSY / #10 3385MM	AR	AR	AR	S
. NS	507344	. O-RING / ORS FITTING / #10 NEO	2	2	2	S
34	506216	PIPE INSULATING / 5/8" I.D. X 1/2" TH. X 72 / APT05812	AR	AR	AR	
35	506276	PIPE INSULATING / 7/8" I.D. X 1/2" TH. X 72 / APT07812	AR	AR	AR	
36	507169	O-RING 1/2 I.D.	AR	AR	AR	
37	507278	O-RING / ORS FITTING / #4 NEO	AR	AR	AR	
38	507279	O-RING / ORS FITTING / #8 NEO	AR	AR	AR	
39	507280	O-RING / ORS FITTING / #12 NEO	AR	AR	AR	
40	507344	O-RING / ORS FITTING / #10 NEO	AR	AR	AR	
41	507345	O-RING / ORS FITTING / #16 NEO	AR	AR	AR	
42	507346	O-RING / ORS FITTING / #24 NEO	AR	AR	AR	
43	507359	SWIVEL NUT ELBOW 45° / JIC 37° FITTING / #12JIC-Mx#12JIC-F STL	AR	AR	AR	
44	950087	VALVE REFRIGERANT SOLENOID	AR	AR	AR	
45	950221	VALVE, EXPANSION / DRIVER'S W/R134A	AR	AR	AR	
46	453544	MOISTURE INDICATOR ASSY / W/A/C PARCEL RACK	AR	AR	AR	
47	950241	ELEMENT POWER R134A	AR	AR	AR	
48	453555	HOSE ASSY / #10 245MM	AR	AR	AR	
. NS	507344	. O-RING / ORS FITTING / #10 NEO	2	2	2	
48	455256	HOSE ASSY / #10 245MM	AR	AR	AR	S
. NS	507344	. O-RING / ORS FITTING / #10 NEO	2	2	2	S
49	453557	HOSE ASSY / #6 2315MM	AR	AR	AR	
. NS	507278	. O-RING / ORS FITTING / #4 NEO	2	2	2	
49	455257	HOSE ASSY / #6 2315MM	AR	AR	AR	S
. NS	507278	. O-RING / ORS FITTING / #4 NEO	2	2	2	S
50	453558	HOSE ASSY / #10 2240MM	AR	AR	AR	
. NS	507344	. O-RING / ORS FITTING / #10 NEO	2	2	2	
50	455258	HOSE ASSY / #10 2240MM	AR	AR	AR	S
. NS	507344	. O-RING / ORS FITTING / #10 NEO	2	2	2	S
51	950256	HOSE ASSY / W/R-134a / #16 1096MM / SS BELLOW	AR	AR	AR	
52	453716	HOSE ASSY / DISCHARGE W/R-134a / #16 533MM / SS BELLOW	AR	AR	AR	
53	507544	SWIVEL NUT ELBOW 90° SHORT / JIC 37° FITTING/ #12JIC-Fx#12JIC-Mx1.82 STL	AR	AR	AR	

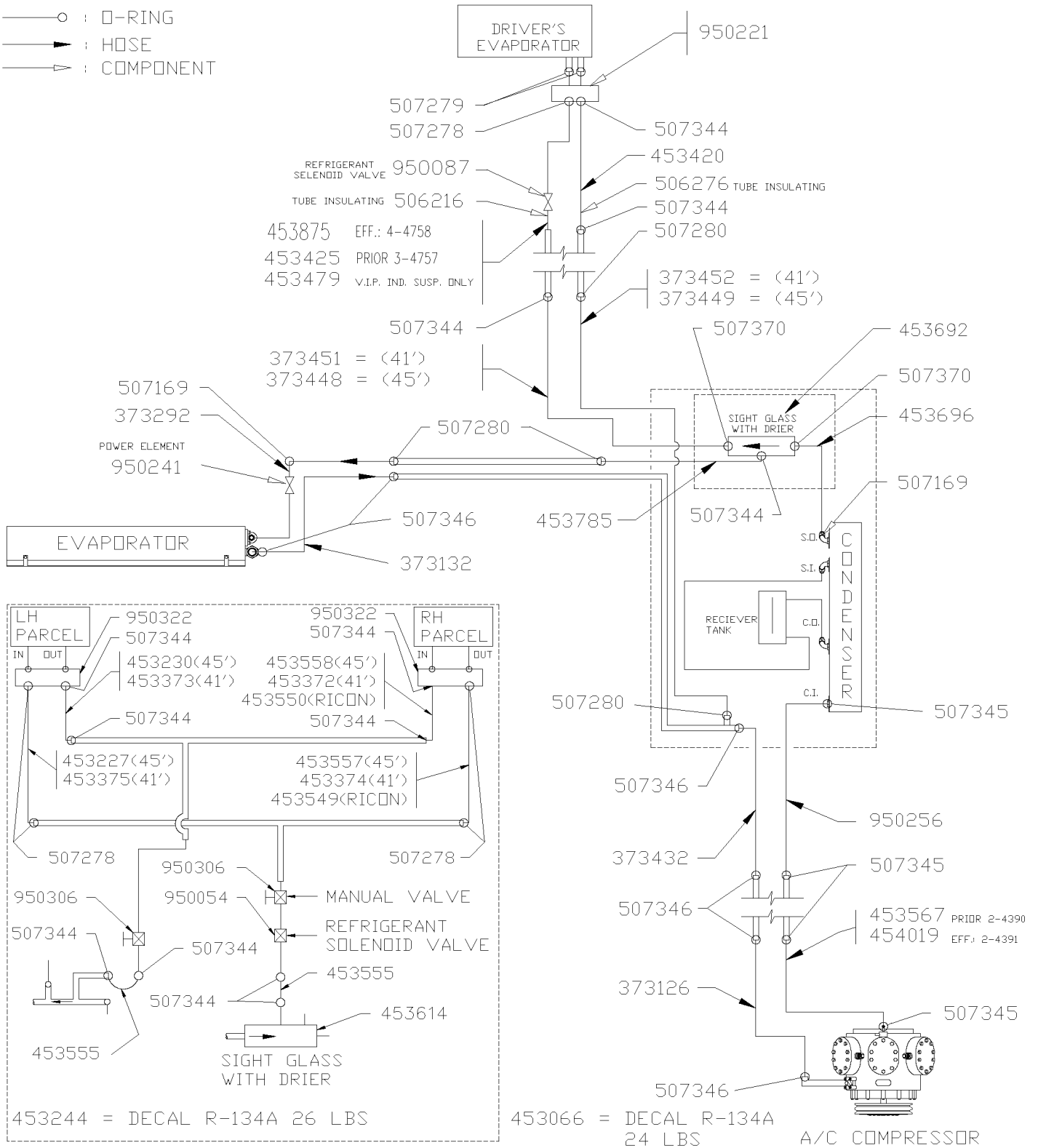
From W-2285 To 1-4274	Date:10/2022	PAGE:H3-2299-03
A/C HOSE & O-RING - W/R-134A		

Item#	Part	Description	H 3 4 1	H 3 4 5	V I P 4 5	N O T E S
54	950306	BALL VALVE MANUAL SHUT OFF A/C LINE W/SHREADER (WELDED)	AR	AR	AR	
55	950322	VALVE, EXPANSION R-134 / PARCEL-RACK	AR	AR	AR	
56	453567	HOSE ASSY / DISCHARGE W/R-134a / #16 440MM	AR	AR	AR	
58	453568	HOSE ASSY / PIPE & CONDENSOR-IN / #16 980MM	AR	AR	AR	
60	453604	HOSE ASSY / COND SUB-OUT / #12 1050MM	AR	AR	AR	
. NS	507280	. O-RING / ORS FITTING / #12 NEO	2	2	2	
60	455259	HOSE ASSY / COND SUB-OUT / #12 1050MM	AR	AR	AR	S
. NS	507280	. O-RING / ORS FITTING / #12 NEO	2	2	2	S
61	453066	DECAL R134A / NOMINAL CHARGE 24 LBS // ENGLISH & FRANCAIS	AR	AR	AR	
61	454180	DECAL R134A / NOMINAL CHARGE 24 LBS // ENGLISH & SPANISH	AR	AR	AR	
		A) WITH THIS HOSE CHANGE 45° ELBOW FOR 90° ELBOW # 507544 AT CONDENSOR WITH O-RING # 501802				
		S) SERVICE				

From 1-4275 To 2-4416	Date:10/2022	PAGE:H3-2299-04
A/C HOSE & O-RING - W/R-134A		

H3-41, H3-45 & V.I.P. 45 ONLY

- : O-RING
- : HOSE
- ▷ : COMPONENT



From 1-4275 To 2-4416	Date:10/2022	PAGE:H3-2299-04
A/C HOSE & O-RING - W/R-134A		

Item#	Part	Description	H 3 4 1	H 3 4 5	V I P 4 5	N O T E S
1	950221	VALVE, EXPANSION / DRIVER'S W/R134A	AR	AR	AR	
2	507279	O-RING / ORS FITTING / #8 NEO	AR	AR	AR	
3	507278	O-RING / ORS FITTING / #4 NEO	AR	AR	AR	
4	507344	O-RING / ORS FITTING / #10 NEO	AR	AR	AR	
5	453420	HOSE ASSY / #12 675 MM	AR	AR	AR	
. NS	507280	. O-RING / ORS FITTING / #12 NEO	1	1	1	
. NS	507344	. O-RING / ORS FITTING / #10 NEO	1	1	1	
5	455229	HOSE ASSY / #12 693 MM	AR	AR	AR	S
. NS	507280	. O-RING / ORS FITTING / #12 NEO	1	1	1	S
. NS	507344	. O-RING / ORS FITTING / #10 NEO	1	1	1	S
6	506276	PIPE INSULATING / 7/8" I.D. X 1/2" TH. X 72 / APT07812	AR	AR	AR	
7	950087	VALVE REFRIGERANT SOLENOID	AR	AR	AR	
8	506216	PIPE INSULATING / 5/8" I.D. X 1/2" TH. X 72 / APT05812	AR	AR	AR	
9	507280	O-RING / ORS FITTING / #12 NEO	AR	AR	AR	
10	453425	HOSE ASSY / #10 365 MM	AR	AR	AR	
. NS	507344	. O-RING / ORS FITTING / #10 NEO	2	2	2	
10	455231	HOSE ASSY / #10 365 MM	AR	AR	AR	S
. NS	507344	. O-RING / ORS FITTING / #10 NEO	2	2	2	S
11	453479	HOSE ASSY / #10 235MM	AR	AR	AR	
. NS	507344	. O-RING / ORS FITTING / #10 NEO	2	2	2	
11	455247	HOSE ASSY / #10 235MM	AR	AR	AR	S
. NS	507344	. O-RING / ORS FITTING / #10 NEO	2	2	2	S
12	373452	HOSE ASSY / #12 3300MM	AR	AR	AR	
. NS	507280	. O-RING / ORS FITTING / #12 NEO	2	2	2	
12	370731	HOSE ASSY / #12 3300MM	AR	AR	AR	S
. NS	507280	. O-RING / ORS FITTING / #12 NEO	2	2	2	S
13	373449	HOSE ASSY / #12 4546MM	AR	AR	AR	
. NS	507280	. O-RING / ORS FITTING / #12 NEO	2	2	2	
13	370729	HOSE ASSY / #12 4546MM	AR	AR	AR	S
. NS	507280	. O-RING / ORS FITTING / #12 NEO	2	2	2	S
16	453614	MOISTURE INDICATOR ASSY / W/A/C PARCEL RACK	AR	AR	AR	
17	373451	HOSE ASSY / #10 4570MM	AR	AR	AR	
. NS	507344	. O-RING / ORS FITTING / #10 NEO	2	2	2	
17	370730	HOSE ASSY / #10 4570MM	AR	AR	AR	S
. NS	507344	. O-RING / ORS FITTING / #10 NEO	2	2	2	S
18	373448	HOSE ASSY / #10 5606MM	AR	AR	AR	
. NS	507344	. O-RING / ORS FITTING / #10 NEO	2	2	2	
18	370728	HOSE ASSY / #10 5606MM	AR	AR	AR	S
. NS	507344	. O-RING / ORS FITTING / #10 NEO	2	2	2	S
19	507169	O-RING 1/2 I.D.	AR	AR	AR	
20	373292	HOSE ASSY /EXPANSION VALVE & TUBE / #12 590MM	AR	AR	AR	
. NS	507280	. O-RING / ORS FITTING / #12 NEO	2	2	2	

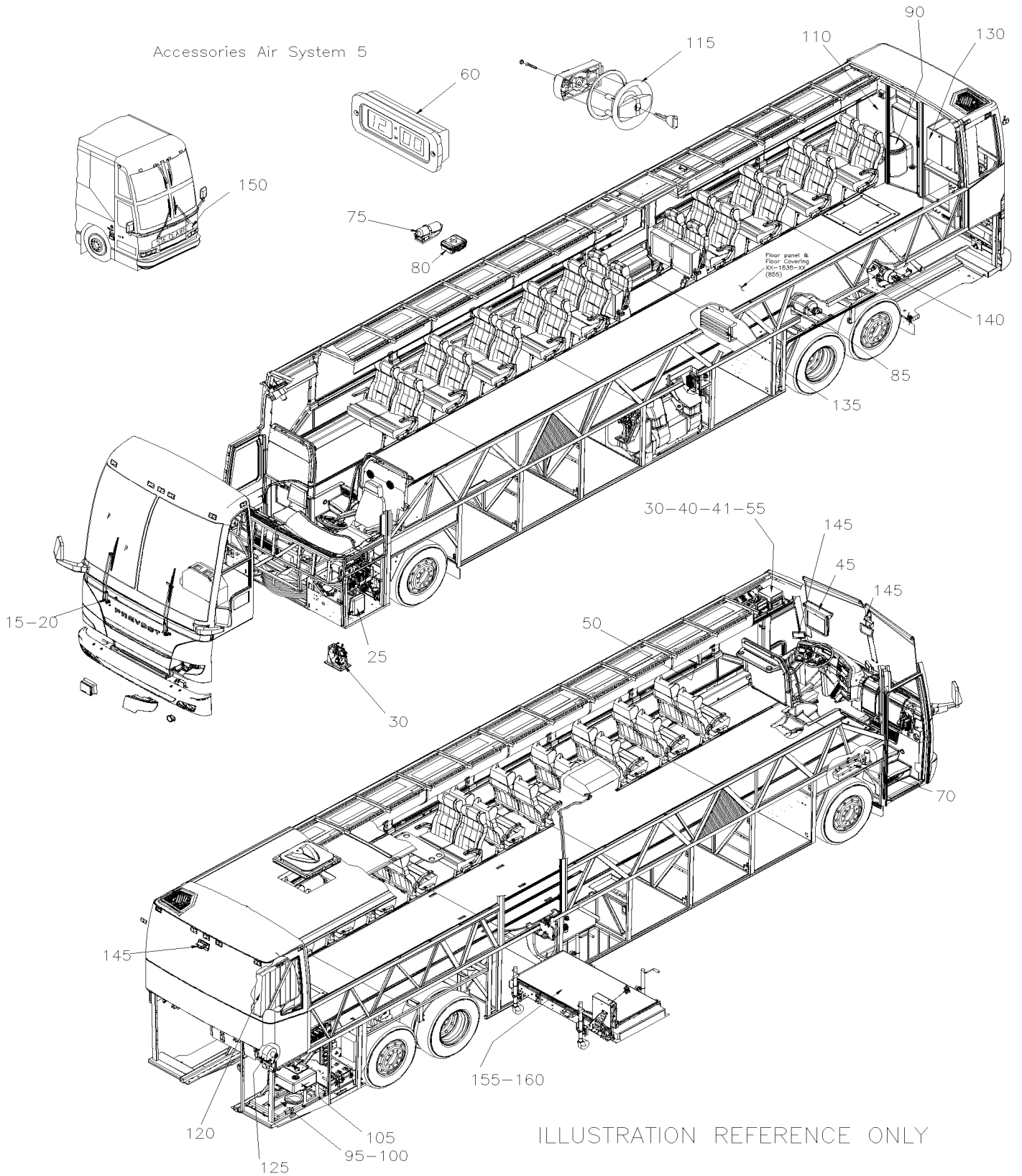
From 1-4275 To 2-4416	Date:10/2022	PAGE:H3-2299-04
A/C HOSE & O-RING - W/R-134A		

Item#	Part	Description	H 3 4 1	H 3 4 5	V I P 4 5	N O T E S
20	370725	HOSE ASSY /EXPANSION VALVE & TUBE / #12 590MM	AR	AR	AR	S
. NS	507280	. O-RING / ORS FITTING / #12 NEO	2	2	2	S
21	453696	HOSE ASSY / COND SUB-OUT / #12 1100MM	AR	AR	AR	
22	950241	ELEMENT POWER R134A	AR	AR	AR	
23	507370	O-RING #10	AR	AR	AR	
26	453785	HOSE ASSY / #12 465MM	AR	AR	AR	
. NS	507280	. O-RING / ORS FITTING / #12 NEO	2	2	2	
26	455266	HOSE ASSY / #12 465MM	AR	AR	AR	S
. NS	507280	. O-RING / ORS FITTING / #12 NEO	2	2	2	S
27	373132	HOSE ASSY /SUCTION & EVAPO.W/R-134a / #24 701MM	AR	AR	AR	
28	950322	VALVE, EXPANSION R-134 / PARCEL-RACK	AR	AR	AR	
29	453230	HOSE ASSY / #10 2240MM	AR	AR	AR	
. NS	507344	. O-RING / ORS FITTING / #10 NEO	2	2	2	
29	455205	HOSE ASSY / #10 2240MM	AR	AR	AR	S
. NS	507344	. O-RING / ORS FITTING / #10 NEO	2	2	2	S
30	453558	HOSE ASSY / #10 2240MM	AR	AR	AR	
. NS	507344	. O-RING / ORS FITTING / #10 NEO	2	2	2	
30	455258	HOSE ASSY / #10 2240MM	AR	AR	AR	S
. NS	507344	. O-RING / ORS FITTING / #10 NEO	2	2	2	S
31	453373	HOSE ASSY / #10 2800MM	AR	AR	AR	
. NS	507344	. O-RING / ORS FITTING / #10 NEO	2	2	2	
31	455215	HOSE ASSY / #10 2800MM	AR	AR	AR	S
. NS	507344	. O-RING / ORS FITTING / #10 NEO	2	2	2	S
32	453372	HOSE ASSY / #10 2400MM	AR	AR	AR	
. NS	507344	. O-RING / ORS FITTING / #10 NEO	2	2	2	
32	455214	HOSE ASSY / #10 2400MM	AR	AR	AR	S
. NS	507344	. O-RING / ORS FITTING / #10 NEO	2	2	2	S
33	453550	HOSE ASSY / #10 3385MM	AR	AR	AR	
. NS	507344	. O-RING / ORS FITTING / #10 NEO	2	2	2	
33	455255	HOSE ASSY / #10 3385MM	AR	AR	AR	S
. NS	507344	. O-RING / ORS FITTING / #10 NEO	2	2	2	S
34	453227	HOSE ASSY / #6 2315MM	AR	AR	AR	
. NS	507278	. O-RING / ORS FITTING / #4 NEO	2	2	2	
34	455203	HOSE ASSY / #6 2315MM	AR	AR	AR	S
. NS	507278	. O-RING / ORS FITTING / #4 NEO	2	2	2	S
35	453375	HOSE ASSY / #6 2800MM	AR	AR	AR	
. NS	507278	. O-RING / ORS FITTING / #4 NEO	2	2	2	
35	455217	HOSE ASSY / #6 2800MM	AR	AR	AR	S
. NS	507278	. O-RING / ORS FITTING / #4 NEO	2	2	2	S
36	453557	HOSE ASSY / #6 2315MM	AR	AR	AR	
. NS	507278	. O-RING / ORS FITTING / #4 NEO	2	2	2	
36	455257	HOSE ASSY / #6 2315MM	AR	AR	AR	S

From 1-4275 To 2-4416	Date:10/2022	PAGE:H3-2299-04
A/C HOSE & O-RING - W/R-134A		

Item#	Part	Description	H 3 4 1	H 3 4 5	V I P 4 5	N O T E S
. NS	507278	. O-RING / ORS FITTING / #4 NEO	2	2	2	S
37	453374	HOSE ASSY / #6 2400MM	AR	AR	AR	
. NS	507278	. O-RING / ORS FITTING / #4 NEO	2	2	2	
37	455216	HOSE ASSY / #6 2400MM	AR	AR	AR	S
. NS	507278	. O-RING / ORS FITTING / #4 NEO	2	2	2	S
38	453549	HOSE ASSY / #6 3435MM	AR	AR	AR	
. NS	507278	. O-RING / ORS FITTING / #4 NEO	2	2	2	
38	455254	HOSE ASSY / #6 3435MM	AR	AR	AR	S
. NS	507278	. O-RING / ORS FITTING / #4 NEO	2	2	2	S
39	507345	O-RING / ORS FITTING / #16 NEO	AR	AR	AR	
40	507346	O-RING / ORS FITTING / #24 NEO	AR	AR	AR	
41	950306	BALL VALVE MANUAL SHUT OFF A/C LINE W/SHREADER (WELDED)	AR	AR	AR	
42	453555	HOSE ASSY / #10 245MM	AR	AR	AR	
. NS	507344	. O-RING / ORS FITTING / #10 NEO	2	2	2	
42	455256	HOSE ASSY / #10 245MM	AR	AR	AR	S
. NS	507344	. O-RING / ORS FITTING / #10 NEO	2	2	2	S
43	453692	MOISTURE INDICATOR ASSY	AR	AR	AR	
44	453244	DECAL R134A / NOMINAL CHARGE 26 LBS // ENGLISH & FRANCAIS	AR	AR	AR	
44	454181	DECAL R134A / 26LBS / W/A/C PARCEL RACK / ENGLISH & SPANISH	AR	AR	AR	
45	950256	HOSE ASSY / W/R-134a / #16 1096MM / SS BELLOW	AR	AR	AR	
46	373432	HOSE ASSY / SUCTION LINE W/R-134a / #24 537MM	AR	AR	AR	
. NS	507346	. O-RING / ORS FITTING / #24 NEO	2	2	2	
47	453716	HOSE ASSY / DISCHARGE W/R-134a / #16 533MM / SS BELLOW	AR	AR	AR	
48	373126	HOSE ASSY / SUCTION W/R-134a / #24 1122MM	AR	AR	AR	
49	453066	DECAL R134A / NOMINAL CHARGE 24 LBS // ENGLISH & FRANCAIS	AR	AR	AR	
49	454180	DECAL R134A / NOMINAL CHARGE 24 LBS // ENGLISH & SPANISH	AR	AR	AR	
50	453567	HOSE ASSY / DISCHARGE W/R-134a / #16 440MM	AR	AR	AR	
51	454019	HOSE ASSY / DISCHARGE W/R-134a / #16 788MM / SS BELLOW	AR	AR	AR	
52	453875	HOSE ASSY / #10 372MM	AR	AR	AR	
. NS	507344	. O-RING / ORS FITTING / #10 NEO	1	1	1	
52	455270	HOSE ASSY / #10 372MM	AR	AR	AR	S
. NS	507344	. O-RING / ORS FITTING / #10 NEO	1	1	1	S
		S) SERVICE				

	Date:10/2022	H3-23
ACCESSORIES		



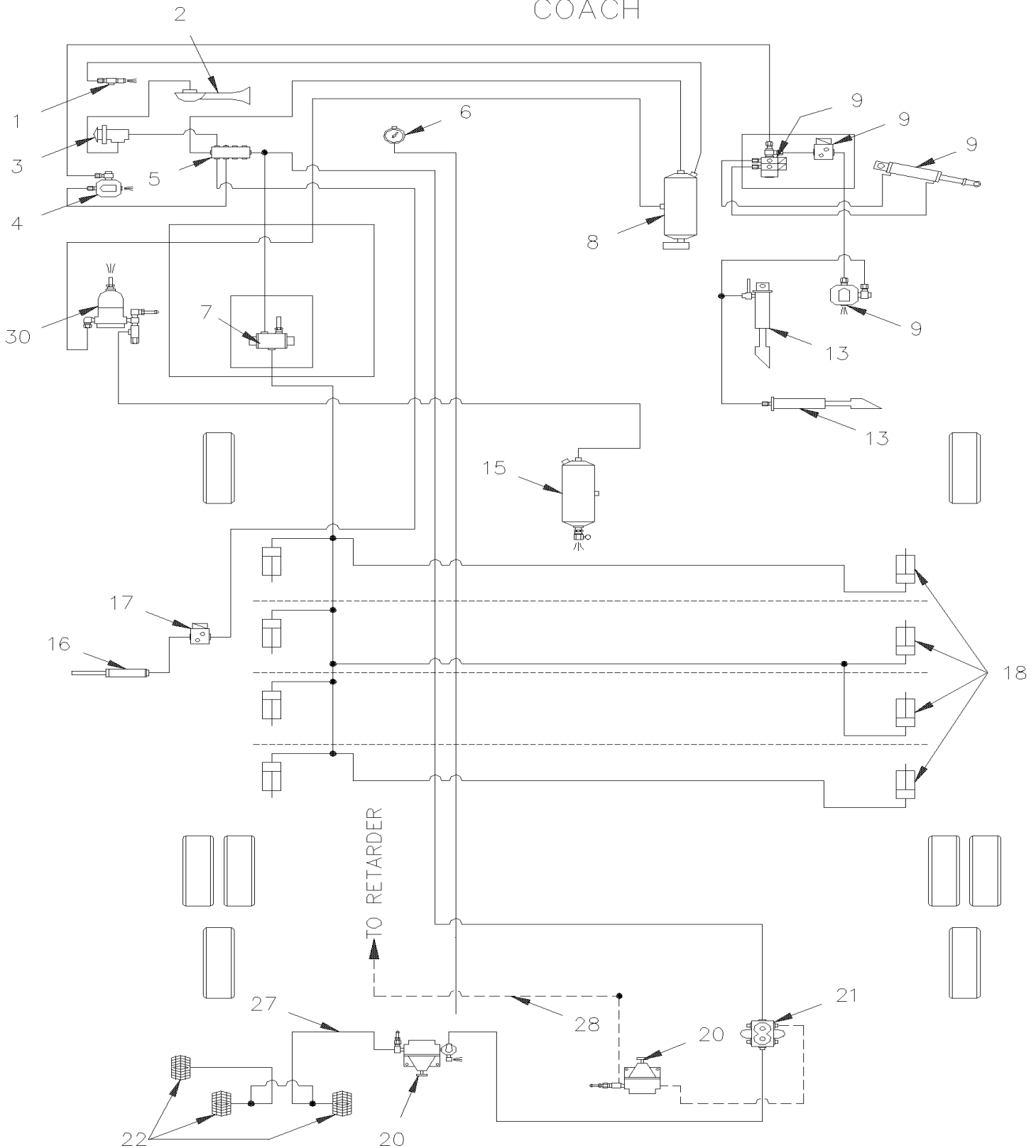
		Date:10/2022	H3-23			
ACCESSORIES						
Item#	Part	Description	H 3 4 1	H 3 4 5	V I P 4 5	N O T E S
5	H3-2300-01	ACCESSORIES AIR SYSTEM From R-012 To 2-4416				
10	H3-2300-90	"SLIDE-OUT" AIR SYSTEM REFERENCE ONLY From X-3218 To X-3218				
10	H3-2300-90	"SLIDE-OUT" AIR SYSTEM REFERENCE ONLY From Y-3622 To Y-3622				
15	H3-2305-00	LOWER WINDSHIELD WIPER From R-012 To 2-4416				
15	H3-2305-05	LOWER WINDSHIELD WIPER - INSTALLATION From R-012 To 2-4416				
20	H3-2305-10	UPPER WINDSHIELD WIPER From R-012 To 2-4416				
20	H3-2305-15	UPPER WINDSHIELD WIPER - INSTALLATION From R-012 To 2-4416				
25	H3-2305-20	WINDSHIELD WASHER - INSTALLATION From R-012 To 2-4416				
30	H3-2310-00	HORN - INSTALLATION From R-012 To 2-4416				
35	H3-2314-50	PARCEL RACK PARTS - "R.E.I." From T-1455 To W-2284				
40	H3-2315-00	SOUND SYSTEM & ACCESSORIES From R-012 To T-1454				
40	H3-2315-01	SOUND SYSTEM & ACCESSORIES From T-1455 To 2-4416				
40	H3-2315-10	SOUND SYSTEM - INSTALLATION From R-012 To T-1454				
40	H3-2315-11	BOARD UNDER FLOOR - "R.E.I." From T-1455 To 2-4416				
40	H3-2315-21	INDIVIDUAL STATIONS - "R.E.I." From T-1455 To 2-4416				
40	H3-2315-31	KARAOKE - SOUND SYSTEM - "R.E.I." From T-1455 To 1-4143				
40	H3-2315-32	SOUND SYSTEM - "KARAOKE" & DVD From 1-4144 To 2-4416				
40	H3-2315-51	POWERVERTER - 24/110 VOLTS - 1000 WATTS From R-012 To 2-4416				
40	H3-2315-52	POWERVERTER - 24/110 VOLTS - 1000 WATTS From W-2285 To 2-4416				
40	H3-2315-60	ROOF ANTENNA & VIDEO WIRING DIAGRAM From R-012 To T-1454				
40	H3-2315-61	ROOF ANTENNA & WIRING "R.E.I." From T-1455 To 2-4416				
40	H3-2315-99	SUBWOOFER - INSTALLATION / RETROFIT From T-1455 To 2-4416				
41	H3-2316-00	DRIVER'S ACCESSORIES - "R.E.I." From T-1455 To W-2284				
41	H3-2316-50	MAIN HARNESS - "R.E.I." From T-1455 To W-2284				
41	H3-2316-60	CABLES - "R.E.I." From R-012 To W-2284				
45	H3-2317-01	FRONT MONITOR - VIDEO From R-012 To T-1454				
45	H3-2317-02	FRONT MONITOR - VIDEO - "R.E.I." From T-1455 To 2-4416				
50	H3-2317-11	SIDE MONITOR - VIDEO From R-012 To T-1454				
50	H3-2317-12	SIDE MONITOR - VIDEO - "R.E.I." From T-1455 To 2-4416				
55	H3-2317-20	VIDEO VHS PLAYER - INSTALLATION From R-012 To T-1454				
55	H3-2317-21	VIDEO VHS PLAYER - INSTALLATION "R.E.I." From T-1455 To 2-4416				
55	H3-2317-99	VIDEO & AUDIO SYSTEM - INSTALLATION / RETROFIT From T-1455 To 2-4416				
60	H3-2318-00	CLOCK (DIGITAL) From R-012 To 2-4416				
70	H3-2320-00	JACK & FLARE KIT - INSTALLATION From R-012 To 2-4416				
75	H3-2320-30	EXTINGUISHER - INSTALLATION From R-012 To 2-4416				
80	H3-2320-40	FIRST AID KIT & AXE - INSTALLATION From R-012 To 2-4416				
85	H3-2320-99	FIRE PROTECTION SYSTEM INST / "RETROFIT" From R-012 To 2-4416				
90	H3-2325-00	LAVATORY - ACCESSORIES From R-012 To 2-4416				
95	H3-2326-00	TOILET PUMP ASSY From R-012 To 2-4416				
100	H3-2327-00	SUMP TANK - S/S From R-012 To T-1571				
100	H3-2327-01	SUMP TANK - PLASTIC 30 GALLONS From T-1572 To 2-4416				
105	H3-2327-10	SUMP TANK - AUXILIARY 13 GALLONS From W-2285 To 2-4416				

		Date:10/2022	H3-23			
ACCESSORIES						
Item#	Part	Description	H 3 4 1	H 3 4 5	V I P 4 5	N O T E S
110	H3-2328-00	LAVATORY WALL - INSTALLATION From R-012 To 2-4416				
115	H3-2329-00	LAVATORY DOOR LOCK & SWITCH From R-012 To 2-4416				
120	H3-2330-00	WATER & SUMP TANK - INSTALLATION From R-012 To 2-4416				
125	H3-2337-00	LAVATORY FAN - INSTALLATION From R-012 To V-1658				
125	H3-2337-01	LAVATORY FAN - INSTALLATION From V-1659 To W-2284				
125	H3-2337-02	LAVATORY FAN - INSTALLATION From W-2285 To 2-4416				
130	H3-2345-00	GALLEY ASSY From R-012 To 2-4416				
130	H3-2345-10	GALLEY ACCESSORIES From R-012 To 2-4416				
135	H3-2345-40	POWERVERTER - 24/110 VOLTS - 1800 WATTS From R-012 To 2-4416				
136	H3-2345-99	110 VOLT - OUTLET / "RETROFIT" From R-012 To 2-4416				
140	H3-2350-11	WATER HEATER - INSTALLATION From R-012 To 2-4416				
140	H3-WEBASTO-00	RETROFIT WATER HEATER INSTALLATION INSTALLATION 100,000 BTU From R-012 To 2-4416				
145	H3-2355-01	BACK-UP CAMERA - INSTALLATION From R-012 To 2-4416				
145	H3-2355-10	FRONT CAMERA - INSTALLATION From W-2285 To 2-4416				
145	H3-2355-20	FRONT MONITOR BACK-UP - INSTALLATION From R-012 To 2-4416				
150	H3-2360-00	MONOGRAM ASSY & LETTERS From R-012 To 2-4416				
155	H3-2370-00	W.C.L. "ST & ST" - PUMP INSTALLATION From S-128 To 2-4416				
155	H3-2370-05	W.C.L. "ST & ST" - MODEL SSPL 660 LTA From S-128 To 2-4416				
155	H3-2370-10	W.C.L. - DECAL From S-128 To 2-4416				
155	H3-2370-15	W.C.L. "ST" & "ST" ACCESSORIES From S-128 To 2-4416				
155	H3-2370-20	W.C.L. SEAT BELTS From R-012 To 2-4416				
160	H3-2380-00	W.C.L. "RICON" - INSTALLATION MODEL "F9A" From T-1423 To 2-4416				
160	H3-2380-05	W.C.L. "RICON" MODEL "F9A" From T-1423 To 2-4416				
160	H3-2380-10	W.C.L. "RICON" - LIFT ENCLOSURE ASSY MODEL "F9A" From T-1423 To 2-4416				
160	H3-2380-20	W.C.L. "RICON" - PLATFORM ASSY MODEL "F9A" From T-1423 To 2-4416				
160	H3-2380-30	W.C.L. "RICON" - TRAVELING FRAME ASSY MODEL "F9A" From T-1423 To 2-4416				
160	H3-2380-40	W.C.L. "RICON" - CARRIAGE ASSY MODEL "F9A" From T-1423 To 2-4416				
160	H3-2380-50	W.C.L. "RICON" - BRIDGE PLATE ASSY 9" MODEL "F9A" From T-1423 To 2-4416				
160	H3-2380-60	W.C.L. "RICON" - PUMP INSTALLATION MODEL "F9A" From T-1423 To 2-4416				
160	H3-2380-65	W.C.L. "RICON" - PUMP ASSY MODEL "F9A" From T-1423 To 2-4416				
170	H3-2390-00	"SLIDE-OUT" LOCKING PIN & SEAL REFERENCE ONLY From X-3218 To X-3218				
170	H3-2390-00	"SLIDE-OUT" LOCKING PIN & SEAL REFERENCE ONLY From Y-3622 To Y-3622				
170	H3-2390-10	"SLIDE-OUT" AIR CONTROL PANEL REFERENCE ONLY From X-3218 To X-3218				
170	H3-2390-10	"SLIDE-OUT" AIR CONTROL PANEL REFERENCE ONLY From Y-3622 To Y-3622				
170	H3-2390-20	"SLIDE-OUT" - FRONT MECHANISM - INSTALLATION REFERENCE ONLY From X-3218 To X-3218				
170	H3-2390-20	"SLIDE-OUT" - FRONT MECHANISM - INSTALLATION REFERENCE ONLY From Y-3622 To Y-3622				
170	H3-2390-30	"SLIDE-OUT" - REAR MECHANISM - INSTALLATION REFERENCE ONLY From X-3218 To X-3218				
170	H3-2390-30	"SLIDE-OUT" - REAR MECHANISM - INSTALLATION REFERENCE ONLY From Y-3622 To Y-3622				
170	H3-2390-40	"SLIDE-OUT" - BED SUPPORT REFERENCE ONLY From X-3218 To X-3218				
170	H3-2390-40	"SLIDE-OUT" - BED SUPPORT REFERENCE ONLY From Y-3622 To Y-3622				
170	H3-2390-50	"SLIDE-OUT" - INSTALLATION REFERENCE ONLY From X-3218 To X-3218				
170	H3-2390-50	"SLIDE-OUT" - INSTALLATION REFERENCE ONLY From Y-3622 To Y-3622				

		Date:10/2022	H3-23			
ACCESSORIES						
Item#	Part	Description	H 3 4 1	H 3 4 5	V I P 4 5	N O T E S
170	H3-2390-70	"SLIDE-OUT" - CYLINDER LOCK PIN ASSY REFERENCE ONLY From X-3218 To X-3218				
170	H3-2390-70	"SLIDE-OUT" - CYLINDER LOCK PIN ASSY REFERENCE ONLY From Y-3622 To Y-3622				

From R-012 To 2-4416	Date:10/2022	PAGE:H3-2300-01
ACCESSORIES AIR SYSTEM		

COACH



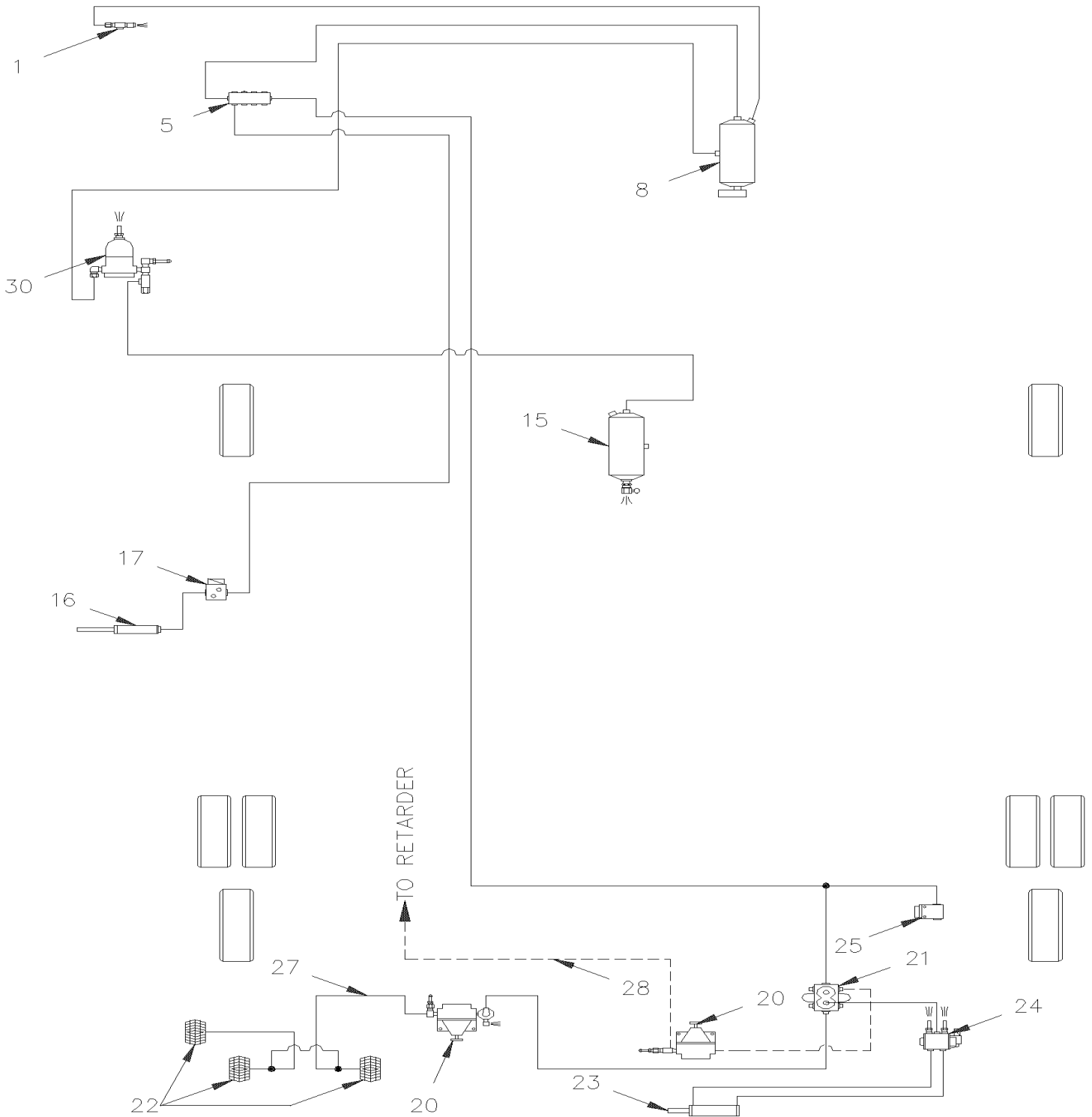
From R-012 To 2-4416

Date:10/2022

PAGE:H3-2300-01

ACCESSORIES AIR SYSTEM

V.I.P.



From R-012 To 2-4416	Date:10/2022	PAGE:H3-2300-01
ACCESSORIES AIR SYSTEM		

Item#	Part	Description	H 3 4 1	H 3 4 5	V I P 4 5	N O T E S
1	501354	NEEDLE VALVE 1/8 NPT M x 1/8 NPT F	1	1	1	
2	640093	HORN AIR	1	1		
3	640128	VALVE HORN HV-3 To W-2284	1	1		
3	562804	VALVE, 2 WAYS N.C. From W-2285	1	1	1	
. NS	562848	. CONNECTOR / SOCKET HOUSING ASSY 3C / PNEUMAC 54933-05 From W-2285	1	1	1	
4	5011013	VALVE, 4 WAYS CONTROL To V-1756	1	1		A
4	641417	VALVE, 3 WAYS 1/8NPT-Fx1/8NPT-Fx1/8NPT-F BR From V-1757	1	1		B
. NS	642014	. HANDLE / RED From V-1757	1	1		B
4	642161	VALVE, 3 WAYS 1/8NPT-Fx1/8NPT-Fx1/8NPT-F BR / SERVICE From V-1757	1	1		B
. NS	642014	. HANDLE / RED From V-1757	1	1		B
5	141190	MANIFOLD, BLOCK / UNDER DRIVER'S FLOOR To W-2284	1	1	1	
5	641415	MANIFOLD / PUSH-IN FITTING / 2x#6 / 4x#4 PLAS From W-2285	1	1	1	
7	641316	VALVE, 3 WAYS, 2 POSITIONS / 2 SOLENOID To X-3238	1	1		
7	641530	VALVE, 3 WAYS, 2 POSITIONS / 2 SOLENOIDS From X-3239	1	1		
. NS	641929	. COIL 24V From X-3239	1	1		
. NS	641169	. SPOOL From X-3239	1	1		
. NS	641385	. CONNECTOR / SOCKET HOUSING ASSY 3C / PNEUMAC 54934-01 From X-3239	1	1		
8	140869	AIR TANK / 1791 IN° / 9 1/2" O.D. X 27"	1	1	1	
9	H3-1802-00	ENTRANCE DOOR CONTROL To S-137				
9	H3-1802-01	ENTRANCE DOOR CONTROL From S-138 To W-2284				
9	H3-1802-02	ENTRANCE DOOR CONTROL From W-2285				
12	5011013	VALVE, 4 WAYS CONTROL To V-1756	1	1	1	
12	641417	VALVE, 3 WAYS 1/8NPT-Fx1/8NPT-Fx1/8NPT-F BR From V-1757	1	1	1	
. NS	642014	. HANDLE / RED From V-1757	1	1	1	
12	642161	VALVE, 3 WAYS 1/8NPT-Fx1/8NPT-Fx1/8NPT-F BR / SERVICE From V-1757	1	1	1	
. NS	642014	. HANDLE / RED From V-1757	1	1	1	
13	H3-1862-10	ENTRANCE DOOR ASSY - "SEDAN"				
15	140869	AIR TANK / 1791 IN° / 9 1/2" O.D. X 27"	1	1	1	
16	H3-2215-01	EVAPORATOR & DAMPER CONTROL COMPONENTS				
17	H3-2207-01	WATER VALVE "VERSADRIVE"				
18	780351	HANDLE ASSY / W/AIR CYLINDER TYPE "PS"	8	8		
19	020422	CYLINDER ASSY / BLACK PAINTED	1	1		
20	640938	AIR PRESSURE REGULATOR To W-2291	1	1		
20	641437	AIR PRESSURE REGULATOR 1/4" NPT / PLASTIC From W-2292 To X-2672	1	1		
20	641472	AIR PRESSURE REGULATOR 1/4" NPT / COPPER From X-2673	1	1		
21	640055	MANIFOLD / PIPE FITTING / 7 PORTS 1/4NPT-F STL	1	1	1	
22	950208	BELLOW ASSY / BELT TENSIONER / 3" O.D.	3	3	3	
. NS	504695	. HOSE CLAMP STEPLESS SPRING SS / OETIKER / 2.9-3.3	1	1	1	
23	990224	AIR CYLINDER / BACK-UP CAMERA			1	
24	641317	VALVE, 4 WAYS, 2 POSITIONS To X-3238			1	C
NS	641212	SILENCER / MUFFLER / 1/4NPT-M	1	1	1	
24	641527	VALVE, 4 WAYS, 2 POSITIONS From X-3239			1	

From R-012 To 2-4416	Date:10/2022	PAGE:H3-2300-01
ACCESSORIES AIR SYSTEM		

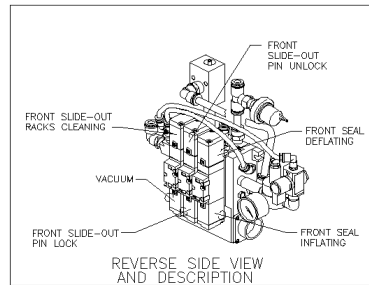
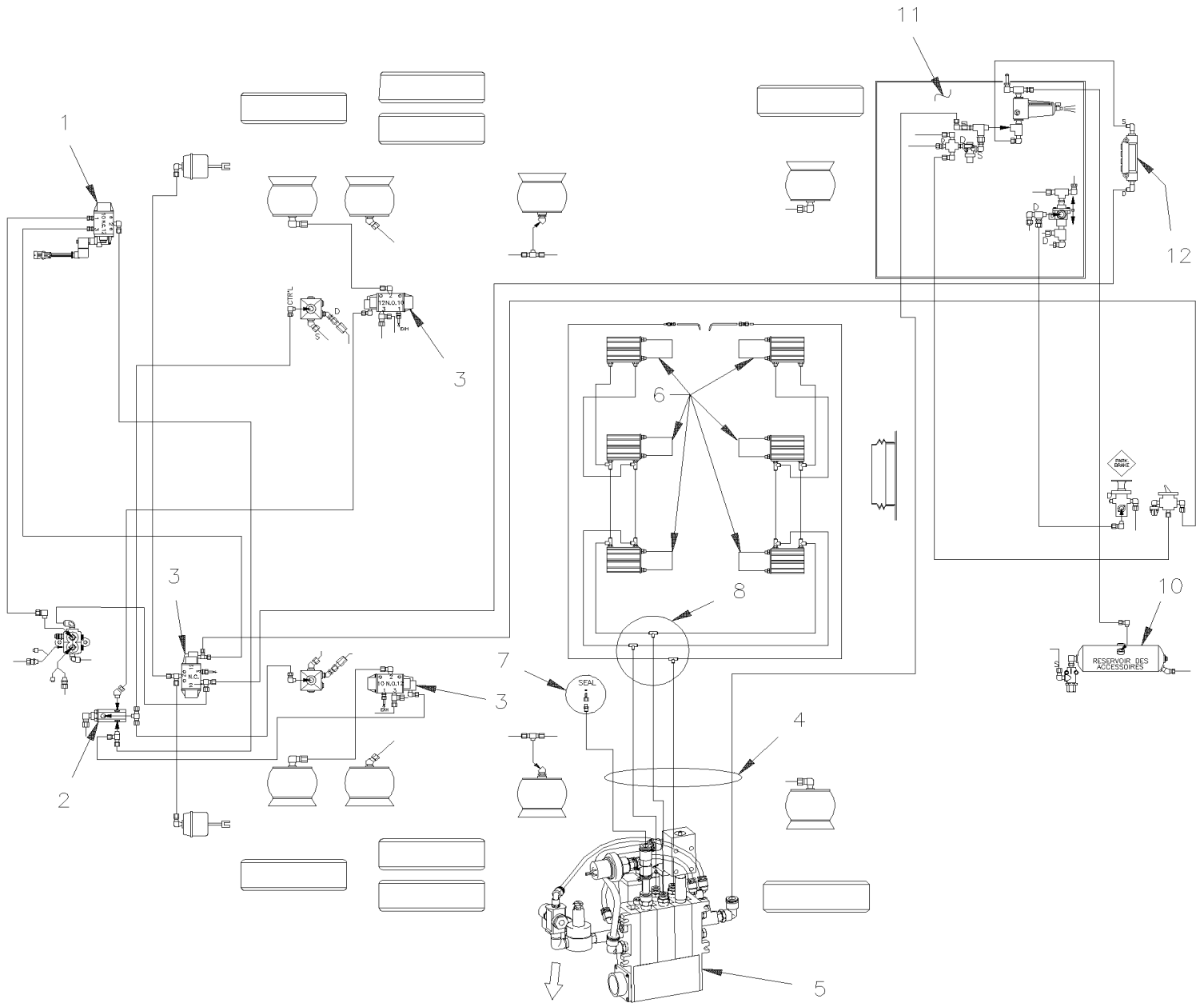
Item#	Part	Description	H 3 4 1	H 3 4 5	V I P 4 5	N O T E S
. NS	641929	. COIL 24V From X-3239			1	
. NS	641186	. SPOOL From X-3239			1	
. NS	641385	. CONNECTOR / SOCKET HOUSING ASSY 3C / PNEUMAC 54934-01 From X-3239			1	
27	052041	HOSE ASSY TEFLON #4 1230MM	1	1	1	
28	140376	HOSE ASSY TEFLON #6 686MM	1	1	1	D
29	010619	HOSE ASSY TEFLON #6 1240MM	1	1		E
30	H3-1220-15	AIR FILTER - ACCESSORIES To S-274				
30	H3-1220-16	AIR FILTER - ACCESSORIES From S-275				
		A) EMERGENCY				
		B) MANUAL EMERGENCY (H3-1802-00, 01, 02)				
		C) BACK-UP CAMERA				
		D) RETARDER				
		E) SERVO CLUTCH				

From X-3218 To X-3218

Date:10/2022

PAGE:H3-2300-90

"SLIDE-OUT" AIR SYSTEM REFERENCE ONLY

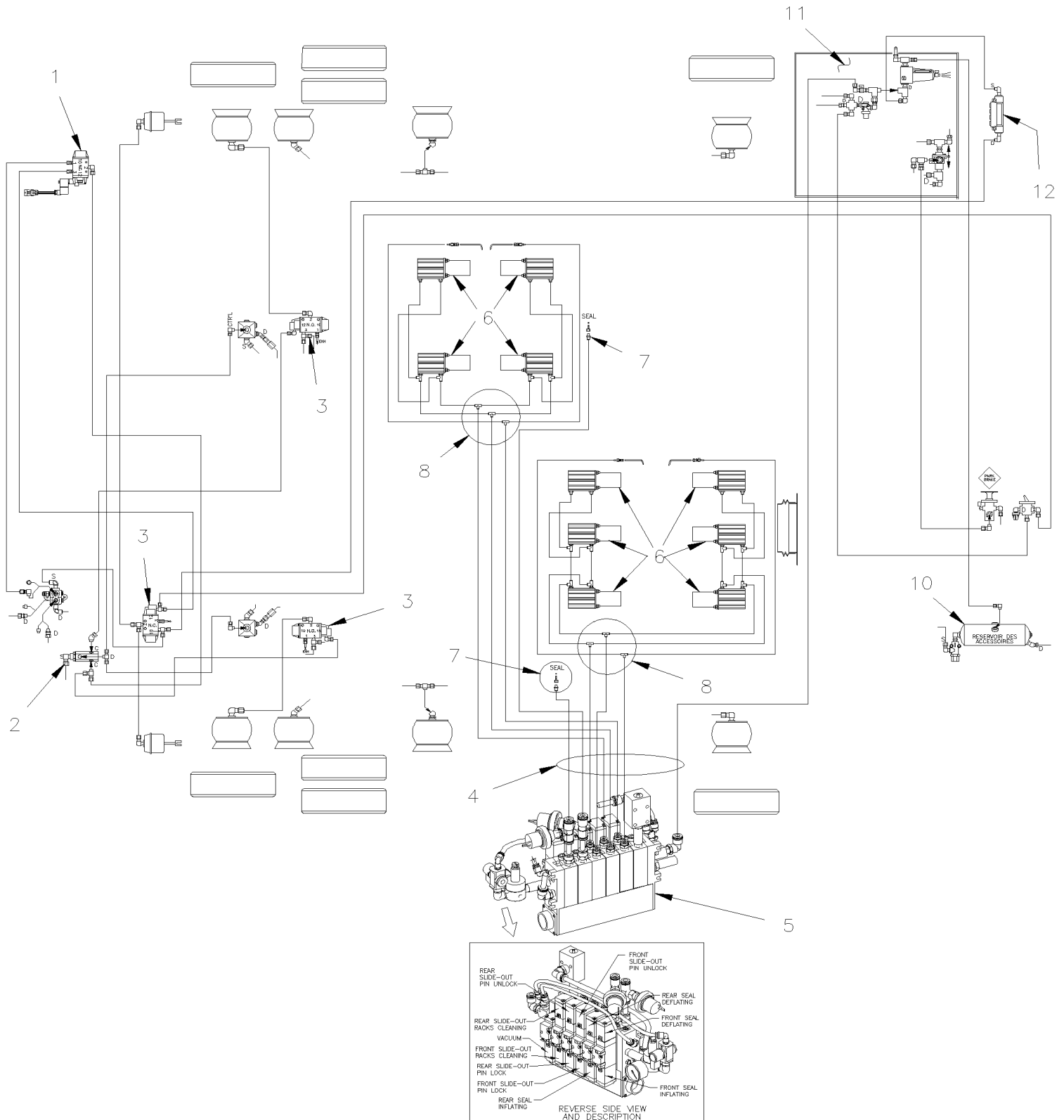


From X-3218 To X-3218

Date:10/2022

PAGE:H3-2300-90

"SLIDE-OUT" AIR SYSTEM REFERENCE ONLY



From X-3218 To X-3218	Date:10/2022	PAGE:H3-2300-90
"SLIDE-OUT" AIR SYSTEM REFERENCE ONLY		

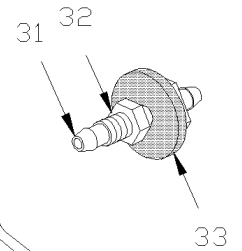
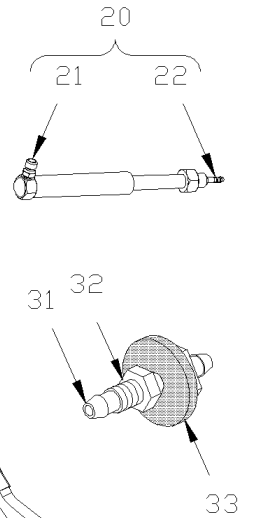
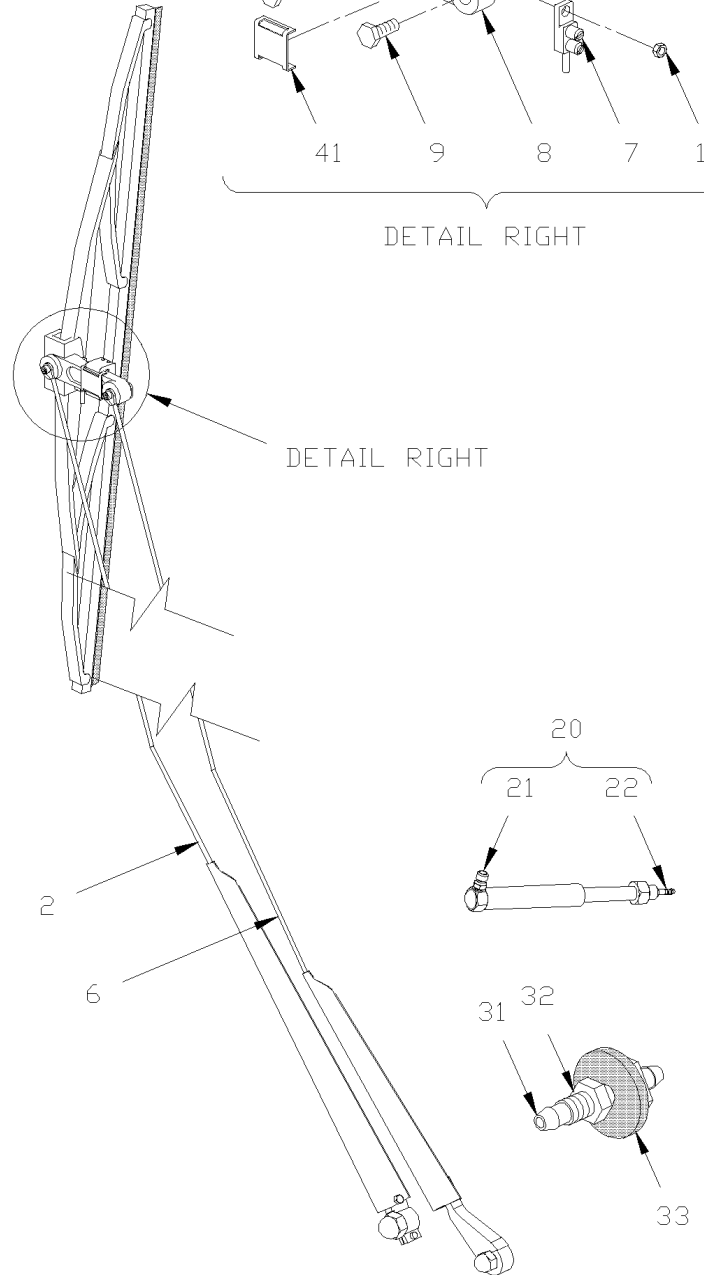
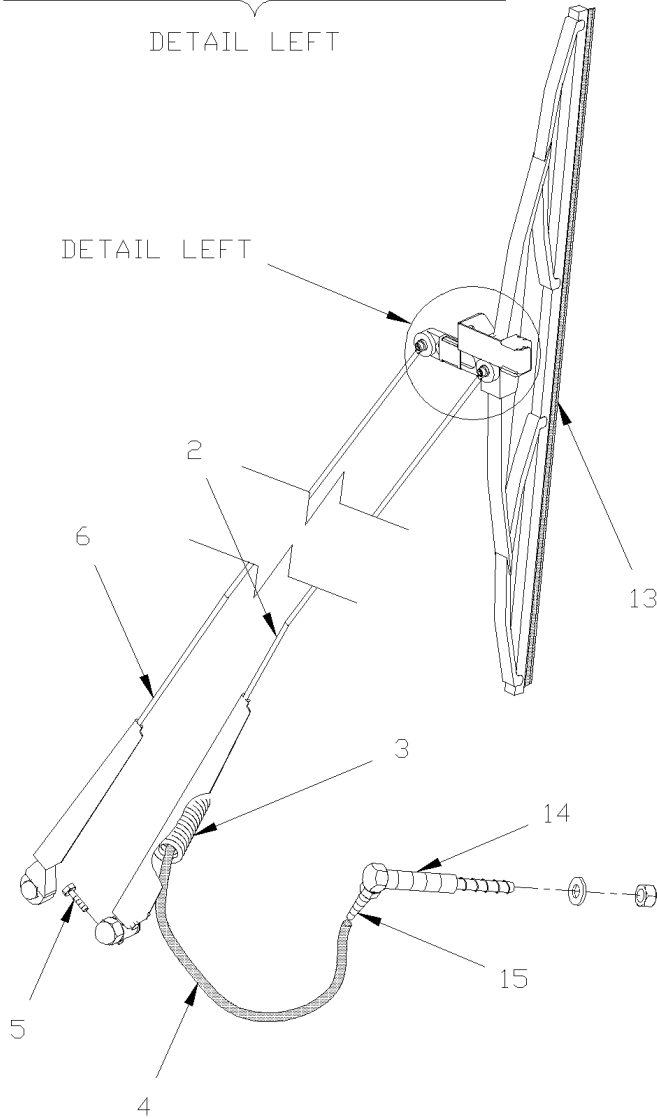
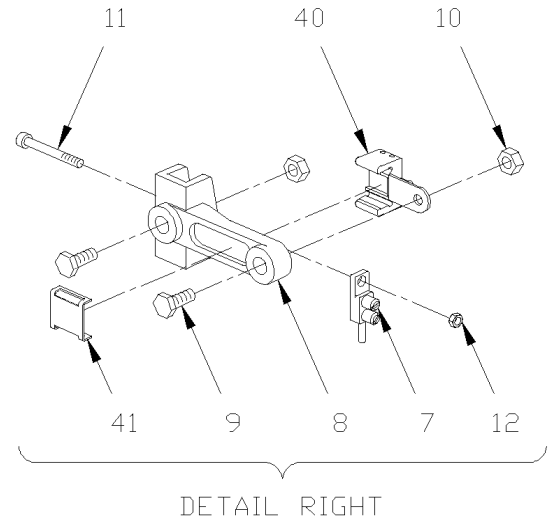
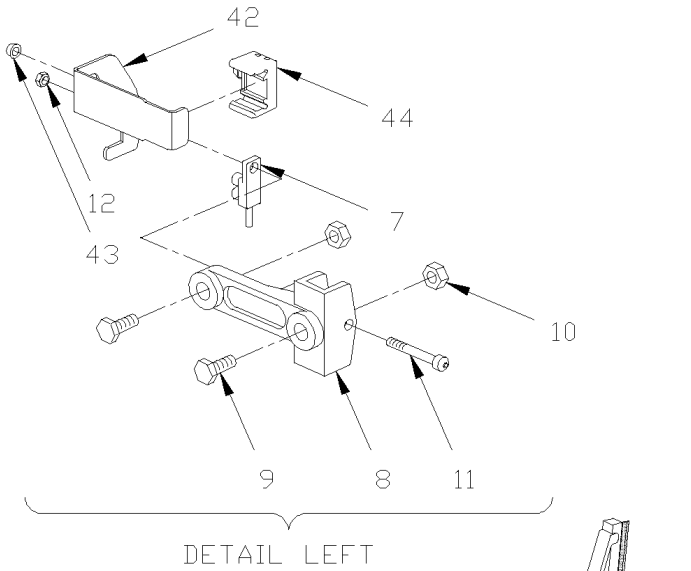
Item#	Part	Description	H 3 4 1	H 3 4 5	V I P 4 5	N O T E S
1	641937	VALVE, 3 WAYS, 2 POSITIONS N.C. / W/MAN OVERRIDE			1	
. NS	641929	. COIL 24V			1	
. NS	641385	. CONNECTOR / SOCKET HOUSING ASSY 3C / PNEUMAC 54934-01			1	
2	640442	VALVE, INVERSION TR-2			1	
3	641274	VALVE, 3 WAYS, 2 POSITIONS N.C.			3	
4	H3-1202-00	TUBES PLASTIC / AIR D.O.T.				
5	H3-2390-10	"SLIDE-OUT" AIR CONTROL PANEL REFERENCE ONLY				
6	H3-2390-70	"SLIDE-OUT" - CYLINDER LOCK PIN ASSY REFERENCE ONLY				
7	H3-2390-00	"SLIDE-OUT" LOCKING PIN & SEAL REFERENCE ONLY				
8	641955	UNION TEE / PUSH-IN FITTING / #4x#4x#4 BR			AR	
9	642015	VALVE / SPRING BRAKE SR-7			2	
10	140868	AIR TANK / W/END LOWER DRAIN 1228 IN° / 8" O.D. X 26"			1	
11	H3-1260-00	VALVE SUPPORT ASSY				
12	641897	MANIFOLD / PUSH-IN FITTING / 2x#6 / 4x#4 PLAS			1	
12	641415	MANIFOLD / PUSH-IN FITTING / 2x#6 / 4x#4 PLAS			1	

From R-012 To 2-4416

Date:10/2022

PAGE:H3-2305-00

LOWER WINDSHIELD WIPER



From R-012 To 2-4416	Date:10/2022	PAGE:H3-2305-00
LOWER WINDSHIELD WIPER		

Item#	Part	Description	H 3 4 1	H 3 4 5	V I P 4 5	N O T E S
	800283	WIPER ARM ASSY 33" C/C / W/PLASTIC LINK ("H" MODEL)	2	2	2	
2	800310	. WIPER ARM / MAIN 33" C/C	1	1	1	
3	800312	. . SPRING EXTENSION / .528 O.D. x 5.41 x .118	1	1	1	
4	300292	. . HOSE #2 54" To 2-4375	AR	AR	AR	
4	300106	. . HOSE #2 30" To 2-4375	1	1	1	
4	300250	. . HOSE #2 33" To 2-4375	1	1	1	
4	300107	. . HOSE #2 42" To 2-4375	1	1	1	
4	300269	. . HOSE #2 50" To 2-4375	1	1	1	
4	800227	. . HOSE WINDSHIELD WASHER WIPER ARM 100 FT To 2-4375	1	1	1	
4	503696	. . HOSE 1/8" I.D From 2-4376	AR	AR	AR	A
5	10539188	. . SCREW CAP HEX 1/4-28x1 G8 BK	1	1	1	
6	800313	. WIPER ARM / IDLER 33" C/C	1	1	1	
7	800318	. NOZZLE, WINDSHIELD WASHER To 2-4375	1	1	1	
8	800308	. LINK ASSY	1	1	1	
9	800243	. SCREW SHR CAP HEX 1/4x33/64{10-32	2	2	2	
10	500423	. NUT HEX NYRT #10-32 SS	2	2	2	
11	800309	. SCREW #10-32x.390 SS	1	1	1	
12	500423	. NUT HEX NYRT #10-32 SS	1	1	1	
13	800284	WIPER BLADE ASSY 22"	1	1	1	
. NS	800383	. RUBBER BLADE REFILL / (ONLY) WIPER REFILL 22"	1	1	1	
13	191104	WIPER BLADE ASSY 22" ALTERNATIVE PART	1	1	1	
. NS	800316	. RUBBER BLADE REFILL / (ONLY) WIPER REFILL 22"	1	1	1	
. NS	800180	. CLIP / RETAINER END	2	2	2	
14	800266	ADAPTOR ASSY 90 DEG / #2 TO #2 WET ARM To W-2141	2	2	2	B
14	800321	ADAPTOR ASSY 90 DEG / #3 TO #2 WET ARM From W-2142 To 2-4375	2	2	2	
15	800317	. ADAPTOR HOSE #2 (ALUMINUM)	1	1	1	
20	800319	NOZZLE, WINDSHIELD WASHER ASSY / FIX ON BODY To 2-4375	2	2	2	
21	800323	. JET To 2-4375	1	1	1	
22	500699	. NUT HEX 5/16-24 Z050 To 2-4375	1	1	1	
31	300469	ADAPTOR HOSE #3 / WET ARM M8-1.25 x 44MM From 2-4376	2	2	2	
32	5001188	NUT HEX M8-1.25 SS From 2-4376	2	2	2	
33	502820	WASHER FL .187x1.000x.125 RUB BK	2	2	2	
40	300474	. NOZZLE, WINDSHIELD WASHER / "BOSCH" / MODIFIED From 2-4376	2	2	2	A
40	800330	. . NOZZLE, WINDSHIELD WASHER / "BOSCH" From 2-4376	1	1	1	
41	300473	. CLIP RETAINER / NOZZLE W/W "BOSCH" From 2-4376	1	1	1	A
42	300487	. SUPPORT NOZZLE ASSY From 2-4376	1	1	1	A
43	504529	. GROMMET / .250x.375x.062x.281x.625 From 2-4376	1	1	1	A
44	800330	NOZZLE, WINDSHIELD WASHER / "BOSCH"	1	1	1	
		A) THIS COMPONENTS ARE REQUIRE FOR USE "BOSCH" NOZZLE				

From R-012 To 2-4416	Date:10/2022	PAGE:H3-2305-00
----------------------	--------------	-----------------

LOWER WINDSHIELD WIPER

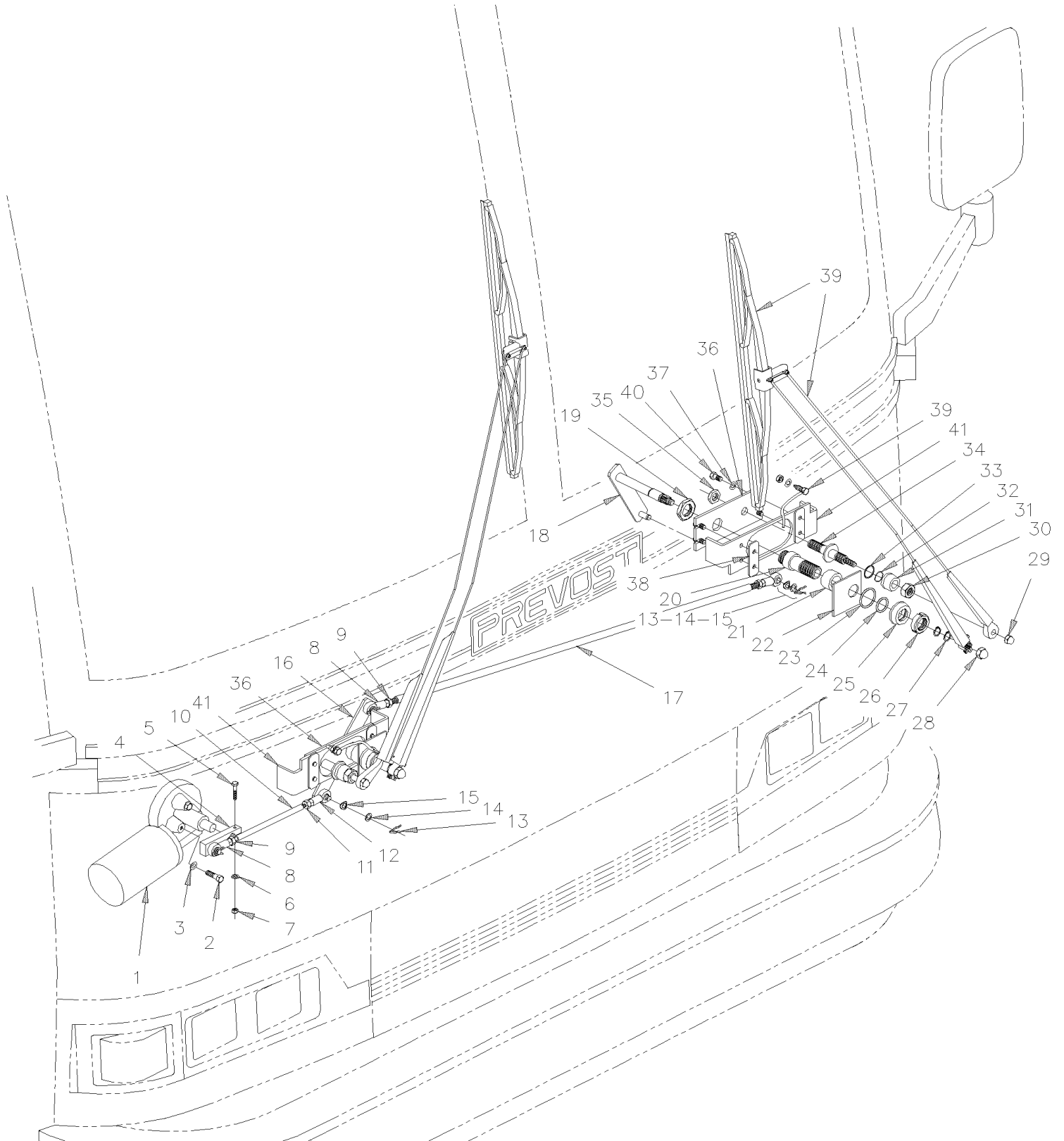
Item#	Part	Description	H 3 4 1	H 3 4 5	V I P 4 5	N O T E S
		B) FOR PRODUCT IMPROVMENT, YOU REQUIRE ONE KIT #300316				

From R-012 To 2-4416

Date:10/2022

PAGE:H3-2305-05

LOWER WINDSHIELD WIPER - INSTALLATION



From R-012 To 2-4416	Date:10/2022	PAGE:H3-2305-05
LOWER WINDSHIELD WIPER - INSTALLATION		

Item#	Part	Description	H 3 4 1	H 3 4 5	V I P 4 5	N O T E S
1	800304	MOTOR WIPER ASSY / 24V / NIDEC To 1-4203	1	1	1	A
1	800328	MOTOR WIPER ASSY / 24V / BOSCH From 1-4204	1	1	1	
2	500544	SCREW CAP HEX M8-1.25x30 G8.8 Z050 To 1-4203	3	3	3	
2	5001217	SCREW CAP HEX M8-1.25x20 G10.9 From 1-4204	3	3	3	
3	502507	WASHER LO SPT 8.1x14.8x2.0 Z050	3	3	3	
4	300184	LEVER / MOTOR	1	1	1	
5	502533	SCREW CAP HEX M6-1.0x30 G8.8 Z050	1	1	1	
6	502564	WASHER LO SPT 6.1x11.8x1.6 Z050	1	1	1	
7	502565	NUT HEX M6-1.0 SS	1	1	1	
8	502174	ROD END MALE 3/8-24 / 3/8 I.D.	3	3	3	
9	500956	NUT HEX JAM 3/8-24 Z050	3	3	3	
10	300253	ROD, W/R.H. & L.H. THREAD	1	1	1	
11	5001039	NUT HEX JAM LH 3/8-24 Z050	1	1	1	
12	502186	ROD END MALE L.H. 3/8-24-L.H./ 3/8 I.D.	1	1	1	
13	502185	PIN HAIR CUTTER .062 X 9/32	4	4	4	
14	500905	WASHER SPR WAVE .750x.015	4	4	4	
15	5001011	WASHER FL .406x.625x.040 Z050	4	4	4	
16	300186	LEVER RIGHT PIVOT	1	1	1	
17	309026	ROD, L.H. / L.H. WIPER	1	1	1	
18	300192	LEVER LEFT PIVOT	1	1	1	
NS	680739	GREASE SYNTHETIC / RED 20KG	AR	AR	AR	
19	502821	NUT HEX JAM 1 1/8-18 Z050	1	1	1	
20	300198	TUBE ASSY	2	2	2	
20	300197	. MAIN WIPER ARM THREADED TUBE	1	1	1	
NS	800125	. BUSHING 5/8" I.D. X 7/8" O.D. X 5/8" L	2	2	2	
NS	800276	V-RING	1	1	1	
21	300302	SPACER 38MM O.D.x 30MM I.D. x 12.5MM	2	2	2	
22	300199	PLATE To X-2969	2	2	2	
22	300370	WASHER / 54MM O.D.x 30MM I.D. 1/8TH AL From X-2970	1	1	1	
23	507321	O-RING 1 5/8" I.D. X 1/8"	2	2	2	
24	507320	O-RING 1 1/8" I.D. X 1/8"	2	2	2	
25	300271	SPACER	2	2	2	
26	800064	NUT SPANNER 1 1/8-18 / PLASTIC	2	2	2	
27	504512	RING RETAINER / EXT .625 x .588 x .037" / SS	2	2	2	
28	800062	NUT HEX CAP 3/8-24 BK	2	2	2	
29	800078	NUT HEX CAP 1/4-28 BK	2	2	2	
30	800079	NUT HEX 5/8-18 BK	2	2	2	
31	300301	SPACER	2	2	2	
32	507318	O-RING 5/8" I.D. X 1/16"	2	2	2	
33	507303	O-RING 1/2" I.D. FLAT FACE	2	2	2	
34	300274	SECONDARY SHAFT IDLE ARM	1	1	1	
35	502822	NUT HEX JAM THN 5/8-18x3/16 Z050	1	1	1	

From R-012 To 2-4416	Date:10/2022	PAGE:H3-2305-05
LOWER WINDSHIELD WIPER - INSTALLATION		

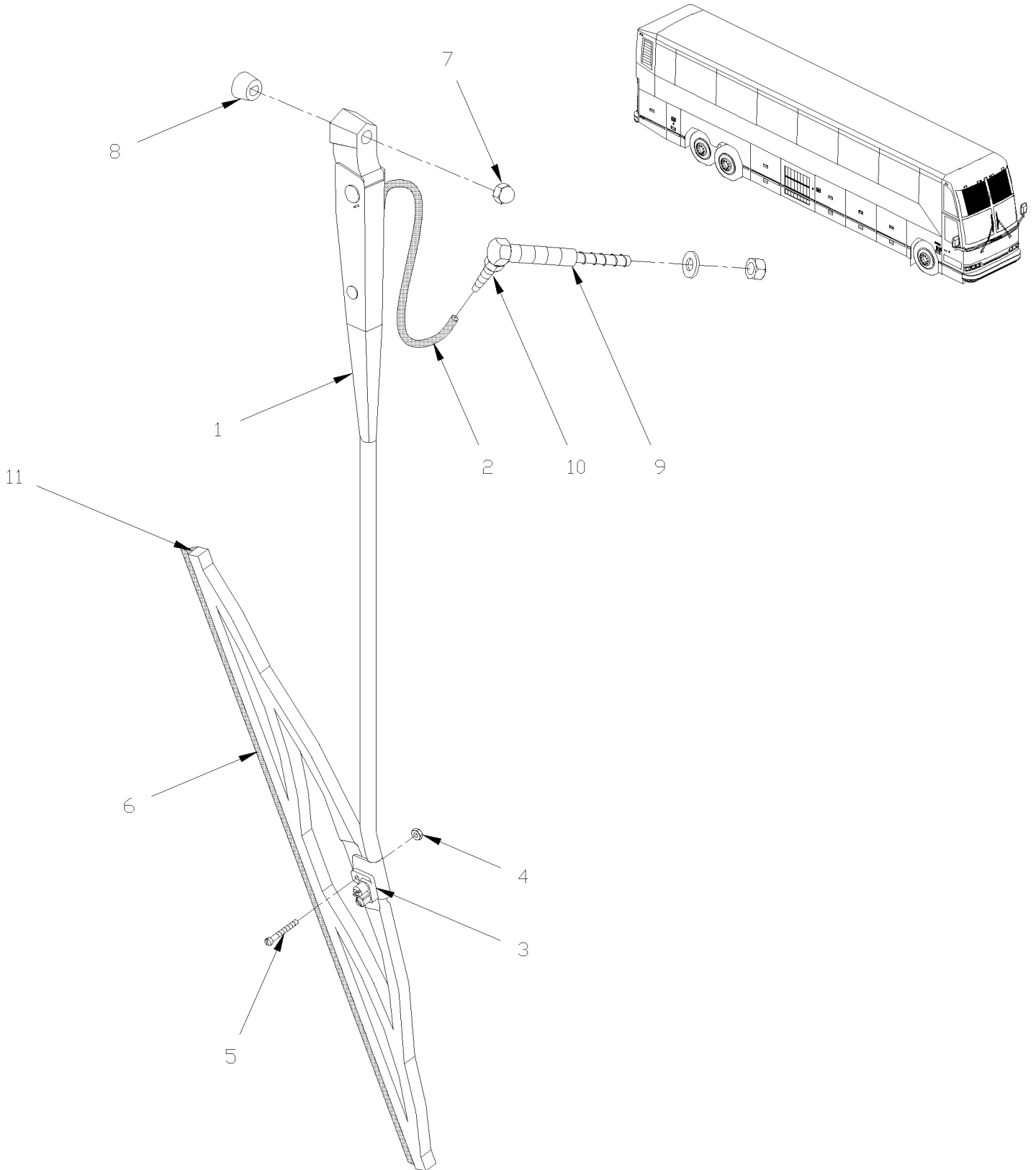
Item#	Part	Description	H 3 4 1	H 3 4 5	V I P 4 5	N O T E S
36	300208	PLATE, MOUNTING	1	1	1	
37	502583	WASHER LO SERR 8.15x22.3x1.0 Z050	8	8	8	
38	300206	PLATE, THREADED	4	4	4	
NS	300471	SPACER	AR	AR	AR	
39	H3-2305-00	LOWER WINDSHIELD WIPER				
40	502790	SCREW CAP HEX M8-1.25x20 G8.8 Z050	8	8	8	
41	250742	SUPPORT, WIPER PIVOT L.H. / (WELDED AT STRUCTURE)	1	1	1	
41	250741	SUPPORT, WIPER PIVOT R.H. / (WELDED AT STRUCTURE)	1	1	1	
NS	300506	KIT, MOTOR WIPER BOSCH	AR	AR	AR	
. NS	IS-00151A	. SEE INSTRUCTION SHEET	1	1	1	
		A) THIS MOTOR IS SUPERSEDED BY KIT #300506				

From R-012 To 2-4416

Date:10/2022

PAGE:H3-2305-10

UPPER WINDSHIELD WIPER



From R-012 To 2-4416	Date:10/2022	PAGE:H3-2305-10
UPPER WINDSHIELD WIPER		

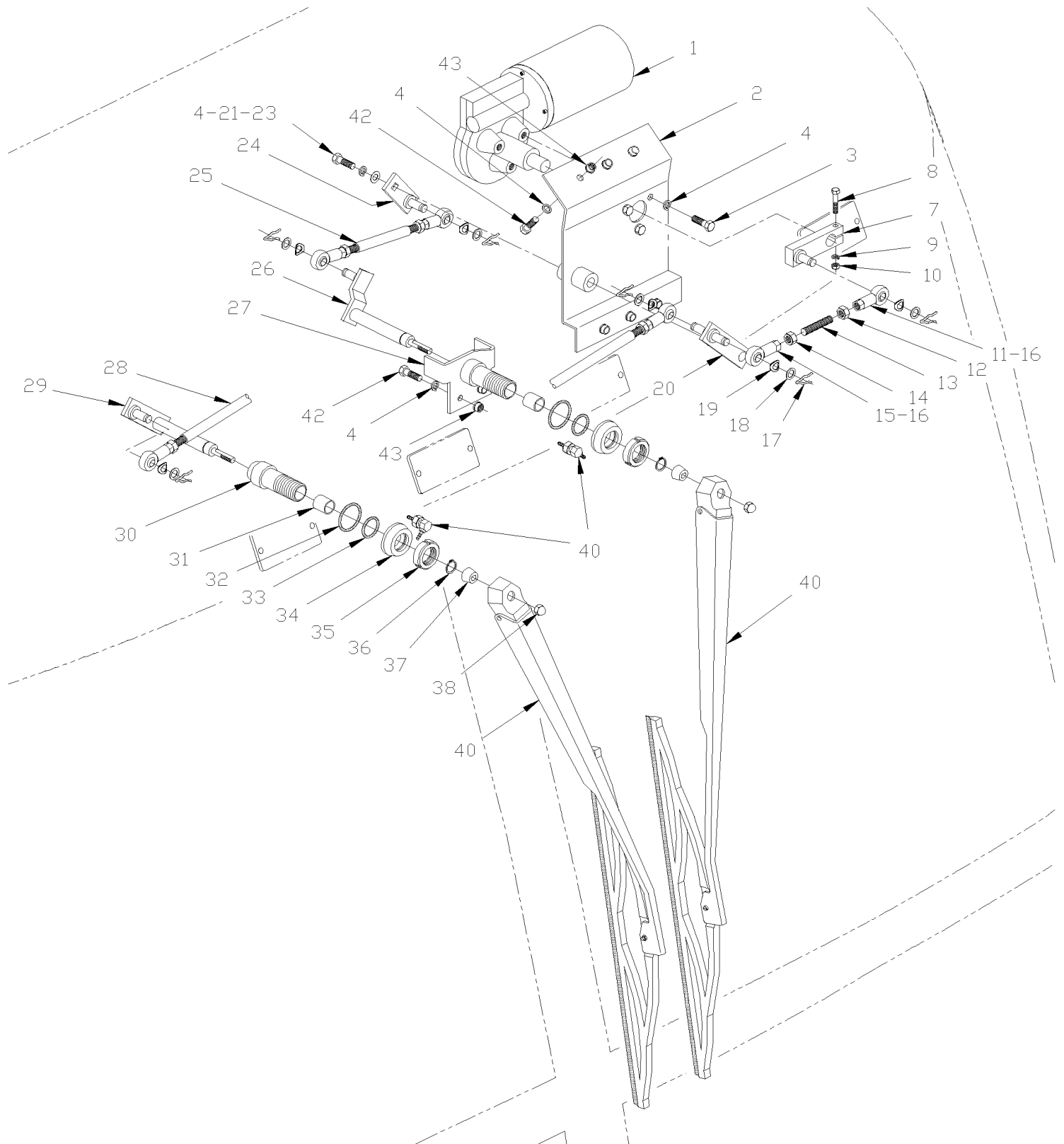
Item#	Part	Description	H 3 4 1	H 3 4 5	V I P 4 5	N O T E S
1	800278	ARM WIPER, R.H. UPPER	1	1	1	
1	800279	ARM WIPER, L.H. UPPER	1	1	1	
2	300292	. HOSE #2 54"	AR	AR	AR	
2	300106	. HOSE #2 30"	AR	AR	AR	
2	300250	. HOSE #2 33"	AR	AR	AR	
2	300107	. HOSE #2 42"	AR	AR	AR	
2	300269	. HOSE #2 50'	AR	AR	AR	
2	800227	. HOSE WINDSHIELD WASHER WIPER ARM 100 FT	AR	AR	AR	
3	800280	. NOZZLE, WINDSHIELD WASHER / R.H.	1	1	1	
3	800281	. NOZZLE, WINDSHIELD WASHER / L.H.	1	1	1	
4	500425	. NUT HEX NYRT #4-40 SS	1	1	1	
5	800244	. SCREW #4-40 / SADDLE LINK	1	1	1	
6	800234	BLADE ASSY, WIPER 20"	1	1	1	
6	800315	. RUBBER BLADE REFILL	1	1	1	
6	800180	. CLIP / RETAINER END	1	1	1	
7	800062	NUT HEX CAP 3/8-24 BK	1	1	1	
8	800282	ADAPTOR, DRIVE KNURLED	1	1	1	
9	800266	ADAPTOR ASSY 90 DEG / #2 TO #2 WET ARM To W-2141	1	1	1	B
9	800321	ADAPTOR ASSY 90 DEG / #3 TO #2 WET ARM From W-2142	1	1	1	
10	800317	. ADAPTOR HOSE #2 (ALUMINUM) To W-2141	1	1	1	
		B) FOR PRODUCT IMPROVMENT YOU REQUIRE ONE KIT #300316				

From R-012 To 2-4416

Date:10/2022

PAGE:H3-2305-15

UPPER WINDSHIELD WIPER - INSTALLATION



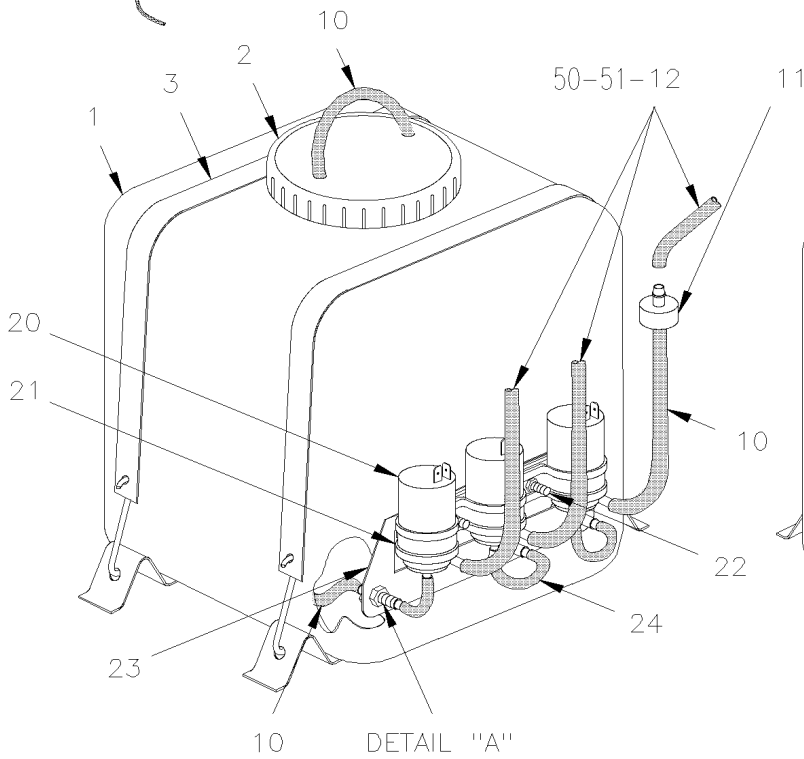
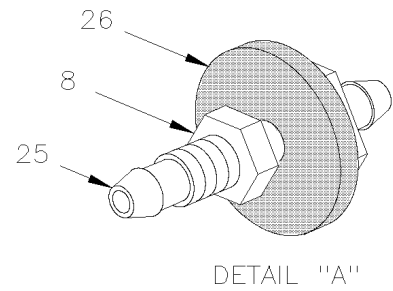
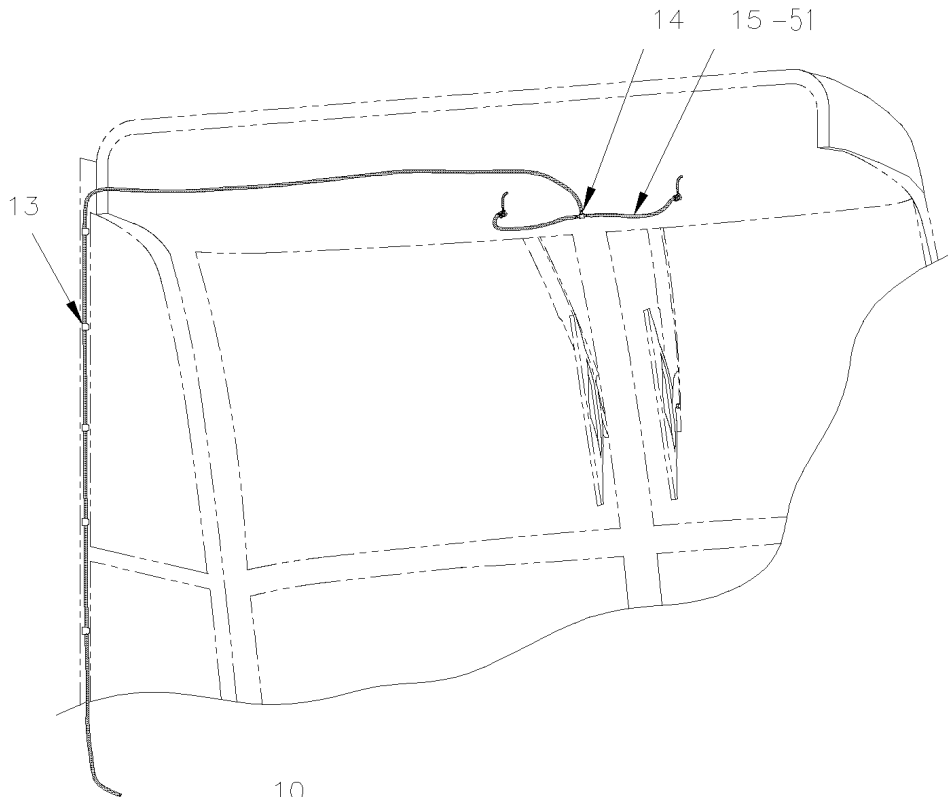
From R-012 To 2-4416	Date:10/2022	PAGE:H3-2305-15
UPPER WINDSHIELD WIPER - INSTALLATION		

Item#	Part	Description	H 3 4 1	H 3 4 5	V I P 4 5	N O T E S
1	800304	MOTOR WIPER ASSY / 24V / NIDEC To 1-4203	1	1	1	A
1	800328	MOTOR WIPER ASSY / 24V / BOSCH From 1-4204	1	1	1	
2	300227	SUPPORT	1	1	1	
NS	800274	BUSHING FLANGE 5/8" I.D. X 7/8" O.D. X 3/4" L	1	1	1	
3	500544	SCREW CAP HEX M8-1.25x30 G8.8 Z050 To 1-4203	3	3	3	
3	5001217	SCREW CAP HEX M8-1.25x20 G10.9 From 1-4204	3	3	3	
4	502507	WASHER LO SPT 8.1x14.8x2.0 Z050	4	4	4	
7	300184	LEVER / MOTOR	1	1	1	
8	502533	SCREW CAP HEX M6-1.0x30 G8.8 Z050	1	1	1	
9	502564	WASHER LO SPT 6.1x11.8x1.6 Z050	1	1	1	
10	502565	NUT HEX M6-1.0 SS	1	1	1	
11	502174	ROD END MALE 3/8-24 / 3/8 I.D.	3	3	3	
12	500956	NUT HEX JAM 3/8-24 Z050	3	3	3	
13	300248	ROD THREADED / W/3/8-24 LH & RH THREAD 54MM	1	1	1	
14	5001039	NUT HEX JAM LH 3/8-24 Z050	3	3	3	
15	502186	ROD END MALE L.H. 3/8-24-L.H./ 3/8 I.D.	3	3	3	
16	680739	GREASE SYNTHETIC / RED 20KG	AR	AR	AR	
17	502185	PIN HAIR CUTTER .062 X 9/32	6	6	6	
18	5001011	WASHER FL .406x.625x.040 Z050	6	6	6	
19	500905	WASHER SPR WAVE .750x.015	6	6	6	
20	300236	INVERTION PIVOT	1	1	1	
21	502780	SCREW CAP HEX M8-1.25x25 SS BK	1	1	1	
23	5001045	WASHER BEL SPR .331x.827x.098 Z050	1	1	1	
24	300232	LEVER ASSY	1	1	1	
25	300257	ROD THREADED / W/3/8-24 LH & RH THREAD 173MM	1	1	1	
26	300238	LEFT PIVOT	1	1	1	
27	300260	MAIN WIPER ARM THREADED TUBE STREETSIDE	1	1	1	
28	300255	ROD THREADED / W/3/8-24 LH & RH THREAD 555MM	1	1	1	
29	300367	RIGHT PIVOT	1	1	1	
30	300139	MAIN WIPER ARM THREADED TUBE	1	1	1	
31	800125	BUSHING 5/8" I.D. X 7/8" O.D. X 5/8" L	1	1	1	
NS	800274	BUSHING FLANGE 5/8" I.D. X 7/8" O.D. X 3/4" L	1	1	1	
NS	800276	V-RING	1	1	1	
NS	680100	THREAD LOCKER LOCTITE #271 / RED / 250ml	AR	AR	AR	
32	507321	O-RING 1 5/8" I.D. X 1/8"	2	2	2	
33	507320	O-RING 1 1/8" I.D. X 1/8"	2	2	2	
34	300271	SPACER	2	2	2	
35	800064	NUT SPANNER 1 1/8-18 / PLASTIC	2	2	2	
36	504512	RING RETAINER / EXT .625 x .588 x .037" / SS	1	1	1	
37	800282	ADAPTOR, DRIVE KNURLED	2	2	2	
38	800062	NUT HEX CAP 3/8-24 BK	2	2	2	
40	H3-2305-10	UPPER WINDSHIELD WIPER				

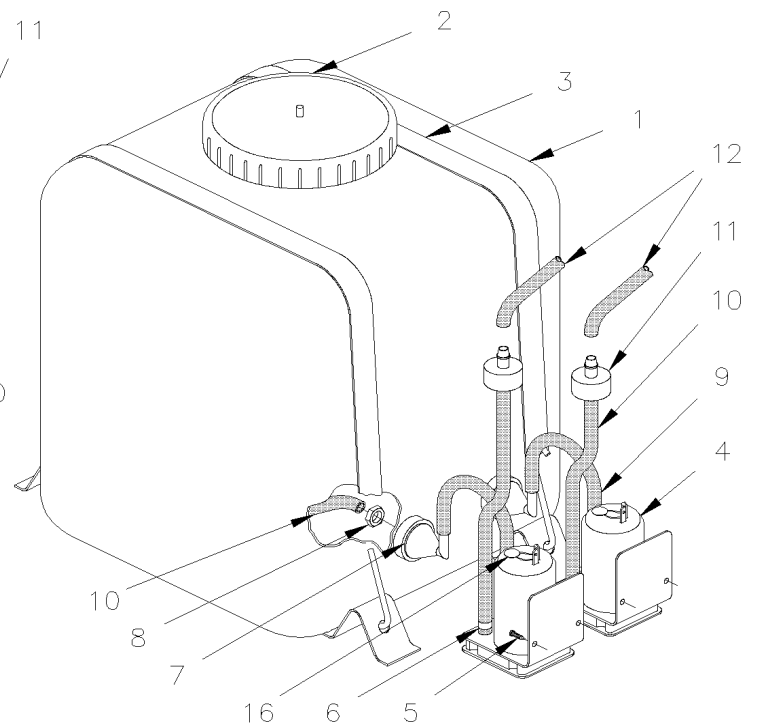
From R-012 To 2-4416	Date:10/2022	PAGE:H3-2305-15
UPPER WINDSHIELD WIPER - INSTALLATION		

Item#	Part	Description	H 3 4 1	H 3 4 5	V I P 4 5	N O T E S
42	500181	SCREW CAP HEX 5/16-18x1 G5 Z050	8	8	8	
43	500277	RIVET NUT FL KNURLED OKS 5/16-18 .150-.312	8	8	8	
NS	300506	KIT, MOTOR WIPER BOSCH	AR	AR	AR	
. NS	IS-00151A	. SEE INSTRUCTION SHEET	1	1	1	
		A) THIS MOTOR IS SUPERSEDED BY KIT #300506				

From R-012 To 2-4416	Date:10/2022	PAGE:H3-2305-20
WINDSHIELD WASHER - INSTALLATION		



FROM 2-4377



UP TO 2-4376

From R-012 To 2-4416		Date:10/2022	PAGE:H3-2305-20
WINDSHIELD WASHER - INSTALLATION			

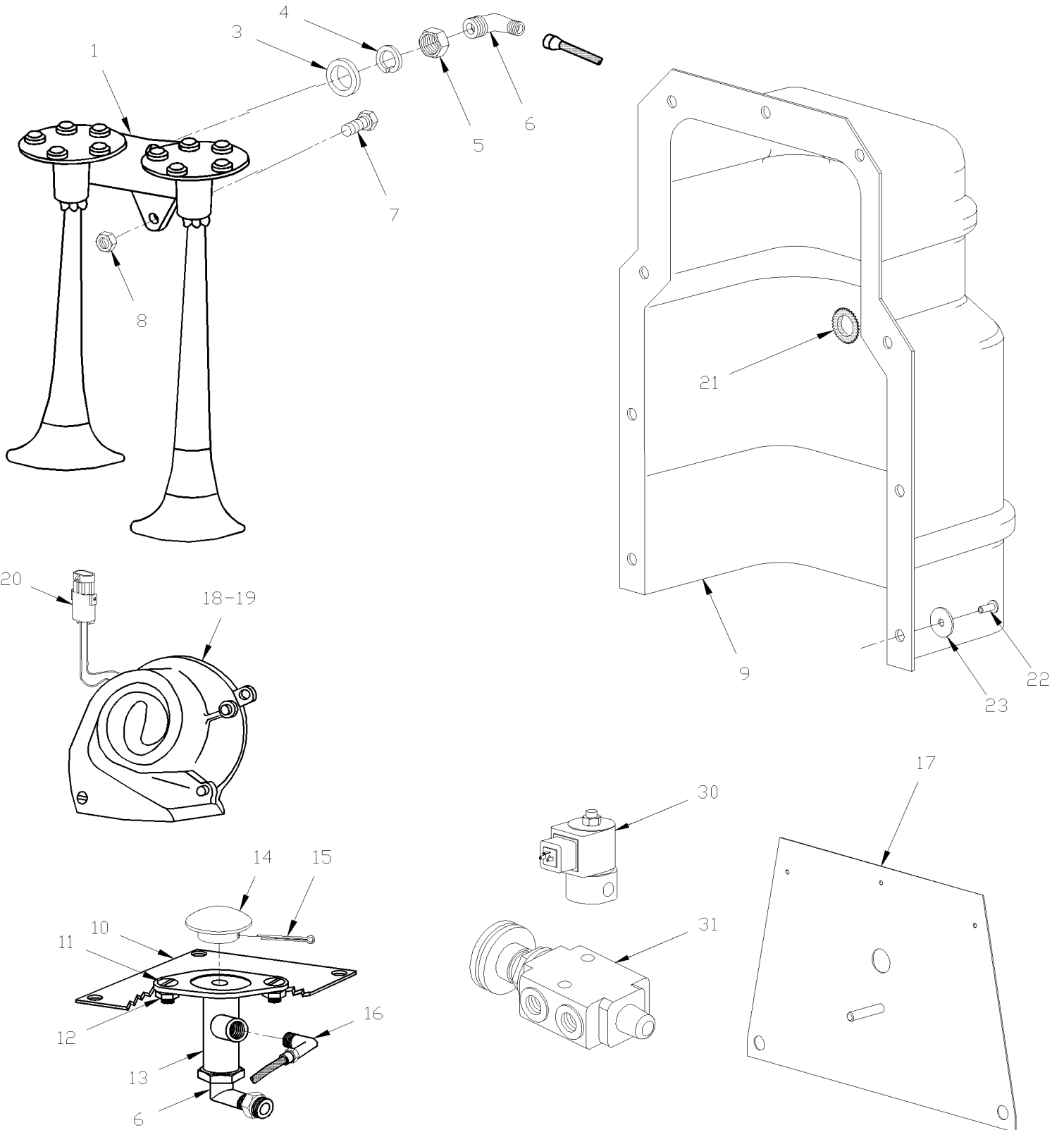
Item#	Part	Description	H 3 4 1	H 3 4 5	V I P 4 5	N O T E S
1	800285	TANK, WINDSHIELD WASHER	1	1	1	
2	800286	COVER ASSY W/PLUG	1	1	1	
3	504483	TIE RUBBER BELT, W/HOOK 23"	2	2	2	
4	800314	PUMP WINDSHIELD WASHER To 2-4376	2	2	2	
5	500657	SCREW TC TR PH #10-24x1/2 Z050	4	4	4	
6	504590	CLAMP SPRING / 3/8	2	2	2	
7	800292	ELBOW, MALE CONNECTOR	2	2	2	
8	5001188	NUT HEX M8-1.25 SS	2	2	2	
9	300162	HOSE #3 225MM	2	2	2	
10	300161	HOSE #3 150MM	5	5	5	
11	800288	VALVE, CHECK	2	2	2	
12	503002	HOSE / EPDM 5/32" I.D. / S.L.	AR	AR	AR	
13	504637	CABLE TIE / 3/16" x 13"	7	7	7	
14	800206	UNION TEE / HOSE BARB FITTING / #2x#2x5/32 PLAS To W-2141	1	1	1	B
14	800322	UNION TEE / HOSE BARB FITTING / 5/32x5/32x5/32 PLAS From W-2142	1	1	1	
15	800227	HOSE WINDSHIELD WASHER WIPER ARM 100 FT To W-2141	AR	AR	AR	
15	300106	HOSE #2 30"	AR	AR	AR	
15	300250	HOSE #2 33"	AR	AR	AR	
15	300107	HOSE #2 42"	AR	AR	AR	
15	300292	HOSE #2 54"	AR	AR	AR	
15	300269	HOSE #2 50'	AR	AR	AR	
15	503002	. HOSE / EPDM 5/32" I.D. / S.L. From W-2142	AR	AR	AR	
16	064129	RESISTANCE S14K30	2	2	2	
20	800346	PUMP WINDSHIELD WASHER 24V From 2-4377	3	3	3	
21	952641	CLAMP / 1 5/16" I.D. From 2-4377	3	3	3	
22	5001180	NUT HEX NYRT #10-24 SS From 2-4377	2	2	2	
23	300463	SUPPORT W/WASHER PUMP / MOUNTED VERTICAL From 2-4377	1	1	1	
23	300545	SUPPORT W/WASHER PUMP / MOUNTED HORIZONTAL	1	1	1	A
NS	506236	TAPE RUB ADH1 CC POL 1/16" x 1/2" x 100' / GREY 2520 From 2-4377	AR	AR	AR	
24	300470	HOSE #3 120MM From 2-4377	3	3	3	
25	300469	ADAPTOR HOSE #3 / WET ARM M8-1.25 x 44MM From 2-4377	3	3	3	
26	502820	WASHER FL .187x1.000x.125 RUB BK From 2-4377	3	3	3	
50	H3-2305-00	LOWER WINDSHIELD WIPER				
51	H3-2305-10	UPPER WINDSHIELD WIPER				
		A) FOR PRODUCT IMPROVEMENT, INSTALL NEW SUPPORT #300545 AND REMOVE CHECK VALVE #800288				
		B) FOR PRODUCT IMPROVMENT, YOU REQUIRE ONE KIT #300316				

From R-012 To 2-4416

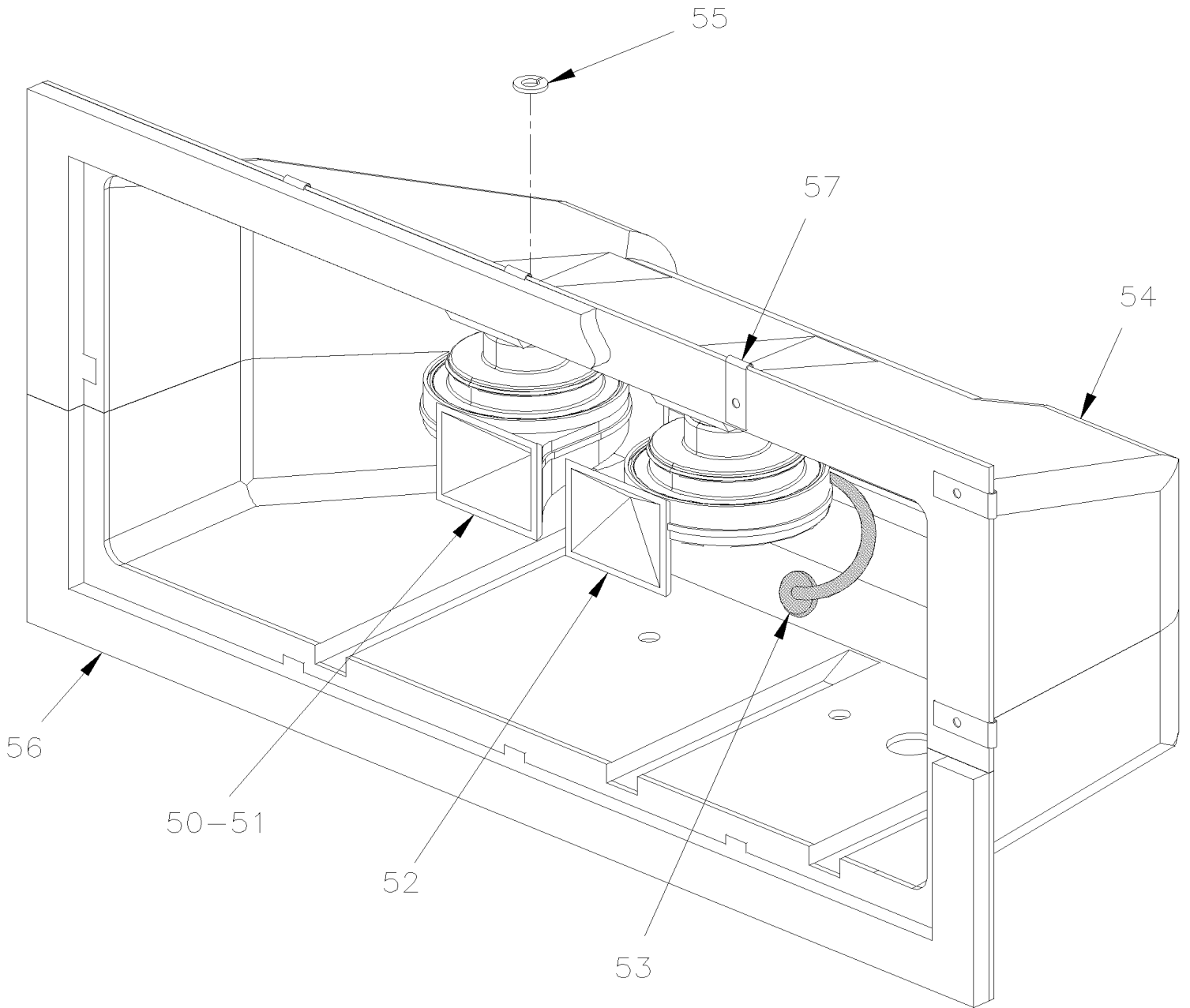
Date:10/2022

PAGE:H3-2310-00

HORN - INSTALLATION



From R-012 To 2-4416	Date:10/2022	PAGE:H3-2310-00
HORN - INSTALLATION		



From R-012 To 2-4416	Date:10/2022	PAGE:H3-2310-00
HORN - INSTALLATION		

Item#	Part	Description	H 3 4 1	H 3 4 5	V I P 4 5	N O T E S
1	640093	HORN AIR	1	1		
3	500448	WASHER FL .625x1.469x.109 ZP	1	1		
4	500858	WASHER LO INT .769x1.245x.055 Z050	1	1		
5	500730	NUT HEX JAM THN 5/8-18x3/8 ZP	1	1		
6	640996	MALE ELBOW 90° / NTA FITTING / #4x1/8NPT-M BR	2	2		
7	500025	SCREW CAP HEX 5/16-24x1 G5 ZP	1	1		
8	500699	NUT HEX 5/16-24 Z050	1	1		
NS	141538	BOX ASSY W/ELECTRIC HORN 12V	1	1		A
9	141279	. BOX, COVER / ELECTRICAL & AIR	1	1		
10	141253	PLATE / W/AUTOMATIC TRANSMISSION To W-2284	1	1		
10	140372	PLATE / HORN VALVE To W-2284	1	1		
10	141454	PLATE / W/O AIR HORN To W-2284			1	
11	500873	SCREW MA RND PH #8-32x3/4 SS BK To W-2284	6	6		
12	500764	NUT HEX #8-32 Z050 To W-2284	2	2		
NS	500470	WASHER LO SPT .193x.334x.047 Z050 To W-2284	2	2		
13	640128	VALVE HORN HV-3 To W-2284	1	1		
14	N.S.S.	. BUTTON To W-2284	1	1		1
15	502097	. PIN, COTTER 3/32 x 3/4 To W-2284	1	1		
16	640987	. MALE CONNECTOR / NTA FITTING / #4x1/8NPT-M BR	1	1		
17	141571	PLATE SUPPORT HORN BOX To T-1403	1	1		
17	141864	PLATE SUPPORT HORN BOX From T-1404 To T-1458	1	1		
18	562174	HORN, ELECTRIC / LOW 360HZ / 12V To Y-3357	1	1		
18	563015	HORN, ELECTRIC / LOW 405HZ / 12V "FIAM" SERVICE From Y-3358	1	1		
18	562175	HORN, ELECTRIC / HIGH 450HZ / 12V To Y-3357	1	1		
18	563023	HORN, ELECTRIC / HIGH 485HZ / 12V "FIAM" SERVICE From Y-3358	1	1		
19	560575	. NUT HEX SPRING STEEL To Y-3357	2	2		
19	500468	WASHER FL .281x1.250x.065 Z050 From Y-3358	2	2		
NS	500489	WASHER LO INT .894x1.410x.060 Z050 From Y-3358	2	2		
20	063205	HARNESS / HORN & CONNECTOR To Y-3357	1	1		
20	065257	HARNESS / HORN & CONNECTOR From Y-3358	1	1		
21	504070	GROMMET / .375x.625x.156x.406x1.000	1	1		
NS	504598	GROMMET / 1.187x.937x.125x.437 From Y-3358	1	1		
22	502868	SCREW TC TR PH #10-16x1/2 N500	13	13		
23	500805	WASHER FL .218x.875x.062 N500	13	13		
30	562804	VALVE, 2 WAYS N.C. From W-2285	1	1	1	
. NS	562848	. CONNECTOR / SOCKET HOUSING ASSY 3C / PNEUMAC 54933-05 From W-2285	1	1	1	
31	641445	VALVE, 3 WAYS, 2 POSITIONS MECHANICAL From W-2285	1	1	1	
. NS	641992	. KNOB From W-2285	1	1	1	
50	141539	HORN ASSY W/BOX 12V / H3 V.I.P.			1	
51	563015	. HORN, ELECTRIC / LOW 405HZ / 12V "FIAM" SERVICE			1	
52	563023	. HORN, ELECTRIC / HIGH 485HZ / 12V "FIAM" SERVICE			1	

From R-012 To 2-4416	Date:10/2022	PAGE:H3-2310-00
HORN - INSTALLATION		

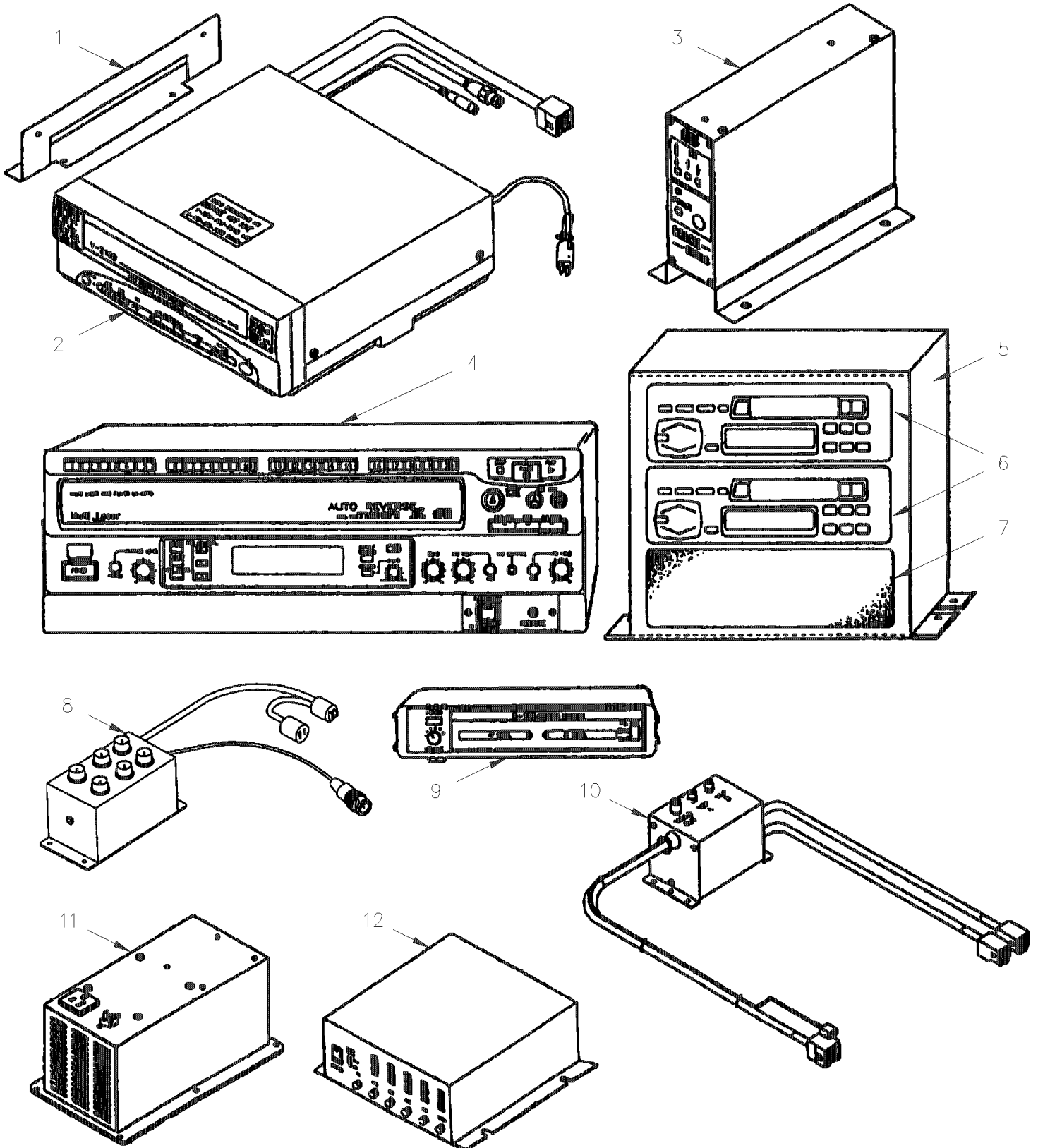
Item#	Part	Description	H 3 4 1	H 3 4 5	V I P 4 5	N O T E S
53	065287	. CABLE HARNESS / ENGINE ACCESSORIES			1	
54	141161	. BOX, PLASTIC / BLACK / ELECTRIC HORN			1	
55	500468	. WASHER FL .281x1.250x.065 Z050			2	
NS	500489	. WASHER LO INT .894x1.410x.060 Z050			2	
56	506282	. TAPE RUB ADH1 CC POL 3/8" x 1" x 20' / GREY 2520			AR	
57	500252	. NUT SPR U #10-24 .156-.187			10	
		A) INCLUDE ITEMS # 9, 18, 19, 20 & 21 WITHOUT AIR HORN				
		1) NOT SOLD SEPARATELY				

From T-1455 To W-2284

Date:10/2022

PAGE:H3-2314-50

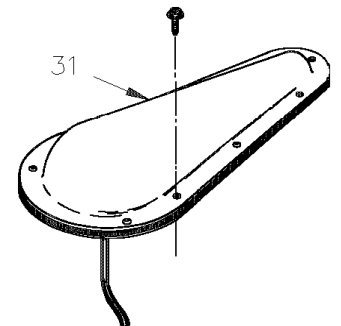
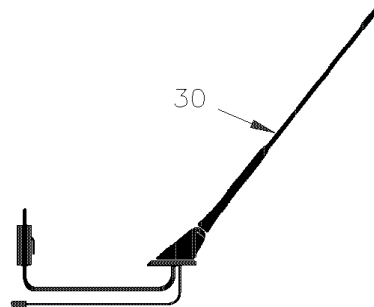
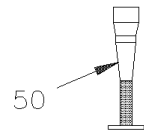
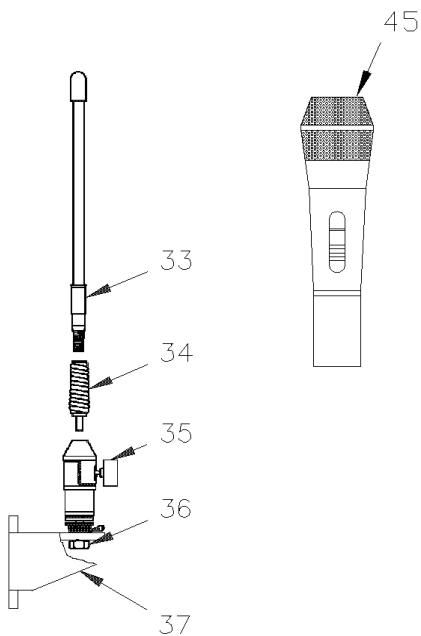
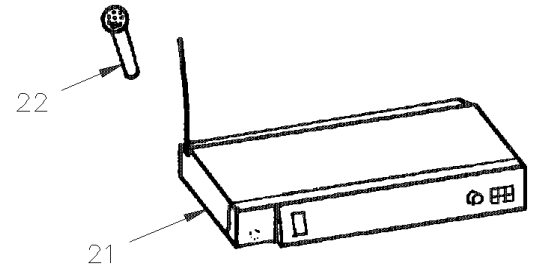
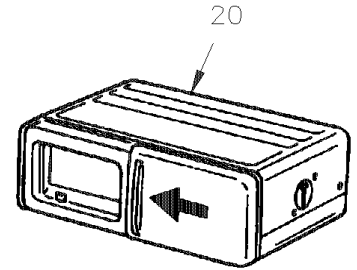
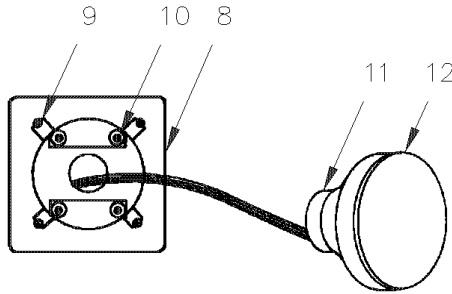
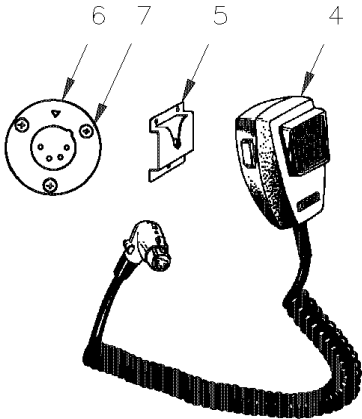
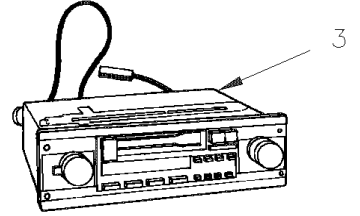
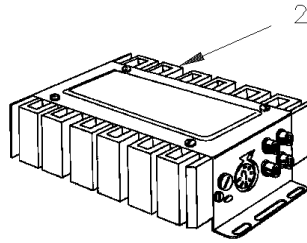
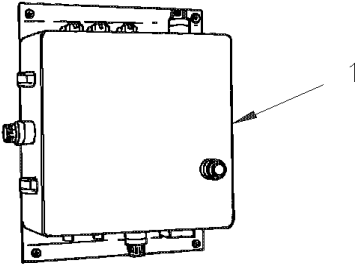
PARCEL RACK PARTS - "R.E.I."



From T-1455 To W-2284	Date:10/2022	PAGE:H3-2314-50
PARCEL RACK PARTS - "R.E.I."		

Item#	Part	Description	H 3 4 1	H 3 4 5	V I P 4 5	N O T E S
1	H3-2317-21	VIDEO VHS PLAYER - INSTALLATION "R.E.I."				
2	H3-2317-21	VIDEO VHS PLAYER - INSTALLATION "R.E.I."				
3	H3-2315-61	ROOF ANTENNA & WIRING "R.E.I."				
4	H3-2315-31	KARAOKE - SOUND SYSTEM - "R.E.I."				
5	404488	SUPPORT, RADIO	1	1		
6	900853	RADIO "SONY" XR350MK2 AM/FM/CASS.	AR	AR		
6	900852	RADIO "SONY" CDX2100 AM/FM/CD To W-2116	AR	AR		
6	900869	RADIO "SONY" CDX2160 AM/FM/CD From W-2117	AR	AR		
7	900849	PLATE RADIO "DUMMY"	AR	AR		
8	H3-2317-21	VIDEO VHS PLAYER - INSTALLATION "R.E.I."				
9	H3-2315-31	KARAOKE - SOUND SYSTEM - "R.E.I."				
10	H3-2315-31	KARAOKE - SOUND SYSTEM - "R.E.I."				
11	H3-2315-31	KARAOKE - SOUND SYSTEM - "R.E.I."				
12	H3-2315-21	INDIVIDUAL STATIONS - "R.E.I."				
NS	900842	CD CHARGER / 6 DISCS / "PANASONIC" CX-DP 601	1	1		

From R-012 To T-1454	Date:10/2022	PAGE:H3-2315-00
SOUND SYSTEM & ACCESSORIES		



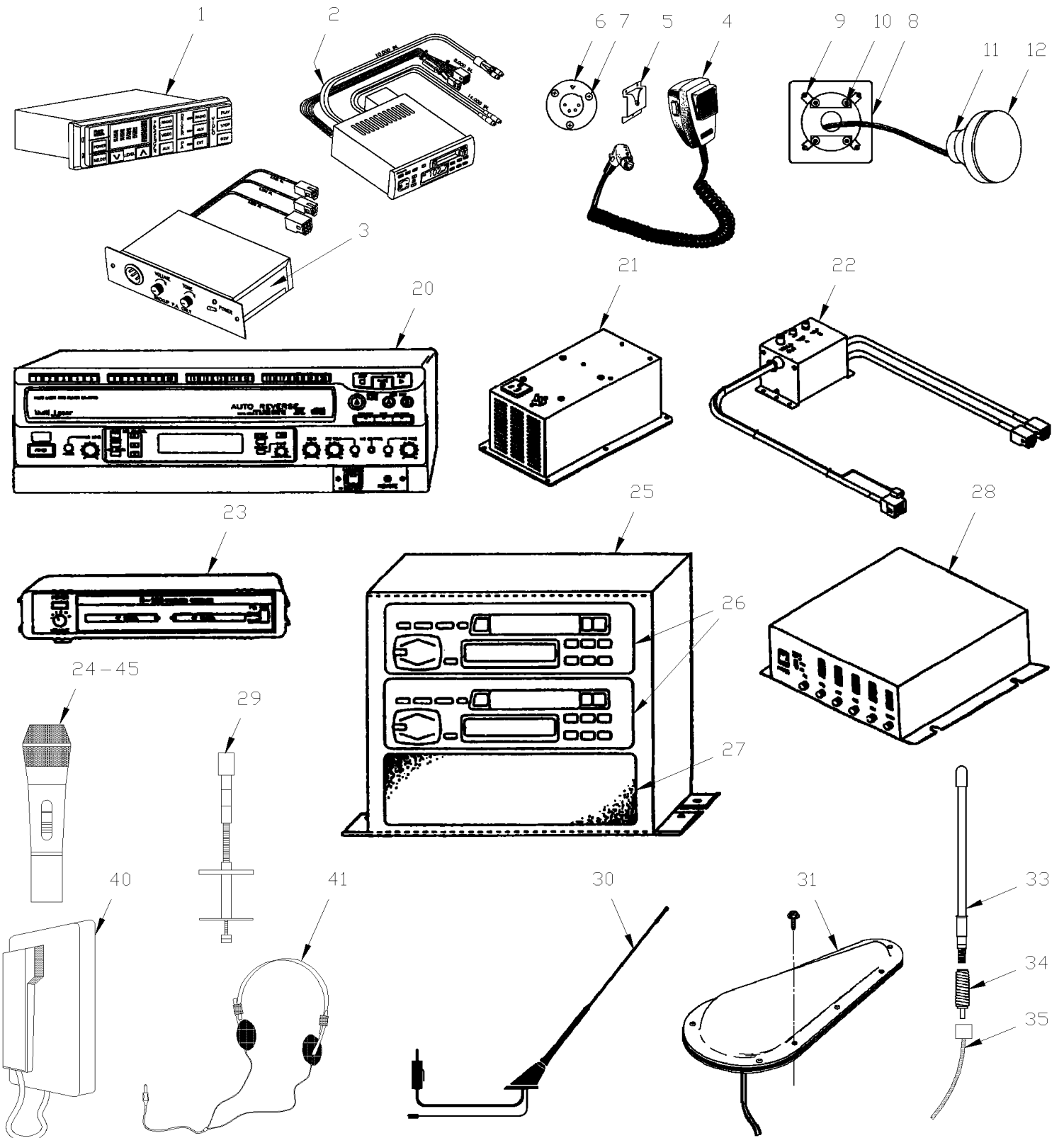
From R-012 To T-1454		Date:10/2022	PAGE:H3-2315-00
SOUND SYSTEM & ACCESSORIES			

Item#	Part	Description	H 3 4 1	H 3 4 5	V I P 4 5	N O T E S
1	H3-2315-10	SOUND SYSTEM - INSTALLATION				
2	H3-2315-10	SOUND SYSTEM - INSTALLATION				
3	H3-2315-10	SOUND SYSTEM - INSTALLATION				
4	900290	MICROPHONE / W/6' CORD / "MIDWEST" / TYPE C.B.	1	1		
. NS	900721	. CONNECTOR MICROPHONE 90° / R4F	1	1		
. NS	900900	. CABLE MICROPHONE 10' / "REI"	1	1		
4	900366	MICROPHONE / W/10' CORD / "MIDWEST" / TYPE C.B.	1	1		
. NS	900721	. CONNECTOR MICROPHONE 90° / R4F	1	1		
. NS	900900	. CABLE MICROPHONE 10' / "REI"	1	1		
5	900437	BRACKET, MOUNTING / MICROPHONE	AR	AR		
5	900501	BRACKET, MOUNTING / MICROPHONE	AR	AR		
5	900859	BRACKET, MOUNTING / MICROPHONE	AR	AR		
6	402371	OUTLET, MICROPHONE	AR	AR		
7	504107	RIVET POP DOME OE 1/8x5/16 AL	AR	AR		
8	403205	SUPPORT / DRIVER'S SPEAKER	1	1		
NS	063336	CABLE ASSY / DRIVER'S SPEAKER To T-1324	1	1		
NS	064142	CABLE ASSY / DRIVER'S SPEAKER From T-1325 To T-1454	1	1		
NS	404240	CABLE ASSY / DRIVER'S SPEAKER From T-1455 To W-2284	1	1		
9	502811	NUT SPR J #8A-B .168-.198	4	4		
10	500643	SCREW TP PAN PH #12x3/4 Z050	4	4		
11	900673	SPEAKER To S-139	AR	AR		
11	900742	SPEAKER / PARCEL RACK From S-140 To T-1324	AR	AR		
11	900765	SPEAKER / 5 1/4" From T-1325	AR	AR		
NS	403960	SPACER ADAPTOR / PLASTIC BLACK	AR	AR		A
NS	063336	CABLE ASSY / DRIVER'S SPEAKER	1	1		
12	900669	GRILLE / SPEAKER To S-139	AR	AR		
12	900743	GRILLE / SPEAKER From S-140 To T-1324	AR	AR		
12	900766	GRILLE / SPEAKER / PARCEL RACK From T-1325	AR	AR		
20	900732	CD CHARGER / 10 DISCS / "BLAUPUNKT" CDC M5 To T-1390	1	1		
20	900797	CD CHARGER / 10 DISCS / "BLAUPUNKT" CDC M7 From T-1391 To T-1403	1	1		
20	900885	CD CHARGER / 6 DISCS / "BLAUPUNKT" CDC-RF6/ SERVICE	1	1		
NS	900946	. CARTRIDGE FOR 6 DISCS	1	1		
21	900723	RECEIVER, WIRELESS MICROPHONE 171.90 MHZ	1	1		
21	900725	RECEIVER, WIRELESS MICROPHONE 185.15 MHZ	1	1		
21	900727	RECEIVER, WIRELESS MICROPHONE 209.15 MHZ	1	1		
21	900729	RECEIVER, WIRELESS MICROPHONE 215.20 MHZ	1	1		
22	900722	MICROPHONE, WIRELESS 171.90 MHZ	1	1		
22	900724	MICROPHONE, WIRELESS 185.15 MHZ	1	1		
22	900726	MICROPHONE, WIRELESS 209.15 MHZ	1	1		
22	900728	MICROPHONE, WIRELESS 215.20 MHZ	1	1		
NS	900712	SUPPORT MICROPHONE	1	1		
NS	900776	NOISE SUPPRESSOR FILTER 12 AMPS / "MAGNADYNE"	1	1		

From R-012 To T-1454	Date:10/2022	PAGE:H3-2315-00
SOUND SYSTEM & ACCESSORIES		

Item#	Part	Description	H 3 4 1	H 3 4 5	V I P 4 5	N O T E S
NS	403887	CABLE ASSY / RECEIVER & P/A	1	1		
30	900661	ANTENNA, RADIO / W/AMPLIFIER	1	1		
. NS	901068	. ANTENNA STICK / REPLACEMENT	1	1		
NS	900663	ADAPTOR / RADIO & ANTENNA CABLE / MOTOROLA MALE to EURO FEMA	1	1		
30	404698	KIT ANTENNA REPLACEMENT	1	1		
. NS	900661	. ANTENNA, RADIO / W/AMPLIFIER	1	1		
. . NS	901068	. . ANTENNA STICK / REPLACEMENT	1	1		
. NS	IS-97051	. SEE INSTRUCTION SHEET	1	1		
31	900668	ANTENNA ASSY / CELLULAR / "TEARDROP"	1	1		
33	900472	ANTENNA ASSY / C.B. / 25"	1	1		
34	900469	SPRING EXTENSION / .828 O.D. x 3.010 X .104 W/3/8	1	1		
35	900471	BRACKET, MOUNTING To S-229	1	1		
35	404109	BRACKET, MOUNTING From S-230	1	1		
36	900470	CABLE COAXIAL 18 FEET	1	1		
NS	5001242	WASHER SHR .375x.110 NYL	2	2		
NS	403488	WASHER	1	1		
37	403575	ANTENNA SUPPORT	1	1		
45	900745	MICROPHONE / W/10' CORD / "SHURE" / TYPE ENTERTAINER	1	1		
. NS	900900	. CABLE MICROPHONE 10' / "REI"	1	1		
50	900660	MICROPHONE / W/GOOSE NECK 26"	1	1		
50	900740	KARAOKE "LASER LINK" LK-V35	1	1	1	
NS	404763	KIT CD CHARGER REPLACEMENT	1	1		
. NS	IS-98168	. SEE INSTRUCTION SHEET	1	1		
		A) PARCEL RACK & SPEAKER				

From T-1455 To 2-4416	Date:10/2022	PAGE:H3-2315-01
SOUND SYSTEM & ACCESSORIES		



From T-1455 To 2-4416	Date:10/2022	PAGE:H3-2315-01
SOUND SYSTEM & ACCESSORIES		

Item#	Part	Description	H 3 4 1	H 3 4 5	V I P 4 5	N O T E S
1	900803	CONTROL HEAD / "R.E.I." SYSTEM 2000	1	1		
. NS	563064	. BULB (CONTROL HEAD GREEN) / 12VOLTS / 2700	1	1		
2	900854	RADIO "PANASONIC" CQ-E15EUC / AM/FM/CAS / 700512 To X-2934	1	1		
2	900917	RADIO "PANASONIC" CQ-R 115 SEUC / 700590 From X-2935 To 1-4139	1	1		
2	901032	RADIO "PANASONIC" CQ-R 145 CAHH / 700760 or 700914 From 1-4140	1	1		
2	900870	RADIO "PANASONIC" CQ-DP720-EUC / AM/FM/CD / 700542 To W-2424	1	1		
2	900891	RADIO "PANASONIC" CQ-DP930-EUC / AM/FM/CD / 700574 From W-2425 To Y-3536	1	1		
2	900984	RADIO "PANASONIC" CQ-DP22 / AM/FM/CD / 700717 From Y-3537 To 2-4412	1	1		
2	901053	RADIO "PANASONIC" CD-DF401U (CQ-DP102U) / AM/ / (700721 or 700788) From 2-4413	1	1		
3	900805	AMPLI 2000 BACK-UP P/A To W-2284	1	1		
3	H3-2315-11	BOARD UNDER FLOOR - "R.E.I."				
4	900808	MICROPHONE / W/6' CORD / "REI" TYPE C.B.	1	1		
. NS	900721	. CONNECTOR MICROPHONE 90° / R4F	1	1		
4	900829	MICROPHONE / W/10' CORD / "REI" TYPE C.B.	1	1		
. NS	900721	. CONNECTOR MICROPHONE 90° / R4F	1	1		
. NS	900900	. CABLE MICROPHONE 10' / "REI"	1	1		
4	901286	MICROPHONE / W/10' CORD / "REI" TYPE C.B.	1	1		
. NS	900721	. CONNECTOR MICROPHONE 90° / R4F	1	1		
. NS	900900	. CABLE MICROPHONE 10' / "REI"	1	1		
4	7770304	HANDS FREE MICROPHONE	1	1		
5	900859	BRACKET, MOUNTING / MICROPHONE	AR	AR		
6	404226	OUTLET, MICROPHONE / 12" W/CONNECTOR	AR	AR		
7	504107	RIVET POP DOME OE 1/8x5/16 AL	AR	AR		
8	404603	SUPPORT / DRIVER'S SPEAKER	1	1		
NS	404240	CABLE ASSY / DRIVER'S SPEAKER	1	1		
9	500996	NUT SPR U #6-32 .135-.150	4	4		
NS	5001145	SCREW TP BDG PH #6x1 BK	8	8		
10	500643	SCREW TP PAN PH #12x3/4 Z050	4	4		
11	900765	SPEAKER / 5 1/4" To X-2945	AR	AR		
11	900874	SPEAKER / 5 1/4" DRIVER'S From X-2946 To 1-4303	1	1		
11	901037	SPEAKER / 5 1/4" From 1-4304	1	1		
12	900766	GRILLE / SPEAKER / PARCEL RACK To X-2945	AR	AR		
12	900873	GRILLE / 5 1/4" SPEAKER From X-2946 To 1-4303	1	1		
12	901038	GRILLE / SPEAKER STAMPED "PREVOST" From 1-4304	1	1		
20	H3-2315-31	KARAOKE - SOUND SYSTEM - "R.E.I."				
21	H3-2315-31	KARAOKE - SOUND SYSTEM - "R.E.I."				
22	H3-2315-31	KARAOKE - SOUND SYSTEM - "R.E.I."				
23	900813	RECEIVER WIRELESS MICROPHONE / 170.305 MHZ To X-3077	1	1		A
. NS	900892	. ANTENNA CABLE / REAR OF RECEIVER To X-3077	1	1		A
23	900952	RECEIVER WIRELESS MICROPHONE / 16-CHANNEL From X-3078	1	1		
. NS	901300	. ANTENNA RIGID / REAR OF RECEIVER From X-3078	1	1		
24	900812	MICROPHONE, WIRELESS KIT / 170.305 MHZ To X-3077	1	1		A

From T-1455 To 2-4416	Date:10/2022	PAGE:H3-2315-01
SOUND SYSTEM & ACCESSORIES		

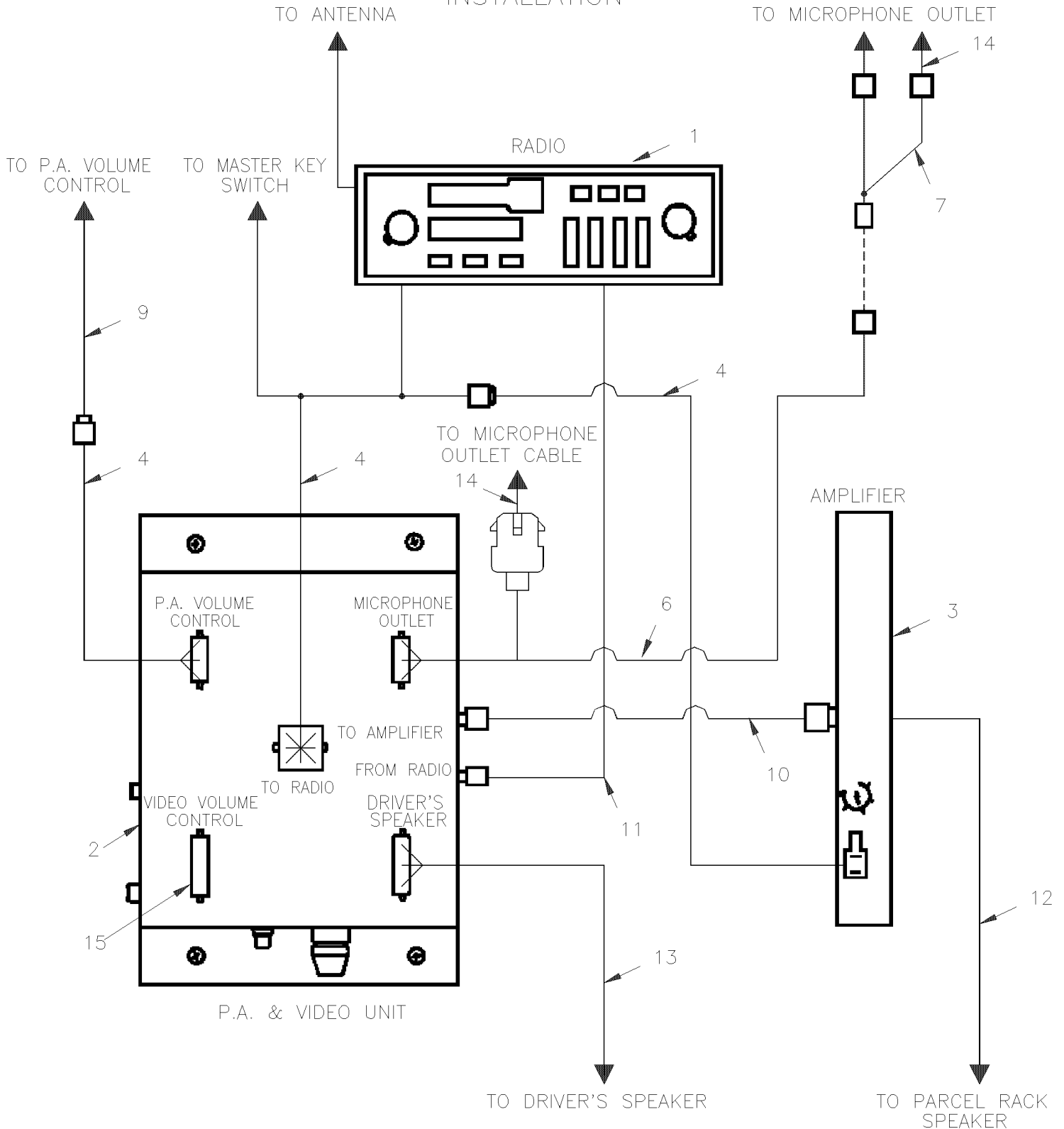
Item#	Part	Description	H 3 4 1	H 3 4 5	V I P 4 5	N O T E S
24	900954	MICROPHONE, WIRELESS / 16 CHANNEL From X-3078	1	1		
. NS	685199	. BATTERY 1.5V / TYPE "AA" / RECHARGEABLE From X-3078	AR	AR		
NS	900712	SUPPORT MICROPHONE To X-3077	1	1		
NS	900953	STATION WIRELESS BATTERY CHARGING 16 CHANNEL From X-3078	1	1		
25	404488	SUPPORT, RADIO	1	1		
26	900869	RADIO "SONY" CDX2160 AM/FM/CD To 1-4275	AR	AR		
26	901046	RADIO "SONY" CDXL550X AM/FM/CD From 1-4276	1	1		
26	900853	RADIO "SONY" XR350MK2 AM/FM/CASS. To X-2758	AR	AR		
26	900915	RADIO "SONY" XR-4800 AM/FM/CASS. From X-2759	1	1		
27	900849	PLATE RADIO "DUMMY"	AR	AR		
28	H3-2315-21	INDIVIDUAL STATIONS - "R.E.I."				
29	900763	MICROPHONE / W/GOOSE NECK 33" To 1-4299	1	1		
29	901045	MICROPHONE / W/GOOSE NECK 36" From 1-4300	1	1		
NS	504234	SPRING CLIP 5/16"	2	2		
NS	500409	SCREW TP PAN PH #8x1/2 BK	2	2		
NS	500862	SCREW TC PAN PH #6-32x3/4 Z050	3	3		
NS	404430	SUPPORT GOOSE NECK	1	1		
30	900661	ANTENNA, RADIO / W/AMPLIFIER	1	1		
. NS	901068	. ANTENNA STICK / REPLACEMENT	1	1		
NS	900663	ADAPTOR / RADIO & ANTENNA CABLE / MOTOROLA MALE to EURO FEMA	1	1		
NS	900775	Y RADIO ANTENNA CABLE / TO USE W/2 RADIOS	AR	AR		
30	404698	KIT ANTENNA REPLACEMENT	1	1		
. NS	900661	. ANTENNA, RADIO / W/AMPLIFIER	1	1		
. . NS	901068	. . ANTENNA STICK / REPLACEMENT	1	1		
. NS	IS-97051	. SEE INSTRUCTION SHEET	1	1		
31	900668	ANTENNA ASSY / CELLULAR / "TEARDROP"	1	1		
33	900888	ANTENNA ASSY / C.B. / 12"	1	1		
34	900895	SPRING EXTENSION / .828 O.D. x 3.010 X .104 W/3/8	1	1		
35	900889	CABLE, ANTENNA 22' / 511386	1	1		
NS	5001242	WASHER SHR .375x.110 NYL	2	2		
NS	403488	WASHER	1	1		
40	404188	MASTER INTERPHONE ASSY / FRONT TELEPHONE	1	1		
40	404187	SECONDARY INTERPHONE ASSY / REAR TELEPHONE	1	1		
41	900704	HEAD SET EARPHONE To W-2556	AR	AR		
. NS	900791	. EARPHONE CUSHION / BOX OF 100 / FOR 900704 To W-2556	AR	AR		
41	900881	HEAD SET EARPHONE From W-2557	AR	AR		
. NS	900882	. FOAM CUSHION PAD / (SET OF 2) / FOR 900881 From W-2557	1	1		
41	064280	KIT, RETROFIT WIRELESS MICROPHONE / COMPLETE	1	1		
. NS	900951	. KIT, WIRELESS MICRO 16 CHANNEL / SERVICE ONLY	1	1		
. . NS	900953	. . STATION WIRELESS BATTERY CHARGING 16 CHANNEL	1	1		
. . NS	900954	. . MICROPHONE, WIRELESS / 16 CHANNEL	1	1		
. . . NS	685199	. . . BATTERY 1.5V / TYPE "AA" / RECHARGEABLE	AR	AR		

From T-1455 To 2-4416	Date:10/2022	PAGE:H3-2315-01
SOUND SYSTEM & ACCESSORIES		

Item#	Part	Description	H 3 4 1	H 3 4 5	V I P 4 5	N O T E S
. . NS	900955	. . CABLE ASSY / CHARGER ADAPTOR 4'	1	1		
. . NS	900956	. . CABLE ASSY / ADAPTOR POWER 18"	1	1		
. . NS	900957	. . CABLE ASSY / ADAPTOR WIRING 18"	1	1		
. NS	064273	. WIRING HARNESS RECEIVER & MICRO	1	1		
. NS	064274	. WIRING HARNESS / RECEIVER FEEDING	1	1		
. NS	064275	. WIRING HARNESS / RECEIVER FEEDING BEFORE 95	1	1		
. NS	860489	. VELCRO / HOOK BLACK / 3/4" X 75'	AR	AR		
. NS	860490	. VELCRO / LOOP BLACK / 3/4" X 75'	AR	AR		
. NS	IS-96901	. SEE INSTRUCTION SHEET	1	1		
NS	900951	KIT, WIRELESS MICRO 16 CHANNEL / SERVICE ONLY	AR	AR		
. NS	900953	. STATION WIRELESS BATTERY CHARGING 16 CHANNEL	1	1		
. NS	900954	. MICROPHONE, WIRELESS / 16 CHANNEL	1	1		
. . NS	685199	. . BATTERY 1.5V / TYPE "AA" / RECHARGEABLE	AR	AR		
. NS	900955	. CABLE ASSY / CHARGER ADAPTOR 4'	1	1		
. NS	900956	. CABLE ASSY / ADAPTOR POWER 18"	1	1		
. NS	900957	. CABLE ASSY / ADAPTOR WIRING 18"	1	1		
45	900745	MICROPHONE / W/10' CORD / "SHURE" / TYPE ENTERTAINER	1	1		
. NS	900900	. CABLE MICROPHONE 10' / "REI"	1	1		
		A) THOSE PARTS ARE SUPPERSEDED BY KIT #900951				

From R-012 To T-1454	Date:10/2022	PAGE:H3-2315-10
SOUND SYSTEM - INSTALLATION		

INSTALLATION



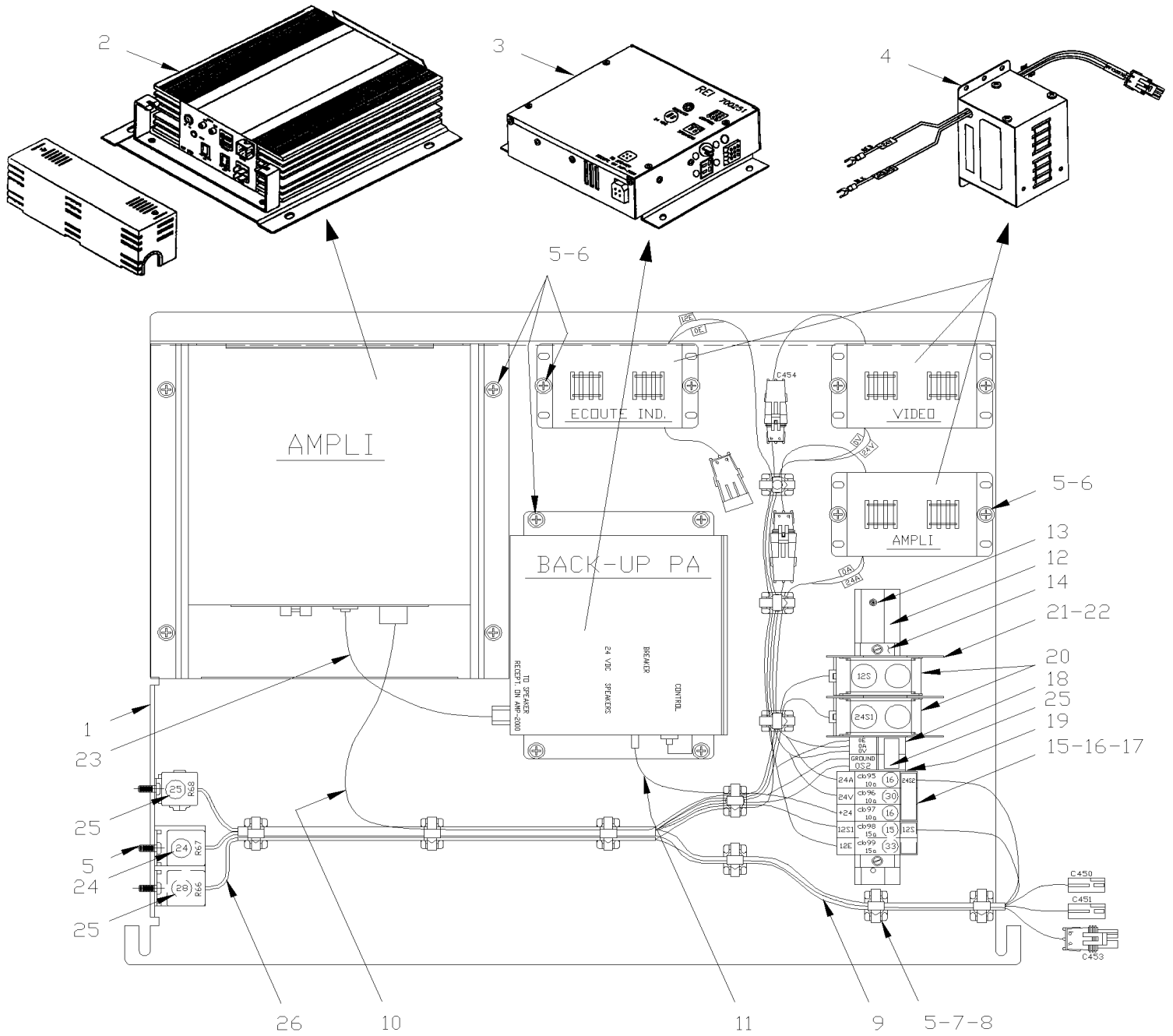
From R-012 To T-1454	Date:10/2022	PAGE:H3-2315-10
SOUND SYSTEM - INSTALLATION		

Item#	Part	Description	H 3 4 1	H 3 4 5	V I P 4 5	N O T E S
1	403773	RADIO "BLAUPUNKT" / "CHEYENNE" To S-209	1	1		
1	900690	. RADIO "BLAUPUNKT" / "CHEYENNE"	1	1		
1	403936	RADIO "BLAUPUNKT" / "LEXINGTON" From S-210	1	1		
1	900730	. RADIO "BLAUPUNK" MODEL "LEXINGTON" CM84	1	1		
1	404764	RADIO "BLAUPUNKT" / "MELBOURNE" C-30	1	1		
1	900944	. RADIO "BLAUPUNKT" / "MELBOURNE" C-30	1	1		
1	405327	RADIO "BLAUPUNKT" / "DAYTONA BEACH" C-51	1	1		S
1	901063	. RADIO "BLAUPUNKT" / "DAYTONA BEACH" C-51	1	1		
1	409114	RADIO "BLAUPUNKT" / "ST-LOUIS" C-32	1	1		S
1	901090	. RADIO "BLAUPUNKT" / "ST-LOUIS" C-32	1	1		
1	409128	RADIO "BLAUPUNK" MODEL "LEXINGTON" C32	1	1		
1	901129	. RADIO "BLAUPUNK" MODEL "LEXINGTON" C32	1	1		
NS	561669	. CONNECTOR / UNIVERSAL MATE-N-LOK / SH 9C / AMP 1-480706-0	1	1		
NS	561514	. SOCKET TERMINAL / 20-14 / AMP 350537-3	AR	AR		
NS	500135	SCREW CAP HEX 5/8-18x4 G5 ZP	1	1		
2	900610	AMPLIFIER, P/A & VIDEO To T-1362	1	1		
2	900795	AMPLIFIER, P/A & VIDEO From T-1363	1	1		
3	900665	AMPLIFIER "BLAUPUNK" 120 WATTS (BQA 120) To S-119	1	1		C
3	900744	AMPLIFIER "SONY" 4 X 20 WATTS / (XM2042) From S-210	1	1		C
3	900858	AMPLIFIER "PIONEER" 4 x 35 WATTS / (GM X84)	1	1		C
3	901023	AMPLIFIER "RCF" 4 x 20 WATTS	1	1		S
NS	403577	SUPPORT	1	1		
4	063049	CABLE ASSY, MAIN	1	1		
6	402851	CABLE ASSY TO MODESTY PANEL / 118"	AR	AR		
6	403103	CABLE ASSY IN PARCEL RACK / 624"	AR	AR		
6	402372	CABLE ASSY / MICRO OUTLET ON R.H. CONSOLE / 32"	AR	AR		
6	402402	CABLE ASSY / MICRO OUTLET ON L.H. CONSOLE / 42"	AR	AR		
6	402401	CABLE ASSY / MICRO OUTLET ON DRIVER'S GUARD / 78"	AR	AR		
6	403370	CABLE ASSY / MICRO OUTLET ON DRIVER'S GUARD 128"	AR	AR		
6	402400	CABLE ASSY / MICRO OUTLET ON R.H.MODESTY PANEL / 108"	AR	AR		
6	402490	CABLE ASSY / MICRO OUTLET ON L.H. PARCEL RACK / 163"	AR	AR		
6	403950	CABLE ASSY / MICRO OUTLET ON L.H. PARCEL RACK / 223"	AR	AR		
6	402414	CABLE ASSY 360" / MICRO OUTLET ON A/C DUCT	AR	AR		
6	402403	CABLE ASSY / MICRO OUTLET ON LAVATORY WALL / 552"	AR	AR		
6	403951	CABLE ASSY / MICRO OUTLET ON LAVATORY WALL / 611"	AR	AR		
7	403529	Y JCT ADAPTOR / W/5 MICRO OUTLET	1	1		
9	402373	CONTROL VOLUME / P/A	1	1		
10	403804	CABLE ASSY / 7 PINS X 8 PINS 146"	1	1		
11	403774	CABLE ASSY / 7 PINS SOCKET X 4 RCA / 51"	1	1		
12	062591	CABLE ASSY / PARCEL RACK	1	1		
12	063935	CABLE ASSY / PARCEL RACK To S-119	1			
12	403916	CABLE ASSY / HAT RACK / L.H. & R.H. From S-120	1			

From R-012 To T-1454	Date:10/2022	PAGE:H3-2315-10
SOUND SYSTEM - INSTALLATION		

Item#	Part	Description	H 3 4 1	H 3 4 5	V I P 4 5	N O T E S
12	063532	CABLE ASSY / PARCEL RACK To S-119		1		
12	403915	CABLE ASSY / HAT RACK / L.H. & R.H. From S-120		1		
13	062227	CABLE ASSY / P/A & DRIVER SPEAKER	1	1		
14	402371	OUTLET, MICROPHONE	AR	AR		
15	403604	CONTROL VOLUME / VIDEO / L.H. CONSOLE	1	1		
NS	403573	SUPPORT / "GOOSE NECK"	1	1		
NS	404524	KIT AUDIO AMPLIFIER (FORMER)	1	1		
. NS	IS-96185	. SEE INSTRUCTION SHEET	1	1		
NS	405219	KIT AUDIO AMPLIFIER (CURRENT)	1	1		
. NS	IS-00206	. SEE INSTRUCTION SHEET	1	1		
		C) THOSE AMPLIFIER ARE OBSOLETE, USE RETROFIT KIT #405219 SEE INSTRUCTION SHEET IS-00206				
		S) SERVICE ONLY				

From T-1455 To 2-4416	Date:10/2022	PAGE:H3-2315-11
BOARD UNDER FLOOR - "R.E.I."		



From T-1455 To 2-4416	Date:10/2022	PAGE:H3-2315-11
BOARD UNDER FLOOR - "R.E.I."		

Item#	Part	Description	H 3 4 1	H 3 4 5	V I P 4 5	N O T E S
		PA & AMPLI PLATE ASSY / SOUND SYSTEM	1	1		
1	404296	. PLATE MOUNTING	1	1		
2	900802	. AMPLI AUDIO & VIDEO / SYST 2000 To 2-4407	1	1		A
2	901056	. AMPLI AUDIO & VIDEO / SYST 3000 From 2-4408	1	1		
2	901491	. ADAPATER / AMPLI AUDIO & VIDEO / SYST 3000 To 2-4407	1	1		A
3	900805	. AMPLI 2000 BACK-UP P/A To W-2284	1	1		
4	404225	. NOISE FILTER / P/A, VIDEO & HOOKUP INDIVIDU / 450030	AR	AR		
5	500657	. SCREW TC TR PH #10-24x1/2 Z050	AR	AR		
6	500964	. WASHER FL .203x.500x.047 Z050	AR	AR		
7	504013	. TIE MOUNT / 1/4" X 1/4" I.D.	10	10		
8	504637	. CABLE TIE / 3/16" x 13"	AR	AR		
9	404252	. CABLE ASSY / MASTER To W-2284	1	1		
9	404573	. CABLE ASSY / SOUND SYSTEM MASTER From W-2285	1	1		
10	404256	. CABLE ASSY / FILTER & AMPLI / 28" To 2-4407	1	1		
10	405314	. CABLE ASSY 28" / FILTER & AMPLI From 2-4408	1	1		
11	404255	. CABLE ASSY / 24V POWER / 13"	1	1		
12	380885	. RAIL SUPPORT / 225MM	1	1		
13	504006	. RIVET POP CK OE 1/8x5/16 AL	3	3		
14	561729	. STOPPER	2	2		
15	561793	. BREAKER 15AMPS / 24V /	1	1		
16	561792	. BREAKER 10AMPS / 24V /	2	2		
17	381813	. BUS BAR / W/2 HOLES 25MM	2	2		
17	381814	. BUS BAR / W/3 HOLES 38MM	2	2		
NS	381236	. DUMMY ASSY W/SCREW	1	1		
NS	502531	. SCREW CAP HEX M6-1.0x16 G8.8 Z050	3	3		
18	561726	. BLOCK JUNCTION	2	2		
19	561728	. END CLOSING	1	1		
20	561727	. SCREW MA PAN PH	2	2		
21	561731	. COVER SUPPORT	3	3		
22	561732	. COVER / PROTECTOR / 2 BLOCKS	1	1		
23	404291	CABLE ASSY / MASTER P/A & BACK-UP P/A / 12"	1	1		
24	562092	RELAY 12V S.P.D.T. W/DIODE /	1	1		
25	561991	. RELAY 24V S.P.S.T. / 70 AMPS N.O.	1	1		
26	404284	CABLE ASSY / VIDEO FILTERS VCP & AMPLI	1	1		
28	561707	. RELAY 24V S.P.D.T. W/RESISTOR /	1	1		
NS	405319	CABLE ASSY / RCA TO AMPLI / SERVICE	1	1		B
NS	405320	CABLE ASSY / POWER 9 CIRC TO 8 CIRC / SERVICE	1	1		B
NS	405321	CABLE ASSY SPEAKER / CINCH TO MOLEX / SERVICE	1	1		B
NS	404307	PROTECTOR SOUND SYSTEM	1	1		
NS	502581	NUT HEX M6-1.0 Z050	3	3		
NS	5001164	WASHER FL 8.4x25.0x2.0 Z050	3	3		
41	404579	DECAL "SOUND SYSTEM"	1	1	1	

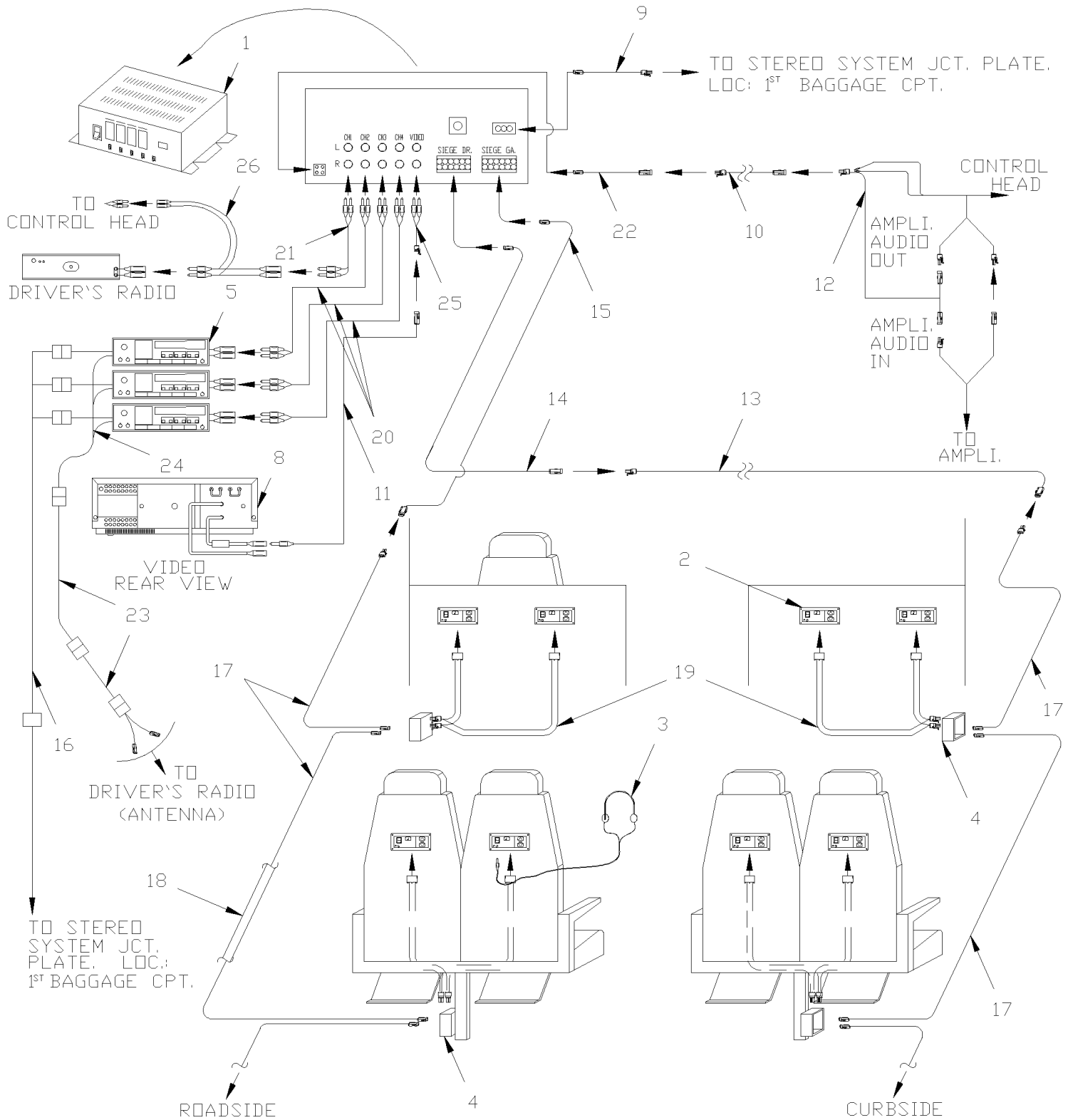
From T-1455 To 2-4416			Date:10/2022	PAGE:H3-2315-11			
BOARD UNDER FLOOR - "R.E.I."							
Item#	Part	Description	H 3 4 1	H 3 4 5	V I P 4 5	N O T E S	
		A) THIS AMPLI IT SUPPERSEDED BY #901056 + #405320 + #405321 + 405319 + 405314 & 901491					
		B) FOR SERVICE ONLY					

From T-1455 To 2-4416

Date:10/2022

PAGE:H3-2315-21

INDIVIDUAL STATIONS - "R.E.I."



NOTE: RADIOS, ITEM #1, ARE LOCATED IN THE PARCEL RACK ON LEFT SIDE (2nd DOOR).

From T-1455 To 2-4416	Date:10/2022	PAGE:H3-2315-21
INDIVIDUAL STATIONS - "R.E.I."		

Item#	Part	Description	H 3 4 1	H 3 4 5	V I P 4 5	N O T E S
1	900845	ENTERTAINER CONTROL MODULE	1	1		
NS	404542	SIDE PANEL FINISHING From W-2116	2	2		
2	900827	SELECTOR HEAD SET MODULE To 1-4148	AR	AR		
2	901006	SELECTOR HEAD SET MODULE From 1-4149	AR	AR		
NS	363644	HEADREST REINFORCEMENT	AR	AR		B
3	900704	HEAD SET EARPHONE To W-2556	AR	AR		
. NS	900791	. EARPHONE CUSHION / BOX OF 100 / FOR 900704 To W-2556	AR	AR		
3	900881	HEAD SET EARPHONE From W-2557	AR	AR		
. NS	900882	. FOAM CUSHION PAD / (SET OF 2) / FOR 900881 From W-2557	1	1		
4	900828	JUNCTION BOX MODULE SINGLE To 1-4148	AR	AR		
4	901007	JUNCTION BOX MODULE SINGLE From 1-4149	1	1		
4	900899	JUNCTION BOX MODULE DOUBLE	1	1		
5	900853	RADIO "SONY" XR350MK2 AM/FM/CASS. To X-2758	1	1		
5	900915	RADIO "SONY" XR-4800 AM/FM/CASS. From X-2759	1	1		
5	900852	RADIO "SONY" CDX2100 AM/FM/CD To W-2116	1	1		
5	900869	RADIO "SONY" CDX2160 AM/FM/CD From W-2117 To 1-4275	1	1		
5	901046	RADIO "SONY" CDXL550X AM/FM/CD From 1-4276	1	1		
5	900849	PLATE RADIO "DUMMY"	AR	AR		
NS	404488	SUPPORT, RADIO	1	1		
8	H3-2317-21	VIDEO VHS PLAYER - INSTALLATION "R.E.I."				
NS	900822	CD CHARGER / 6 DISCS / "PANASONIC" CX-DP 600 To T-1623	1	1		
NS	900842	CD CHARGER / 6 DISCS / "PANASONIC" CX-DP 601 From T-1624 To Y-3603	1	1		
8	900911	. CARTRIDGE 6 DISCS To Y-3603	1	1		
8	900987	CD CHARGER / 8 DISCS / "PANASONIC" CX-DP801 / MODIFIED From Y-3604	1	1		
9	064485	CABLE ASSY 24V POWER / ENT MODULE / 23.5'	1	1		
10	404302	CABLE ASSY 20' / 510520 /	1	1		
11	404380	CABLE ASSY RCA / M/M / USE WITH 2 VIDEOS / 510300	1	1		
NS	900857	CABLE ASSY / CD & RADIO IN DASH To Y-3603	1	1		
11	900988	CABLE ASSY / CD & RADIO IN DASH From Y-3604	1	1		
11	901058	CABLE ASSY CD / DIN / 280"	1	1		
11	901059	CABLE RCA / 2M/2M / 23'	1	1		
12	404288	CABLE ASSY / "Y" 9" CONTROL HEAD & ENTERTAINMENT MODULE	1	1		
13	404363	CABLE ASSY 14.5' To 1-4148	1	1		
13	901021	CABLE ASSY From 1-4149	1	1		
14	404499	CABLE ASSY / ENTERTAINMENT MODULE RIGHT SEAT To 1-4148	1	1		
14	901020	CABLE ASSY / ENTERTAINMENT MODULE RIGHT SEAT From 1-4149	1	1		
15	404497	CABLE ASSY / ENTERTAINMENT MODULE LEFT SEAT To 1-4148	1	1		
15	901019	CABLE ASSY / ENTERTAINMENT MODULE LEFT SEAT From 1-4149	1	1		
16	404504	CABLE ASSY / RADIO POWER	1	1		
17	404275	CABLE ASSY / JCT BOX MODULE & JCT BOX MODULE To 1-4148	2	2		
17	901018	CABLE ASSY / 2 JCT BOX MODULES From 1-4149	1	1		
18	325056	PROTECTOR MOULDING	1	1		

From T-1455 To 2-4416	Date:10/2022	PAGE:H3-2315-21
INDIVIDUAL STATIONS - "R.E.I."		

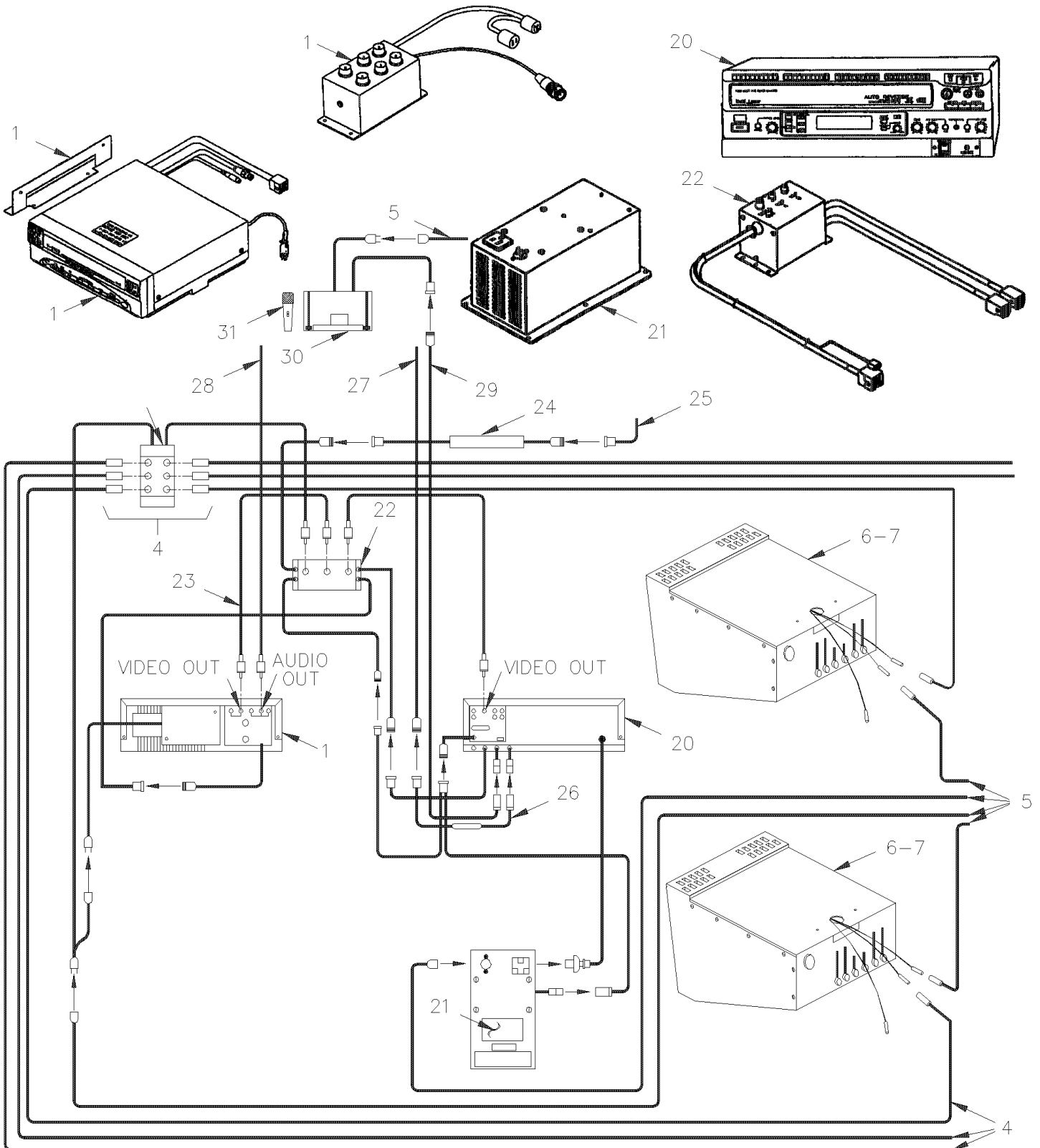
Item#	Part	Description	H 3 4 1	H 3 4 5	V I P 4 5	N O T E S
19	404269	CABLE SEAT ASSY "Y" 40" / JCT BOX & CHANNEL SELECTOR CHANNEL SELECTOR To 1-4148	2	2		
19	901008	CABLE SEAT ASSY / JCT BOX & CHANNEL SELECTOR From 1-4149	1	1		
19	404501	CABLE SEAT ASSY / JCT BOX & CHANNEL SELECTOR CHANNEL SELECTOR	1	1		A
20	900856	CABLE RCA / 2M/2M / 3'	1	1		
21	900855	CABLE RCA / 2M/2M / 20'	1	1		
22	404498	CABLE ADAPTOR INTER. MODULE / 511211	1	1		
23	900774	CABLE, ANTENNA EXTENSION / 12'	1	1		
24	900775	Y RADIO ANTENNA CABLE / TO USE W/2 RADIOS	AR	AR		
25	900758	ADAPTOR "Y" RCA / 1F/2M / 9"	1	1		
26	900671	ADAPTOR "Y" RCA / 1M/2F / 4"	1	1		
NS	404525	INSULATING, NOISE	1	1		
		A) USE WITH SINGLE SEAT ONLY				
		B) USE WITH SELECTOR HEAD SET MODULE FIX ON THE HEADREST				

From T-1455 To 1-4143

Date:10/2022

PAGE:H3-2315-31

KARAOKE - SOUND SYSTEM - "R.E.I."



From T-1455 To 1-4143	Date:10/2022	PAGE:H3-2315-31
KARAOKE - SOUND SYSTEM - "R.E.I."		

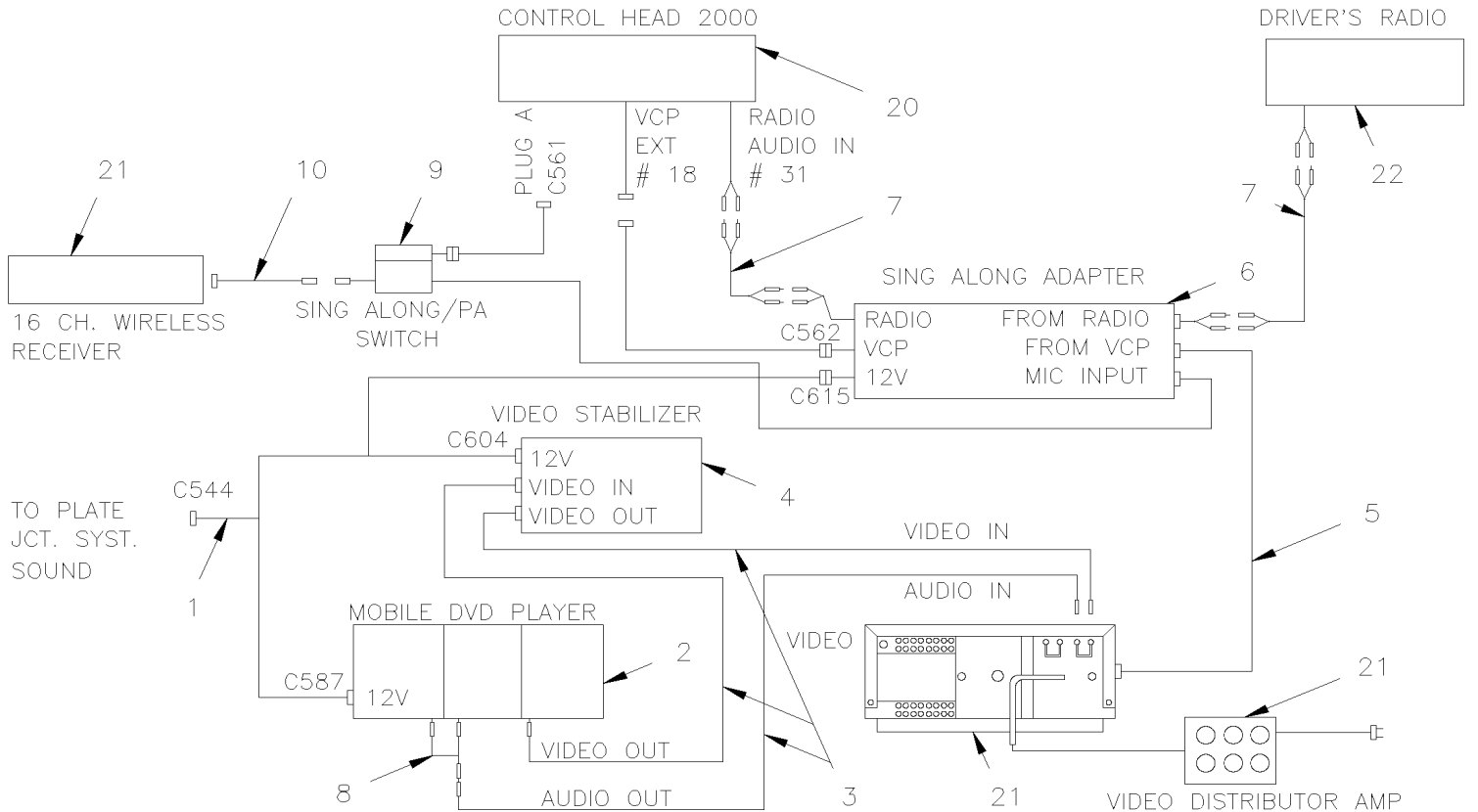
Item#	Part	Description	H 3 4 1	H 3 4 5	V I P 4 5	N O T E S
1	H3-2317-21	VIDEO VHS PLAYER - INSTALLATION "R.E.I."				
4	404232	CABLE ASSY COAX / RG-59 / 10' / 510443	AR	AR		
4	404233	CABLE ASSY COAX / RG-59 / 15' / 511062	AR	AR		
4	404234	CABLE ASSY COAX / RG-59 / 20' / 510407	AR	AR		
4	404235	CABLE ASSY COAX / RG-59 / 24' / 510414	AR	AR		
4	404236	CABLE ASSY COAX / RG-59 / 33' / 510928	AR	AR		
4	404237	CABLE ASSY COAX / RG-59 / 44' / 510929	AR	AR		
5	404244	CABLE ASSY / 24V POWER / 10'	AR	AR		RC
5	404245	CABLE ASSY / 24V POWER / 15'	AR	AR		RC
5	404246	CABLE ASSY / 24V POWER / 20'	AR	AR		RC
5	404247	CABLE ASSY / 24V POWER / 25'	AR	AR		RC
5	404248	CABLE ASSY / 24V POWER / 30'	AR	AR		RC
5	404249	CABLE ASSY / 24V POWER / 35'	AR	AR		RC
5	404250	CABLE ASSY / 24V POWER / 40'	AR	AR		RC
6	404306	MONITOR SLIDE BRACKET	AR	AR		
. NS	900862	. KEY MONITOR LOCK	1	1		
7	900809	MONITOR 2000 24V	AR	AR		
7	400316	KIT CENTRAL MONITOR LCD From W-2285	1	1		
7	400321	KIT PARCEL RACK MONITOR LCD From W-2285	1	1		
20	900815	KARAOKE "R.E.I."	AR	AR		
21	900816	INVERTER 100W / W/KARAOKE "R.E.I."	1	1		
22	900817	DUAL VCP MODULE / USE W/KARAOKE	1	1		
23	404380	CABLE ASSY RCA / M/M / USE WITH 2 VIDEOS / 510300	1	1		A
24	900830	KARAOKE & VCP / VIDEO FILTER	1	1		
25	404283	CABLE ASSY / FILTER VCP & CONTROL HEAD / 20'	1	1		
26	900831	KARAOKE & MICROPHONE AUDIO ISO TRANSFORMER	1	1		
27	404302	CABLE ASSY 20' / 510520 /	1	1		B
28	900783	CABLE RCA / 2M/2M / 10'	1	1		
29	404302	CABLE ASSY 20' / 510520 /	1	1		C
30	900813	RECEIVER WIRELESS MICROPHONE / 170.305 MHZ To X-3077	1	1		D
. NS	900892	. ANTENNA CABLE / REAR OF RECEIVER To X-3077	1	1		D
30	900952	RECEIVER WIRELESS MICROPHONE / 16-CHANNEL From X-3078	1	1		
. NS	901300	. ANTENNA RIGID / REAR OF RECEIVER From X-3078	1	1		
NS	900712	SUPPORT MICROPHONE To X-3077	1	1		
31	900812	MICROPHONE, WIRELESS KIT / 170.305 MHZ To X-3077	1	1		D
31	900954	MICROPHONE, WIRELESS / 16 CHANNEL From X-3078	1	1		
. NS	685199	. BATTERY 1.5V / TYPE "AA" / RECHARGEABLE From X-3078	AR	AR		
NS	064280	KIT, RETROFIT WIRELESS MICROPHONE / COMPLETE	AR	AR		E
. NS	900951	. KIT, WIRELESS MICRO 16 CHANNEL / SERVICE ONLY	1	1		E
. . NS	900953	. . STATION WIRELESS BATTERY CHARGING 16 CHANNEL	1	1		E
. . NS	900954	. . MICROPHONE, WIRELESS / 16 CHANNEL	1	1		E
. . . NS	685199	. . . BATTERY 1.5V / TYPE "AA" / RECHARGEABLE	AR	AR		E

From T-1455 To 1-4143	Date:10/2022	PAGE:H3-2315-31
KARAOKE - SOUND SYSTEM - "R.E.I."		

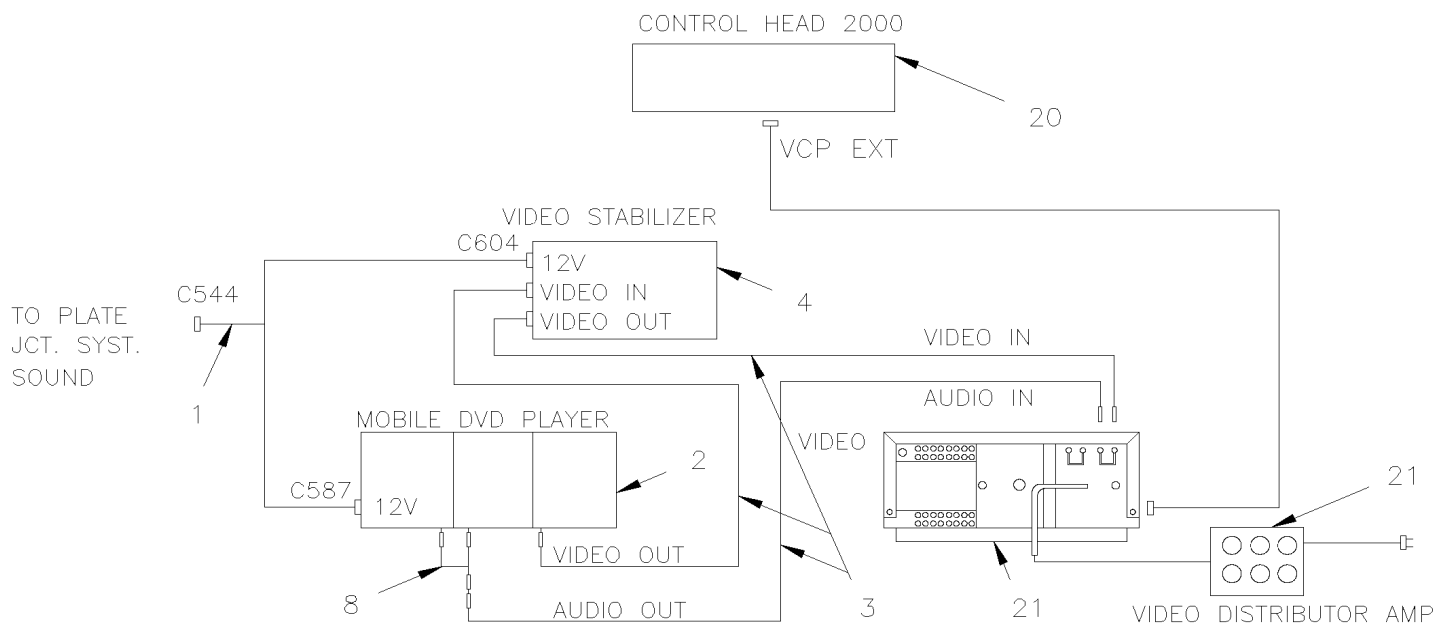
Item#	Part	Description	H 3 4 1	H 3 4 5	V I P 4 5	N O T E S
. . NS	900955	. . CABLE ASSY / CHARGER ADAPTOR 4'	1	1		E
. . NS	900956	. . CABLE ASSY / ADAPTOR POWER 18"	1	1		E
. . NS	900957	. . CABLE ASSY / ADAPTOR WIRING 18"	1	1		E
. NS	064273	. WIRING HARNESS RECEIVER & MICRO	1	1		E
. NS	064274	. WIRING HARNESS / RECEIVER FEEDING	1	1		E
. NS	064275	. WIRING HARNESS / RECEIVER FEEDING BEFORE 95	1	1		E
. NS	860489	. VELCRO / HOOK BLACK / 3/4" X 75'	AR	AR		E
. NS	860490	. VELCRO / LOOP BLACK / 3/4" X 75'	AR	AR		E
. NS	IS-96901	. SEE INSTRUCTION SHEET	1	1		E
NS	900951	KIT, WIRELESS MICRO 16 CHANNEL / SERVICE ONLY	AR	AR		
. NS	900953	. STATION WIRELESS BATTERY CHARGING 16 CHANNEL	1	1		
. NS	900954	. MICROPHONE, WIRELESS / 16 CHANNEL	1	1		
. . NS	685199	. . BATTERY 1.5V / TYPE "AA" / RECHARGEABLE	AR	AR		
. NS	900955	. CABLE ASSY / CHARGER ADAPTOR 4'	1	1		
. NS	900956	. CABLE ASSY / ADAPTOR POWER 18"	1	1		
. NS	900957	. CABLE ASSY / ADAPTOR WIRING 18"	1	1		
		A) W/KARAOKE				
		B) KARAOKE & CONTROL HEAD				
		C) KARAOKE & RECEIVER WIRELESS				
		D) THOSE PARTS ARE SUPERSEDED BY KIT #900951				
		E) FOR RETROFIT WIRELESS MICROPHONE ASK KIT #064280				
		RC) CABLE W/R.E.I. MONITOR USE W/CON 1 # 562554				

From 1-4144 To 2-4416	Date:10/2022	PAGE:H3-2315-32
SOUND SYSTEM - "KARAOKE" & DVD		

VCP & DVD WITH KARAOKE



VCP & DVD



From 1-4144 To 2-4416	Date:10/2022	PAGE:H3-2315-32
SOUND SYSTEM - "KARAOKE" & DVD		

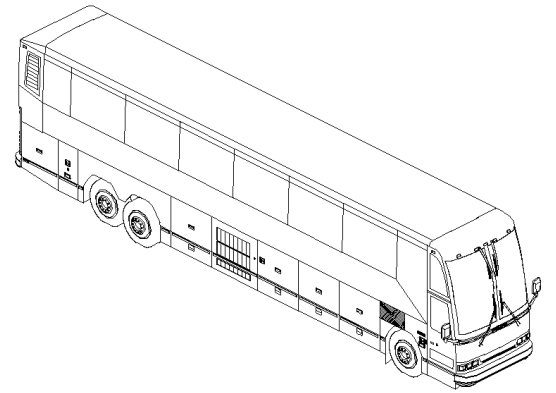
Item#	Part	Description	H 3 4 1	H 3 4 5	V I P 4 5	N O T E S
1	405187	CABLE ASSY DVD	1	1		
2	901033	DVD REI	1	1		
3	404380	CABLE ASSY RCA / M/M / USE WITH 2 VIDEOS / 510300	1	1		
4	901034	STABILIZER VIDEO MODIFIED	1	1		A
5	405190	HARNESS INTERFACE VIDEO/SING ALONE ADAP	1	1		
6	901035	ADAPTOR KARAOKE	1	1		
7	900855	CABLE RCA / 2M/2M / 20'	1	1		
8	900758	ADAPTOR "Y" RCA / 1F/2M / 9"	1	1		
9	901036	SWITCH KARAOKE	1	1		
10	405191	HARNESS WIRE LESS MIC/SING ALONE ADAPTOR	1	1		
20	900803	CONTROL HEAD / "R.E.I." SYSTEM 2000	1	1		
. NS	563064	. BULB (CONTROL HEAD GREEN) / 12VOLTS / 2700	1	1		
21	H3-2317-21	VIDEO VHS PLAYER - INSTALLATION "R.E.I."				
22	H3-2315-01	SOUND SYSTEM & ACCESSORIES				
NS	405659	KIT, VIDEO STABILIZATOR REPLACEMENT	1	1		
. NS	IS-03099	. SEE INSTRUCTION SHEET	1	1		
		A) THIS PART IS SUPERSEDED BY KIT #405659				

From R-012 To 2-4416

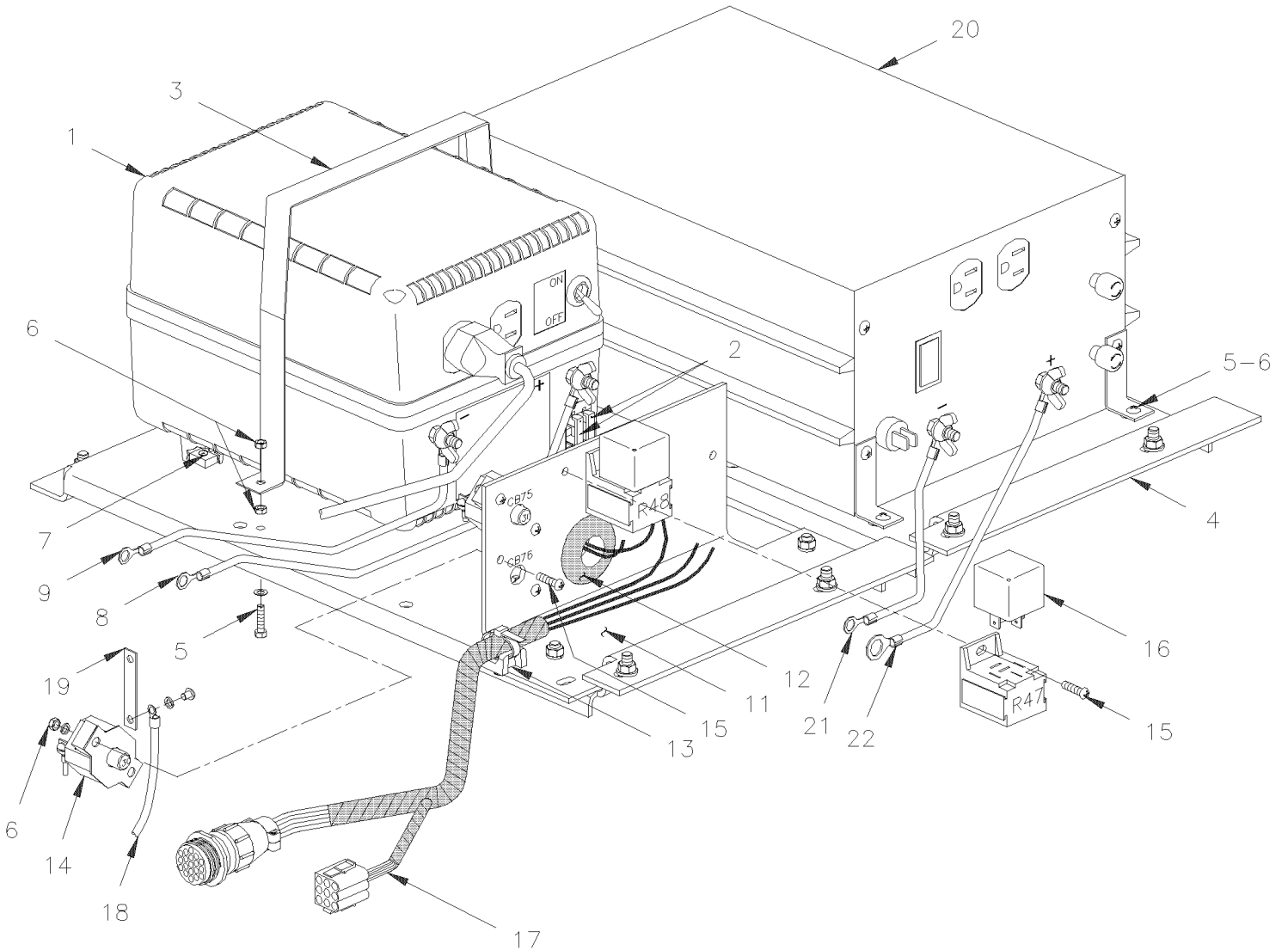
Date:10/2022

PAGE:H3-2315-51

POWERVERTER - 24/110 VOLTS - 1000 WATTS



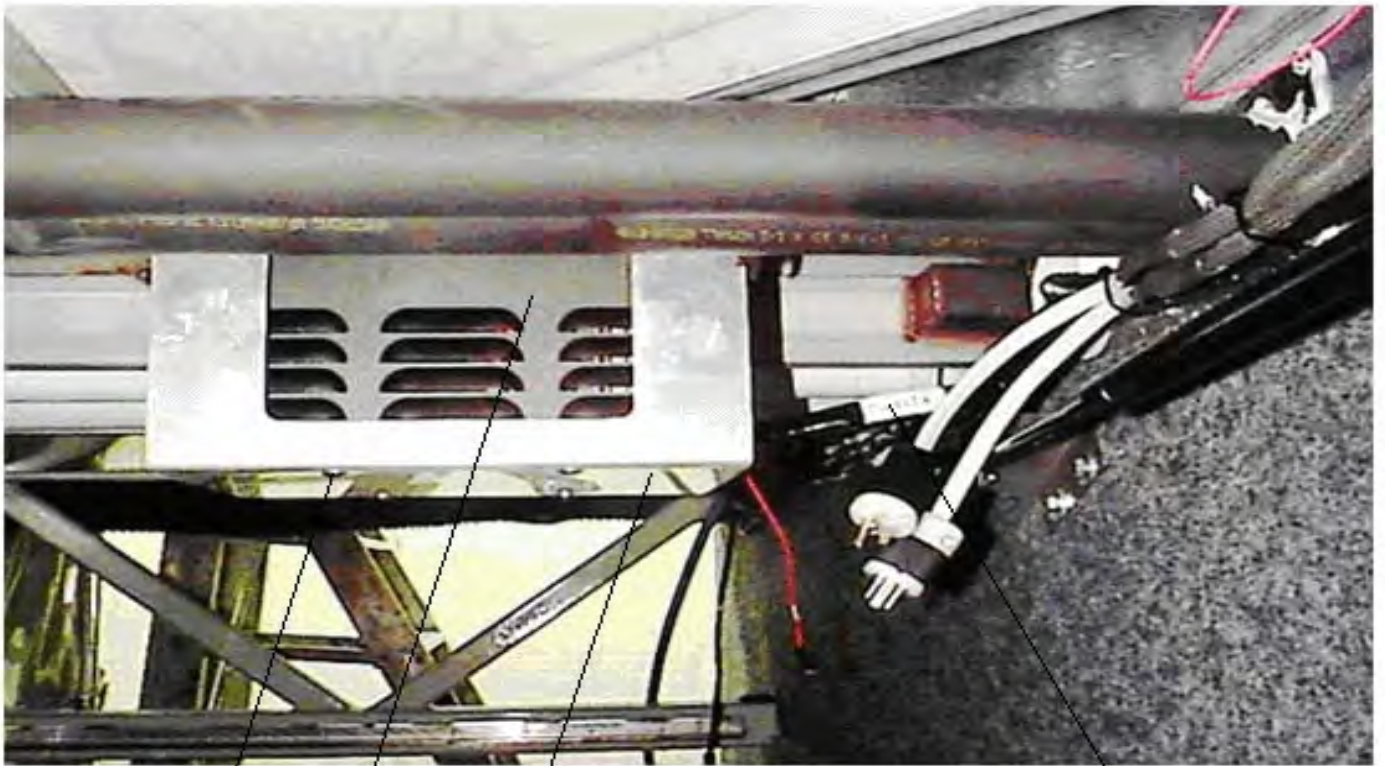
FRONT



From R-012 To 2-4416	Date:10/2022	PAGE:H3-2315-51
POWERVERTER - 24/110 VOLTS - 1000 WATTS		

Item#	Part	Description	H 3 4 1	H 3 4 5	V I P 4 5	N O T E S
1	562292	POWERVERTER ASSY / 12/110 V 750 WATTS To T-1454	1	1		A
2	562472	. FUSE / ATC 40 AMPS ORANGE To T-1454	2	2		A
3	381485	STRAP / TO FIX POWERVERTER To T-1454	1	1		A
NS	506001	TAPE RUB ADH1 CC POL 1/8" x 3/4" x 50' / GREY 2520X To T-1454	AR	AR		A
4	403271	SUPPORT To T-1454	1	1		A
5	502550	SCREW CAP HEX M4-0.7x16 G8.8 Z050 To T-1454	2	2		A
6	502524	NUT HEX M4-0.7 Z050 To T-1454	2	2		A
NS	502636	WASHER LO SPT 4.1x7.6x0.9 Z050 To T-1454	AR	AR		A
7	381493	STOPPER / TO FIX POWERVERTER To T-1454	2	2		A
8	063158	CABLE ASSY #12PV To T-1454	1	1		A
9	063052	CABLE ASSY #0 To T-1454	1	1		A
11	381484	SUPPORT BREAKER & RELAY To T-1454	1	1		A
12	504530	GROMMET / .750x1.250x.125x.312x1.625 To T-1454	1	1		A
13	504013	TIE MOUNT / 1/4" X 1/4" I.D. To T-1454	1	1		A
13	504114	RIVET POP DOME OE 3/16x1/4 AL To T-1454	1	1		A
13	504637	CABLE TIE / 3/16" x 13" To T-1454	1	1		A
14	870690	BREAKER 30AMPS / 24V / To T-1454	2	2		A
15	502698	SCREW MA PAN PH M4-0.7x16 SS BK To T-1454	AR	AR		A
16	561707	RELAY 24V S.P.D.T. W/RESISTOR / To T-1454	AR	AR		A
17	063346	HARNESS ASSY (VCR & GALLEY) To T-1454	1	1		A
NS	062930	CABLE ASSY / POWERVERTER & FRONT JUNCTION BLOCK / CONSOLE To T-1454	1	1		A
18	063055	CABLE ASSY #24 VF To T-1454	1	1		A
19		BUS BAR / 30 AMP BREAKER To T-1454	1	1		A
20	562456	POWERVERTER ASSY / 24/110 V 1000 WATTS	1	1		B C
20	562472	. FUSE / ATC 40 AMPS ORANGE	4	4		B
21	064264	CABLE ASSY #0	1	1		B
22	064263	CABLE ASSY #24PV	1	1		B
NS	065708	KIT, INVERTER REPLACEMENT / BAGGAGE COMPARTMENT	1	1		
. NS	IS-01028	. SEE INSTRUCTION SHEET	1	1		
NS	065710	KIT, INVERTER REPLACEMENT / INSIDE GALLEY SERIE "H"	1	1		
. NS	IS-01028	. SEE INSTRUCTION SHEET	1	1		
		A) THOSE ITEMS ARE RELATED WITH "VIDEO" SYSTEM "PREVOST"				
		B) THOSE ITEMS ARE RELATED WITH "GALLEY"				
		C) THIS POWERVERTER IS SUPERSEDED BY KIT #065708 OR #065710				

From W-2285 To 2-4416	Date:10/2022	PAGE:H3-2315-52
POWERVERTER - 24/110 VOLTS - 1000 WATTS		



1-2-3

4

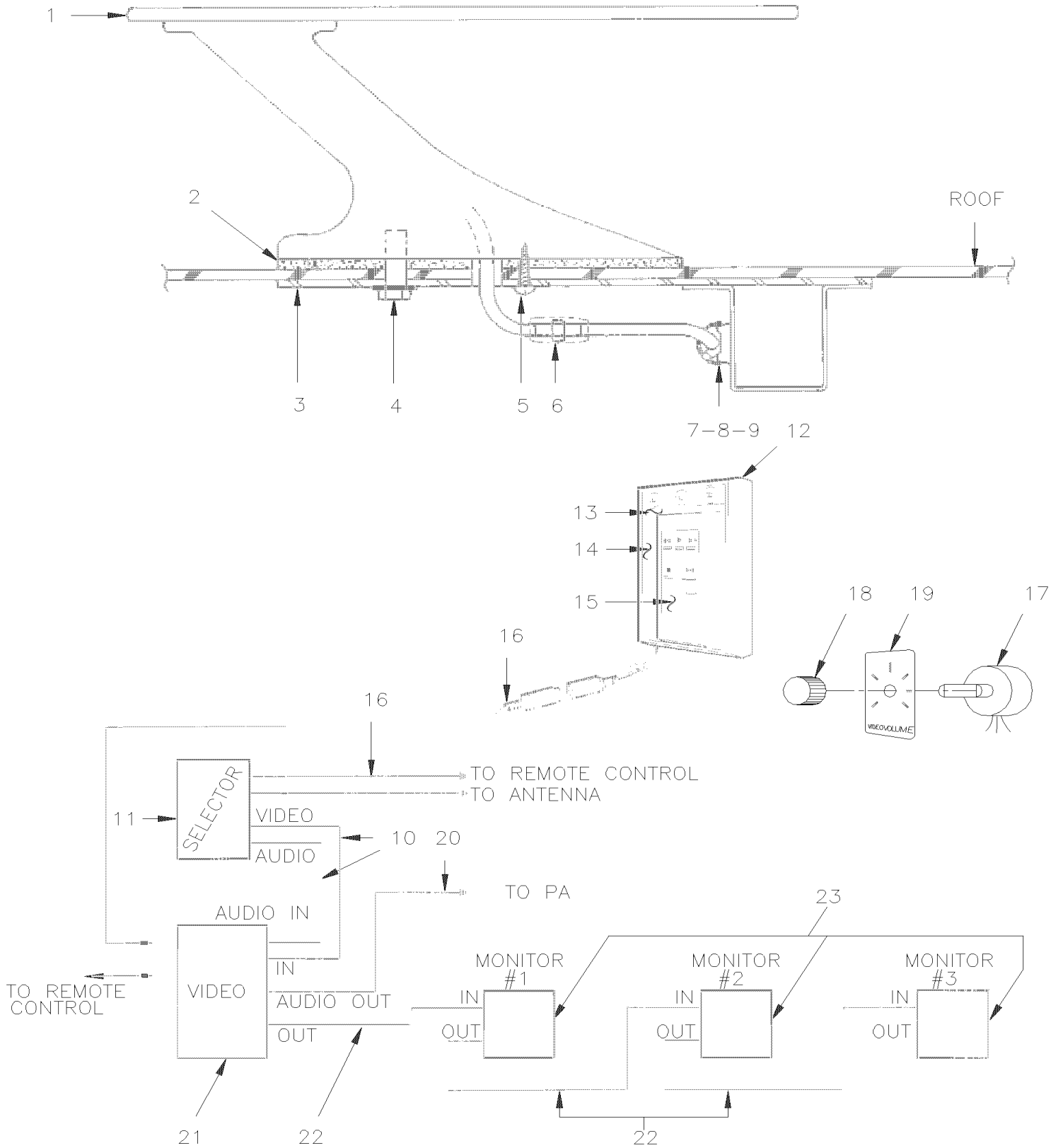
5-6-7

8

From W-2285 To 2-4416	Date:10/2022	PAGE:H3-2315-52
POWERVERTER - 24/110 VOLTS - 1000 WATTS		

Item#	Part	Description	H 3 4 1	H 3 4 5	V I P 4 5	N O T E S
1	502631	SCREW CAP HEX M6-1.0x20 G8.8 Z050	4	4	4	
2	502511	NUT HEX NYRT M6-1.0 Z050	4	4	4	
3	500441	WASHER FL .312x.734x.065 Z050	4	4	4	
4	562456	POWERVERTER ASSY / 24/110 V 1000 WATTS	1	1	1	A
5	064459	SUPPORT	1	1	1	
6	500841	SCREW TP PAN PH #14x3/4 Z050	5	5	5	
7	500473	WASHER LO SPT .262x.489x.062 Z050	5	5	5	
8	065243	CABLE ASSY / INVERTER	1	1	1	
8	562657	PLUG DOUBLE 110 VAC MURAL / WHITE	1	1	1	
8	562659	COVER PLATE DOUBLE 110V OUTLET / WHITE	1	1	1	
8	562661	RECEPTACLE BOX / 110Vac outlet WHITE	1	1	1	
8	560933	CONNECTOR / 15 AMPS / HUBBELL 5266-C	1	1	1	
8	562595	SPECIAL WIRE CABLE 14/3 / WHITE (BOAT CABLE)	1	1	1	
8	562664	PROTECTOR METALLIC 1"/CABLE	1	1	1	
NS	065708	KIT, INVERTER REPLACEMENT / BAGGAGE COMPARMENT	1	1	1	
. NS	IS-01028	. SEE INSTRUCTION SHEET	1	1	1	
NS	065710	KIT, INVERTER REPLACEMENT / INSIDE GALLEY SERIE "H"	1	1	1	
. NS	IS-01028	. SEE INSTRUCTION SHEET	1	1	1	
		A) THIS POWERVERTER IS SUPERSEDED BY KIT #065708 OR #065710				

From R-012 To T-1454	Date:10/2022	PAGE:H3-2315-60
ROOF ANTENNA & VIDEO WIRING DIAGRAM		



From R-012 To T-1454 Date:10/2022 PAGE:H3-2315-60

ROOF ANTENNA & VIDEO WIRING DIAGRAM

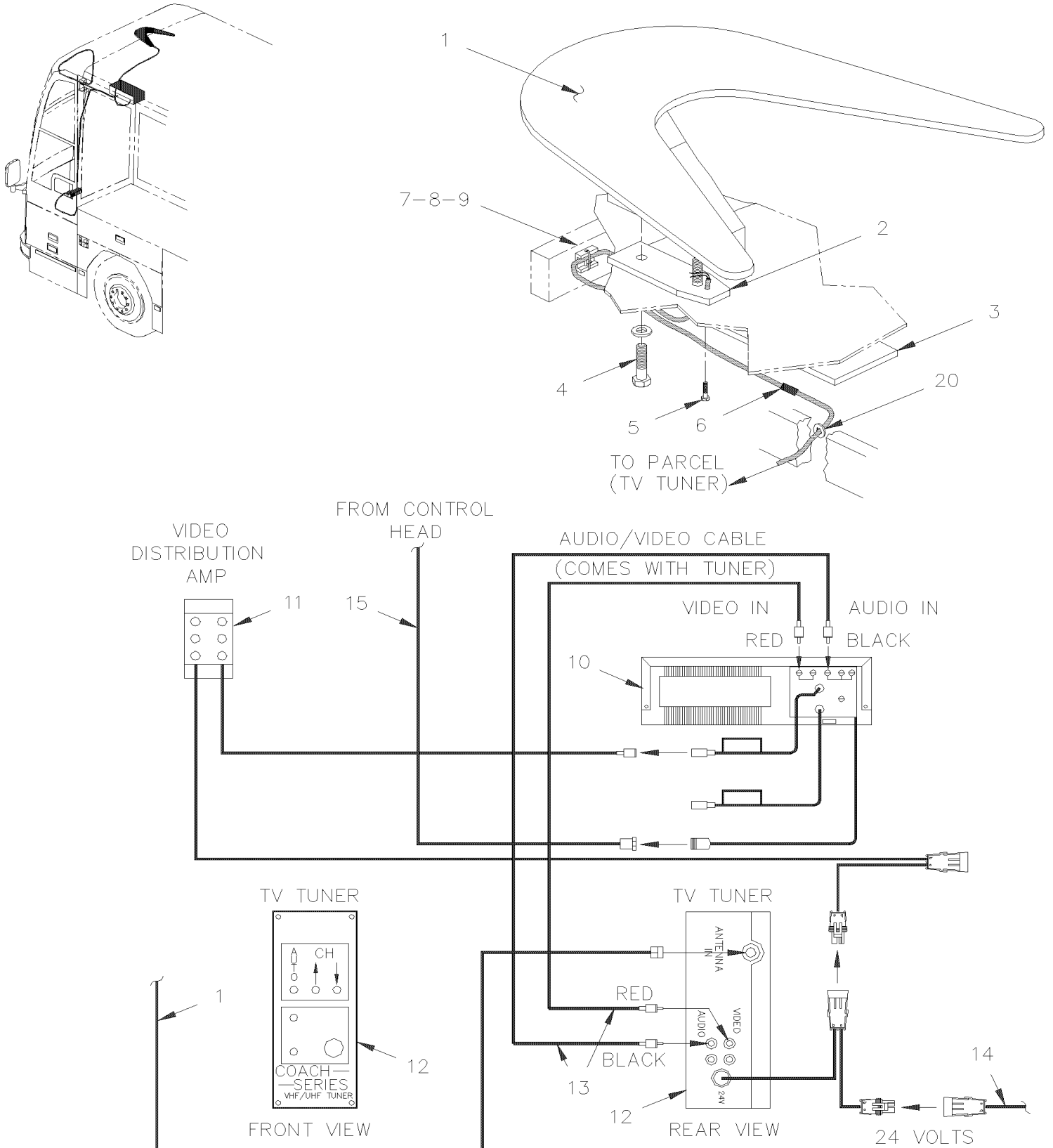
Item#	Part	Description	H 3 4 1	H 3 4 5	V I P 4 5	N O T E S
1	900617	ANTENNA, ROOF / "WINTENNA" MODEL 720 6" To T-1428	1	1		
1	900794	ANTENNA, ROOF / "WINTENNA" MODEL 2 3/4" From T-1429	1	1		
NS	403354	DECAL / VEHICLE HEIGHT 12'10" / BUS W/ TV ANTENNA	1	1		
NS	403830	DECAL / VEHICLE HEIGHT 12' 10"	1	1		
NS	403831	DECAL / VEHICLE HEIGHT 12' 4"	1	1		
2	403298	GASKET, ANTENNA	1	1		
3	500048	SCREW CAP HEX 3/8-24x1 1/4 G5 ZP	1	1		
4	403293	PLATE, REINFORCEMENT / ROOF	1	1		
5	500617	SCREW TP PAN PH #8x1 Z050	1	1		
6	560786	SHRINK TUBING / .500" - .250" / BLACK / ALPHA FIT-300-1/2-4B	AR	AR		
7	504013	TIE MOUNT / 1/4" X 1/4" I.D.	4	4		
8	504006	RIVET POP CK OE 1/8x5/16 AL	4	4		
9	504012	CABLE TIE / 3/16" X 6"1/2	4	4		
10	900616	CABLE ASSY / VIDEO & SELECTOR	2	2		
NS	561267	WIRE MARKER / LETTER "A" / S.L.	AR	AR		
NS	561288	WIRE MARKER / LETTER "V" / S.L.	AR	AR		
11	403289	SELECTOR, CHANNEL	1	1		
12	403294	CONTROL ASSY, REMOTE / W/SELECTOR ONLY	1	1		
12	403346	CONTROL ASSY, REMOTE / W/DOUBLE VIDEO ONLY OPTION P.W.T.	AR	AR		
13	403496	. DECAL "TV-TV+ON/OFF"	1	1		
14	390972	. LEXAN	1	1		
15	900612	. CONTROL REMOTE	1	1		
15	900796	CONTROL REMOTE / W/60' CABLE	1	1		
16	403295	CABLE / REMOTE CONTROL / CONTROL & SELECTOR	1	1		
17	403604	CONTROL VOLUME / VIDEO / L.H. CONSOLE	1	1		
18	505306	KNOB, POINTER	1	1		
19	391335	DECAL / VIDEO VOLUME	1	1		
20	H3-2317-11	SIDE MONITOR - VIDEO				
21	H3-2317-20	VIDEO VHS PLAYER - INSTALLATION				
22	H3-2317-11	SIDE MONITOR - VIDEO				
23	H3-2317-01	FRONT MONITOR - VIDEO				
23	H3-2317-11	SIDE MONITOR - VIDEO				

From T-1455 To 2-4416

Date:10/2022

PAGE:H3-2315-61

ROOF ANTENNA & WIRING "R.E.I."



From T-1455 To 2-4416	Date:10/2022	PAGE:H3-2315-61
ROOF ANTENNA & WIRING "R.E.I."		

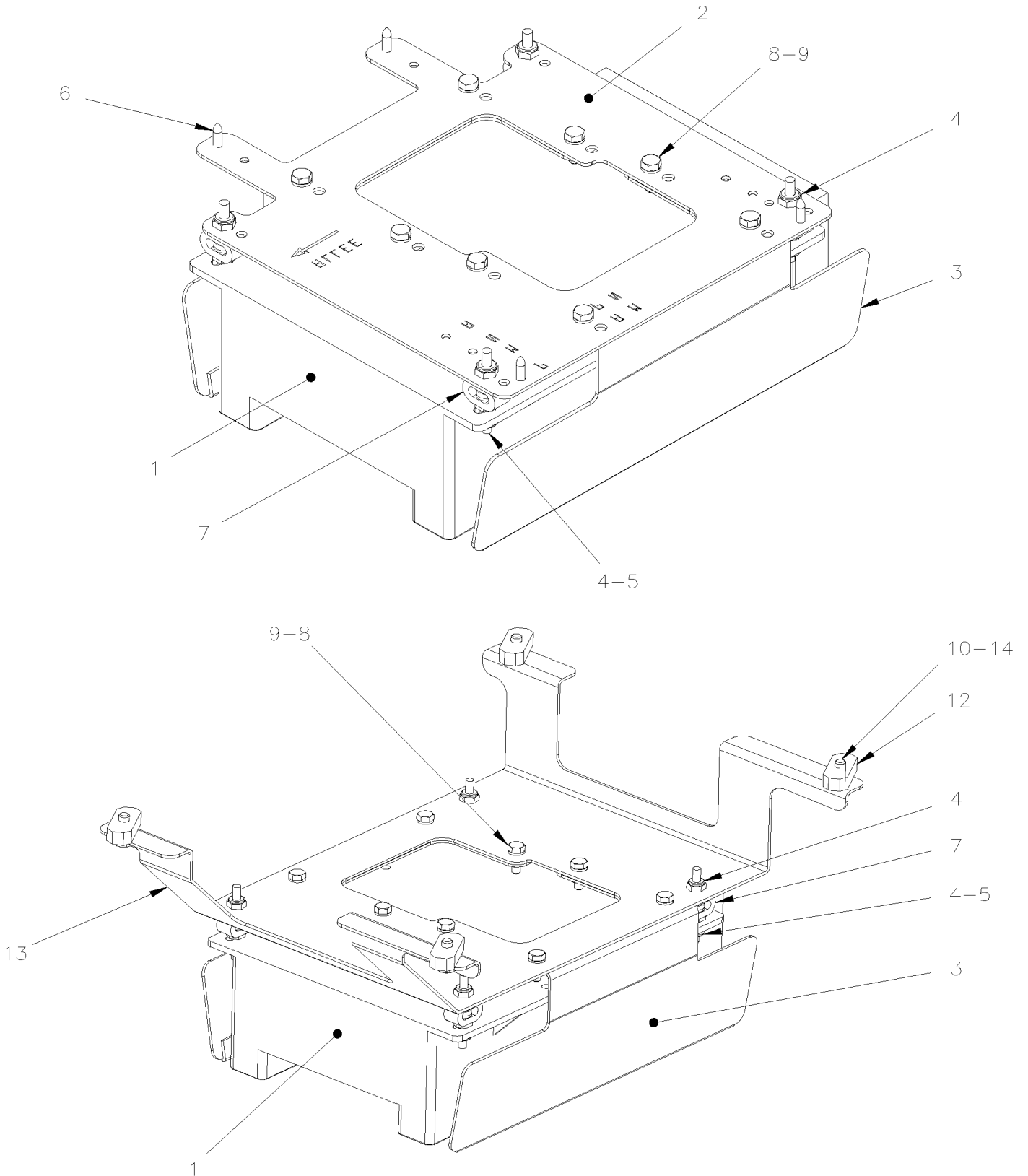
Item#	Part	Description	H 3 4 1	H 3 4 5	V I P 4 5	N O T E S
1	900794	ANTENNA, ROOF / "WINTENNA" MODEL 2 3/4"	1	1		
NS	403355	DECAL / VEHICLE HEIGHT 11' 9"	1	1		
2	403298	GASKET, ANTENNA	1	1		
3	404345	PLATE, REINFORCEMENT / ROOF	1	1		
4	500048	SCREW CAP HEX 3/8-24x1 1/4 G5 ZP	1	1		
5	500617	SCREW TP PAN PH #8x1 Z050	1	1		
5	5001209	SCREW CAP HEX M6-1.0x25 G8.8 Z050	1	1		
5	500441	WASHER FL .312x.734x.065 Z050	1	1		
6	560786	SHRINK TUBING / .500" - .250" / BLACK / ALPHA FIT-300-1/2-4B	AR	AR		
7	504006	RIVET POP CK OE 1/8x5/16 AL	4	4		
8	504013	TIE MOUNT / 1/4" X 1/4" I.D.	4	4		
9	504637	CABLE TIE / 3/16" x 13"	4	4		
10	H3-2317-21	VIDEO VHS PLAYER - INSTALLATION "R.E.I."				
12	900814	TUNER TV 24V To 2-4353	1	1		
12	901054	TUNER TV 24V From 2-4354	1	1		
NS	404589	PROTECTOR VIDEO BOX	1	1		
NS	405186	INTERFACE CABLE ASSY	1	1		A
13	900785	CABLE RCA / 2M/2M / 10'	1	1		
14	404255	CABLE ASSY / 24V POWER / 13" To W-2284	1	1		
14	404572	CABLE ASSY / DASH COMPONENT & HARNESS ABOVE From W-2285 To 1-4121	1	1		
14	405184	CABLE ASSY / DASH COMPONENT & HARNESS ABOVE From 1-4122 To 2-4407	1	1		
14	405316	CABLE ASSY / DASH COMPONENT & HARNESS ABOVE From 2-4408	1	1		
14	404571	CABLE ASSY / DASH & PARCEL RACK	1	1		
15	404283	CABLE ASSY / FILTER VCP & CONTROL HEAD / 20'	1	1		
20	504063	GROMMET / .562x.812x.062x.312x1.062	1	1		
		A) USE ONLY WITH #901054 Up To 2-43549				

From T-1455 To 2-4416

Date:10/2022

PAGE:H3-2315-99

SUBWOOFER - INSTALLATION / RETROFIT



From T-1455 To 2-4416	Date:10/2022	PAGE:H3-2315-99
SUBWOOFER - INSTALLATION / RETROFIT		

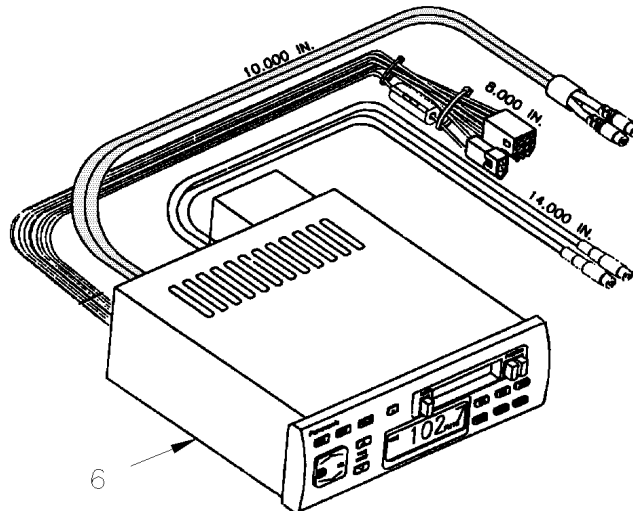
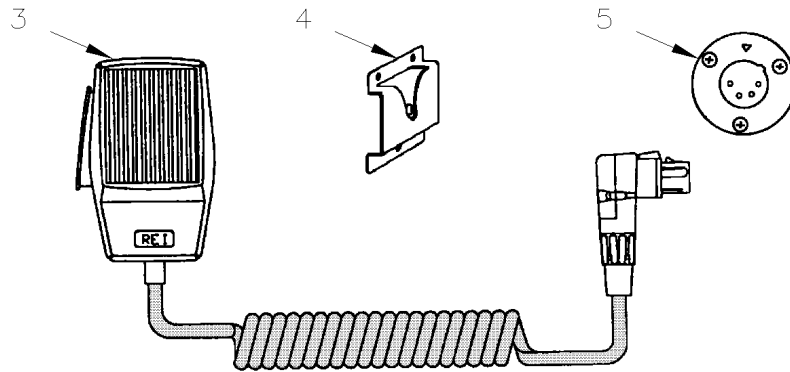
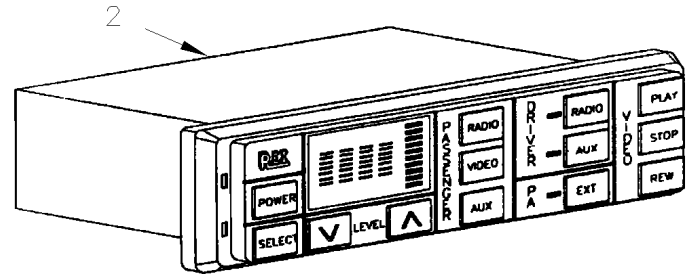
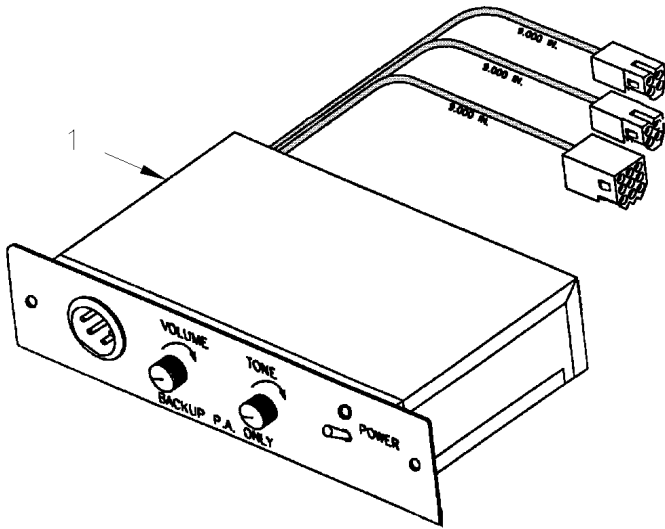
Item#	Part	Description	H 3 4 1	H 3 4 5	V I P 4 5	N O T E S
1	901193	SUBWOOFER ASSY	1	1		
2	405780	PLATE MOUNTING	1	1		
3	405829	DEFLECTOR SPEAKER	2	2		
4	502874	NUT HEX NYRT 1/4-20 N500	8	8		
5	500877	WASHER FL .250x.562x.065 N500	8	8		
6	500526	SCREW TP CAP HEXW #12x3/4 N500	4	4		
7	5060076	RUBBER CUSHION ABSORBANT	4	4		
8	500163	SCREW CAP HEX 1/4-20x3/4 G5 Z050	16	16		
9	500473	WASHER LO SPT .262x.489x.062 Z050	16	16		
10	500476	WASHER LO SPT .317x.586x.078 Z050	4	4		A
12	5001642	T NUT 5/16-18	4	4		A
13	405787	PLATE MOUNTING "AMERICAN SEATING ONLY"	1	1		A
14	500179	SCREW CAP HEX 5/16-18x3/4 G5 Z050	4	4		A
NS	405846	KIT , SUBWOOFER ASSY / SERIES "H" From W-2285	1	1		B C
NS	066743	CABLE EXTENSION 2M / SUBWOOFER From W-2285	2	2		
NS	066707	CABLE ASSY / MAIN AISLE LAMP W/SUBWOOFER / SERIES "H" From W-2285	1	1		
		A) TO BE USED ONLY WITH NEW PLATE 38217				
		B) THIS KIT DO NOT INCLUDE FOLLOWING ITEMS.: # 2 OR 13 & 10, 12 & 14				
		C) WITH THIS KIT YOU REQUIRE ALSO KIT 405843 AS SHOW AT PAGE Y2-2317-32				

From T-1455 To W-2284

Date:10/2022

PAGE:H3-2316-00

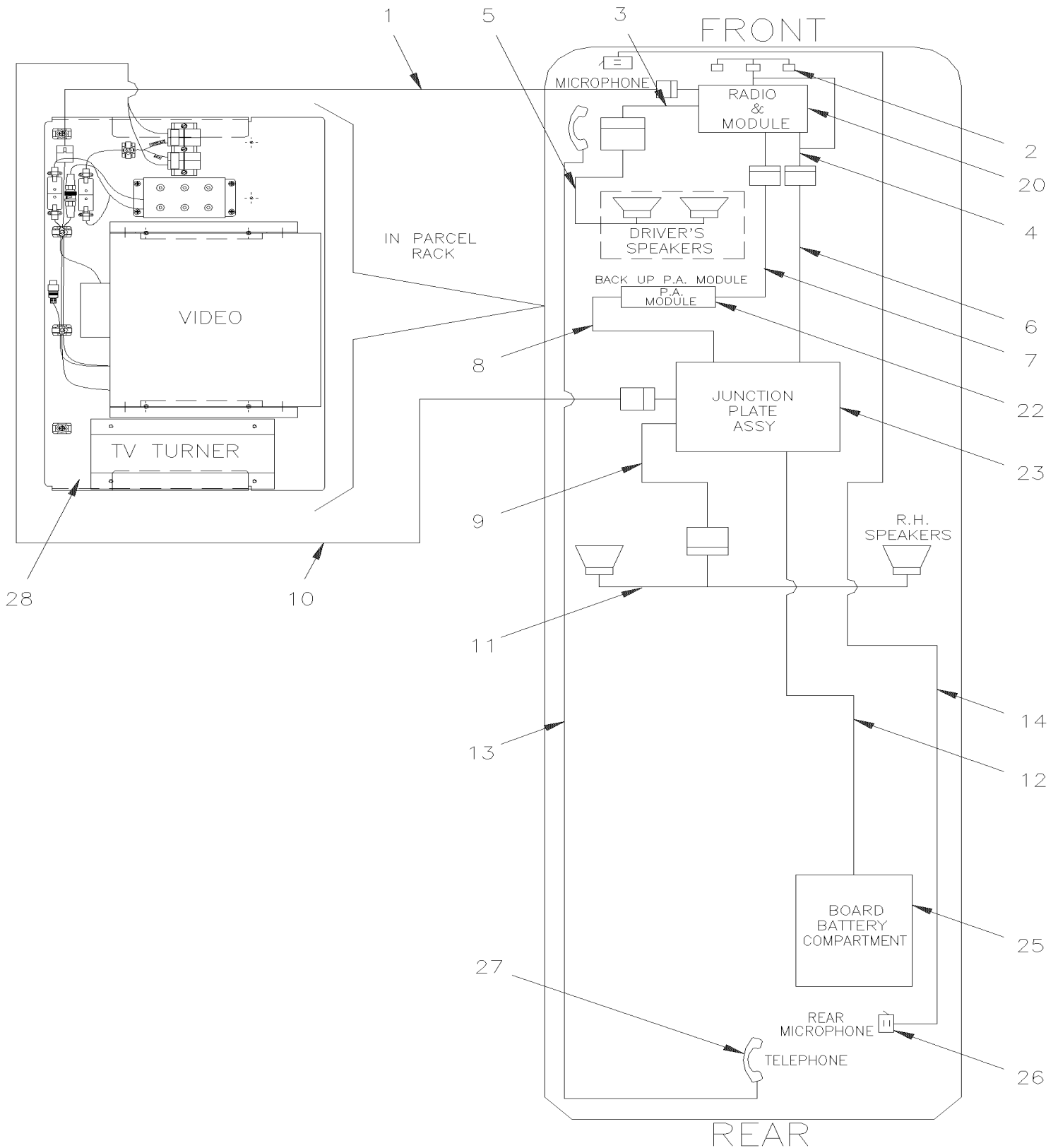
DRIVER'S ACCESSORIES - "R.E.I."



From T-1455 To W-2284	Date:10/2022	PAGE:H3-2316-00
DRIVER'S ACCESSORIES - "R.E.I."		

Item#	Part	Description	H 3 4 1	H 3 4 5	V I P 4 5	N O T E S
1	900804	MODULE-2000 BACKUP P/A To W-2284	1	1		
2	900803	CONTROL HEAD / "R.E.I." SYSTEM 2000	1	1		
. NS	563064	. BULB (CONTROL HEAD GREEN) / 12VOLTS / 2700	1	1		
NS	500409	SCREW TP PAN PH #8x1/2 BK	2	2		
NS	500422	NUT SPR U #6-32 .110-.120 SS	2	2		
3	900808	MICROPHONE / W/6' CORD / "REI" TYPE C.B.	AR	AR		
. NS	900721	. CONNECTOR MICROPHONE 90° / R4F	1	1		
3	900829	MICROPHONE / W/10' CORD / "REI" TYPE C.B.	AR	AR		
. NS	900721	. CONNECTOR MICROPHONE 90° / R4F	1	1		
. NS	900900	. CABLE MICROPHONE 10' / "REI"	1	1		
3	901286	MICROPHONE / W/10' CORD / "REI" TYPE C.B.	1	1		
. NS	900721	. CONNECTOR MICROPHONE 90° / R4F	1	1		
. NS	900900	. CABLE MICROPHONE 10' / "REI"	1	1		
NS	900721	. CONNECTOR MICROPHONE 90° / R4F	AR	AR		
3	7770304	HANDS FREE MICROPHONE	1	1		
4	900437	BRACKET, MOUNTING / MICROPHONE To V-1738	1	1		
4	900859	BRACKET, MOUNTING / MICROPHONE From V-1793	1	1		
NS	500638	SCREW TP PAN PH #8x1/2 Z050	3	3		A
5	404226	OUTLET, MICROPHONE / 12" W/CONNECTOR	AR	AR		
NS	900247	. OUTLET / MICROPHONE	AR	AR		
NS	404239	CABLE ASSY / "Y" FOR MICROPONE 9" / 1F/2M To W-2284	AR	AR		
NS	504108	RIVET POP DOME OE 1/8x1/2 AL	3	3		
6	900811	RADIO "PANASONIC" CQ-45RECU / AM/FM/CAS / 700493 To V-1672	1	1		
6	900854	RADIO "PANASONIC" CQ-E15EUC / AM/FM/CAS / 700512 From V-1673	1	1		
6	900844	RADIO "PANASONIC" CQ-DP720-EUC / AM/FM/CD / 700393 To W-2086	1	1		
6	900870	RADIO "PANASONIC" CQ-DP720-EUC / AM/FM/CD / 700542 From W-2087	1	1		
NS	900663	ADAPTOR / RADIO & ANTENNA CABLE / MOTOROLA MALE to EURO FEMA	1	1		
		A) TO FIX MOUNTING BRACKET				

From T-1455 To W-2284	Date:10/2022	PAGE:H3-2316-50
MAIN HARNESS - "R.E.I."		



From T-1455 To W-2284	Date:10/2022	PAGE:H3-2316-50
MAIN HARNESS - "R.E.I."		

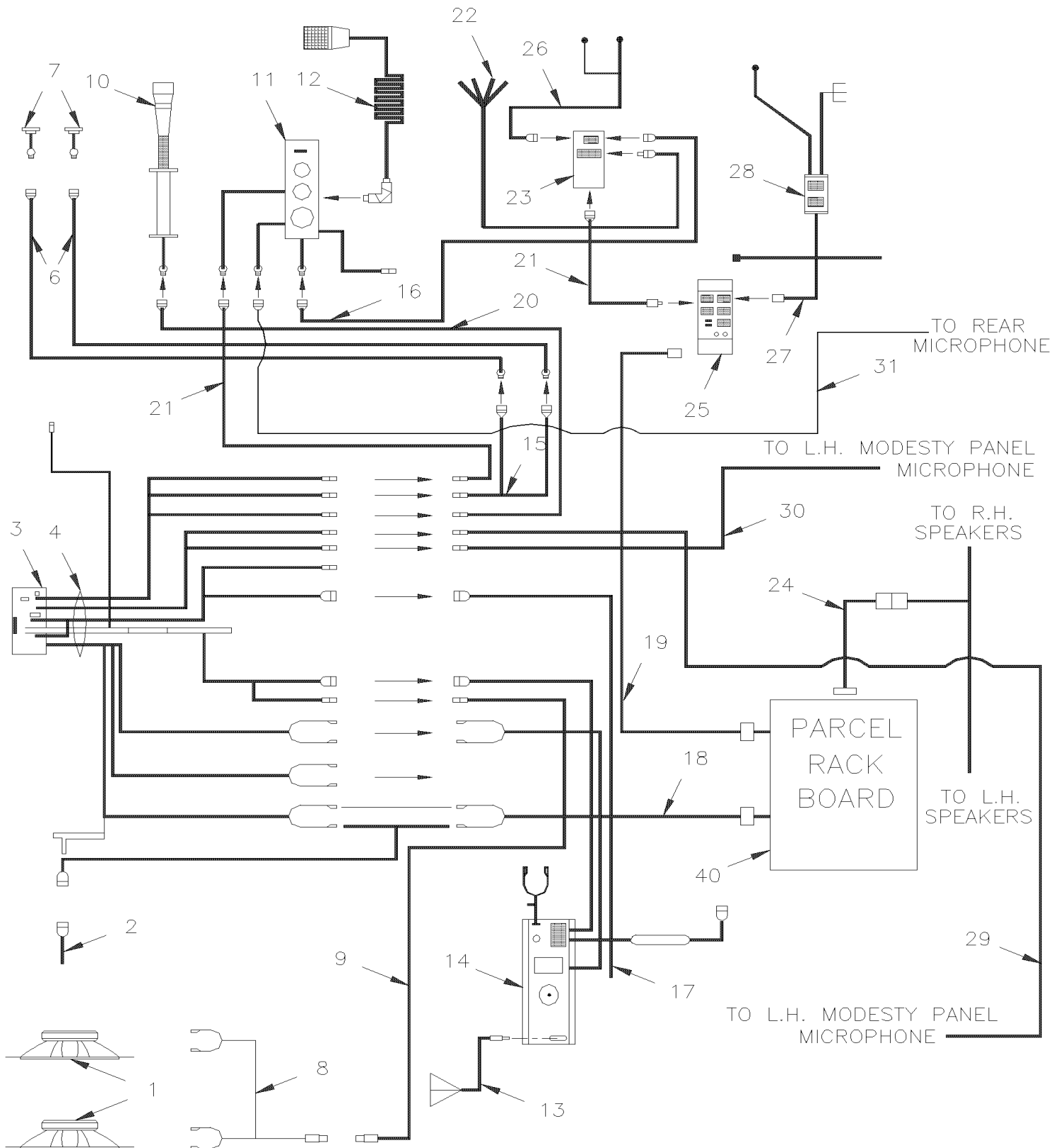
Item#	Part	Description	H 3 4 1	H 3 4 5	V I P 4 5	N O T E S
1	404283	CABLE ASSY / FILTER VCP & CONTROL HEAD / 20'	1	1		
2	404239	CABLE ASSY / "Y" FOR MICROPONE 9" / 1F/2M	1	1		
3	404241	CABLE ASSY / DRIVER'S SPEAKER & SYSTEM 2000 / 9'	1	1		
4	404429	CABLE MAIN CONTROL 2000 SYSTEM	1	1		
4	404285	HARNESS ASSY / MAIN CONTROL 2000 SYSTEM				
5	404240	CABLE ASSY / DRIVER'S SPEAKER	1	1		
6	404286	HARNESS ASSY 14' / AMPLI TO C-2000	1	1		
7	404290	CABLE ASSY / MICRO M/M CONTROL HEAD & B/U PA MODULE / 10'	1	1		
8	404227	CABLE ASSY / P/A & BACK-UP AMP / 11'	1	1		
9	404251	CABLE ASSY / AMPLI & SPEAKER /16'	1	1		
10	404253	CABLE ASSY / FILTER VCP FEEDING HARNESS 5100MM	1	1		
11	404310	CABLE ASSY / HAT RACK / L.H. & R.H.				
11	404309	CABLE ASSY / HAT RACK / L.H. & R.H.	1			
12	404299	CABLE ASSY / SOUND SYSTEM FEED HARNESS (0SS 12SS 24SS)	1	1		
13	062947	WIRING HARNESS INTERCOM	1	1		
14	404300	CABLE ASSY / MICRO M/F / 60'	1	1		
20	H3-2316-00	DRIVER'S ACCESSORIES - "R.E.I."				
21	H3-2315-10	SOUND SYSTEM - INSTALLATION				
22	H3-2316-00	DRIVER'S ACCESSORIES - "R.E.I."				
23	H3-2315-11	BOARD UNDER FLOOR - "R.E.I."				
24	H3-2315-10	SOUND SYSTEM - INSTALLATION				
25	H3-0615-01	BATTERIES COMPARTMENT - INSTALLATION				
26	H3-2316-00	DRIVER'S ACCESSORIES - "R.E.I."				
27	H3-2315-10	SOUND SYSTEM - INSTALLATION				
28	H3-2314-50	PARCEL RACK PARTS - "R.E.I."				

From R-012 To W-2284

Date:10/2022

PAGE:H3-2316-60

CABLES - "R.E.I."



From R-012 To W-2284		Date:10/2022	PAGE:H3-2316-60
CABLES - "R.E.I."			

Item#	Part	Description	H 3 4 1	H 3 4 5	V I P 4 5	N O T E S
1		DRIVER'S SPEAKERS	2	2		
2	404302	CABLE ASSY 20' / 510520 /	1	1		
3	900803	CONTROL HEAD / "R.E.I." SYSTEM 2000	1	1		
. NS	563064	. BULB (CONTROL HEAD GREEN) / 12VOLTS / 2700	1	1		
4	404285	HARNESS ASSY / MAIN CONTROL 2000 SYSTEM	1	1		
5	404290	CABLE ASSY / MICRO M/M CONTROL HEAD & B/U PA MODULE / 10'	1	1		
6	404289	CABLE ASSY / MICRO M/M / 20'	1	1		
7	404226	OUTLET, MICROPHONE / 12" W/CONNECTOR	AR	AR		
8	404240	CABLE ASSY / DRIVER'S SPEAKER	1	1		
9	404241	CABLE ASSY / DRIVER'S SPEAKER & SYSTEM 2000 / 9'	1	1		
10	900763	MICROPHONE / W/GOOSE NECK 33"	1	1		
11	900804	MODULE-2000 BACKUP P/A	1	1		
12	900808	MICROPHONE / W/6' CORD / "REI" TYPE C.B.	1	1		
. NS	900721	. CONNECTOR MICROPHONE 90° / R4F	1	1		
12	900829	MICROPHONE / W/10' CORD / "REI" TYPE C.B.	1	1		
. NS	900721	. CONNECTOR MICROPHONE 90° / R4F	1	1		
. NS	900900	. CABLE MICROPHONE 10' / "REI"	1	1		
12	901286	MICROPHONE / W/10' CORD / "REI" TYPE C.B.	1	1		
. NS	900721	. CONNECTOR MICROPHONE 90° / R4F	1	1		
. NS	900900	. CABLE MICROPHONE 10' / "REI"	1	1		
12	7770304	HANDS FREE MICROPHONE	1	1		
NS	900437	BRACKET, MOUNTING / MICROPHONE To V-1792	1	1		
NS	900859	BRACKET, MOUNTING / MICROPHONE From V-1793	1	1		
13	900661	ANTENNA, RADIO / W/AMPLIFIER	1	1		
. NS	901068	. ANTENNA STICK / REPLACEMENT	1	1		
NS	900663	ADAPTOR / RADIO & ANTENNA CABLE / MOTOROLA MALE to EURO FEMA	1	1		
NS	900775	Y RADIO ANTENNA CABLE / TO USE W/2 RADIOS	1	1		
13	404698	KIT ANTENNA REPLACEMENT	AR	AR		
. NS	900661	. ANTENNA, RADIO / W/AMPLIFIER	1	1		
. NS	901068	. . ANTENNA STICK / REPLACEMENT	1	1		
. NS	IS-97051	. SEE INSTRUCTION SHEET	1	1		
14	H3-2316-00	DRIVER'S ACCESSORIES - "R.E.I."				
15	404239	CABLE ASSY / "Y" FOR MICROPONE 9" / 1F/2M	1	1		
16	404227	CABLE ASSY / P/A & BACK-UP AMP / 11'	1	1		
17	404283	CABLE ASSY / FILTER VCP & CONTROL HEAD / 20'	1	1		
18	404286	HARNESS ASSY 14' / AMPLI TO C-2000	1	1		
19	404253	CABLE ASSY / FILTER VCP FEEDING HARNESS 5100MM	1	1		
20	404231	CABLE ASSY / MICRO M/F / 10'	1	1		
21	404291	CABLE ASSY / MASTER P/A & BACK-UP P/A / 12"	1	1		
22	404251	CABLE ASSY / AMPLI & SPEAKER /16'	1	1		
23	900805	AMPLI 2000 BACK-UP P/A	1	1		
24	404251	CABLE ASSY / AMPLI & SPEAKER /16'	1	1		

From R-012 To W-2284	Date:10/2022	PAGE:H3-2316-60
CABLES - "R.E.I."		

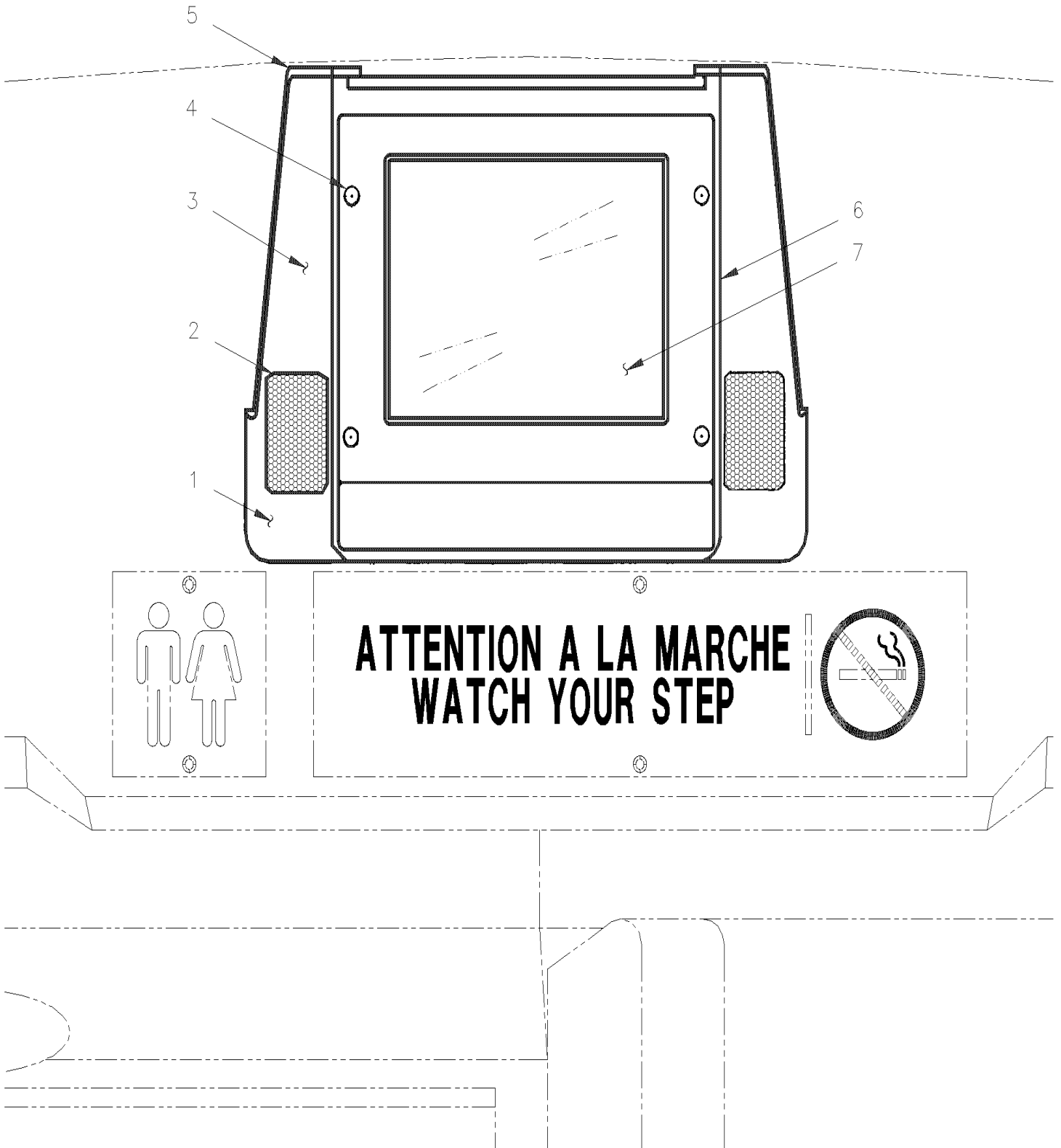
Item#	Part	Description	H 3 4 1	H 3 4 5	V I P 4 5	N O T E S
NS	404310	CABLE ASSY / HAT RACK / L.H. & R.H.				
NS	404309	CABLE ASSY / HAT RACK / L.H. & R.H.	1			
25	900802	AMPLI AUDIO & VIDEO / SYST 2000 To 2-4407	1	1		A
25	901056	AMPLI AUDIO & VIDEO / SYST 3000 From 2-4408	1	1		
25	901491	ADAPATER / AMPLI AUDIO & VIDEO / SYST 3000 To 2-4407	1	1		A
26	404255	CABLE ASSY / 24V POWER / 13"	1	1		
27	404256	CABLE ASSY / FILTER & AMPLI / 28" To 2-4407	1	1		
27	405314	CABLE ASSY 28" / FILTER & AMPLI From 2-4408	1	1		
28	404225	NOISE FILTER / P/A, VIDEO & HOOKUP INDIVIDU / 450030	1	1		
29	404231	CABLE ASSY / MICRO M/F / 10'	1	1		
30	404289	CABLE ASSY / MICRO M/M / 20'	1	1		
31	404300	CABLE ASSY / MICRO M/F / 60'	1	1		
NS	405319	CABLE ASSY / RCA TO AMPLI / SERVICE	1	1		B
NS	405320	CABLE ASSY / POWER 9 CIRC TO 8 CIRC / SERVICE	1	1		B
NS	405321	CABLE ASSY SPEAKER / CINCH TO MOLEX / SERVICE	1	1		B
40	H3-2314-50	PARCEL RACK PARTS - "R.E.I."				
		A) THIS AMPLI IT SUPPERSEDED BY #901056 + #405320 + #405321 + 405319 + 405314 & 901491				
		B) FOR SERVICE ONLY				

From R-012 To T-1454

Date:10/2022

PAGE:H3-2317-01

FRONT MONITOR - VIDEO



From R-012 To T-1454	Date:10/2022	PAGE:H3-2317-01
FRONT MONITOR - VIDEO		

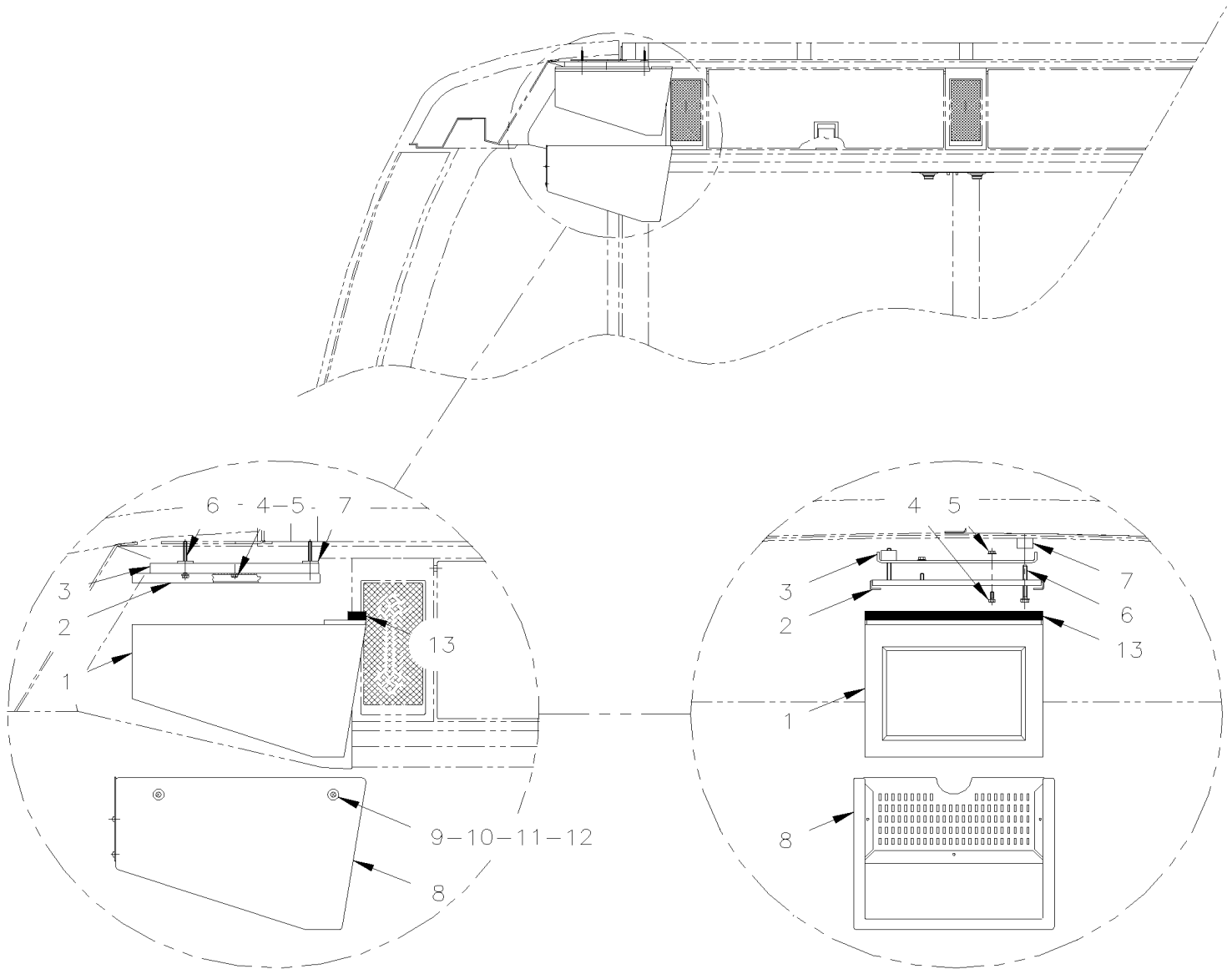
Item#	Part	Description	H 3 4 1	H 3 4 5	V I P 4 5	N O T E S
1	403226P	BOX, MONITOR CENTRAL ASSY	1	1		
2	402959	. GRILLE ASSY	2	2		
NS	502524	. NUT HEX M4-0.7 Z050	4	4		
NS	502636	. WASHER LO SPT 4.1x7.6x0.9 Z050	4	4		
3	402951	. RIM, FRONT MONITOR	1	1		
4	504400	. SNAP CAP #10 FINISHING BLACK	4	4		
NS	504399	. WASHER RETAINER SNAP CAP #10	4	4		
NS	505259	. SPACER 3/8 I.D. X 3/8 LG	4	4		
NS	500575	. SCREW TP PAN PH #8x1 1/4	4	4		
5	403233	. MOULDING ASSY 570MM	1	1		
6	402974	. PROTECTOR	1	1		
NS	403004P	. BRACKET ANGLE BOTTOM	2	2		
NS	403227	. BRACKET ANGLE TOP	1	1		
7	900614	MONITOR ASSY / MODEL ST-1000M	1	1		A
NS	403228	SUPPORT REAR / TO FIX MONITOR	1	1		
		A) SEE ATTACHED TEXT TO SEE RELATED NOTE				

From T-1455 To 2-4416

Date:10/2022

PAGE:H3-2317-02

FRONT MONITOR - VIDEO - "R.E.I."



From T-1455 To 2-4416	Date:10/2022	PAGE:H3-2317-02
FRONT MONITOR - VIDEO - "R.E.I."		

Item#	Part	Description	H 3 4 1	H 3 4 5	V I P 4 5	N O T E S
1	900809	MONITOR 2000 24V	1	1		
1	400316	KIT CENTRAL MONITOR LCD From W-2285	1	1		
2	404306	MONITOR SLIDE BRACKET	1	1		
. NS	900862	. KEY MONITOR LOCK	1	1		
NS	900862	KEY MONITOR LOCK	1	1		
3	404308	SUPPORT CENTRAL MONITOR To W-2284	1	1		
3	404666P	SUPPORT CENTRAL MONITOR From W-2285	1	1		
4	500162	SCREW CAP HEX 1/4-20x1/2 G5 Z050	AR	AR		
5	500770	NUT HEX STO 1/4-20 Z050	AR	AR		
6	500625	SCREW TC CAP HEXW 1/4-20x2 Z050	4	4		
7	800125	BUSHING 5/8" I.D. X 7/8" O.D. X 5/8" L To W-2284	4	4		
7	404642	SPACER From W-2285	4	4		
8	404395P	BOX COVER ASSY / W/TOISSUS / S.C.C.	1	1		
8	404369	. BOX	1	1		
8	404393	. GRILLE	1	1		
8	500409	. SCREW TP PAN PH #8x1/2 BK	1	1		
9	500640	SCREW TP PAN PH #6x3/4 Z050	4	4		
10	504399	WASHER RETAINER SNAP CAP #10	4	4		
11	504400	SNAP CAP #10 FINISHING BLACK	4	4		
12	403497	SPACER	4	4		
13	506235	TAPE RUB ADH1 PVC.NITRIL 1/2" x 1" x 15' / BLACK 1210	AR	AR		
NS	404638	DECAL MOUNTING PLATE / 250MM x 50MM	1	1		
NS	404636	DECAL / "WATCH YOUR STEP"	1	1		
NS	404637	DECAL / "ATTENTION À LA MARCHE" / BILINGUAL	1	1		

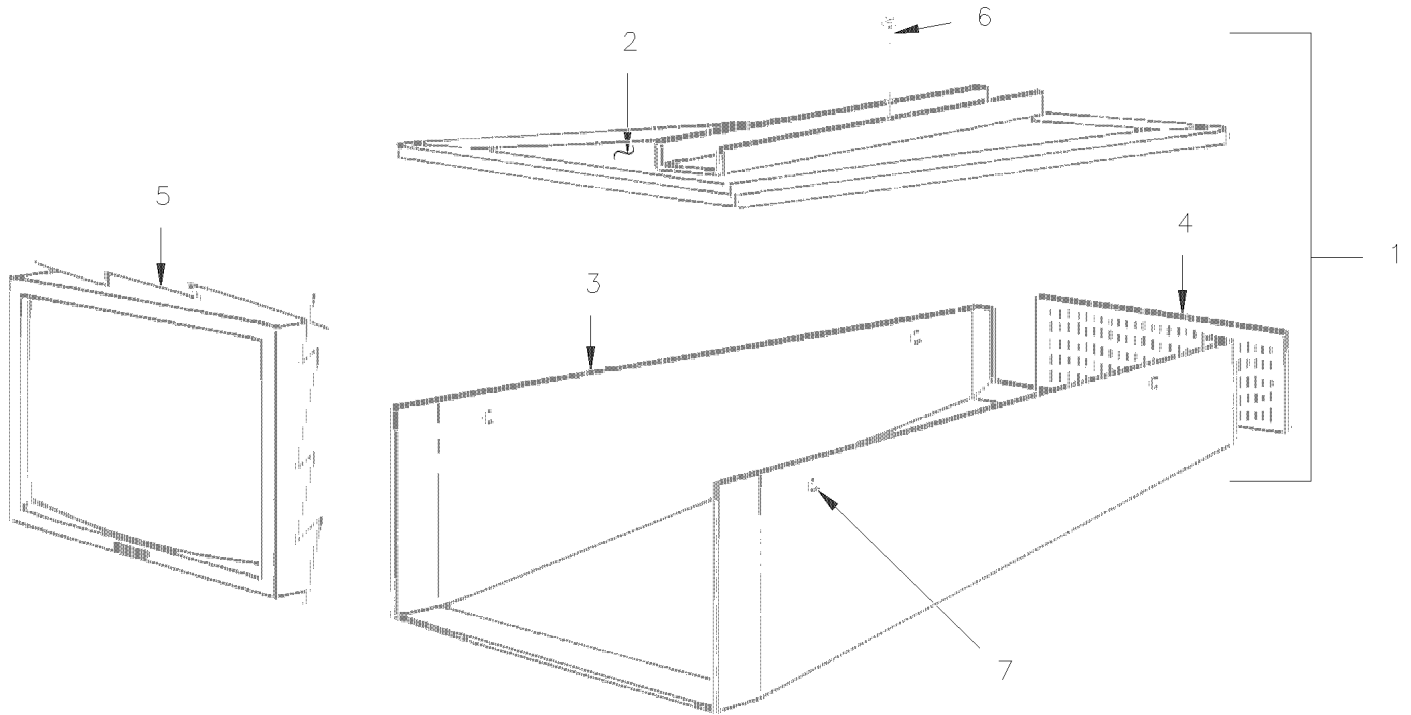
From R-012 To T-1454

Date:10/2022

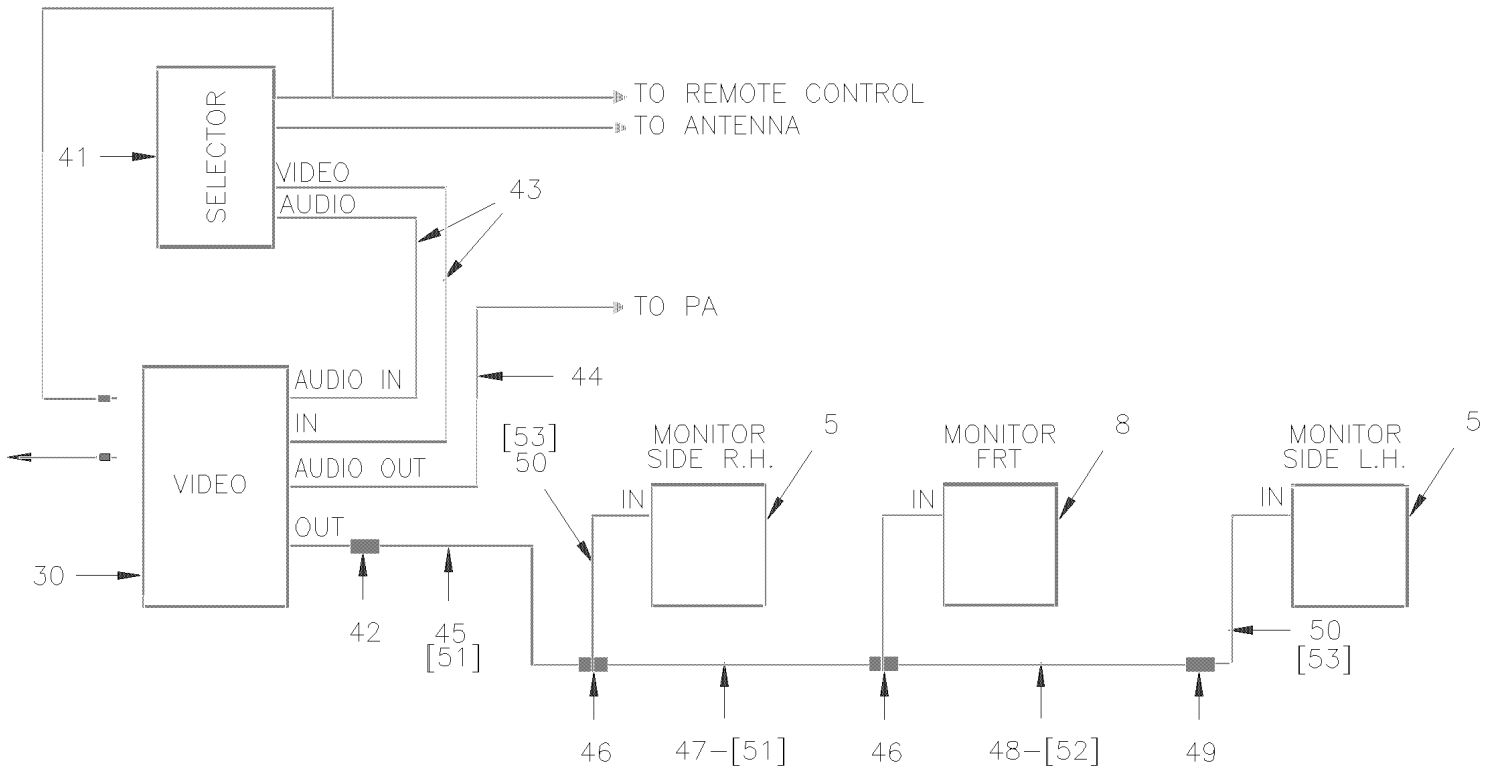
PAGE:H3-2317-11

SIDE MONITOR - VIDEO

SIDE BOX & MONITOR



MONITOR CABLE SCHEMA



From R-012 To T-1454	Date:10/2022	PAGE:H3-2317-11
SIDE MONITOR - VIDEO		

Item#	Part	Description	H 3 4 1	H 3 4 5	V I P 4 5	N O T E S
1	403309P	BOX ASSY / MONITOR ASSY, R.H. / SPECIFY COLOR / PRODUCTION	AR	AR		A
1	403512P	BOX ASSY / MONITOR ASSY, L.H. / SPECIFY COLOR / PRODUCTION	AR	AR		A
2	403502P	. ATTACHMENT, R.H. / SPECIFY COLOR	1	1		
2	403513P	. ATTACHMENT, L.H. / SPECIFY COLOR	1	1		
2	403514	. . ATTACHMENT, L.H.	1	1		
2	403503	. . ATTACHMENT, R.H.	1	1		
NS	403507	. . SPACER / W/R.H. & L.H. ATTACHMENT	2	2		
NS	506322	. TAPE RUB ADH2 POL .045" x 1" x 223' / WHITE 4085	AR	AR		
3	403508P	. BOX COVER ASSY / SPECIFY COLOR	1	1		
3	403509	. . BOX COVER	1	1		
4	403510	. . GRILLE	1	1		
NS	500814	. . SCREW TP BDG PH #6x3/4 BK	3	3		
NS	506247	. PAD RUB CC EPDM 1/4" x 40" x 54" / GREY 1440	AR	AR		
5	403501	. MONITOR ASSY / MODEL ST-1000M / 110VOLTS	1	1		B
6	5001054	. SCREW CAP BUT HEXS M10-1.5x50 G10.9 ZP	3	3		
6	500445	. WASHER FL .437x1.000x.083 Z050	3	3		
6	500556	. SCREW MA TR PH 1/4-20x3/4 SS	4	4		
6	504399	. WASHER RETAINER SNAP CAP #10	4	4		
7	504400	. SNAP CAP #10 FINISHING BLACK	4	4		E
7	403497	. SPACER	4	4		
7	500879	. SCREW TP PAN PH #10x1 Z050	4	4		
8	H3-2317-01	FRONT MONITOR - VIDEO				
30	H3-2317-20	VIDEO VHS PLAYER - INSTALLATION				
41	H3-2315-60	ROOF ANTENNA & VIDEO WIRING DIAGRAM				
42	562207	CONNECTOR / BNC / FEMALE / RCA MALE / AMP 12343	1	1		
43	900616	CABLE ASSY / VIDEO & SELECTOR	1	1		
NS	900777	CONNECTOR BNC PLUG TO RCA ADAPTOR / ELEC 21-142-0	1	1		
NS	561267	WIRE MARKER / LETTER "A" / S.L.	2	2		
NS	561288	WIRE MARKER / LETTER "V" / S.L.	2	2		
44	900653	CABLE ASSY / AUDIO/VIDEO TO PA	1	1		
45	403409	CABLE ASSY (VIDEO) / VIDEO TO TEE JACK / 1400MM	1	1		
46	562197	CONNECTOR / BNC / FEMALE "T" / AMP 221988-1	2	2		A
47	403411	CABLE ASSY (VIDEO) / MONITOR TO MONITOR 6000MM	AR	AR		A
48	403412	CABLE ASSY (VIDEO) / MONITOR TO MONITOR 2300MM	1	1		F
49	562083	CONNECTOR / BNC / FEMALE JOINT / AMP 221551-1	AR	AR		
NS	900670	CONNECTOR / BNC / PLUG 75 OHMS / AMP 12210	1	1		
50	403412	CABLE ASSY (VIDEO) / MONITOR TO MONITOR 2300MM	AR	AR		A
50	403479	CABLE ASSY (VIDEO) / MONITOR TO MONITOR 3800MM	1	1		A
50	403780	CABLE ASSY (VIDEO) / FRONT MONITOR TO SIDE MONITOR 4500MM	1	1		A
51	063144	CABLE ASSY 110V / FRONT MONITOR TO SIDE MONITOR / 6100MM	1	1		
52	063736	CABLE ASSY 110V / FRONT TO L.H. / POWER TO VIDEO	1	1		
53	063735	CABLE ASSY 110V / MONITOR & MONITOR 4400MM	1	1		A

From R-012 To T-1454	Date:10/2022	PAGE:H3-2317-11
SIDE MONITOR - VIDEO		

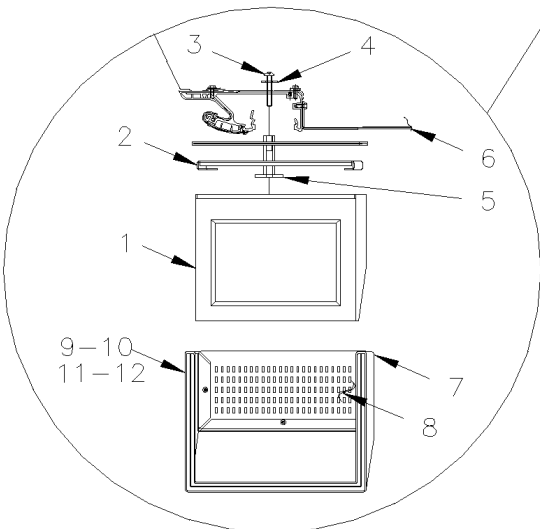
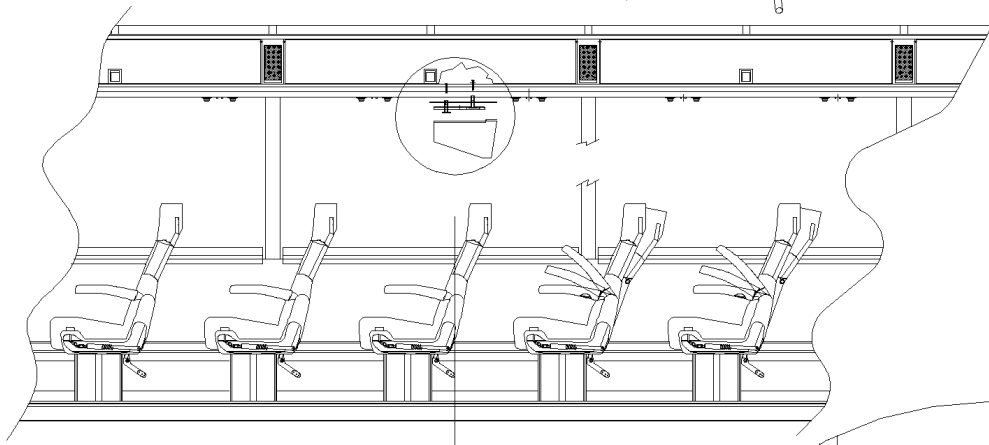
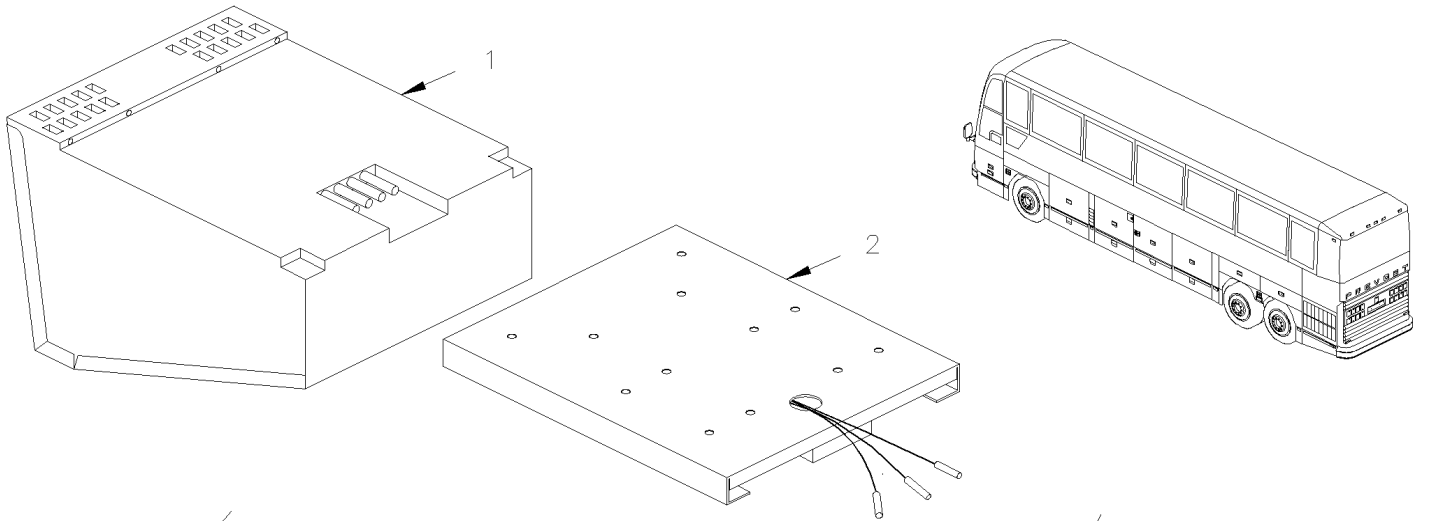
Item#	Part	Description	H 3 4 1	H 3 4 5	V I P 4 5	N O T E S
NS	063736	CABLE ASSY 110V / FRONT TO L.H. / POWER TO VIDEO	1	1		
NS	064123	CABLE 110 V / JCT PANEL & INVERTER / 3050MM	1	1		
		A) SEE ATTACHED TEXT TO SEE RELATED NOTE				
		B) SEE ATTACHED TEXT TO SEE RELATED NOTE				
		E) MONITOR TO MONITOR 3800MM				
		F) FRONT MONITOR TO TEE JACK 2300MM				

From T-1455 To 2-4416

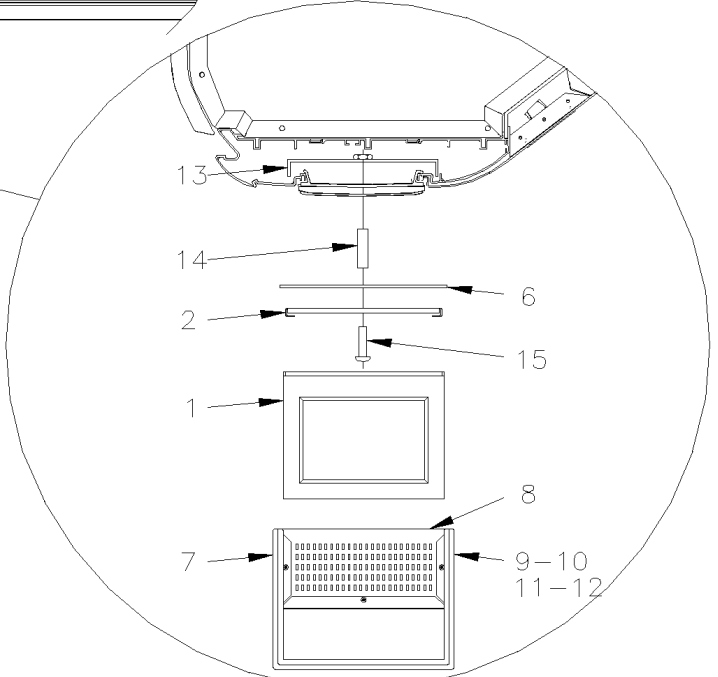
Date:10/2022

PAGE:H3-2317-12

SIDE MONITOR - VIDEO - "R.E.I."



EFF: UP TO W-2284



EFF: W-2285

From T-1455 To 2-4416	Date:10/2022	PAGE:H3-2317-12
SIDE MONITOR - VIDEO - "R.E.I."		

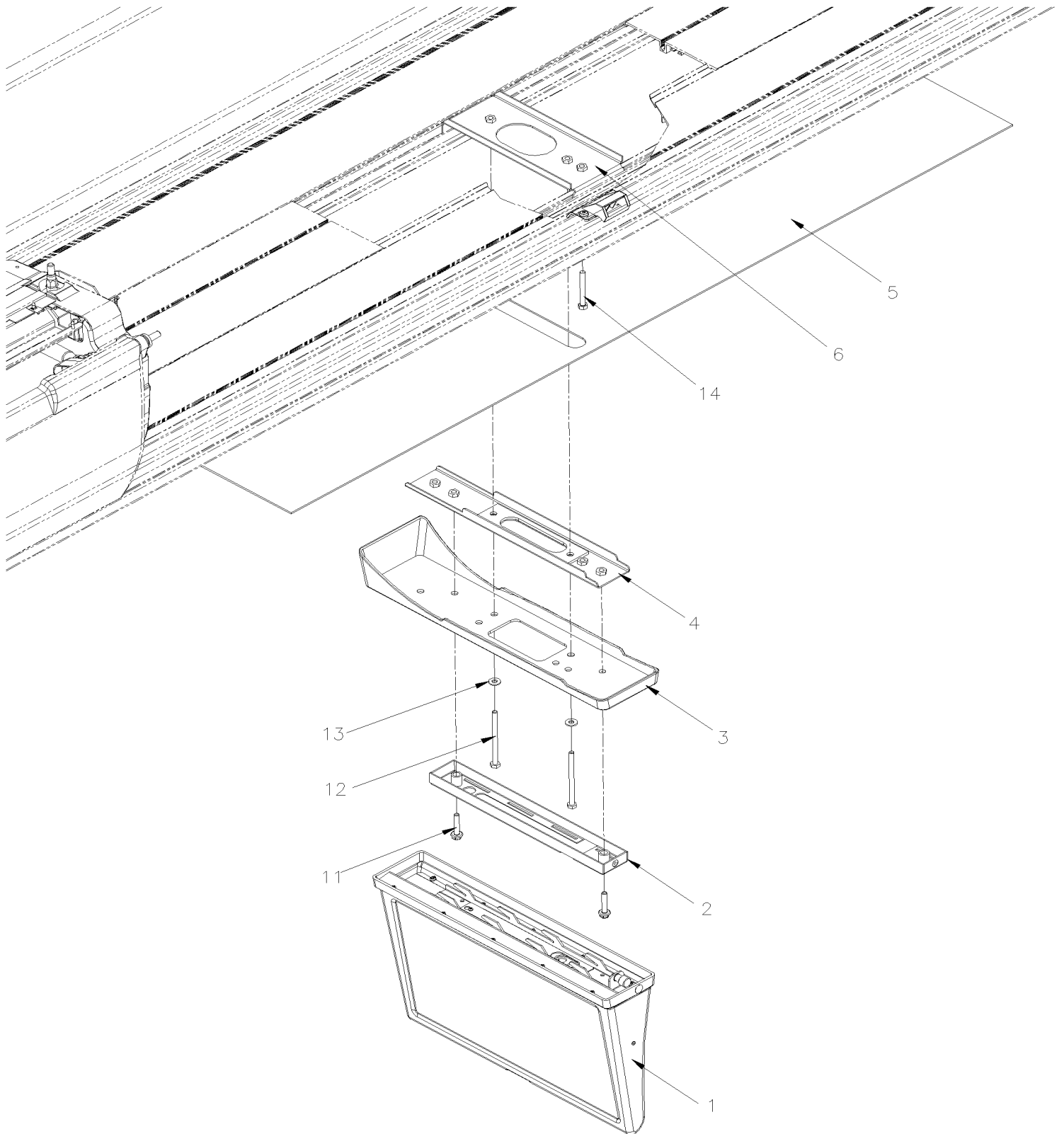
Item#	Part	Description	H 3 4 1	H 3 4 5	V I P 4 5	N O T E S
1	900809	MONITOR 2000 24V	AR	AR		
1	400321	KIT PARCEL RACK MONITOR LCD From W-2285	1	1		
2	404306	MONITOR SLIDE BRACKET	AR	AR		
. NS	900862	. KEY MONITOR LOCK	1	1		
NS	900862	KEY MONITOR LOCK	1	1		
3	5001054	SCREW CAP BUT HEXS M10-1.5x50 G10.9 ZP	2	2		
4	500445	WASHER FL .437x1.000x.083 Z050	2	2		
5	404346	SUPPORT BOX COVER / VIDEO "R.E.I." To W-2284	2	2		
6	404388P	COVER ASSY	1	1		
7	404370P	BOX COVER ASSY / W/TISSUS / S.C.C.	1	1		
7	404369	. BOX	1	1		
8	404371	. GRILLE	1	1		
NS	500409	. SCREW TP PAN PH #8x1/2 BK	3	3		
9	500640	SCREW TP PAN PH #6x3/4 Z050	4	4		
10	504399	WASHER RETAINER SNAP CAP #10	4	4		
11	504400	SNAP CAP #10 FINISHING BLACK	4	4		
12	403497	SPACER	4	4		A
13	404611	SUPPORT From W-2285	1	1		
14	404610	SPACER 5/8" O.D. TUBE X 35MM From W-2285	1	1		
15	5001485	SCREW CAP HEX M10-1.5x60 G8.8 Z050	2	2		
		A) SUPPORT & BOX				

From W-2285

Date:10/2022

PAGE:400321

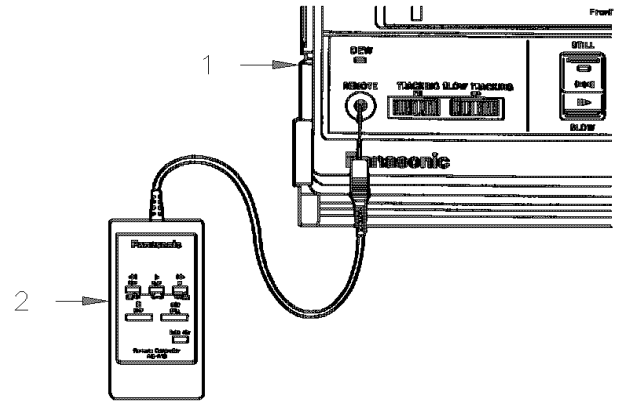
KIT PARCEL RACK MONITOR LCD



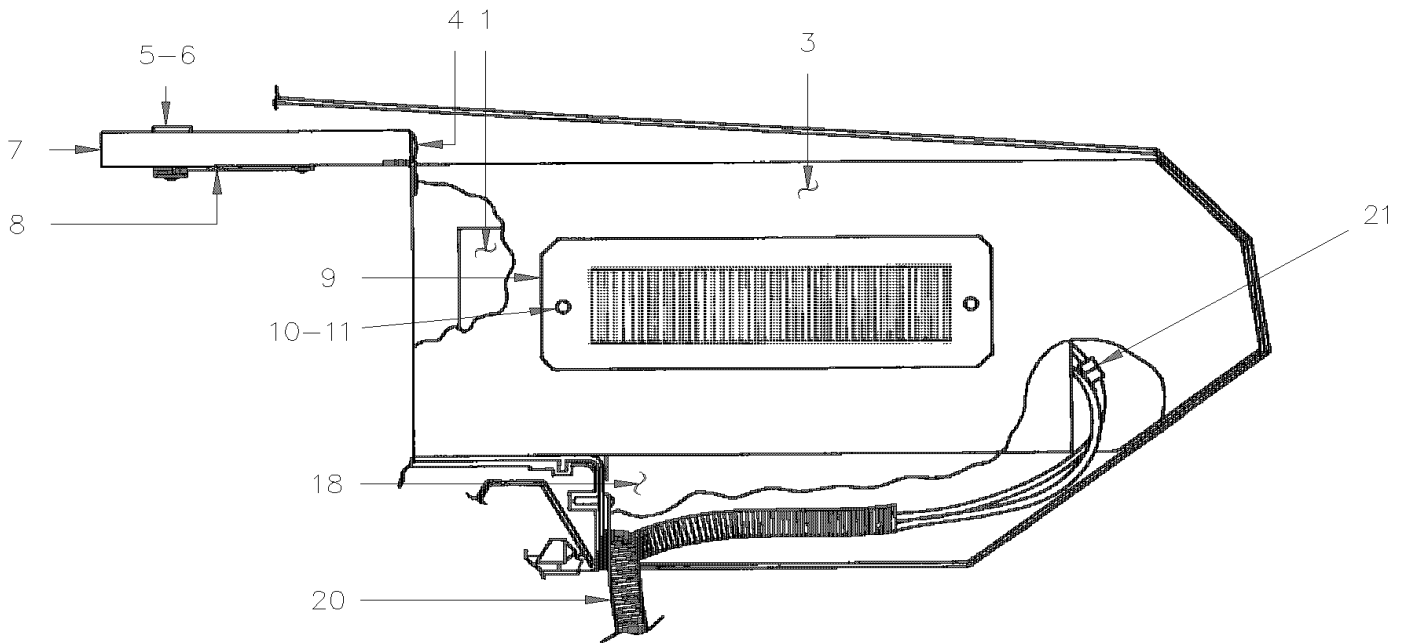
From W-2285	Date:10/2022	PAGE:400321
KIT PARCEL RACK MONITOR LCD		

Item#	Part	Description	H 3 4 1	H 3 4 5	V I P 4 5	N O T E S
1	900016	MONITOR 15.6" LCD 24V	1	1	1	
2	901358	SUPPORT MONITOR 15.4" 16/9 SCREEN	1	1	1	
3	900013	FINISHING CAP W/15.6" MONITOR	1	1	1	
4	406332	SUPPORT MONITOR	1	1	1	
5	310215	PANEL 1200MM / 500MM POSITION SCREEN	1	1	1	
6	402823	SUPPORT MONITOR	1	1	1	
11	5001815	SCREW CAP HEXF M6-1.0x30 G 8.8 N500	2	2	2	
11	680038	THREAD LOCKER LOCTITE #243 / BLUE / 50ml	AR	AR	AR	
12	5001826	SCREW CAP HEX M6-1.0x80 FT Z050	2	2	2	
13	500877	WASHER FL .250x.562x.065 N500	2	2	2	
14	502656	SCREW CAP HEX M6-1.0x50 SS	1	1	1	

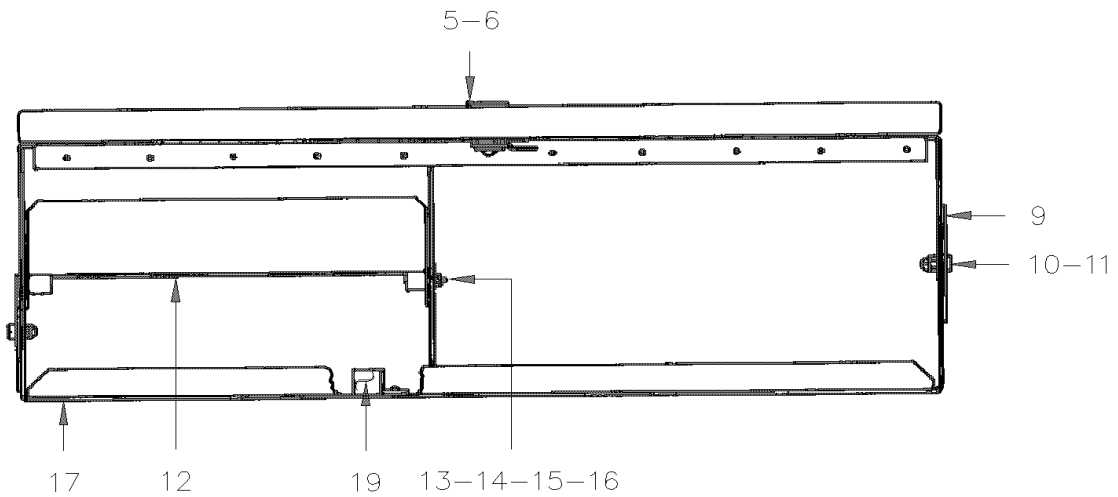
From R-012 To T-1454	Date:10/2022	PAGE:H3-2317-20
VIDEO VHS PLAYER - INSTALLATION		



SIDE VIEW



FRONT VIEW



From R-012 To T-1454	Date:10/2022	PAGE:H3-2317-20
VIDEO VHS PLAYER - INSTALLATION		

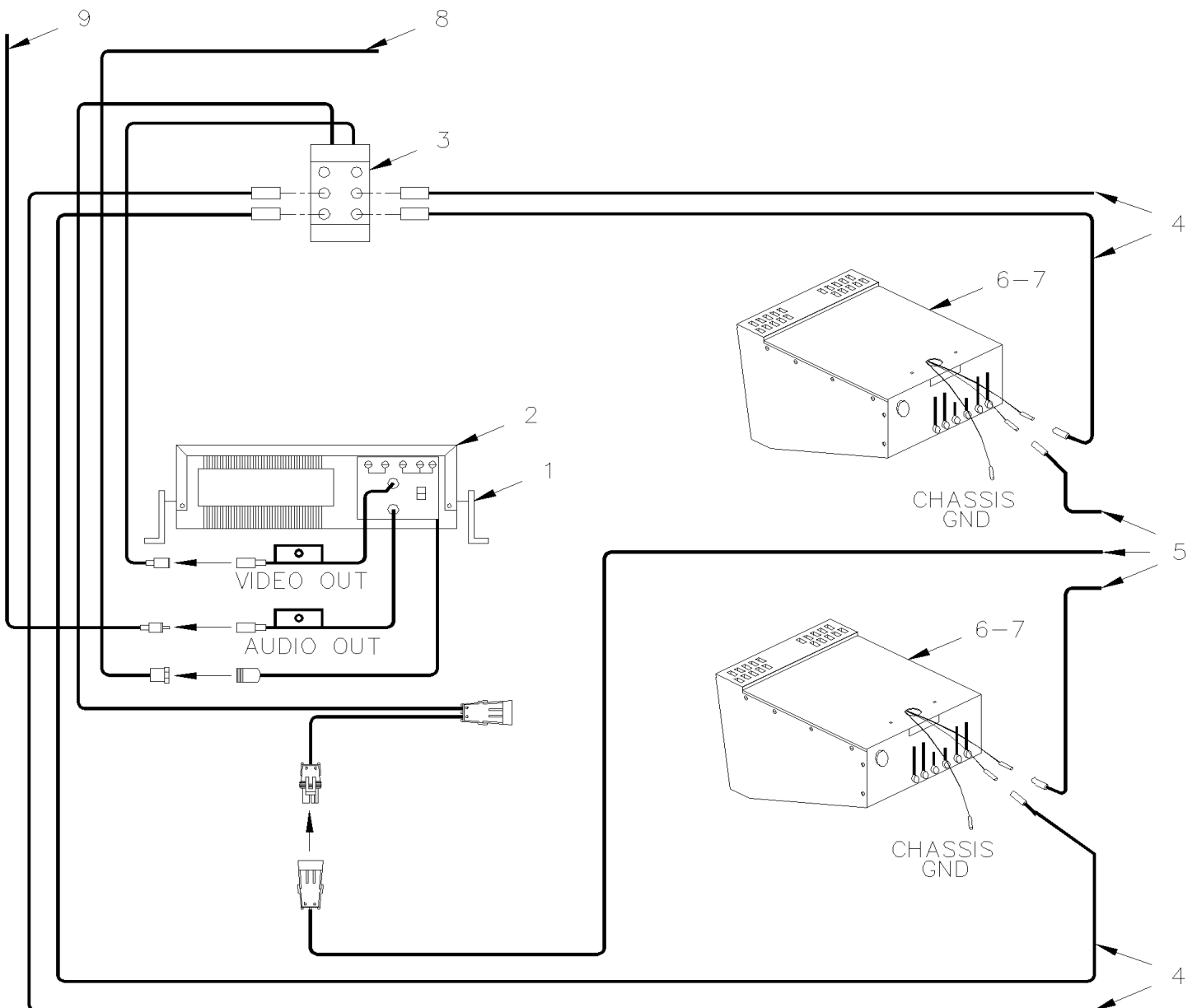
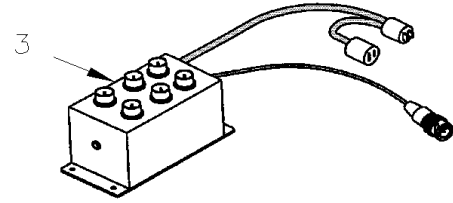
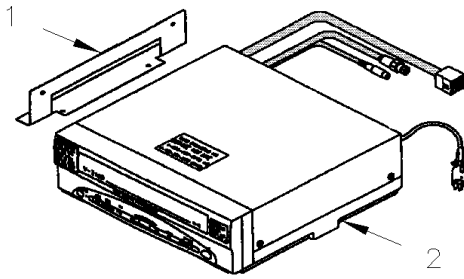
Item#	Part	Description	H 3 4 1	H 3 4 5	V I P 4 5	N O T E S
1	900567	VIDEO CASSETTE PLAYER VHS / MODEL AG-1000 To S-207	1	1		
1	900737	VIDEO CASSETTE PLAYER VHS / MODEL AG-5210 From S-208	1	1		
NS	900622	CASSETTE VIDEO / QUALITE OPTIMALE - FRENCH	AR	AR		
NS	900623	CASSETTE VIDEO / COMMITMENT TO LASTING QUALITY - ENGLISH	AR	AR		
2	900612	CONTROL REMOTE	1	1		
3	403299	BOX ASSY / VIDEO / SPECIFY COLOR To S-207	1	1		
3	404053P	BOX ASSY / VIDEO / SPECIFY COLOR From S-208	1	1		
4	403281	. HINGE	1	1		
4	502611	. SCREW TP FL PH #6x1/2 Z050	6	6		
4	504105	. RIVET POP DOME OE 1/8x3/16 AL	24	24		
5	780180	. LOCK CYLINDER W/KEY / "VIRO"	1	1		
. NS	780501	. . KEY	1	1		
5	780806	. LOCK CYLINDER W/KEY / "VIRO"	1	1		
. NS	780501	. . KEY	1	1		
6	281782	. PIVOT LEVER / 39.67MM / W/.09MM OFFSET	1	1		
6	289557	. PIVOT LEVER / 42.4MM / W/13MM OFFSET	1	1		S
7	403280	. DOOR / WOOD	1	1		
7	900569	. MOULDING, PLASTIC	1	1		
8	403215	. DECAL / WARNING - ENGLISH To S-207	1	1		
8	404054	. DECAL / WARNING - ENGLISH From S-208	1	1		
8	403216	. DECAL / AVERTISSEMENT - FRENCH To S-207	1	1		
8	404053	. DECAL / AVERTISSEMENT - FRENCH From S-208	1	1		
9	403018	. GRILLE ASSY	1	1		
10	5001048	. SCREW MA RND PH #10-24x3/8 ZP	4	4		
11	500891	. NUT HEX CAP #10-24 Z050	4	4		
12	403283	. SHELF / W/TV ANTENNA	1	1		
13	402737	. REINFORCEMENT / DOOR LOCK	1	1		
14	502787	. SCREW MA PAN PH M3-0.5x10 ZP	2	2		
15	502578	. WASHER FL 3.2x7.0x0.5 Z050	2	2		A
16	502579	. NUT HEX M3-0.5 NP	2	2		
17	403207	. BRACKET, ANGLE / BOTTOM	1	1		
17	506228	. TAPE RUB ADH1 CC POL 1/4" x 1/2" x 37.5' / GREY 2520X	AR	AR		
18	403290P	BASE ASSY / VIDEO / SPECIFY COLOR	1	1		
18	403284	. BASE	1	1		
19	403279	. STOPPER	1	1		
20	562116	CONVOLUTED TUBING / SLIT / BLACK & GRAY / .500"	AR	AR		
21	561932	CONNECTOR / 15 AMPS / HUBBELL 5269-C	2	2		
		A) TO FIX SELECTOR SHELF				
		S) REQUIERED ONLY IN SERVICE IF YOU NEED TO CHANGE YOUR OLD CYLINDER LOCK # 780180				

From T-1455 To 2-4416

Date:10/2022

PAGE:H3-2317-21

VIDEO VHS PLAYER - INSTALLATION "R.E.I."

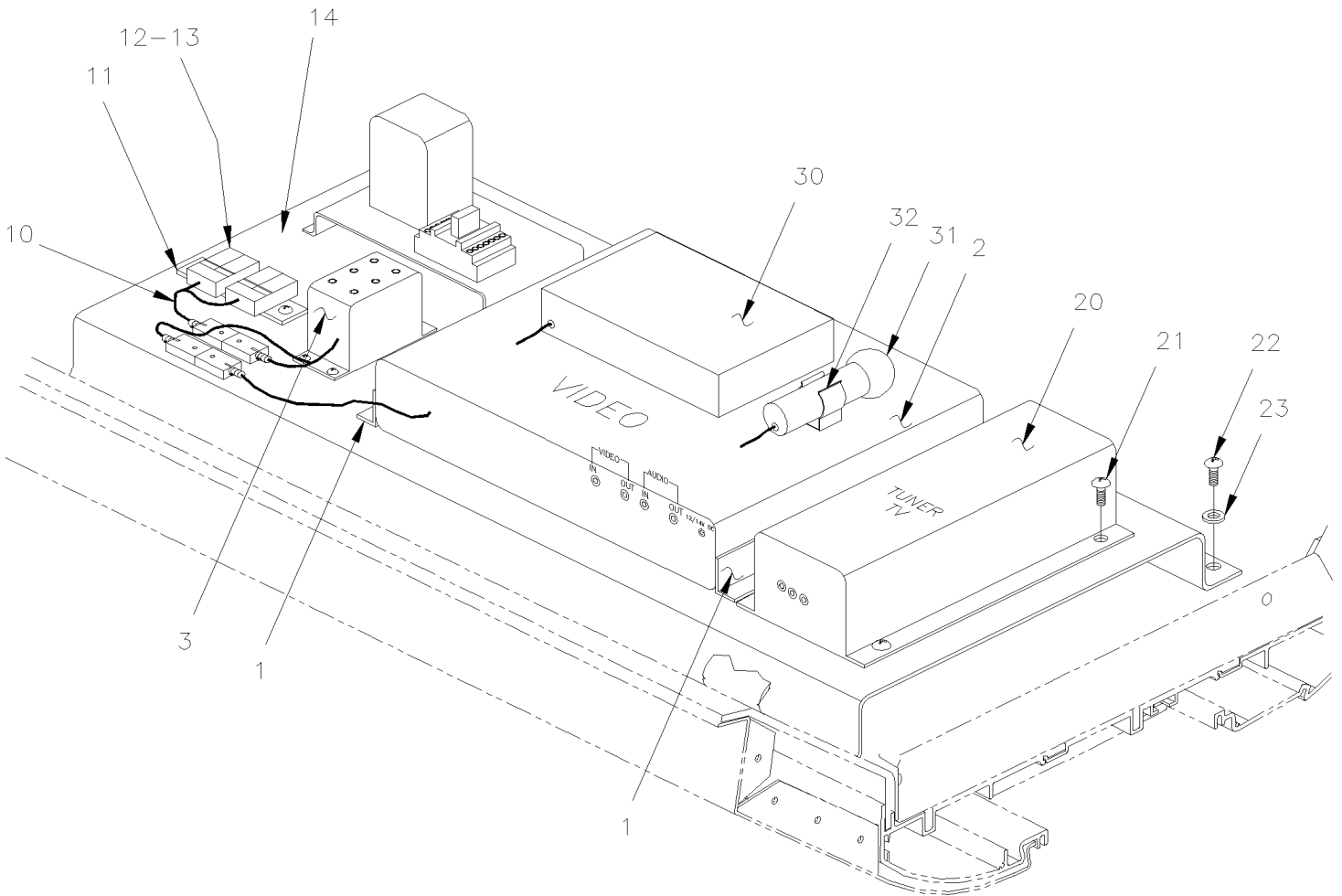
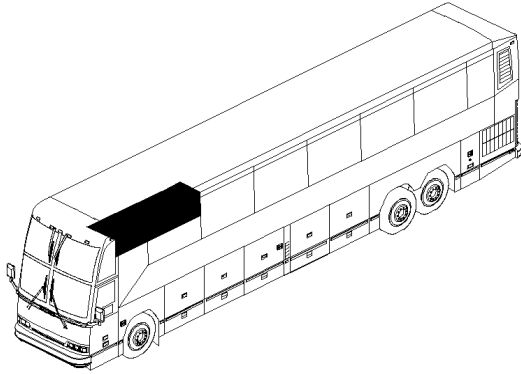


From T-1455 To 2-4416

Date:10/2022

PAGE:H3-2317-21

VIDEO VHS PLAYER - INSTALLATION "R.E.I."



PARCEL RACK

From T-1455 To 2-4416	Date:10/2022	PAGE:H3-2317-21
VIDEO VHS PLAYER - INSTALLATION "R.E.I."		

Item#	Part	Description	H 3 4 1	H 3 4 5	V I P 4 5	N O T E S
1	900823	VCP R.H. ADAPTOR BRACKET To 1-4121	1	1		
1	901028	VCP R.H. ADAPTOR BRACKET From 1-4122	1	1		
1	900824	VCP L.H. ADAPTOR BRACKET To 1-4121	1	1		
1	901029	VCP L.H. ADAPTOR BRACKET From 1-4122	1	1		
2	900806	VIDEO V-2100 VCP, SYS 2000 24V To 1-4121	1	1		
2	901030	VIDEO V-3000 VCP, SYS 2000 24V From 1-4122	1	1		
. NS	901065	. REMOTE CONTROL / VDO REI V-3000 From 1-4122	1	1		
2	7770197	KIT, VHS TO DVD CONVERSION	1	1		
. NS	901339	. DVD PLAYER 12V	1	1		
. . NS	901377	. . REMOTE CONTROL / DVD R.E.I.	1	1		
. NS	407639	. SUPPORT, DVD	1	1		
. NS	901347	. CABLE ASSY / W/2 BNC FEMALE/ FEMALE 1"	1	1		
. NS	901564	. ADAPTOR, RCA MALE TO BNC FEMALE	1	1		
. NS	563071	. CONNECTOR / MINI FIT JR / SH 4C / MOLEX 39-01-3042	1	1		
. NS	562593	. WIRE CABLE 18 / YELLOW / TXL	AR	AR		
. NS	562587	. WIRE CABLE 18 / BLACK / TXL	AR	AR		
. NS	562463	. SOCKET TERMINAL / 24-18 / MOLEX 39-00-0039	2	2		
. NS	563622	. BUTT SPLICE / 22-18 / RED / W/THERMORETRAC / PANDUIT BSH18-Q	2	2		
. NS	5001017	. SCREW TC CAP HEXW #10-24x1/2 Z050	4	4		
. NS	502853	. WASHER LO SPT 6.1x11.8x1.6 N500	1	1		
. NS	IS-16901A	. SEE INSTRUCTION SHEET	1	1		
NS	900884	SWITCH VIDEO / USE WITH 2 VIDEO	1	1		
NS	404380	CABLE ASSY RCA / M/M / USE WITH 2 VIDEOS / 510300	1	1		
3	900807	VIDEO DISTRIBUTION AMPLI W/BNC To 2-4353	1	1		
3	901055	VIDEO DISTRIBUTION AMPLI W/BNC From 2-4354	1	1		
3	900817	DUAL VCP MODULE / USE W/KARAOKE	1	1		
4	404232	CABLE ASSY COAX / RG-59 / 10' / 510443	AR	AR		
4	404233	CABLE ASSY COAX / RG-59 / 15' / 511062	AR	AR		
4	404234	CABLE ASSY COAX / RG-59 / 20' / 510407	AR	AR		
4	404235	CABLE ASSY COAX / RG-59 / 24' / 510414	AR	AR		
4	404236	CABLE ASSY COAX / RG-59 / 33' / 510928	AR	AR		
4	404237	CABLE ASSY COAX / RG-59 / 44' / 510929	AR	AR		
5	404244	CABLE ASSY / 24V POWER / 10'	AR	AR		RC
5	404245	CABLE ASSY / 24V POWER / 15'	AR	AR		RC
5	404246	CABLE ASSY / 24V POWER / 20'	AR	AR		RC
5	404247	CABLE ASSY / 24V POWER / 25'	AR	AR		RC
5	404248	CABLE ASSY / 24V POWER / 30'	AR	AR		RC
5	404249	CABLE ASSY / 24V POWER / 35'	AR	AR		RC
5	404250	CABLE ASSY / 24V POWER / 40'	AR	AR		RC
6	H3-2317-02	FRONT MONITOR - VIDEO - "R.E.I."				
7	H3-2317-12	SIDE MONITOR - VIDEO - "R.E.I."				
8	404283	CABLE ASSY / FILTER VCP & CONTROL HEAD / 20'	1	1		

From T-1455 To 2-4416		Date:10/2022	PAGE:H3-2317-21
VIDEO VHS PLAYER - INSTALLATION "R.E.I."			

Item#	Part	Description	H 3 4 1	H 3 4 5	V I P 4 5	N O T E S
9	900783	CABLE RCA / 2M/2M / 10'	1	1		
10	404255	CABLE ASSY / 24V POWER / 13"	1	1		
11	380904	RAIL SUPPORT / 80MM	1	1		
12	561726	BLOCK JUNCTION	4	4		
NS	381813	BUS BAR / W/2 HOLES 25MM	1	1		
13	561728	END CLOSING	1	1		
14	404588	MOUNTING PLATE From W-2285	1	1		
14	404589	PROTECTOR VIDEO BOX	1	1		
20	900814	TUNER TV 24V	1	1		
20	901054	TUNER TV 24V From 2-4354	1	1		
NS	405186	INTERFACE CABLE ASSY	1	1		A
21	500654	SCREW TC BDG PH #8-32x1/2 Z050	4	4		
22	500841	SCREW TP PAN PH #14x3/4 Z050	6	6		
23	500441	WASHER FL .312x.734x.065 Z050	6	6		
30	900813	RECEIVER WIRELESS MICROPHONE / 170.305 MHZ To X-3077	1	1		B
. NS	900892	. ANTENNA CABLE / REAR OF RECEIVER To X-3077	1	1		B
30	900952	RECEIVER WIRELESS MICROPHONE / 16-CHANNEL From X-3078	1	1		
. NS	901300	. ANTENNA RIGID / REAR OF RECEIVER From X-3078	1	1		
31	900812	MICROPHONE, WIRELESS KIT / 170.305 MHZ To X-3077	1	1		B
31	900954	MICROPHONE, WIRELESS / 16 CHANNEL From X-3078	1	1		
. NS	685199	. BATTERY 1.5V / TYPE "AA" / RECHARGEABLE From X-3078	AR	AR		
32	900712	SUPPORT MICROPHONE To X-3077	1	1		
32	900953	STATION WIRELESS BATTERY CHARGING 16 CHANNEL From X-3078	1	1		
33	064280	KIT, RETROFIT WIRELESS MICROPHONE / COMPLETE	1	1		
. NS	900951	. KIT, WIRELESS MICRO 16 CHANNEL / SERVICE ONLY	1	1		
. . NS	900953	. . STATION WIRELESS BATTERY CHARGING 16 CHANNEL	1	1		
. . NS	900954	. . MICROPHONE, WIRELESS / 16 CHANNEL	1	1		
. . . NS	685199	. . . BATTERY 1.5V / TYPE "AA" / RECHARGEABLE	AR	AR		
. . NS	900955	. . CABLE ASSY / CHARGER ADAPTOR 4'	1	1		
. . NS	900956	. . CABLE ASSY / ADAPTOR POWER 18"	1	1		
. . NS	900957	. . CABLE ASSY / ADAPTOR WIRING 18"	1	1		
. NS	064273	. WIRING HARNESS RECEIVER & MICRO	1	1		
. NS	064274	. WIRING HARNESS / RECEIVER FEEDING	1	1		
. NS	064275	. WIRING HARNESS / RECEIVER FEEDING BEFORE 95	1	1		
. NS	860489	. VELCRO / HOOK BLACK / 3/4" X 75'	AR	AR		
. NS	860490	. VELCRO / LOOP BLACK / 3/4" X 75'	AR	AR		
. NS	IS-96901	. SEE INSTRUCTION SHEET	1	1		
NS	900951	KIT, WIRELESS MICRO 16 CHANNEL / SERVICE ONLY	AR	AR		
. NS	900953	. STATION WIRELESS BATTERY CHARGING 16 CHANNEL	1	1		
. NS	900954	. MICROPHONE, WIRELESS / 16 CHANNEL	1	1		
. . NS	685199	. . BATTERY 1.5V / TYPE "AA" / RECHARGEABLE	AR	AR		
. NS	900955	. CABLE ASSY / CHARGER ADAPTOR 4'	1	1		

From T-1455 To 2-4416	Date:10/2022	PAGE:H3-2317-21
VIDEO VHS PLAYER - INSTALLATION "R.E.I."		

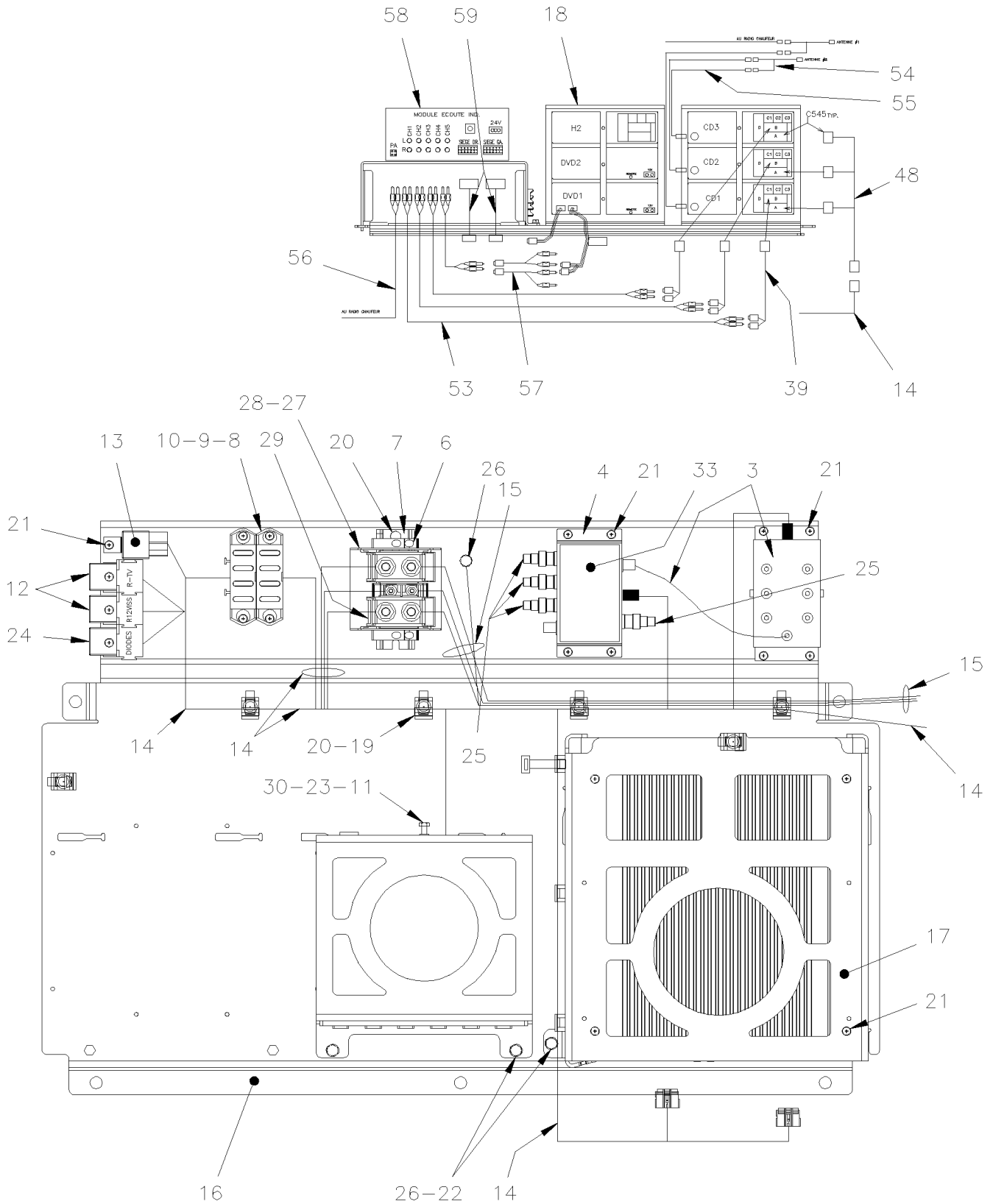
Item#	Part	Description	H 3 4 1	H 3 4 5	V I P 4 5	N O T E S
. NS	900956	. CABLE ASSY / ADAPTOR POWER 18"	1	1		
. NS	900957	. CABLE ASSY / ADAPTOR WIRING 18"	1	1		
		A) USE WITH #901054				
		B) THOSE PARTS ARE SUPPERSEEDED BY KIT #900951				
		RC) CABLE W/R.E.I. MONITOR USE W/CON 1 # 562554				

From T-1455 To 2-4416

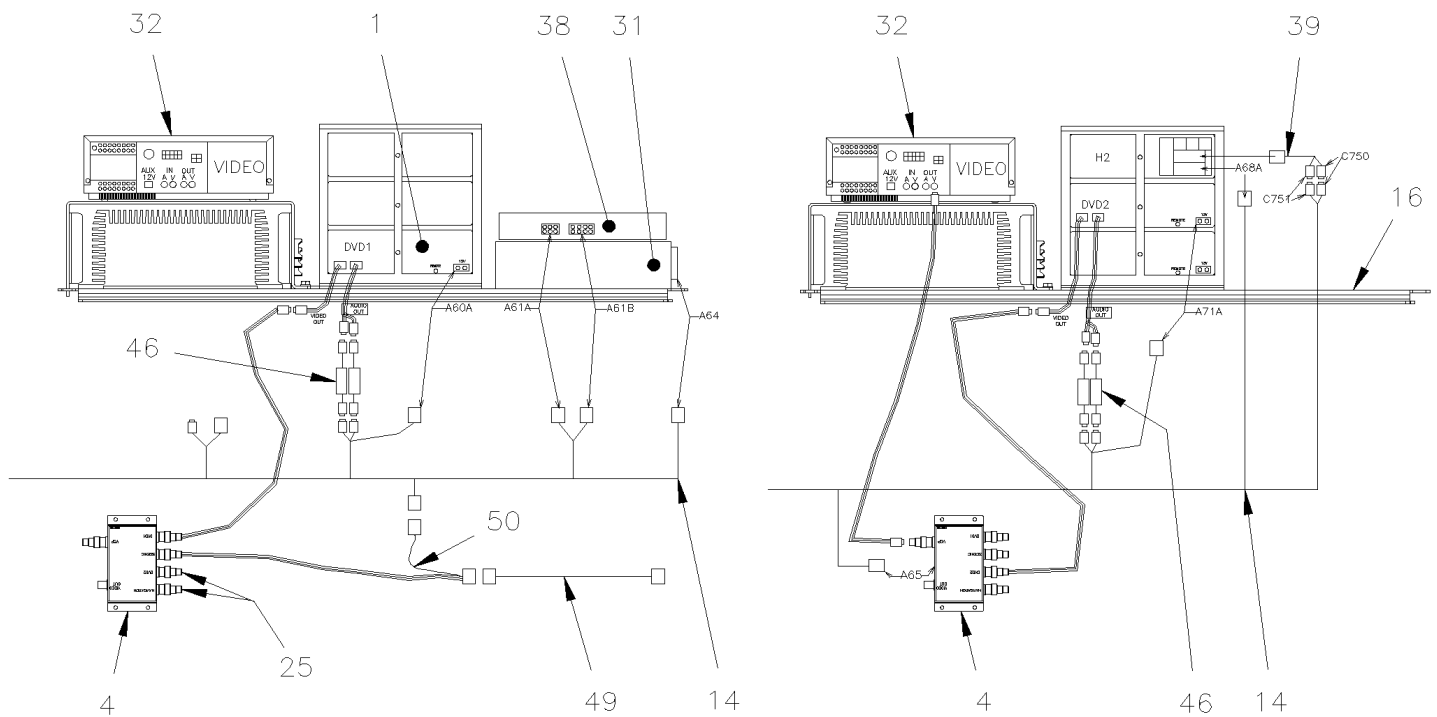
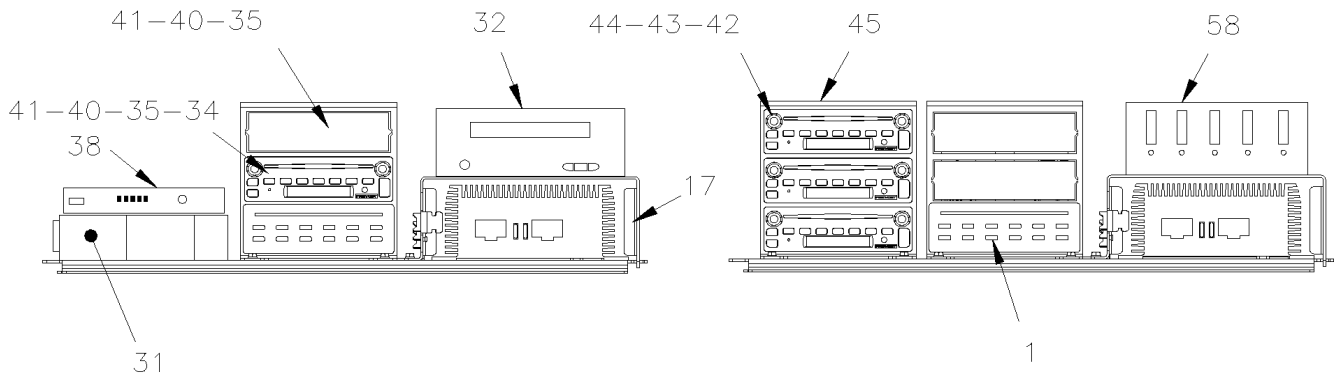
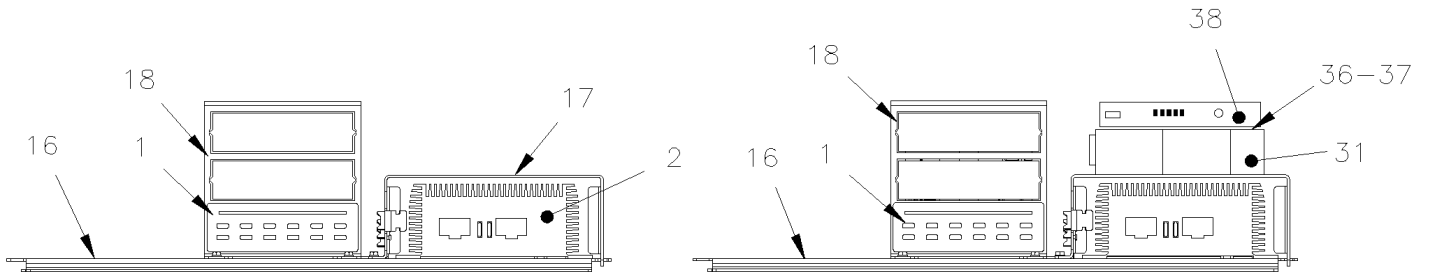
Date:10/2022

PAGE:H3-2317-99

VIDEO & AUDIO SYSTEM - INSTALLATION / RETROFIT



From T-1455 To 2-4416	Date:10/2022	PAGE:H3-2317-99
VIDEO & AUDIO SYSTEM - INSTALLATION / RETROFIT		

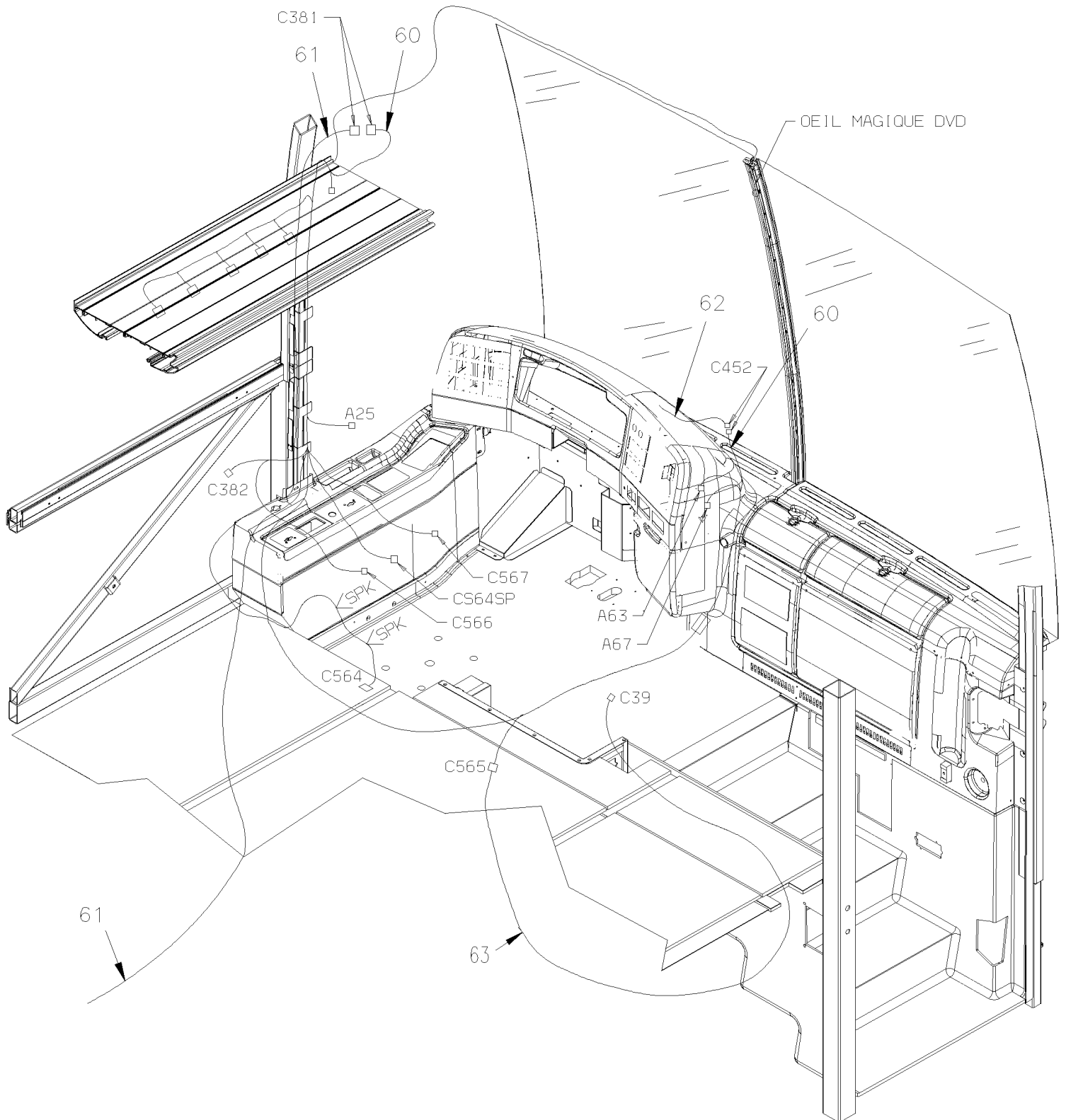


From T-1455 To 2-4416

Date:10/2022

PAGE:H3-2317-99

VIDEO & AUDIO SYSTEM - INSTALLATION / RETROFIT



From T-1455 To 2-4416	Date:10/2022	PAGE:H3-2317-99
VIDEO & AUDIO SYSTEM - INSTALLATION / RETROFIT		

Item#	Part	Description	H 3 4 1	H 3 4 5	V I P 4 5	N O T E S
	405845	PLATE AUDIO ASSY WITH COMPONENTS	1	1		
1	901198	. DVD PLAYER 12V (VOLVO) VD-404	1	1		S
. NS	901265	. . REMOTE CONTROL / DVD VOLVO	1	1		S
. NS	901302	. . SENSOR ASSY W/CABLE / DVD REMOTE CONTROL	1	1		S
1	901339	. DVD PLAYER 12V	1	1		
. NS	901377	. . REMOTE CONTROL / DVD R.E.I.	1	1		
NS	409294	. CABLE INTERFACE DVD "VOLVO" to DVD "REI" 4 CONN. to 6 CONN.	1	1		
2	901191	. AMPLIFICATOR AUDIO / 400 WATTS / ONKYO	1	1		
3	901117	. VIDEO DISTRIBUTION AMPLI W/BNC	1	1		
. NS	901119	. . CABLE POWER DVA/VIDEO	1	1		
3	901403	. VIDEO DISTRIBUTION AMPLI W/BNC	1	1		T
4	901199	. SCREEN PLAY SELECTOR	1	1		
5	561726	. BLOCK JUNCTION	1	1		
6	562645	. STOPPER "U" RAIL	2	2		
7	382184	. RAIL SUPPORT "U" SHAPE 112MM	1	1		
8	562598	. FUSE / ATO 2 AMPS GREY	1	1		
8	562407	. FUSE / ATO 10 AMPS RED	4	4		
9	562396	. FUSE / ATO 30 AMPS GREEN	1	1		
10	562605	. FUSE / ATO 20 AMPS YELLOW	1	1		
11	500470	. WASHER LO SPT .193x.334x.047 Z050	1	1		
12	563337	. RELAY 12V S.P.D.T. W/RESISTOR /	2	2		
13	561991	. RELAY 24V S.P.S.T. / 70 AMPS N.O.	1	1		
14	066770	. CABLE ASSY / DASH & PARCEL RACK	1	1		
15	066866	. CABLE POWER	1	1		
16	405884	. PLATE SUPPORT MAIN SYSTEM	1	1		
17	405921	. SUPPORT VIDEO OVER AMPLI	1	1		
18	405922	. SUPPORT, RADIO (MORE THAN 3 RADIO) & DVD VOLVO	1	1		
18	406361	. SUPPORT, RADIO (3 RADIO) & DVD REI	1	1		
18	406360	. SUPPORT, RADIO (1RADIO) & DVD REI	1	1		
19	504013	. TIE MOUNT / 1/4" X 1/4" I.D.	9	9		
20	504347	. RIVET POP DOME OE 3/16x1/4 AL	9	9		
21	500564	. SCREW MA RND PH #8-32x3/4 Z050	16	16		
22	502631	. SCREW CAP HEX M6-1.0x20 G8.8 Z050	8	8		
23	502561	. NUT HEX M5-0.8 Z050	1	1		
24	901200	. DIODE BLOCK ON RELAY BASE	1	1		
25	900777	. CONNECTOR BNC PLUG TO RCA ADAPTOR / ELEC 21-142-0	AR	AR		
26	502564	. WASHER LO SPT 6.1x11.8x1.6 Z050	1	1		
27	562024	. COVER / PROTECTOR / 3 BLOCKS	1	1		
28	561731	. COVER SUPPORT	2	2		
29	561727	. SCREW MA PAN PH	2	2		
30	5001146	. SCREW CAP HEX M5-0.8x20 SS BK	1	1		
31	901116	DVD REI / MP3	1	1		

From T-1455 To 2-4416	Date:10/2022	PAGE:H3-2317-99
VIDEO & AUDIO SYSTEM - INSTALLATION / RETROFIT		

Item#	Part	Description	H 3 4 1	H 3 4 5	V I P 4 5	N O T E S
. NS	901264	. REMOTE CONTROL / DVD REI	1	1		
32	901030	VIDEO V-3000 VCP, SYS 2000 24V	1	1		
. NS	901065	. REMOTE CONTROL / VDO REI V-3000	1	1		
32	7770197	KIT, VHS TO DVD CONVERSION	1	1	1	
. NS	901339	. DVD PLAYER 12V	1	1	1	
. . NS	901377	. . REMOTE CONTROL / DVD R.E.I.	1	1	1	
. NS	407639	. SUPPORT, DVD	1	1	1	
. NS	901347	. CABLE ASSY / W/2 BNC FEMALE/ FEMALE 1"	1	1	1	
. NS	901564	. ADAPTOR, RCA MALE TO BNC FEMALE	1	1	1	
. NS	563071	. CONNECTOR / MINI FIT JR / SH 4C / MOLEX 39-01-3042	1	1	1	
. NS	562593	. WIRE CABLE 18 / YELLOW / TXL	AR	AR	AR	
. NS	562587	. WIRE CABLE 18 / BLACK / TXL	AR	AR	AR	
. NS	562463	. SOCKET TERMINAL / 24-18 / MOLEX 39-00-0039	2	2	2	
. NS	563622	. BUTT SPLICE / 22-18 / RED / W/THERMORETRAC / PANDUIT BSH18-Q	2	2	2	
. NS	5001017	. SCREW TC CAP HEXW #10-24x1/2 Z050	4	4	4	
. NS	502853	. WASHER LO SPT 6.1x11.8x1.6 N500	1	1	1	
. NS	IS-16901A	. SEE INSTRUCTION SHEET	1	1	1	
33	066733	. DECAL "VIDEO DISTRIBUTION"	1	1		
34	901198	DVD PLAYER 12V (VOLVO) VD-404	AR	AR		S
. NS	901265	. REMOTE CONTROL / DVD VOLVO	1	1		S
. NS	901302	. SENSOR ASSY W/CABLE / DVD REMOTE CONTROL	1	1		S
34	901339	DVD PLAYER 12V	1	1		
. NS	901377	. REMOTE CONTROL / DVD R.E.I.	1	1		
34	409294	CABLE INTERFACE DVD "VOLVO" to DVD "REI" 4 CONN. to 6 CONN.	1	1		
35	901190	RADIO AM-FM-CD-CDX / "PRÉVOST" MP3 VR-300	1	1		
36	506755	VELCRO / HOOK ADHESIF 1" x 75'	AR	AR		
37	506756	VELCRO / LOOP ADHESIF 1" x 75'	AR	AR		
38	901201	RECEIVER WIRELESS MICROPHONE / 16 CHANNEL	1	1		
39	066804	ADAPTOR AUDIO SIRIUS SH 8C x 2F RCA	1	1		
. NS	903217	. CONVERTISSOR AUDIO	1	1		
40	901209	RADIO "PREVOST" AM-FM-CD / "XM" READY (DELPHI)	1	1		
41	901218	RADIO "PREVOST" AM-FM-CD / "SIRIUS" READY (DELPHI)	1	1		
42	901190	RADIO AM-FM-CD-CDX / "PRÉVOST" MP3 VR-300	1	1		
43	901218	RADIO "PREVOST" AM-FM-CD / "SIRIUS" READY (DELPHI)	1	1		
44	901209	RADIO "PREVOST" AM-FM-CD / "XM" READY (DELPHI)	1	1		
45	N.P.N.	BOX	1	1		4
46	901106	. AUDIO FILTER	2	2		
47	901106	AUDIO FILTER	1	1		
49	900912	CABLE ASSY / FRONT CAMERA	1	1		
50	066822	CABLE ASSY / VIDEO & FRONT CAMERA	1	1		
53	900856	CABLE RCA / 2M/2M / 3'	1	1		
54	900775	Y RADIO ANTENNA CABLE / TO USE W/2 RADIOS	AR	AR		

From T-1455 To 2-4416	Date:10/2022	PAGE:H3-2317-99
VIDEO & AUDIO SYSTEM - INSTALLATION / RETROFIT		

Item#	Part	Description	H 3 4 1	H 3 4 5	V I P 4 5	N O T E S
55	900774	CABLE, ANTENNA EXTENSION / 12'	AR	AR		
NS	066863	. CABLE GROUND	1	1	1	
56	901110	CABLE RCA / 2M/2M / 25'	1	1		
57	900671	ADAPTOR "Y" RCA / 1M/2F / 4"	AR	AR		
58	900845	ENTERTAINER CONTROL MODULE	1	1		
59	900671	ADAPTOR "Y" RCA / 1M/2F / 4"	AR	AR		
60	066867	CABLE ASSY / DASH & PARCEL RACK	1	1		
61	066864	CABLE POWER AUDIO	1	1		
62	066731	WIRING HARNESS DASHBOARD CENTRAL MODULE / MUX	1	1		
63	Call order desk	CABLE EXTENSION MICRO MODESTY PANEL R.H.	1	1	1	P
NS	405843	KIT, RETROFIT "VOLVO" SOUND SYSTEM "H" From W-2285	1	1		AB
NS	066746	. CABLE HARNESS / SPEAKER CURBSIDE RR / W/W.C.L. / 7 SP From W-2285	1	1		
NS	066744	. CABLE HARNESS / SPEAKER STREETSIDE / 16 SP From W-2285	1	1		
NS	066745	. CABLE HARNESS / SPEAKER CURBSIDE FRT / W/W.C.L. / 10 From W-2285	1	1		
NS	066864	. CABLE POWER AUDIO From W-2285	1	1		
75	066796	. RESISTOR 4 OHMS 25W W/CONNECTOR From W-2285	5	5		
NS	066704	. CABLE SPEAKER / JCT & LH & RH From W-2285	1	1		
NS	319034	. COVER L.H. ASSY / W/LIGHT & VENT HOLE From W-2285	1	1		
. NS	313882	. . COVER L.H. / W/VENT HOLE From W-2285	1	1		
NS	901175	. CABLE POWER 60' From W-2285	1	1		
NS	901176	. CABLE POWER INTERFACE 9' From W-2285	1	1		
NS	901190	. RADIO AM-FM-CD-CDX / "PREVOST" MP3 VR-300 From W-2285	1	1		
82	901266	. REMOTE CONTROL / CONTROL HEAD VOLVO / VSS04	1	1	1	
82		WHEN CHANGE VSS04 TO VSS05 YOU NEED CONTROL HEAD 21516503 From W-2285	1	1		
82		& HARNESS KIT 409439 & NEW RADIO From W-2285	1	1		
82		901417P OR 901418P OR 901419P From W-2285	1	1		
82	IS08080	SOUND SELECTOR REPLACEMENT, VSS04 VS VSS05	1	1		
. NS	900238	. CONTROL HEAD / "VOLVO" (VSS-05A)	1	1		
. . NS	21251311	. . REMOTE CONTROL / CONTROL HEAD VOLVO / VSS05	1	1		
. NS	0610388	. CABLE INTERFACE VSS04 TO VSS05	1	1		
. NS	IS-08080	. SEE INSTRUCTION SHEET	1	1		
82	21516503	CONTROL HEAD / "VOLVO" (VSS-05) From W-2285	1	1		
. NS	21251311	. REMOTE CONTROL / CONTROL HEAD VOLVO / VSS05 From W-2285	1	1		
82	901417P	RADIO "PREVOST" AM/FM/CD & MP3 BLUETOOTH COMPUTERIZ From W-2285	1	1		
82	901418P	RADIO "PREVOST" AM/FM/CD & MP3 BLUETOOTH SIRIUS COMPUTERIZ From W-2285	1	1		
82	901419P	RADIO "PREVOST" AM/FM/CD & MP3 BLUETOOTH & XM COMPUTERIZ From W-2285	1	1		
82	430669	KIT, REPLACEMENT DVD "VOLVO" TO "REI" From W-2285	1	1		
. NS	409294	. CABLE INTERFACE DVD "VOLVO" to DVD "REI" 4 CONN. to 6 CONN. From W-2285	1	1		
. NS	901436	. DVD PLAYER 12V From W-2285	1	1		

From T-1455 To 2-4416	Date:10/2022	PAGE:H3-2317-99
VIDEO & AUDIO SYSTEM - INSTALLATION / RETROFIT		

Item#	Part	Description	H 3 4 1	H 3 4 5	V I P 4 5	N O T E S
. NS	901264	. REMOTE CONTROL / DVD REI From W-2285	1	1		
. NS	901347	. CABLE ASSY / W/2 BNC FEMALE/ FEMALE 1" From W-2285	1	1		
. NS	IS-09048	. SEE INSTRUCTION SHEET From W-2285	1	1		
NS	392305	. ADAPTOR RADIO TO STRUCTURE From W-2285	1	1		
NS	392312	. PARTIAL STRUCTURE TO FIT "VOLVO" AUDIO SOUND From W-2285	1	1		
NS	392301	. PANEL / FRONT INSTRUMENTATION From W-2285	1	1		
NS	312596	. COVER R.H. / PLAIN From W-2285	1	1		
87	392301	. PANEL / FRONT INSTRUMENTATION From W-2285	1	1		
88	066863	. CABLE GROUND From W-2285	1	1		
		A) THIS KIT INCLUDE ALLS ITEMS LISTED BELOW THIS LINE AND PLATE AUDIO ASSY # 405845 ABOVE				
		B) WITH THIS KIT YOU NEED ALSO READING LIGHT # 830186 OR 330379				
		S) THIS DVD MAY BY REPLACE BY ONE # 901339 AND ONE CABLE # 409294				
		T) FOR SERVICE				
		4) NO PARTS NUMBER				
		P) CALL ORDER DESK FOR SPECIFIC APPLICATION (V.I.N.)				

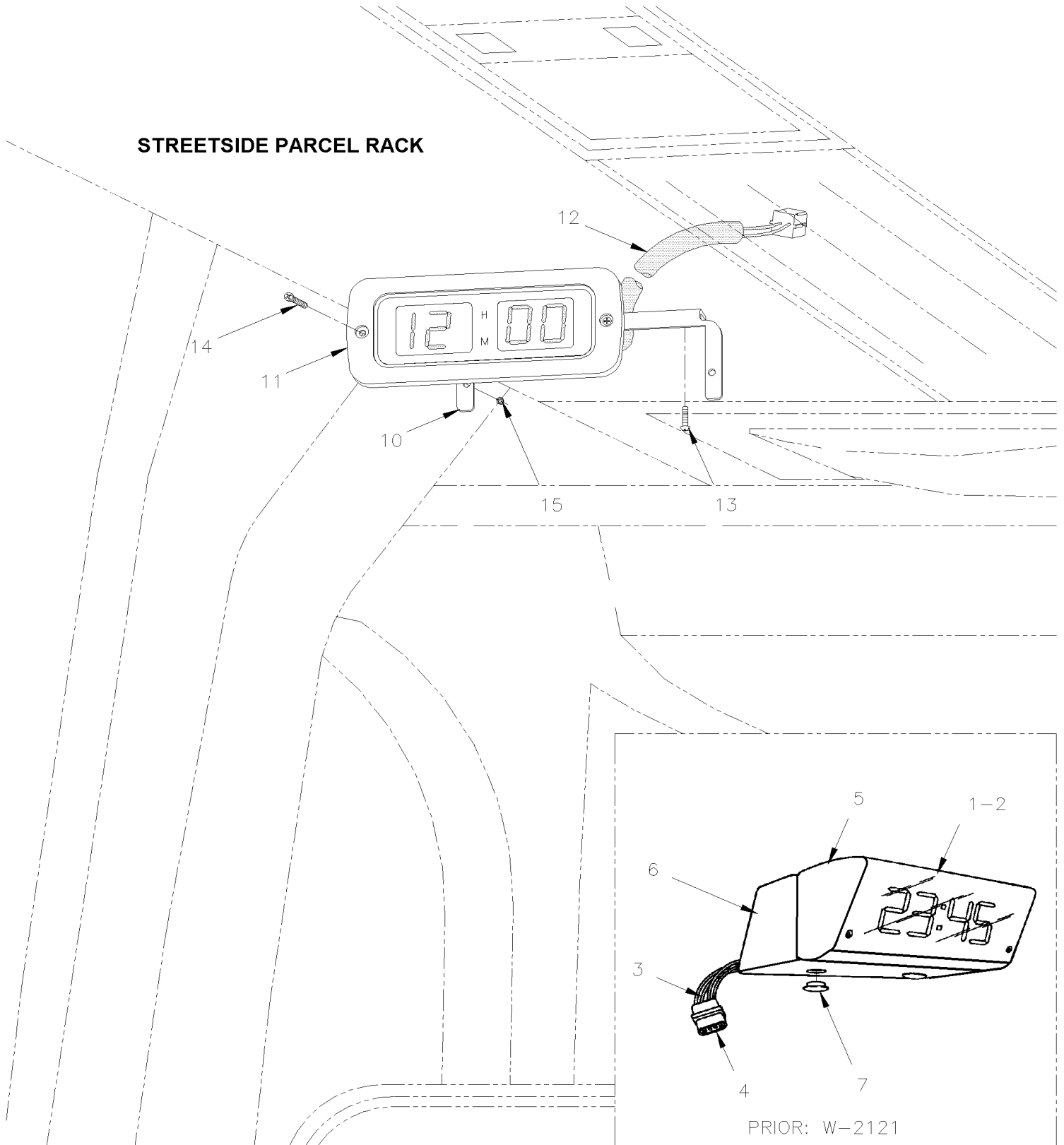
From R-012 To 2-4416

Date:10/2022

PAGE:H3-2318-00

CLOCK (DIGITAL)

STREETSIDE PARCEL RACK

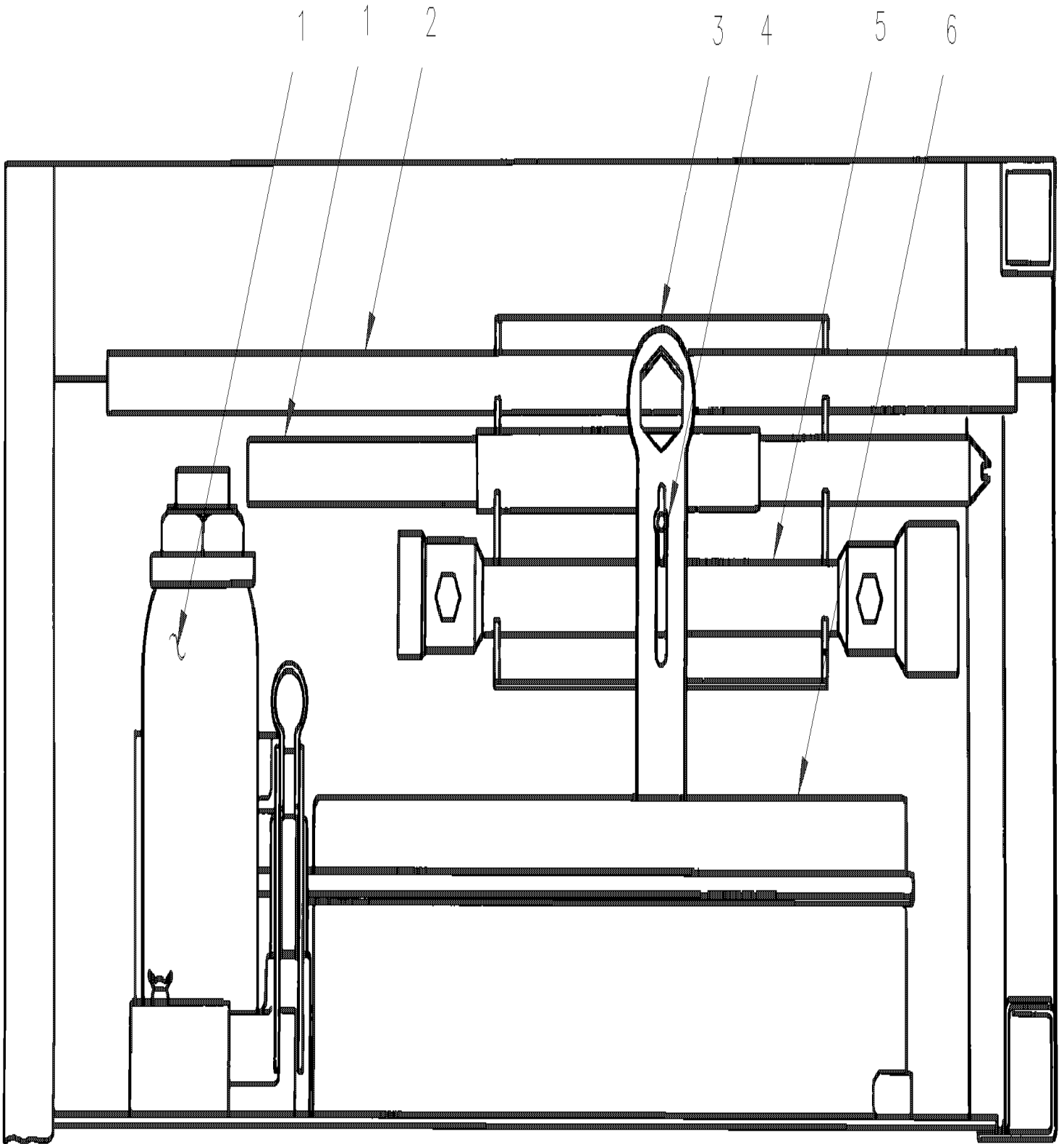


PRIOR: W-2121

From R-012 To 2-4416	Date:10/2022	PAGE:H3-2318-00
CLOCK (DIGITAL)		

Item#	Part	Description	H 3 4 1	H 3 4 5	V I P 4 5	N O T E S
1	403486	DIGITAL CLOCK ASSY / MOUNTED CENTER FRONT CAP (AS SHOWN) To W-2120	1	1		
1	404048	DIGITAL CLOCK ASSY W/SUPPORT / MOUNTED UNDER PARCEL RACK To W-2120	1	1		
2	900457	. DIGITAL CLOCK To W-2120	1	1		
3	560851	. CONNECTOR / COM. MATE-N-LOCK / PH 4C / AMP 1-480426-0 To W-2120	1	1		
4	560901	. PIN TERMINAL / 20-14 / AMP 60620-1 To W-2120	4	4		
5	500560	SCREW MA PAN PH M4-0.7x6 Z050 To W-2120	4	4		
NS	502636	WASHER LO SPT 4.1x7.6x0.9 Z050 To W-2120	4	4		
6	440277	SUPPORT / L.H. To W-2120	1	1		
NS	502504	SCREW MA BDG PH #10-32x1 SS To W-2120	2	2		
NS	502774	NUT WELL #10-32x.625 To W-2120	2	2		
7	504449	HOLE PLUG BUTTON / .500 O.D. BLACK To W-2120	2	2		
NS	403989	SUPPORT TO FIX CLOCK UNDER PARCEL RACK To W-2120	1	1		
NS	5001036	SCREW MA PAN PH M4-0.7x10 Z050 To W-2120	4	4		
NS	504412	WASHER RETAINER SNAP CAP #8 To W-2120	4	4		
NS	504403	SNAP CAP #8 FINISHING BLACK To W-2120	4	4		
NS	561476	CONNECTOR / (.062) / SH 4C / MOLEX 03-06-1044 To W-2120	1	1		
NS	561478	SOCKET TERMINAL / 24-18 / MOLEX 02-06-1103 To W-2120	4	4		
10	404546	SUPPORT From W-2121	1	1		
11	404547	DIGITAL CLOCK / 12HRS From W-2121	1	1		
11	404551	DIGITAL CLOCK / 24HRS From W-2121	1	1		
NS	900867	. DIGITAL CLOCK From W-2121	1	1		
NS	561476	. CONNECTOR / (.062) / SH 4C / MOLEX 03-06-1044 From W-2121	1	1		
NS	561478	. SOCKET TERMINAL / 24-18 / MOLEX 02-06-1103 From W-2121	3	3		
NS	562387	. CONVOLUTED TUBING / SLIT / BLACK / .250" From W-2121	AR	AR		
12	064199	CABLE ASSY / CLOCK & FRONT JCT PANEL From W-2121	1	1		
13	500409	SCREW TP PAN PH #8x1/2 BK From W-2121	3	3		
14	500260	SCREW TC FL PH #8-32x3/4 BK From W-2121	2	2		
15	500670	NUT HEX NYRT #8-32 Z050 From W-2121	2	2		

From R-012 To 2-4416	Date:10/2022	PAGE:H3-2320-00
JACK & FLARE KIT - INSTALLATION		



From R-012 To 2-4416	Date:10/2022	PAGE:H3-2320-00
JACK & FLARE KIT - INSTALLATION		

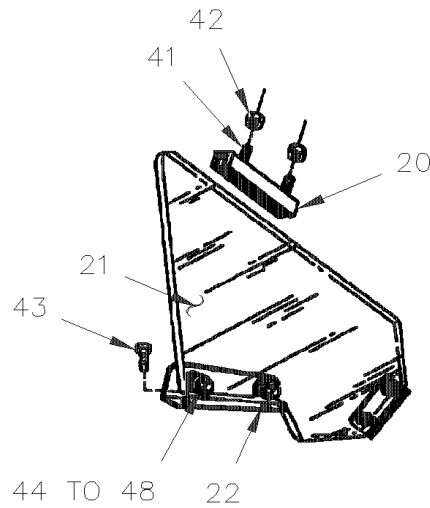
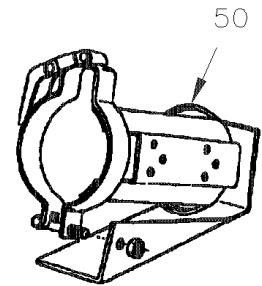
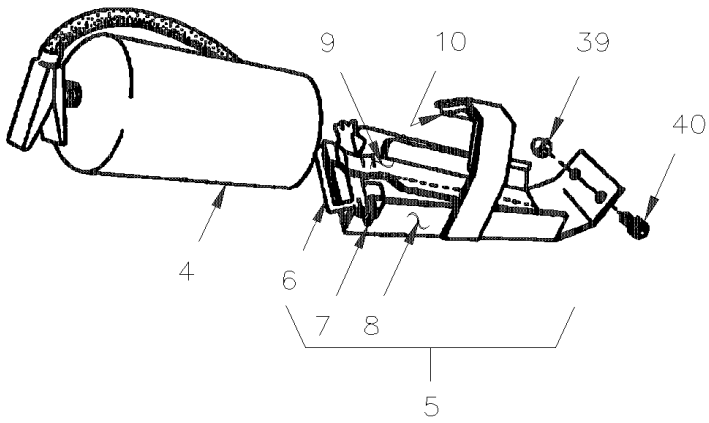
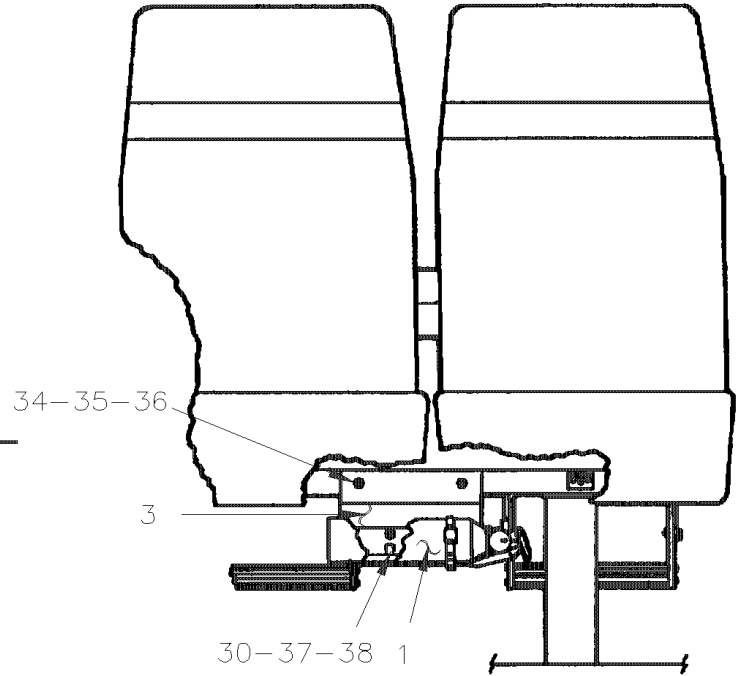
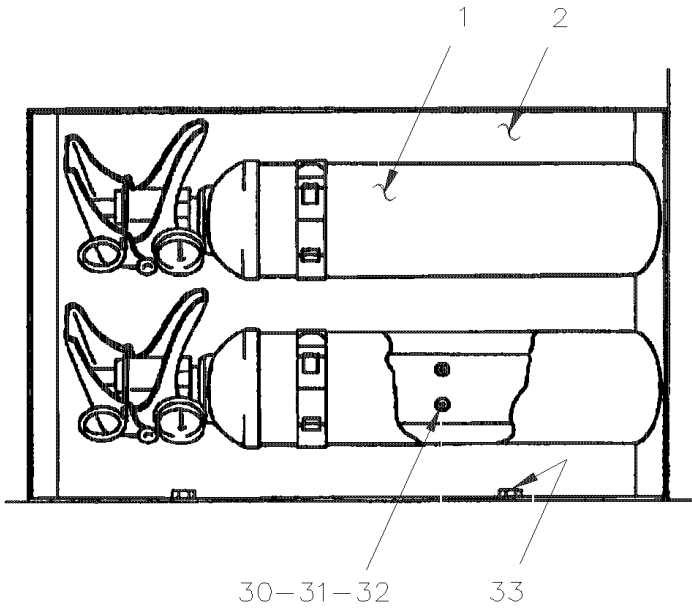
Item#	Part	Description	H 3 4 1	H 3 4 5	V I P 4 5	N O T E S
1	505505	JACK, 12TONS	1	1	1	
NS	5001012	SCREW TH 5/16-18x1 1/2 BZC	1	1	1	
2	690002	HANDLE, W/WRENCH WHEEL NUT	1	1	1	
3	410556	KEY (FOR FRONT BUMPER NUT)	1	1	1	
. NS	410545	. KEY	1	1	1	
. NS	410557	. RUBBER	1	1	1	
4	500782	NUT WING 5/16-18 Z050	1	1	1	
5	690001	WRENCH, WHEEL NUT 1 1/2" & 13/16 SQUARE	1	1	1	
5	690005	WRENCH, WHEEL 33 MM	1	1	1	
6	930283	FLARE KIT, TRIANGULAR	1	1	1	
6	930442	FLARE KIT, TRIANGULAR	1	1	1	S
		S) SERVICE				

From R-012 To 2-4416

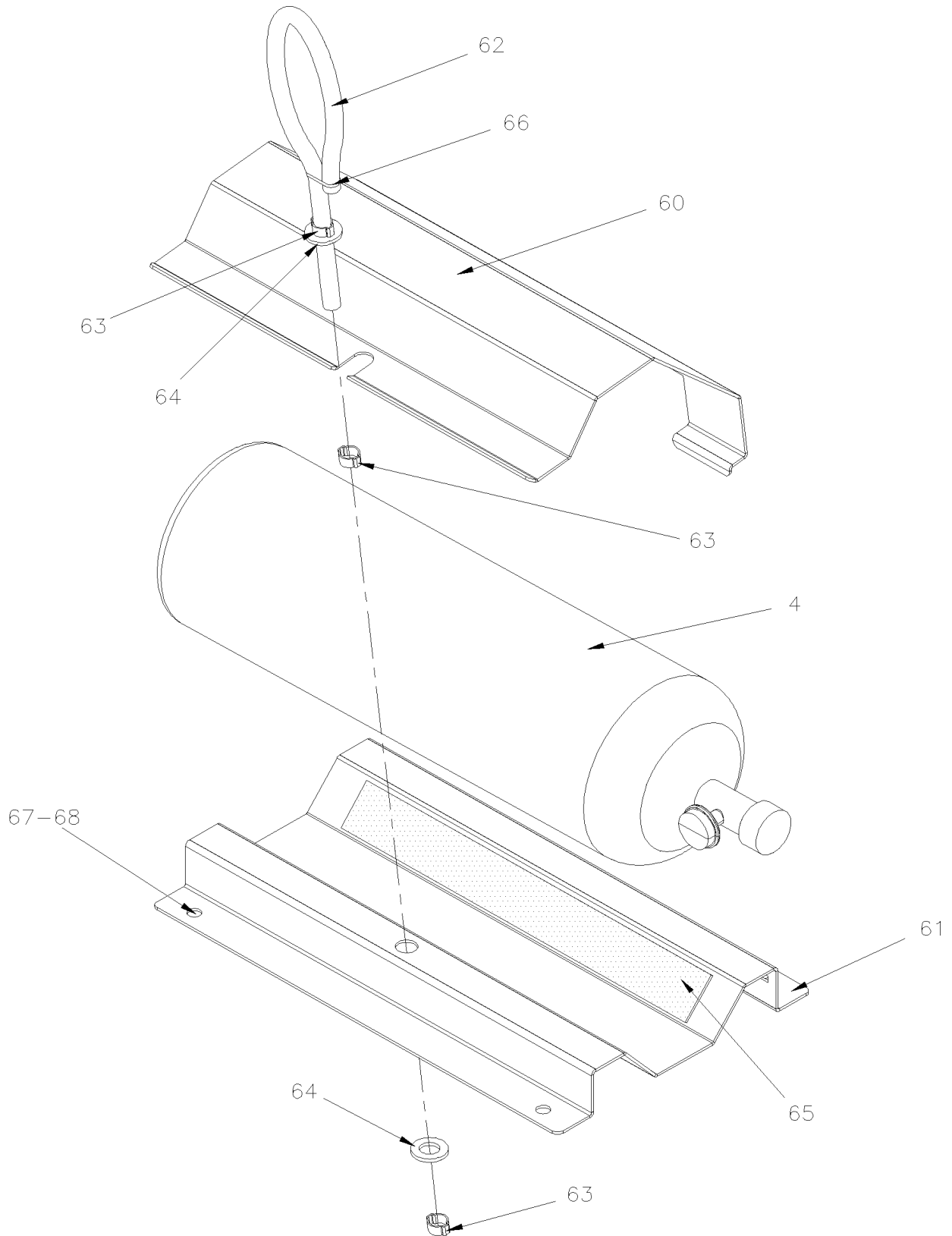
Date:10/2022

PAGE:H3-2320-30

EXTINGUISHER - INSTALLATION



From R-012 To 2-4416	Date:10/2022	PAGE:H3-2320-30
EXTINGUISHER - INSTALLATION		



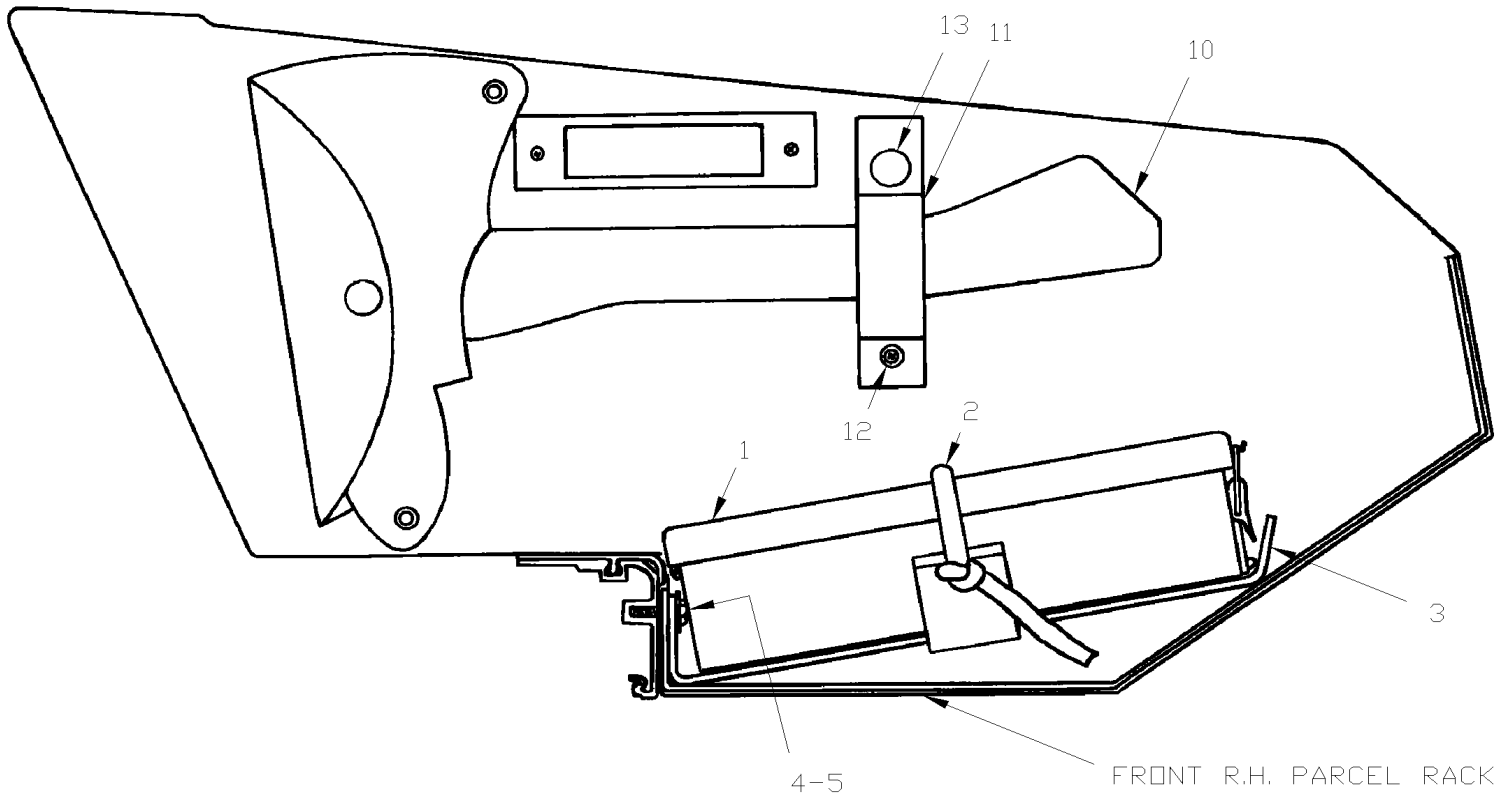
From R-012 To 2-4416	Date:10/2022	PAGE:H3-2320-30
EXTINGUISHER - INSTALLATION		

Item#	Part	Description	H 3 4 1	H 3 4 5	V I P 4 5	N O T E S
1	900702	EXTINGUISHER 2.5 LBS / W/PLASTIC HANDLE	2		2	
2	324391	SUPPORT ASSY / EXTINGUISHER	1		1	
3	324349	SUPPORT ASSY / EXTINGUISHER	2		2	
NS	470949	SPACER RUBBER 3/4" O.D. / S.Q.	2	2		
NS	900651	EXTINGUISHER 20 LBS	1	1		
NS	403465	SUPPORT / FOR EXTINGUISHER 20 LBS / UNDER SEAT	1	1		
4	900449	EXTINGUISHER 10 LBS	1	1		
. NS	900618	. SUPPORT	1	1		
4	900618	. SUPPORT	1	1		
5	403581	SUPPORT ASSY / 10 LBS INTINGUISHER / IN PARCEL RACK	1	1		
6	402575	. HANDLE ASSY / TILTING SUPPORT	1	1		
7	402571	. CLIP, SPRING	2	2		
8	402569	. BRACKET ASSY / TILTING SUPPORT To W-2284	1	1		
8	404633	. BRACKET ASSY / TILTING SUPPORT From W-2285	1	1		
9	402567	. SUPPORT, TILTING	1	1		
9	505188	. PIN, SPRING 1/4" X 7/8"	1	1		
9	470949	. SPACER RUBBER 3/4" O.D. / S.Q.	2	2		
10	506235	. TAPE RUB ADH1 PVC.NITRIL 1/2" x 1" x 15' / BLACK 1210	AR	AR		
NS	325738	PLATE RETAINING WITH STUDS	2	2		A
NS	500411	WASHER FL .260x.697x.050 SS	4	4		A
NS	500771	NUT HEX 1/4-20 SS	4	4		A
NS	502570	WASHER LO SPT 6.1x11.8x1.6 SS	4	4		A
NS	324689	SPACER ASSY WITH CARPET	1	1		A
20	402555	FIXTURE, UPPER	2	2		
21	402541	GUARD, PLEXIGLASS To W-2284	1	1		
21	Call order desk	PROTECTOR From W-2285	1	1		P
22	402553	FIXTURE, LOWER To W-2284	2	2		
22	404644	FIXTURE, LOWER From W-2285	1	1		
30	500572	SCREW MA TR PH #10-24x1/2 SS BK	8	8		
31	500470	WASHER LO SPT .193x.334x.047 Z050	8	8		
32	500786	NUT HEX #10-24 Z050	8	8		
33	500535	SCREW TP CAP HEX #14x3/4 Z050	4	4		
34	500559	SCREW MA TR PH 1/4-20x1 1/2 SS EMN	4	4		
35	500468	WASHER FL .281x1.250x.065 Z050	4	4		
36	500770	NUT HEX STO 1/4-20 Z050	4	4		
37	500964	WASHER FL .203x.500x.047 Z050	8	8		
38	500767	NUT HEX #10-24 Z050	8	8		
39	500772	NUT HEX CAP 1/4-20 NP	2	2		
40	500394	SCREW MA TR SLT 1/4-20x1/2 Z050	2	2		
41	500510	SCREW MA BDG PH #10-32x3/4 SS EMN	4	4		
42	500519	NUT WELL #10-32x.518	4	4		
43	500657	SCREW TC TR PH #10-24x1/2 Z050	2	2		

From R-012 To 2-4416	Date:10/2022	PAGE:H3-2320-30
EXTINGUISHER - INSTALLATION		

Item#	Part	Description	H 3 4 1	H 3 4 5	V I P 4 5	N O T E S
44	500607	SCREW MA TR PH #10-24x1 SS	4	4		
45	500891	NUT HEX CAP #10-24 Z050	6	6		
46	900251	BUSHING, RUBBER	8	8		
47	400380	SPACER 5/16 O.D. x 17/32" x 18GA	4	4		
47	505539	SPACER 5/16 O.D. x 17/32" x 18GA	4	4		
48	500989	WASHER FL .219x.875x.062 Z050	4	4		
50	401821	SUPPORT / FOR EXTINGUISHER 10 LBS To W-2284	AR	AR		
50	323290	DECAL / FIRE EXTINGUISHER	1	1		
50	402763	DECAL / UNDER SEAT EXTINGUISHER	1	1		
50	407693	DECAL "FIRE EXTINGUISHER INSIDE" GREY	1	1		
60	405273	COVER, EXTINGUISHER 10 LBS	1	1		
61	405274	BASE SUPPORT EXTINGUISHER 10LBS	1	1		
62	405276	CORD, RUBBER 370MM	1	1		
. NS	506066	. CORD, RUBBER EXTRUSION NEO 7/16" O.D. / C.T.L.	AR	AR		
63	504452	CLAMP "E-Z CLIP" / "TUBE-O" / 7/16" / HC9-7	3	3		
64	5001458	WASHER FL 12.0x24.0x2.5 NYL	2	2		
65	506466	TAPE RUB ADH1 CC POL 1/16" x 1 1/2" x 100 / GREY 2520	AR	AR		
66	504637	CABLE TIE / 3/16" x 13"	AR	AR		
67	502706	SCREW TP PAN PH #14x1 SS	4	4		
68	500411	WASHER FL .260x.697x.050 SS	4	4		
		A) THOSE ITEMS ARE USE WITH 10LBS EXTINGUISHER IN STEPWELL COMPARTMENT				
		P) CALL ORDER DESK FOR SPECIFIC APPLICATION (V.I.N.)				

From R-012 To 2-4416	Date:10/2022	PAGE:H3-2320-40
FIRST AID KIT & AXE - INSTALLATION		



From R-012 To 2-4416	Date:10/2022	PAGE:H3-2320-40
FIRST AID KIT & AXE - INSTALLATION		

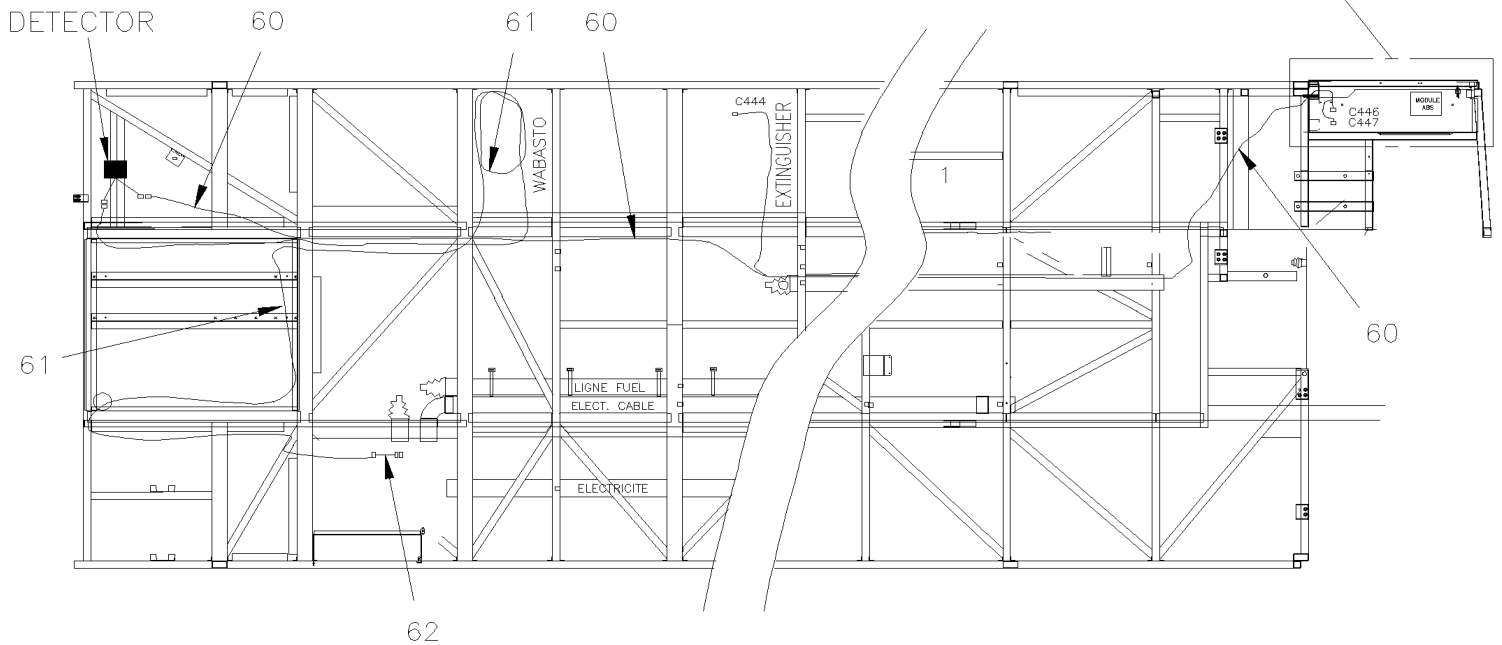
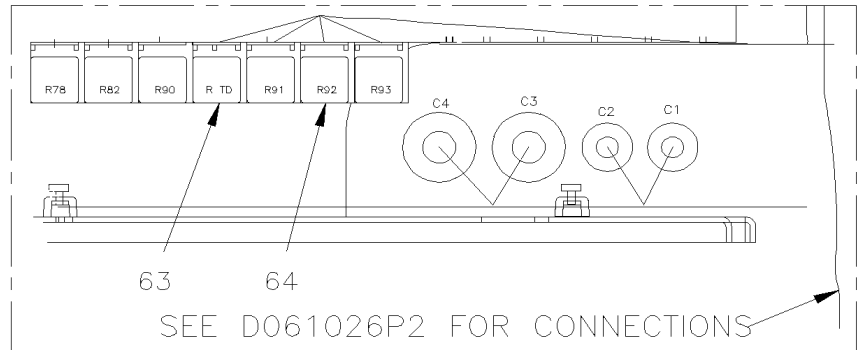
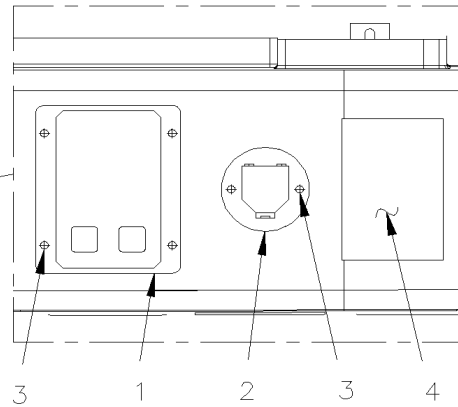
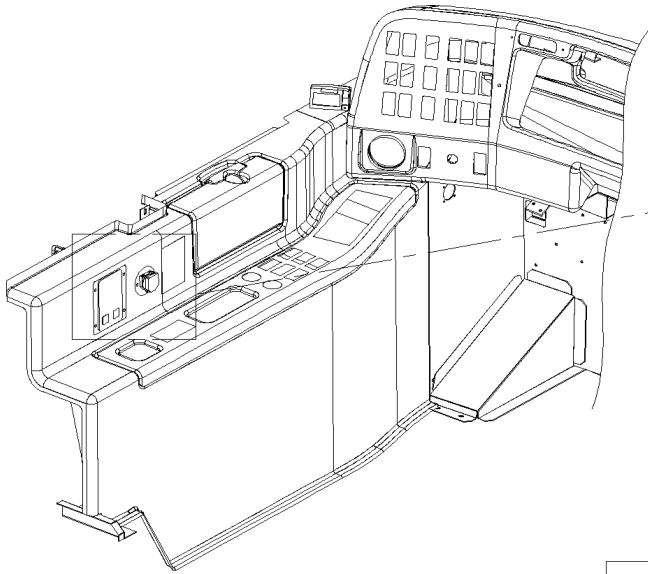
Item#	Part	Description	H 3 4 1	H 3 4 5	V I P 4 5	N O T E S
1	900014	KIT, FIRST AID (SMALL)	1	1		
1	900289	KIT, FIRST AID (LARGE) / MODEL #36 To Y-3653	1	1		
1	900767	KIT, FIRST AID (EXTRA LARGE) / W / W.C.L.	1	1		
1	900990	KIT, FIRST AID / SASKATCHEWAN MODEL From Y-3654	1	1		
1	900991	KIT, FIRST AID / MANITOBA & N-BRUNSWICK MODEL From Y-3654	1	1		
1	900992	KIT, FIRST AID / NOVA-SCOTIA MODEL From Y-3654	1	1		
1	900993	KIT, FIRST AID / ALBERTA MODEL From Y-3654	1	1		
1	900994	KIT, FIRST AID / NEWFUNLAND MODEL From Y-3654	1	1		
1	900995	KIT, FIRST AID / QUEBEC & BRI. COLUMBIA MODEL From Y-3654	1	1		
1	900996	KIT, FIRST AID / ONTARIO, I.P.E. & USA MODEL From Y-3654	1	1		
NS	323292	DECAL / FIRST AID	1	1		
NS	195889	KIT "EMERGENCY CLEANING" BIOHAZARD CASE OF 25	AR	AR		
NS	19503251	KIT "EMERGENCY CLEANING" STANDARD	AR	AR		
2	506621	STRAP, RUBBER / S.L. To W-2284	AR	AR		
2	506066	CORD, RUBBER EXTRUSION NEO 7/16" O.D. / C.T.L. From W-2285	1	1		
NS	504452	CLAMP "E-Z CLIP" / "TUBE-O" / 7/16" / HC9-7	1	1		
NS	502525	WASHER FL .484x.750x.031 Z050	1	1		
3	323606	SUPPORT ASSY / W/FIRST AID KIT (SMALL) / 165MM To W-2284	1	1		
3	312807	SUPPORT ASSY / W/FIRST AID KIT (SMALL) / 139MM From W-2285	1	1		
3	323608	SUPPORT ASSY / W/FIRST AID KIT (LARGE) / 350MM To W-2284	1	1		
3	312806	SUPPORT ASSY / W/FIRST AID KIT (LARGE) / 205MM From W-2285	1	1		
4	502526	SCREW TC BDG PH #12-24x3/4 Z050 To W-2284	2	2		
NS	500162	SCREW CAP HEX 1/4-20x1/2 G5 Z050 From W-2285	1	1		
5	500989	WASHER FL .219x.875x.062 Z050 To W-2284	2	2		
NS	500440	WASHER FL .250x.562x.065 Z050 From W-2285	1	1		
10	900046	FIRE AXE	1	1		
NS	323291	DECAL / AXE	1	1		
11	403582	STRAP / TO FIX AXE	1	1		
NS	506236	TAPE RUB ADH1 CC POL 1/16" x 1/2" x 100' / GREY 2520 To W-2284	AR	AR		
NS	506035	TAPE RUB ADH1 NEO 1/2" x 1" x 15' / BLACK 1220X From W-2285	1	1		
12	504106	RIVET POP DOME OE 1/8x1/4 AL	1	1		
NS	500157	WASHER FL .125x.375x.032 SS	3	3		
13	504003	FASTENER RIVET BASE	3	3		
NS	504107	RIVET POP DOME OE 1/8x5/16 AL	1	1		

From R-012 To 2-4416

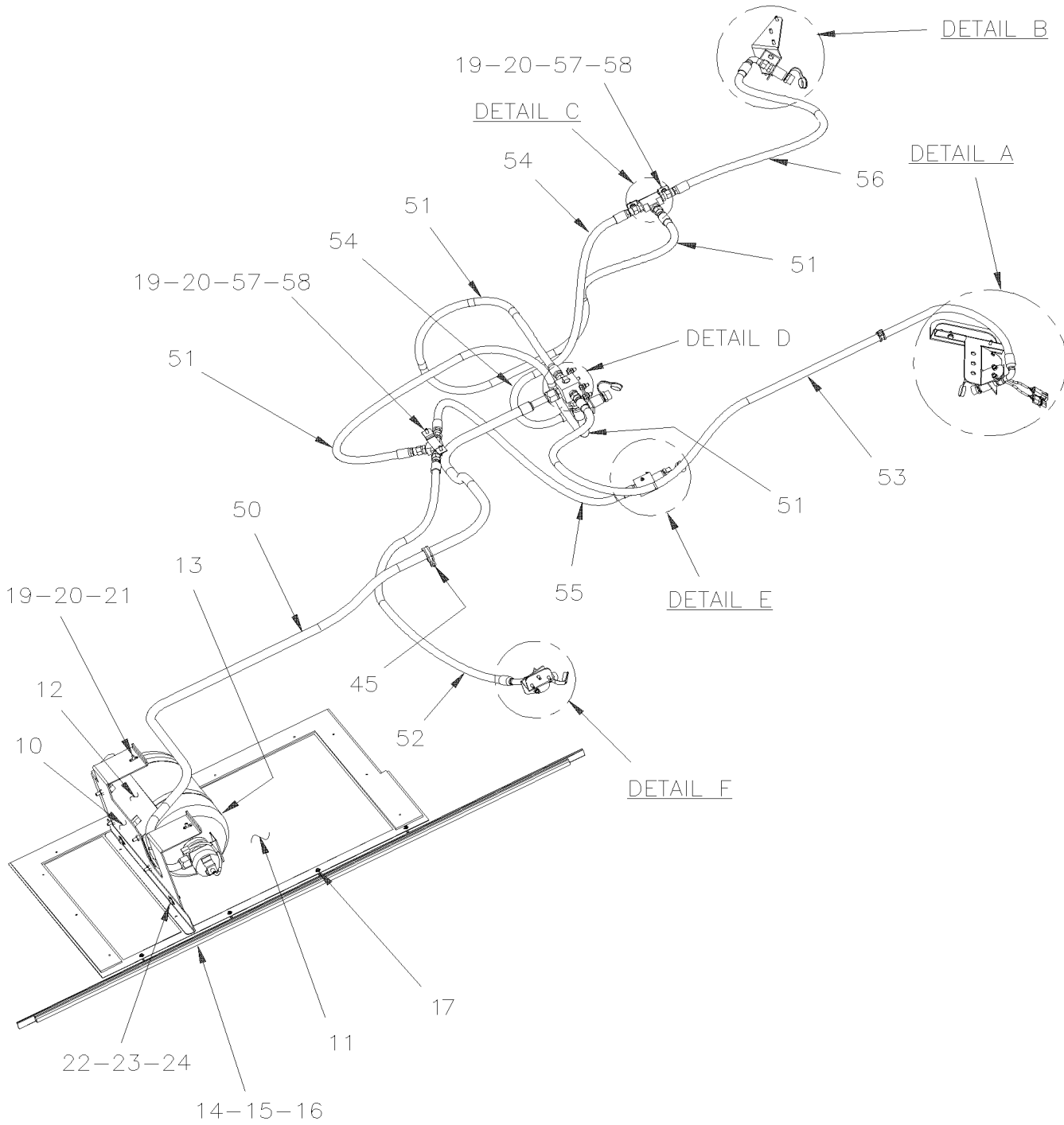
Date:10/2022

PAGE:H3-2320-99

FIRE PROTECTION SYSTEM INST / "RETROFIT"



From R-012 To 2-4416	Date:10/2022	PAGE:H3-2320-99
FIRE PROTECTION SYSTEM INST / "RETROFIT"		

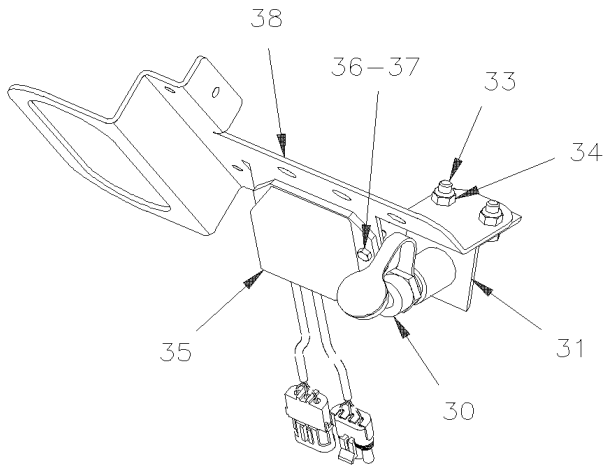


From R-012 To 2-4416

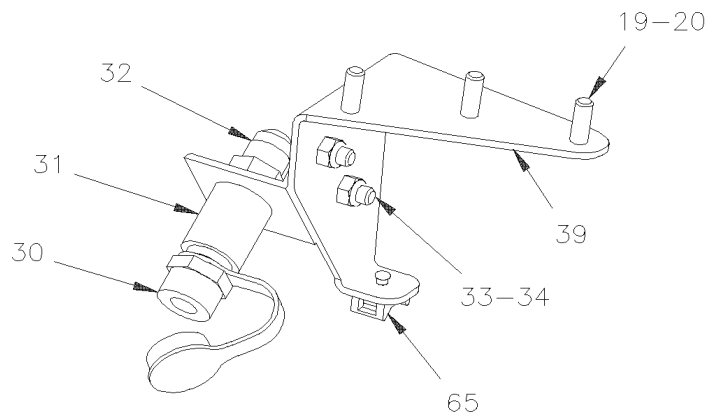
Date:10/2022

PAGE:H3-2320-99

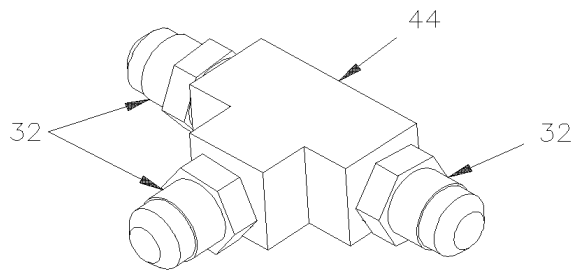
FIRE PROTECTION SYSTEM INST / "RETROFIT"



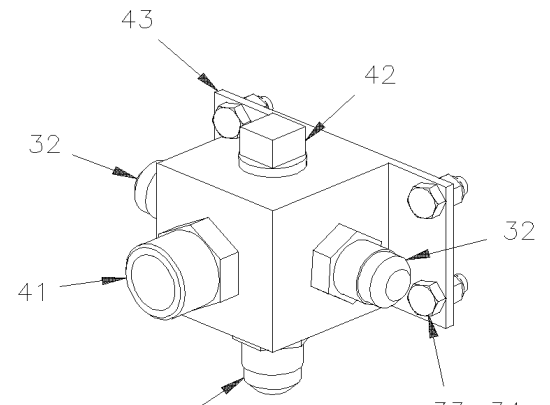
DETAIL A



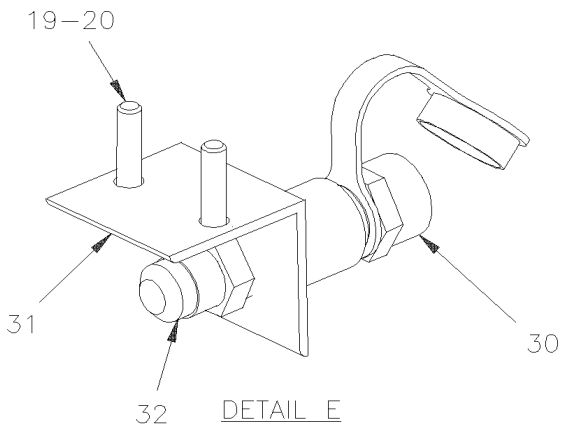
DETAIL B



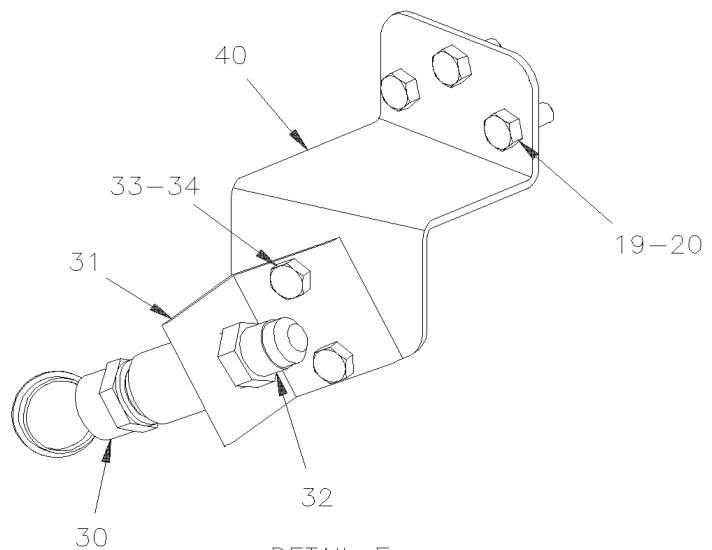
DETAIL C



DETAIL D



DETAIL E



DETAIL F

From R-012 To 2-4416	Date:10/2022	PAGE:H3-2320-99
FIRE PROTECTION SYSTEM INST / "RETROFIT"		

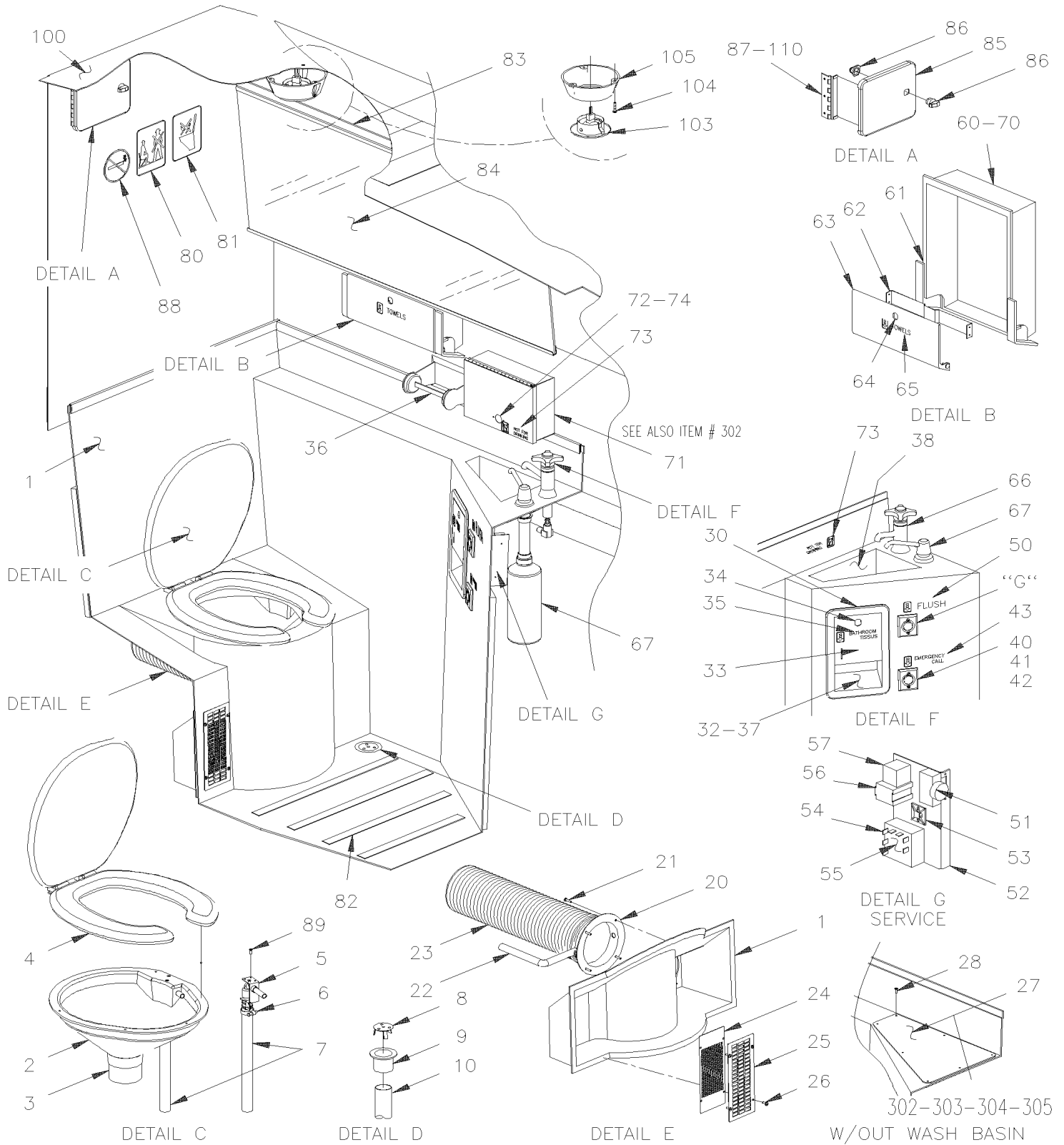
Item#	Part	Description	H 3 4 1	H 3 4 5	V I P 4 5	N O T E S
1	563455	PANEL FIRE PROTECTOR DISPLAY	1	1		
2	563456	BUTTON FIRE / MANUAL OPERATING	1	1		
. NS	563462	. SEAL BUTTON FIRE / MANUAL OPERATING	1	1		
3	500814	SCREW TP BDG PH #6x3/4 BK	6	6		
4	405725	DECAL / "IN CASE OF FIRE..." / ENGLISH & FRANCAIS	1	1		
4	405724	DECAL / "IN CASE OF FIRE..." / ENGLISH	1	1		
10	409129	SUPPORT EXTINGUISHER	1	1		
11	460630P	PANEL ASSY FIRE INSTINGUISHER INSTALLATION	1	1		
. NS	460629	. SLIDING PANEL FIRE / PROTECTOR	1	1		
. NS	460628	. PANEL ASSY FIRE / PROTECTOR	1	1		
. NS	464676	. INSULATING PANEL	1	1		
. NS	464677	. INSULATING PANEL	1	1		
. NS	504339	. RIVET POP DOME OE 1/8x3/8 SS	10	10		
12	901126	BRACKET EXTINGUISHER	1	1		
. NS	901389	. COLLAR TO FIX EXTINGUISHER	2	2		
13	901125	EXTINGUISHER 25 LBS	1	1		
. NS	901299	. KIT REPAIR, FIRE EXTINGUISHER SYSTEM	1	1		
14	460494	RUBBER SEAL EXTRUSION / 1820MM	1	1		
15	504339	RIVET POP DOME OE 1/8x3/8 SS	2	2		
16	500157	WASHER FL .125x.375x.032 SS	2	2		
17	500526	SCREW TP CAP HEXW #12x3/4 N500	4	4		
19	502848	SCREW TC CAP HEXF 1/4-20x3/4 N500	AR	AR		
20	955920	WASHER LO SPT 6.5x11.5x1.6 ZP	18	18		
21	500411	WASHER FL .260x.697x.050 SS	2	2		
22	955297	SCREW CAP HEX M8-1.25x25 G8.8 ZG603	6	6		
23	5001161	WASHER LO SPT 8.1x14.8x2.0 SS-304	6	6		
24	5001448	WASHER FL .343x.875x.062 SS18-8	2	2		
30	901128	NOZZLE DRY CHEMICAL	5	5		
. NS	901184	. CAP PROTECTOR NOZZLE	1	1		
31	901127	BRACKET SUPPORT 90 DEG	5	5		
32	501616	MALE CONNECTOR / SAE 45° FITTING / #8FL-Mx1/2NPT-M BR	AR	AR		
33	502862	SCREW CAP HEX M8-1.25x20 G8.8 N500	16	16		
34	502847	NUT HEX NYRT M8-1.25 N500	16	16		
35	563457	FIRE SENSOR PM-3M	1	1		
36	5001146	SCREW CAP HEX M5-0.8x20 SS BK	2	2		
37	502841	NUT HEX NYRT M5-0.8 N500	2	2		
38	408118	SUPPORT FIRE NOZZLE, LAMP & SENSOR	1	1		
39	408116	SUPPORT FIRE NOZZLE / RESERVOIR SECTION	1	1		
40	408119	SUPPORT FIRE NOZZLE / WATER HEATER SECTION	1	1		
41	507581	NIPPLE HEX / PIPE FITTING / 3/4NPT-Mx3/4NPT-Mx1 9/16 BR	1	1		
42	501306	PLUG SQUARE HEAD / PIPE FITTING / 1/2NPT-M BR	1	1		
43	901133	BLOCK DISTRIBUTOR EXTINGUISHER	1	1		

From R-012 To 2-4416	Date:10/2022	PAGE:H3-2320-99
FIRE PROTECTION SYSTEM INST / "RETROFIT"		

Item#	Part	Description	H 3 4 1	H 3 4 5	V I P 4 5	N O T E S
44	501472	FEMALE UNION TEE / PIPE FITTING / 1/2NPT-Fx1/2NPT-Fx1/2NPT-F BR	1	1		
45	952631	CLAMP / 3/4" I.D.	14	14		
45	952637	CLAMP / 1"1/16 I.D.	4	4		
47	500623	SCREW TC PAN PH #10-24x3/4 N500	18	18		
48	500470	WASHER LO SPT .193x.334x.047 Z050	18	18		
49	5001137	WASHER FL .203x.438x.050 SS	18	18		
50	409133	HOSE ASSY / #12 2750MM	1	1		
. NS	507280	. O-RING / ORS FITTING / #12 NEO	2	2		
50	455163	HOSE ASSY / #12 2750MM	1	1		
. NS	507280	. O-RING / ORS FITTING / #12 NEO	2	2		
51	409134	HOSE ASSY / #8 1525MM	2	2		
52	409135	HOSE ASSY / #8 1220MM	1	1		
53	409136	HOSE ASSY / #8 2750MM	1	1		
54	409137	HOSE ASSY / #8 915MM	1	1		
55	409139	HOSE ASSY / #8 1220MM	1	1		
56	409140	HOSE ASSY / #8 915MM	1	1		
57	409138	SUPPORT	2	2		
58	504021	HOSE CLAMP / 11/16"-1"1/2 SS / HS-16	AR	AR		
NS	405727	KIT, RETROFIT FIRE EXTINGUISHER	1	1		
. NS	IS-04083	. SEE INSTRUCTION SHEET	1	1		
NS	060904	KIT, CABLE FIRE SENSOR DETECTOR / W/OUT MUX	1	1		
. NS	IS-04083	. SEE INSTRUCTION SHEET	1	1		
60	066397	. CABLE ASSY / FIRE DETECTOR / W/OUT MUX	1	1		
61	563458	. CABLE THERMO DETECTOR (LINEAR FIRE CABLE) / 35 ft / 168C/180C // 334F/356F	1	1		
62	563587	. MODULE DETECTOR / END CIRCUIT	1	1		
63	563615	. RELAY, TIME DELAY RELAY - OFF / 2 HOURS	1	1		
64	563332	. RELAY 24V S.P.D.T. W/RESISTOR / "VOLVO" (20374662)	1	1		
65	504013	. TIE MOUNT / 1/4" X 1/4" I.D.	1	1		
NS	504248	. RIVET CHY Q PRDG 3/16x1/4 SS	1	1		
NS	19500355	TEST KIT EXTINGUISHER 25LBS / WSIMULATOR & POWER CABLE	1	1		
. NS	685536	. POWER CABLE / USED W 24VOLT	1	1		
. NS	685537	. SOURCE SIMILATOR	1	1		
. NS	901301	. TEST KIT EXTINGUISHER 25LBS	1	1		
. . NS	685128	. . VALVE SIMULATOR / EXTINGUISHER 25LBS	1	1		
. . NS	685129	. . TEST SWITCH W/CABLE 48" / EXTINGUISHER 25LBS	1	1		
. . NS	N.P.N.	. . STORAGE CASE	1	1		4
NS	901301	TEST KIT EXTINGUISHER 25LBS	1	1		
. NS	685128	. VALVE SIMULATOR / EXTINGUISHER 25LBS	1	1		
. NS	685129	. TEST SWITCH W/CABLE 48" / EXTINGUISHER 25LBS	1	1		
. NS	N.P.N.	. STORAGE CASE	1	1		4

From R-012 To 2-4416		Date:10/2022	PAGE:H3-2320-99			
FIRE PROTECTION SYSTEM INST / "RETROFIT"						
Item#	Part	Description	H 3 4 1	H 3 4 5	V I P 4 5	N O T E S
		4) NO PARTS NUMBER				

From R-012 To 2-4416	Date:10/2022	PAGE:H3-2325-00
LAVATORY - ACCESSORIES		

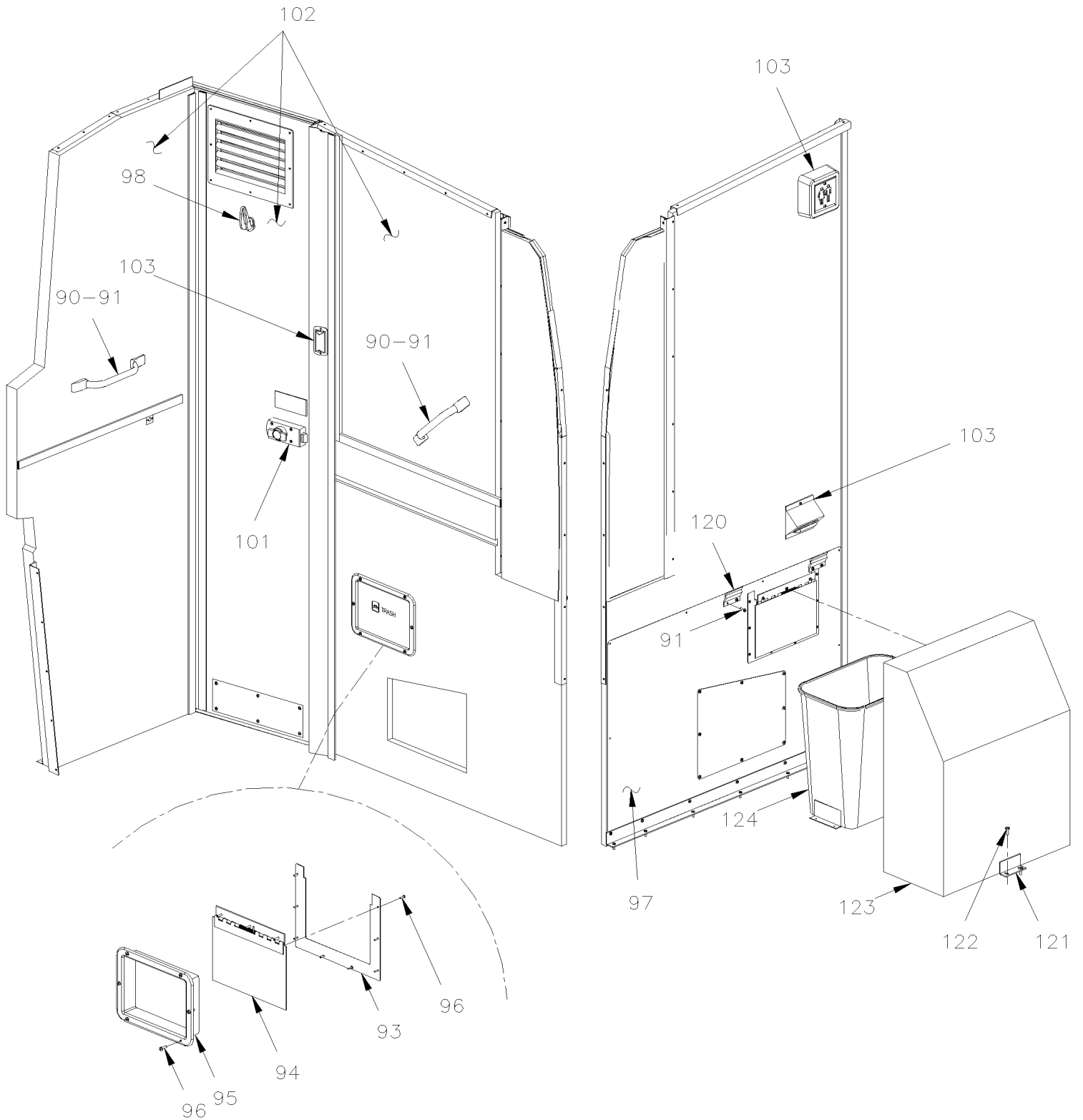


From R-012 To 2-4416

Date:10/2022

PAGE:H3-2325-00

LAVATORY - ACCESSORIES



From R-012 To 2-4416	Date:10/2022	PAGE:H3-2325-00
LAVATORY - ACCESSORIES		

Item#	Part	Description	H 3 4 1	H 3 4 5	V I P 4 5	N O T E S
	403168P	LAVATORY ASSY W/BASIN WASH	1	1		
1	402960	TOILET FIBERGLASS ASSY To S-127	1	1		
1	404095	TOILET FIBERGLASS ASSY From S-128 To V-1658	1	1		
1	404463	TOILET FIBERGLASS ASSY From V-1659 To W-2367	1	1		
1	404095	TOILET FIBERGLASS ASSY From W-2368	1	1		
1	403683	TOILET FIBERGLASS ASSY / W/W.C.L. "ST & ST" To S-127	1	1		
1	404099	TOILET FIBERGLASS ASSY / W/W.C.L. "ST & ST" From S-128 To V-1658	1	1		
1	404464	TOILET FIBERGLASS ASSY / W/W.C.L. "ST & ST" From V-1659 To W-2367	1	1		
1	404099	TOILET FIBERGLASS ASSY / W/W.C.L. "ST & ST" From W-2368	1	1		
2	403084	BOWL ASSY, TOILET / W/SS LAVATORY	1	1		
3	404322	PIPE ABS 3" I.D. X 73MM	1	1		
4	900338	SEAT & COVER ASSY, TOILET / "BEMIS"	1	1		
NS	504427	NUT WELL 1/4-20	2	2		
NS	500610	SCREW MA RND PH 1/4x1 3/4 SS	2	2		
5	405361	SUPPORT	1	1		
5	405362	PIPE ASSY	1	1	1	
6	504319	HOSE CLAMP / 1"-1"1/2 SS / E.T. 16	1	1		
7	403191	HOSE 3/4" I.D. x 1900MM	1	1		
8	401927	GRILLE ASSY, STRAINER	1	1		
9	900219	STRAINER ASSY, FLOOR	1	1		
NS	900861	PIGTAIL / DRAIN TUBE	1	1		
10	590109	DRAIN BOOT 1" I.D. X 5" / AS SHOWN To T-1545	1	1		
10	590285	DRAIN BOOT 2" I.D. X 6" / FLAT From T-1546	1	1		
NS	504019	HOSE CLAMP / 9/16"-1"1/16 SS / HS-10	1	1		
20	403060	FLANGE HOSE ADAPTOR 4" O.D. / W/5/8" HOSE	1	1		
21	500641	SCREW TP PAN PH #8x3/4 Z050	4	4		
22	403190	HOSE 5/8" I.D. 500MM	1	1		
23	403058	HOSE FLEXIBLE 5" I.D. X 460MM	1	1		
24	283827	SCREEN 84.5 x 223	1	1		
25	403151	GRILLE / SIDE OF BOWL / 91MM x 226MM	1	1		
26	500638	SCREW TP PAN PH #8x1/2 Z050	8	8		
27	403382	COVER / FORMICA / W/O WASHBASSIN	AR	AR		
27	404198	COVER / SS / W/O WASHBASSIN	AR	AR		
28	500656	SCREW TP OV PH #6x3/4 SS	7	7		
NS	500463	WASHER FN CKF .187x.500x.090 BR Z050	7	7		
30	402497	DISPENSER ASSY To X-2929	1	1		
30	404754	DISPENSER ASSY / PLASTIC GREY From X-2930	1	1		
32	409022	. BOX To X-2929	1	1		
32	404748	. BOX / PLASTIC GREY From X-2930	1	1		
33	409021	. DOOR To X-2929	1	1		
33	404747	. DOOR / PLASTIC GREY From X-2930	1	1		
34	780538	. LOCK	1	1		

From R-012 To 2-4416	Date:10/2022	PAGE:H3-2325-00
LAVATORY - ACCESSORIES		

Item#	Part	Description	H 3 4 1	H 3 4 5	V I P 4 5	N O T E S
. NS	780539	. . KEY / (CH751)	1	1		
NS	403145	SUPPORT DISPENSER	1	1		
NS	502789	SCREW MA PAN PH M6-1.0x20 Z050	1	1		
NS	900085	PAPER, TOILET / BOX OF 96 PACK	AR	AR		
35	402746	DECAL / "BATHROOM TISSUS" / ENGLISH	1	1		
35	402586	DECAL / "PAPIER HYGIENIQUE"	1	1		
36	900656	DISPENSER / TOILET PAPER ASSY (TO USE W/STD) ROLL)	1	1		
NS	900657	PAPER, TOILET / ROLL S.Q.	AR	AR		
37	403553	CLOSING PANEL SS	1	1		
38	900509	STRAINER / WASHBASIN	1	1		
40	561676	BUTTON / EMERGENCY	1	1		
41	403040	PROTECTOR / EMERGENCY SWITCH / PLASTIC GREY / 44MM X 54MM	2	2		
NS	500148	SCREW MA RND PH #6-32x1/2 SS	4	4		
42	500862	SCREW TC PAN PH #6-32x3/4 Z050	2	2		
43	402745	DECAL / "EMERGENCY CALL" / ENGLISH	1	1		
43	402582	DECAL / "APPEL D'URGENCE"	1	1		
50	402744	DECAL / LAVATORY PUMP FLUSH / ENGLISH	1	1		
50	402587	DECAL / "CHASSE D'EAU"	1	1		
51	900349	PUSH BUTTON, OPERATOR	1	1		C
NS	900350	. BRACKET, MOUNTING	1	1		C
NS	900348	. SWITCH, TIMER	1	1		C
NS	900602	. PUSH BUTTON / OPERATOR / SERVICE	1	1		
52	382030	. FLUSH PUMP SWITCH ASSY / SERVICE	1	1		
52	382031	. . SUPPORT / SERVICE	1	1		
53	562679	. . 4 WAY ADH. BACKED MOUNTS 1.000 x 1.000 x .160 / SERVICE	1	1		
54	065830	. . RESISTOR ASSY 1M OHMS 1/2 W / SERVICE	1	1		
55	563327	. . TIME DELAY OFF / SERVICE	1	1		
56	065813	. . CABLE ASSY / TIMER FLUSH PUMP / SERVICE	1	1		
57	563332	. . RELAY 24V S.P.D.T. W/RESISTOR / "VOLVO" (20374662) / SERVICE	1	1		
NS	062574	CABLE ASSY / TIMER & ACCESSORIES To T-1445	1	1		
NS	064306	CABLE ASSY / TIMER & ACCESSORIES From T-1446 To 1-4287	1	1		
NS	065514	CABLE ASSY / TIMER & ACCESSORIES From 1-4288	1	1		
60	403167	DISPENSER ASSY To X-2929	1	1		
60	404753	DISPENSER ASSY / PLASTIC GREY From X-2930	1	1		
61	403042	. BOX To X-2929	1	1		
61	404746	. BOX / PLASTIC GREY From X-2930	1	1		
62	403161	. SUPPORT, ALUMINIUM	1	1		
63	409016	. DOOR To X-2929	1	1		
63	404745	. DOOR / PLASTIC GREY From X-2930	1	1		
64	780538	. LOCK	1	1		B
. NS	780539	. . KEY / (CH751)	1	1		B
65	402747	DECAL / "TOWELS"	1	1		

From R-012 To 2-4416	Date:10/2022	PAGE:H3-2325-00
LAVATORY - ACCESSORIES		

Item#	Part	Description	H 3 4 1	H 3 4 5	V I P 4 5	N O T E S
65	402584	DECAL / "ESSUIE-MAIN"	1	1		
66	900582	FAUCET	1	1		
67	900084	DISPENSER / SOAP	1	1		
NS	19501055	SOAP BASE ANGLED COUNTER MOUNT ROUND 2" O.D. / WHITE	AR	AR		
NS	19503252	SOAP BASE ANGLED COUNTER MOUNT ROUND 2" O.D. / BLACK	AR	AR		
NS	19501054	SOAP BASE 12° ANGLED COUNTER MOUNT ROUND 2" 5/8" / BLACK	AR	AR		
NS	19503186	HAND SANITIZER WATERLESS ALCOHOLIC SCREWABLE BOTTLE	AR	AR		
NS	19503185	HAND SANITIZER WATERLESS NON-ALCOHOLIC SCREWABLE BOTTLE	AR	AR		
67	19503187	HAND & FACE REFRESHER TOWELLETES	AR	AR		
70	900328	TOWEL, PAPER	AR	AR		
NS	403891	CLOSING PANEL SS / TO USE W/O DISPENSER ASSY	1	1		
NS	500640	SCREW TP PAN PH #6x3/4 Z050	6	6		F
NS	500996	NUT SPR U #6-32 .135-.150	6	6		F
71	401760	DISPENSER / WET TOWELS To Y-3414	1	1		
71	404999	DISPENSER SS / WET TOWELS From Y-3415	1	1		
NS	402026	. BOX	1	1		
72	401788	. LOCK MODIFIED To Y-3414	1	1		
72	900447	. LOCK From Y-3415 To 1-4355	1	1		
72	901051	. LOCK From 1-4356	1	1		
72	N.S.S.	. . KEY From 1-4356	1	1		1
73	402748	DECAL / "NOT FOR DRINKING" / ENGLISH	1	1		
73	402583	DECAL / "NON POTABLE"	1	1		
74	900588	TISSUS / WET PAPER	AR	AR		
80	402751	DECAL / "PLEASE SIT DOWN" To T-1465	1	1		
80	404344	DECAL / "NO GARBAGE & PLEASE SIT DOWN" From T-1466	1	1		
81	402752	DECAL / "NO GARBAGE" To T-1465	1	1		
82	900515	TAPE ANTISKID ADH / GREY / 1" X 60'	AR	AR		
83	403156	SUPPORT / MIRROR LOWER	1	1		
83	403153	SUPPORT / MIRROR UPPER	1	1		
NS	506494	TAPE RUB ADH2 URE 1/8" x 1" x 100' / WHITE 4008	AR	AR		
NS	506236	TAPE RUB ADH1 CC POL 1/16" x 1/2" x 100' / GREY 2520	AR	AR		
84	403041	MIRROR ASSY / SAFETY	1	1		
85	403044	BOX To V-1746	1	1		K
85	403043	ACCES DOOR To V-1746	1	1		K
85	404482	ACCES DOOR ASSY From V-1747	1	1		K
86	780538	LOCK To V-1746	1	1		
. NS	780539	. KEY / (CH751) To V-1746	1	1		
86	504502	LATCH ASSY, DOOR	1	1		
87	403150	HINGE To V-1746	1	1		
88	901026	DECAL / "NO SMOKING" / 4" O.D.	1	1		
89	502885	SCREW TC FL PH #8-32x5/8 N500	2	2		
90	900308	HANDLE / LONG To 2-4310	2	2		

From R-012 To 2-4416	Date:10/2022	PAGE:H3-2325-00
LAVATORY - ACCESSORIES		

Item#	Part	Description	H 3 4 1	H 3 4 5	V I P 4 5	N O T E S
90	901047	HANDLE / SHORT From 2-4311	2	2		
90	860295	HANDLE / SHORT From T-1572	1	1		
91	500641	SCREW TP PAN PH #8x3/4 Z050	AR	AR		
93	403675	FRAME / STANLESS STEEL / EXTERIOR	1	1		
94	403677	TRAP ASSY 232MM x 146MM	1	1		
. NS	403674	. HINGE	1	1		
. NS	502209	. SPRING, TORSION / .140 I.D. x 1.86 x .063	1	1		
95	403045	FRAME / PLASTIC / EXTERIOR / PLASTIC GREY	1	1		
96	500640	SCREW TP PAN PH #6x3/4 Z050	2	2		
97	403687	CLOSING PANEL / W/W.C.L. "ST & ST" 889MM X 533MM	1	1		A
98	900297	HOOK / COAT	1	1		
100	H3-1834-00	REAR FINISHING CAP To W-2284				
100	H3-1834-01	REAR FINISHING CAP From W-2285				
101	H3-2329-00	LAVATORY DOOR LOCK & SWITCH				
102	H3-2328-00	LAVATORY WALL - INSTALLATION				
103	H3-0655-01	INTERIOR LIGHTING To W-2284				
103	H3-0655-02	INTERIOR LIGHTING From W-2285				
104	502643	SCREW MA PAN PH #8-32x1 1/4 Z050	3	3		
NS	500678	NUT WELL #8-32x.450	3	3		
105	405244	LAMP SUPPORT / LAVATORY From 1-4288	1	1		
NS	860434	ASHTRAY To T-1549	1	1		
110	900603	HOSE, COIL 1/4" X 12' To V-1746	1	1		
110	900604	NOZZLE, CLEANING To V-1746	1	1		
110	900615	WASHER, SEAL To V-1746	1	1		
110	403067	ADAPTOR To V-1746	1	1		
110	501325	NIPPLE / PIPE FITTING / 3/8NPT-Mx3/8NPT-Mx1 BR From V-1747	1	1		
110	5011180	BALL VALVE 3/8 NPT M x 3/8 NPT M From V-1747	1	1		
110	5011178	MALE CONNECTOR / GARDEN FITTING / 3/4GARDEN-Mx3/8NPT-M BR From V-1747	1	1		
110	404474	HOSE ADAPTER SS 1/4" NPT X 6 GARDEN HOSE MALE From V-1747	1	1		
NS	5011169	COUPLER / QUICK DISCONNECT "MELNOR" / 3/4GARDEN-F BR From V-1747 To V-1960	1	1		
120	404459	BRACKET, RETAINING / TO FIX CONTAINER TO WALL From W-2238	2	2		
121	400860	ANGLE / TO FIX DUSTBIN TO FLOOR / 3" From W-2238	1	1		
122	500841	SCREW TP PAN PH #14x3/4 Z050	2	2		
123	403166	CONTAINER ASSY / WASTE PAPER To W-2237	1	1		
. NS	403170	. DOOR WASTE PAPER CONTAINER To W-2237	1	1		
. NS	403148	. TRAP To W-2237	1	1		
. NS	504502	. LATCH ASSY, DOOR To W-2237	1	1		
. NS	509558	. WEATHERSEAL SNAP-ON 1/8" / SINGLE LIP / WH / C.T.L. To W-2237	AR	AR		
123	404450	COVER, BASKET From W-2238	1	1		
NS	405713	DECAL / "TRASH DEPOSIT" PICTOGRAM / PHOTOLUMINESCENT From 5-0137	1	1		
124	900605	TRASH CAN / BLACK PLASTIC To W-2237	1	1		
NS	404005	CONTAINER ASSY	1	1		A

From R-012 To 2-4416	Date:10/2022	PAGE:H3-2325-00
LAVATORY - ACCESSORIES		

Item#	Part	Description	H 3 4 1	H 3 4 5	V I P 4 5	N O T E S
NS	404006	. COVER	1	1		A
NS	504353	. RETAINER, 5/16"DIA. (DZUS) STUD	2	2		A
NS	504354	. STUD 5/16 O.D. X 3/8 (DZUS)	2	2		A
NS	504365	. SPRING HOOK / DZUS 5/16	2	2		A
NS	509558	. WEATHERSEAL SNAP-ON 1/8" / SINGLE LIP / WH / C.T.L.	AR	AR		A
NS	500510	SCREW MA BDG PH #10-32x3/4 SS EMN	4	4		A
NS	500519	NUT WELL #10-32x.518	4	4		A
NS	562176	DETECTOR / SMOKE (OPTION)	1	1		
NS	505412	. SPACER, ROLL	2	2		
NS	502630	. WASHER FL .156x.375x.049 Z050	2	2		
NS	500440	. WASHER FL .250x.562x.065 Z050	4	4		
NS	504481	. RIVET POP DOME OE 1/8x.515 STL	2	2		
		NEXT PACK ARE FOR SERVICE				
300	900655	CHEMICAL PACK / "TIMSEN-AIR" / (BOX OF 960)	AR	AR		
300	403678	CHEMICAL PACK / "TIMSEN-AIR" / (BOX OF 40)	AR	AR		
301	900329	CHEMICAL PACK / "INCA GOLD" / S.Q.	AR	AR		
301	900654	CHEMICAL PACK / "INCA" FORMULE 104 / S.Q.	AR	AR		
301	900893	CHEMICAL PACK / "CELESTE INDUSTRIE" / S.Q.	AR	AR		
301	900894	CHEMICAL PACK / "CELESTE INDUSTRIE" / (BOX OF 100)	AR	AR		
		WET TOWEL DISPENDER MOULDED				
302	405275	SUPPORT WET TOWEL DISPENDER	1	1		
303	405303	DISPENSER PLASTIC / WET TOWELS	1	1		
. NS	780538	. LOCK	1	1		
. . NS	780539	. . KEY / (CH751)	1	1		
304	500656	SCREW TP OV PH #6x3/4 SS	8	8		
305	500463	WASHER FN CKF .187x.500x.090 BR Z050	8	8		
NS	065897	KIT, RETROFIT / FLUSH PUMP W/2 SWITCH / SERIE "H"	1	1		
. NS	IS-02112	. SEE INSTRUCTION SHEET	1	1		
NS	405368	KIT, CLEANING DOOR LAVATORY	1	1		
. NS	IS-02026	. SEE INSTRUCTION SHEET	1	1		
		A) FOR COACH EQUIPPED W/W.C.L. W/ WASTE CONTAINER INSIDE OF LAVATORY				
		B) SOME COACH USE LOCK /504502 TO USE W/O KEY				
		C) THIS TIMER & SUPPORT ARE SUPPERSEDED BY KIT#065896 FOR VEHICULE EQUIPPED WITH ONE INSIDE OPERATING SWITCH OR BY KIT #065897 FOR VEHICULE EQUIPPED WITH EXTERIOR AUXILIARY SWITCH IN REAR ENGINE COMPARTMENT				
		F) TO FIX CLOSING PANEL				
		K) THIS PART IS SUPERSEDED BY KIT #405368				

From R-012 To 2-4416	Date:10/2022	PAGE:H3-2325-00
----------------------	--------------	-----------------

LAVATORY - ACCESSORIES

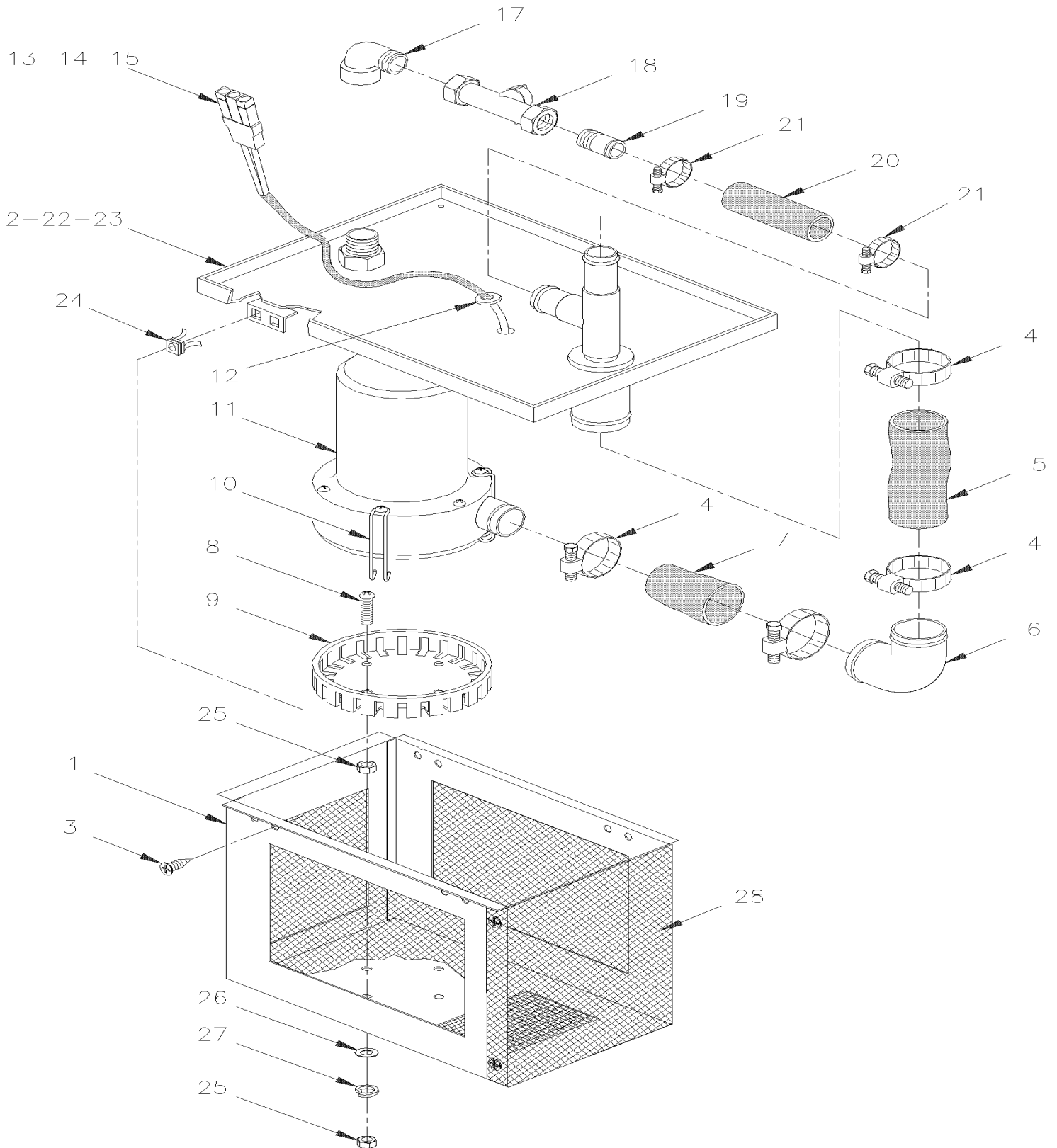
Item#	Part	Description	H 3 4 1	H 3 4 5	V I P 4 5	N O T E S
		1) NOT SOLD SEPARATELY				

From R-012 To 2-4416

Date:10/2022

PAGE:H3-2326-00

TOILET PUMP ASSY



From R-012 To 2-4416	Date:10/2022	PAGE:H3-2326-00
TOILET PUMP ASSY		

Item#	Part	Description	H 3 4 1	H 3 4 5	V I P 4 5	N O T E S
	403840	SUMP PUMP ASSY W/BOX To X-3181	1	1		E
	404898	SUMP PUMP ASSY W/BOX From X-3182	1	1		E
	404483	SUMP PUMP ASSY W/BOX To X-3181	1	1		E C
	404902	SUMP PUMP ASSY W/BOX From X-3182	1	1		E C
1	403035	. FRAME / PUMP BOX To R-087	1	1		
1	403836	. FRAME / PUMP BOX From R-088 To X-3181	1	1		
1	404899	. FRAME / PUMP BOX From X-3182	1	1		
2	403467	. COVER / PUMP BOX / STD	1	1		
2	404484	. COVER / PUMP BOX / W/AUXILIARY BATTERY OR 8	1	1		
3	500124	. SCREW TP TR PH #8x1/2 SS	12	12		
4	504413	. HOSE CLAMP / 1"1/16-2" SS / HAS-24	4	4		
5	503391	. HOSE SILICONE 4PLY 1 1/8" I.D. x 3'	AR	AR		
6	403470	. TUBE ASSY	1	1		
7	503391	. HOSE SILICONE 4PLY 1 1/8" I.D. x 3'	AR	AR		A
8	500556	. SCREW MA TR PH 1/4-20x3/4 SS	4	4		
9	900549	. BASE, STRAINER	AR	AR		
10	402774	. CLAMP, HOLD-DOWN To X-3181	2	2		
11	900496	. PUMP TOILET To X-3181	1	1		B
11	900550	. . IMPELLER, PUMP To X-3181	AR	AR		
11	900551	. . SEAL, PUMP To X-3181	AR	AR		
11	900960	. PUMP TOILET From X-3182	1	1		
11	901421	. . BASE, STRAINER From X-3182	1	1		
12	504323	. GROMMET / .375x.500x.062x.281x.687	1	1		
13	561786	. CABLE SEAL / GRAY / PED 15324980	2	2		
14	561568	. PIN TERMINAL / 16-14 / PED 12089305	2	2		
15	561566	. CONNECTOR / WEATHER PACK / PH 2C / BLACK / PED 12010973	1	1		
17	507557	. STREET ELBOW 90° / PIPE FITTING / 1/2NPT-Mx1/2NPT-F BR	1	1		
18	530096	. BALL VALVE 1/2" NPT 1/2 NPT F x 1/2 NPT F	1	1		
19	030827	. NIPPLE	1	1		
20	381115	. HOSE 7/8" I.D. X 3"	1	1		
20	372387	. HOSE 7/8" I.D. X 76MM	1	1		
21	504022	. HOSE CLAMP / 3/4"-1"3/4 SS / HS-20	2	2		
22	409053	. GASKET / PUMP COVER 8 HOLES	2	2		
23	502621	. NUT HEX STO M6-1.0 Z050	1	1		A
24	502741	. NUT AN #8 NYL	12	12		
25	500769	. NUT HEX 1/4-20 Z050	8	8		
26	502573	. WASHER FL 6.4x12.5x1.6 SS	4	4		
27	502570	. WASHER LO SPT 6.1x11.8x1.6 SS	4	4		
28	403037	. PROTECTION GRILL	1	1		
NS	404917	KIT LAVATORY FLUSH PUMP	AR	AR		
. NS	IS-99029	. SEE INSTRUCTION SHEET	1	1		
30	409416	KIT NEW PUMP / SEAL	1	1	1	

From R-012 To 2-4416	Date:10/2022	PAGE:H3-2326-00
TOILET PUMP ASSY		

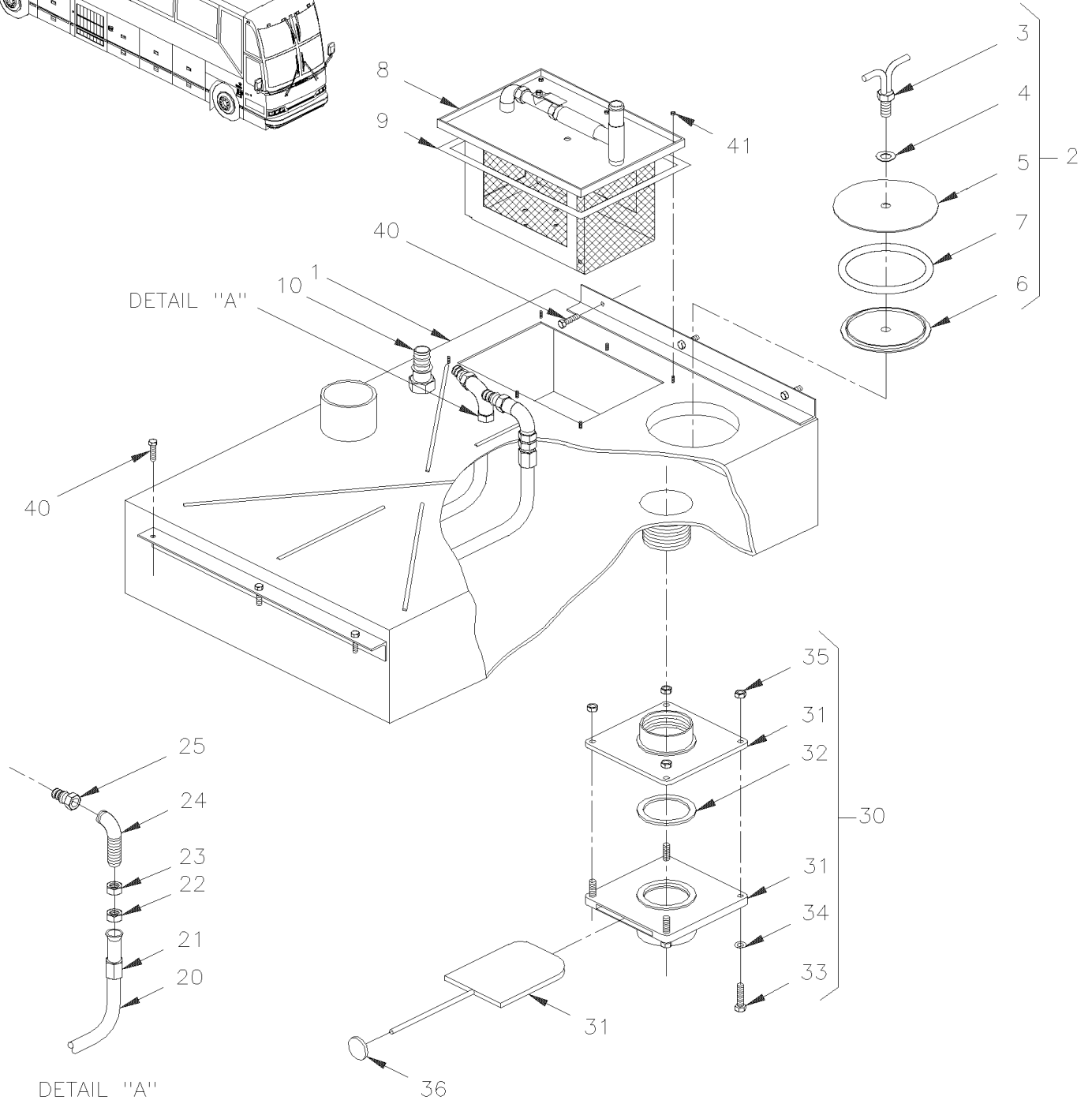
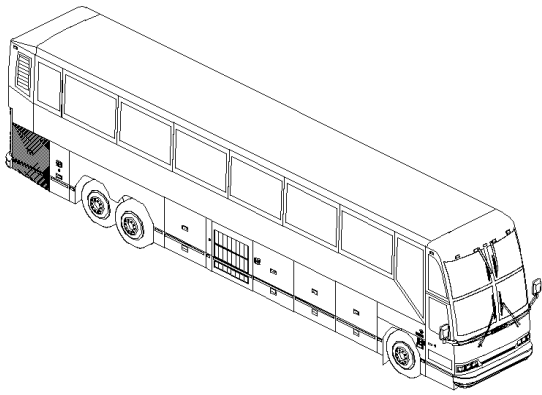
Item#	Part	Description	H 3 4 1	H 3 4 5	V I P 4 5	N O T E S
		A) TO FIX LAMP				
		B) THIS PUMP IS OBSOLETE IT SUPERSEED BY #404917				
		C) USE IN AUXILIARY SUMP TANK				
		E) WHEN YOU REPLACE THE SUMP PUMP WITH NEW ONE YOU HAVE ORDER #409416				

From R-012 To T-1571

Date:10/2022

PAGE:H3-2327-00

SUMP TANK - S/S



From R-012 To T-1571	Date:10/2022	PAGE:H3-2327-00
SUMP TANK - S/S		

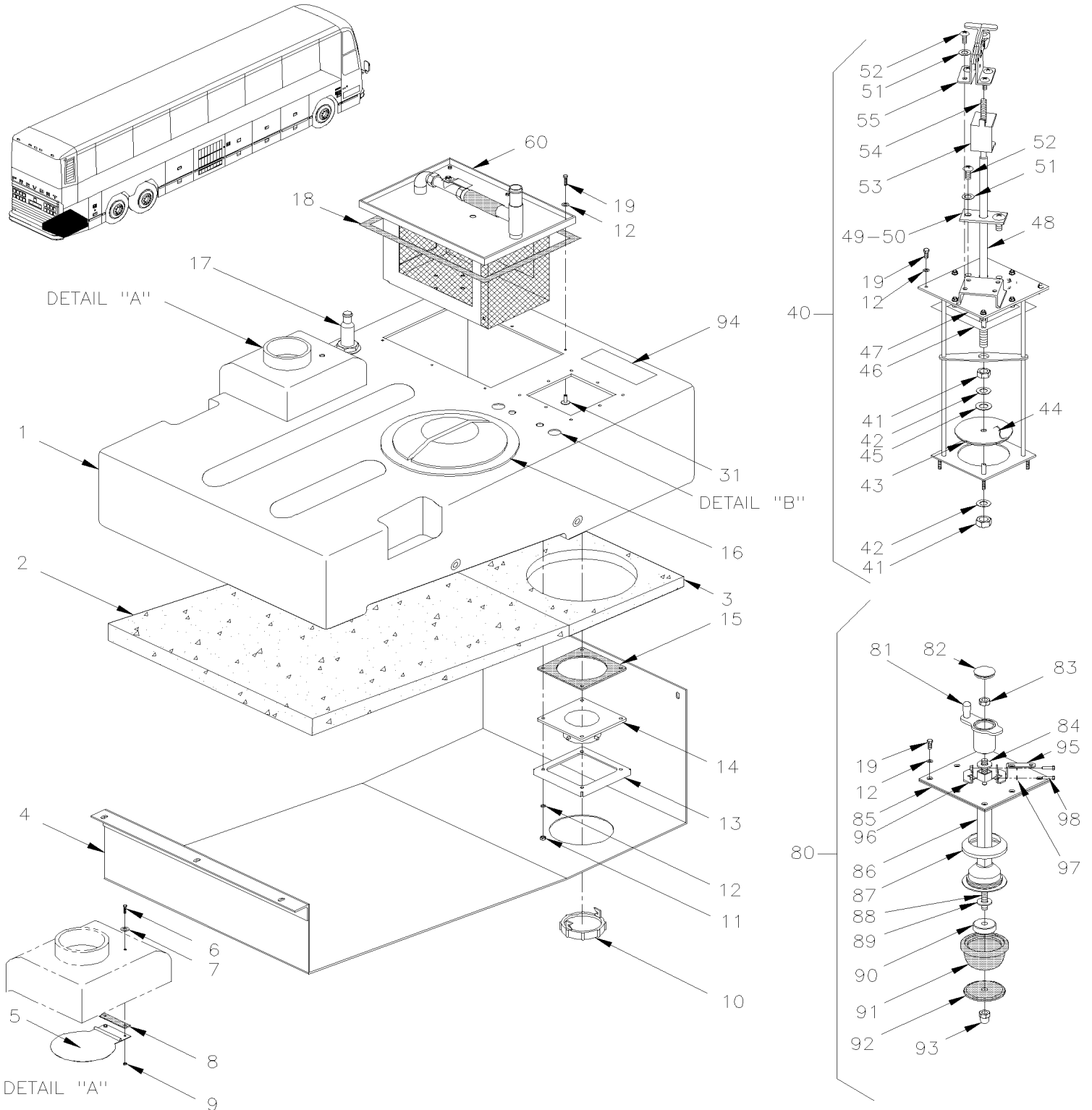
Item#	Part	Description	H 3 4 1	H 3 4 5	V I P 4 5	N O T E S
1	403020P	SUMP TANK ASSY	1	1		A
2	402611	COVER ASSY	1	1		
3	402606	. HANDLE	1	1		
4	502623	. WASHER FL .443x.750x.125 NYL	4	4		
5	402608	. PLATE, UPPER	1	1		
6	402612	. PLATE, LOWER	1	1		
7	402610P	. GASKET	1	1		
NS	680333	. GLUE / TO FIX GASKET	1	1		
NS	680335	ANTIGRIP MIXTURE	1	1		
NS	504401	SNAP-IN PLUG / .875 O.D. (FLUSH HEAD)	2	2		
8	H3-2326-00	TOILET PUMP ASSY				
9	409053	GASKET / PUMP COVER 8 HOLES	1	1		
10	900280	THRU HULL, CONNECTOR / PLASTIC	1	1		
20	403626	TUBE	1	1		
21	5011027	NUT FLARELESS TUBE / JIC 37° FITTING / #10 STL	1	1		
22	5011028	FERRULE FLARELESS TUBE / JIC 37° FITTING / #10 STL	2	2		
23	5011032	NUT BULKHEAD FITTING / #10 STL	1	1		
24	5011030	BULKHEAD UNION ELBOW 90° / JIC 37° FITTING / #10JIC-Mx#10JIC-M STL	2	2		
25	5011031	FEMALE CONNECTOR SWIVEL / PUSH-LOK FITTING / #10JIC-F/FL-Fx#10 STL	2	2		
30	402667	THREADED VALVE ASSY W/HANDLE	1	1		
31	900197	. THREADED VALVE ASSY W/PLASTIC HANDLE	1	1		
32	900330	. . SEAL	2	2		
33	500994	. . SCREW CAP HEX 1/4-20x1 3/4 G5 PT Z050	4	4		
34	500411	. . WASHER FL .260x.697x.050 SS	4	4		
35	500769	. . NUT HEX 1/4-20 Z050	4	4		
35	N.S.S.	. . HANDLE / PLASTIC	1	1		1
36	403109	. HANDLE, THREADED VALVE / STANLESS STEEL	1	1		
40	502780	SCREW CAP HEX M8-1.25x25 SS BK	6	6		
NS	502744	NUT HEX STO M8-1.25 Z050	6	6		
NS	500270	WASHER FL .406x1.000x.063 SS	6	6		
100	404405P	SUMP TANK ASSY	1	1		
. NS	IS-95091	. SEE INSTRUCTION SHEET	1	1		
		A) FOR RETROFIT WITH PLASTIC TANK ASK FOR KIT #404405P				
		1) NOT SOLD SEPARATELY				

From T-1572 To 2-4416

Date:10/2022

PAGE:H3-2327-01

SUMP TANK - PLASTIC 30 GALLONS

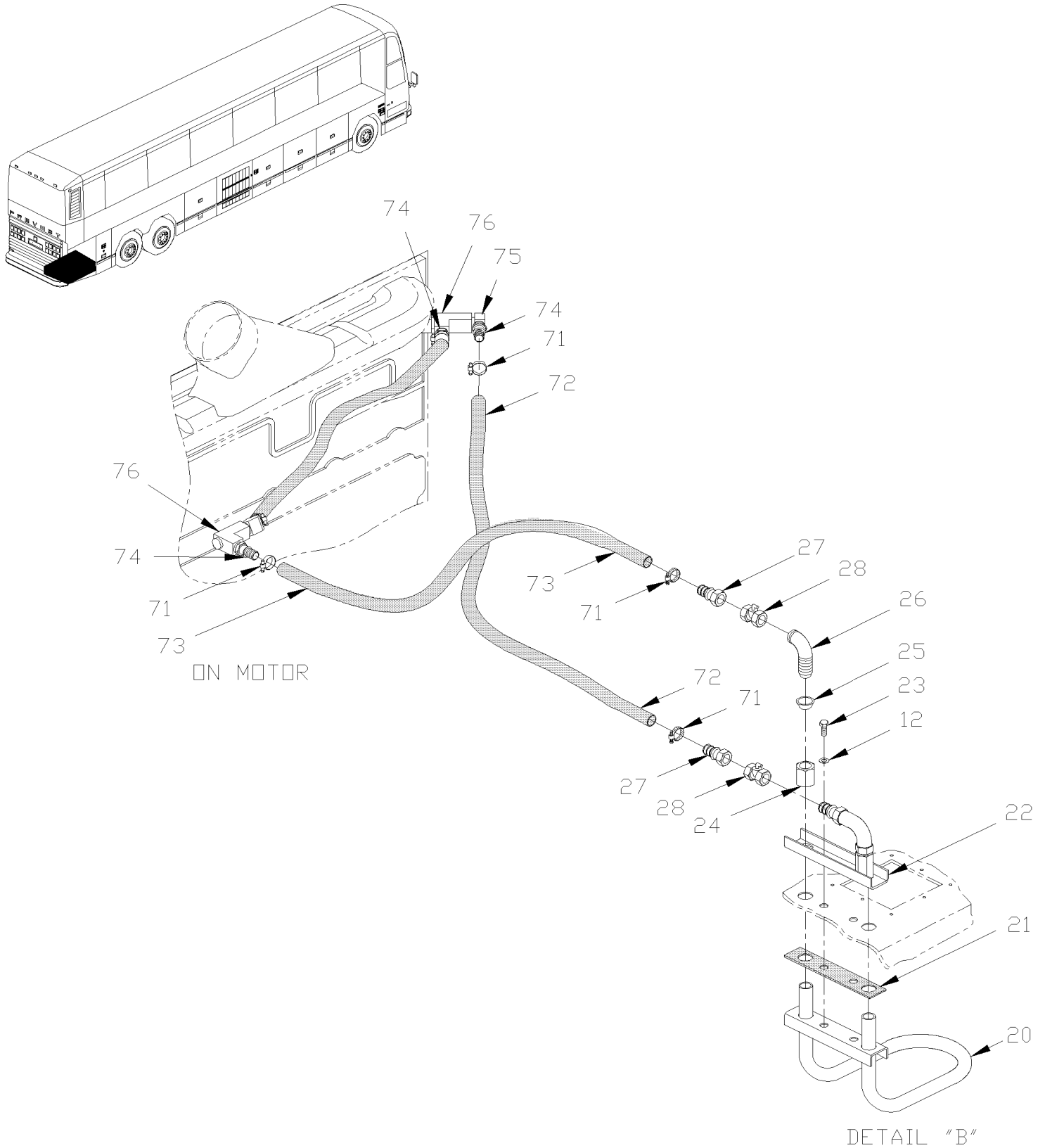


From T-1572 To 2-4416

Date:10/2022

PAGE:H3-2327-01

SUMP TANK - PLASTIC 30 GALLONS



From T-1572 To 2-4416	Date:10/2022	PAGE:H3-2327-01
SUMP TANK - PLASTIC 30 GALLONS		

Item#	Part	Description	H 3 4 1	H 3 4 5	V I P 4 5	N O T E S
	404405P	SUMP TANK ASSY To Y-3456	1	1		C
. NS	IS-95091	. SEE INSTRUCTION SHEET To Y-3456	1	1		C
	404781	SUMP TANK ASSY / W/O PUMP / W/HEATER From Y-3457	1	1		C
	405048P	SUMP TANK ASSY / W/PUMP To 2-4329	1	1		A
	405296	SUMP TANK ASSY / USE WITH AUXILAIRY SUMP TANK From 2-4330	1	1		A
1	404862	. SUMP TANK From Y-3457 To 2-4329	1	1		
. NS	IS-99004	. . SEE INSTRUCTION SHEET From Y-3457 To 2-4329	1	1		
. NS	D400291	. . EMPTYING PLUG INSTALLATION From Y-3457 To 2-4329	1	1		
1	405209	. SUMP TANK From 2-4330	1	1		K
. NS	D400361	. . DIAGRAM INSTALL From 2-4330	1	1		K
1	404872	. SUMP TANK To 2-4329	1	1		A
. NS	IS-99004	. . SEE INSTRUCTION SHEET To 2-4329	1	1		A
. NS	D400291	. . EMPTYING PLUG INSTALLATION To 2-4329	1	1		A
1	405208	. SUMP TANK From 2-4330	1	1		A
. NS	D400361	. . DIAGRAM INSTALL From 2-4330	1	1		A
2	404340	. INSULATOR PANEL	1	1		
3	404341	. INSULATOR PANEL	1	1		
4	404335	. BOTTOM PANEL	1	1		
5	404176	. TRAP DOOR WELDED	1	1		
6	502622	. SCREW CAP HEX M6-1.0x20 SS BK	2	2		
7	502582	. WASHER LO SERR 6.1x16.2x0.9 Z050	4	4		
8	404155	. GASKET	1	1		
9	502581	. NUT HEX M6-1.0 Z050	2	2		
10	900520	. CAP To 2-4329	1	1		F
NS	900525	HOSE SUMP TANK	1	1		F
10	900521	ADAPTER / ABS PIPE / 3Mx3 1/2F ABS From 2-4330	1	1		F
10	405827	ADAPTOR WITH SPECIAL NUT / TO FIX DUMP HOSE From 2-4330	2	2		F
NS	500557	SCREW MA PAN PH #8-32x3/8 SS From 2-4330	2	2		F
NS	502556	WASHER FL 4.3x9.0x0.8 SS From 2-4330	2	2		F
NS	D400361	DIAGRAM INSTALL From 2-4330	1	1		F
11	502511	. NUT HEX NYRT M6-1.0 Z050 To 2-4329	4	4		
12	502564	. WASHER LO SPT 6.1x11.8x1.6 Z050 To 2-4329	22	22		
13	404373	. PLATE To 2-4329	1	1		
NS	404972	. PLATE / TO FIXING EMTYING PLUG To 2-4329	1	1		E
14	900522	. HOSE ADAPTOR / BAYONET FLANGE To 2-4329	1	1		
15	404342	. GASKET To 2-4329	1	1		
16	900825	. 8" CLOSED LID C/W RIM	1	1		
17	900280	. THRU HULL, CONNECTOR / PLASTIC	1	1		
NS	409038	. GASKET	1	1		
18	409053	. GASKET / PUMP COVER 8 HOLES	1	1		
19	955269	. SCREW CAP HEX M6-1.0x12 G8.8 ZG603	12	12		
20	404337	. HEATER ASSY	1	1		

From T-1572 To 2-4416	Date:10/2022	PAGE:H3-2327-01
SUMP TANK - PLASTIC 30 GALLONS		

Item#	Part	Description	H 3 4 1	H 3 4 5	V I P 4 5	N O T E S
21	404367	. GASKET	1	1		
22	404339	. SUPPORT PLATE	1	1		
23	502737	. SCREW CAP HEX M6-1.0x25 SS BK	2	2		
24	5011027	. NUT FLARELESS TUBE / JIC 37° FITTING / #10 STL	2	2		
25	5011028	. FERRULE FLARELESS TUBE / JIC 37° FITTING / #10 STL	2	2		
26	5011137	. UNION ELBOW 90° / JIC 37° FITTING / #10JIC-Mx#10JIC-M STL To V-1907	2	2		
26	5011176	. MALE ELBOW 90° / JIC 37° FITTING / #10JIC-Mx1/2NPT-M STL	2	2		
27	5011031	. FEMALE CONNECTOR SWIVEL / PUSH-LOK FITTING / #10JIC-F/FL-Fx#10 STL To V-1907	2	2		
27	507605	. MALE CONNECTOR / HOSE BARB FITTING / #12x1/2NPT-M BR From V-1908	2	2		
28	530096	. BALL VALVE 1/2" NPT 1/2 NPT F x 1/2 NPT F From V-1908	2	2		
31	5001182	. NUT HEX NYRT M6-1.0 SS	6	6		
40	404148P	. EMPTYING TRAP DOOR To 2-4329	1	1		D
41	500875	. . NUT HEX M12-1.75 SS To 2-4329	1	1		
42	500958	. . WASHER FL .531x1.062x.095 SS To 2-4329	2	2		
43	404156	. . GASKET To 2-4329	1	1		
NS	681285	. . ADHESIVE To 2-4329	AR	AR		
44	404100	. . CAP To 2-4329	1	1		
45	404432	. . O-RING To 2-4329	1	1		
46	404136	. . GASKET To 2-4329	1	1		
47	404394	. . FRAME (WELDED) To 2-4329	1	1		
48	404144	. . CENTER ROD To 2-4329	1	1		
49	404396	. . PLATE To 2-4329	1	1		
NS	680096	. . SEALANT BUTYL ALUM / GREY / 310ml CARTRIDGE To 2-4329	AR	AR		
50	507290	. . MOLYTHANE SEAL POLYPAK To 2-4329	1	1		
51	502564	. . WASHER LO SPT 6.1x11.8x1.6 Z050 To 2-4329	6	6		
52	502526	. . SCREW TC BDG PH #12-24x3/4 Z050 To 2-4329	8	8		
53	404182	. . HOOK To 2-4329	1	1		
54	504644	. . PROTECTOR CAP / BLACK / .281 I.D. x .500 To 2-4329	1	1		
55	900834	. . LOCK LEVER To 2-4329	1	1		
60	H3-2326-00	TOILET PUMP ASSY				
71	504646	HOSE CLAMP / 11/16"-1"1/4 / C.T. 9412	4	4		
72	404427	HOSE / HEATER & ENGINE / 3/4" I.D. 1260MM	1	1		
73	402618	HOSE / HEATER & ENGINE / 3/4" I.D. 960MM	1	1		
73	503523	. HOSE SILICONE 1PLY 3/4" I.D. x 100' / S.L.	AR	AR		
74	507605	MALE CONNECTOR / HOSE BARB FITTING / #12x1/2NPT-M BR	3	3		
75	5011038	MALE ELBOW 90° / BEADED HOSE BARB / #12x1/2NPT-M	1	1		
76	501473	MALE RUN TEE / PIPE FITTING / 1/2NPT-Mx1/2NPT-Fx1/2NPT-F BR	2	2		
77	501528	STREET ELBOW 45° / PIPE FITTING / 1/2NPT-Mx1/2NPT-F BR	1	1		
80	404948P	EMPTYING PLUG ASSY From 2-4330	1	1		E
81	404953	. CRANK From 2-4330	1	1		H
81	405446	. CRANK W/FLANGE From 2-4330	1	1		G
82	689948	. PLUG From 2-4330	1	1		

From T-1572 To 2-4416	Date:10/2022	PAGE:H3-2327-01
SUMP TANK - PLASTIC 30 GALLONS		

Item#	Part	Description	H 3 4 1	H 3 4 5	V I P 4 5	N O T E S
83	502567	. NUT HEX M10-1.5 SS From 2-4330	1	1		
84	509802	. WASHER FL .500x1.125x.081 BR From 2-4330	2	2		
85	404949	. PLATE ASSY / W/19MM SQ HOLE From 2-4330	1	1		
. NS	404950	. . PLATE From 2-4330	1	1		
. NS	404951	. . SEAL RUBBER / W/19MM SQ HOLE From 2-4330	1	1		
. NS	405083	. . SEAL RETAINER From 2-4330	1	1		
. NS	504643	. . RIVET POP DOME OE 1/8x1/2 SS From 2-4330	4	4		
85	407499	. PLATE ASSY / W/22MM SQ HOLE SERVICE From 2-4330	1	1		
. NS	407497	. . PLATE From 2-4330	1	1		
. NS	407498	. . SEAL RUBBER / W/22MM SQ HOLE From 2-4330	1	1		
. NS	407496	. . SEAL RETAINER FORMER ONE PIECE From 2-4330	1	1		
. NS	409262	. . SEAL RETAINER CURRENT TWO PIECES From 2-4330	2	2		
. NS	504643	. . RIVET POP DOME OE 1/8x1/2 SS From 2-4330	4	4		
86	404961	. TUBE SS From 2-4330 To 2-4348	1	1		
86	407494	. TUBE PLASTIC From 2-4349	1	1		
86	409257	. TUBE PLASTIC SERVICE From 2-4349	1	1		
87	404956	. CLAMPING RING From 2-4349	1	1		
87	409256	. CLAMPING RING SERVICE From 2-4349	1	1		
88	405051	. ROD From 2-4330 To 2-4348	1	1		
88	407495	. ROD From 2-4349	1	1		
89	5001443	. WASHER FL 10.3x38.0x3.0 SS From 2-4330	1	1		
90	404958	. SPACER From 2-4330	1	1		B
91	409989	. PLUG RUBBER From 2-4330	1	1		
92	404959	. WASHER, CONIC From 2-4330	1	1		
93	5001511	. NUT HEX CAP M10-1.5 SS From 2-4330	1	1		
94	405194	DECAL "OPENING & CLOSING SUMP TANK PICTOGRA	1	1		E
95	405439	HANDLE / USE W/SS TUBE ITEM # 86	1	1		G
95	405437	HANDLE / USE W/PLASTIC TUBE ITEM # 86	1	1		H
96	405436	COLLAR ASSY W/NUT	1	1		G
96	405438	COLLAR ASSY W/NUT	1	1		H
97	502570	WASHER LO SPT 6.1x11.8x1.6 SS	2	2		
98	5001165	SCREW CAP HEX M6-1.0x20 SS EMN	2	2		
100	405440	KIT COLLAR & HANDLE / W/SS TUBE	AR	AR		G
. NS	IS-02130	. SEE INSTRUCTION SHEET	1	1		G
100	405441	KIT COLLAR & HANDLE / W/PLASTIC TUBE	AR	AR		H
. NS	IS-02130	. SEE INSTRUCTION SHEET	1	1		H
NS	409990P	KIT EMPTYING PLUG SUMP TANK	1	1		
103	406621	KIT SERVICE SEPTIC TANK	1	1	1	
. NS	406551	. SUMP TANK	1	1	1	
. NS	406552	. GASKET / PUMP COVER 14 HOLES	1	1	1	
. NS	502573	. WASHER FL 6.4x12.5x1.6 SS	6	6	6	
. NS	5001181	. SCREW CAP HEX M6-1.0x12 SS	6	6	6	

From T-1572 To 2-4416	Date:10/2022	PAGE:H3-2327-01
SUMP TANK - PLASTIC 30 GALLONS		

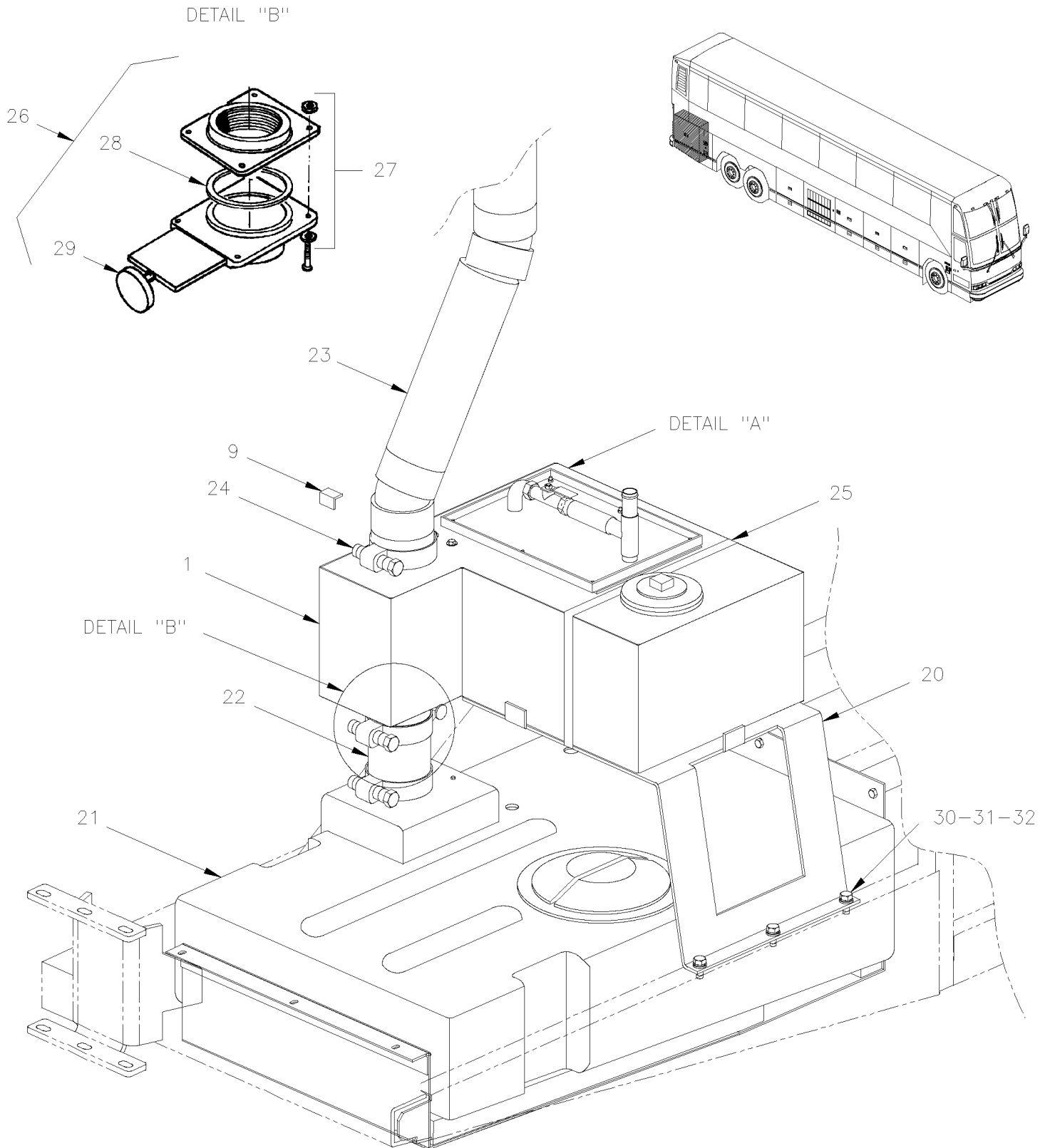
Item#	Part	Description	H 3 4 1	H 3 4 5	V I P 4 5	N O T E S
. NS	IS-11135	. SEE INSTRUCTION SHEET	1	1	1	
NS	IS-99004	SEE INSTRUCTION SHEET	1	1		
		A) USE WITH OPTION AUXILIARY TANK OVER SEE PAGE H3-2327-10				
		B) USE WITH FORMER MODEL				
		C) WITHOUT SUMP TANK AUXILIARY				
		D) FOR PRODUCT IMPROVMENT ASK FOR KIT #409990P FOR INSTALLATION SEE DIAGRAM D-400291				
		E) PART INCLUDE WITH KIT #409990P				
		F) CURRENT // FOR RETROFIT HOSE ADAPTOR TO DUMP SUMP WITH NEW MODEL OF TANK (#405208 & 405209) YOU REQUIRE FOLLOWING PARTS WITH KEEP THE EXIT NIPPLE MOULDED TO TANK EFF.:2-4330				
		G) USE WITH PLASTIC TUBE #86				
		H) USE WITH STAINLESS STEEL TUBE #86				
		K) IF YOU HAVE TO REPLACE THE SUMP TANK AUXILIARY USE #406621				

From W-2285 To 2-4416

Date:10/2022

PAGE:H3-2327-10

SUMP TANK - AUXILIARY 13 GALLONS

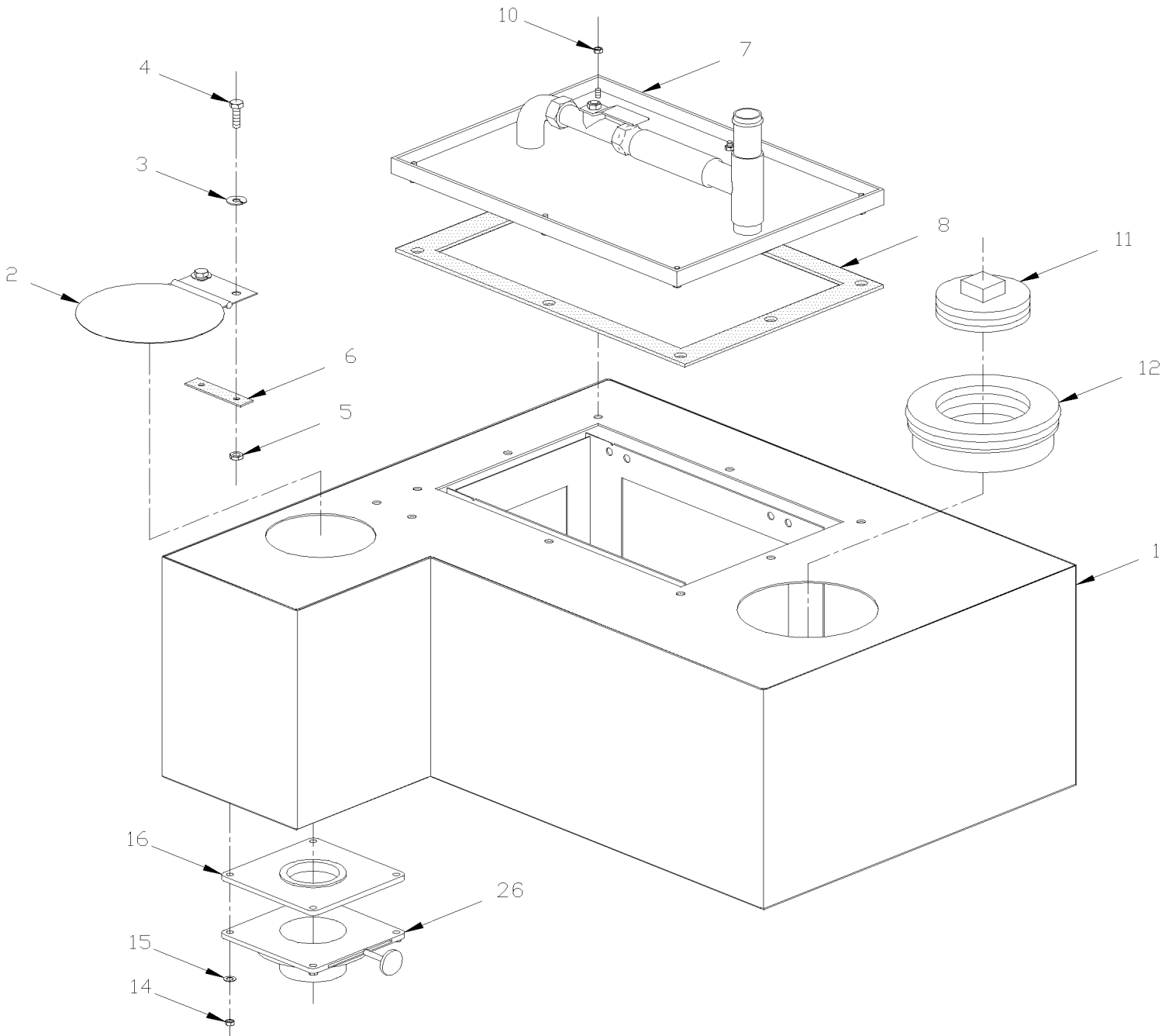


From W-2285 To 2-4416

Date:10/2022

PAGE:H3-2327-10

SUMP TANK - AUXILIARY 13 GALLONS



DETAIL "A"

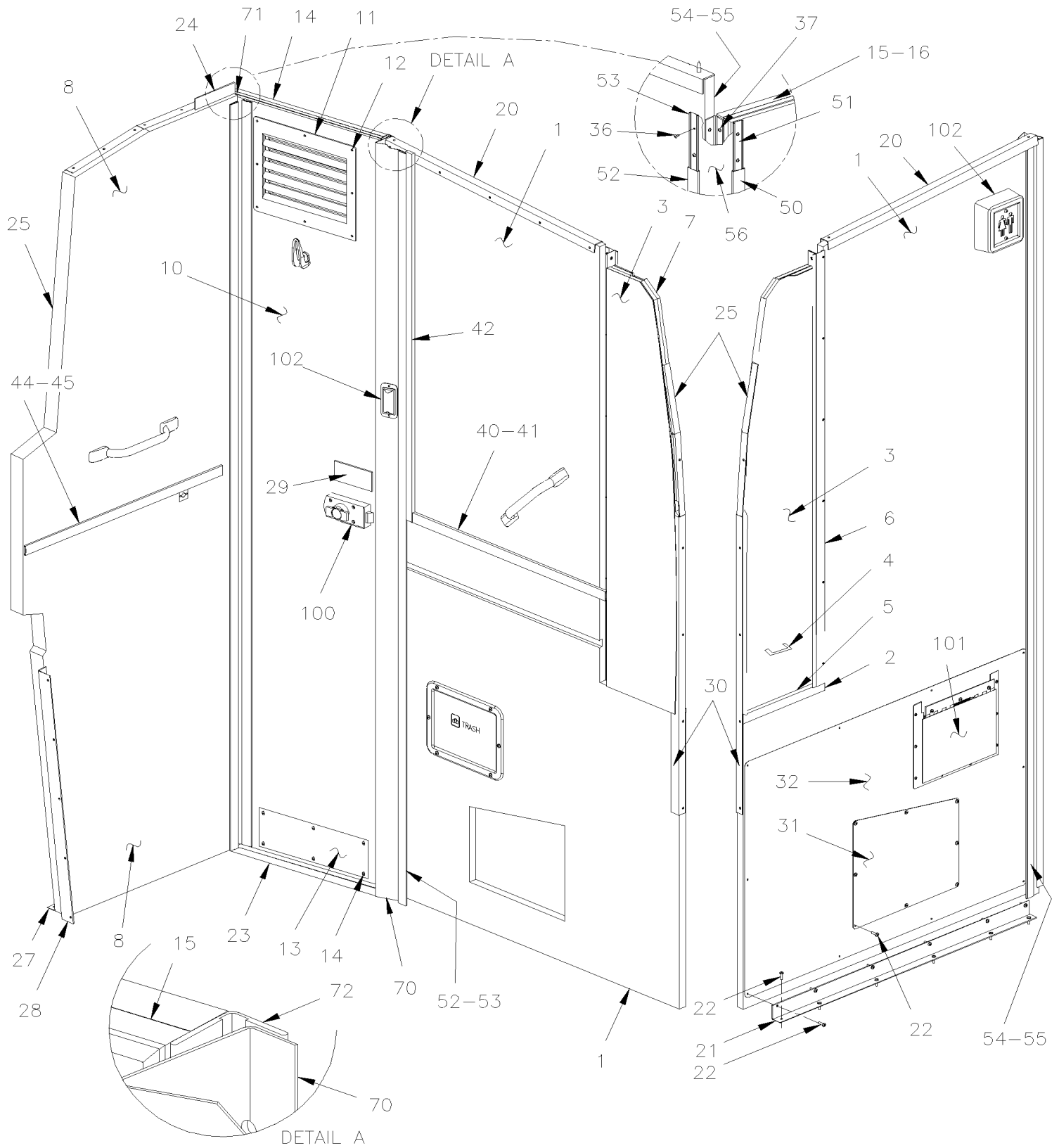
From W-2285 To 2-4416	Date:10/2022	PAGE:H3-2327-10
SUMP TANK - AUXILIARY 13 GALLONS		

Item#	Part	Description	H 3 4 1	H 3 4 5	V I P 4 5	N O T E S
	405297	SUMP TANK AUXILIARY ASSY W/PUMP	1	1		A
1	405019	. SUMP TANK AUXILIARY SS To 2-4347	1	1		A
1	405109	. SUMP TANK AUXILIARY PLASTIC 8 HOLES TO FIX PUMP From 2-4348	1	1		A B
2	404176	. TRAP DOOR WELDED	1	1		
3	502582	. WASHER LO SERR 6.1x16.2x0.9 Z050	2	2		
4	502622	. SCREW CAP HEX M6-1.0x20 SS BK	2	2		
5	5001182	. NUT HEX NYRT M6-1.0 SS	2	2		
6	404155	. GASKET	1	1		
7	H3-2326-00	. TOILET PUMP ASSY				
8	409053	. GASKET / PUMP COVER 8 HOLES	1	1		
9	402573	. STOPPER	8	8		
10	502565	. NUT HEX M6-1.0 SS	8	8		
11	900983	. CAP 3" PLASTIC	1	1		
12	900980	. COUPLING 3" NPT	1	1		
14	502565	. NUT HEX M6-1.0 SS	4	4		
15	500411	. WASHER FL .260x.697x.050 SS	4	4		
16	404342	. GASKET	1	1		
20	405033	. SUPPORT TANK	1	1		
20	405107	. SUPPORT TANK / W/PLASTIC TANK	1	1		
21	404872	. SUMP TANK To 2-4329	1	1		
. NS	IS-99004	. . SEE INSTRUCTION SHEET To 2-4329	1	1		
. NS	D400291	. . EMPTYING PLUG INSTALLATION To 2-4329	1	1		
21	405208	. SUMP TANK From 2-4330	1	1		
. NS	D400361	. . DIAGRAM INSTALL From 2-4330	1	1		
22	405050	. HOSE FLEXIBLE 3 1/2" I.D. X 140MM	1	1		
23	405049	. HOSE FLEXIBLE 3 1/2" I.D. X 405MM	1	1		
24	504235	. HOSE CLAMP / 3"9/16"-4"1/2 SS / HS-64	2	2		
25	504483	. TIE RUBBER BELT, W/HOOK 23"	1	1		
26	405047	. SPECIAL VALVE To 2-4347	1	1		B
26	405141	. THREADED VALVE ASSY From 2-4348	1	1		
27	900197	. THREADED VALVE ASSY W/PLASTIC HANDLE	1	1		
28	900330	. . SEAL	1	1		
29	403109	. HANDLE, THREADED VALVE / STANLESS STEEL	1	1		
30	502559	. SCREW CAP HEX M10-1.5x25 G8.8 Z050	3	3		
31	500257	. WASHER LO SPT 10.2x18.1x2.2 Z050	4	4		
32	502644	. WASHER FL 10.5x30.0x2.5 Z050	4	4		
NS	500256	. NUT HEX M10-1.5 Z050	1	1		
NS	405205	KIT, RETROFIT AUXILIARY SUMP TANK ASSY	1	1	1	
. NS	IS-00005	. SEE INSTRUCTION SHEET	1	1	1	
33	406620	KIT SERVICE SEPTIC TANK AUXILIARY	1	1	1	
. NS	406550	. SUMP TANK AUXILIARY PLASTIC	1	1	1	
. NS	406552	. GASKET / PUMP COVER 14 HOLES	1	1	1	

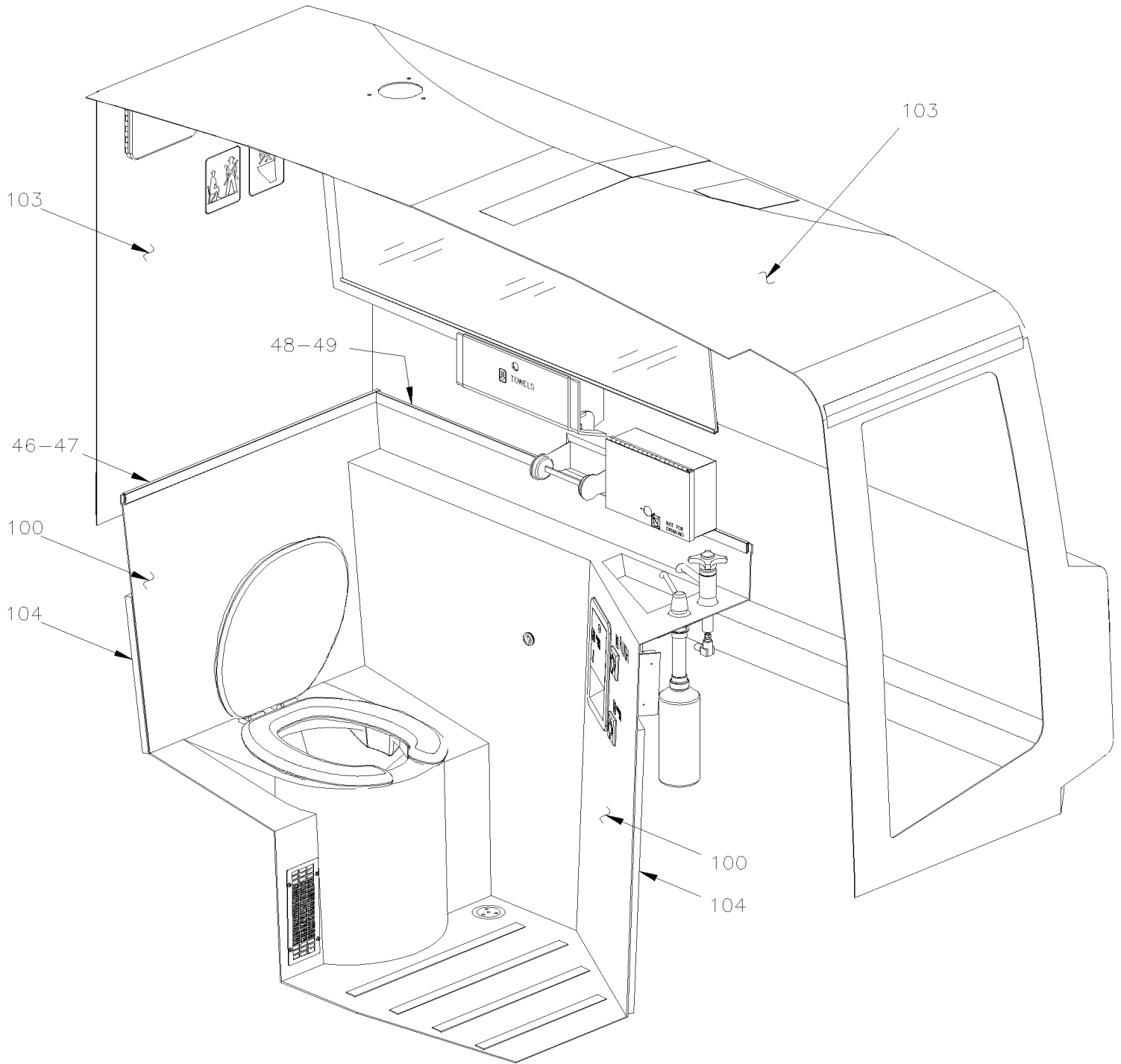
From W-2285 To 2-4416	Date:10/2022	PAGE:H3-2327-10
SUMP TANK - AUXILIARY 13 GALLONS		

Item#	Part	Description	H 3 4 1	H 3 4 5	V I P 4 5	N O T E S
. NS	502573	. WASHER FL 6.4x12.5x1.6 SS	6	6	6	
. NS	5001181	. SCREW CAP HEX M6-1.0x12 SS	6	6	6	
. NS	IS-11135	. SEE INSTRUCTION SHEET	1	1	1	
		A) FOR RETROFIT THIS OPTION YOU REQUIRE KIT #405205				
		B) FOR RETROFIT THIS OPTION YOU REQUIRE KIT #405205				

From R-012 To 2-4416	Date:10/2022	PAGE:H3-2328-00
LAVATORY WALL - INSTALLATION		



From R-012 To 2-4416	Date:10/2022	PAGE:H3-2328-00
LAVATORY WALL - INSTALLATION		



From R-012 To 2-4416	Date:10/2022	PAGE:H3-2328-00
LAVATORY WALL - INSTALLATION		

Item#	Part	Description	H 3 4 1	H 3 4 5	V I P 4 5	N O T E S
1	403193P	FRONT WALL ASSY / LAVATORY / SPECIFY COLOR	1	1		
1	508342	. FORMICA	AR	AR		
1	500641	. SCREW TP PAN PH #8x3/4 Z050	3	3		
2	403147	. ANGLE, FINISHING	1	1		
3	403196P	CLOSING PANEL ASSY / WATER TANK / SPECIFY COLOR / MIDNIGHT CHARCOAL	1	1		
3	Call order desk	CLOSING PANEL ASSY / WATER TANK / SPECIFY COLOR /W/W.C.L. "ST & ST"	1	1		P
3	508342	. FORMICA	AR	AR		
4	900568	. HANDLE / DOOR	1	1		
NS	500575	. SCREW TP PAN PH #8x1 1/4	2	2		
5	403146	. ANGLE, FINISHING / LOWER	1	1		
6	403157	. MOULDING, FINISHING / SIDE	1	1		
6	403698	MOULDING, FINISHING/ SIDE W/W.C.L. "ST & ST / S.B.	1	1		
7	403197	CORD FILLING / WALL CAP To Y-3376	1	1		
7	405013	CORD FILLING / WALL CAP / GREY / 1020MM From Y-3377	1	1		
8	403195P	SIDE WALL ASSY / LAVATORY / SPECIFY COLOR	1	1		
8	508342	. FORMICA	AR	AR		
10	403194P	DOOR ASSY / SPECIFIY COLOR To 1-4287	1	1		
10	406080	DOOR, ASSY / SPECIFY COLOR From 1-4288	1	1		
10	508342	. FORMICA	AR	AR		
NS	065516	CABLE / LAVATORY DOOR LOCK SWITCH / INSIDE OF DOOR	1	1		
11	373291	. GRILL, VENT To W-2284	2	2		
11	373526	. GRILL, VENT From W-2285 To 1-4287	2	2		
11	405065	. GRILL, VENT / MED GREY From 1-4288	2	2		
NS	506191	. TAPE RUB ADH1 CC POL 1/8" x 1/4" x 50' / GREY 2520X	AR	AR		
12	500814	. SCREW TP BDG PH #6x3/4 BK	8	8		
13	403608	PROTECTOR PANEL SS 18"1/4 X 4"	1	1		
13	404303	PROTECTOR PANEL 405MM X 100MM SS	1	1		
14	500952	SCREW TP BDG PH #8x1/2 SS	6	6		
15	403132	. MOULDING "J" FORM / 415MM (16 5/16") / A/A	2	2		E
15	403130	. MOULDING "J" FORM / 415MM (16 5/16") / A/A	2	2		F
16	403131	. MOULDING "J" FORM / 1930MM (76") / F/F	2	2		E
16	403129	. MOULDING "J" FORM / 1930MM (76") / A/A	2	2		F
18	860585	VINYL , GREY	AR	AR		
20	403139	MOULDING "U" 22MM X 25MM X 662MM	1	1		
NS	504114	RIVET POP DOME OE 3/16x1/4 AL	14	14		
21	403140	ANGLE / W/W.C.L. "ST & ST" / 914MM	1	1		
22	500641	. SCREW TP PAN PH #8x3/4 Z050	AR	AR		
23	403155	FLOOR MOULDING / COVERING & TOILET	1	1		
24	403141	MOULDING "U" 22MM X 25MM X 490MM	1	1		
25	403197	CORD FILLING / WALL CAP To Y-3376	2	2		
25	405013	CORD FILLING / WALL CAP / GREY / 1020MM From Y-3377	2	2		
27	403142	. ANGLE, SUPPORT / SIDE WALL TO FLOOR (25MM X 38MM X 508MM)	1	1		

From R-012 To 2-4416	Date:10/2022	PAGE:H3-2328-00
LAVATORY WALL - INSTALLATION		

Item#	Part	Description	H 3 4 1	H 3 4 5	V I P 4 5	N O T E S
28	403143	ANGLE 25MM X 38MM X 670MM	1	1		
29	402743	DECAL "LOCK FOR LIGHTING"	1	1		
29	402741	DECAL "VEROUILLER"	1	1		
29	405222	DECAL / LAVATORY OPEN / LOCK / ENGLISH	1	1		
30	403144	ANGLE 20MM X 25MM X 1715MM / FIXED AT WINDOW POST	1	1		
30	403987	ANGLE 20MM X 25MM X 1150MM / FIXED AT WINDOW POST W/W.C.L. "ST & ST"	1	1		
31	404756	CLOSING PLATE / TRAP ACCESS	AR	AR		A
32	403687	CLOSING PANEL / W/W.C.L. "ST & ST" 889MM X 533MM	1	1		
36	500640	SCREW TP PAN PH #6x3/4 Z050	AR	AR		
37	500614	SCREW TP FL PH #6x3/4 Z050	AR	AR		
40	403114	MOULDING RETAINER / 623MM (24 1/2")	1	1		
41	403121	MOULDING CAP / GREY PLATINE 629MM / 24 3/4" To T-1445	1	1		
41	404224	MOULDING CAP / GREY PLASTIC 629MM (24 3/4") From T-1446	1	1		
42	403262	SPACER ASSY / FRONT WALL / FORMICA GREY	1	1		
44	403117	MOULDING RETAINER / 615MM (24 1/4")	1	1		
45	403118	MOULDING CAP / GREY PLATINE 621MM / 24 3/8" To T-1445	1	1		
45	404221	MOULDING CAP / GREY PLASTIC 621MM (24 3/8") From T-1446	1	1		
46	403115	MOULDING RETAINER / 733MM (28 7/8")	1	1		
47	403119	MOULDING CAP / GREY PLATINE 739MM / 29 1/8" To T-1445	1	1		
47	404222	MOULDING CAP / GREY PLATINE 739MM / 29 1/8" From T-1446	1	1		
48	403116	MOULDING RETAINER / 1081MM (42 1/2")	1	1		
49	403120	MOULDING CAP / GREY PLATINE 1089MM / 42 7/8" To T-1445	1	1		
49	404223	MOULDING CAP / GREY PLATINE 1085MM / 42 5/8" From T-1446	1	1		
50	403124	MOULDING CAP / GREY PLATINE 1930MM / 76"	1	1		
51	403123	MOULDING RETAINER / 1955MM (77")	1	1		
52	403125	MOULDING CAP / GREY PLATINE 1948MM / 76 5/8"	1	1		
53	403126	MOULDING RETAINER / 1943MM (76 1/2")	1	1		
54	403112	MOULDING RETAINER / 1943MM (76 1/2")	2	2		
55	403113	MOULDING CAP / SS 1948MM (76 11/16")	2	2		
56	403171	LEATHERETTE / GREY / 125MM X 1970MM To Y-3376	1	1		
56	405012	LEATHERETTE / GREY / 125MM X 1970MM From Y-3377 To 1-4287	1	1		
56	405268	LEATHERETTE / GREY / 125MM X 1970MM From 1-4288	1	1		
70	403165	MOULDING / WALL To W-2284	1	1		
70	404614	MOULDING / WALL From W-2285 To 1-4287	1	1		
70	405213	MOULDING / WALL From 1-4288	1	1		
70	405277	MOULDING / WALL From 1-4288	1	1		B
NS	404512	LEATHERETTE / SWITCH COVERING / 60 X 125MM To Y-3376	1	1		
NS	405015	LEATHERETTE / SWITCH COVERING / 60 X 125MM From Y-3377	1	1		
NS	405278	PLATE RETAINING AUXILIARY SWITCH From 1-4288	1	1		B
NS	563083	SWITCH / OFF-ON / S.P.S.T. / BLACK From 1-4288	1	1		B
NS	500582	SCREW TP PAN PH #8x3/8 Z050	2	2		B
71	403158	MOULDING ASSY W/HINGE	1	1		

From R-012 To 2-4416	Date:10/2022	PAGE:H3-2328-00
LAVATORY WALL - INSTALLATION		

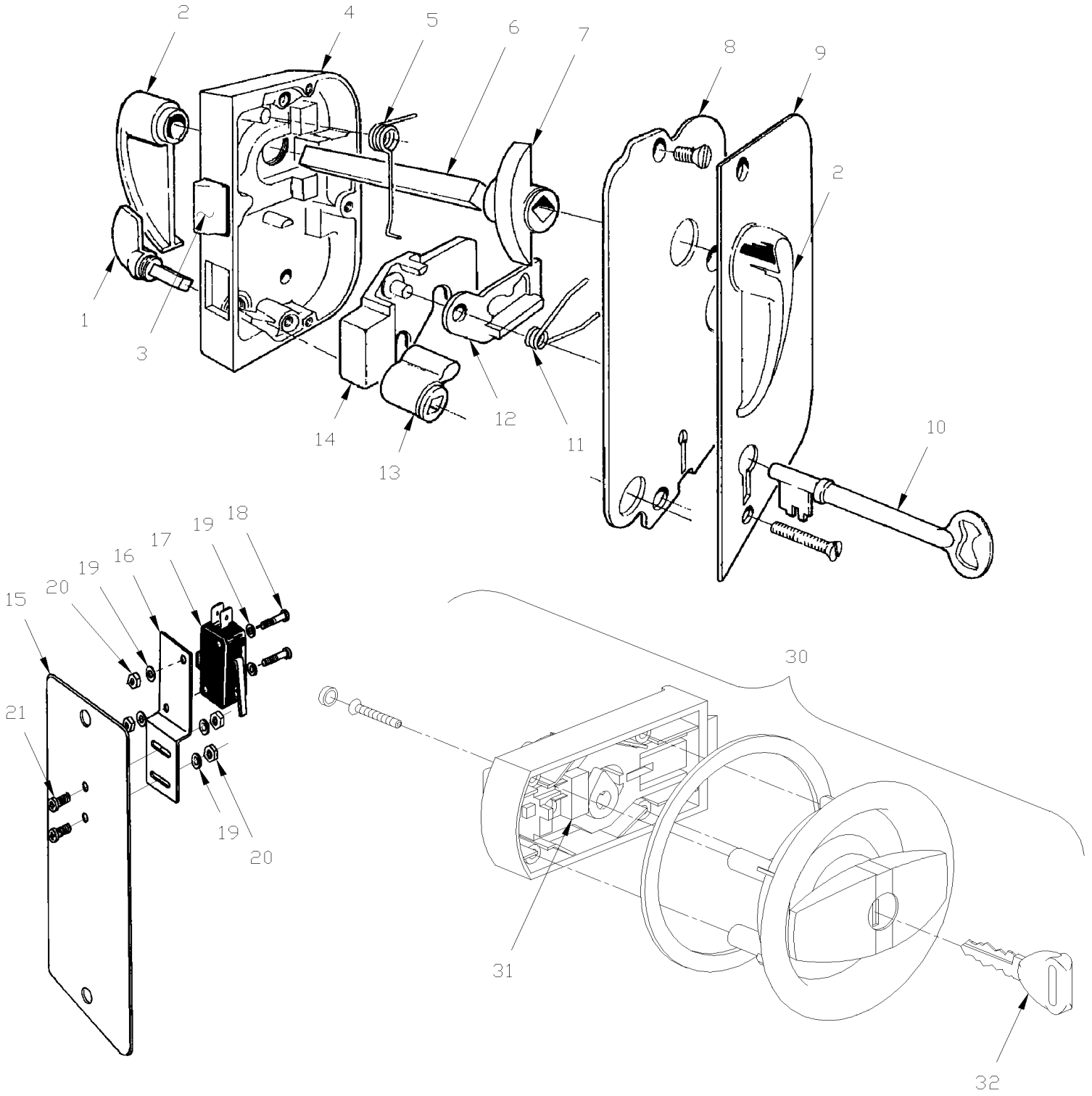
Item#	Part	Description	H 3 4 1	H 3 4 5	V I P 4 5	N O T E S
72	403162	MOULDING / DOOR STOPPER	1	1		
NS	500641	SCREW TP PAN PH #8x3/4 Z050	AR	AR		
NS	506071	TAPE RUB ADH1 CC POL 1/8" x 1/2" x 50' / GREY 2520X	AR	AR		
100	H3-2329-00	LAVATORY DOOR LOCK & SWITCH				
101	H3-2325-00	LAVATORY - ACCESSORIES				
102	H3-0655-01	INTERIOR LIGHTING To W-2284				
102	H3-0655-02	INTERIOR LIGHTING From W-2285				
103	H3-1834-00	REAR FINISHING CAP				
103	H3-1834-01	REAR FINISHING CAP				
104	350222	INSULATING PAD TRIANGULAR SHAPE 230MM x 230MM	1	1		
104	350223	INSULATING PAD REAR LOWER WALL	1	1		
104	350224	INSULATING PAD / 635MM x 360MM	1	1		
104	350249	INSULATING PAD REAR LOWER TOILET	1	1		
104	350305	INSULATING PAD / 640MM x 90MM	1	1		
104	350306	INSULATING PAD / 880MM x 90MM	1	1		
104	350376	INSULATING PAD / 965MM x 280MM	1	1		
		A) FOR COACH EQUIPPED W/W.C.L. "ST & ST." SEE NOTE "A" PAGE H3-2325-00 FOR WASTE CONTAINER				
		B) USE WITH AUXILIARY SWITCH FOR LAVATORY LIGHTING				
		E) WITH TISSU FINISHING				
		F) WITH CARPET FINISHING				
		P) CALL ORDER DESK FOR SPECIFIC APPLICATION (V.I.N.)				

From R-012 To 2-4416

Date:10/2022

PAGE:H3-2329-00

LAVATORY DOOR LOCK & SWITCH



From R-012 To 2-4416	Date:10/2022	PAGE:H3-2329-00
LAVATORY DOOR LOCK & SWITCH		

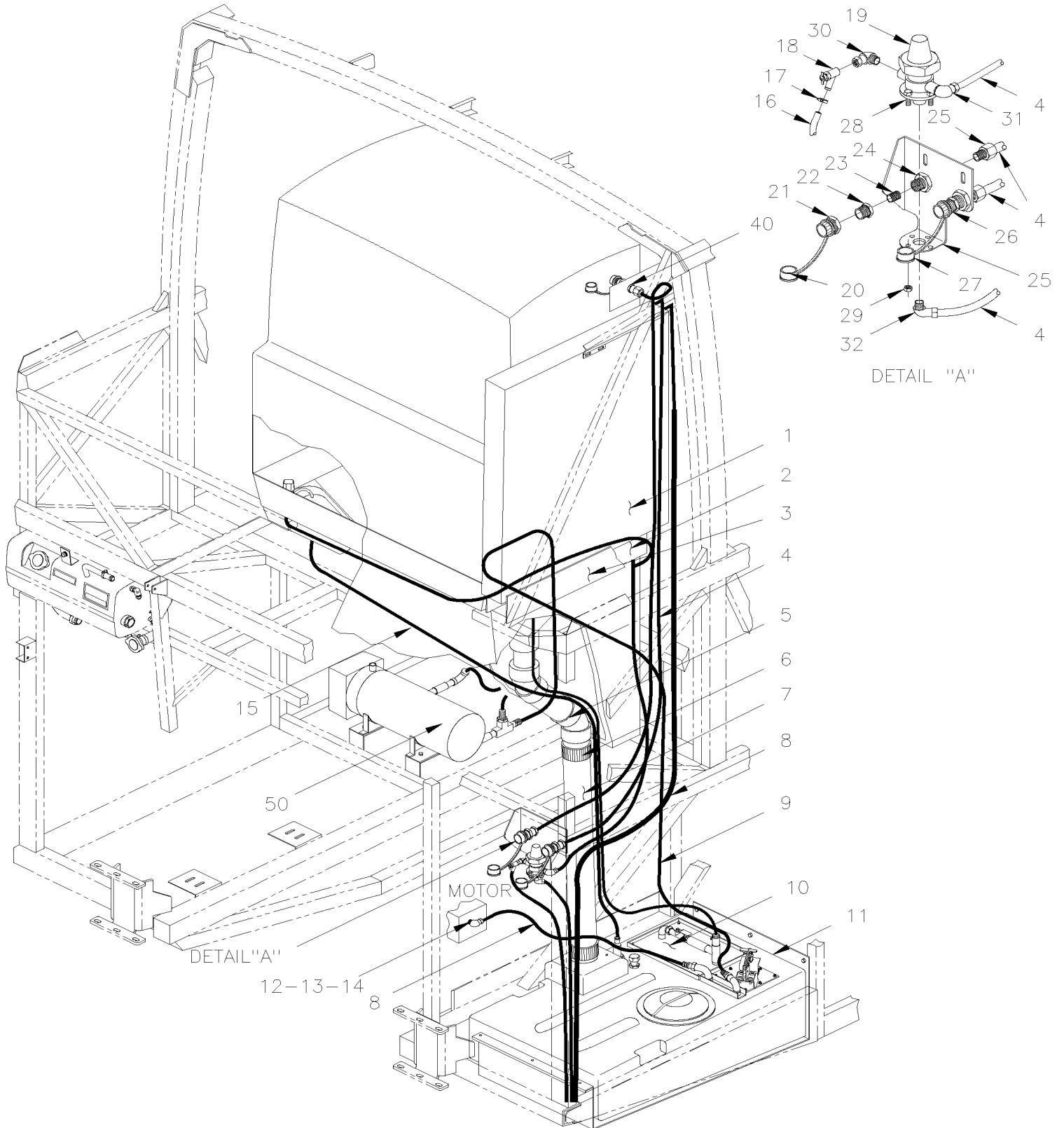
Item#	Part	Description	H 3 4 1	H 3 4 5	V I P 4 5	N O T E S
	900375	LOCK ASSY, DOOR To 1-4287	1	1		
	500887	. SCREW MA FL PH #8-32x1 1/4 SS To 1-4287	3	3		
1	900629	. THUMB, PIECE To 1-4287	1	1		
2	900630	. HANDLE, DOOR To 1-4287	2	2		
3	900631	. BOLT, LATCH To 1-4287	1	1		
4	N.S.S.	. CASE (ONLY) To 1-4287	1	1		1
5	900632	. SPRING, TORSION / .348 I.D. x .275 x .055 To 1-4287	1	1		
6		. ROD, SQUARE 5/16" / S.L. To 1-4287	AR	AR		
7	900633	. FOLLOWER To 1-4287	1	1		
8	N.S.S.	. COVER / CASE To 1-4287	1	1		1
8	500272	. SCREW MA FL PH #8-32x1/2 ZP To 1-4287	3	3		
9	900634	. ESCUTCHEON ASSY To 1-4287	1	1		
10	900299	. KEY / LAVATORY DOOR "ADAMS & WESTLAKE" To 1-4287	1	1		
11	900635	. SPRING, TORSION / .305 I.D. x .162 x .050 To 1-4287	1	1		
12	900636	. TUMBLER To 1-4287	1	1		
13	900637	. FOLLOWER / THUMB PIECE To 1-4287	1	1		
14		. BOLT, DEAD To 1-4287	1	1		
14		MICRO SWITCH ASSY To 1-4287	1	1		
15	403135	COVER / MICRO SWITCH To 1-4287	1	1		
16	403136	SUPPORT / MICRO SWITCH To 1-4287	1	1		
17	561677	MICRO SWITCH To 1-4287	1	1		
17	405015	LEATHERETTE / SWITCH COVERING / 60 X 125MM To 1-4287	1	1		
18	502577	SCREW MA PAN PH M3-0.5x16 ZP To 1-4287	2	2		
19	502578	WASHER FL 3.2x7.0x0.5 Z050 To 1-4287	6	6		
20	502579	NUT HEX M3-0.5 NP To 1-4287	4	4		
21	502787	SCREW MA PAN PH M3-0.5x10 ZP To 1-4287	2	2		
NS	402741	DECAL "VEROUILLER" To 1-4287	1	1		
NS	402743	DECAL "LOCK FOR LIGHTING" To 1-4287	1	1		
21	404512	LEATHERETTE / SWITCH COVERING / 60 X 125MM To Y-3376	1	1		
21	405015	LEATHERETTE / SWITCH COVERING / 60 X 125MM From Y-3377	1	1		
NS	563083	SWITCH / OFF-ON / S.P.S.T. / BLACK	1	1		A
30	901039	LOCK ASSY, DOOR From 1-4288	1	1		
31	563097	. . MICRO SWITCH / N.C. From 1-4288	1	1		
32	901066	. . KEY / LAVATORY DOOR "HAPPICH" From 1-4288	1	1		
		A) USE WITH AUXILIARY SWITCH FOR LAVATORY LIGHTENING				
		1) NOT SOLD SEPARATELY				

From R-012 To 2-4416

Date:10/2022

PAGE:H3-2330-00

WATER & SUMP TANK - INSTALLATION



From R-012 To 2-4416	Date:10/2022	PAGE:H3-2330-00
WATER & SUMP TANK - INSTALLATION		

Item#	Part	Description	H 3 4 1	H 3 4 5	V I P 4 5	N O T E S
1	403030P	TANK / WATER ASSY / WELDED SS To 1-4267	1	1		
1	405240	TANK / WATER ASSY / W/FITING PLASTIC From 1-4268	1	1		D
. NS	900959	. TANK / WATER 66Liters From 1-4268	1	1		D
2	062683	HEATER ASSY To 1-4267	1	1		
2	562018	. HEATER, WATER To 1-4267	1	1		
NS	641040	MALE ELBOW 90° / NTA FITTING / #8x3/8NPT-M BR	2	2		
NS	641182	MALE RUN TEE / NTA FITTING / #8x#8x3/8NPT-M BR	1	1		
3	403851	SUPPORT / WATER TANK	1	1		
3	310674	ANGLE, #5 / L.H. / USE ONLY W/O FRESH WATER TANK	1	1		
3	504068	GROMMET / .500x.750x.062x.312x1.062	1	1		
3	500365	SCREW TP CAP HEX #12x1 Z050	6	6		
3	504249	RIVET CHY Q PRDG 3/16x3/8 SS	5	5		A
4	503488	TUBE, NYLON 1/2 O.D. / BLACK S.L./	AR	AR		
NS	641012	BULKHEAD UNION / NTA FITTING / #8x3/8NPT-M BR	AR	AR		
5	403074	TUBE ASSY / ABS	1	1		E
6	503532	UNION / ABS PIPE / 3Fx3F NEO	3	3		
NS	504235	HOSE CLAMP / 3"9/16"-4"1/2 SS / HS-64 From X-2970	2	2		
7	403073	TUBE 3" I.D. X 815MM ABS To T-1571	1	1		
7	404191	TUBE 3" I.D. X 690MM ABS From T-1572 To X-2969	1	1		
7	503539	. TUBE / ABS PIPE / 3IDx12' ABS From X-2970	AR	AR		
7	402418	HOSE FLEXIBLE 3 1/2" I.D. X 32" From X-2970	1	1		
7	503039	. HOSE FLEXIBLE / 3 1/2" I.D. X 10'	AR	AR		
NS	405049	HOSE FLEXIBLE 3 1/2" I.D. X 405MM	1	1		C
NS	405050	HOSE FLEXIBLE 3 1/2" I.D. X 140MM	1	1		C
8	503006	HOSE 5/8" I.D. 50' / S.L.	AR	AR		
9	503523	HOSE SILICONE 1PLY 3/4" I.D. x 100' / S.L.	AR	AR		
10	H3-2326-00	TOILET PUMP ASSY				
11	H3-2327-00	SUMP TANK - S/S To T-1571				
11	H3-2327-01	SUMP TANK - PLASTIC 30 GALLONS From T-1572				
12	507557	STREET ELBOW 90° / PIPE FITTING / 1/2NPT-Mx1/2NPT-F BR	1	1		
13	501373	MALE CONNECTOR / HOSE BARB FITTING / #10x1/2NPT-M GALV	1	1		
14	504020	HOSE CLAMP / 9/16"-1"1/4 SS / HS-12	1	1		
15	503006	HOSE 5/8" I.D. 50' / S.L.	AR	AR		
NS	900191	TUBE, TAIL 1 1/2" X 4" LG	1	1		
NS	504023	HOSE CLAMP / 1"5/16"-2"1/4 SS / HS-28	1	1		
16	503527	HOSE RADIATOR / 5/8" I.D. X 25'/"GREEN STRIPE"	AR	AR		
17	504319	HOSE CLAMP / 1"-1"1/2 SS / E.T. 16	2	2		
18	501531	DRAIN VALVE 3/8 NPT M x 5/8 HOSE	1	1		
19	900372	AUTOMATIC DRAIN VALVE / FREEZING To 1-4296	1	1		
NS	900880	KIT REPAIR / AUTOMATIC DRAIN VALVE To 1-4296	1	1		
20	900326	DUST CAP / QUICK DISCONNECT "B SERIES" / #10 VINYL	2	2		
21	900323	NIPPLE / QUICK DISCONNECT "B SERIES" / #10x1/2NPT-F BR	2	2		

From R-012 To 2-4416	Date:10/2022	PAGE:H3-2330-00
WATER & SUMP TANK - INSTALLATION		

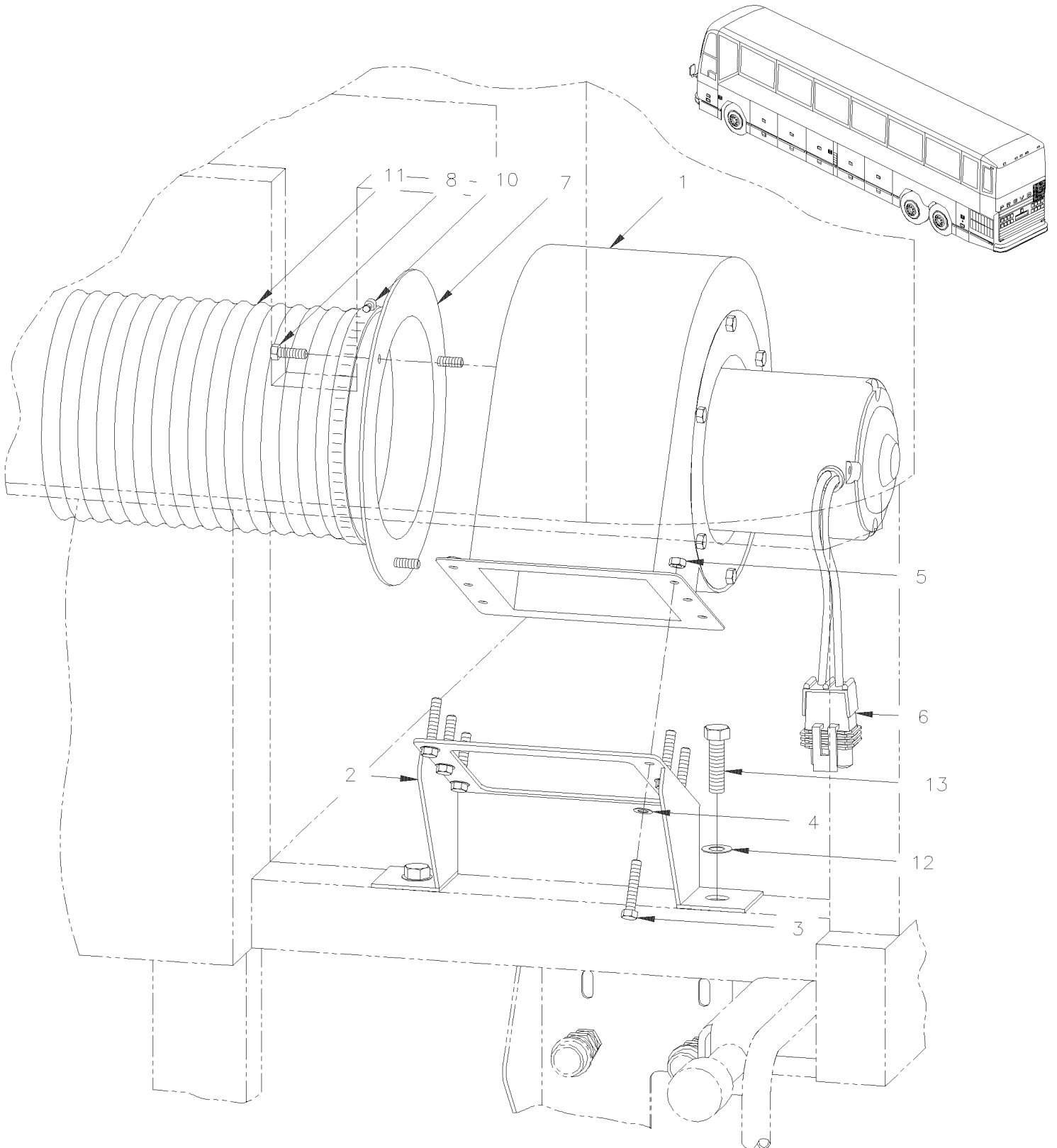
Item#	Part	Description	H 3 4 1	H 3 4 5	V I P 4 5	N O T E S
22	501534	BUSHING REDUCER / PIPE FITTING / 1/2NPT-Mx3/8NPT-F BR To V-1746	2	2		
NS	404474	HOSE ADAPTER SS 1/4" NPT X 6 GARDEN HOSE MALE From V-1747	2	2		
23	501325	NIPPLE / PIPE FITTING / 3/8NPT-Mx3/8NPT-Mx1 BR To V-1746	2	2		
24	641012	BULKHEAD UNION / NTA FITTING / #8x3/8NPT-M BR	2	2		
25	H3-1894-00	REAR STRUCTURE				
26	900324	COUPLER / QUICK DISCONNECT "B SERIES" / #8x1/2NPT-F BR	1	1		
27	900325	DUST PLUG / QUICK DISCONNECT "B SERIES" / #8 VINYL	1	1		
28	500163	SCREW CAP HEX 1/4-20x3/4 G5 Z050	3	3		
29	500749	NUT HEX THK 1-14x1 5/16	3	3		
NS	500473	WASHER LO SPT .262x.489x.062 Z050	3	3		
30	501333	STREET ELBOW 90° / PIPE FITTING / 3/8NPT-Mx3/8NPT-F BR	1	1		
31	641040	MALE ELBOW 90° / NTA FITTING / #8x3/8NPT-M BR	1	1		
32	641076	MALE ELBOW 90° / NTA FITTING / #8x1/2NPT-M BR	1	1		
40	H3-2325-00	LAVATORY - ACCESSORIES				B
50	871036	WATER HEATER - "WEBASTO" 80,000 B.T.U.				
		A) TO FIX ANGLE				
		B) CLEANING ACCESSORY				
		C) USE WITH OPTION AUXILIARY TANK OVER				
		D) USE ONLY WITHOUT HEATER ELEMENT				
		E) FOR PRODUCT IMPROVEMENT, THIS PART IS SUPERSEDED BY #405693, 530211 & 2 OF ITEM #504235				

From R-012 To V-1658

Date:10/2022

PAGE:H3-2337-00

LAVATORY FAN - INSTALLATION



From R-012 To V-1658	Date:10/2022	PAGE:H3-2337-00
LAVATORY FAN - INSTALLATION		

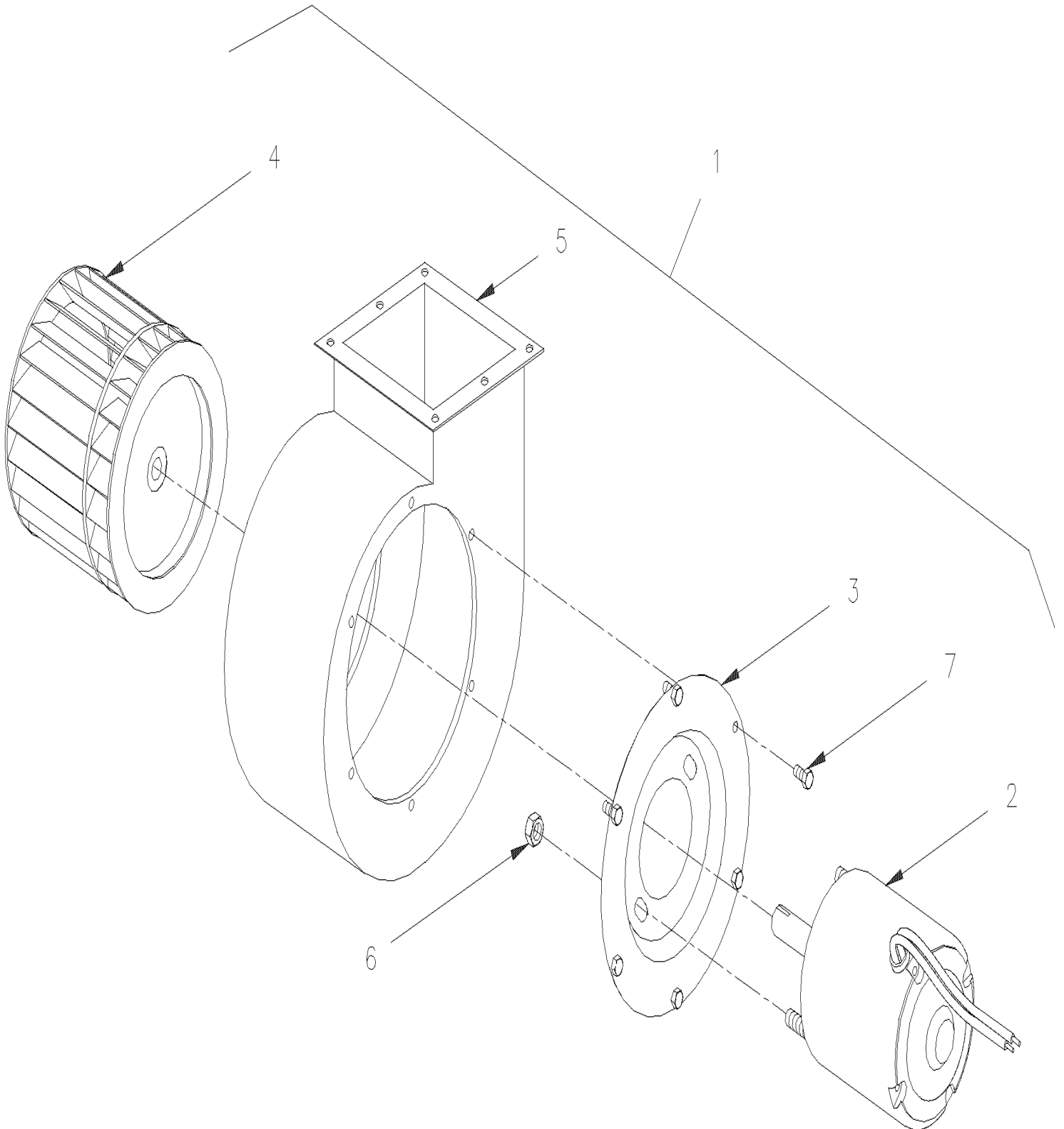
Item#	Part	Description	H 3 4 1	H 3 4 5	V I P 4 5	N O T E S
		BLOWER ASSY / LAVATORY				
1	870844	. BLOWER & MOTOR ASSY - "M.C.C." "CW" / FAN END				
2	403085	. SUPPORT ASSY	1	1		
3	500588	. SCREW CAP HEX M4-0.7x20 G8.8 Z050	6	6		
4	500591	. WASHER FL 4.3x9.0x0.8 Z050	6	6		
5	500590	. NUT HEX NYRT M4-0.7 Z050	6	6		
6	561690	. CONNECTOR / WEATHER PACK / SH 2C / BLACK / PED 12015792	1	1		
NS	561578	. SOCKET TERMINAL / 16-14 / PED 12010182	2	2		
NS	561786	. CABLE SEAL / GRAY / PED 15324980	2	2		
7	403063	. FLANGE / HOSE ADAPTOR	1	1		
8	502685	. SCREW CAP HEX M4-0.7x20 SS EMN	3	3		
NS	500589	. NUT WELL M4-0.7x13.5	3	3		
NS	561883	. SUPPORT RESISTOR To S-130	2	2		
NS	561884	. RESISTOR / 2 OHMS / 50 W To S-130	1	1		
		. WE REMOVE RESISTOR From S-131				
10	504324	HOSE CLAMP / 4"1/2-6"1/2 SS / HS-96	2	2		
11	503522	HOSE FLEXIBLE / AIR DUCT 5" I.D. X 12' / LINEN RUBBER	AR	AR		
12	500874	WASHER FL 8.4x17.0x1.6 Z050	2	2		
NS	502507	WASHER LO SPT 8.1x14.8x2.0 Z050	2	2		
13	500069	SCREW CAP HEX M8-1.25x16 G10.9 DP	2	2		
NS	454393	LAVATORY FAN - INSTALLATION	1	1		

From R-012 To V-1658

Date:10/2022

PAGE:870844

BLOWER & MOTOR ASSY - "M.C.C." "CW" / FAN END



From R-012 To V-1658	Date:10/2022	PAGE:870844
BLOWER & MOTOR ASSY - "M.C.C." "CW" / FAN END		

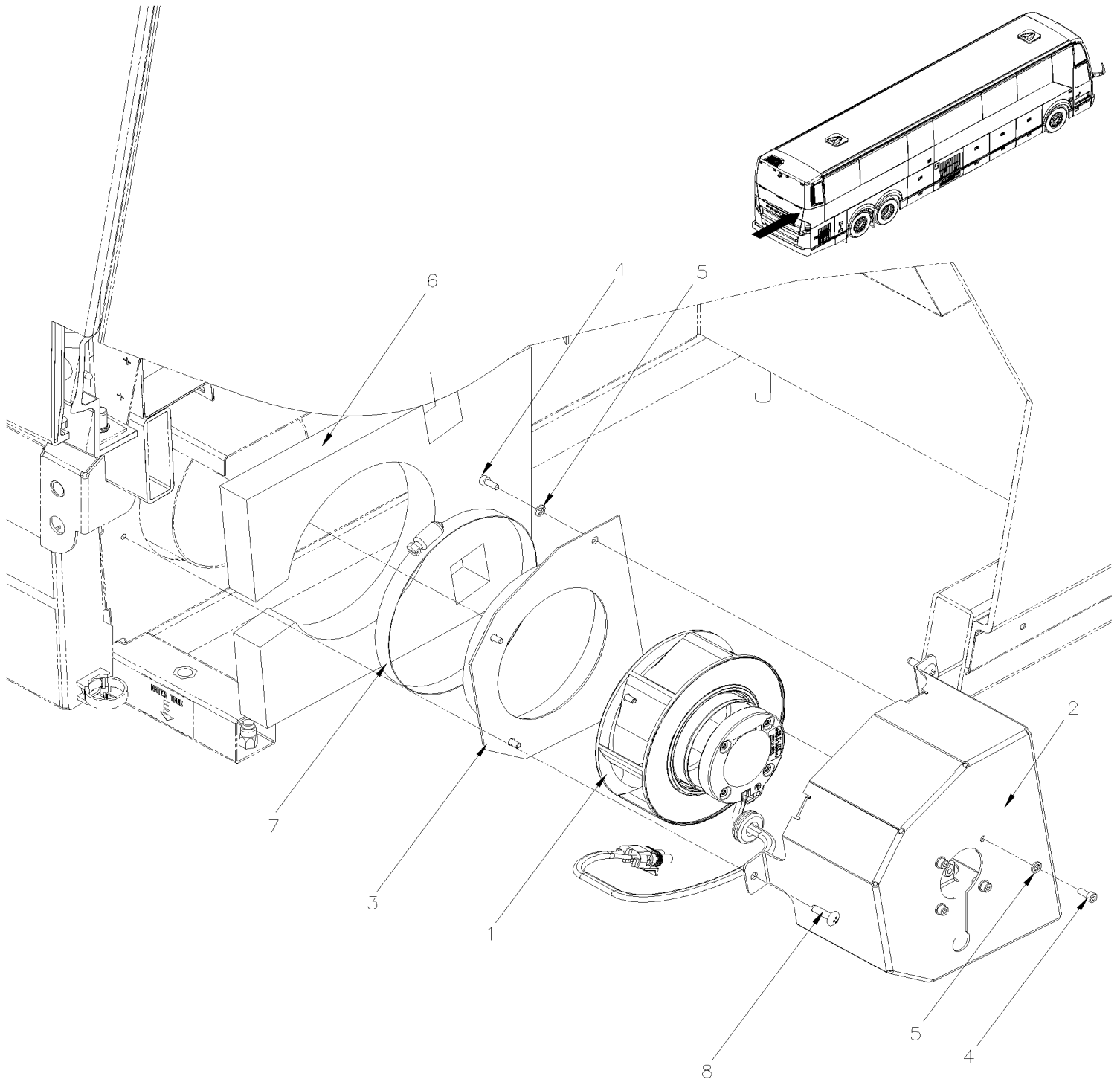
Item#	Part	Description	H 3 4 1	H 3 4 5	V I P 4 5	N O T E S
1		BLOWER ASSY 24V / CW	1	1	1	
2	562167	. MOTOR ASSY / 24V	1	1	1	
3	871020	. PLATE MOUNTING / MOTOR	1	1	1	
4	871017	. BLOWER WHEEL / STEEL	1	1	1	
5	871440	. HOUSING BLOWER	1	1	1	
6	500786	. NUT HEX #10-24 Z050	2	2	2	
7	500978	. SCREW CAP HEX #10-24x3/4 Z050	6	6	6	

From R-012 To V-1658

Date:10/2022

PAGE:454393

LAVATORY FAN - INSTALLATION



From R-012 To V-1658		Date:10/2022	PAGE:454393
LAVATORY FAN - INSTALLATION			

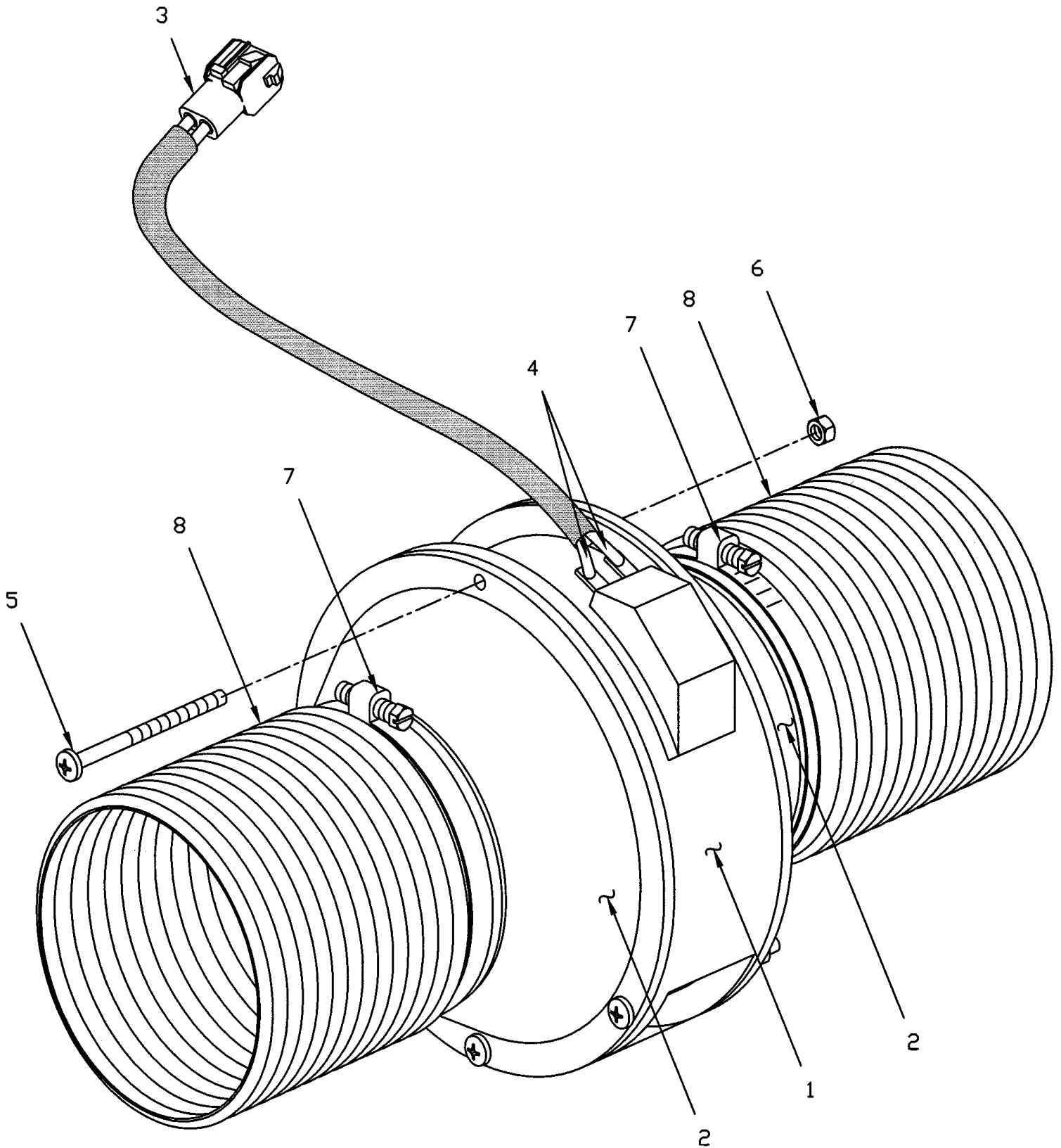
Item#	Part	Description	H 3 4 1	H 3 4 5	V I P 4 5	N O T E S
1	950624	FAN BRUSHLESS	1	1		
. NS	561690	. CONNECTOR / WEATHER PACK / SH 2C / BLACK / PED 12015792	1	1		
2	454382	BRACKET FOR LAVATORY FAN	1	1		
3	454383	PLATE FOR LAVATORY FAN ASSY	1	1		
4	5002180	SCREW CAP HEXS M4X0.7x10 SS	8	8		
5	500914	WASHER LO SPT .193x.334x.047 N500	8	8		
6	354192	INSULATION	1	1		
7	504324	HOSE CLAMP / 4"1/2-6"1/2 SS / HS-96	1	1		
8	500283	SCREW TC TR PH #10-24x3/4 SS	3	3		
NS	IS-19165	SEE INSTRUCTION SHEET	1	1		
NS	FI-19165	VOIR FEUILLE D'INSTRUCTION	1	1		

From V-1659 To W-2284

Date:10/2022

PAGE:H3-2337-01

LAVATORY FAN - INSTALLATION



From V-1659 To W-2284	Date:10/2022	PAGE:H3-2337-01
LAVATORY FAN - INSTALLATION		

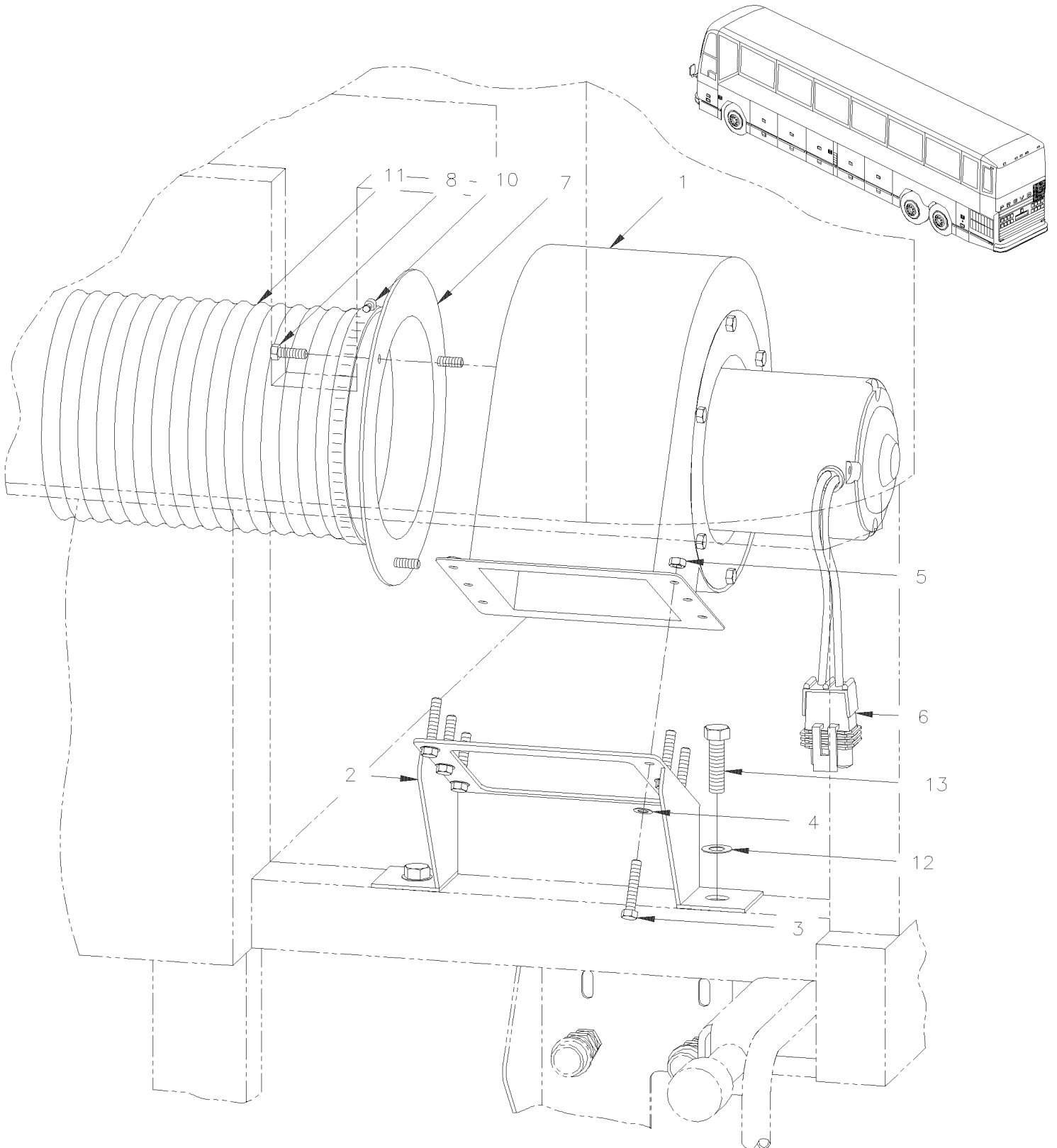
Item#	Part	Description	H 3 4 1	H 3 4 5	V I P 4 5	N O T E S
	404694	FAN ASSY	1	1		
1	404693	. FAN	1	1		
2	404692	. ADAPTOR	1	1		
3	064835	. CABLE ASSY	1	1		
4	560784	. SHRINK TUBING / .250" - .080" / BLACK / ALPHA FIT-300-1/4-4B	1	1		
5	5001430	. SCREW MA RND SLT #8-32x2 1/2 ZP	1	1		
6	500670	. NUT HEX NYRT #8-32 Z050	1	1		
7	504235	. HOSE CLAMP / 3"9/16"-4"1/2 SS / HS-64	1	1		
8	404466	HOSE 4" I.D. 900MM	2	2		
NS	503434	. HOSE FLEXIBLE / AIR DUCT 4" I.D. X 12' / RUBBER	AR	AR		

From W-2285 To 2-4416

Date:10/2022

PAGE:H3-2337-02

LAVATORY FAN - INSTALLATION



From W-2285 To 2-4416	Date:10/2022	PAGE:H3-2337-02
LAVATORY FAN - INSTALLATION		

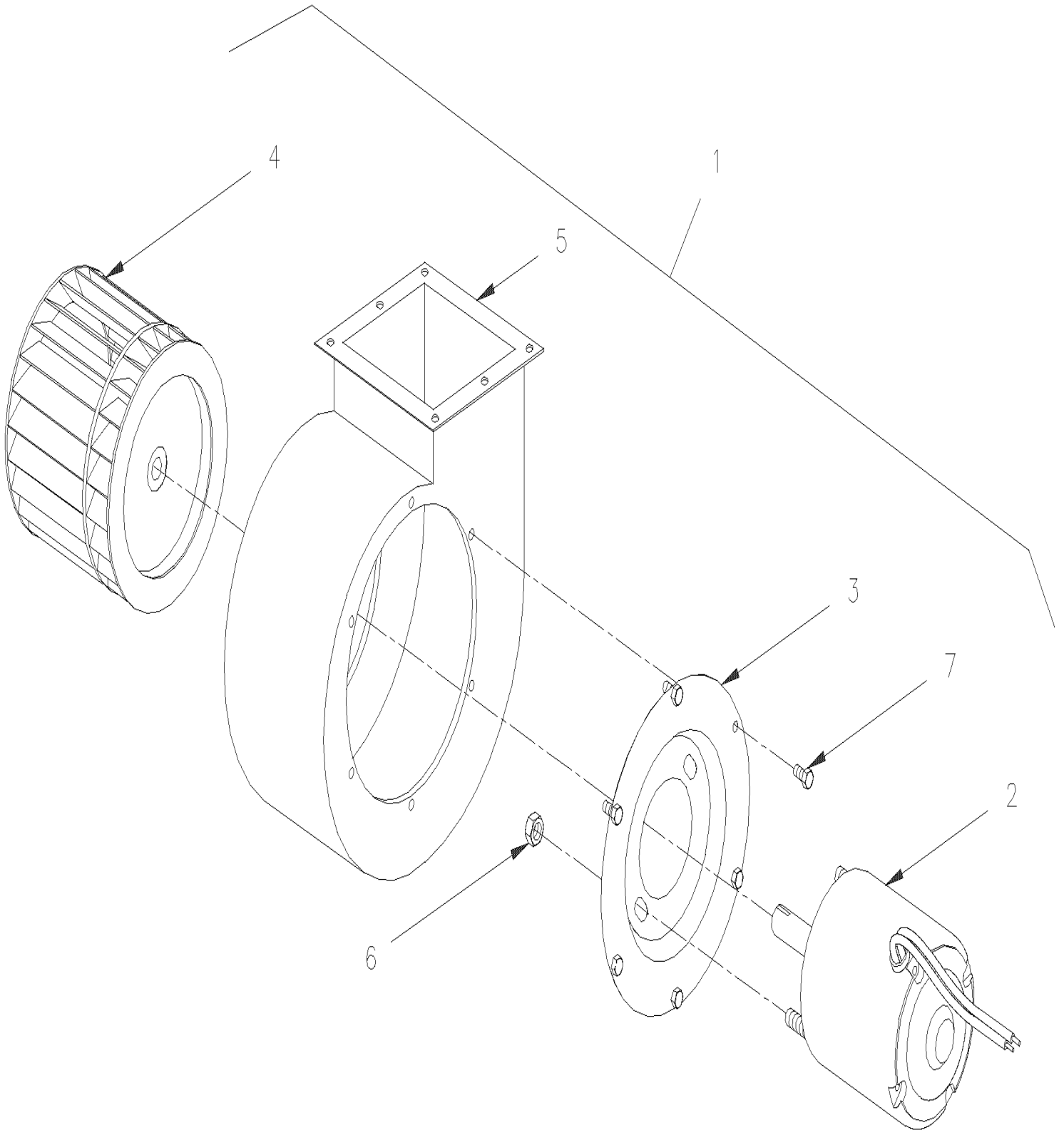
Item#	Part	Description	H 3 4 1	H 3 4 5	V I P 4 5	N O T E S
		BLOWER ASSY / LAVATORY				
1	870844	. BLOWER & MOTOR ASSY - "M.C.C." "CW" / FAN END				
2	403085	. SUPPORT ASSY	1	1		
3	500588	. SCREW CAP HEX M4-0.7x20 G8.8 Z050	6	6		
4	500591	. WASHER FL 4.3x9.0x0.8 Z050	6	6		
5	500590	. NUT HEX NYRT M4-0.7 Z050	6	6		
6	561690	. CONNECTOR / WEATHER PACK / SH 2C / BLACK / PED 12015792	1	1		
NS	561578	. SOCKET TERMINAL / 16-14 / PED 12010182	2	2		
NS	561786	. CABLE SEAL / GRAY / PED 15324980	2	2		
7	403063	. FLANGE / HOSE ADAPTOR	1	1		
8	502685	. SCREW CAP HEX M4-0.7x20 SS EMN	3	3		
NS	500589	. NUT WELL M4-0.7x13.5	3	3		
10	504324	HOSE CLAMP / 4"1/2-6"1/2 SS / HS-96	2	2		
11	503522	HOSE FLEXIBLE / AIR DUCT 5" I.D. X 12' / LINEN RUBBER	AR	AR		
12	500874	WASHER FL 8.4x17.0x1.6 Z050	2	2		
NS	502507	WASHER LO SPT 8.1x14.8x2.0 Z050	2	2		
13	500069	SCREW CAP HEX M8-1.25x16 G10.9 DP	2	2		
NS	454393	LAVATORY FAN - INSTALLATION	1	1		

From W-2285 To 2-4416

Date:10/2022

PAGE:870844

BLOWER & MOTOR ASSY - "M.C.C." "CW" / FAN END



From W-2285 To 2-4416	Date:10/2022	PAGE:870844
-----------------------	--------------	-------------

BLOWER & MOTOR ASSY - "M.C.C." "CW" / FAN END

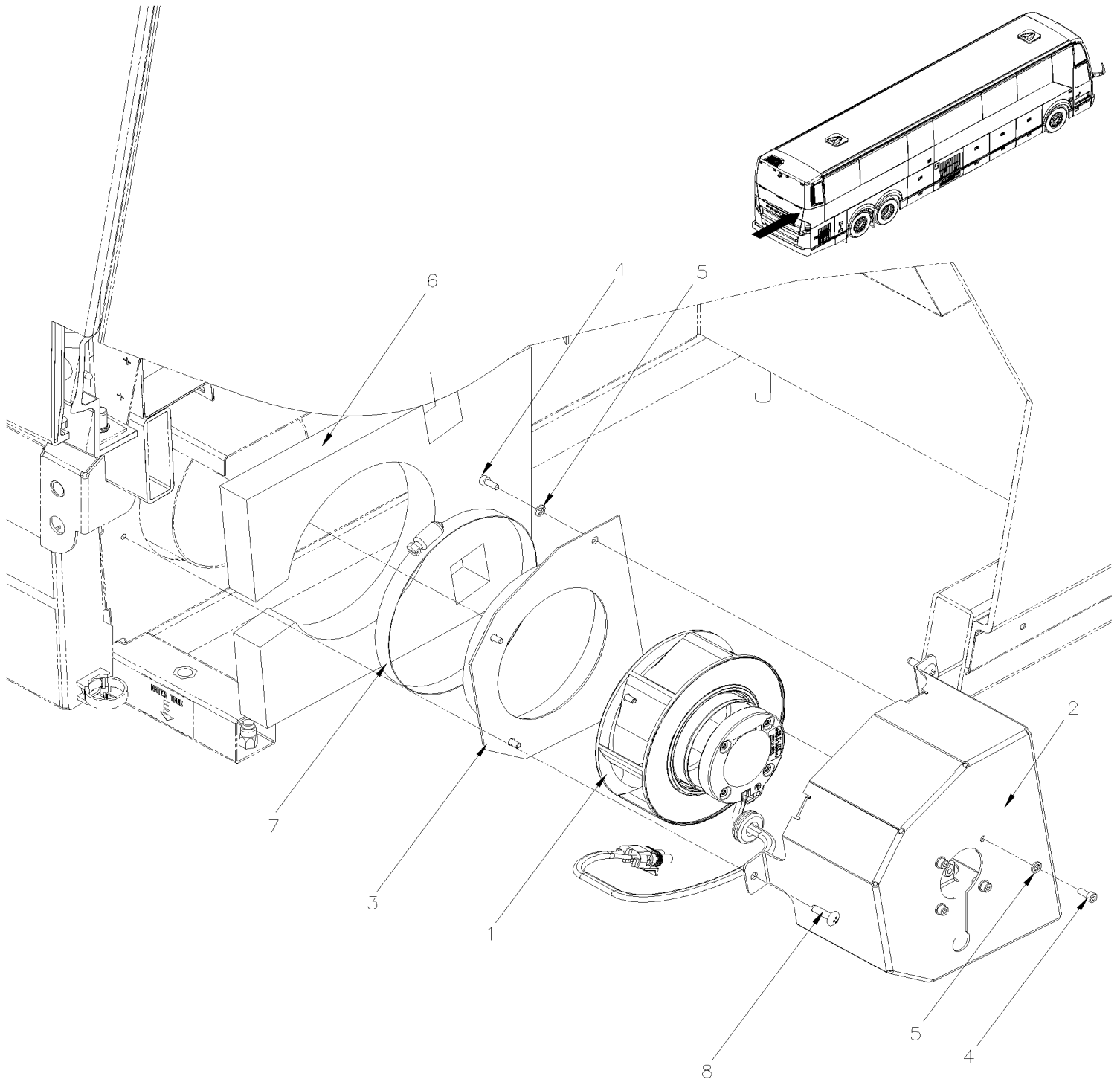
Item#	Part	Description	H 3 4 1	H 3 4 5	V I P 4 5	N O T E S
1		BLOWER ASSY 24V / CW	1	1	1	
2	562167	. MOTOR ASSY / 24V	1	1	1	
3	871020	. PLATE MOUNTING / MOTOR	1	1	1	
4	871017	. BLOWER WHEEL / STEEL	1	1	1	
5	871440	. HOUSING BLOWER	1	1	1	
6	500786	. NUT HEX #10-24 Z050	2	2	2	
7	500978	. SCREW CAP HEX #10-24x3/4 Z050	6	6	6	

From W-2285 To 2-4416

Date:10/2022

PAGE:454393

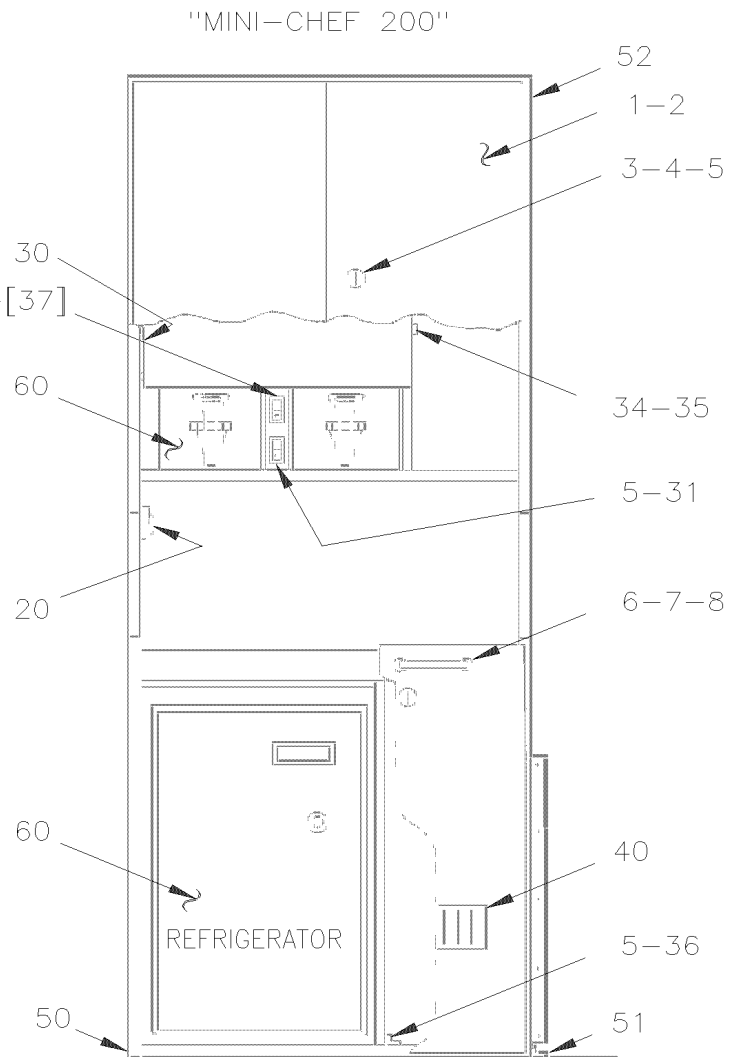
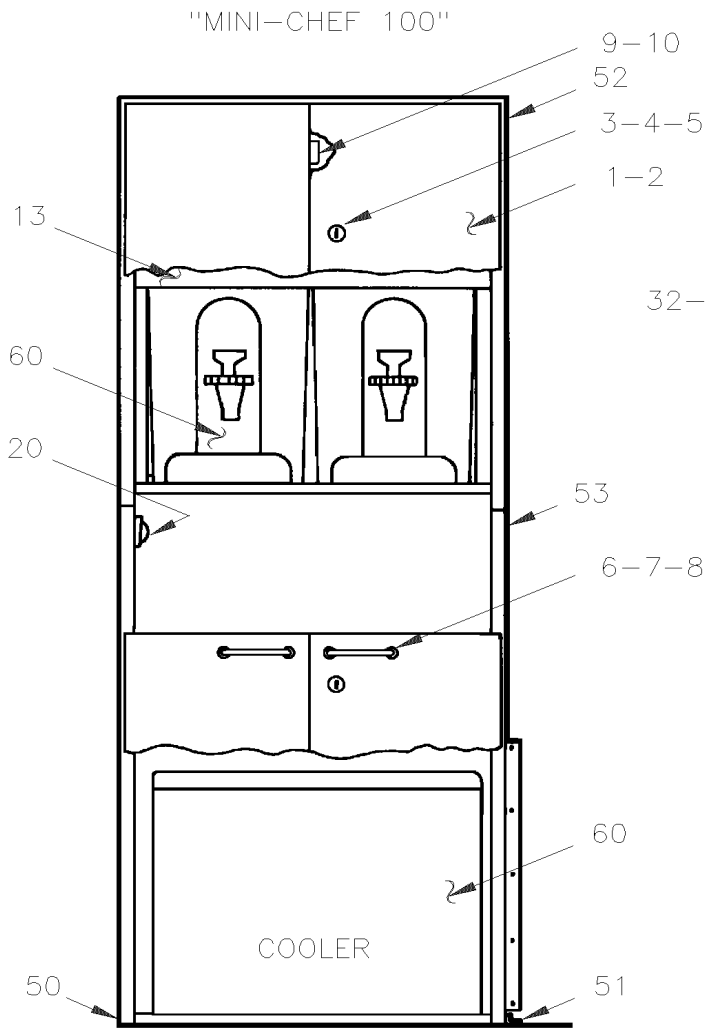
LAVATORY FAN - INSTALLATION



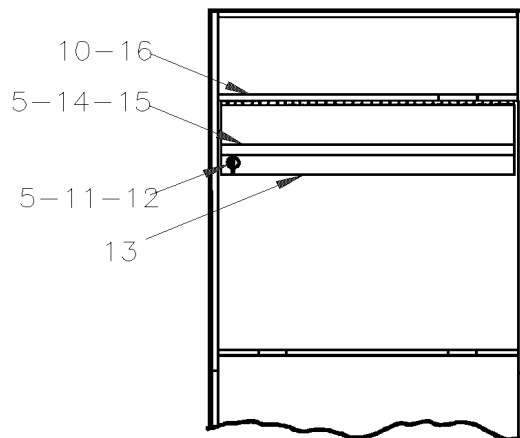
From W-2285 To 2-4416	Date:10/2022	PAGE:454393
LAVATORY FAN - INSTALLATION		

Item#	Part	Description	H 3 4 1	H 3 4 5	V I P 4 5	N O T E S
1	950624	FAN BRUSHLESS	1	1		
. NS	561690	. CONNECTOR / WEATHER PACK / SH 2C / BLACK / PED 12015792	1	1		
2	454382	BRACKET FOR LAVATORY FAN	1	1		
3	454383	PLATE FOR LAVATORY FAN ASSY	1	1		
4	5002180	SCREW CAP HEXS M4X0.7x10 SS	8	8		
5	500914	WASHER LO SPT .193x.334x.047 N500	8	8		
6	354192	INSULATION	1	1		
7	504324	HOSE CLAMP / 4"1/2-6"1/2 SS / HS-96	1	1		
8	500283	SCREW TC TR PH #10-24x3/4 SS	3	3		
NS	IS-19165	SEE INSTRUCTION SHEET	1	1		
NS	FI-19165	VOIR FEUILLE D'INSTRUCTION	1	1		

From R-012 To 2-4416	Date:10/2022	PAGE:H3-2345-00
GALLEY ASSY		



"MINI-CHEF 100" (DOOR OPEN)



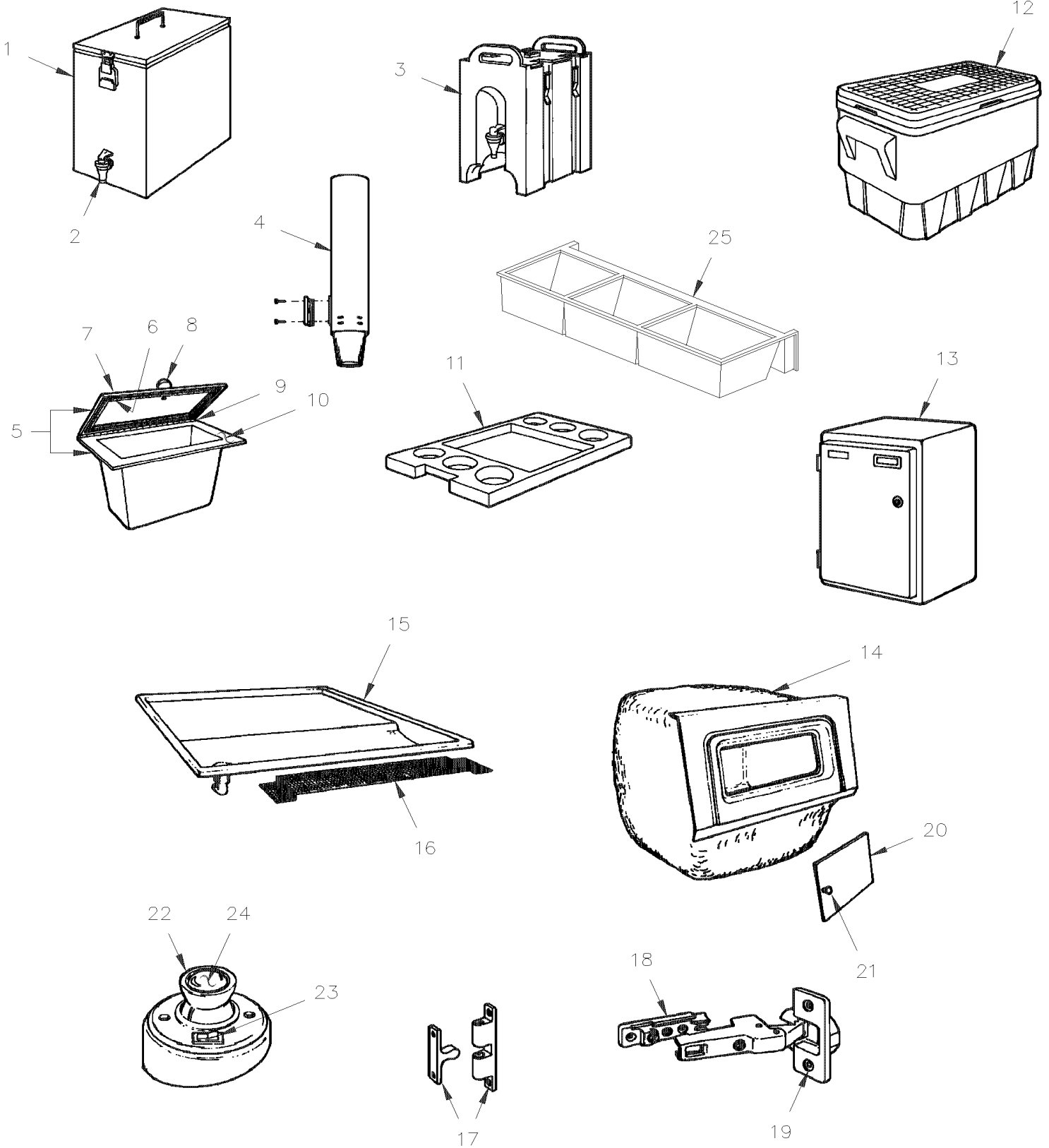
From R-012 To 2-4416	Date:10/2022	PAGE:H3-2345-00
GALLEY ASSY		

Item#	Part	Description	H 3 4 1	H 3 4 5	V I P 4 5	N O T E S
	N.S.P.	GALLEY "MINI-CHEF 100" ASSY/W/COOLER To W-2284	1	1		2 A
	N.S.P.	GALLEY "MINI-CHEF 101" ASSY/W/COOLER From W-2285	1	1		2 A
	N.S.P.	GALLEY "MINI-CHEF 100" ASSY/W/REFRIGERATOR 1.2 CU FT To W-2284	1	1		2 A
	N.S.P.	GALLEY "MINI-CHEF 101" ASSY/W/REFRIGERATOR 1.2 CU FT From W-2285	1	1		2 A
	N.S.P.	GALLEY "MINI CHEF 100" ASSY W/COFFEE MACHINE & MICROWAVE To W-2284	AR	AR		2 B
	N.S.P.	GALLEY "MINI CHEF 101" ASSY W/COFFEE MACHINE & MICROWAVE & POWER VERTER From W-2285	AR	AR		2 B
	N.S.P.	GALLEY "MINI-CHEF 200" ASSY W/COOLER To W-2284	1	1		2 A
	N.S.P.	GALLEY "MINI-CHEF 201" ASSY W/COOLER From W-2285	1	1		2 A
	N.S.P.	GALLEY "MINI-CHEF 200" ASSY/W/REFRIGERATOR 1.2 CU.FT To W-2284	1	1		2 A
	N.S.P.	GALLEY "MINI-CHEF 201" ASSY/W/REFRIGERATOR From W-2285	1	1		2 A
	N.S.P.	GALLEY "MINI CHEF 200" / W/REFRIGERATOR & MICROWAVE To W-2284	1	1		2 A
	N.S.P.	GALLEY "MINI CHEF 201" / W/REFRIGERATOR & MICROWAVE From W-2285	1	1		2 A
1	N.S.S.	. DOOR ASSY / GALLEY "MINI-CHEF"	4	4		1
2	900569	. MOULDING, PLASTIC	AR	AR		
2	900587	. HINGE, DOOR / GALLEY	8	8		
2	900514	. PLATE, MOUNTING / HINGE	8	8		
2	500626	. SCREW TP OV PH #8x3/4 Z050	AR	AR		
3	780180	. LOCK CYLINDER W/KEY / "VIRO"	1	1		
. NS	780501	. . KEY	1	1		
3	780806	. LOCK CYLINDER W/KEY / "VIRO"	1	1		
. NS	780501	. . KEY	1	1		
NS	289549	PIVOT LOCK ACTUATOR 42.4MM / W/11MM OFFSET	1	1		S
4	402737	. REINFORCEMENT / DOOR LOCK	2	2		C
5	500583	. SCREW TP PAN PH #6x1/2 Z050	AR	AR		
6	900568	. HANDLE / DOOR	4	4		
7	500645	. SCREW TP OV PH #8x1 1/4 Z050	8	8		
8	500464	. WASHER FN CKF .210x.540 SS	8	8		
9	402738	. PLATE, RETAINING / DOOR	4	4		
10	502611	. SCREW TP FL PH #6x1/2 Z050	AR	AR		
11	504502	. LATCH ASSY, DOOR	1	1		
12	402827	. ANGLE, RETAINING / LATCH	1	1		
13	403249	. PLATE, CLOSING	1	1		
13	506004	. TAPE RUB ADH1 CC POL 3/8" x 1/2" x 20' / GREY 2520X	AR	AR		
14	403250	. MOULDING CAP / GREY PLATINE 524MM / 20 5/8"	AR	AR		
15	403251	. MOULDING RETAINER / 514MM (20 1/4")	AR	AR		
16	403248	. HINGE / DOOR	1	1		
20	830124	. LAMP ASSY	1	1		
20	561942	. BULB / 10WATT-24VOLTS / SAE# 6429	AR	AR		
30	402828	. HINGE, DOOR	1	1		
30	900621	. LATCH ASSY	1	1		

From R-012 To 2-4416	Date:10/2022	PAGE:H3-2345-00
GALLEY ASSY		

Item#	Part	Description	H 3 4 1	H 3 4 5	V I P 4 5	N O T E S
30	403321	. SPACER / LATCH & SHELF	1	1		
31	402736	. SUPPORT / SWITCH GALLEY SS 349.25MM x 38.1MM	1	1		
31	403326	. SUPPORT / SWITCH / W/GALLEY & W/MICROWAVE 461MM x 110MM	1	1		
32	561468	. SWITCH / OFF-ON S.P.S.T.	2	2		
33	063019	. INSERT / GREEN / L.H. CONTAINER (GALLEY)	1	1		
33	063020	. INSERT / GREEN / R.H. CONTAINER (GALLEY)	1	1		
34	403081	. HOOK / DOOR	1	1		
35	500656	. SCREW TP OV PH #6x3/4 SS	2	2		
36	402849	. ANGLE, RETAINING	2	2		
NS	063347	CABLE ASSY / REAR OF GALLEY & REAR JCT PANEL	1	1		
NS	063831	CABLE ASSY / INVERTER 750 WATT & GALLEY ON R.H. SIDE	1	1		
NS	062929	CABLE ASSY / INVERTER 1000W & GALLEY ON R.H. SIDE	1	1		
NS	064411	CABLE ASSY / INVERTER 1000W & GALLEY ON L.H. SIDE	1	1		
37	063273	CABLE ASSY / INVERTER 1000W & GALLEY ON L.H. SIDE	1	1		
48	400877	ANGLE, FINISHING / FRONT GALLEY	1	1		
NS	900280	THRU HULL, CONNECTOR / PLASTIC	1	1		
50	403324	ANGLE / TO FIX GALLEY	1	1		
NS	Call order desk	BASE ASSY / GALLEY & FLOOR	1	1		P
51	403323	ANGLE / TO FIX GALLEY	2	2		
52	403322	ANGLE / TO FIX GALLEY	1	1		
53	403328	CLOSING PANEL	1	1		
NS	500686	SCREW TP OV PH #6x1/2 BK	AR	AR		
55	500345	WASHER FN CKF .187x.500x.090 BR BK	AR	AR		
NS	504106	RIVET POP DOME OE 1/8x1/4 AL	AR	AR		
NS	500638	SCREW TP PAN PH #8x1/2 Z050	AR	AR		
60	H3-2345-10	GALLEY ACCESSORIES				
		A) REFRIGERATOR, COOLER, ICE BOX & HOT LIQUID DISPENSOR ARE NOT INCLUDED IN ASSEMBLY SEE H3-2345-10				
		B) THIS PART NUMBER INCLUDE ALLS COMPONENTS & INVERTER 1000 W				
		C) DOOR LOCK				
		S) REQUIERED ONLY IN SERVICE IF YOU NEED TO CHANGE YOUR OLD CYLINDER LOCK # 780180				
		1) NOT SOLD SEPARATELY				
		2) NOT SOLD BY PREVOST (SEE MANUFACTURING PART NUMBER AT END OF DESCRIPTION LINE)				
		P) CALL ORDER DESK FOR SPECIFIC APPLICATION (V.I.N.)				

From R-012 To 2-4416	Date:10/2022	PAGE:H3-2345-10
GALLEY ACCESSORIES		



From R-012 To 2-4416	Date:10/2022	PAGE:H3-2345-10
GALLEY ACCESSORIES		

Item#	Part	Description	H 3 4 1	H 3 4 5	V I P 4 5	N O T E S
1	403640	DISPENSER ASSY / HOT LIQUID	2	2		
1	900488	. DISPENSER, HOT LIQUID	1	1		
2	900483	. SPIGOT ASSY / 1/2 NPT W/900488	1	1		
2	900678	. ADAPTOR / SPIGOT & CONTAINER	1	1		
2	900426	. PLUG, 3 PINS MALE	1	1		
2	900427	. SWITCH, TEMPERATURE	1	1		
2	900676	. GASKET COVER	1	1		
2	403639	. ADAPTOR, ON COVER FOR SAFETY CAP	1	1		
3	900583	CONTAINER, LIQUID	2	2		
3	900677	. SPIGOT ASSY / W/PLASTIC WING NUT	1	1		
4	402826	DISPENSER, CUP / MODIFIED SHORT	1	1		
4	900391	CUP DISPENSER / CUP / LONG	1	1		
NS	900249	CUP / 100 UNIT PACK	AR	AR		
5	402732	ICE CONTAINER ASSY To X-2929	2	2		
5	404755	ICE CONTAINER ASSY From X-2930	1	1		
6	402734	. COVER, ICE CONTAINER	1	1		
7	506002	. TAPE RUB ADH1 CC POL 3/16" x 1/2" x 40' / GREY 2520	AR	AR		
8	505018	. KNOB	1	1		
8	500541	. SCREW MA FL PH 1/4-20x1/2 SS BK	1	1		
9	402829	HINGE, COVER	1	1		
10	402731	CONTAINER, ICE To X-2929	1	1		
10	404749	CONTAINER, ICE From X-2930	1	1		
11	403243	TRAY, SERVICE To X-2929	1	1		
11	404752	TRAY, SERVICE From X-2930	1	1		
12	900585	COOLER 23 LITERS	1	1		
13	900741	REFRIGERATOR "NORCOLD" 2.5 CU. FT MODEL DE-351 120/12 V W/ICE BOX	1	1		
13	900738 FORMER	REFRIGERATOR "NORCOLD" 4 CU. FT MODEL DE-390	1	1		
. NS	901539	. HINGE ASSY	1	1		
13	900584	REFRIGERATOR "FRENSLEL" 1.2 CU. FT / W/GALLEY "MINI-CHEF"	1	1		
NS	900586	COMPRESSOR, 24 VOLTS, REFRIGERATOR / W/900584 ONLY	1	1		
14	400989	ICE BOX ASSY	1	1		
15	400821	DRAIN PAN ASSY / BEIGE	1	1		
16	400806	GRILLE DRAIN SS 466.7MM x 96MM	1	1		
NS	900280	THRU HULL, CONNECTOR / PLASTIC	1	1		
17	900425	CATCH ASSY	AR	AR		
18	900514	PLATE, MOUNTING / HINGE	2	2		
19	900389	HINGE, DOOR	2	2		
20	401009	DOOR, SLIDING	1	1		
21	505018	KNOB	1	1		
22	830124	LAMP ASSY	AR	AR		
23	830139	LAMP ASSY / W/ONE BULB	AR	AR		
24	562278	BULB / 10WATT-24VOLTS / SAE# 6429	1	1		

From R-012 To 2-4416	Date:10/2022	PAGE:H3-2345-10
----------------------	--------------	-----------------

GALLEY ACCESSORIES

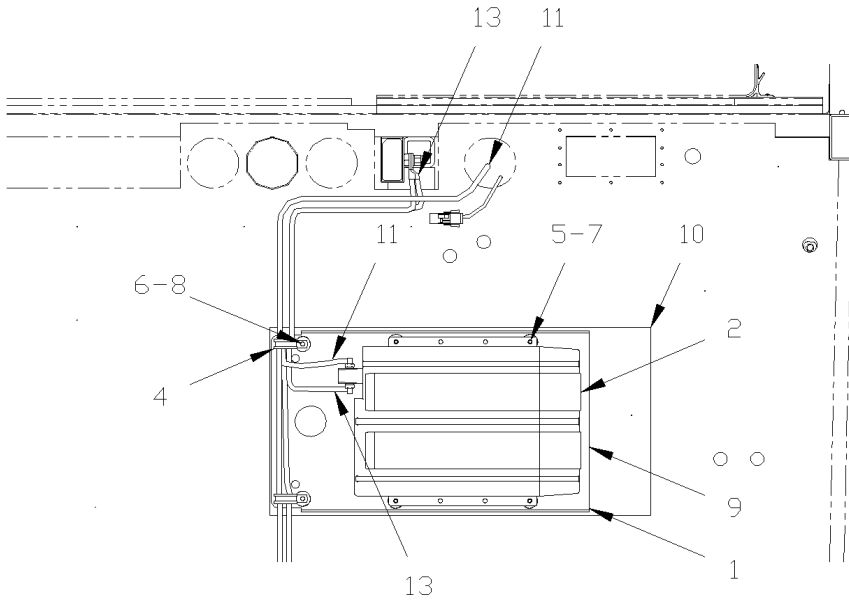
Item#	Part	Description	H 3 4 1	H 3 4 5	V I P 4 5	N O T E S
25	404485	BIN W/3 SEPARATOR	1	1		
NS	900620	MICRO WAVE "SANYO"	1	1		
NS	900919	MICRO WAVE "SANYO"	1	1		

From R-012 To 2-4416

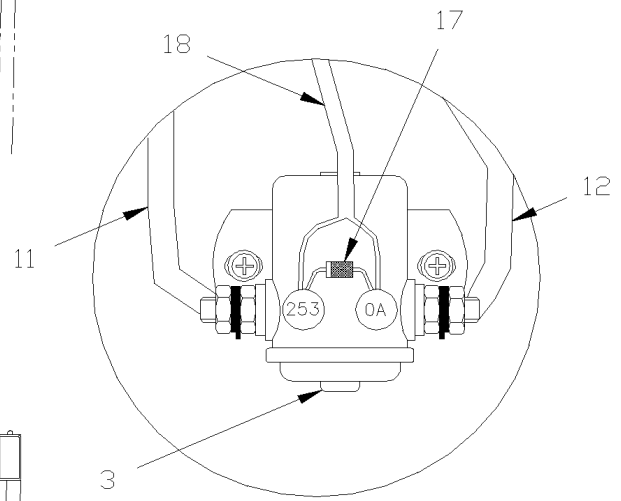
Date:10/2022

PAGE:H3-2345-40

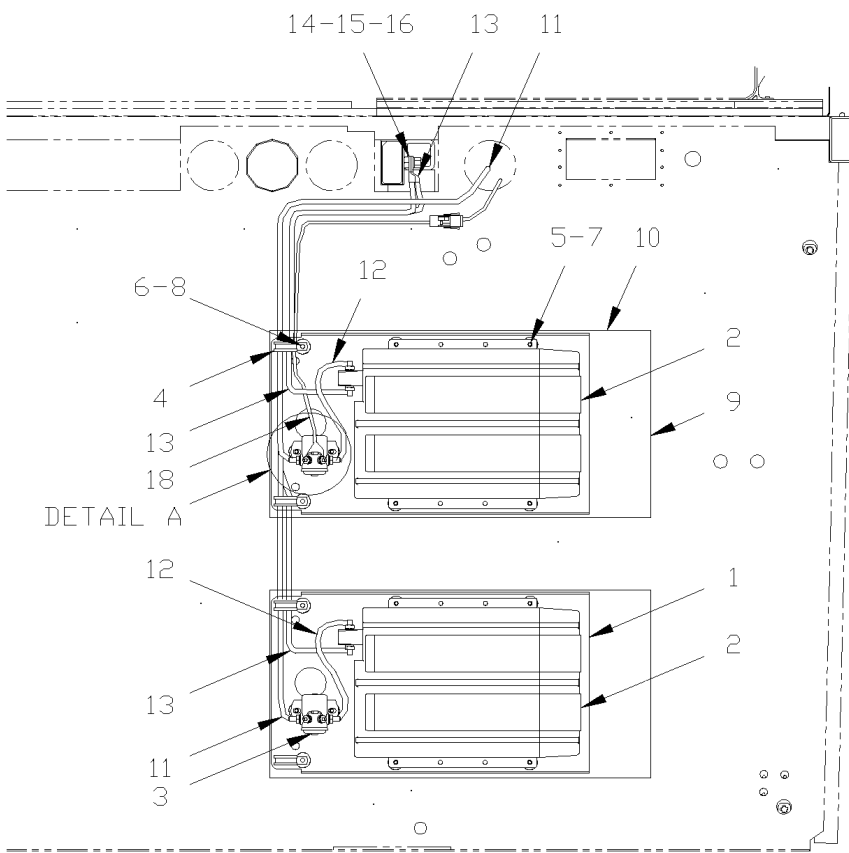
POWERVERTER - 24/110 VOLTS - 1800 WATTS



WITHOUT RELAY



DETAIL A



WITH RELAY

From R-012 To 2-4416	Date:10/2022	PAGE:H3-2345-40
POWERVERTER - 24/110 VOLTS - 1800 WATTS		

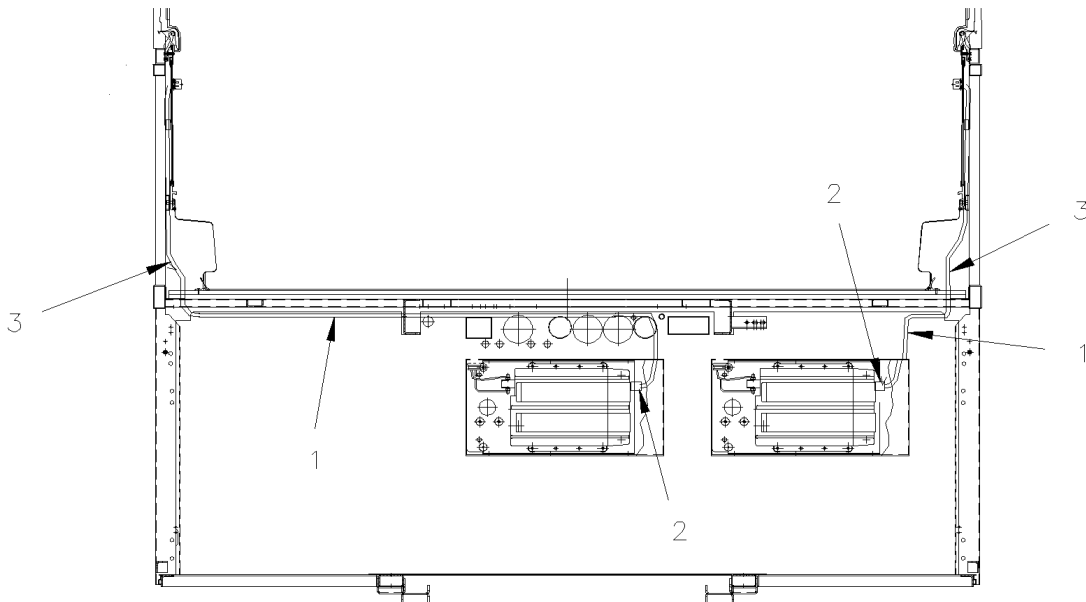
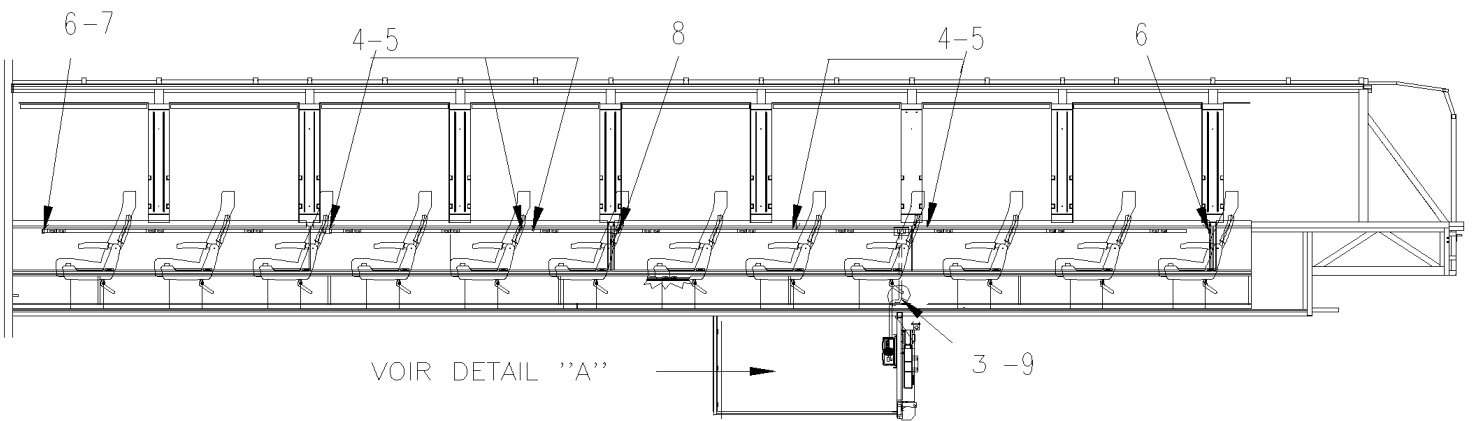
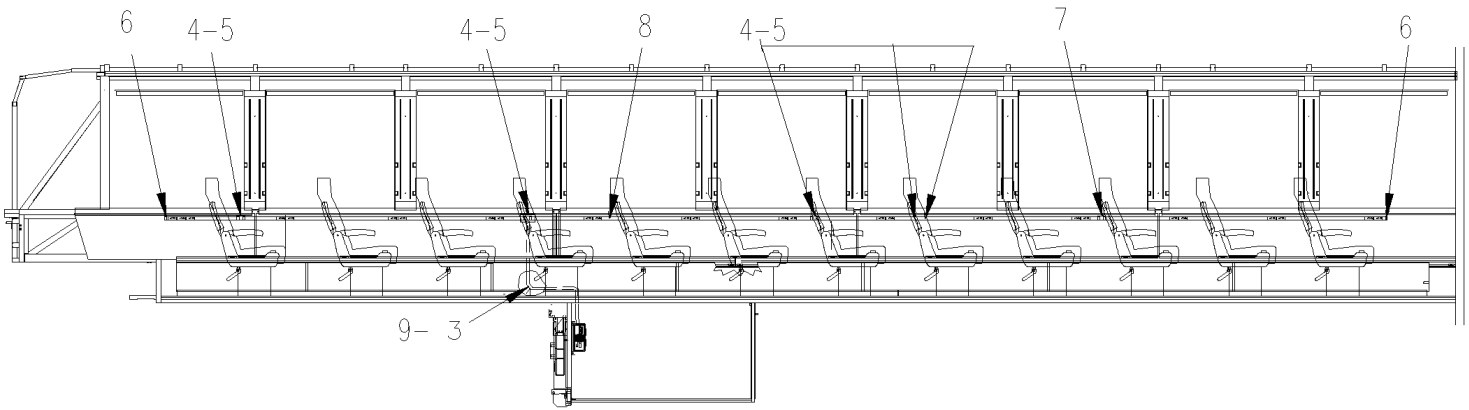
Item#	Part	Description	H 3 4 1	H 3 4 5	V I P 4 5	N O T E S
1	065519	INVERTER, SUPPORT	1	1		
2	563082	POWERVERTER ASSY / 24/110 V 1800 WATTS W/DISPLAY ON INVERTER	1	1		
3	561005	SWITCH MAGNETIC / 24V S.P.S.T. / 200AMPS N.O.	1	1		
4	952637	CLAMP / 1"1/16 I.D.	2	2		
5	5001182	NUT HEX NYRT M6-1.0 SS	6	6		
6	500590	NUT HEX NYRT M4-0.7 Z050	2	2		
7	502573	WASHER FL 6.4x12.5x1.6 SS	6	6		
8	502637	WASHER FL .200x.437x.037 SS	2	2		
9	563131	POWERVERTER, COVER	1	1		
10	500572	SCREW MA TR PH #10-24x1/2 SS BK	6	6		
11	065538	CABLE ASSY #4 x 5425MM	1	1		
12	065540	CABLE ASSY #4 x 250MM	1	1		
13	065542	CABLE ASSY #4 x 1750MM	1	1		
14	5001330	SCREW CAP HEX 1/2-13x1 SS	1	1		
15	500998	NUT HEX 1/2-13 BR	1	1		
16	500482	WASHER LO SPT .506x.873x.125 Z050	1	1		
17	060798	DIODE ASSY	1	1		
18	065531	CABLE INVERTER	1	1		

From R-012 To 2-4416

Date:10/2022

PAGE:H3-2345-99

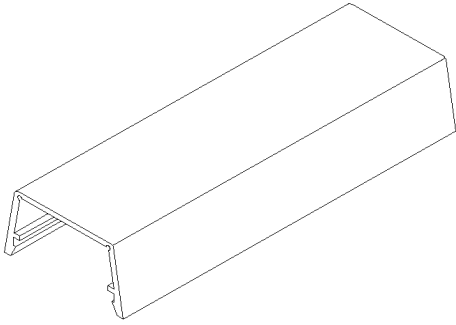
110 VOLT - OUTLET / "RETROFIT"



DETAIL "A"

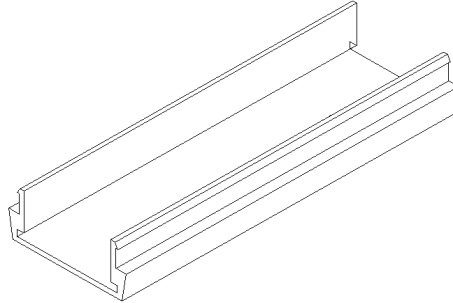
From R-012 To 2-4416	Date:10/2022	PAGE:H3-2345-99
110 VOLT - OUTLET / "RETROFIT"		

564151



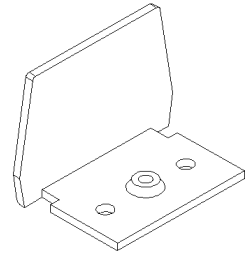
COVER ALUMINIUM
RACEWAY 110V

564152



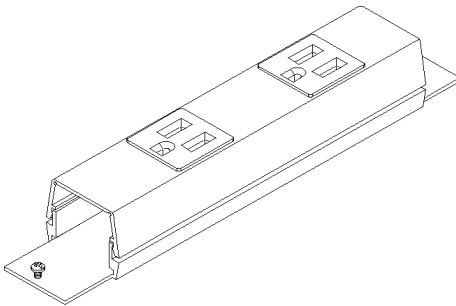
BASE ALUMINIUM
RACEWAY 110V

564153



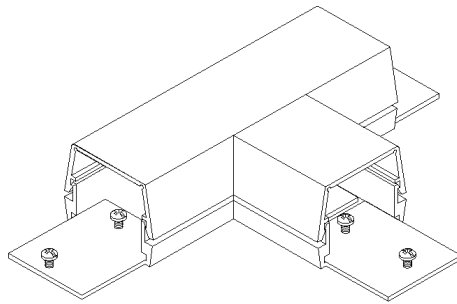
BLANK END FITTING
RACEWAY 110V

564154



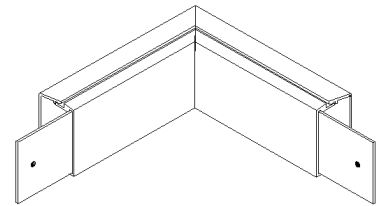
RECEPTACLE DOUBLE
RACEWAY 110V

564155



TEE
RACEWAY 110V

564156

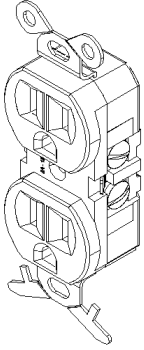


ELNOW
RACEWAY 110V

From R-012 To 2-4416	Date:10/2022	PAGE:H3-2345-99
110 VOLT - OUTLET / "RETROFIT"		

562657

WHITE



PLUG DOUBLE
OUTLET 110V

562659

WHITE

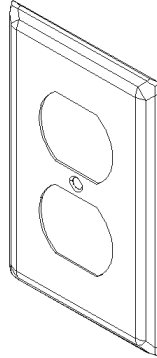
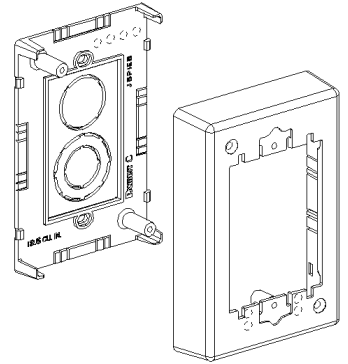


PLATE OUTLET 110V

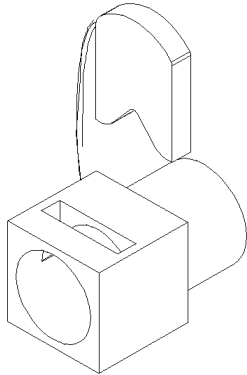
564129

WHITE



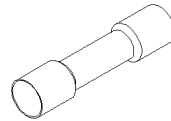
RECEPTACLE BOX
OUTLET 110V

564467



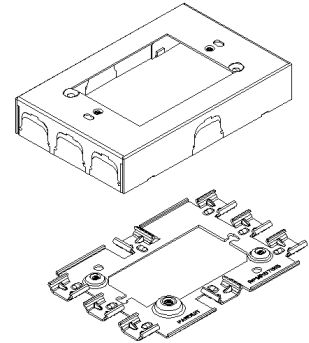
CONNECTOR IBERVILLE

563624



563848

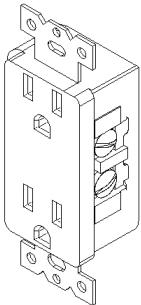
WHITE



RECEPTACLE BOX
OUTLET 110V

563846

WHITE



PLUG DOUBLE
OUTLET 110V

563847

WHITE

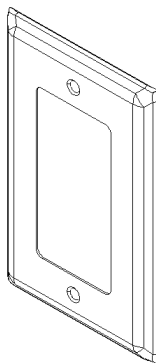


PLATE OUTLET 110V

From R-012 To 2-4416	Date:10/2022	PAGE:H3-2345-99
110 VOLT - OUTLET / "RETROFIT"		

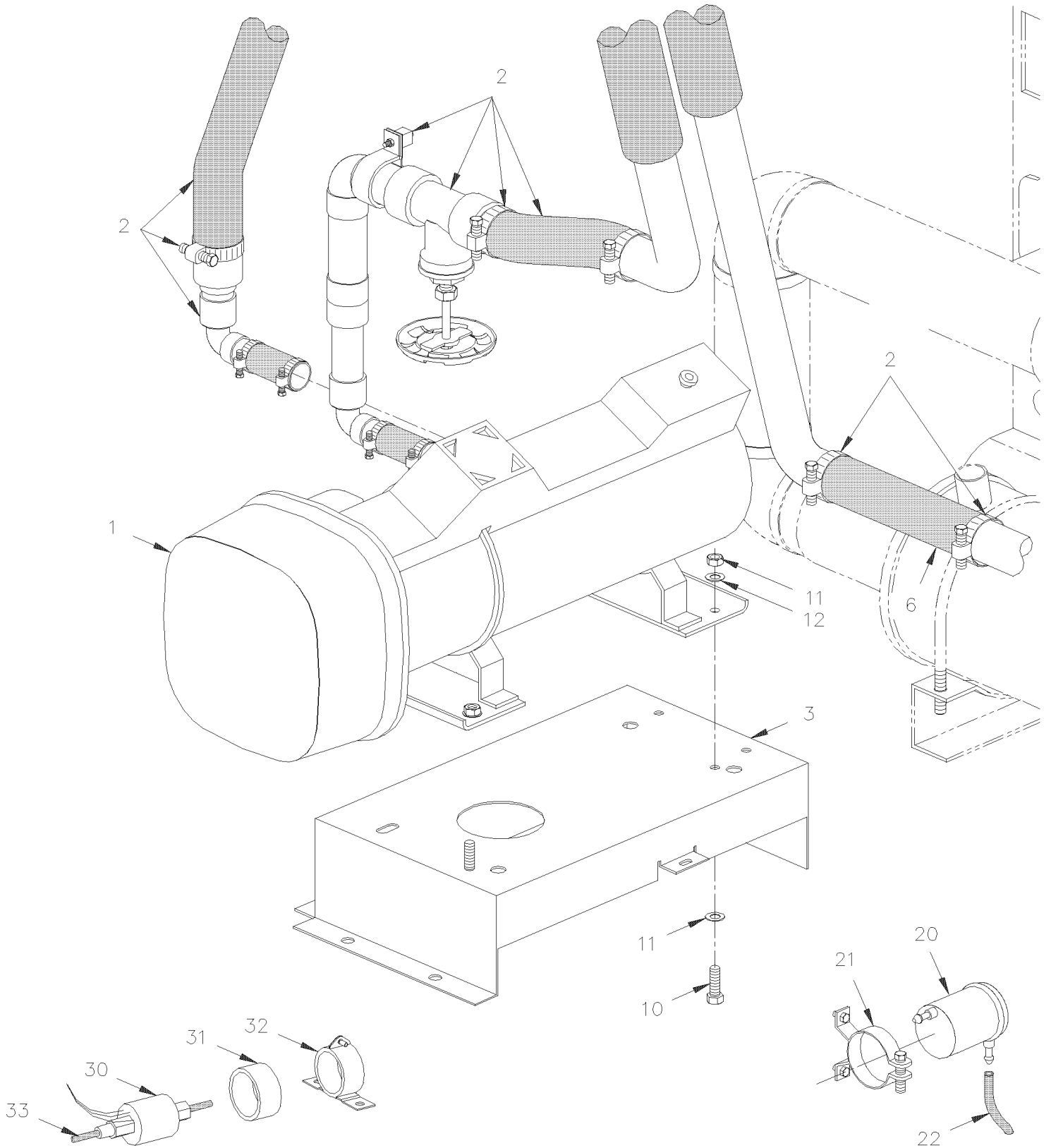
Item#	Part	Description	H 3 4 1	H 3 4 5	V I P 4 5	N O T E S
1	562664	PROTECTOR METALLIC 1"/CABLE	AR	AR		
2	560933	CONNECTOR / 15 AMPS / HUBBELL 5266-C	AR	AR		
3	562595	SPECIAL WIRE CABLE 14/3 / WHITE (BOAT CABLE)	AR	AR		
4	564151	RACEWAY BASE ALUMINUM 60"	AR	AR		
5	564152	RACEWAY COVER ALUMINUM 60"	AR	AR		
6	564153	BLANK END FITTING CLOSING	AR	AR		
7	564154	RECEPTACLE DOUBLE / IN-LINE 15 Amps	AR	AR		
8	564155	TEE ALUMINUM RACEWAY	AR	AR		
9	564156	ELBOW 90° EXTERNAL RACEWAY	AR	AR		
20	562657	PLUG DOUBLE 110 VAC MURAL / WHITE	AR	AR		
21	562659	COVER PLATE DOUBLE 110V OUTLET / WHITE	AR	AR		
22	564129	RECEPTACLE BOX / 110Vac outlet / WHITE	AR	AR		
23	564467	CONNECTOR IBERVILLE 1/2" PLASTIC GREY	AR	AR		
24	563624	BUTT SPLICE / 12-10 / YELLOW / W/THERMORETRAC / PANDUIT BSH10-E	AR	AR		
25	563848	RECEPTACLE BOX / 100Vac outlet WHITE NYLON	AR	AR		
26	562662	PLUG DOUBLE 110 VAC MURAL WHITE NYLON "DECORA"	AR	AR		
26	563846	PLUG DOUBLE 110 VAC MURAL WHITE NYLON "DECORA"	AR	AR		
26	564507	PLUG DOUBLE 110 VAC MURAL GREY NYLON "DECORA"	AR	AR		
27	563847	COVER PLATE DOUBLE 110V OUTLET WHITE NYLON	AR	AR		
27	564508	COVER PLATE DOUBLE 110V OUTLET SILVER	AR	AR		

From R-012 To 2-4416

Date:10/2022

PAGE:H3-2350-11

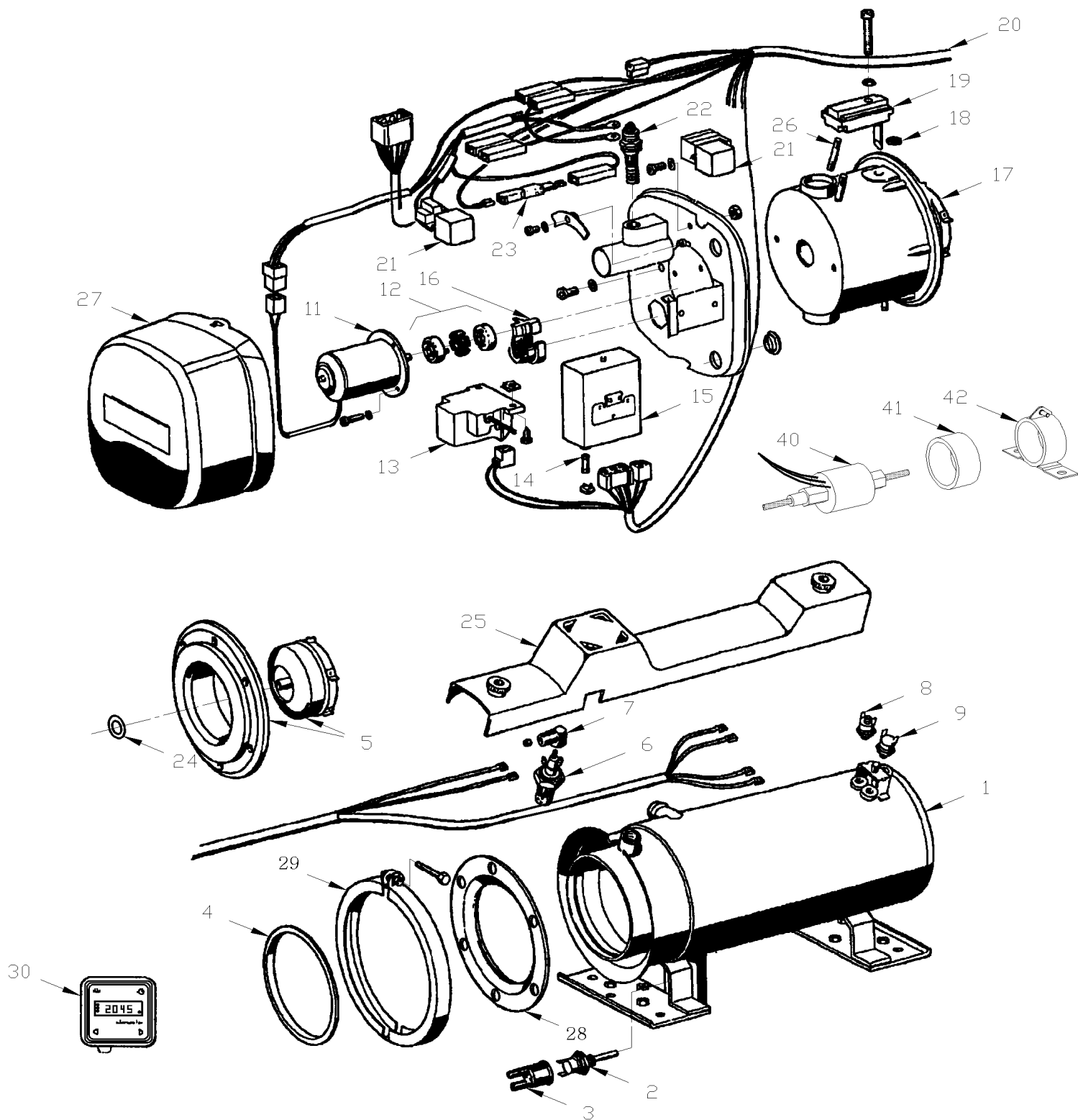
WATER HEATER - INSTALLATION



From R-012 To 2-4416	Date:10/2022	PAGE:H3-2350-11
WATER HEATER - INSTALLATION		

Item#	Part	Description	H 3 4 1	H 3 4 5	V I P 4 5	N O T E S
1	870969	WATER HEATER - "ESPAR" 40,000 B.T.U. From R-012 To S-295				
1	871097	WATER HEATER - "ESPAR" 41,000 B.T.U. From S-296 To 2-4416				
1	871036	WATER HEATER - "WEBASTO" 80,000 B.T.U. From R-012 To 2-4416				
1	871085	WATER HEATER - "WEBASTO" 45,000 B.T.U. From R-012 To 2-4416				
1	871100	WATER HEATER - "PROHEAT" 80,000 B.T.U. From Y-3712 To 2-4416				
1	871197	WATER HEATER - "ESPAR" 103,000 B.T.U. From Y-3713 To 2-4416				
2	H3-2222-01	HEATER LINE REAR SECTION				
3	373425	BOX SUPPORT / W/45000 BTU	1	1		
3	373406	BOX SUPPORT / W/40000 & 80000 BTU	1	1	1	
3	373765	BOX SUPPORT / W/80000 BTU "PROHEAT"	1	1		
NS	373284	SPACER / W/80000 BTU / "PROHEAT"	1	1	1	
10	502780	SCREW CAP HEX M8-1.25x25 SS BK	4	4	4	
11	500441	WASHER FL .312x.734x.065 Z050	4	4	4	
12	500294	WASHER SHR .172x.437x.094 FIB BK	4	4	4	
13	502744	NUT HEX STO M8-1.25 Z050	4	4	4	
20	871037	FILTER, FUEL	1	1	1	
21	871038	SUPPORT, FILTER FUEL	1	1	1	
22	503411	HOSE / 2556 / #4 X 50'	AR	AR	AR	
30	870973	PUMP FUEL	1	1	1	
31	870972	RING, RUBBER	1	1	1	
32	870971	SUPPORT, PUMP	1	1	1	
33	503411	HOSE / 2556 / #4 X 50'	AR	AR	AR	

From R-012 To 2-4416	Date:10/2022	PAGE:870969
WATER HEATER - "ESPAR" 40,000 B.T.U.		



From R-012 To 2-4416	Date:10/2022	PAGE:870969
WATER HEATER - "ESPAR" 40,000 B.T.U.		

Item#	Part	Description	H 3 4 1	H 3 4 5	V I P 4 5	N O T E S
		WATER HEATER - "ESPAR" 40,000 B.T.U.	1	1	1	
1	870983	. EXCHANGER HEAT	1	1	1	
2	871004	. SWITCH TEMPERATURE	1	1	1	
3	871006	. CAP PROTECTOR	1	1	1	
4	870997	. RING SEALING	1	1	1	
5	871114	. ATOMIZER	1	1	1	A
NS	870984	. KIT ATOMIZER	1	1	1	A
6	870994	. PLUG GLOW	1	1	1	
7	870993	. CONNECTOR PLUG	1	1	1	
8	870996	. SWITCH SAFETY CUTOUT	1	1	1	
8	871035	. SWITCH REGULATING / (CUT OUT 194°F / CUT IN 178°F)	1	1	1	
9	870995	. SWITCH REGULATING	1	1	1	
11	870989	. MOTOR ASSY / 24V	1	1	1	
12	871005	. COUPLING	1	1	1	
13	870988	. IGNITION SPARK GENERATOR	1	1	1	
14	871003	. FUSE 4 AMPS	1	1	1	
15	871000	. UNIT CENTRAL	1	1	1	
16	870991	. GROMMET	1	1	1	
17	870990	. BURNER	1	1	1	
18	870998	. O-RING	1	1	1	
19	870985	. SENSOR FLAME	1	1	1	
20	870999	. HARNESS ASSY	1	1	1	
21	561707	. RELAY 24V S.P.D.T. W/RESISTOR /	2	2	2	
22	870987	. RESISTOR	1	1	1	
23	870992	. DIODE	1	1	1	
24	871115	. WASHER	1	1	1	
25	871072	. COVER / GLOW PLUG	1	1	1	
26	871081	. STUD / TO FIX COVER / M5X40MM	2	2	2	
27	871083	. COVER	1	1	1	
28	871367	. FLANGE	1	1	1	
29	871349	. CLAMP RETAINER	1	1	1	
30	562025	TIMER ASSY / W/"ESPAR" PREHEATER	1	1	1	B
40	870973	PUMP FUEL	1	1	1	
41	870972	RING, RUBBER	1	1	1	
42	870971	SUPPORT, PUMP	1	1	1	
NS	870981	EXHAUST PIPE 1.57 O.D. X 118"	AR	AR	AR	
NS	870979	CLAMP / EXHAUST	1	1	1	
NS	870975	ELBOW 90° / EXHAUST	1	1	1	
NS	870974	BALL	1	1	1	
NS	870976	NUT	1	1	1	

From R-012 To 2-4416	Date:10/2022	PAGE:870969
WATER HEATER - "ESPAR" 40,000 B.T.U.		

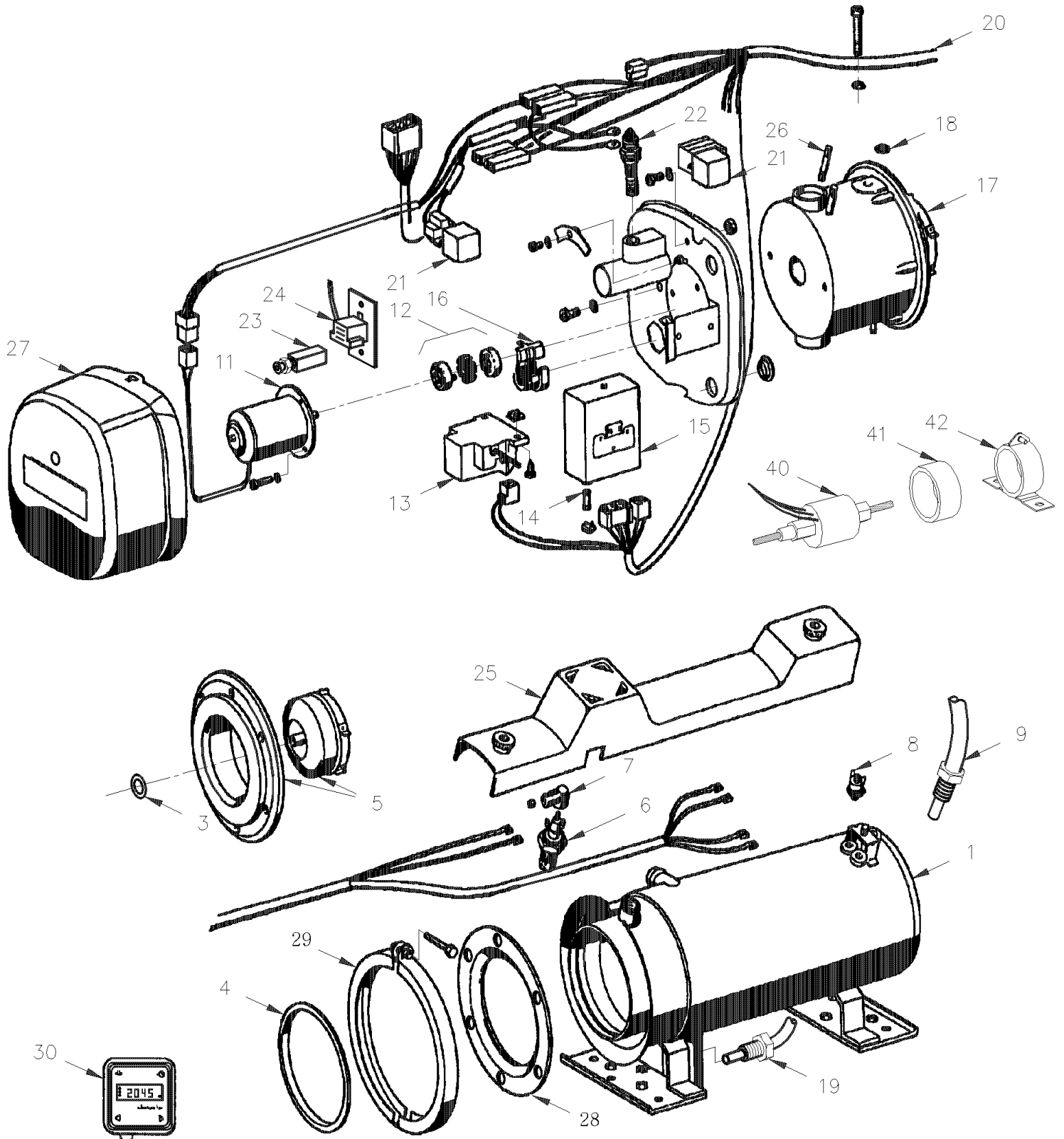
Item#	Part	Description	H 3 4 1	H 3 4 5	V I P 4 5	N O T E S
		A) WHEN IT'S FIRST ATOMIZER REPLACED, USE CONVERSION KIT #870984				
		B) L.H. CONSOLE				

From R-012 To 2-4416

Date:10/2022

PAGE:871097

WATER HEATER - "ESPAR" 41,000 B.T.U.



From R-012 To 2-4416	Date:10/2022	PAGE:871097
WATER HEATER - "ESPAR" 41,000 B.T.U.		

Item#	Part	Description	H 3 4 1	H 3 4 5	V I P 4 5	N O T E S
		WATER HEATER ASSY / MODEL D-12W / 25 1860 25 - "ESPAR" 41,000 B.T.U. From V-1922	1	1	1	
1	870983	. EXCHANGER HEAT To V-1921	1	1	1	
1	871111	. EXCHANGER HEAT From V-1922	1	1	1	
3	871115	. WASHER	1	1	1	
4	870997	. RING SEALING	1	1	1	
5	871114	. ATOMIZER	1	1	1	A
NS	870984	. KIT ATOMIZER	1	1	1	A
6	870994	. PLUG GLOW	1	1	1	
7	870993	. CONNECTOR PLUG	1	1	1	
8	870996	. SWITCH SAFETY CUTOUT	1	1	1	
9	871035	. SWITCH REGULATING / (CUT OUT 194°F / CUT IN 178°F) To V-1921	1	1	1	
9	871116	. SWITCH REGULATING / (CUT OUT 194°F / CUT IN 178°F) From V-1922	1	1	1	
11	870989	. MOTOR ASSY / 24V	1	1	1	
12	871005	. COUPLING	1	1	1	
13	870988	. IGNITION SPARK GENERATOR	1	1	1	
14	871003	. FUSE 4 AMPS	1	1	1	
15	871088	. UNIT CENTRAL	1	1	1	
16	870991	. GROMMET	1	1	1	
17	870990	. BURNER To V-1921	1	1	1	
17	871113	. BURNER From V-1922	1	1	1	
18	870998	. O-RING	1	1	1	
19	871118	. SENSOR FLAME	1	1	1	
20	870999	. HARNESS ASSY To V-1921	1	1	1	
20	871112	. HARNESS ASSY From V-1922	1	1	1	
21	561707	. RELAY 24V S.P.D.T. W/RESISTOR /	2	2	2	
22	870987	. RESISTOR	1	1	1	
23	871117	. LED, INDICATOR	1	1	1	
24	871095	. CIRCUIT BOARD	1	1	1	
25	871072	. COVER / GLOW PLUG	1	1	1	
26	871081	. STUD / TO FIX COVER / M5X40MM	2	2	2	
27	871083	. COVER	1	1	1	
28	871367	. FLANGE	1	1	1	
29	871349	. CLAMP RETAINER	1	1	1	
30	562025	TIMER ASSY / W/"ESPAR" PREHEATER To V-1921	1	1	1	
30	562680	TIMER ASSY / W/"ESPAR" PREHEATER / 7 DAYS From V-1922	1	1	1	
NS	871102	. BULB / 1.4WATT-24 VOLTS	1	1	1	
40	870973	PUMP FUEL	1	1	1	
41	870972	RING, RUBBER	1	1	1	
42	870971	SUPPORT, PUMP	1	1	1	

From R-012 To 2-4416	Date:10/2022	PAGE:871097
----------------------	--------------	-------------

WATER HEATER - "ESPAR" 41,000 B.T.U.

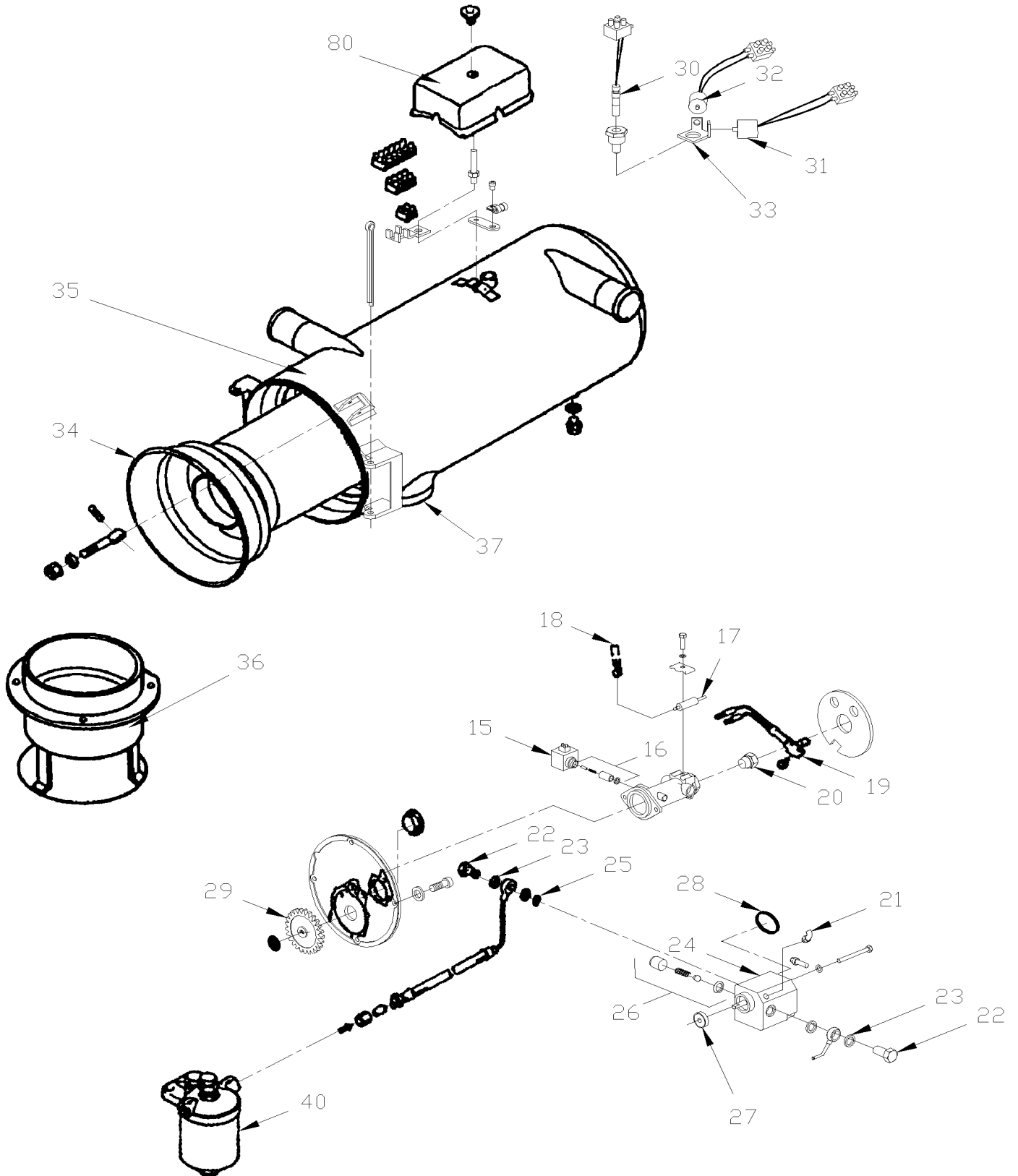
Item#	Part	Description	H 3 4 1	H 3 4 5	V I P 4 5	N O T E S
		A) WHEN IT'S THE FIRST ATOMIZER REPLACED, USE CONVERSION KIT #870984				

From R-012 To 2-4416

Date:10/2022

PAGE:871036

WATER HEATER - "WEBASTO" 80,000 B.T.U.

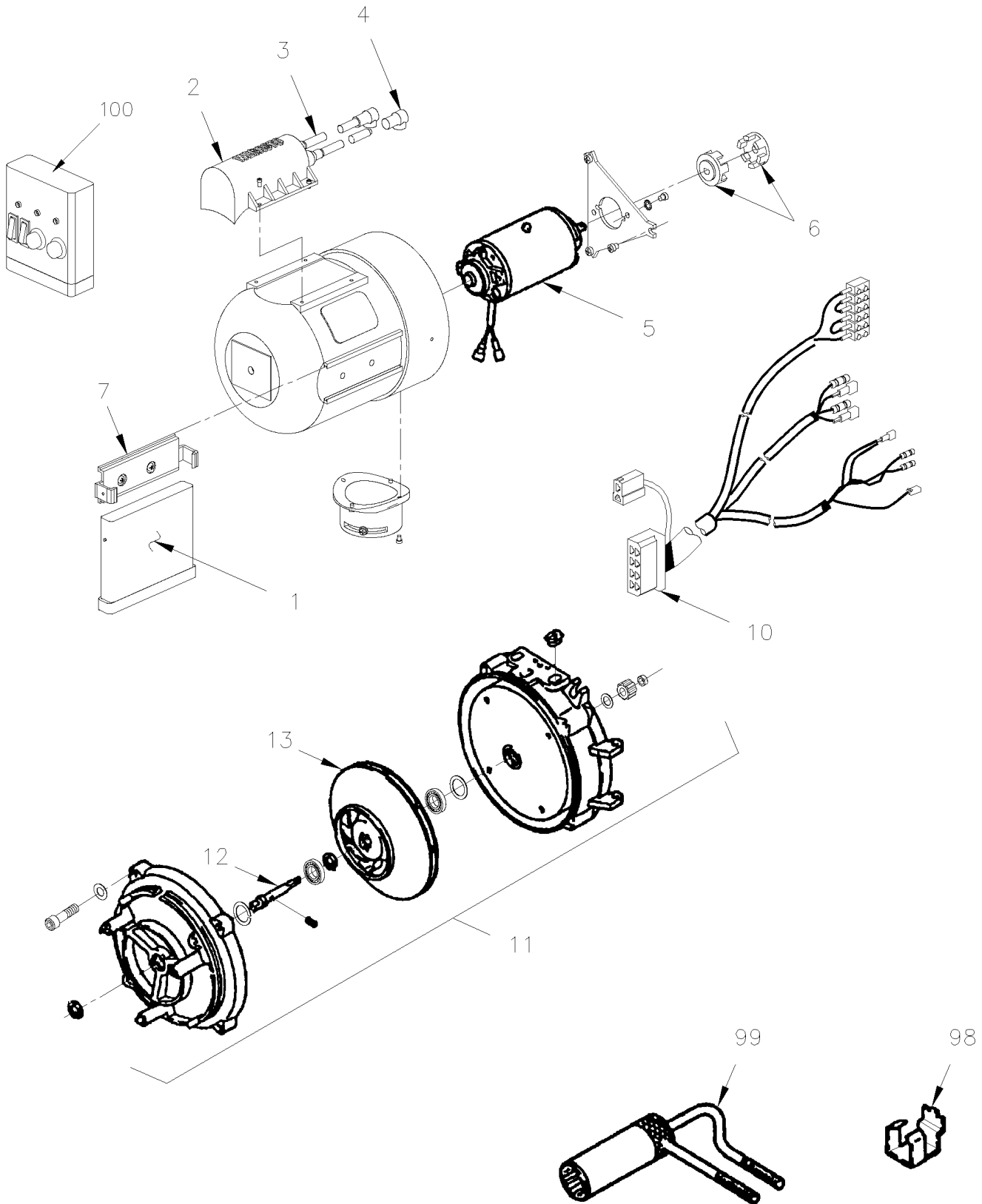


From R-012 To 2-4416

Date:10/2022

PAGE:871036

WATER HEATER - "WEBASTO" 80,000 B.T.U.



From R-012 To 2-4416	Date:10/2022	PAGE:871036
WATER HEATER - "WEBASTO" 80,000 B.T.U.		

Item#	Part	Description	H 3 4 1	H 3 4 5	V I P 4 5	N O T E S
		WATER HEATER - "WEBASTO" 80,000 B.T.U.	1	1	1	
	N25810	WATER HEATER - "WEBASTO" 80,000 B.T.U.				
NS	871309	BURNER HEAD ASSY 24V / DBW 2020	1	1	1	
1	870909	. CONTROL UNIT 24V	1	1	1	A
. NS	561186	. . CONNECTOR / FASTIN-FASTON (.250) / RH 6C / AMP 925276-0	1	1	1	A
. NS	561597	. . CONNECTOR / 56 SERIES / TAB RH 2C / BROWN / PED 2965981	1	1	1	A
. NS	562363	. . CONNECTOR / FASTIN-FASTON (.250) / RH 8C / AMP 163007	1	1	1	A
2	870910	. COIL, IGNITION	1	1	1	
3	870911	. . SOCKET	2	2	2	
4	870912	. . CABLE, HIGH TENSION / S.L.	AR	AR	AR	
5	870913	. MOTOR ASSY / 24V	1	1	1	
6	870939	. CLUTCH	2	2	2	
7	N8883051	. CLIP CONTROL UNIT	1	1	1	
10	870914	. WIRING HARNESS / W/TERMINAL BLOCK 6 C	1	1	1	
11	870915	. KIT, MOUNTING SHAFT	1	1	1	
12	870916	. SHAFT	1	1	1	
13	G1017453	. ROTOR TURBINE	1	1	1	
15	870917	. SOLONOID VALVE / 24V	1	1	1	
16	870919	. . UNLOADER POWER ASSY	1	1	1	
17	870920	. ELECTRODE, IGNITION	2	2	2	
18	870921	. PLUG / ELECTRODE	2	2	2	
19	870922	. CELL, PHOTOELECTRIC	1	1	1	
20	870918	. NOZZLE 0.80GPH	1	1	1	
20	871316	NOZZLE 0.35GPH	AR	AR	AR	
20	871126	NOZZLE 0.40GPH	AR	AR	AR	
20	192271	NOZZLE 0.65GPH / PACK OF 12	AR	AR	AR	
20	G5007384	NOZZLE 0.65GPH	AR	AR	AR	
20	G1017473	NOZZLE 0.65GPH	AR	AR	AR	
20	871291	NOZZLE 0.85GPH	AR	AR	AR	
21	870928	. PIPE, HIGH PRESSURE	1	1	1	
22	870929	. BANJO BOLT / M10-1.0	2	2	2	
23	870923	. BANJO WASHER / M10	4	4	4	
24	870930	. PUMP FUEL	1	1	1	
25	870924	. . FILTER	1	1	1	
26	870925	. . VALVE, PRESSURE CONTROL	1	1	1	
27	870926	. . GASKET	1	1	1	
28	870927	. . GASKET, RING	1	1	1	
29	870931	. SPUR GEAR	1	1	1	
30	870932	. FUSE THERMO 138°C (YELLOW)	1	1	1	
31	870933	. RELEASE, THERMO 117°C (GREEN)	1	1	1	
32	870934	. CONTROL THERMOSTAT 75°C GREEN & RED	1	1	1	
33	870935	. ANGLE BRACKET	1	1	1	

From R-012 To 2-4416	Date:10/2022	PAGE:871036
WATER HEATER - "WEBASTO" 80,000 B.T.U.		

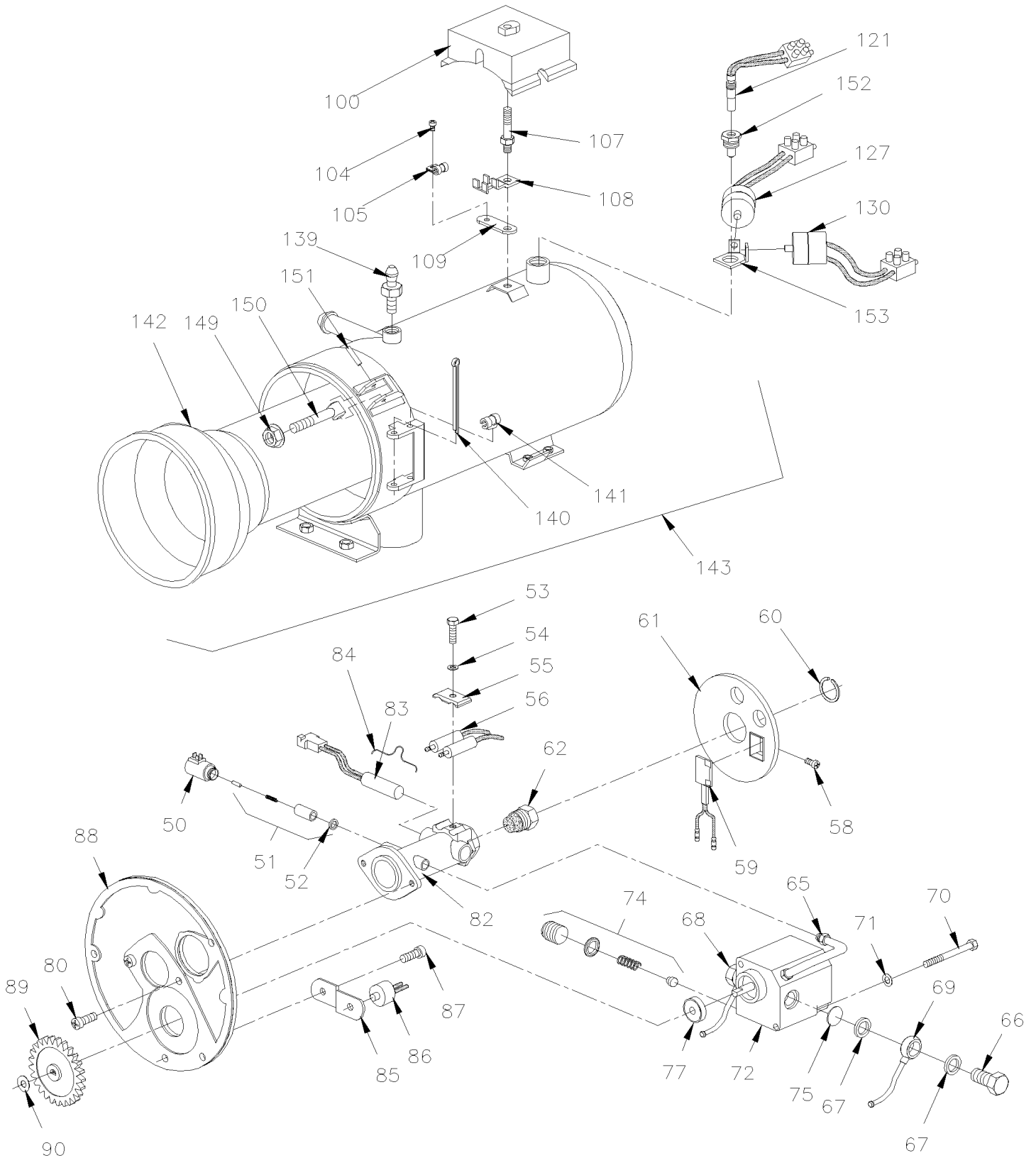
Item#	Part	Description	H 3 4 1	H 3 4 5	V I P 4 5	N O T E S
34	871057	. CHAMBER, COMBUSTION / W/80,000 BTU	1	1	1	
35	871251	. HEAT EXCHANGER	1	1	1	
36	870940	. PIPE, OUTLET	1	1	1	
37	871039	EXHAUST PIPE SS 70MM O.D. X 1000MM	1	1	1	
		SEE WATER HEATER - INSTALLATION				
80	N8883102	CAP	1	1	1	
98	870937	GAUGE / IGNITION ELECTRODE	1	1	1	
99	870938	BOX WRENCH / HIGH PRESSURE NOZZLE	1	1	1	
100	871319	TESTING GEAR TOOL	AR	AR	AR	
NS	871246	KIT, RETROFIT W/HEATER CONTROL BOX WATERTIGHT	AR	AR	AR	
NS	192273	KIT NOZZLE W/OVERHEAT FUSE / DBW 2020	AR	AR	AR	B
NS	065744	KIT, RETROFIT BOX W/EXTENSION CABLE AND SUPP.	AR	AR	AR	
NS	192274	KIT, MOTOR 24V W/BEARING, NOZZLE & O.H. FUSE / DBW 2020	AR	AR	AR	
NS	192269	KIT, ELECTRICAL REBUILT COMPONENTS 24V / DBW 2020 & DBW 300	AR	AR	AR	C
		A) FOR PRODUCT IMPROVMENT USE KIT #871246 FOTR EXTEND WIRE CABLE BETWEEN CONTROL BOX AND WATER HEATER OR USE KIT #065744 FOR FIXED UNIT CONTROL BOX IN WATERPROOF BOX				
		B) INCLUDES 2 ITEMS #20 & 30				
		C) INCLUDES ITEMS #1, 2, 3, 4, 10, 17, 19 & MORE				

From R-012 To 2-4416

Date:10/2022

PAGE:871085

WATER HEATER - "WEBASTO" 45,000 B.T.U.

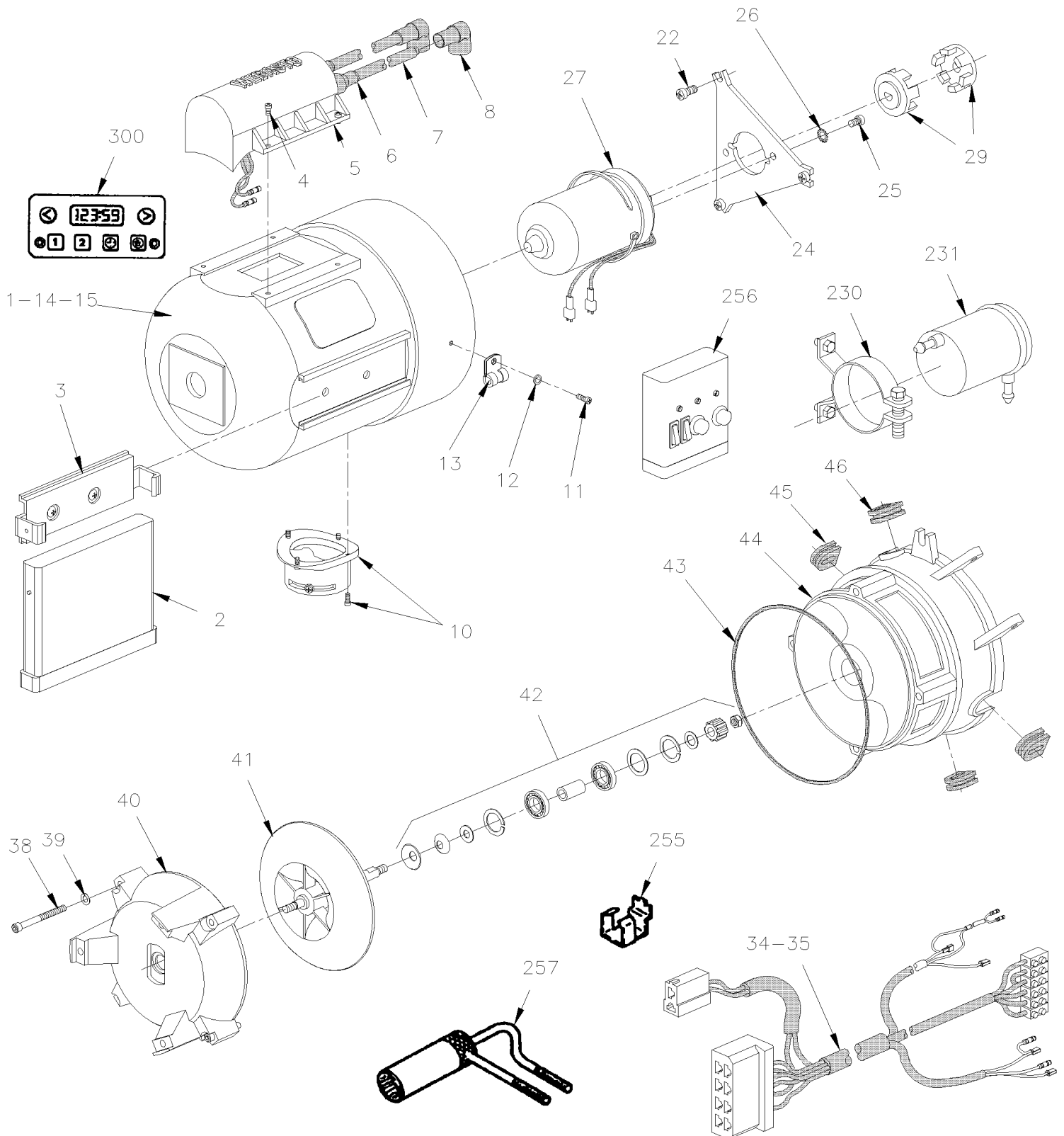


From R-012 To 2-4416

Date:10/2022

PAGE:871085

WATER HEATER - "WEBASTO" 45,000 B.T.U.



From R-012 To 2-4416	Date:10/2022	PAGE:871085
WATER HEATER - "WEBASTO" 45,000 B.T.U.		

Item#	Part	Description	H 3 4 1	H 3 4 5	V I P 4 5	N O T E S
		WATER HEATER - "WEBASTO" 45,000 B.T.U.	1	1	1	
1	871376	. BURNER HEAD ASSY / 24V / DBW 2010	1	1	1	
2	870909	. CONTROL UNIT 24V	1	1	1	A
. NS	561186	. . CONNECTOR / FASTIN-FASTON (.250) / RH 6C / AMP 925276-0	1	1	1	A
. NS	561597	. . CONNECTOR / 56 SERIES / TAB RH 2C / BROWN / PED 2965981	1	1	1	A
. NS	562363	. . CONNECTOR / FASTIN-FASTON (.250) / RH 8C / AMP 163007	1	1	1	A
3	N8883051	. CLIP CONTROL UNIT	1	1	1	
4	G1017468	. SCREW M3.5x14	4	4	4	
5	871119	. COIL, WATER HEATER IGNITER 24V	1	1	1	
5	191768	. COIL, WATER HEATER IGNITER 12V	1	1	1	
6	870911	. SOCKET	2	2	2	
7	870912	. CABLE, HIGH TENSION / S.L.	AR	AR	AR	
8	G1017515	. BOOT PLUG	2	2	2	
10	G1017415	. INTAKE SOCKET	1	1	1	
11	G1093260	. SCREW M4x12	4	4	4	
12	G1017467	. WASHER SERRATED A4.3	4	4	4	
13	G1093261	. CLAMP	1	1	1	
14	G1017517	. PROTECTOR CAP W/LABEL	1	1	1	
15	G1017565	. . DECAL "DANGER"	2	2	2	
22	502529	. SCREW MA BDG PH M5-0.8x12 BZC	3	3	3	
22	G1017423	. SCREW W/WASHER AM5x12	3	3	3	
24	G1093262	. FLANGE	1	1	1	
25	500344	. SCREW MA RND PH M4-0.7x12 Z050	2	2	2	
25	G1093260	. SCREW M4x12	2	2	2	
26	G1017467	. WASHER SERRATED A4.3	2	2	2	
27	871120	. MOTOR ASSY / 24V	1	1	1	
27	191771	. MOTOR ASSY / 12V	1	1	1	
27	G1017520	. MOTOR ASSY / 24V	1	1	1	
29	871121	. CLUTCH HALF	2	2	2	
29	G1017518	. CLUTCH HALF	2	2	2	
34	871122	. HARNESS, CABLE 4 WAYS	1	1	1	
35	871123	. HARNESS, CABLE 6 WAYS	1	1	1	
35	G1017522	. CABLE HARNESS 6W	1	1	1	
36	G1017427	. TERMINAL BLOCK 6W	1	1	1	
36	G101742	. TERMINAL BLOCK 4W	1	1	1	
38	G1017546	. SCREW CAP HEXS M5x35	4	4	4	
39	G1017547	. SPRING WASHER	4	4	4	
40	G1017523	. MOTOR SUPPORT	1	1	1	
41	871124	. IMPELLER WITH SHAFT	1	1	1	
41	G1017524	. IMPELLER WITH SHAFT	1	1	1	
42	871125	. PARTS FOR SHAFT MOUNTING	1	1	1	
42	G1017525	. PARTS FOR SHAFT MOUNTING	1	1	1	

From R-012 To 2-4416	Date:10/2022	PAGE:871085
WATER HEATER - "WEBASTO" 45,000 B.T.U.		

Item#	Part	Description	H 3 4 1	H 3 4 5	V I P 4 5	N O T E S
43	871392	. SEALING RING	1	1	1	
43	G1093264	. SEALING RING	1	1	1	
44	871393	. BLOWER HOUSING	1	1	1	
44	G1093265	. BLOWER HOUSING	1	1	1	
45	871394	. GROMMET L.H. SIDE	2	2	2	
45	G1017527	. GROMMET L.H. SIDE	2	2	2	
46	871395	. GROMMET R.H. SIDE	2	2	2	
46	G1017528	. GROMMET R.H. SIDE	2	2	2	
50	870917	. SOLONOID VALVE / 24V	1	1	1	
50	G1017456	. SOLONOID VALVE / 24V	1	1	1	
50	192305	. SOLONOID VALVE / 12V	1	1	1	
50	G1093266	. SOLONOID VALVE / 12V	1	1	1	
51	870919	. UNLOADER POWER ASSY	1	1	1	
52	871297	. . GASKET	1	1	1	
53	502531	. SCREW CAP HEX M6-1.0x16 G8.8 Z050	1	1	1	
53	G1017437	. SCREW CAP HEX	1	1	1	
54	G1017470	. SPRING WASHER	1	1	1	
55	G1017461	. CLAMP	1	1	1	
56	870920	. ELECTRODE, IGNITION	2	2	2	
58	500560	. SCREW MA PAN PH M4-0.7x6 Z050	1	1	1	
58	G1017474	. SCREW MA PAN PH M4x6	1	1	1	
59	870922	. CELL, PHOTOELECTRIC	1	1	1	
60	G1017475	. RETAINING RING	1	1	1	
60	G1017475	. RETAINING RING	1	1	1	
61	191679	. DISC	1	1	1	
62	871316	. NOZZLE 0.35GPH	1	1	1	
62	871126	. NOZZLE 0.40GPH	1	1	1	
62	G1017532	. NOZZLE 0.40GPH	1	1	1	
62	192271	. NOZZLE 0.65GPH / PACK OF 12	AR	AR	AR	
62	G5007384	. NOZZLE 0.65GPH	AR	AR	AR	
62	G1017473	. NOZZLE 0.65GPH	AR	AR	AR	
62	871291	. NOZZLE 0.85GPH	AR	AR	AR	
65	870928	. PIPE, HIGH PRESSURE	1	1	1	
66	870929	. BANJO BOLT / M10-1.0	1	1	1	
67	870923	. BANJO WASHER / M10	4	4	4	
68	G1017533	. FUEL LINE / (FEED LINE PRESSURE)	1	1	1	
69	G1017534	. FUEL LINE / (RETURN)	1	1	1	
70	G1017441	. SCREW CAP HEXS M4x30	2	2	2	
71	G1017442	. SPRING WASHER	2	2	2	
72	871127	. FUEL PUMP	1	1	1	
72	G1093267	. FUEL PUMP	1	1	1	
74	870925	. . VALVE, PRESSURE CONTROL	1	1	1	

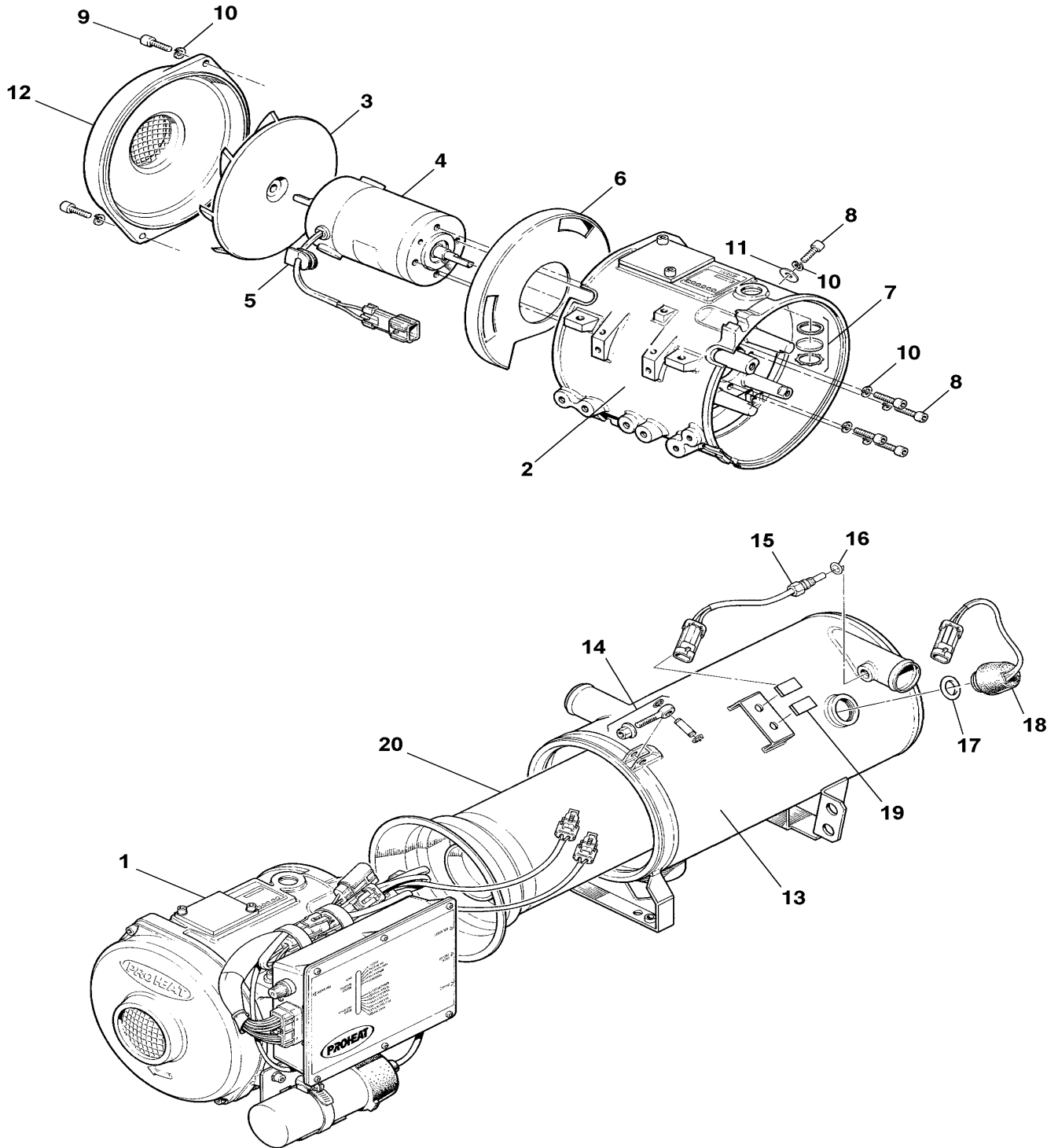
From R-012 To 2-4416	Date:10/2022	PAGE:871085
WATER HEATER - "WEBASTO" 45,000 B.T.U.		

Item#	Part	Description	H 3 4 1	H 3 4 5	V I P 4 5	N O T E S
75	870924	. . FILTER	1	1	1	
77	870926	. . GASKET	1	1	1	
80	G1017424	. SCREW W/WASHER AM5x12	2	2	2	
82	G5007387	. NOZZLE HOLDER	1	1	1	
82	N8883089	. NOZZLE HOLDER	1	1	1	
83	G1017530	. HEATING ELEMENT	1	1	1	
84	N8883147	. HOLDING STRAP	1	1	1	
85	G1017417	. BRACKET	1	1	1	
86	G1093269	. NOZZLE PRE-HEAT THERMOSTAT	1	1	1	
87	G1017423	. SCREW W/WASHER AM5x12	4	4	4	
88	G1017536	. NOZZLE HOLDER PLATE	1	1	1	
89	870931	. SPUR GEAR	1	1	1	
90	G1017439	. RETAINING RING	1	1	1	
NS	G1017537	. GREASE ISOFLEX LDS 18	1	1	1	
100	N8883102	. CAP	1	1	1	
104	G1017549	. SCREW M4x8	1	1	1	
105	G1017538	. CLAMP	1	1	1	
107	G1017487	. SCREW	1	1	1	
108	G1017488	. BRACKET	1	1	1	
109	G1017489	. JOINT	1	1	1	
121	870932	. FUSE THERMO 138°C (YELLOW)	1	1	1	
127	870934	. CONTROL THERMOSTAT 75°C GREEN & RED	1	1	1	
128	G1093271	. CONTROL THERMOSTAT 70°C WHITE & ORANGE	1	1	1	
130	870933	. RELEASE, THERMO 117°C (GREEN)	1	1	1	
139	G1093273	. BLEEDING VALVE	1	1	1	
140	G1017550	. SECURRING CUTTER PIN	1	1	1	
141	G1017541	. CABLE CLAMP	1	1	1	
142	871128	. CHAMBER, COMBUSTION	1	1	1	
142	G1017540	. CHAMBER, COMBUSTION	1	1	1	
143	G1017542	. HEAT EXCHANGER ASSY	1	1	1	
149	5001110	. NUT HEXF M6-1.0 Z050	2	2	2	
149	G1017551	. NUT W/WASHER	2	2	2	
150	G1093275	. EYE BOLT AM6x45	2	2	2	
151	G1017553	. SLOTTED PIN	2	2	2	
152	G1017428	. PLUG	2	2	2	
153	870935	. ANGLE BRACKET	1	1	1	
153	G1017479	. ANGLE BRACKET	1	1	1	
230	871038	SUPPORT, FILTER FUEL	1	1	1	
231	871037	FILTER, FUEL	1	1	1	
251	871096	EXHAUST PIPE FLEXIBLE 38MM O.D. X 1000MM	1	1	1	
255	870937	GAUGE / IGNITION ELECTRODE	1	1	1	
256	871319	TESTING GEAR TOOL	AR	AR	AR	

From R-012 To 2-4416	Date:10/2022	PAGE:871085
WATER HEATER - "WEBASTO" 45,000 B.T.U.		

Item#	Part	Description	H 3 4 1	H 3 4 5	V I P 4 5	N O T E S
256	N8887040	TESTING GEAR TOOL	1	1	1	
257	870938	BOX WRENCH / HIGH PRESSURE NOZZLE	1	1	1	
257	N8887748	BOX WRENCH / HIGH PRESSURE NOZZLE	1	1	1	
258	N8887750	FUEL PRESSURE GAUGE	1	1	1	
259	G1093411	MAINTENANCE MANUAL PAPER	1	1	1	
300		SEE LATERAL CONSOL	1	1	1	
NS	871246	KIT, RETROFIT W/HEATER CONTROL BOX WATERTIGHT	AR	AR	AR	
NS	065744	KIT, RETROFIT BOX W/EXTENSION CABLE AND SUPP.	AR	AR	AR	
		A) FOR PRODUCT IMPROVMENT USE KIT #871246 FOTR EXTEND WIRE CABLE BETWEEN CONTROL BOX AND WATER HEATER OR USE KIT #065744 FOR FIXED UNIT CONTROL BOX IN WATERPROOF BOX				

From Y-3712 To 2-4416	Date:10/2022	PAGE:871100
WATER HEATER - "PROHEAT" 80,000 B.T.U.		

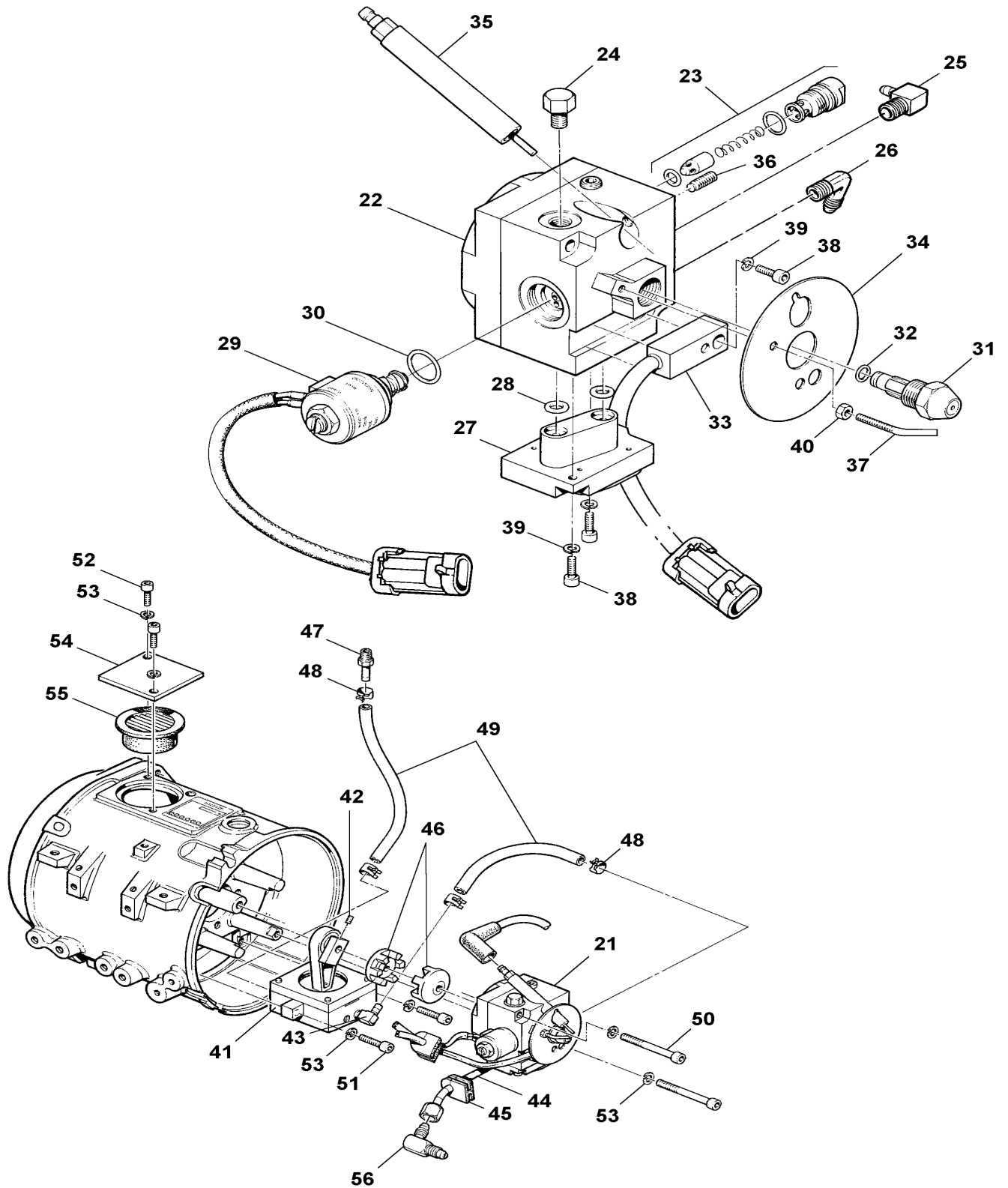


From Y-3712 To 2-4416

Date:10/2022

PAGE:871100

WATER HEATER - "PROHEAT" 80,000 B.T.U.

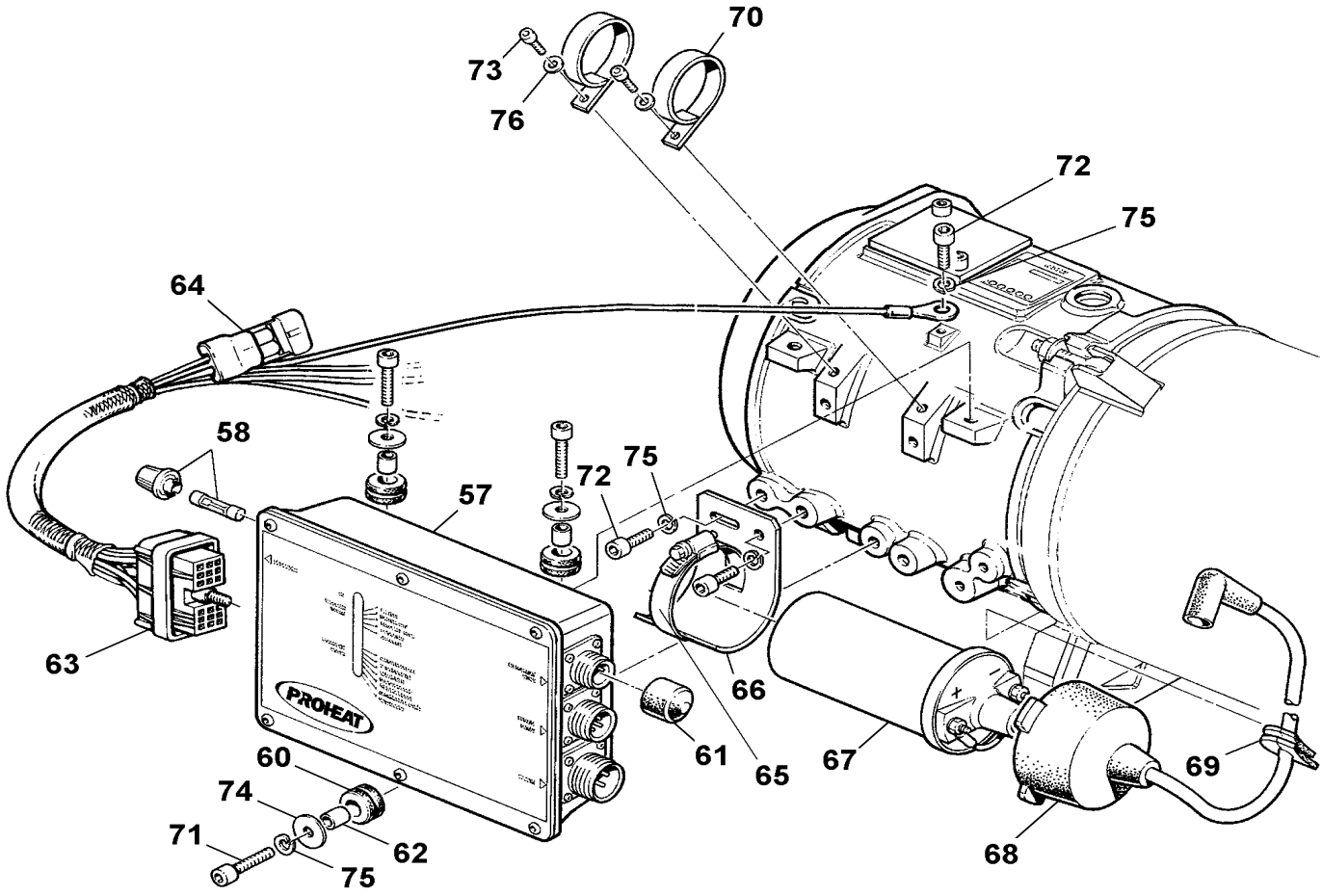


From Y-3712 To 2-4416

Date:10/2022

PAGE:871100

WATER HEATER - "PROHEAT" 80,000 B.T.U.



From Y-3712 To 2-4416	Date:10/2022	PAGE:871100
WATER HEATER - "PROHEAT" 80,000 B.T.U.		

Item#	Part	Description	H 3 4 1	H 3 4 5	V I P 4 5	N O T E S
		WATER HEATER - "PROHEAT" 80,000 B.T.U.	1	1	1	
1	N8890283	. BURNER HEAD ASM	1	1	1	
2	N8890292	. . CASTING BURNER HEAD	1	1	1	
3	N8890294	. . FAN BLADE	1	1	1	
NS	N8890347	. . . RETAINING RING	1	1	1	
4	N8890295	. . MOTOR 24V	1	1	1	
5	N8890296	. . GROMMET STYLE " D "	1	1	1	
6	N8890297	. . BAFFLE AIR ADJUST	1	1	1	
7	N8890298	. . SIGHT GLASS KIT	1	1	1	
8	N8890299	. . SCREW CAP HEXS M6-1.0x20 ZP	5	5	5	
9	N8890300	. . SCREW CAP HEXS M6-1.0x16 ZP	2	2	2	
10	N8890301	. . WASHER LO SPT M6 ZP	7	7	7	
11	N8890302	. . WASHER FL 1/4 ZP	1	1	1	
12	N8890293	. . COVER	1	1	1	
13	N8890285	. HEAT EXCHANGER	1	1	1	
14	N8890286	. . EYE BOLT KIT	2	2	2	
15	N8890287	. TEMPERATURE SENSOR	1	1	1	
16	N8890288	. . O-RING	1	1	1	
17	N8890289	. OVERHEAT BREAKER SENSOR	1	1	1	
18	N8890290	. . O-RING	1	1	1	
19	N8890291	. CLIP	2	2	2	
20	N8890284	. COMBUSTION TUBE	1	1	1	
21	N8890306	. FUEL DELIVERY UNIT	1	1	1	
22	N8890331	. . FUEL PUMP	1	1	1	
23	N8890334	. . . RELIEF VALVE KIT	1	1	1	
24	N8890341	. . . PLUG HEX-HEAD / ORB FITTING / #2ORB-M BR	1	1	1	
25	N8890305	. . . ELBOW 1/4 ID HOSE x 1/8 NPT MALE	1	1	1	
26	N8890346	. . . ELBOW 1/4 JIC MALE x 1/8 NTP MALE	1	1	1	
27	N8890332	. . FUEL REGULATOR	1	1	1	
28	N8890333	. . . O-RING	2	2	2	
29	N8890335	. . SELENOID VALVE 24V	1	1	1	
30	N8890336	. . . O-RING	1	1	1	
31	N8890337	. . NOZZLE	1	1	1	
32	N8890338	. . . O-RING	1	1	1	
33	N8890339	. . FLAME SENSOR	1	1	1	
34	N8890340	. . FLAME SHIELD	1	1	1	
35	N8890342	. . ELECTRODE SPARK	1	1	1	
36	N8890348	. . . SET SCREW	1	1	1	
37	N8890343	. . ELECTRODE GROUND	1	1	1	
38	N8890329	. . SCREW CAP HEXS M4-0.7x10 ZP	3	3	3	
39	N8890344	. . WASHER LO SPT ZP M4	3	3	3	
40	N8890345	. . NUT HEX ZP M4x.7x10MM	1	1	1	

From Y-3712 To 2-4416	Date:10/2022	PAGE:871100
WATER HEATER - "PROHEAT" 80,000 B.T.U.		

Item#	Part	Description	H 3 4 1	H 3 4 5	V I P 4 5	N O T E S
41	N8890303	. COMPRESSOR	1	1	1	
42	N8890304	. . SCREW SET #10-32x3/8	1	1	1	
43	N8890305	. . ELBOW 1/4 ID HOSE x 1/8 NPT MALE	2	2	2	
44	N8890307	. FUEL TUBE	1	1	1	
45	N8890296	. GROMMET STYLE " D "	2	2	2	
46	N8890308	. COUPLING 8MM	1	1	1	
47	N8890309	. FITTING 1/4 ID X 1/8 NPT MALE	1	1	1	
48	N8890310	. SPRING CLAMP	1	1	1	
49	N8890311	. HOSE 3/16 ID	AR	AR	AR	
50	N8890312	. SCREW CAP HEXS M6-1.0x60 ZP	2	2	2	
51	N8890299	. SCREW CAP HEXS M6-1.0x20 ZP	2	2	2	
52	N8890300	. SCREW CAP HEXS M6-1.0x16 ZP	2	2	2	
53	N8890301	. WASHER LO SPT M6 ZP	6	6	6	
54	N8890313	. COVER	1	1	1	
55	N8890314	. AIR FILTER	1	1	1	
56	N8890315	. ELBOW 1/4 JIC MALE	1	1	1	
57	N8890316	. CONTROL MODULE 24V	1	1	1	
58	N8890317	. . FUSE HOLDER	1	1	1	
NS	560062	. . . FUSE / 15 AMPS / AGC-15	1	1	1	
60	N8890320	. . GROMMET	3	3	3	
61	N8890323	. . VINYL CAP	1	1	1	
62	N8890319	. SPACER	3	3	3	
63	N8890321	. MAIN HARNESS	1	1	1	
64	N8890322	. SUSTITUTION PLUG	1	1	1	
65	N8890324	. CLAMP SS #32	1	1	1	
66	N8890325	. BRACKET "J"	1	1	1	
67	N8890326	. IGNITION COIL	1	1	1	
68	N8890327	. IGNITION LEAD & BOOT	1	1	1	
69	N8890296	. GROMMET STYLE " D "	1	1	1	
70	N8890328	. WIRE CLIP	2	2	2	
71	N8890299	. SCREW CAP HEXS M6-1.0x20 ZP	2	2	2	
72	N8890300	. SCREW CAP HEXS M6-1.0x16 ZP	2	2	2	
73	N8890329	. SCREW CAP HEXS M4-0.7x10 ZP	1	1	1	
74	N8890302	. WASHER FL 1/4 ZP	3	3	3	
75	N8890301	. WASHER LO SPT M6 ZP	6	6	6	
76	N8890330	. WASHER FL ZP M4	2	2	2	
		FOLLOWING ITEMS ARE RELATED WITH				
		AUTOMATIC START				
		WITH WATER HEATER INSTALLATION				
		WITH BATTERIES CHARGER 110V				

From Y-3712 To 2-4416	Date:10/2022	PAGE:871100
WATER HEATER - "PROHEAT" 80,000 B.T.U.		

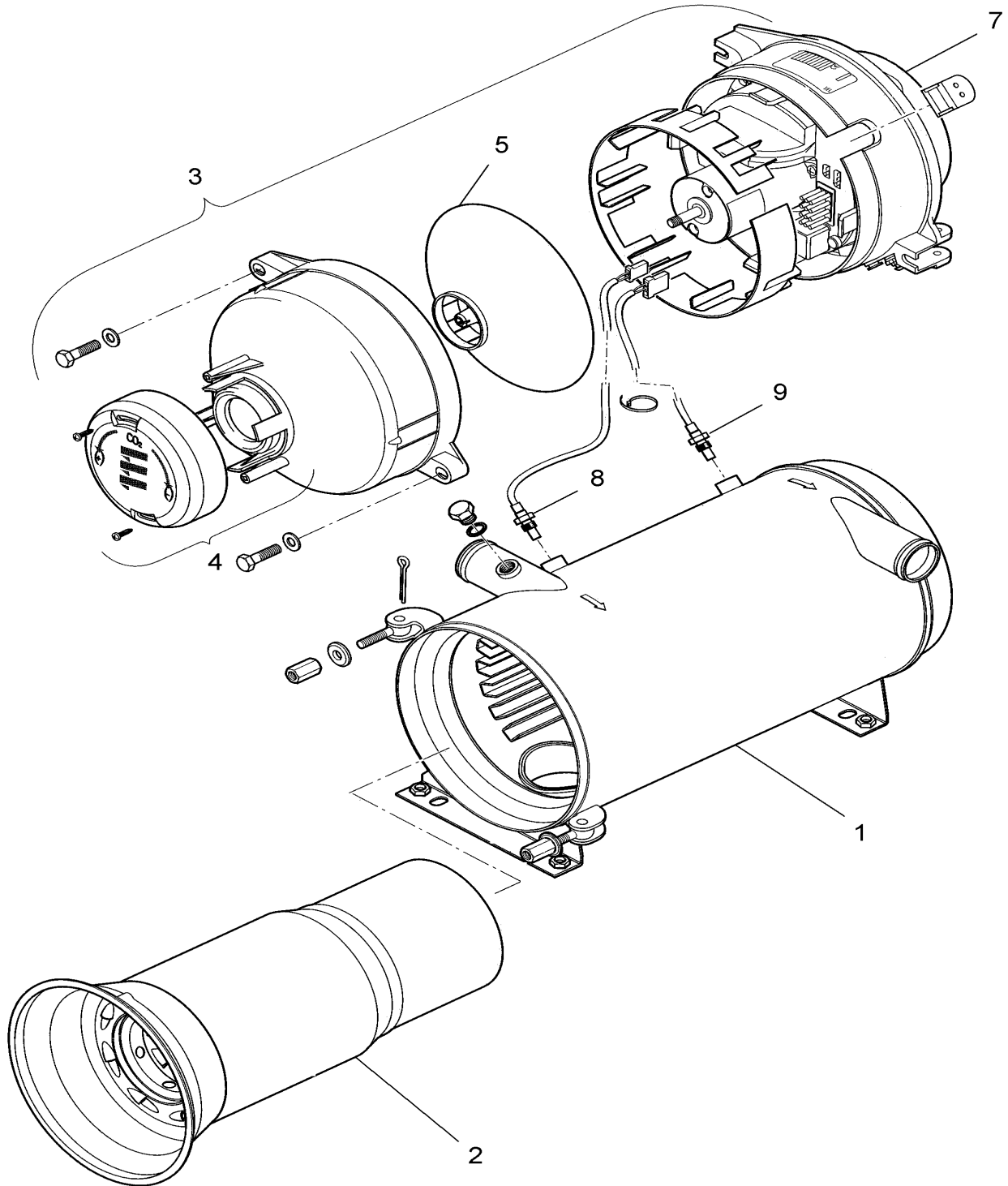
Item#	Part	Description	H 3 4 1	H 3 4 5	V I P 4 5	N O T E S
111	066236	CABLE I/F BATTERIES CHARGER / W/RELAY BASE				A
111	068248	CABLE I/F BATTERIES CHARGER / W/RELAY BASE	1	1	1	A
112	066332	CABLE ASSY POWER / W/FUSE HOLDER & RECTIFIER				A
113	563332	RELAY 24V S.P.D.T. W/RESISTOR / "VOLVO" (20374662)				A
114	500946	SCREW TP BDG PH #8x1/2 N500				A
		A) LOCATED NEAR EVAPORATOR MOTOR RELAY				

From Y-3713 To 2-4416

Date:10/2022

PAGE:871197

WATER HEATER - "ESPAR" 103,000 B.T.U.

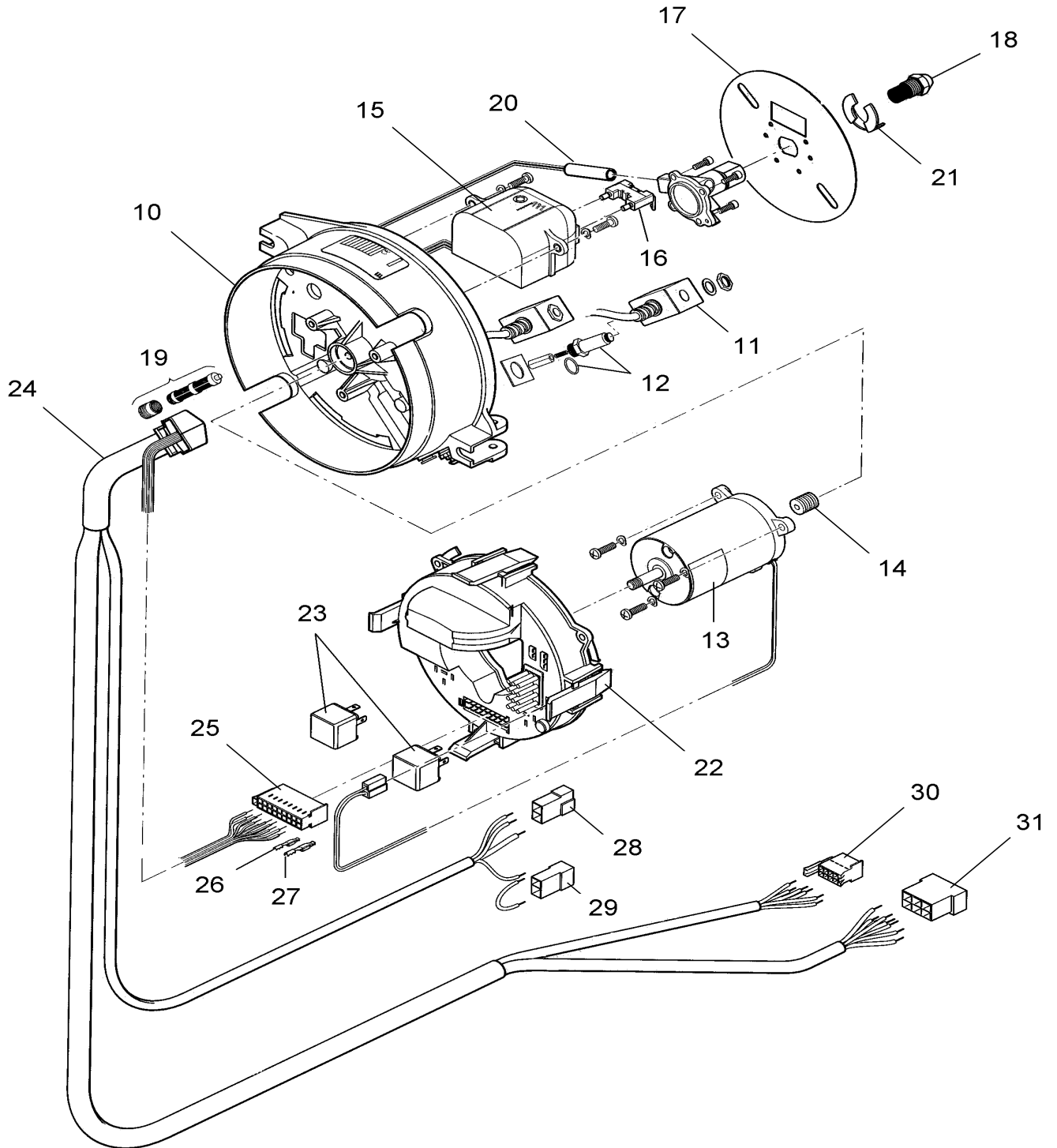


From Y-3713 To 2-4416

Date:10/2022

PAGE:871197

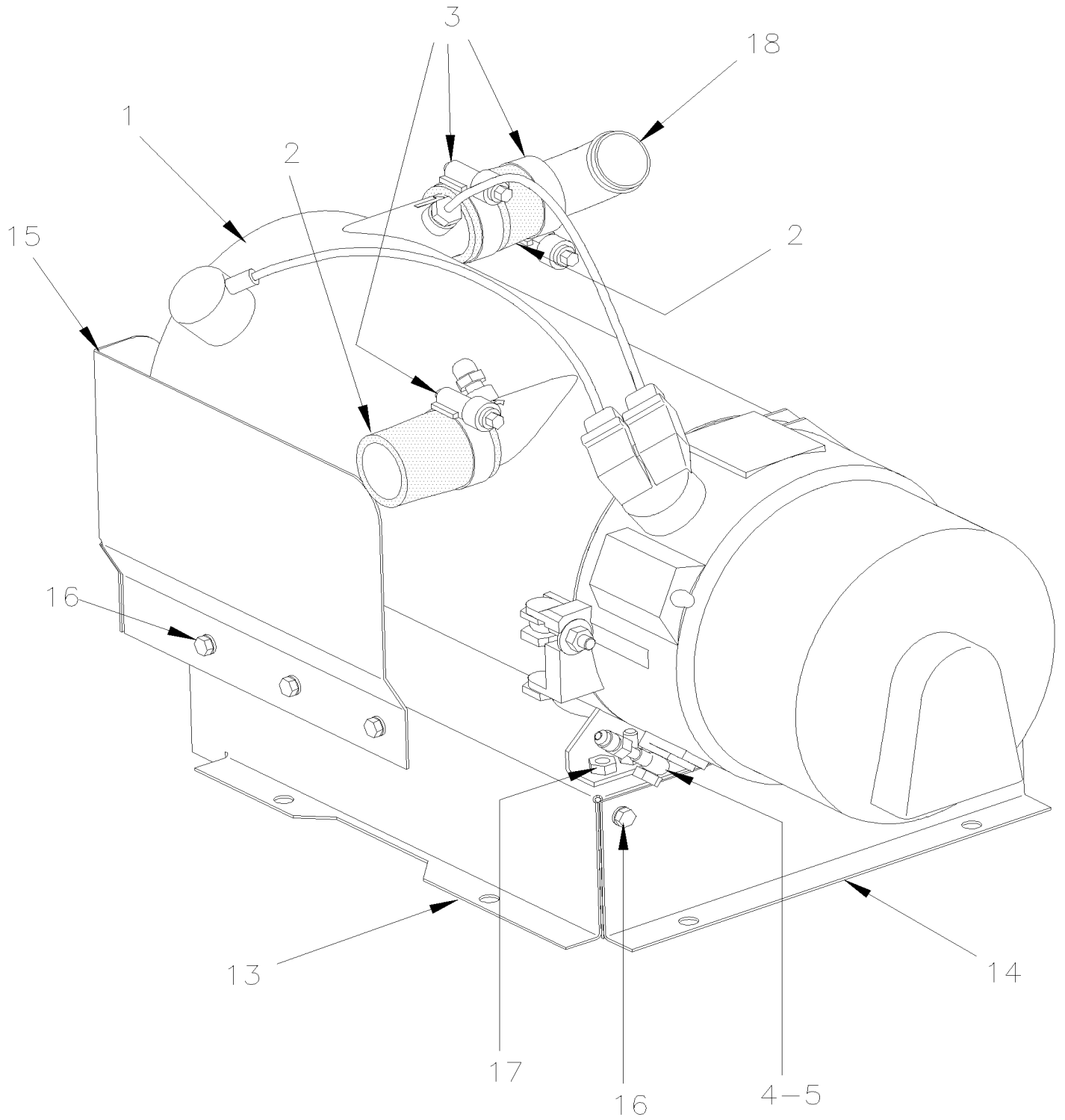
WATER HEATER - "ESPAR" 103,000 B.T.U.



From Y-3713 To 2-4416	Date:10/2022	PAGE:871197
WATER HEATER - "ESPAR" 103,000 B.T.U.		

Item#	Part	Description	H 3 4 1	H 3 4 5	V I P 4 5	N O T E S
		WATER HEATER - "ESPAR" 103,000 B.T.U.	1	1	1	
1	1818 06 00 00	. HEAT EXCHANGER	1	1		A
2	1818 57 00 00	. FLAME TUBE	1	1		A
3	1818 99 10 00	. BURNER	1	1		A
4	1818 15 08 00	. HOOD	1	1		A
5	1818 15 02 00	. FAN WHEEL	1	1		A
7	1818 15 00 04	. SLEEVE	1	1		A
8	1818 41 00 00	. TEMPERATURE SENSOR	1	1		A
9	1818 40 00 00	. SAFETY THERMAL CUTOUT SWITCH	1	1		A
10	1818 99 45 01	. PUMP	1	1		A
11	249 00 004	. SOLENOID COIL	1	1		
12	249 00 008	. HARDWARE FOR SOLENOID COIL	1	1		
13	1818 15 01 00	. ELECTRIC MOTOR	1	1		A
14	1818 45 00 01	. COUPLING	1	1		A
15	1818 15 03 00	. IGNITION SPARK GENERATOR	1	1		A
16	1818 15 04 00	. IGNITION ELECTRODES	1	1		A
17	1818 15 00 05	. BAFFLE PLATE	1	1		A
18	330 00 027	. FUEL ATOMIZER NOZZLE	1	1		
19	249 00 009	. STRAINER	1	1		
20	1000 30 85 00	. TWIN LEAF-SPRING CONTACT	1	1		A
21	121 22 100	. RETAINING SPRING	1	1		
22	1818 50 00 10	. CONTROL UNIT	1	1		A
23	203 00 087	. RELAY	1	1		
24	1818 01 01 00	. CABLE HARNESS	1	1		A
25	206 31 292	. SOCKET HOUSING	1	1		
26	562807	. SOCKET TERMINAL / 16-14 / AMP 927777-3	AR	AR		
27	562806	. SOCKET TERMINAL / 20-16 / AMP 927779-3	AR	AR		
28	562473	. CONNECTOR / FASTIN-FASTON (.250) / TH 2C / AMP 180908-0	1	1		
29	562643	. CONNECTOR / FASTIN-FASTON (.250) / TH 2C / AMP 180924	1	1		
30	206 31 298	. SOCKET HOUSING	1	1		
31	206 31 006	. SOCKET HOUSING	1	1		
		A) ADD PREFIX "25 " TO HAVE COMPLETE NUMBER				

From R-012 To 2-4416	Date:10/2022	PAGE:H3-WEBASTO-00
RETROFIT WATER HEATER INSTALLATION INSTALLATION 100,000 BTU		

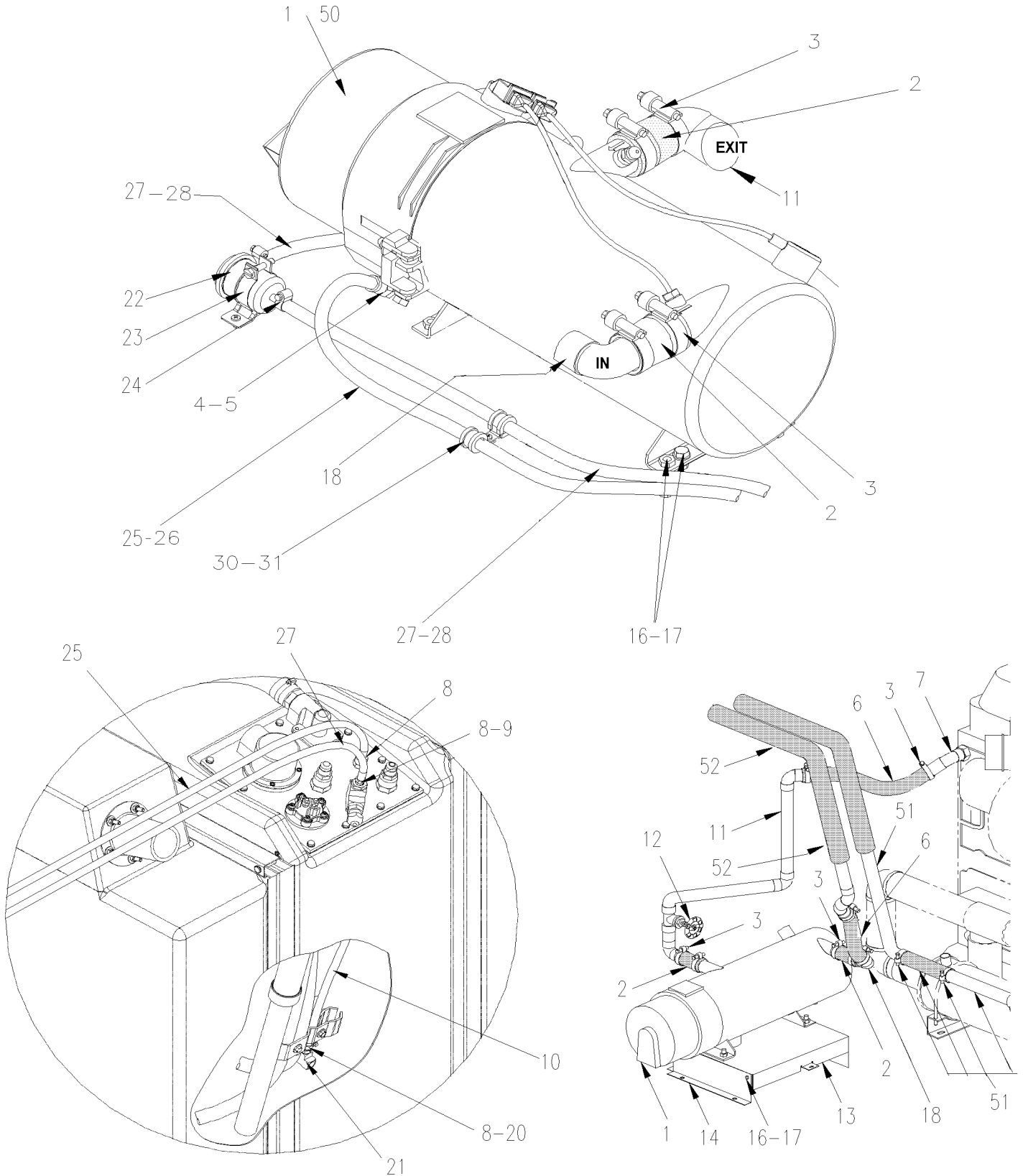


From R-012 To 2-4416

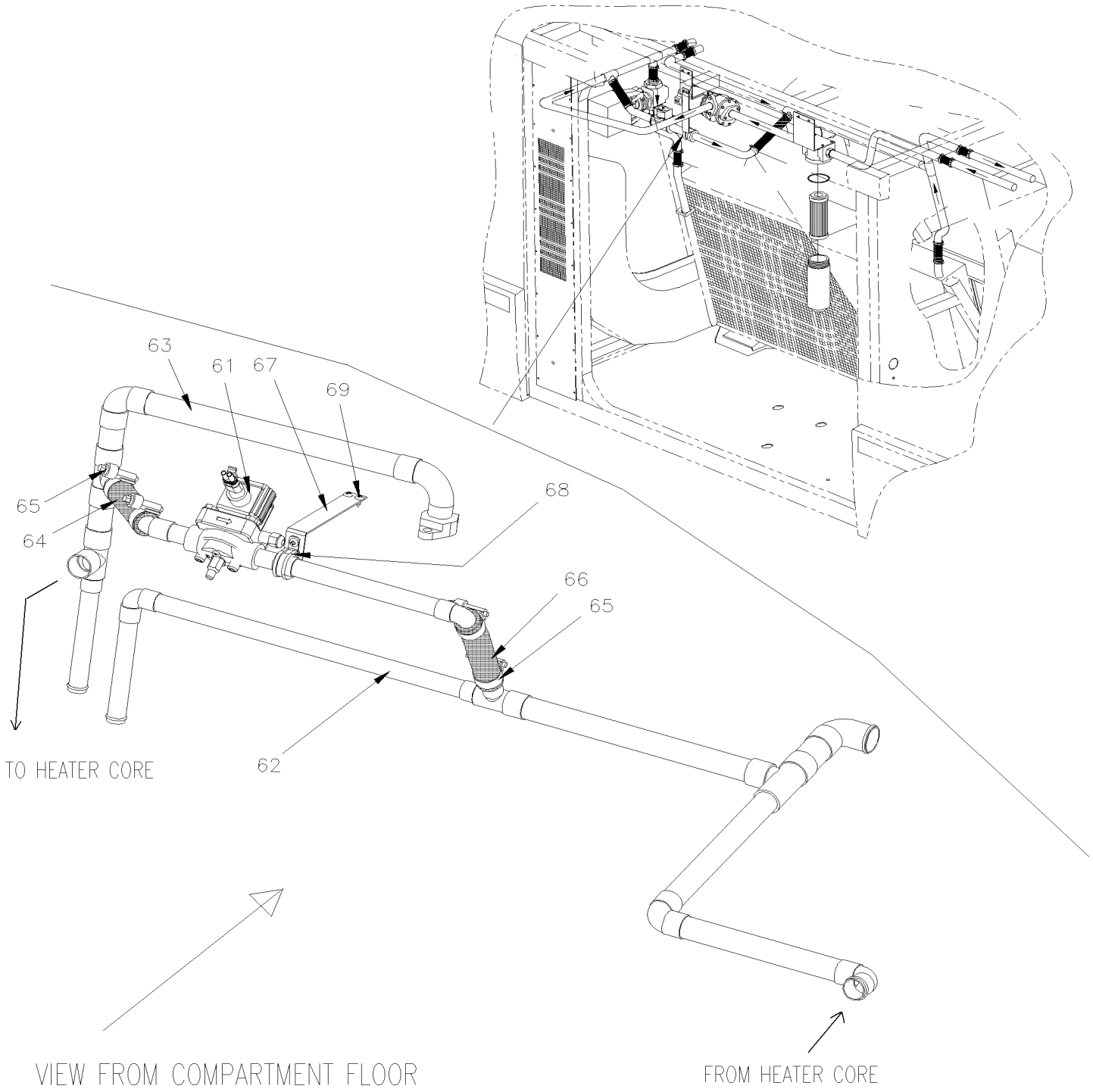
Date:10/2022

PAGE:H3-WEBASTO-00

RETROFIT WATER HEATER INSTALLATION INSTALLATION 100,000 BTU



From R-012 To 2-4416	Date:10/2022	PAGE:H3-WEBASTO-00
RETROFIT WATER HEATER INSTALLATION INSTALLATION 100,000 BTU		



From R-012 To 2-4416	Date:10/2022	PAGE:H3-WEBASTO-00
RETROFIT WATER HEATER INSTALLATION INSTALLATION 100,000 BTU		

Item#	Part	Description	H 3 4 1	H 3 4 5	V I P 4 5	N O T E S
	 "WARNING" - "WARNING" - "WARNING"				
		PREVOST NEVER INSTALL				
		100,000BTU WEBASTO PRIOR 2-4416				
		THIS PAGE IS FOR REFERENCE ONLY				
		ASK PREVOST SERVICE REP FOR THE WIRING				
	Call order desk	WATER HEATER ASSY / MODEL THERMO 300 ASSY W/HOSE & SPACERS	1	1		P
	Call order desk	WATER HEATER ASSY / MODEL THERMO 300 ASSY W/HOSE & SPACERS	1	1		P
1	871202	WATER HEATER - "SPHEROS" 100,000 B.T.U.	1	1		
NS	871250	TIMER ASSY / W/"WEBASTO" PREHEATER	1	1		
NS	066217	WIRING HARNESS / W/ "WEBASTO" PREHEATER / W/MUX	1	1		
2	373800	HOSE REDUCER / 1 1/2" I.D.x1 3/8" I.D.x65MM	2	2		
3	504657	HOSE CLAMP / 1"1/16-2" C.T. 9424	AR	AR		
4	5011238	BANJO UNION / 10MMx#6JIC-M	1	1		
5	5011237	BANJO UNION / 10MMx#4JIC-M	1	1		
6	503392	HOSE SILICONE 4PLY 1 3/8" I.D. x 4'	AR	AR		
7	373040	ADAPTOR ELBOW 45°/ CYLINDER HEAD EXIT	AR	AR		
8	507602	MALE CONNECTOR / PUSH-LOK FITTING / 1/4NPT-Mx#4 BR	3	3		
9	501316	BUSHING REDUCER / PIPE FITTING / 1/2NPT-Mx1/4NPT-F BR	1	1		
10	531453	HOSE / 2556 / #4 X 25 1/2"	1	1		
11	373801	PIPE ASSY HEATING / FEED LINE	1	1		
12	501861	. GATE VALVE 1 1/4" (WELDED)	1	1		
13	373805	BOX SUPPORT / W/100000 BTU "WEBASTO"	1	1		
14	373840	COVER BOX SUPPORT	1	1		
15	373856	DEFLECTOR HEAD SHIELD PLATE	1	1		
16	502631	SCREW CAP HEX M6-1.0x20 G8.8 Z050	AR	AR		
NS	502564	WASHER LO SPT 6.1x11.8x1.6 Z050	AR	AR		
17	502780	SCREW CAP HEX M8-1.25x25 SS BK	AR	AR		
NS	500441	WASHER FL .312x.734x.065 Z050	AR	AR		
NS	502744	NUT HEX STO M8-1.25 Z050	AR	AR		
18	373804	ELBOW 90° / W/BEAD	1	1		
20	504230	HOSE CLAMP / 3/8"-7/8" SS / HS-6	4	4		
21	501337	FEMALE UNION TEE / PIPE FITTING / 1/4NPT-Fx1/4NPT-Fx1/4NPT-F BR	1	1		
22	871037	FILTER, FUEL	1	1		
23	871038	SUPPORT, FILTER FUEL	1	1		
24	504014	HOSE CLAMP / 1/4"-5/8" SS / HM-4	2	2		
25	373790	HOSE / FUEL LINE / #4 7924MM	1	1		
25	503706	. HOSE FC-332-4 #4	AR	AR		
26	501347	. FEMALE CONNECTOR SWIVEL / PUSH-LOK FITTING #4JIC-Fx#4 BR	1	1		
27	373837	HOSE / FUEL LINE / #4 7924MM	1	1		
27	503706	. HOSE FC-332-4 #4	AR	AR		

From R-012 To 2-4416	Date:10/2022	PAGE:H3-WEBASTO-00
RETROFIT WATER HEATER INSTALLATION INSTALLATION 100,000 BTU		

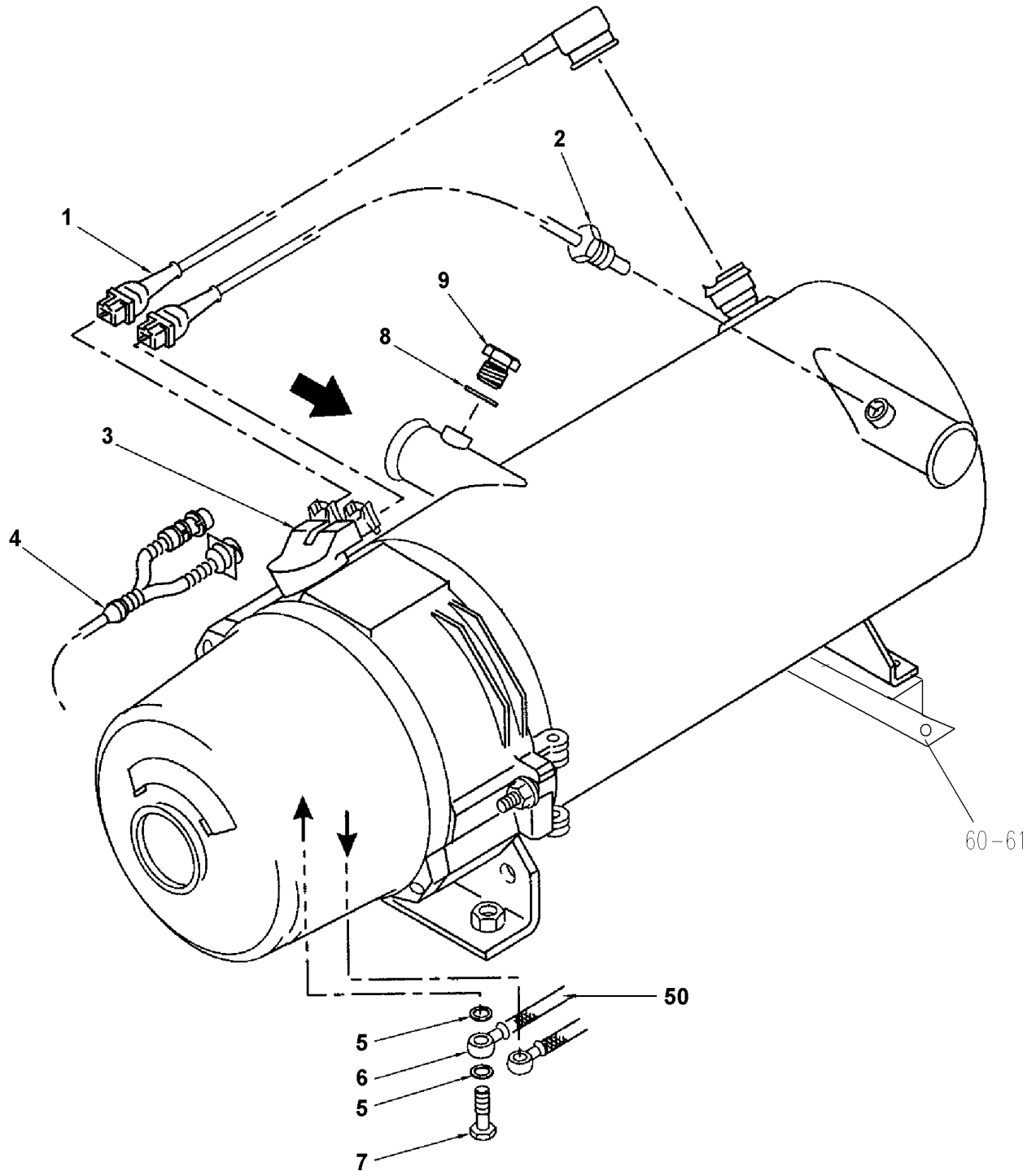
Item#	Part	Description	H 3 4 1	H 3 4 5	V I P 4 5	N O T E S
28	5011235	. FEMALE CONNECTOR SWIVEL / PUSH-LOK FITTING #6JIC-Fx#4 BR	1	1		
30	952627	CLAMP / 1/2" I.D.	AR	AR		
31	500946	SCREW TP BDG PH #8x1/2 N500	AR	AR		
		FOR SERVICE PARTS SEE PAGE HF-2350-00				
		FOR REFERENCE INSTALLATION SEE PAGE HF-2222-00				
52	373803P	PIPE ASSY / W/HEATER & HEATER COIL	1	1		
		WATER BY-PASS VALVE INSTALLATION				
61	372961	WATER BY-PASS VALVE ASSY / W/TUBE & CONNECTOR	1	1		
62	373106	PIPE ASSY / RETURN LINE / W/BYPASS VALVE	1	1		
63	373118	PIPE ASSY / WATER PUMP & WATER VALVE	1	1		
64	373303	HOSE 7/8" I.D. X 130MM	1	1		
. NS	503684	. HOSE SILICONE 1 PLY 7/8" I.D. x 100' / S.L.	ar	ar		
65	504646	HOSE CLAMP / 11/16"-1"1/4 / C.T. 9412	4	4		
66	373303	HOSE 7/8" I.D. X 130MM	1	1		
. NS	503684	. HOSE SILICONE 1 PLY 7/8" I.D. x 100' / S.L.	ar	ar		
67	374033	SUPPORT W/BYPASS VALVE	1	1		
68	952635	CLAMP / 1" I.D.	1	1		
69	500657	SCREW TC TR PH #10-24x1/2 Z050	3	3		
		P) CALL ORDER DESK FOR SPECIFIC APPLICATION (V.I.N.)				

From R-012 To 2-4416

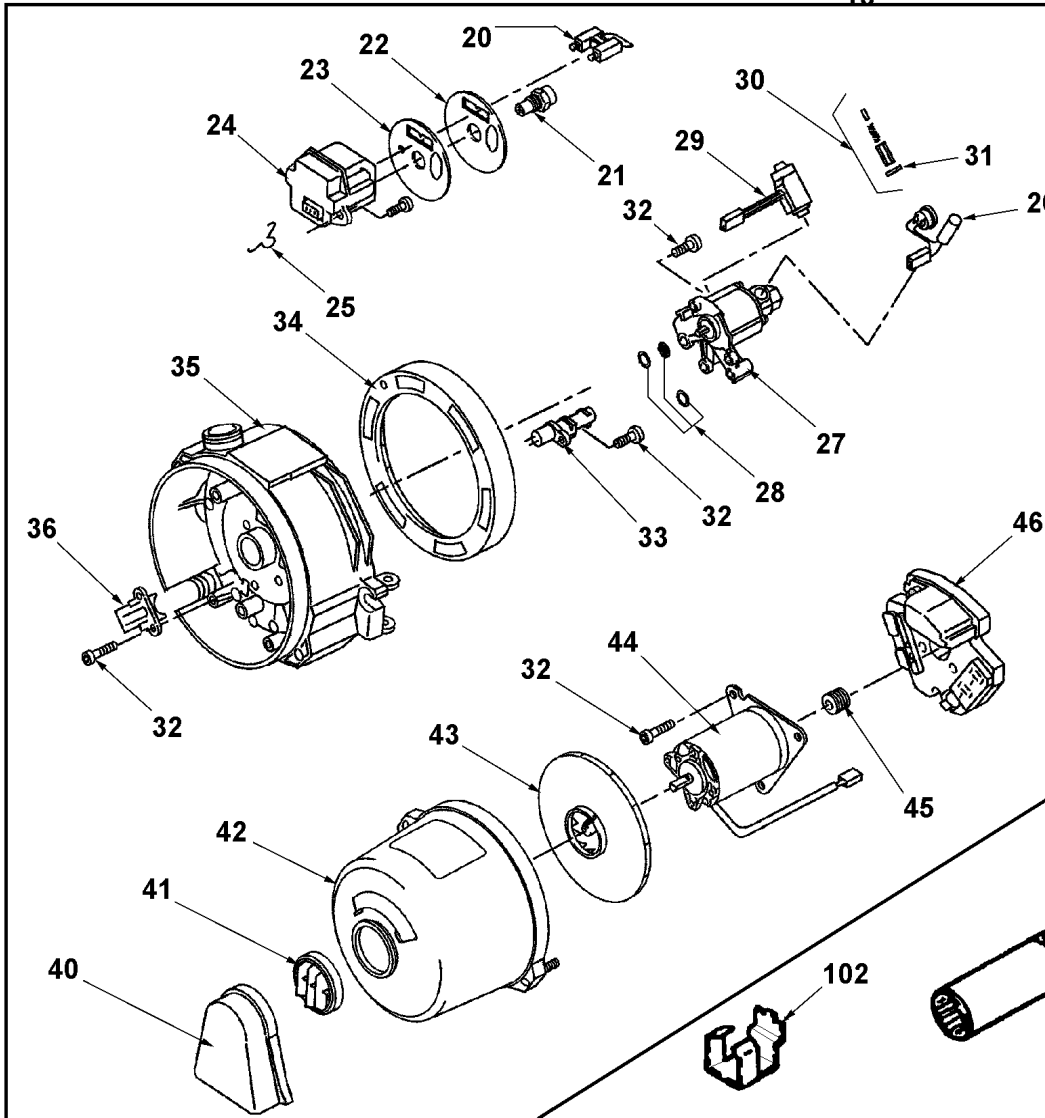
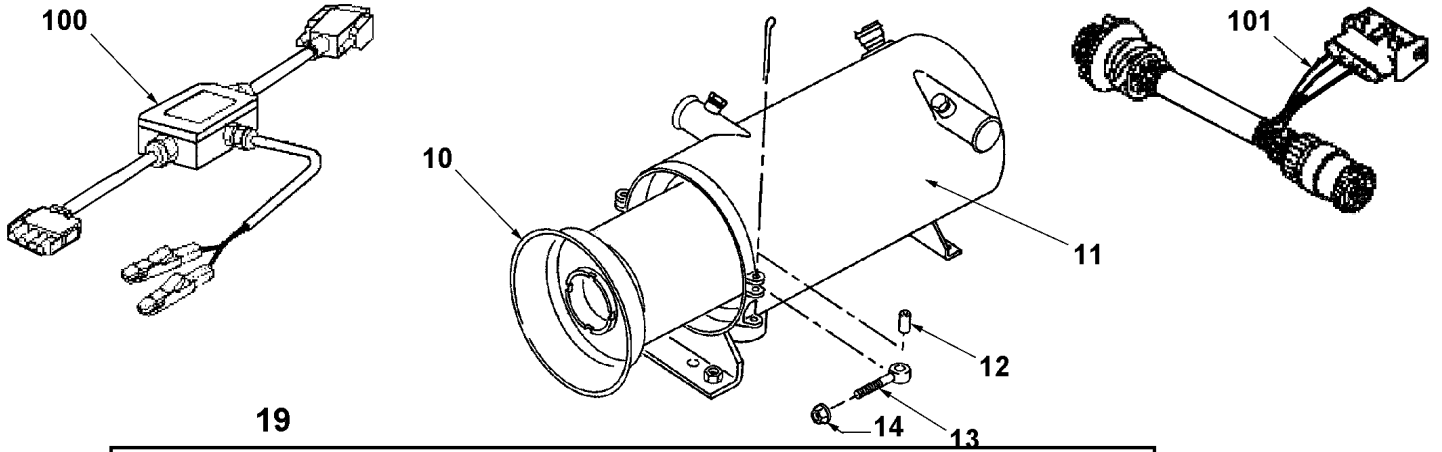
Date:10/2022

PAGE:871202

WATER HEATER - "SPHEROS" 100,000 B.T.U.



From R-012 To 2-4416	Date:10/2022	PAGE:871202
WATER HEATER - "SPHEROS" 100,000 B.T.U.		



From R-012 To 2-4416	Date:10/2022	PAGE:871202
WATER HEATER - "SPHEROS" 100,000 B.T.U.		

Item#	Part	Description	H 3 4 1	H 3 4 5	V I P 4 5	N O T E S
		WATER HEATER - "WEBASTO" 100,000 B.T.U.	1	1	1	
1	871284	. OVERHEAT PROTECTION	1	1	1	
2	871285	. TEMPERATURE SENSOR	1	1	1	
2	G1094742	. TEMPERATURE SENSOR	1	1	1	
3	194873	. CABLE ASSY / WITH RUBBER BOOT / CONTROL & HARNESS CABLE	1	1	1	
4	871286	. MASTER WIRING HARNESS	1	1	1	
5	870923	. BANJO WASHER / M10	1	1	1	
6	5011237	. BANJO UNION / 10MMx#4JIC-M	1	1	1	
6	5011238	. BANJO UNION / 10MMx#6JIC-M	1	1	1	
7	870929	. BANJO BOLT / M10-1.0	1	1	1	
8	N.S.P.	. GASKET / (151 173)	1	1	1	2
9	N.S.P.	. PLUG / (199 87A)	1	1	1	2
10	871288	. COMBUSTION CHAMBER	1	1	1	
11	871289	. HEAT EXCHANGER	1	1	1	
NS	871431	. . STICKER WEBASTO	1	1	1	
12	N8890598	. COLLAR	2	2	2	
13	N8890596	. EYE BOLT	2	2	2	
14	502692	. NUT HEXF STO M8-1.25 Z050	1	1	1	
19	N8894780	. BURNER HEAD ASSY / 24V - "WEBASTO" THERMO 300	1	1	1	
19	N8896417	. BURNER HEAD ASSY / 24V - "WEBASTO" THERMO 350	1	1	1	
20	871290	. . IGNITION ELECTRODE	1	1	1	
21	871291	. . NOZZLE 0.85GPH - "WEBASTO" THERMO 300	1	1	1	
21	870918	. . NOZZLE 0.80GPH	AR	AR	AR	
22	871368	. . PHOTODISC	1	1	1	
23	871369	. . PHOTODISC	1	1	1	
24	871292	. . ELECTRONIC IGNITION UNIT	1	1	1	
25	N8883147	. . HOLDING STRAP	1	1	1	
26	871293	. . HEATING ELEMENT WITH THERMOSTAT	1	1	1	
27	871294	. . FUEL PUMP	1	1	1	
28	871295	. . . SMALLL PARTS FOR FUEL PUMP	1	1	1	
29	871296	. . . MAGNETIC COIL	1	1	1	
30	870919	. . . UNLOADER POWER ASSY	1	1	1	
31	871297 GASKET	1	1	1	
32	502653	. . SCREW MA PAN PH M5-0.8x16 SS	AR	AR	AR	
33	871298	. . FLAME DETECTOR	1	1	1	
34	194824	. . ADJUSTING RING	1	1	1	
35	N8890616	. . HOUSING	1	1	1	
35	G1094733	. . HOUSING	1	1	1	
36	N8890590	. . CORE GRIP	1	1	1	
36	G1094734	. . CORE GRIP	1	1	1	
40	871299	. . SPLASHGUARD	1	1	1	
41	871300	. . GRID	1	1	1	

From R-012 To 2-4416	Date:10/2022	PAGE:871202
WATER HEATER - "SPHEROS" 100,000 B.T.U.		

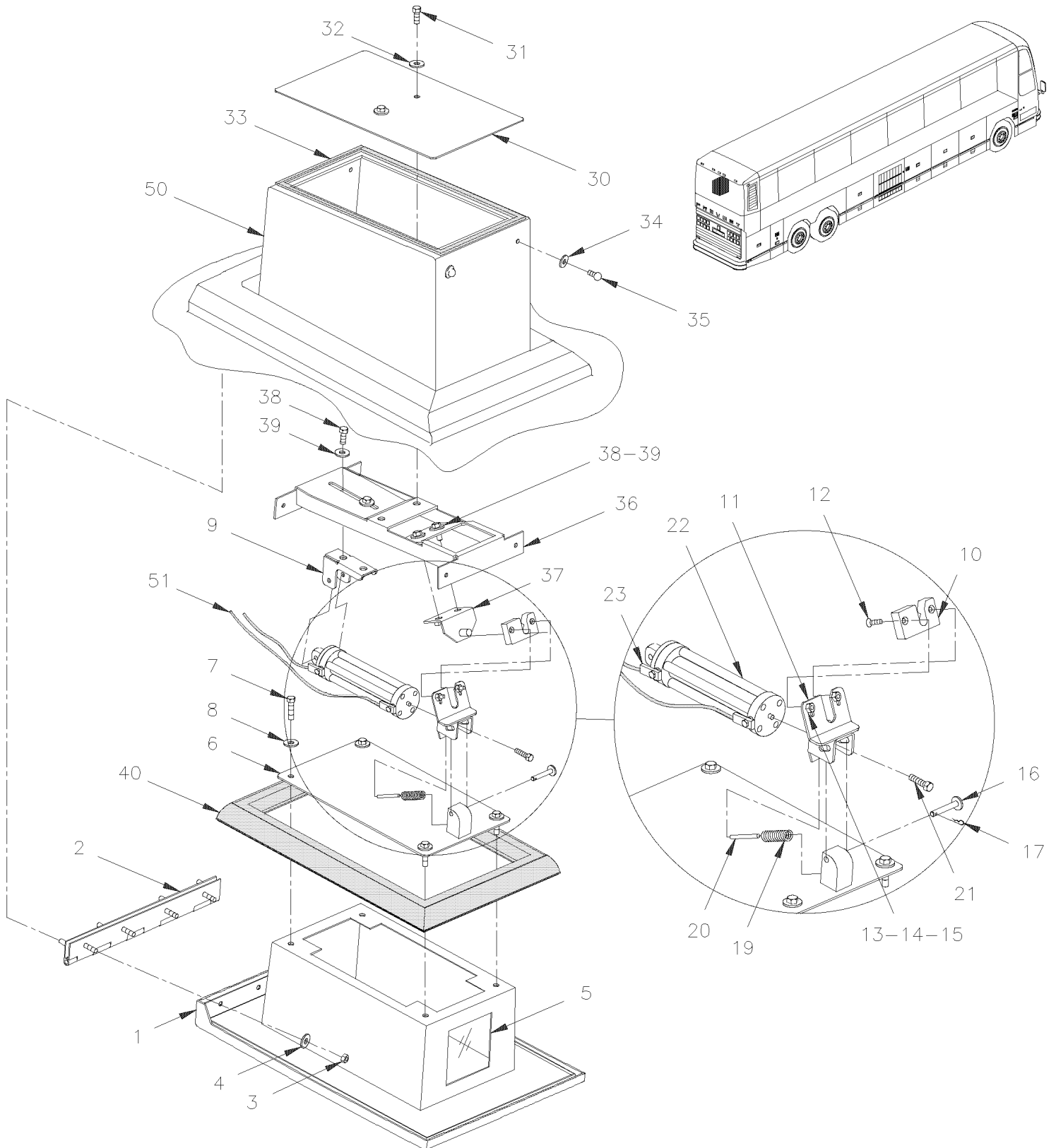
Item#	Part	Description	H 3 4 1	H 3 4 5	V I P 4 5	N O T E S
42	871301	. . HOOD	1	1	1	
NS	G1017565	. . DECAL "DANGER"	1	1	1	
43	871302	. . FAN ROTOR	1	1	1	
44	871303	. . DRIVE ASSY	1	1	1	
45	871304	. . . CLUTCH	1	1	1	
46	871305	. . ELECTRONIC CONTROL	1	1	1	
		SEE WATER HEATER - INSTALLATION				
60	374322	SPACER ASSY 1" / "WATER HEATER & FENDER	2	2	2	
61	500069	SCREW CAP HEX M8-1.25x16 G10.9 DP	4	4	4	
NS	5001341	WASHER FL 8.4x17.0x1.6 SS	4	4	4	
NS	5001161	WASHER LO SPT 8.1x14.8x2.0 SS-304	4	4	4	
NS	5001188	NUT HEX M8-1.25 SS	4	4	4	
100	871320	DIAGNOSTIC KIT VERSION 2.2	AR	AR	AR	
100	N8894700	DIAGNOSTIC KIT VERSION 2.?	AR	AR	AR	
101	871321	ADAPTOR HARNESS / W/ROUND CONECTORS	AR	AR	AR	
101	195314	ADAPTOR HARNESS / W/RECTANGULAR CONECTORS	1	1	1	
102	870937	GAUGE / IGNITION ELECTRODE	AR	AR	AR	
103	870938	BOX WRENCH / HIGH PRESSURE NOZZLE	AR	AR	AR	
		2) NOT SOLD BY PREVOST (SEE MANUFACTURING PART NUMBER AT END OF DESCRIPTION LINE)				

From R-012 To 2-4416

Date:10/2022

PAGE:H3-2355-01

BACK-UP CAMERA - INSTALLATION



From R-012 To 2-4416	Date:10/2022	PAGE:H3-2355-01
BACK-UP CAMERA - INSTALLATION		

Item#	Part	Description	H 3 4 1	H 3 4 5	V I P 4 5	N O T E S
	490770	HOUSING ASSY			1	
1	490767	. HOUSING			1	
2	490765	. HINGE			1	
3	5001180	. NUT HEX NYRT #10-24 SS			4	
4	500989	. WASHER FL .219x.875x.062 Z050			4	
5	490768	. GLASS WINDOW			1	
5	682176	. SEALANT SIKA #221 / BLACK / 310ml CARTRIDGE			AR	
5	680453	. SEALANT TAPE / CLEAR / 1/32"x1/2"x65' / 1795			AR	
6	490761	. PLATE ASSY / ATTACHMENT			1	
7	502622	. SCREW CAP HEX M6-1.0x20 SS BK			4	
8	502571	. WASHER FL SEAL .281x.625x20GA SS			4	
9	490760	. ATTACHMENT / UPPER CYLINDER			1	
10	990225	. CATCH ASSY			1	
11	490755	. ATTACHMENT			1	
12	502642	. SCREW MA FL PH #6-32x3/4 SS			2	
13	500581	. WASHER LO SPT .141x.250x.031 SS			2	
14	502556	. WASHER FL 4.3x9.0x0.8 SS			2	
15	500553	. NUT HEX #6-32 SS			2	
16	490459	. PIN, CLEVIS / TO FIX CYLINDER TO COVER ATTACHMENT			2	
17	502187	. PIN HITCH CLIP 1/16 x 1 5/32 ZP			1	
NS	502637	. WASHER FL .200x.437x.037 SS			2	
19	490759	. SPRING COMPRESSION / .322 O.D. x 1.439 x .058			1	
20	505221	. SPRING, PIN 1/8 X 3/8			1	
21	500512	. SCREW CAP HEXF #10-32x1/2 ZP			1	
22	990224	. AIR CYLINDER / BACK-UP CAMERA			1	
23	642167	. MALE ELBOW 90° SWIVEL / PUSH-IN FITTING / #2x10-32 BR			2	
30	490769	COVER			1	
NS	506071	TAPE RUB ADH1 CC POL 1/8" x 1/2" x 50' / GREY 2520X			AR	
31	502622	SCREW CAP HEX M6-1.0x20 SS BK			1	
32	502571	WASHER FL SEAL .281x.625x20GA SS			1	
33	506648	TAPE RUB ADH1 CC POL 1/8" x 1/2"x 50' / GREY 2542			AR	
34	500964	WASHER FL .203x.500x.047 Z050			4	
35	504488	RIVET MGLP PRDG 3/16x17/64 SS			4	
36	490756	ATTACHMENT / UPPER TO FIX CYLINDER			1	
37	490757	ATTACHMENT / LOWER TO FIX CATCH			1	
38	5001181	SCREW CAP HEX M6-1.0x12 SS			4	
39	502582	WASHER LO SERR 6.1x16.2x0.9 Z050			4	
40	490766	RUBBER SEAL EXTRUSION / BACK-UP CAMERA / 281MM X 167.5MM			1	E
50	H3-1851-00	CAP - FRONT & REAR - INSTALLATION				
51	H3-1202-00	TUBES PLASTIC / AIR D.O.T.				

From R-012 To 2-4416	Date:10/2022	PAGE:H3-2355-01
----------------------	--------------	-----------------

BACK-UP CAMERA - INSTALLATION

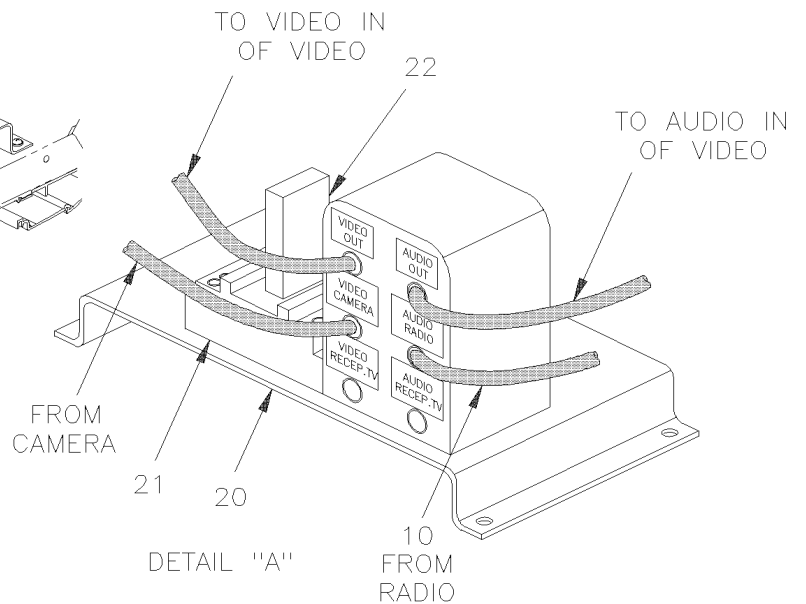
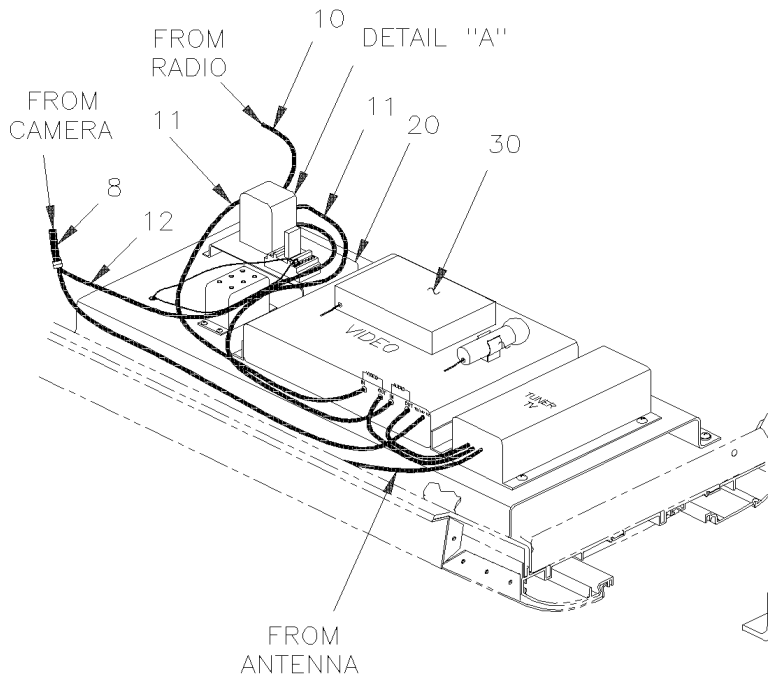
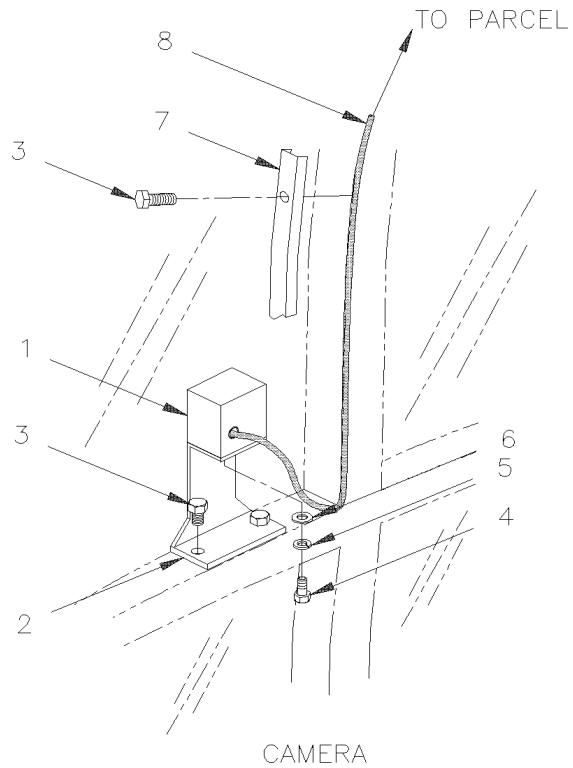
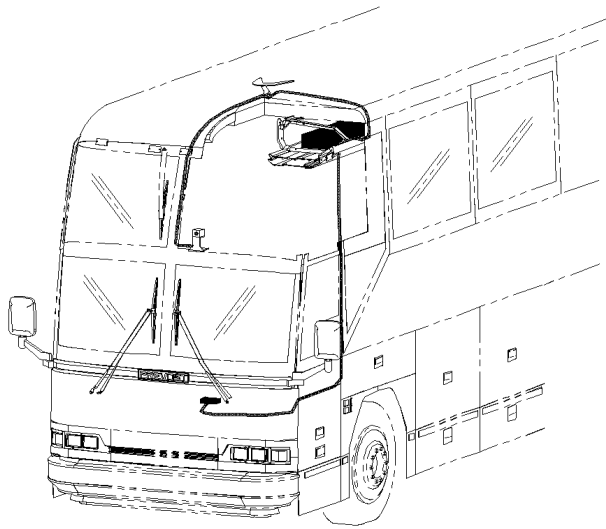
Item#	Part	Description	H 3 4 1	H 3 4 5	V I P 4 5	N O T E S
		E) THIS SEAL ARE FIXED TO REAR CAP				

From W-2285 To 2-4416

Date:10/2022

PAGE:H3-2355-10

FRONT CAMERA - INSTALLATION



From W-2285 To 2-4416	Date:10/2022	PAGE:H3-2355-10
FRONT CAMERA - INSTALLATION		

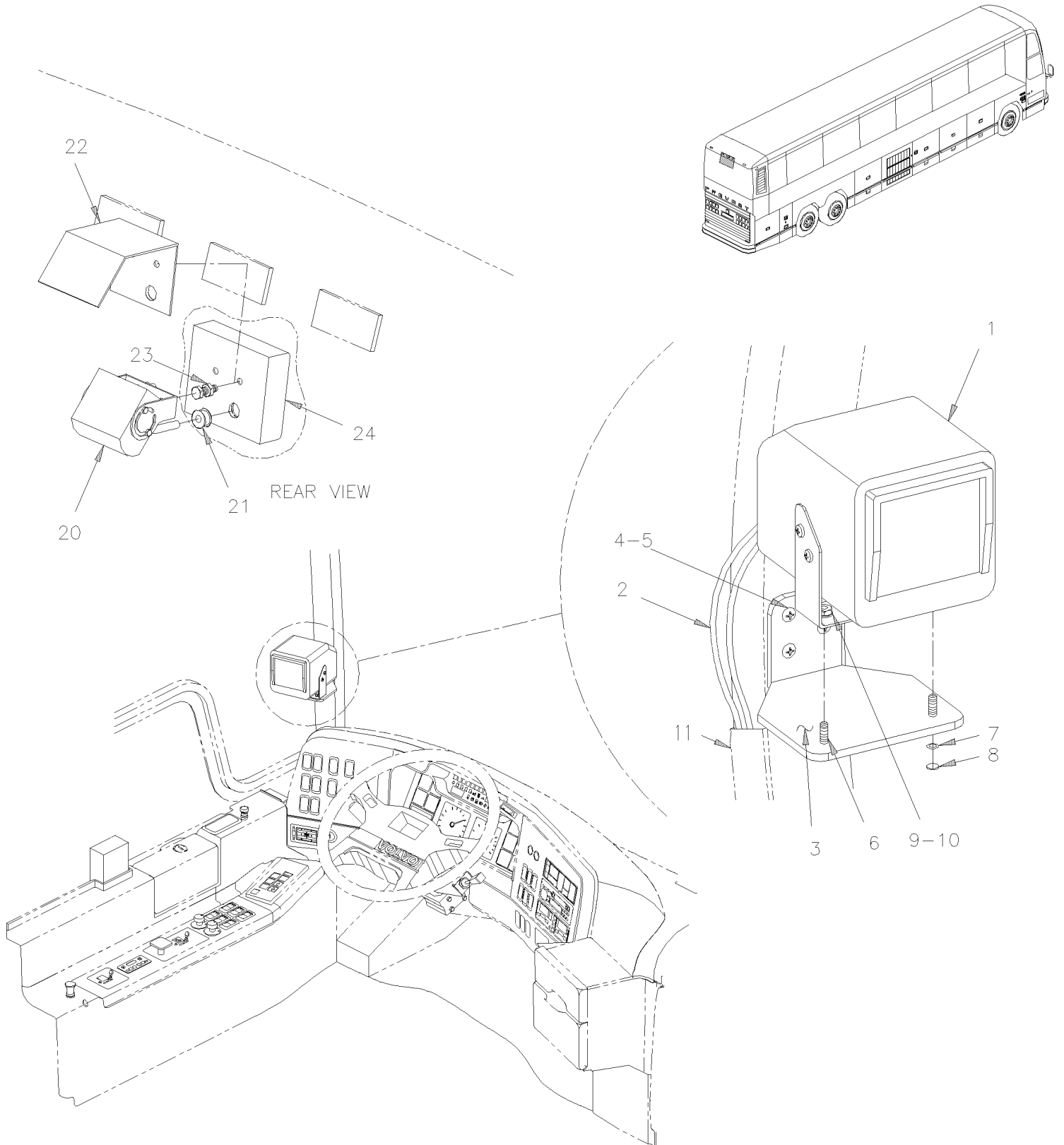
Item#	Part	Description	H 3 4 1	H 3 4 5	V I P 4 5	N O T E S
1	900914	FRONT CAMERA	1	1		
2	404696	SUPPORT / CAMERA	1	1		
3	500641	SCREW TP PAN PH #8x3/4 Z050	6	6		
4	500162	SCREW CAP HEX 1/4-20x1/2 G5 Z050	2	2		
5	500440	WASHER FL .250x.562x.065 Z050	2	2		
6	500473	WASHER LO SPT .262x.489x.062 Z050	2	2		
7	326554	MOULDING HIDE WIRE 820MM	1	1		
8	900912	CABLE ASSY / FRONT CAMERA	1	1		
10	900866	CABLE RCA / 1M/1M / 25'	1	1		
10	900671	ADAPTOR "Y" RCA / 1M/2F / 4"	1	1		
10	900758	ADAPTOR "Y" RCA / 1F/2M / 9"	1	1		
11	900856	CABLE RCA / 2M/2M / 3'	2	2		
12	900913	CABLE ASSY / VIDEO & FRONT CAMERA	1	1		
13	500576	SCREW TC PAN PH #6-32x1/2 Z050	4	4		
13	500467	WASHER LO INT .138x.275x.019 Z050	4	4		
20	404701	RELAY AND RCA PLUG PLATE ASSY	1	1		
21	562937	. BASE SOCKET	1	1		
22	562936	. RELAY 24V 4.P.D.T.	1	1		
NS	562161	. BOARD TERMINAL	1	1		
30	H3-2317-21	VIDEO VHS PLAYER - INSTALLATION "R.E.I."				

From R-012 To 2-4416

Date:10/2022

PAGE:H3-2355-20

FRONT MONITOR BACK-UP - INSTALLATION



From R-012 To 2-4416	Date:10/2022	PAGE:H3-2355-20
FRONT MONITOR BACK-UP - INSTALLATION		

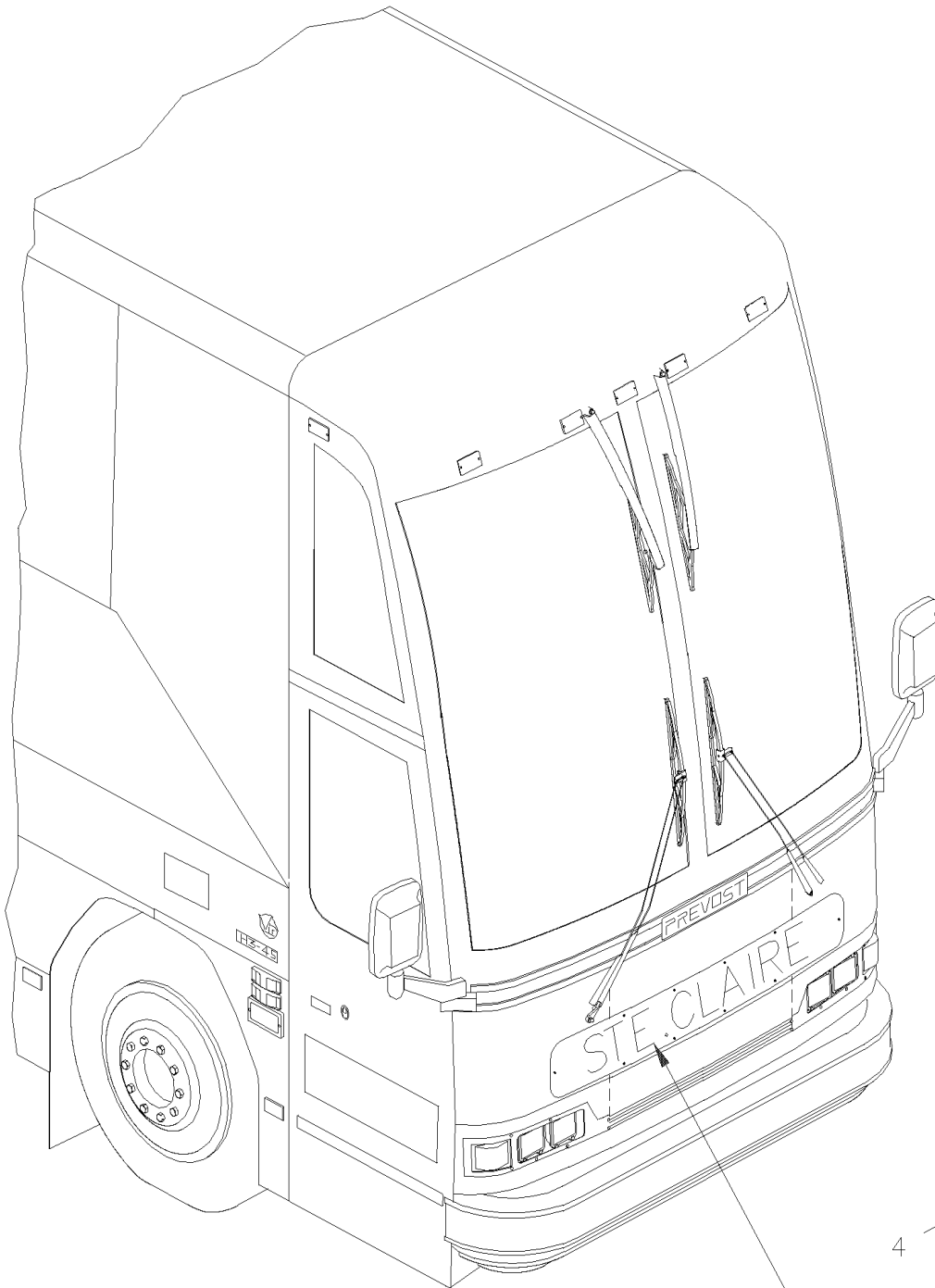
Item#	Part	Description	H 3 4 1	H 3 4 5	V I P 4 5	N O T E S
1	990226	MONITOR - "CLARION" / 12VOLTS To X-2913	1	1	1	S
1	990334	MONITOR - "CLARION" / BLACK & WHITE 12 VOLT From X-2914	1	1	1	
2	064691	CABLE ASSY / BACK-UP MONITOR From W-2285 To X-3069	1	1	1	
. NS	990257	. CABLE MONITOR "CLARION" From W-2285 To X-3069	1	1	1	
. NS	560851	. CONNECTOR / COM. MATE-N-LOCK / PH 4C / AMP 1-480426-0 From W-2285 To X-3069	1	1	1	
2	065063	CABLE ASSY / BACK-UP MONITOR From X-3070	1	1	1	
. NS	990335	. CABLE MONITOR "CLARION" From X-3070	1	1	1	
. NS	560851	. CONNECTOR / COM. MATE-N-LOCK / PH 4C / AMP 1-480426-0 From X-3070	1	1	1	
. NS	504397	. GROMMET / .750x1.062x.062x.375x1.375 From X-3070	1	1	1	
. NS	N.P.N.	. CABLE ASSY / BACK-UP MONITOR From X-3070	AR	AR	AR	4
2	064041	CABLE ASSY / BACK-UP CAMERA VIDEO / CAMERA & MONITOR / 60' (CCA-221) To V-1699	1	1	1	
. NS	990249	. CABLE BACK-UP CAMERA 60' To V-1699	1	1	1	
. NS	561681	. CONVOLUTED TUBING / SLIT / BLACK & GRAY / .350" To V-1699	25	25	25	
2	064410	CABLE ASSY / BACK-UP CAMERA VIDEO / CAMERA & MONITOR B&W / 60' (CCA-395-100) From V-1700	1	1	1	
. NS	990288	. CABLE BACK-UP CAMERA 60' From V-1700	1	1	1	
. NS	561681	. CONVOLUTED TUBING / SLIT / BLACK & GRAY / .350" From V-1700	25	25	25	
3	490825	MONITOR SUPPORT To W-2284	1	1	1	
3	490848	MONITOR SUPPORT From W-2285	1	1	1	
4	502735	SCREW MA BDG PH #10-32x1 SS BK	4	4	4	
5	502774	NUT WELL #10-32x.625	4	4	4	
6	5001000	SCREW MA BDG PH #8-32x5/8 SS	2	2	2	
7	504412	WASHER RETAINER SNAP CAP #8	2	2	2	
8	504403	SNAP CAP #8 FINISHING BLACK	2	2	2	
9	500438	WASHER FL .187x.437x.050 Z050	2	2	2	
10	500670	NUT HEX NYRT #8-32 Z050	2	2	2	
20	990303	BACK-UP CAMERA - "CLARION" / BLACK & WHITE	1	1	1	
21	504625	GROMMET / .250x.750x.250x.437x1.000	1	1	1	
22	490853	PROTECTOR, CAMERA	1	1	1	
23	502737	SCREW CAP HEX M6-1.0x25 SS BK	3	3	3	
NS	502573	WASHER FL 6.4x12.5x1.6 SS	3	3	3	
23	502570	WASHER LO SPT 6.1x11.8x1.6 SS	3	3	3	
24	490852	PLATE, FIXATION / (INSIDE OF REAR CAP)	1	1	1	
24	680532	SEALANT SIKA #221 / GREY / 310ml CARTRIDGE	AR	AR	AR	
		S) IN SERVICE THIS MONITOR IT SUPPERSEDED BY 900334 WITH CABLE 065063				
		4) NO PARTS NUMBER				

From R-012 To 2-4416

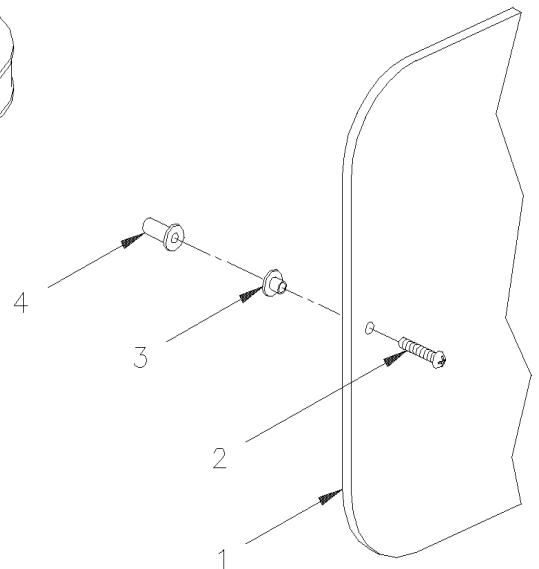
Date:10/2022

PAGE:H3-2360-00

MONOGRAM ASSY & LETTERS



This monogram is only a example



From R-012 To 2-4416	Date:10/2022	PAGE:H3-2360-00
MONOGRAM ASSY & LETTERS		

Item#	Part	Description	H 3 4 1	H 3 4 5	V I P 4 5	N O T E S
		BEFORE ORDERING "MONOGRAM" OR "DECAL" PLEASE SPECIFY NAME...				
	490392	DECAL / ON BAGGAGE DOOR "OWNER & OPERATOR ICC # & ETC...."	1	1		
1	490494P	MONOGRAM ASSY / FRONT BLACK W/ACRYLIC LETTER (WHITE OR GREY)	1	1		
1	490492	. MONOGRAM PLATE, BLACK PLASTIC / 9 3/4" X 82 5/8"	1	1		
1	490716P	MONOGRAM ASSY / FRONT RED W/ACRYLIC LETTER GREY	1	1		
1	490700	. MONOGRAM PLATE, RED PLASTIC / 9 3/4" X 82 5/8"	1	1		
1	490683P	MONOGRAM ASSY / FRONT CLEAR W/PAINT LETTER OR "SCOTCH"	1	1		
1	490686	. MONOGRAM PLATE, CLEAR PLASTIC / 9 3/4" X 90 1/2"	1	1		
2	502735	SCREW MA BDG PH #10-32x1 SS BK	10	10		A
3	900251	BUSHING, RUBBER	10	10		B
4	500519	NUT WELL #10-32x.518	10	10		
NS	680130	GLUE / TO FIX ACRYLIC LETTER TO MONOGRAM 1 Liter	AR	AR		
NS	490307	LETTER "A" / ACRYLIC WHITE	AR	AR		
NS	490608	LETTER "A" / ACRYLIC GREY	AR	AR		
NS	490308	LETTER "B" / ACRYLIC WHITE	AR	AR		
NS	490609	LETTER "B" / ACRYLIC GREY	AR	AR		
NS	490309	LETTER "C" / ACRYLIC WHITE	AR	AR		
NS	490610	LETTER "C" / ACRYLIC GREY	AR	AR		
NS	490310	LETTER "D" / ACRYLIC WHITE	AR	AR		
NS	490611	LETTER "D" / ACRYLIC GREY	AR	AR		
NS	490311	LETTER "E" / ACRYLIC WHITE	AR	AR		
NS	490612	LETTER "E" / ACRYLIC GREY	AR	AR		
NS	490312	LETTER "F" / ACRYLIC WHITE	AR	AR		
NS	490613	LETTER "F" / ACRYLIC GREY	AR	AR		
NS	490313	LETTER "G" / ACRYLIC WHITE	AR	AR		
NS	490614	LETTER "G" / ACRYLIC GREY	AR	AR		
NS	490314	LETTER "H" / ACRYLIC WHITE	AR	AR		
NS	490615	LETTER "H" / ACRYLIC GREY	AR	AR		
NS	490336	LETTER "I" / ACRYLIC WHITE	AR	AR		
NS	490616	LETTER "I" / ACRYLIC GREY	AR	AR		
NS	490315	LETTER "J" / ACRYLIC WHITE	AR	AR		
NS	490617	LETTER "J" / ACRYLIC GREY	AR	AR		
NS	490316	LETTER "K" / ACRYLIC WHITE	AR	AR		
NS	490618	LETTER "K" / ACRYLIC GREY	AR	AR		
NS	490317	LETTER "L" / ACRYLIC WHITE	AR	AR		
NS	490619	LETTER "L" / ACRYLIC GREY	AR	AR		
NS	490318	LETTER "M" / ACRYLIC WHITE	AR	AR		
NS	490620	LETTER "M" / ACRYLIC GREY	AR	AR		

From R-012 To 2-4416	Date:10/2022	PAGE:H3-2360-00
MONOGRAM ASSY & LETTERS		

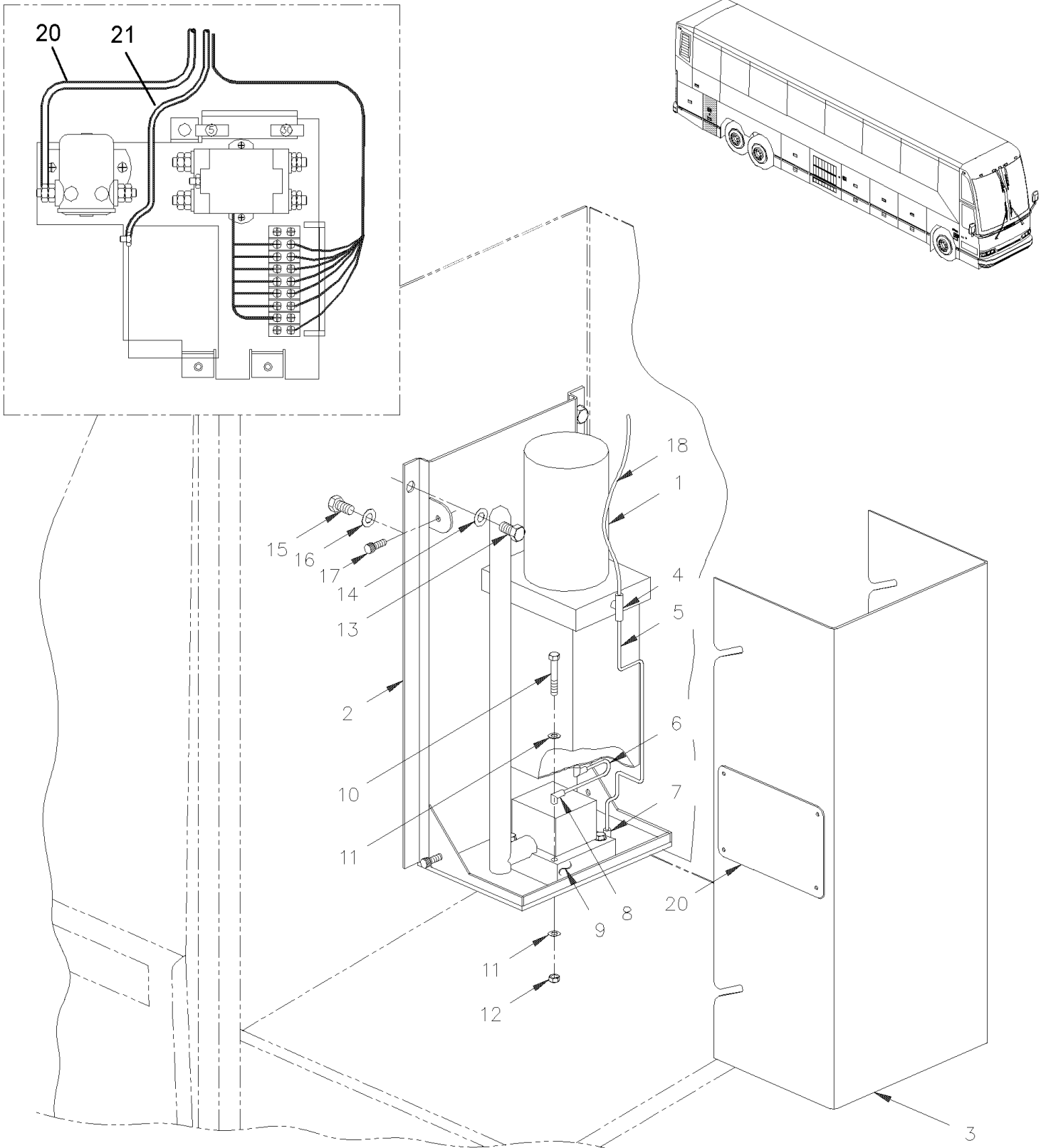
Item#	Part	Description	H 3 4 1	H 3 4 5	V I P 4 5	N O T E S
NS	490319	LETTER "N" / ACRYLIC WHITE	AR	AR		
NS	490621	LETTER "N" / ACRYLIC GREY	AR	AR		
NS	490320	LETTER "O" / ACRYLIC WHITE	AR	AR		
NS	490622	LETTER "O" / ACRYLIC GREY	AR	AR		
NS	490321	LETTER "P" / ACRYLIC WHITE	AR	AR		
NS	490597	LETTER "P" / ACRYLIC GREY	AR	AR		
NS	490322	LETTER "Q" / ACRYLIC WHITE	AR	AR		
NS	490624	LETTER "Q" / ACRYLIC GREY	AR	AR		
NS	490323	LETTER "R" / ACRYLIC WHITE	AR	AR		
NS	490625	LETTER "R" / ACRYLIC GREY	AR	AR		
NS	490324	LETTER "S" / ACRYLIC WHITE	AR	AR		
NS	490626	LETTER "S" / ACRYLIC GREY	AR	AR		
NS	490325	LETTER "T" / ACRYLIC WHITE	AR	AR		
NS	490599	LETTER "T" / ACRYLIC GREY	AR	AR		
NS	490326	LETTER "U" / ACRYLIC WHITE	AR	AR		
NS	490628	LETTER "U" / ACRYLIC GREY	AR	AR		
NS	490327	LETTER "V" / ACRYLIC WHITE	AR	AR		
NS	490629	LETTER "V" / ACRYLIC GREY	AR	AR		
NS	490328	LETTER "W" / ACRYLIC WHITE	AR	AR		
NS	490598	LETTER "W" / ACRYLIC GREY	AR	AR		
NS	490329	LETTER "X" / ACRYLIC WHITE	AR	AR		
NS	490631	LETTER "X" / ACRYLIC GREY	AR	AR		
NS	490330	LETTER "Y" / ACRYLIC WHITE	AR	AR		
NS	490632	LETTER "Y" / ACRYLIC GREY	AR	AR		
NS	490331	LETTER "Z" / ACRYLIC WHITE	AR	AR		
NS	490633	LETTER "Z" / ACRYLIC GREY	AR	AR		
NS	490332	AND "&" / ACRYLIC WHITE	AR	AR		
NS	490634	AND "&" / ACRYLIC GREY	AR	AR		
NS	490333	DOT "." / ACRYLIC WHITE	AR	AR		
NS	490635	DOT "." / ACRYLIC GREY	AR	AR		
NS	490334	DASH "-" / ACRYLIC WHITE	AR	AR		
NS	490636	DASH "-" / ACRYLIC GREY	AR	AR		
NS	490335	COMA "," / ACRYLIC WHITE	AR	AR		
NS	490637	COMA "," / ACRYLIC GREY	AR	AR		
		A) TO FIX MONOGRAM				
		B) BODY & MONOGRAM				

From S-128 To 2-4416

Date:10/2022

PAGE:H3-2370-00

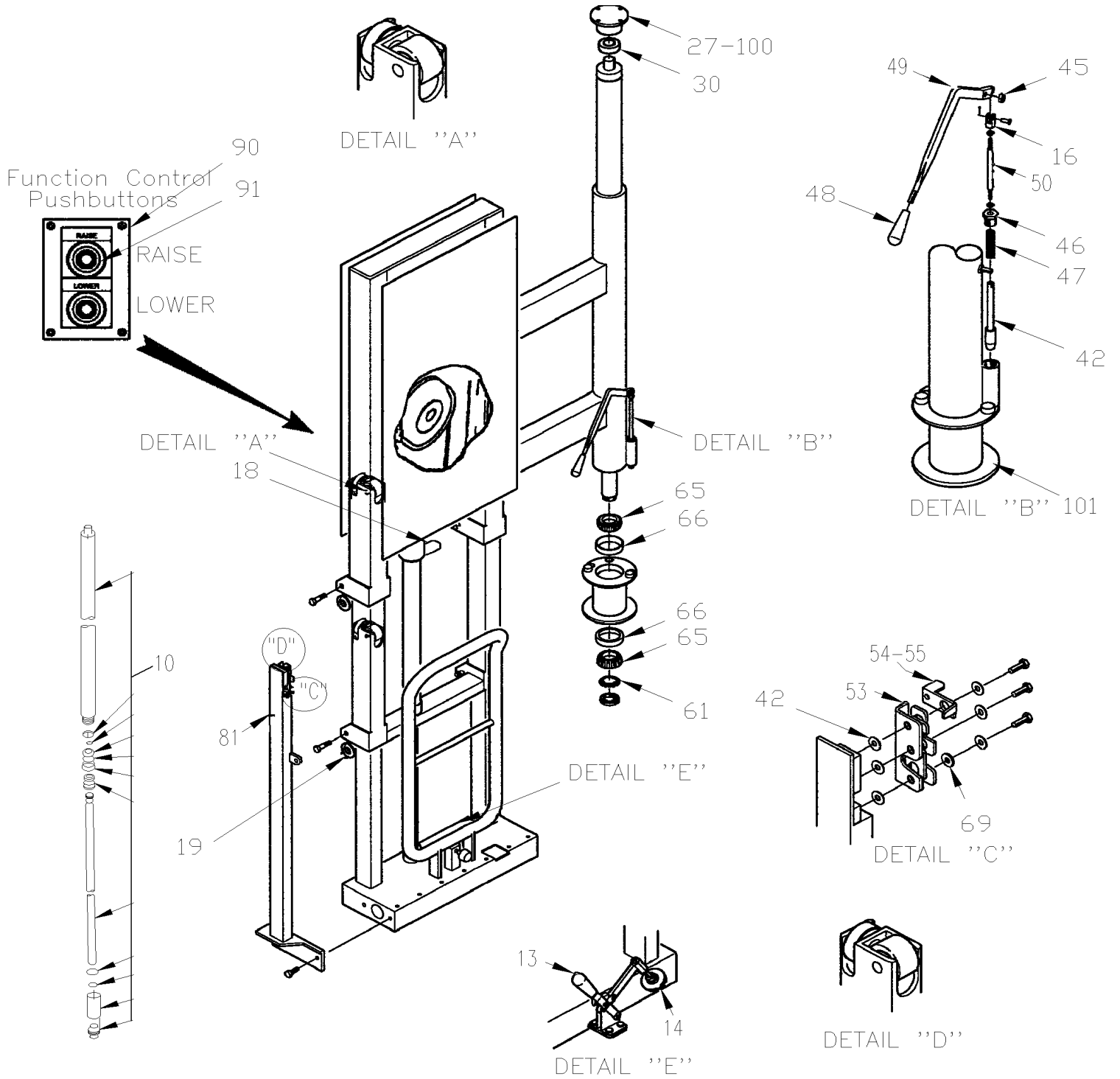
W.C.L. "ST & ST" - PUMP INSTALLATION



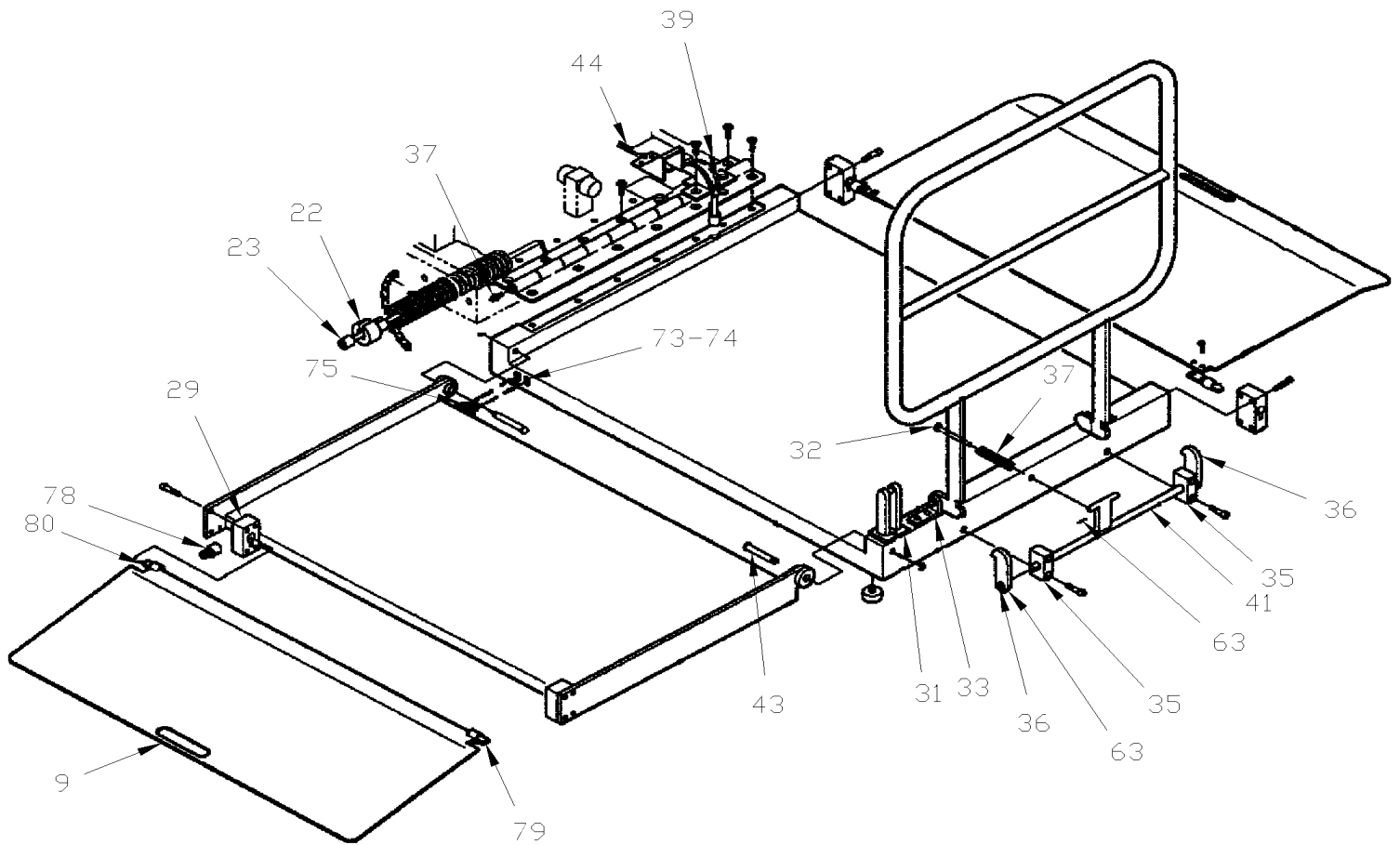
From S-128 To 2-4416		Date:10/2022	PAGE:H3-2370-00
W.C.L. "ST & ST" - PUMP INSTALLATION			

Item#	Part	Description	H 3 4 1	H 3 4 5	V I P 4 5	N O T E S
1	860797	PUMP HYDRAULIC ASSY 24V To T-1419	1	1		
1	860835	PUMP HYDRAULIC ASSY 24V From T-1420	1	1		
2	285110	SUPPORT ASSY To T-1560	1	1		
2	285458	SUPPORT ASSY From T-1561	1	1		
3	284619	COVER ASSY To T-1419	1	1		
3	285278	COVER ASSY From T-1420 To T-1560	1	1		
3	285456	COVER ASSY From T-1561	1	1		
NS	810034	. CARPET OZITE / S.L. 12 FT WIDE	AR	AR		
4	5011060	MALE RUN TEE / JIC 37° FITTING / #6JIC-Mx #6JIC-Mx3/8NPT-M STL	1	1		
5	285196	HOSE ASSY / #6 330MM	1	1		
6	285195	PIPE COPPER TUBE	1	1		
7	501695	MALE ELBOW 90° / JIC 37° FITTING / #6JIC-Mx1/4NPT-M STL	1	1		
8	641372	MALE ELBOW 90° NON-SWIVEL / PUSH-IN FITTING / #6x1/4NPT-M BR	2	2		
9	860836	HAND PUMP ASSEMBLY / (B13067)	1	1		
10	500172	SCREW CAP HEX 1/4-20x2 1/2 G5 PT ZP	4	4		
11	500440	WASHER FL .250x.562x.065 Z050	8	8		
12	500770	NUT HEX STO 1/4-20 Z050	4	4		A
13	502617	NUT HEX NYRT M10-1.5 Z050	4	4		
NS	500462	WASHER FL .343x1.500x.083 SS	4	4		
14	500602	SCREW TH SHR 1/4-20x3/4	4	4		
15	500190	SCREW CAP HEX 3/8-16x3/4 G5 Z050	2	2		
16	502616	WASHER LO SPT 10.2x18.1x2.2 SS	2	2		
17	5001323	NUT THUMB KNURLED M6-1.0	4	4		
18	285197	HOSE ASSY / #6 8535MM	1	1		
NS	560482	CLAMP / 3/4" I.D. / W/HOLE 3/16"	2	2		
NS	501695	MALE ELBOW 90° / JIC 37° FITTING / #6JIC-Mx1/4NPT-M STL	1	1		
20	860865	INSTRUCTION PLATE MANUAL PUMP	1	1		
		A) TO FIX BALLAST				

From S-128 To 2-4416	Date:10/2022	PAGE:H3-2370-05
W.C.L. "ST & ST" - MODEL SSPL 660 LTA		



From S-128 To 2-4416	Date:10/2022	PAGE:H3-2370-05
W.C.L. "ST & ST" - MODEL SSPL 660 LTA		



From S-128 To 2-4416	Date:10/2022	PAGE:H3-2370-05
W.C.L. "ST & ST" - MODEL SSPL 660 LTA		

Item#	Part	Description	H 3 4 1	H 3 4 5	V I P 4 5	N O T E S
	860827	LIFT ASSY COMPLETE / MODEL		1		
9	862042	BARRIER		1		
10	N.S.P.	CYLINDER ASSY 66" STROKE (C-14872)		1		2
13	861010	CLAMP		1		
14	861011	CLAMP PAD		1		
16	861049	CLEVIS		1		
18	860900	FLOW VALVE		1		
19	861012	ROLLER		2		
22	861015	CABLE COLLAR		1		
23	861016	CABLE		1		
27	861020	ROTATING CAP		1		
29	861022	LOCK BLOCK, FRONT		2		
30	861058	BEARING		1		
31	861023	LATCH		1		
32	861024	PIN		1		
33	861025	BRACKET		1		
35	861027	PIVOT BLOCK		2		
36	861028	LATCH		2		
37	861029	SPRING		1		
39	861039	PULLEY CABLE		1		
41	861033	BELL CRANK		1		
42	861034	INDEX PIN		1		
43	861035	PIN		2		
44	861036	CABLE COVER		1		
45	861049	CLEVIS		1		
46	861050	SPRING CAP		1		
47	861051	SPRING COMPRESSION / .767 O.D. x 2.512 x .104		1		
48	861052	HANDLE		1		
49	861018	HANDLE LEVER		1		
50	861048	ROD		1		
52	861057	BEARING		4		
53	861053	LATCH		1		
54	861054	LEVER		1		
55	861056	BALL JOINT		1		
61	861059	WASHER, LOCK		1		
62	861060	SNAP RING		2		
63	861061	ROLL PIN 1/8 X 3/4		3		
65	861064	BEARING CONE		2		
66	861065	BEARING CUP		2		
67	861066	GROMMET		2		
69	861067	SPACER		1		
73	861371	SWITCH, UPPER		1		

From S-128 To 2-4416	Date:10/2022	PAGE:H3-2370-05
W.C.L. "ST & ST" - MODEL SSPL 660 LTA		

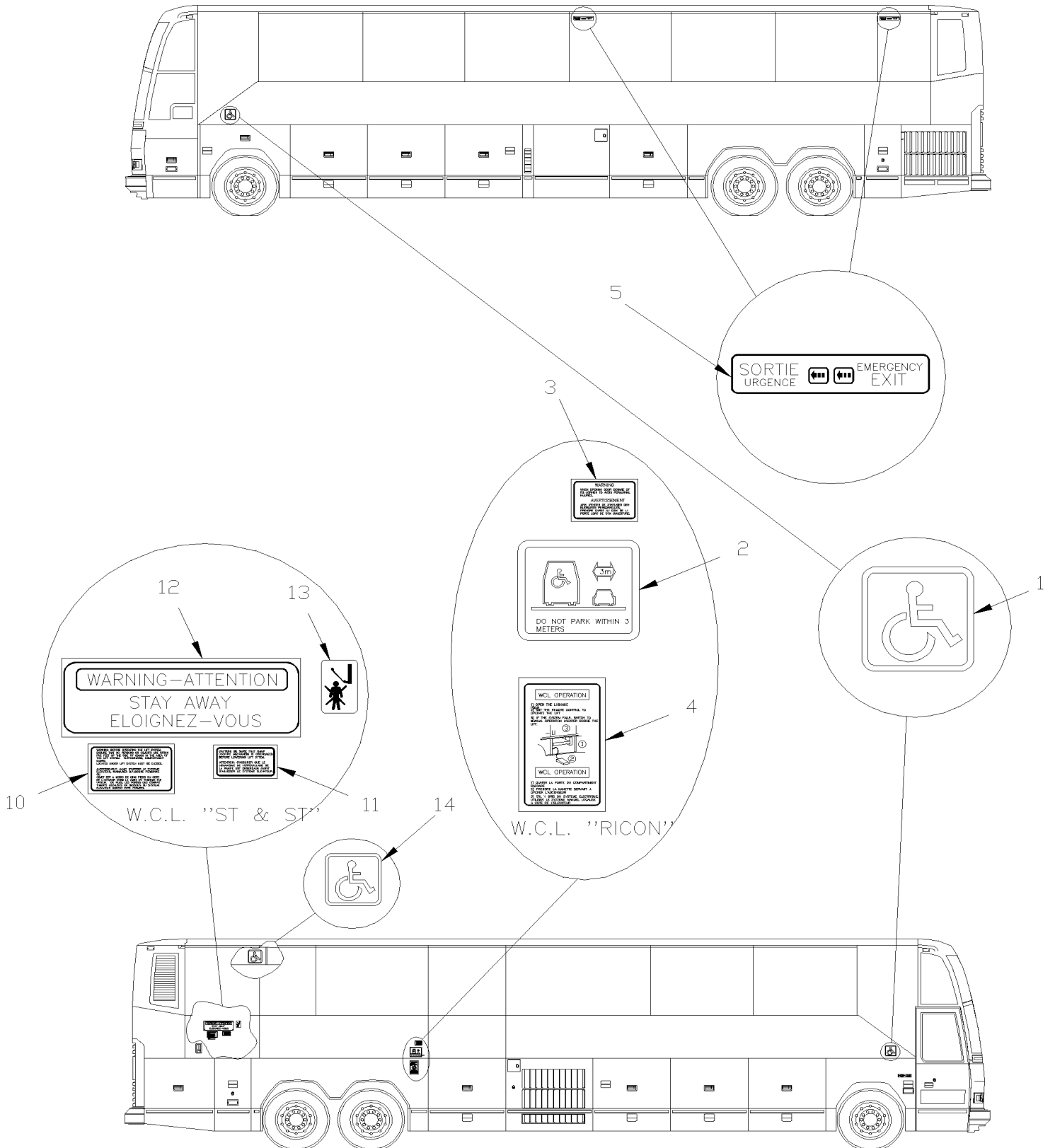
Item#	Part	Description	H 3 4 1	H 3 4 5	V I P 4 5	N O T E S
74	861372	SPRING		1		
75	861370	SWITCH LOWER		3		
78	861369	SWITCH - L.H. CONSOLE - BUS		1		
79	862043	PIN		1		
80	862044	PIN		1		
81	861242	SAFETY BELT KIT		AR		
90	064093	REMOTE CONTROL / "ST"& "ST"		1		
91	562301	. SWITCH / S.P.S.T. / N.O. / WHITE		2		
NS	403618	. PLATE IDENTIFICATION / UP & DOWN		1		
NS	064092	PLATE		1		
NS	900859	BRACKET, MOUNTING / MICROPHONE		1		
100	324699	FINISHING PLATE UPPER / 132MM O.D.		1		
NS	340884	SPACER UPPER / 98.5MM O.D.		1		
NS	5001499	SCREW CAP HEX M8-1.25x30 SS		4		
NS	5001161	WASHER LO SPT 8.1x14.8x2.0 SS-304		4		
NS	506071	TAPE RUB ADH1 CC POL 1/8" x 1/2" x 50' / GREY 2520X		AR		
101	324659	FINISHING PLATE LOWER / 202MM O.D.		1		
NS	327148	SPACER / FLOOR / 35MM		4		
NS	5001493	SCREW CAP HEX M10-1.5x70 SS		4		
NS	502616	WASHER LO SPT 10.2x18.1x2.2 SS		4		
NS	500618	SCREW TP FL PH #10x1 Z050		2		
		2) NOT SOLD BY PREVOST (SEE MANUFACTURING PART NUMBER AT END OF DESCRIPTION LINE)				

From S-128 To 2-4416

Date:10/2022

PAGE:H3-2370-10

W.C.L. - DECAL



From S-128 To 2-4416	Date:10/2022	PAGE:H3-2370-10
W.C.L. - DECAL		

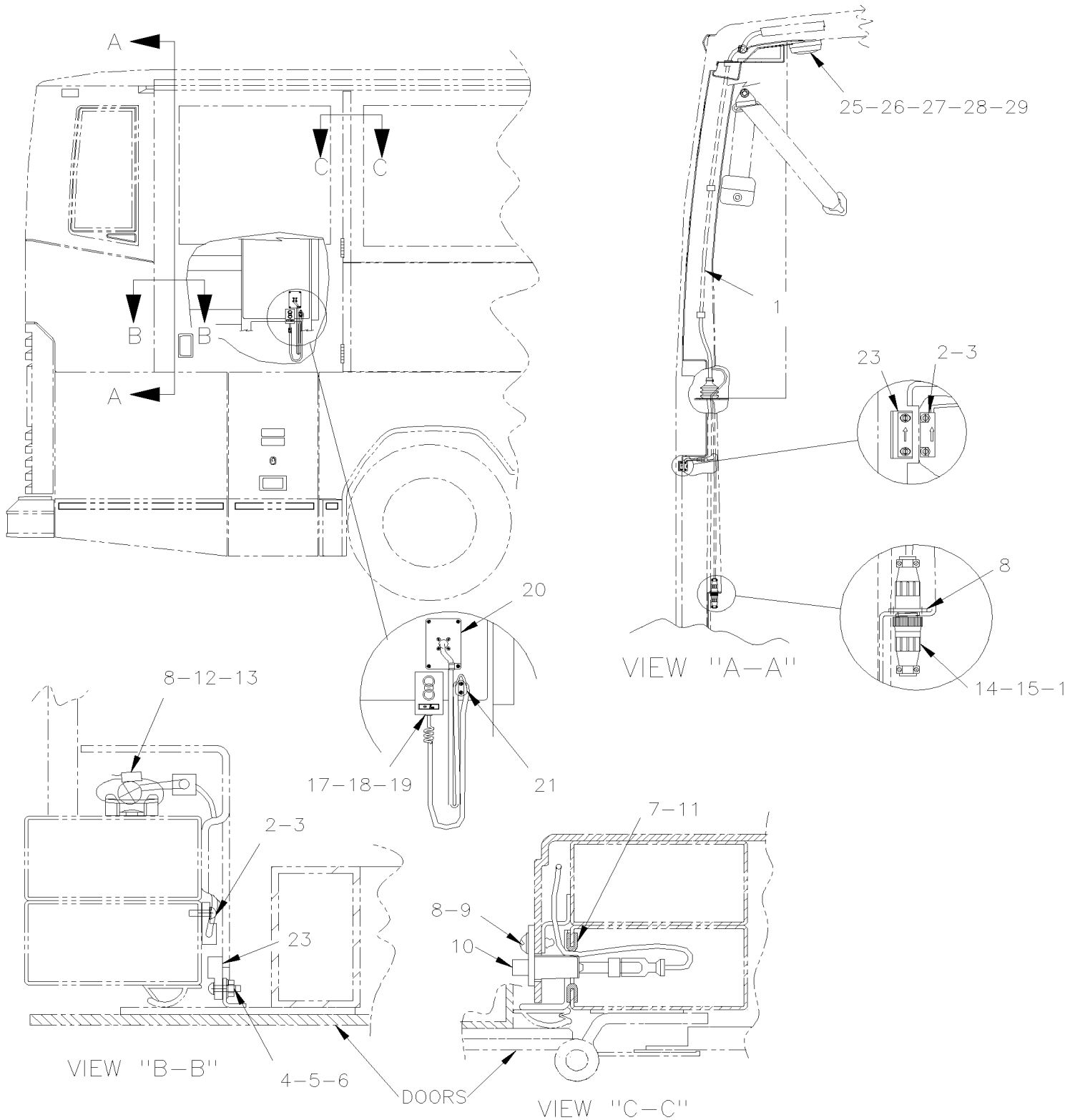
Item#	Part	Description	H 3 4 1	H 3 4 5	V I P 4 5	N O T E S
1	404087	DECAL / BLUE W/CHAIR / 180MM x 180MM	2	2		
2	404083	DECAL / DO NOT PARK WITHIN 3 METRES / ENGLISH & FRANCAIS	1	1		A
2	404089	DECAL / DO NOT PARK WITHIN 3 METRES / ENGLISH	1	1		
2	405645	DECAL / DO NOT PARK WITHIN 3 METRES / ENGLISH & SPANISH	1	1		
3	403898	DECAL / "WARNING" WHEN OPENING DOOR BEWARE.. / ENGLISH & FRANCAIS	1	1		A
3	404332	DECAL / "WARNING" WHEN OPENING DOOR BEWARE.. / ENGLISH	1	1		
3	405644	DECAL / "WARNING" WHEN OPENING DOOR BEWARE.. / ENGLISH & SPANISH	1	1		
4	404333	DECAL / WCL OPERATION 1. 2.	1	1		
5	404084	DECAL / EMERGENCY EXIT / (RED ON CLEAR) / ENGLISH & FRANCAIS	1	1		A
5	405629	DECAL / EMERGENCY EXIT / (RED ON CLEAR) / ENGLISH & SPANISH	1	1		
5	404088	DECAL / EMERGENCY EXIT / (RED ON CLEAR) / ENGLISH	1	1		
10	403896	DECAL / AVANT D'OPERER LE.FERMEES	1	1		A
11	403897	DECAL / S'ASURER QUE.ELEVATEUR	1	1		A
12	404085	DECAL / ATTENTION ELOIGNEZ-VOUS	1	1		A
12	404090	DECAL / WARNING STAY AWAY	1	1		
13	403895	DECAL / PICTOGRAM MAN W/X RED OVER & PLATFORM	1	1		
14	405378	DECAL / BLUE W/CHAIR / 102MM x 102MM	1	1		
		A) BILINGUAL FRENCH & ENGLISH				

From S-128 To 2-4416

Date:10/2022

PAGE:H3-2370-15

W.C.L. "ST" & "ST" ACCESSORIES



From S-128 To 2-4416	Date:10/2022	PAGE:H3-2370-15
W.C.L. "ST" & "ST" ACCESSORIES		

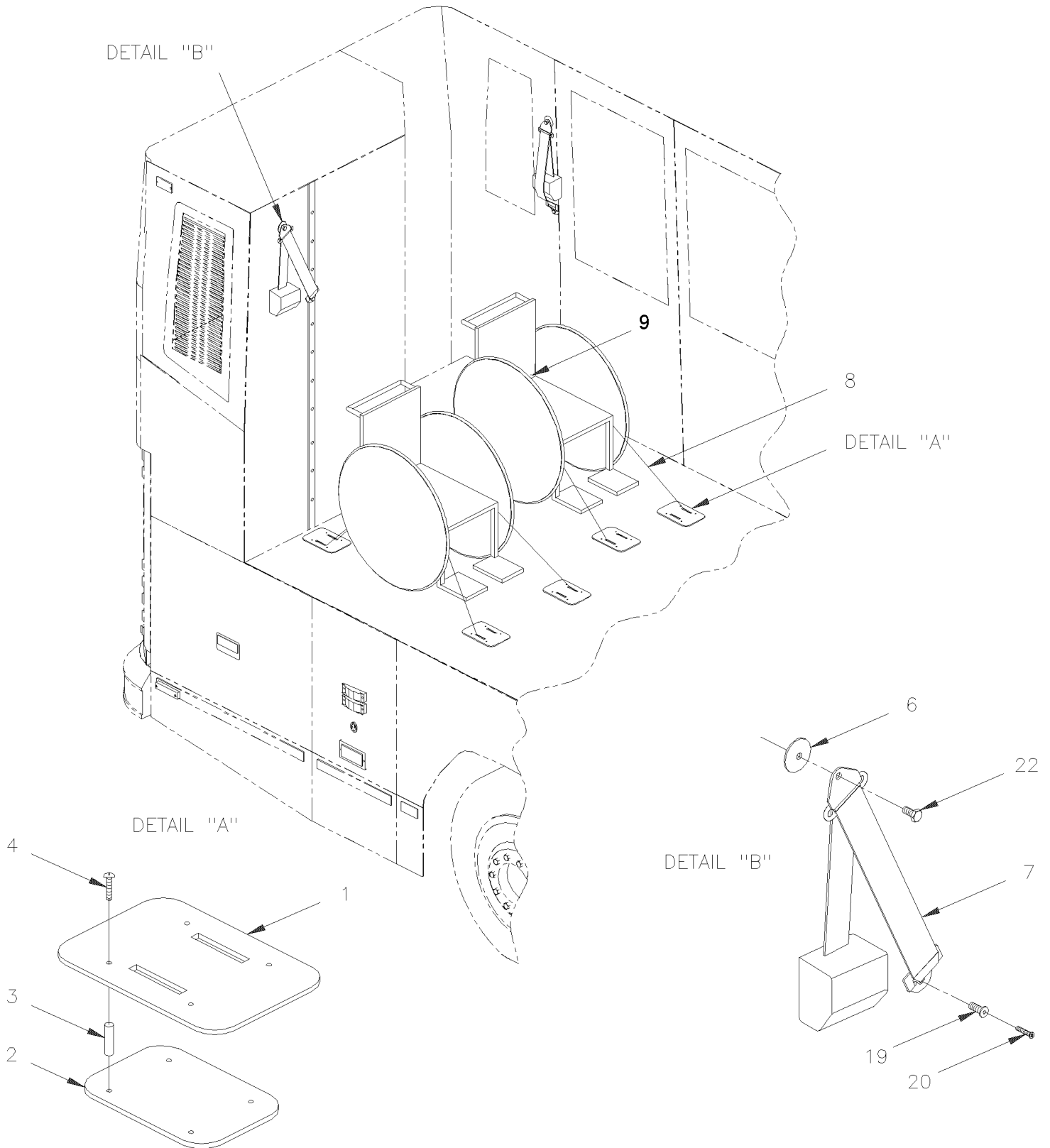
Item#	Part	Description	H 3 4 1	H 3 4 5	V I P 4 5	N O T E S
1	063963	CABLE ASSY / W.C.L. ACCESSORIES / "ST & ST"	1	1		
2	063971	SWITCH MAGNETIC ASSY To V-1699	1	1		
2	064360	SWITCH MAGNETIC ASSY From V-1700 To 2-4395	1	1		
3	500798	SCREW TP PAN PH #4-3/8 ZP	2	2		
4	500518	SCREW MA BDG PH #4-40x1/2 Z050	2	2		
5	502520	NUT HEX #4-40 Z050	2	2		
6	500467	WASHER LO INT .138x.275x.019 Z050	2	2		
7	506338	RUBBER CHANNEL / 1/16" x 1/4" INT "U" SHAPE / ROUND C.T.L.	AR	AR		
8	500654	SCREW TC BDG PH #8-32x1/2 Z050	AR	AR		
9	500022	WASHER LO INT .168x.340x.023 Z050	1	1		
10	562303	SWITCH / S.P.S.T. / N.C. From 2-4396	1	1		
11	680066	ADHESIVE / ADBOND #5014 / 23.6ML BOTTLE	AR	AR		
12	504637	CABLE TIE / 3/16" x 13"	AR	AR		
13	504013	TIE MOUNT / 1/4" X 1/4" I.D.	AR	AR		
14	561687	CONNECTOR / CPC SERIES 1 / SH 4C / AMP 206060-1	1	1		
15	561651	CABLE CLAMP / CPC / #11 / AMP 206062-1	2	2		
16	561240	SOCKET TERMINAL / 18-16 / SIGNAL CONTACT / AMP 66101-2	3	3		
17	064093	REMOTE CONTROL / "ST"& "ST"	1	1		
18	403618	. PLATE IDENTIFICATION / UP & DOWN	1	1		
19	562301	. SWITCH / S.P.S.T. / N.O. / WHITE	2	2		
20	064092	PLATE	1	1		
21	900859	BRACKET, MOUNTING / MICROPHONE	1	1		
23	562641	MAGNET	1	1		
25	830110	LAMP ASSY	1	1		
26	502677	SCREW MA RND PH M4-0.7x25 SS	1	1		
27	500589	NUT WELL M4-0.7x13.5	2	2		
28	561553	BULB / 10WATT-24VOLTS / SAE# 5637	2	2		
29	504062	GROMMET / .4375x.687x.125x.375x.937	1	1		
NS	405285	PROTECTOR W.C.L. "ST & ST" / PLASTIC	1	1		

From R-012 To 2-4416

Date:10/2022

PAGE:H3-2370-20

W.C.L. SEAT BELTS



From R-012 To 2-4416	Date:10/2022	PAGE:H3-2370-20
W.C.L. SEAT BELTS		

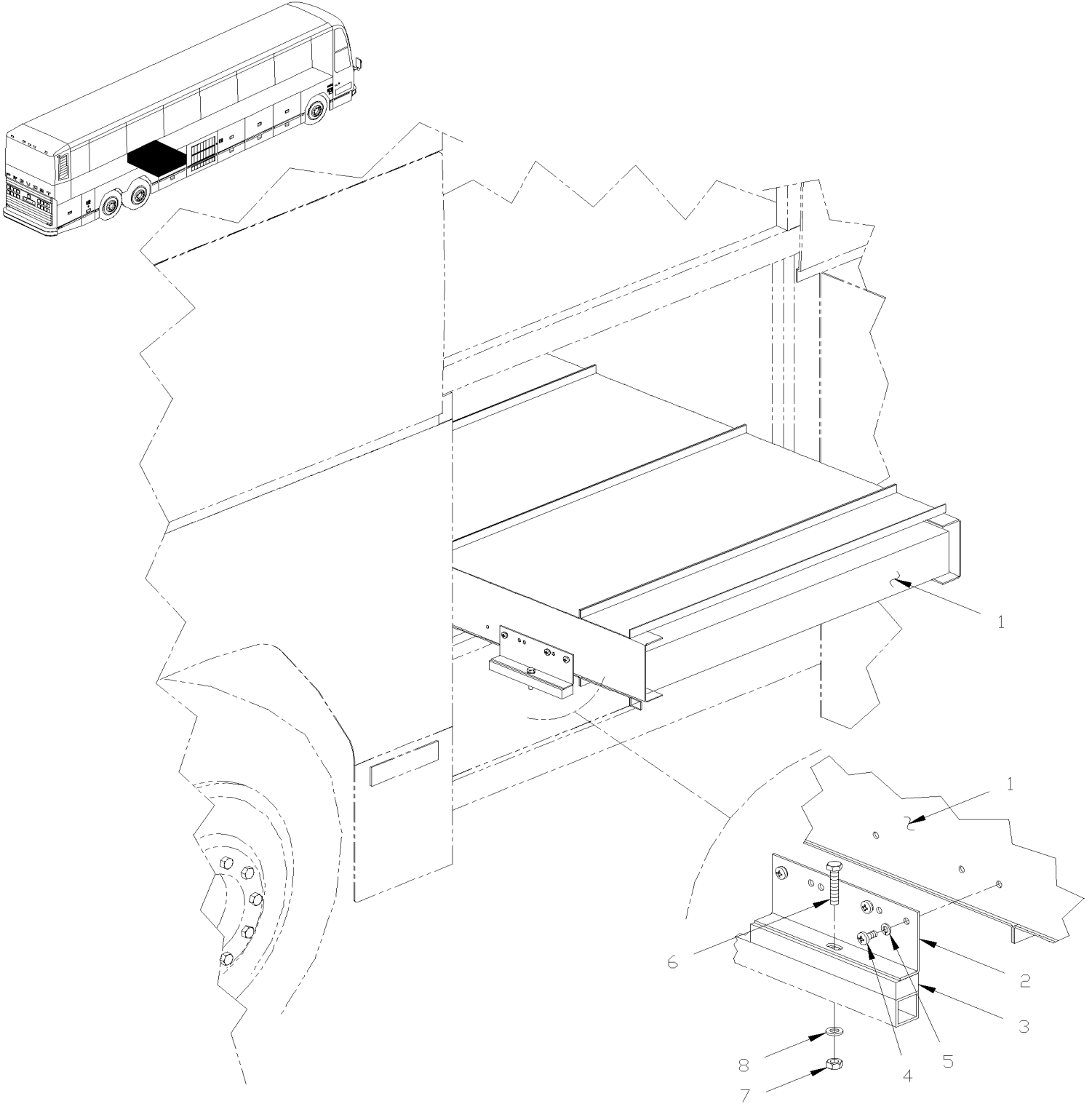
Item#	Part	Description	H 3 4 1	H 3 4 5	V I P 4 5	N O T E S
1	363375	ANCHOR PLATE	4	4		
2	363374	RECEPTACLE	4	4		
3	504617	SPACER M10 X 30	12	12		
3	504618	SPACER M10 X 12	4	4		
4	5001187	SCREW MA FL SLT M8-1.25x50 SS EMN	16	16		
6	403873	FINISHING WASHER	1	1		
7	860824	BELT RETAINER / SHOULDER	1	1		
8	860825	BELT RETAINER / WHEELCHAIR	1	1		
9	860826	BELT RETAINER / ABDOMINAL	1	1		
19	500322	RIVET NUT FL OKS 1/4-20x.35x.216	1	1		
20	5001097	SCREW TC OV PH #6-32x3/4 SS410 BK	1	1		
22	500074	SCREW CAP HEX 7/16-20x2 G5 Z050	2	2		
NS	862967	SAFETY BELT CUTTER / W.C.L. / EMERGENCY	1	1		

From T-1423 To 2-4416

Date:10/2022

PAGE:H3-2380-00

W.C.L. "RICON" - INSTALLATION MODEL "F9A"



From T-1423 To 2-4416	Date:10/2022	PAGE:H3-2380-00
W.C.L. "RICON" - INSTALLATION MODEL "F9A"		

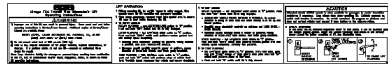
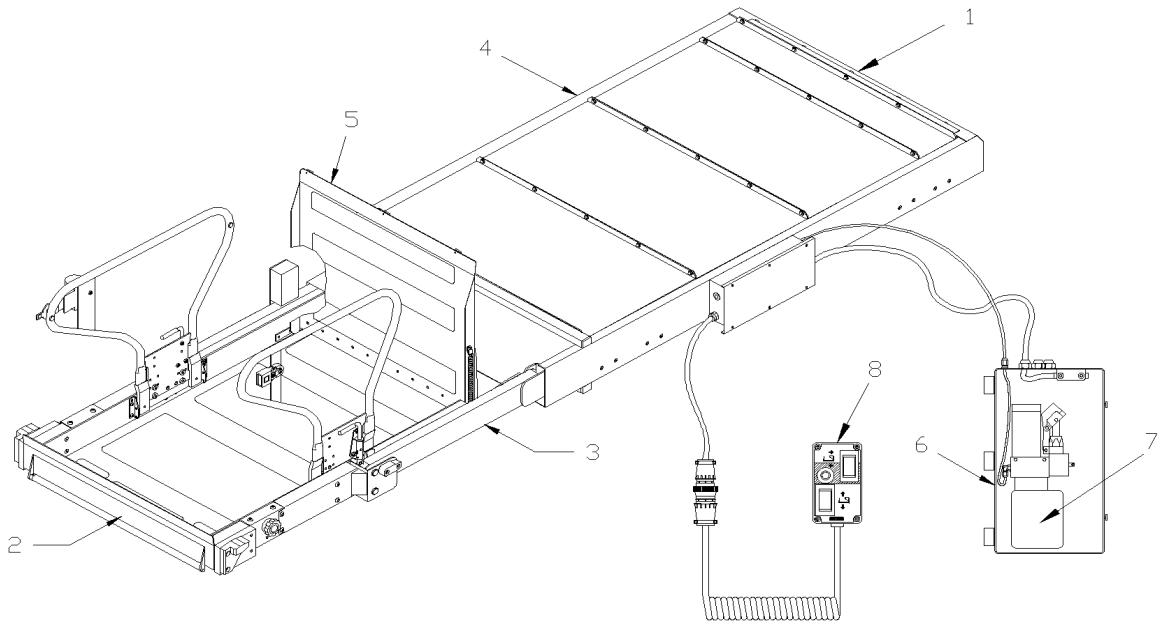
Item#	Part	Description	H 3 4 1	H 3 4 5	V I P 4 5	N O T E S
1	H3-2380-05	W.C.L. "RICON" MODEL "F9A"				
2	325275	SUPPORT		4		
3	325276	SPACER		4		
4	500565	SCREW MA RND PH 5/16-18x3/4 SS		12		
5	500035	WASHER LO SPT .317x.586x.078 SS		12		
6	502680	SCREW CAP HEX M10-1.5x50 SS		4		
7	502617	NUT HEX NYRT M10-1.5 Z050		4		
8	500445	WASHER FL .437x1.000x.083 Z050		4		
NS	285401	ARM PROTECTOR / (TRIANGULAR SHAPE PLASTIC)		1		
NS	285416	PROTECTOR CHANEL / "C" SHAPE 1300MM		1		
NS	5001097	SCREW TC OV PH #6-32x3/4 SS410 BK		7		
NS	500345	WASHER FN CKF .187x.500x.090 BR BK		7		
NS	285835	SHELF REAR		1		
NS	285836	SHELF FRONT		1		
NS	351270	INSULATION		3		
NS	351271	INSULATION		1		
NS	500272	SCREW MA FL PH #8-32x1/2 ZP		4		
NS	500446	WASHER FL .531x1.250x.125 Z050		2		
NS	500716	NUT HEX 1/2-20 Z050		2		

From T-1423 To 2-4416

Date:10/2022

PAGE:H3-2380-05

W.C.L. "RICON" MODEL "F9A"



OPERATING INSTRUCTION DECAL (PN 10102)



PART OF SERIAL NUMBER STICKER (ONLY RICON REPLACEABLE)



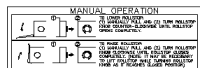
ECLIPSE/MIRAGE PATENT NO. DECAL (PN 32-10-170)



PART OF SERIAL NUMBER DECAL



WARNING DECAL (PN 26217)



MANUAL OPERATION ROLLSTOP DECAL (PN 26207)



MAXIMUM LOAD DECAL (PN 26213)



RICON LOGO DECAL (PN 32-10-158)



RICON LOGO DECAL (PN 32-10-158)

From T-1423 To 2-4416	Date:10/2022	PAGE:H3-2380-05
W.C.L. "RICON" MODEL "F9A"		

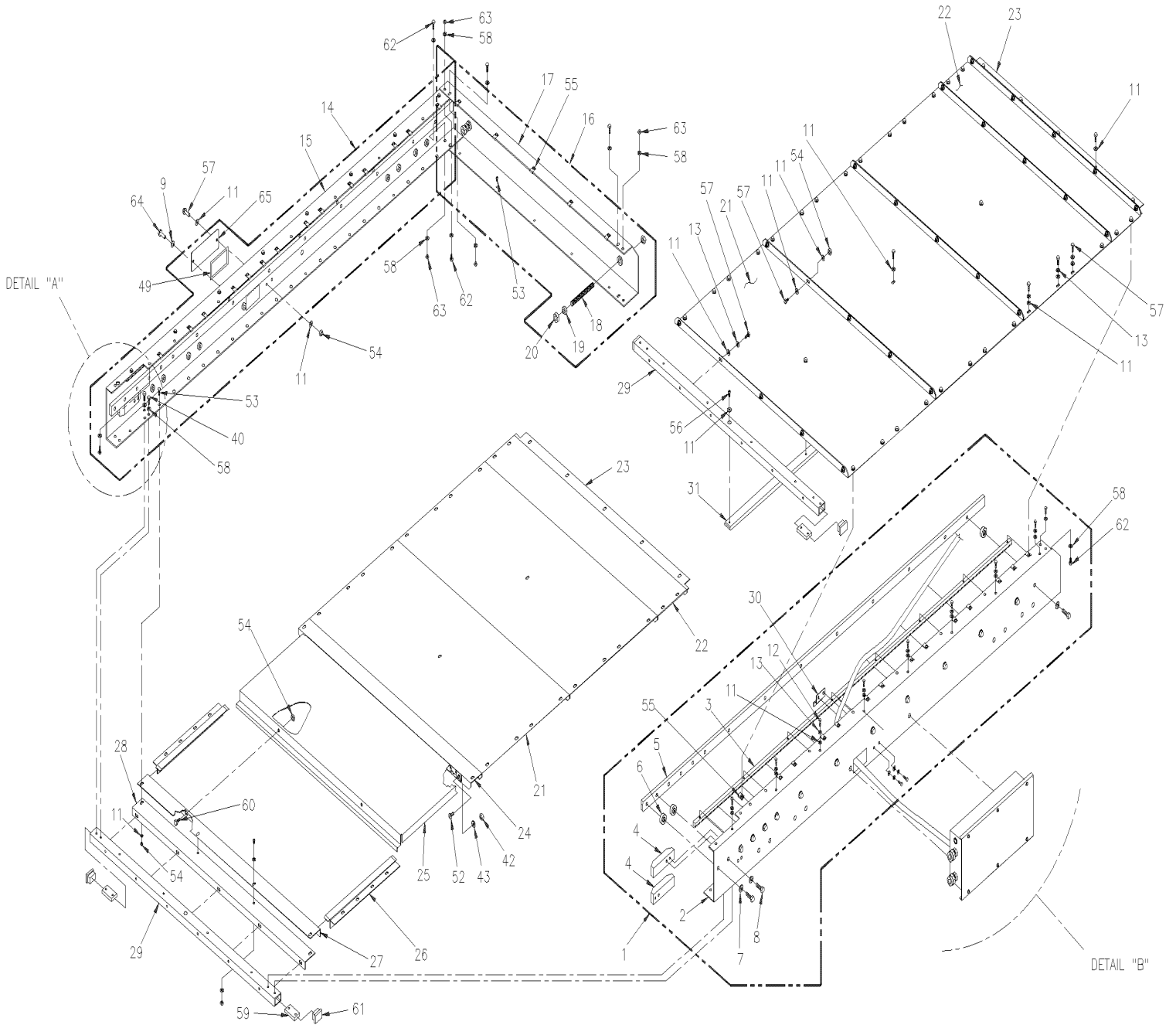
Item#	Part	Description	H 3 4 1	H 3 4 5	V I P 4 5	N O T E S
	860901	W.C.L. "RICON" - F9A		1		
1	H3-2380-10	. W.C.L. "RICON" - LIFT ENCLOSURE ASSY MODEL "F9A"				
2	H3-2380-20	. W.C.L. "RICON" - PLATFORM ASSY MODEL "F9A"				
3	H3-2380-30	. W.C.L. "RICON" - TRAVELING FRAME ASSY MODEL "F9A"				
4	H3-2380-40	. W.C.L. "RICON" - CARRIAGE ASSY MODEL "F9A"				
5	H3-2380-50	. W.C.L. "RICON" - BRIDGE PLATE ASSY 9" MODEL "F9A"				
6	H3-2380-60	. W.C.L. "RICON" - PUMP INSTALLATION MODEL "F9A"				
7	H3-2380-65	. . W.C.L. "RICON" - PUMP ASSY MODEL "F9A"				
8	862206	. CONTROLER		1		
. NS	196844	. . SWITCH / M/ON-OFF-M/ON S P.D.T WHITE		1		
NS	864191	DVD "SAFETY RECALL "RICON" W.C.L.		1		
NS	864173	DECAL "FASTEN BELT" WCL		1		
NS	864194	DECAL "ATTACHEZ LA CEINTURE" WCL		1		

From T-1423 To 2-4416

Date:10/2022

PAGE:H3-2380-10

W.C.L. "RICON" - LIFT ENCLOSURE ASSY MODEL "F9A"

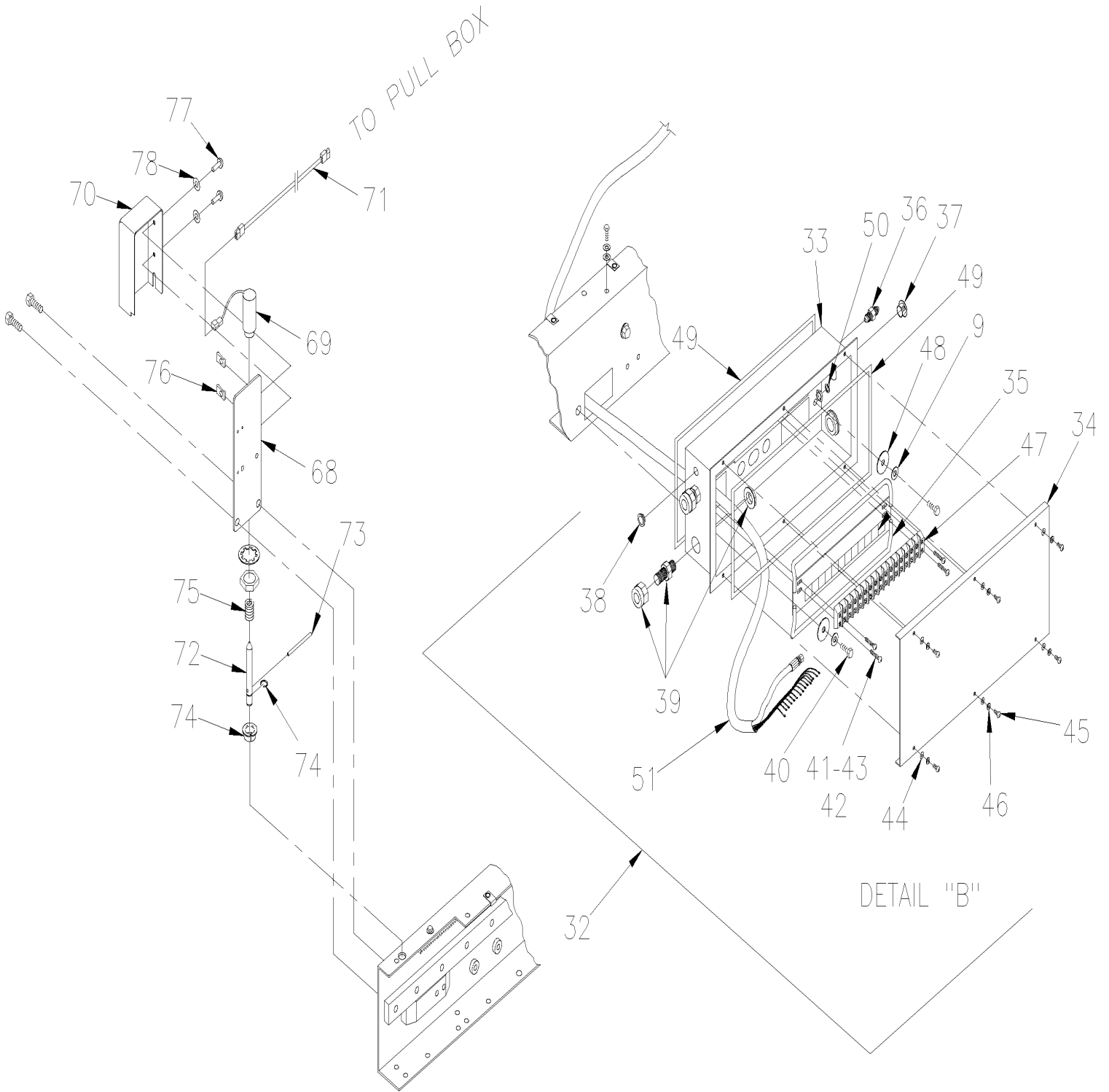


From T-1423 To 2-4416

Date:10/2022

PAGE:H3-2380-10

W.C.L. "RICON" - LIFT ENCLOSURE ASSY MODEL "F9A"



From T-1423 To 2-4416	Date:10/2022	PAGE:H3-2380-10
W.C.L. "RICON" - LIFT ENCLOSURE ASSY MODEL "F9A"		

Item#	Part	Description	H 3 4 1	H 3 4 5	V I P 4 5	N O T E S
1	Call order desk	CHANNEL / MTG FRAME / 78.81 / RH MECH ASSY		1		P
2	Call order desk	CHANNEL / MTG FRAME / 78.81 / RH WELD ASSY		1		P
3	863006	GEAR RACK		2		
4	862109	STOP BLOCK		2		
4	862110	STOP BLOCK		2		
5	862993	RAIL, GUIDE, CARRIAGE		2		
6	Call order desk	SPACER .40THK		28		P
7	500270	WASHER FL .406x1.000x.063 SS		28		
8	Call order desk	SCREW CAP HEX 3/8-16x1.00 SS		1		P
9	500035	WASHER LO SPT .317x.586x.078 SS		14		
11	500411	WASHER FL .260x.697x.050 SS		AR		
12	5001315	SCREW CAP HEX 1/4-20x1 SS		16		
13	502570	WASHER LO SPT 6.1x11.8x1.6 SS		58		
14	Call order desk	CHANNEL / MTG FRAME / 78.81 / LH MECH ASSY		1		P
15	Call order desk	CHANNEL / MTG FRAME / 78.81 / LH WELD ASSY		1		P
16	Call order desk	CHANNEL / MTG FRAME / REAR ASSY		1		P
17	Call order desk	CHANNEL / MTG FRAME / REAR WELD ASSY		1		P
18	Call order desk	SOC SET 1/2-20x2.00 FLAT POINT / SS		2		P
19	Call order desk	NUT HEX THN 1/2-20		4		P
20	863008	BUMPER, CARRIAGE STOP		2		
21	Call order desk	COVER / 19.98"		5		P
22	Call order desk	COVER / 6.67"		2		P
23	Call order desk	BRACKET / COVER MOUNTING		2		P
24	Call order desk	BRACKET / ACCESS DOOR MOUNTING		1		P
25	Call order desk	PANEL / BOTTOM ACCESS COVER / TRIAN LIFT		1		P
26	Call order desk	BRACKET / ACCESS DOOR SIDE SHIELD / WELD ASSY		2		P
27	Call order desk	FLANGE / ACCESS DOOR ADJUSTEMENT		1		P
28	Call order desk	FLANGE / ACCESS DOOR MOUNTING		1		P
29	862998	TUBE, FORWARD CROSSMEMBER		2		
30	Call order desk	BRACKET / HOSE/CABLE CLAMP ASSEMBLY		1		P
31	Call order desk	RAIL / CARRIAGE GUIDE / SW		1		P
32	Call order desk	PULL BOX / MECHANICAL ASSY		1		P
33	Call order desk	BOX / PULL BOX		1		P
34	Call order desk	COVER / PULL BOX		1		P
35	Call order desk	TIE BAR / PULL BOX / WELD ASSY		1		P
36	863086	FITTING, BUN, 1/4J, 2.08L		1		
37	N8889990	HOLE PLUG HEYCO		1		
38	Call order desk	PLUG / 0.43 - 0.45 DIA / UP TO .06 THK / BLK		1		P
39	Call order desk	STRAIN RELIEF / STRE THRU LIQ TIGHT		3		P
40	Call order desk	SCREW CAP HEX 5/16-18x5/8 G5		10		P
41	Call order desk	SCREW CAP BUT #10-24x7/8 SS		4		P
42	5001180	NUT HEX NYRT #10-24 SS		9		

From T-1423 To 2-4416 **Date:10/2022** **PAGE:H3-2380-10**

W.C.L. "RICON" - LIFT ENCLOSURE ASSY MODEL "F9A"

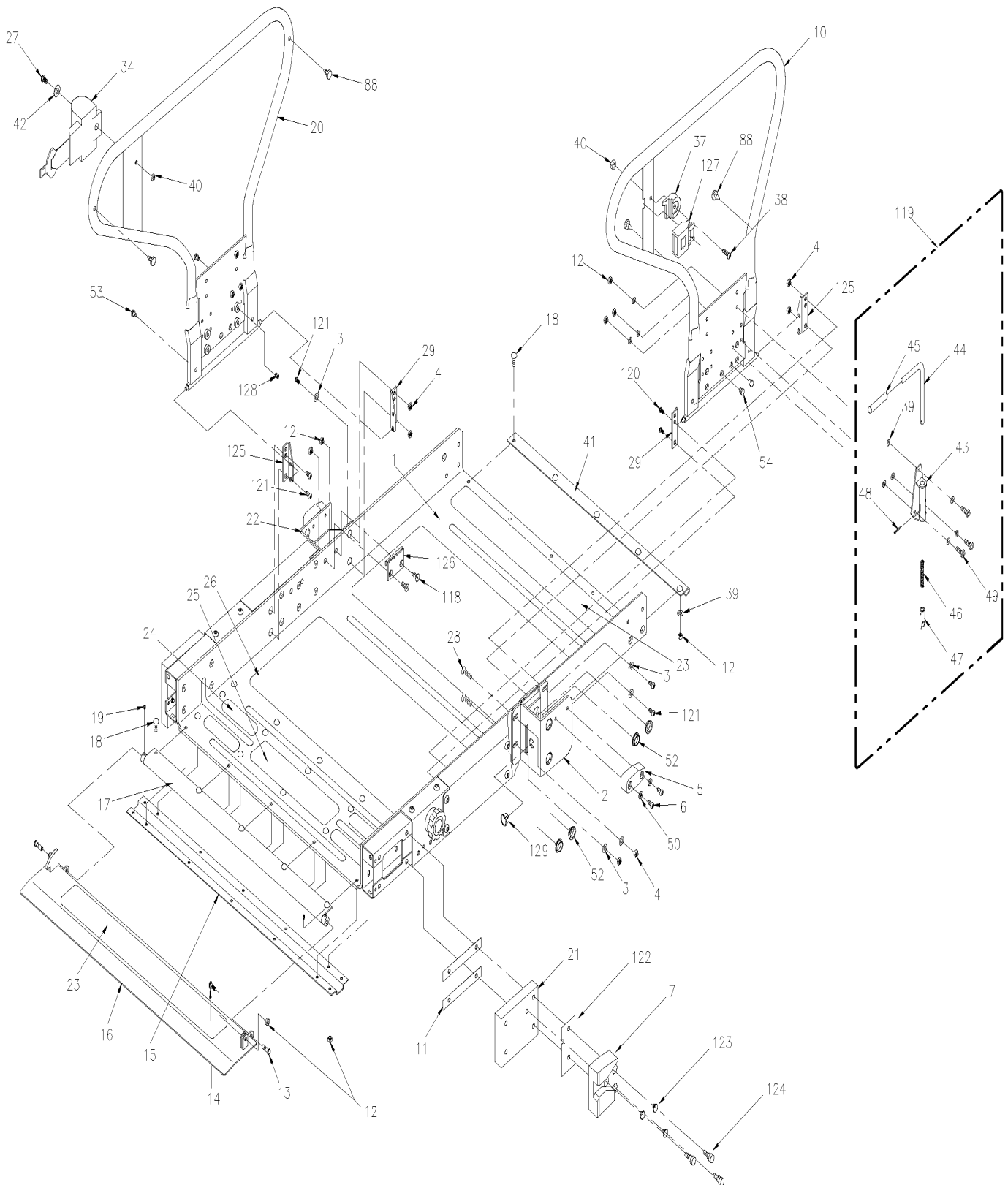
Item#	Part	Description	H 3 4 1	H 3 4 5	V I P 4 5	N O T E S
43	Call order desk	WASHER FL #10 SS		13		P
44	Call order desk	WASHER FL #8 SS		6		P
45	Call order desk	SCREW CAP BUT #8-32x1/2 SS		6		P
46	Call order desk	WASHER LO SPT #8 SS		6		P
47	Call order desk	TERMINAL STRIP / 15 THERM		1		P
48	Call order desk	WASHER LO SPT 7/16 SS		2		P
49	506465	TAPE RUB ADH1 CC NEO 1/8" x 1/4" x 60' / BLACK 1220		AR		
50	N8886025	WASHER LO EXT 7/16 SS		1		
51	Call order desk	HARNESS MAIN / WITH HYDRAULIC		1		P
52	Call order desk	SCREW CAP CK HEXS #10-24x1/2 SS		5		P
53	Call order desk	SCREW CRG 1/4-20x5/8 SS		39		P
54	5001251	NUT HEX NYRT 1/4-20 SS		56		
55	500837	NUT SPR U 1/4-20 .064-.125		36		
56	Call order desk	SCREW CAP BUT HEXS 1/4-20x5/8 SS		3		P
57	N8886004	SCREW CAP HEX 1/4-20x5/8 SS		AR		
58	Call order desk	WASHER FL 5/16 SS		14		P
59	Call order desk	PLATE FORWARD CROSS MEMBER MOUNTING		4		P
60	Call order desk	SCREW CAP HEX 1/4-20x3/4 SS		2		P
61	868230	CAP RECTANGLE / BLACK		4		
62	Call order desk	SCREW CAP HEX 5/16-18x3/4 SS		4		P
63	500685	NUT HEX NYRT 5/16-18 SS		4		
64	Call order desk	SCREW CAP HEX 5/16-18x1/2 SS		1		P
65	Call order desk	PLATE / PLUG / ENCLOSURE		1		P
68	Call order desk	BRACKET-WASSY / STOW LOCK F9A		1		P
69	862111	SOLENOID / 24V STO LOC.3 + 1lb @ 1"		1		
70	Call order desk	COVER STOW LOCK MIRAGE		1		P
71	862112	HARNESS - L PULL BOX TO STOW LOCK		1		
72	Call order desk	PIN-STOW LOCK / MIRAGE		1		P
73	Call order desk	PIN SS 5/32x2.50		1		P
74	Call order desk	BUSHING-FLANGE .50x.25		1		P
		P) CALL ORDER DESK FOR SPECIFIC APPLICATION (V.I.N.)				

From T-1423 To 2-4416

Date:10/2022

PAGE:H3-2380-20

W.C.L. "RICON" - PLATFORM ASSY MODEL "F9A"

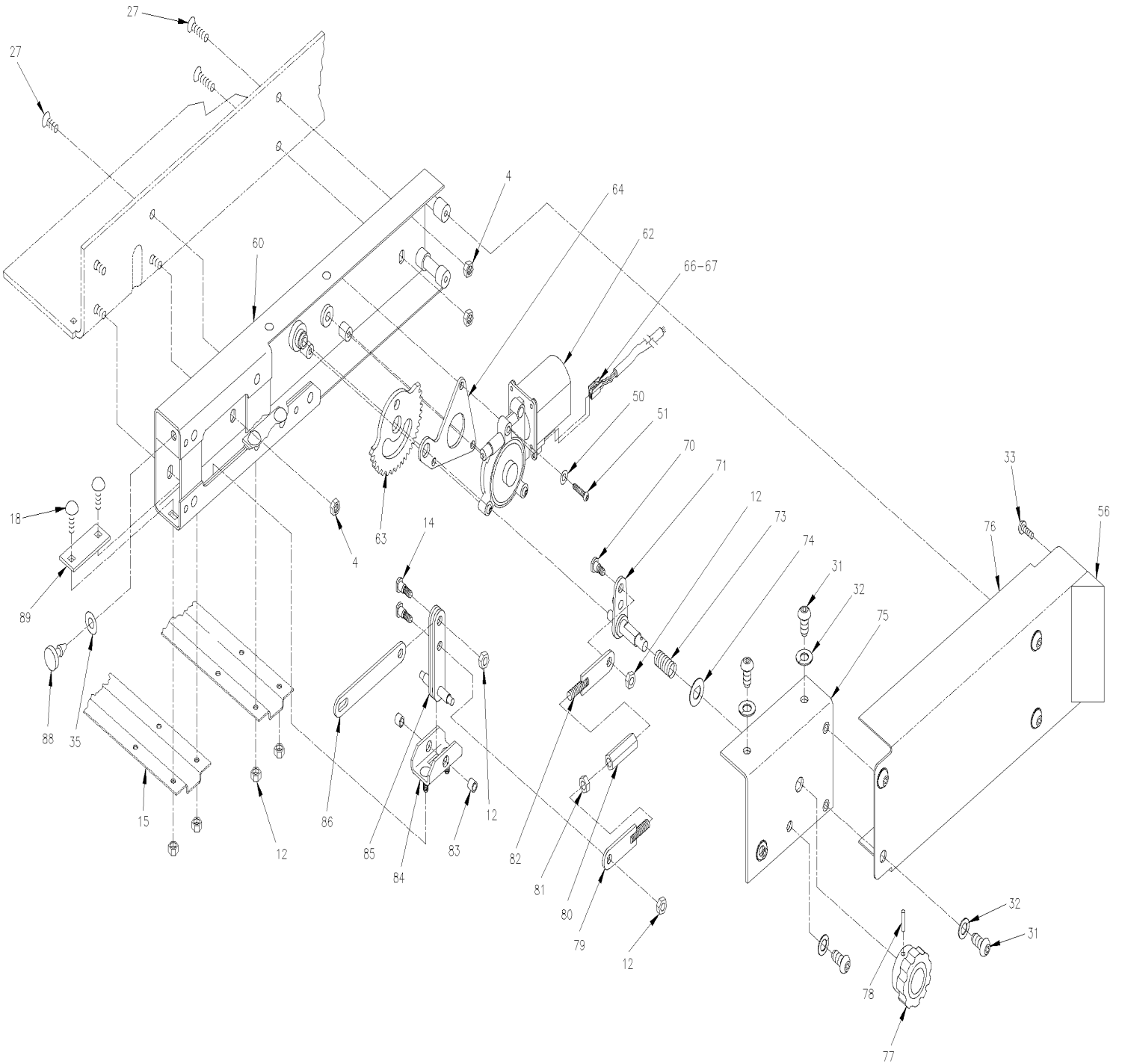


From T-1423 To 2-4416

Date:10/2022

PAGE:H3-2380-20

W.C.L. "RICON" - PLATFORM ASSY MODEL "F9A"

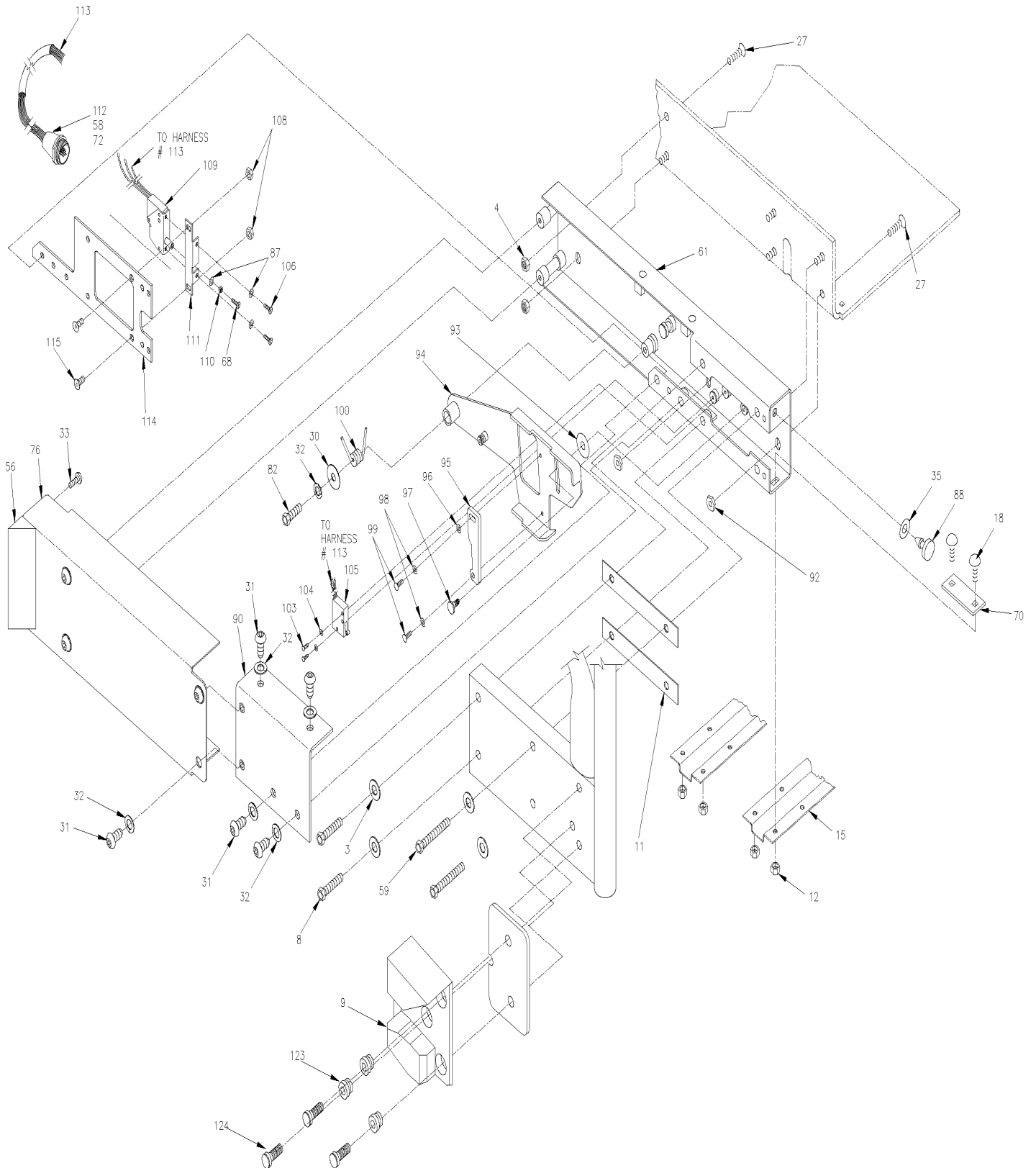


From T-1423 To 2-4416

Date:10/2022

PAGE:H3-2380-20

W.C.L. "RICON" - PLATFORM ASSY MODEL "F9A"



From T-1423 To 2-4416	Date:10/2022	PAGE:H3-2380-20
W.C.L. "RICON" - PLATFORM ASSY MODEL "F9A"		

Item#	Part	Description	H 3 4 1	H 3 4 5	V I P 4 5	N O T E S
1	Call order desk	PLATFORM 32.25x47.00		1		P
2	866132	BRACKET-WASSY / PLATFORM PIVOT RH		1		
3	Call order desk	WASHER FL .32x.75x.08 SS		20		P
4	500685	NUT HEX NYRT 5/16-18 SS		AR		
5	862113	STOW GUIDE		2		
6	Call order desk	SCREW CAP BUT HEXS 1/4-20x3/4 SS		4		P
7	862114	BLOCK / PLAFORM GUIDE / RH		1		
8	Call order desk	SCREW CAP HEX 5/16-18x1 1/2 SS		4		P
9	862115	BLOCK / PLAFORM GUIDE / LH		1		
10	Call order desk	HANDRAIL WELD ASSEMBLY / FOLDING / RH		1		P
10	Call order desk	HANDRAIL WELD ASSEMBLY / FOLDING / RH		1		P
11	Call order desk	SHIM HANDRAIL .50THK		4		P
12	500771	NUT HEX 1/4-20 SS		47		
13	Call order desk	PIN-CLEVIS SS 5/16x1.00		2		P
14	N8886020	SCREW SHR .250x.313		3		
15	Call order desk	STIFFENER / RIB / PRS / SW		2		P
16	Call order desk	ROLLSTOP WELD ASSY / PRS / SW		1		P
17	863649	STIFFENER, TUBE, PRS. PIVOT, WELD ASSY., SW		1		
18	Call order desk	SCREW CRG 1/4-20x3/4 SS		31		P
19	Call order desk	SCREW SET HEXS SS 1/4-20x1/4 1/4-20x1/4 SS		2		P
20	Call order desk	HANDRAIL WELD ASSEMBLY / FOLDING / LH		1		P
21	Call order desk	COVER-WASSY / RS		2		P
21	Call order desk	COVER-WASSY / RS		2		P
22	866133	BRACKET-WASSY / PLATFORM PIVOT LH		1		
23	863621	SAFETY TREAD / 25.50x3.0 / SAFETY YELLOW		2		
24	863017	SAFETY TREAD / 5.5x1.5 / SAFETY YELLOW		4		
25	863016	SAFETY TREAD / 12.75x3.0 / SAFETY YELLOW		1		
26	863620	SAFETY TREAD / 25.50x12 / OCEAN GREY		2		
27	Call order desk	SCREW CAP CK HEXS 5/16-18x3/4 SS		9		P
28	Call order desk	SCREW CAP CK HEXS 5/16-18x1.00 SS		8		P
29	Call order desk	BRACKET-HANDRAIL PIVOT RH		2		P
30	Call order desk	WASHER LO SPT 7/16 SS		1		P
31	Call order desk	SCREW CAP BUT HEXS 5/16-18x1/2 SS		16		P
32	Call order desk	WASHER LO SPT 5/16 SS		17		P
33	Call order desk	SCREW MA PH #8-32x1/16 SS		4		P
34	862116	RETRACTOR-RESTRAINT BELT		1		
35	500975	WASHER FL .378x.620x.094 NYL		2		
37	860137	BLOCK-BUCKLE MOUNT		1		
38	Call order desk	SCREW CAP BUT HEXS 5/16-18x1 3/8 SS		1		P
39	N8885992	WASHER FL .250 SS		23		
40	Call order desk	NUT HEX CAP 5/16-18 SS		2		P
41	Call order desk	STIFFENER / PLATFORM REAR / SW-T		1		P

From T-1423 To 2-4416	Date:10/2022	PAGE:H3-2380-20
W.C.L. "RICON" - PLATFORM ASSY MODEL "F9A"		

Item#	Part	Description	H 3 4 1	H 3 4 5	V I P 4 5	N O T E S
42	Call order desk	WASHER COUNTER SINK		1		P
43	Call order desk	BRACKET-WASSY / LATCH		2		P
45	Call order desk	CAP-VINYL YLW .375-2.5 BLK LETTER.		2		P
46	N.S.S.	SPRING 2.5X.50X.52		2		1
47	864174	KIT LATCH ASSY		2		
48	Call order desk	ROLL PIN SS 1/8x1.00		2		P
49	Call order desk	SCREW CAP HEX 1/4-20x3/4 SS		6		P
50	502570	WASHER LO SPT 6.1x11.8x1.6 SS		10		
51	Call order desk	SCREW CAP BUT HEXS 1/4-20x.1 1/8 SS		2		P
52	863018	BEARING, FLANGED, 3/4I.D. X 1/4W		8		
53	195003	BUMPER-RUBBER .50X.31X.31		2		
54	Call order desk	BUMPER-RUBBER		3		P
56	Call order desk	BLOCK-PRS COVER		2		P
58	Call order desk	PIN MALE TAPE 66098-7 / (BAG OF TEN)		6		P
59	Call order desk	SCREW CAP HEX 5/16-18x2.00 SS		4		P
60	Call order desk	CHANNEL-WASSY / HOUSING / PRS / RH		1		P
60	Call order desk	CHANNEL-WASSY / HOUSING / SHORT PRS / RH		1		P
61	Call order desk	CHANNEL-WASSY / HOUSING / PRS / LH		1		P
61	Call order desk	CHANNEL-WASSY / HOUSING / SHORT PRS / RH		1		P
62	862117	KIT MOTOR, 24V W/HARDAWARE		1		
63	867628	GEAR PRS		1		
64	Call order desk	PLATE / KEEPER / PRS / GEAR		1		P
66	19518250	TERMINAL CONNECTOR-2 CIRCUIT / PACK-CON		1		
67	Call order desk	TERMINAL / PACK-CON SERIE 1 / HD FEM		1		P
68	Call order desk	SCREW MA PAN PH #6-32x5/8 SS		1		P
70	862208	BOLT-SHOULDER PRS		1		
71	862207	RELEASE TRIGGER / WELD ASSY / PRS		1		
72	Call order desk	STRAIN RELIEF		1		P
73	867693	SPRING / MANUAL RELEASE TRIGGER / PRS		1		
74	867694	WASHER 1/2 D/SHAPE 1.00X.30		1		
75	Call order desk	BRACKET / MANUAL RELEASE RH / WELD ASSY		1		P
76	Call order desk	COVER/ PRS SW		2		P
77	862210	KNOB KIT		1		
77	862118	. KNOB / PWR ROLL STOP / MIRAGE		1		
78	862119	. ROLL PIN SS 1/8x1 1/4		1		
79	863623	LINK / GEAR / WELD ASSEMBLY / RH		1		
80	863622	LINK / HEX ADJUSTABLE / PRS		1		
81	5001189	NUT HEX 5/16-18 SS		1		
82	863624	LINK / GEAR / WELD ASSEMBLY / LH THD		1		
83	Call order desk	BUSHING / PIVOT SHAFT / PRS		2		P
84	Call order desk	BRACKET / MTG / COMP LINK / WELD ASSY		1		P
85	Call order desk	LINK COMPENSATOR / WELD ASSY / PRS		1		P

From T-1423 To 2-4416	Date:10/2022	PAGE:H3-2380-20
W.C.L. "RICON" - PLATFORM ASSY MODEL "F9A"		

Item#	Part	Description	H 3 4 1	H 3 4 5	V I P 4 5	N O T E S
86	Call order desk	LINK / ROLL STOP / PRS		1		P
87	Call order desk	WASHER LO SPT #6 SS		3		P
88	862120	BUMPER / RUBBER 1.000 O.D. x .13THK		2		
89	Call order desk	KEEPER / REINFORCEMENT		4		P
90	Call order desk	BRACKET / MANUAL RELEASE / LH / WELD ASSY		1		P
92	Call order desk	T-NUT SS 5/16-18		4		P
93	Call order desk	WASHER FL .315x1.156x.062 NYL		1		P
94	Call order desk	FOOT / PRS ACTUATOR / WELD ASSY		1		P
95	863041	PLATE, ACTUATOR, SWITCH		1		
96	Call order desk	WASHER FL #10 SS		1		P
97	Call order desk	SHOULDER SCREW / FLAP LATCH		1		P
98	N8885969	WASHER LO SPT .193 SS		2		
99	Call order desk	SCREW CAP BUT HEXS #10-24x3/8 SS		2		P
100	862121	SPRING / LH / ROLLSTOP ACTUATOR RETURN		1		
103	Call order desk	SCREW MA PAN PH #4-40x5/8		2		P
104	Call order desk	WASHER LO SPT #4		2		P
105	862122	LIMIT SWITCH / SEALED / PRS		1		
106	Call order desk	SCREW MA PAN PH #6-32x1/4 SS		2		P
108	5001180	NUT HEX NYRT #10-24 SS		2		
109	862123	PLUNGER SWITCH / SEALED / TAPPED 6-32		1		
109	864026	PLUNGER SWITCH / SEALED / TAPPED 6-32		1		
110	500553	NUT HEX #6-32 SS		1		
111	Call order desk	BRACKET / MOUNTING / LIMIT SWITCH / PRS		1		P
112	Call order desk	RECEPTACLE / 9 PIN WO/FLANGE		1		P
113	863512	HARNESS ASSY / ROLLSTOP SWITCH		1		A
113	863039	. HARNESS, W/TWO ROLLSTOP SWITCHES		1		
. NS	865043	. . ROLLSTOP PLUNGER		1		
114	Call order desk	PLATE / REINF LH / WELD ASSY / PRS SW-T		1		P
115	Call order desk	SCREW CAP CK HEXS #10-24x1/2 SS		2		P
118	N8885961	SCREW CAP FL HEXS 1/4-20x3/4 SS		4		
119	865085	MECH ASSY-LATCH	1	1	1	
120	Call order desk	SCREW CAP BUT HEXS 5/16-18x3/4 SS		2		P
121	Call order desk	SCREW CAP BUT HEXS 5/16-18x1.00 SS		6		P
124	Call order desk	SCREW CAP HEX 5/16-18x1/2 SS		6		P
125	Call order desk	BRACKET-HANDRAIL / LH		2		P
126	Call order desk	PLATE-HANDRAIL LOCK/ STRICKER		2		P
127	862124	BUCKLE-RESTRAINT BELT W/O SWITCH		1		
127	862216	BUCKLE-RESTRAINT BELT W/SWITCH		1		
128	Call order desk	SCREW SET HEXS SS 5/16-18x.50 5/16-18x1/2 SS		2		P
129	Call order desk	BUSHING .75x.25 THK SNAP IN		1		P

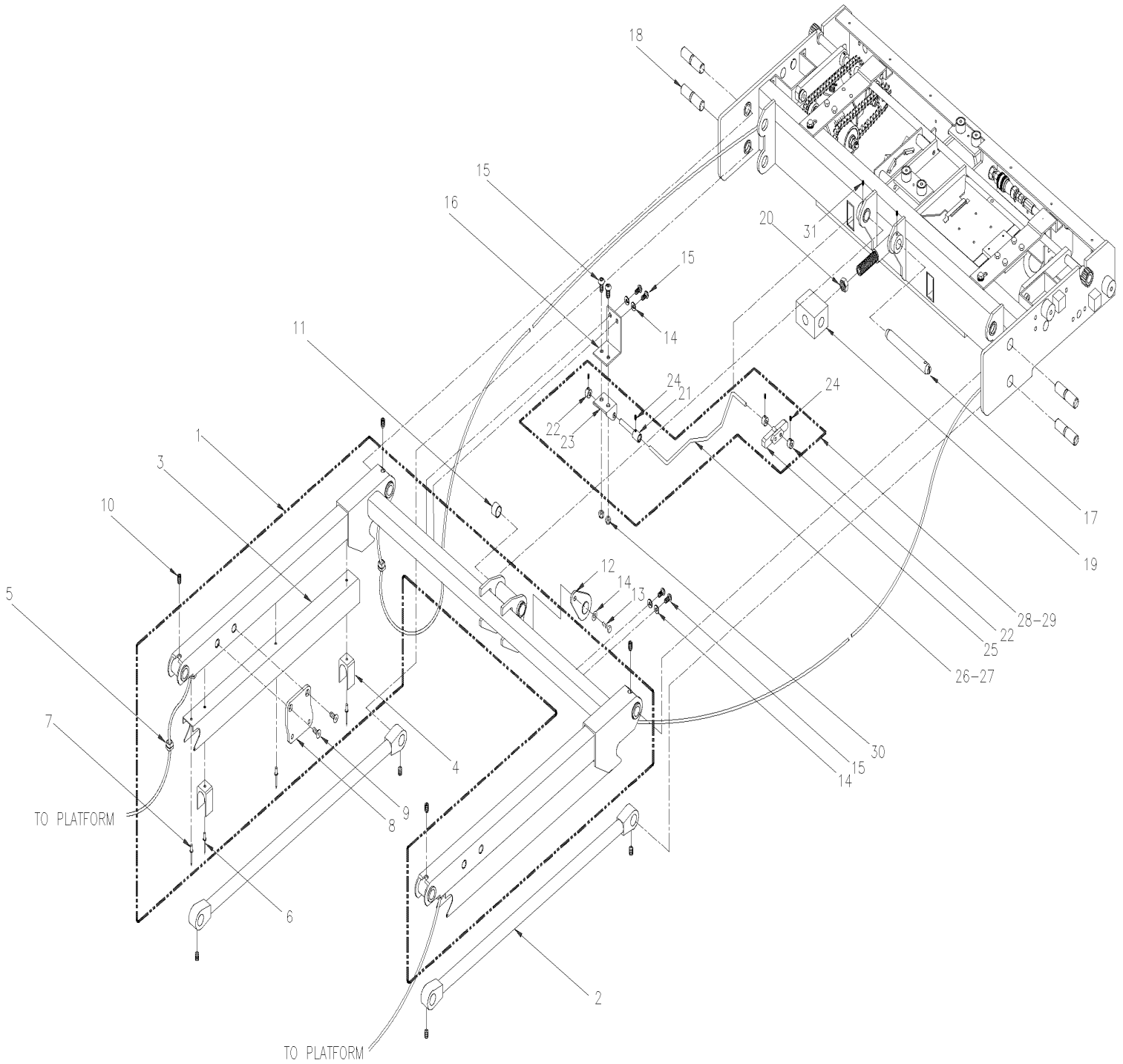
From T-1423 To 2-4416		Date:10/2022	PAGE:H3-2380-20			
W.C.L. "RICON" - PLATFORM ASSY MODEL "F9A"						
Item#	Part	Description	H 3 4 1	H 3 4 5	V I P 4 5	N O T E S
		A) INCLUDE ITEMS 58, 68, 72, 87, 105, 108, 109, 110, 111, 112 & 113				
		1) NOT SOLD SEPARATELY				
		P) CALL ORDER DESK FOR SPECIFIC APPLICATION (V.I.N.)				

From T-1423 To 2-4416

Date:10/2022

PAGE:H3-2380-30

W.C.L. "RICON" - TRAVELING FRAME ASSY MODEL "F9A"



From T-1423 To 2-4416	Date:10/2022	PAGE:H3-2380-30
W.C.L. "RICON" - TRAVELING FRAME ASSY MODEL "F9A"		

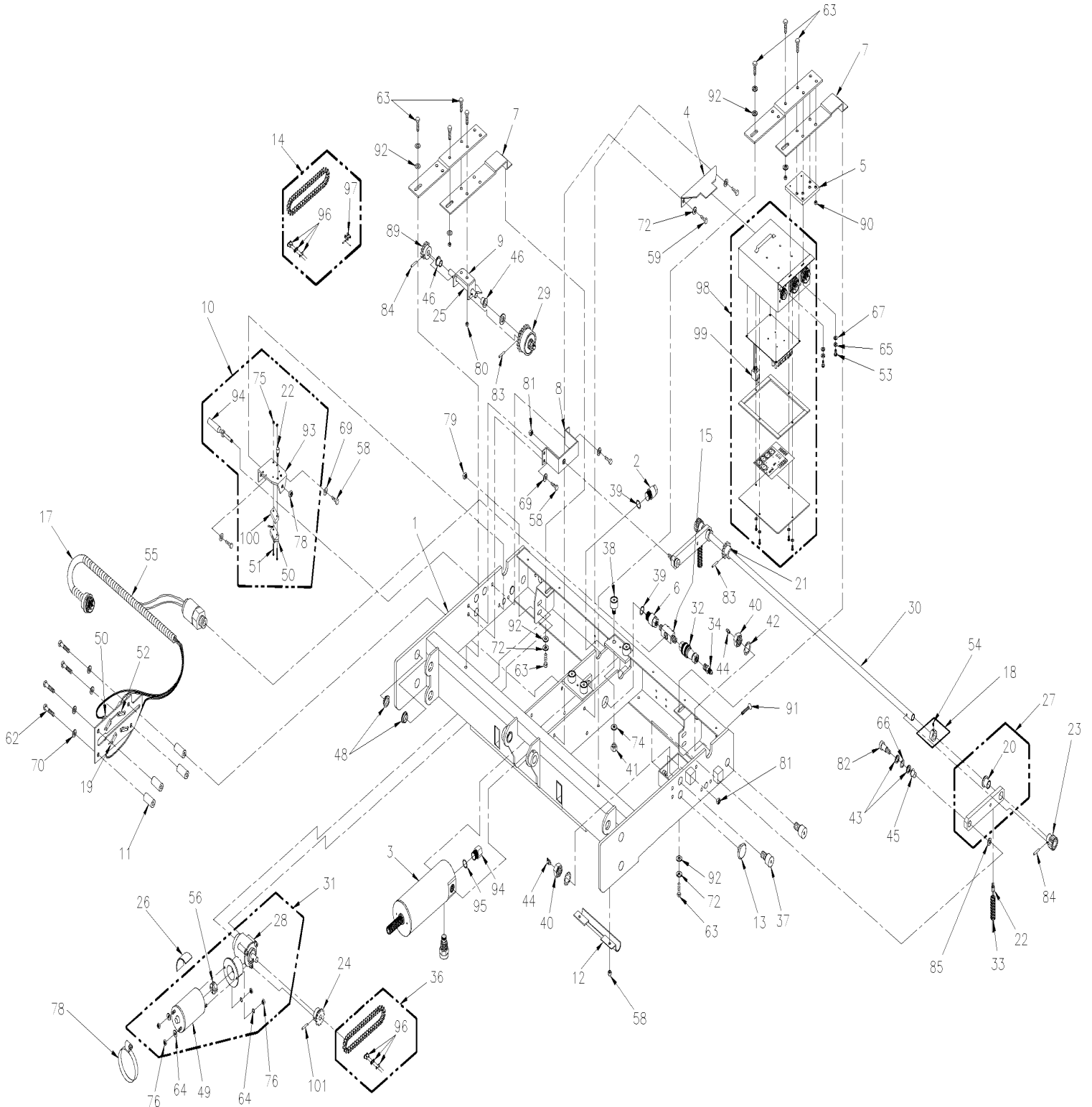
Item#	Part	Description	H 3 4 1	H 3 4 5	V I P 4 5	N O T E S
1	862125	LIFTING FRAME-ASSY / 43.00 CENTERS / EXT		1		
2	862126	ARM-WASSY / LOWER / 43.00 CENTERS		2		
3	Call order desk	COVER-ARM 30.313 CENTERS		2		P
4	Call order desk	BLOCK-ARM GUIDE		4		P
5	Call order desk	STRAIN RELIEF		4		P
6	Call order desk	RIVET STEEL 3/16x5/8		4		P
7	Call order desk	RIVET STEEL 3/16x3/8		4		P
8	Call order desk	PLATE-BRIDGE PLATE ACTUATOR MOUNT		2		P
9	Call order desk	SCREW CAP FL HEXS 1/4-20x5/8		4		P
10	Call order desk	SCREW SET HEXS SS 5/16-18x.50 5/16-18x1/2 SS		8		P
11	862127	BEARING DU / .75x.875x.63		6		
12	862212	KIT KEEPER PLATE		1		
13	Call order desk	SCREW CAP HEX 5/16-18x5/8 SS		2		P
14	Call order desk	WASHER LO SPT 5/16 SS		6		P
15	Call order desk	SCREW CAP BUT 5/16-18x5/8 SS		6		P
16	Call order desk	BRACKET-ACTUATOR ROD PIVOT / EXT		1		P
17	863055	PIN, .75D X 6.0L		1		
18	862128	PIN-PIVOT / LIFTING FRAME		4		
19	196113	TRUNNION-CYLINDER		1		
20	Call order desk	NUT HEX JAM 3/4-16 SS		1		P
21	Call order desk	COLLAR-ACTUATOR ROD		1		P
22	Call order desk	COLLAR .25x.63x.38		3		P
23	Call order desk	BRACKET-F9000 SERIES ELCT SYSTEM		1		P
24	Call order desk	SCREW SET HEXS SS 10-32x1/4 #10-32x1/4 SS		6		P
25	Call order desk	BLOCK-SWITCH ACTUATOR CAM		1		P
26	Call order desk	ROD-SWITCH CAM ACTUATOR LH		1		P
27	Call order desk	ROD-SWITCH CAM ACTUATOR RH		1		P
28	862129	SWITCH ACTUATOR ASSY / LH		1		
29	862130	SWITCH ACTUATOR ASSY / RH		1		
30	Call order desk	NUT HEX THN 5/16-18 NYL		2		P
31	Call order desk	SCREW SET HEXS SS 1/4-20x1/4 1/4-20x1/4 SS		2		P
		P) CALL ORDER DESK FOR SPECIFIC APPLICATION (V.I.N.)				

From T-1423 To 2-4416

Date:10/2022

PAGE:H3-2380-40

W.C.L. "RICON" - CARRIAGE ASSY MODEL "F9A"



From T-1423 To 2-4416	Date:10/2022	PAGE:H3-2380-40
W.C.L. "RICON" - CARRIAGE ASSY MODEL "F9A"		

Item#	Part	Description	H 3 4 1	H 3 4 5	V I P 4 5	N O T E S
1	Call order desk	CARRIAGE-WASSY STANDARD		1		P
2	Call order desk	FITTING / PIVOT		1		P
3	862131	CYLINDER / HYDRAULIC / WO/INTERNAL POT		1		
4	Call order desk	BRACKET-CARRIAGE ELECT BOX MTG		1		P
6	863583	KIT, FITTING, PIVOT ¼ NPT, WITH O-RING		1		
7	863068	BRACKET, IDLER SHAFT, REAR		2		
8	Call order desk	BRACKET-ASSY / DRIVE SHAFT ARM / PIVOT		2		P
9	Call order desk	SUPPORT / WASSY / IDLER SHAFT		1		P
10	862211	MICRO SWITCH ASSY		2		
11	Call order desk	SPACER-SWITCH PLATE / STAND OFF		3		P
12	Call order desk	CLAMP-HARNESS		1		P
13	Call order desk	BUTTON / CARRIAGE / GUIDE		2		P
14	862132	CHAIN DRIVE / PRIMARY; TRAIN LIFT		1		
15	863583	KIT, FITTING, PIVOT ¼ NPT, WITH O-RING		1		
16	Call order desk	SWITCH PLATE		1		P
17	862133	HARNESS-ASSY SWITCH PLATE UP TO SEPT 99		1		
17	862134	HARNESS-ASSY SWITCH PLATE W/PRESSURE SWITCH FROM SEPT 99		1		
18	Call order desk	COLLAR SET SCREW		2		P
19	862135	BLOCK / SWITCH RETAINER / PLASTIC		4		
20	Call order desk	BEARING DU .625x.719x.38		2		P
21	862136	SPOCKET 12 TEETH #35 .625 BORE		1		
22	862137	BUTTON / SPRING SUPPROT		2		
23	862138	GEAR 1.125PD / .63 FACE W/HUB		2		
24	862139	SPOCKET 8 TEETH #35 .5 BORE		1		
25	862140	SHAFT / INTERMEDIATE DRIVE .50x5.00		1		
26	Call order desk	GASKET / RUBBER 1/8x1/2		1		P
27	Call order desk	LINK / DRIVE SHAFT / PIVOT / ASSY		2		P
28	862141	GEAR BOX / RATIO 24:1		1		
29	862142	CLUTCH / TORQUE LIMIT RICON		1		
30	862143	SHAFT / FINAL DRIVE - DS200		1		
31	862144	GEAR-MOTOR ASSY 24V		1		
32	863236	FITTING / QUICK-DISCONNECT 1/4		1		
33	862145	SPRING COMPRESSION .44x2.1		2		
34	863732	ADAPTOR STRAIGHT 1/4NPT-1/4JIC MALE		1		
36	862132	CHAIN DRIVE / PRIMARY; TRAIN LIFT		1		
37	Call order desk	CAM FOLLOWER 1 1/4x3/4 CRWND		4		P
38	N8886024	CAM FOLLOWER 1.00x5/8 / 7/16-20		4		
39	863582	O-RING / NITRILE .644x.87		2		
40	863733	NUT HEX JAM 3/16		5		
41	Call order desk	NUT HEX JAM 7/16-20		4		P
42	863734	WASHER LO INT 3/4		4		
43	Call order desk	WASHER NYL		4		P

From T-1423 To 2-4416	Date:10/2022	PAGE:H3-2380-40
W.C.L. "RICON" - CARRIAGE ASSY MODEL "F9A"		

Item#	Part	Description	H 3 4 1	H 3 4 5	V I P 4 5	N O T E S
44	863735	FITTING / GREASE / 65DEG / PRESS-IN		4		
45	Call order desk	BUSHING NY LINER .50x.50		2		P
46	862146	BUSHING 12 EDU08 3/4x1/2		2		
47	Call order desk	BUSHING 12 FDU08 1x1/2		1		P
48	863018	BEARING, FLANGED, 3/4I.D. X 1/4W		8		
49	862147	MOTOR-1/4HP / 24VDC / SHORT SHAFT		1		
50	862122	LIMIT SWITCH / SEALED / PRS		1		
51	Call order desk	SCREW MA PAN PH #4-40x1 1/8		4		P
52	Call order desk	SCREW MA PAN PH #4-40x1.00 ZP		8		P
53	Call order desk	SCREW MA PAN PH #8-32x1/2 SS		2		P
54	Call order desk	SCREW SET HEXS 10-24x1/4 #10-24x1/4		2		P
55	561482	CONVOLUTED TUBING / UNSLIT / BLACK / .500"		4		
56	Call order desk	COUPLING-ACTUATOR		1		P
58	N.P.N.	SCREW CAP HEX SS 1/4-20X1/2		10		4
59	Call order desk	SCREW CAP HEX 5/16-18x1/2 SS		2		P
61	Call order desk	SCREW CAP HEX 5/16-18x7/8 G5		1		P
62	Call order desk	SCREW CAP HEX 5/16-18x2 1/2 G5		3		P
63	Call order desk	SCREW CAP HEX 5/16-18x3/4 SS		4		P
64	Call order desk	WASHER LO INT #10		4		P
65	Call order desk	WASHER LO SPT #8 SS		2		P
66	Call order desk	WASHER SPR WAVE 1/2		2		P
67	Call order desk	WASHER FL #8 SS		22		P
69	N8885992	WASHER FL .250 SS		10		
70	Call order desk	WASHER FL 5/16		3		P
72	Call order desk	WASHER LO SPT 5/16 SS		10		P
74	N8886025	WASHER LO EXT 7/16 SS		4		
75	500425	NUT HEX NYRT #4-40 SS		4		
76	Call order desk	NUT HEX #10-32		4		P
78	5001352	NUT HEX NYRT 1/4-20 SS		2		
79	Call order desk	NUT HEX 5/16-18 SS		2		P
80	500685	NUT HEX NYRT 5/16-18 SS		2		
81	Call order desk	NUT HEX NYRT 3/8-16		2		P
82	862148	BOLT-SHOULDER 1/2x3/4		2		
83	862149	PIN "SPIROL" 5/32x1 1/4		2		
84	862150	PIN "SPIROL" 5/32x1.00		3		
85	Call order desk	WASHER .578x1.06x.310 NYL		2		P
86	Call order desk	CLUTCH / TORQUE LIMITING WARNER		1		P
90	500685	NUT HEX NYRT 5/16-18 SS		4		
91	Call order desk	SCREW CAP FL HEXS 1/4-20x5/8		2		P
92	Call order desk	WASHER FL .32x.75x.08 SS		AR		P
93	Call order desk	BRACKET-PLUNGER / MICRO SWITCH		3		P
94	863234	PLUG 3/4-16 CAV / O-RING SEAL / HEX HD		1		

From T-1423 To 2-4416	Date:10/2022	PAGE:H3-2380-40
W.C.L. "RICON" - CARRIAGE ASSY MODEL "F9A"		

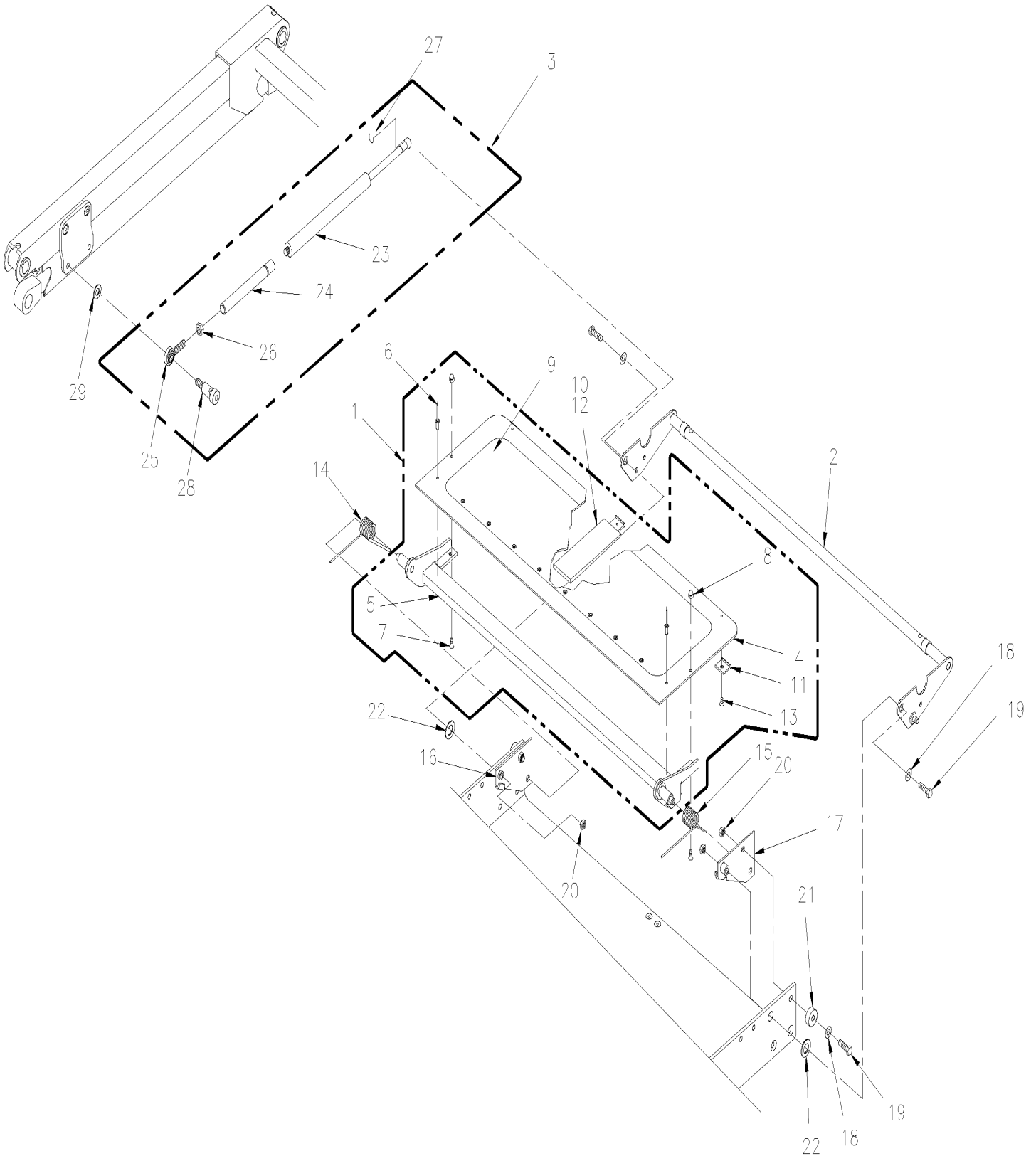
Item#	Part	Description	H 3 4 1	H 3 4 5	V I P 4 5	N O T E S
NS	862209	SPRING		1		
95	863235	SPACER-IMMEDIATE DRIVE		1		
96	862151	LINK-MASTER NICKEL #35		2		
97	862152	OFFSET-LINK #35 - 1/2 LINK		1		
98	862099	CONTROL BOX 24V / YELLOW / W STD W.C.L.		1		
98	862957	CONTROL BOX 24V / YELLOW / W/REMOVABLE W.C.L.		1		
99	862153	RELAY 12V		1		
100	Call order desk	BRACKET / ALUM-LIMIT SWITCH		1		P
101	862154	ROLL PIN 5/32x3/4		1		
		4) NO PARTS NUMBER				
		P) CALL ORDER DESK FOR SPECIFIC APPLICATION (V.I.N.)				

From T-1423 To 2-4416

Date:10/2022

PAGE:H3-2380-50

W.C.L. "RICON" - BRIDGE PLATE ASSY 9" MODEL "F9A"



From T-1423 To 2-4416	Date:10/2022	PAGE:H3-2380-50
W.C.L. "RICON" - BRIDGE PLATE ASSY 9" MODEL "F9A"		

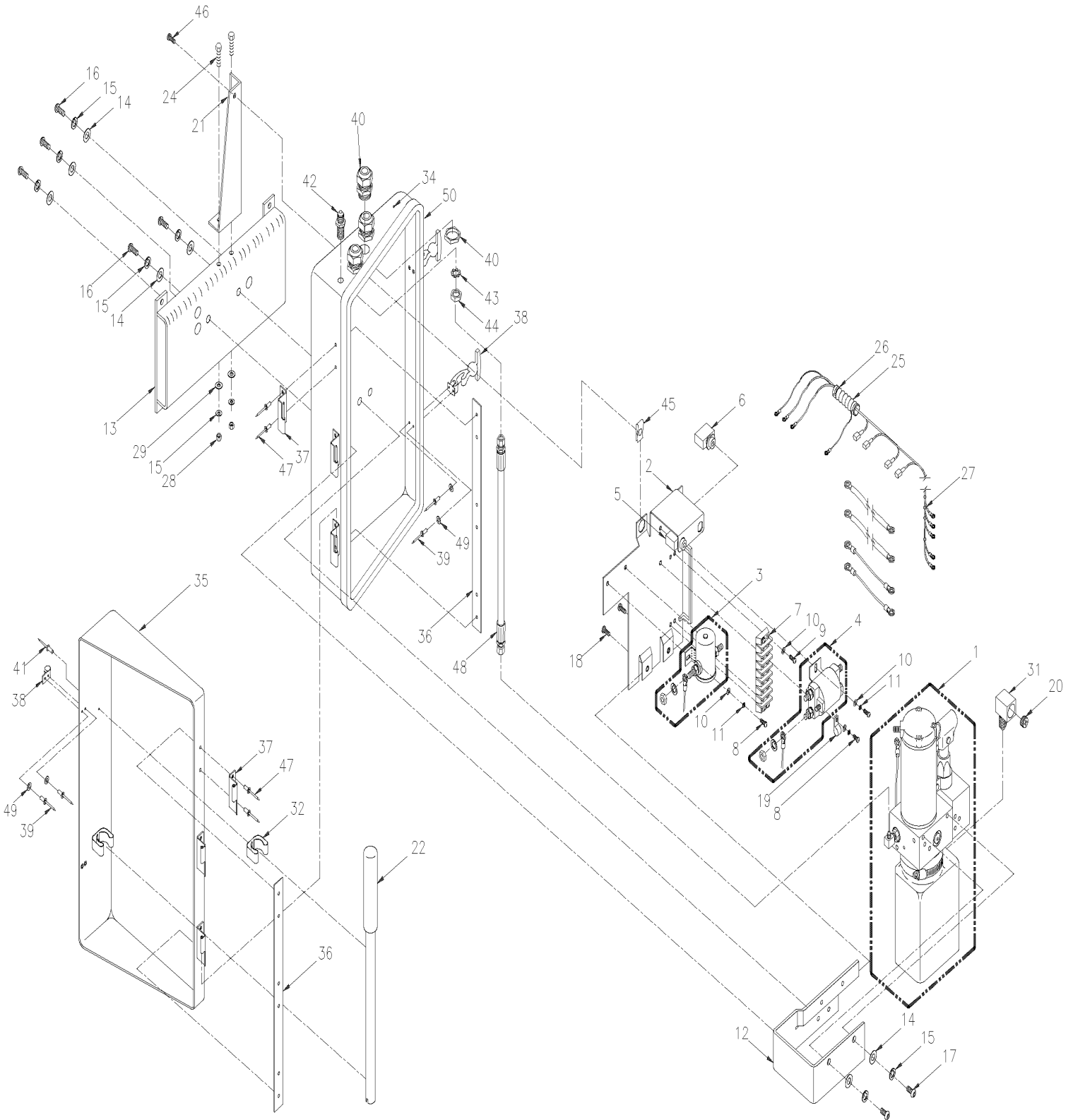
Item#	Part	Description	H 3 4 1	H 3 4 5	V I P 4 5	N O T E S
1	860058	BRIDGEPLATE ASSEMBLY 9"		1		
2	8611004	STIRUP-W-ASSY / BRIDGEPLATE		1		
3	Call order desk	ROD-ASSY / BRIDGEPLATE ACTUATOR 26" UTS		2		P
3	196586	KIT, ACTUATOR ROD ASSEMBLY, BRIDGEPLATE		2		
4	860335	PLATE-BRIDGE BLANK 9.00"		1		
5	Call order desk	ASSY., WELD B-PLATE SUPPORT		1		P
6	Call order desk	RIVET-BLIND AL 3/16x3/8		10		P
7	Call order desk	SCREW CAP CK HEXS #10-24x1/2 SS		2		P
8	Call order desk	NUT HEX CAP #10-24		2		P
9	860341	SAFETY TREAD / 25.560x7.00 / SAFETY YELLOW		1		
10	860343	BLOCK-BRIDGEPLATE GUIDE / BUMPER		1		
11	860346	SKID-BRIDGEPLATE		3		
12	860347	TAPE-ADHESIVE / TRANSFER 10MILx 1" WIDE		AR		
13	Call order desk	SCREW MA FL PH #10-24x1/4		3		P
14	863106	SPRING, BRIDGEPLATE RETURN, LH		1		
15	863105	SPRING, BRIDGEPLATE RETURN, RH		1		
16	Call order desk	BRACKET-B-PLATE MOUNT / LH		1		P
17	Call order desk	BRACKET-B-PLATE MOUNT / RH		1		P
18	Call order desk	WASHER FL .32x.59x.06 SS		4		P
19	Call order desk	SCREW CAP HEX 5/16-18x1 1/4 SS		4		P
20	Call order desk	NUT HEX NYRT 5/16-18 SS		4		P
21	863107	BUSHING .75x.32x.38		2		
22	Call order desk	WASHER FL .578x1.067x.062 NYL		2		P
23	862155	SPRING-PNEUMATIC 100LBF 16.75"		2		
24	861709	ROD-ASSY / B-PLATE ACTUATOR 26" UTS		1		
24	Call order desk	ROD-ASSY / B-PLATE ACTUATOR 18.5"-23.5" UTS		1		P
25	Call order desk	ROD END-(M) LT THD R1700		2		P
26	Call order desk	NUT HEX LH 3/8-24		2		P
27	980017	CLIP BALL STUD 10MM RETAINER		2		
28	Call order desk	SCREW CAP HEX 5/16-18x1/2 SS		2		P
29	Call order desk	STANDOFF-BRIDGEPLATE ACTUATOR		2		P
		P) CALL ORDER DESK FOR SPECIFIC APPLICATION (V.I.N.)				

From T-1423 To 2-4416

Date:10/2022

PAGE:H3-2380-60

W.C.L. "RICON" - PUMP INSTALLATION MODEL "F9A"



From T-1423 To 2-4416	Date:10/2022	PAGE:H3-2380-60
W.C.L. "RICON" - PUMP INSTALLATION MODEL "F9A"		

Item#	Part	Description	H 3 4 1	H 3 4 5	V I P 4 5	N O T E S
1	H3-2380-65	W.C.L. "RICON" - PUMP ASSY MODEL "F9A"				
2	Call order desk	PLATE-WASSY / SOLENOID		1		P
3	862100	SOLENOID / SP 24V		1		
4	862101	SOLENOID-24V DP LARGE		1		
5	862102	CIRCUIT BREAKER / 8AMP		1		
6	862103	CIRCUIT BREAKER / 30AMPS		1		
6	860986	CIRCUIT BREAKER / 50AMPS		1		
7	Call order desk	TERMINAL STRIP / 10-18GA		1		P
8	Call order desk	SCREW MA PH #10-32x5/16 SS		4		P
9	Call order desk	SCREW MA PH #10-32x3/4		4		P
10	Call order desk	WASHER FL #10 SS		8		P
11	N8885969	WASHER LO SPT .193 SS		4		
12	Call order desk	BRACKET-PUMP MOUNTING		1		P
13	Call order desk	BRACKET-WASSY / PUMP MOUTING		1		P
14	Call order desk	WASHER FL .32x.75x.08 SS		7		P
15	Call order desk	WASHER LO SPT 5/16 SS		11		P
16	Call order desk	SCREW CAP BUT HEXS 5/16-24x3/4 SS		5		P
17	Call order desk	SCREW CAP BUT HEXS 5/16-18x3/4 SS		2		P
18	Call order desk	SCREW CAP BUT HEXS #10-32x1/2 SS		2		P
19	Call order desk	CLAMP / CABLE-3/8		1		P
20	863095	PLUG, BREATHER, RESERVOIR		1		
21	Call order desk	BRACKET-STIFFENER		1		P
22	868483	HANDLE-MANUAL BACKUP PUMP		1		
24	Call order desk	SCREW CAP HEX 5/16-18x3/4 SS		2		P
25	561482	CONVOLUTED TUBING / UNSLIT / BLACK / .500"		AR		
26	504012	CABLE TIE / 3/16" X 6"1/2		2		
27	504012	CABLE TIE / 3/16" X 6"1/2		9		
28	502600	NUT HEX NYRT 5/16-18 Z050		2		
29	5001189	NUT HEX 5/16-18 SS		2		
31	Call order desk	FITTING-STREET ELBOW / FEMALE		1		P
32	504585	SPRING CLIP 3/4"		2		
34	Call order desk	BASE-PUMP ENCLOSURE		1		P
35	Call order desk	DOOR-PUMP ENCLOSURE		1		P
36	Call order desk	PLATE REINFORCEMENT-PUMP ENCLOSURE		2		P
37	Call order desk	HINGE SS 2.50x2.00		6		P
38	Call order desk	LATCH / DRAW-FLEXIBLE-HANDLE		2		P
39	504431	RIVET POP DOME OE 1/8x3/8 AL		8		
40	Call order desk	STRAIN RELIEF / STRE THRU LIQ TIGHT		3		P
41	504247	RIVET POP DOME OE 5/32x3/8 AL		2		
42	863086	FITTING, BUN, 1/4J, 2.08L		1		
43	N8886025	WASHER LO EXT 7/16 SS		1		
44	Call order desk	NUT HEX JAM 7/16-20		1		P

From T-1423 To 2-4416	Date:10/2022	PAGE:H3-2380-60
W.C.L. "RICON" - PUMP INSTALLATION MODEL "F9A"		

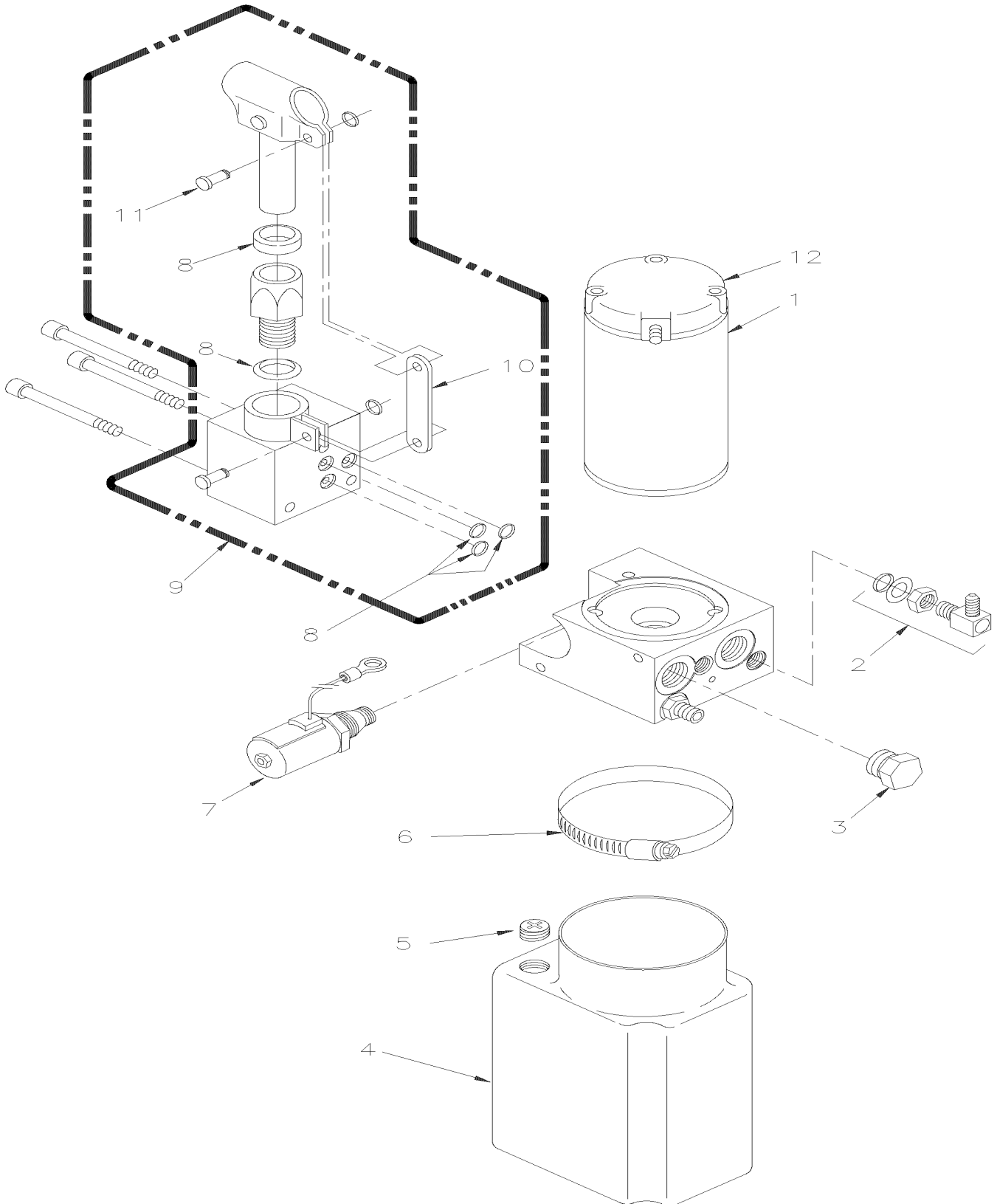
Item#	Part	Description	H 3 4 1	H 3 4 5	V I P 4 5	N O T E S
45	500837	NUT SPR U 1/4-20 .064-.125		1		
46	Call order desk	SCREW CAP BUT HEXS 1/4-20x3/4 SS		1		P
47	504120	RIVET POP DOME CLE 3/16x1/2 AL		12		
48	Call order desk	HOSE-ASSY / 11"x 1/4JIC x1/4JIC		1		P
49	Call order desk	WASHER FL #8		8		P
50	Call order desk	SEAL / DOOR-7/16X53/64		AR		P
		P) CALL ORDER DESK FOR SPECIFIC APPLICATION (V.I.N.)				

From T-1423 To 2-4416

Date:10/2022

PAGE:H3-2380-65

W.C.L. "RICON" - PUMP ASSY MODEL "F9A"



From T-1423 To 2-4416	Date:10/2022	PAGE:H3-2380-65
W.C.L. "RICON" - PUMP ASSY MODEL "F9A"		

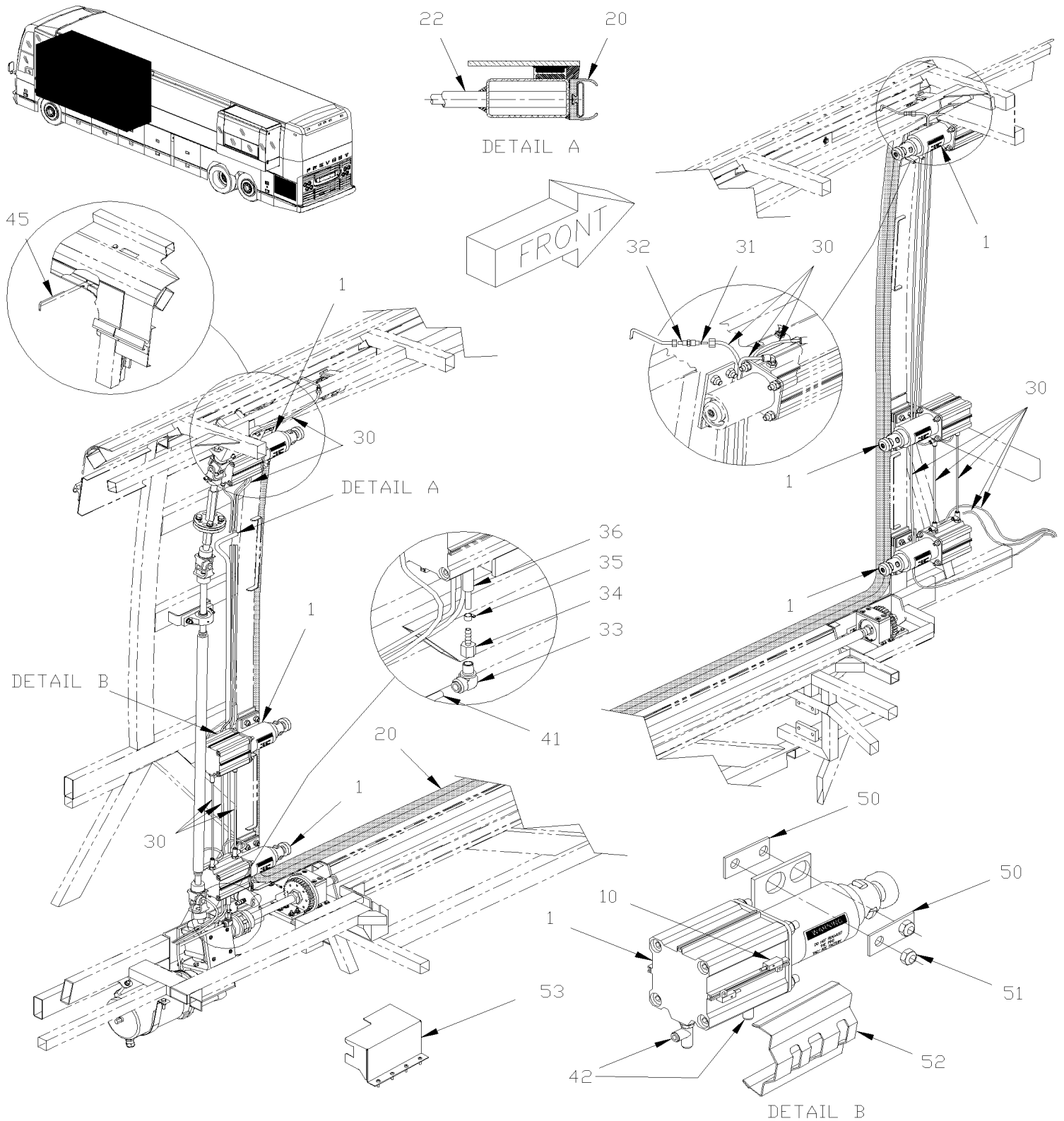
Item#	Part	Description	H 3 4 1	H 3 4 5	V I P 4 5	N O T E S
	192298	PUMP ASSY 2.0 KPSI / 24V		1		
1	862104	MOTOR ASSY. / 24V 3" MONARCCH PUMP		1		
2	868147	FITTING / "L" 1/4 SAE O-RING BOSS 1/4 JIC		1		
3	860122	PLUG / 3/4-16 CAVITY / W/O-RING		2		
4	862105	RESERVOIR / RICON POWER UNIT / PLASTIC		1		
5	863095	PLUG, BREATHER, RESERVOIR		1		
6	504235	HOSE CLAMP / 3"9/16"-4"1/2 SS / HS-64		1		
7	862106	HYD. POPPET VALVE ASSY. / 24V DELTROL		1		
8	862107	SEAL KIT / MANUAL BACK-UP PUMP		1		
9	863093	BACK-UP PUMP ASSY, MANUAL W/O HANDLE		1		
10	868253	BRACKET / TENSION LINK / MANARCH PUMP		1		
11	868254	PIN & RETAINING RING-BACKUP PUMP		2		
12	862108	KIT / PUMP MOTOR BRUSH SET		1		
NS	685682	OIL HYDRAULIC W.C.L. (19 LITERS)		1		

From X-3218 To X-3218

Date:10/2022

PAGE:H3-2390-00

"SLIDE-OUT" LOCKING PIN & SEAL REFERENCE ONLY

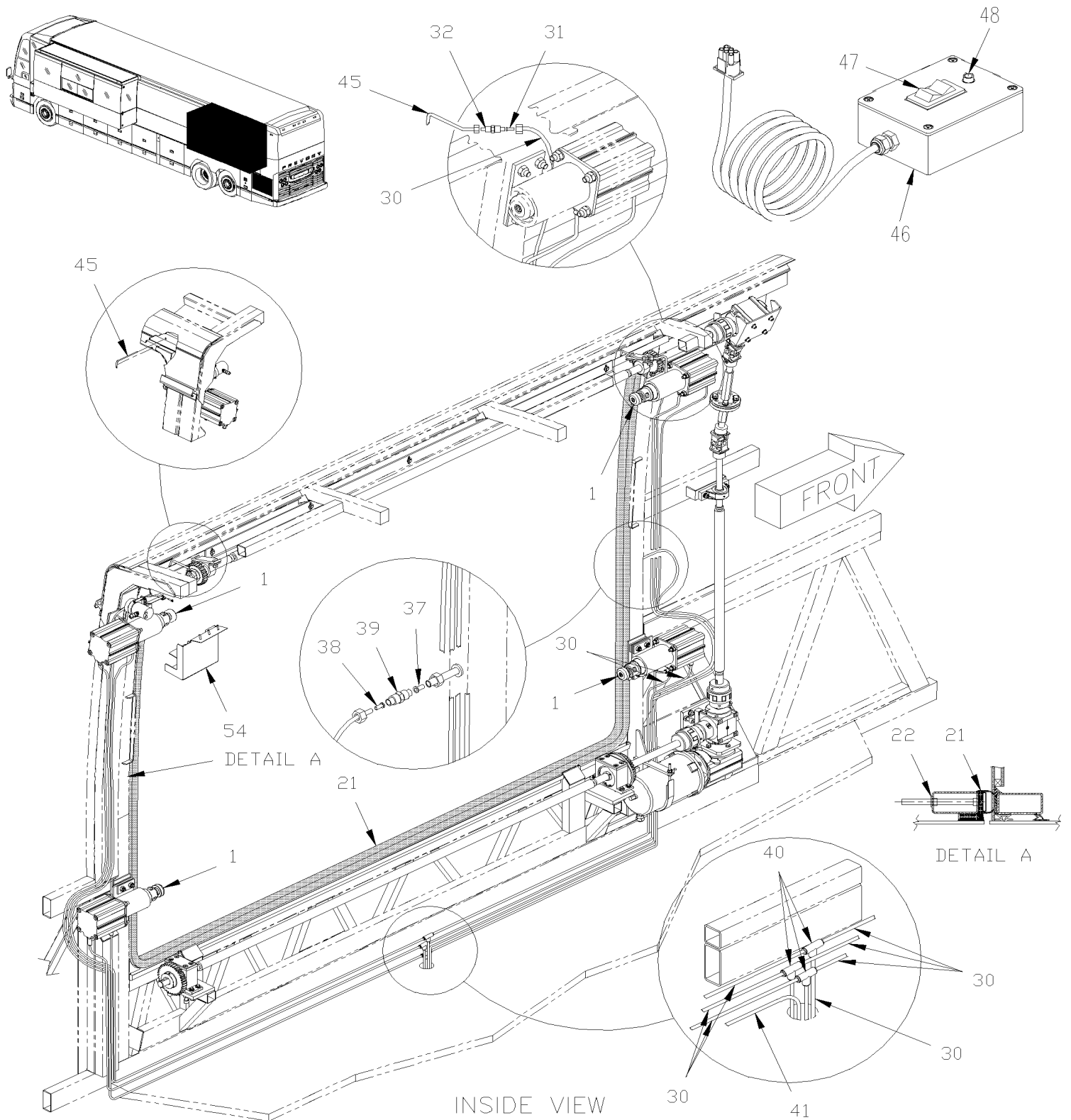


From X-3218 To X-3218

Date:10/2022

PAGE:H3-2390-00

"SLIDE-OUT" LOCKING PIN & SEAL REFERENCE ONLY



From X-3218 To X-3218	Date:10/2022	PAGE:H3-2390-00
"SLIDE-OUT" LOCKING PIN & SEAL REFERENCE ONLY		

Item#	Part	Description	H 3 4 1	H 3 4 5	V I P 4 5	N O T E S
1	HF-2390-70	"SLIDE-OUT" - CYLINDER LOCK PIN ASSY				
10	690407	LIMIT SWITCH ASSY W/CONNECTOR			2	
. NS	690342	. LIMIT SWITCH W/WIRE			1	
. NS	690308	. CONNECTOR / MINI UNIVERSAL MATE-N-LOK / SH 4C / AMP 172167-1			1	
20	690422	SEAL, INFLATABLE FRONT / "VIP" / STREETSIDE 4465MM x 1975MM / 978MM			1	
20	479427	SEAL INSTALLATION / FRONT / "VIP" / STREETSIDE 4465MM x 1975MM			1	
. NS	471622	. SEAL INFLATABLE / FRONT 4465MM x 1975MM			1	
. NS	471623	. BASE SEAL / FRONT 4465MM x 1975MM			1	
. NS	IS-16080	. SEE INSTRUCTION SHEET			1	
. NS	FI-16080	. VOIR FEUILLE D'INSTRUCTION			1	
21	690229	SEAL, INFLATABLE REAR 2330MM x 1673MM / 763MM			1	
21	479435	SEAL INSTALLATION / REAR 2330MM x 1673MM			1	
. NS	470960	. SEAL INFLATABLE / REAR 2330MM x 1673MM			1	
. NS	470961	. BASE SEAL / REAR 2330MM x 1673MM			1	
. NS	IS-16080	. SEE INSTRUCTION SHEET			1	
. NS	FI-16080	. VOIR FEUILLE D'INSTRUCTION			1	
22	503540	TUBE, NYLON 5/8 O.D. / BLACK S.L.				AR
NS	682176	SEALANT SIKA #221 / BLACK / 310ml CARTRIDGE				AR
30	503402	TUBE, NYLON 1/4 O.D. / BLACK S.L.				AR
31	690324	INSERT / COMPRESS-ALIGN FITTING / #4x.040 BR			2	
32	690322	UNION REDUCER / COMPRESS-ALIGN FITTING / #4x#3 BR			2	
33	641372	MALE ELBOW 90° NON-SWIVEL / PUSH-IN FITTING / #6x1/4NPT-M BR			1	
34	N.P.N.	FEMALE ADAPTOR NPT X 1/4 HOSE			1	4
35	504014	HOSE CLAMP / 1/4"-5/8" SS / HM-4			1	
36	N.P.N.	HOSE 1/2			1	4
37	690323	BRASS INSERT TUBE 5/16 I.D.			1	
38	690321	BRASS INSERT TUBE 3/8 I.D.			1	
39	690325	BRASS INSERT TUBE 3/8 I.D.			1	
40	690382	BRANCH TEE UNION PUSH-IN 1/4 TUBE			3	
41	503404	TUBE, NYLON 3/8 O.D. / BLACK S.L.				AR
42	HF-2390-70	"SLIDE-OUT" - CYLINDER LOCK PIN ASSY				
45	690219	TUBE, AIR			2	
46	382048	REMOTE CONTROL / SINGLE SLIDE-OUT			1	
. NS	563380	. SWITCH / M/ON-OFF-M/ON S P.D.T BLACK			1	
. NS	564421	. PILOT LIGHT GREEN / LED 24V			1	
. NS	382047	. DECAL "REMOTE CONTROL"			1	
NS	382047	. DECAL "REMOTE CONTROL"			1	
47	563380	. SWITCH / M/ON-OFF-M/ON S P.D.T BLACK			1	
48	563379	. PILOT LIGHT GREEN / 28 VOLTS			1	
50	690125	PLATE				AR
NS	144636	SPACER 0.015"				AR
NS	144637	SPACER 0.031"				AR

From X-3218 To X-3218	Date:10/2022	PAGE:H3-2390-00
"SLIDE-OUT" LOCKING PIN & SEAL REFERENCE ONLY		

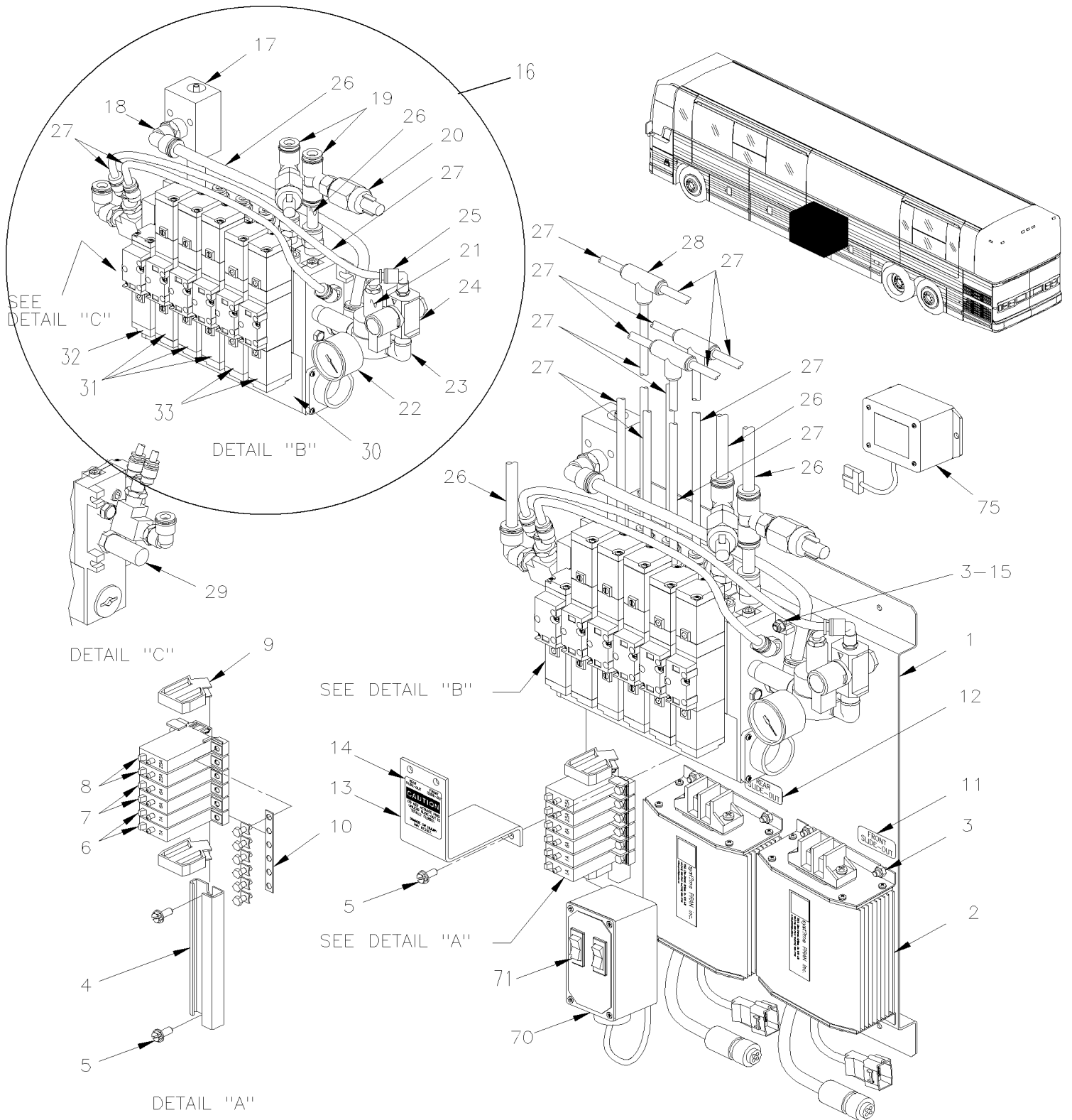
Item#	Part	Description	H 3 4 1	H 3 4 5	V I P 4 5	N O T E S
NS	144638	SPACER 0.062"			AR	
NS	144639	SPACER 0.125"			AR	
NS	144640	SPACER 0,187"			AR	
NS	144641	SPACER 0,250"			AR	
51	502617	NUT HEX NYRT M10-1.5 Z050			AR	
53	Call order desk	TRANSDUCER			1	P
54	Call order desk	TRANSDUCER			1	P
		4) NO PARTS NUMBER				
		P) CALL ORDER DESK FOR SPECIFIC APPLICATION (V.I.N.)				

From X-3218 To X-3218

Date:10/2022

PAGE:H3-2390-10

"SLIDE-OUT" AIR CONTROL PANEL REFERENCE ONLY

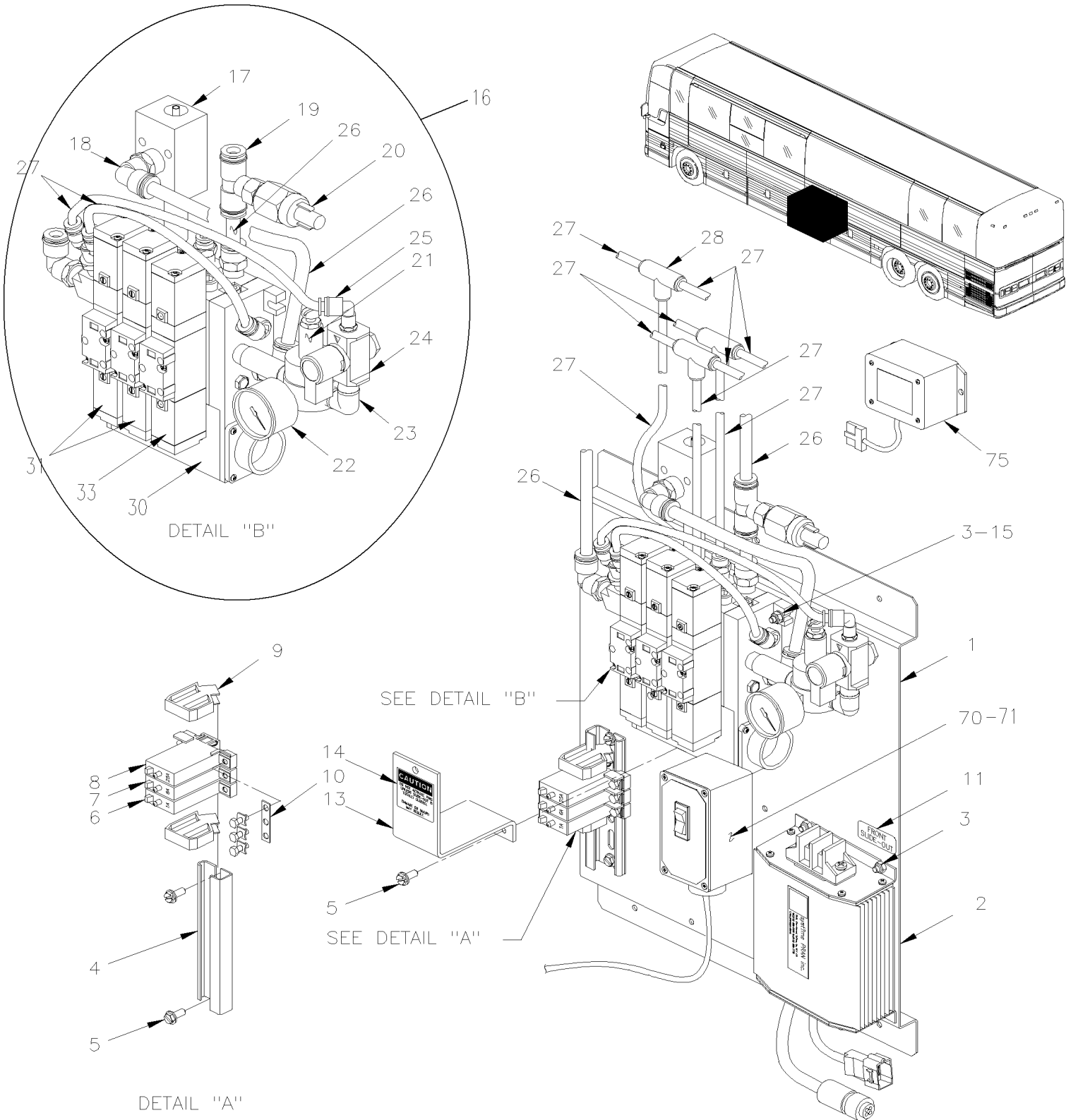


From X-3218 To X-3218

Date:10/2022

PAGE:H3-2390-10

"SLIDE-OUT" AIR CONTROL PANEL REFERENCE ONLY

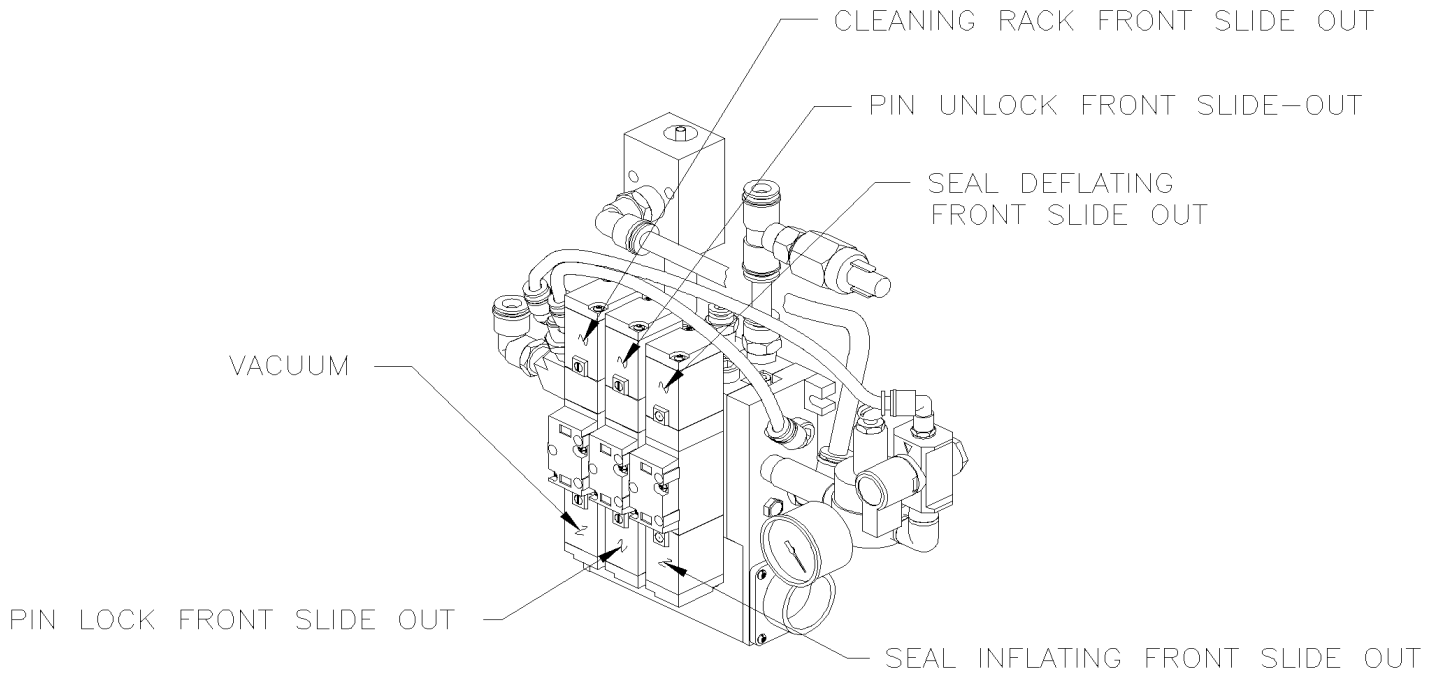


From X-3218 To X-3218

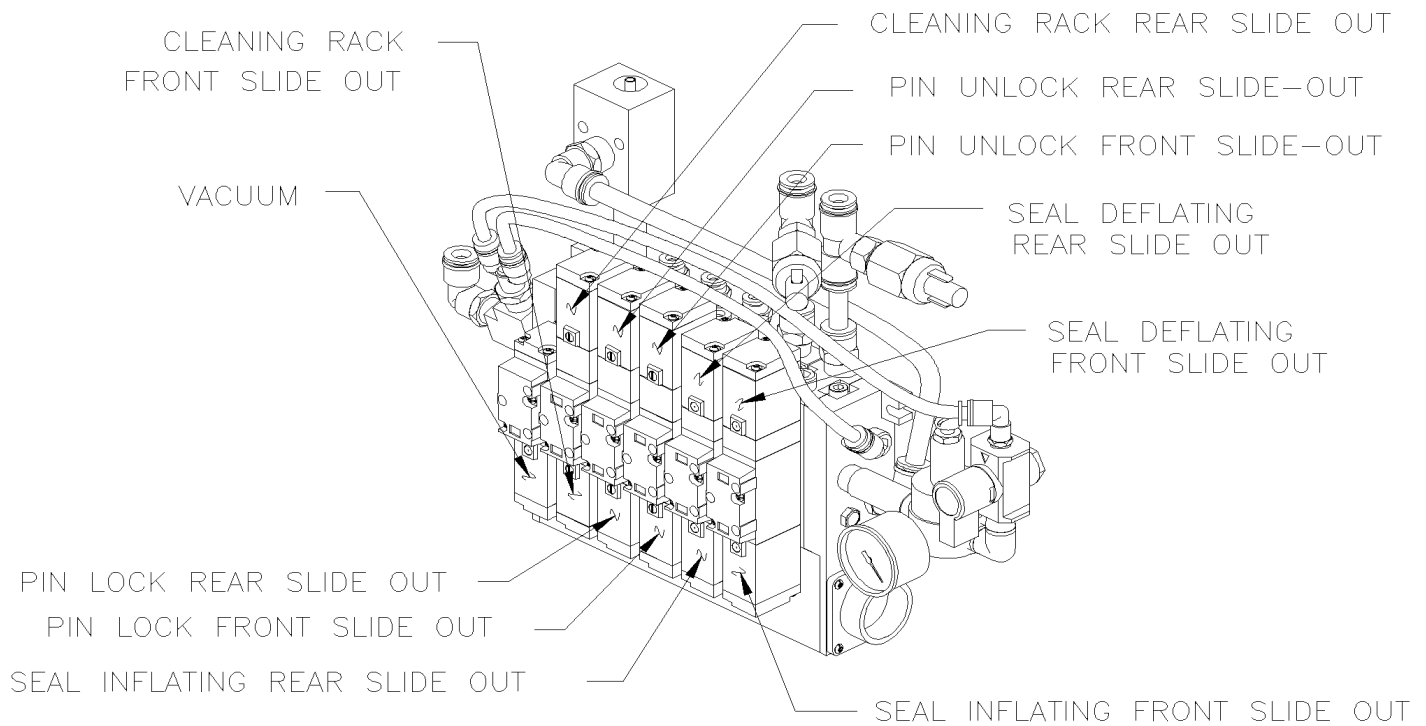
Date:10/2022

PAGE:H3-2390-10

"SLIDE-OUT" AIR CONTROL PANEL REFERENCE ONLY



WITH FRONT SLIDE OUT ONLY



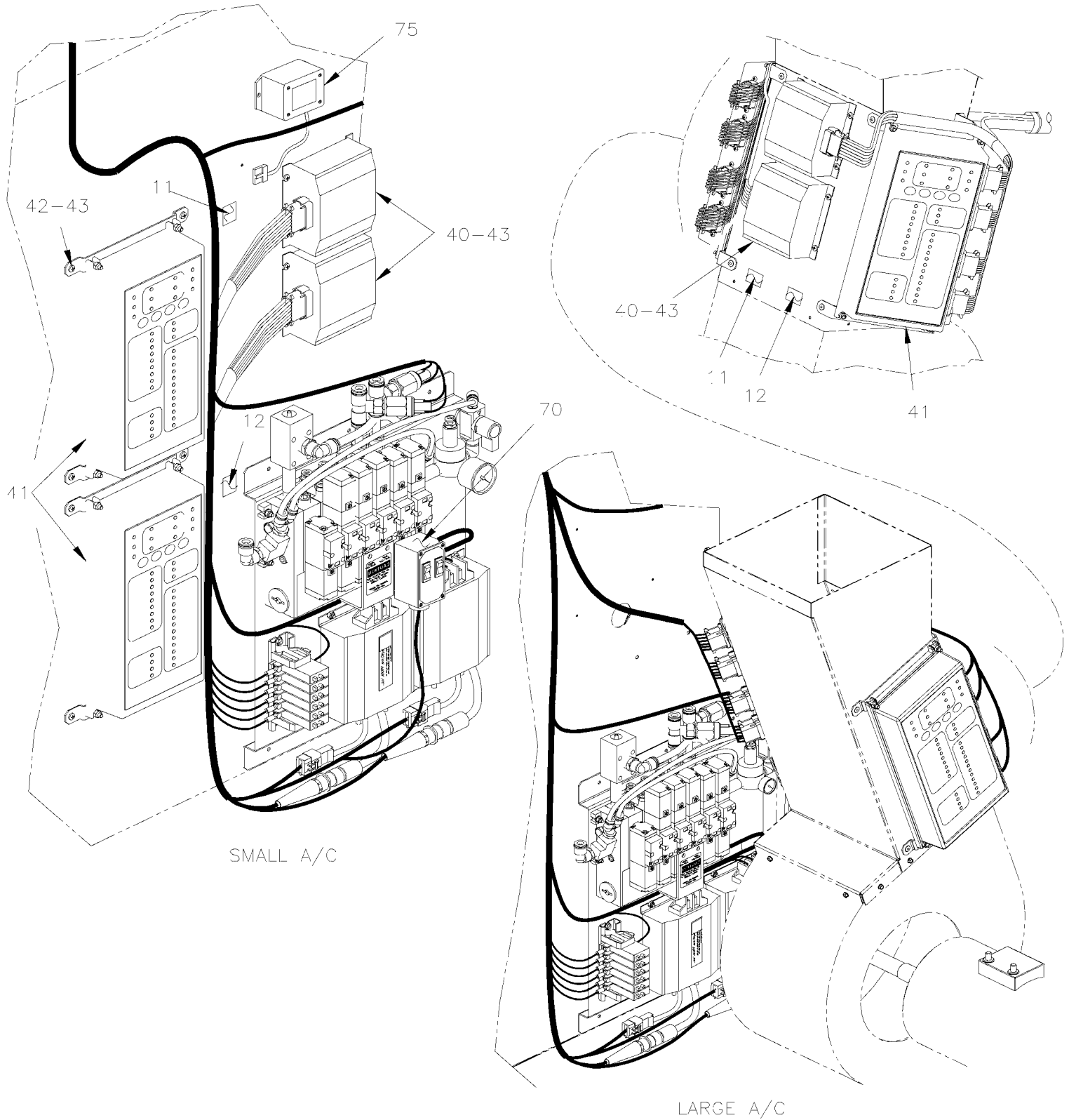
WITH FRONT & REAR SLIDE OUT

From X-3218 To X-3218

Date:10/2022

PAGE:H3-2390-10

"SLIDE-OUT" AIR CONTROL PANEL REFERENCE ONLY



From X-3218 To X-3218	Date:10/2022	PAGE:H3-2390-10
"SLIDE-OUT" AIR CONTROL PANEL REFERENCE ONLY		

Item#	Part	Description	H 3 4 1	H 3 4 5	V I P 4 5	N O T E S
1	065903	SUPPORT / DRIVE CONTROL MODULE W/DOUBLE SLIDE-OUT			1	
1	065904	SUPPORT / DRIVE CONTROL MODULE W/SINGLE SLIDE-OUT			1	
2	563318	MODULE MOTOR DRIVE ASM 24V			1	F
2	563319	MODULE MOTOR DRIVE ASM 24V			1	R
3	502783	SCREW TP CAP HEXW #6x3/8 ZP			12	
4	690063	RAIL SUPPORT / 100MM			1	
5	690275	SCR TP HEXW SLT ZP #12-16 X 1/2 LG.			4	
6	690356	BREAKER 1AMP / 24V /			2	
7	561790	BREAKER 6AMPS / 24V /			2	
8	561795	BREAKER 25AMPS / 24V /			1	
9	690357	STOPPER			1	
10	381817	BUS BAR / W/6 HOLES 77MM			1	
11	690096	DECAL "FRONT SLIDE OUT"			1	
12	690097	DECAL "REAR SLIDE OUT" STICKER			1	
13	144819	PROTECTOR VALVE / W/DOUBLE "SLIDE-OUT"			1	
13	144825	PROTECTOR VALVE / W/SINGLE "SLIDE-OUT"			1	
14	144823	DECAL "DO NOT ACTIVE...." / W/DOUBLE "SLIDE-OUT"			1	
14	144824	DECAL "DO NOT ACTIVE...." / W/SINGLE "SLIDE-OUT"			1	
15	N.P.N.	FLAT WASHER M5 ZP			4	4
16	144820	BLOCK VALVE ASSY COMPLET / W/DOUBLE "SLIDE-OUT"			1	
16	144821	BLOCK VALVE ASSY COMPLET / W/SINGLE "SLIDE-OUT"			1	
17	690344	. VACUUM GENERATORS			1	
18	641375	. MALE ELBOW 90° NON-SWIVEL / PUSH-IN FITTING / #6x3/8NPT-M BR			1	
19	642002	. FEMALE BRANCH TEE / PUSH-IN FITTING / #6X#6X1/4NPT-F PLAS			1	
20	690361	. VACUUM SWITCH 16" HG			1	
20	690411	. PRESSURE SWITCH			AR	H
21	690380	. PRESSURE REGULATOR			1	
22	690379	. PRESSURE GAUGE 1/8 NPT			1	
23	641999	. MALE ELBOW 90° / PIPE FITTING / 3/8NPT-Mx3/8NPT-M BR			1	
24	690351	. PORT RELIEVING SHUT-OFF VALVE			1	
25	641371	. MALE ELBOW 90° NON-SWIVEL / PUSH-IN FITTING / #4x1/4NPT-M BR			1	
26	503404	. TUBE, NYLON 3/8 O.D. / BLACK S.L.			AR	
27	503402	. TUBE, NYLON 1/4 O.D. / BLACK S.L.			AR	
28	690382	. BRANCH TEE UNION PUSH-IN 1/4 TUBE			6	
29	N17945	. SILENCER / MUFFLER / 1/4NPT-M			1	AS
29	641926	. SILENCER / MUFFLER / 1/4NPT-M			2	
NS	642048	. SILENCER / MUFFLER / 1/8NPT-M			1	
30	642006	. BLOCK VALVE / W/DOUBLE "SLIDE-OUT"			1	
30	642007	. BLOCK VALVE / W/SINGLE "SLIDE-OUT"			1	
30	642055	. . BLOCK VALVE SUB ASSY / W/SINGLE SLIDE OUT			1	S
30	642056	. . BLOCK VALVE SUB ASSY / W/DOUBLE SLIDE OUT			1	D
31	641996	. . . SOLENOID VALVE 5/3 ASSY / W/DOUBLE COIL			AR	

From X-3218 To X-3218	Date:10/2022	PAGE:H3-2390-10
"SLIDE-OUT" AIR CONTROL PANEL REFERENCE ONLY		

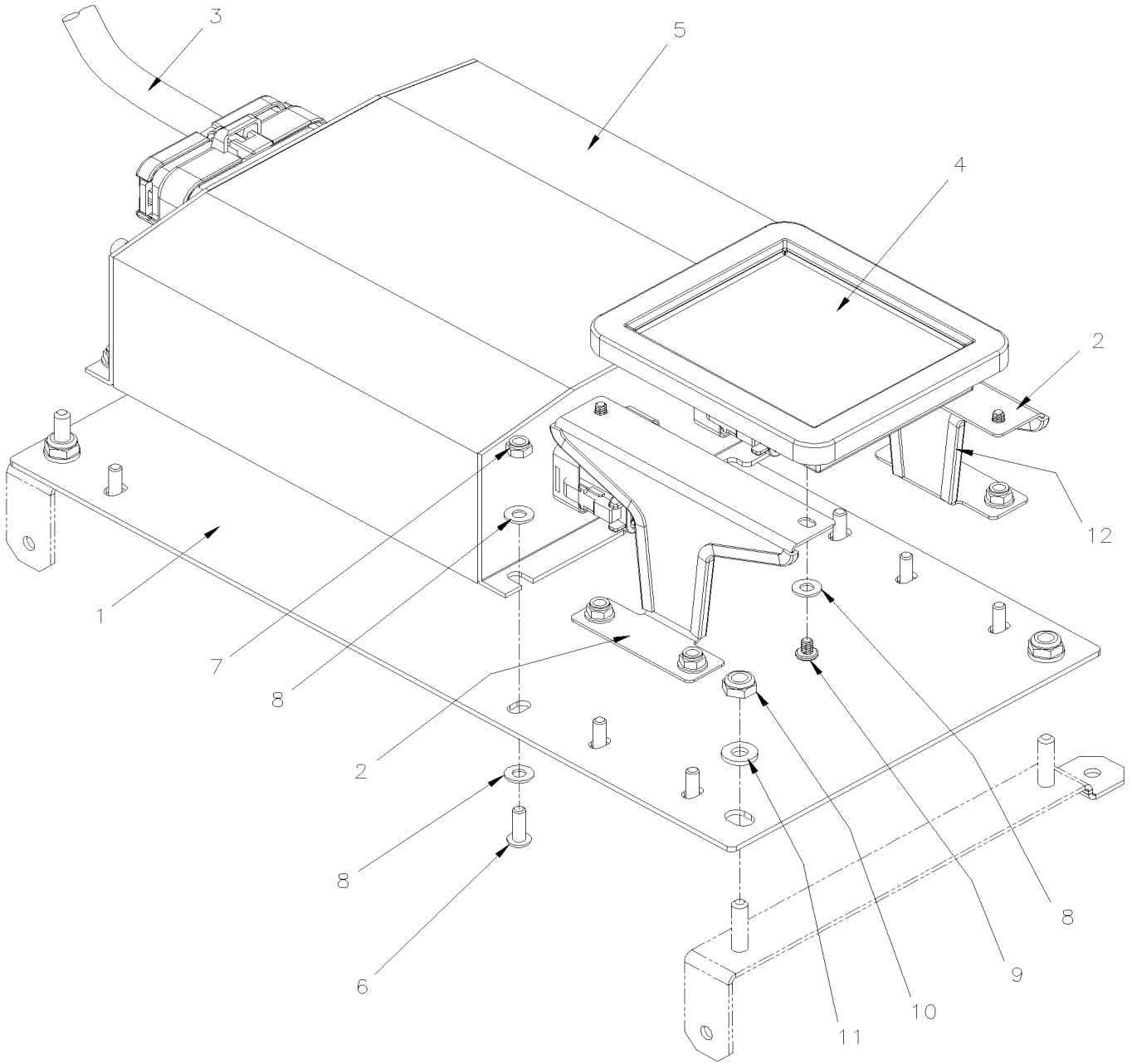
Item#	Part	Description	H 3 4 1	H 3 4 5	V I P 4 5	N O T E S
. NS	642059 GASKET VALVE BODY / RECTANGULAR			1	
32	641997	. . . SOLENOID VALVE 5/2 ASSY / W/SIMPLE COIL 2			1	
. NS	642059 GASKET VALVE BODY / RECTANGULAR			1	
33	641995	. . . SOLENOID VALVE 5/2 ASSY / W/DOUBLE COIL 2			AR	
. NS	642059 GASKET VALVE BODY / RECTANGULAR			1	
40	563222	SAFETY MODULE PR-4101			2	
41	563261	MODULE CONTROLER SLIDE-OUT / "PRAN"			2	
41	062328	FRONT SLIDE-OUT MODULE REPLACEMENT KIT			1	A
41	062381	REAR SLIDE-OUT MODULE REPLACEMENT KIT			1	A
41	7770121	DIAGNOSTIC TOOL			1	
42	065908	SUPPORT / PRAN MODULE			2	
43	500854	SCREW TC BDG PH #8-32x3/4 N500			AR	
		A) SERVICE ONLY				
		AS) AS SHOWN				
		D) INCLUDE ITEM # 31 QTY 3 , ITEM # 32 QTY 1 & ITEM # 33 QTY 2				
		F) USE WITH FRONT "SLIDE-OUT" ONLY				
		H) USE ONLY WITH "HIGH" ALTITUDE OPERATIONAL				
		R) USE WITH REAR "SLIDE-OUT" ONLY				
		S) INCLUDE ITEM # 31 QTY 2 & ITEM # 33 QTY 1				
		4) NO PARTS NUMBER				

From X-3218 To X-3218

Date:10/2022

PAGE:062328

FRONT SLIDE-OUT MODULE REPLACEMENT KIT



From X-3218 To X-3218	Date:10/2022	PAGE:062328
FRONT SLIDE-OUT MODULE REPLACEMENT KIT		

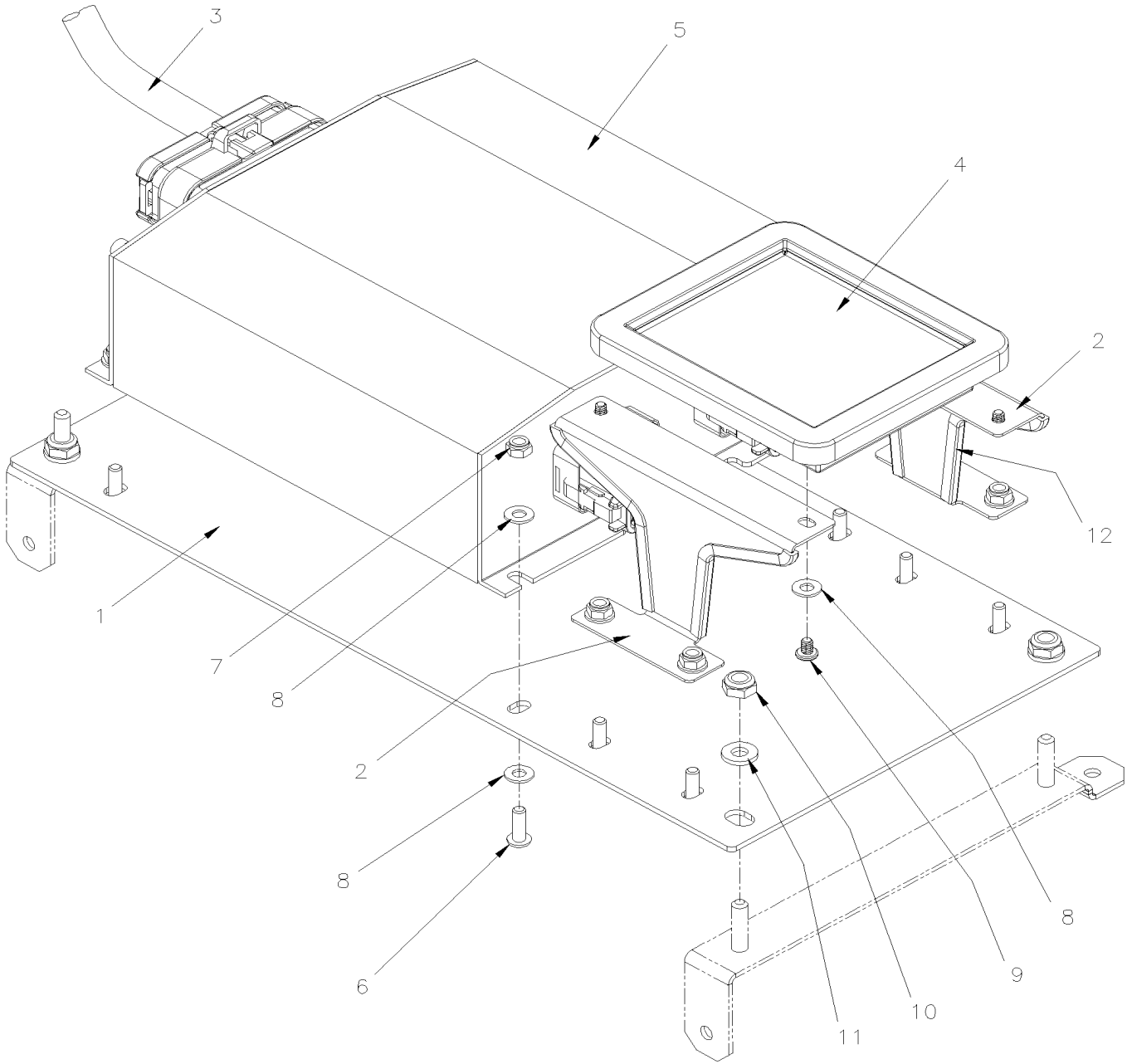
Item#	Part	Description	H 3 4 1	H 3 4 5	V I P 4 5	N O T E S
1	060575	BASE	1	1	1	
2	060579	KEYBOARD SUPPORT	2	2	2	
3	560555	WIRING FOR SLIDE OUT MODULE / GEN 2	1	1	1	
4	560556	KEYBOARD FRONT SLIDE-OUT MODULE / GEN 2	1	1	1	
5	560557	MODULE SLIDE-OUT / GEN 2	1	1	1	
NS	560558	WIRE INTERFACE PRAN J1939	1	1	1	
6	5001996	SCREW MA PAN PH M4-0.7x12 N500	8	8	8	
7	500539	NUT HEX NYRT M4-0.7 N500	8	8	8	
8	502556	WASHER FL 4.3x9.0x0.8 SS	20	20	20	
9	5000355	SCREW MA PAN PH #6-32x3/16 SS	4	4	4	
10	502841	NUT HEX NYRT M5-0.8 N500	4	4	4	
11	5001137	WASHER FL .203x.438x.050 SS	4	4	4	
12	5060120	GROMMET EDGING ADHESIVE .036-.062	AR	AR	AR	

From X-3218 To X-3218

Date:10/2022

PAGE:062381

REAR SLIDE-OUT MODULE REPLACEMENT KIT



From X-3218 To X-3218	Date:10/2022	PAGE:062381
REAR SLIDE-OUT MODULE REPLACEMENT KIT		

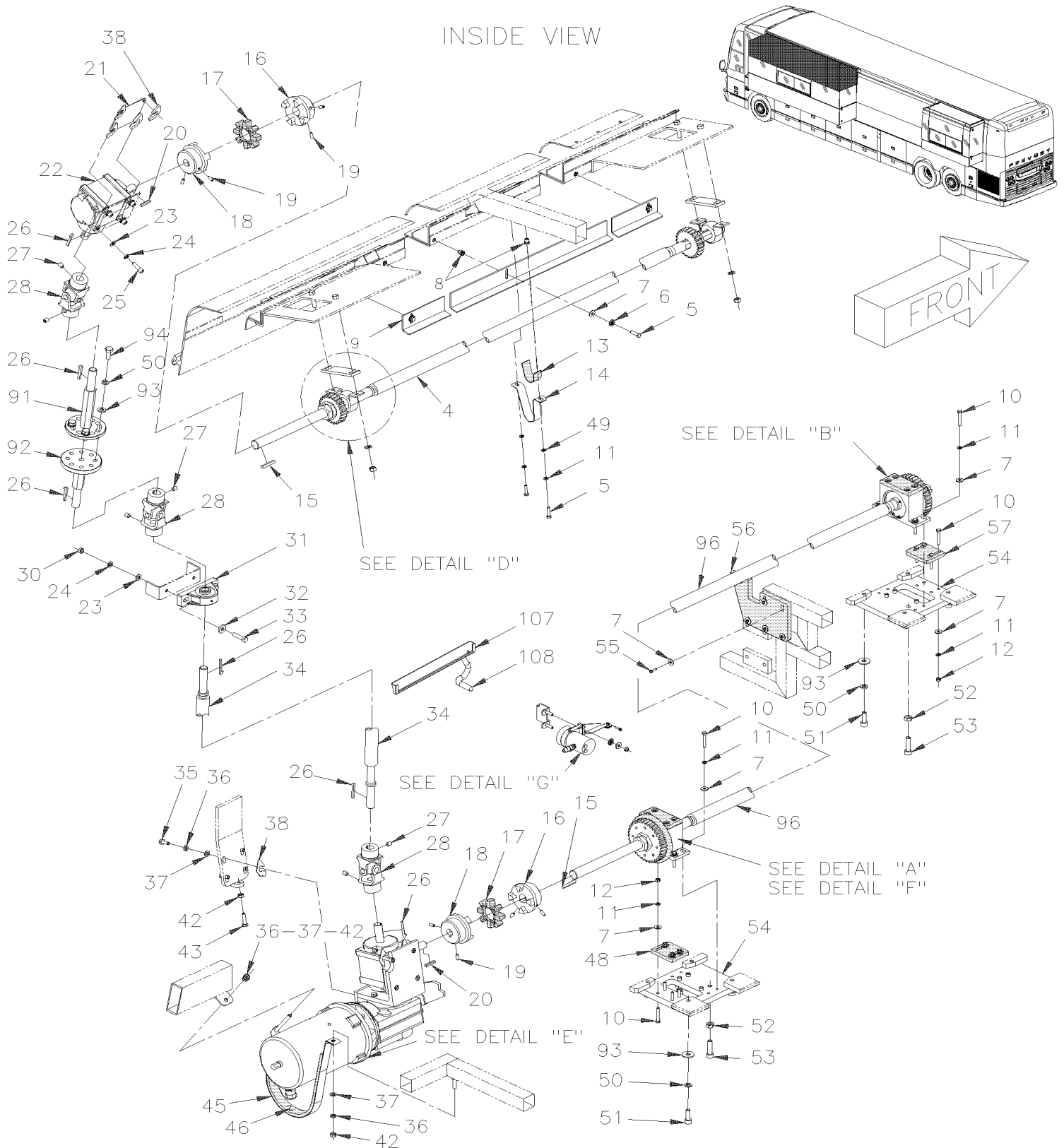
Item#	Part	Description	H 3 4 1	H 3 4 5	V I P 4 5	N O T E S
1	060575	BASE	1	1	1	
2	060579	KEYBOARD SUPPORT	2	2	2	
3	560555	WIRING FOR SLIDE OUT MODULE / GEN 2	1	1	1	
4	560559	KEYBOARD REAR SLIDE-OUT MODULE / GEN 2	1	1	1	
5	560557	MODULE SLIDE-OUT / GEN 2	1	1	1	
NS	560558	WIRE INTERFACE PRAN J1939	1	1	1	
6	5001996	SCREW MA PAN PH M4-0.7x12 N500	8	8	8	
7	500539	NUT HEX NYRT M4-0.7 N500	8	8	8	
8	502556	WASHER FL 4.3x9.0x0.8 SS	20	20	20	
9	5000355	SCREW MA PAN PH #6-32x3/16 SS	4	4	4	
10	502841	NUT HEX NYRT M5-0.8 N500	4	4	4	
11	5001137	WASHER FL .203x.438x.050 SS	4	4	4	
12	5060120	GROMMET EDGING ADHESIVE .036-.062	AR	AR	AR	

From X-3218 To X-3218

Date:10/2022

PAGE:H3-2390-20

"SLIDE-OUT" - FRONT MECHANISM - INSTALLATION REFERENCE ONLY

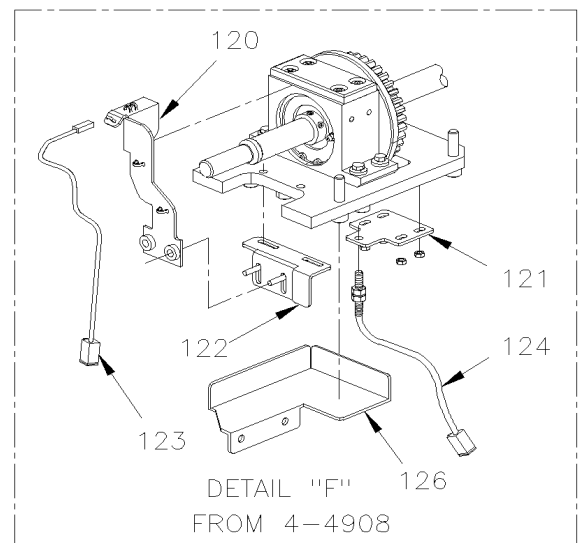
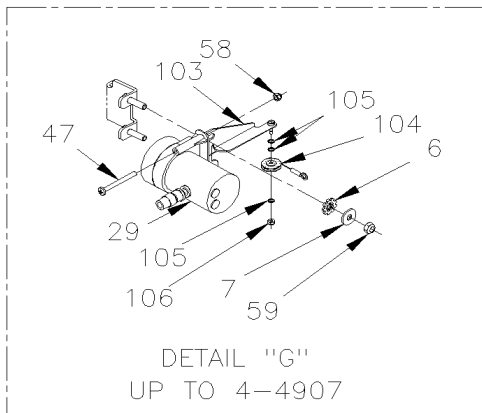
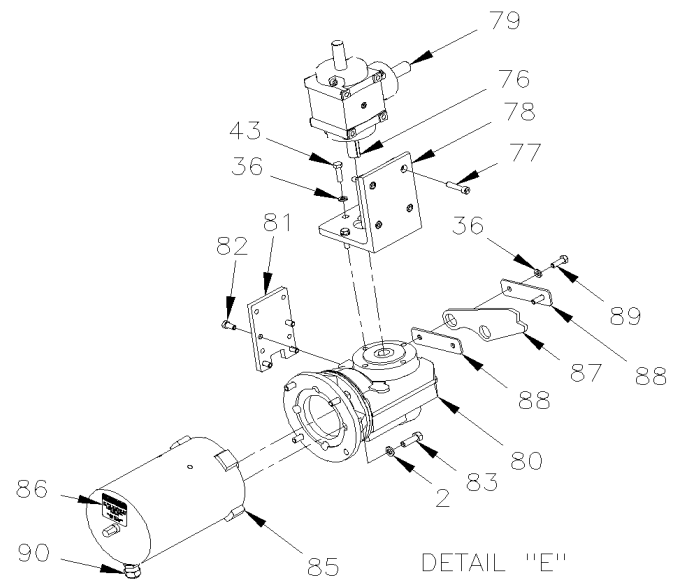
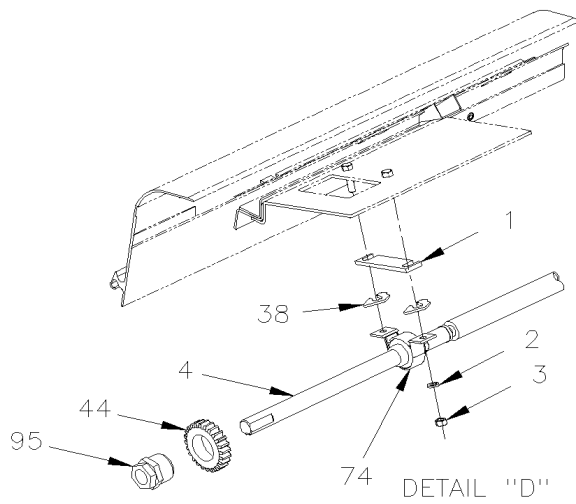
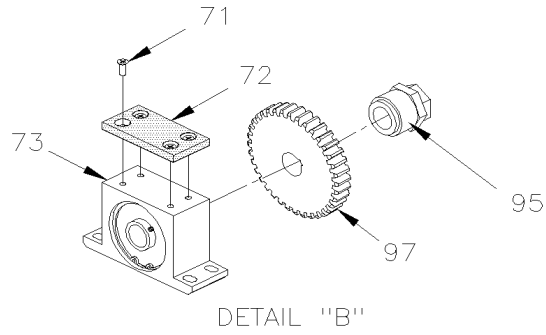
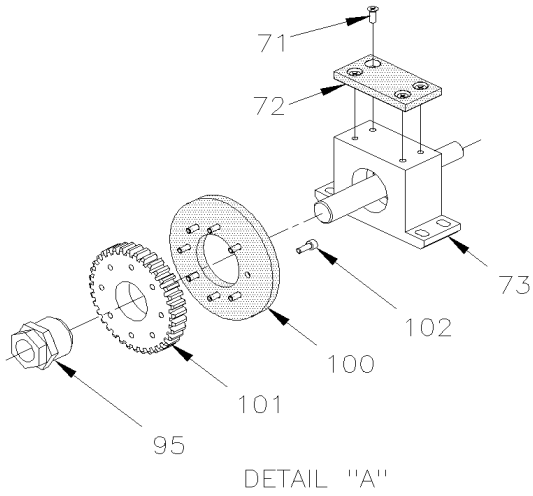


From X-3218 To X-3218

Date:10/2022

PAGE:H3-2390-20

"SLIDE-OUT" - FRONT MECHANISM - INSTALLATION REFERENCE ONLY



INSIDE VIEW

From X-3218 To X-3218	Date:10/2022	PAGE:H3-2390-20
"SLIDE-OUT" - FRONT MECHANISM - INSTALLATION REFERENCE ONLY		

Item#	Part	Description	H 3 4 1	H 3 4 5	V I P 4 5	N O T E S
1	690019	SPACER 6.35MM			2	
2	500478	WASHER LO SPT .380x.683x.094 Z050			8	
3	500783	NUT HEX 3/8-16 Z050			4	
4	476228	UPPER SHAFT			1	
5	5001209	SCREW CAP HEX M6-1.0x25 G8.8 Z050			8	
6	690267	WASHER LO SERR 6.1x16.0x0.9 ZP			8	
7	690261	WASHER FL 6.4x12.0x1.6 SS			29	
8	690259	NUT INS TYPE "A-L" OE M6-1.0 0.7-4.2 ZP			8	
9	476105	UPPER LIMITING KEY			1	
10	502793	SCREW CAP HEX M6-1.0x45 G8.8 Z050			16	
11	502564	WASHER LO SPT 6.1x11.8x1.6 Z050			18	
12	502581	NUT HEX M6-1.0 Z050			8	
13	690347	PLASTIC PAD			AR	
14	476231	SUPPORT			1	
15	690006	PARALLEL KEY			2	
16	690016	COUPLING SHAFT DRIVE 1" I.D. / TYPE GS 38 To 3-4502			2	
17	690364	SPIDER RUBBER / TYPE GS 38			2	
18	690017	COUPLING SHAFT DRIVE 3/4" I.D. / TYPE GS 38 To 3-4502			2	
20	690233	STEP KEY			2	
21	690245	PLATE			1	
22	690346	RIGHT ANGLE GEARBOX UPPER RATIO 1:1			1	
23	500441	WASHER FL .312x.734x.065 Z050			6	
24	500476	WASHER LO SPT .317x.586x.078 Z050			6	
25	5001263	SCREW CAP HEXS 5/16-18x1 ZP			4	
26	690234	KEY 3/16" X 3/16" To 3-4625			6	
27	5001167	SCREW SET HEXS CUP 3/8-16x1/2			6	
28	505525	U-JOINT ASSY 3/4" O.D.SHAFT X 5" To 3-4625			3	
28	690320	KIT, CROSS & BEARING 15/16" O.D. X 2 1/4"			3	
29	690355	LINEAR POSITION TRANSDUCER			1	
30	500778	NUT HEX 5/16-18 N500			2	
31	690317	PILLOW BLOCK NP 3/4			1	
32	500441	WASHER FL .312x.734x.065 Z050			2	
33	500183	SCREW CAP HEX 5/16-18x1 1/2 G5 PT Z050			2	
34	476233	LOWER VERTICAL SHAFT			1	
35	502790	SCREW CAP HEX M8-1.25x20 G8.8 Z050			4	
36	5001003	WASHER LO SPT 8.1x12.7x2.0 Z050			12	
37	500874	WASHER FL 8.4x17.0x1.6 Z050			6	
38	690056	SPACER 0.015"			AR	
38	690057	SPACER 0.031"			AR	
38	690058	SPACER 0.062"			AR	
38	690059	SPACER 0.125"			AR	
38	690404	SPACER 0,187"			AR	

From X-3218 To X-3218	Date:10/2022	PAGE:H3-2390-20
"SLIDE-OUT" - FRONT MECHANISM - INSTALLATION REFERENCE ONLY		

Item#	Part	Description	H 3 4 1	H 3 4 5	V I P 4 5	N O T E S
38	690403	SPACER 0,250"			AR	
42	502543	NUT HEX M8-1.25 Z050			4	
43	500544	SCREW CAP HEX M8-1.25x30 G8.8 Z050			5	
44	690075	TOP GEAR			1	
45	476072	SUPPORT ASSY			1	
46	690338	SELF SEALING SPONGE RUBBER 1" X 5/16" TH.			AR	
47	690270	SCREW MA PAN PH M4-0.7x45 ZP			2	
48	690117	PLASTIC STOPPER			1	
49	502644	WASHER FL 10.5x30.0x2.5 Z050			2	
50	500257	WASHER LO SPT 10.2x18.1x2.2 Z050			12	
51	70314708	SCREW CAP HEXS M10-1.5X30 G8.8 ZP			8	
52	500256	NUT HEX M10-1.5 Z050			8	
53	500317	SCREW CAP HEXS M10-1.5x45 G8.8 ZP			8	
54	382015	MOUNTING PLATE			2	
55	500539	NUT HEX NYRT M4-0.7 N500			5	
56	476101	SHAFT SUPPORT			1	
57	382015	MOUNTING PLATE			1	
58	500590	NUT HEX NYRT M4-0.7 Z050			2	
59	502511	NUT HEX NYRT M6-1.0 Z050			2	
66	690219	TUBE, AIR			2	
67	682176	SEALANT SIKA #221 / BLACK / 310ml CARTRIDGE			AR	
69	690125	PLATE			24	
70	502617	NUT HEX NYRT M10-1.5 Z050			24	
71	5001198	SCREW MA FL PH M6-1.0x16 Z050			8	
72	690037	SLIDING PAD			2	
73	690222	PILLOW BLOCK ASSY W/BEARING & SKID PAD			2	
74	690315	PILLOW BLOCK LPB1			2	
76	690007	PARALLEL KEY			1	
77	502512	SCREW CAP HEXS 5/16-18x1 1/2 ZP			4	
78	690035	SUPPORT ASSY			1	
79	690345	RIGHT ANGLE GEARBOX LOWER RATIO 1:1.5			1	
80	690314	REDUCER 140:1			1	
81	Call order desk	SUPPORT			1	P
82	690256	SCREW CAP HEXS M8-1,25x18 G8.8			4	
83	500192	SCREW CAP HEX 3/8-16x1 1/4 G5 Z050			4	
NS	N25539	THREAD LOCKER LOCTITE #262 / RED / 250ml			AR	
85	690363	MOTOR 1/3 HP			1	
86	690236	DECAL "MANUAL OPERATION"			2	
87	Call order desk	MOTOR REINFORCEMENT			1	P
88	690239	SPACER			2	
89	502589	SCREW CAP HEX M8-1.25x25 G8.8 Z050			2	
90	690337	CONNECTOR STRAIGHT-THRU / HEYCO #3231 / BLK 1/2NPT-M / .170-.450			1	

From X-3218 To X-3218	Date:10/2022	PAGE:H3-2390-20
"SLIDE-OUT" - FRONT MECHANISM - INSTALLATION REFERENCE ONLY		

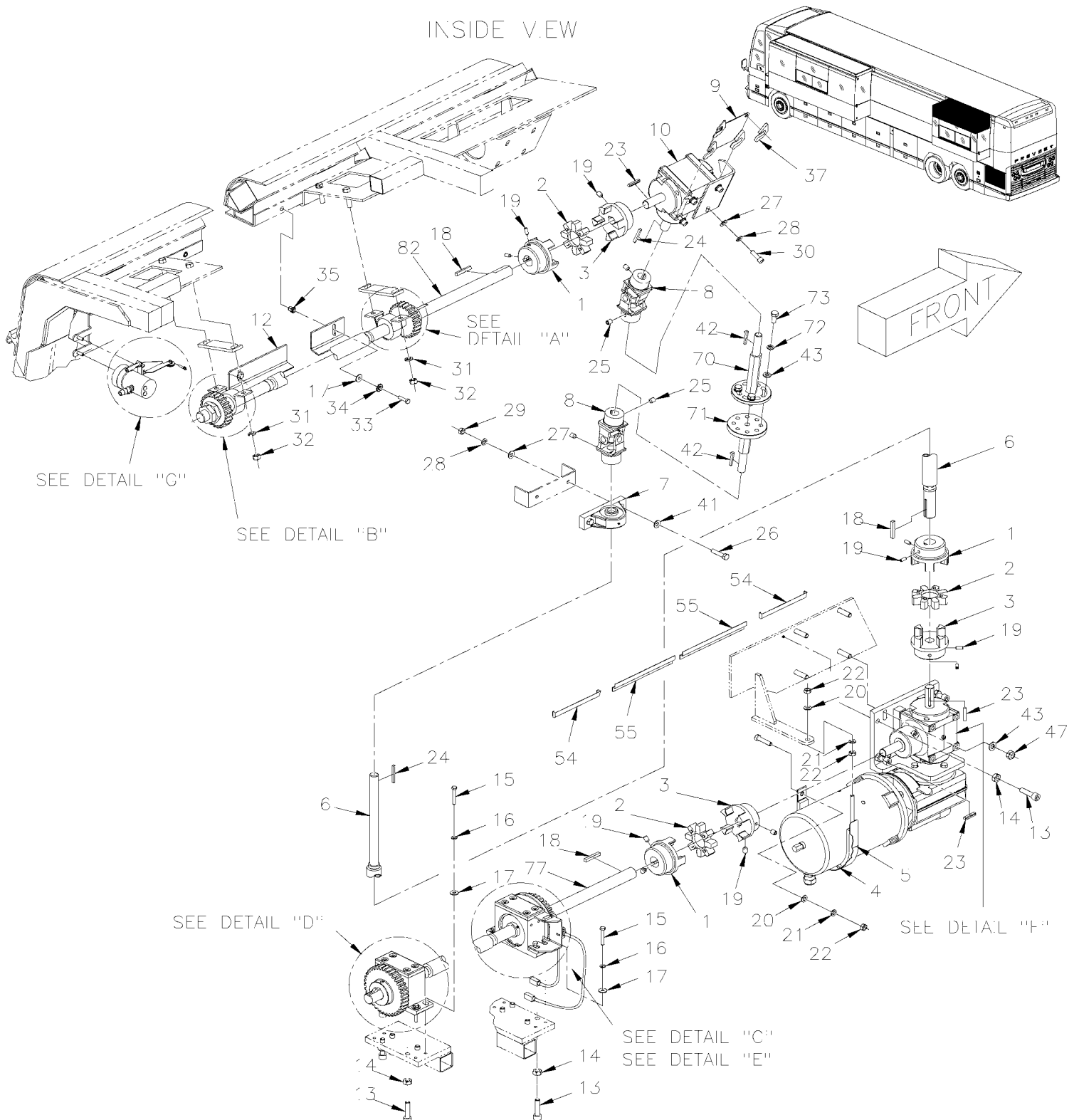
Item#	Part	Description	H 3 4 1	H 3 4 5	V I P 4 5	N O T E S
91	690246	SHAFT, UPPER (WELDED)			1	
92	690247	SHAFT, BOTTOM (WELDED)			1	
93	502644	WASHER FL 10.5x30.0x2.5 Z050			12	
94	5001231	SCREW CAP HEX M10-1.5x25 SS			4	
95	690313	CPG TRANTORQUE GT			2	
96	476196	LOWER SHAFT			1	
97	479103	GEAR			1	
100	690076	GUIDE WHEEL			1	
101	690077	GEAR			1	
102	502531	SCREW CAP HEX M6-1.0x16 G8.8 Z050			8	
103	Call order desk	LIMITS SWITCH SUPPORT			1	P
104	690279	IDLER PULLEY			1	
105	690278	SHIM RND 1/64"			3	
106	500425	NUT HEX NYRT #4-40 SS			1	
		P) CALL ORDER DESK FOR SPECIFIC APPLICATION (V.I.N.)				

From X-3218 To X-3218

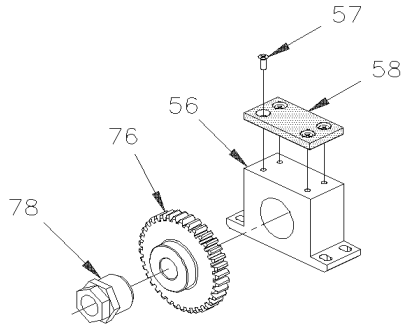
Date:10/2022

PAGE:H3-2390-30

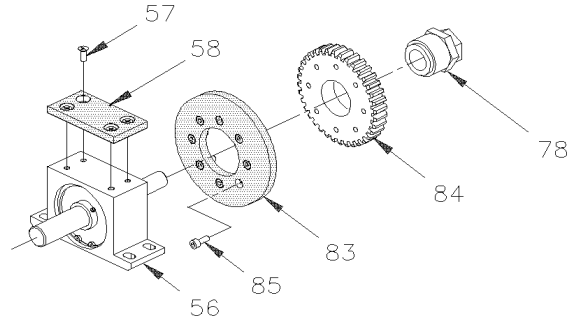
"SLIDE-OUT" - REAR MECHANISM - INSTALLATION REFERENCE ONLY



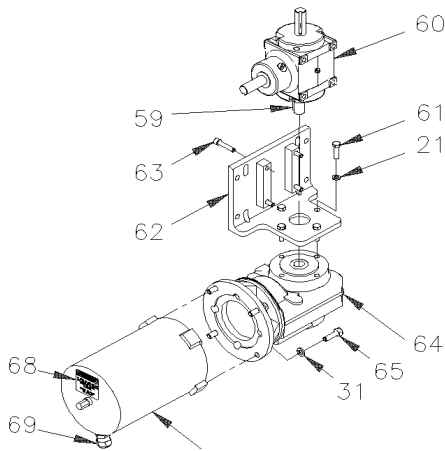
From X-3218 To X-3218	Date:10/2022	PAGE:H3-2390-30
"SLIDE-OUT" - REAR MECHANISM - INSTALLATION REFERENCE ONLY		



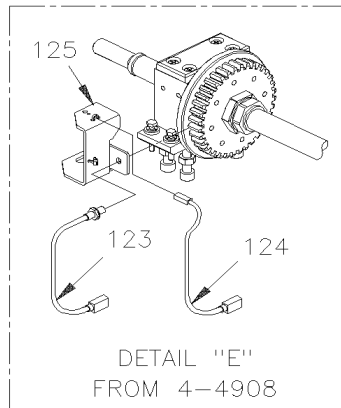
DETAIL "D"



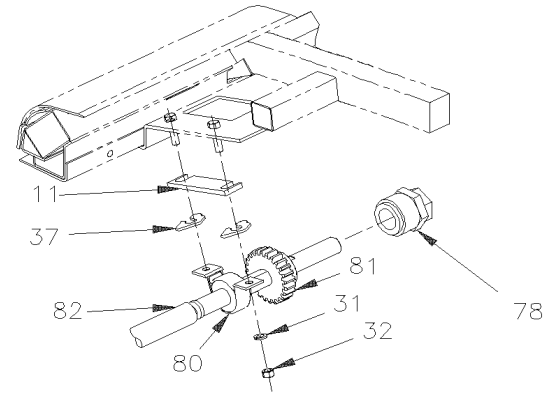
DETAIL "C"



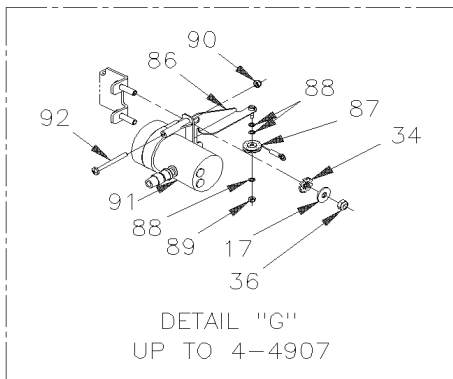
DETAIL "F"



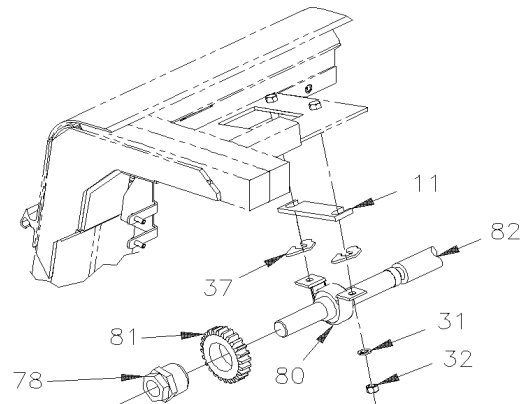
DETAIL "E"
FROM 4-4908



DETAIL "A"



DETAIL "G"
UP TO 4-4907



DETAIL "B"

INSIDE VIEW

From X-3218 To X-3218	Date:10/2022	PAGE:H3-2390-30
"SLIDE-OUT" - REAR MECHANISM - INSTALLATION REFERENCE ONLY		

Item#	Part	Description	H 3 4 1	H 3 4 5	V I P 4 5	N O T E S
1	690016	COUPLING SHAFT DRIVE 1" I.D. / TYPE GS 38			1	
2	690365	SPIDER RUBBER / TYPE GS 38			1	
3	690017	COUPLING SHAFT DRIVE 3/4" I.D. / TYPE GS 38			1	
4	690338	SELF SEALING SPONGE RUBBER 1" X 5/16" TH.			1	
5	690160	GLASS, SINGLE 13% / UPPER / 1287.4MM			1	
6	690046	LOWER VERTICAL SHAFT			1	
7	690317	PILLOW BLOCK NP 3/4			1	
8	505525	U-JOINT ASSY 3/4" O.D.SHAFT X 5"			2	
9	690245	PLATE			1	
10	690346	RIGHT ANGLE GEARBOX UPPER RATIO 1:1			1	
11	690019	SPACER 6.35MM			2	
12	476106	UPPER LIMITING KEY			1	
13	500317	SCREW CAP HEXS M10-1.5x45 G8.8 ZP			12	
14	500256	NUT HEX M10-1.5 Z050			12	
15	502793	SCREW CAP HEX M6-1.0x45 G8.8 Z050			8	
16	502564	WASHER LO SPT 6.1x11.8x1.6 Z050			8	
17	690261	WASHER FL 6.4x12.0x1.6 SS			15	
18	690006	PARALLEL KEY			3	
19	5001282	SCREW SET HEXS CUP 1/4-20x5/8			12	
20	500874	WASHER FL 8.4x17.0x1.6 Z050			2	
21	5001003	WASHER LO SPT 8.1x12.7x2.0 Z050			6	
22	502543	NUT HEX M8-1.25 Z050			3	
23	690233	STEP KEY			3	
24	690007	PARALLEL KEY			2	
25	5001167	SCREW SET HEXS CUP 3/8-16x1/2			4	
26	500183	SCREW CAP HEX 5/16-18x1 1/2 G5 PT Z050			2	
27	500441	WASHER FL .312x.734x.065 Z050			6	
28	500476	WASHER LO SPT .317x.586x.078 Z050			6	
29	500778	NUT HEX 5/16-18 N500			2	
30	5001263	SCREW CAP HEXS 5/16-18x1 ZP			4	
31	500478	WASHER LO SPT .380x.683x.094 Z050			8	
32	500783	NUT HEX 3/8-16 Z050			4	
33	5001209	SCREW CAP HEX M6-1.0x25 G8.8 Z050			5	
34	690267	WASHER LO SERR 6.1x16.0x0.9 ZP			7	
35	690259	NUT INS TYPE "A-L" OE M6-1.0 0.7-4.2 ZP			5	
36	502511	NUT HEX NYRT M6-1.0 Z050			2	
37	690056	SPACER 0.015"			AR	
37	690057	SPACER 0.031"			AR	
37	690058	SPACER 0.062"			AR	
37	690059	SPACER 0.125"			AR	
37	690404	SPACER 0,187"			AR	
37	690403	SPACER 0,250"			AR	

From X-3218 To X-3218	Date:10/2022	PAGE:H3-2390-30
"SLIDE-OUT" - REAR MECHANISM - INSTALLATION REFERENCE ONLY		

Item#	Part	Description	H 3 4 1	H 3 4 5	V I P 4 5	N O T E S
41	500441	WASHER FL .312x.734x.065 Z050			2	
42	690234	KEY 3/16" X 3/16"			2	
43	502644	WASHER FL 10.5x30.0x2.5 Z050			8	
47	502216	NUT HEXF M10-1.5 SS			4	
52	690219	TUBE, AIR			2	
54	221266	GUTTER			2	
55	Call order desk	GUTTER			1	P
56	690222	PILLOW BLOCK ASSY W/BEARING & SKID PAD			2	
57	5001198	SCREW MA FL PH M6-1.0x16 Z050			8	
58	690037	SLIDING PAD			2	
59	690007	PARALLEL KEY			1	
60	690345	RIGHT ANGLE GEARBOX LOWER RATIO 1:1.5			1	
61	500544	SCREW CAP HEX M8-1.25x30 G8.8 Z050			4	
62	475979	SUPPORT ASSY			1	
63	502512	SCREW CAP HEXS 5/16-18x1 1/2 ZP			4	
64	690314	REDUCER 140:1			1	
65	500192	SCREW CAP HEX 3/8-16x1 1/4 G5 Z050			4	
66	690363	MOTOR 1/3 HP			1	
67	N25539	THREAD LOCKER LOCTITE #262 / RED / 250ml			AR	
68	690236	DECAL "MANUAL OPERATION"			2	
69	690337	CONNECTOR STRAIGHT-THRU / HEYCO #3231 / BLK 1/2NPT-M / .170-.450			1	
70	690246	SHAFT, UPPER (WELDED)			1	
71	690247	SHAFT, BOTTOM (WELDED)			1	
72	500257	WASHER LO SPT 10.2x18.1x2.2 Z050			4	
73	5001231	SCREW CAP HEX M10-1.5x25 SS			4	
76	479103	GEAR			1	
77	479104	LOWER SHAFT			1	
78	690313	CPG TRANTORQUE GT			2	
80	690315	PILLOW BLOCK LPB1			2	
81	690075	TOP GEAR			1	
82	479117	UPPER SHAFT			1	
83	690076	GUIDE WHEEL			1	
84	690077	GEAR			1	
85	502531	SCREW CAP HEX M6-1.0x16 G8.8 Z050			8	
86	065850	TRANSDUCER LINEAR SUPPORT			1	
87	690279	IDLER PULLEY			1	
88	690278	SHIM RND 1/64"			3	
89	500425	NUT HEX NYRT #4-40 SS			1	
90	500590	NUT HEX NYRT M4-0.7 Z050			2	
91	690388	LINEAR POSITION TRANSDUCER			1	
92	690270	SCREW MA PAN PH M4-0.7x45 ZP			2	

From X-3218 To X-3218	Date:10/2022	PAGE:H3-2390-30
-----------------------	--------------	-----------------

"SLIDE-OUT" - REAR MECHANISM - INSTALLATION REFERENCE ONLY

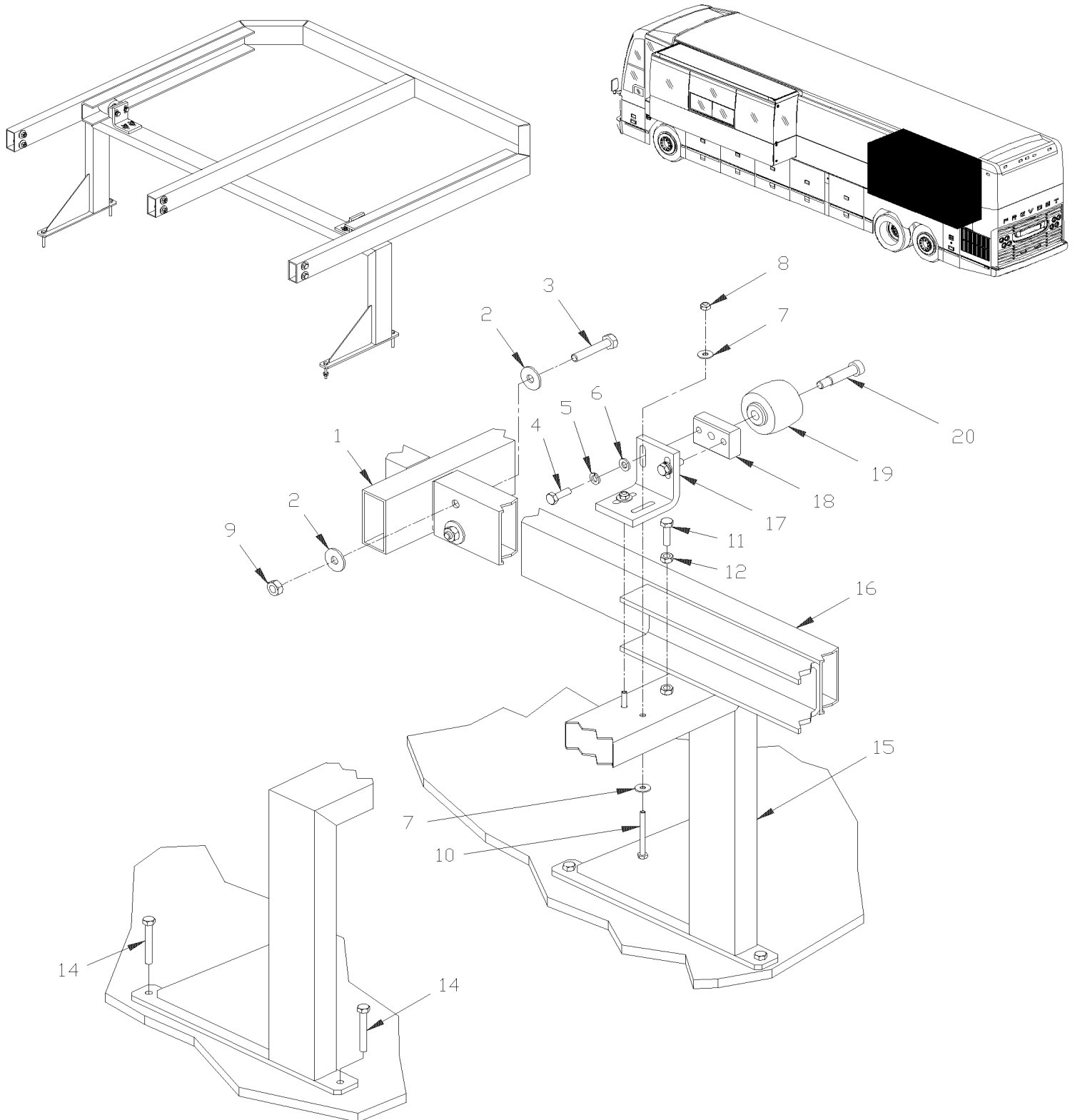
Item#	Part	Description	H 3 4 1	H 3 4 5	V I P 4 5	N O T E S
		P) CALL ORDER DESK FOR SPECIFIC APPLICATION (V.I.N.)				

From X-3218 To X-3218

Date:10/2022

PAGE:H3-2390-40

"SLIDE-OUT" - BED SUPPORT REFERENCE ONLY



From X-3218 To X-3218	Date:10/2022	PAGE:H3-2390-40
"SLIDE-OUT" - BED SUPPORT REFERENCE ONLY		

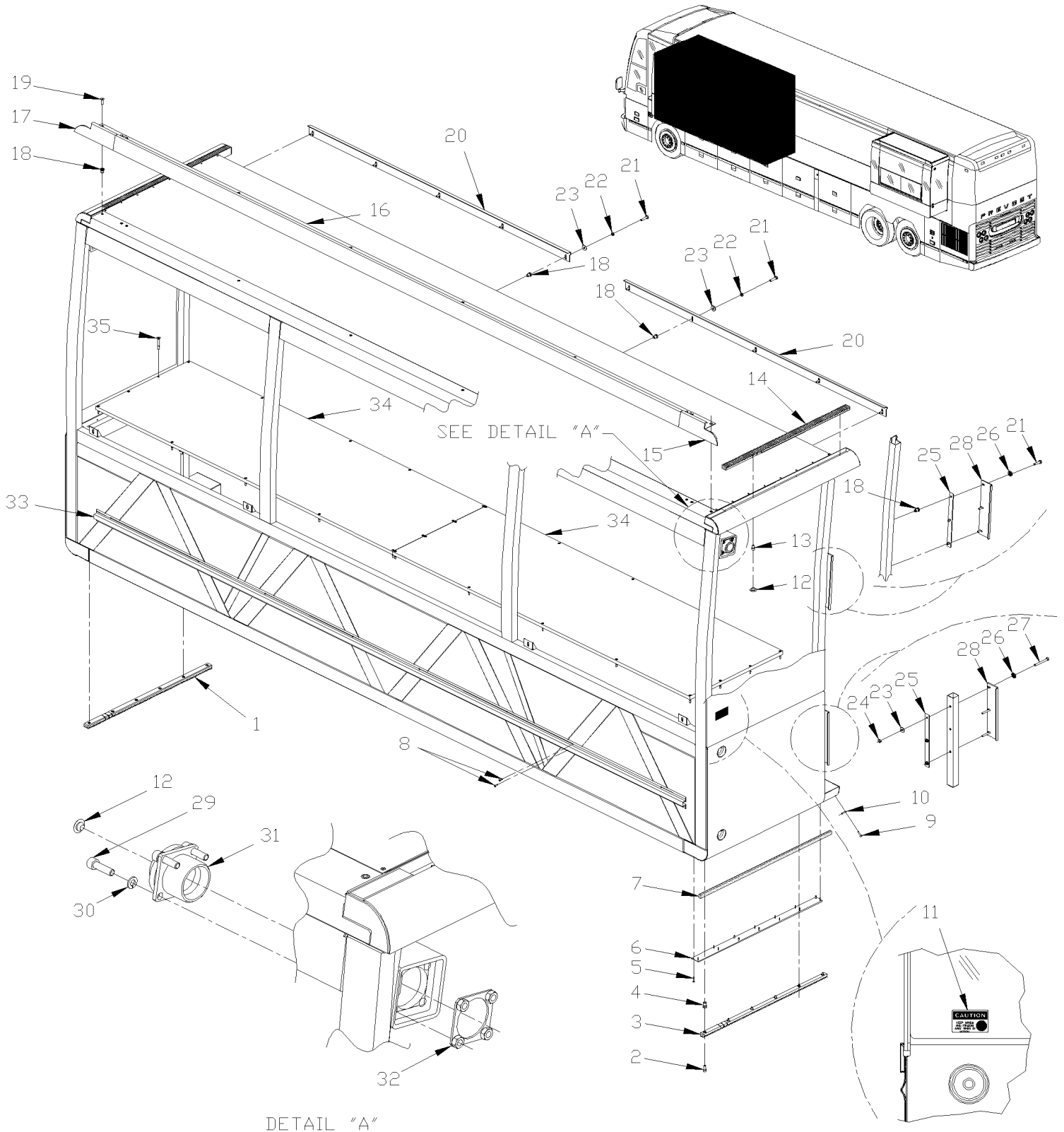
Item#	Part	Description	H 3 4 1	H 3 4 5	V I P 4 5	N O T E S
1	Call order desk	REAR SLIDE-OUT ASSY			1	P
2	502644	WASHER FL 10.5x30.0x2.5 Z050			12	
3	5001485	SCREW CAP HEX M10-1.5x60 G8.8 Z050			6	
4	502589	SCREW CAP HEX M8-1.25x25 G8.8 Z050			4	
5	5001003	WASHER LO SPT 8.1x12.7x2.0 Z050			4	
6	500874	WASHER FL 8.4x17.0x1.6 Z050			4	
7	690261	WASHER FL 6.4x12.0x1.6 SS			14	
7	502573	WASHER FL 6.4x12.5x1.6 SS			14	
8	502611	SCREW TP FL PH #6x1/2 Z050			10	
9	500256	NUT HEX M10-1.5 Z050			6	
10	509839	SCREW CAP HEX M6-1.0x60 G8.8 ZP			4	
11	500544	SCREW CAP HEX M8-1.25x30 G8.8 Z050			2	
12	502543	NUT HEX M8-1.25 Z050			2	
13	680038	THREAD LOCKER LOCTITE #243 / BLUE / 50ml			AR	
14	500185	SCREW CAP HEX 5/16-18x2 1/4 G5 Z050			1	
15	226909P	SUPPORT REAR BED ASSY			1	
16	690215	SUPPORT REAR BED			1	
16	407525	SUPPORT REAR BED			1	
17	476178	ANGLE SUPPORT			2	
18	476177	PLATE			2	
19	476181	WHEEL			2	
20	5001064	SCREW SHR HEXS 12x40 {M10-1.5			2	
		P) CALL ORDER DESK FOR SPECIFIC APPLICATION (V.I.N.)				

From X-3218 To X-3218

Date:10/2022

PAGE:H3-2390-50

"SLIDE-OUT" - INSTALLATION REFERENCE ONLY

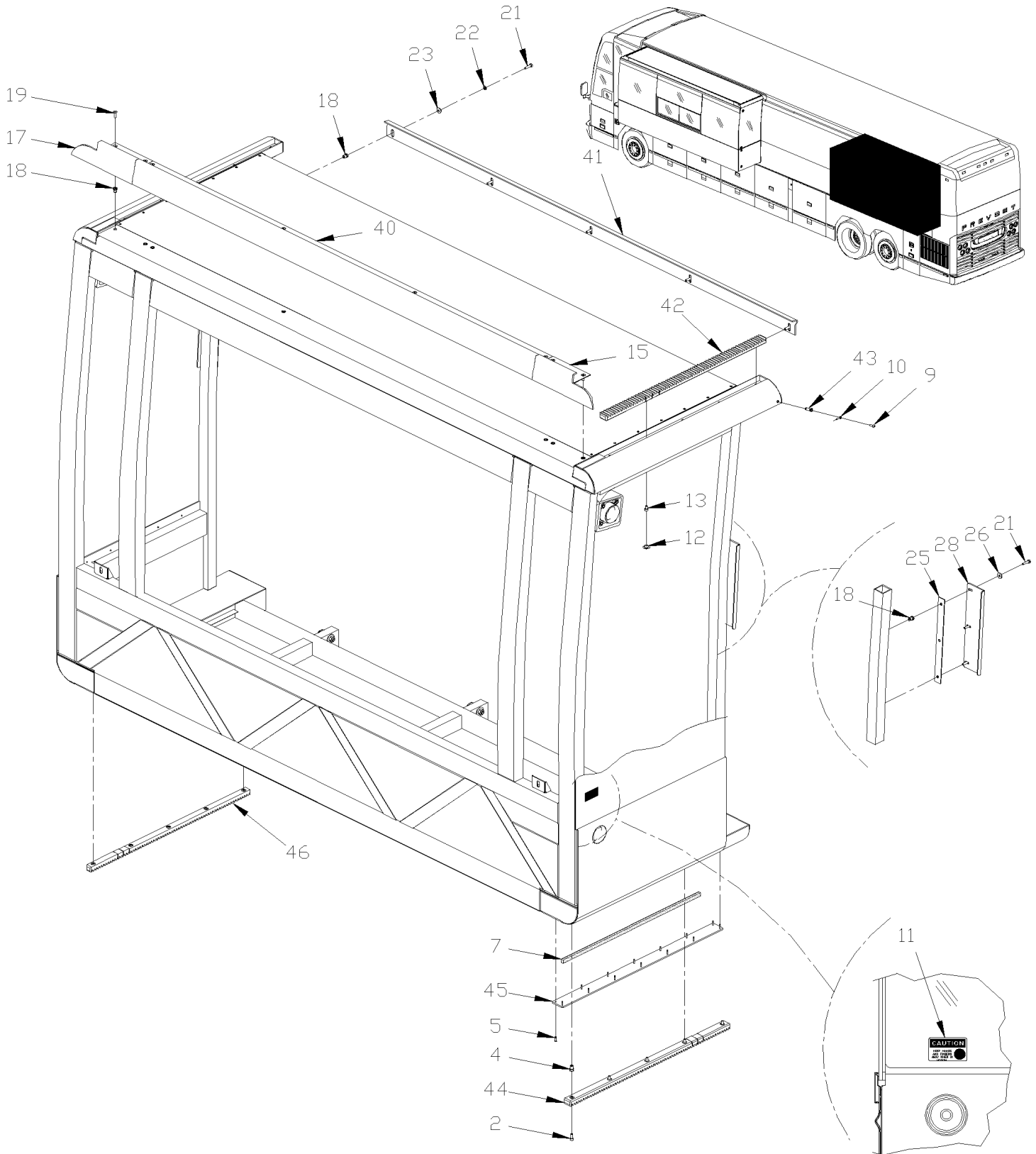


From X-3218 To X-3218

Date:10/2022

PAGE:H3-2390-50

"SLIDE-OUT" - INSTALLATION REFERENCE ONLY



From X-3218 To X-3218	Date:10/2022	PAGE:H3-2390-50
"SLIDE-OUT" - INSTALLATION REFERENCE ONLY		

Item#	Part	Description	H 3 4 1	H 3 4 5	V I P 4 5	N O T E S
1	690183	FRONT BOTTOM RACK			1	
2	502531	SCREW CAP HEX M6-1.0x16 G8.8 Z050			12	
3	690184	FRONT BOTTOM RACK			1	
4	690280	NUT INS TYPE "A-L" OE M6-1.0 4.2-6.6 ZP			12	
5	504107	RIVET POP DOME OE 1/8x5/16 AL			28	
6	690138	SLIDING PLATE / FORWARD / S.B.			2	
7	506277	TAPE RUB ADH1 CC POL 1/2" x 3/4" x 15' / GREY 2520X			AR	
8	504339	RIVET POP DOME OE 1/8x3/8 SS			16	
9	690258	SCREW MA PAN PH M5-0.8x16 ZP			1	
10	H3-2390-20	"SLIDE-OUT" - FRONT MECHANISM - INSTALLATION REFERENCE ONLY	1	1	1	
11	690232	DECAL " KEEP HANDS & FINGERS AWAY.."			2	
12	690285	SNAP-IN PLUG 1/2"			18	
13	5001025	SCREW CAP HEXS M6-1.0x12 G8.8			12	
14	690196	TOP RACK			2	
15	475686	EXTRUSION / BACKWARD / 268.4MM			1	
16	475689	EXTRUSION / CENTRAL FRONT / 3887MM			1	
17	475688	EXTRUSION / FOWARD / 268.4MM			1	
18	690259	NUT INS TYPE "A-L" OE M6-1.0 0.7-4.2 ZP			26	
19	502631	SCREW CAP HEX M6-1.0x20 G8.8 Z050			10	
20	690142	ROOF KEY			2	
21	5001209	SCREW CAP HEX M6-1.0x25 G8.8 Z050			16	
22	502564	WASHER LO SPT 6.1x11.8x1.6 Z050			10	
23	690261	WASHER FL 6.4x12.0x1.6 SS			16	
24	502511	NUT HEX NYRT M6-1.0 Z050			6	
25	690214	SPACER			4	
26	690267	WASHER LO SERR 6.1x16.0x0.9 ZP			12	
27		SCR CAP HEX ZP M6-1.0 X 55 / (5000138)			6	
28	690141	SIDE KEY			4	
29	690271	SCREW CAP HEXS M10-1.5x35 G10.9			24	
30	500257	WASHER LO SPT 10.2x18.1x2.2 Z050			24	
31	690144	STEEL RECEPTACLE			6	
31	690216	CHROMIUM-PLATED RECEPTACLE			6	
32	690139	BOLTING PLATE ASSY			6	
33		HORIZONTAL RIBBAND / (0200679)			1	
34		FLOOR PANEL ASSY / (0200773)			2	
35	5001535	SCREW DR WF RO #14x1 3/4 Z050			28	
36	N25539	THREAD LOCKER LOCTITE #262 / RED / 250ml			AR	
37	682176	SEALANT SIKA #221 / BLACK / 310ml CARTRIDGE			AR	
40	475687	EXTRUSION / CENTRAL REAR / 1754MM			1	
41	690142	ROOF KEY			1	
42	690195	TOP RACK			2	
43	690260	NUT INS TYPE "A-L" OE M5-0.8 3.3-5.7 ZP			1	

From X-3218 To X-3218	Date:10/2022	PAGE:H3-2390-50
"SLIDE-OUT" - INSTALLATION REFERENCE ONLY		

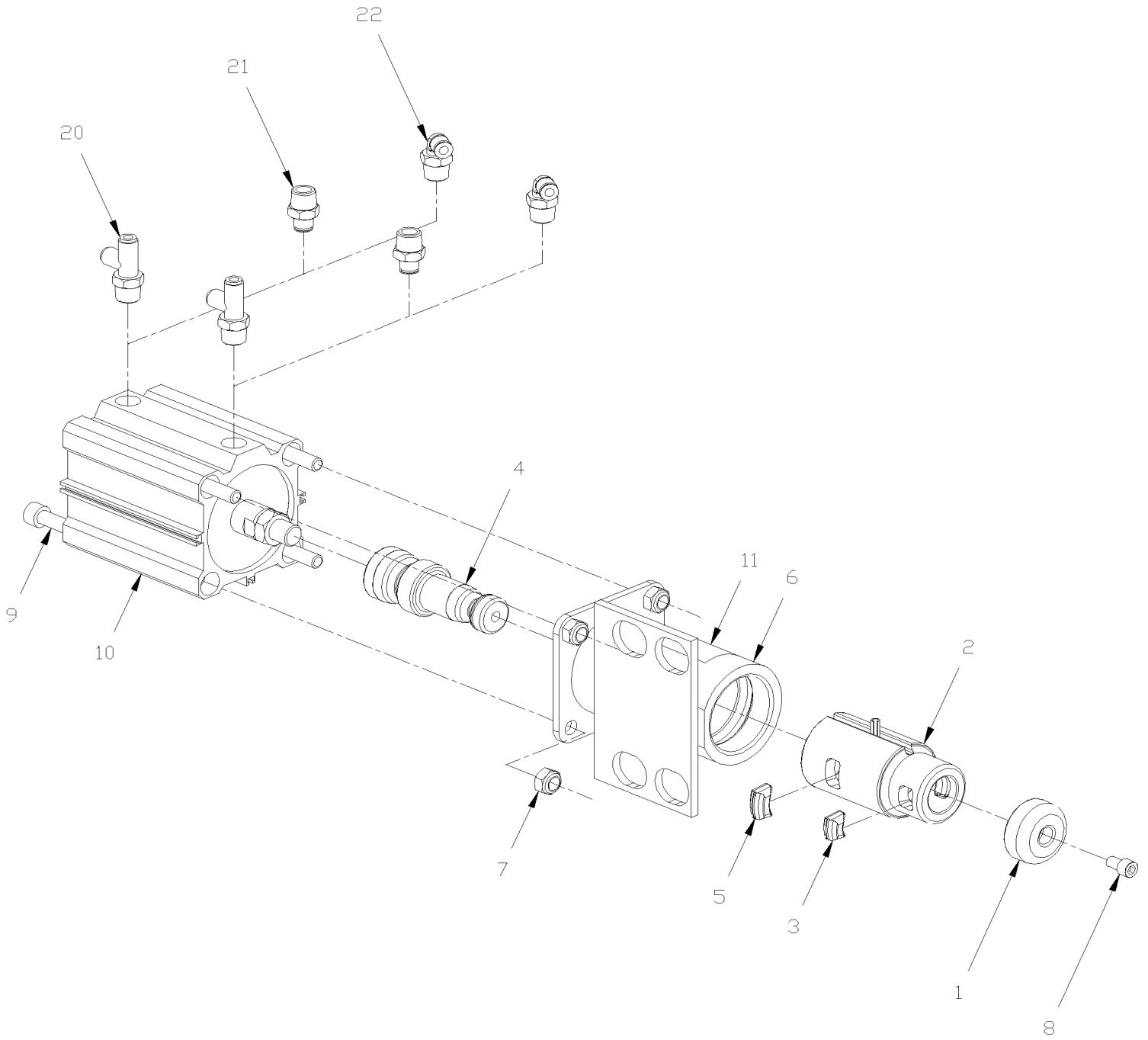
Item#	Part	Description	H 3 4 1	H 3 4 5	V I P 4 5	N O T E S
44	690220	FRONT BOTTOM RACK			1	
45	690191	SLIDING PLATE			2	
46	690221	FRONT BOTTOM RACK			1	

From X-3218 To X-3218

Date:10/2022

PAGE:H3-2390-70

"SLIDE-OUT" - CYLINDER LOCK PIN ASSY REFERENCE ONLY



From X-3218 To X-3218	Date:10/2022	PAGE:H3-2390-70
"SLIDE-OUT" - CYLINDER LOCK PIN ASSY REFERENCE ONLY		

Item#	Part	Description	H 3 4 1	H 3 4 5	V I P 4 5	N O T E S
	N.P.N.	CYLINDER AIR ASSY / W/2 SHOES 5 DEG			AR	4
1	641974	. . SWIVEL HEAD			1	
2	690397	. . SLEEVE SLIDING / 2 SHOES MODEL			1	
7	502859	. NUT HEX NYRT M10-1.5 N500			4	
8	690393	. SCREW CAP HEXS 5/16-18x1/2 ZP			1	
9	690417	. SCREW CAP HEXS M10-1.5x140			4	
10	690412	. CYLINDER AIR			1	
11	144622	DECAL / "DO NOT READJUST..."			1	
20	641960	MALE RUN TEE / PUSH-IN FITTING / #4x#4x3/8NPT-M PLAS			1	
20	641961	MALE RUN TEE / PUSH-IN / W/RESTRICTION #4x#4x 3/8NPT-M x .71ID PLAS			1	
21	641964	MALE CONNECTOR / PUSH-IN FITTING / #4x3/8NPT-M PLAS			1	
21	641965	MALE CONNECTOR / PUSH-IN / W/RESTRICTION #4x 3/8NPT-M x .71ID PLAS			1	
22	641962	MALE ELBOW 90° / PUSH-IN FITTING / #4x3/8NPT-M PLAS			1	
22	641963	MALE ELBOW 90° / PUSH-IN / W/RESTRICTION #4x3/8NPT-M x .71ID PLAS			1	
		4) NO PARTS NUMBER				