

Driver's Handbook

Toilet

9700



VOLVO

Foreword

This manual contains information concerning the operation and function of the bus toilet facility. The information in this manual applies to vehicles built in 2015 and later. Please keep this manual in the vehicle at all times.

Note: Illustrations in this manual are used for reference only and may differ slightly from the actual vehicle. However, key components addressed in this document are represented as accurately as possible.

The National Highway Traffic Safety Administration (NHTSA) and Volvo Trucks North America should be informed immediately if you believe that the vehicle has a defect that could cause a crash, injury or death.

Contact NHTSA by calling the Auto Safety Hotline at 1 (888) 327-4236, by writing to NHTSA, U.S. Department of Transportation, Washington, DC 20590, by TTY at 1 (800) 424-9153, or visit their website at www.nhtsa.dot.gov.

Volvo Bus Corporation

Göteborg, Sweden

Order number: 89180362

©2014 Volvo Bus Corporation, Göteborg, Sweden

All rights reserved. No part of this publication may be reproduced, stored in retrieval system, or transmitted in any forms by any means, electronic, mechanical, photocopying, recording or otherwise, without the prior written permission of Volvo Bus Corporation

Contents

Toilet	1
Toilet	1
Valves and Water Tanks	2
Operation Instructions	3
To Flush the Toilet	3
Holding and Freshwater Tanks	4
In Case of an Emergency	4
Water Tank Filling & Emptying	5
Toilet Enclosure Cleaning	5
Toilet Bowl Cleaning	5
Trash Bin	5
Soap Dispenser	6
Toilet Paper Roll Dispenser	6
Maintenance	7
Daily Routine	7
Weekly Routine	8
Quarterly Routine	9
Sticker Legend	10

Safety Information

IMPORTANT: Before driving this vehicle, be certain that you have read and that you fully understand each and every step of the driving and handling information in this manual. Be certain that you fully understand and follow all safety warnings.

IT IS IMPORTANT THAT THE FOLLOWING INFORMATION BE READ, UNDERSTOOD AND ALWAYS FOLLOWED.

The following types of advisories are used throughout this manual:



DANGER

Danger indicates an unsafe practice that could result in serious personal injury or death. A danger advisory banner is in **white** type on a **black** background with a **black** border.



WARNING

Warning indicates an unsafe practice that could result in personal injury. A warning advisory banner is in **black** type on a **gray** background with a **black** border.



CAUTION

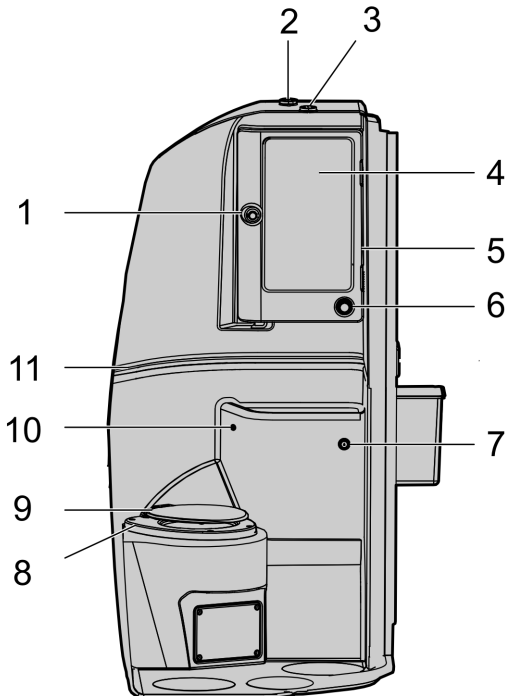
Caution indicates an unsafe practice that could result in damage to the product. A caution advisory is in **black** type on a **white** background with a **black** border.

Note: Note indicates a procedure, practice, or condition that must be followed in order for the vehicle or component to function in the manner intended.

Toilet

The toilet is composed with the following parts:

- 1 Door Lock
- 2 LED Spot Light
- 3 PIR Sensor
- 4 Mirror
- 5 Vanity Door Hinges
- 6 Push Plunger
- 7 Alarm Button
- 8 Toilet Bowl Assy
- 9 Toilet Seat
- 10 Flush Button
- 11 Ambient Light

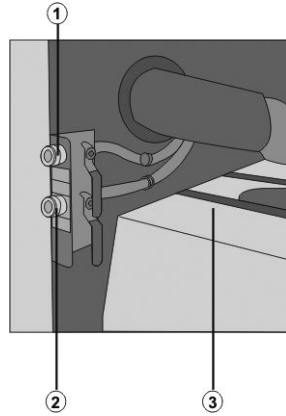


2 Toilet

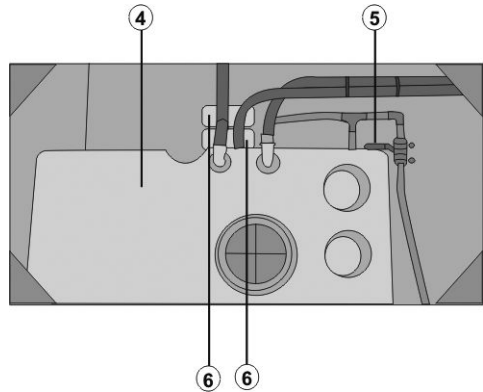
Valves and Water Tanks

The fill valves for the water tanks are located on the right side of the bus, behind the rear axle. The drain valves are located under the passenger area in front of the rear axle.

- 1 Sink water tank fill valve.
- 2 Flushing water tank drain valve.
- 3 Holding tank
- 4 Fresh water tank
- 5 Drain valve fresh water tank
- 6 Pumps



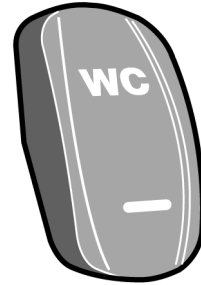
T0015357



T0015358

Operation Instructions

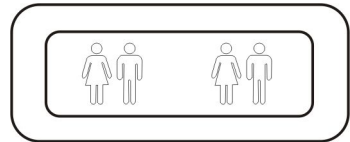
To activate the toilet switch main power supply, push the WC button on the dashboard. When occupying the toilet facility, the interior light will turn on. Even when closing the lock on the inside, an indicator lamp will turn it on in the passengers area.



T3018183

Toilet master switch

The interior light is controlled by a movement sensor, that will turn off the light automatically shortly after the facility is vacated. The "Vacant" lamp will then illuminate.



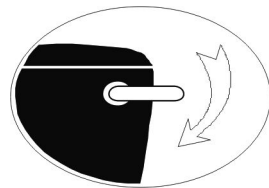
T0015272

"Occupied / Vacant" lamp

To Flush the Toilet

Push the flush button once to flush the toilet. If further flushing is required, wait for the flush cycle to complete then press the button again.

Note: The toilet will flush automatically if the facility is vacated without flushing first.



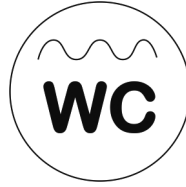
T0015351

Flush button

4 Toilet

Holding and Freshwater Tanks

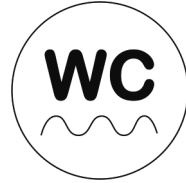
When the holding tank is full, a dashboard LED will illuminate and the “Occupied” lamp will signal. The toilet is now out of use until the holding tank is emptied.



T0015355

Full dashboard LED

When the fresh water tank is empty a dashboard LED will illuminate and the “Occupied” lamp will signal. The toilet is now out of use until the water tank is re-filled.



T0015356

Empty dashboard LED

In Case of an Emergency

Pressing the red alarm button will alert the driver and sound a buzzer. The button is located on the left side of the sink.



T8095635

Emergency Button

Water Tank Filling & Emptying

Tanks are filled via the hose connectors located in the holding tank compartment. The sinks 40 mm (1.6 in.) fill pipe is accessed by removing the litter bin and the flush tank. These are attached with a 100mm (4 in.) cap screws that can be accessed through the floor trap.

The holding tank is emptied by firmly pulling the handle on the slide valve located underneath the tank.

Toilet Enclosure Cleaning

The enclosure is manufactured from Glass Reinforced Plastic (GRP) with high gloss interior and lightly textured exterior surfaces. This surface finish is delicate and must only be washed down using a mild detergent. The use of a caustic or abrasive material is not recommended, as this will affect the appearance.

Toilet Bowl Cleaning

To protect the finish of the Stainless Steel toilet bowl, do not use abrasives of any kind. To clean the bowl, use a mild anti-bacterial detergent and a suitable brush.

Trash Bin

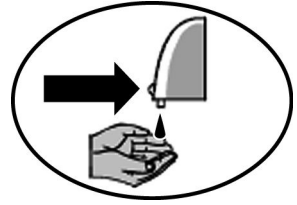
The trash bin is located on the wall beside the door. The use of a trash bag is recommended.



6 Toilet

Soap Dispenser

To fill the dispenser, unlock the mirror cabinet, lift the lid of the dispenser and fill with liquid soap.



T8014110

Toilet Paper Roll Dispenser

It is recommended that a biodegradable paper is used all times. The toilet paper roll is located inside the lower vanity door. Unlock and open the door and slide the roll onto the spindle.

Note: Domestic grade toilet paper is not recommended as this can block the system.

Maintenance

Daily Routine

- Prior to the vehicle entering service the holding tank should be charged with an additive to sanitize it.
- The recommended product is **Shades Super Sani ECO**, formulated from natural essential oils. This formaldehyde-free formula is contained within a water soluble membrane. A single 16 gram bottle contains the recommended dosage for 110 liter (26 gallons) capacity holding tank and will function for a maximum of three days.
To apply:
 - 1 Ensure the holding tank is empty.
 - 2 Verify that the tank evacuation valve is closed.
 - 3 Verify that the toilet clean water tank is full.
 - 4 Switch the toilet facility power on.
 - 5 Press the flush button to open the toilet valve and pour the complete bottle into the bowl.
- It is recommended that the toilet supply tank be drained and the waste holding tank be emptied at the end of every day.
- The daily addition of a couple of drops of mild detergent into water resting in the toilet bowl will lubricate the slider and protect the seal.
- The sink tank should be emptied and re-filled daily. To help maintain a clean tank and freshwater the use of a water conditioner is recommended. Use a suitable product that disinfects the water, that is safe to drink and non-irritable to the skin and eyes.

8 Toilet

Weekly Routine

- Check exhaust fan function.
- Inspect faucet, door hinges and toilet seat. Check the operation of the enclosure door and lock function. Test alarm button and buzzer function.
- Open vanity door, check extractor fan and pneumatic valve connections.
- Verify that the water flow to the sink basin is smooth and constant.

Quarterly Routine

- Flush out holding tank with fresh water. (the holding tank must be empty and the vehicle positioned so that the holding tank evacuation valve is over a sewage drainage point)

To flush out:

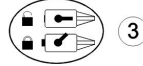
- 1 Switch the toilet facility power on.
 - 2 Connect a hose to a main water supply.
 - 3 Press the flush button once to open the slide valve.
 - 4 When the valve opens, insert the end of the hose down through the bowl, into the drain pipe. When the valve closes the hose will be held into position by the paddle pressure.
 - 5 Turn on the water to the hose and fill the holding tank, being careful not to overfill.
 - 6 Switch off the water to the hose and open the evacuation valve to empty the tank.
 - 7 Press the flush button to open the valve and remove the hose when done.
- Lubricate the holding tank evacuation valve. (to be carried out immediately after flushing the holding tank).
Undo the four bolts holding the drain valve assembly together and remove the main body section. Lubricate the slide paddle using lithium grease or similar so the open/close operation is smooth. Install the drain valve.
Do not over tighten as this will restrict the operation of the valve.
 - Disinfect the sink tanks and flush with fresh water.

10 Toilet

Sticker Legend

Refer to the toilet facility sticker legend to become familiar with the equipment found in the toilet facility.

- 1 Do not stand up, do not use standing up position, do not throw strange objects in the bowl.
- 2 No smoking
- 3 Left door closed
- 4 Right door closed
- 5 Flushing water
- 6 Emergency button
- 7 Logo
- 8 Toilet paper roll
- 9 Paper towel dispenser
- 10 Soap dispenser
- 11 Trash bin



VOLVO

Volvo Bus Corporation

Göteborg, Sweden