

PREVOST

COACH MANUFACTURER

PARTS MANUAL

X3 COACHES



PA1226

REVISION 01-2024

PARTS MANUAL



General information

A. Vehicle Identification Number (V.I.N.)

Each time spare parts have to be ordered, you must refer to your vehicle identification number serial number. In order to understand the meaning of this number, please refer to the following:

2 P C G 3 3 4 9 5 7 1 0 2 8754

G = VEHICLE MODEL
9 = VEHICLE LENGTH
7 = MODEL YEAR
8754 = SEQUENCE NUMBER

Vehicle Model

This manual covers vehicle model X3-45.

G	X3 coaches
----------	------------

Vehicle Length

9	45 feet
----------	---------

Model Year

YEAR	CODE	YEAR	CODE	YEAR	CODE	YEAR	CODE
2006	6	2011	B	2016	G	2021	M
2007	7	2012	C	2017	H	2022	N
2008	8	2013	D	2018	J	2023	P
2009	9	2014	E	2019	K	2024	R
2010	A	2015	F	2020	L		

Sequence Number

This number represents the sequence the vehicle has followed on the assembly line. Since 1996 model year, the sequence number is represented by the last four digits

B. Effectivity

This manual covers information for vehicles from the **7-8754** to present.

The heading of each page in this manual refers to an effectivity serial number and in the parts description, you may find additional information on the effectivity of a specific part to a serial number (refer to FROM:).

In the description, you may also remark the expression UP TO which means that a component is effective to the vehicles manufactured up to the specified serial number (refer to UP TO:).

PARTS MANUAL

C. Illustrations

An exploded view is conveniently located at the beginning of each section and is meant to assist the user in identifying parts and components.

The illustrations show the typical construction of the different assemblies and , in all cases, may not reproduced the full detail or exact shape of parts shown, however, they represent parts which have same or similar function.

D. General

The information, illustrations and components/system descriptions contained in this manual are correct at time of publication. Prévost Car Inc., however, maintains a policy of continuous improvement of its product without imposing upon itself any obligation to install them on products previously manufactured.

Prévost Car Inc., reserves the right at any time to discontinue or change specifications, designs, features, models or equipment without incurring obligation.

PARTS MANUAL

E. Parts and Service Center

CANADA

Canadian Parts Customer Service 2955-A Watt Street Québec, Québec Canada, G1X 3W1	Toll free phone: 1 (800) 463-8876 Tel.: (418) 654-0174 Fax: (800) 939-0133 Fax: (418) 658-1723	Service Center British Columbia 11911 No. 5 Road Richmond, British Columbia Canada, V7A 4E9	Tel.: (604) 940-3306 Fax: (604) 940-3384
Service Center 850 Chemin Olivier Saint-Nicolas, Quebec Canada G7A 2N1	Toll free phone: 1 866 870-2046 Tel.: (418) 831-2046 Fax: (418) 831-7432	Service Ontario 8301-A Keele Street Vaughan, Ontario Canada, L4K 1Z6	Tel.: (905) 738-0881 Fax: (905) 738-0891
Service Center Alberta 292 MacDonald Crescent Fort McMurray, Alberta Canada T9H 4B6	Tel.: (780) 792-9526 Fax: (780) 743-0983		

UNITED STATES

US Parts Customer Service 2250 Point Blvd., Suite 410 Elgin, IL USA, 60123	Toll free phone 1 800 799-9938 Main office (847) 844-7680 Parts 1 800 621-5519	Prevost Parts & Service Center 800 South Cartwright Street Goodlettsville, TN USA, 37072	Toll free phone 1 877 299-8881 Main office (615) 299-8881 Fax: (615) 299-8816 After-Hours (615) 519-1372 Parts Emergency
Prevost Parts & Service Center 3384 De Forest Circle Mira Loma, CA USA, 91752	Toll free phone 1 800 421-9958 Main office (951) 360-2550 Fax: (951) 360-2560 After-Hours (951) 314-0226 Parts Emergency	Prevost Parts & Service Center 201 South Avenue South Plainfield, NJ USA, 07080	Toll free phone 1 800 223-0830 Main office (908) 222-7211 Fax: (908) 222-7304 Fax parts (908) 222-7305 After-Hours (201) 315-4064 Parts Emergency
Prevost Parts & Service Center 6821 Central Avenue, Newark, CA USA, 94560	Main office (310) 283-1852 After-Hours: (951) 314-0226 Parts Emergency	Prevost Parts & Service Center 15200 Frye Road Fort Worth, TX USA, 76155-2702	Service/Parts 1 866 773-8678 Main office (817) 685-0250 Fax : (817) 685-0460 After-Hours (817) 271-8653 Parts Emergency
Prevost Parts & Service Center 6931 Business Park Blvd North Jacksonville, FL USA, 32256	Toll free phone 1 800 874-7740 Main office (904) 886-4555 Fax: (904) 886-0092 After-Hours (904) 412-8023 Parts Emergency	Prevost Parts & Service Center 11851 Cutten Road Houston, TX USA, 77066	Service/Parts 1 877 602-0273 Main office (713) 849-8562 Fax: (281) 315-1571 After-Hours (346) 333-5520 Parts Emergency
Prevost Parts & Service Center 1300 Green Forest Court Winter Garden, FL USA, 34787	Toll free phone 1 866 726-6235 Main office (407) 554-0196 After-Hours: (407) 259-5720 Parts Emergency	Prevost Parts & Service Center 3715 N. Carnation St. Franklin Park, IL USA, 60131	Main office (847) 778-7475 Fax: (847) 737-2242 After-Hours 1 800 463-7738 Parts Emergency

PARTS MANUAL

KEY & ABBREVIATIONS

(XXXX-XX)	SEE PAGE	N/A	NOT AVAILABLE
<>	BETWEEN	NEG.	NEGATIVE
°	DEGREE	N.O.	NORMALLY OPEN
#	NUMBER	N.C.	NORMALLY CLOSE
??	INFORMATION NOT AVAILABLE AT TIME OF PUBLICATION	N.P.N.	NO PARTS NUMBER
ABS	ANTILOCK BRAKING SYSTEM	NPT	NATIONAL PIPE THREAD
AR	AS REQUIRED	NS	NOT SHOWN
ASSY	ASSEMBLY	N.S.P.	NOT SOLD AT PREVOST (SEE MANUFACTURING PART NUMBER AT THE END OF DESCRIPTION LINE)
CCW	COUNTERCLOCKWISE	N.S.S.	NOT SOLD SEPARATELY
C.E.	COMMUTATOR END	O.D.	OUTSIDE DIAMETER
CHR	CHROME	OPT.	OPTION
CW	CLOCKWISE	O.S.	OVERSIZE
CYL.	CYLINDER	PH	PHILLIPS
C/C	CENTER/CENTER	POS.	POSITIVE
D.E.	DRIVE END	RR	REAR
DIA.	DIAMETER	S.C.C.	SPECIFY COLOR CODE
DIFF.	DIFFERENTIAL	SCT	SECTION
D.P.D.T.	DOUBLE POLE DOUBLE THROW	S.D.	SPECIFY DIMENSION
ECU	ELECTRONIC CONTROL UNIT	S.L.	SPECIFY LENGHT
EDU	ELECTRONIC DISTRIBUTOR UNIT	SM	SMALL
EFF	EFFECTIVE	S.P.S.T.	SINGLE POLE SINGLE THROW
ENG.	ENGINE	S.P.D.T.	SINGLE POLE DOUBLE THROW
EXT	EXTERNAL	S.Q.	SPECIFY QUANTITY
FR	FRONT	SS	STAINLESS STEEL
GND	GROUND	STD	STANDARD
HD	HEAD	STO	STOVER
HEX	HEXAGONAL	SW	SWIVEL
H.P.	HIGH PRESSURE	SWL FITT.	SWIVEL FITTING
HVAC	HEATING, VENTILATION & AIR CONDITIONING	TPG	TAPING
HYD	HYDRAULIC	TH	THICKNESS
I.D.	INSIDE DIAMETER	TRANS.	TRANSMISSION
INT	INTERNAL	TXV	THERMAL EXPANSION VALVE
JCT	JUNCTION	U.S.	UNDERSIZE
LED	LIGHT-EMITTING DIODE	W	WITH
L.P.	LOW PRESSURE	W/O	WITHOUT
LUGG.	LUGGAGE	WIND.	WINDOW
M & F	MALE & FEMALE	ZP	ZINC PLATED

PARTS MANUAL

MEASUREMENT EQUIVALENTS

Fraction - Inches (dec.) - Millimeter

25.4mm = 1 inch

1mm = .03937 inch

fraction	decimal	mm	fraction	decimal	mm
1/64	0.0156	0.397	33/64	0.5156	13.097
1/32	0.0313	0.794	17/32	0.5313	13.494
-	0.0394	1	35/64	0.5469	13.891
3/64	0.0469	1.191	-	0.5512	14
1/16	0.0625	1.588	9/16	0.5625	14.288
5/64	0.0781	1.984	37/64	0.5781	14.684
-	0.0787	2	-	0.5906	15
3/32	0.0938	2.381	19/32	0.5938	15.081
7/64	0.1093	2.778	39/64	0.6094	15.478
-	0.1181	3	5/8	0.6250	15.875
1/8	0.1250	3.175	-	0.6299	16
9/64	0.1406	3.572	41/64	0.6406	16.272
5/32	0.1563	3.969	21/32	0.6563	16.669
-	0.1575	4	-	0.6693	17
11/64	0.1719	4.366	43/64	0.6719	17.066
3/16	0.1875	4.762	11/16	0.6875	17.462
-	0.1969	5	45/64	0.7031	17.859
13/64	0.2031	5.159	-	0.7087	18
7/32	0.2188	5.556	23/32	0.7188	18.256
15/64	0.2344	5.953	47/64	0.7344	18.653
-	0.2362	6	-	0.7480	19
1/4	0.2500	6.350	3/4	0.7500	19.050
17/64	0.2656	6.747	49/64	0.7656	19.447
-	0.2756	7	25/32	0.7813	19.844
9/32	0.2813	7.144	-	0.7874	20
19/64	0.2969	7.541	51/64	0.7969	20.241
5/16	0.3125	7.938	13/16	0.8125	20.638
-	0.3150	8	-	0.8268	21
21/64	0.3281	8.334	53/64	0.8281	21.034
11/32	0.3438	8.731	27/32	0.8438	21.431
-	0.3543	9	55/64	0.8594	21.828
23/64	0.3594	9.128	-	0.8661	22
3/8	0.3750	9.525	7/8	0.8750	22.225
25/64	0.3906	9.922	57/64	0.8096	22.622
-	0.3937	10	-	0.9055	23
13/32	0.4063	10.319	29/32	0.9063	23.019
27/64	0.4219	10.716	59/64	0.9219	23.416
-	0.4331	11	15/16	0.9375	23.812
7/16	0.4375	11.112	-	0.9449	24
29/64	0.4531	11.509	61/64	0.9531	24.209
15/32	0.4688	11.906	31/32	0.9688	24.606
-	0.4724	12	-	0.9843	25
31/64	0.4844	12.303	63/64	0.9844	25.003
12	0.5000	12.700	1/1	1	25.400
-	0.5118	13	-	-	-

PARTS MANUAL

TABLE OF CONTENTS

GENERAL	00
ENGINE	01
CLUTCH	02
FUEL	03
EXHAUST	04
COOLING	05
ELECTRICAL	06
TRANSMISSION	07
PROPELLER SHAFT	09
FRONT AXLE	10
REAR AXLE	11
BRAKE	12
WHEEL, HUBS & TIRES	13
STEERING	14
SUSPENSION	16
BODY	18
HEATING & AIR CONDITIONING	22
ACCESSORIES	23
WHEEL CHAIR LIFT	25

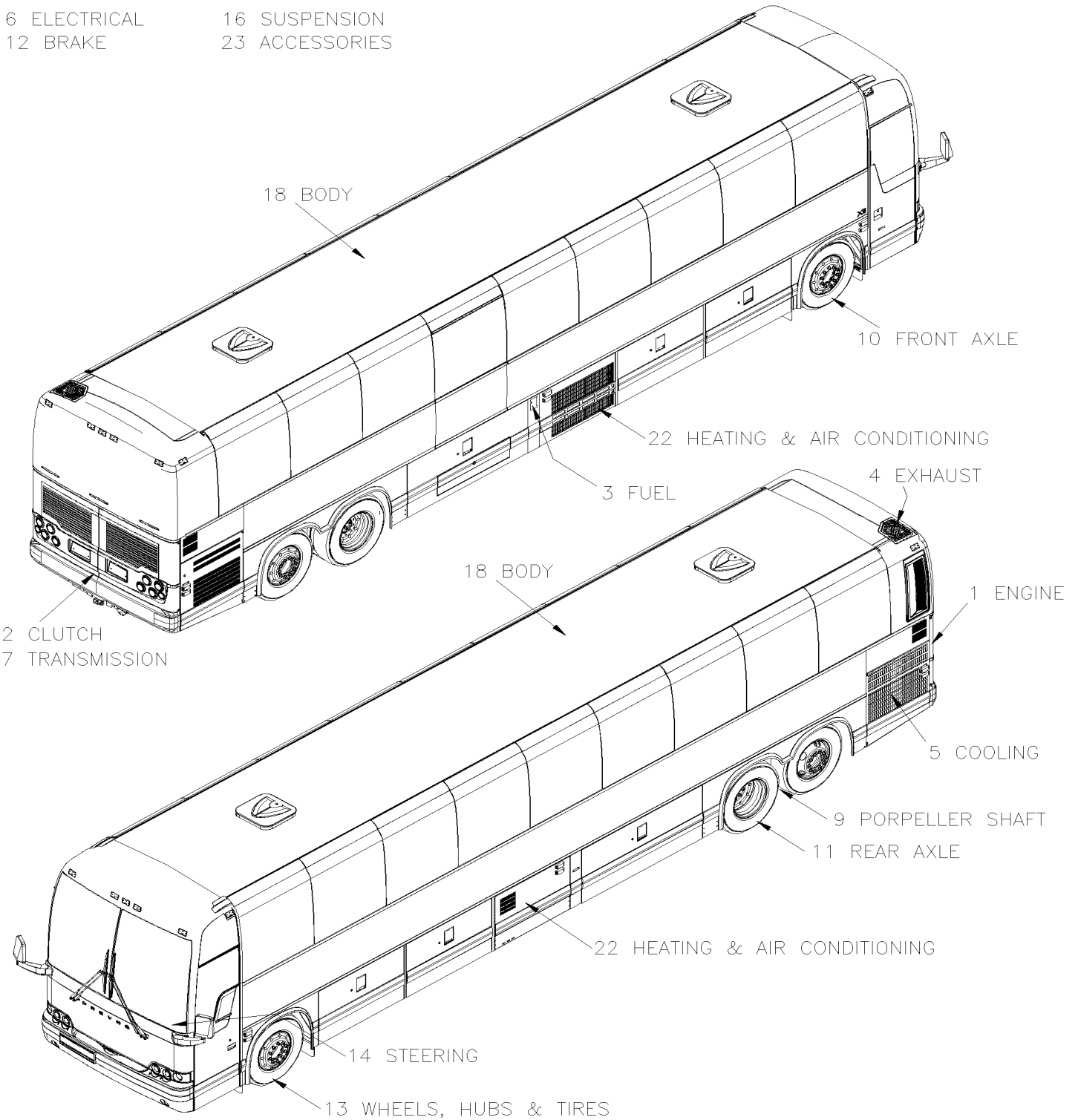
PARTS MANUAL

To have more information about fast moving parts, place an order for the book PA-1105 to your nearest parts order desk.

Thank you!

	Date:01/2024	PAGE:_X3 BUS
X3 / BUS / 2007 TO TODAY / VIN FROM 7-8754 TO DATE		

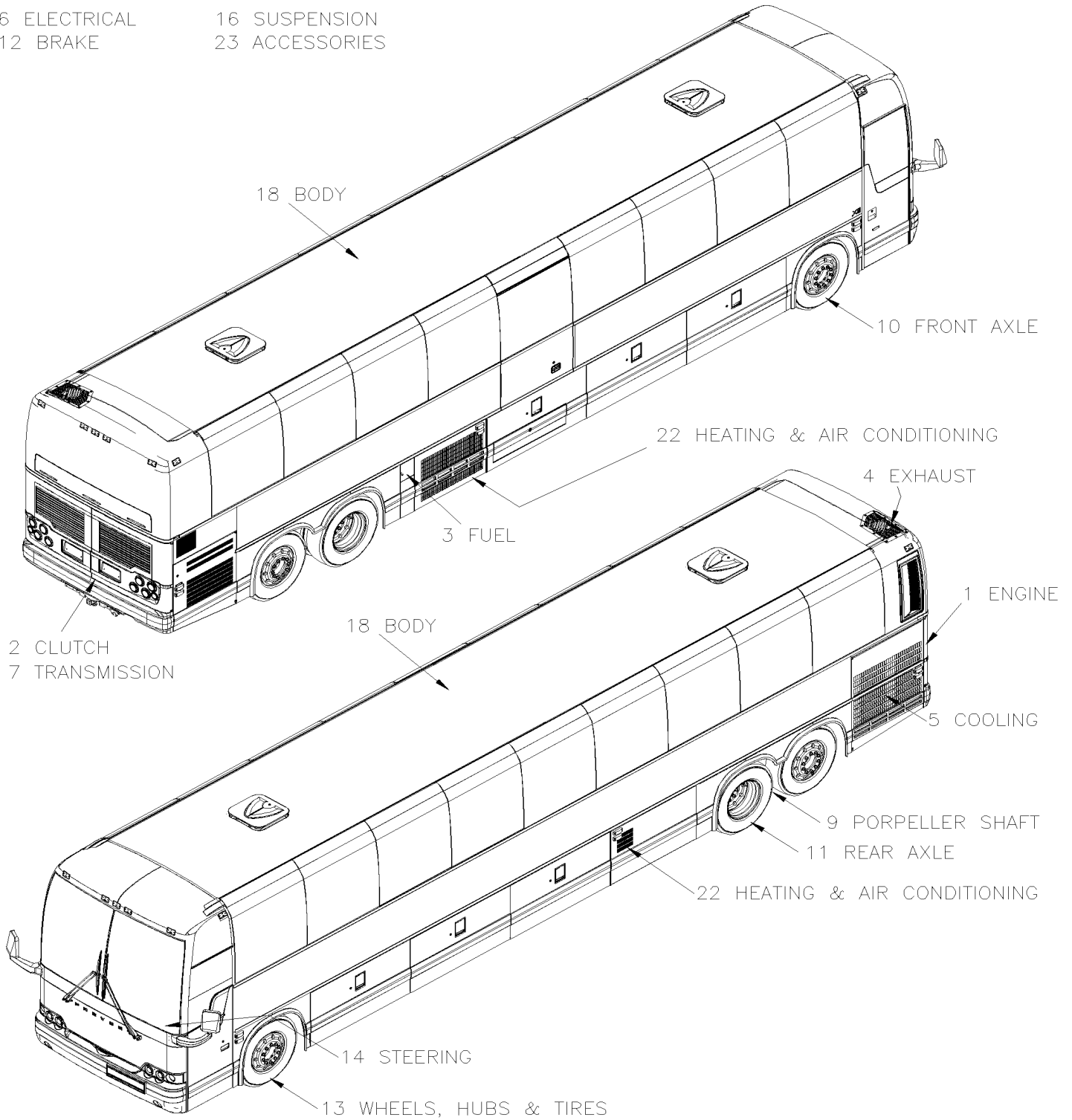
- 6 ELECTRICAL
- 12 BRAKE
- 16 SUSPENSION
- 23 ACCESSORIES



	Date:01/2024	PAGE:_X3 BUS
X3 / BUS / 2007 TO TODAY / VIN FROM 7-8754 TO DATE		

6 ELECTRICAL
12 BRAKE

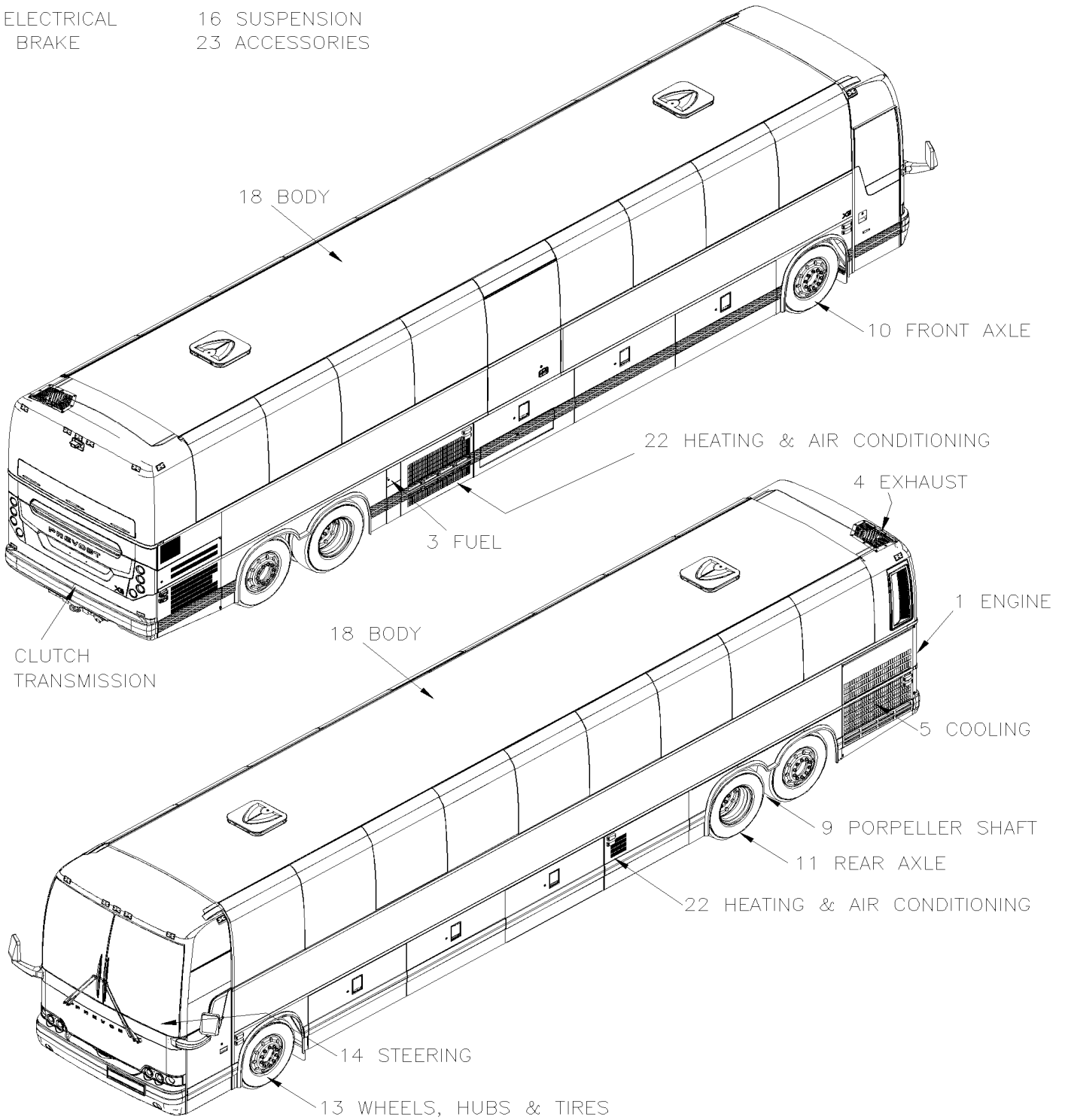
16 SUSPENSION
23 ACCESSORIES



	Date:01/2024	PAGE:_X3 BUS
X3 / BUS / 2007 TO TODAY / VIN FROM 7-8754 TO DATE		

6 ELECTRICAL
12 BRAKE

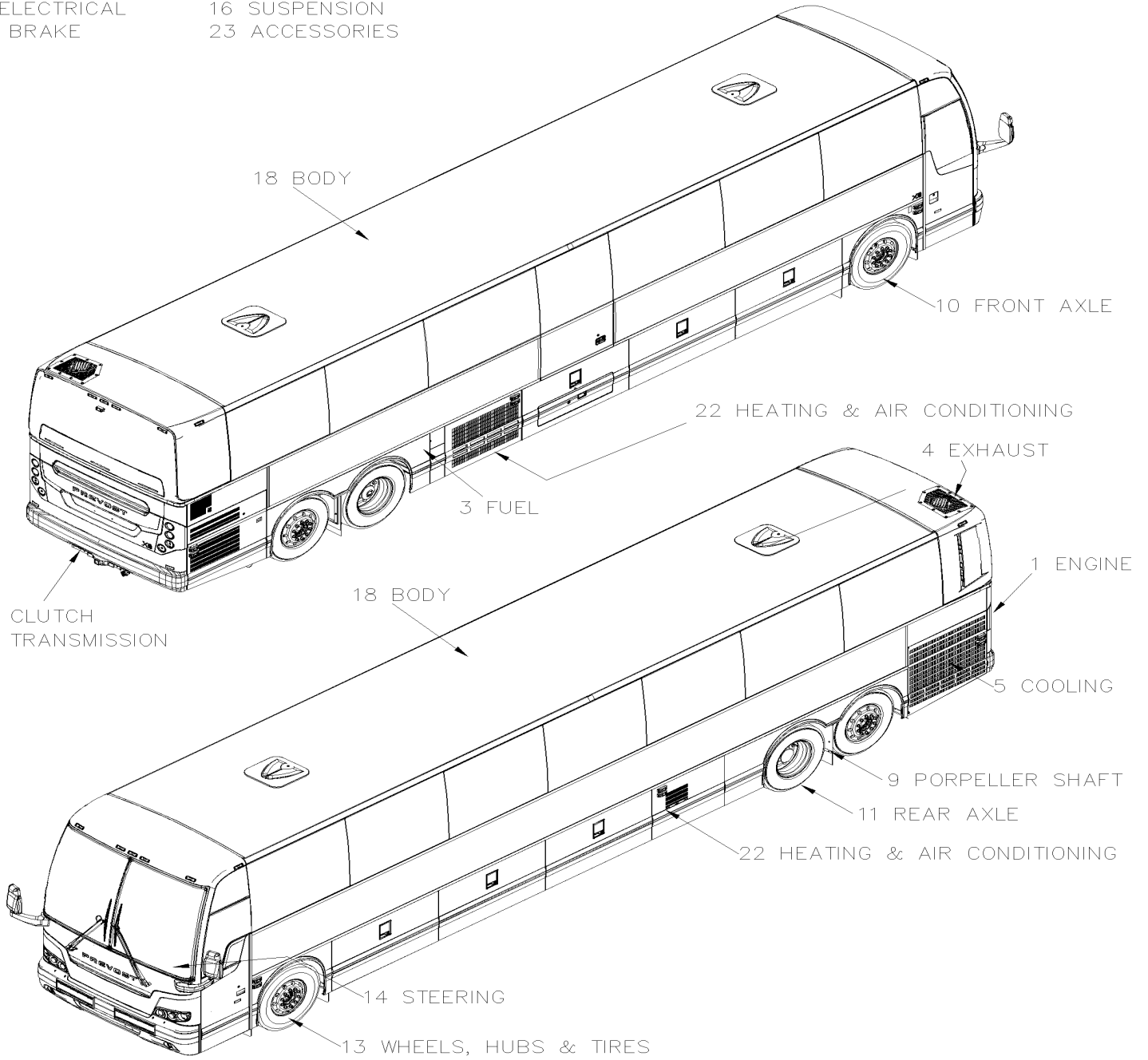
16 SUSPENSION
23 ACCESSORIES



	Date:01/2024	PAGE:_X3 BUS
X3 / BUS / 2007 TO TODAY / VIN FROM 7-8754 TO DATE		

6 ELECTRICAL
12 BRAKE

16 SUSPENSION
23 ACCESSORIES



		Date:01/2024	PAGE:_X3 BUS
X3 / BUS / 2007 TO TODAY / VIN FROM 7-8754 TO DATE			

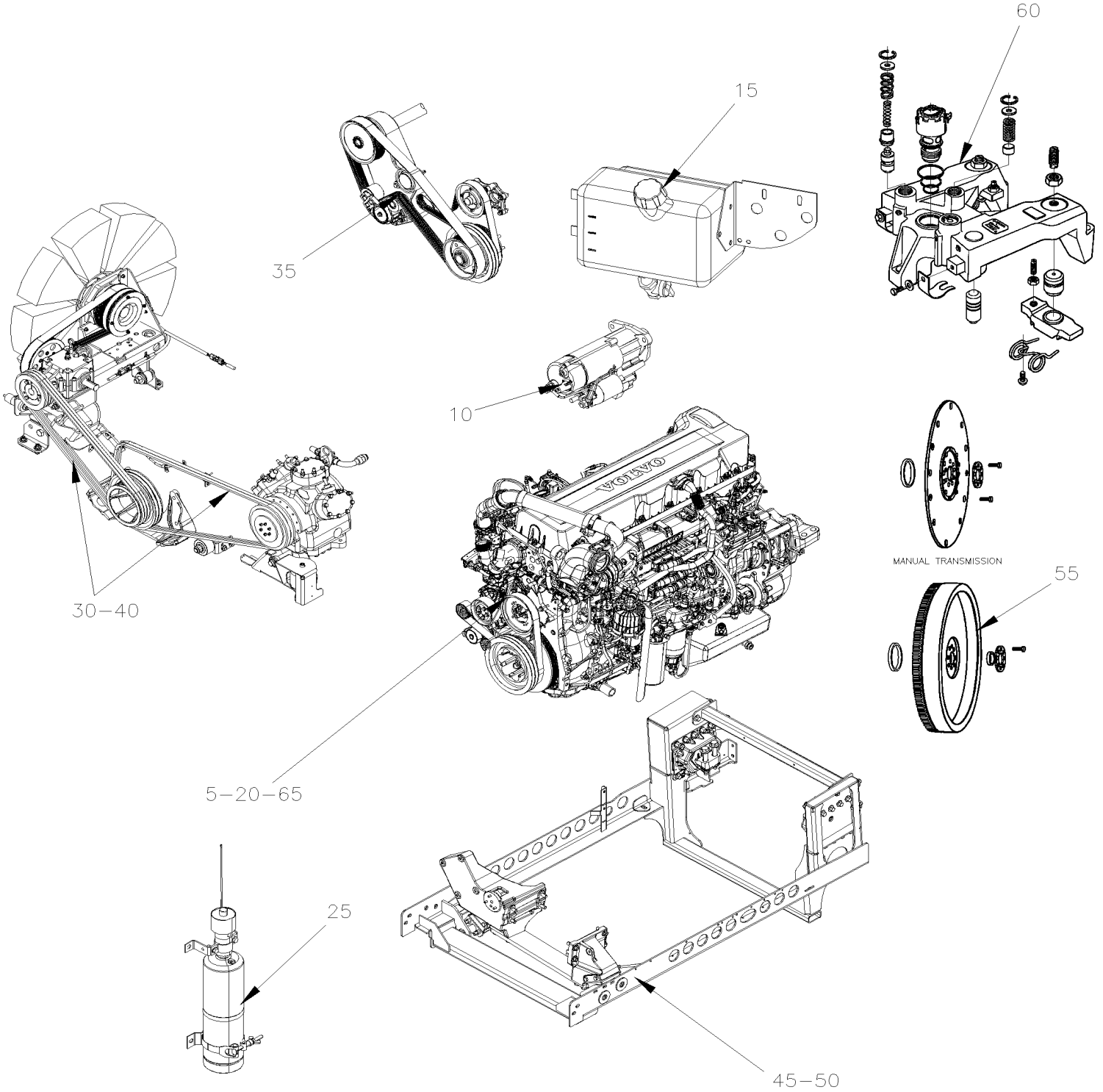
Item#	Part	Description	QTY	Notes
1	X3-01	ENGINE		
2	X3-02	CLUTCH		
3	X3-03	FUEL		
4	X3-04	EXHAUST		
5	X3-05	COOLING		
6	X3-06	ELECTRICAL		
7	X3-07	TRANSMISSION		
9	X3-09	PROPELLER SHAFT		
10	X3-10	FRONT AXLE		
11	X3-11	REAR AXLE		
12	X3-12	BRAKE		
13	X3-13	WHEELS, HUBS & TIRES		
14	X3-14	STEERING		
16	X3-16	SUSPENSION		
18	X3-18	BODY		
22	X3-22	HEATING & AIR CONDITIONING		
23	X3-23	ACCESSORIES		
30	X3-SEATSET-00	PASSENGER'S SEAT SET		
40	X3-DRIVER-00	DRIVER'S SEAT		

From 7-8754

Date:01/2024

X3-01

ENGINE



From 7-8754		Date:01/2024	X3-01
-------------	--	--------------	-------

ENGINE

Item#	Part	Description	QTY	Notes
5	X3-0100-00	ENGINE WIRING HARNESS - INSTALLATION WITH SERIES 60 From 7-8754 To B-5001		
6	X3-0100-05	VOLVO ENGINE CONTROL SYSTEM From 8-9259		
7	X3-0100-06	ENGINE WIRING HARNESS - INSTALLATION WITH VOLVO D13 From 8-9259 To E-5759		
7	X3-0100-07	ENGINE WIRING HARNESS - INSTALLATION WITH VOLVO D13 From F-5760 To H-6179		
7	X3-0100-08	ENGINE WIRING HARNESS - INSTALLATION WITH VOLVO D13 - GHG17 From H-6180		
10	X3-0100-10	STARTER - INSTALLATION From 7-8754		
15	X3-0105-00	ENGINE OIL RESERVOIR - PLASTIC From 7-8754 To B-5001		
20	X3-0105-05	ENGINE OIL FILLER CAP & DIPSTICK WITH VOLVO D13 From 8-9457		
22	X3-0115-00	VPODS HOSE INSTALLATION From 7-8754 To 8-9276		
25	X3-0116-00	STARTING AID - INSTALLATION From 7-8754 To 8-9276		
30	X3-0120-00	DRIVE PULLEY & BELTS From 7-8754 To 8-9276		
35	X3-0120-01	DRIVE PULLEY, BELTS & TENSIONER WITH DETROIT S-60 From 8-9277 To B-5001		
35	X3-0120-02	DRIVE PULLEY, BELTS & TENSIONER WITH VOLVO D13 From 8-9457 To A-9974		
35	X3-0120-03	DRIVE PULLEY, BELTS & TENSIONER WITH VOLVO D13 & 2x120Amps From A-9975 To E-5458		
35	X3-0120-04	DRIVE PULLEY, BELTS & TENSIONER WITH VOLVO D13 From E-5459 To H-6179		
35	X3-0120-05	DRIVE PULLEY, BELTS & TENSIONER WITH VOLVO D13 - GHG17 From H-6180		
40	X3-0125-00	BELTS TENSIONERS - WITH DETROIT S-60 From 7-8754 To 8-9276		
43	X3-0135-00	BELT GUARD OPTION GLI From J-6273		
45	X3-0150-00	ENGINE CRADLE - WITH DETROIT S-60 From 7-8754 To B-5001		
45	X3-0150-01	ENGINE CRADLE - WITH VOLVO D13 From 8-9457 To H-6179		
45	X3-0150-02	ENGINE CRADLE - WITH VOLVO D13 - GHG17 From H-6180		
50	X3-0155-10	ENGINE TRANSMISSION GUARD & AIR SHIELD DETROIT S-60 From 7-8754 To 8-9276		
50	X3-0155-11	ENGINE TRANSMISSION GUARD & AIR SHIELD DETROIT S-60 From 8-9277 To B-5001		
50	X3-0155-12	ENGINE TRANSMISSION GUARD & AIR SHIELD VOLVO D13 From 8-9457 To H-6179		
50	X3-0155-13	ENGINE TRANSMISSION GUARD & AIR SHIELD VOLVO D13 / GHG17 From H-6180		
50	X3-0155-20	ENGINE GUARD VOLVO D13 From C-5247		
55	X3-0160-00	FLYWHEEL - WITH MANUAL TRANS From 7-8754 To B-5001		
60	X3-0165-00	JACOB'S - ENGINE BRAKE - WITH DETROIT S-60 From 7-8754 To B-5001		
65	X3-0170-00	ENGINE "VOLVO" D-13 - SPECIFIC PARTS FOR PREVOST From 8-9457 To B-5001		

From 7-8754		Date:01/2024	X3-01
-------------	--	--------------	-------

ENGINE

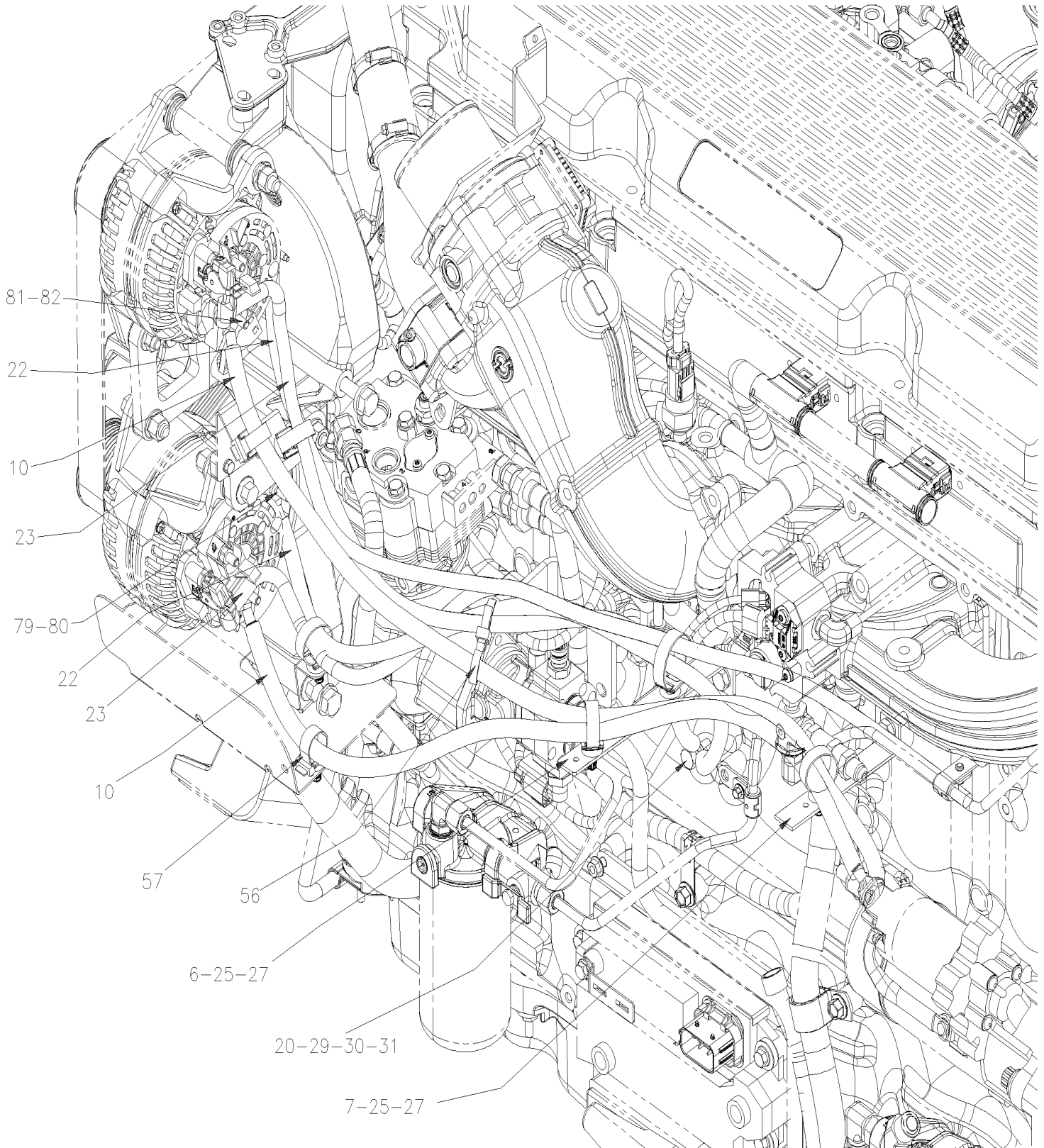
Item#	Part	Description	QTY	Notes

From 7-8754 To B-5001

Date:01/2024

PAGE:X3-0100-00

ENGINE WIRING HARNESS - INSTALLATION WITH SERIES 60



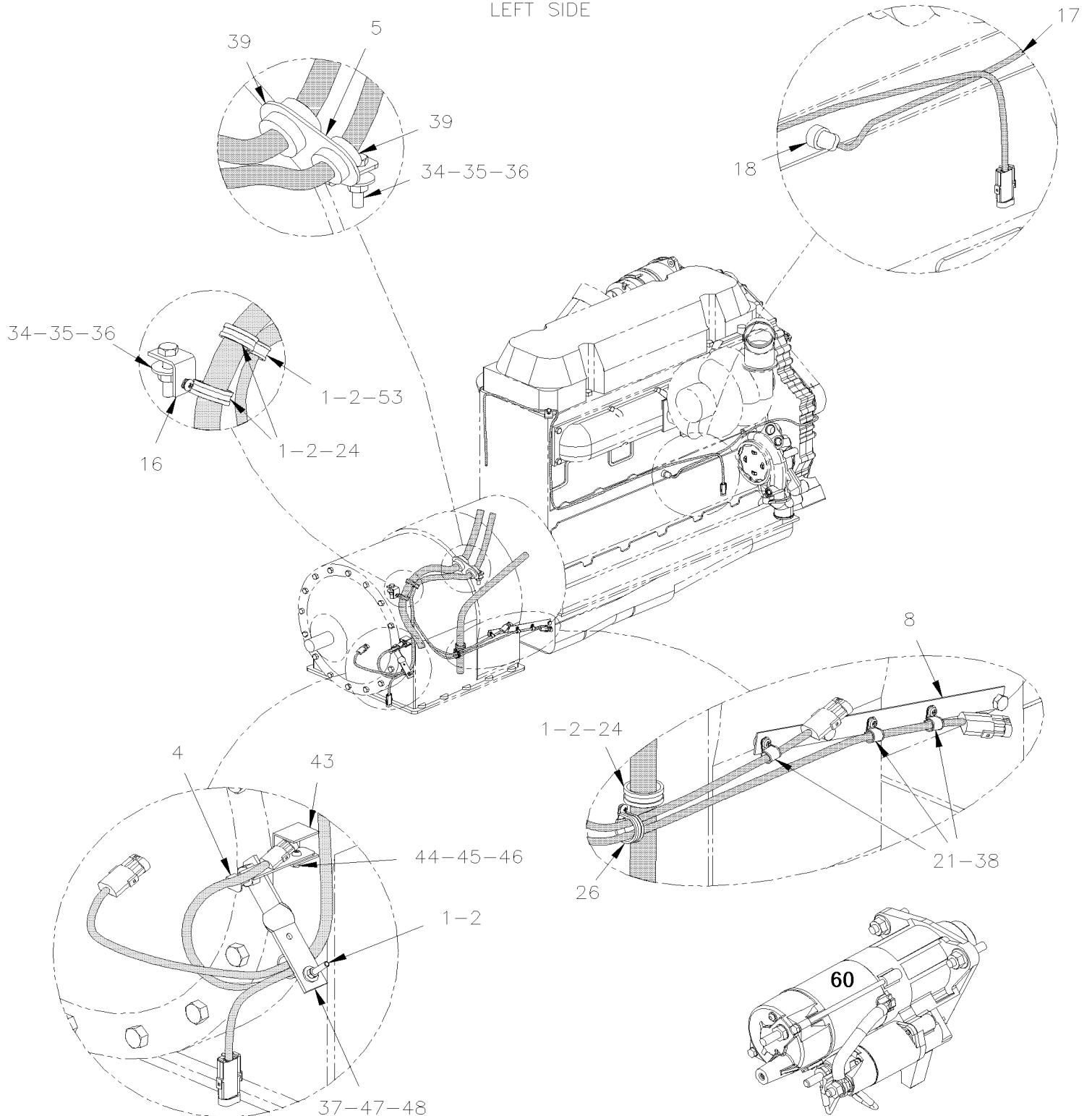
From 7-8754 To B-5001

Date:01/2024

PAGE:X3-0100-00

ENGINE WIRING HARNESS - INSTALLATION WITH SERIES 60

LEFT SIDE

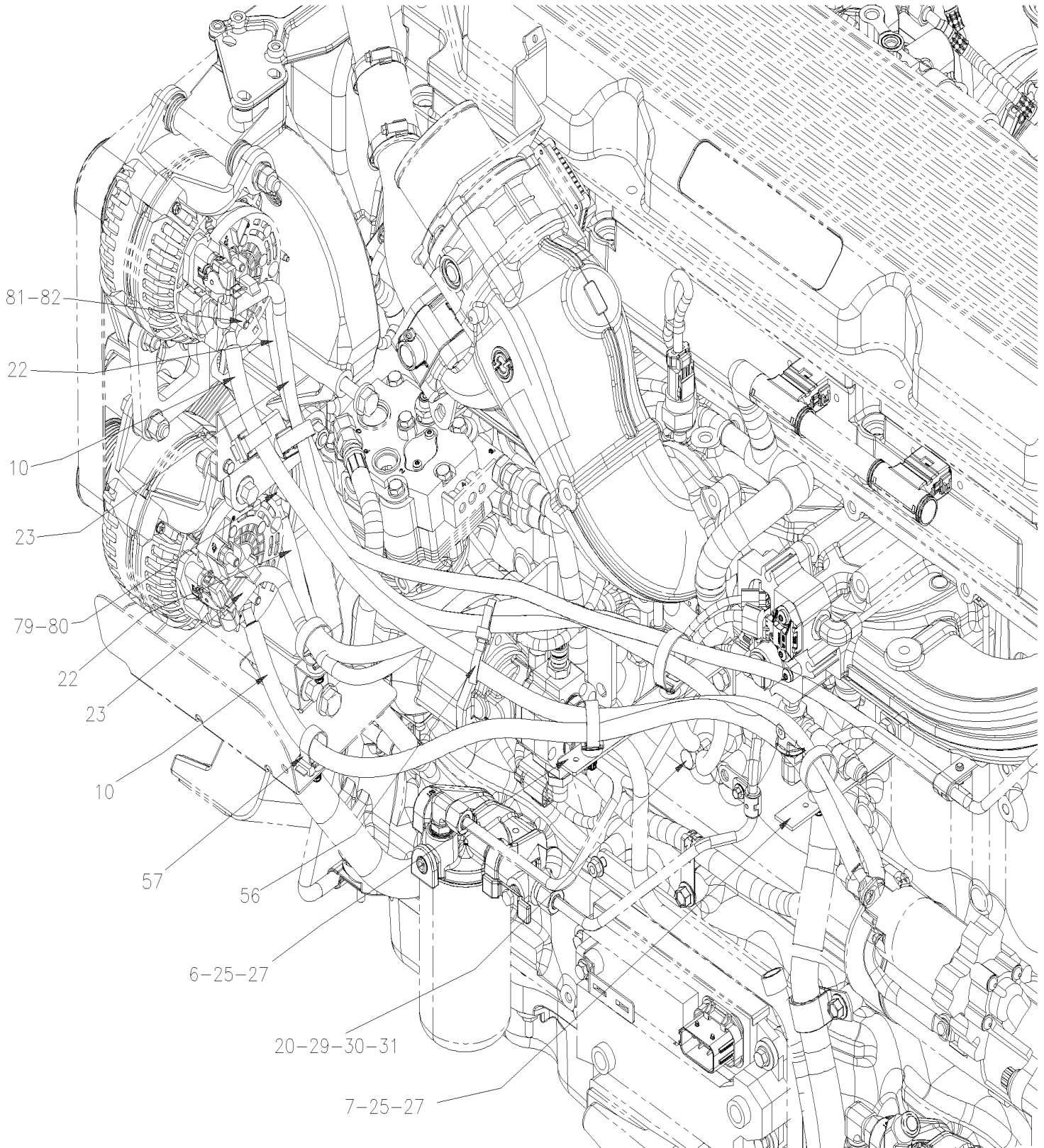


From 7-8754 To B-5001

Date:01/2024

PAGE:X3-0100-00

ENGINE WIRING HARNESS - INSTALLATION WITH SERIES 60



From 7-8754 To B-5001	Date:01/2024	PAGE:X3-0100-00
ENGINE WIRING HARNESS - INSTALLATION WITH SERIES 60		

Item#	Part	Description	QTY	Notes
1	500574	SCREW MA TR PH #10-24x1 1/4 SS	AR	
2	500786	NUT HEX #10-24 Z050	AR	
3	500440	WASHER FL .250x.562x.065 Z050	AR	
4	504637	CABLE TIE / 3/16" x 13"	AR	
5	071035	SUPPORT CABLE HARNESS / W/2 HOLES / WTEC III To 7-9000	1	
5	071403	SUPPORT CABLE HARNESS / W/1 HOLE & 1 STUD / GEN IV From 7-9001	1	
6	065697	SUPPORT HARNESS / LONG	1	
7	010667	SUPPORT To 9-9639	2	
7	067804	SUPPORT CABLE ENGINE / SS ANGLE 100 x 28 x 25.4 WIDE From 9-9640	1	
8	071029	SUPPORT CABLE / STRAP 298MM	1	
9	952631	CLAMP / 3/4" I.D.	6	
10	064740	CABLE ASSY W/ALTERNATOR # 102-2/0 To 9-9639	2	
10	067604	CABLE ASSY W/ALTERNATOR # 102-2/0 From 9-9640	2	
11	952637	CLAMP / 1"1/16 I.D.	3	
12	070368	SUPPORT	1	
13	062214	CABLE ASSY # 0C To 9-9585	1	
13	067086	CABLE ASSY # 0C From 9-9586	1	
NS	062212	CABLE ASSY # 0B To 8-9276	1	
13	067312	CABLE ASSY # 0C From 8-9277 To 9-9585	1	
13	067086	CABLE ASSY # 0C From 9-9586	1	
15	504016	CABLE TIE / 5/16" X 14"1/2	1	
16	061025	SUPPORT	1	
17	063295	CABLE ASSY / 110V BLOCK HEATER ENGINE SECTION	1	
18	560410	BLOCK HEATER	1	
19	5002254	WASHER FL .500X.750X.062, SS302	AR	
20	684013	RUBBER PROTECTOR / COLOR GUARD 14.5oz	AR	
21	952625	CLAMP / 3/8" I.D.	2	
22	065027	CABLE GROUND ALT "BOSCH" To 8-9585	2	
22	067320	CABLE GROUND ALT "BOSCH" From 9-9586 To 9-9639	2	
22	067605	CABLE GROUND ALT "BOSCH" From 9-9640	1	
23	066506	CABLE ASSY / ENGINE & FAN CLUTCH W/"DETROIT" ENGINE To 8-9276	1	
23	067506	CABLE ASSY / ENGINE & FAN CLUTCH W/"DETROIT" ENGINE From 8-9277 To 9-9607	1	
23	067383	CABLE ASSY / ENGINE & FAN CLUTCH W/"DETROIT" ENGINE From 9-9608 To 9-9639	1	
23	067679	CABLE ASSY / ENGINE & FAN CLUTCH W/"DETROIT" ENGINE From 9-9640	1	
24	952635	CLAMP / 1" I.D.	3	
25	500257	WASHER LO SPT 10.2x18.1x2.2 Z050	AR	
26	952629	CLAMP / 5/8" I.D.	2	
27	502559	SCREW CAP HEX M10-1.5x25 G8.8 Z050	AR	
28	500441	WASHER FL .312x.734x.065 Z050	AR	
29	500482	WASHER LO SPT .506x.873x.125 Z050	AR	
30	500857	WASHER LO INT .512x.900x.045 Z050	AR	
31	500850	SCREW CAP HEX M12-1.75X25 G8.8 Z050	AR	

From 7-8754 To B-5001	Date:01/2024	PAGE:X3-0100-00
-----------------------	--------------	-----------------

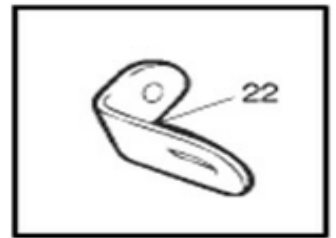
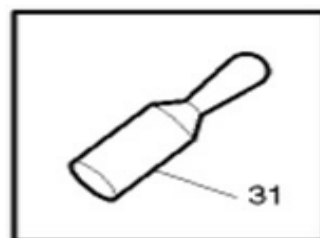
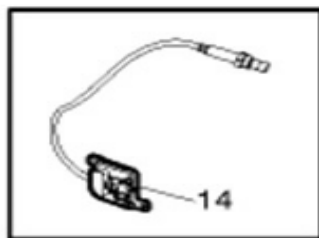
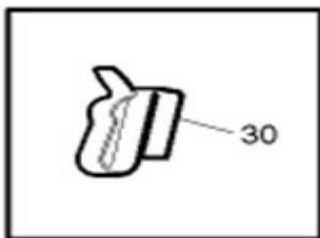
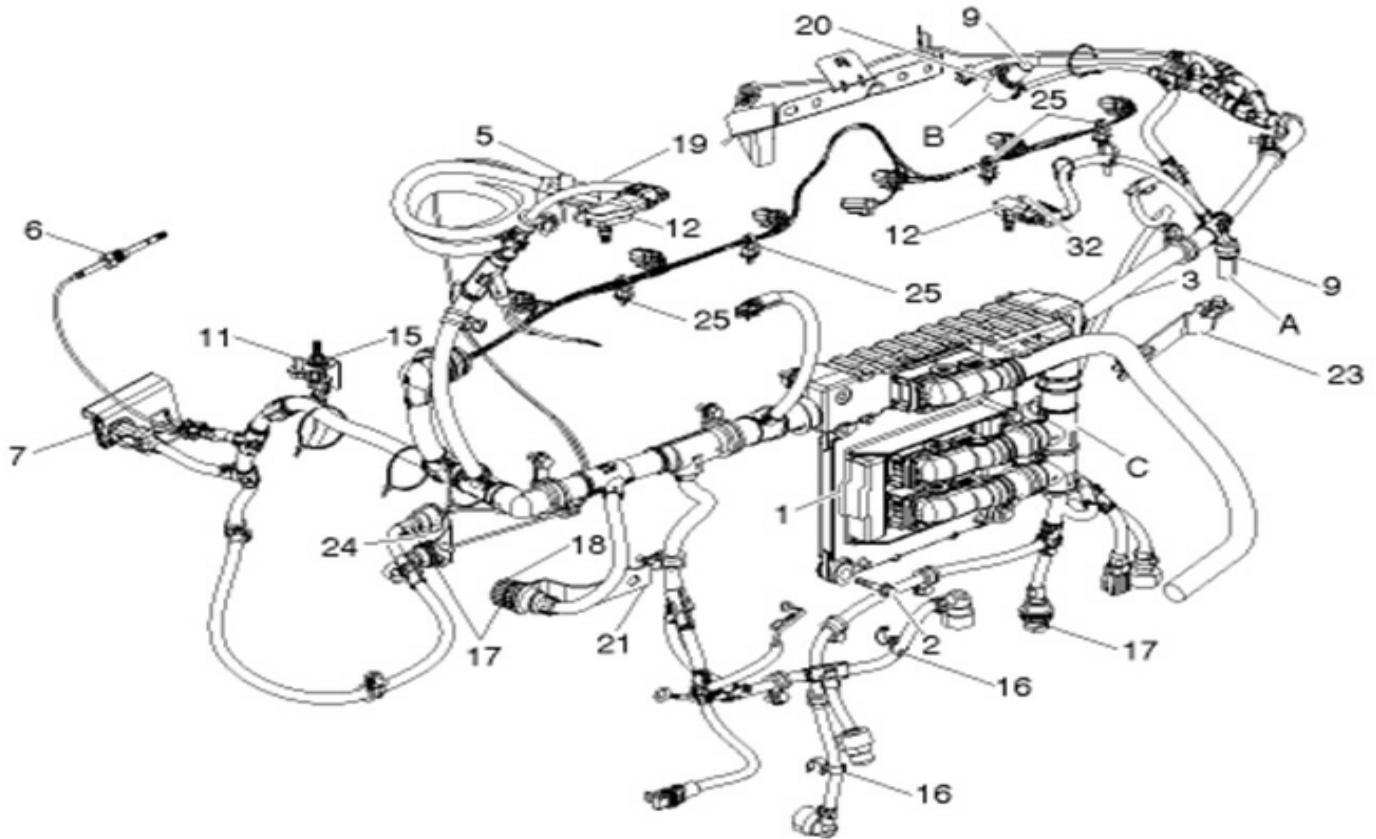
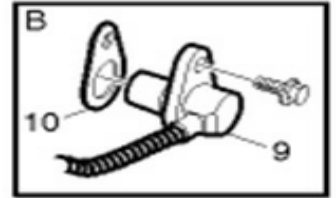
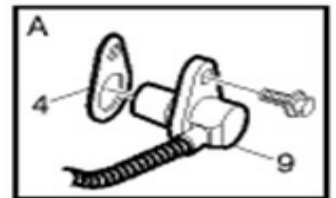
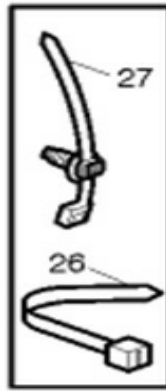
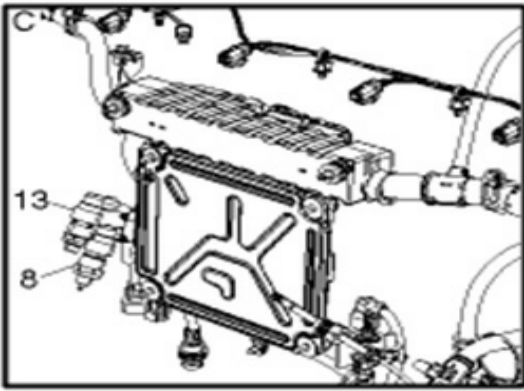
ENGINE WIRING HARNESS - INSTALLATION WITH SERIES 60

Item#	Part	Description	QTY	Notes
33	500860	NUT HEX M12-1.75 Z050	AR	
34	502549	SCREW CAP HEX M10-1.5x35 G8.8 Z050	AR	
35	500680	NUT HEX STO M10-1.5 Z050	AR	
36	502644	WASHER FL 10.5x30.0x2.5 Z050	AR	
37	061129	SUPPORT FLAT TWISTED / TUBE DIPSTICK	1	
38	5001036	SCREW MA PAN PH M4-0.7x10 Z050	AR	
39	066208	CABLE HARNESS / SENSOR WTEC W/RETARDER / MUX	1	R
39	066209	CABLE HARNESS / SENSOR WTEC W/OUT RETARDER / MUX	1	O
NS	066636	CABLE ASSY / FRT SELECTOR & RR "ZMTec"	1	
. NS	563340	. CONNECTOR / SEAL CIRC. 2.5 SERIES / SH 4C / AMP 1-967325-1	1	
. NS	562877	. CONNECTOR / DT SERIES / PH 3C / GRAY / DEUTSCH DT04-3P-E008	1	
40	064942	CABLE ASSY / W/2 "BOSCH" 140 AMPS	1	
41	502561	NUT HEX M5-0.8 Z050	AR	
42	504601	CLAMP / 5/16" I.D. x .375 HOLE	1	R
43	065398	SUPPORT RETARDER TEMPERATURE SENSOR	1	R
44	500344	SCREW MA RND PH M4-0.7x12 Z050	AR	R
45	502524	NUT HEX M4-0.7 Z050	AR	R
46	502636	WASHER LO SPT 4.1x7.6x0.9 Z050	AR	R
47	071341	PROTECTOR RUBBER CABLE HARNESS & HOSES To 7-9000	1	
48	071404	PROTECTOR RUBBER CABLE HARNESS & HOSES From 7-9001	1	R
49	071408	PROTECTOR RUBBER CABLE HARNESS & HOSES From 7-9001 To 7-9240	1	O
49	071440	PROTECTOR SUPPORT SS "V" SHAPE 80MM HIGH From 7-9241 To 9-9597	1	O
49	079022	PROTECTOR SUPPORT SS "V" SHAPE 74MM HIGH From 9-9598	1	O
50	065697	SUPPORT HARNESS / LONG	1	
50	952627	CLAMP / 1/2" I.D.	3	
50	X3-0155-10	ENGINE TRANSMISSION GUARD & AIR SHIELD DETROIT S-60		
51	502862	SCREW CAP HEX M8-1.25x20 G8.8 N500	AR	
NS	500381	WASHER FL 8.4x25.0x2.0 N500	AR	
56	504768	CABLE TIE / 3/16" 14.7" / DOUBLE LOOP HEAD	4	
57	504750	CABLE TIE / 1/2" x 15" / CHRISTMAS TREE	8	
60	510752	STARTER MOTOR / W/RELAY To 9-9607	1	
. NS	510888	. SOLENOID KIT To 9-9607	1	
. . NS	IS752SOL	. . INSTRUCTION SHEET / SOLENOID REPLACEMENT To 9-9607	1	
. NS	510889	. SMALL STARTOR RELAY KIT / WITH CABLES To 9-9607	1	
. . NS	564095	. . SMALL STARTOR RELAY To 9-9607	1	
. . NS	IS752MAG	. . INSTRUCTION SHEET / MAGNETIC SWITCH REPLACEMENT To 9-9607	1	
60	510004	STARTER MOTOR / W/RELAY To 9-9607	1	
. NS	510011	. RELAY KIT To 9-9607	1	
. NS	510015	. SOLENOID KIT To 9-9607	1	
60	510928	STARTER MOTOR, W/O RELAY 24V / W/"DETROIT" ENG From 9-9608	1	
. NS	510888	. SOLENOID KIT From 9-9608	1	

From 7-8754 To B-5001	Date:01/2024	PAGE:X3-0100-00
ENGINE WIRING HARNESS - INSTALLATION WITH SERIES 60		

Item#	Part	Description	QTY	Notes
. NS	IS752SOL	. . INSTRUCTION SHEET / SOLENOID REPLACEMENT From 9-9608	1	
. NS	564095	. SMALL STARTOR RELAY From 9-9608	1	
60	510005	STARTER MOTOR, W/O RELAY 24V / W/"DETROIT" ENG From 9-9608 To P-6899	1	
60	510039	STARTER MOTOR, W/O RELAY 24V / W/"DETROIT" ENG From P-6900	1	
61	5001668	SCREW CB 12POINT 5/8-11x2 1/4	3	
NS	502884	WASHER LO SPT 16.2x27.4x3.5 N500	3	
79	502681	NUT HEX NYRT M6-1.0 N500 G8	2	
80	500877	WASHER FL .250x.562x.065 N500	2	
81	502847	NUT HEX NYRT M8-1.25 N500	2	
82	5001736	WASHER FL 8.4x18.0x2.0 N500	2	
		O) W/O RETARDER		
		R) WITH RETARDER		

VOLVO ENGINE CONTROL SYSTEM



From 8-9259	Date:01/2024	PAGE:X3-0100-05
VOLVO ENGINE CONTROL SYSTEM		

Item#	Part	Description	QTY	Notes
1	21107008	CONTROL UNIT 1 / 6	1	
1	21300060	CONTROL UNIT 8 +	1	
NS	20946783	SHIELD CONTROL UNIT INSTAL	1	
2	947760	SCREW CAP HEXF M8-1.25x40 G8.8 ZP	4	
3	21033597	CABLE HARNESS ASSY 1 / 3	1	
3	21271767	CABLE HARNESS ASSY RXX 4 / 6	1	
3	21400265	CABLE HARNESS ASSY RXX 8 +	1	
3	21159796	CABLE HARNESS ASSY PH/PX 4 / 6	1	
3	21400113	CABLE HARNESS ASSY PH/PX 8 +	1	
4	20556179	SHIM	1	
5	20738963	HUMIDITY SENSOR 1	1	
5	21046544	HUMIDITY SENSOR 3 +	1	
6	21010707	TEMPERATURE SENSOR DP MIX CHAMBER TEMP	1	
7	20930137	PRESSURE SENSOR EGR DIFF PRESSURE 1 / 4	1	
NS	21364040	O-RING SENSOR INSTAL 1 / 4	2	
7	21304786	PRESSURE SENSOR EGR DIFF PRESSURE 5 +	1	
8	20796744	PRESSURE SENSOR,CRANKCASE TB-130329258-1	1	
9	20513343	SENSOR,ENGINE SPEED TB-128951072-1	2	
10	20556179	SHIM	AR	
11	20513340	SENSOR COOLANT TEMPERATURE	1	
12	20524936	PRESSURE SENSOR BOOST PRESSURE/TEMP	2	
13	20886108	PRESSURE SENSOR OIL PRESSURE	1	
14	20789066	SENSOR NOX ASSY W/CABLE 1	1	
14	21069361	SENSOR NOX ASSY W/CABLE 3 / 8	1	
14	21346963	SENSOR "NOX" / SCR FILTER 9 To A-9981	1	
14	21479637	SENSOR "NOX" / SCR FILTER From A-9982 To B-5001	1	
14	21567763	SENSOR "NOX" / SCR FILTER From B-5002 To D-5376	1	
14	21636088	SENSOR "NOX" / SCR FILTER From D-5377 To D-5458	1	
14	22014032	SENSOR "NOX" / SCR FILTER From E-5459 To G-6028	1	
14	22303391	SENSOR "NOX" / SCR FILTER From G-6029	1	
15	20771140	HEAT SHIELD 1 / 3	1	
15	20857215	HEAT SHIELD 4 +	1	
16	21018335	CAP	3	
17	3963413	RING LOCK / AMP 964610-1	4	
18	20374157	CAP	2	
19	20448962	HOUSING	1	
20	20749801	HEAT SHIELD	1	
21	20577191	BRACKET	1	
22	965576	BRACKET	1	
23	20590744	BRACKET	1	
24	3832422	BRACKET	1	
25	8131393	RETAINER	4	

From 8-9259	Date:01/2024	PAGE:X3-0100-05
VOLVO ENGINE CONTROL SYSTEM		

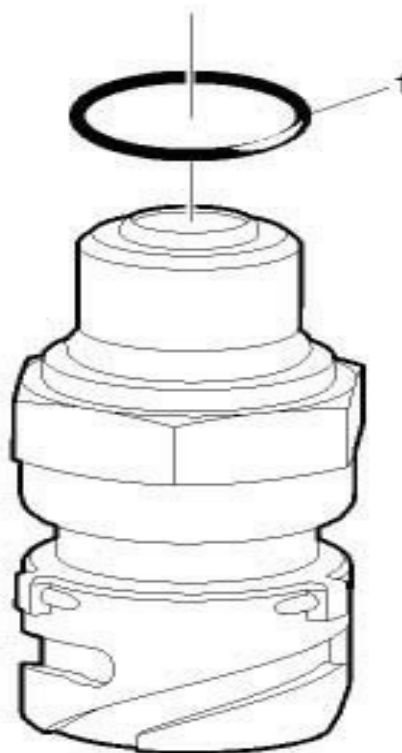
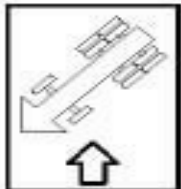
Item#	Part	Description	QTY	Notes
26	20885496	RETAINER	AR	
NS	948210	CABLE TIE 190MM	2	
26	948211	CABLE TIE 275MM	AR	
26	983472	CABLE TIE HIGHT TEMP	AR	
27	980881	CABLE TIE 200MM W/PUSH-IN RETAINER	AR	
28	945081	CLAMP / 7/8" I.D.	1	
28	946834	CLAMP 11.1MM	1	
28	949746	CLAMP 12.7MM	AR	
28	949747	CLAMP / 5/8" I.D.	AR	
28	949786	CLAMP 20.0MM	AR	
28	949997	CLAMP 31.8MM	AR	
28	977743	CLAMP 15.9MM	1	
28	981664	CLAMP 15.9MM	1	
29	944926	SCREW CAP HEXF M8-1.25x14	1	
29	946173	SCREW CAP HEXF M8-1.25x20	2	
29	946440	SCREW CAP HEXF M12-1.75x140 G8.8 MAGNI 565	18	
29	5001742	SCREW CAP HEXF M8-1.25x30 G8.8 N500	AR	
29	946934	SCREW CAP HEXF M6-1.0x20	1	
30	20786586	WIRES JUMPER @ERG VALVE	1	
31	3988328	BRACKET PH/PX	1	
32	984936	RETAINER 7th INJECTOR HARNESS	4	
33	3545508	RETAINER	3	
34	21029459	BRACKET	1	
35	961613	NUT WD SQ M6-1.0	AR	

From 8-9259

Date:01/2024

PAGE:20796744

PRESSURE SENSOR,CRANKCASE TB-130329258-1



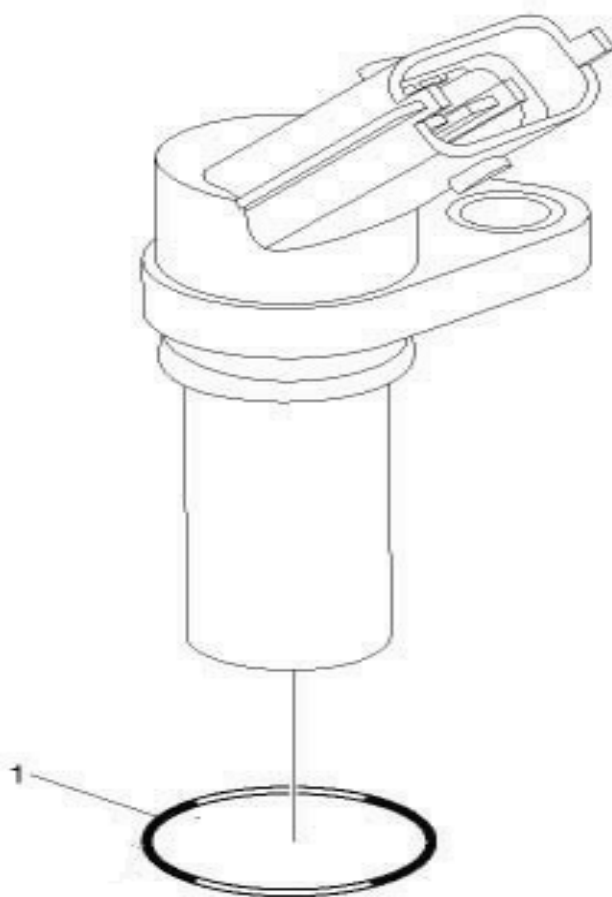
From 8-9259		Date:01/2024	PAGE:20796744	
PRESSURE SENSOR,CRANKCASE TB-130329258-1				
Item#	Part	Description	QTY	Notes
1	968559	O-RING (PRESSURE SENSOR)	1	

From 8-9259

Date:01/2024

PAGE:20513343

SENSOR,ENGINE SPEED TB-128951072-1



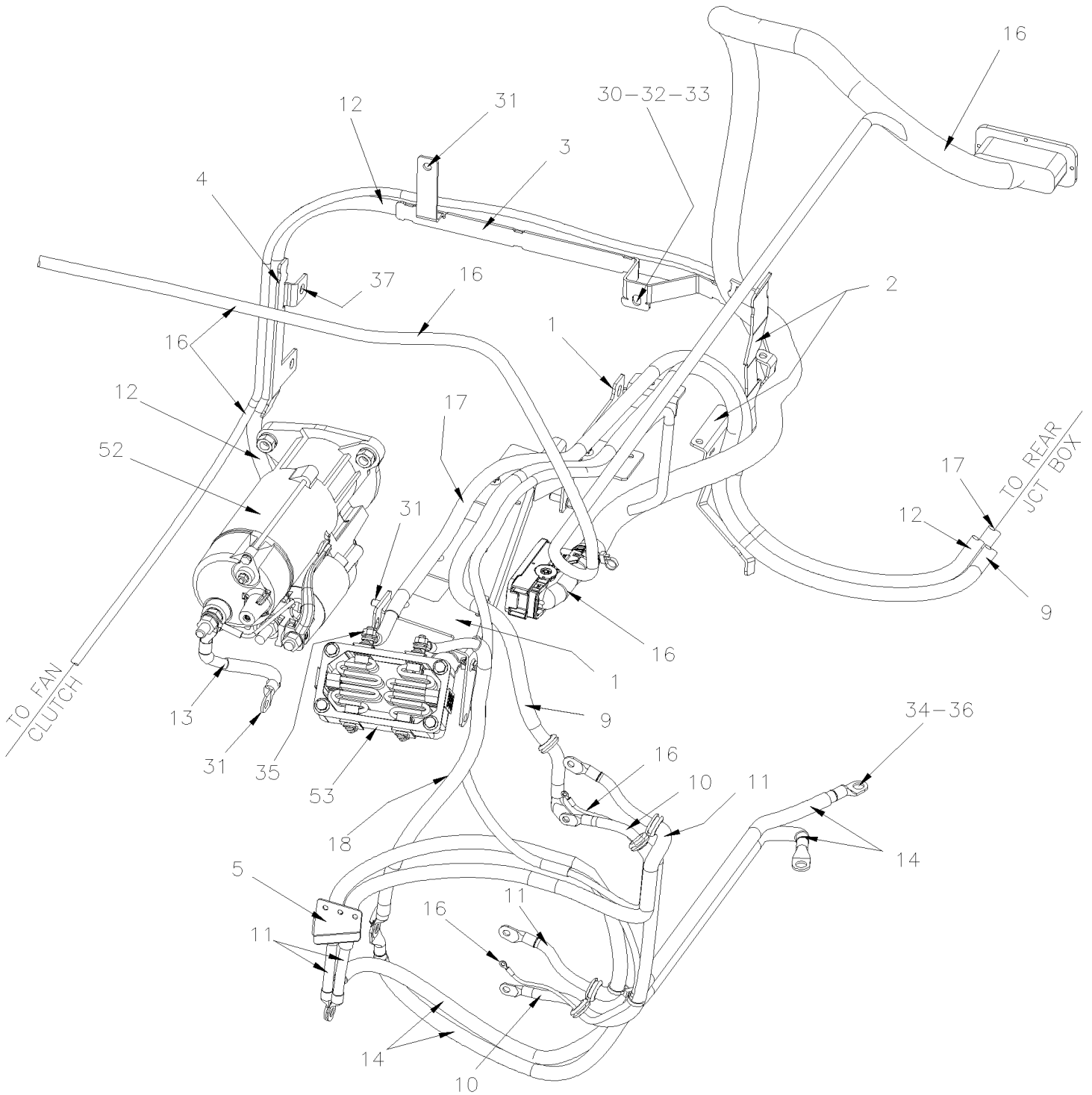
From 8-9259		Date:01/2024	PAGE:20513343	
SENSOR,ENGINE SPEED TB-128951072-1				
Item#	Part	Description	QTY	Notes
1	20966752	O-RING	1	

From 8-9259 To E-5759

Date:01/2024

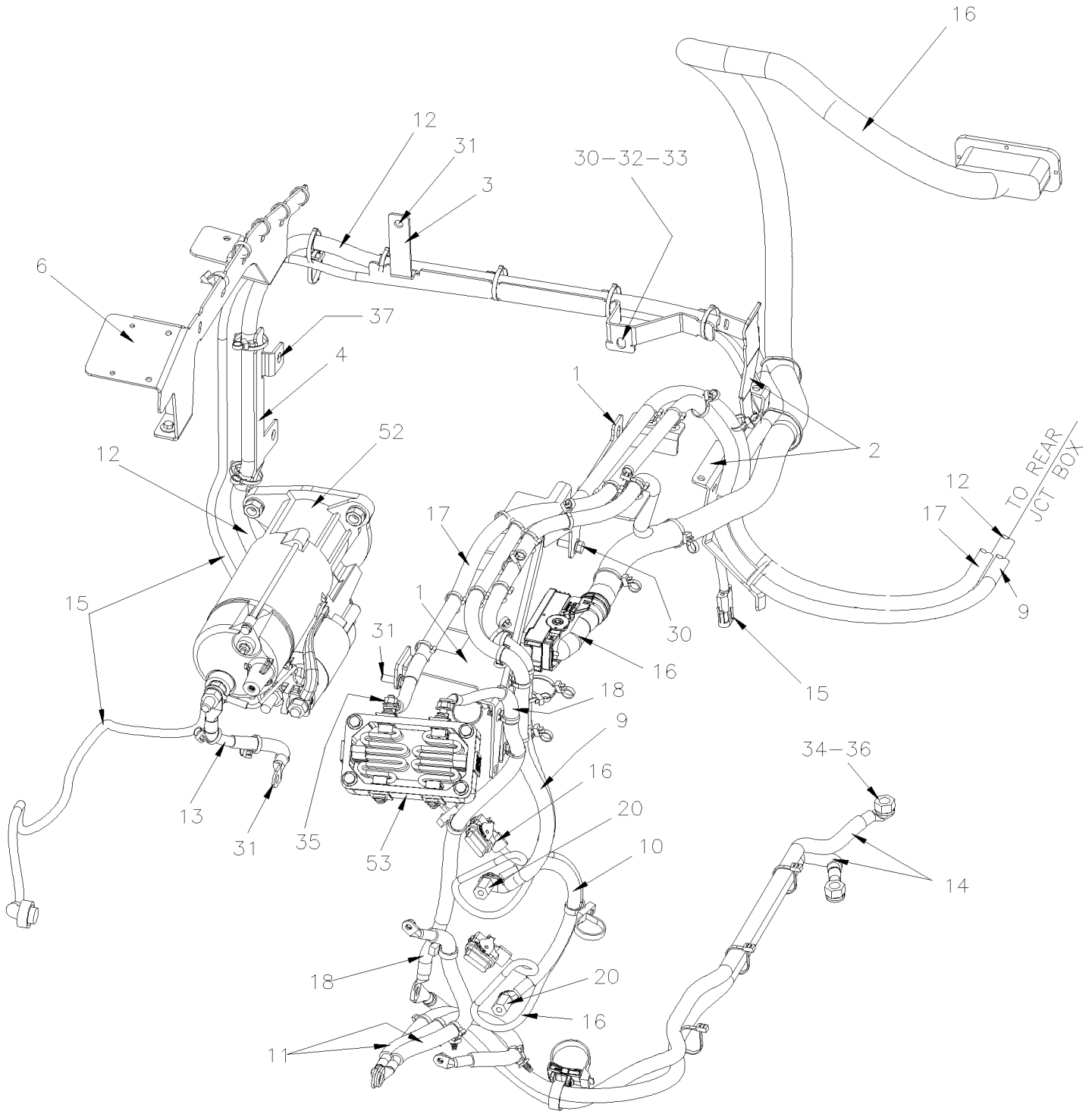
PAGE:X3-0100-06

ENGINE WIRING HARNESS - INSTALLATION WITH VOLVO D13



WITH 2 ALTERNATOR 240-140AMP
AND EPA 2007

ENGINE WIRING HARNESS - INSTALLATION WITH VOLVO D13



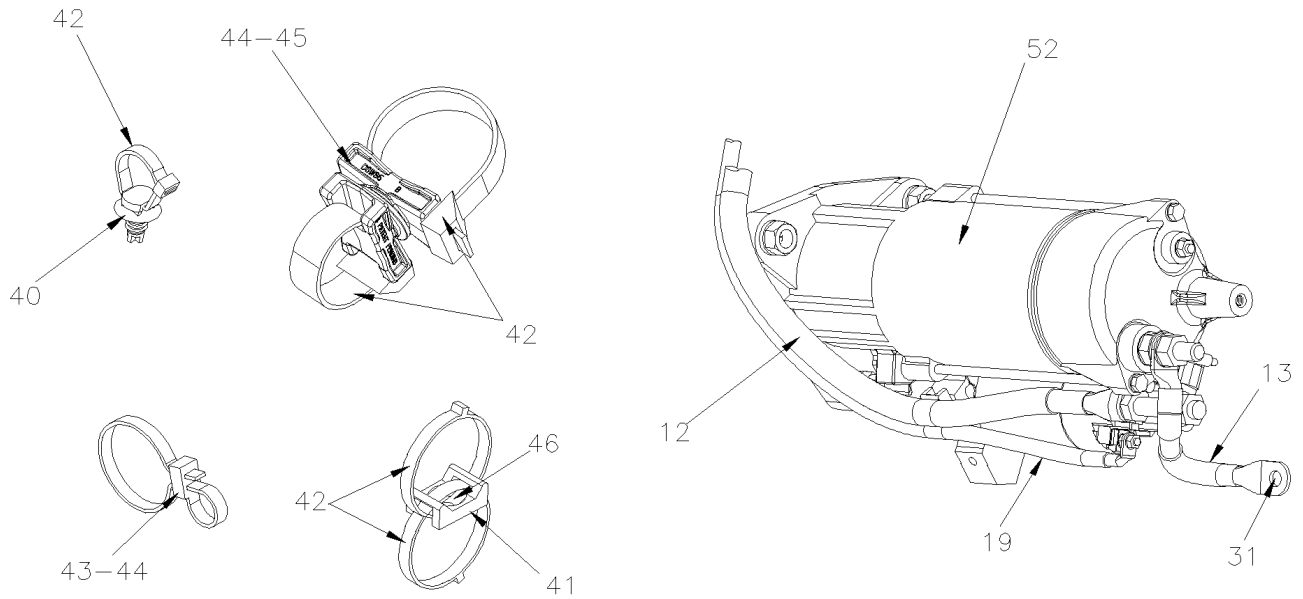
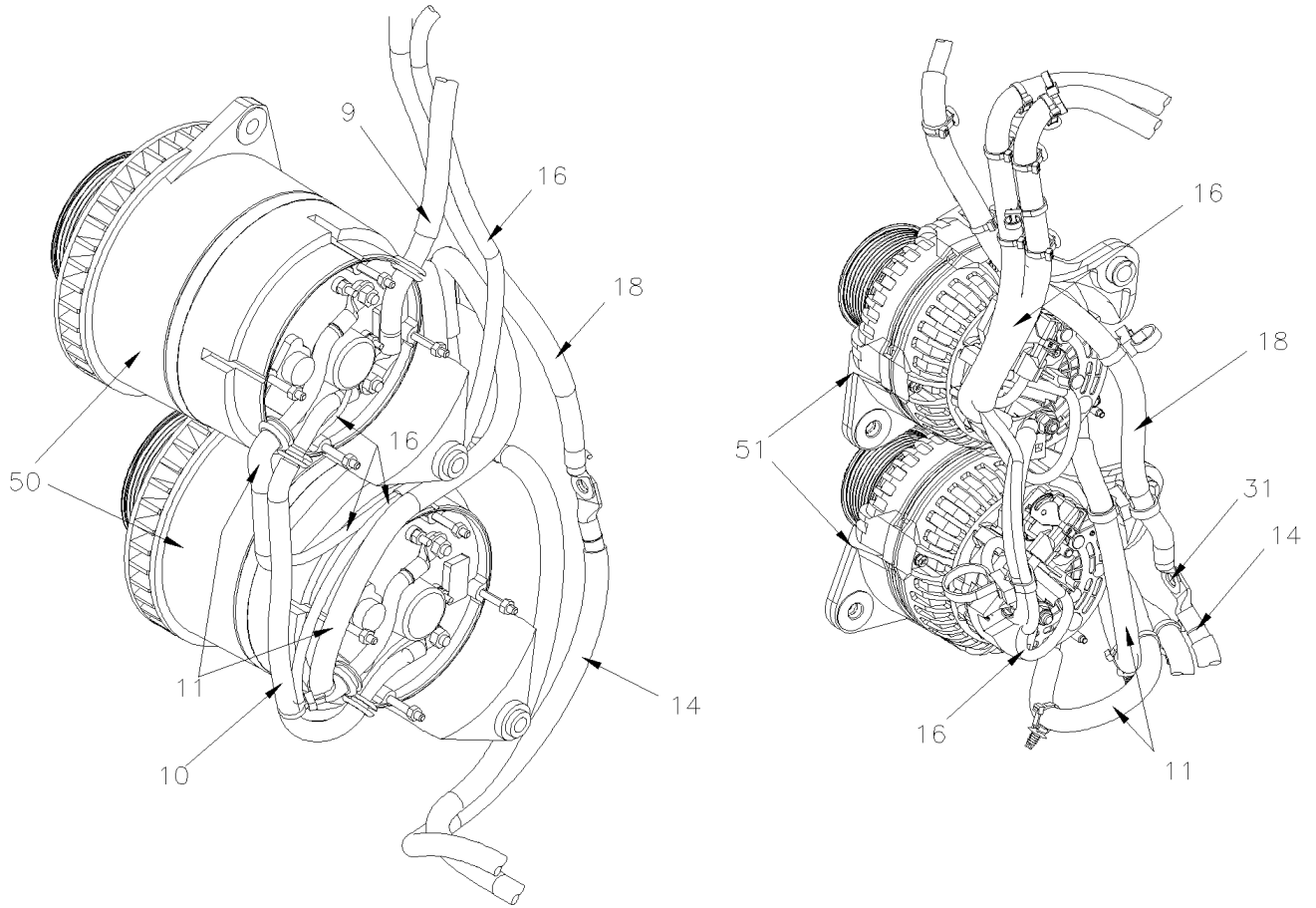
WITH 2 ALTERNATOR 24V-120AMP
EPA 2010

From 8-9259 To E-5759

Date:01/2024

PAGE:X3-0100-06

ENGINE WIRING HARNESS - INSTALLATION WITH VOLVO D13



From 8-9259 To E-5759	Date:01/2024	PAGE:X3-0100-06
ENGINE WIRING HARNESS - INSTALLATION WITH VOLVO D13		

Item#	Part	Description	QTY	Notes
1	012512	SUPPORT CABLE To B-5001	1	
1	012691	SUPPORT CABLE From B-5002 To E-5674	1	
1	012798	SUPPORT CABLE From E-5675	1	
2	012526	SUPPORT CABLE COMPRESSOR To B-5001	1	
2	012682	SUPPORT CABLE COMPRESSOR From B-5002	1	
3	012527	SUPPORT CABLE REAR ENGINE To B-5001	1	
3	012689	SUPPORT CABLE REAR ENGINE From B-5002	1	
4	012530	SUPPORT CABLE STARTOR MOTOR To B-5001	1	
4	012690	SUPPORT CABLE STARTOR MOTOR From B-5002	1	
5	067206	SUPPORT CABLE GROUND ALTERNATOR To E-5458	1	
5	068541	SUPPORT CABLE GROUND ALTERNATOR From E-5459	1	
6	068102	SUPPORT CABLE & FIRE HARNESS From B-5002 To D-5299	1	A
6	068552	SUPPORT CABLE & FIRE HARNESS From D-5300 To E-5717	1	A
7	012523	SUPPORT CABLE / NEAR LOWER ENGINE OIL FILTER ANGLE SS W/5 HOLES	1	
9	067285	CABLE ASSY W/ALTERNATOR # 102-2/0 To A-9974	1	
. NS	504064	. GROMMET / .562x.812x.125x1.062 To A-9974	1	
9	067824	CABLE ASSY W/ALTERNATOR # 102-2/0 From A-9975 To B-5001	1	
9	068122	CABLE ASSY W/ALTERNATOR # 102-2/0 From B-5002	1	
10	067085	CABLE ALT POWER HARNESS W/VOLVO To B-5001	1	
10	067835	CABLE ALT POWER HARNESS W/VOLVO From B-5002	1	
11	067202	CABLE ALTERNATOR GROUND BODY To B-5001	2	
. NS	504064	. GROMMET / .562x.812x.125x1.062 To B-5001	1	
11	067796	CABLE ALTERNATOR GROUND BODY From B-5002	1	
12	067284	CABLE ASSY SW24V TO STARTER To B-5001	1	
12	067887	CABLE ASSY SW24V TO STARTER From B-5002	1	
13	067086	CABLE ASSY # 0C	1	
NS	684013	RUBBER PROTECTOR / COLOR GUARD 14.5oz	AR	
14	067203	CABLE GROUND MOTOR TO BODY	2	
15	067413	CABLE ASSY / 110V BLOCK HEATER ENGINE SECTION To D-5380	1	
NS	068723	CABLE ASSY / 110V BLOCK HEATER From D-5381	1	
16	067507	CABLE ASSY / ENGINE & FAN CLUTCH W/"VOLVO" ENGINE To A-9974	1	
16	067827	CABLE ASSY / ENGINE & FAN CLUTCH W/"VOLVO" ENGINE From A-9975 To B-5001	1	
16	067648	CABLE ASSY / RR JCT & ENGINE PROTO From A-9907 To A-9907	1	
16	067691	CABLE ASSY / RR JCT & ENGINE From B-5002 To B-5074	1	
16	068407	CABLE ASSY / RR JCT & ENGINE From B-5075 To C-5274	1	
16	068337	CABLE ASSY / RR JCT & ENGINE From C-5275 To E-5458	1	
16	068467	CABLE ASSY / RR JCT & ENGINE From E-5459 To E-5459	1	
16	068651	CABLE ASSY / RR JCT & ENGINE From E-5459 To E-5563	1	
16	068914	CABLE ASSY / RR JCT & ENGINE From E-5564	1	
16	069063	CABLE ASSY / RR JCT & ENGINE From E-5718	1	
16	067904	CABLE ASSY / ALTERNATOR & CABLE From B-5002 To E-5458	1	
. NS	564469	. CONNECTOR / MKR-PLUS / SH 5C / G&H 18241 000 000 From B-5002 To E-5458	1	

From 8-9259 To E-5759	Date:01/2024	PAGE:X3-0100-06
ENGINE WIRING HARNESS - INSTALLATION WITH VOLVO D13		

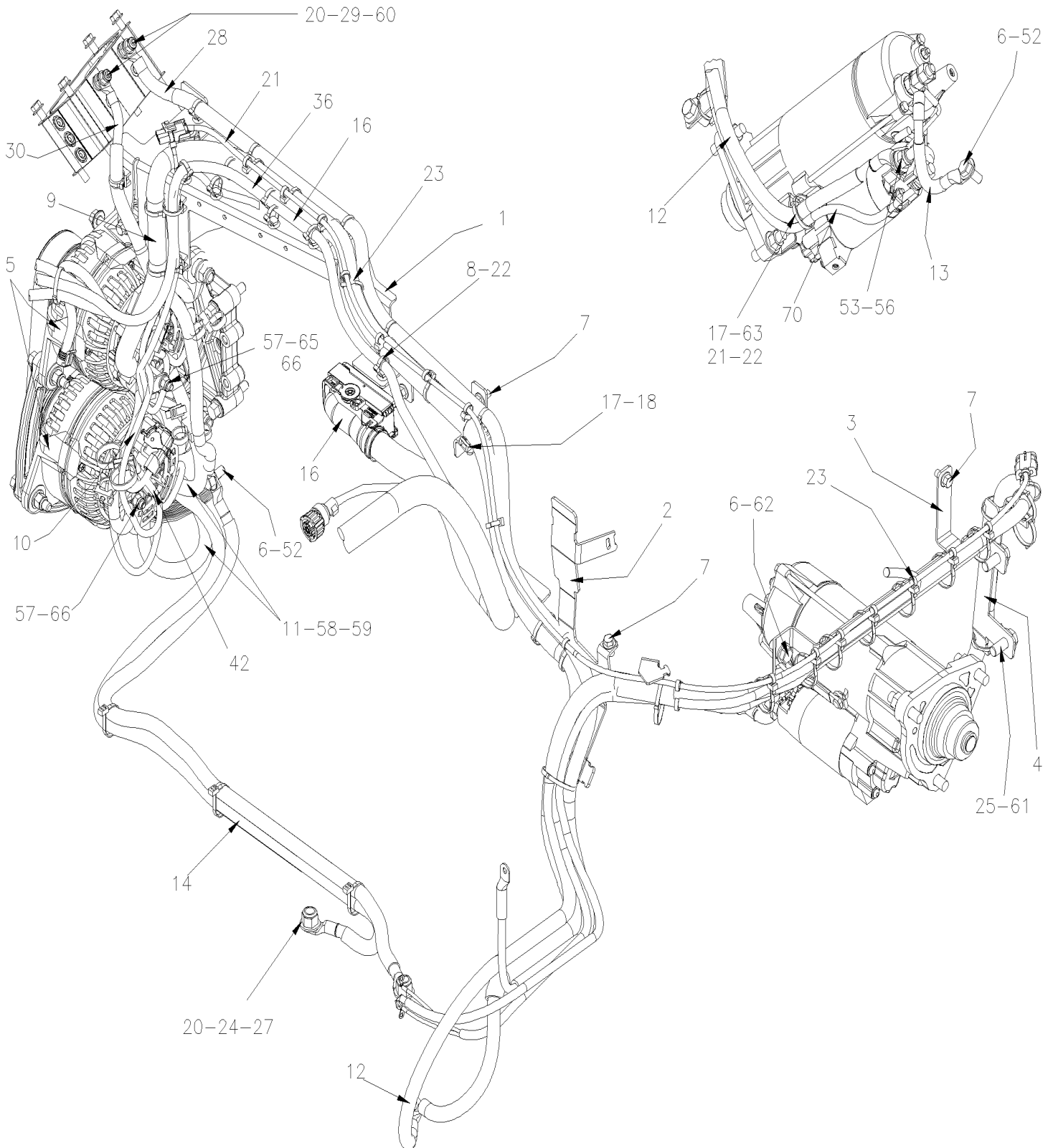
Item#	Part	Description	QTY	Notes
NS	562479	CONNECTOR / DT SERIES / PH 4C / GRAY / DEUTSCH DT04-4P-C015 From B-5002 To E-5458	1	
16	068567	CABLE ASSY / ALTERNATOR & CABLE From E-5459	1	
17	067101	CABLE HEATER ELEMENT RELAY PROTO From A-9907 To A-9907	1	
17	067283	CABLE HEATER ELEMENT RELAY To B-5001	1	
17	067889	CABLE HEATER ELEMENT RELAY From B-5002	1	
18	067102	CABLE NEG HEATER ELEMENT	1	
NS	5001182	NUT HEX NYRT M6-1.0 SS	2	
NS	502573	WASHER FL 6.4x12.5x1.6 SS	2	
19	067328	CABLE ASSY / STARTOR "MELCO" X3 W/D13	1	
20	564159	ADAPTOR STUD M8 Male x M8 Female M8-1.25 x 18MM SS From A-9975	2	
30	507637	SCREW CAP HEXF M8-1.25x20 G10.9 PHC	8	
31	5001780	SCREW CAP HEXF M8-1.25x16 G8.8 N500	4	
32	5001751	WASHER FL 10.5x26.0x2.0 N500	4	
33	5001737	WASHER LO SPT 10.2x18.1x2.2 N500	4	
34	502595	NUT HEX NYRT 1/2-13 Z050	2	
35	500615	NUT HEX M8-1.25 BR To E-5605	2	
35	5001787	NUT HEX NYRT M8-1.25 SS From E-5606	2	
35	5001736	WASHER FL 8.4x18.0x2.0 N500 To E-5605	2	
35	5001341	WASHER FL 8.4x17.0x1.6 SS From E-5606	2	
36	500958	WASHER FL .531x1.062x.095 SS	2	
37	5001755	SCREW CAP HEX M12-1.75x30 G8.8 N500	2	
38	5001786	SCREW CAP HEXF M12-1.75x30 G8.8 N500	2	
40	509815	TIE MOUNT / ATTACHMENT W/TREE MOUNT	AR	
41	504013	TIE MOUNT / 1/4" X 1/4" I.D.	AR	
42	504637	CABLE TIE / 3/16" x 13"	AR	
42	504016	CABLE TIE / 5/16" X 14"1/2	AR	
42	509491	CABLE TIE / 13MM x 383MM	AR	
43	507664	CABLE TIE / 3/16" 11" / DOUBLE LOOP HEAD	AR	
44	507665	CABLE TIE / 1/2" X 20" / TRIPPLE LOOP HEAD	AR	
45	504752	ROTATIF SPACER DOUBLE / LARGE	AR	
46	502817	SCREW MA PAN PH M6-1.0x16 N500	1	
50	X3-0605-00	ALTERNATOR 24V/140 AMPS / "BOSCH"		
51	X3-0605-01	ALTERNATOR 24V/120 AMPS / "BOSCH"		
52	X3-0100-10	STARTER - INSTALLATION		
53	Refer To Volvo	AIR INTAKE PRE HEATER ASSY	1	V
		A) AS SHOWN		
		V) SEE IMPACT OR CALL ORDER DESK		

From F-5760 To H-6179

Date:01/2024

PAGE:X3-0100-07

ENGINE WIRING HARNESS - INSTALLATION WITH VOLVO D13



From F-5760 To H-6179	Date:01/2024	PAGE:X3-0100-07
ENGINE WIRING HARNESS - INSTALLATION WITH VOLVO D13		

Item#	Part	Description	QTY	Notes
1	012798	SUPPORT CABLE To G-5970	1	
1	012944	SUPPORT CABLE From G-5971	1	
1	507383	TIE MOUNT HOLE 3/8"	1	
NS	502830	SCREW CAP HEX M6-1.0x20 G8.8 N500	1	
NS	5001833	WASHER BEL SPR 6.1x18x1.27 SS	1	
NS	5001932	NUT HEXF NYRT M6-1.0 G8.8 N500	1	
2	012682	SUPPORT CABLE COMPRESSOR	1	
3	012689	SUPPORT CABLE REAR ENGINE	1	
4	012690	SUPPORT CABLE STARTOR MOTOR To G-5909	1	
4	019227	SUPPORT CABLE STARTOR MOTOR From G-5910	1	
5	X3-0610-06	ALTERNATOR MOUNTING / "BOSCH" VOLVO D13	1	
6	502804	SCREW CAP HEX M10-1.5x25 G8.8 N500	4	
7	5001780	SCREW CAP HEXF M8-1.25x16 G8.8 N500	7	
8	509815	TIE MOUNT / ATTACHMENT W/TREE MOUNT	AR	
9	068122	CABLE ASSY W/ALTERNATOR # 102-2/0 To F-5871	1	
9	069222	CABLE ASSY W/ALTERNATOR # 102-3/0 From F-5872	1	
10	067835	CABLE ALT POWER HARNESS W/VOLVO	1	
10	7770335	CHARGING SYSTEM IMPROVEMENT, ELECTRICAL From F-5762 To G-6077	1	B
NS	062490	SLEEVE, HEAT SHRINKING 6" From F-5762 To G-6077	1	B
NS	067835	CABLE ALT POWER HARNESS W/VOLVO From F-5762 To G-6077	1	B
NS	564055	SOCKET TERMINAL / 18-16 / PED 12110847 From F-5762 To G-6077	1	B
NS	060297	ADAPTOR STUD M8 Male x M8 Female + FLANGE M8-1.25 x 18MM SS From F-5762 To G-6077	1	B
NS	5001341	WASHER FL 8.4x17.0x1.6 SS From F-5762 To G-6077	3	B
NS	5001983	NUT HEX NYRT M8-1.25 SS SS BK From F-5762 To G-6077	2	B
NS	12089679	CABLE SEAL / VIOLET / PED 12089679 From F-5762 To G-6077	1	B
11	067796	CABLE ALTERNATOR GROUND BODY To H-6160	2	
11	069639	CABLE ALTERNATOR GROUND BODY From H-6161	2	
12	067887	CABLE ASSY SW24V TO STARTER	1	
13	067086	CABLE ASSY # 0C	1	
14	067203	CABLE GROUND MOTOR TO BODY	2	
16	069024	CABLE ASSY / RR JCT & ENGINE To F-5812	1	
16	069216	CABLE ASSY / RR JCT & ENGINE From F-5813	1	
17	504013	TIE MOUNT / 1/4" X 1/4" I.D.	AR	
18	504379	RIVET POP DOME OE 3/16x1/4 SS	AR	
20	684013	RUBBER PROTECTOR / COLOR GUARD 14.5oz	AR	
21	069062	CABLE THERMO DETECTOR (LINEAR FIRE CABLE) / 1.6M / 168C/180C // 334F/356F	1	
22	504637	CABLE TIE / 3/16" x 13"	AR	
22	504016	CABLE TIE / 5/16" X 14"1/2	AR	
23	507664	CABLE TIE / 3/16" 11" / DOUBLE LOOP HEAD	AR	
24	500958	WASHER FL .531x1.062x.095 SS	2	
25	5001866	SCREW CAP HEX M12-1.75x30 G10.9 N500	2	
27	502595	NUT HEX NYRT 1/2-13 Z050	2	

From F-5760 To H-6179	Date:01/2024	PAGE:X3-0100-07
ENGINE WIRING HARNESS - INSTALLATION WITH VOLVO D13		

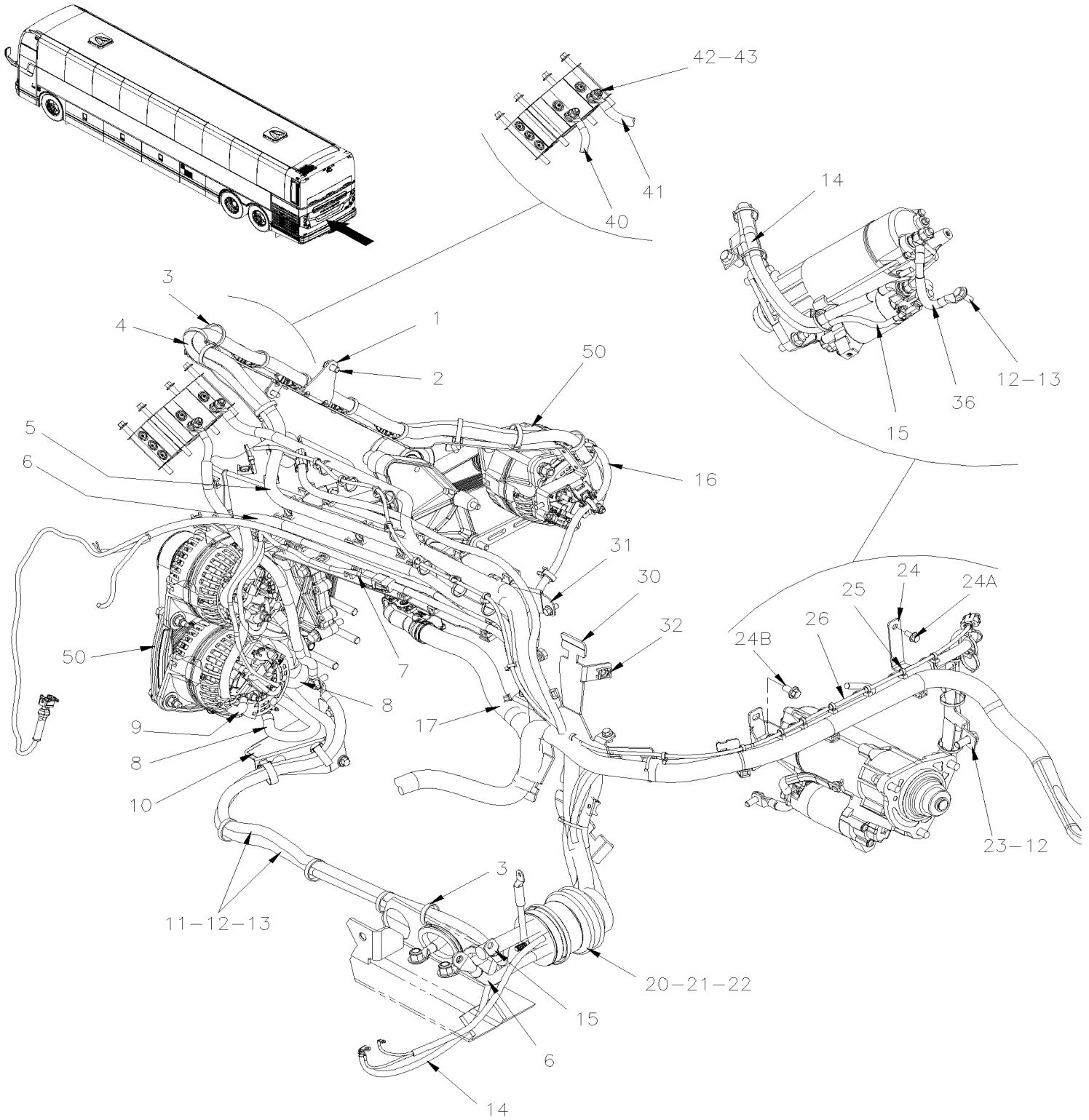
Item#	Part	Description	QTY	Notes
28	067889	CABLE HEATER ELEMENT RELAY	1	
29	502847	NUT HEX NYRT M8-1.25 N500 To F-5759	2	
29	5001787	NUT HEX NYRT M8-1.25 SS From F-5760	2	
30	067102	CABLE NEG HEATER ELEMENT	1	
36	068567	CABLE ASSY / ALTERNATOR & CABLE	1	
42	068570	CABLE ASSY / GROUND	1	
52	500270	WASHER FL .406x1.000x.063 SS	3	
53	5001761	NUT HEXF NYRT M12-1.75 G8 N500	1	
56	500958	WASHER FL .531x1.062x.095 SS	1	
57	5001341	WASHER FL 8.4x17.0x1.6 SS	3	
58	5001182	NUT HEX NYRT M6-1.0 SS	1	
59	502573	WASHER FL 6.4x12.5x1.6 SS	2	
60	5001341	WASHER FL 8.4x17.0x1.6 SS	2	
61	500967	WASHER BEL SPR .512x1.142x.098 N500	2	
62	5001834	WASHER BEL SPR 10.5X23X2.5 N500	1	
63	502817	SCREW MA PAN PH M6-1.0x16 N500	1	
65	564590	ADAPTOR STUD M8 Male x M8 Female M8-1.25 x 18MM SS	1	
66	5001787	NUT HEX NYRT M8-1.25 SS	2	
70	067885	CABLE EXTENTION ASSY / STARTER W/D13	1	
		B) SEE WARRANTY BULLETIN WB16-02		

From H-6180

Date:01/2024

PAGE:X3-0100-08

ENGINE WIRING HARNESS - INSTALLATION WITH VOLVO D13 - GHG17



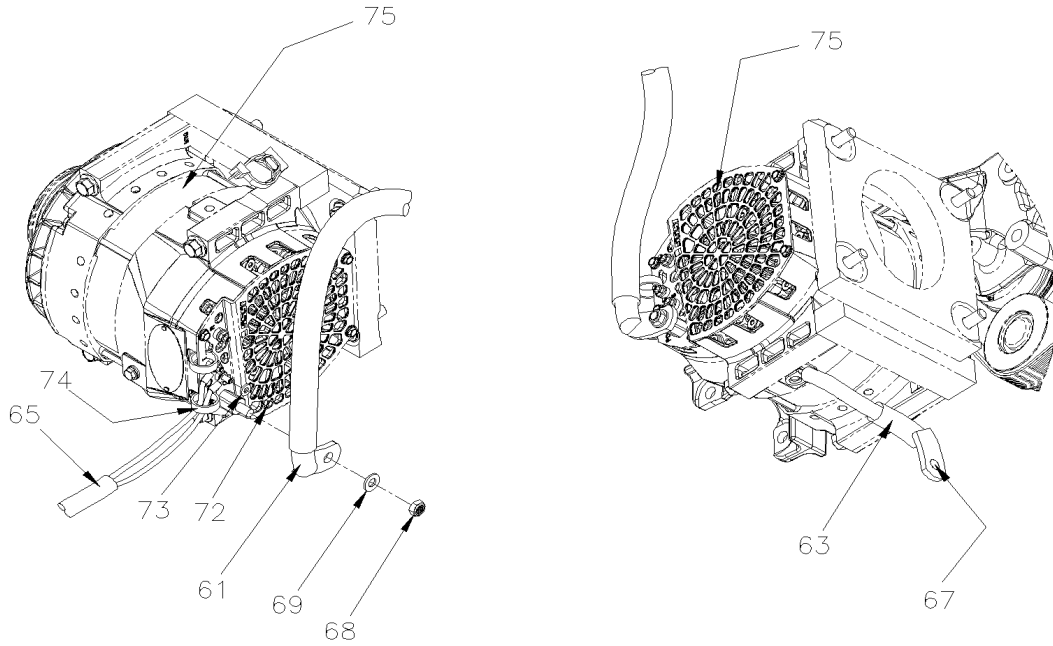
From H-6180

Date:01/2024

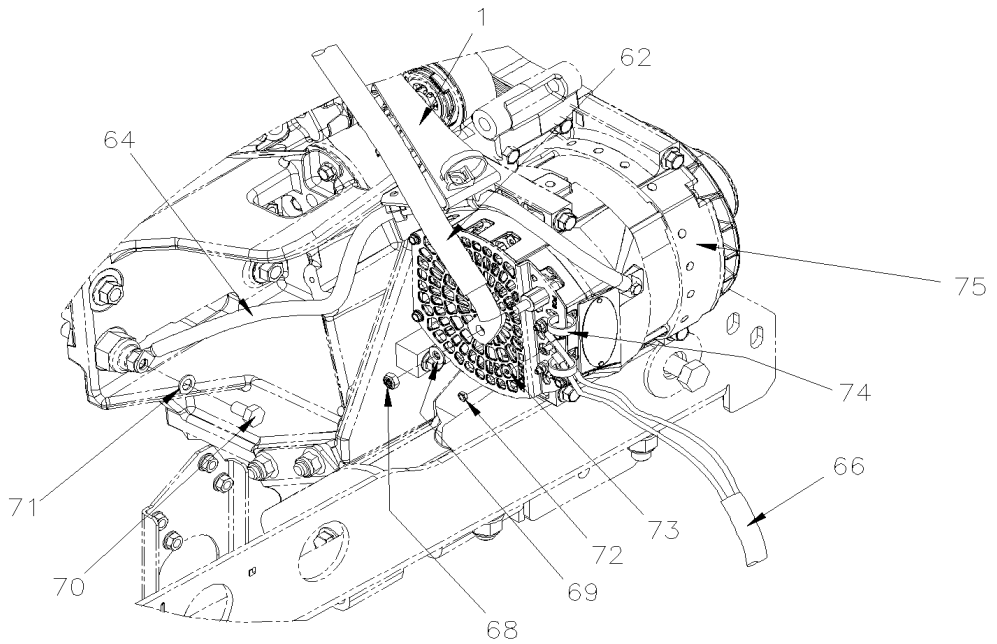
PAGE:X3-0100-08

ENGINE WIRING HARNESS - INSTALLATION WITH VOLVO D13 - GHG17

CURBSIDE WITH REMY



STREET SIDE WITH REMY



From H-6180		Date:01/2024	PAGE:X3-0100-08
ENGINE WIRING HARNESS - INSTALLATION WITH VOLVO D13 - GHG17			

Item#	Part	Description	QTY	Notes
1	012949	SUPPORT, ALTERNATOR HARNESS / LH To K-6439	1	
1	010036	SUPPORT, ALTERNATOR HARNESS / LH From K-6440	1	
1	010092	SUPPORT, ALTERNATOR HARNESS / LH W/REMY From K-6404 To M-6665	1	A
1	010297	SUPPORT, ALTERNATOR HARNESS / LH W/REMY From M-6666	1	A
NS	509490	ATTACHMENT DOUBLE USE WITH CABLE TIE	5	
NS	504610	RIVET MGLP PRDG 1/4x5/8 SS	5	
NS	504013	TIE MOUNT / 1/4" X 1/4" I.D.	AR	
NS	509815	TIE MOUNT / ATTACHMENT W/TREE MOUNT	1	
NS	5001780	SCREW CAP HEXF M8-1.25x16 G8.8 N500	3	
NS	504187	CLAMP P SS PA 19.4-36 ID From M-6666	1	
2	5001729	SCREW CAP HEXF M10-1.5x16 G8.8 N500	1	
3	504016	CABLE TIE / 5/16" X 14"1/2 To L-6494	AR	
3	5040100	CABLE TIE /OUTSIDE SERRATED 5/16" X 14"1/2 From L-6495	AR	
4	069511	HARNESS ALT. BOSCH LEFT HAND SIDE	1	
NS	5001341	WASHER FL 8.4x17.0x1.6 SS	1	
NS	060297	ADAPTOR STUD M8 Male x M8 Female + FLANGE M8-1.25 x 18MM SS	AR	
NS	5001983	NUT HEX NYRT M8-1.25 SS SS BK	AR	
5	069537	HARNESS BATTERY TO ALTERNATOR LH	1	
6	069517	HARNESS ALT 102A	1	
NS	060297	ADAPTOR STUD M8 Male x M8 Female + FLANGE M8-1.25 x 18MM SS	AR	
NS	5001983	NUT HEX NYRT M8-1.25 SS SS BK	AR	
7	060088	HARNESS ALT. BOSCH RIGHT HAND SIDE	1	
8	060264	HARNESS ALTERNATOR GROUND BODY	2	
NS	5001341	WASHER FL 8.4x17.0x1.6 SS To K-6439	2	
NS	560811	WASHER, ELECTRICAL CONDUCTOR M8/5/16 From K-6440	2	
NS	5001182	NUT HEX NYRT M6-1.0 SS	2	
NS	502573	WASHER FL 6.4x12.5x1.6 SS	2	
9	060265	HARNESS, POWER ALT_JUMPER	1	
NS	5001341	WASHER FL 8.4x17.0x1.6 SS	1	
NS	5001182	NUT HEX NYRT M6-1.0 SS	1	
NS	5001787	NUT HEX NYRT M8-1.25 SS	1	
10	068541	SUPPORT CABLE GROUND ALTERNATOR	1	
11	060306	CABLE GROUND MOTOR TO BODY	1	
NS	500958	WASHER FL .531x1.062x.095 SS	2	
NS	5002001	NUT HEX NYRT 1/2-13 SS BK	2	
12	502804	SCREW CAP HEX M10-1.5x25 G8.8 N500	AR	
13	500270	WASHER FL .406x1.000x.063 SS	AR	
14	069518	CABLE EXTENTION ASSY/ STARTER 101	1	
15	069515	HARNESS STARTER RELAY MELCO	1	
NS	502817	SCREW MA PAN PH M6-1.0x16 N500	1	
16	069504	HARNESS LH GROUND ALTERNATOR	1	
17	060040	CABLE ASSY / WITH "ALISSON" TRANSMISSION To J-6244	1	

From H-6180	Date:01/2024	PAGE:X3-0100-08
ENGINE WIRING HARNESS - INSTALLATION WITH VOLVO D13 - GHG17		

Item#	Part	Description	QTY	Notes
17	061434	CABLE ASSY / WITH "ALISSON" TRANSMISSION From J-6245 To N-6738	1	
17	0610557	CABLE ASSY / WITH "ALISSON" TRANSMISSION From N-6739	1	
17	060118	CABLE ASSY / WITH "I-SHIFT" TRANSMISSION To J-6244	1	
17	061475	CABLE ASSY / WITH "I-SHIFT" TRANSMISSION From J-6245 To N-6738	1	
17	0610558	CABLE ASSY / WITH "I-SHIFT" TRANSMISSION From N-6739	1	
20	069471	FEED THRU / ENGINE CABLE	1	
NS	504637	CABLE TIE / 3/16" x 13"	AR	
21	069472	SEAL RUBBER NITRILE 1/8" 60-70 DURO	1	
22	504499	CUFF END BELLOW / 2 7/8" I.D. x 3 5/8" x 4 7/16	1	
NS	5001866	SCREW CAP HEX M12-1.75x30 G10.9 N500	2	
NS	500967	WASHER BEL SPR .512x1.142x.098 N500	2	
23	019227	SUPPORT CABLE STARTOR MOTOR	1	
NS	504637	CABLE TIE / 3/16" x 13"	AR	
24	012946	SUPPORT, REAR HARNESS	1	
24A	5001780	SCREW CAP HEXF M8-1.25x16 G8.8 N500	1	
24B	5001307	SCREW CAP HEXF M10-1.5x20 8.8 N500	1	
25	507664	CABLE TIE / 3/16" 11" / DOUBLE LOOP HEAD	33	
26	069062	CABLE THERMO DETECTOR (LINEAR FIRE CABLE) / 1.6M / 168C/180C // 334F/356F	1	
30	012953	BRACKET ENGINE HARNESS	1	
NS	504637	CABLE TIE / 3/16" x 13"	AR	
NS	5001780	SCREW CAP HEXF M8-1.25x16 G8.8 N500	2	
31	012951	MAIN SUPPORT ENGINE HARNESS	1	
NS	509815	TIE MOUNT / ATTACHMENT W/TREE MOUNT	1	
NS	5001780	SCREW CAP HEXF M8-1.25x16 G8.8 N500	3	
32	504013	TIE MOUNT / 1/4" X 1/4" I.D.	AR	
NS	504379	RIVET POP DOME OE 3/16x1/4 SS	AR	
NS	5001935	WASHER FL 10.5x18.0x1.6 SS	1	
NS	502719	SCREW CAP HEX M10-1.5x20 SS EMN	1	
NS	5001182	NUT HEX NYRT M6-1.0 SS	1	
NS	502573	WASHER FL 6.4x12.5x1.6 SS	1	
NS	504013	TIE MOUNT / 1/4" X 1/4" I.D.	1	
NS	502817	SCREW MA PAN PH M6-1.0x16 N500	1	
36	060307	HARNESS GND STRARTER TO BODY	1	
NS	502804	SCREW CAP HEX M10-1.5x25 G8.8 N500	1	
40	060308	CABLE NEG HEATER ELEMENT	1	
41	069516	CABLE HEATER ELEMENT RELAY	1	
42	5001341	WASHER FL 8.4x17.0x1.6 SS To K-6439	2	
42	560811	WASHER, ELECTRICAL CONDUCTOR M8/5/16 From K-6440	2	
43	5001787	NUT HEX NYRT M8-1.25 SS	2	
NS	504768	CABLE TIE / 3/16" 14.7" / DOUBLE LOOP HEAD	AR	
50	X3-0610-07	ALTERNATOR MOUNTING / "BOSCH" VOLVO D13 - GHG17		
61	0610030	HARNESS, ALTERNATOR BATTERY / CURBSIDE From K-6404	1	A

From H-6180		Date:01/2024	PAGE:X3-0100-08
ENGINE WIRING HARNESS - INSTALLATION WITH VOLVO D13 - GHG17			

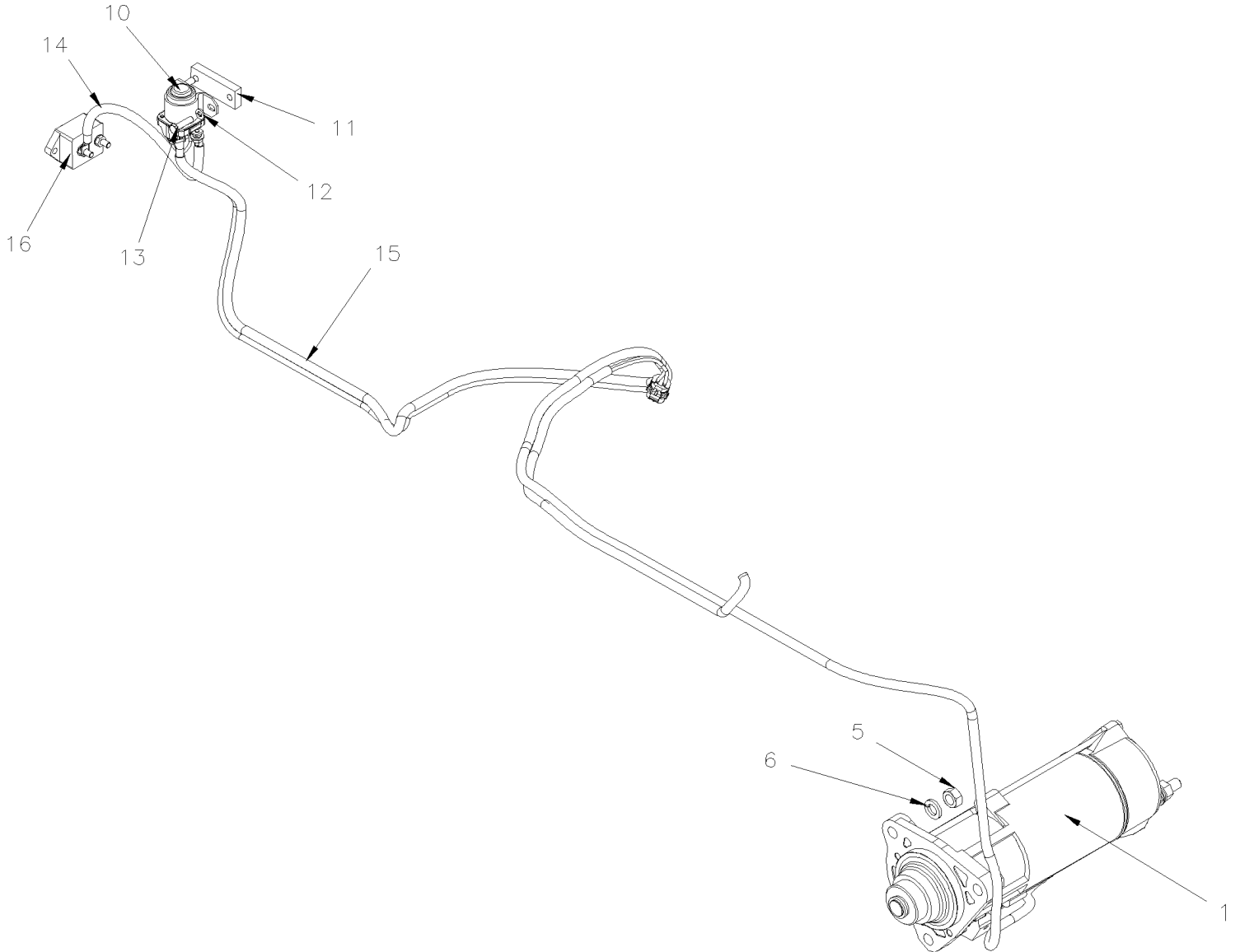
Item#	Part	Description	QTY	Notes
62	0610031	HARNESS, ALTERNATOR BATTERY / STREET SIDE From K-6404	1	A
63	0610034	HARNESS, ALTERNATOR CHASSIS GROUND / CURBSIDE From K-6404	1	A
64	0610035	HARNESS, ALTERNATOR CHASSIS GROUND / STREET SIDE From K-6404	1	A
65	0610036	HARNESS, ALTERNATOR CONTROL / CURBSIDE From K-6404 To L-6592	1	A
65	0610315	HARNESS, ALTERNATOR CONTROL / CURBSIDE From L-6593 To P-6878	1	A
65	0610600	HARNESS, ALTERNATOR CONTROL / CURBSIDE From P-6879	1	A
66	0610037	HARNESS, ALTERNATOR CONTROL / STREET SIDE From K-6404 To L-6592	1	A
66	0610324	HARNESS, ALTERNATOR CONTROL / STREET SIDE From L-6593 To P-6878	1	A
66	0610601	HARNESS, ALTERNATOR CONTROL / STREET SIDE From P-6879	1	A
67	502804	SCREW CAP HEX M10-1.5x25 G8.8 N500 From K-6404	1	A
67	500270	WASHER FL .406x1.000x.063 SS From K-6404	1	A
68	5002097	NUT HEX NYRT THN 5/16-18 SS From K-6404	2	A
69	5001341	WASHER FL 8.4x17.0x1.6 SS From K-6404	2	A
70	502719	SCREW CAP HEX M10-1.5x20 SS EMN From K-6404	1	A
71	5001935	WASHER FL 10.5x18.0x1.6 SS From K-6404	1	A
72	5001180	NUT HEX NYRT #10-24 SS From K-6404 To P-6878	6	A
72	684013	RUBBER PROTECTOR / COLOR GUARD 14.5oz From K-6404	AR	A
73	5001137	WASHER FL .203x.438x.050 SS From K-6404 To P-6878	6	A
74	504016	CABLE TIE / 5/16" X 14"1/2 From K-6404	AR	A
75	X3-0605-10	ALTERNATOR 24V/250 AMPS / "REMY" From K-6404 To P-6878		A
75	X3-0605-11	ALTERNATOR 24V/250 AMPS / "REMY" From P-6879		A
75	X3-0610-15	ALTERNATOR MOUNTING / "REMY" VOLVO D13 From K-6404	1	A
		A) WITH REMY ALTERNATOR		

From 7-8754

Date:01/2024

PAGE:X3-0100-10

STARTER - INSTALLATION

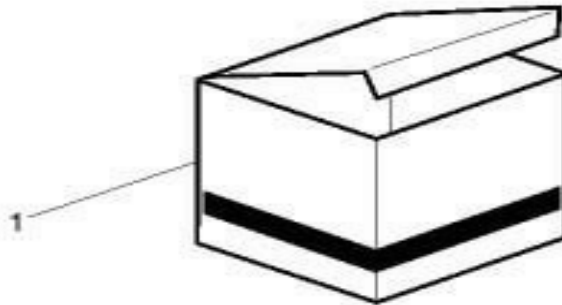


From 7-8754		Date:01/2024	PAGE:X3-0100-10
-------------	--	--------------	-----------------

STARTER - INSTALLATION

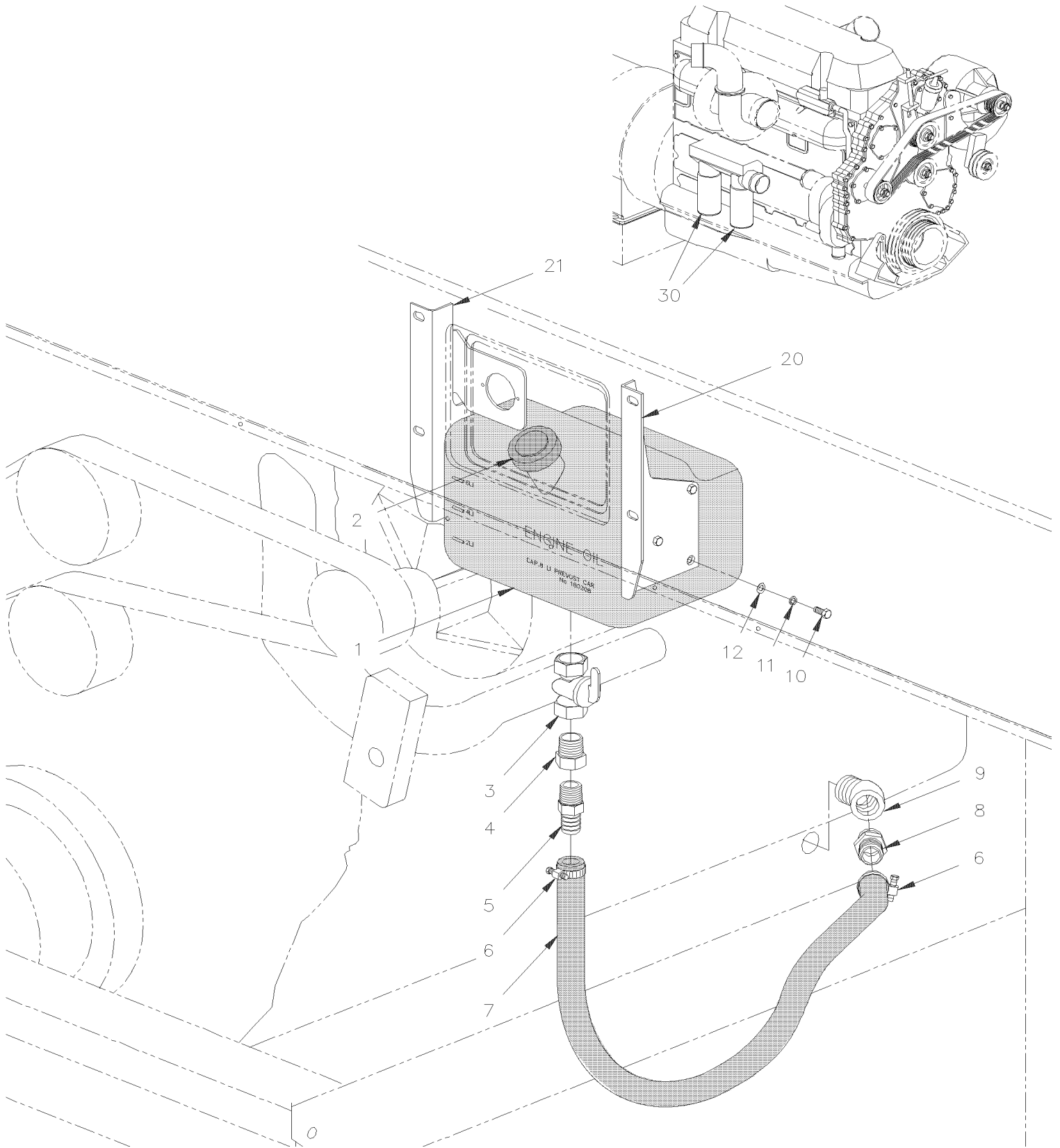
Item#	Part	Description	QTY	Notes
1	510004	STARTER MOTOR / W/RELAY To 9-9607	1	
. NS	510011	. RELAY KIT To 9-9607	1	
. NS	510015	. SOLENOID KIT To 9-9607	1	
1	510005	STARTER MOTOR, W/O RELAY 24V / W/"DETROIT" ENG From 9-9608 To B-5001	1	
1	20982072	STARTER MOTOR / "MELCO" / "MITSUBISHI" 105PT From 8-9457 To 9-9607	1	D13
. NS	510888	. SOLENOID KIT From 8-9457 To 9-9607	1	D13
. . NS	IS752SOL	. . INSTRUCTION SHEET / SOLENOID REPLACEMENT From 8-9457 To 9-9607	1	D13
. NS	510889	. SMALL STARTOR RELAY KIT / WITH CABLES From 8-9457 To 9-9607	1	D13
. . NS	564095	. . SMALL STARTOR RELAY From 8-9457 To 9-9607	1	D13
. . NS	IS752MAG	. . INSTRUCTION SHEET / MAGNETIC SWITCH REPLACEMENT From 8-9457 To 9-9607	1	D13
1	21212425	VOLVO STARTER 24V, MELCO WITHOUT RELAY TB-129577391-1 From 9-9608 To J-6272	1	D13
1	22807202	VOLVO STARTER 24V, MELCO WITHOUT RELAY From J-6273 To £-22051	1	D13
1	7775270	VOLVO STARTER 24V, MELCO WITHOUT RELAY From £-22051	1	
5	5001668	SCREW CB 12POINT 5/8-11x2 1/4	3	
NS	971072	NUT HEX M12-1.75 ZG603 From 8-9457	3	D13
6	502884	WASHER LO SPT 16.2x27.4x3.5 N500	3	
6	500482	WASHER LO SPT .506x.873x.125 Z050 From 8-9457	3	D13
10	564095	SMALL STARTOR RELAY From 9-9608 To £-22051	1	
10	564398	SMALL STARTOR RELAY From £-22051	1	
11	067335	SPACER / PLASTIC / RELAY / STARTOR MELCO From 9-9608	1	
12	502584	WASHER LO SERR 8.2x26.3x1.8 Z050 From 9-9608	2	
12	504357	WASHER FL .187x.437x.050 SS From 9-9608	2	
13	5001182	NUT HEX NYRT M6-1.0 SS From 9-9608	2	
14	067329	CABLE ASSY / RELAY & BREAKER From 9-9608	1	
15	067360	CABLE ASSY / RELAY & STARTER From 9-9608	1	
15	067337	CABLE EXTENTION ASSY / STARTER W/D13 From 9-9608	1	D13
15	067328	CABLE ASSY / STARTOR "MELCO" X3 W/D13 From 9-9608	1	D13
15	502817	SCREW MA PAN PH M6-1.0x16 N500 From 9-9608	1	
15	504013	TIE MOUNT / 1/4" X 1/4" I.D. From 9-9608	1	
15	504637	CABLE TIE / 3/16" x 13" From 9-9608	1	
16	562683	BREAKER 90AMPS / 24V / To E-5525	1	
16	565137	BREAKER 90AMPS / 24V / W/O HARDWARE From E-5526	1	
NS	5001924	NUT HEX NYRT THN 1/4-28 SS From E-5526	2	
NS	502573	WASHER FL 6.4x12.5x1.6 SS From E-5526	2	
		D13) WITH VOLVO ENGINE D13		

From 9-9608 To J-6272	Date:01/2024	PAGE:21212425
VOLVO STARTER 24V, MELCO WITHOUT RELAY TB-129577391-1		



From 9-9608 To J-6272		Date:01/2024	PAGE:21212425	
VOLVO STARTER 24V, MELCO WITHOUT RELAY TB-129577391-1				
Item#	Part	Description	QTY	Notes
1	85125992	KIT	1	

ENGINE OIL RESERVOIR - PLASTIC

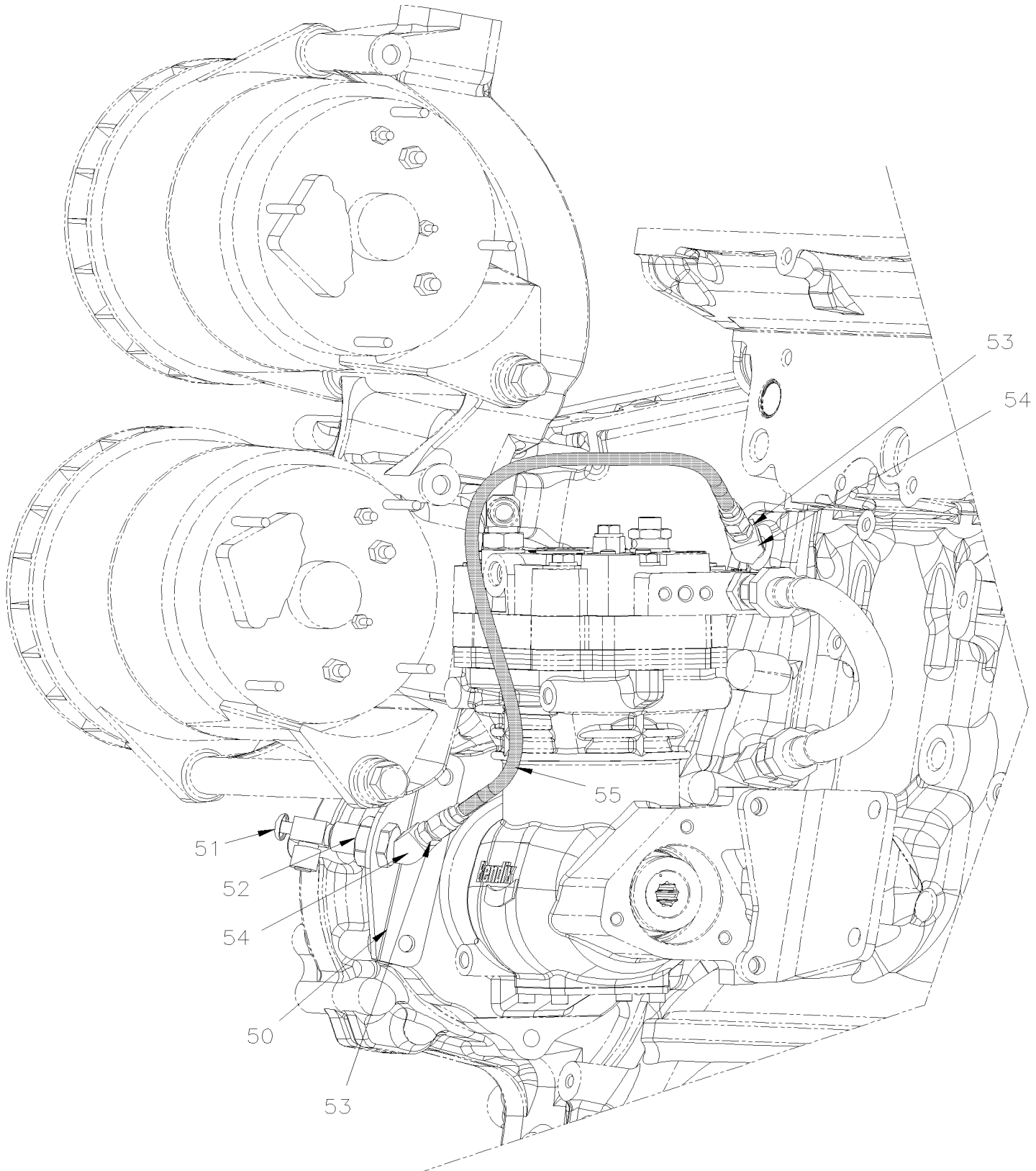


From 7-8754 To B-5001

Date:01/2024

PAGE:X3-0105-00

ENGINE OIL RESERVOIR - PLASTIC



From 7-8754 To B-5001	Date:01/2024	PAGE:X3-0105-00
ENGINE OIL RESERVOIR - PLASTIC		

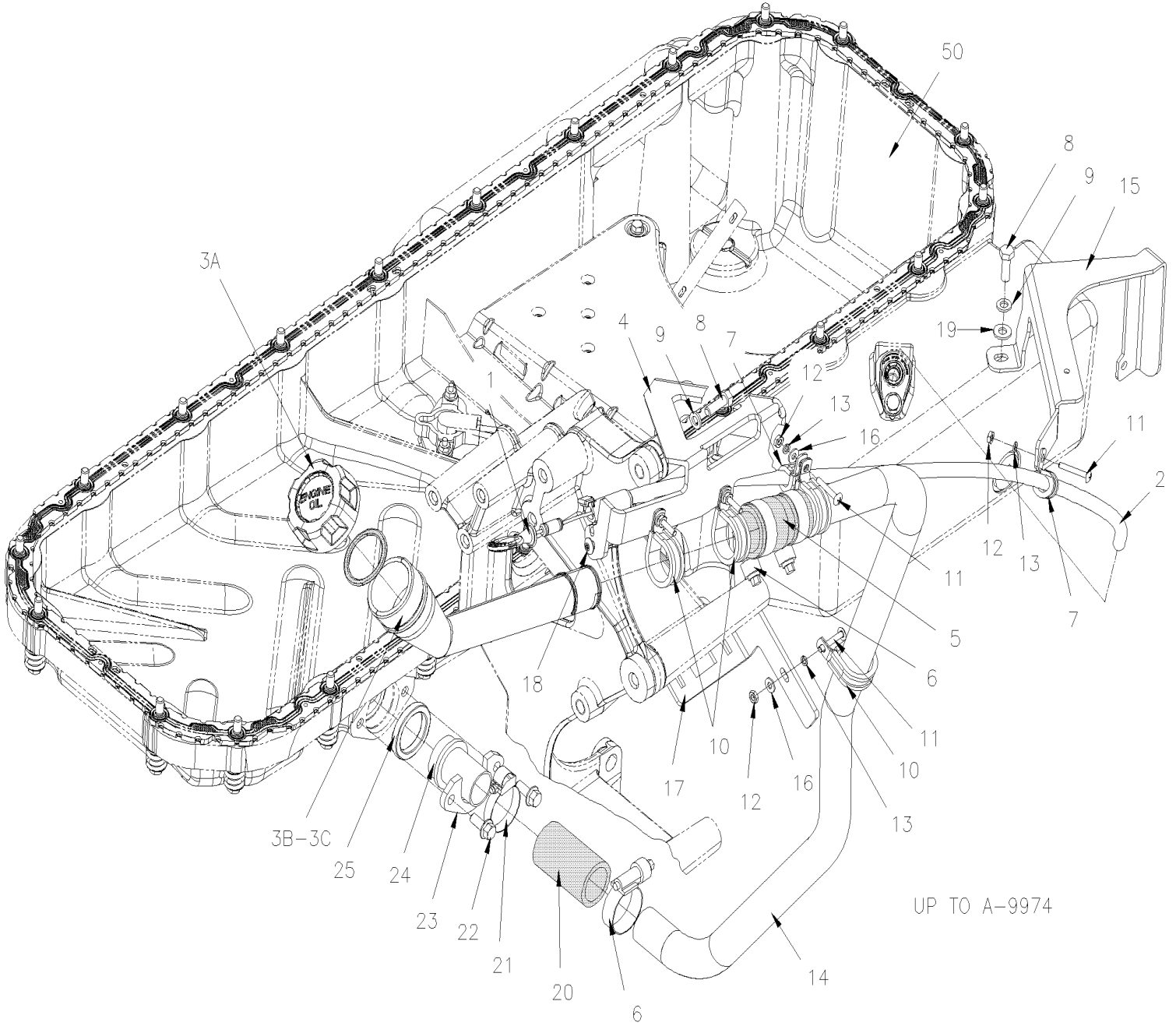
Item#	Part	Description	QTY	Notes
1	180208	TANK OIL	1	
2	683477	CAP	1	
3	5011045	VALVE 3/4"	1	
4	501462	BUSHING REDUCER / PIPE FITTING / 3/4NPT-Mx1/2NPT-F BR	1	
5	507605	MALE CONNECTOR / HOSE BARB FITTING / #12x1/2NPT-M BR	1	
6	504021	HOSE CLAMP / 11/16"-1"1/2 SS / HS-16	2	
7	180196	HOSE #12 1853MM	1	
7	503547	. HOSE / RUBBER #12 / S.L.	AR	
8	507605	MALE CONNECTOR / HOSE BARB FITTING / #12x1/2NPT-M BR	1	
9	5011011	MALE ELBOW 90° / JIC 37° FITTING / #4JIC-Mx#6ORB-M STL	1	
10	955271	SCREW CAP HEX M6-1.0x16 G8.8 ZG603	6	
11	500411	WASHER FL .260x.697x.050 SS	6	
11	012182	DECAL "OIL SPEC" 15W/40 / ENGLISH & FRANCAIS To 7-9276	1	
11	012261	DECAL "OIL SPEC" 15W/40 / ENGLISH & SPANISH To 7-9276	1	
11	012399	DECAL "OIL SPEC" 15W/40 / ENGLISH & FRANCAIS From 7-9277 To B-5001	1	
11	012400	DECAL "OIL SPEC" 15W/40 / ENGLISH & SPANISH From 7-9277 To B-5001	1	
11	012702	DECAL "OIL SPEC" 10W/40 / ENGLISH & FRANCAIS / SPANISH From B-5002	AR	
12	502564	WASHER LO SPT 6.1x11.8x1.6 Z050	6	
20	180239	SUPPORT L.H. / OIL RESERVOIR	1	
21	180240	SUPPORT R.H. / OIL RESERVOIR	1	
21	502862	SCREW CAP HEX M8-1.25x20 G8.8 N500	4	A
21	502889	WASHER LO SPT 8.1x12.7x2.0 N500	4	A
21	192288	WASHER FL 8.4x18.0x2.0 ZG603	4	A
30	510458	OIL FILTER, CARTRIDGE / PF-2100 / ENGINE / W/SERIES 60	2	
NS	478736	OIL FILTER (LONG LIFE) From 8-9457	2	D13
NS	V477556	OIL FILTER / W/BY-PASS SEE PREV # 510938 From 8-9457	1	D13
30	510938	OIL FILTER / W/BY-PASS From 8-9457	1	D13
		FOLLOWING PARTS ARE RELATED WITH		
		OIL VALVE FOR OIL SAMPLE ACCESS "OPTION"		
50	012540	SUPPORT VALVE	1	
51	510841	VALVE ASSY	1	
52	501711	BULKHEAD COUPLING / PIPE FITTING / 1/4NPT-Fx1/4NPT-Fx1 1/2 BR	1	
53	501027	MALE CONNECTOR / SAE 45° FITTING / #4FL-Mx1/4NPT-M BR	2	
54	501329	STREET ELBOW 45° / PIPE FITTING / 1/4NPT-Mx1/4NPT-F BR	2	
55	012541	HOSE ASSY TEFLON #4 457MM	1	
		A) TO FIX AT STRUCTURE		
		D13) WITH "VOLVO" ENGINE		

From 8-9457

Date:01/2024

PAGE:X3-0105-05

ENGINE OIL FILLER CAP & DIPSTICK WITH VOLVO D13

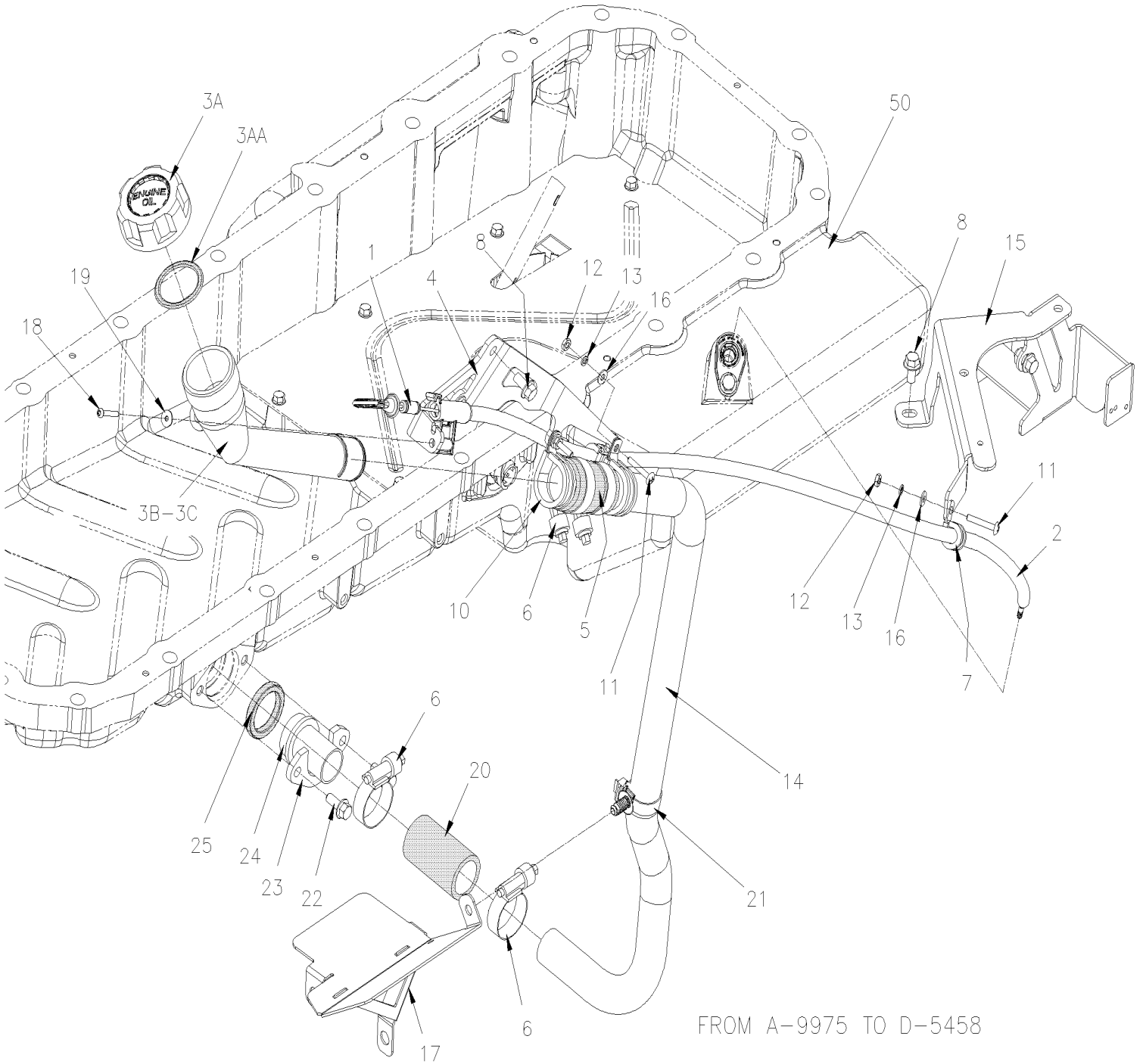


From 8-9457

Date:01/2024

PAGE:X3-0105-05

ENGINE OIL FILLER CAP & DIPSTICK WITH VOLVO D13



3A
3AA

50

8

15

19

1

4

8

12

13

16

18

3B-3C

10

6

5

12

13

16

11

2

11

14

7

25

24

23

22

6

20

11

21

17

6

FROM A-9975 TO D-5458

From 8-9457		Date:01/2024	PAGE:X3-0105-05
-------------	--	--------------	-----------------

ENGINE OIL FILLER CAP & DIPSTICK WITH VOLVO D13

Item#	Part	Description	QTY	Notes
1	012565	DIPSTICK ASSY / ENGINE OIL / W/D13 1360MM To B-5001	1	A
1	012565	DIPSTICK ASSY / ENGINE OIL / W/D13 1360MM From B-5002 To C-5132	1	B
1	012714	DIPSTICK ASSY / ENGINE OIL / W/D13 1350MM From C-5133 To D-5404	1	
1	012801	DIPSTICK ASSY / TUBE AND DIPSTICK From D-5405 To E-5458	1	
1	012800	. DIPSTICK ASSY / ENGINE OIL / W/D13 1374MM From D-5405 To E-5458	1	
1	012807	DIPSTICK ASSY / TUBE AND DIPSTICK To B-5001	1	S
1	012806	. DIPSTICK ASSY / ENGINE OIL / W/D13 1394MM To B-5001	1	S
1	012801	DIPSTICK ASSY / TUBE AND DIPSTICK From B-5002 To D-5404	1	R
1	012800	. DIPSTICK ASSY / ENGINE OIL / W/D13 1374MM From B-5002 To D-5404	1	R
1	015998	DIPSTICK & TUBE ASSY From E-5459 To N-6738	1	
1	010348	DIPSTICK & TUBE ASSY From N-6739	1	
1	015997	. DIPSTICK ASSY / ENGINE OIL / W/D13 1362MM From E-5459	1	
2	012542	TUBE OIL DIPSTICK W/D13 1270MM To B-5001	1	A
2	012542	TUBE OIL DIPSTICK W/D13 1270MM From B-5002 To D-5404	1	B
2	012799	TUBE OIL DIPSTICK W/D13 1290MM From D-5405 To E-5458	1	
2	015996	TUBE OIL DIPSTICK W/D13 1276MM From E-5459 To N-6738	1	
2	010347	. TUBE OIL DIPSTICK W/D13 1362MM From N-6739	1	
2	012805	. TUBE OIL DIPSTICK W/D13 1290MM To B-5001	1	S
2	012799	. TUBE OIL DIPSTICK W/D13 1290MM From B-5002 To D-5404	1	R
2	5001750	WASHER FL 4.3x14.0x1.0 N500 To D-5404	1	R S
2	5001793	SCREW TP M4.2 x 30 N500 To D-5404	1	R S
3	20808092	OIL FILLER NECK To F-5832	1	
. A	20807510	. OIL CAP / WITH GASKET To F-5832	1	
. . A	20365079	. . GASKET OIL CAP To F-5832	1	
. B	8149891	. OIL NECK / PIPE FILLER To F-5832	1	
. C	943361	. SPACER WASHER 6.5 X 12 X 4 To F-5832	1	
3	22281824	OIL FILLER NECK TB-133887958-1 From F-5833 To P-6905	1	
. A	20807510	. OIL CAP / WITH GASKET From F-5833 To P-6905	1	
. . A	20365079	. . GASKET OIL CAP From F-5833 To P-6905	1	
. B	22281825	. OIL NECK / PIPE FILLER From F-5833 To P-6905	1	
. C	943361	. SPACER WASHER 6.5 X 12 X 4 From F-5833 To P-6905	1	
. NS	8149895	. SUPPORT RING From F-5833 To P-6905	1	
3	23512202	OIL FILLER NECK From P-6906	1	
. B	23811819	. OIL NECK / PIPE FILLER From P-6906	1	
4	012473	SUPPORT DIPSTICK & FILLER NECK To A-9974	1	
4	012634	SUPPORT DIPSTICK & FILLER NECK From A-9975 To D-5458		
4	015992	SUPPORT DIPSTICK & FILLER NECK From E-5459 To F-5759	1	
4	012882	SUPPORT DIPSTICK & FILLER NECK From F-5760	1	
5	3034195	RACCORD COUPLING	1	
6	504657	HOSE CLAMP / 1"1/16-2" C.T. 9424 To A-9974	3	
6	504657	HOSE CLAMP / 1"1/16-2" C.T. 9424 From A-9975 To D-5404	4	
6	504783	HOSE CLAMP / 1"1/16-2" SS / C.T. W.S. From D-5405 To E-5759	4	

From 8-9457		Date:01/2024	PAGE:X3-0105-05
ENGINE OIL FILLER CAP & DIPSTICK WITH VOLVO D13			

Item#	Part	Description	QTY	Notes
6	992086	HOSE CLAMP / 32MM/52MM From F-5760	4	
7	952627	CLAMP / 1/2" I.D.	2	
8	955297	SCREW CAP HEX M8-1.25x25 G8.8 ZG603 To A-9974	2	
8	5001780	SCREW CAP HEXF M8-1.25x16 G8.8 N500 From A-9975	3	
8	680038	THREAD LOCKER LOCTITE #243 / BLUE / 50ml From A-9975	AR	
9	500942	WASHER LO SPT 8.1x14.8x2.0 N500 To A-9974	2	
10	952639	CLAMP / 1"1/4 I.D.	4	
11	500574	SCREW MA TR PH #10-24x1 1/4 SS To E-5651	5	
11	5001815	SCREW CAP HEXF M6-1.0x30 G 8.8 N500 From E-5652	3	
12	502882	NUT HEX #10-24 N500 To E-5651	5	
12	5001932	NUT HEXF NYRT M6-1.0 G8.8 N500 From E-5652	3	
13	500914	WASHER LO SPT .193x.334x.047 N500 To E-5651	5	
14	012472	OIL FILLER TUBE To A-9974	1	
14	012126	OIL FILLER TUBE From A-9975 To E-5458	1	
14	015991	OIL FILLER TUBE From E-5459 To E-5573	1	
14	010068	OIL FILLER TUBE STAINLESS STEEL From E-5459 To E-5573	1	
14	012835	OIL FILLER TUBE From E-5574 To H-6123	1	
14	010064	OIL FILLER TUBE STAINLESS STEEL From H-6124	1	
15	032758	SUPPORT FUEL LINE To B-5001	1	
15	032911	SUPPORT FUEL LINE From B-5002 To B-5074	1	
15	033185	SUPPORT FUEL LINE From B-5075 To E-5458	1	
15	033946	SUPPORT FUEL LINE From E-5459	1	
16	500804	WASHER FL .203x.500x.047 N500 To E-5651	4	
17	012475	SUPPORT OIL FILLERTUBE To A-9974	1	
17	067854	PROTECTION PLATE ASSY W/"VOLVO" ENGINE From A-9975 To E-5458	1	
17	015993	SUPPORT DIPSTICK From E-5459 To E-5573	1	
17	012833	SUPPORT DIPSTICK From E-5574 To H-6179	1	
17	010069	SUPPORT DIPSTICK From H-6180	1	
17	010127	SUPPORT DIPSTICK From K-6404	1	SP
17	500321	WASHER BEL SPR .331x.827x.098 N500	AR	
17	5001780	SCREW CAP HEXF M8-1.25x16 G8.8 N500	AR	
18	5001793	SCREW TP M4.2 x 30 N500 To D-5458	1	
18	502677	SCREW MA RND PH M4-0.7x25 SS From E-5459 To F-5759	1	
18	5001815	SCREW CAP HEXF M6-1.0x30 G 8.8 N500 From F-5760	1	
NS	5001544	WASHER LO EXT .195x.410x.025 SS To F-5759	1	
19	192288	WASHER FL 8.4x18.0x2.0 ZG603 To A-9974	1	
19	5001750	WASHER FL 4.3x14.0x1.0 N500 From A-9975 To E-5458	1	
19	5001750	WASHER FL 4.3x14.0x1.0 N500 From E-5459	2	
20	1136335	HOSE 31.75MM I.D. x 70MM To F-5878	1	
20	012933	HOSE 31.75MM I.D. x 70MM From F-5879	1	
21	980132	HOSE CLAMP To A-9974	1	
21	504750	CABLE TIE / 1/2" x 15" / CHRISTMAS TREE From A-9975	1	

From 8-9457		Date:01/2024	PAGE:X3-0105-05
ENGINE OIL FILLER CAP & DIPSTICK WITH VOLVO D13			

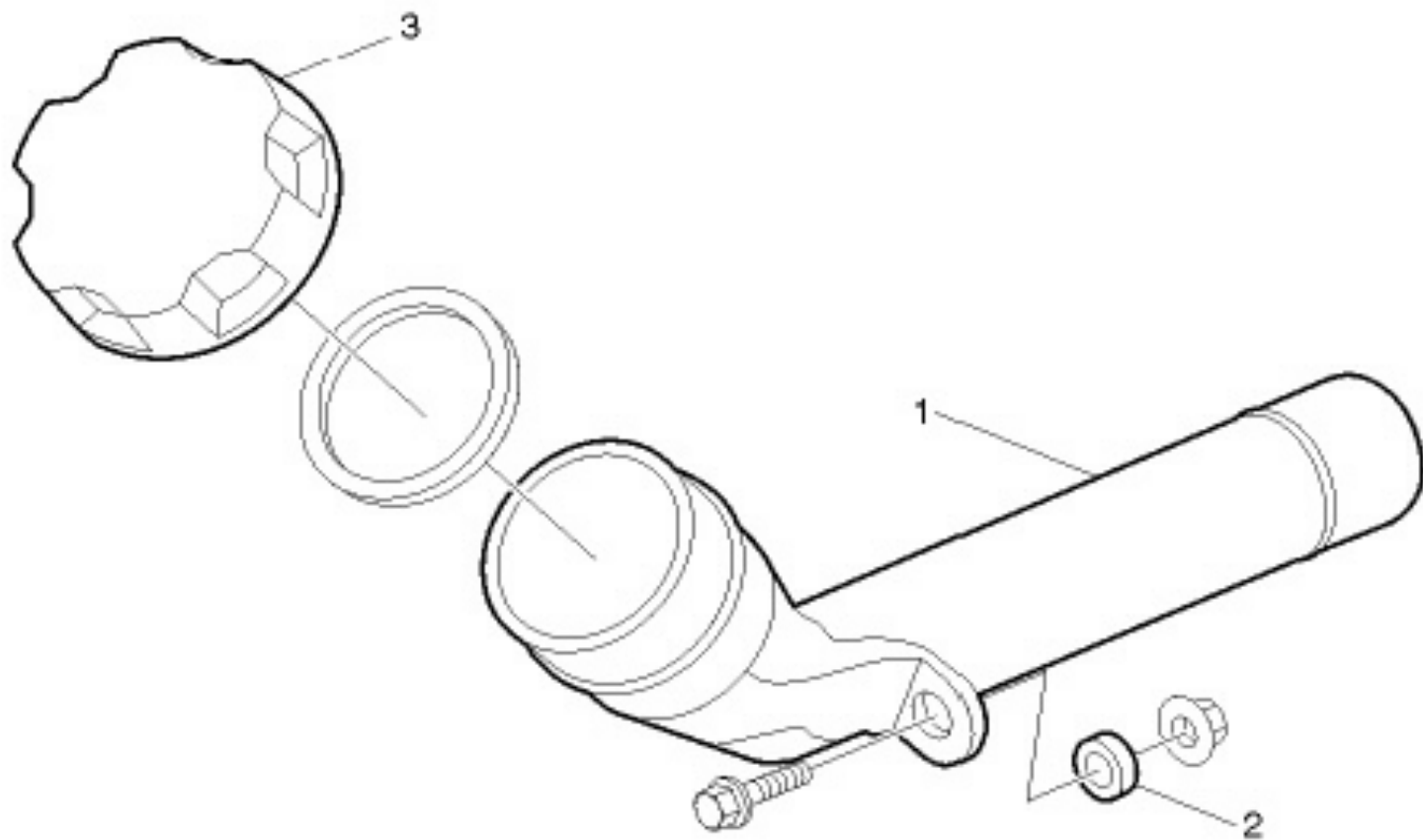
Item#	Part	Description	QTY	Notes
22	946173	SCREW CAP HEXF M8-1.25x20 To N-6691	2	
22	984734	SCREW CAP HEXF M8x20 From N-6692	2	
23	469950	FLANGE	1	
24	70329332	INLET PIPE To M-6659	1	
24	22676938	INLET PIPE From M-6660	1	
25	20555696	SEALING RING	1	
26	500414	SCREW TP BDG PH #10x3/4 SS From E-5459	1	
27	500539	NUT HEX NYRT M4-0.7 N500 From E-5459 To F-5759	1	
27	5001932	NUT HEXF NYRT M6-1.0 G8.8 N500 From F-5760	1	
28	507664	CABLE TIE / 3/16" 11" / DOUBLE LOOP HEAD From E-5459	1	
29	500574	SCREW MA TR PH #10-24x1 1/4 SS To E-5651	1	
29	502848	SCREW TC CAP HEXF 1/4-20x3/4 N500 From E-5652	1	
29		NEXT 5 ITEMS TO FIX OIL CAP	1	
NS	510973	CABLE SS 3/64" DIA. ASSY W/LOOP 8" LG x W/1" LOOP	1	
NS	502861	SCREW SHR HEXS 5/16x3/8 {1/4-20 N500	1	
NS	5001008	WASHER FL .218x.437x.062 RUB BK	1	
NS	502638	WASHER FL .312x.734x.065 N500	1	
NS	5001352	NUT HEX NYRT 1/4-20 SS	1	
50	Refer To Volvo	SEE IMPACT OR CALL ORDER DESK		V
		A) WHEN YOU REPLACE THE DIPSTICK USE #012807		
		B) WHEN YOU REPLACE THE DIPSTICK USE #012801		
		R) USE ONLY WITH EPA 2010		
		S) USE ONLY WITH EPA 2007		
		SP) WITH ALTERNATOR REMY		
		V) SEE IMPACT OR CALL ORDER DESK		

From F-5833 To P-6905

Date:01/2024

PAGE:22281824

OIL FILLER NECK TB-133887958-1



From F-5833 To P-6905		Date:01/2024	PAGE:22281824
-----------------------	--	--------------	---------------

OIL FILLER NECK TB-133887958-1

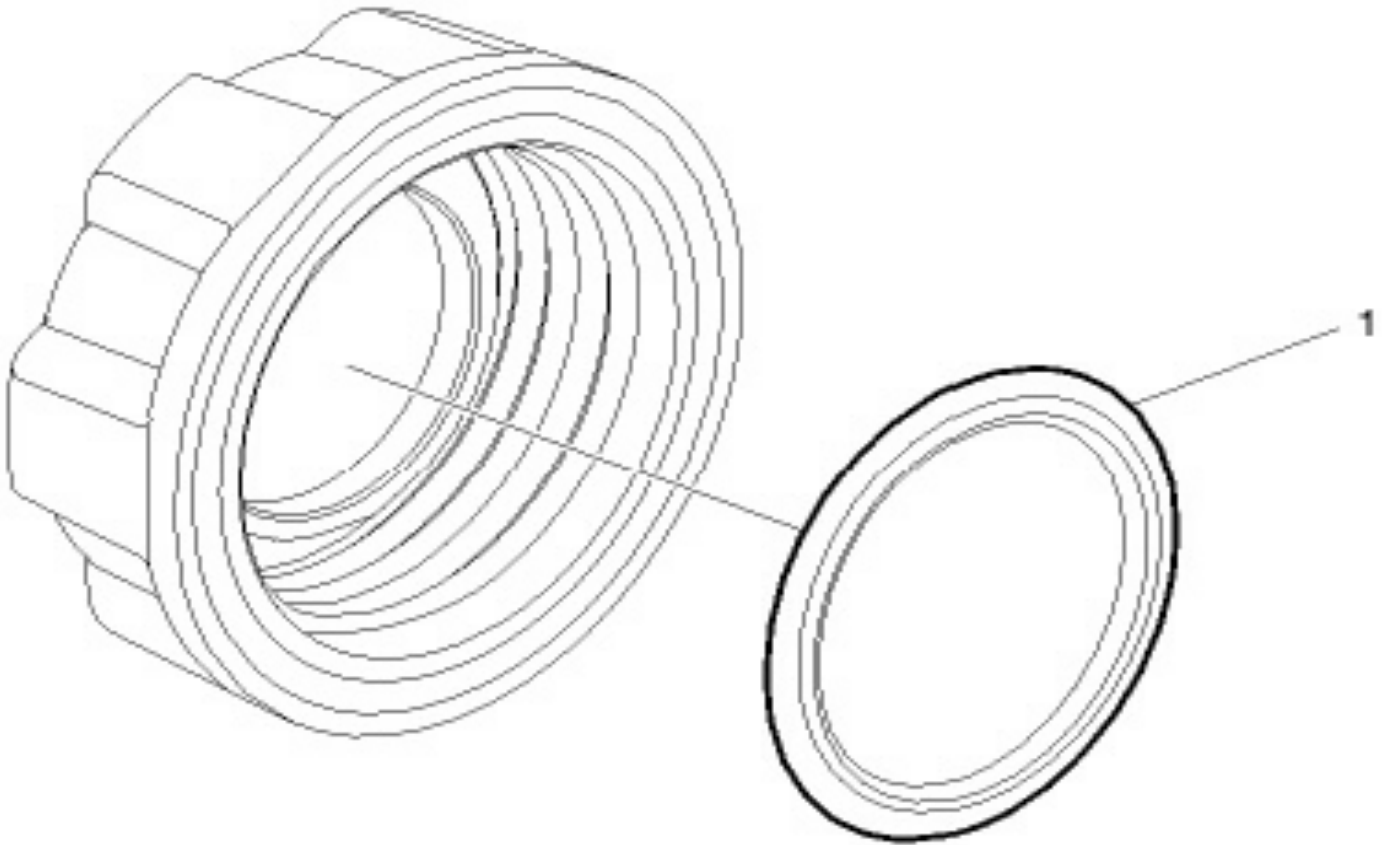
Item#	Part	Description	QTY	Notes
1	22281825	OIL NECK / PIPE FILLER	1	
2	60112502	SPACER WASHER	1	
3	20807510	OIL CAP / WITH GASKET	1	
.A	20365079	. GASKET OIL CAP	1	

From F-5833 To P-6905

Date:01/2024

PAGE:20807510

OIL CAP / WITH GASKET



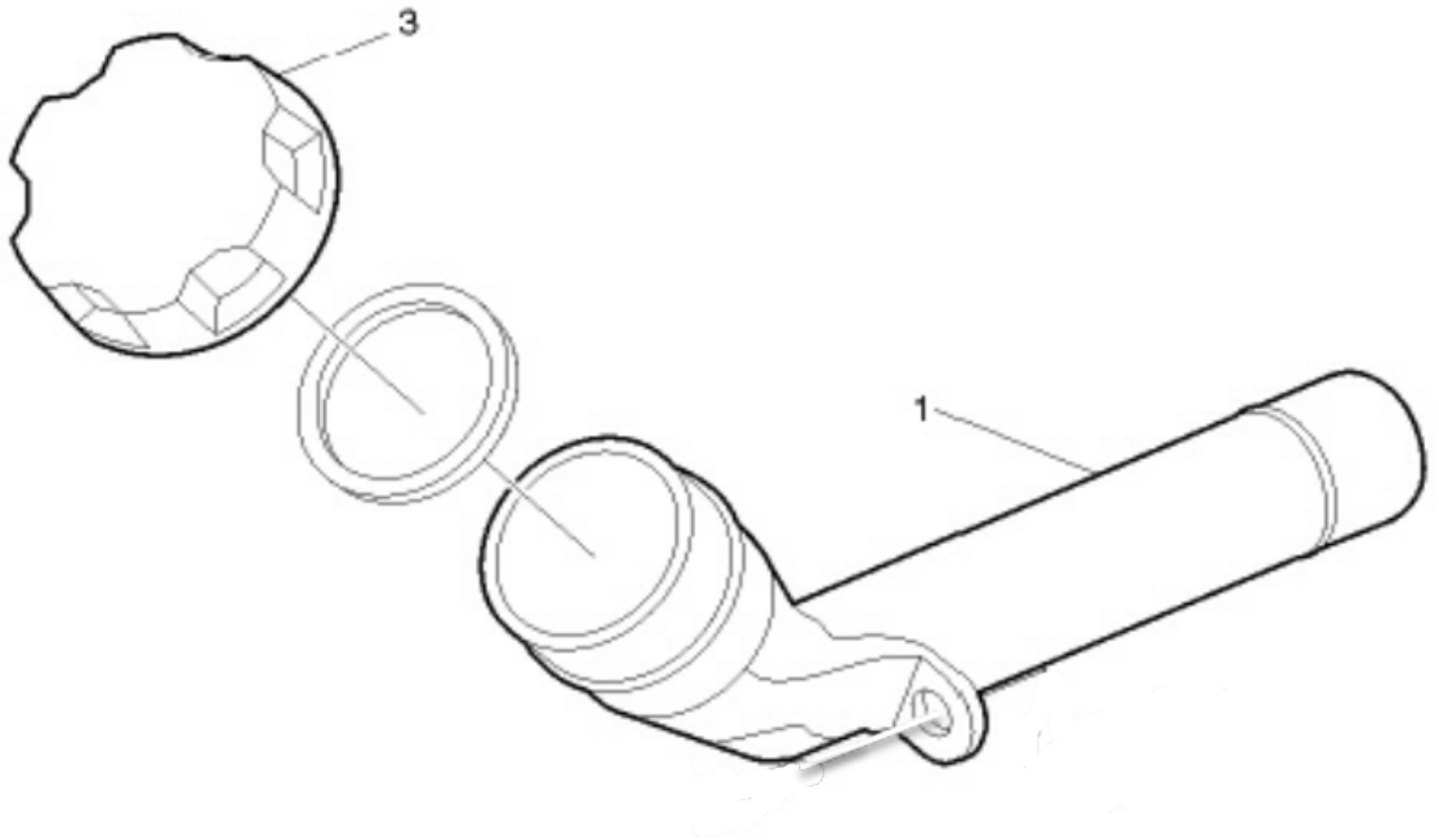
From F-5833 To P-6905		Date:01/2024	PAGE:20807510	
OIL CAP / WITH GASKET				
Item#	Part	Description	QTY	Notes
1	20365079	GASKET OIL CAP	1	

From P-6906

Date:01/2024

PAGE:23512202

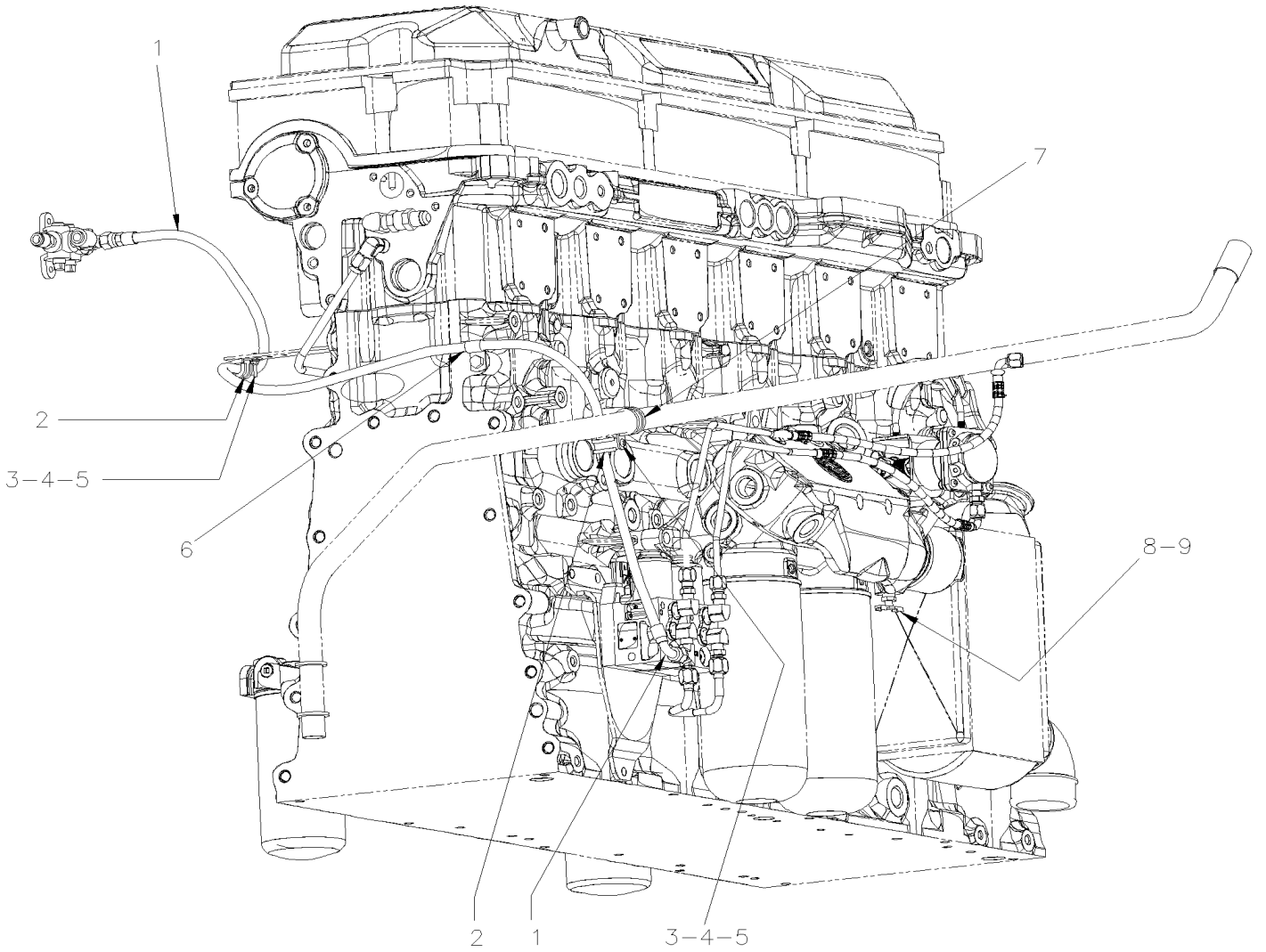
OIL FILLER NECK



From P-6906	Date:01/2024	PAGE:23512202
OIL FILLER NECK		

Item#	Part	Description	QTY	Notes
1	23811819	OIL NECK / PIPE FILLER	1	
3	20807510	OIL CAP / WITH GASKET	1	
.A	20365079	. GASKET OIL CAP	1	

VPODS HOSE INSTALLATION

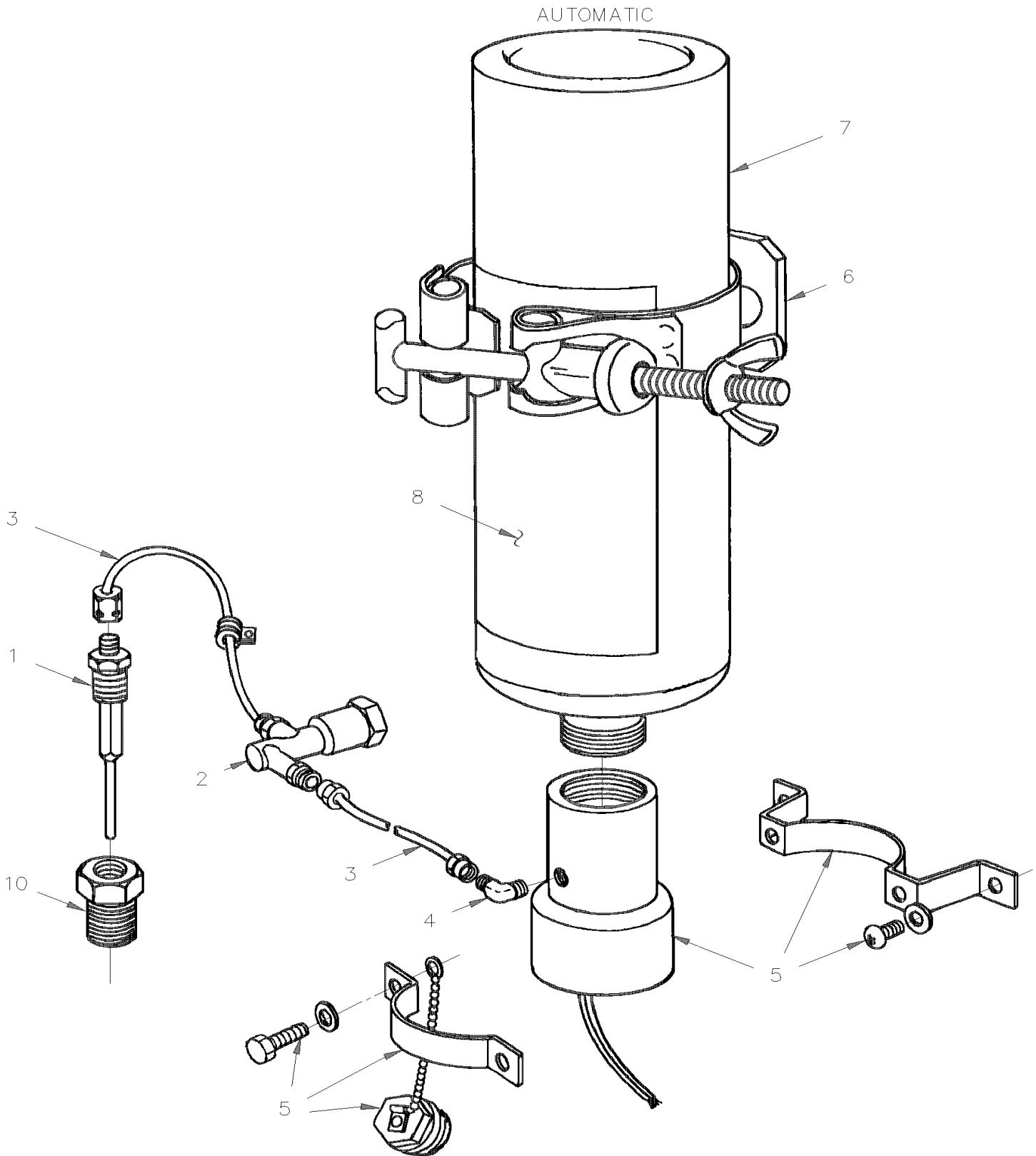


From 7-8754 To 8-9276	Date:01/2024	PAGE:X3-0115-00
-----------------------	--------------	-----------------

VPODS HOSE INSTALLATION

Item#	Part	Description	QTY	Notes
1	012245	HOSE ASSY TEFLON #6 1200MM	1	
2	952627	CLAMP / 1/2" I.D.	2	
3	502677	SCREW MA RND PH M4-0.7x25 SS	2	
4	500539	NUT HEX NYRT M4-0.7 N500	2	
5	500855	WASHER FL .188x.438x.049 N500	2	
6	952633	CLAMP / 7/8" I.D.	1	
7	504601	CLAMP / 5/16" I.D. x .375 HOLE	1	
8	501129	EXTERNAL SEAL DRAIN 1/4 NPT	1	
9	680098	THREAD SEALANT LOCTITE #567 / WHITE / 250ml	AR	

STARTING AID - INSTALLATION



From 7-8754 To 8-9276	Date:01/2024	PAGE:X3-0116-00
-----------------------	--------------	-----------------

STARTING AID - INSTALLATION

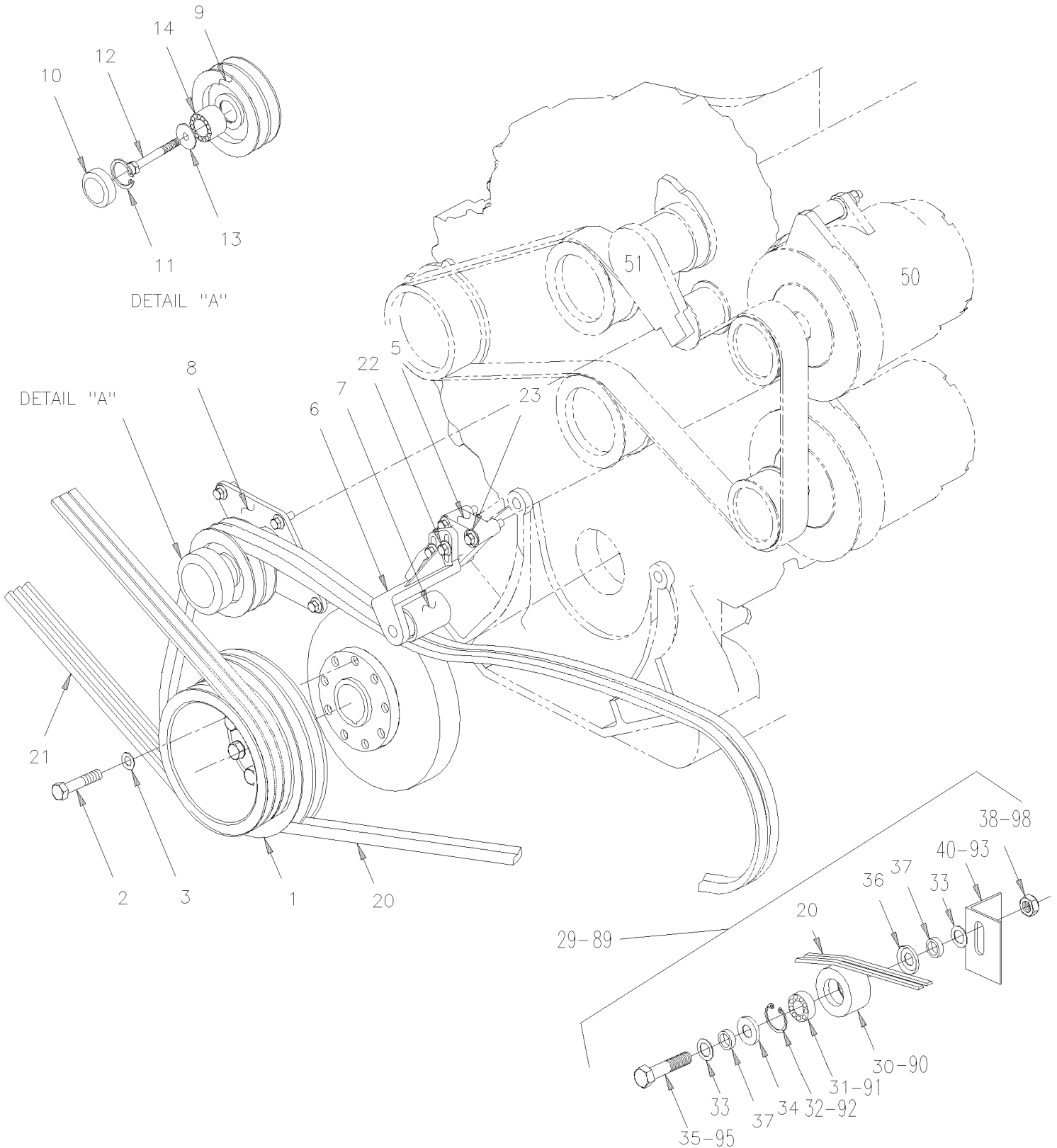
Item#	Part	Description	QTY	Notes
1	510170	ATOMIZER	1	
2	510169	THERMACLOZ	1	
3	510168	TUBE PLASTIC	1	
4	510171	ELBOW 90°	1	
5	011338	VALVE ASSY W/CONNECTOR	1	
5	510167	. VALVE	1	
6	510166	CLAMP CYLINDER	1	
7	510173	CYLINDER DIESEL STARTING FUEL	1	
8	510172	DECAL	1	
NS	500165	SCREW CAP HEX 1/4-20x1 G5 Z050	2	
10	501534	BUSHING REDUCER / PIPE FITTING / 1/2NPT-Mx3/8NPT-F BR	1	
NS	032410	SUPPORT / RIVETED ON FRAME	1	
NS	562698	SWITCH / OFF-M/ON / D.P.S.T. / W/GREEN LED	1	
NS	562734	. CAP / ETHER	1	

From 7-8754 To 8-9276

Date:01/2024

PAGE:X3-0120-00

DRIVE PULLEY & BELTS



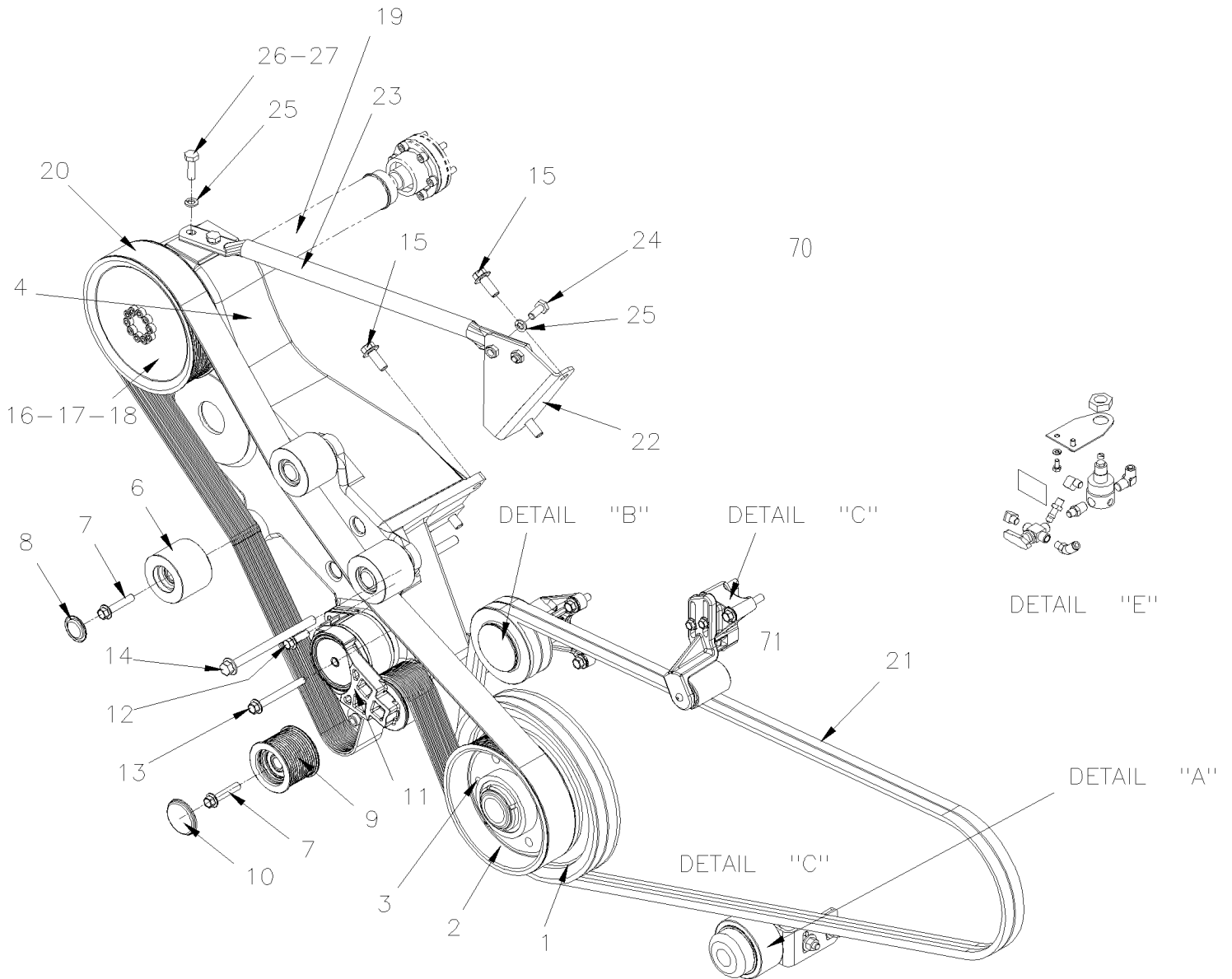
From 7-8754 To 8-9276	Date:01/2024	PAGE:X3-0120-00
DRIVE PULLEY & BELTS		

Item#	Part	Description	QTY	Notes
1	012267	PULLEY W/60 (2V X 11" O.D. + 3V X 8" O.D. BOL	1	
2	N.S.P.	BOLT 9/16-18 X 2"1/2 / (8929222)	9	2
3	N.S.P.	WASHER SPECIAL 9/16" / (5133981)	9	2
5	012265	ADAPTOR SNUBBER MOUNTING	1	
5	012455	ADAPTOR SNUBBER MOUNTING	1	
6	012268	SNUBBER ASSY To 8-9250	1	
6	012467	SNUBBER ASSY From 8-9251	1	
6		. SUPPORT To 8-9250	1	
6	012453	. SUPPORT From 8-9251	1	
7	N.P.N.	. ROLLER To 8-9250	1	4
7	012456	. ROLLER 48MM O.D. x 64MM From 8-9251	1	
7	N.P.N.	. BEARING To 8-9250	1	4
7	012458	. BEARING MODIFIED PREVOST From 8-9251	1	
NS	5006768	. SCREW DRV RND #14x5/8 Z050	1	
8	012269	PULLEY ASSY IDLER To 8-9250	1	
8	012466	PULLEY ASSY IDLER	1	
9	N.P.N.	. PULLEY To 8-9250	1	4
9	012459	. PULLEY 116MM O.D. x 53.5MM From 8-9251	1	
10	510798	. PROTECTOR CAP / "PREVOST"	1	
11	N.P.N.	. SNAP RING To 8-9250	1	4
11	504040	. RING RETAINER / INT 2.440 x 1.860 x 0.078 STL BLK From 8-9251	1	
12	5001308	. SCREW CAP HEXF M10-1.5x40 G10.9 N500 To 8-9250	1	
12	500829	. SCREW CAP HEX M10-1.5x40 G8.8 From 8-9251	1	
13	012062	. WASHER FL 10.2 x38.1x5 ST	1	
14	510618	. BALL BEARING DBL ROW / 30MM x 62MM x 27 W	1	
NS	507371	. SEAL From 8-9251	1	
20	506864	V-BELT / BX-100 / SET OF 2 9212-0404	1	
21	506691	V-BELT / AX-73 9012-2073 To 7-9111	3	
21	5060091	V-BELT / AX-73 / SET OF 3 From 7-9112	1	
22	5001643	SCREW CAP HEXF M8-1.25x25 G8.8 G500	2	
23	5001595	SCREW CAP HEXF M10-1.5x60 G8.8 G500	3	
29	454187	KIT, PULLEY ASSY W/ANGLE SUPPORT / SERIES "XL" To 8-9276	1	
30	052208	PULLEY ASSY W/BEARING & SEAL / 43MM x 78MM To 8-9276	1	
30	052594	. PULLEY BELT TENSIONER / 43MM x 78MM O.D. To 8-9276	1	
31	507340	. BALL BEARING 20 ID x 52 OD x 22.2 W To 8-9276	1	
32	504095	. RING RETAINER / INT 2.00 x 2.12 x .062 To 8-9276	1	
33	5001205	. WASHER FL .875x1.375x.047 To 8-9276		AR
34	507361	. SEAL To 8-9276	1	
35	5001124	. SCREW CAP HEX M20-2.5x80 G8.8 ZP To 8-9276	1	
36	507360	. SEAL To 8-9276	1	
37	052205	. SPACER 20MM I.D. X 12.5MM TH To 8-9276	2	
38	500809	. NUT HEX STO M20-2.5 N500 To 8-9276	1	

From 7-8754 To 8-9276	Date:01/2024	PAGE:X3-0120-00
DRIVE PULLEY & BELTS		

Item#	Part	Description	QTY	Notes
40	454185	. ANGLE SUPPORT / BOLTED TO ENGINE CRADLE / SERIES "XL" To 8-9276	1	
50	X3-0605-00	ALTERNATOR 24V/140 AMPS / "BOSCH"		
51	X3-0610-05	ALTERNATOR MOUNTING / "BOSCH" 2X120AMPS DETROIT S-60		
89	454444	PULLEY ASSY W/BEARING & SUPPORT / XL-II & X3 From 8-9279	1	
90	453834	. PULLEY / 45MM x 90MM O.D. From 8-9279	1	
91	507340	. BALL BEARING 20 ID x 52 OD x 22.2 W From 8-9279	1	
92	504095	. RING RETAINER / INT 2.00 x 2.12 x .062 From 8-9279	1	
93	454445	. ANGLE SUPPORT From 8-9279	1	
95	453835	. SCREW CAP HEX M20-2.5x65 From 8-9279	1	
NS	453076	. CAP, DUST From 8-9279	1	
97	052205	. SPACER 20MM I.D. X 12.5MM TH From 8-9279	1	
98	5001252	. NUT HEX STO M20-2.5 DP From 8-9279	1	
		2) NOT SOLD BY PREVOST (SEE MANUFACTURING PART NUMBER AT END OF DESCRIPTION LINE)		
		4) NO PARTS NUMBER		

DRIVE PULLEY, BELTS & TENSIONER WITH DETROIT S-60

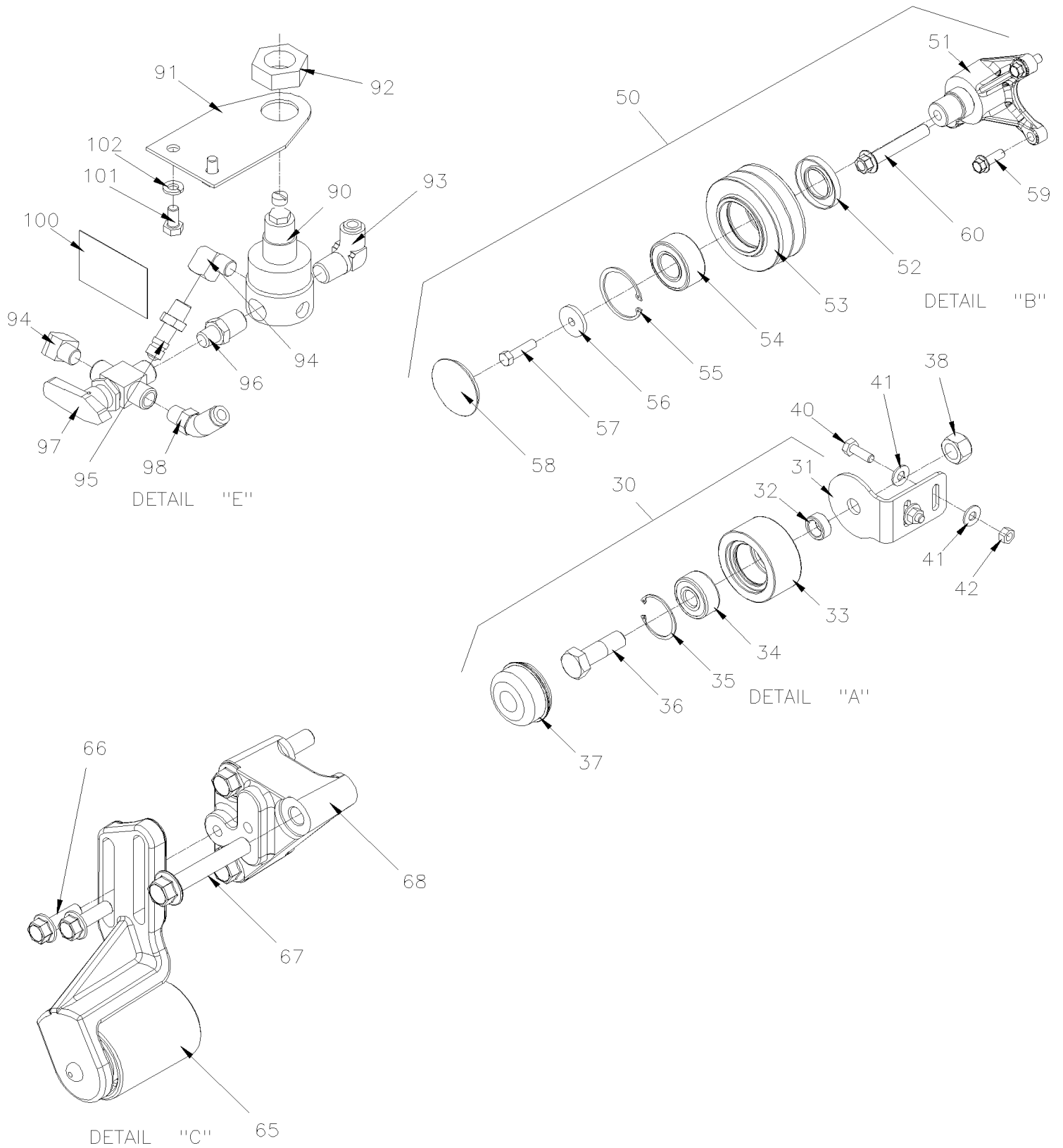


From 8-9277 To B-5001

Date:01/2024

PAGE:X3-0120-01

DRIVE PULLEY, BELTS & TENSIONER WITH DETROIT S-60



From 8-9277 To B-5001	Date:01/2024	PAGE:X3-0120-01
DRIVE PULLEY, BELTS & TENSIONER WITH DETROIT S-60		

Item#	Part	Description	QTY	Notes
1	550914	PULLEY DRIVE 279MM O.D. / W/2 V To 9-9549	1	
1	550955	PULLEY DRIVE 279MM O.D. / W/2 V From 9-9550	1	
2	550913	PULLEY DAMPER 201MM O.D. / W/14 RIB To A-9921	1	
. NS	550951	. KIT, DAMPER BUSHING To A-9921	1	
. . NS	N.S.S.	. . RUBBER DAMPER BUSHING To A-9921	6	1
. . NS	N.S.S.	. . SCREW CAP HEXS To A-9921	6	1
. . NS	N.S.S.	. . SCREW CAP BUT TORX To A-9921	3	1
2	550963	PULLEY DAMPER 201MM O.D. / W/14 RIB From A-9922	1	
. NS	550951	. KIT, DAMPER BUSHING From A-9922	1	
. . NS	N.S.S.	. . RUBBER DAMPER BUSHING From A-9922	6	1
. . NS	N.S.S.	. . SCREW CAP HEXS From A-9922	6	1
. . NS	N.S.S.	. . SCREW CAP BUT TORX From A-9922	3	1
2	550982	PULLEY 201MM O.D. / W/14 RIB ALTERNATIVE PART	1	
3	5001661	. SCREW CAP HEXS M8-1.25x35 G10.9 AD MAGNI 565	6	
NS	680038	THREAD LOCKER LOCTITE #243 / BLUE / 50ml	AR	
4	550920	PULLEY SUPPORT / W/SHORT BACK	1	
. NS	WB09-13	. SEE WARRANTY BULLETIN	1	
6	550922	PULLEY ASSY W/BEARING 74MM O.D. x 57MM	3	
7	5001752	SCREW CAP HEXF M10-1.5x50 G8.8 N500	4	
7	5001843	SCREW CAP HEXF AD M10-1.5x50 G10.9 N500	3	
8	550924	PROTECTOR CAP / STEEL 40.7MM O.D. x 5MM	3	
8	557056	PROTECTOR CAP / STEEL 40.7MM O.D. x 11MM	1	
9	550923	PULLEY ASSY PK14	1	
10	550927	PROTECTOR CAP / PLASTIC 54MM O.D. x 2.6MM	1	
11	550925	AUTOMATIC TENSIONER ASSY	1	
. NS	010032	. TOOL KEY 1 1/2" / TENSIONER RELEASE	1	
12	5001644	SCREW CAP HEXF M10-1.5x30 G8.8 G500	1	
13	965189	SCREW CAP HEXF M10-1.5x90 G8.8 ZG603	1	
14	979935	SCREW CAP HEXF M12-1.75x160 G8.8 ZG603	2	
14	5001763	SCREW CAP HEXF M12-1.75x160 G8.8 N500	2	
15	965191	SCREW CAP HEXF M12-1.75x30 G8.8 ZG603	4	
15	5001777	SCREW CAP HEXF M12-1.75x30 G10.9 N500	4	
16	550912	PULLEYASSY / FAN DRIVE 212MM O.D. W/14 RIB To A-9895	1	
. NS	551021	. SCREW CAP HEXS M8-1.25 x 30 To A-9895	10	
16	550961	PULLEY ASSY / FAN DRIVE 212MM O.D. W/14 RIB From A-9896	1	
. NS	550983	. BEARING From A-9896	1	
. NS	551021	. SCREW CAP HEXS M8-1.25 x 30 From A-9896	10	
16	550981	PULLEY ASSY / FAN DRIVE 212MM O.D. W/14 RIB ALTERNATIVE PART	1	
. NS	551020	. BEARING	1	
. NS	551021	. SCREW CAP HEXS M8-1.25 x 30	10	
. NS	551022	. RETAINING RING	1	
17	5001738	SCREW CAP HEX M8-1.25x30 G8.8 N500	6	

From 8-9277 To B-5001	Date:01/2024	PAGE:X3-0120-01
DRIVE PULLEY, BELTS & TENSIONER WITH DETROIT S-60		

Item#	Part	Description	QTY	Notes
18	5001161	WASHER LO SPT 8.1x14.8x2.0 SS-304	6	
19	X3-0520-01	FAN DRIVE - INSTALLATION		
20	550926	MULTI V-BELT / 14 RIB 102.5" (2605MM) 14PK2605	1	
21	506864	V-BELT / BX-100 / SET OF 2 9212-0404	1	
21	5060086	V-BELT / BX-96 / SET OF 2 9013-2096	1	
21	5060121	SUPER V-BELT / 2B-96	1	
21	5060082	V-BELT / BX-92 / SET OF 2 9013-2092	1	D
21	5060077	V-BELT / BX-95 / SET OF 2 9013-2095	1	
22	052846	ANGLE SUPPORT	1	
23	052847	BRACE ROD 550MM	1	
24	502804	SCREW CAP HEX M10-1.5x25 G8.8 N500	2	
25	3852496	WASHER LO SPT 10.2x18.1x2.2 ZG603	4	
26	970949	SCREW CAP HEX M10-1.5x35 G8.8 ZG603	2	
27	052845	PLATE ATTACHMENT SS W/NUT	1	
30	454444	PULLEY ASSY W/BEARING & SUPPORT / XL-II & X3	1	
31	454445	. ANGLE SUPPORT	1	
32	052205	. SPACER 20MM I.D. X 12.5MM TH	1	
33	453834	. PULLEY / 45MM x 90MM O.D.	1	
34	507340	. BALL BEARING 20 ID x 52 OD x 22.2 W	1	
35	504095	. RING RETAINER / INT 2.00 x 2.12 x .062	1	
36	453835	. SCREW CAP HEX M20-2.5x65	1	
37	453076	. CAP, DUST	1	
38	5001252	. NUT HEX STO M20-2.5 DP	1	
40	500065	. SCREW CAP HEX M10-1.5x30 G10.9 DP	2	
41	500897	. WASHER FL .437x1.000x.083 N500	4	
42	5001758	. NUT HEX STO M10-1.5 N500	2	
50	012466	PULLEY ASSY IDLER	1	
NS	680752	. GREASE LITHIUM / BLUE	AR	
51	N.S.S.	. BASE SUPPORT ASSY		1
52	507371	. SEAL	1	
53	012459	. PULLEY 116MM O.D. x 53.5MM	1	
54	510618	. BALL BEARING DBL ROW / 30MM x 62MM x 27 W	1	
55	504040	. RING RETAINER / INT 2.440 x 1.860 x 0.078 STL BLK	1	
56	012062	. WASHER FL 10.2 x38.1x5 ST	1	
57	500829	. SCREW CAP HEX M10-1.5x40 G8.8	1	
58	510798	. PROTECTOR CAP / "PREVOST"	1	
59	5001644	SCREW CAP HEXF M10-1.5x30 G8.8 G500	2	
60	5001596	SCREW CAP HEXF M14-2.0x90 G8.8 MAGNI 565	1	

From 8-9277 To B-5001	Date:01/2024	PAGE:X3-0120-01
DRIVE PULLEY, BELTS & TENSIONER WITH DETROIT S-60		

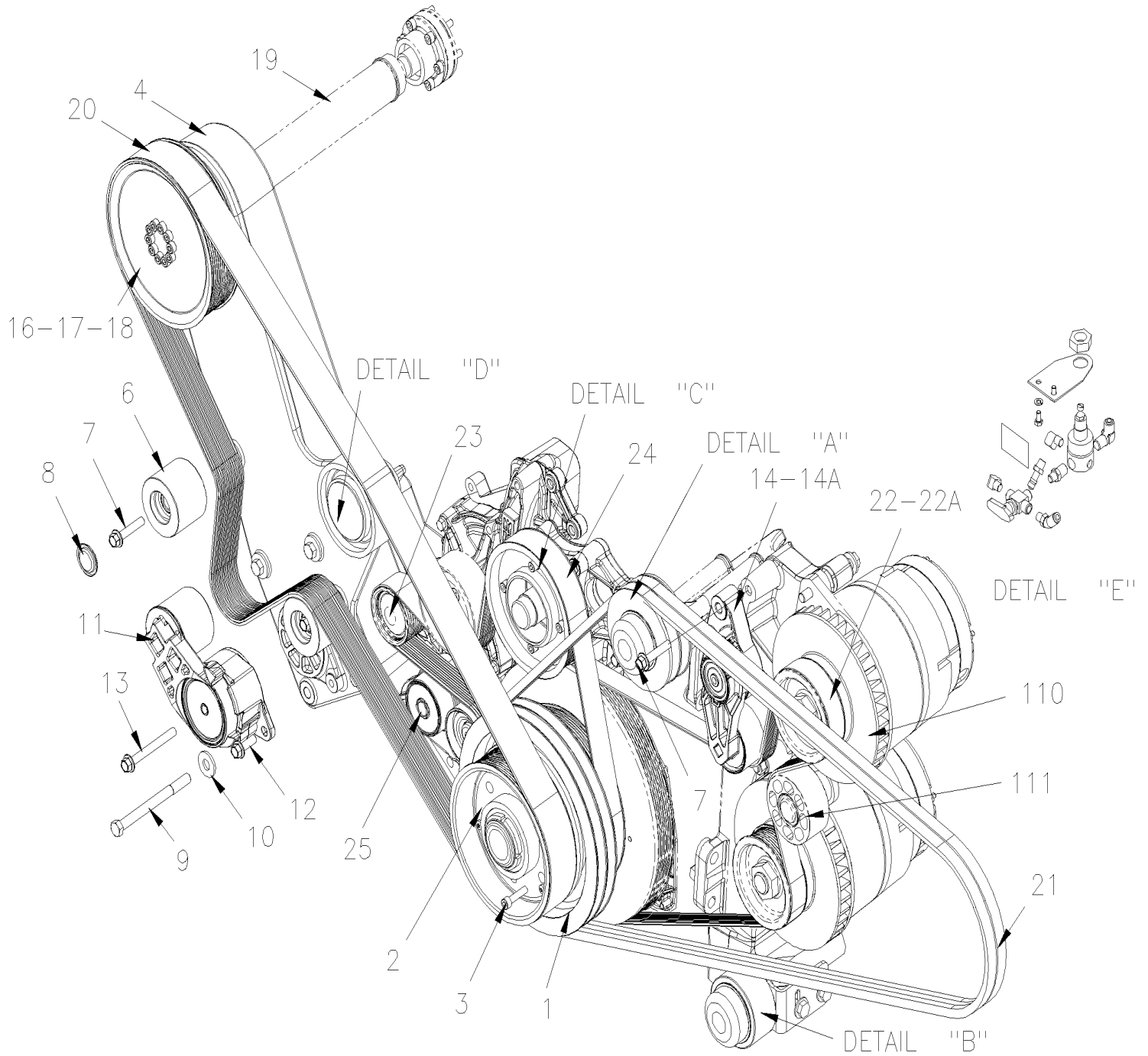
Item#	Part	Description	QTY	Notes
NS	012453	. SUPPORT	1	
NS	012456	. ROLLER 48MM O.D. x 64MM	1	
NS	012458	. BEARING MODIFIED PREVOST	1	
NS	5006768	. SCREW DRV RND #14x5/8 Z050	1	
65	012467	SNUBBER ASSY	1	
66	5001643	SCREW CAP HEXF M8-1.25x25 G8.8 G500	2	
67	5001595	SCREW CAP HEXF M10-1.5x60 G8.8 G500	3	
68	012455	ADAPTOR SNUBBER MOUNTING	1	
70	X3-0605-00	ALTERNATOR 24V/140 AMPS / "BOSCH" To 9-9639		
70	X3-0605-01	ALTERNATOR 24V/120 AMPS / "BOSCH" From 9-9640		
71	X3-0610-00	ALTERNATOR MOUNTING / "BOSCH" 2X140AMPS DETROIT S-60		
71	X3-0610-05	ALTERNATOR MOUNTING / "BOSCH" 2X120AMPS DETROIT S-60		
90	641472	AIR PRESSURE REGULATOR 1/4" NPT / COPPER	1	
91	142454	SUPPORT AIR REGULATOR / FLAT STYLE	1	
92	500734	NUT HEX JAM 3/4-16 Z050	1	
93	641371	MALE ELBOW 90° NON-SWIVEL / PUSH-IN FITTING / #4x1/4NPT-M BR	1	
94	501331	STREET ELBOW 90° / PIPE FITTING / 1/8NPT-Mx1/8NPT-F BR	2	
95	640488	VALVE, AIR FILL 1/8" NPT	1	
. NS	650164	. CAP VALVE / CHROME	1	
96	501650	NIPPLE REDUCER HEX / PIPE FITTING / 1/4NPT-Mx1/8NPT-Mx1 3/16 BR	1	
97	641417	VALVE, 3 WAYS 1/8NPT-Fx1/8NPT-Fx1/8NPT-F BR	1	
. NS	642014	. HANDLE / RED	1	
97	641417	VALVE, 3 WAYS 1/8NPT-Fx1/8NPT-Fx1/8NPT-F BR / SERVICE	1	
. NS	642014	. HANDLE / RED	1	
98	641365	MALE ELBOW 45° NON-SWIVEL / PUSH-IN FITTING / #4x1/8NPT-M BR	1	
100	012123	DECAL "BELT TENSIONER" 35 PSI	1	
101	5001181	SCREW CAP HEX M6-1.0x12 SS	2	
102	502570	WASHER LO SPT 6.1x11.8x1.6 SS	2	
NS	685290	TOOL PULLEY RETAINER / FOR TORQ # 550912	1	
		D) WITH 24V 270Amps OR 12V 300Amps MODEL 50DN ALTERNATOR		
		1) NOT SOLD SEPARATELY		

From 8-9457 To A-9974

Date:01/2024

PAGE:X3-0120-02

DRIVE PULLEY, BELTS & TENSIONER WITH VOLVO D13

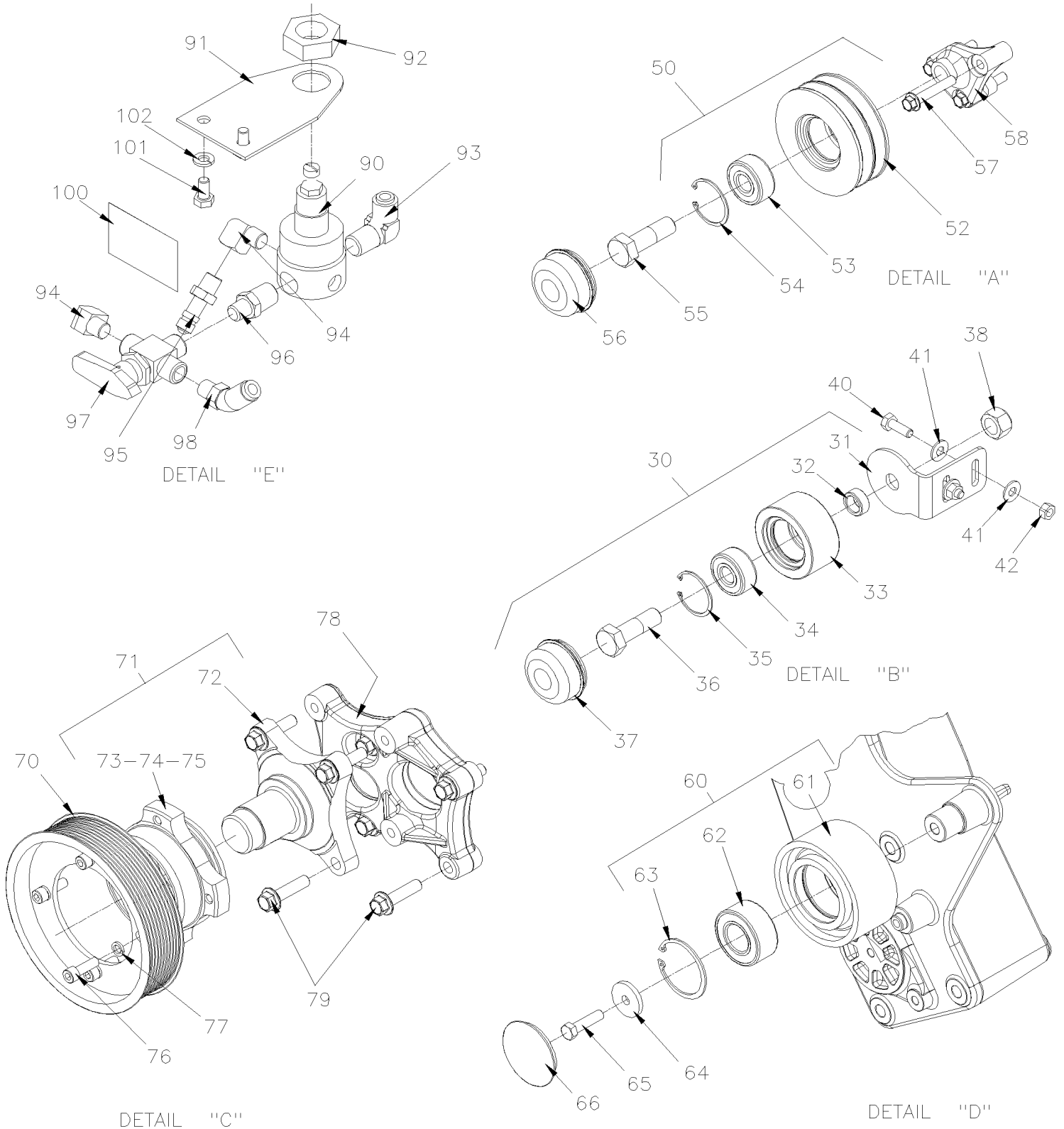


From 8-9457 To A-9974

Date:01/2024

PAGE:X3-0120-02

DRIVE PULLEY, BELTS & TENSIONER WITH VOLVO D13

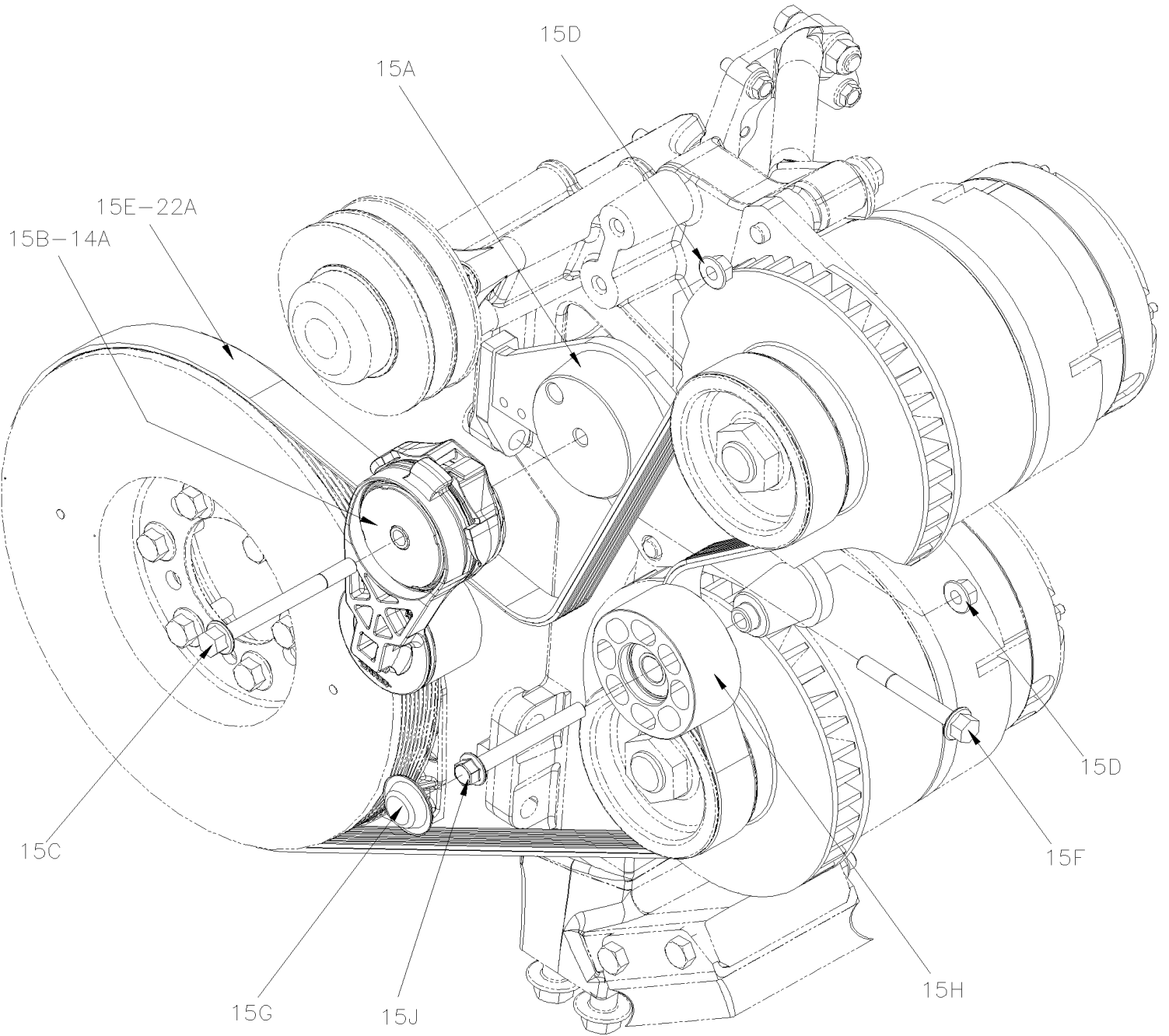


From 8-9457 To A-9974

Date:01/2024

PAGE:X3-0120-02

DRIVE PULLEY, BELTS & TENSIONER WITH VOLVO D13



From 8-9457 To A-9974	Date:01/2024	PAGE:X3-0120-02
DRIVE PULLEY, BELTS & TENSIONER WITH VOLVO D13		

Item#	Part	Description	QTY	Notes
1	012342	PULLEY DRIVE 279MM x 2V & 219MM x 10RIB	1	
1	21264333	PULLEY DRIVE 279MM x 2V & 219MM x 10RIB	1	
NS	5001673	SCREW CAP HEXF M12-1.75x50 G8.8 MAGNI 565	6	
2	550913	PULLEY DAMPER 201MM O.D. / W/14 RIB To A-9921	1	
. NS	550951	. KIT, DAMPER BUSHING To A-9921	1	
. . NS	N.S.S.	. . RUBBER DAMPER BUSHING To A-9921	6	1
. . NS	N.S.S.	. . SCREW CAP HEXS To A-9921	6	1
. . NS	N.S.S.	. . SCREW CAP BUT TORX To A-9921	3	1
2	550963	PULLEY DAMPER 201MM O.D. / W/14 RIB From A-9922	1	
. NS	550951	. KIT, DAMPER BUSHING From A-9922	1	
. . NS	N.S.S.	. . RUBBER DAMPER BUSHING From A-9922	6	1
. . NS	N.S.S.	. . SCREW CAP HEXS From A-9922	6	1
. . NS	N.S.S.	. . SCREW CAP BUT TORX From A-9922	3	1
2	550982	PULLEY 201MM O.D. / W/14 RIB ALTERNATIVE PART	1	
3	5001661	. SCREW CAP HEXS M8-1.25x35 G10.9 AD MAGNI 565	6	
NS	680038	THREAD LOCKER LOCTITE #243 / BLUE / 50ml	AR	
4	20966630	LONG FAN ARM SUPPORT	1	
6	550922	PULLEY ASSY W/BEARING 74MM O.D. x 57MM	2	
6	550975	PULLEY ASSY W/BEARING 74MM O.D. x 67MM	1	H
7	5001752	SCREW CAP HEXF M10-1.5x50 G8.8 N500 To A-9992	4	
7	5001843	SCREW CAP HEXF AD M10-1.5x50 G10.9 N500 From A-9993	3	
8	550924	PROTECTOR CAP / STEEL 40.7MM O.D. x 5MM	2	
8	557056	PROTECTOR CAP / STEEL 40.7MM O.D. x 11MM From A-9993	1	
9	973967	SCREW CAP HEX M12-1.75x140 G8.8 MAGNI 565	4	
10	500211	WASHER FL .531x1.250x.125 N500	4	
11	550925	AUTOMATIC TENSIONER ASSY	1	
. NS	010032	. TOOL KEY 1 1/2" / TENSIONER RELEASE	1	
12	5001644	SCREW CAP HEXF M10-1.5x30 G8.8 G500	1	
13	965189	SCREW CAP HEXF M10-1.5x90 G8.8 ZG603	1	
14	20762060	AUTOMATIC TENSIONER ASSY To 9-9613	1	
14	20935523	AUTOMATIC TENSIONER ASSY From 9-9614 To A-9917	1	
14	21404578	AUTOMATIC TENSIONER ASSY From A-9918 To A-9972	1	
14	21422767	AUTOMATIC TENSIONER ASSY From A-9973	1	
NS	5001752	SCREW CAP HEXF M10-1.5x50 G8.8 N500 From A-9973	2	
14A	510991	AUTOMATIC TENSIONER ASSY	1	G
15	010325	KIT "BELT TENSIONNER"	1	G
. A	010323	. SUPPORT, ASSEMBLY	1	G
. B	510991	. AUTOMATIC TENSIONER ASSY	1	G
. C	5001884	. SCREW CAP HEXF M10-1.5X110 G10.9 N500	1	G
. D	5001727	. NUT HEXF NYRT M10-1.5 N500	2	G
. E	5061286	. MULTI V-BELT / 8 RIB 80.91" (2055) 8PK2055 ORION QT+ SD	1	G
. F	5001843	. SCREW CAP HEXF AD M10-1.5x50 G10.9 N500	1	G

From 8-9457 To A-9974	Date:01/2024	PAGE:X3-0120-02
DRIVE PULLEY, BELTS & TENSIONER WITH VOLVO D13		

Item#	Part	Description	QTY	Notes
. G	557056	. PROTECTOR CAP / STEEL 40.7MM O.D. x 11MM	1	G
. H	510970	. PULLEY ASSY	1	G
. . NS	560974	. . BALL BEARING	2	G
. J	5001784	. SCREW CAP HEXF M10-1.5x90 G8.8 AD N500	1	G
. E2	506212	. MULTI V-BELT / 8 RIB 80.91" (2055) 8PK2055 ORION QT+ SD ARAMIDE	1	G
. E3	5061287	. MULTI V-BELT / 8 RIB 75.79" (1925) 8PK1925 ORION QT+ SD	1	G
. E4	506244	. MULTI V-BELT / 8 RIB 75.79" (1925) 8PK1925 ORION QT+ SD ARAMIDE	1	G
16	550912	PULLEYASSY / FAN DRIVE 212MM O.D. W/14 RIB To A-9895	1	
. NS	551021	. SCREW CAP HEXS M8-1.25 x 30 To A-9895	10	
16	550961	PULLEY ASSY / FAN DRIVE 212MM O.D. W/14 RIB From A-9896	1	
. NS	550983	. BEARING From A-9896	1	
. NS	551021	. SCREW CAP HEXS M8-1.25 x 30 From A-9896	10	
16	550981	PULLEY ASSY / FAN DRIVE 212MM O.D. W/14 RIB ALTERNATIVE PART	1	
. NS	551020	. BEARING	1	
. NS	551021	. SCREW CAP HEXS M8-1.25 x 30	10	
. NS	551022	. RETAINING RING	1	
17	5001738	SCREW CAP HEX M8-1.25x30 G8.8 N500	6	
18	5001161	WASHER LO SPT 8.1x14.8x2.0 SS-304	6	
19	X3-0520-01	FAN DRIVE - INSTALLATION		
20	5060097	MULTI V-BELT / 14 RIB 99.44" (2526) 14PK2526 To B-5001	1	
20	5060108	MULTI V-BELT / 14 RIB 99.44" (2526) 14PK2526 QT (21-2111) From B-5002	1	
20	5060105	MULTI V-BELT / 14 RIB 99.44" (2526) 14PK2526 QT + SD (21-2117) P.W.T. / HYDRO Q From B-5002	1	H
21	506864	V-BELT / BX-100 / SET OF 2 9212-0404	1	B
22	506039	MULTI V-BELT / 8 RIB 76.18" (1935) 8PK1935 QT + ARAMIDE To 9-9653	1	E
22	506062	MULTI V-BELT / 8 RIB 78.54" (1995) 8PK1995 QT + ARAMIDE From 9-9654 To B-5001	1	
22	506062	MULTI V-BELT / 8 RIB 78.54" (1995) 8PK1995 QT + ARAMIDE From B-5002	1	
22	506057	MULTI V-BELT / 8 RIB 78.54" (1995) 8PK1995 QT + SD ARAMIDE P.W.T. / HYDRO Q From B-5002	1	H
22	506042	MULTI V-BELT / 8 RIB 73" (1865) 8PK1865 QT + ARAMIDE	1	C
22A	506212	MULTI V-BELT / 8 RIB 80.91" (2055) 8PK2055 ORION QT+ SD ARAMIDE	1	G
22A	506244	MULTI V-BELT / 8 RIB 75.79" (1925) 8PK1925 ORION QT+ SD ARAMIDE EMERGENCY	1	G
23	Refer To Volvo	PULLEY IDLER	1	V
24	510927	MULTI V-BELT / 10 RIB 60.7" (1525MM) 10PK1525 PROTO From 8-9259 To 9-9591	1	
24	20712534	MULTI V-BELT / 10 RIB 59.5" (1512MM) 10PK1512 To B-5001	1	
24	5060110	MULTI V-BELT / 10 RIB 59.5" (1512MM) 10PK1512 QT (21-2112) From B-5002	1	
24	5060104	MULTI V-BELT / 10 RIB 59.5" (1512MM) 10PK1512 QT + SD (21-2112) P.W.T. / HYDRO Q From B-5002	1	H
NS	019095	DECAL / "BELT ROUTING" SHORT END COOL 2007 From A-9980	1	F
25	20487079	AUTOMATIC TENSIONER ASSY	1	
25	012696	KIT, WATER PUMP TENSIONER ASSY W/SUPPORT SERVICE	1	
. NS	012695	. SUPPORT ADAPTOR AUTOMTIC TENSIONER ASSY W/DOWEL / WATER PUMP	1	
. . NS	502941	. . DOWEL PIN	2	
. NS	510991	. AUTOMATIC TENSIONER ASSY	1	
. NS	5001620	. SCREW CAP HEXS M10-1.5X35 G10.9 G500	1	

From 8-9457 To A-9974	Date:01/2024	PAGE:X3-0120-02
DRIVE PULLEY, BELTS & TENSIONER WITH VOLVO D13		

Item#	Part	Description	QTY	Notes
. NS	5001799	. SCREW CAP HEXF M10-1.5x70 G10.9 N500	1	
. NS	20712534	. MULTI V-BELT / 10 RIB 59.5" (1512MM) 10PK1512	1	
30	454444	PULLEY ASSY W/BEARING & SUPPORT / XL-II & X3	1	
31	454445	. ANGLE SUPPORT	1	
32	052205	. SPACER 20MM I.D. X 12.5MM TH	1	
33	453834	. PULLEY / 45MM x 90MM O.D.	1	
34	507340	. BALL BEARING 20 ID x 52 OD x 22.2 W	1	K
34	507014	. BALL BEARING 20 ID x 52 OD x 22.2 W	1	
35	504095	. RING RETAINER / INT 2.00 x 2.12 x .062	1	
36	453835	. SCREW CAP HEX M20-2.5x65	1	
37	453076	. CAP, DUST	1	
38	5001252	. NUT HEX STO M20-2.5 DP	1	
40	500065	. SCREW CAP HEX M10-1.5x30 G10.9 DP	2	
41	500897	. WASHER FL .437x1.000x.083 N500	4	
42	5001758	. NUT HEX STO M10-1.5 N500	2	
50	454500	PULLEY ASSY W/BEARING	1	
52	454182	. PULLEY / 5" O.D. X 2V	1	
53	507340	. BALL BEARING 20 ID x 52 OD x 22.2 W	1	K
53	507014	. BALL BEARING 20 ID x 52 OD x 22.2 W	1	
54	504095	. RING RETAINER / INT 2.00 x 2.12 x .062	1	
55	453835	SCREW CAP HEX M20-2.5x65	1	
56	453076	CAP, DUST	1	
57	5001595	SCREW CAP HEXF M10-1.5x60 G8.8 G500	3	
58	454548	SUPPORT PULLEY ALT & A/C	1	
60	052896	PULLEY ASSY W/BEARING / 54MM x 117MM O.D.	1	
61	052625	. PULLEY / 54MM x 117MM O.D.	1	
62	510618	. BALL BEARING DBL ROW / 30MM x 62MM x 27 W	1	
63	504040	. RING RETAINER / INT 2.440 x 1.860 x 0.078 STL BLK	1	
64	012062	WASHER FL 10.2 x38.1x5 ST	1	
65	500829	SCREW CAP HEX M10-1.5x40 G8.8	1	
66	510798	PROTECTOR CAP / "PREVOST"	1	
70	8149875	PULLEY 171 MM O.D. W/10RIB	1	
71	20845416	HUB ASSY To 9-9590	1	
71	21146745	HUB ASSY From 9-9591	1	
72	20459796	. SHAFT MOUNTING	1	
73	N.S.S.	. BEARING HOUSING	1	1
74	1675715	. BALL BEARING (BA2B 309609 BE) To 9-9590	1	
74	21146660	. BALL BEARING From 9-9591	1	
75	1675790	. NUT M40 x 9MM	1	

From 8-9457 To A-9974	Date:01/2024	PAGE:X3-0120-02
DRIVE PULLEY, BELTS & TENSIONER WITH VOLVO D13		

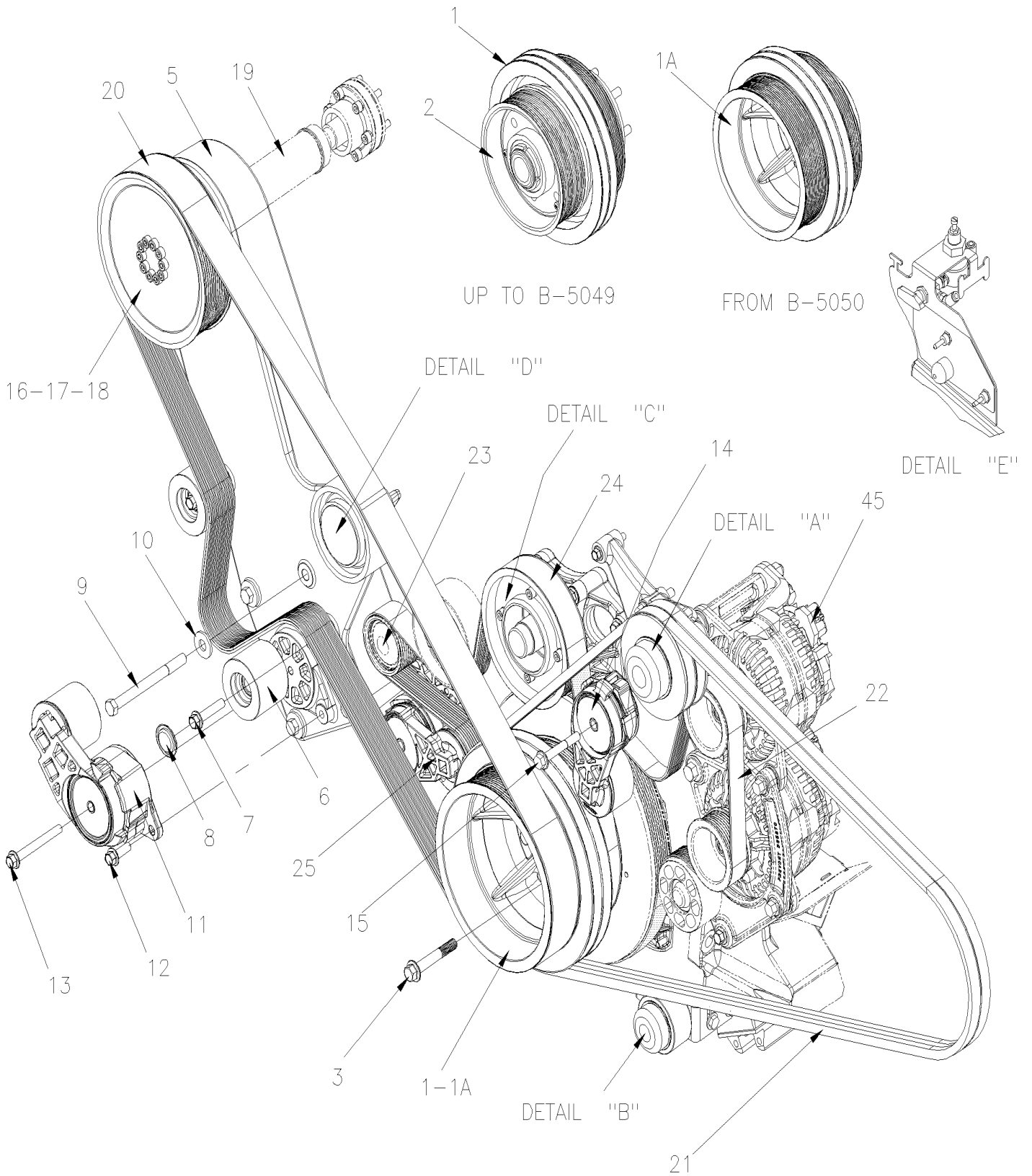
Item#	Part	Description	QTY	Notes
76	984065	SCREW CAP HEXS M8-1.25x25 G8.8 DP	4	
77	502889	WASHER LO SPT 8.1x12.7x2.0 N500	4	
78	012497	SUPPORT PILLEY TENSIONER WATER PUMP To A-9992	1	
78	21270170	SUPPORT PULLEY TENSIONER WATER PUMP From A-9993	1	
79	5001308	SCREW CAP HEXF M10-1.5x40 G10.9 N500	8	
90	641472	AIR PRESSURE REGULATOR 1/4" NPT / COPPER	1	
91	142454	SUPPORT AIR REGULATOR / FLAT STYLE	1	
92	500734	NUT HEX JAM 3/4-16 Z050	1	
93	641371	MALE ELBOW 90° NON-SWIVEL / PUSH-IN FITTING / #4x1/4NPT-M BR	1	
94	501331	STREET ELBOW 90° / PIPE FITTING / 1/8NPT-Mx1/8NPT-F BR	2	
95	640488	VALVE, AIR FILL 1/8" NPT	1	
. NS	650164	. CAP VALVE / CHROME	1	
96	501650	NIPPLE REDUCER HEX / PIPE FITTING / 1/4NPT-Mx1/8NPT-Mx1 3/16 BR	1	
97	641417	VALVE, 3 WAYS 1/8NPT-Fx1/8NPT-Fx1/8NPT-F BR	1	
. NS	642014	. HANDLE / RED	1	
97	642161	VALVE, 3 WAYS 1/8NPT-Fx1/8NPT-Fx1/8NPT-F BR / SERVICE	1	
. NS	642014	. HANDLE / RED	1	
98	641365	MALE ELBOW 45° NON-SWIVEL / PUSH-IN FITTING / #4x1/8NPT-M BR	1	
NS	142806	HOSE ASSY TEFLON #4 1500MM	1	
100	012123	DECAL "BELT TENSIONER" 35 PSI	1	
101	5001181	SCREW CAP HEX M6-1.0x12 SS	2	
102	502570	WASHER LO SPT 6.1x11.8x1.6 SS	2	
NS	685290	TOOL PULLEY RETAINER / FOR TORQ # 550912	1	
104	067742	KIT RETROFIT "ADD PULLEY" To 9-9653	1	E
110	X3-0605-00	ALTERNATOR 24V/140 AMPS / "BOSCH"		
111	X3-0610-01	ALTERNATOR MOUNTING / "BOSCH" 2x140Amps VOLVO D13		
		B) WITH LARGE A/C		
		C) EMERGENCY USE ONLY WITH ONE ALTERNATOR		
		E) FOR PRODUCT IMPROVEMENT ASK KIT # 067742 WITH MORE DETAIL AT PAGE X3-0610-01		
		F) THIS DECAL NUMBER IT GOOG FOR ALLS VIN WITH "VOLVO" ENGINE SINCE 8-9457		
		G) USE WITH PRODUCT IMPROVMENT NEW PULLEY CONFIGURATION		
		H) SUPER HEAVY DUTY / P.W.T. & HYDRO QUÉBEC (MAY BE USE IN RETROFIT)		
		K) REPLACE BY # 507014		
		1) NOT SOLD SEPARATELY		
		V) SEE IMPACT OR CALL ORDER DESK		

From A-9975 To E-5458

Date:01/2024

PAGE:X3-0120-03

DRIVE PULLEY, BELTS & TENSIONER WITH VOLVO D13 & 2x120Amps

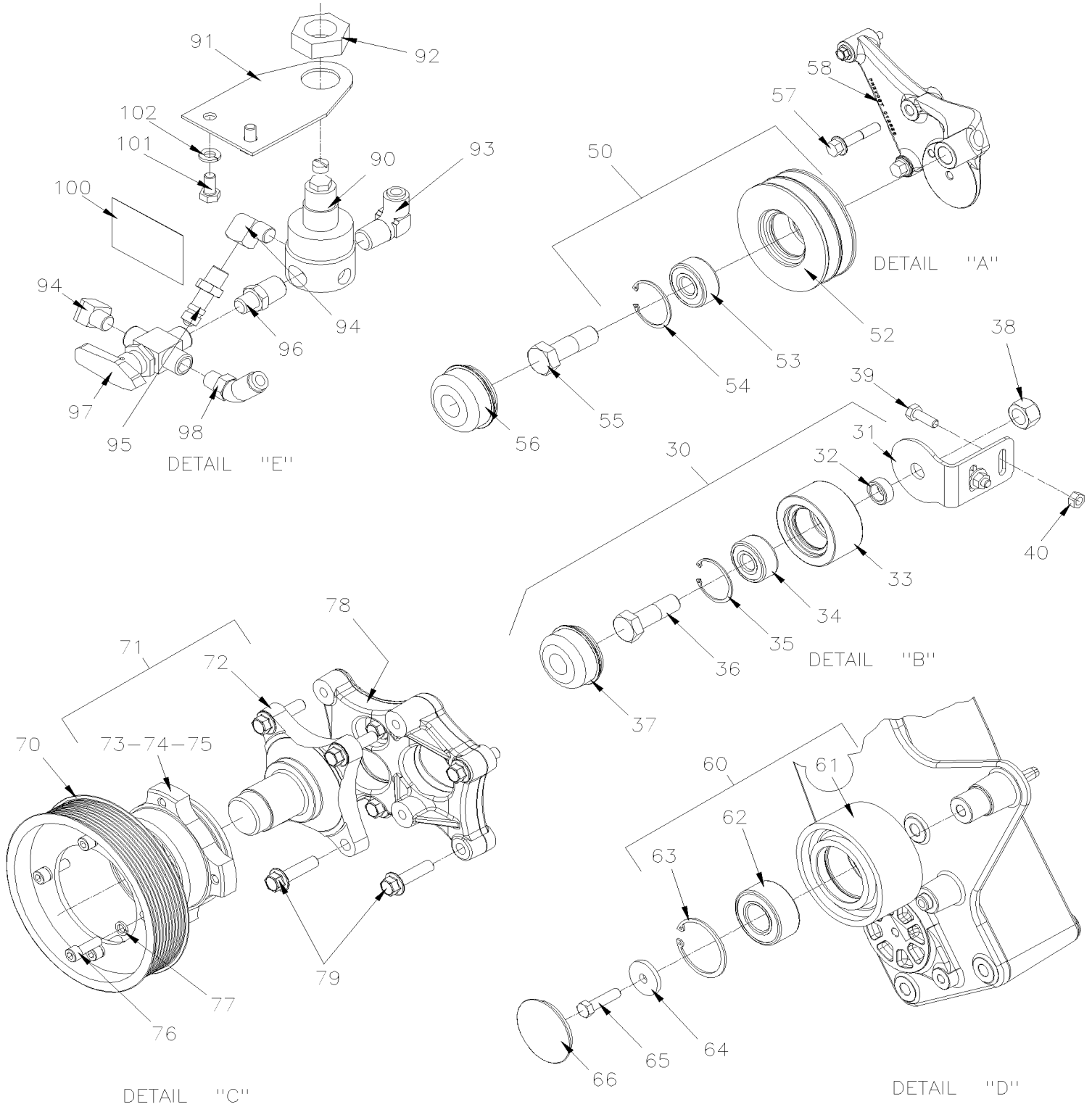


From A-9975 To E-5458

Date:01/2024

PAGE:X3-0120-03

DRIVE PULLEY, BELTS & TENSIONER WITH VOLVO D13 & 2x120Amps



From A-9975 To E-5458	Date:01/2024	PAGE:X3-0120-03
-----------------------	--------------	-----------------

DRIVE PULLEY, BELTS & TENSIONER WITH VOLVO D13 & 2x120Amps

Item#	Part	Description	QTY	Notes
1	21264333	PULLEY DRIVE 279MM x 2V & 219MM x 10RIB To B-5049	1	
NS	5001673	SCREW CAP HEXF M12-1.75x50 G8.8 MAGNI 565	6	
1A	21655859	PULLEY DRIVE 279MM x 2V & 219MM x 10RIB & 14 RIB PRELIMINAIRE 9614 / 9992 From B-5050	1	
2	550963	PULLEY DAMPER 201MM O.D. / W/14 RIB To B-5049	1	
. NS	550951	. KIT, DAMPER BUSHING To B-5049	1	
. . NS	N.S.S.	. . RUBBER DAMPER BUSHING To B-5049	6	1
. . NS	N.S.S.	. . SCREW CAP HEXS To B-5049	6	1
. . NS	N.S.S.	. . SCREW CAP BUT TORX To B-5049	3	1
2	550982	PULLEY 201MM O.D. / W/14 RIB ALTERNATIVE PART To B-5049	1	
3	5001661	SCREW CAP HEXS M8-1.25x35 G10.9 AD MAGNI 565 To B-5049	6	
3	5001296	SCREW CAP HEXF M12-1.75x80 G10.9 N500 From B-5050	6	
NS	680038	THREAD LOCKER LOCTITE #243 / BLUE / 50ml	AR	
5	20966630	LONG FAN ARM SUPPORT	1	
6	550922	PULLEY ASSY W/BEARING 74MM O.D. x 57MM To D-5435	2	
6	550975	PULLEY ASSY W/BEARING 74MM O.D. x 67MM P.W.T. To D-5435	2	
6	550985	PULLEY ASSY W/BEARING 74MM O.D. x 57MM CROWNED/DOME From D-5436	2	
NS	053022	GUIDE, BUSHING From D-5436	2	
7	5001843	SCREW CAP HEXF AD M10-1.5x50 G10.9 N500	3	
8	550924	PROTECTOR CAP / STEEL 40.7MM O.D. x 5MM To D-5435	1	
8	557056	PROTECTOR CAP / STEEL 40.7MM O.D. x 11MM From D-5436	1	
9	973967	SCREW CAP HEX M12-1.75x140 G8.8 MAGNI 565	4	
10	500211	WASHER FL .531x1.250x.125 N500	4	
11	550925	AUTOMATIC TENSIONER ASSY	1	
. NS	010032	. TOOL KEY 1 1/2" / TENSIONER RELEASE	1	
12	5001644	SCREW CAP HEXF M10-1.5x30 G8.8 G500	1	
13	965189	SCREW CAP HEXF M10-1.5x90 G8.8 ZG603	1	
14	21404578	AUTOMATIC TENSIONER ASSY To A-9972	1	
14	510991	AUTOMATIC TENSIONER ASSY From A-9973	1	
15	5001802	SCREW CAP HEXF M10-1.5x80 G10.9 N500 To B-5035	1	
15	5001799	SCREW CAP HEXF M10-1.5x70 G10.9 N500 From B-5036	1	
16	550961	PULLEY ASSY / FAN DRIVE 212MM O.D. W/14 RIB	1	
. NS	550983	. BEARING	1	
. NS	551021	. SCREW CAP HEXS M8-1.25 x 30	10	
16	550981	PULLEY ASSY / FAN DRIVE 212MM O.D. W/14 RIB ALTERNATIVE PART	1	
. NS	551020	. BEARING	1	
. NS	551021	. SCREW CAP HEXS M8-1.25 x 30	10	
. NS	551022	. RETAINING RING	1	
17	5001738	SCREW CAP HEX M8-1.25x30 G8.8 N500	6	
18	500321	WASHER BEL SPR .331x.827x.098 N500	6	
19	X3-0520-01	FAN DRIVE - INSTALLATION		
20	5060097	MULTI V-BELT / 14 RIB 99.44" (2526) 14PK2526 To B-5001	1	
20	5060108	MULTI V-BELT / 14 RIB 99.44" (2526) 14PK2526 QT (21-2111) From B-5002 To B-5049	1	

From A-9975 To E-5458	Date:01/2024	PAGE:X3-0120-03
------------------------------	---------------------	------------------------

DRIVE PULLEY, BELTS & TENSIONER WITH VOLVO D13 & 2x120Amps

Item#	Part	Description	QTY	Notes
20	5060105	MULTI V-BELT / 14 RIB 99.44" (2526) 14PK2526 QT + SD (21-2117) From B-5002 To B-5049	1	H
20	5060119	MULTI V-BELT / 14 RIB 100.98" (2565MM) 14PK2565 QT + SD From B-5050	1	
21	5060086	V-BELT / BX-96 / SET OF 2 9013-2096 / A/C COMPR	1	
21	5060121	SUPER V-BELT / 2B-96	1	
22	X3-0610-06	ALTERNATOR MOUNTING / "BOSCH" VOLVO D13		
NS	012698	DECAL / "BELT ROUTING" SHORT END COOL 2010	1	
23	Refer To Volvo	PULLEY IDLER	1	V
24	20712534	MULTI V-BELT / 10 RIB 59.5" (1512MM) 10PK1512 To B-5001	1	
24	5060110	MULTI V-BELT / 10 RIB 59.5" (1512MM) 10PK1512 QT (21-2112) From B-5002	1	
24	5060104	MULTI V-BELT / 10 RIB 59.5" (1512MM) 10PK1512 QT + SD (21-2112) From B-5002	1	H
25	20487079	AUTOMATIC TENSIONER ASSY To A-9994	1	
25	21260406	AUTOMATIC TENSIONER ASSY To A-9994	1	
25	21479276	AUTOMATIC TENSIONER ASSY To A-9994	1	
25	510991	AUTOMATIC TENSIONER ASSY From A-9995	1	
25	012695	SUPPORT ADAPTOR AUTOMTIC TENSIONER ASSY W/DOWEL / WATER PUMP From A-9995	1	
NS	502941	. DOWEL PIN From A-9995	2	
NS	5001620	SCREW CAP HEXS M10-1.5X35 G10.9 G500 From A-9995	1	
25	5001799	SCREW CAP HEXF M10-1.5x70 G10.9 N500 From A-9995	1	
25	012696	KIT, WATER PUMP TENSIONER ASSY W/SUPPORT To A-9994	1	
NS	012695	. SUPPORT ADAPTOR AUTOMTIC TENSIONER ASSY W/DOWEL / WATER PUMP To A-9994	1	
NS	502941	. . DOWEL PIN To A-9994	2	
NS	510991	. AUTOMATIC TENSIONER ASSY To A-9994	1	
NS	5001620	. SCREW CAP HEXS M10-1.5X35 G10.9 G500 To A-9994	1	
NS	5001799	. SCREW CAP HEXF M10-1.5x70 G10.9 N500 To A-9994	1	
NS	20712534	. MULTI V-BELT / 10 RIB 59.5" (1512MM) 10PK1512 To A-9994	1	
30	454444	PULLEY ASSY W/BEARING & SUPPORT / XL-II & X3 To B-5001	1	
30	457506	PULLEY, LOOSE ASM From B-5002 To C-5289	1	E
30	457506	PULLEY, LOOSE ASM From C-5290 To D-5297	1	
30	457510	PULLEY, LOOSE ASM From D-5298	1	
31	454445	. ANGLE SUPPORT To B-5001	1	
31	457507	. SUPPORT, LOOSE PULLEY From B-5002 To C-5289	1	E
31	457507	. SUPPORT, LOOSE PULLEY From C-5290 To D-5297	1	
31	457511	. SUPPORT, LOOSE PULLEY From D-5298	1	
32	052205	. SPACER 20MM I.D. X 12.5MM TH	1	
33	453834	. PULLEY / 45MM x 90MM O.D.	1	
34	507340	. BALL BEARING 20 ID x 52 OD x 22.2 W	1	F
34	507014	. BALL BEARING 20 ID x 52 OD x 22.2 W	1	
35	504095	. RING RETAINER / INT 2.00 x 2.12 x .062	1	
36	453835	. SCREW CAP HEX M20-2.5x65	1	
37	453076	. CAP, DUST	1	
38	5001252	. NUT HEX STO M20-2.5 DP	1	

From A-9975 To E-5458	Date:01/2024	PAGE:X3-0120-03
-----------------------	--------------	-----------------

DRIVE PULLEY, BELTS & TENSIONER WITH VOLVO D13 & 2x120Amps

Item#	Part	Description	QTY	Notes
39	5001741	SCREW CAP HEXF M10-1.5x30 G8.8 N500	2	
40	5001727	NUT HEXF NYRT M10-1.5 N500	2	
45	X3-0605-01	ALTERNATOR 24V/120 AMPS / "BOSCH"		
46	X3-0610-06	ALTERNATOR MOUNTING / "BOSCH" VOLVO D13		
50	454500	PULLEY ASSY W/BEARING	1	
52	454182	. PULLEY / 5" O.D. X 2V	1	
53	507340	. BALL BEARING 20 ID x 52 OD x 22.2 W	1	F
53	507014	. BALL BEARING 20 ID x 52 OD x 22.2 W	1	
54	504095	. RING RETAINER / INT 2.00 x 2.12 x .062	1	
55	453835	SCREW CAP HEX M20-2.5x65	1	
56	453076	CAP, DUST	1	
57	5001801	SCREW CAP HEXF M10-1.5x55 G10.9 N500	2	
57	500796	SCREW CAP HEXF M8-1.25x50 G10.9 N500	1	
58	012674	SUPPORT PULLEY ALT & A/C PROTO	1	U
58	012656	SUPPORT PULLEY ALT & A/C	1	
60	052896	PULLEY ASSY W/BEARING / 54MM x 117MM O.D.	1	
61	052625	. PULLEY / 54MM x 117MM O.D.	1	
62	510618	. BALL BEARING DBL ROW / 30MM x 62MM x 27 W	1	
63	504040	. RING RETAINER / INT 2.440 x 1.860 x 0.078 STL BLK	1	
64	012062	WASHER FL 10.2 x38.1x5 ST	1	
65	500829	SCREW CAP HEX M10-1.5x40 G8.8	1	
66	510798	PROTECTOR CAP / "PREVOST"	1	
70	8149875	PULLEY 171 MM O.D. W/10RIB	1	
71	21146745	HUB ASSY	1	
72	20459796	. SHAFT MOUNTING	1	
73	N.S.S.	. BEARING HOUSING	1	1
74	21146660	. BALL BEARING	1	
75	1675790	. NUT M40 x 9MM	1	
76	984065	SCREW CAP HEXS M8-1.25x25 G8.8 DP	4	
77	502889	WASHER LO SPT 8.1x12.7x2.0 N500	4	
78	012497	SUPPORT PILLEY TENSIONER WATER PUMP To A-9992	1	
78	21270170	SUPPORT PULLEY TENSIONER WATER PUMP From A-9993	1	
79	5001308	SCREW CAP HEXF M10-1.5x40 G10.9 N500	8	
90	641472	AIR PRESSURE REGULATOR 1/4" NPT / COPPER	1	
91	032892	SUPPORT FILTER AIR	1	
92	500734	NUT HEX JAM 3/4-16 Z050	1	
93	641371	MALE ELBOW 90° NON-SWIVEL / PUSH-IN FITTING / #4x1/4NPT-M BR	1	
94	501331	STREET ELBOW 90° / PIPE FITTING / 1/8NPT-Mx1/8NPT-F BR	2	
95	640488	VALVE, AIR FILL 1/8" NPT	1	

From A-9975 To E-5458	Date:01/2024	PAGE:X3-0120-03
DRIVE PULLEY, BELTS & TENSIONER WITH VOLVO D13 & 2x120Amps		

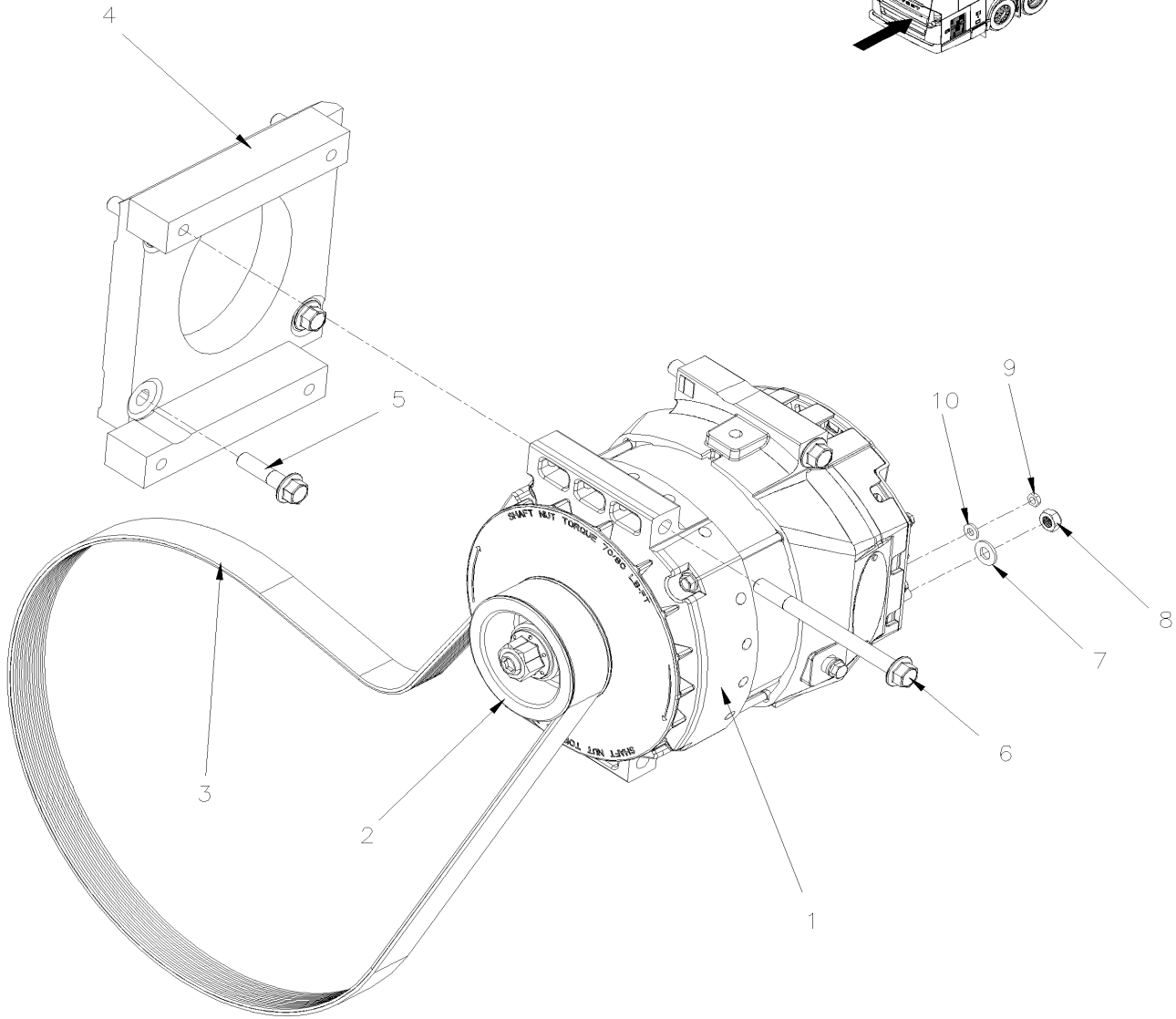
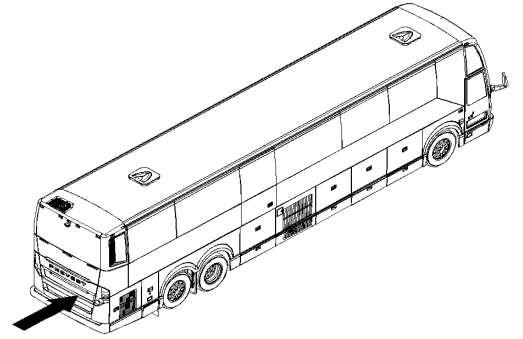
Item#	Part	Description	QTY	Notes
. NS	650164	. CAP VALVE / CHROME	1	
96	501650	NIPPLE REDUCER HEX / PIPE FITTING / 1/4NPT-Mx1/8NPT-Mx1 3/16 BR	1	
97	641417	VALVE, 3 WAYS 1/8NPT-Fx1/8NPT-Fx1/8NPT-F BR To C-5132	1	
. NS	642014	. HANDLE / RED To C-5132	1	
97	642161	VALVE, 3 WAYS 1/8NPT-Fx1/8NPT-Fx1/8NPT-F BR From C-5133	1	
. NS	642014	. HANDLE / RED From C-5133	1	
98	641365	MALE ELBOW 45° NON-SWIVEL / PUSH-IN FITTING / #4x1/8NPT-M BR	1	
NS	142807	HOSE ASSY TEFLON #4 1620MM	1	
100	012123	DECAL "BELT TENSIONER" 35 PSI	1	
101	5001181	SCREW CAP HEX M6-1.0x12 SS	2	
102	502570	WASHER LO SPT 6.1x11.8x1.6 SS	2	
NS	685290	TOOL PULLEY RETAINER / FOR TORQ # 550912	1	
104	IS19913	BOSCH TO DELCO REMY ALTERNATOR INSTALLATION, US10 From B-5002	1	
		E) FOR PRODUCT IMPROVEMENT		
		F) REPLACE BY # 507014		
		H) HEAVY DUTY		
		1) NOT SOLD SEPARATELY		
		V) SEE IMPACT OR CALL ORDER DESK		

From A-9975 To E-5458	Date:01/2024	PAGE:IS19913
-----------------------	--------------	--------------

BOSCH TO DELCO REMY ALTERNATOR INSTALLATION, US10

Item#	Part	Description	QTY	Notes
1	0610086	KIT INSTALLATION, ALTERNATOR REMY CURB SIDE	1	
2	0610088	KIT ALTERNATOR REMY ADAPTATION FROM US10 ENGINE	1	
3	IS-19913	SEE INSTRUCTION SHEET	1	

KIT INSTALLATION, ALTERNATOR REMY CURB SIDE



From B-5002	Date:01/2024	PAGE:0610086
KIT INSTALLATION, ALTERNATOR REMY CURB SIDE		

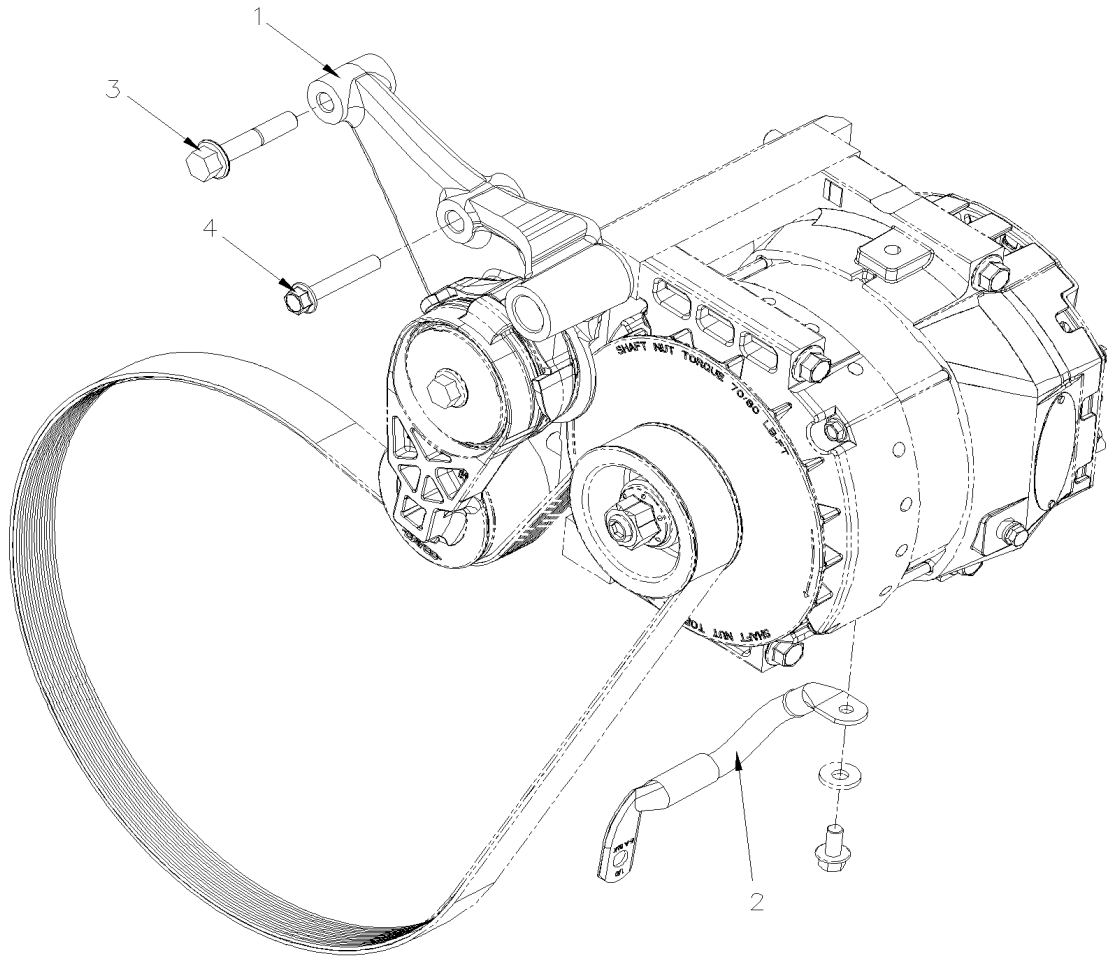
Item#	Part	Description	QTY	Notes
1	560720	ALTERNATOR ASSY 24V/250 AMPS / "REMY"	1	
2	069892	PULLEY ALTERNATOR / "REMY" / 83MM DOB. x 8 PK	1	
3	506065	MULTI V-BELT / 8 RIB 56.5" (1435MM) 8PK1435 QT EPDM	2	
4	069894	BRACKET, ALTERNATOR REMY	1	
5	5001308	SCREW CAP HEXF M10-1.5x40 G10.9 N500	4	
6	5002091	SCREW CAP HEXF M10-1.5X120 G10.9 N500	4	
7	5001341	WASHER FL 8.4x17.0x1.6 SS	1	
8	500685	NUT HEX NYRT 5/16-18 SS	1	
9	5001180	NUT HEX NYRT #10-24 SS	2	
10	5001137	WASHER FL .203x.438x.050 SS	2	
NS	500411	WASHER FL .260x.697x.050 SS	1	
NS	IS-19905	SEE INSTRUCTION SHEET	1	

From B-5002

Date:01/2024

PAGE:0610088

KIT ALTERNATOR REMY ADAPTATION FROM US10 ENGINE



From B-5002	Date:01/2024	PAGE:0610088
-------------	--------------	--------------

KIT ALTERNATOR REMY ADAPTATION FROM US10 ENGINE

Item#	Part	Description	QTY	Notes
1	010116	SUPPORT PULLEY ALT & A/C	1	
2	0610034	HARNES, ALTERNATOR CHASSIS GROUND / CURBSIDE	1	
3	5001801	SCREW CAP HEXF M10-1.5x55 G10.9 N500	2	
4	500796	SCREW CAP HEXF M8-1.25x50 G10.9 N500	1	
5	563548	SHRINK TUBING / .187" - .093" / BLACK / ALPHA FIT-221-3/16-4-B	1	
6	563870	RING TERMINAL #5 / 16-14 / DURASEAL / AMP B-106-1502	3	
7	994445	FLANGE SCREW M8x16	1	

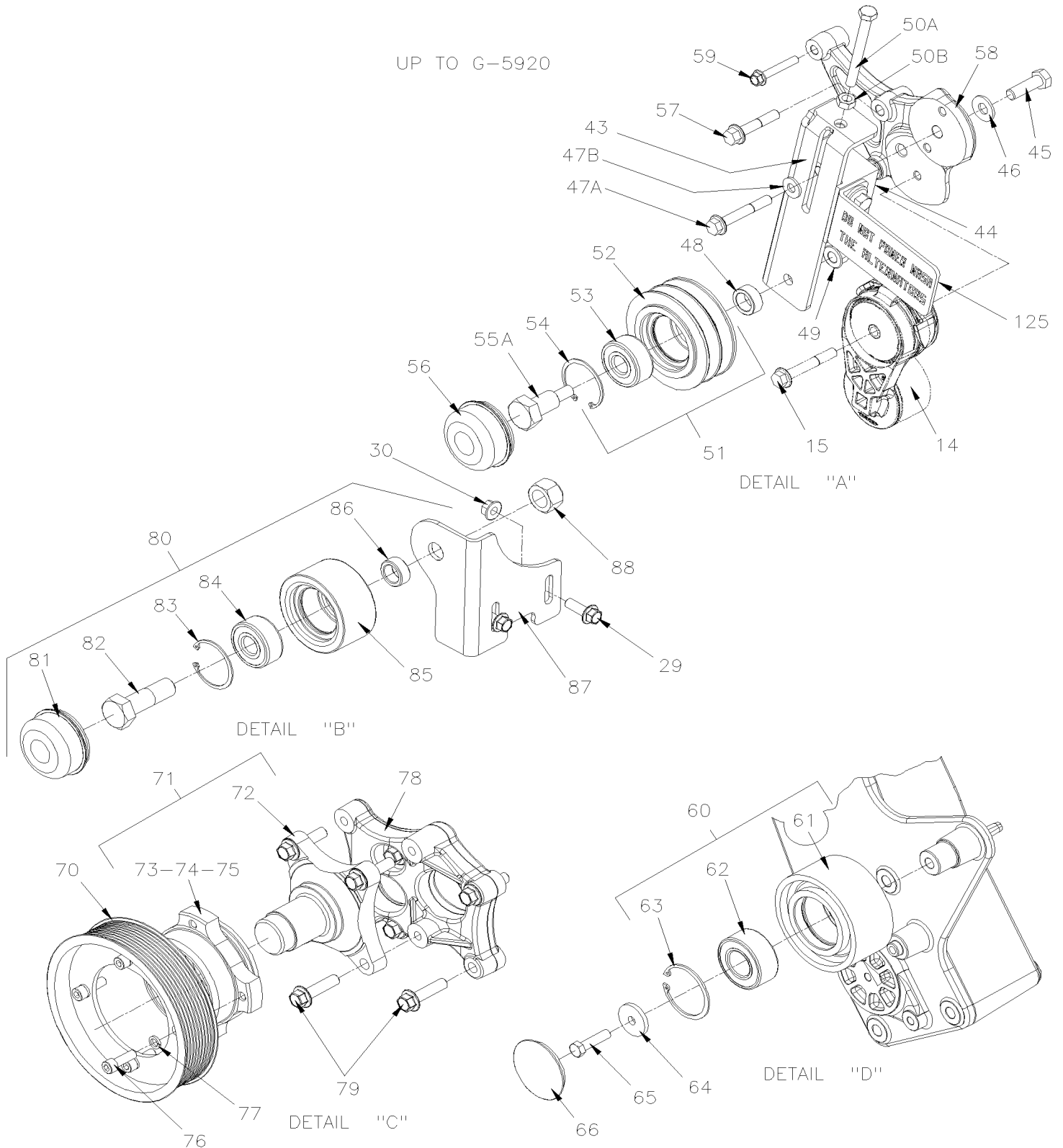
From E-5459 To H-6179

Date:01/2024

PAGE:X3-0120-04

DRIVE PULLEY, BELTS & TENSIONER WITH VOLVO D13

UP TO G-5920

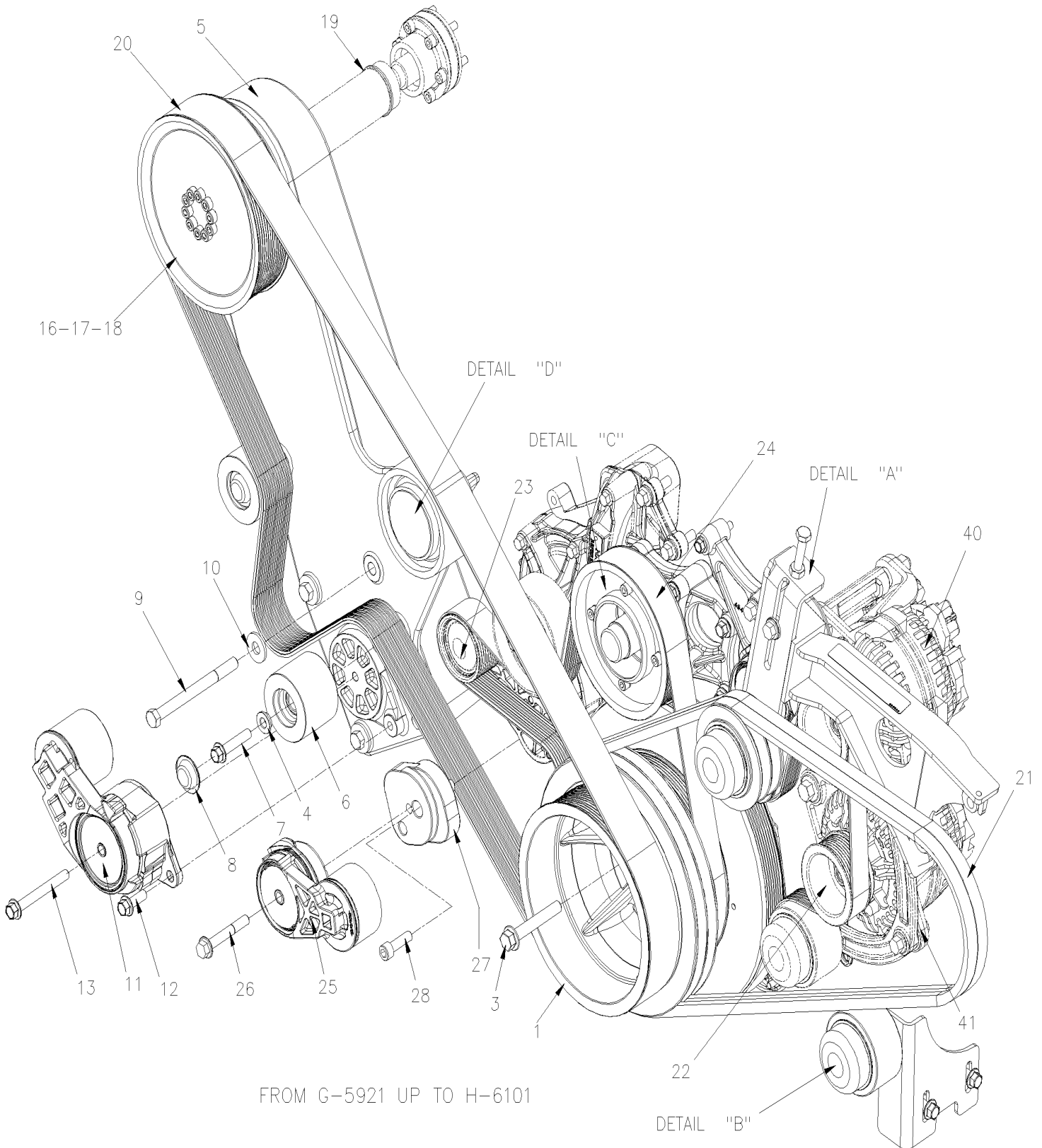


From E-5459 To H-6179

Date:01/2024

PAGE:X3-0120-04

DRIVE PULLEY, BELTS & TENSIONER WITH VOLVO D13



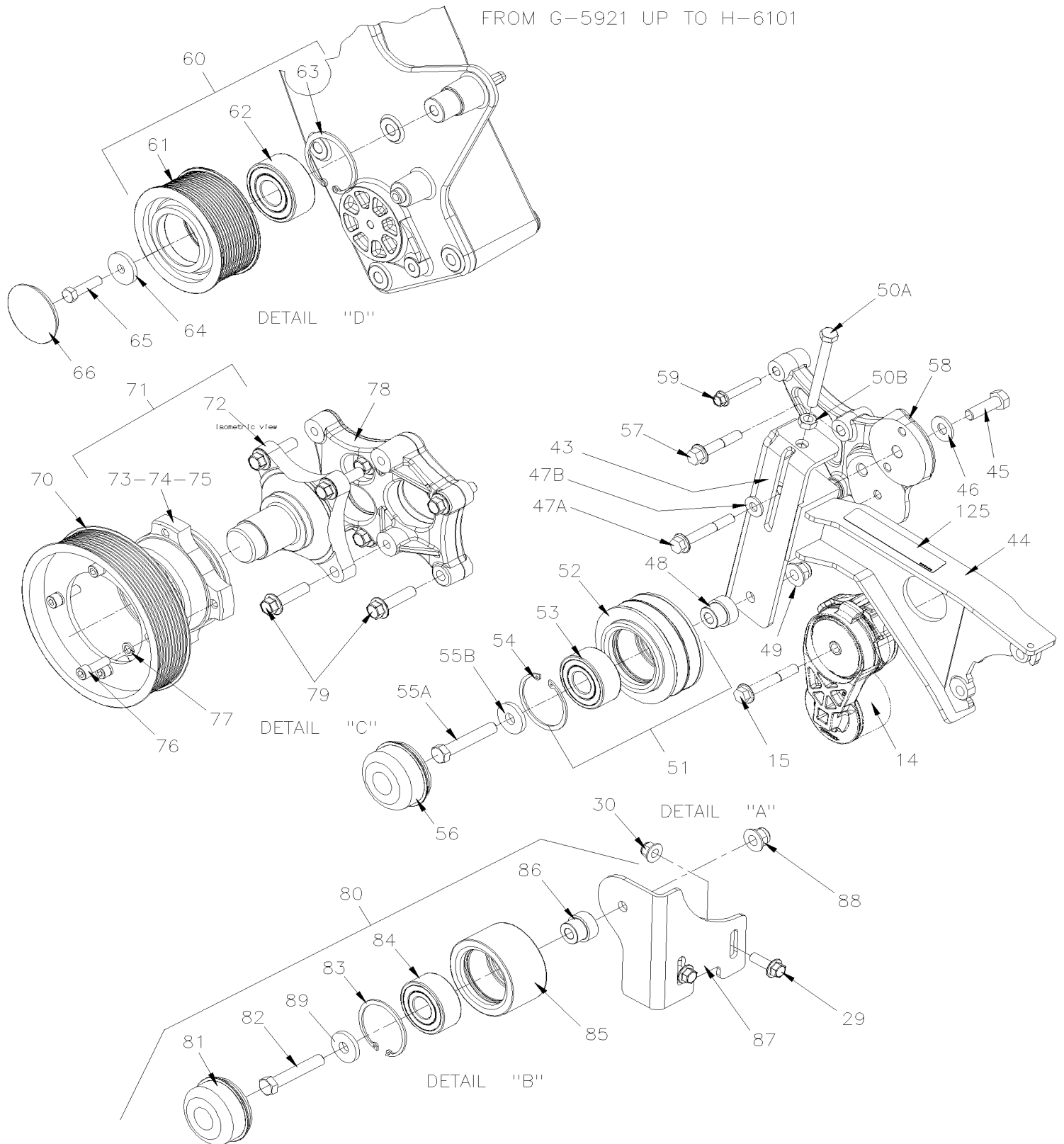
From E-5459 To H-6179

Date:01/2024

PAGE:X3-0120-04

DRIVE PULLEY, BELTS & TENSIONER WITH VOLVO D13

FROM G-5921 UP TO H-6101



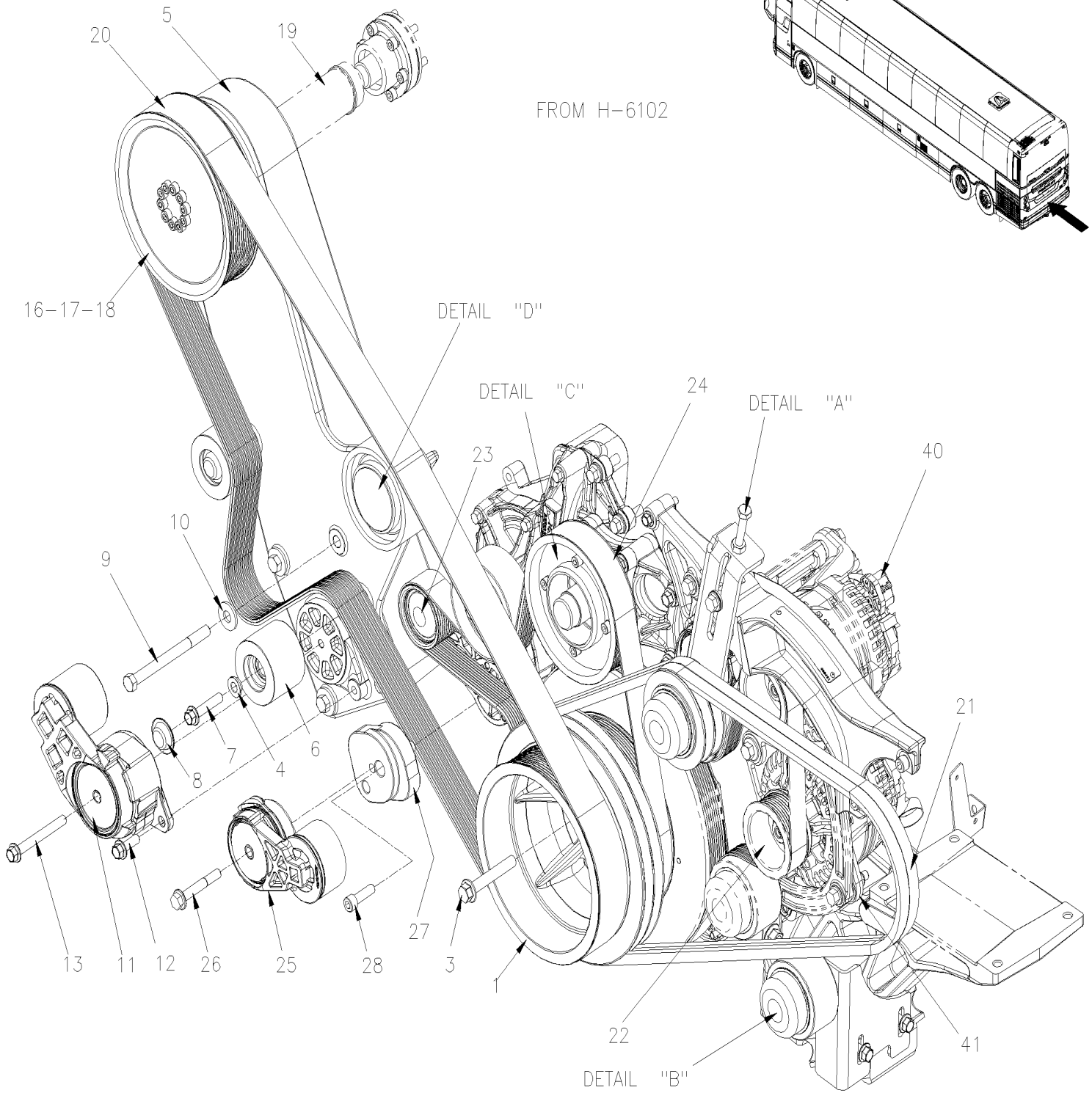
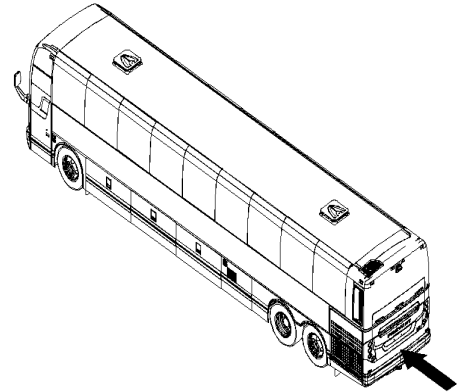
From E-5459 To H-6179

Date:01/2024

PAGE:X3-0120-04

DRIVE PULLEY, BELTS & TENSIONER WITH VOLVO D13

FROM H-6102

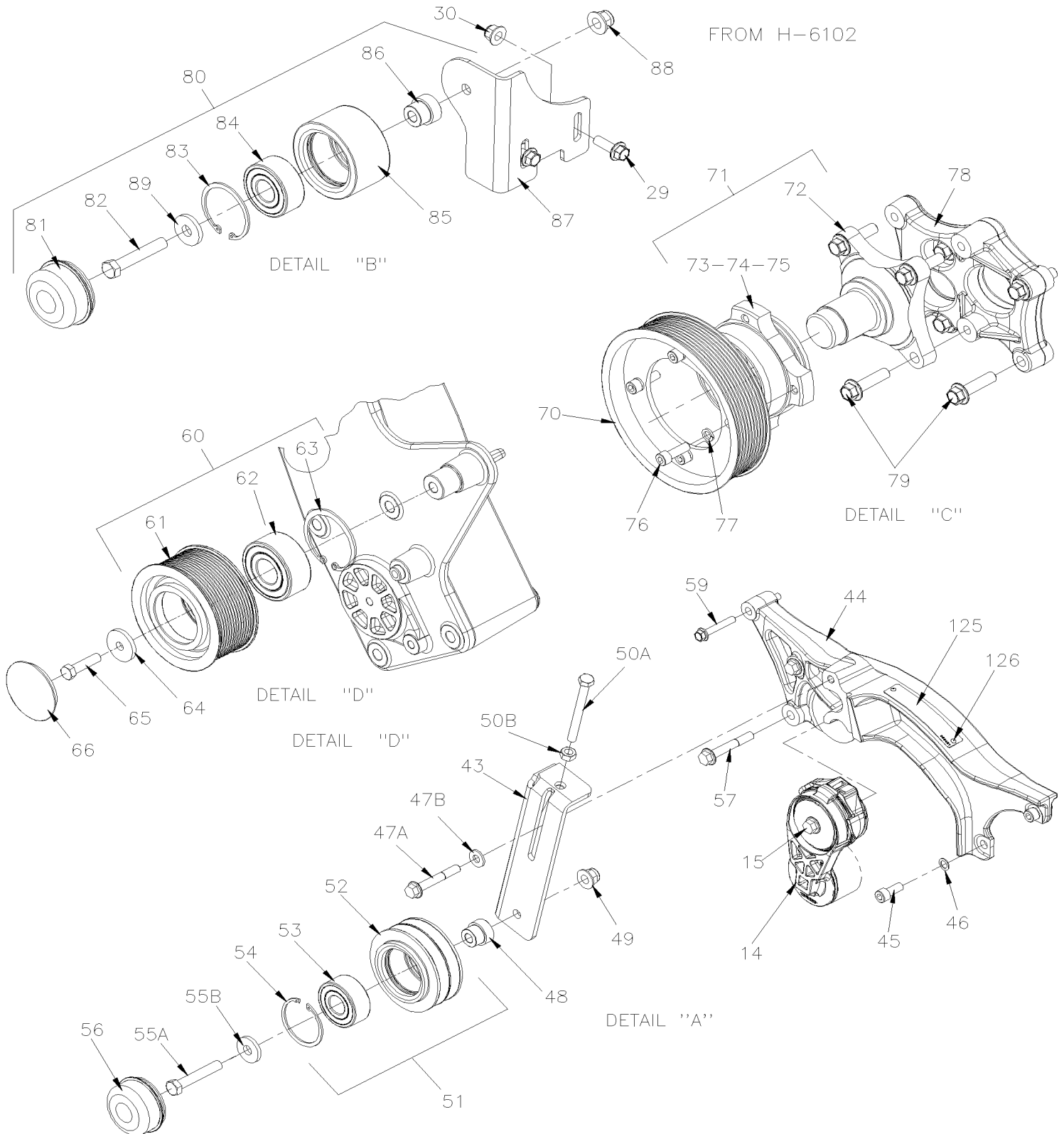


From E-5459 To H-6179

Date:01/2024

PAGE:X3-0120-04

DRIVE PULLEY, BELTS & TENSIONER WITH VOLVO D13



From E-5459 To H-6179	Date:01/2024	PAGE:X3-0120-04
DRIVE PULLEY, BELTS & TENSIONER WITH VOLVO D13		

Item#	Part	Description	QTY	Notes
1	012802	PULLEY DRIVE 277MM x 2V & 220MM x 10RIB & 223MM x 14 RIB	1	
3	5001296	SCREW CAP HEXF M12-1.75x80 G10.9 N500	6	
NS	680038	THREAD LOCKER LOCTITE #243 / BLUE / 50ml	AR	
4	053022	GUIDE, BUSHING	1	
5	20966630	LONG FAN ARM SUPPORT	1	
6	550985	PULLEY ASSY W/BEARING 74MM O.D. x 57MM CROWNED/DOME	2	
7	5001843	SCREW CAP HEXF AD M10-1.5x50 G10.9 N500	2	
8	557056	PROTECTOR CAP / STEEL 40.7MM O.D. x 11MM	2	
9	5001776	SCREW CAP HEX M12-1.75x140 G8.8 G500 To F-5778	4	
9	5001940	SCREW CAP HEX M12-1.75x140 G10.9 N500 From F-5779	4	
10	500211	WASHER FL .531x1.250x.125 N500	4	
11	550925	AUTOMATIC TENSIONER ASSY	1	
NS	010032	TOOL KEY 1 1/2" / TENSIONER RELEASE	1	
12	5001644	SCREW CAP HEXF M10-1.5x30 G8.8 G500	1	
13	5001784	SCREW CAP HEXF M10-1.5x90 G8.8 AD N500	1	
14	510991	AUTOMATIC TENSIONER ASSY	1	
15	5001799	SCREW CAP HEXF M10-1.5x70 G10.9 N500	1	
16	550961	PULLEY ASSY / FAN DRIVE 212MM O.D. W/14 RIB	1	
NS	550983	BEARING	1	
NS	551021	SCREW CAP HEXS M8-1.25 x 30	10	
16	550981	PULLEY ASSY / FAN DRIVE 212MM O.D. W/14 RIB ALTERNATIVE PART	1	
NS	551020	BEARING	1	
NS	551021	SCREW CAP HEXS M8-1.25 x 30	10	
NS	551022	RETAINING RING	1	
17	5001738	SCREW CAP HEX M8-1.25x30 G8.8 N500	6	
18	500321	WASHER BEL SPR .331x.827x.098 N500	6	
19	X3-0520-02	FAN DRIVE - INSTALLATION		
20	5061284	MULTI V-BELT / 14 RIB 100.98" (2565MM) 14PK2565 QT To H-6178	1	
20	506030	MULTI V-BELT / 14 RIB 100.98" (2565MM) 14PK2565 QT ARAMIDE From H-6179	1	
20	5060119	MULTI V-BELT / 14 RIB 100.98" (2565MM) 14PK2565 QT + SD To H-6178	1	H
20	506029	MULTI V-BELT / 14 RIB 100.98" (2565MM) 14PK2565 QT + SD ARAMIDE From H-6179	1	H
21	5060134	V-BELT / BX-71 / SET OF 2	1	
22	X3-0610-06	ALTERNATOR MOUNTING / "BOSCH" VOLVO D13		
NS	012811	DECAL / "BELT ROUTING" To E-5599	1	
22	012865	DECAL / "BELT ROUTING" From E-5600 To F-5743	1	
22	012880	DECAL / "BELT ROUTING" From F-5744	1	
23	Refer To Volvo	PULLEY IDLER	1	V
24	5060110	MULTI V-BELT / 10 RIB 59.5" (1512MM) 10PK1512 QT (21-2112)	1	
24	5060104	MULTI V-BELT / 10 RIB 59.5" (1512MM) 10PK1512 QT + SD (21-2112)	1	H
25	510991	AUTOMATIC TENSIONER ASSY	1	
26	5001799	SCREW CAP HEXF M10-1.5x70 G10.9 N500	1	
27	012695	SUPPORT ADAPTOR AUTOMTIC TENSIONER ASSY W/DOWEL / WATER PUMP	1	

From E-5459 To H-6179	Date:01/2024	PAGE:X3-0120-04
DRIVE PULLEY, BELTS & TENSIONER WITH VOLVO D13		

Item#	Part	Description	QTY	Notes
. NS	502941	. DOWEL PIN	2	
NS	5001620	SCREW CAP HEXS M10-1.5X35 G10.9 G500	1	
29	5001741	SCREW CAP HEXF M10-1.5x30 G8.8 N500 To H-6132	2	
29	5000343	SCREW CAP HEXF M10-1.5x30 G10.9 N500 From H-6133	2	
30	5001727	NUT HEXF NYRT M10-1.5 N500 To E-5651	2	
30	5001930	NUT HEXF NYRT M10-1.5 N500 G10.9 From E-5652	2	
40	X3-0605-01	ALTERNATOR 24V/120 AMPS / "BOSCH" To G-5931		
40	X3-0605-02	ALTERNATOR 24V/150 AMPS / "BOSCH" From G-5932		
41	X3-0610-06	ALTERNATOR MOUNTING / "BOSCH" VOLVO D13		
42	X3-2245-02	A/C COMPRESSOR "BITZER" - INSTALLATION		
43	457542	TENSIONER To H-6101	1	
43	457765	TENSIONER, AC BELT COMPRESSOR From H-6102	1	
44	457543	SUPPORT, TENSIONNER To G-5920	1	
44	457759	SUPPORT, TENSIONNER From G-5921 To G-6007	1	
44	457675	SUPPORT, TENSIONNER WELDED From G-6008 To H-6101	1	
44	457750	SUPPORT, TENSIONNER CASTING From H-6102	1	
45	5001885	SCREW CAP HEX M12-1.75X40 G10.9 N500 To H-6101	1	
45	5001616	SCREW CAP HEXS M10-1.5X25 G10.9 DP From H-6102	2	
45	680098	THREAD SEALANT LOCTITE #567 / WHITE / 250ml From H-6102	AR	
46	500967	WASHER BEL SPR .512x1.142x.098 N500 To H-6101	1	
46	502867	WASHER FL .406x.625x.040 N500 From H-6102	2	
47A	5001799	SCREW CAP HEXF M10-1.5x70 G10.9 N500 To H-6101	1	
47A	5000343	SCREW CAP HEXF M10-1.5x30 G10.9 N500 From H-6102	1	
47B	5001834	WASHER BEL SPR 10.5X23X2.5 N500	1	
48	457501	BUSHING 30MM O.D. x 20MM I.D. x 12MM To H-6098	1	
48	053724	BUSHING From H-6099	1	
49	5001728	NUT HEXF STO M12-1.75 N500 G10 To E-5651	1	
49	5001761	NUT HEXF NYRT M12-1.75 G8 N500 From E-5652	1	
50A	5001914	SCREW CAP HEX M10-1.5x100 FT SS	1	
50B	500847	NUT HEX M10-1.5 N500	1	
51	457505	PULLEY ASSY W/BEARING To H-6098	1	J
51	450334	KIT PULLEY REPLACEMENT / SERVICE LARGE A/C To H-6098	1	J
51	457785	PULLEY ASSY W/BEARING From H-6099 To H-6144	1	
51	450096	PULLEY ASSY W/BEARING From H-6145	1	
52	457504	. PULLEY / 112MM O.D. X 2V To H-6098	1	
52	457786	. PULLEY / 112MM O.D. X 2V From H-6099	1	
53	507340	. BALL BEARING 20 ID x 52 OD x 22.2 W To H-6098	1	E
53	507014	. BALL BEARING 20 ID x 52 OD x 22.2 W To H-6098	1	
53	507006	. BALL BEARING 25 ID x 62 OD x 25.4 W From H-6099 To H-6144	1	

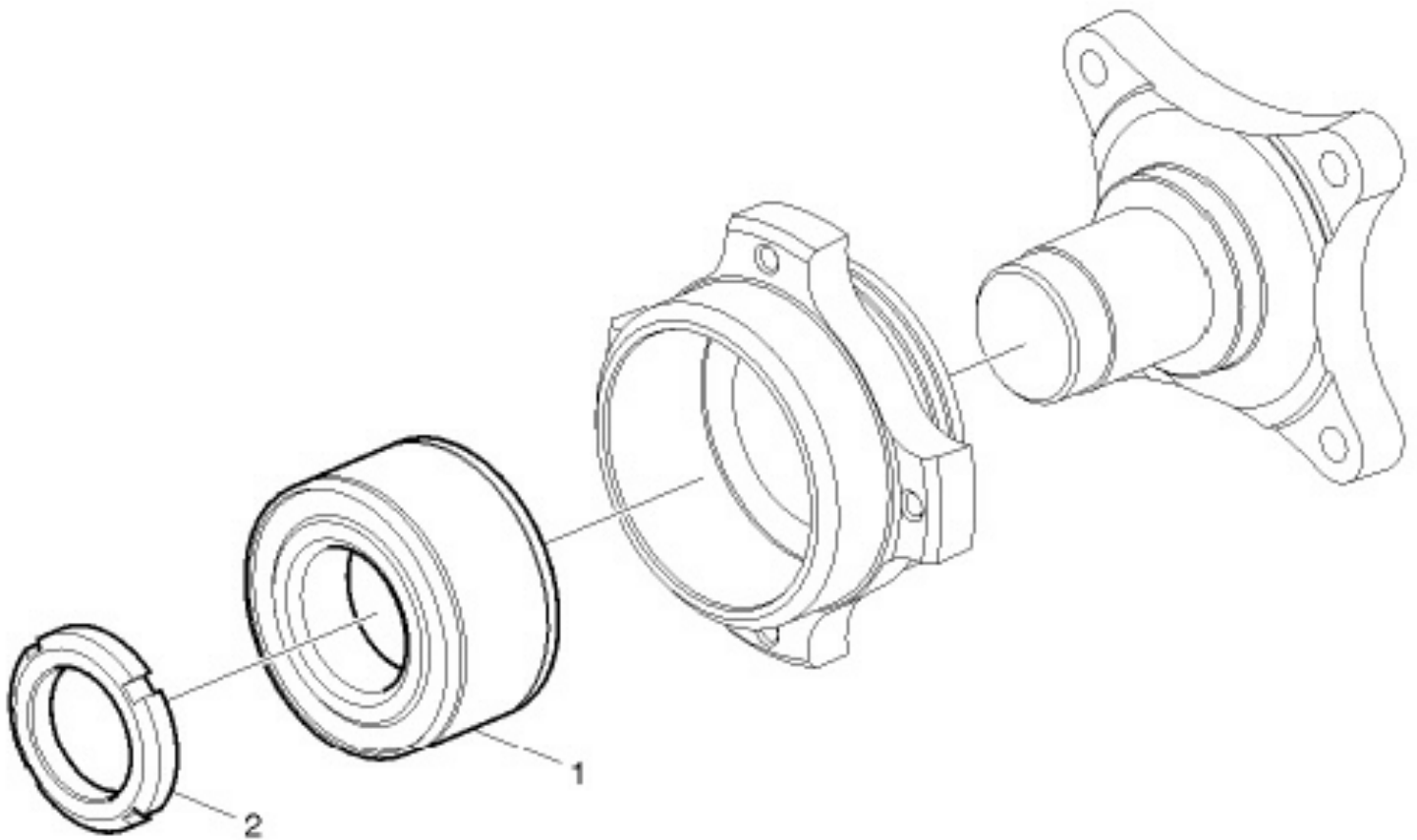
From E-5459 To H-6179	Date:01/2024	PAGE:X3-0120-04
DRIVE PULLEY, BELTS & TENSIONER WITH VOLVO D13		

Item#	Part	Description	QTY	Notes
53	509952	. BALL BEARING 25 ID x 62 OD x 25.4 W HI-TEMP From H-6145	1	
54	504095	. RING RETAINER / INT 2.00 x 2.12 x .062 To H-6098	1	
54	504040	. RING RETAINER / INT 2.440 x 1.860 x 0.078 STL BLK From H-6099	1	
55A	457500	ROD, IDLER A/C M12-1.75 x 59 To H-6098	1	
55A	5001862	SCREW CAP HEX M12-1.75x70 G10.9 N500 From H-6099	1	
55B	5002008	WASHER FL 13.0x35.0x5.0 N500 From H-6099	1	
56	453076	CAP, DUST	1	
57	5001799	SCREW CAP HEXF M10-1.5x70 G10.9 N500 To H-6101	2	
57	5001801	SCREW CAP HEXF M10-1.5x55 G10.9 N500 From H-6102	2	
58	454779	SUPPORT PULLEY ALT & A/C WELDED PROTO To H-6101	1	
59	500796	SCREW CAP HEXF M8-1.25x50 G10.9 N500	1	
60	052896	PULLEY ASSY W/BEARING / 54MM x 117MM O.D. To H-6098	1	K
60	053722	PULLEY ASSY W/BEARING / 54MM x 125MM O.D. / 14V From H-6099 To H-6144	1	K
60	050027	PULLEY ASSY W/BEARING / 54MM x 125MM O.D. / 14V From H-6145	1	
61	052625	. PULLEY / 54MM x 117MM O.D.	1	
61	053723	. PULLEY / 54MM x 125MM O.D. / 14V From H-6099	1	
62	510618	. BALL BEARING DBL ROW / 30MM x 62MM x 27 W To H-6098	1	
62	507008	. BALL BEARING 30MM x 72MM x 30.2 W From H-6099 To H-6144	1	
62	509953	. BALL BEARING 30MM x 72MM x 30.2 W HI-TEMP From H-6145	1	
63	504040	. RING RETAINER / INT 2.440 x 1.860 x 0.078 STL BLK To H-6098	1	
63	504736	. RING RETAINER / INT 72 x 75 x 2.5MM From H-6099	1	
64	012062	WASHER FL 10.2 x38.1x5 ST	1	
65	500829	SCREW CAP HEX M10-1.5x40 G8.8	1	
66	510798	PROTECTOR CAP / "PREVOST"	1	
70	8149875	PULLEY 171 MM O.D. W/10RIB	1	
71	21146745	HUB ASSY To H-6115	1	
71	22719941	HUB ASSY From H-6116	1	
72	20459796	. SHAFT MOUNTING	1	
73	N.S.S.	. BEARING HOUSING To H-6115	1	1
73	N.S.S.	. BEARING HOUSING From H-6116	1	1
74	21146660	. BALL BEARING To H-6115	1	
74	N.S.S.	. BALL BEARING From H-6116	1	1
75	1675790	. NUT M40 x 9MM	1	
76	5001775	SCREW CAP HEXS M8-1.25x25 G8.8 G500	4	
77	500942	WASHER LO SPT 8.1x14.8x2.0 N500	4	
78	21270170	SUPPORT PULLEY TENSIONER WATER PUMP	1	
79	5001308	SCREW CAP HEXF M10-1.5x40 G10.9 N500	8	
80	457545	PULLEY, LOOSE ASM To H-6098	1	F
80	457781	PULLEY, LOOSE ASM From H-6099 To H-6144	1	F
80	450094	PULLEY, LOOSE ASM From H-6145	1	
81	453076	. CAP, DUST	1	
82	453835	. SCREW CAP HEX M20-2.5x65 To H-6098	1	

From E-5459 To H-6179	Date:01/2024	PAGE:X3-0120-04
DRIVE PULLEY, BELTS & TENSIONER WITH VOLVO D13		

Item#	Part	Description	QTY	Notes
82	5001862	. SCREW CAP HEX M12-1.75x70 G10.9 N500 From H-6099	1	
83	504095	. RING RETAINER / INT 2.00 x 2.12 x .062 To H-6098	1	
83	504040	. RING RETAINER / INT 2.440 x 1.860 x 0.078 STL BLK From H-6099	1	
84	507340	. BALL BEARING 20 ID x 52 OD x 22.2 W To H-6098	1	E
84	507014	. BALL BEARING 20 ID x 52 OD x 22.2 W To H-6098	1	
84	507006	. BALL BEARING 25 ID x 62 OD x 25.4 W From H-6099 To H-6144	1	
84	509952	. BALL BEARING 25 ID x 62 OD x 25.4 W HI-TEMP From H-6145	1	
85	453834	. PULLEY / 45MM x 90MM O.D. To H-6098	1	
85	012958	. PULLEY / 48MM x 90MM O.D. From H-6099	1	
86	052205	. SPACER 20MM I.D. X 12.5MM TH To H-6098	1	
86	053724	. BUSHING From H-6099	1	
87	457546	. SUPPORT, LOOSE PULLEY To H-6098	1	
87	457782	. SUPPORT, LOOSE PULLEY From H-6099	1	
88	5001252	. NUT HEX STO M20-2.5 DP To H-6098	1	
88	5001761	. NUT HEXF NYRT M12-1.75 G8 N500 From H-6099	1	
89	5002008	. WASHER FL 13.0x35.0x5.0 N500 From H-6099	1	
NS	685290	TOOL PULLEY RETAINER / FOR TORQ # 550912	1	
125	068669	CAUTION PLATE, ALTERNATOR From F-5760 To G-5920	1	
125	069356	DECAL "DO NOT POWER WASH ALTERNATORS" ENGLISH From G-5921 To H-6101	1	
125	069421	DECAL "DO NOT POWER WASH ALTERNATORS" From H-6102	1	
125	500321	WASHER BEL SPR .331x.827x.098 N500 From F-5760 To G-5920	2	
125	5001780	SCREW CAP HEXF M8-1.25x16 G8.8 N500 From F-5760 To G-5920	2	
126	504339	RIVET POP DOME OE 1/8x3/8 SS From H-6102	2	
NS	684420	SCREW MARKER LOCK 90ml	AR	
		E) REPLACE BY # 507014		
		F) FOR PRODUCT IMPROVMENT ASK FOR # 450094		
		H) HEAVY DUTY		
		J) FOR PRODUCT IMPROVMENT ASK FOR # 450334		
		K) FOR PRODUCT IMPROVMENT ASK FOR # 050027		
		1) NOT SOLD SEPARATELY		
		V) SEE IMPACT OR CALL ORDER DESK		

From H-6116	Date:01/2024	PAGE:22719941
HUB ASSY		



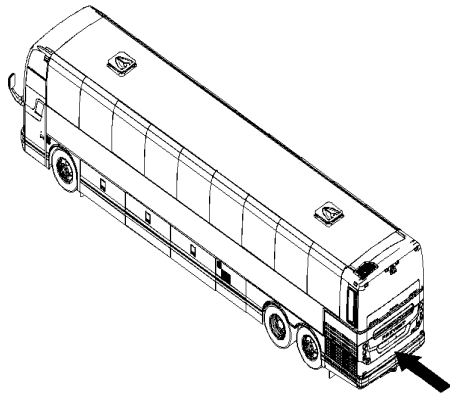
From H-6116		Date:01/2024	PAGE:22719941	
HUB ASSY				
Item#	Part	Description	QTY	Notes
1	21760184	BALL BEARING	1	
2	23705970	ROUND NUT	1	

From H-6180

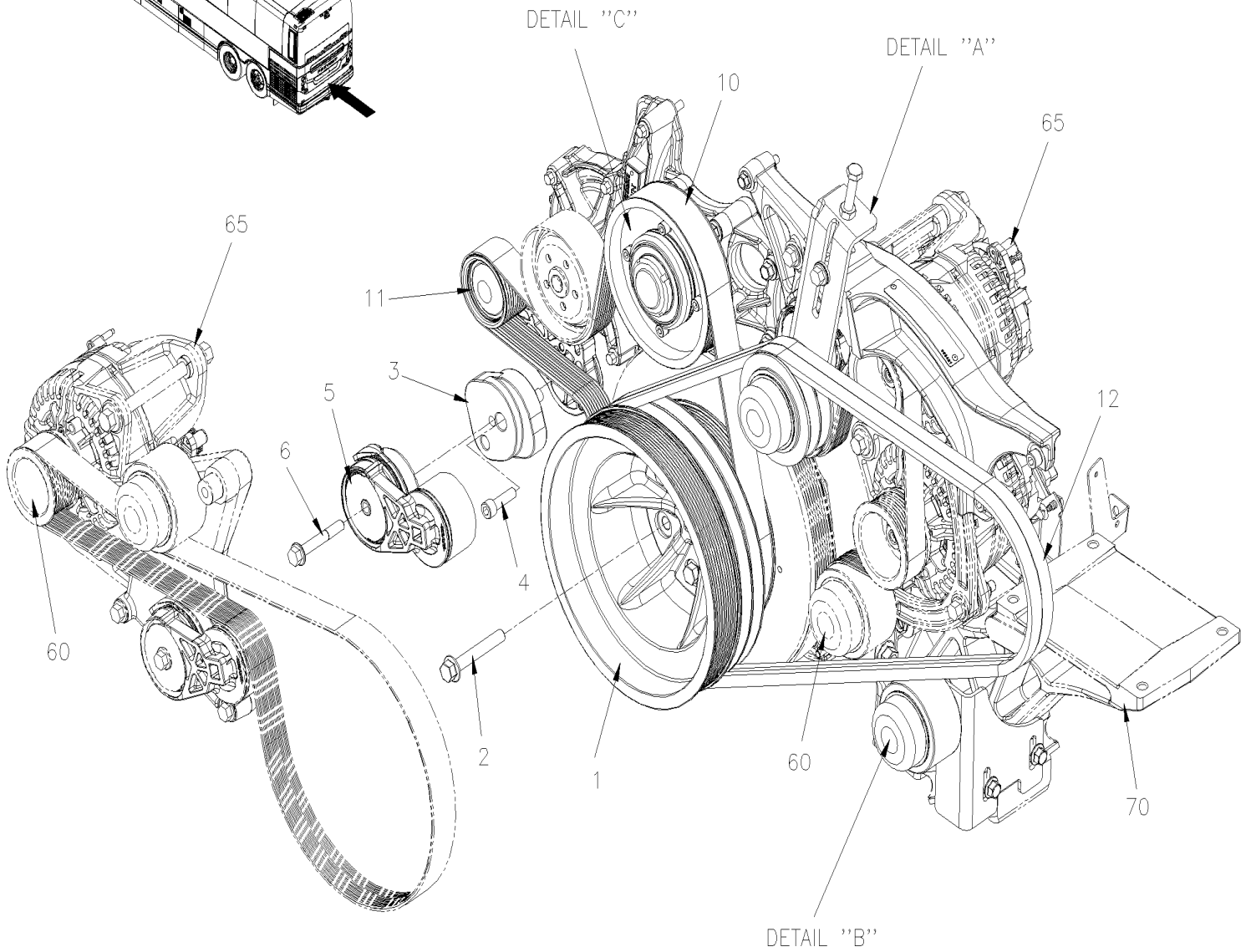
Date:01/2024

PAGE:X3-0120-05

DRIVE PULLEY, BELTS & TENSIONER WITH VOLVO D13 - GHG17



WITH BOSCH ALTERNATOR



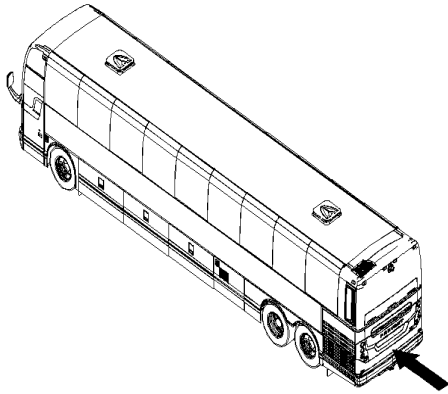
From H-6180

Date:01/2024

PAGE:X3-0120-05

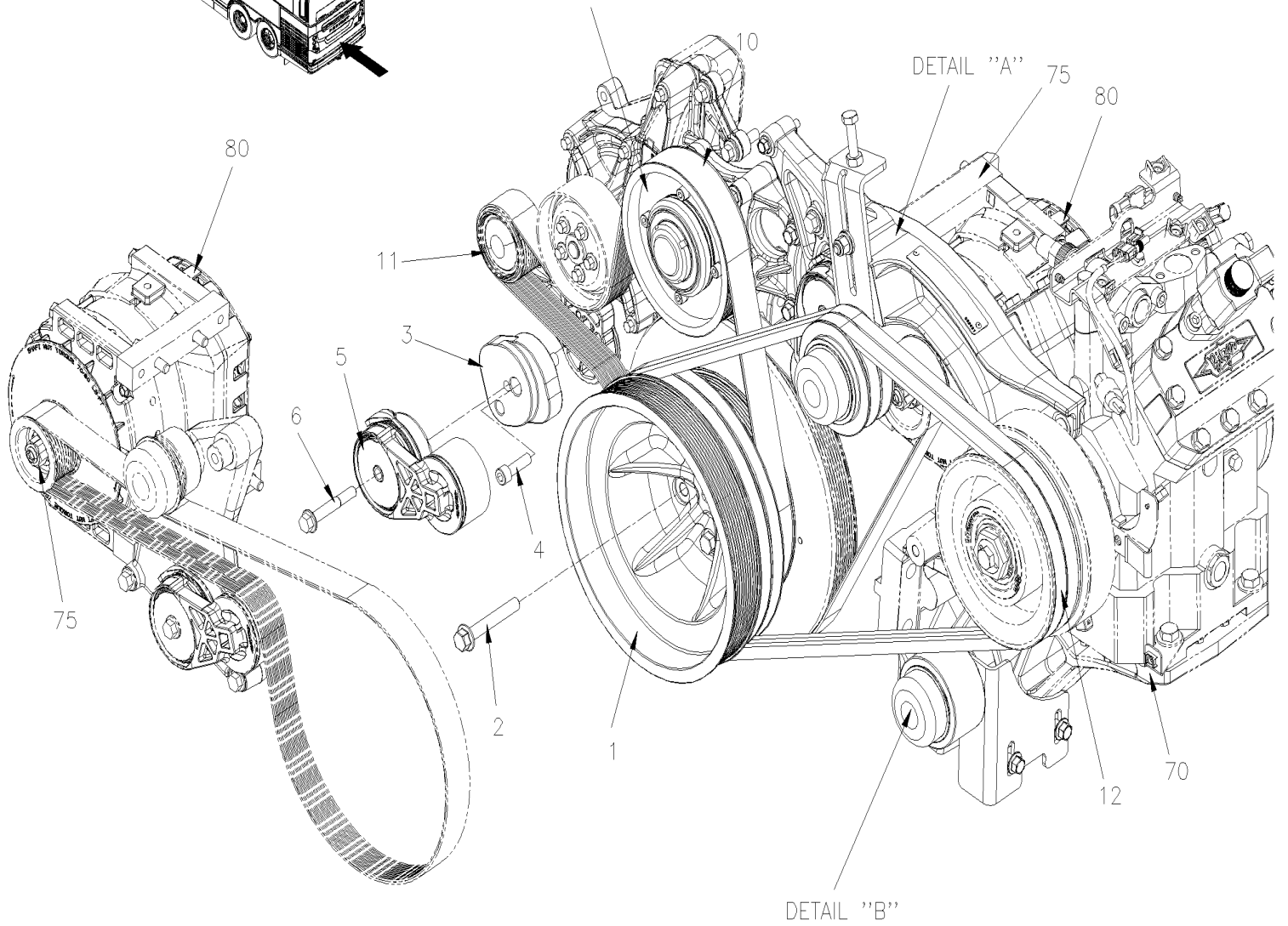
DRIVE PULLEY, BELTS & TENSIONER WITH VOLVO D13 - GHG17

WITH REMY ALTERNATOR



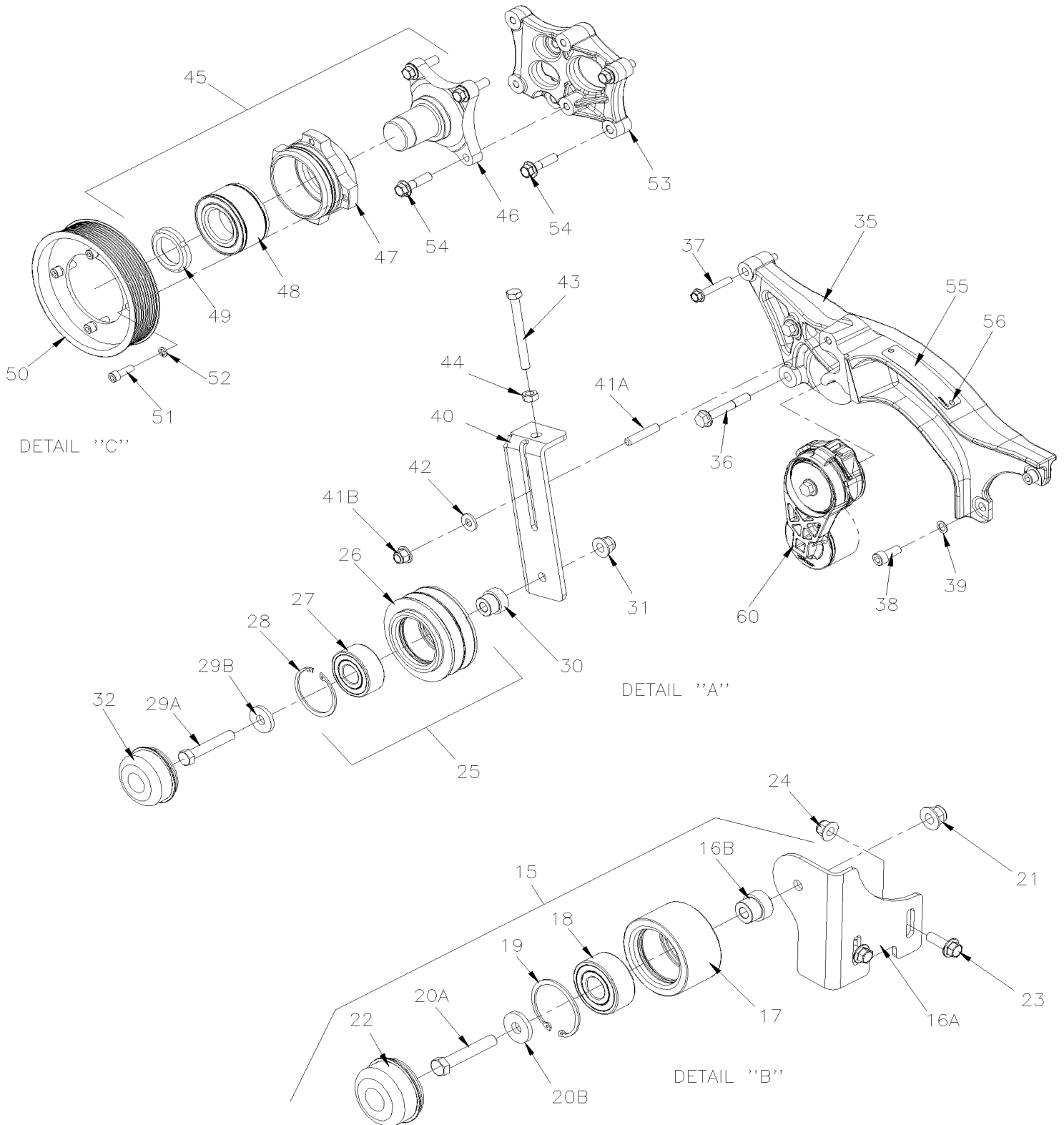
DETAIL "C"

DETAIL "A"



DETAIL "B"

DRIVE PULLEY, BELTS & TENSIONER WITH VOLVO D13 - GHG17



From H-6180		Date:01/2024	PAGE:X3-0120-05
DRIVE PULLEY, BELTS & TENSIONER WITH VOLVO D13 - GHG17			

Item#	Part	Description	QTY	Notes
1	012941	DRIVE PULLEY / 280MMx10RIB/ 268.3MMx2V / 220.8MMx10 RIB To M-6657	1	
1	010319	DRIVE PULLEY / 280MMx10RIB/ 268.3MMx2V / 220.8MMx10 RIB From M-6658	1	
2	5001296	SCREW CAP HEXF M12-1.75x80 G10.9 N500	6	
3	012695	SUPPORT ADAPTOR AUTOMTIC TENSIONER ASSY W/DOWEL / WATER PUMP	1	
. NS	502941	. DOWEL PIN	2	
4	5001620	SCREW CAP HEXS M10-1.5X35 G10.9 G500	1	
NS	680038	THREAD LOCKER LOCTITE #243 / BLUE / 50ml	AR	
5	510991	AUTOMATIC TENSIONER ASSY	1	
6	5001799	SCREW CAP HEXF M10-1.5x70 G10.9 N500	1	
10	5060110	MULTI V-BELT / 10 RIB 59.5" (1512MM) 10PK1512 QT (21-2112)	1	
10	5060104	MULTI V-BELT / 10 RIB 59.5" (1512MM) 10PK1512 QT + SD (21-2112)	1	H
11	Refer To Volvo	PULLEY IDLER	1	V
12	5060134	V-BELT / BX-71 / SET OF 2 To K-6409	1	
12	5060142	V-BELT / BX-71 From K-6410 To K-6483	2	
12	5060134	V-BELT / BX-71 / SET OF 2 From K-6484 To M-6657	1	
12	5060137	SUPER V-BELT / 5VX740 From M-6658	2	
15	450094	PULLEY, LOOSE ASM	1	
16A	457782	. SUPPORT, LOOSE PULLEY	1	
16B	052205	. SPACER 20MM I.D. X 12.5MM TH	1	
17	012958	. PULLEY / 48MM x 90MM O.D.	1	
18	509952	. BALL BEARING 25 ID x 62 OD x 25.4 W HI-TEMP	1	
19	504040	. RING RETAINER / INT 2.440 x 1.860 x 0.078 STL BLK	1	
20A	5001862	. SCREW CAP HEX M12-1.75x70 G10.9 N500	1	
20B	5002008	. WASHER FL 13.0x35.0x5.0 N500	1	
21	5001252	. NUT HEX STO M20-2.5 DP	1	
22	453076	. CAP, DUST	1	
23	5000343	SCREW CAP HEXF M10-1.5x30 G10.9 N500	2	
24	5001930	NUT HEXF NYRT M10-1.5 N500 G10.9	2	
25	450044	PULLEY ASSY W/BEARING To M-6657	1	
25	450096	PULLEY ASSY W/BEARING From M-6658	1	
26	450045	. PULLEY / 112MM O.D. X 2V To M-6657	1	
26	457786	. PULLEY / 112MM O.D. X 2V From M-6658	1	
27	509952	. BALL BEARING 25 ID x 62 OD x 25.4 W HI-TEMP	1	
28	504040	. RING RETAINER / INT 2.440 x 1.860 x 0.078 STL BLK	1	
29A	5001862	SCREW CAP HEX M12-1.75x70 G10.9 N500	1	
29B	5002008	WASHER FL 13.0x35.0x5.0 N500	1	
30	053724	BUSHING	1	
31	5001761	NUT HEXF NYRT M12-1.75 G8 N500	1	
32	453076	CAP, DUST	1	
35	457750	SUPPORT, TENSIONNER CASTING To K-6439	1	
35	450580	SUPPORT, TENSIONNER CASTING From K-6404 To K-6439	1	A
35	450580	SUPPORT, TENSIONNER CASTING From K-6440 To N-6738	1	

From H-6180		Date:01/2024	PAGE:X3-0120-05
DRIVE PULLEY, BELTS & TENSIONER WITH VOLVO D13 - GHG17			

Item#	Part	Description	QTY	Notes
35	454767	SUPPORT, TENSIONNER CASTING From N-6739	1	
36	5001799	SCREW CAP HEXF M10-1.5x70 G10.9 N500	2	
37	500796	SCREW CAP HEXF M8-1.25x50 G10.9 N500	1	
38	5001616	SCREW CAP HEXS M10-1.5X25 G10.9 DP	2	
NS	680038	THREAD LOCKER LOCTITE #243 / BLUE / 50ml	AR	
39	502867	WASHER FL .406x.625x.040 N500	2	
40	450050	TENSIONER, AC BELT COMPRESSOR	1	
41A	5000343	SCREW CAP HEXF M10-1.5x30 G10.9 N500 To H-6192	1	
41A	5000360	ROD M10-1.5x52 N500 From H-6193	1	
41A	680100	THREAD LOCKER LOCTITE #271 / RED / 250ml From H-6193	AR	
41B	5001930	NUT HEXF NYRT M10-1.5 N500 G10.9 From H-6193	1	
42	5001834	WASHER BEL SPR 10.5X23X2.5 N500	1	
43	5001914	SCREW CAP HEX M10-1.5x100 FT SS	1	
44	500847	NUT HEX M10-1.5 N500	1	
45	21146745	HUB ASSY To H-6115	1	
45	22719941	HUB ASSY From H-6116	1	
46	20459796	. SHAFT MOUNTING	1	
47	N.S.S.	. BEARING HOUSING To H-6115	1	1
47	N.S.S.	. BEARING HOUSING From H-6116	1	1
48	21146660	. BALL BEARING To H-6115	1	
48	N.S.S.	. BALL BEARING From H-6116	1	1
49	1675790	. NUT M40 x 9MM	1	
50	8149875	PULLEY 171 MM O.D. W/10RIB	1	
51	5001775	SCREW CAP HEXS M8-1.25x25 G8.8 G500	4	
NS	680038	THREAD LOCKER LOCTITE #243 / BLUE / 50ml	AR	
52	500942	WASHER LO SPT 8.1x14.8x2.0 N500	4	
53	21270170	SUPPORT PULLEY TENSIONER WATER PUMP	1	
54	5001308	SCREW CAP HEXF M10-1.5x40 G10.9 N500	8	
55	069421	DECAL "DO NOT POWER WASH ALTERNATORS"	1	
56	504339	RIVET POP DOME OE 1/8x3/8 SS	2	
60	X3-0610-07	ALTERNATOR MOUNTING / "BOSCH" VOLVO D13 - GHG17	1	
60		ALTERNATOR MOUNTING / COACH WITH 4 ALTERNATORS VOLVO D13	1	O
65	X3-0605-02	ALTERNATOR 24V/150 AMPS / "BOSCH"	1	
NS	069356	DECAL "DO NOT POWER WASH ALTERNATORS" ENGLISH To L-6584	1	
NS	0610176	DECAL "DO NOT POWER WASH ALTERNATORS" ENGLISH From L-6585	1	
NS	0610181	DECAL "DO NOT POWER WASH ALTERNATORS" ENGLISH / FRANCAIS From L-6585	1	
70	X3-0150-02	ENGINE CRADLE - WITH VOLVO D13 - GHG17		
75	X3-0610-15	ALTERNATOR MOUNTING / "REMY" VOLVO D13		
80	X3-0605-10	ALTERNATOR 24V/250 AMPS / "REMY" To P-6878		
80	X3-0605-11	ALTERNATOR 24V/250 AMPS / "REMY" From P-6879		

From H-6180		Date:01/2024	PAGE:X3-0120-05
-------------	--	--------------	-----------------

DRIVE PULLEY, BELTS & TENSIONER WITH VOLVO D13 - GHG17

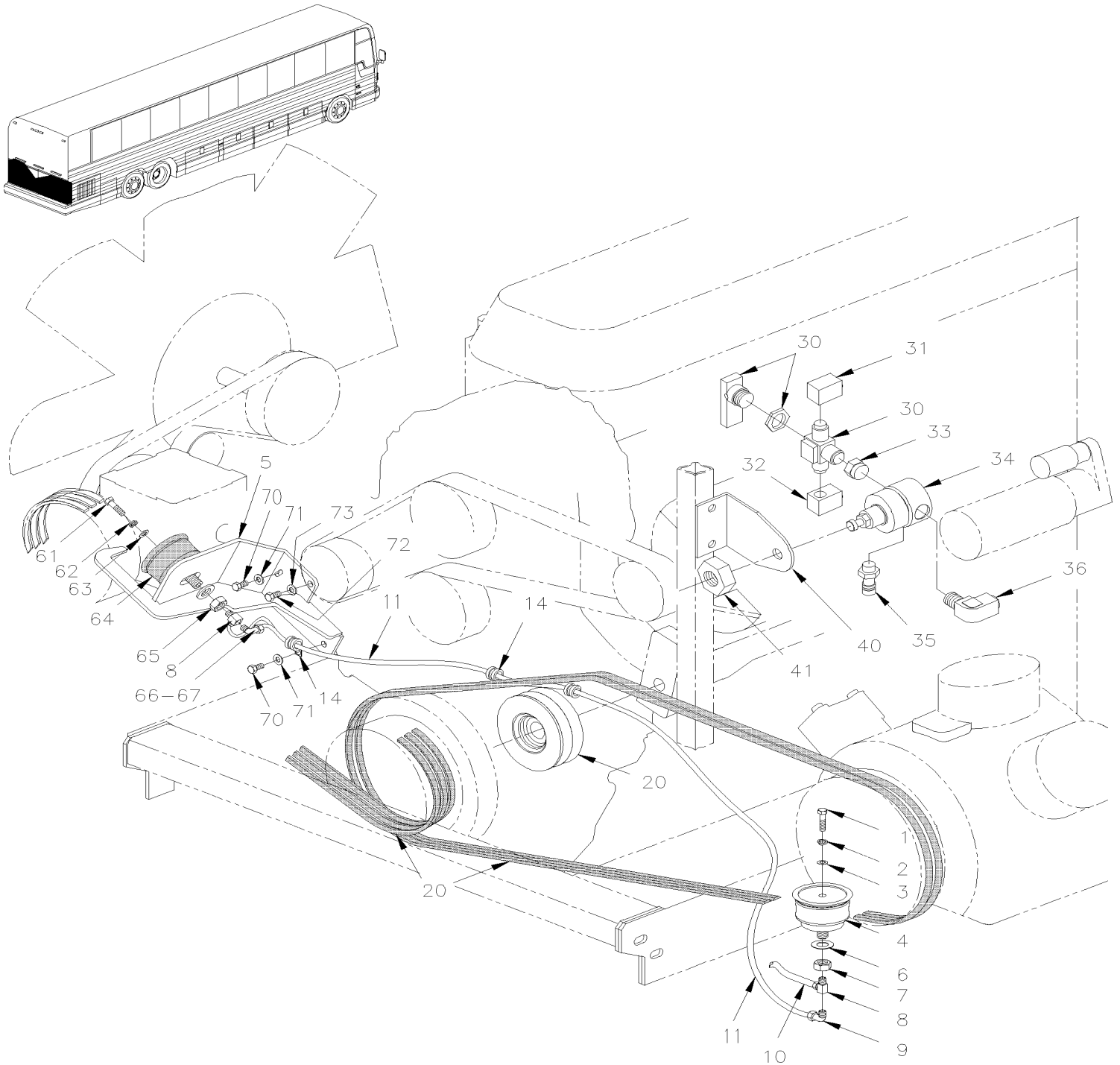
Item#	Part	Description	QTY	Notes
		A) WITH REMY ALTERNATOR		
		H) HEAVY DUTY		
		O) OPTIONAL, 2 ALTERNATEUR STREET SIDE, W/ LARGE A/C OPTION		
		1) NOT SOLD SEPARATELY		
		V) SEE IMPACT OR CALL ORDER DESK		

From 7-8754 To 8-9276

Date:01/2024

PAGE:X3-0125-00

BELTS TENSIONERS - WITH DETROIT S-60



From 7-8754 To 8-9276	Date:01/2024	PAGE:X3-0125-00
BELTS TENSIONERS - WITH DETROIT S-60		

Item#	Part	Description	QTY	Notes
1	502916	SCREW CAP HEX 3/8-16x3/4 G8 N500	1	
2	500218	WASHER LO SPT .380x.683x.098 DP320	1	
3	500832	WASHER FL .406x.812x.065 N500	1	
4	550840	BELLOW ASSY / BELT TENSIONER / 4" O.D.	1	
5	052706	SUPPORT BELLOW TENTIONER / W/4" BELLOW	1	
6	5001150	WASHER FL 17.0x30.0x3.0 N500	1	
7	500792	NUT HEX 5/8-11 Z050	1	
8	501707	ADAPTER TEE / SAE 45° FITTING / #4FL-Mx1/8NPT-Mx1/8NPT-F BR	1	
9	640996	MALE ELBOW 90° / NTA FITTING / #4x1/8NPT-M BR	1	
9	641127	MALE ELBOW 45° / NTA FITTING / #4x1/8NPT-M BR	2	
10	503402	TUBE, NYLON 1/4 O.D. / BLACK S.L.	AR	
11	052570	HOSE ASSY TEFLON #4 1750MM	1	
NS	012245	HOSE ASSY TEFLON #6 1200MM To 7-9095	1	B
11	141720	HOSE ASSY TEFLON #6 1400MM From 7-9096	1	B
14	504601	CLAMP / 5/16" I.D. x .375 HOLE	3	
15	061129	SUPPORT FLAT TWISTED / TUBE DIPSTICK	1	
16	500574	SCREW MA TR PH #10-24x1 1/4 SS	AR	
17	500914	WASHER LO SPT .193x.334x.047 N500	AR	
18	502882	NUT HEX #10-24 N500	AR	
19	010667	SUPPORT	1	
20	X3-0120-00	DRIVE PULLEY & BELTS		
30	641417	VALVE, 3 WAYS 1/8NPT-Fx1/8NPT-Fx1/8NPT-F BR	1	
. NS	642014	. HANDLE / RED	1	
30	642161	VALVE, 3 WAYS 1/8NPT-Fx1/8NPT-Fx1/8NPT-F BR / SERVICE	1	
. NS	642014	. HANDLE / RED	1	
31	641369	MALE ELBOW 90° NON-SWIVEL / PUSH-IN FITTING / #4x1/8NPT-M BR	1	
32	501331	STREET ELBOW 90° / PIPE FITTING / 1/8NPT-Mx1/8NPT-F BR	1	
33	501650	NIPPLE REDUCER HEX / PIPE FITTING / 1/4NPT-Mx1/8NPT-Mx1 3/16 BR	2	
34	641472	AIR PRESSURE REGULATOR 1/4" NPT / COPPER	1	
34	012123	DECAL "BELT TENSIONER" 35 PSI	1	
35	640488	VALVE, AIR FILL 1/8" NPT	1	
. NS	650164	. CAP VALVE / CHROME	1	
36	641371	MALE ELBOW 90° NON-SWIVEL / PUSH-IN FITTING / #4x1/4NPT-M BR	1	
40	142454	SUPPORT AIR REGULATOR / FLAT STYLE	1	A
41	500734	NUT HEX JAM 3/4-16 Z050	1	
50	453795	SUPPORT IDLER PULLEY / W/SMALL A/C	1	
51	502705	SCREW CAP HEX M12-1.75X25 G8.8 N500	2	
NS	500747	WASHER LO SPT 12.2x21.1x2.5 N500	2	
61	502926	SCREW CAP HEX 3/8-16x7/8 G5 N500	1	
62	500218	WASHER LO SPT .380x.683x.098 DP320	1	
63	500832	WASHER FL .406x.812x.065 N500	1	
64	550840	BELLOW ASSY / BELT TENSIONER / 4" O.D.	1	

From 7-8754 To 8-9276	Date:01/2024	PAGE:X3-0125-00
BELTS TENSIONERS - WITH DETROIT S-60		

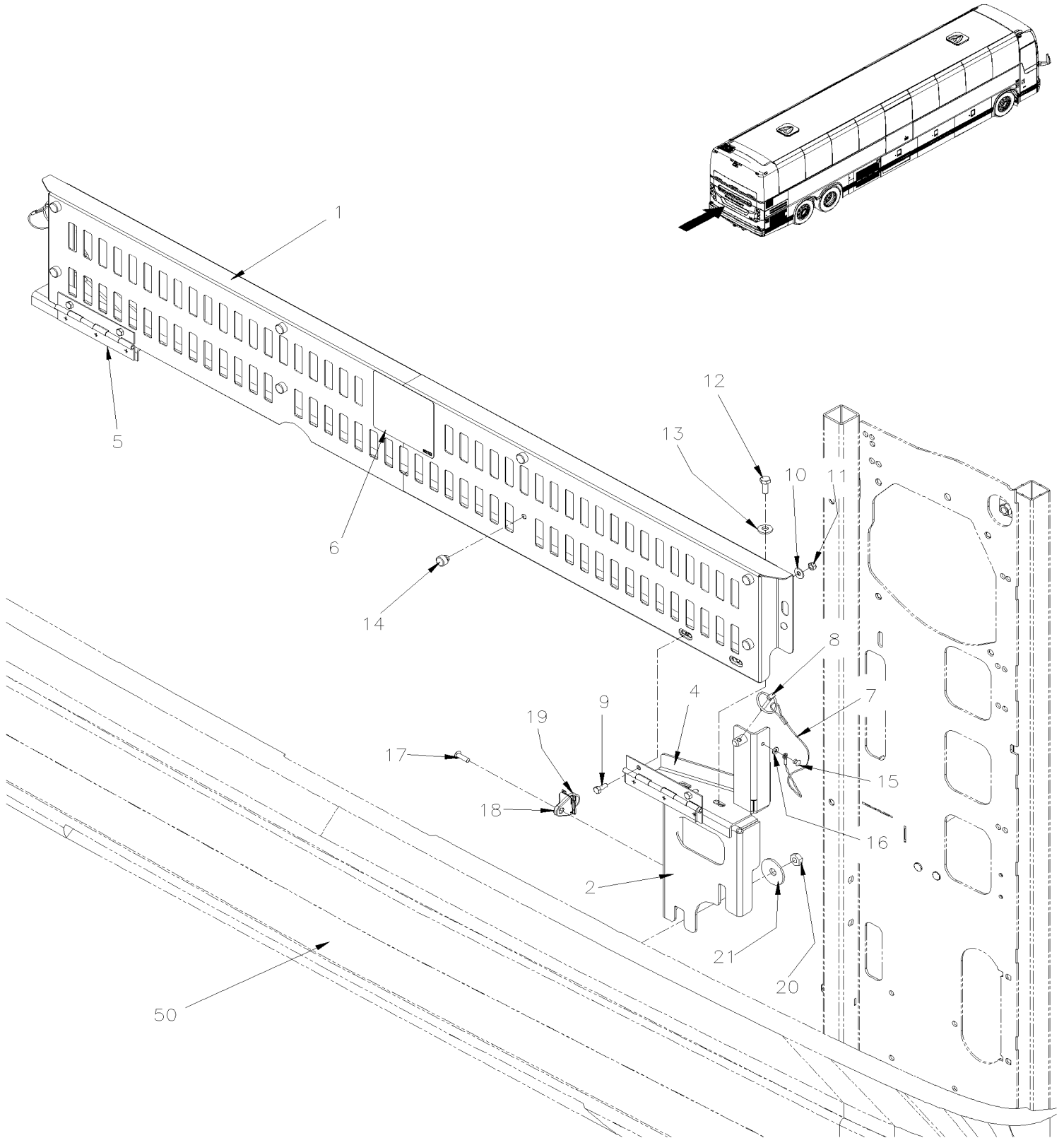
Item#	Part	Description	QTY	Notes
65	502917	NUT HEX JAM 3/4-16 G2 N500	1	
66	501036	MALE ELBOW 90° / SAE 45° FITTING / #4FL-Mx1/8NPT-M BR	1	
67	052590	HOSE ASSY TEFLON #4 830MM	1	C
70	970978	SCREW CAP HEX M12-1.75x70 G8.8 ZG603	2	
71	500944	WASHER LO SPT .506x.873x.125 N500	2	
72	500820	SCREW CAP HEX M8-1.25x16 G10.9 N500	1	
73	500942	WASHER LO SPT 8.1x14.8x2.0 N500	1	
		A) LOCATED ON UPPER ENGINE DOOR		
		B) FROM REAR MANIFOLD TO V POD ON ENGINE STREET SIDE		
		C) TO BELLOW ON TRANFERT FAN		

From J-6273

Date:01/2024

PAGE:X3-0135-00

BELT GUARD OPTION GLI



From J-6273	Date:01/2024	PAGE:X3-0135-00
BELT GUARD OPTION GLI		

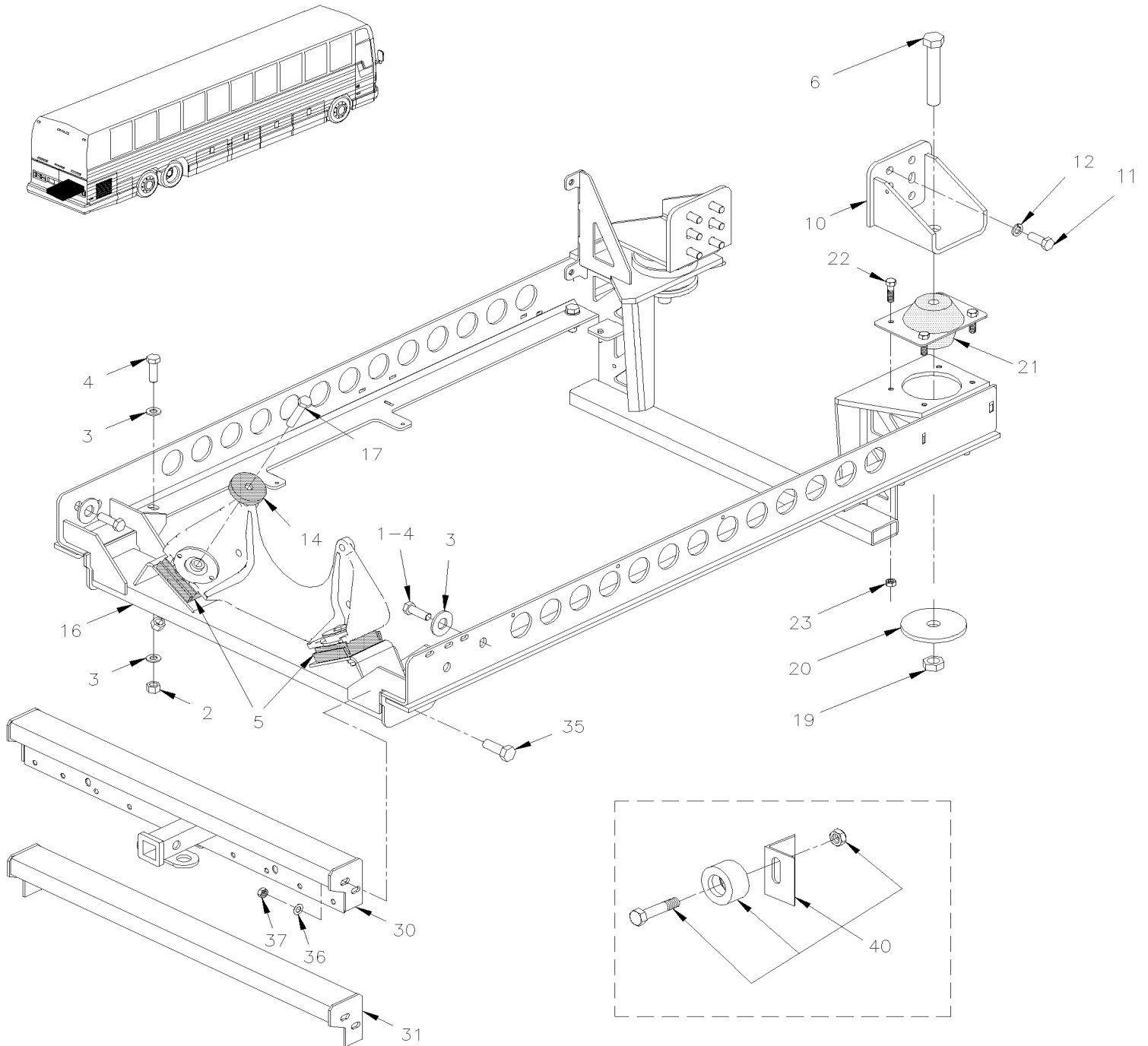
Item#	Part	Description	QTY	Notes
1	491600	BELT GUARD 1480 x 200 x 36.6 MM	1	
2	491592	BELT GUARD BRACKET, CURB SIDE 236 X 156 X 40 MM	1	
NS	491593	BELT GUARD BRACKET, STREET SIDE 236 X 156 X 40 MM	1	
4	491594	HINGE BRACKET ASS, CURB SIDE 213.2 x 168.8 x 89 MM	1	
5	491595	HINGE BRACKET ASS, STREET SIDE 213.2 x 168.8 x 89 MM	1	
6	012723	DECAL "WARNING DO NOT WORK AROUND BELT..."	1	
7	510973	CABLE SS 3/64" DIA. ASSY W/LOOP 8" LG x W/1" LOOP	2	
8	5002045	LOCKING PIN WITH RING	2	
9	5001697	SCREW CAP HEX M6-1.0x16 SS BK	4	
10	5001833	WASHER BEL SPR 6.1x18x1.27 SS	4	
11	5001182	NUT HEX NYRT M6-1.0 SS	4	
12	5001119	SCREW CAP HEX M8X1.25X20 BK	4	
13	5001848	WASHER BEL SPR .827 x .331 x .098 th SS	4	
14	504527	BUMPER PLUG / .625ODx.312THx.250HOLEx.125	AR	
15	504379	RIVET POP DOME OE 3/16x1/4 SS	2	
16	504357	WASHER FL .187x.437x.050 SS	2	
17	504610	RIVET MGLP PRDG 1/4x5/8 SS	1	
18	504772	ATTACHMENT USE WITH CABLE TIE 5/16 BOLT	1	
19	504016	CABLE TIE / 5/16" X 14"1/2	1	
20	502567	NUT HEX M10-1.5 SS	AR	
21	284447	WASHERS BELLEVILLE	AR	
31	IS18901	ENGINE BELT GUARD INSTALLATION	1	
. NS	200778P	. ENGINE BELT GUARD SUB-ASSEMBLY	1	
. NS	IS-18901	. SEE INSTRUCTION SHEET	1	
50	X3-1850-10	BUMPER REAR	1	

From 7-8754 To B-5001

Date:01/2024

PAGE:X3-0150-00

ENGINE CRADLE - WITH DETROIT S-60



From 7-8754 To B-5001	Date:01/2024	PAGE:X3-0150-00
ENGINE CRADLE - WITH DETROIT S-60		

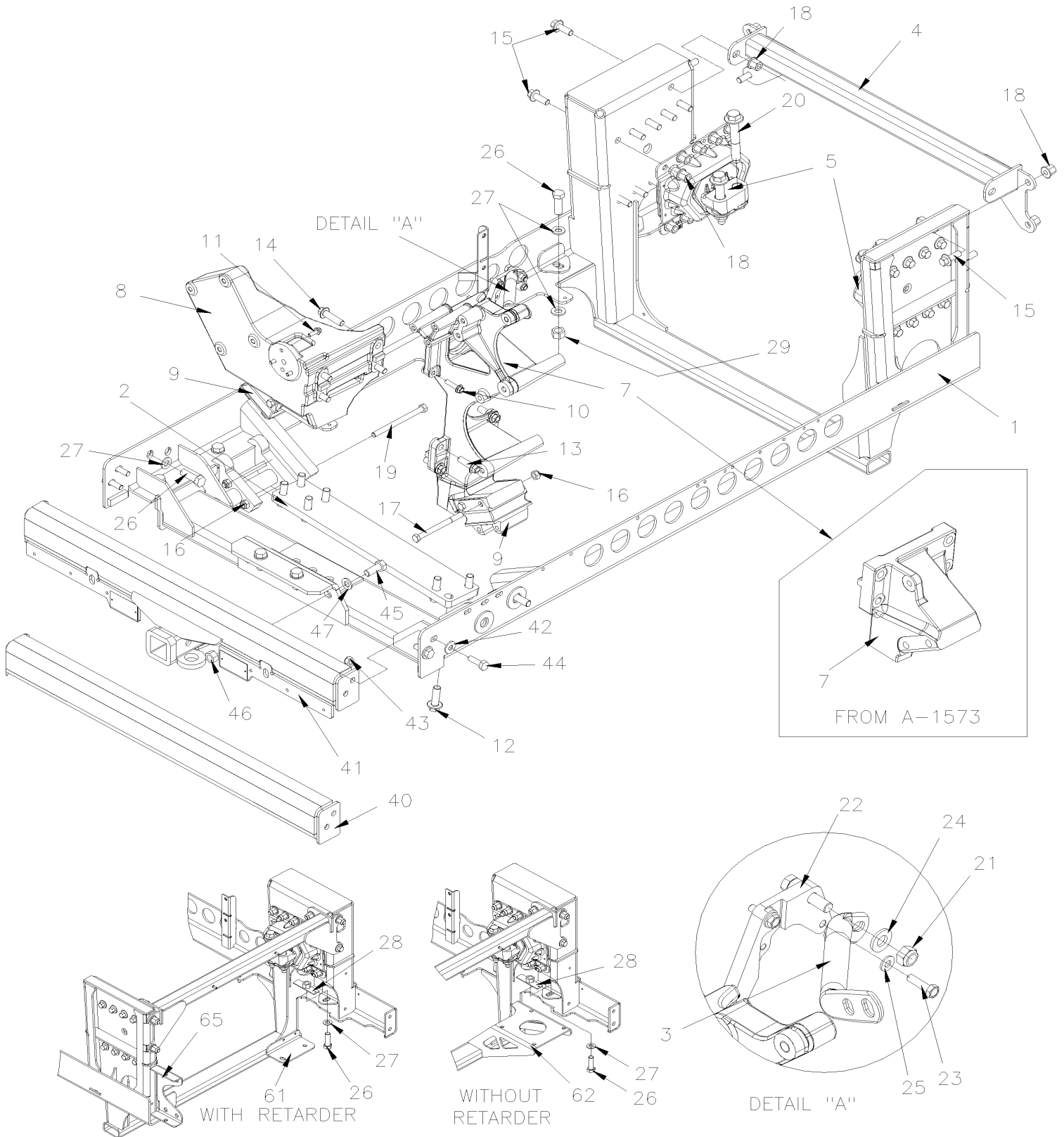
Item#	Part	Description	QTY	Notes
1	500776	SCREW CAP HEX M16-2.0x110 G8.8 Z050	2	
2	500781	NUT HEX STO M16-2.0 DP	8	
3	5001150	WASHER FL 17.0x30.0x3.0 N500	14	
4	5001372	SCREW CAP HEX M16-2.0x50 G10.9 N500	8	
5	510427	INSULATOR, RUBBER MOUNT SQUARE	2	
6	500571	SCREW CAP HEX M24-3.0x150 G10.9 N500	2	
10	012194	SUPPORT REAR	2	
NS	012282	SUPPORT REAR R.H. W/"ZF" TRANS	1	Z
NS	012278	SUPPORT REAR L.H. W/"ZF" TRANS	1	Z
11	5001590	SCREW CAP HEX M16-2.0x40 G10.9 N500	12	
11	5001591	SCREW CAP HEX M16-1.5x35 G10.9 DP	8	Z
12	502894	SCREW CAP HEX M8-1.25x120 G8.8 ZG603	12	
13	5001150	WASHER FL 17.0x30.0x3.0 N500	12	
14	510428	INSULATOR, RUBBER MOUNT ROUND	2	
16	012376	ENGINE CRADLE / "ZF" TRANS	1	
16	012386	ENGINE CRADLE / W/WORLD, W/RETARDER	1	
16	012379	ENGINE CRADLE / W/WORLD, W/O RETARDER	1	
16	012837	ENGINE CRADLE / W/WORLD, W/O RETARDER & W/TRAILER HITCH	1	
16	015994	ENGINE CRADLE FIXING /	1	
17	5001501	SCREW CAP HEX M16-2.0x90 G10.9 Z050	2	
19	500570	NUT HEX STO M24-3.0 GR.10 N500	2	
20	012178	WASHER, INSULATOR	2	
21	510456	INSULATOR, RUBBER	2	
22	5001308	SCREW CAP HEXF M10-1.5x40 G10.9 N500	8	
23	5001758	NUT HEX STO M10-1.5 N500	8	
30	410778	PROTECTOR ASSY / W/TRAILER HITCH	1	
30	411397	PROTECTOR ASSY / W/TRAILER HITCH PINTLE HOOK	1	
31	410807	PROTECTOR ASSY	1	
35	502731	SCREW CAP HEX M12-1.75x40 G8.8 Z050	4	
35	502544	SCREW CAP HEX M16-2.0x40 G8.8 Z050	4	
36	500446	WASHER FL .531x1.250x.125 Z050	4	
36	5001150	WASHER FL 17.0x30.0x3.0 N500	4	
37	500811	NUT HEX STO M12-1.75 G500	4	
37	500781	NUT HEX STO M16-2.0 DP	4	
40	X3-0120-00	DRIVE PULLEY & BELTS		
		Z) WITH "ZF" TRANSMISSION		

From 8-9457 To H-6179

Date:01/2024

PAGE:X3-0150-01

ENGINE CRADLE - WITH VOLVO D13



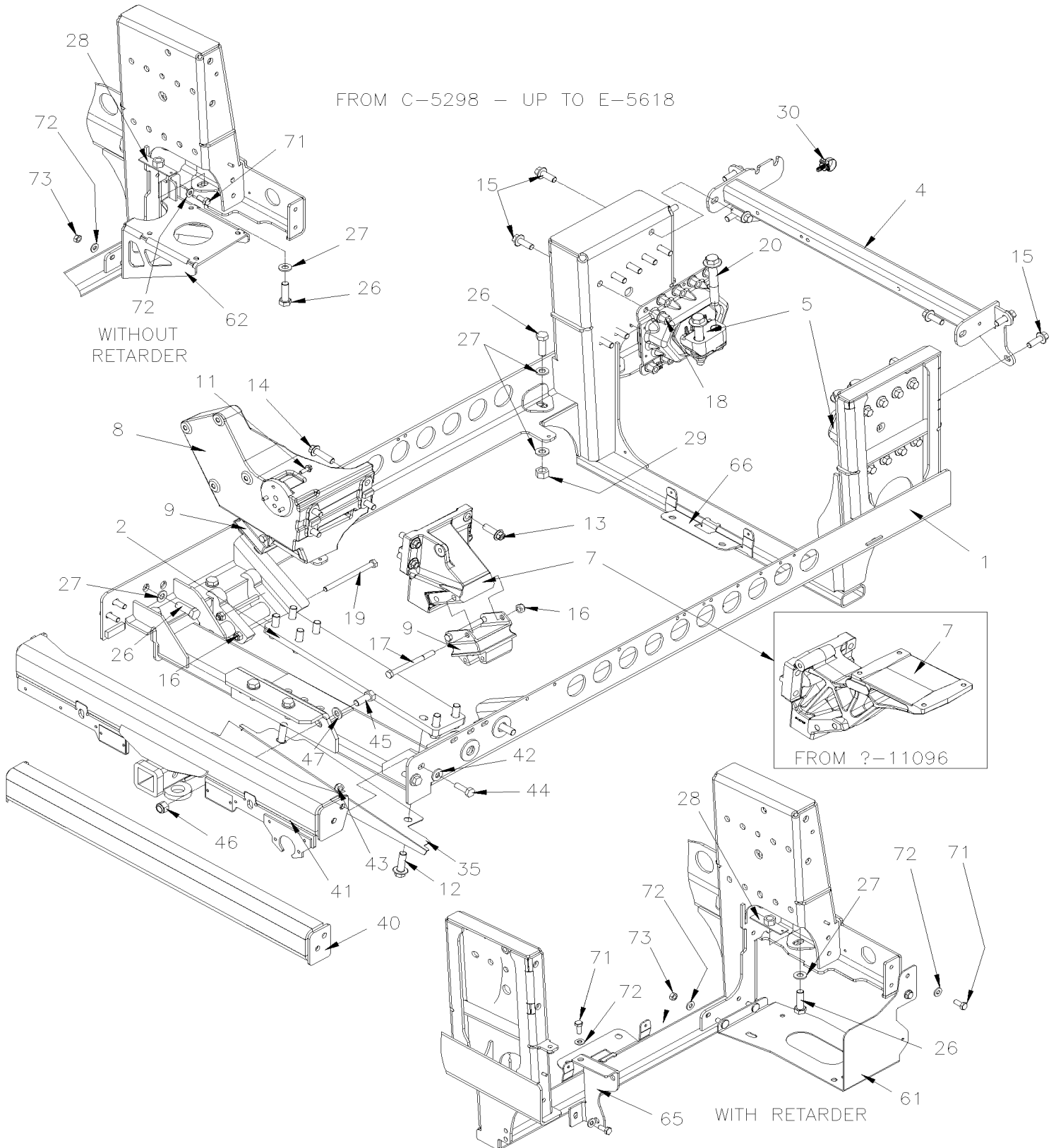
From 8-9457 To H-6179

Date:01/2024

PAGE:X3-0150-01

ENGINE CRADLE - WITH VOLVO D13

FROM C-5298 — UP TO E-5618

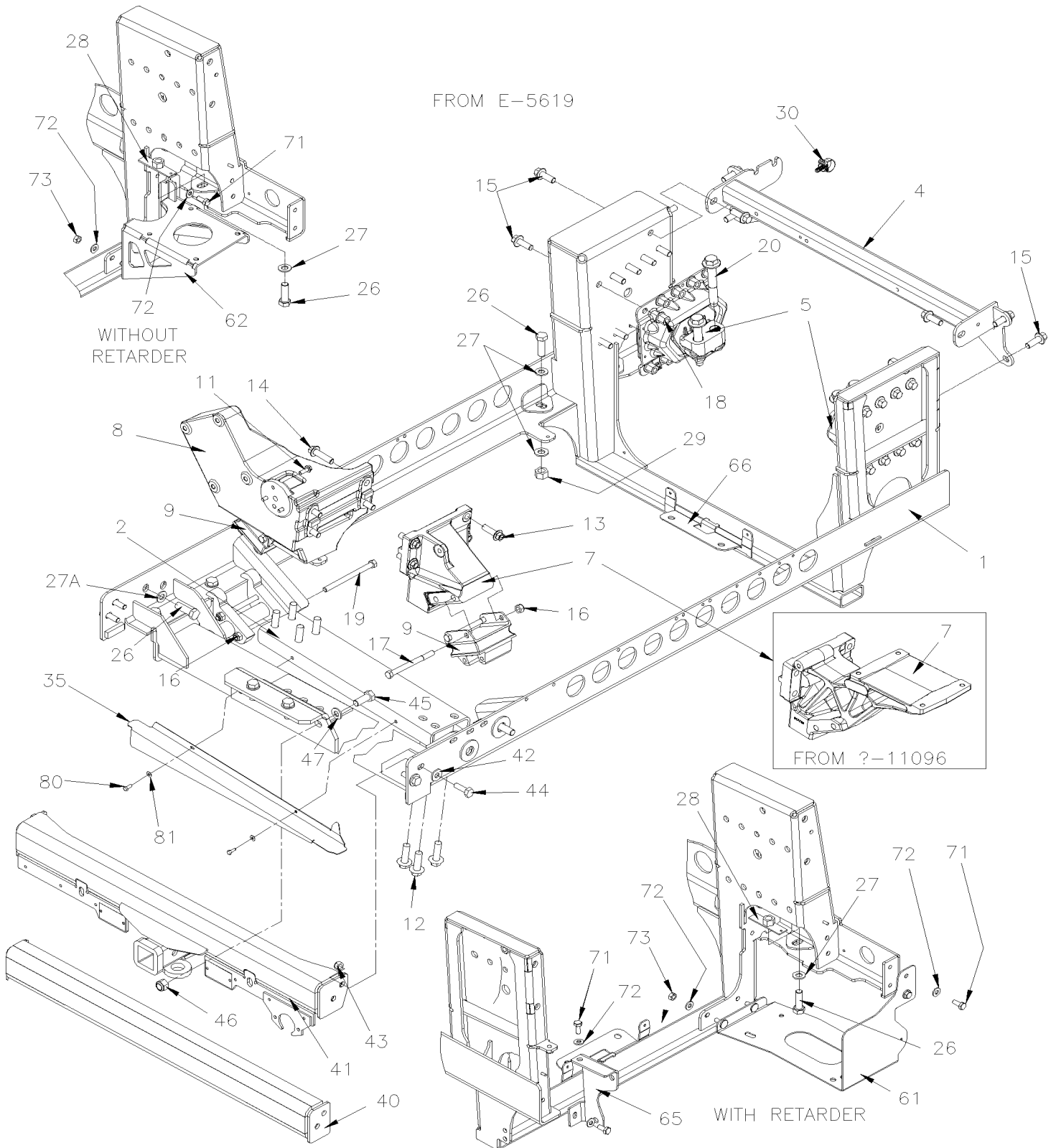


From 8-9457 To H-6179

Date:01/2024

PAGE:X3-0150-01

ENGINE CRADLE - WITH VOLVO D13



From 8-9457 To H-6179		Date:01/2024	PAGE:X3-0150-01
-----------------------	--	--------------	-----------------

ENGINE CRADLE - WITH VOLVO D13

Item#	Part	Description	QTY	Notes
1	012840	ENGINE CRADLE / WWORLD, W/D13 EPA 2007 WITH TRAILER HITCH & RETARDER To B-5001	1	
1	012874	ENGINE CRADLE / WWORLD, W/D13 EPA 2010 WITH TRAILER HITCH & RETARDER From B-5002 To C-5297	1	
1	012841	ENGINE CRADLE / WWORLD, W/D13 EPA 2007 WITH TRAILER HITCH & W/O RET. To B-5001	1	
1	012875	ENGINE CRADLE / WWORLD, W/D13 EPA 2010 WITH TRAILER HITCH & W/O RET. From B-5002 To C-5297	1	
1	012774	ENGINE CRADLE / W/D13 WITHOUT TRAILER HITCH From C-5298 To E-5717	1	
1	012885	ENGINE CRADLE / W/D13 WITHOUT TRAILER HITCH From E-5718 To G-6001	1	
1	012901	ENGINE CRADLE / W/D13 WITHOUT TRAILER HITCH From G-6002	1	
1	012842	ENGINE CRADLE / WWORLD, W/D13 EPA 2007 W/O TRAILER HITCH & W/RET. To B-5001	1	
1	012876	ENGINE CRADLE / WWORLD, W/D13 EPA 2010 W/O TRAILER HITCH & W/RET. From B-5002 To C-5297	1	
1	012843	ENGINE CRADLE / WWORLD, W/D13 EPA 2007 W/O TRAILER HITCH & W/O RET. To B-5001	1	
1	012877	ENGINE CRADLE / WWORLD, W/D13 EPA 2010 W/O TRAILER HITCH & W/O RET. From B-5002 To C-5297	1	
1	012775	ENGINE CRADLE / W/D13 WITH TRAILER HITCH From C-5298 To E-5717	1	
1	012886	ENGINE CRADLE / W/D13 WITH TRAILER HITCH From E-5718 To G-6001	1	
1	012900	ENGINE CRADLE / W/D13 WITH TRAILER HITCH From G-6002	1	
1	012844	ENGINE CRADLE / WWORLD, W/D13 EPA 2007 W/ROMEO RIM BUMPER & W/RET To B-5001	1	
1	012878	ENGINE CRADLE / WWORLD, W/D13 EPA 2010 W/ROMEO RIM BUMPER & W/RET From B-5002 To C-5297	1	
1	012845	ENGINE CRADLE / WWORLD, W/D13 EPA 2007 W/ROMEO RIM BUMPER & W/O RET To B-5001	1	
1	012879	ENGINE CRADLE / WWORLD, W/D13 EPA 2010 W/ROMEO RIM BUMPER & W/O RET From B-5002 To C-5297	1	
1	012355P	ENGINE CRADLE / W/D13 WITHOUT TRAILER HITCH To B-5001	1	I
1	012611P	ENGINE CRADLE / W/D13 WITHOUT TRAILER HITCH From B-5002 To C-5297	1	I
1	012444P	ENGINE CRADLE / W/D13 W/ROMEO RIM BUMPER To B-5001	1	I
1	012629P	ENGINE CRADLE / W/D13 W/ROMEO RIM BUMPER From B-5002 To C-5297	1	I
2	012419	BAR PROTECTOR & REINFORCMENT W/D13 To E-5918	1	
2	012732	BAR PROTECTOR & REINFORCEMENT W/D13 From E-5619	1	
3	012500	ALTERNATOR BRACE W/D13 To B-5001	1	
4	012368	REINFORCEMENT ASSY W/D13 To B-5001	1	
4	012669	REINFORCEMENT ASSY W/D13 From B-5002 To C-5297	1	
4	012785	REINFORCEMENT ASSY W/D13 From C-5298	1	
5	20499474	ENGINE MOUNT FRONT W/D13	2	
7	012501	ENGINE MOUNT & ALTERNATOR MOUNT CURBSIDE W/D13 To B-5001	1	
7	012645	ENGINE MOUNT CURBSIDE W/D13 From B-5002 To E-5458	1	
7	012727	ENGINE MOUNT CURBSIDE WITH "BITZER" COMPRESSOR BITZER W/D13 From E-5459 To E-5600	1	
7	012832	ENGINE MOUNT CURBSIDE WITH "BITZER" COMPRESSOR BITZER W/D13 From E-5601 To E-5710	1	
7	012839	ENGINE MOUNT CURBSIDE WITH "BITZER" W/D13 From E-5711	1	
8	20966683	ENGINE MOUNT STREET SIDE W/D13	1	
9	3037072	INSULATOR, RUBBER MOUNT W/D13	2	
10	5001308	SCREW CAP HEXF M10-1.5x40 G10.9 N500	4	
11	5001643	SCREW CAP HEXF M8-1.25x25 G8.8 G500	3	
12	5001656	SCREW CAP HEXF M16-2.0x50 G10.9 G500 To E-5618	AR	
12	5001590	SCREW CAP HEX M16-2.0x40 G10.9 N500 From E-5619	12	
NS	5001150	WASHER FL 17.0x30.0x3.0 N500 From E-5619	23	
13	5001671	SCREW CAP HEXF M14-2.0x45 G8.8 G500	8	

From 8-9457 To H-6179	Date:01/2024	PAGE:X3-0150-01
ENGINE CRADLE - WITH VOLVO D13		

Item#	Part	Description	QTY	Notes
14	5001672	SCREW CAP HEXF M14-2.0x55 G8.8 G500	4	
15	5001788	SCREW CAP HEXF M14-2.0x40 G8.8 N500 To F-5809	26	
15	5001671	SCREW CAP HEXF M14-2.0x45 G8.8 G500 From F-5810	26	
15	680038	THREAD LOCKER LOCTITE #243 / BLUE / 50ml	AR	
16	5001759	NUT HEX STO M12-1.75 N500 To E-5651	8	
16	5001761	NUT HEXF NYRT M12-1.75 G8 N500 From E-5652	8	
17	5001776	SCREW CAP HEX M12-1.75x140 G8.8 G500 To F-5778	4	
17	5001940	SCREW CAP HEX M12-1.75x140 G10.9 N500 From F-5779	4	
18	979231	NUT HEXF M14-XXX MAGGI 565	26	
19	979935	SCREW CAP HEXF M12-1.75x160 G8.8 ZG603	4	
20	991198	SCREW CAP HEXF DOG POINT M20-2.5x120 G10.9	4	
21	500811	NUT HEX STO M12-1.75 G500 To B-5001	1	
22	012499	ALTERNATOR BRACE PLATE W/D13 To B-5001	1	
23	5001687	SCREW CAP HEX M8-1.25x30 G10.9 MAGNI 565 To B-5001	3	
24	5001585	WASHER FL 13.5x27x2.46-4.5 DP To B-5001	1	
25	192288	WASHER FL 8.4x18.0x2.0 ZG603 To B-5001	1	
26	5001372	SCREW CAP HEX M16-2.0x50 G10.9 N500	AR	
27	5001150	WASHER FL 17.0x30.0x3.0 N500 To E-5733	AR	
27A	502901	WASHER FL .625x1.469x.109 N500 From E-5734	2	
28	012546	NUT STO SPECIAL / WELDED ON PLATE M16-2.0 DP	AR	
29	5001662	NUT HEX NYRT M16-2.0 G10 Z050	AR	
30	504750	CABLE TIE / 1/2" x 15" / CHRISTMAS TREE	1	
NS	504449	HOLE PLUG BUTTON / .500 O.D. BLACK	3	
NS	680042	GLUE LOCTITE 430 BOTTLE 1OZ	AR	
35	015995	PROTECTOR / BELT From D-5436 To E-5618	1	
35	012852	PROTECTOR / BELT From E-5619	1	
40	N.P.N.	PROTECTOR ASSY	1	4
41	411094	PROTECTOR ASSY / W/TRAILER HITCH To C-5297	1	
41	411279	PROTECTOR ASSY / W/TRAILER HITCH From C-5298 To G-6001	1	
41	411289	PROTECTOR ASSY / W/TRAILER HITCH From G-6002	1	
41	411397	PROTECTOR ASSY / W/TRAILER HITCH PINTLE HOOK To C-5297	1	
42	500211	WASHER FL .531x1.250x.125 N500	4	
43	500811	NUT HEX STO M12-1.75 G500 To E-5651	4	
43	5001728	NUT HEXF STO M12-1.75 N500 G10 From E-5652	4	
44	502875	SCREW CAP HEX M12-1.75x40 G8.8 N50 To F-5802	4	
44	5001885	SCREW CAP HEX M12-1.75x40 G10.9 N500 From F-5803	4	
45	502544	SCREW CAP HEX M16-2.0x40 G8.8 Z050 To D-5439	4	
45	5001372	SCREW CAP HEX M16-2.0x50 G10.9 N500 From D-5440 To E-5671	4	
45	5001590	SCREW CAP HEX M16-2.0x40 G10.9 N500 From E-5672 To E-5714	4	
45	5001372	SCREW CAP HEX M16-2.0x50 G10.9 N500 From E-5715	4	
46	500781	NUT HEX STO M16-2.0 DP	4	

From 8-9457 To H-6179	Date:01/2024	PAGE:X3-0150-01
ENGINE CRADLE - WITH VOLVO D13		

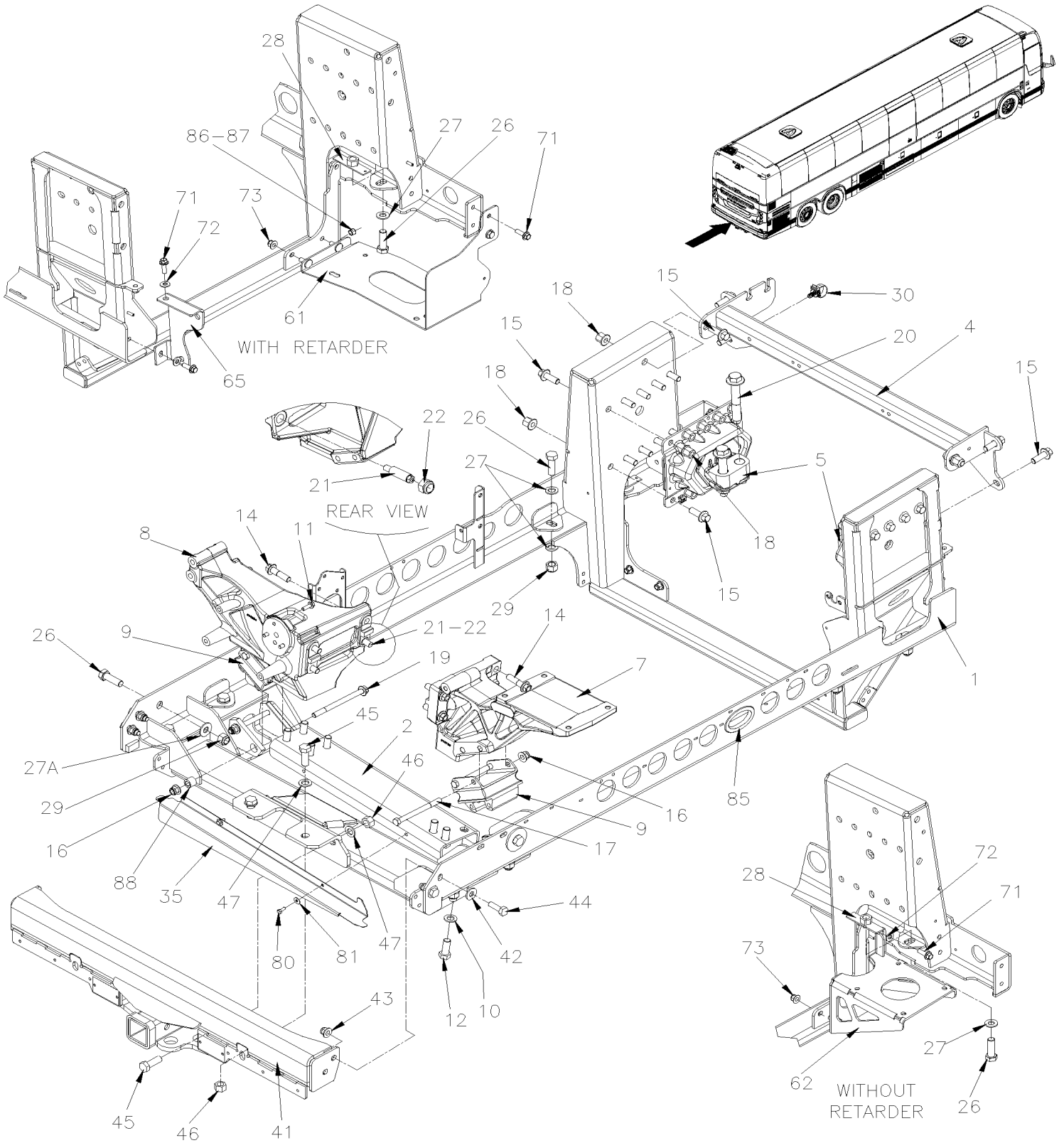
Item#	Part	Description	QTY	Notes
47	5001150	WASHER FL 17.0x30.0x3.0 N500 To D-5437	4	
47	5001150	WASHER FL 17.0x30.0x3.0 N500 From D-5438 To E-5671	8	
47	5001460	WASHER FL .640x1.188x0.073 SS From E-5672 To E-5714	8	
47	5001150	WASHER FL 17.0x30.0x3.0 N500 From E-5715	8	
61	071428	SUPPORT OIL COOLER W/RETARDER To C-5297	1	A
61	071673	SUPPORT OIL COOLER W/RETARDER From C-5298 To G-5984	1	A
61	070040	SUPPORT OIL COOLER W/RETARDER From G-5985	1	A
62	071418	SUPPORT LOWER To C-5297	1	B
62	071674	SUPPORT OIL COOLER W/O RETARDER From C-5298	1	B
65	071432	SUPPORT ACCUMULATOR To B-5001	1	A
65	071565	SUPPORT ACCUMULATOR From B-5002 To C-5297	1	A
65	071672	SUPPORT ACCUMULATOR From C-5298	1	A
66	012760	BRACKET FOR PULL ROD From C-5243 To E-5673	1	C
71	502804	SCREW CAP HEX M10-1.5x25 G8.8 N500 From C-5298	4	
72	5001834	WASHER BEL SPR 10.5X23X2.5 N500 From C-5298	4	
73	500847	NUT HEX M10-1.5 N500 From C-5298	2	
80	5001697	SCREW CAP HEX M6-1.0x16 SS BK From E-5619	2	
81	5001608	WASHER BEL SPR 6.2x15.0x0.7 G500 From E-5619 To F-5759	2	
81	5001833	WASHER BEL SPR 6.1x18x1.27 SS From F-5760	2	
		A) WITH RETARDER		
		B) WITHOUT RETARDER		
		C) USE WITH PROTECTION PANEL		
		I) WITH "I-SHIFT" TRANSMISSION		
		4) NO PARTS NUMBER		

From H-6180

Date:01/2024

PAGE:X3-0150-02

ENGINE CRADLE - WITH VOLVO D13 - GHG17



From H-6180		Date:01/2024	PAGE:X3-0150-02
ENGINE CRADLE - WITH VOLVO D13 - GHG17			

Item#	Part	Description	QTY	Notes
1	012956	ENGINE CRADLE / W / D13 WITH TRAILER HITCH To J-6244	1	
1	010081	ENGINE CRADLE / W / D13 WITH TRAILER HITCH From J-6245 To K-6431	1	
1	010103	ENGINE CRADLE / W / D13 WITH TRAILER HITCH From K-6432 To L-6587	1	
1	010311	ENGINE CRADLE / W / D13 WITH TRAILER HITCH From L-6588 To P-6829	1	
1	010346	ENGINE CRADLE / W / D13 WITH TRAILER HITCH From P-6830	1	
1	012955	ENGINE CRADLE / W / D13 WITHOUT TRAILER HITCH To K-6431	1	
1	010202	ENGINE CRADLE / W / D13 WITHOUT TRAILER HITCH From K-6432 To L-6587	1	
1	010310	ENGINE CRADLE / W / D13 WITHOUT TRAILER HITCH From L-6588 To P-6829	1	
1	010332	ENGINE CRADLE / W / D13 WITHOUT TRAILER HITCH From P-6830	1	
2	012732	BAR PROTECTOR & REINFORCEMENT W/D13	1	
4	012785	REINFORCEMENT ASSY W/D13 To L-6587	1	
4	010305	REINFORCEMENT ASSY W/D13 From L-6588	1	
5	20499474	ENGINE MOUNT FRONT W/D13	2	
7	012839	ENGINE MOUNT CURBSIDE WITH "BITZER" W/D13 To L-6630	1	
7	010318	ENGINE MOUNT CURBSIDE WITH "BITZER" W/D13 From L-6631 To M-6657	1	
7	010105	ENGINE MOUNT CURBSIDE WITH "BITZER" W/D13 From M-6658	1	
8	012942	ENGINE MOUNT STREET SIDE W/D13	1	
8	010090	ENGINE MOUNT STREET SIDE W/D13 W/REMY From K-6404	1	R
9	3037072	INSULATOR, RUBBER MOUNT W/D13	2	
10	5001150	WASHER FL 17.0x30.0x3.0 N500	7	
11	5001643	SCREW CAP HEXF M8-1.25x25 G8.8 G500	3	
12	5001590	SCREW CAP HEX M16-2.0x40 G10.9 N500	7	
14	5001672	SCREW CAP HEXF M14-2.0x55 G8.8 G500	7	
15	5001671	SCREW CAP HEXF M14-2.0x45 G8.8 G500	26	
16	5001761	NUT HEXF NYRT M12-1.75 G8 N500	8	
17	5001940	SCREW CAP HEX M12-1.75x140 G10.9 N500	4	
18	5001762	NUT HEXF M14-2.0	20	
19	5001763	SCREW CAP HEXF M12-1.75x160 G8.8 N500	4	
20	5001791	SCREW CAP HEXF DOG POINT M20-2.5x120 G10.9 G500	4	
21	012921	GROUND STUD M14 Lg.:88MM	1	
22	5001665	NUT HEX NYRT M22-2.5 G8 Z050	1	
26	5001372	SCREW CAP HEX M16-2.0x50 G10.9 N500	10	
27	5001150	WASHER FL 17.0x30.0x3.0 N500	15	
27A	502901	WASHER FL .625x1.469x.109 N500	2	
28	012546	NUT STO SPECIAL / WELDED ON PLATE M16-2.0 DP	1	
29	5001662	NUT HEX NYRT M16-2.0 G10 Z050	9	
30	504750	CABLE TIE / 1/2" x 15" / CHRISTMAS TREE	1	
35	012852	PROTECTOR / BELT	1	
41	411289	PROTECTOR ASSY / W/TRAILER HITCH	1	
42	500011	WASHER FL / HARDENED 13.0x24.0x3.0 STL	4	
43	5001728	NUT HEXF STO M12-1.75 N500 G10 From H-6213	1	
44	5001885	SCREW CAP HEX M12-1.75X40 G10.9 N500	4	

From H-6180	Date:01/2024	PAGE:X3-0150-02
ENGINE CRADLE - WITH VOLVO D13 - GHG17		

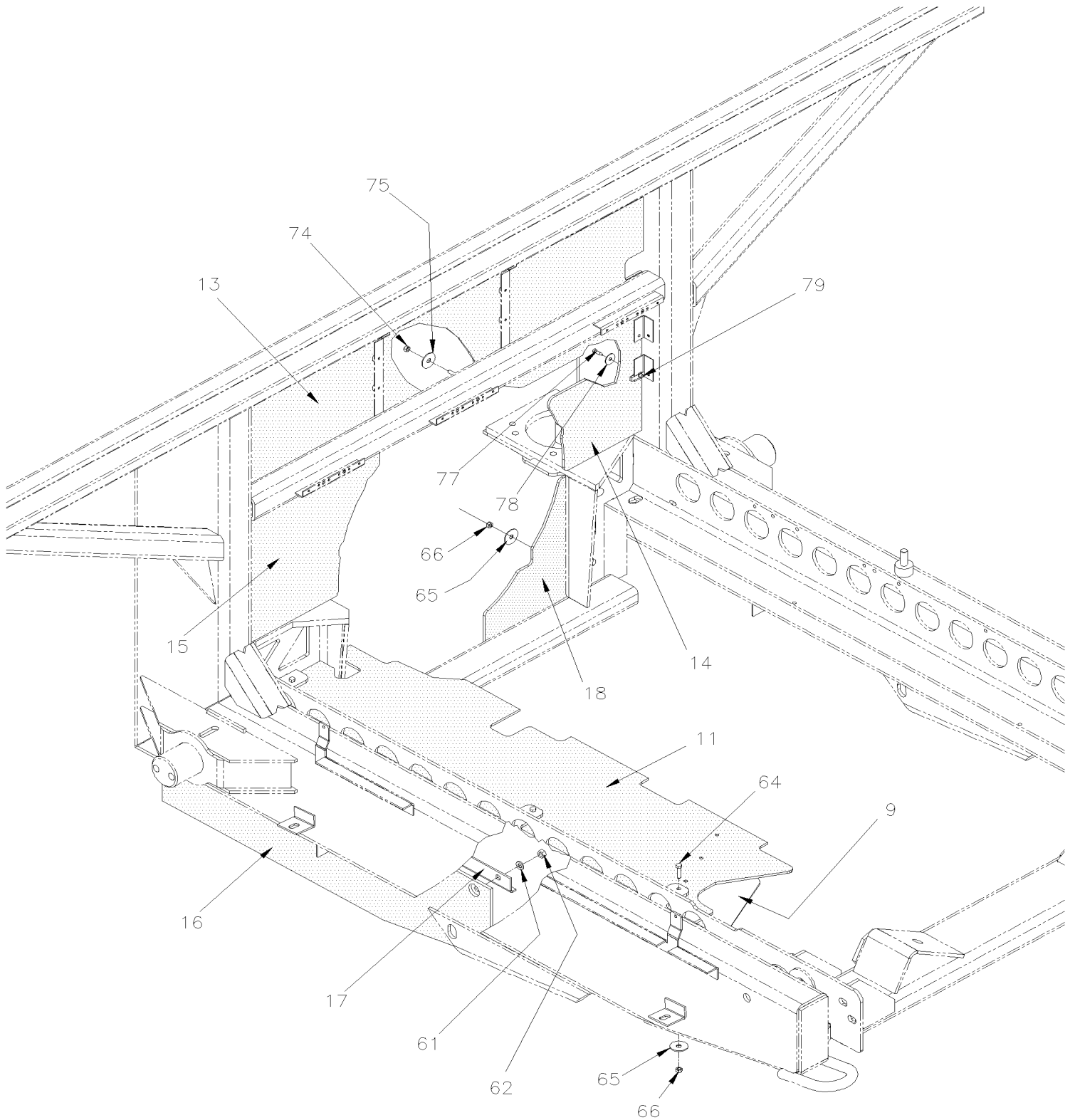
Item#	Part	Description	QTY	Notes
45	5001372	SCREW CAP HEX M16-2.0x50 G10.9 N500	4	
46	500781	NUT HEX STO M16-2.0 DP	4	
47	5001150	WASHER FL 17.0x30.0x3.0 N500	4	
61	070040	SUPPORT OIL COOLER W/RETARDER	1	
62	071713	SUPPORT OIL COOLER W/O RETARDER	1	
65	071672	SUPPORT ACCUMULATOR	1	
71	5001741	SCREW CAP HEXF M10-1.5x30 G8.8 N500	3	
72	5001834	WASHER BEL SPR 10.5X23X2.5 N500	3	
73	5001930	NUT HEXF NYRT M10-1.5 N500 G10.9	4	
80	5001697	SCREW CAP HEX M6-1.0x16 SS BK	2	
81	5001833	WASHER BEL SPR 6.1x18x1.27 SS	2	
85	504720	GROMMET / 2.375x3.000x.250x.437x3.250	1	
86	504449	HOLE PLUG BUTTON / .500 O.D. BLACK	4	
87	680042	GLUE LOCTITE 430 BOTTLE 1OZ To H-6154	AR	
NS	680066	ADHESIVE / ADBOND #5014 / 23.6ML BOTTLE From H-6155	AR	
88	012938	BUSHING	4	
		R) WITH REMY ALTERNATOR		

From 7-8754 To 8-9276

Date:01/2024

PAGE:X3-0155-10

ENGINE TRANSMISSION GUARD & AIR SHIELD DETROIT S-60



From 7-8754 To 8-9276	Date:01/2024	PAGE:X3-0155-10
ENGINE TRANSMISSION GUARD & AIR SHIELD DETROIT S-60		

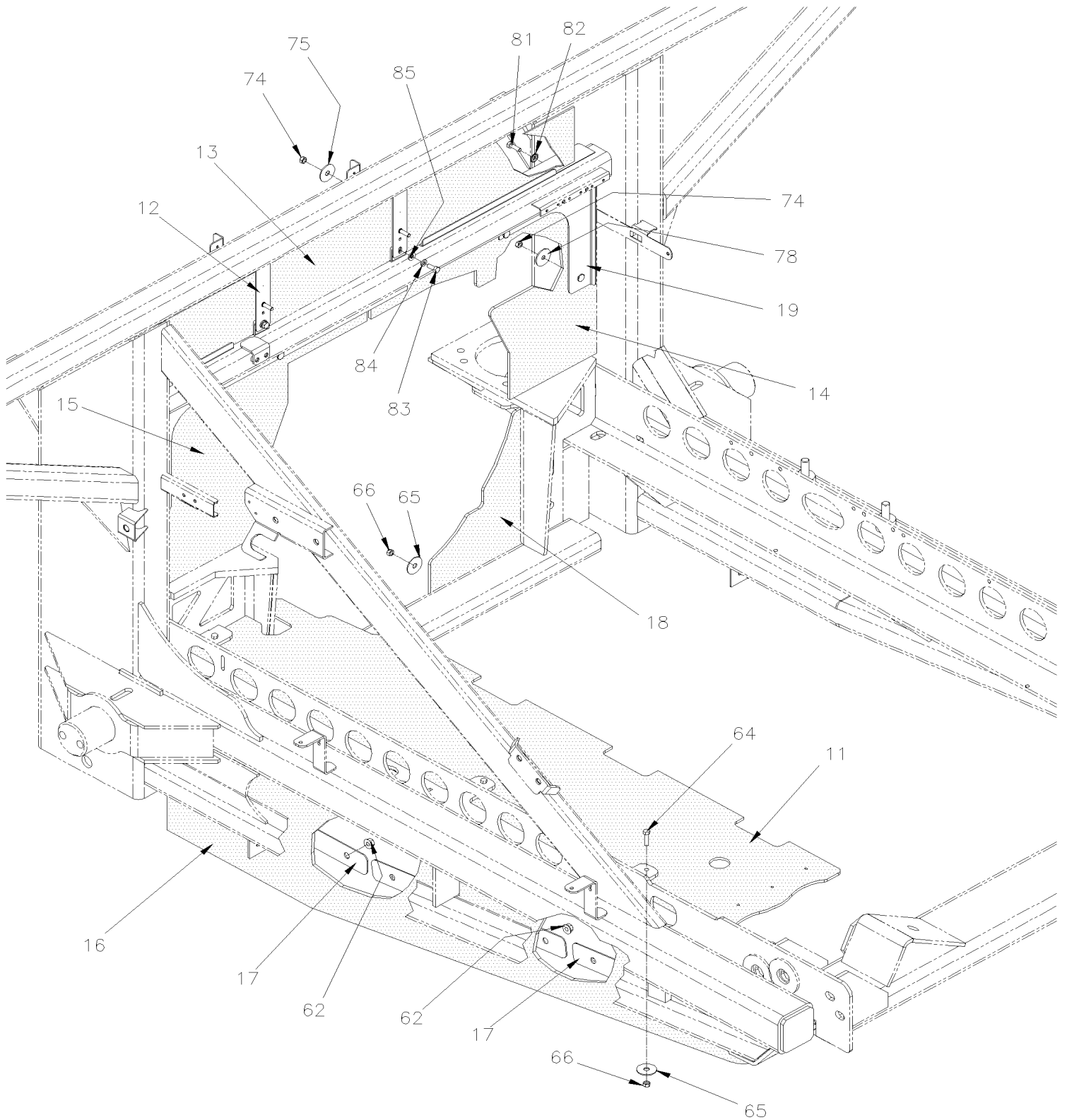
Item#	Part	Description	QTY	Notes
9	012301	DEFLECTOR PROTECTOR SS 110MM x 215MM / ENGINE COOLANT PIPE From 5-8797 To 9-9642	1	
NS	504339	RIVET POP DOME OE 1/8x3/8 SS From 5-8797 To 9-9642	3	
11	012184	AIR SHIELD / W/RETARDER	1	
11	012201	AIR SHIELD / W/O RETARDER	1	
13	012319	GUARD CENTRAL PART UPPER	1	
14	012198	GUARD LOWER R.H. / W/RETARDER COLLING 2004	1	
14	012252	GUARD LOWER R.H. / W/O RETARDER	1	
14	012390	GUARD LOWER R.H. UPPER / W/ "ZF" TRANS	1	ZF
15	012196	GUARD LOWER L.H. / W/RETARDER	1	
15	012251	GUARD LOWER L.H. / W/O RETARDER	1	
15	012324	GUARD LOWER L.H. / W/ "ZF" TRANS	1	ZF
16	052563	AIR SHIELD	1	
17	052564	ANGLE ATTACHMENT 743MM	1	
18	012391	GUARD LOWER R.H. LOWER / W/"ZF" TRANS	1	ZF
61	500874	WASHER FL 8.4x17.0x1.6 Z050	4	
62	502744	NUT HEX STO M8-1.25 Z050	4	
64	502737	SCREW CAP HEX M6-1.0x25 SS BK	3	
65	5001467	WASHER FL .343x1.250x.062 SS18-8	3	
66	502511	NUT HEX NYRT M6-1.0 Z050	3	
74	502621	NUT HEX STO M6-1.0 Z050	7	
75	500468	WASHER FL .281x1.250x.065 Z050	7	
77	500535	SCREW TP CAP HEX #14x3/4 Z050	2	
78	502573	WASHER FL 6.4x12.5x1.6 SS	2	
79	502764	NUT SPR J #14A .035-.046	2	
		ZF) WITH ZF		

From 8-9277 To B-5001

Date:01/2024

PAGE:X3-0155-11

ENGINE TRANSMISSION GUARD & AIR SHIELD DETROIT S-60



From 8-9277 To B-5001	Date:01/2024	PAGE:X3-0155-11
ENGINE TRANSMISSION GUARD & AIR SHIELD DETROIT S-60		

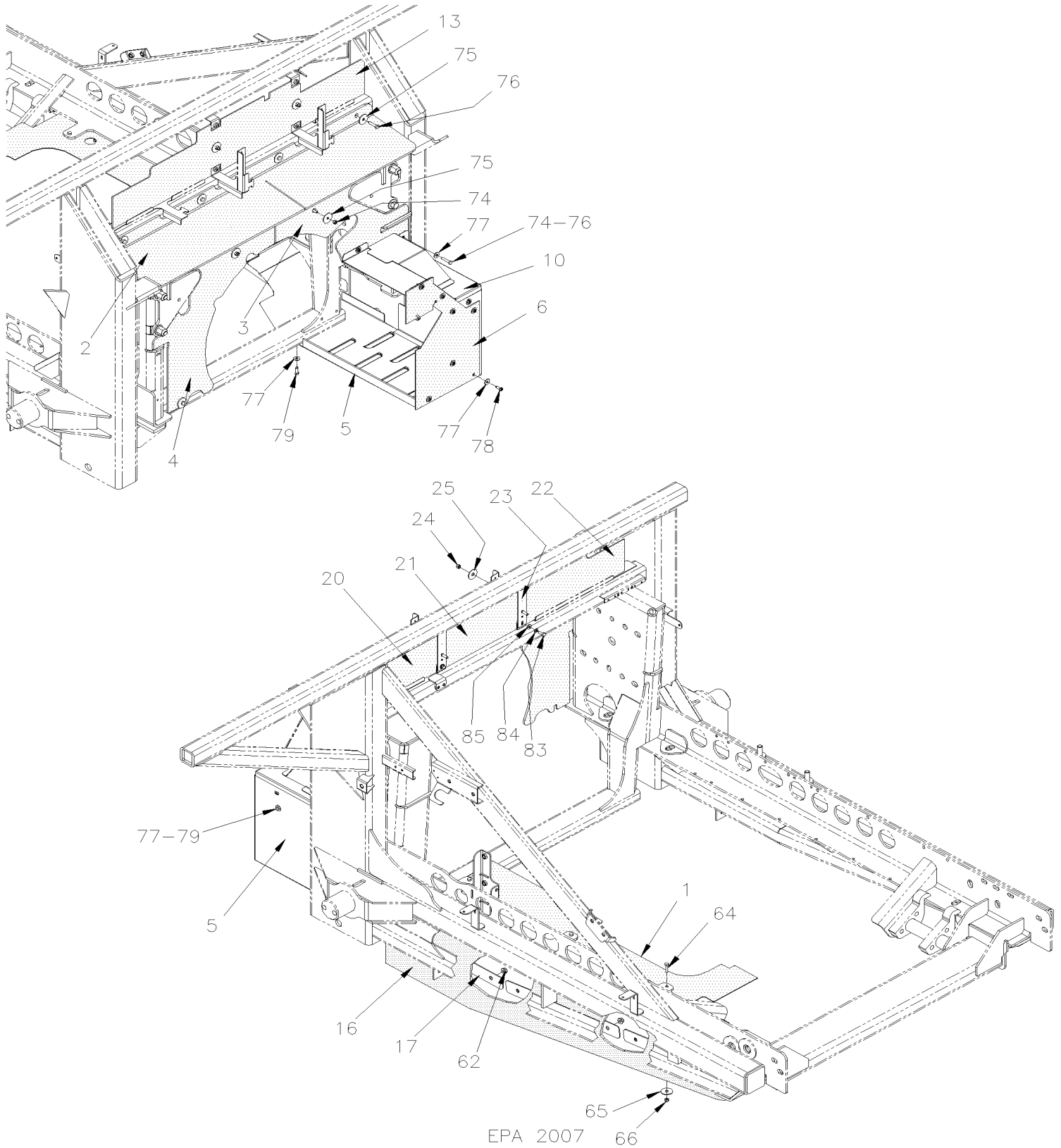
Item#	Part	Description	QTY	Notes
11	012428	AIR SHIELD / W/O RETARDER	1	
11	012184	AIR SHIELD / W/RETARDER	1	
11	012470	AIR SHIELD / W/"ZF" TRANS	1	A
12	012575	SUPPORT / GUARD UPPER	2	
13	012570	GUARD CENTRAL PART UPPER	1	
13	012693	GUARD CENTRAL PART UPPER W/OUT WATER HEATER	1	
14	012408	GUARD LOWER R.H. / W/O RETARDER	1	
14	012410	GUARD LOWER R.H. / W/RETARDER	1	
14	012430	GUARD LOWER R.H. UPPER / W/"ZF" TRANS	1	
15	012409	GUARD LOWER L.H. / W/O RETARDER	1	
15	012429	GUARD LOWER L.H. LOWER / W/"ZF" TRANS	1	
16	053451	AIR SHIELD BACKWARD	1	
17	053452	ATTACHMENT 431MM	3	
18	012391	GUARD LOWER R.H. LOWER / W/"ZF" TRANS	1	
19	277991	SUPPORT SS ASSY W/STUDS / W/RETARDER	1	
19	272250	SUPPORT SS ASSY W/STUDS / W/O RETARDER & ZF	1	
62	502837	NUT HEXF STO M8-1.25 N500	12	
64	502737	SCREW CAP HEX M6-1.0x25 SS BK	3	
65	5001467	WASHER FL .343x1.250x.062 SS18-8	3	
66	502511	NUT HEX NYRT M6-1.0 Z050	3	
74	502621	NUT HEX STO M6-1.0 Z050	7	
75	500468	WASHER FL .281x1.250x.065 Z050	7	
78	502573	WASHER FL 6.4x12.5x1.6 SS	2	
81	502631	SCREW CAP HEX M6-1.0x20 G8.8 Z050	4	
82	500356	WASHER LO SERR 6.1x16.0x0.9 N500	4	
83	955271	SCREW CAP HEX M6-1.0x16 G8.8 ZG603	4	
84	502853	WASHER LO SPT 6.1x11.8x1.6 N500	4	
85	500877	WASHER FL .250x.562x.065 N500	4	
		A) AS SHOWN		

From 8-9457 To H-6179

Date:01/2024

PAGE:X3-0155-12

ENGINE TRANSMISSION GUARD & AIR SHIELD VOLVO D13

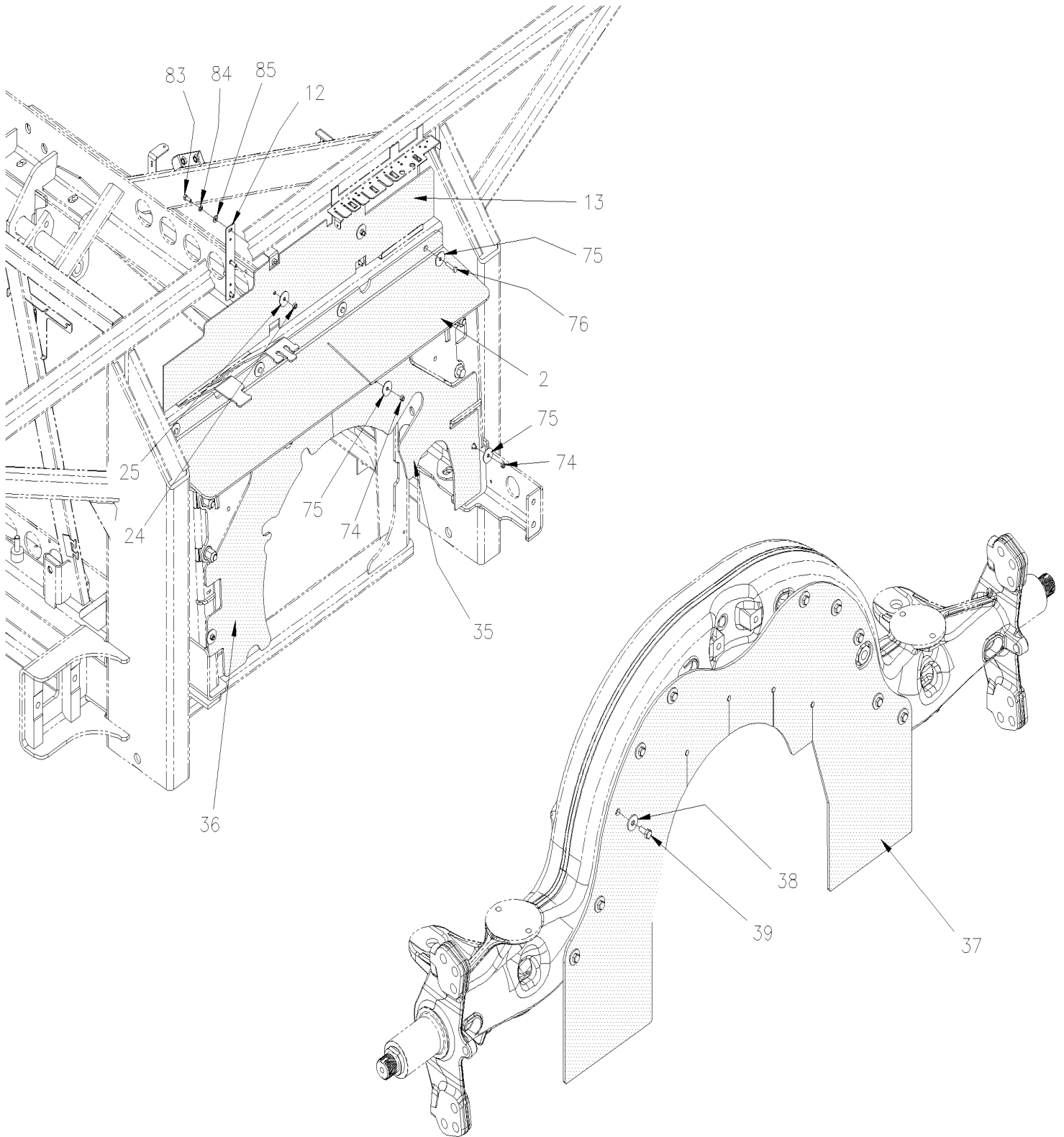


From 8-9457 To H-6179

Date:01/2024

PAGE:X3-0155-12

ENGINE TRANSMISSION GUARD & AIR SHIELD VOLVO D13



From 8-9457 To H-6179	Date:01/2024	PAGE:X3-0155-12
ENGINE TRANSMISSION GUARD & AIR SHIELD VOLVO D13		

Item#	Part	Description	QTY	Notes
1	012552	AIR SHIELD PLASTIC To B-5001	1	
2	012476	GUARD CENTRAL PART UPPER 227MM x 1000MM To C-5133	1	
2	012712	GUARD CENTRAL PART UPPER 189MM x 1000MM From C-5134	1	
3	012484	GUARD UPPER L.H. To B-5001	1	
4	012477	GUARD LOWER R.H. / W/O RETARDER To B-5001	1	
4	012485	GUARD LOWER R.H. / W/RETARDER To B-5001	1	A
5	012488	PLATE SHIELD To B-5001	1	
6	012489	GUARD LOWER L.H. / PLASTIC / W/O RETARDER PROTO	1	
6	071520	GUARD LOWER L.H. / W/O RETARDER To B-5001	1	
6	012490	GUARD LOWER L.H. / PLASTIC / W/RETARDER PROTO	1	
6	071529	GUARD LOWER L.H. / W/RETARDER To B-5001	1	A
10	071519	COVER ASSY / W/O RETARDER To B-5001	1	
10	071528	COVER ASSY / W/RETARDER To B-5001	1	A
12	012575	SUPPORT / GUARD UPPER	2	
13	012570	GUARD CENTRAL PART UPPER	1	A
13	012693	GUARD CENTRAL PART UPPER W/OUT WATER HEATER From B-5002	1	
16	053451	AIR SHIELD BACKWARD To B-5001	1	
17	053452	ATTACHMENT 431MM To B-5001	3	
20	012578P	GUARD ASSY UPPER W/"WEBASTO" To B-5001	1	
20	012573	GUARD UPPER L.H. /W/WEBASTO To B-5001	1	
21	012572	GUARD UPPER CENTRAL /W/WEBASTO To B-5001	1	
22	012574	GUARD UPPER R.H. /W/WEBASTO To B-5001	1	
23	012575	SUPPORT / GUARD UPPER To B-5001	2	
24	502860	NUT HEX STO M6-1.0 N500 To E-5651	2	
24	5001932	NUT HEXF NYRT M6-1.0 G8.8 N500 From E-5652	2	
25	500913	WASHER FL .281x1.250x.065 N500	2	
35	012661	GUARD UPPER L.H. From B-5002 To G-6001	1	A
35	012936	GUARD UPPER L.H. From G-6002	1	A
35	012643	GUARD UPPER L.H. W/" I-SHIFT" TRANS From B-5002 To G-6001	1	
35	012935	GUARD UPPER L.H. W/" I-SHIFT" TRANS From G-6002	1	A
36	012662	GUARD UPPER R.H. W/ "WORLD" TRANS From B-5002	1	A
36	012644	GUARD UPPER R.H. W/" I-SHIFT" TRANS From B-5002	1	
37	071592	PROTECTOR PANEL W/ "WORLD" TRANS From B-5002 To E-5759	1	
37	070703	PROTECTOR PANEL W/ "WORLD" TRANS From F-5760	1	
38	500211	WASHER FL .531x1.250x.125 N500 From B-5002	10	
39	502804	SCREW CAP HEX M10-1.5x25 G8.8 N500 From B-5002	10	
62	502837	NUT HEXF STO M8-1.25 N500 To B-5001	10	
64	502737	SCREW CAP HEX M6-1.0x25 SS BK To B-5001	3	
65	5001467	WASHER FL .343x1.250x.062 SS18-8 To B-5001	3	
66	502511	NUT HEX NYRT M6-1.0 Z050 To B-5001	3	
74	502621	NUT HEX STO M6-1.0 Z050	6	
75	500468	WASHER FL .281x1.250x.065 Z050	9	

From 8-9457 To H-6179	Date:01/2024	PAGE:X3-0155-12
-----------------------	--------------	-----------------

ENGINE TRANSMISSION GUARD & AIR SHIELD VOLVO D13

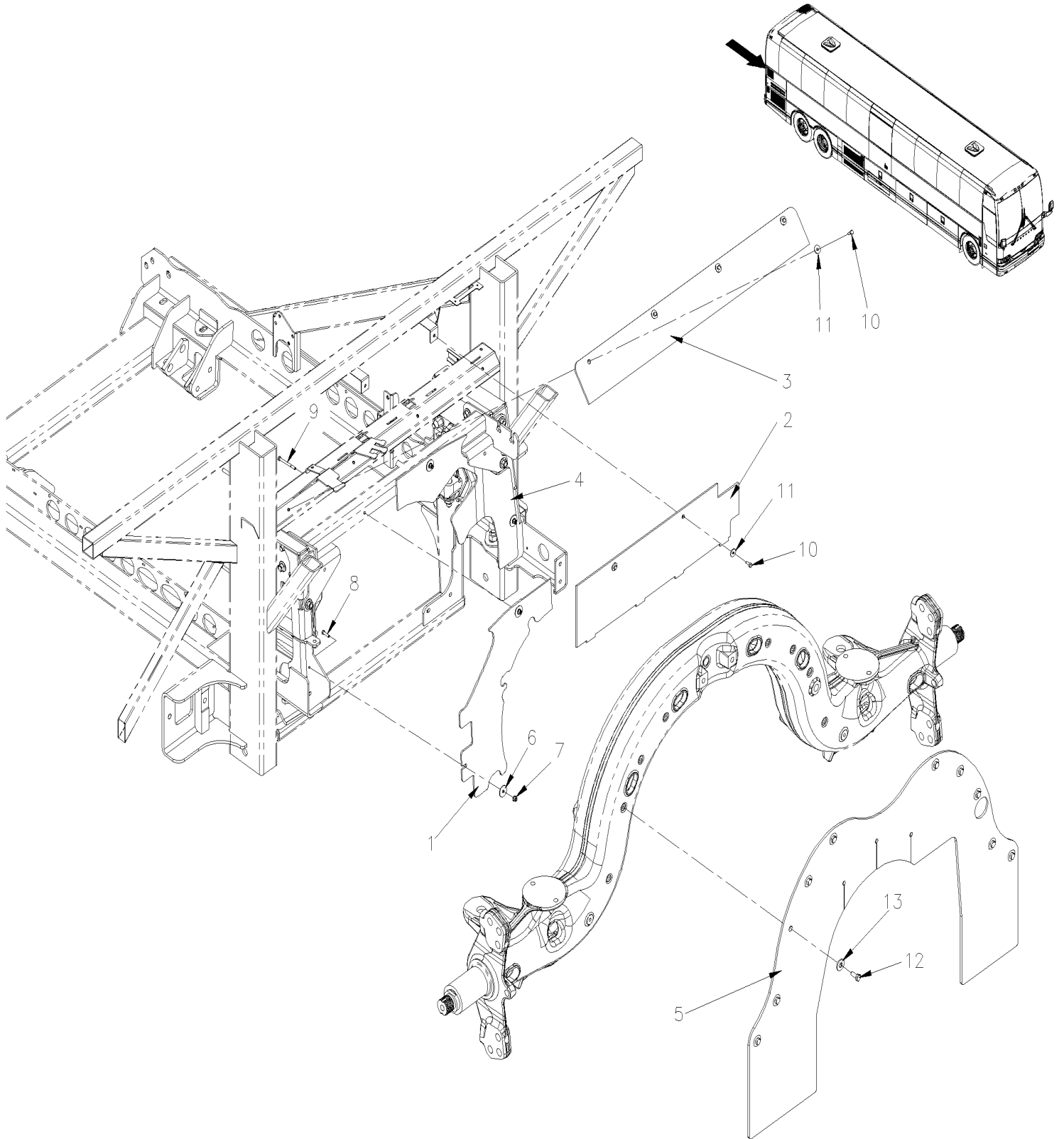
Item#	Part	Description	QTY	Notes
76	502533	SCREW CAP HEX M6-1.0x30 G8.8 Z050	5	
77	500411	WASHER FL .260x.697x.050 SS To B-5001	9	D13
78	500526	SCREW TP CAP HEXW #12x3/4 N500 To B-5001	9	D13
79	502848	SCREW TC CAP HEXF 1/4-20x3/4 N500 To B-5001	4	
80	502837	NUT HEXF STO M8-1.25 N500 To B-5001	12	
83	955271	SCREW CAP HEX M6-1.0x16 G8.8 ZG603	4	
84	502853	WASHER LO SPT 6.1x11.8x1.6 N500	4	
85	500877	WASHER FL .250x.562x.065 N500	4	
		A) AS SHOWN		
		D13) D13		

From H-6180

Date:01/2024

PAGE:X3-0155-13

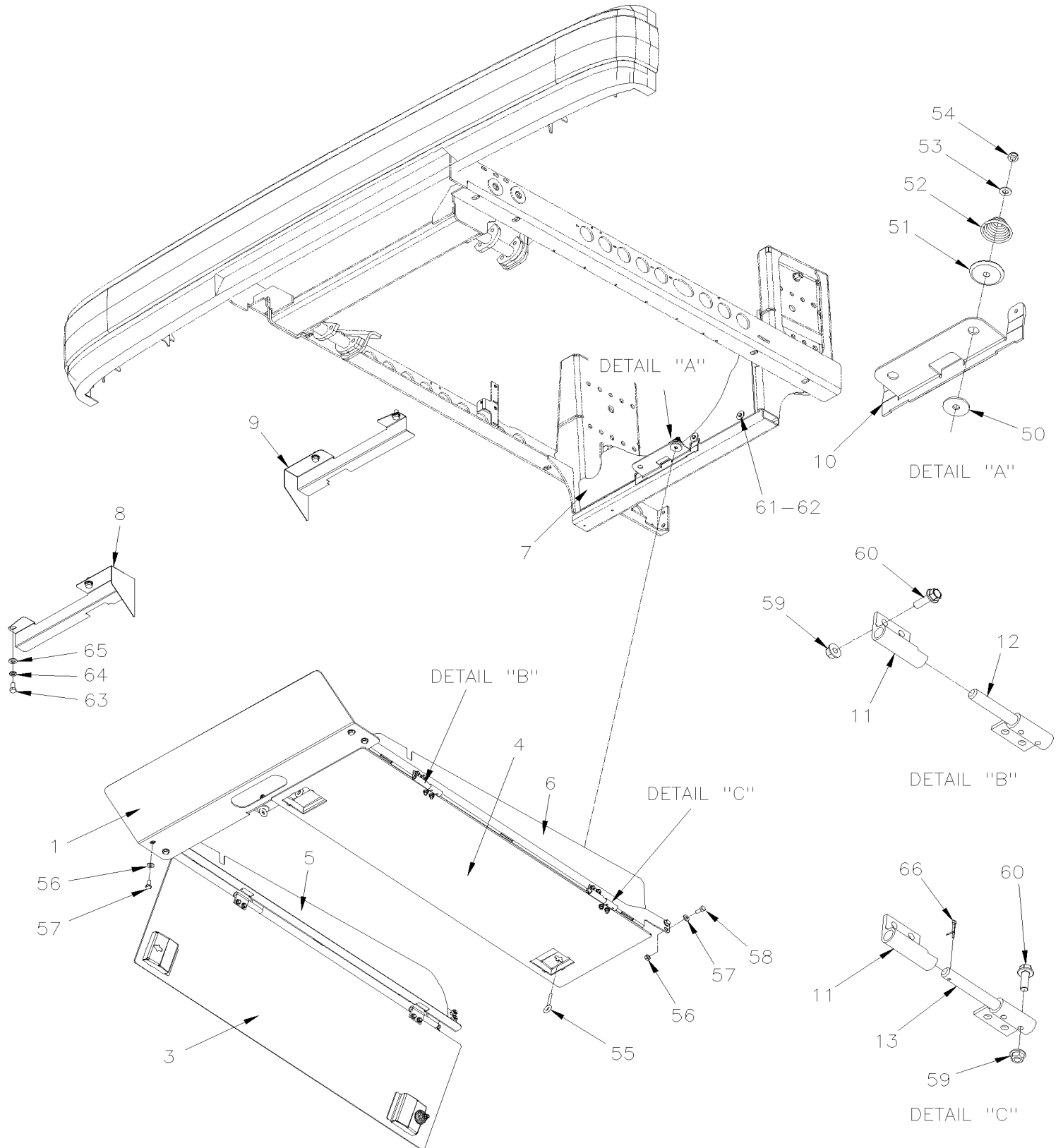
ENGINE TRANSMISSION GUARD & AIR SHIELD VOLVO D13 / GHG17



From H-6180	Date:01/2024	PAGE:X3-0155-13
ENGINE TRANSMISSION GUARD & AIR SHIELD VOLVO D13 / GHG17		

Item#	Part	Description	QTY	Notes
1	012662	GUARD UPPER R.H. W/ "WORLD" TRANS	1	
1	012644	GUARD UPPER R.H. W/" I-SHIFT" TRANS	1	IS
2	012934	GUARD TRANSMISSION PROTECTOR W/ "WORLD" TRANS To L-6517	1	
2	010292	GUARD TRANSMISSION PROTECTOR W/ "WORLD" TRANS From L-6518 To M-6665	1	
2	010299	GUARD TRANSMISSION PROTECTOR W/ "WORLD" TRANS From M-6666	1	
3	012937	GUARD UPPER CENTER PROTECTOR W/ "WORLD" TRANS To M-6665	1	
3	010298	GUARD UPPER CENTER PROTECTOR W/ "WORLD" TRANS From M-6666	1	
4	012948	GUARD UPPER L.H. W/ "WORLD" TRANS	1	
4	012935	GUARD UPPER L.H. W/" I-SHIFT" TRANS	1	IS
5	070703	PROTECTOR PANEL W/ "WORLD" TRANS	1	
6	500913	WASHER FL .281x1.250x.065 N500	4	
7	5001932	NUT HEXF NYRT M6-1.0 G8.8 N500	4	
8	502737	SCREW CAP HEX M6-1.0x25 SS BK	2	
9	5001817	SCREW CAP HEX M6-1.0x70 G8.8 N500	2	
10	5001697	SCREW CAP HEX M6-1.0x16 SS BK	6	
11	500142	WASHER FL 6.6x22.0x2.0 SS	6	
12	502804	SCREW CAP HEX M10-1.5x25 G8.8 N500	10	
13	500211	WASHER FL .531x1.250x.125 N500	10	
		IS) WITH ISHIFT TRANSMISSION		

ENGINE GUARD VOLVO D13

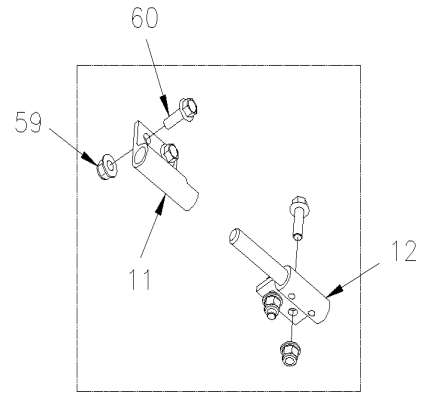
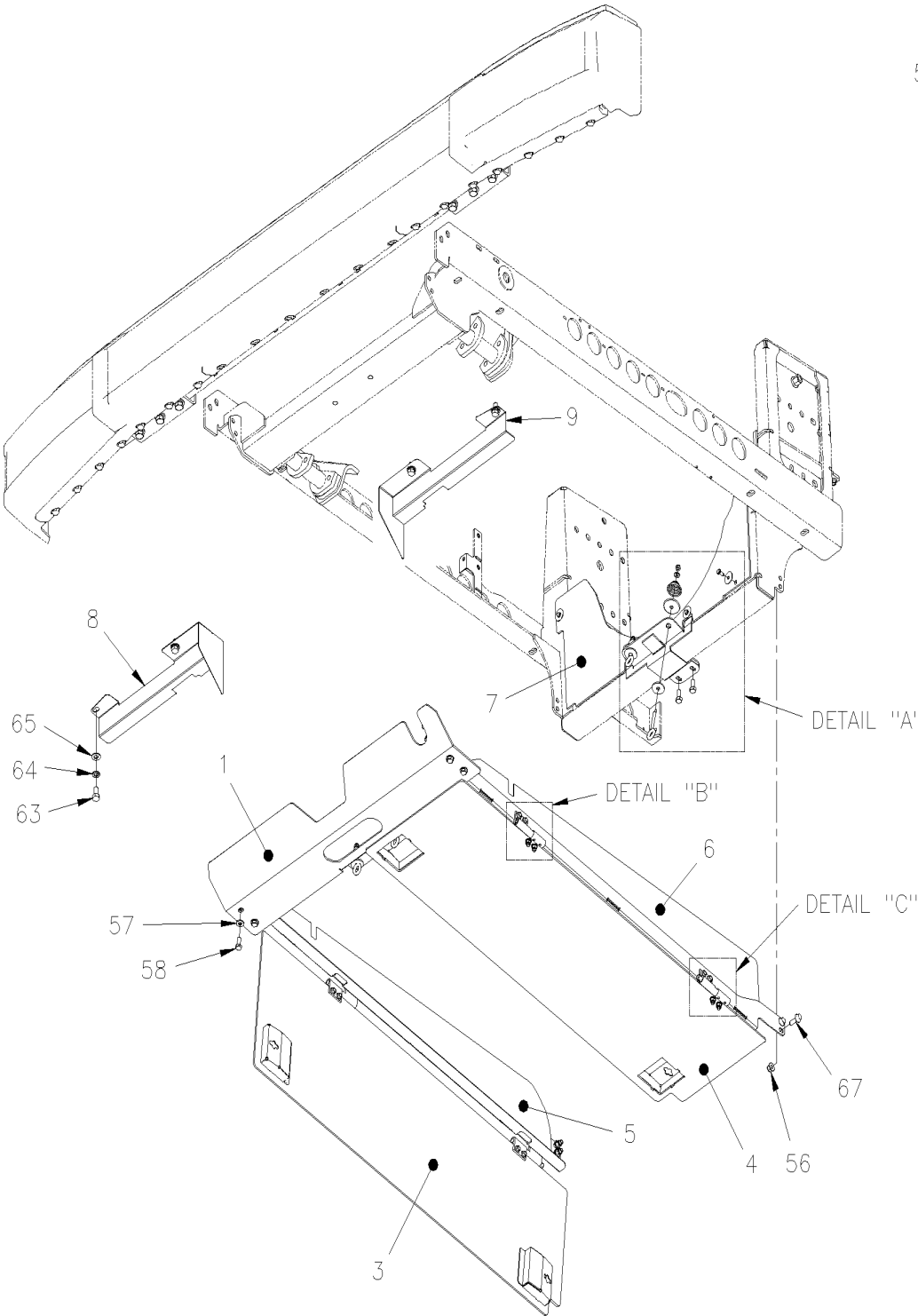


From C-5247

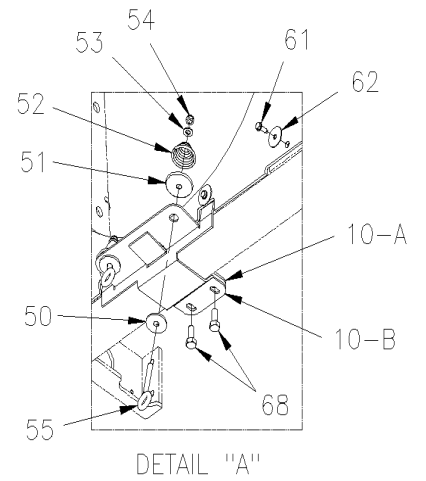
Date:01/2024

PAGE:X3-0155-20

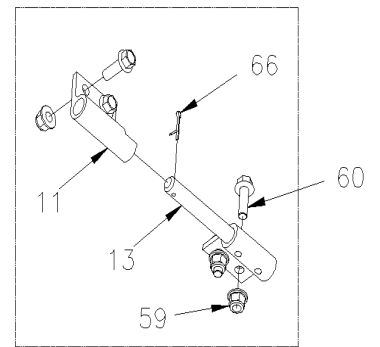
ENGINE GUARD VOLVO D13



DETAIL "B"



DETAIL "A"



DETAIL "C"

From C-5247		Date:01/2024	PAGE:X3-0155-20
ENGINE GUARD VOLVO D13			

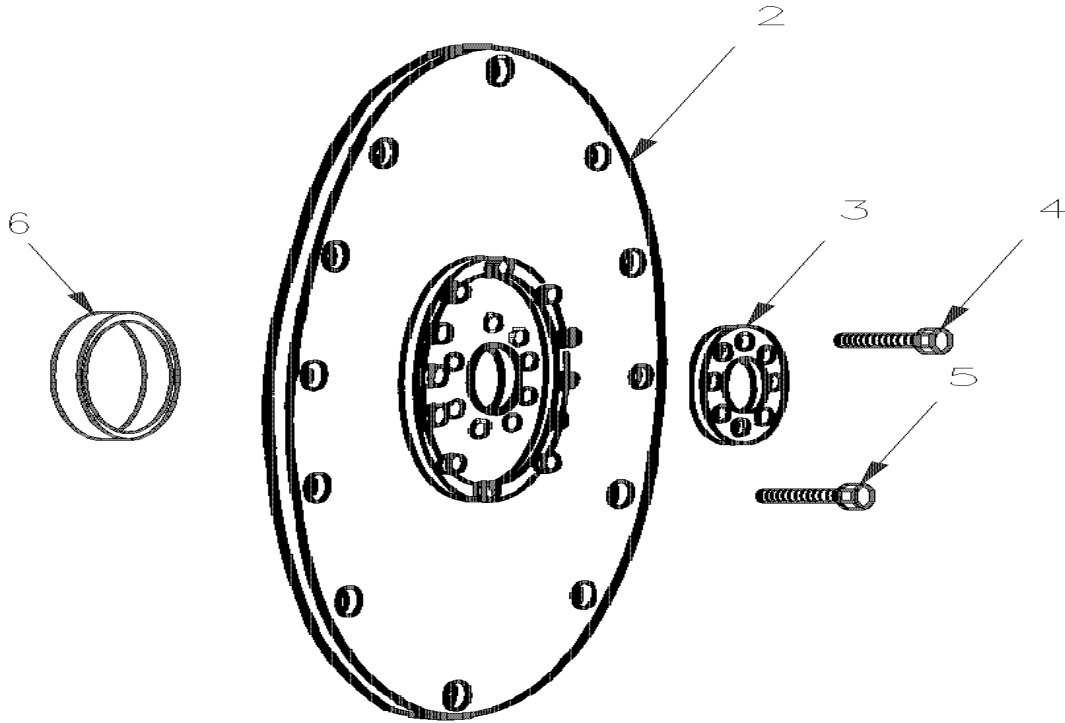
Item#	Part	Description	QTY	Notes
1	411194	DUST SHIELD PLATE ANGLE 985MM x 329MM To C-5242	1	
1	012740	DUST SHIELD PLATE ANGLE From C-5243	1	
1	012786	DUST SHIELD PLATE ANGLE W/TOW HOOK A/ATTACHE REM. From C-5243 To G-6001	1	
1	012932	DUST SHIELD PLATE ANGLE W/TOW HOOK A/ATTACHE REM. From G-6002	1	
3	012769	LEFT DOOR ASSY To E-5673	1	
3	012863	LEFT DOOR ASSY From E-5674	1	
4	012768	RIGHT DOOR ASSY To E-5673	1	
4	012864	RIGHT DOOR ASSY From E-5674	1	
5	012756	LH CHANNEL ASSY To G-6001	1	
5	012929	LH CHANNEL ASSY From G-6002	1	
6	012754	RH CHANNEL ASSY To G-6001	1	
6	012928	RH CHANNEL ASSY From G-6002	1	
7	012758	SHIELD WITH / AVEC WORLD TRANS.	1	
7	012787	SHIELD WITH / AVEC I-SHIFT TRANS.	1	
8	411195	DUST SHIELD ANGLE "Z" ASSY R.H. 391.6MM / P.W.T. To C-5242	1	F
8	411272	GUARD, RIGHT From C-5243 To D-5297	1	
8	411274	GUARD, RIGHT From D-5298	1	
9	411193	DUST SHIELD ANGLE "Z" ASSY L.H. 391.6MM / P.W.T. To C-5242	1	F
9	411273	GUARD, LEFT From C-5243 To D-5297	1	
9	411275	GUARD, LEFT From D-5298	1	
10	012760	BRACKET FOR PULL ROD To E-5673	1	
10A	012859	PULLROD, SUPPORT From E-5674	1	
10B	012860	PULLROD, SUPPORT From E-5674	1	
11	012765	HINGE	4	
12	012763	HINGE W/PIN / A/AXE	2	
13	012764	HINGE W/PIN / A/AXE	2	
50	507679	WASHER RUBBER / STANCHION / .375x1.500x.125	4	
51	507678	SPRING, RETAINER	4	
52	502944	SPRING CONICAL / CONIQUE	4	
52	2413712	SPRING CONICAL / CONIQUE	4	
53	5001341	WASHER FL 8.4x17.0x1.6 SS	4	
54	500685	NUT HEX NYRT 5/16-18 SS	4	
55	502943	SCREW EYE WITH NUT 5/16-18x3 1/2 GAL	4	
56	500847	NUT HEX M10-1.5 N500 To E-5673	8	
56	5001930	NUT HEXF NYRT M10-1.5 N500 G10.9 From E-5674 To G-6001	8	
56	5001931	NUT HEXF NYRT M8-1.25 G8.8 N500 From G-6002	8	
57	5001834	WASHER BEL SPR 10.5X23X2.5 N500 To E-5673	12	
57	5001834	WASHER BEL SPR 10.5X23X2.5 N500 From E-5674	4	
58	502804	SCREW CAP HEX M10-1.5x25 G8.8 N500 To E-5673	12	
58	502804	SCREW CAP HEX M10-1.5x25 G8.8 N500 From E-5674 To G-6001	4	
58	5001643	SCREW CAP HEXF M8-1.25x25 G8.8 G500 From G-6002	4	
59	502837	NUT HEXF STO M8-1.25 N500 To E-5673	16	

From C-5247	Date:01/2024	PAGE:X3-0155-20
ENGINE GUARD VOLVO D13		

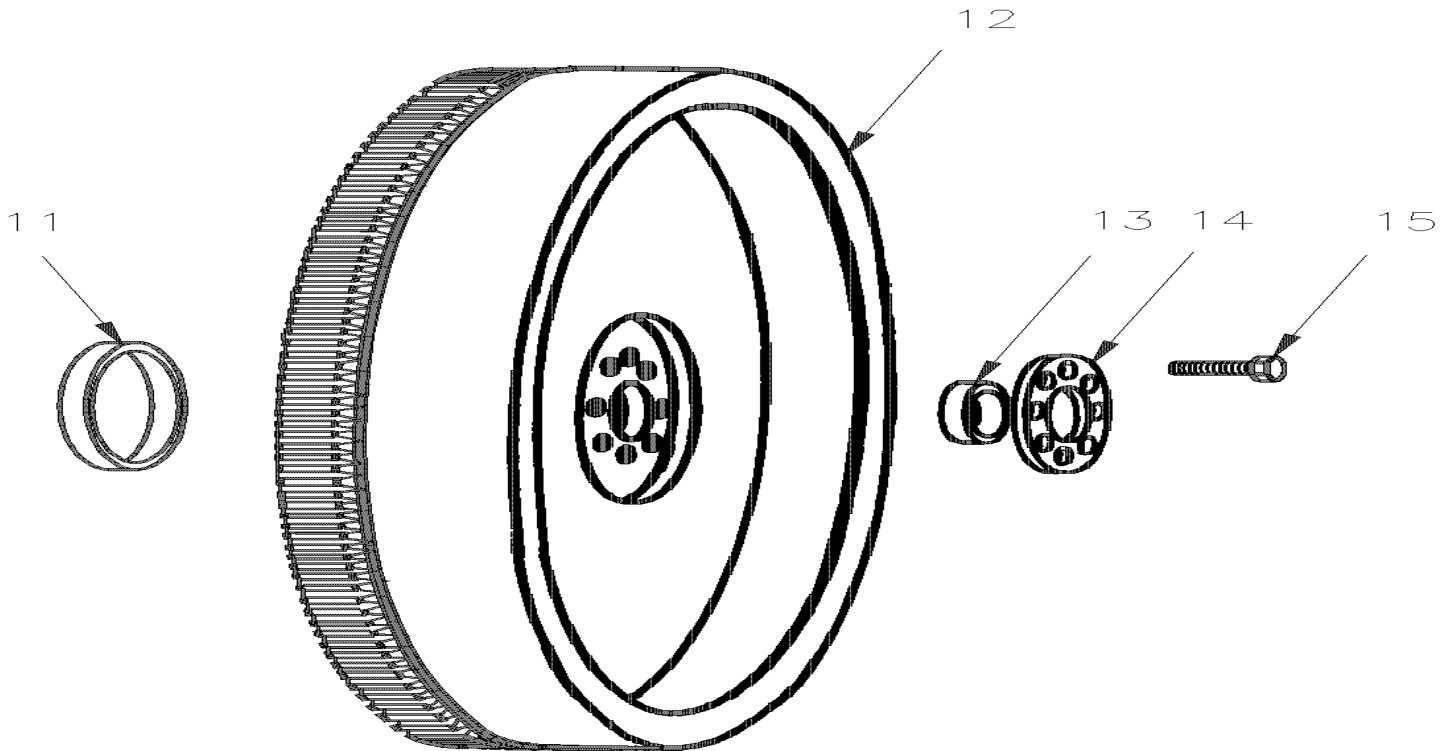
Item#	Part	Description	QTY	Notes
59	5001931	NUT HEXF NYRT M8-1.25 G8.8 N500 From E-5674	16	
60	5001643	SCREW CAP HEXF M8-1.25x25 G8.8 G500	16	
61	502810	SCREW TP CAP HEXW FL M6.3-1.81x30 PHC To C-5242	5	
61	502848	SCREW TC CAP HEXF 1/4-20x3/4 N500 From C-5243	5	
62	500913	WASHER FL .281x1.250x.065 N500	5	
63	5001565	SCREW CAP HEX 1/2-13x1 G5 N500	4	
64	5001534	WASHER LO SPT .509x.873x.125 SS	4	
65	500958	WASHER FL .531x1.062x.095 SS	4	
66	502097	PIN, COTTER 3/32 x 3/4	2	
67	5001741	SCREW CAP HEXF M10-1.5x30 G8.8 N500 From E-5674 To G-6001	8	
67	5001643	SCREW CAP HEXF M8-1.25x25 G8.8 G500 From G-6002	8	
68	5001231	SCREW CAP HEX M10-1.5x25 SS From E-5674	2	
68	500270	WASHER FL .406x1.000x.063 SS From N-6737	2	
		F) TO FIX USE BUMPER SCREW CAP HEX		

FLYWHEEL - WITH MANUAL TRANS

AUTOMATIC TRANSMISSION



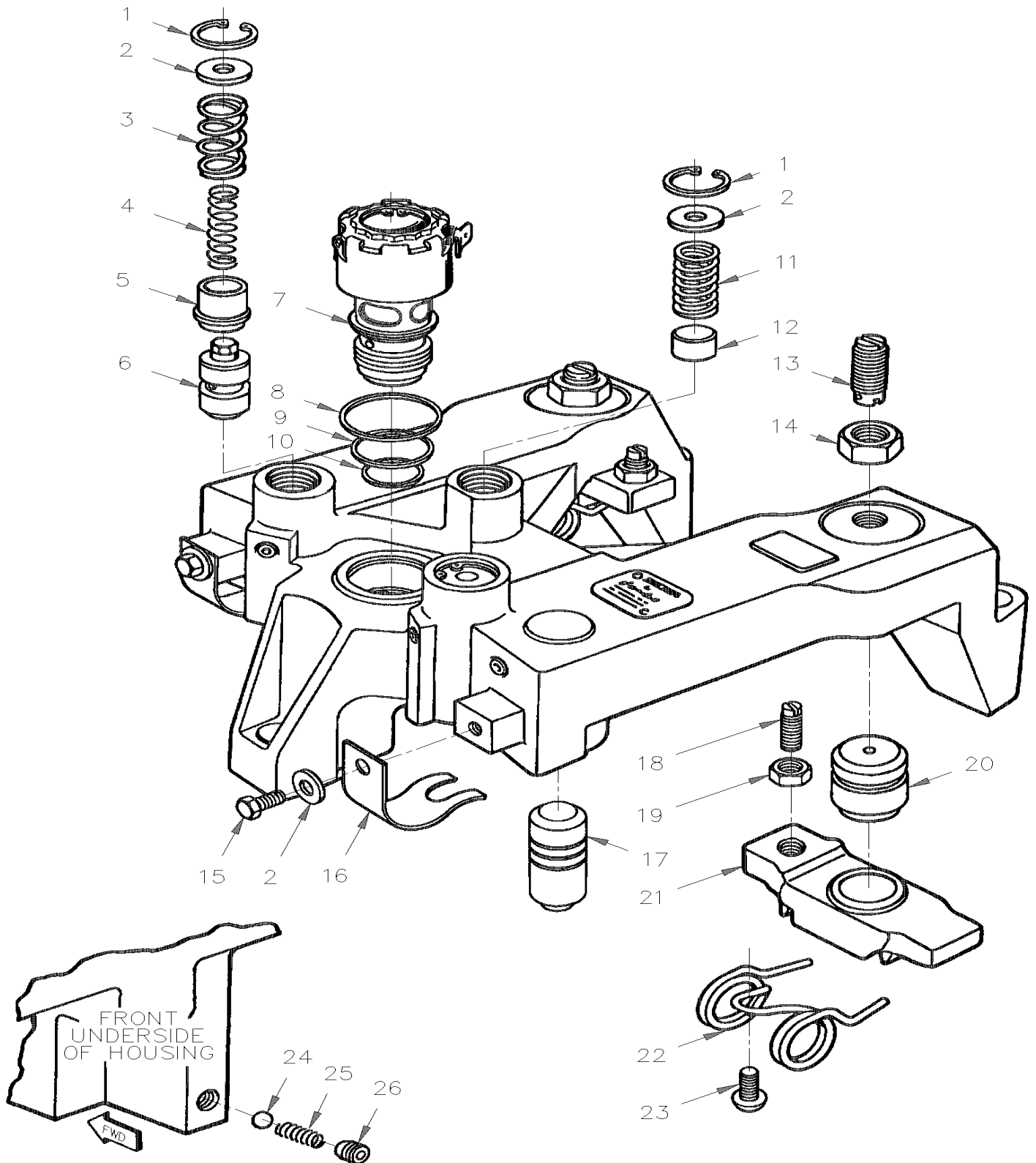
MANUAL TRANSMISSION



From 7-8754 To B-5001	Date:01/2024	PAGE:X3-0160-00
-----------------------	--------------	-----------------

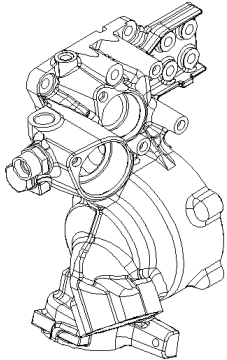
FLYWHEEL - WITH MANUAL TRANS

Item#	Part	Description	QTY	Notes
		SERIES 60 WITH AUTOMATIC TRANSMISSION		
	571728	KIT AUTO TRANS ADAPTOR FOR SERIES 60	1	
	510363	KIT AUTO TRANS ADAPTOR FOR SERIES 60	1	
2	N.S.P.	. PLATE FLEXIBLE 29513005	3	2
3	N.S.P.	. WEARPLATE 29514029	1	2
4	510476	. SCREW CAP HEX / FLEX PLATE / 9/16-18 X 1 3/4"	12	
4		. HUB ADAPTOR 29510823	1	
NS	295131006	RING GEAR ADAPTOR ASSY / W/AUTOMATIC TRANS	1	
5	5001217	SCREW CAP HEX M8-1.25x20 G10.9	12	
6	N.S.P.	SEAL OIL 23519651	1	2
		SERIES 60 WITH "ZF" TRANSMISSION		
11	N.S.P.	SEAL OIL 23519651	1	2
12	N.S.P.	FLYWHEEL 23529418	1	2
13	507113	BALL BEARING	1	
14	510225	PLATE SCUFF	1	
15	510476	SCREW CAP HEX / FLEX PLATE / 9/16-18 X 1 3/4"	12	
		2) NOT SOLD BY PREVOST (SEE MANUFACTURING PART NUMBER AT END OF DESCRIPTION LINE)		

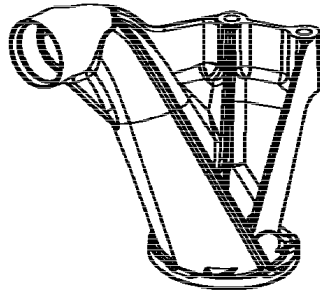


From 7-8754 To B-5001	Date:01/2024	PAGE:X3-0165-00
JACOB'S - ENGINE BRAKE - WITH DETROIT S-60		

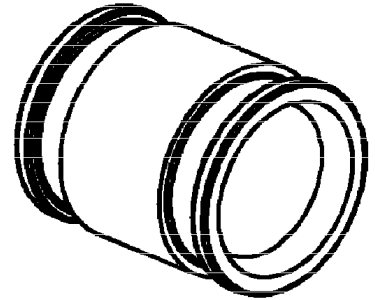
Item#	Part	Description	QTY	Notes
	510508	KIT JACOB'S 12.7 LITER	1	
	N.S.P.	HOUSING ASSY - 12 VOLTS (#017122)	3	2
1	N.S.P.	. RETAINING RING (#012991)	3	2
2	N.S.P.	. COVER (#016505)	5	2
3	N.S.P.	. STOP SPRING (#001519)	2	2
4	N.S.P.	. SPRING (GREEN) (#001518)	2	2
5	N.S.P.	. COLLAR (#016557)	2	2
6	N.S.P.	. CONTROL VALVE (011930)	2	2
7	N.S.P.	. SOLENOID VALVE (#016440)	1	2
8	510411	. SEAL RING / UPPER	1	
9	510412	. SEAL RING / CENTER	1	
10	510413	. SEAL RING / LOWER	1	
11	N.S.P.	. SPRING (#012990)	1	2
12	N.S.P.	. PISTON - ACCUMULATOR (#012983)	1	2
13	N.S.P.	. POWER LASH SCREW ASSY (#020382)	2	2
14	N.S.P.	. HEX NUT (#011395)	2	2
15	N.S.P.	. SCREW (#001492)	2	2
16	N.S.P.	. FLAT SPRING (#016535)	2	2
17	N.S.P.	. MASTER PISTON (#012981)	2	2
18	N.S.P.	. ADJUSTING SCREW (#011426)	2	2
19	N.S.P.	. HEX NUT (#001026)	2	2
20	N.S.P.	. SLAVE PISTON (#017048)	2	2
21	N.S.P.	. BRIDGE (#016771)	2	2
22	N.S.P.	. TORSION SPRING (#019576)	2	2
23	N.S.P.	. BUTTONHEAD SCREW (#0190741)	2	2
24	N.S.P.	. BALL (#001021)	2	2
25	N.S.P.	. BALL CHECK SPRING (#011720)	1	2
26	N.S.P.	. PIPE PLUG (#008888)	1	2
26	N.S.P.	SOLONOID HARNESS EXTERNAL (#017393)	1	2
26	N.S.P.	SOLONOID HARNESS INTERNAL (#017392)	1	2
26	N.S.P.	FILLER GAUGE .040 LASH / TO USE W/11.1 LITER (#017277)	AR	2
26	N.S.P.	FILLER GAUGE .020 LASH / TO USE W/12.7 LITER (#017278)	AR	2
		2) NOT SOLD BY PREVOST (SEE MANUFACTURING PART NUMBER AT END OF DESCRIPTION LINE)		



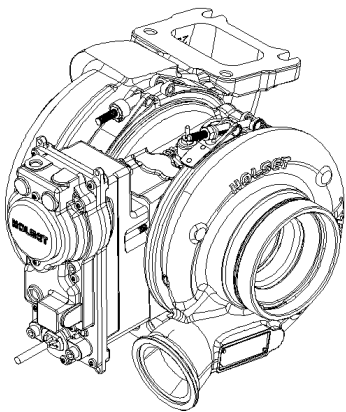
THERMOSTAT HOUSING
1



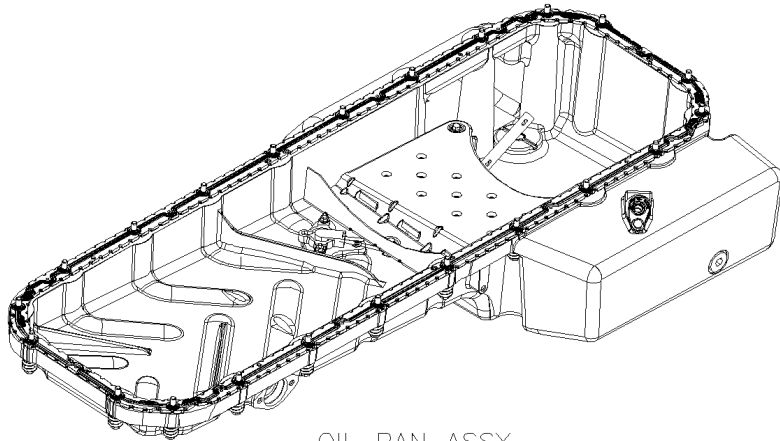
OIL STRAINER ASSY
2



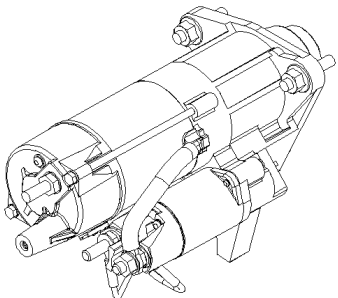
CONNECTION PIPE OIL
OIL STRAINER
3



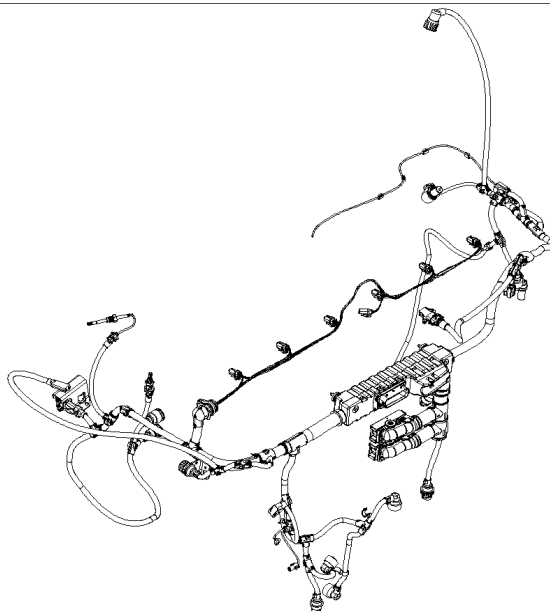
TURBOCHARGER HE431
4



OIL PAN ASSY
5



STARTER MOTOR MELCO
26



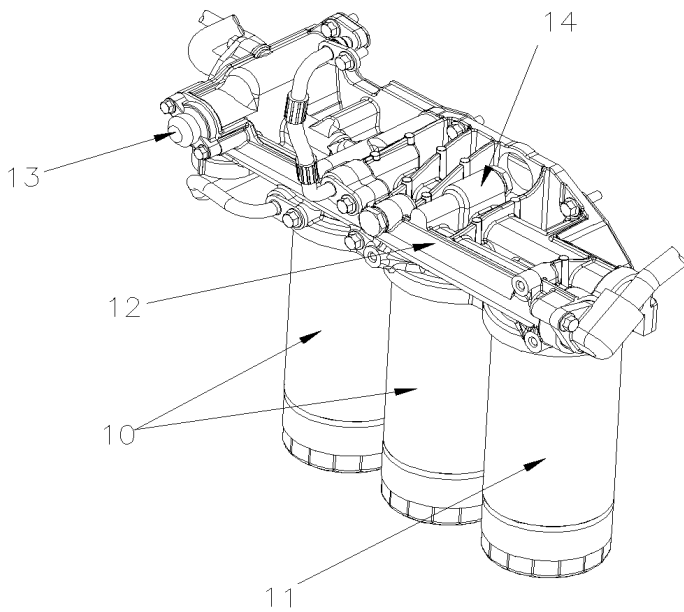
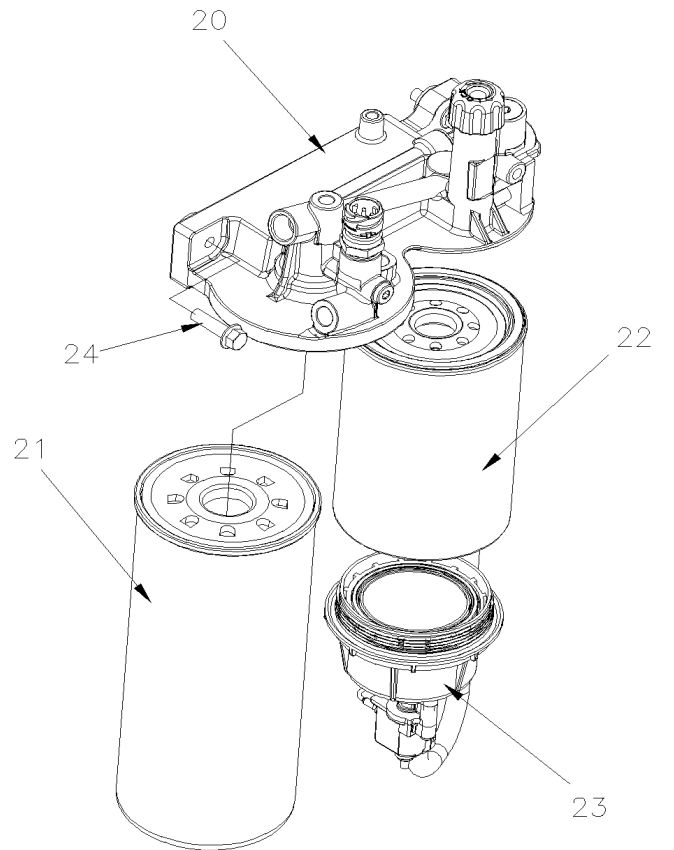
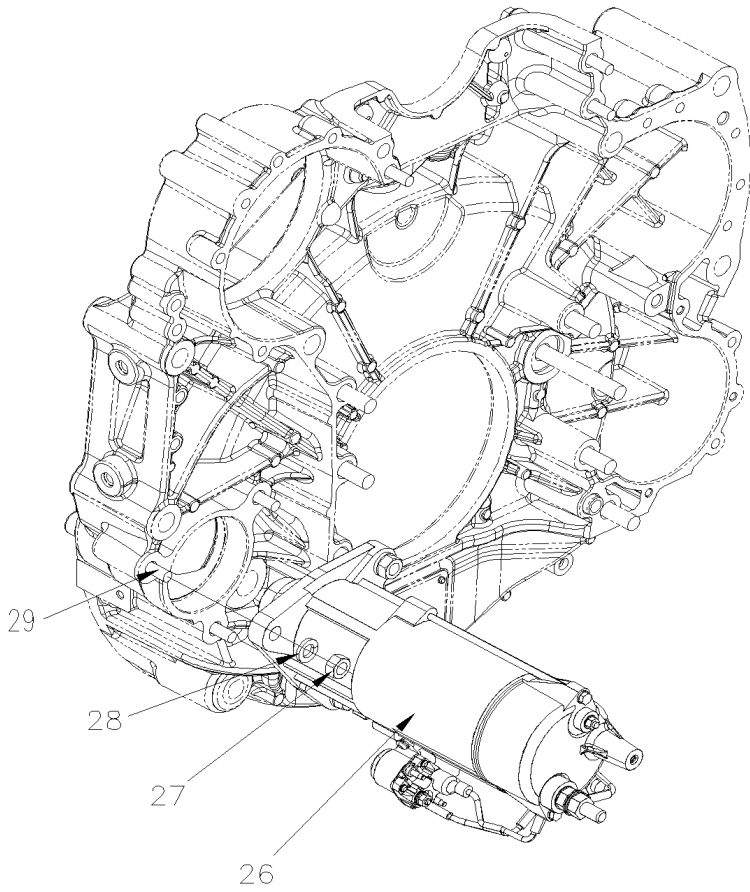
WIRING HARNESS
7

From 8-9457 To B-5001

Date:01/2024

PAGE:X3-0170-00

ENGINE "VOLVO" D-13 - SPECIFIC PARTS FOR PREVOST



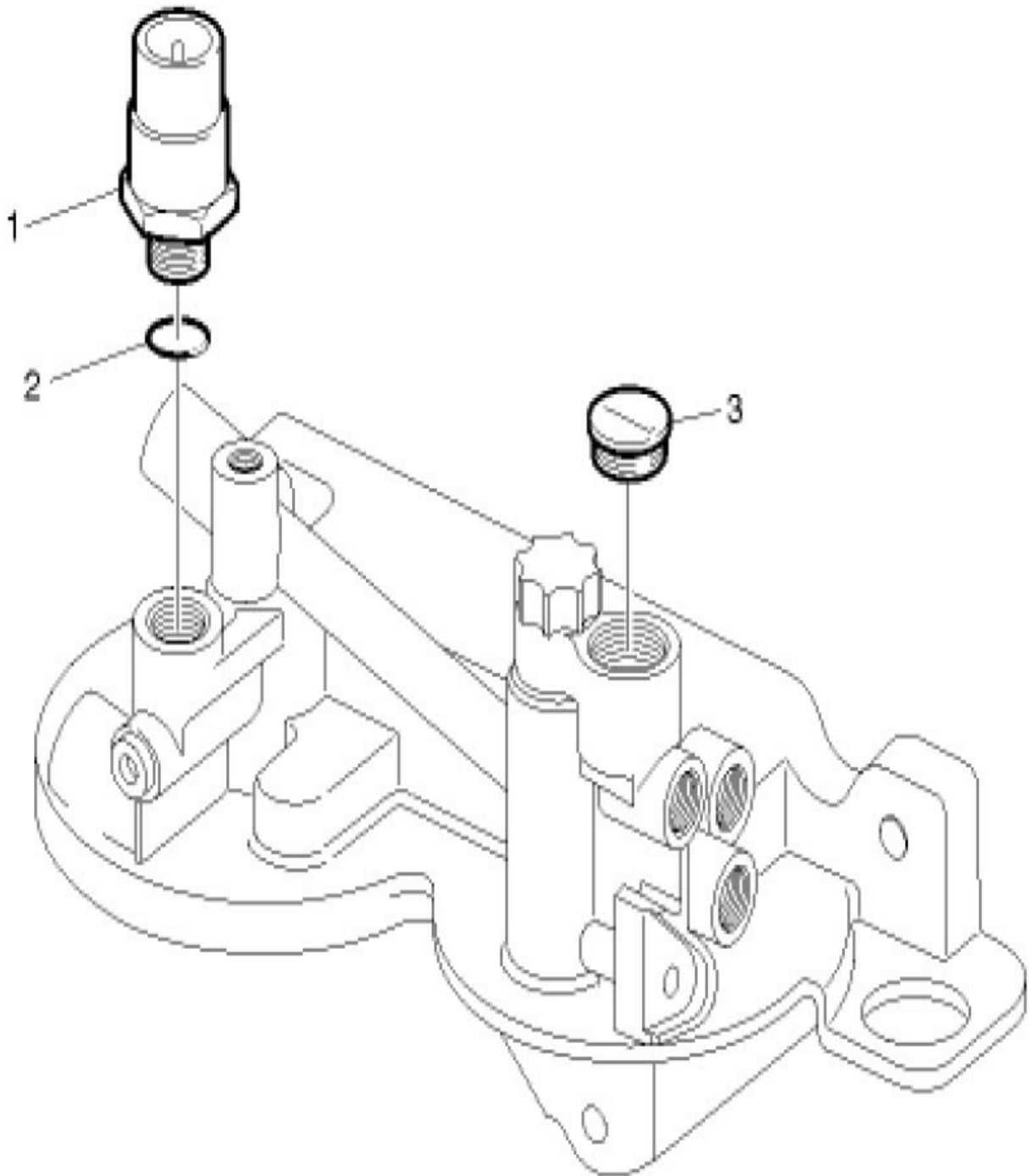
From 8-9457 To B-5001	Date:01/2024	PAGE:X3-0170-00
ENGINE "VOLVO" D-13 - SPECIFIC PARTS FOR PREVOST		

Item#	Part	Description	QTY	Notes
1	20936109	THERMOSTAT HOUSING / W/D13 ENGINE / "PRÉVOST"	1	
. NS	20936107	. THERMOSTAT HOUSING	1	
. NS	192639	. NIPPLE 15xM18	1	
. NS	960632	. PLUG HEX M18-1.5x12	1	
. NS	977935	. GASKET M18x18	2	
2	20954445	OIL STRAINER ASSY	1	
3	21008852	CONNECTION ENGINE OIL STRAINER / W/D13 ENGINE	1	
4	21023367	TURBOCHARGER HE431	1	
5	20945172	ENGINE OIL PAN ASSY / W/D13 ENGINE / "PRÉVOST"	1	
. NS	20934820	. OIL PAN / "PRÉVOST"	1	
. NS	20571854	. PLUG MAGNETIC & GASKET	1	
. NS	24424110	. OIL LEVER SENSOR	1	
. NS	953035	. STUD M6x35x22	2	
. NS	945407	. FLANGE NUT M6x6	2	
. NS	20724256	. PIPE	1	
. NS	946173	. SCREW CAP HEXF M8-1.25x20	1	
. NS	20960713	. PLATE BAFFLE	1	
. NS	965175	. SCREW FLANGE M6x12	5	
. NS	968612	. PLUG	1	
. NS	968209	. O-RING 23.7x2.8	1	
. NS	20700754	. CLIP	3	
7	20980492	ENGINE WIRING HARNESS ASSY W/D13 ENGINE / "PRÉVOST"	1	
10	478736	OIL FILTER (LONG LIFE)	2	
11	V477556	OIL FILTER / W/BY-PASS SEE PREV # 510938	1	
11	510938	OIL FILTER / W/BY-PASS	1	
12	21061917	HOUSING OIL FILTER ASSY	1	
13	20903074	. THERMOSTAT OIL FILTER FIXED TO FILTER HOUSING	1	
NS	949659	. O-RING	1	
NS	947542	. FLANGE SCREW	1	
14	V471085	. VALVE BY-PASS	1	
NS	466653	. SPRING BY-PASS	1	
NS	947627	. GASKET BY-PASS	1	
NS	471598	. PLUG BY-PASS	1	
20	21023285	HOUSING FUEL FILTER ASSY W/PRIMER PUMP TB-111262697-1	1	
NS	20898038	. PRESSURE SENSOR	1	
NS	968559	. O-RING (PRESSURE SENSOR)	1	
21	20405160	FUEL FILTER (LONG)	1	
21	20972293	FUEL FILTER (LONG) MAIN / PRINCIPAL	1	
22	20879806	FUEL FILTER WATER SEPARATOR	1	
23	20771580	BOWL / W/WATER DETECTOR IN FUEL UAUXFUEL	1	

From 8-9457 To B-5001	Date:01/2024	PAGE:X3-0170-00
ENGINE "VOLVO" D-13 - SPECIFIC PARTS FOR PREVOST		

Item#	Part	Description	QTY	Notes
23	20875050	BOWL / W/WATER DETECTOR & HEATER ELEMENT	1	
NS	20869389	BOWL AF-E	1	
24	5001742	SCREW CAP HEXF M8-1.25x30 G8.8 N500	3	
26	20982072	STARTER MOTOR / "MELCO" / "MITSUBISHI" 105PT To 9-9607	1	
NS	510888	SOLENOID KIT To 9-9607	1	
NS	IS752SOL	INSTRUCTION SHEET / SOLENOID REPLACEMENT To 9-9607	1	
NS	510889	SMALL STARTOR RELAY KIT / WITH CABLES To 9-9607	1	
NS	564095	SMALL STARTOR RELAY To 9-9607	1	
NS	IS752MAG	INSTRUCTION SHEET / MAGNETIC SWITCH REPLACEMENT To 9-9607	1	
26	21212425	VOLVO STARTER 24V, MELCO WITHOUT RELAY TB-129577391-1 From 9-9608 To J-6272	1	
26	22807202	VOLVO STARTER 24V, MELCO WITHOUT RELAY From J-6273 To P-6899	1	
26	7775270	VOLVO STARTER 24V, MELCO WITHOUT RELAY From P-6900	1	
27	971072	NUT HEX M12-1.75 ZG603	3	
28	500482	WASHER LO SPT .506x.873x.125 Z050	3	
29	V953098	STUD M12x55x33	3	

From 8-9457 To B-5001	Date:01/2024	PAGE:21023285
HOUSING FUEL FILTER ASSY W/PRIMER PUMP TB-111262697-1		



From 8-9457 To B-5001	Date:01/2024	PAGE:21023285
-----------------------	--------------	---------------

HOUSING FUEL FILTER ASSY W/PRIMER PUMP TB-111262697-1

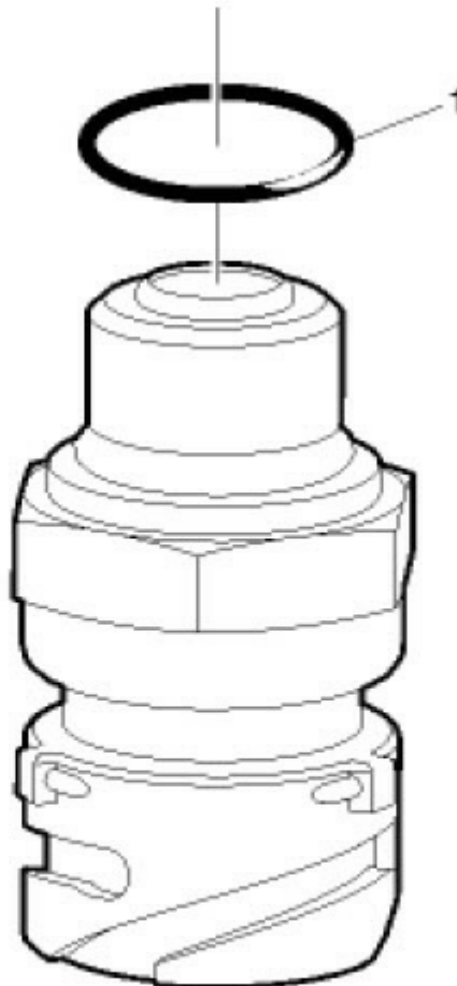
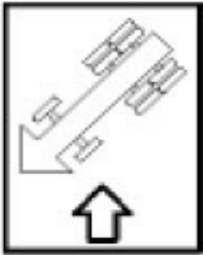
Item#	Part	Description	QTY	Notes
1	21302639	PRESSURE SENSOR,FUEL/OIL TB-130959470-1	1	
2	968559	O-RING (PRESSURE SENSOR)	1	
3	20744692	CAP	1	

From 8-9457 To B-5001

Date:01/2024

PAGE:21302639

PRESSURE SENSOR,FUEL/OIL TB-130959470-1



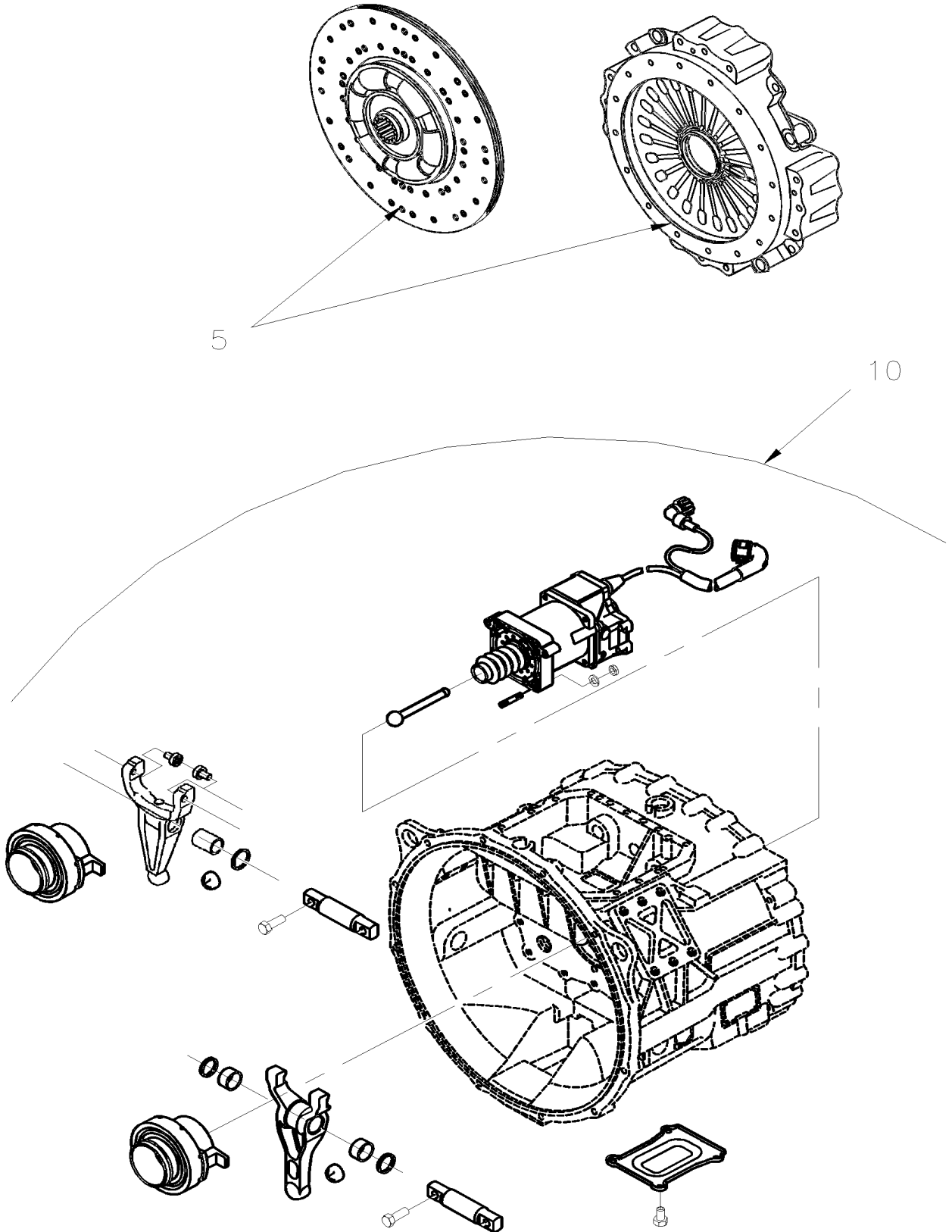
From 8-9457 To B-5001		Date:01/2024	PAGE:21302639	
PRESSURE SENSOR,FUEL/OIL TB-130959470-1				
Item#	Part	Description	QTY	Notes
1	968559	O-RING (PRESSURE SENSOR)	1	

From 7-8754

Date:01/2024

X3-02

CLUTCH



From 7-8754		Date:01/2024	X3-02
-------------	--	--------------	-------

CLUTCH

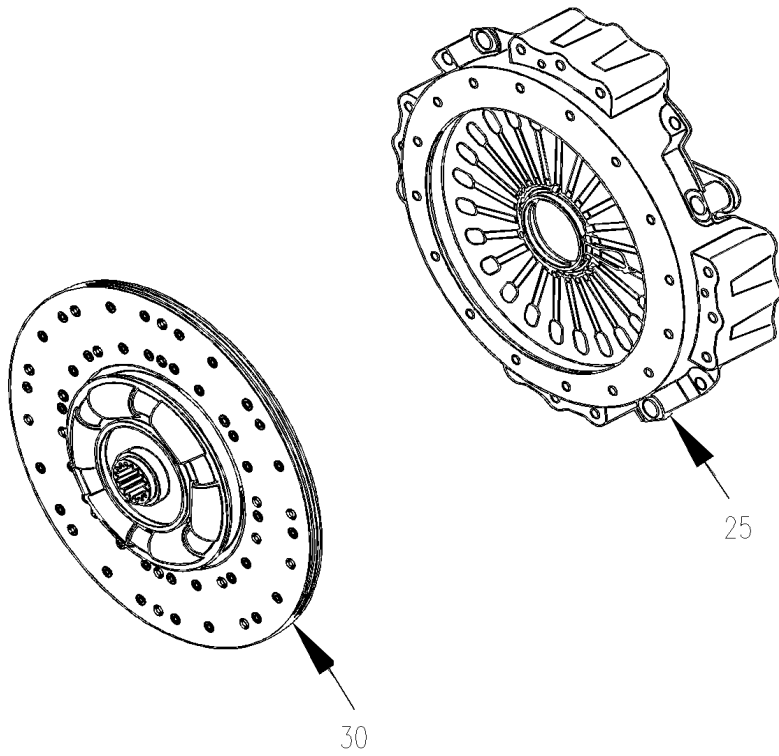
Item#	Part	Description	QTY	Notes
5	X3-0205-00	CLUTCH PRESSURE PLATE WITH "ZF" TRANS From 7-8754 To B-5001		
5	X3-0205-01	CLUTCH PRESSURE PLATE WITH "I-SHIFT" TRANS From B-5002 To P-6867		
10	X3-0215-00	CLUTCH CONTROL REAR SECTION WITH "ZF" TRANS From 7-8754 To B-5001		

From 7-8754 To B-5001

Date:01/2024

PAGE:X3-0205-00

CLUTCH PRESSURE PLATE WITH "ZF" TRANS



From 7-8754 To B-5001		Date:01/2024	PAGE:X3-0205-00
-----------------------	--	--------------	-----------------

CLUTCH PRESSURE PLATE WITH "ZF" TRANS

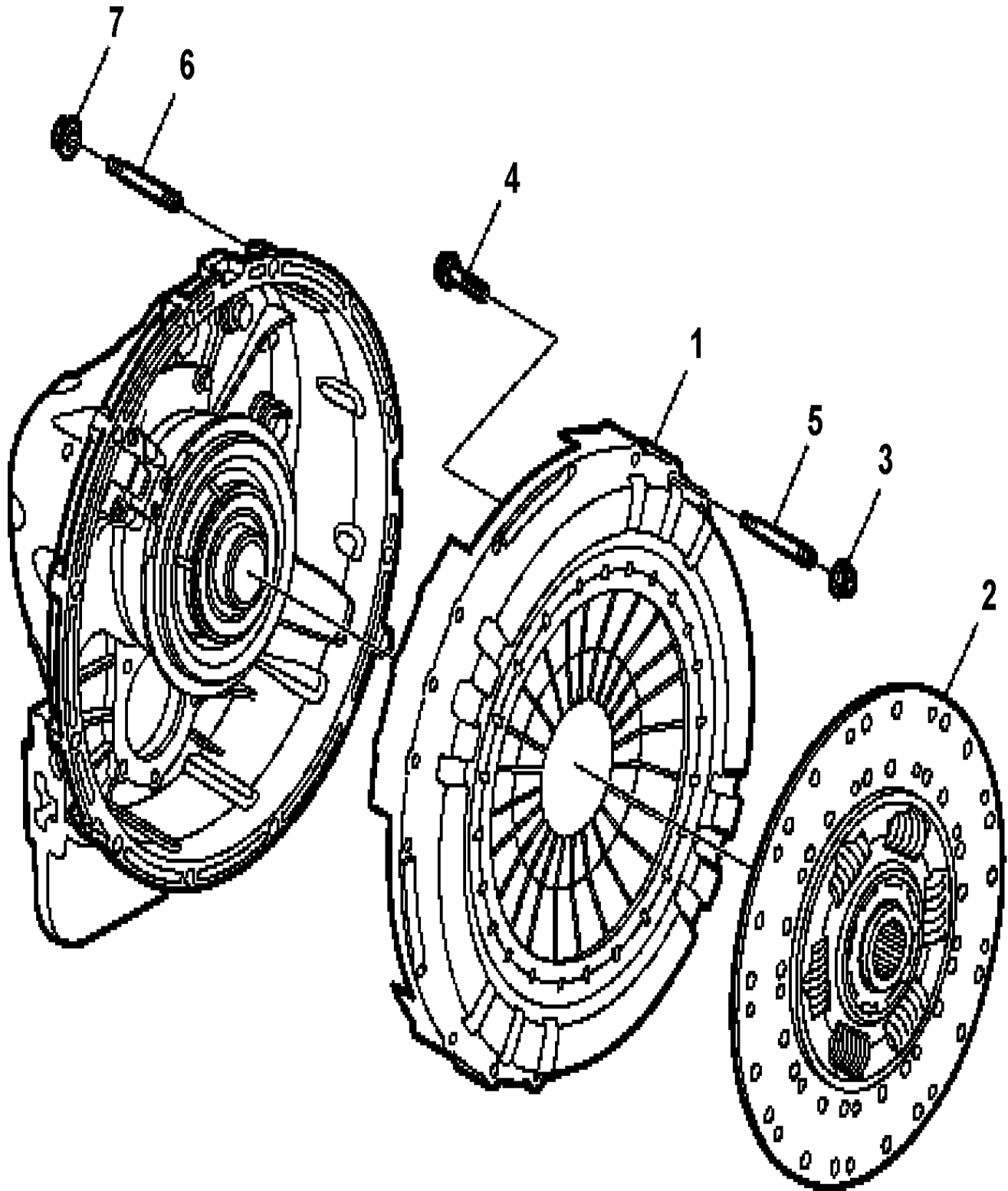
Item#	Part	Description	QTY	Notes
25	571776	PRESSURE PLATE	1	
30	571775	CLUTCH ASSY	1	
NS	510476	SCREW CAP HEX / FLEX PLATE / 9/16-18 X 1 3/4"	12	

From B-5002 To P-6867

Date:01/2024

PAGE:X3-0205-01

CLUTCH PRESSURE PLATE WITH "I-SHIFT" TRANS



From B-5002 To P-6867	Date:01/2024	PAGE:X3-0205-01
-----------------------	--------------	-----------------

CLUTCH PRESSURE PLATE WITH "I-SHIFT" TRANS

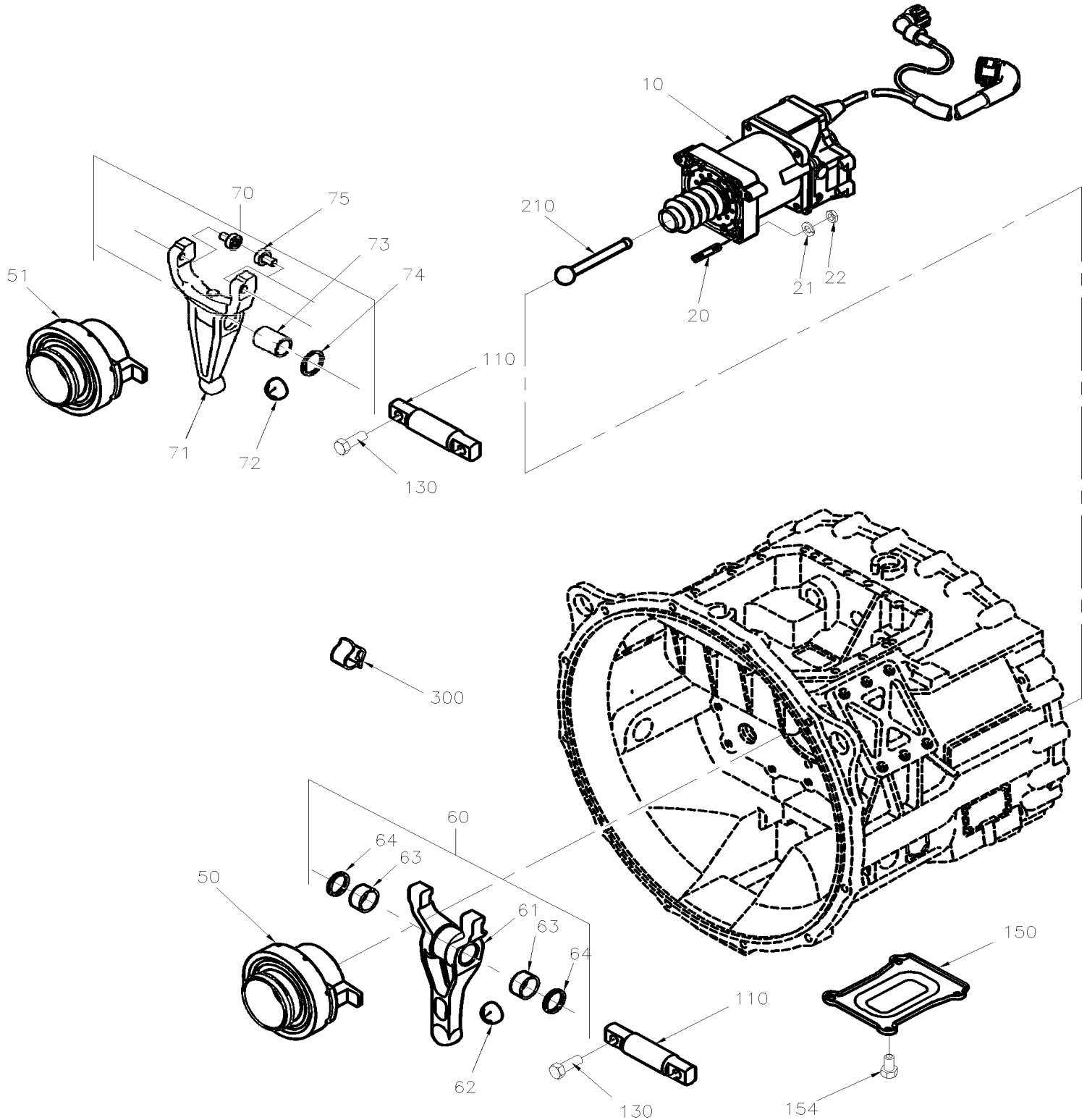
Item#	Part	Description	QTY	Notes
1	572140	PRESSURE PLATE	1	
1	20806454	PRESSURE PLATE	1	
2	572141	CLUTCH ASSY	1	
2	20566389	CLUTCH ASSY	1	
2	21539802	CLUTCH ASSY To C-5215	1	
2	21593944	CLUTCH ASSY From C-5215 To F-5766	1	
2	21615194	CLUTCH ASSY From F-5767	1	
3	971098	NUT HEXF STO M10-1.5 G8 ZP	12	
4	965188	SCREW M10x70	12	
5	990818	STUD	2	
6	953525	STUD	12	
7	946175	FLANGE NUT	1	

From 7-8754 To B-5001

Date:01/2024

PAGE:X3-0215-00

CLUTCH CONTROL REAR SECTION WITH "ZF" TRANS



From 7-8754 To B-5001	Date:01/2024	PAGE:X3-0215-00
CLUTCH CONTROL REAR SECTION WITH "ZF" TRANS		

Item#	Part	Description	QTY	Notes
	MI06-06	SEE MAINTENANCE INFORMATION		
		"WARNING" - "WARNING" -"WARNING" - "WARNING"		
		V.I.N. 8-9151 IT EQUIPED WITH 12 SPEEDS TRANS		
10	572005	CLUTCH ACTUATOR ASSY WITH CABLE HARNESS / TO GS3 SHIFTER	1	
. NS	572135	. CHECK VALVE FILTER IN LINE CONNECTOR	1	
. NS	MI06-06	. SEE MAINTENANCE INFORMATION	1	
10	85109289	CLUTCH ACTUATOR ASSY WITH CABLE HARNESS / TO GS3 SHIFTER	1	
20	572007	STUD M8x45 8.8 DIN 835	4	
21	500874	WASHER FL 8.4x17.0x1.6 Z050	4	
22	572006	NUT HEX M8	4	
50	572008	RELEASE BEARING To 8-9340	1	
51	572088	RELEASE BEARING From 8-9341	1	
60	572009	RELEASE FORK ASSY To 8-9340	1	
61	572010	. RELEASE FORK To 8-9340	1	
62	572011	. BALL CUP	1	
63	572012	. BUSHING To 8-9340	2	
64	572013	. SHAFT SEAL	2	
		NEXT RELEASE FORK ASSY MAY BE ALSO		
		USE IN RETROFIT ASK PART NUMBER 572039		
70	572089	RELEASE FORK ASSY From 8-9341	1	
71	572090	. RELEASE FORK From 8-9341	1	
72	572011	. BALL CUP	1	
73	572091	. BUSHING From 8-9341	1	
74	572013	. SHAFT SEAL	2	
75	572092	. CAM FOLLOWER From 8-9341	2	
110	572014	RELEASE SHAFT	1	
130	572015	SCREW CAP HEX M12x50 G10.9 DIN 933	2	
150	572016	COVER	1	
154	502790	SCREW CAP HEX M8-1.25x20 G8.8 Z050	4	
210	572017	PRESSING ROD	1	
300	572018	CABLE CLIP	1	
300	572019	CABLE CLIP	1	
400	572039	KIT RETROFIT NEW FORK & BEARING RELEASE To 8-9340	1	
. NS	572089	. RELEASE FORK ASSY To 8-9340	1	
. NS	572090	. RELEASE FORK To 8-9340	1	
. NS	572011	. BALL CUP To 8-9340	1	

From 7-8754 To B-5001	Date:01/2024	PAGE:X3-0215-00
-----------------------	--------------	-----------------

CLUTCH CONTROL REAR SECTION WITH "ZF" TRANS

Item#	Part	Description	QTY	Notes
. NS	572091	. BUSHING To 8-9340	1	
. NS	572013	. SHAFT SEAL To 8-9340	2	
. NS	572092	. CAM FOLLOWER To 8-9340	2	

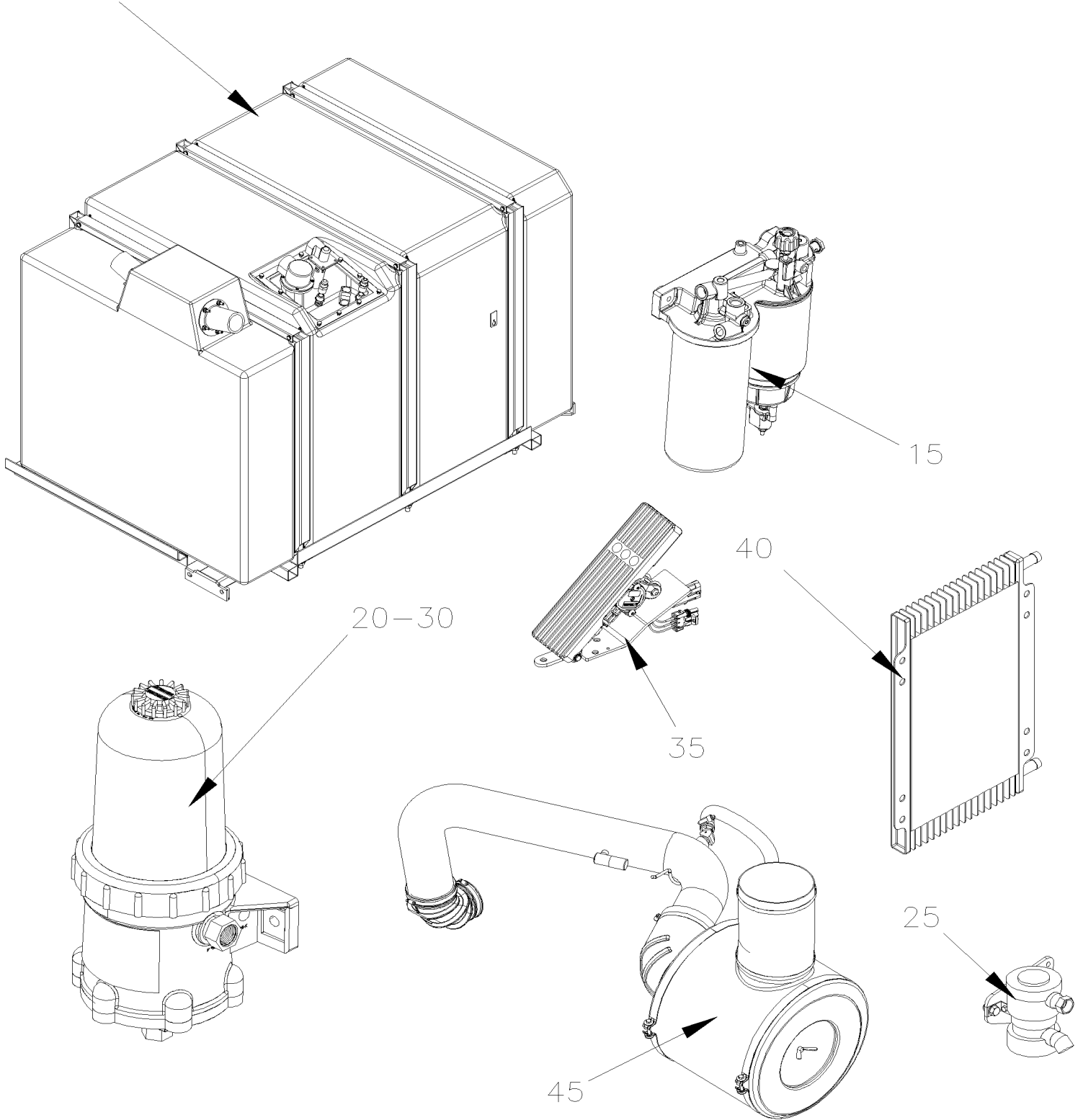
From 7-8754

Date:01/2024

X3-03

FUEL

5 Fuel Hose – Installation 10



From 7-8754	Date:01/2024	X3-03
-------------	--------------	-------

FUEL

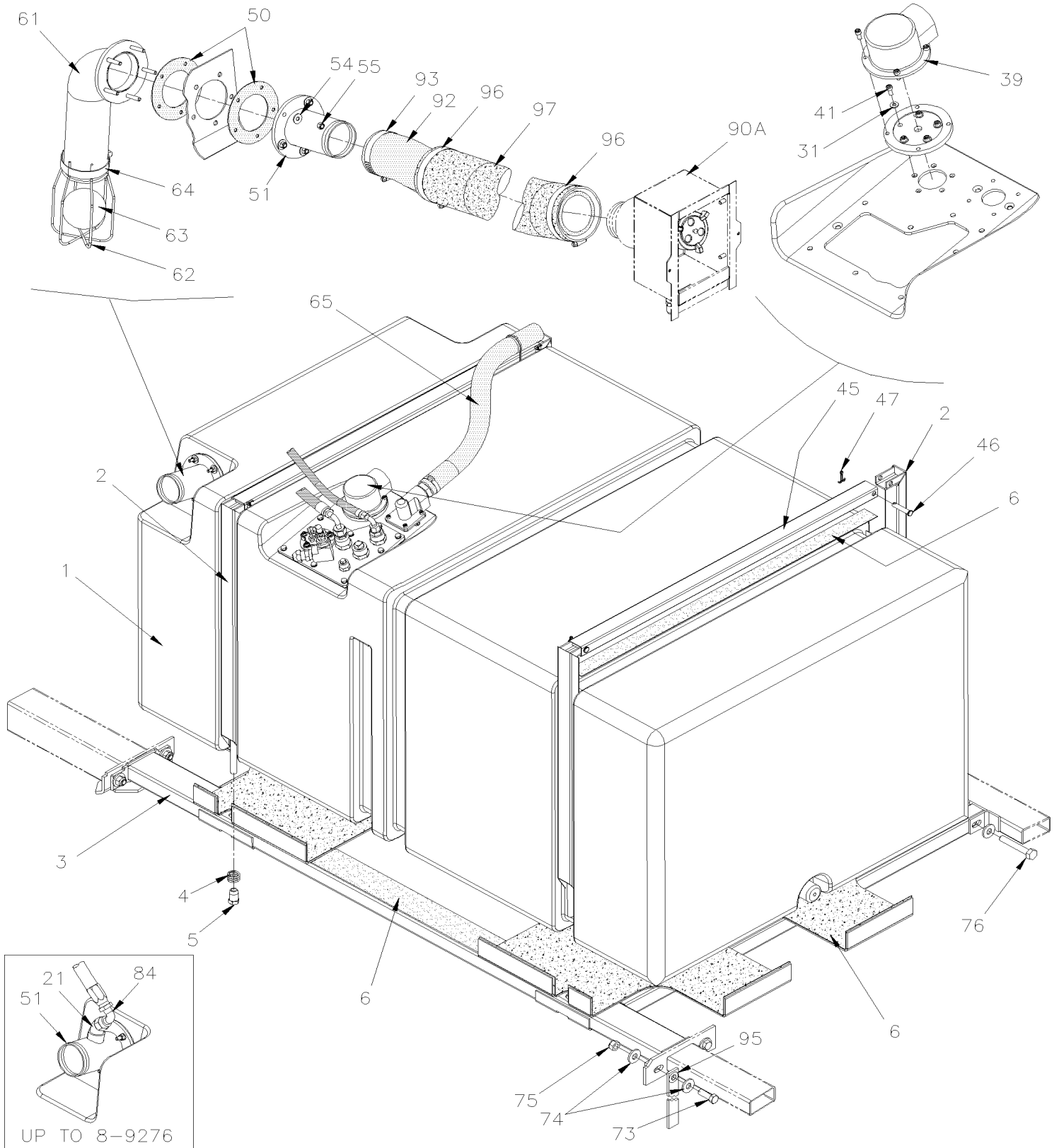
Item#	Part	Description	QTY	Notes
5	X3-0305-00	FUEL TANK PLASTIC 208 GALLONS From 7-8754 To B-5001		
5	X3-0305-01	FUEL TANK PLASTIC 208 GALLONS From B-5002 To J-6267		
5	X3-0305-02	FUEL TANK PLASTIC 208 GALLONS W/PREHEATING MOTOR SYSTEM From J-6268		
10	X3-0310-00	FUEL HOSE - INSTALLATION DETROIT S-60 From 7-8754 To B-5001		
15	X3-0311-00	FUEL FILTER - PRIMARY & SECONDARY WITH DETROIT S-60 From 7-8754 To 8-9276		
15	X3-0311-01	FUEL FILTER - PRIMARY & SECONDARY WITH DETROIT S-60 From 8-9277 To B-5001		
15	X3-0311-02	FUEL FILTER - PRIMARY & SECONDARY WITH VOLVO D13 From 8-9457 To H-6179		
15	X3-0311-03	FUEL FILTER - PRIMARY & SECONDARY WITH VOLVO D13 - GHG17 From H-6180		
20	X3-0311-15	FUEL FILTER / "PRO 382" From 7-8754 To E-5523		
20	X3-0311-16	FUEL FILTER / "PRO 382" From E-5524 To N-6723		
25	X3-0312-00	FUEL PUMP - AUXILIARY From 7-8754 To 8-9276		
25	X3-0312-01	FUEL PUMP - AUXILIARY From 8-9277 To B-5001		
30	X3-0312-10	FUEL PRO - INSTALLATION WITH DETROIT S-60 From 7-8754 To 8-9276		
30	X3-0312-11	FUEL PRO - INSTALLATION WITH DETROIT S-60 From 8-9277 To B-5001		
30	X3-0312-12	FUEL PRO - INSTALLATION WITH VOLVO D13 From 8-9457 To H-6179		
30	X3-0312-13	FUEL PRO - INSTALLATION WITH VOLVO D13 - GHG17 From H-6180		
35	X3-0315-10	ACCELERATOR PEDAL - ELECTRONIC From 7-8754		
40	X3-0316-00	FUEL COOLER - INSTALLATION From 7-8754 To 8-9276		
40	X3-0316-01	FUEL COOLER - INSTALLATION From 8-9277 To B-5001		
45	X3-0330-00	AIR FILTER & INTAKE - INSTALLATION WITH DETROIT S-60 From 7-8754 To 8-9276		
45	X3-0330-01	AIR FILTER & INTAKE - INSTALLATION WITH DETROIT S-60 From 8-9277 To B-5001		
45	X3-0330-02	AIR FILTER & INTAKE - INSTALLATION WITH VOLVO D13 - EPA 2007 From 8-9457 To B-5001		
45	X3-0330-03	AIR FILTER & INTAKE - INSTALLATION WITH VOLVO D13 - EPA 2010 From B-5002 To H-6179		
45	X3-0330-04	AIR FILTER & INTAKE - INSTALLATION WITH VOLVO D13 - GHG17 From H-6180		
50	X3-0330-20	ROOF AIR FILTER & INTAKE From E-5718		

From 7-8754 To B-5001

Date:01/2024

PAGE:X3-0305-00

FUEL TANK PLASTIC 208 GALLONS

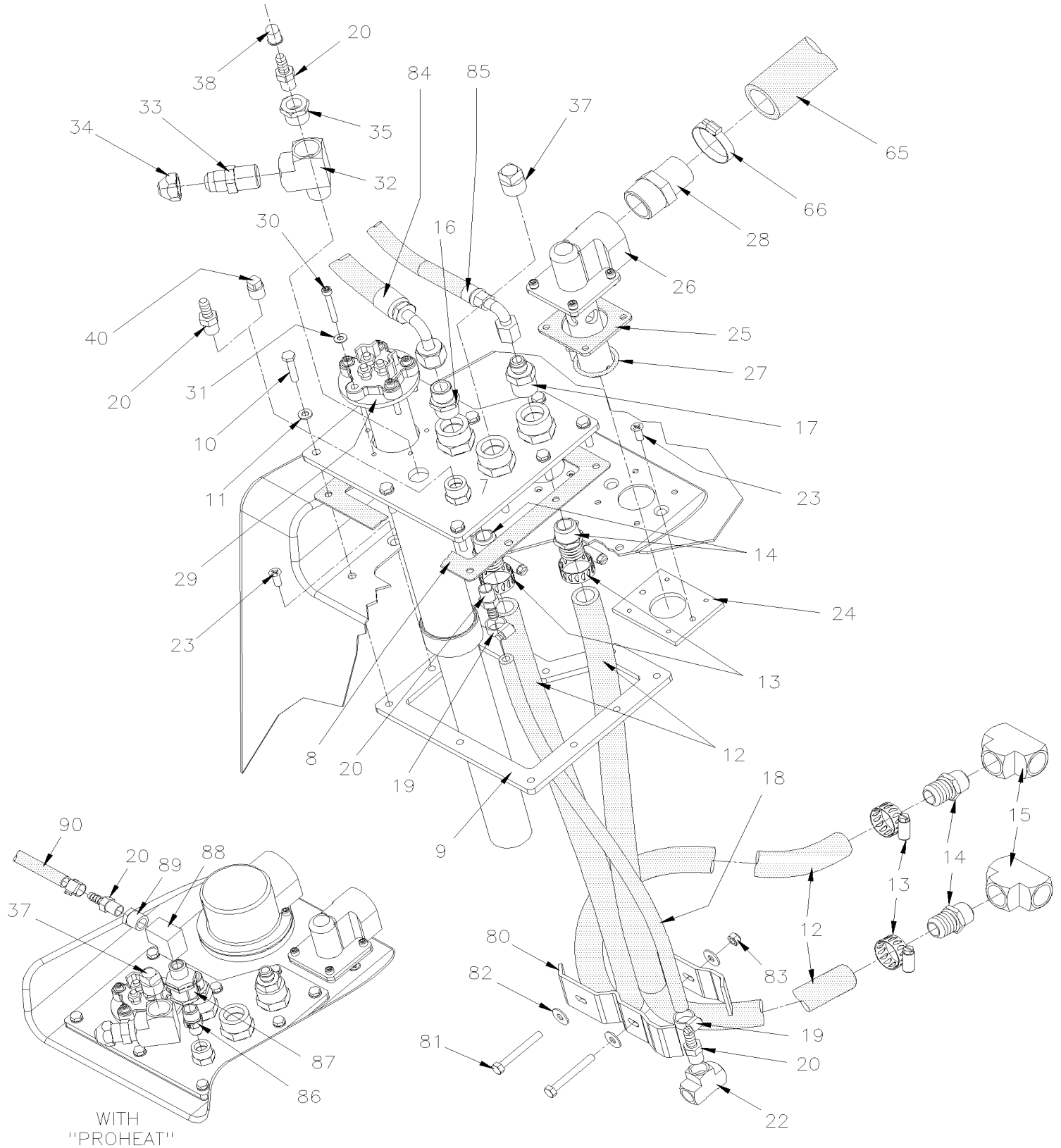


From 7-8754 To B-5001

Date:01/2024

PAGE:X3-0305-00

FUEL TANK PLASTIC 208 GALLONS



From 7-8754 To B-5001	Date:01/2024	PAGE:X3-0305-00
FUEL TANK PLASTIC 208 GALLONS		

Item#	Part	Description	QTY	Notes
	Call order desk	FUEL TANK ASSY To 8-9276	1	P
	030172	FUEL TANK ASSY From 8-9277	1	
1	032621	. FUEL TANK / 208 GALLONS US / W/ONE INLET HOLE To 8-9276	1	
1	032778	. FUEL TANK / 208 GALLONS US / W/ONE INLET HOLE From 8-9277	1	
1	030399	. FUEL TANK / 208 GALLONS US / W/ONE INLET HOLE	1	
2	032463	. ATTACHMENT POST ASSY / 689MM	4	
3	031814	. REMOVABLE FLOOR ASSY	1	
3	032465	. REMOVABLE FLOOR ASSY	1	B
3	032447	. SHIM 197MM x 40MM SS	AR	
4	502932	. SPRING COMPRESSION / SS .975 O.D. x 1.250 x .125	AR	
5	032607	. NUT HEX SPECIAL M12-1.75 SS	4	
NS	680038	. THREAD LOCKER LOCTITE #243 / BLUE / 50ml	AR	
6	506758	. TAPE RUB ADH1 NEO 1/16"X 1 1/2"X50'	AR	
6	031857	. RUBBER / ON THE CORNER OF TANK 418MM x 549MM	4	
6	031861	. RUBBER / ON THE RIGHT SIDE OF TANK 70MM x 480MM	1	
6	031859	. RUBBER / ON TOP OF TANK 30MM x 480MM	3	
6	031860	. RUBBER / BOTH SIDE OF TANK 30MM x 152MM	2	
NS	506007	. TAPE RUB ADH1 CC NEO 3/4" x 1" x 10' / BLACK 1220	AR	
7	032189	. MAIN PLATE To 8-9276	1	
7	032826	. MAIN PLATE SERVICE To 8-9276	1	
7	032775	. MAIN PLATE / "L" SHAPE From 8-9277	1	E
8	031849	. GASKET To 8-9276	1	
8	032777	. GASKET / "L" SHAPE From 8-9277	1	E
9	031851	. INTERIOR FRAME ASSY To 8-9276	1	
9	032776	. INTERIOR FRAME ASSY / "L" SHAPE From 8-9277	1	E
10	502686	. SCREW CAP HEX M6-1.0x30 SS BK	8	
11	5001392	. WASHER FL 6.0x12.0x1.5 COP	8	
12	Refer To Volvo	. HOSE / 2556 / #10 X 48"	2	V
13	504019	. HOSE CLAMP / 9/16"-1"1/16 SS / HS-10	4	
14	501942	. MALE CONNECTOR / PUSH-LOK FITTING / 1/2NPT-Mx#10 BR	2	
15	501472	. FEMALE UNION TEE / PIPE FITTING / 1/2NPT-Fx1/2NPT-Fx1/2NPT-F BR	2	
16	501739	. MALE CONNECTOR / JIC 37° FITTING / #8JIC-Mx1/2NPT-M STL	1	
17	501054	. CAP NUT / SAE 45° FITTING / #10FL-F BR	1	
17	501930	. MALE CONNECTOR / JIC 37° FITTING / #6JIC-Mx1/2NPT-M STL	1	
18	531444	. HOSE / 2556 / #4 X 18 1/2"	1	
19	504014	. HOSE CLAMP / 1/4"-5/8" SS / HM-4	2	
20	507602	. MALE CONNECTOR / PUSH-LOK FITTING / 1/4NPT-Mx#4 BR	4	
21	5011159	. MALE ELBOW 45° / JIC 37° FITTING / #6JIC-Mx1/2NPT-M STL To 8-9276	1	
22	501337	. FEMALE UNION TEE / PIPE FITTING / 1/4NPT-Fx1/4NPT-Fx1/4NPT-F BR	1	
23	5001198	. SCREW MA FL PH M6-1.0x16 Z050	8	
24	031899	. INTERIOR FRAME	1	
25	531443	. GASKET / VALVE CONTROL LEVEL	1	

From 7-8754 To B-5001	Date:01/2024	PAGE:X3-0305-00
FUEL TANK PLASTIC 208 GALLONS		

Item#	Part	Description	QTY	Notes
26	504701	. VALVE, FUEL TANK LEVEL CONTROL	1	
26	531459	. VALVE, FUEL TANK LEVEL CONTROL EMCO	1	B
. NS	530212	. . GASKET / VALVE CONTROL LEVEL	1	B
NS	531410	. WHISTLE	1	B
27	507356	. O-RING	1	
28	501205	. ADAPTER / COPPER @ PIPE / 1Mx1NPT-M	1	
29	531387	. SENSOR, FUEL LEVEL / 24"	1	
. NS	531419	. . GASKET, FUEL SENSOR	1	
30	5011135	. SCREW CAP HEXS #10-24x1 1/2 N500	10	
31	500593	. WASHER FL .200x.437x.036 BR	10	
32	501473	. MALE RUN TEE / PIPE FITTING / 1/2NPT-Mx1/2NPT-Fx1/2NPT-F BR	1	
33	501616	. MALE CONNECTOR / SAE 45° FITTING / #8FL-Mx1/2NPT-M BR	1	
34	501053	. CAP NUT / SAE 45° FITTING / #8FL-F BR	1	
35	501316	. BUSHING REDUCER / PIPE FITTING / 1/2NPT-Mx1/4NPT-F BR	1	
37	501306	. PLUG SQUARE HEAD / PIPE FITTING / 1/2NPT-M BR To A-9968	1	
37	501966	. PLUG HEXS / PIPE FITTING / 1/2NPT-M STL From A-9969	1	
38	680733	. CAP PROTECTOR (NO-THREADED)	1	
39	530156	. VALVE PRESSURE	1	
. NS	531427	. . GASKET / (SMALL)	1	
. NS	531428	. . GASKET / (LARGE)	1	
39	531414	. VALVE PRESSURE	1	B
40	501304	. PLUG SQUARE HEAD / PIPE FITTING / 1/4NPT-M BR To A-9968	1	
40	501800	. PLUG HEXS / PIPE FITTING / 1/4NPT-M STL From A-9969	1	
41	500143	. SCREW CAP HEXS #10-24x1/2 N500	5	
45	032443	. TRANSVERSAL CROSS BAR / 833.5 MM	2	
46	502121	. PIN, CLEVIS 3/8 x 1.625 BZC	4	
47	502102	. PIN, COTTER 1/8 x 1	4	
50	031804	. GASKET	2	
50	032938	. GASKET	1	
51	031800	. FILLING HOSE ADAPTOR ASSY / R.H. WITH FUEL HOSE RETURN To 8-9276	1	A
51	031896	. FILLING HOSE ADAPTOR ASSY / L.H. From 8-9277	1	E
51	032664	. FILLING HOSE ADAPTOR ASSY W/GRILL / R.H. / "GREYHOUND" To 8-9276	1	
NS	5011159	. MALE ELBOW 45° / JIC 37° FITTING / #6JIC-Mx1/2NPT-M STL	1	A
54	502511	. NUT HEX NYRT M6-1.0 Z050	10	
55	500411	. WASHER FL .260x.697x.050 SS	10	
61	032437	. TUBE BALL RETAINER	1	
61	032914	. TUBE BALL RETAINER	1	
62	032438	. BASKET	1	
63	032439	. BALL 2 3/4" O.D. To 8-9276	1	
63	032657	. BALL 70MM O.D. From 8-9277	1	
63	032871	. BALL 77MM O.D.	1	S
64	504293	. HOSE CLAMP / 2"5/16-3"1/4 SS / E.T. 44	1	

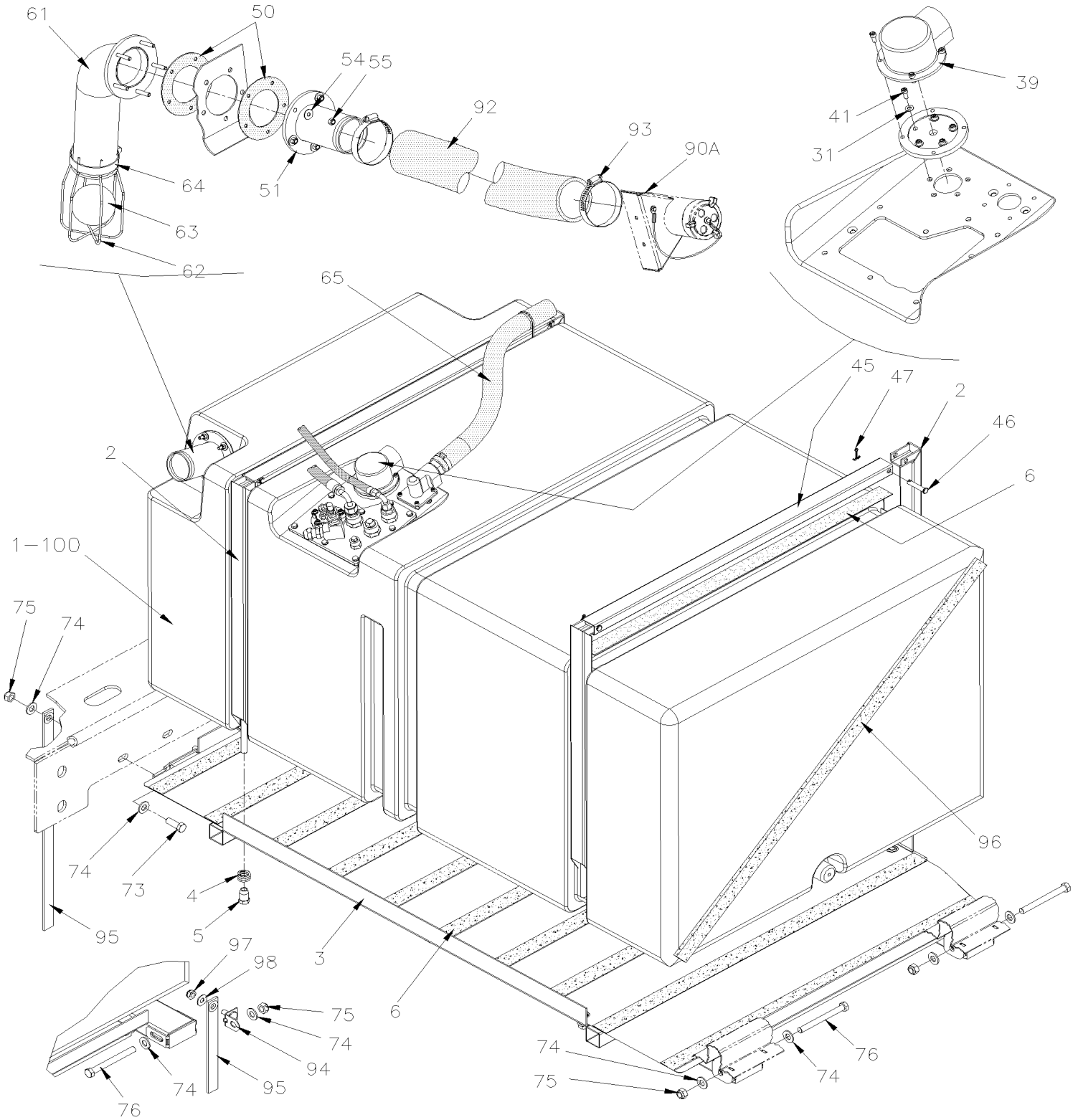
From 7-8754 To B-5001	Date:01/2024	PAGE:X3-0305-00
FUEL TANK PLASTIC 208 GALLONS		

Item#	Part	Description	QTY	Notes
65	032415	. HOSE #16 X 28" LG	1	
. NS	503579	. . HOSE 1" I.D. X 50' / "GREEN STRIPE"	AR	
NS	504637	. CABLE TIE / 3/16" x 13"	1	
66	504021	. HOSE CLAMP / 11/16"-1"1/2 SS / HS-16	1	
73	500806	SCREW CAP HEX M12-1.75X35 G10.9 G500	4	
73	5001609	SCREW CAP HEX M12-1.75x80 G10.9 DP	2	
74	500211	WASHER FL .531x1.250x.125 N500	12	
76	5001609	SCREW CAP HEX M12-1.75x80 G10.9 DP	2	
80	032240	HOLDING PLATE / TO HOLD TUBE To 8-9276	2	
80	032779	HOLDING PLATE / TO HOLD TUBE From 8-9277	2	
81	502656	SCREW CAP HEX M6-1.0x50 SS	2	
82	500411	WASHER FL .260x.697x.050 SS	4	
83	502511	NUT HEX NYRT M6-1.0 Z050	4	
84	032579	HOSE ASSY / #8 6125MM	1	S60
84	033237	HOSE ASSY / #8 6125MM	1	S60 C
84	032652	HOSE ASSY / #8 6500MM	1	F
84	033238	HOSE ASSY / #8 6500MM	1	F C
84	032838	HOSE ASSY / #8 6215MM From 8-9457	1	D13
84	033242	HOSE ASSY / #8 6215MM From 8-9457	1	D13 C
85	032726	HOSE ASSY / #6 7600MM To 8-9276	1	S60
85	033001	HOSE ASSY / #6 7800MM To 8-9276	1	S S60
85	032097	HOSE ASSY / #6 7991MM From 8-9277	1	S60
85	033221	HOSE ASSY / #6 7991MM From 8-9277	1	S60 C
85	032742	HOSE ASSY / #6 6600MM	1	D13
85	033002	HOSE ASSY / #6 6600MM	1	D13 S
86	501749	NIPPLE REDUCER HEX / PIPE FITTING / 3/8NPT-Mx1/4NPT-Mx1 13/32 BR	1	
NS	530042	CHECK VALVE 3/8 NPT	4	
88	509863	FEMALE ELBOW 90° / PIPE FITTING / 3/8NPT-Fx3/8NPT-F BR	1	
89	501314	BUSHING REDUCER / PIPE FITTING / 3/8NPT-Mx1/4NPT-F BR	1	
90	X3-2350-10	WATER HEATER - INSTALLATION		
90A	X3-1875-00	. FUEL TANK FILLING DOOR		
NS	031161	DECAL / FUEL RECOMMENDATIONS / FRENCH To 8-9276	1	
NS	031162	DECAL / FUEL RECOMMENDATIONS / ENGLISH To 8-9276	1	
NS	032824	DECAL / ULTRA LOW SULFURE DIESEL / ENGLISH From 8-9277	1	
NS	032823	DECAL / ULTRA LOW SULFURE DIESEL (ULSD) / ENGLISH & SPANISH From 8-9277 To 9-9595	1	
NS	21298228	DECAL / ULTRA LOW SULFURE DIESEL (ULSD) / ENGLISH & SPANISH From 9-9596	1	
NS	032822	DECAL / ULTRA LOW SULFURE DIESEL / ENGLISH & FRANCAIS From 8-9277 To 9-9595	1	
NS	21298562	DECAL / ULTRA LOW SULFURE DIESEL / ENGLISH & FRANCAIS From 9-9596	1	
NS	031164	DECAL / CERTIFICATION	1	
NS	400137	DECAL / DIESEL FUEL BLACK	1	

From 7-8754 To B-5001	Date:01/2024	PAGE:X3-0305-00
FUEL TANK PLASTIC 208 GALLONS		

Item#	Part	Description	QTY	Notes
NS	403747	DECAL / INSTRUCTION FOR FILLING TANK /208 GAL BLACK	1	
92	031956	FILLING HOSE #40 652MM	1	
93	504381	HOSE CLAMP / 2"3/4-3"5/8 SS / HT-350	2	
95	505056	ANTISTATIC STRAP / UNDER STRUCTURE	1	
96	504235	HOSE CLAMP / 3"9/16"-4"1/2 SS / HS-64	2	
97	032569	HOSE 3 1/2" I.D. X 610MM	1	
		A) USED WITH FUEL RETURN HOSE CONNECTED AT FILLING HOSE ADAPTOR # 031800		
		B) WITH "EMCO WHEATON"		
		C) SERVICE ONLY		
		D13) WITH "VOLVO" ENGINE		
		E) AS SHOWNE		
		F) WITH FUEL PRO		
		S) SERVICE		
		S60) WITH "DETROIT" ENGINE		
		P) CALL ORDER DESK FOR SPECIFIC APPLICATION (V.I.N.)		
		V) SEE IMPACT OR CALL ORDER DESK		

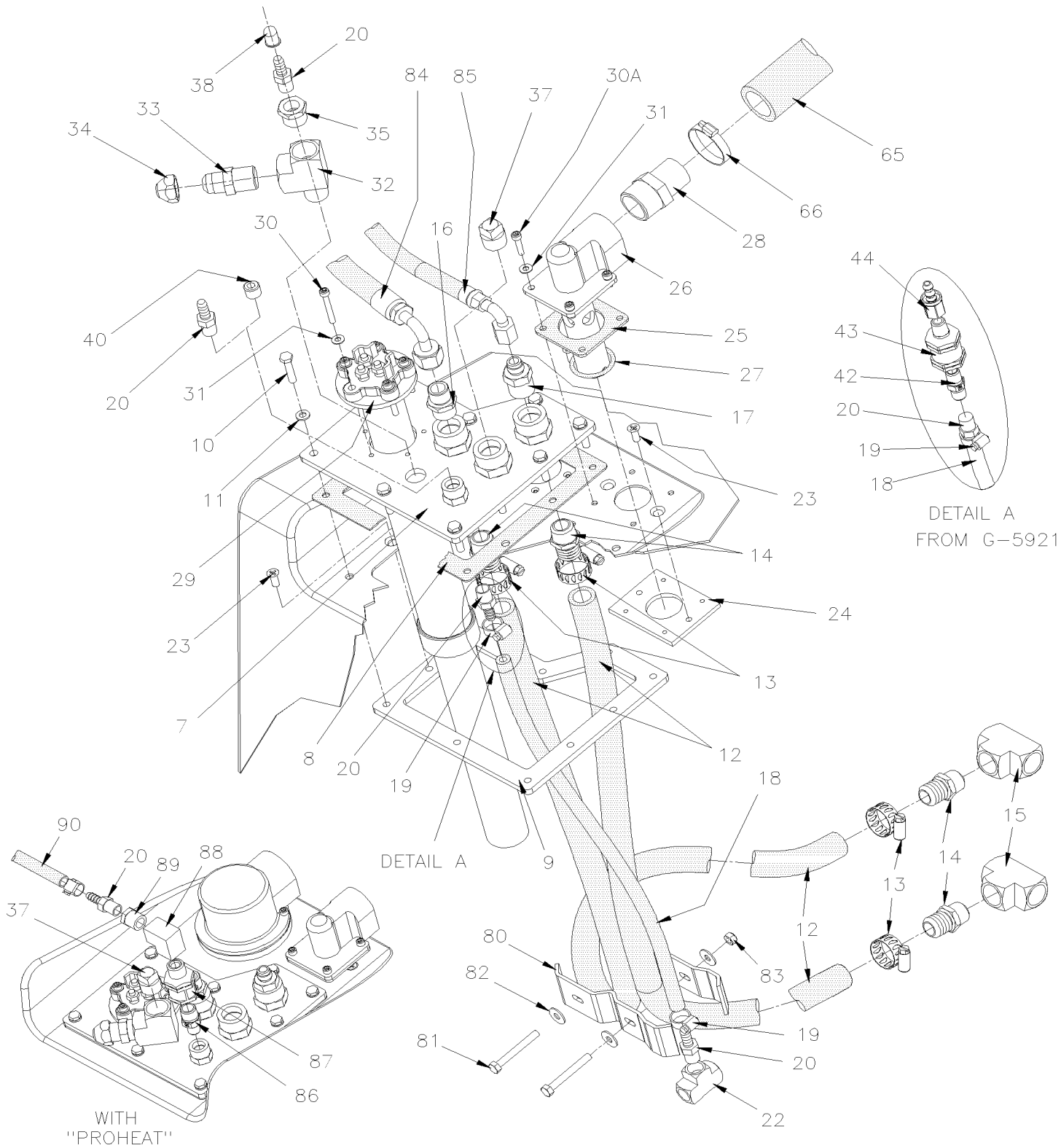
From B-5002 To J-6267	Date:01/2024	PAGE:X3-0305-01
FUEL TANK PLASTIC 208 GALLONS		



FROM D-5439

UP TO G-5962

FUEL TANK PLASTIC 208 GALLONS



From B-5002 To J-6267	Date:01/2024	PAGE:X3-0305-01
FUEL TANK PLASTIC 208 GALLONS		

Item#	Part	Description	QTY	Notes
	032899P	FUEL TANK ASSY	1	H
1	032778	. FUEL TANK / 208 GALLONS US / W/ONE INLET HOLE To B-5073	1	
1	030399	. FUEL TANK / 208 GALLONS US / W/ONE INLET HOLE From B-5074 To E-5739	1	
1	033964	. FUEL TANK / 205 GALLONS US / W/ONE INLET HOLE From F-5740 To G-5962	1	
1	030013	. FUEL TANK / 203 GALLONS US / W/ONE INLET HOLE From G-5963	1	
NS	506035	. TAPE RUB ADH1 NEO 1/2" x 1" x 15' / BLACK 1220X	AR	
2	032463	. ATTACHMENT POST ASSY / 689MM	4	
3	032904	. REMOVABLE FLOOR ASSY To E-5570	1	
3	032965	. REMOVABLE FLOOR ASSY From E-5571 To H-6167	1	
3	030054	. REMOVABLE FLOOR ASSY From H-6168	1	
4	502932	. SPRING COMPRESSION / SS .975 O.D. x 1.250 x .125	AR	
5	032607	. NUT HEX SPECIAL M12-1.75 SS	4	
NS	680038	. THREAD LOCKER LOCTITE #243 / BLUE / 50ml	AR	
6	506758	. TAPE RUB ADH1 NEO 1/16"X 1 1/2"X50'	AR	
NS	506007	. TAPE RUB ADH1 CC NEO 3/4" x 1" x 10' / BLACK 1220	AR	
7	032775	. MAIN PLATE / "L" SHAPE To F-5739	1	E
7	033959	. MAIN PLATE / RECTANGULAR SHAPE From F-5740	1	
8	032777	. GASKET / "L" SHAPE To E-5739	1	E
8	032956	. GASKET / RECTANGULAR SHAPE 250 x 190 MM From F-5740	1	
9	032776	. INTERIOR FRAME ASSY / "L" SHAPE To E-5739	1	E
9	033962	. INTERIOR FRAME ASSY / RECTANGULAR SHAPE From F-5740	1	
10	502686	. SCREW CAP HEX M6-1.0x30 SS BK	AR	
11	5001392	. WASHER FL 6.0x12.0x1.5 COP	AR	
12	531417	. HOSE / 2556 / #10 X 48"	2	
13	504019	. HOSE CLAMP / 9/16"-1"1/16 SS / HS-10	4	
14	501942	. MALE CONNECTOR / PUSH-LOK FITTING / 1/2NPT-Mx#10 BR	2	
15	501472	. FEMALE UNION TEE / PIPE FITTING / 1/2NPT-Fx1/2NPT-Fx1/2NPT-F BR	2	
16	501739	. MALE CONNECTOR / JIC 37° FITTING / #8JIC-Mx1/2NPT-M STL To F-5777	1	
16	5011049	. MALE ELBOW 45° / JIC 37° FITTING / #8JIC-Mx1/2NPT-M STL From F-5778	1	
17	501054	. CAP NUT / SAE 45° FITTING / #10FL-F BR	1	
17	501930	. MALE CONNECTOR / JIC 37° FITTING / #6JIC-Mx1/2NPT-M STL	1	
18	531444	. HOSE / 2556 / #4 X 18 1/2"	1	
19	504014	. HOSE CLAMP / 1/4"-5/8" SS / HM-4	2	
20	507602	. MALE CONNECTOR / PUSH-LOK FITTING / 1/4NPT-Mx#4 BR	4	
22	501337	. FEMALE UNION TEE / PIPE FITTING / 1/4NPT-Fx1/4NPT-Fx1/4NPT-F BR	1	
23	5001198	. SCREW MA FL PH M6-1.0x16 Z050	8	
24	031899	. INTERIOR FRAME To E-5739	1	
25	531443	. GASKET / VALVE CONTROL LEVEL	1	
26	504701	. VALVE, FUEL TANK LEVEL CONTROL	1	
NS	531459	. VALVE, FUEL TANK LEVEL CONTROL EMCO	1	B
. NS	530212	. . GASKET / VALVE CONTROL LEVEL	1	B
27	507356	. O-RING	1	

From B-5002 To J-6267	Date:01/2024	PAGE:X3-0305-01
FUEL TANK PLASTIC 208 GALLONS		

Item#	Part	Description	QTY	Notes
28	501205	. ADAPTER / COPPER @ PIPE / 1Mx1NPT-M	1	
29	531387	. SENSOR, FUEL LEVEL / 24" To H-6201	1	
. NS	531419	. . GASKET, FUEL SENSOR To H-6201	1	
29	530003	. SENSOR, FUEL LEVEL / 23.5" From H-6202	1	
. NS	531419	. . GASKET, FUEL SENSOR From H-6202	1	
NS	066221	. CABLE HARNESS / FUEL TANK / MUX From B-5002 To H-6179	1	
NS	060087	. CABLE HARNESS / FUEL TANK / MUX From H-6180	1	
30	5011135	. SCREW CAP HEXS #10-24x1 1/2 N500 To E-5535	10	
30	5001925	. SCREW CAP HEXS #10-24x1 1/4 N500 From E-5536	AR	
30A	500273	. SCREW CAP HEXS #10-24x7/8 ZP	4	
31	500593	. WASHER FL .200x.437x.036 BR	10	
32	501473	. MALE RUN TEE / PIPE FITTING / 1/2NPT-Mx1/2NPT-Fx1/2NPT-F BR	1	
33	501616	. MALE CONNECTOR / SAE 45° FITTING / #8FL-Mx1/2NPT-M BR	1	
34	501053	. CAP NUT / SAE 45° FITTING / #8FL-F BR	1	
35	501316	. BUSHING REDUCER / PIPE FITTING / 1/2NPT-Mx1/4NPT-F BR	1	
37	501966	. PLUG HEXS / PIPE FITTING / 1/2NPT-M STL	1	
38	680733	. CAP PROTECTOR (NO-THREADED)	1	
39	530156	. VALVE PRESSURE	1	
. NS	531427	. . GASKET / (SMALL)	1	
. NS	531428	. . GASKET / (LARGE)	1	
39	531414	. VALVE PRESSURE	1	B
40	501800	. PLUG HEXS / PIPE FITTING / 1/4NPT-M STL	1	
41	500143	. SCREW CAP HEXS #10-24x1/2 N500	5	
42	501321	. NIPPLE HEX / PIPE FITTING / 1/4NPT-Mx1/4NPT-Mx1 3/8 BR From G-5921	1	
43	530043	. CHECK VALVE UP TO 250 PSI-2600 SERIES From G-5921	1	
44	501011	. FEMALE CONNECTOR / PUSH-LOK FITTING / 1/4NPT-Fx#4 BR From G-5921	1	
45	032443	. TRANSVERSAL CROSS BAR / 833.5 MM	2	
46	502121	. PIN, CLEVIS 3/8 x 1.625 BZC	4	
47	502102	. PIN, COTTER 1/8 x 1	4	
50	031804	. GASKET To C-5271	2	
50	032938	. GASKET From C-5272 To G-5962	2	
50	032938	. GASKET From G-5963	1	
51	031896	. FILLING HOSE ADAPTOR ASSY / L.H. To G-5962	1	E
51	032436	. PLATE EXTERIOR From G-5963	1	
51	032664	. FILLING HOSE ADAPTOR ASSY W/GRILL / R.H. / "GREYHOUND"	1	GR
54	502511	. NUT HEX NYRT M6-1.0 Z050	10	
55	500411	. WASHER FL .260x.697x.050 SS	10	
61	032437	. TUBE BALL RETAINER To C-5271	1	
61	032914	. TUBE BALL RETAINER From C-5272 To G-6083	1	
61	030021	. TUBE BALL RETAINER WITH ANTI SYPHON From G-6084	1	
62	032438	. BASKET	1	
63	032657	. BALL 70MM O.D. To B-5030	1	

From B-5002 To J-6267	Date:01/2024	PAGE:X3-0305-01
FUEL TANK PLASTIC 208 GALLONS		

Item#	Part	Description	QTY	Notes
63	032871	. BALL 77MM O.D. From B-5031	1	
64	504293	. HOSE CLAMP / 2"5/16-3"1/4 SS / E.T. 44	1	
65	032415	. HOSE #16 X 28" LG	1	
. NS	503579	. . HOSE 1" I.D. X 50' / "GREEN STRIPE"	AR	
NS	504637	. CABLE TIE / 3/16" x 13"	1	
66	504021	. HOSE CLAMP / 11/16"-1"1/2 SS / HS-16	1	
NS	682175	UNDERCOATING BLACK PROTECTOR (GRAVELGUARD) 567gr From H-6161	AR	
NS	680064	OIL ANTICOROSIVE GREY (TECTYL) (20 LITERS) From H-6161	AR	
73	500806	SCREW CAP HEX M12-1.75X35 G10.9 G500	4	
74	500958	WASHER FL .531x1.062x.095 SS	12	
75	500811	NUT HEX STO M12-1.75 G500	6	
76	5001941	SCREW CAP HEX M12-1.75x120 G10.9 N500	2	
NS	SR17-28	SAFETY RECALL "FUEL TANK HARDWARE"	1	
76	030082	SPACER "U" 3.175MM	4	
76	030083	SPACER "U" 0.953MM	4	
80	032779	HOLDING PLATE / TO HOLD TUBE	2	
81	502656	SCREW CAP HEX M6-1.0x50 SS	2	
82	500411	WASHER FL .260x.697x.050 SS	4	
83	502511	NUT HEX NYRT M6-1.0 Z050	4	
84	032901	HOSE ASSY / #8 4542MM To E-5759	1	
84	033245	HOSE ASSY / #8 4542MM To E-5759	1	a
84	032896	HOSE ASSY / #8 6630MM From A-9926 To A-9926	1	
84	032896	HOSE ASSY / #8 6630MM From A-9907 To A-9907	1	
84	033010	HOSE ASSY / #8 4650MM From F-5760 To H-6179	1	
84	030048	HOSE ASSY / #8 4490MM From H-6180	1	
NS	504016	CABLE TIE / 5/16" X 14"1/2 From H-6180	1	
85	032900	HOSE ASSY / #6 4617MM To E-5738	1	
85	033003	HOSE ASSY / #6 4700MM From E-5739	1	
85	032895	HOSE ASSY / #6 6730MM From A-9907 To A-9907	1	
85	032895	HOSE ASSY / #6 6730MM From A-9926 To A-9926	1	
85	033243	HOSE ASSY / #6 6730MM From A-9907 To A-9907	1	a
85	033243	HOSE ASSY / #6 6730MM From A-9926 To A-9926	1	a
NS	504768	CABLE TIE / 3/16" 14.7" / DOUBLE LOOP HEAD To E-5759	1	
86	501749	NIPPLE REDUCER HEX / PIPE FITTING / 3/8NPT-Mx1/4NPT-Mx1 13/32 BR	1	
87	530042	CHECK VALVE 3/8 NPT	4	
88	509863	FEMALE ELBOW 90° / PIPE FITTING / 3/8NPT-Fx3/8NPT-F BR	1	
89	501314	BUSHING REDUCER / PIPE FITTING / 3/8NPT-Mx1/4NPT-F BR	1	
90	X3-2350-11	WATER HEATER - INSTALLATION		
90A	X3-1875-02	FUEL TANK & UREA FILLING DOOR		A
NS	032824	DECAL / ULTRA LOW SULFURE DIESEL / ENGLISH	1	
NS	032823	DECAL / ULTRA LOW SULFURE DIESEL (ULSD) / ENGLISH & SPANISH	1	

From B-5002 To J-6267	Date:01/2024	PAGE:X3-0305-01
FUEL TANK PLASTIC 208 GALLONS		

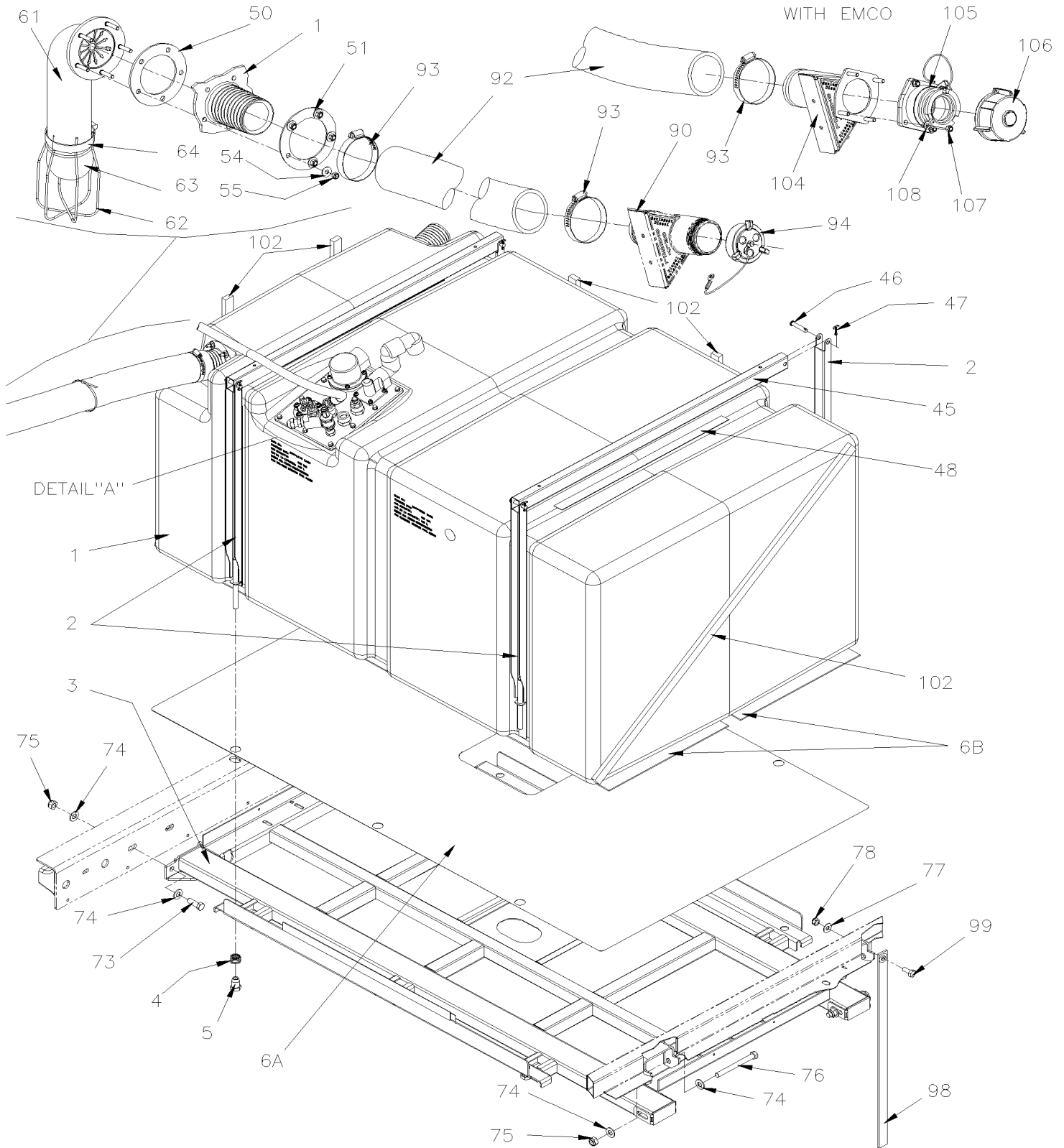
Item#	Part	Description	QTY	Notes
NS	21298228	DECAL / ULTRA LOW SULFURE DIESEL (ULSD) / ENGLISH & SPANISH	1	
NS	032822	DECAL / ULTRA LOW SULFURE DIESEL / ENGLISH & FRANCAIS	1	
NS	21298562	DECAL / ULTRA LOW SULFURE DIESEL / ENGLISH & FRANCAIS	1	
NS	031164	DECAL / CERTIFICATION	1	
NS	400137	DECAL / DIESEL FUEL BLACK	1	
NS	400001	DECAL / DIESEL FUEL WHITE From E-5659	1	
NS	403747	DECAL / INSTRUCTION FOR FILLING TANK /208 GAL BLACK To G-5962	1	
91	400051	DECAL / INSTRUCTION FOR FILLING TANK /203 GAL BLACK From G-5963	1	
NS	400002	DECAL / INSTRUCTION FOR FILLING TANK /208 GAL WHITE From E-5659 To G-5962	1	
91	400050	DECAL / INSTRUCTION FOR FILLING TANK /203 GAL WHITE From G-5963	1	
92	032902	FILLING HOSE / #40 815MM	1	
93	504381	HOSE CLAMP / 2"3/4-3"5/8 SS / HT-350	2	
94	382509	SUPPORT / ANTISTATIC STRAP From D-5439 To E-5585	2	
94	5001231	SCREW CAP HEX M10-1.5x25 SS From E-5586	2	
95	505056	ANTISTATIC STRAP / UNDER STRUCTURE	2	
96	506035	TAPE RUB ADH1 NEO 1/2" x 1" x 15' / BLACK 1220X	AR	
97	502859	NUT HEX NYRT M10-1.5 N500 From D-5439	2	
98	500270	WASHER FL .406x1.000x.063 SS From D-5439	2	
100	036364	FUEL TANK / SERVICE KIT To E-5739	1	
. NS	033964	. FUEL TANK / 205 GALLONS US / W/ONE INLET HOLE To E-5739	1	
. NS	033959	. MAIN PLATE / RECTANGULAR SHAPE To E-5739	1	
. NS	033962	. INTERIOR FRAME ASSY / RECTANGULAR SHAPE To E-5739	1	
. NS	032956	. GASKET / RECTANGULAR SHAPE 250 x 190 MM To E-5739	1	
. NS	030022	. REINFORCEMENT To E-5739	1	
		a) SERVICE ONLY		
		B) WITH "EMCO WHEATON"		
		E) AS SHOWNE		
		GR) GREYHOUND OPTION		

From J-6268

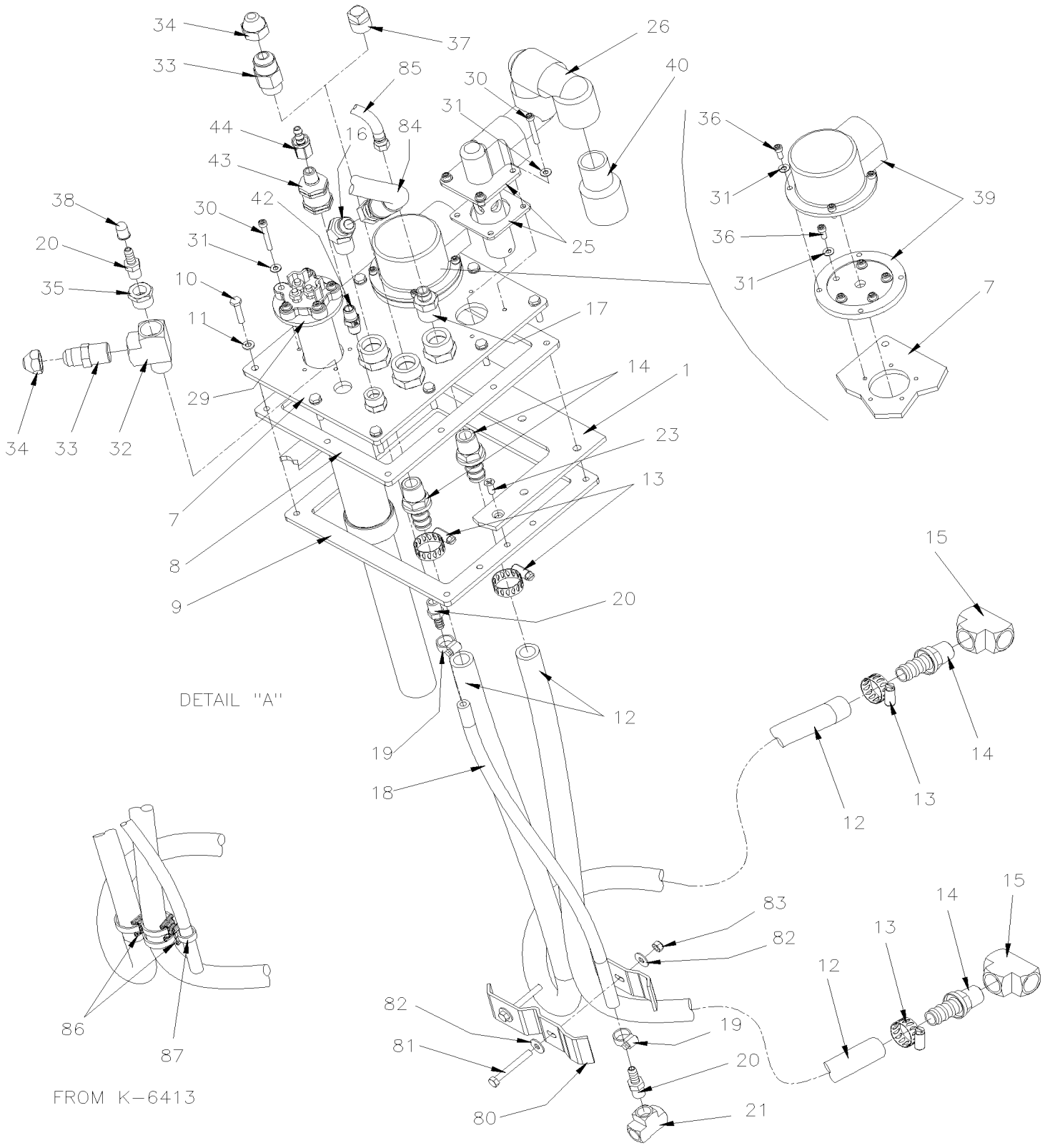
Date:01/2024

PAGE:X3-0305-02

FUEL TANK PLASTIC 208 GALLONS W/PREHEATING MOTOR SYSTEM



FUEL TANK PLASTIC 208 GALLONS W/PREHEATING MOTOR SYSTEM



From J-6268		Date:01/2024	PAGE:X3-0305-02
-------------	--	--------------	-----------------

FUEL TANK PLASTIC 208 GALLONS W/PREHEATING MOTOR SYSTEM

Item#	Part	Description	QTY	Notes
	Call order desk	FUEL TANK ASSY	1	P
1	030013	. FUEL TANK / 203 GALLONS US / W/ONE INLET HOLE	1	
NS	506035	. TAPE RUB ADH1 NEO 1/2" x 1" x 15' / BLACK 1220X	AR	
2	030067	. VERTICAL POST ASSY / WELDED	4	
2	030067	. VERTICAL POST ASSY / WELDED From L-6635	6	C
3	030054	. REMOVABLE FLOOR ASSY To N-6698	1	
3	030174	. REMOVABLE FLOOR ASSY From N-6699 To N-6713	1	
3	030187	. REMOVABLE FLOOR ASSY From N-6714	1	
4	502932	. SPRING COMPRESSION / SS .975 O.D. x 1.250 x .125	4	
4	502932	. SPRING COMPRESSION / SS .975 O.D. x 1.250 x .125 From L-6635	6	C
5	032607	. NUT HEX SPECIAL M12-1.75 SS	4	
5	032607	. NUT HEX SPECIAL M12-1.75 SS From L-6635	6	C
6A	030072	. FUEL TANK BOTTOM PANEL 897.7 x 1501.1 MM	1	
6B	030074	. PLATE NITRILE 1/8" TH. 1495.9 x 398 MM	AR	
7	033959	. MAIN PLATE / RECTANGULAR SHAPE	1	
8	032956	. GASKET / RECTANGULAR SHAPE 250 x 190 MM	1	
9	033962	. INTERIOR FRAME ASSY / RECTANGULAR SHAPE	1	
10	502686	. SCREW CAP HEX M6-1.0x30 SS BK	AR	
11	5001392	. WASHER FL 6.0x12.0x1.5 COP	AR	
12	531417	. HOSE / 2556 / #10 X 48"	2	
13	504019	. HOSE CLAMP / 9/16"-1"1/16 SS / HS-10	4	
14	501942	. MALE CONNECTOR / PUSH-LOK FITTING / 1/2NPT-Mx#10 BR	4	
15	501472	. FEMALE UNION TEE / PIPE FITTING / 1/2NPT-Fx1/2NPT-Fx1/2NPT-F BR	2	
16	5011049	. MALE ELBOW 45° / JIC 37° FITTING / #8JIC-Mx1/2NPT-M STL	1	
17	501930	. MALE CONNECTOR / JIC 37° FITTING / #6JIC-Mx1/2NPT-M STL	1	
18	531444	. HOSE / 2556 / #4 X 18 1/2"	1	
19	504014	. HOSE CLAMP / 1/4"-5/8" SS / HM-4	2	
20	507602	. MALE CONNECTOR / PUSH-LOK FITTING / 1/4NPT-Mx#4 BR	2	
21	501337	. FEMALE UNION TEE / PIPE FITTING / 1/4NPT-Fx1/4NPT-Fx1/4NPT-F BR	1	
23	5001198	. SCREW MA FL PH M6-1.0x16 Z050	2	
25	531459	. VALVE, FUEL TANK LEVEL CONTROL EMCO	1	
NS	530212	. . GASKET / VALVE CONTROL LEVEL	1	
26	5011352	. STREET ELBOW 90° / PIPE FITTING / 1NTP-Mx1NPT-F PVC	3	
NS	531410	. WHISTLE	1	
29	530003	. SENSOR, FUEL LEVEL / 23.5" To K-6478	1	
NS	531419	. . GASKET, FUEL SENSOR To K-6478	1	
29	530005	. SENSOR, FUEL LEVEL / 23.5" From K-6479	1	
NS	531419	. . GASKET, FUEL SENSOR From K-6479	1	
NS	060087	. CABLE HARNESS / FUEL TANK / MUX	1	
30	5001925	. SCREW CAP HEXS #10-24x1 1/4 N500	AR	
31	500593	. WASHER FL .200x.437x.036 BR	AR	
32	501473	. MALE RUN TEE / PIPE FITTING / 1/2NPT-Mx1/2NPT-Fx1/2NPT-F BR	AR	

From J-6268		Date:01/2024	PAGE:X3-0305-02
-------------	--	--------------	-----------------

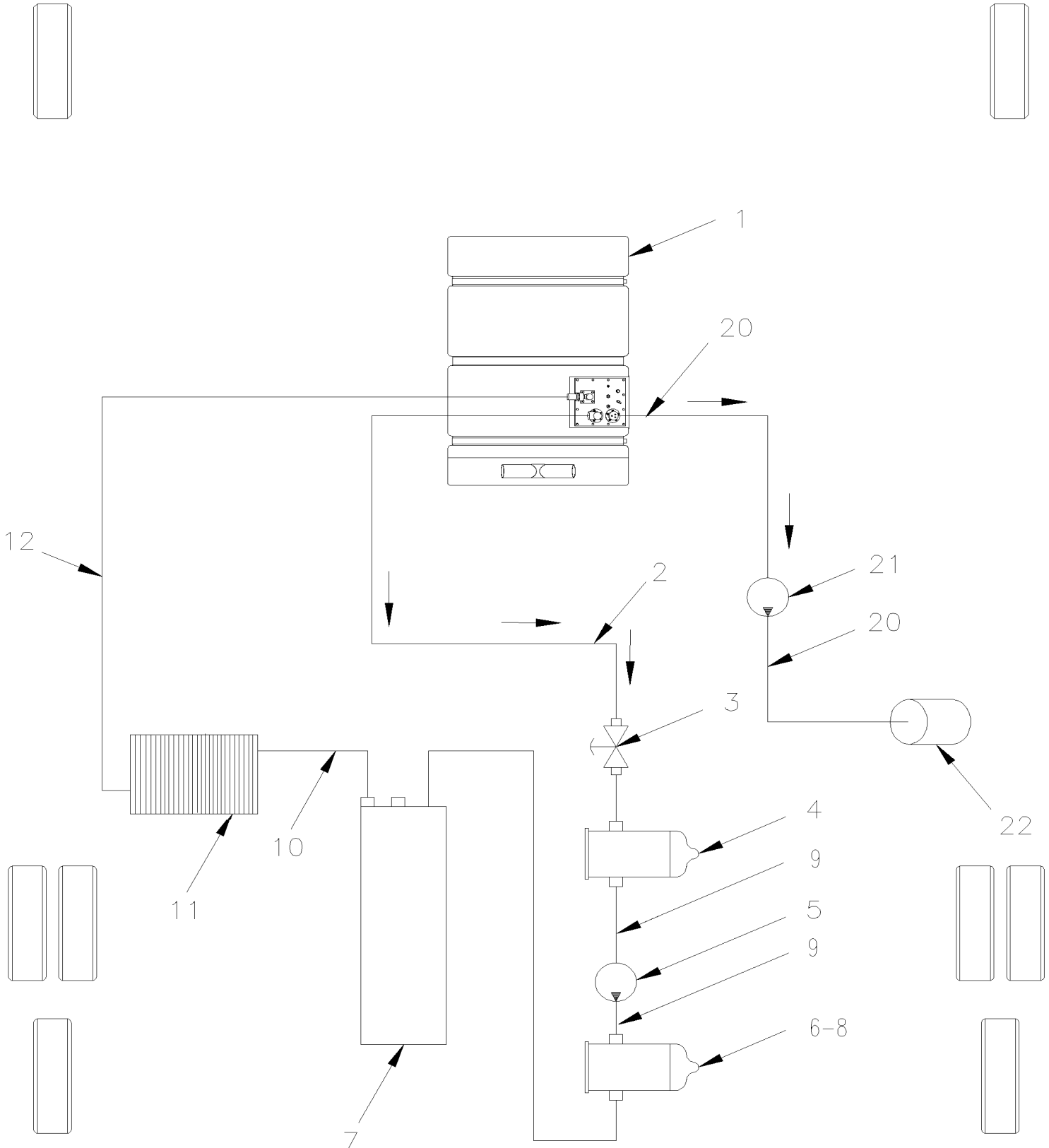
FUEL TANK PLASTIC 208 GALLONS W/PREHEATING MOTOR SYSTEM

Item#	Part	Description	QTY	Notes
33	501616	. MALE CONNECTOR / SAE 45° FITTING / #8FL-Mx1/2NPT-M BR	AR	
34	501053	. CAP NUT / SAE 45° FITTING / #8FL-F BR	AR	
35	501316	. BUSHING REDUCER / PIPE FITTING / 1/2NPT-Mx1/4NPT-F BR	1	
36	500143	. SCREW CAP HEXS #10-24x1/2 N500	AR	
37	501966	. PLUG HEXS / PIPE FITTING / 1/2NPT-M STL	1	
38	680733	. CAP PROTECTOR (NO-THREADED)	1	
39	530156	. VALVE PRESSURE	1	
. NS	531427	. . GASKET / (SMALL)	1	
. NS	531428	. . GASKET / (LARGE)	1	
39	531414	. VALVE PRESSURE From L-6635	1	C
40	531410	. WHISTLE From L-6635	1	C
42	501321	. NIPPLE HEX / PIPE FITTING / 1/4NPT-Mx1/4NPT-Mx1 3/8 BR	1	
43	530043	. CHECK VALVE UP TO 250 PSI-2600 SERIES	1	
44	501011	. FEMALE CONNECTOR / PUSH-LOK FITTING / 1/4NPT-Fx#4 BR	1	
45	030065	. PIN, COTTER 1/8 x 1	2	
45	030065	. PIN, COTTER 1/8 x 1 From L-6635	3	C
46	502121	. PIN, CLEVIS 3/8 x 1.625 BZC	4	
46	502121	. PIN, CLEVIS 3/8 x 1.625 BZC From L-6635	6	C
47	502102	. PIN, COTTER 1/8 x 1	4	
47	502102	. PIN, COTTER 1/8 x 1 From L-6635	6	C
48	506758	. TAPE RUB ADH1 NEO 1/16"X 1 1/2"X50' To J-6333	AR	
48	506046	. TAPE NIT N/A BK 1/16"X1"X50' From J-6334	AR	
NS	680108	. TAPE RUB ADH2 VHB 1" x .045" x 108' From J-6334	AR	
50	032938	. GASKET	1	
51	032436	. PLATE EXTERIOR	1	
54	500411	. WASHER FL .260x.697x.050 SS	4	
55	502681	. NUT HEX NYRT M6-1.0 N500 G8	4	
61	030021	. TUBE BALL RETAINER WITH ANTI SYPHON	1	
62	032438	. BASKET	1	
63	032871	. BALL 77MM O.D.	1	
64	504293	. HOSE CLAMP / 2"5/16-3"1/4 SS / E.T. 44	1	
73	500806	. SCREW CAP HEX M12-1.75X35 G10.9 G500	4	
NS	SR17-28	. SAFETY RECALL "FUEL TANK HARDWARE" To J-6267	1	
74	500958	. WASHER FL .531x1.062x.095 SS	AR	
75	500811	. NUT HEX STO M12-1.75 G500	AR	
76	5001941	. SCREW CAP HEX M12-1.75x120 G10.9 N500	2	
NS	SR17-28	. SAFETY RECALL "FUEL TANK HARDWARE" To J-6267	1	
NS	030082	. SPACER "U" 3.175MM	4	
NS	030083	. SPACER "U" 0.953MM	4	
77	500270	. WASHER FL .406x1.000x.063 SS	1	
78	502859	. NUT HEX NYRT M10-1.5 N500	1	
80	032779	. HOLDING PLATE / TO HOLD TUBE To K-6412	2	

From J-6268	Date:01/2024	PAGE:X3-0305-02
FUEL TANK PLASTIC 208 GALLONS W/PREHEATING MOTOR SYSTEM		

Item#	Part	Description	QTY	Notes
81	502656	. SCREW CAP HEX M6-1.0x50 SS To K-6412	2	
82	500411	. WASHER FL .260x.697x.050 SS To K-6412	AR	
83	502681	. NUT HEX NYRT M6-1.0 N500 G8 To K-6412	2	
84	033028	HOSE ASSY / #8 4650MM	1	B
84	030048	HOSE ASSY / #8 4490MM	1	A
85	033029	HOSE ASSY / #6 4560MM To £-18003	1	
85	030154	HOSE ASSY / #6 4560MM From £-18003	1	
. NS	505181	. COIL PROTECTOR / PLASTIC / #8 From £-18003	AR	
86	504751	ROTATIF SPACER DOUBLE / SMALL From K-6413	2	
87	504016	CABLE TIE / 5/16" X 14"1/2 From K-6413	AR	
90	X3-1875-02	FUEL TANK & UREA FILLING DOOR		
NS	031164	DECAL / CERTIFICATION	1	
NS	400137	DECAL / DIESEL FUEL BLACK	1	
NS	400001	DECAL / DIESEL FUEL WHITE	1	
NS	400051	DECAL / INSTRUCTION FOR FILLING TANK /203 GAL BLACK	1	
NS	400050	DECAL / INSTRUCTION FOR FILLING TANK /203 GAL WHITE	1	
92	032902	FILLING HOSE / #40 815MM	1	
93	504381	HOSE CLAMP / 2"3/4-3"5/8 SS / HT-350	2	
94	531424	FUEL FILLING CAP / SCREW TYPE CAP	1	
98	505056	ANTISTATIC STRAP / UNDER STRUCTURE	1	
99	5001231	SCREW CAP HEX M10-1.5x25 SS	1	
102	506035	TAPE RUB ADH1 NEO 1/2" x 1" x 15' / BLACK 1220X To N-6685	AR	
102	680397	CONTACT GLUE / AEROSOL 17oz To N-6685	AR	
NS	682175	UNDERCOATING BLACK PROTECTOR (GRAVELGUARD) 567gr To N-6731	AR	
NS	685413	RUBBERIZED UNDERCOAT (GRAVELGUARD) 560gr From N-6732	1	
104	030058	FILLING PLATE ASSY	1	C
105	531413	ADAPTOR From L-6635	1	C
106	531412	FUEL FILLING CAP / "EMCO WHEATON" TYPE From L-6635	1	C
107	502681	NUT HEX NYRT M6-1.0 N500 G8 From L-6635	4	C
108	502573	WASHER FL 6.4x12.5x1.6 SS From L-6635	4	C
		A) WITHOUT FUEL PRO		
		B) WITH FUEL PRO		
		C) WITH EMCO FILLER		
		P) CALL ORDER DESK FOR SPECIFIC APPLICATION (V.I.N.)		

FUEL HOSE - INSTALLATION DETROIT S-60



From 7-8754 To B-5001	Date:01/2024	PAGE:X3-0310-00
FUEL HOSE - INSTALLATION DETROIT S-60		

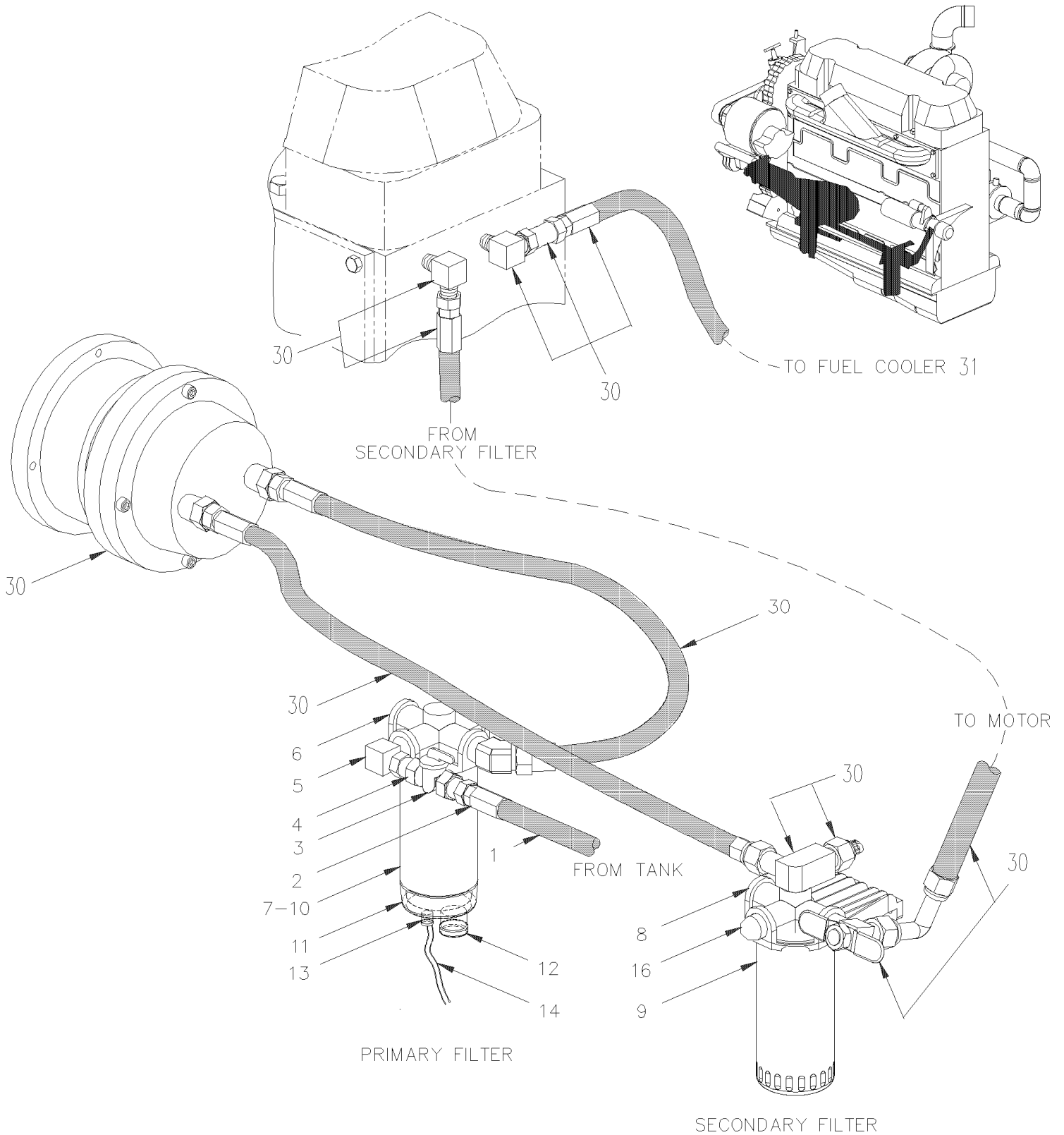
Item#	Part	Description	QTY	Notes
1	X3-0305-00	FUEL TANK PLASTIC 208 GALLONS		
2	032579	HOSE ASSY / #8 6125MM	1	
2	033237	HOSE ASSY / #8 6125MM	1	B
2	032838	HOSE ASSY / #8 6215MM From 8-9457	1	D13
2	033242	HOSE ASSY / #8 6215MM From 8-9457	1	D13 B
2	032652	HOSE ASSY / #8 6500MM To B-5001	1	A
2	033238	HOSE ASSY / #8 6500MM To B-5001	1	A B
2	032896	HOSE ASSY / #8 6630MM From B-5002	1	
3	530096	BALL VALVE 1/2" NPT 1/2 NPT F x 1/2 NPT F	1	
4	530052	FILTER ASSY PRIMARY	1	
5	N.S.P.	FUEL PUMP / SUPPLY W/MOTOR	1	2
6	530051	FILTER ASSY SECONDARY	1	
		ENGINE CYLINDER HEAD		
8	X3-0311-15	FUEL FILTER / "PRO 382"	1	
9	X3-0312-00	FUEL PUMP - AUXILIARY	1	
9	X3-0312-10	FUEL PRO - INSTALLATION WITH DETROIT S-60	1	
10	032565	HOSE ASSY / FROM CYLINDER HEAD / #6 2650MM To 8-9276	1	
10	033236	HOSE ASSY / FROM CYLINDER HEAD / #6 2650MM To 8-9276	1	B
10	032727	HOSE ASSY / #6 2000MM From 8-9279	1	
10	032995	HOSE ASSY / #6 2200MM From 8-9279	1	S
11	X3-0316-00	FUEL COOLER - INSTALLATION		
12	032097	HOSE ASSY / #6 7991MM To 8-9276	1	
12	033221	HOSE ASSY / #6 7991MM To 8-9276	1	B
12	032726	HOSE ASSY / #6 7600MM From 8-9279	1	
12	033001	HOSE ASSY / #6 7800MM	1	S
		... FOLLOWING PARTS ARE USED		
		... WITH WATER HEATER		
20	503706	HOSE FC-332-4 #4	AR	
NS	504230	HOSE CLAMP / 3/8"-7/8" SS / HS-6	4	
21	871037	FILTER, FUEL	1	
NS	871038	SUPPORT, FILTER FUEL	1	
22	871202	WATER HEATER - "SPHEROS" 100,000 B.T.U.		
22	871329	WATER HEATER - "PROHEAT" 80,000 B.T.U.		
		A) WITH FUEL PRO FILTER		
		B) SERVICE ONLY		
		D13) WITH "VOLVO" ENGINE		
		S) SERVICE		

From 7-8754 To B-5001		Date:01/2024	PAGE:X3-0310-00
-----------------------	--	--------------	-----------------

FUEL HOSE - INSTALLATION DETROIT S-60

Item#	Part	Description	QTY	Notes
		2) NOT SOLD BY PREVOST (SEE MANUFACTURING PART NUMBER AT END OF DESCRIPTION LINE)		

FUEL FILTER - PRIMARY & SECONDARY WITH DETROIT S-60



From 7-8754 To 8-9276	Date:01/2024	PAGE:X3-0311-00
FUEL FILTER - PRIMARY & SECONDARY WITH DETROIT S-60		

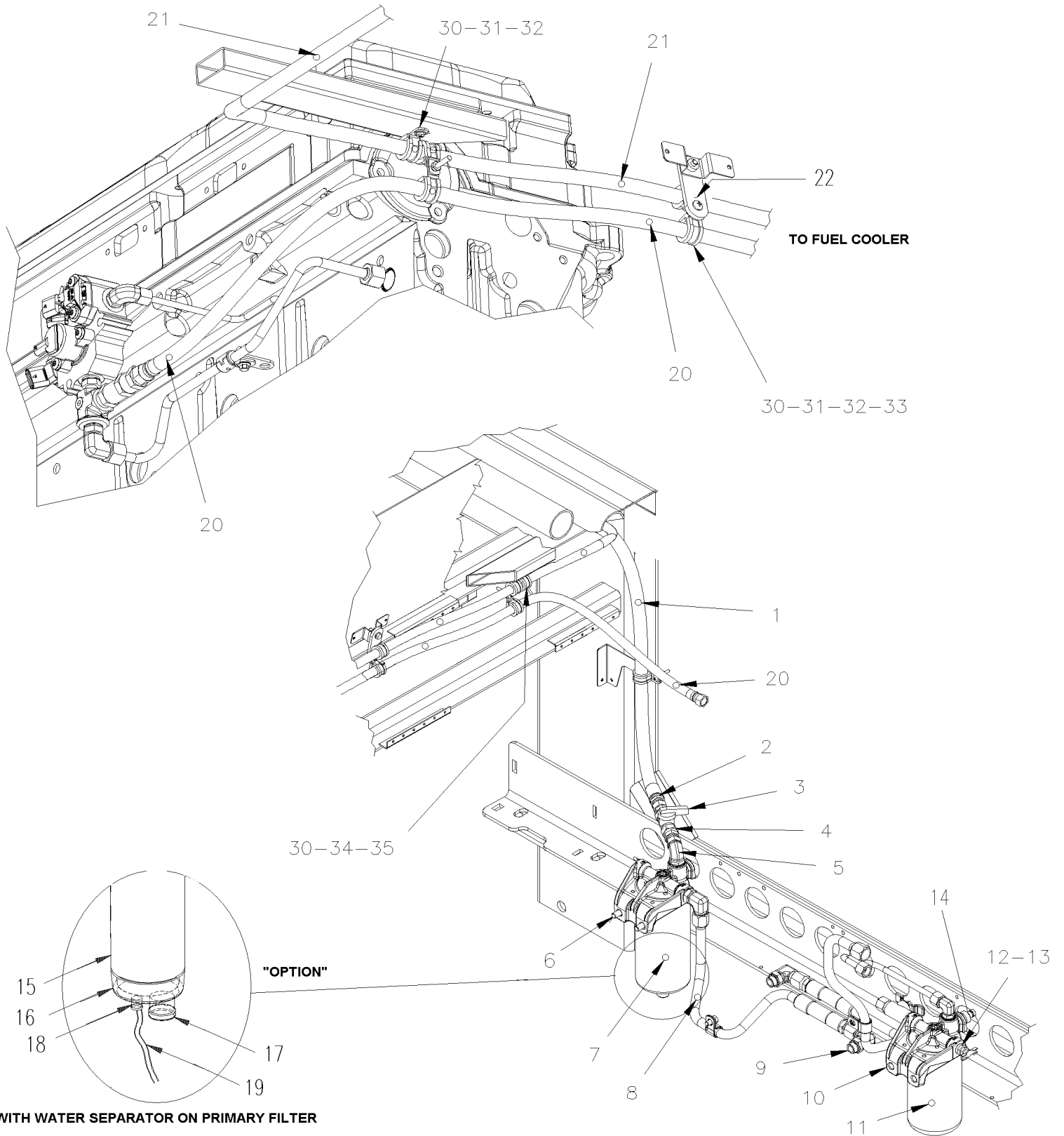
Item#	Part	Description	QTY	Notes
1	032579	HOSE ASSY / #8 6125MM	1	
1	033237	HOSE ASSY / #8 6125MM	1	A
1	032554	HOSE ASSY / #8 5225MM	1	
1	032699	HOSE ASSY / #8 5764MM	1	
2	501612	MALE ELBOW 90° / SAE 45° FITTING / #8FL-Mx1/2NPT-M BR	1	
3	530096	BALL VALVE 1/2" NPT 1/2 NPT F x 1/2 NPT F	1	
4	501322	NIPPLE HEX / PIPE FITTING / 3/8NPT-Mx3/8NPT-Mx1 13/32 BR	1	
NS	501534	BUSHING REDUCER / PIPE FITTING / 1/2NPT-Mx3/8NPT-F BR	1	
5	5011260	FEMALE CONNECTOR SWIVEL / PUSH-LOK FITTING / #8FL-Fx#6 BR	1	H
NS	501305	PLUG SQUARE HEAD / PIPE FITTING / 3/8NPT-M BR	AR	
6	530052	FILTER ASSY PRIMARY	1	
NS	510157	. COVER / W/PRIMARY FILTER	1	
7	510137	. FUEL FILTER, CARTRIDGE / T-915 / PRIMARY	1	
8	530051	FILTER ASSY SECONDARY	1	
8	510344	. COVER / W/SECONDARY FILTER	1	
9	510794	. FUEL FILTER, CARTRIDGE // SECONDARY	1	
10	531390	CARTRIDGE / W/WATER SEPARATOR FILTER	1	C
11	531389	BOWL PLASTIC	1	
12	531397	. DRAIN VALVE & SEAL	1	
NS	531398	. O-RING	1	
13	531391	. SENSOR / WATER LEVEL	1	
14	063715	CABLE ASSY / ENGINE ACC. & WATER SEPARATOR	1	
NS	561566	. CONNECTOR / WEATHER PACK / PH 2C / BLACK / PED 12010973	1	
NS	561565	. CABLE SEAL / GREEN / PED 15324982	2	
NS	561567	. PIN TERMINAL / 20-18 / PED 12089040	2	
NS	560483	CLAMP / 7/8" I.D.	1	G
16	504706	NIPPLE / QUICK DISCONNECT "SAE J1502" / #4x1/4NPT-M STL W/DUST CAP	1	
. NS	195533	. DUST CAP / QUICK DISCONNECT "SAE J1502" / #4	1	
		SEE YOUR LOCAL DEALER FOR PIPING		
31	X3-0316-00	FUEL COOLER - INSTALLATION		
		A) SERVICE ONLY		
		C) FOR FILTER CARTRIDGE WATER SPERATOR W/O PROB SENSOR & PLASTIC BOWL USE PART # 531407		
		G) FOR CABLE		
		H) W/PRIMARY		

From 8-9277 To B-5001

Date:01/2024

PAGE:X3-0311-01

FUEL FILTER - PRIMARY & SECONDARY WITH DETROIT S-60



From 8-9277 To B-5001	Date:01/2024	PAGE:X3-0311-01
FUEL FILTER - PRIMARY & SECONDARY WITH DETROIT S-60		

Item#	Part	Description	QTY	Notes
1	032579	HOSE ASSY / #8 6125MM	1	
1	033237	HOSE ASSY / #8 6125MM	1	A
2	501616	MALE CONNECTOR / SAE 45° FITTING / #8FL-Mx1/2NPT-M BR	1	
3	530096	BALL VALVE 1/2" NPT 1/2 NPT F x 1/2 NPT F	1	
4	5011249	SWIVEL NUT MALE CONNECTOR / JIC 37° FITTING / #8JIC-Fx1/2NPT-M STL	1	
5	5011248	MALE ELBOW 90° / JIC 37° FITTING / #8JIC-MxM16-1.5 ORB-M STL	1	
6	032701	COVER / W/PRIMARY FILTER	1	
7	032700	FUEL FILTER, CARTRIDGE / PRIMARY	1	
8	032702	FUEL LINE ASSY To 9-9639	1	
8	531482	FUEL LINE ASSY From 9-9640	1	
9	5011204	MALE ELBOW 90° / JIC 37° FITTING / #8JIC-MxM18-1.5-M STL To 9-9639	1	
. NS	N.P.N.	. O-RING To 9-9639	1	4
. NS	N.P.N.	. WASHER RET To 9-9639	1	4
9	5011286	MALE CONNECTOR / JIC 37° FITTING / #10JIC-MxM18-1.5-M STL From 9-9640	1	
. NS	N.P.N.	. O-RING From 9-9640	1	4
. NS	N.P.N.	. WASHER RET From 9-9640	1	4
10	510344	COVER / W/SECONDARY FILTER	1	
11	510794	FUEL FILTER, CARTRIDGE // SECONDARY	1	
12	501314	BUSHING REDUCER / PIPE FITTING / 3/8NTP-Mx1/4NPT-F BR	1	
13	501129	EXTERNAL SEAL DRAIN 1/4 NPT	1	
14	504706	NIPPLE / QUICK DISCONNECT "SAE J1502" / #4x1/4NPT-M STL W/DUST CAP	1	
. NS	195533	. DUST CAP / QUICK DISCONNECT "SAE J1502" / #4	1	
15	531390	CARTRIDGE / W/WATER SEPARATOR FILTER	1	
16	531389	BOWL PLASTIC	1	
17	531397	. DRAIN VALVE & SEAL	1	
NS	531398	. O-RING	1	
18	531391	. SENSOR / WATER LEVEL	1	
19	063715	CABLE ASSY / ENGINE ACC. & WATER SEPARATOR	1	
20	032727	HOSE ASSY / #6 2000MM	1	
20	032995	HOSE ASSY / #6 2200MM	1	S
21	032726	HOSE ASSY / #6 7600MM	1	
21	033001	HOSE ASSY / #6 7800MM	1	S
22	031701	SUPPORT HOSE FUEL	AR	
30	952629	CLAMP / 5/8" I.D.	AR	
31	500574	SCREW MA TR PH #10-24x1 1/4 SS	AR	
32	500914	WASHER LO SPT .193x.334x.047 N500	AR	
33	502882	NUT HEX #10-24 N500	AR	
34	500623	SCREW TC PAN PH #10-24x3/4 N500	AR	
35	500855	WASHER FL .188x.438x.049 N500	AR	

From 8-9277 To B-5001		Date:01/2024	PAGE:X3-0311-01
-----------------------	--	--------------	-----------------

FUEL FILTER - PRIMARY & SECONDARY WITH DETROIT S-60

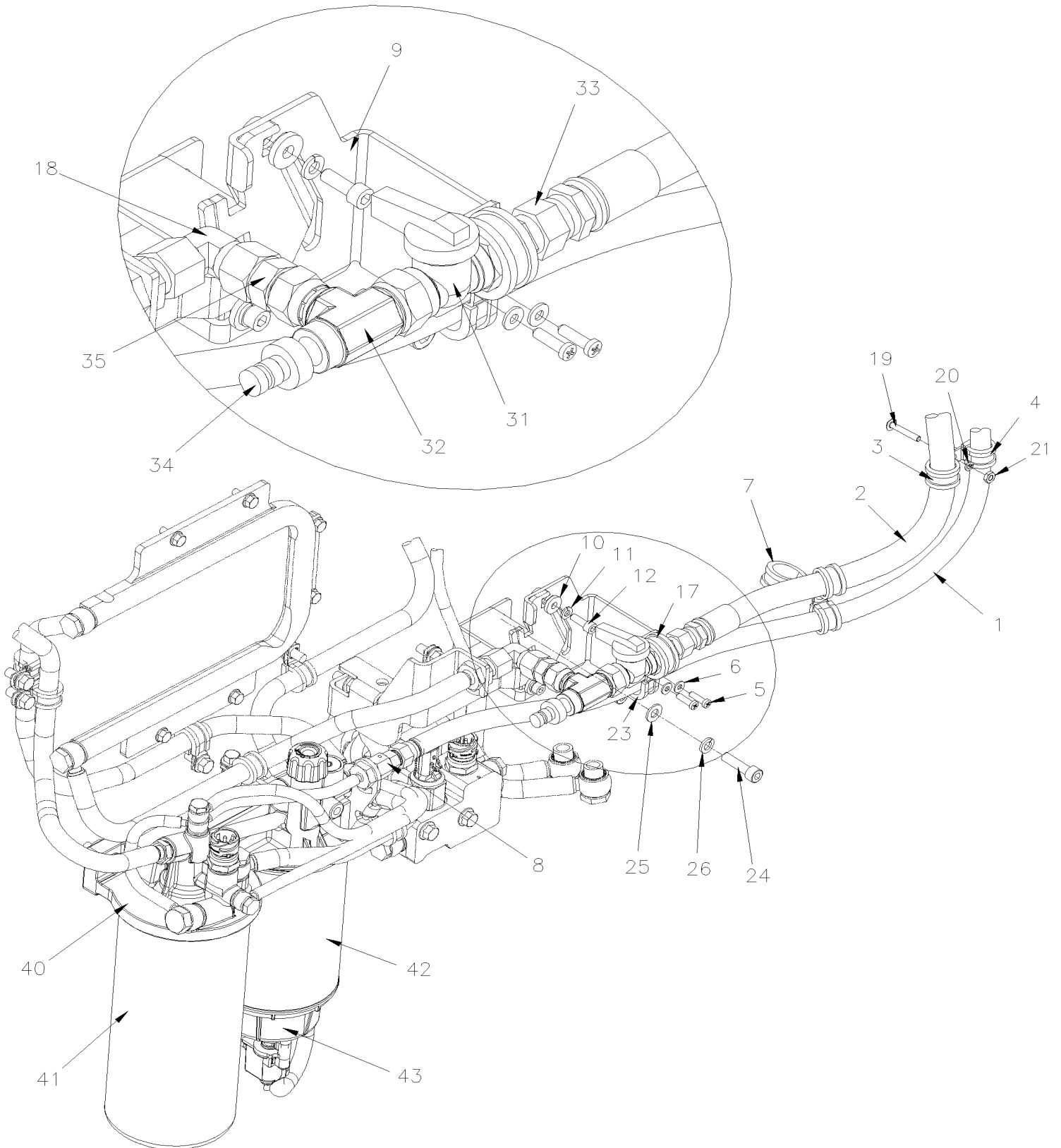
Item#	Part	Description	QTY	Notes
		A) SERVICE ONLY		
		S) SERVICE		
		4) NO PARTS NUMBER		

From 8-9457 To H-6179

Date:01/2024

PAGE:X3-0311-02

FUEL FILTER - PRIMARY & SECONDARY WITH VOLVO D13



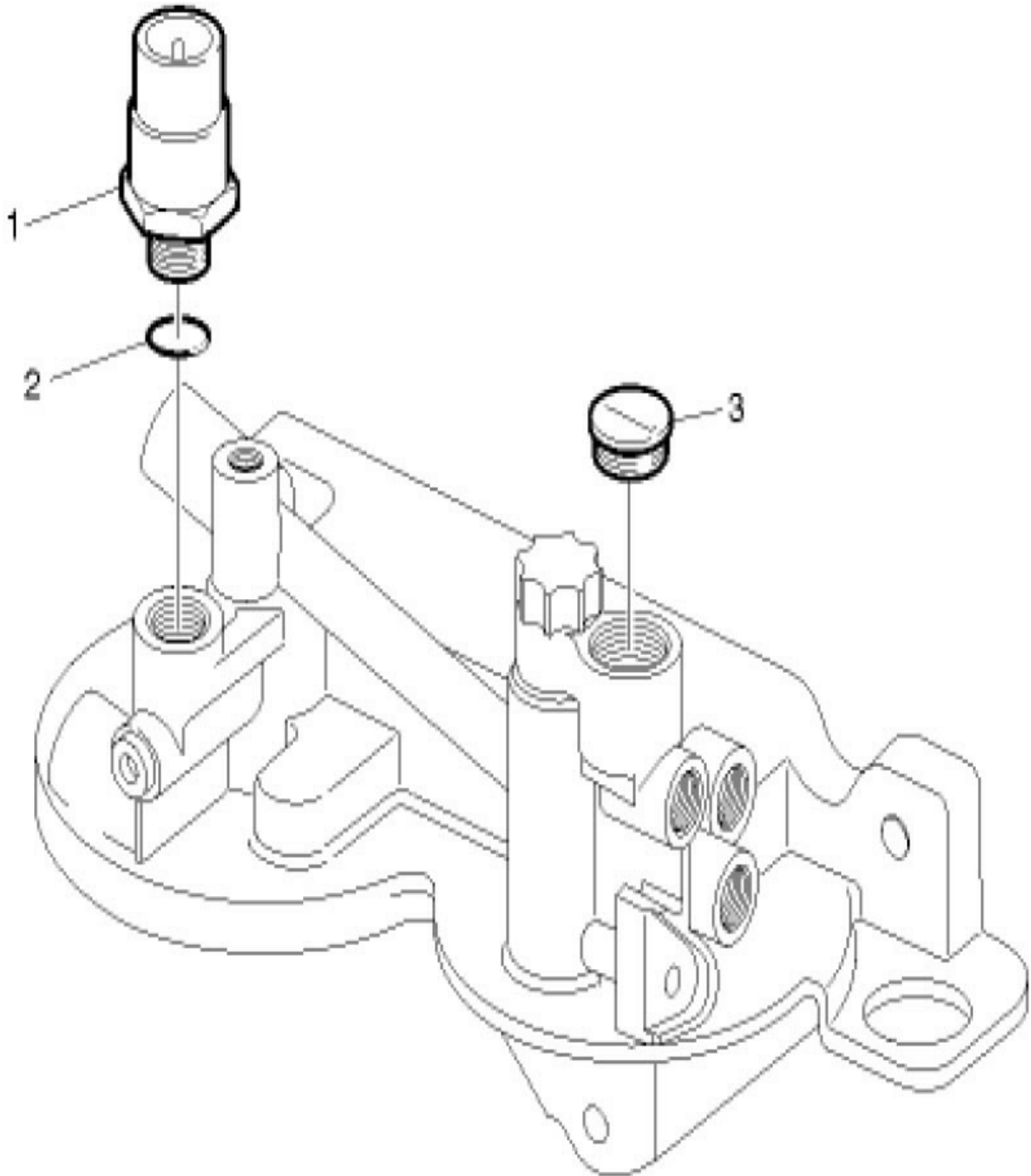
From 8-9457 To H-6179	Date:01/2024	PAGE:X3-0311-02
FUEL FILTER - PRIMARY & SECONDARY WITH VOLVO D13		

Item#	Part	Description	QTY	Notes
1	033237	HOSE ASSY / #8 6125MM	1	A
1	032838	HOSE ASSY / #8 6215MM To B-5001	1	
1	033242	HOSE ASSY / #8 6215MM To B-5001	1	A
1	032896	HOSE ASSY / #8 6630MM From A-9926 To A-9926	1	
1	032901	HOSE ASSY / #8 4542MM From B-5002 To E-5759	1	
1	033010	HOSE ASSY / #8 4650MM From F-5760	1	
1	033245	HOSE ASSY / #8 4542MM From B-5002 To E-5759	1	A
1	032896	HOSE ASSY / #8 6630MM From A-9907 To A-9907	1	
2	032742	HOSE ASSY / #6 6600MM To B-5001	1	
2	033002	HOSE ASSY / #6 6600MM To B-5001	1	S
2	032895	HOSE ASSY / #6 6730MM From A-9907 To A-9907	1	
2	032895	HOSE ASSY / #6 6730MM From A-9926 To A-9926	1	
2	033243	HOSE ASSY / #6 6730MM From A-9907 To A-9907	1	A
2	033243	HOSE ASSY / #6 6730MM From A-9926 To A-9926	1	A
2	032900	HOSE ASSY / #6 4617MM From B-5002 To E-5738	1	
2	033003	HOSE ASSY / #6 4700MM From E-5739	1	
3	952631	CLAMP / 3/4" I.D.	2	
4	952629	CLAMP / 5/8" I.D.	AR	
5	500623	SCREW TC PAN PH #10-24x3/4 N500 To E-5651	2	
5	502848	SCREW TC CAP HEXF 1/4-20x3/4 N500 From E-5652	2	
6	500855	WASHER FL .188x.438x.049 N500 To E-5651	2	
7	952635	CLAMP / 1" I.D.	1	
8	507662	MALE CONNECTOR SWIVEL / JIC 37° @ METRIC24° / #6JIC-MxM16-1.5 W/24° O-RING-F	1	
9	032758	SUPPORT FUEL LINE To B-5001	1	
9	032911	SUPPORT FUEL LINE From B-5002 To B-5074	1	
9	033185	SUPPORT FUEL LINE From B-5075 To E-5458	1	
9	033946	SUPPORT FUEL LINE From E-5459	1	
10	5001654	WASHER FL 6.4x17.0x3.0 SS	2	
11	502570	WASHER LO SPT 6.1x11.8x1.6 SS	2	
12	5001648	SCREW CAP HEXS M6-1.0x18 SS BK	2	
17	952637	CLAMP / 1"1/16 I.D.	1	
18	964016	ELBOW	1	
19	500574	SCREW MA TR PH #10-24x1 1/4 SS	2	
20	500914	WASHER LO SPT .193x.334x.047 N500	2	
21	502882	NUT HEX #10-24 N500	2	
23	952629	CLAMP / 5/8" I.D. To F-5868	1	
23	5001986	CLAMP / SS / SILICONE RUBBER / 5/8" I.D. x .281 HOLE From F-5869	1	
24	5001598	SCREW CAP HEXS M8-1.25x30 SS	1	
25	5001341	WASHER FL 8.4x17.0x1.6 SS	1	
26	5001161	WASHER LO SPT 8.1x14.8x2.0 SS-304	1	
31	530096	BALL VALVE 1/2" NPT 1/2 NPT F x 1/2 NPT F	1	
32	5001677	SWIVEL NUT ADAPTER TEE / JIC 37° FITTING / #8JIC-Fx1/2NPT-Mx1/4NTP-F STL	1	

From 8-9457 To H-6179	Date:01/2024	PAGE:X3-0311-02
FUEL FILTER - PRIMARY & SECONDARY WITH VOLVO D13		

Item#	Part	Description	QTY	Notes
33	501616	MALE CONNECTOR / SAE 45° FITTING / #8FL-Mx1/2NPT-M BR	1	
34	504706	NIPPLE / QUICK DISCONNECT "SAE J1502" / #4x1/4NPT-M STL W/DUST CAP	1	
NS	195533	DUST CAP / QUICK DISCONNECT "SAE J1502" / #4	1	
35	507659	MALE CONNECTOR SWIVEL / JIC 37° @ METRIC24° / #8JIC-MxM18-1.5 W/24° O-RING-F	1	
40	Refer To Volvo	HOUSING FUEL FILTER ASSY W/PRIMER PUMP TB-111262697-1	1	V
41	20405160	FUEL FILTER (LONG)	1	
42	20879806	FUEL FILTER WATER SEPARATOR	1	
43	Refer To Volvo	BOWL / W/WATER DETECTOR IN FUEL UAUXFUEL	1	V
43	Refer To Volvo	BOWL AF-E	1	V
		A) SERVICE ONLY		
		S) SERVICE		
		V) SEE IMPACT OR CALL ORDER DESK		

From 8-9457 To H-6179	Date:01/2024	PAGE:21023285
HOUSING FUEL FILTER ASSY W/PRIMER PUMP TB-111262697-1		



From 8-9457 To H-6179		Date:01/2024	PAGE:21023285
-----------------------	--	--------------	---------------

HOUSING FUEL FILTER ASSY W/PRIMER PUMP TB-111262697-1

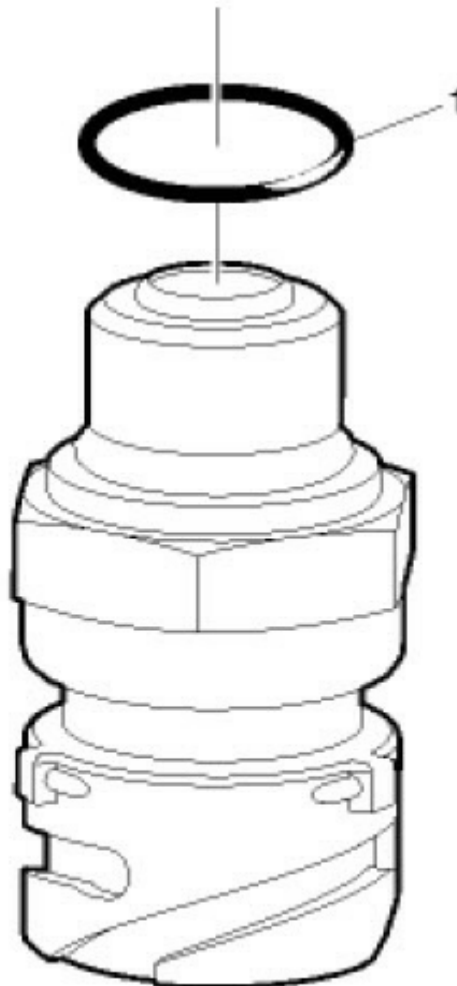
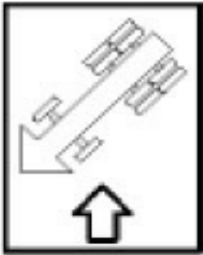
Item#	Part	Description	QTY	Notes
1	21302639	PRESSURE SENSOR,FUEL/OIL TB-130959470-1	1	
2	968559	O-RING (PRESSURE SENSOR)	1	
3	20744692	CAP	1	

From 8-9457 To H-6179

Date:01/2024

PAGE:21302639

PRESSURE SENSOR,FUEL/OIL TB-130959470-1



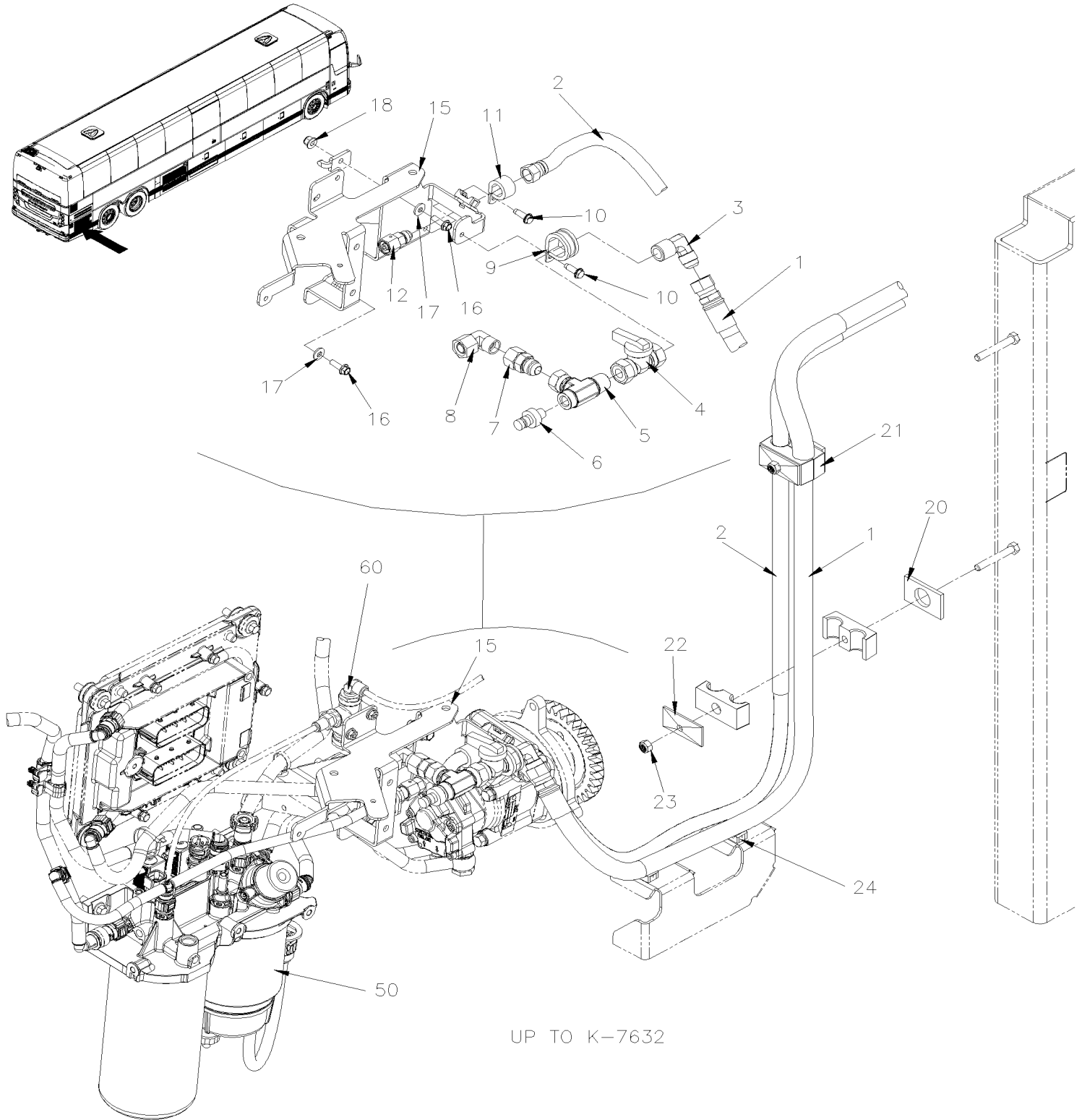
From 8-9457 To H-6179			Date:01/2024	PAGE:21302639		
PRESSURE SENSOR,FUEL/OIL TB-130959470-1						
Item#	Part	Description			QTY	Notes
1	968559	O-RING (PRESSURE SENSOR)			1	

From H-6180

Date:01/2024

PAGE:X3-0311-03

FUEL FILTER - PRIMARY & SECONDARY WITH VOLVO D13 - GHG17

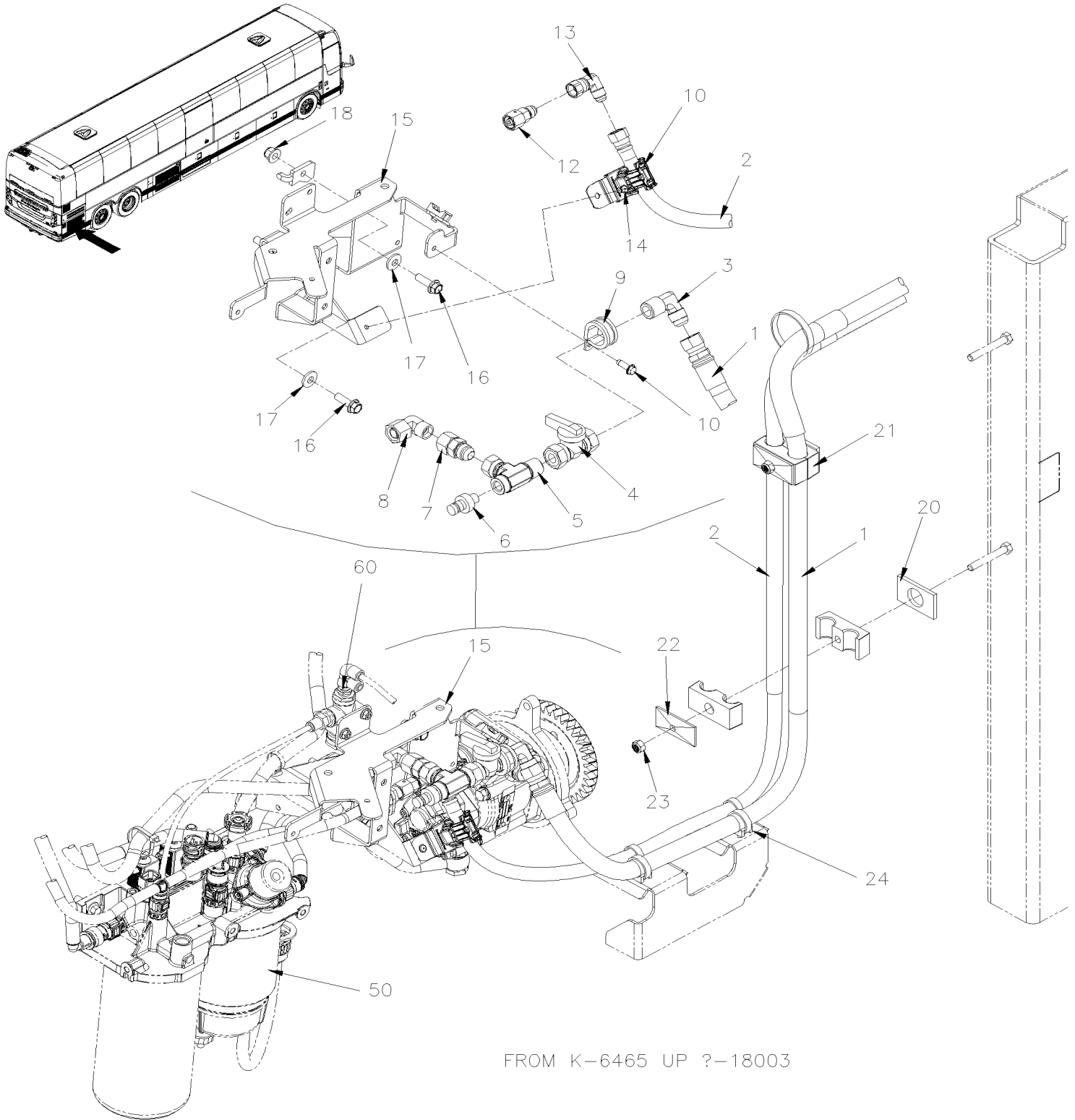


From H-6180

Date:01/2024

PAGE:X3-0311-03

FUEL FILTER - PRIMARY & SECONDARY WITH VOLVO D13 - GHG17

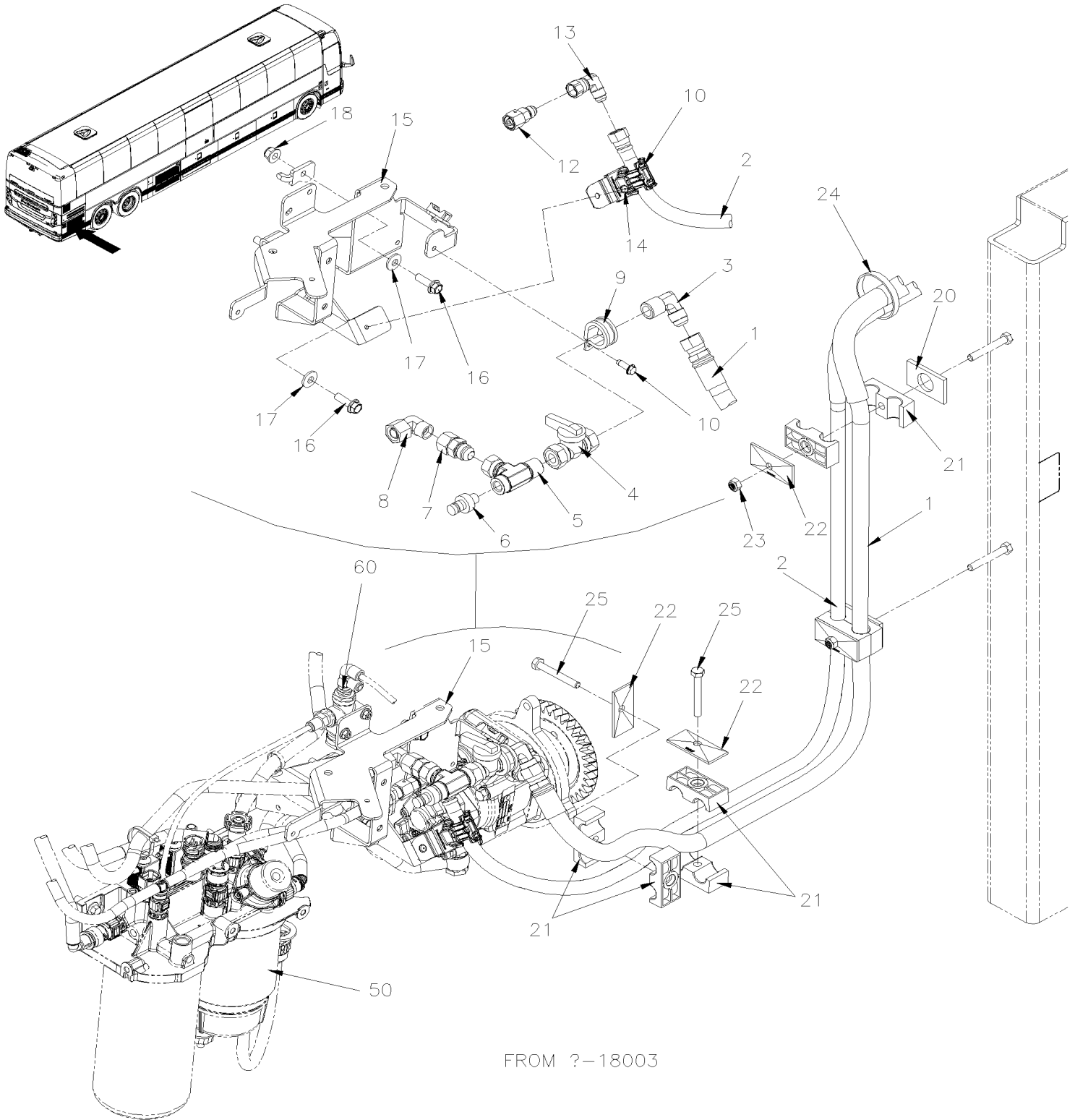


From H-6180

Date:01/2024

PAGE:X3-0311-03

FUEL FILTER - PRIMARY & SECONDARY WITH VOLVO D13 - GHG17

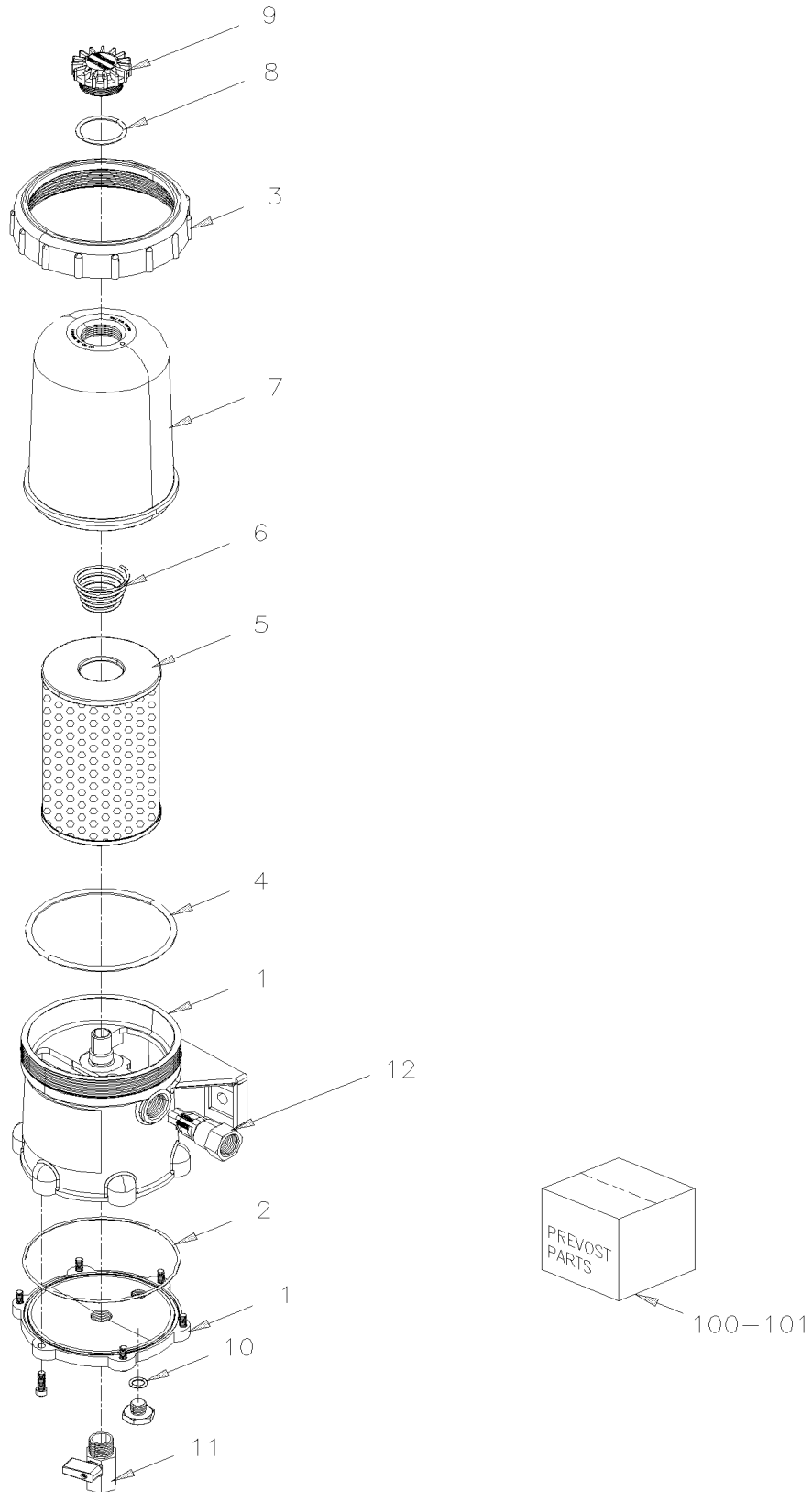


From H-6180		Date:01/2024	PAGE:X3-0311-03
FUEL FILTER - PRIMARY & SECONDARY WITH VOLVO D13 - GHG17			

Item#	Part	Description	QTY	Notes
1	030048	HOSE ASSY / #8 4490MM	1	
2	033029	HOSE ASSY / #6 4560MM To L-6644	1	
2	030154	HOSE ASSY / #6 4560MM From M-6645	1	
. NS	505181	. COIL PROTECTOR / PLASTIC / #8 From M-6645	AR	
3	501612	MALE ELBOW 90° / SAE 45° FITTING / #8FL-Mx1/2NPT-M BR	1	
4	530096	BALL VALVE 1/2" NPT 1/2 NPT F x 1/2 NPT F	1	
5	5001677	SWIVEL NUT ADAPTER TEE / JIC 37° FITTING / #8JIC-Fx1/2NPT-Mx1/4NTP-F STL	1	
6	504706	NIPPLE / QUICK DISCONNECT "SAE J1502" / #4x1/4NPT-M STL W/DUST CAP	1	
. NS	195533	. DUST CAP / QUICK DISCONNECT "SAE J1502" / #4	1	
7	507659	MALE CONNECTOR SWIVEL / JIC 37° @ METRIC24° / #8JIC-MxM18-1.5 W/24° O-RING-F	1	
8	964016	ELBOW To £-23026	1	
8	940177	ELBOW From £-23026	1	
9	952635	CLAMP / 1" I.D.	1	
10	502848	SCREW TC CAP HEXF 1/4-20x3/4 N500 To K-6464	2	
10	502848	SCREW TC CAP HEXF 1/4-20x3/4 N500 From K-6465	1	
NS	680098	THREAD SEALANT LOCTITE #567 / WHITE / 250ml	AR	
11	5001986	CLAMP / SS / SILICONE RUBBER / 5/8" I.D. x .281 HOLE To K-6464	1	
11	504193	CLAMP P SS PA 12.7-19.5 ID From K-6465	1	
12	507662	MALE CONNECTOR SWIVEL / JIC 37° @ METRIC24° / #6JIC-MxM16-1.5 W/24° O-RING-F	1	
13	5011359	SWIVEL NUT ELBOW 90° / JIC 37° FITTING / #6JIC-Fx#6JIC-M STL From K-6465	1	
14	504488	RIVET MGLP PRDG 3/16x17/64 SS From K-6465	1	
15	010043	SUPPORT FUEL LINE To K-6464	1	
15	010293	SUPPORT FUEL LINE From K-6465	1	
16	5001643	SCREW CAP HEXF M8-1.25x25 G8.8 G500	3	
17	500321	WASHER BEL SPR .331x.827x.098 N500	3	
18	5001931	NUT HEXF NYRT M8-1.25 G8.8 N500	1	
18	680038	THREAD LOCKER LOCTITE #243 / BLUE / 50ml	AR	
20	069465	SHIM FOR CLAMP	2	
21	504727	CLAMP DOUBLE ASS / 2 HOSE SIZE 3/8" To L-6644	2	
21	504208	CLAMP DOUBLE ASS / SPLIT BLOC / 19MM/15MM x 67MM POLYA From M-6645	4	
22	504728	PLATE RETAINER To L-6644	2	
22	504177	PLATE RETAINER 79MM SS From M-6645	4	
23	5001983	NUT HEX NYRT M8-1.25 SS SS BK	2	
24	504013	TIE MOUNT / 1/4" X 1/4" I.D. To L-6644	4	
NS	504357	WASHER FL .187x.437x.050 SS To L-6644	4	
NS	504488	RIVET MGLP PRDG 3/16x17/64 SS To L-6644	4	
NS	504016	CABLE TIE / 5/16" X 14"1/2 To L-6644	5	
24	504016	CABLE TIE / 5/16" X 14"1/2 From M-6645	1	
25	5001178	SCREW CAP HEX M8-1.25x60 SS BK From M-6645	2	
50	Refer To Volvo	HOUSING FUEL FILTER ASSY W/PRIMER PUMP	1	V
60	X3-0405-12	7TH INJECTOR / "AHI" / EXHAUST VOLVO D13 - GHG17	1	

From H-6180		Date:01/2024	PAGE:X3-0311-03	
FUEL FILTER - PRIMARY & SECONDARY WITH VOLVO D13 - GHG17				
Item#	Part	Description	QTY	Notes
		V) SEE IMPACT OR CALL ORDER DESK		

FUEL FILTER / "PRO 382"



From 7-8754 To E-5523	Date:01/2024	PAGE:X3-0311-15
FUEL FILTER / "PRO 382"		

Item#	Part	Description	QTY	Notes
	531468	FILTER ASSY "FUEL PRO 382" / WITHOUT HEATER ELEMENT To B-5001	1	
	21248323	FILTER ASSY "FUEL PRO 382" / WITHOUT HEATER ELEMENT From B-5002 To E-5523	1	
	22188830	FILTER ASSY "FUEL PRO 382" UNHEATED From E-5524	1	
1	N.S.S.	. BODY CASTING	1	1
1	G1093948	. UNHEATED BOTTOM PLATE To B-5001	1	
1	N8893568	. UNHEATED BOTTOM PLATE To B-5001	1	
2	G1093947	. SEAL BOTTOM COVER To B-5001	1	
2	N8893573	. SEAL BOTTOM COVER To B-5001	1	
2	85103295	. SEAL BOTTOM COVER From B-5002	1	
3	531441	. COLLAR, COVER To B-5001	2	
3	N8893571	. COLLAR, COVER To B-5001	1	
3	3948920	. COLLAR, COVER From B-5002	1	
4	N8893570	. O-RING To B-5001	1	
4	3946027	. O-RING From B-5002	2	
5	510795	. FILTER FUEL, ELEMENT / W/"PRO FILTER" To B-5001	1	
5	N8893572	. FILTER FUEL, ELEMENT / W/"PRO FILTER" To B-5001	1	
5	85120233	. FILTER FUEL, ELEMENT / W/"PRO FILTER" From B-5002	1	
6	531440	. SPRING To B-5001	1	
6	3099140	. SPRING To B-5001	1	
6	3099140	. SPRING From B-5002	1	
7	531438	. COVER, FILTER ELEMENT To B-5001	1	
7	N8893569	. COVER, FILTER ELEMENT To B-5001	1	
7	85116443	. COVER, FILTER ELEMENT From B-5002	1	
8	N.S.S.	. SEAL CAP VENT	1	1
9	531439	. CAP VENT To B-5001	1	
9	3948921	. CAP VENT From B-5002 To E-5523	1	
9	Call order desk	. CAP VENT From E-5524	1	P
10		. SEAL O-RING	1	
11		. DRAIN VALVE To B-5001	1	
11	3099141	. DRAIN VALVE To B-5001	1	
11	G1093949	. DRAIN VALVE From B-5002	1	
12	N.S.P.	. CHECK VALVE / (23518325) To B-5001	2	2
12	3947686	. CHECK VALVE BODY ONLY From B-5002 To E-5523	1	
12	Call order desk	. CHECK VALVE BODY ONLY From E-5524	1	P
100	531442	O-RING SET To B-5001	1	A
. A	DAV380048	. ANTI TAMPER SEAL To B-5001	1	A
. B	3946027	. O-RING To B-5001	1	A
100	G1093444	O-RING SET To B-5001	1	A
. A	DAV380048	. ANTI TAMPER SEAL To B-5001	1	A
. B	3946027	. O-RING To B-5001	1	A
100	3946029	O-RING SET From B-5002	1	A

From 7-8754 To E-5523	Date:01/2024	PAGE:X3-0311-15
FUEL FILTER / "PRO 382"		

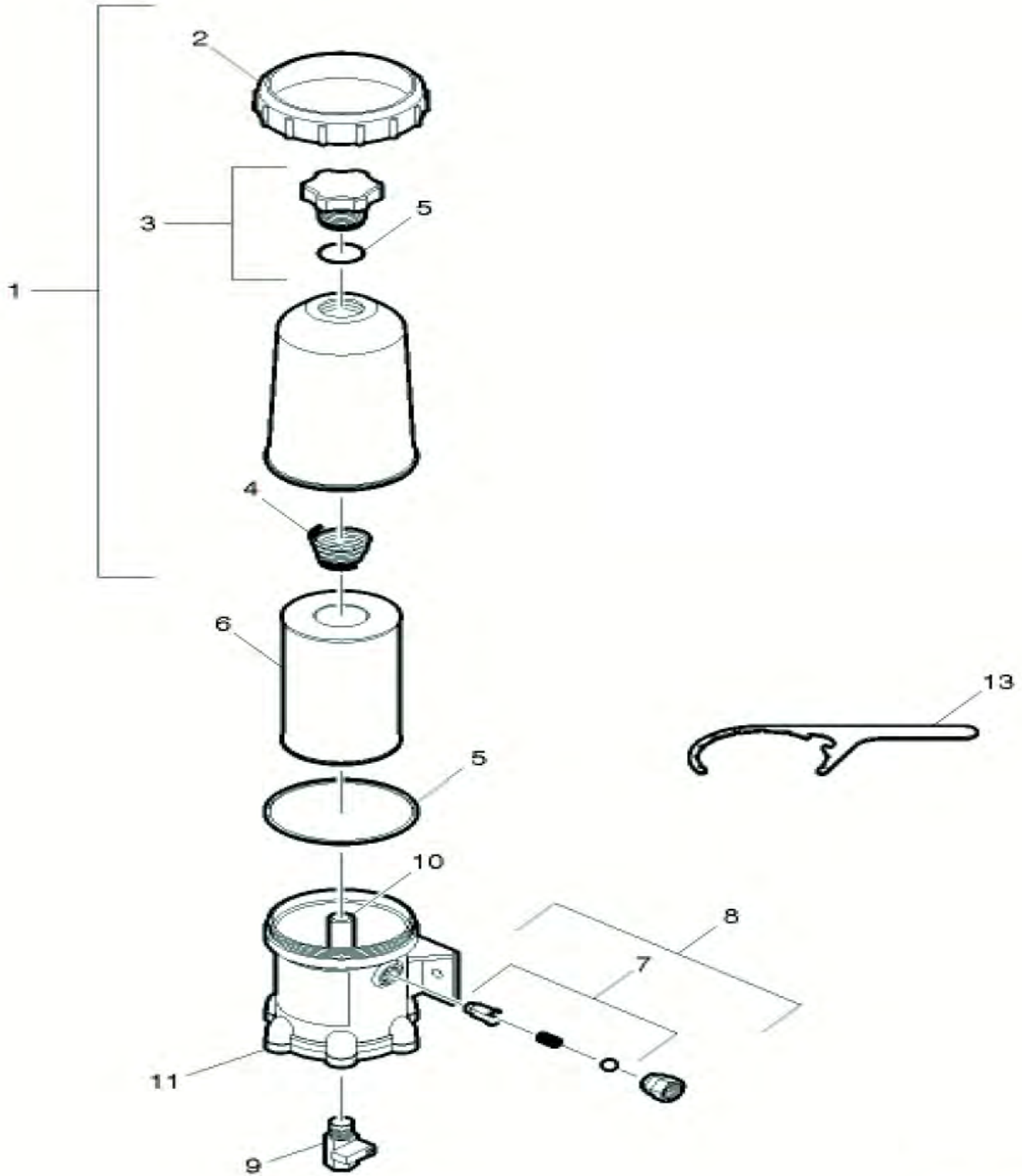
Item#	Part	Description	QTY	Notes
A	N.S.S.	ANTI TAMPER SEAL From B-5002	1	1 A
B	N.S.S.	O-RING From B-5002	1	1 A
101	N.S.P.	CHECK VALVE REPAIR KIT / (23518326) To B-5001	1	2
101	G1093945	CHECK VALVE REPAIR KIT / To B-5001	1	
101	1117798	CHECK VALVE REPAIR KIT / From B-5002	1	
NS	G1093952	COLLAR VENT CAP WRENCH METAL To B-5001	1	
103	3093385	COLLAR VENT CAP WRENCH METAL From B-5002	1	
		A) AS REFERENCE ONLY, BUY WITH ITEM #40		
		1) NOT SOLD SEPARATELY		
		2) NOT SOLD BY PREVOST (SEE MANUFACTURING PART NUMBER AT END OF DESCRIPTION LINE)		
		P) CALL ORDER DESK FOR SPECIFIC APPLICATION (V.I.N.)		
		1) NOT SOLD SEPARATELY		

From E-5524 To N-6723

Date:01/2024

PAGE:X3-0311-16

FUEL FILTER / "PRO 382"



R1103003

From E-5524 To N-6723	Date:01/2024	PAGE:X3-0311-16
FUEL FILTER / "PRO 382"		

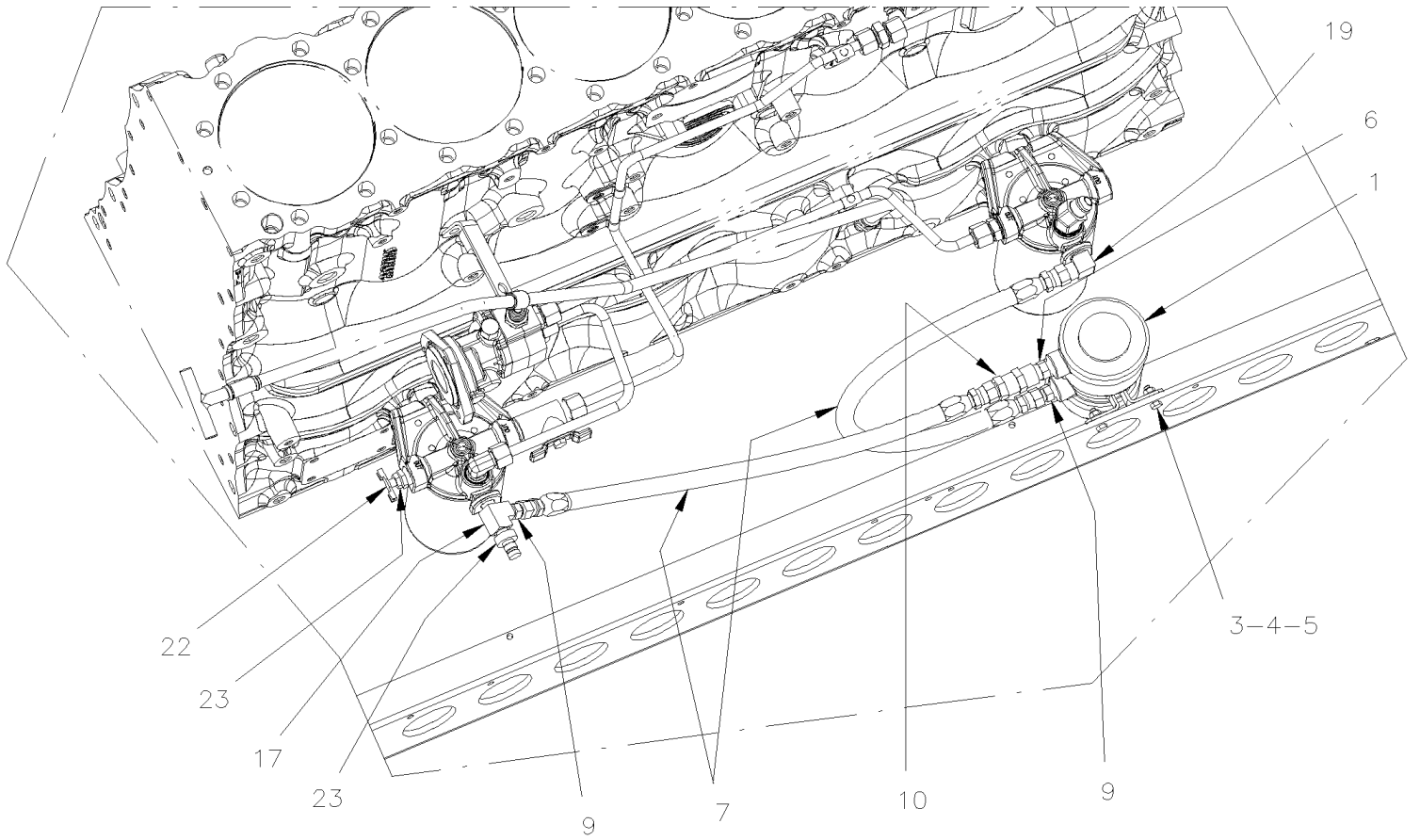
Item#	Part	Description	QTY	Notes
	22188830	FILTER ASSY "FUEL PRO 382" UNHEATED	1	
1	530217	. COVER ASSEMBLY INCLUDES ITEMS 1, 2, 3, 4	1	
2	531441	. COLLAR, COVER	1	
3	530218	. VENT CAP SERVICE KIT	1	
4	3099140	. SPRING	1	
5	3946029	. O-RING SET	1	
. A	N.S.S.	. . ANTI TAMPER SEAL	1	1
. B	N.S.S.	. . O-RING	1	1
6	530219	. FILTER ELEMENT 25 MICRON	1	
7	530220	. CHECK VALVE SERVICE KIT	1	
8	530221	. CHECK VALVE ASSEMBLY INCLUDES ITEM 7	1	
9	G1093949	. DRAIN VALVE	1	
10	19506118	. STUD 13/16-12 X 7/8-14	1	
11	530222	. BOTTOM PLATE	1	
13	530224	. WRENCH	1	
		1) NOT SOLD SEPARATELY		

From 7-8754 To 8-9276

Date:01/2024

PAGE:X3-0312-00

FUEL PUMP - AUXILIARY

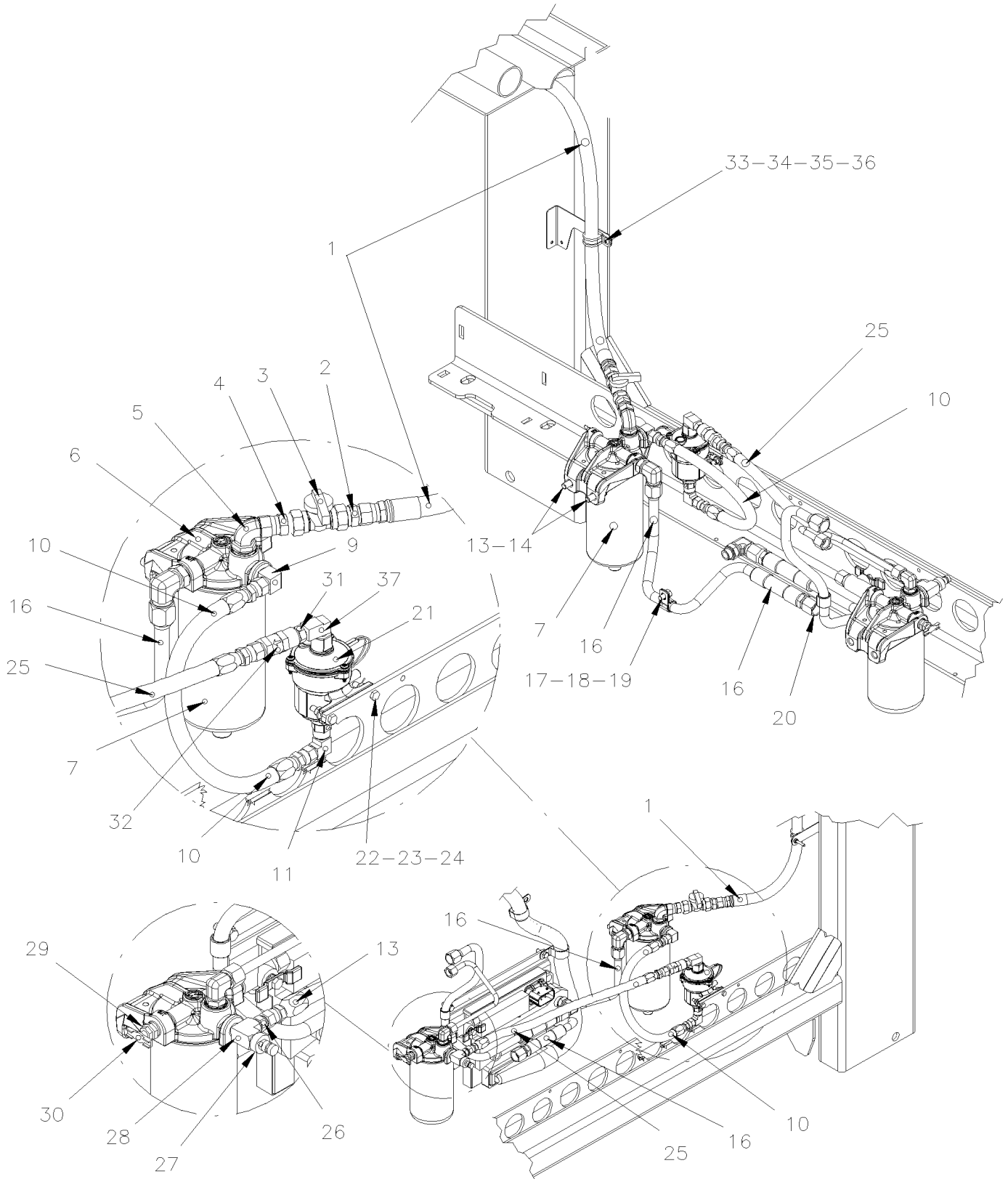


From 7-8754 To 8-9276	Date:01/2024	PAGE:X3-0312-00
-----------------------	--------------	-----------------

FUEL PUMP - AUXILIARY

Item#	Part	Description	QTY	Notes
1	531388	FUEL PUMP ELECTRICAL	1	
2	X3-0150-00	ENGINE CRADLE - WITH DETROIT S-60		
3	502830	SCREW CAP HEX M6-1.0x20 G8.8 N500	2	
4	500877	WASHER FL .250x.562x.065 N500	2	
5	502681	NUT HEX NYRT M6-1.0 N500 G8	2	
6	501749	NIPPLE REDUCER HEX / PIPE FITTING / 3/8NPT-Mx1/4NPT-Mx1 13/32 BR	1	
7	030973	HOSE ASSY / #6 455MM	2	
9	501687	MALE CONNECTOR / JIC 37° FITTING / #6JIC-Mx1/4NPT-M STL	2	
10	531415	CHECK VALVE	1	
14	561566	CONNECTOR / WEATHER PACK / PH 2C / BLACK / PED 12010973	1	
15	561568	PIN TERMINAL / 16-14 / PED 12089305	2	
16	561565	CABLE SEAL / GREEN / PED 15324982	2	
17	501338	MALE RUN TEE / PIPE FITTING / 1/4NPT-Mx1/4NPT-Fx1/4NPT-F BR	1	
19	501042	MALE ELBOW 90° / SAE 45° FITTING / #6FL-Mx3/8NPT-M BR	1	
22	501129	EXTERNAL SEAL DRAIN 1/4 NPT	1	
NS	501314	BUSHING REDUCER / PIPE FITTING / 3/8NPT-Mx1/4NPT-F BR	1	
23	504706	NIPPLE / QUICK DISCONNECT "SAE J1502" / #4x1/4NPT-M STL W/DUST CAP	1	
. NS	195533	. DUST CAP / QUICK DISCONNECT "SAE J1502" / #4	1	
NS	032833	KIT, RETROFIT AUX FUEL PUMP	1	
. NS	IS-08003	. SEE INSTRUCTION SHEET	1	

FUEL PUMP - AUXILIARY



From 8-9277 To B-5001	Date:01/2024	PAGE:X3-0312-01
FUEL PUMP - AUXILIARY		

Item#	Part	Description	QTY	Notes
1	032579	HOSE ASSY / #8 6125MM	1	
1	033237	HOSE ASSY / #8 6125MM	1	A
2	501616	MALE CONNECTOR / SAE 45° FITTING / #8FL-Mx1/2NPT-M BR	1	
3	530096	BALL VALVE 1/2" NPT 1/2 NPT F x 1/2 NPT F	1	
4	5011249	SWIVEL NUT MALE CONNECTOR / JIC 37° FITTING / #8JIC-Fx1/2NPT-M STL	1	
5	5011248	MALE ELBOW 90° / JIC 37° FITTING / #8JIC-MxM16-1.5 ORB-M STL	1	
6	032701	COVER / W/PRIMARY FILTER	1	
7	032700	FUEL FILTER, CARTRIDGE / PRIMARY	1	
9	501042	MALE ELBOW 90° / SAE 45° FITTING / #6FL-Mx3/8NPT-M BR	1	
10	032725	HOSE ASSY / #6 380MM	1	
11	501881	MALE ELBOW 90° / JIC 37° FITTING / #6JIC-Mx1/8NPT-M STL	1	
13	5001418	SCREW CAP HEX M10-1.5x30 SS	2	
14	502616	WASHER LO SPT 10.2x18.1x2.2 SS	2	
16	032702	FUEL LINE ASSY	1	
17	500820	SCREW CAP HEX M8-1.25x16 G10.9 N500	1	
18	192288	WASHER FL 8.4x18.0x2.0 ZG603	1	
19	502889	WASHER LO SPT 8.1x12.7x2.0 N500	1	
20	5011055	MALE ELBOW 90° / JIC 37° FITTING / #10JIC-Mx#8ORB-M STL	1	
21	531477	FUEL PUMP ELECTRICAL	1	
NS	561566	CONNECTOR / WEATHER PACK / PH 2C / BLACK / PED 12010973	1	
NS	561565	CABLE SEAL / GREEN / PED 15324982	2	
NS	561568	PIN TERMINAL / 16-14 / PED 12089305	2	
22	502758	SCREW CAP HEX M6-1.0x30 G8.8 N500	2	
23	502681	NUT HEX NYRT M6-1.0 N500 G8	2	
24	500877	WASHER FL .250x.562x.065 N500	2	
25	032723	HOSE ASSY / #6 475MM	1	
26	501687	MALE CONNECTOR / JIC 37° FITTING / #6JIC-Mx1/4NPT-M STL	1	
27	504706	NIPPLE / QUICK DISCONNECT "SAE J1502" / #4x1/4NPT-M STL W/DUST CAP	1	
NS	195533	DUST CAP / QUICK DISCONNECT "SAE J1502" / #4	1	
28	501338	MALE RUN TEE / PIPE FITTING / 1/4NPT-Mx1/4NPT-Fx1/4NPT-F BR	1	
29	501314	BUSHING REDUCER / PIPE FITTING / 3/8NPT-Mx1/4NPT-F BR	1	
30	501129	EXTERNAL SEAL DRAIN 1/4 NPT	1	
31	501749	NIPPLE REDUCER HEX / PIPE FITTING / 3/8NPT-Mx1/4NPT-Mx1 13/32 BR	1	
32	531415	CHECK VALVE	1	
33	952631	CLAMP / 3/4" I.D.	1	
34	500574	SCREW MA TR PH #10-24x1 1/4 SS	1	
35	500914	WASHER LO SPT .193x.334x.047 N500	1	
36	502882	NUT HEX #10-24 N500	1	
37	501787	STREET ELBOW 90° / PIPE FITTING / 1/8NPT-Mx1/4NPT-F BR	1	

From 8-9277 To B-5001		Date:01/2024	PAGE:X3-0312-01
-----------------------	--	--------------	-----------------

FUEL PUMP - AUXILIARY

Item#	Part	Description	QTY	Notes
		A) SERVICE ONLY		

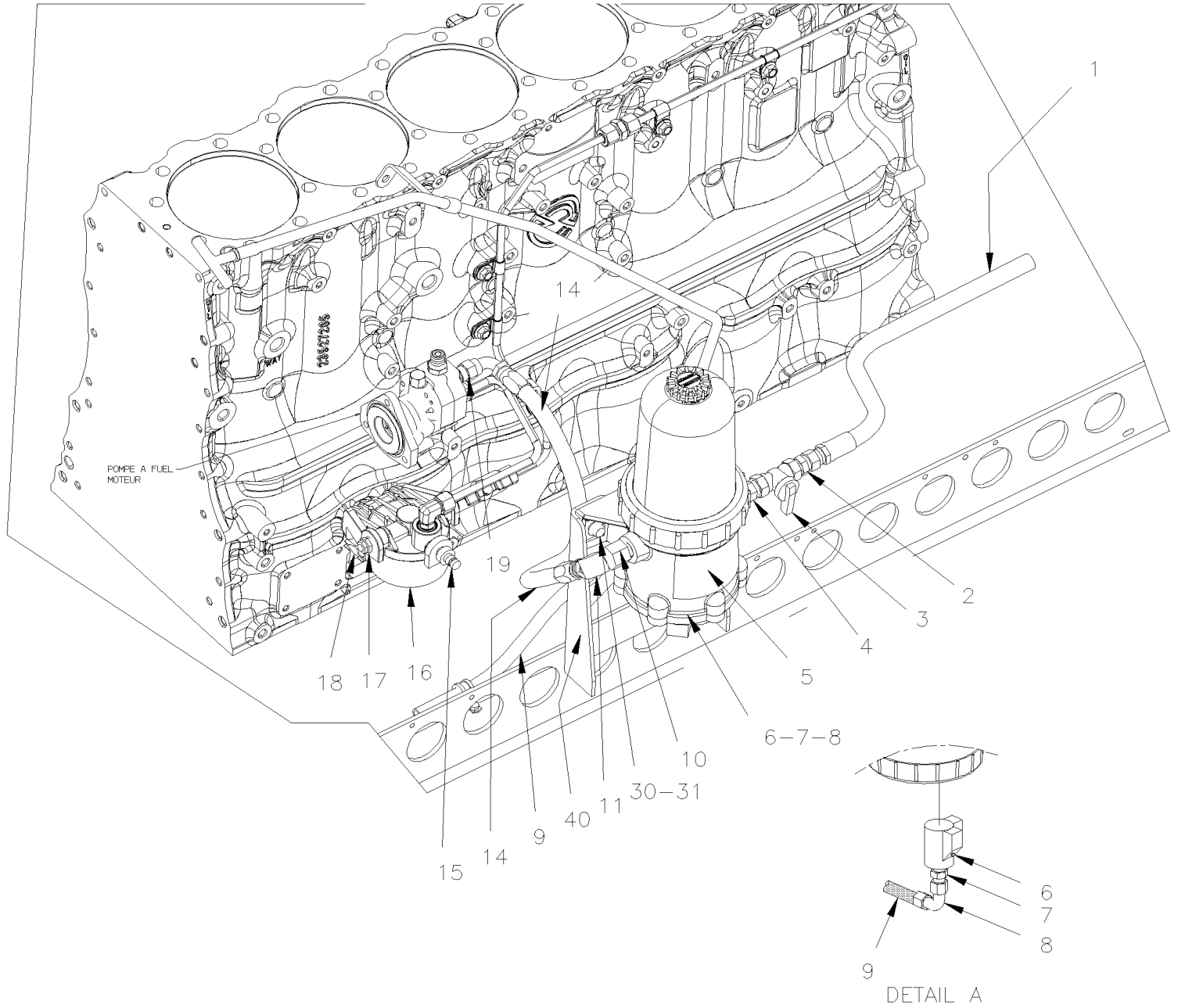
From 7-8754 To 8-9276

Date:01/2024

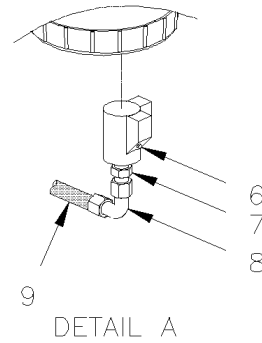
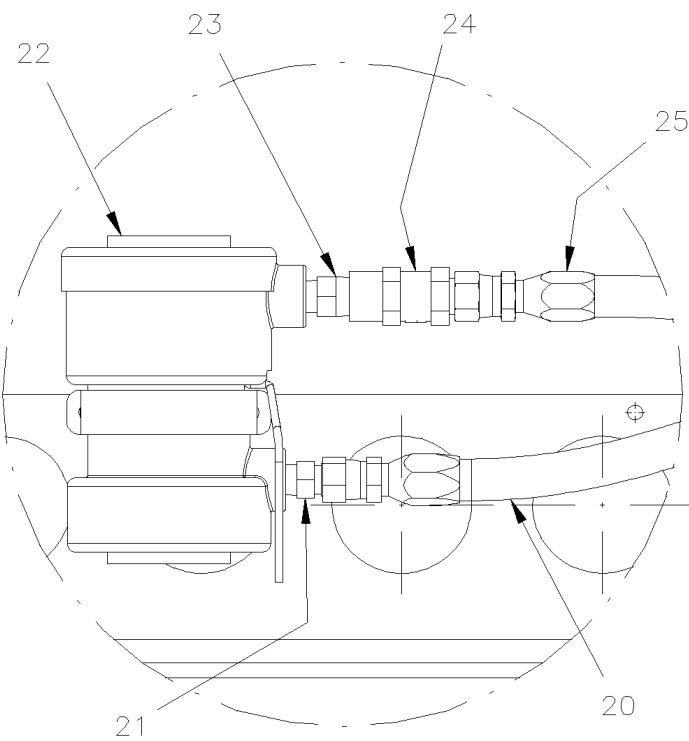
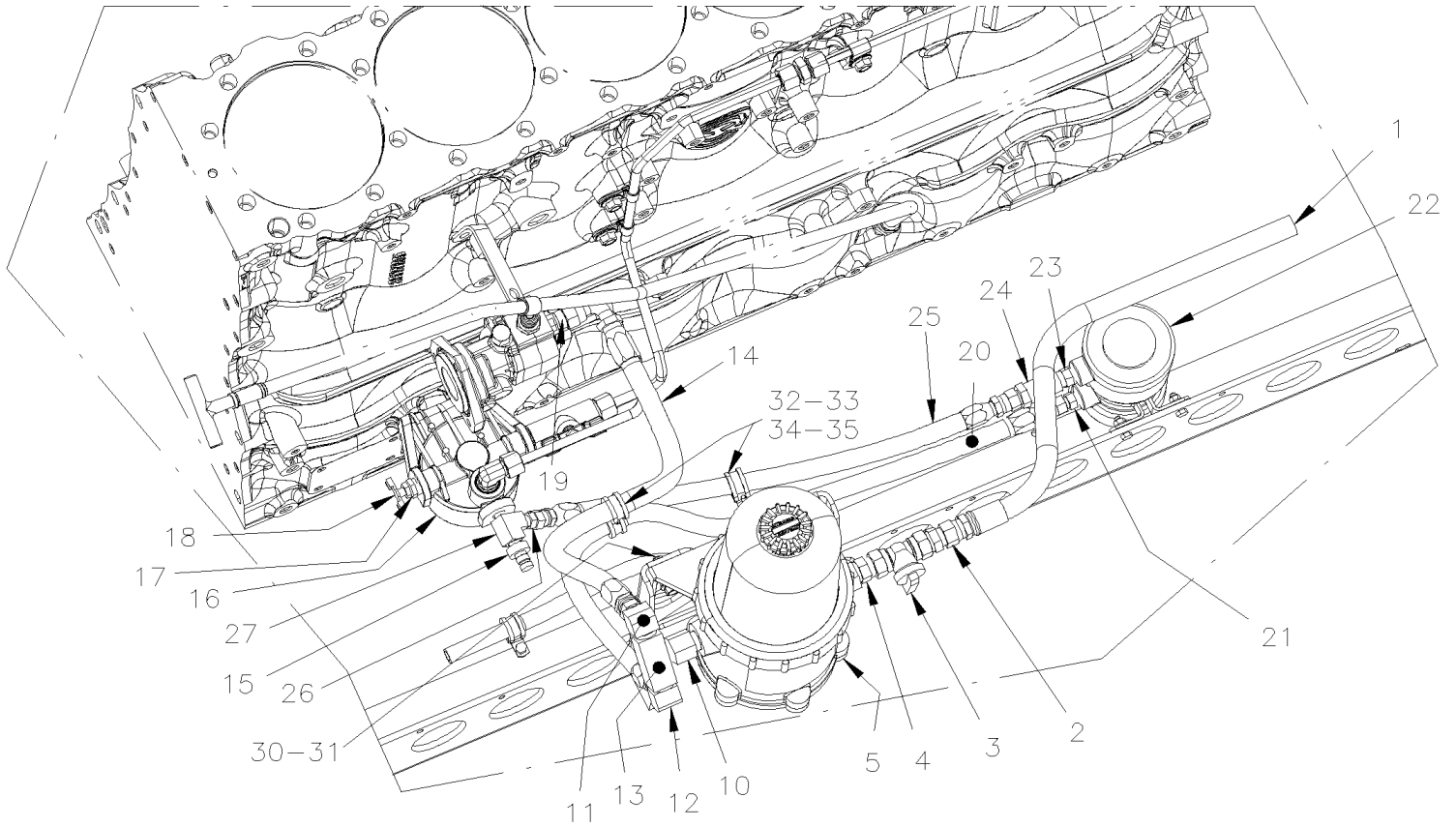
PAGE:X3-0312-10

FUEL PRO - INSTALLATION WITH DETROIT S-60

WITHOUT AUXILIARY
FUEL PUMP



FUEL PRO - INSTALLATION WITH DETROIT S-60



WITH AUXILIARY
FUEL PUMP

From 7-8754 To 8-9276	Date:01/2024	PAGE:X3-0312-10
FUEL PRO - INSTALLATION WITH DETROIT S-60		

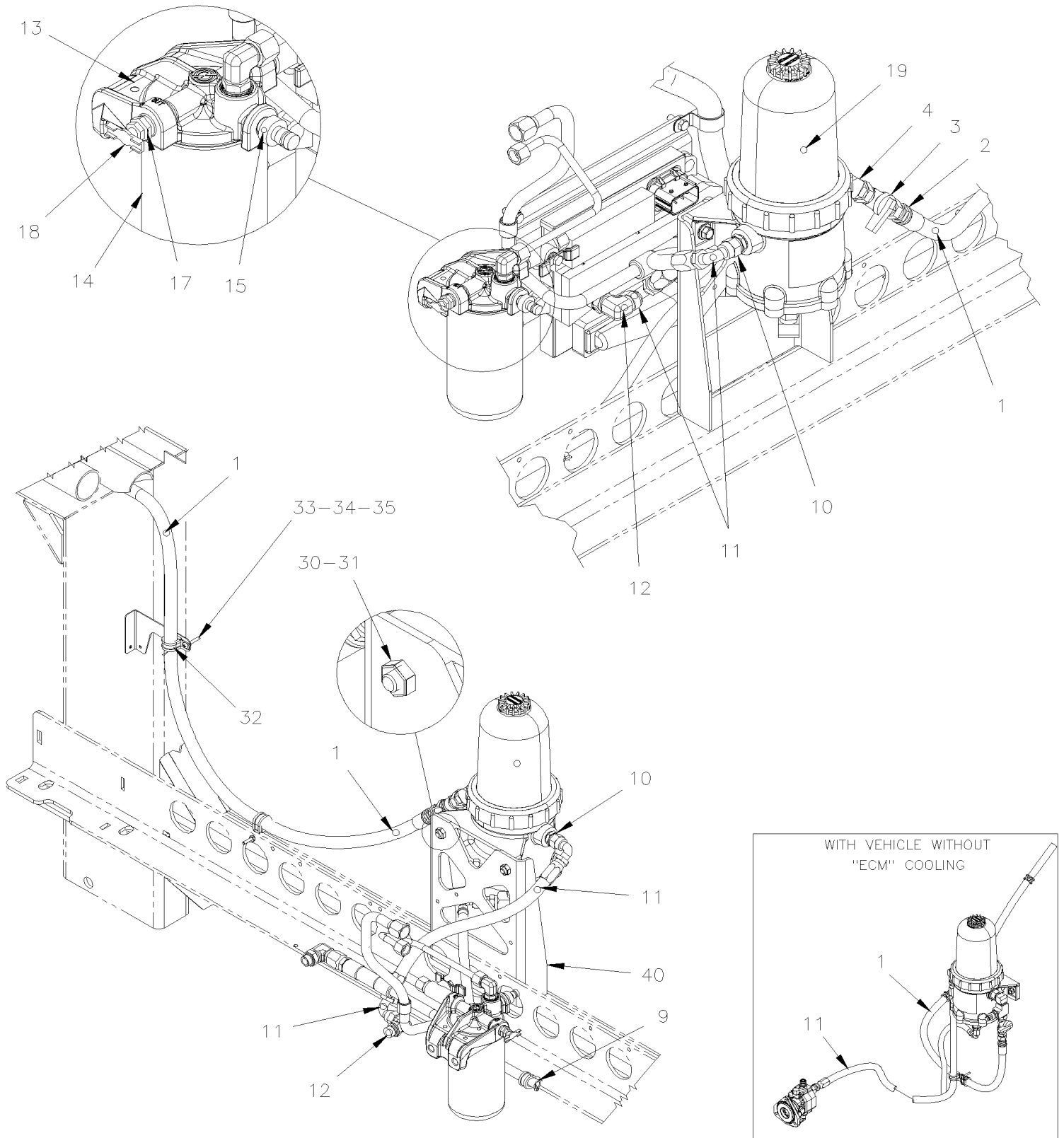
Item#	Part	Description	QTY	Notes
1	032652	HOSE ASSY / #8 6500MM	1	
1	033238	HOSE ASSY / #8 6500MM	1	B
2	501616	MALE CONNECTOR / SAE 45° FITTING / #8FL-Mx1/2NPT-M BR	1	
3	530096	BALL VALVE 1/2" NPT 1/2 NPT F x 1/2 NPT F	1	
4	5011067	NIPPLE HEX / PIPE FITTING / 1/2NPT-Mx1/2NPT-Mx1 13/16 BR	1	
5	X3-0311-15	FUEL FILTER / "PRO 382"		
6	530096	BALL VALVE 1/2" NPT 1/2 NPT F x 1/2 NPT F	1	
7	507557	STREET ELBOW 90° / PIPE FITTING / 1/2NPT-Mx1/2NPT-F BR	1	
8	501618	MALE CONNECTOR / SAE 45° FITTING / #6FL-Mx1/2NPT-M BR	1	
9	032614	HOSE ASSY / #8 420MM	1	
10	5011119	ADAPTER / PIPE FITTING / 1/2NPT-Fx1/2NPT-M BR	1	
11	501719	MALE ELBOW 90° / JIC 37° FITTING / #8JIC-Mx1/2NPT-M BR	1	
12	501716	MALE ELBOW 90° / JIC 37° FITTING / #6JIC-Mx1/2NPT-M BR	1	
13	507556	MALE BRANCHE TEE / PIPE FITTING / 1/2NPT-Fx1/2NPT-Fx1/2NPT-M BR	1	A
14	032617	HOSE ASSY / #8 490MM	1	A
15	504706	NIPPLE / QUICK DISCONNECT "SAE J1502" / #4x1/4NPT-M STL W/DUST CAP	1	
NS	195533	DUST CAP / QUICK DISCONNECT "SAE J1502" / #4	1	
16	531465	COVER "BY-PASS" / SECONDARY FILTER	1	
17	501314	BUSHING REDUCER / PIPE FITTING / 3/8NTP-Mx1/4NPT-F BR	1	
18	501129	EXTERNAL SEAL DRAIN 1/4 NPT	1	
19	5011247	MALE CONNECTOR / JIC 37° FITTING / #8JIC-MxM16-1.5 ORB-M STL	1	
20	032630	HOSE ASSY / #6 745MM	1	A
21	501687	MALE CONNECTOR / JIC 37° FITTING / #6JIC-Mx1/4NPT-M STL	1	A
22	X3-0312-00	FUEL PUMP - AUXILIARY		
23	501749	NIPPLE REDUCER HEX / PIPE FITTING / 3/8NPT-Mx1/4NPT-Mx1 13/32 BR	1	A
24	531415	CHECK VALVE	1	A
25	030973	HOSE ASSY / #6 455MM	1	A
26	501687	MALE CONNECTOR / JIC 37° FITTING / #6JIC-Mx1/4NPT-M STL	1	A
27	501338	MALE RUN TEE / PIPE FITTING / 1/4NPT-Mx1/4NPT-Fx1/4NPT-F BR	1	A
30	946472	SCREW CAP HEXF M10-1.5x30 G8.8 ZG603	2	
31	3852496	WASHER LO SPT 10.2x18.1x2.2 ZG603	2	
32	952631	CLAMP / 3/4" I.D.	AR	
33	500574	SCREW MA TR PH #10-24x1 1/4 SS	AR	
34	500914	WASHER LO SPT .193x.334x.047 N500	AR	
35	500539	NUT HEX NYRT M4-0.7 N500	AR	
40	032612	SUPPORT "FUEL PRO" (WELDED AT STRUCTURE)	1	
		A) WITH FUEL PUMP ONLY		
		B) SERVICE ONLY		

From 8-9277 To B-5001

Date:01/2024

PAGE:X3-0312-11

FUEL PRO - INSTALLATION WITH DETROIT S-60



From 8-9277 To B-5001	Date:01/2024	PAGE:X3-0312-11
FUEL PRO - INSTALLATION WITH DETROIT S-60		

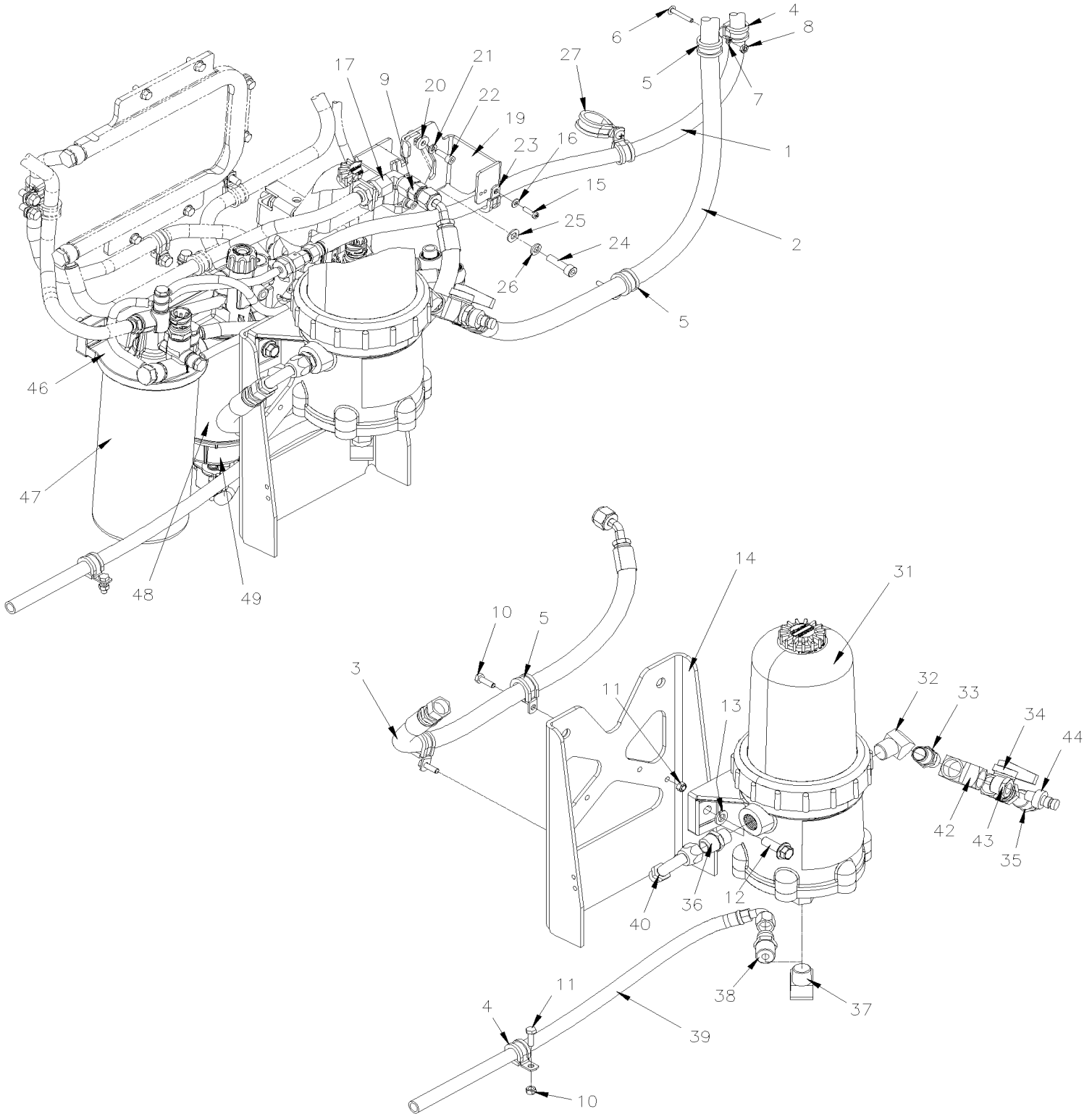
Item#	Part	Description	QTY	Notes
1	032652	HOSE ASSY / #8 6500MM	1	
1	033238	HOSE ASSY / #8 6500MM	1	A
2	501616	MALE CONNECTOR / SAE 45° FITTING / #8FL-Mx1/2NPT-M BR	1	
3	530096	BALL VALVE 1/2" NPT 1/2 NPT F x 1/2 NPT F	1	
4	5011067	NIPPLE HEX / PIPE FITTING / 1/2NPT-Mx1/2NPT-Mx1 13/16 BR	1	
5	501528	STREET ELBOW 45° / PIPE FITTING / 1/2NPT-Mx1/2NPT-F BR	1	
6	501473	MALE RUN TEE / PIPE FITTING / 1/2NPT-Mx1/2NPT-Fx1/2NPT-F BR	1	
7	507557	STREET ELBOW 90° / PIPE FITTING / 1/2NPT-Mx1/2NPT-F BR	1	
8	501618	MALE CONNECTOR / SAE 45° FITTING / #6FL-Mx1/2NPT-M BR	1	
9	032614	HOSE ASSY / #8 420MM	1	
10	501739	MALE CONNECTOR / JIC 37° FITTING / #8JIC-Mx1/2NPT-M STL	2	
11	032681	HOSE ASSY / #8 380MM To 9-9639	1	
11	032836	HOSE ASSY / #8 350MM From 9-9640	1	
12	5011204	MALE ELBOW 90° / JIC 37° FITTING / #8JIC-MxM18-1.5-M STL To 9-9639	1	
. NS	N.P.N.	. O-RING To 9-9639	1	4
. NS	N.P.N.	. WASHER RET To 9-9639	1	4
12	5011247	MALE CONNECTOR / JIC 37° FITTING / #8JIC-MxM16-1.5 ORB-M STL From 9-9640	1	
13	510344	COVER / W/SECONDARY FILTER From 9-9640	1	
14	510794	FUEL FILTER, CARTRIDGE // SECONDARY From 9-9640	1	
15	504706	NIPPLE / QUICK DISCONNECT "SAE J1502" / #4x1/4NPT-M STL W/DUST CAP From 9-9640	1	
. NS	195533	. DUST CAP / QUICK DISCONNECT "SAE J1502" / #4 From 9-9640	1	
17	501314	BUSHING REDUCER / PIPE FITTING / 3/8NPT-Mx1/4NPT-F BR From 9-9640	1	
18	501129	EXTERNAL SEAL DRAIN 1/4 NPT From 9-9640	1	
19	X3-0311-15	FUEL FILTER / "PRO 382"		
30	946472	SCREW CAP HEXF M10-1.5x30 G8.8 ZG603	2	
31	3852496	WASHER LO SPT 10.2x18.1x2.2 ZG603	2	
32	952631	CLAMP / 3/4" I.D.	AR	
32	952629	CLAMP / 5/8" I.D.	AR	
33	500574	SCREW MA TR PH #10-24x1 1/4 SS	AR	
34	500877	WASHER FL .250x.562x.065 N500	AR	
35	502882	NUT HEX #10-24 N500	AR	
40	032612	SUPPORT "FUEL PRO" (WELDED AT STRUCTURE)	1	
		A) SERVICE ONLY		
		4) NO PARTS NUMBER		

From 8-9457 To H-6179

Date:01/2024

PAGE:X3-0312-12

FUEL PRO - INSTALLATION WITH VOLVO D13



From 8-9457 To H-6179	Date:01/2024	PAGE:X3-0312-12
FUEL PRO - INSTALLATION WITH VOLVO D13		

Item#	Part	Description	QTY	Notes
1	032742	HOSE ASSY / #6 6600MM To B-5001	1	
1	033002	HOSE ASSY / #6 6600MM To B-5001	1	S
1	032900	HOSE ASSY / #6 4617MM From B-5002 To E-5738	1	
1	033003	HOSE ASSY / #6 4700MM From E-5739	1	
1	032895	HOSE ASSY / #6 6730MM From A-9907 To A-9907	1	
1	032895	HOSE ASSY / #6 6730MM From A-9926 To A-9926	1	
1	033243	HOSE ASSY / #6 6730MM From A-9907 To A-9907	1	A
1	033243	HOSE ASSY / #6 6730MM From A-9926 To A-9926	1	A
2	032652	HOSE ASSY / #8 6500MM To B-5001	1	
2	033238	HOSE ASSY / #8 6500MM To B-5001	1	A
2	032901	HOSE ASSY / #8 4542MM From B-5002 To E-5759	1	
2	033245	HOSE ASSY / #8 4542MM From B-5002 To E-5759	1	A
2	032896	HOSE ASSY / #8 6630MM From A-9907 To A-9907	1	
2	032896	HOSE ASSY / #8 6630MM From A-9926 To A-9926	1	
2	033010	HOSE ASSY / #8 4650MM From F-5760	1	
3	032741	HOSE ASSY / #8 700MM To B-5001	1	
3	033250	HOSE ASSY / #8 705MM To B-5001	1	A
3	032897	HOSE ASSY / #8 500MM From B-5002	1	
3	033244	HOSE ASSY / #8 500MM From B-5002	1	A
4	952629	CLAMP / 5/8" I.D.	3	
5	952631	CLAMP / 3/4" I.D.	AR	
6	500574	SCREW MA TR PH #10-24x1 1/4 SS	3	
7	500914	WASHER LO SPT .193x.334x.047 N500	3	
8	502882	NUT HEX #10-24 N500	3	
9	507659	MALE CONNECTOR SWIVEL / JIC 37° @ METRIC24° / #8JIC-MxM18-1.5 W/24° O-RING-F	1	
10	502830	SCREW CAP HEX M6-1.0x20 G8.8 N500	3	
11	502681	NUT HEX NYRT M6-1.0 N500 G8	3	
12	5000343	SCREW CAP HEXF M10-1.5x30 G10.9 N500	2	
13	5001737	WASHER LO SPT 10.2x18.1x2.2 N500	2	
14	032679	SUPPORT "FUEL PRO" (WELDED AT STRUCTURE)	1	
15	500623	SCREW TC PAN PH #10-24x3/4 N500	1	
16	500855	WASHER FL .188x.438x.049 N500	1	
17	964016	ELBOW	1	
18	507662	MALE CONNECTOR SWIVEL / JIC 37° @ METRIC24° / #6JIC-MxM16-1.5 W/24° O-RING-F	1	
19	032758	SUPPORT FUEL LINE To B-5001	1	
19	032911	SUPPORT FUEL LINE From B-5002 To B-5074	1	
19	033185	SUPPORT FUEL LINE From B-5075 To E-5458	1	
19	033946	SUPPORT FUEL LINE From E-5459	1	
20	5001654	WASHER FL 6.4x17.0x3.0 SS	2	
21	502570	WASHER LO SPT 6.1x11.8x1.6 SS	2	
22	5001648	SCREW CAP HEXS M6-1.0x18 SS BK	2	
23	952629	CLAMP / 5/8" I.D. To F-5868	1	

From 8-9457 To H-6179	Date:01/2024	PAGE:X3-0312-12
FUEL PRO - INSTALLATION WITH VOLVO D13		

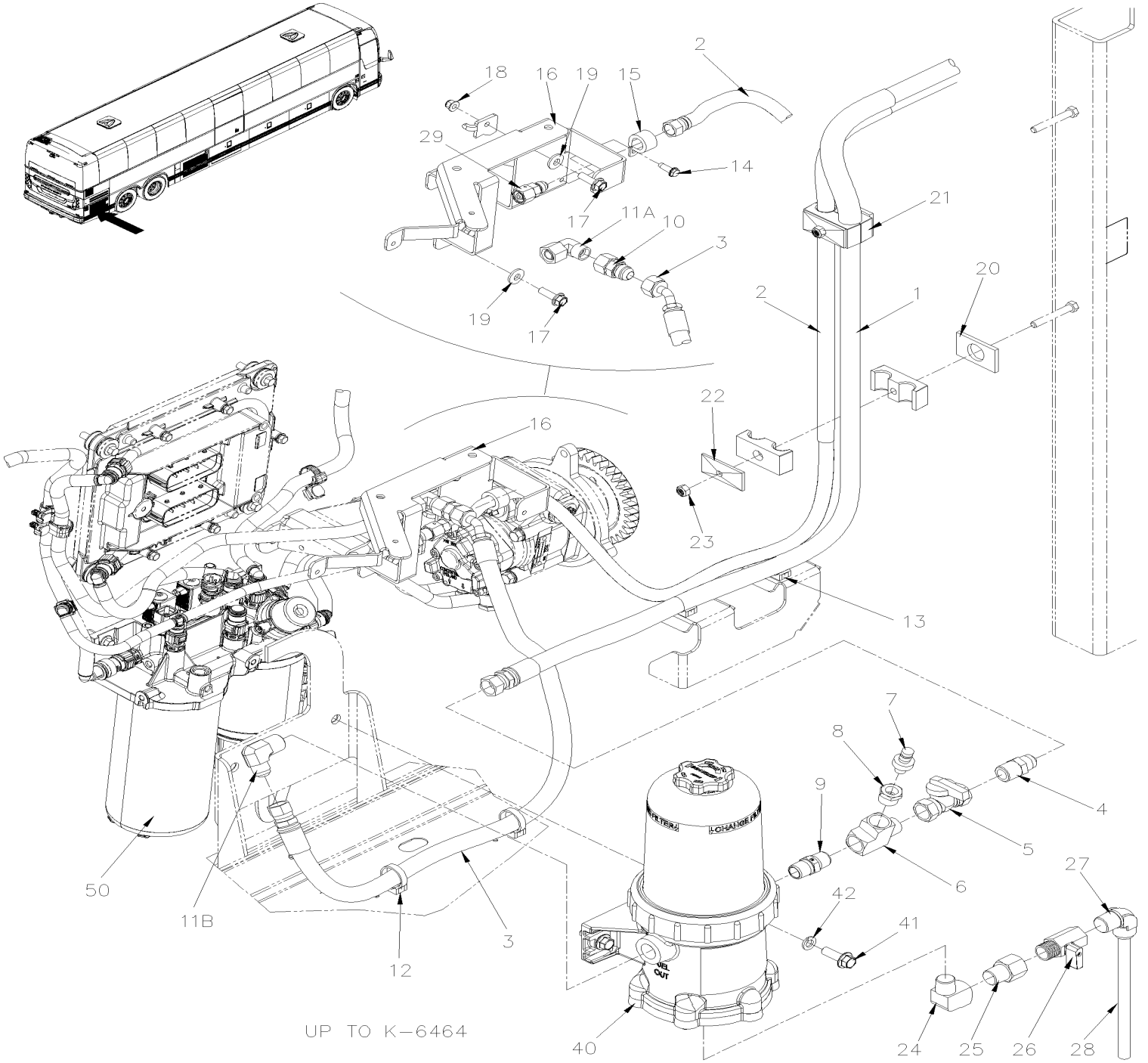
Item#	Part	Description	QTY	Notes
23	5001986	CLAMP / SS / SILICONE RUBBER / 5/8" I.D. x .281 HOLE From F-5869	1	
24	5001598	SCREW CAP HEXS M8-1.25x30 SS	1	
25	5001341	WASHER FL 8.4x17.0x1.6 SS	1	
26	5001161	WASHER LO SPT 8.1x14.8x2.0 SS-304	1	
27	952635	CLAMP / 1" I.D.	1	
31	X3-0311-15	FUEL FILTER / "PRO 382" To E-5523		
31	X3-0311-16	FUEL FILTER / "PRO 382" From E-5524		
32	501528	STREET ELBOW 45° / PIPE FITTING / 1/2NPT-Mx1/2NPT-F BR	1	
33	5011067	NIPPLE HEX / PIPE FITTING / 1/2NPT-Mx1/2NPT-Mx1 13/16 BR	1	
34	530096	BALL VALVE 1/2" NPT 1/2 NPT F x 1/2 NPT F	1	
35	501616	MALE CONNECTOR / SAE 45° FITTING / #8FL-Mx1/2NPT-M BR	1	
36	501739	MALE CONNECTOR / JIC 37° FITTING / #8JIC-Mx1/2NPT-M STL	1	
37	507557	STREET ELBOW 90° / PIPE FITTING / 1/2NPT-Mx1/2NPT-F BR	1	
38	501618	MALE CONNECTOR / SAE 45° FITTING / #6FL-Mx1/2NPT-M BR	1	
39	032614	HOSE ASSY / #8 420MM	1	
40	501845	SWIVEL NUT ELBOW 90° LONG / JIC 37° FITTING / #8JIC-Fx#8JIC-Mx1.86 STL	1	
42	501473	MALE RUN TEE / PIPE FITTING / 1/2NPT-Mx1/2NPT-Fx1/2NPT-F BR	1	
43	501316	BUSHING REDUCER / PIPE FITTING / 1/2NPT-Mx1/4NPT-F BR	1	
44	504706	NIPPLE / QUICK DISCONNECT "SAE J1502" / #4x1/4NPT-M STL W/DUST CAP	1	
NS	195533	DUST CAP / QUICK DISCONNECT "SAE J1502" / #4	1	
47	20405160	FUEL FILTER (LONG)	1	
47	20972293	FUEL FILTER (LONG) MAIN / PRINCIPAL	1	
48	20879806	FUEL FILTER WATER SEPARATOR	1	
49	20771580	BOWL / W/WATER DETECTOR IN FUEL UAUXFUEL	1	
49	Refer To Volvo	BOWL AF-E	1	V
		A) SERVICE ONLY		
		S) SERVICE		
		V) SEE IMPACT OR CALL ORDER DESK		

From H-6180

Date:01/2024

PAGE:X3-0312-13

FUEL PRO - INSTALLATION WITH VOLVO D13 - GHG17

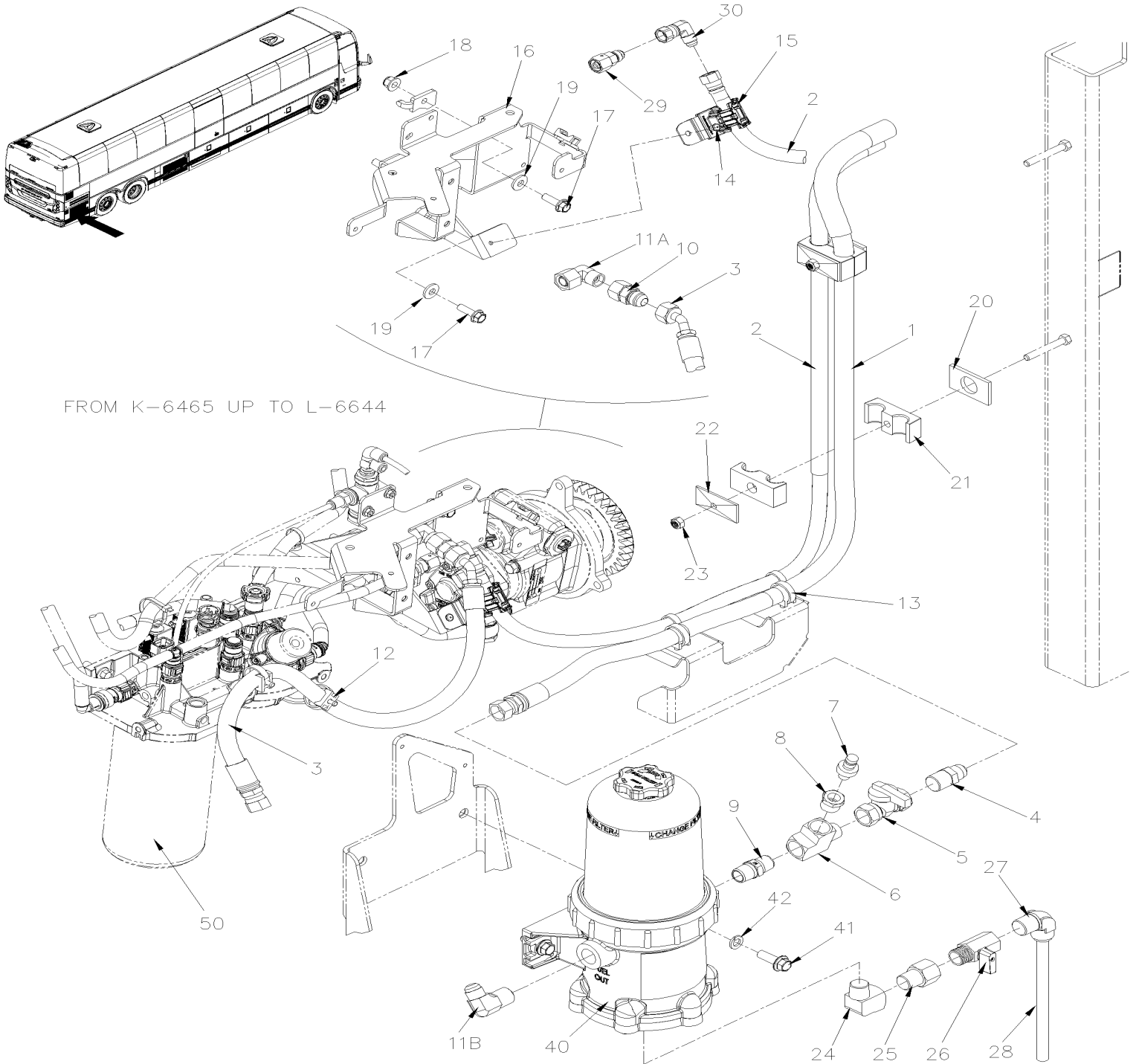


From H-6180

Date:01/2024

PAGE:X3-0312-13

FUEL PRO - INSTALLATION WITH VOLVO D13 - GHG17

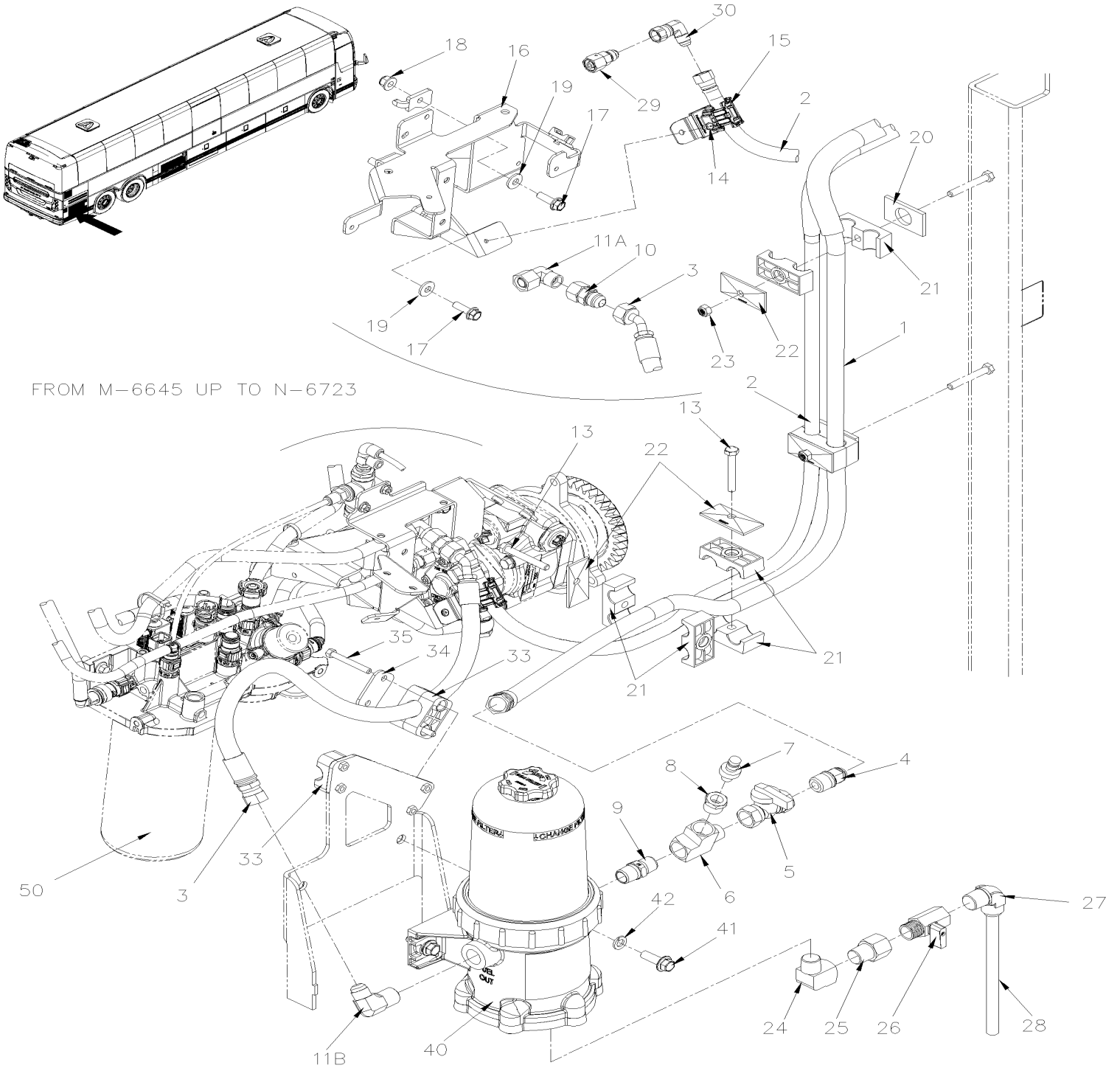


From H-6180

Date:01/2024

PAGE:X3-0312-13

FUEL PRO - INSTALLATION WITH VOLVO D13 - GHG17



From H-6180		Date:01/2024	PAGE:X3-0312-13
FUEL PRO - INSTALLATION WITH VOLVO D13 - GHG17			

Item#	Part	Description	QTY	Notes
1	033028	HOSE ASSY / #8 4650MM	1	
2	033029	HOSE ASSY / #6 4560MM To L-6644	1	
2	030154	HOSE ASSY / #6 4560MM From M-6645	1	
. NS	505181	. COIL PROTECTOR / PLASTIC / #8 From M-6645	AR	
3	033212	FUEL HOSE ASSY / #8 755MM To N-6723	1	
3	033239	FUEL HOSE ASSY / #8 755MM To N-6723	1	B
3	030222	HOSE ASSY / #8 830MM From N-6724 To P-6816	1	
3	033251	HOSE ASSY / #8 830MM From P-6817	1	
4	501616	MALE CONNECTOR / SAE 45° FITTING / #8FL-Mx1/2NPT-M BR To L-6644	1	
4	501145	MALE ELBOW 45° / SAE 45° FITTING / #8FL-Mx1/2NPT-M BR From M-6645	1	
5	530096	BALL VALVE 1/2" NPT 1/2 NPT F x 1/2 NPT F	1	
6	501473	MALE RUN TEE / PIPE FITTING / 1/2NPT-Mx1/2NPT-Fx1/2NPT-F BR	1	
7	504706	NIPPLE / QUICK DISCONNECT "SAE J1502" / #4x1/4NPT-M STL W/DUST CAP	1	
. NS	195533	. DUST CAP / QUICK DISCONNECT "SAE J1502" / #4	1	
8	501316	BUSHING REDUCER / PIPE FITTING / 1/2NPT-Mx1/4NPT-F BR	1	
9	5011067	NIPPLE HEX / PIPE FITTING / 1/2NPT-Mx1/2NPT-Mx1 13/16 BR	1	
10	507659	MALE CONNECTOR SWIVEL / JIC 37° @ METRIC24° / #8JIC-MxM18-1.5 W/24° O-RING-F	1	
11A	964016	ELBOW To £-23026	1	
11A	940177	ELBOW From £-23026	1	
11B	5011061	MALE ELBOW 90° / JIC 37° FITTING / #8JIC-Mx1/2NPT-M STL	1	
12	504013	TIE MOUNT / 1/4" X 1/4" I.D. To L-6644	2	
12	504016	CABLE TIE / 5/16" X 14"1/2 To L-6644	2	
12	504379	RIVET POP DOME OE 3/16x1/4 SS To L-6644	2	
13	504013	TIE MOUNT / 1/4" X 1/4" I.D. To L-6644	4	
NS	504357	WASHER FL .187x.437x.050 SS To L-6644	4	
NS	504488	RIVET MGLP PRDG 3/16x17/64 SS To L-6644	4	
13	5001178	SCREW CAP HEX M8-1.25x60 SS BK From M-6645	2	
14	502848	SCREW TC CAP HEXF 1/4-20x3/4 N500 To K-6464	1	
14	504488	RIVET MGLP PRDG 3/16x17/64 SS From K-6465	1	
15	5001986	CLAMP / SS / SILICONE RUBBER / 5/8" I.D. x .281 HOLE To K-6464	1	
15	504193	CLAMP P SS PA 12.7-19.5 ID From K-6465	1	
16	010043	SUPPORT FUEL LINE To K-6464	1	
16	010293	SUPPORT FUEL LINE From K-6465	1	
17	5001643	SCREW CAP HEXF M8-1.25x25 G8.8 G500	3	
18	5001932	NUT HEXF NYRT M6-1.0 G8.8 N500	1	
19	500321	WASHER BEL SPR .331x.827x.098 N500	3	
20	069465	SHIM FOR CLAMP	2	
21	504727	CLAMP DOUBLE ASS / 2 HOSE SIZE 3/8" To L-6644	2	
21	504208	CLAMP DOUBLE ASS / SPLIT BLOC / 19MM/15MM x 67MM POLYA From M-6645	4	
22	504728	PLATE RETAINER To L-6644	2	
22	504177	PLATE RETAINER 79MM SS From M-6645	4	
23	5001983	NUT HEX NYRT M8-1.25 SS SS BK	2	

From H-6180	Date:01/2024	PAGE:X3-0312-13
FUEL PRO - INSTALLATION WITH VOLVO D13 - GHG17		

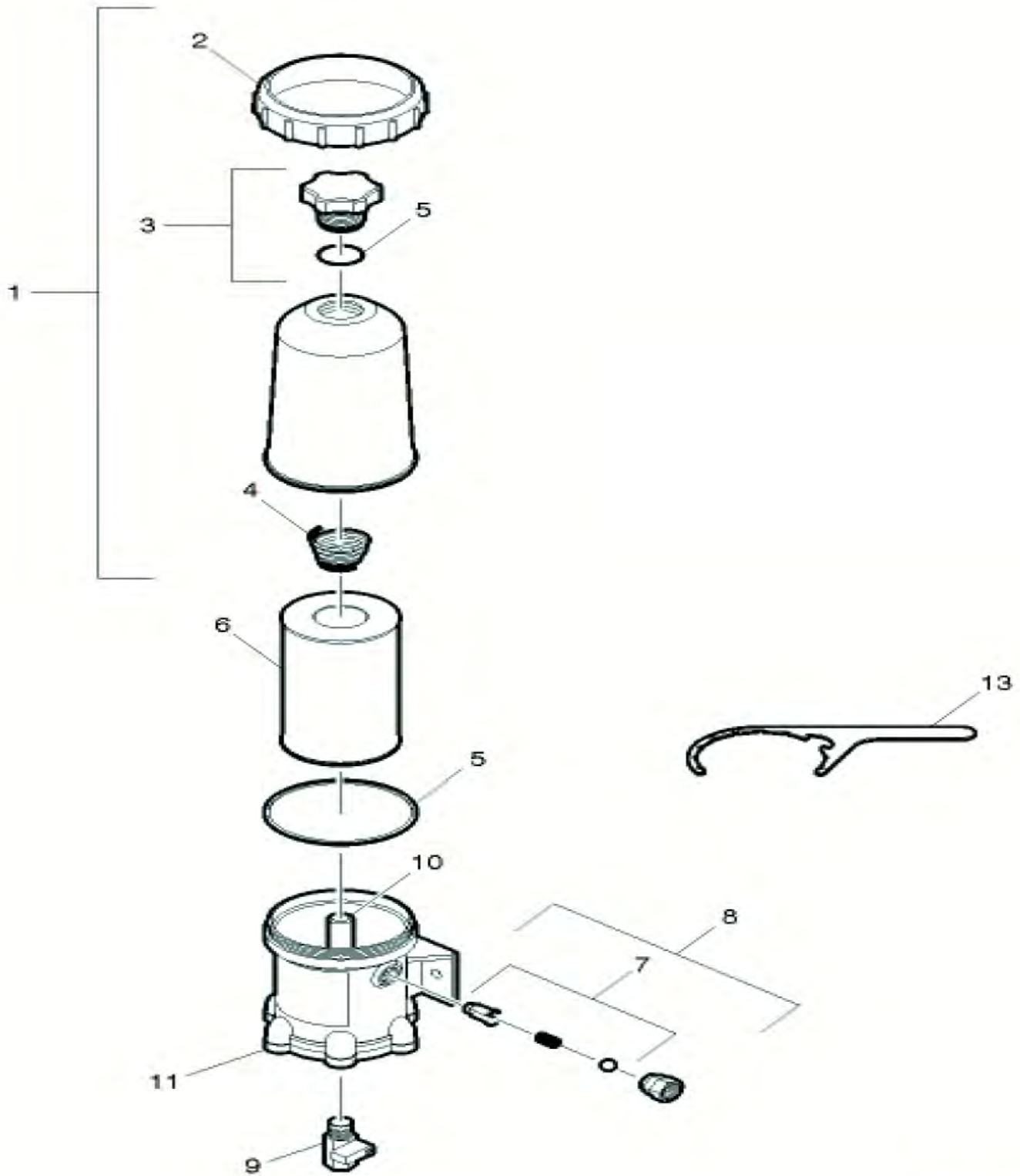
Item#	Part	Description	QTY	Notes
24	507557	STREET ELBOW 90° / PIPE FITTING / 1/2NPT-Mx1/2NPT-F BR To N-6723	1	
25	5011119	ADAPTER / PIPE FITTING / 1/2NPT-Fx1/2NPT-M BR To N-6723	1	
26	G1093949	DRAIN VALVE To N-6723	1	A
27	641378	MALE ELBOW 90° / PUSH-IN FITTING / #8x1/2NPT-M BRASS To N-6723	1	
27	641383	MALE CONNECTOR / PUSH-IN FITTING / #8x1/2NPT-M BR From N-6724 To P-6785	1	
27	504018	HOSE CLAMP / 7/16"-1" SS / HS-8 From P-6786	1	
28	033214	PNEU. PIPE, NYL. BLACK 1/2 OD #8 200MM To P-6785	1	
NS	503488	TUBE, NYLON 1/2 O.D. / BLACK S.L./ To P-6785	AR	
28	503523	HOSE SILICONE 1PLY 3/4" I.D. x 100' / S.L. From P-6786	AR	
29	507662	MALE CONNECTOR SWIVEL / JIC 37° @ METRIC24° / #6JIC-MxM16-1.5 W/24° O-RING-F	2	
30	5011359	SWIVEL NUT ELBOW 90° / JIC 37° FITTING / #6JIC-Fx#6JIC-M STL From K-6465	1	
33	504164	CLAMP SIMPLE ASS / SPLIT BLOC / 19MM x 50MM x 33MM C/C POLYA From M-6645	2	
34	504165	PLATE RETAINER 33MM C/C SS From M-6645	2	
35	5002123	SCREW CAP HEX M6-1.0x60 SS NSS From M-6645	4	
40	22188830	FILTER ASSY "FUEL PRO 382" UNHEATED To N-6723		
40	530021	FILTER ASSY "FUEL PRO 386" UNHEATED From N-6724 To P-6785	1	
40	530069	FILTER ASSY "FUEL PRO 386" UNHEATED From P-6786	1	
41	5000343	SCREW CAP HEXF M10-1.5x30 G10.9 N500	2	
42	5001737	WASHER LO SPT 10.2x18.1x2.2 N500	2	
50	Refer To Volvo	HOUSING FUEL FILTER ASSY W/PRIMER PUMP	1	V
		A) AS REFERENCE ONLY, BUY WITH ITEM #40		
		B) SERVICE ONLY		
		V) SEE IMPACT OR CALL ORDER DESK		

To N-6723

Date:01/2024

PAGE:22188830

FILTER ASSY "FUEL PRO 382" UNHEATED



R1103003

To N-6723	Date:01/2024	PAGE:22188830
-----------	--------------	---------------

FILTER ASSY "FUEL PRO 382" UNHEATED

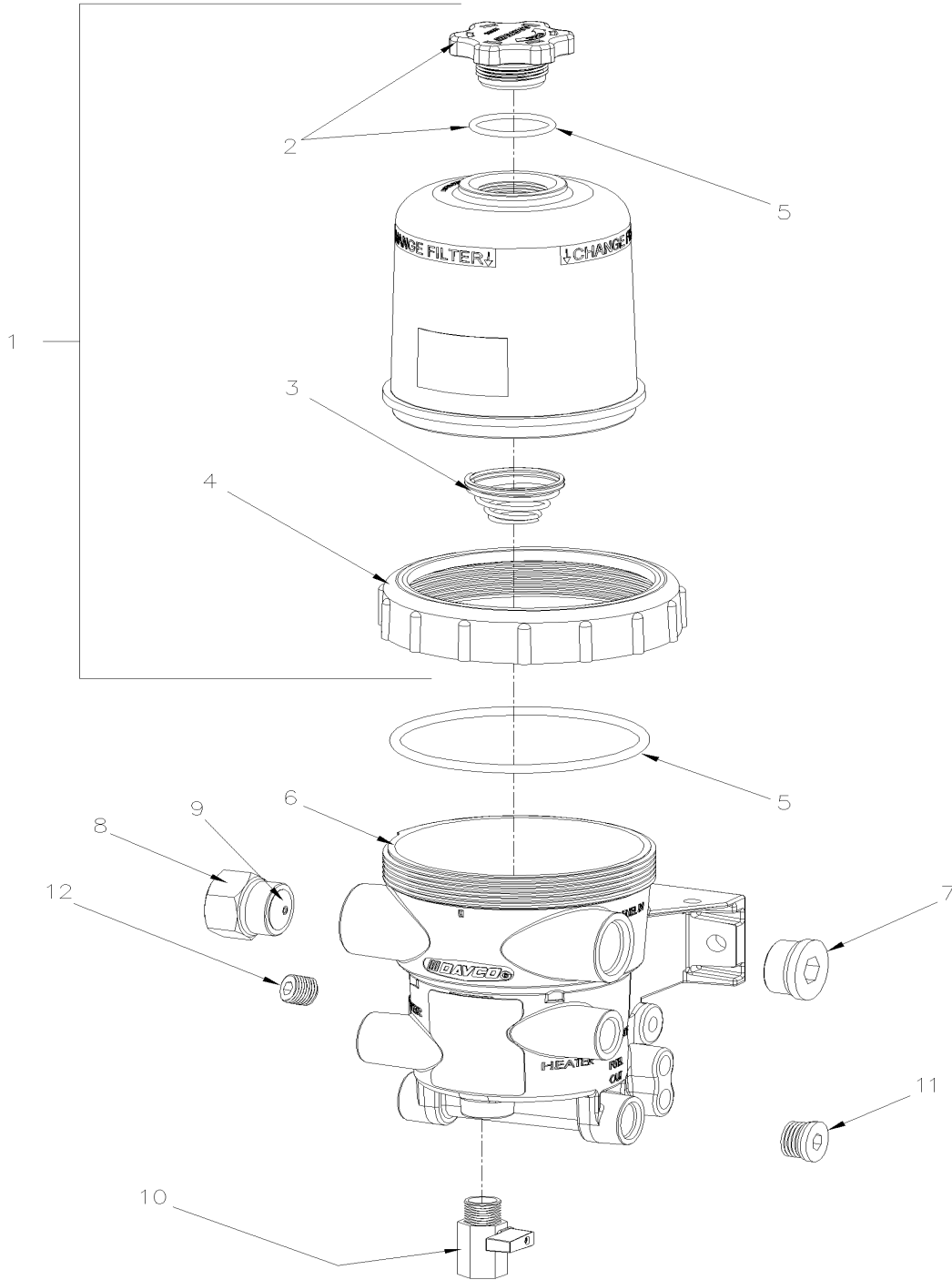
Item#	Part	Description	QTY	Notes
1	530217	COVER ASSEMBLY INCLUDES ITEMS 1, 2, 3, 4	1	
2	531441	COLLAR, COVER	1	
3	530218	VENT CAP SERVICE KIT	1	
4	3099140	SPRING	1	
5	3946029	O-RING SET	1	
. A	N.S.S.	. ANTI TAMPER SEAL	1	1
. B	N.S.S.	. O-RING	1	1
6	530219	FILTER ELEMENT 25 MICRON	1	
7	530220	CHECK VALVE SERVICE KIT	1	
8	530221	CHECK VALVE ASSEMBLY INCLUDES ITEM 7	1	
9	G1093949	DRAIN VALVE	1	
10	19506118	STUD 13/16-12 X 7/8-14	1	
11	530222	BOTTOM PLATE	1	
13	530224	WRENCH	1	
		1) NOT SOLD SEPARATELY		

From N-6724 To P-6785

Date:01/2024

PAGE:530021

FILTER ASSY "FUEL PRO 386" UNHEATED

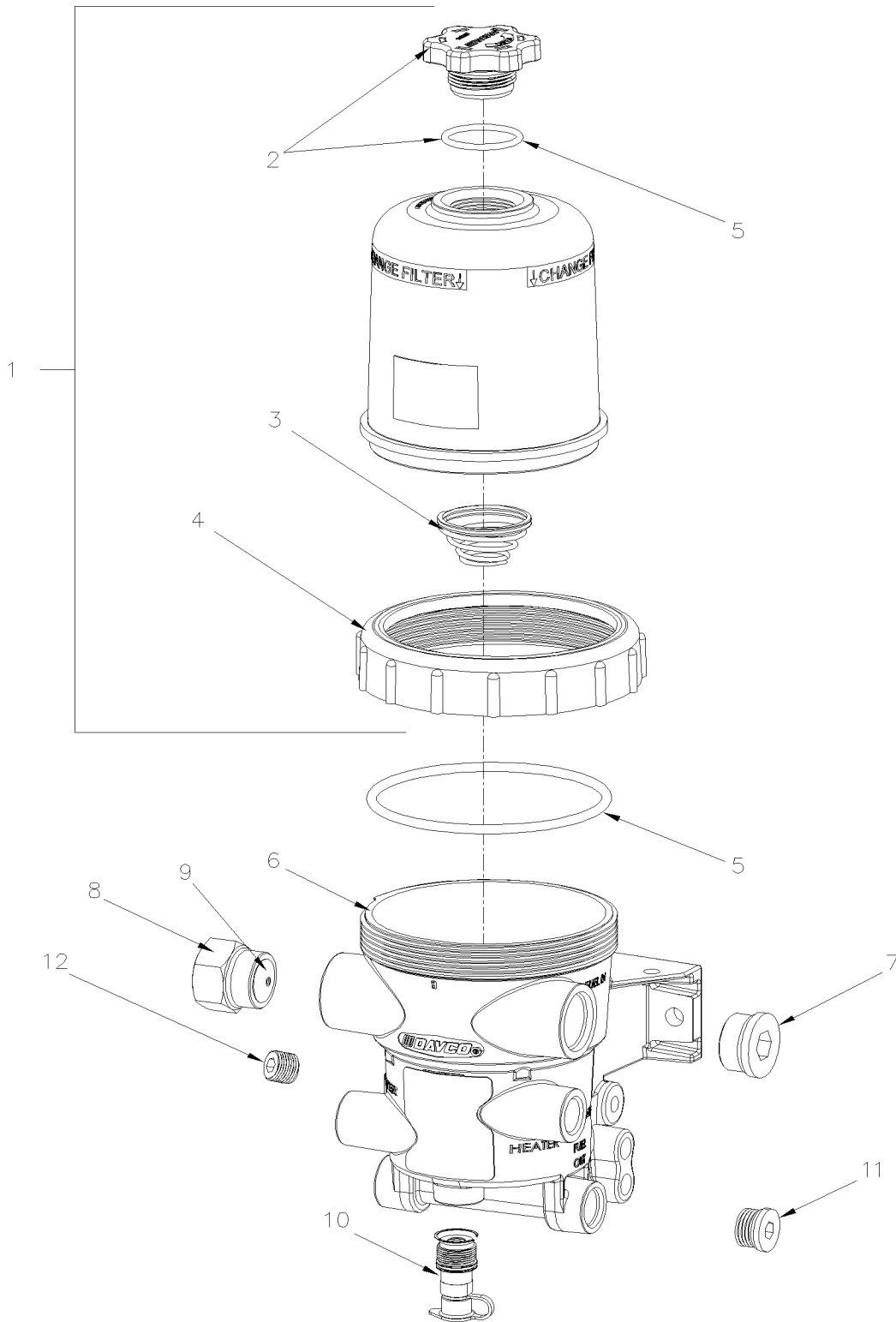


From N-6724 To P-6785	Date:01/2024	PAGE:530021
-----------------------	--------------	-------------

FILTER ASSY "FUEL PRO 386" UNHEATED

Item#	Part	Description	QTY	Notes
1	530031	COVER SERVICE KIT	1	
2	530063	. VENT CAP & O-RING SERVICE KIT	1	
3	530062	. SPRING FILTER	1	
4	530033	. COLLAR	1	
5	530034	O-RING SERVICE KIT	1	
6		HOUSING	1	
7	530040	PLUG (FUEL-IN)	1	
8	530044	CHECK VALVE 1/2NPT	1	
9	530045	UMBRELLA VALVE	1	
10	530048	DRAIN VALVE 1/2NPT	1	
11	530064	PLUG 7/8-14	1	
12	530054	PLUG	1	
NS	530057	FILTER ELEMENT 10 MICRON	1	
NS	530055	COMPOSITE WRENCH	1	
NS	530056	METAL WRENCH WITH HANDLE	1	
NS	530065	HEAVY DUTY WRENCH	1	

FILTER ASSY "FUEL PRO 386" UNHEATED



From P-6786	Date:01/2024	PAGE:530069
-------------	--------------	-------------

FILTER ASSY "FUEL PRO 386" UNHEATED

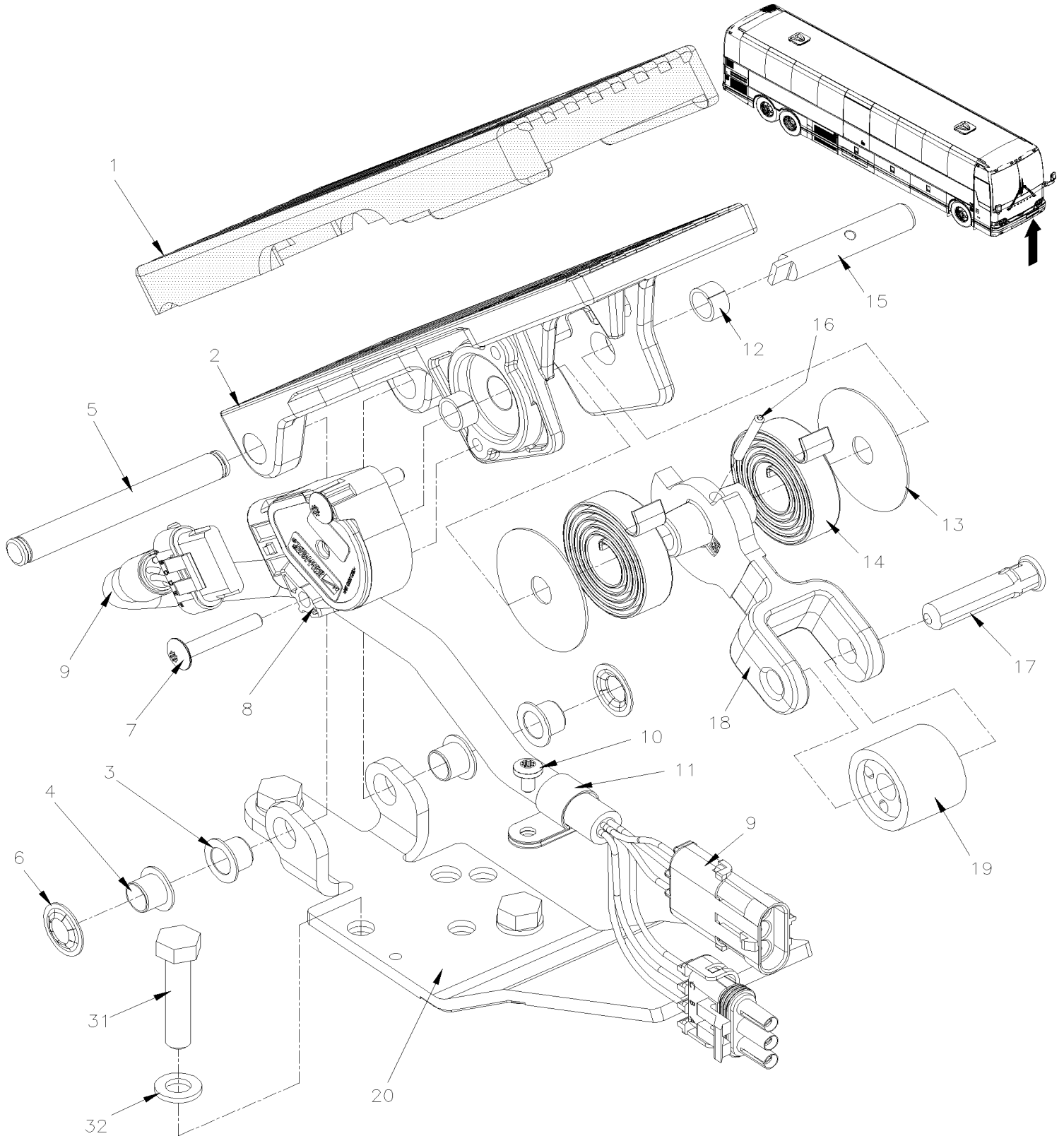
Item#	Part	Description	QTY	Notes
1	530031	COVER SERVICE KIT	1	
2	530063	. VENT CAP & O-RING SERVICE KIT	1	
3	530062	. SPRING FILTER	1	
4	530033	. COLLAR	1	
5	530034	O-RING SERVICE KIT	1	
6		HOUSING	1	
7	530040	PLUG (FUEL-IN)	1	
8	530044	CHECK VALVE 1/2NPT	1	
9	530045	UMBRELLA VALVE	1	
10	530083	KIT, DRAIN SERVICE	1	
11	530064	PLUG 7/8-14	1	
12	530054	PLUG	1	
NS	530057	FILTER ELEMENT 10 MICRON	1	
NS	530055	COMPOSITE WRENCH	1	
NS	530056	METAL WRENCH WITH HANDLE	1	
NS	530065	HEAVY DUTY WRENCH	1	

From 7-8754

Date:01/2024

PAGE:X3-0315-10

ACCELERATOR PEDAL - ELECTRONIC



From 7-8754	Date:01/2024	PAGE:X3-0315-10
-------------	--------------	-----------------

ACCELERATOR PEDAL - ELECTRONIC

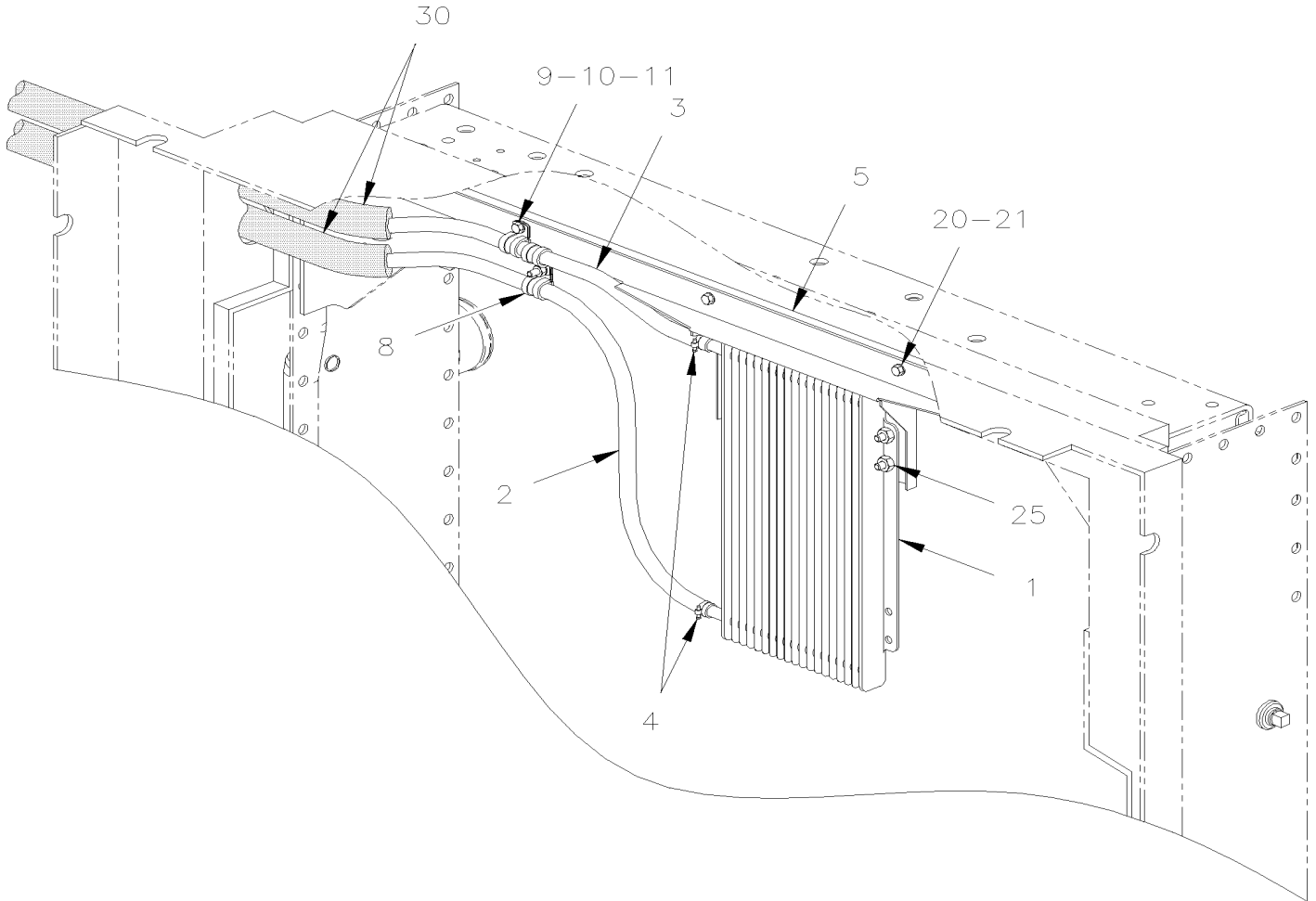
Item#	Part	Description	QTY	Notes
	531455	ACCELERATOR PEDAL ASSY To 9-9602	1	
	531483	ACCELERATOR PEDAL ASSY /W/5V SENSOR "DETROIT" From 9-9603 To B-5001	1	
	531487	ACCELERATOR PEDAL ASSY / W0-32V SENSOR "VOLVO" "VOLVO" From 8-9451	1	W
1	531401	. THREADLE COVER	1	
2	N.S.S.	. THREADLE	1	1
3	N.S.S.	. BUSHING, INNER	2	1
4	507260	. BUSHING NYLINER W/SHOULDER .375x.437x.375x.594	2	
5	N.S.S.	. PIN, THREADLE	1	1
6	N.S.S.	. RING, SNAP 5/16" I.D.	3	1
7	500427	. SCREW MA RND PH #10-32x1 1/4 ZP	2	
8	531402	. POTENTIOMETER PEDAL SENSOR 0-5V To B-5001	1	
8	568084	. POTENTIOMETER PEDAL SENSOR 0-32V From 8-9451	1	W
9	N8887087	. WIRE HARNESS	1	
10	500883	. . SCREW TC PAN PH #8-32x3/8 Z050	2	
11	N.S.S.	. . CLIP	2	1
12	N.S.S.	. BUSHING, GARLOCK	2	1
13	N.S.S.	. THRUST, WASHER-OUTER	2	1
13	N.S.S.	. THRUST, WASHER-INNER	2	1
14	N.S.S.	. SPRING	2	1
15	N.S.S.	. SHAFT SENSOR DRIVE	1	1
16	505208	. SPRING, PIN 1/8 X 7/8	1	
17	N.S.S.	. ROLLER, PIN	1	1
18	N.S.S.	. LEVER, THREADLE	1	1
19	N.S.S.	. ROLLER	1	1
20	531462	. BASE PLATE / (includes item #5)	1	
NS	531393	KIT REPAIR / LOWER THREADLE PIN	1	A
NS	531394	KIT REPAIR / ROLLER	1	B
31	5001814	SCREW CAP HEX 5/16-18X1 1/2 G5 N500 To J-6230	3	
31	5001992	SCREW CAP HEX SLO 5/16-18x1 1/2 SS From J-6231	3	
32	500942	WASHER LO SPT 8.1x14.8x2.0 N500 To J-6230	3	
32	5001341	WASHER FL 8.4x17.0x1.6 SS From J-6231	3	
NS	680067	SEALANT TAPE BUTYL / BLACK / 1/8"x3/4"x25' / 75211E760	AR	
		A) INCLUDES ITEMS #3-4-5-6		
		B) INCLUDES ITEMS 6, 18, 19		
		W) SEE "WARRANTY" BULLETIN # 10-33		
		1) NOT SOLD SEPARATELY		

From 7-8754 To 8-9276

Date:01/2024

PAGE:X3-0316-00

FUEL COOLER - INSTALLATION



From 7-8754 To 8-9276	Date:01/2024	PAGE:X3-0316-00
FUEL COOLER - INSTALLATION		

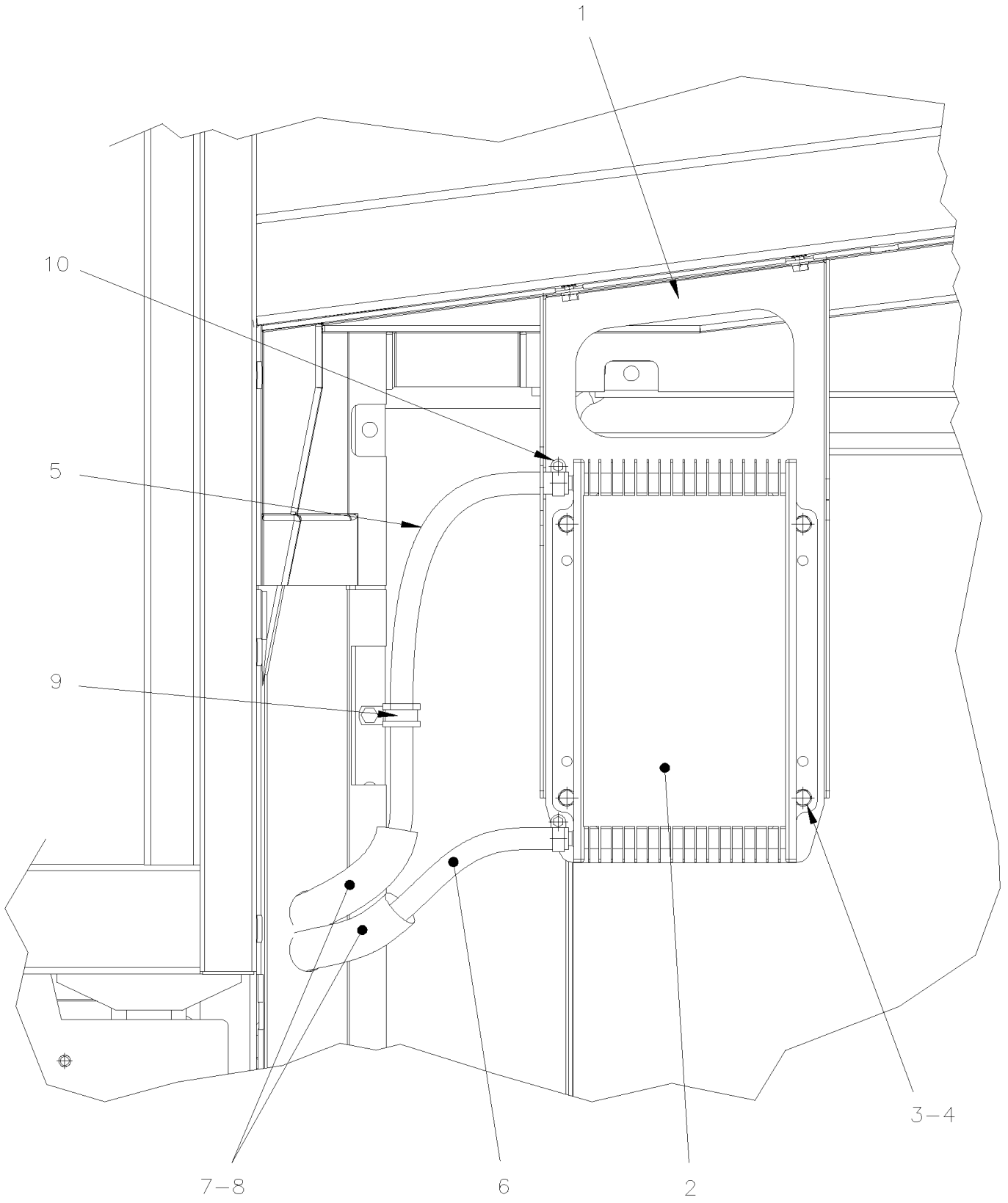
Item#	Part	Description	QTY	Notes
1	531422	FUEL COOLER	1	
2	032565	HOSE ASSY / FROM CYLINDER HEAD / #6 2650MM	1	
2	033236	HOSE ASSY / FROM CYLINDER HEAD / #6 2650MM	1	A
NS	5011260	FEMALE CONNECTOR SWIVEL / PUSH-LOK FITTING / #8FL-Fx#6 BR	1	
3	032097	HOSE ASSY / #6 7991MM	1	
3	033221	HOSE ASSY / #6 7991MM	1	A
4	504230	HOSE CLAMP / 3/8"-7/8" SS / HS-6	AR	
5	032477	SUPPORT FUEL COOLER	1	
8	952629	CLAMP / 5/8" I.D.	AR	
NS	031701	SUPPORT HOSE FUEL	2	
9	500574	SCREW MA TR PH #10-24x1 1/4 SS	AR	
10	500914	WASHER LO SPT .193x.334x.047 N500	AR	
11	502882	NUT HEX #10-24 N500	1	
20	502830	SCREW CAP HEX M6-1.0x20 G8.8 N500	5	
21	502853	WASHER LO SPT 6.1x11.8x1.6 N500	1	
25	500836	SCREW CAP HEX 5/16-18x3/4 G5 N500	2	
30	033184	HOSE PROTECTOR 300MM	2	
		A) SERVICE ONLY		

From 8-9277 To B-5001

Date:01/2024

PAGE:X3-0316-01

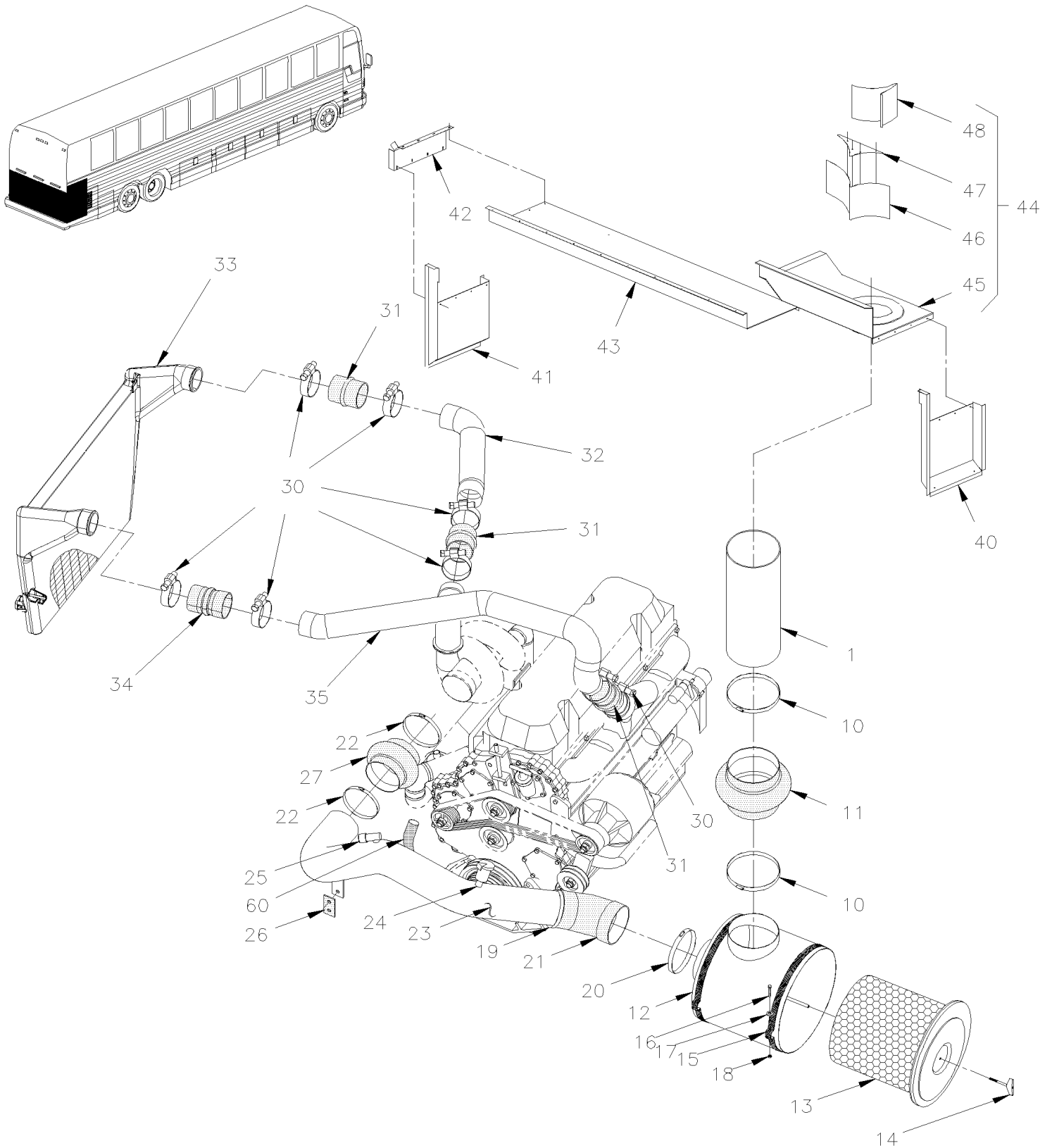
FUEL COOLER - INSTALLATION



From 8-9277 To B-5001	Date:01/2024	PAGE:X3-0316-01
FUEL COOLER - INSTALLATION		

Item#	Part	Description	QTY	Notes
1	052772	SUPPORT FUEL COOLER	1	
2	531422	FUEL COOLER	1	
3	955269	SCREW CAP HEX M6-1.0x12 G8.8 ZG603	4	
4	502853	WASHER LO SPT 6.1x11.8x1.6 N500	4	
5	032726	HOSE ASSY / #6 7600MM	1	
5	033001	HOSE ASSY / #6 7800MM	1	S
6	032727	HOSE ASSY / #6 2000MM	1	
6	032995	HOSE ASSY / #6 2200MM	1	S
7	033184	HOSE PROTECTOR 300MM	1	
8	504637	CABLE TIE / 3/16" x 13"	1	
9	952629	CLAMP / 5/8" I.D.	2	
10	504014	HOSE CLAMP / 1/4"-5/8" SS / HM-4	2	
		S) SERVICE		

AIR FILTER & INTAKE - INSTALLATION WITH DETROIT S-60



From 7-8754 To 8-9276	Date:01/2024	PAGE:X3-0330-00
AIR FILTER & INTAKE - INSTALLATION WITH DETROIT S-60		

Item#	Part	Description	QTY	Notes
1	032392	TUBE 8" O.D. X 5 3/4"	1	
10	504415	HOSE CLAMP / 7"1/4-9"1/4 SS / HS-152	2	
11	531403	HOSE 8" I.D. 3"	1	
12	530206	FILTER AIR 18"	1	
13	530197	. ELEMENT AIR FILTER 18"	1	
14	531420	. NUT WING 1/2-13 NY	1	
15	031465	STRAP MOUNTING / W/18" AIR FILTER	2	
16	500183	SCREW CAP HEX 5/16-18x1 1/2 G5 PT Z050	2	
17	500441	WASHER FL .312x.734x.065 Z050	2	
18	500777	NUT HEX STO 5/16-18 Z050	2	
19	504031	HOSE CLAMP / 5"-7" SS / HS-104	1	
20	504229	HOSE CLAMP / 6"1/2-8"1/2 SS / HS-100	1	
21	530169	ELBOW 45° DEGRES / REDUCER 7" X 6"	1	
22	504324	HOSE CLAMP / 4"1/2-6"1/2 SS / HS-96	3	
23	032562	PIPE 5 1/2" O.D. / AIR FILTER & TURBO	1	
NS	510848	HUMIDITY SENSOR 3/8" NPT / FIXED AT PIPE NEAR TURBO	1	
NS	563404	CONNECTOR / APEX 2.8MM / SH 2C / BLACK / FCI 54200206	1	
NS	563276	SOCKET TERMINAL / FCI J5-1811-66AU	2	
24	510022	CUP ETHER	1	
NS	530121	GAUGE AIR RESTRICTION INDICATOR 1/8" NPT WITH HOSE	1	
25	530193	GAUGE AIR RESTRICTION 15" H2O / (AS SHOWN) 1/8" NPT	AR	
25	530161	GAUGE AIR RESTRICTION 20" H2O 1/8" NPT	AR	
NS	031904	SUPPORT / TO FIX GAUGE RESTRICTION	1	
26	040535	MUFFLER CONNECTION	AR	
NS	032540	SPACER 1/2" O.D.X 12MM SS	2	
27	530102	REDUCER RUBBER / 5 1/2" X 5" DIA.	1	
30	032543	HOSE CLAMP SPRING LOAD / MODIFIED "PREVOST" / 4"1/8-4"7/16	AR	
. NS	531386	. HOSE CLAMP SPRING LOAD / HEAVY DUTY 4"1/8-4"7/16	1	
. NS	502930	. SPRING COMPRESSION / .975 O.D. x 1.5 x .225	1	
. NS	500401	. WASHER FL .343x.875x.125 N500	1	
. NS	500897	. WASHER FL .437x1.000x.083 N500	2	
31	531467	HOSE / W/2 RING / 4" I.D. 7" / 500°F	3	
32	052580	PIPE 4" O.D. / AIR COOLER & TURBO	1	
33	550845	AIR COOLER ASSY	1	
. NS	MI06-02	. SEE MAINTENANCE INFORMATION	1	
33	550968	AIR COOLER ASSY TitanX	1	
33	550978	AIR COOLER ASSY Dura-Lite	1	
34	531469	HOSE / W/2 RING / 4" I.D. 8" / 500°F	1	
35	032472	PIPE 4" O.D. / AIR COOLER & MANIFOLD	1	
40	215302	AIR INTAKE R.H.	1	
41	215303	AIR INTAKE L.H.	1	
42	031760	ANGLE CLOSING L.H. DUCT	1	

From 7-8754 To 8-9276	Date:01/2024	PAGE:X3-0330-00
-----------------------	--------------	-----------------

AIR FILTER & INTAKE - INSTALLATION WITH DETROIT S-60

Item#	Part	Description	QTY	Notes
43	215320	DUCT CENTER PART 1622MM	1	
44	031767P	BOX ASSY / FIBERGLASS	1	
45	031754	. FIBERGLASS BOX	1	
46	031769	. DEFLECTOR FRONT	1	
47	031775	. COVER FRONT DEFLECTOR	1	
48	031757	. DEFLECTOR REAR	1	
NS	500642	SCREW TP PAN PH #10x3/4 Z050	AR	
NS	500641	SCREW TP PAN PH #8x3/4 Z050	AR	
NS	504528	HOLE PLUG BUTTON / .437 O.D. BLACK	3	
60	142290	HOSE / (SUCTION AIR COMPRESSOR) / #16 870MM	1	B
NS	5011240	MALE CONNECTOR / BEADED HOSE BARB / #16x3/4NPT-M BR	1	
NS	952641	CLAMP / 1 5/16" I.D.	1	
NS	500659	SCREW TC PAN PH #10-32x1 Z050	1	
		B) TO AIR COMPRESSOR		

From 8-9277 To B-5001	Date:01/2024	PAGE:X3-0330-01
AIR FILTER & INTAKE - INSTALLATION WITH DETROIT S-60		

Item#	Part	Description	QTY	Notes
1	032392	TUBE 8" O.D. X 5 3/4"	1	
10	504415	HOSE CLAMP / 7"1/4-9"1/4 SS / HS-152	2	
11	531403	HOSE 8" I.D. 3"	1	
12	530206	FILTER AIR 18"	1	
13	530197	. ELEMENT AIR FILTER 18"	1	
14	531420	. NUT WING 1/2-13 NY	1	
15	031465	STRAP MOUNTING / W/18" AIR FILTER	2	
16	502927	SCREW CAP HEX M8-1.25x50 G8.8 N500	2	
17	192288	WASHER FL 8.4x18.0x2.0 ZG603	2	
18	946036	NUT HEX STO M8-1.25 ZG603	2	
19	504031	HOSE CLAMP / 5"-7" SS / HS-104	1	
20	504229	HOSE CLAMP / 6"1/2-8"1/2 SS / HS-100	3	
21	530169	ELBOW 45° DEGRES / REDUCER 7" X 6"	1	
21	531475	ELBOW 68° DEGRES / REDUCER 7" X 6"	1	
22	504324	HOSE CLAMP / 4"1/2-6"1/2 SS / HS-96	3	
23	032672	PIPE 5 1/2" O.D. / AIR FILTER & TURBO	1	
23	032816	PIPE 5 1/2" O.D. / AIR FILTER & TURBO	1	A
NS	510848	HUMIDITY SENSOR 3/8" NPT / FIXED AT PIPE NEAR TURBO	1	
NS	563404	CONNECTOR / APEX 2.8MM / SH 2C / BLACK / FCI 54200206	1	
NS	563276	SOCKET TERMINAL / FCI J5-1811-66AU	2	
24	504257	HOSE CLAMP / 4"1/16-5" SS / HS-72	1	
25	530161	GAUGE AIR RESTRICTION 20" H2O 1/8" NPT	1	
26	040535	MUFFLER CONNECTION	AR	
NS	032540	SPACER 1/2" O.D.X 12MM SS	2	
27	531476	REDUCER RUBBER / 5 1/2" X 4" DIA.	1	
30	032543	HOSE CLAMP SPRING LOAD / MODIFIED "PREVOST" / 4"1/8-4"7/16 To 9-9595	AR	
. NS	531386	. HOSE CLAMP SPRING LOAD / HEAVY DUTY 4"1/8-4"7/16 To 9-9595	1	
. NS	502930	. SPRING COMPRESSION / .975 O.D. x 1.5 x .225 To 9-9595	1	
. NS	500401	. WASHER FL .343x.875x.125 N500 To 9-9595	1	
. NS	500897	. WASHER FL .437x1.000x.083 N500 To 9-9595	2	
30	21185959	HOSE CLAMP SPRING LOAD / MODIFIED "PREVOST" / 4"1/8-4"7/16 From 9-9596	AR	
. NS	531386	. HOSE CLAMP SPRING LOAD / HEAVY DUTY 4"1/8-4"7/16 From 9-9596	1	
. NS	502930	. SPRING COMPRESSION / .975 O.D. x 1.5 x .225 From 9-9596	1	
. NS	500401	. WASHER FL .343x.875x.125 N500 From 9-9596	1	
. NS	500897	. WASHER FL .437x1.000x.083 N500 From 9-9596	2	
31	531469	HOSE / W/2 RING / 4" I.D. 8" / 500°F To 9-9595	2	
31	70396486	HOSE / W/2 RING / 4" I.D. 8" / 500°F From 9-9596	2	
32	052823	PIPE 4" O.D. / AIR COOLER & TURBO	1	
33	550916	AIR COOLER ASSY	1	
33	550970	AIR COOLER ASSY TitanX SERVICE	1	
33	550967	AIR COOLER ASSY Dura-Lite SERVICE	1	
34	531471	HOSE SILICONE 4" I.D. 6 1/2" / 500F°	1	

From 8-9277 To B-5001	Date:01/2024	PAGE:X3-0330-01
AIR FILTER & INTAKE - INSTALLATION WITH DETROIT S-60		

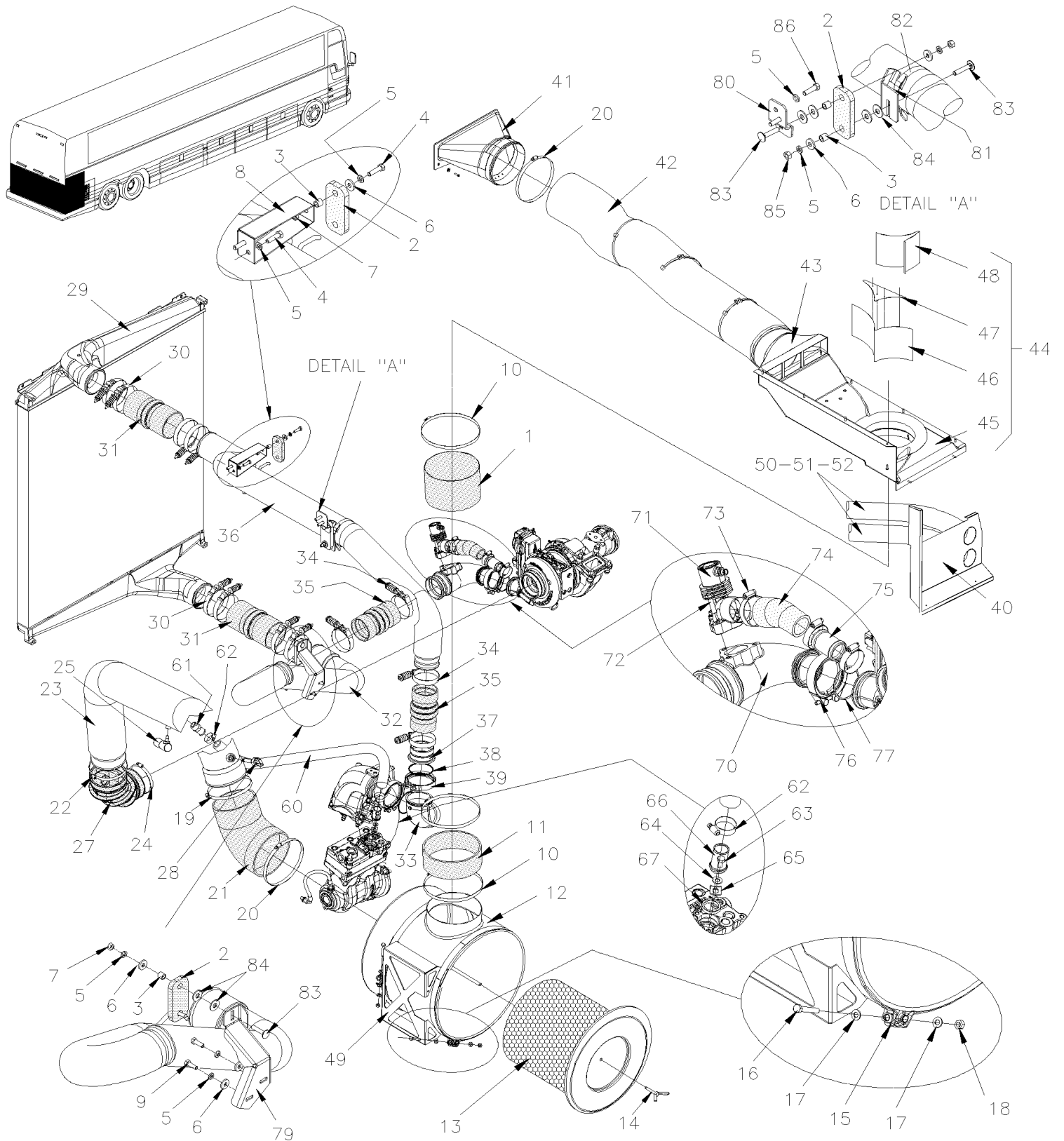
Item#	Part	Description	QTY	Notes
35	052824	PIPE 4" O.D. / AIR COOLER & MANIFOLD	1	
36	550928	HOSE 4" I.D. 9"	1	
40	215302	AIR INTAKE R.H. To 9-9639	1	
40	218355	AIR INTAKE R.H. From 9-9640	1	
41	032673	AIR INTAKE LH ADAPTOR	1	
42	032674	HOSE 7" I.D. 1480MM	1	
. NS	503236	. HOSE FLEXIBLE / AIR DUCT 7" I.D. X 12' LINEN RUBBER	AR	
43	032671	AIR INTAKE ADAPTOR	1	
44	031767P	BOX ASSY / FIBERGLASS	1	
45	031754	. FIBERGLASS BOX	1	
46	031769	. DEFLECTOR FRONT	1	
47	031775	. COVER FRONT DEFLECTOR	1	
48	031757	. DEFLECTOR REAR	1	
NS	500642	SCREW TP PAN PH #10x3/4 Z050	AR	
NS	500641	SCREW TP PAN PH #8x3/4 Z050	AR	
NS	504528	HOLE PLUG BUTTON / .437 O.D. BLACK	3	
49	032781	SUPPORT FILTER AIR	1	
49	502862	SCREW CAP HEX M8-1.25x20 G8.8 N500	4	
49	502889	WASHER LO SPT 8.1x12.7x2.0 N500	4	
49	192288	WASHER FL 8.4x18.0x2.0 ZG603	4	
50	064981	HOSE FLEXIBLE / 2 3/4" I.D. X 1524MM To 9-9639	2	
51	504025	HOSE CLAMP / 2"5/16-3"1/4 SS / HS-44 To 9-9639	4	
52	X3-0605-00	ALTERNATOR 24V/140 AMPS / "BOSCH"		
60	032677	HOSE / (SUCTION AIR COMPRESSOR) / #16 1350MM	1	
60	Call order desk	PIPE	1	P
61	5011240	MALE CONNECTOR / BEADED HOSE BARB / #16x3/4NPT-M BR	1	
62	952641	CLAMP / 1 5/16" I.D.	1	
63	500574	SCREW MA TR PH #10-24x1 1/4 SS	2	
63	500914	WASHER LO SPT .193x.334x.047 N500	2	
NS	502882	NUT HEX #10-24 N500	2	
64	070368	SUPPORT	2	
66	052841	HOSE 1100MM	1	
. NS	505182	. COIL PROTECTOR / PLASTIC / #16	AR	
		A) THIS PIPE HAVE A HOLE FOR ADD AIR FILTER RESTRICTION GAUGE		
		P) CALL ORDER DESK FOR SPECIFIC APPLICATION (V.I.N.)		

From 8-9457 To B-5001

Date:01/2024

PAGE:X3-0330-02

AIR FILTER & INTAKE - INSTALLATION WITH VOLVO D13 - EPA 2007



From 8-9457 To B-5001	Date:01/2024	PAGE:X3-0330-02
AIR FILTER & INTAKE - INSTALLATION WITH VOLVO D13 - EPA 2007		

Item#	Part	Description	QTY	Notes
1	031777	TUBE 8" O.D. X 8 5/16" / MTH 83"	1	
2	032541	RUBBER SUPPORT 106.5 x 48 / 2 Holes 72MM C/C	3	
3	032540	SPACER 1/2" O.D.X 12MM SS	4	
4	5001499	SCREW CAP HEX M8-1.25x30 SS	5	
5	500942	WASHER LO SPT 8.1x14.8x2.0 N500	8	
6	500401	WASHER FL .343x.875x.125 N500	4	
7	502609	NUT WD HEX M8-1.25 SS	1	
8	052891	SUPPORT PIPE AIR COOLER & MANIFOLD	1	
9	5001745	SCREW CAP HEX M8-1.25x25 G8.8 N500	2	
10	504415	HOSE CLAMP / 7"1/4-9"1/4 SS / HS-152	2	
11	530210	HOSE FLEXIBLE / 8" I.D. x 125MM	1	
12	531478	FILTER AIR 18"	1	
13	530197	. ELEMENT AIR FILTER 18"	1	
14	531420	. NUT WING 1/2-13 NY	1	
15	031465	STRAP MOUNTING / W/18" AIR FILTER	2	
16	502927	SCREW CAP HEX M8-1.25x50 G8.8 N500	2	
17	192288	WASHER FL 8.4x18.0x2.0 ZG603	2	
18	946036	NUT HEX STO M8-1.25 ZG603	2	
19	504031	HOSE CLAMP / 5"-7" SS / HS-104	1	
20	504229	HOSE CLAMP / 6"1/2-8"1/2 SS / HS-100	3	
21	531475	ELBOW 68° DEGRES / REDUCER 7" X 6"	1	
22	504324	HOSE CLAMP / 4"1/2-6"1/2 SS / HS-96	3	
23	052922	PIPE 5 1/2" O.D. / AIR FILTER & TURBO	1	
24	504257	HOSE CLAMP / 4"1/16-5" SS / HS-72	1	
25	530161	GAUGE AIR RESTRICTION 20" H2O 1/8" NPT	1	
27	21228220	ELBOW INLET, RUBBER	1	
28	20738963	HUMIDITY SENSOR PROTO	1	
28	21046544	HUMIDITY SENSOR	1	
29	550916	AIR COOLER ASSY	1	
29	550970	AIR COOLER ASSY TitanX SERVICE	1	
29	550967	AIR COOLER ASSY Dura-Lite SERVICE	1	
30	032543	HOSE CLAMP SPRING LOAD / MODIFIED "PREVOST" / 4"1/8-4"7/16 To 9-9595	8	
. NS	531386	. HOSE CLAMP SPRING LOAD / HEAVY DUTY 4"1/8-4"7/16 To 9-9595	1	
. NS	502930	. SPRING COMPRESSION / .975 O.D. x 1.5 x .225 To 9-9595	1	
. NS	500401	. WASHER FL .343x.875x.125 N500 To 9-9595	1	
. NS	500897	. WASHER FL .437x1.000x.083 N500 To 9-9595	2	
30	21185959	HOSE CLAMP SPRING LOAD / MODIFIED "PREVOST" / 4"1/8-4"7/16 From 9-9596	8	
. NS	531386	. HOSE CLAMP SPRING LOAD / HEAVY DUTY 4"1/8-4"7/16 From 9-9596	1	
. NS	502930	. SPRING COMPRESSION / .975 O.D. x 1.5 x .225 From 9-9596	1	
. NS	500401	. WASHER FL .343x.875x.125 N500 From 9-9596	1	
. NS	500897	. WASHER FL .437x1.000x.083 N500 From 9-9596	2	
31	531469	HOSE / W/2 RING / 4" I.D. 8" / 500°F To 9-9595	2	

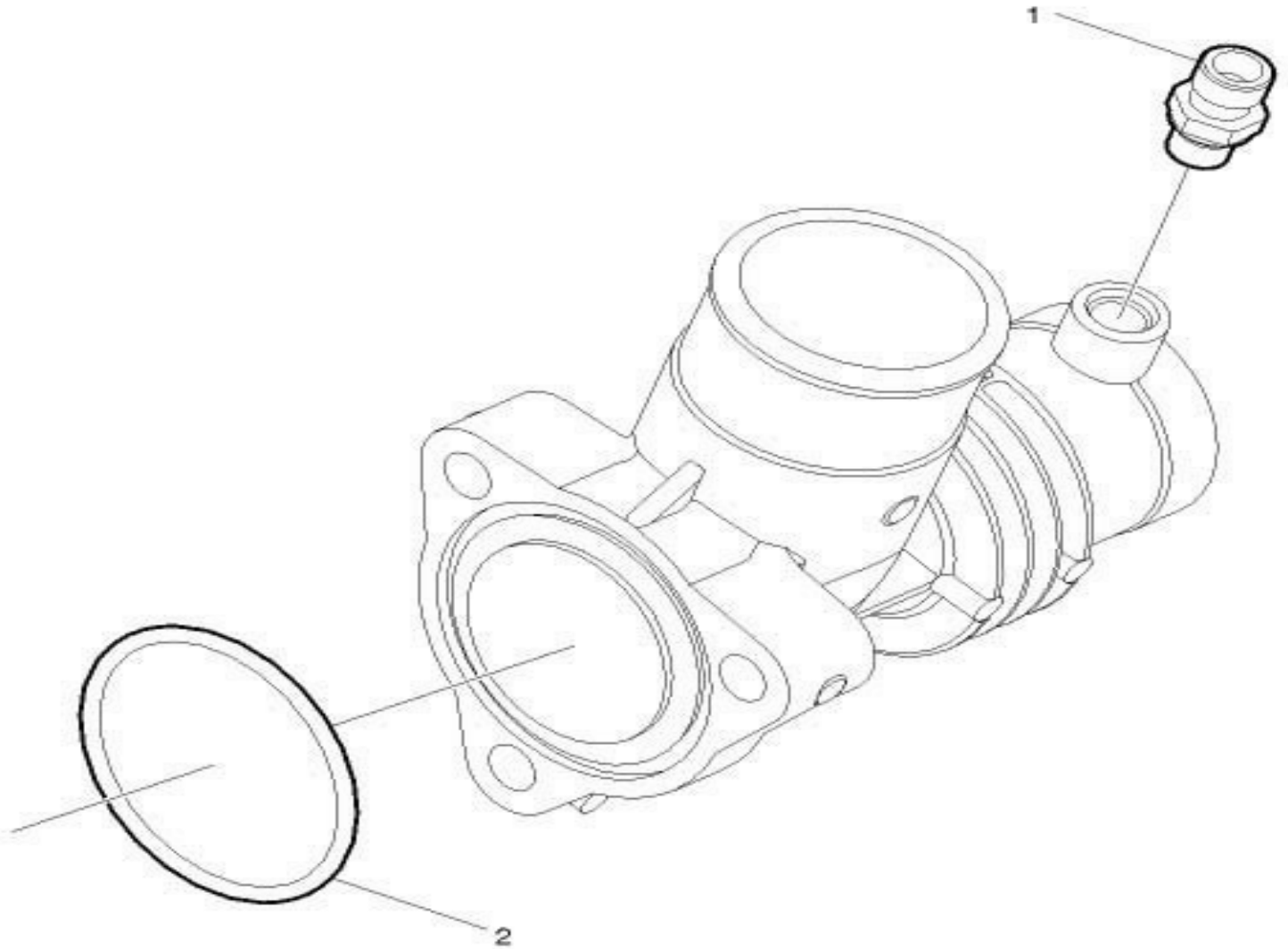
From 8-9457 To B-5001	Date:01/2024	PAGE:X3-0330-02
AIR FILTER & INTAKE - INSTALLATION WITH VOLVO D13 - EPA 2007		

Item#	Part	Description	QTY	Notes
31	70396486	HOSE / W/2 RING / 4" I.D. 8" / 500°F From 9-9596	2	
32	052833	PIPE 4" O.D. / AIR COOLER & TURBO	1	
33	052885	ELBOW AIR INTAKE/ MODIFIED	1	
34	032762	HOSE CLAMP SPRING LOAD / MODIFIED "PREVOST" / 3"5/8-3"15/16 To 9-9595	4	
. NS	531480	. HOSE CLAMP SPRING LOAD / HEAVY DUTY 3"5/8-3"15/16 To 9-9595	1	
. NS	502930	. SPRING COMPRESSION / .975 O.D. x 1.5 x .225 To 9-9595	1	
. NS	500401	. WASHER FL .343x.875x.125 N500 To 9-9595	1	
. NS	500897	. WASHER FL .437x1.000x.083 N500 To 9-9595	2	
34	21185962	HOSE CLAMP SPRING LOAD / MODIFIED "PREVOST" / 3"5/8-3"15/16 From 9-9596	4	
. NS	531480	. HOSE CLAMP SPRING LOAD / HEAVY DUTY 3"5/8-3"15/16 From 9-9596	1	
. NS	502930	. SPRING COMPRESSION / .975 O.D. x 1.5 x .225 From 9-9596	1	
. NS	500401	. WASHER FL .343x.875x.125 N500 From 9-9596	1	
. NS	500897	. WASHER FL .437x1.000x.083 N500 From 9-9596	2	
35	20550690	HOSE 86MM I.D. X 162.5MM	2	
36	052777	PIPE 4" O.D. / AIR COOLER & MANIFOLD	1	
37	1675067	HOSE CONNECTOR	1	
38	1675066	GASKET 107.7MM I.D. V-CLAMP	2	
39	20592783	V-CLAMP / (USE W GASKET) 107.7MM I.D.	2	
40	215302	AIR INTAKE R.H. To A-9974	1	
40	218355	AIR INTAKE R.H. From A-9975	1	
41	032673	AIR INTAKE LH ADAPTOR	1	
NS	500877	WASHER FL .250x.562x.065 N500	4	
NS	500623	SCREW TC PAN PH #10-24x3/4 N500	4	
42	032674	HOSE 7" I.D. 1480MM	1	
. NS	503236	. HOSE FLEXIBLE / AIR DUCT 7" I.D. X 12' LINEN RUBBER	AR	
NS	504737	CABLE TIE / .300" X 30"1/2	3	
NS	504013	TIE MOUNT / 1/4" X 1/4" I.D.	3	
43	032671	AIR INTAKE ADAPTOR	1	
44	031767P	BOX ASSY / FIBERGLASS	1	
45	031754	. FIBERGLASS BOX	1	
46	031769	. DEFLECTOR FRONT	1	
47	031775	. COVER FRONT DEFLECTOR	1	
48	031757	. DEFLECTOR REAR	1	
NS	500642	SCREW TP PAN PH #10x3/4 Z050	AR	
NS	500641	SCREW TP PAN PH #8x3/4 Z050	AR	
NS	504528	HOLE PLUG BUTTON / .437 O.D. BLACK	3	
49	032781	SUPPORT FILTER AIR	1	
NS	502862	SCREW CAP HEX M8-1.25x20 G8.8 N500	4	
NS	502889	WASHER LO SPT 8.1x12.7x2.0 N500	4	
NS	192288	WASHER FL 8.4x18.0x2.0 ZG603	4	
50	067110	HOSE FLEXIBLE / 2 3/4" I.D. X 1825MM	2	
51	504025	HOSE CLAMP / 2"5/16-3"1/4 SS / HS-44	4	

From 8-9457 To B-5001	Date:01/2024	PAGE:X3-0330-02
AIR FILTER & INTAKE - INSTALLATION WITH VOLVO D13 - EPA 2007		

Item#	Part	Description	QTY	Notes
52	X3-0605-00	ALTERNATOR 24V/140 AMPS / "BOSCH"		
60	052841	HOSE 1100MM	1	
NS	505182	COIL PROTECTOR / PLASTIC / #16	AR	
61	5011240	MALE CONNECTOR / BEADED HOSE BARB / #16x3/4NPT-M BR	1	
62	504291	HOSE CLAMP / 1"1/8-1"3/4 SS / E.T. 20	2	
63	500820	SCREW CAP HEX M8-1.25x16 G10.9 N500	1	
64	192288	WASHER FL 8.4x18.0x2.0 ZG603	1	
65	1546531	ANGLE RETAINER 13MM I.D.	1	
66	032763	PIPE AIR INLET COMPRESSOR 25.5 O.D. x 52MM / W/FLANGE 28MM O.D.	1	
67	504738	RUBBER JOINT	1	
70	052907	ELBOW TURBO DRV To 9-9595	1	
70	70396027	ELBOW TURBO DRV From 9-9596	1	
71	20940438	DRV VALVE (HEAT MODE VALVE) TB-113379305-1	1	
72	5001742	SCREW CAP HEXF M8-1.25x30 G8.8 N500	3	
73	504024	HOSE CLAMP / 1"13/16"-2"3/4 SS / HS-36	3	
74	052848	HOSE DRV VALVE	1	
74	20905745	HOSE DRV VALVE	1	
75	20905754	BUSHING DRV VALVE	1	
76	20592787	V-CLAMP / 81.7MM I.D.	1	
77	8167682	GASKET 60MM I.D.	1	
79	053500	SUPPORT PIPE AIR COOLER & TURBO	1	
80	052895	ATTACHMENT SUPPORT	1	
81	052920	SUPPORT ADJUSTABLE PIPE CAC	1	
82	504235	HOSE CLAMP / 3"9/16"-4"1/2 SS / HS-64	1	
83	502891	SCREW CRG M8-1.25x40 G8.8 Z050	3	
84	5001751	WASHER FL 10.5x26.0x2.0 N500	6	
85	502851	NUT HEX M8-1.25 N500	2	
86	5001738	SCREW CAP HEX M8-1.25x30 G8.8 N500	2	
NS	8081420	DECAL ETHER / ENGLISH & FRANCAIS	1	
88	8081419	DECAL ETHER / ENGLISH & SPANISH	1	

From 8-9457 To B-5001	Date:01/2024	PAGE:20940438
DRV VALVE (HEAT MODE VALVE) TB-113379305-1		



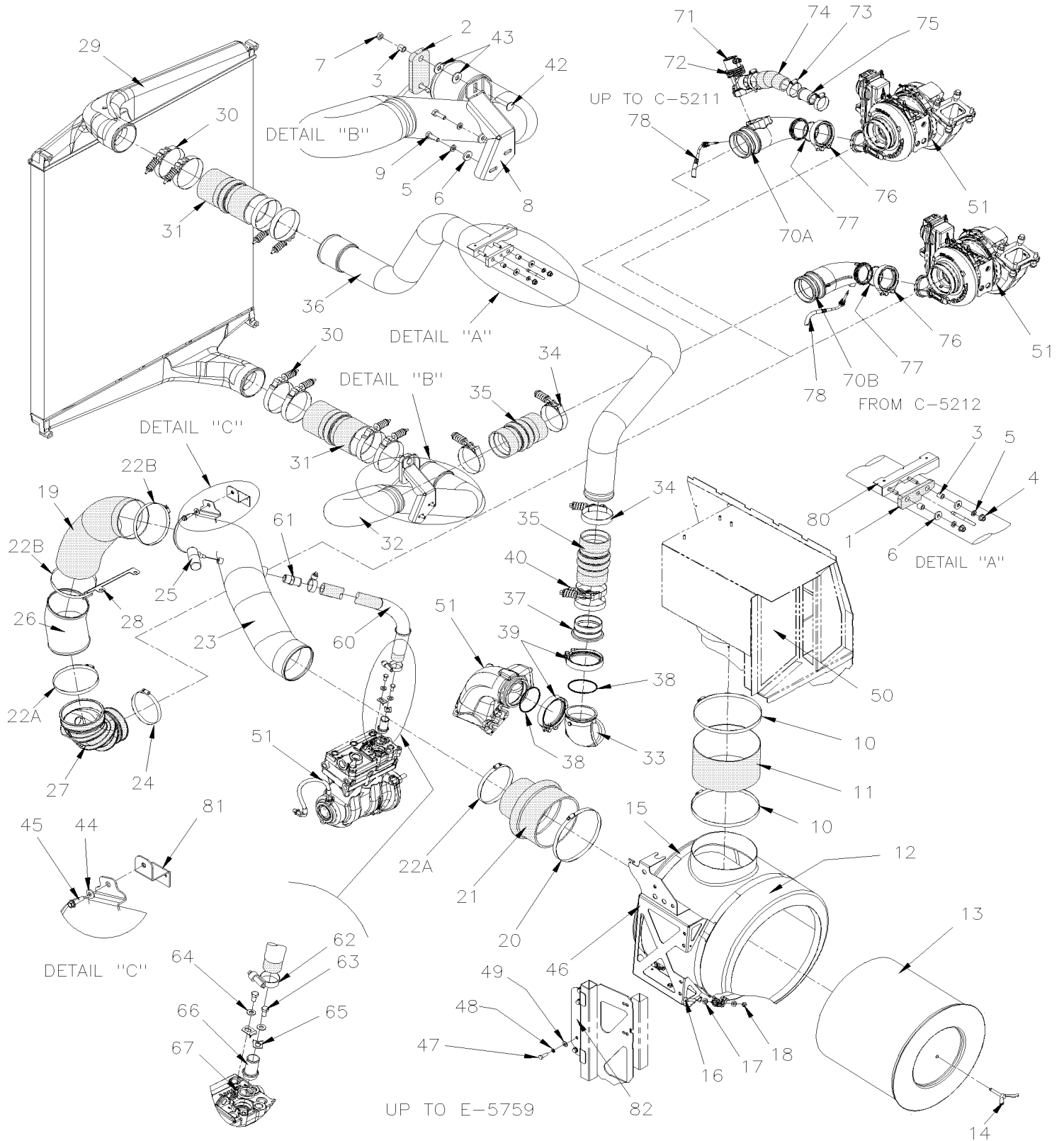
From 8-9457 To B-5001		Date:01/2024	PAGE:20940438	
DRV VALVE (HEAT MODE VALVE) TB-113379305-1				
Item#	Part	Description	QTY	Notes
1	21018786	NIPPLE HEAT MODE VALVE	1	
2	20974821	O-RING DISCHARGE RECIR. VALVE	1	

From B-5002 To H-6179

Date:01/2024

PAGE:X3-0330-03

AIR FILTER & INTAKE - INSTALLATION WITH VOLVO D13 - EPA 2010

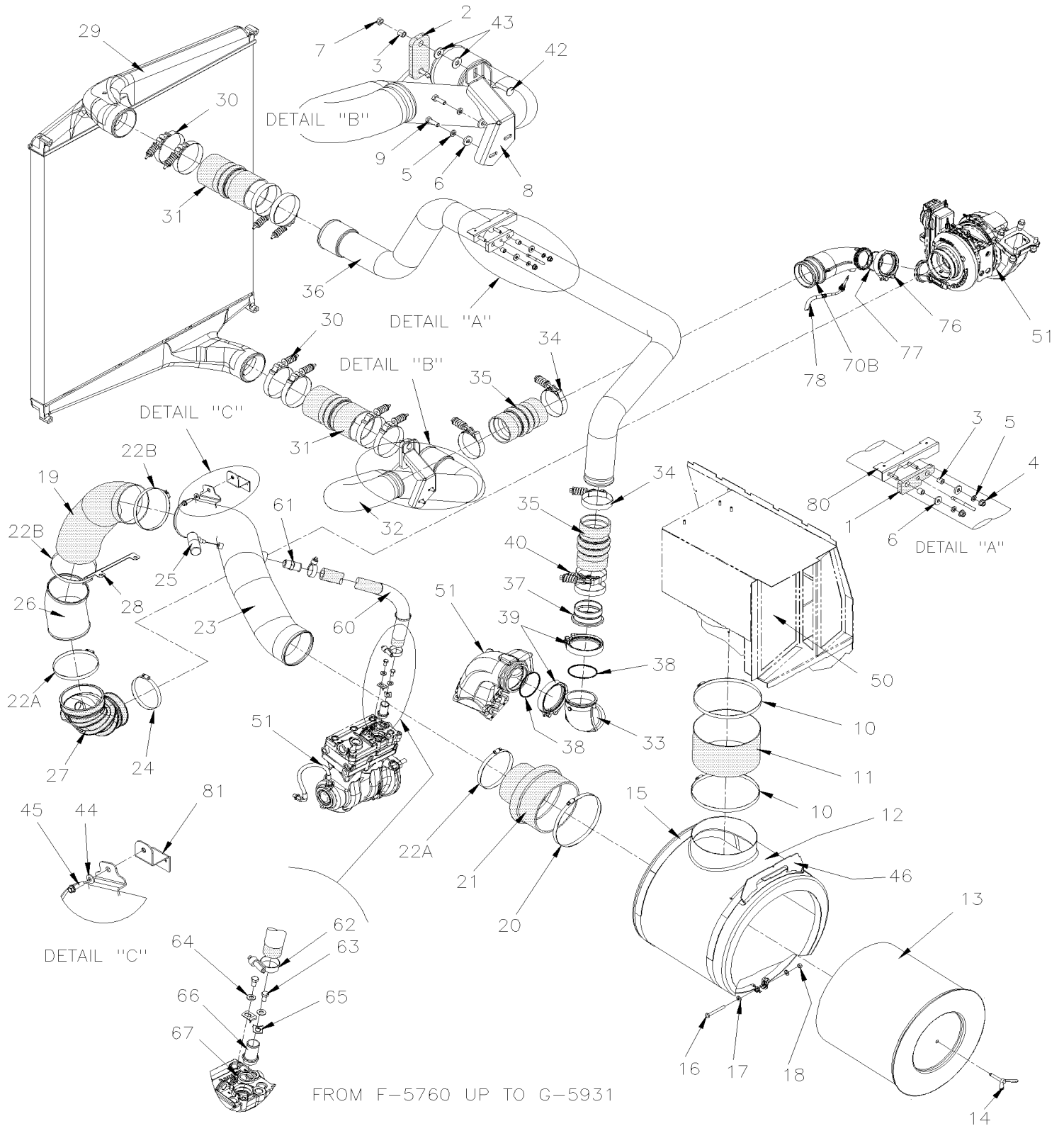


From B-5002 To H-6179

Date:01/2024

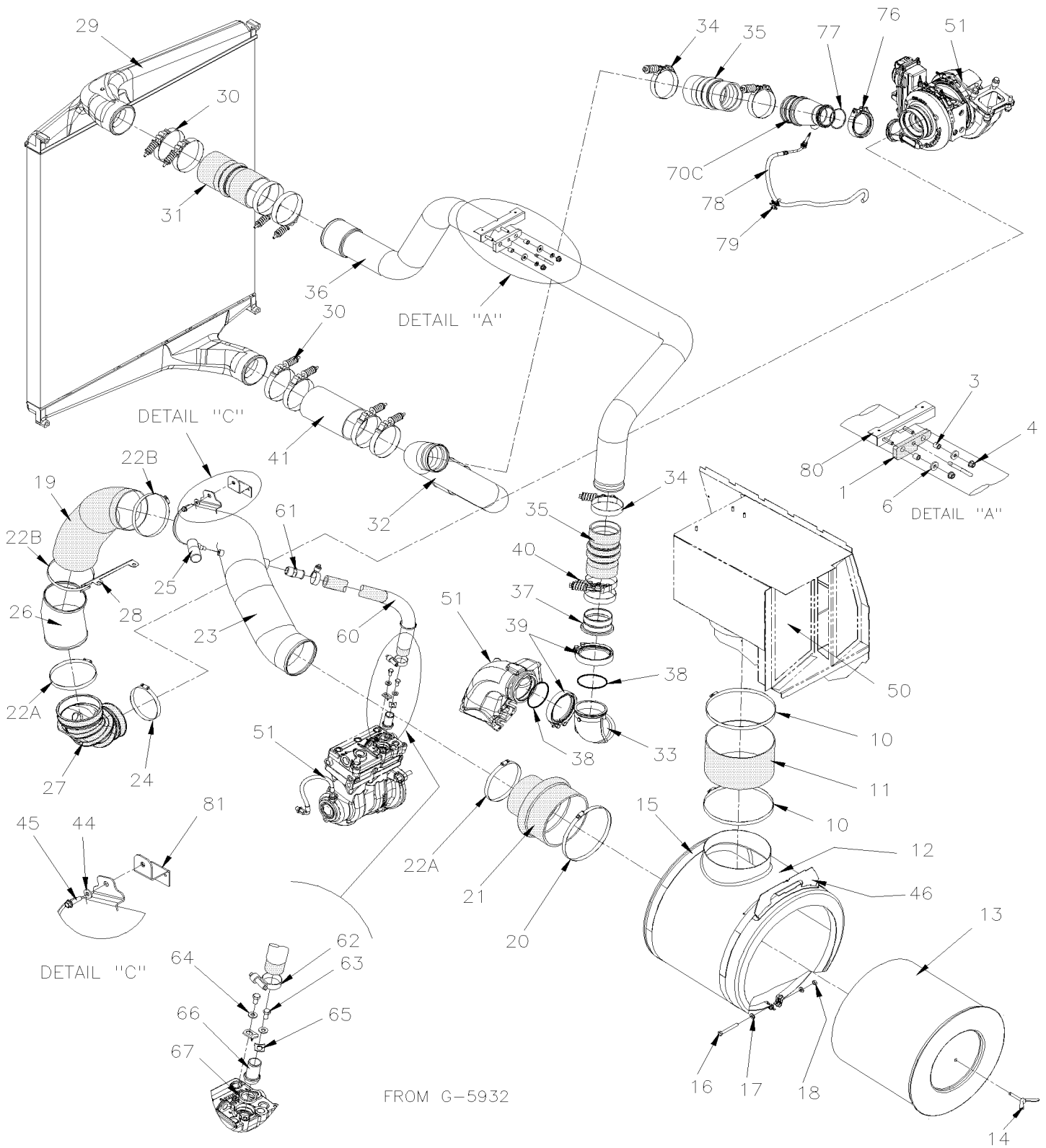
PAGE:X3-0330-03

AIR FILTER & INTAKE - INSTALLATION WITH VOLVO D13 - EPA 2010



FROM F-5760 UP TO G-5931

From B-5002 To H-6179	Date:01/2024	PAGE:X3-0330-03
AIR FILTER & INTAKE - INSTALLATION WITH VOLVO D13 - EPA 2010		



From B-5002 To H-6179	Date:01/2024	PAGE:X3-0330-03
-----------------------	--------------	-----------------

AIR FILTER & INTAKE - INSTALLATION WITH VOLVO D13 - EPA 2010

Item#	Part	Description	QTY	Notes
1	052987	RUBBER SUPPORT 37MM X 100MM X 7/16" To D-5443	1	
1	053034	RUBBER SUPPORT 37.2MM X 110MM X 11.1MM From D-5444	1	
2	032541	RUBBER SUPPORT 106.5 x 48 / 2 Holes 72MM C/C To G-5942	1	
3	032540	SPACER 1/2" O.D.X 12MM SS To G-5942	3	
3	032540	SPACER 1/2" O.D.X 12MM SS From G-5943	2	
4	502837	NUT HEXF STO M8-1.25 N500	2	
5	500942	WASHER LO SPT 8.1x14.8x2.0 N500 To D-5307	4	
5	500942	WASHER LO SPT 8.1x14.8x2.0 N500 From D-5308 To G-5942	2	
6	500401	WASHER FL .343x.875x.125 N500 To G-5942	5	
6	500401	WASHER FL .343x.875x.125 N500 From G-5943	2	
7	502851	NUT HEX M8-1.25 N500 To G-5942	1	
8	053500	SUPPORT PIPE AIR COOLER & TURBO To G-5942	1	
9	5001745	SCREW CAP HEX M8-1.25x25 G8.8 N500 To G-5942	2	
10	504415	HOSE CLAMP / 7"1/4-9"1/4 SS / HS-152	2	
11	032859	HOSE, ENGINE AIR FILTER 20MM	1	
. NS	503743	. HOSE FLEXIBLE / AIR DUCT 8" I.D. X 25' THERMOPLASTIC	AR	
12	531478	FILTER AIR 18"	1	
13	530197	. ELEMENT AIR FILTER 18"	1	
14	531420	. NUT WING 1/2-13 NY	1	
15	031465	STRAP MOUNTING / W/18" AIR FILTER	2	
16	502927	SCREW CAP HEX M8-1.25x50 G8.8 N500 To E-5759	2	
16	5001178	SCREW CAP HEX M8-1.25x60 SS BK From F-5760 To F-5877	2	
16	5001347	SCREW CAP HEX M8-1.25x70 SS From G-5878	2	
17	5001736	WASHER FL 8.4x18.0x2.0 N500	4	
18	5001740	NUT HEX STO M8-1.25 N500	2	
19	032881	HOSE FLEXIBLE / 5" I.D. x 430MM To D-5439	1	
19	503522	. HOSE FLEXIBLE / AIR DUCT 5" I.D. X 12' LINEN RUBBER To D-5439	1	
19	033195	HOSE FLEXIBLE / 5" I.D. x 470MM From D-5440	1	
20	504229	HOSE CLAMP / 6"1/2-8"1/2 SS / HS-100	1	
21	531486	REDUCER 7" X 5"	1	
22A	504324	HOSE CLAMP / 4"1/2-6"1/2 SS / HS-96	2	
22A	504324	HOSE CLAMP / 4"1/2-6"1/2 SS / HS-96	2	
22B	504324	HOSE CLAMP / 4"1/2-6"1/2 SS / HS-96 To D-5439	2	
22B	504324	HOSE CLAMP / 4"1/2-6"1/2 SS / HS-96 To D-5439	2	
22B	504786	HOSE CLAMP / 4"3/4-5"5/8 / C.T. 550 From D-5440	2	
23	032879	PIPE 5" O.D. / AIR FILTER & TURBO To E-5759	1	
23	033953	PIPE 5" O.D. / AIR FILTER & TURBO From F-5760	1	
24	504257	HOSE CLAMP / 4"1/16-5" SS / HS-72	1	
25	530161	GAUGE AIR RESTRICTION 20" H2O 1/8" NPT	1	
26	032880	PIPE 5" O.D. / AIR FILTER & TURBO	1	
27	21228220	ELBOW INLET, RUBBER To C-5211	1	
27	21659720	ELBOW INLET, RUBBER From C-5212	1	

From B-5002 To H-6179	Date:01/2024	PAGE:X3-0330-03
-----------------------	--------------	-----------------

AIR FILTER & INTAKE - INSTALLATION WITH VOLVO D13 - EPA 2010

Item#	Part	Description	QTY	Notes
28	032882	ATTACHMENT AIR INTAKE To E-5624	1	
28	032988	ATTACHMENT AIR INTAKE From E-5625	1	
29	550916	AIR COOLER ASSY To A-9976	1	
29	550970	AIR COOLER ASSY TitanX SERVICE From A-9977 To G-5915	1	
29	550967	AIR COOLER ASSY Dura-Lite SERVICE From A-9977	1	
30	21185959	HOSE CLAMP SPRING LOAD / MODIFIED "PREVOST" / 4"1/8-4"7/16 To B-5072	8	
. NS	531386	. HOSE CLAMP SPRING LOAD / HEAVY DUTY 4"1/8-4"7/16 To B-5072	1	
. NS	502930	. SPRING COMPRESSION / .975 O.D. x 1.5 x .225 To B-5072	1	
. NS	500401	. WASHER FL .343x.875x.125 N500 To B-5072	1	
. NS	500897	. WASHER FL .437x1.000x.083 N500 To B-5072	2	
30	21490616	HOSE CLAMP SPRING LOAD / HEAVY DUTY 4"1/8-4"7/16 From B-5073	8	
31	70396486	HOSE / W/2 RING / 4" I.D. 8" / 500°F To G-5915	2	
31	70396486	HOSE / W/2 RING / 4" I.D. 8" / 500°F From G-5916 To H-6169	1	
31	531469	HOSE / W/2 RING / 4" I.D. 8" / 500°F From H-6170	1	
32	052953	PIPE 4" O.D. / AIR COOLER & TURBO To E-5759	1	
32	053069	PIPE 4" O.D. / AIR COOLER & TURBO From F-5760 To G-5931	1	
32	053687	PIPE 4" O.D. / AIR COOLER & TURBO From G-5932	1	
33	052885	ELBOW AIR INTAKE/ MODIFIED	1	
34	21185962	HOSE CLAMP SPRING LOAD / MODIFIED "PREVOST" / 3"5/8-3"15/16 To B-5072	4	
. NS	531480	. HOSE CLAMP SPRING LOAD / HEAVY DUTY 3"5/8-3"15/16 To B-5072	1	
. NS	502930	. SPRING COMPRESSION / .975 O.D. x 1.5 x .225 To B-5072	1	
. NS	500401	. WASHER FL .343x.875x.125 N500 To B-5072	1	
. NS	500897	. WASHER FL .437x1.000x.083 N500 To B-5072	2	
34	21490630	HOSE CLAMP SPRING LOAD / HEAVY DUTY 3"5/8-3"15/16 From B-5073	3	
35	20550690	HOSE 86MM I.D. X 162.5MM	2	
36	052952	PIPE 4" O.D. / AIR COOLER & MANIFOLD To E-5759	1	
36	053068	PIPE 4" O.D. / AIR COOLER & MANIFOLD From F-5760 To G-5909	1	
36	053101	PIPE 4" O.D. / AIR COOLER & MANIFOLD From G-5910	1	
36	050087	CAC TUBE REPLACEMENT	1	
37	1675067	HOSE CONNECTOR	1	
38	1675066	GASKET 107.7MM I.D. V-CLAMP	2	
39	20592783	V-CLAMP / (USE W GASKET) 107.7MM I.D.	2	
40	032868	HOSE CLAMP SPRING LOAD / MODIFIED "PREVOST" / 3"9/16-3"7/8 To B-5072	1	
. NS	531485	. HOSE CLAMP SPRING LOAD / HEAVY DUTY 3"9/16-3"7/8 To B-5072	1	
. NS	502930	. SPRING COMPRESSION / .975 O.D. x 1.5 x .225 To B-5072	1	
. NS	500401	. WASHER FL .343x.875x.125 N500 To B-5072	1	
. NS	500897	. WASHER FL .437x1.000x.083 N500 To B-5072	2	
40	21490632	HOSE CLAMP SPRING LOAD / HEAVY DUTY 3"9/16-3"7/8 From B-5073 To C-5131	1	
40	21490632	HOSE CLAMP SPRING LOAD / HEAVY DUTY 3"9/16-3"7/8 From C-5132	2	
41	531471	HOSE SILICONE 4" I.D. 6 1/2" / 500F° From G-5943	1	
42	502891	SCREW CRG M8-1.25x40 G8.8 Z050 To G-5931	1	
43	5001751	WASHER FL 10.5x26.0x2.0 N500 To G-5931	2	

From B-5002 To H-6179	Date:01/2024	PAGE:X3-0330-03
AIR FILTER & INTAKE - INSTALLATION WITH VOLVO D13 - EPA 2010		

Item#	Part	Description	QTY	Notes
44	500321	WASHER BEL SPR .331x.827x.098 N500	1	
45	5001742	SCREW CAP HEXF M8-1.25x30 G8.8 N500	1	
46	032892	SUPPORT FILTER AIR To E-5759	1	
46	218738	ATTACHMENT / SUPPORT AIR FILTER From F-5760	1	
NS	140381	DECAL / "AIR BRAKE SYSTEM FILL" // ENGLISH & FRANCAIS	1	
NS	142369	DECAL / "AIR BRAKE SYSTEM FILL" // ENGLISH & SPANISH	1	
47	5001745	SCREW CAP HEX M8-1.25x25 G8.8 N500 To E-5759	4	
48	502889	WASHER LO SPT 8.1x12.7x2.0 N500 To E-5759	4	
49	5001736	WASHER FL 8.4x18.0x2.0 N500 To E-5759	4	
50	X3-1894-11	REAR RH - STRUCTURE To D-5458		
50	X3-189X-XX	STRUCTURE / CALL ORDER DESK From E-5459		
51	Refer To Volvo	SEE IMPACT OR CALL ORDER DESK	1	V
60	503739	HOSE (SUCTION) / 1" I.D. X 250' / C.T.L.	AR	
NS	505182	COIL PROTECTOR / PLASTIC / #16	AR	
NS	504637	CABLE TIE / 3/16" x 13"	1	
61	5011240	MALE CONNECTOR / BEADED HOSE BARB / #16x3/4NPT-M BR	1	
62	504291	HOSE CLAMP / 1"1/8-1"3/4 SS / E.T. 20	2	
63	500820	SCREW CAP HEX M8-1.25x16 G10.9 N500	2	
64	5001736	WASHER FL 8.4x18.0x2.0 N500	2	
65	1546531	ANGLE RETAINER 13MM I.D.	2	
66	032763	PIPE AIR INLET COMPRESSOR 25.5 O.D. x 52MM / W/FLANGE 28MM O.D.	1	
67	504738	RUBBER JOINT	1	
70A	21419491	ELBOW TURBO DRV To C-5211	1	
70B	21673474	ELBOW TURBO From C-5212 To G-5942	1	
70C	053662	COUPLING TURBO From G-5943	1	
71	20940438	DRV VALVE (HEAT MODE VALVE) TB-113379305-1 To C-5211	1	
72	5001742	SCREW CAP HEXF M8-1.25x30 G8.8 N500 To C-5211	3	
73	504292	HOSE CLAMP / 1"5/16-2"1/4 SS / E.T. 28 To C-5211	3	
74	052848	HOSE DRV VALVE PROTO To B-5001	1	
74	053603P	HOSE DRV VALVE From B-5002 To B-5002	1	
74	20905745	HOSE DRV VALVE From B-5002 To C-5211	1	
75	20905754	BUSHING DRV VALVE To C-5211	1	
76	20592787	V-CLAMP / 81.7MM I.D.	1	
77	8167682	GASKET 60MM I.D. To D-5461	1	
77	21096684	GASKET 60MM I.D. From D-5462	1	
78	21164792	SENSOR TEMPEARATURE	1	
79	504751	ROTATIF SPACER DOUBLE / SMALL From G-5932	1	
79	504016	CABLE TIE / 5/16" X 14"1/2 From G-5932	1	
80	216811	ATTACHMENT / PIPE AIR COOLER & MANIFOLD	1	
81	218449	ATTACHMENT / PIPE AIR FILTER & TURBO	1	
82	216721	ATTACHMENT / SUPPORT AIR FILTER To E-5759	1	
NS	8081420	DECAL ETHER / ENGLISH & FRANCAIS	1	

From B-5002 To H-6179		Date:01/2024	PAGE:X3-0330-03
------------------------------	--	---------------------	------------------------

AIR FILTER & INTAKE - INSTALLATION WITH VOLVO D13 - EPA 2010

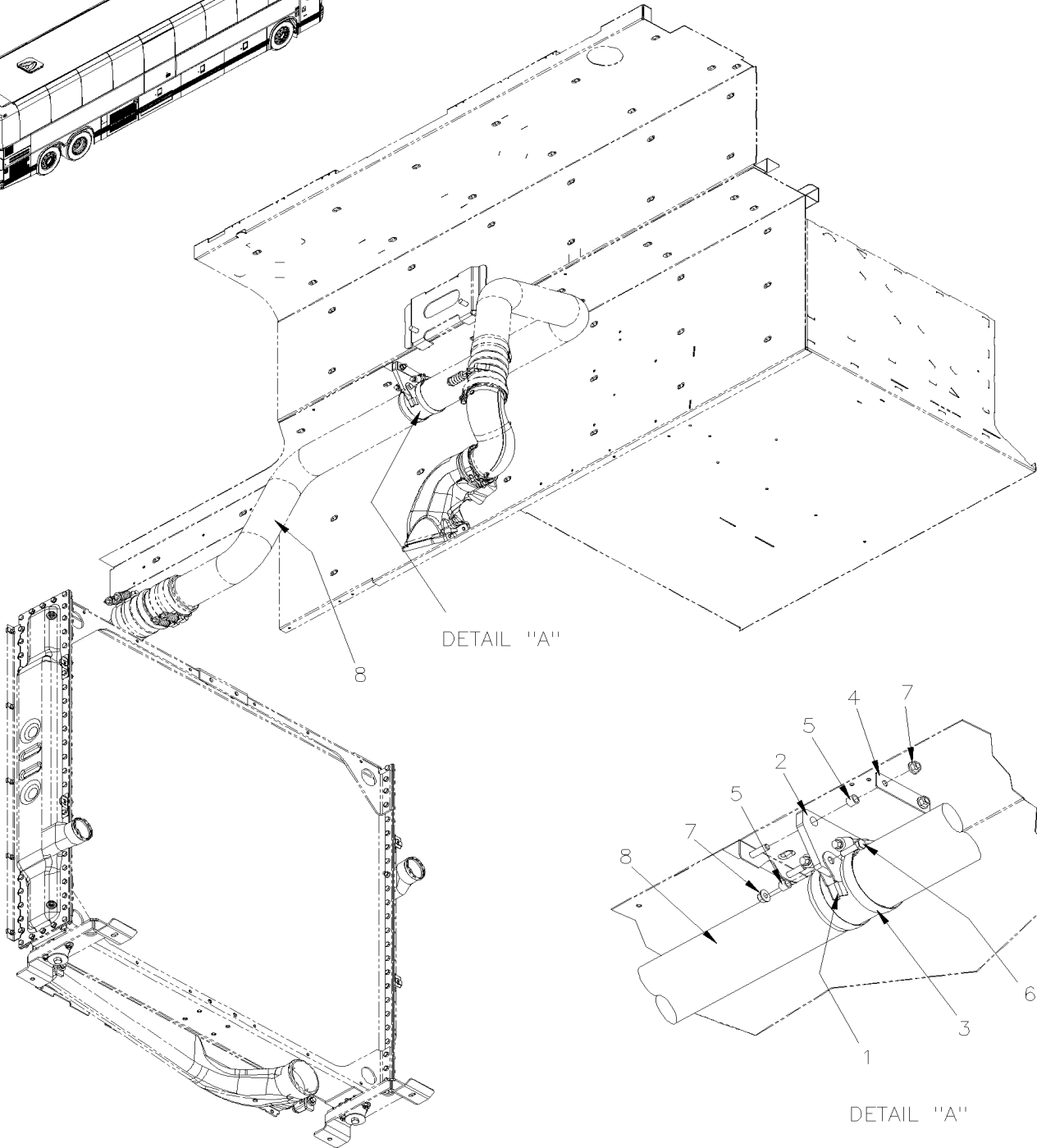
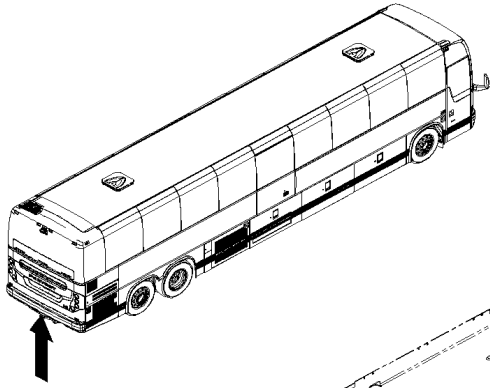
Item#	Part	Description	QTY	Notes
NS	8081419	DECAL ETHER / ENGLISH & SPANISH	1	
		V) SEE IMPACT OR CALL ORDER DESK		

From B-5002 To H-6179

Date:01/2024

PAGE:050087

CAC TUBE REPLACEMENT

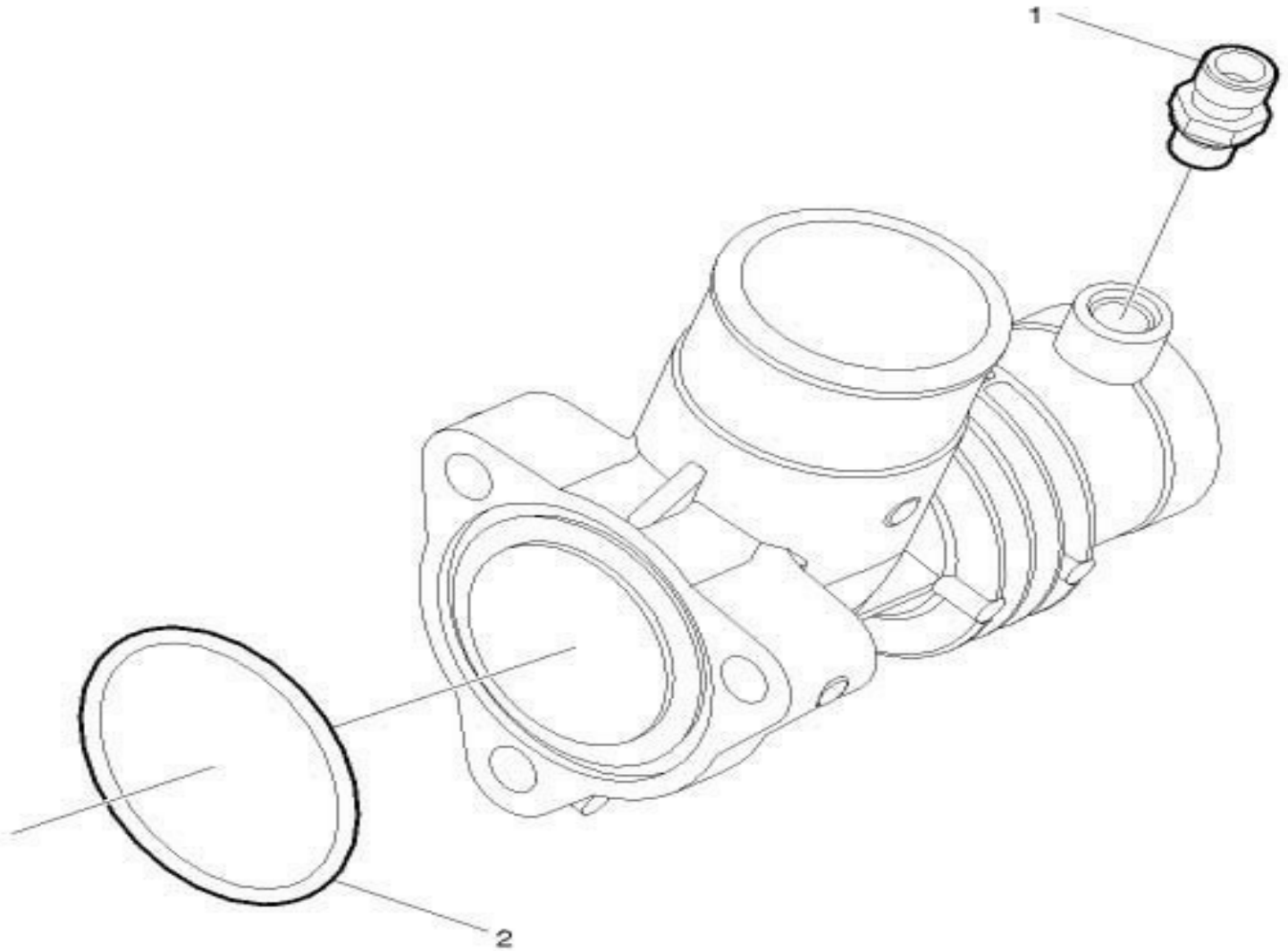


From B-5002 To H-6179		Date:01/2024	PAGE:050087
-----------------------	--	--------------	-------------

CAC TUBE REPLACEMENT

Item#	Part	Description	QTY	Notes
1	050012	SUPPORT PIPE	1	
2	050009	RUBBER SUPPORT	1	
3	504580	HOSE CLAMP / 3"1/4-4"1/8 / C.T. 400	2	
4	053026	PLATE 25MM x 96MM	1	
5	032540	SPACER 1/2" O.D.X 12MM SS	3	
6	5001499	SCREW CAP HEX M8-1.25x30 SS	1	
7	502837	NUT HEXF STO M8-1.25 N500	3	
8	050008	PIPE 4" O.D. / AIR COOLER & MANIFOLD	1	

To C-5211	Date:01/2024	PAGE:20940438
DRV VALVE (HEAT MODE VALVE) TB-113379305-1		



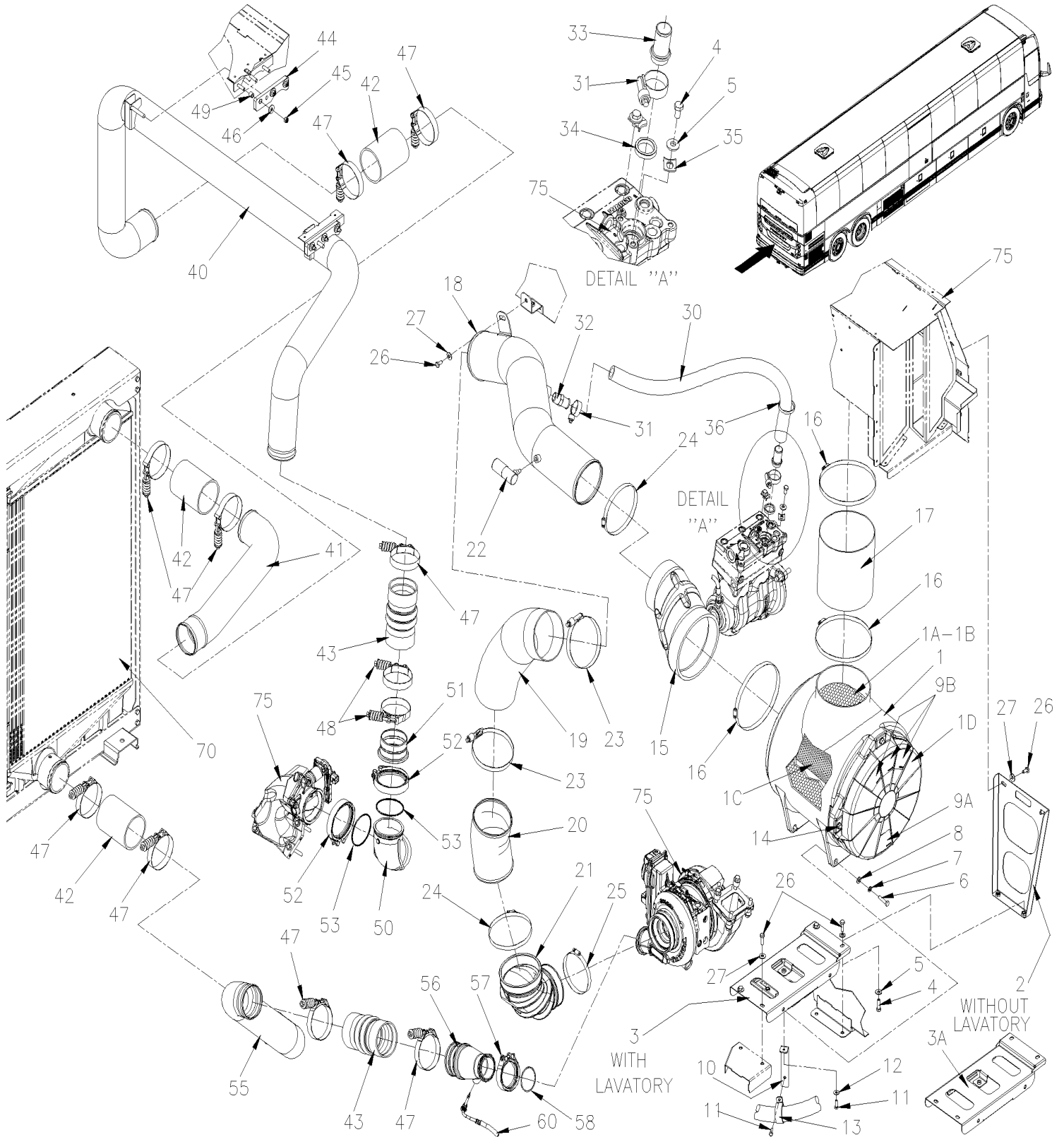
To C-5211		Date:01/2024	PAGE:20940438	
DRV VALVE (HEAT MODE VALVE) TB-113379305-1				
Item#	Part	Description	QTY	Notes
1	21018786	NIPPLE HEAT MODE VALVE	1	
2	20974821	O-RING DISCHARGE RECIR. VALVE	1	

From H-6180

Date:01/2024

PAGE:X3-0330-04

AIR FILTER & INTAKE - INSTALLATION WITH VOLVO D13 - GHG17



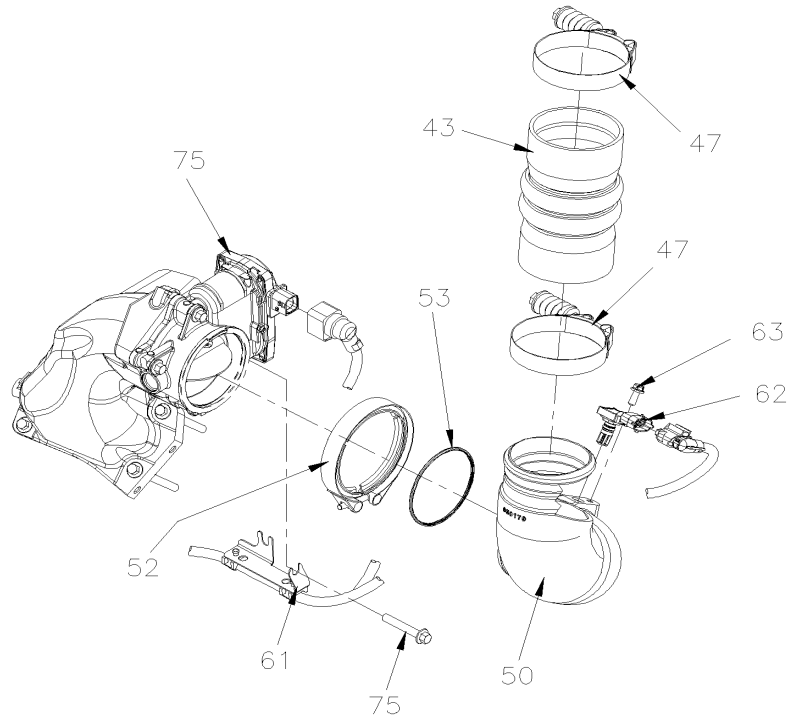
From H-6180

Date:01/2024

PAGE:X3-0330-04

AIR FILTER & INTAKE - INSTALLATION WITH VOLVO D13 - GHG17

FROM K-6440



From H-6180		Date:01/2024	PAGE:X3-0330-04
AIR FILTER & INTAKE - INSTALLATION WITH VOLVO D13 - GHG17			

Item#	Part	Description	QTY	Notes
1	531493	AIR FILTER, INTAKE MOTOR	1	
A	531359	FILTER , AIR STANDARD	1	
B	531360	FILTER, AIR HEAVY DUTY	1	
C	531361	FILTER, SAFETY	1	
D	531362	COVER, ACCES	1	
NS	N24423	DRAIN BOOT 1 1/4" O.D. X 1" O.D. X .125	1	
NS	N8881935	SCREW AND FASTENER KIT FOR COVER	1	
NS	8081419	DECAL ETHER / ENGLISH & SPANISH	2	
NS	8081420	DECAL ETHER / ENGLISH & FRANCAIS	1	
2	033210	SUPPORT VERTICAL, AIR FILTER	1	A
3	030050	SUPPORT BASE, AIR FILTER	1	
3A	033991	SUPPORT BASE, AIR FILTER	1	A
4	5001527	SCREW CAP HEX M8-1.25x16 SS BK	AR	
5	5001848	WASHER BEL SPR .827 x .331 x .098 th SS	AR	
6	502836	SCREW CAP HEX M8-1.25x35 G8.8 N500	4	
7	500942	WASHER LO SPT 8.1x14.8x2.0 N500	4	
8	5001736	WASHER FL 8.4x18.0x2.0 N500	4	
9A	034005	DECAL "PLASTIC BOLT TORQUE" ENGLISH / FRENCH	1	
9B	030045	DECAL "NE PAS UTILISER D'ETHER OU LIQUIDE DE DEMARRAGE" FRENCH / ONLY	1	
9B	030046	DECAL "DO NOT USE ETHER OR STARTING FLUID" ENGLISH / ONLY	1	
9B	030047	DECAL "NO USE ETER O FLUIDO PARA ARRANCAR" SPANISH / ONLY	1	
10	450002	SUPPORT, COMPRESSOR HOSE	1	
11	502622	SCREW CAP HEX M6-1.0x20 SS BK	2	
NS	680098	THREAD SEALANT LOCTITE #567 / WHITE / 250ml	1	
12	5001833	WASHER BEL SPR 6.1x18x1.27 SS	1	
13	504785	CLAMP / SS / SILICONE RUBBER / 1 1/2" I.D. x .281 HOLE	1	
14	5001990	SCREW CAP HEX M8-1.25x30 NYL BK	4	
14	5001736	WASHER FL 8.4x18.0x2.0 N500	4	
15	531363	OFFSET REDUCING / 7 TO 5 IN, ENGINE	1	
16	504229	HOSE CLAMP / 6"1/2-8"1/2 SS / HS-100	AR	
17	033987	HOSE 7" DIA./ 190MM LG +/-20MM, ENGINE	1	
18	030052	PIPE 5" O.D. / AIR FILTER & TURBO	1	
NS	160044	DECAL "OIL DEXTRON"	1	
NS	012702	DECAL "OIL SPEC" 10W/40 / ENGLISH & FRANCAIS / SPANISH To L-6591	1	
NS	010315	DECAL "OIL SPEC" 5W/30 / ENGLISH & FRANCAIS / SPANISH From L-6592 To M-6644	1	
18	010329	DECAL "OIL SPEC" 5W/30 / ENGLISH & FRANCAIS / SPANISH From M-6645	1	
19	033195	HOSE FLEXIBLE / 5" I.D. x 470MM	1	
20	032880	PIPE 5" O.D. / AIR FILTER & TURBO	1	
20	030135	PIPE 5" O.D. / AIR FILTER & TURBO	1	C
21	21659720	ELBOW INLET, RUBBER	1	
22	530161	GAUGE AIR RESTRICTION 20" H2O 1/8" NPT	1	
23	504786	HOSE CLAMP / 4"3/4-5"5/8 / C.T. 550	2	

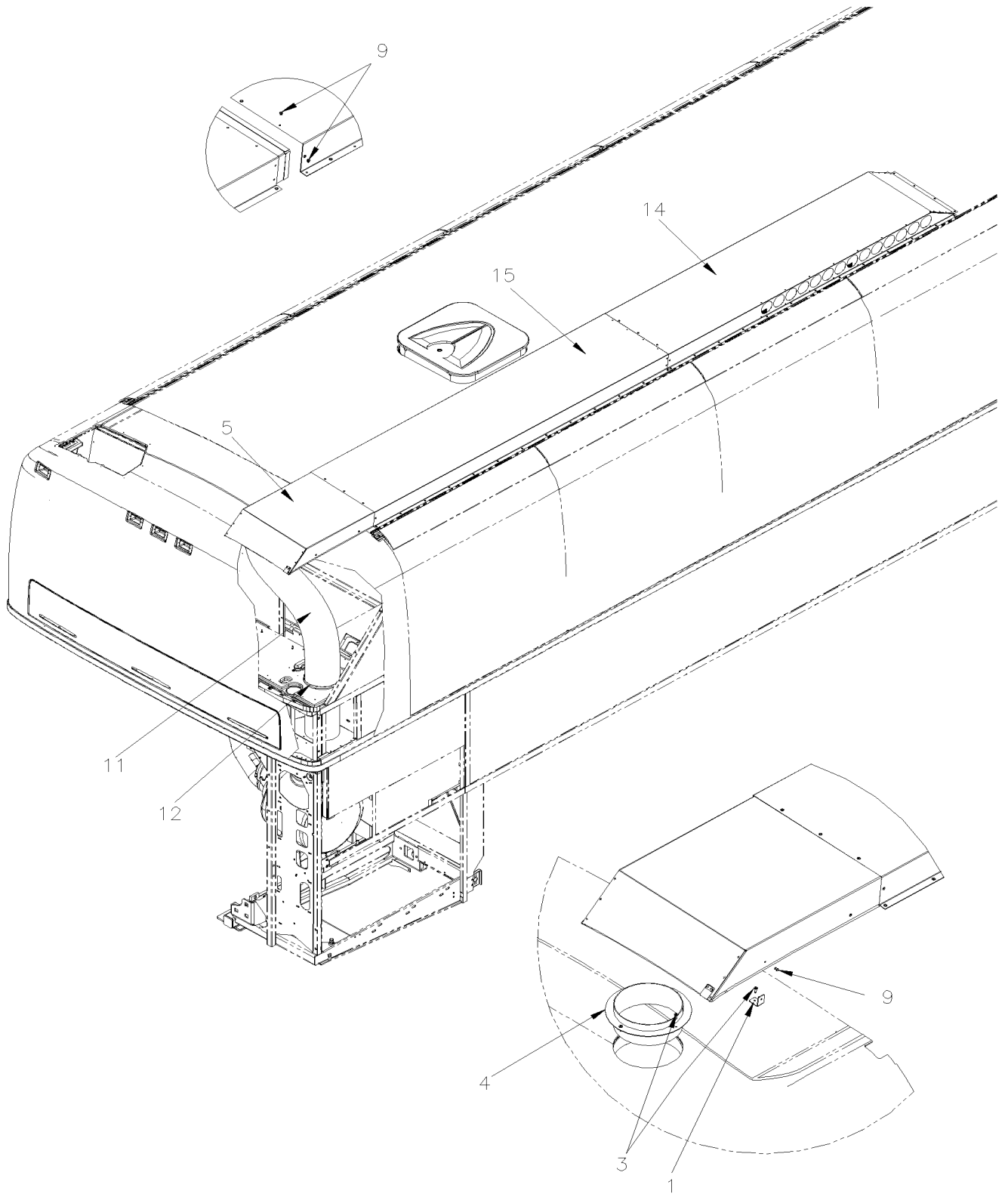
From H-6180		Date:01/2024	PAGE:X3-0330-04
AIR FILTER & INTAKE - INSTALLATION WITH VOLVO D13 - GHG17			

Item#	Part	Description	QTY	Notes
24	504324	HOSE CLAMP / 4"1/2-6"1/2 SS / HS-96	AR	
25	504257	HOSE CLAMP / 4"1/16-5" SS / HS-72	1	
26	502780	SCREW CAP HEX M8-1.25x25 SS BK	AR	
27	5001868	WASHER BEL SPR 8.4x18x2 SS	AR	
30	503739	HOSE (SUCTION) / 1" I.D. X 250' / C.T.L.	3	
31	504291	HOSE CLAMP / 1"1/8-1"3/4 SS / E.T. 20	2	
32	5011240	MALE CONNECTOR / BEADED HOSE BARB / #16x3/4NPT-M BR	1	
33	032763	PIPE AIR INLET COMPRESSOR 25.5 O.D. x 52MM / W/FLANGE 28MM O.D.	1	
34	504738	RUBBER JOINT	1	
35	1546531	ANGLE RETAINER 13MM I.D.	2	
36	504016	CABLE TIE / 5/16" X 14"1/2 To L-6494	1	
36	5040100	CABLE TIE /OUTSIDE SERRATED 5/16" X 14"1/2 From L-6495	1	
40	053086	PIPE 3 1/2" O.D./ CAC	1	
40	050474	PIPE 3 1/2" O.D./ CAC SS304	1	C
41	053085	PIPE 3 1/2" O.D./ CAC	1	
41	050475	PIPE 3 1/2" O.D./ CAC SS304	1	C
42	531490	HOSE 3 1/2" I.D./ CAC	2	
43	20550690	HOSE 86MM I.D. X 162.5MM To J-6307	2	
43	030096	HOSE 86MM I.D. X 162.5MM From J-6308	2	
44	050022	RUBBER SUPPORT	2	
45	5001983	NUT HEX NYRT M8-1.25 SS SS BK	6	
46	5001849	WASHER FL 8.4x24.0x2.0 SS	6	
47	21490630	HOSE CLAMP SPRING LOAD / HEAVY DUTY 3"5/8-3"15/16	AR	
48	21490632	HOSE CLAMP SPRING LOAD / HEAVY DUTY 3"9/16-3"7/8	2	
49	032540	SPACER 1/2" O.D.X 12MM SS	6	
50	052885	ELBOW AIR INTAKE/ MODIFIED To K-6439	1	
50	050182	ELBOW AIR INTAKE / WITH SENSOR INLET From K-6440	1	
51	1675067	HOSE CONNECTOR	1	
52	20592783	V-CLAMP / (USE W GASKET) 107.7MM I.D.	AR	
53	1675066	GASKET 107.7MM I.D. V-CLAMP	AR	
55	053090	PIPE 3 1/2" O.D./ CAC	1	
55	050477	PIPE 3 1/2" O.D./ CAC SS304	1	C
56	053662	COUPLING TURBO	1	
57	20592787	V-CLAMP / 81.7MM I.D.	1	
58	21096684	GASKET 60MM I.D.	1	
60	21164792	SENSOR TEMPEARATURE	1	
61	061497	SUPPORT FOR HARNESS From K-6440	1	
NS	504013	TIE MOUNT / 1/4" X 1/4" I.D. From K-6440	2	
NS	504379	RIVET POP DOME OE 3/16x1/4 SS From K-6440	2	
NS	504637	CABLE TIE / 3/16" x 13" From K-6440	2	
62	23182832	SENSOR TEMPERATURE , CAC OUT From K-6440 To R-6925	1	
62	23182832	SENSOR TEMPERATURE , CAC OUT From R-6925 To R-6999	1	

From H-6180	Date:01/2024	PAGE:X3-0330-04
AIR FILTER & INTAKE - INSTALLATION WITH VOLVO D13 - GHG17		

Item#	Part	Description	QTY	Notes
62	24275000	SENSOR TEMPERATURE , CAC OUT From R-4001	1	
63	5001730	SCREW CAP HEXF M6-1.0x16 G10.9 N500 From K-6440	1	
70	X3-0505-02	RADIATOR ASSY VOLVO D13 - GHG17	1	
75	Refer To Volvo	SEE IMPACT OR CALL ORDER DESK		V
		A) USE WITH OPTION W/O LAVATORY		
		C) SPECIAL OPTION SS304		
		V) SEE IMPACT OR CALL ORDER DESK		

ROOF AIR FILTER & INTAKE



From E-5718	Date:01/2024	PAGE:X3-0330-20
-------------	--------------	-----------------

ROOF AIR FILTER & INTAKE

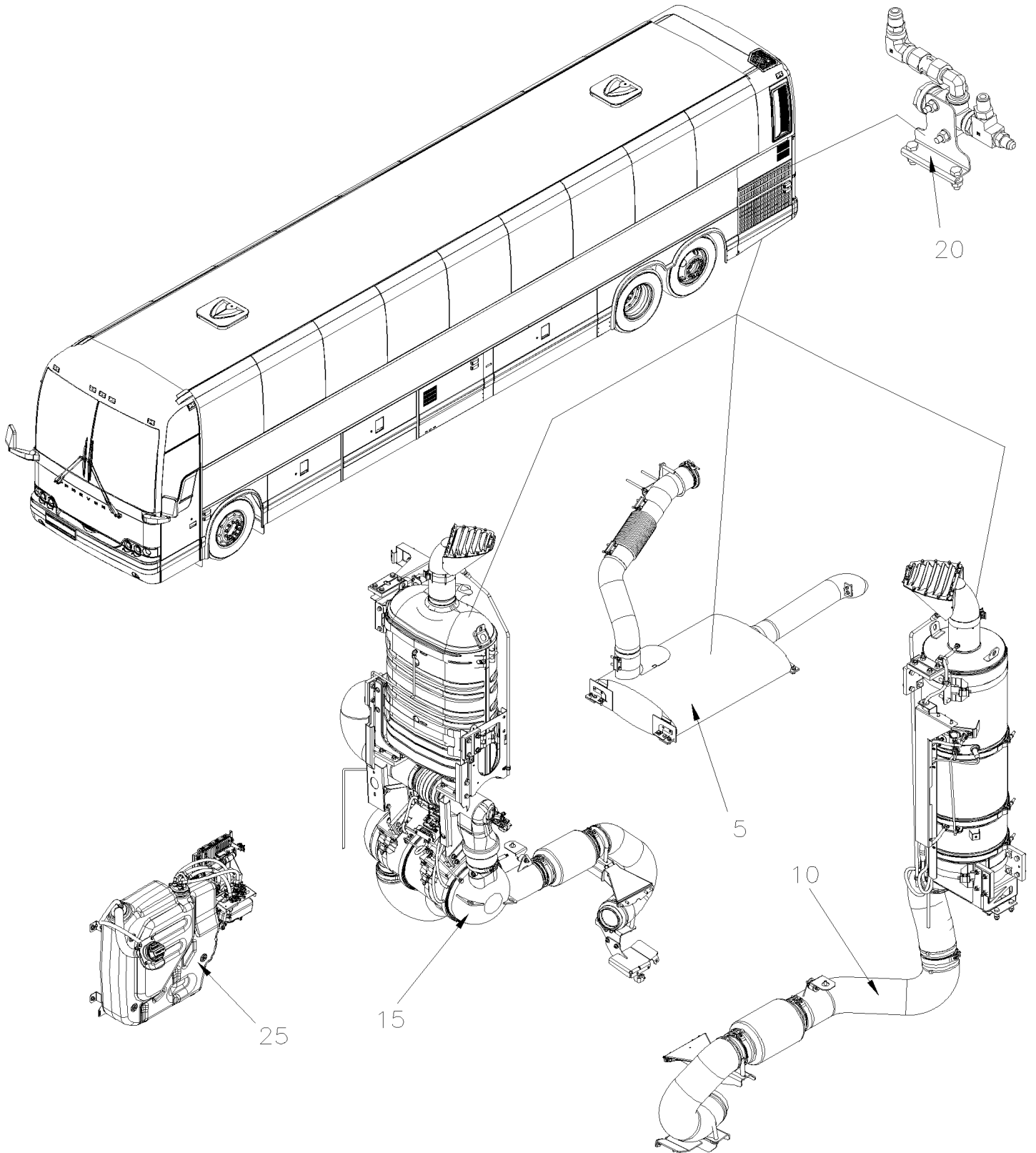
Item#	Part	Description	QTY	Notes
1	459223	BRACKET	4	
3	500414	SCREW TP BDG PH #10x3/4 SS	8	
4	218780	TUBING AIR INTAKE ASSY	1	
5	459220P	INTAKE DUCT ASSY	1	
9	504488	RIVET MGLP PRDG 3/16x17/64 SS	AR	
11	503743	HOSE FLEXIBLE / AIR DUCT 8" I.D. X 25' / THERMOPLASTIC	AR	
12	504415	HOSE CLAMP / 7"1/4-9"1/4 SS / HS-152	2	
14	459216P	INTAKE DUCT ASSY	1	
15	459217P	INTAKE DUCT ASSY	1	
NS	684517	ADHESIVE SIMSON #ISR 70-03 / GREY / 310ml CARTRIDGE	AR	

From 7-8754

Date:01/2024

X3-04

EXHAUST



From 7-8754	Date:01/2024	X3-04
-------------	--------------	-------

EXHAUST

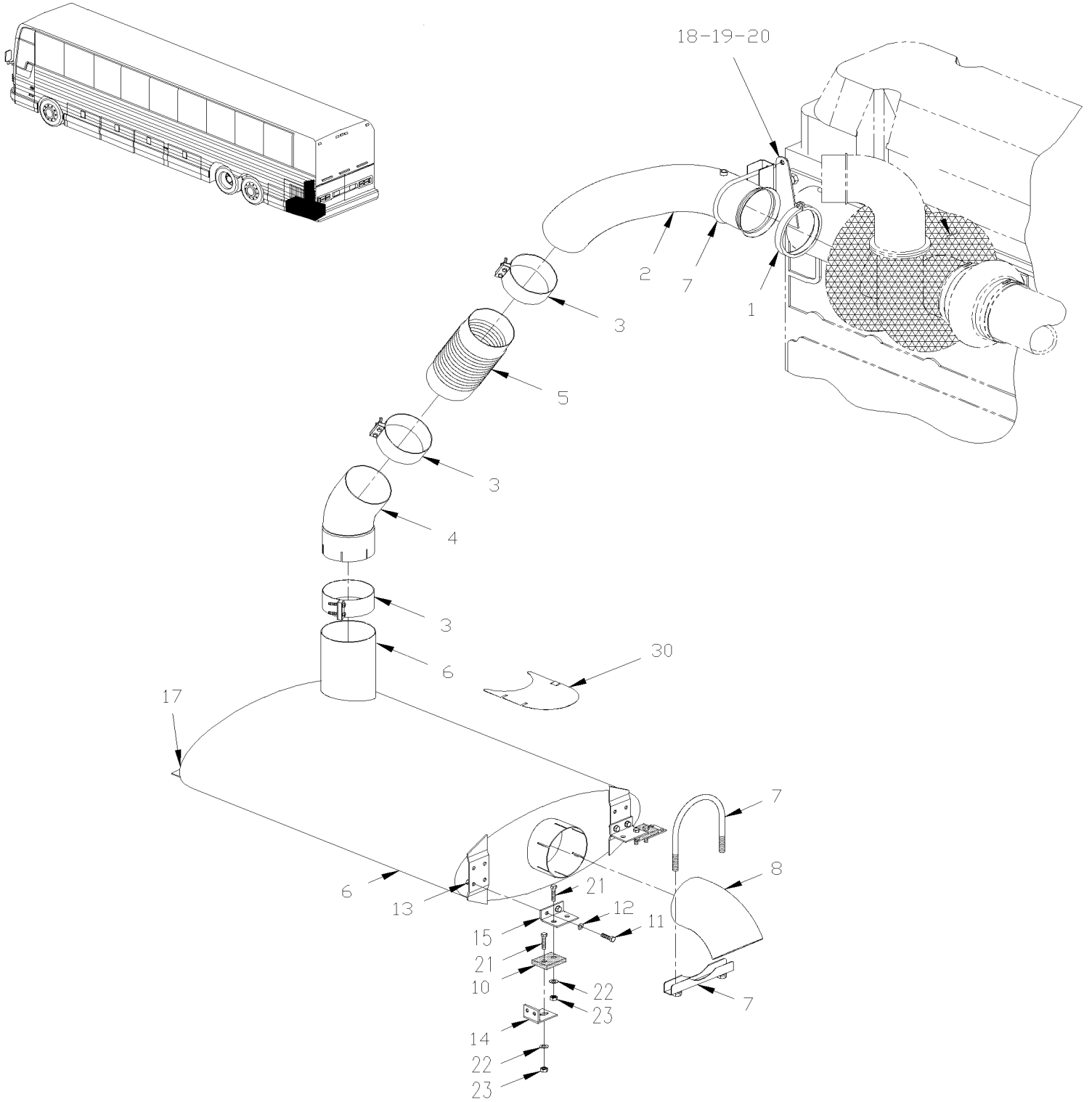
Item#	Part	Description	QTY	Notes
5	X3-0405-00	MUFFLER - INSTALLATION WITH DETROIT S-60 From 7-8754 To 8-9276		
10	X3-0405-01	MUFFLER - INSTALLATION WITH DPF FILTER WITH DETROIT S-60 From 8-9277 To B-5001		
10	X3-0405-02	MUFFLER - INSTALLATION WITH DPF FILTER WITH VOLVO D13 From 8-9457 To B-5001		
15	X3-0405-03	MUFFLER - INSTALLATION WITH DPF & SCR WITH VOLVO D13 From B-5002 To K-6492		
15	X3-0405-04	MUFFLER - INSTALLATION WITH DPF & SCR WITH VOLVO D13 From L-6493		
20	X3-0405-10	7TH INJECTOR / EXHAUST VOLVO D13 From 9-9614 To B-5074		
20	X3-0405-11	7TH INJECTOR / "AHI" / EXHAUST VOLVO D13 From B-5075 To H-6179		
20	X3-0405-12	7TH INJECTOR / "AHI" / EXHAUST VOLVO D13 - GHG17 From H-6180		
25	X3-0410-00	UREA RESERVOIR ASSY From A-9907 To A-9907		
25	X3-0410-00	UREA RESERVOIR ASSY From A-9926 To A-9926		
25	X3-0410-01	UREA RESERVOIR ASSY From B-5002		

From 7-8754 To 8-9276

Date:01/2024

PAGE:X3-0405-00

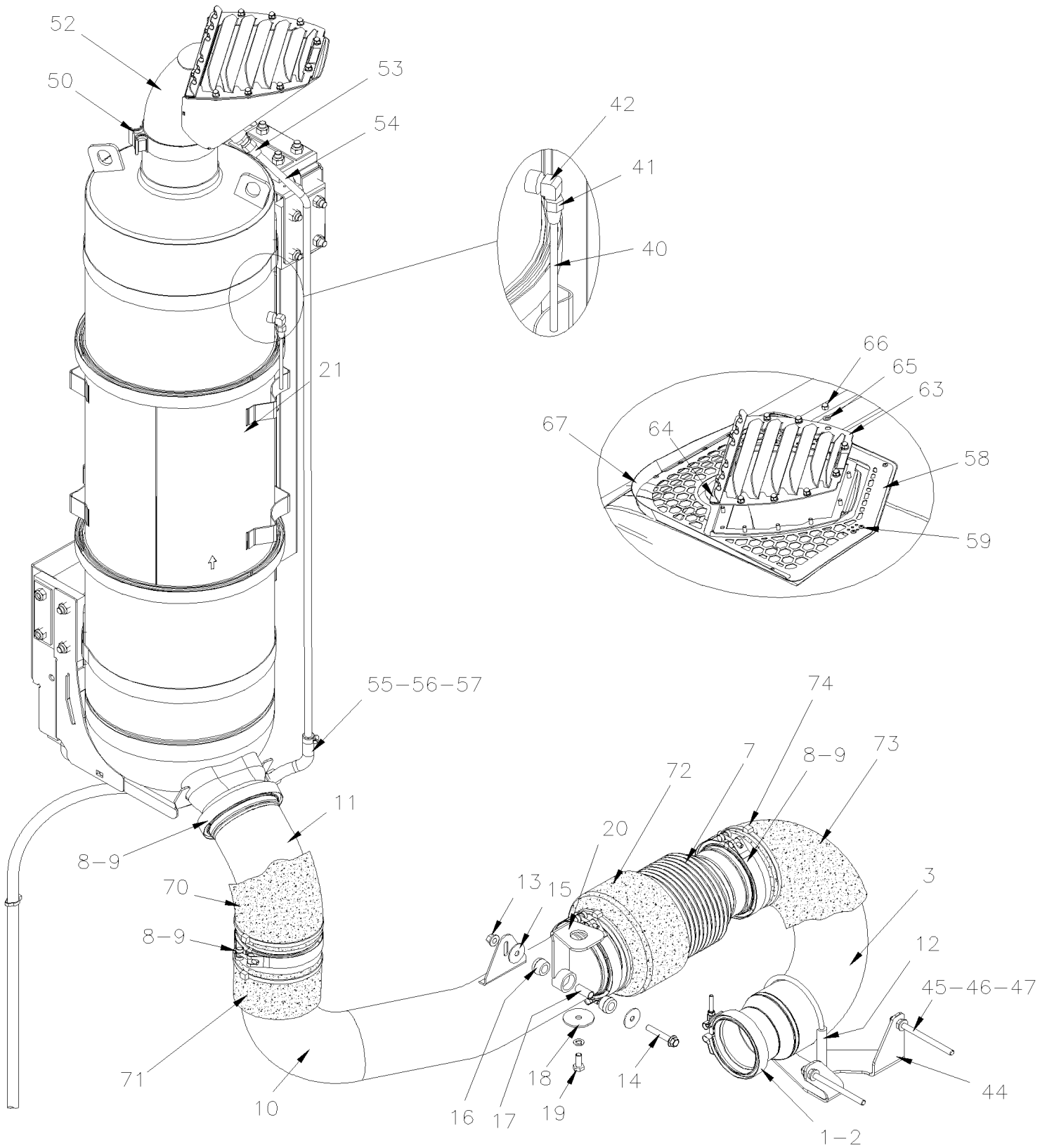
MUFFLER - INSTALLATION WITH DETROIT S-60



From 7-8754 To 8-9276	Date:01/2024	PAGE:X3-0405-00
MUFFLER - INSTALLATION WITH DETROIT S-60		

Item#	Part	Description	QTY	Notes
1	540056	V-CLAMP / 5.588" I.D.	1	
2	040542	PIPE / W/SERIES 60	1	
3	540024	CLAMP BAND SEAL / BUTT JOINT / 5" I.D.x3"	3	
4	040543	PIPE, ELBOW	1	
5	540031	BELLOWS - EXHAUST 5" I.D. x 11.87"	1	
6	540045	MUFFLER SERIES 50 & 60	1	
NS	503008	NUT SPR U M8-1.25 0.6-4.0	16	
6	540053	MUFFLER SERIES 50 & 60 / STAINLESS	AR	
7	540018	U-CLAMP / (GUILLOTINE TYPE) / 5" I.D.	1	
8	040563	PIPE, TAIL	1	
10	040988	MUFFLER CONNECTION	8	S
11	502862	SCREW CAP HEX M8-1.25x20 G8.8 N500	8	
12	500942	WASHER LO SPT 8.1x14.8x2.0 N500	8	
14	260632	SUPPORT, ANGLE / MUFFLER (WELDED)	2	
14	260936	SUPPORT, ANGLE / MUFFLER (WELDED)	1	
14	260934	SUPPORT, ANGLE / MUFFLER (WELDED)	1	
NS	217912	SUPPORT, ANGLE / MUFFLER (WELDED)	2	
15	040465	SUPPORT ANGLE 30MM x 54MM x 72MM	4	
17	X3-1894-05	REAR LH - STRUCTURE		
18	040561	SUPPORT, PIPE	1	
19	510626	STUD M10-1.5 x 120	2	
20	500680	NUT HEX STO M10-1.5 Z050	2	
21	500065	SCREW CAP HEX M10-1.5x30 G10.9 DP	4	
22	500832	WASHER FL .406x.812x.065 N500	8	
23	5001758	NUT HEX STO M10-1.5 N500	4	
30	040559	CLOSING PLATE	1	
30	500526	SCREW TP CAP HEXW #12x3/4 N500	2	
		S) SERVICE		

From 8-9277 To B-5001	Date:01/2024	PAGE:X3-0405-01
MUFFLER - INSTALLATION WITH DPF FILTER WITH DETROIT S-60		

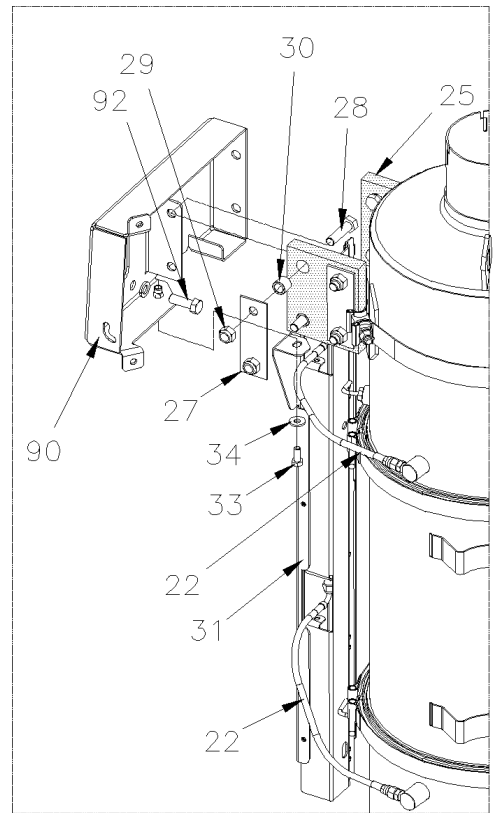
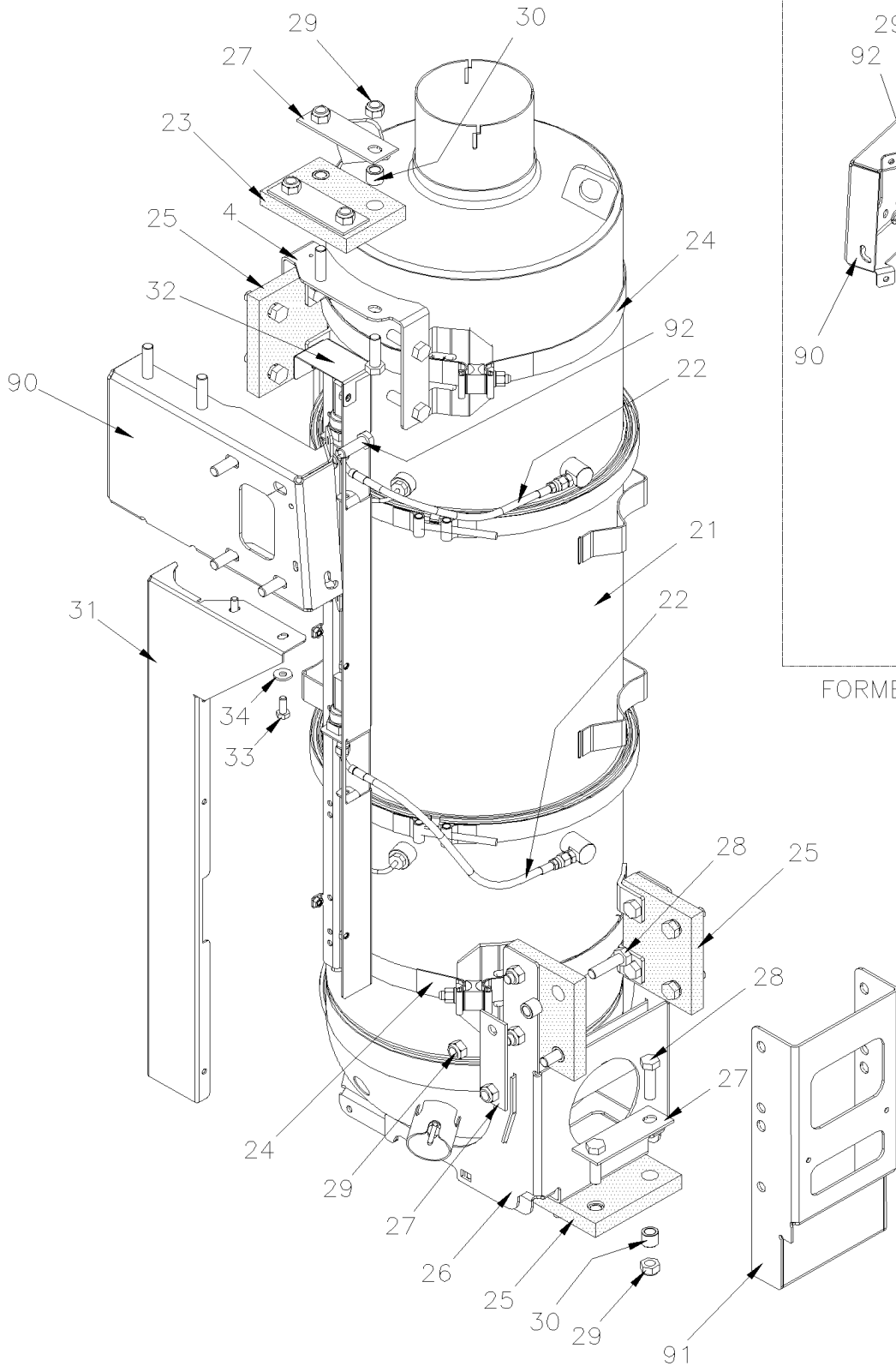


From 8-9277 To B-5001

Date:01/2024

PAGE:X3-0405-01

MUFFLER - INSTALLATION WITH DPF FILTER WITH DETROIT S-60



FORMER INSTALLATION

From 8-9277 To B-5001	Date:01/2024	PAGE:X3-0405-01
MUFFLER - INSTALLATION WITH DPF FILTER WITH DETROIT S-60		

Item#	Part	Description	QTY	Notes
1	540062	V CLAMP 4.75" I.D.	1	
2	21048738	GASKET 4.81" I.D. V-CLAMP	1	
3	040630	PIPE, EXHAUST "U"	1	
3	041142	REINFORCEMENT "U" PIPE ASSY.	1	I
4	040688	SUPPORT UPPER DPF To A-9953	1	
4	040923	SUPPORT UPPER DPF From A-9954	1	
. NS	503702	. HOSE / (SAFETY STRIPE) / 3/8" I.D. 50' / S.L. From A-9954	AR	
. NS	992081	. HOSE CLAMP / 12MM/22MM From A-9954	1	
7	540066	BELLOWS - EXHAUST 5" I.D. x 14.49"	1	
8	21021850	V-CLAMP / (USE W GASKET) 5.91" I.D.	4	
9	21048740	GASKET 5.91" I.D. V-CLAMP	4	
10	040675	PIPE, EXHAUST / CENTER	1	
11	040657	PIPE, EXHAUST / UPPER	1	
12	540018	U-CLAMP / (GUILLOTINE TYPE) / 5" I.D.	2	
13	5001595	SCREW CAP HEXF M10-1.5x60 G8.8 G500	1	
14	971098	NUT HEXF STO M10-1.5 G8 ZP	1	
15	500261	WASHER FL .390x1.500x.083 N500	2	
16	661074	BUSHING / RUBBER 3/4" x 5/8" I.D.	2	
17	505217	SPACER 7/16" X 1 1/4"	1	
18	040627	WASHER FL 10.5x54x11GA SS	1	
18	3852496	WASHER LO SPT 10.2x18.1x2.2 ZG603	1	
19	502804	SCREW CAP HEX M10-1.5x25 G8.8 N500	1	
20	040639	ANGLE PIPE SUPPORT	1	
21	540065	DPF EXHAUST FILTER From 8-9277	1	
22	040620	HOSE ASSY TEFLON #4 240MM	1	
22	040744	HOSE ASSY TEFLON #4 280MM	1	
23	040579	MUFFLER CONNECTION RUBBER 135MM x 93MM To 9-9595	1	
23	21120785	MUFFLER CONNECTION RUBBER 135MM x 93MM From 9-9596	1	
24	040603	CLAMP SUPPORT ASSY	2	
. A	5001801	. SCREW CAP HEXF M10-1.5x55 G10.9 N500	1	
. B	540085	. SPACER / HALF MOON SHAPE	2	
. C	540086	. SPACER / ANVIL SHAPE	1	
. D	5001758	. NUT HEX STO M10-1.5 N500	1	
25	040574	MUFFLER CONNECTION RUBBER 135MM x 107MM	4	
26	040578	SUPPORT LOWER DPF To 8-9389	1	
26	040725	SUPPORT LOWER DPF From 8-9390 To A-9953	1	
26	040926	SUPPORT LOWER DPF From A-9954	1	
27	040575	PLATE ATTACHMENT 120MM X 40MM To 9-9595	6	
27	21138255	PLATE ATTACHMENT 120MM X 40MM From 9-9596	6	
28	5001338	SCREW CAP HEX M12-1.75x45 G10.9 N500	AR	
29	500811	NUT HEX STO M12-1.75 G500	AR	
30	040680	SPACER 3/4" O.D. X 16MM SS To A-9972	AR	

From 8-9277 To B-5001	Date:01/2024	PAGE:X3-0405-01
MUFFLER - INSTALLATION WITH DPF FILTER WITH DETROIT S-60		

Item#	Part	Description	QTY	Notes
30	040937	SPACER 3/4" O.D. X 16MM ST From A-9973	AR	
31	040716	PROTECTOR CABLE SUPPORT To A-9953	1	
31	040930	PROTECTOR CABLE SUPPORT From A-9954	1	
32	040667	PROTECTOR CABLE SUPPORT	1	
33	502862	SCREW CAP HEX M8-1.25x20 G8.8 N500	2	
34	500321	WASHER BEL SPR .331x.827x.098 N500	2	
NS	5001337	NUT INS FL HEX M8-1.25 0.5-3.0 Z050	2	
40	040621	TUBE DRAIN 1/4" O.D. 128MM COPPER	1	
41	501012	NUT LONG / SAE 45° FITTING / #4FL-F BR	1	
42	501037	MALE ELBOW 90° / SAE 45° FITTING / #4FL-Mx1/4NPT-M BR	1	
44	040635	PIPE "U" SUPPORT	1	
45	510626	STUD M10-1.5 x 120	2	
46	960143	WASHER FL 10.5x26.0x2.0 ZP	2	
47	5001758	NUT HEX STO M10-1.5 N500	2	
50	540067	CLAMP BAND SEAL / LAP JOINT / 5" I.D.x1.25"	1	
52	040592	DIFFUSOR ASSY To 8-9425	1	
52	040719	DIFFUSOR ASSY From 8-9426 To 9-9595	1	
52	21102422	DIFFUSOR ASSY From 9-9596	1	
53	640873	MALE CONNECTOR / AB FITTING / #8x1/2NPT-M BR	1	
54	040599	TUBE DRAIN 1/2" O.D. 1354MM SS W/BEND To 8-9389	1	
54	040723	TUBE DRAIN 1/2" O.D. 1472MM SS W/BEND From 8-9390	1	
55	040638	HOSE DRAIN / 1/2" I.D. 1600MM To A-9743	1	
NS	503593	HOSE FC-505-10 / FREON R-134a To A-9743	AR	
55	040780	HOSE DRAIN / 1/2" I.D. 1600MM From A-9744	1	S
NS	503765	HOSE GH-134-10/ FREON R-12 & R-134a From A-9744	AR	S
NS	504018	HOSE CLAMP / 7/16"-1" SS / HS-8 To 8-9389	1	
56	952631	CLAMP / 3/4" I.D.	1	
57	955269	SCREW CAP HEX M6-1.0x12 G8.8 ZG603	1	
57	502681	NUT HEX NYRT M6-1.0 N500 G8	1	
58	040590	GRILL ROOF	1	
NS	040710	HOSE ADAPTOR, EXHAUST W/TOP DIFFUSOR FOR ADAPTEUR GARAGE VENTILATION	1	
NS	5001685	SCREW TH SHR 1/4-20x1 1/2 SS	2	
59	500952	SCREW TP BDG PH #8x1/2 SS	15	
63	040668	GRILL DIFFUSOR To 8-9535	1	
63	040747	GRILL DIFFUSOR From 8-9536 To 9-9595	1	
63	21139384	GRILL DIFFUSOR From 9-9596	1	
64	040161	PLATE "WARNING" THIS DIFFUSOR MUST BE FLUSH.. To 9-9595	1	
64	21139388	PLATE "WARNING" THIS DIFFUSOR MUST BE FLUSH.. From 9-9596	1	
65	502573	WASHER FL 6.4x12.5x1.6 SS	10	
66	5001684	NUT HEX CAP M6-1.0 SS	10	
67	040745	DEFLECTOR TAPER - X SERIES From 8-9536	1	

From 8-9277 To B-5001	Date:01/2024	PAGE:X3-0405-01
-----------------------	--------------	-----------------

MUFFLER - INSTALLATION WITH DPF FILTER WITH DETROIT S-60

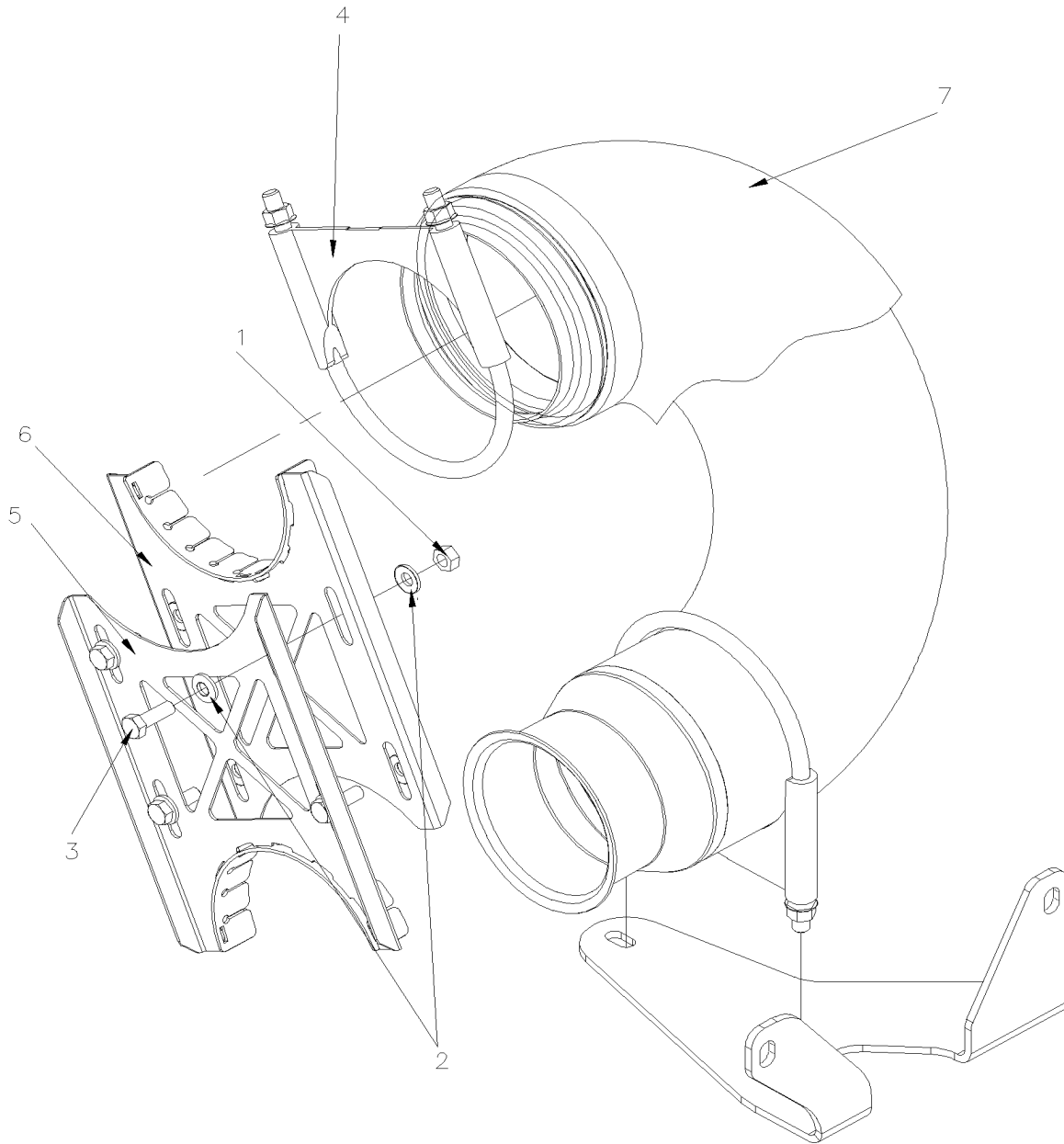
Item#	Part	Description	QTY	Notes
70	040693	INSULATED BLANKET / PIPE EXHAUST DPF	1	
71	040676	INSULATED BLANKET / PIPE	1	
72	040692	INSULATED BLANKET / BELLOW	1	
73	040640	INSULATED BLANKET / PIPE	1	
74	504737	CABLE TIE / .300" X 30"1/2	AR	
90	040576	SUPPORT UPPER DPF	1	F
90	040690	SUPPORT UPPER DPF	1	C
91	216046	SUPPORT LOWER DPF	1	
92	500806	SCREW CAP HEX M12-1.75X35 G10.9 G500	4	
92	500747	WASHER LO SPT 12.2x21.1x2.5 N500	4	
		C) CURRENT		
		F) FORMER		
		I) FOR PRODUCT IMPROVEMENT		
		S) SERVICE		

From 8-9277 To B-5001

Date:01/2024

PAGE:041142

REINFORCEMENT "U" PIPE ASSY.



From 8-9277 To B-5001		Date:01/2024	PAGE:041142
-----------------------	--	--------------	-------------

REINFORCEMENT "U" PIPE ASSY.

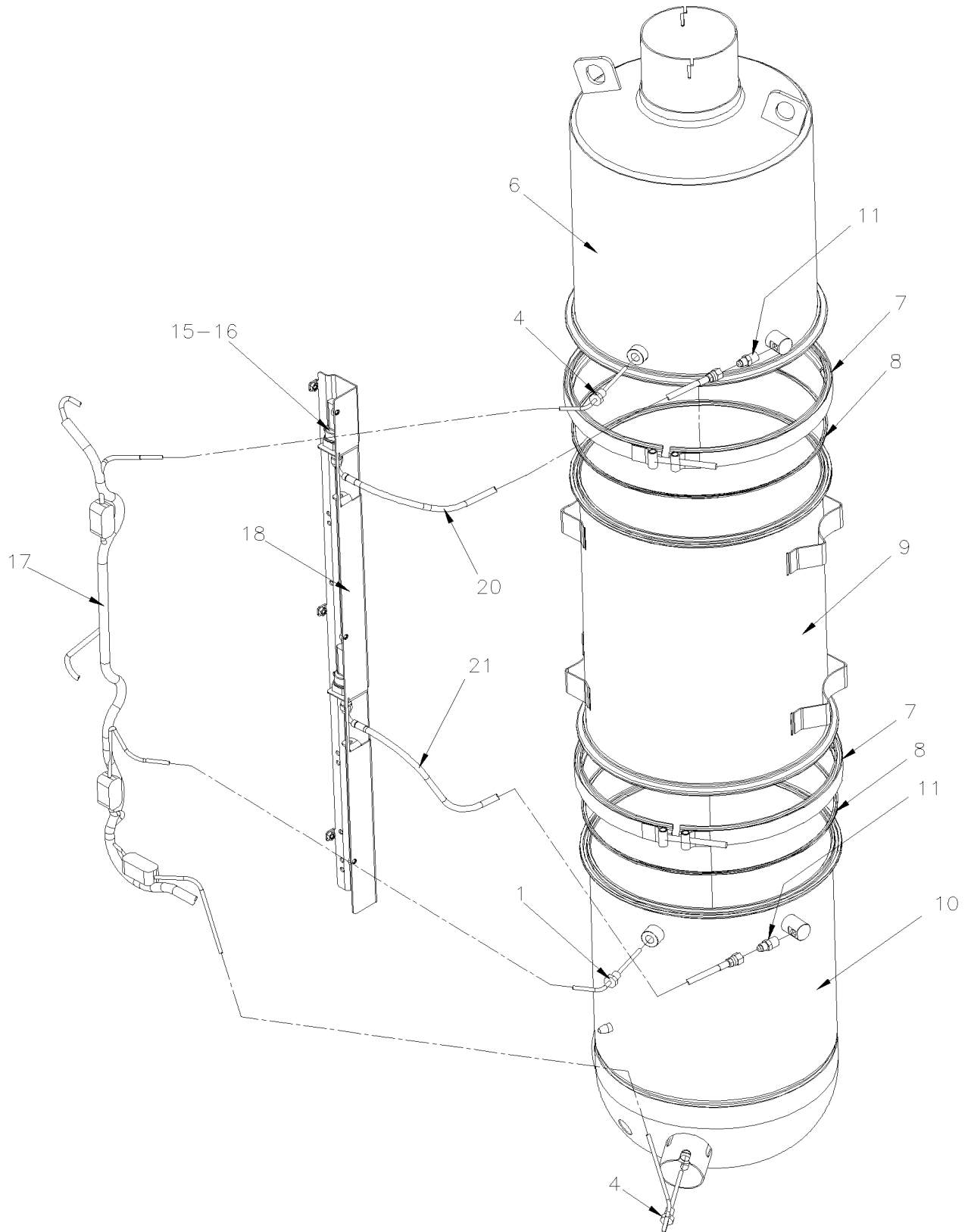
Item#	Part	Description	QTY	Notes
1	5001740	NUT HEX STO M8-1.25 N500	4	
2	5001868	WASHER BEL SPR 8.4x18x2 SS	8	
3	502780	SCREW CAP HEX M8-1.25x25 SS BK	4	
4	540018	U-CLAMP / (GUILLOTINE TYPE) / 5" I.D.	1	
5	046572	LOWER SUPPORT	1	
6	046571	HIGHER SUPPORT	1	
7	041090	COVER, EXHAUST PIPE	1	

From 8-9277

Date:01/2024

PAGE:540065

DPF EXHAUST FILTER

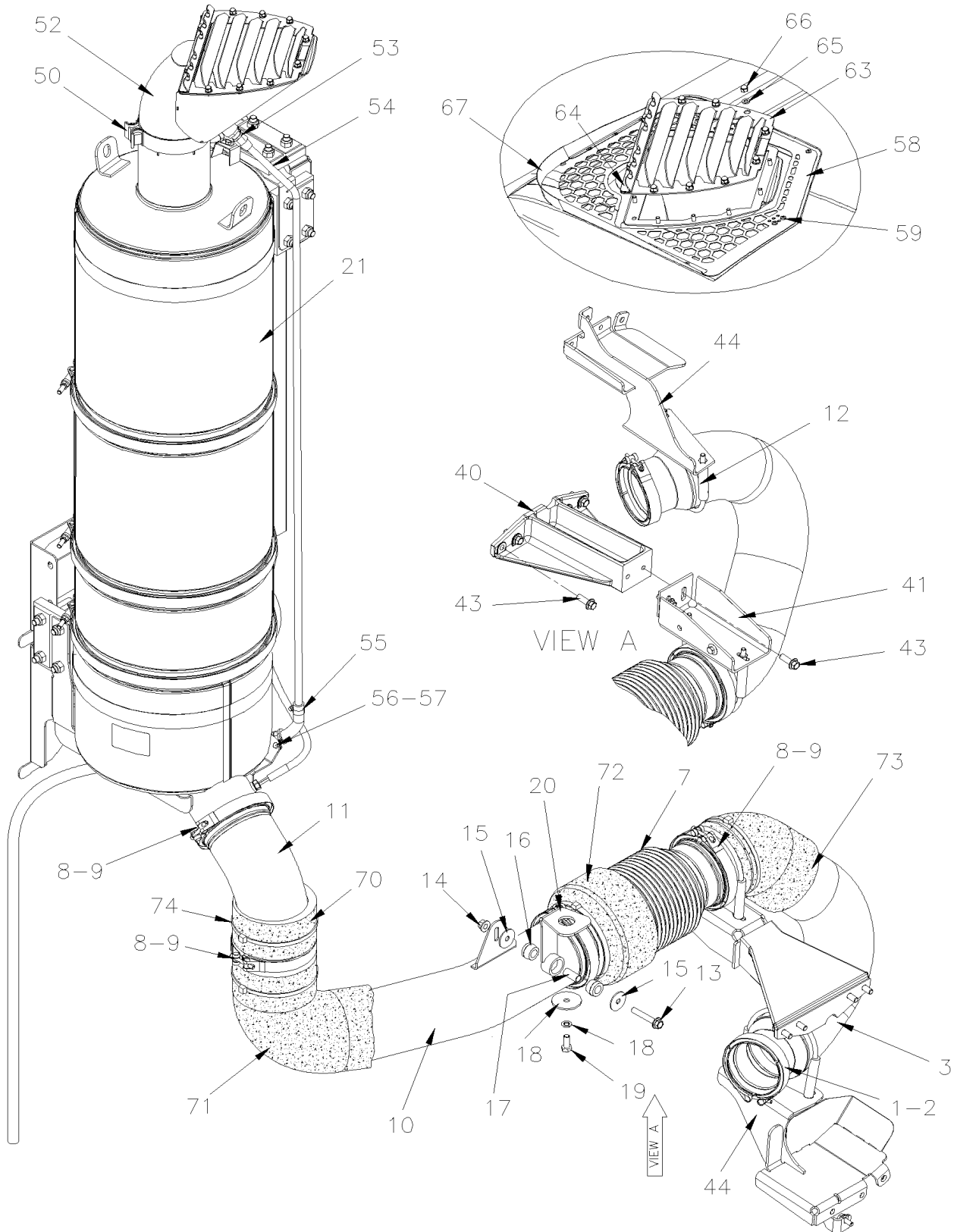


From 8-9277	Date:01/2024	PAGE:540065
-------------	--------------	-------------

DPF EXHAUST FILTER

Item#	Part	Description	QTY	Notes
		DPF EXHAUST FILTER	1	
1	540015	. TEMPERATURE SENSOR	1	
4	19512112	. SENSOR, DOC INLET TEMPERATURE SENSOR	2	
6	540003	. MODULE 12" ATD TO RAIN TRAP OUTLET	1	
7	19512113	. CLAMP, V-BAND	2	
8	19512114	. GASKET, V SHAPE	2	
9	540002	. DPF PARTICULE FILTER, NEW	1	
10	540037	. MODULE 12" ATU TO 10" DOC, NEW W/ CORE	1	
11	19512115	. FITTING	1	
15	19512116	. SENSOR, DPF PRESSURE 40KPA GAGE ATD	2	
16	540004	. NUT HEX JAM 7/16-20 SS	2	
17	540011	. WIRING HARNESS DPF	1	
18	540005	. BRACKET MOUNTING SENSOR	1	
20	040744	HOSE ASSY TEFLON #4 280MM	1	
21	040620	HOSE ASSY TEFLON #4 240MM	1	

MUFFLER - INSTALLATION WITH DPF FILTER WITH VOLVO D13

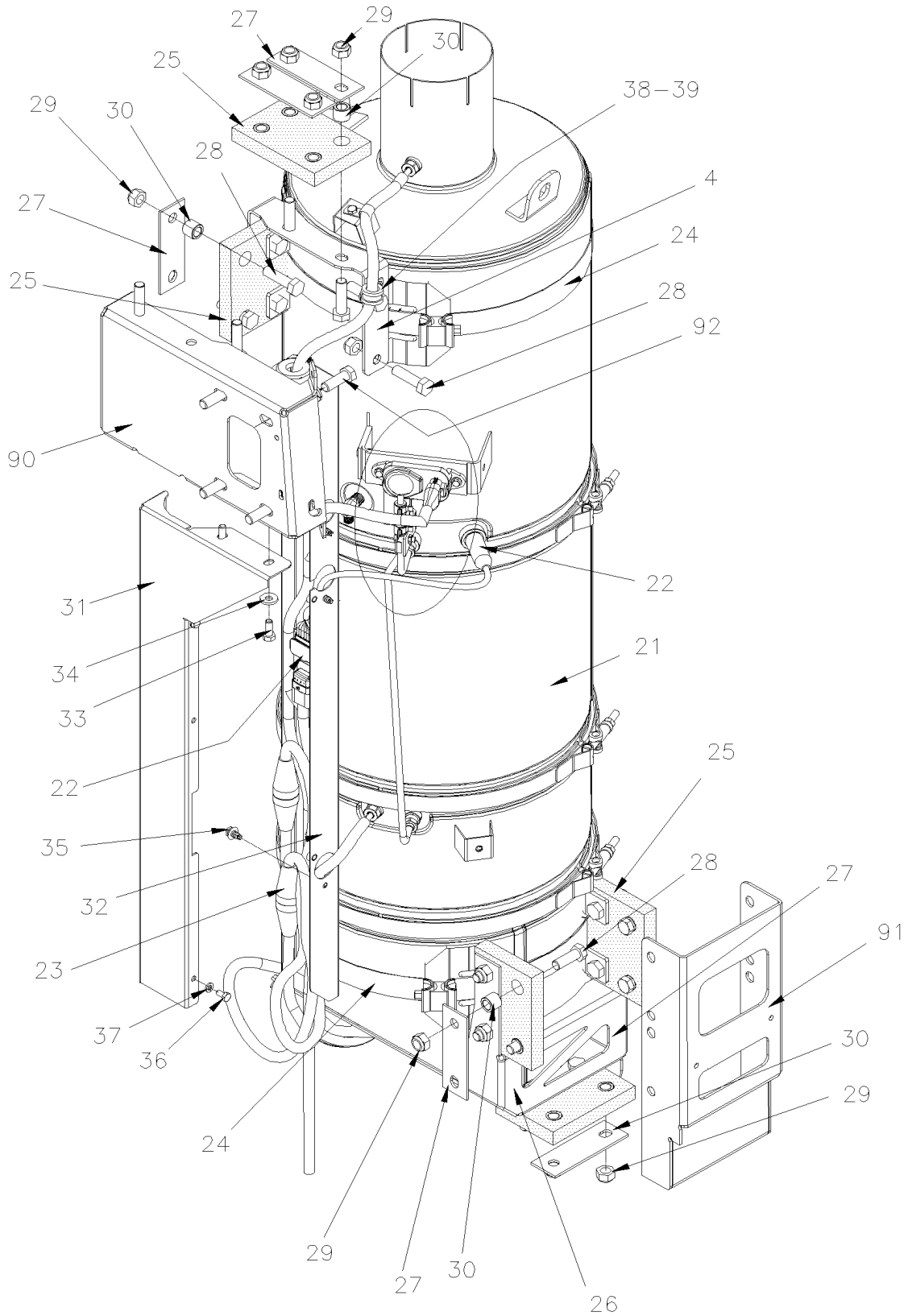


From 8-9457 To B-5001

Date:01/2024

PAGE:X3-0405-02

MUFFLER - INSTALLATION WITH DPF FILTER WITH VOLVO D13



From 8-9457 To B-5001	Date:01/2024	PAGE:X3-0405-02
MUFFLER - INSTALLATION WITH DPF FILTER WITH VOLVO D13		

Item#	Part	Description	QTY	Notes
1	21060426	V-CLAMP / (USE W GASKET) 4.81" I.D.	1	
2	21048738	GASKET 4.81" I.D. V-CLAMP	1	
3	040651	PIPE, EXHAUST "U"	1	
4	040687	SUPPORT UPPER DPF To 9-9595	1	
4	21138599	SUPPORT UPPER DPF From 9-9596 To A-9953	1	
4	040929	SUPPORT UPPER DPF From A-9954	1	
7	540066	BELLOWS - EXHAUST 5" I.D. x 14.49"	1	
8	21021850	V-CLAMP / (USE W GASKET) 5.91" I.D.	4	
9	21048740	GASKET 5.91" I.D. V-CLAMP	4	
10	040656	PIPE, EXHAUST / CENTER	1	
11	040657	PIPE, EXHAUST / UPPER	1	
12	540018	U-CLAMP / (GUILLOTINE TYPE) / 5" I.D.	2	
13	5001595	SCREW CAP HEXF M10-1.5x60 G8.8 G500	1	
14	971098	NUT HEXF STO M10-1.5 G8 ZP	1	
15	500261	WASHER FL .390x1.500x.083 N500	2	
16	661074	BUSHING / RUBBER 3/4" x 5/8" I.D.	2	
17	505217	SPACER 7/16" X 1 1/4"	1	
18	040627	WASHER FL 10.5x54x11GA SS	1	
18	3852496	WASHER LO SPT 10.2x18.1x2.2 ZG603	1	
19	502804	SCREW CAP HEX M10-1.5x25 G8.8 N500	1	
20	040639	ANGLE PIPE SUPPORT	1	
21	20944629	MUFFLER DPF EXHAUST FILTER From 8-9259 To 8-9295	1	
. NS	Refer To Volvo	. FOR SERVICE PARTS SEE IMPACT From 8-9259 To 8-9295	1	V
. NS	Refer To Volvo	. OR CALL ORDER DESK From 8-9259 To 8-9295	1	V
21	21096838	MUFFLER DPF EXHAUST FILTER From 8-9296	1	
. NS	Refer To Volvo	. FOR SERVICE PARTS SEE IMPACT From 8-9296		V
. NS	Refer To Volvo	. OR CALL ORDER DESK From 8-9296		V
21	85000725	PARTICULATE FILTER (reman) From 8-9296	1	
. NS	Refer To Volvo	. FOR SERVICE PARTS SEE IMPACT From 8-9296		V
. NS	Refer To Volvo	. OR CALL ORDER DESK From 8-9296		V
22	20789066	SENSOR NOX ASSY W/CABLE To 8-9513	1	
22	21069361	SENSOR NOX ASSY W/CABLE From 8-9514	1	
23	20891130	CABLE ASSY SENSOR MODULE	1	
24	040623	CLAMP SUPPORT ASSY To 9-9595	2	
24	21120780	CLAMP SUPPORT ASSY From 9-9596	1	
25	040579	MUFFLER CONNECTION RUBBER 135MM x 93MM To 9-9595	5	
25	21120785	MUFFLER CONNECTION RUBBER 135MM x 93MM From 9-9596	1	
26	040636	SUPPORT LOWER DPF PROTO	1	
26	040726	SUPPORT LOWER DPF To 9-9595	1	
26	21102659	SUPPORT LOWER DPF From 9-9596 To A-9953	1	
26	040931	SUPPORT LOWER DPF From A-9954	1	
27	040575	PLATE ATTACHMENT 120MM X 40MM To 9-9595	6	

From 8-9457 To B-5001	Date:01/2024	PAGE:X3-0405-02
MUFFLER - INSTALLATION WITH DPF FILTER WITH VOLVO D13		

Item#	Part	Description	QTY	Notes
27	21138255	PLATE ATTACHMENT 120MM X 40MM From 9-9596	1	
28	5001338	SCREW CAP HEX M12-1.75x45 G10.9 N500	AR	
29	500811	NUT HEX STO M12-1.75 G500	AR	
30	040680	SPACER 3/4" O.D. X 16MM SS To A-9973	AR	
30	040937	SPACER 3/4" O.D. X 16MM ST From A-9974	AR	
31	040689	PROTECTOR CABLE SUPPORT To A-9953	1	
31	040928	PROTECTOR CABLE SUPPORT From A-9954	1	
32	041068	CABLE SUPPORT To A-9953	1	
32	040924	CABLE SUPPORT From A-9954	1	
NS	955269	SCREW CAP HEX M6-1.0x12 G8.8 ZG603	2	
NS	500877	WASHER FL .250x.562x.065 N500	2	
NS	504264	GROMMET / .750x1.250x.062x.250x1.625	1	
33	502862	SCREW CAP HEX M8-1.25x20 G8.8 N500	2	
34	500321	WASHER BEL SPR .331x.827x.098 N500	2	
34	5001337	NUT INS FL HEX M8-1.25 0.5-3.0 Z050	2	
35	509815	TIE MOUNT / ATTACHMENT W/TREE MOUNT	AR	
36	955269	SCREW CAP HEX M6-1.0x12 G8.8 ZG603	2	
37	502853	WASHER LO SPT 6.1x11.8x1.6 N500	2	
38	952629	CLAMP / 5/8" I.D.	1	
39	502868	SCREW TC TR PH #10-16x1/2 N500	1	
40	040664	SUPPORT PRIMARY / EXHAUST PIPE	1	
41	040659	SUPPORT SECONDARY / EXHAUST PIPE	1	
43	5001644	SCREW CAP HEXF M10-1.5x30 G8.8 G500	6	
44	040662	SUPPORT EXHAUST PIPE	1	
50	540067	CLAMP BAND SEAL / LAP JOINT / 5" I.D.x1.25"	1	
51	040617	PIPE 5" O.D. X 226MM	1	
52	040719	DIFFUSOR ASSY To 9-9595	1	
52	21102422	DIFFUSOR ASSY From 9-9596	1	
53	640873	MALE CONNECTOR / AB FITTING / #8x1/2NPT-M BR	1	
54	040599	TUBE DRAIN 1/2" O.D. 1354MM SS W/BEND To 8-9389	1	
54	040723	TUBE DRAIN 1/2" O.D. 1472MM SS W/BEND From 8-9390	1	
55	040638	HOSE DRAIN / 1/2" I.D. 1600MM To 8-9389	1	
NS	503593	HOSE FC-505-10 / FREON R-134a To 8-9389	AR	
55	040780	HOSE DRAIN / 1/2" I.D. 1600MM SERVICE To 8-9389	1	S
NS	503765	HOSE GH-134-10/ FREON R-12 & R-134a To 8-9389	AR	S
NS	504018	HOSE CLAMP / 7/16"-1" SS / HS-8 To 8-9389	1	
56	952631	CLAMP / 3/4" I.D.	1	
57	955269	SCREW CAP HEX M6-1.0x12 G8.8 ZG603	1	
57	502681	NUT HEX NYRT M6-1.0 N500 G8	1	
58	040590	GRILL ROOF	1	
NS	040710	HOSE ADAPTOR, EXHAUST W/TOP DIFFUSOR FOR ADAPTEUR GARAGE VENTILATION	1	

From 8-9457 To B-5001	Date:01/2024	PAGE:X3-0405-02
MUFFLER - INSTALLATION WITH DPF FILTER WITH VOLVO D13		

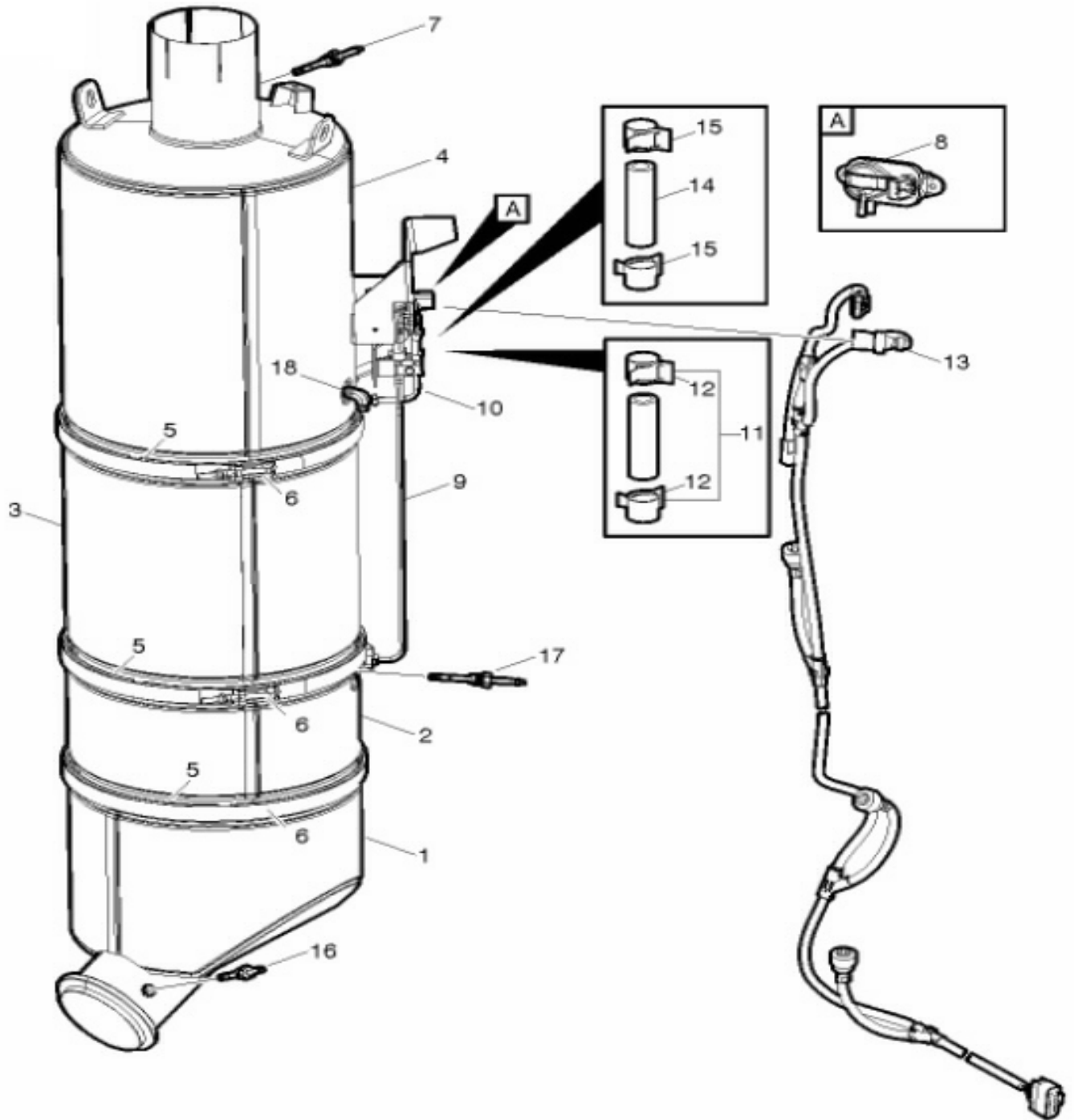
Item#	Part	Description	QTY	Notes
. NS	5001685	. SCREW TH SHR 1/4-20x1 1/2 SS	2	
59	500952	SCREW TP BDG PH #8x1/2 SS	15	
63	040668	GRILL DIFFUSOR To 8-9535	1	
63	040747	GRILL DIFFUSOR From 8-9536 To 9-9595	1	
63	21139384	GRILL DIFFUSOR From 9-9596	1	
64	040161	PLATE "WARNING" THIS DIFFUSOR MUST BE FLUSH.. To 9-9595	1	
64	21139388	PLATE "WARNING" THIS DIFFUSOR MUST BE FLUSH.. From 9-9596	1	
65	502573	WASHER FL 6.4x12.5x1.6 SS	10	
66	5001684	NUT HEX CAP M6-1.0 SS	10	
67	040745	DEFLECTOR TAPER - X SERIES From 8-9536	1	
70	040693	INSULATED BLANKET / PIPE EXHAUST DPF	1	
71	040661	INSULATED BLANKET / PIPE	1	
72	040692	INSULATED BLANKET / BELLOW	1	
73	040654	INSULATED BLANKET / PIPE TURBO	1	
74	504737	CABLE TIE / .300" X 30"1/2	AR	
90	040690	SUPPORT UPPER DPF	1	
91	216046	SUPPORT LOWER DPF	1	
92	500806	SCREW CAP HEX M12-1.75X35 G10.9 G500	4	
92	500747	WASHER LO SPT 12.2x21.1x2.5 N500	4	
104	VOLVO	VOLVO ENGINE D-13	1	
		S) SERVICE		
		V) SEE IMPACT OR CALL ORDER DESK		

From 8-9259 To 8-9295

Date:01/2024

PAGE:20944629

MUFFLER DPF EXHAUST FILTER



From 8-9259 To 8-9295	Date:01/2024	PAGE:20944629
-----------------------	--------------	---------------

MUFFLER DPF EXHAUST FILTER

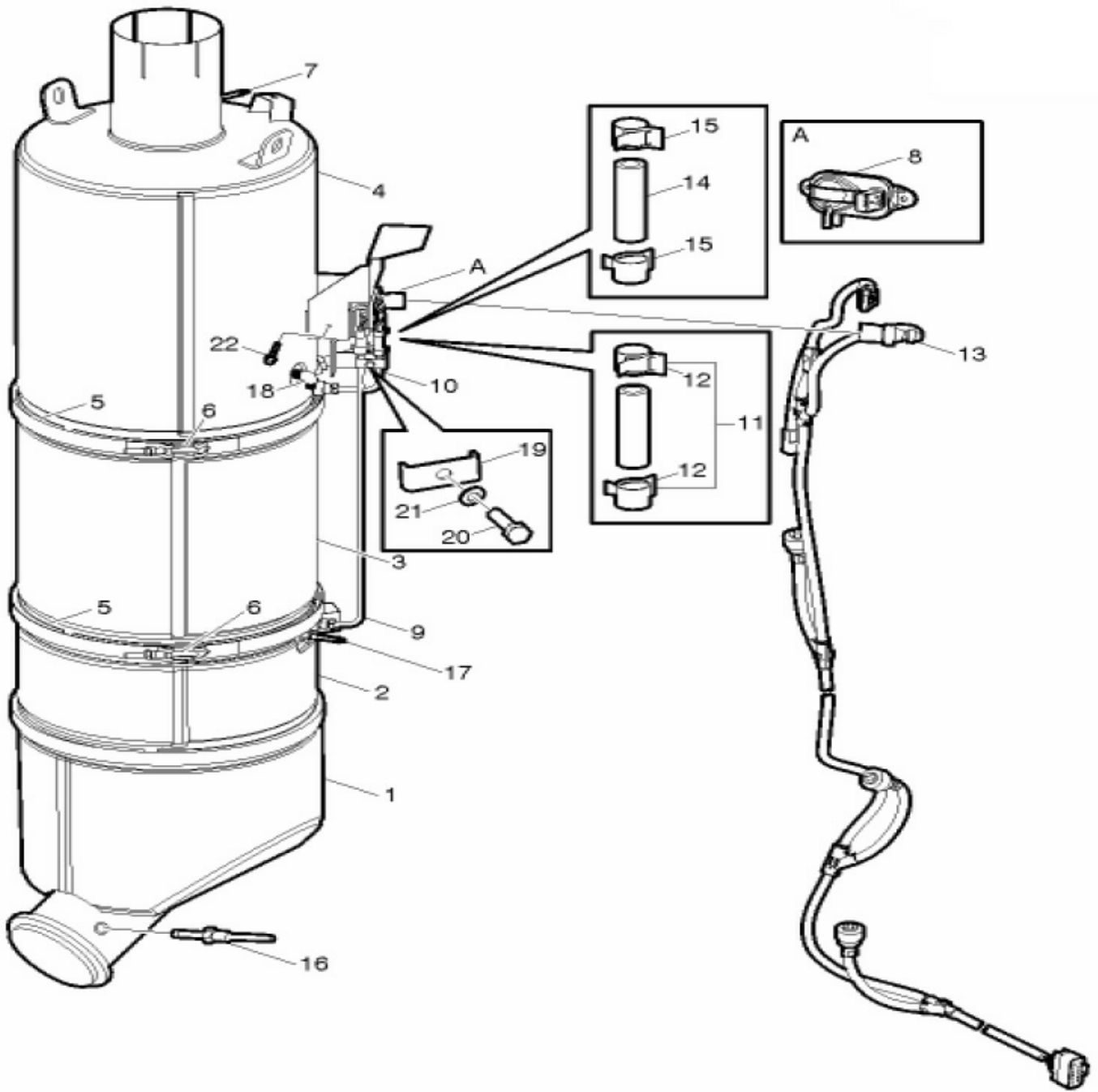
Item#	Part	Description	QTY	Notes
1	20944633	SILENCER	1	
2	20864129	CATALYTIC CONVERTER	1	
3	20864316	PARTICULATE FILTER	1	
4	20966118	SILENCER	1	
5	20864007	GASKET DPF V-CLAMP	3	
6	20864019	CLAMP	3	
7	20451990	SENSOR TEMPERATURE STRAIGHT END, 39 HARNESS "	1	
8	20451992	SENSOR DIFFERENTIAL PRESSURE	1	
9	20864325	TUBE	1	
10	20906269	TUBE	1	
11	20942072	KIT HOSES AND CLAMPS FOR DPF	1	
12	20915806	CLAMP	2	
13	21076411	CABLE HARNESS	1	
14	21009859	HOSE	1	
15	21009862	CLAMP	2	
16	21022201	TEMPERATURE SENSOR STRAIGHT END, 23 HARNESS "	1	
17	21022199	TEMPERATURE SENSOR 90DEG END, 28 HARNESS "	1	
18	21147959	ELBOW	1	

From 8-9296

Date:01/2024

PAGE:21096838

MUFFLER DPF EXHAUST FILTER



From 8-9296	Date:01/2024	PAGE:21096838
MUFFLER DPF EXHAUST FILTER		

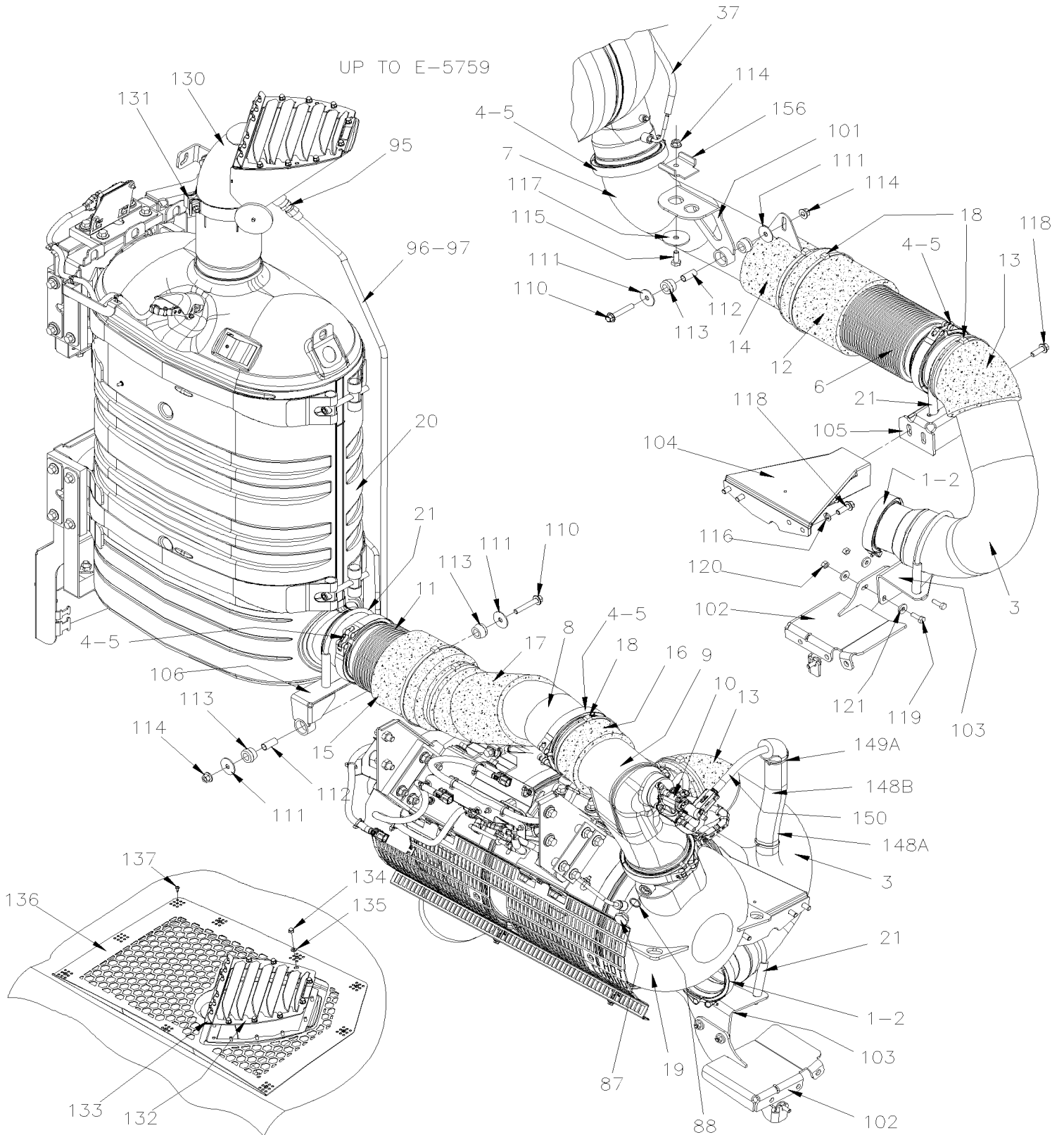
Item#	Part	Description	QTY	Notes
1	20944633	SILENCER		
2	20864129	CATALYTIC CONVERTER		
3	20864316	PARTICULATE FILTER		
4	20966118	SILENCER		
5	21371339	GASKET		
6	20864019	CLAMP		
7	20451990	SENSOR TEMPERATURE STRAIGHT END, 39 HARNESS "		
8	20451992	SENSOR DIFFERENTIAL PRESSURE		
9	20864325	TUBE		
10	20906269	TUBE		
11	20942072	KIT HOSES AND CLAMPS FOR DPF		
12	20915806	CLAMP		
13	21076411	CABLE HARNESS		
14	21009859	HOSE		
15	21009862	CLAMP		
16	21022201	TEMPERATURE SENSOR STRAIGHT END, 23 HARNESS "		
17	21022199	TEMPERATURE SENSOR 90DEG END, 28 HARNESS "		
18	21147959	ELBOW		
19	21180016	BRACKET		
20	963548	HEXAGON SCREW		
21	940191	WASHER		
22	963553	HEXAGON SCREW M6x10		

From B-5002 To K-6492

Date:01/2024

PAGE:X3-0405-03

MUFFLER - INSTALLATION WITH DPF & SCR WITH VOLVO D13

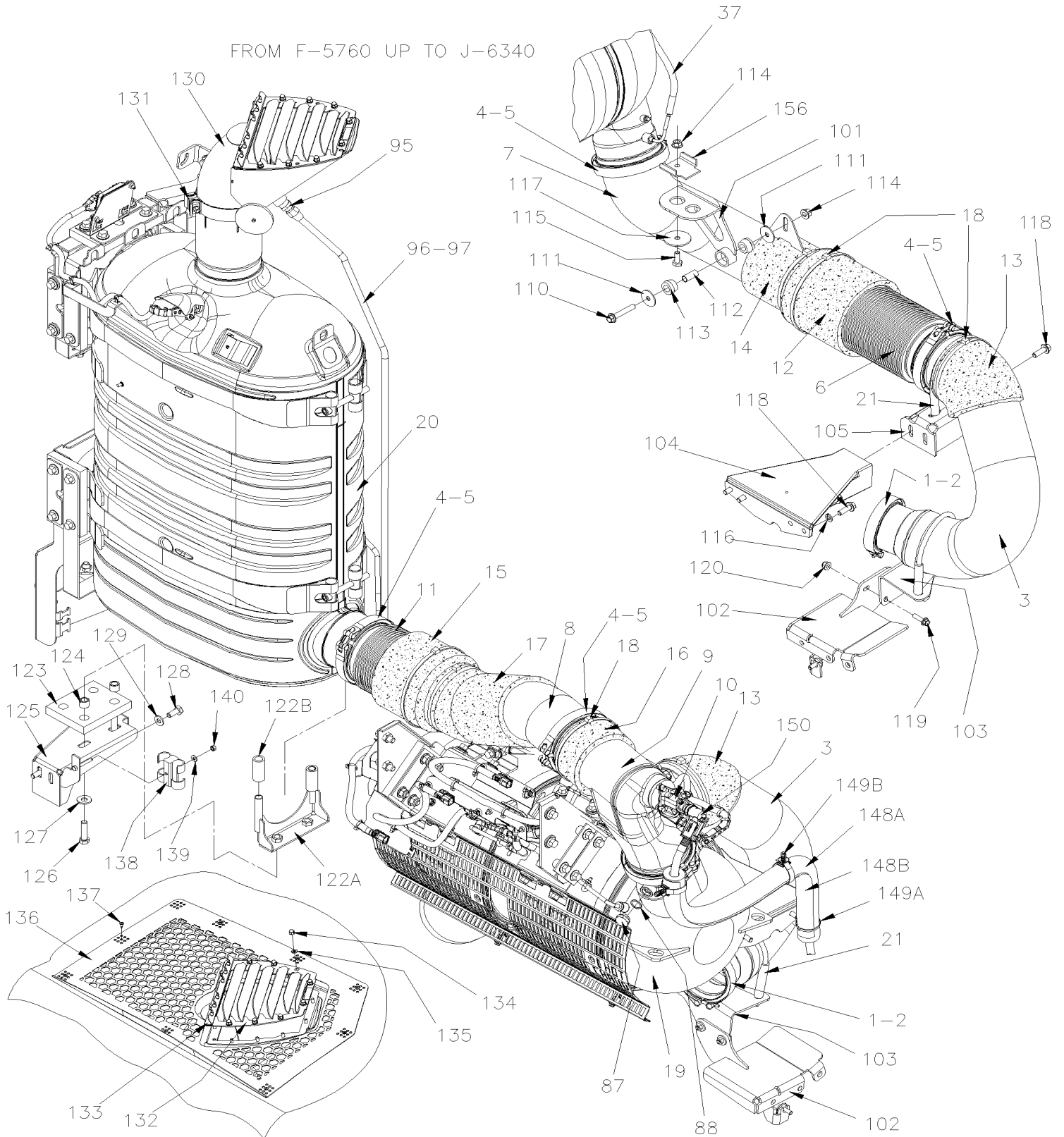


From B-5002 To K-6492

Date:01/2024

PAGE:X3-0405-03

MUFFLER - INSTALLATION WITH DPF & SCR WITH VOLVO D13

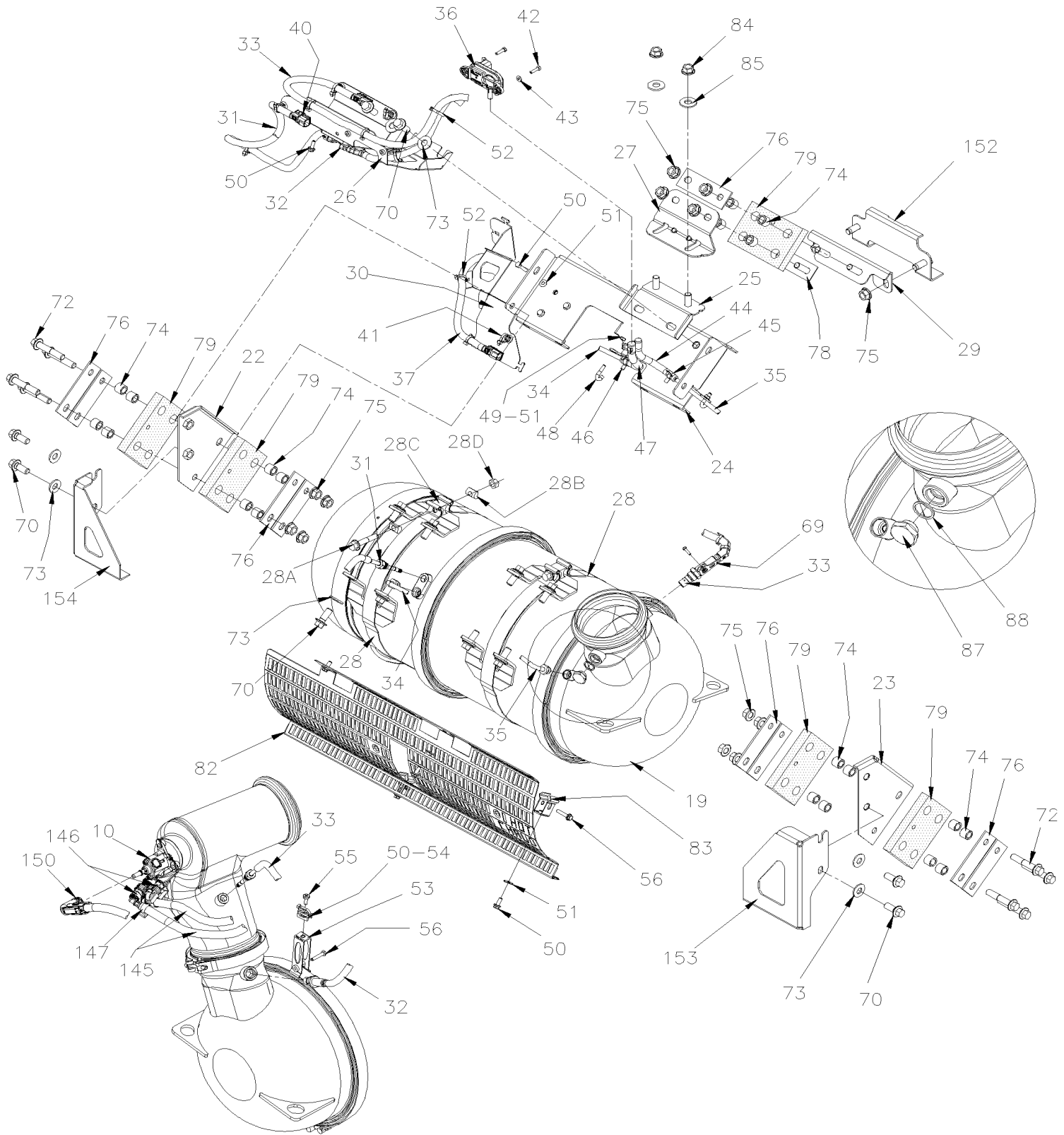


From B-5002 To K-6492

Date:01/2024

PAGE:X3-0405-03

MUFFLER - INSTALLATION WITH DPF & SCR WITH VOLVO D13

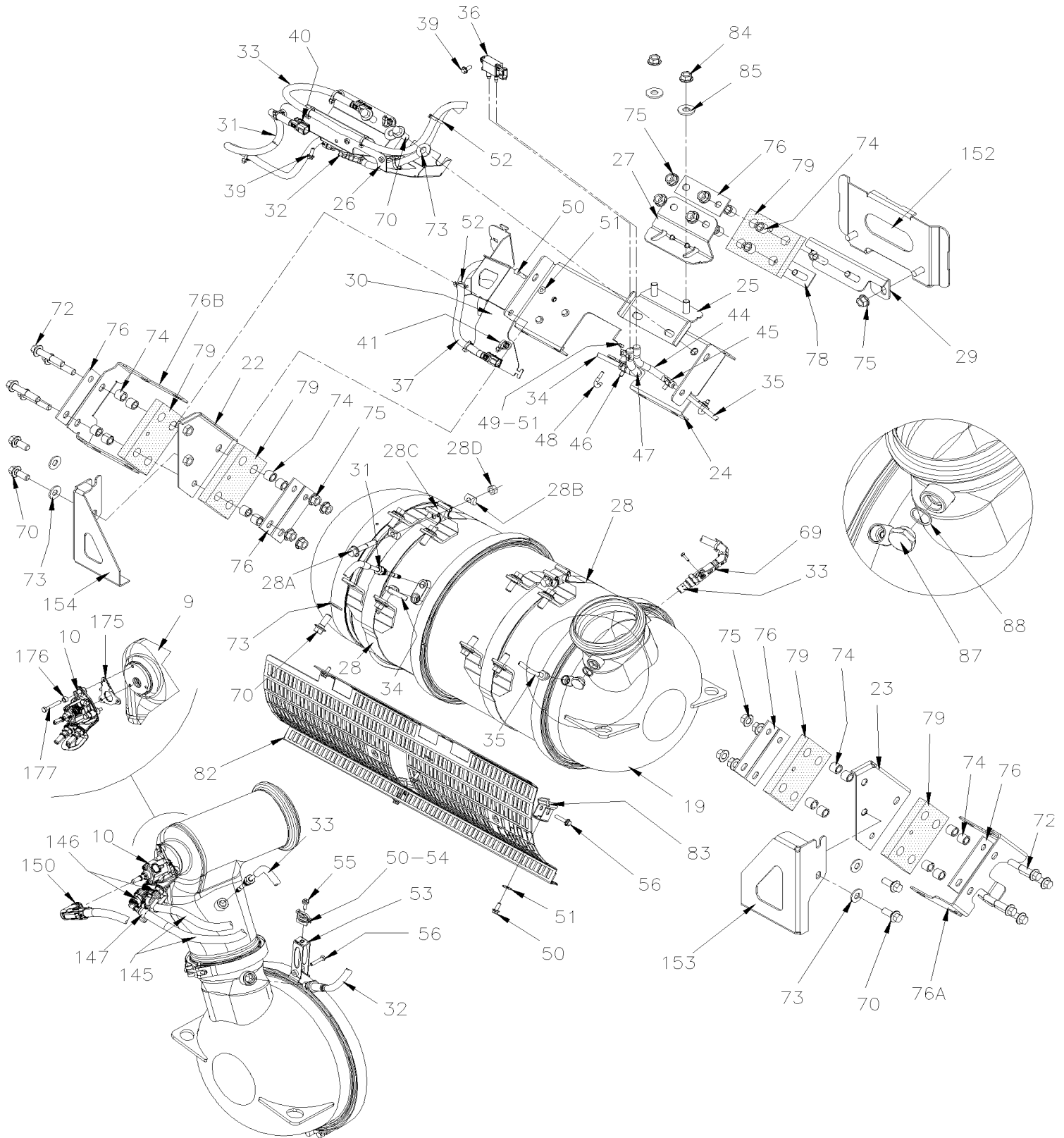


From B-5002 To K-6492

Date:01/2024

PAGE:X3-0405-03

MUFFLER - INSTALLATION WITH DPF & SCR WITH VOLVO D13

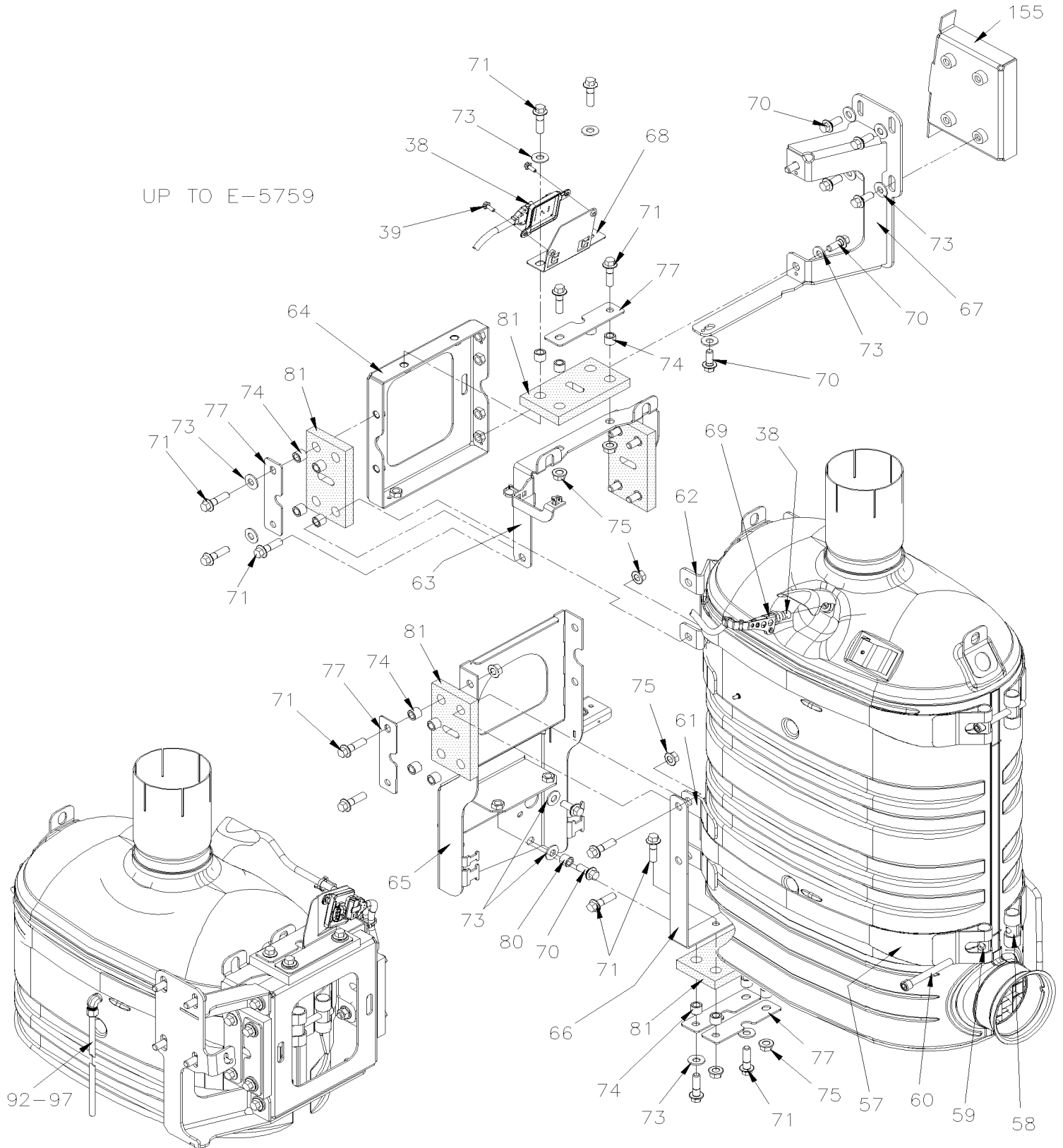


From B-5002 To K-6492

Date:01/2024

PAGE:X3-0405-03

MUFFLER - INSTALLATION WITH DPF & SCR WITH VOLVO D13



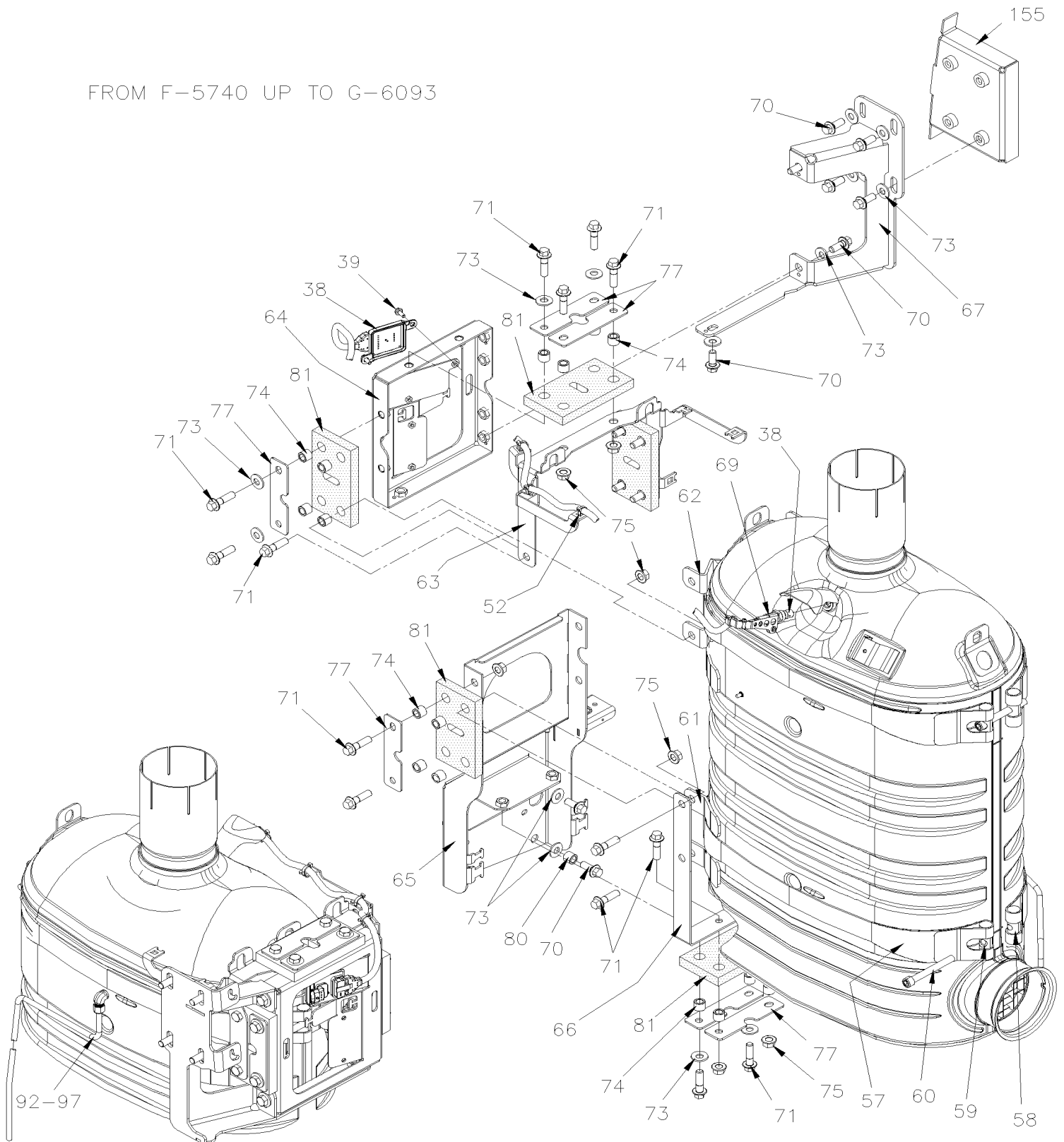
From B-5002 To K-6492

Date:01/2024

PAGE:X3-0405-03

MUFFLER - INSTALLATION WITH DPF & SCR WITH VOLVO D13

FROM F-5740 UP TO G-6093



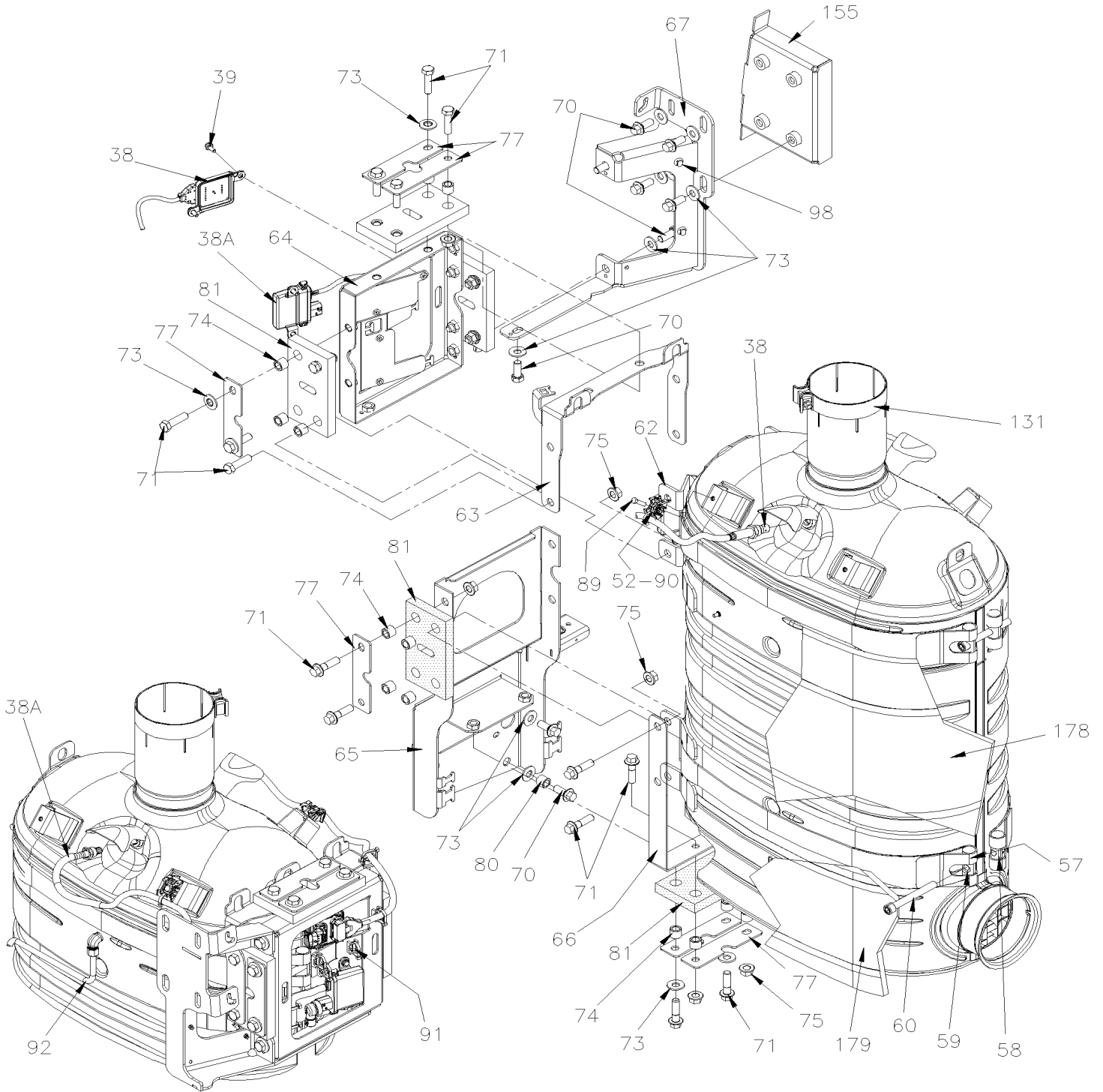
From B-5002 To K-6492

Date:01/2024

PAGE:X3-0405-03

MUFFLER - INSTALLATION WITH DPF & SCR WITH VOLVO D13

FROM G-6094



From B-5002 To K-6492	Date:01/2024	PAGE:X3-0405-03
MUFFLER - INSTALLATION WITH DPF & SCR WITH VOLVO D13		

Item#	Part	Description	QTY	Notes
1	21060426	V-CLAMP / (USE W GASKET) 4.81" I.D.	1	
2	21095721	GASKET	1	
3	040651	PIPE, EXHAUST "U"	1	
4	21021850	V-CLAMP / (USE W GASKET) 5.91" I.D.	7	
5	21095726	GASKET	7	
6	540071	BELLOWS - EXHAUST 5" I.D. x 14.49"	1	
7	040822	PIPE EXHAUST / INLET	1	
8	040823	PIPE EXHAUST / OUTLET	1	
9	21403611	SWIRL PIPE To H-6179	1	
9	23041035	SWIRL PIPE From H-6180	1	
NS	21209156	TIE WRAP STAINLESS STEEL From H-6180	4	
10	21332704	NOZZLE UREA TB-128613692-1 To B-5001	1	
10	21575532	NOZZLE UREA TB-129663536-1 From B-5002 To F-5772	1	
10	046557	NOZZLE UREA PRODUCTION ONLY PRODUCTION ONLY From F-5773 To F-5774	1	
10	22391563	NOZZLE UREA TB-134512462-1 From F-5775 To H-6179	1	
10	22757225	NOZZLE UREA, 2.5 From H-6180	1	
NS	502622	SCREW CAP HEX M6-1.0x20 SS BK To H-6179	3	
10	5000310	SCREW CAP HEX M6-1.0x40 BK From H-6180	3	
11	540072	BELLOWS - EXHAUST	1	
12	040961	INSULATED BLANKET / BELLOW To E-5555	1	
12	041015	INSULATED BLANKET / BELLOW From E-5556 To E-5759	1	
12	041095	INSULATED BLANKET / BELLOW W/SPRING ATTACHMENT From F-5760	1	
13	040654	INSULATED BLANKET / PIPE TURBO To F-5818	1	
13	041115	INSULATED BLANKET / PIPE TURBO W/SPRING ATTACHMENT From F-5819	1	
14	040877	INSULATED BLANKET / PIPE DPF INLET To F-5818	1	
14	041116	INSULATED BLANKET / PIPE DPF INLET W/SPRING ATTACHMENT From F-5819	1	
15	040960	INSULATED BLANKET / BELLOW To F-5818	1	
15	041119	INSULATED BLANKET / BELLOW W/SPRING ATTACHMENT From F-5819	1	
16	21512961	INSULATED BLANKET / PIPE SWIRL To F-5818	1	
16	041117	INSULATED BLANKET / PIPE SWIRL W/SPRING ATTACHMENT From F-5819 To H-6179	1	
17	040876	INSULATED BLANKET / PIPE EXHAUST To F-5818	1	
17	041118	INSULATED BLANKET / PIPE EXHAUST W/SPRING ATTACHMENT From F-5819	1	
18	504737	CABLE TIE / .300" X 30"1/2 To F-5818	9	
19	Refer To Volvo	MUFFLER DPF EXHAUST FILTER	1	V
NS	067656	HARNESS DPF "VOLVO" To C-5274	1	
19	068335	HARNESS DPF "VOLVO" From C-5275 To D-5375	1	
19	067825	HARNESS DPF "VOLVO" From D-5376 To D-5458	1	
19	068469	HARNESS DPF "VOLVO" PRELIM	1	
19	068649	HARNESS DPF "VOLVO" From E-5459 To E-5563	1	
19	068908	HARNESS DPF "VOLVO" From E-5564 To E-5759	1	
19	068993	HARNESS DPF "VOLVO" From F-5760 To H-6093	1	
19	069503	HARNESS DPF "VOLVO" From H-6094 To H-6179	1	

From B-5002 To K-6492	Date:01/2024	PAGE:X3-0405-03
MUFFLER - INSTALLATION WITH DPF & SCR WITH VOLVO D13		

Item#	Part	Description	QTY	Notes
19	060089	HARNES DPF "VOLVO" From H-6180	1	
20	21437514	MUFFLER SCR EXHAUST FILTER To H-6093	1	
. NS	Refer To Volvo	. FOR SERVICE PARTS SEE IMPACT To H-6093	1	V
. NS	Refer To Volvo	. OR CALL ORDER DESK To H-6093	1	V
20	21319383	MUFFLER SCR EXHAUST FILTER From A-9907 To A-9907	1	
. NS	Refer To Volvo	. FOR SERVICE PARTS SEE IMPACT From A-9907 To A-9907	1	V
. NS	Refer To Volvo	. OR CALL ORDER DESK From A-9907 To A-9907	1	V
20	22409129	MUFFLER SCR EXHAUST FILTER From H-6094 To H-6179	1	
. NS	Refer To Volvo	. FOR SERVICE PARTS SEE IMPACT From H-6094 To H-6179	1	V
. NS	Refer To Volvo	. OR CALL ORDER DESK From H-6094 To H-6179	1	V
20	21970125	MUFFLER SCR EXHAUST FILTER From H-6180 To K-6406	1	
20	23190006	MUFFLER SCR EXHAUST FILTER From K-6407 To K-6439	1	
20	23196231	MUFFLER SCR EXHAUST FILTER From K-6440	1	
21	540018	U-CLAMP / (GUILLOTINE TYPE) / 5" I.D. To E-5759	3	
21	540018	U-CLAMP / (GUILLOTINE TYPE) / 5" I.D. From F-5760	2	
22	040761	ATTACHMENT DPF VOLVO	1	
23	040868	ATTACHMENT DPF VOLVO	1	
24	040837	SUPPORT DPF VOLVO To E-5759	1	A
24	041083	SUPPORT DPF VOLVO From F-5760	1	
25	040764	ATTACHMENT SUPPORT DPF VOLVO	1	
26	040950	SUPPORT CABLE DPF To D-5458	1	
26	040975	SUPPORT CABLE DPF From E-5459	1	
27	040762	ATTACHMENT DPF VOLVO UPPER MIDDLE	1	
28	21462547	CLAMP SUPPORT ASSY To D-5394	2	
. A	5001801	. SCREW CAP HEXF M10-1.5x55 G10.9 N500 To D-5394	1	
. B	540085	. SPACER / HALF MOON SHAPE To D-5394	2	
. C	540086	. SPACER / ANVIL SHAPE To D-5394	1	
. D	5001758	. NUT HEX STO M10-1.5 N500 To D-5394	1	
28	040986	CLAMP SUPPORT ASSY From D-5395	2	
28A	5001801	SCREW CAP HEXF M10-1.5x55 G10.9 N500 From D-5395	AR	
28B	540085	SPACER / HALF MOON SHAPE From D-5395	AR	
28C	540086	SPACER / ANVIL SHAPE From D-5395	AR	
28D	5001758	NUT HEX STO M10-1.5 N500 From D-5395	AR	
29	040763	ATTACHMENT DPF VOLVO UPPER MIDDLE	1	
30	040910	SUPPORT CABLE DPF To E-5759	1	
30	041082	SUPPORT CABLE DPF From F-5760 To H-6179	1	
30	040010	SUPPORT CABLE DPF From H-6180	1	
31	21164414	SENSOR TEMPEARATURE "T2" To H-6179	1	
31	21673931	SENSOR TEMPEARATURE "T2" From H-6180	1	
32	21346959	SENSOR "NOX" / DPF FILTER To A-9981	1	
32	21479638	SENSOR "NOX" / DPF FILTER From A-9982 To B-5001	1	
32	21567764	SENSOR "NOX" / DPF FILTER From B-5002 To D-5376	1	

From B-5002 To K-6492	Date:01/2024	PAGE:X3-0405-03
MUFFLER - INSTALLATION WITH DPF & SCR WITH VOLVO D13		

Item#	Part	Description	QTY	Notes
32	21636091	SENSOR "NOX" / DPF FILTER From D-5377 To G-6028	1	
32	22303390	SENSOR "NOX" / DPF FILTER From G-6029	1	
33	21126692	SENSOR TEMPEARATURE "T3" To H-6179	1	
33	21412472	SENSOR TEMPEARATURE "T3" From H-6180	1	
34	040911	PIPE, DP HIGH PRESSURE	1	
35	040912	PIPE, DP LOW PRESSURE	1	
36	20451992	SENSOR DIFFERENTIAL PRESSURE To D-5458	1	
36	21403962	SENSOR PRESSURE "DELTA" From E-5459	1	
36	040096	KIT SENSOR PRESSURE DPF From E-5459	1	
37	21225020	SENSOR TEMPEARATURE "T1"	1	
38	21346963	SENSOR "NOX" / SCR FILTER To A-9981	1	
38	21479637	SENSOR "NOX" / SCR FILTER From A-9982 To B-5001	1	
38	21567763	SENSOR "NOX" / SCR FILTER From B-5002 To D-5376	1	
38	21636088	SENSOR "NOX" / SCR FILTER From D-5377 To D-5458	1	
38	22014032	SENSOR "NOX" / SCR FILTER From E-5459 To G-6028	1	
38	22303391	SENSOR "NOX" / SCR FILTER From G-6029	1	
38A	060161	SENSOR "PM" / SCR FILTER ASSY From H-6094 To H-6140	1	
. NS	22733524	. SENSOR "PM" / SCR FILTER From H-6094 To H-6140	1	
. NS	562387	. CONVOLUTED TUBING / SLIT / BLACK / .250" From H-6094 To H-6140	AR	
. NS	564099	. TAPE ADHESIF ELECTRICAL TISSUS / BLACK 838MM From H-6094 To H-6140	AR	
38A	060327	SENSOR "PM" / SCR FILTER ASSY From H-6141	1	
38A	22835170	. SENSOR "PM" / SCR FILTER From H-6141 To J-6307	1	
38A	22946032	. SENSOR "PM" / SCR FILTER From J-6308	1	
38A	562387	CONVOLUTED TUBING / SLIT / BLACK / .250" From H-6094	AR	
38A	564099	TAPE ADHESIF ELECTRICAL TISSUS / BLACK 838MM From H-6094	AR	
38A	504637	CABLE TIE / 3/16" x 13" From H-6094	AR	
38A	504013	TIE MOUNT / 1/4" X 1/4" I.D. From H-6094	AR	
38A	504379	RIVET POP DOME OE 3/16x1/4 SS From H-6094	AR	
39	5001730	SCREW CAP HEXF M6-1.0x16 G10.9 N500	2	
40	564108	SELF MOUNTING STUD // DEUTSCH 1011-310-0205	3	
41	8631155	CABLE TIE / 4.6MM x 200 / CHRISTMAS TREE	AR	
42	5001146	SCREW CAP HEX M5-0.8x20 SS BK To D-5458	2	
42	5001730	SCREW CAP HEXF M6-1.0x16 G10.9 N500 From E-5459	1	
43	500804	WASHER FL .203x.500x.047 N500 To D-5458	2	
44	040917	HOSE 1/4" To D-5458	1	
44	040977	HOSE 1/4" From E-5459	1	
44	503776	. HOSE SILICONE 1/4" I.D. x 10' / S.L.	AR	
45	21283793	SPRING HOSE CLAMP 5/16"	2	
46	040915	HOSE 5/16" To D-5458	1	
46	040976	HOSE 5/16" From E-5459	1	
46	503775	. HOSE SILICONE 5/16" I.D. x 10' / S.L.	AR	
47	21283796	SPRING HOSE CLAMP 1/4"	2	

From B-5002 To K-6492	Date:01/2024	PAGE:X3-0405-03
MUFFLER - INSTALLATION WITH DPF & SCR WITH VOLVO D13		

Item#	Part	Description	QTY	Notes
48	040916	J-HOOK / M6-1.0 x 33 SS	2	
49	502854	NUT HEX M6-1.0 N500	2	
50	5001697	SCREW CAP HEX M6-1.0x16 SS BK	11	
51	5001833	WASHER BEL SPR 6.1x18x1.27 SS	9	
52	504637	CABLE TIE / 3/16" x 13"	AR	
53	21468325	CABLE SUPPORT	1	
54	504013	TIE MOUNT / 1/4" X 1/4" I.D.	3	
55	502817	SCREW MA PAN PH M6-1.0x16 N500	1	
56	502686	SCREW CAP HEX M6-1.0x30 SS BK	3	
57	21282895	STRAP SCR	4	
58	21321221	BAR THREAD SCR	4	
59	20974254	BAR ROUND SCR	4	
60	509892	SCREW CAP HEXS M12-1.75x100 G8.8 N500	4	
61	040786	ATTACHMENT, LOWER, SCR VOLVO	2	
62	040855	ATTACHMENT, UPPER, SCR VOLVO	1	
63	040782	BRACKET "U" SHAPE, UPPER, SCR VOLVO To E-5759	1	
63	041109	BRACKET "U" SHAPE, UPPER, SCR VOLVO From F-5760 To H-6093	1	
63	041146	SUPPORT, UPPER, SCR From H-6094	1	
64	040818	SUPPORT ASSY, UPPER, SCR VOLVO To E-5759	1	
64	041110	SUPPORT ASSY, UPPER, SCR VOLVO From F-5760 To H-6093	1	
64	041145	SUPPORT, UPPER, SCR From H-6094 To K-6439	1	
64	040065	SUPPORT, UPPER, SCR From K-6440 To K-6449	1	
64	040025	SUPPORT, UPPER, SCR From K-6450	1	
65	040854	SUPPORT ASSY, LOWER, SCR VOLVO To H-6179	1	
65	040009	SUPPORT ASSY, LOWER, SCR VOLVO From H-6180 To J-6312	1	
65	040026	SUPPORT ASSY, LOWER, SCR VOLVO From J-6313	1	
66	040817	BRACKET "U" SHAPE, LOWER, SCR VOLVO	1	
67	040816	SUPPORT "C" SHAPE ASSY, UPPER, SCR VOLVO To H-6093	1	
67	041144	SUPPORT UPPER, SCR From H-6094 To K-6439	1	
67	040064	SUPPORT UPPER, SCR From K-6440	1	
68	040883	SUPPORT, SENSOR, SCR VOLVO To E-5759	1	
69	040959	GUIDE, WIRING	2	
NS	502799	SCREW CAP HEX M4-0.7X16 G8.8 N500	2	
NS	502556	WASHER FL 4.3x9.0x0.8 SS	2	
NS	504637	CABLE TIE / 3/16" x 13"	AR	
70	5001726	SCREW CAP HEXF M12-1.75x30 G10.9 N500 To C-5133	27	
70	5001866	SCREW CAP HEX M12-1.75x30 G10.9 N500 From C-5134	27	
71	5001338	SCREW CAP HEX M12-1.75x45 G10.9 N500	24	
72	5001861	SCREW CAP HEX M12-1.75x60 G10.9 N500	8	
73	500967	WASHER BEL SPR .512x1.142x.098 N500	AR	
74	040680	SPACER 3/4" O.D. X 16MM SS To B-9973	46	
74	040937	SPACER 3/4" O.D. X 16MM ST From B-9974	46	

From B-5002 To K-6492	Date:01/2024	PAGE:X3-0405-03
MUFFLER - INSTALLATION WITH DPF & SCR WITH VOLVO D13		

Item#	Part	Description	QTY	Notes
75	5001774	NUT HEXF STO M12-1.75 MAGNI G500	30	
76	21138255	PLATE ATTACHMENT 120MM X 40MM To E-5759	9	
76	21138255	PLATE ATTACHMENT 120MM X 40MM From F-5760	7	
76A	041021	BRACKET, DPF From F-5760	1	
76B	041022	BRACKET, DPF From F-5760	1	
77	040783	PLATE ATTACHMENT 120MM X 40MM To E-5759	7	
77	040783	PLATE ATTACHMENT 120MM X 40MM From F-5760	8	
78	040844	PLATE ATTACHMENT 120MM X 34MM / W/2 M12-1.75x40	1	
79	21120785	MUFFLER CONNECTION RUBBER 135MM x 93MM To E-5555	5	
79	22227002	MUFFLER CONNECTION RUBBER 135MM x 93MM From E-5556	5	
80	040936	SPACER 4MM O.D. X 12MM ST	2	
81	040787	MUFFLER CONNECTION RUBBER 170MM x 93MM To E-5555	6	
81	041070	MUFFLER CONNECTION RUBBER 170MM x 93MM From E-5556	6	
82	040953	GRILLE PROTECTOR OVER DFP To E-5759	1	
82	041092	GRILLE PROTECTOR OVER DFP From F-5760	1	
83	040861	CABLE SUPPORT	2	
84	5001774	NUT HEXF STO M12-1.75 MAGNI G500	2	
85	500211	WASHER FL .531x1.250x.125 N500	2	
87	20565546	PLUG / DPF	1	
88	947625	SEAL COPPER / DPF	1	
89	502737	SCREW CAP HEX M6-1.0x25 SS BK	2	
90	509490	ATTACHMENT DOUBLE USE WITH CABLE TIE	2	
91	504637	CABLE TIE / 3/16" x 13" From H-6094	AR	
91	8631155	CABLE TIE / 4.6MM x 200 / CHRISTMAS TREE From K-6415	AR	
91	504013	TIE MOUNT / 1/4" X 1/4" I.D. From H-6094	AR	
91	504379	RIVET POP DOME OE 3/16x1/4 SS From H-6094	AR	
91	564108	SELF MOUNTING STUD // DEUTSCH 1011-310-0205 From H-6094	1	
92	040965	HOSE DRAIN SCR	1	
95	640873	MALE CONNECTOR / AB FITTING / #8x1/2NPT-M BR	1	
95	680098	THREAD SEALANT LOCTITE #567 / WHITE / 250ml	AR	
96	040863	PIPE DRAIN	1	
97	504230	HOSE CLAMP / 3/8"-7/8" SS / HS-6 To F-5812	2	
97	504018	HOSE CLAMP / 7/16"-1" SS / HS-8 From F-5812	2	
98	509815	TIE MOUNT / ATTACHMENT W/TREE MOUNT From H-6094	AR	
101	040856	ANGLE PIPE SUPPORT To H-6179	1	
101	041154	ANGLE PIPE SUPPORT From H-6180	1	
102	21589669	SUPPORT EXHAUSTST PIPE	1	
103	040952	SUPPORT PIPE	1	
104	040664	SUPPORT PRIMARY / EXHAUST PIPE To E-5624	1	
104	041006	SUPPORT PRIMARY / EXHAUST PIPE From E-5625	1	
105	040659	SUPPORT SECONDARY / EXHAUST PIPE To B-5049	1	
105	040969	SUPPORT SECONDARY / EXHAUST PIPE From B-5050	1	

From B-5002 To K-6492	Date:01/2024	PAGE:X3-0405-03
MUFFLER - INSTALLATION WITH DPF & SCR WITH VOLVO D13		

Item#	Part	Description	QTY	Notes
106	040815	SUPPORT EXHAUST PIPE To E-5759	1	
106	041108	SUPPORT EXHAUST PIPE INSTALLATION / PRODUCT IMPROVEMENT To E-5759	1	
110	5001595	SCREW CAP HEXF M10-1.5x60 G8.8 G500 To E-5759	2	
110	5001595	SCREW CAP HEXF M10-1.5x60 G8.8 G500 From F-5760	1	
111	500261	WASHER FL .390x1.500x.083 N500 To E-5759	4	
111	500261	WASHER FL .390x1.500x.083 N500 From F-5760	2	
112	505217	SPACER 7/16" X 1 1/4" To E-5759	2	
112	505217	SPACER 7/16" X 1 1/4" From F-5760	1	
113	661074	BUSHING / RUBBER 3/4" x 5/8" I.D. To E-5759	4	
113	661074	BUSHING / RUBBER 3/4" x 5/8" I.D. From F-5760	2	
114	5001727	NUT HEXF NYRT M10-1.5 N500 To E-5759	3	
114	5001727	NUT HEXF NYRT M10-1.5 N500 From F-5760	2	
115	502804	SCREW CAP HEX M10-1.5x25 G8.8 N500 To H-6179	1	
115	5001741	SCREW CAP HEXF M10-1.5x30 G8.8 N500 From H-6180	1	
116	5001834	WASHER BEL SPR 10.5X23X2.5 N500	4	
117	040627	WASHER FL 10.5x54x11GA SS	1	
118	5001644	SCREW CAP HEXF M10-1.5x30 G8.8 G500	6	
119	5001745	SCREW CAP HEX M8-1.25x25 G8.8 N500 To E-5651	2	
119	5001742	SCREW CAP HEXF M8-1.25x30 G8.8 N500 From E-5652	2	
120	5001740	NUT HEX STO M8-1.25 N500 To E-5651	2	
120	5001931	NUT HEXF NYRT M8-1.25 G8.8 N500 From E-5652	2	
121	500401	WASHER FL .343x.875x.125 N500 To E-5651	4	
122A	041093	STABILIZER ASSY From F-5760	1	
122B	503802	HOSE SILICONE 1 PLY / NOMEX-ARAMID 5/8" I.D. x 100' / S.L. From F-5760	AR	
123	041069	MUFFLER CONNECTION RUBBER 135MM x 107MM From F-5760	1	
124	040937	SPACER 3/4" O.D. X 16MM ST From F-5760	2	
125	041098	BRACKET, SCR ASSY From F-5760 To F-5811	1	
125	041114	BRACKET, SCR ASSY From F-5812 To K-6352	1	
125	040041	BRACKET, SCR ASSY From K-6353	1	
126	5001338	SCREW CAP HEX M12-1.75x45 G10.9 N500 From F-5760	2	
127	500967	WASHER BEL SPR .512x1.142x.098 N500 From F-5760	2	
128	502804	SCREW CAP HEX M10-1.5x25 G8.8 N500 From F-5760 To F-5811	2	
128	502705	SCREW CAP HEX M12-1.75X25 G8.8 N500 From F-5812	2	
129	5001834	WASHER BEL SPR 10.5X23X2.5 N500 From F-5760 To F-5811	2	
129	500967	WASHER BEL SPR .512x1.142x.098 N500 From F-5812	2	
130	21603076	DIFFUSOR ASSY	1	
NS	041139	KIT, REPLACEMENT SHUTTER OF DIFFUSOR	1	
131	540067	CLAMP BAND SEAL / LAP JOINT / 5" I.D.x1.25"	1	
132	21139384	GRILL DIFFUSOR	1	
133	21139388	PLATE "WARNING" THIS DIFFUSOR MUST BE FLUSH..	1	
134	5001684	NUT HEX CAP M6-1.0 SS	10	
135	502573	WASHER FL 6.4x12.5x1.6 SS	10	

From B-5002 To K-6492	Date:01/2024	PAGE:X3-0405-03
MUFFLER - INSTALLATION WITH DPF & SCR WITH VOLVO D13		

Item#	Part	Description	QTY	Notes
136	479306	GRILL ROOF	1	
137	500952	SCREW TP BDG PH #8x1/2 SS	10	
138	504634	T-CLIP / 7/8" - 1" From F-5760	1	
139	500877	WASHER FL .250x.562x.065 N500 From F-5760 To K-6352	1	
139	500877	WASHER FL .250x.562x.065 N500 From K-6353	2	
140	502681	NUT HEX NYRT M6-1.0 N500 G8 From F-5760 To K-6352	1	
140	502681	NUT HEX NYRT M6-1.0 N500 G8 From K-6353	2	
141	5001923	SCREW CAP HEX M6-1.0x45 SS BK From K-6353	2	
142	504155	CLAMP TWIN DESIGN / 19MM/19MM x 70MM POLYA From K-6353	1	
145	503702	HOSE / (SAFETY STRIPE) / 3/8" I.D. 50' / S.L. To E-5759	AR	
145	503790	HOSE SILICONE 1 PLY / NOMEX-ARAMID 3/8" X 25' From B-5050 To D-5381	AR	GR
145	503806	HOSE SILICONE 1 PLY / NOMEX-ARAMID 3/8" I.D. x 100' From D-5382 To E-5759	AR	GR
145	503821	HOSE SILICONE 4 PLY / NOMEX-ARAMID 3/8" x 144" From F-5760	AR	
145	053008	RESTRICTION / ALU. TUBE 20MM X 9.05MM O.D. W/3.05MM HOLE	1	
146	20805110	QUICK CONNECTOR 90° 10MM	2	
147	992081	HOSE CLAMP / 12MM/22MM	2	
148A	506205	PIPE INSULATING / 5/8" I.D. X 1/2" TH. X 72 / SPLIT ADHESIVE	AR	
148B	957022	TAPE ELASTOMERIC 1/8" X 2" X 30"	AR	
149A	504637	CABLE TIE / 3/16" x 13"	AR	
149A	504013	TIE MOUNT / 1/4" X 1/4" I.D.	2	
149A	504379	RIVET POP DOME OE 3/16x1/4 SS	2	
149B	504750	CABLE TIE / 1/2" x 15" / CHRISTMAS TREE From F-5760	2	
150	040909	HOSE HEATED ASSY 9300MM From A-9907 To B-5049	1	
. NS	N8902118	. CONNECTOR CLIP - 5/16" From A-9907 To B-5049	2	
150	040949	HOSE HEATER ASSY 5775MM From B-5050 To F-5871	1	
. NS	N8902118	. CONNECTOR CLIP - 5/16" From B-5050 To F-5871	2	
150	041123	HOSE HEATER ASSY 6200MM From F-5872	1	
. NS	N8902118	. CONNECTOR CLIP - 5/16" From F-5872	2	
150	IS14152	UREA HOSE REPLACEMENT 6MM TO 4MM FIRST REPLACEMENT To G-5924	1	
. NS	041123	. HOSE HEATER ASSY 6200MM To G-5924	1	
. . NS	N8902118	. . CONNECTOR CLIP - 5/16" To G-5924	2	
. NS	502638	. WASHER FL .312x.734x.065 N500 To G-5924	5	
. NS	504534	. GROMMET / .875x1.250x.187x.562x1.625 To G-5924	2	
. NS	504610	. RIVET MGLP PRDG 1/4x5/8 SS To G-5924	5	
. NS	504637	. CABLE TIE / 3/16" x 13" To G-5924	10	
. NS	506205	. PIPE INSULATING / 5/8" I.D. X 1/2" TH. X 72 / SPLIT ADHESIVE To G-5924	2	
. NS	507383	. TIE MOUNT HOLE 3/8" To G-5924	5	
. NS	507664	. CABLE TIE / 3/16" 11" / DOUBLE LOOP HEAD To G-5924	10	
. NS	5001113	. NUT HEX JAM NYRT 5/16-18 To G-5924	5	
. NS	N32553	. SCREW CAP HEX 5/16-18x3/4 FT SS To G-5924	5	
. NS	IS-14152	. SEE INSTRUCTION SHEET To G-5924	1	
150	X3-0410-00	UREA RESERVOIR ASSY From A-9907 To A-9907		

From B-5002 To K-6492	Date:01/2024	PAGE:X3-0405-03
-----------------------	--------------	-----------------

MUFFLER - INSTALLATION WITH DPF & SCR WITH VOLVO D13

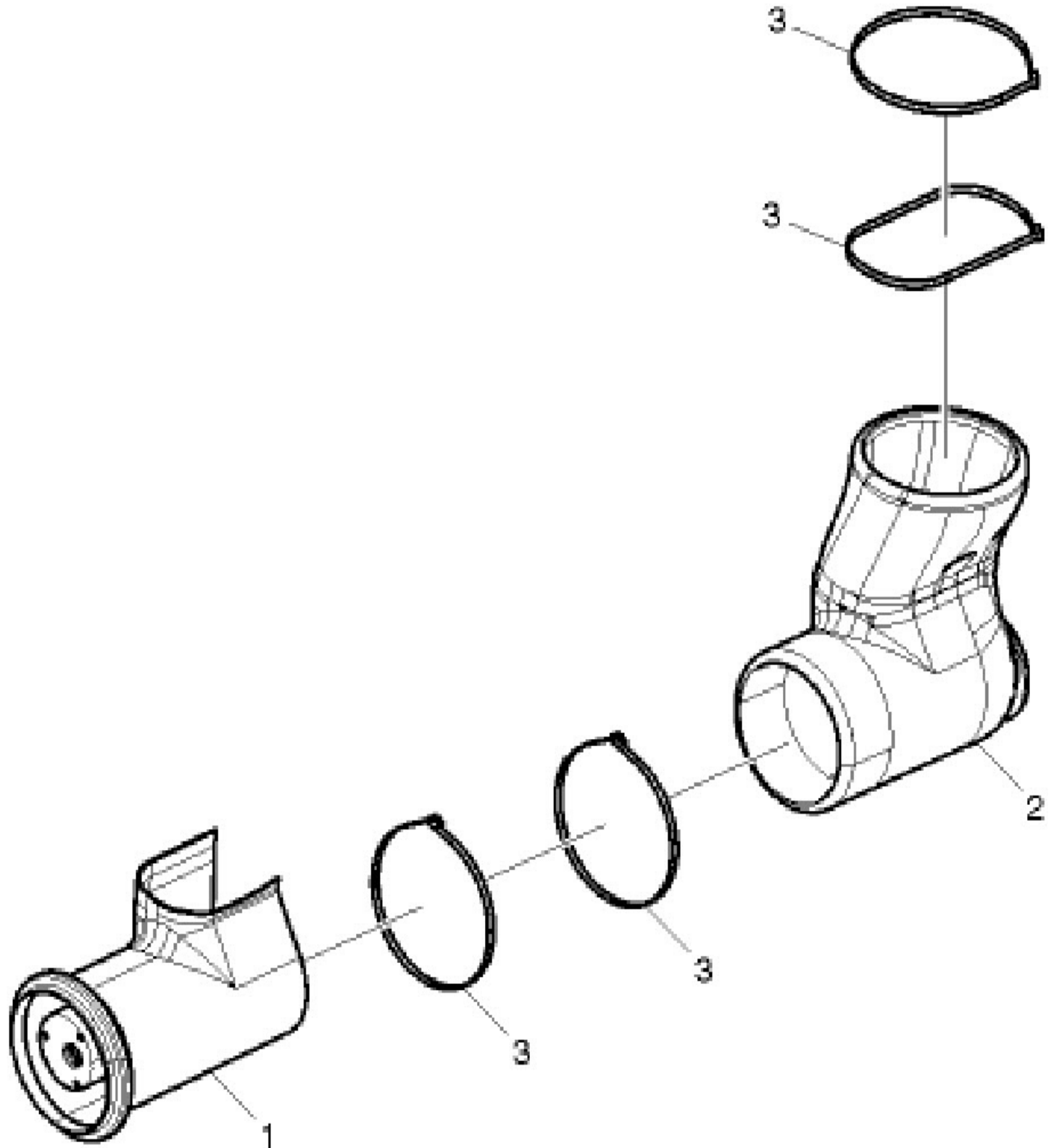
Item#	Part	Description	QTY	Notes
150	X3-0410-00	UREA RESERVOIR ASSY From A-9926 To A-9926		
150	X3-0410-01	UREA RESERVOIR ASSY From B-5002		
152	218454	ATTACHMENT, MIDDLE, DPF VOLVO To E-5759	1	
152	218717	ATTACHMENT, MIDDLE, DPF VOLVO From F-5760	1	
153	216753	ATTACHMENT, DPF VOLVO / CURBSIDE	1	
154	216752	ATTACHMENT, DPF VOLVO / STREET SIDE	1	
155	Call order desk	POST ATTACHMENT, UPPER, SCR VOLVO	1	P
155	Call order desk	POST ATTACHMENT, UPPER, SCR VOLVO To D-5299	1	P
155	Call order desk	POST ATTACHMENT, UPPER, SCR VOLVO From D-5300	1	P
156	218503	ATTACHMENT, SUPPORT EXHAUST PIPE	1	
175	22677399	GASKET NOZZLE UREA From H-6180	1	
176	22757141	SPACER From H-6180	1	
177	5000310	SCREW CAP HEX M6-1.0x40 BK From H-6180	3	
178	22986637	INSULATED BLANKET / SCR UPPER From H-6180 To J-6245	1	
. NS	22998036	. TIE WRAP STAINLESS STEEL 1905MM From H-6180 To J-6245	1	
178	23090822	INSULATED BLANKET / SCR UPPER From J-6246 To K-6439	1	
. NS	22998036	. TIE WRAP STAINLESS STEEL 1905MM From J-6246 To K-6439	1	
179	22986640	INSULATED BLANKET / SCR LOWER From H-6180 To J-6245	1	
. NS	22998036	. TIE WRAP STAINLESS STEEL 1905MM From H-6180 To J-6245	1	
179	23090830	INSULATED BLANKET / SCR LOWER From J-6246 To K-6439	1	
. NS	22998036	. TIE WRAP STAINLESS STEEL 1905MM From J-6246 To K-6439	2	
		A) FOR PRODUCT IMPROVMENT ASK FOR KIT 041030		
		GR) "GREYHOUND" OPTION		
		P) CALL ORDER DESK FOR SPECIFIC APPLICATION (V.I.N.)		
		V) SEE IMPACT OR CALL ORDER DESK		
		V) SEE IMPACT OR CALL ORDER DESK		

From H-6180

Date:01/2024

PAGE:23041035

SWIRL PIPE



From H-6180		Date:01/2024	PAGE:23041035
SWIRL PIPE			

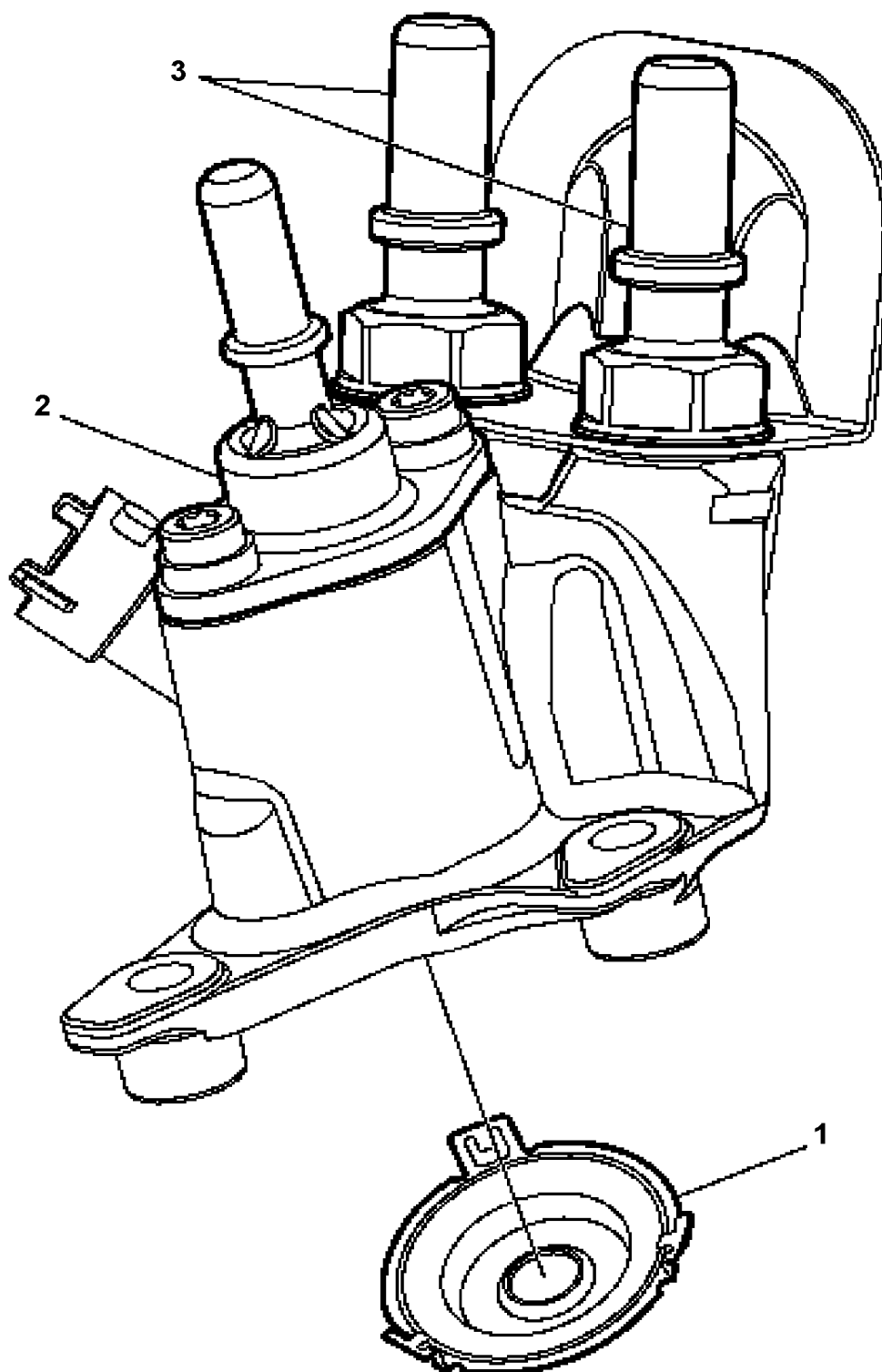
Item#	Part	Description	QTY	Notes
1	21403611	SWIRL PIPE	1	
2	23041032	HEAT SHEILD	1	
3	21209156	TIE WRAP STAINLESS STEEL	4	

To B-5001

Date:01/2024

PAGE:21332704

NOZZLE UREA TB-128613692-1



To B-5001	Date:01/2024	PAGE:21332704
NOZZLE UREA TB-128613692-1		

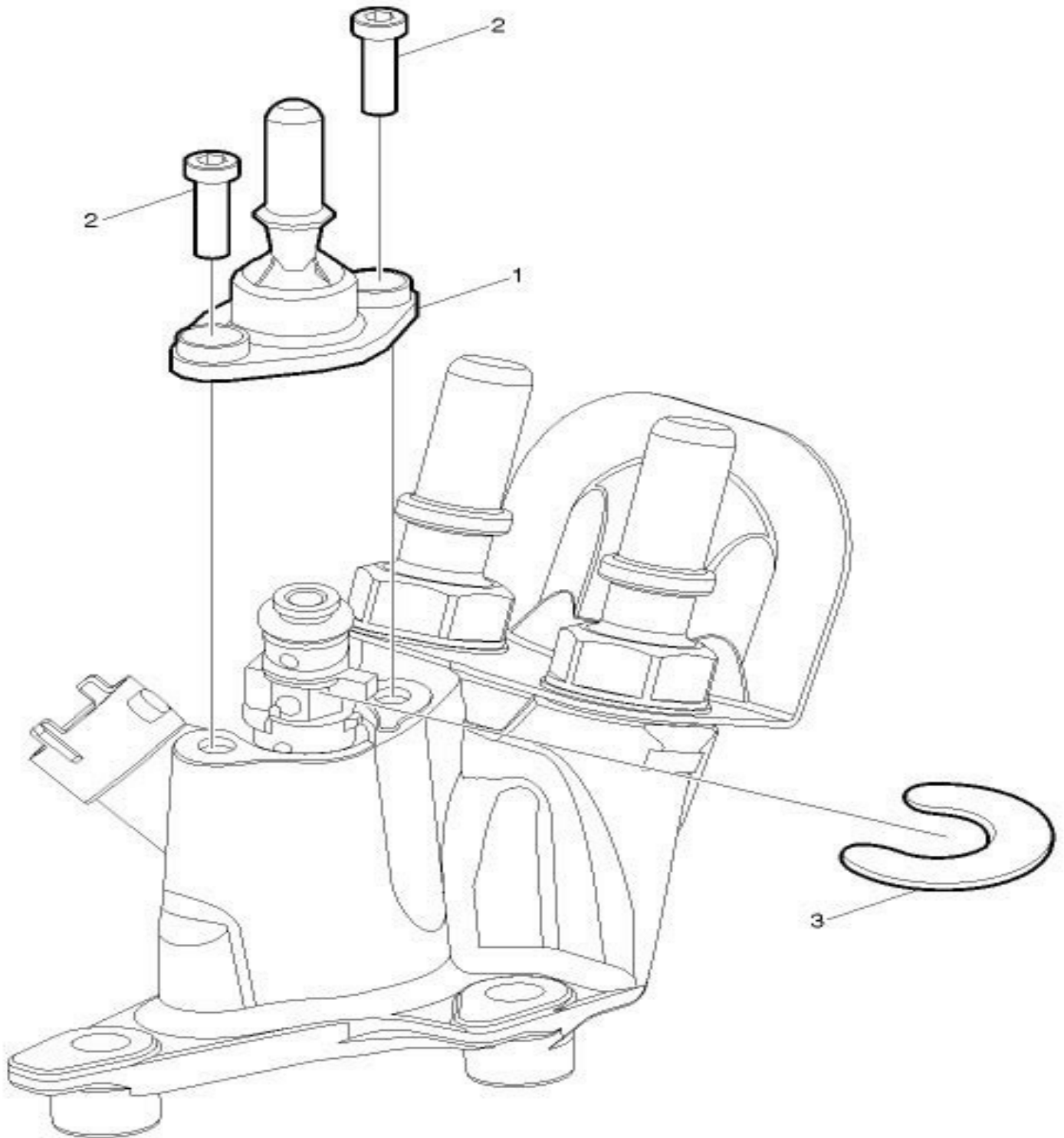
Item#	Part	Description	QTY	Notes
1	21376801	SEALING PLATE	1	
2	21377177	CONNECTOR UREA TB-128633728-1	1	
3	21376813	CONNECTOR COOLING	1	

To B-5001

Date:01/2024

PAGE:21377177

CONNECTOR UREA TB-128633728-1



R1045189

To B-5001	Date:01/2024	PAGE:21377177
-----------	--------------	---------------

CONNECTOR UREA TB-128633728-1

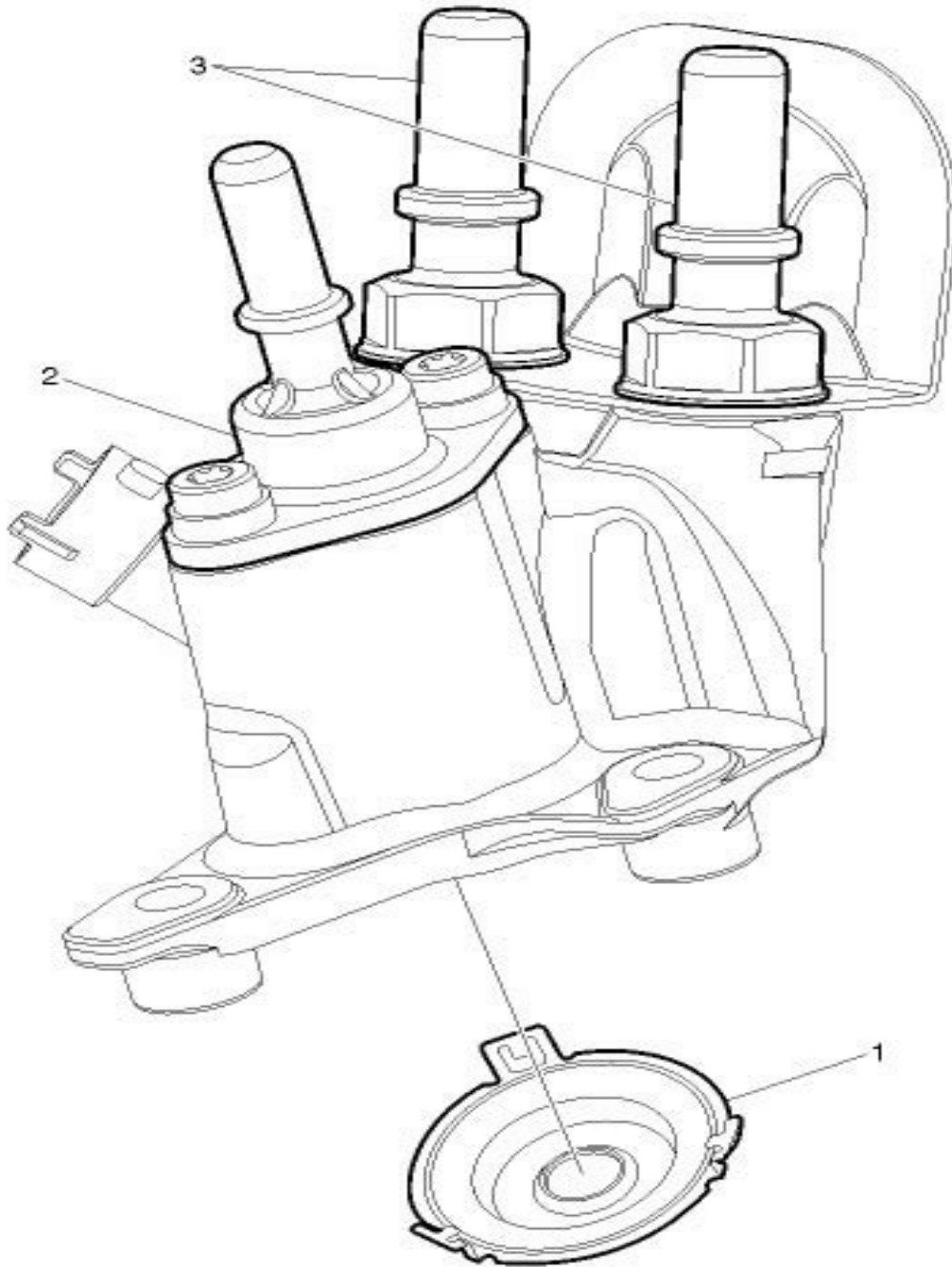
Item#	Part	Description	QTY	Notes
1	N.S.S.	VALVE HOLDER		1
2	N.S.S.	SCREW SOCKET		1
3	N.S.S.	HOLDING PLATE		1
		1) NOT SOLD SEPARATELY		

From B-5002 To F-5772

Date:01/2024

PAGE:21575532

NOZZLE UREA TB-129663536-1



From B-5002 To F-5772		Date:01/2024	PAGE:21575532
-----------------------	--	--------------	---------------

NOZZLE UREA TB-129663536-1

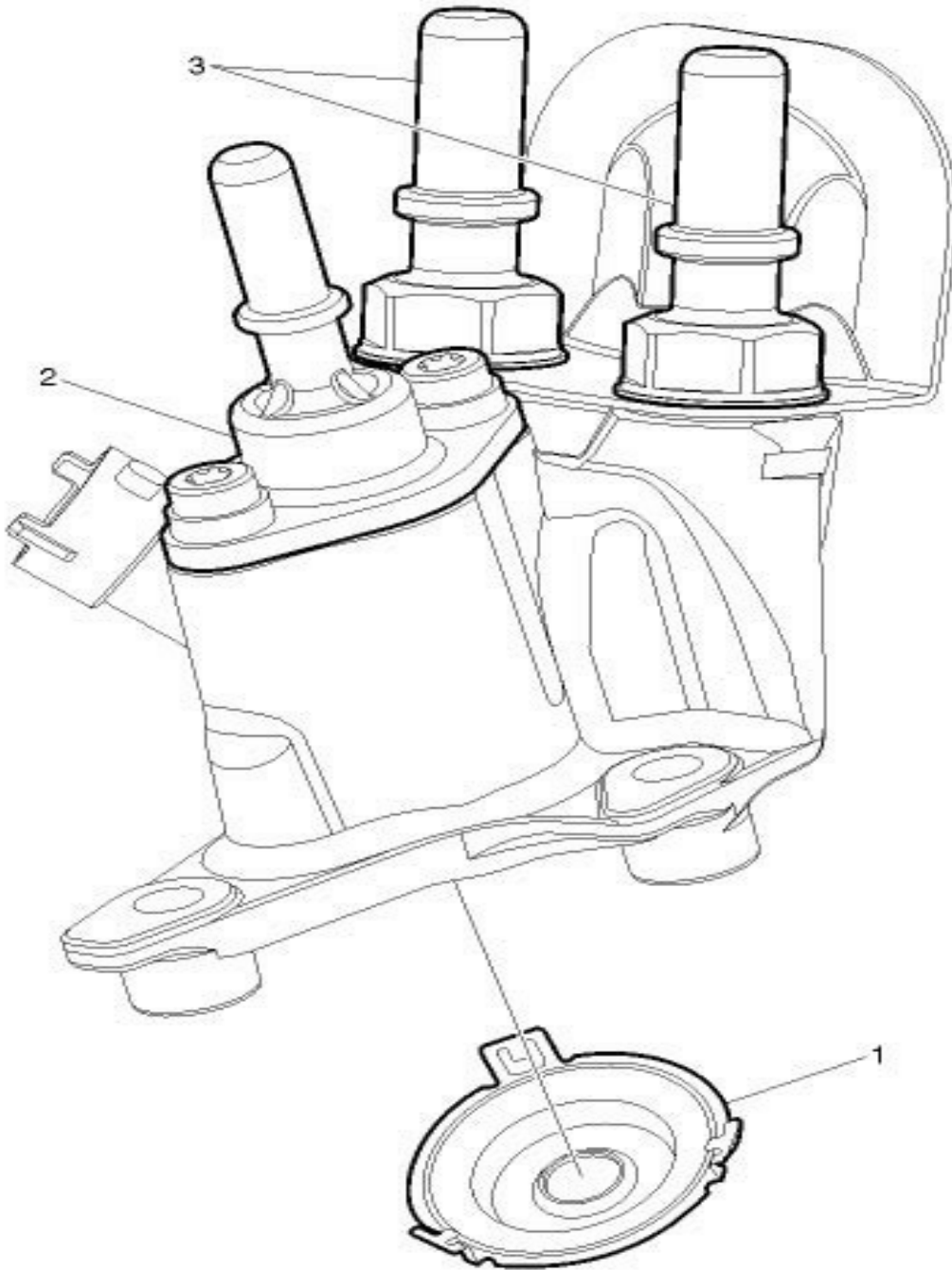
Item#	Part	Description	QTY	Notes
1	21376801	SEALING PLATE	1	
2	21377177	CONNECTOR UREA TB-128633728-1	1	
3	21376813	CONNECTOR COOLING	1	

From F-5775 To H-6179

Date:01/2024

PAGE:22391563

NOZZLE UREA TB-134512462-1

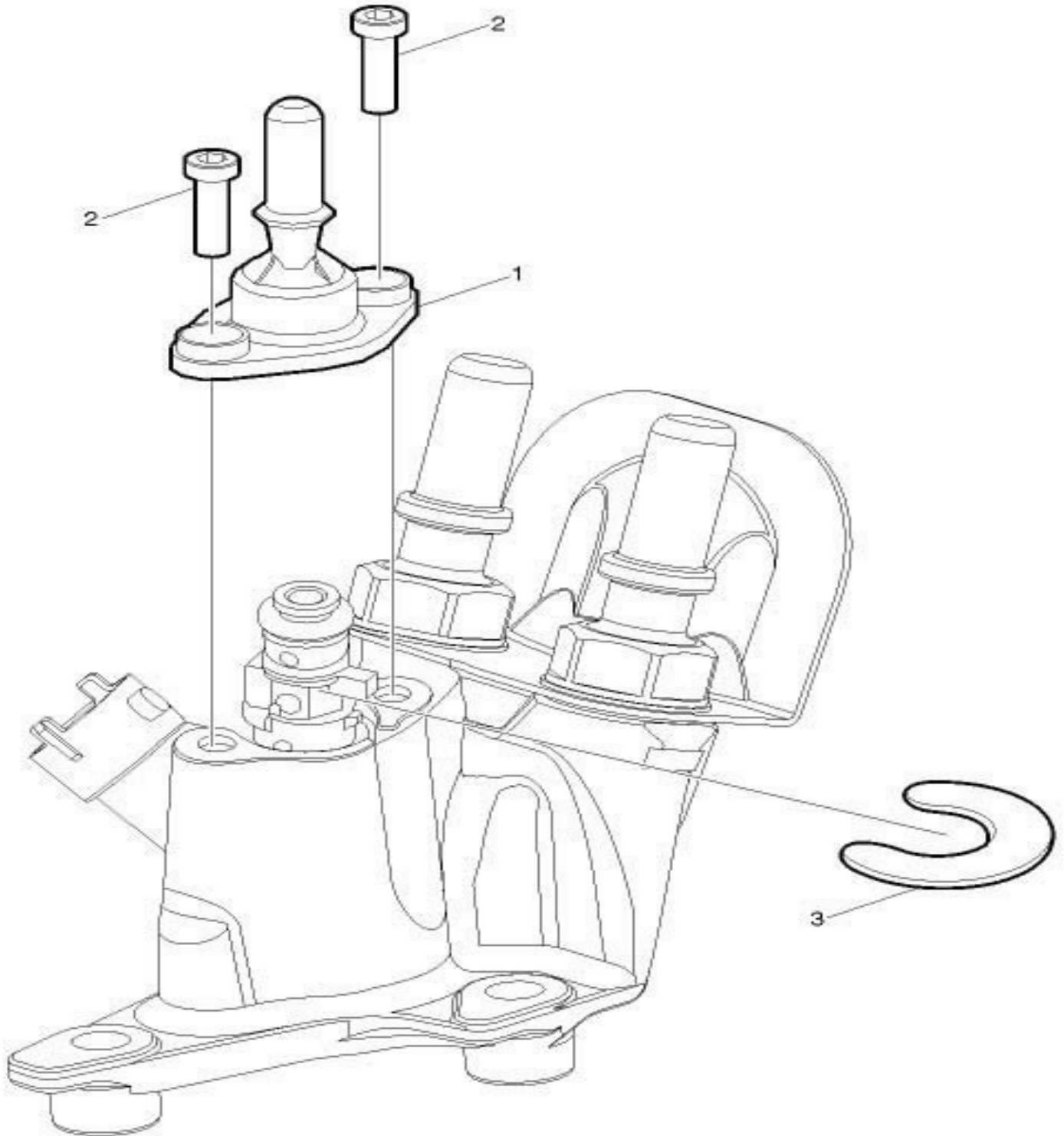


From F-5775 To H-6179	Date:01/2024	PAGE:22391563
-----------------------	--------------	---------------

NOZZLE UREA TB-134512462-1

Item#	Part	Description	QTY	Notes
1	21376801	SEALING PLATE	1	
2	N.S.S.	CONNECTOR UREA TB-129663345-1	1	1
3	21376813	CONNECTOR COOLING	1	
		1) NOT SOLD SEPARATELY		

From F-5775 To H-6179	Date:01/2024	PAGE:21579080
CONNECTOR UREA TB-129663345-1		



From F-5775 To H-6179		Date:01/2024	PAGE:21579080
-----------------------	--	--------------	---------------

CONNECTOR UREA TB-129663345-1

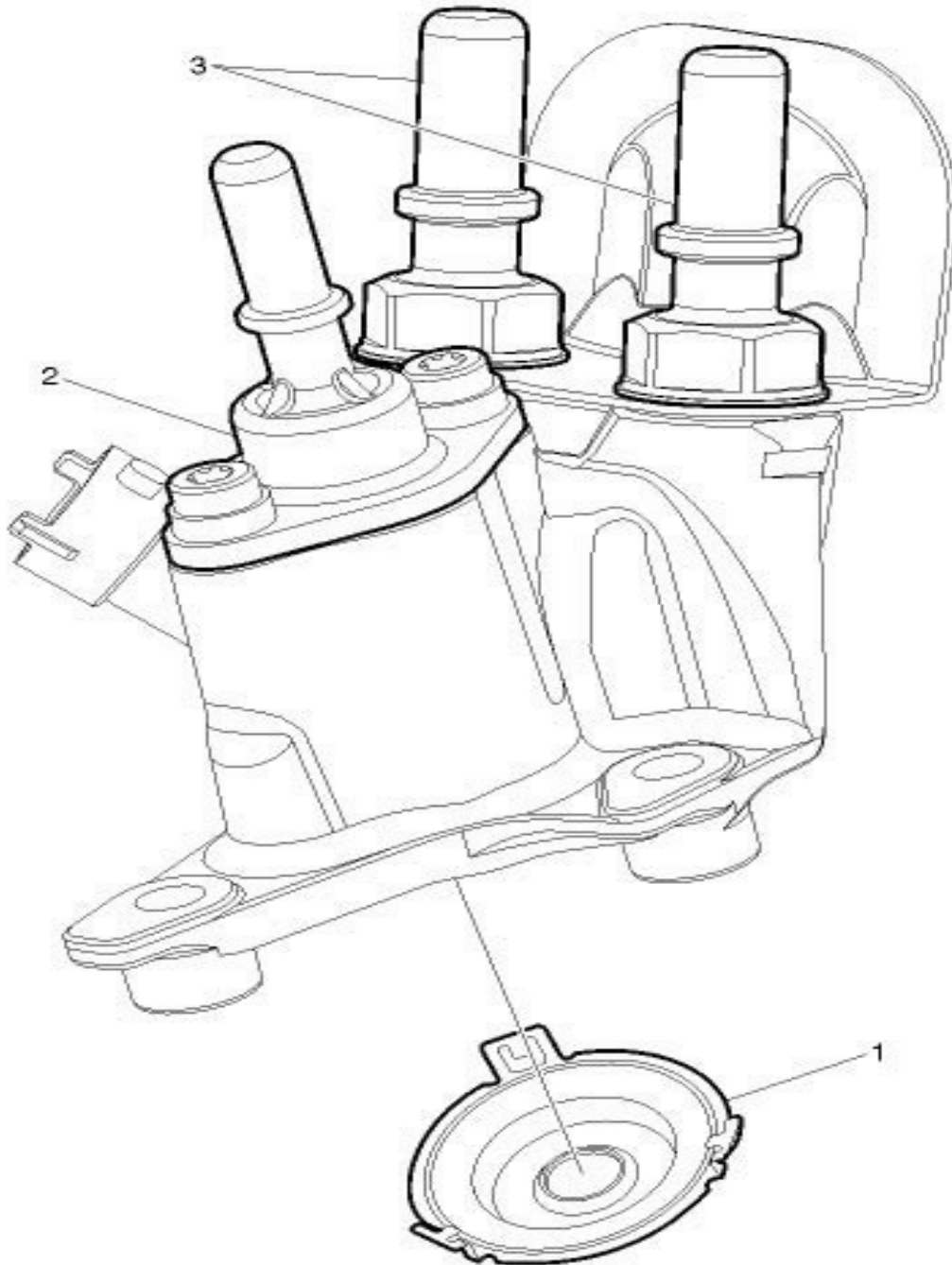
Item#	Part	Description	QTY	Notes
	N.S.S.		X	1
	N.S.S.		X	1
	N.S.S.		X	1
		1) NOT SOLD SEPARATELY		

From H-6180

Date:01/2024

PAGE:22757225

NOZZLE UREA, 2.5



From H-6180	Date:01/2024	PAGE:22757225
-------------	--------------	---------------

NOZZLE UREA, 2.5

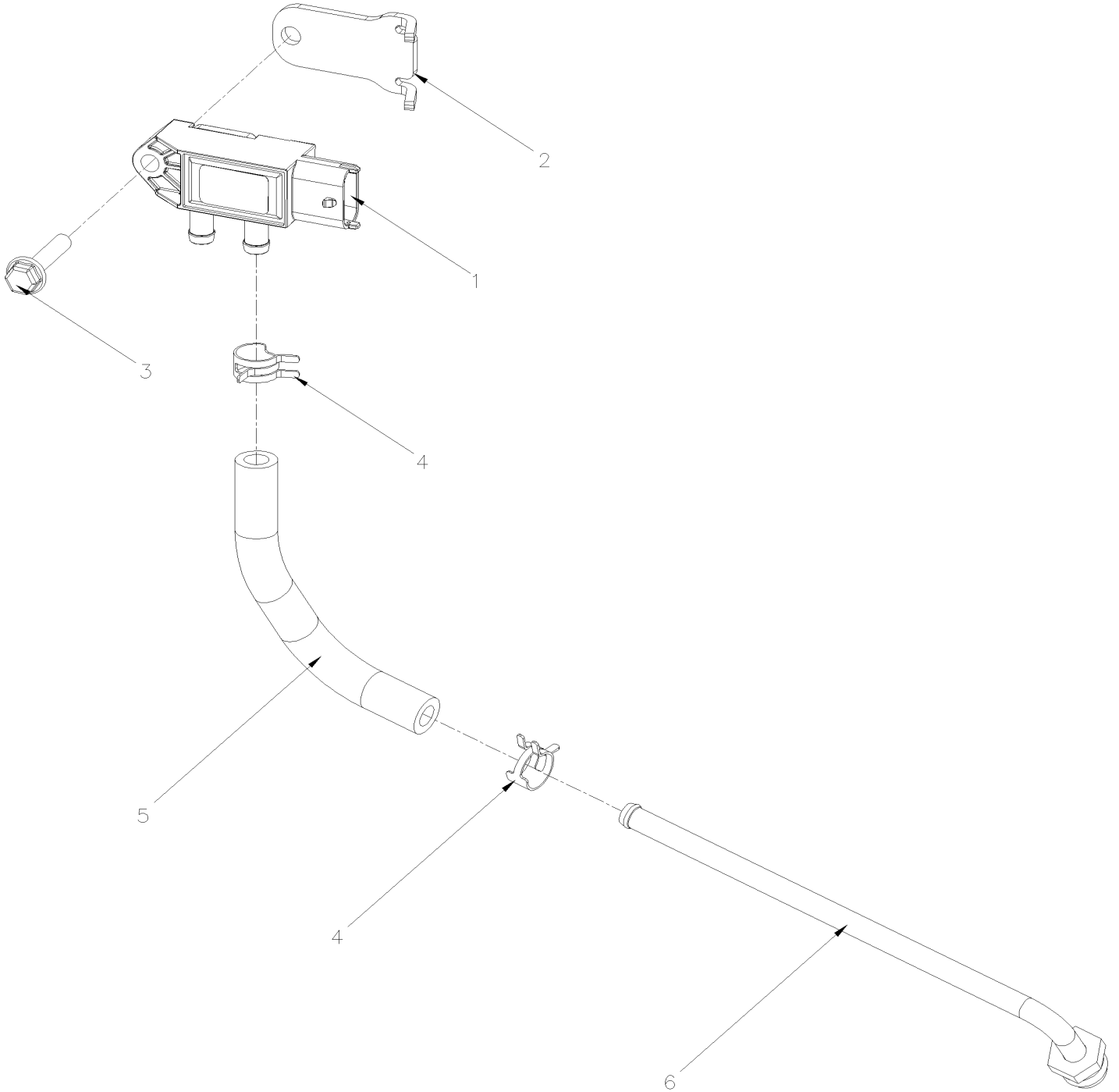
Item#	Part	Description	QTY	Notes
1	21376801	SEALING PLATE	1	
2	N.S.S.	CONNECTOR UREA TB-129663345-1	1	1
3	21376813	CONNECTOR COOLING	1	
		1) NOT SOLD SEPARATELY		

From E-5459

Date:01/2024

PAGE:040096

KIT SENSOR PRESSURE DPF



From E-5459		Date:01/2024	PAGE:040096
-------------	--	--------------	-------------

KIT SENSOR PRESSURE DPF

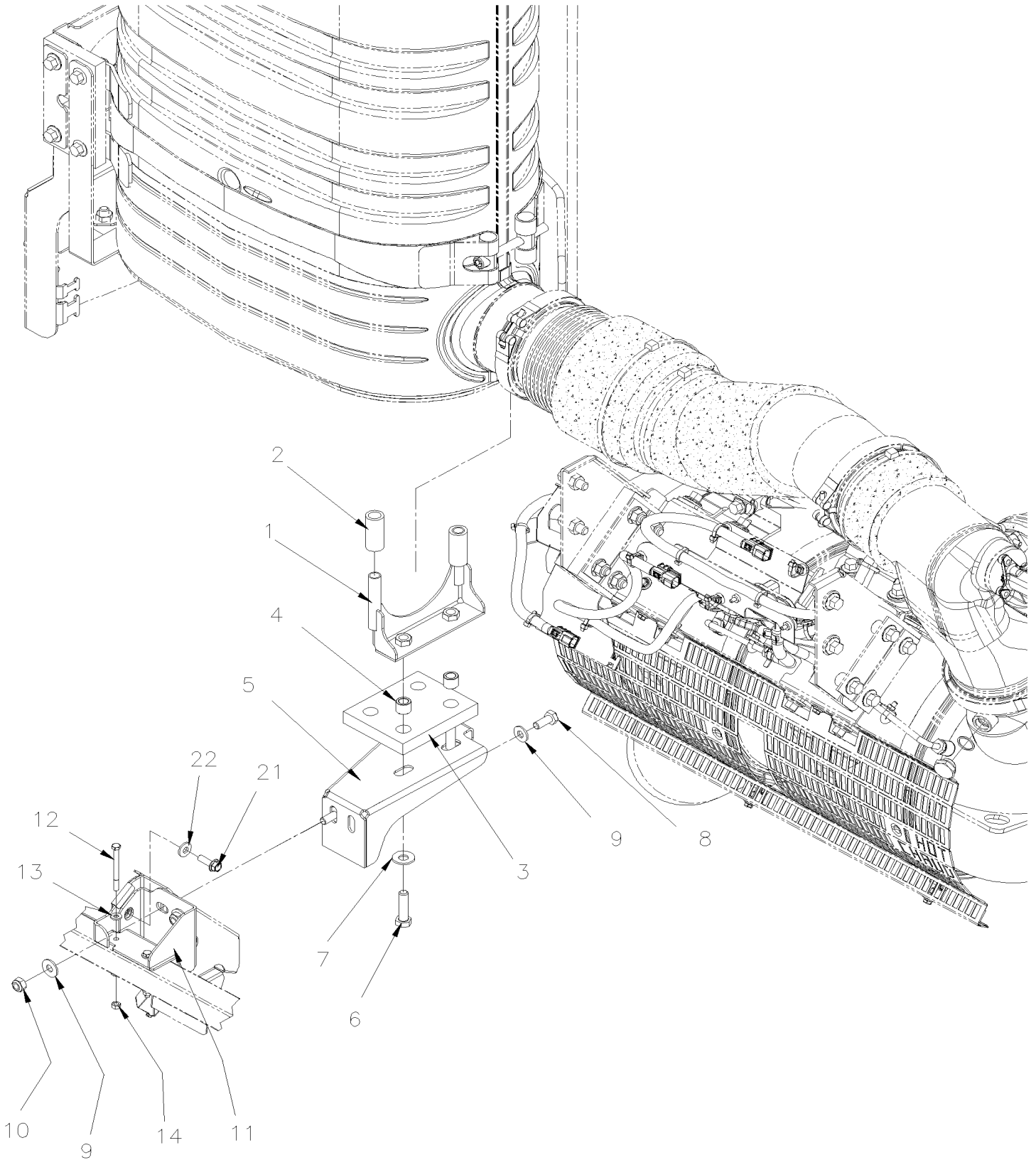
Item#	Part	Description	QTY	Notes
1	23488881	SENSOR PRESSURE "DELTA"	1	
2	040097	SPACER, FOR SENSOR OF PRESSURE	1	
3	5001815	SCREW CAP HEXF M6-1.0x30 G 8.8 N500	1	
4	21283793	SPRING HOSE CLAMP 5/16"	2	
5	040914	HOSE	1	
6	040093	PIPE, DP LOW PRESSURE	1	

To E-5759

Date:01/2024

PAGE:041108

SUPPORT EXHAUST PIPE INSTALLATION / PRODUCT IMPROVEMENT



To E-5759	Date:01/2024	PAGE:041108
-----------	--------------	-------------

SUPPORT EXHAUST PIPE INSTALLATION / PRODUCT IMPROVEMENT

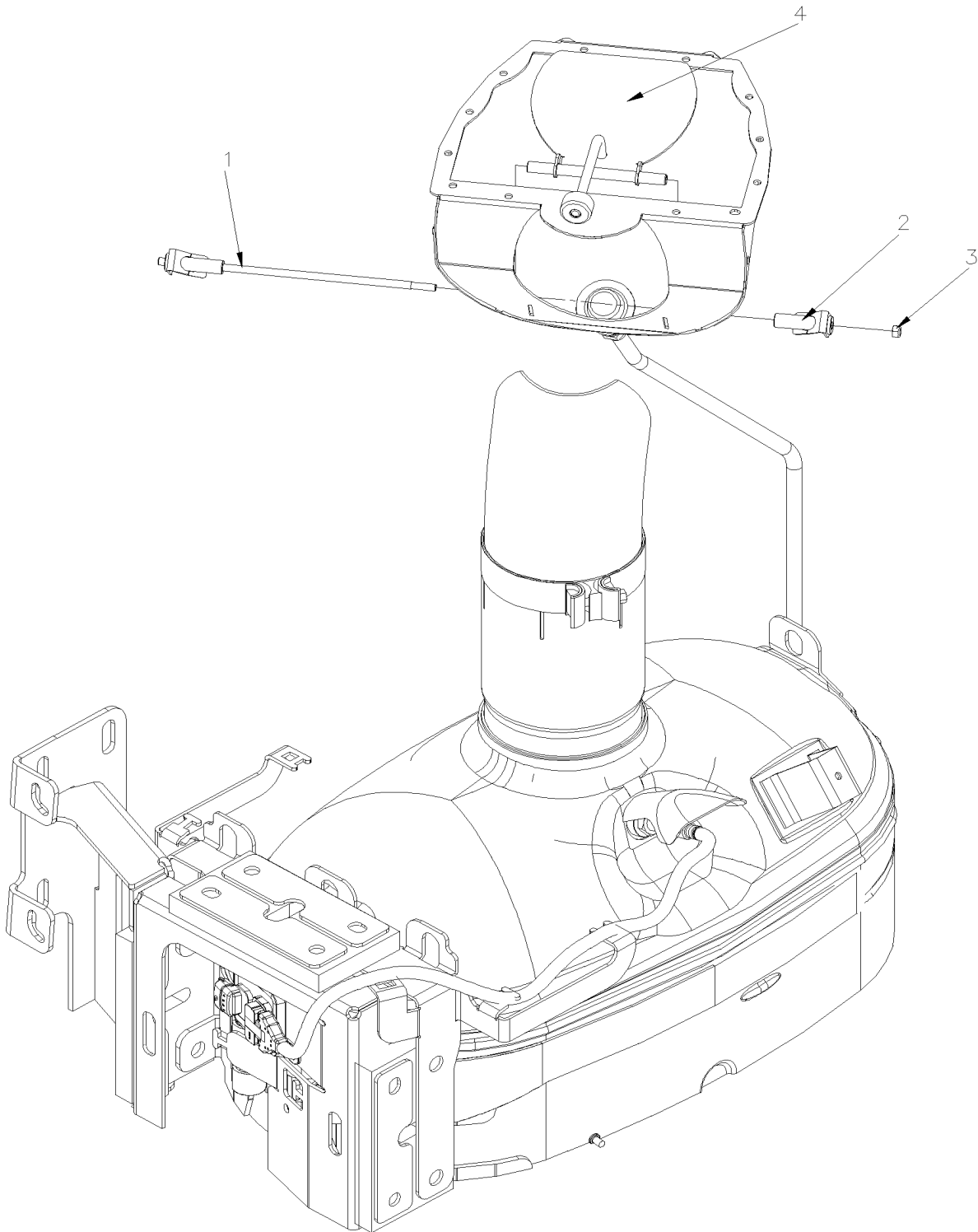
Item#	Part	Description	QTY	Notes
1	041093	STABILIZER ASSY	1	
2	503802	HOSE SILICONE 1 PLY / NOMEX-ARAMID 5/8" I.D. x 100' / S.L.	AR	
3	041069	MUFFLER CONNECTION RUBBER 135MM x 107MM	1	
4	040937	SPACER 3/4" O.D. X 16MM ST	2	
5	041094	BRACKET, SCR ASSY	1	
6	5001338	SCREW CAP HEX M12-1.75x45 G10.9 N500	2	
7	500967	WASHER BEL SPR .512x1.142x.098 N500	2	
8	502804	SCREW CAP HEX M10-1.5x25 G8.8 N500	2	
9	5001751	WASHER FL 10.5x26.0x2.0 N500	4	
10	5001628	NUT HEX NYRT M10-1.5 SS	2	
11	041107	SUPPORT, SCR ASSY	1	
12	5001817	SCREW CAP HEX M6-1.0x70 G8.8 N500	2	
13	500877	WASHER FL .250x.562x.065 N500	2	
14	502680	SCREW CAP HEX M10-1.5x50 SS	2	
21	5001643	SCREW CAP HEXF M8-1.25x25 G8.8 G500	1	
22	500321	WASHER BEL SPR .331x.827x.098 N500	1	

From B-5002 To K-6492

Date:01/2024

PAGE:041139

KIT, REPLACEMENT SHUTTER OF DIFFUSOR



From B-5002 To K-6492		Date:01/2024	PAGE:041139
-----------------------	--	--------------	-------------

KIT, REPLACEMENT SHUTTER OF DIFFUSOR

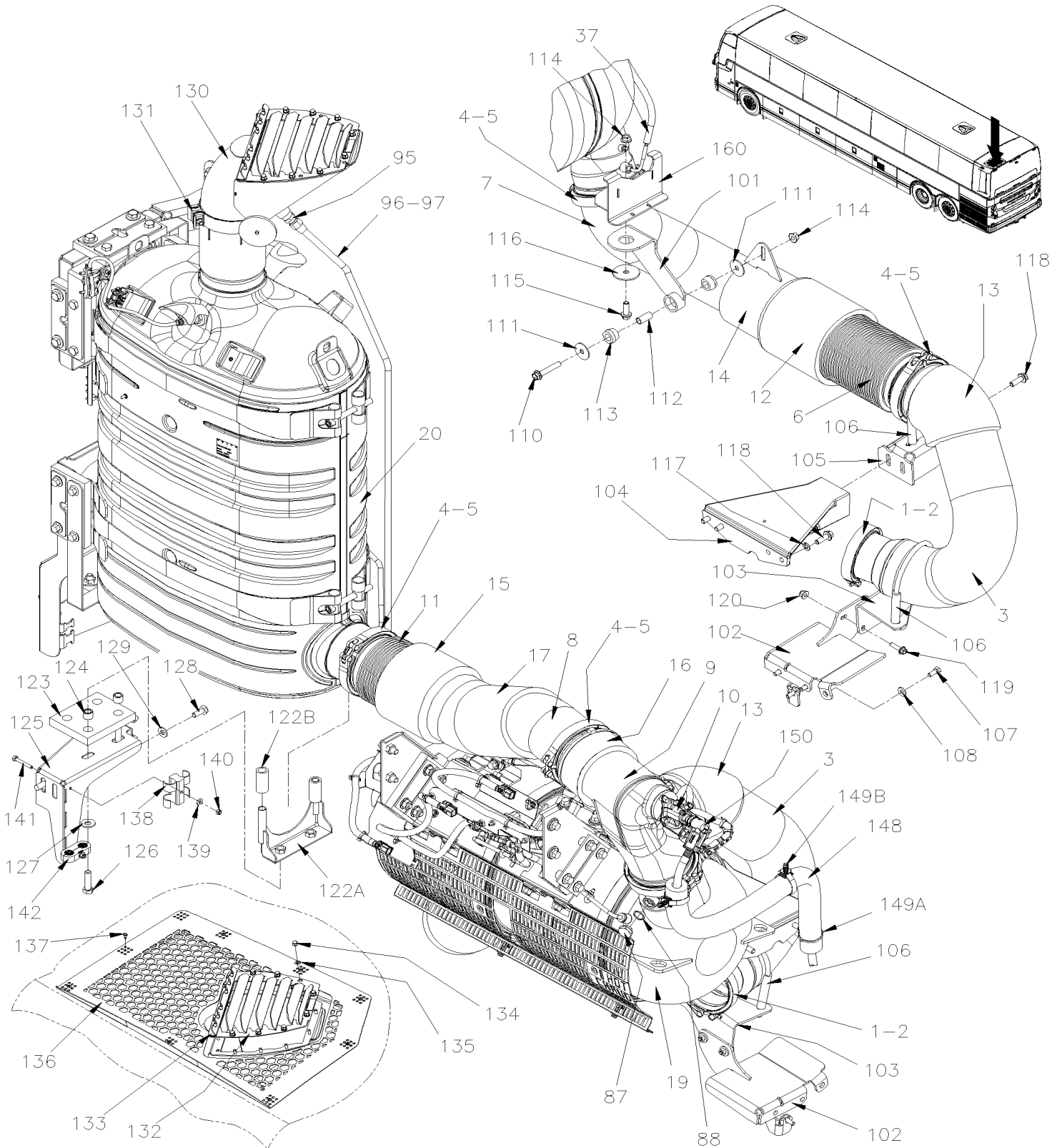
Item#	Part	Description	QTY	Notes
1	041137	PIVOT, LATERAL, ASSY	1	
2	041134	PIVOT, LATERAL, ASSY	1	
3	502860	NUT HEX STO M6-1.0 N500	1	
4	041130	SHUTTER ASSY	1	

From L-6493

Date:01/2024

PAGE:X3-0405-04

MUFFLER - INSTALLATION WITH DPF & SCR WITH VOLVO D13

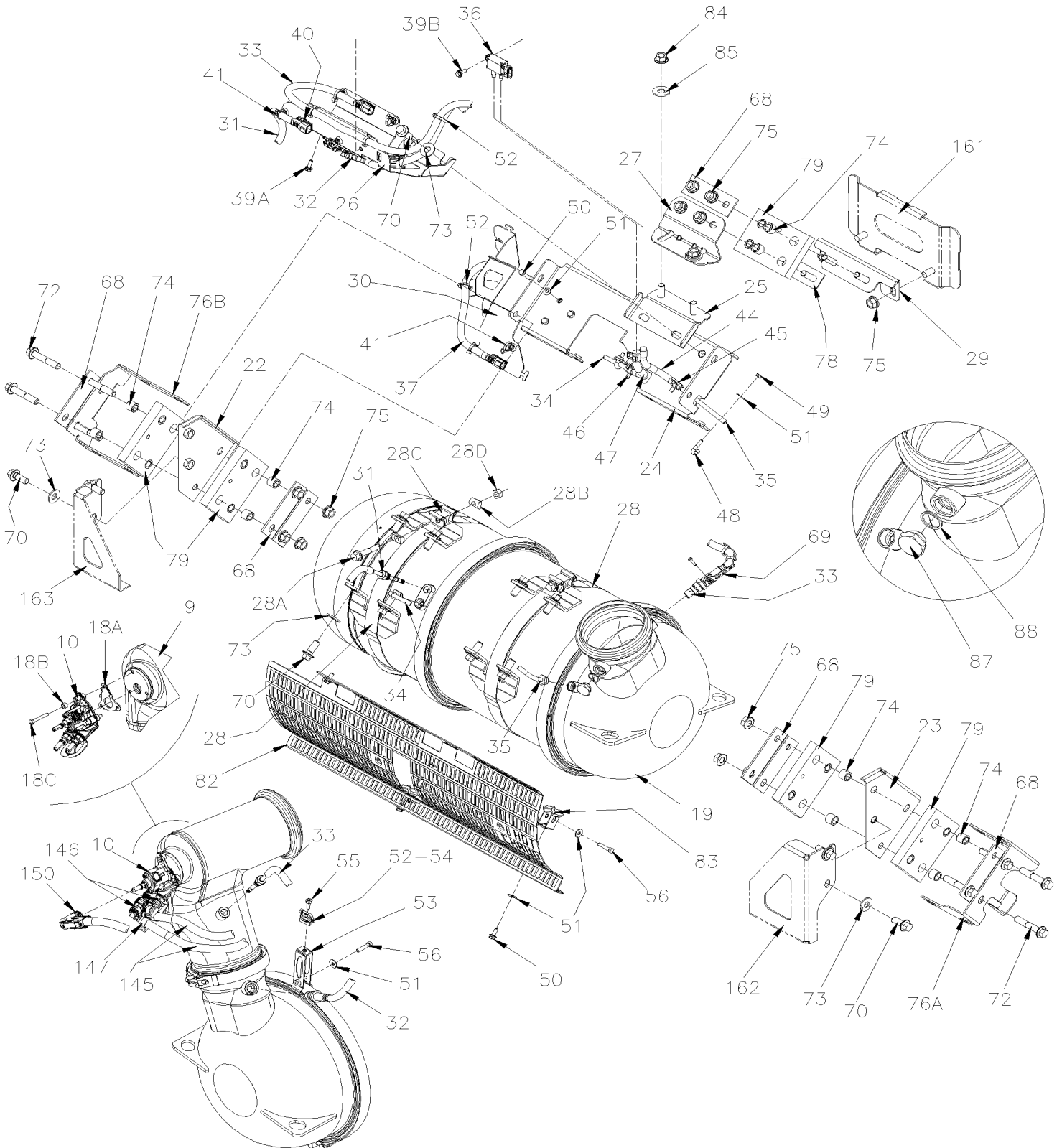


From L-6493

Date:01/2024

PAGE:X3-0405-04

MUFFLER - INSTALLATION WITH DPF & SCR WITH VOLVO D13

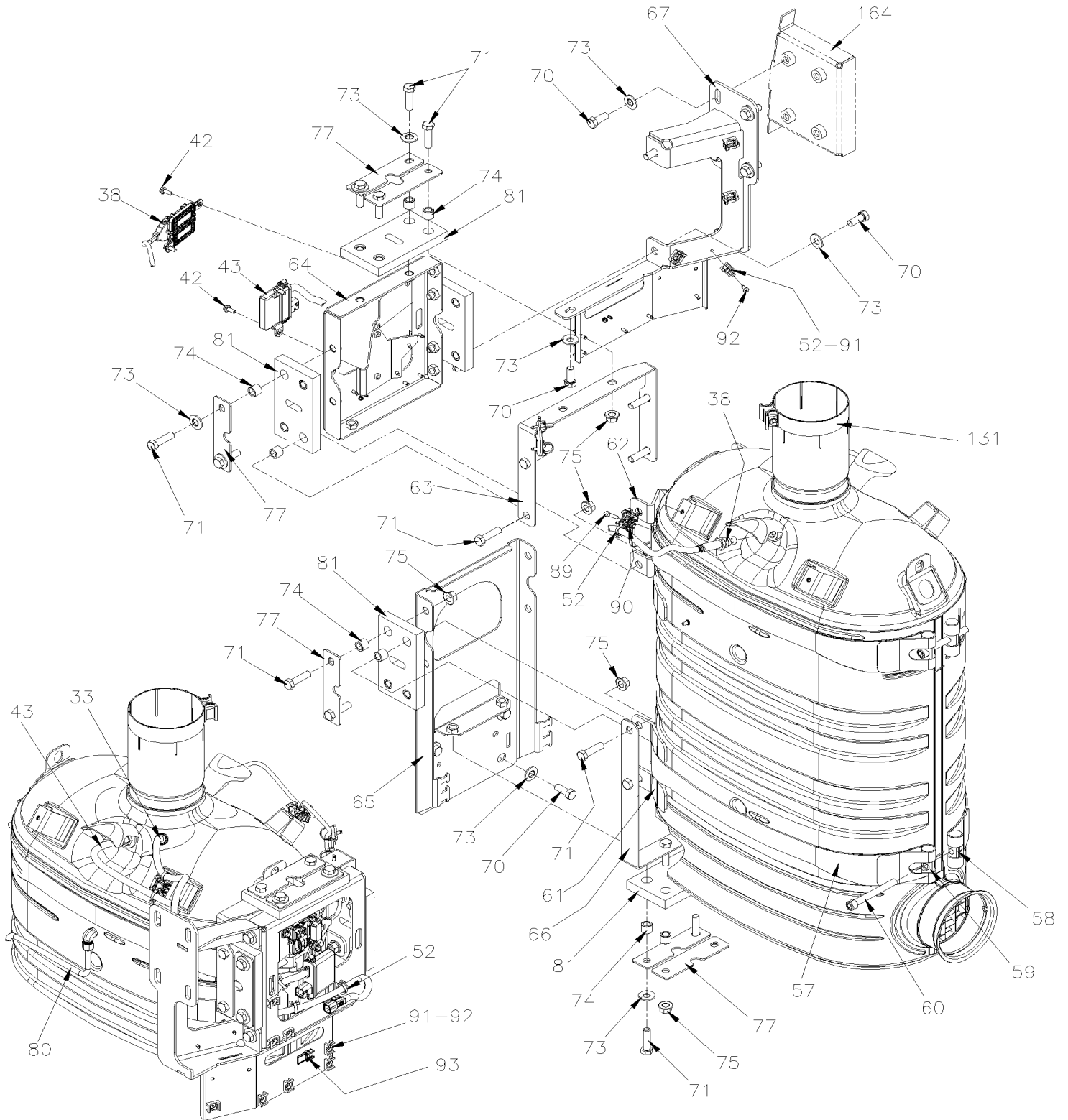


From L-6493

Date:01/2024

PAGE:X3-0405-04

MUFFLER - INSTALLATION WITH DPF & SCR WITH VOLVO D13



From L-6493	Date:01/2024	PAGE:X3-0405-04
MUFFLER - INSTALLATION WITH DPF & SCR WITH VOLVO D13		

Item#	Part	Description	QTY	Notes
1	21060426	V-CLAMP / (USE W GASKET) 4.81" I.D.	1	
2	21095721	GASKET	1	
3	040651	PIPE, EXHAUST "U"	1	
4	21021850	V-CLAMP / (USE W GASKET) 5.91" I.D.	7	
5	21095726	GASKET	7	
6	540071	BELLOWS - EXHAUST 5" I.D. x 14.49"	1	
7	040822	PIPE EXHAUST / INLET	1	
8	040823	PIPE EXHAUST / OUTLET	1	
9	23041035	SWIRL PIPE	1	
NS	21209156	TIE WRAP STAINLESS STEEL	4	
10	22757225	NOZZLE UREA, 2.5	1	
11	540072	BELLOWS - EXHAUST	1	
12	041095	INSULATED BLANKET / BELLOW W/SPRING ATTACHMENT	1	
13	041115	INSULATED BLANKET / PIPE TURBO W/SPRING ATTACHMENT	1	
14	041116	INSULATED BLANKET / PIPE DPF INLET W/SPRING ATTACHMENT	1	
15	041119	INSULATED BLANKET / BELLOW W/SPRING ATTACHMENT	1	
16	23041032	HEAT SHEILD	1	
16	21209156	TIE WRAP STAINLESS STEEL	4	
17	041118	INSULATED BLANKET / PIPE EXHAUST W/SPRING ATTACHMENT	1	
18A	22677399	GASKET NOZZLE UREA	1	
18B	22757141	SPACER	1	
18C	5000310	SCREW CAP HEX M6-1.0x40 BK	3	
19	Refer To Volvo	MUFFLER DPF EXHAUST FILTER	1	V
19	060089	HARNESS DPF "VOLVO"	1	
20	23196231	MUFFLER SCR EXHAUST FILTER	1	
22	040761	ATTACHMENT DPF VOLVO	1	
23	040868	ATTACHMENT DPF VOLVO	1	
24	041083	SUPPORT DPF VOLVO	1	
25	040764	ATTACHMENT SUPPORT DPF VOLVO	1	
26	040975	SUPPORT CABLE DPF To N-6734	1	
26	040088	SUPPORT CABLE DPF From N-6735	1	
27	040762	ATTACHMENT DPF VOLVO UPPER MIDDLE	1	
28	040986	CLAMP SUPPORT ASSY	2	
28A	5001801	SCREW CAP HEXF M10-1.5x55 G10.9 N500	2	
28B	540085	SPACER / HALF MOON SHAPE	4	
28C	540086	SPACER / ANVIL SHAPE	2	
28D	5001758	NUT HEX STO M10-1.5 N500	AR	
29	040763	ATTACHMENT DPF VOLVO UPPER MIDDLE	1	
30	040010	SUPPORT CABLE DPF	1	
31	21673931	SENSOR TEMPEARATURE "T2"	1	
32	22303390	SENSOR "NOX" / DPF FILTER	1	
33	21412472	SENSOR TEMPEARATURE "T3"	2	

From L-6493		Date:01/2024	PAGE:X3-0405-04
MUFFLER - INSTALLATION WITH DPF & SCR WITH VOLVO D13			

Item#	Part	Description	QTY	Notes
34	040911	PIPE, DP HIGH PRESSURE	1	
35	040912	PIPE, DP LOW PRESSURE To N-6734	1	
35	040093	PIPE, DP LOW PRESSURE From N-6735	1	
36	21403962	SENSOR PRESSURE "DELTA" To N-6734	1	
36	040096	KIT SENSOR PRESSURE DPF To N-6734	1	
36	23488881	SENSOR PRESSURE "DELTA" From N-6735	1	
37	21225020	SENSOR TEMPEARATURE "T1"	1	
38	22303391	SENSOR "NOX" / SCR FILTER	1	
39A	5001730	SCREW CAP HEXF M6-1.0x16 G10.9 N500 To N-6734	2	
39A	5001730	SCREW CAP HEXF M6-1.0x16 G10.9 N500 To N-6734	2	
39B	5001730	SCREW CAP HEXF M6-1.0x16 G10.9 N500 To N-6734	1	
39B	5001730	SCREW CAP HEXF M6-1.0x16 G10.9 N500 To N-6734	1	
39B	5001815	SCREW CAP HEXF M6-1.0x30 G 8.8 N500 From N-6735	1	
40	564108	SELF MOUNTING STUD // DEUTSCH 1011-310-0205	3	
41	8631155	CABLE TIE / 4.6MM x 200 / CHRISTMAS TREE	AR	
42	5001730	SCREW CAP HEXF M6-1.0x16 G10.9 N500	4	
43	060327	SENSOR "PM" / SCR FILTER ASSY To L-6591	1	
43	0610356	SENSOR "PM" / SCR FILTER ASSY From L-6592 To N-6777	1	
43	0600086	SENSOR "PM" / SCR FILTER ASSY From N-6778	1	
43	22946032	. SENSOR "PM" / SCR FILTER To L-6591	1	
43	23320447	. SENSOR "PM" / SCR FILTER From L-6592 To N-6777	1	
43	24191736	. SENSOR "PM" / SCR FILTER From N-6778	1	
44	040977	HOSE 1/4" To N-6734	1	
44	040976	HOSE 5/16" From N-6735	1	
44	503776	. HOSE SILICONE 1/4" I.D. x 10' / S.L. To N-6734	AR	
44	503775	. HOSE SILICONE 5/16" I.D. x 10' / S.L. From N-6735	AR	
45	21283796	SPRING HOSE CLAMP 1/4" To N-6734	2	
45	21283793	SPRING HOSE CLAMP 5/16" From N-6735	2	
46	040976	HOSE 5/16"	1	
46	503775	. HOSE SILICONE 5/16" I.D. x 10' / S.L.	AR	
47	21283793	SPRING HOSE CLAMP 5/16"	2	
48	040916	J-HOOK / M6-1.0 x 33 SS	2	
49	502854	NUT HEX M6-1.0 N500	2	
50	5001697	SCREW CAP HEX M6-1.0x16 SS BK	7	
51	5001833	WASHER BEL SPR 6.1x18x1.27 SS	12	
52	504637	CABLE TIE / 3/16" x 13"	AR	
53	21468325	CABLE SUPPORT	1	
NS	032540	SPACER 1/2" O.D.X 12MM SS From P-6812	1	
54	504013	TIE MOUNT / 1/4" X 1/4" I.D.	3	
55	502817	SCREW MA PAN PH M6-1.0x16 N500	1	
56	502686	SCREW CAP HEX M6-1.0x30 SS BK	3	
57	21282895	STRAP SCR To N-6766	4	

From L-6493		Date:01/2024	PAGE:X3-0405-04
MUFFLER - INSTALLATION WITH DPF & SCR WITH VOLVO D13			

Item#	Part	Description	QTY	Notes
57	041159	STRAP SCR From N-6767	4	
58	21321221	BAR THREAD SCR	4	
59	20974254	BAR ROUND SCR	4	
60	509892	SCREW CAP HEXS M12-1.75x100 G8.8 N500	4	
61	040786	ATTACHMENT, LOWER, SCR VOLVO	2	
62	040855	ATTACHMENT, UPPER, SCR VOLVO	1	
63	040027	SUPPORT, UPPER, SCR	1	
64	040065	SUPPORT, UPPER, SCR	1	
65	040020	SUPPORT ASSY, LOWER, SCR VOLVO	1	
66	040817	BRACKET "U" SHAPE, LOWER, SCR VOLVO	1	
67	040029	SUPPORT UPPER, SCR	1	
68	21138255	PLATE ATTACHMENT 120MM X 40MM	7	
69	040959	GUIDE, WIRING	2	
NS	502799	SCREW CAP HEX M4-0.7X16 G8.8 N500	2	
NS	502556	WASHER FL 4.3x9.0x0.8 SS	2	
NS	504637	CABLE TIE / 3/16" x 13"	AR	
70	5001866	SCREW CAP HEX M12-1.75x30 G10.9 N500	27	
71	5001338	SCREW CAP HEX M12-1.75x45 G10.9 N500	22	
72	5001861	SCREW CAP HEX M12-1.75x60 G10.9 N500	8	
73	500967	WASHER BEL SPR .512x1.142x.098 N500	AR	
74	040937	SPACER 3/4" O.D. X 16MM ST	46	
75	5001774	NUT HEXF STO M12-1.75 MAGNI G500	30	
76A	041021	BRACKET, DPF	1	
76B	041022	BRACKET, DPF	1	
77	040783	PLATE ATTACHMENT 120MM X 40MM	8	
78	040844	PLATE ATTACHMENT 120MM X 34MM / W/2 M12-1.75x40	1	
79	22227002	MUFFLER CONNECTION RUBBER 135MM x 93MM	5	
80	040965	HOSE DRAIN SCR	1	
81	041070	MUFFLER CONNECTION RUBBER 170MM x 93MM	6	
82	041092	GRILLE PROTECTOR OVER DFP	1	
83	040861	CABLE SUPPORT	2	
84	5001774	NUT HEXF STO M12-1.75 MAGNI G500	2	
85	500211	WASHER FL .531x1.250x.125 N500	2	
87	20565546	PLUG / DPF To L-6514	1	
87	040004	PLUG / DPF / S.STEEL From L-6515	1	
88	947625	SEAL COPPER / DPF	1	
89	502737	SCREW CAP HEX M6-1.0x25 SS BK	2	
90	509490	ATTACHMENT DOUBLE USE WITH CABLE TIE	2	
91	504013	TIE MOUNT / 1/4" X 1/4" I.D.	AR	
92	504379	RIVET POP DOME OE 3/16x1/4 SS	AR	
93	564108	SELF MOUNTING STUD // DEUTSCH 1011-310-0205	1	
95	640873	MALE CONNECTOR / AB FITTING / #8x1/2NPT-M BR	1	

From L-6493	Date:01/2024	PAGE:X3-0405-04
MUFFLER - INSTALLATION WITH DPF & SCR WITH VOLVO D13		

Item#	Part	Description	QTY	Notes
95	680098	THREAD SEALANT LOCTITE #567 / WHITE / 250ml	AR	
96	040863	PIPE DRAIN	1	
97	504018	HOSE CLAMP / 7/16"-1" SS / HS-8	2	
101	041154	ANGLE PIPE SUPPORT	1	
102	21589669	SUPPORT EXHAUST PIPE	1	
103	040952	SUPPORT PIPE	1	
104	041006	SUPPORT PRIMARY / EXHAUST PIPE	1	
105	040969	SUPPORT SECONDARY / EXHAUST PIPE	1	
106	540018	U-CLAMP / (GUILLOTINE TYPE) / 5" I.D.	2	
107	502862	SCREW CAP HEX M8-1.25x20 G8.8 N500	4	
108	500321	WASHER BEL SPR .331x.827x.098 N500	4	
110	5001595	SCREW CAP HEXF M10-1.5x60 G8.8 G500	1	
111	500261	WASHER FL .390x1.500x.083 N500	2	
112	505217	SPACER 7/16" X 1 1/4"	1	
113	661074	BUSHING / RUBBER 3/4" x 5/8" I.D.	2	
114	5001727	NUT HEXF NYRT M10-1.5 N500	2	
115	5001741	SCREW CAP HEXF M10-1.5x30 G8.8 N500	1	
116	040627	WASHER FL 10.5x54x11GA SS	1	
117	5001834	WASHER BEL SPR 10.5X23X2.5 N500	4	
118	5001644	SCREW CAP HEXF M10-1.5x30 G8.8 G500	6	
119	5001742	SCREW CAP HEXF M8-1.25x30 G8.8 N500	2	
120	5001931	NUT HEXF NYRT M8-1.25 G8.8 N500	2	
122A	041093	STABILIZER ASSY	1	
122B	041096	HOSE 5/8" I.D. x 52MM	1	
122B	503802	. HOSE SILICONE 1 PLY / NOMEX-ARAMID 5/8" I.D. x 100' / S.L.	AR	
123	041069	MUFFLER CONNECTION RUBBER 135MM x 107MM	1	
124	040937	SPACER 3/4" O.D. X 16MM ST	2	
125	040041	BRACKET, SCR ASSY	1	
126	5001338	SCREW CAP HEX M12-1.75x45 G10.9 N500	2	
127	500967	WASHER BEL SPR .512x1.142x.098 N500	2	
128	502705	SCREW CAP HEX M12-1.75X25 G8.8 N500	2	
129	500967	WASHER BEL SPR .512x1.142x.098 N500	2	
130	21603076	DIFFUSOR ASSY	1	
NS	041139	KIT, REPLACEMENT SHUTTER OF DIFFUSOR	1	
131	540067	CLAMP BAND SEAL / LAP JOINT / 5" I.D.x1.25"	1	
132	21139384	GRILL DIFFUSOR To R-4031	1	
132	040131	DIFFUSER, GRILL From R-4032	1	A
133	21139388	PLATE "WARNING" THIS DIFFUSOR MUST BE FLUSH.. To R-4031	1	
134	5001684	NUT HEX CAP M6-1.0 SS	10	
135	502573	WASHER FL 6.4x12.5x1.6 SS	10	
136	471132	GRILL ROOF	1	
137	500952	SCREW TP BDG PH #8x1/2 SS	10	

From L-6493	Date:01/2024	PAGE:X3-0405-04
MUFFLER - INSTALLATION WITH DPF & SCR WITH VOLVO D13		

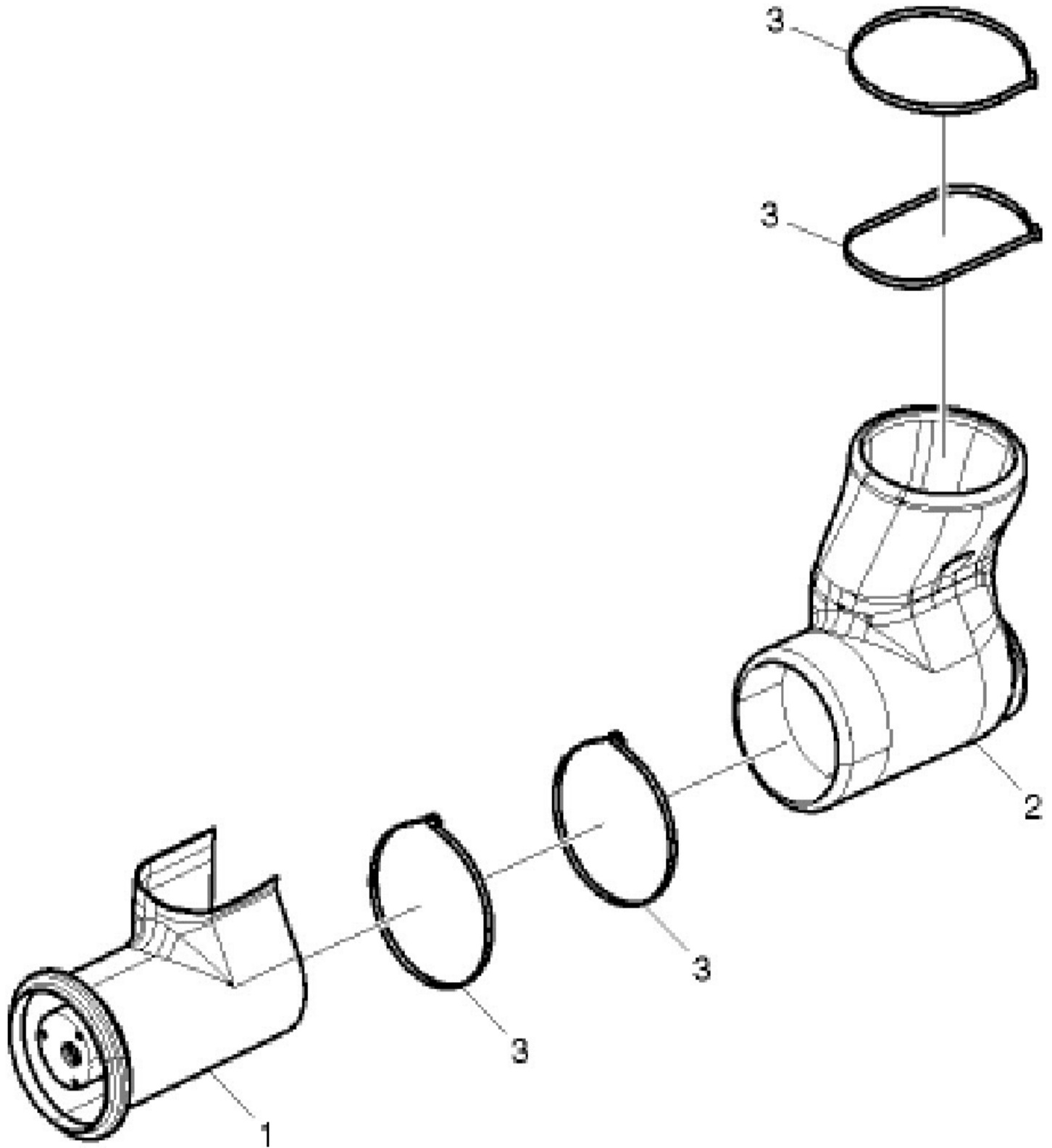
Item#	Part	Description	QTY	Notes
138	504634	T-CLIP / 7/8" - 1" To L-6644	1	
139	500877	WASHER FL .250x.562x.065 N500 To L-6644	2	
140	502681	NUT HEX NYRT M6-1.0 N500 G8	2	
141	5001923	SCREW CAP HEX M6-1.0x45 SS BK	2	
142	504155	CLAMP TWIN DESIGN / 19MM/19MM x 70MM POLYA	1	
142	504155	CLAMP TWIN DESIGN / 19MM/19MM x 70MM POLYA From M-6645	2	
142	504221	COVER TWIN DESIGN / 63.5MM ZP From M-6645	2	
145	503821	HOSE SILICONE 4 PLY / NOMEX-ARAMID 3/8" x 144"	AR	
145	053008	RESTRICTION / ALU. TUBE 20MM X 9.05MM O.D. W/3.05MM HOLE	1	
146	20805110	QUICK CONNECTOR 90° 10MM	2	
147	992081	HOSE CLAMP / 12MM/22MM	2	
148	506205	PIPE INSULATING / 5/8" I.D. X 1/2" TH. X 72 / SPLIT ADHESIVE	AR	
149A	504637	CABLE TIE / 3/16" x 13"	AR	
149B	504750	CABLE TIE / 1/2" x 15" / CHRISTMAS TREE	2	
150	041123	HOSE HEATER ASSY 6200MM	1	
. NS	N8902118	. CONNECTOR CLIP - 5/16"	2	
150	X3-0410-01	UREA RESERVOIR ASSY		
160	041078	ATTACHMENT, SUPPORT EXHAUST PIPE	1	
161	218717	ATTACHMENT, MIDDLE, DPF VOLVO	1	
162	216753	ATTACHMENT, DPF VOLVO / CURBSIDE	1	
163	216752	ATTACHMENT, DPF VOLVO / STREET SIDE	1	
164	Call order desk	POST ATTACHMENT, UPPER, SCR VOLVO	1	P
		A) INCLUDES WARNING MESSAGE "THIS DIFFUSER MUST BE FLUSH"		
		P) CALL ORDER DESK FOR SPECIFIC APPLICATION (V.I.N.)		
		V) SEE IMPACT OR CALL ORDER DESK		

From L-6493

Date:01/2024

PAGE:23041035

SWIRL PIPE



From L-6493		Date:01/2024	PAGE:23041035
SWIRL PIPE			

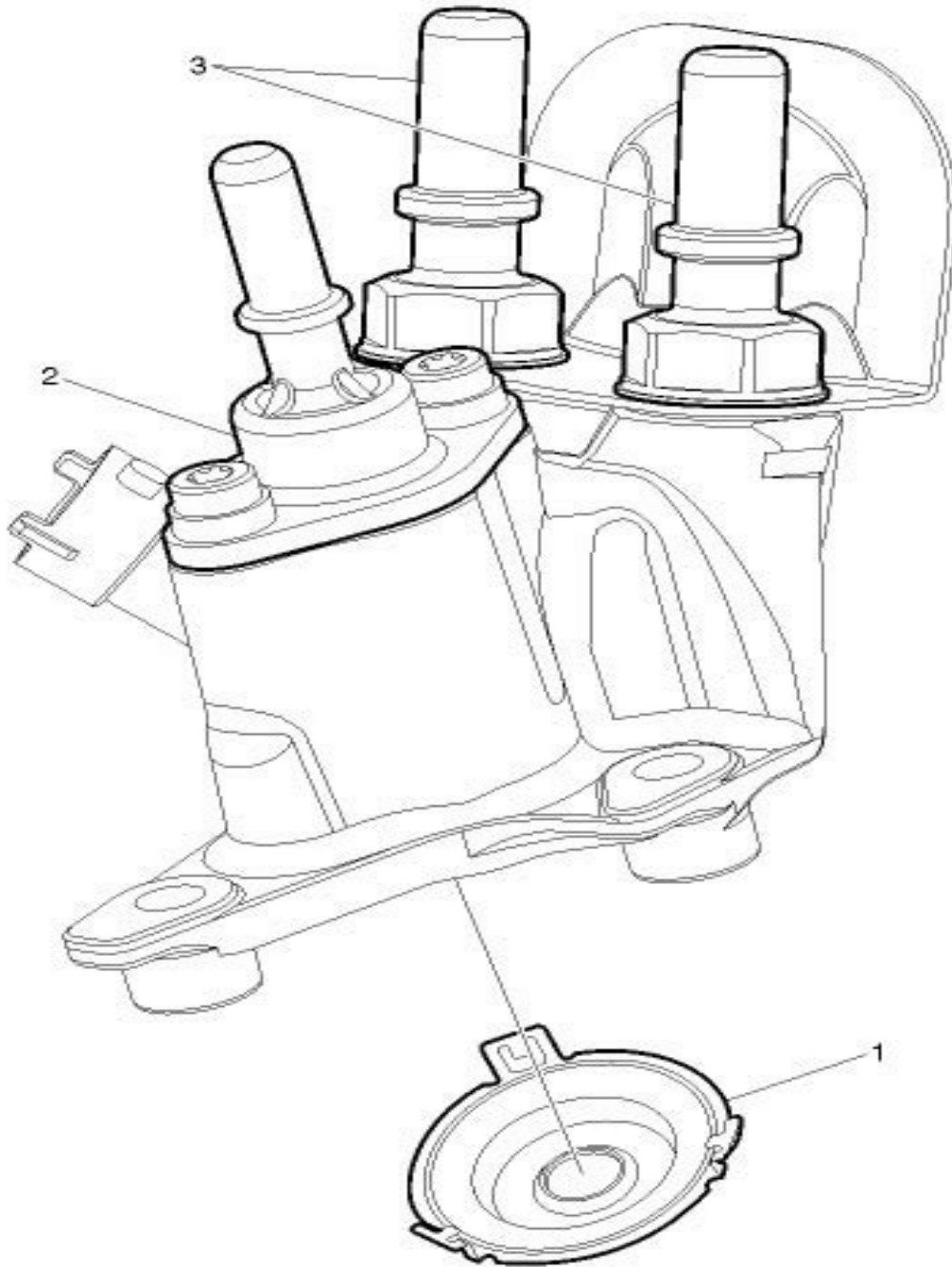
Item#	Part	Description	QTY	Notes
1	21403611	SWIRL PIPE	1	
2	23041032	HEAT SHEILD	1	
3	21209156	TIE WRAP STAINLESS STEEL	4	

From L-6493

Date:01/2024

PAGE:22757225

NOZZLE UREA, 2.5



From L-6493	Date:01/2024	PAGE:22757225
-------------	--------------	---------------

NOZZLE UREA, 2.5

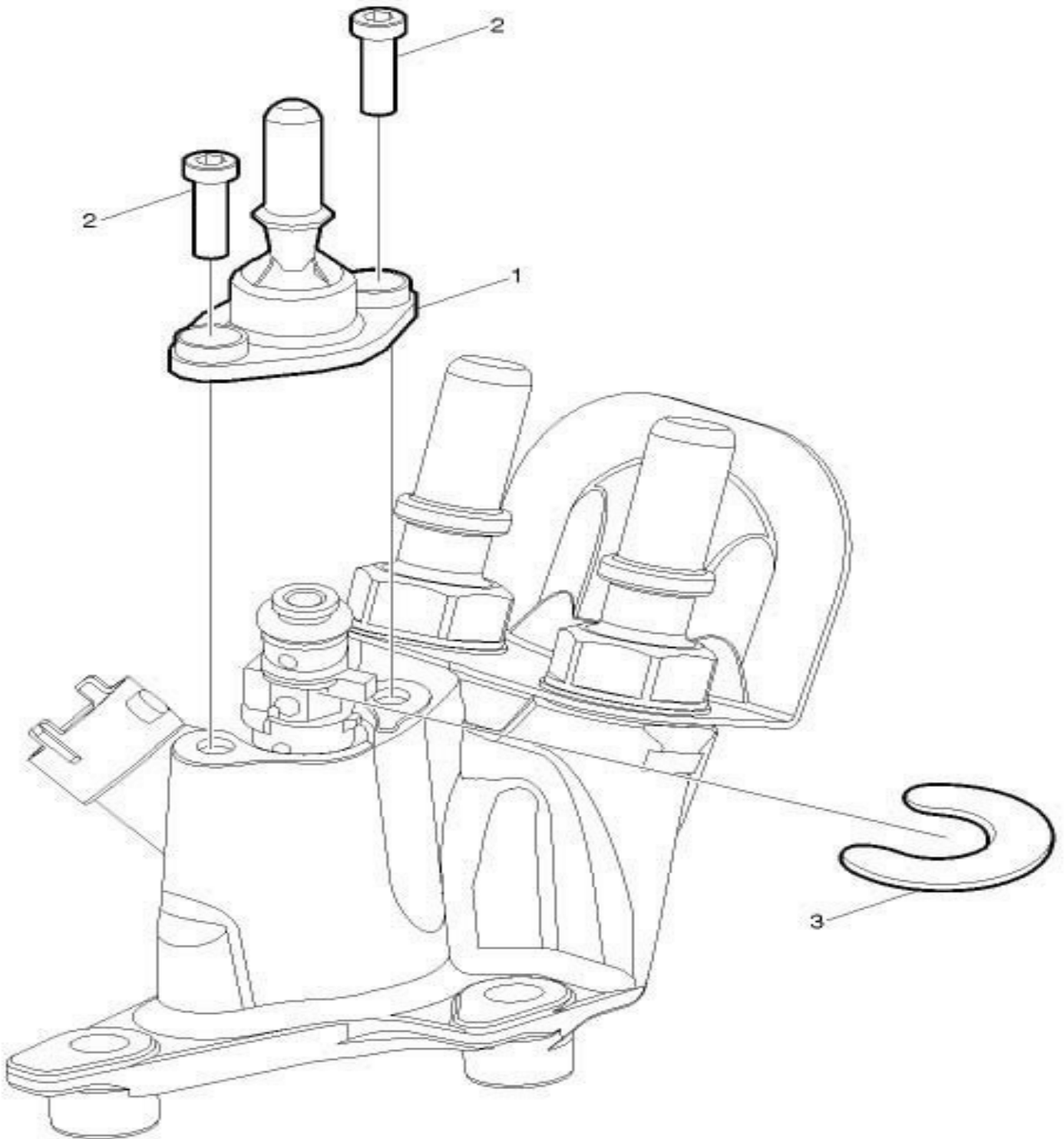
Item#	Part	Description	QTY	Notes
1	21376801	SEALING PLATE	1	
2	N.S.S.	CONNECTOR UREA TB-129663345-1	1	1
3	21376813	CONNECTOR COOLING	1	
		1) NOT SOLD SEPARATELY		

From L-6493

Date:01/2024

PAGE:21579080

CONNECTOR UREA TB-129663345-1



R1045189

From L-6493		Date:01/2024	PAGE:21579080
-------------	--	--------------	---------------

CONNECTOR UREA TB-129663345-1

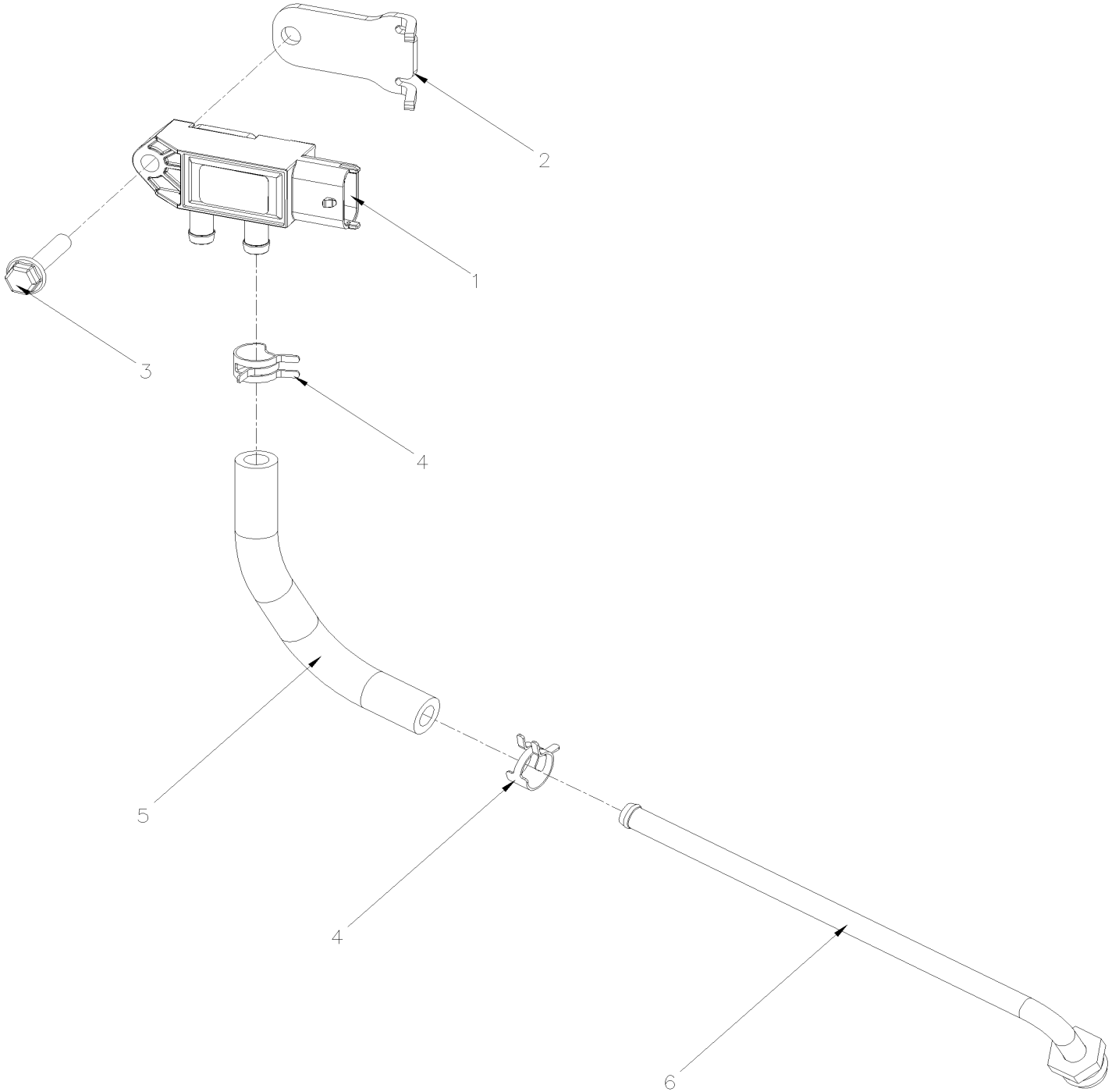
Item#	Part	Description	QTY	Notes
	N.S.S.		X	1
	N.S.S.		X	1
	N.S.S.		X	1
		1) NOT SOLD SEPARATELY		

To N-6734

Date:01/2024

PAGE:040096

KIT SENSOR PRESSURE DPF



To N-6734		Date:01/2024	PAGE:040096
-----------	--	--------------	-------------

KIT SENSOR PRESSURE DPF

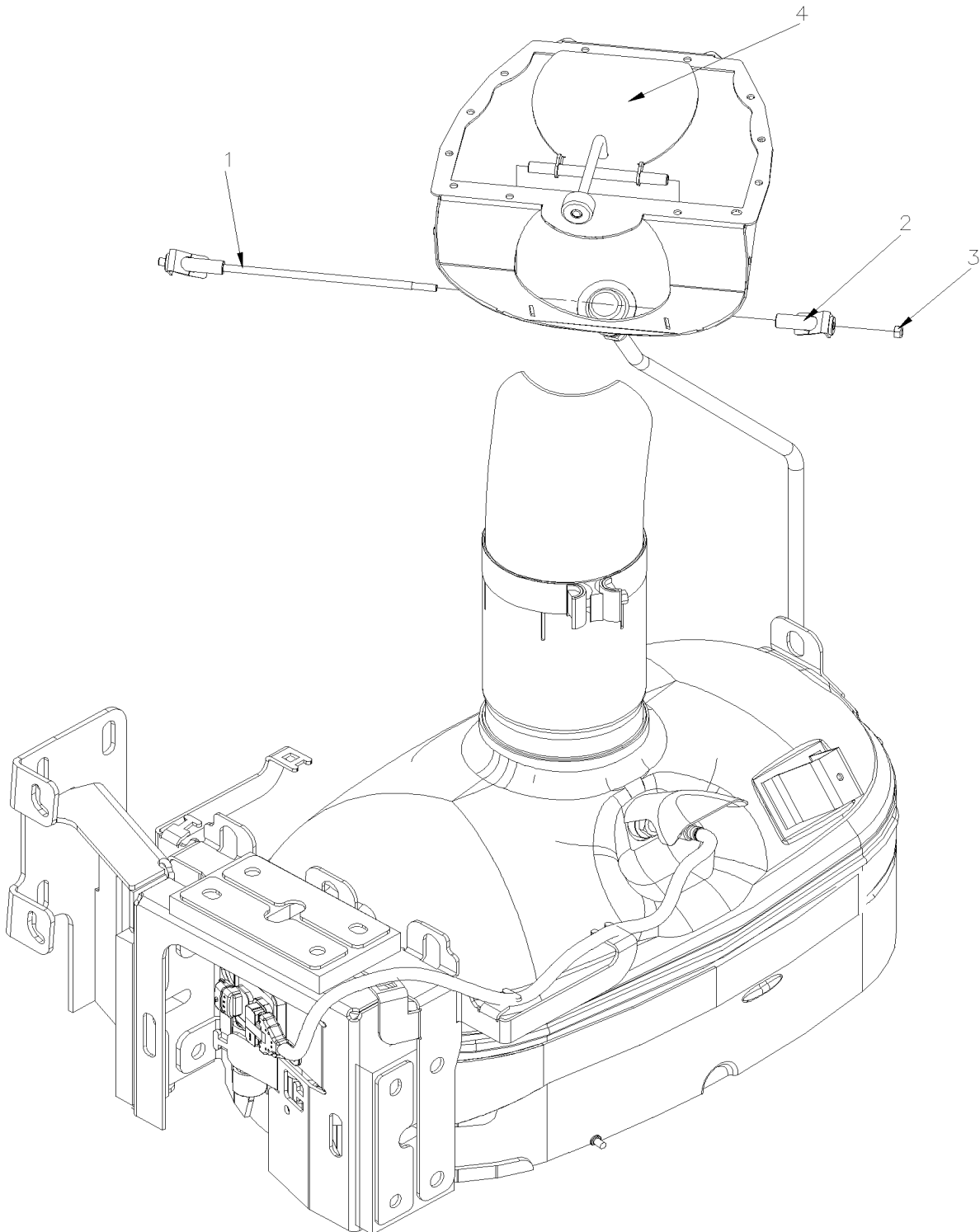
Item#	Part	Description	QTY	Notes
1	23488881	SENSOR PRESSURE "DELTA"	1	
2	040097	SPACER, FOR SENSOR OF PRESSURE	1	
3	5001815	SCREW CAP HEXF M6-1.0x30 G 8.8 N500	1	
4	21283793	SPRING HOSE CLAMP 5/16"	2	
5	040914	HOSE	1	
6	040093	PIPE, DP LOW PRESSURE	1	

From L-6493

Date:01/2024

PAGE:041139

KIT, REPLACEMENT SHUTTER OF DIFFUSOR

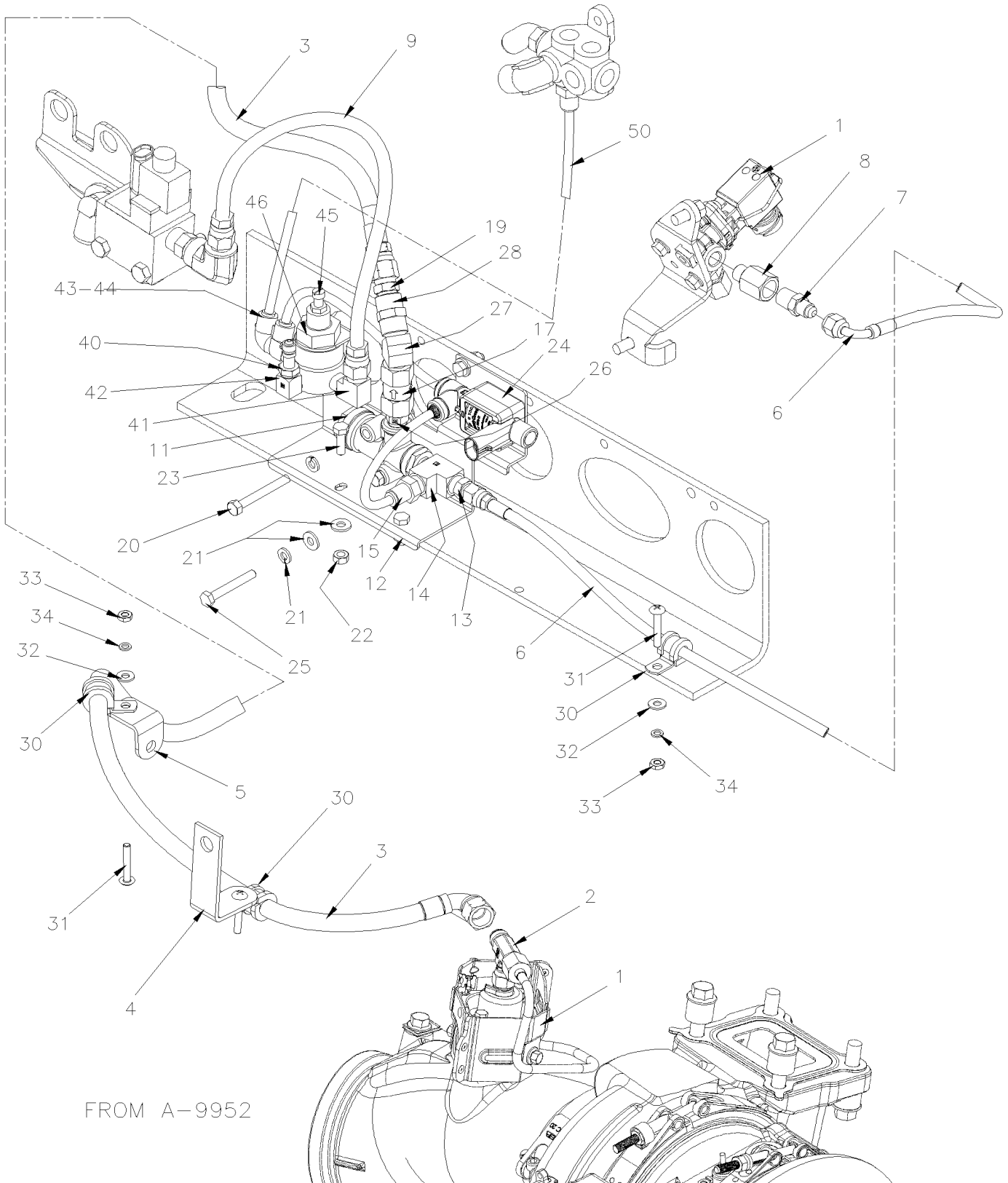


From L-6493	Date:01/2024	PAGE:041139
-------------	--------------	-------------

KIT, REPLACEMENT SHUTTER OF DIFFUSOR

Item#	Part	Description	QTY	Notes
1	041137	PIVOT, LATERAL, ASSY	1	
2	041134	PIVOT, LATERAL, ASSY	1	
3	502860	NUT HEX STO M6-1.0 N500	1	
4	041130	SHUTTER ASSY	1	

7TH INJECTOR / EXHAUST VOLVO D13



FROM A-9952

From 9-9614 To B-5074	Date:01/2024	PAGE:X3-0405-10
7TH INJECTOR / EXHAUST VOLVO D13		

Item#	Part	Description	QTY	Notes
1	Refer To Volvo	SEE IMPACT OR CALL ORDER DESK	1	V
2	21201274	CHECK VALVE To 9-1401	1	B
2	21226456	CHECK VALVE From 9-1402	1	
3	143025	HOSE ASSY TEFLON #6 1524MM	1	
4	143024	ANGLE SUPPORT 75x50	1	
NS	946173	SCREW CAP HEXF M8-1.25x20	1	
NS	507637	SCREW CAP HEXF M8-1.25x20 G10.9 PHC	1	
5	142893	ANGLE SUPPORT 34x32	1	
6	143023	HOSE ASSY TEFLON #4 820MM	1	WB
6	142806	HOSE ASSY TEFLON #4 1500MM	1	
7	501027	MALE CONNECTOR / SAE 45° FITTING / #4FL-Mx1/4NPT-M BR	1	
8	5011304	FEMALE CONNECTOR / PIPE @ ORB / 1/4NPT-FxM12-1.5 ORB-M	1	
9	071089	HOSE ASSY TEFLON #6 355MM From A-9952		
10	Call order desk	VALVE ASSY RV-3 W/SUPPORT To A-9951	1	P
10	Call order desk	VALVE ASSY RV-3 W/SUPPORT From A-9952	1	P
11	21243502	VALVE PRESSURE REDUCER RV-3 / K028993	1	
12	143022	SUPPORT VALVE "T" SHAPE To A-9951	1	
12	143123	SUPPORT VALVE From A-9952	1	
13	501027	MALE CONNECTOR / SAE 45° FITTING / #4FL-Mx1/4NPT-M BR	1	
14	501338	MALE RUN TEE / PIPE FITTING / 1/4NPT-Mx1/4NPT-Fx1/4NPT-F BR	1	
15	641332	MALE CONNECTOR / PUSH-IN FITTING / #4x1/4NPT-M BR	1	
16	641999	MALE ELBOW 90° / PIPE FITTING / 3/8NPT-Mx3/8NPT-M BR To A-9951	1	
17	640135	VALVE, CHECK 1/4 NPT	1	
18	501335	FEMALE ELBOW 90° / PIPE FITTING / 1/4NPT-Fx1/4NPT-F BR To A-9951	1	
19	501029	MALE CONNECTOR / SAE 45° FITTING / #6FL-Mx1/4NPT-M BR	1	
20	502656	SCREW CAP HEX M6-1.0x50 SS	2	
21	502573	WASHER FL 6.4x12.5x1.6 SS	4	
21	500877	WASHER FL .250x.562x.065 N500	4	
21	502853	WASHER LO SPT 6.1x11.8x1.6 N500	1	
22	502860	NUT HEX STO M6-1.0 N500	2	
23	502830	SCREW CAP HEX M6-1.0x20 G8.8 N500	3	
24	20807261	VALVE SOLONID 3 WAY From A-9952	1	
25	502843	SCREW CAP HEX M6-1.0x45 G8.8 N500 From A-9952	2	
26	501321	NIPPLE HEX / PIPE FITTING / 1/4NPT-Mx1/4NPT-Mx1 3/8 BR From A-9952	1	
27	501329	STREET ELBOW 45° / PIPE FITTING / 1/4NPT-Mx1/4NPT-F BR From A-9952	1	
28	501318	COUPLING / PIPE FITTING / 1/4NPT-Fx1/4NPT-F BR From A-9952	1	
NS	952627	CLAMP / 1/2" I.D.	3	
30	952625	CLAMP / 3/8" I.D.	3	
31	500574	SCREW MA TR PH #10-24x1 1/4 SS	AR	
32	500964	WASHER FL .203x.500x.047 Z050	AR	
NS	502570	WASHER LO SPT 6.1x11.8x1.6 SS	AR	

From 9-9614 To B-5074	Date:01/2024	PAGE:X3-0405-10
7TH INJECTOR / EXHAUST VOLVO D13		

Item#	Part	Description	QTY	Notes
33	500470	WASHER LO SPT .193x.334x.047 Z050	AR	
NS	500787	NUT HEX #10-24 SS	AR	
34	500786	NUT HEX #10-24 Z050	AR	
NS	5001241	SCREW MA TR PH #10-24x1/2 SS	AR	
		NEXT ITEMS ARE RELATED WITH		
		TRANSMISSION WITH RETARDER		
40	640488	VALVE, AIR FILL 1/8" NPT From A-9952	1	W
NS	650164	CAP VALVE / CHROME From A-9952	1	W
41	641371	MALE ELBOW 90° NON-SWIVEL / PUSH-IN FITTING / #4x1/4NPT-M BR From A-9952	1	W
42	501331	STREET ELBOW 90° / PIPE FITTING / 1/8NPT-Mx1/8NPT-F BR From A-9952	1	W
43	501312	BUSHING REDUCER / PIPE FITTING / 1/4NPT-Mx1/8NPT-F BR From A-9952	1	W
44	642127	MALE ELBOW 90° SWIVEL DUAL PORT / PUSH-IN / #4x#4x1/8NPT-M BR From A-9952	1	W
45	641472	AIR PRESSURE REGULATOR 1/4" NPT / COPPER From A-9952	1	W
46	500734	NUT HEX JAM 3/4-16 Z050 From A-9952	1	W
50	503402	TUBE, NYLON 1/4 O.D. / BLACK S.L.	AR	
60	012584	KIT EXHAUST AIR INJECTOR To 9-9595	1	
61	012632	KIT CHECK VALVE FUEL LINE To 9-9595	1	
NS	501007	SWIVEL NUT ELBOW 90° / JIC 37° FITTING / #4JIC-Fx#4JIC-M STL To 9-9595	1	
NS	030004	ANGLE SUPPORT 50MM x 19MM To 9-9595	1	
NS	946440	SCREW CAP HEXF M12-1.75x140 G8.8 MAGNI 565 To 9-9595	1	
NS	21226456	CHECK VALVE To 9-9595	1	
NS	21339351	CHECK VALVE To 9-9595	1	
62	144053	KIT RETROFIT AIR VALVE / D13 SERIES X3	1	
NS	068093	CABLE ASSY POWER AIR VALVE FOR D13	1	
NS	641527	VALVE, 4 WAYS, 2 POSITIONS	1	
NS	641929	COIL 24V	1	
NS	641186	SPOOL	1	
NS	641385	CONNECTOR / SOCKET HOUSING ASSY 3C / PNEUMAC 54934-01	1	
NS	641371	MALE ELBOW 90° NON-SWIVEL / PUSH-IN FITTING / #4x1/4NPT-M BR	2	
NS	501304	PLUG SQUARE HEAD / PIPE FITTING / 1/4NPT-M BR	1	
NS	641926	SILENCER / MUFFLER / 1/4NPT-M	2	
NS	5001696	SCREW MA PAN PH M4-0.7x35 SS	2	
NS	502557	NUT HEX NYRT M4-0.7 SS	2	
NS	503402	TUBE, NYLON 1/4 O.D. / BLACK S.L.	AR	
NS	WB10-03	SEE WARRANTY BULLETIN	1	

From 9-9614 To B-5074		Date:01/2024	PAGE:X3-0405-10
-----------------------	--	--------------	-----------------

7TH INJECTOR / EXHAUST VOLVO D13

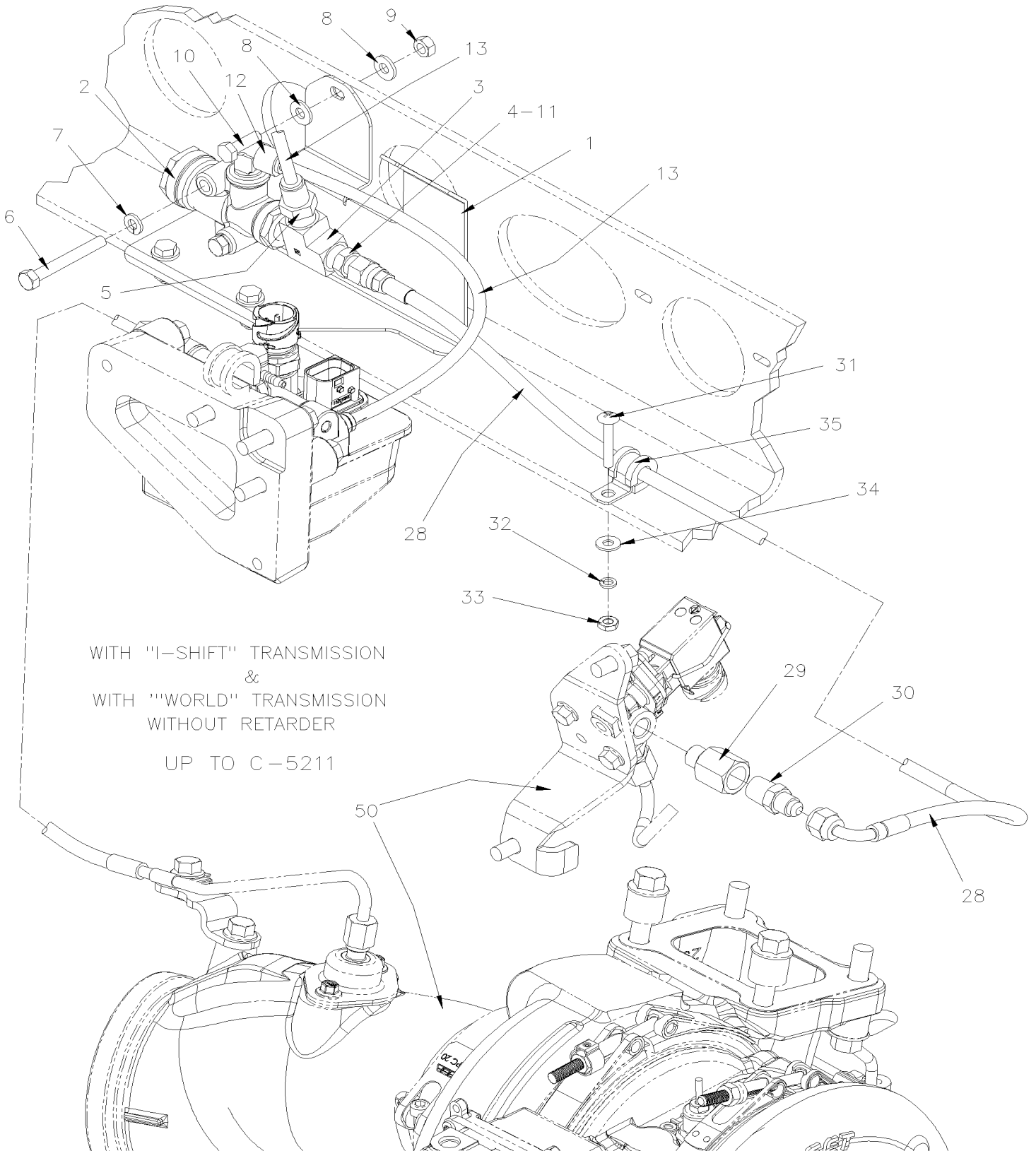
Item#	Part	Description	QTY	Notes
		B) FOR PRODUCT IMPROVEMENT ASK KIT # 012632		
		W) WITH TRANSMISION "WORLD"		
		WB) SEE WARRANTY BULLETIN # WB-10-26 AND SCI 10-25 SERVICE CENTER INFORMATION		
		P) CALL ORDER DESK FOR SPECIFIC APPLICATION (V.I.N.)		
		V) SEE IMPACT OR CALL ORDER DESK		

From B-5075 To H-6179

Date:01/2024

PAGE:X3-0405-11

7TH INJECTOR / "AHI" / EXHAUST VOLVO D13

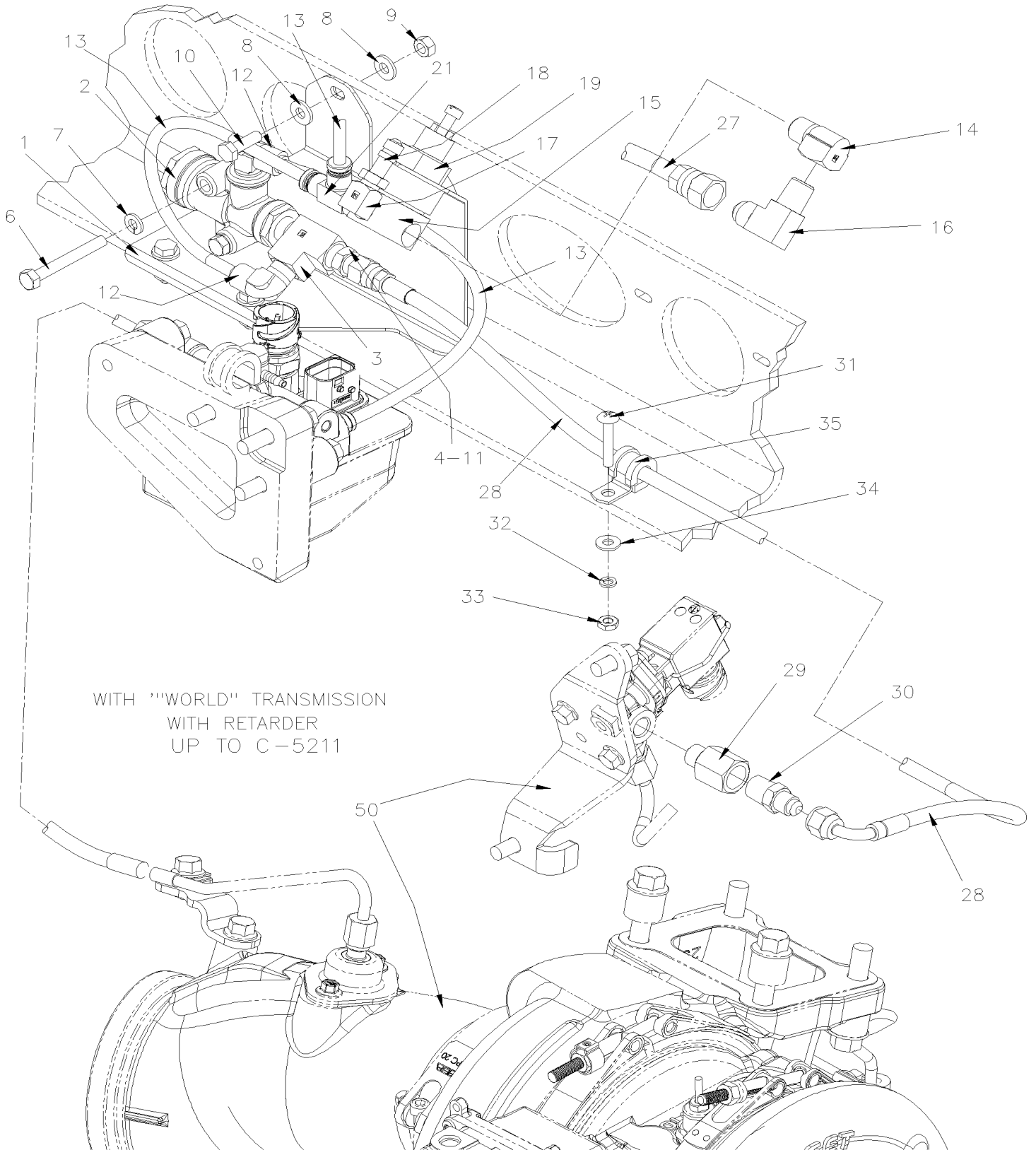


From B-5075 To H-6179

Date:01/2024

PAGE:X3-0405-11

7TH INJECTOR / "AHI" / EXHAUST VOLVO D13

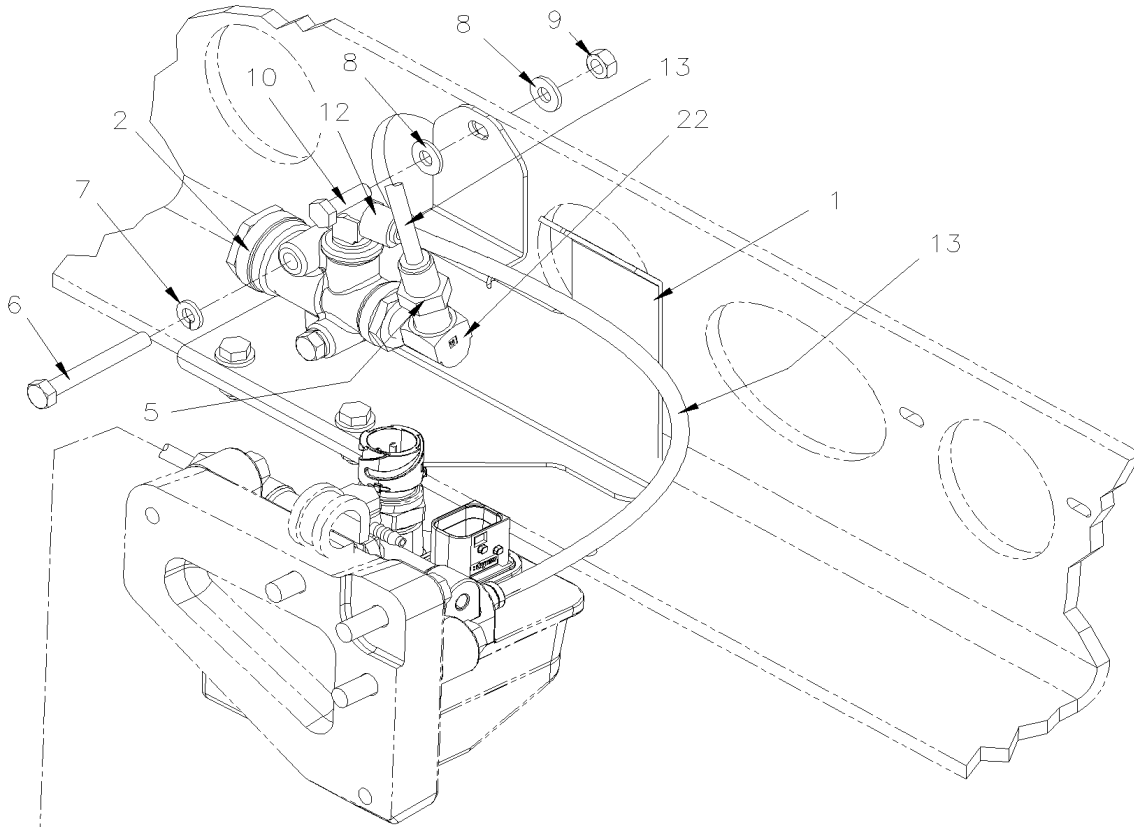


From B-5075 To H-6179

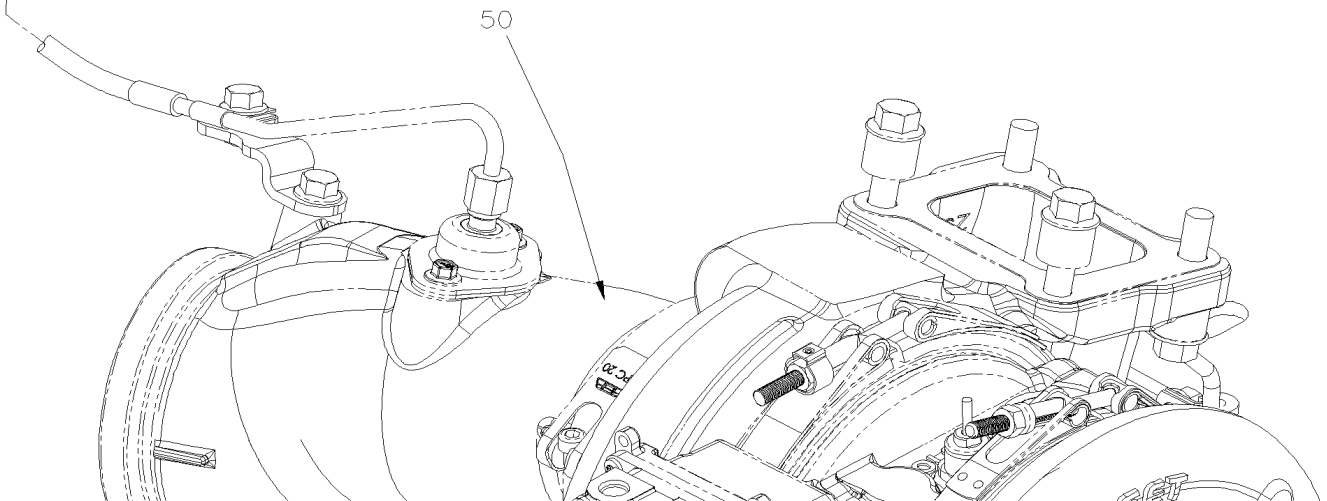
Date:01/2024

PAGE:X3-0405-11

7TH INJECTOR / "AHI" / EXHAUST VOLVO D13



WITH "I-SHIFT" TRANSMISSION
&
WITH "WORLD" TRANSMISSION
WITHOUT RETARDER
FROM C-5212 UP TO E-5770

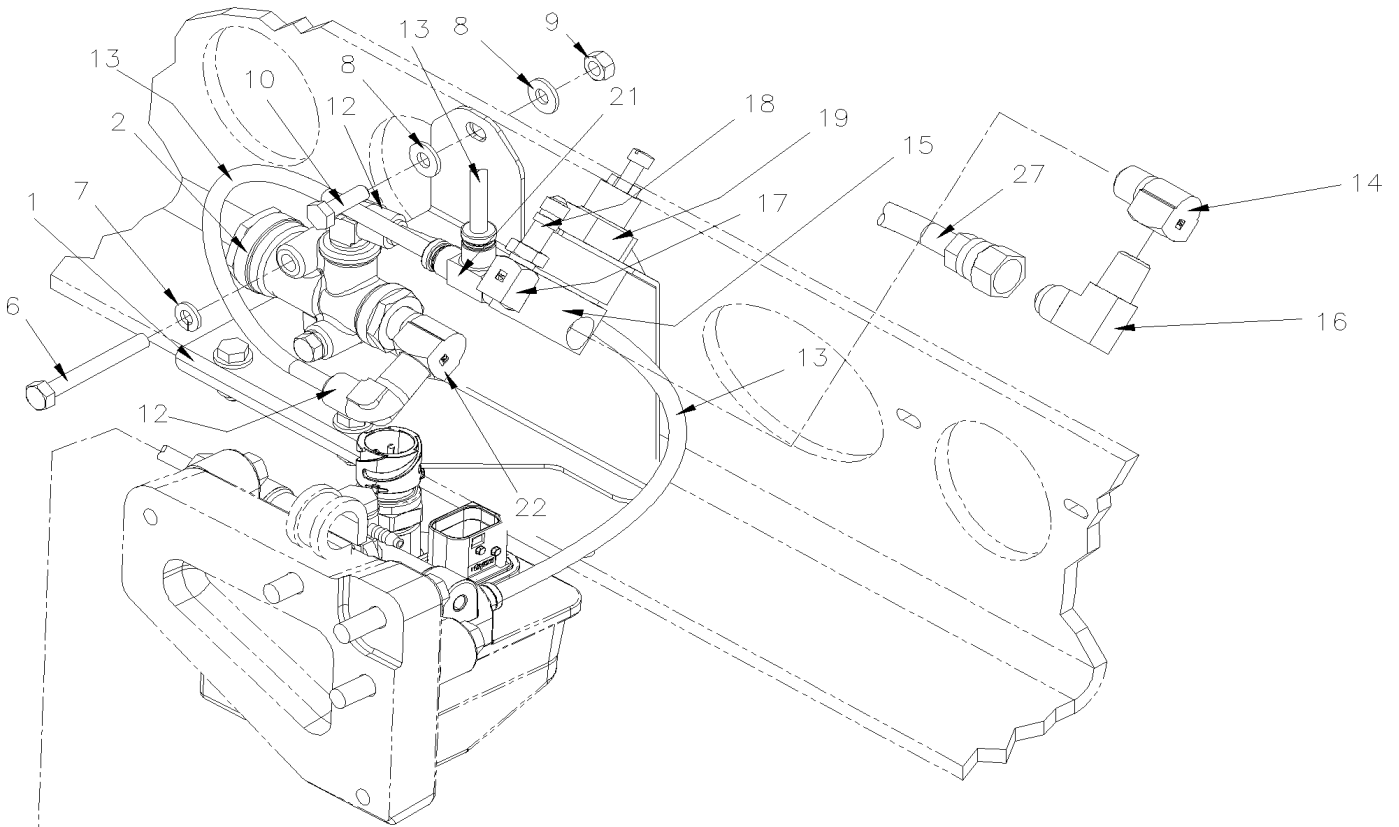


From B-5075 To H-6179

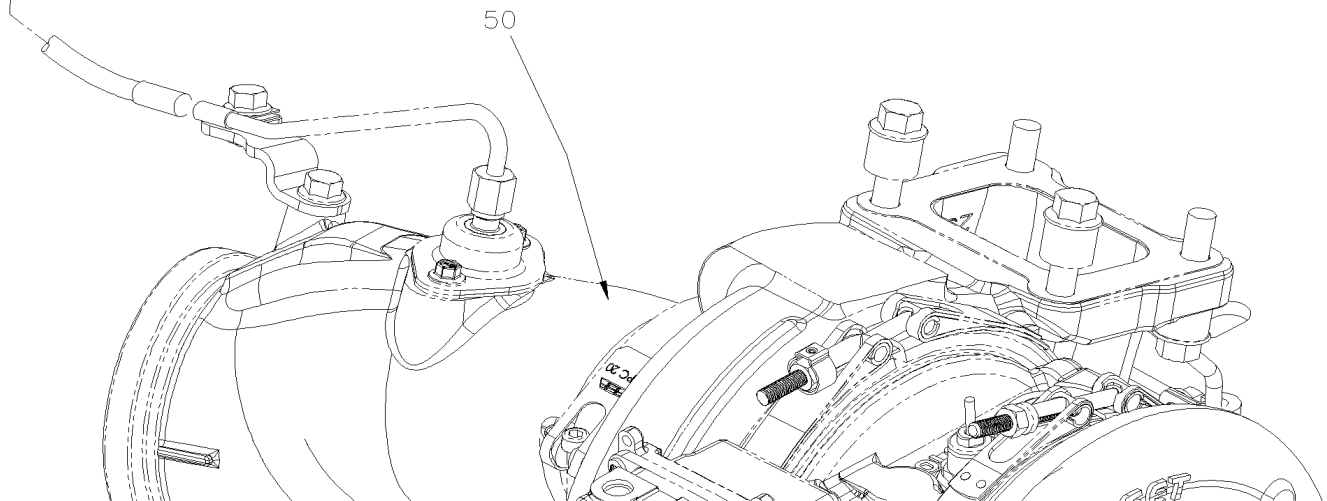
Date:01/2024

PAGE:X3-0405-11

7TH INJECTOR / "AHI" / EXHAUST VOLVO D13



WITH "WORLD" TRANSMISSION
WITH RETARDER
FROM C-5212 UP TO E-5770

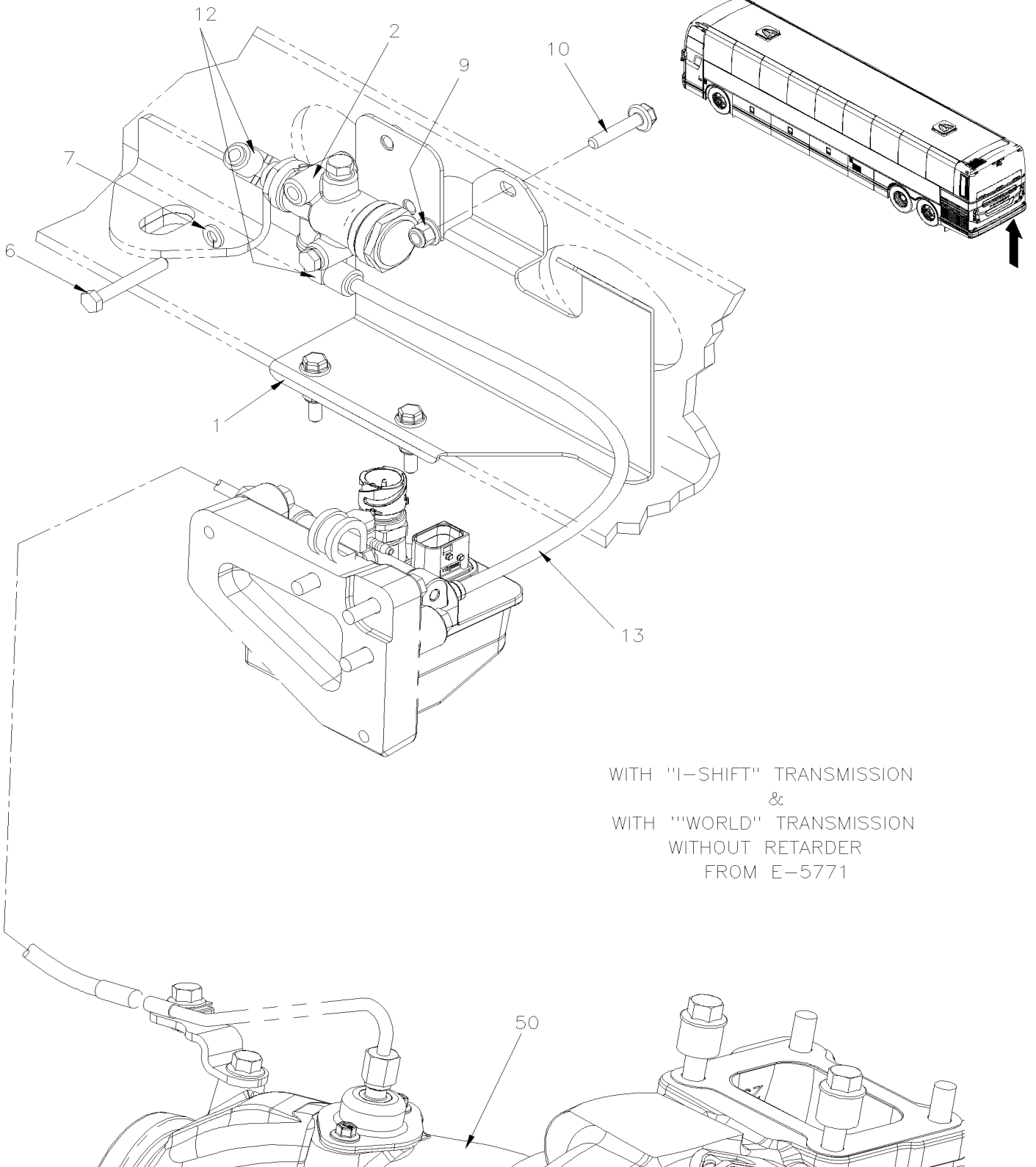


From B-5075 To H-6179

Date:01/2024

PAGE:X3-0405-11

7TH INJECTOR / "AHI" / EXHAUST VOLVO D13

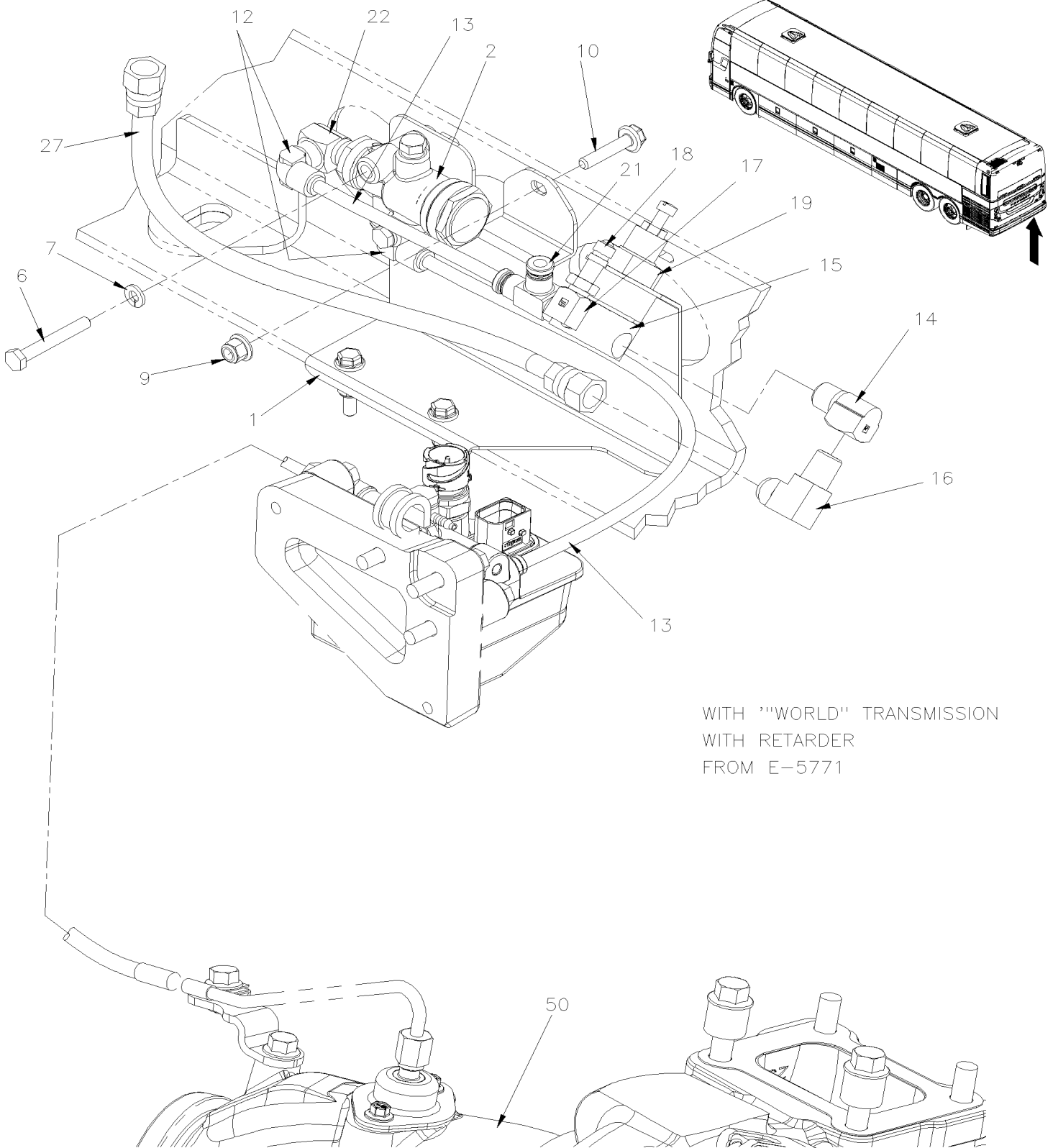


From B-5075 To H-6179

Date:01/2024

PAGE:X3-0405-11

7TH INJECTOR / "AHI" / EXHAUST VOLVO D13



From B-5075 To H-6179	Date:01/2024	PAGE:X3-0405-11
7TH INJECTOR / "AHI" / EXHAUST VOLVO D13		

Item#	Part	Description	QTY	Notes
	Call order desk	VALVE ASSY RV-3 W/SUPPORT To C-5211	1	PI
	Call order desk	VALVE ASSY RV-3 W/SUPPORT From C-5212 To E-5770	1	PI
	Call order desk	VALVE ASSY RV-3 W/SUPPORT From E-5771	1	PI
	Call order desk	VALVE ASSY RV-3 W/SUPPORT To C-5211	1	PR
	Call order desk	VALVE ASSY RV-3 W/SUPPORT From C-5212 To E-5770	1	PR
	143280P	VALVE ASSY RV-3 W/SUPPORT From E-5771	1	R
1	143243	SUPPORT VALVE To E-5770	1	
1	143278	SUPPORT VALVE From E-5771	1	
2	21243502	VALVE PRESSURE REDUCER RV-3 / K028993	1	
3	501338	MALE RUN TEE / PIPE FITTING / 1/4NPT-Mx1/4NPT-Fx1/4NPT-F BR To C-5211	1	
4	501027	MALE CONNECTOR / SAE 45° FITTING / #4FL-Mx1/4NPT-M BR	1	
5	641956	MALE RUN TEE SWIVEL / PUSH-IN FITTING / #4x#4x1/4NPT-M BR	1	I
6	502656	SCREW CAP HEX M6-1.0x50 SS	2	
7	502853	WASHER LO SPT 6.1x11.8x1.6 N500	2	
8	500877	WASHER FL .250x.562x.065 N500 To E-5651	6	
9	502860	NUT HEX STO M6-1.0 N500 To E-5651	3	
9	5001932	NUT HEXF NYRT M6-1.0 G8.8 N500 From E-5652	3	
10	502830	SCREW CAP HEX M6-1.0x20 G8.8 N500 To E-5651	3	
10	5001815	SCREW CAP HEXF M6-1.0x30 G 8.8 N500 From E-5652	3	
11	680098	THREAD SEALANT LOCTITE #567 / WHITE / 250ml	AR	
12	641371	MALE ELBOW 90° NON-SWIVEL / PUSH-IN FITTING / #4x1/4NPT-M BR	1	
13	503402	TUBE, NYLON 1/4 O.D. / BLACK S.L.	AR	
14	501332	STREET ELBOW 90° / PIPE FITTING / 1/4NPT-Mx1/4NPT-F BR	1	R
15	641472	AIR PRESSURE REGULATOR 1/4" NPT / COPPER	1	R
16	501695	MALE ELBOW 90° / JIC 37° FITTING / #6JIC-Mx1/4NPT-M STL	1	R
17	501331	STREET ELBOW 90° / PIPE FITTING / 1/8NPT-Mx1/8NPT-F BR	1	R
18	640488	VALVE, AIR FILL 1/8" NPT	1	R
. NS	650164	. CAP VALVE / CHROME	1	R
19	500734	NUT HEX JAM 3/4-16 Z050	1	R
21	641956	MALE RUN TEE SWIVEL / PUSH-IN FITTING / #4x#4x1/4NPT-M BR	1	R
22	501332	STREET ELBOW 90° / PIPE FITTING / 1/4NPT-Mx1/4NPT-F BR From C-5212	1	
27	071658P	HOSE ASSY TEFLON #6 270MM To G-6069	1	
. NS	5011194	. FEMALE CONNECTOR SWIVEL / JIC 37° FITTING / TEFLON / #6JIC-Fx#6 STL To G-6069	2	
. NS	503065	. HOSE TEFLON #6 / S.L. To G-6069	AR	
27	070052	HOSE ASSY TEFLON #6 270MM From G-6070	1	
. NS	5011194	. FEMALE CONNECTOR SWIVEL / JIC 37° FITTING / TEFLON / #6JIC-Fx#6 STL From G-6070	2	
. NS	503065	. HOSE TEFLON #6 / S.L. From G-6070	AR	
28	143023	HOSE ASSY TEFLON #4 820MM	1	
29	5011304	FEMALE CONNECTOR / PIPE @ ORB / 1/4NPT-FxM12-1.5 ORB-M	1	
30	501027	MALE CONNECTOR / SAE 45° FITTING / #4FL-Mx1/4NPT-M BR	1	
31	500574	SCREW MA TR PH #10-24x1 1/4 SS	3	
32	500470	WASHER LO SPT .193x.334x.047 Z050	3	

From B-5075 To H-6179	Date:01/2024	PAGE:X3-0405-11
7TH INJECTOR / "AHI" / EXHAUST VOLVO D13		

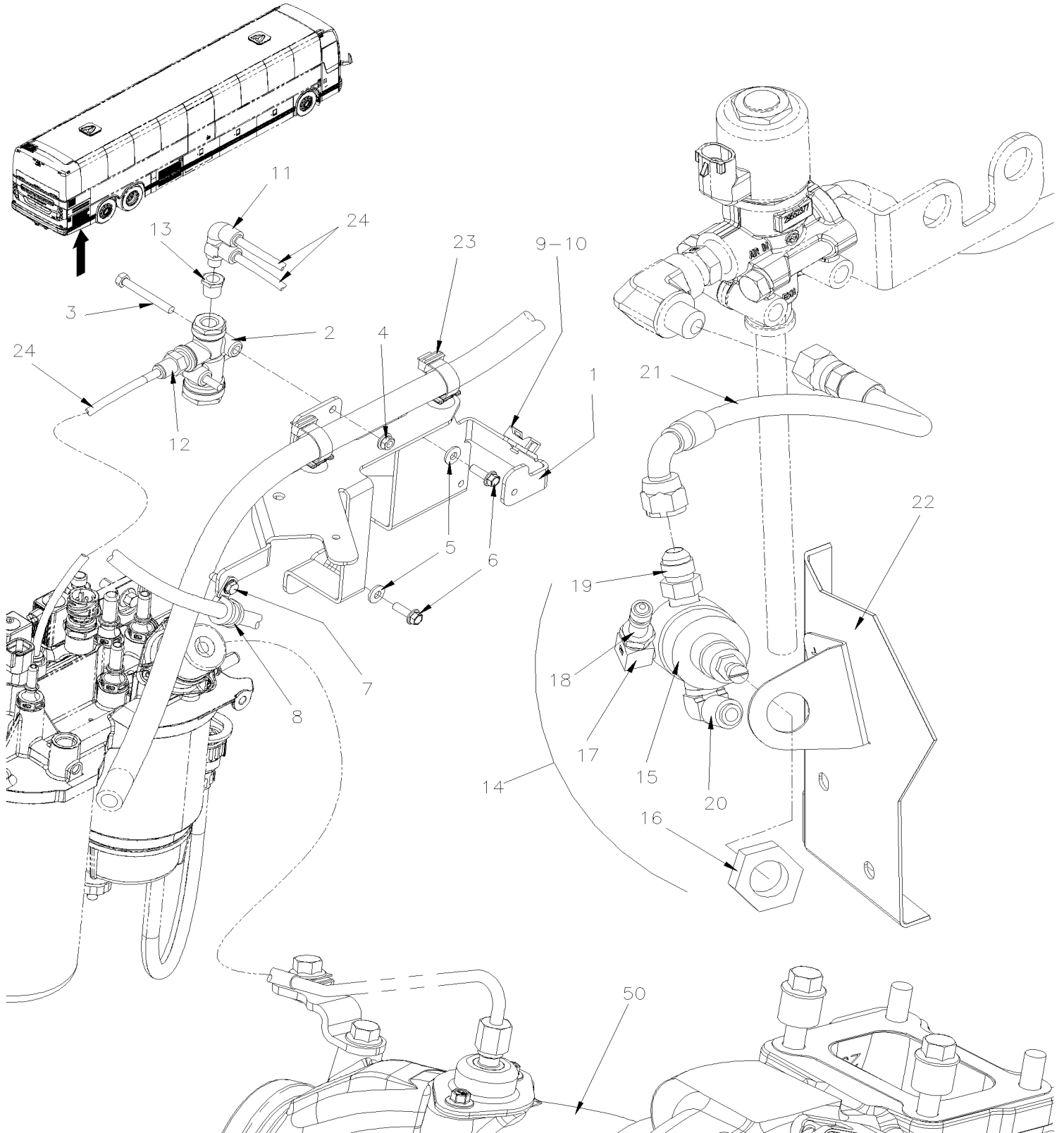
Item#	Part	Description	QTY	Notes
33	500786	NUT HEX #10-24 Z050	3	
34	500964	WASHER FL .203x.500x.047 Z050	3	
35	952625	CLAMP / 3/8" I.D.	1	
NS	Call order desk	KIT RELOCATED VALVE RV-3		P
50	Refer To Volvo	SEE IMPACT OR CALL ORDER DESK		V
		I) TRANSMISSION WITHOUT RETARDER & TRANSMISSION "I-SHIFT"		
		R) TRANSMISSION WITH RETARDER		
		P) CALL ORDER DESK FOR SPECIFIC APPLICATION (V.I.N.)		
		V) SEE IMPACT OR CALL ORDER DESK		

From H-6180

Date:01/2024

PAGE:X3-0405-12

7TH INJECTOR / "AHI" / EXHAUST VOLVO D13 - GHG17

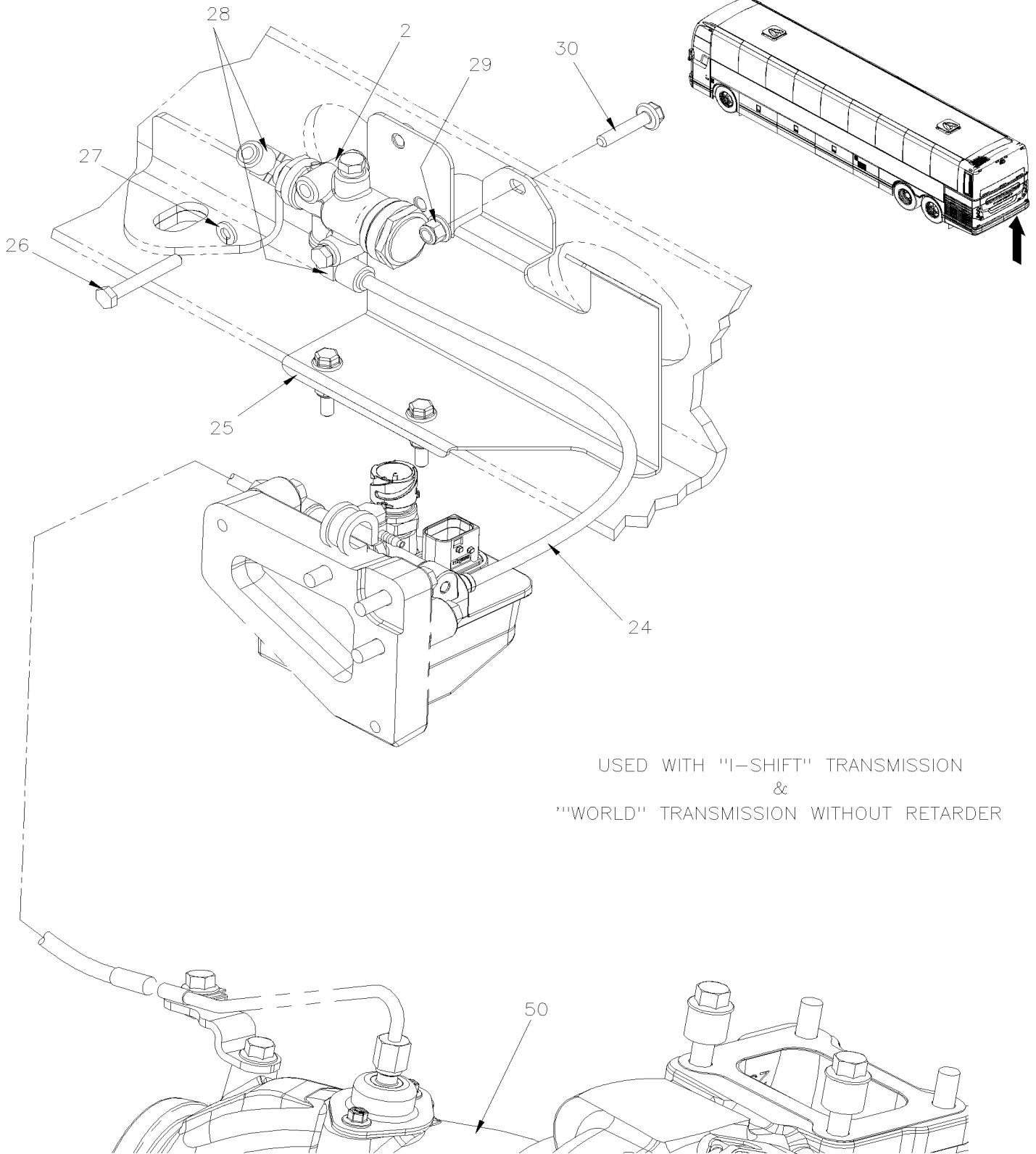


From H-6180

Date:01/2024

PAGE:X3-0405-12

7TH INJECTOR / "AHI" / EXHAUST VOLVO D13 - GHG17



From H-6180		Date:01/2024	PAGE:X3-0405-12
7TH INJECTOR / "AHI" / EXHAUST VOLVO D13 - GHG17			

Item#	Part	Description	QTY	Notes
	140047P	VALVE ASSY RV-3 W/SUPPORT	1	
1	010043	SUPPORT FUEL LINE	1	
2	21243502	VALVE PRESSURE REDUCER RV-3 / K028993	1	
3	5001923	SCREW CAP HEX M6-1.0x45 SS BK	2	
4	5001857	NUT HEXF M6-1.0 N500	2	
NS	680098	THREAD SEALANT LOCTITE #567 / WHITE / 250ml	AR	
5	500321	WASHER BEL SPR .331x.827x.098 N500	3	
6	5001643	SCREW CAP HEXF M8-1.25x25 G8.8 G500	3	
NS	5001931	NUT HEXF NYRT M8-1.25 G8.8 N500	1	
7	502848	SCREW TC CAP HEXF 1/4-20x3/4 N500	1	
8	952627	CLAMP / 1/2" I.D.	1	
9	504488	RIVET MGLP PRDG 3/16x17/64 SS	1	
10	504013	TIE MOUNT / 1/4" X 1/4" I.D.	1	
11	642127	MALE ELBOW 90° SWIVEL DUAL PORT / PUSH-IN / #4x#4x1/8NPT-M BR	1	
12	641332	MALE CONNECTOR / PUSH-IN FITTING / #4x1/4NPT-M BR	1	
13	501312	BUSHING REDUCER / PIPE FITTING / 1/4NTP-Mx1/8NPT-F BR	1	
14	Call order desk	AIR REGULATOR TRANS. ALLISON / W / RETARDER	1	P W
15	641472	. AIR PRESSURE REGULATOR 1/4" NPT / COPPER	1	
16	500734	. NUT HEX JAM 3/4-16 Z050	1	
17	501331	. STREET ELBOW 90° / PIPE FITTING / 1/8NPT-Mx1/8NPT-F BR	1	
18	640488	. VALVE, AIR FILL 1/8" NPT	1	
. NS	650164	. . CAP VALVE / CHROME	1	
19	501687	. MALE CONNECTOR / JIC 37° FITTING / #6JIC-Mx1/4NPT-M STL	1	
NS	680098	. THREAD SEALANT LOCTITE #567 / WHITE / 250ml	AR	
20	641371	. MALE ELBOW 90° NON-SWIVEL / PUSH-IN FITTING / #4x1/4NPT-M BR	1	
21	070059	HOSE ASSY TEFLON #6 364MM	1	W
. NS	503065	. HOSE TEFLON #6 / S.L.	AR	W
. NS	5011193	. SLEEVE / #5 STL	2	W
. NS	5011194	. FEMALE CONNECTOR SWIVEL / JIC 37° FITTING / TEFLON / #6JIC-Fx#6 STL	1	W
. NS	5011195	. FEMALE ELBOW 90° SHORT DROP/ JIC 37° FITTING/ #6JIC-Fx#6 STL	1	W
22	X3-0620-03	REAR JUNCTION BOX ASSY GHG17		
23	504750	CABLE TIE / 1/2" x 15" / CHRISTMAS TREE	2	
24	503402	TUBE, NYLON 1/4 O.D. / BLACK S.L.	AR	
NS	507664	CABLE TIE / 3/16" 11" / DOUBLE LOOP HEAD	2	
25	143278	SUPPORT VALVE	1	
26	502843	SCREW CAP HEX M6-1.0x45 G8.8 N500	2	
27	502853	WASHER LO SPT 6.1x11.8x1.6 N500	2	
28	641371	MALE ELBOW 90° NON-SWIVEL / PUSH-IN FITTING / #4x1/4NPT-M BR	2	
29	5001932	NUT HEXF NYRT M6-1.0 G8.8 N500	1	
30	5001815	SCREW CAP HEXF M6-1.0x30 G 8.8 N500	1	
50	Refer To Volvo	SEE IMPACT OR CALL ORDER DESK	1	V
NS	504813	. CABLE TIE / BALL LOCKING / 5/16" x 26.8" SS	1	

From H-6180	Date:01/2024	PAGE:X3-0405-12
-------------	--------------	-----------------

7TH INJECTOR / "AHI" / EXHAUST VOLVO D13 - GHG17

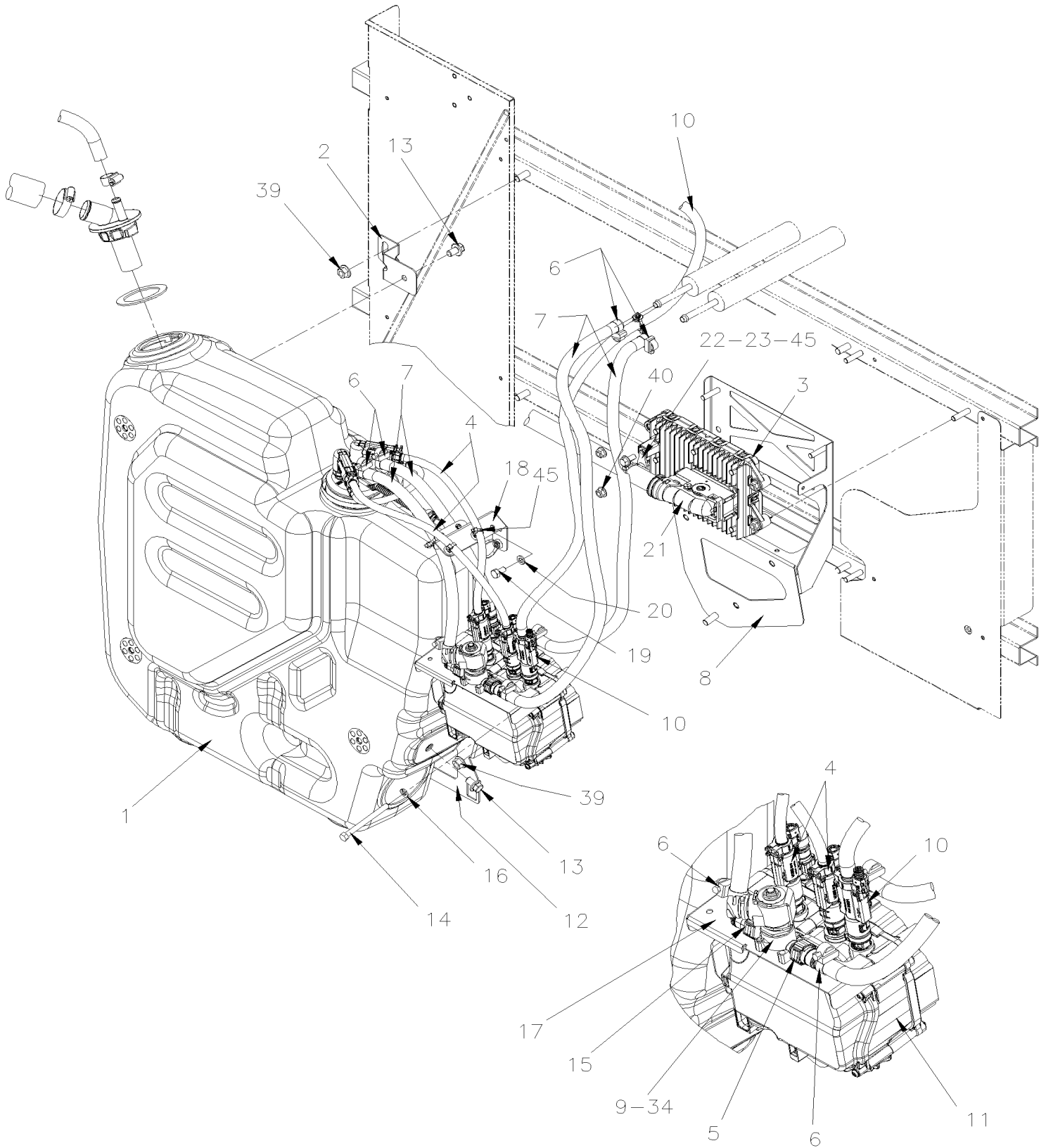
Item#	Part	Description	QTY	Notes
		W) WITH RETARDER ONLY		
		P) CALL ORDER DESK FOR SPECIFIC APPLICATION (V.I.N.)		
		V) SEE IMPACT OR CALL ORDER DESK		

From A-9907 To A-9907

Date:01/2024

PAGE:X3-0410-00

UREA RESERVOIR ASSY

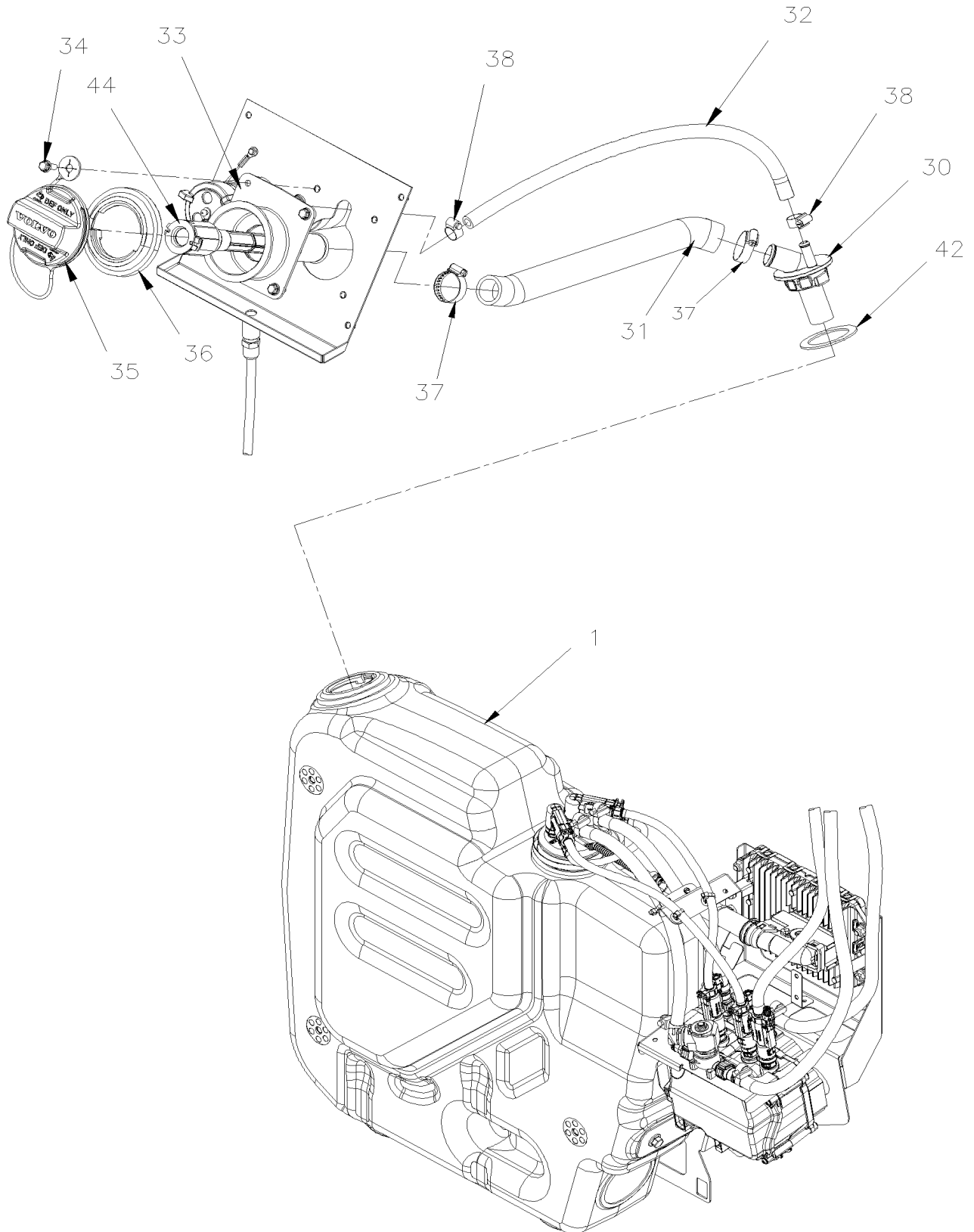


From A-9907 To A-9907

Date:01/2024

PAGE:X3-0410-00

UREA RESERVOIR ASSY



From A-9907 To A-9907	Date:01/2024	PAGE:X3-0410-00
UREA RESERVOIR ASSY		

Item#	Part	Description	QTY	Notes
1	21134658	RESERVOIR UREA 60Liters	1	
NS	685328	UREA 2 GALLONS US	AR	
NS	685329	UREA 55 GALLONS US	AR	
1	680753	UREA 1250 LITER SQ	AR	
2	040895	SUPPORT RESERVOIR UREA PROTO	1	
NS	040932	SUPPORT RESERVOIR UREA / "Z" SHAPE	1	
NS	040934	SUPPORT RESERVOIR UREA / OFFSET	1	
3	21063597	UNIT CONTROL "ACM"	1	
4	040901	HOSE HEATER ASSY "H" STYLE	1	
NS	540089	CONNECTOR CLIP - 3/8"	3	
NS	N8902118	CONNECTOR CLIP - 5/16"	1	
5	20805109	QUICK CONECTOR 10MM	2	
6	992081	HOSE CLAMP / 12MM/22MM	8	
7	503771	HOSE SILICONE 1PLY 3/8" I.D. x 100'	AR	
8	040942	SUPPORT PUMP & UNIT CONTROL	1	
9	21314741	SOLENOID VALVE	1	
10	040909	HOSE HEATED ASSY 9300MM From A-9907 To A-9926	1	
NS	N8902118	CONNECTOR CLIP - 5/16" From A-9907 To A-9926	2	
11	21335892	PUMP ASSY UREA TB-129204034-1 From A-9907 To A-9926	1	
12	040873	SUPPORT UPPER BACKWARD PROTO	1	
12	040932	SUPPORT RESERVOIR UREA / "Z" SHAPE	1	
13	5001729	SCREW CAP HEXF M10-1.5x16 G8.8 N500	9	
14	5001186	SCREW CAP HEX M8-1.25x90 SS BK	3	
15	20805110	QUICK CONNECTOR 90° 10MM	2	
16	500035	WASHER LO SPT .317x.586x.078 SS	3	
17	040893	SUPPORT WATER VALVE	1	
18	040905	SUPPORT HOSE UREE	1	
18	040944	SUPPORT HOSE UREA PROTO	1	
19	5001527	SCREW CAP HEX M8-1.25x16 SS BK	1	
20	5001161	WASHER LO SPT 8.1x14.8x2.0 SS-304	1	
21	067603	WIRING HARNESS / UREA SYSTEM	1	
22	040943	PLATE / ATTACHMENT CABLE	1	
23	5001780	SCREW CAP HEXF M8-1.25x16 G8.8 N500	1	
30	040838	ADAPTOR FILLER HOSE & VENT PROTO	1	
31	503773	HOSE (GREEN STRIPE) 1 1/4 I.D.	AR	
32	503772	HOSE (GREEN STRIPE) 1/2" I.D. x 50'	AR	
33	040874	FILLER NECK ASSY	1	
34	5001730	SCREW CAP HEXF M6-1.0x16 G10.9 N500	4	
35	21148722	CAP FILLER UREA	1	
35	21148725	CAP FILLER UREA / WITH LOCK	1	
36	540083	RING FILLER NECK	1	
37	504022	HOSE CLAMP / 3/4"-1"3/4 SS / HS-20	2	

From A-9907 To A-9907		Date:01/2024	PAGE:X3-0410-00
-----------------------	--	--------------	-----------------

UREA RESERVOIR ASSY

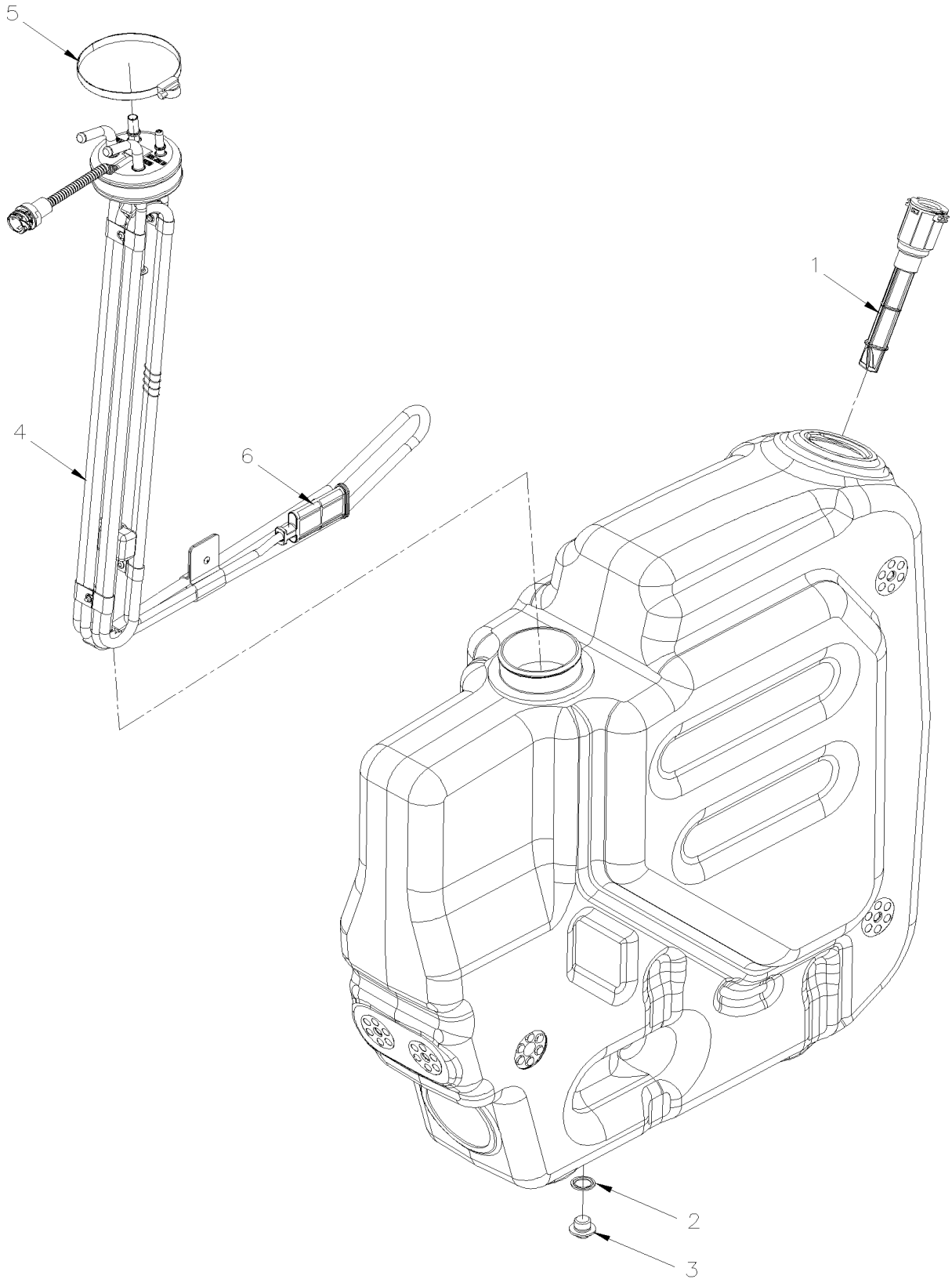
Item#	Part	Description	QTY	Notes
38	504019	HOSE CLAMP / 9/16"-1"1/16 SS / HS-10	2	
39	5001727	NUT HEXF NYRT M10-1.5 N500	4	
40	502837	NUT HEXF STO M8-1.25 N500	2	
42	540084	GASKET, UREA TANK	1	
44	82269261	FILTER	1	
45	8631155	CABLE TIE / 4.6MM x 200 / CHRISTMAS TREE	AR	
50	X3-2210-11	WATER PUMP - INSTALLATION VOLVO D13		
		A) AVIALABLE END OF DECEMBER 2010		

From A-9907 To A-9907

Date:01/2024

PAGE:21134658

RESERVOIR UREA 60Liters



From A-9907 To A-9907	Date:01/2024	PAGE:21134658
-----------------------	--------------	---------------

RESERVOIR UREA 60Liters

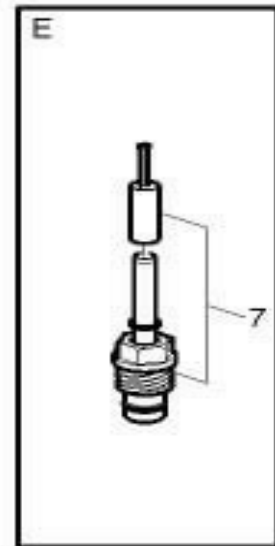
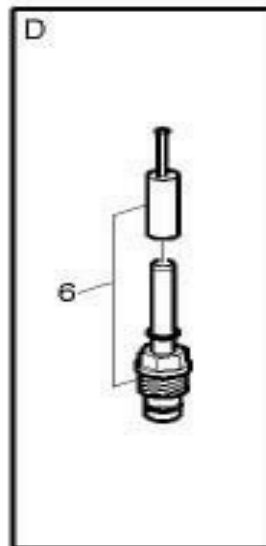
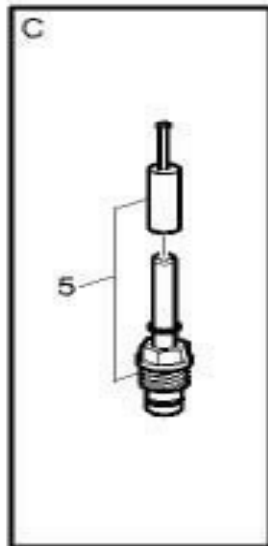
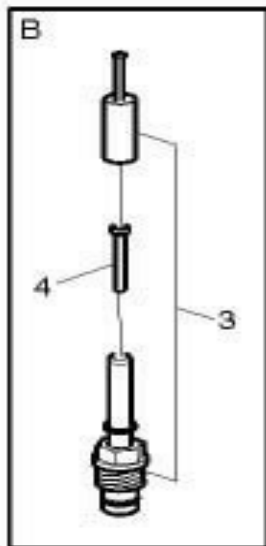
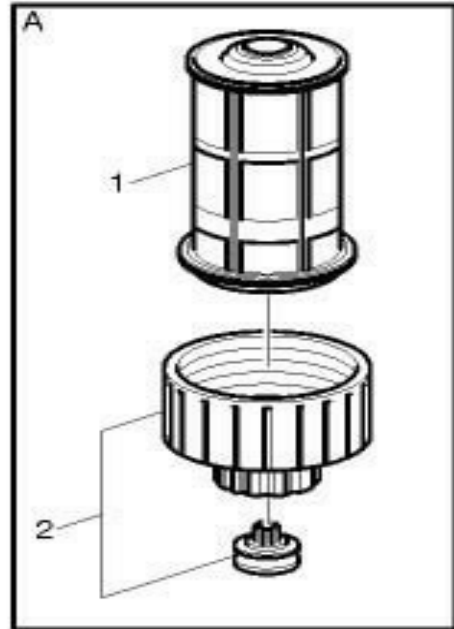
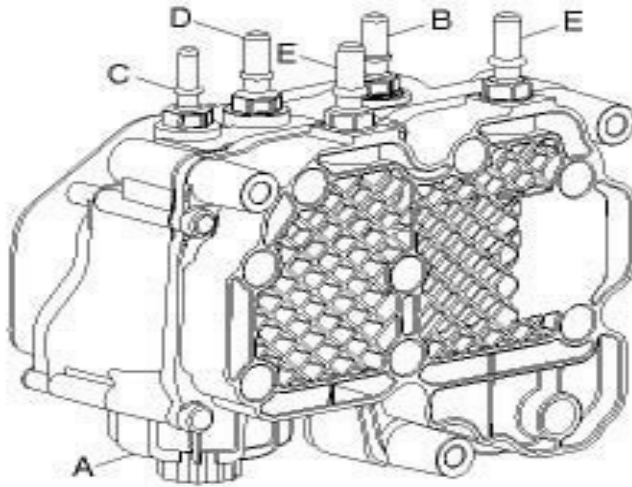
Item#	Part	Description	QTY	Notes
		RESERVOIR UREA	1	
1	20742759	. INSERT, FILLER NECK	1	
2	982724	. GASKET M16x6	1	
3	20562668	. DRAIN PLUG	1	
4	21073825	. HEATER	1	
5	980137	. HOSE CLAMP / 70MM/100MM	1	
6	21228120	. FILTER	1	

From A-9907 To A-9926

Date:01/2024

PAGE:21335892

PUMP ASSY UREA TB-129204034-1



From A-9907 To A-9926		Date:01/2024	PAGE:21335892
-----------------------	--	--------------	---------------

PUMP ASSY UREA TB-129204034-1

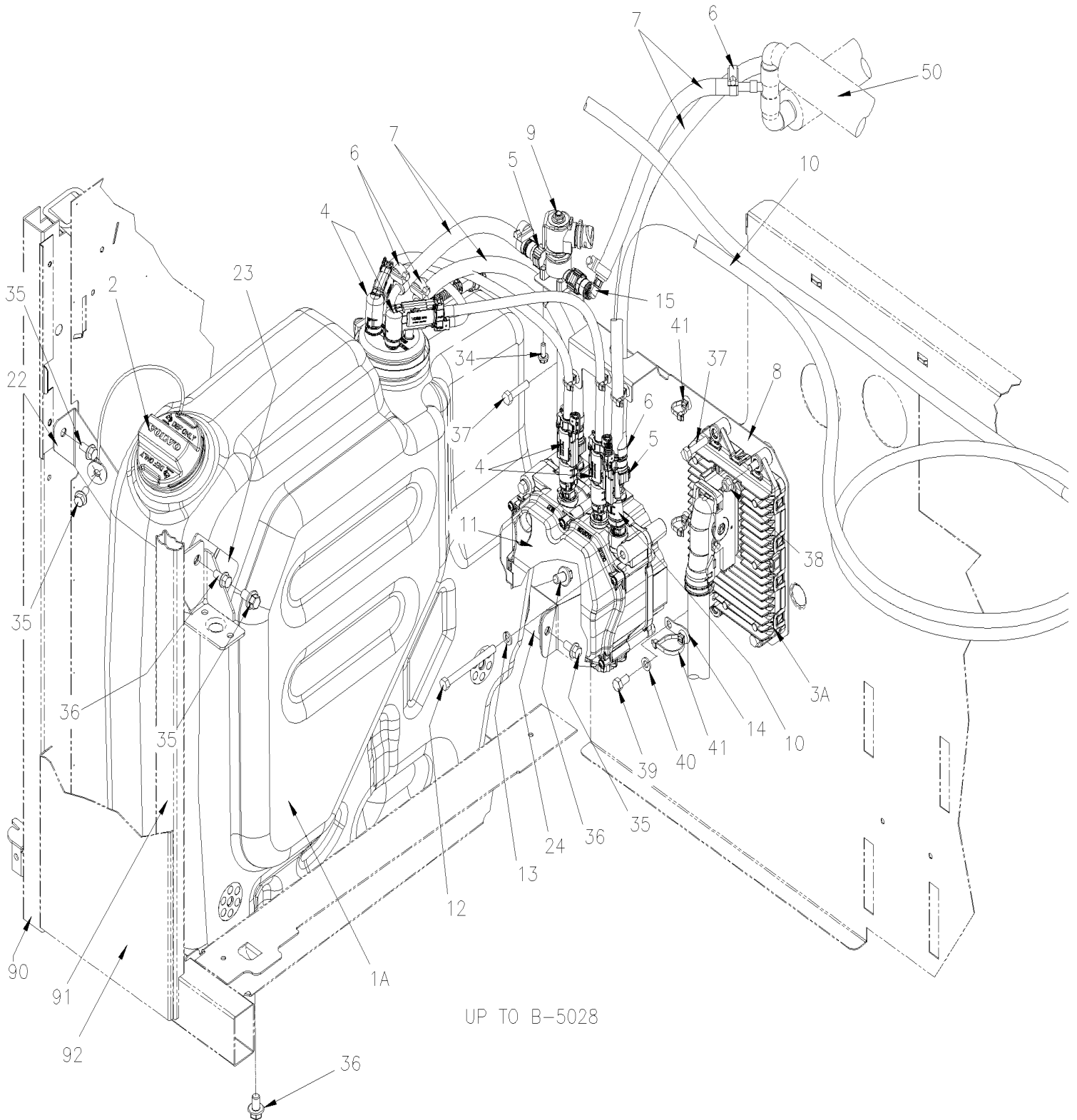
Item#	Part	Description	QTY	Notes
1	21516229	FILTER	1	
2	21376707	FILTER CAP	1	
3	21376721	CONNECTOR / INLET	1	
4	20877958	. STRAINER	1	
5	21376731	CONNECTEUR / OUTLET	1	
6	21376746	CONNECTEUR / BACKFLOW	1	
7	21376749	CONNECTOR / HEATER	1	

From B-5002

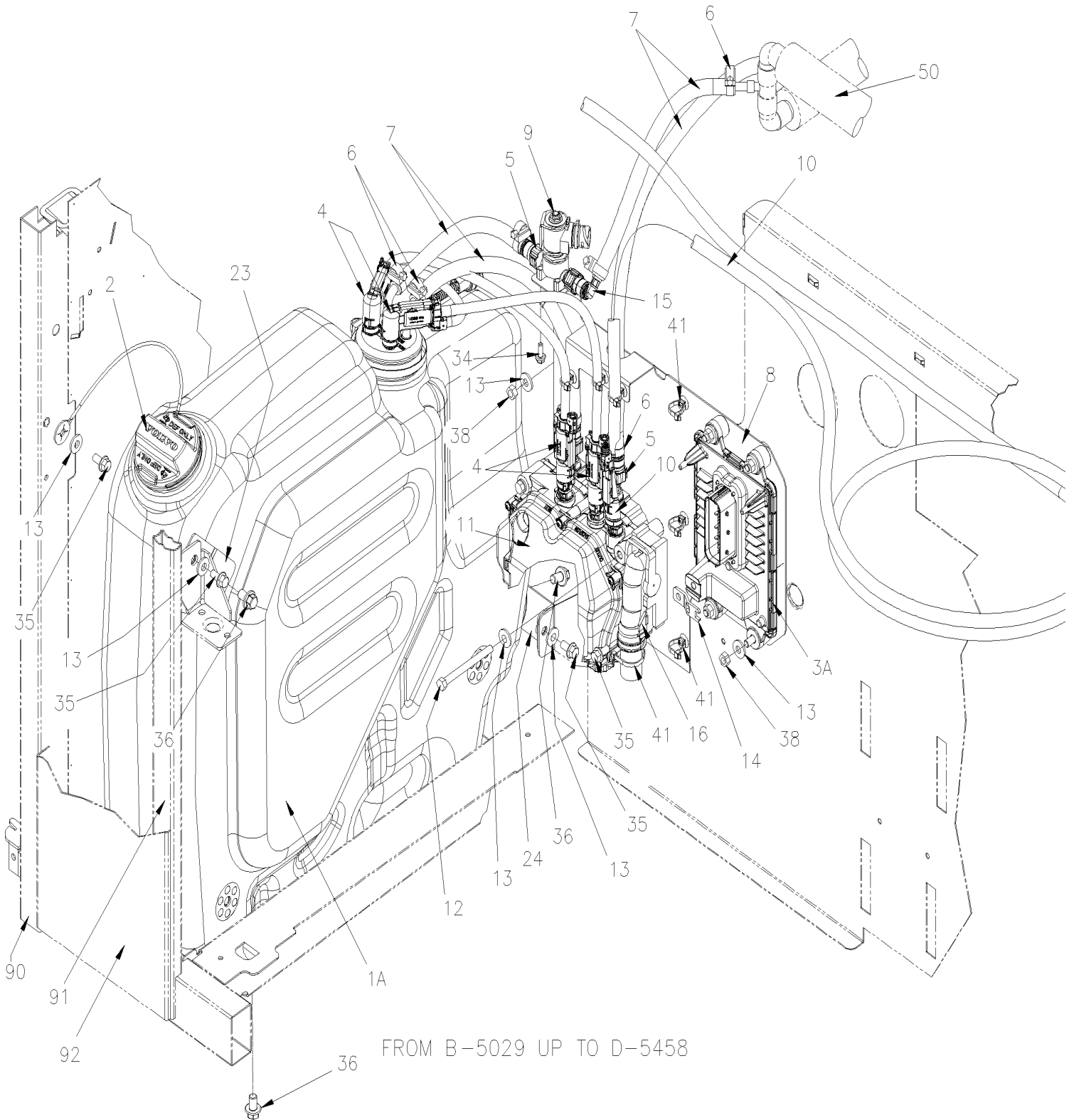
Date:01/2024

PAGE:X3-0410-01

UREA RESERVOIR ASSY

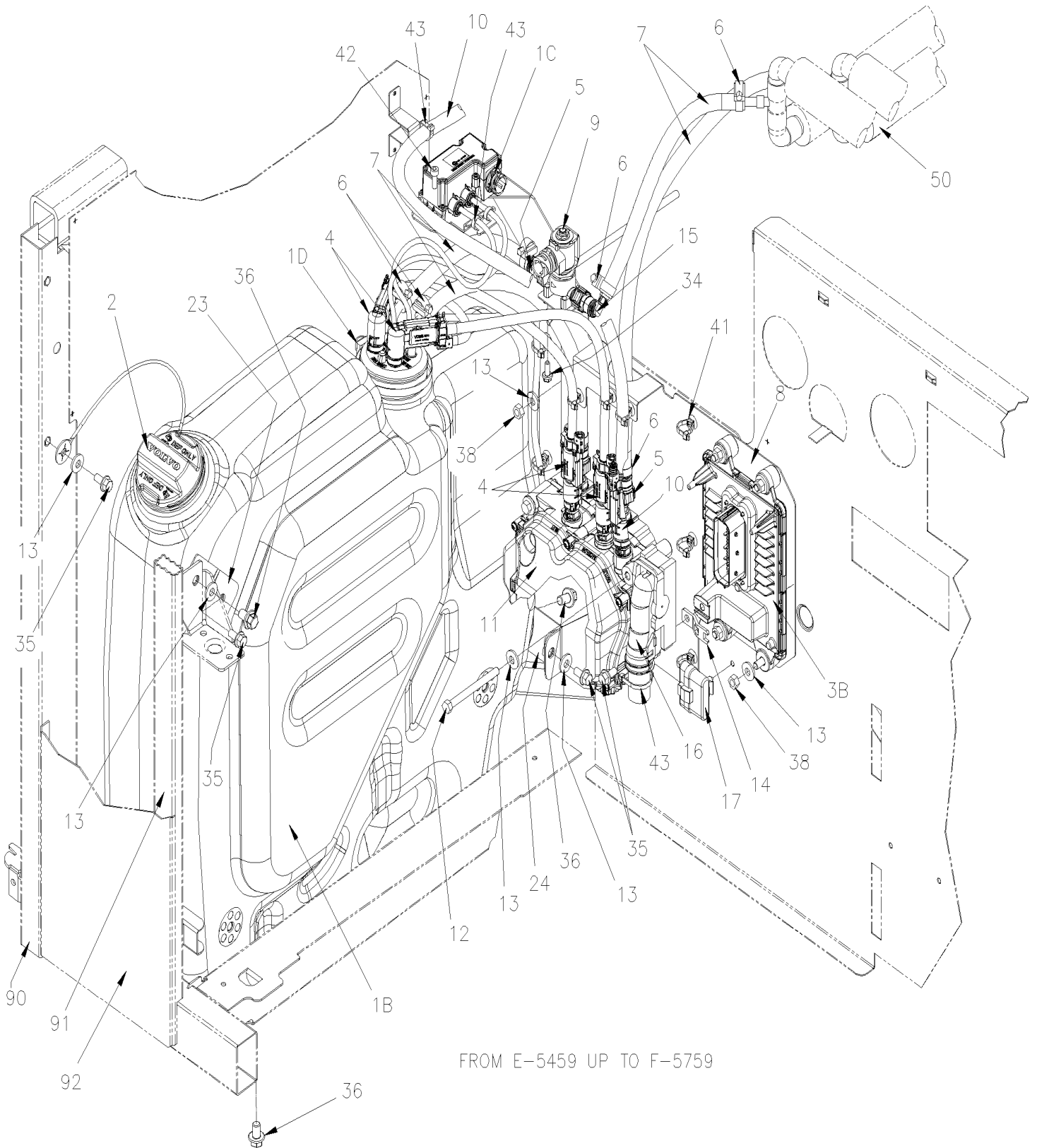


UREA RESERVOIR ASSY



FROM B-5029 UP TO D-5458

UREA RESERVOIR ASSY



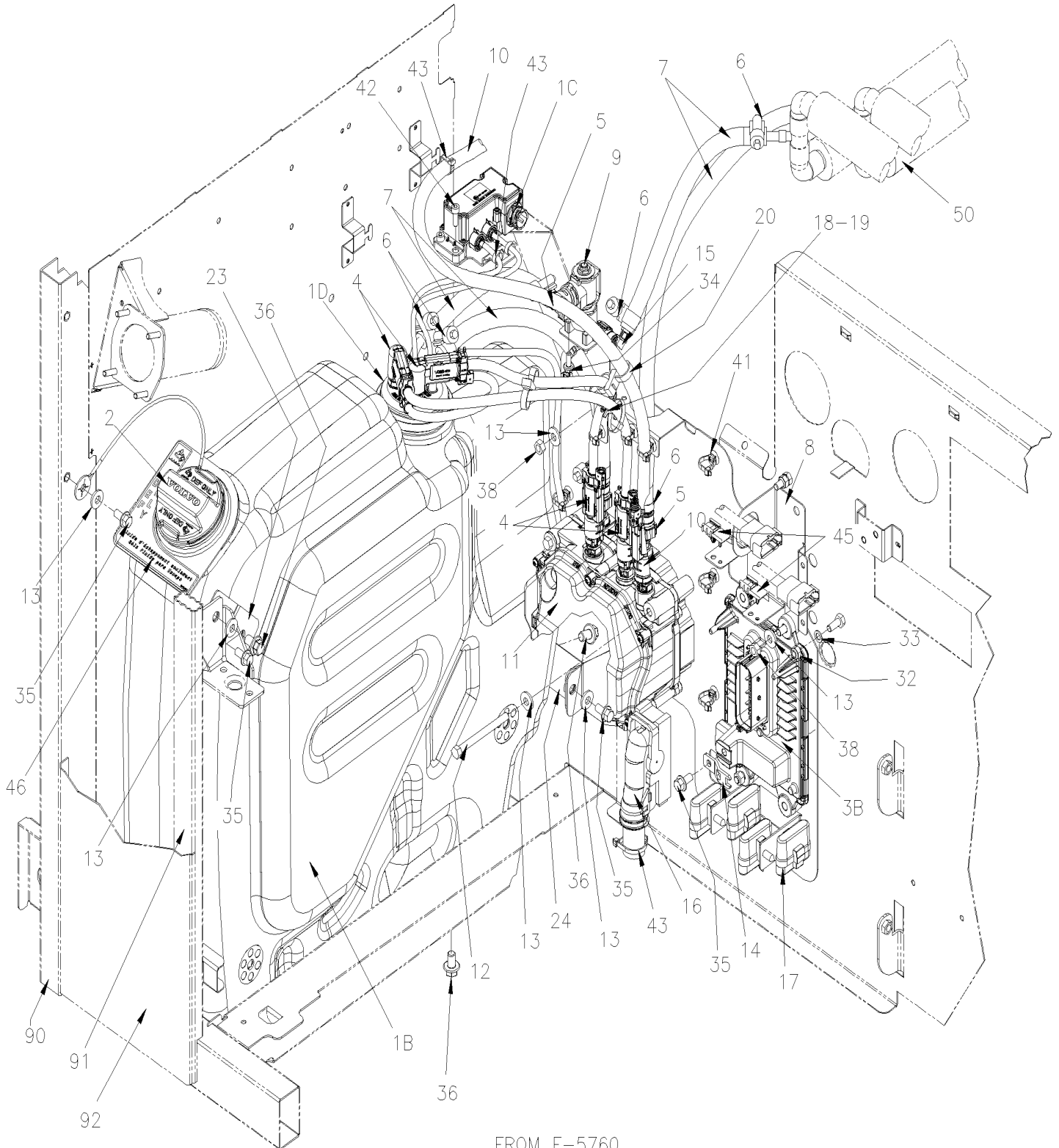
FROM E-5459 UP TO F-5759

From B-5002

Date:01/2024

PAGE:X3-0410-01

UREA RESERVOIR ASSY



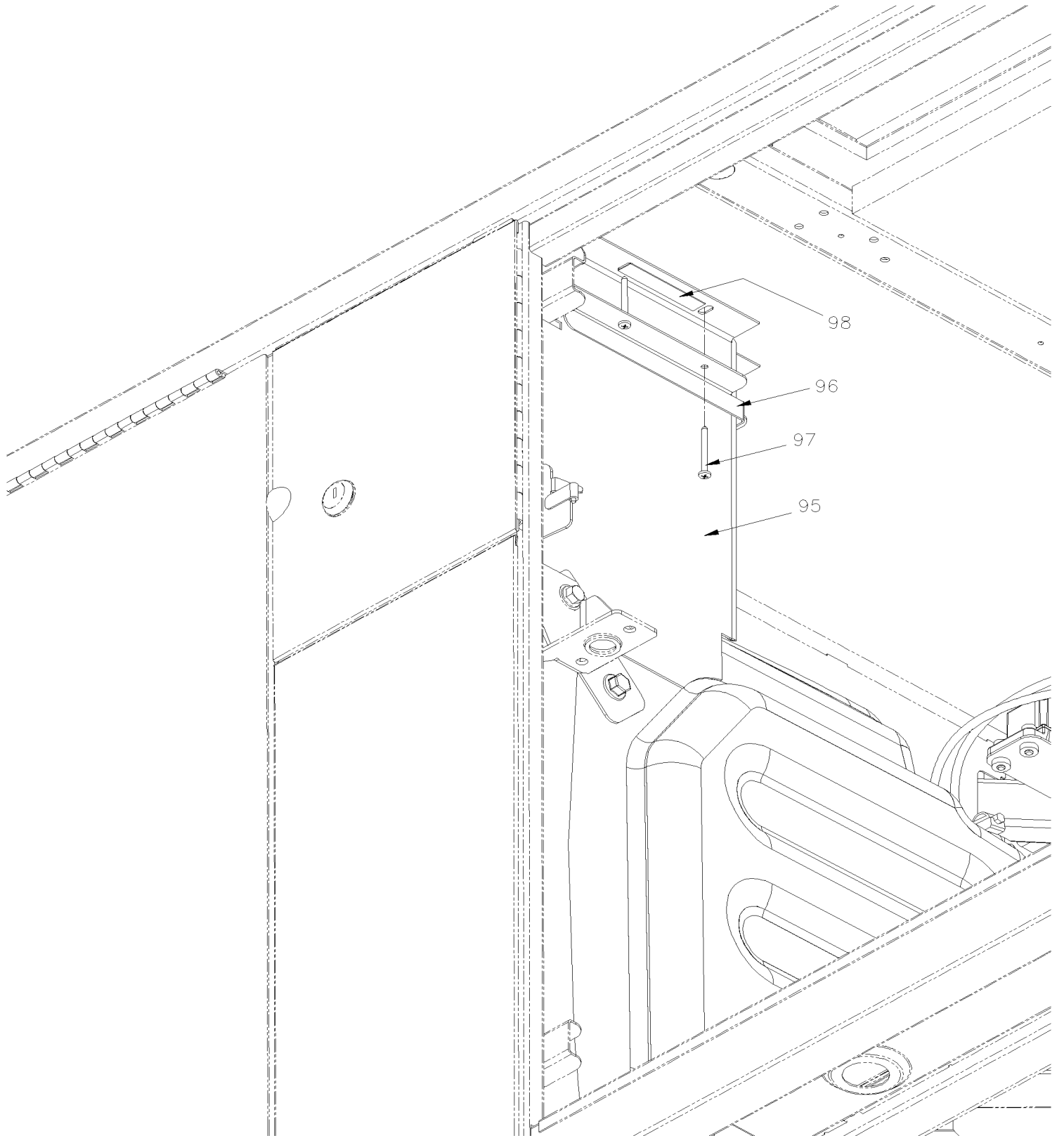
FROM F-5760

From B-5002

Date:01/2024

PAGE:X3-0410-01

UREA RESERVOIR ASSY



From B-5002		Date:01/2024	PAGE:X3-0410-01
UREA RESERVOIR ASSY			

Item#	Part	Description	QTY	Notes
1A	21134658	RESERVOIR UREA 60Liters To C-5287	1	
1A	21728142	RESERVOIR UREA 60Liters From C-5288 To D-5458	1	
1B	21967924	RESERVOIR UREA 60Liters From E-5459 To L-6506	1	
1B	540010	RESERVOIR UREA 60Liters From L-6507 To N-6738	1	
1B	24176948	RESERVOIR UREA From N-6739	1	
1C	22073036	HEATER AND SENSOR From E-5459 To G-5915	1	
1C	22560276	HEATER AND SENSOR From G-5916 To J-6228	1	
. NS	22406383	. FILTER KIT From G-5916 To J-6228	1	
1C	22997058	HEATER AND SENSOR From J-6229 To N-6682	1	
. NS	22406383	. FILTER KIT From J-6229 To N-6682	1	
1C	23635292	HEATER AND SENSOR From N-6683 To N-6738	1	
. NS	22406383	. FILTER KIT From N-6683 To N-6738	1	
1C	24076036	HEATER AND SENSOR From N-6739	1	
1D	992091	HOSE CLAMP / 80MM/100MM From E-5459 To N-6723	1	
1D	504145	HOSE CLAMP / 80-100MM C.T. From N-6724	1	
NS	685328	UREA 2 GALLONS US	AR	
NS	685329	UREA 55 GALLONS US	AR	
NS	680753	UREA 1250 LITER SQ	AR	
2	21148722	CAP FILLER UREA	1	
2	21148725	CAP FILLER UREA / WITH LOCK	1	
3A	21063597	UNIT CONTROL "ACM" To D-5458	1	
3B	21870087	UNIT CONTROL "ACM" From E-5459 To G-5973	1	
3B	22449432	UNIT CONTROL "ACM" From G-5974 To K-6439	1	
3B	23252913	UNIT CONTROL "ACM" From K-6440	1	
4	040901	HOSE HEATER ASSY "H" STYLE	1	
. NS	540089	. CONNECTOR CLIP - 3/8"	3	
. NS	N8902118	. CONNECTOR CLIP - 5/16"	1	
NS	504751	ROTATIF SPACER DOUBLE / SMALL To E-5759	1	
NS	504637	CABLE TIE / 3/16" x 13" To E-5759	AR	
NS	504768	CABLE TIE / 3/16" 14.7" / DOUBLE LOOP HEAD To E-5759	AR	
NS	507664	CABLE TIE / 3/16" 11" / DOUBLE LOOP HEAD From N-6739	4	
5	20805109	QUICK CONECTOR 10MM	3	
6	992081	HOSE CLAMP / 12MM/22MM	8	
7	503779	HOSE SILICONE 1PLY 3/8" I.D. x 100' To D-5381	AR	
7	503806	HOSE SILICONE 1 PLY / NOMEX-ARAMID 3/8" I.D. x 100' From D-5382 To E-5759	AR	
7	503821	HOSE SILICONE 4 PLY / NOMEX-ARAMID 3/8" x 144" From F-5760	AR	
7	504016	CABLE TIE / 5/16" X 14"1/2 To E-5759	2	
7	504751	ROTATIF SPACER DOUBLE / SMALL To E-5759	1	
7	8631155	CABLE TIE / 4.6MM x 200 / CHRISTMAS TREE From F-5760	2	
7	504768	CABLE TIE / 3/16" 14.7" / DOUBLE LOOP HEAD From F-5760	1	
8	040942	SUPPORT PUMP & UNIT CONTROL To D-5458	1	
8	040987	SUPPORT PUMP & UNIT CONTROL From E-5459 To E-5759	1	

From B-5002	Date:01/2024	PAGE:X3-0410-01
UREA RESERVOIR ASSY		

Item#	Part	Description	QTY	Notes
8	041089	SUPPORT PUMP & UNIT CONTROL From F-5760 To F-5871	1	
8	041140	SUPPORT PUMP & UNIT CONTROL From F-5872 To H-6093	1	
8	041032	SUPPORT PUMP & UNIT CONTROL From H-6094	1	
9	21314741	SOLENOID VALVE	1	
10	040909	HOSE HEATED ASSY 9300MM To B-5049	1	
. NS	N8902118	. CONNECTOR CLIP - 5/16" To B-5049	2	
10	040949	HOSE HEATER ASSY 5775MM From B-5050 To F-5871	1	
. NS	N8902118	. CONNECTOR CLIP - 5/16" From B-5050 To F-5871	2	
10	041123	HOSE HEATER ASSY 6200MM From F-5872	1	
. NS	N8902118	. CONNECTOR CLIP - 5/16" From F-5872	2	
10	IS14152	UREA HOSE REPLACEMENT 6MM TO 4MM FIRST REPLACEMENT To G-5924	1	
. NS	041123	. HOSE HEATER ASSY 6200MM To G-5924	1	
. . NS	N8902118	. . CONNECTOR CLIP - 5/16" To G-5924	2	
. NS	502638	. WASHER FL .312x.734x.065 N500 To G-5924	5	
. NS	504534	. GROMMET / .875x1.250x.187x.562x1.625 To G-5924	2	
. NS	504610	. RIVET MGLP PRDG 1/4x5/8 SS To G-5924	5	
. NS	504637	. CABLE TIE / 3/16" x 13" To G-5924	10	
. NS	506205	. PIPE INSULATING / 5/8" I.D. X 1/2" TH. X 72 / SPLIT ADHESIVE To G-5924	2	
. NS	507383	. TIE MOUNT HOLE 3/8" To G-5924	5	
. NS	507664	. CABLE TIE / 3/16" 11" / DOUBLE LOOP HEAD To G-5924	10	
. NS	5001113	. NUT HEX JAM NYRT 5/16-18 To G-5924	5	
. NS	N32553	. SCREW CAP HEX 5/16-18x3/4 FT SS To G-5924	5	
. NS	IS-14152	. SEE INSTRUCTION SHEET To G-5924	1	
NS	506205	PIPE INSULATING / 5/8" I.D. X 1/2" TH. X 72 / SPLIT ADHESIVE	AR	
NS	957022	TAPE ELASTOMERIC 1/8" X 2" X 30"	AR	
NS	504637	CABLE TIE / 3/16" x 13"	AR	
NS	509815	TIE MOUNT / ATTACHMENT W/TREE MOUNT	AR	
11	21576178	PUMP ASSY UREA TB-129684310-1 To N-6689	1	
11	23753841	PUMP ASSY UREA From N-6690	1	
12	5001186	SCREW CAP HEX M8-1.25x90 SS BK PROTO	3	
13	500321	WASHER BEL SPR .331x.827x.098 N500	11	
14	040943	PLATE / ATTACHMENT CABLE To D-5458	1	
14	040974	PLATE / ATTACHMENT CABLE From E-5459	1	
15	20805110	QUICK CONNECTOR 90° 10MM	2	
16	067603	WIRING HARNESS / UREA SYSTEM To C-5274	1	
16	068332	WIRING HARNESS / UREA SYSTEM From C-5275 To D-5458	1	
16	068466	WIRING HARNESS / UREA SYSTEM From E-5459 To E-5759	1	
16	068977	WIRING HARNESS / UREA SYSTEM From F-5760 To H-6093	1	
16	069569	WIRING HARNESS / UREA SYSTEM From H-6094 To H-6179	1	
16	060568	WIRING HARNESS / UREA SYSTEM From H-6180 To K-6439	1	
16	0610026	WIRING HARNESS / UREA SYSTEM From K-6440 To K-6492	1	
16	069984	WIRING HARNESS / UREA SYSTEM From L-6493 To L-6610	1	

From B-5002		Date:01/2024	PAGE:X3-0410-01
UREA RESERVOIR ASSY			

Item#	Part	Description	QTY	Notes
16	0611012	WIRING HARNESS / UREA SYSTEM From L-6611 To N-6738	1	
16	0610591	WIRING HARNESS / UREA SYSTEM From N-6739	1	
17	564542	TREE MOUNT CLIP FOR PED CONNECTOR	1	
18	504751	ROTATIF SPACER DOUBLE / SMALL From F-5760	1	
19	504637	CABLE TIE / 3/16" x 13" From F-5760	AR	
20	504768	CABLE TIE / 3/16" 14.7" / DOUBLE LOOP HEAD From F-5760	AR	
22	040932	SUPPORT RESERVOIR UREA / "Z" SHAPE To B-5028	1	
23	040934	SUPPORT RESERVOIR UREA / OFFSET	1	
24	040933	SUPPORT RESERVOIR UREA	1	
32	5002028	NUT HEX NYRT M10-1.5 SS From L-6493	2	
33	5001935	WASHER FL 10.5x18.0x1.6 SS From L-6493	2	
34	5001730	SCREW CAP HEXF M6-1.0x16 G10.9 N500	2	
35	5001780	SCREW CAP HEXF M8-1.25x16 G8.8 N500	4	
36	5001729	SCREW CAP HEXF M10-1.5x16 G8.8 N500	7	
37	502836	SCREW CAP HEX M8-1.25x35 G8.8 N500 To B-5028	3	
38	502837	NUT HEXF STO M8-1.25 N500 To B-5028	2	
38	502851	NUT HEX M8-1.25 N500 From B-5029	5	
39	5001527	SCREW CAP HEX M8-1.25x16 SS BK To B-5028	1	
40	5001161	WASHER LO SPT 8.1x14.8x2.0 SS-304 To B-5028	1	
41	8631155	CABLE TIE / 4.6MM x 200 / CHRISTMAS TREE	AR	
41	504016	CABLE TIE / 5/16" X 14"1/2 From E-5739	AR	
42	5001648	SCREW CAP HEXS M6-1.0x18 SS BK To N-6738	4	
43	504637	CABLE TIE / 3/16" x 13"	AR	
45	564108	SELF MOUNTING STUD // DEUTSCH 1011-310-0205 From F-5760	2	
46	030034	DECAL "DEF ONLY" From H-6118	1	
46	030039	SUPPORT, DECAL From H-6118	1	
46	5001729	SCREW CAP HEXF M10-1.5x16 G8.8 N500 From H-6118	1	
50	X3-2210-11	WATER PUMP - INSTALLATION VOLVO D13 To D-5458		
50	X3-2210-12	WATER PUMP - INSTALLATION VOLVO D13 From E-5459		
90	223967	POST ASSY FORWARD FENDER / CURBSIDE To D-5458	1	
. NS	223968	. TUBE ASSY W/NUT INS FL HEX To D-5458	1	
. . NS	5001344	. . NUT INS FL HEX M6-1.0 0.5-3.0 SS To D-5458	2	
. . NS	5001692	. . NUT INS FL HEX M8-1.25 0.5-3.0 SS To D-5458	1	
. NS	213939	. CATCH FENDER LOWER To D-5458	1	
. NS	213938	. SHAFT To D-5458	1	
90	221802	POST ASSY FORWARD FENDER From E-5459 To E-5525	1	
. NS	217130	. CATCH FENDER LOWER From E-5459 To E-5525	1	
. NS	213938	. SHAFT From E-5459 To E-5525	1	
. NS	5001692	. NUT INS FL HEX M8-1.25 0.5-3.0 SS From E-5459 To E-5525	1	
. NS	5001344	. NUT INS FL HEX M6-1.0 0.5-3.0 SS From E-5459 To E-5525	2	
90	221888	POST ASSY FORWARD FENDER From E-5526 To H-6201	1	
. NS	217130	. CATCH FENDER LOWER From E-5526 To H-6201	1	

From B-5002	Date:01/2024	PAGE:X3-0410-01
UREA RESERVOIR ASSY		

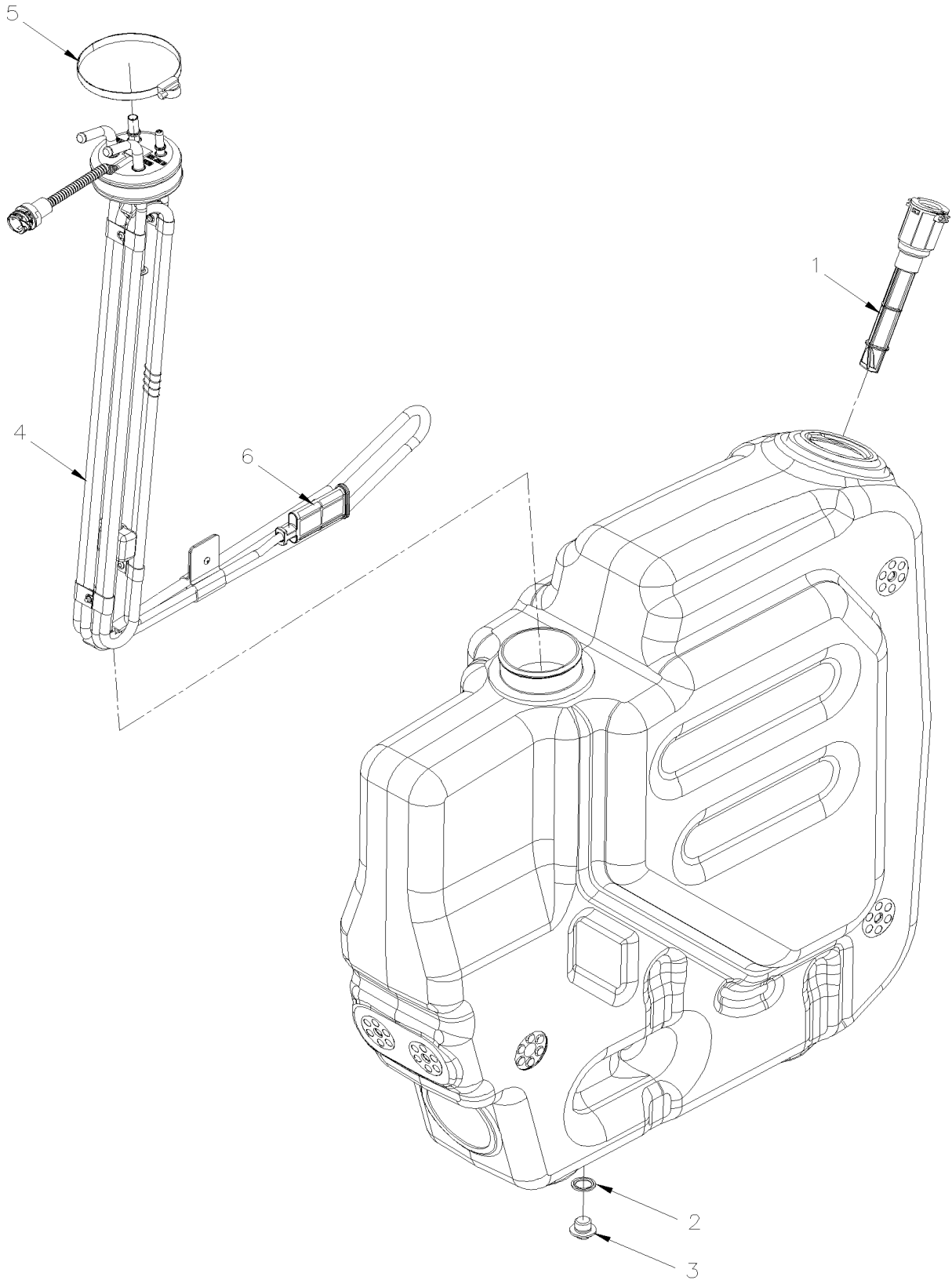
Item#	Part	Description	QTY	Notes
. NS	221887	. POST From E-5526 To H-6201	1	
. NS	218654	. SHAFT From E-5526 To H-6201	1	
90	220018	POST ASSY FORWARD FENDER From H-6202	1	
. NS	217130	. CATCH FENDER LOWER From H-6202	1	
. NS	220017	. POST From H-6202	1	
. NS	218654	. SHAFT From H-6202	1	
91	223954	POST ASSY FORWARD FUEL DOOR ASSY W/REINFORCMENT PANEL To F-5811	1	
. NS	216798	. PANEL REINFORCMENT LOWER FUEL DOOR 249MM x 600MM To F-5811	1	
. NS	223940	. POST ASSY FORWARD FUEL DOOR ASSY To F-5811	1	
. . NS	216797	. . STOPPER CONDENSOR DOOR To F-5811	2	
. . NS	223937	. . BRACKET LATCH COND DOOR To F-5811	1	
. . NS	477296	. . ATTACHMENT SPRING DOOR To F-5811	1	
. . NS	502659	. . NUT WD RND M6-1.0 SS To F-5811	2	
91	221916	POST ASSY FORWARD FUEL DOOR ASSY W/REINFORCMENT PANEL From F-5812	1	
. NS	221921	. PANEL REINFORCMENT LOWER FUEL DOOR 244.4MM x 508.6MM From F-5812	1	
. NS	221896	. ATTACH PIVOT LATCH From F-5812	1	
. NS	221917	. TUBE, FUEL DOOR / 895MM LG. From F-5812	1	
. NS	221918	. STOPPER, CONDENSOR DOOR, UPPER From F-5812	1	
. NS	221919	. SUPPORT, CONDENSOR DOOR, LATCH From F-5812	1	
. NS	221920	. STOPPER, CONDENSOR DOOR From F-5812	1	
92	216798	. PANEL REINFORCMENT LOWER FUEL DOOR 249MM x 600MM To F-5811	1	
92	221921	. PANEL REINFORCMENT LOWER FUEL DOOR 244.4MM x 508.6MM From F-5812	1	
95	033979	MUD FLAP / UREA TANK, PROTECTOR, FILLING From F-5819 To H-6140	1	
95	033030	MUD FLAP / UREA TANK, PROTECTOR, FILLING From H-6141	1	
95	X3-1865-22	EVAPORATOR & CONDENSOR WALL INSTALLATION		
96	033978	SUPPORT, PROTECTOR From F-5819	1	
97	5001890	SCREW TP PAN PH #8x1 3/4" SS From F-5819	4	
98	680453	SEALANT TAPE / CLEAR / 1/32"x1/2"x65' / 1795 From F-5819	AR	
		A) AVIALABLE END OF DECEMBER 2010		
		B) THOSE VEHICLE ARE USE WITH MODULE IOE-A AND IOE-B FOR FEILD TEST F-5793 / F-5795 / F-5799 / F-5802		

To C-5287

Date:01/2024

PAGE:21134658

RESERVOIR UREA 60Liters

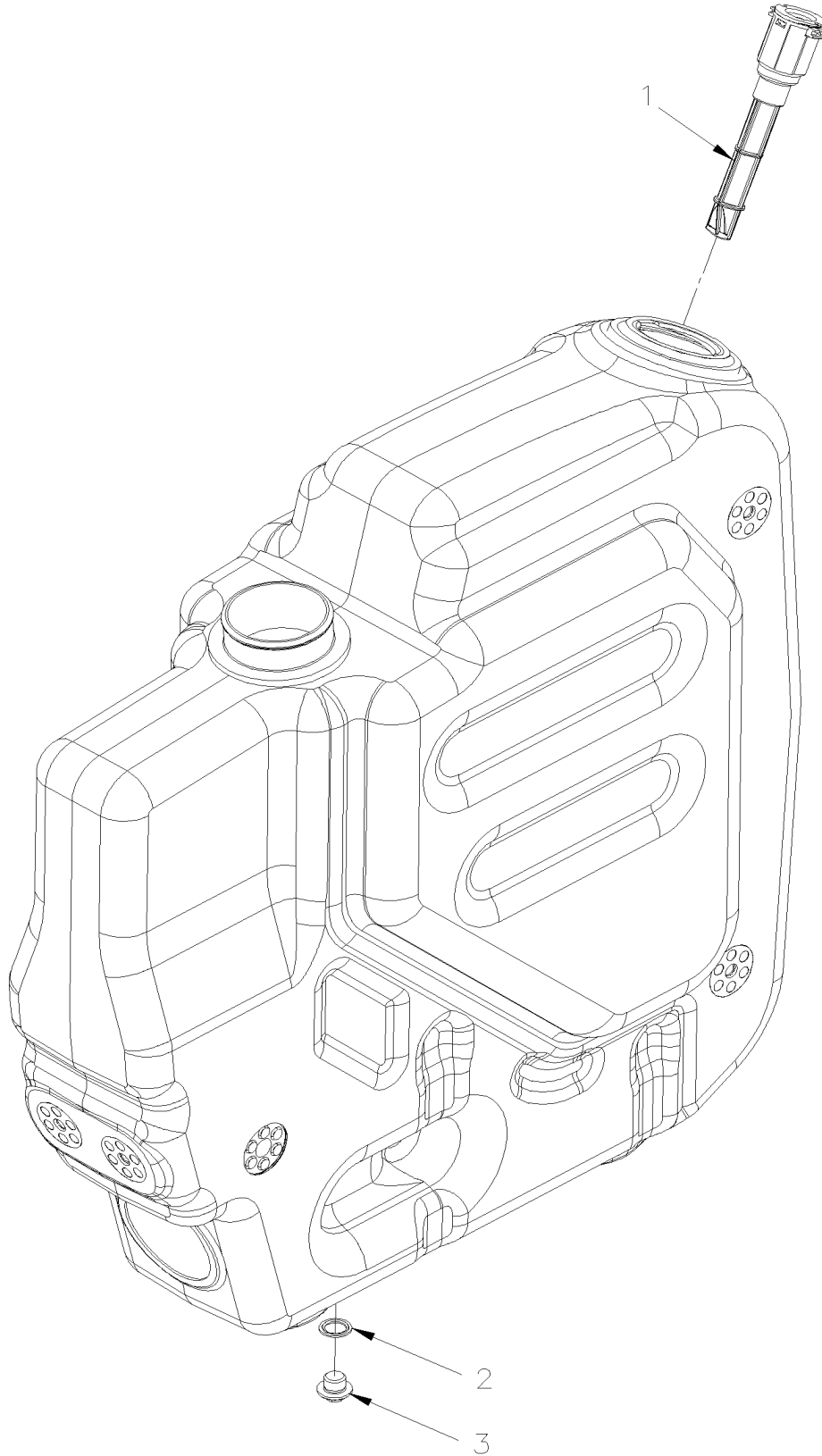


To C-5287	Date:01/2024	PAGE:21134658
-----------	--------------	---------------

RESERVOIR UREA 60Liters

Item#	Part	Description	QTY	Notes
		RESERVOIR UREA	1	
1	20742759	. INSERT, FILLER NECK	1	
2	982724	. GASKET M16x6	1	
3	20562668	. DRAIN PLUG	1	
4	21073825	. HEATER	1	
5	980137	. HOSE CLAMP / 70MM/100MM	1	
6	21228120	. FILTER	1	

RESERVOIR UREA 60Liters



From E-5459 To L-6506		Date:01/2024	PAGE:21967924
-----------------------	--	--------------	---------------

RESERVOIR UREA 60Liters

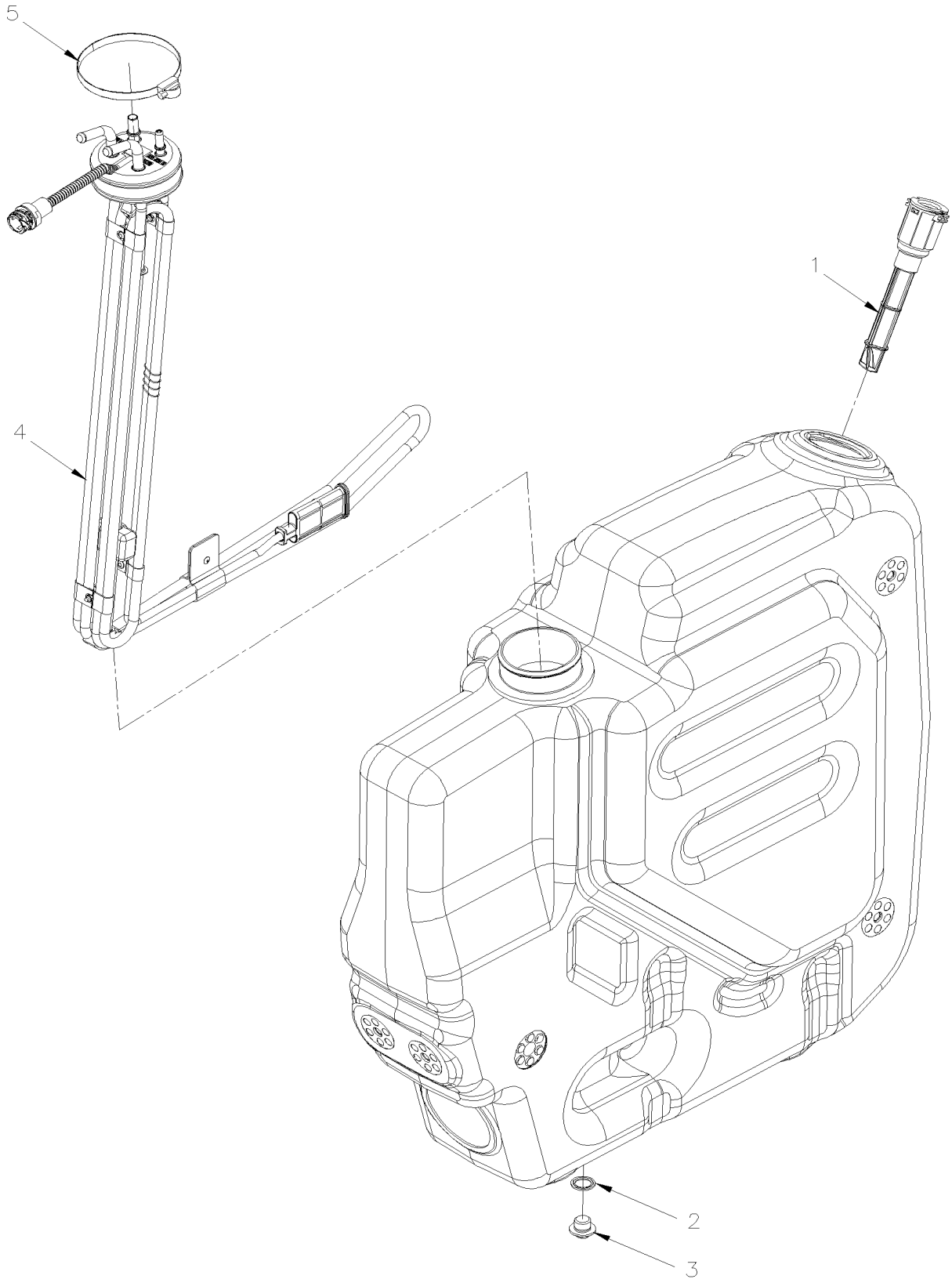
Item#	Part	Description	QTY	Notes
		RESERVOIR UREA	1	
1	82269261	. FILTER	1	
2	982724	. GASKET M16x6	1	
3	20562668	. DRAIN PLUG	1	

From C-5288 To D-5458

Date:01/2024

PAGE:21728142

RESERVOIR UREA 60Liters



From C-5288 To D-5458		Date:01/2024	PAGE:21728142
-----------------------	--	--------------	---------------

RESERVOIR UREA 60Liters

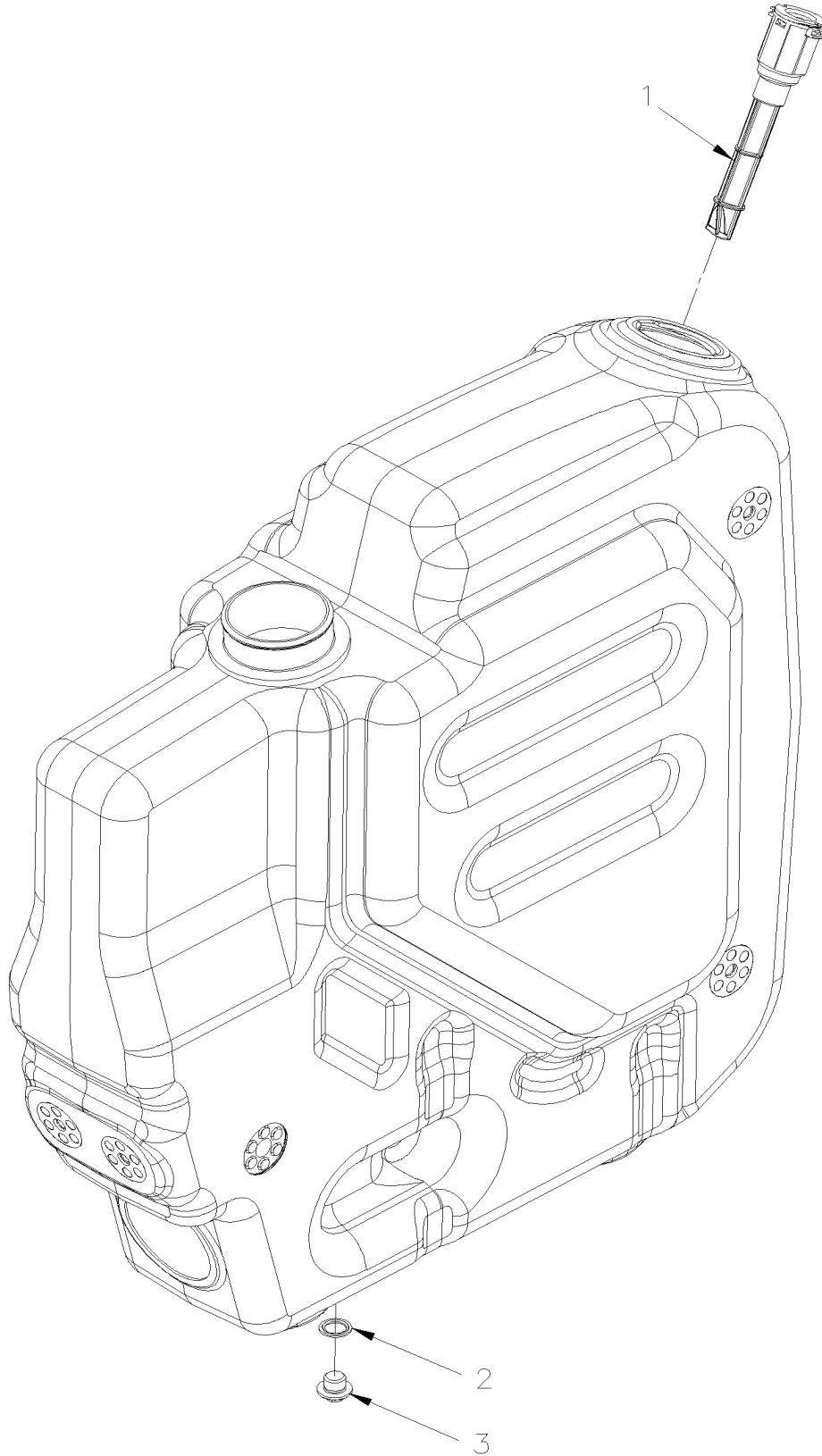
Item#	Part	Description	QTY	Notes
		RESERVOIR UREA	1	
1	82269261	. FILTER	1	
2	982724	. GASKET M16x6	1	
3	20562668	. DRAIN PLUG	1	
4	21715211	. HEATER	1	
5	992091	. HOSE CLAMP / 80MM/100MM	1	

From L-6507 To N-6738

Date:01/2024

PAGE:540010

RESERVOIR UREA 60Liters



From L-6507 To N-6738		Date:01/2024	PAGE:540010
-----------------------	--	--------------	-------------

RESERVOIR UREA 60Liters

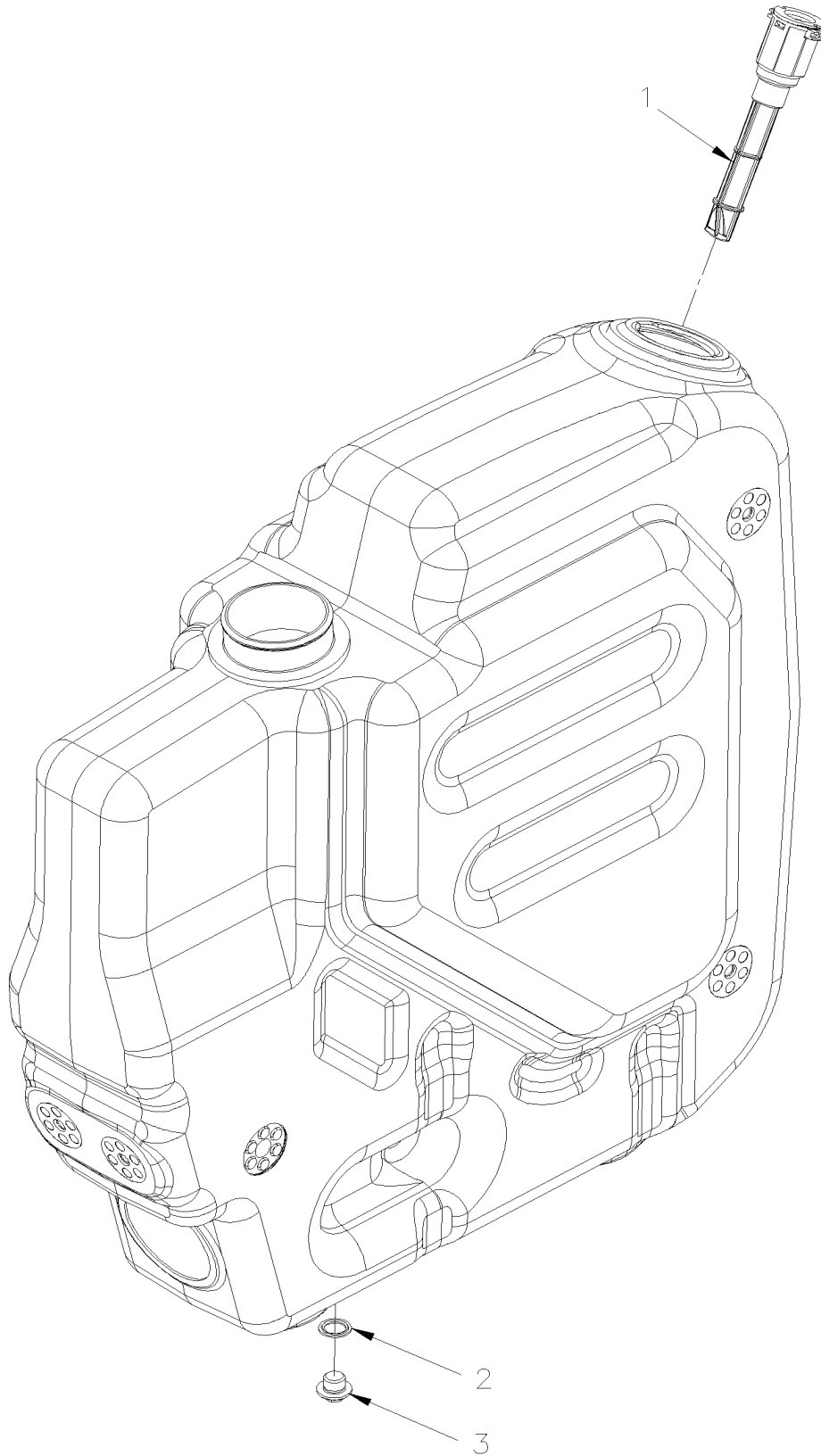
Item#	Part	Description	QTY	Notes
		RESERVOIR UREA	1	
1	82269261	. FILTER	1	
2	982724	. GASKET M16x6	1	
3	20562668	. DRAIN PLUG	1	

From N-6739

Date:01/2024

PAGE:24176948

RESERVOIR UREA



From N-6739	Date:01/2024	PAGE:24176948
-------------	--------------	---------------

RESERVOIR UREA

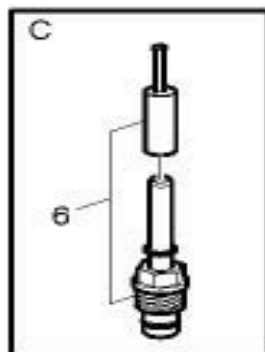
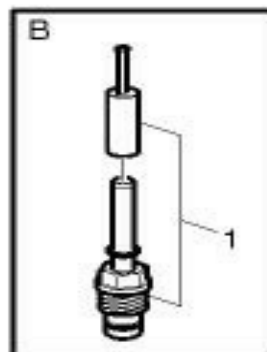
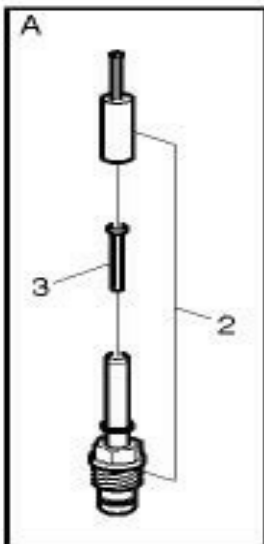
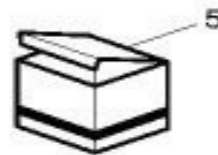
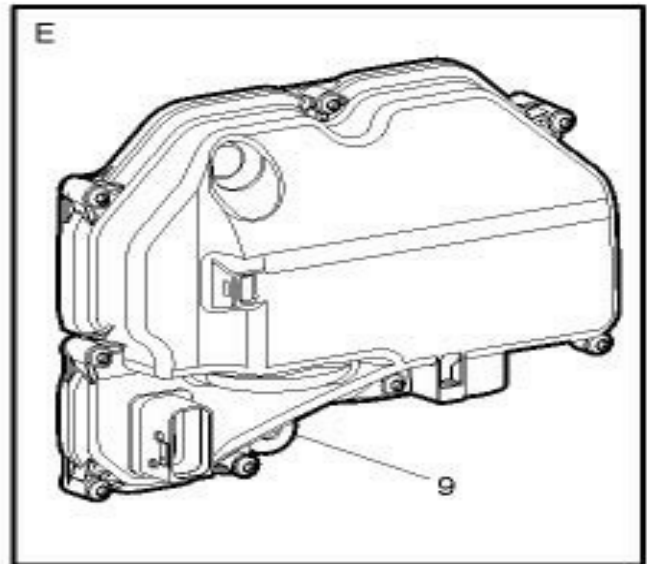
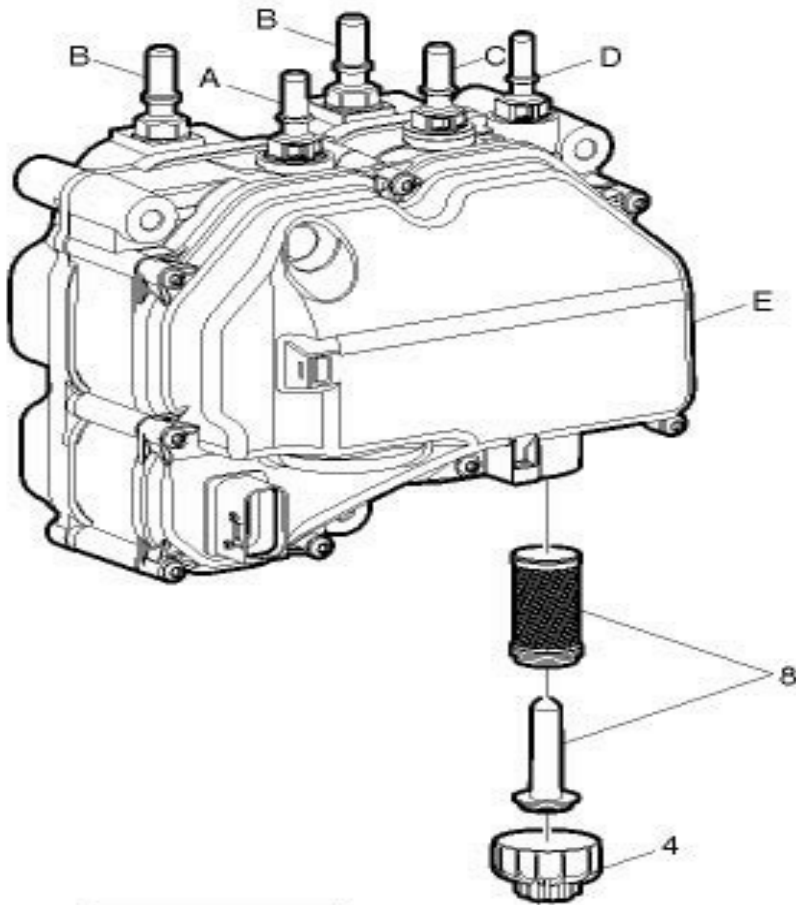
Item#	Part	Description	QTY	Notes
		RESERVOIR UREA	1	
1	82269261	. FILTER	1	
2	982724	. GASKET M16x6	1	
3	20562668	. DRAIN PLUG	1	

To N-6689

Date:01/2024

PAGE:21576178

PUMP ASSY UREA TB-129684310-1



To N-6689	Date:01/2024	PAGE:21576178
-----------	--------------	---------------

PUMP ASSY UREA TB-129684310-1

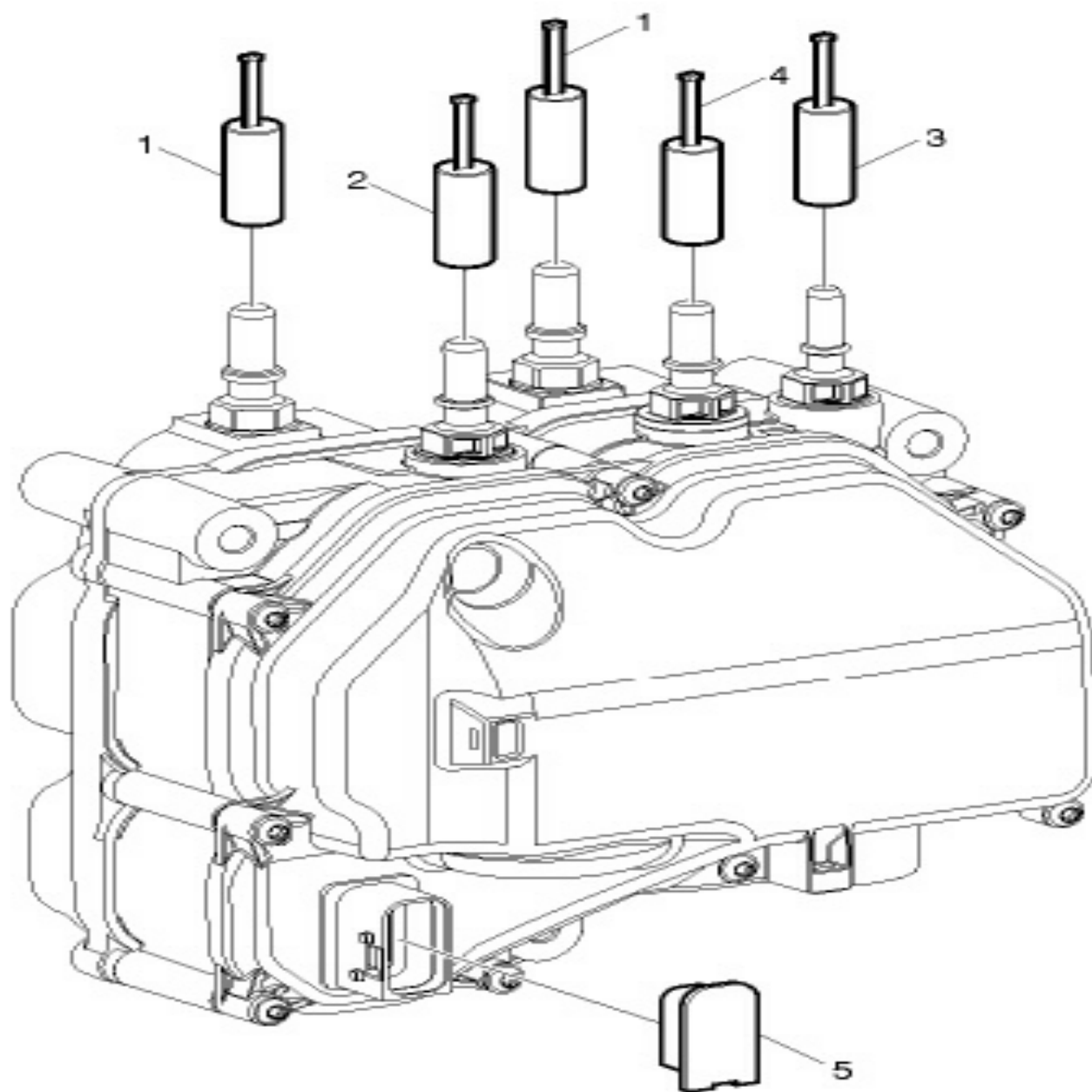
Item#	Part	Description	QTY	Notes
1	21376749	CONNECTOR / HEATER	2	
2	21376721	CONNECTOR / INLET	1	
3	21954674	. STRAINER	1	
4	21376707	FILTER CAP	1	
5	21376772	CAP PLUG	1	
6	21376746	CONNECTEUR / BACKFLOW	1	
7	21376731	CONNECTEUR / OUTLET	1	
8	21516229	FILTER	1	
9	21378032	COVER	1	

To N-6689

Date:01/2024

PAGE:21376772

CAP PLUG



To N-6689	Date:01/2024	PAGE:21376772
-----------	--------------	---------------

CAP PLUG

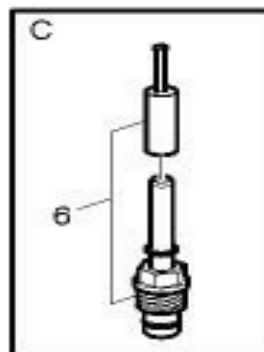
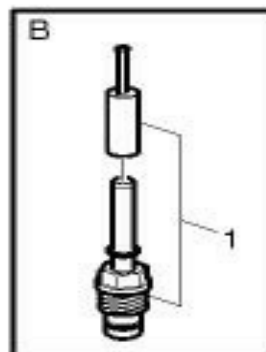
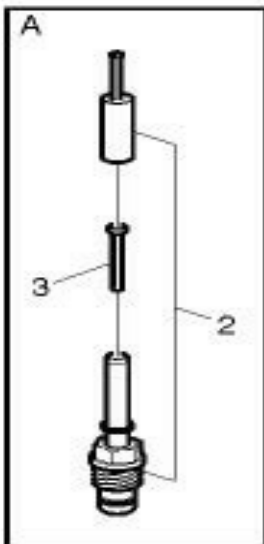
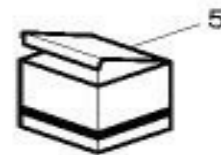
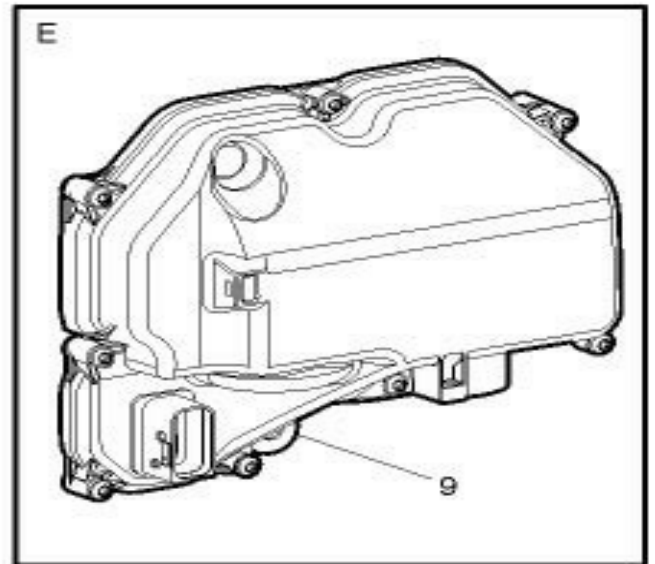
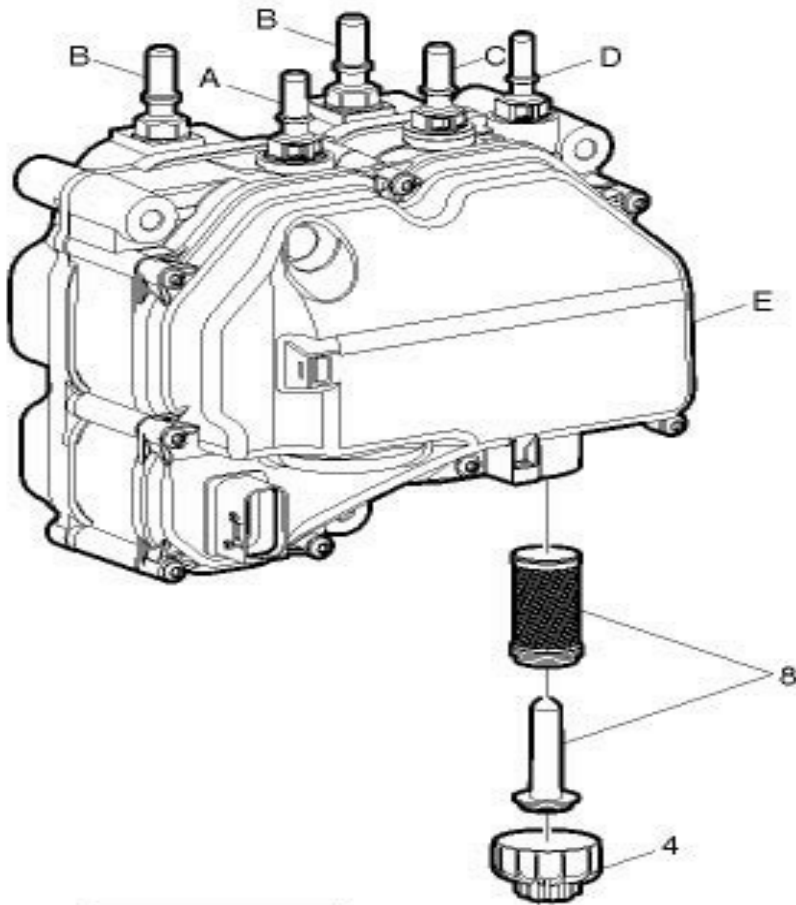
Item#	Part	Description	QTY	Notes
1	N.S.S.	COOLANT	1	1
2	N.S.S.	INLET	1	1
3	N.S.S.	BACKFLOW	1	1
4	N.S.S.	OUTLET	1	1
5	N.S.S.	ELECTRICAL	1	1
		1) NOT SOLD SEPARATELY		

From N-6690

Date:01/2024

PAGE:23753841

PUMP ASSY UREA



From N-6690	Date:01/2024	PAGE:23753841
-------------	--------------	---------------

PUMP ASSY UREA

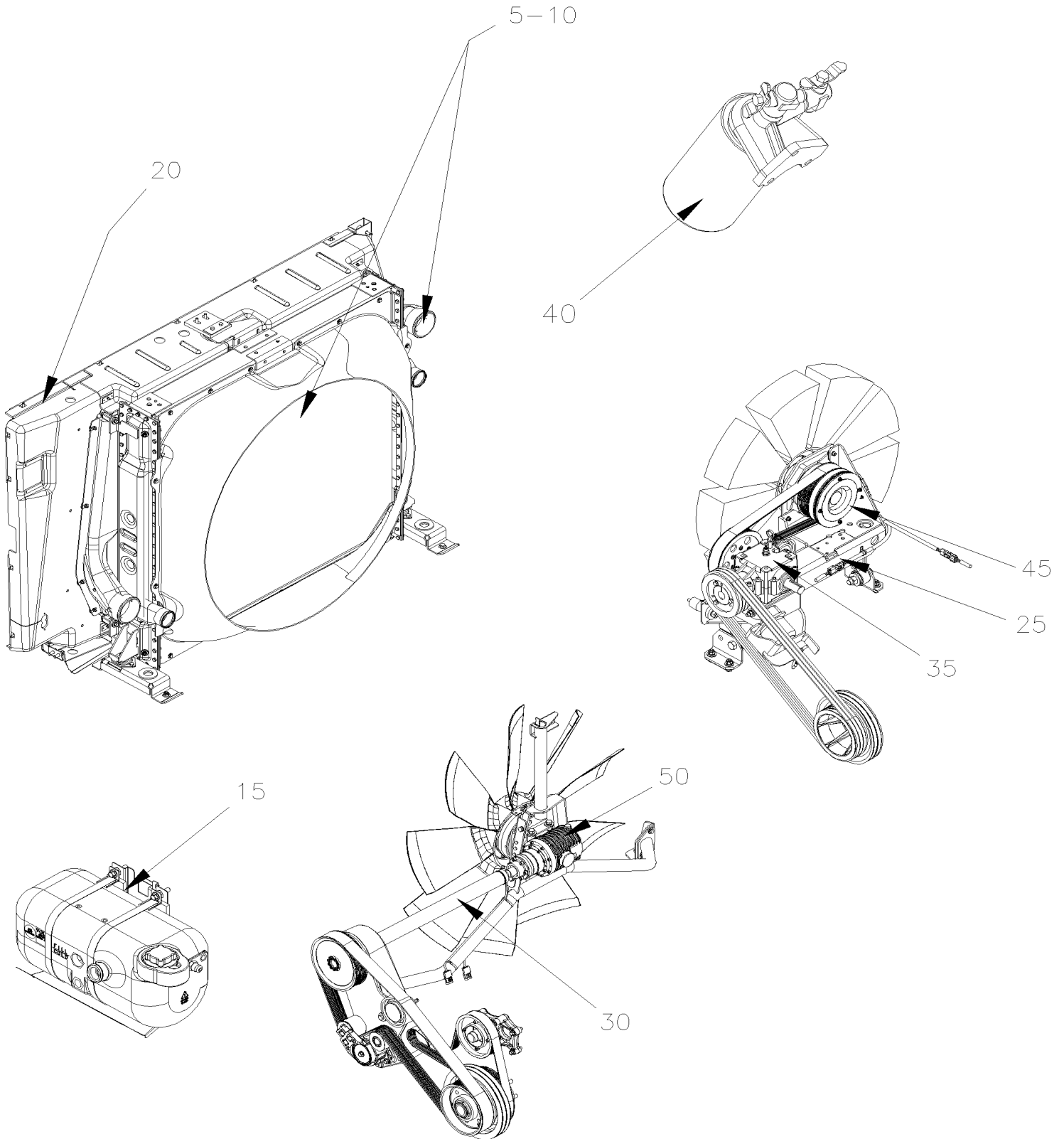
Item#	Part	Description	QTY	Notes
1	21376749	CONNECTOR / HEATER	2	
2	21376721	CONNECTOR / INLET	1	
3	21954674	. STRAINER	1	
4	21376707	FILTER CAP	1	
5	21376772	CAP PLUG	1	
6	21376746	CONNECTEUR / BACKFLOW	1	
7	21376731	CONNECTEUR / OUTLET	1	
8	23381562	FILTER	1	
9	21378032	COVER	1	

From 7-8754

Date:01/2024

X3-05

COOLING



From 7-8754	Date:01/2024	X3-05
-------------	--------------	-------

COOLING

Item#	Part	Description	QTY	Notes
5	X3-0500-00	COOLANT PIPING WITH DETROIT S-60 From 7-8754 To 8-9276		
5	X3-0500-01	COOLANT PIPING WITH DETROIT S-60 From 8-9277 To B-5001		
5	X3-0500-02	COOLANT PIPING WITH VOLVO D13 From 8-9457 To H-6179		
5	X3-0500-03	COOLANT PIPING WITH VOLVO D13 - GHG17 From H-6180		
10	X3-0505-00	RADIATOR ASSY From 7-8754 To 8-9276		
10	X3-0505-01	RADIATOR ASSY From 8-9277 To H-6179		
10	X3-0505-02	RADIATOR ASSY VOLVO D13 - GHG17 From H-6180		
15	X3-0510-00	SURGE TANK From 7-8754 To 8-9276		
15	X3-0510-01	SURGE TANK From 8-9277 To B-5001		
15	X3-0510-02	SURGE TANK WITH "EPA 2010" From B-5002 To H-6179		
15	X3-0510-03	SURGE TANK VOLVO D13 - GHG17 From H-6180 To J-6312		
15	X3-0510-04	SURGE TANK From J-6313		
17	X3-0510-10	RECOVERY TANK INSTALLATION From J-6313		
20	X3-0518-00	RADIATOR SEALING FRAME - BUS From 7-8754 To 8-9276		
20	X3-0518-01	RADIATOR SEALING FRAME - BUS From 8-9277 To H-6179		
25	X3-0520-00	FAN DRIVE - INSTALLATION - SHORT From 7-8754 To 8-9276		
30	X3-0520-01	FAN DRIVE - INSTALLATION From 8-9277 To B-5049		
30	X3-0520-02	FAN DRIVE - INSTALLATION From B-5050 To H-6179		
30	X3-0520-03	ELECTRICAL FANS - INSTALLATION VOLVO D13 - GHG17 From H-6180		
35	X3-0525-00	GEARBOX "SUPERIOR" - #550897 From 7-8754 To 8-9276		
40	X3-0530-00	COOLANT FILTER - INSTALLATION WITH DETROIT S-60 From 7-8754 To 8-9276		
40	X3-0530-01	COOLANT FILTER - INSTALLATION WITH DETROIT S-60 From 8-9277 To B-5001		
40	X3-0530-02	COOLANT FILTER - INSTALLATION WITH VOLVO D13 From 8-9457 To E-5759		
40	X3-0530-03	COOLANT FILTER - INSTALLATION WITH VOLVO D13 From F-5760 To H-6179		
40	X3-0530-04	COOLANT FILTER - INSTALLATION WITH VOLVO D13 - GHG17 From H-6180		
45	X3-0540-00	FAN CLUTCH ASSY - #550839 From 7-8754 To 8-9276		
50	X3-0540-01	FAN CLUTCH & ANGLE DRIVE ASSY C.C.W. From 8-9277 To B-5049		
50	X3-0540-02	FAN CLUTCH & ANGLE DRIVE ASSY C.W. From B-5050 To H-6179		A
99	X3-0599-00	RETROFIT ELECTRIC FAN DRIVE COOLING SYSTEM CONVERSION From B-5002 To H-6179		

From 7-8754	Date:01/2024	X3-05
-------------	--------------	-------

COOLING

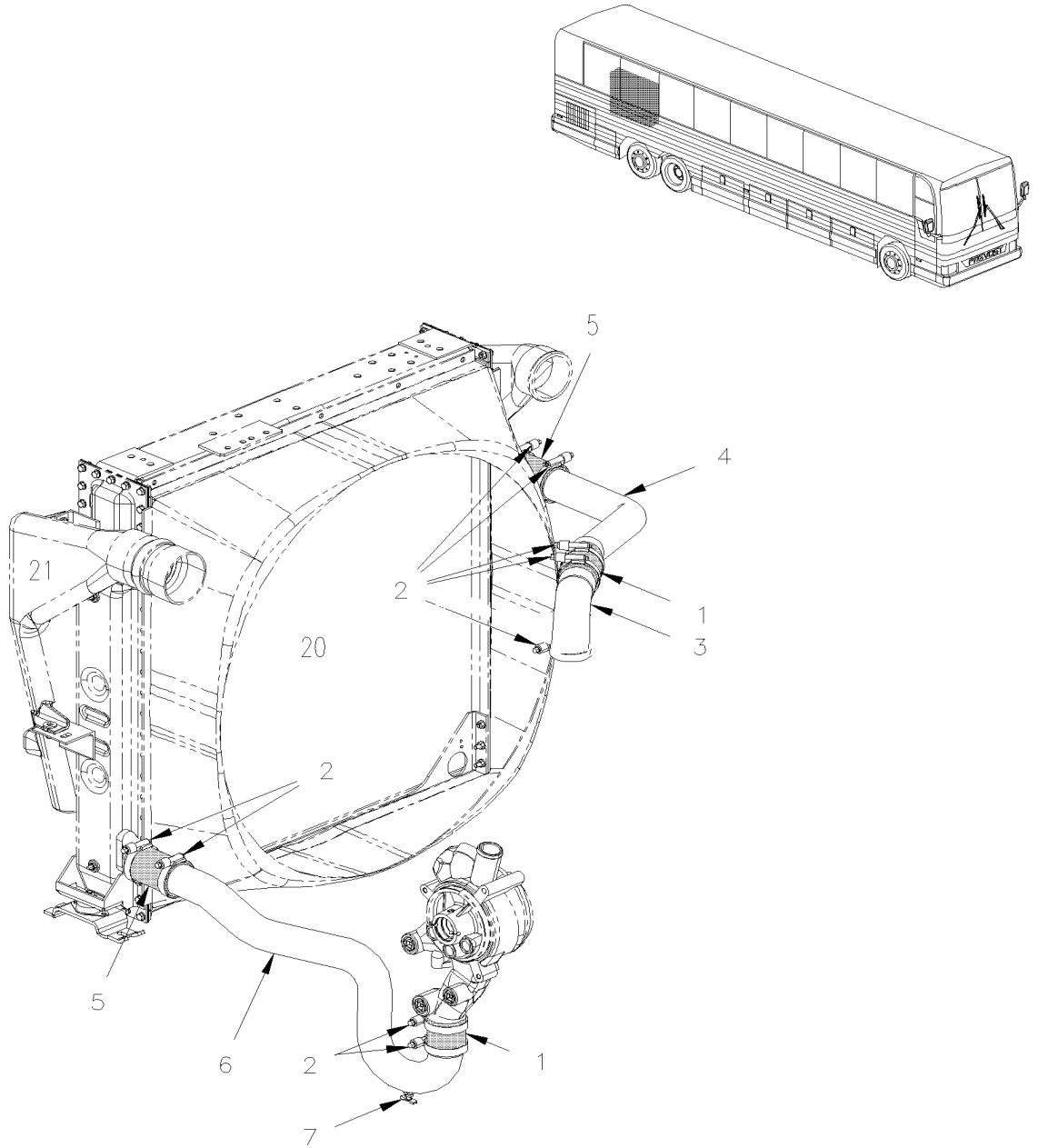
Item#	Part	Description	QTY	Notes
		A) PRELIMINAIRY 9614 / 9992		

From 7-8754 To 8-9276

Date:01/2024

PAGE:X3-0500-00

COOLANT PIPING WITH DETROIT S-60



From 7-8754 To 8-9276	Date:01/2024	PAGE:X3-0500-00
COOLANT PIPING WITH DETROIT S-60		

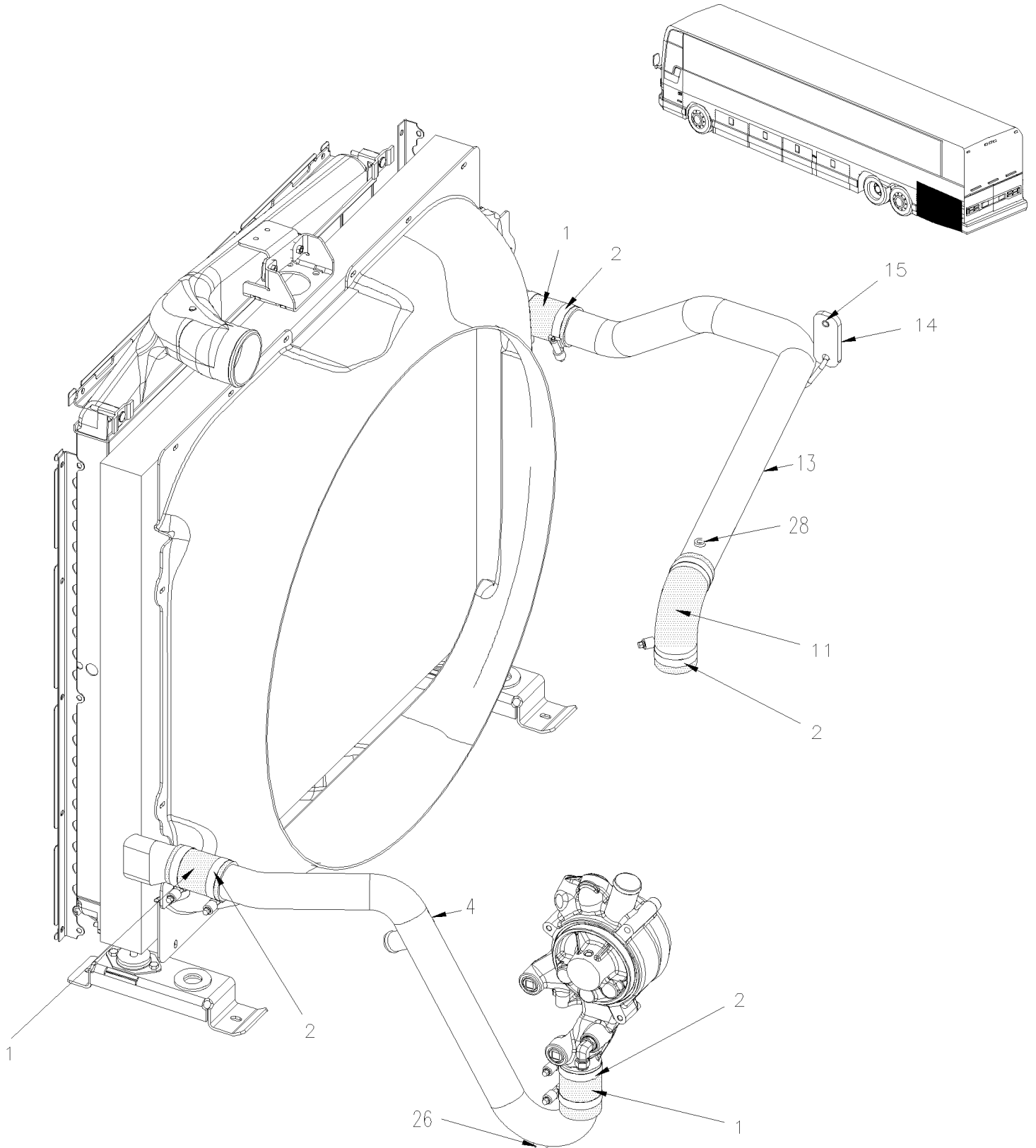
Item#	Part	Description	QTY	Notes
1	052416	HOSE 2 1/2" I.D. 105MM	2	
1	557055	HOSE / W/HUMP 2 1/2" I.D. x 4" SERVICE	2	
2	504562	HOSE CLAMP / 2"3/4-3"5/8 / C.T. 350	10	
3	052599	ELBOW 90° X 2 1/2" I.D. / 118MM x 118MM C/C / SILICONE To 8-9293	1	
3	052897	ELBOW 90° X 2 1/2" I.D. / 118MM x 118MM C/C / SILICONE From 8-9294	1	
4	052601	PIPE / THERMOSTAT HOUSING SIDE	1	
5	052480	HOSE 2 1/2" I.D. 152MM	2	
6	052704	PIPE / RADIATOR & ENGINE WATER PUMP	1	
6	053523	PIPE / RADIATOR & ENGINE WATER PUMP SS SERVICE	1	
7	501129	EXTERNAL SEAL DRAIN 1/4 NPT	1	
20	X3-0505-00	RADIATOR ASSY		
21	X3-0330-00	AIR FILTER & INTAKE - INSTALLATION WITH DETROIT S-60		

From 8-9277 To B-5001

Date:01/2024

PAGE:X3-0500-01

COOLANT PIPING WITH DETROIT S-60



From 8-9277 To B-5001	Date:01/2024	PAGE:X3-0500-01
-----------------------	--------------	-----------------

COOLANT PIPING WITH DETROIT S-60

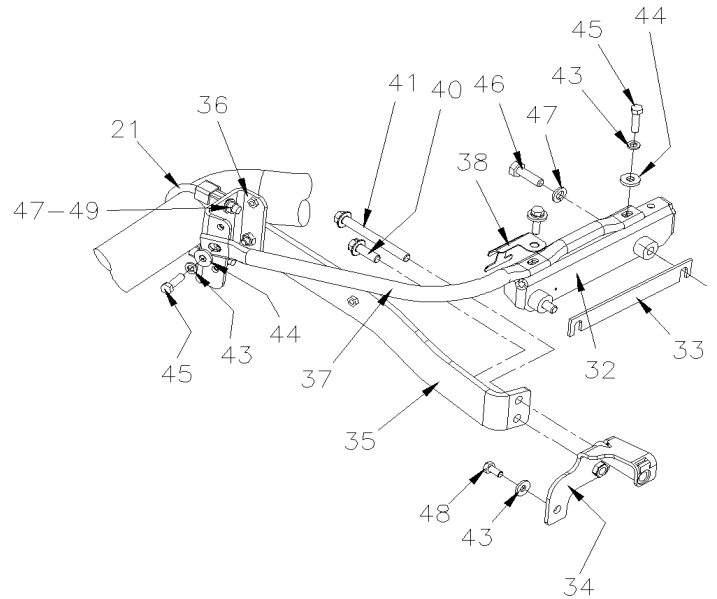
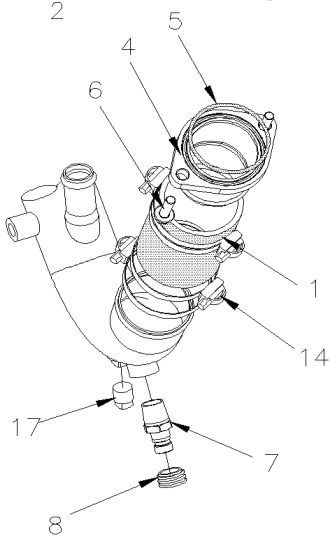
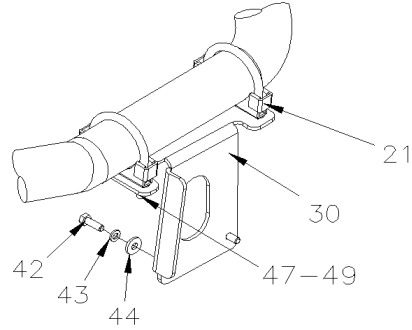
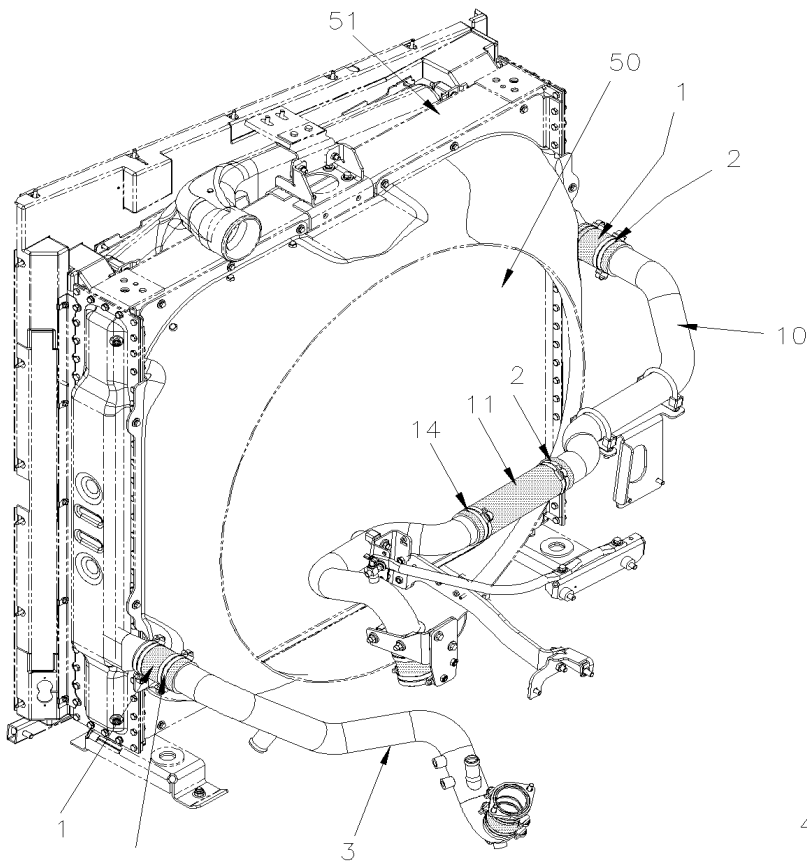
Item#	Part	Description	QTY	Notes
1	052416	HOSE 2 1/2" I.D. 105MM To 9-9595	3	
1	70396483	HOSE 2 1/2" I.D. 105MM From 9-9596	3	
1	557055	HOSE / W/HUMP 2 1/2" I.D. x 4" SERVICE	3	
2	504562	HOSE CLAMP / 2"3/4-3"5/8 / C.T. 350	AR	
2	504686	HOSE CLAMP STEPLESS SPRING SS / OETIKER / 2.8-3.1	AR	
NS	684341	TOOL PLIERS CLAMP "OETIKER"	AR	
4	052827	PIPE / RADIATOR & ENGINE WATER PUMP To 9-9642	1	
4	053524	PIPE / RADIATOR & ENGINE WATER PUMP SS From 9-9643	1	
11	052599	ELBOW 90° X 2 1/2" I.D. / 118MM x 118MM C/C / SILICONE To 8-9293	1	
11	052897	ELBOW 90° X 2 1/2" I.D. / 118MM x 118MM C/C / SILICONE From 8-9294	1	
13	052826	PIPE / RADIATOR SIDE	1	
14	032541	RUBBER SUPPORT 106.5 x 48 / 2 Holes 72MM C/C	1	
15	032540	SPACER 1/2" O.D.X 12MM SS	1	
20	X3-0505-00	RADIATOR ASSY		
21	X3-0330-01	AIR FILTER & INTAKE - INSTALLATION WITH DETROIT S-60		
26	501449	PLUG HEXS / PIPE FITTING / 3/8NPT-M STL To 9-9642	1	
26	501305	PLUG SQUARE HEAD / PIPE FITTING / 3/8NPT-M BR From 9-9643 To A-9968	1	
26	501449	PLUG HEXS / PIPE FITTING / 3/8NPT-M STL From A-9969	1	
NS	501129	EXTERNAL SEAL DRAIN 1/4 NPT	1	
28	509884	MALE ELBOW 90° / JIC 37° FITTING / #4JIC-MxM12-1.5-M STL	1	
NS	N.P.N.	O-RING	1	4
NS	N.P.N.	WASHER RET	1	4
		4) NO PARTS NUMBER		

From 8-9457 To H-6179

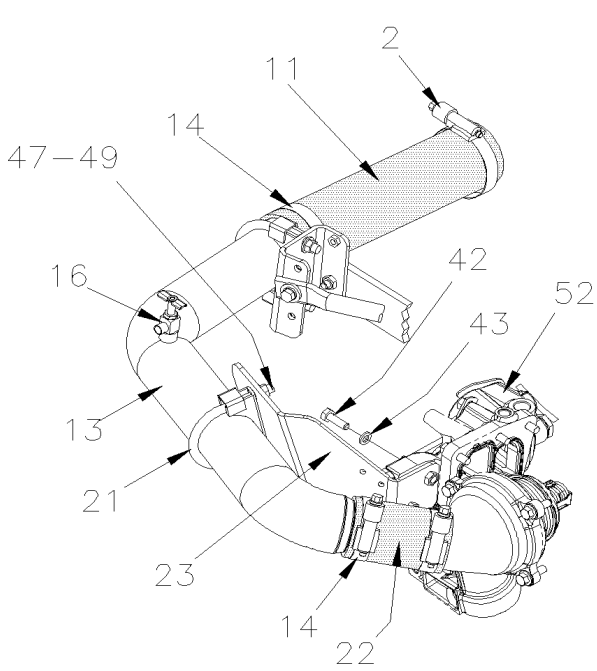
Date:01/2024

PAGE:X3-0500-02

COOLANT PIPING WITH VOLVO D13

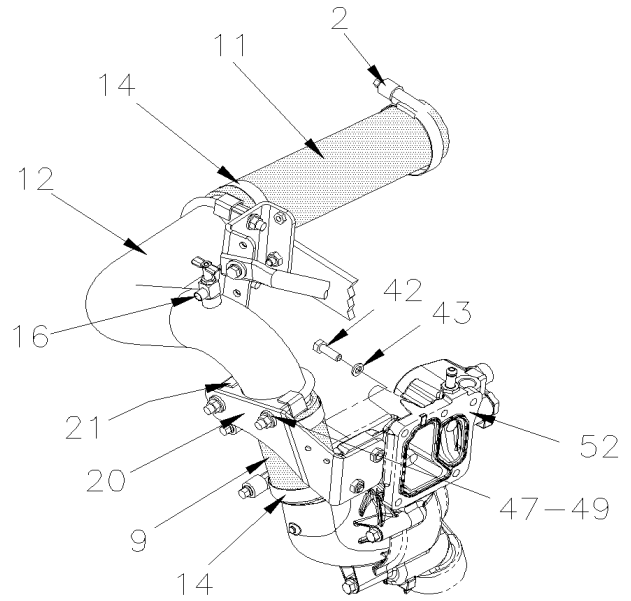


COOLANT PIPING WITH VOLVO D13

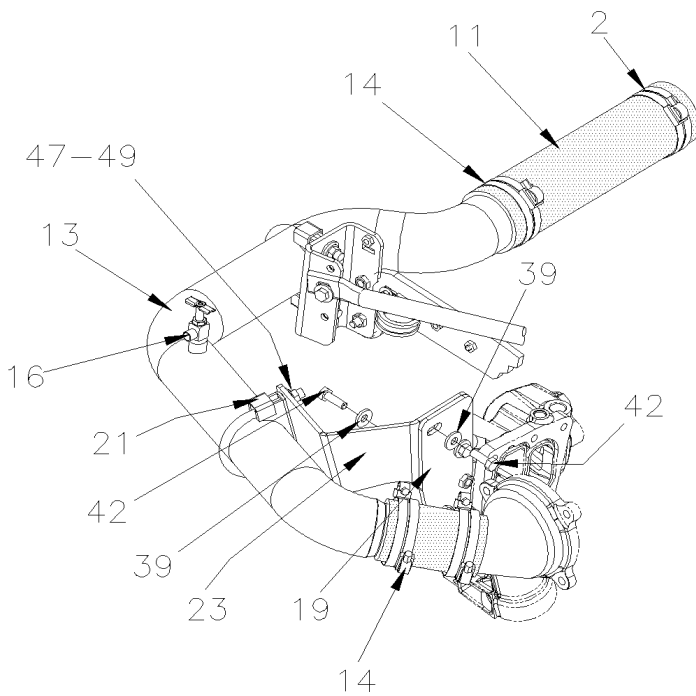


WITH "I-SHIFT"
TRANSMISSION

UP TO B-5049

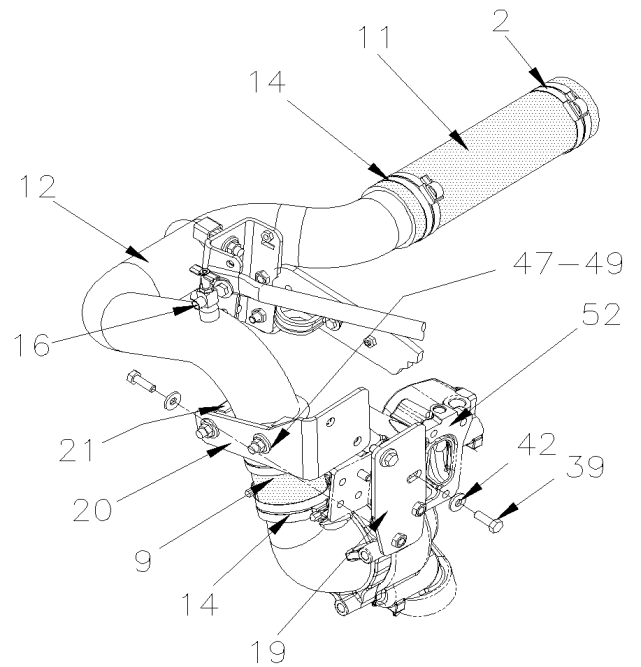


WITH "WORLD"
TRANSMISSION



WITH "I-SHIFT"
TRANSMISSION

FROM B-5050



WITH "WORLD"
TRANSMISSION

From 8-9457 To H-6179	Date:01/2024	PAGE:X3-0500-02
COOLANT PIPING WITH VOLVO D13		

Item#	Part	Description	QTY	Notes
1	052416	HOSE 2 1/2" I.D. 105MM To 9-9595	3	
1	557055	HOSE / W/HUMP 2 1/2" I.D. x 4" To 9-9595	3	
1	70396483	HOSE 2 1/2" I.D. 105MM From 9-9596 To D-5381	3	
1	503722	. HOSE SILICONE 4PLY 2 1/2" I.D. x 4' From 9-9596 To D-5381	AR	
1	053617	HOSE SILICONE / NOMEX 2 1/2" I.D. 105MM From D-5382	3	
. NS	503786	. HOSE SILICONE 4 PLY / NOMEX-ARAMID 2 1/2" I.D. x 6' From D-5382	1	
1	503786	. HOSE SILICONE 4 PLY / NOMEX-ARAMID 2 1/2" I.D. x 6' From D-5382	AR	
1	053617	HOSE SILICONE / NOMEX 2 1/2" I.D. 105MM "GREYHOUND"	3	GR
. NS	503786	. HOSE SILICONE 4 PLY / NOMEX-ARAMID 2 1/2" I.D. x 6'	1	GR
1	503786	. HOSE SILICONE 4 PLY / NOMEX-ARAMID 2 1/2" I.D. x 6' "GREYHOUND"	AR	GR
2	504561	HOSE CLAMP / 2"1/4-3"1/8 / C.T. 300 To E-5759	5	
2	992089	HOSE CLAMP / 60MM/80MM From F-5760	10	
3	052858	PIPE / RADIATOR & ENGINE WATER PUMP To 8-1201	1	
3	053519	PIPE / RADIATOR & ENGINE WATER PUMP From 8-1202 To B-5001	1	
3	053560	PIPE / RADIATOR & ENGINE WATER PUMP From B-5002 To E-5759	1	
3	053063	PIPE / RADIATOR & ENGINE WATER PUMP From F-5760	1	
4	053462	PIPE ADAPTOR ENGINE WATER PUMP	1	
4	21264361	PIPE ADAPTOR ENGINE WATER PUMP	1	
5	975675	O-RING 64.5 MM X 3MM	1	
6	5001742	SCREW CAP HEXF M8-1.25x30 G8.8 N500	2	
7	1675641	NIPPLE / QUICK DISCONNECT "VOLVO" / 1/2NPT-M	1	
. NS	V476279	. DUST CAP / QUICK DISCONNECT "VOLVO" /	1	
. NS	507666	. DUST CAP / QUICK DISCONNECT "VOLVO" /	1	
NS	85112740	COOLANT EXTRACTOR	1	
. NS	9996049	. Quick coupling adaptor for Volvo # 1675641	1	
8	507666	DUST CAP / QUICK DISCONNECT "VOLVO" /	1	
9	053466	HOSE 2 3/8" I.D. 105MM	1	W
9	503758	. HOSE SILICONE 4PLY 2 3/8" I.D. x 4' To D-5381	AR	W
9	503785	. HOSE SILICONE 4PLY / NOMEX-ARAMID 2 3/8" I.D. x 6' From D-5382	AR	W
9	071660	HOSE / SILICONE W/NOMEX 2 3/8" I.D. 98MM "GREYHOUND"	1	GR
9	503785	. HOSE SILICONE 4PLY / NOMEX-ARAMID 2 3/8" I.D. x 6' "GREYHOUND"	AR	GR
10	053472	PIPE / ELBOW 90° To B-5049	1	
10	059061	PIPE / ELBOW 90° PRELIMINAIRE 9614 / 9992 From B-5050 To E-5759	1	
10	053070	PIPE / ELBOW 90° From F-5760	1	
11	052889	HOSE SILICONE 2 1/2" I.D. 280MM	1	
11	503722	. HOSE SILICONE 4PLY 2 1/2" I.D. x 4'	AR	
11	053618	HOSE SILICONE / NOMEX 2 1/2" I.D. 280MM "GREYHOUND"	1	GR
11	503786	. HOSE SILICONE 4 PLY / NOMEX-ARAMID 2 1/2" I.D. x 6' "GREYHOUND"	AR	GR
12	053465	PIPE / ELBOW 90° TO THERMOSTAT HOUSING To B-5049	1	W
12	053613	PIPE / ELBOW 90° TO THERMOSTAT HOUSING PRELIMINAIRE 9614 / 9992 From B-5050 To E-5759	1	
12	053064	PIPE / ELBOW 90° TO THERMOSTAT HOUSING From F-5760	1	
13	053546	PIPE / ELBOW 90° TO THERMOSTAT HOUSING From B-5002 To B-5049	1	I

From 8-9457 To H-6179	Date:01/2024	PAGE:X3-0500-02
COOLANT PIPING WITH VOLVO D13		

Item#	Part	Description	QTY	Notes
13	053612	PIPE / ELBOW 90° TO THERMOSTAT HOUSING PRELIMINAIRE 9614 / 9992 From B-5050	1	I
14	504561	HOSE CLAMP / 2"1/4-3"1/8 / C.T. 300 To E-5759	5	
14	992089	HOSE CLAMP / 60MM/80MM From F-5760	10	
16	501025	DRAIN VALVE 1/4NPTM 3/8TUBE	1	
17	501305	PLUG SQUARE HEAD / PIPE FITTING / 3/8NPT-M BR To A-9968	1	
17	501449	PLUG HEXS / PIPE FITTING / 3/8NPT-M STL From A-9969 To D-5371	1	
17	501305	PLUG SQUARE HEAD / PIPE FITTING / 3/8NPT-M BR From D-5372	1	
19	053608	PIPE SUPPORT From B-5050	1	A
20	053470	PIPE SUPPORT / "WORLD TRANSMISSION To B-5049	1	A W
20	053609	PIPE SUPPORT / "WORLD TRANSMISSION From B-5050	1	A W
21	505535	U BOLT 2 1/2" I.D. SS	4	
22	053557	HOSE 2 1/4" I.D. 100MM From B-5002	1	I
22	503774	. HOSE SILICONE 4PLY 2 1/4" I.D. x 4' To D-5381	1	I
22	503801	. HOSE SILICONE 4PLY / NOMEX-ARAMID 2 1/4" I.D. x 6' From D-5382	1	I
23	053545	PIPE SUPPORT / "I-SHIFT" TRANSMISSION From B-5002 To B-5049	1	I
23	053610	PIPE SUPPORT / "I-SHIFT" TRANSMISSION From B-5050	1	I
30	173489	SUPPORT PIPE / ELBOW 90°	1	
31	052921	P-CLAMP PIPE / 2 1/2" I.D. / M8-1.25	2	
32	053491	ATTACHMENT ENGINE BLOCK To E-5624	1	
32	053660	ATTACHMENT ENGINE BLOCK From E-5625	1	
33	053501	SPACER To E-5681	1	
34	053485	ATTACHMENT ENGINE BLOCK	1	
35	053490	BRACE PIPE SUPPORT To B-5049	1	
35	053607	BRACE PIPE SUPPORT From B-5050 To G-5932	1	
35	053708	BRACE PIPE SUPPORT From G-5933	1	
36	053486	PIPE SUPPORT To B-5049	1	
36	053606	PIPE SUPPORT From B-5050	1	
37	053489	BRACE PIPE SUPPORT To E-5624	1	
37	053659	BRACE PIPE SUPPORT From E-5625	1	
38	032882	ATTACHMENT AIR INTAKE From B-5002 To E-5624	1	
38	032988	ATTACHMENT AIR INTAKE From E-5625	1	
39	500321	WASHER BEL SPR .331x.827x.098 N500	4	
40	5001644	SCREW CAP HEXF M10-1.5x30 G8.8 G500	1	
41	5001785	SCREW CAP HEXF M10-1.5x100 G10.9 N500	1	
42	5001745	SCREW CAP HEX M8-1.25x25 G8.8 N500	8	
43	500942	WASHER LO SPT 8.1x14.8x2.0 N500	11	
44	500401	WASHER FL .343x.875x.125 N500	8	
45	5001738	SCREW CAP HEX M8-1.25x30 G8.8 N500	4	
46	500359	SCREW CAP HEX M10-1.5x22 G8.8 N500	2	
47	500487	WASHER LO SPT .443x.779x.109 N500	6	
48	500820	SCREW CAP HEX M8-1.25x16 G10.9 N500	1	
49	5001751	WASHER FL 10.5x26.0x2.0 N500	6	

From 8-9457 To H-6179	Date:01/2024	PAGE:X3-0500-02
COOLANT PIPING WITH VOLVO D13		

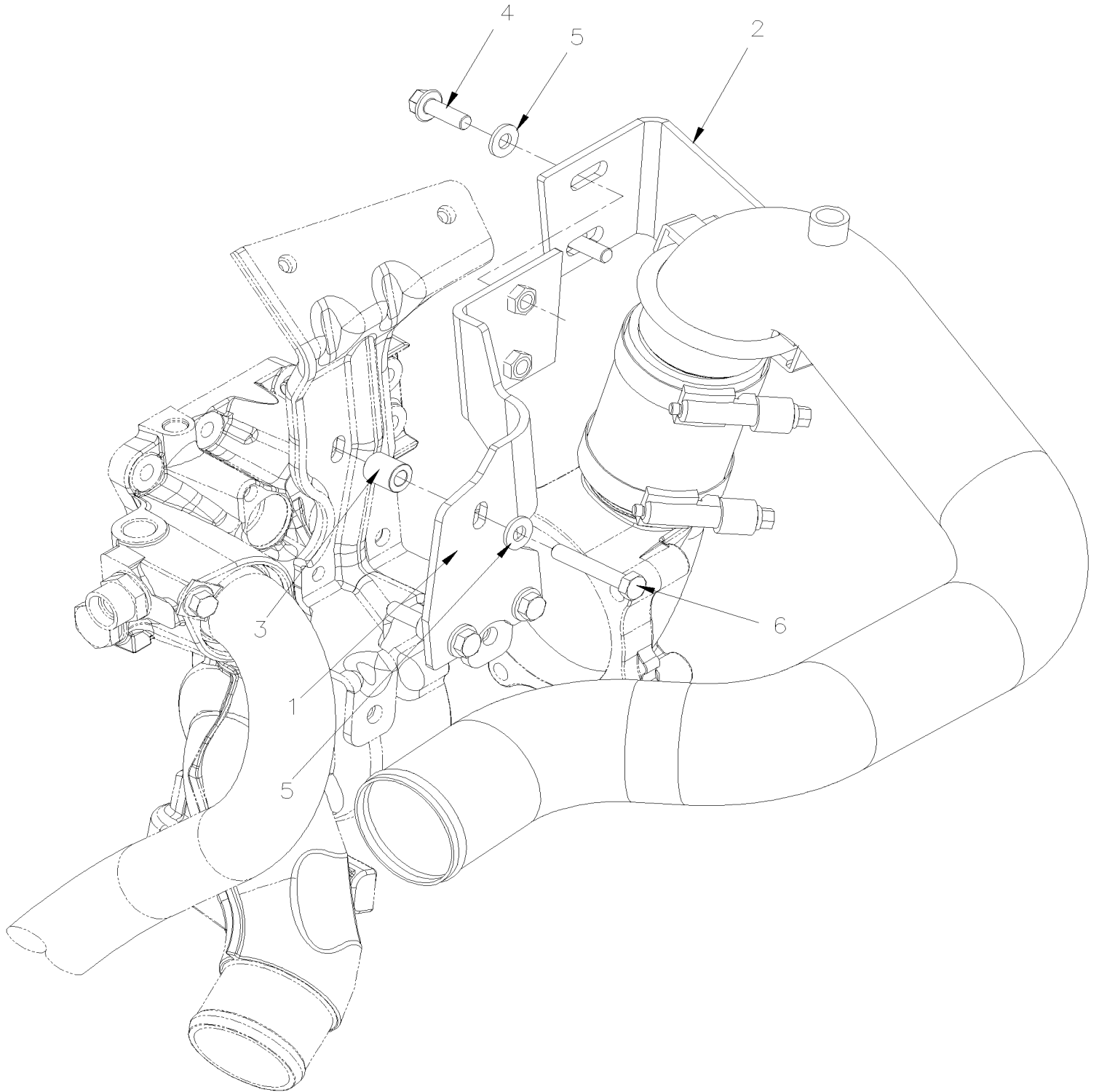
Item#	Part	Description	QTY	Notes
50	X3-0505-01	RADIATOR ASSY		
51	X3-0330-02	AIR FILTER & INTAKE - INSTALLATION WITH VOLVO D13 - EPA 2007 To B-5001		
51	X3-0330-03	AIR FILTER & INTAKE - INSTALLATION WITH VOLVO D13 - EPA 2010 From B-5002		
52	Refer To Volvo	SEE IMPACT OR CALL ORDER DESK		V
53	053635	PIPE SUPPORT SERVICE KIT To B-5001	1	A
		A) USE ONLY IF YOU CHANGE TO THE NEW THERMOSATS HOUSING		
		GR) GREYHOUND OPTION		
		I) WITH "I-SHIFT" TRANSMISSION		
		W) WITH "WORLD" TRANSMISSION		
		V) SEE IMPACT OR CALL ORDER DESK		

To B-5001

Date:01/2024

PAGE:053635

PIPE SUPPORT SERVICE KIT



To B-5001	Date:01/2024	PAGE:053635
-----------	--------------	-------------

PIPE SUPPORT SERVICE KIT

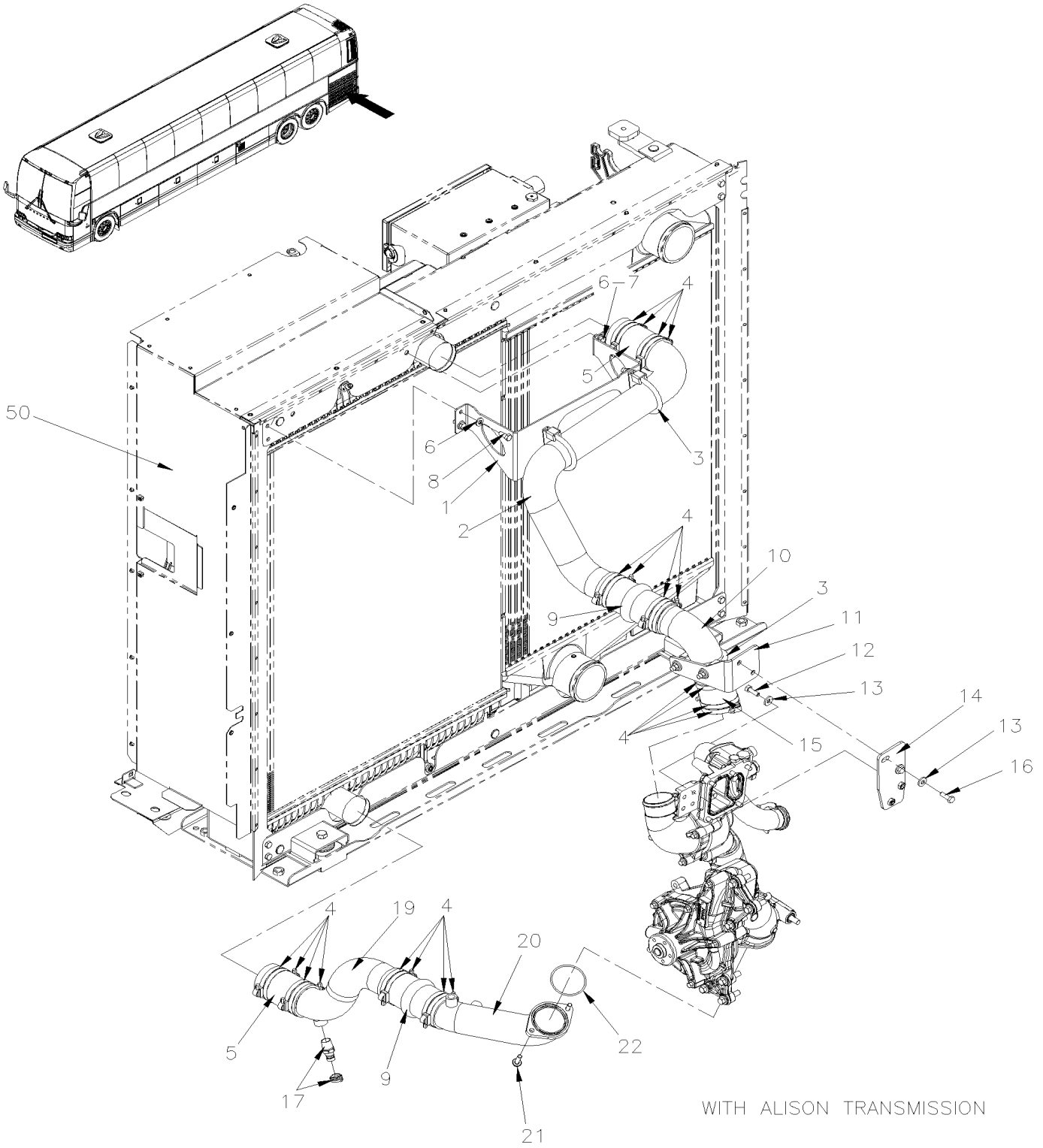
Item#	Part	Description	QTY	Notes
1	053648	SUPPORT WATER PIPE	1	
2	053649	SUPPORT WATER PIPE	1	
3	053650	SPACER	3	
4	5001643	SCREW CAP HEXF M8-1.25x25 G8.8 G500	2	
5	5001736	WASHER FL 8.4x18.0x2.0 N500	5	
6	502927	SCREW CAP HEX M8-1.25x50 G8.8 N500	3	

From H-6180

Date:01/2024

PAGE:X3-0500-03

COOLANT PIPING WITH VOLVO D13 - GHG17

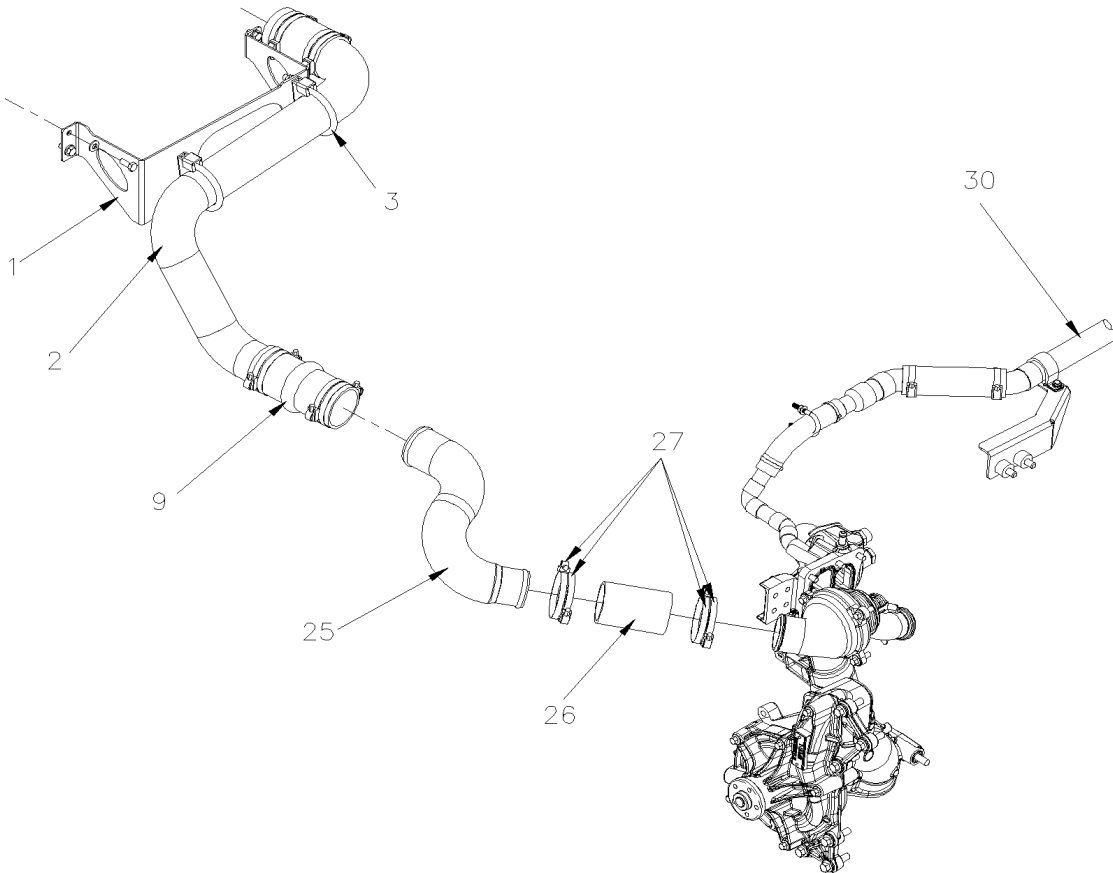
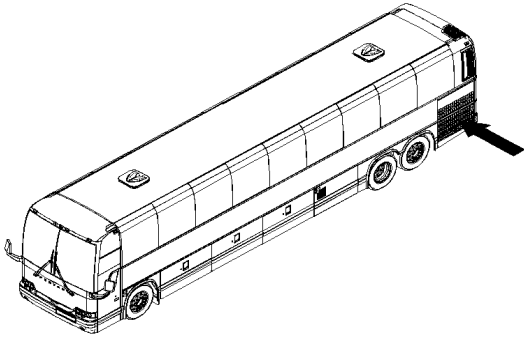


From H-6180

Date:01/2024

PAGE:X3-0500-03

COOLANT PIPING WITH VOLVO D13 - GHG17



WITH ISHIFT TRANSMISSION

From H-6180		Date:01/2024	PAGE:X3-0500-03
COOLANT PIPING WITH VOLVO D13 - GHG17			

Item#	Part	Description	QTY	Notes
1	053096	PIPE HOLDER To J-6312	1	
1	050117	PIPE HOLDER From J-6313 To L-6559	1	
1	050435	PIPE HOLDER From L-6560	1	
2	053091	WATER PIPE RADIATOR	1	
2	050476	WATER PIPE RADIATOR SS304	1	C
3	505535	U BOLT 2 1/2" I.D. SS	3	
4	992089	HOSE CLAMP / 60MM/80MM	20	
5	053617	HOSE SILICONE / NOMEX 2 1/2" I.D. 105MM	2	
. NS	503786	. HOSE SILICONE 4 PLY / NOMEX-ARAMID 2 1/2" I.D. x 6'	1	
6	5001868	WASHER BEL SPR 8.4x18x2 SS	3	
7	5001527	SCREW CAP HEX M8-1.25x16 SS BK	1	
8	500119	SCREW CAP HEX M8X1.25X20 BK	2	
9	551013	WATER HOSE SILICON WITH HUMP	2	
10	053087	WATER PIPE MOTOR /W/ALLISON TRANSMISSION To J-6284	1	
10	050107	WATER PIPE MOTOR /W/ALLISON TRANSMISSION From J-6285	1	
10	050481	WATER PIPE MOTOR /W/ALLISON TRANSMISSION SS304	1	C
11	053609	PIPE SUPPORT / "WORLD TRANSMISSION	1	
12	5001745	SCREW CAP HEX M8-1.25x25 G8.8 N500	2	
13	500321	WASHER BEL SPR .331x.827x.098 N500	4	
14	053608	PIPE SUPPORT	1	
15	070039	HOSE SILICONE 4PLY / NOMEX-ARAMID 2 3/8" x 100MM	1	
. NS	503785	. HOSE SILICONE 4PLY / NOMEX-ARAMID 2 3/8" I.D. x 6'	AR	
16	5001745	SCREW CAP HEX M8-1.25x25 G8.8 N500	2	
17	1675641	NIPPLE / QUICK DISCONNECT "VOLVO" / 1/2NPT-M	1	
. NS	V476279	. DUST CAP / QUICK DISCONNECT "VOLVO" /	1	
. NS	507666	. DUST CAP / QUICK DISCONNECT "VOLVO" /	1	
NS	680098	THREAD SEALANT LOCTITE #567 / WHITE / 250ml	AR	
19	053089	WATER PIPE RADIATOR To P-6878	1	
19	050578	WATER PIPE RADIATOR From P-6879	1	
19	050478	WATER PIPE RADIATOR SS304 To P-6878	1	C
19	050590	WATER PIPE RADIATOR SS304 From P-6879	1	C
20	053088	WATER PIPE RADIATOR To P-6878	1	
20	050584	WATER PIPE RADIATOR From P-6879	1	
20	050384	WATER PIPE RADIATOR SS304 To P-6878	1	C
20	050589	WATER PIPE RADIATOR SS304 From P-6879	1	C
21	946671	SCREW CAP HEXF M8-1.25x30 G8.8 ZG603	1	
22	975675	O-RING 64.5 MM X 3MM	1	
25	050020	WATER PIPE MOTOR W/SHIFT TRANSMISSION	1	I
25	050482	WATER PIPE MOTOR W/SHIFT TRANSMISSION SS304	1	C I
26	053557	HOSE 2 1/4" I.D. 100MM	1	I
26	503801	. HOSE SILICONE 4PLY / NOMEX-ARAMID 2 1/4" I.D. x 6'	1	I
27	992089	HOSE CLAMP / 60MM/80MM	4	I

From H-6180	Date:01/2024	PAGE:X3-0500-03
-------------	--------------	-----------------

COOLANT PIPING WITH VOLVO D13 - GHG17

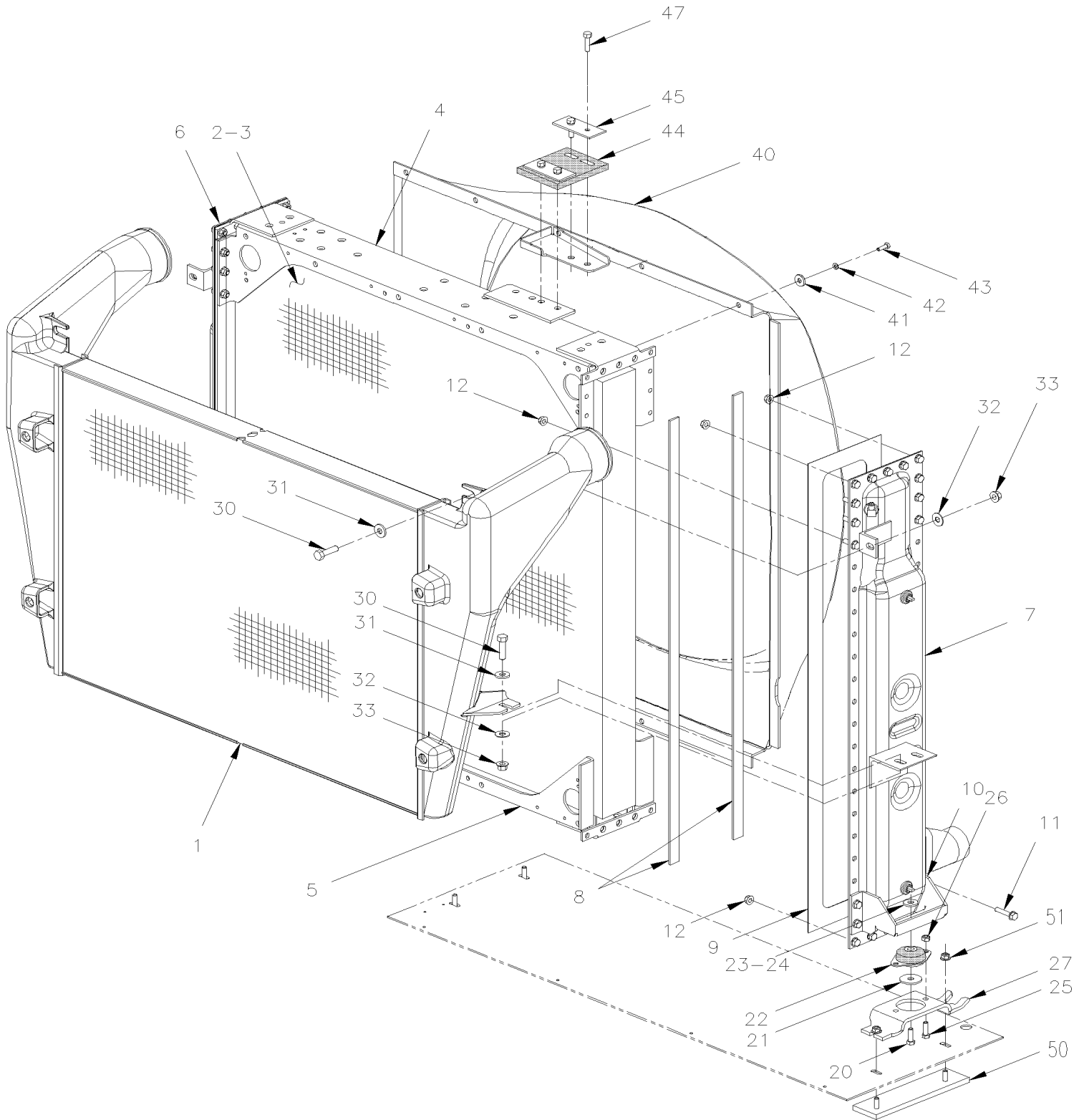
Item#	Part	Description	QTY	Notes
30	X3-2222-07	HEATER LINE REAR SECTION WITH "VOLVO" ENGINE "GHG17"	1	
50	X3-0505-02	RADIATOR ASSY VOLVO D13 - GHG17	1	
		C) SPECIAL OPTION SS304		
		I) WITH "I SHIFT" TRANSMISSION		

From 7-8754 To 8-9276

Date:01/2024

PAGE:X3-0505-00

RADIATOR ASSY



From 7-8754 To 8-9276	Date:01/2024	PAGE:X3-0505-00
RADIATOR ASSY		

Item#	Part	Description	QTY	Notes
	N.S.A.	RADIATOR ASSY W/AIR CHARGER / SANDWICH	1	3
1	550845	. AIR COOLER ASSY To A-9976	1	
NS	MI06-02	. . SEE MAINTENANCE INFORMATION To A-9976	1	
1	550968	. AIR COOLER ASSY TitanX From A-9977	1	
1	550978	. AIR COOLER ASSY Dura-Lite From A-9977	1	
2	550844	. RADIATOR ASSY	1	
3	550852	. . CORE	1	
4	550855	. . SUPPORT UPPER	1	
5	550856	. . SUPPORT LOWER	1	
6	550853	. . TANK FRONT	1	
7	550854	. . TANK REAR	1	
8	550859	. . REINFORCEMENT STRIP	4	
9	550952	. . GASKET	2	
10	550860	. . SUPPORT BOTTOM	2	
11	500179	. . SCREW CAP HEX 5/16-18x3/4 G5 Z050	62	
11	500181	. . SCREW CAP HEX 5/16-18x1 G5 Z050	27	
11	500183	. . SCREW CAP HEX 5/16-18x1 1/2 G5 PT Z050	8	
12	5001083	. . NUT HEXF NYRT 5/16-18 Z050	88	
20	500195	. SCREW CAP HEX 3/8-16x2 1/2 G5 Z050	2	
21	550825	. WASHER SPECIAL	2	
22	550826	. INSULATOR MOUNTING	2	
23	N.P.N.	. WASHER / (1320875)	2	4
24	500301	. NUT HEXF STO 3/8-16 Z050	2	
25	500179	. SCREW CAP HEX 5/16-18x3/4 G5 Z050	4	
26	5001083	. NUT HEXF NYRT 5/16-18 Z050	4	
27	550858	. BRACKET MOUNTING	2	
30	502527	. SCREW CAP HEX M8-1.25x50 G8.8 Z050	4	
31	N.P.N.	. WASHER / (132866)	1	4
31	N.P.N.	. WASHERT SP / (132873)	1	4
32	N.P.N.	. WASHER FL NYL .443X.750X.125 / (132813)	1	4
33	502692	. NUT HEXF STO M8-1.25 Z050	4	
40	052428	SHROUD	1	
40	506001	TAPE RUB ADH1 CC POL 1/8" x 3/4" x 50' / GREY 2520X	AR	
NS	052608	PLATE STOPPER / HOLDER 19MM X 38MM	2	A
41	502838	NUT HEX TWAY M8-1.25 N500	10	
42	502853	WASHER LO SPT 6.1x11.8x1.6 N500	10	
43	502830	SCREW CAP HEX M6-1.0x20 G8.8 N500	10	
44	21185073	RUBBER PAD 100MM X 123MM SERVICE	1	
45	052473	PLATE / UPPER RADIATOR 40MM X 90MM	2	
47	940142	SCREW CAP HEX M8-1.25x30 G8.8 ZG603	4	
50	955297	SCREW CAP HEX M8-1.25x25 G8.8 ZG603	3	
51	502837	NUT HEXF STO M8-1.25 N500	3	

From 7-8754 To 8-9276	Date:01/2024	PAGE:X3-0505-00
-----------------------	--------------	-----------------

RADIATOR ASSY

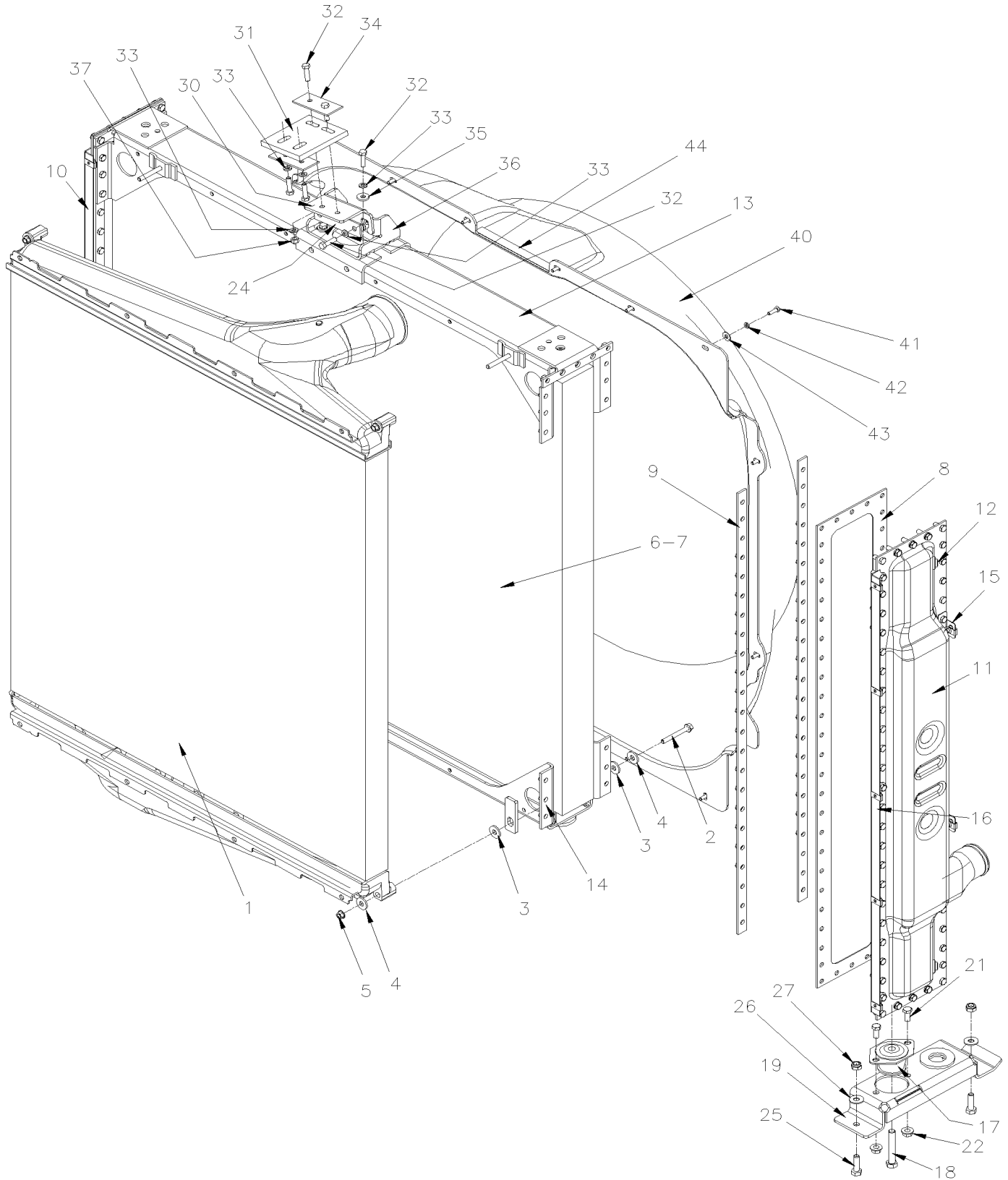
Item#	Part	Description	QTY	Notes
51	192288	WASHER FL 8.4x18.0x2.0 ZG603	3	
		A) LOCATED EACH SIDE CENTER LOCATION TO HOLD SHROULD		
		3) NOT SOLD ASSEMBLY		
		4) NO PARTS NUMBER		

From 8-9277 To H-6179

Date:01/2024

PAGE:X3-0505-01

RADIATOR ASSY



From 8-9277 To H-6179		Date:01/2024	PAGE:X3-0505-01
RADIATOR ASSY			

Item#	Part	Description	QTY	Notes
	N.S.A.	RADIATOR & AIR COOLER ASSY To A-9976	1	3
	N.S.A.	RADIATOR & AIR COOLER ASSY From A-9977 To F-5915	1	3
	N.S.A.	RADIATOR & AIR COOLER ASSY From F-5916	1	3
1	550916	. AIR COOLER ASSY To A-9976	1	
1	550970	. AIR COOLER ASSY TitanX SERVICE From A-9977	1	
1	550967	. AIR COOLER ASSY Dura-Lite SERVICE From A-9977	1	
1	550296	. GASKET / COVER / BOLT KIT	1	
2	N20874	. SCREW CAP HEX M8-1.25x70 G8.8 YP	2	
3	502220	. WASHER FL .375x1.000x.125 RUB	4	
4	500270	. WASHER FL .406x1.000x.063 SS	6	
5	5001082	. NUT HEXF M8-1.25 G500	4	
6	550915	. RADIATOR ASSY	1	
6	7770005	. RADIATOR ASSY SERVICE	1	
6	550297	. . BOLT KIT / TO FIX AIR COOLER	1	
7	550931	. . CORE ASSY To F-5915	1	
7	550058	. . CORE ASSY From F-5916	1	
8	550937	. . GASKET To F-5915	2	
8	551014	. . GASKET From F-5916	2	
9	550940	. . REINFORCMENT BAR	4	
10	550933	. . TANK ASSY / FORWARD	1	
11	550934	. . TANK ASSY / BACKWARD	1	
12	501304	. . PLUG SQUARE HEAD / PIPE FITTING / 1/4NPT-M BR To A-9968	2	
12	501800	. . PLUG HEXS / PIPE FITTING / 1/4NPT-M STL From A-9969	2	
13	550935	. . SUPPORT ASSY TOP	1	
14	550936	. . SUPPORT ASSY BOTTOM	1	
15	550938	. . ANGLE BRACKET 16 GA SS	4	
16	550939	. . ANGLE BAR 14 GA SS	2	
17	550904	. BUSHING RUBBER	2	
NS	550905	. WASHER FL 16x52x3 ZP	2	
18	N21798	. SCREW CAP HEX M12-1.75x75 G8.8 YP	2	
19	550932	. BRACKET ASSY / RUBBER MOUNTING SUPPORT	2	
21	500190	. SCREW CAP HEX 3/8-16x3/4 G5 Z050	4	
22	500301	. NUT HEXF STO 3/8-16 Z050	4	
NS	550995	. U-CLIP	AR	
24	052795	PLATE / UPPER RADIATOR 30MM X 120MM	1	
25	970949	SCREW CAP HEX M10-1.5x35 G8.8 ZG603	4	
26	960143	WASHER FL 10.5x26.0x2.0 ZP	4	
27	502859	NUT HEX NYRT M10-1.5 N500	4	
30	052671	ANGLE ATTACHMENT / TO STRUCTURE	1	
31	052441	RUBBER PAD 100MM X 123MM To 9-9595	1	
31	21185073	RUBBER PAD 100MM X 123MM From 9-9596	1	
32	940142	SCREW CAP HEX M8-1.25x30 G8.8 ZG603	8	

From 8-9277 To H-6179	Date:01/2024	PAGE:X3-0505-01
-----------------------	--------------	-----------------

RADIATOR ASSY

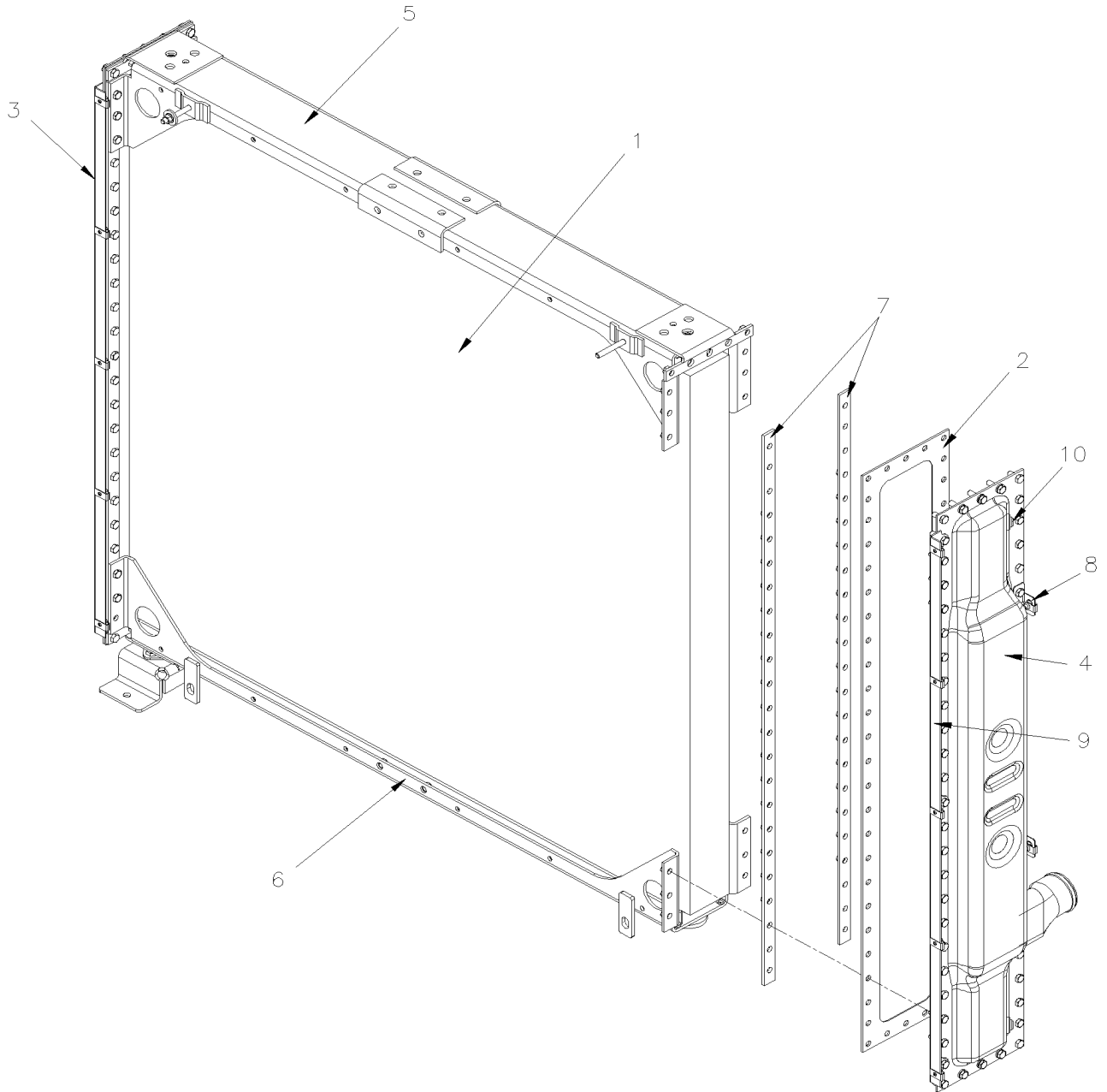
Item#	Part	Description	QTY	Notes
33	500942	WASHER LO SPT 8.1x14.8x2.0 N500	8	
34	052473	PLATE / UPPER RADIATOR 40MM X 90MM	2	
35	500401	WASHER FL .343x.875x.125 N500	4	
36	052669	ATTACHMENT UPPER RADIATOR	1	
37	502851	NUT HEX M8-1.25 N500 To C-5124	2	
37	502837	NUT HEXF STO M8-1.25 N500 From C-5125	2	
40	052683	SHROUD W/38" FAN BLADE To 9-9595	1	
40	21120999	SHROUD W/38" FAN BLADE From 9-9596	1	
41	502830	SCREW CAP HEX M6-1.0x20 G8.8 N500	AR	
42	502853	WASHER LO SPT 6.1x11.8x1.6 N500	AR	
43	502638	WASHER FL .312x.734x.065 N500	AR	
44	506277	TAPE RUB ADH1 CC POL 1/2" x 3/4" x 15' / GREY 2520X	AR	
		3) NOT SOLD ASSEMBLY		

From 8-9277 To H-6179

Date:01/2024

PAGE:7770005

RADIATOR ASSY SERVICE



From 8-9277 To H-6179	Date:01/2024	PAGE:7770005
-----------------------	--------------	--------------

RADIATOR ASSY SERVICE

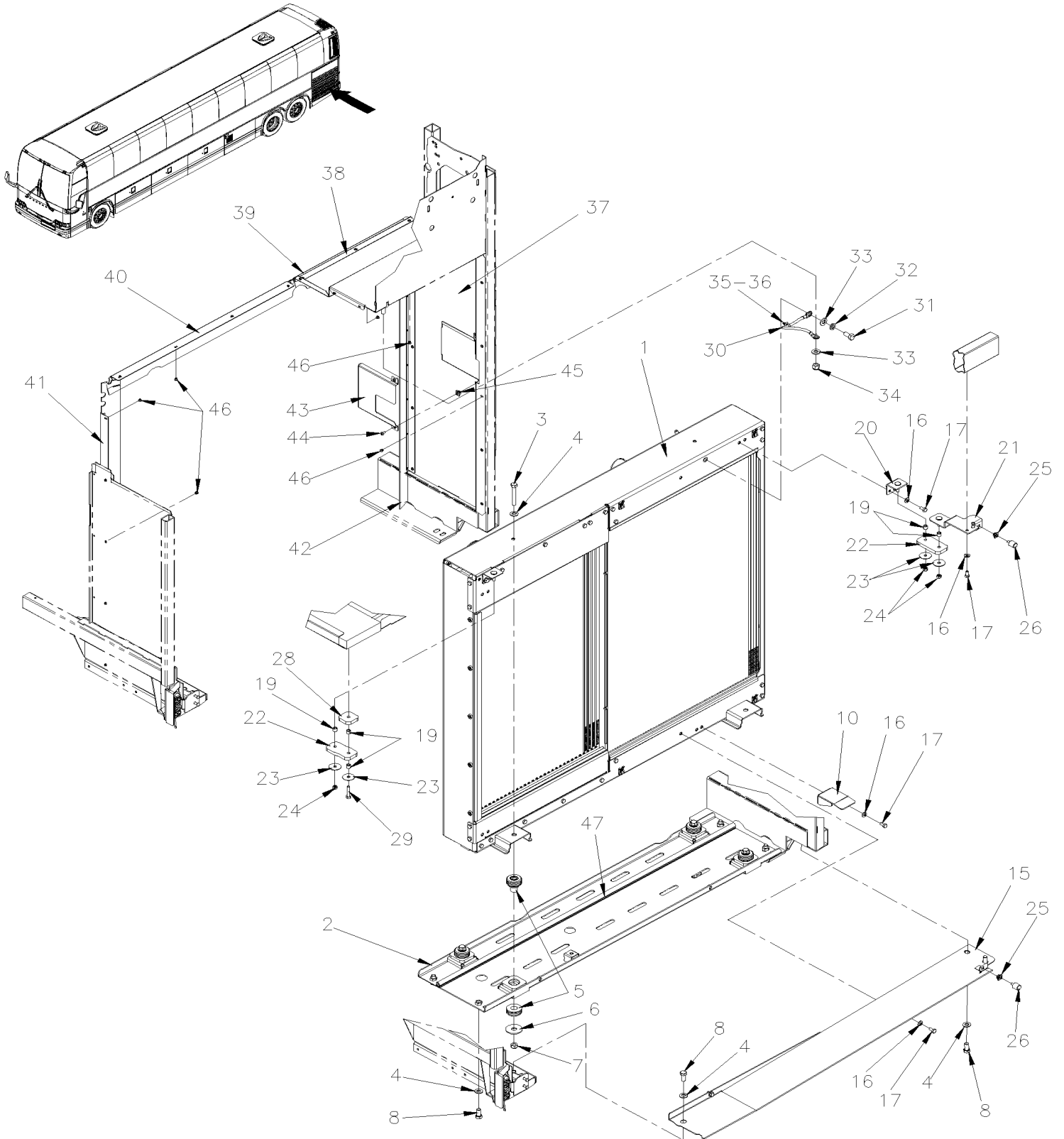
Item#	Part	Description	QTY	Notes
1	7770990	CORE ASSY	1	
2	7770989	GASKET	1	
3	7770951	TANK, LEFT	1	
4	7770952	TANK, RIGHT	1	
5	7770953	BRACKET UPPER	1	
6	7770954	BRACKET LOWER	1	
7	7770955	CLAMP STRIP	4	
8	7775151	ANGULAR SS 3"	4	
9	7770956	ANGULAR SS 41"	2	
10	501304	PLUG SQUARE HEAD / PIPE FITTING / 1/4NPT-M BR	2	

From H-6180

Date:01/2024

PAGE:X3-0505-02

RADIATOR ASSY VOLVO D13 - GHG17

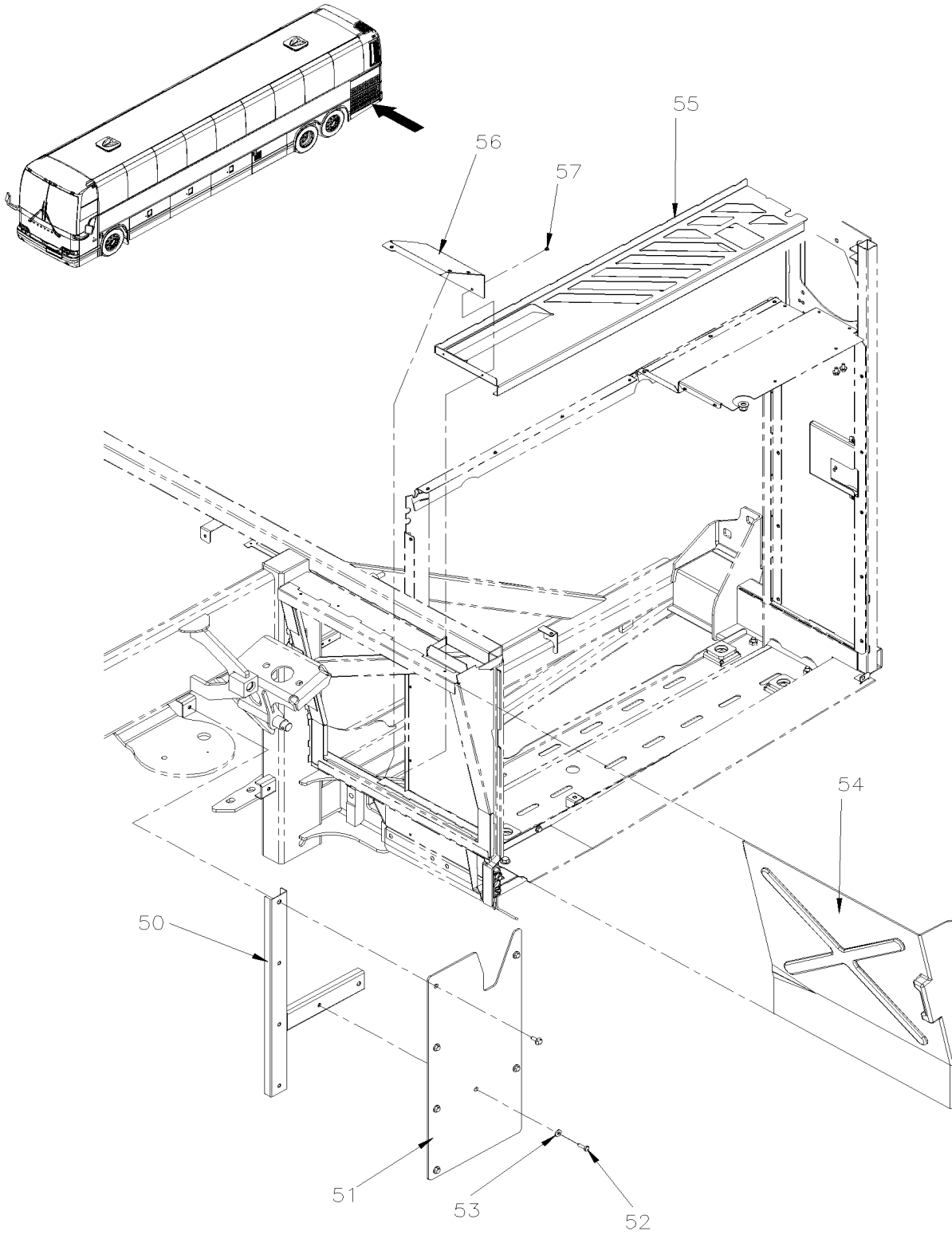


From H-6180

Date:01/2024

PAGE:X3-0505-02

RADIATOR ASSY VOLVO D13 - GHG17



From H-6180		Date:01/2024	PAGE:X3-0505-02
RADIATOR ASSY VOLVO D13 - GHG17			

Item#	Part	Description	QTY	Notes
1	550994	RADIATOR & AIR COOLER To J-6316	1	
1	501063	. MALE ELBOW 45° / SAE 45° FITTING / #4FL-Mx1/4NPT-M BR To J-6316	1	
1	550048	RADIATOR & AIR COOLER From J-6317 To L-6581	1	
1	550081	RADIATOR & AIR COOLER From L-6582 To M-6652	1	
1	550091	RADIATOR & AIR COOLER From M-6653	1	
1	501027	. MALE CONNECTOR / SAE 45° FITTING / #4FL-Mx1/4NPT-M BR From J-6317	1	
2	261618	FLOOR PLATE FOR RADIATOR	1	
3	5001987	SCREW CAP HEX M12-1.75x75 SS BK	4	
4	5001877	WASHER BEL SPR .512x1.000x.073 SS	7	
5	551010	VIBRATION ISOLATOR TOW PIECES	4	
6	052765	WASHER FL 12.5MMx52MMx3MM	4	
7	5001988	NUT HEX NYRT M12-1.75 SS BK	4	
NS	680064	OIL ANTICORROSIVE GREY (TECTYL) (20 LITERS)	AR	
8	5001979	SCREW CAP HEX M12-1.75x25 SS BK	7	
10	053081	GUIDE FOR FAN'S DOOR	1	
15	261654	DEFLECTOR FLOOR	1	
16	5001868	WASHER BEL SPR 8.4x18x2 SS	10	
17	5001527	SCREW CAP HEX M8-1.25x16 SS BK	10	
19	032540	SPACER 1/2" O.D.X 12MM SS	AR	
20	053102	CORNER BRACKET	2	
21	053084	HOLDER To J-6312	1	
21	050097	HOLDER From J-6313	1	
NS	509815	. TIE MOUNT / ATTACHMENT W/TREE MOUNT	1	
22	053105	VIBRATION ABSORBER RUBBER PLATE	2	
23	500462	WASHER FL .343x1.500x.083 SS	4	
24	5001983	NUT HEX NYRT M8-1.25 SS SS BK	3	
25	5001009	NUT AN 1/4 NYL	2	
26	504454	BUMPER RUBBER BOLT / 20MM ODx20MM TH X M6X15MM STUD	2	
28	053110	RUBBER SPACER	1	
29	5002012	SCREW CAP HEX W/DOG M8-1.25x45 SS	1	
30	069279	RADIATOR GROUND HARNESS To J-6312	1	
30	062315	RADIATOR GROUND HARNESS From J-6313	1	
31	5001565	SCREW CAP HEX 1/2-13x1 G5 N500	1	
NS	684013	RUBBER PROTECTOR / COLOR GUARD 14.5oz	AR	
32	5001534	WASHER LO SPT .509x.873x.125 SS	1	
33	500958	WASHER FL .531x1.062x.095 SS	2	
34	5002001	NUT HEX NYRT 1/2-13 SS BK	1	
35	509815	TIE MOUNT / ATTACHMENT W/TREE MOUNT	1	
36	504637	CABLE TIE / 3/16" x 13"	1	
37	053713	SIDE PANEL To J-6312	1	
37	050096	SIDE PANEL From J-6313	1	
38	053712	UPPER PANEL To J-6312	1	

From H-6180	Date:01/2024	PAGE:X3-0505-02
RADIATOR ASSY VOLVO D13 - GHG17		

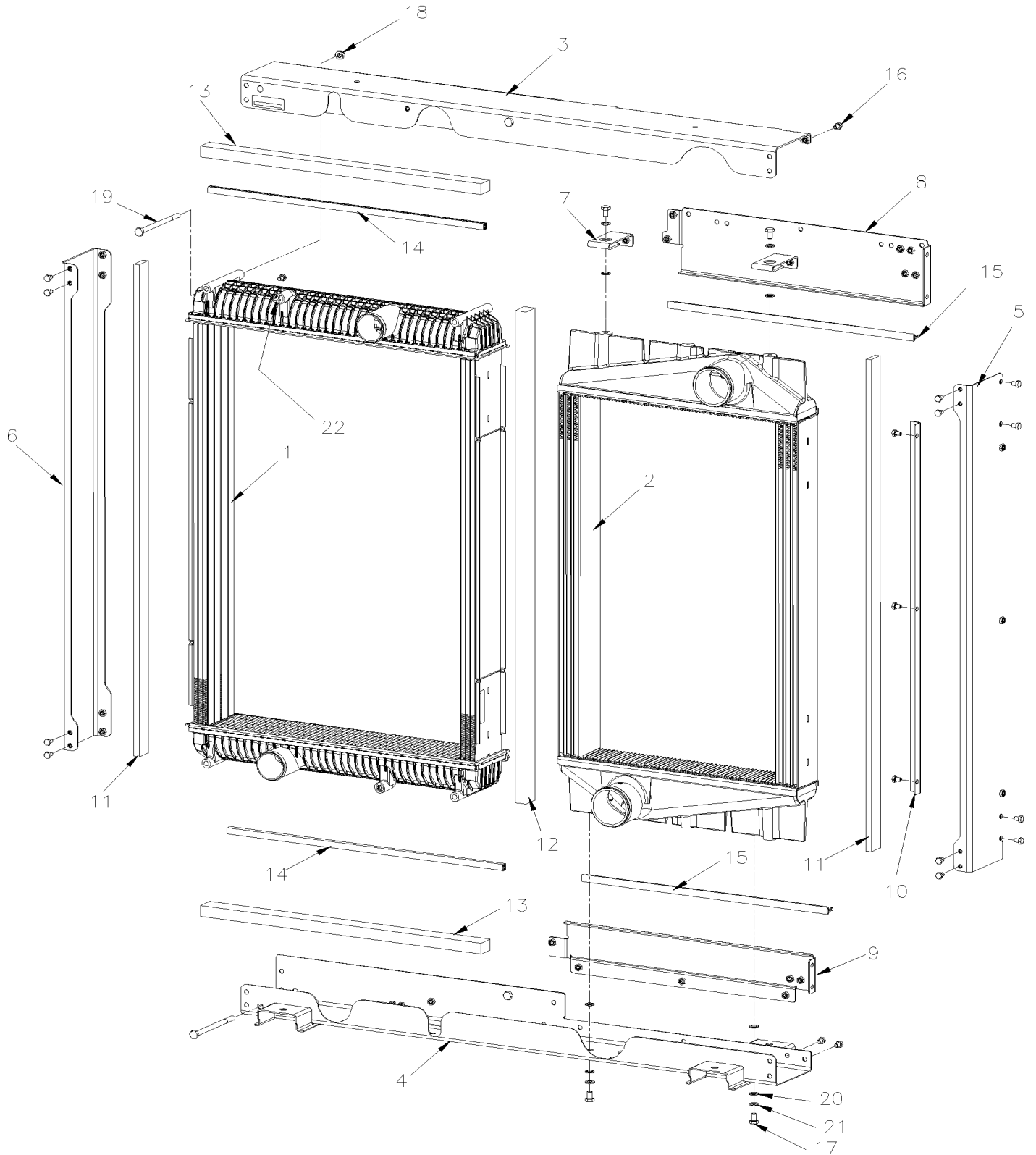
Item#	Part	Description	QTY	Notes
38	050098	UPPER PANEL From J-6313 To K-6492	1	
38	050518	UPPER PANEL From L-6493	1	
38	504069	GROMMET / .281x.375x.062x.250x.562 From J-6313 To K-6492	1	
39	059068	ANGLE TOP TIGHT 500 MM	1	
NS	059069	. RETAINER 481 MM	1	
NS	059070	. RUBBER SEAL 503 MM	1	
NS	504717	. RIVET POP DOME OE 1/8x1/4 SS	4	
40	059072	ANGLE TOP LEFT 777 MM	1	
NS	059073	. RETAINER 801 MM	1	
NS	059074	. RUBBER SEAL 830 MM	1	
NS	504717	. RIVET POP DOME OE 1/8x1/4 SS	6	
41	059080	ANGLE SIDE RIGHT 1030 MM	1	
NS	059081	. RETAINER 1001MM	1	
NS	059082	. RUBBER SEAL 1153 MM	1	
NS	504717	. RIVET POP DOME OE 1/8x1/4 SS	8	
42	059076	ANGLE SIDE LEFT 1028 MM	1	
NS	059081	. RETAINER 1001MM	1	
NS	059078	. RUBBER SEAL 1160 MM	1	
NS	504717	. RIVET POP DOME OE 1/8x1/4 SS	8	
43	059084	CLOSING PLATE	1	
44	5001184	SCREW TP PAN PH #12x1/2 SS	2	
44	500142	WASHER FL 6.6x22.0x2.0 SS	2	
45	5001009	NUT AN 1/4 NYL	2	
46	504488	RIVET MGLP PRDG 3/16x17/64 SS	AR	
47	5060103	RUBBER SEAL 6.56FT LONG 6.56 ft To L-6526	1	
47	509042	RUBBER SEAL 51.38"+0-0.25 From L-6527	1	
50	053719	FRAME FOR PANEL WELDED	1	
51	053122	AIR DEFLECTOR PANEL PLASTIC	1	
52	502780	SCREW CAP HEX M8-1.25x25 SS BK	7	
53	5001848	WASHER BEL SPR .827 x .331 x .098 th SS	7	
54	053703	FENDER ACCESS PANEL ASSY PLASTIC	1	
55	261666	REAR FLOR PANEL FOR RADIATOR	1	
56	261644	CLOSING PANIEL	1	
57	504488	RIVET MGLP PRDG 3/16x17/64 SS	5	
NS	682175	UNDERCOATING BLACK PROTECTOR (GRAVELGUARD) 567gr To N-6731	AR	
NS	685413	RUBBERRIZED UNDERCOAT (GRAVELGUARD) 560gr From N-6732	1	

To J-6316

Date:01/2024

PAGE:550994

RADIATOR & AIR COOLER



To J-6316	Date:01/2024	PAGE:550994
RADIATOR & AIR COOLER		

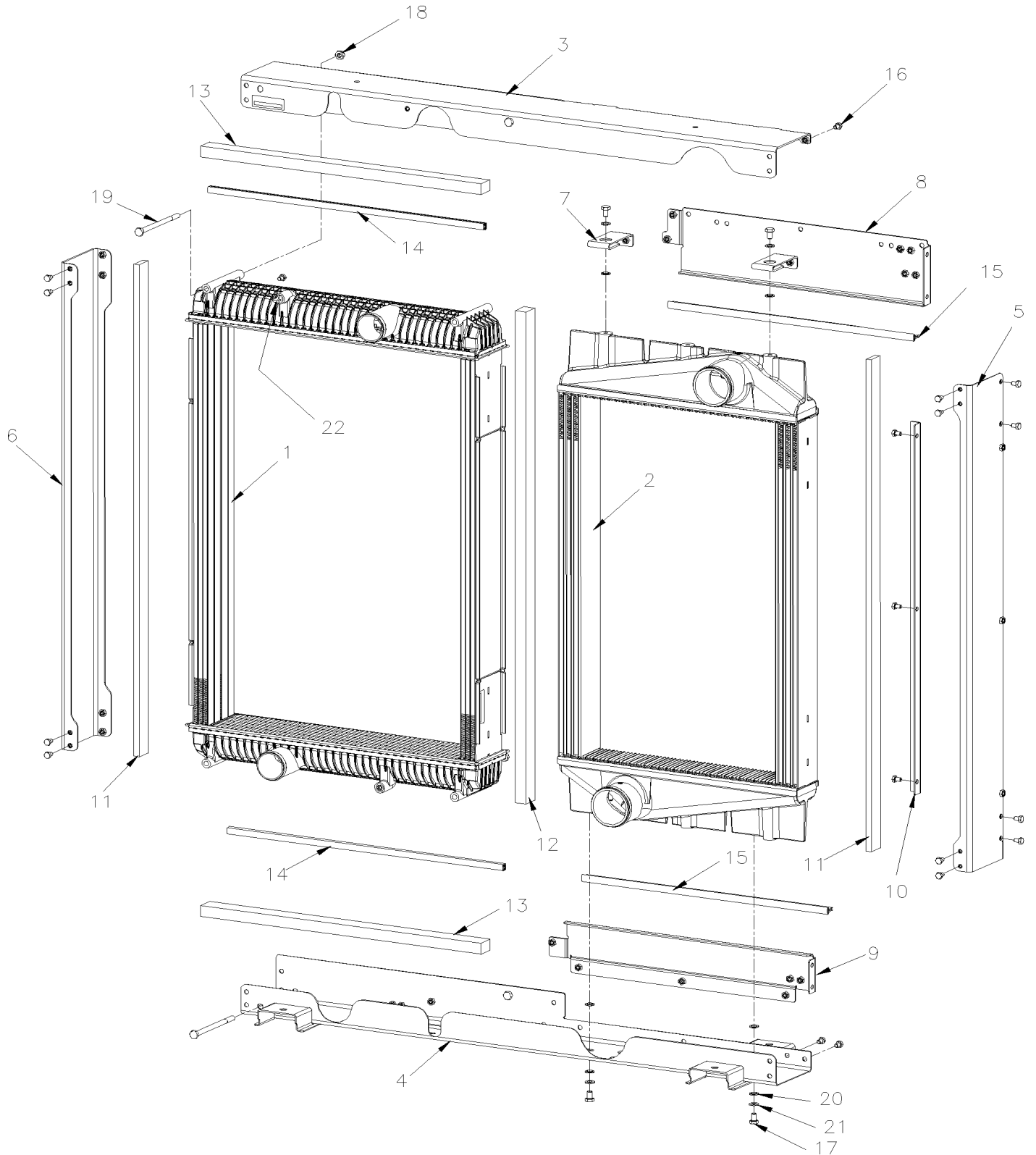
Item#	Part	Description	QTY	Notes
1	551011	RADIATOR ALUMINUM	1	
2	551012	CHARGE AIR COOLER ALUMINUM	1	
3	550006	FRAME, TOP	1	
4	550007	FRAME, BOTTOM	1	
5	550008	FRAME, LEFT	1	
6	550009	FRAME, RIGHT	1	
7	550014	BRACKET TOP CAC	1	
8	550015	COVER PANEL TOP	1	
9	550017	COVER PANEL BOTTOM	1	
10	550019	ANGLE	1	
11	550021	SEALING STRIP	1	
12	550028	SEALING PROFIL	1	
13	550029	SEALING PROFIL	2	
14	550030	SEALING PROFIL	2	
15	550031	SEALING PROFIL	2	
16	550053	HEX HEAD SCREW SS M8 X 12	36	
17	550054	HEX HEAD SCREW SS M10 X 16	4	
18	550050	NUT LOCK SS/NYLON M10	4	
19	550051	HEX HEAD SCREW SS M10 X 160	4	
20	550032	WASHER, SHOULDER NYLON .45X.620X.75"	8	
21	N87290	WASHER SS 10.5MM X 20MM X2.2MM	4	
22	501063	MALE ELBOW 45° / SAE 45° FITTING / #4FL-Mx1/4NPT-M BR	1	

From J-6317 To L-6581

Date:01/2024

PAGE:550048

RADIATOR & AIR COOLER



From J-6317 To L-6581	Date:01/2024	PAGE:550048
RADIATOR & AIR COOLER		

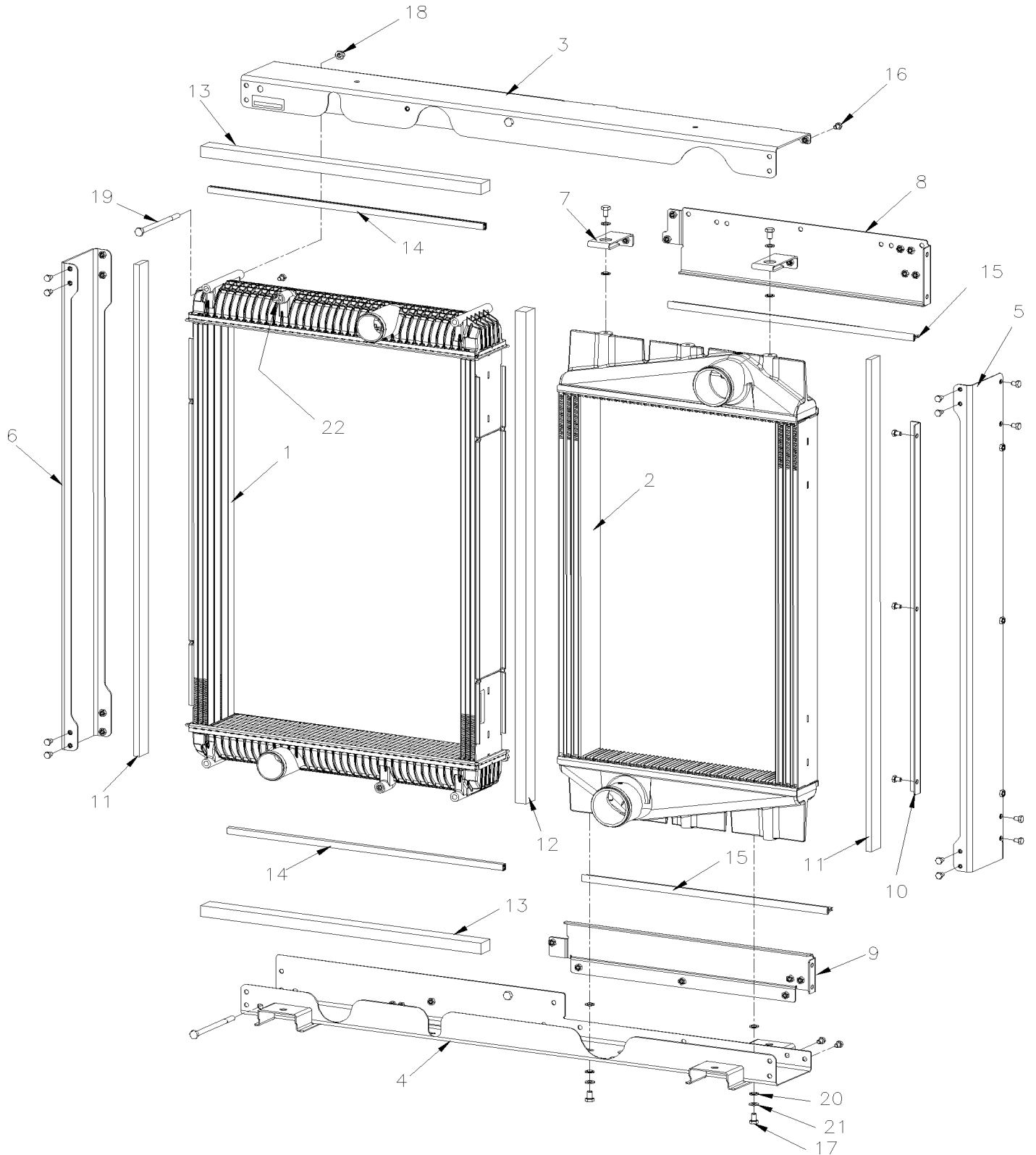
Item#	Part	Description	QTY	Notes
1	550049	RADIATOR	1	
2	551012	CHARGE AIR COOLER ALUMINUM	1	
3	550006	FRAME, TOP	1	
4	550007	FRAME, BOTTOM	1	
5	550008	FRAME, LEFT	1	
6	550009	FRAME, RIGHT	1	
7	550014	BRACKET TOP CAC	1	
8	550015	COVER PANEL TOP	1	
9	550017	COVER PANEL BOTTOM	1	
10	550019	ANGLE	1	
11	550021	SEALING STRIP	1	
12	550028	SEALING PROFIL	1	
13	550029	SEALING PROFIL	2	
14	550030	SEALING PROFIL	2	
15	550031	SEALING PROFIL	2	
16	550053	HEX HEAD SCREW SS M8 X 12	36	
17	550054	HEX HEAD SCREW SS M10 X 16	4	
18	550050	NUT LOCK SS/NYLON M10	4	
19	550051	HEX HEAD SCREW SS M10 X 160	4	
20	550032	WASHER, SHOULDER NYLON .45X.620X.75"	8	
21	N87290	WASHER SS 10.5MM X 20MM X2.2MM	4	
22	501027	MALE CONNECTOR / SAE 45° FITTING / #4FL-Mx1/4NPT-M BR	1	

From L-6582 To M-6652

Date:01/2024

PAGE:550081

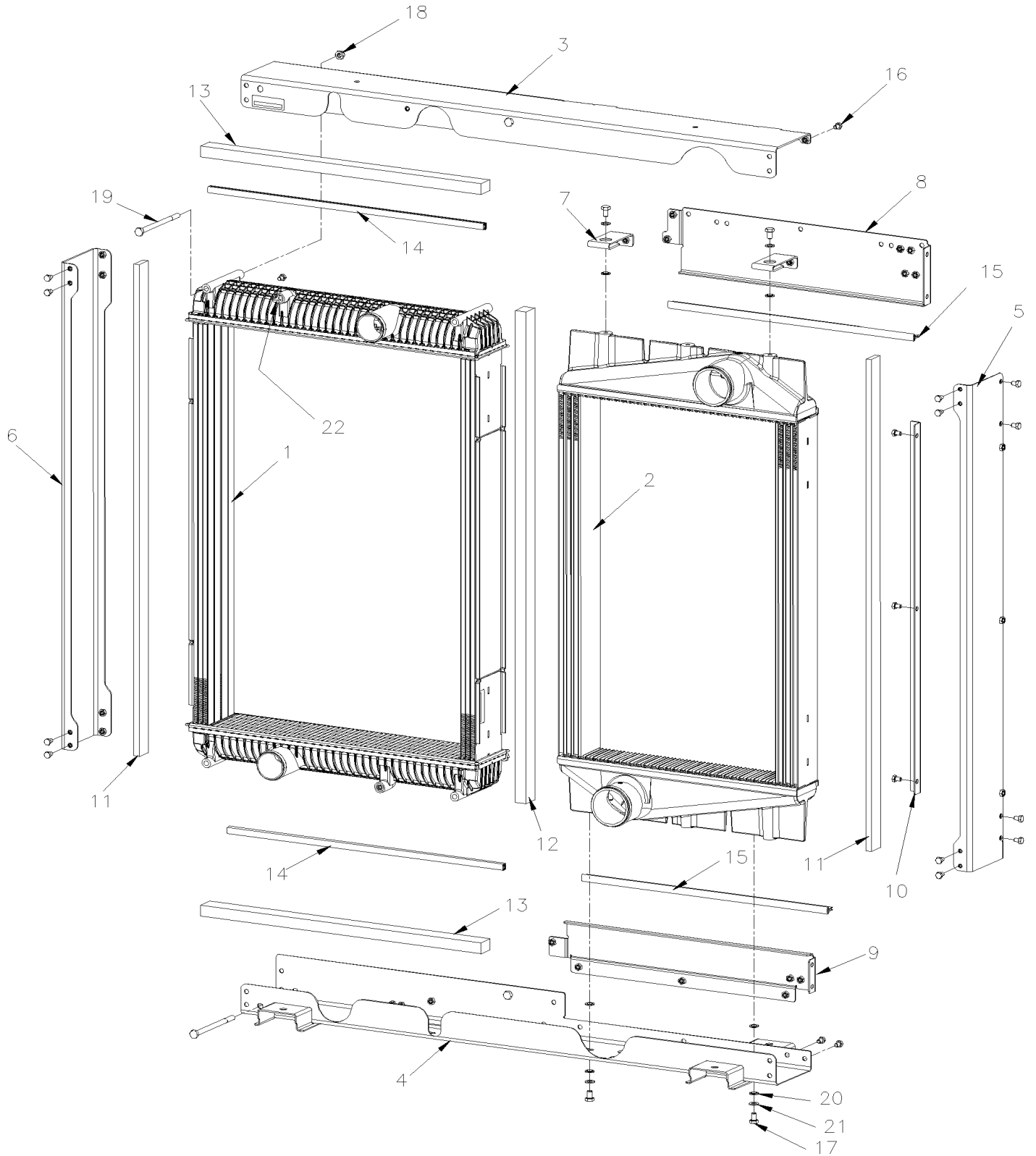
RADIATOR & AIR COOLER



From L-6582 To M-6652	Date:01/2024	PAGE:550081
RADIATOR & AIR COOLER		

Item#	Part	Description	QTY	Notes
1	550063	RADIATOR	1	
2	550060	CHARGE AIR COOLER ALUMINUM	1	
3	550006	FRAME, TOP	1	
4	550007	FRAME, BOTTOM	1	
5	550008	FRAME, LEFT	1	
6	550009	FRAME, RIGHT	1	
7	550014	BRACKET TOP CAC	1	
8	550015	COVER PANEL TOP	1	
9	550017	COVER PANEL BOTTOM	1	
10	550019	ANGLE	1	
11	550021	SEALING STRIP	1	
12	550028	SEALING PROFIL	1	
13	550029	SEALING PROFIL	2	
14	550030	SEALING PROFIL	2	
15	550031	SEALING PROFIL	2	
16	550053	HEX HEAD SCREW SS M8 X 12	36	
17	550054	HEX HEAD SCREW SS M10 X 16	4	
18	550050	NUT LOCK SS/NYLON M10	4	
19	550051	HEX HEAD SCREW SS M10 X 160	4	
20	550032	WASHER, SHOULDER NYLON .45X.620X.75"	8	
21	N87290	WASHER SS 10.5MM X 20MM X2.2MM	4	
22	501027	MALE CONNECTOR / SAE 45° FITTING / #4FL-Mx1/4NPT-M BR	1	

RADIATOR & AIR COOLER



From M-6653	Date:01/2024	PAGE:550091
RADIATOR & AIR COOLER		

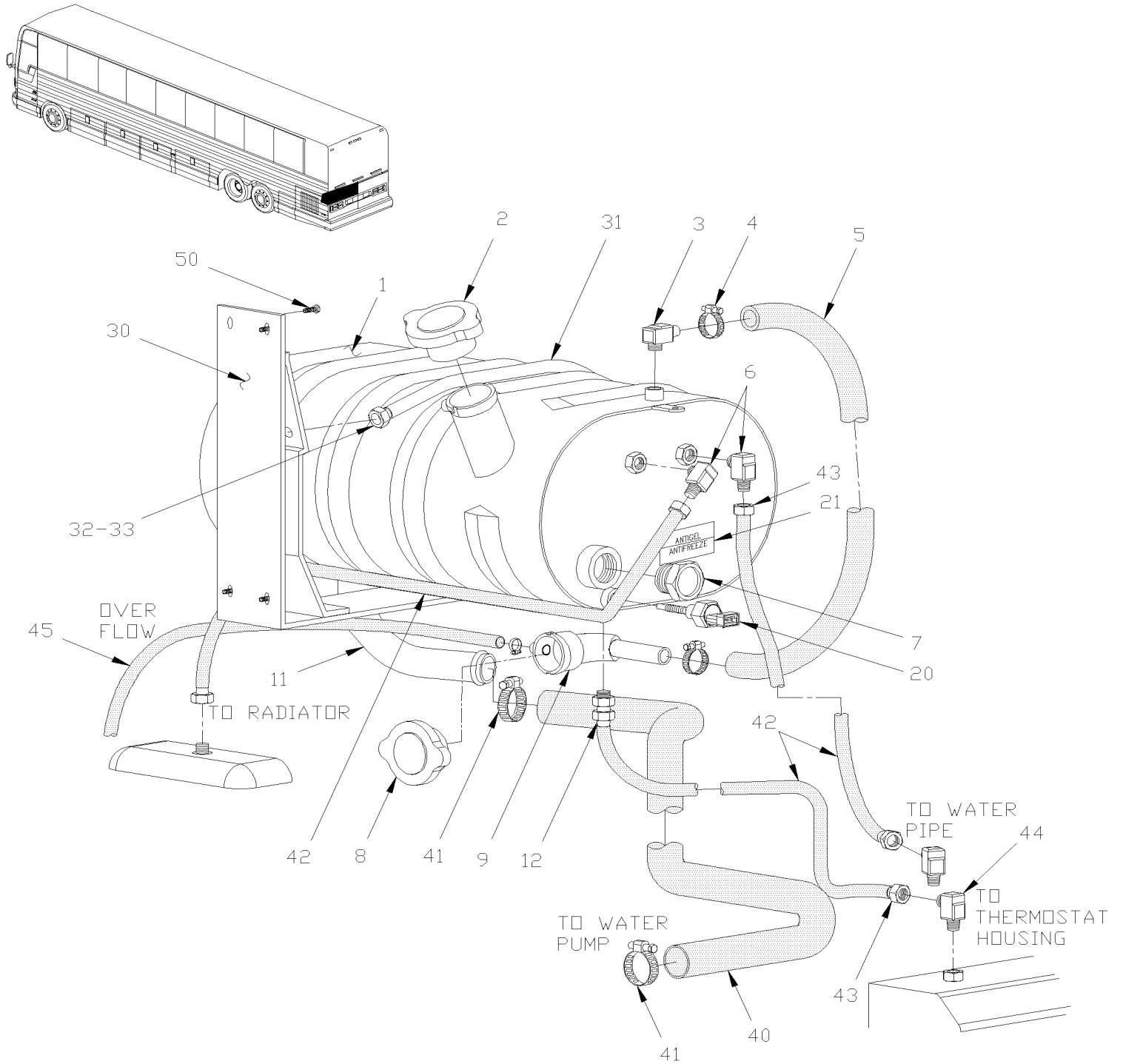
Item#	Part	Description	QTY	Notes
1	550084	RADIATOR	1	
2	550077	CHARGE AIR COOLER ALUMINUM	1	
3	550006	FRAME, TOP	1	
4	550007	FRAME, BOTTOM	1	
5	550008	FRAME, LEFT	1	
6	550009	FRAME, RIGHT	1	
7	550014	BRACKET TOP CAC	1	
8	550015	COVER PANEL TOP	1	
9	550017	COVER PANEL BOTTOM	1	
10	550019	ANGLE	1	
11	550021	SEALING STRIP	1	
12	550028	SEALING PROFIL	1	
13	550106	SEALING PROFIL	2	
14	Call order desk	SEALING PROFIL	2	P
15	550031	SEALING PROFIL	2	
16	550053	HEX HEAD SCREW SS M8 X 12	36	
17	550054	HEX HEAD SCREW SS M10 X 16	4	
18	550050	NUT LOCK SS/NYLON M10	4	
19	550051	HEX HEAD SCREW SS M10 X 160	4	
20	550032	WASHER, SHOULDER NYLON .45X.620X.75"	8	
21	N87290	WASHER SS 10.5MM X 20MM X2.2MM	4	
22	501027	MALE CONNECTOR / SAE 45° FITTING / #4FL-Mx1/4NPT-M BR	1	
		P) CALL ORDER DESK FOR SPECIFIC APPLICATION (V.I.N.)		

From 7-8754 To 8-9276

Date:01/2024

PAGE:X3-0510-00

SURGE TANK



From 7-8754 To 8-9276	Date:01/2024	PAGE:X3-0510-00
SURGE TANK		

Item#	Part	Description	QTY	Notes
	Call order desk	TANK ASSY (S.S.)	1	P
	Call order desk	TANK ASSY (S.S.)	1	P
1	052528	TANK (S.S.)	1	
2	052355	CAP FILLER	1	
3	5011025	MALE ELBOW 90° / BEADED HOSE BARB / #10x1/4NPT-M	1	
4	504019	HOSE CLAMP / 9/16"-1"1/16 SS / HS-10	2	
4	501800	PLUG HEXS / PIPE FITTING / 1/4NPT-M STL From 8-9454	1	
5	051554	HOSE #10 560MM	1	
6	501037	MALE ELBOW 90° / SAE 45° FITTING / #4FL-Mx1/4NPT-M BR	2	
7	550850	SIGHT GLASS 1/2" NPT	1	
NS	N8881803	BODY ½ NPT	1	
NS	N8881804	NUT BODY TO FIX GLASS	1	
NS	N8881805	GLASS	1	
NS	N8881806	O-RING	1	
8	550606	CAP PRESSURE / OVER 14 LBS	1	
9	051495	PIPE ASSY	1	
11	5011036	MALE ELBOW 90° / COLLAR FITTING / 1NPT-Mx#16 STL	1	
12	501027	MALE CONNECTOR / SAE 45° FITTING / #4FL-Mx1/4NPT-M BR	1	
20	562395	SENSOR PROBE "LOW LEVEL COOLANT" / 1/4" NPT	1	
21	052635	DECAL SPEC / ANTIFREEZE / W/ "DETROIT" ENGINE / ENGLISH & FRANCAIS	1	
30	052565	SUPPORT EXPANSION TANK ASSY	1	
31	052245	ROD	1	
32	502543	NUT HEX M8-1.25 Z050	2	
33	500868	NUT HEX NYRT M8-1.25 Z050	2	
40	052510	HOSE 1" I.D. X 1194MM	1	
40	503579	HOSE 1" I.D. X 50' / "GREEN STRIPE"	AR	
NS	5011147	FEMALE CONNECTOR SWIVEL / COLLAR FITTING / #16JIC-Fx#16 STL	1	
NS	5011255	MALE ELBOW 90° / JIC 37° FITTING / #16JIC-MxM33-2.0 ORB-M STL	1	
41	504658	HOSE CLAMP / 13/16"-1"3/4 / C.T. 9420	2	
42	052507	HOSE ASSY / TO RADIATOR / #4 655MM	1	
42	052508	HOSE ASSY / TO THERMOSTAT / #4 956MM	1	
42	503692	HOSE / (SAFETY STRIPE) / 1/4" I.D. 50' / S.L.	AR	
43	501347	FEMALE CONNECTOR SWIVEL / PUSH-LOK FITTING #4JIC-Fx#4 BR	2	
44	501037	MALE ELBOW 90° / SAE 45° FITTING / #4FL-Mx1/4NPT-M BR	1	
45	503047	HOSE / RUBBER #6 / S.L.	AR	
50	500417	SCREW TP PAN PH #6x3/8 Z050	4	
NS	685125	ANTIFREEZE / ETHYLENE GLYCOL / SPEC #7SE298 & TMC RP-329, T	AR	
NS	MI04-06	SEE MAINTENANCE INFORMATION	1	
NS	685350	COOLANT PRESTONE / 100% "O.E.M." BULK 2000 Liters	AR	
NS	685279	COOLANT PRESTONE / 45 GAL 100% W/"VOLVO"	AR	
NS	685278	COOLANT PRESTONE / 1 GAL 100% W/"VOLVO"	AR	

From 7-8754 To 8-9276	Date:01/2024	PAGE:X3-0510-00
-----------------------	--------------	-----------------

SURGE TANK

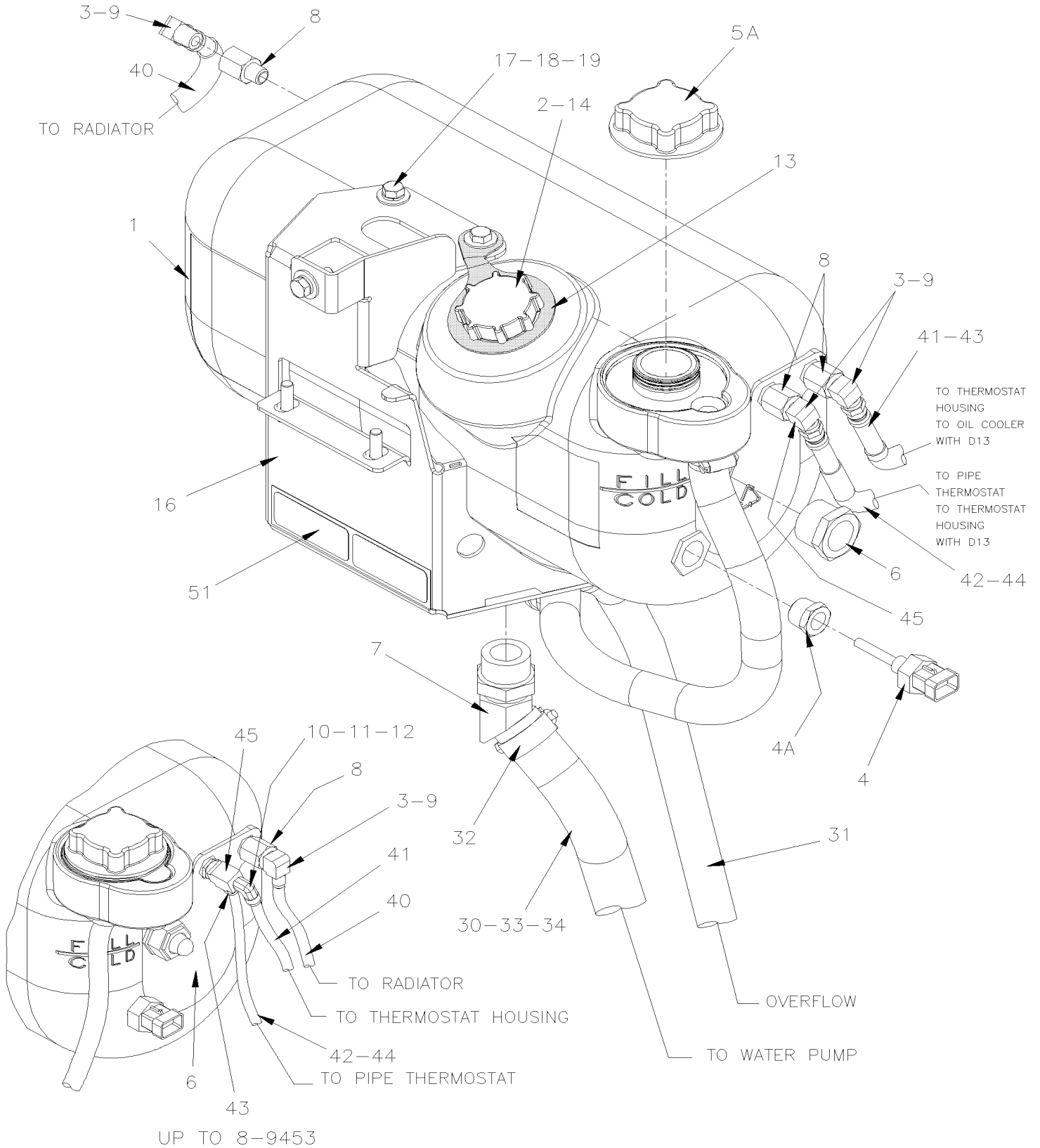
Item#	Part	Description	QTY	Notes
NS	685241	.. COOLANT PRESTONE / 208 LITERS 50%/50% PRE-MIXED W/"VOLVO"	AR	
NS	685127	... COOLANT PRESTONE / 4 LITERS 50%/50% PRE-MIXED W/"VOLVO"	AR	
		P) CALL ORDER DESK FOR SPECIFIC APPLICATION (V.I.N.)		

From 8-9277 To B-5001

Date:01/2024

PAGE:X3-0510-01

SURGE TANK

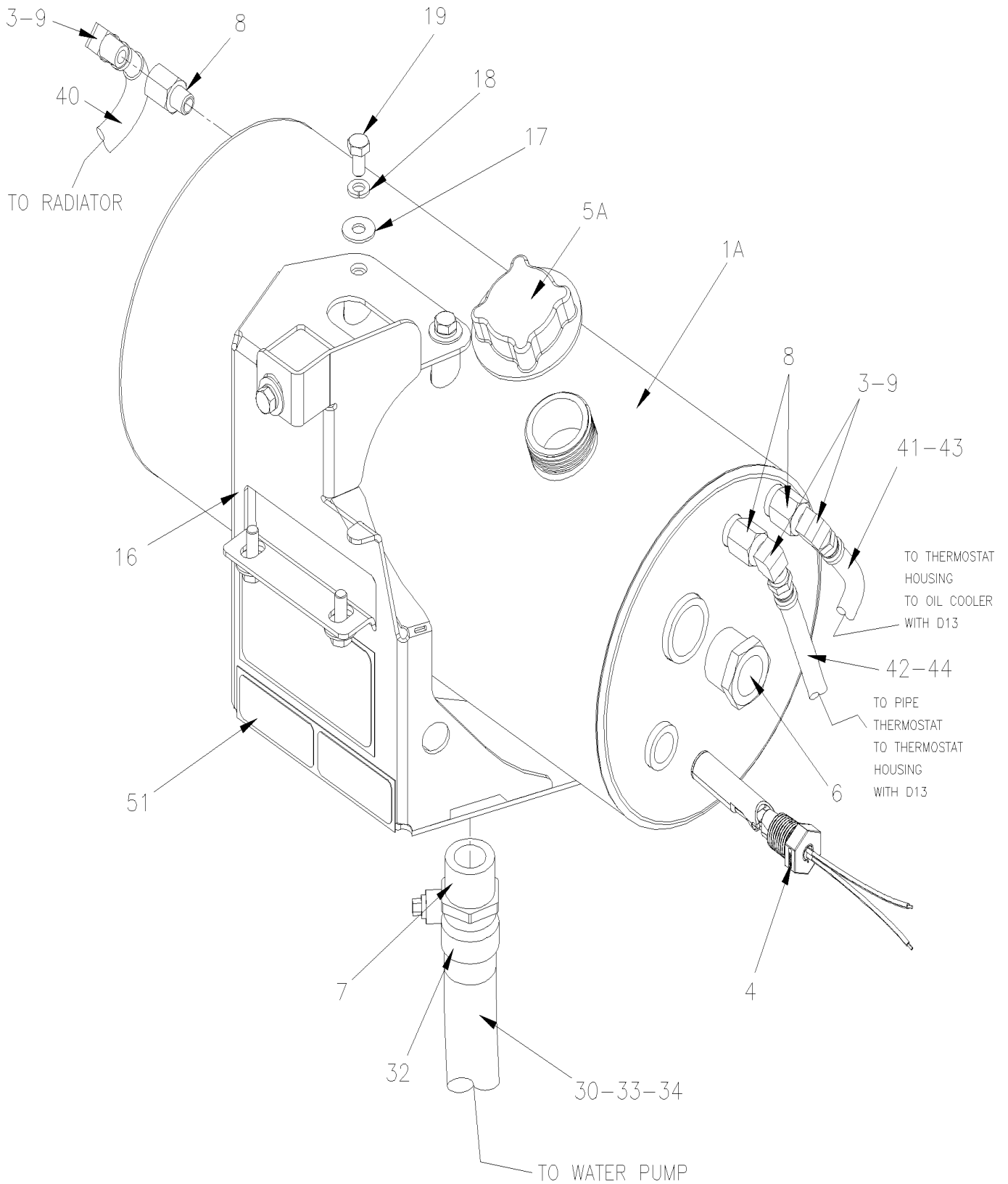


From 8-9277 To B-5001

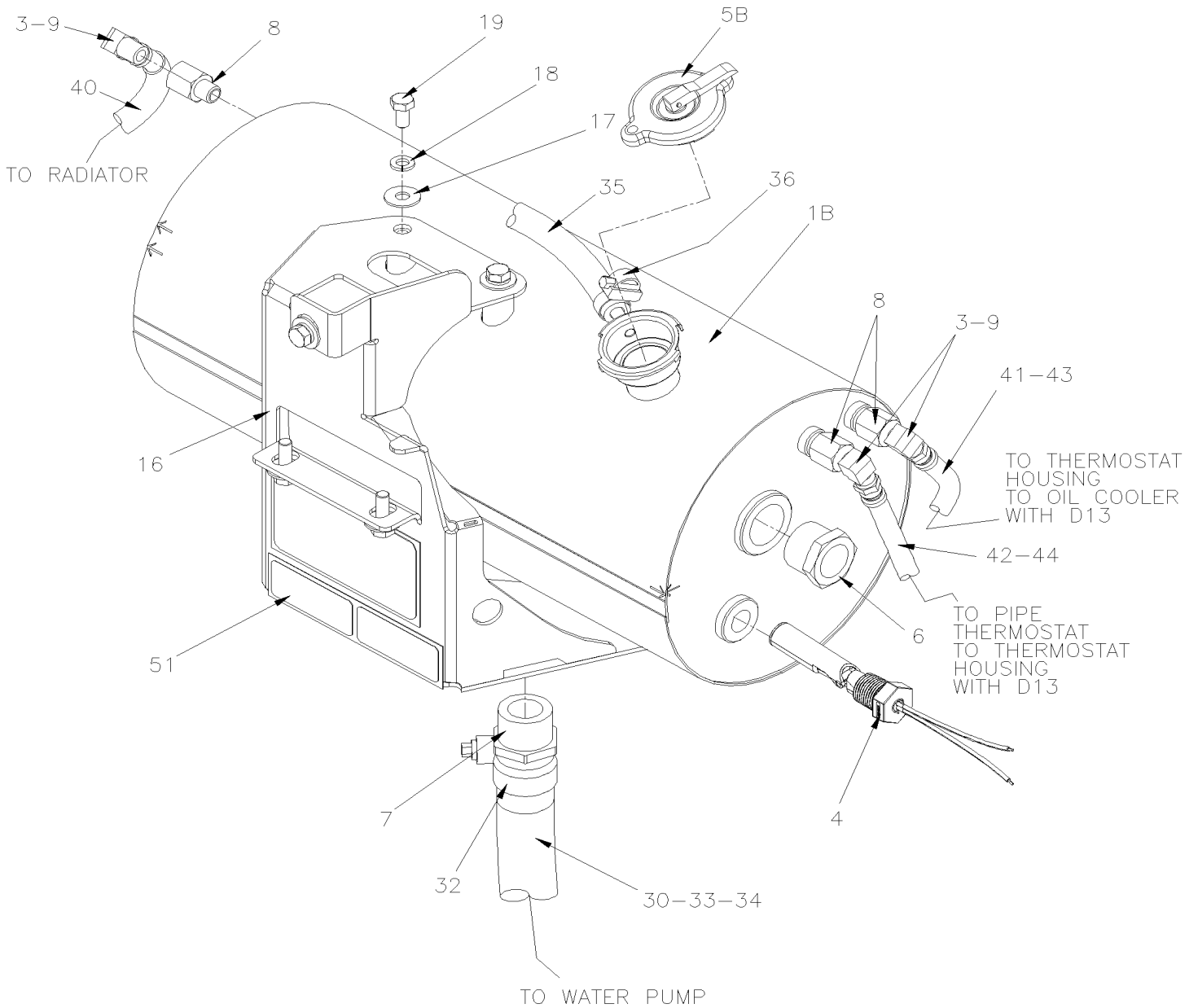
Date:01/2024

PAGE:X3-0510-01

SURGE TANK



SURGE TANK



From 8-9277 To B-5001	Date:01/2024	PAGE:X3-0510-01
SURGE TANK		

Item#	Part	Description	QTY	Notes
	Call order desk	SURGE TANK ASSY W/SUPPORT	1	P
	Call order desk	SURGE TANK ASSY W/SUPPORT To 8-9453	1	P
	Call order desk	SURGE TANK ASSY W/SUPPORT From 8-9454	1	P
	Call order desk	SURGE TANK ASSY W/SUPPORT PROTO To 8-9453	1	P D13
	Call order desk	SURGE TANK ASSY W/SUPPORT From 8-9454	1	P D13
1	70307450	. SURGE TANK PLASTIC To 8-9453	1	
1	70307450	. SURGE TANK PLASTIC From 8-9454 To 9-9595	1	N
1	21176709	. SURGE TANK PLASTIC From 9-9596 To 9-9656	1	½"
1	21334408	. SURGE TANK PLASTIC From 9-9657 To A-9896	1	1"
1A	550960	. SURGE TANK ROUND STAINLESS From A-9897	1	1"
. NS	8149353	. . PRESSURE CAP 14LBS From A-9897	1	1"
1B	050028	. SURGE TANK ROUND STAINLESS	1	1"
2	3979593	. FILLER CAP	1	
. NS	3979595	. . SEAL	1	
3	501037	. MALE ELBOW 90° / SAE 45° FITTING / #4FL-Mx1/4NPT-M BR	3	
4	562395	. SENSOR PROBE "LOW LEVEL COOLANT" / 1/4" NPT	1	
4	067304	. SENSOR PROBE "LOW LEVEL COOLANT" ASSY / 1/2" NPT From 8-9454	1	D13
. NS	564465	. . SENSOR PROBE "LOW LEVEL COOLANT" / 1/2" NPT From 8-9454	1	D13
. NS	21242838	. . SENSOR PROBE "LOW LEVEL COOLANT" / 1/2" NPT From 8-9454	1	D13
. NS	563764	. . CONNECTOR / CPC SERIES 3 / PH 3C / PED 15300002 From 8-9454	1	D13
. NS	563765	. . PIN TERMINAL / 18-16 / PED 12048159 From 8-9454	2	D13
. NS	563369	. . CABLE SEAL / GRAY / PED 12010293 From 8-9454	2	D13
. NS	562387	. . CONVOLUTED TUBING / SLIT / BLACK / .250" From 8-9454	AR	D13
. NS	562388	. . SECONDARY LOCK / METRI-PACK 280 / 2C / BLUE / PED 15300014 From 8-9454	1	D13
4A	501316	. BUSHING REDUCER / PIPE FITTING / 1/2NPT-Mx1/4NPT-F BR From 8-9454	1	
5A	8149353	. PRESSURE CAP 14LBS	1	
5B	550984	. CAP PRESSURE / OVER 13 LBS	1	A
6	550850	. SIGHT GLASS 1/2" NPT To 9-9595	1	
. NS	N8881803	. . BODY ½ NPT To 9-9595	1	
. NS	N8881804	. . NUT BODY TO FIX GLASS To 9-9595	1	
. NS	N8881805	. . GLASS To 9-9595	1	
. NS	N8881806	. . O-RING To 9-9595	1	
6	21246185	. SIGHT GLASS 1/2" NPT From 9-9596 To 9-9656	1	
. NS	N8881803	. . BODY ½ NPT From 9-9596 To 9-9656	1	
. NS	N8881804	. . NUT BODY TO FIX GLASS From 9-9596 To 9-9656	1	
. NS	N8881805	. . GLASS From 9-9596 To 9-9656	1	
. NS	N8881806	. . O-RING From 9-9596 To 9-9656	1	
6	21331481	. SIGHT GLASS 1" NPT From 9-9657	1	
7	5001521	. MALE ELBOW 45° / BEADED HOSE BARB / #16x#16ORB-M STL	1	
7	5011285	. MALE CONNECTOR / BEADED HOSE BARB / #16x#16ORB-M STL To 9-9595	1	D13
7	21247975	. MALE CONNECTOR / BEADED HOSE BARB / #16x#16ORB-M STL From 9-9596	1	D13
8	501308	. ADAPTER / PIPE FITTING / 1/4NPT-Fx1/4NPT-M BR	3	

From 8-9277 To B-5001	Date:01/2024	PAGE:X3-0510-01
SURGE TANK		

Item#	Part	Description	QTY	Notes
8	501304	. PLUG SQUARE HEAD / PIPE FITTING / 1/4NPT-M BR W/RETARDER To A-9968	1	D13 R
8	501800	. PLUG HEXS / PIPE FITTING / 1/4NPT-M STL From A-9969	1	D13 R
9	680098	. THREAD SEALANT LOCTITE #567 / WHITE / 250ml	AR	
10	501312	. BUSHING REDUCER / PIPE FITTING / 1/4NTP-Mx1/8NPT-F BR To 8-9453	1	
11	501707	. ADAPTER TEE / SAE 45° FITTING / #4FL-Mx1/8NPT-Mx1/8NPT-F BR To 8-9453	1	
12	501036	. MALE ELBOW 90° / SAE 45° FITTING / #4FL-Mx1/8NPT-M BR To 8-9453	1	
13	052955	. SAFETY RETAINER STRAP "GREYHOUND"	1	
14	052954	. FILLER CAP / W/GROOVE FOR SAFETY RETAINER "GREYHOUND"	1	
16	052680	. SUPPORT ASSY / SURGE TANK To A-9953	1	
16	053574	. SUPPORT ASSY / SURGE TANK From A-9954 To B-5001	1	
16	053576	SUPPORT ASSY / SURGE TANK / W/ROUND S-T From B-5002	1	
17	5001448	. WASHER FL .343x.875x.062 SS18-8	4	
18	5001161	. WASHER LO SPT 8.1x14.8x2.0 SS-304	4	
19	5001527	. SCREW CAP HEX M8-1.25x16 SS BK	4	
30	052799	HOSE 1" I.D. 665MM	1	S60
30	053476	HOSE 1" I.D. 1030MM	1	D13
. NS	503579	. HOSE 1" I.D. X 50' / "GREEN STRIPE"	AR	D13
30	503579	. HOSE 1" I.D. X 50' / "GREEN STRIPE"	1	
31	052879	HOSE #12 1640MM	1	S60
31	053464	HOSE #12 1700MM	1	D13
. NS	503006	. HOSE 5/8" I.D. 50' / S.L.	AR	D13
31	503006	. HOSE 5/8" I.D. 50' / S.L.	AR	
32	504658	. HOSE CLAMP / 13/16"-1"3/4 / C.T. 9420	1	
33	5011255	MALE ELBOW 90° / JIC 37° FITTING / #16JIC-MxM33-2.0 ORB-M STL	1	
34	5011147	FEMALE CONNECTOR SWIVEL / COLLAR FITTING / #16JIC-Fx#16 STL	1	
35	503702	HOSE / (SAFETY STRIPE) / 3/8" I.D. 50' / S.L.	AR	A
36	992081	HOSE CLAMP / 12MM/22MM	1	A
40	052851	HOSE ASSY / #4 1055MM To 8-9453	1	
40	053513	HOSE ASSY / #4 580MM From 8-9454	1	
41	052852	HOSE ASSY / #4 470MM	1	S60
41	509884	MALE ELBOW 90° / JIC 37° FITTING / #4JIC-MxM12-1.5-M STL	1	S60
. NS	N.P.N.	. O-RING	1	4 S60
. NS	N.P.N.	. WASHER RET	1	4 S60
41	509883	SWIVEL NUT BRANCH TEE / JIC 37° FITTING / #4JIC-Mx#4JIC-Mx#4JIC-F STL	1	S60
42	053513	HOSE ASSY / #4 580MM	1	S60
42	501347	. FEMALE CONNECTOR SWIVEL / PUSH-LOK FITTING #4JIC-Fx#4 BR	2	S60
42	503692	. HOSE / (SAFETY STRIPE) / 1/4" I.D. 50' / S.L.	AR	S60
42	505181	. COIL PROTECTOR / PLASTIC / #8	AR	S60
43	052916	HOSE ASSY TEFLON #4 2015MM	1	D13 O
44	053477	HOSE ASSY / #6 620MM	1	D13
. NS	503702	. HOSE / (SAFETY STRIPE) / 3/8" I.D. 50' / S.L.	AR	D13
. NS	5011260	. FEMALE CONNECTOR SWIVEL / PUSH-LOK FITTING / #8FL-Fx#6 BR	1	D13

From 8-9277 To B-5001	Date:01/2024	PAGE:X3-0510-01
SURGE TANK		

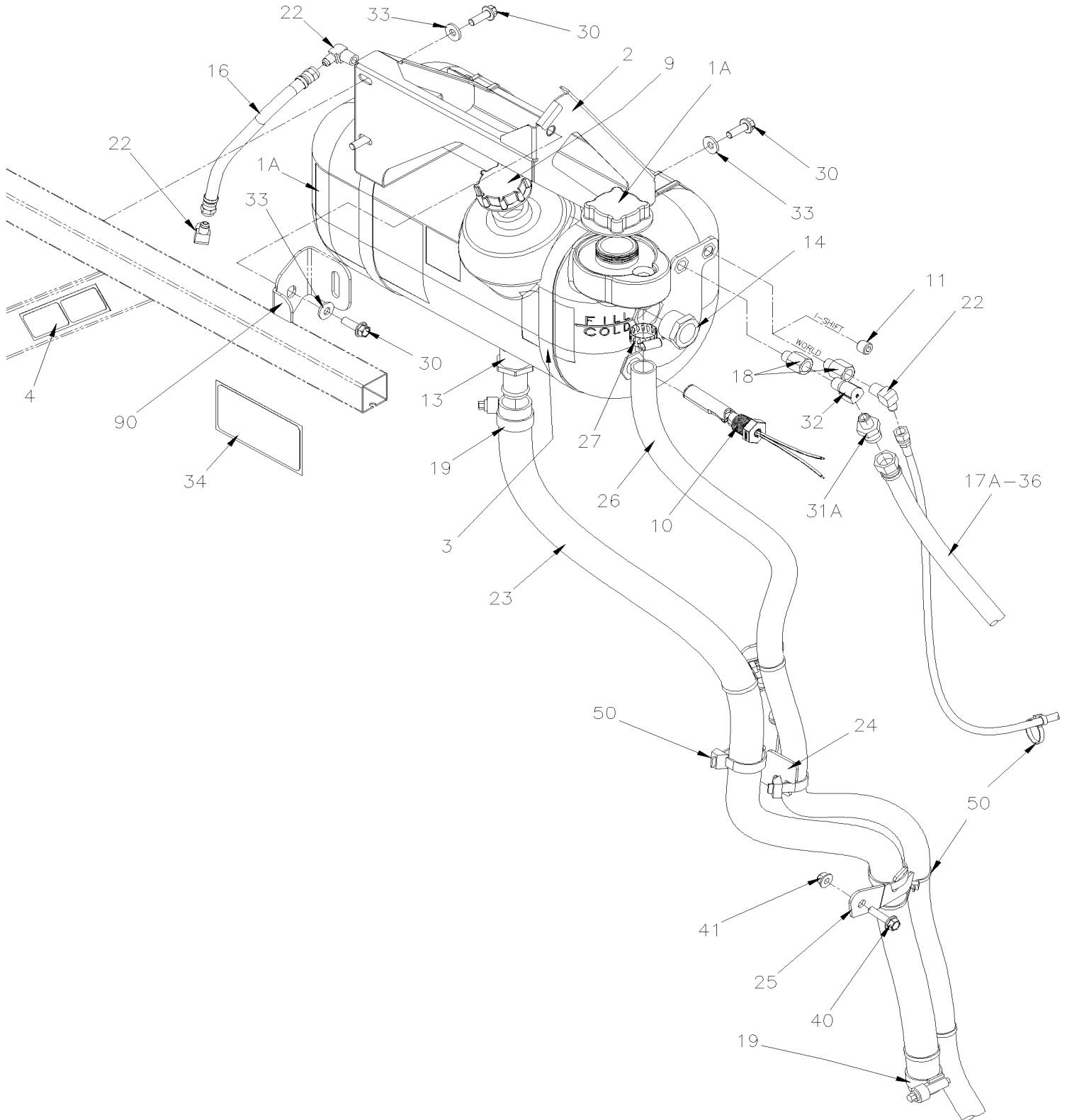
Item#	Part	Description	QTY	Notes
44	504018	HOSE CLAMP / 7/16"-1" SS / HS-8	1	D13
45	501332	STREET ELBOW 90° / PIPE FITTING / 1/4NPT-Mx1/4NPT-F BR	1	D13
45	501033	MALE CONNECTOR / SAE 45° FITTING / #8FL-Mx1/4NPT-M BR	1	D13
51	050781	DECAL / COOLANT CAPACITY / 91 LITERS / ENGLISH & FRANCAIS	1	
51	052575	DECAL / COOLANT CAPACITY / 91 LITERS / ENGLISH & SPANISH	1	
NS	052635	DECAL SPEC / ANTIFREEZE / W/ "DETROIT" ENGINE / ENGLISH & FRANCAIS	1	
NS	053487	DECAL SPEC / ANTIFREEZE / W/ "VOLVO" ENGINE FR/ENG	1	
NS	053488	DECAL SPEC / ANTIFREEZE / W/ "VOLVO" ENGINE / ENGLISH & SPANISH	1	
NS	685125	ANTIFREEZE / ETHYLENE GLYCOL / SPEC #7SE298 & TMC RP-329, T	AR	S60
NS	MI04-06	SEE MAINTENANCE INFORMATION	1	S60
NS	685241	COOLANT PRESTONE / 208 LITERS 50%/50% PRE-MIXED W/"VOLVO" From 8-9454	AR	D13
NS	685127	COOLANT PRESTONE / 4 LITERS 50%/50% PRE-MIXED W/"VOLVO" From 8-9454	AR	D13
		½") THIS TANK HAVE ½" NPT SIGHT GLASS		
		1") THIS TANK HAVE 1" NPT SIGHT GLASS		
		A) USE WITH SURGE TANK 050028		
		D13) WITH "VOLVO" ENGINE D-13		
		N) NOTE WITH THIS EFFECTIVITY WE CHANGE THE EXIT FOR COOLANT LEVEL AND THE EXIT FOR ONE HOSE AT CURBESIDE END		
		O) WITH TRANS WITHOUT RETARDER		
		R) WITH TRANS WITH RETARDER		
		S60) WITH DETROIT S60 ENGINE		
		P) CALL ORDER DESK FOR SPECIFIC APPLICATION (V.I.N.)		
		4) NO PARTS NUMBER		

From B-5002 To H-6179

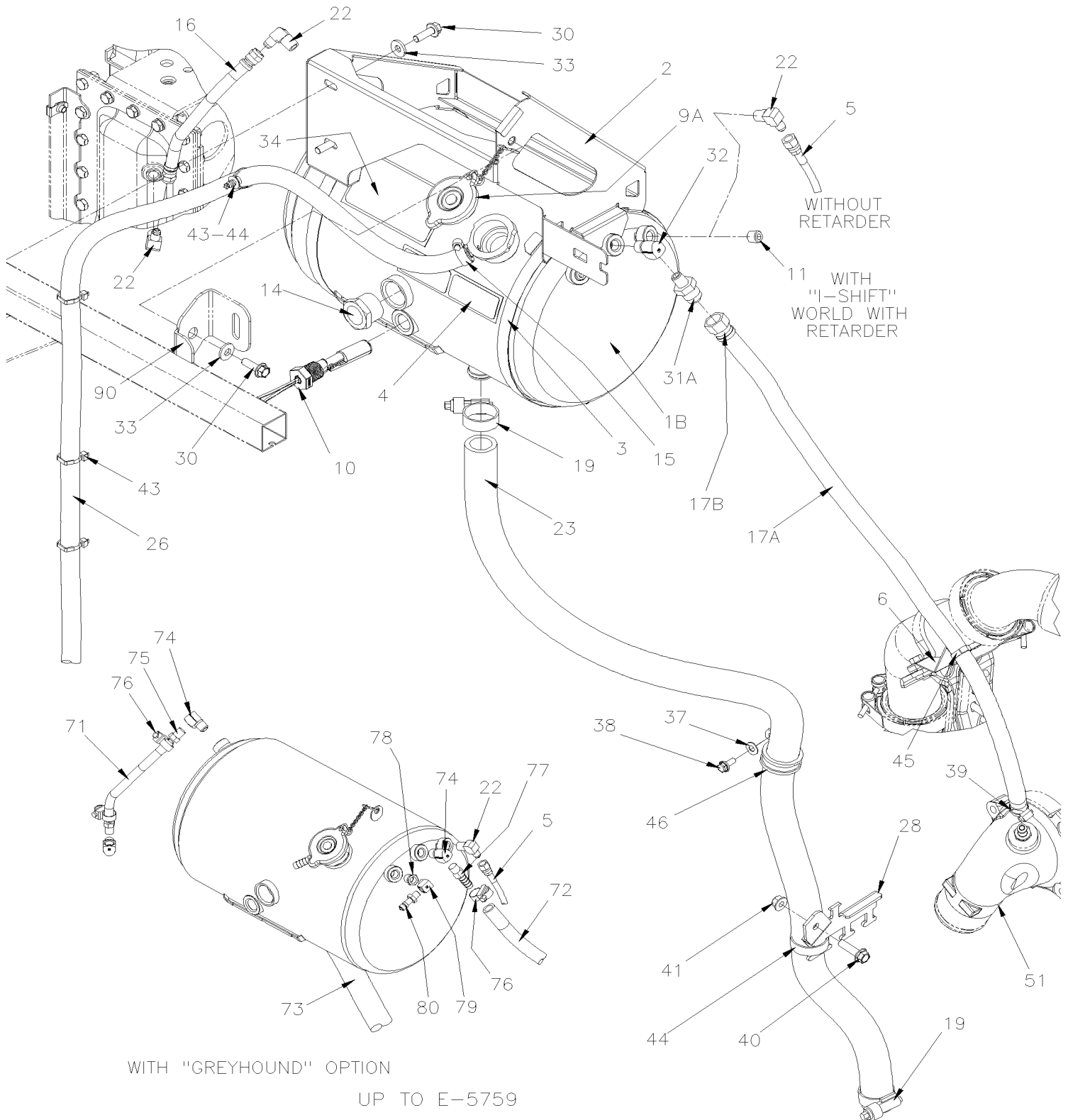
Date:01/2024

PAGE:X3-0510-02

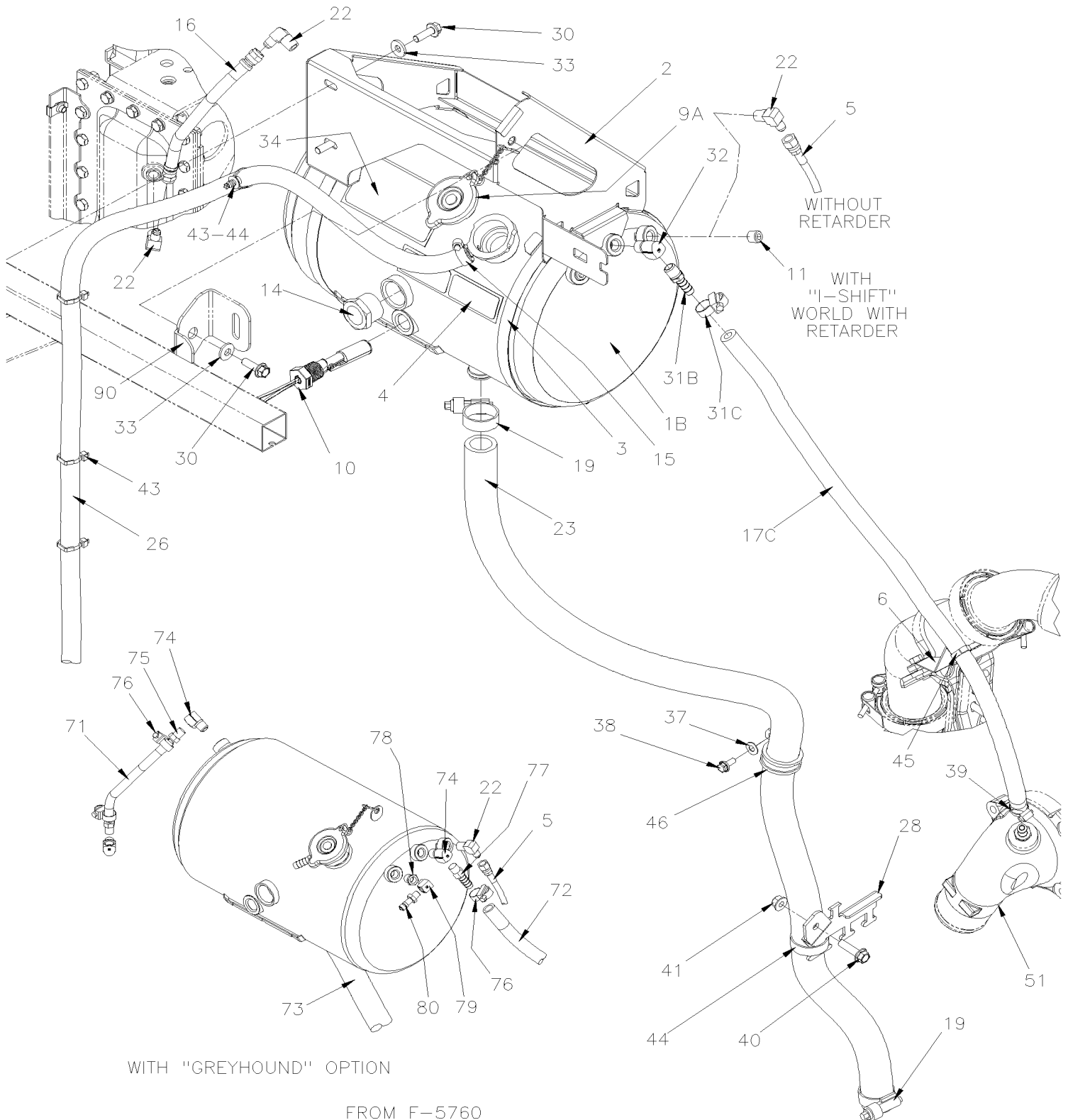
SURGE TANK WITH "EPA 2010"



SURGE TANK WITH "EPA 2010"



SURGE TANK WITH "EPA 2010"



From B-5002 To H-6179	Date:01/2024	PAGE:X3-0510-02
SURGE TANK WITH "EPA 2010"		

Item#	Part	Description	QTY	Notes
	 "WARNING" - "WARNING" - "WARNING"		
	 A-9907 & A-9926		
	 ARE EQUIPPED WITH PLASTIC SURGE TANK From A-9907 To A-9907		
1A	21334408	SURGE TANK PLASTIC From A-9907 To A-9907	1	
1B	053602	SURGE TANK SS From B-5002 To D-5299	1	
1B	053641	SURGE TANK ALUMINUM From D-5300 To E-5667	1	
1B	053641	SURGE TANK ALUMINUM REV. C From E-5668	1	
2	053576	SUPPORT ASSY / SURGE TANK / W/ROUND S-T To E-5572	1	
2	053674	SUPPORT ASSY / SURGE TANK From E-5573 To E-5759	1	
2	053692	SUPPORT ASSY / SURGE TANK From F-5760	1	
2	050164	SURGE TANK SUPPORT REPLACEMENT From F-5760	1	
3	504775	T-BOLT BAND CLAMP/ 9.69" ID From B-5002	2	
4	053597	DECAL SPEC / ANTIFREEZE / W/ "VOLVO" ENGINE FRANCAIS / ENGLISH / SPANISH	1	
5	053585P	HOSE ASSY TEFLON #4 1850MM To G-6083	1	S
. NS	503064	. HOSE TEFLON #4 / S.L. To G-6083	AR	S
. NS	5011182	. FEMALE CONNECTOR SWIVEL / SAE 45° FITTING / #4FL-Fx#4 STL To G-6083	2	S
. NS	5011183	. SLEEVE / #4 STL To G-6083	2	S
6	053600	SUPPORT HOSE	1	
9	3979593	FILLER CAP From A-9907 To A-9907	1	
. NS	3979595	. SEAL From A-9907 To A-9907	1	
9A	053601	FILLER NECK ASSY WITH PRESSURE CAP From B-5002 To D-5299	1	
9A	21528785	. CAP PRESSURE / OVER 13 LBS From B-5002 To D-5299	1	
9A	21528785	CAP PRESSURE / OVER 13 LBS From D-5300 To E-5667	1	
9A	550984	CAP PRESSURE / OVER 13 LBS From E-5668	1	
10	067304	SENSOR PROBE "LOW LEVEL COOLANT" ASSY / 1/2" NPT To H-6099	1	
. NS	564465	. SENSOR PROBE "LOW LEVEL COOLANT" / 1/2" NPT To H-6099	1	
. NS	21242838	. SENSOR PROBE "LOW LEVEL COOLANT" / 1/2" NPT To H-6099	1	
. NS	563764	. CONNECTOR / CPC SERIES 3 / PH 3C / PED 15300002 To H-6099	1	
. NS	563765	. PIN TERMINAL / 18-16 / PED 12048159 To H-6099	2	
. NS	563369	. CABLE SEAL / GRAY / PED 12010293 To H-6099	2	
. NS	562387	. CONVOLUTED TUBING / SLIT / BLACK / .250" To H-6099	AR	
. NS	562388	. SECONDARY LOCK / METRI-PACK 280 / 2C / BLUE / PED 15300014 To H-6099	1	
10	060139	SENSOR PROBE "LOW LEVEL COOLANT" ASSY / 1/2" NPT From H-6100	1	
. NS	560058	. SENSOR PROBE "LOW LEVEL COOLANT" / 1/2" NPT From H-6100	1	
. NS	563764	. CONNECTOR / CPC SERIES 3 / PH 3C / PED 15300002 From H-6100	1	
. NS	563763	. PIN TERMINAL / 14-12 / PED 12129497 From H-6100	2	
. NS	561786	. CABLE SEAL / GRAY / PED 15324980 From H-6100	2	
. NS	562387	. CONVOLUTED TUBING / SLIT / BLACK / .250" From H-6100	AR	
. NS	562388	. SECONDARY LOCK / METRI-PACK 280 / 2C / BLUE / PED 15300014 From H-6100	1	
NS	680098	THREAD SEALANT LOCTITE #567 / WHITE / 250ml	AR	
NS	688914	PRIMER LOCTITE #7649 1.75 oz	AR	

From B-5002 To H-6179	Date:01/2024	PAGE:X3-0510-02
SURGE TANK WITH "EPA 2010"		

Item#	Part	Description	QTY	Notes
11	501304	PLUG SQUARE HEAD / PIPE FITTING / 1/4NPT-M BR From A-9907 To A-9907	1	
11	501800	PLUG HEXS / PIPE FITTING / 1/4NPT-M STL	1	
11	501304	PLUG SQUARE HEAD / PIPE FITTING / 1/4NPT-M BR From A-9907 To A-9907	2	I
11	501800	PLUG HEXS / PIPE FITTING / 1/4NPT-M STL	2	I
12	8149353	PRESSURE CAP 14LBS From A-9907 To A-9907	1	
13	21247975	MALE CONNECTOR / BEADED HOSE BARB / #16x#16ORB-M STL	1	
14	21331481	SIGHT GLASS 1" NPT	1	
15	504018	HOSE CLAMP / 7/16"-1" SS / HS-8 To E-5759	1	
15	992081	HOSE CLAMP / 12MM/22MM From F-5760	AR	
16	053582P	HOSE ASSY / #4 205 MM	1	
. NS	503789	. HOSE SILICONE 1 PLY / NOMEX-ARAMID 1/4" X 25'	AR	
. NS	501347	. FEMALE CONNECTOR SWIVEL / PUSH-LOK FITTING #4JIC-Fx#4 BR	2	
. NS	992081	. HOSE CLAMP / 12MM/22MM	2	
17A	503702	HOSE / (SAFETY STRIPE) / 3/8" I.D. 50' / S.L. To E-5759	AR	
17B	5011260	FEMALE CONNECTOR SWIVEL / PUSH-LOK FITTING / #8FL-Fx#6 BR From A-9907 To A-9907	1	
17B	501347	FEMALE CONNECTOR SWIVEL / PUSH-LOK FITTING #4JIC-Fx#4 BR To E-5759	1	
17C	053583P	HOSE / #6 700MM From F-5760	1	
. NS	503821	. HOSE SILICONE 4 PLY / NOMEX-ARAMID 3/8" x 144" From F-5760	AR	
17C	503821	HOSE SILICONE 4 PLY / NOMEX-ARAMID 3/8" x 144" From F-5760	AR	
18	501308	ADAPTER / PIPE FITTING / 1/4NPT-Fx1/4NPT-M BR	2	
19	504658	HOSE CLAMP / 13/16"-1"3/4 / C.T. 9420 To D-5404	2	
19	504782	HOSE CLAMP / 1 3/16-1 13/16 SS / C.T. W.S. From D-5405 To E-5759	2	
19	992084	HOSE CLAMP / 23MM/35MM From F-5760	2	
22	501037	MALE ELBOW 90° / SAE 45° FITTING / #4FL-Mx1/4NPT-M BR To G-6083	3	
22	501037	MALE ELBOW 90° / SAE 45° FITTING / #4FL-Mx1/4NPT-M BR From G-6084	2	
23	N.S.A.	HOSE RADIATOR / 1" I.D. x 1204MM	1	3
. NS	503579	. HOSE 1" I.D. X 50' / "GREEN STRIPE"	AR	
23	N.S.A.	HOSE #12 1204MM	1	3
. NS	503579	. HOSE 1" I.D. X 50' / "GREEN STRIPE"	AR	
24	071615	SUPPORT / TUBE DIPSTICK & HOSE From A-9907 To A-9907	1	
NS	071640	SUPPORT / TUBE DIPSTICK From A-9907 To A-9907	1	
25	071620	SUPPORT HOSE From A-9907 To A-9907	1	
26	N.S.A.	HOSE #12 1577MM From A-9907 To A-9907	1	3
. NS	503006	. HOSE 5/8" I.D. 50' / S.L. From A-9907 To A-9907	AR	
26	053584P	HOSE ASSY / #6 1750MM	1	
. NS	503702	. HOSE / (SAFETY STRIPE) / 3/8" I.D. 50' / S.L.	AR	
27	504019	HOSE CLAMP / 9/16"-1"1/16 SS / HS-10	1	
28	053006	SUPPORT HOSE To H-6093	1	
28	050007	SUPPORT HOSE From H-6094	1	
29	5001800	SCREW CAP HEXF M10-1.5x45 G10.9 N500	2	
30	5001643	SCREW CAP HEXF M8-1.25x25 G8.8 G500	3	
31A	501033	MALE CONNECTOR / SAE 45° FITTING / #8FL-Mx1/4NPT-M BR To E-5759	1	

From B-5002 To H-6179	Date:01/2024	PAGE:X3-0510-02
SURGE TANK WITH "EPA 2010"		

Item#	Part	Description	QTY	Notes
31B	642196	MALE CONNECTOR / HOSE BARB FITTING / #6x1/4NPT-M BR From F-5760	1	
31C	992081	HOSE CLAMP / 12MM/22MM From F-5760	1	
32	501332	STREET ELBOW 90° / PIPE FITTING / 1/4NPT-Mx1/4NPT-F BR To E-5759	1	
33	500321	WASHER BEL SPR .331x.827x.098 N500	3	
34	012702	DECAL "OIL SPEC" 10W/40 / ENGLISH & FRANCAIS / SPANISH	1	
35	502848	SCREW TC CAP HEXF 1/4-20x3/4 N500	6	
36	502666	SCREW MA FL PH #6-32x3/4 SS BK	1	
37	5001833	WASHER BEL SPR 6.1x18x1.27 SS	1	
38	5001730	SCREW CAP HEXF M6-1.0x16 G10.9 N500	1	
39	504020	HOSE CLAMP / 9/16"-1"1/4 SS / HS-12 To E-5759	1	
39	992081	HOSE CLAMP / 12MM/22MM From F-5760	1	
40	5001742	SCREW CAP HEXF M8-1.25x30 G8.8 N500 To E-5651	1	
40	502836	SCREW CAP HEX M8-1.25x35 G8.8 N500 From E-5652 To H-6093	1	
40	502836	SCREW CAP HEX M8-1.25x35 G8.8 N500 From H-6094	2	
40	500321	WASHER BEL SPR .331x.827x.098 N500 From H-6094	1	
41	502837	NUT HEXF STO M8-1.25 N500 To E-5651	1	
41	5001931	NUT HEXF NYRT M8-1.25 G8.8 N500 From E-5652	1	
43	504637	CABLE TIE / 3/16" x 13"	AR	
44	509491	CABLE TIE / 13MM x 383MM	AR	
45	504016	CABLE TIE / 5/16" X 14"1/2	AR	
46	952641	CLAMP / 1 5/16" I.D.	1	
50	FM-00CW-01	CLAMPS - WIRE & TUBE		
51	Refer To Volvo	SEE IMPACT OR CALL ORDER DESK		V
		GREYHOUND "OPTION"		
71	Call order desk	HOSE SILICONE / NOMEX From B-5050	1	P GR
71	503789	. HOSE SILICONE 1 PLY / NOMEX-ARAMID 1/4" X 25' From B-5050	AR	GR
72	Call order desk	HOSE SILICONE / NOMEX 3/8" I.D. 760MM From B-5050	1	P GR
72	503790	. HOSE SILICONE 1 PLY / NOMEX-ARAMID 3/8" X 25' From B-5050 To E-5759	AR	GR
72	503806	. HOSE SILICONE 1 PLY / NOMEX-ARAMID 3/8" I.D. x 100' From B-5050 To D-5381	AR	GR
72	503821	. HOSE SILICONE 4 PLY / NOMEX-ARAMID 3/8" x 144" From F-5760	AR	GR
73	503788	HOSE SILICONE 4 PLY / NOMEX-ARAMID 1" I.D. x 54" From D-5382	AR	GR
74	501332	STREET ELBOW 90° / PIPE FITTING / 1/4NPT-Mx1/4NPT-F BR From B-5050	3	GR
75	507602	MALE CONNECTOR / PUSH-LOK FITTING / 1/4NPT-Mx#4 BR From B-5050	2	GR
76	992081	HOSE CLAMP / 12MM/22MM From B-5050	3	GR
77	501179	MALE CONNECTOR / PUSH-LOK FITTING / 1/4NPT-Mx#6 BR From B-5050	1	GR
78	501312	BUSHING REDUCER / PIPE FITTING / 1/4NTP-Mx1/8NPT-F BR From B-5050	1	GR
79	501331	STREET ELBOW 90° / PIPE FITTING / 1/8NPT-Mx1/8NPT-F BR From B-5050	1	GR
80	640488	VALVE, AIR FILL 1/8" NPT From B-5050	1	GR
. NS	650164	. CAP VALVE / CHROME From B-5050	1	GR
90	040820	SUPPORT TANK	1	GR

From B-5002 To H-6179	Date:01/2024	PAGE:X3-0510-02
SURGE TANK WITH "EPA 2010"		

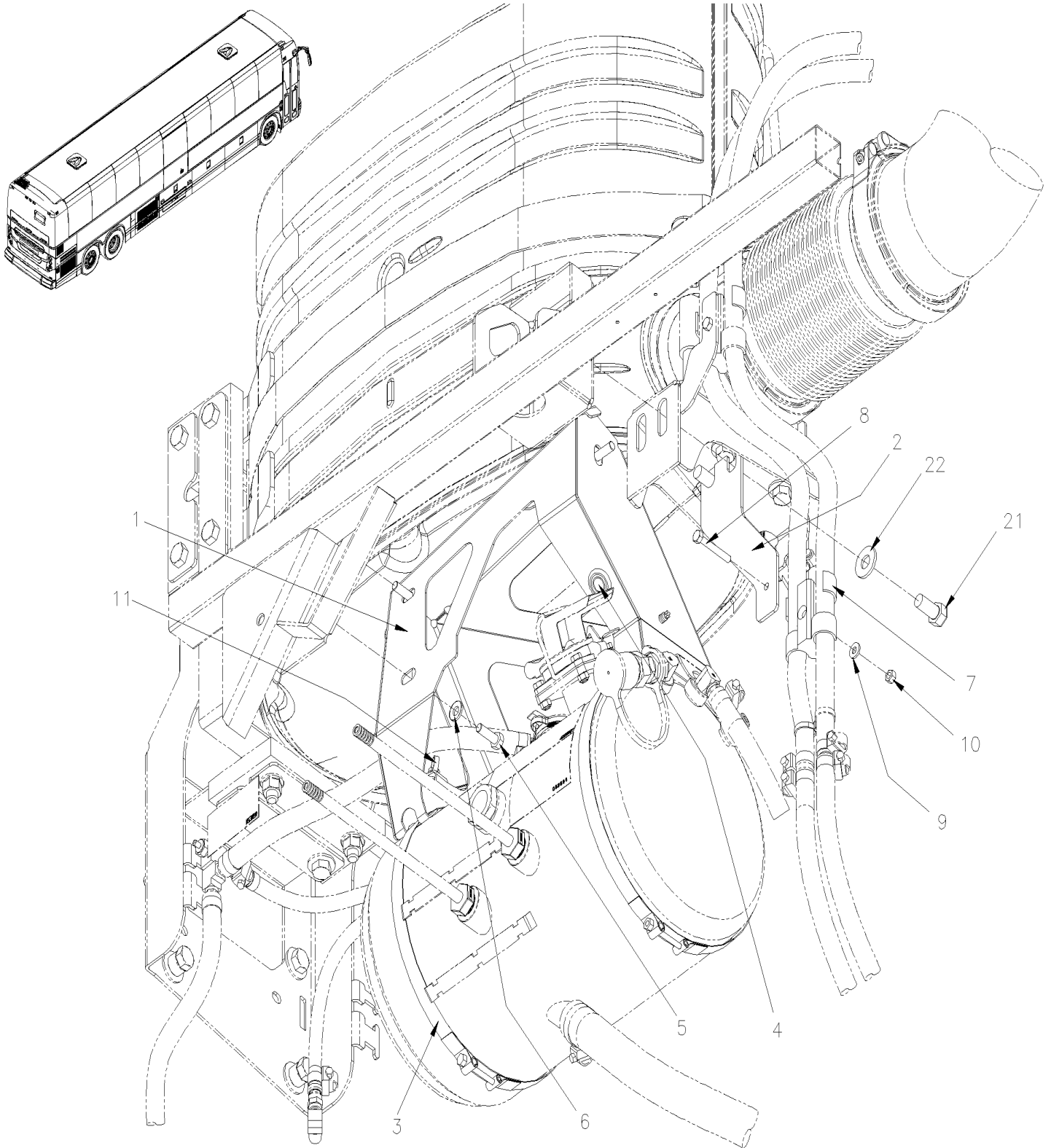
Item#	Part	Description	QTY	Notes
91	053652	RETROFIT KIT / TO CHANGE TO ALUMINIUM SURGETANK To D-5299	1	
NS	685241	. . COOLANT PRESTONE / 208 LITERS 50%/50% PRE-MIXED W/"VOLVO"	AR	
NS	685127	. . . COOLANT PRESTONE / 4 LITERS 50%/50% PRE-MIXED W/"VOLVO"	AR	
		GR) WITH GREYHOUND OPTION		
		I) WITH "I-SHIFT" TRANS		
		S) WORLD TRANSMISSION WITHOUT RETARDER		
		3) NOT SOLD ASSEMBLY		
		P) CALL ORDER DESK FOR SPECIFIC APPLICATION (V.I.N.)		
		V) SEE IMPACT OR CALL ORDER DESK		

From F-5760

Date:01/2024

PAGE:050164

SURGE TANK SUPPORT REPLACEMENT



From F-5760	Date:01/2024	PAGE:050164
SURGE TANK SUPPORT REPLACEMENT		

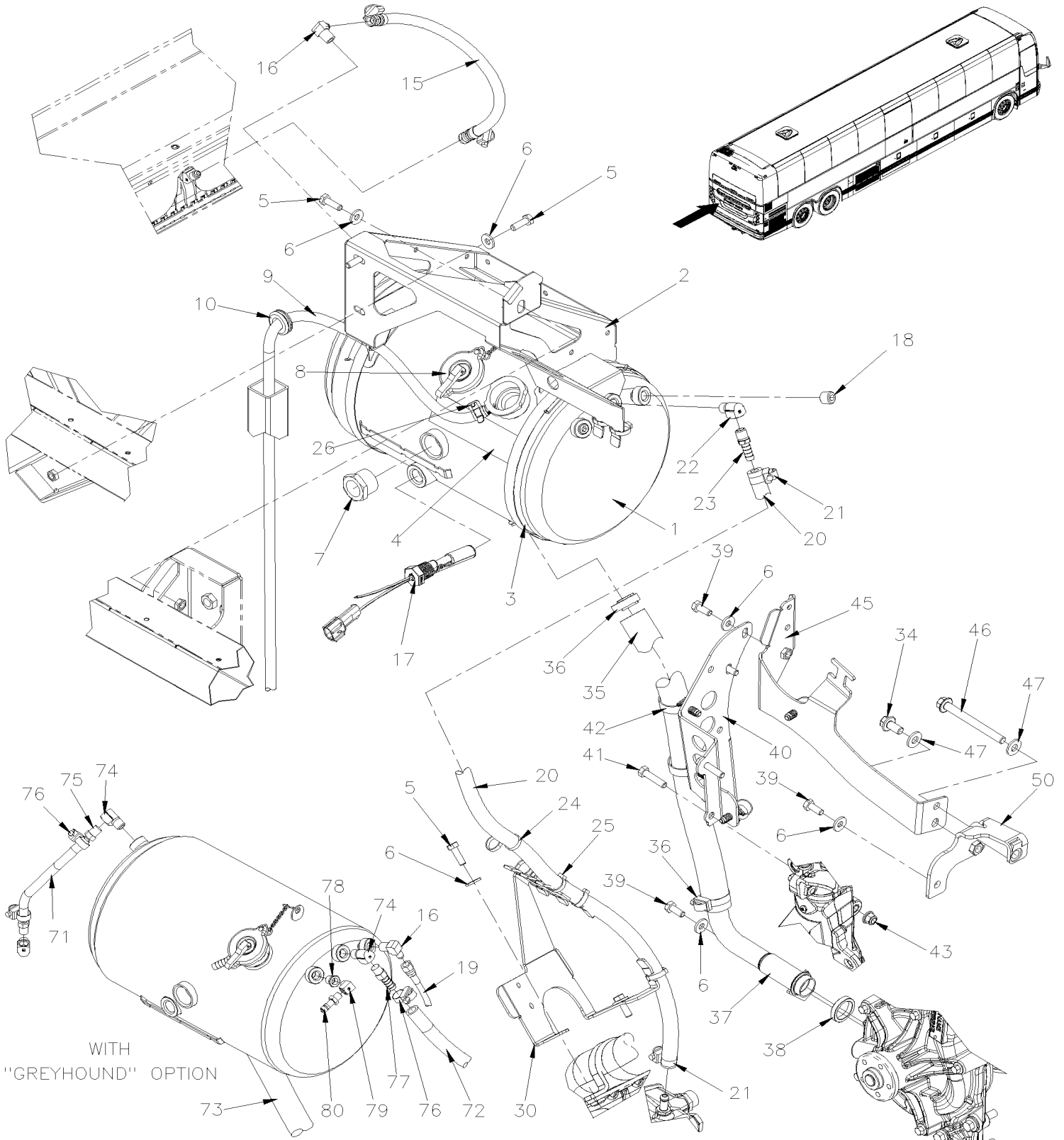
Item#	Part	Description	QTY	Notes
1	050134	SUPPORT ASSY/ SURGE TANK	1	
2	050136	BRACKET, COOLING HOSE	1	
3	504775	T-BOLT BAND CLAMP/ 9.69" ID	2	
4	382564	LED, ENGINE AIR FILTER ASSY	1	
5	502780	SCREW CAP HEX M8-1.25x25 SS BK	3	
6	5001868	WASHER BEL SPR 8.4x18x2 SS	3	
7	504634	T-CLIP / 7/8" - 1"	1	
8	5001923	SCREW CAP HEX M6-1.0x45 SS BK	1	
9	500877	WASHER FL .250x.562x.065 N500	1	
10	502681	NUT HEX NYRT M6-1.0 N500 G8	1	
11	509815	TIE MOUNT / ATTACHMENT W/TREE MOUNT	9	
11	504637	CABLE TIE / 3/16" x 13"	9	
NS	564108	SELF MOUNTING STUD // DEUTSCH 1011-310-0205	1	
21	502705	SCREW CAP HEX M12-1.75X25 G8.8 N500	2	
22	500967	WASHER BEL SPR .512x1.142x.098 N500	2	

From H-6180 To J-6312

Date:01/2024

PAGE:X3-0510-03

SURGE TANK VOLVO D13 - GHG17



From H-6180 To J-6312	Date:01/2024	PAGE:X3-0510-03
SURGE TANK VOLVO D13 - GHG17		

Item#	Part	Description	QTY	Notes
1	050001	SURGE TANK ALUMINUM	1	
2	053715	SUPPORT ASSY/ SURGE TANK	1	
2	050164	SURGE TANK SUPPORT REPLACEMENT	1	
3	504775	T-BOLT BAND CLAMP/ 9.69" ID	2	
4	053597	DECAL SPEC / ANTIFREEZE / W/ "VOLVO" ENGINE FRANCAIS / ENGLISH / SPANISH	1	
5	5001745	SCREW CAP HEX M8-1.25x25 G8.8 N500	5	
6	500321	WASHER BEL SPR .331x.827x.098 N500	10	
7	21331481	SIGHT GLASS 1" NPT	1	
8	550984	CAP PRESSURE / OVER 13 LBS	1	
9	Call order desk	HOSE ASSY / 1700 MM	1	P
. NS	503789	. HOSE SILICONE 1 PLY / NOMEX-ARAMID 1/4" X 25'	AR	
NS	992081	HOSE CLAMP / 12MM/22MM	4	
NS	504637	CABLE TIE / 3/16" x 13"	4	
NS	509815	TIE MOUNT / ATTACHMENT W/TREE MOUNT	1	
10	504671	GROMMET / .687x1.000x.125x.437x1.312	1	
15	050005P	HOSE ASSY 1/4" 350 MM	1	
. NS	501347	. FEMALE CONNECTOR SWIVEL / PUSH-LOK FITTING #4JIC-Fx#4 BR	2	
. NS	503706	. HOSE FC-332-4 #4	AR	
. NS	992081	. HOSE CLAMP / 12MM/22MM	2	
16	501037	MALE ELBOW 90° / SAE 45° FITTING / #4FL-Mx1/4NPT-M BR	1	
17	060139	SENSOR PROBE "LOW LEVEL COOLANT" ASSY / 1/2" NPT To J-6303	1	
. NS	560058	. SENSOR PROBE "LOW LEVEL COOLANT" / 1/2" NPT To J-6303	1	
. NS	563764	. CONNECTOR / CPC SERIES 3 / PH 3C / PED 15300002 To J-6303	1	
. NS	563763	. PIN TERMINAL / 14-12 / PED 12129497 To J-6303	2	
. NS	561786	. CABLE SEAL / GRAY / PED 15324980 To J-6303	2	
. NS	562387	. CONVOLUTED TUBING / SLIT / BLACK / .250" To J-6303	AR	
. NS	562388	. SECONDARY LOCK / METRI-PACK 280 / 2C / BLUE / PED 15300014 To J-6303	1	
17	069812	SENSOR PROBE "LOW LEVEL COOLANT" ASSY / 1/2" NPT From J-6304	1	
. NS	560058	. SENSOR PROBE "LOW LEVEL COOLANT" / 1/2" NPT From J-6304	1	
. NS	563764	. CONNECTOR / CPC SERIES 3 / PH 3C / PED 15300002 From J-6304	1	
. NS	563763	. PIN TERMINAL / 14-12 / PED 12129497 From J-6304	2	
. NS	561786	. CABLE SEAL / GRAY / PED 15324980 From J-6304	2	
. NS	562387	. CONVOLUTED TUBING / SLIT / BLACK / .250" From J-6304	AR	
. NS	562388	. SECONDARY LOCK / METRI-PACK 280 / 2C / BLUE / PED 15300014 From J-6304	1	
18	501800	PLUG HEXS / PIPE FITTING / 1/4NPT-M STL	1	
19	053585P	HOSE ASSY TEFLON #4 1850MM	1	
. NS	503064	. HOSE TEFLON #4 / S.L.	AR	
. NS	5011182	. FEMALE CONNECTOR SWIVEL / SAE 45° FITTING / #4FL-Fx#4 STL	2	
. NS	5011183	. SLEEVE / #4 STL	2	
20	Call order desk	HOSE COOLING / 739 MM	1	P
. NS	503821	. HOSE SILICONE 4 PLY / NOMEX-ARAMID 3/8" x 144"	AR	
21	992081	HOSE CLAMP / 12MM/22MM	2	

From H-6180 To J-6312	Date:01/2024	PAGE:X3-0510-03
SURGE TANK VOLVO D13 - GHG17		

Item#	Part	Description	QTY	Notes
22	501332	STREET ELBOW 90° / PIPE FITTING / 1/4NPT-Mx1/4NPT-F BR	1	
23	642196	MALE CONNECTOR / HOSE BARB FITTING / #6x1/4NPT-M BR	1	
24	507664	CABLE TIE / 3/16" 11" / DOUBLE LOOP HEAD	AR	
25	504016	CABLE TIE / 5/16" X 14"1/2	AR	
26	21283793	SPRING HOSE CLAMP 5/16"	1	
30	071715	BRACKET, TRANSMISSION DIPSTICK	1	
34	5001307	SCREW CAP HEXF M10-1.5x20 8.8 N500	1	
35	503788	HOSE SILICONE 4 PLY / NOMEX-ARAMID 1" I.D. x 54"	1	
36	992084	HOSE CLAMP / 23MM/35MM	2	
37	053709	PIPE ASSY, WATER PUMP	1	
38	504738	RUBBER JOINT	1	
39	502862	SCREW CAP HEX M8-1.25x20 G8.8 N500	4	
40	053037	HOSE HOLDER BRACKET To J-6305	1	
40	050110	HOSE HOLDER BRACKET 284.9x146x94.3 MM From J-6306	1	
NS	503821	HOSE SILICONE 4 PLY / NOMEX-ARAMID 3/8" x 144"	AR	
41	502836	SCREW CAP HEX M8-1.25x35 G8.8 N500	2	
42	504750	CABLE TIE / 1/2" x 15" / CHRISTMAS TREE	AR	
43	5001931	NUT HEXF NYRT M8-1.25 G8.8 N500	1	
45	053038	BRACKET, HOSE & DIPSTICK To J-6305	1	
45	050111	BRACKET, HOSE 275.5x165.7x48.5 MM From J-6306	1	
46	5001784	SCREW CAP HEXF M10-1.5x90 G8.8 AD N500	1	
47	5001834	WASHER BEL SPR 10.5X23X2.5 N500	2	
50	053485	ATTACHMENT ENGINE BLOCK	1	
70		GREYHOUND "OPTION"	1	
71	503789	HOSE SILICONE 1 PLY / NOMEX-ARAMID 1/4" X 25'	AR	GR
72	503821	HOSE SILICONE 4 PLY / NOMEX-ARAMID 3/8" x 144"	AR	GR
73	503788	HOSE SILICONE 4 PLY / NOMEX-ARAMID 1" I.D. x 54"	AR	GR
74	501332	STREET ELBOW 90° / PIPE FITTING / 1/4NPT-Mx1/4NPT-F BR	3	GR
75	507602	MALE CONNECTOR / PUSH-LOK FITTING / 1/4NPT-Mx#4 BR	1	GR
76	992081	HOSE CLAMP / 12MM/22MM	3	GR
77	501179	MALE CONNECTOR / PUSH-LOK FITTING / 1/4NPT-Mx#6 BR	1	GR
78	501312	BUSHING REDUCER / PIPE FITTING / 1/4NTP-Mx1/8NPT-F BR	1	GR
79	501331	STREET ELBOW 90° / PIPE FITTING / 1/8NPT-Mx1/8NPT-F BR	1	GR
80	640488	VALVE, AIR FILL 1/8" NPT	1	GR
. NS	650164	. CAP VALVE / CHROME	1	GR
NS	685241	. . COOLANT PRESTONE / 208 LITERS 50%/50% PRE-MIXED W/"VOLVO"	1	
NS	685127	. . . COOLANT PRESTONE / 4 LITERS 50%/50% PRE-MIXED W/"VOLVO"	1	

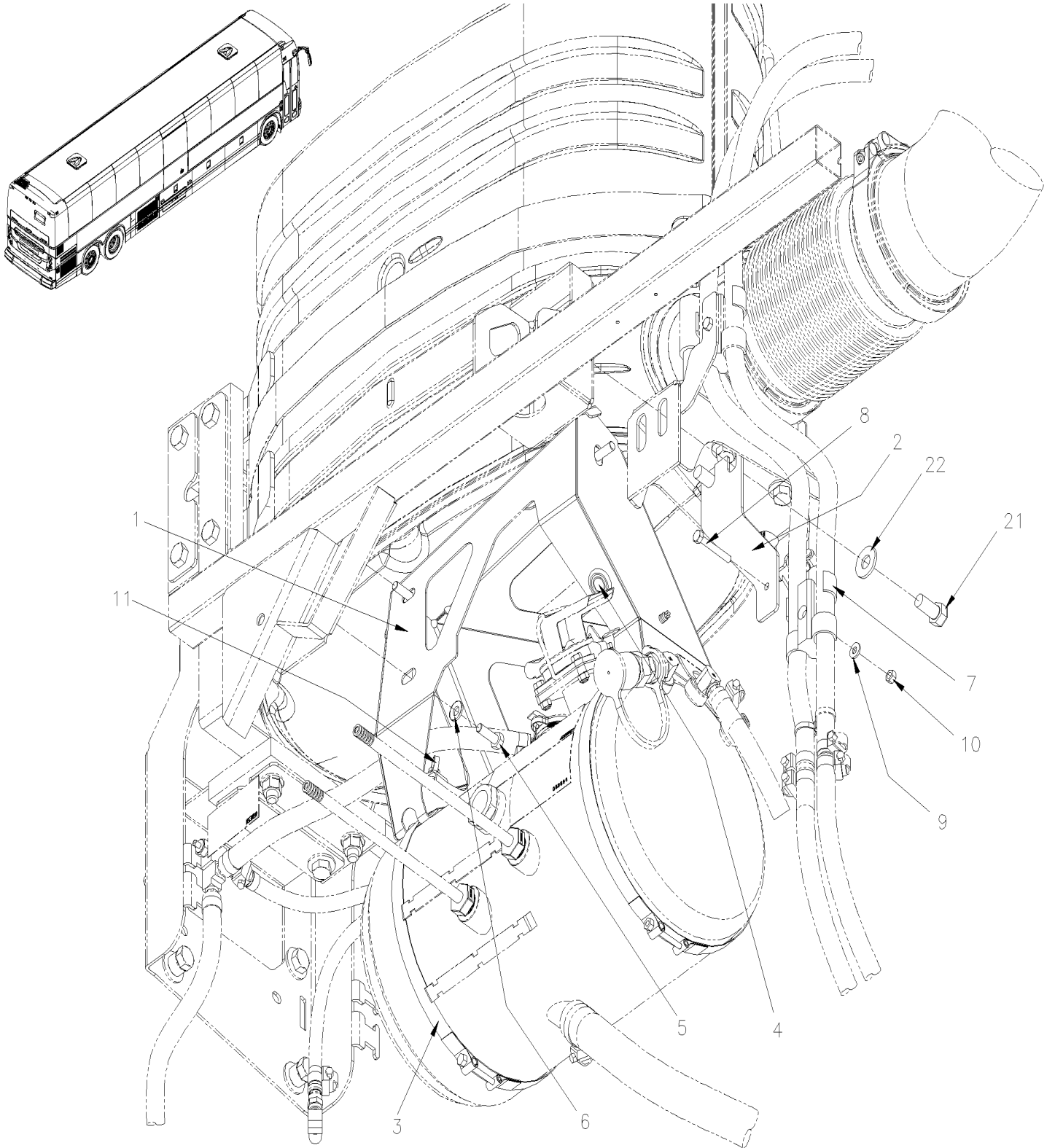
From H-6180 To J-6312			Date:01/2024	PAGE:X3-0510-03		
SURGE TANK VOLVO D13 - GHG17						
Item#	Part	Description			QTY	Notes
		GR) WITH GREYHOUND OPTION				
		P) CALL ORDER DESK FOR SPECIFIC APPLICATION (V.I.N.)				

From H-6180 To J-6312

Date:01/2024

PAGE:050164

SURGE TANK SUPPORT REPLACEMENT



From H-6180 To J-6312	Date:01/2024	PAGE:050164
SURGE TANK SUPPORT REPLACEMENT		

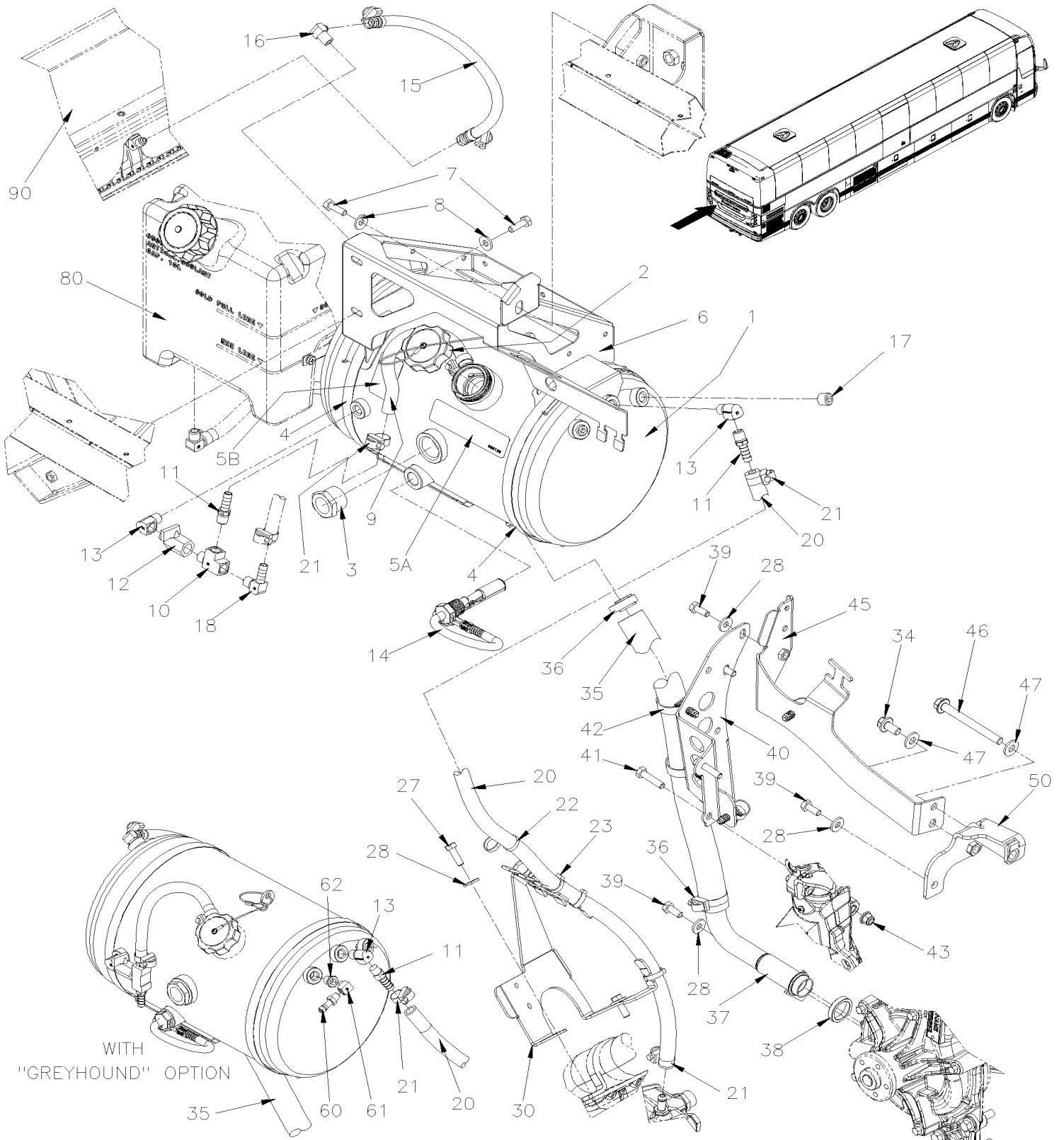
Item#	Part	Description	QTY	Notes
1	050134	SUPPORT ASSY/ SURGE TANK	1	
2	050136	BRACKET, COOLING HOSE	1	
3	504775	T-BOLT BAND CLAMP/ 9.69" ID	2	
4	382564	LED, ENGINE AIR FILTER ASSY	1	
5	502780	SCREW CAP HEX M8-1.25x25 SS BK	3	
6	5001868	WASHER BEL SPR 8.4x18x2 SS	3	
7	504634	T-CLIP / 7/8" - 1"	1	
8	5001923	SCREW CAP HEX M6-1.0x45 SS BK	1	
9	500877	WASHER FL .250x.562x.065 N500	1	
10	502681	NUT HEX NYRT M6-1.0 N500 G8	1	
11	509815	TIE MOUNT / ATTACHMENT W/TREE MOUNT	9	
11	504637	CABLE TIE / 3/16" x 13"	9	
NS	564108	SELF MOUNTING STUD // DEUTSCH 1011-310-0205	1	
21	502705	SCREW CAP HEX M12-1.75X25 G8.8 N500	2	
22	500967	WASHER BEL SPR .512x1.142x.098 N500	2	

From J-6313

Date:01/2024

PAGE:X3-0510-04

SURGE TANK



From J-6313		Date:01/2024	PAGE:X3-0510-04
SURGE TANK			

Item#	Part	Description	QTY	Notes
1	050083	SURGE TANK To N-6677	1	
1	050519	SURGE TANK From N-6678	1	
2	050130	CAP, ASSY To N-6677	1	A
. NS	504133	. CAP, SURGE TANK To N-6677	1	A
. NS	5002066	. SCREW TC PAN PH #6-32x1/4 SS To N-6677	1	A
. NS	510973	. CABLE SS 3/64" DIA. ASSY W/LOOP 8" LG x W/1" LOOP To N-6677	AR	A
2	050557	KIT, CAP ADAPTATOR, SURGE TANK To N-6677	1	
2	21528785	CAP PRESSURE / OVER 13 LBS From N-6678	1	
3	21331481	SIGHT GLASS 1" NPT	1	
4	504775	T-BOLT BAND CLAMP/ 9.69" ID	2	
5A	050138	DECAL "CAUTION NEVER OPEN..." ENGLISH To L-6584	1	
5A	050463	DECAL "CAUTION NEVER OPEN..." ENGLISH From L-6585	1	
5A	050147	DECAL "CAUTION NEVER OPEN..." ENGLISH / FRANCAIS To L-6584	1	
5A	050462	DECAL "CAUTION NEVER OPEN..." ENGLISH / FRANCAIS From L-6585	1	
5A	050157	DECAL "CAUTION NEVER OPEN..." ENGLISH / SPANISH To L-6584	1	
5A	050464	DECAL "CAUTION NEVER OPEN..." ENGLISH / SPANISH From L-6585	1	
5B	050163	DECAL "OPERATIONAL MODE" ENGLISH To L-6584	1	
5B	050466	DECAL "OPERATIONAL MODE" ENGLISH From L-6585	1	
5B	050158	DECAL "OPERATIONAL MODE" ENGLISH / FRANCAIS To L-6584	1	
5B	050465	DECAL "OPERATIONAL MODE" ENGLISH / FRANCAIS From L-6585	1	
5B	050161	DECAL "OPERATIONAL MODE" ENGLISH / SPANISH To L-6584	1	
5B	050470	DECAL "OPERATIONAL MODE" ENGLISH / SPANISH From L-6585	1	
6	053715	SUPPORT ASSY/ SURGE TANK To J-6316	1	
6	050164	SURGE TANK SUPPORT REPLACEMENT To J-6316	1	
6	050134	SUPPORT ASSY/ SURGE TANK From J-6317 To L-6559	1	
6	050338	SUPPORT ASSY/ SURGE TANK From L-6560	1	
NS	504013	TIE MOUNT / 1/4" X 1/4" I.D. From L-6560	1	
NS	504379	RIVET POP DOME OE 3/16x1/4 SS From L-6560	1	
NS	5001137	WASHER FL .203x.438x.050 SS From L-6560	1	
7	502780	SCREW CAP HEX M8-1.25x25 SS BK	AR	
8	5001868	WASHER BEL SPR 8.4x18x2 SS	AR	
9	503702	HOSE / (SAFETY STRIPE) / 3/8" I.D. 50' / S.L.	AR	
10	501894	MALE BRANCHE TEE / PIPE FITTING / 1/4NPT-Fx1/4NPT-Fx1/4NPT-M BR To L-6559	1	
10	501338	MALE RUN TEE / PIPE FITTING / 1/4NPT-Mx1/4NPT-Fx1/4NPT-F BR From L-6560	1	
11	642196	MALE CONNECTOR / HOSE BARB FITTING / #6x1/4NPT-M BR	2	
12	641936	BALL VALVE 1/4 NPT M x 1/4 NPT F	1	
13	501332	STREET ELBOW 90° / PIPE FITTING / 1/4NPT-Mx1/4NPT-F BR To L-6559	2	
13	501332	STREET ELBOW 90° / PIPE FITTING / 1/4NPT-Mx1/4NPT-F BR From L-6560	3	
14	060139	SENSOR PROBE "LOW LEVEL COOLANT" ASSY / 1/2" NPT	1	
. NS	560058	. SENSOR PROBE "LOW LEVEL COOLANT" / 1/2" NPT	1	
. NS	563764	. CONNECTOR / CPC SERIES 3 / PH 3C / PED 15300002	1	
. NS	563763	. PIN TERMINAL / 14-12 / PED 12129497	2	

From J-6313		Date:01/2024	PAGE:X3-0510-04
SURGE TANK			

Item#	Part	Description	QTY	Notes
. NS	561786	. CABLE SEAL / GRAY / PED 15324980	2	
. NS	562387	. CONVOLUTED TUBING / SLIT / BLACK / .250"	AR	
. NS	562388	. SECONDARY LOCK / METRI-PACK 280 / 2C / BLUE / PED 15300014	1	
15	050005P	HOSE ASSY 1/4" 350 MM To J-6318	1	
. NS	501347	. FEMALE CONNECTOR SWIVEL / PUSH-LOK FITTING #4JIC-Fx#4 BR To J-6318	2	
. NS	503706	. HOSE FC-332-4 #4 To J-6318	AR	
. NS	992081	. HOSE CLAMP / 12MM/22MM To J-6318	2	
15	050145P	HOSE ASSY 1/4" 400 MM From J-6319	1	
. NS	501347	. FEMALE CONNECTOR SWIVEL / PUSH-LOK FITTING #4JIC-Fx#4 BR From J-6319	2	
. NS	503706	. HOSE FC-332-4 #4 From J-6319	AR	
. NS	992081	. HOSE CLAMP / 12MM/22MM From J-6319	2	
16	501037	MALE ELBOW 90° / SAE 45° FITTING / #4FL-Mx1/4NPT-M BR	1	
17	501800	PLUG HEXS / PIPE FITTING / 1/4NPT-M STL	AR	
18	642196	MALE CONNECTOR / HOSE BARB FITTING / #6x1/4NPT-M BR To L-6559	1	
18	501088	MALE ELBOW 90° / HOSE BARB FITTING / #6x1/4NPT-M BR From L-6560	1	
20	503821	HOSE SILICONE 4 PLY / NOMEX-ARAMID 3/8" x 144"	AR	
21	992081	HOSE CLAMP / 12MM/22MM	AR	
22	507664	CABLE TIE / 3/16" 11" / DOUBLE LOOP HEAD	1	
23	504016	CABLE TIE / 5/16" X 14"1/2	AR	
27	5001745	SCREW CAP HEX M8-1.25x25 G8.8 N500	AR	
28	500321	WASHER BEL SPR .331x.827x.098 N500	AR	
30	071715	BRACKET, TRANSMISSION DIPSTICK	1	
34	5001307	SCREW CAP HEXF M10-1.5x20 8.8 N500	1	
35	503788	HOSE SILICONE 4 PLY / NOMEX-ARAMID 1" I.D. x 54"	1	
36	992084	HOSE CLAMP / 23MM/35MM	2	
37	053709	PIPE ASSY, WATER PUMP	1	
38	504738	RUBBER JOINT	1	
39	502862	SCREW CAP HEX M8-1.25x20 G8.8 N500	4	
40	053037	HOSE HOLDER BRACKET	1	
40	050110	HOSE HOLDER BRACKET 284.9x146x94.3 MM	1	
40	503821	HOSE SILICONE 4 PLY / NOMEX-ARAMID 3/8" x 144"	AR	
41	502836	SCREW CAP HEX M8-1.25x35 G8.8 N500	2	
42	504750	CABLE TIE / 1/2" x 15" / CHRISTMAS TREE	AR	
43	5001931	NUT HEXF NYRT M8-1.25 G8.8 N500	1	
45	053038	BRACKET, HOSE & DIPSTICK	1	
45	050111	BRACKET, HOSE 275.5x165.7x48.5 MM	1	
46	5001784	SCREW CAP HEXF M10-1.5x90 G8.8 AD N500	1	
47	5001834	WASHER BEL SPR 10.5X23X2.5 N500	2	
50	053485	ATTACHMENT ENGINE BLOCK	1	
60	640488	VALVE, AIR FILL 1/8" NPT	1	GR

From J-6313	Date:01/2024	PAGE:X3-0510-04
SURGE TANK		

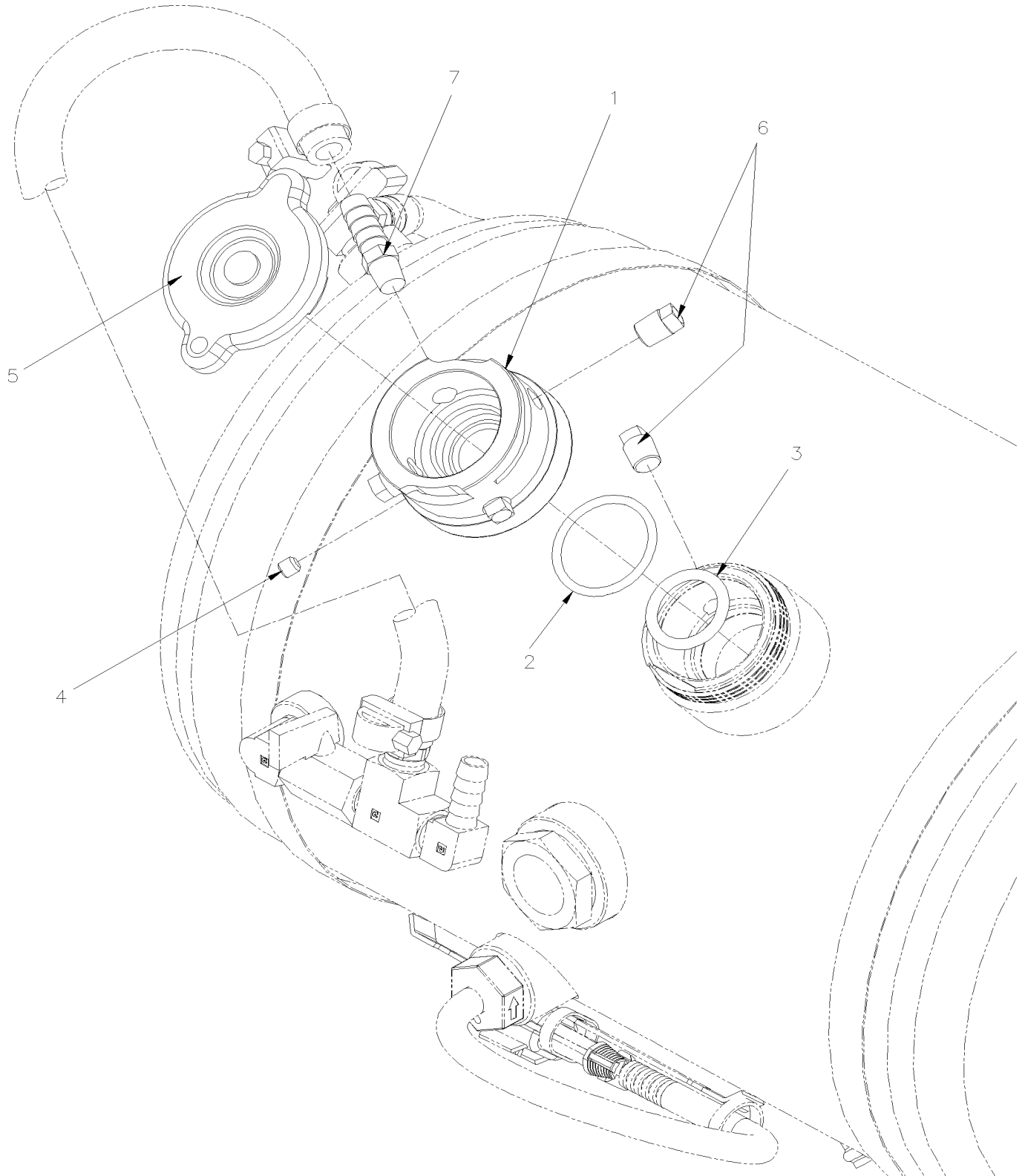
Item#	Part	Description	QTY	Notes
NS	650164	CAP VALVE / CHROME	1	GR
61	501331	STREET ELBOW 90° / PIPE FITTING / 1/8NPT-Mx1/8NPT-F BR	1	GR
62	501312	BUSHING REDUCER / PIPE FITTING / 1/4NTP-Mx1/8NPT-F BR	1	GR
80	X3-0510-10	RECOVERY TANK INSTALLATION	1	
90	X3-0505-02	RADIATOR ASSY VOLVO D13 - GHG17		
NS	685241	COOLANT PRESTONE / 208 LITERS 50%/50% PRE-MIXED W/"VOLVO"	AR	
NS	685127	COOLANT PRESTONE / 4 LITERS 50%/50% PRE-MIXED W/"VOLVO"	AR	
		A) FOR PRODUCT IMPROVEMENT ASK FOR 050557		
		GR) WITH GRWYHOUND OPTION		

To N-6677

Date:01/2024

PAGE:050557

KIT, CAP ADAPTATOR, SURGE TANK



To N-6677	Date:01/2024	PAGE:050557
-----------	--------------	-------------

KIT, CAP ADAPTATOR, SURGE TANK

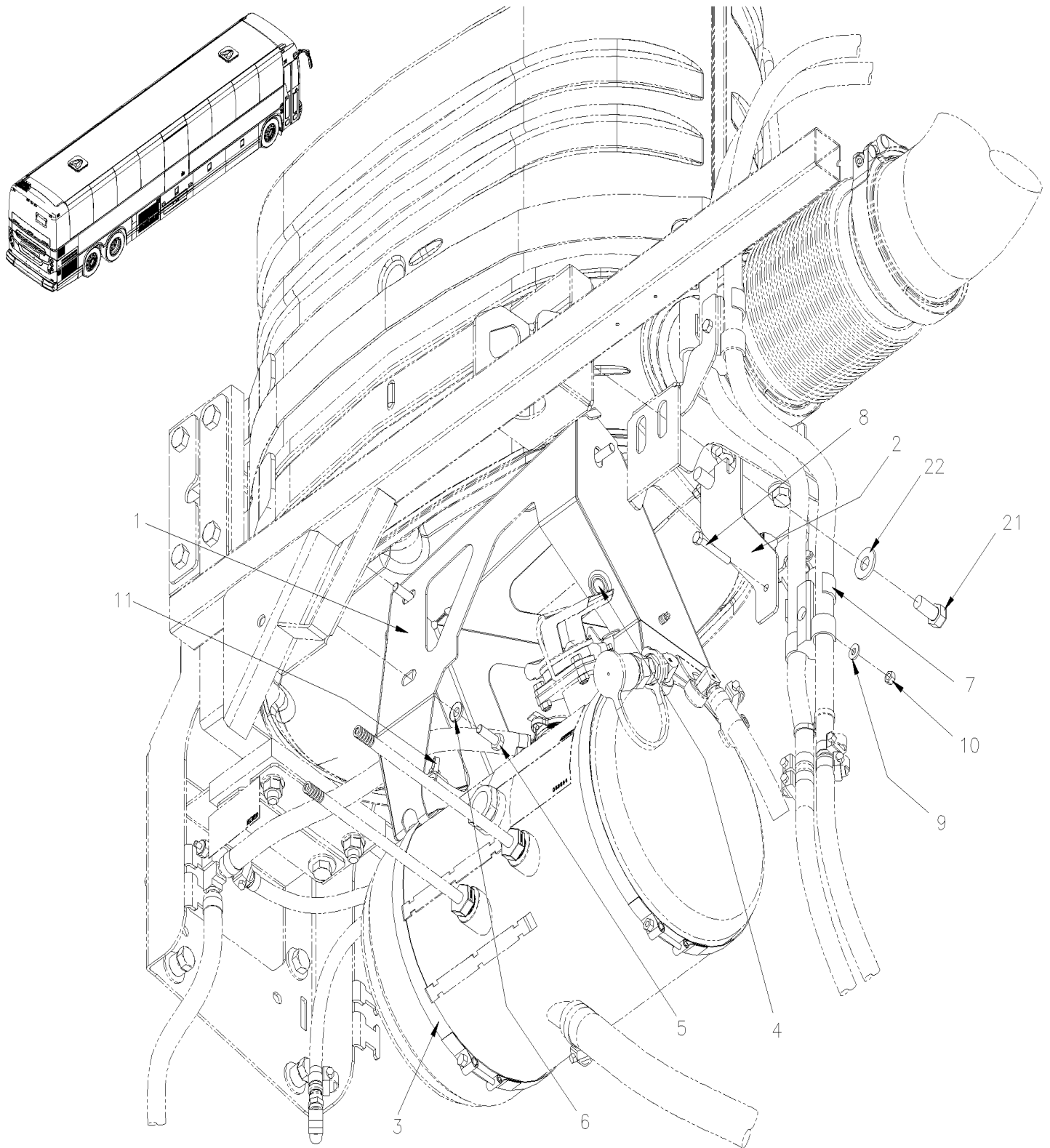
Item#	Part	Description	QTY	Notes
1	050556	CAP ADAPTATOR, SURGE TANK	1	
2	507036	O-RING 33 X 39 X 3	1	
3	507035	O-RING 23 X 31 X 4	1	
4	502634	SCREW SET HEXS CUP M6-1.0x6	1	
5	21528785	CAP PRESSURE / OVER 13 LBS	1	
6	501303	PLUG SQUARE HEAD / PIPE FITTING / 1/8NPT-M BR	4	
7	5011366	MALE CONNECTOR / HOSE BARB FITTING / #6x1/8NPT-M BR	1	

To J-6316

Date:01/2024

PAGE:050164

SURGE TANK SUPPORT REPLACEMENT



To J-6316	Date:01/2024	PAGE:050164
-----------	--------------	-------------

SURGE TANK SUPPORT REPLACEMENT

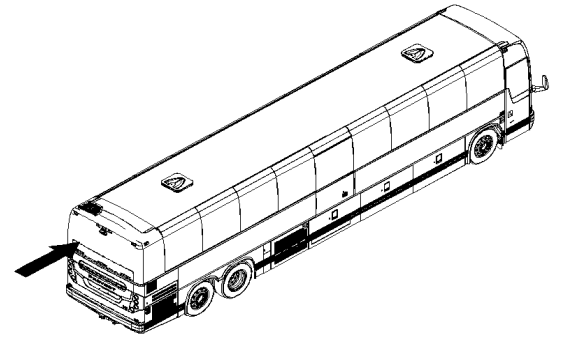
Item#	Part	Description	QTY	Notes
1	050134	SUPPORT ASSY/ SURGE TANK	1	
2	050136	BRACKET, COOLING HOSE	1	
3	504775	T-BOLT BAND CLAMP/ 9.69" ID	2	
4	382564	LED, ENGINE AIR FILTER ASSY	1	
5	502780	SCREW CAP HEX M8-1.25x25 SS BK	3	
6	5001868	WASHER BEL SPR 8.4x18x2 SS	3	
7	504634	T-CLIP / 7/8" - 1"	1	
8	5001923	SCREW CAP HEX M6-1.0x45 SS BK	1	
9	500877	WASHER FL .250x.562x.065 N500	1	
10	502681	NUT HEX NYRT M6-1.0 N500 G8	1	
11	509815	TIE MOUNT / ATTACHMENT W/TREE MOUNT	9	
11	504637	CABLE TIE / 3/16" x 13"	9	
NS	564108	SELF MOUNTING STUD // DEUTSCH 1011-310-0205	1	
21	502705	SCREW CAP HEX M12-1.75X25 G8.8 N500	2	
22	500967	WASHER BEL SPR .512x1.142x.098 N500	2	

From J-6313

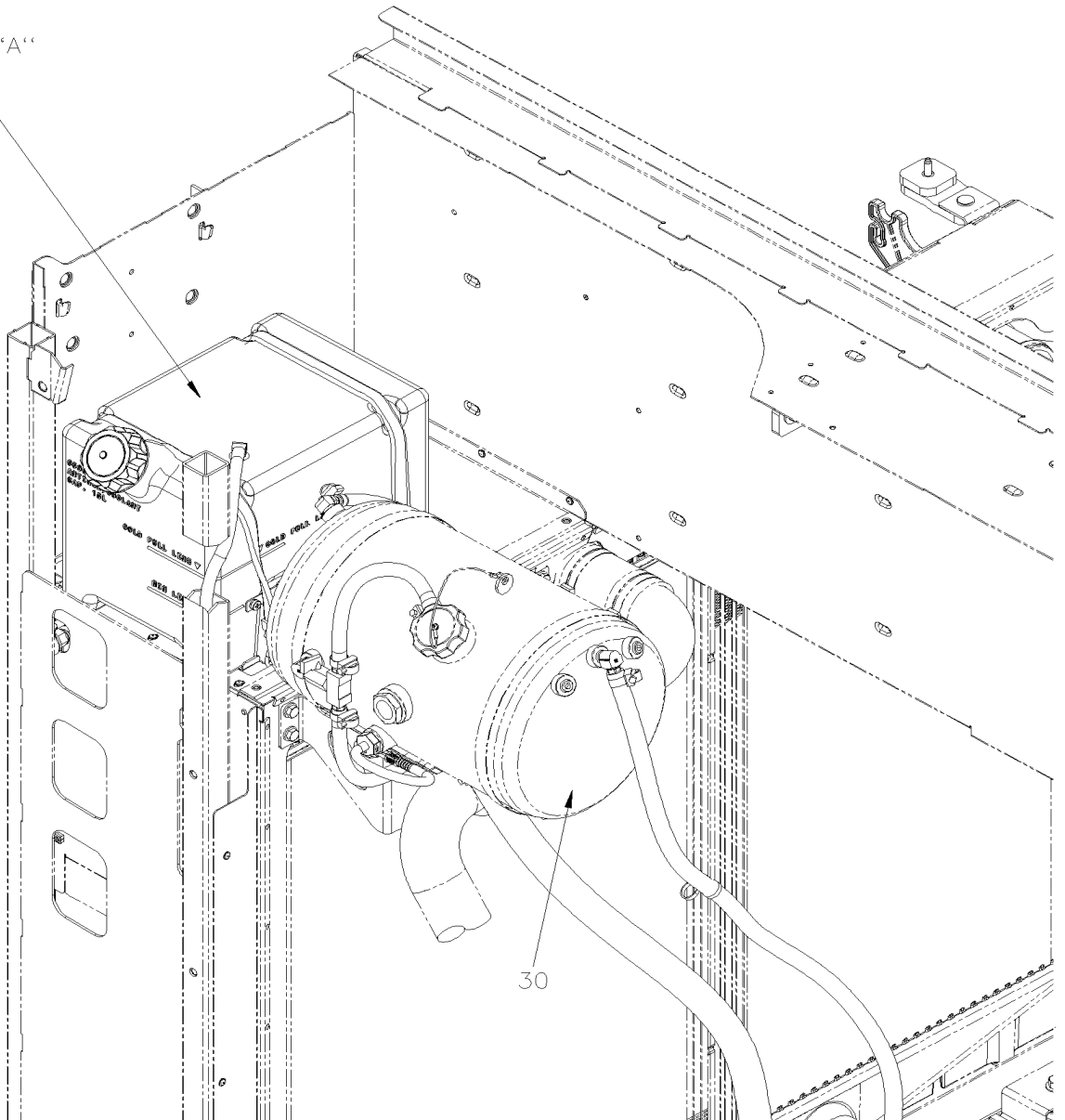
Date:01/2024

PAGE:X3-0510-10

RECOVERY TANK INSTALLATION



DETAIL "A"



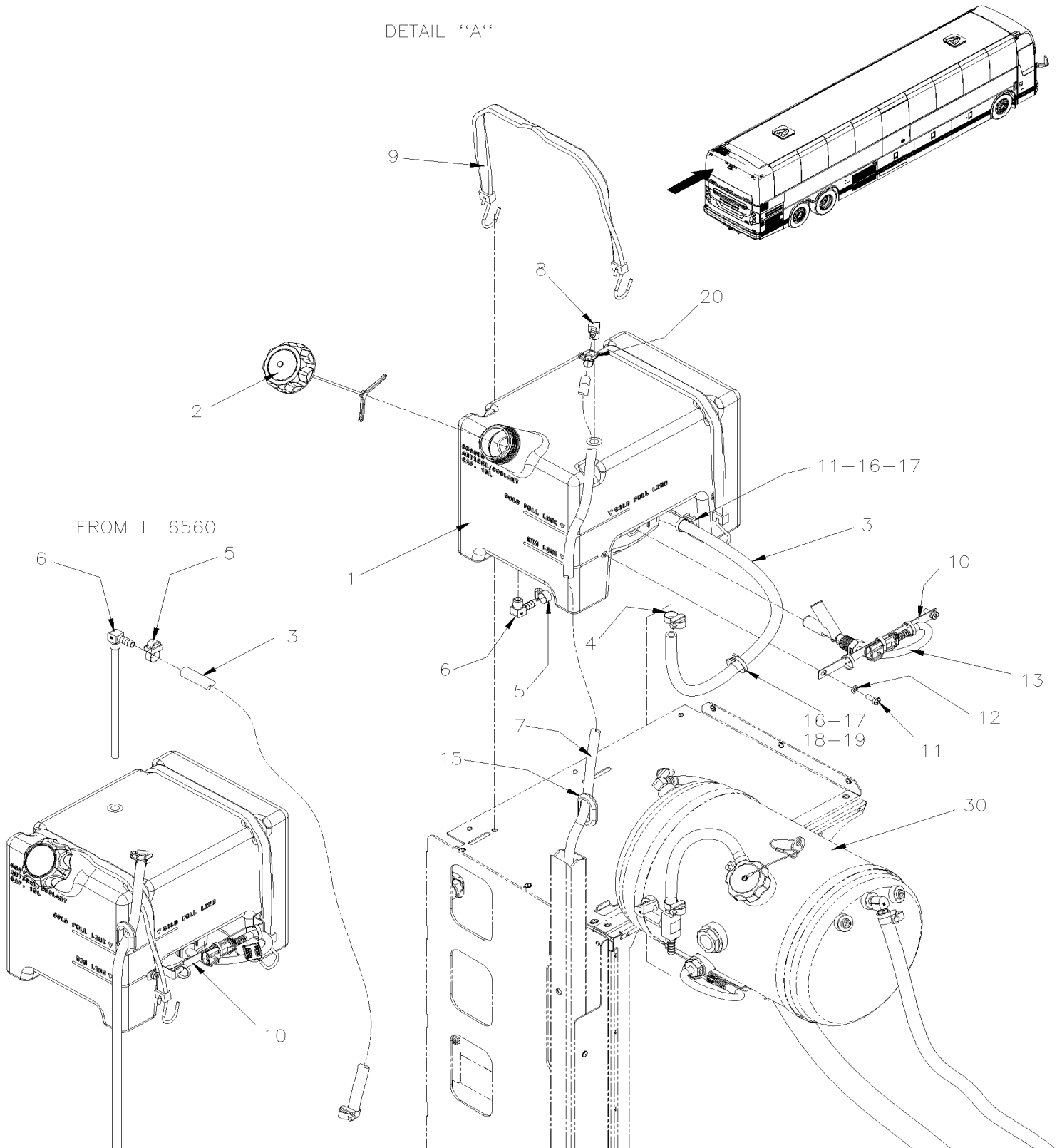
From J-6313

Date:01/2024

PAGE:X3-0510-10

RECOVERY TANK INSTALLATION

DETAIL "A"



From J-6313		Date:01/2024	PAGE:X3-0510-10
-------------	--	--------------	-----------------

RECOVERY TANK INSTALLATION

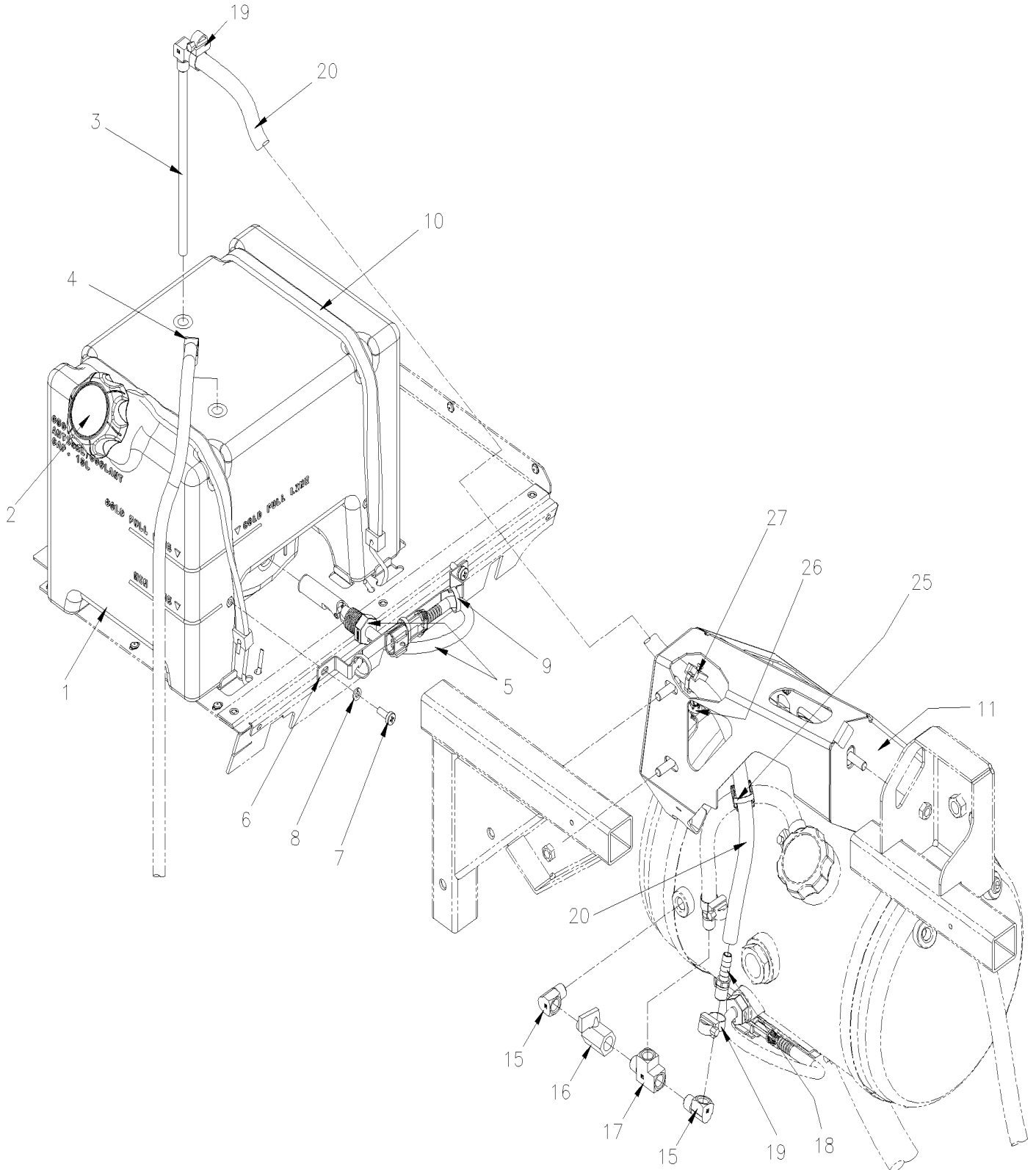
Item#	Part	Description	QTY	Notes
1	050095	RECOVERY TANK To L-6559	1	
1	050189	RECOVERY TANK From L-6560	1	
1	050461	RECOVERY TANK REPLACEMENT KIT To L-6559	1	
2	5041100	CAP NON VENTED	1	
3	503702	HOSE / (SAFETY STRIPE) / 3/8" I.D. 50' / S.L.	AR	
NS	504751	ROTATIF SPACER DOUBLE / SMALL	1	
NS	504637	CABLE TIE / 3/16" x 13"	2	
4	992081	HOSE CLAMP / 12MM/22MM To L-6559	1	
4	992081	HOSE CLAMP / 12MM/22MM From L-6560	2	
5	504761	CLAMP "E-Z CLIP" / "TUBE-O" / G134 #8	1	
6	501088	MALE ELBOW 90° / HOSE BARB FITTING / #6x1/4NPT-M BR To L-6559	1	
6	050340	ANKLE ASSY From L-6560	1	
7	503789	HOSE SILICONE 1 PLY / NOMEX-ARAMID 1/4" X 25'	AR	
8	501089	MALE ELBOW 90° / HOSE BARB FITTING / #4x1/4NPT-M BR	1	
9	504116	RUBBER TIE DOWN W/HOOK / 25"	2	
10	050112	BRACKET, RECOVERY TANK	1	
11	502817	SCREW MA PAN PH M6-1.0x16 N500 To L-6559	3	
11	502817	SCREW MA PAN PH M6-1.0x16 N500 From L-6560	2	
12	502570	WASHER LO SPT 6.1x11.8x1.6 SS	2	
13	060139	SENSOR PROBE "LOW LEVEL COOLANT" ASSY / 1/2" NPT	1	
NS	560058	SENSOR PROBE "LOW LEVEL COOLANT" / 1/2" NPT	1	
NS	563764	CONNECTOR / CPC SERIES 3 / PH 3C / PED 15300002	1	
NS	563763	PIN TERMINAL / 14-12 / PED 12129497	2	
NS	561786	CABLE SEAL / GRAY / PED 15324980	2	
NS	562387	CONVOLUTED TUBING / SLIT / BLACK / .250"	AR	
NS	562388	SECONDARY LOCK / METRI-PACK 280 / 2C / BLUE / PED 15300014	1	
15	504059	GROMMET / 1.250x1.500x.094x.375x1.875	1	
16	504013	TIE MOUNT / 1/4" X 1/4" I.D.	AR	
17	504637	CABLE TIE / 3/16" x 13"	AR	
18	5001137	WASHER FL .203x.438x.050 SS	AR	
19	504379	RIVET POP DOME OE 3/16x1/4 SS	AR	
20	21283796	SPRING HOSE CLAMP 1/4" From L-6560	1	
30	X3-0510-04	SURGE TANK		

To L-6559

Date:01/2024

PAGE:050461

RECOVERY TANK REPLACEMENT KIT



To L-6559	Date:01/2024	PAGE:050461
-----------	--------------	-------------

RECOVERY TANK REPLACEMENT KIT

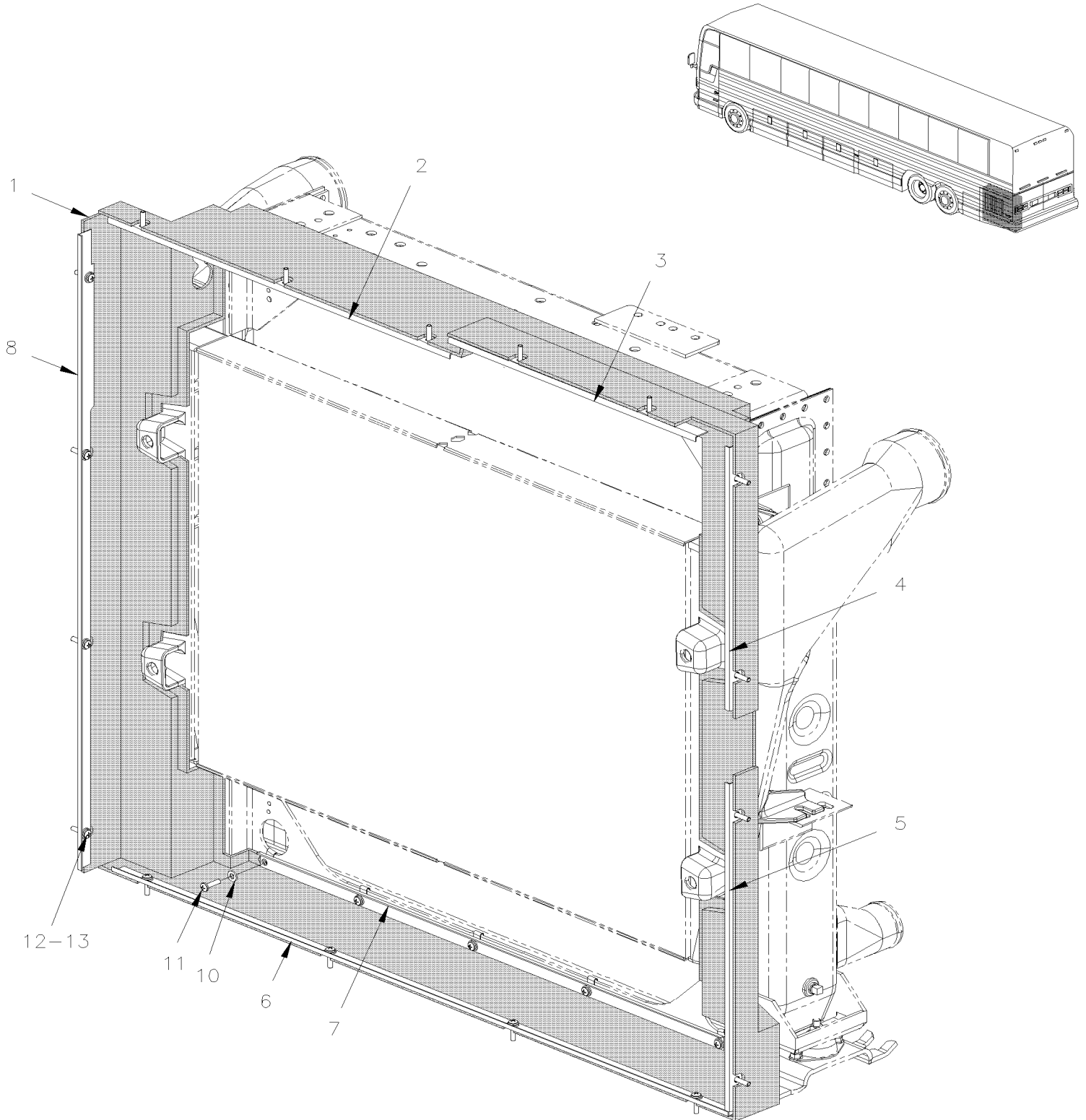
Item#	Part	Description	QTY	Notes
1	050189	RECOVERY TANK	1	
2	5041100	. CAP NON VENTED	1	
3	050340	ANKLE ASSY	1	
4	501089	MALE ELBOW 90° / HOSE BARB FITTING / #4x1/4NPT-M BR	1	
5	069812	SENSOR PROBE "LOW LEVEL COOLANT" ASSY / 1/2" NPT	1	
. NS	560058	. SENSOR PROBE "LOW LEVEL COOLANT" / 1/2" NPT	1	
. NS	563764	. CONNECTOR / CPC SERIES 3 / PH 3C / PED 15300002	1	
. NS	563763	. PIN TERMINAL / 14-12 / PED 12129497	2	
. NS	561786	. CABLE SEAL / GRAY / PED 15324980	2	
. NS	562387	. CONVOLUTED TUBING / SLIT / BLACK / .250"	AR	
. NS	562388	. SECONDARY LOCK / METRI-PACK 280 / 2C / BLUE / PED 15300014	1	
6	050112	BRACKET, RECOVERY TANK	1	
7	502817	SCREW MA PAN PH M6-1.0x16 N500	2	
8	502570	WASHER LO SPT 6.1x11.8x1.6 SS	2	
9	504637	CABLE TIE / 3/16" x 13"	3	
10	504116	RUBBER TIE DOWN W/HOOK / 25"	2	
11	050338	SUPPORT ASSY/ SURGE TANK	1	
NS	564108	SELF MOUNTING STUD // DEUTSCH 1011-310-0205	1	
15	501332	STREET ELBOW 90° / PIPE FITTING / 1/4NPT-Mx1/4NPT-F BR	2	
16	641936	BALL VALVE 1/4 NPT M x 1/4 NPT F	1	
17	501338	MALE RUN TEE / PIPE FITTING / 1/4NPT-Mx1/4NPT-Fx1/4NPT-F BR	1	
18	642196	MALE CONNECTOR / HOSE BARB FITTING / #6x1/4NPT-M BR	2	
19	992081	HOSE CLAMP / 12MM/22MM	2	
20	Call order desk	HOSE / 3/8" x 620MM	1	P
20	503702	. HOSE / (SAFETY STRIPE) / 3/8" I.D. 50' / S.L.	AR	
25	504751	ROTATIF SPACER DOUBLE / SMALL	1	
25	504637	CABLE TIE / 3/16" x 13"	2	
26	509815	TIE MOUNT / ATTACHMENT W/TREE MOUNT	8	
26	504637	CABLE TIE / 3/16" x 13"	8	
27	504013	TIE MOUNT / 1/4" X 1/4" I.D.	1	
27	504637	CABLE TIE / 3/16" x 13"	1	
27	504379	RIVET POP DOME OE 3/16x1/4 SS	1	
27	5001137	WASHER FL .203x.438x.050 SS	1	
NS	680098	THREAD SEALANT LOCTITE #567 / WHITE / 250ml	AR	
NS	680901	SCCELLANT PLASTIQUE LOCTITE MR5438, 473ML	AR	
		P) CALL ORDER DESK FOR SPECIFIC APPLICATION (V.I.N.)		

From 7-8754 To 8-9276

Date:01/2024

PAGE:X3-0518-00

RADIATOR SEALING FRAME - BUS



From 7-8754 To 8-9276	Date:01/2024	PAGE:X3-0518-00
-----------------------	--------------	-----------------

RADIATOR SEALING FRAME - BUS

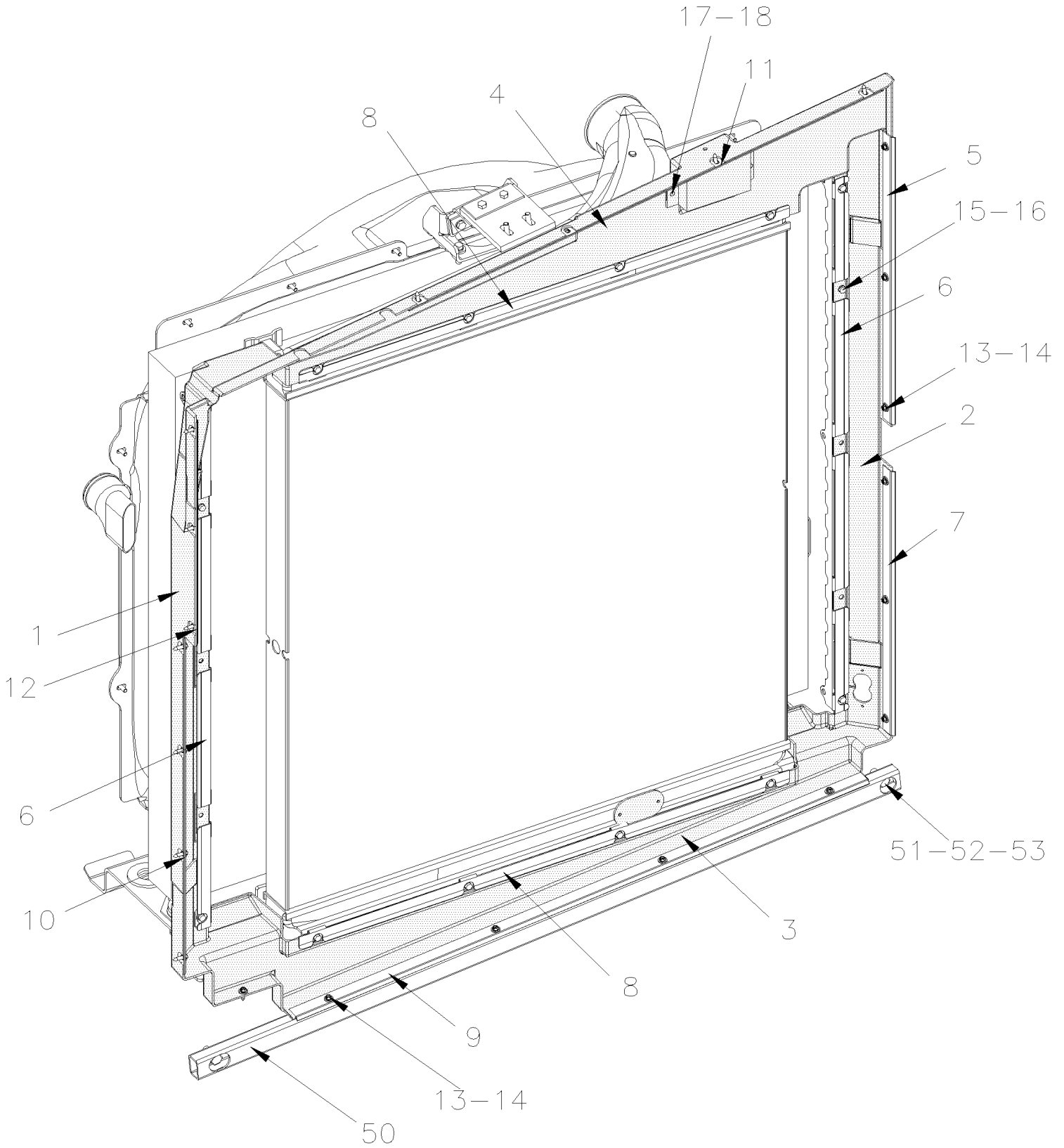
Item#	Part	Description	QTY	Notes
1	052523	FRAME, SEALING	1	
NS	506302	RUBBER EXTRUSION TRIM SEAL / GRIP .024 / 7/16" HOLLOW BULB C.T.L.	AR	
NS	506302	RUBBER EXTRUSION TRIM SEAL / GRIP .024 / 7/16" HOLLOW BULB C.T.L.	AR	
2	052458	ANGLE REINFORCEMENT 611MM	1	
3	052457	ANGLE REINFORCEMENT 442MM	1	
4	052454	ANGLE REINFORCEMENT 395MM	1	
5	052453	ANGLE REINFORCEMENT 491MM	1	
6	052452	ANGLE REINFORCEMENT 827MM	1	
7	052455	ANGLE REINFORCEMENT 1100MM	1	
8	052459	ANGLE REINFORCEMENT 957MM	1	
10	502853	WASHER LO SPT 6.1x11.8x1.6 N500	10	
11	502830	SCREW CAP HEX M6-1.0x20 G8.8 N500	10	
11	5001965	NUT SPR U M6-1.0 0.6-4.0 N500	10	
12	500526	SCREW TP CAP HEXW #12x3/4 N500	17	
13	500877	WASHER FL .250x.562x.065 N500	17	

From 8-9277 To H-6179

Date:01/2024

PAGE:X3-0518-01

RADIATOR SEALING FRAME - BUS

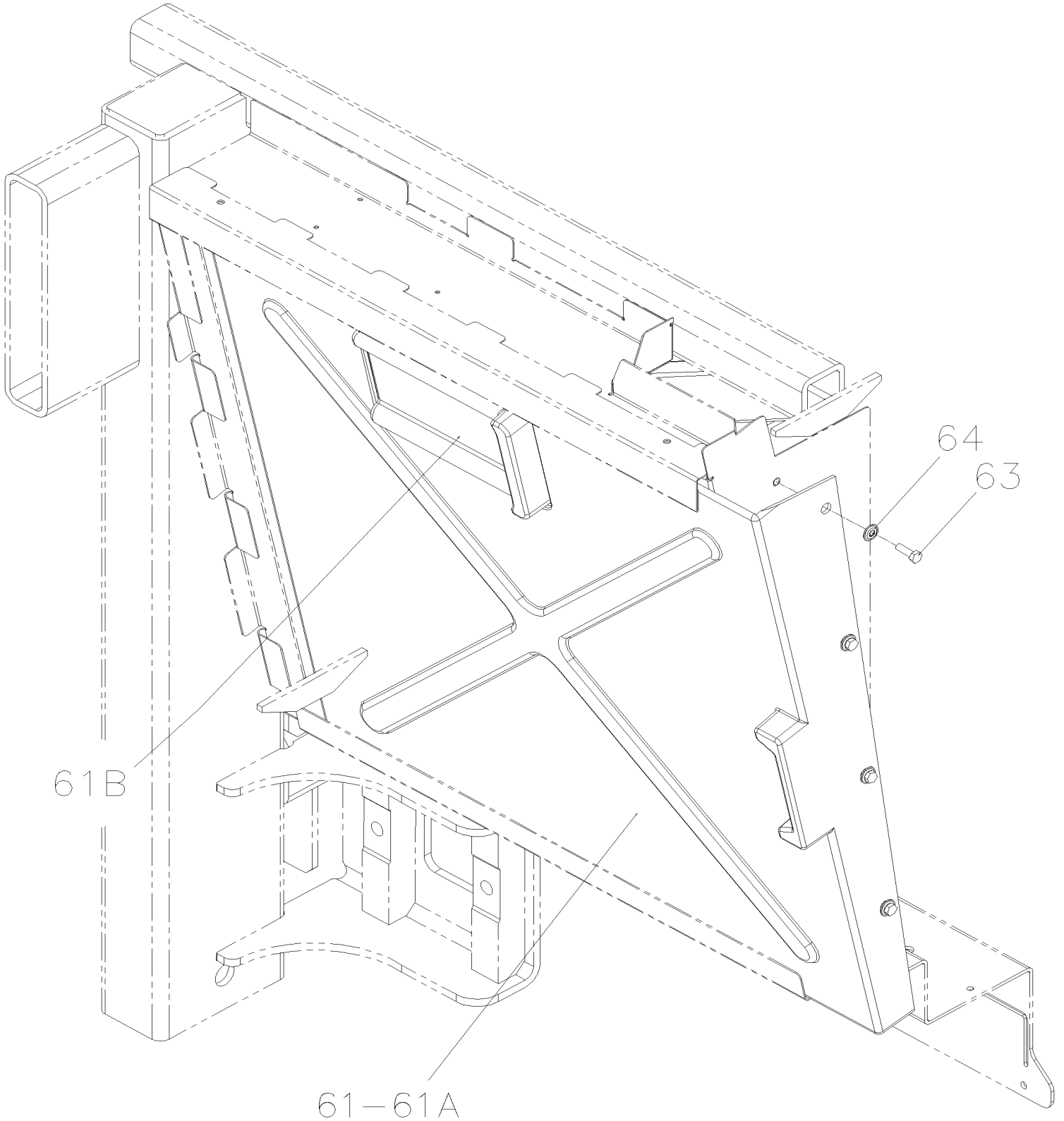


From 8-9277 To H-6179

Date:01/2024

PAGE:X3-0518-01

RADIATOR SEALING FRAME - BUS



From 8-9277 To H-6179	Date:01/2024	PAGE:X3-0518-01
RADIATOR SEALING FRAME - BUS		

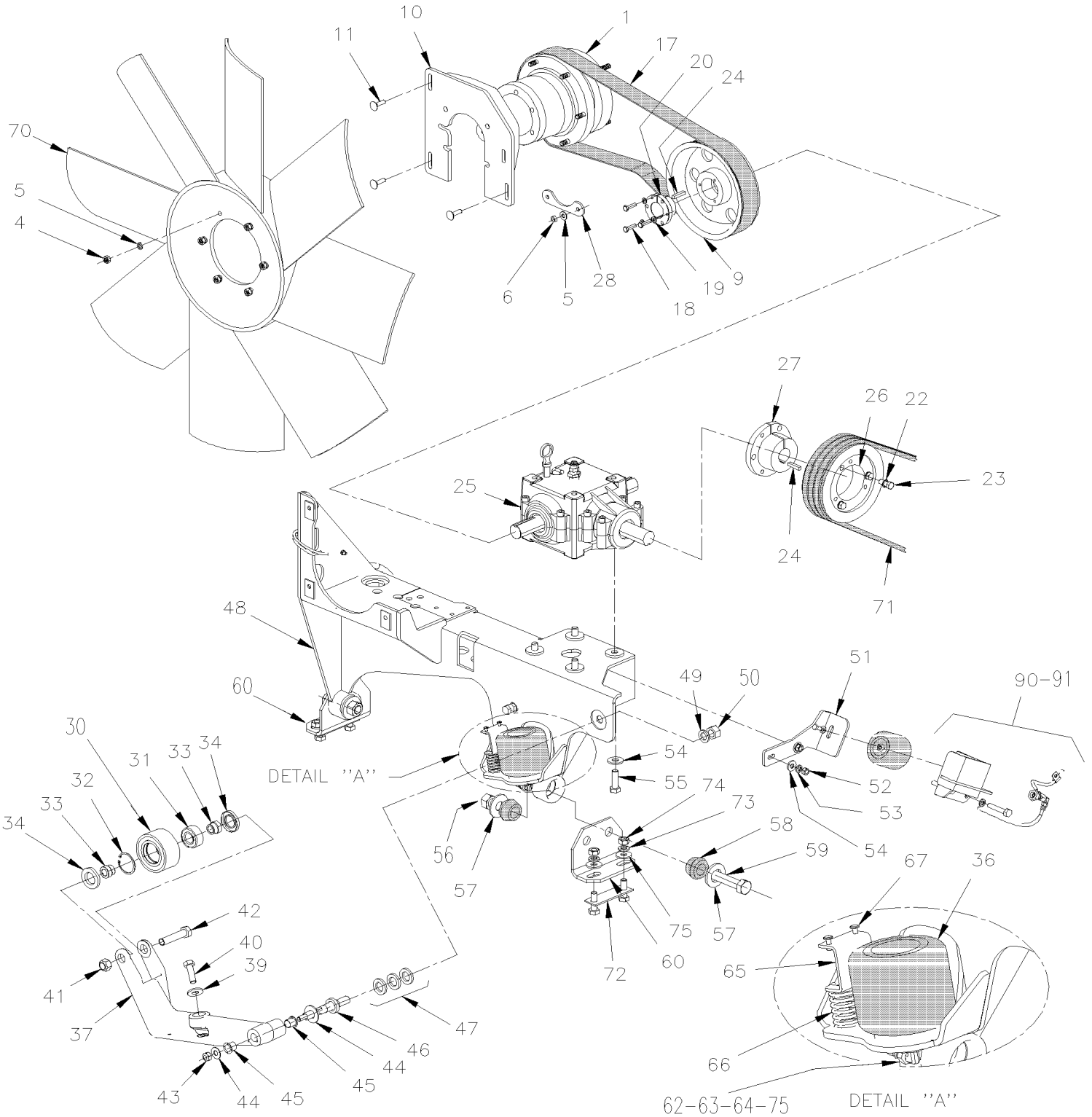
Item#	Part	Description	QTY	Notes
	052844	KIT SEALING FRAME WO & WE	1	
1	052774	. FRAME, SEALING / FORWARD	1	
2	052779	. FRAME, SEALING / BACKWARD	1	
3	052780	. FRAME, SEALING / LOWER	1	
4	052781	. FRAME, SEALING / UPPER	1	
5	052804	ANGLE REINFORCEMENT 662MM	1	
6	052814	REINFORCMENT "U" 1043MM	2	
7	052778	ANGLE REINFORCEMENT 515MM	1	
8	052815	REINFORCMENT "U" 893MM	2	
9	052817	ANGLE REINFORCEMENT 1045MM	1	
10	052793	ANGLE REINFORCEMENT 658MM	AR	
11	052805	ANGLE REINFORCEMENT 871MM	AR	
12	052816	ANGLE REINFORCEMENT 435MM	AR	
13	500526	SCREW TP CAP HEXW #12x3/4 N500	AR	
14	500877	WASHER FL .250x.562x.065 N500	AR	
15	502853	WASHER LO SPT 6.1x11.8x1.6 N500	AR	
16	502830	SCREW CAP HEX M6-1.0x20 G8.8 N500	AR	
16	5001965	NUT SPR U M6-1.0 0.6-4.0 N500	AR	
17	5001067	WASHER FL .128x.312x.032 SS	2	
18	504339	RIVET POP DOME OE 1/8x3/8 SS	2	
50	289399	TUBE PROTECTOR LOWER RADIATOR 1211MM To E-5759	1	
50	288722	TUBE PROTECTOR LOWER RADIATOR 1283MM From F-5760	1	
51	502705	SCREW CAP HEX M12-1.75X25 G8.8 N500	2	
52	500958	WASHER FL .531x1.062x.095 SS	2	
53	500747	WASHER LO SPT 12.2x21.1x2.5 N500	2	
61	053455	FENDER ACCESS PANEL ASSY PLASTIC To H-6105	1	
. A	053453	. FENDER ACCESS PANEL LARGE PLASTIC To H-6105	1	
. B	053454	. FENDER ACCESS PANEL SMALL PLASTIC To H-6105	1	
61	050018	FENDER ACCESS PANEL ASSY PLASTIC From H-6106	1	
63	502830	SCREW CAP HEX M6-1.0x20 G8.8 N500 To G-5949	4	
63	5001743	SCREW CAP HEX M6-1.0x12 G8.8 N500 From G-5950 To H-6105	4	
63	5001743	SCREW CAP HEX M6-1.0x12 G8.8 N500 From H-6106	2	
64	500356	WASHER LO SERR 6.1x16.0x0.9 N500 To H-6105	4	
64	500356	WASHER LO SERR 6.1x16.0x0.9 N500 From H-6106	2	

From 7-8754 To 8-9276

Date:01/2024

PAGE:X3-0520-00

FAN DRIVE - INSTALLATION - SHORT



From 7-8754 To 8-9276	Date:01/2024	PAGE:X3-0520-00
FAN DRIVE - INSTALLATION - SHORT		

Item#	Part	Description	QTY	Notes
1	X3-0540-00	FAN CLUTCH ASSY - #550839		
4	502543	. NUT HEX M8-1.25 Z050	6	
5	502644	. WASHER FL 10.5x30.0x2.5 Z050	8	
6	5001758	. NUT HEX STO M10-1.5 N500	4	
9	052584	PULLEY / W/12RIB X 8.582" DIA	1	
10	052596	PLATE TRANSITION / FAN CLUTCH & SUPPORT	1	
11	502891	SCREW CRG M8-1.25x40 G8.8 Z050	4	
12	500874	WASHER FL 8.4x17.0x1.6 Z050	3	
13	502889	WASHER LO SPT 8.1x12.7x2.0 N500	3	
13	955920	WASHER LO SPT 6.5x11.5x1.6 ZP	3	
14	502543	NUT HEX M8-1.25 Z050	3	
17	5060073	MULTI V-BELT / 12 RIB 61.41" (1560MM) VBR614K12	1	
17	5002112	MULTI V-BELT / 12 RIB 62.40" (1585MM)	1	A
18	500171	SCREW CAP HEX 1/4-20x1 G5 N500	3	
19	955920	WASHER LO SPT 6.5x11.5x1.6 ZP	3	
20	550879	CONE BUSHING 1 1/4 I.D X 1 13/16 O.D. X 2 5	1	
22	500546	WASHER LO EXT .384x.694x.040 Z050	6	
23	502906	SCREW CAP HEX 3/8-24x1 1/4 G5 N500	6	
24	550186	KEY 1/4" X 1/4" X 1 1/4"	2	
25	X3-0525-00	GEARBOX "SUPERIOR" - #550897		
26	052585	PULLEY (3V X 6.92 DIA)	1	
27	550878	CONE BUSHING 1 1/4 I.D X 3 O.D. X 4 5/8 O.D	1	
28	052492	PLATE	1	
30	052673	PULLEY ASSY W/BEARING & SEAL / 54MM x 117MM	1	
30	052896	. PULLEY ASSY W/BEARING / 54MM x 117MM O.D.	1	
30	052625	. . PULLEY / 54MM x 117MM O.D.	1	
31	510618	. . BALL BEARING DBL ROW / 30MM x 62MM x 27 W	1	
32	504040	. . RING RETAINER / INT 2.440 x 1.860 x 0.078 STL BLK	1	
33	052627	. BUSHING TRANSFER FAN	2	
34	507371	. SEAL	2	
NS	680752	. GREASE LITHIUM / BLUE	AR	
36	550840	BELLOW ASSY / BELT TENSIONER / 4" O.D.	1	
37	052624	ARM, BELT TENSIONER / IRON USE W 54MM WIDE PULLEY	1	
39	500218	WASHER LO SPT .380x.683x.098 DP320	1	
NS	500832	WASHER FL .406x.812x.065 N500	1	
40	502926	SCREW CAP HEX 3/8-16x7/8 G5 N500	1	
41	5001252	NUT HEX STO M20-2.5 DP	1	
NS	502558	WASHER FL 21.0x37.0x3.0 G500	1	
42	983296	SCREW CAP HEX M20-2.5x90 G10.9 ZP	1	
43	502617	NUT HEX NYRT M10-1.5 Z050	1	
44	500270	WASHER FL .406x1.000x.063 SS	1	
45	507293	BUSHING NYLINED .625x.750x.750	2	

From 7-8754 To 8-9276	Date:01/2024	PAGE:X3-0520-00
FAN DRIVE - INSTALLATION - SHORT		

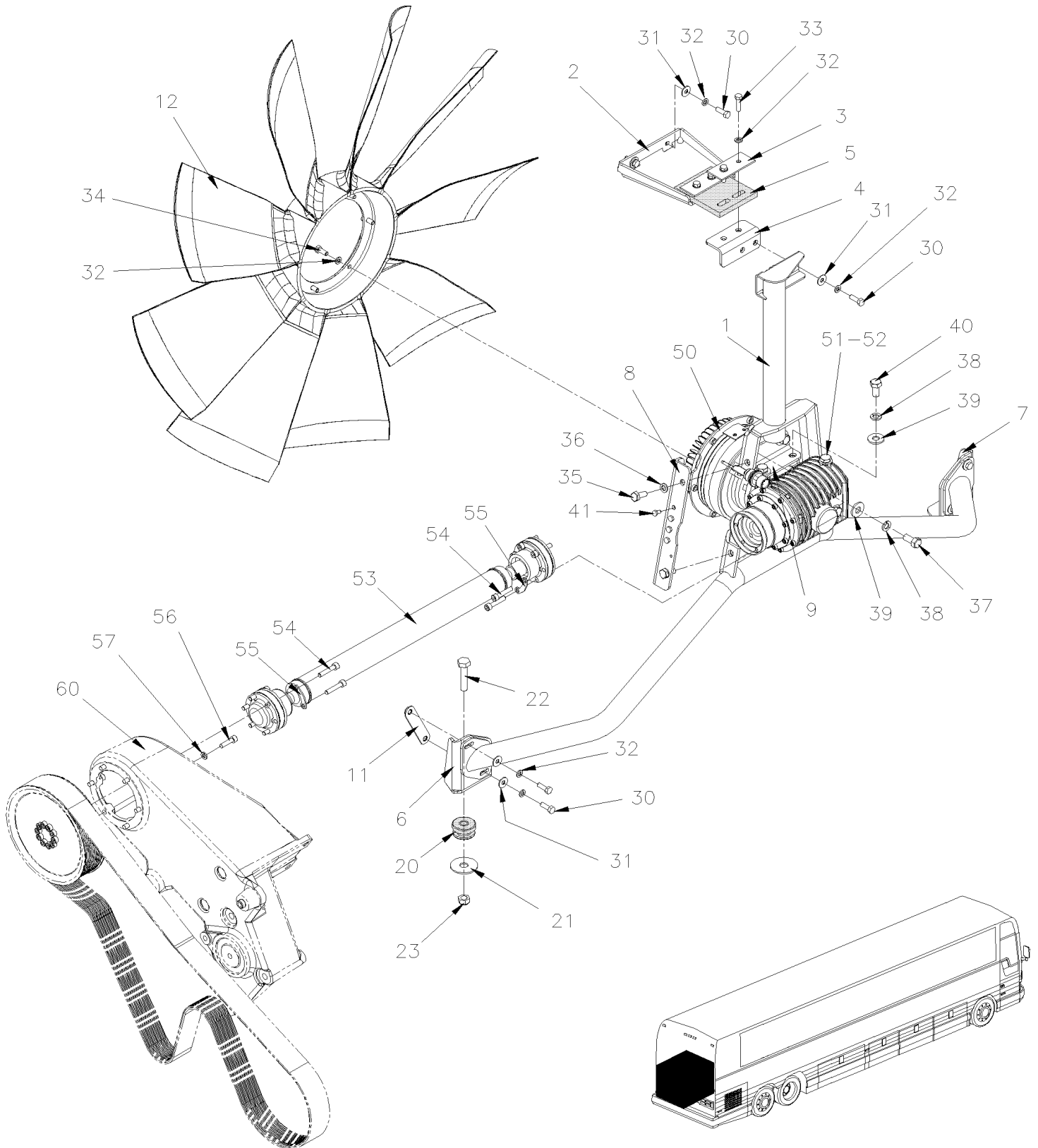
Item#	Part	Description	QTY	Notes
46	052670	PIVOT / TO FIX TENSIONER TO SUPPORT	1	
NS	501497	GREASE FITTING / 1/4-28	1	
47	500449	WASHER FL .625x1.500 SS	AR	
48	052571	SUPPORT FAN CLUTCH & GEAR BOX / SHORT	1	
49	500802	WASHER LO SPT 16.2x37.4x3.5 Z050	1	
50	502588	NUT HEX M16-2.0 ZP	1	
51	052645	BELLOW TENSIONER / W/4" BELLOW	1	
52	502875	SCREW CAP HEX M12-1.75x40 G8.8 N50	2	
53	500811	NUT HEX STO M12-1.75 G500	2	
54	500944	WASHER LO SPT .506x.873x.125 N500	6	
NS	500211	WASHER FL .531x1.250x.125 N500	2	
55	500214	SCREW CAP HEX 1/2-13x1 1/4 G5 Z050	4	
56	500735	NUT HEX STO 3/4-16 ZP	2	
57	500451	WASHER FL .812x2.000x.148 ZP	2	
58	630002	BUSHING / RUBBER / (TWO PIECES) 1" x 1.005" I.D.	2	
NS	507347	SPACER / BUSHING	2	
59	500145	SCREW CAP HEX 3/4-16x3 1/2 G5 Z050	2	
60	052494	SUPPORT, ANGLE	2	
62	502901	WASHER FL .625x1.469x.109 N500	1	
63	502917	NUT HEX JAM 3/4-16 G2 N500	1	
64	501036	MALE ELBOW 90° / SAE 45° FITTING / #4FL-Mx1/8NPT-M BR	1	
65	052688	SPRING ATTACHMENT W/54MM WIDE PULLEY	1	
66	502247	SPRING COMPRESSION / 1.250 O.D. x 2.5 x .125	1	
67	504487	RIVET MGLP PRDG 3/16x7/16 SS	2	
70	550832	FAN ASSY / CW 34" / 9 BLADES PLASTIC	1	
71	X3-0120-00	DRIVE PULLEY & BELTS		
72	052310	ATTACHMENT PLATE ASSY / TO FIX ANGLE TO FLOOR	2	
73	5001568	NUT PUSH RND M12 ZP	4	
74	971072	NUT HEX M12-1.75 ZG603	4	
75	052590	HOSE ASSY TEFLON #4 830MM	1	
NS	500606	SCREW MA TR PH #10-24x3/4 SS	1	
NS	500914	WASHER LO SPT .193x.334x.047 N500	2	
NS	952624	CLAMP / 1/4" I.D.	1	
NS	502882	NUT HEX #10-24 N500	1	
90	052706	SUPPORT BELLOW TENTIONER / W/4" BELLOW	1	
91	X3-0125-00	BELTS TENSIONERS - WITH DETROIT S-60		
		A) PRODUCT IMPROVMENT ASK KIT 328903 WITH 680532 FOR INSTALLATION		

From 8-9277 To B-5049

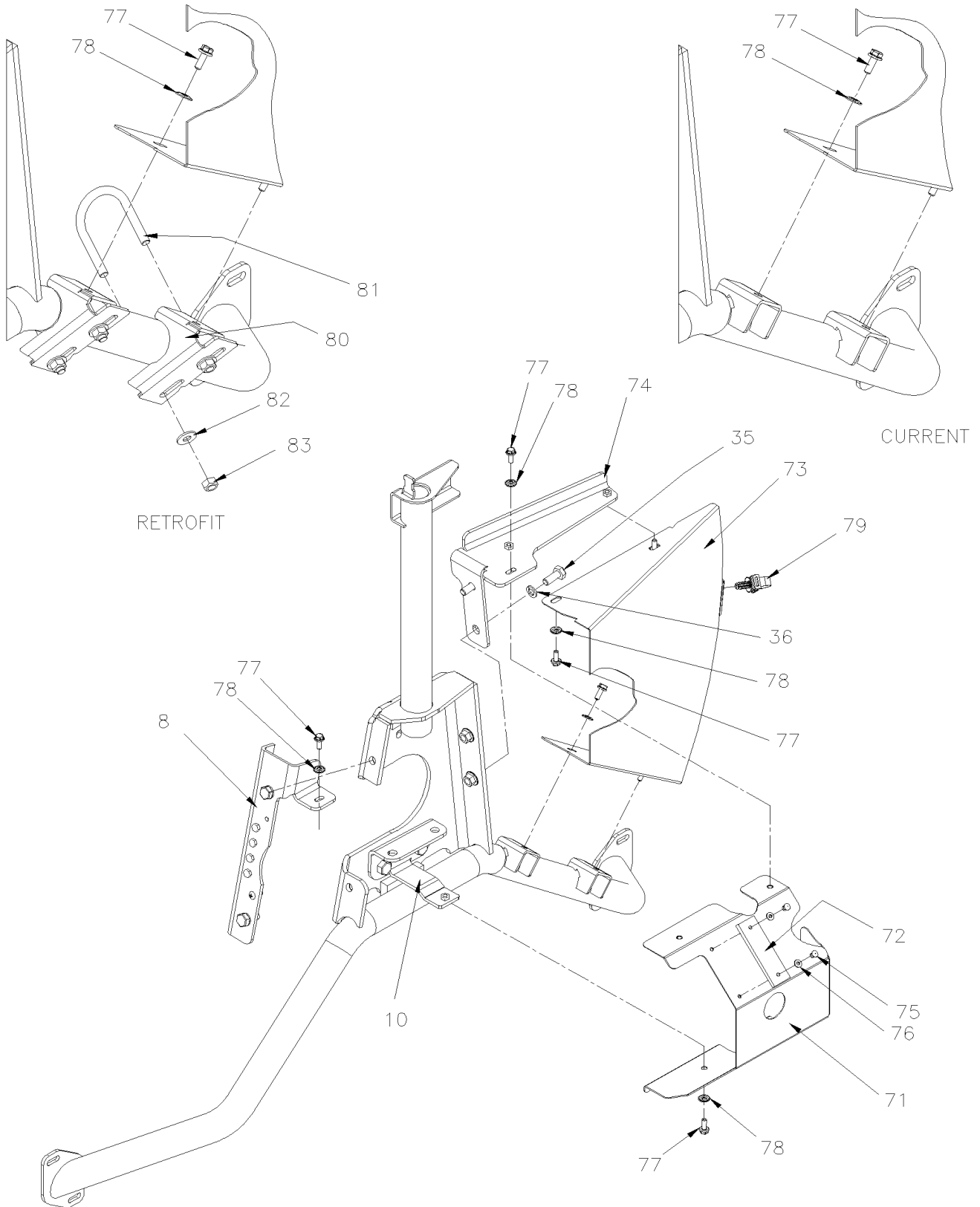
Date:01/2024

PAGE:X3-0520-01

FAN DRIVE - INSTALLATION



FAN DRIVE - INSTALLATION



From 8-9277 To B-5049	Date:01/2024	PAGE:X3-0520-01
FAN DRIVE - INSTALLATION		

Item#	Part	Description	QTY	Notes
1	052836	TRIPOD SUPPORT SHORT To 8-9382	1	
1	052908	TRIPOD SUPPORT SHORT From 8-9383 To B-5001	1	
1	052939	TRIPOD SUPPORT SHORT From B-5002	1	
2	052728	SUPPORT UPPER TRIPOD	1	
NS	502851	NUT HEX M8-1.25 N500	2	A
3	052473	PLATE / UPPER RADIATOR 40MM X 90MM	2	
4	052730	ANGLE OFFSET RETAINER / UPPER RADIATOR To 8-9382	1	
4	052903	ANGLE OFFSET RETAINER / UPPER RADIATOR From 8-9383	1	
NS	502851	NUT HEX M8-1.25 N500	2	A
5	052441	RUBBER PAD 100MM X 123MM To 9-9595	1	
5	21185073	RUBBER PAD 100MM X 123MM From 9-9596	1	
6	052736	SUPPORT LOWER TRIPOD / BACKWARD To 8-9382	1	
6	052901	SUPPORT LOWER TRIPOD / BACKWARD From 8-9383	1	
7	052737	SUPPORT LOWER TRIPOD / FORWARD To 8-9382	1	
7	052905	SUPPORT LOWER TRIPOD / FORWARD From 8-9383	1	
8	052735	ANGLE CLOSING BACKWARD SUPPORT TRIPOD To 9-9895	1	
8	052979	ANGLE CLOSING BACKWARD SUPPORT TRIPOD From 9-9896	1	
9	052734	ANGLE RETAINER UPPER 90° GEARBOX To 8-9382	1	
9	052884	ANGLE RETAINER UP & LOWER 90° GEARBOX From 8-9383 To 9-9895	2	
9	052884	ANGLE RETAINER UP & LOWER 90° GEARBOX From 9-9896	1	
NS	052762	ANGLE RETAINER LOWER 90° GEARBOX To 8-9382	1	
10	052884	ANGLE RETAINER UP & LOWER 90° GEARBOX From 8-9383 To 9-9895	1	
10	052998	ANGLE RETAINER LOWER 90° GEARBOX From 9-9896	1	
11	052840	PLATE ATTACHMENT W/2 NUTS M8-1.25	2	
12	550908	FAN ASSY / CCW 38" / 9 BLADES PLASTIC	1	
12	557064	FAN ASSY / CW 38" / 9 BLADES PLASTIC From B-5050	1	
20	052764	RUBBER BUSHING To 9-9595	2	
20	21183424	RUBBER BUSHING From 9-9596	2	
21	052765	WASHER FL 12.5MMx52MMx3MM	2	
22	5001861	SCREW CAP HEX M12-1.75x60 G10.9 N500	2	
23	971084	NUT HEX STO M12-1.75 ZG603	2	
30	955297	SCREW CAP HEX M8-1.25x25 G8.8 ZG603	8	
31	500332	WASHER FL .328x.875x.062 N500	12	
32	500942	WASHER LO SPT 8.1x14.8x2.0 N500	18	
33	940142	SCREW CAP HEX M8-1.25x30 G8.8 ZG603	4	
34	502862	SCREW CAP HEX M8-1.25x20 G8.8 N500	6	
35	502804	SCREW CAP HEX M10-1.5x25 G8.8 N500	2	
36	502616	WASHER LO SPT 10.2x18.1x2.2 SS	2	
37	502705	SCREW CAP HEX M12-1.75X25 G8.8 N500	4	
38	500747	WASHER LO SPT 12.2x21.1x2.5 N500	8	
39	500211	WASHER FL .531x1.250x.125 N500	8	
40	5001645	SCREW CAP HEX M12-1.5x25 G8.8 N500	4	

From 8-9277 To B-5049	Date:01/2024	PAGE:X3-0520-01
FAN DRIVE - INSTALLATION		

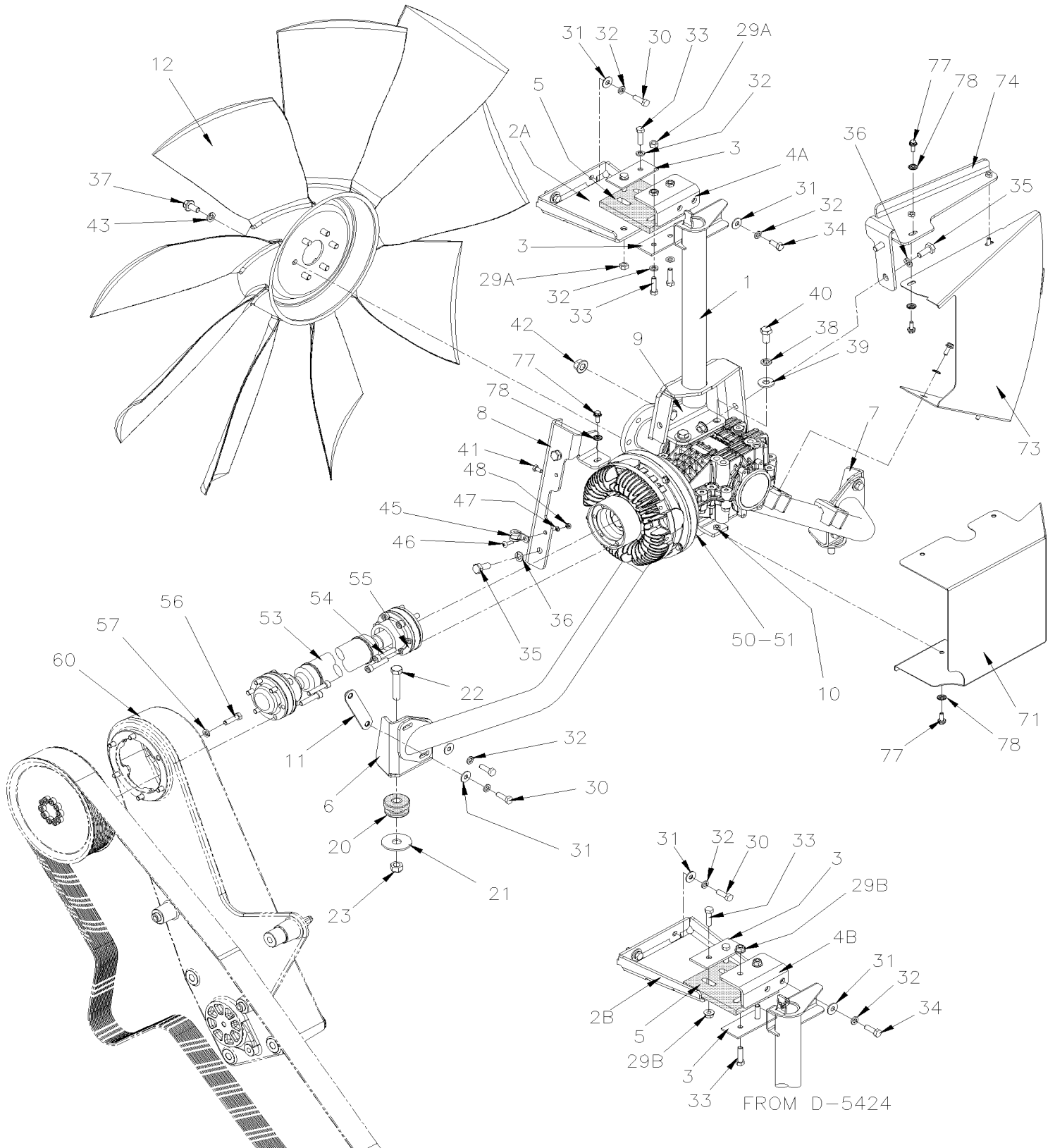
Item#	Part	Description	QTY	Notes
41	5001181	SCREW CAP HEX M6-1.0x12 SS	4	
41	680038	THREAD LOCKER LOCTITE #243 / BLUE / 50ml	AR	
50	X3-0540-01	FAN CLUTCH & ANGLE DRIVE ASSY C.C.W.		
51	550946	CHECK VALVE	1	
52	550947	GASKET CHECK VALVE	1	
53	550910	DRIVE SHAFT 478MM To B-5001	1	
. NS	550930	. PLATE REINFORCMENT HALF CIRCLE To B-5001	6	
. NS	502743	. SCREW CAP HEXS M8-1.25x40 G8.8 To B-5001	12	
53	557069	DRIVE SHAFT 478MM SERVICE ONLY To B-5001	1	
. NS	550930	. PLATE REINFORCMENT HALF CIRCLE To B-5001	6	
. NS	502743	. SCREW CAP HEXS M8-1.25x40 G8.8 To B-5001	12	
53	550980	DRIVE SHAFT 478MM ALTERNATIVE PART To B-5001	1	
. NS	5000356	. SCREW CAP HEXS LOW HEAD M8-1.25x40 G8.8 YZP To B-5001	12	
53	557059	DRIVE SHAFT 463MM From B-5002	1	
. NS	550930	. PLATE REINFORCMENT HALF CIRCLE From B-5002	6	
. NS	502743	. SCREW CAP HEXS M8-1.25x40 G8.8 From B-5002	12	
53	557071	DRIVE SHAFT 463MM SERVICE ONLY From B-5002	1	
. NS	550930	. PLATE REINFORCMENT HALF CIRCLE From B-5002	6	
. NS	502743	. SCREW CAP HEXS M8-1.25x40 G8.8 From B-5002	12	
54	502743	SCREW CAP HEXS M8-1.25x40 G8.8	12	B
55	550930	PLATE REINFORCMENT HALF CIRCLE	6	B
56	940142	SCREW CAP HEX M8-1.25x30 G8.8 ZG603	6	
57	5001161	WASHER LO SPT 8.1x14.8x2.0 SS-304	6	
60	X3-0120-01	DRIVE PULLEY, BELTS & TENSIONER WITH DETROIT S-60		
60	X3-0120-02	DRIVE PULLEY, BELTS & TENSIONER WITH VOLVO D13		
70	052801	KIT RETROFIT FAN CLUTCH AIR DEFLECTOR SERIES XL-II To 9-9895	1	
71	052992	. AIR DEFLECTOR BACKWARD From 9-9596	1	
71A	052659	. AIR DEFLECTOR BACKWARD From B-5050	1	
72	053005	. SPACER 100x30x6.4 RUB From 9-9596	1	
72B	052630	. AIR DEFLECTOR FORWARD From B-5050	1	
73	052993	. AIR DEFLECTOR FORWARD From 9-9596	1	
74	052994	. RETAINER UPPER SUPPORT AIR DEFLECTOR From 9-9596	1	
75	504379	. RIVET POP DOME OE 3/16x1/4 SS From 9-9596	2	
76	504357	. WASHER FL .187x.437x.050 SS From 9-9596	2	
77	5001730	. SCREW CAP HEXF M6-1.0x16 G10.9 N500 From 9-9596	7	
78	500356	. WASHER LO SERR 6.1x16.0x0.9 N500 From 9-9596	7	
79	504750	. CABLE TIE / 1/2" x 15" / CHRISTMAS TREE From 9-9596	1	
80	053004	. RETAINER LOWER SUPPORT AIR DEFLECTOR To 9-9895	2	R
81	504635	. U-BOLT 1 3/4" I.D. x 2 3/4" x 5/16-18 To 9-9895	2	R
82	502638	. WASHER FL .312x.734x.065 N500 To 9-9895	2	R

From 8-9277 To B-5049		Date:01/2024	PAGE:X3-0520-01
-----------------------	--	--------------	-----------------

FAN DRIVE - INSTALLATION

Item#	Part	Description	QTY	Notes
83	500248	. NUT HEX STO 5/16-18 N500 To 9-9895	2	R
		A) FOR PRODUCT IMPROVMENT ADD 2 X 502851		
		B) ONLY USE WITH THE OEM PART		
		R) RETROFIT		

FAN DRIVE - INSTALLATION



From B-5050 To H-6179	Date:01/2024	PAGE:X3-0520-02
FAN DRIVE - INSTALLATION		

Item#	Part	Description	QTY	Notes
1	052939	TRIPOD SUPPORT SHORT	1	
2A	052728	SUPPORT UPPER TRIPOD To D-5423	1	
2B	053024	SUPPORT UPPER TRIPOD From D-5424	1	
3	052473	PLATE / UPPER RADIATOR 40MM X 90MM	2	
4A	052903	ANGLE OFFSET RETAINER / UPPER RADIATOR To D-5423	1	
4B	053025	SUPPORT UPPER TRIPOD From D-5424	1	
5	21185073	RUBBER PAD 100MM X 123MM	1	
6	052901	SUPPORT LOWER TRIPOD / BACKWARD	1	
7	052905	SUPPORT LOWER TRIPOD / FORWARD	1	
8	052754	ANGLE CLOSING BACKWARD SUPPORT TRIPOD To D-5297	1	
8	053637	ANGLE CLOSING BACKWARD SUPPORT TRIPOD From D-5298	1	
9	052306	ANGLE RETAINER UP 90° GEARBOX To D-5423	1	
9	053639	ANGLE RETAINER UP 90° GEARBOX From D-5298	1	
10	050902	ANGLE RETAINER LOWER 90° GEARBOX To D-5423	1	
10	053640	ANGLE RETAINER LOWER 90° GEARBOX From D-5298	1	
11	052840	PLATE ATTACHMENT W/2 NUTS M8-1.25	2	
12	557064	FAN ASSY / CW 38" / 9 BLADES PLASTIC	1	
20	21183424	RUBBER BUSHING	2	
21	052765	WASHER FL 12.5MMx52MMx3MM	2	
22	5001861	SCREW CAP HEX M12-1.75x60 G10.9 N500	2	
23	5001759	NUT HEX STO M12-1.75 N500	2	
29A	502851	NUT HEX M8-1.25 N500 To D-5423	4	A
29B	502837	NUT HEXF STO M8-1.25 N500 From D-5424	4	
30	5001745	SCREW CAP HEX M8-1.25x25 G8.8 N500	6	
31	500332	WASHER FL .328x.875x.062 N500	8	
32	500942	WASHER LO SPT 8.1x14.8x2.0 N500 To D-5423	12	
32	500942	WASHER LO SPT 8.1x14.8x2.0 N500 From D-5424	8	
33	5001738	SCREW CAP HEX M8-1.25x30 G8.8 N500	4	
34	502862	SCREW CAP HEX M8-1.25x20 G8.8 N500	6	
35	502804	SCREW CAP HEX M10-1.5x25 G8.8 N500	4	
36	502616	WASHER LO SPT 10.2x18.1x2.2 SS	2	
37	5001307	SCREW CAP HEXF M10-1.5x20 8.8 N500	4	
38	500747	WASHER LO SPT 12.2x21.1x2.5 N500	8	
39	500211	WASHER FL .531x1.250x.125 N500	8	
40	5001222	SCREW CAP HEX M12-1.5x30 G10.9 N500	4	
41	5001181	SCREW CAP HEX M6-1.0x12 SS	4	
41	680038	THREAD LOCKER LOCTITE #243 / BLUE / 50ml	AR	
42	5001774	NUT HEXF STO M12-1.75 MAGNI G500	4	
43	5001834	WASHER BEL SPR 10.5X23X2.5 N500	6	
45	952624	CLAMP / 1/4" I.D.	1	
46	500606	SCREW MA TR PH #10-24x3/4 SS	1	
47	500914	WASHER LO SPT .193x.334x.047 N500	1	

From B-5050 To H-6179	Date:01/2024	PAGE:X3-0520-02
FAN DRIVE - INSTALLATION		

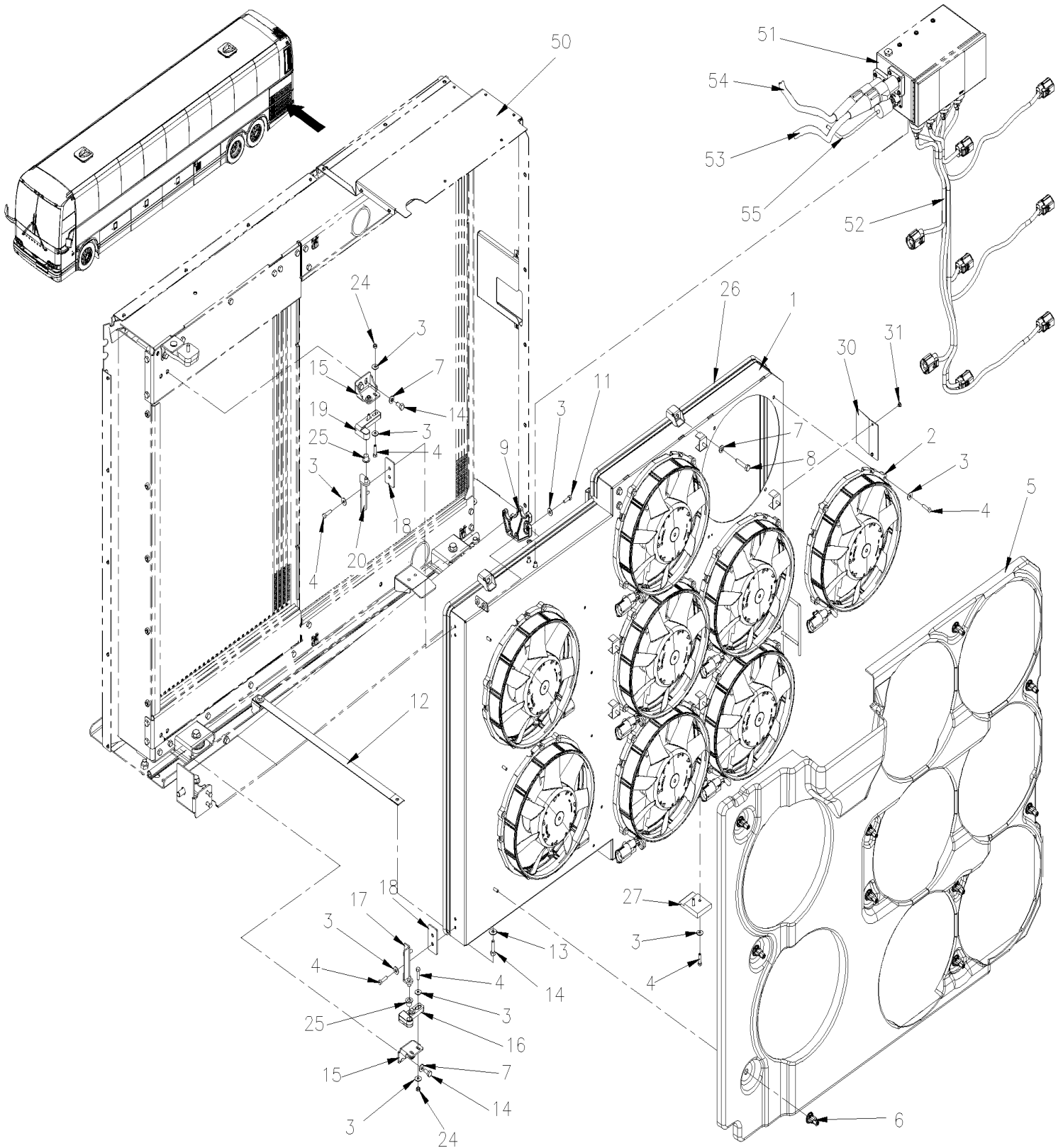
Item#	Part	Description	QTY	Notes
48	502882	NUT HEX #10-24 N500	1	
50	X3-0540-02	FAN CLUTCH & ANGLE DRIVE ASSY C.W.		
50	068185	CABLE ADAPTOR FAN CLUTCH / WITH 4 CONTACTS	1	
51	550813	CHECK VALVE To G-5935	1	
53	557060	DRIVE SHAFT 335MM To G-5978	1	
. NS	550930	. PLATE REINFORCMENT HALF CIRCLE To G-5978	6	
. NS	502743	. SCREW CAP HEXS M8-1.25x40 G8.8 To G-5978	12	
53	557072	DRIVE SHAFT 335MM From G-5979	1	
. NS	550930	. PLATE REINFORCMENT HALF CIRCLE From G-5979	6	
. NS	5000356	. SCREW CAP HEXS LOW HEAD M8-1.25x40 G8.8 YZP From G-5979	12	
53	550990	DRIVE SHAFT 335MM ALTERNATIVE PART	1	
. NS	5000356	. SCREW CAP HEXS LOW HEAD M8-1.25x40 G8.8 YZP	12	
54	502743	SCREW CAP HEXS M8-1.25x40 G8.8	12	B
55	550930	PLATE REINFORCMENT HALF CIRCLE	6	B
56	5001738	SCREW CAP HEX M8-1.25x30 G8.8 N500	6	
57	5001161	WASHER LO SPT 8.1x14.8x2.0 SS-304 To F-5759	6	
57	500321	WASHER BEL SPR .331x.827x.098 N500 From F-5760	6	
60	X3-0120-03	DRIVE PULLEY, BELTS & TENSIONER WITH VOLVO D13 & 2x120Amps To E-5458		
60	X3-0120-04	DRIVE PULLEY, BELTS & TENSIONER WITH VOLVO D13 From E-5459		
71	052659	AIR DEFLECTOR BACKWARD To D-5297	1	
71	053638	AIR DEFLECTOR BACKWARD From D-5298	1	
73	052630	AIR DEFLECTOR FORWARD	1	
74	052994	RETAINER UPPER SUPPORT AIR DEFLECTOR	1	
77	5001730	SCREW CAP HEXF M6-1.0x16 G10.9 N500	7	
78	500356	WASHER LO SERR 6.1x16.0x0.9 N500	7	
		A) FOR PRODUCT IMPROVMENT ADD 4 X 502851		
		B) ONLY USE WITH THE OEM PART		

From H-6180

Date:01/2024

PAGE:X3-0520-03

ELECTRICAL FANS - INSTALLATION VOLVO D13 - GHG17



From H-6180		Date:01/2024	PAGE:X3-0520-03
ELECTRICAL FANS - INSTALLATION VOLVO D13 - GHG17			

Item#	Part	Description	QTY	Notes
1	053075	DOOR / FANS HOLDER FOR RADIATOR & CAC (WELDED)	1	
2	565191	ELECTRIC FAN FOR RADIATOR & CAC To M-6650	8	
. NS	568092	. CONNECTOR / PH 4C / YAZAKI 7282-8497-90 To M-6650	1	
. NS	560009	. CONNECTOR CLIP / HELLERMAN TYTON 155-30702 To M-6650	1	
2	564312	ELECTRIC FAN FOR RADIATOR & CAC From M-6651	8	
. NS	568092	. CONNECTOR / PH 4C / YAZAKI 7282-8497-90 From M-6651	1	
. NS	560009	. CONNECTOR CLIP / HELLERMAN TYTON 155-30702 From M-6651	1	
3	5001833	WASHER BEL SPR 6.1x18x1.27 SS	54	
4	502737	SCREW CAP HEX M6-1.0x25 SS BK	44	
5	053714	FINISH PANEL RADIATORS	1	
6	491237	NUT WING / PLASTIC M6-1.0 x 23	10	
7	5001868	WASHER BEL SPR 8.4x18x2 SS	10	
8	5002012	SCREW CAP HEX W/DOG M8-1.25x45 SS	2	
NS	5001983	NUT HEX NYRT M8-1.25 SS SS BK	2	
NS	680335	ANTIGRIP MIXTURE	AR	
9	069350	CABLE SUPPORT FOR POWER BOX	1	
11	502622	SCREW CAP HEX M6-1.0x20 SS BK	2	
12	505507	STRAP NYLON 1" WIDE / S.L.	AR	
13	5001849	WASHER FL 8.4x24.0x2.0 SS	2	
14	5001527	SCREW CAP HEX M8-1.25x16 SS BK	8	
15	053073	BRACKET FOR HINGE	2	
16	286085	HINGE / LOWER	1	
17	289149	ARM ASSY	2	
18	053080	ATTACHEMENT / HINGE	2	
19	286129	HINGE / UPPER	1	
20	289150	ARM ASSY	1	
24	502565	NUT HEX M6-1.0 SS	4	
25	284607	BUSHING, NYLON / (NOT INCLUDE W/HINGE)	2	
26	506303	RUBBER SEAL EXTRUSION	AR	
27	053082	SKATE, FANS DOOR RAD. & CAC	1	
30	053111	PLATE, PROTECTION FOR RUBBER	1	
31	504379	RIVET POP DOME OE 3/16x1/4 SS	2	
50	X3-0505-02	RADIATOR ASSY VOLVO D13 - GHG17	1	
51	X3-0622-00	POWER BOX FOR RADIATORS FANS VOLVO D13 - GHG17	1	
52	068820	HARNESS FAN DRIVE	1	
NS	504016	CABLE TIE / 5/16" X 14"1/2	AR	
NS	509492	CABLE TIE MOUNT FOR THREADED STUD 1/4	AR	
NS	8631155	CABLE TIE / 4.6MM x 200 / CHRISTMAS TREE	AR	
53	069245	HARNESS PWR FAN DRIVE	1	
54	069246	HARNESS GROUND FAN DRIVE	1	
55	060535	CABLE HARNESS / ENGINE COMPT & ACCESSORIES To J-6244	1	
NS	061422	CABLE HARNESS / ENGINE COMPT & ACCESSORIES From J-6245 To J-6312	1	

From H-6180		Date:01/2024	PAGE:X3-0520-03
-------------	--	--------------	-----------------

ELECTRICAL FANS - INSTALLATION VOLVO D13 - GHG17

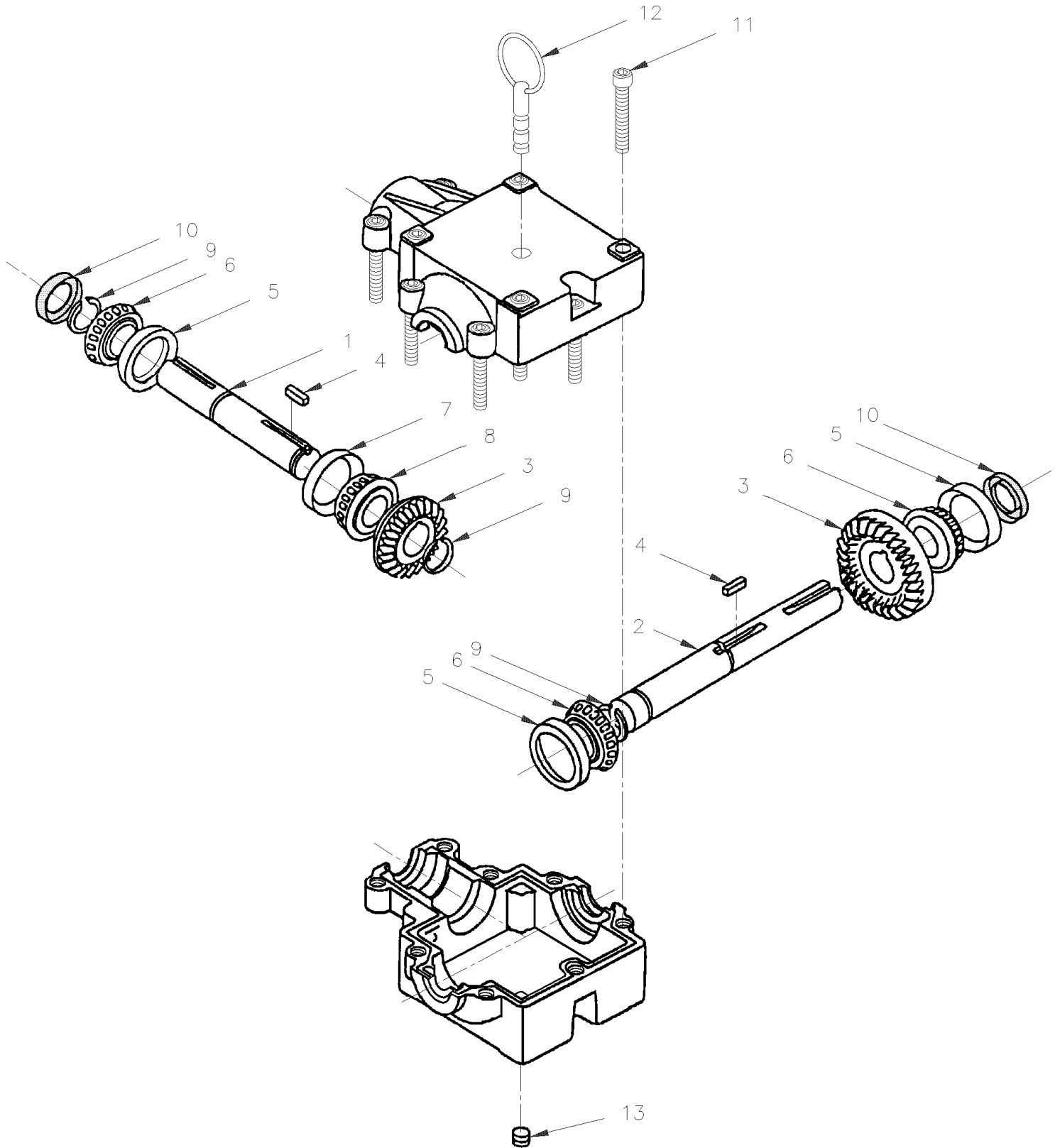
Item#	Part	Description	QTY	Notes
NS	069874	CABLE HARNESS / ENGINE COMPT & ACCESSORIES From J-6313 To K-6439	1	
NS	069961	CABLE HARNESS / ENGINE COMPT & ACCESSORIES From K-6440 To L-6610	1	
NS	0610310	CABLE HARNESS / ENGINE COMPT & ACCESSORIES From L-6611	1	

From 7-8754 To 8-9276

Date:01/2024

PAGE:X3-0525-00

GEARBOX "SUPERIOR" - #550897



From 7-8754 To 8-9276	Date:01/2024	PAGE:X3-0525-00
GEARBOX "SUPERIOR" - #550897		

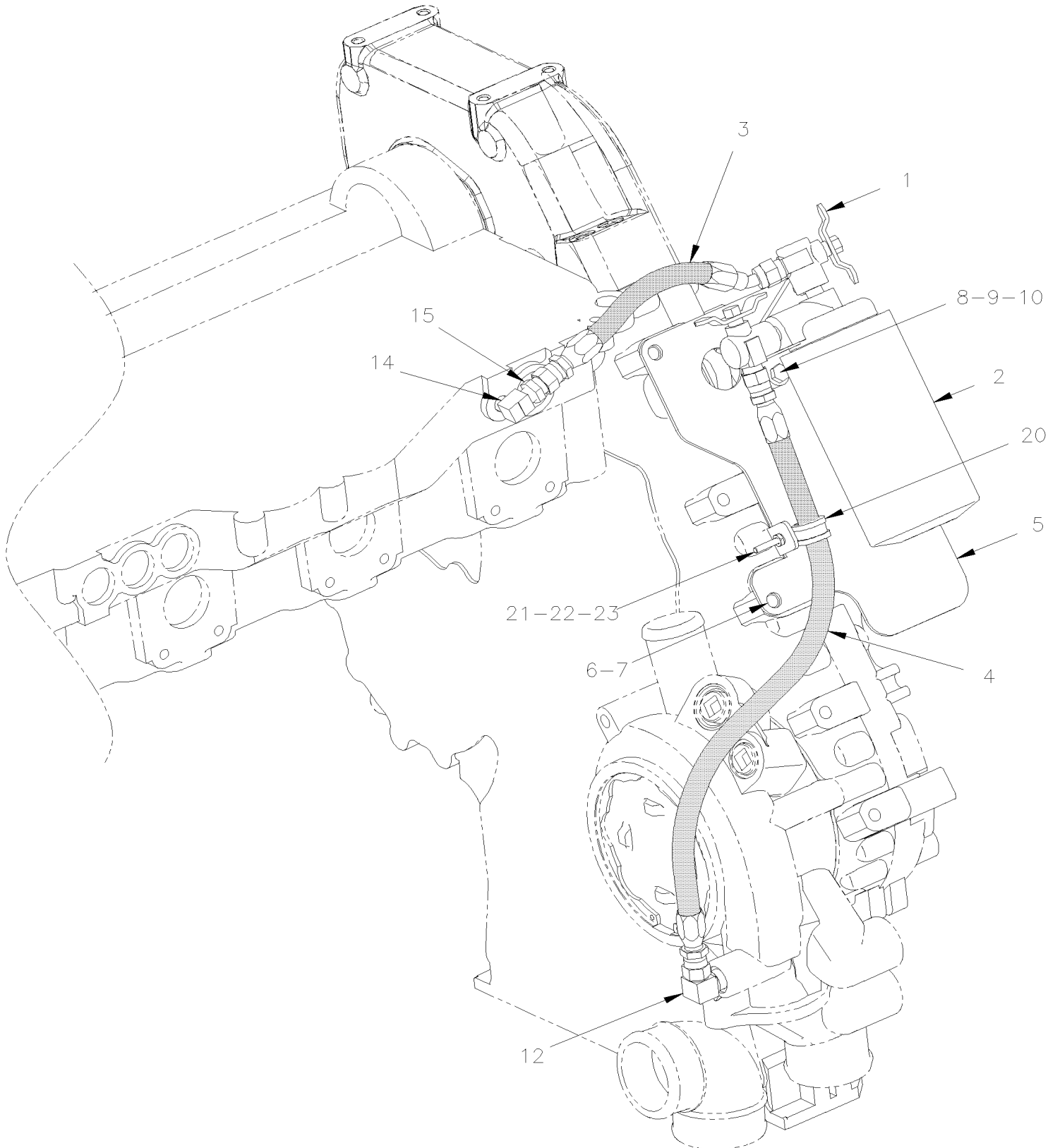
Item#	Part	Description	QTY	Notes
	550897	GEARBOX ASSY (CW)	1	
1	550880	. PINION SHAFT ASSY / INPUT 1 1/4" O.D.	1	
2	550881	. CROSS SHAFT ASSY / OUTPUT 1 1 1/4" O.D.	1	
3	N.S.P.	. GEAR / (SOLD ASSY W/SHAFT)	2	2
4	N.S.P.	. KEY	2	2
5	550697	. CUP BEARING	3	
6	550696	. CONE BEARING	3	
7	550735	. CUP BEARING	1	
8	550734	. CONE BEARING	1	
9	550698	. RETAINING RING / GEAR	2	
10	550695	. SEAL 1 1/4" I.D. / (200 X 125 X 31)	3	
11	N.S.A.	. SCREW 3/8-16 X 2 1/4"	9	3
12	550812	. DIPSTICK	1	
13	504599	MAGNETIC DRAIN PLUG 1/4 NPT	1	
NS	550790	DECAL	1	
NS	180217	OIL SYNTHETIC SCH 630 (1 LITER)	AR	
NS	683666	OIL SYNTHETIC SCH 630 (19 LITERS)	AR	
NS	052387	KIT, FAN GEARBOX BREATHER	AR	
. NS	IS-00049	. SEE INSTRUCTION SHEET		
		2) NOT SOLD BY PREVOST (SEE MANUFACTURING PART NUMBER AT END OF DESCRIPTION LINE)		
		3) NOT SOLD ASSEMBLY		

From 7-8754 To 8-9276

Date:01/2024

PAGE:X3-0530-00

COOLANT FILTER - INSTALLATION WITH DETROIT S-60



From 7-8754 To 8-9276	Date:01/2024	PAGE:X3-0530-00
COOLANT FILTER - INSTALLATION WITH DETROIT S-60		

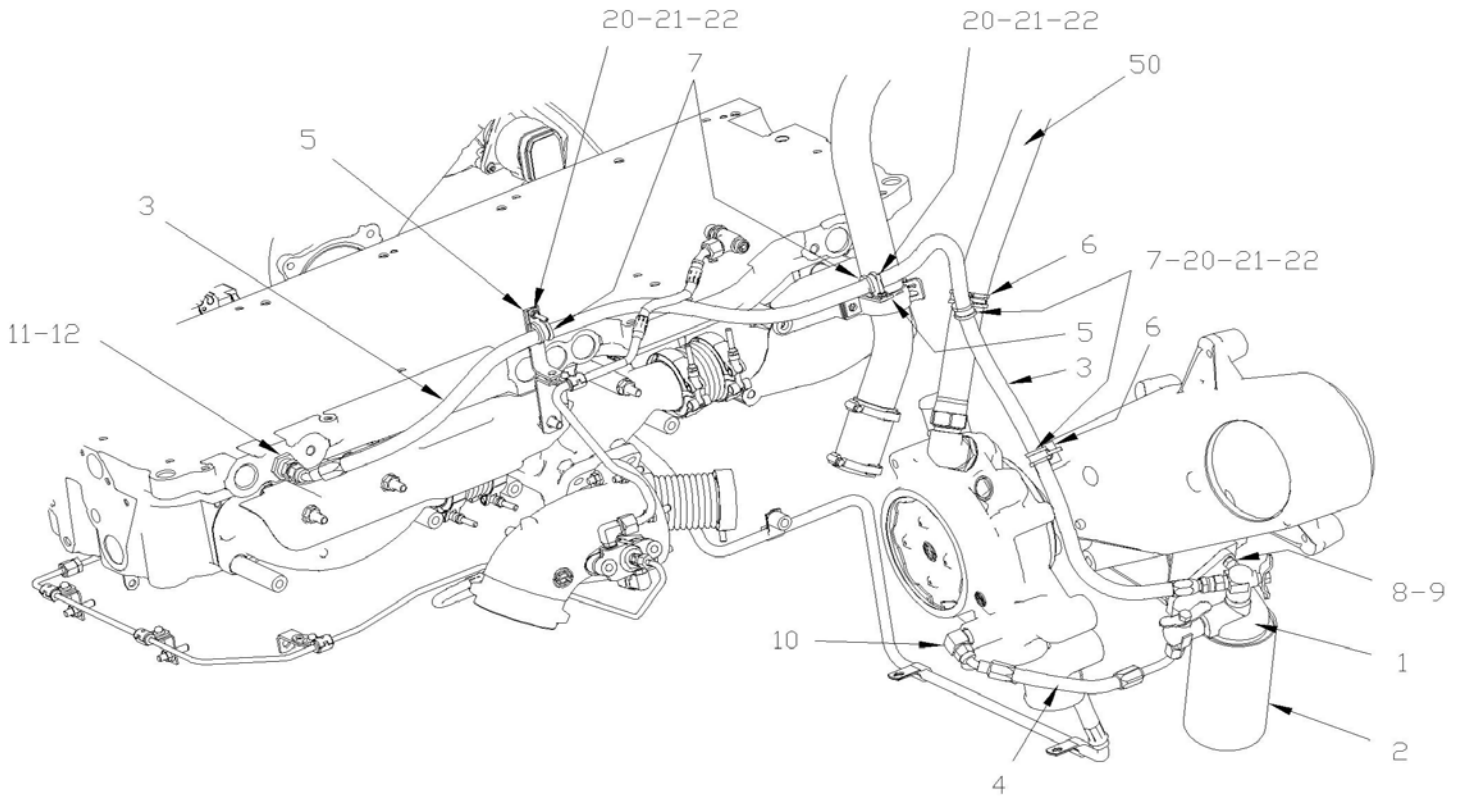
Item#	Part	Description	QTY	Notes
1	550874	ADAPTOR HEAD, COOLANT FILTER	1	
1	550061	VALVE	2	
2	550630	CARTRIGE "MAINTENANCE" "NALCOOL" 3000	1	
3	052609	HOSE ASSY / #6 151MM	1	
4	052562	HOSE ASSY / #6 465MM	1	
5	052560	SUPPORT, COOLANT FILTER	1	
6	502705	SCREW CAP HEX M12-1.75X25 G8.8 N500	2	
7	500747	WASHER LO SPT 12.2x21.1x2.5 N500	2	
7	192288	WASHER FL 8.4x18.0x2.0 ZG603	2	
8	955297	SCREW CAP HEX M8-1.25x25 G8.8 ZG603	3	
9	502851	NUT HEX M8-1.25 N500	3	
10	502889	WASHER LO SPT 8.1x12.7x2.0 N500	3	
12	501042	MALE ELBOW 90° / SAE 45° FITTING / #6FL-Mx3/8NPT-M BR	AR	
14	501462	BUSHING REDUCER / PIPE FITTING / 3/4NTP-Mx1/2NPT-F BR	1	
15	5011266	MALE CONNECTOR LONG / JIC 37° FITTING / #6JIC-Mx1/4NPT-Mx2 1/4 STL	1	
20	952629	CLAMP / 5/8" I.D.	1	
20	952635	CLAMP / 1" I.D.	2	
21	500574	SCREW MA TR PH #10-24x1 1/4 SS	1	
22	502882	NUT HEX #10-24 N500	1	
23	500914	WASHER LO SPT .193x.334x.047 N500	1	

From 8-9277 To B-5001

Date:01/2024

PAGE:X3-0530-01

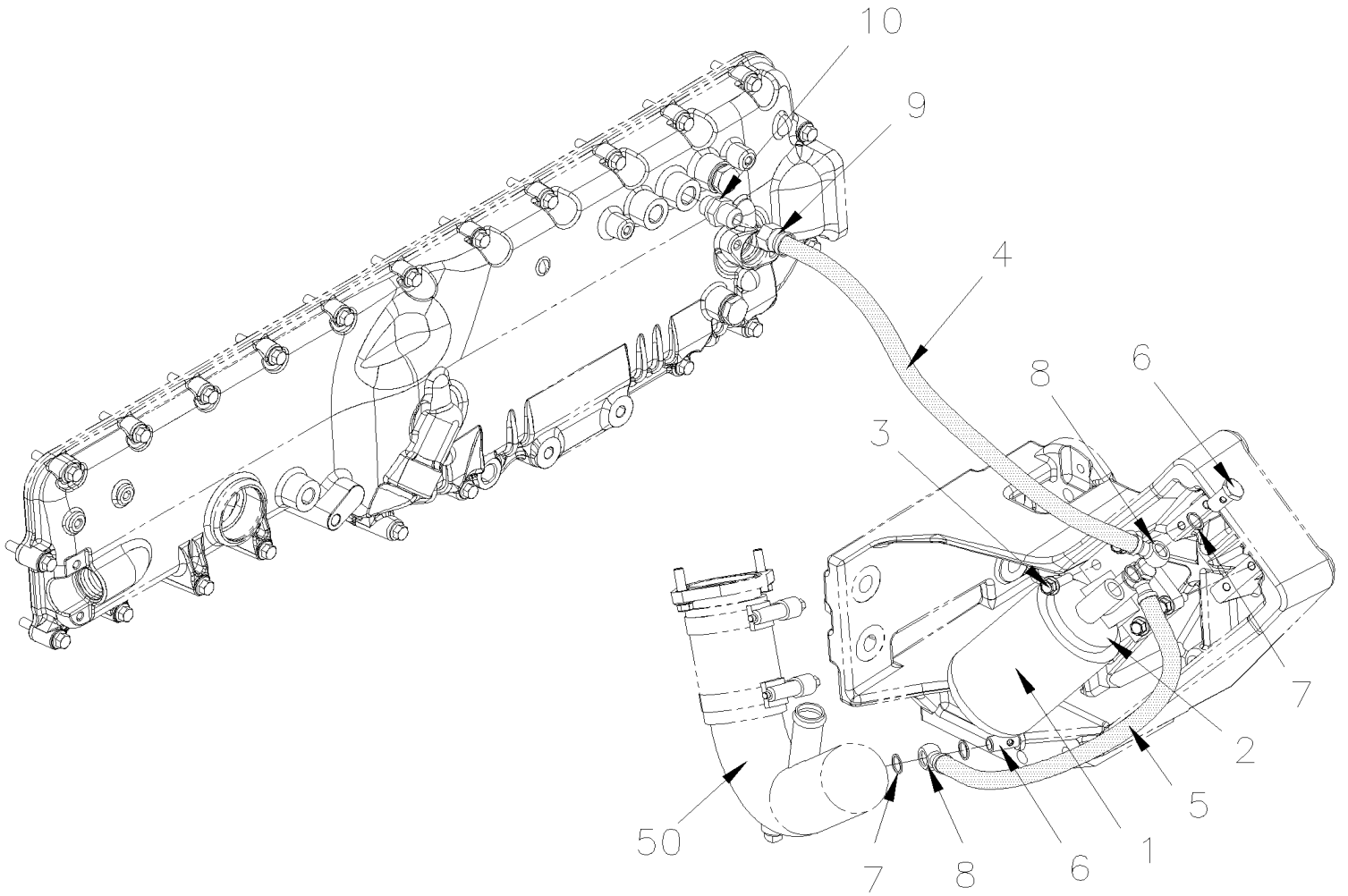
COOLANT FILTER - INSTALLATION WITH DETROIT S-60



From 8-9277 To B-5001	Date:01/2024	PAGE:X3-0530-01
COOLANT FILTER - INSTALLATION WITH DETROIT S-60		

Item#	Part	Description	QTY	Notes
1	550874	ADAPTOR HEAD, COOLANT FILTER	1	
1	550061	VALVE	2	
2	550630	CARTRIGE "MAINTENANCE" "NALCOOL" 3000	1	
3	052759	HOSE ASSY / #6 1560MM	1	
4	052760	HOSE ASSY / #6 215MM	1	
5	070368	SUPPORT	2	
6	061025	SUPPORT	1	
7	952629	CLAMP / 5/8" I.D.	4	
8	955297	SCREW CAP HEX M8-1.25x25 G8.8 ZG603	3	
9	502889	WASHER LO SPT 8.1x12.7x2.0 N500	3	
10	501042	MALE ELBOW 90° / SAE 45° FITTING / #6FL-Mx3/8NPT-M BR	1	
11	501618	MALE CONNECTOR / SAE 45° FITTING / #6FL-Mx1/2NPT-M BR	1	
12	501462	BUSHING REDUCER / PIPE FITTING / 3/4NTP-Mx1/2NPT-F BR	1	
20	500574	SCREW MA TR PH #10-24x1 1/4 SS	AR	
21	500914	WASHER LO SPT .193x.334x.047 N500	AR	
22	502882	NUT HEX #10-24 N500	AR	
50	X3-0510-01	SURGE TANK		

From 8-9457 To E-5759	Date:01/2024	PAGE:X3-0530-02
COOLANT FILTER - INSTALLATION WITH VOLVO D13		



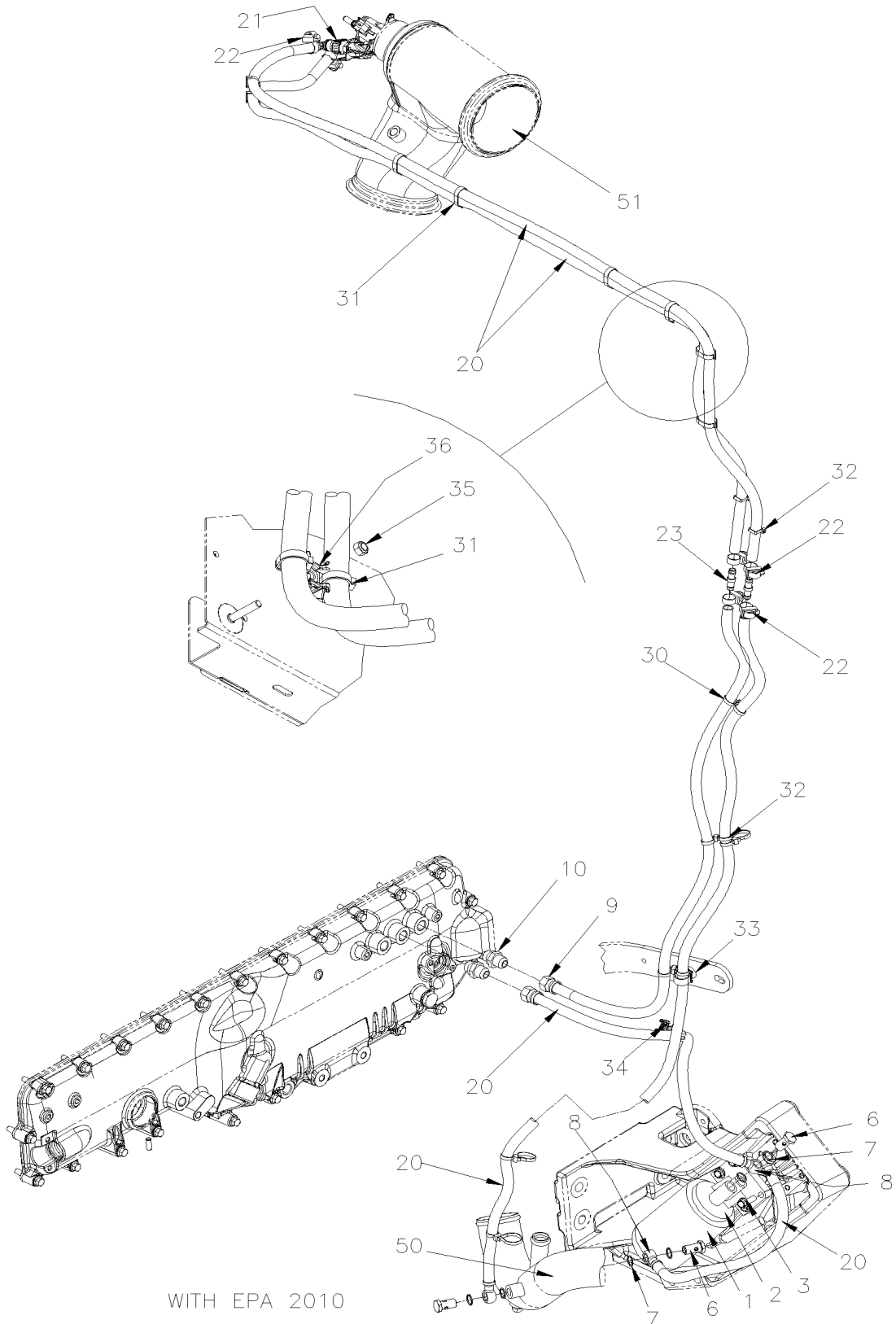
WITH EPA 2007

From 8-9457 To E-5759

Date:01/2024

PAGE:X3-0530-02

COOLANT FILTER - INSTALLATION WITH VOLVO D13



WITH EPA 2010

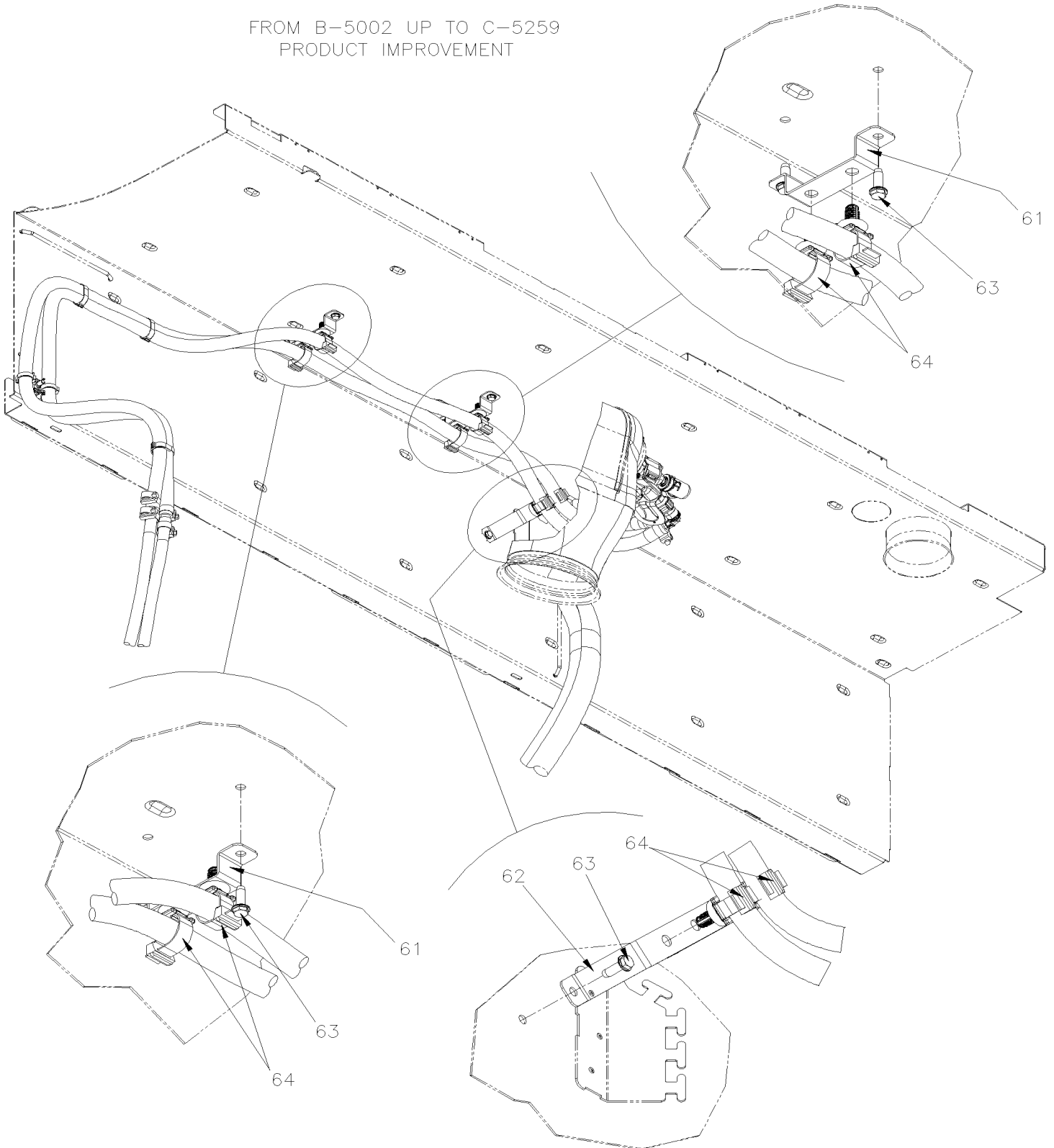
From 8-9457 To E-5759

Date:01/2024

PAGE:X3-0530-02

COOLANT FILTER - INSTALLATION WITH VOLVO D13

FROM B-5002 UP TO C-5259
PRODUCT IMPROVEMENT



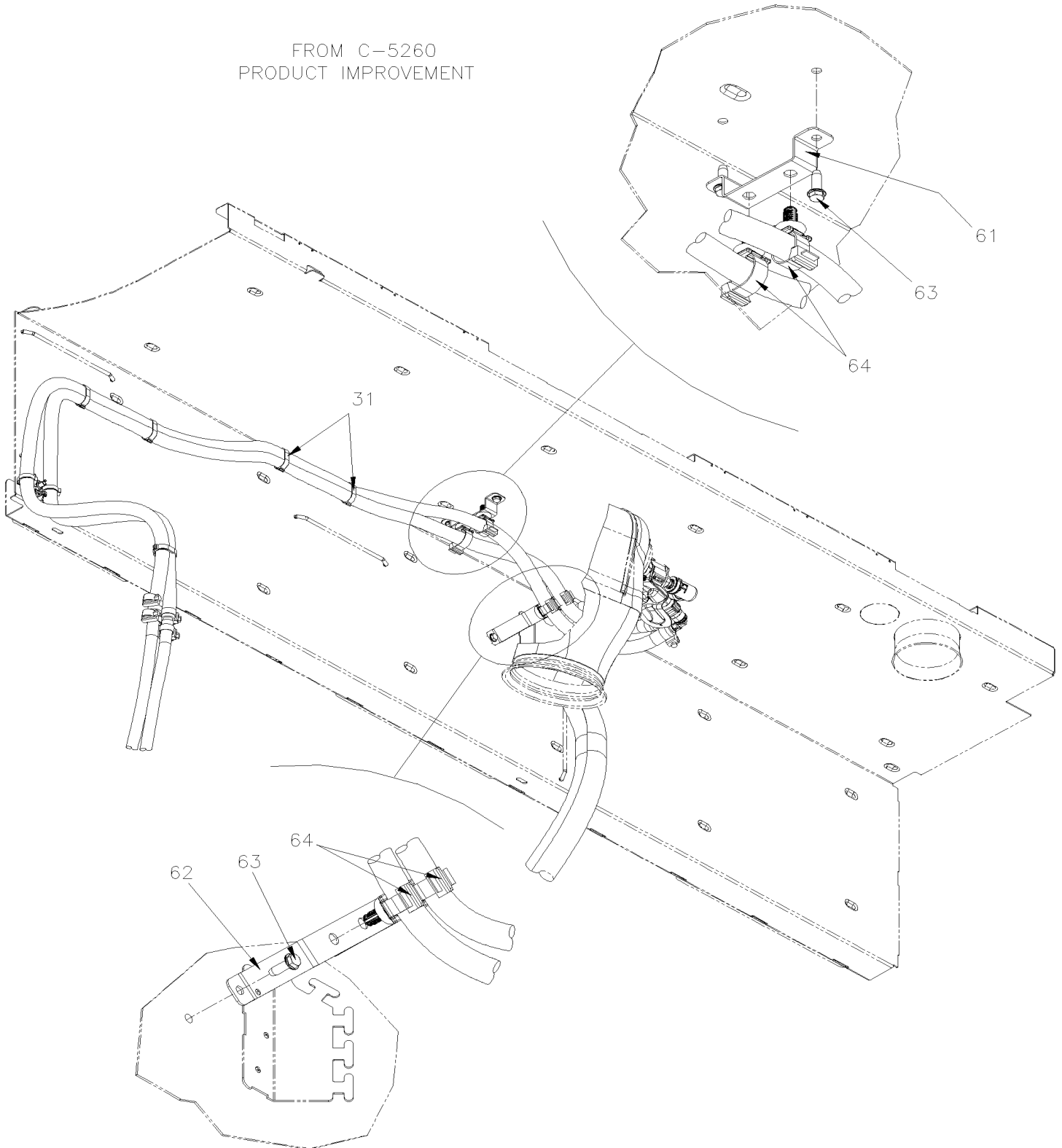
From 8-9457 To E-5759

Date:01/2024

PAGE:X3-0530-02

COOLANT FILTER - INSTALLATION WITH VOLVO D13

FROM C-5260
PRODUCT IMPROVEMENT



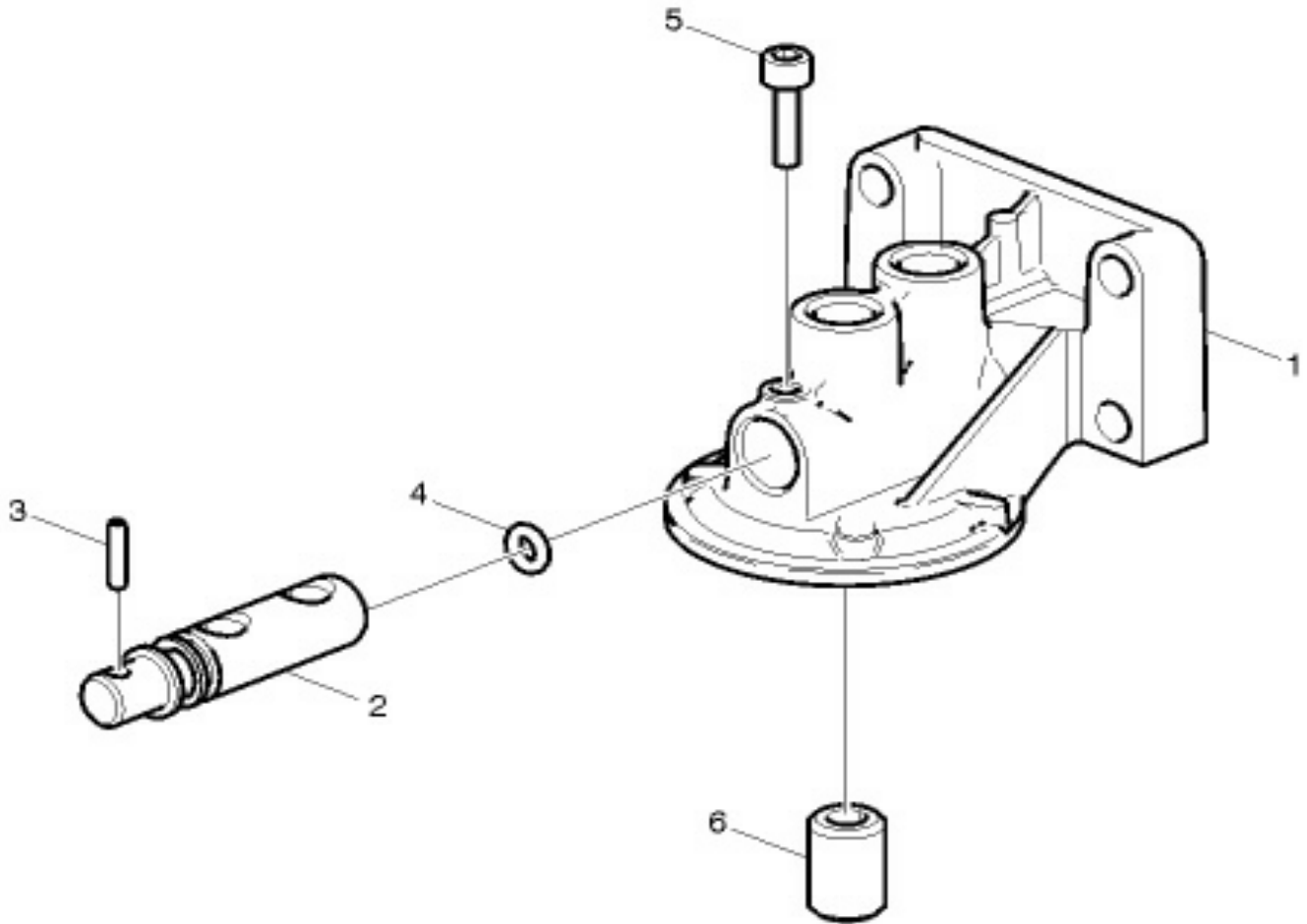
From 8-9457 To E-5759	Date:01/2024	PAGE:X3-0530-02
COOLANT FILTER - INSTALLATION WITH VOLVO D13		

Item#	Part	Description	QTY	Notes
1	20458771	CARTRIGE "MAINTENANCE" COOLANT LONG LIFE "WITH D13 ENGINE" To B-5001	1	
1	21388479	CARTRIGE "MAINTENANCE" COOLANT LONG LIFE "WITH D13 ENGINE" From B-5002 To D-5404	1	
1	21937327	CARTRIGE "MAINTENANCE" COOLANT LONG LIFE "WITH D13 ENGINE" From D-5405	1	
2	3979836	ADAPTOR HEAD, COOLANT FILTER	1	
3	5001742	SCREW CAP HEXF M8-1.25x30 G8.8 N500	4	
4	053469	HOSE #6 470MM To B-5001	1	B
. NS	503702	. HOSE / (SAFETY STRIPE) / 3/8" I.D. 50' / S.L. To B-5001	AR	B
4	503702	HOSE / (SAFETY STRIPE) / 3/8" I.D. 50' / S.L. From B-5002 To E-5759	AR	
4	503790	HOSE SILICONE 1 PLY / NOMEX-ARAMID 3/8" X 25' To D-5381	AR	GR
4	503806	HOSE SILICONE 1 PLY / NOMEX-ARAMID 3/8" I.D. x 100' From D-5382 To E-5759	AR	GR
4	503821	HOSE SILICONE 4 PLY / NOMEX-ARAMID 3/8" x 144" From F-5760	AR	
5	053468	HOSE #6 376MM To B-5001	1	B
. NS	503702	. HOSE / (SAFETY STRIPE) / 3/8" I.D. 50' / S.L. To B-5001	AR	B
5	503702	HOSE / (SAFETY STRIPE) / 3/8" I.D. 50' / S.L. From B-5002 To E-5759	AR	
5	503790	HOSE SILICONE 1 PLY / NOMEX-ARAMID 3/8" X 25' To D-5381	AR	GR
5	503806	HOSE SILICONE 1 PLY / NOMEX-ARAMID 3/8" I.D. x 100' From D-5382 To E-5759	AR	GR
5	503821	HOSE SILICONE 4 PLY / NOMEX-ARAMID 3/8" x 144" From F-5760	AR	
6	507655	BANJO BOLT / M14-1.5	3	
7	507657	BANJO WASHER / M14	6	
8	507653	BANJO UNION / 14MMx#6HOSE	3	
9	5011260	FEMALE CONNECTOR SWIVEL / PUSH-LOK FITTING / #8FL-Fx#6 BR	1	
10	5011192	MALE CONNECTOR / JIC 37° FITTING / #8JIC-MxM18-1.5-M STL	1	
. NS	N.P.N.	. O-RING	1	4
. NS	N.P.N.	. WASHER RET	1	4
20	503702	HOSE / (SAFETY STRIPE) / 3/8" I.D. 50' / S.L. To E-5759	AR	
20	503790	HOSE SILICONE 1 PLY / NOMEX-ARAMID 3/8" X 25' From B-5050 To D-5381	AR	GR
20	503806	HOSE SILICONE 1 PLY / NOMEX-ARAMID 3/8" I.D. x 100' From D-5382 To E-5759	AR	GR
20	503821	HOSE SILICONE 4 PLY / NOMEX-ARAMID 3/8" x 144" From F-5760	AR	
NS	053008	RESTRICTION / ALU. TUBE 20MM X 9.05MM O.D. W/3.05MM HOLE From B-5002	1	
21	20805110	QUICK CONNECTOR 90° 10MM	2	
22	992081	HOSE CLAMP / 12MM/22MM	6	
23	5011340	UNION / MINI BARB FITTING / #8x#8 BR	2	
30	507664	CABLE TIE / 3/16" 11" / DOUBLE LOOP HEAD	AR	
31	504016	CABLE TIE / 5/16" X 14"1/2	AR	
32	504637	CABLE TIE / 3/16" x 13"	AR	
33	504750	CABLE TIE / 1/2" x 15" / CHRISTMAS TREE	AR	
34	504751	ROTATIF SPACER DOUBLE / SMALL	AR	
35	502681	NUT HEX NYRT M6-1.0 N500 G8 From B-5002	1	
36	509490	ATTACHMENT DOUBLE USE WITH CABLE TIE From B-5002	1	
50	X3-0500-02	COOLANT PIPING WITH VOLVO D13		
51	X3-0405-03	MUFFLER - INSTALLATION WITH DPF & SCR WITH VOLVO D13		

From 8-9457 To E-5759	Date:01/2024	PAGE:X3-0530-02
COOLANT FILTER - INSTALLATION WITH VOLVO D13		

Item#	Part	Description	QTY	Notes
61	261629	BRACKET / HOSE From B-5002 To C-5259	2	A
61	261629	BRACKET / HOSE From C-5260	1	A
62	261630	BRACKET / HOSE From B-5002	1	A
63	502848	SCREW TC CAP HEXF 1/4-20x3/4 N500 From B-5002 To C-5259	6	A
63	502848	SCREW TC CAP HEXF 1/4-20x3/4 N500 From C-5260	4	A
64	504750	CABLE TIE / 1/2" x 15" / CHRISTMAS TREE From B-5002 To C-5259	6	A
64	504750	CABLE TIE / 1/2" x 15" / CHRISTMAS TREE From C-5260	4	A
		A) PRODUCT IMPROVEMENT "COOLANT HOSE RELCOATION"		
		B) THIS HOSE DO NOT INCLUDE THE FITTING		
		GR) GREYOUND OPTION		
		4) NO PARTS NUMBER		

From 8-9457 To E-5759	Date:01/2024	PAGE:3979836
ADAPTOR HEAD, COOLANT FILTER		



From 8-9457 To E-5759		Date:01/2024	PAGE:3979836
-----------------------	--	--------------	--------------

ADAPTOR HEAD, COOLANT FILTER

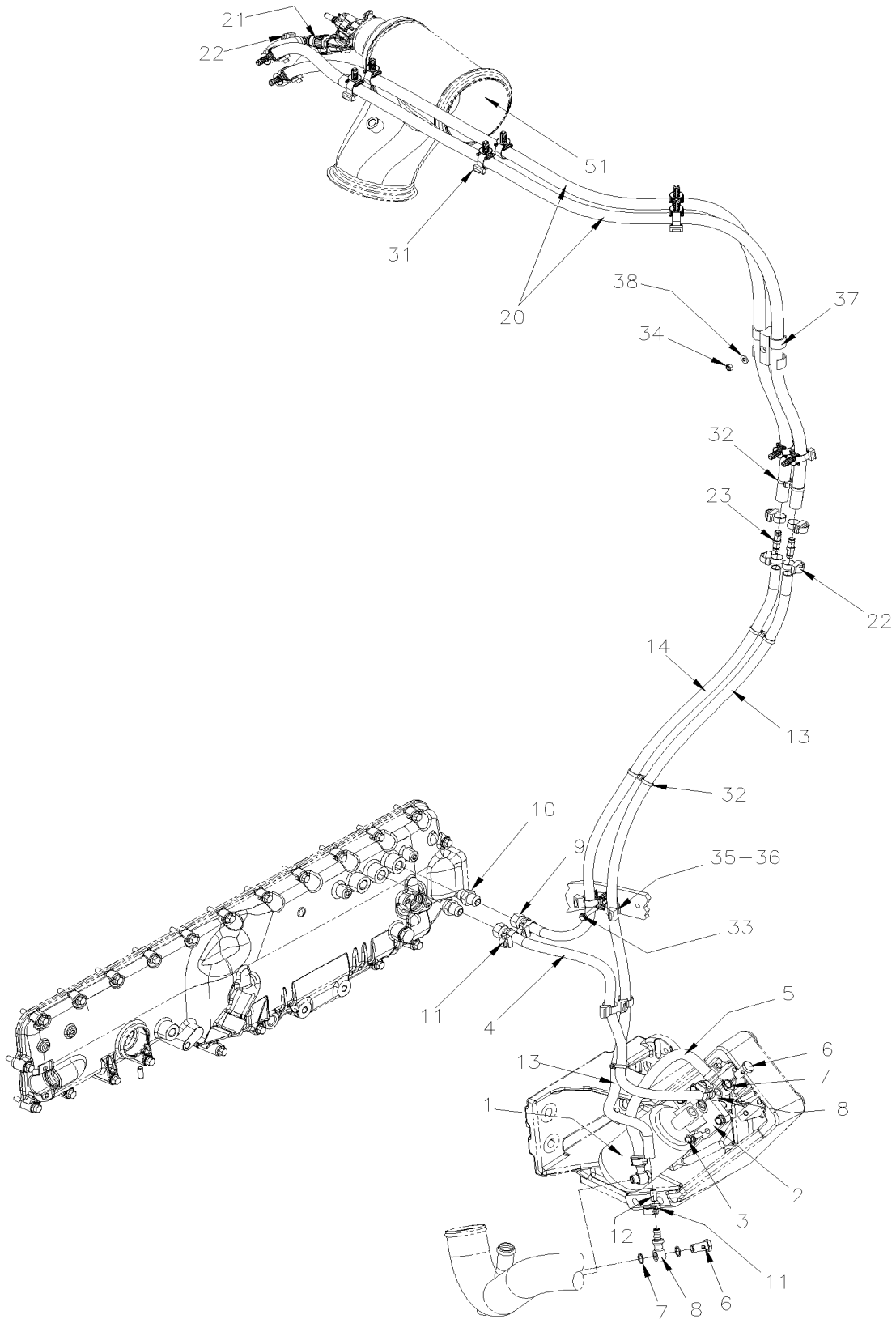
Item#	Part	Description	QTY	Notes
1	1661683	HOUSING	1	
2	1661686	SPINDLE	1	
3	951972	SPRING PIN	1	
4	968725	O-RING 11.3X2.4	1	
5	963692	HEX. SOCKET SCREW	1	
6	1676554	NIPPLE COOLANT FILTER	1	

From F-5760 To H-6179

Date:01/2024

PAGE:X3-0530-03

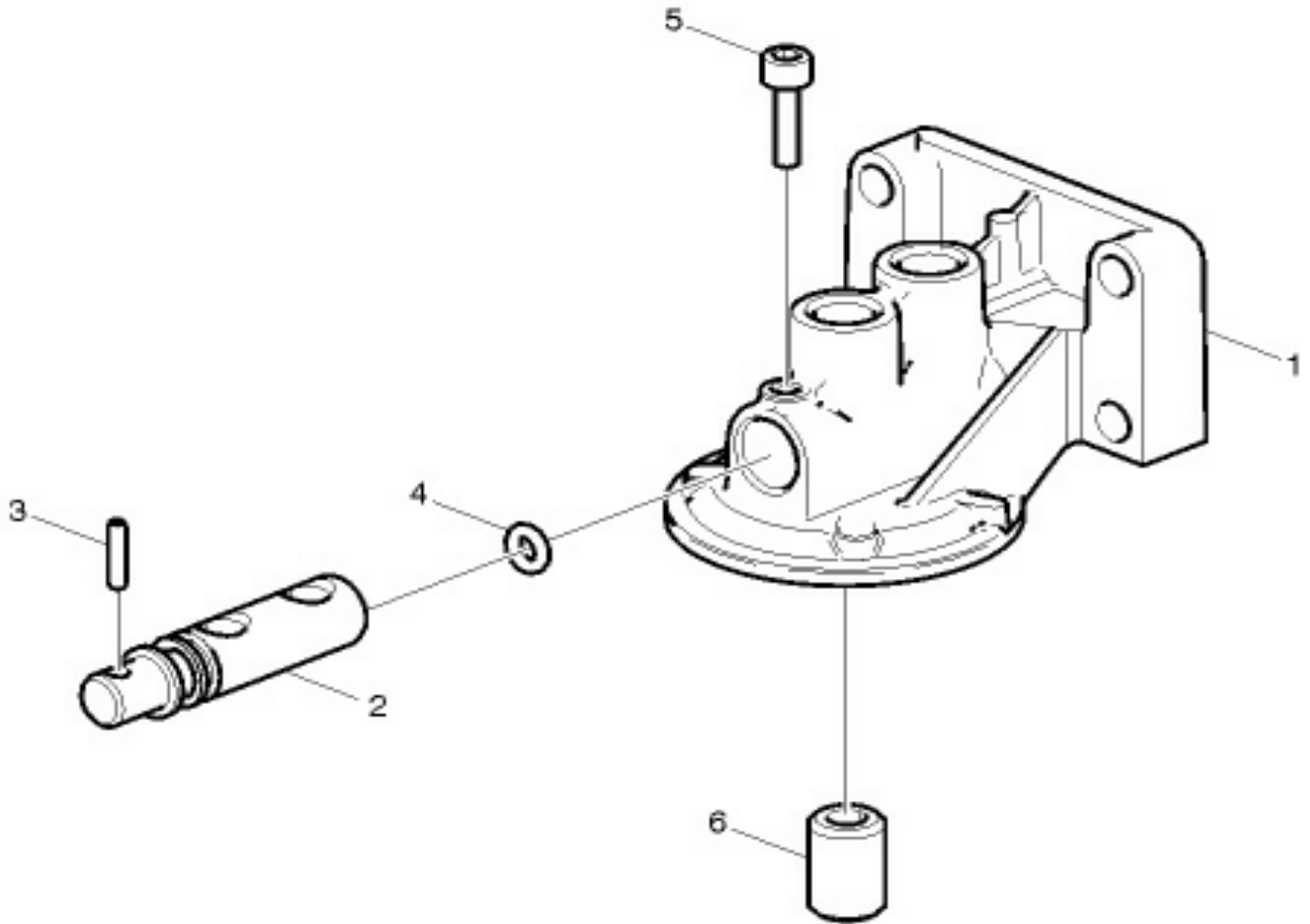
COOLANT FILTER - INSTALLATION WITH VOLVO D13



From F-5760 To H-6179	Date:01/2024	PAGE:X3-0530-03
COOLANT FILTER - INSTALLATION WITH VOLVO D13		

Item#	Part	Description	QTY	Notes
1	21937327	CARTRIGE "MAINTENANCE" COOLANT LONG LIFE "WITH D13 ENGINE"	1	
2	3979836	ADAPTOR HEAD, COOLANT FILTER	1	
3	5001742	SCREW CAP HEXF M8-1.25x30 G8.8 N500	4	
4	503821	HOSE SILICONE 4 PLY / NOMEX-ARAMID 3/8" x 144"	AR	
5	503821	HOSE SILICONE 4 PLY / NOMEX-ARAMID 3/8" x 144"	AR	
6	507655	BANJO BOLT / M14-1.5	4	
7	507657	BANJO WASHER / M14	8	
8	507653	BANJO UNION / 14MMx#6HOSE	4	
9	5011260	FEMALE CONNECTOR SWIVEL / PUSH-LOK FITTING / #8FL-Fx#6 BR	2	
10	5011192	MALE CONNECTOR / JIC 37° FITTING / #8JIC-MxM18-1.5-M STL	2	
. NS	N.P.N.	. O-RING	1	4
. NS	N.P.N.	. WASHER RET	1	4
11	992081	HOSE CLAMP / 12MM/22MM	6	
12	053008	RESTRICTION / ALU. TUBE 20MM X 9.05MM O.D. W/3.05MM HOLE	1	
13	503821	HOSE SILICONE 4 PLY / NOMEX-ARAMID 3/8" x 144"	AR	
14	503821	HOSE SILICONE 4 PLY / NOMEX-ARAMID 3/8" x 144"	AR	
20	503821	HOSE SILICONE 4 PLY / NOMEX-ARAMID 3/8" x 144"	AR	
21	20805110	QUICK CONNECTOR 90° 10MM	2	
22	992081	HOSE CLAMP / 12MM/22MM	4	
23	5011340	UNION / MINI BARB FITTING / #8x#8 BR	2	
31	504750	CABLE TIE / 1/2" x 15" / CHRISTMAS TREE	AR	
32	507664	CABLE TIE / 3/16" 11" / DOUBLE LOOP HEAD	AR	
33	5001815	SCREW CAP HEXF M6-1.0x30 G 8.8 N500	1	
34	502681	NUT HEX NYRT M6-1.0 N500 G8	1	
35	509490	ATTACHMENT DOUBLE USE WITH CABLE TIE	1	
36	509491	CABLE TIE / 13MM x 383MM	4	
37	504634	T-CLIP / 7/8" - 1"	1	
38	500877	WASHER FL .250x.562x.065 N500	1	
50	X3-0500-02	COOLANT PIPING WITH VOLVO D13		
51	X3-0405-03	MUFFLER - INSTALLATION WITH DPF & SCR WITH VOLVO D13		
52	052988P	HOSE SILICONE #6 575MM	1	
. NS	503821	. HOSE SILICONE 4 PLY / NOMEX-ARAMID 3/8" x 144"	AR	
		4) NO PARTS NUMBER		

From F-5760 To H-6179	Date:01/2024	PAGE:3979836
ADAPTOR HEAD, COOLANT FILTER		



From F-5760 To H-6179		Date:01/2024	PAGE:3979836
------------------------------	--	---------------------	---------------------

ADAPTOR HEAD, COOLANT FILTER

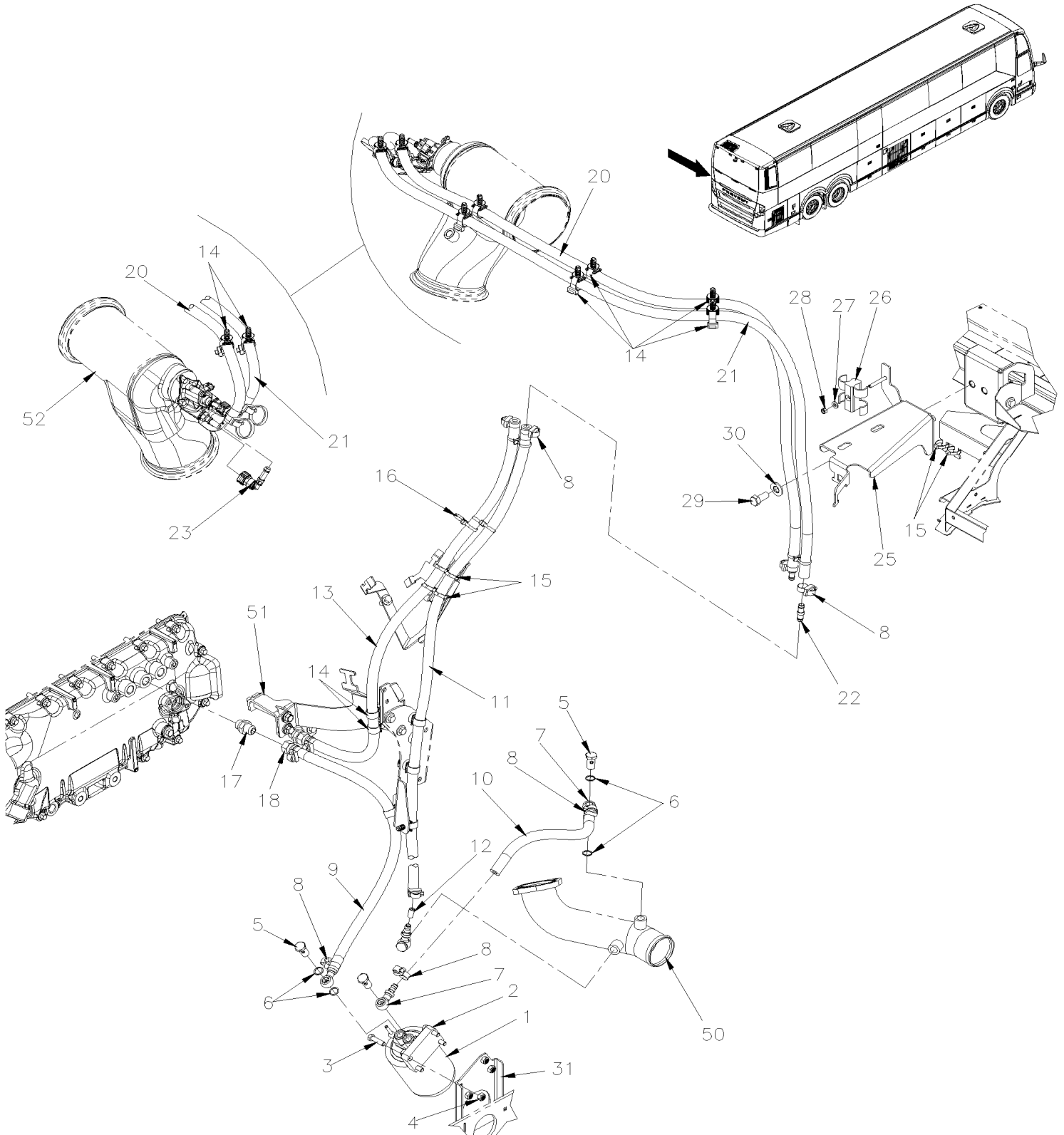
Item#	Part	Description	QTY	Notes
1	1661683	HOUSING	1	
2	1661686	SPINDLE	1	
3	951972	SPRING PIN	1	
4	968725	O-RING 11.3X2.4	1	
5	963692	HEX. SOCKET SCREW	1	
6	1676554	NIPPLE COOLANT FILTER	1	

From H-6180

Date:01/2024

PAGE:X3-0530-04

COOLANT FILTER - INSTALLATION WITH VOLVO D13 - GHG17



From H-6180		Date:01/2024	PAGE:X3-0530-04
COOLANT FILTER - INSTALLATION WITH VOLVO D13 - GHG17			

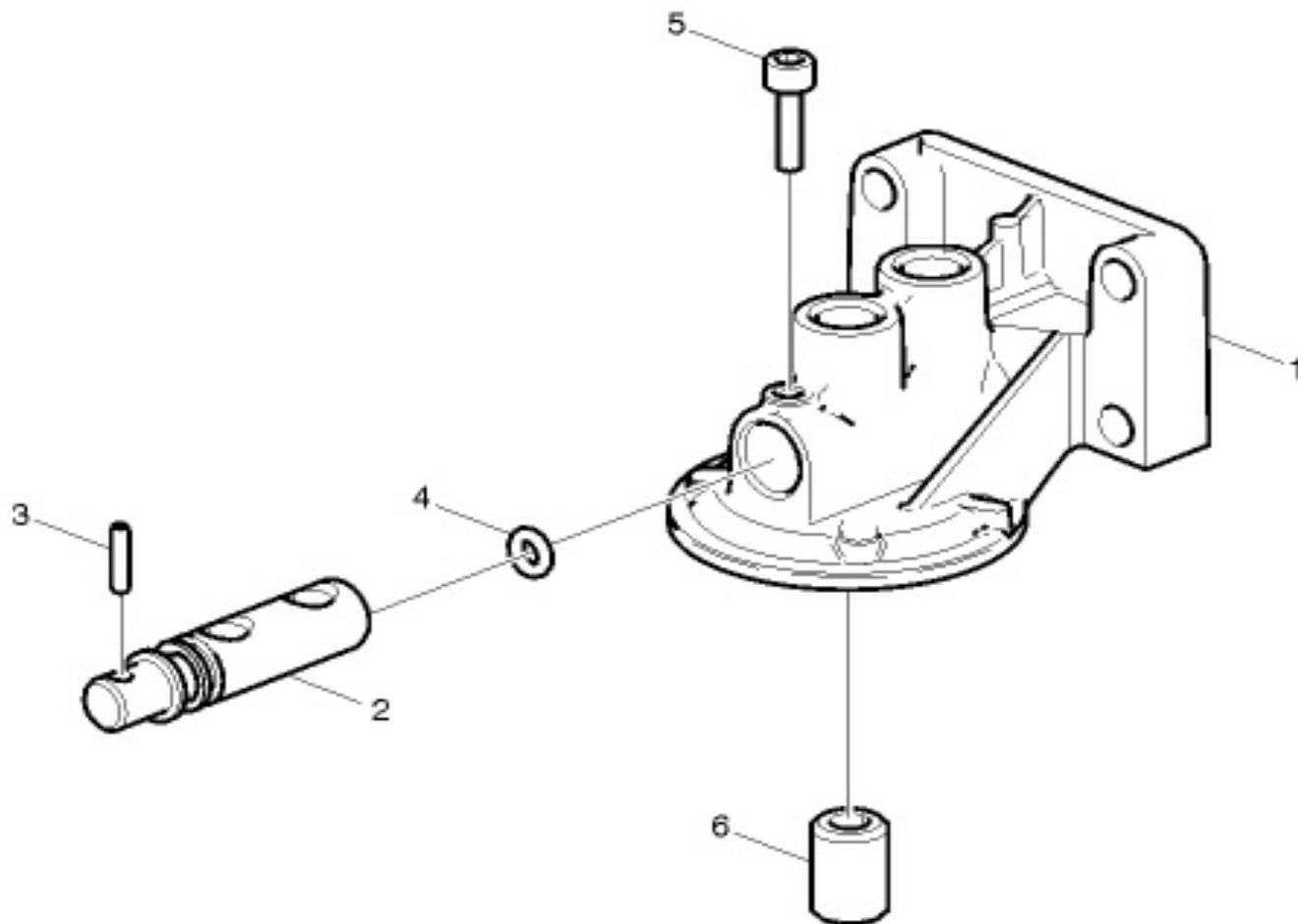
Item#	Part	Description	QTY	Notes
1	21937327	CARTRIGE "MAINTENANCE" COOLANT LONG LIFE "WITH D13 ENGINE"	1	
2	3979836	ADAPTOR HEAD, COOLANT FILTER	1	
3	5001912	SCREW CAP HEX M8-1.25x30 SS BK	4	
4	5001983	NUT HEX NYRT M8-1.25 SS SS BK	4	
5	507655	BANJO BOLT / M14-1.5	4	
6	507657	BANJO WASHER / M14	8	
7	507653	BANJO UNION / 14MMx#6HOSE	4	
8	992081	HOSE CLAMP / 12MM/22MM	8	
9	503821	HOSE SILICONE 4 PLY / NOMEX-ARAMID 3/8" x 144"	AR	
10	503821	HOSE SILICONE 4 PLY / NOMEX-ARAMID 3/8" x 144"	AR	
11	503821	HOSE SILICONE 4 PLY / NOMEX-ARAMID 3/8" x 144"	AR	
12	053008	RESTRICTION / ALU. TUBE 20MM X 9.05MM O.D. W/3.05MM HOLE	1	
13	503821	HOSE SILICONE 4 PLY / NOMEX-ARAMID 3/8" x 144"	AR	
14	504475	RIVET POP CK OE 1/8x3/16 AL	AR	
15	504016	CABLE TIE / 5/16" X 14"1/2	AR	
16	507664	CABLE TIE / 3/16" 11" / DOUBLE LOOP HEAD	AR	
17	5011192	MALE CONNECTOR / JIC 37° FITTING / #8JIC-MxM18-1.5-M STL	2	
. NS	N.P.N.	. O-RING	1	4
. NS	N.P.N.	. WASHER RET	1	4
18	5011260	FEMALE CONNECTOR SWIVEL / PUSH-LOK FITTING / #8FL-Fx#6 BR	2	
20	503821	HOSE SILICONE 4 PLY / NOMEX-ARAMID 3/8" x 144"	AR	
21	503821	HOSE SILICONE 4 PLY / NOMEX-ARAMID 3/8" x 144"	AR	
22	5011340	UNION / MINI BARB FITTING / #8x#8 BR	2	
23	20805110	QUICK CONNECTOR 90° 10MM	2	
25	041114	BRACKET, SCR ASSY	1	
26	504634	T-CLIP / 7/8" - 1"	1	
27	500877	WASHER FL .250x.562x.065 N500	1	
28	502681	NUT HEX NYRT M6-1.0 N500 G8	1	
29	502705	SCREW CAP HEX M12-1.75X25 G8.8 N500	2	
30	500967	WASHER BEL SPR .512x1.142x.098 N500	2	
31	X3-0150-02	ENGINE CRADLE - WITH VOLVO D13 - GHG17		
50	X3-0500-03	COOLANT PIPING WITH VOLVO D13 - GHG17		
51	X3-0510-03	SURGE TANK VOLVO D13 - GHG17		
52	X3-0405-03	MUFFLER - INSTALLATION WITH DPF & SCR WITH VOLVO D13 To K-6492		
52	X3-0405-04	MUFFLER - INSTALLATION WITH DPF & SCR WITH VOLVO D13 From L-6493		
		4) NO PARTS NUMBER		

From H-6180

Date:01/2024

PAGE:3979836

ADAPTOR HEAD, COOLANT FILTER



From H-6180		Date:01/2024	PAGE:3979836
-------------	--	--------------	--------------

ADAPTOR HEAD, COOLANT FILTER

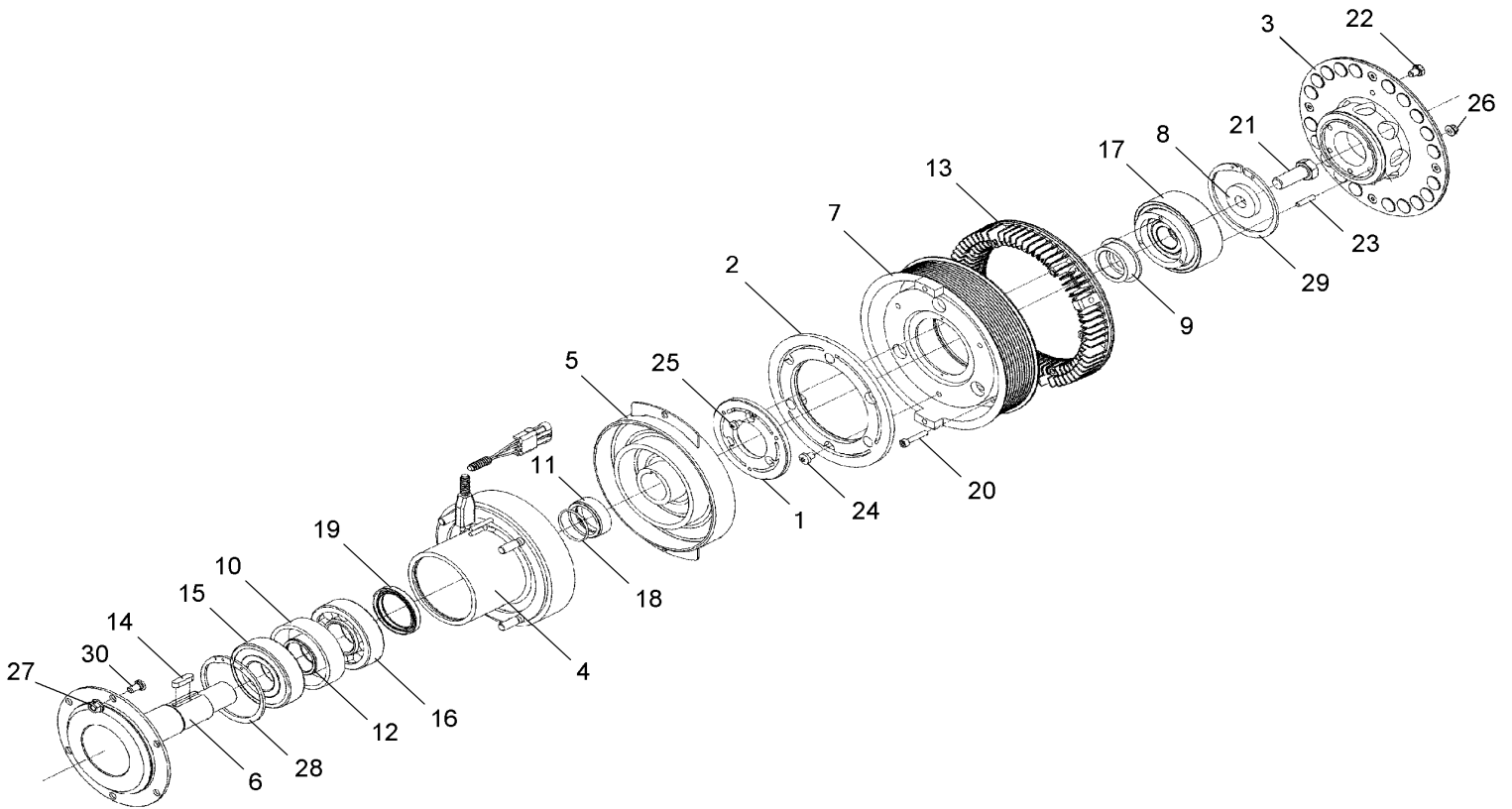
Item#	Part	Description	QTY	Notes
1	1661683	HOUSING	1	
2	1661686	SPINDLE	1	
3	951972	SPRING PIN	1	
4	968725	O-RING 11.3X2.4	1	
5	963692	HEX. SOCKET SCREW	1	
6	1676554	NIPPLE COOLANT FILTER	1	

From 7-8754 To 8-9276

Date:01/2024

PAGE:X3-0540-00

FAN CLUTCH ASSY - #550839



From 7-8754 To 8-9276	Date:01/2024	PAGE:X3-0540-00
FAN CLUTCH ASSY - #550839		

Item#	Part	Description	QTY	Notes
	550839	FAN CLUTCH ASSY /	1	
. NS	IS-EB0140 A	. SEE INSTRUCTION SHEET	1	
1		. ARMATURE DISC	1	
2		. ARMATURE DISC	1	
3	550882	. MAGNET RING ASSY	1	
4	550883	. MAGNETIC COIL ASSY	1	
5	550884	. ROTOR	1	
6	550885	. SHAFT	1	
7	550890	. PULLEY ASSY WBEARING & DISC	1	A
8	550887	. WASHER	1	
9	550888	. BUSHING FLANGE	1	
10	N.P.N.	. SPACER	1	4
11	550893	. BUSHING W/GROOVE	1	
12	N.P.N.	. SPACER	1	4
13	550889	. COOLING RING	1	
14	550671	. KEY (8 X 7 X 28)	1	
15	550895	. BALL BEARING	1	
16	550894	. ROLLER BEARING	1	
17	550886	. BEARING ASSY	1	
18	550891	. O-RING 40 X 2.5	1	
19	550892	. SEAL 50 X 65 X 8	1	
20	N.P.N.	. SCREW CAP HEX S.ZP MG X 30 G8.8	6	4
21	N.P.N.	. SCREW CAP HEX M16 X 40 G10.9	1	4
22	500069	. SCREW CAP HEX M8-1.25x16 G10.9 DP	2	B
23	N.S.S.	. INSERT	3	1
24	N.S.S.	. INSERT	3	1
25		. SCREW M6 X 8	6	
26	502744	. NUT HEX STO M8-1.25 Z050	4	
27	500680	. NUT HEX STO M10-1.5 Z050	6	
28	N.P.N.	. RETAINER RING (90 X 3)	1	4
29	N.P.N.	. RETAINER RING (100 X 3)	1	4
30	N.P.N.	. INSERT	4	4
32	550966	FAN CLUTCH ASSY / ALTERNATIVE PART	1	
. NS	550062	. LOCKING TABS	1	
32	550057	FAN CLUTCH ASSY / ALTERNATIVE PART / SEE MI16-08	1	
. NS	550062	. LOCKING TABS	1	
33	IS17909	550057 FAN CLUTCH FIRST INSTALLATION / WITH SHORT FAN DRIVE	1	
. NS	550057	. FAN CLUTCH ASSY / ALTERNATIVE PART / SEE MI16-08	1	
. . NS	550062	. . LOCKING TABS	1	
. NS	5002112	. MULTI V-BELT / 12 RIB 62.40" (1585MM)	2	
. NS	502692	. NUT HEXF STO M8-1.25 Z050	3	

From 7-8754 To 8-9276	Date:01/2024	PAGE:X3-0540-00
FAN CLUTCH ASSY - #550839		

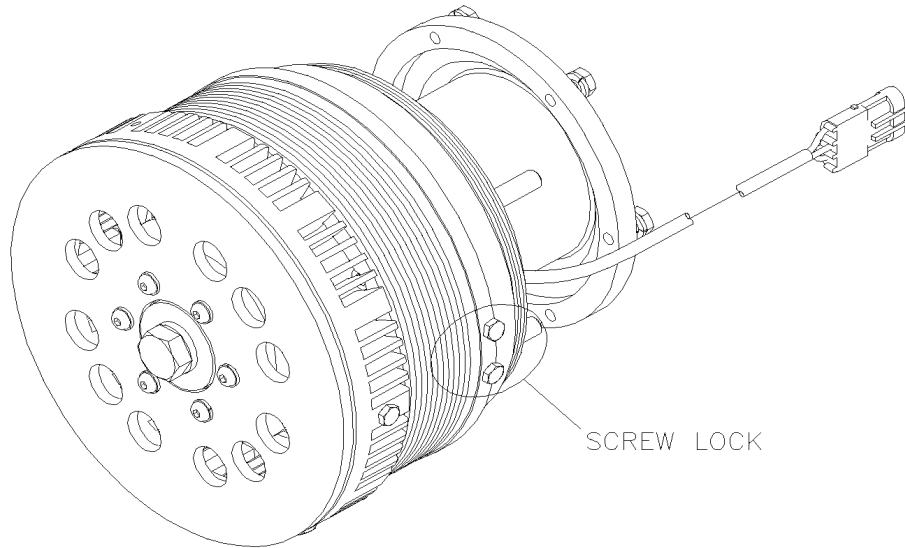
Item#	Part	Description	QTY	Notes
. NS	502891	. SCREW CRG M8-1.25x40 G8.8 Z050	3	
. NS	500874	. WASHER FL 8.4x17.0x1.6 Z050	3	
. NS	502644	. WASHER FL 10.5x30.0x2.5 Z050	4	
. NS	5001758	. NUT HEX STO M10-1.5 N500	4	
. NS	5001654	. WASHER FL 6.4x17.0x3.0 SS	6	
. NS	502843	. SCREW CAP HEX M6-1.0x45 G8.8 N500	1	
. NS	502621	. NUT HEX STO M6-1.0 Z050	1	
. NS	IS-17909	. SEE INSTRUCTION SHEET	1	
		A) INCLUDES ITEMS #1, 2, 17, 23, 24, 25 & 29		
		B) USE IN EMERGENCY ONLY		
		1) NOT SOLD SEPARATELY		
		4) NO PARTS NUMBER		

From 7-8754 To 8-9276

Date:01/2024

PAGE:550966

FAN CLUTCH ASSY / ALTERNATIVE PART



From 7-8754 To 8-9276		Date:01/2024	PAGE:550966
-----------------------	--	--------------	-------------

FAN CLUTCH ASSY / ALTERNATIVE PART

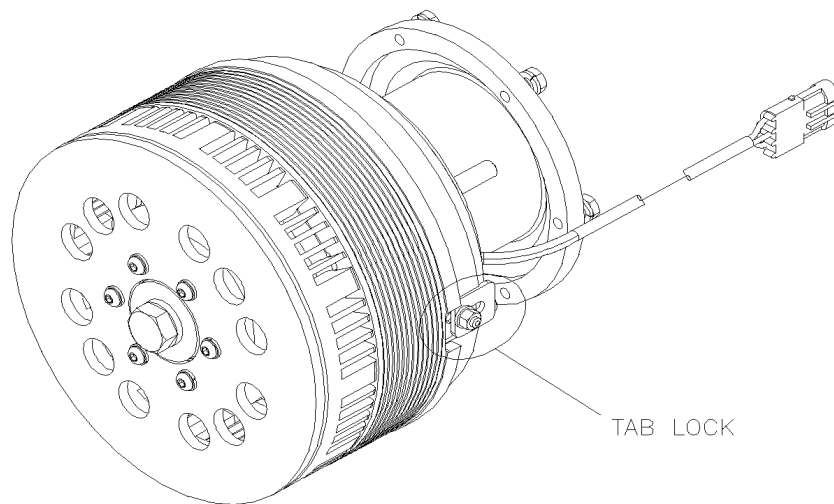
Item#	Part	Description	QTY	Notes
1		FORMER WITH SCREW LOCK	1	

From 7-8754 To 8-9276

Date:01/2024

PAGE:550057

FAN CLUTCH ASSY / ALTERNATIVE PART / SEE MI16-08



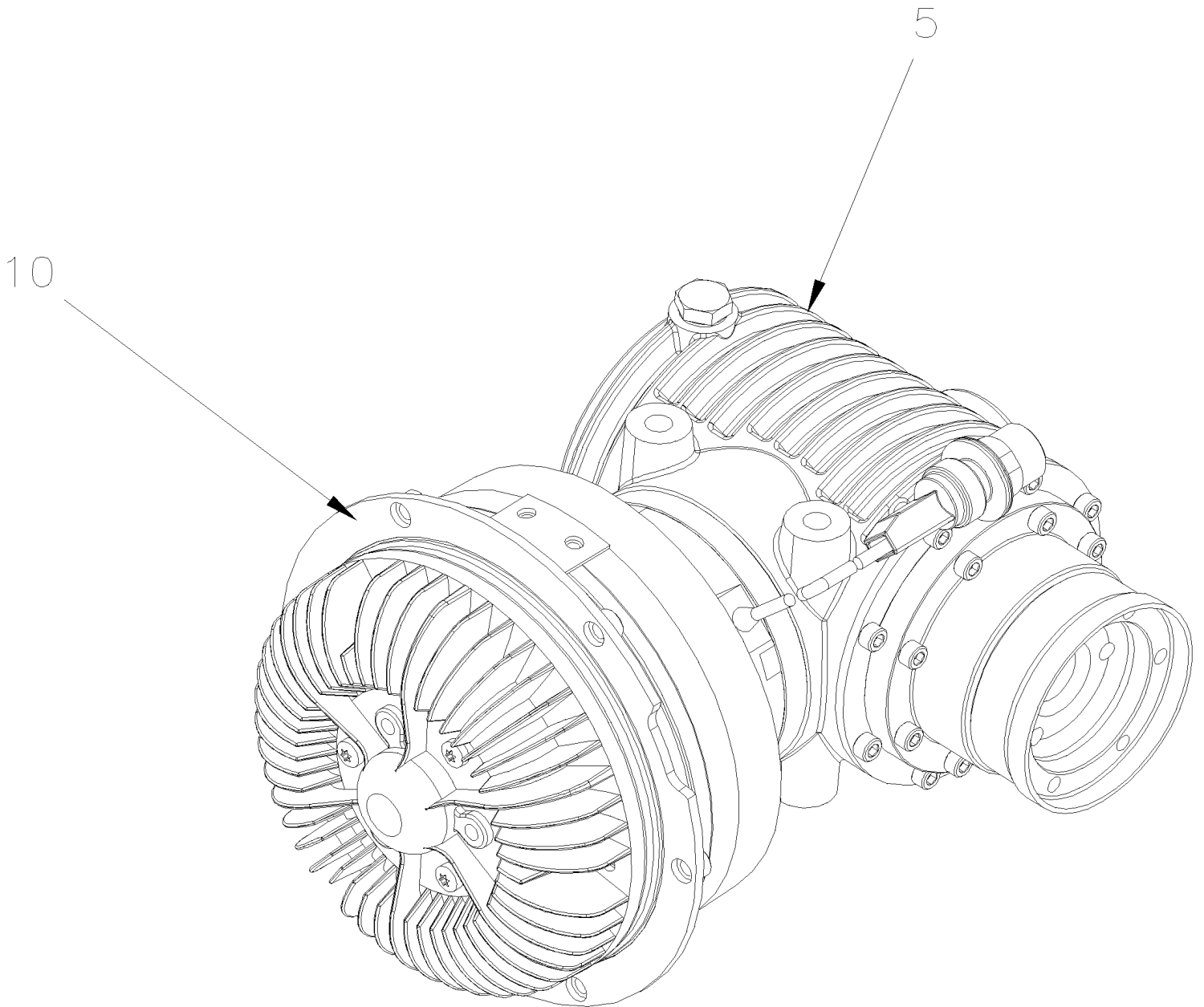
From 7-8754 To 8-9276		Date:01/2024	PAGE:550057	
FAN CLUTCH ASSY / ALTERNATIVE PART / SEE MI16-08				
Item#	Part	Description	QTY	Notes
2		WITH TAB LOCK	1	

From 8-9277 To B-5049

Date:01/2024

PAGE:X3-0540-01

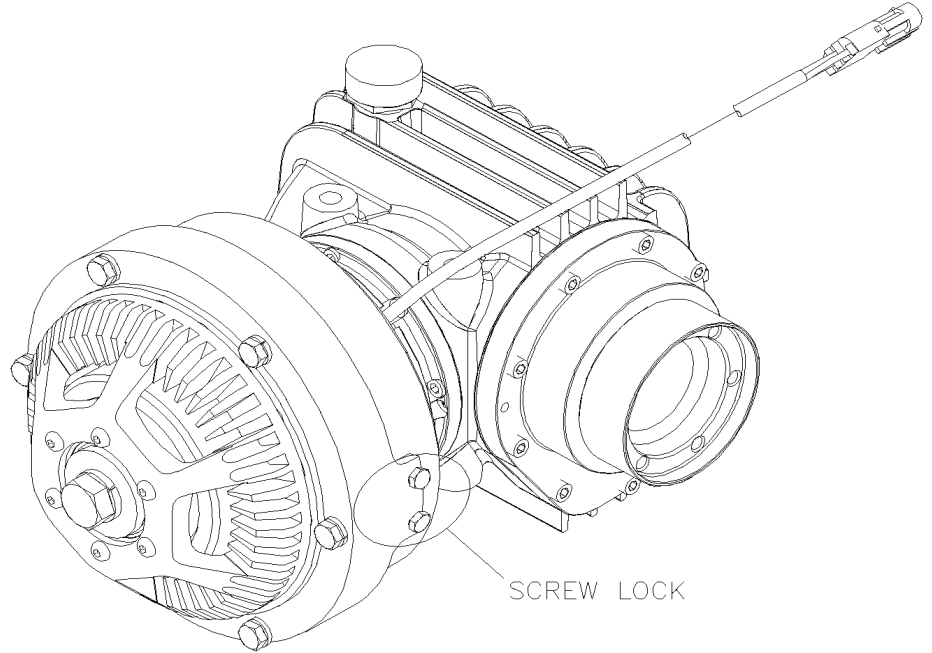
FAN CLUTCH & ANGLE DRIVE ASSY C.C.W.



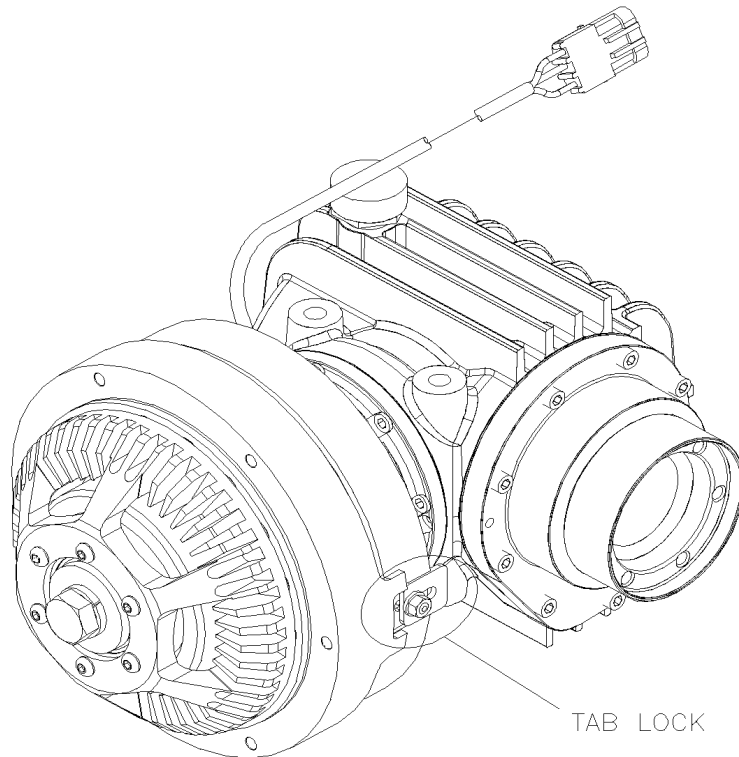
From 8-9277 To B-5049	Date:01/2024	PAGE:X3-0540-01
FAN CLUTCH & ANGLE DRIVE ASSY C.C.W.		

Item#	Part	Description	QTY	Notes
	550911	GEARBOX ASSY WITH FAN CLUTCH To A-9879	1	
. NS	MI10-24	. SEE MAINTENANCE INFORMATION To A-9879	1	
	550958	GEARBOX ASSY WITH FAN CLUTCH From A-9880 To A-9959	1	
. NS	MI10-24	. SEE MAINTENANCE INFORMATION From A-9880 To A-9959	1	
	550962	GEARBOX ASSY WITH FAN CLUTCH From A-9960	1	
. NS	MI10-24	. SEE MAINTENANCE INFORMATION From A-9960	1	
	550974	GEARBOX ASSY WITH FAN CLUTCH ALTERNATIVE PART	1	A
. NS	551003	. BREATHER W/ OIL DIPSTICK	1	A
. NS	551004	. WASHER, DRAIN PLUG	1	A
. NS	551005	. PLUG, DRAIN	1	A
. NS	550062	. LOCKING TABS	1	A
. NS	551025	. REBUILD KIT FOR CLUTCH/GEAR BOX 550974	1	A
	069718	HARNES JUMPER FAN CLUTCH	1	A
NS	680719	. OIL SYNTHETIC GEAR BOX TITAN SAE 75W90 W/O-RING WASHER	1	
NS	068063	CABLE ADAPTOR FORMER TO CURRENT FAN CLUTCH / WITH 3 CONTACTS To A-9959	1	
NS	068185	CABLE ADAPTOR FAN CLUTCH / WITH 4 CONTACTS From B-5002	1	
5	N.P.N.	. GEARBOX	1	4
10	N.P.N.	. FAN CLUTCH	1	4
		A) USE 069718 WHEN YOU CHANGE THE FAN CLUTCH 550962 FOR A FAN CLUTCH 550974		
		4) NO PARTS NUMBER		

FORMER



CURRENT



From 8-9277 To B-5049	Date:01/2024	PAGE:550974
-----------------------	--------------	-------------

GEARBOX ASSY WITH FAN CLUTCH ALTERNATIVE PART

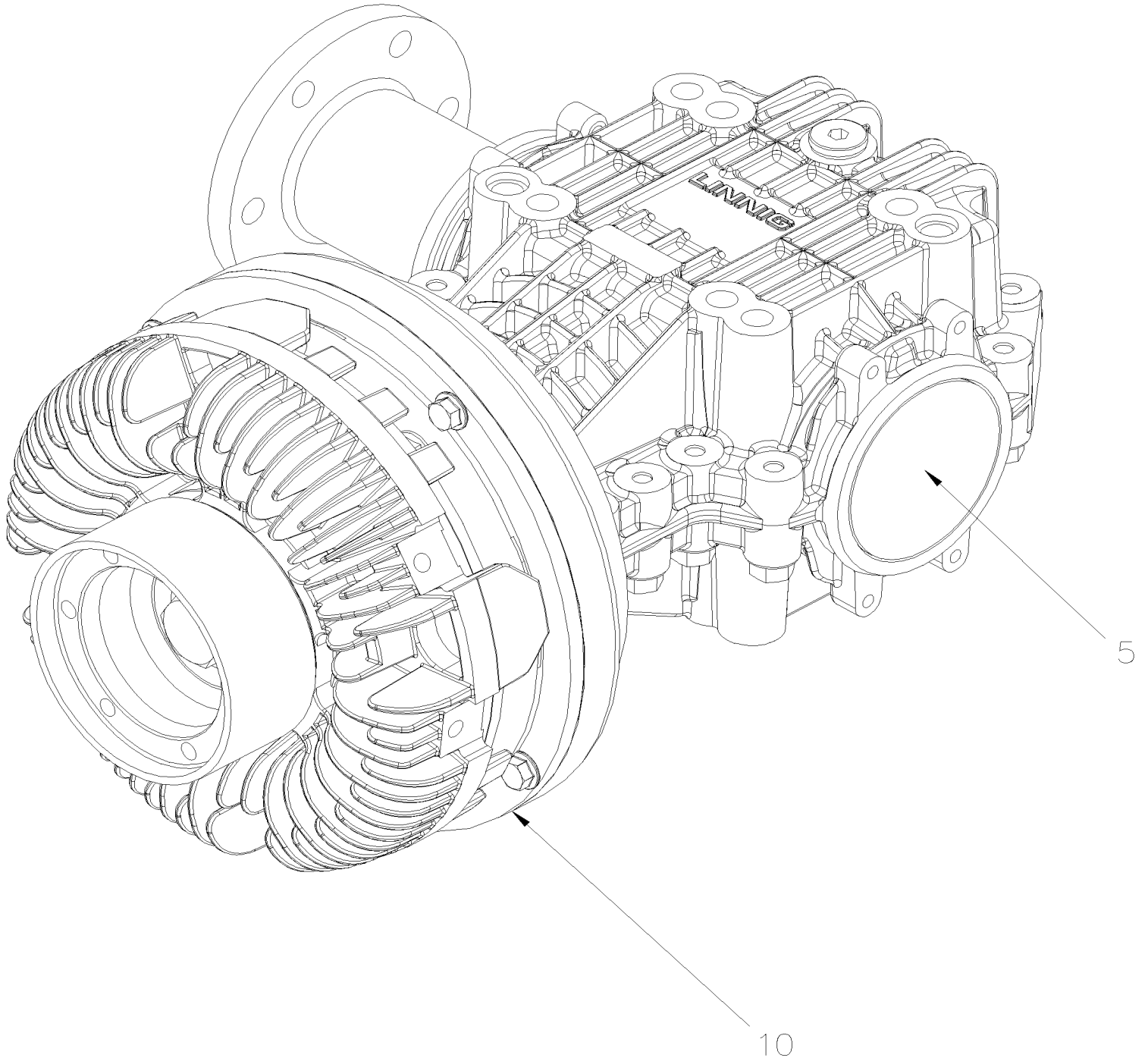
Item#	Part	Description	QTY	Notes
1		FORMER WITH SCREW LOCK	1	
2		CURRENT WITH TAB LOCK	1	

From B-5050 To H-6179

Date:01/2024

PAGE:X3-0540-02

FAN CLUTCH & ANGLE DRIVE ASSY C.W.



From B-5050 To H-6179	Date:01/2024	PAGE:X3-0540-02
FAN CLUTCH & ANGLE DRIVE ASSY C.W.		

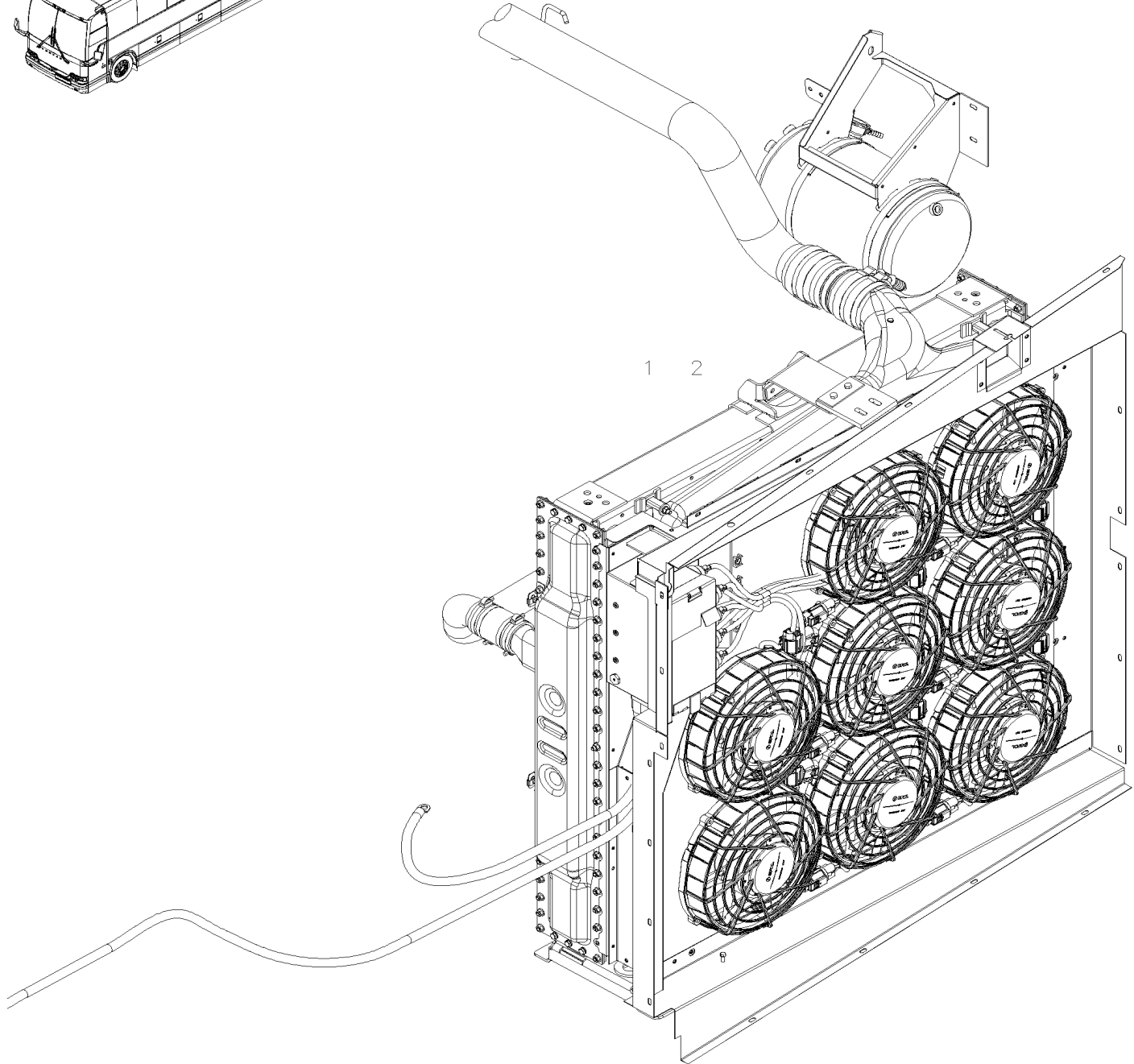
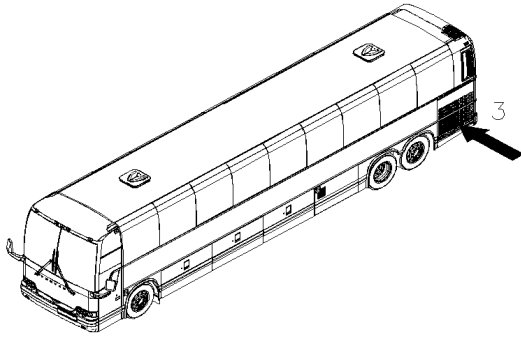
Item#	Part	Description	QTY	Notes
	557065	GEARBOX ASSY WITH FAN CLUTCH To E-5467	1	
. NS	550294	. DRAIN PLUG WITH MAGNET To E-5467	1	
. NS	550295	. DRAIN PLUG To E-5467	1	
. NS	5002257	. SEALING CRUSH WASHER 14.0x20.0x1.5 COP To E-5467	1	
	550987	GEARBOX ASSY WITH FAN CLUTCH From E-5468 To G-5935	1	
. NS	550294	. DRAIN PLUG WITH MAGNET From E-5468 To G-5935	1	
. NS	550295	. DRAIN PLUG From E-5468 To G-5935	1	
. NS	551001	. MAGNET From E-5468 To G-5935	1	
. NS	5002257	. SEALING CRUSH WASHER 14.0x20.0x1.5 COP From E-5468 To G-5935	1	
	550130	GEARBOX ASSY WITH FAN CLUTCH From G-5936	1	
. NS	550294	. DRAIN PLUG WITH MAGNET From G-5936	1	
. NS	550295	. DRAIN PLUG From G-5936	1	
. NS	551001	. MAGNET From G-5936	1	
. NS	5002257	. SEALING CRUSH WASHER 14.0x20.0x1.5 COP From G-5936	1	
. NS	550265	. CHECK VALVE From G-5936	1	
	680719	. OIL SYNTHETIC GEAR BOX TITAN SAE 75W90 W/O-RING WASHER	1	
5	N.P.N.	. GEARBOX	1	4
10	N.P.N.	. FAN CLUTCH	1	4
NS	551017	REPAIR KIT CLUTCH	1	
NS	551016	REPAIR KIT RADIAL SHAFT SEAL	1	
NS	551015	TOOL KIT FOR GEARBOX WITH FAN CLUTCH	1	
NS	068185	CABLE ADAPTOR FAN CLUTCH / WITH 4 CONTACTS From B-5002	1	
		4) NO PARTS NUMBER		

From B-5002 To H-6179

Date:01/2024

PAGE:X3-0599-00

RETROFIT ELECTRIC FAN DRIVE COOLING SYSTEM CONVERSION



ALWAYS REFER TO INSTRUCTION SHEET FOR ALL INFORMATION NOT SHOWN

From B-5002 To H-6179	Date:01/2024	PAGE:X3-0599-00
-----------------------	--------------	-----------------

RETROFIT ELECTRIC FAN DRIVE COOLING SYSTEM CONVERSION

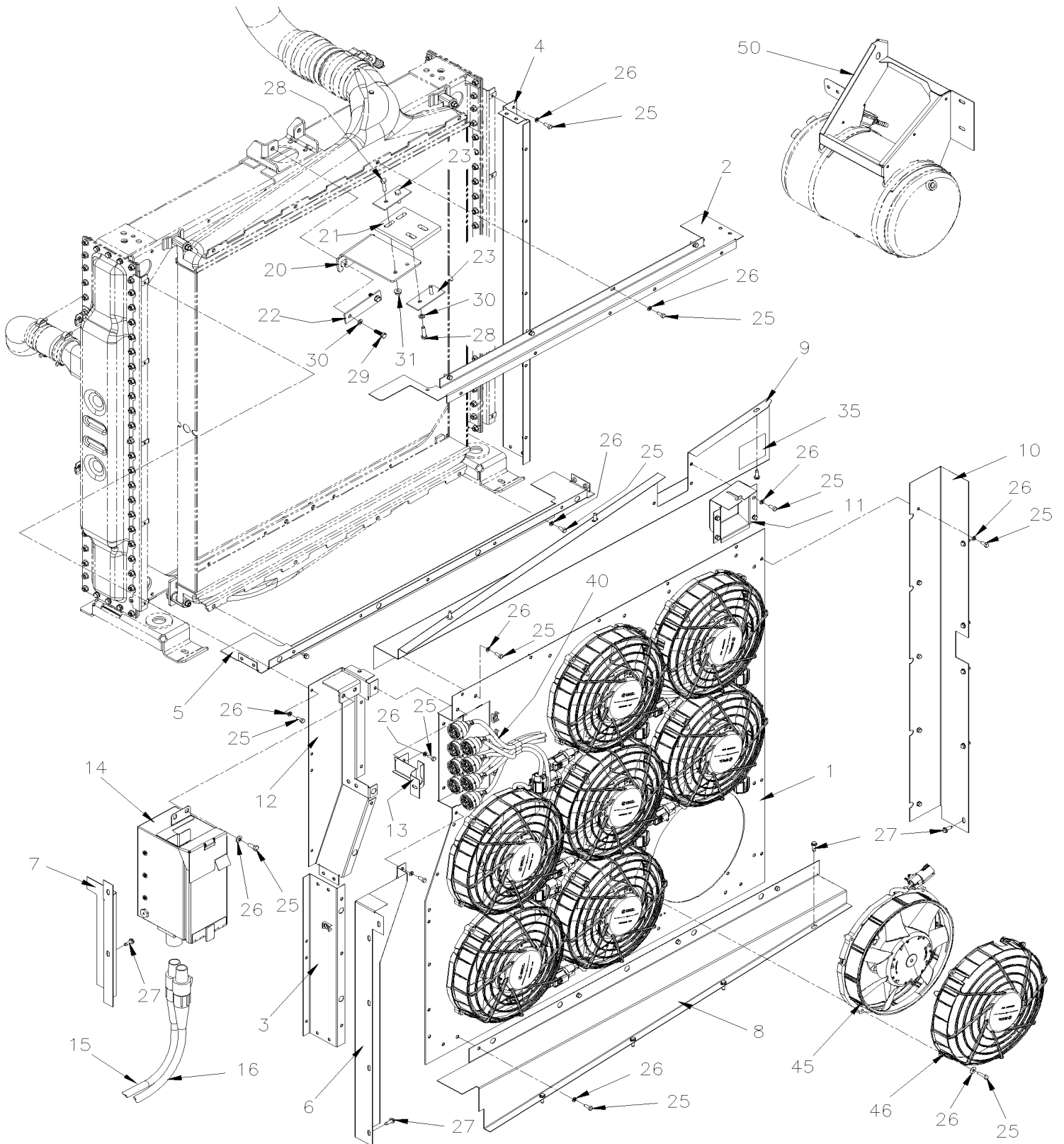
Item#	Part	Description	QTY	Notes
		ALWAYS REFER TO INSTRUCTION SHEET FOR ALL INFORMATION NOT SHOWN*		
1	IS19901	ELECTRIC FAN DRIVE COOL. SYS. CONVERSION-BOSCH ALT. US10 UP TO GHG17 From B-5002 To H-6179	1	
2	IS19912	ELECTRIC FAN DRIVE COOL. SYS CONVERSION-REMY ALT. US10 UP TO GHG17 From B-5002 To H-6179	1	
22		REGARDING YOUR VIN, IT IS RECOMMENDED TO INSTALL ONE OF FOLLOWING KITS	1	
3	IS19913	BOSCH TO DELCO REMY ALTERNATOR INSTALLATION, US10 From B-5002 To E-5458	1	
3	IS19909	BOSCH TO DELCO REMY ALTERNATOR INSTALLATION X3-45 From E-5459 To H-6179	1	

From B-5002 To H-6179

Date:01/2024

PAGE:IS19901

ELECTRIC FAN DRIVE COOL. SYS. CONVERSION-BOSCH ALT. US10 UP TO GHG17

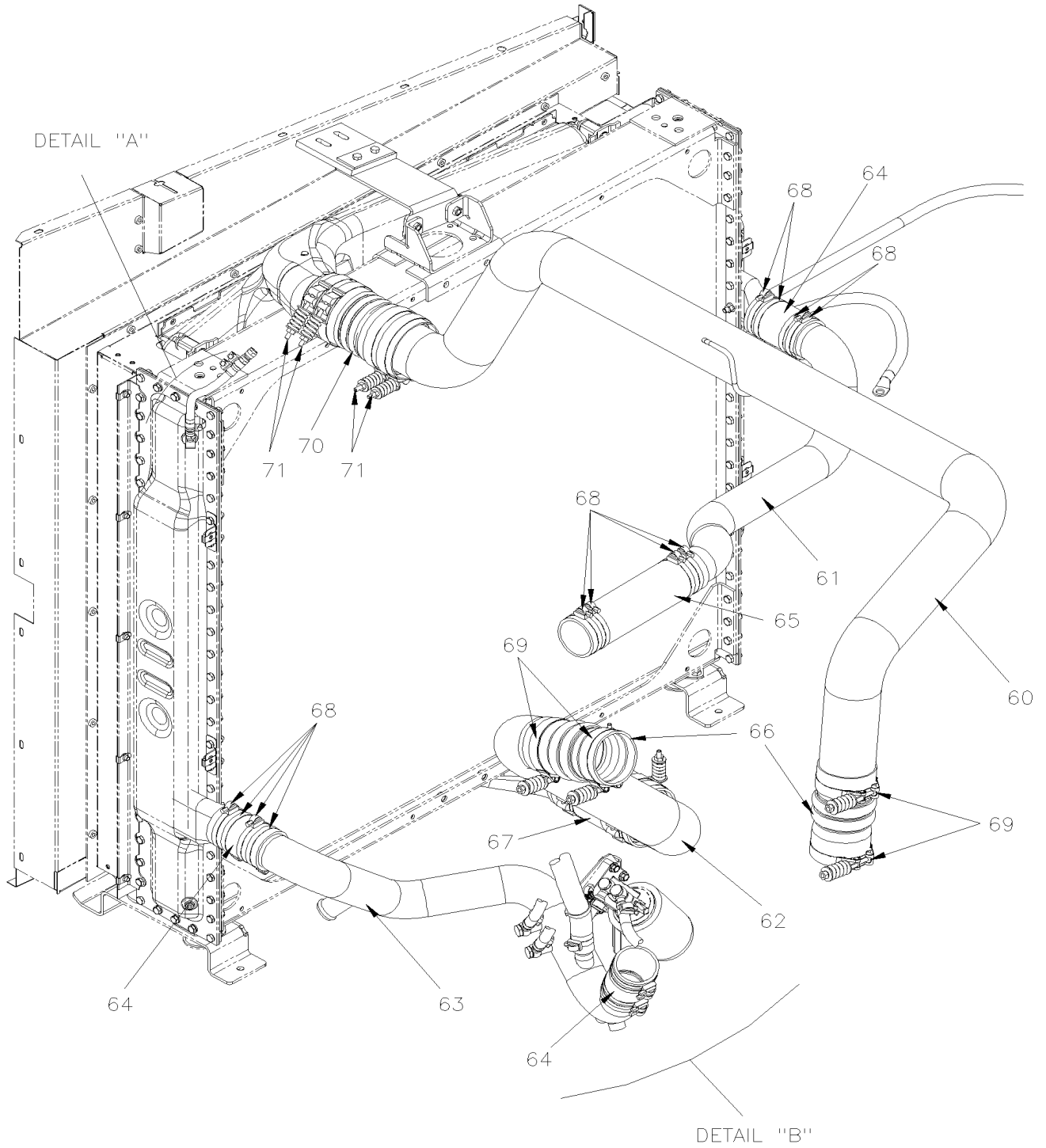


From B-5002 To H-6179

Date:01/2024

PAGE:IS19901

ELECTRIC FAN DRIVE COOL. SYS. CONVERSION-BOSCH ALT. US10 UP TO GHG17

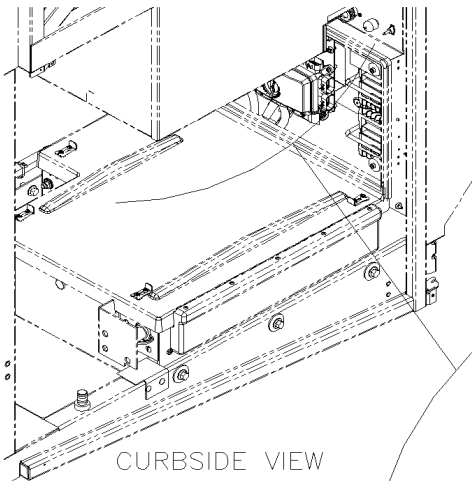


From B-5002 To H-6179

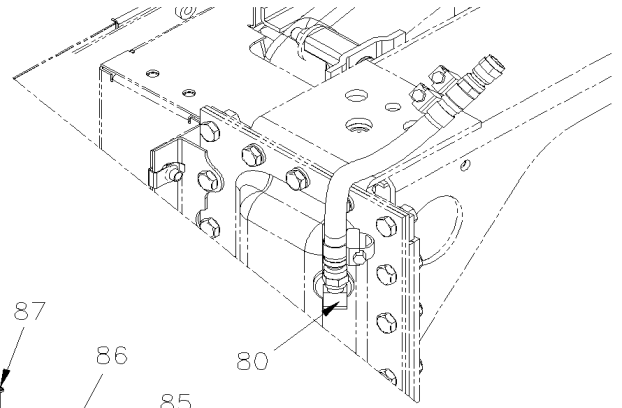
Date:01/2024

PAGE:IS19901

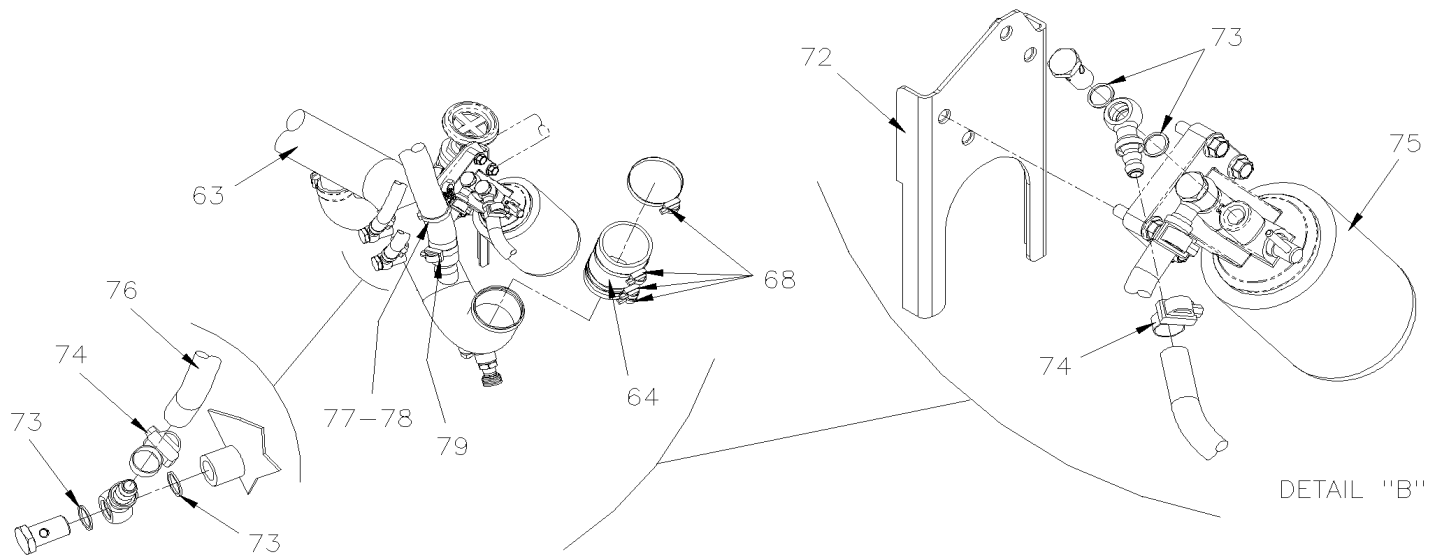
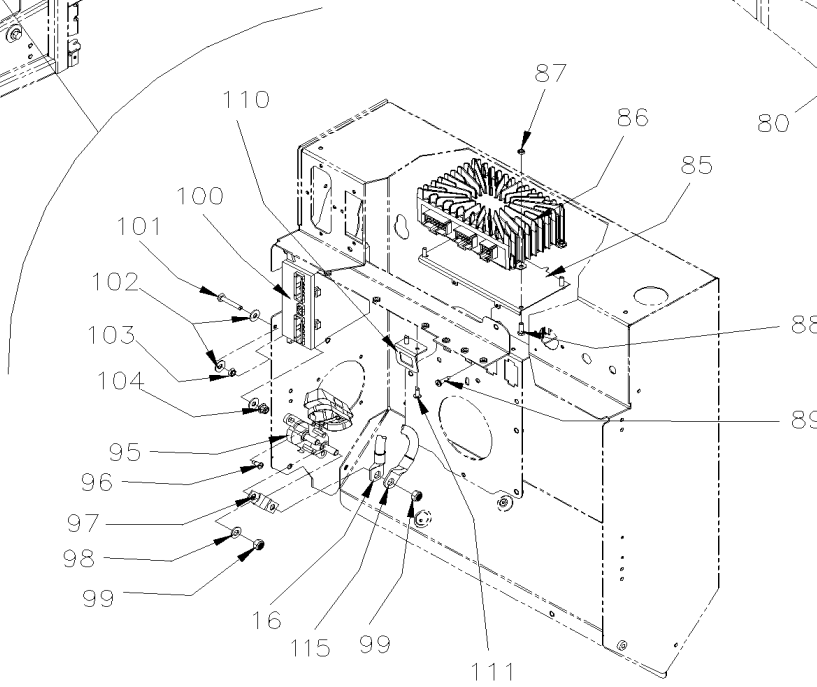
ELECTRIC FAN DRIVE COOL. SYS. CONVERSION-BOSCH ALT. US10 UP TO GHG17



CURBSIDE VIEW
MAIN POWER
COMPARTMENT



DETAIL "A"



DETAIL "B"

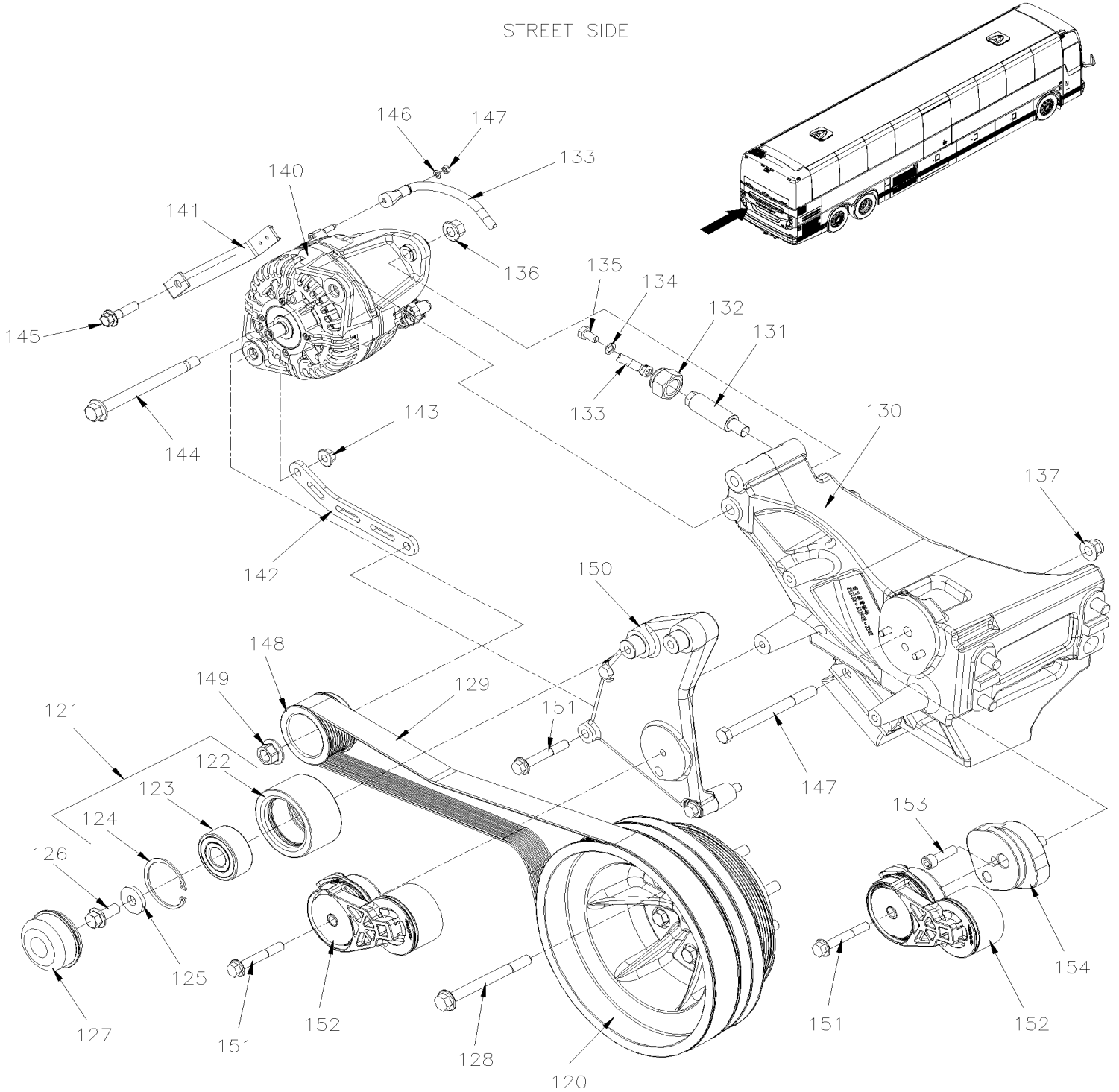
From B-5002 To H-6179

Date:01/2024

PAGE:IS19901

ELECTRIC FAN DRIVE COOL. SYS. CONVERSION-BOSCH ALT. US10 UP TO GHG17

STREET SIDE



From B-5002 To H-6179	Date:01/2024	PAGE:IS19901
-----------------------	--------------	--------------

ELECTRIC FAN DRIVE COOL. SYS. CONVERSION-BOSCH ALT. US10 UP TO GHG17

Item#	Part	Description	QTY	Notes
1	050343	FAN SUPPORT PANEL, WELDED	1	
NS	506025	RUBBER CHANNEL / 1/18" x 5/16" INT "U" SHAPE / SQUARE C.T.L.	AR	
2	050355	UPPER SHROUD TRANSITION	1	
NS	506040	TAPE RUB ADH1 CC EPDM 5/16" x 3/4" x 25' / BLACK OR GREY 144X	AR	
3	050359	LOWER LEFT SHROUD TRANSITION	1	
4	050360	RIGHT SHROUD TRANSITIO	1	
5	050362	LOWER SHROUD TRANSITION	1	
6	050363	LOWER LH SIDE SHROUD PANEL	1	
7	050364	UPPER LH SIDE SHROUD PANEL	1	
8	050365	LOWER SHROUD PANE	1	
9	050366	UPPER SHROUD PANEL	1	
10	050367	RH SIDE SHROUD PANEL	1	
11	050369	BOX, DOOR PUSH-ROD	1	
12	050380	UPPER LEFT SHROUD TRANSITION WELDED	1	
13	050415	UPPER LEFT SHROUD PANEL	1	
14	564612	POWER BOX, FAN DRIVE	1	
15	069246	HARNESS GROUND FAN DRIVE	1	
16	069245	HARNESS PWR FAN DRIVE	1	
20	050351	UPPER RADIATOR SUPPORT X	1	
21	21185073	RUBBER PAD 100MM X 123MM	1	
22	052795	PLATE / UPPER RADIATOR 30MM X 120MM	1	
23	052473	PLATE / UPPER RADIATOR 40MM X 90MM	2	
25	5001697	SCREW CAP HEX M6-1.0x16 SS BK	AR	
26	502570	WASHER LO SPT 6.1x11.8x1.6 SS	AR	
27	502848	SCREW TC CAP HEXF 1/4-20x3/4 N500	AR	
28	5001738	SCREW CAP HEX M8-1.25x30 G8.8 N500	4	
29	5001745	SCREW CAP HEX M8-1.25x25 G8.8 N500	2	
30	500942	WASHER LO SPT 8.1x14.8x2.0 N500	4	
31	502837	NUT HEXF STO M8-1.25 N500	2	
35	069205	DECAL "WARNING FAN"	1	
40	068820	HARNESS FAN DRIVE	1	
45	564312	ELECTRIC FAN FOR RADIATOR & CAC	8	
NS	568092	CONNECTOR / PH 4C / YAZAKI 7282-8497-90	1	
NS	560009	CONNECTOR CLIP / HELLERMAN TYTON 155-30702	1	
46	563533	HAND GUARD, FAN	8	
50	053040	BRACKET, SURGE TANK X3	1	
NS	500321	WASHER BEL SPR .331x.827x.098 N500	1	
NS	5001983	NUT HEX NYRT M8-1.25 SS SS BK	1	
60	050308	CAC PIPE OUTLET	1	
61	050309	WATER PIPE INLET RADIATOR	1	
62	050328	CAC PIPE	1	
63	050331	WATER PIPE ENGINE RETURN	1	

From B-5002 To H-6179	Date:01/2024	PAGE:IS19901
-----------------------	--------------	--------------

ELECTRIC FAN DRIVE COOL. SYS. CONVERSION-BOSCH ALT. US10 UP TO GHG17

Item#	Part	Description	QTY	Notes
64	053617	HOSE SILICONE / NOMEX 2 1/2" I.D. 105MM	3	
NS	503786	HOSE SILICONE 4 PLY / NOMEX-ARAMID 2 1/2" I.D. x 6'	1	
65	052889	HOSE SILICONE 2 1/2" I.D. 280MM	1	
66	030096	HOSE 86MM I.D. X 162.5MM	2	
NS	053662	COUPLING TURBO	1	
NS	21096684	GASKET 60MM I.D.	1	
NS	20592787	V-CLAMP / 81.7MM I.D.	1	
67	531471	HOSE SILICONE 4" I.D. 6 1/2" / 500F°	1	
68	992089	HOSE CLAMP / 60MM/80MM	AR	
69	21490630	HOSE CLAMP SPRING LOAD / HEAVY DUTY 3"5/8-3"15/16	4	
70	531469	HOSE / W/2 RING / 4" I.D. 8" / 500°F	1	
71	21490616	HOSE CLAMP SPRING LOAD / HEAVY DUTY 4"1/8-4"7/16	8	
72	050265	COOLANT FILTER SUPPORT	1	
73	507657	BANJO WASHER / M14	8	
74	992081	HOSE CLAMP / 12MM/22MM	4	
75	21937327	CARTRIGE "MAINTENANCE" COOLANT LONG LIFE "WITH D13 ENGINE"	1	
76	052366	HOSE / LOWER / #6 1550MM	1	
NS	503702	HOSE / (SAFETY STRIPE) / 3/8" I.D. 50' / S.L.	AR	
77	504016	CABLE TIE / 5/16" X 14"1/2	AR	
78	504751	ROTATIF SPACER DOUBLE / SMALL	4	
79	992086	HOSE CLAMP / 32MM/52MM	2	
80	501037	MALE ELBOW 90° / SAE 45° FITTING / #4FL-Mx1/4NPT-M BR	1	
85	053043	SUPPORT MODULE	1	
86	22722850	I/O B E-MODULE VOLVO MULTIPLEX / ALUMINUM	1	
87	5001180	NUT HEX NYRT #10-24 SS	4	
88	5001447	SCREW CAP HEX #10-24x5/8 PT SS BK	4	
89	500623	SCREW TC PAN PH #10-24x3/4 N500	2	
95	563750	FUSEHOLDER W/RED COVER / MEGA FUSE /	1	
96	500658	SCREW TC PAN PH #10-24x3/4 Z050	AR	
97	5001341	WASHER FL 8.4x17.0x1.6 SS	AR	
98	564520	FUSE / MEGA FUSE / 300 AMPS / GREY	1	
99	5001983	NUT HEX NYRT M8-1.25 SS SS BK	2	
100	23499009-EFD	MCM PROGRAMME - SERVICE KIT EFD	1	
NS	563593	CONNECTOR W/END OF LINE RESISTOR 120R / DTM SERIES / SH 2C / GRAY / DEUTSCH DTM06-2S-P006	AR	
101	502888	SCREW CAP HEX M6-1.0x35 G8.8 N500	3	
102	502709	WASHER FL .260x.687x.050 XLN BK	9	
103	502854	NUT HEX M6-1.0 N500	3	
104	5001932	NUT HEXF NYRT M6-1.0 G8.8 N500	3	
110	050303	ALTERNATOR TELLTALE BRACKET	1	
111	504379	RIVET POP DOME OE 3/16x1/4 SS	AR	
NS	391028	INSERT / RED / GENERATOR	1	
NS	562113	TELLTALE ASSY / 24V SHORT	1	

From B-5002 To H-6179	Date:01/2024	PAGE:IS19901
ELECTRIC FAN DRIVE COOL. SYS. CONVERSION-BOSCH ALT. US10 UP TO GHG17		

Item#	Part	Description	QTY	Notes
115	060682	HARNESS BATTERY TO ALTERNATOR LH	1	
120	012941	DRIVE PULLEY / 280MMx10RIB/ 268.3MMx2V / 220.8MMx10 RIB	1	
NS	5060130	MULTI V-BELT / 8 RIB 62" (1575MM) 8PK1575 SEVERE DUTY	1	
121	012349	PULLEY ASSY W/BEARING / 48MM x 90MM O.D.	1	
122	012958	PULLEY / 48MM x 90MM O.D.	1	
123	509952	BALL BEARING 25 ID x 62 OD x 25.4 W HI-TEMP	1	
124	504040	RING RETAINER / INT 2.440 x 1.860 x 0.078 STL BLK	1	
125	5002008	WASHER FL 13.0x35.0x5.0 N500	1	
126	5001786	SCREW CAP HEXF M12-1.75x30 G8.8 N500	1	
127	453076	CAP, DUST	1	
128	5001296	SCREW CAP HEXF M12-1.75x80 G10.9 N500	AR	
129	505606	MULTI V-BELT / 10 RIB (1695MM) 10PK1695 STANDARD DUTY	1	
130	012942	ENGINE MOUNT STREET SIDE W/D13	1	
131	012921	GROUND STUD M14 Lg.:88MM	1	
132	5001665	NUT HEX NYRT M22-2.5 G8 Z050	1	
133	069504	HARNESS LH GROUND ALTERNATOR	1	
134	5001935	WASHER FL 10.5x18.0x1.6 SS	1	
135	502719	SCREW CAP HEX M10-1.5x20 SS EMN	1	
136	5001728	NUT HEXF STO M12-1.75 N500 G10	1	
137	5001761	NUT HEXF NYRT M12-1.75 G8 N500	AR	
140	564593	ALTERNATOR ASSY 24V/150 AMPS / W/OUT PULLEY	1	
NS	060297	ADAPTOR STUD M8 Male x M8 Female + FLANGE M8-1.25 x 18MM SS	1	
NS	069511	HARNESS ALT. BOSCH LEFT HAND SIDE	1	
141	050266	ALTERNATOR BATTERY CABLE SUPPORT	1	
142	060102	ALTERNATOR, LOWER BRACKET	1	
143	5001930	NUT HEXF NYRT M10-1.5 N500 G10.9	2	
144	502950	SCREW SHR CAP HEXF 13x135 (M12x1.75 G10.9 N500	1	
145	5001800	SCREW CAP HEXF M10-1.5x45 G10.9 N500	1	
146	502573	WASHER FL 6.4x12.5x1.6 SS	1	
147	5001182	NUT HEX NYRT M6-1.0 SS	1	
148	0600265	PULLEY ALTERNATOR / "BOSCH" / 73MM DOB x 10 RIB	1	
149	21429955	FLANGE NUT	1	
150	011213	IDLER SUPPORT	1	
151	5001799	SCREW CAP HEXF M10-1.5x70 G10.9 N500	AR	
152	510991	AUTOMATIC TENSIONER ASSY	1	
153	5001620	SCREW CAP HEXS M10-1.5X35 G10.9 G500	1	
154	012695	SUPPORT ADAPTOR AUTOMTIC TENSIONER ASSY W/DOWEL / WATER PUMP	1	
NS	502941	DOWEL PIN	2	
NS	010060	DECAL / "BELT ROUTING"	1	
NS	561610	CONNECTOR / WEATHER PACK / PH 4C / BLACK / PED 12015024	1	
NS	561783	SEAL PLUG CAVITY / GREEN / PED 12010300	AR	
NS	23445869	HARNESS	1	

From B-5002 To H-6179	Date:01/2024	PAGE:IS19901
-----------------------	--------------	--------------

ELECTRIC FAN DRIVE COOL. SYS. CONVERSION-BOSCH ALT. US10 UP TO GHG17

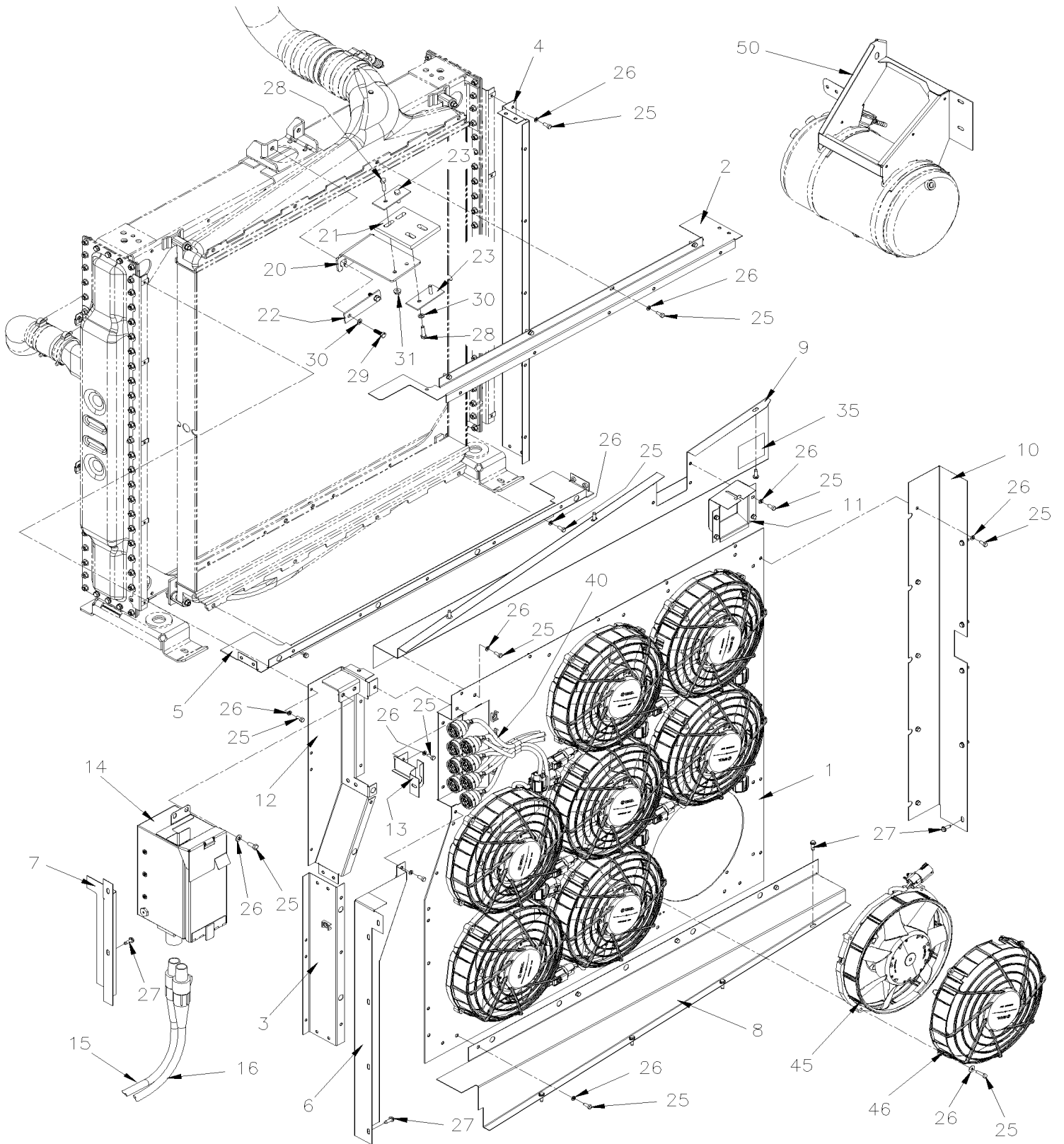
Item#	Part	Description	QTY	Notes
NS	23488790	FAN TO RJB INTERFACE HARNESS H345	1	
NS	561608	SOCKET TERMINAL / 18-16 / DEUTSCH 0462-201-16141	AR	
NS	23490553	VEHICLE INTERFACE HARNESS H345	1	
NS	23498450	BATTERY CABLE MASTER SW TO FUSE	1	
NS	N37749	CABLE TIE DUAL .250-2.300	AR	
NS	509490	ATTACHMENT DOUBLE USE WITH CABLE TIE	AR	
NS	509491	CABLE TIE / 13MM x 383MM	AR	
NS	562679	4 WAY ADH. BACKED MOUNTS 1.000 x 1.000 x .160	4	
500	IS-19901	INSTRUCTION SHEET	1	
NS	FI-19901	VOIR FEUILLE D'INSTRUCTION	1	

From B-5002 To H-6179

Date:01/2024

PAGE:IS19912

ELECTRIC FAN DRIVE COOL. SYS CONVERSION-REMY ALT. US10 UP TO GHG17

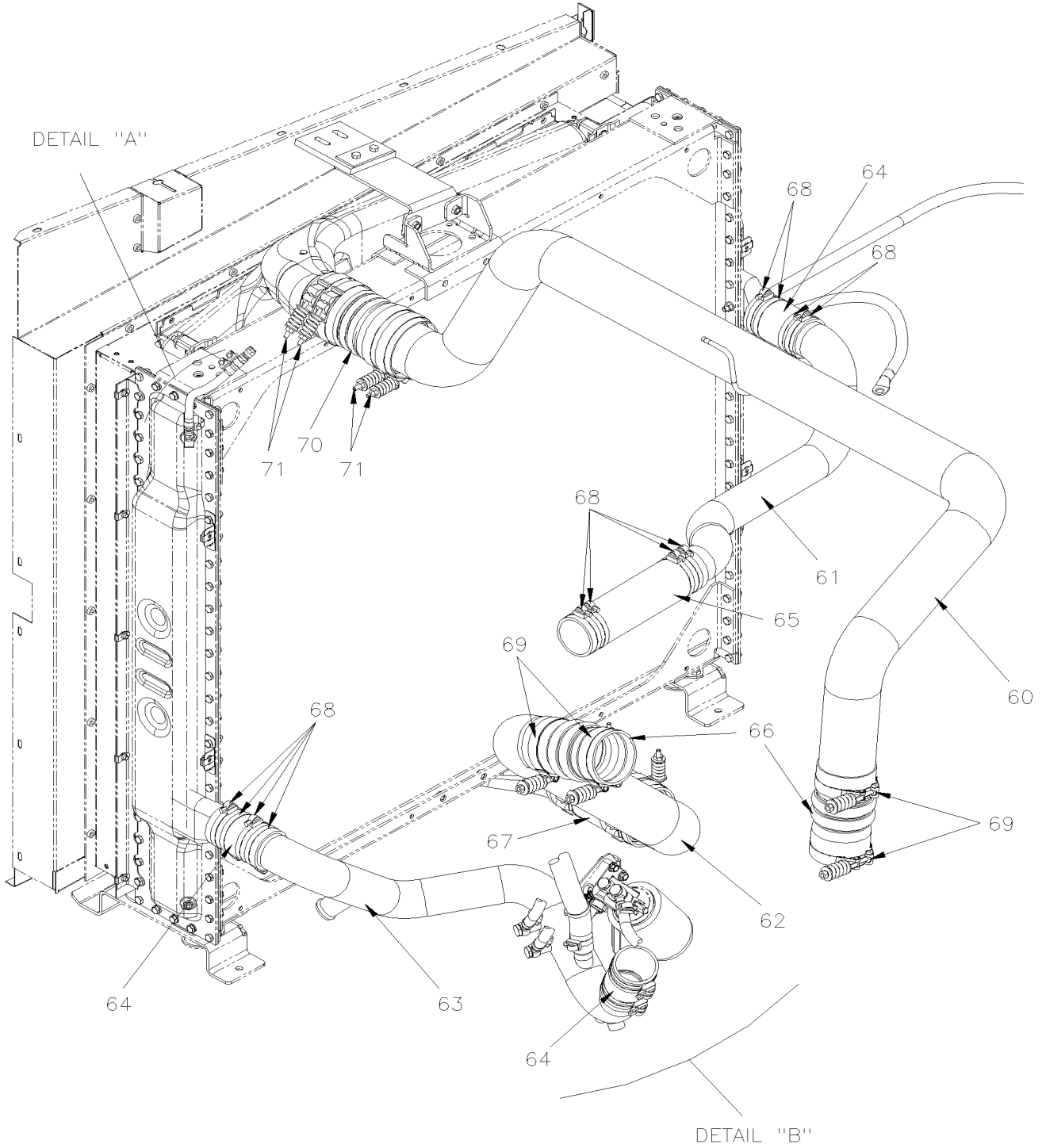


From B-5002 To H-6179

Date:01/2024

PAGE:IS19912

ELECTRIC FAN DRIVE COOL. SYS CONVERSION-REMY ALT. US10 UP TO GHG17

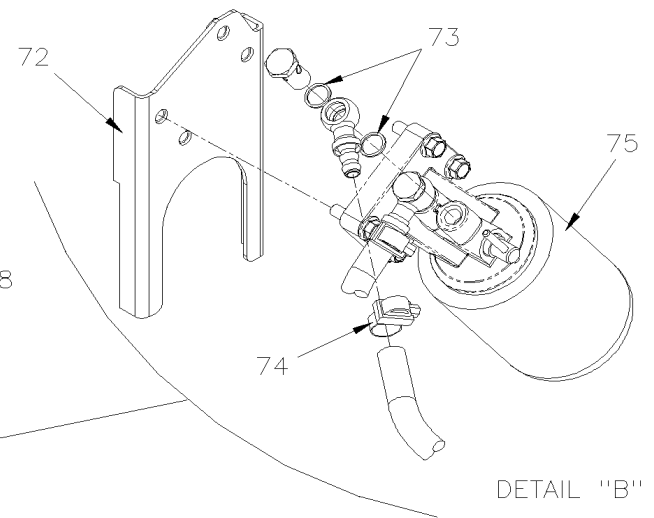
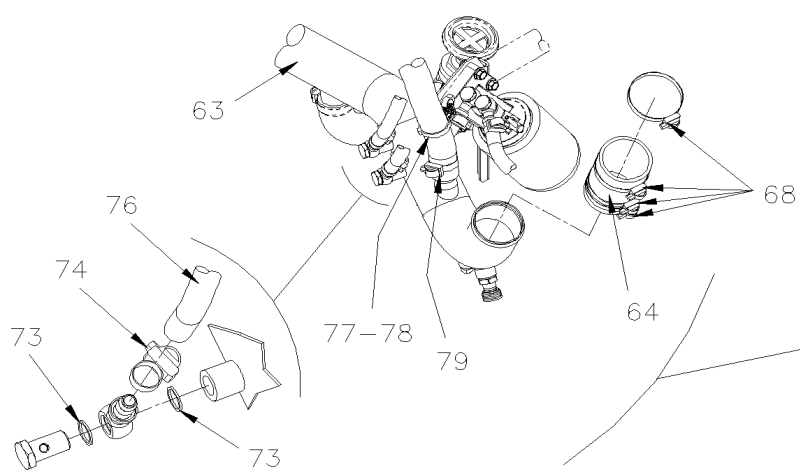
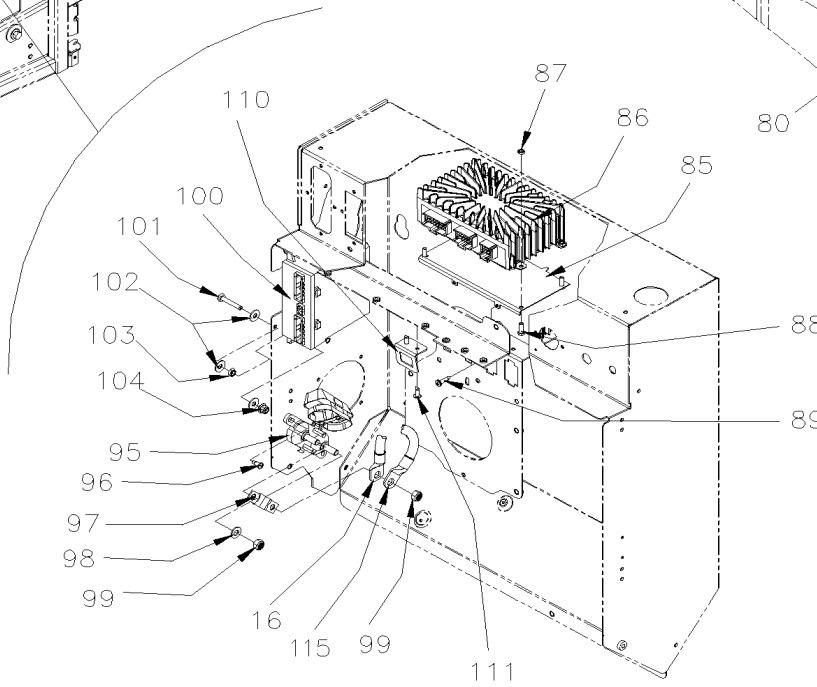
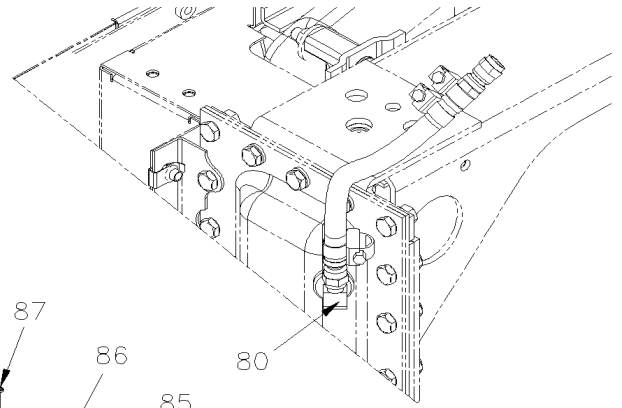
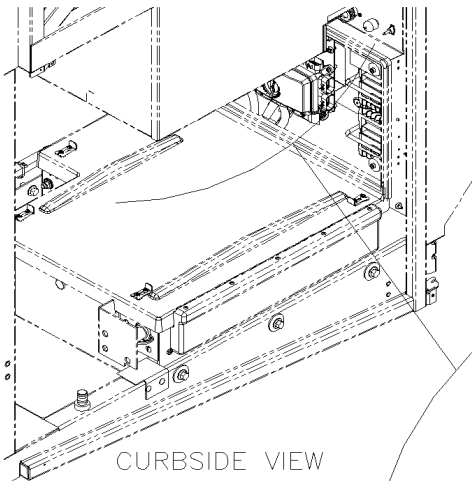


From B-5002 To H-6179

Date:01/2024

PAGE:IS19912

ELECTRIC FAN DRIVE COOL. SYS CONVERSION-REMY ALT. US10 UP TO GHG17



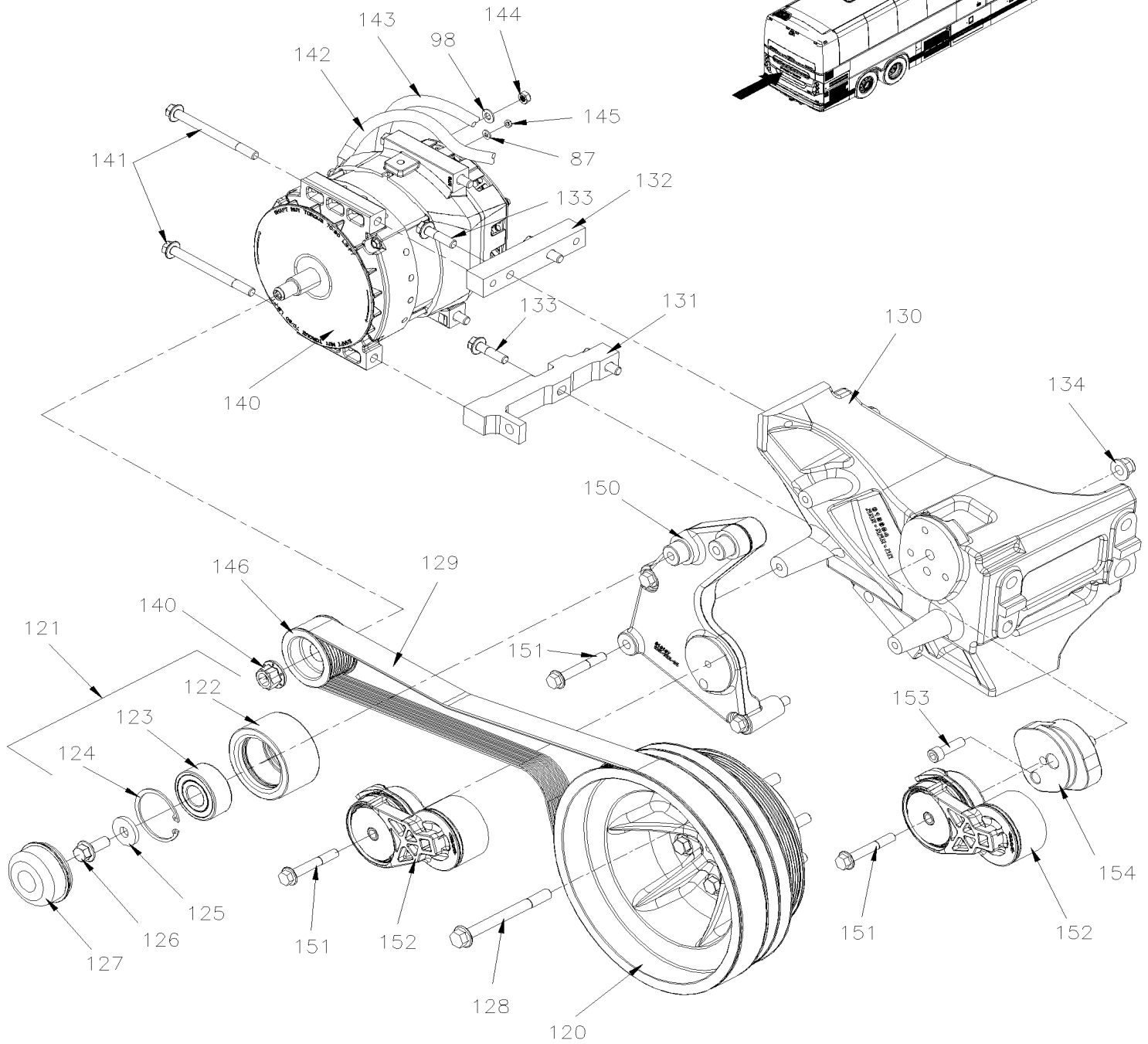
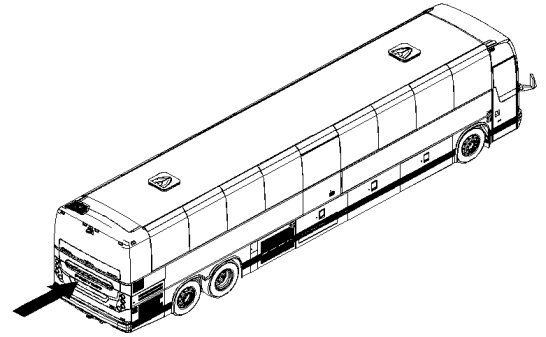
From B-5002 To H-6179

Date:01/2024

PAGE:IS19912

ELECTRIC FAN DRIVE COOL. SYS CONVERSION-REMY ALT. US10 UP TO GHG17

STREET SIDE



From B-5002 To H-6179	Date:01/2024	PAGE:IS19912
-----------------------	--------------	--------------

ELECTRIC FAN DRIVE COOL. SYS CONVERSION-REMY ALT. US10 UP TO GHG17

Item#	Part	Description	QTY	Notes
1	050343	FAN SUPPORT PANEL, WELDED	1	
NS	506025	RUBBER CHANNEL / 1/18" x 5/16" INT "U" SHAPE / SQUARE C.T.L.	AR	
2	050355	UPPER SHROUD TRANSITION	1	
NS	506040	TAPE RUB ADH1 CC EPDM 5/16" x 3/4" x 25' / BLACK OR GREY 144X	AR	
3	050359	LOWER LEFT SHROUD TRANSITION	1	
4	050360	RIGHT SHROUD TRANSITIO	1	
5	050362	LOWER SHROUD TRANSITION	1	
6	050363	LOWER LH SIDE SHROUD PANEL	1	
7	050364	UPPER LH SIDE SHROUD PANEL	1	
8	050365	LOWER SHROUD PANE	1	
9	050366	UPPER SHROUD PANEL	1	
10	050367	RH SIDE SHROUD PANEL	1	
11	050369	BOX, DOOR PUSH-ROD	1	
12	050380	UPPER LEFT SHROUD TRANSITION WELDED	1	
13	050415	UPPER LEFT SHROUD PANEL	1	
14	564612	POWER BOX, FAN DRIVE	1	
15	069246	HARNESS GROUND FAN DRIVE	1	
16	069245	HARNESS PWR FAN DRIVE	1	
20	050351	UPPER RADIATOR SUPPORT X	1	
21	21185073	RUBBER PAD 100MM X 123MM	1	
22	052795	PLATE / UPPER RADIATOR 30MM X 120MM	1	
23	052473	PLATE / UPPER RADIATOR 40MM X 90MM	2	
25	5001697	SCREW CAP HEX M6-1.0x16 SS BK	AR	
26	502570	WASHER LO SPT 6.1x11.8x1.6 SS	AR	
27	502848	SCREW TC CAP HEXF 1/4-20x3/4 N500	AR	
28	5001738	SCREW CAP HEX M8-1.25x30 G8.8 N500	4	
29	5001745	SCREW CAP HEX M8-1.25x25 G8.8 N500	2	
30	500942	WASHER LO SPT 8.1x14.8x2.0 N500	4	
31	502837	NUT HEXF STO M8-1.25 N500	2	
35	069205	DECAL "WARNING FAN"	1	
40	068820	HARNESS FAN DRIVE	1	
45	564312	ELECTRIC FAN FOR RADIATOR & CAC	8	
NS	568092	CONNECTOR / PH 4C / YAZAKI 7282-8497-90	1	
NS	560009	CONNECTOR CLIP / HELLERMAN TYTON 155-30702	1	
46	563533	HAND GUARD, FAN	8	
50	053040	BRACKET, SURGE TANK X3	1	
NS	500321	WASHER BEL SPR .331x.827x.098 N500	1	
NS	5001983	NUT HEX NYRT M8-1.25 SS SS BK	1	
60	050308	CAC PIPE OUTLET	1	
61	050309	WATER PIPE INLET RADIATOR	1	
62	050328	CAC PIPE	1	
63	050331	WATER PIPE ENGINE RETURN	1	

From B-5002 To H-6179	Date:01/2024	PAGE:IS19912
-----------------------	--------------	--------------

ELECTRIC FAN DRIVE COOL. SYS CONVERSION-REMY ALT. US10 UP TO GHG17

Item#	Part	Description	QTY	Notes
64	053617	HOSE SILICONE / NOMEX 2 1/2" I.D. 105MM	3	
NS	503786	HOSE SILICONE 4 PLY / NOMEX-ARAMID 2 1/2" I.D. x 6'	1	
65	052889	HOSE SILICONE 2 1/2" I.D. 280MM	1	
66	030096	HOSE 86MM I.D. X 162.5MM	2	
NS	053662	COUPLING TURBO	1	
NS	21096684	GASKET 60MM I.D.	1	
NS	20592787	V-CLAMP / 81.7MM I.D.	1	
67	531471	HOSE SILICONE 4" I.D. 6 1/2" / 500F°	1	
68	992089	HOSE CLAMP / 60MM/80MM	AR	
69	21490630	HOSE CLAMP SPRING LOAD / HEAVY DUTY 3"5/8-3"15/16	4	
70	531469	HOSE / W/2 RING / 4" I.D. 8" / 500°F	1	
71	21490616	HOSE CLAMP SPRING LOAD / HEAVY DUTY 4"1/8-4"7/16	8	
72	050265	COOLANT FILTER SUPPORT	1	
73	507657	BANJO WASHER / M14	8	
74	992081	HOSE CLAMP / 12MM/22MM	4	
75	21937327	CARTRIGE "MAINTENANCE" COOLANT LONG LIFE "WITH D13 ENGINE"	1	
76	052366	HOSE / LOWER / #6 1550MM	1	
NS	503702	HOSE / (SAFETY STRIPE) / 3/8" I.D. 50' / S.L.	AR	
77	504016	CABLE TIE / 5/16" X 14"1/2	AR	
78	504751	ROTATIF SPACER DOUBLE / SMALL	4	
79	992086	HOSE CLAMP / 32MM/52MM	2	
80	501037	MALE ELBOW 90° / SAE 45° FITTING / #4FL-Mx1/4NPT-M BR	1	
85	053043	SUPPORT MODULE	1	
86	22722850	I/O B E-MODULE VOLVO MULTIPLEX / ALUMINUM	1	
87	5001180	NUT HEX NYRT #10-24 SS	4	
88	5001447	SCREW CAP HEX #10-24x5/8 PT SS BK	4	
89	500623	SCREW TC PAN PH #10-24x3/4 N500	2	
95	563750	FUSEHOLDER W/RED COVER / MEGA FUSE /	1	
96	500658	SCREW TC PAN PH #10-24x3/4 Z050	AR	
97	5001341	WASHER FL 8.4x17.0x1.6 SS	AR	
98	564520	FUSE / MEGA FUSE / 300 AMPS / GREY	1	
99	5001983	NUT HEX NYRT M8-1.25 SS SS BK	2	
100	23499009-EFD	MCM PROGRAMME - SERVICE KIT EFD	1	
NS	563593	CONNECTOR W/END OF LINE RESISTOR 120R / DTM SERIES / SH 2C / GRAY / DEUTSCH DTM06-2S-P006	AR	
101	502888	SCREW CAP HEX M6-1.0x35 G8.8 N500	3	
102	502709	WASHER FL .260x.687x.050 XLN BK	9	
103	502854	NUT HEX M6-1.0 N500	3	
104	5001932	NUT HEXF NYRT M6-1.0 G8.8 N500	3	
110	050303	ALTERNATOR TELLTALE BRACKET	1	
111	504379	RIVET POP DOME OE 3/16x1/4 SS	AR	
NS	391028	INSERT / RED / GENERATOR	1	
NS	562113	TELLTALE ASSY / 24V SHORT	1	

From B-5002 To H-6179	Date:01/2024	PAGE:IS19912
ELECTRIC FAN DRIVE COOL. SYS CONVERSION-REMY ALT. US10 UP TO GHG17		

Item#	Part	Description	QTY	Notes
115	060682	HARNESS BATTERY TO ALTERNATOR LH	1	
120	012941	DRIVE PULLEY / 280MMx10RIB/ 268.3MMx2V / 220.8MMx10 RIB	1	
NS	506080	MULTI V-BELT / 8 RIB 62" (1575MM) 8PK1575 QT + SD ARAMIDE	1	
121	012349	PULLEY ASSY W/BEARING / 48MM x 90MM O.D.	1	
122	012958	PULLEY / 48MM x 90MM O.D.	1	
123	509952	BALL BEARING 25 ID x 62 OD x 25.4 W HI-TEMP	1	
124	504040	RING RETAINER / INT 2.440 x 1.860 x 0.078 STL BLK	1	
125	5002008	WASHER FL 13.0x35.0x5.0 N500	1	
126	5001786	SCREW CAP HEXF M12-1.75x30 G8.8 N500	1	
127	453076	CAP, DUST	1	
128	5001296	SCREW CAP HEXF M12-1.75x80 G10.9 N500	6	
129	506067	MULTI V-BELT / 10 RIB 67.1" (1705MM) 10PK1705 QT ARAMIDE	2	
130	010090	ENGINE MOUNT STREET SIDE W/D13 W/REMY	1	
131	069890	BRACKET, ALTERNATOR REMY LOWER	1	
132	069891	BRACKET, ALTERNATOR REMY UPPER	1	
133	5001308	SCREW CAP HEXF M10-1.5x40 G10.9 N500	4	
134	5001761	NUT HEXF NYRT M12-1.75 G8 N500	AR	
140	560720	ALTERNATOR ASSY 24V/250 AMPS / "REMY"	1	
141	5002091	SCREW CAP HEXF M10-1.5x120 G10.9 N500	4	
142	0610035	HARNESS, ALTERNATOR CHASSIS GROUND / STREET SIDE	1	
143	0610037	HARNESS, ALTERNATOR CONTROL / STREET SIDE	1	
144	500685	NUT HEX NYRT 5/16-18 SS	1	
145	5001137	WASHER FL .203x.438x.050 SS	2	
146	069893	PULLEY ALTERNATOR / "REMY" / 69MM DOB x 10 PK	1	
150	011213	IDLER SUPPORT	1	
151	5001799	SCREW CAP HEXF M10-1.5x70 G10.9 N500	AR	
152	510991	AUTOMATIC TENSIONER ASSY	1	
153	5001940	SCREW CAP HEX M12-1.75x140 G10.9 N500	4	
154	012695	SUPPORT ADAPTOR AUTOMTIC TENSIONER ASSY W/DOWEL / WATER PUMP		
. NS	502941	. DOWEL PIN	2	
NS	561610	CONNECTOR / WEATHER PACK / PH 4C / BLACK / PED 12015024	1	
NS	561783	SEAL PLUG CAVITY / GREEN / PED 12010300	AR	
NS	23445869	HARNESS	1	
NS	23488790	FAN TO RJB INTERFACE HARNESS H345	1	
NS	561608	SOCKET TERMINAL / 18-16 / DEUTSCH 0462-201-16141	AR	
NS	23490553	VEHICLE INTERFACE HARNESS H345	1	
NS	23498450	BATTERY CABLE MASTER SW TO FUSE	1	
NS	N37749	CABLE TIE DUAL .250-2.300	AR	
NS	509490	ATTACHMENT DOUBLE USE WITH CABLE TIE	AR	
NS	509491	CABLE TIE / 13MM x 383MM	AR	
NS	562679	4 WAY ADH. BACKED MOUNTS 1.000 x 1.000 x .160	4	
500	IS-19901	INSTRUCTION SHEET	1	

From B-5002 To H-6179		Date:01/2024	PAGE:IS19912
-----------------------	--	--------------	--------------

ELECTRIC FAN DRIVE COOL. SYS CONVERSION-REMY ALT. US10 UP TO GHG17

Item#	Part	Description	QTY	Notes
500	FI-19901	VOIR FEUILLE D'INSTRUCTION	1	

From B-5002 To H-6179	Date:01/2024	PAGE:IS19913
-----------------------	--------------	--------------

BOSCH TO DELCO REMY ALTERNATOR INSTALLATION, US10

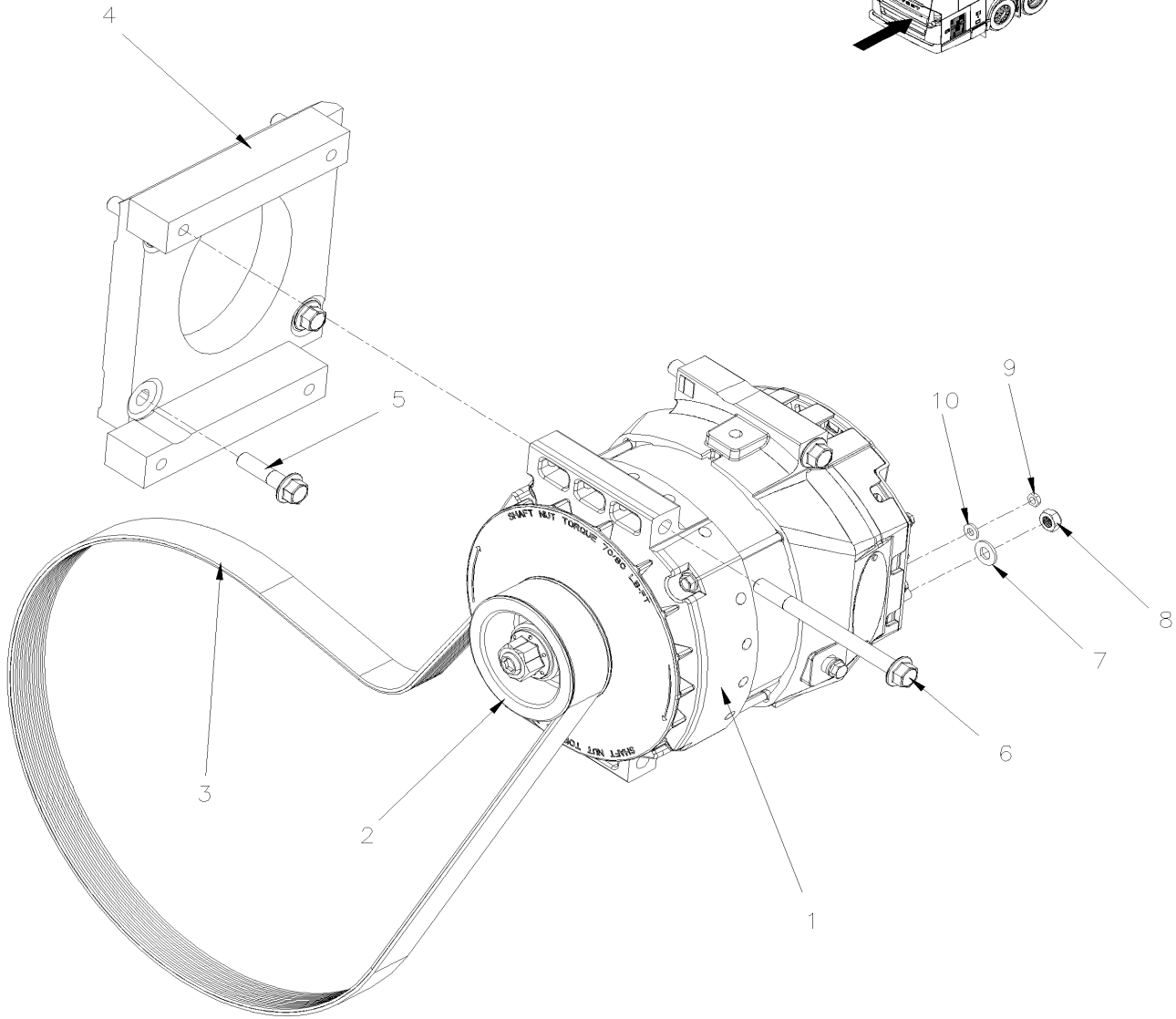
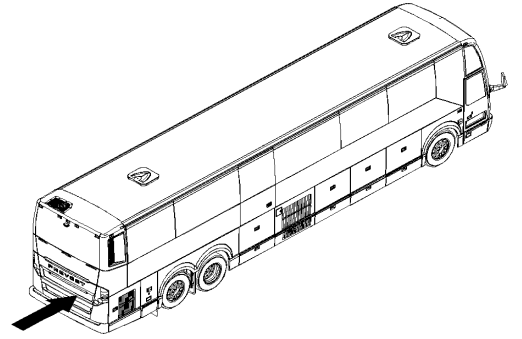
Item#	Part	Description	QTY	Notes
1	0610086	KIT INSTALLATION, ALTERNATOR REMY CURB SIDE	1	
2	0610088	KIT ALTERNATOR REMY ADAPTATION FROM US10 ENGINE	1	
3	IS-19913	SEE INSTRUCTION SHEET	1	

From B-5002 To E-5458

Date:01/2024

PAGE:0610086

KIT INSTALLATION, ALTERNATOR REMY CURB SIDE



From B-5002 To E-5458	Date:01/2024	PAGE:0610086
KIT INSTALLATION, ALTERNATOR REMY CURB SIDE		

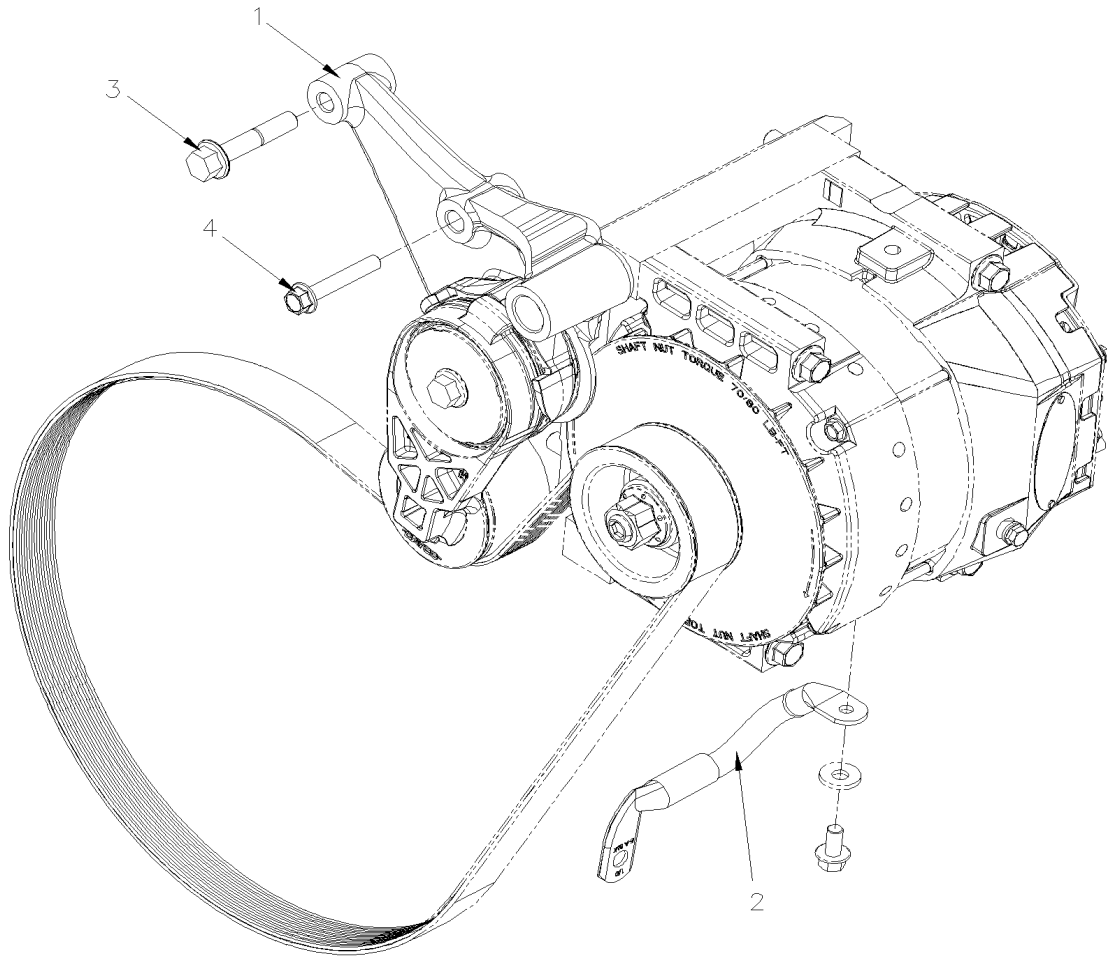
Item#	Part	Description	QTY	Notes
1	560720	ALTERNATOR ASSY 24V/250 AMPS / "REMY"	1	
2	069892	PULLEY ALTERNATOR / "REMY" / 83MM DOB. x 8 PK	1	
3	506065	MULTI V-BELT / 8 RIB 56.5" (1435MM) 8PK1435 QT EPDM	2	
4	069894	BRACKET, ALTERNATOR REMY	1	
5	5001308	SCREW CAP HEXF M10-1.5x40 G10.9 N500	4	
6	5002091	SCREW CAP HEXF M10-1.5X120 G10.9 N500	4	
7	5001341	WASHER FL 8.4x17.0x1.6 SS	1	
8	500685	NUT HEX NYRT 5/16-18 SS	1	
9	5001180	NUT HEX NYRT #10-24 SS	2	
10	5001137	WASHER FL .203x.438x.050 SS	2	
NS	500411	WASHER FL .260x.697x.050 SS	1	
NS	IS-19905	SEE INSTRUCTION SHEET	1	

From B-5002 To E-5458

Date:01/2024

PAGE:0610088

KIT ALTERNATOR REMY ADAPTATION FROM US10 ENGINE



From B-5002 To E-5458	Date:01/2024	PAGE:0610088
-----------------------	--------------	--------------

KIT ALTERNATOR REMY ADAPTATION FROM US10 ENGINE

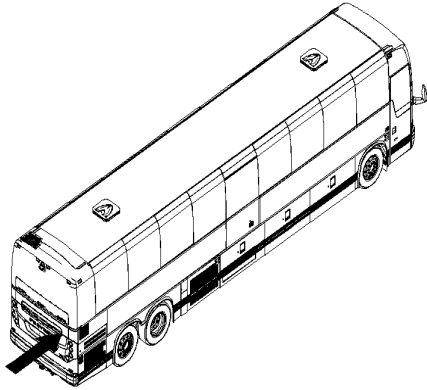
Item#	Part	Description	QTY	Notes
1	010116	SUPPORT PULLEY ALT & A/C	1	
2	0610034	HARNESS, ALTERNATOR CHASSIS GROUND / CURBSIDE	1	
3	5001801	SCREW CAP HEXF M10-1.5x55 G10.9 N500	2	
4	500796	SCREW CAP HEXF M8-1.25x50 G10.9 N500	1	
5	563548	SHRINK TUBING / .187" - .093" / BLACK / ALPHA FIT-221-3/16-4-B	1	
6	563870	RING TERMINAL #5 / 16-14 / DURASEAL / AMP B-106-1502	3	
7	994445	FLANGE SCREW M8x16	1	

From B-5002 To H-6179

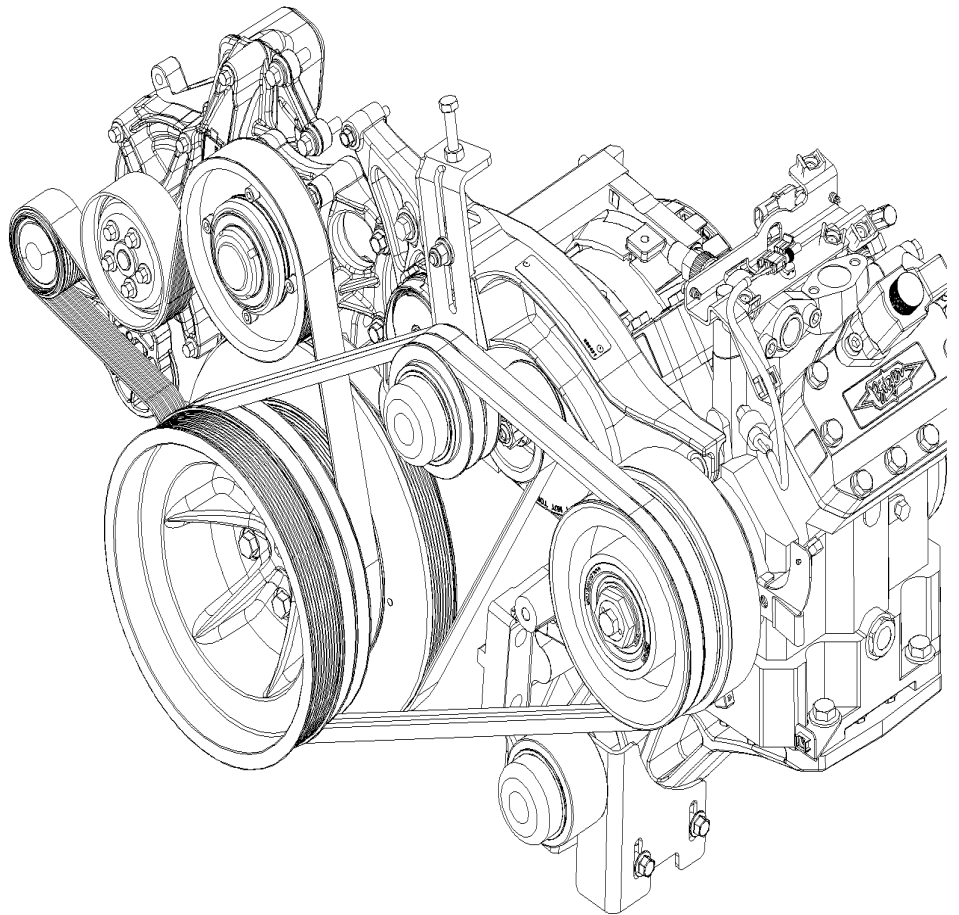
Date:01/2024

PAGE:IS19909

BOSCH TO DELCO REMY ALTERNATOR INSTALLATION X3-45



WITH REMY ALTERNATOR



From B-5002 To H-6179	Date:01/2024	PAGE:IS19909
-----------------------	--------------	--------------

BOSCH TO DELCO REMY ALTERNATOR INSTALLATION X3-45

Item#	Part	Description	QTY	Notes
1	0610086	KIT INSTALLATION, ALTERNATOR REMY CURB SIDE	1	
2	0610091	ALTERNATOR REMY ADAPTATION X3 CURB SIDE	1	
3	IS-19909	INSTRUCTION SHEET	1	

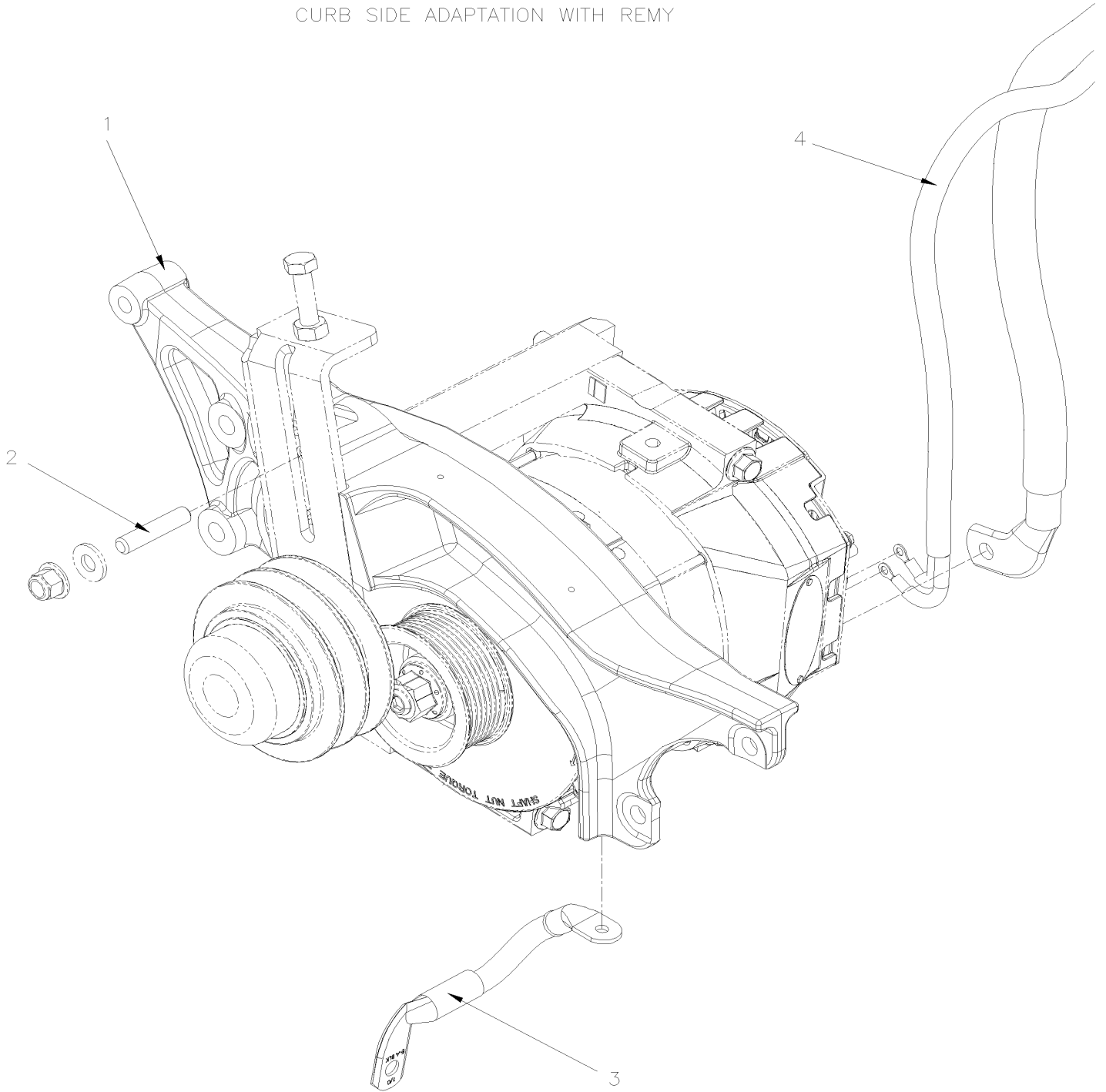
From E-5459 To H-6179

Date:01/2024

PAGE:0610091

ALTERNATOR REMY ADAPTATION X3 CURB SIDE

CURB SIDE ADAPTATION WITH REMY



From E-5459 To H-6179	Date:01/2024	PAGE:0610091
-----------------------	--------------	--------------

ALTERNATOR REMY ADAPTATION X3 CURB SIDE

Item#	Part	Description	QTY	Notes
1	450580	SUPPORT, TENSIONNER CASTING	1	
2	5000360	ROD M10-1.5x52 N500	1	
3	0610034	HARNESS, ALTERNATOR CHASSIS GROUND / CURBSIDE	1	
4	0610030	HARNESS, ALTERNATOR BATTERY / CURBSIDE	1	
NS	N55439-02	RING TERMINAL #5 / 16-14 / DURASEAL / AMP B-106-1502	3	
NS	N33509-06	SHRINK TUBING / .187" - .060" / BLACK / RAYCHEM SCL 3/16-0	AR	
NS	5001834	WASHER BEL SPR 10.5X23X2.5 N500	1	
NS	5001930	NUT HEXF NYRT M10-1.5 N500 G10.9	1	
NS	5001799	SCREW CAP HEXF M10-1.5x70 G10.9 N500	2	
NS	563870	RING TERMINAL #5 / 16-14 / DURASEAL / AMP B-106-1502	3	
NS	563158	SHRINK TUBING / .300" - .060" / BLACK / 3M EPS-400.300	AR	

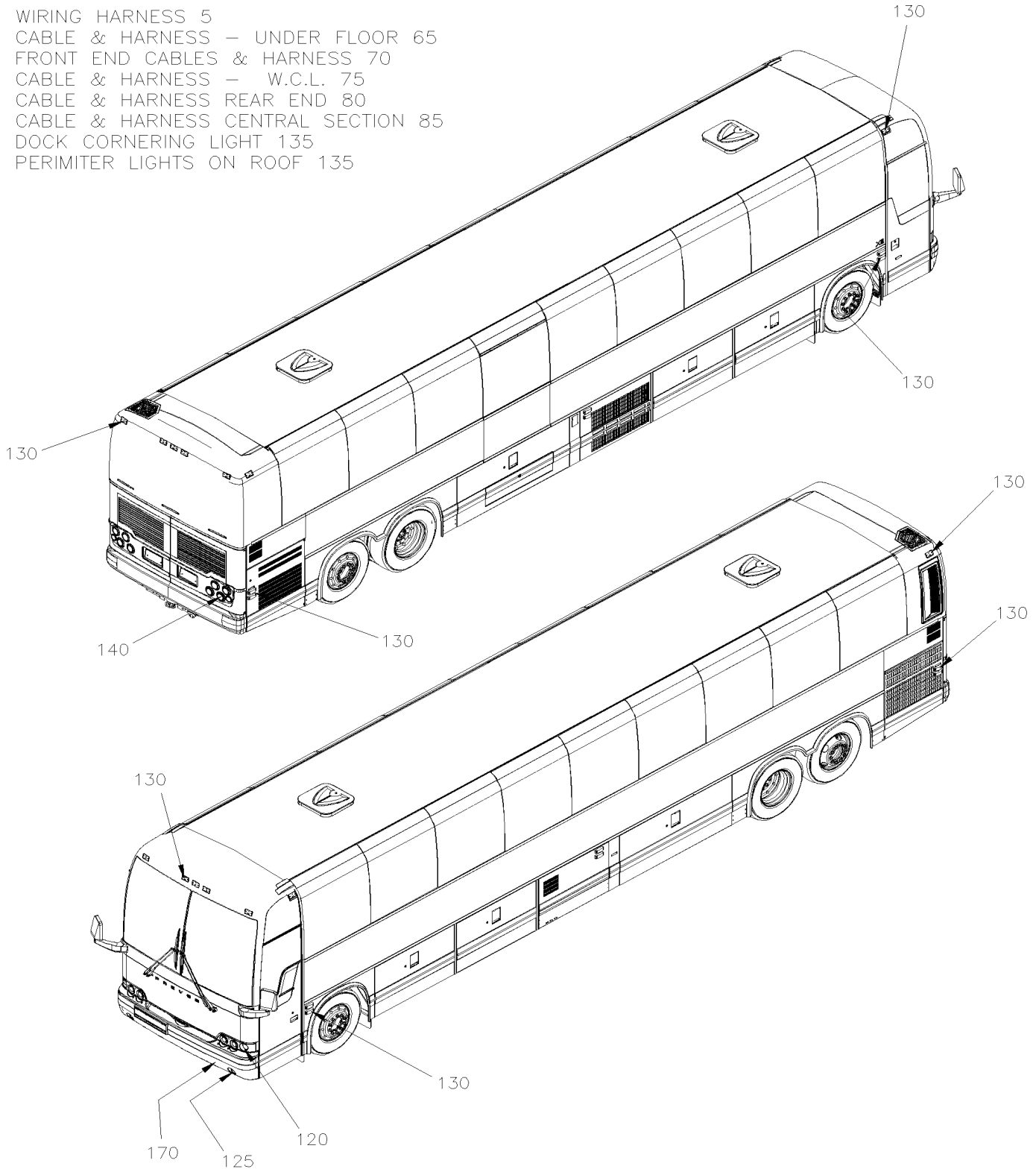
From 7-8754

Date:01/2024

X3-06

ELECTRICAL

WIRING HARNESS 5
CABLE & HARNESS – UNDER FLOOR 65
FRONT END CABLES & HARNESS 70
CABLE & HARNESS – W.C.L. 75
CABLE & HARNESS REAR END 80
CABLE & HARNESS CENTRAL SECTION 85
DOCK CORNERING LIGHT 135
PERIMETER LIGHTS ON ROOF 135

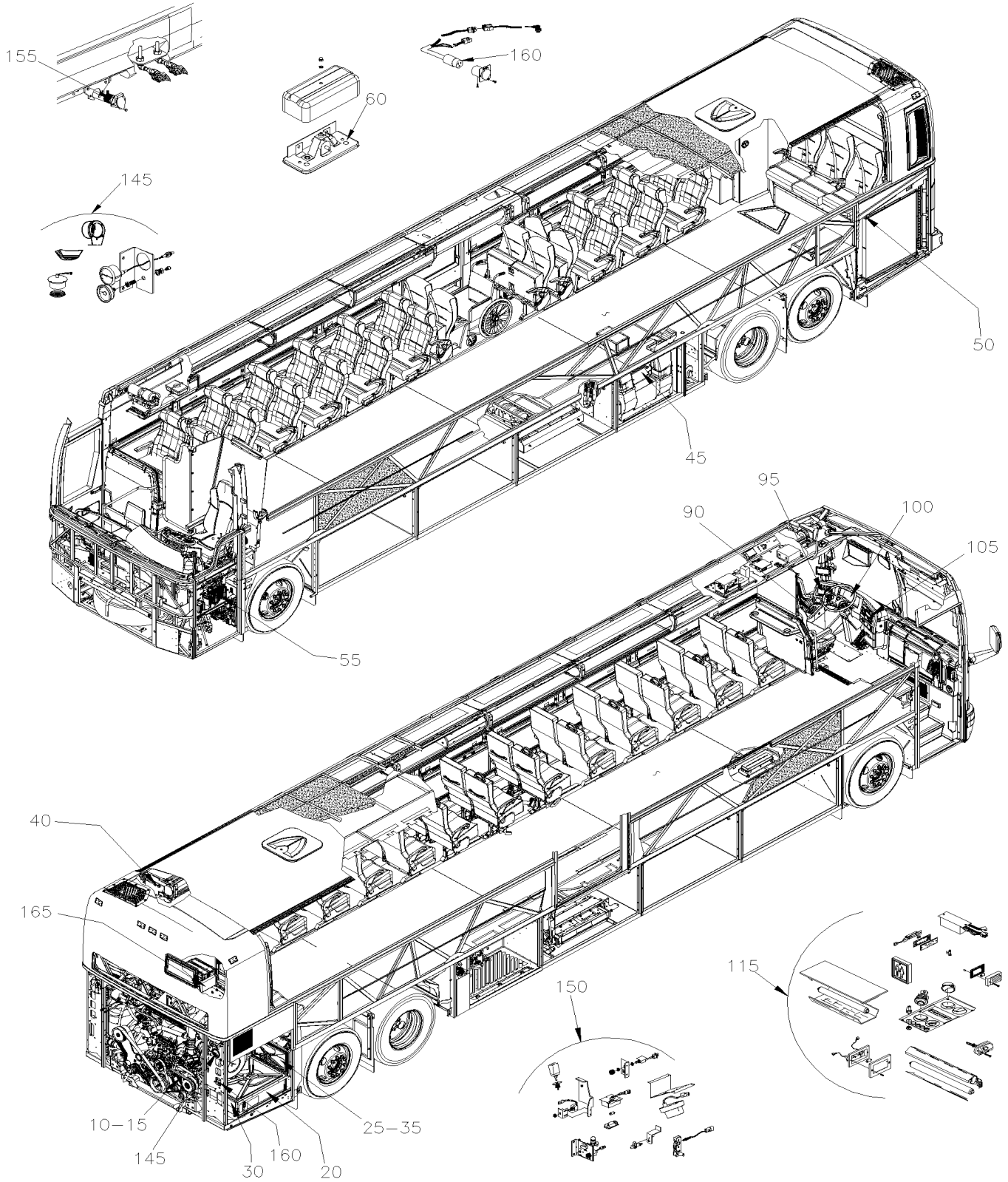


From 7-8754

Date:01/2024

X3-06

ELECTRICAL



From 7-8754		Date:01/2024	X3-06
-------------	--	--------------	-------

ELECTRICAL

Item#	Part	Description	QTY	Notes
5	X3-0600-00	WIRING HARNESS - BUS From 7-8754		
10	X3-0605-00	ALTERNATOR 24V/140 AMPS / "BOSCH" From 7-8754 To A-9977		
10	X3-0605-01	ALTERNATOR 24V/120 AMPS / "BOSCH" From 9-9640 To G-5931		
10	X3-0605-02	ALTERNATOR 24V/150 AMPS / "BOSCH" From G-5932		
10	X3-0605-10	ALTERNATOR 24V/250 AMPS / "REMY" From K-6440 To P-6878		
10	X3-0605-11	ALTERNATOR 24V/250 AMPS / "REMY" From P-6879	1	
15	X3-0610-00	ALTERNATOR MOUNTING / "BOSCH" 2X140AMPS DETROIT S-60 From 7-8754 To 9-9639		
15	X3-0610-01	ALTERNATOR MOUNTING / "BOSCH" 2x140Amps VOLVO D13 From 8-9259 To A-9975		
15	X3-0610-05	ALTERNATOR MOUNTING / "BOSCH" 2X120AMPS DETROIT S-60 From 9-9640 To B-5001		
15	X3-0610-06	ALTERNATOR MOUNTING / "BOSCH" VOLVO D13 From A-9975 To H-6179		
15	X3-0610-07	ALTERNATOR MOUNTING / "BOSCH" VOLVO D13 - GHG17 From H-6180		
15		ALTERNATOR MOUNTING / COACH WITH 4 ALTERNATORS VOLVO D13 From K-6413		
15	X3-0610-15	ALTERNATOR MOUNTING / "REMY" VOLVO D13 From K-6440		
20	X3-0615-00	BATTERIES INSTALLATION From 7-8754 To B-5001		
20	X3-0615-01	BATTERIES INSTALLATION WITH "EPA 2010" From B-5002 To D-5458		
20	X3-0615-02	BATTERIES INSTALLATION From E-5459 To H-6179		
20	X3-0615-03	BATTERIES INSTALLATION VOLVO D13 - GHG17 From H-6180		
25	X3-0616-00	JUNCTION BOX COMPONENTS / MUX From 7-8754 To H-6179		
30	X3-0616-10	BREAKERS PANEL From 7-8754 To B-5001		
30	X3-0616-11	BREAKERS PANEL WITH "EPA 2010" From B-5002 To H-6179		
30	X3-0616-12	BREAKERS PANEL GHG17 From H-6180		
35	X3-0620-00	REAR JUNCTION BOX ASSY From 7-8754 To B-5001		
35	X3-0620-01	REAR JUNCTION BOX ASSY WITH "EPA 2010" From B-5002 To D-5458		
35	X3-0620-02	REAR JUNCTION BOX ASSY From E-5459 To H-6179		
35	X3-0620-03	REAR JUNCTION BOX ASSY GHG17 From H-6180		
35	X3-0620-10	REAR JUNCTION BOX INSTALLATION From 7-8754 To B-5001		
35	X3-0620-11	REAR JUNCTION BOX INSTALLATION GHG17 From H-6180		
40	X3-0620-20	PARCEL RACK JUNCTION PANEL From E-5459 To K-6492		
40	X3-0620-21	PARCEL RACK JUNCTION PANEL From L-6493		

From 7-8754	Date:01/2024	X3-06
-------------	--------------	-------

ELECTRICAL

Item#	Part	Description	QTY	Notes
45	X3-0621-10	CABLE HARNESS EVAPORATOR & CONDENSOR From 7-8754 To B-5001		
45	X3-0621-11	A/C ELECTRICAL PANEL ASSY / EVAPORATOR DOOR From A-9907 To D-5458		
45	X3-0621-12	A/C ELECTRICAL PANEL ASSY / EVAPORATOR DOOR From E-5459 To E-5759		
45	X3-0621-13	A/C ELECTRICAL PANEL ASSY / EVAPORATOR COMPARTMENT From F-5760 To H-6179		
45	X3-0621-14	A/C ELECTRICAL PANEL ASSY / EVAPORATOR COMPARTMENT GHG17 From H-6180		
45	X3-0621-45	BREAKER PANEL, INVERTER From J-6245		
45	X3-0621-80	MODULE WCL ASSY / GHG17 From H-6180		
50	X3-0622-00	POWER BOX FOR RADIATORS FANS VOLVO D13 - GHG17 From H-6180		
55	X3-0625-00	FRONT JUNCTION PANEL From 7-8754 To H-6179		
55	X3-0625-01	FRONT JUNCTION PANEL VOLVO D13 - GHG17 From H-6180		
55	X3-0625-10	FRONT JUNCTION BOX - INSTALLATION From 7-8754 To H-6179		
55	X3-0625-11	FRONT JUNCTION BOX - INSTALLATION From H-6180		
60	X3-0628-00	CHIME BELL - INSTALLATION From 7-8754 To 9-9795		
65	X3-0630-00	CABLE & HARNESS - UNDER FLOOR From 7-8754 To G-6083		
65	X3-0630-01	CABLE & HARNESS - UNDER FLOOR From G-6084		
70	X3-0640-00	CABLE & HARNESS - FRONT END INSTALLATION From 7-8754		
75	X3-0640-80	CABLE & HARNESS - W.C.L. From 7-8754 To B-5001		
75	X3-0640-81	CABLE & HARNESS - W.C.L. From B-5002		
80	X3-0641-00	CABLE & HARNESS - REAR END INSTALLATION From 7-8754		
85	X3-0642-00	CABLE & HARNESS - CENTRAL SECTION INSTALLATION From 7-8754		
90	X3-0645-00	SWITCHES L.H. CONSOLE - BUS From 7-8754 To J-6335		
90	X3-0645-01	SWITCHES L.H. CONSOLE - BUS From J-6336		
95	X3-0645-10	L.H. DASHBOARD PANEL From 7-8754 To J-6335		
95	X3-0645-11	L.H. DASHBOARD PANEL From J-6336		
100	X3-0645-20	CENTER DASHBOARD PANEL From 7-8754 To B-5001		
100	X3-0645-21	CENTER DASHBOARD PANEL WITH "EPA 2010" From B-5002		
105	X3-0645-30	R.H. DASHBOARD PANEL From 7-8754 To J-6335		
105	X3-0645-31	R.H. DASHBOARD PANEL From J-6336		
115	X3-0655-00	INTERIOR LIGHTING / "FLUORESCENT" From 7-8754 To D-5371		

From 7-8754	Date:01/2024	X3-06
-------------	--------------	-------

ELECTRICAL

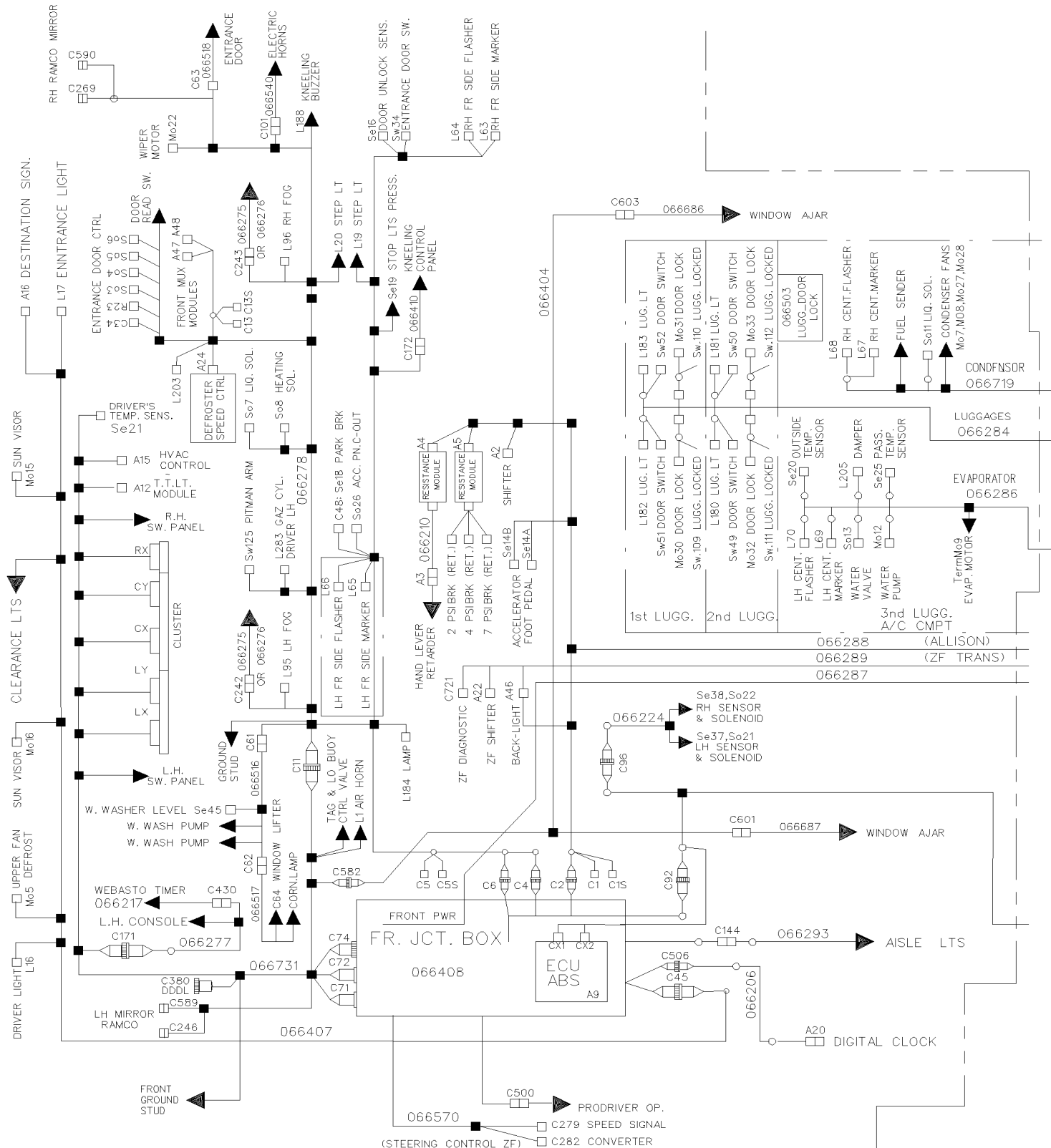
Item#	Part	Description	QTY	Notes
115	X3-0655-01	INTERIOR LIGHTING / "LED" From C-5249		
115	X3-0655-10	AUTOMATIC EMERGENCY LAMPS From M-6666		A
120	X3-0660-00	HEADLAMP & FRONT DIRECTIONAL LAMPS From 7-8754 To K-6492		
120	X3-0660-01	HEADLAMP & FRONT DIRECTIONAL LAMPS From L-6493		
125	X3-0661-00	FOG LAMP From 7-8754 To K-6442		
125	X3-0661-01	FOG LAMP / LED From K-6443		
130	X3-0662-00	CLEARANCE & MARKER LIGHT From 7-8754 To K-6492		
130	X3-0662-01	CLEARANCE & MARKER LIGHT From L-6493		
135	X3-0663-00	DOCK & CORNERING LIGHT From E-5580		
135	X3-0663-30	PERIMETER LIGHTS ON ROOF From L-6495		
135	X3-0663-80	LIGHT / W.C.L. BAGGAGE DOOR From G-6084		
140	X3-0664-00	REAR EXTERIOR LIGHTS & PLATE HOLDER From 7-8754 To E-5759		
140	X3-0664-01	REAR EXTERIOR LIGHTS & PLATE HOLDER From F-5760		
145	X3-0665-00	ENGINE COMPARTMENT - ELECTRIC COMPONENTS From 7-8754 To E-5759		
145	X3-0665-01	ENGINE COMPARTMENT - ELECTRIC COMPONENTS From F-5760 To H-6179		
145	X3-0665-02	ENGINE COMPARTMENT - ELECTRIC COMPONENTS VOLVO D13 - GHG17 From H-6180		
150	X3-0665-10	SWITCHES, LIGHTS, AJAR - UNDER FLOOR From 7-8754 To E-5759		
150	X3-0665-11	SWITCHES, LIGHTS, AJAR - UNDER FLOOR From F-5760		
155	X3-0665-20	CABLE TRAILER - INSTALLATION - BUS From 7-8754 To H-6179		
155	X3-0665-21	CABLE TRAILER - INSTALLATION - BUS From H-6180		
160	X3-0666-00	BLOCK HEATER RECEPTACLE From 7-8754 To E-5759		
160	X3-0666-01	BLOCK HEATER RECEPTACLE From F-5760		
165	X3-0670-10	BATTERIES CHARGER - INSTALLATION From 7-8754 To H-6179		
165	X3-0670-11	BATTERIES CHARGER - INSTALLATION / GHG17 From H-6180		
170	X3-0675-05	SYSTEM - ADAPTIVE CRUISE CONTROL ACB - "BENDIX" FLR10 From B-5010 To E-5693		
170	X3-0675-06	SYSTEM - ADAPTIVE CRUISE CONTROL ACB - "BENDIX FLR20 & FLR21 From E-5694		
175	X3-0675-20	SYSTEM CAMERA & HUD - "PREVOST DRIVER ASSIT" From M-6647		
180	IS19909	BOSCH TO DELCO REMY ALTERNATOR INSTALLATION X3-45 From E-5459 To H-6179		
185	IS19906	BOSCH TO DELCO REMY ALTERNATOR INSTALLATION X3-45 W/ELECTRICAL FAN DRIVE From H-6180		

From 7-8754		Date:01/2024	X3-06
-------------	--	--------------	-------

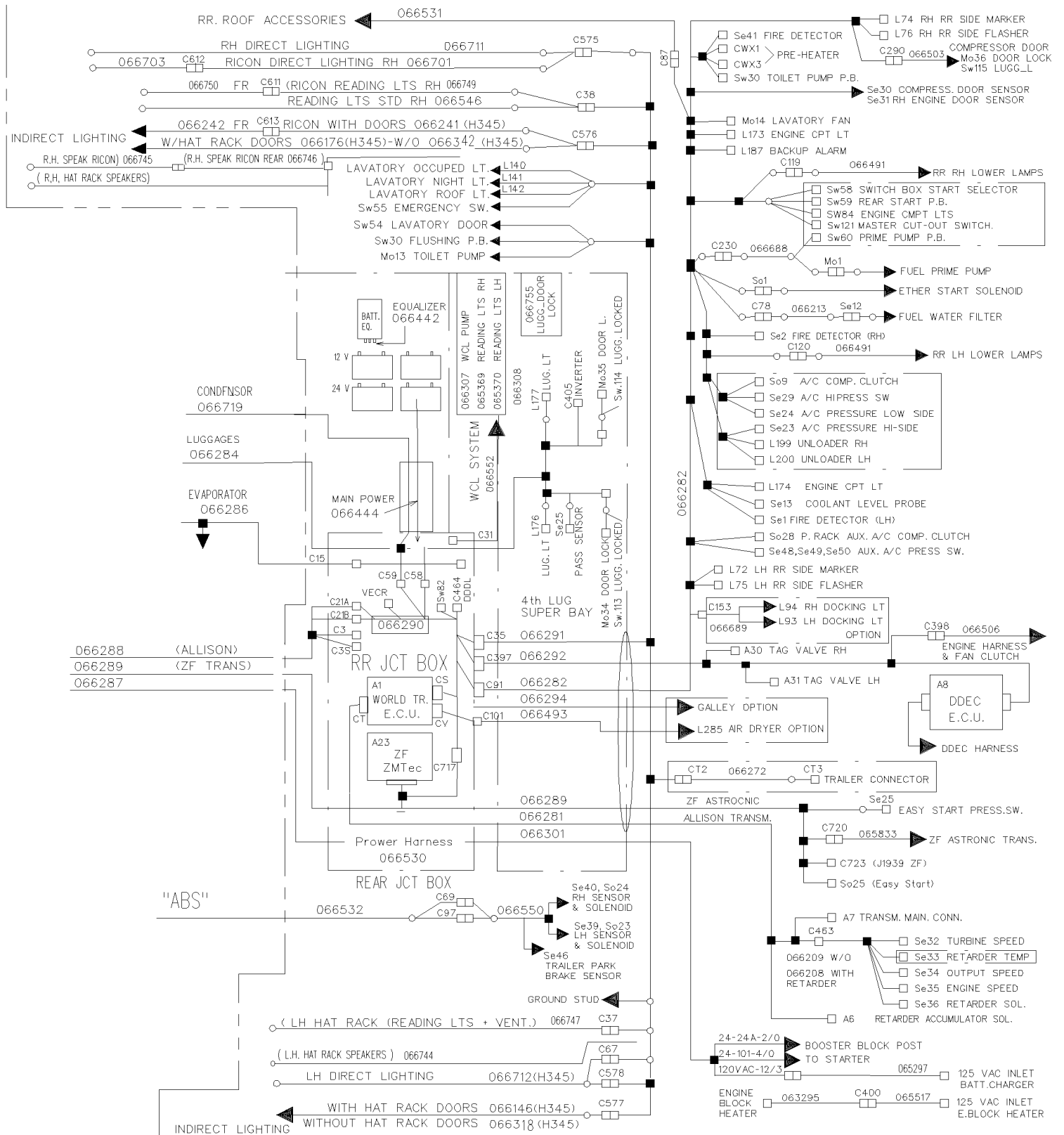
ELECTRICAL

Item#	Part	Description	QTY	Notes
		A) CALIFORNIA REGULATIONS		

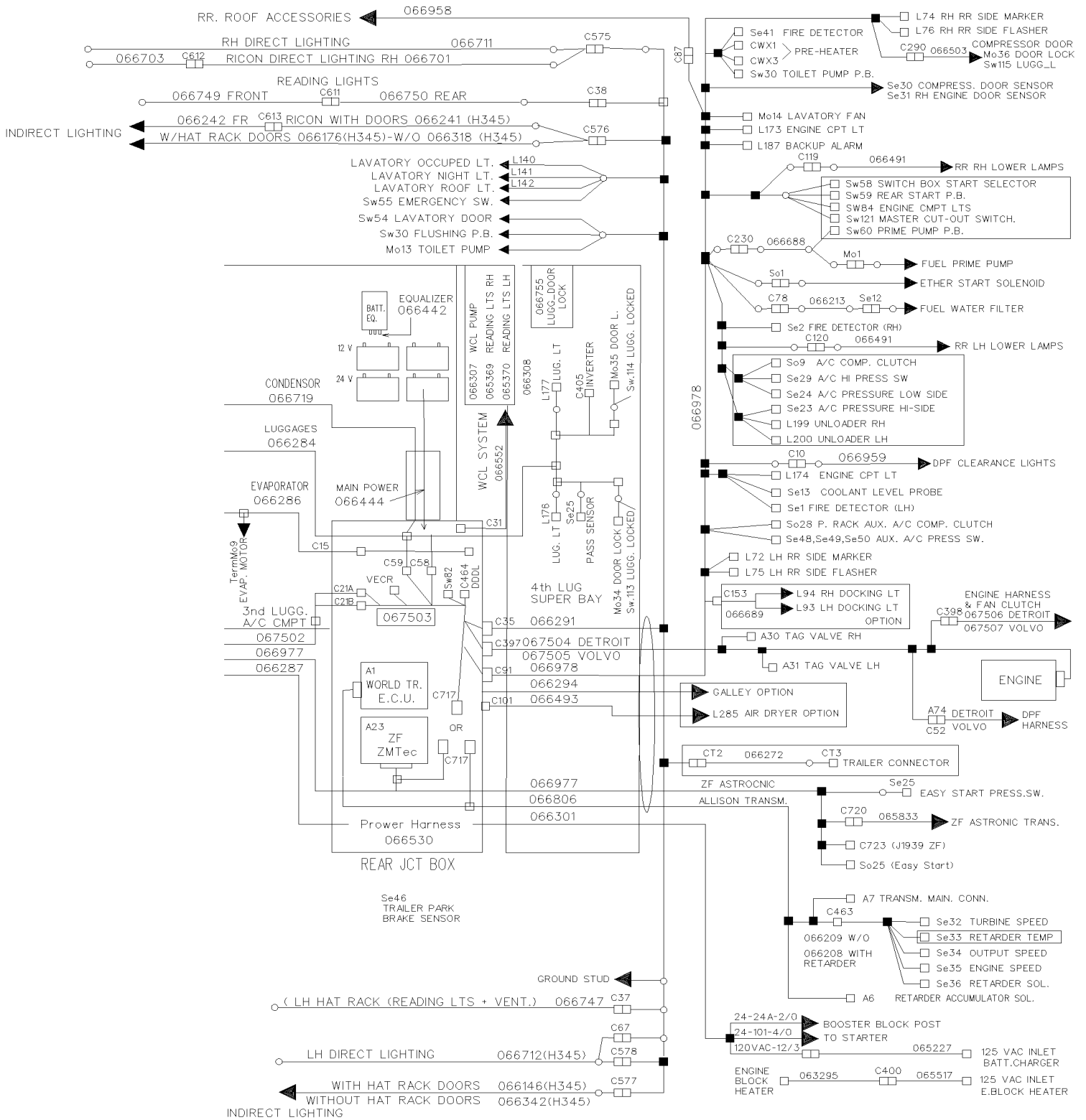
WIRING HARNESS - BUS



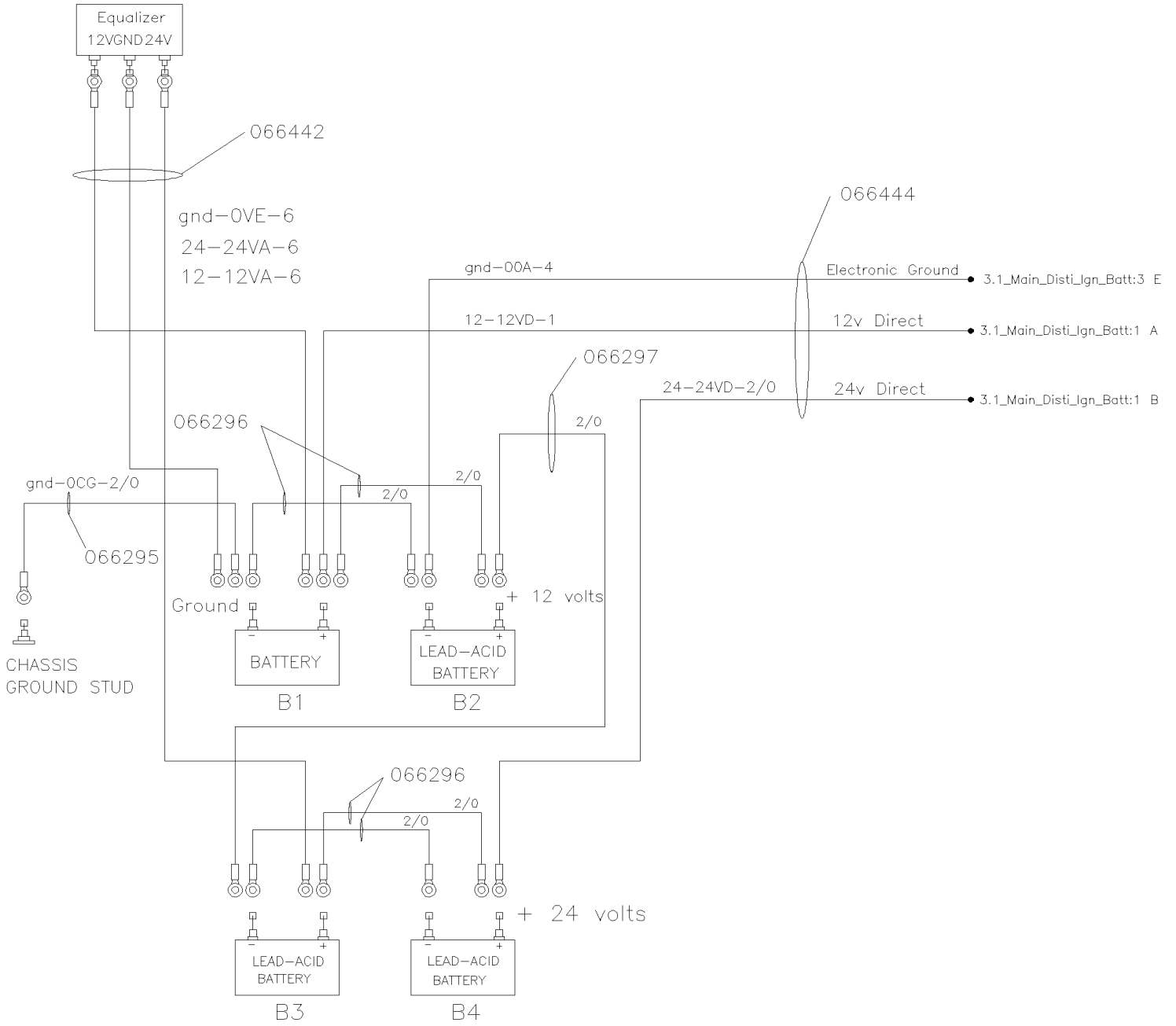
WIRING HARNESS - BUS



WIRING HARNESS - BUS



From 7-8754	Date:01/2024	PAGE:X3-0600-00
WIRING HARNESS - BUS		



From 7-8754	Date:01/2024	PAGE:X3-0600-00
WIRING HARNESS - BUS		

Item#	Part	Description	QTY	Notes
		IN BATTERIES COMPARTMENT		
1	066295	CABLE ASSY / TO GROUND	1	
2	066296	CABLE ASSY / B + TO B -	4	
3	066297	CABLE POWER 24V	1	
4	066442	CABLE BATTERIES TO EQUALIZER	1	
5	066444	CABLE POWER / TO REAR JCT BOX	1	
		FROM REAR JUNCTION BOX		
		TO E.C.M. & ENGINE ACCESSORIES		
42	066292	CABLE POWER MOTOR & ECU To 8-9276	1	
42	067504	CABLE POWER MOTOR & ECU W/"DETROIT" ENGINE W/"DETROIT" ENGINE From 8-9277 To 9-9639	1	
42	067682	CABLE POWER MOTOR & ECU W/"DETROIT" ENGINE W/"DETROIT" ENGINE From 9-9640 To B-5001	1	
42	067505	CABLE POWER MOTOR & ECU W/"VOLVO" ENGINE W/"VOLVO" ENGINE From 8-9457 To A-9974	1	
42	068089	CABLE POWER MOTOR & ECU W/"VOLVO" ENGINE W/"VOLVO" ENGINE From A-9952 To A-9977	1	
42	067826	CABLE POWER MOTOR & ECU W/"VOLVO" ENGINE W/"VOLVO" ENGINE From A-9978 To A-9995	1	
43	066506	CABLE ASSY / ENGINE & FAN CLUTCH W/"DETROIT" ENGINE To 8-9276	1	
43	067506	CABLE ASSY / ENGINE & FAN CLUTCH W/"DETROIT" ENGINE From 8-9277 To 9-9607	1	
43	067383	CABLE ASSY / ENGINE & FAN CLUTCH W/"DETROIT" ENGINE From 9-9608 To 9-9639	1	
43	067679	CABLE ASSY / ENGINE & FAN CLUTCH W/"DETROIT" ENGINE From 9-9640 To B-5001	1	
43	067507	CABLE ASSY / ENGINE & FAN CLUTCH W/"VOLVO" ENGINE From 8-9457 To A-9974	1	
43	067827	CABLE ASSY / ENGINE & FAN CLUTCH W/"VOLVO" ENGINE From A-9975	1	
44	066552	CABLE ASSY / RJB & W.C.L. To B-5001	1	
44	067643	CABLE ASSY / RJB & W.C.L. PROTO From A-9907 To A-9936	1	
44	068133	CABLE ASSY / RJB & W.C.L. From B-5002 To D-5458	1	
44	067618	CABLE ASSY / RJB & W.C.L. From E-5459 To F-5759	1	
44	069082	CABLE ASSY / RJB & W.C.L. From F-5760 To H-6179	1	
44	069337	CABLE ASSY / RJB & W.C.L. From H-6180	1	
46	066294	CABLE ASSY / RJB & GALLEY	1	
47	066755	CABLE ASSY / W/85" BAGGAGE DOORS / W/W.C.L. To A-9965	1	
47	068081	CABLE ASSY / DOOR LOCK / W/W.C.L. From A-9966	1	
48	066308	CABLE ASSY / TO L.H. WINDOW / W/W.C.L. To G-5977	1	
48	069304	CABLE ASSY / TO L.H. WINDOW / W/W.C.L. From G-5978 To H-6179	1	
48	060310	CABLE ASSY / TO L.H. WINDOW / W/W.C.L. From H-6180 To K-6492	1	
48	069971	CABLE ASSY / TO L.H. WINDOW / W/W.C.L. From L-6493	1	
49	066307	CABLE ASSY / POWER / W.C.L. "RICON" To D-5405	1	
49	068665	CABLE ASSY / POWER / W.C.L. "RICON" From D-5405	1	
		INSIDE REAR JUNCTION BOX		
51	066290	CABLE HARNESS / REAR JUNCTION BOX To 8-9150	1	

From 7-8754		Date:01/2024	PAGE:X3-0600-00
WIRING HARNESS - BUS			

Item#	Part	Description	QTY	Notes
51	066809	CABLE HARNESS / REAR JUNCTION BOX From 8-9151 To 8-9276	1	
51	066970	CABLE HARNESS / REAR JUNCTION BOX From 8-9279	1	
51	067503	CABLE HARNESS / REAR JUNCTION BOX From 8-9457	1	
51	067220	CABLE HARNESS / REAR JUNCTION BOX To 9-9599	1	
51	067581	CABLE HARNESS / REAR JUNCTION BOX From 9-9600 To 9-9642	1	
51	067751	CABLE HARNESS / REAR JUNCTION BOX From 9-9643 To A-9974		
51	068088	CABLE HARNESS / REAR JUNCTION BOX From A-9952 To A-9977	1	
51	067828	CABLE HARNESS / REAR JUNCTION BOX From A-9978 To A-9995	1	
54	066530	CABLE POWER / REAR JCT BOX BREAKER	1	
		FROM REAR JUNCTION BOX		
		TO ENGINE COMPARTMENT		
61	066282	CABLE HARNESS / ENGINE COMPT & ACCESSORIES To 8-9276	1	
61	066978	CABLE HARNESS / ENGINE COMPT & ACCESSORIES From 8-9277 To 9-9599	1	
61	067308	CABLE HARNESS / ENGINE COMPT & ACCESSORIES From 9-9600 To 9-9777	1	
61	067864	CABLE HARNESS / ENGINE COMPT & ACCESSORIES From 9-9778 To B-5001	1	
61	067654	CABLE HARNESS / ENGINE COMPT & ACCESSORIES From B-5002 To B-5039	1	
61	068355	CABLE HARNESS / ENGINE COMPT & ACCESSORIES From B-5040 To C-5274	1	
61	068336	CABLE HARNESS / ENGINE COMPT & ACCESSORIES From C-5275 To E-5458	1	
61	068468	CABLE HARNESS / ENGINE COMPT & ACCESSORIES From E-5459 To E-5459	1	
61	068650	CABLE HARNESS / ENGINE COMPT & ACCESSORIES From E-5459 To E-5563	1	
61	068913	CABLE HARNESS / ENGINE COMPT & ACCESSORIES From E-5564 To E-5717	1	
61	069059	CABLE HARNESS / ENGINE COMPT & ACCESSORIES From E-5718 To E-5759	1	
61	068879	CABLE HARNESS / ENGINE COMPT & ACCESSORIES From F-5760 To H-6093	1	
61	069571	CABLE HARNESS / ENGINE COMPT & ACCESSORIES From H-6094 To H-6179	1	
61	060535	CABLE HARNESS / ENGINE COMPT & ACCESSORIES From H-6180 To J-6244	1	
61	061422	CABLE HARNESS / ENGINE COMPT & ACCESSORIES From J-6245 To J-6313	1	
61	069874	CABLE HARNESS / ENGINE COMPT & ACCESSORIES From J-6313 To K-6439	1	
61	069961	CABLE HARNESS / ENGINE COMPT & ACCESSORIES From K-6440 To L-6610	1	
61	0610310	CABLE HARNESS / ENGINE COMPT & ACCESSORIES From L-6611	1	
NS	7770134	WIRING HARNESS / DPF ONLY W/DETROIT S60 To B-5001	1	
62	066531	CABLE ASSY / RH ROOF ACCESSORIES	1	
62	066958	CABLE HARNESS / REAR ROOF / CURBSIDE To B-5001	1	
62	067666	CABLE HARNESS / REAR ROOF / CURBSIDE From B-5002 To B-5039	1	
62	068322	CABLE HARNESS / REAR ROOF / CURBSIDE From B-5040 To H-6179	1	
62	069553	CABLE HARNESS / REAR ROOF / CURBSIDE From H-6180 To K-6492	1	
62	069829	CABLE HARNESS / REAR ROOF / CURBSIDE From L-6493	1	
62	069661	CABLE HARNESS / REAR ROOF / CURBSIDE From H-6180 To K-6492	1	N
63	066491	CABLE / ENGINE DOOR REAR LAMP W/LEDS	2	
64	066959	CABLE HARNESS / REAR ROOF / STREETSIDE From 8-9277 To B-5001	1	
64	067667	CABLE HARNESS / REAR ROOF / STREETSIDE From B-5002 To H-6179	1	

From 7-8754		Date:01/2024	PAGE:X3-0600-00
WIRING HARNESS - BUS			

Item#	Part	Description	QTY	Notes
64	060033	CABLE HARNESS / REAR ROOF / STREETSIDE From H-6180 To K-6492	1	
64	069833	CABLE HARNESS / REAR ROOF / STREETSIDE From L-6493	1	
64	069662	CABLE HARNESS / REAR ROOF / STREETSIDE From H-6180 To K-6492	1	N
65	066213	CABLE ASSY / FUEL WATER FILTER	1	
66	066503	CABLE ASSY / DOOR LOCK / W/60" & COMPRESSOR To A-9965	1	
66	068080	CABLE ASSY / DOOR LOCK From A-9966	1	
67	066493	CABLE ASSY / "AIR DRYER "WABCO" EXTENTION W"OPTION" BAGGAGE	1	
69	066688	CABLE ASSY / FUEL PUMP PRIMER	1	
70	066689	CABLE ASSY / DOCKING LIGHT	1	
		FROM REAR JUNCTION BOX		
		TO PARCEL RACK & LAVATORY		
81	066291	CABLE POWER / PARCEL RACK & LAVATORY	1	
81	067653	CABLE POWER / PARCEL RACK & LAVATORY To 9-9060	1	
81	068162	CABLE POWER / PARCEL RACK & LAVATORY From 9-9060 To B-5039	1	
81	068256	CABLE POWER / PARCEL RACK & LAVATORY From B-5040 To D-5458	1	
81	068411	CABLE POWER / PARCEL RACK & LAVATORY From E-5459 To G-5977	1	
81	069312	CABLE POWER / PARCEL RACK & LAVATORY From G-5978 To H-6179	1	
81	069327	CABLE POWER / PARCEL RACK & LAVATORY From H-6180 To J-6244	1	
81	061384	CABLE POWER / PARCEL RACK & LAVATORY From J-6245 To K-6492	1	
81	069962	CABLE POWER / PARCEL RACK & LAVATORY From L-6493	1	
84	066712	CABLE ASSY / DIRECT LIGHT & SPEAKER L.H.	1	
85	066711	CABLE ASSY / DIRECT LIGHT & SPEAKER R.H.	1	
85	066701	CABLE, DIRECT LIGHT REAR RH / W/W.C.L. To 7-8932	1	
85	066541	CABLE RH DIRECT LIGHT REAR / W/W.C.L. From 7-8933 To B-5001	1	
85	068119	CABLE RH DIRECT LIGHT REAR / W/W.C.L. From B-5002	1	
85	066703	CABLE, DIRECT LIGHT FRONT RH / W/W.C.L. To B-5001	1	
85	068120	CABLE RH DIRECT LIGHT FRONT / W/W.C.L. From B-5002	1	
87	066146	CABLE HARNESS / IND LIGHT L.H. / W/DOOR / MUX	1	
87	066318	CABLE HARNESS / IND LIGHT L.H. / W/O DDOR / MUX	1	
88	066176	CABLE HARNESS / IND LIGHT R.H. / W/DOOR / MUX	1	
88	066342	CABLE HARNESS / IND LIGHT R.H. / W/O DOOR / MUX	1	
88	066241	CABLE HARNESS / IND LIGHT R.H. / W/DOOR RR / W/W.C.L. To B-5001	1	
88	068114	CABLE HARNESS / IND LIGHT R.H. / W/DOOR RR / W/W.C.L. From B-5002	1	
88	066242	CABLE HARNESS / IND LIGHT R.H. / W/DOOR FRT / W/W.C.L. To B-5001	1	
88	068115	CABLE HARNESS / IND LIGHT R.H. / W/DOOR FRT / W/W.C.L. From B-5002	1	
90	066546	CABLE ASSY / READING LIGHT CURBSIDE	1	
90	066542	CABLE HARNESS / READING LIGHT CURBSIDE FRONT / W/W.C.L. To 7-8932	1	
90	066749	CABLE HARNESS / READING LIGHT CURBSIDE FRONT / W/W.C.L. From 7-8933 To B-5001	1	
90	067678	CABLE HARNESS / READING LIGHT CURBSIDE FRONT / W/W.C.L. From B-5002 To D-5458	1	
90	068596	CABLE HARNESS / READING LIGHT CURBSIDE FRONT / W/W.C.L. From E-5459	1	

From 7-8754		Date:01/2024	PAGE:X3-0600-00
WIRING HARNESS - BUS			

Item#	Part	Description	QTY	Notes
90	066544	CABLE HARNESS / READING LIGHT CURBSIDE REAR / W/W.C.L. To 7-8932	1	
90	066750	CABLE HARNESS / READING LIGHT CURBSIDE REAR / W/W.C.L. From 7-8933 To B-5001	1	
90	067677	CABLE HARNESS / READING LIGHT CURBSIDE REAR / W/W.C.L. From B-5002 To D-5458	1	
90	068597	CABLE HARNESS / READING LIGHT CURBSIDE REAR / W/W.C.L. From E-5459	1	
91	066747	CABLE ASSY / READING LIGHT STREETSIDE To B-5039	1	
91	068287	CABLE ASSY / READING LIGHT STREETSIDE From B-5040	1	
91	065370	CABLE HARNESS / READING LIGHT STREETSIDE / W/W.C.L.	1	
92	066745	CABLE HARNESS / SPEAKER CURBSIDE FRT / W/W.C.L. / 10	1	
93	066746	CABLE HARNESS / SPEAKER CURBSIDE RR / W/W.C.L. / 7 SP	1	
94	066744	CABLE HARNESS / SPEAKER STREETSIDE / 16 SP	1	
95	066272	CABLE ASSY / TRAILER CONNECTOR / "POLLAK" CONNECTOR To C-5291	1	
95	068532	CABLE ASSY / TRAILER CONNECTOR / "POLLAK" CONNECTOR From C-5292	1	
95	067309	CABLE ASSY / TRAILER CONNECTOR / "TRUCK-LITE" CONNECTOR	1	
		FROM REAR JUNCTION BOX		
		TO COMPARTMENT, UNDER THE FLOOR		
101	066719	CABLE RJB TO CONDENSOR FANS & FUEL SENSOR To 8-9346	1	
101	066875	CABLE RJB TO CONDENSOR FANS & FUEL SENSOR From 8-9347 To B-5001	1	
101	067886	CABLE RJB TO CONDENSOR FANS & FUEL SENSOR PROTO From A-9907 To A-9907	1	
101	068128	CABLE RJB TO CONDENSOR FANS From B-5002 To B-5039	1	
101	068280	CABLE RJB TO CONDENSOR FANS From B-5040 To D-5387	1	
101	068623	CABLE RJB TO CONDENSOR FANS From D-5388 To E-5458	1	
101	068605	CABLE RJB TO CONDENSOR FANS From E-5459 To H-6179	1	
101	060377	CABLE CONDENSOR FANS From H-6180 To M-6646	1	
101	0610237	CABLE CONDENSOR FANS From M-6647	1	
101	066221	CABLE HARNESS / FUEL TANK / MUX From B-5002 To H-6179	1	
101	060087	CABLE HARNESS / FUEL TANK / MUX From H-6180	1	
101	WB17-16	KIT CONNECTOR REPLACEMENT C15 & C 58 From B-5040 To D-5387	1	
. NS	564567	. CONNECTOR / HDP20 SERIES / PH 8C / DEUTSCH HDP26-18-8PN From B-5040 To D-5387	2	
. NS	564568	. CONNECTOR / HDP20 SERIES / SH 8C / DEUTSCH HDP24-18-8-SN From B-5040 To D-5387	2	
. NS	561996	. SEALING PLUG TYPE 12 & 16 / DEUTSCH 114017 From B-5040 To D-5387	10	
. NS	N10273	. PIN TERMINAL / 14-12 / DEUTSCH 0460-204-12141 From B-5040 To D-5387	11	
. NS	N10274	. SOCKET TERMINAL / 14-12 / DEUTSCH 0462-203-12141 From B-5040 To D-5387	11	
102	066284	CABLE ASSY / FRT & RR BAGGAGE COMPATMENT To B-5001	1	
102	068129	CABLE ASSY / FRT & RR BAGGAGE COMPATMENT From B-5002 To D-5458	1	
102	067568	CABLE ASSY / FRT & RR BAGGAGE COMPATMENT From E-5459 To G-5977	1	
102	069489	CABLE ASSY / FRT & RR BAGGAGE COMPATMENT From G-5978 To H-6179	1	
102	060559	CABLE ASSY / FRT & RR BAGGAGE COMPATMENT From H-6180 To K-6422	1	
102	069969	CABLE ASSY / FRT & RR BAGGAGE COMPATMENT From K-6423	1	

From 7-8754		Date:01/2024	PAGE:X3-0600-00
WIRING HARNESS - BUS			

Item#	Part	Description	QTY	Notes
102	069610	CABLE ASSY / FRT & RR BAGGAGE COMPATMENT / CURB LIGHTS OPTION From G-6084	1	
103	066286	CABLE EVAPORATOR COMPARTMENT To B-5001	1	
103	067651	CABLE EVAPORATOR COMPARTMENT From A-9907 To A-9907	1	
103	068136	CABLE INVERTER From B-5002 To H-6179	1	
103	069526	CABLE INVERTER /24V From H-6180	1	
		FROM REAR JUNCTION BOX		
		OF VEHICLE WITH "WORLD" TRANSMISSION		
111	066288	CABLE MAIN / FRONT JCT BOX & REAR JCT BOX To 7-8999	1	
111	066808	CABLE MAIN / FRONT JCT BOX & REAR JCT BOX From 7-9000 To 8-9276	1	
111	066973	CABLE MAIN / FRONT JCT BOX & REAR JCT BOX 8-9108 & 8-9151 From 8-9277 To 8-9277	1	
111	067502	CABLE MAIN / FRONT JCT BOX & REAR JCT BOX From 8-9278 To 8-9421	1	
111	067229	CABLE MAIN / FRONT JCT BOX & REAR JCT BOX From 8-9422 To B-5001	1	
111	067650	CABLE MAIN / FRONT JCT BOX & REAR JCT BOX PROTO From A-9907 To A-9907	1	
111	068132	CABLE MAIN / FRONT JCT BOX & REAR JCT BOX From A-9927 To B-5001	1	
111	068217	CABLE MAIN / FRONT JCT BOX & REAR JCT BOX From B-5002 To B-5039	1	
111	068271	CABLE MAIN / FRONT JCT BOX & REAR JCT BOX From B-5040 To C-5274	1	
111	068333	CABLE MAIN / FRONT JCT BOX & REAR JCT BOX From C-5275 To D-5299	1	
111	068557	CABLE MAIN / FRONT JCT BOX & REAR JCT BOX From D-5300 To D-5387	1	
111	068624	CABLE MAIN / FRONT JCT BOX & REAR JCT BOX From D-5388 To E-5458	1	
111	068465	CABLE MAIN / FRONT JCT BOX & REAR JCT BOX From E-5459 To E-5459	1	
111	068601	CABLE MAIN / FRONT JCT BOX & REAR JCT BOX From E-5459 To E-5563	1	
111	068916	CABLE MAIN / FRONT JCT BOX & REAR JCT BOX From E-5564 To E-5759	1	
111	068971	CABLE MAIN / FRONT JCT BOX & REAR JCT BOX From F-5760 To G-5977	1	
111	069488	CABLE MAIN / FRONT JCT BOX & REAR JCT BOX From G-5978 To H-6093	1	
111	069570	CABLE MAIN / FRONT JCT BOX & REAR JCT BOX From H-6094 To H-6179	1	
111	060550	CABLE MAIN / FRONT JCT BOX & REAR JCT BOX From H-6180 To J-6244	1	
111	061421	CABLE MAIN / FRONT JCT BOX & REAR JCT BOX From J-6245 To K-6359	1	
111	069908	CABLE MAIN / FRONT JCT BOX & REAR JCT BOX From K-6360 To K-6439	1	
111	0610025	CABLE MAIN / FRONT JCT BOX & REAR JCT BOX From K-6440 To K-6452	1	
111	0610170	CABLE MAIN / FRONT JCT BOX & REAR JCT BOX From K-6453 To K-6492	1	
111	069973	CABLE MAIN / FRONT JCT BOX & REAR JCT BOX From L-6493 To L-6610	1	
111	0610274	CABLE MAIN / FRONT JCT BOX & REAR JCT BOX From L-6611 To M-6657	1	
111	0610414	CABLE MAIN / FRONT JCT BOX & REAR JCT BOX From M-6658	1	
111	061453	CABLE MAIN / FRONT JCT BOX & REAR JCT BOX From J-6245 To K-6359	1	GR
111	069564	CABLE MAIN / FRONT JCT BOX & REAR JCT BOX From K-6360 To K-6439	1	GR
111	060210	CABLE MAIN / FRONT JCT BOX & REAR JCT BOX From K-6440 To K-6452	1	GR
111	0610171	CABLE MAIN / FRONT JCT BOX & REAR JCT BOX From K-6453 To K-6492	1	GR
111	0610180	CABLE MAIN / FRONT JCT BOX & REAR JCT BOX From L-6493 To L-6610	1	GR
111	0610275	CABLE MAIN / FRONT JCT BOX & REAR JCT BOX From L-6611 To M-6657	1	GR

From 7-8754		Date:01/2024	PAGE:X3-0600-00
--------------------	--	---------------------	------------------------

WIRING HARNESS - BUS

Item#	Part	Description	QTY	Notes
111	0610415	CABLE MAIN / FRONT JCT BOX & REAR JCT BOX From M-6658	1	GR
111	WB17-16	KIT CONNECTOR REPLACEMENT C15 & C 58 From A-9907 To A-9907	1	
. NS	564567	. CONNECTOR / HDP20 SERIES / PH 8C / DEUTSCH HDP26-18-8PN From A-9907 To A-9907	2	
. NS	564568	. CONNECTOR / HDP20 SERIES / SH 8C / DEUTSCH HDP24-18-8-SN From A-9907 To A-9907	2	
. NS	561996	. SEALING PLUG TYPE 12 & 16 / DEUTSCH 114017 From A-9907 To A-9907	10	
. NS	N10273	. PIN TERMINAL / 14-12 / DEUTSCH 0460-204-12141 From A-9907 To A-9907	11	
. NS	N10274	. SOCKET TERMINAL / 14-12 / DEUTSCH 0462-203-12141 From A-9907 To A-9907	11	
111	WB17-16	KIT CONNECTOR REPLACEMENT C15 & C 58 From B-5002 To E-5563	1	
. NS	564567	. CONNECTOR / HDP20 SERIES / PH 8C / DEUTSCH HDP26-18-8PN From B-5002 To E-5563	2	
. NS	564568	. CONNECTOR / HDP20 SERIES / SH 8C / DEUTSCH HDP24-18-8-SN From B-5002 To E-5563	2	
. NS	561996	. SEALING PLUG TYPE 12 & 16 / DEUTSCH 114017 From B-5002 To E-5563	10	
. NS	N10273	. PIN TERMINAL / 14-12 / DEUTSCH 0460-204-12141 From B-5002 To E-5563	11	
. NS	N10274	. SOCKET TERMINAL / 14-12 / DEUTSCH 0462-203-12141 From B-5002 To E-5563	11	
		WITH CURB-SIDE LAMP OPTION		
111	069607	CABLE MAIN / FRONT JCT BOX & REAR JCT BOX /W/ CURB SIDE LAMP OPTION From G-6084 To H-6093	1	C
111	069669	CABLE MAIN / FRONT JCT BOX & REAR JCT BOX /W/ CURB SIDE LAMP OPTION From H-6094	1	C
112	066210	CABLE ASSY / RESISTANCE MODULE & SWITCH / MUX	1	
114	066281	CABLE ASSY / FRONT & REAR WITH "WORLD" / TRANS To 8-9150	1	
114	066806	CABLE ASSY / FRONT & REAR WITH "WORLD" / TRANS From 8-9151 To 8-9421	1	
114	067213	CABLE ASSY / FRONT & REAR WITH "WORLD" / TRANS From 8-9422 To 9-9642	1	
114	067752	CABLE ASSY / FRONT & REAR WITH "WORLD" / TRANS From 9-9643 To B-5001	1	
114	067662	CABLE ASSY / FRONT & REAR WITH "WORLD" / TRANS From B-5002 To D-5458	1	
114	068473	CABLE ASSY / FRONT & REAR WITH "WORLD" / TRANS From E-5459 To H-6093	1	
114	069599	CABLE ASSY / FRONT & REAR WITH "WORLD" / TRANS From H-6094	1	
115	066208	CABLE HARNESS / SENSOR WTEC W/RETARDER / MUX To 7-9240	1	
115	066797	CABLE HARNESS / SENSOR WTEC W/RETARDER / MUX From 7-9241 To H-6093	1	
115	069509	CABLE HARNESS / SENSOR WTEC W/RETARDER From H-6094 To H-6179	1	
115	060081	CABLE HARNESS / SENSOR WTEC W/RETARDER From H-6180 To J-6278	1	
115	069777	CABLE HARNESS / SENSOR WTEC W/RETARDER From J-6279 To N-6738	1	
115	0610586	CABLE HARNESS / SENSOR WTEC W/RETARDER From N-6739	1	
116	066209	CABLE HARNESS / SENSOR WTEC W/OUT RETARDER / MUX To H-6093	1	
116	069508	CABLE HARNESS / SENSOR WTEC W/OUT RETARDER From H-6094 To H-6179	1	
116	060082	CABLE HARNESS / SENSOR WTEC W/OUT RETARDER From H-6180 To J-6278	1	
116	069778	CABLE HARNESS / SENSOR WTEC W/OUT RETARDER From J-6279 To N-6738	1	
116	0610588	CABLE HARNESS / SENSOR WTEC W/OUT RETARDER From N-6739	1	
		FROM REAR JUNCTION BOX		
		OF VEHICLE WITH "ZF" TRANSMISSION		

From 7-8754		Date:01/2024	PAGE:X3-0600-00
--------------------	--	---------------------	------------------------

WIRING HARNESS - BUS

Item#	Part	Description	QTY	Notes
121	066289	CABLE ASSY / FRONT & REAR WITH "ZF" TRANS To 8-9276	1	
121	066977	CABLE ASSY / FRONT & REAR WITH "ZF" TRANS From 8-9279	1	
122	065833	CABLE ASSY / ECU & TRANS CONTROL "ZF"	1	
		FROM REAR JUNCTION BOX		
		TO FRONT JUNCTION BOX		
131	066287	CABLE POWER / RJB TO FJB To B-5001	1	
131	068137	CABLE ASSY POWER FR RR From B-5002 To D-5458	1	
131	068620	CABLE ASSY POWER FR RR From E-5459 To E-5759	1	
131	068974	CABLE ASSY POWER FR RR From F-5760	1	
131	068786	CABLE ASSY LAVATORY From B-5002 To G-6063	1	
132	069596	CABLE ASSY LAVATORY From G-6064 To H-6179	1	
132	069332	CABLE ASSY LAVATORY From H-6180 To K-6492	1	
132	069964	CABLE ASSY LAVATORY From L-6493	1	
		INSIDE FRONT JUNCTION BOX		
141	066408	WIRING HARNESS FRONT JUNCTION BOX / W/MUX To 7-8999	1	
141	066807	WIRING HARNESS FRONT JUNCTION BOX / W/MUX From 7-9000 To 7-9118	1	
141	066995	WIRING HARNESS FRONT JUNCTION BOX / W/MUX From 7-9119 To 8-9276	1	
141	067501	WIRING HARNESS FRONT JUNCTION BOX / W/MUX From 8-9277 To 8-9421	1	
141	067198	WIRING HARNESS FRONT JUNCTION BOX / W/MUX From 8-9422 To 9-9640	1	
141	067731	WIRING HARNESS FRONT JUNCTION BOX / W/MUX From 9-9641 To 9-9795	1	
141	067809	WIRING HARNESS FRONT JUNCTION BOX / W/MUX From 9-9796 To A-9894	1	
141	068006	WIRING HARNESS FRONT JUNCTION BOX / W/MUX From A-9895 To B-5001	1	
141	067640	WIRING HARNESS FRONT JUNCTION BOX / W/MUX From B-5002 To B-5035	1	
141	068267	WIRING HARNESS FRONT JUNCTION BOX / W/MUX From B-5036 To B-5039	1	
141	068204	WIRING HARNESS FRONT JUNCTION BOX / W/MUX From B-5040 To C-5092	1	
141	068367	WIRING HARNESS FRONT JUNCTION BOX / W/MUX From C-5093 To C-5264	1	
141	068375	WIRING HARNESS FRONT JUNCTION BOX / W/MUX From C-5265 To C-5274	1	
141	068418	WIRING HARNESS FRONT JUNCTION BOX / W/MUX From C-5275 To D-5299	1	
141	068556	WIRING HARNESS FRONT JUNCTION BOX / W/MUX From D-5300 To D-5375	1	
141	068410	WIRING HARNESS FRONT JUNCTION BOX / W/MUX From D-5376 To D-5458	1	
141	068603	WIRING HARNESS FRONT JUNCTION BOX / W/MUX From E-5459 To F-5759	1	
141	069081	WIRING HARNESS FRONT JUNCTION BOX / W/MUX From F-5760 To F-5872	1	
141	069108	WIRING HARNESS FRONT JUNCTION BOX / W/MUX From F-5873 To H-6179	1	
141	060541	WIRING HARNESS FRONT JUNCTION BOX From H-6180 To J-6241	1	
141	060879	WIRING HARNESS FRONT JUNCTION BOX From J-6242	1	
142	066570	CABLE ASSY TO STEERING SPEED SIGNAL ECU	1	
143	067073	CABLE ASSY W/DETROIT	1	

From 7-8754	Date:01/2024	PAGE:X3-0600-00
WIRING HARNESS - BUS		

Item#	Part	Description	QTY	Notes
143	067074	CABLE ASSY VECU VOLVO From 8-9457 To 8-9457	1	
143	067254	CABLE ASSY VECU VOLVO From 8-9422 To B-5002	1	
144	068073	UNIVERSAL CAN HARNESS / FRT JCT BOX	1	
		FROM "ABS" MODULE IN		
		FRONT JUNCTION BOX TO SENSOR		
161	066532	CABLE ASSY / FJB TO "ABS" & CABLE FRT & RR To 8-9281	1	
161	067011	CABLE ASSY "ABS" PREMIUM & E.S.P. From 8-9282 To B-5035	1	
161	068266	CABLE ASSY "ABS" PREMIUM & E.S.P. From B-5036 To C-5281	1	
161	068496	CABLE ASSY "ABS" PREMIUM & E.S.P. From C-5282 To D-5299	1	
162	066224	CABLE ASSY / FRONT "ABS" SENSOR & VALVE / MUX To 8-9281	1	
162	067532	CABLE ASSY / FRONT "ABS" SENSOR & VALVE / MUX & EPS From 8-9282 To B-5035	1	
162	068265	CABLE ASSY / FRONT "ABS" SENSOR & VALVE / MUX & EPS From B-5036 To C-5281	1	
162	068378	CABLE ASSY / FRONT "ABS" SENSOR & VALVE / MUX & EPS From C-5282 To E-5585	1	
162	068923	CABLE ASSY / FRONT "ABS" SENSOR & VALVE / MUX & EPS From E-5586 To F-5759	1	
162	069014	CABLE ASSY / FRONT "ABS" SENSOR & VALVE / MUX & EPS From F-5760 To H-6179	1	
162	060124	CABLE ASSY / FRONT "ABS" SENSOR & VALVE / MUX & EPS From H-6180	1	
163	066550	CABLE ASSY / REAR "ABS" SENSOR & VALVE / MUX To 8-9281	1	
		FROM FRONT JUNCTION BOX		
		FORWARD VEHICULE		
173	066278	CABLE ASSY / FRONT LOWER END To 7-9118	1	
173	066996	CABLE ASSY / FRONT LOWER END From 7-9119 To 8-9276	1	
173	066974	CABLE ASSY / FRONT LOWER END From 8-9277	1	
173	067322	CABLE ASSY / FRONT LOWER END To 9-9642	1	
173	067732	CABLE ASSY / FRONT LOWER END From 9-9643 To A-9872	1	
173	067810	CABLE ASSY / FRONT LOWER END From A-9873 To B-5001	1	
173	067644	CABLE ASSY / FRONT LOWER END From B-5002 To B-5039	1	
173	068203	CABLE ASSY / FRONT LOWER END From B-5040 To C-5143	1	
173	068374	CABLE ASSY / FRONT LOWER END From C-5144 To C-5169	1	
173	068447	CABLE ASSY / FRONT LOWER END From C-5170 To D-5375	1	
173	068571	CABLE ASSY / FRONT LOWER END From D-5376 To D-5458	1	
173	068598	CABLE ASSY / FRONT LOWER END From E-5459 To F-5759	1	
173	069080	CABLE ASSY / FRONT LOWER END From F-5760 To F-5815	1	
173	069267	CABLE ASSY / FRONT LOWER END From F-5816 To F-5871	1	
173	069274	CABLE ASSY / FRONT LOWER END From F-5872 To H-6093	1	
173	069567	CABLE ASSY / FRONT LOWER END From H-6094 To H-6179	1	
173	060543	CABLE ASSY / FRONT LOWER END From H-6180 To J-6241	1	
173	060878	CABLE ASSY / FRONT LOWER END From J-6242 To J-6244	1	

From 7-8754		Date:01/2024	PAGE:X3-0600-00
WIRING HARNESS - BUS			

Item#	Part	Description	QTY	Notes
173	061435	CABLE ASSY / FRONT LOWER END From J-6245 To K-6492	1	
173	069976	CABLE ASSY / FRONT LOWER END From L-6493 To L-6499	1	
173	0610216	CABLE ASSY / FRONT LOWER END From L-6500 To M-6646	1	
173	0610270	CABLE ASSY / FRONT LOWER END From M-6647 To M-6657	1	
173	0610487	CABLE ASSY / FRONT LOWER END From M-6658	1	
174	066407	CABLE HARNESS / FRONT ROOF To 7-9118	1	
174	066994	CABLE HARNESS / FRONT ROOF W/FRONT DRIVER HALOGENE From 7-9119 To H-6179	1	
174	069660	CABLE HARNESS / FRONT ROOF W/FRONT DRIVER HALOGENE From H-6180	1	
174	069651	CABLE HARNESS / FRONT ROOF W/FRONT DRIVER LED From H-6100 To H-6179	1	
174	069331	CABLE HARNESS / FRONT ROOF W/FRONT DRIVER LED From H-6180 To K-6492	1	
174	069974	CABLE HARNESS / FRONT ROOF W/FRONT From L-6493	1	
175	066731	WIRING HARNESS DASHBOARD CENTRAL MODULE / MUX To 7-8932	1	
175	066889	WIRING HARNESS DASHBOARD CENTRAL MODULE / MUX From 7-8933 To 8-9161	1	
175	067097	WIRING HARNESS DASHBOARD CENTRAL MODULE / MUX From 8-9162 To 8-9421	1	
175	067215	WIRING HARNESS DASHBOARD CENTRAL MODULE / MUX From 8-9422 To 9-9795	1	
175	067811	WIRING HARNESS DASHBOARD CENTRAL MODULE / MUX From 9-9796 To B-5001	1	
175	067638	WIRING HARNESS DASHBOARD CENTRAL MODULE / MUX From B-5002 To B-5039	1	
175	068205	WIRING HARNESS DASHBOARD CENTRAL MODULE / MUX From B-5040 To C-5143	1	
175	068373	WIRING HARNESS DASHBOARD CENTRAL MODULE / MUX From C-5144 To D-5374	1	
175	068166	WIRING HARNESS DASHBOARD CENTRAL MODULE / MUX From D-5375 To D-5458	1	
175	068602	WIRING HARNESS DASHBOARD CENTRAL MODULE / MUX From E-5459 To F-5818	1	
175	069247	WIRING HARNESS DASHBOARD CENTRAL MODULE / MUX From F-5819 To F-5871	1	
175	069273	WIRING HARNESS DASHBOARD CENTRAL MODULE / MUX From F-5872 To G-5977	1	
175	069313	WIRING HARNESS DASHBOARD CENTRAL MODULE / MUX From G-5978 To H-6179	1	
175	069643	WIRING HARNESS DASHBOARD CENTRAL MODULE / MUX From G-6100 To H-6179	1	GR
175	060533	WIRING HARNESS DASHBOARD CENTRAL MODULE From H-6180 To J-6241	1	
175	060885	WIRING HARNESS DASHBOARD CENTRAL MODULE From J-6242 To J-6280	1	
175	061416	WIRING HARNESS DASHBOARD CENTRAL MODULE From J-6281 To K-6492	1	
175	0611112	WIRING HARNESS DASHBOARD CENTRAL MODULE From L-6493 To L-6552	1	
175	061423	WIRING HARNESS DASHBOARD CENTRAL MODULE / MUX From J-6245 To K-6492	1	GR
175	060206	WIRING HARNESS DASHBOARD CENTRAL MODULE From L-6493 To L-6518	1	GR
175	0611112	WIRING HARNESS DASHBOARD CENTRAL MODULE From L-6519 To L-6552	1	GR
175	0610240	WIRING HARNESS DASHBOARD CENTRAL MODULE From L-6553 To M-6646	1	
175	0610268	WIRING HARNESS DASHBOARD CENTRAL MODULE From M-6647 To M-6657	1	
175	0610408	WIRING HARNESS DASHBOARD CENTRAL MODULE From M-6658 To N-6748	1	
175	0610599	WIRING HARNESS DASHBOARD CENTRAL MODULE From P-6749	1	
176	066293	CABLE ASSY TO AISLE LAMP To D-5458	1	
176	068627	CABLE ASSY TO AISLE LAMP From E-5459 To H-6179	1	
176	060086	CABLE ASSY TO AISLE LAMP From H-6180	1	
177	066206	CABLE ASSY TO DIGITAL CLOCK To H-6179	1	
177	061296	CABLE ASSY TO DIGITAL CLOCK From H-6180	1	

From 7-8754	Date:01/2024	PAGE:X3-0600-00
-------------	--------------	-----------------

WIRING HARNESS - BUS

Item#	Part	Description	QTY	Notes
		CABLE / CONNECTED AT HARNESS / # 175		
		FROM / HARNESS DASHBOARD CENTRAL MODULE		
181	066277	WIRING HARNESS DASHBOARD LEFT MODULE / W/MUX To 8-9276	1	
181	066975	WIRING HARNESS DASHBOARD LEFT MODULE / W/MUX From 8-9277 To 8-9277	1	
181	067129	WIRING HARNESS DASHBOARD LEFT MODULE / W/MUX From 8-9277 To 8-9421	1	
181	067212	WIRING HARNESS DASHBOARD LEFT MODULE / W/MUX From 8-9422 To 9-9585	1	
181	067425	WIRING HARNESS DASHBOARD LEFT MODULE / W/MUX From 9-9586 To F-5871	1	
181	069275	WIRING HARNESS DASHBOARD LEFT MODULE From F-5872 To G-6099	1	
181	069345	WIRING HARNESS DASHBOARD LEFT MODULE From G-6100 To H-6179	1	
181	060544	WIRING HARNESS DASHBOARD LEFT MODULE From H-6180	1	
182	066217	WIRING HARNESS / W/ "WEBASTO" PREHEATER / W/MUX To H-6179	1	
182	060557	WIRING HARNESS TIMER PREHEATER From H-6180	1	
183	066404	CABLE ASSY TO WINDOW AJAR BOTH SIDE To H-6179	1	
183	060574	CABLE ASSY TO WINDOW AJAR BOTH SIDE From H-6180 To K-6492	1	
184	066687	CABLE WINDOW AJAR TO STREESIDE To B-5001	1	
184	068755	CABLE WINDOW AJAR TO STREESIDE From B-5002 To H-6179	1	
184	060084	CABLE WINDOW AJAR TO STREESIDE From H-6180 To K-6492	1	
185	066686	CABLE WINDOW AJAR TO CURBSIDE To B-5001	1	
185	068118	CABLE WINDOW AJAR TO CURBSIDE From B-5002 To H-6179	1	
185	060085	CABLE WINDOW AJAR TO CURBSIDE From H-6180 To K-6492	1	
		CABLE / CONNECTED AT HARNESS / # 173		
		FROM / CABLE ASSY / FRONT LOWER END		
191	066518	CABLE ENTRANCE DOOR To B-5001	1	
191	068141	CABLE ENTRANCE DOOR From B-5002 To H-6179	1	
191	060038	CABLE ENTRANCE DOOR From H-6180	1	
192	066540	HARNESS / HORN & CONNECTOR To H-6179	1	
192	060074	HARNESS / HORN & CONNECTOR From H-6180	1	
194	066275	CABLE ASSY / W/"HALOGENE" LAMPS / MUX To H-6179	2	
194	060078	CABLE ASSY / W/"HALOGENE" LAMPS / LH / MUX From H-6180	1	
194	060380	CABLE ASSY / W/"HALOGENE" LAMPS / RH / MUX From H-6180	1	
195	066276	CABLE ASSY / "XENON" / MUX To H-6179	2	
195	060079	CABLE ASSY / "XENON" / LH / MUX From H-6180	1	
195	060390	CABLE ASSY / "XENON" / RH / MUX From H-6180	1	
196	066410	CABLE ASSY KNEELING PANEL To C-5169	1	
196	068446	CABLE ASSY KNEELING PANEL From C-5170 To F-5871	1	
196	069271	CABLE ASSY KNEELING PANEL From F-5872 To H-6093	1	
. A	641385	. CONNECTOR / SOCKET HOUSING ASSY 3C / PNEUMAC 54934-01 From F-5872 To H-6093	6	
. B	562848	. CONNECTOR / SOCKET HOUSING ASSY 3C / PNEUMAC 54933-05 From F-5872 To H-6093	1	

From 7-8754		Date:01/2024	PAGE:X3-0600-00
WIRING HARNESS - BUS			

Item#	Part	Description	QTY	Notes
C	563159	CONNECTOR / METRI-PACK 150 / SH 3C / PED 12065287 From F-5872 To H-6093	3	
D	563677	CONNECTOR / METRI-PACK 150 / SH 4C / PED 12065402 From F-5872 To H-6093	1	
E	561566	CONNECTOR / WEATHER PACK / PH 2C / BLACK / PED 12010973 From F-5872 To H-6093	1	
F	561690	CONNECTOR / WEATHER PACK / SH 2C / BLACK / PED 12015792 From F-5872 To H-6093	1	
196	069506	CABLE ASSY KNEELING PANEL From H-6094 To H-6179	1	
A	641385	CONNECTOR / SOCKET HOUSING ASSY 3C / PNEUMAC 54934-01 From H-6094 To H-6179	6	
B	562848	CONNECTOR / SOCKET HOUSING ASSY 3C / PNEUMAC 54933-05 From H-6094 To H-6179	1	
C	563159	CONNECTOR / METRI-PACK 150 / SH 3C / PED 12065287 From H-6094 To H-6179	3	
D	563677	CONNECTOR / METRI-PACK 150 / SH 4C / PED 12065402 From H-6094 To H-6179	1	
E	561566	CONNECTOR / WEATHER PACK / PH 2C / BLACK / PED 12010973 From H-6094 To H-6179	1	
F	561690	CONNECTOR / WEATHER PACK / SH 2C / BLACK / PED 12015792 From H-6094 To H-6179	1	
196	069330	CABLE ASSY KNEELING PANEL From H-6180 To J-6241	1	
196	069715	CABLE ASSY KNEELING PANEL From J-6242	1	
A	641385	CONNECTOR / SOCKET HOUSING ASSY 3C / PNEUMAC 54934-01 From J-6242	4	
B	562848	CONNECTOR / SOCKET HOUSING ASSY 3C / PNEUMAC 54933-05 From J-6242	2	
C	563159	CONNECTOR / METRI-PACK 150 / SH 3C / PED 12065287 From J-6242	4	
D	563677	CONNECTOR / METRI-PACK 150 / SH 4C / PED 12065402 From J-6242	1	
E	561566	CONNECTOR / WEATHER PACK / PH 2C / BLACK / PED 12010973 From J-6242	1	
F	568109	CONNECTOR / HDP20 SERIES / SH 31C / DEUTSCH HDP24-24-31SE-L017 From J-6242	1	
197	066516	CABLE ASSY / WINDSHIELD WASHER PUMP To C-5113	1	
197	067947	CABLE ASSY / WINDSHIELD WASHER PUMP From C-5114 To H-6179	1	
197	060498	CABLE ASSY / WINDSHIELD WASHER PUMP From H-6180	1	
197	067948	CABLE ASSY / ADAPTOR / NEW LEVEL (SERVICE ONLY) To C-5113	1	
198	066517	WIRING HARNESS SERVICE DOOR To 7-9263	1	
198	067181	WIRING HARNESS SERVICE DOOR From 7-9264 To H-6179	1	
198	060502	WIRING HARNESS SERVICE DOOR From H-6180	1	
		MISCELLANEOUS "OPTIONS"		
		110VOLT AC OUTLET		
201	065517	CABLE ASSY / 110V BLOCK HEATER To 8-9276	1	
201	067411	CABLE ASSY / 110V BLOCK HEATER From 8-9277 To D-5380	1	
201	068723	CABLE ASSY / 110V BLOCK HEATER From D-5381 To K-6481	1	
201	0610126	CABLE ASSY / 110V BLOCK HEATER From K-6482	1	
202	063295	CABLE ASSY / 110V BLOCK HEATER ENGINE SECTION To 8-9276	1	
202	067413	CABLE ASSY / 110V BLOCK HEATER ENGINE SECTION From 8-9277	1	
204	065297	CABLE ASSY / 110V BATTERIES CHARGER To 8-9276	1	
NS	068130	CABLE BATTERIES CHARGER 120VAC POWER From B-5002 To H-6179	1	
NS	060151	CABLE BATTERIES CHARGER 120VAC POWER From H-6180	1	
205	066301	CABLE POWER / RJB VOLTAGE & 120V AC To 8-9456	1	
205	067201	CABLE POWER / RJB VOLTAGE & 120V AC From 8-9457 To B-5001	1	
205	068135	CABLE POWER / RJB VOLTAGE & 120V AC From B-5002	1	

From 7-8754	Date:01/2024	PAGE:X3-0600-00
-------------	--------------	-----------------

WIRING HARNESS - BUS

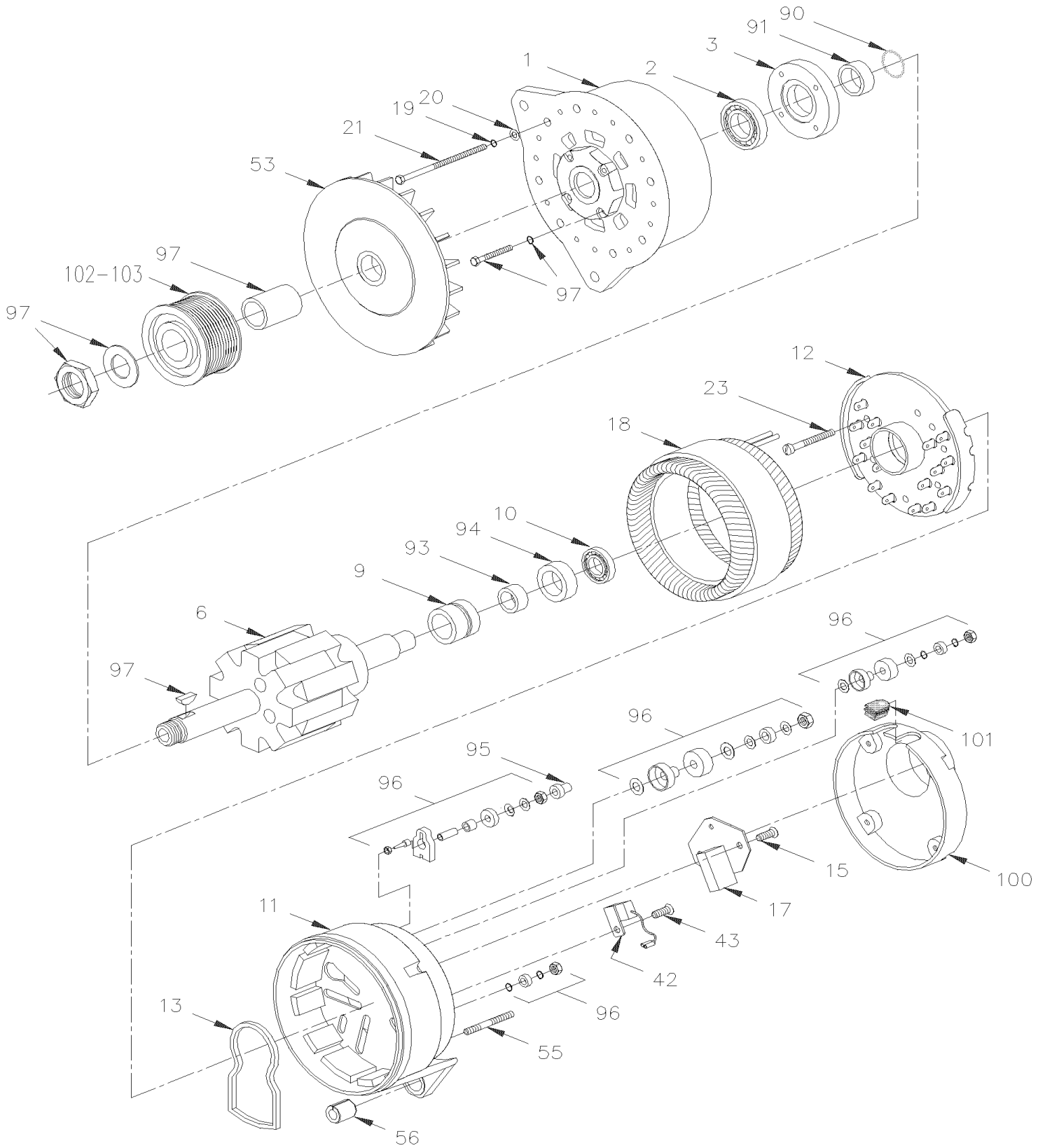
Item#	Part	Description	QTY	Notes
300	X3-0615-00	BATTERIES INSTALLATION		
301	X3-0620-00	REAR JUNCTION BOX ASSY		
302	X3-0625-00	FRONT JUNCTION PANEL		
303	X3-1864-00	BAGGAGE DOOR ASSY		
304	X3-2225-00	DRIVER'S HEATER & DEFROSTER ASSY		
305	X3-0750-00	AUTOMATIC TRANSMISSION - "WORLD" WITH DETROIT S-60		
		A) THOSE VEHICLE ARE USE WITH MODULE IOE-A AND IOE-B FOR FEILD TEST F-5793 / F-5795 / F-5799 / F-5802		
		C) WITH CURBSIDE LAMP OPTION		
		GR) GREYHOUND OPTION		
		N) NEW HAMPSHIRE TRANSIT OPTION		

From 7-8754 To A-9977

Date:01/2024

PAGE:X3-0605-00

ALTERNATOR 24V/140 AMPS / "BOSCH"



From 7-8754 To A-9977	Date:01/2024	PAGE:X3-0605-00
ALTERNATOR 24V/140 AMPS / "BOSCH"		

Item#	Part	Description	QTY	Notes
	562752	ALTERNATOR ASSY 24V/140 AMPS	2	
1	562971	. DRIVE END SHIELD	1	
2	562972	. BALL BEARING	1	
3	562973	. COVER PLATE / (1 120 033 009)	1	
6	562974	. ROTOR / (1 124 037 004)	1	
9	562975	. . COLLECTOR-RING	1	
10	562976	. CYLINDER ROLLER BEARING	1	
NS	684922	. . GREASE "POLYREX" EM / TO USE W/"BOSCH" ALTERNATOR	AR	
11	562977	. COLLECTOR-RING END SHIELD	1	
12	562978	. RECTIFIER PLATE ASSY / (1 127 320 973)	1	
13	562979	. . SEAL	1	
15	562980	. WASHER-AND-SCREW ASSEMBLY	3	
17	562981	. TRANSISTOR REGULATOR	1	
17	562982	. . COMPRESSION SPRING	2	
17	562983	. . BRUSH SET	2	
17	562984	. GASKET	1	
18	562985	. STATOR ASSY	1	
19	562986	. WASHER LOCK SPRING 6MM	4	
20	562987	. PLAIN WASHER	4	
21	562988	. OVAL-HEAD SCREW	4	
23	562989	. WASHER-AND-SCREW ASSEMBLY	3	
42	562990	. SUPPRESSION CAPACITOR	1	
43	562991	. OVAL-HEAD SCREW M6 X 10-5.8	1	
53	562992	. FAN	1	
55	562993	. STUD M6 X 35-5.6 / (2 912 212 207)	4	
56	562994	. EXPANSION BUSHING / (1 120 300 018)	1	
90	562995	. RETAINER DIN 9045-30 / (2916 600 016)	1	
91	562996	. SUPPORT RING / (1 120 114 002)	1	
93	562997	. SPACER RING	1	
94	562998	. RADIAL SEAL	1	
95	562999	. PROTECTIVE CAP	1	
96	563000	. PARTS SET TERMINAL B+,B-,D+,W /	1	
97	563001	. KIT NUT & WASHER M24-1.5 YC	1	
100	562851	AIR-INTAKE COVER	1	
100	067178	AIR-INTAKE COVER / (1 125 500 023) / MODIFIED UPPER ALTER From 8-9457	1	D13
101	563002	GROMMET / (1 120 312 000)	1	
101	504421	GROMMET / .625x.875x.187x.437x1.125	1	
102	066062	PULLEY ALTERNATOR / "BOSCH" / 10 RIB	1	
102	067037	PULLEY ALTERNATOR / "BOSCH" / 8 RIB From 8-9457	1	D13
103	X3-0610-00	ALTERNATOR MOUNTING / "BOSCH" 2X140AMPS DETROIT S-60		
103	X3-0120-02	DRIVE PULLEY, BELTS & TENSIONER WITH VOLVO D13		

From 7-8754 To A-9977		Date:01/2024	PAGE:X3-0605-00
-----------------------	--	--------------	-----------------

ALTERNATOR 24V/140 AMPS / "BOSCH"

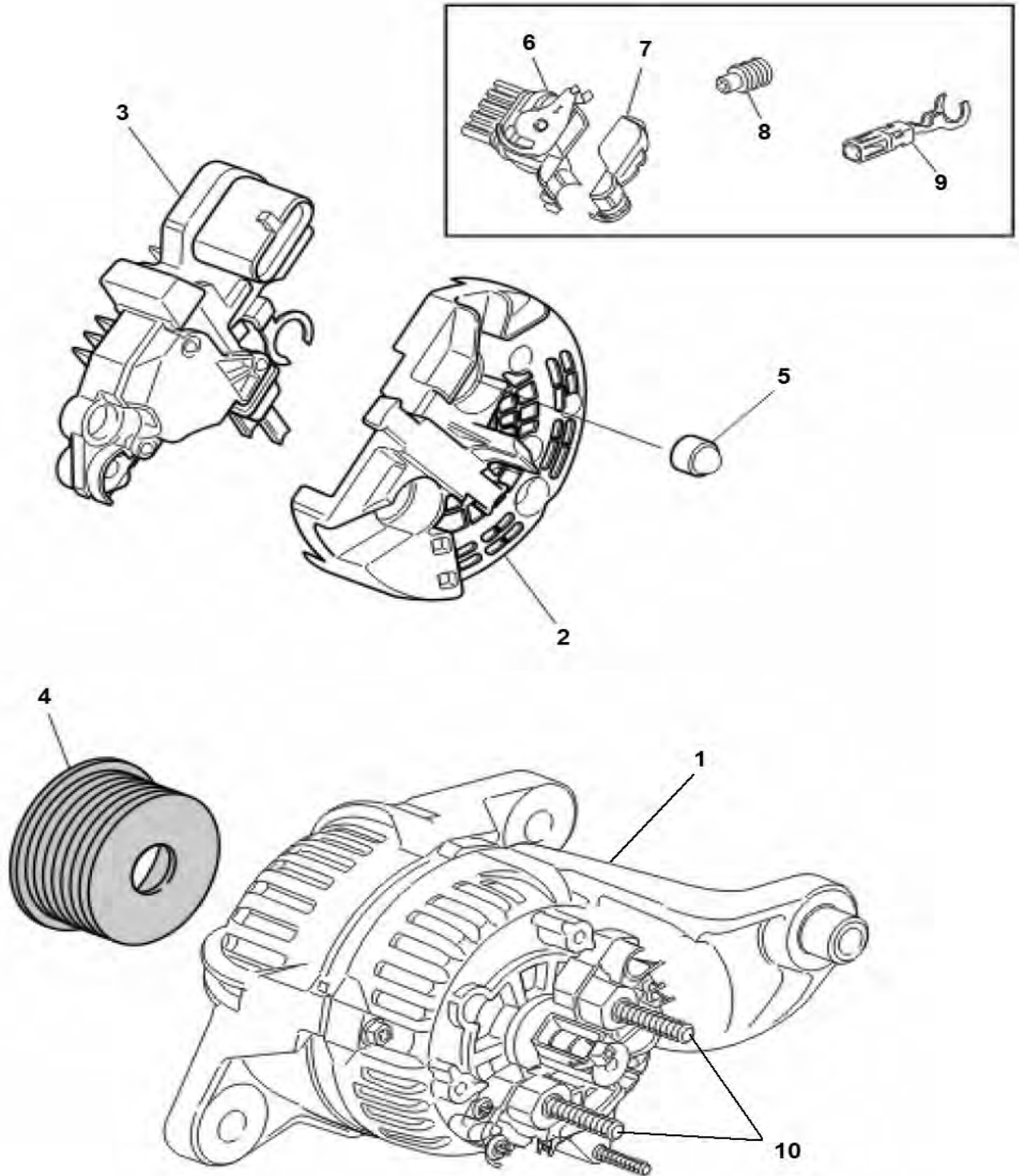
Item#	Part	Description	QTY	Notes
		D13) WITH "VOLVO" ENGINE		

From 9-9640 To G-5931

Date:01/2024

PAGE:X3-0605-01

ALTERNATOR 24V/120 AMPS / "BOSCH"



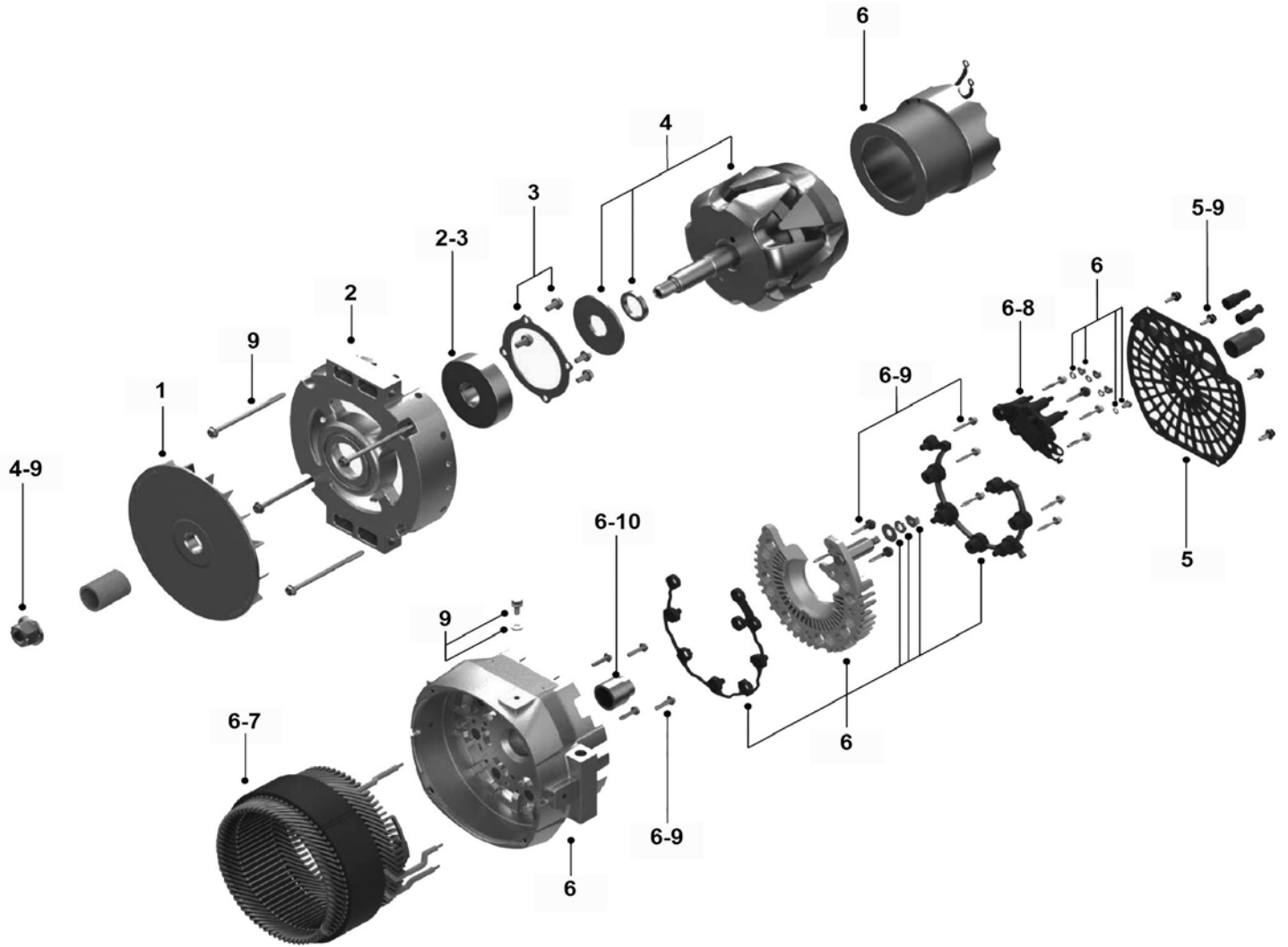
From 9-9640 To G-5931	Date:01/2024	PAGE:X3-0605-01
ALTERNATOR 24V/120 AMPS / "BOSCH"		

Item#	Part	Description	QTY	Notes
1	564109	ALTERNATOR ASSY 24V/120 AMPS W/8 RIB PULLEY To B-5001	1	D13
NS	564119	ALTERNATOR ASSY 24V/120 AMPS / W/OUT PULLEY To B-5001	1	D13
NS	564469	CONNECTOR / MKR-PLUS / SH 5C / G&H 18241 000 000 To B-5001	1	D13
NS	564131	PULLEY ALTERNATOR / "BOSCH" / 74MM O.D. x 8 RIB To B-5001	1	D13
1	20849352	ALTERNATOR ASSY 24V/120 AMPS ASSY / W/8 RIB PULLEY To B-5001	1	
1	564119	ALTERNATOR ASSY 24V/120 AMPS / W/OUT PULLEY	1	
NS	564469	CONNECTOR / MKR-PLUS / SH 5C / G&H 18241 000 000	1	
1	21429787	ALTERNATOR ASSY 24V/120 AMPS ASSY /	1	
2	20523388	COVER	1	
3	20523391	BRUSH ASSY W/CHARGE REGULATOR / 24VOLT	1	
4	564120	PULLEY ALTERNATOR / "BOSCH" / 76MM O.D. x 10 RIB To B-5001	1	
4	564131	PULLEY ALTERNATOR / "BOSCH" / 74MM O.D. x 8 RIB To B-5001	1	D13
4	565869	PULLEY ALTERNATOR / "BOSCH" / 83MM DOB x 8 RIB From B-5002	1	D13
NS	21034254	FLANGE NUT	1	
5	20576874	NUT, CAP PROTECTOR	1	
6	564469	CONNECTOR / MKR-PLUS / SH 5C / G&H 18241 000 000	1	
6	20429872	CONNECTOR / MKR-PLUS / SH 5C	1	
7	564470	COVER / MKR-PLUS	1	
7	20429873	COVER / MKR-PLUS	1	
8	564473	CABLE SEAL / BLUE // G&H 16695 627 642	1	
8	3944654	CABLE SEAL / BLUE /	1	
8	564474	CABLE SEAL / RED // G&H 16694 627 626	1	
9	564471	SOCKET TERMINAL / 18-16 / G&H 26780	1	
10	564159	ADAPTOR STUD M8 Male x M8 Female M8-1.25 x 18MM SS To E-5605	2	
10	564590	ADAPTOR STUD M8 Male x M8 Female M8-1.25 x 18MM SS From E-5606	2	
50	X3-0100-06	ENGINE WIRING HARNESS - INSTALLATION WITH VOLVO D13 To E-5759		
50	X3-0100-07	ENGINE WIRING HARNESS - INSTALLATION WITH VOLVO D13 From F-5760		
90	061230	KIT TWIN ALTERNATOR 150AMP CONVERSION X3	1	
		D13) WITH VOLVO D13 ENGINE		

From G-5932		Date:01/2024	PAGE:X3-0605-02
ALTERNATOR 24V/150 AMPS / "BOSCH"			

Item#	Part	Description	QTY	Notes
1	564593	ALTERNATOR ASSY 24V/150 AMPS / W/OUT PULLEY To K-6469	1	
1	560748	ALTERNATOR ASSY 24V/150 AMPS / W/OUT PULLEY From K-6470 To £-23048	1	
1	564683	ALTERNATOR ASSY 24V/150 AMPS / W/OUT PULLEY From £-23048	1	
2	20523388	. COVER	1	
3	20523391	. BRUSH ASSY W/CHARGE REGULATOR / 24VOLT	1	
4	565869	PULLEY ALTERNATOR / "BOSCH" / 83MM DOB x 8 RIB To H-6179	1	
4	565869	PULLEY ALTERNATOR / "BOSCH" / 83MM DOB x 8 RIB From H-6180 To K-6313	1	C
4	0600264	PULLEY ALTERNATOR / "BOSCH" / 83MM DOB x 8 RIB From J-6223	1	C
4	069556	PULLEY ALTERNATOR / "BOSCH" / 73MM DOB x 10 RIB From H-6180 To K-6313	1	S
4	0600265	PULLEY ALTERNATOR / "BOSCH" / 73MM DOB x 10 RIB From K-6314	1	S
4	21429955	FLANGE NUT	1	
4	500449	WASHER FL .625x1.500 SS To J-6222	1	C
4	500449	WASHER FL .625x1.500 SS To K-6313	1	S
5	20576874	NUT, CAP PROTECTOR	1	
6	564469	CONNECTOR / MKR-PLUS / SH 5C / G&H 18241 000 000	1	
6	20429872	CONNECTOR / MKR-PLUS / SH 5C	1	
7	564470	COVER / MKR-PLUS	1	
7	20429873	COVER / MKR-PLUS	1	
8	564473	CABLE SEAL / BLUE // G&H 16695 627 642	1	
8	3944654	CABLE SEAL / BLUE /	1	
8	564474	CABLE SEAL / RED // G&H 16694 627 626	1	
9	564471	SOCKET TERMINAL / 18-16 / G&H 26780	1	
10	564590	ADAPTOR STUD M8 Male x M8 Female M8-1.25 x 18MM SS From E-5606 To H-6179	2	
10	060297	ADAPTOR STUD M8 Male x M8 Female + FLANGE M8-1.25 x 18MM SS From H-6180	2	
50	X3-0100-07	ENGINE WIRING HARNESS - INSTALLATION WITH VOLVO D13 To H-6179		
51	X3-0100-08	ENGINE WIRING HARNESS - INSTALLATION WITH VOLVO D13 - GHG17 From H-6180		
		C) CURBSIDE		
		S) STREET SIDE		

From K-6440 To P-6878	Date:01/2024	PAGE:X3-0605-10
ALTERNATOR 24V/250 AMPS / "REMY"		



From K-6440 To P-6878	Date:01/2024	PAGE:X3-0605-10
-----------------------	--------------	-----------------

ALTERNATOR 24V/250 AMPS / "REMY"

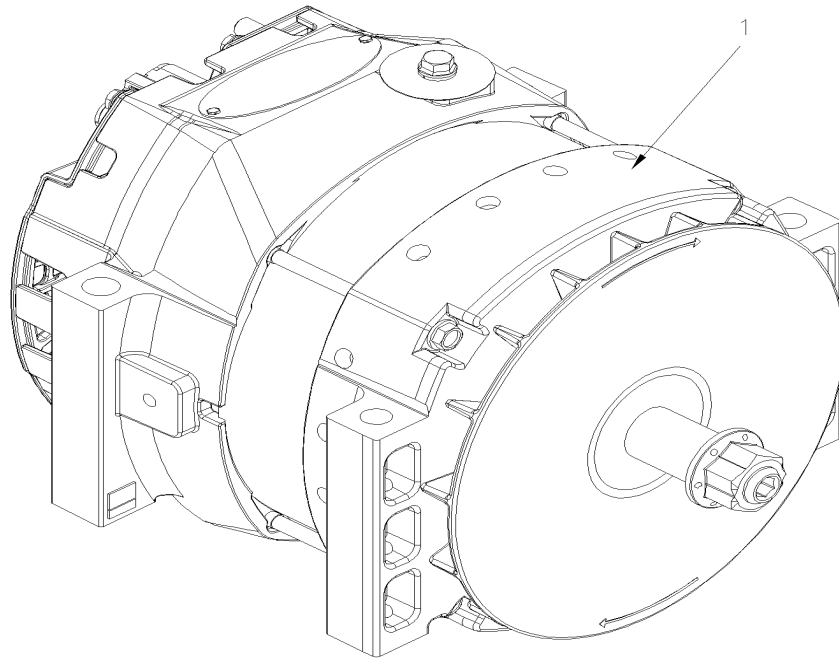
Item#	Part	Description	QTY	Notes
	560720	ALTERNATOR ASSY 24V/250 AMPS / "REMY"	1	
1	563502	. FAN	1	
2	563504	. FRAME WITH BEARING	1	
3	563505	. BEARING KIT	1	
4	563506	. ROTOR KIT	1	
5	563507	. COVER	1	
6	563508	. FRAME & STATOR ASM	1	
7	563509	. STATOR AND LEAD ASM	1	
8	563510	. REGULATOR	1	
9	563511	. HARDWARE KIT	1	
10	563512	. BEARING	1	

From P-6879

Date:01/2024

PAGE:X3-0605-11

ALTERNATOR 24V/250 AMPS / "REMY"



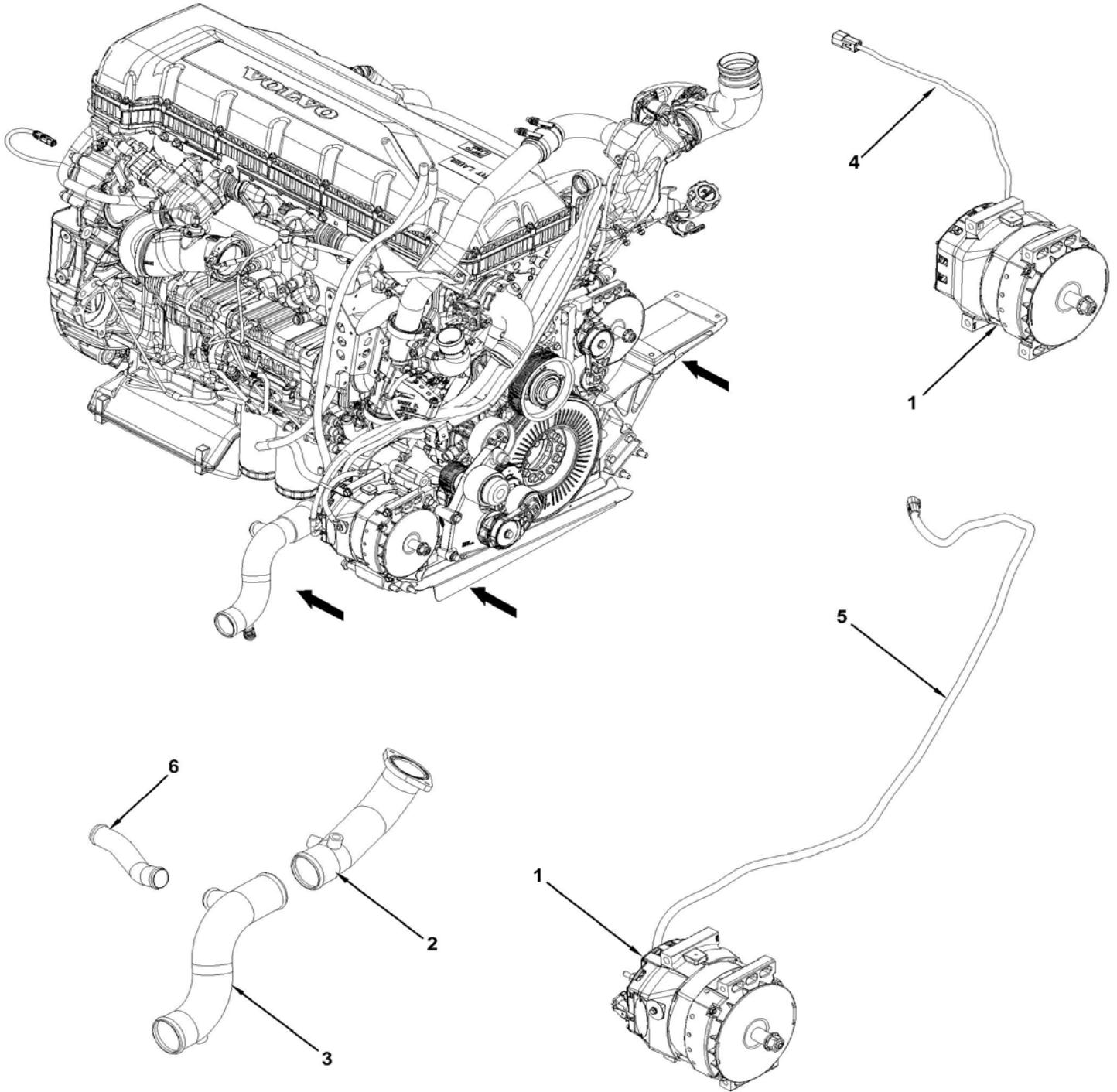
From P-6879			Date:01/2024	PAGE:X3-0605-11		
ALTERNATOR 24V/250 AMPS / "REMY"						
Item#	Part	Description			QTY	Notes
1	564393	ALTERNATOR ASSY 24V/250 AMPS / "REMY"			1	
1	0610610	KIT SAV NEW ALT. REMY 564393 X3			1	

From P-6879

Date:01/2024

PAGE:0610610

KIT SAV NEW ALT. REMY 564393 X3



From P-6879		Date:01/2024	PAGE:0610610
-------------	--	--------------	--------------

KIT SAV NEW ALT. REMY 564393 X3

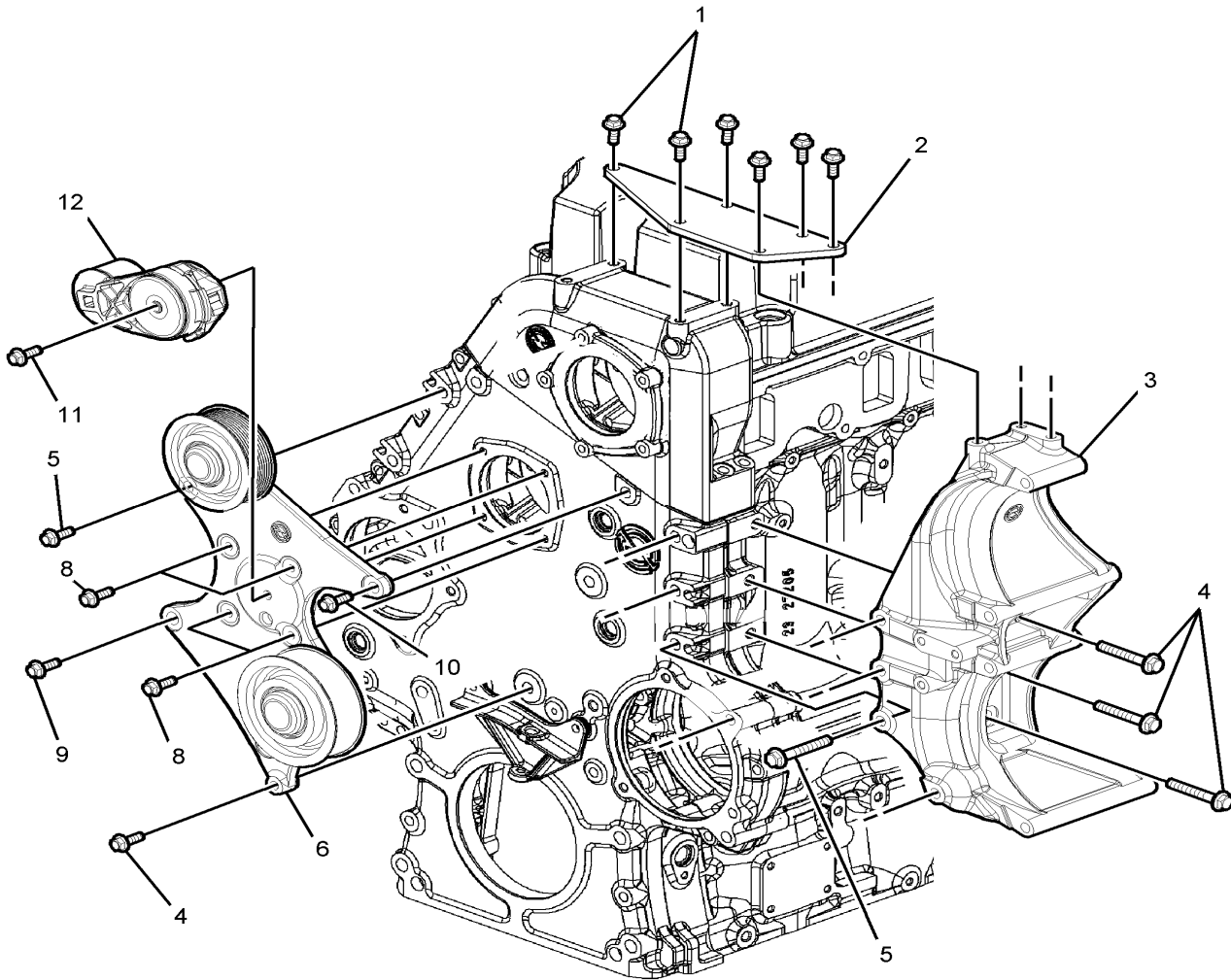
Item#	Part	Description	QTY	Notes
1	564393	ALTERNATOR ASSY 24V/250 AMPS / "REMY"	2	
2	050584	WATER PIPE RADIATOR	1	
3	050578	WATER PIPE RADIATOR	1	
4	0610600	HARNESS, ALTERNATOR CONTROL / CURBSIDE	1	
5	0610601	HARNESS, ALTERNATOR CONTROL / STREET SIDE	1	
6	370490	PIPE INLET ENGINE	1	
NS	0610602	CONNECTOR ALTERNATOR JUMPER	1	

From 7-8754 To 9-9639

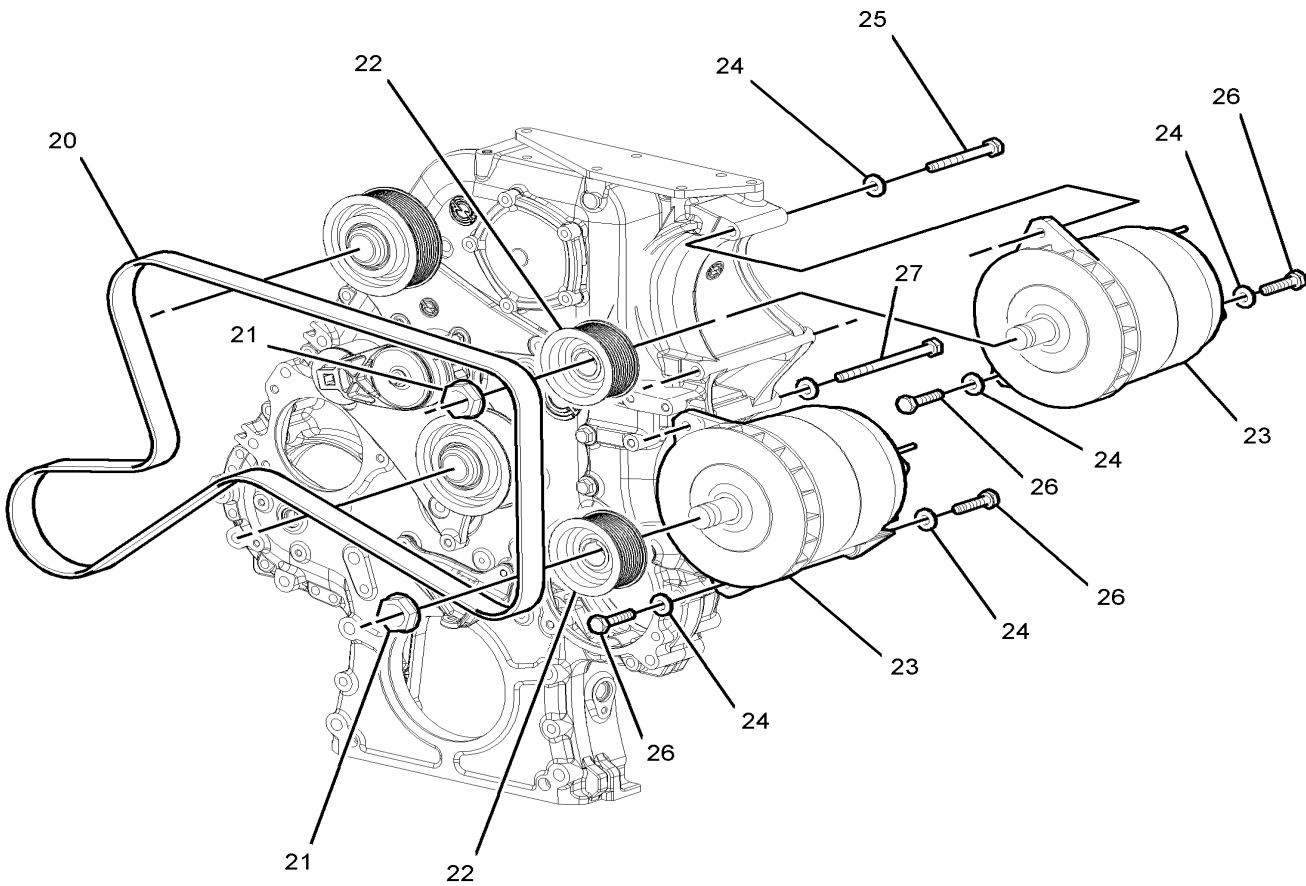
Date:01/2024

PAGE:X3-0610-00

ALTERNATOR MOUNTING / "BOSCH" 2X140AMPS DETROIT S-60



From 7-8754 To 9-9639	Date:01/2024	PAGE:X3-0610-00
ALTERNATOR MOUNTING / "BOSCH" 2X140AMPS DETROIT S-60		

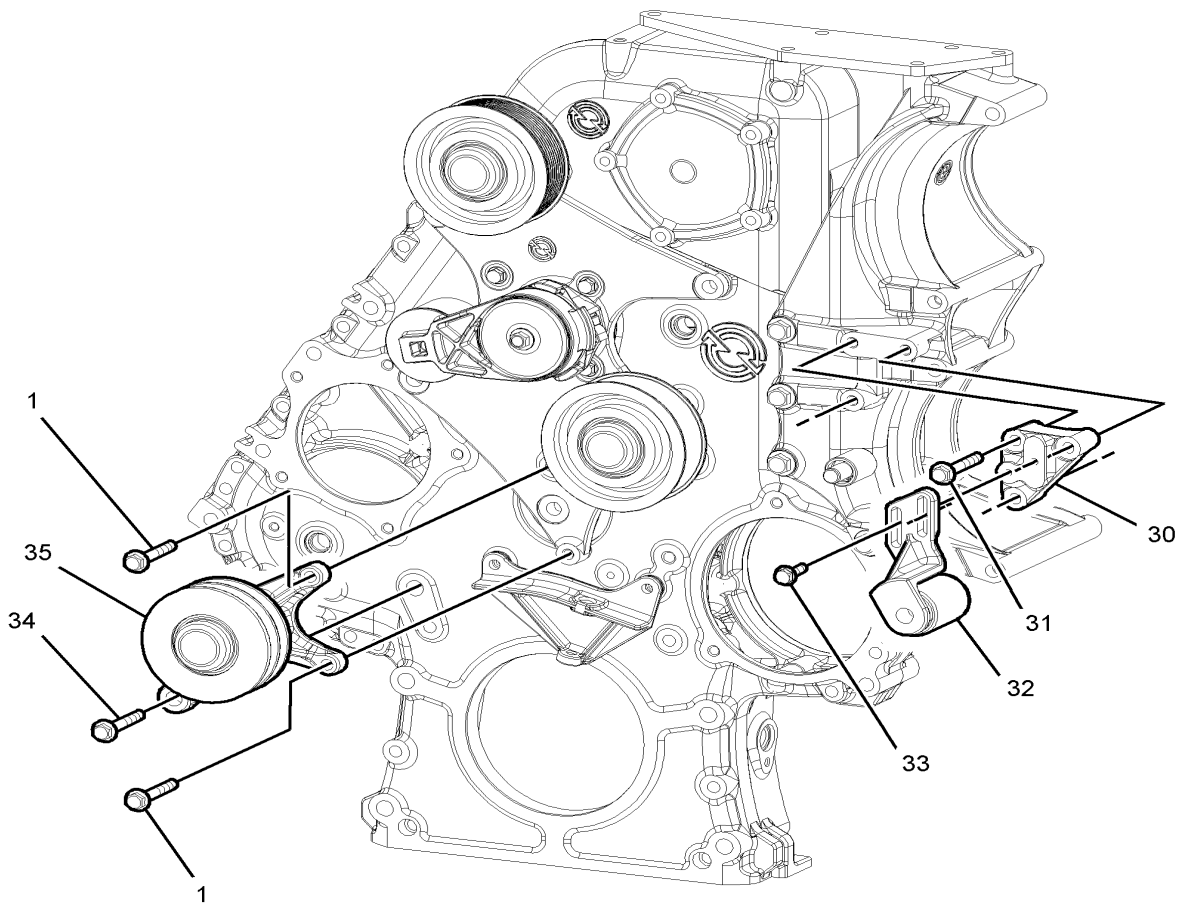


From 7-8754 To 9-9639

Date:01/2024

PAGE:X3-0610-00

ALTERNATOR MOUNTING / "BOSCH" 2X140AMPS DETROIT S-60



From 7-8754 To 9-9639	Date:01/2024	PAGE:X3-0610-00
-----------------------	--------------	-----------------

ALTERNATOR MOUNTING / "BOSCH" 2X140AMPS DETROIT S-60

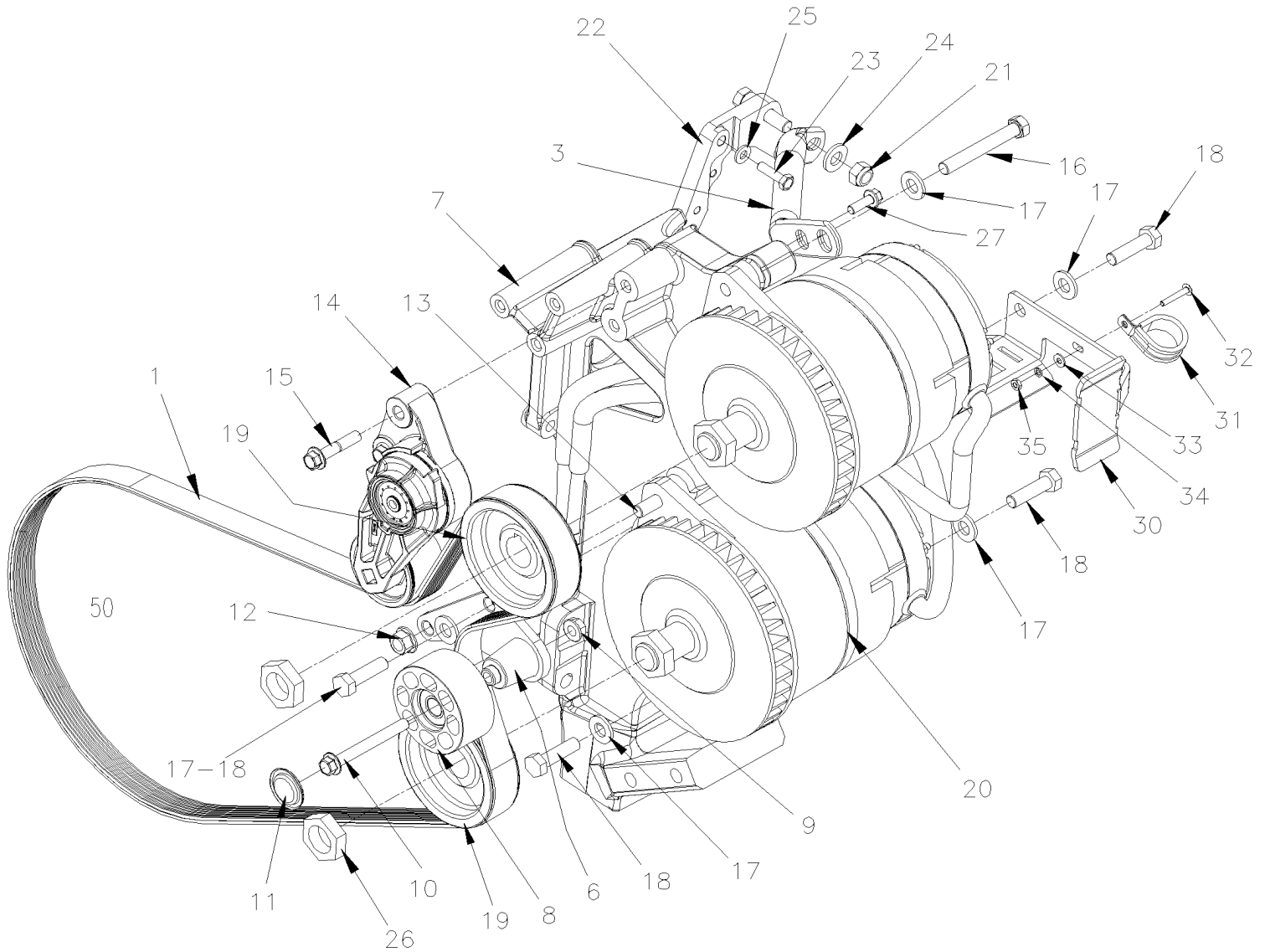
Item#	Part	Description	QTY	Notes
1	5001644	SCREW CAP HEXF M10-1.5x30 G8.8 G500	8	
2	23527310	STRAP	1	
3	23530258	BRACKET	1	
4	23528697	SCREW CAP HEXF M12-1.75x60 G10.9	4	
5	23528406	SCREW CAP HEXF M12-1.75x80 G10.9	6	
6	23530231	PULLEY ASSY FORMER	1	
6	23534290	PULLEY ASSY CURRENT	1	
8	11504822	SCREW CAP HEXF M9-1.25x30 G10.9	4	
9	23528698	SCREW CAP HEX M14-2.00x130 G10.9	1	
10	23528406	SCREW CAP HEXF M12-1.75x80 G10.9	2	
11	11503669	SCREW CAP HEX M10-1.50x80 G10.9	1	
12	012329	AUTOMATIC TENSIONER ASSY	1	
20	5060055	MULTI V-BELT / 10 RIB 87 7/8" (2232) 23530281 To 8-9276	1	
20	5060088	MULTI V-BELT / 10 RIB 88.38" (2245) 23356465 From 8-9277	1	
20	5060056	MULTI V-BELT / 10 RIB 78 3/4" (2000) 23530282	1	A
21	563001	KIT NUT & WASHER M24-1.5 YC	2	
22	066062	PULLEY ALTERNATOR / "BOSCH" / 10 RIB	2	
23	X3-0605-00	ALTERNATOR 24V/140 AMPS / "BOSCH"		
24	23509483	WASHER	6	
25	23528696	SCREW CAP HEX M12-1.50x100	1	
26	23523176	SCREW CAP HEX M12-1.75x50	4	
27	23523490	SCREW CAP HEX M12-1.50x150	1	
30	012265	ADAPTOR SNUBBER MOUNTING To 8-9250	1	
30	012455	ADAPTOR SNUBBER MOUNTING From 8-9251	1	
31	5001595	SCREW CAP HEXF M10-1.5x60 G8.8 G500	3	
NS	012453	. SUPPORT From 8-9251	1	
NS	012456	. ROLLER 48MM O.D. x 64MM From 8-9251	1	
NS	012458	. BEARING MODIFIED PREVOST From 8-9251	1	
NS	5006768	. SCREW DRV RND #14x5/8 Z050 From 8-9251	1	
32	012268	SNUBBER ASSY To 8-9250	1	
32	012467	SNUBBER ASSY From 8-9251	1	D
33	5001643	SCREW CAP HEXF M8-1.25x25 G8.8 G500	2	
34	5001596	SCREW CAP HEXF M14-2.0x90 G8.8 MAGNI 565	1	
35	012269	PULLEY ASSY IDLER To 8-9250	1	
35	012466	PULLEY ASSY IDLER From 8-9251	1	D
		A) EMERGENCY USE ONLY WITH ONE ALTERNATOR		
		D) SEE DETAIL AT PAGE X3-0120-00		

From 8-9259 To A-9975

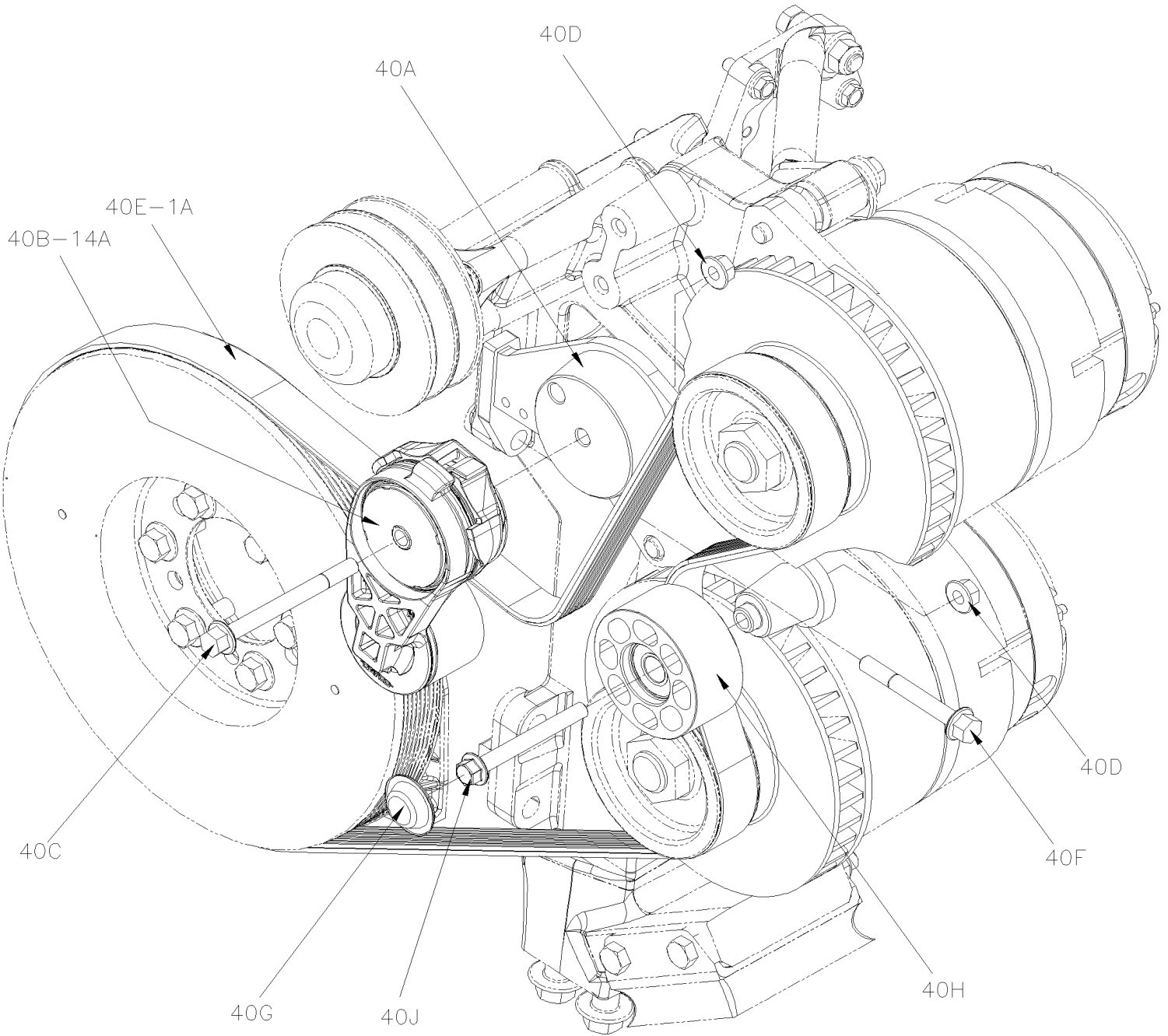
Date:01/2024

PAGE:X3-0610-01

ALTERNATOR MOUNTING / "BOSCH" 2x140Amps VOLVO D13



From 8-9259 To A-9975	Date:01/2024	PAGE:X3-0610-01
ALTERNATOR MOUNTING / "BOSCH" 2x140Amps VOLVO D13		



From 8-9259 To A-9975	Date:01/2024	PAGE:X3-0610-01
-----------------------	--------------	-----------------

ALTERNATOR MOUNTING / "BOSCH" 2x140Amps VOLVO D13

Item#	Part	Description	QTY	Notes
1	506039	MULTI V-BELT / 8 RIB 76.18" (1935) 8PK1935 QT + ARAMIDE To 9-9353	1	F
1	506062	MULTI V-BELT / 8 RIB 78.54" (1995) 8PK1995 QT + ARAMIDE From 9-9654 To B-5001	1	
1	506062	MULTI V-BELT / 8 RIB 78.54" (1995) 8PK1995 QT + ARAMIDE From B-5002	1	
1	506057	MULTI V-BELT / 8 RIB 78.54" (1995) 8PK1995 QT + SD ARAMIDE From B-5002	1	H
1	506042	MULTI V-BELT / 8 RIB 73" (1865) 8PK1865 QT + ARAMIDE	1	E
1A	506212	MULTI V-BELT / 8 RIB 80.91" (2055) 8PK2055 ORION QT+ SD ARAMIDE	1	G
1A	506244	MULTI V-BELT / 8 RIB 75.79" (1925) 8PK1925 ORION QT+ SD ARAMIDE EMERGENCY	1	G
3	012500	ALTERNATOR BRACE W/D13	1	
6	012589	SUPPORT ASSY IDLER PULLEY From 9-9654	1	
7	012501	ENGINE MOUNT & ALTERNATOR MOUNT CURBSIDE W/D13	1	
NS	5001308	SCREW CAP HEXF M10-1.5x40 G10.9 N500	4	
NS	5001671	SCREW CAP HEXF M14-2.0x45 G8.8 G500	1	
8	510970	PULLEY ASSY From 9-9654	1	
NS	560974	BALL BEARING From 9-9654	2	
9	5001084	NUT HEXF M10-1.5 G500 From 9-9654	1	
10	5001784	SCREW CAP HEXF M10-1.5x90 G8.8 AD N500 From 9-9654	1	
11	550924	PROTECTOR CAP / STEEL 40.7MM O.D. x 5MM From 9-9654	1	
11	557056	PROTECTOR CAP / STEEL 40.7MM O.D. x 11MM From 9-9654	1	
12	5001721	NUT HEXF STO M12-1.5 G10.9 MAG565 From 9-9654	1	
13	5001583	SCREW CAP HEX M12-1.5x100 G10.9 DP From 9-9654	1	
14	20762060	AUTOMATIC TENSIONER ASSY To 9-9613	1	
14	20935523	AUTOMATIC TENSIONER ASSY From 9-9614 To A-9917	1	
14	21404578	AUTOMATIC TENSIONER ASSY From A-9918 To A-9973	1	
14	510991	AUTOMATIC TENSIONER ASSY	1	
14	510991	AUTOMATIC TENSIONER ASSY	1	
NS	068151	SUPPORT ADAPTOR AUTOMTIC TENSIONER ALTERNATOR	1	
NS	5001644	SCREW CAP HEXF M10-1.5x30 G8.8 G500	2	
NS	5001802	SCREW CAP HEXF M10-1.5x80 G10.9 N500	1	
14A	510991	AUTOMATIC TENSIONER ASSY	1	G
14A	510991	AUTOMATIC TENSIONER ASSY	1	G
15	965186	SCREW CAP HEXF M10-1.5x50 G8.8 ZG603	2	
16	5001693	SCREW CAP HEX M12-1.5x90 G10.9 MAGNI 565	1	
17	5001585	WASHER FL 13.5x27x2.46-4.5 DP	5	
18	5001338	SCREW CAP HEX M12-1.75x45 G10.9 N500	4	
19	067037	PULLEY ALTERNATOR / "BOSCH" / 8 RIB	2	
20	X3-0605-00	ALTERNATOR 24V/140 AMPS / "BOSCH"		
21	500811	NUT HEX STO M12-1.75 G500	1	
22	012499	ALTERNATOR BRACE PLATE W/D13	1	
23	5001687	SCREW CAP HEX M8-1.25x30 G10.9 MAGNI 565	3	
24	5001585	WASHER FL 13.5x27x2.46-4.5 DP	1	
25	192288	WASHER FL 8.4x18.0x2.0 ZG603	3	
26	563001	KIT NUT & WASHER M24-1.5 YC	1	

From 8-9259 To A-9975	Date:01/2024	PAGE:X3-0610-01
ALTERNATOR MOUNTING / "BOSCH" 2x140Amps VOLVO D13		

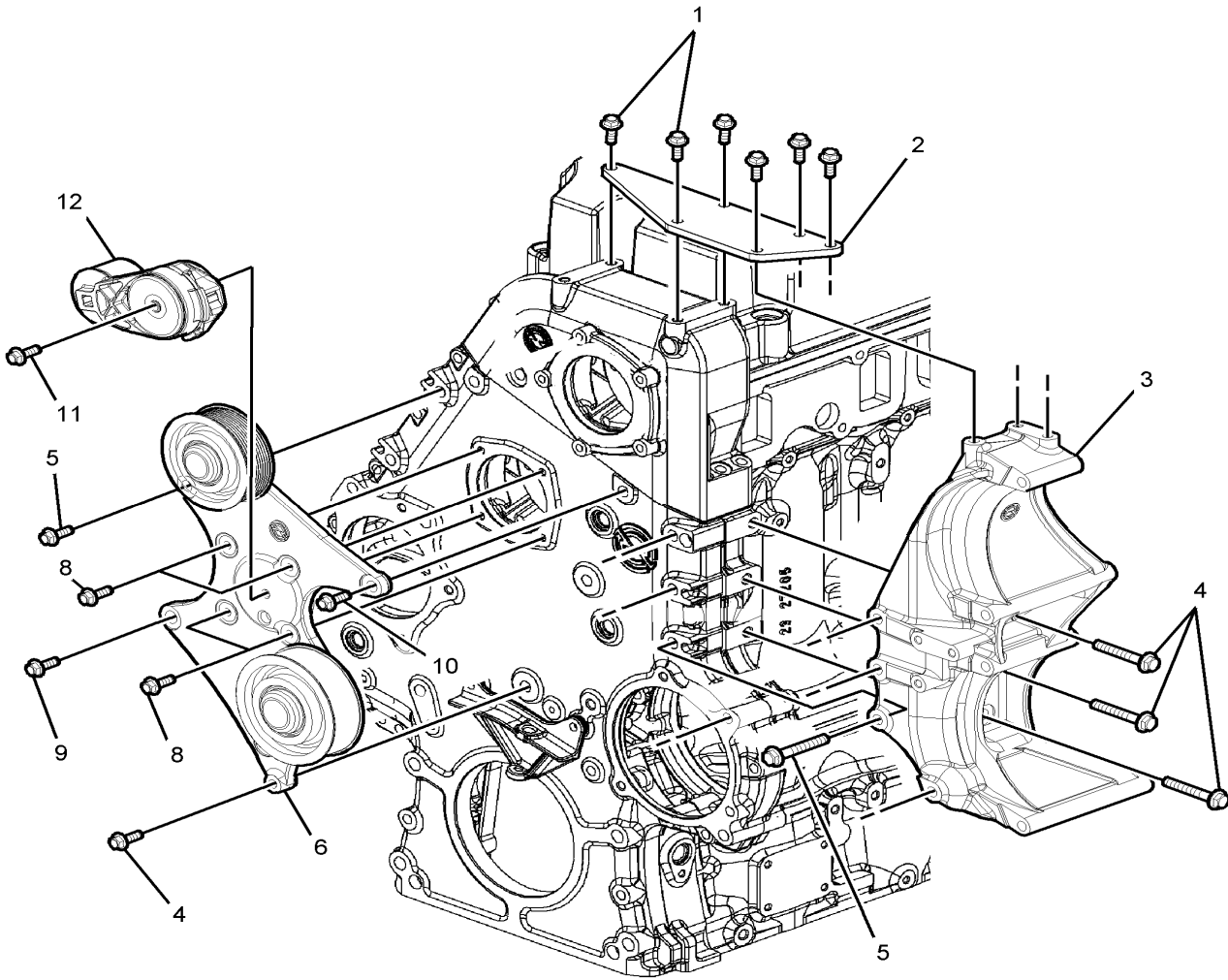
Item#	Part	Description	QTY	Notes
27	5001643	SCREW CAP HEXF M8-1.25x25 G8.8 G500 From 9-9654	1	
30	012475	SUPPORT OIL FILLERTUBE From 9-9654	1	
31	952639	CLAMP / 1"1/4 I.D. From 9-9654	1	
32	500574	SCREW MA TR PH #10-24x1 1/4 SS From 9-9654	1	
33	500804	WASHER FL .203x.500x.047 N500 From 9-9654	1	
34	500914	WASHER LO SPT .193x.334x.047 N500 From 9-9654	1	
35	502882	NUT HEX #10-24 N500 From 9-9654	1	
NS	067742	KIT RETROFIT "ADD PULLEY" To 9-9653	1	B
40	010325	KIT "BELT TENSIONNER"	1	G
A	010323	SUPPORT, ASSEMBLY	1	G
B	510991	AUTOMATIC TENSIONER ASSY	1	G
C	5001884	SCREW CAP HEXF M10-1.5X110 G10.9 N500	1	G
D	5001727	NUT HEXF NYRT M10-1.5 N500	2	G
E	5061286	MULTI V-BELT / 8 RIB 80.91" (2055) 8PK2055 ORION QT+ SD	1	G
F	5001843	SCREW CAP HEXF AD M10-1.5x50 G10.9 N500	1	G
G	557056	PROTECTOR CAP / STEEL 40.7MM O.D. x 11MM	1	G
H	510970	PULLEY ASSY	1	G
NS	560974	BALL BEARING	2	G
J	5001784	SCREW CAP HEXF M10-1.5x90 G8.8 AD N500	1	G
E2	506212	MULTI V-BELT / 8 RIB 80.91" (2055) 8PK2055 ORION QT+ SD ARAMIDE	1	G
E3	5061287	MULTI V-BELT / 8 RIB 75.79" (1925) 8PK1925 ORION QT+ SD	1	G
E4	506244	MULTI V-BELT / 8 RIB 75.79" (1925) 8PK1925 ORION QT+ SD ARAMIDE	1	G
50	X3-0120-01	DRIVE PULLEY, BELTS & TENSIONER WITH DETROIT S-60		
		B) INCLUDE ITEMS WITH GREEN HOT SPOT (ITEMS 1, 6, 8, 9, 10, 11, 12, 13)		
		E) USE ON EMERGENCY WITH ONE ALTERNATOR		
		F) USE ON EMERGENCY WITH ONE ALTERNATOR		
		G) USE IF YOU HAVE DID PRODUCT IMPROVEMENT KIT # 012770		
		H) SUPER HEAVY DUTY		

From 9-9640 To B-5001

Date:01/2024

PAGE:X3-0610-05

ALTERNATOR MOUNTING / "BOSCH" 2X120AMPS DETROIT S-60

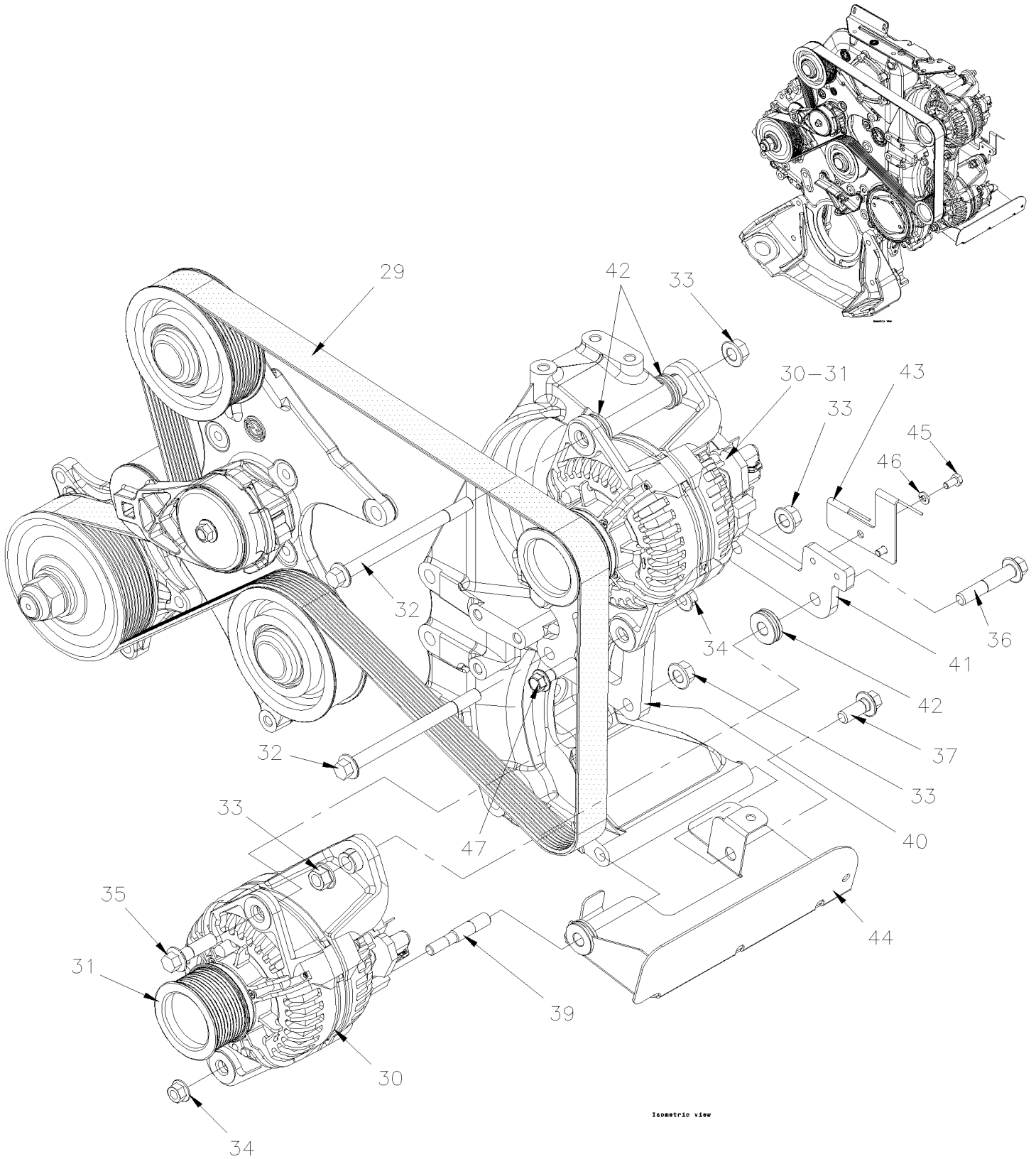


From 9-9640 To B-5001

Date:01/2024

PAGE:X3-0610-05

ALTERNATOR MOUNTING / "BOSCH" 2X120AMPS DETROIT S-60

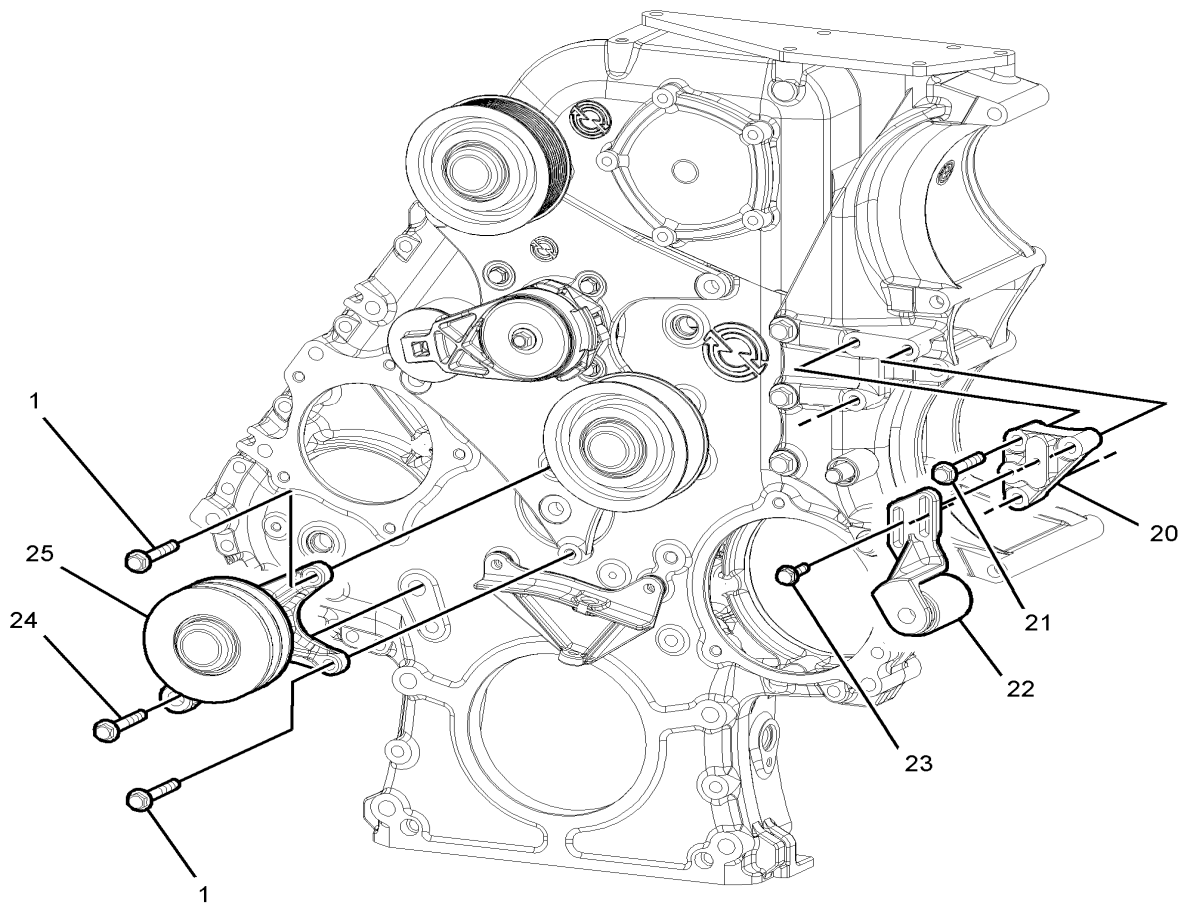


From 9-9640 To B-5001

Date:01/2024

PAGE:X3-0610-05

ALTERNATOR MOUNTING / "BOSCH" 2X120AMPS DETROIT S-60



From 9-9640 To B-5001	Date:01/2024	PAGE:X3-0610-05
-----------------------	--------------	-----------------

ALTERNATOR MOUNTING / "BOSCH" 2X120AMPS DETROIT S-60

Item#	Part	Description	QTY	Notes
1	5001644	SCREW CAP HEXF M10-1.5x30 G8.8 G500	8	
2	23527310	STRAP	1	
3	23530258	BRACKET	1	
4	23528697	SCREW CAP HEXF M12-1.75x60 G10.9	4	
5	23528406	SCREW CAP HEXF M12-1.75x80 G10.9	6	
6	23530231	PULLEY ASSY FORMER	1	
6	23534290	PULLEY ASSY CURRENT	1	
8	11504822	SCREW CAP HEXF M9-1.25x30 G10.9	4	
9	23528698	SCREW CAP HEX M14-2.00x130 G10.9	1	
10	23528406	SCREW CAP HEXF M12-1.75x80 G10.9	2	
11	11503669	SCREW CAP HEX M10-1.50x80 G10.9	1	
12	012329	AUTOMATIC TENSIONER ASSY	1	
20	012455	ADAPTOR SNUBBER MOUNTING	1	
21	5001595	SCREW CAP HEXF M10-1.5x60 G8.8 G500	3	
NS	012453	. SUPPORT	1	
NS	012456	. ROLLER 48MM O.D. x 64MM	1	
NS	012458	. BEARING MODIFIED PREVOST	1	
NS	5006768	. SCREW DRV RND #14x5/8 Z050	1	
22	012467	SNUBBER ASSY	1	D
23	5001643	SCREW CAP HEXF M8-1.25x25 G8.8 G500	2	
24	5001596	SCREW CAP HEXF M14-2.0x90 G8.8 MAGNI 565	1	
25	012466	PULLEY ASSY IDLER	1	D
29	5061277	MULTI V-BELT / 10 RIB 87.99" (2235) 5100880	1	
29	5061276	MULTI V-BELT / 10 RIB 77.17" (1960) 21-1158	1	A
30	564119	ALTERNATOR ASSY 24V/120 AMPS / W/OUT PULLEY	2	
. NS	564469	. CONNECTOR / MKR-PLUS / SH 5C / G&H 18241 000 000	1	
31	564120	PULLEY ALTERNATOR / "BOSCH" / 76MM O.D. x 10 RIB	2	
32	5001723	SCREW CAP HEXF M12-1.75x160 G10.9 N500	2	
33	5001728	NUT HEXF STO M12-1.75 N500 G10	4	
34	5001727	NUT HEXF NYRT M10-1.5 N500	2	
35	5001338	SCREW CAP HEX M12-1.75x45 G10.9 N500	2	
36	5001861	SCREW CAP HEX M12-1.75x60 G10.9 N500	1	
37	5001726	SCREW CAP HEXF M12-1.75x30 G10.9 N500	1	
39	564476	STUD M10-1.5 x M12-1.75 x 70MM	1	
40	067619	SUPPORT / ALTERNATOR FORWARD	1	
41	067620	SUPPORT / ALTERNATOR BACKWARD	1	
42	067621	BUSHING 31.0MM O.D.x9.5MM	3	
43	067622	SUPPORT / WIRING HARNESS	1	
44	067633	PROTECTION PLATE ASSY W/"DETROIT" ENGINE	1	
44	067776	PROTECTION PLATE ASSY W/"DETROIT" ENGINE	1	
44	069116	PROTECTION PLATE ASSY W/"DETROIT" ENGINE	1	
45	955269	SCREW CAP HEX M6-1.0x12 G8.8 ZG603	2	

From 9-9640 To B-5001	Date:01/2024	PAGE:X3-0610-05
-----------------------	--------------	-----------------

ALTERNATOR MOUNTING / "BOSCH" 2X120AMPS DETROIT S-60

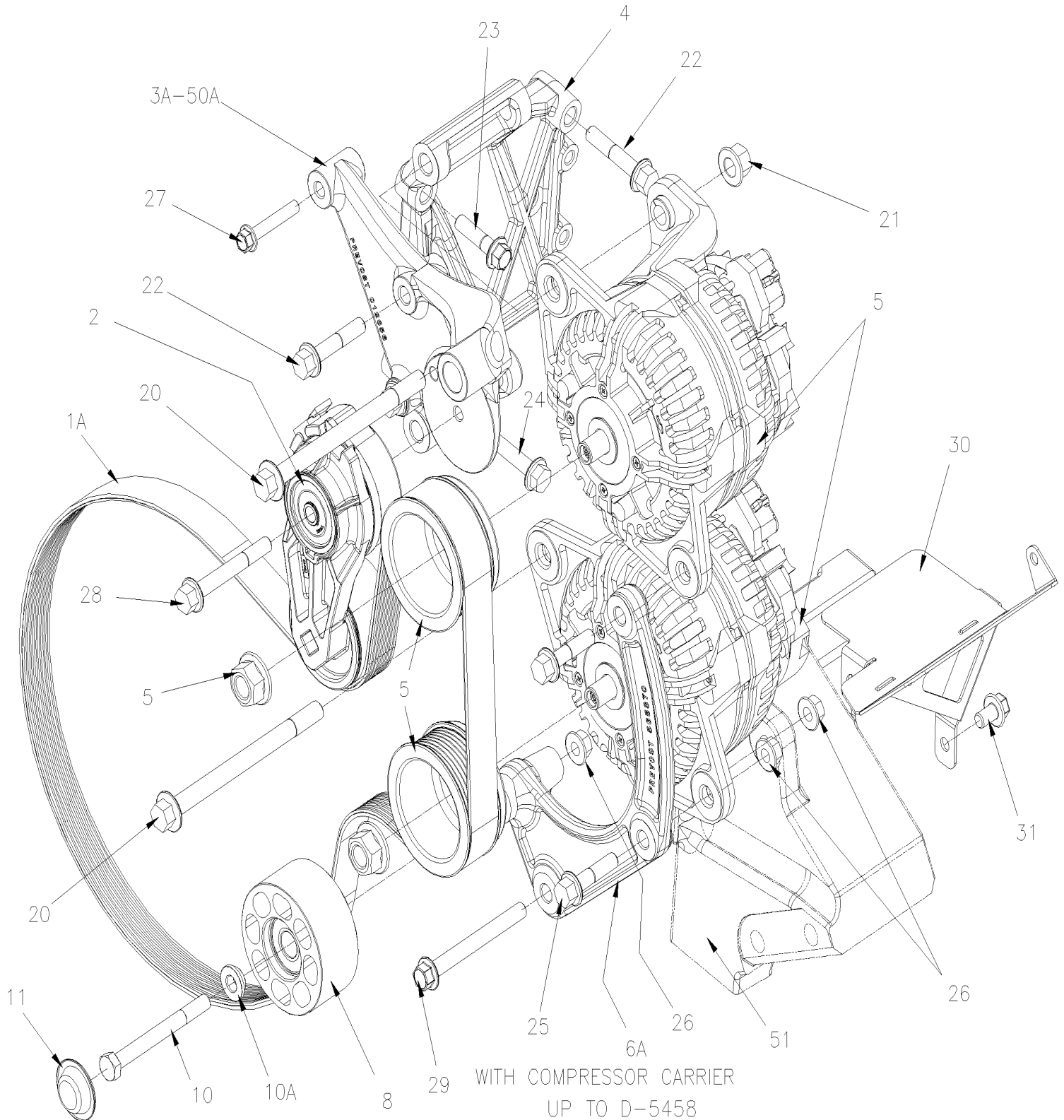
Item#	Part	Description	QTY	Notes
46	502853	WASHER LO SPT 6.1x11.8x1.6 N500	2	
47	5001308	SCREW CAP HEXF M10-1.5x40 G10.9 N500	1	
		A) EMERGENCY USE ONLY WITH ONE ALTERNATOR		
		D) SEE DETAIL AT PAGE HF-0120-00		

From A-9975 To H-6179

Date:01/2024

PAGE:X3-0610-06

ALTERNATOR MOUNTING / "BOSCH" VOLVO D13

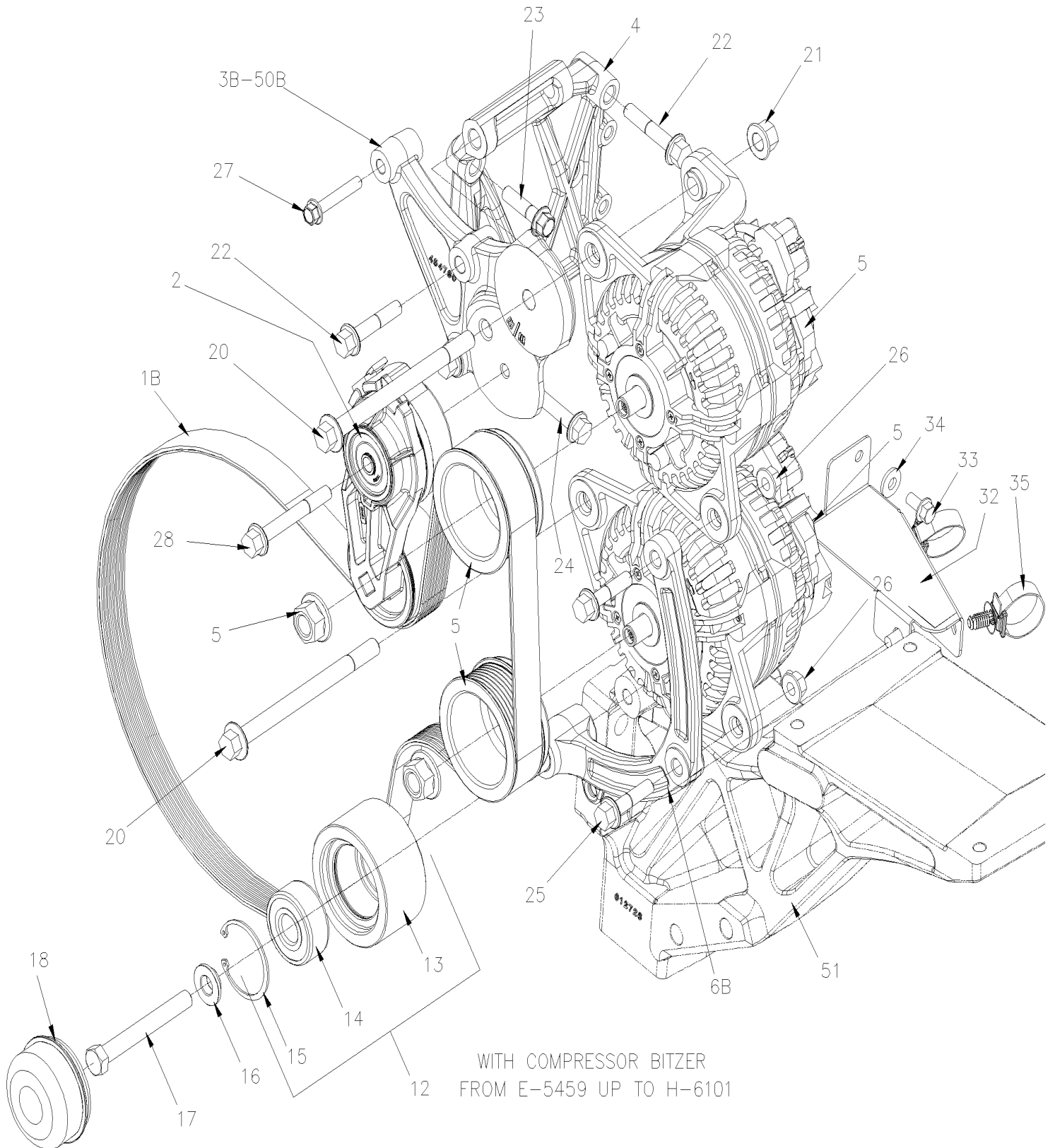


From A-9975 To H-6179

Date:01/2024

PAGE:X3-0610-06

ALTERNATOR MOUNTING / "BOSCH" VOLVO D13

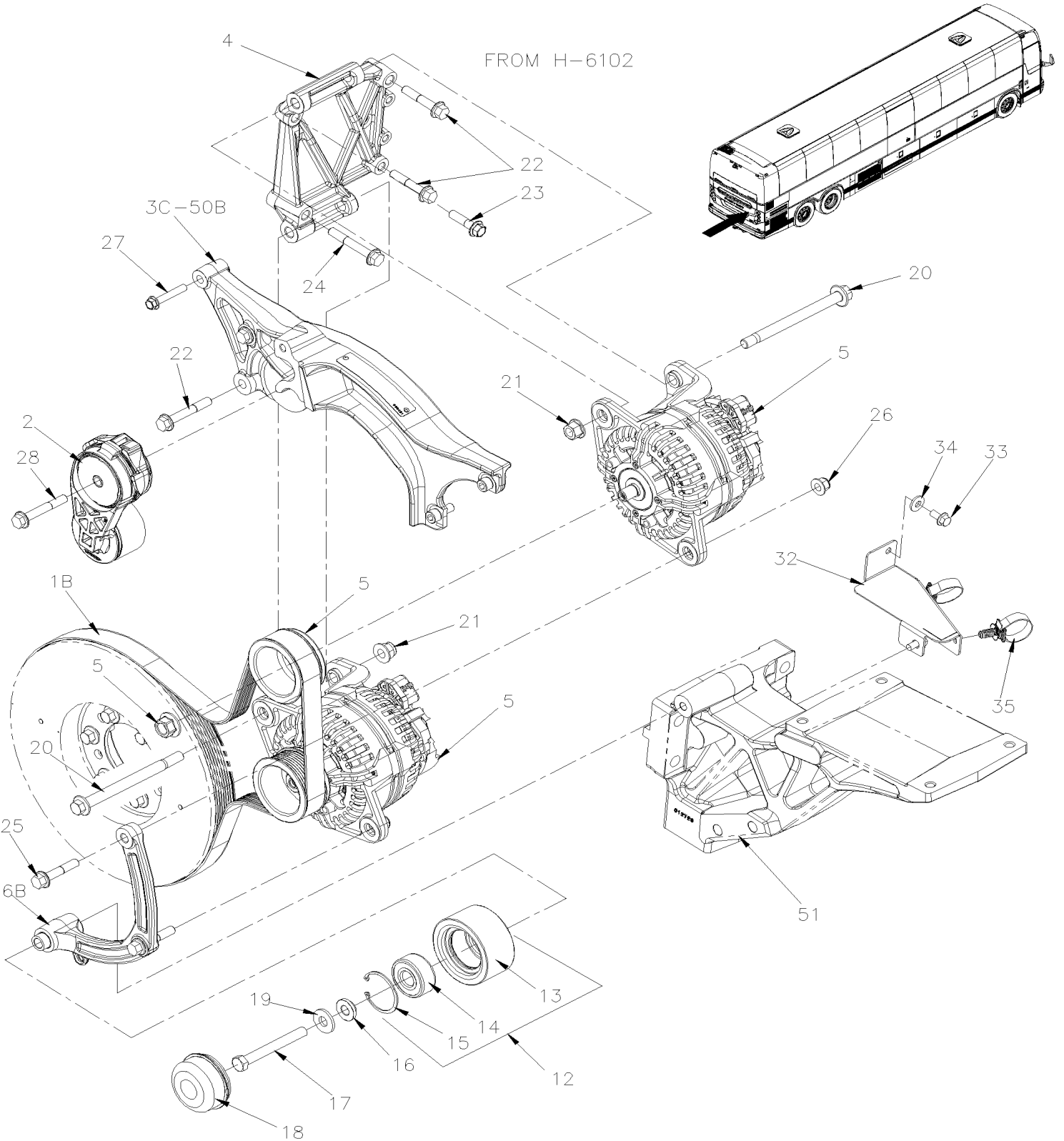


From A-9975 To H-6179

Date:01/2024

PAGE:X3-0610-06

ALTERNATOR MOUNTING / "BOSCH" VOLVO D13



From A-9975 To H-6179	Date:01/2024	PAGE:X3-0610-06
------------------------------	---------------------	------------------------

ALTERNATOR MOUNTING / "BOSCH" VOLVO D13

Item#	Part	Description	QTY	Notes
1A	505610	MULTI V-BELT / 8 RIB 63" (1600) 8PK1600 STANDARD DUTY To A-9974	1	A
1A	505608	MULTI V-BELT / 8 RIB 62.48" (1587) 8PK1587 STANDARD DUTY From A-9975 To D-5458	1	
1A	5060114	MULTI V-BELT / 8 RIB 62.5" (1587.5) 8PK1587.5 QT + SD (21-2121) From A-9975 To D-5458	1	H
1A	5060113	MULTI V-BELT / 8 RIB 60" (1524) 8PK1524 QT (21-2116) To D-5458	1	E
1A	5060145	BELT, POLY V 8PK 1539 ORION QT +	1	B
1B	5060129	MULTI V-BELT / 8 RIB 62" (1575MM) 8PK1575 QT From E-5459	1	
1B	5060130	MULTI V-BELT / 8 RIB 62" (1575MM) 8PK1575 SEVERE DUTY From E-5459	1	H
1B	5060131	MULTI V-BELT / 8 RIB 59.5" (1512MM) 8PK1512 QT From E-5459	1	E
1B	5060145	BELT, POLY V 8PK 1539 ORION QT +	1	B
2	20924200	AUTOMATIC TENSIONER ASSY To A-9974	1	
2	510991	AUTOMATIC TENSIONER ASSY From A-9975	1	
3	012674	SUPPORT PULLEY ALT & A/C PROTO	1	U
3A	012656	SUPPORT PULLEY ALT & A/C To E-5458	1	
3B	454779	SUPPORT PULLEY ALT & A/C WELDED From E-5459 To H-6101	1	
3C	457750	SUPPORT, TENSIONNER CASTING From H-6102	1	
4	20995657	ALTERNATOR MOUNT UPPER	1	
5	X3-0605-01	ALTERNATOR 24V/120 AMPS / "BOSCH" To G-5931		
5	068346	SHIM 20GA	1	D
5	068347	SHIM 26GA	1	D
5	500449	WASHER FL .625x1.500 SS	1	
5	X3-0605-02	ALTERNATOR 24V/150 AMPS / "BOSCH" From G-5932		
6A	565870	SUPPORT ASSY IDLER PULLEY & ALTERNATOR To E-5458	1	
6B	21134692	SUPPORT ASSY IDLER PULLEY & ALTERNATOR From E-5459	1	
8	510970	PULLEY ASSY To E-5458	1	C
. NS	560974	. BALL BEARING To E-5458	2	C
10	5001785	SCREW CAP HEXF M10-1.5x100 G10.9 N500 To D-5392	1	
10	5001901	SCREW CAP HEX M10-1.5x100 G10.9 N500 From D-5393	1	
10A	053022	GUIDE, BUSHING From D-5393 To H-6101	1	
11	550924	PROTECTOR CAP / STEEL 40.7MM O.D. x 5MM To E-5458	1	
11	557056	PROTECTOR CAP / STEEL 40.7MM O.D. x 11MM To E-5458	1	
12	457503	PULLEY ASSY W/BEARING / 46MM x 86.5MM O.D. From E-5459 To E-5759	1	
12	457705	PULLEY ASSY W/BEARING / 45MM x 90MM O.D. From E-5760 To H-6098	1	G
12	010074	KIT PULLEY REPLACEMENT / SERVICE From E-5760 To H-6098	1	G
12	012961	PULLEY ASSY W/BEARING / 48MM x 90MM O.D. From H-6099 To H-6144	1	
12	012349	PULLEY ASSY W/BEARING / 48MM x 90MM O.D. From H-6145	1	
12	012349	PULLEY ASSY W/BEARING / 48MM x 90MM O.D. INCLUDE INSIDE KIT 010074 From E-5760 To H-6098	1	G
13	457502	. PULLEY / 46MM x 86.5MM O.D. From E-5459 To E-5759	1	
13	453834	. PULLEY / 45MM x 90MM O.D. From E-5760 To H-6098	1	
13	012958	. PULLEY / 48MM x 90MM O.D. From H-6099	1	
13	012958	. PULLEY / 48MM x 90MM O.D. INCLUDE INSIDE KIT 010074 From E-5760 To H-6098	1	G
14	507340	. BALL BEARING 20 ID x 52 OD x 22.2 W From E-5459 To H-6098	1	F
14	507014	. BALL BEARING 20 ID x 52 OD x 22.2 W From E-5459 To H-6098	1	

From A-9975 To H-6179	Date:01/2024	PAGE:X3-0610-06
ALTERNATOR MOUNTING / "BOSCH" VOLVO D13		

Item#	Part	Description	QTY	Notes
14	507006	. BALL BEARING 25 ID x 62 OD x 25.4 W From H-6099 To H-6144	1	
14	509952	. BALL BEARING 25 ID x 62 OD x 25.4 W HI-TEMP From H-6145	1	
14	509952	. BALL BEARING 25 ID x 62 OD x 25.4 W HI-TEMP INCLUDE INSIDE KIT 010074 From E-5760 To H-6098	1	G
15	504095	. RING RETAINER / INT 2.00 x 2.12 x .062 From E-5459 To H-6098	1	
15	504040	. RING RETAINER / INT 2.440 x 1.860 x 0.078 STL BLK From H-6099	1	
15	504040	. RING RETAINER / INT 2.440 x 1.860 x 0.078 STL BLK INCLUDE INSIDE KIT 010074 From E-5760 To H-6098	1	G
16	053033	GUIDE, BUSHING From E-5459 To E-5649	1	
16	053690	GUIDE, BUSHING From E-5650 To H-6098	1	
16	060137	GUIDE, BUSHING From H-6099	1	
17	5001688	SCREW CAP HEX M12-1.75x100 G10.9 G500 From E-5459	1	
17	680098	THREAD SEALANT LOCTITE #567 / WHITE / 250ml From E-5459	AR	
18	453076	CAP, DUST From E-5459	1	
19	500211	WASHER FL .531x1.250x.125 N500 From H-6102	1	
20	5001723	SCREW CAP HEXF M12-1.75x160 G10.9 N500 To A-9991	2	
20	5001853	SCREW SHR CAP HEXF 13x130 (M12x1.75 G10.9 N500 From A-9992 To H-6101	2	
20	502950	SCREW SHR CAP HEXF 13x135 (M12x1.75 G10.9 N500 From H-6102	2	
21	5001728	NUT HEXF STO M12-1.75 N500 G10 To E-5651	2	
21	5001761	NUT HEXF NYRT M12-1.75 G8 N500 From E-5652	2	
21	5001728	NUT HEXF STO M12-1.75 N500 G10 From H-6102	2	
22	5001801	SCREW CAP HEXF M10-1.5x55 G10.9 N500	4	
23	5001308	SCREW CAP HEXF M10-1.5x40 G10.9 N500	1	
24	5001799	SCREW CAP HEXF M10-1.5x70 G10.9 N500	1	
25	5001800	SCREW CAP HEXF M10-1.5x45 G10.9 N500 To E-5651	2	
25	5001801	SCREW CAP HEXF M10-1.5x55 G10.9 N500 From E-5652	2	
26	5001727	NUT HEXF NYRT M10-1.5 N500 To E-5651	2	
26	5001930	NUT HEXF NYRT M10-1.5 N500 G10.9 From E-5652	2	
27	500796	SCREW CAP HEXF M8-1.25x50 G10.9 N500	1	
28	5001802	SCREW CAP HEXF M10-1.5x80 G10.9 N500 To B-5035	1	
28	5001799	SCREW CAP HEXF M10-1.5x70 G10.9 N500 From B-5036	1	
29	5001785	SCREW CAP HEXF M10-1.5x100 G10.9 N500 To E-5458	2	
30	068013	PROTECTION PLATE ASSY W/"VOLVO" ENGINE PROTO	1	U
30	067854	PROTECTION PLATE ASSY W/"VOLVO" ENGINE To E-5458	1	
31	5001729	SCREW CAP HEXF M10-1.5x16 G8.8 N500 To E-5458	1	
32	068541	SUPPORT CABLE GROUND ALTERNATOR From E-5459	1	
33	5001780	SCREW CAP HEXF M8-1.25x16 G8.8 N500 From E-5459	3	
34	500321	WASHER BEL SPR .331x.827x.098 N500 From E-5459	3	
35	504750	CABLE TIE / 1/2" x 15" / CHRISTMAS TREE From E-5459	2	
50A	X3-0120-03	DRIVE PULLEY, BELTS & TENSIONER WITH VOLVO D13 & 2x120Amps		
50B	X3-0120-04	DRIVE PULLEY, BELTS & TENSIONER WITH VOLVO D13		
51	X3-0150-01	ENGINE CRADLE - WITH VOLVO D13		

From A-9975 To H-6179	Date:01/2024	PAGE:X3-0610-06
ALTERNATOR MOUNTING / "BOSCH" VOLVO D13		

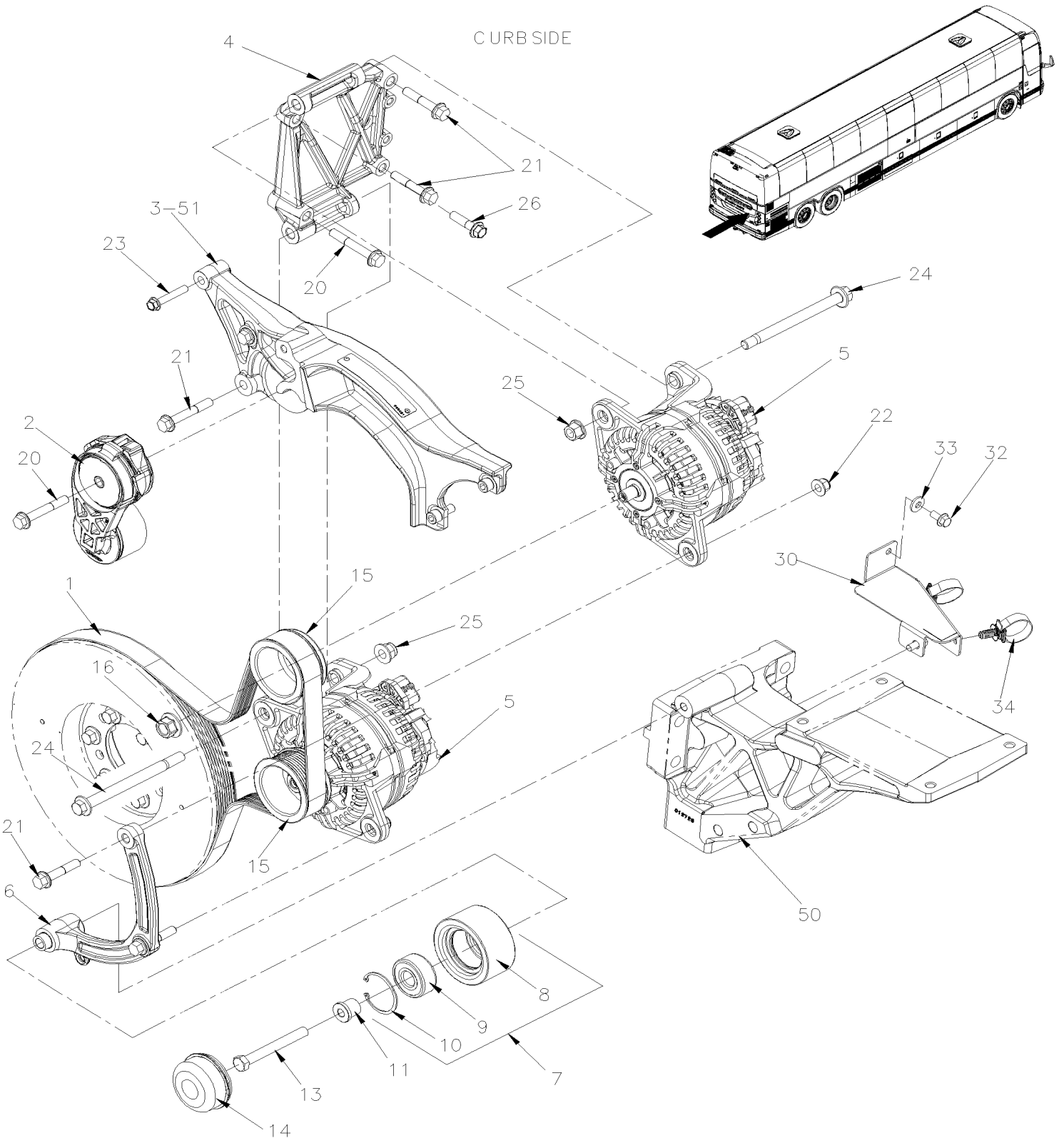
Item#	Part	Description	QTY	Notes
51	012670	ENGINE MOUNT CURBSIDE W/D13 PROTO	1	U
NS	565874	SPACER MOUNTING W/D13 PROTO	1	U
56		FOLLOWING ITEMS ARE FOR RETROFIT WITH REMY ALTERNATOR		
		A) FOR PRODUCT IMPROVEMEN ASK KIT # 067742		
		B) W DUAL ALT. & W/O IDLER PULLEY		
		C) FOR PRODUCT IMPROVEMENT ASK FOR 1 X 053022 & 1 X 5001901		
		D) USE TO ALIGN PULLEYS		
		E) USE ON EMERGENCY WITH ONE ALTERNATOR		
		F) REPLACE BY # 507014		
		G) FOR PRODUCT IMPROVMENT ASK FOR # 010074		
		H) SEVERE DUTY		

From H-6180

Date:01/2024

PAGE:X3-0610-07

ALTERNATOR MOUNTING / "BOSCH" VOLVO D13 - GHG17



From H-6180	Date:01/2024	PAGE:X3-0610-07
ALTERNATOR MOUNTING / "BOSCH" VOLVO D13 - GHG17		

Item#	Part	Description	QTY	Notes
1	5060129	. MULTI V-BELT / 8 RIB 62" (1575MM) 8PK1575 QT To P-6807	1	
1	5060130	. MULTI V-BELT / 8 RIB 62" (1575MM) 8PK1575 SEVERE DUTY	1	H
1	5060131	MULTI V-BELT / 8 RIB 59.5" (1512MM) 8PK1512 QT	1	E
2	510991	AUTOMATIC TENSIONER ASSY	1	
3	457750	SUPPORT, TENSIONNER CASTING To K-6439	1	
3	450580	SUPPORT, TENSIONNER CASTING From K-6440 To N-6738	1	
3	454767	SUPPORT, TENSIONNER CASTING From N-6739	1	
4	20995657	ALTERNATOR MOUNT UPPER	1	
5	X3-0605-02	ALTERNATOR 24V/150 AMPS / "BOSCH"	2	
6	21134692	SUPPORT ASSY IDLER PULLEY & ALTERNATOR	1	
7	012349	PULLEY ASSY W/BEARING / 48MM x 90MM O.D.	1	
8	012958	. PULLEY / 48MM x 90MM O.D.	1	
9	509952	. BALL BEARING 25 ID x 62 OD x 25.4 W HI-TEMP	1	
10	504040	. RING RETAINER / INT 2.440 x 1.860 x 0.078 STL BLK	1	
11	060137	GUIDE, BUSHING	1	
11	680038	THREAD LOCKER LOCTITE #243 / BLUE / 50ml	AR	
13	5001688	SCREW CAP HEX M12-1.75x100 G10.9 G500	1	
14	453076	CAP, DUST	1	
15	565869	PULLEY ALTERNATOR / "BOSCH" / 83MM DOB x 8 RIB To J-6222	2	
15	0600264	PULLEY ALTERNATOR / "BOSCH" / 83MM DOB x 8 RIB From J-6223	2	
NS	068346	SHIM 20GA	AR	A
NS	068347	SHIM 26GA	AR	A
16	21429955	FLANGE NUT	2	
16	500449	WASHER FL .625x1.500 SS To J-6222	2	
20	5001799	SCREW CAP HEXF M10-1.5x70 G10.9 N500	2	
21	5001801	SCREW CAP HEXF M10-1.5x55 G10.9 N500	4	
22	5001930	NUT HEXF NYRT M10-1.5 N500 G10.9	2	
23	500796	SCREW CAP HEXF M8-1.25x50 G10.9 N500	1	
24	502950	SCREW SHR CAP HEXF 13x135 (M12x1.75 G10.9 N500	2	
25	5001774	NUT HEXF STO M12-1.75 MAGNI G500	2	
26	5001308	SCREW CAP HEXF M10-1.5x40 G10.9 N500	1	
30	068541	SUPPORT CABLE GROUND ALTERNATOR	1	
32	5001780	SCREW CAP HEXF M8-1.25x16 G8.8 N500	3	
33	500321	WASHER BEL SPR .331x.827x.098 N500	3	
34	504750	CABLE TIE / 1/2" x 15" / CHRISTMAS TREE	2	
50	X3-0150-02	ENGINE CRADLE - WITH VOLVO D13 - GHG17	1	
51	X3-0120-05	DRIVE PULLEY, BELTS & TENSIONER WITH VOLVO D13 - GHG17	1	
61	505606	. MULTI V-BELT / 10 RIB (1695MM) 10PK1695 STANDARD DUTY	1	
61	505607	. MULTI V-BELT / 10 RIB (1695MM) 10PK1695 SEVERE DUTY	1	H
62	510991	AUTOMATIC TENSIONER ASSY	1	
63	012943	IDLER SUPPORT To K-6464	1	
63	011213	IDLER SUPPORT From K-6465	1	

From H-6180		Date:01/2024	PAGE:X3-0610-07
ALTERNATOR MOUNTING / "BOSCH" VOLVO D13 - GHG17			

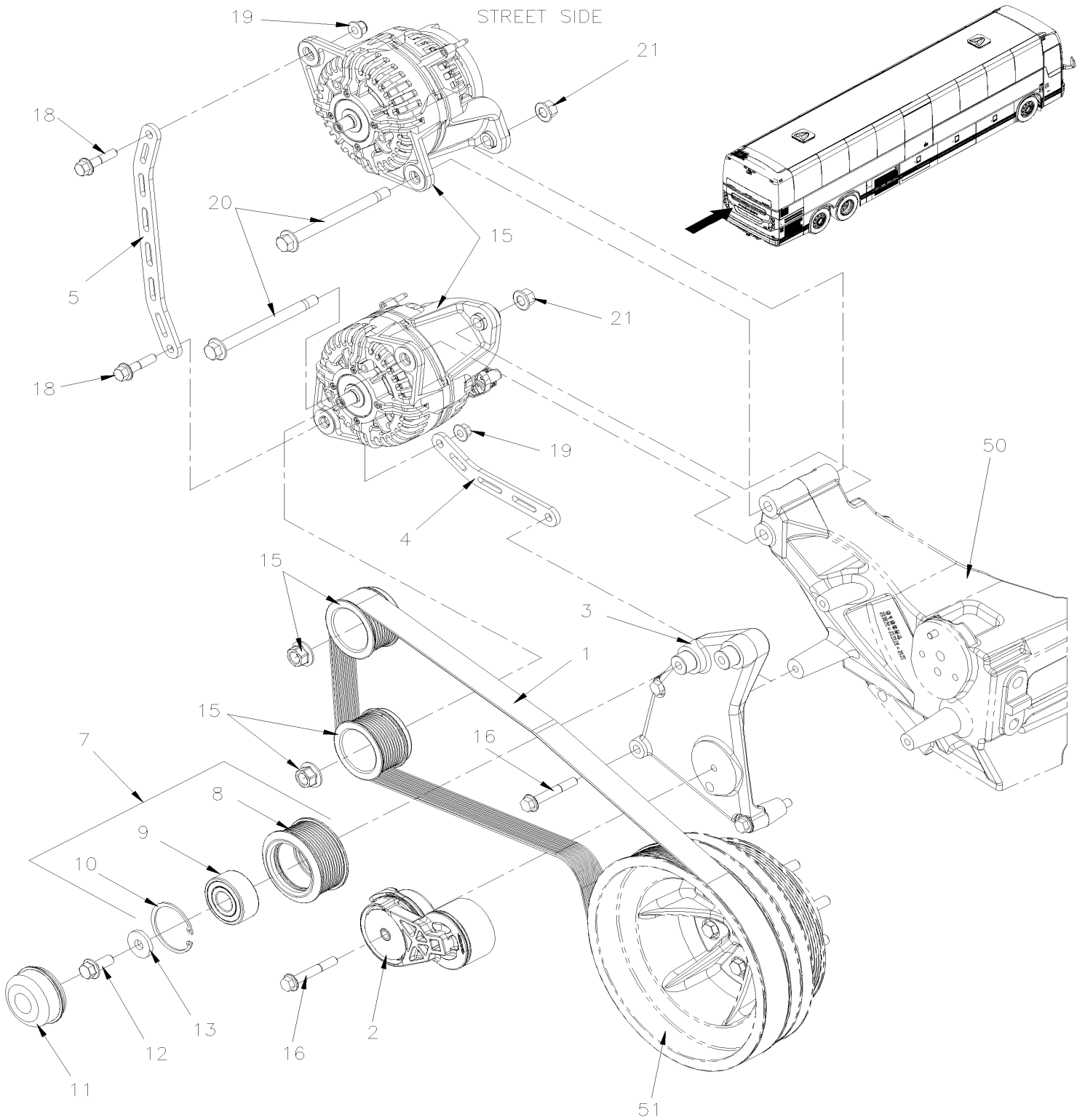
Item#	Part	Description	QTY	Notes
64	060102	ALTERNATOR, LOWER BRACKET	1	
67	012349	PULLEY ASSY W/BEARING / 48MM x 90MM O.D.	1	
68	012958	. PULLEY / 48MM x 90MM O.D.	1	
69	509952	. BALL BEARING 25 ID x 62 OD x 25.4 W HI-TEMP	1	
70	504040	. RING RETAINER / INT 2.440 x 1.860 x 0.078 STL BLK	1	
71	453076	CAP, DUST	1	
72	5001786	SCREW CAP HEXF M12-1.75x30 G8.8 N500	1	
73	5002008	WASHER FL 13.0x35.0x5.0 N500	1	
74	069556	PULLEY ALTERNATOR / "BOSCH" / 73MM DOB x 10 RIB To K-6313	1	
74	0600265	PULLEY ALTERNATOR / "BOSCH" / 73MM DOB x 10 RIB From K-6314	1	
75	21429955	FLANGE NUT	1	
75	500449	WASHER FL .625x1.500 SS To K-6313	1	
76	5001799	SCREW CAP HEXF M10-1.5x70 G10.9 N500	4	
78	5001800	SCREW CAP HEXF M10-1.5x45 G10.9 N500	1	
79	5001930	NUT HEXF NYRT M10-1.5 N500 G10.9	1	
80	502950	SCREW SHR CAP HEXF 13x135 (M12x1.75 G10.9 N500	1	
81	5001774	NUT HEXF STO M12-1.75 MAGNI G500	1	
83		FOLLOWING ITEMS ARE FOR RETROFIT WITH REMY ALTERNATOR	1	
		A) USE TO ALIGN PULLEYS		
		E) USE ON EMERGENCY WITH ONE ALTERNATOR		
		H) SEVERE DUTY		

From K-6413

Date:01/2024

PAGE:X3-0610-10

ALTERNATOR MOUNTING / COACH WITH 4 ALTERNATORS VOLVO D13



From K-6413	Date:01/2024	PAGE:X3-0610-10
-------------	--------------	-----------------

ALTERNATOR MOUNTING / COACH WITH 4 ALTERNATORS VOLVO D13

Item#	Part	Description	QTY	Notes
1	505605	MULTI V-BELT / 10 RIB (1892MM) 10PK1892 STANDARD DUTY	1	
2	510991	AUTOMATIC TENSIONER ASSY	1	
3	012943	IDLER SUPPORT To K-6464	1	
3	011213	IDLER SUPPORT From K-6465	1	
4	060102	ALTERNATOR, LOWER BRACKET	1	
5	060891	ALTERNATOR, SIDE BRACKET	1	
7	012344	PULLEY ASSY W/BEARING / 10 RIB	1	
8	012959	. PULLEY / 10 RIB 48MM x 90MM O.D.	1	
9	509952	. BALL BEARING 25 ID x 62 OD x 25.4 W HI-TEMP	1	
10	504040	. RING RETAINER / INT 2.440 x 1.860 x 0.078 STL BLK	1	
11	453076	CAP, DUST	1	
12	5001786	SCREW CAP HEXF M12-1.75x30 G8.8 N500	1	
13	5002008	WASHER FL 13.0x35.0x5.0 N500	2	
15	X3-0605-02	ALTERNATOR 24V/150 AMPS / "BOSCH"	2	
NS	060406	ALTERNATOR CONTROL LEFT HARNESS MTH	1	
NS	060413	ALTERNATORS JUMPER POWER HARNESS	1	
NS	060414	GROUND FRAME ALTERNATOR UP LEFT HARNESS	1	
NS	060415	ALTERNATOR BOTTOM LEFT BATTERY HARNESS	1	
16	5001799	SCREW CAP HEXF M10-1.5x70 G10.9 N500	4	
18	5001800	SCREW CAP HEXF M10-1.5x45 G10.9 N500	2	
19	5001930	NUT HEXF NYRT M10-1.5 N500 G10.9	2	
20	502950	SCREW SHR CAP HEXF 13x135 (M12x1.75 G10.9 N500	2	
21	5001774	NUT HEXF STO M12-1.75 MAGNI G500	2	
50	X3-0150-02	ENGINE CRADLE - WITH VOLVO D13 - GHG17		
51	X3-0120-05	DRIVE PULLEY, BELTS & TENSIONER WITH VOLVO D13 - GHG17		

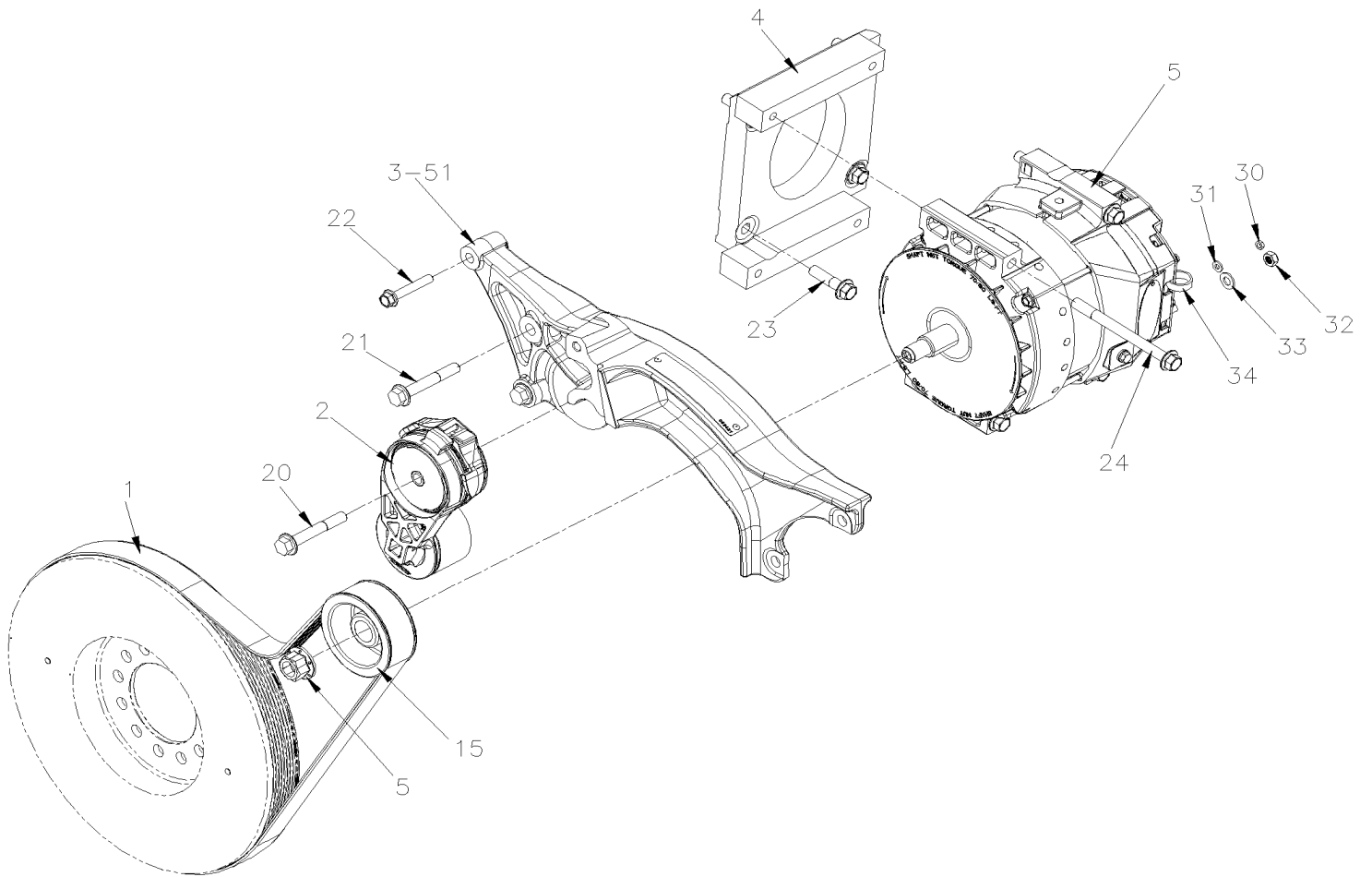
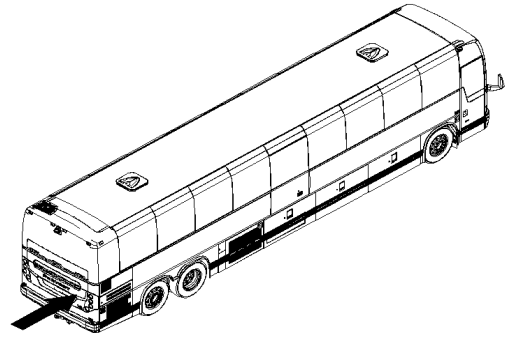
From K-6440

Date:01/2024

PAGE:X3-0610-15

ALTERNATOR MOUNTING / "REMY" VOLVO D13

CURB-SIDE



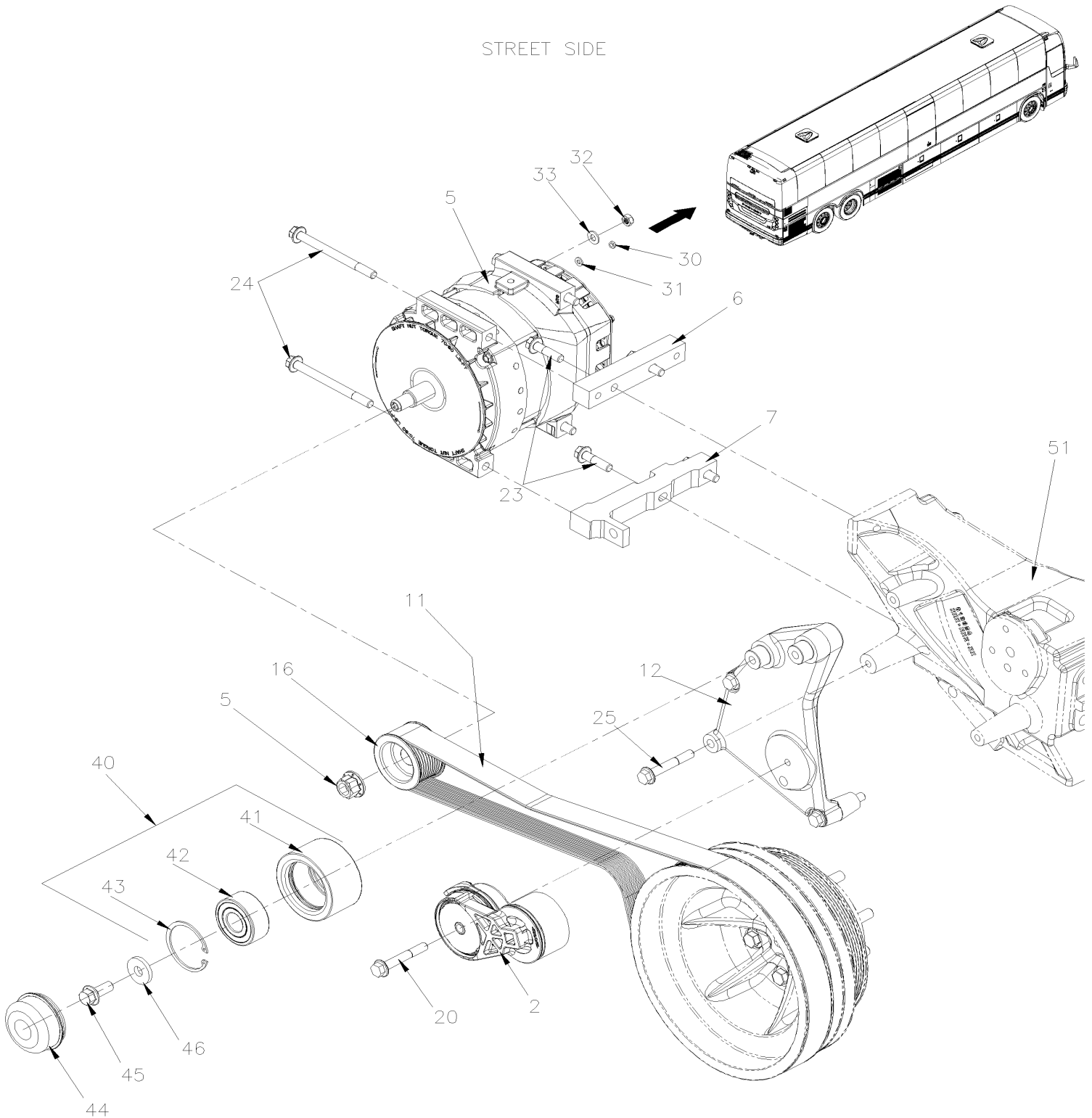
From K-6440

Date:01/2024

PAGE:X3-0610-15

ALTERNATOR MOUNTING / "REMY" VOLVO D13

STREET SIDE



From K-6440		Date:01/2024	PAGE:X3-0610-15
ALTERNATOR MOUNTING / "REMY" VOLVO D13			

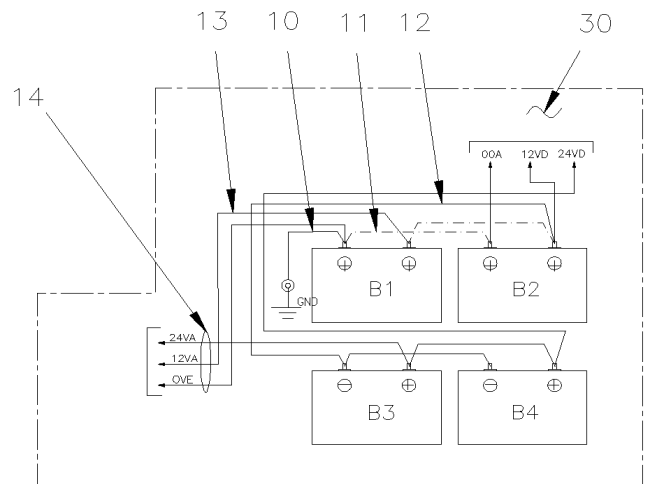
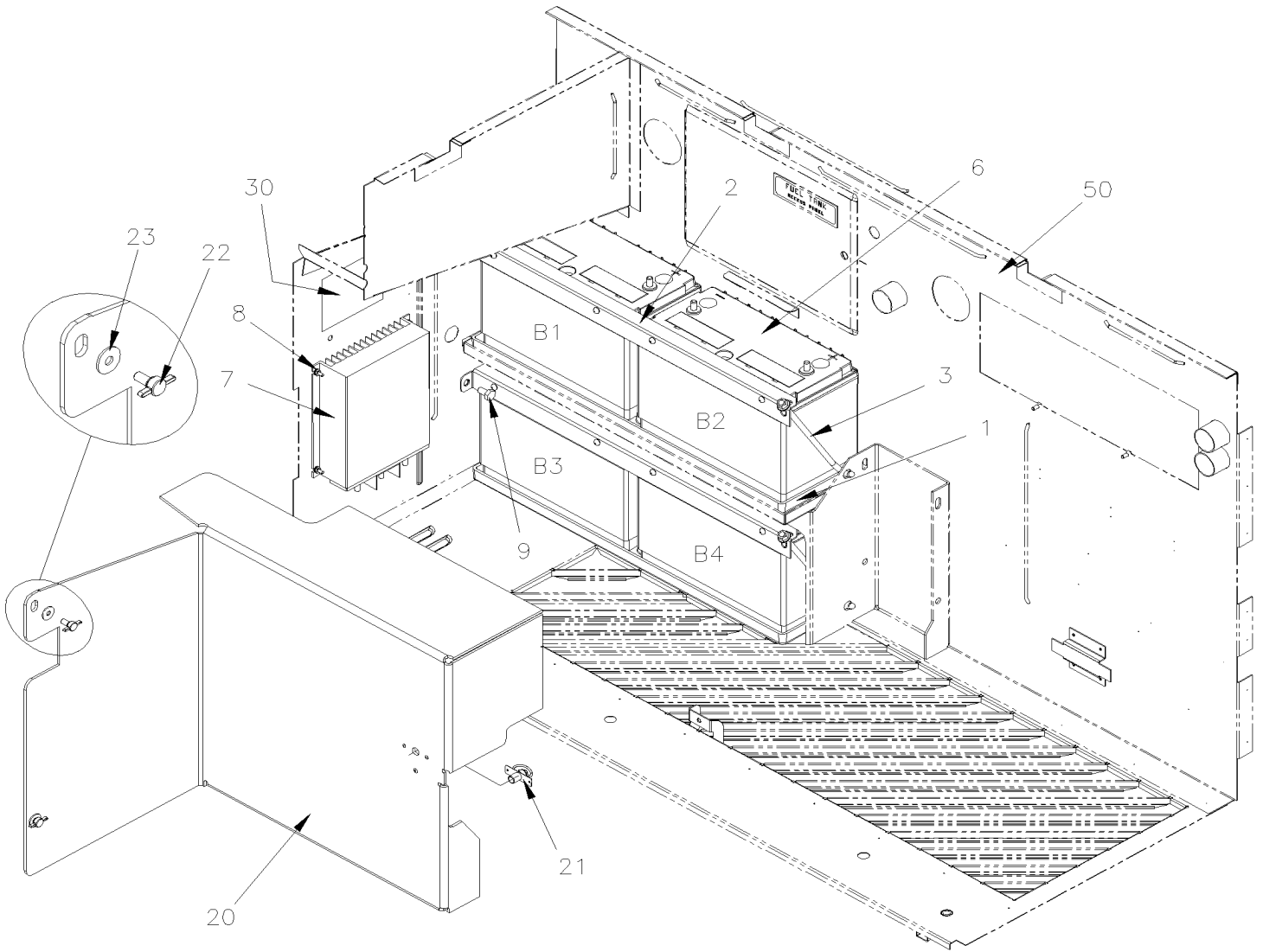
Item#	Part	Description	QTY	Notes
1	506065	MULTI V-BELT / 8 RIB 56.5" (1435MM) 8PK1435 QT EPDM	1	
1	505609	MULTI V-BELT / 8 RIB 56.5" (1435MM) 8PK1435 SEVERE DUTY	1	A
2	510991	AUTOMATIC TENSIONER ASSY	1	
3	450580	SUPPORT, TENSIONNER CASTING To N-6738	1	
3	454767	SUPPORT, TENSIONNER CASTING From N-6739	1	
4	069894	BRACKET, ALTERNATOR REMY	1	
5	X3-0605-10	ALTERNATOR 24V/250 AMPS / "REMY" To P-6878	2	
5	X3-0605-11	ALTERNATOR 24V/250 AMPS / "REMY" From P-6879		
6	069891	BRACKET, ALTERNATOR REMY UPPER	1	
7	069890	BRACKET, ALTERNATOR REMY LOWER	1	
11	20846320	MULTI V-BELT / 10 RIB 67.1" (1705MM) 10PK1705 STANDARD DUTY	1	
11	506193	MULTI V-BELT / 10 RIB 67.24" (1708MM) 10PK1705 SEVERE DUTY	1	A
12	012943	IDLER SUPPORT To K-6464	1	
12	011213	IDLER SUPPORT From K-6465	1	
15	069892	PULLEY ALTERNATOR / "REMY" / 83MM DOB. x 8 PK	1	
16	069893	PULLEY ALTERNATOR / "REMY" / 69MM DOB x 10 PK	1	
20	5001799	SCREW CAP HEXF M10-1.5x70 G10.9 N500	2	
21	5001799	SCREW CAP HEXF M10-1.5x70 G10.9 N500	2	
22	500796	SCREW CAP HEXF M8-1.25x50 G10.9 N500	1	
23	5001308	SCREW CAP HEXF M10-1.5x40 G10.9 N500	8	
24	5002091	SCREW CAP HEXF M10-1.5X120 G10.9 N500	8	
25	5001799	SCREW CAP HEXF M10-1.5x70 G10.9 N500	3	
30	5001180	NUT HEX NYRT #10-24 SS	6	
31	5001137	WASHER FL .203x.438x.050 SS	6	
32	500685	NUT HEX NYRT 5/16-18 SS	2	
33	560811	WASHER, ELECTRICAL CONDUCTOR M8/5/16	2	
34	504016	CABLE TIE / 5/16" X 14"1/2	AR	
40	012349	PULLEY ASSY W/BEARING / 48MM x 90MM O.D.	1	
41	012958	. PULLEY / 48MM x 90MM O.D.	1	
42	509952	. BALL BEARING 25 ID x 62 OD x 25.4 W HI-TEMP	1	
43	504040	. RING RETAINER / INT 2.440 x 1.860 x 0.078 STL BLK	1	
44	453076	CAP, DUST	1	
45	5001786	SCREW CAP HEXF M12-1.75x30 G8.8 N500	1	
46	5002008	WASHER FL 13.0x35.0x5.0 N500	1	
51	X3-0120-05	DRIVE PULLEY, BELTS & TENSIONER WITH VOLVO D13 - GHG17		
		FOLLOWING ITEMS ARE FOR RETROFIT WITH REMY ALTERNATOR		
		A) SEVERE DUTY		

From 7-8754 To B-5001

Date:01/2024

PAGE:X3-0615-00

BATTERIES INSTALLATION



From 7-8754 To B-5001	Date:01/2024	PAGE:X3-0615-00
BATTERIES INSTALLATION		

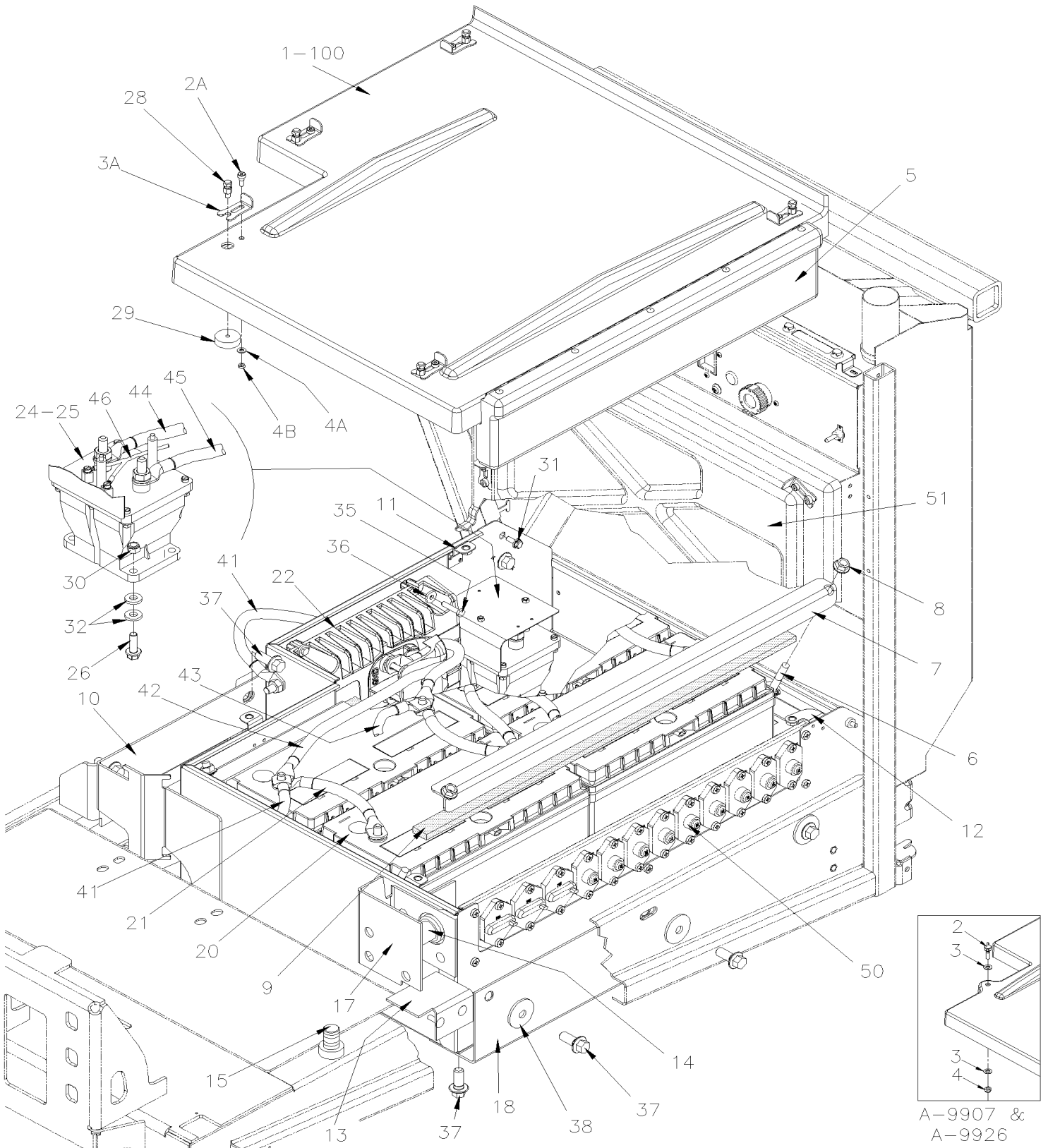
Item#	Part	Description	QTY	Notes
1	382114	TRAY BATTERY / PLASTIC	2	
2	382191	ANGLE BAR ASSY / BATTERIES RETAINER	2	
. NS	382150	. ANGLE BAR	1	
. NS	504527	. BUMPER PLUG / .625ODx.312THx.250HOLEx.125	4	
3	382177	J-HOOK / 240MM / M10-1.5 SS	2	
4	502216	NUT HEXF M10-1.5 SS	2	
6	563030	BATTERY 12V/930 CCA / GR31	4	
7	563334	EQUALIZER "VANNER" 100AMPS	1	
7	563634	EQUALIZER "VANNER" 100AMPS	1	A
7	560699	EQUALIZER "VANNER" 100AMPS	1	
7	563772	EQUALIZER "SURE POWER" 100AMPS "GREYHOUND"	1	
8	502882	NUT HEX #10-24 N500	4	
NS	502637	WASHER FL .200x.437x.037 SS	4	
NS	500914	WASHER LO SPT .193x.334x.047 N500	4	
9	502719	SCREW CAP HEX M10-1.5x20 SS EMN	2	
10	066295	CABLE ASSY / TO GROUND	1	
11	066296	CABLE ASSY / B + TO B -	4	
12	066297	CABLE POWER 24V	1	
13	066442	CABLE BATTERIES TO EQUALIZER	1	
14	061073	CABLE GROUND	1	
20	382156	COVER BATTERIES ASSY / W/2 LATCH	1	
. NS	382155	. COVER PANEL	1	
. NS	504203	. SPRING LATCH / KNURLED STEEL KNOB	2	
. NS	160295	. DECAL / "IT FORBIDDEN TO STOCK ANYTING IN TH. / ENGLISH & FRANCAIS	1	
20	382365	COVER BATTERIES ASSY / W/1 LATCH	1	
. NS	382364	. COVER PANEL	1	
. NS	504203	. SPRING LATCH / KNURLED STEEL KNOB	1	
. NS	160295	. DECAL / "IT FORBIDDEN TO STOCK ANYTING IN TH. / ENGLISH & FRANCAIS	1	
20	161191	DECAL / "IT FORBIDDEN TO STOCK ANYTING IN TH. / ENGLISH & SPANISH	1	
20	5060074	TAPE RUB ADH1 URE 3/8" X 2" X 30' / GREY 1820	AR	
21	504203	SPRING LATCH / KNURLED STEEL KNOB	1	
22	5001652	SCREW TH KNURLED M8-1.25 SS	2	
23	500381	WASHER FL 8.4x25.0x2.0 N500	2	
30	066443	DECAL "BATTERIES WIRING"	1	
50	X3-1865-20	EVAPORATOR & CONDENSOR WALL INSTALLATION		
		A) FOR PRODUCT IMPROVMENT ASK FOR #560699		

From B-5002 To D-5458

Date:01/2024

PAGE:X3-0615-01

BATTERIES INSTALLATION WITH "EPA 2010"



From B-5002 To D-5458	Date:01/2024	PAGE:X3-0615-01
BATTERIES INSTALLATION WITH "EPA 2010"		

Item#	Part	Description	QTY	Notes
	Call order desk	COVER ASSY W/SIDE BREAKER COVER PROTECTOR From A-9907 To A-9907	1	P
	Call order desk	COVER ASSY W/SIDE BREAKER COVER PROTECTOR From A-9926 To A-9926	1	P
	Call order desk	COVER ASSY W/SIDE BREAKER COVER PROTECTOR From B-5002	1	P
	Call order desk	COVER ASSY W/SIDE BREAKER COVER PROTECTOR	1	P
1	067733	. COVER From A-9907 To A-9907	1	
1	067733	. COVER From A-9926 To A-9926	1	
1	068231	. COVER From B-5002	1	
NS	5060103	. RUBBER SEAL 6.56FT LONG	AR	
2	5001818	. SCREW WI PLAS M8-1.25x25 SS From A-9907 To A-9907	4	
2	5001818	. SCREW WI PLAS M8-1.25x25 SS From A-9926 To A-9926	4	
2A	5001606	. SCREW SHR HEXS 1/4x3/16 {#10-24 SS From B-5002	5	
3	502723	. WASHER FL .386x.750x.050 NYL From A-9907 To A-9907	8	
3	502723	. WASHER FL .386x.750x.050 NYL From A-9926 To A-9926	8	
3A	068235	. LATCH ANGLE SLOTTED SS From B-5002	5	
4	502847	. NUT HEX NYRT M8-1.25 N500 From A-9907 To A-9907	4	
4	502847	. NUT HEX NYRT M8-1.25 N500 From A-9926 To A-9926	4	
4A	5001137	. WASHER FL .203x.438x.050 SS From B-5002	5	
4B	5001180	. NUT HEX NYRT #10-24 SS From B-5002	5	
5	067757	. COVER SIDE BREAKERS	1	
NS	506302	. RUBBER EXTRUSION TRIM SEAL / GRIP .024 / 7/16" HOLLOW BULB C.T.L.	AR	
NS	067756	. HINGE 622MM	1	
NS	504379	. RIVET POP DOME OE 3/16x1/4 SS	10	
NS	068121	DECAL "REAR JCT BREAKER'S PANEL	1	
6	067753	J-HOOK / 270.8MM / 3/8-16 SS	4	
7	067754	ANGLE BAR / BATTERIES RETAINER 700MM	1	
8	500960	NUT HEXF 3/8-16 ZP	2	
9	5060102	TAPE RUB ADH1 URE 3/8" x 1" x 30' / GREY 1820	AR	
10	067764	BOX ASSY / BATERIES COMPARTMENT From A-9907 To A-9907	1	
10	067764	BOX ASSY / BATERIES COMPARTMENT From A-9926 To A-9926	1	
10	068239	BOX ASSY / BATERIES COMPARTMENT	1	
11	068064	COVER BRACKET ANGLE From A-9907 To A-9907	3	
11	068064	COVER BRACKET ANGLE From A-9926 To A-9926	3	
11	068238	COVER BRACKET ANGLE	4	
12	068123	COVER BRACKET "J" FORM From A-9907 To A-9907	1	
12	068123	COVER BRACKET "J" FORM From A-9926 To A-9926	1	
12	068240	COVER BRACKET "J" FORM	1	
13	067785	GUARD BOX	1	
14	561856	BOOSTER BLOCK, REMOTE / RED	1	
14	5001935	WASHER FL 10.5x18.0x1.6 SS From E-5655	1	
14	5001936	NUT HEX NYRT 3/8-16 SS From E-5655	1	
15	382101	STUD, GROUND (WELDED TO STRUCTURE)	1	
NS	564178	GROUND CABLE BRAID 2/0	1	

From B-5002 To D-5458	Date:01/2024	PAGE:X3-0615-01
BATTERIES INSTALLATION WITH "EPA 2010"		

Item#	Part	Description	QTY	Notes
17	067759	GUARD BOX	1	
NS	500515	SCREW MA BDG SLT 1/4-20x1 NYL	3	
17	5001348	NUT WING 1/4-20 NYL	3	
18	067755	SUPPORT BOX ASSY / BATERIES COMPARTMENT To D-5299	1	
18	068209	SUPPORT BOX ASSY / BATERIES COMPARTMENT From D-5300	1	
20	563030	BATTERY 12V/930 CCA / GR31	4	
21	062371	CABLE ASSY / B + TO B +	5	
22	563634	EQUALIZER "VANNER" 100AMPS	1	A
22	560699	EQUALIZER "VANNER" 100AMPS	1	
22	563829	EQUALIZER "SURE POWER" 100AMPS	1	GR
22	068183	CABLE EQUALIZER "SURE POWER"	1	GR
NS	5060074	TAPE RUB ADH1 URE 3/8" X 2" X 30' / GREY 1820	AR	
24	562364	RELAY 24V S.P.S.T. / 300 AMPS N.O. // BATTERY DISCONNECT	1	
24	067808	SPACER 8.5 I.D.x 19 O.D.x15 From A-9907 To A-9907	4	
24	067808	SPACER 8.5 I.D.x 19 O.D.x15 From A-9926 To A-9926	4	
25	064792	DIODE ASSY	1	
NS	561740	DIODE / 3AMPS	1	
NS	560082	RING TERMINAL #10 / 16-14 / INSULATED / AMP 626033-2	1	
NS	560815	RING TERMINAL #10 / 22-18 / INSULATED / AMP 42037-2	1	
NS	562499	SHRINK TUBING / .250" - .125" / CLEAR / ALPHA FIT 221-1/4	AR	
26	5001687	SCREW CAP HEX M8-1.25x30 G10.9 MAGNI 565	3	
27	067888	CABLE ASSY / BATTERIES GND TO BODY	2	
28	068345	SCREW SPECIAL 1/4-20x25MM SS	1	
29	473378	SEAL WASHER / RUB RAIL & PANEL From B-5002	5	
30	502847	NUT HEX NYRT M8-1.25 N500	3	
31	5001730	SCREW CAP HEXF M6-1.0x16 G10.9 N500	1	
32	5001869	WASHER FL .343x.750x.12 SS	6	
35	502686	SCREW CAP HEX M6-1.0x30 SS BK	2	
36	5001654	WASHER FL 6.4x17.0x3.0 SS	2	
37	5001726	SCREW CAP HEXF M12-1.75x30 G10.9 N500 To C-5133	4	
37	5001866	SCREW CAP HEX M12-1.75x30 G10.9 N500 From C-5134	4	
38	500494	WASHER BEL SPR .470x1.680x.125 N500	3	
41	067888	CABLE ASSY / BATTERIES GND TO BODY	2	
42	067655	CABLE EQUALIZER	1	
43	066296	CABLE ASSY / B + TO B -	1	
44	068163	CABLE	1	
45	068208	CABLE	1	
46	068134	DIODE ASSY	1	
NS	5001522	NUT HEXF LO 3/8-16 SS	AR	
50	X3-0616-11	BREAKERS PANEL WITH "EPA 2010"		
51	X3-0620-01	REAR JUNCTION BOX ASSY WITH "EPA 2010"		

From B-5002 To D-5458	Date:01/2024	PAGE:X3-0615-01
BATTERIES INSTALLATION WITH "EPA 2010"		

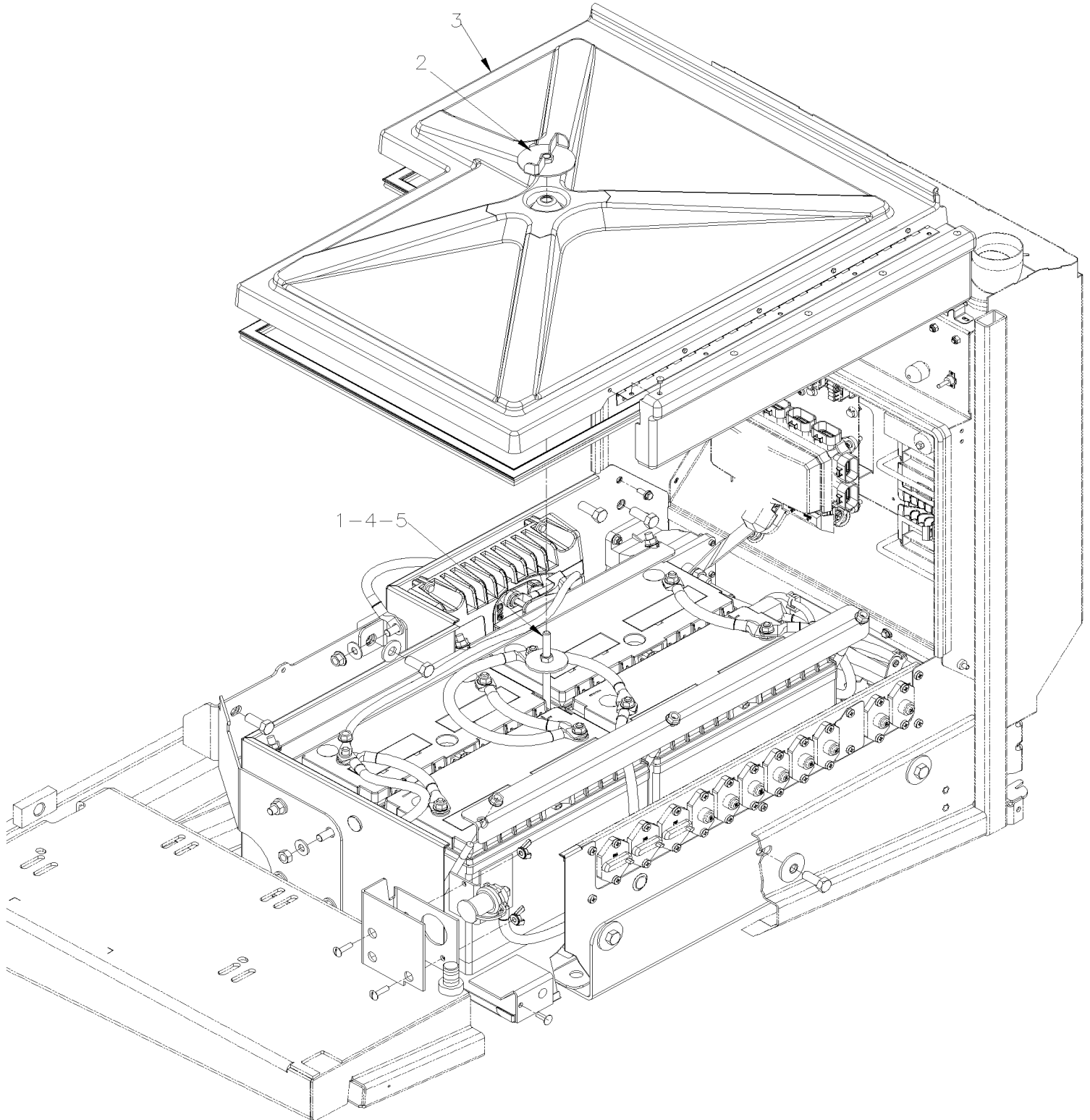
Item#	Part	Description	QTY	Notes
52	068210	DECAL / "BATTERIES CONNECTION WIRING" DIAGRAMG	1	
53	066155	DECAL PIN OUT / JCT BOX W/MUX	1	
100	068875	BATTERY PACK COVER SERVICE KIT	1	Z
NS	068881	DRILLING TEMPLATE	AR	Y
		A) FOR PRODUCT IMPROVMENT ASK FOR #560699		
		GR) WITH GREYHOUND OPTION		
		Y) NOT REQUIRED FOR EACH REPLACEMENT KIT		
		Z) USE THIS CAP FOR PRODUCT IMPROVMENT BEARING LIFE ON MOTOR #561558 TOO		
		P) CALL ORDER DESK FOR SPECIFIC APPLICATION (V.I.N.)		

From B-5002 To D-5458

Date:01/2024

PAGE:068875

BATTERY PACK COVER SERVICE KIT



From B-5002 To D-5458	Date:01/2024	PAGE:068875
-----------------------	--------------	-------------

BATTERY PACK COVER SERVICE KIT

Item#	Part	Description	QTY	Notes
1	068704	PLATE, ROD FOR COVER BATTERY BOX	1	
2	068765	NUT WING 3/8-16	1	
3	068858	BATTERY BOX COVER ASSY	1	
4	068867	ROD, BATTERY BOX COVER (WELDED)	1	
5	500702	NUT HEX NYRT 3/8-16 SS	1	

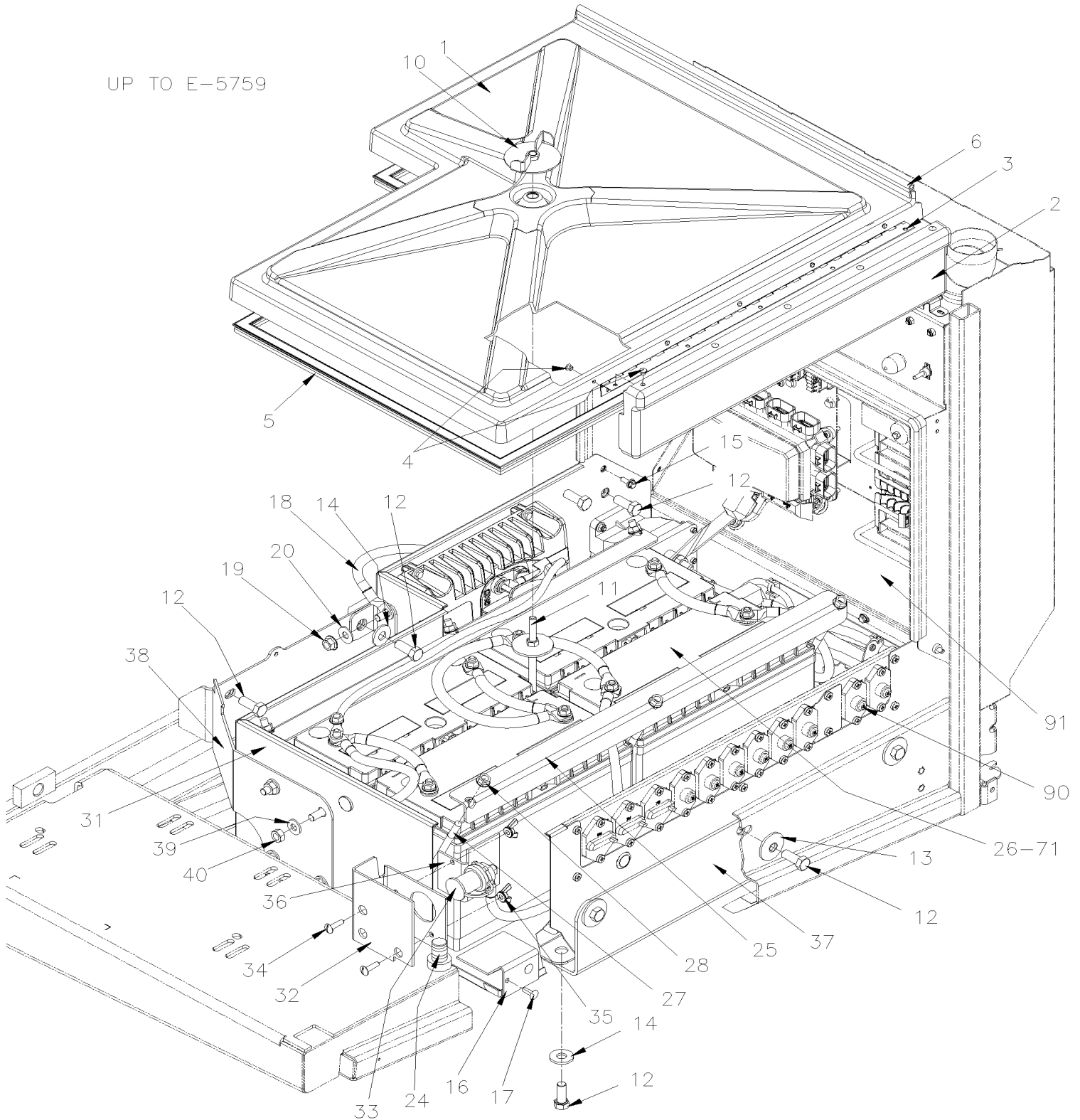
From E-5459 To H-6179

Date:01/2024

PAGE:X3-0615-02

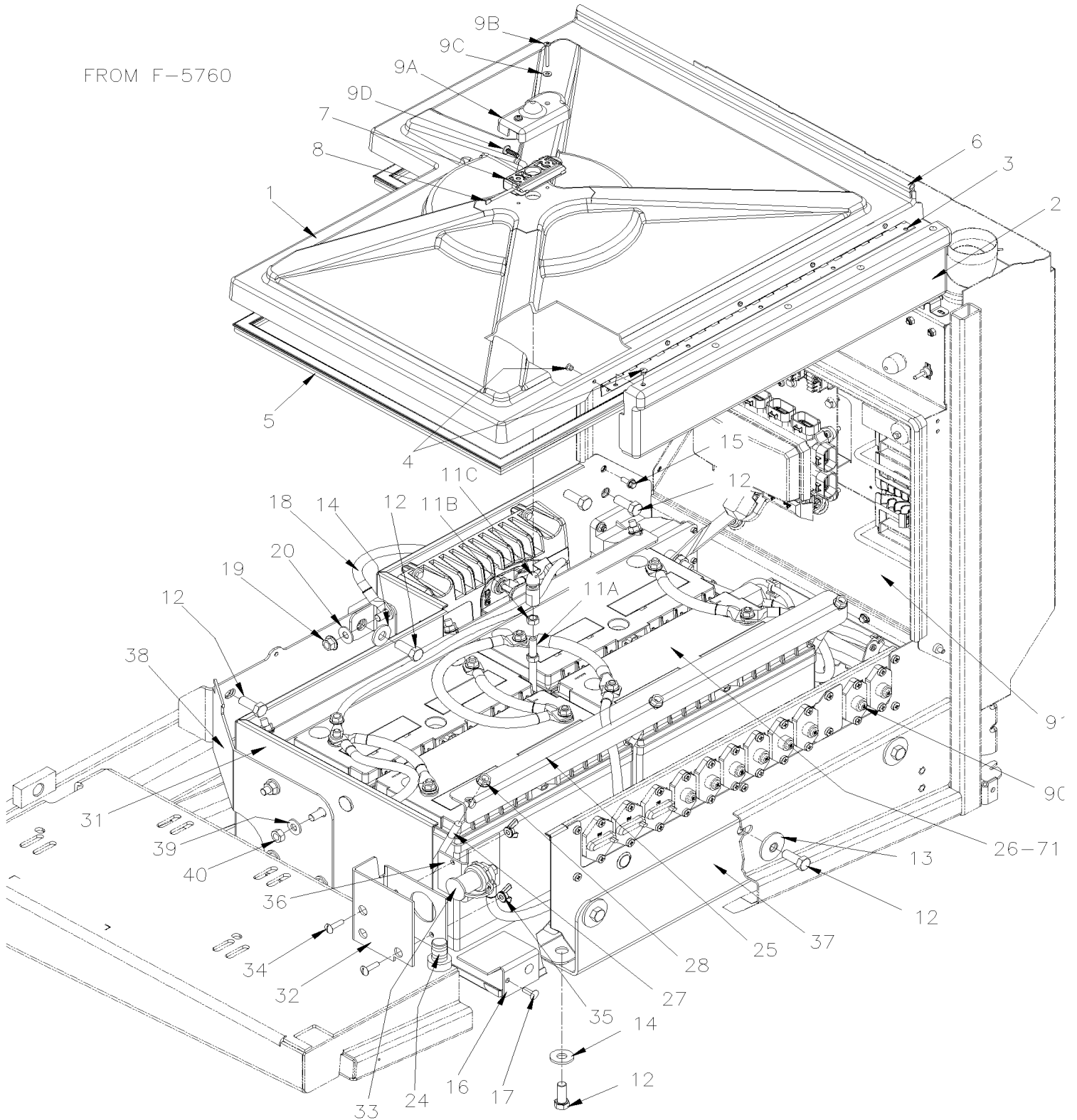
BATTERIES INSTALLATION

UP TO E-5759



BATTERIES INSTALLATION

FROM F-5760

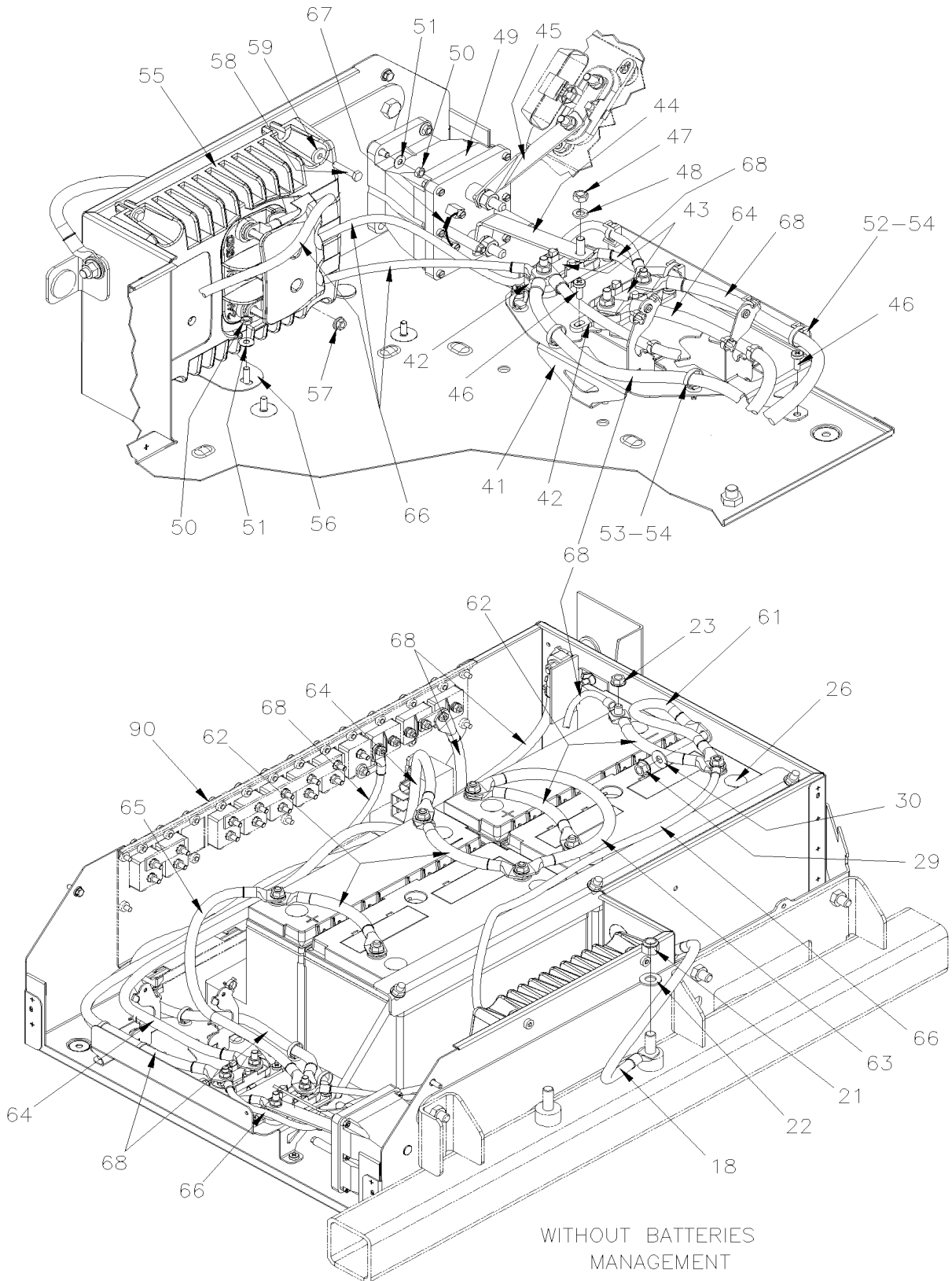


From E-5459 To H-6179

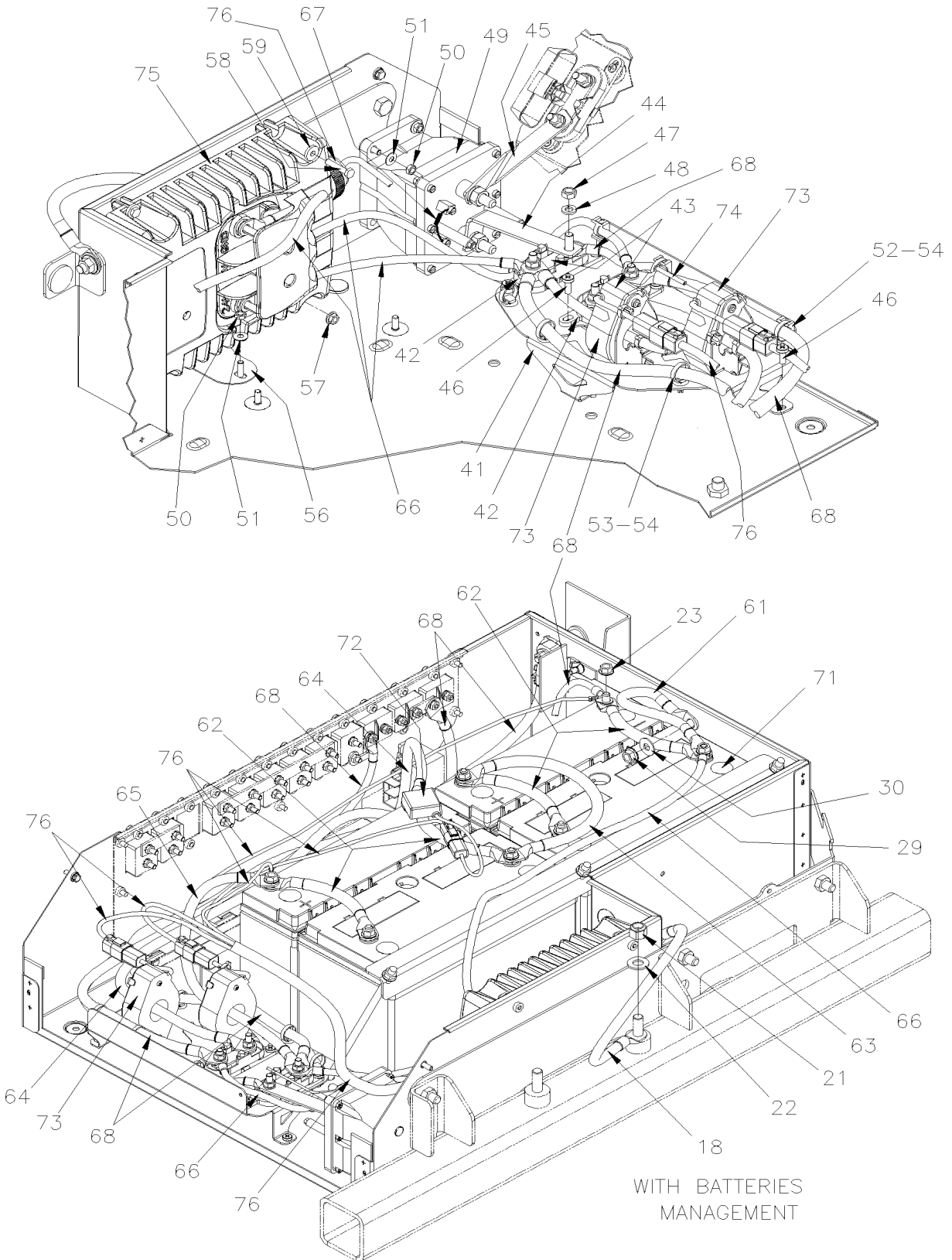
Date:01/2024

PAGE:X3-0615-02

BATTERIES INSTALLATION



BATTERIES INSTALLATION



From E-5459 To H-6179	Date:01/2024	PAGE:X3-0615-02
------------------------------	---------------------	------------------------

BATTERIES INSTALLATION

Item#	Part	Description	QTY	Notes
	Call order desk	COVER ASSY W/SIDE BREAKER COVER PROTECTOR To E-5759	1	P
	068701P	COVER ASSY W/SIDE BREAKER COVER PROTECTOR From F-5760	1	
1	068575	. COVER To E-5759	1	
1	069075	. COVER From F-5760	1	
2	067757	. COVER SIDE BREAKERS	1	
3	067756	. HINGE 622MM	1	
4	504379	. RIVET POP DOME OE 3/16x1/4 SS	10	
5	5060103	. RUBBER SEAL 6.56FT LONG	AR	
6	506302	. RUBBER EXTRUSION TRIM SEAL / GRIP .024 / 7/16" HOLLOW BULB C.T.L. To F-5775	AR	
6	069094	. RUBBER EXTRUSION / BATTERY COVER 620MM From F-5776	1	
6	504339	. RIVET POP DOME OE 1/8x3/8 SS From F-5776	3	
6	5001067	. WASHER FL .128x.312x.032 SS From F-5776	3	
7	477399	. RECEPTACLE From F-5760	1	
8	472830	. SPRING GUIDE HOLDER From F-5760	1	
9A	069054	. COVER / RECEPTACLE From F-5760	1	
9B	5001452	. SCREW TP PAN PH #8x1 1/2 SS From F-5760	2	
9C	5001137	. WASHER FL .203x.438x.050 SS From F-5760	2	
9D	5001630	. SCREW TP BUTF TORX M6x20 SS From F-5760	1	
10	068765	NUT WING 3/8-16 To E-5759	1	
11	068902	ROD, COVER BATTERY BOX To E-5759	1	
11A	069076	ROD, COVER BATTERY BOX From F-5760	1	
11B	500102	NUT HEX 3/8-16 SS From F-5760	1	
11C	069049	STOPPER From F-5760	1	
12	5001866	SCREW CAP HEX M12-1.75x30 G10.9 N500	9	
13	500494	WASHER BEL SPR .470x1.680x.125 N500	3	
14	500211	WASHER FL .531x1.250x.125 N500	4	
15	5001730	SCREW CAP HEXF M6-1.0x16 G10.9 N500	3	
16	067785	GUARD BOX	1	
17	5001438	RIVET DRV TR 1/4x3/4 NYL	2	
18	067888	CABLE ASSY / BATTERIES GND TO BODY	1	
19	502216	NUT HEXF M10-1.5 SS	1	
20	500270	WASHER FL .406x1.000x.063 SS	1	
21	502595	NUT HEX NYRT 1/2-13 Z050	1	
22	500958	WASHER FL .531x1.062x.095 SS	1	
23	5001522	NUT HEXF LO 3/8-16 SS	8	
24	382101	STUD, GROUND (WELDED TO STRUCTURE)	1	
25	068580	ANGLE BAR / BATTERIES RETAINER 710MM	2	
26	563030	BATTERY 12V/930 CCA / GR31	4	
26	068746	DECAL BATTERIES	1	
27	067753	J-HOOK / 270.8MM / 3/8-16 SS	6	
28	5001522	NUT HEXF LO 3/8-16 SS	6	
29	502216	NUT HEXF M10-1.5 SS	1	

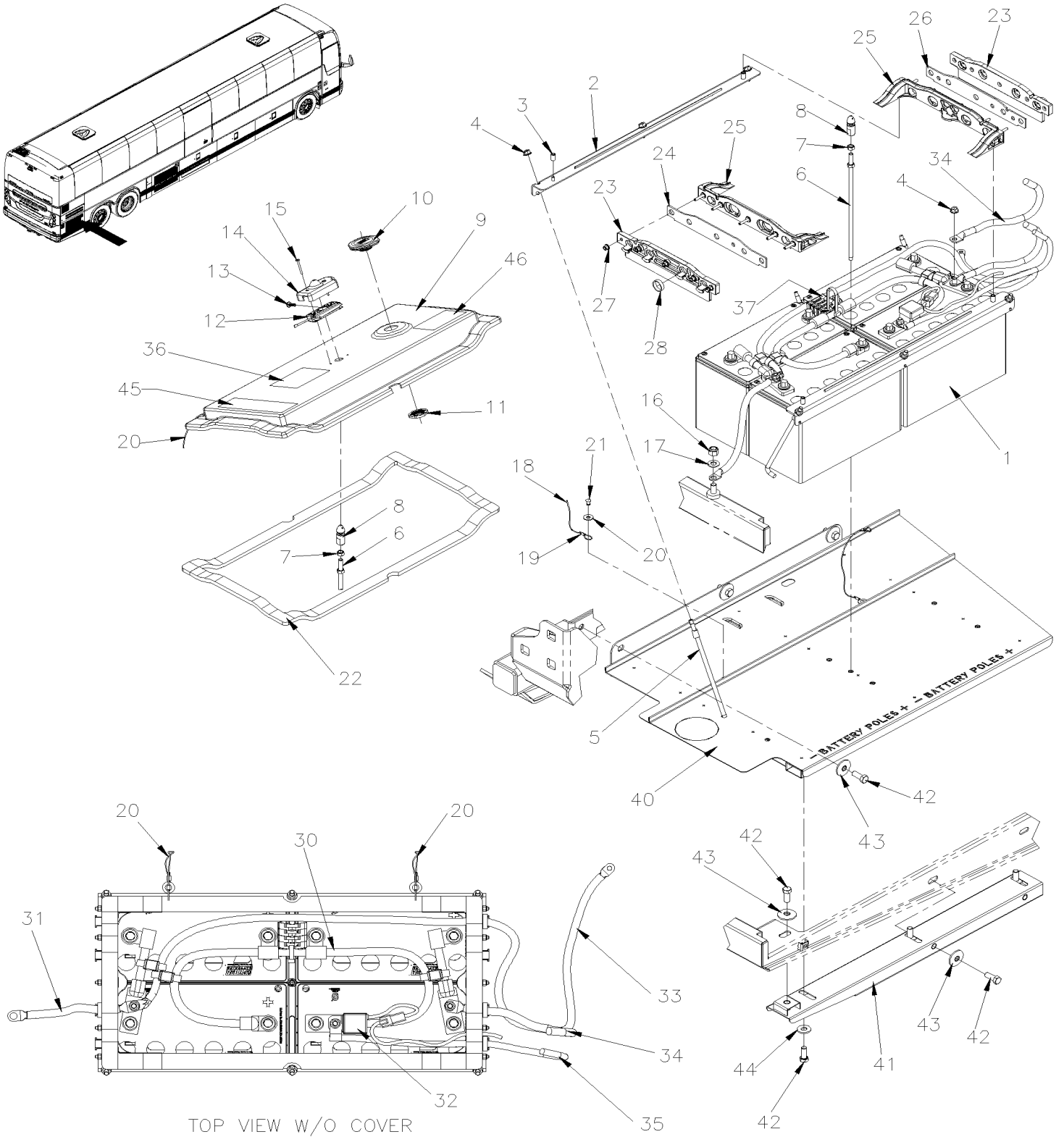
From E-5459 To H-6179	Date:01/2024	PAGE:X3-0615-02
BATTERIES INSTALLATION		

Item#	Part	Description	QTY	Notes
30	500270	WASHER FL .406x1.000x.063 SS	1	
31	068573	BOX ASSY / BATERIES COMPARTMENT	1	
31	506338	RUBBER CHANNEL / 1/16" x 1/4" INT "U" SHAPE / ROUND C.T.L.	AR	
31	680066	ADHESIVE / ADBOND #5014 / 23.6ML BOTTLE	AR	
32	067759	GUARD BOX	1	
32	067313	DECAL / "BOOSTER BLOCK" + 24 / ENGLISH & FRANCAIS To D-5459	1	
32	067968	DECAL / "BOOSTER BLOCK" + 24 PICTOGRAM From D-5460	1	
33	561856	BOOSTER BLOCK, REMOTE / RED	1	
33	509945	WASHER FL 10.5x18.0x1.6 SS From E-5655	1	
33	509946	NUT HEX NYRT 3/8-16 SS From E-5655	1	
34	500515	SCREW MA BDG SLT 1/4-20x1 NYL	3	
35	5001348	NUT WING 1/4-20 NYL	3	
36	067785	GUARD BOX	1	
37	068209	SUPPORT BOX ASSY / BATERIES COMPARTMENT	1	
38	068574	SUPPORT, BOX BATTERY	1	
NS	504016	CABLE TIE / 5/16" X 14"1/2	AR	
NS	509492	CABLE TIE MOUNT FOR THREADED STUD 1/4	AR	
NS	509815	TIE MOUNT / ATTACHMENT W/TREE MOUNT	AR	
39	5001834	WASHER BEL SPR 10.5X23X2.5 N500	5	
40	500847	NUT HEX M10-1.5 N500	5	
41	068599	SUPPORT, ELECTRIC SENSOR	1	
42	563750	FUSEHOLDER W/RED COVER / MEGA FUSE /	2	
43	068169	BUS BAR / W/2 HOLES	2	
43	561756	SHRINK TUBING / 1.000" - .500" / RED / ALPHA FIT-221-1	AR	
44	068705	BUS BAR / W/2 HOLES	1	
45	068706	BUS BAR / W/2 HOLES	1	
46	502817	SCREW MA PAN PH M6-1.0x16 N500	7	
47	500615	NUT HEX M8-1.25 BR To E-5525	4	
47	966171	NUT HEX NYRT M8x1.25 SS From E-5526	4	
48	500035	WASHER LO SPT .317x.586x.078 SS To E-5525	4	
48	5001341	WASHER FL 8.4x17.0x1.6 SS From E-5526	4	
49	562364	RELAY 24V S.P.S.T. / 300 AMPS N.O. // BATTERY DISCONNECT	1	
50	502854	NUT HEX M6-1.0 N500	4	
51	5001608	WASHER BEL SPR 6.2x15.0x0.7 G500	4	
52	504013	TIE MOUNT / 1/4" X 1/4" I.D.	4	
52	504379	RIVET POP DOME OE 3/16x1/4 SS	4	
53	509815	TIE MOUNT / ATTACHMENT W/TREE MOUNT	4	
54	504637	CABLE TIE / 3/16" x 13"	AR	
55	563634	EQUALIZER "VANNER" 100AMPS	1	B
55	560699	EQUALIZER "VANNER" 100AMPS	1	
55	563829	EQUALIZER "SURE POWER" 100AMPS	1	GR
55	068832	CABLE EQUALIZER "SURE POWER"	1	GR

From E-5459 To H-6179	Date:01/2024	PAGE:X3-0615-02
BATTERIES INSTALLATION		

Item#	Part	Description	QTY	Notes
56	068578	SUPPORT INTERMEDIARY, EQUALIZER	1	
57	5001857	NUT HEXF M6-1.0 N500	2	
58	502686	SCREW CAP HEX M6-1.0x30 SS BK	2	
58	502737	SCREW CAP HEX M6-1.0x25 SS BK	2	GR
59	5001654	WASHER FL 6.4x17.0x3.0 SS	2	
61	067888	CABLE ASSY / BATTERIES GND TO BODY	1	
62	062371	CABLE ASSY / B + TO B +	4	
63	066296	CABLE ASSY / B + TO B -	1	
64	067974	CABLE 12VD	1	
65	067972	CABLE 24VD	1	
66	067970	CABLE EQUALIZER To H-6146	1	
66	069670	CABLE EQUALIZER From H-6147	1	
67	068134	DIODE ASSY	1	
68	067971	CABLE ASSY REAR JCT BREAKER ASSY	1	
		NEXT FOLLOWING ITEM ARE USE ONLY WITH		
		PRIME - "POWER RECOVERY BY INTELLIGENT MANAGEMENT OF ENERGY"		
71	21258363	BATTERY AGM - 12V GR31 800 CCA	4	
71	068735	DECAL BATTERIES MANAGEMENT	1	
72	067952	SENSOR VOLT AND TEMP - VANNER	1	
73	067954	SENSOR 80/600AMP - VANNER	2	
74	5001694	SCREW MA PAN PH M4-0.7x40 SS BK	4	
75	067951	EQUALIZER "VANNER" 100AMPS	1	A
75	560705	EQUALIZER "VANNER" 100AMPS	1	
76	067965	HARNESS EQUALIZER CONTROL	1	
90	X3-0616-11	BREAKERS PANEL WITH "EPA 2010"		
91	X3-0620-02	REAR JUNCTION BOX ASSY	1	
		A) FOR PRODUCT IMPROVMENT ASK FOR #560705		
		B) FOR PRODUCT IMPROVMENT ASK FOR #560699		
		GR) WITH GREYHOUND OPTION		
		P) CALL ORDER DESK FOR SPECIFIC APPLICATION (V.I.N.)		

BATTERIES INSTALLATION VOLVO D13 - GHG17



From H-6180		Date:01/2024	PAGE:X3-0615-03
BATTERIES INSTALLATION VOLVO D13 - GHG17			

Item#	Part	Description	QTY	Notes
1	21258363	BATTERY AGM - 12V GR31 800 CCA To R-6996	4	
1	23825207	BATTERY AGM - 12V 925 CCA 190 RC From R-6997	4	
1	565904	BATTERY AGM - 12V - ODYSSEY (HEAVY-DUTY)	4	
2	069380	ANCHOR, BATTERY	2	
3	060160	SLEEVE, THREADED PLASTIC	4	
4	5001522	NUT HEXF LO 3/8-16 SS	AR	
5	060145	HOOK, BATTERY	6	
NS	060227	SPACER BETWEEN BATTERY	2	
. NS	503523	. HOSE SILICONE 1PLY 3/4" I.D. x 100' / S.L.	AR	
6	060153	ROD	1	
7	500102	NUT HEX 3/8-16 SS	1	
8	060198	STOPPER	1	
9	069365	COVER BATTERY	1	
NS	060428	DECAL BATTERY CONNECTION To J-6309	1	
9	069886	DECAL BATTERY CONNECTION From J-6309	1	
10	507690	VENT, GORE	1	
11	507689	NUT, VENT GORE	1	
12	477399	RECEPTACLE	1	
12	472830	SPRING GUIDE HOLDER	1	
13	5001630	SCREW TP BUTF TORX M6x20 SS	1	
14	069054	COVER / RECEPTACLE	1	
15	5001452	SCREW TP PAN PH #8x1 1/2 SS	2	
16	5002001	NUT HEX NYRT 1/2-13 SS BK	1	
17	500958	WASHER FL .531x1.062x.095 SS	1	
18	504814	CABLE 0.063" (1/16") DIA, 18-8 SS To P-6899	AR	
18	504294	CABLE 1/16" WITH COATING 3/32 From P-6900	2	
19	780341	SLEEVE / TO HOLDING CABLE 1/16OD SS To P-6899	4	
19	780072	SLEEVE / TO HOLDING CABLE 3/32" OD From P-6900	4	
20	5001448	WASHER FL .343x.875x.062 SS18-8	2	
21	504459	RIVET MGLP PRDG 1/4x3/8 SS	2	
22	060159	GASKET SILICONE 3/8"	2	
23	060073	CABLE THROUGH	2	
24	060075	GASKET RUBBER 1/8"	1	
25	060072	CABLE THROUGH	2	
. NS	5000307	. SCREW CAP HEX M6-1.0x35 SS	5	
26	069366	GASKET RUBBER 1/8"	1	
27	5001932	NUT HEXF NYRT M6-1.0 G8.8 N500	10	
28	504016	CABLE TIE / 5/16" X 14"1/2	4	
30	060152	HARNESS MAIN JUMPER BATTERY	1	
. NS	0610565	. CABLE GROUND BLACK	1	
. NS	0610566	. CABLE 24V RED	1	
. NS	0610567	. CABLE 12V YELLOW	1	

From H-6180	Date:01/2024	PAGE:X3-0615-03
BATTERIES INSTALLATION VOLVO D13 - GHG17		

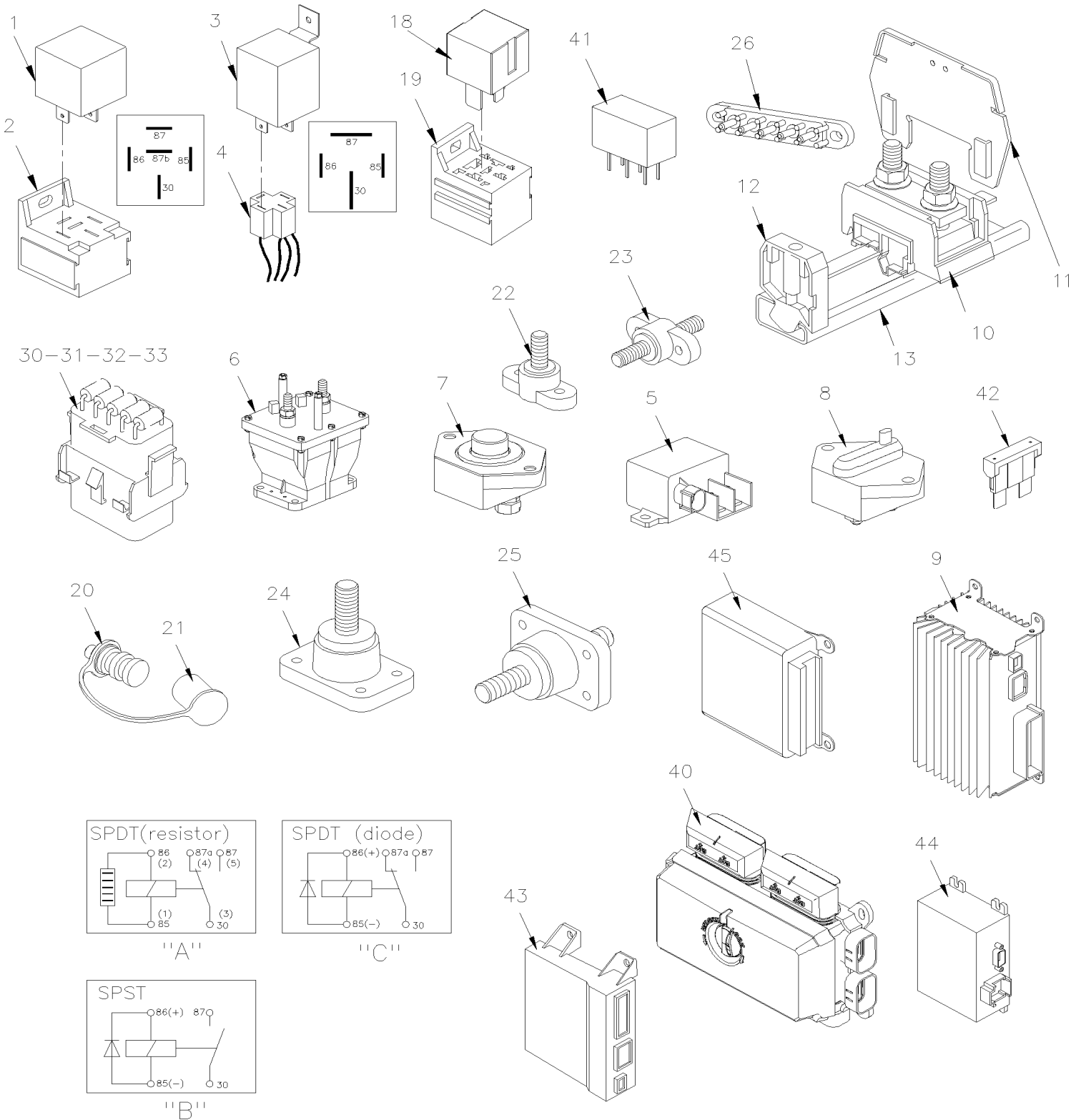
Item#	Part	Description	QTY	Notes
. NS	0610564	. TIE-STRAP, 2 HOSES	4	
. NS	560278	. NUT 3/8	8	
31	069525	CABLE GND STRAP	1	
32	067952	SENSOR VOLT AND TEMP - VANNER	1	
33	069534	HARNESS BATTERY ELECTRONIC GND	1	
34	069561	HARNESS BATTERY 24VD	1	
NS	060254	PROTECTION COVERING	1	
. NS	503748	. HOSE PROTECTOR / YELLOW / .838 I.D.	AR	
35	069523	HARNESS BATTERY 12 VD	1	
NS	060254	PROTECTION COVERING	1	
. NS	503748	. HOSE PROTECTOR / YELLOW / .838 I.D.	AR	
36	060252	DECAL COVER LOCK	1	
37	504037	SPACER	1	
NS	504016	CABLE TIE / 5/16" X 14"1/2	1	
40	069372	FLOOR, BATTERY To J-6284	1	
40	069805	FLOOR, BATTERY From J-6285 To K-6359	1	
40	069889	FLOOR, BATTERY From K-6360 To N-6723	1	
40	0610560	FLOOR, BATTERY From N-6724 To P-6785	1	
40	0610624	FLOOR, BATTERY From P-6786	1	
41	069512	TUBE ASSY,	1	
42	5001866	SCREW CAP HEX M12-1.75x30 G10.9 N500	6	
43	500494	WASHER BEL SPR .470x1.680x.125 N500	6	
44	500211	WASHER FL .531x1.250x.125 N500	3	
45	060771	DECAL / WELDING PROCEDURE	1	
46	061325	DECAL "CAUTION" ALWAYS FIRST.... / ENGLISH & FRANCAIS	1	

From 7-8754 To H-6179

Date:01/2024

PAGE:X3-0616-00

JUNCTION BOX COMPONENTS / MUX



From 7-8754 To H-6179	Date:01/2024	PAGE:X3-0616-00
-----------------------	--------------	-----------------

JUNCTION BOX COMPONENTS / MUX

Item#	Part	Description	QTY	Notes
1	563332	RELAY 24V S.P.D.T. W/RESISTOR / "VOLVO" (20374662)	AR	A
1	561707	RELAY 24V S.P.D.T. W/RESISTOR /	1	C
1	563337	RELAY 12V S.P.D.T. W/RESISTOR /	AR	A
2	561183	RELAY BASE / TAB TERMINAL / BOSCH 3334485008	AR	
3	561991	RELAY 24V S.P.S.T. / 70 AMPS N.O. To C-5133	AR	B
4	562367	CONNECTOR / TAB HOUSING 4C / POTTER BRUMFIELD VCF7-1000 To C-5133	AR	
5	563348	RELAY POWER 24V 200 AMPS / S.P.S.T. N.O.	AR	
. NS	5001182	. NUT HEX NYRT M6-1.0 SS	1	
. NS	502573	. WASHER FL 6.4x12.5x1.6 SS	1	
. NS	563409	. CONNECTOR / SUPERSEAL 1.5 SERIES / SH 2C / AMP 282080-1	1	
. NS	562607	. SOCKET TERMINAL / 20-16 / AMP 183025-1	1	
6	562364	RELAY 24V S.P.S.T. / 300 AMPS N.O. // BATTERY DISCONNECT	1	
6	064792	DIODE ASSY	1	
. NS	561740	. DIODE / 3AMPS	1	
. NS	560082	. RING TERMINAL #10 / 16-14 / INSULATED / AMP 626033-2	1	
. NS	560815	. RING TERMINAL #10 / 22-18 / INSULATED / AMP 42037-2	1	
. NS	562499	. SHRINK TUBING / .250" - .125" / CLEAR / ALPHA FIT 221-1/4	AR	
7	563594	BREAKER 35AMPS / 24V / To E-5525	AR	
7	565133	BREAKER 35AMPS / 24V / W/O HARDWARE From E-5526	AR	
7	562686	BREAKER 40AMPS / 24V / To E-5525	AR	
7	565134	BREAKER 40AMPS / 24V / W/O HARDWARE From E-5526	AR	
7	563355	BREAKER 50AMPS / 24V / To E-5525	AR	
7	565135	BREAKER 50AMPS / 24V / W/O HARDWARE From E-5526	AR	
7	562687	BREAKER 70AMPS / 24V / To E-5525	AR	
7	565136	BREAKER 70AMPS / 24V / W/O HARDWARE From E-5526	AR	
7	562683	BREAKER 90AMPS / 24V / To E-5525	AR	
7	562685	BREAKER 105AMPS / 24V / To E-5525	AR	
7	565137	BREAKER 90AMPS / 24V / W/O HARDWARE From E-5526	AR	
7	565138	BREAKER 105AMPS / 24V / W/O HARDWARE From E-5526	AR	
7	562688	BREAKER 120AMPS / 24V / To E-5525	AR	
7	565139	BREAKER 120AMPS / 24V / W/O HARDWARE From E-5526	AR	
7	565140	BREAKER 150AMPS / 24V / W/O HARDWARE From E-5526	AR	
7	562684	BREAKER 150AMPS / 24V / To E-5525	AR	
7	5001924	NUT HEX NYRT THN 1/4-28 SS From E-5526	AR	
7	502573	WASHER FL 6.4x12.5x1.6 SS From E-5526	AR	
8	563418	BREAKER 30AMPS / 24V / To E-5525	AR	
8	565141	BREAKER 30AMPS / 24V / W/O HARDWARE From E-5526	AR	
8	563420	BREAKER 40AMPS / 24V / To E-5525	AR	
8	565143	BREAKER 40AMPS / 24V / W/O HARDWARE From E-5526	AR	
8	563553	BREAKER 50AMPS / 24V / To E-5525	AR	
8	563424	BREAKER 70AMPS / 24V / To E-5525	AR	
8	565146	BREAKER 70AMPS / 24V / W/O HARDWARE From E-5526	AR	

From 7-8754 To H-6179	Date:01/2024	PAGE:X3-0616-00
-----------------------	--------------	-----------------

JUNCTION BOX COMPONENTS / MUX

Item#	Part	Description	QTY	Notes
8	563425	BREAKER 90AMPS / 24V / To E-5525	AR	
8	565147	BREAKER 90AMPS / 24V / W/O HARDWARE From E-5526	AR	
8	563419	BREAKER 100AMPS / 24V / To E-5525	AR	
8	565142	BREAKER 100AMPS / 24V / W/O HARDWARE From E-5526	AR	
8	563421	BREAKER 120AMPS / 24V / To E-5525	AR	
8	565144	BREAKER 120AMPS / 24V / W/O HARDWARE From E-5526	AR	
8	563422	BREAKER 150AMPS / 24V / To E-5525	AR	
8	565145	BREAKER 150AMPS / 24V / W/O HARDWARE From E-5526	AR	
8	5001924	NUT HEX NYRT THN 1/4-28 SS From E-5526	AR	
8	502573	WASHER FL 6.4x12.5x1.6 SS From E-5526	AR	
9	563273	I/O B-MODULE VOLVO MULTIPLEX / ALUMINUM To 7-9116	AR	
. NS	563132	. CONNECTOR / SH 2C / YAZAKI 7283-6458-40 To 7-9116	1	
. NS	563133	. CONNECTOR / JUNIOR POWER TIMER / SH 29C / AMP 1-963449-2 To 7-9116	1	
. NS	562957	. CONNECTOR / SH 5C / GREEN / JAE IL-AG5-5S-S3C1 To 7-9116	1	
9	565865	I/O B-MODULE VOLVO MULTIPLEX / ALUMINUM From 7-9117 To 8-9493	AR	
. NS	563132	. CONNECTOR / SH 2C / YAZAKI 7283-6458-40 From 7-9117 To 8-9493	1	
. NS	563133	. CONNECTOR / JUNIOR POWER TIMER / SH 29C / AMP 1-963449-2 From 7-9117 To 8-9493	1	
. NS	562957	. CONNECTOR / SH 5C / GREEN / JAE IL-AG5-5S-S3C1 From 7-9117 To 8-9493	1	
9	564075	I/O B-MODULE VOLVO MULTIPLEX / ALUMINUM From 8-9494 To B-5029	AR	
. NS	563132	. CONNECTOR / SH 2C / YAZAKI 7283-6458-40 From 8-9494 To B-5029	1	
. NS	563133	. CONNECTOR / JUNIOR POWER TIMER / SH 29C / AMP 1-963449-2 From 8-9494 To B-5029	1	
. NS	562957	. CONNECTOR / SH 5C / GREEN / JAE IL-AG5-5S-S3C1 From 8-9494 To B-5029	1	
9	564193	I/O B-MODULE VOLVO MULTIPLEX / ALUMINUM From B-5030 To H-6093	AR	
. NS	563132	. CONNECTOR / SH 2C / YAZAKI 7283-6458-40 From B-5030 To H-6093	1	
. NS	563133	. CONNECTOR / JUNIOR POWER TIMER / SH 29C / AMP 1-963449-2 From B-5030 To H-6093	1	
. NS	562957	. CONNECTOR / SH 5C / GREEN / JAE IL-AG5-5S-S3C1 From B-5030 To H-6093	1	
9	22722842	I/O B-MODULE VOLVO MULTIPLEX / ALUMINUM From H-6094	AR	
. NS	563132	. CONNECTOR / SH 2C / YAZAKI 7283-6458-40 From H-6094	1	
. NS	563133	. CONNECTOR / JUNIOR POWER TIMER / SH 29C / AMP 1-963449-2 From H-6094	1	
. NS	562957	. CONNECTOR / SH 5C / GREEN / JAE IL-AG5-5S-S3C1 From H-6094	1	
10	561727	JUNCTION BLOCK	AR	
11	561731	COVER SUPPORT	AR	
11	562024	COVER / PROTECTOR / 3 BLOCKS	1	
12	562645	STOPPER "U" RAIL	AR	
13	382184	RAIL SUPPORT "U" SHAPE 112MM	AR	
13	382187	RAIL SUPPORT "U" SHAPE 400MM	AR	
18	564218	RELAY 24V S.P.S.T. / 40 AMPS N.O. From C-5134	AR	
19	564210	RELAY BASE / TAB TERMINAL / COLE HERSEE 99025 From C-5134	AR	
20	561856	BOOSTER BLOCK, REMOTE / RED	AR	
20	5001935	WASHER FL 10.5x18.0x1.6 SS From E-5655	1	
20	5001936	NUT HEX NYRT 3/8-16 SS From E-5655	1	
20	561857	BOOSTER BLOCK, REMOTE / BLACK	AR	

From 7-8754 To H-6179	Date:01/2024	PAGE:X3-0616-00
-----------------------	--------------	-----------------

JUNCTION BOX COMPONENTS / MUX

Item#	Part	Description	QTY	Notes
20	5001935	. WASHER FL 10.5x18.0x1.6 SS From E-5655	1	
20	5001936	. NUT HEX NYRT 3/8-16 SS From E-5655	1	
21	562691	. PROTECTOR CAP / RED	1	
21	562692	. PROTECTOR CAP / BLACK	1	
22	560422	BLOCK, TERMINAL / 1 STUD 3/8-16 / BLACK	AR	
23	561102	BLOCK, JUNCTION / 2 STUD 3/8-16 / BLACK	AR	
24	560177	BLOCK, TERMINAL / 1 STUD 1/2-13 / BLACK	AR	
24	562024	COVER / PROTECTOR / 3 BLOCKS	AR	
25	560176	BLOCK, JUNCTION / 2 STUD 1/2-13 / RED	AR	
26	563218	JUNCTION BLOCK W/5 STUDS	AR	
26	500765	NUT HEX #10-32 BR	AR	
30	381145	DIODE ASSY / W/5 3AMPS	AR	
31	382097	DIODE ASSY / W/3 3AMPS & 2 RESISTORS 270 OHMS To 9-9639	AR	
31	382421	DIODE ASSY / W/3 3AMPS From 9-9640	AR	
32	382175	DIODE ASSY / W/3 3AMPS & 2 RESISTORS 100 OHMS	AR	
33	382244	RESISTANCE ASSY / W/5 RESISTORS 1.2k OHMS From B-5002	AR	
40	563556	VEC DISTRIBUTION MODULE / REAR JCT BOX To 8-9320	1	
. NS	564104	. COVER / VEC BOX To 8-9320	1	
. NS	563269	. RELAY 24V S.P.D.T. W/RESISTOR / To 8-9320	1	
. NS	563004	. FUSE / ATM 2 AMPS GREY To 8-9320	1	
. NS	563279	. FUSE / ATM 3 AMPS VIOLET To 8-9320	1	
. NS	563280	. FUSE / ATM 5 AMPS AMBER To 8-9320	1	
. NS	563005	. FUSE / ATM 7.5 AMPS BROWN To 8-9320	1	
. NS	563283	. FUSE / ATM 10 AMPS RED To 8-9320	1	
. NS	563284	. FUSE / ATM 15 AMPS BLUE To 8-9320	1	
. NS	563282	. FUSE / ATM 20 AMPS YELLOW To 8-9320	1	
. NS	563153	. FUSE / ATM 25 AMPS NATURAL To 8-9320	1	
. NS	563165	. FUSE / ATM 30 AMPS GREEN To 8-9320	1	
. NS	563699	. MINI BREAKER / 20 AMPS / SERIES 212 To 8-9320	2	
. NS	563181	. CONNECTOR / SH 8C / YELLOW / BUSSMANN 32006-E21 To 8-9320	1	
. NS	563182	. CONNECTOR / SH 8C / ORANGE / BUSSMANN 32006-G21 To 8-9320	1	
. NS	563183	. CONNECTOR / SH 8C / RED / BUSSMANN 32006-F21 To 8-9320	1	
. NS	563184	. CONNECTOR / SH 8C / GREEN / BUSSMANN 32006-C21 To 8-9320	1	
. NS	563185	. CONNECTOR / SH 8C / BLACK / BUSSMANN 32006-A21 To 8-9320	1	
. NS	563186	. CONNECTOR / SH 8C / GREY / BUSSMANN 32006-B21 To 8-9320	1	
. NS	563187	. CONNECTOR / SH 8C / BROWN / BUSSMANN 32006-H21 To 8-9320	1	
. NS	563448	. CONNECTOR / SH 8C / BLUE / BUSSMANN 32006-D21 To 8-9320	1	
. NS	19518268	. COVER RUBBER RED To 8-9320	2	
40	563698	VEC DISTRIBUTION MODULE / REAR JCT BOX From 8-9321 To B-5001	1	
. NS	564104	. COVER / VEC BOX From 8-9321 To B-5001	1	
. NS	563269	. RELAY 24V S.P.D.T. W/RESISTOR / From 8-9321 To B-5001	3	
. NS	563004	. FUSE / ATM 2 AMPS GREY From 8-9321 To B-5001	1	

From 7-8754 To H-6179	Date:01/2024	PAGE:X3-0616-00
-----------------------	--------------	-----------------

JUNCTION BOX COMPONENTS / MUX

Item#	Part	Description	QTY	Notes
. NS	563279	. FUSE / ATM 3 AMPS VIOLET From 8-9321 To B-5001	1	
. NS	563005	. FUSE / ATM 7.5 AMPS BROWN From 8-9321 To B-5001	1	
. NS	563283	. FUSE / ATM 10 AMPS RED From 8-9321 To B-5001	12	
. NS	563284	. FUSE / ATM 15 AMPS BLUE From 8-9321 To B-5001	11	
. NS	563282	. FUSE / ATM 20 AMPS YELLOW From 8-9321 To B-5001	9	
. NS	563153	. FUSE / ATM 25 AMPS NATURAL From 8-9321 To B-5001	6	
. NS	563165	. FUSE / ATM 30 AMPS GREEN From 8-9321 To B-5001	1	
. NS	564464	. MINI BREAKER / 20 AMPS / SERIES 223 From 8-9321 To B-5001	1	
. NS	563181	. CONNECTOR / SH 8C / YELLOW / BUSSMANN 32006-E21 From 8-9321 To B-5001	1	
. NS	563182	. CONNECTOR / SH 8C / ORANGE / BUSSMANN 32006-G21 From 8-9321 To B-5001	1	
. NS	563183	. CONNECTOR / SH 8C / RED / BUSSMANN 32006-F21 From 8-9321 To B-5001	1	
. NS	563184	. CONNECTOR / SH 8C / GREEN / BUSSMANN 32006-C21 From 8-9321 To B-5001	1	
. NS	563185	. CONNECTOR / SH 8C / BLACK / BUSSMANN 32006-A21 From 8-9321 To B-5001	1	
. NS	563186	. CONNECTOR / SH 8C / GREY / BUSSMANN 32006-B21 From 8-9321 To B-5001	1	
. NS	563187	. CONNECTOR / SH 8C / BROWN / BUSSMANN 32006-H21 From 8-9321 To B-5001	1	
. NS	563448	. CONNECTOR / SH 8C / BLUE / BUSSMANN 32006-D21 From 8-9321 To B-5001	1	
. NS	19518268	. COVER RUBBER RED From 8-9321 To B-5001	2	
40	563635	VEC DISTRIBUTION MODULE / REAR JCT BOX From B-5002 To C-5274	1	
. NS	564104	. COVER / VEC BOX From B-5002 To C-5274	1	
. NS	563269	. RELAY 24V S.P.D.T. W/RESISTOR / From B-5002 To C-5274	4	
. NS	563004	. FUSE / ATM 2 AMPS GREY From B-5002 To C-5274	2	
. NS	563279	. FUSE / ATM 3 AMPS VIOLET From B-5002 To C-5274	3	
. NS	563005	. FUSE / ATM 7.5 AMPS BROWN From B-5002 To C-5274	2	
. NS	563283	. FUSE / ATM 10 AMPS RED From B-5002 To C-5274	13	
. NS	563284	. FUSE / ATM 15 AMPS BLUE From B-5002 To C-5274	9	
. NS	563282	. FUSE / ATM 20 AMPS YELLOW From B-5002 To C-5274	12	
. NS	563153	. FUSE / ATM 25 AMPS NATURAL From B-5002 To C-5274	6	
. NS	563165	. FUSE / ATM 30 AMPS GREEN From B-5002 To C-5274	3	
. NS	563181	. CONNECTOR / SH 8C / YELLOW / BUSSMANN 32006-E21 From B-5002 To C-5274	1	
. NS	563182	. CONNECTOR / SH 8C / ORANGE / BUSSMANN 32006-G21 From B-5002 To C-5274	1	
. NS	563183	. CONNECTOR / SH 8C / RED / BUSSMANN 32006-F21 From B-5002 To C-5274	1	
. NS	563184	. CONNECTOR / SH 8C / GREEN / BUSSMANN 32006-C21 From B-5002 To C-5274	1	
. NS	563185	. CONNECTOR / SH 8C / BLACK / BUSSMANN 32006-A21 From B-5002 To C-5274	1	
. NS	563186	. CONNECTOR / SH 8C / GREY / BUSSMANN 32006-B21 From B-5002 To C-5274	1	
. NS	563187	. CONNECTOR / SH 8C / BROWN / BUSSMANN 32006-H21 From B-5002 To C-5274	1	
. NS	563448	. CONNECTOR / SH 8C / BLUE / BUSSMANN 32006-D21 From B-5002 To C-5274	1	
. NS	19518268	. COVER RUBBER RED From B-5002 To C-5274	2	
40	563239	VEC DISTRIBUTION MODULE / REAR JCT BOX From C-5275 To H-6179	1	
. NS	564104	. COVER / VEC BOX From C-5275 To H-6179	1	
. NS	563269	. RELAY 24V S.P.D.T. W/RESISTOR / From C-5275 To H-6179	4	
. NS	563004	. FUSE / ATM 2 AMPS GREY From C-5275 To H-6179	2	
. NS	563279	. FUSE / ATM 3 AMPS VIOLET From C-5275 To H-6179	3	

From 7-8754 To H-6179	Date:01/2024	PAGE:X3-0616-00
-----------------------	--------------	-----------------

JUNCTION BOX COMPONENTS / MUX

Item#	Part	Description	QTY	Notes
. NS	563005	. FUSE / ATM 7.5 AMPS BROWN From C-5275 To H-6179	2	
. NS	563283	. FUSE / ATM 10 AMPS RED From C-5275 To H-6179	13	
. NS	563284	. FUSE / ATM 15 AMPS BLUE From C-5275 To H-6179	9	
. NS	563282	. FUSE / ATM 20 AMPS YELLOW From C-5275 To H-6179	12	
. NS	563153	. FUSE / ATM 25 AMPS NATURAL From C-5275 To H-6179	6	
. NS	563165	. FUSE / ATM 30 AMPS GREEN From C-5275 To H-6179	3	
. NS	563181	. CONNECTOR / SH 8C / YELLOW / BUSSMANN 32006-E21 From C-5275 To H-6179	1	
. NS	563182	. CONNECTOR / SH 8C / ORANGE / BUSSMANN 32006-G21 From C-5275 To H-6179	1	
. NS	563183	. CONNECTOR / SH 8C / RED / BUSSMANN 32006-F21 From C-5275 To H-6179	1	
. NS	563184	. CONNECTOR / SH 8C / GREEN / BUSSMANN 32006-C21 From C-5275 To H-6179	1	
. NS	563185	. CONNECTOR / SH 8C / BLACK / BUSSMANN 32006-A21 From C-5275 To H-6179	1	
. NS	563186	. CONNECTOR / SH 8C / GREY / BUSSMANN 32006-B21 From C-5275 To H-6179	1	
. NS	563187	. CONNECTOR / SH 8C / BROWN / BUSSMANN 32006-H21 From C-5275 To H-6179	1	
. NS	563448	. CONNECTOR / SH 8C / BLUE / BUSSMANN 32006-D21 From C-5275 To H-6179	1	
. NS	19518268	. COVER RUBBER RED From C-5275 To H-6179	2	
40	565992	DVEC DISTRIBUTION MODULE / REAR JCT BOX From H-6180	1	
. NS	563280	. FUSE / ATM 5 AMPS AMBER From H-6180	8	
. NS	563283	. FUSE / ATM 10 AMPS RED From H-6180	14	
. NS	563284	. FUSE / ATM 15 AMPS BLUE From H-6180	18	
. NS	563282	. FUSE / ATM 20 AMPS YELLOW From H-6180	6	
. NS	563153	. FUSE / ATM 25 AMPS NATURAL From H-6180	3	
. NS	563165	. FUSE / ATM 30 AMPS GREEN From H-6180	10	
. NS	564342	. MINI BREAKER / 30 AMPS / SERIES 233 From H-6180	1	
. NS	563185	. CONNECTOR / SH 8C / BLACK / BUSSMANN 32006-A21 From H-6180	1	
. NS	563186	. CONNECTOR / SH 8C / GREY / BUSSMANN 32006-B21 From H-6180	1	
. NS	563184	. CONNECTOR / SH 8C / GREEN / BUSSMANN 32006-C21 From H-6180	1	
. NS	563181	. CONNECTOR / SH 8C / YELLOW / BUSSMANN 32006-E21 From H-6180	1	
. NS	563183	. CONNECTOR / SH 8C / RED / BUSSMANN 32006-F21 From H-6180	1	
. NS	563182	. CONNECTOR / SH 8C / ORANGE / BUSSMANN 32006-G21 From H-6180	1	
. NS	563187	. CONNECTOR / SH 8C / BROWN / BUSSMANN 32006-H21 From H-6180	1	
. NS	563448	. CONNECTOR / SH 8C / BLUE / BUSSMANN 32006-D21 From H-6180	1	
. NS	564132	. LOCK CONNECTOR POSITION ASSURANCE / BUSSMANN 32004-CP From H-6180	AR	
. NS	564104	. COVER / VEC BOX From H-6180	1	
. NS	19518268	. COVER RUBBER RED From H-6180	2	
40	563361	VEC DISTRIBUTION MODULE / FRONT JCT BOX To B-5001	1	
. NS	564104	. COVER / VEC BOX To B-5001	1	
. NS	563269	. RELAY 24V S.P.D.T. W/RESISTOR / To B-5001	1	
. NS	563004	. FUSE / ATM 2 AMPS GREY To B-5001	1	
. NS	563279	. FUSE / ATM 3 AMPS VIOLET To B-5001	14	
. NS	563280	. FUSE / ATM 5 AMPS AMBER To B-5001	2	
. NS	563005	. FUSE / ATM 7.5 AMPS BROWN To B-5001	5	
. NS	563283	. FUSE / ATM 10 AMPS RED To B-5001	6	

From 7-8754 To H-6179	Date:01/2024	PAGE:X3-0616-00
------------------------------	---------------------	------------------------

JUNCTION BOX COMPONENTS / MUX

Item#	Part	Description	QTY	Notes
. NS	563284	. FUSE / ATM 15 AMPS BLUE To B-5001	4	
. NS	563282	. FUSE / ATM 20 AMPS YELLOW To B-5001	7	
. NS	563153	. FUSE / ATM 25 AMPS NATURAL To B-5001	2	
. NS	563165	. FUSE / ATM 30 AMPS GREEN To B-5001	3	
. NS	564464	. MINI BREAKER / 20 AMPS / SERIES 223 To B-5001	1	
. NS	563181	. CONNECTOR / SH 8C / YELLOW / BUSSMANN 32006-E21 To B-5001	1	
. NS	563182	. CONNECTOR / SH 8C / ORANGE / BUSSMANN 32006-G21 To B-5001	1	
. NS	563183	. CONNECTOR / SH 8C / RED / BUSSMANN 32006-F21 To B-5001	1	
. NS	563184	. CONNECTOR / SH 8C / GREEN / BUSSMANN 32006-C21 To B-5001	1	
. NS	563185	. CONNECTOR / SH 8C / BLACK / BUSSMANN 32006-A21 To B-5001	1	
. NS	563186	. CONNECTOR / SH 8C / GREY / BUSSMANN 32006-B21 To B-5001	1	
. NS	563187	. CONNECTOR / SH 8C / BROWN / BUSSMANN 32006-H21 To B-5001	1	
. NS	563448	. CONNECTOR / SH 8C / BLUE / BUSSMANN 32006-D21 To B-5001	1	
. NS	19518268	. COVER RUBBER RED To B-5001	2	
40	564145	VEC DISTRIBUTION MODULE / FRONT JCT BOX From B-5002 To H-6179	1	
. NS	564104	. COVER / VEC BOX From B-5002 To H-6179	1	
. NS	563269	. RELAY 24V S.P.D.T. W/RESISTOR / From B-5002 To H-6179	1	
. NS	563004	. FUSE / ATM 2 AMPS GREY From B-5002 To H-6179	1	
. NS	563279	. FUSE / ATM 3 AMPS VIOLET From B-5002 To H-6179	12	
. NS	563280	. FUSE / ATM 5 AMPS AMBER From B-5002 To H-6179	4	
. NS	563005	. FUSE / ATM 7.5 AMPS BROWN From B-5002 To H-6179	3	
. NS	563283	. FUSE / ATM 10 AMPS RED From B-5002 To H-6179	7	
. NS	563284	. FUSE / ATM 15 AMPS BLUE From B-5002 To H-6179	8	
. NS	563282	. FUSE / ATM 20 AMPS YELLOW From B-5002 To H-6179	7	
. NS	563153	. FUSE / ATM 25 AMPS NATURAL From B-5002 To H-6179	1	
. NS	563165	. FUSE / ATM 30 AMPS GREEN From B-5002 To H-6179	1	
. NS	564464	. MINI BREAKER / 20 AMPS / SERIES 223 From B-5002 To H-6179	1	
. NS	563181	. CONNECTOR / SH 8C / YELLOW / BUSSMANN 32006-E21 From B-5002 To H-6179	1	
. NS	563182	. CONNECTOR / SH 8C / ORANGE / BUSSMANN 32006-G21 From B-5002 To H-6179	1	
. NS	563183	. CONNECTOR / SH 8C / RED / BUSSMANN 32006-F21 From B-5002 To H-6179	1	
. NS	563184	. CONNECTOR / SH 8C / GREEN / BUSSMANN 32006-C21 From B-5002 To H-6179	1	
. NS	563185	. CONNECTOR / SH 8C / BLACK / BUSSMANN 32006-A21 From B-5002 To H-6179	1	
. NS	563186	. CONNECTOR / SH 8C / GREY / BUSSMANN 32006-B21 From B-5002 To H-6179	1	
. NS	563187	. CONNECTOR / SH 8C / BROWN / BUSSMANN 32006-H21 From B-5002 To H-6179	1	
. NS	563448	. CONNECTOR / SH 8C / BLUE / BUSSMANN 32006-D21 From B-5002 To H-6179	1	
. NS	564132	. LOCK CONNECTOR POSITION ASSURANCE / BUSSMANN 32004-CP From B-5002 To H-6179	AR	
. NS	19518268	. COVER RUBBER RED From B-5002 To H-6179	2	
40	560531	DVEC DISTRIBUTION MODULE / FRONT JCT BOX From H-6180	1	
. NS	563280	. FUSE / ATM 5 AMPS AMBER From H-6180	19	
. NS	563283	. FUSE / ATM 10 AMPS RED From H-6180	6	
. NS	563284	. FUSE / ATM 15 AMPS BLUE From H-6180	13	
. NS	563282	. FUSE / ATM 20 AMPS YELLOW From H-6180	3	

From 7-8754 To H-6179	Date:01/2024	PAGE:X3-0616-00
JUNCTION BOX COMPONENTS / MUX		

Item#	Part	Description	QTY	Notes
. NS	563165	. FUSE / ATM 30 AMPS GREEN From H-6180	12	
. NS	564464	. MINI BREAKER / 20 AMPS / SERIES 223 From H-6180	1	
. NS	563269	. RELAY 24V S.P.D.T. W/RESISTOR / From H-6180	5	
. NS	563185	. CONNECTOR / SH 8C / BLACK / BUSSMANN 32006-A21 From H-6180	1	
. NS	563186	. CONNECTOR / SH 8C / GREY / BUSSMANN 32006-B21 From H-6180	1	
. NS	563184	. CONNECTOR / SH 8C / GREEN / BUSSMANN 32006-C21 From H-6180	1	
. NS	563448	. CONNECTOR / SH 8C / BLUE / BUSSMANN 32006-D21 From H-6180	1	
. NS	563181	. CONNECTOR / SH 8C / YELLOW / BUSSMANN 32006-E21 From H-6180	1	
. NS	563183	. CONNECTOR / SH 8C / RED / BUSSMANN 32006-F21 From H-6180	1	
. NS	563182	. CONNECTOR / SH 8C / ORANGE / BUSSMANN 32006-G21 From H-6180	1	
. NS	563187	. CONNECTOR / SH 8C / BROWN / BUSSMANN 32006-H21 From H-6180	1	
. NS	564132	. LOCK CONNECTOR POSITION ASSURANCE / BUSSMANN 32004-CP From H-6180	AR	
. NS	564104	. COVER / VEC BOX From H-6180	1	
. NS	19518268	. COVER RUBBER RED From H-6180	2	
40	563699	. MINI BREAKER / 20 AMPS / SERIES 212	2	V
41	563269	. RELAY 24V S.P.D.T. W/RESISTOR /	AR	A V
42	563004	. FUSE / ATM 2 AMPS GREY	AR	V
42	563279	. FUSE / ATM 3 AMPS VIOLET	AR	V
42	563280	. FUSE / ATM 5 AMPS AMBER	AR	V
42	563005	. FUSE / ATM 7.5 AMPS BROWN	AR	V
42	563283	. FUSE / ATM 10 AMPS RED	AR	V
42	563284	. FUSE / ATM 15 AMPS BLUE	AR	V
42	563282	. FUSE / ATM 20 AMPS YELLOW	AR	V
42	563153	. FUSE / ATM 25 AMPS NATURAL	AR	V
42	563165	. FUSE / ATM 30 AMPS GREEN	AR	V
43	563272	I/O A-MODULE VOLVO MULTIPLEX / BLACK To 7-9116	AR	
. NS	562767	. CONNECTOR / SH 30C / GREEN / JAE IL-AG5-30S-D3C1 To 7-9116	1	
. NS	562957	. CONNECTOR / SH 5C / GREEN / JAE IL-AG5-5S-S3C1 To 7-9116	1	
. NS	563132	. CONNECTOR / SH 2C / YAZAKI 7283-6458-40 To 7-9116	1	
43	565864	I/O A-MODULE VOLVO MULTIPLEX / BLACK From 7-9117 To 8-9493	AR	
. NS	562767	. CONNECTOR / SH 30C / GREEN / JAE IL-AG5-30S-D3C1 From 7-9117 To 8-9493	1	
. NS	562957	. CONNECTOR / SH 5C / GREEN / JAE IL-AG5-5S-S3C1 From 7-9117 To 8-9493	1	
. NS	563132	. CONNECTOR / SH 2C / YAZAKI 7283-6458-40 From 7-9117 To 8-9493	1	
43	564101	I/O A-MODULE VOLVO MULTIPLEX / BLACK From 8-9494 To B-5029	AR	
. NS	562767	. CONNECTOR / SH 30C / GREEN / JAE IL-AG5-30S-D3C1 From 8-9494 To B-5029	1	
. NS	562957	. CONNECTOR / SH 5C / GREEN / JAE IL-AG5-5S-S3C1 From 8-9494 To B-5029	1	
. NS	563132	. CONNECTOR / SH 2C / YAZAKI 7283-6458-40 From 8-9494 To B-5029	1	
43	564194	I/O A-MODULE VOLVO MULTIPLEX / BLACK From B-5030 To G-5877	AR	
. NS	562767	. CONNECTOR / SH 30C / GREEN / JAE IL-AG5-30S-D3C1 From B-5030 To G-5877	1	
. NS	562957	. CONNECTOR / SH 5C / GREEN / JAE IL-AG5-5S-S3C1 From B-5030 To G-5877	1	
. NS	563132	. CONNECTOR / SH 2C / YAZAKI 7283-6458-40 From B-5030 To G-5877	1	
43	22561320	I/O A-MODULE VOLVO MULTIPLEX / BLACK From G-5878 To H-6093	AR	

From 7-8754 To H-6179	Date:01/2024	PAGE:X3-0616-00
-----------------------	--------------	-----------------

JUNCTION BOX COMPONENTS / MUX

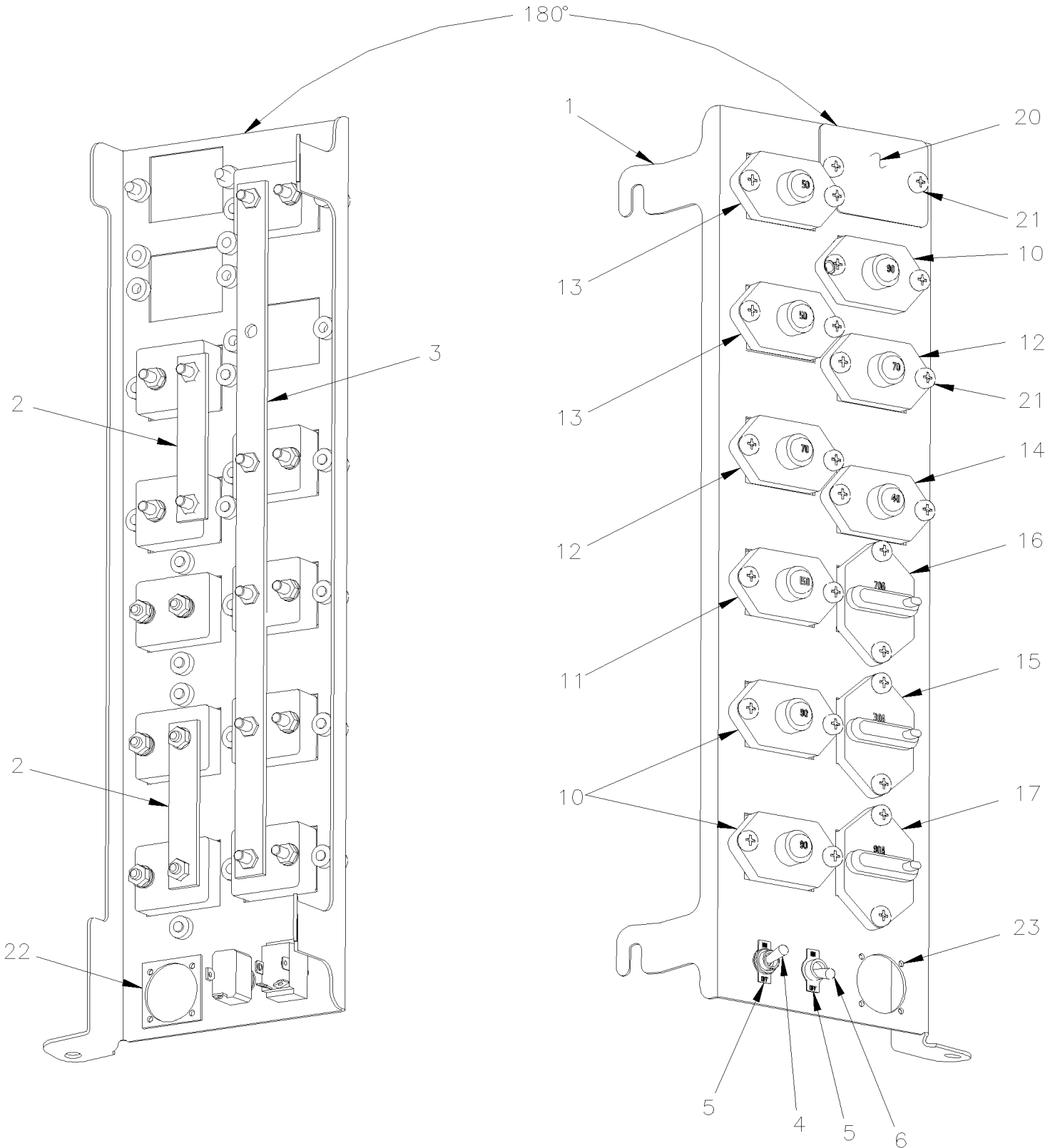
Item#	Part	Description	QTY	Notes
. NS	562767	. CONNECTOR / SH 30C / GREEN / JAE IL-AG5-30S-D3C1 From G-5878 To H-6093	1	
. NS	562957	. CONNECTOR / SH 5C / GREEN / JAE IL-AG5-5S-S3C1 From G-5878 To H-6093	1	
. NS	563132	. CONNECTOR / SH 2C / YAZAKI 7283-6458-40 From G-5878 To H-6093	1	
43	22722832	I/O A-MODULE VOLVO MULTIPLEX / BLACK From H-6094	AR	
. NS	562767	. CONNECTOR / SH 30C / GREEN / JAE IL-AG5-30S-D3C1 From H-6094	1	
. NS	562957	. CONNECTOR / SH 5C / GREEN / JAE IL-AG5-5S-S3C1 From H-6094	1	
. NS	563132	. CONNECTOR / SH 2C / YAZAKI 7283-6458-40 From H-6094	1	
44	563295	MASTER ID-MODULE VOLVO MULTIPLEX	1	
. NS	562794	. CONNECTOR / JUNIOR POWER TIMER / SH 9C / AMP 964561-4	1	
44	069538	"MASTER ID" REPLACEMENT WITH "MCM" MODULE	1	E
. NS	069420	. HARNESS MCM	1	E
. NS	IS-11003	. SEE INSTRUCTION SHEET	1	E
45	7770363	CONTROL UNIT 12V / ABS 4 CH / UNPROGRAMMED	1	
45	641948P	CONTROL UNIT 12V / ABS 4 CH / PROGRAMMED	1	
NS	068380	SERVICE KIT TO REPLACE 70 AMP RELAY	AR	
. NS	564210	. RELAY BASE / TAB TERMINAL / COLE HERSEE 99025	1	
. NS	564218	. RELAY 24V S.P.S.T. / 40 AMPS N.O.	1	
. NS	FI11015	. SEE INSTRUCTION SHEET ENS. REMPLACEMENT RELAIS 70A	1	
. NS	IS11015	. SEE INSTRUCTION SHEET	1	
		A) SEE CONTACT CONFIGURATION "A"		
		B) SEE CONTACT CONFIGURATION "B"		
		C) SEE CONTACT CONFIGURATION "C"		
		D) THOSE VEHICLE ARE USE WITH MODULE IOE-A AND IOE-B FOR FEILD TEST F-5793 / F-5795 / F-5799 / F-5802		
		E) CUSTOMER MUST CHECK ABS MODULE NUMBER BEFORE ORDERING. IF MODULE IS 642083 (BENDIX 5019416): MUST REPLACE BY 642206. ASK VIN TO CUSTOMER AND PROGRAM AT THE SAME TIME AS MCM		
		V) INSIDE OF "VEC"		

From 7-8754 To B-5001

Date:01/2024

PAGE:X3-0616-10

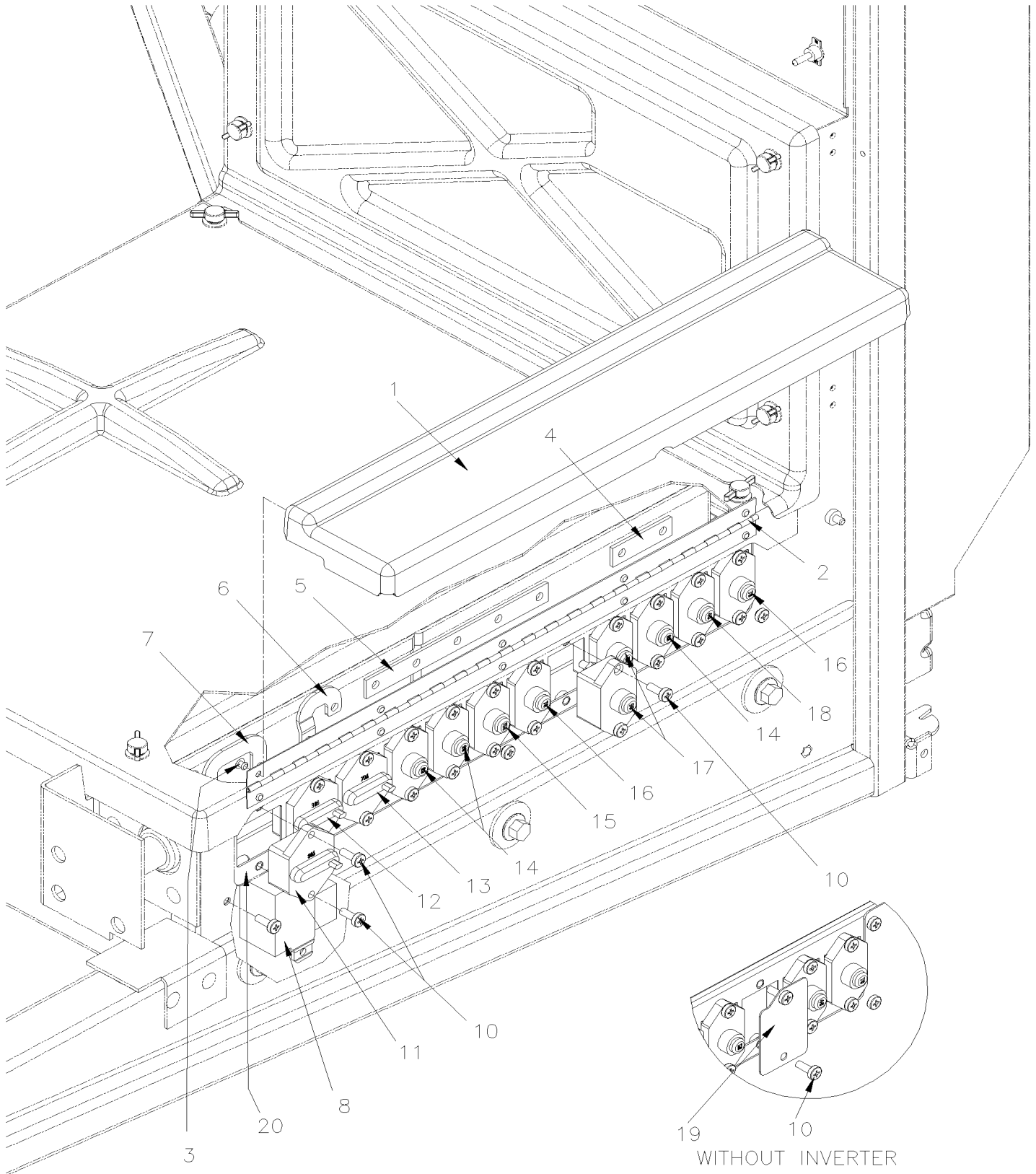
BREAKERS PANEL



From 7-8754 To B-5001	Date:01/2024	PAGE:X3-0616-10
BREAKERS PANEL		

Item#	Part	Description	QTY	Notes
1	223864	SUPPORT BREAKER	1	
2	382088	BUS BAR / W/2 HOLES / 80MM C/C	AR	
3	382158	BUS BAR / W/6 HOLES / 80MM C/C	1	
4	563398	SWITCH / OFF-ON / D.P.S.T. / MUX	1	
5	562394	PLATE, INDICATING (ON/OFF)	2	
6	560256	SWITCH / OFF-ON / S.P.S.T.	1	
10	562683	BREAKER 90AMPS / 24V /	2	
11	562684	BREAKER 150AMPS / 24V /	1	
12	562687	BREAKER 70AMPS / 24V /	2	
13	563355	BREAKER 50AMPS / 24V /	2	
14	562686	BREAKER 40AMPS / 24V /	1	
15	563418	BREAKER 30AMPS / 24V /	1	
16	563424	BREAKER 70AMPS / 24V /	1	
17	563425	BREAKER 90AMPS / 24V /	1	
20	382116	CLOSING PLATE BREAKER HOLE	AR	
21	502569	SCREW MA PAN PH M6-1.0x16 BK	26	
22	561821	NUT, RING #17 & 20 / 1.500" I.D W/4 4-40	1	
23	5001454	SCREW MA BDG PH #4-40x1/2 SS	4	

BREAKERS PANEL WITH "EPA 2010"



From B-5002 To H-6179	Date:01/2024	PAGE:X3-0616-11
BREAKERS PANEL WITH "EPA 2010"		

Item#	Part	Description	QTY	Notes
1	067757	COVER SIDE BREAKERS	1	
2	067756	HINGE 622MM	1	
3	504379	RIVET POP DOME OE 3/16x1/4 SS	10	
4	068055	BUS BAR / W/2 HOLES / 45.5MM C/C	1	
5	068059	BUS BAR / W/5 HOLES / 45.5MM C/C	1	
5	068056	BUS BAR / W/6 HOLES / 45.5MM C/C	1	
6	068057	BUS BAR / "J" FORM 2 HOLES / 32.5MM C/C	1	
7	068058	BUS BAR / W/2 HOLES / 27.7MM C/C	1	
8	563348	RELAY POWER 24V 200 AMPS / S.P.S.T. N.O.	1	
. NS	5001182	. NUT HEX NYRT M6-1.0 SS	1	
. NS	502573	. WASHER FL 6.4x12.5x1.6 SS	1	
. NS	563409	. CONNECTOR / SUPERSEAL 1.5 SERIES / SH 2C / AMP 282080-1	1	
. NS	562607	. SOCKET TERMINAL / 20-16 / AMP 183025-1	1	
8	502681	NUT HEX NYRT M6-1.0 N500 G8	1	
10	502817	SCREW MA PAN PH M6-1.0x16 N500	24	
11	563425	BREAKER 90AMPS / 24V / To E-5525	1	
11	565147	BREAKER 90AMPS / 24V / W/O HARDWARE From E-5526	1	
12	563418	BREAKER 30AMPS / 24V / To E-5525	1	
12	565141	BREAKER 30AMPS / 24V / W/O HARDWARE From E-5526	1	
13	563424	BREAKER 70AMPS / 24V / To E-5525	1	
13	565146	BREAKER 70AMPS / 24V / W/O HARDWARE From E-5526	1	
14	562683	BREAKER 90AMPS / 24V / To E-5525	2	
14	565137	BREAKER 90AMPS / 24V / W/O HARDWARE From E-5526	2	
15	562684	BREAKER 150AMPS / 24V / To E-5525	1	
15	565140	BREAKER 150AMPS / 24V / W/O HARDWARE From E-5526	1	
16	562687	BREAKER 70AMPS / 24V / To E-5525	2	
16	565136	BREAKER 70AMPS / 24V / W/O HARDWARE From E-5526	2	
17	563355	BREAKER 50AMPS / 24V / To E-5525	2	
17	565135	BREAKER 50AMPS / 24V / W/O HARDWARE From E-5526	2	
18	562686	BREAKER 40AMPS / 24V / To E-5525	1	
18	565134	BREAKER 40AMPS / 24V / W/O HARDWARE From E-5526	1	
NS	5001924	NUT HEX NYRT THN 1/4-28 SS From E-5526	AR	
NS	502573	WASHER FL 6.4x12.5x1.6 SS From E-5526	AR	
19	382116	CLOSING PLATE BREAKER HOLE	AR	
20	067782	SUPPORT BREAKER To B-5001	1	
20	068124	SUPPORT BREAKER From B-5002	1	
NS	067642	CABLE ASSY POWER FR RR To B-5001	1	
NS	068137	CABLE ASSY POWER FR RR From B-5002 To D-5458	1	
NS	068620	CABLE ASSY POWER FR RR From E-5459 To E-5759	1	
NS	068974	CABLE ASSY POWER FR RR From F-5760	1	
NS	068071	CABLE ASSY POWER SOUND SYSTEM	1	

From B-5002 To H-6179		Date:01/2024	PAGE:X3-0616-11
BREAKERS PANEL WITH "EPA 2010"			

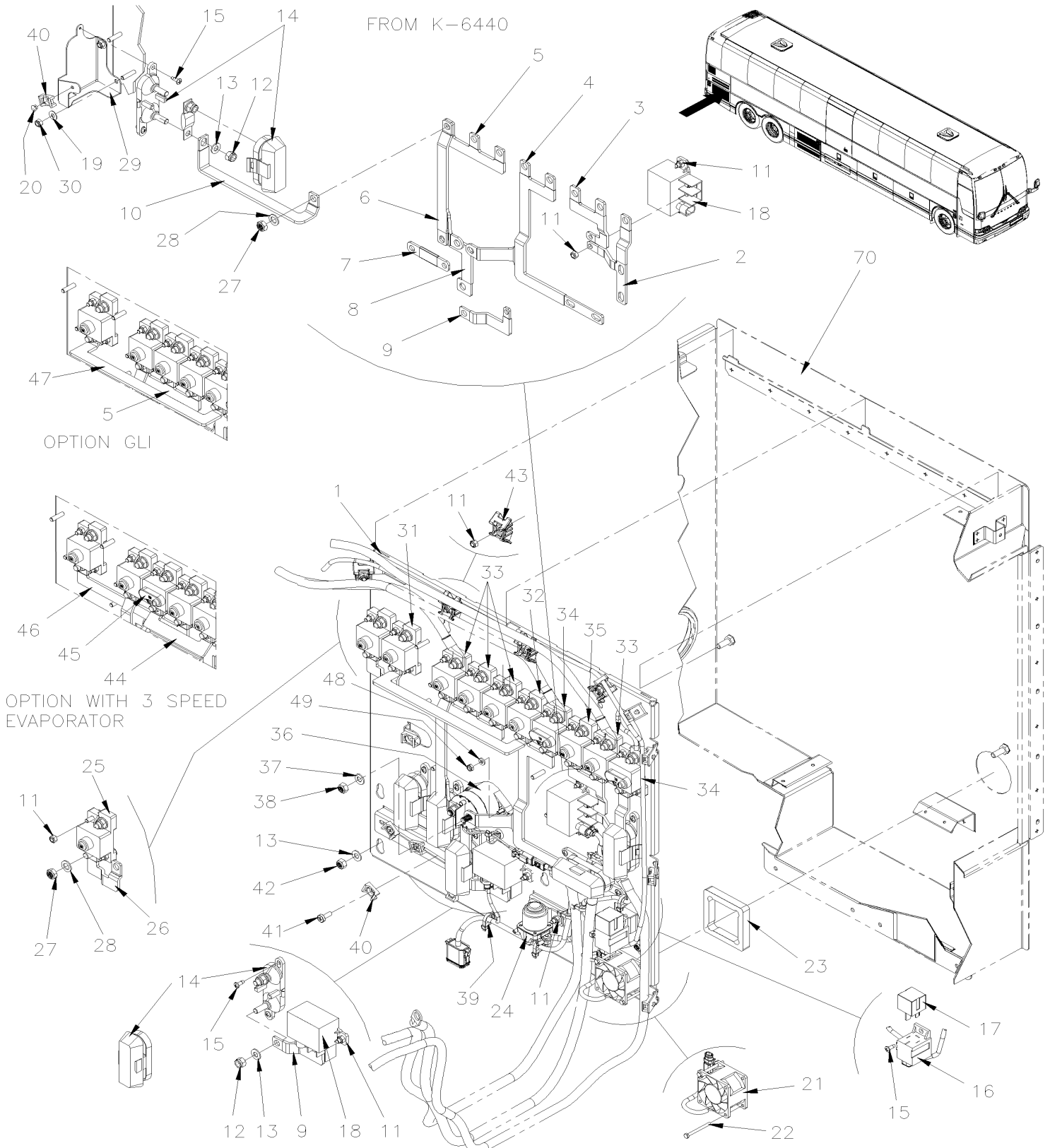
Item#	Part	Description	QTY	Notes
NS	067641	CABLE ASSY REAR JCT BREAKER ASSY To D-5458	1	
NS	067971	CABLE ASSY REAR JCT BREAKER ASSY From E-5459	1	
NS	068084	CABLE ASSY / COMPRESSOR DOOR LOCK	1	
NS	068216	CABLE ASSY POWER TO EVAPORATOR To D-5458	1	
NS	067565	CABLE ASSY POWER TO EVAPORATOR From E-5459 To E-5759	1	
NS	069168	CABLE ASSY POWER TO EVAPORATOR From F-5760	1	
NS	068135	CABLE POWER / RJB VOLTAGE & 120V AC	1	
NS	068184	DECAL, BREAKER PLATE To E-5525	1	
NS	068121	DECAL "REAR JCT BREAKER'S PANEL From E-5526	1	

From H-6180

Date:01/2024

PAGE:X3-0616-12

BREAKERS PANEL GHG17

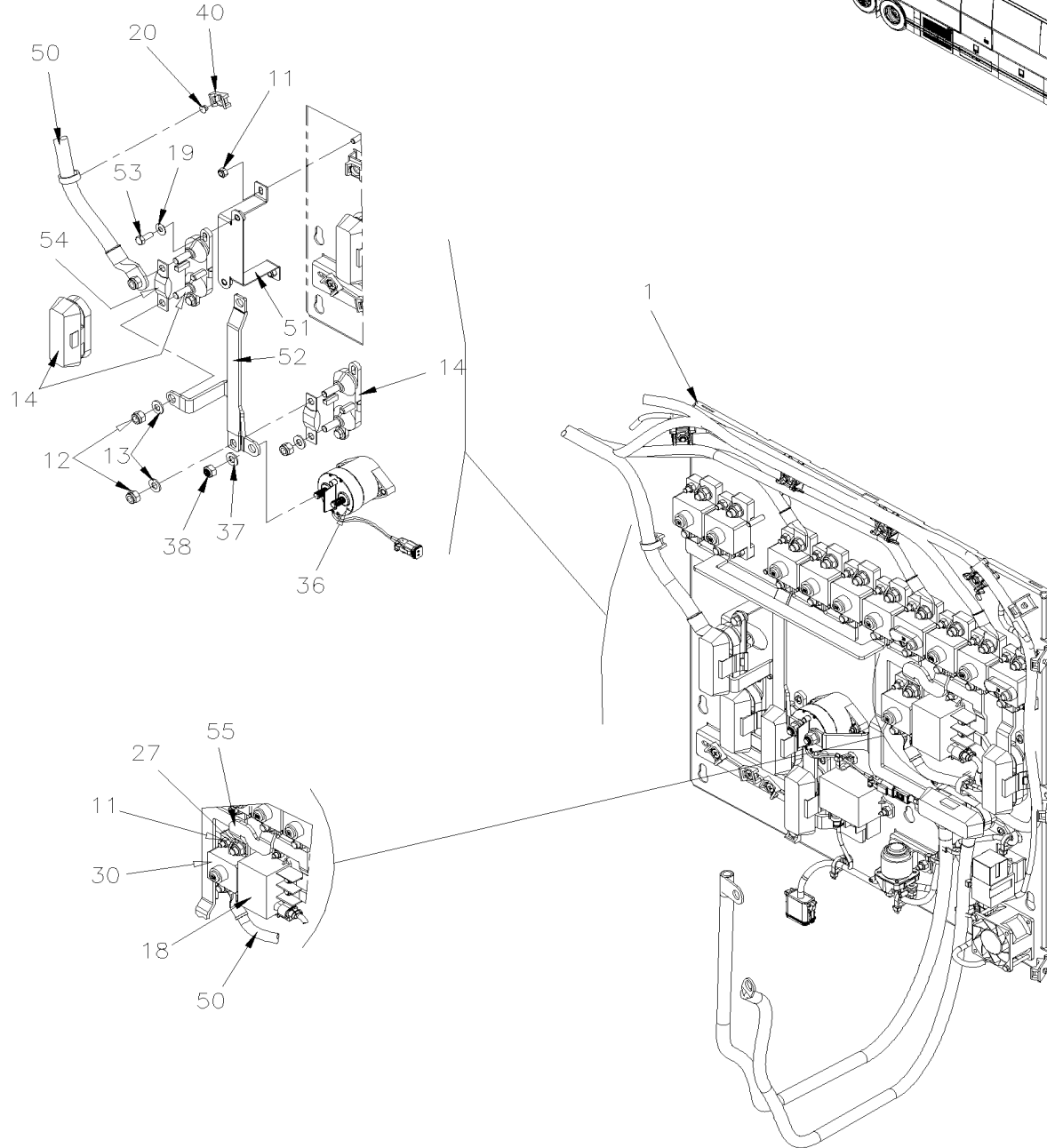


From H-6180

Date:01/2024

PAGE:X3-0616-12

BREAKERS PANEL GHG17



From H-6180		Date:01/2024	PAGE:X3-0616-12
BREAKERS PANEL GHG17			

Item#	Part	Description	QTY	Notes
1	067471	SUPPORT PLATE POWER RJB To J-6289	1	
1	061431	SUPPORT PLATE POWER RJB From J-6290 To K-6439	1	
1	0610063	SUPPORT PLATE POWER RJB From K-6440 To M-6657	1	
1	0610451	SUPPORT PLATE POWER RJB From M-6658	1	
2	067461	BUS BAR 156 x 88MM, 2 HOLES 2 SLOTS	1	
3	060203	BUS BAR 86,5 x 6MM, 3 HOLES	1	
4	067463	BUS BAR 218 x 214MM, 2 HOLES 3 SLOTS To K-6439	1	
4	0610061	BUS BAR 213x 172MM, 2 HOLES 3 SLOTS From K-6440	1	
5	060191	BUS BAR 216.5 x 44.2MM, 5 HOLES	1	NO
5	0600269	BUS BAR 216.5 x 45MM, 4 HOLES	1	WI
5	060477	BUS BAR 117.2 x 44.2MM, 3 HOLES From J-6245	1	GR
6	067467	BUS BAR 214MM LG., 2 HOLES To K-6439	1	
6	0610059	BUS BAR 219 x 70.2MM, 3 HOLES From K-6440	1	
7	060205	BUS BAR 81MM, 2 HOLES	1	
8	067466	BUS BAR 109 x 52 x 63MM,2 HOLES 1 SLOT To K-6439	1	
8	0610060	BUS BAR 89 x 63MM,2 HOLES From K-6440	1	
9	060204	BUS BAR 86 x 47MM, 2HOLES	1	
10	0600266	BUS BAR 200.4 x 60MM, 2 HOLES From J-6245	1	GR
11	502681	NUT HEX NYRT M6-1.0 N500 G8	AR	
12	5001787	NUT HEX NYRT M8-1.25 SS	10	
13	5001341	WASHER FL 8.4x17.0x1.6 SS	20	
14	563750	FUSEHOLDER W/RED COVER / MEGA FUSE /	AR	
NS	564174	FUSE / MEGA FUSE / 150 AMPS / ORANGE	AR	
NS	564520	FUSE / MEGA FUSE / 300 AMPS / GREY	AR	
15	502868	SCREW TC TR PH #10-16x1/2 N500	AR	
16	060547	HARNESS / REAR JUNCTION BOX CONTROL To K-6439	1	
16	0610097	HARNESS / REAR JUNCTION BOX CONTROL From K-6440 To L-6610	1	
16	0611010	HARNESS / REAR JUNCTION BOX CONTROL From L-6611 To M-6657	1	
16	0610457	CONTROL HARNESS, REAR JUNCTION BOX From M-6658	1	
16	564108	SELF MOUNTING STUD // DEUTSCH 1011-310-0205	1	
17	564218	RELAY 24V S.P.S.T. / 40 AMPS N.O. To M-6657	1	
17	564218	RELAY 24V S.P.S.T. / 40 AMPS N.O. From M-6658	2	
18	563348	RELAY POWER 24V 200 AMPS / S.P.S.T. N.O.	2	
. NS	5001182	. NUT HEX NYRT M6-1.0 SS	1	
. NS	502573	. WASHER FL 6.4x12.5x1.6 SS	1	
. NS	563409	. CONNECTOR / SUPERSEAL 1.5 SERIES / SH 2C / AMP 282080-1	1	
. NS	562607	. SOCKET TERMINAL / 20-16 / AMP 183025-1	1	
19	5001608	WASHER BEL SPR 6.2x15.0x0.7 G500 From J-6245	AR	
20	504379	RIVET POP DOME OE 3/16x1/4 SS From J-6245	AR	
21	565899	AXIAL FAN 60 x 38MM	1	
21	563589	CONNECTOR / DTM SERIES / SH 2C / GRAY / DEUTSCH DTM06-2S-E007	1	
21	563605	SECONDARY LOCK / DTM SERIES / SH 2C / DEUTSCH WM-2S	1	

From H-6180		Date:01/2024	PAGE:X3-0616-12
BREAKERS PANEL GHG17			

Item#	Part	Description	QTY	Notes
21	565907	SOCKET TERMINAL / 18-16 / DEUTSCH 0462-005-20141	2	
22	70314700	SCREW CAP HEX M4-0.7X45 SS	2	
23	287809	SEAL SQUARE 78MMX12MM TH	1	
24	564095	SMALL STARTOR RELAY To P-6899	1	
24	564398	SMALL STARTOR RELAY From P-6900	1	
24	502573	WASHER FL 6.4x12.5x1.6 SS	4	
24	5001182	NUT HEX NYRT M6-1.0 SS	4	
25	563708	BREAKER 90AMPS / 24V /	1	B O
25	568114	BREAKER 150AMPS / 24V /	1	T
26	067465	BUS BAR 60 x 48MM	1	T O
27	5001936	NUT HEX NYRT 3/8-16 SS	AR	
28	5001935	WASHER FL 10.5x18.0x1.6 SS	AR	
29	060434	SUPPORT FUSEHOLDER 120.2 x 79 x 47.5 MM From J-6245	1	GR
30	5001182	NUT HEX NYRT M6-1.0 SS From J-6245	2	
31	568127	BREAKER 50AMPS / 24V /	1	
32	563707	BREAKER 70AMPS / 24V /	2	
33	563708	BREAKER 90AMPS / 24V /	4	
34	568113	BREAKER 70AMPS / 24V /	2	
35	568114	BREAKER 150AMPS / 24V /	1	
36	562364	RELAY 24V S.P.S.T. / 300 AMPS N.O. // BATTERY DISCONNECT To K-6439	1	
36	5001628	NUT HEX NYRT M10-1.5 SS To K-6439	2	
36	560843	RELAY 24V S.P.S.T. / 300 AMPS N.O. // BATTERY DISCONNECT From K-6440	1	
37	502737	SCREW CAP HEX M6-1.0x25 SS BK To K-6439	4	
37	5001341	WASHER FL 8.4x17.0x1.6 SS From K-6440	2	
38	5001833	WASHER BEL SPR 6.1x18x1.27 SS To K-6439	4	
38	5001789	NUT HEX NYRT M8-1.25 SS From K-6440	2	
39	8631155	CABLE TIE / 4.6MM x 200 / CHRISTMAS TREE	AR	
40	504013	TIE MOUNT / 1/4" X 1/4" I.D.	AR	
41	504379	RIVET POP DOME OE 3/16x1/4 SS	AR	
42	5001983	NUT HEX NYRT M8-1.25 SS SS BK	2	
43	509490	ATTACHMENT DOUBLE USE WITH CABLE TIE	4	
44	060954	BUS BAR 117 x 40.9 MM, 2 HOLES	1	EV
45	560456	BREAKER 90AMPS / 24V /	1	EV
46	061020	BUS BAR 216.5 x 45MM, 3 HOLES	1	PWT
47	062607	BUS BAR 266.9 x 25.2MM, 2 HOLES From J-6245	1	GR
48	5001137	WASHER FL .203x.438x.050 SS From K-6440	2	
49	502841	NUT HEX NYRT M5-0.8 N500 From K-6440	2	
50	060422	POWER CABLE From K-6451	1	B
51	060444	BRACKET 127.4 x 59.6 x 39 MM From K-6451	1	B
52	0610062	BUS BAR 219.9 x 67.9 x 56.3 MM From K-6451	1	B

From H-6180	Date:01/2024	PAGE:X3-0616-12
BREAKERS PANEL GHG17		

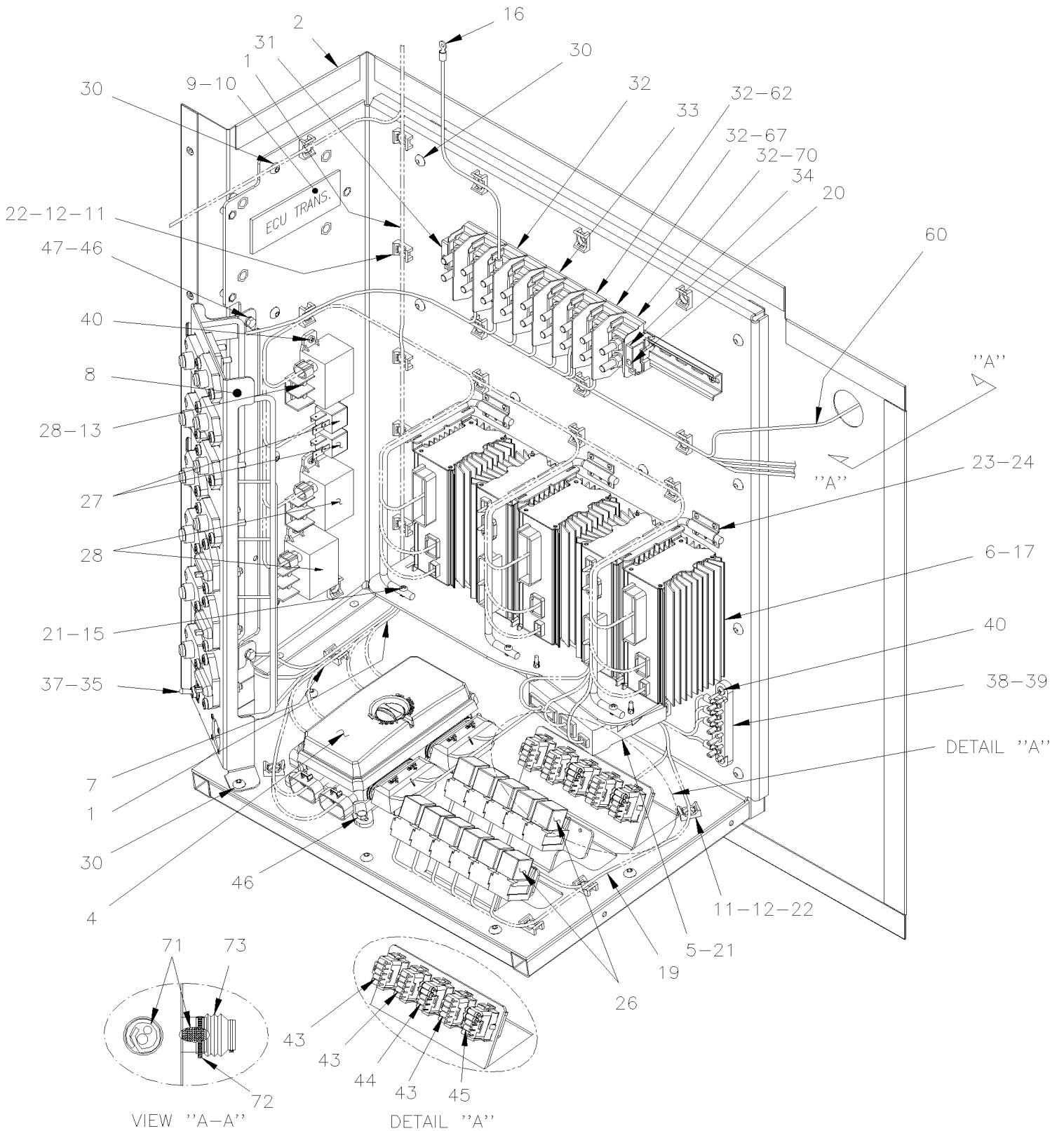
Item#	Part	Description	QTY	Notes
53	5001744	SCREW CAP HEX M6-1.0x16 G8.8 N500 From K-6451	4	B
54	564174	FUSE / MEGA FUSE / 150 AMPS / ORANGE From K-6451	2	B
55	061472	BUS BAR 65 x 81 MM, 2 HOLES From K-6451	1	B
70	X3-0620-03	REAR JUNCTION BOX ASSY GHG17		
		B) OPTIONAL BATTERIES IN LUGGUAGE COMPARTMENT		
		EV) OPTION 3 SPEED EVAPORATOR		
		GR) GREYHOUND OPTION		
		NO) WITHOUT INVERTER		
		O) ONE INVERTER OPTION		
		PWT) PACIFIC WESTERN OPTION		
		T) TWO INVERTER OPTION		
		WI) WITH INVERTER		

From 7-8754 To B-5001

Date:01/2024

PAGE:X3-0620-00

REAR JUNCTION BOX ASSY



From 7-8754 To B-5001		Date:01/2024	PAGE:X3-0620-00
REAR JUNCTION BOX ASSY			

Item#	Part	Description	QTY	Notes
	Call order desk	REAR JCT BOX ASSY	1	P
	Call order desk	REAR JCT BOX ASSY	1	P
1	066290	CABLE HARNESS / REAR JUNCTION BOX To 8-9150	1	
1	066809	CABLE HARNESS / REAR JUNCTION BOX From 8-9151 To 8-9276	1	
1	066970	CABLE HARNESS / REAR JUNCTION BOX From 8-9277	1	
1	067503	CABLE HARNESS / REAR JUNCTION BOX From 8-9457	1	
1	067220	CABLE HARNESS / REAR JUNCTION BOX To 9-9599	1	
1	067581	CABLE HARNESS / REAR JUNCTION BOX From 9-9600 To 9-9642	1	
1	067751	CABLE HARNESS / REAR JUNCTION BOX From 9-9643 To A-9951	1	
1	068088	CABLE HARNESS / REAR JUNCTION BOX From A-9952	1	
NS	066968	CABLE ASSY W/FUSE HOLDER / W/"PRO-HEAT" M-80 / "OPTION"	1	
NS	506227	TAPE RUB ADH1 CC POL 1/16" x 3/4" x 100' / GREY 2520	AR	
2	223860	WALL PANEL BOX SUPPORT ASSY REAR To 9-9642	1	
2	223901	WALL PANEL BOX SUPPORT ASSY REAR From 9-9643	1	
2	223863	SUPPORT COMPONENT / ALUMINUM To 8-9276	1	
3	382239	SUPPORT COMPONENT / ALUMINUM From 8-9277	1	
4	563556	VEC DISTRIBUTION MODULE / REAR JCT BOX To 8-9320	1	P
NS	564104	COVER / VEC BOX To 8-9320	1	P
NS	563269	RELAY 24V S.P.D.T. W/RESISTOR / To 8-9320	1	P
NS	563004	FUSE / ATM 2 AMPS GREY To 8-9320	1	P
NS	563279	FUSE / ATM 3 AMPS VIOLET To 8-9320	1	P
NS	563280	FUSE / ATM 5 AMPS AMBER To 8-9320	1	P
NS	563005	FUSE / ATM 7.5 AMPS BROWN To 8-9320	1	P
NS	563283	FUSE / ATM 10 AMPS RED To 8-9320	1	P
NS	563284	FUSE / ATM 15 AMPS BLUE To 8-9320	1	P
NS	563282	FUSE / ATM 20 AMPS YELLOW To 8-9320	1	P
NS	563153	FUSE / ATM 25 AMPS NATURAL To 8-9320	1	P
NS	563165	FUSE / ATM 30 AMPS GREEN To 8-9320	1	P
NS	563699	MINI BREAKER / 20 AMPS / SERIES 212 To 8-9320	2	P
NS	563181	CONNECTOR / SH 8C / YELLOW / BUSSMANN 32006-E21 To 8-9320	1	P
NS	563182	CONNECTOR / SH 8C / ORANGE / BUSSMANN 32006-G21 To 8-9320	1	P
NS	563183	CONNECTOR / SH 8C / RED / BUSSMANN 32006-F21 To 8-9320	1	P
NS	563184	CONNECTOR / SH 8C / GREEN / BUSSMANN 32006-C21 To 8-9320	1	P
NS	563185	CONNECTOR / SH 8C / BLACK / BUSSMANN 32006-A21 To 8-9320	1	P
NS	563186	CONNECTOR / SH 8C / GREY / BUSSMANN 32006-B21 To 8-9320	1	P
NS	563187	CONNECTOR / SH 8C / BROWN / BUSSMANN 32006-H21 To 8-9320	1	P
NS	563448	CONNECTOR / SH 8C / BLUE / BUSSMANN 32006-D21 To 8-9320	1	P
NS	19518268	COVER RUBBER RED To 8-9320	2	P
4	563698	VEC DISTRIBUTION MODULE / REAR JCT BOX From 8-9321	1	
NS	564104	COVER / VEC BOX From 8-9321	1	
NS	563269	RELAY 24V S.P.D.T. W/RESISTOR / From 8-9321	3	
NS	563004	FUSE / ATM 2 AMPS GREY From 8-9321	1	

From 7-8754 To B-5001	Date:01/2024	PAGE:X3-0620-00
REAR JUNCTION BOX ASSY		

Item#	Part	Description	QTY	Notes
. NS	563279	. FUSE / ATM 3 AMPS VIOLET From 8-9321	1	
. NS	563005	. FUSE / ATM 7.5 AMPS BROWN From 8-9321	1	
. NS	563283	. FUSE / ATM 10 AMPS RED From 8-9321	12	
. NS	563284	. FUSE / ATM 15 AMPS BLUE From 8-9321	11	
. NS	563282	. FUSE / ATM 20 AMPS YELLOW From 8-9321	9	
. NS	563153	. FUSE / ATM 25 AMPS NATURAL From 8-9321	6	
. NS	563165	. FUSE / ATM 30 AMPS GREEN From 8-9321	1	
. NS	564464	. MINI BREAKER / 20 AMPS / SERIES 223 From 8-9321	1	
. NS	563181	. CONNECTOR / SH 8C / YELLOW / BUSSMANN 32006-E21 From 8-9321	1	
. NS	563182	. CONNECTOR / SH 8C / ORANGE / BUSSMANN 32006-G21 From 8-9321	1	
. NS	563183	. CONNECTOR / SH 8C / RED / BUSSMANN 32006-F21 From 8-9321	1	
. NS	563184	. CONNECTOR / SH 8C / GREEN / BUSSMANN 32006-C21 From 8-9321	1	
. NS	563185	. CONNECTOR / SH 8C / BLACK / BUSSMANN 32006-A21 From 8-9321	1	
. NS	563186	. CONNECTOR / SH 8C / GREY / BUSSMANN 32006-B21 From 8-9321	1	
. NS	563187	. CONNECTOR / SH 8C / BROWN / BUSSMANN 32006-H21 From 8-9321	1	
. NS	563448	. CONNECTOR / SH 8C / BLUE / BUSSMANN 32006-D21 From 8-9321	1	
. NS	19518268	. COVER RUBBER RED From 8-9321	2	
NS	563699	. MINI BREAKER / 20 AMPS / SERIES 212	2	A
5	563272	I/O A-MODULE VOLVO MULTIPLEX / BLACK To 7-9116	1	
. NS	562767	. CONNECTOR / SH 30C / GREEN / JAE IL-AG5-30S-D3C1 To 7-9116	1	
. NS	562957	. CONNECTOR / SH 5C / GREEN / JAE IL-AG5-5S-S3C1 To 7-9116	1	
. NS	563132	. CONNECTOR / SH 2C / YAZAKI 7283-6458-40 To 7-9116	1	
5	565864	I/O A-MODULE VOLVO MULTIPLEX / BLACK From 7-9117 To 8-9493	1	
. NS	562767	. CONNECTOR / SH 30C / GREEN / JAE IL-AG5-30S-D3C1 From 7-9117 To 8-9493	1	
. NS	562957	. CONNECTOR / SH 5C / GREEN / JAE IL-AG5-5S-S3C1 From 7-9117 To 8-9493	1	
. NS	563132	. CONNECTOR / SH 2C / YAZAKI 7283-6458-40 From 7-9117 To 8-9493	1	
5	564101	I/O A-MODULE VOLVO MULTIPLEX / BLACK From 8-9494	1	
. NS	562767	. CONNECTOR / SH 30C / GREEN / JAE IL-AG5-30S-D3C1 From 8-9494	1	
. NS	562957	. CONNECTOR / SH 5C / GREEN / JAE IL-AG5-5S-S3C1 From 8-9494	1	
. NS	563132	. CONNECTOR / SH 2C / YAZAKI 7283-6458-40 From 8-9494	1	
5	564194	I/O A-MODULE VOLVO MULTIPLEX / BLACK	1	
. NS	562767	. CONNECTOR / SH 30C / GREEN / JAE IL-AG5-30S-D3C1	1	
. NS	562957	. CONNECTOR / SH 5C / GREEN / JAE IL-AG5-5S-S3C1	1	
. NS	563132	. CONNECTOR / SH 2C / YAZAKI 7283-6458-40	1	
6	563273	I/O B-MODULE VOLVO MULTIPLEX / ALUMINUM To 7-9116	5	
. NS	563132	. CONNECTOR / SH 2C / YAZAKI 7283-6458-40 To 7-9116	1	
. NS	563133	. CONNECTOR / JUNIOR POWER TIMER / SH 29C / AMP 1-963449-2 To 7-9116	1	
. NS	562957	. CONNECTOR / SH 5C / GREEN / JAE IL-AG5-5S-S3C1 To 7-9116	1	
6	565865	I/O B-MODULE VOLVO MULTIPLEX / ALUMINUM From 7-9117 To 8-9493	5	
. NS	563132	. CONNECTOR / SH 2C / YAZAKI 7283-6458-40 From 7-9117 To 8-9493	1	
. NS	563133	. CONNECTOR / JUNIOR POWER TIMER / SH 29C / AMP 1-963449-2 From 7-9117 To 8-9493	1	
. NS	562957	. CONNECTOR / SH 5C / GREEN / JAE IL-AG5-5S-S3C1 From 7-9117 To 8-9493	1	

From 7-8754 To B-5001	Date:01/2024	PAGE:X3-0620-00
REAR JUNCTION BOX ASSY		

Item#	Part	Description	QTY	Notes
6	564075	I/O B-MODULE VOLVO MULTIPLEX / ALUMINUM From 8-9494	5	
. NS	563132	. CONNECTOR / SH 2C / YAZAKI 7283-6458-40 From 8-9494	1	
. NS	563133	. CONNECTOR / JUNIOR POWER TIMER / SH 29C / AMP 1-963449-2 From 8-9494	1	
. NS	562957	. CONNECTOR / SH 5C / GREEN / JAE IL-AG5-5S-S3C1 From 8-9494	1	
6	564193	I/O B-MODULE VOLVO MULTIPLEX / ALUMINUM	5	
. NS	563132	. CONNECTOR / SH 2C / YAZAKI 7283-6458-40	1	
. NS	563133	. CONNECTOR / JUNIOR POWER TIMER / SH 29C / AMP 1-963449-2	1	
. NS	562957	. CONNECTOR / SH 5C / GREEN / JAE IL-AG5-5S-S3C1	1	
7	066530	CABLE POWER / REAR JCT BOX BREAKER	1	
8	X3-0616-10	BREAKERS PANEL		
9	571742	E.C.U. B500 / WTEC III To 7-9000	1	W
9	572028	E.C.U. B500 / GEN IV From 7-9001 To 8-9161	1	W
9	572044	E.C.U. B500 / GEN IV From 8-9162 To 8-9276	1	W
9	572047	E.C.U. B500 / GEN IV From 8-9277 To 8-9381	1	W
9	572066	E.C.U. B500 / GEN IV From 8-9382 To 9-9589	1	W
9	572113	INTERFACE TCM / B500 / GEN IV From 9-9590	1	W
9	572127	INTERFACE TCM / B500 / GEN IV USE WITH 3.42 RATIO	1	W
9	572027	MODULE "ZF" ZMTEC / W10 SPEEDS To 8-9340	1	Z
9	572041	MODULE "ZF" ZMTEC / W12 SPEEDS From 8-9341	1	Z
NS	502686	SCREW CAP HEX M6-1.0x30 SS BK To 8-9150	3	W
NS	502622	SCREW CAP HEX M6-1.0x20 SS BK From 8-9151	3	W
NS	502797	SCREW CAP HEX M8-1.25x70 G10.9 G500	4	Z
NS	500942	WASHER LO SPT 8.1x14.8x2.0 N500 To 8-9340	4	Z
10	502853	WASHER LO SPT 6.1x11.8x1.6 N500 From 8-9341	3	Z
11	504347	RIVET POP DOME OE 3/16x1/4 AL	26	
12	504013	TIE MOUNT / 1/4" X 1/4" I.D.	26	
13	5001182	NUT HEX NYRT M6-1.0 SS	6	
15	382166	ROD ATTACHMENT / I/O B MODULE	3	
16	066646	CABLE #4 GND ORB1	1	
17	5060074	TAPE RUB ADH1 URE 3/8" X 2" X 30' / GREY 1820	AR	
19	066236	CABLE I/F BATTERIES CHARGER / W/RELAY BASE	1	
20	500623	SCREW TC PAN PH #10-24x3/4 N500	4	
21	509827	SCREW MA RND PH M4-0.7x20 SS	6	
22	504637	CABLE TIE / 3/16" x 13"	AR	
23	504340	RIVET POP DOME OE 1/8x3/16 SS	12	
24	382169	HINGE ROD ATTACHMENT	3	
26	563332	RELAY 24V S.P.D.T. W/RESISTOR / "VOLVO" (20374662)	10	
27	561991	RELAY 24V S.P.S.T. / 70 AMPS N.O. To C-5133	2	
27	564218	RELAY 24V S.P.S.T. / 40 AMPS N.O. From C-5134	2	
28	563348	RELAY POWER 24V 200 AMPS / S.P.S.T. N.O.	3	
. NS	5001182	. NUT HEX NYRT M6-1.0 SS	1	

From 7-8754 To B-5001	Date:01/2024	PAGE:X3-0620-00
REAR JUNCTION BOX ASSY		

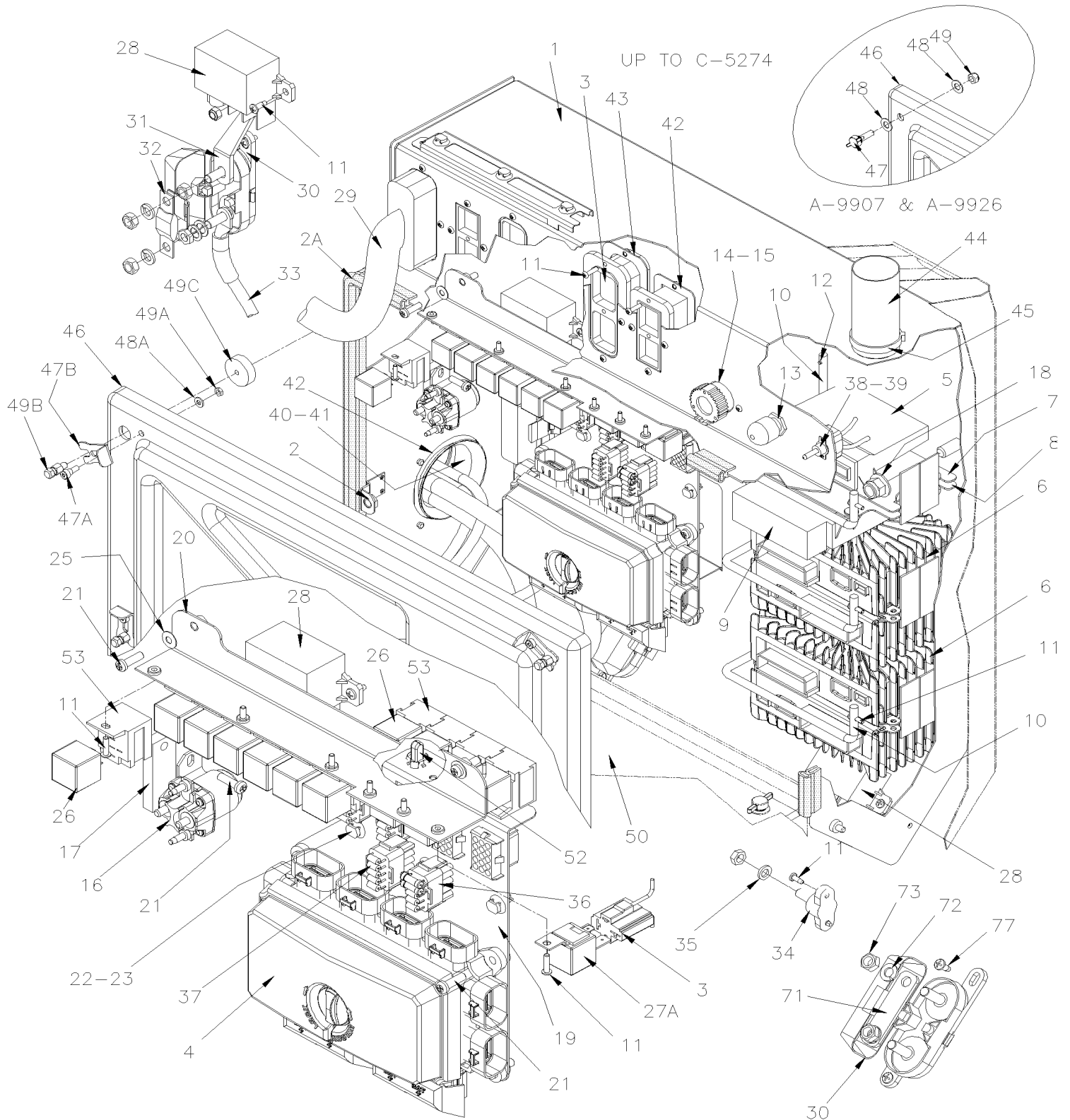
Item#	Part	Description	QTY	Notes
. NS	502573	. WASHER FL 6.4x12.5x1.6 SS	1	
. NS	563409	. CONNECTOR / SUPERSEAL 1.5 SERIES / SH 2C / AMP 282080-1	1	
. NS	562607	. SOCKET TERMINAL / 20-16 / AMP 183025-1	1	
30	5001486	SCREW CAP BUT HEXS M8-1.25x20 SS EMN	19	
31	382187	RAIL SUPPORT "U" SHAPE 400MM	1	
32	561727	JUNCTION BLOCK	9	
33	561731	COVER SUPPORT	8	
34	562645	STOPPER "U" RAIL	2	
35	563398	SWITCH / OFF-ON / D.P.S.T. / MUX	1	
37	562394	PLATE, INDICATING (ON/OFF)	1	
38	563218	JUNCTION BLOCK W/5 STUDS	1	
39	500765	NUT HEX #10-32 BR	10	
40	500623	SCREW TC PAN PH #10-24x3/4 N500	AR	
43	381145	DIODE ASSY / W/5 3AMPS	3	
44	382097	DIODE ASSY / W/3 3AMPS & 2 RESISTORS 270 OHMS To 9-9639	1	
44	382421	DIODE ASSY / W/3 3AMPS From 9-9640	1	
45	382175	DIODE ASSY / W/3 3AMPS & 2 RESISTORS 100 OHMS	1	
46	502622	SCREW CAP HEX M6-1.0x20 SS BK	2	
47	502570	WASHER LO SPT 6.1x11.8x1.6 SS	2	
50	068380	SERVICE KIT TO REPLACE 70 AMP RELAY	AR	
. NS	564210	. RELAY BASE / TAB TERMINAL / COLE HERSEE 99025	1	
. NS	564218	. RELAY 24V S.P.S.T. / 40 AMPS N.O.	1	
. NS	FI11015	. SEE INSTRUCTION SHEET ENS. REMPLACEMENT RELAIS 70A	1	
. NS	IS11015	. SEE INSTRUCTION SHEET	1	
60	066286	CABLE EVAPORATOR COMPARTMENT To 9-9600	1	
60	067613	CABLE EVAPORATOR COMPARTMENT From 9-9601	1	
60	067651	CABLE EVAPORATOR COMPARTMENT proto From A-9907 To A-9907	1	
62	065155	CABLE / W/W.C.L. 24WL	1	
67	066821	CABLE / W/INVERTER 24E3	1	
70	066820	CABLE / W/INVERTER 24VPI	1	
71	371600	INSULATING PAD 76.2MM x 374.7MM	1	
72	504024	HOSE CLAMP / 1"13/16"-2"3/4 SS / HS-36	1	
73	504533	CUFF END BELLOW / 2 3/8" I.D. x 2 3/8" x 4"	1	
		A) INSIDE OF VEC		
		P) FOR PRODUCT IMPROVEMENT DOOR LOCK FUSE MAY BE REPLACE BY MINI BREAKER # 563699		
		W) WITH "WORLD TRANSMISSION		
		Z) WITH "ZF" TRANSMISSION		
		P) CALL ORDER DESK FOR SPECIFIC APPLICATION (V.I.N.)		

From B-5002 To D-5458

Date:01/2024

PAGE:X3-0620-01

REAR JUNCTION BOX ASSY WITH "EPA 2010"

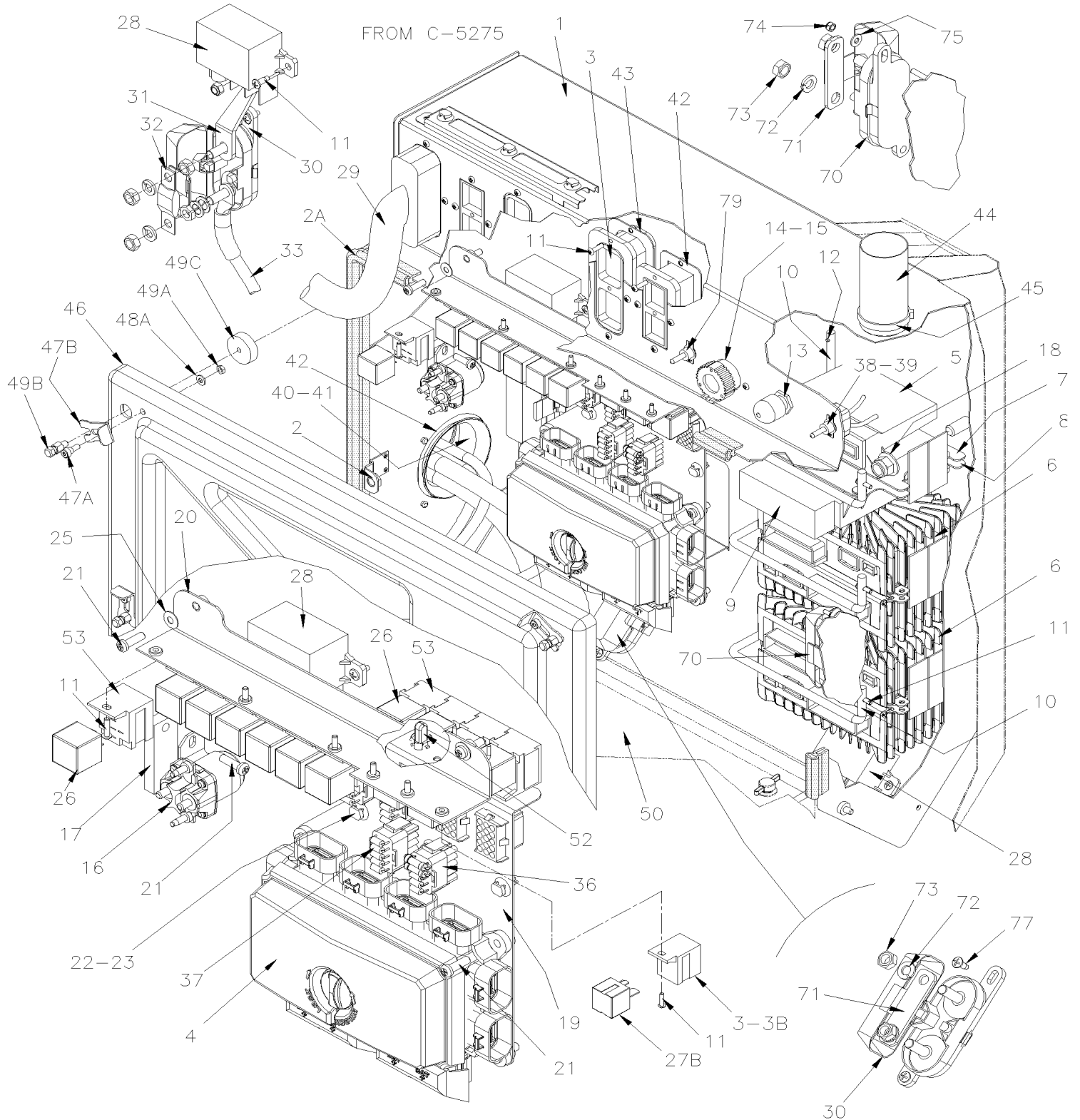


From B-5002 To D-5458

Date:01/2024

PAGE:X3-0620-01

REAR JUNCTION BOX ASSY WITH "EPA 2010"



From B-5002 To D-5458	Date:01/2024	PAGE:X3-0620-01
REAR JUNCTION BOX ASSY WITH "EPA 2010"		

Item#	Part	Description	QTY	Notes
	Call order desk	REAR JCT BOX ASSY D380252	1	P
1	067769	PANEL BOX SUPPORT ASSY REAR From A-9907 To A-9907	1	
1	067769	PANEL BOX SUPPORT ASSY REAR From A-9926 To A-9926	1	
1	068237	PANEL BOX SUPPORT ASSY REAR From B-5002 To C-5274	1	
1	0677702	PANEL BOX SUPPORT ASSY REAR From C-5275	1	
2	067771	. COVER BRACKET ANGLE	4	
2	067771	. COVER BRACKET ANGLE From A-9907 To A-9907	4	
2	068238	. COVER BRACKET ANGLE From A-9926 To A-9926	4	
2A	506302	RUBBER EXTRUSION TRIM SEAL / GRIP .024 / 7/16" HOLLOW BULB C.T.L. From B-5002	AR	
3	067639	CABLE HARNESS / REAR JUNCTION BOX From A-9907 To A-9907	1	
3	067639	CABLE HARNESS / REAR JUNCTION BOX From A-9926 To A-9926	1	
3	068218	CABLE HARNESS / REAR JUNCTION BOX From B-5002 To B-5039	1	
3	068273	CABLE HARNESS / REAR JUNCTION BOX From B-5040 To C-5133	1	
3	068393	CABLE HARNESS / REAR JUNCTION BOX From C-5134 To C-5274	1	
3	068334	CABLE HARNESS / REAR JUNCTION BOX From C-5275	1	
NS	066968	CABLE ASSY W/FUSE HOLDER / W/"PRO-HEAT" M-80 / "OPTION"	1	
3B	564210	RELAY BASE / TAB TERMINAL / COLE HERSEE 99025 From C-5134	1	
4	563635	VEC DISTRIBUTION MODULE / REAR JCT BOX To C-5274	1	
. NS	564104	. COVER / VEC BOX To C-5274	1	
. NS	563269	. RELAY 24V S.P.D.T. W/RESISTOR / To C-5274	4	
. NS	563004	. FUSE / ATM 2 AMPS GREY To C-5274	2	
. NS	563279	. FUSE / ATM 3 AMPS VIOLET To C-5274	3	
. NS	563005	. FUSE / ATM 7.5 AMPS BROWN To C-5274	2	
. NS	563283	. FUSE / ATM 10 AMPS RED To C-5274	13	
. NS	563284	. FUSE / ATM 15 AMPS BLUE To C-5274	9	
. NS	563282	. FUSE / ATM 20 AMPS YELLOW To C-5274	12	
. NS	563153	. FUSE / ATM 25 AMPS NATURAL To C-5274	6	
. NS	563165	. FUSE / ATM 30 AMPS GREEN To C-5274	3	
. NS	563181	. CONNECTOR / SH 8C / YELLOW / BUSSMANN 32006-E21 To C-5274	1	
. NS	563182	. CONNECTOR / SH 8C / ORANGE / BUSSMANN 32006-G21 To C-5274	1	
. NS	563183	. CONNECTOR / SH 8C / RED / BUSSMANN 32006-F21 To C-5274	1	
. NS	563184	. CONNECTOR / SH 8C / GREEN / BUSSMANN 32006-C21 To C-5274	1	
. NS	563185	. CONNECTOR / SH 8C / BLACK / BUSSMANN 32006-A21 To C-5274	1	
. NS	563186	. CONNECTOR / SH 8C / GREY / BUSSMANN 32006-B21 To C-5274	1	
. NS	563187	. CONNECTOR / SH 8C / BROWN / BUSSMANN 32006-H21 To C-5274	1	
. NS	563448	. CONNECTOR / SH 8C / BLUE / BUSSMANN 32006-D21 To C-5274	1	
. NS	19518268	. COVER RUBBER RED To C-5274	2	
4	563239	VEC DISTRIBUTION MODULE / REAR JCT BOX From C-5275	1	
. NS	564104	. COVER / VEC BOX From C-5275	1	
. NS	563269	. RELAY 24V S.P.D.T. W/RESISTOR / From C-5275	4	
. NS	563004	. FUSE / ATM 2 AMPS GREY From C-5275	2	
. NS	563279	. FUSE / ATM 3 AMPS VIOLET From C-5275	3	

From B-5002 To D-5458	Date:01/2024	PAGE:X3-0620-01
REAR JUNCTION BOX ASSY WITH "EPA 2010"		

Item#	Part	Description	QTY	Notes
. NS	563005	. FUSE / ATM 7.5 AMPS BROWN From C-5275	2	
. NS	563283	. FUSE / ATM 10 AMPS RED From C-5275	13	
. NS	563284	. FUSE / ATM 15 AMPS BLUE From C-5275	9	
. NS	563282	. FUSE / ATM 20 AMPS YELLOW From C-5275	12	
. NS	563153	. FUSE / ATM 25 AMPS NATURAL From C-5275	6	
. NS	563165	. FUSE / ATM 30 AMPS GREEN From C-5275	3	
. NS	563181	. CONNECTOR / SH 8C / YELLOW / BUSSMANN 32006-E21 From C-5275	1	
. NS	563182	. CONNECTOR / SH 8C / ORANGE / BUSSMANN 32006-G21 From C-5275	1	
. NS	563183	. CONNECTOR / SH 8C / RED / BUSSMANN 32006-F21 From C-5275	1	
. NS	563184	. CONNECTOR / SH 8C / GREEN / BUSSMANN 32006-C21 From C-5275	1	
. NS	563185	. CONNECTOR / SH 8C / BLACK / BUSSMANN 32006-A21 From C-5275	1	
. NS	563186	. CONNECTOR / SH 8C / GREY / BUSSMANN 32006-B21 From C-5275	1	
. NS	563187	. CONNECTOR / SH 8C / BROWN / BUSSMANN 32006-H21 From C-5275	1	
. NS	563448	. CONNECTOR / SH 8C / BLUE / BUSSMANN 32006-D21 From C-5275	1	
. NS	19518268	. COVER RUBBER RED From C-5275	2	
5	564101	I/O A-MODULE VOLVO MULTIPLEX / BLACK To B-5029	1	
. NS	562767	. CONNECTOR / SH 30C / GREEN / JAE IL-AG5-30S-D3C1 To B-5029	1	
. NS	562957	. CONNECTOR / SH 5C / GREEN / JAE IL-AG5-5S-S3C1 To B-5029	1	
. NS	563132	. CONNECTOR / SH 2C / YAZAKI 7283-6458-40 To B-5029	1	
5	564194	I/O A-MODULE VOLVO MULTIPLEX / BLACK From B-5030	1	
. NS	562767	. CONNECTOR / SH 30C / GREEN / JAE IL-AG5-30S-D3C1 From B-5030	1	
. NS	562957	. CONNECTOR / SH 5C / GREEN / JAE IL-AG5-5S-S3C1 From B-5030	1	
. NS	563132	. CONNECTOR / SH 2C / YAZAKI 7283-6458-40 From B-5030	1	
6	564075	I/O B-MODULE VOLVO MULTIPLEX / ALUMINUM To B-5029	4	
. NS	563132	. CONNECTOR / SH 2C / YAZAKI 7283-6458-40 To B-5029	1	
. NS	563133	. CONNECTOR / JUNIOR POWER TIMER / SH 29C / AMP 1-963449-2 To B-5029	1	
. NS	562957	. CONNECTOR / SH 5C / GREEN / JAE IL-AG5-5S-S3C1 To B-5029	1	
6	564193	I/O B-MODULE VOLVO MULTIPLEX / ALUMINUM From B-5030	4	
. NS	563132	. CONNECTOR / SH 2C / YAZAKI 7283-6458-40 From B-5030	1	
. NS	563133	. CONNECTOR / JUNIOR POWER TIMER / SH 29C / AMP 1-963449-2 From B-5030	1	
. NS	562957	. CONNECTOR / SH 5C / GREEN / JAE IL-AG5-5S-S3C1 From B-5030	1	
7	067773	PLATE SUPPORT / I/O A-MODULE	1	
NS	5001587	NUT HEX NYRT M5-0.8 SS	3	
8	067772	PLATE SUPPORT TRANS ECU WORLD	1	
NS	5001182	NUT HEX NYRT M6-1.0 SS	3	
9	572146	INTERFACE TCM / B500 / GEN IV USE WITH 3.91 RATIO To B-5049	1	W
9	572152	INTERFACE TCM / B500 / USE WITH 3.91/4.10 RATIO From B-5050	1	W
9	572164	INTERFACE TCM / B500 WITH 3.91 / 4.10 RATIO To E-5585	1	
9	572165	INTERFACE TCM / GEN V From E-5586 To E-5624	1	
9	572170	INTERFACE TCM / B500 2014 WITH 3.91 / 4.10 RATIO From E-5625	1	
9	572127	INTERFACE TCM / B500 / GEN IV USE WITH 3.42 RATIO	1	W
9	572151	INTERFACE TCM / B500 / GEN IV USE WITH 3.58 RATIO From B-5050	1	W

From B-5002 To D-5458	Date:01/2024	PAGE:X3-0620-01
REAR JUNCTION BOX ASSY WITH "EPA 2010"		

Item#	Part	Description	QTY	Notes
10	382166	ROD ATTACHMENT / I/O B MODULE	3	
11	502698	SCREW MA PAN PH M4-0.7x16 SS BK	AR	
12	505221	SPRING, PIN 1/8 X 3/8	3	
13	561891	CAP RUBBER	1	
13	562484	SWITCH S.P.S.T. / N.C.	1	
13	065466	DECAL / LAVATORY PUMP FLUSH / ENGLISH & FRANCAIS	1	
13	066050	DECAL / LAVATORY PUMP FLUSH / ENGLISH & SPANISH	1	
14	562543	PROTECTIVE CAP / HD10 SERIES / 9C / DEUTSCH HDC16-9	1	
15	562492	TYPE A COUPLING	1	
15	562493	CHAIN / C.T.L.	1	
15	562494	RING / ATTACHMENT END	1	
16	564095	SMALL STARTOR RELAY	1	
17	067335	SPACER / PLASTIC / RELAY / STARTOR MELCO	1	
18	5001761	NUT HEXF NYRT M12-1.75 G8 N500	2	
19	067807	PLATE SUPPORT "VEC"	1	
20	067805	PLATE SUPPORT UPPER RELAY To C-5133	1	
20	068386	PLATE SUPPORT UPPER RELAY From C-5134	1	
21	502626	SCREW MA PAN PH M6-1.0x20 N500	AR	
22	504637	CABLE TIE / 3/16" x 13"	AR	
23	509815	TIE MOUNT / ATTACHMENT W/TREE MOUNT	3	
NS	504340	RIVET POP DOME OE 1/8x3/16 SS	12	
25	5001608	WASHER BEL SPR 6.2x15.0x0.7 G500	2	
26	563332	RELAY 24V S.P.D.T. W/RESISTOR / "VOLVO" (20374662)	7	
27A	561991	RELAY 24V S.P.S.T. / 70 AMPS N.O. To C-5133	3	
27B	564218	RELAY 24V S.P.S.T. / 40 AMPS N.O. From C-5134	3	
28	563348	RELAY POWER 24V 200 AMPS / S.P.S.T. N.O.	3	
. NS	5001182	. NUT HEX NYRT M6-1.0 SS	1	
. NS	502573	. WASHER FL 6.4x12.5x1.6 SS	1	
. NS	563409	. CONNECTOR / SUPERSEAL 1.5 SERIES / SH 2C / AMP 282080-1	1	
. NS	562607	. SOCKET TERMINAL / 20-16 / AMP 183025-1	1	
29	067648	CABLE ASSY / RR JCT & ENGINE PROTO From A-9907 To A-9907	1	
29	067648	CABLE ASSY / RR JCT & ENGINE From A-9926 To A-9926	1	
29	067691	CABLE ASSY / RR JCT & ENGINE From B-5002 To B-5074	1	
29	068407	CABLE ASSY / RR JCT & ENGINE From B-5075 To C-5274	1	
29	068337	CABLE ASSY / RR JCT & ENGINE From C-5275	1	
30	563750	FUSEHOLDER W/RED COVER / MEGA FUSE /	2	
31	068072	BUS BAR / W/2 HOLES / 96.4MM C/C 14MM / OFFSET	1	
32	564174	FUSE / MEGA FUSE / 150 AMPS / ORANGE	1	
32	564520	FUSE / MEGA FUSE / 300 AMPS / GREY	1	
33	068134	DIODE ASSY	1	
34	560422	BLOCK, TERMINAL / 1 STUD 3/8-16 / BLACK To C-5274	1	

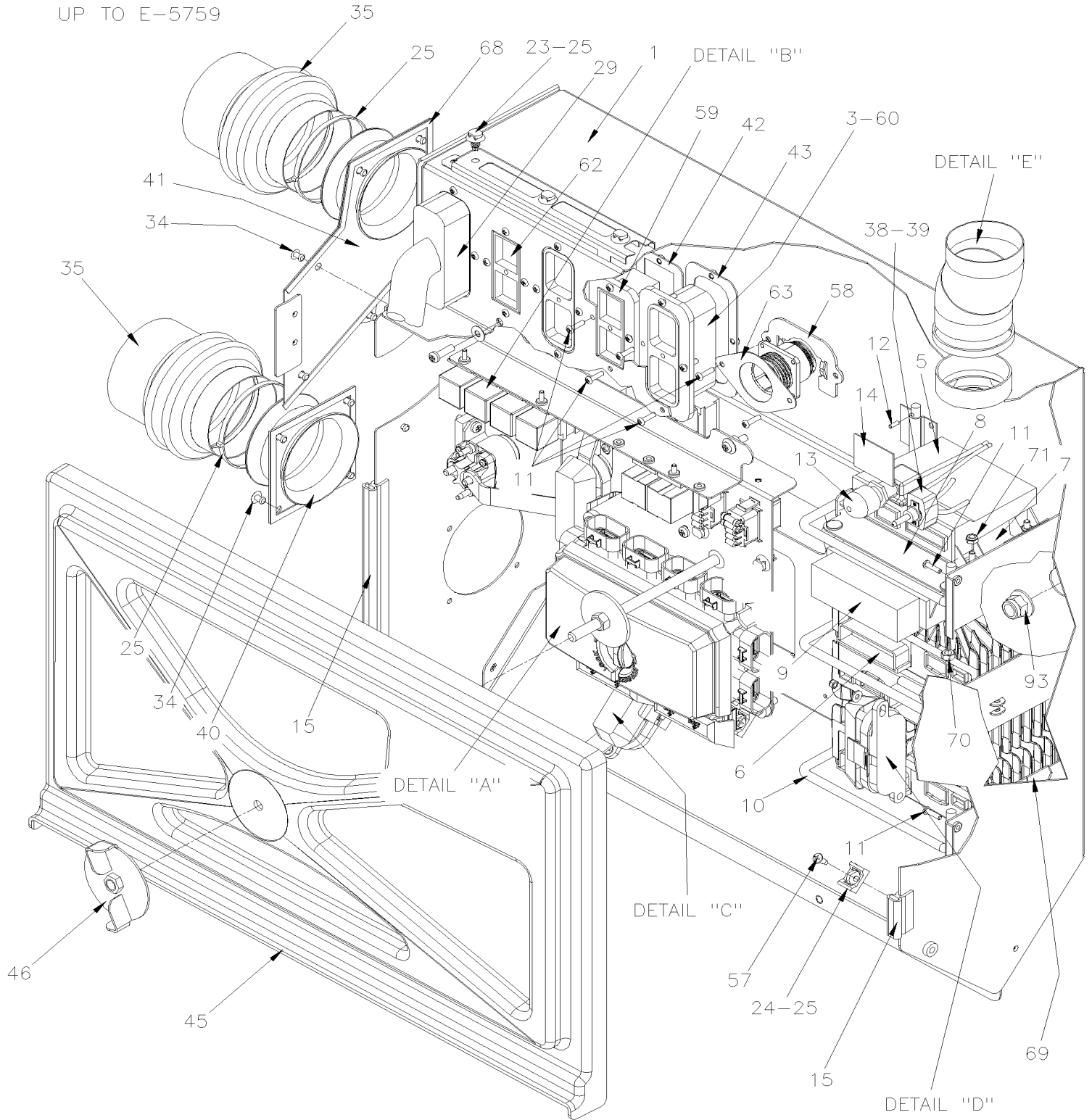
From B-5002 To D-5458	Date:01/2024	PAGE:X3-0620-01
REAR JUNCTION BOX ASSY WITH "EPA 2010"		

Item#	Part	Description	QTY	Notes
35	500379	NUT HEX 3/8-16 BR	2	
NS	500478	WASHER LO SPT .380x.683x.094 Z050	1	
36	381145	DIODE ASSY / W/5 3AMPS	3	
37	382175	DIODE ASSY / W/3 3AMPS & 2 RESISTORS 100 OHMS	1	
38	563609	SWITCH / OFF-ON / S.P.S.T. / SEALED W/WIRES ASSY	1	
39	562394	PLATE, INDICATING (ON/OFF)	1	
40	068050	PANEL ASSY / PASS CABLE LOWER SIDE BOX	1	A
NS	067818	PANEL ASSY / PASS CABLE UPPER SIDE BOX	1	
NS	504379	RIVET POP DOME OE 3/16x1/4 SS	4	
41	504499	CUFF END BELLOW / 2 7/8" I.D. x 3 5/8" x 4 7/16	2	
41	5060103	RUBBER SEAL 6.56FT LONG	AR	
42	067775	PLATE RETAINER CONECTORS 40 PINS "J" FORM 55MMx99.7MM	3	
43	067774	PLATE RETAINER CONECTORS 70 PINS "J" FORM 60.6MM x 128.5MM	3	
44	503021	HOSE FLEXIBLE / AIR DUCT 1 3/4" I.D. X 25'/LINEN RUBBER	AR	
45	504292	HOSE CLAMP / 1"5/16-2"1/4 SS / E.T. 28 From A-9907 To A-9907	2	
45	504292	HOSE CLAMP / 1"5/16-2"1/4 SS / E.T. 28 From A-9926 To A-9926	2	
45	504016	CABLE TIE / 5/16" X 14"1/2 From B-5002	AR	
46	Call order desk	COVER ASSY REAR JCT BOX From A-9907 To A-9907	1	P
46	Call order desk	COVER ASSY REAR JCT BOX From A-9926 To A-9926	1	P
46	Call order desk	COVER ASSY REAR JCT BOX From B-5002	1	P
46	067758	. COVER REAR JCT BOX From A-9907 To A-9907	1	
46	067758	. COVER REAR JCT BOX From A-9926 To A-9926	1	
46	068232	. COVER REAR JCT BOX From B-5002	1	
47	5001818	. SCREW WI PLAS M8-1.25x25 SS From A-9907 To A-9907	4	
47	5001818	. SCREW WI PLAS M8-1.25x25 SS From A-9926 To A-9926	4	
47A	5001606	. SCREW SHR HEXS 1/4x3/16 {#10-24 SS From B-5002	4	
47B	068235	. LATCH ANGLE SLOTTED SS From B-5002	4	
48	502723	. WASHER FL .386x.750x.050 NYL From A-9907 To A-9907	8	
48	502723	. WASHER FL .386x.750x.050 NYL From A-9926 To A-9926	8	
48A	5001137	. WASHER FL .203x.438x.050 SS From B-5002	4	
49	502847	. NUT HEX NYRT M8-1.25 N500 From A-9907 To A-9907	4	
49	502847	. NUT HEX NYRT M8-1.25 N500 From A-9926 To A-9926	4	
49A	5001180	. NUT HEX NYRT #10-24 SS From B-5002	4	
49B	068345	SCREW SPECIAL 1/4-20x25MM SS From B-5002	4	
49C	473378	SEAL WASHER / RUB RAIL & PANEL From B-5002	4	
50	X3-0615-01	BATTERIES INSTALLATION WITH "EPA 2010"		
NS	564178	GROUND CABLE BRAID 2/0	1	
52	563335	SENSOR THERMISTOR ASSY / OUTSIDE // PED 15416387	1	
53	561183	RELAY BASE / TAB TERMINAL / BOSCH 3334485008	11	
NS	066155	DECAL PIN OUT / JCT BOX W/MUX	1	
60	068380	SERVICE KIT TO REPLACE 70 AMP RELAY To C-5133	AR	

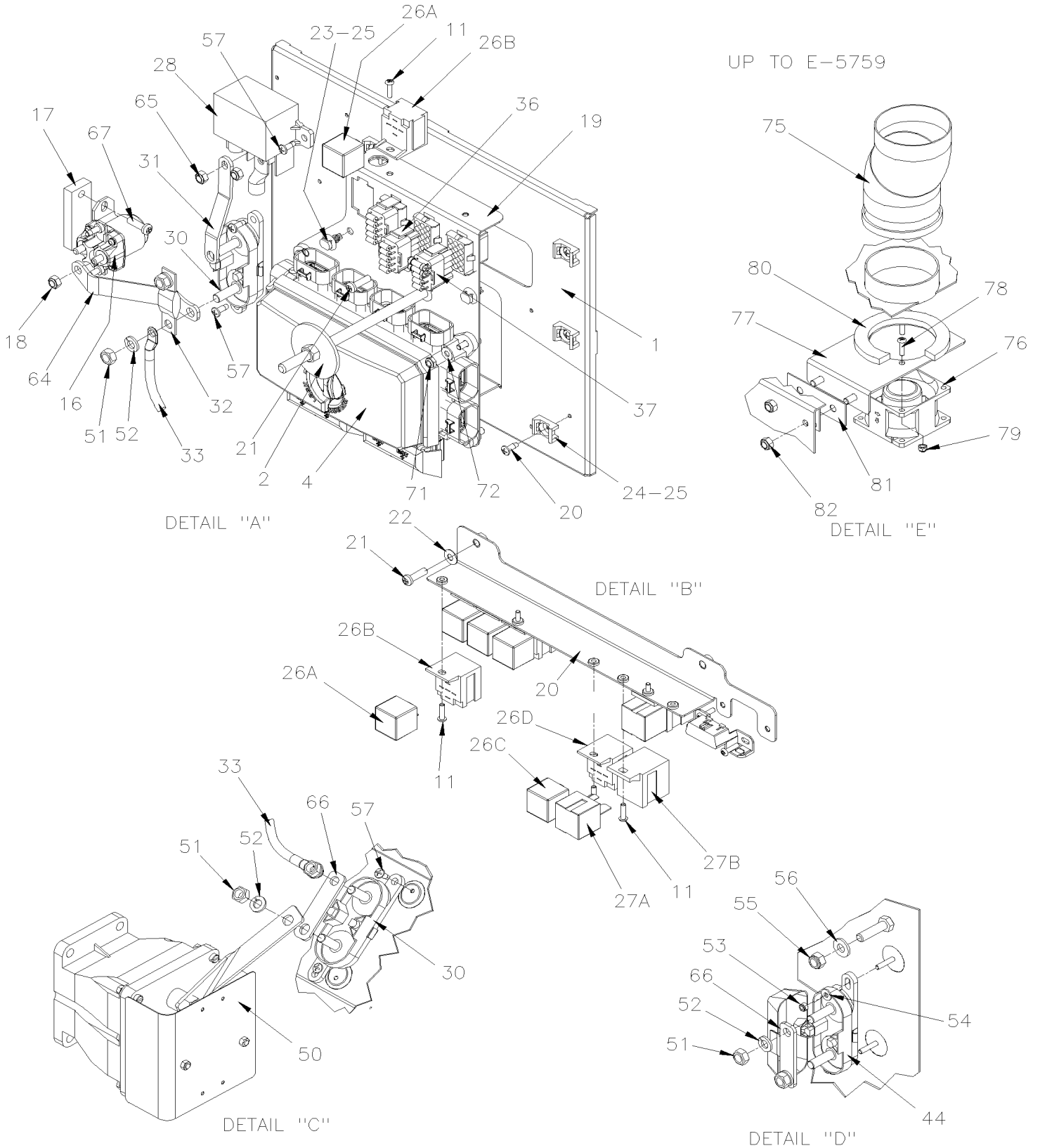
From B-5002 To D-5458	Date:01/2024	PAGE:X3-0620-01
REAR JUNCTION BOX ASSY WITH "EPA 2010"		

Item#	Part	Description	QTY	Notes
. NS	564210	. RELAY BASE / TAB TERMINAL / COLE HERSEE 99025 To C-5133	1	
. NS	564218	. RELAY 24V S.P.S.T. / 40 AMPS N.O. To C-5133	1	
. NS	FI11015	. SEE INSTRUCTION SHEET ENS. REPLACEMENT RELAIS 70A To C-5133	1	
. NS	IS11015	. SEE INSTRUCTION SHEET To C-5133	1	
NS	067659	CABLE / JUNCTION BOX TRANSMISSION	1	
NS	067660	CABLE / JUNCTION BOX TRANSMISSION "I-SHIFT"	1	
NS	067671	DECAL REAR JUNCTION BOX / COMPONENTS To C-5133	1	
. NS	060134	. DECAL / "R34 24V 12VI ENGINE ECU" To C-5133	1	
NS	068403	DECAL REAR JUNCTION BOX / COMPONENTS From C-5134 To C-5274	1	
. NS	060134	. DECAL / "R34 24V 12VI ENGINE ECU" From C-5134 To C-5274	1	
NS	068501	DECAL REAR JUNCTION BOX / COMPONENTS From C-5275	1	
. NS	060134	. DECAL / "R34 24V 12VI ENGINE ECU" From C-5275	1	
70	563238	FUSEHOLDER W/BLACK COVER / MEGA FUSE / From C-5275	1	
71	068169	BUS BAR / W/2 HOLES	2	
72	500035	WASHER LO SPT .317x.586x.078 SS	4	
73	500615	NUT HEX M8-1.25 BR	4	
74	500539	NUT HEX NYRT M4-0.7 N500	2	
75	500855	WASHER FL .188x.438x.049 N500	2	
77	502868	SCREW TC TR PH #10-16x1/2 N500	2	
79	562394	PLATE, INDICATING (ON/OFF) From C-5249	1	B
79	563609	SWITCH / OFF-ON / S.P.S.T. / SEALED W/WIRES ASSY From C-5249	1	B
79	561689	SOCKET TERMINAL / 20-18 / PED 12089188 From C-5249	2	B
79	561690	CONNECTOR / WEATHER PACK / SH 2C / BLACK / PED 12015792 From C-5249	1	B
79	561565	CABLE SEAL / GREEN / PED 15324982 From C-5249	1	B
79	560241	RUBBER PROTECTOR, TOGGLE SWITCH From C-5249	2	B
79	068500	DECAL "COUPE PRECHAUFF..." From C-5249	1	B
		A) AS SHOWN		
		B) WITH PREHEAT SWITCH		
		W) WITH "WORLD TRANSMISSION		
		P) CALL ORDER DESK FOR SPECIFIC APPLICATION (V.I.N.)		

REAR JUNCTION BOX ASSY



REAR JUNCTION BOX ASSY

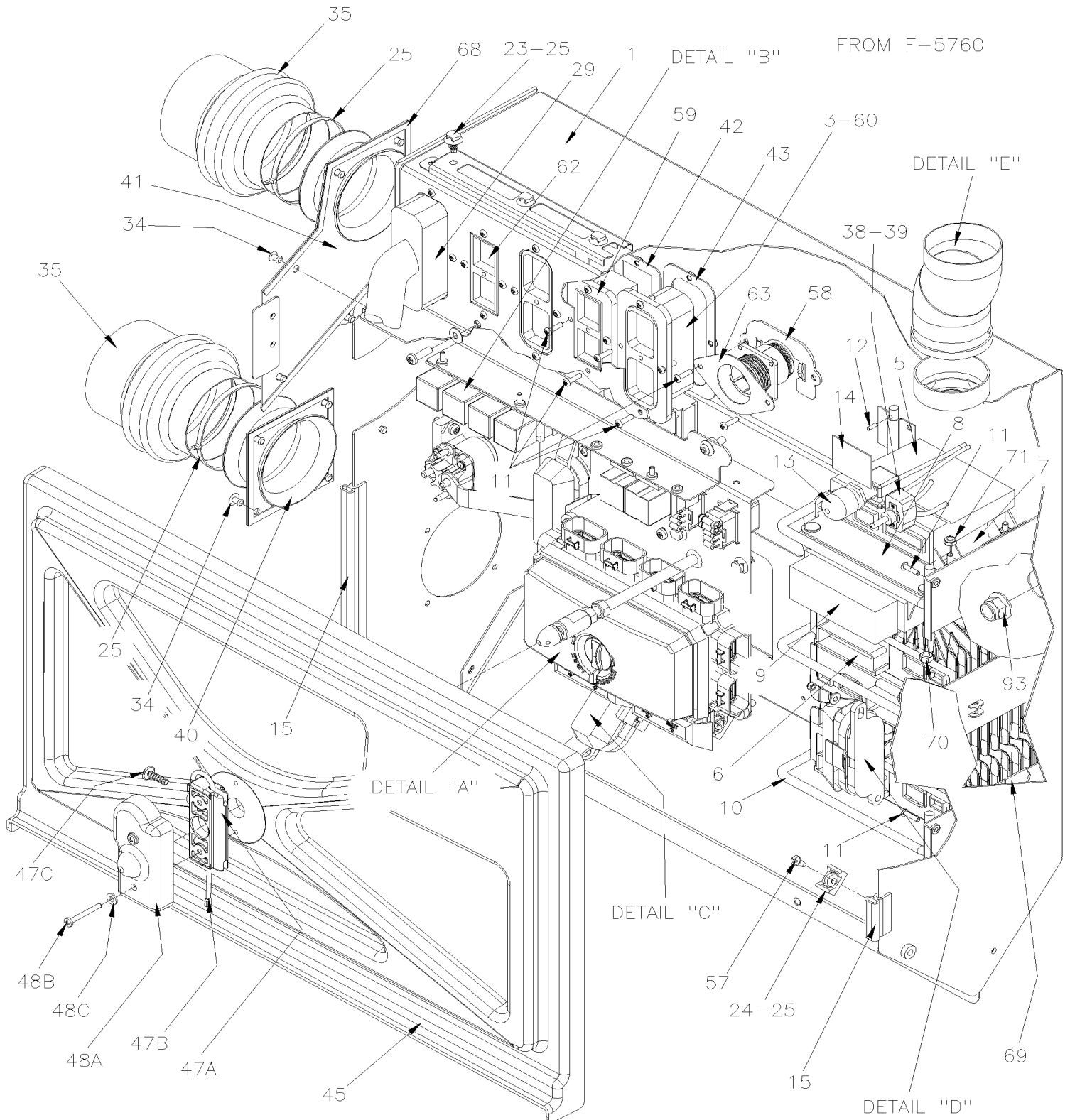


From E-5459 To H-6179

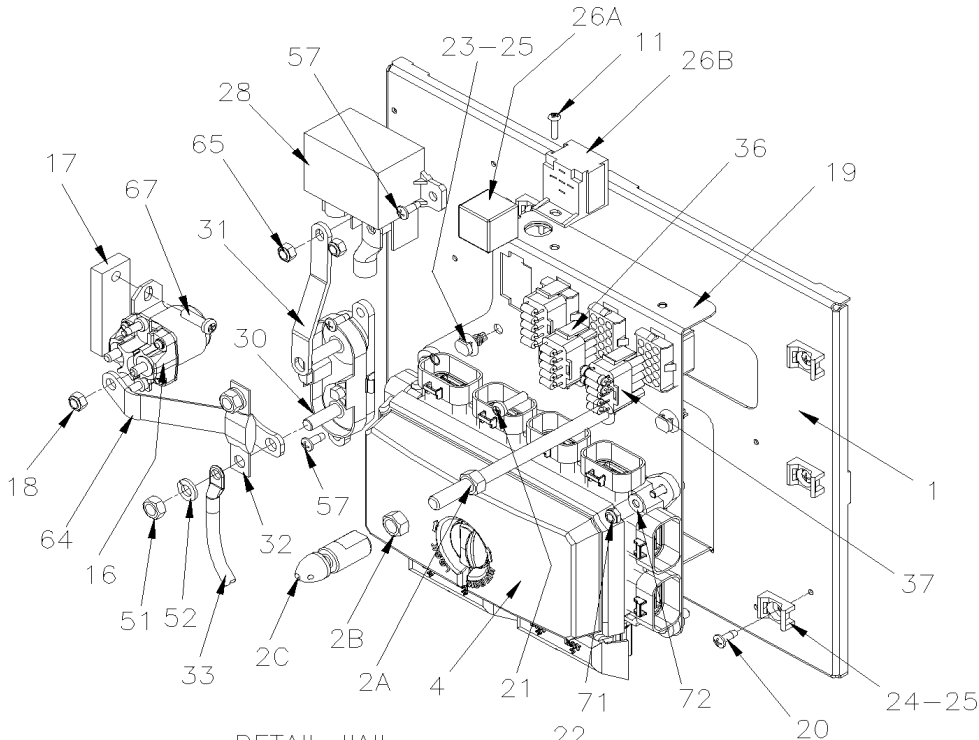
Date:01/2024

PAGE:X3-0620-02

REAR JUNCTION BOX ASSY

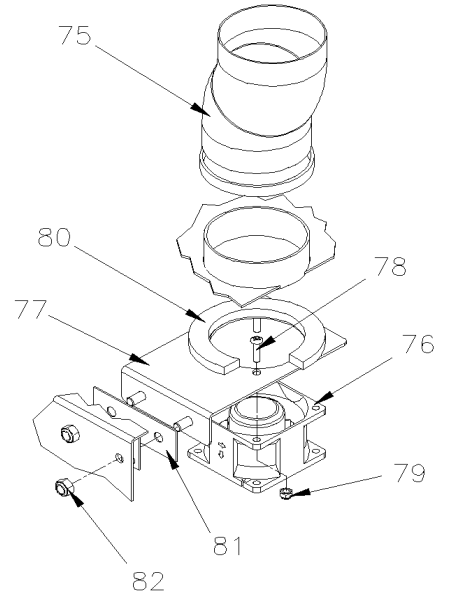


From E-5459 To H-6179	Date:01/2024	PAGE:X3-0620-02
REAR JUNCTION BOX ASSY		

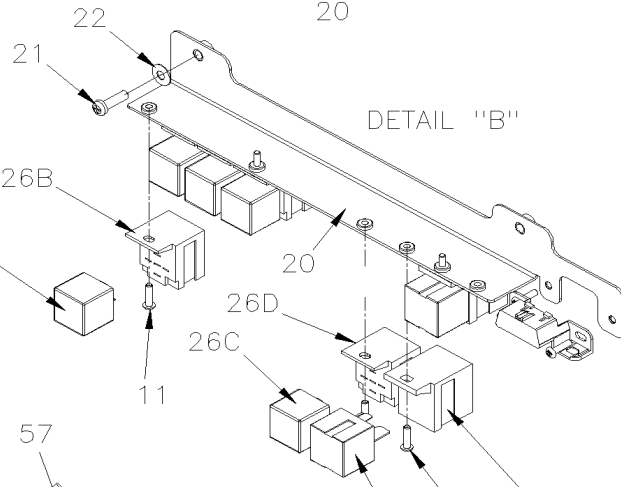


DETAIL "A"

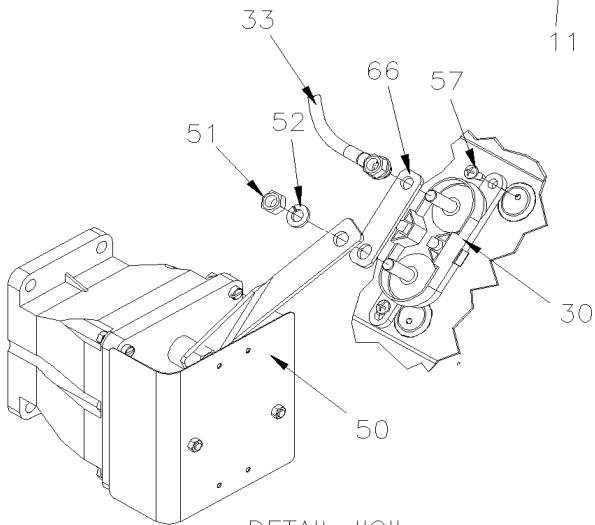
FROM F-5760



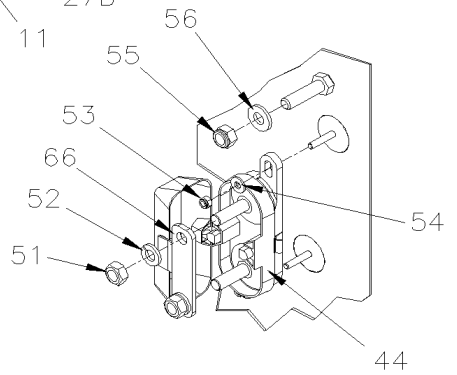
DETAIL "E"



DETAIL "B"



DETAIL "C"



DETAIL "D"

From E-5459 To H-6179		Date:01/2024	PAGE:X3-0620-02
REAR JUNCTION BOX ASSY			

Item#	Part	Description	QTY	Notes
	067761	REAR JCT BOX ASSY D380252	1	P P
	067761	REAR JCT BOX ASSY D380252	1	P P
1	068814	PANEL BOX SUPPORT ASSY REAR	1	
1	680093	SEALANT TAPE BUTYL / GREY / 1/16"x1 1/2"x50' /71079B11760	AR	
2	068781	ROD, COVER REAR JCT BOX	1	
2A	069052	ROD, COVER REAR JCT BOX From F-5760	1	
2B	500102	NUT HEX 3/8-16 SS From F-5760	1	
2C	069049	STOPPER From F-5760	1	
3	068600	CABLE HARNESS / REAR JUNCTION BOX To D-5458	1	
3	068886	CABLE HARNESS / REAR JUNCTION BOX From E-5459 To E-5717	1	
3	069035	CABLE HARNESS / REAR JUNCTION BOX From E-5718 To E-5759	1	
3	068880	CABLE HARNESS / REAR JUNCTION BOX From F-5760 To F-5812	1	
3	069230	CABLE HARNESS / REAR JUNCTION BOX From F-5813 To G-5977	1	
3	069315	CABLE HARNESS / REAR JUNCTION BOX From G-5978 To G-6077	1	
3	069576	CABLE HARNESS / REAR JUNCTION BOX From G-6078	1	
3	069614	CABLE HARNESS / REAR JUNCTION BOX / CRUB LIGHTS / OPTION From G-6084	1	
3	066968	CABLE ASSY W/FUSE HOLDER / W/"PRO-HEAT" M-80 / "OPTION"	1	
4	563239	VEC DISTRIBUTION MODULE / REAR JCT BOX	1	
NS	564104	COVER / VEC BOX	1	
NS	563269	RELAY 24V S.P.D.T. W/RESISTOR /	4	
NS	563004	FUSE / ATM 2 AMPS GREY	2	
NS	563279	FUSE / ATM 3 AMPS VIOLET	3	
NS	563005	FUSE / ATM 7.5 AMPS BROWN	2	
NS	563283	FUSE / ATM 10 AMPS RED	13	
NS	563284	FUSE / ATM 15 AMPS BLUE	9	
NS	563282	FUSE / ATM 20 AMPS YELLOW	12	
NS	563153	FUSE / ATM 25 AMPS NATURAL	6	
NS	563165	FUSE / ATM 30 AMPS GREEN	3	
NS	563181	CONNECTOR / SH 8C / YELLOW / BUSSMANN 32006-E21	1	
NS	563182	CONNECTOR / SH 8C / ORANGE / BUSSMANN 32006-G21	1	
NS	563183	CONNECTOR / SH 8C / RED / BUSSMANN 32006-F21	1	
NS	563184	CONNECTOR / SH 8C / GREEN / BUSSMANN 32006-C21	1	
NS	563185	CONNECTOR / SH 8C / BLACK / BUSSMANN 32006-A21	1	
NS	563186	CONNECTOR / SH 8C / GREY / BUSSMANN 32006-B21	1	
NS	563187	CONNECTOR / SH 8C / BROWN / BUSSMANN 32006-H21	1	
NS	563448	CONNECTOR / SH 8C / BLUE / BUSSMANN 32006-D21	1	
NS	19518268	COVER RUBBER RED	2	
5	22561320	I/O A-MODULE VOLVO MULTIPLEX / BLACK From G-5878 To H-6094	1	
NS	562767	CONNECTOR / SH 30C / GREEN / JAE IL-AG5-30S-D3C1 From G-5878 To H-6094	1	
NS	562957	CONNECTOR / SH 5C / GREEN / JAE IL-AG5-5S-S3C1 From G-5878 To H-6094	1	
NS	563132	CONNECTOR / SH 2C / YAZAKI 7283-6458-40 From G-5878 To H-6094	1	
5	22722832	I/O A-MODULE VOLVO MULTIPLEX / BLACK From H-6094	1	

From E-5459 To H-6179	Date:01/2024	PAGE:X3-0620-02
REAR JUNCTION BOX ASSY		

Item#	Part	Description	QTY	Notes
. NS	562767	. CONNECTOR / SH 30C / GREEN / JAE IL-AG5-30S-D3C1 From H-6094	1	
. NS	562957	. CONNECTOR / SH 5C / GREEN / JAE IL-AG5-5S-S3C1 From H-6094	1	
. NS	563132	. CONNECTOR / SH 2C / YAZAKI 7283-6458-40 From H-6094	1	
5	564194	I/O A-MODULE VOLVO MULTIPLEX / BLACK	1	
. NS	562767	. CONNECTOR / SH 30C / GREEN / JAE IL-AG5-30S-D3C1	1	
. NS	562957	. CONNECTOR / SH 5C / GREEN / JAE IL-AG5-5S-S3C1	1	
. NS	563132	. CONNECTOR / SH 2C / YAZAKI 7283-6458-40	1	
6	564193	I/O B-MODULE VOLVO MULTIPLEX / ALUMINUM To H-6094	3	
. NS	563132	. CONNECTOR / SH 2C / YAZAKI 7283-6458-40 To H-6094	1	
. NS	563133	. CONNECTOR / JUNIOR POWER TIMER / SH 29C / AMP 1-963449-2 To H-6094	1	
. NS	562957	. CONNECTOR / SH 5C / GREEN / JAE IL-AG5-5S-S3C1 To H-6094	1	
6	22722842	I/O B-MODULE VOLVO MULTIPLEX / ALUMINUM From H-6094	3	
. NS	563132	. CONNECTOR / SH 2C / YAZAKI 7283-6458-40 From H-6094	1	
. NS	563133	. CONNECTOR / JUNIOR POWER TIMER / SH 29C / AMP 1-963449-2 From H-6094	1	
. NS	562957	. CONNECTOR / SH 5C / GREEN / JAE IL-AG5-5S-S3C1 From H-6094	1	
7	067773	PLATE SUPPORT / I/O A-MODULE	1	
8	067772	PLATE SUPPORT TRANS ECU WORLD	1	
9	572165	INTERFACE TCM / GEN V From E-5586 To E-5624	1	
9	572162	INTERFACE TCM / B500 WITH 3.58 RATIO To E-5471	1	W
9	572163	INTERFACE TCM / B500 WITH 3.58 RATIO From E-5472 To E-5624	1	W
9	572157	INTERFACE TCM / B500 WITH 3.91 / 4.10 RATIO To E-5471	1	W
9	572164	INTERFACE TCM / B500 WITH 3.91 / 4.10 RATIO From E-5472 To E-5585	1	W
9	572169	INTERFACE TCM B500 2014 / 435HP OR 500HP WITH ALL RATIOS W/O VAC From E-5625 To F-5787	1	W
9	572178	INTERFACE TCM B500 2014 / 435HP OR 500HP WITH ALL RATIOS W/O VAC From F-5788 To H-6107	1	W
9	570012	INTERFACE TCM B500 / 435HP WITH ALL RATIOS W/O VAC From H-6108	1	W
9	572172	INTERFACE TCM B500 2014 / 435HP OR 500HP WITH ALL RATIOS W/VAC From E-5625 To F-5787	1	W
9	572179	INTERFACE TCM B500 2014 / 435HP OR 500HP WITH ALL RATIOS W/VAC From F-5788 To H-6107	1	W
9	570013	INTERFACE TCM B500 / 435HP WITH ALL RATIOS W/VAC From H-6108	1	W
10	382166	ROD ATTACHMENT / I/O B MODULE	3	
11	502698	SCREW MA PAN PH M4-0.7x16 SS BK	AR	
12	505221	SPRING, PIN 1/8 X 3/8	3	
13	562484	SWITCH S.P.S.T. / N.C.	1	
13	561891	CAP RUBBER	1	
13	561786	CABLE SEAL / GRAY / PED 15324980	2	
13	561578	SOCKET TERMINAL / 16-14 / PED 12010182	2	
13	562471	CONNECTOR / WEATHER PACK / SH 2C / BLACK / PED 12103784	1	
13	563158	SHRINK TUBING / .300" - .060" / BLACK / 3M EPS-400.300	1	
14	065466	DECAL / LAVATORY PUMP FLUSH / ENGLISH & FRANCAIS	1	
14	066050	DECAL / LAVATORY PUMP FLUSH / ENGLISH & SPANISH	1	
14	067576	DECAL / LAVATORY PUMP FLUSH / ENGLISH & SPANISH From G-6084	1	IN
15	506303	RUBBER SEAL EXTRUSION	AR	
16	564095	SMALL STARTOR RELAY To P-6899	1	

From E-5459 To H-6179	Date:01/2024	PAGE:X3-0620-02
-----------------------	--------------	-----------------

REAR JUNCTION BOX ASSY

Item#	Part	Description	QTY	Notes
16	564398	SMALL STARTOR RELAY From P-6900	1	
17	067335	SPACER / PLASTIC / RELAY / STARTOR MELCO	1	
18	500539	NUT HEX NYRT M4-0.7 N500	1	
19	068783	PLATE SUPPORT "VEC"	1	
20	068456	PLATE SUPPORT UPPER RELAY	1	
21	502626	SCREW MA PAN PH M6-1.0x20 N500	AR	
22	5001608	WASHER BEL SPR 6.2x15.0x0.7 G500	2	
23	509815	TIE MOUNT / ATTACHMENT W/TREE MOUNT	10	
24	504013	TIE MOUNT / 1/4" X 1/4" I.D.	8	
25	504637	CABLE TIE / 3/16" x 13"	AR	
25	504016	CABLE TIE / 5/16" X 14"1/2	AR	
26A	563332	RELAY 24V S.P.D.T. W/RESISTOR / "VOLVO" (20374662)	4	
26B	564496	CONNECTOR / METRI-PACK 630 / SH 5C / PED 12033871	4	
26C	563337	RELAY 12V S.P.D.T. W/RESISTOR /	1	
26D	561183	RELAY BASE / TAB TERMINAL / BOSCH 3334485008 To E-5759	1	
27A	564218	RELAY 24V S.P.S.T. / 40 AMPS N.O.	2	
27B	564210	RELAY BASE / TAB TERMINAL / COLE HERSEE 99025	2	
28	563348	RELAY POWER 24V 200 AMPS / S.P.S.T. N.O.	1	
. NS	5001182	. NUT HEX NYRT M6-1.0 SS	1	
. NS	502573	. WASHER FL 6.4x12.5x1.6 SS	1	
. NS	563409	. CONNECTOR / SUPERSEAL 1.5 SERIES / SH 2C / AMP 282080-1	1	
. NS	562607	. SOCKET TERMINAL / 20-16 / AMP 183025-1	1	
29	068651	CABLE ASSY / RR JCT & ENGINE To E-5563	1	
29	068914	CABLE ASSY / RR JCT & ENGINE From E-5564 To E-5717	1	
29	069063	CABLE ASSY / RR JCT & ENGINE From E-5718 To E-5759	1	
29	069024	CABLE ASSY / RR JCT & ENGINE From F-5760 To F-5812	1	
29	069216	CABLE ASSY / RR JCT & ENGINE From F-5813	1	
30	563750	FUSEHOLDER W/RED COVER / MEGA FUSE /	2	
31	068072	BUS BAR / W/2 HOLES / 96.4MM C/C 14MM / OFFSET	1	
31	561754	SHRINK TUBING / .500" - .250" / RED / ALPHA FIT-221-1/2	AR	
32	564174	FUSE / MEGA FUSE / 150 AMPS / ORANGE	1	
33	067669	CABLE ASSY / BATTERIES & FUSE HOLDER	1	
34	504379	RIVET POP DOME OE 3/16x1/4 SS	AR	
35	504499	CUFF END BELLOW / 2 7/8" I.D. x 3 5/8" x 4 7/16	2	
36	381145	DIODE ASSY / W/5 3AMPS	2	
37	382175	DIODE ASSY / W/3 3AMPS & 2 RESISTORS 100 OHMS	1	
38	562394	PLATE, INDICATING (ON/OFF)	1	
39	563609	SWITCH / OFF-ON / S.P.S.T. / SEALED W/WIRES ASSY	1	
39	562477	CONNECTOR / DT SERIES / SH 4C / GRAY / DEUTSCH DT06-4S	1	
39	562478	SECONDARY LOCK / DT SERIES / SH 4C / DEUTSCH W4S	1	
39	562482	SOCKET TERMINAL / 16-14 / DEUTSCH 0462-209-16141	2	
40	068050	PANEL ASSY / PASS CABLE LOWER SIDE BOX	1	

From E-5459 To H-6179	Date:01/2024	PAGE:X3-0620-02
REAR JUNCTION BOX ASSY		

Item#	Part	Description	QTY	Notes
41	067818	PANEL ASSY / PASS CABLE UPPER SIDE BOX	1	
42	067775	PLATE RETAINER CONECTORS 40 PINS "J" FORM 55MMx99.7MM	2	
43	067774	PLATE RETAINER CONECTORS 70 PINS "J" FORM 60.6MM x 128.5MM	3	
44	563238	FUSEHOLDER W/BLACK COVER / MEGA FUSE /	1	
45	068780	COVER REAR JCT BOX To E-5759	1	
45	069069	COVER REAR JCT BOX From F-5760	1	
NS	066155	DECAL PIN OUT / JCT BOX W/MUX	1	
46	068765	NUT WING 3/8-16 To E-5759	1	
47A	477399	RECEPTACLE From F-5760	1	
47B	472830	SPRING GUIDE HOLDER From F-5760	1	
47C	5001630	SCREW TP BUTF TORX M6x20 SS From F-5760	1	
48A	069054	COVER / RECEPTACLE From F-5760	1	
48B	5001452	SCREW TP PAN PH #8x1 1/2 SS From F-5760	2	
48C	5001137	WASHER FL .203x.438x.050 SS From F-5760	2	
50	X3-0615-02	BATTERIES INSTALLATION		
51	500615	NUT HEX M8-1.25 BR To E-5525	6	
51	966171	NUT HEX NYRT M8x1.25 SS From E-5526	6	
52	500035	WASHER LO SPT .317x.586x.078 SS To E-5525	6	
52	5001341	WASHER FL 8.4x17.0x1.6 SS From E-5526	6	
53	500379	NUT HEX 3/8-16 BR	2	
54	500855	WASHER FL .188x.438x.049 N500	2	
55	502847	NUT HEX NYRT M8-1.25 N500	1	
56	5001341	WASHER FL 8.4x17.0x1.6 SS	1	
57	502868	SCREW TC TR PH #10-16x1/2 N500	AR	
58	382505	PLATE, FIXATION	1	
59	564197	GASKET / DRC SERIES / 40C / DEUTSCH DRC40-GKT AD	2	
60	564198	GASKET / DRC SERIES / 70C, ADHESIVE BACK / DEUTSCH DRC70-GKT AD	3	
NS	068640	DECAL REAR JUNCTION BOX / COMPONENTS To G-5977	1	
NS	060134	DECAL / "R34 24V 12VI ENGINE ECU" To G-5977	1	
NS	069309	DECAL REAR JUNCTION BOX / COMPONENTS From G-5978 To G-6077	1	
NS	069583	DECAL REAR JUNCTION BOX / COMPONENTS From G-6078	1	
62	068462	CABLE / JUNCTION BOX TRANSMISSION To E-5624	1	
62	068805	CABLE / JUNCTION BOX TRANSMISSION From E-5625 To F-5812	1	
62	069225	CABLE / JUNCTION BOX TRANSMISSION From F-5813	1	
62	068461	CABLE / JUNCTION BOX TRANSMISSION "I-SHIFT"	1	
63	068713	GASKET, CONNECTOR 16POS CPC	1	
64	068727	BUS BAR / W/2 HOLES	1	
65	5001182	NUT HEX NYRT M6-1.0 SS	2	
66	068169	BUS BAR / W/2 HOLES	2	
66	564520	FUSE / MEGA FUSE / 300 AMPS / GREY	1	GR
67	502626	SCREW MA PAN PH M6-1.0x20 N500	2	
68	506191	TAPE RUB ADH1 CC POL 1/8" x 1/4" x 50' / GREY 2520X	AR	

From E-5459 To H-6179	Date:01/2024	PAGE:X3-0620-02
REAR JUNCTION BOX ASSY		

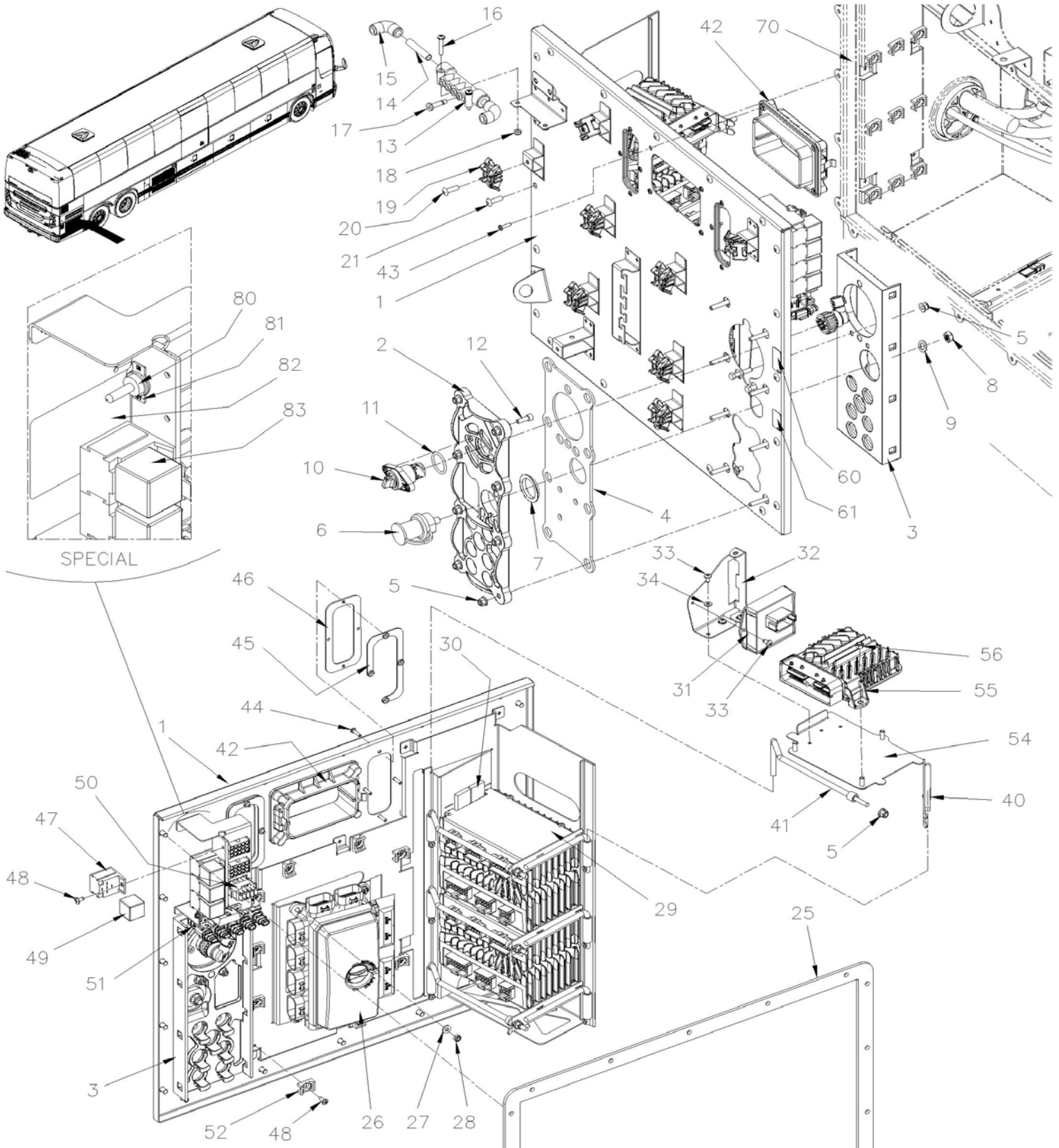
Item#	Part	Description	QTY	Notes
68	684685	ADHESIVE SIMSON #SR 70-03 / 310ml CARTRIDGE	AR	
69	506339	TAPE RUB ADH1 NIT 1/4" x 1" x 35' / BLACK 1220	AR	
70	502681	NUT HEX NYRT M6-1.0 N500 G8	3	
71	502841	NUT HEX NYRT M5-0.8 N500	7	
72	500804	WASHER FL .203x.500x.047 N500	4	
NS	561756	SHRINK TUBING / 1.000" - .500" / RED / ALPHA FIT-221-1	AR	
75	503031	HOSE FLEXIBLE / AIR DUCT 2 1/2" I.D. X 12' / RUBBER	AR	
76	565899	AXIAL FAN 60 x 38MM	1	
NS	565907	SOCKET TERMINAL / 18-16 / DEUTSCH 0462-005-20141	1	
77	068743	SUPPORT / FAN	1	
78	502698	SCREW MA PAN PH M4-0.7x16 SS BK	2	
79	500539	NUT HEX NYRT M4-0.7 N500	2	
80	068744	GASKET 82MM O.D. x 6.4MM	1	
81	068751	GASKET 70MM x 24MM	1	
82	502681	NUT HEX NYRT M6-1.0 N500 G8	2	
93	5001761	NUT HEXF NYRT M12-1.75 G8 N500	2	
		B) THOSE VEHICLE ARE USE WITH MODULE IOE-A AND IOE-B FOR FEILD TEST F-5793 / F-5795 / F-5799 / F-5802		
		GR) WITH GREYHOUND OPTION		
		IN) INDIAN TRAILS OPTION		
		W) WITH "WORLD TRANSMISSION		
		P) CALL ORDER DESK FOR SPECIFIC APPLICATION (V.I.N.)		

From H-6180

Date:01/2024

PAGE:X3-0620-03

REAR JUNCTION BOX ASSY GHG17



From H-6180		Date:01/2024	PAGE:X3-0620-03
REAR JUNCTION BOX ASSY GHG17			

Item#	Part	Description	QTY	Notes
1	060194	PANEL CONTROL, ELECTRIC BOX WELDED To H-6179	1	
1	060494	PANEL CONTROL, ELECTRIC BOX WELDED From H-6180 To J-6289	1	
1	061447	PANEL CONTROL, ELECTRIC BOX WELDED From J-6290 To M-6665	1	
1	0610221	PANEL CONTROL, ELECTRIC BOX WELDED From M-6666	1	
2	060177	FEED THRU PANEL / EXTERNAL	1	
3	067483	FEED THRU PANEL / INTERNAL	1	
4	069476	SEAL FEED TRU	1	
5	5001932	NUT HEXF NYRT M6-1.0 G8.8 N500	10	
6	561856	BOOSTER BLOCK, REMOTE / RED	1	
7	507009	BOOSTER COACH RING	1	
8	5001936	NUT HEX NYRT 3/8-16 SS	1	
9	5001935	WASHER FL 10.5x18.0x1.6 SS	1	
10	560012	ROTARY SWITCH DS SERIES	1	
11	5000313	SEAL / 1 1/8 X 1 1/4 X 1/8	1	
12	5001648	SCREW CAP HEXS M6-1.0x18 SS BK	2	
13	641897	MANIFOLD / PUSH-IN FITTING / 2x#6 / 4x#4 PLAS	1	
14	503404	TUBE, NYLON 3/8 O.D. / BLACK S.L.	AR	
15	641436	UNION ELBOW 90° / PUSH-IN FITTING / #6x#6 BR	2	
16	5001991	SCREW MA RND PH M5-0.8x30 SS	2	
17	641416	PLUG STEM / PUSH-IN FITTING / #4 PLAS	1	
18	5001587	NUT HEX NYRT M5-0.8 SS	2	
19	509490	ATTACHMENT DOUBLE USE WITH CABLE TIE	8	
20	504610	RIVET MGLP PRDG 1/4x5/8 SS	8	
21	504459	RIVET MGLP PRDG 1/4x3/8 SS	20	
25	287807	SEAL FOAM AD1 3/8 TH, 631 X 551	1	
26	565992	DVEC DISTRIBUTION MODULE / REAR JCT BOX To J-6244	1	
. NS	563280	. FUSE / ATM 5 AMPS AMBER To J-6244	8	
. NS	563283	. FUSE / ATM 10 AMPS RED To J-6244	14	
. NS	563284	. FUSE / ATM 15 AMPS BLUE To J-6244	18	
. NS	563282	. FUSE / ATM 20 AMPS YELLOW To J-6244	6	
. NS	563153	. FUSE / ATM 25 AMPS NATURAL To J-6244	3	
. NS	563165	. FUSE / ATM 30 AMPS GREEN To J-6244	10	
. NS	564342	. MINI BREAKER / 30 AMPS / SERIES 233 To J-6244	1	
. NS	563185	. CONNECTOR / SH 8C / BLACK / BUSSMANN 32006-A21 To J-6244	1	
. NS	563186	. CONNECTOR / SH 8C / GREY / BUSSMANN 32006-B21 To J-6244	1	
. NS	563184	. CONNECTOR / SH 8C / GREEN / BUSSMANN 32006-C21 To J-6244	1	
. NS	563181	. CONNECTOR / SH 8C / YELLOW / BUSSMANN 32006-E21 To J-6244	1	
. NS	563183	. CONNECTOR / SH 8C / RED / BUSSMANN 32006-F21 To J-6244	1	
. NS	563182	. CONNECTOR / SH 8C / ORANGE / BUSSMANN 32006-G21 To J-6244	1	
. NS	563187	. CONNECTOR / SH 8C / BROWN / BUSSMANN 32006-H21 To J-6244	1	
. NS	563448	. CONNECTOR / SH 8C / BLUE / BUSSMANN 32006-D21 To J-6244	1	
. NS	564132	. LOCK CONNECTOR POSITION ASSURANCE / BUSSMANN 32004-CP To J-6244	AR	

From H-6180		Date:01/2024	PAGE:X3-0620-03
REAR JUNCTION BOX ASSY GHG17			

Item#	Part	Description	QTY	Notes
. NS	564104	. COVER / VEC BOX To J-6244	1	
. NS	19518268	. COVER RUBBER RED To J-6244	2	
26	560471	DVEC DISTRIBUTION MODULE / REAR JCT BOX From J-6245 To L-6610	1	
. NS	563280	. FUSE / ATM 5 AMPS AMBER From J-6245 To L-6610	8	
. NS	563283	. FUSE / ATM 10 AMPS RED From J-6245 To L-6610	11	
. NS	563284	. FUSE / ATM 15 AMPS BLUE From J-6245 To L-6610	18	
. NS	563282	. FUSE / ATM 20 AMPS YELLOW From J-6245 To L-6610	8	
. NS	563153	. FUSE / ATM 25 AMPS NATURAL From J-6245 To L-6610	3	
. NS	563165	. FUSE / ATM 30 AMPS GREEN From J-6245 To L-6610	11	
. NS	564342	. MINI BREAKER / 30 AMPS / SERIES 233 From J-6245 To L-6610	1	
. NS	563185	. CONNECTOR / SH 8C / BLACK / BUSSMANN 32006-A21 From J-6245 To L-6610	1	
. NS	563186	. CONNECTOR / SH 8C / GREY / BUSSMANN 32006-B21 From J-6245 To L-6610	1	
. NS	563184	. CONNECTOR / SH 8C / GREEN / BUSSMANN 32006-C21 From J-6245 To L-6610	1	
. NS	563181	. CONNECTOR / SH 8C / YELLOW / BUSSMANN 32006-E21 From J-6245 To L-6610	1	
. NS	563183	. CONNECTOR / SH 8C / RED / BUSSMANN 32006-F21 From J-6245 To L-6610	1	
. NS	563182	. CONNECTOR / SH 8C / ORANGE / BUSSMANN 32006-G21 From J-6245 To L-6610	1	
. NS	563187	. CONNECTOR / SH 8C / BROWN / BUSSMANN 32006-H21 From J-6245 To L-6610	1	
. NS	563448	. CONNECTOR / SH 8C / BLUE / BUSSMANN 32006-D21 From J-6245 To L-6610	1	
. NS	564132	. LOCK CONNECTOR POSITION ASSURANCE / BUSSMANN 32004-CP From J-6245 To L-6610	AR	
. NS	564104	. COVER / VEC BOX From J-6245 To L-6610	1	
. NS	19518268	. COVER RUBBER RED From J-6245 To L-6610	2	
26	564709	DVEC DISTRIBUTION MODULE / REAR JCT BOX From L-6611 To M-6657	1	
. NS	563280	. FUSE / ATM 5 AMPS AMBER From L-6611 To M-6657	8	
. NS	563283	. FUSE / ATM 10 AMPS RED From L-6611 To M-6657	11	
. NS	563284	. FUSE / ATM 15 AMPS BLUE From L-6611 To M-6657	18	
. NS	563282	. FUSE / ATM 20 AMPS YELLOW From L-6611 To M-6657	8	
. NS	563153	. FUSE / ATM 25 AMPS NATURAL From L-6611 To M-6657	3	
. NS	563165	. FUSE / ATM 30 AMPS GREEN From L-6611 To M-6657	11	
. NS	564342	. MINI BREAKER / 30 AMPS / SERIES 233 From L-6611 To M-6657	1	
. NS	563185	. CONNECTOR / SH 8C / BLACK / BUSSMANN 32006-A21 From L-6611 To M-6657	1	
. NS	563186	. CONNECTOR / SH 8C / GREY / BUSSMANN 32006-B21 From L-6611 To M-6657	1	
. NS	563184	. CONNECTOR / SH 8C / GREEN / BUSSMANN 32006-C21 From L-6611 To M-6657	1	
. NS	563181	. CONNECTOR / SH 8C / YELLOW / BUSSMANN 32006-E21 From L-6611 To M-6657	1	
. NS	563183	. CONNECTOR / SH 8C / RED / BUSSMANN 32006-F21 From L-6611 To M-6657	1	
. NS	563182	. CONNECTOR / SH 8C / ORANGE / BUSSMANN 32006-G21 From L-6611 To M-6657	1	
. NS	563187	. CONNECTOR / SH 8C / BROWN / BUSSMANN 32006-H21 From L-6611 To M-6657	1	
. NS	563448	. CONNECTOR / SH 8C / BLUE / BUSSMANN 32006-D21 From L-6611 To M-6657	1	
. NS	564132	. LOCK CONNECTOR POSITION ASSURANCE / BUSSMANN 32004-CP From L-6611 To M-6657	AR	
. NS	564104	. COVER / VEC BOX From L-6611 To M-6657	1	
. NS	19518268	. COVER RUBBER RED From L-6611 To M-6657	2	
26	564360	DVEC DISTRIBUTION MODULE / REAR JCT BOX From M-6658 To R-4000	1	
. NS	563280	. FUSE / ATM 5 AMPS AMBER From M-6658 To R-4000	8	

From H-6180		Date:01/2024	PAGE:X3-0620-03
REAR JUNCTION BOX ASSY GHG17			

Item#	Part	Description	QTY	Notes
. NS	563283	. FUSE / ATM 10 AMPS RED From M-6658 To R-4000	9	
. NS	563284	. FUSE / ATM 15 AMPS BLUE From M-6658 To R-4000	10	
. NS	563282	. FUSE / ATM 20 AMPS YELLOW From M-6658 To R-4000	11	
. NS	563153	. FUSE / ATM 25 AMPS NATURAL From M-6658 To R-4000	3	
. NS	563165	. FUSE / ATM 30 AMPS GREEN From M-6658 To R-4000	10	
. NS	564342	. MINI BREAKER / 30 AMPS / SERIES 233 From M-6658 To R-4000	1	
. NS	563185	. CONNECTOR / SH 8C / BLACK / BUSSMANN 32006-A21 From M-6658 To R-4000	1	
. NS	563186	. CONNECTOR / SH 8C / GREY / BUSSMANN 32006-B21 From M-6658 To R-4000	1	
. NS	563184	. CONNECTOR / SH 8C / GREEN / BUSSMANN 32006-C21 From M-6658 To R-4000	1	
. NS	563181	. CONNECTOR / SH 8C / YELLOW / BUSSMANN 32006-E21 From M-6658 To R-4000	1	
. NS	563183	. CONNECTOR / SH 8C / RED / BUSSMANN 32006-F21 From M-6658 To R-4000	1	
. NS	563182	. CONNECTOR / SH 8C / ORANGE / BUSSMANN 32006-G21 From M-6658 To R-4000	1	
. NS	563187	. CONNECTOR / SH 8C / BROWN / BUSSMANN 32006-H21 From M-6658 To R-4000	1	
. NS	563448	. CONNECTOR / SH 8C / BLUE / BUSSMANN 32006-D21 From M-6658 To R-4000	1	
. NS	564132	. LOCK CONNECTOR POSITION ASSURANCE / BUSSMANN 32004-CP From M-6658 To R-4000	AR	
. NS	564104	. COVER / VEC BOX From M-6658 To R-4000	1	
. NS	19518268	. COVER RUBBER RED From M-6658 To R-4000	2	
26	564784	DVEC DISTRIBUTION MODULE / REAR JCT BOX From R-4001	1	
26	564132	LOCK CONNECTOR POSITION ASSURANCE / BUSSMANN 32004-CP	8	
26	564399	MINI BREAKER / 20 AMPS / SERIES 233	1	EB
26	564342	MINI BREAKER / 30 AMPS / SERIES 233	1	EB
27	500804	WASHER FL .203x.500x.047 N500	4	
28	502841	NUT HEX NYRT M5-0.8 N500	4	
29	22722850	I/O B E-MODULE VOLVO MULTIPLEX / ALUMINUM To M-6650	4	
29	23824204	I/O B E-MODULE VOLVO MULTIPLEX / ALUMINUM From M-6651	4	
30	506339	TAPE RUB ADH1 NIT 1/4" x 1" x 35' / BLACK 1220	AR	
31	0610187	JUMPER From K-6404 To P-6878	1	B
32	0610001	SUPPORT, BOOSTER REGULATOR W/REMY From K-6404 To P-6748	1	B
33	5001975	SCREW TC BDG PH #10-24x3/8 SS410 ZINC From K-6404 To P-6748	4	B
34	5001137	WASHER FL .203x.438x.050 SS From K-6404 To P-6748	3	B
40	384270	ROD, I/O B MODULE LH ASSY	AR	
41	380061	ROD, I/O B MODULE	AR	
42	560208	FLANGE CONNECTOR / DRB SERIES / 102C / DEUTSCH DRBF-1A	1	
43	502653	SCREW MA PAN PH M5-0.8x16 SS	4	
44	502698	SCREW MA PAN PH M4-0.7x16 SS BK	AR	
45	067774	PLATE RETAINER CONECTORS 70 PINS "J" FORM 60.6MM x 128.5MM	3	
46	564198	GASKET / DRC SERIES / 70C, ADHESIVE BACK / DEUTSCH DRC70-GKT AD	3	
46	061420	HARNESS REAR JUCTION BOX/ TRANS. WORLD From J-6245 To J-6280	1	GR
46	062695	HARNESS REAR JUCTION BOX/ TRANS. WORLD From J-6281 To J-6312	1	
46	069873	HARNESS REAR JUCTION BOX/ TRANS. WORLD From J-6313 To K-6359	1	
46	069909	HARNESS REAR JUCTION BOX/ TRANS. WORLD From K-6360 To K-6439	1	
46	0610082	HARNESS REAR JUCTION BOX/ TRANS. WORLD From K-6440 To K-6452	1	

From H-6180		Date:01/2024	PAGE:X3-0620-03
REAR JUNCTION BOX ASSY GHG17			

Item#	Part	Description	QTY	Notes
46	0610168	HARNES REAR JUCTION BOX/ TRANS. WORLD From K-6453 To K-6492	1	
46	069979	HARNES REAR JUCTION BOX/ TRANS. WORLD From L-6493 To L-6610	1	
46	0610276	HARNES REAR JUCTION BOX/ TRANS. WORLD From L-6611 To M-6657	1	
46	0610412	HARNES REAR JUCTION BOX/ TRANS. WORLD From M-6658	1	
46	0610038	HARNES REAR JUCTION BOX/ TRANS. WORLD W/REMY ALTERNATOR From K-6404	1	B
46	060548	HARNES REAR JUCTION BOX/ TRANS. I-SHIFT To K-6439	1	
46	0610095	HARNES REAR JUCTION BOX/ TRANS. I-SHIFT From K-6440 To K-6452	1	
46	0610169	HARNES REAR JUCTION BOX/ TRANS. I-SHIFT From K-6453 To K-6492	1	
46	069980	HARNES REAR JUCTION BOX/ TRANS. I-SHIFT From L-6493 To L-6610	1	
46	0610277	HARNES REAR JUCTION BOX/ TRANS. I-SHIFT From L-6611 To M-6657	1	
46	0610413	HARNES REAR JUCTION BOX/ TRANS. I-SHIFT From M-6658	1	
47	561183	RELAY BASE / TAB TERMINAL / BOSCH 3334485008	AR	
48	500209	SCREW TC BDG PH #10-24x3/8 N500	AR	
49	563332	RELAY 24V S.P.D.T. W/RESISTOR / "VOLVO" (20374662)	3	
49	564218	RELAY 24V S.P.S.T. / 40 AMPS N.O.	1	
50	060324	DIODE/ RESISTOR BLOCK "1"	1	
51	564108	SELF MOUNTING STUD // DEUTSCH 1011-310-0205	5	
52	504013	TIE MOUNT / 1/4" X 1/4" I.D.	AR	
54	067772	PLATE SUPPORT TRANS ECU WORLD	1	
55	570013	INTERFACE TCM B500 / 435HP WITH ALL RATIOS W/VAC To K-6359	1	
55	570044	INTERFACE TCM B500 / 435HP WITH ALL RATIOS W/VAC From K-6360 To N-6738	1	
55	570086	INTERFACE TCM B500 / WITH ALL RATIOS W/VAC From N-6739	1	
55	570012	INTERFACE TCM B500 / 435HP WITH ALL RATIOS W/O VAC To K-6359	1	
55	570043	INTERFACE TCM B500 / 435HP WITH ALL RATIOS W/O VAC From K-6360 To N-6738	1	
55	570081	INTERFACE TCM B500 / WITH ALL RATIOS W/O VAC From N-6739	1	
NS	060133	CABLE / JUNCTION BOX TRANSMISSION ALISSON To H-6179	1	
NS	060546	CABLE / JUNCTION BOX TRANSMISSION ALISSON From H-6180	1	
56	502681	NUT HEX NYRT M6-1.0 N500 G8	3	
NS	060092	CABLE I/F BATTERIES CHARGER / W/RELAY BASE	1	
NS	060093	CABLE ASSY POWER / W/FUSE HOLDER & RECTIFIER	1	
60	060595	DECAL ELECTRICAL SHUT-OFF	1	
61	060597	DECAL BOOSTER BLOCK	1	
NS	069614	CABLE HARNESS / REAR JUNCTION BOX / CRUB LIGHTS / OPTION	1	
70	X3-0620-11	REAR JUNCTION BOX INSTALLATION GHG17	1	
80	563609	SWITCH / OFF-ON / S.P.S.T. / SEALED W/WIRES ASSY	1	
NS	060092	CABLE I/F BATTERIES CHARGER / W/RELAY BASE	1	
NS	060093	CABLE ASSY POWER / W/FUSE HOLDER & RECTIFIER	1	
NS	562547	PIN TERMINAL / 20-14 / MOLEX 02-09-2103	1	
NS	562550	CONNECTOR / (.093) / PH 2C / MOLEX 03-09-2022	1	
81	562394	PLATE, INDICATING (ON/OFF)	1	
82	068500	DECAL "COUPE PRECHAUFF..."	1	
83	563332	RELAY 24V S.P.D.T. W/RESISTOR / "VOLVO" (20374662)	1	

From H-6180	Date:01/2024	PAGE:X3-0620-03
-------------	--------------	-----------------

REAR JUNCTION BOX ASSY GHG17

Item#	Part	Description	QTY	Notes
		B) WITH REMY ALTERNATOR		
		EB) WITH ELECTRICAL BRAKE ON TRAILER		
		GR) GREYHOUND OPTION		

From 7-8754 To B-5001	Date:01/2024	PAGE:X3-0620-10
------------------------------	---------------------	------------------------

REAR JUNCTION BOX INSTALLATION

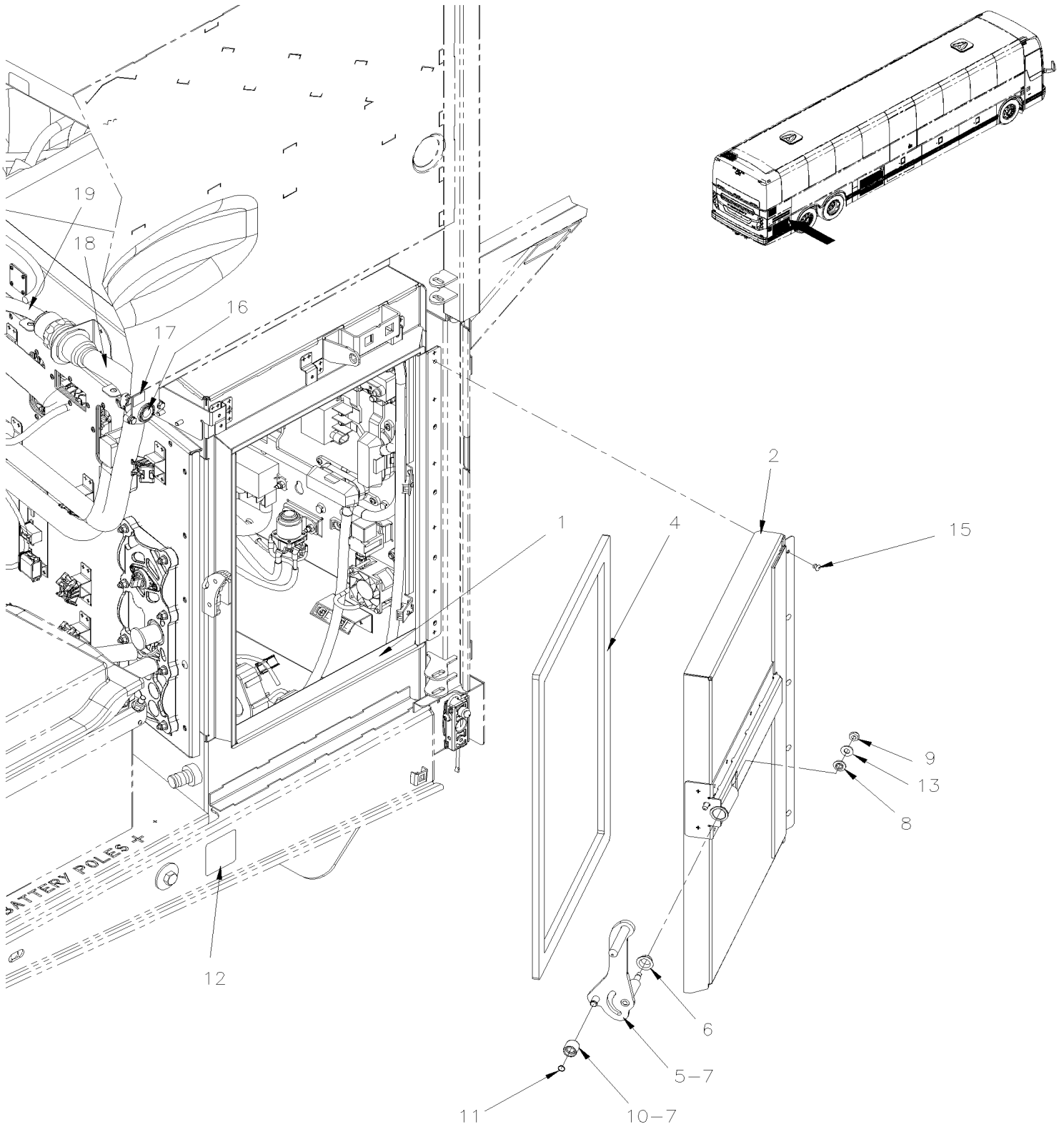
Item#	Part	Description	QTY	Notes
1	X3-0620-00	REAR JUNCTION BOX ASSY		
2	562364	RELAY 24V S.P.S.T. / 300 AMPS N.O. // BATTERY DISCONNECT	1	
3	064792	DIODE ASSY	1	
. NS	561740	. DIODE / 3AMPS	1	
. NS	560082	. RING TERMINAL #10 / 16-14 / INSULATED / AMP 626033-2	1	
. NS	560815	. RING TERMINAL #10 / 22-18 / INSULATED / AMP 42037-2	1	
. NS	562499	. SHRINK TUBING / .250" - .125" / CLEAR / ALPHA FIT 221-1/4	AR	
4	502874	NUT HEX NYRT 1/4-20 N500	4	
5	504488	RIVET MGLP PRDG 3/16x17/64 SS	4	
6	685126	ADHESIVE SIMSON #ISR 70-03 / GREY / 600ml SAUSAGE	AR	
7	330372	LAMP ASSY 24V / BAGGAGE COMPARTMENT LAMP W//2 BULBS 5W	1	
7	330224	LAMP ASSY 24V / BAGGAGE COMPARTMENT LAMP W/2 BULBS G4-10W To C-5132	1	
. NS	330396	. BULB / 10 WATTS -28VOLTS / SAE# G4-28 To C-5132	2	
7	330299	LAMP ASSY 24V / BAGGAGE COMPARTMENT LAMP / LED From C-5133	1	B
. NS	561248	. CONNECTOR / UNIVERSAL MATE-N-LOK / PH 2C / AMP 1-480699-0 From C-5133	1	B
7	830008	LAMP ASSY 24V / LED	1	
. NS	561248	. CONNECTOR / UNIVERSAL MATE-N-LOK / PH 2C / AMP 1-480699-0	1	
8	500957	SCREW TP BDG PH #10x3/4 N500	2	
8	500575	SCREW TP PAN PH #8x1 1/4	2	
9	065290	HEAT DETECTOR "THERMO-DISK"	1	
10	5001204	SCREW TP FL PH #6x1 1/4 Z050	2	
11	684013	RUBBER PROTECTOR / COLOR GUARD 14.5oz	AR	
12	500998	NUT HEX 1/2-13 BR	1	
13	5001534	WASHER LO SPT .509x.873x.125 SS	1	
14	371600	INSULATING PAD 76.2MM x 374.7MM	1	
15	504637	CABLE TIE / 3/16" x 13"	AR	
18	562967	BATTERY CHARGER 24V	1	
19	066155	DECAL PIN OUT / JCT BOX W/MUX	1	
		B) WHEN YOU REPLACE LAMP #330299 BY THE NEW LAMP #830008 YOU HAVE TO DRILL HOLE TO INSTALL IT WITH TWO SCREWS #500443 OR #500965		

From H-6180

Date:01/2024

PAGE:X3-0620-11

REAR JUNCTION BOX INSTALLATION GHG17



From H-6180		Date:01/2024	PAGE:X3-0620-11
REAR JUNCTION BOX INSTALLATION GHG17			

Item#	Part	Description	QTY	Notes
1	261674	REAR JUNCTION BOX / WELDED	1	
2	Call order desk	. DOOR ASSY	1	P
2	2801063	. DOOR WELDED	1	
2	069192	. DECAL PIN OUT / JCT BOX W/MUX	1	
2	060920	. DECAL / REAR JCT BOX COMPONENTS To J-6244	1	
2	069663	. DECAL / REAR JCT BOX COMPONENTS From J-6245 To K-6439	1	
2	0610117	. DECAL / REAR JCT BOX COMPONENTS From K-6440 To K-6452	1	
2	0610174	. DECAL / REAR JCT BOX COMPONENTS From K-6453 To L-6610	1	
2	0610295	. DECAL / REAR JCT BOX COMPONENTS From L-6611 To M-6657	1	
2	0610524	. DECAL / REAR JCT BOX COMPONENTS From M-6658 To R-4000	1	
2	0610657	DECAL / REAR JCT BOX COMPONENTS From R-4001	1	
2	0610148	. DECAL / REAR JCT BOX COMPONENTS From J-6245 To K-6452	1	GR
2	069885	. DECAL "REAR ELECTRICAL JUNCTION BOX" YELLOW & RED From J-6309 To K-6452	1	GR
2	060962	. DECAL RJB BREAKERS X3 - SPECIAL	1	SP
2	280437	. PROTECTION SHEET	1	
4	287808	. SEAL	1	
5	280055	. HANDLE ASSY WELDED	1	
6	507386	. BUSHING 16MM x 18MM x 9MM	1	
7	683652	. GREASE SYNTHETIC / RED BOX 50 TUBE	AR	
8	504503	. BUSHING, NYLON 5/16 DIA.	1	
9	5001251	. NUT HEX NYRT 1/4-20 SS	1	
10	280054	. ROLLER	1	
11	504318	. RING RETAINER / EXT .375 x .352 x .025	1	
12	067969	DECAL / "BOOSTER BLOCK" - GRD PICTOGRAM	1	
13	5001341	WASHER FL 8.4x17.0x1.6 SS	1	
15	504379	RIVET POP DOME OE 3/16x1/4 SS	AR	
16	560038	PUSH BUTTON / 2 POLES BLACK	1	
16	5001530	SCREW CAP HEX M6-1.0x16 SS	2	
16	502570	WASHER LO SPT 6.1x11.8x1.6 SS	2	
17	065466	DECAL / LAVATORY PUMP FLUSH / ENGLISH & FRANCAIS	1	
18	060550	CABLE MAIN / FRONT JCT BOX & REAR JCT BOX To J-6244	1	
18	061421	CABLE MAIN / FRONT JCT BOX & REAR JCT BOX From J-6245 To K-6359	1	
18	069908	CABLE MAIN / FRONT JCT BOX & REAR JCT BOX From K-6360 To K-6439	1	
18	0610025	CABLE MAIN / FRONT JCT BOX & REAR JCT BOX From K-6440 To K-6452	1	
18	0610170	CABLE MAIN / FRONT JCT BOX & REAR JCT BOX From K-6453 To K-6492	1	
18	069973	CABLE MAIN / FRONT JCT BOX & REAR JCT BOX From L-6493 To L-6610	1	
18	0610274	CABLE MAIN / FRONT JCT BOX & REAR JCT BOX From L-6611 To M-6657	1	
18	0610414	CABLE MAIN / FRONT JCT BOX & REAR JCT BOX From M-6658	1	
18	061453	CABLE MAIN / FRONT JCT BOX & REAR JCT BOX From J-6245 To K-6359	1	GR
18	069564	CABLE MAIN / FRONT JCT BOX & REAR JCT BOX From K-6360 To K-6439	1	GR
18	060210	CABLE MAIN / FRONT JCT BOX & REAR JCT BOX From K-6440 To K-6452	1	GR
18	0610171	CABLE MAIN / FRONT JCT BOX & REAR JCT BOX From K-6453 To K-6492	1	GR

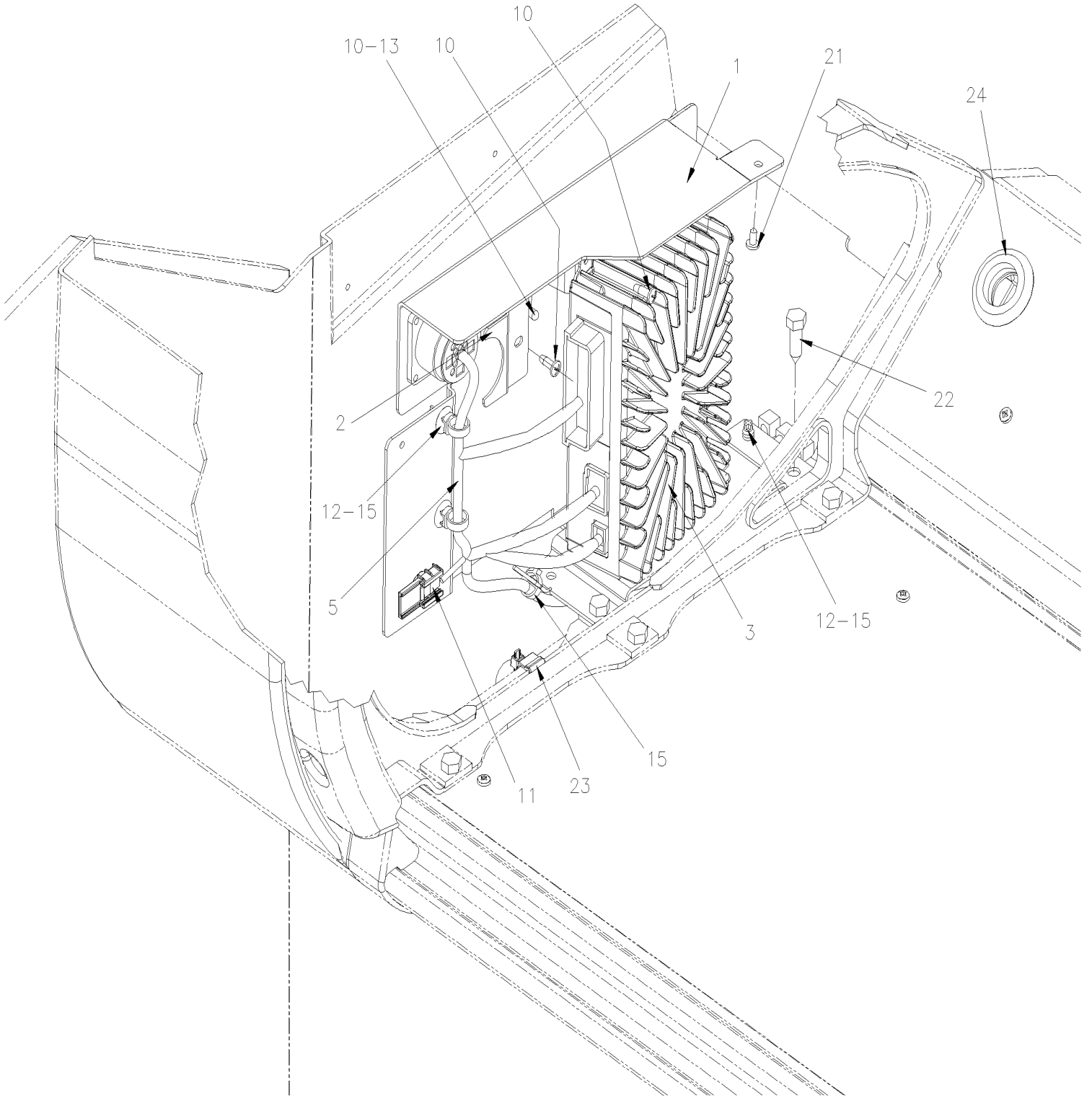
From H-6180	Date:01/2024	PAGE:X3-0620-11
REAR JUNCTION BOX INSTALLATION GHG17		

Item#	Part	Description	QTY	Notes
18	0610180	CABLE MAIN / FRONT JCT BOX & REAR JCT BOX From L-6493 To L-6610	1	GR
18	0610275	CABLE MAIN / FRONT JCT BOX & REAR JCT BOX From L-6611 To M-6657	1	GR
18	0610415	CABLE MAIN / FRONT JCT BOX & REAR JCT BOX From M-6658	1	GR
19	060535	CABLE HARNESS / ENGINE COMPT & ACCESSORIES To J-6244	1	
19	061422	CABLE HARNESS / ENGINE COMPT & ACCESSORIES From J-6245 To J-6312	1	
19	069874	CABLE HARNESS / ENGINE COMPT & ACCESSORIES From J-6313 To K-6439	1	
19	069961	CABLE HARNESS / ENGINE COMPT & ACCESSORIES From K-6440 To L-6610	1	
19	0610310	CABLE HARNESS / ENGINE COMPT & ACCESSORIES From L-6611	1	
NS	069528	HARNESS CHARGER 24V	1	
20	067951	EQUALIZER "VANNER" 100AMPS To J-6244	1	
20	560492	EQUALIZER "VANNER" 100AMPS WITH ISM FUNCTION From J-6245 To K-6373	1	
20	560758	EQUALIZER "VANNER" 100AMPS WITH ISM FUNCTION From K-6374 To L-6494		
20	560758	EQUALIZER "VANNER" 100AMPS WITH ISM FUNCTION From L-6495 To M-6657	1	B
20	564363	EQUALIZER "VANNER" 100AMPS WITH ISM FUNCTION WITH EWD From M-6658	1	B
20	560760	EQUALIZER "VANNER" 100AMPS WITH ISM IN PARCEL RACK From L-6495 To M-6657	1	C
20	564362	EQUALIZER "VANNER" 100AMPS WITH ISM IN PARCEL RACK WITH EWD From M-6658	1	C
20	560631	EQUALIZER "VANNER" 100AMPS WITH ISM IN PARCEL RACK From J-6322 To K-6373	1	GR
20	560760	EQUALIZER "VANNER" 100AMPS WITH ISM IN PARCEL RACK From K-6374 To M-6657	1	GR
20	564362	EQUALIZER "VANNER" 100AMPS WITH ISM IN PARCEL RACK WITH EWD From M-6658	1	GR
20	060028	HARNESS POSITIVE BOOSTER To K-6373	1	
21	069539	HARNESS EQUALIZER CONTROL	1	
NS	069540	HARNESS POWER VECR	1	
NS	502681	NUT HEX NYRT M6-1.0 N500 G8	4	
NS	5001654	WASHER FL 6.4x17.0x3.0 SS	4	
NS	069542	HARNESS RELAY MELCO BATTERY	4	
25	491985	BREATHER DRAIN M20 NYLON	2	
26	067481	SUPPORT SENSOR VANNER	1	
27	502868	SCREW TC TR PH #10-16x1/2 N500	AR	
28	067954	SENSOR 80/600AMP - VANNER	2	
29	5001694	SCREW MA PAN PH M4-0.7x40 SS BK	4	
30	069560	HARNESS BATTERY 12VD	1	
31	069561	HARNESS BATTERY 24VD	1	
32	564108	SELF MOUNTING STUD // DEUTSCH 1011-310-0205	1	
33	504013	TIE MOUNT / 1/4" X 1/4" I.D.	AR	
34	504499	CUFF END BELLOW / 2 7/8" I.D. x 3 5/8" x 4 7/16	1	
35	504016	CABLE TIE / 5/16" X 14"1/2	1	
36	069471	FEED THRU / ENGINE CABLE	1	
NS	504637	CABLE TIE / 3/16" x 13"	3	
NS	504016	CABLE TIE / 5/16" X 14"1/2	3	
37	069472	SEAL RUBBER NITRILE 1/8" 60-70 DURO	1	
38	069473	FEED THRU / REAR PLATE	1	
39	5000314	NUT HEXF NYRT 3/8-16 GR F NX500	1	

From H-6180	Date:01/2024	PAGE:X3-0620-11
REAR JUNCTION BOX INSTALLATION GHG17		

Item#	Part	Description	QTY	Notes
40	560224	JUNCTION BLOCK W/4 STUDS	1	
NS	5001251	NUT HEX NYRT 1/4-20 SS	4	
41	069464	PROTECTION FOR CABLE FEED THRU	1	
42	261714	SLEVE FOR CABLE FEED THRU	1	
43	069468	TIGHT STRAIN RELIEF FITTING 0.7"-0.95"	1	
NS	069245	HARNESS PWR FAN DRIVE	1	
44	069470	SEAL 32MMX42X3.3 NITRILE 60-70 DURO	1	
45	069469	LOCK NUT 1" STAINLESS STEEL	1	
NS	069245	HARNESS PWR FAN DRIVE	1	
47	504026	HOSE CLAMP / 2"13/16-3"3/4 SS / HS-52	2	
48	069496	PROTECTION FOR CABLE FEED THRU	1	
49	060231	HOSE 3"INTX710MM PUROSIL	1	
NS	504751	ROTATIF SPACER DOUBLE / SMALL	1	
50	680784	TAPE FIRE STOP WRAP STRIP 1/4" x 2" x 12'	AR	
51	069497	SLEEVE, PROTECTOR	1	
52	504024	HOSE CLAMP / 1"13/16"-2"3/4 SS / HS-36	AR	
53	503786	HOSE SILICONE 4 PLY / NOMEX-ARAMID 2 1/2" I.D. x 6'	AR	
54	380056	CLOSING PLATE	1	A
55	560037	GASKET / CPC SEAL / AMP 81665-2	1	
56	380085	HOLDING PLATE	1	
57	502825	SCREW MA PAN PH M3-0.5x16 N500	4	
58	5001182	NUT HEX NYRT M6-1.0 SS To K-6492	1	
58	5002028	NUT HEX NYRT M10-1.5 SS From L-6493 To L-6549	1	
58	502681	NUT HEX NYRT M6-1.0 N500 G8 From L-6550	1	
59	5001654	WASHER FL 6.4x17.0x3.0 SS To K-6492	1	
59	5001935	WASHER FL 10.5x18.0x1.6 SS From L-6493 To L-6549	1	
59	502573	WASHER FL 6.4x12.5x1.6 SS From L-6550	1	
		A) WITHOUT BATTERY CHARGER		
		B) WITHOUT IMS RELAY IN PARCEL RACK		
		C) WITH IMS RELAY IN PARCEL RACK		
		GR) GREYHOUND OPTION		
		SP) SPECIAL, OPTION 3 SPEED EVAPORATOR		
		P) CALL ORDER DESK FOR SPECIFIC APPLICATION (V.I.N.)		

PARCEL RACK JUNCTION PANEL



From E-5459 To K-6492	Date:01/2024	PAGE:X3-0620-20
PARCEL RACK JUNCTION PANEL		

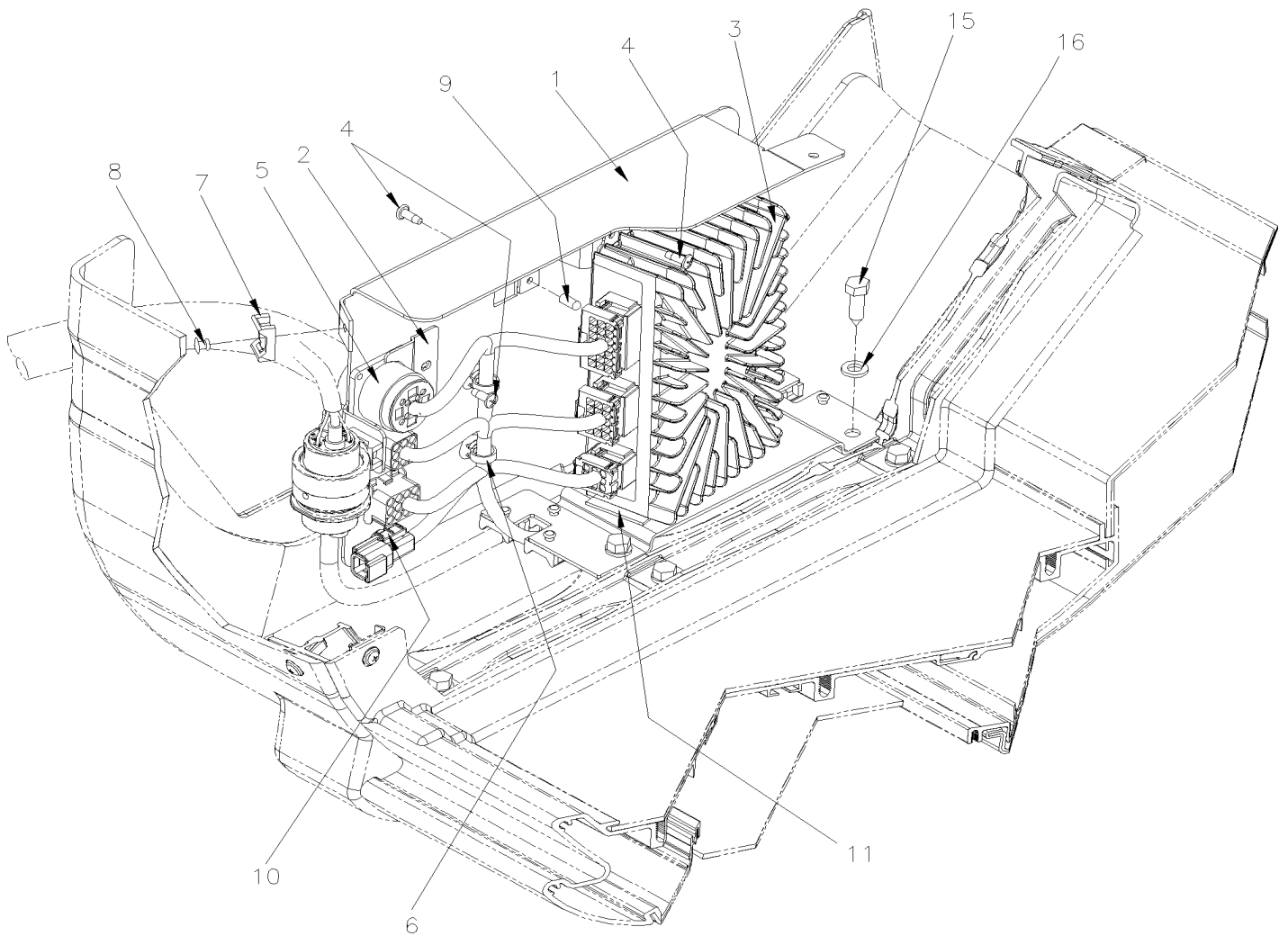
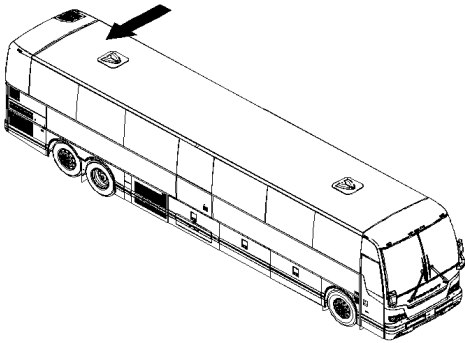
Item#	Part	Description	QTY	Notes
1	382359	SUPPORT MODULE I/O B To H-6179	1	
1	380076	SUPPORT MODULE I/O B From H-6180	1	
NS	506339	TAPE RUB ADH1 NIT 1/4" x 1" x 35' / BLACK 1220	AR	
2	382556	SUPPORT CONNECTOR	1	
3	564193	I/O B-MODULE VOLVO MULTIPLEX / ALUMINUM To H-6093	1	
NS	563132	CONNECTOR / SH 2C / YAZAKI 7283-6458-40 To H-6093	1	
NS	563133	CONNECTOR / JUNIOR POWER TIMER / SH 29C / AMP 1-963449-2 To H-6093	1	
NS	562957	CONNECTOR / SH 5C / GREEN / JAE IL-AG5-5S-S3C1 To H-6093	1	
3	22722842	I/O B-MODULE VOLVO MULTIPLEX / ALUMINUM From H-6094 To H-6179	1	
NS	563132	CONNECTOR / SH 2C / YAZAKI 7283-6458-40 From H-6094 To H-6179	1	
NS	563133	CONNECTOR / JUNIOR POWER TIMER / SH 29C / AMP 1-963449-2 From H-6094 To H-6179	1	
NS	562957	CONNECTOR / SH 5C / GREEN / JAE IL-AG5-5S-S3C1 From H-6094 To H-6179	1	
3	22722850	I/O B E-MODULE VOLVO MULTIPLEX / ALUMINUM From H-6180	1	
5	067995	CABLE HARNESS / PARCEL RACK JUNCTION PANEL To G-5977	1	
5	069303	CABLE HARNESS / PARCEL RACK JUNCTION PANEL From G-5978 To H-6179	1	
5	069326	CABLE HARNESS / PARCEL RACK JUNCTION PANEL From H-6180	1	
10	502868	SCREW TC TR PH #10-16x1/2 N500	4	
11	564108	SELF MOUNTING STUD // DEUTSCH 1011-310-0205	1	
12	509815	TIE MOUNT / ATTACHMENT W/TREE MOUNT	4	
NS	504114	RIVET POP DOME OE 3/16x1/4 AL	AR	
NS	504013	TIE MOUNT / 1/4" X 1/4" I.D.	AR	
13	507333	PROTECTOR CAP / BLACK / .172 I.D. x .500	1	
15	504637	CABLE TIE / 3/16" x 13"	2	
21	500582	SCREW TP PAN PH #8x3/8 Z050	1	
22	502513	SCREW TP CAP HEX 5/16x1 Z050	2	
23	564534	CABLE TIE / WITH EDGE CLIP / T50REC5A 10 MM x 200 MM	1	
24	504666	GROMMET / 1.000x1.375x.250x.625x1.750	1	
25	068411	CABLE POWER / PARCEL RACK & LAVATORY To G-5977	1	
25	069312	CABLE POWER / PARCEL RACK & LAVATORY From G-5978 To H-6179	1	
25	069327	CABLE POWER / PARCEL RACK & LAVATORY From H-6180 To J-6244	1	
25	061384	CABLE POWER / PARCEL RACK & LAVATORY From J-6245	1	
NS	068749	DECAL "IOB" To H-6179	1	
26	069194	DECAL "IOB" From H-6180	1	
		A) THOSE VEHICLE ARE USE WITH MODULE IOE-A AND IOE-B FOR FEILD TEST F-5793 / F-5795 / F-5799 / F-5802		

From L-6493

Date:01/2024

PAGE:X3-0620-21

PARCEL RACK JUNCTION PANEL



From L-6493	Date:01/2024	PAGE:X3-0620-21
-------------	--------------	-----------------

PARCEL RACK JUNCTION PANEL

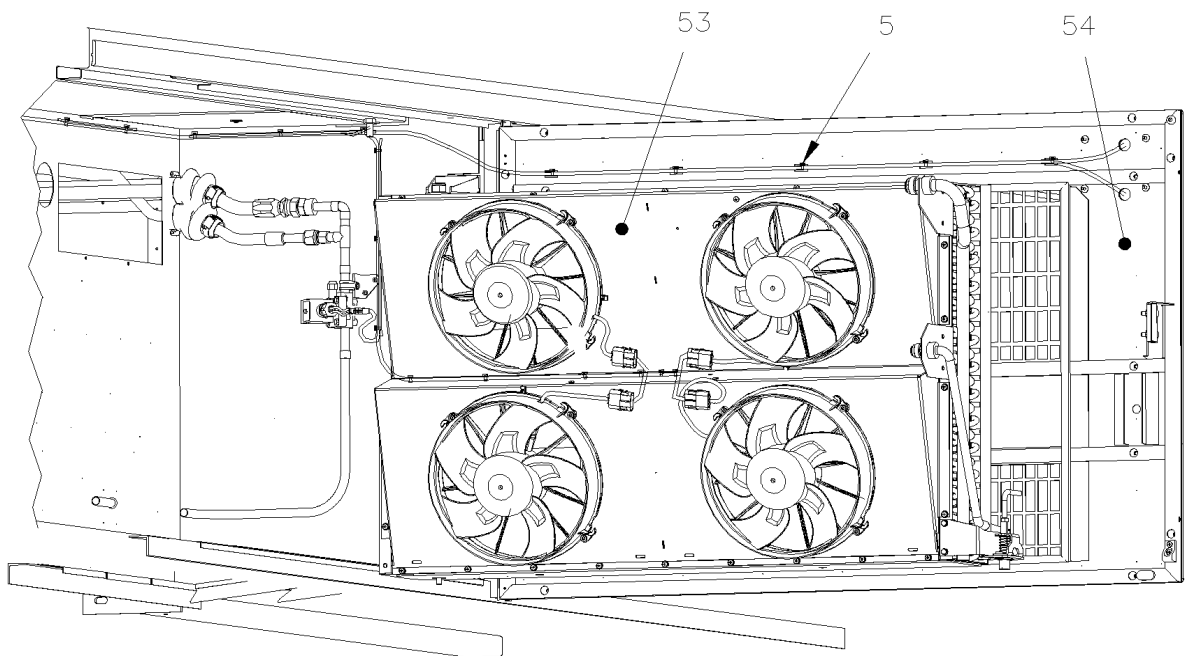
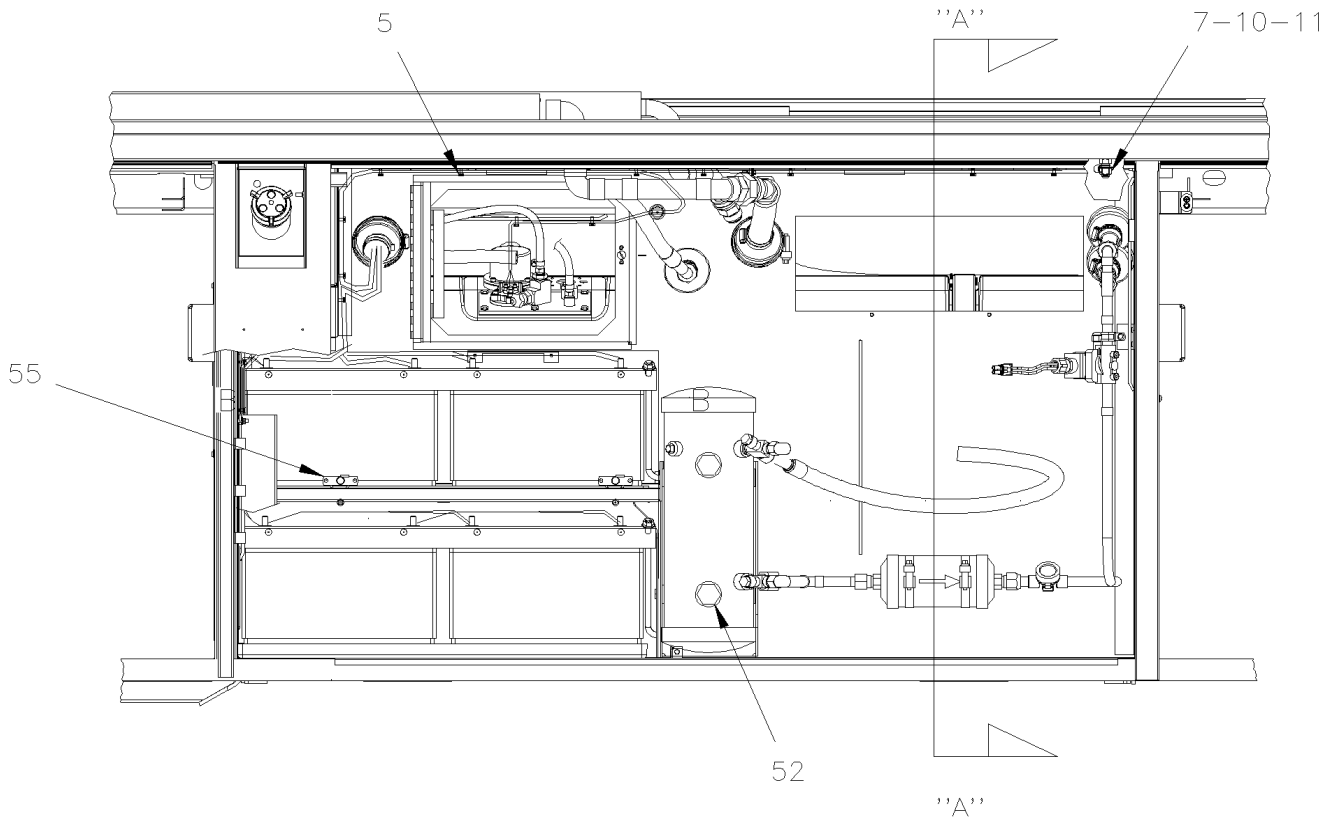
Item#	Part	Description	QTY	Notes
1	380141	SUPPORT MODULE I/O B	1	
2	382556	SUPPORT CONNECTOR	1	
3	22722850	I/O B E-MODULE VOLVO MULTIPLEX / ALUMINUM To M-6650	1	
3	23824204	I/O B E-MODULE VOLVO MULTIPLEX / ALUMINUM From M-6651	1	
4	502868	SCREW TC TR PH #10-16x1/2 N500	4	
5	069963	CABLE HARNESS / PARCEL RACK JUNCTION PANEL	1	
6	509815	TIE MOUNT / ATTACHMENT W/TREE MOUNT	2	
6	504637	CABLE TIE / 3/16" x 13"	2	
7	504013	TIE MOUNT / 1/4" X 1/4" I.D.	8	
7	504637	CABLE TIE / 3/16" x 13"	8	
8	504114	RIVET POP DOME OE 3/16x1/4 AL	8	
9	507333	PROTECTOR CAP / BLACK / .172 I.D. x .500	2	
10	564108	SELF MOUNTING STUD // DEUTSCH 1011-310-0205	1	
11	506758	TAPE RUB ADH1 NEO 1/16"X 1 1/2"X50'	AR	
NS	069194	DECAL "IOB"	1	
15	502513	SCREW TP CAP HEX 5/16x1 Z050	2	
16	500942	WASHER LO SPT 8.1x14.8x2.0 N500	2	

From 7-8754 To B-5001

Date:01/2024

PAGE:X3-0621-10

CABLE HARNESS EVAPORATOR & CONDENSOR



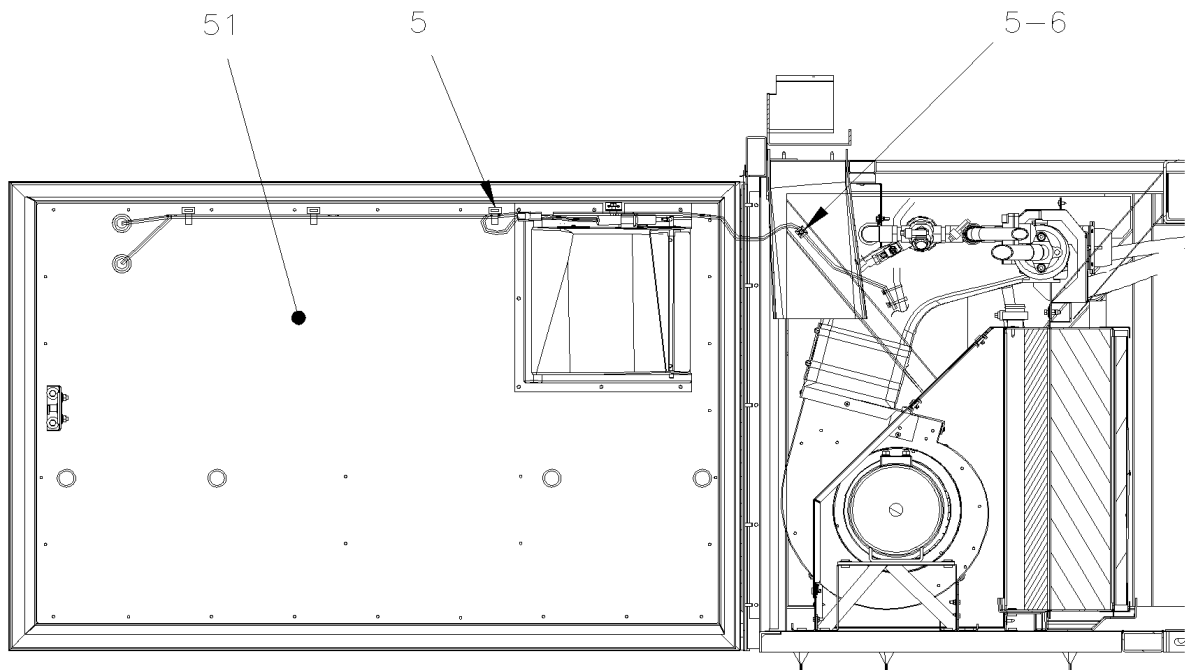
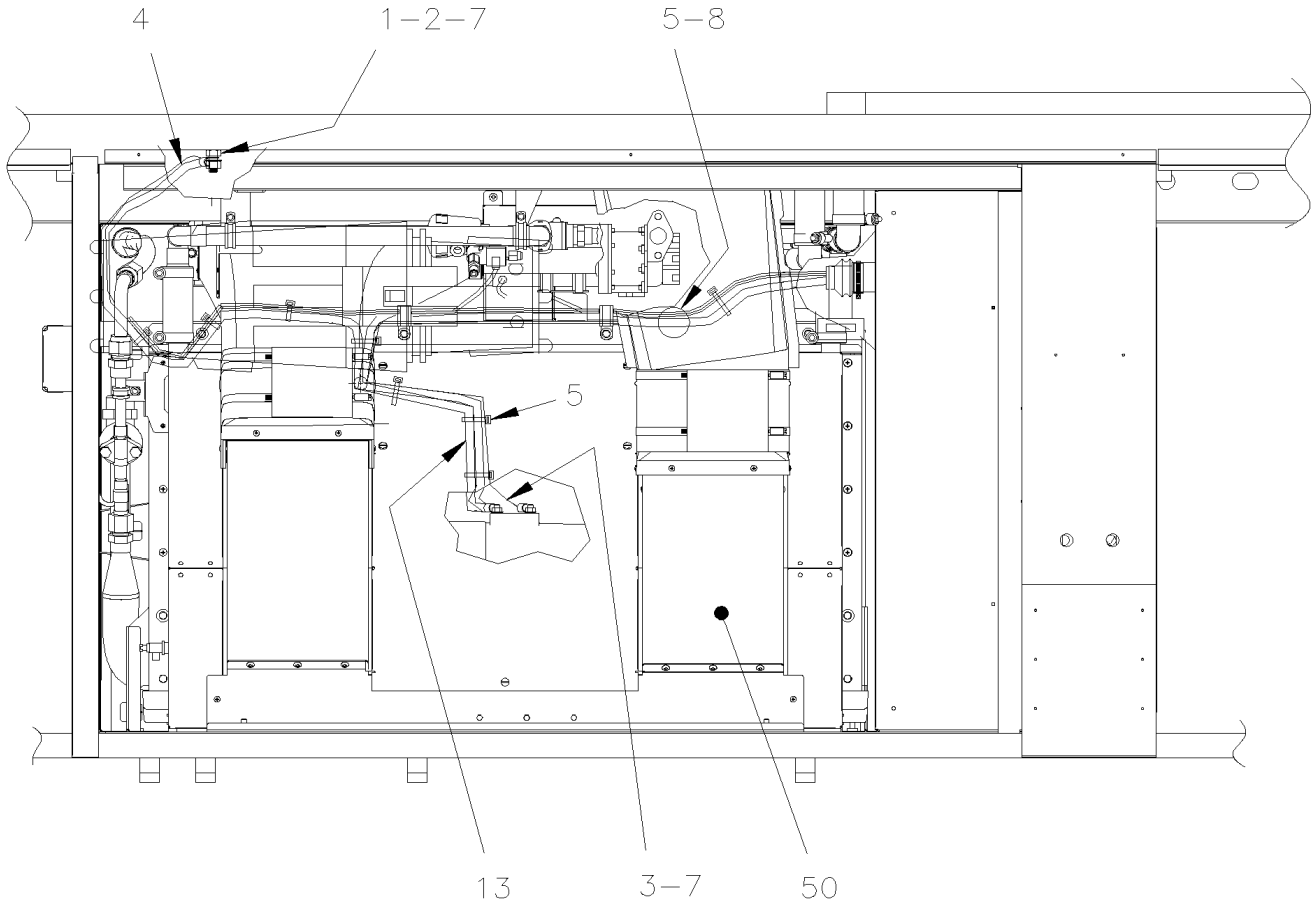
VIEW "A-A"

From 7-8754 To B-5001

Date:01/2024

PAGE:X3-0621-10

CABLE HARNESS EVAPORATOR & CONDENSOR



From 7-8754 To B-5001	Date:01/2024	PAGE:X3-0621-10
-----------------------	--------------	-----------------

CABLE HARNESS EVAPORATOR & CONDENSOR

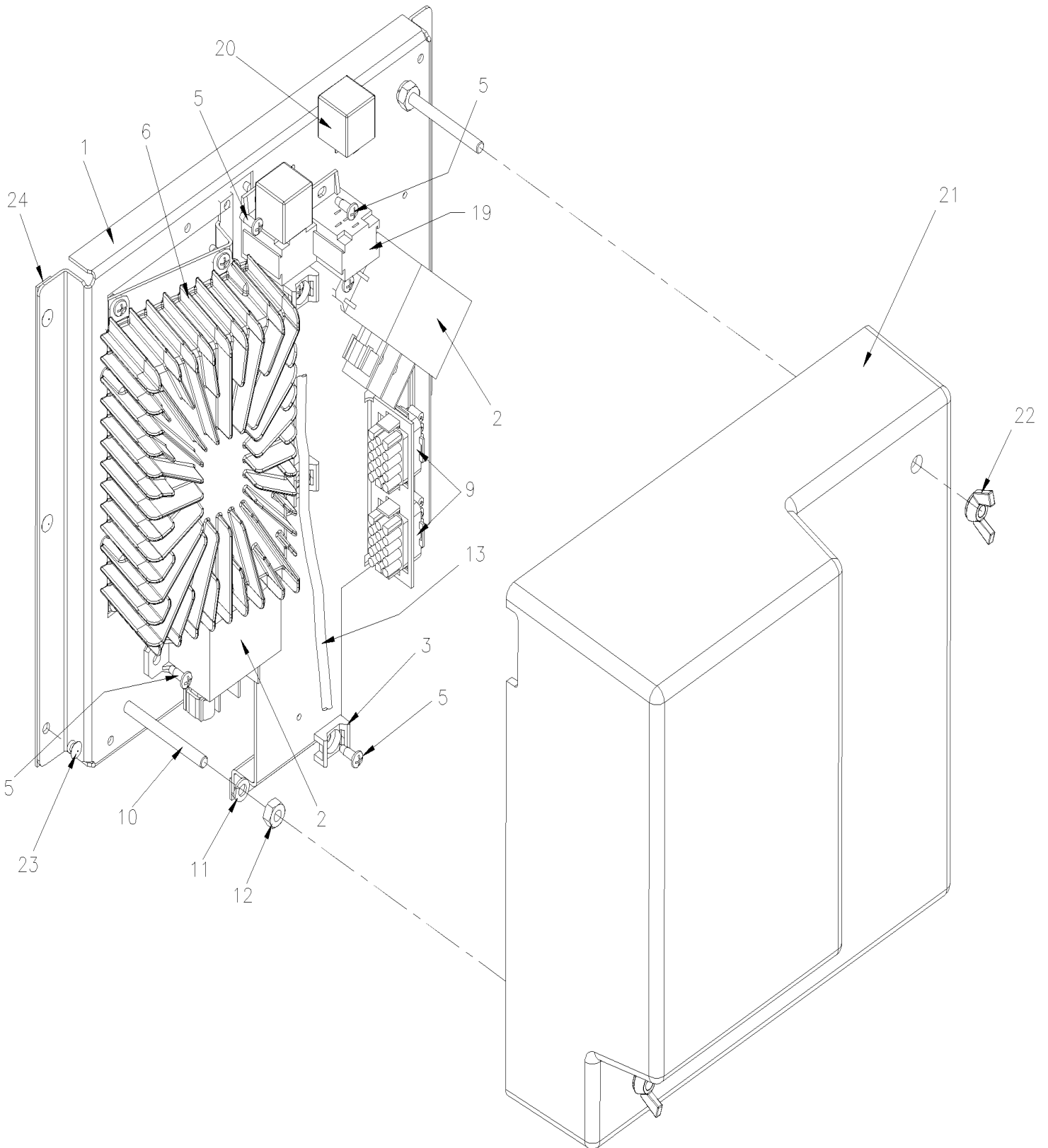
Item#	Part	Description	QTY	Notes
1	500379	NUT HEX 3/8-16 BR	1	
2	500478	WASHER LO SPT .380x.683x.094 Z050	1	
3	066280	DIODE ASSY	1	
4	061073	CABLE GROUND	1	
5	504637	CABLE TIE / 3/16" x 13"	AR	
6	562679	4 WAY ADH. BACKED MOUNTS 1.000 x 1.000 x .160	AR	
7	684013	RUBBER PROTECTOR / COLOR GUARD 14.5oz	AR	
8	371600	INSULATING PAD 76.2MM x 374.7MM	1	
10	500998	NUT HEX 1/2-13 BR	2	
11	500482	WASHER LO SPT .506x.873x.125 Z050	2	
13	5001534	WASHER LO SPT .509x.873x.125 SS	1	
50	X3-2210-00	HEATER & EVAPORATOR BLOWER - INSTALLATION		
51	X3-1866-00	EVAPORATOR DOOR ASSY		
52	X3-2270-00	RECEIVER TANK & FILTER DRYER		
53	X3-2260-00	CONDENSOR FANS - INSTALLATION		
54	X3-1863-00	CONDENSOR DOOR ASSY - BUS		
55	X3-0615-00	BATTERIES INSTALLATION		

From A-9907 To D-5458

Date:01/2024

PAGE:X3-0621-11

A/C ELECTRICAL PANEL ASSY / EVAPORATOR DOOR



From A-9907 To D-5458	Date:01/2024	PAGE:X3-0621-11
A/C ELECTRICAL PANEL ASSY / EVAPORATOR DOOR		

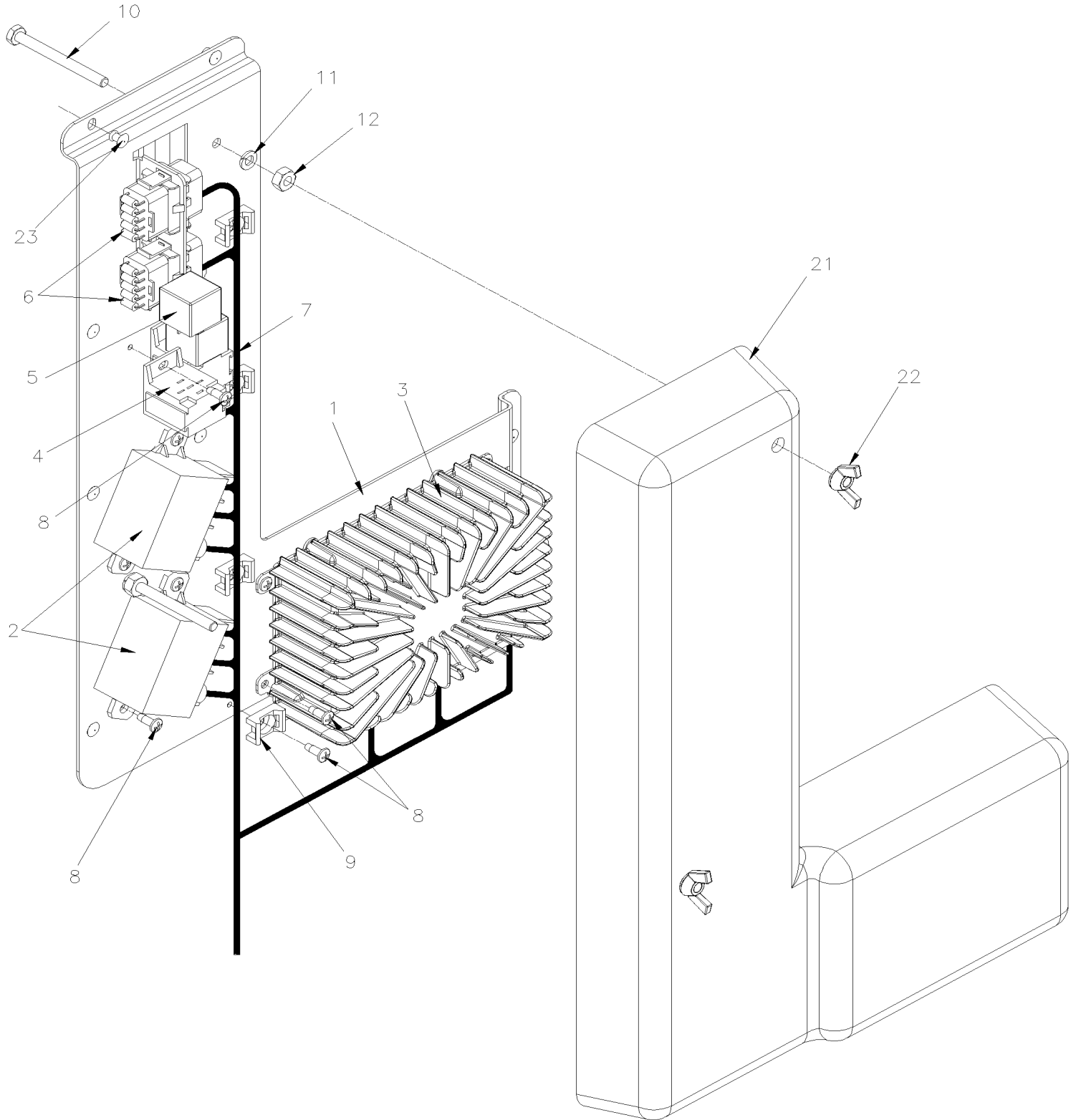
Item#	Part	Description	QTY	Notes
1	382077	PANEL MOUNTING REAR JCT BOX / MUX	1	
2	563348	RELAY POWER 24V 200 AMPS / S.P.S.T. N.O.	1	
. NS	5001182	. NUT HEX NYRT M6-1.0 SS	1	
. NS	502573	. WASHER FL 6.4x12.5x1.6 SS	1	
. NS	563409	. CONNECTOR / SUPERSEAL 1.5 SERIES / SH 2C / AMP 282080-1	1	
. NS	562607	. SOCKET TERMINAL / 20-16 / AMP 183025-1	1	
3	504013	TIE MOUNT / 1/4" X 1/4" I.D.	AR	
NS	504637	CABLE TIE / 3/16" x 13"	AR	
5	502868	SCREW TC TR PH #10-16x1/2 N500	AR	
6	564075	I/O B-MODULE VOLVO MULTIPLEX / ALUMINUM To B-5029	1	
. NS	563132	. CONNECTOR / SH 2C / YAZAKI 7283-6458-40 To B-5029	1	
. NS	563133	. CONNECTOR / JUNIOR POWER TIMER / SH 29C / AMP 1-963449-2 To B-5029	1	
. NS	562957	. CONNECTOR / SH 5C / GREEN / JAE IL-AG5-5S-S3C1 To B-5029	1	
6	564193	I/O B-MODULE VOLVO MULTIPLEX / ALUMINUM From B-5030	1	
. NS	563132	. CONNECTOR / SH 2C / YAZAKI 7283-6458-40 From B-5030	1	
. NS	563133	. CONNECTOR / JUNIOR POWER TIMER / SH 29C / AMP 1-963449-2 From B-5030	1	
. NS	562957	. CONNECTOR / SH 5C / GREEN / JAE IL-AG5-5S-S3C1 From B-5030	1	
9	381145	DIODE ASSY / W/5 3AMPS	2	
10	5001593	SCREW MA RND SLT 1/4-20x2 3/4 SS	1	
11	500477	WASHER LO SPT .262x.489x.062 SS	1	
12	500771	NUT HEX 1/4-20 SS	1	
13	068131	CABLE EVAPORATOR COMPARTMENT	1	
13	WB17-16	KIT CONNECTOR REPLACEMENT C15 & C 58	1	
. NS	564567	. CONNECTOR / HDP20 SERIES / PH 8C / DEUTSCH HDP26-18-8PN	2	
. NS	564568	. CONNECTOR / HDP20 SERIES / SH 8C / DEUTSCH HDP24-18-8-SN	2	
. NS	561996	. SEALING PLUG TYPE 12 & 16 / DEUTSCH 114017	10	
. NS	N10273	. PIN TERMINAL / 14-12 / DEUTSCH 0460-204-12141	11	
. NS	N10274	. SOCKET TERMINAL / 14-12 / DEUTSCH 0462-203-12141	11	
19	561183	RELAY BASE / TAB TERMINAL / BOSCH 3334485008	1	
20	563332	RELAY 24V S.P.D.T. W/RESISTOR / "VOLVO" (20374662)	2	
21	382078	COVER PROTECTOR	1	
21	067573	DECAL RELAY IDENTIFICATION EVAPORATOR CONTROL	1	
NS	066155	DECAL PIN OUT / JCT BOX W/MUX	1	
22	5001348	NUT WING 1/4-20 NYL	1	
23	504379	RIVET POP DOME OE 3/16x1/4 SS	7	
24	506236	TAPE RUB ADH1 CC POL 1/16" x 1/2" x 100' / GREY 2520	AR	

From E-5459 To E-5759

Date:01/2024

PAGE:X3-0621-12

A/C ELECTRICAL PANEL ASSY / EVAPORATOR DOOR



From E-5459 To E-5759	Date:01/2024	PAGE:X3-0621-12
A/C ELECTRICAL PANEL ASSY / EVAPORATOR DOOR		

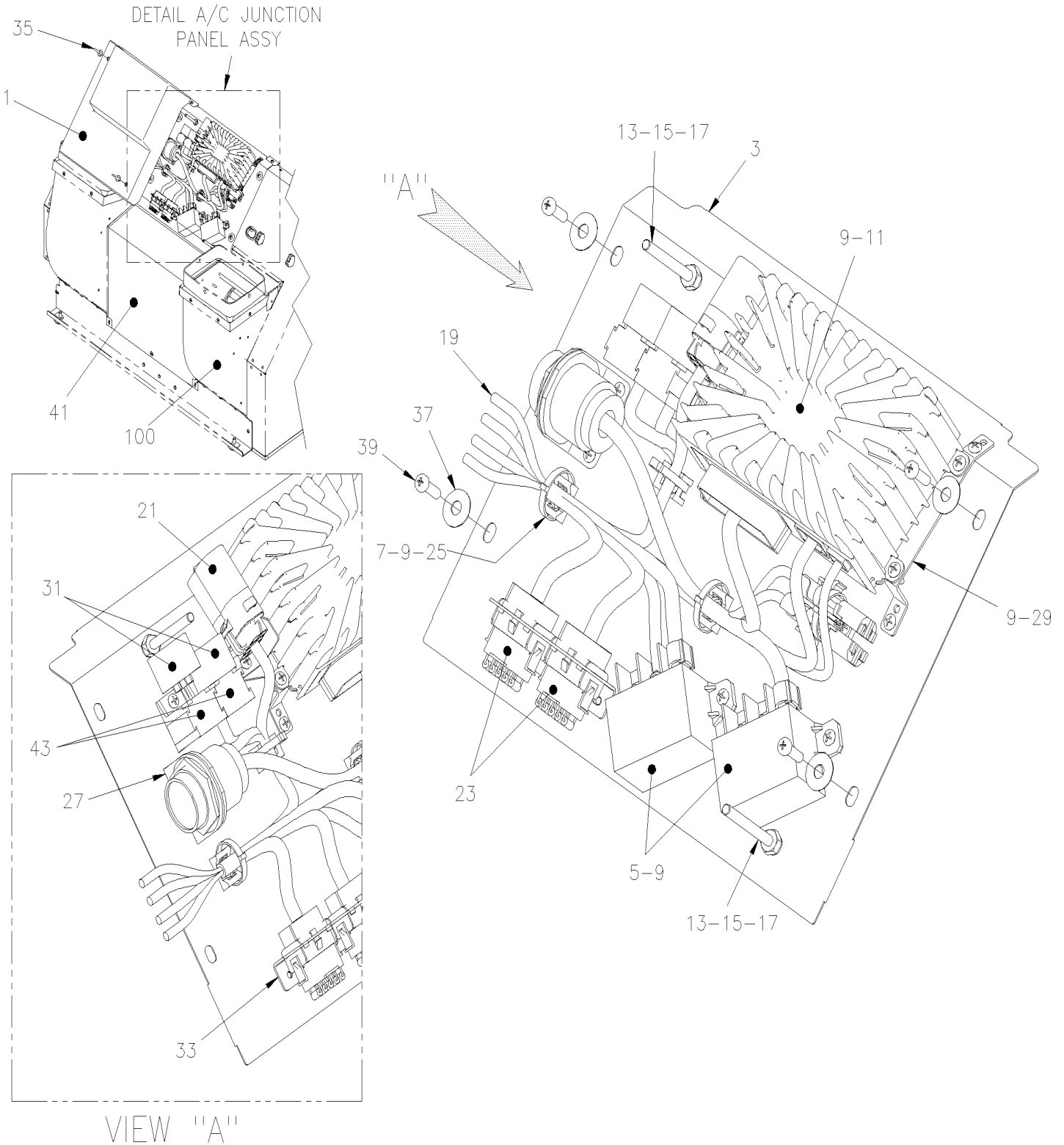
Item#	Part	Description	QTY	Notes
1	382501	PANEL MOUNTING EVAPORATOR DOOR To E-5563	1	
1	382565	PANEL MOUNTING EVAPORATOR DOOR From E-5564	1	
NS	506236	TAPE RUB ADH1 CC POL 1/16" x 1/2" x 100' / GREY 2520	AR	
2	563348	RELAY POWER 24V 200 AMPS / S.P.S.T. N.O.	2	
NS	5001182	NUT HEX NYRT M6-1.0 SS	1	
NS	502573	WASHER FL 6.4x12.5x1.6 SS	1	
NS	563409	CONNECTOR / SUPERSEAL 1.5 SERIES / SH 2C / AMP 282080-1	1	
NS	562607	SOCKET TERMINAL / 20-16 / AMP 183025-1	1	
NS	5001182	NUT HEX NYRT M6-1.0 SS	2	
3	564193	I/O B-MODULE VOLVO MULTIPLEX / ALUMINUM	1	
NS	563132	CONNECTOR / SH 2C / YAZAKI 7283-6458-40	1	
NS	563133	CONNECTOR / JUNIOR POWER TIMER / SH 29C / AMP 1-963449-2	1	
NS	562957	CONNECTOR / SH 5C / GREEN / JAE IL-AG5-5S-S3C1	1	
4	564496	CONNECTOR / METRI-PACK 630 / SH 5C / PED 12033871	2	
5	563332	RELAY 24V S.P.D.T. W/RESISTOR / "VOLVO" (20374662)	2	
6	381145	DIODE ASSY / W/5 3AMPS	2	
7	068712	CABLE HARNESS / EVAPORATOR DOOR To E-5563	1	
7	WB17-16	KIT CONNECTOR REPLACEMENT C15 & C 58 To E-5563	1	
NS	564567	CONNECTOR / HDP20 SERIES / PH 8C / DEUTSCH HDP26-18-8PN To E-5563	2	
NS	564568	CONNECTOR / HDP20 SERIES / SH 8C / DEUTSCH HDP24-18-8-SN To E-5563	2	
NS	561996	SEALING PLUG TYPE 12 & 16 / DEUTSCH 114017 To E-5563	10	
NS	N10273	PIN TERMINAL / 14-12 / DEUTSCH 0460-204-12141 To E-5563	11	
NS	N10274	SOCKET TERMINAL / 14-12 / DEUTSCH 0462-203-12141 To E-5563	11	
7	068915	CABLE HARNESS / EVAPORATOR DOOR From E-5564	1	
8	502868	SCREW TC TR PH #10-16x1/2 N500	14	
9	504013	TIE MOUNT / 1/4" X 1/4" I.D.	4	
NS	504637	CABLE TIE / 3/16" x 13"	4	
10	5001593	SCREW MA RND SLT 1/4-20x2 3/4 SS	2	
11	500477	WASHER LO SPT .262x.489x.062 SS	2	
12	500771	NUT HEX 1/4-20 SS	2	
21	382500	COVER PROTECTOR	1	
22	5001348	NUT WING 1/4-20 NYL	2	
23	504114	RIVET POP DOME OE 3/16x1/4 AL	10	
NS	068717	DECAL EVAPORATOR PANEL	1	

From F-5760 To H-6179

Date:01/2024

PAGE:X3-0621-13

A/C ELECTRICAL PANEL ASSY / EVAPORATOR COMPARTMENT



From F-5760 To H-6179	Date:01/2024	PAGE:X3-0621-13
-----------------------	--------------	-----------------

A/C ELECTRICAL PANEL ASSY / EVAPORATOR COMPARTMENT

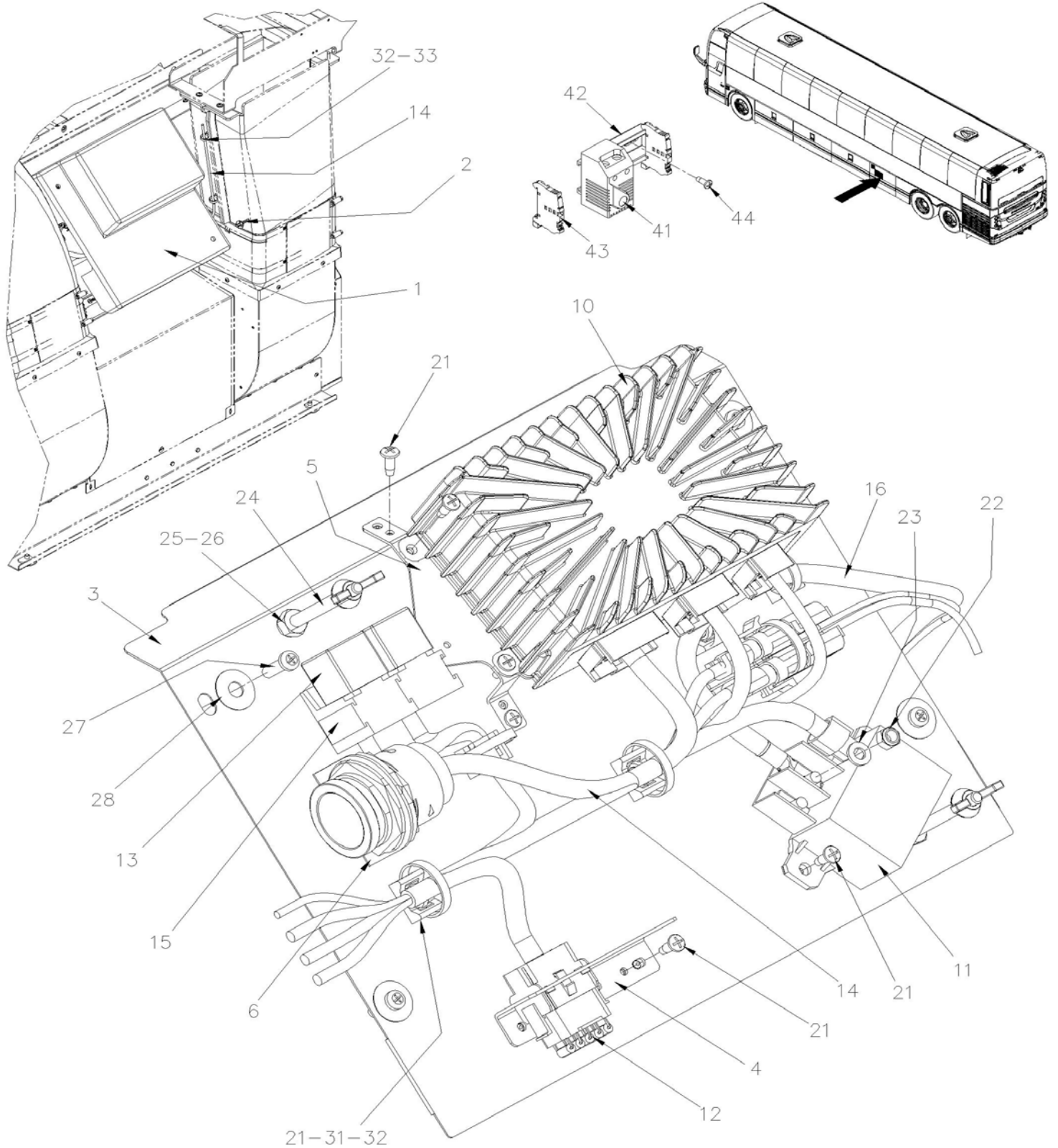
Item#	Part	Description	QTY	Notes
1	382514	A/C JUNCTION BOX PANEL-COVER	1	
NS	069073	DECAL EVAPORATOR PANEL From F-5760	1	
3	457559	CENTRAL UPPER PANEL PLENUM	1	
5	563348	RELAY POWER 24V 200 AMPS / S.P.S.T. N.O.	2	
NS	5001182	NUT HEX NYRT M6-1.0 SS	1	
NS	502573	WASHER FL 6.4x12.5x1.6 SS	1	
NS	563409	CONNECTOR / SUPERSEAL 1.5 SERIES / SH 2C / AMP 282080-1	1	
NS	562607	SOCKET TERMINAL / 20-16 / AMP 183025-1	1	
7	504013	TIE MOUNT / 1/4" X 1/4" I.D.	3	
9	502868	SCREW TC TR PH #10-16x1/2 N500	AR	
11	564193	I/O B-MODULE VOLVO MULTIPLEX / ALUMINUM To H-6093	1	
NS	563132	CONNECTOR / SH 2C / YAZAKI 7283-6458-40 To H-6093	1	
NS	563133	CONNECTOR / JUNIOR POWER TIMER / SH 29C / AMP 1-963449-2 To H-6093	1	
NS	562957	CONNECTOR / SH 5C / GREEN / JAE IL-AG5-5S-S3C1 To H-6093	1	
11	22722842	I/O B-MODULE VOLVO MULTIPLEX / ALUMINUM From H-6094	1	
NS	563132	CONNECTOR / SH 2C / YAZAKI 7283-6458-40 From H-6094	1	
NS	563133	CONNECTOR / JUNIOR POWER TIMER / SH 29C / AMP 1-963449-2 From H-6094	1	
NS	562957	CONNECTOR / SH 5C / GREEN / JAE IL-AG5-5S-S3C1 From H-6094	1	
13	5001593	SCREW MA RND SLT 1/4-20x2 3/4 SS	2	
15	500477	WASHER LO SPT .262x.489x.062 SS	2	
17	500771	NUT HEX 1/4-20 SS	2	
19	068967	HVAC CONTROL HARNESS To F-5812	1	
19	069229	HVAC CONTROL HARNESS From F-5813 To H-6093	1	
19	069568	HVAC CONTROL HARNESS From H-6094	1	
21	564238	FUSE HOLDER / LONG / BUSSMANN CFH-ALE	1	
23	381145	DIODE ASSY / W/5 3AMPS	2	
25	504637	CABLE TIE / 3/16" x 13"	4	
27	457567	SUPPORT, DEUTSCH CONN. To H-6093	1	
27	457574	SUPPORT, DEUTSCH CONN. From H-6094	1	
29	457566	SUPPORT IO/B	2	
31	563332	RELAY 24V S.P.D.T. W/RESISTOR / "VOLVO" (20374662)	2	
33	457565	SUPPORT, DIODE CONN.	1	
35	5001348	NUT WING 1/4-20 NYL	2	
37	5001699	WASHER BEL SPR 8.2x22x1.4 N500	4	
39	502626	SCREW MA PAN PH M6-1.0x20 N500	4	
41	457562P	PLENUM CENTRAL SECTION	1	
43	561183	RELAY BASE / TAB TERMINAL / BOSCH 3334485008	2	
100	X3-2220-00	UNDER FLOOR AIR DUCTING		
		A) THOSE VEHICLE ARE USE WITH MODULE IOE-A AND IOE-B FOR FEILD TEST F-5793 / F-5795 / F-5799 / F-5802		

From H-6180

Date:01/2024

PAGE:X3-0621-14

A/C ELECTRICAL PANEL ASSY / EVAPORATOR COMPARTMENT GHG17



From H-6180		Date:01/2024	PAGE:X3-0621-14
-------------	--	--------------	-----------------

A/C ELECTRICAL PANEL ASSY / EVAPORATOR COMPARTMENT GHG17

Item#	Part	Description	QTY	Notes
1	380067	A/C JUNCTION BOX PANEL-COVER	1	
NS	069743	DECAL EVAPORATOR PANEL	1	
1	060959	DECAL EVAPORATOR PANEL	1	A
2	5001348	NUT WING 1/4-20 NYL	2	
3	450198	CENTRAL UPPER PANEL PLENUM	1	
4	457565	SUPPORT, DIODE CONN.	1	
5	457566	SUPPORT IO/B	2	
6	457574	SUPPORT, DEUTSCH CONN.	1	
10	22722850	I/O B E-MODULE VOLVO MULTIPLEX / ALUMINUM To M-6650	1	
10	23824204	I/O B E-MODULE VOLVO MULTIPLEX / ALUMINUM From M-6651	1	
11	563348	RELAY POWER 24V 200 AMPS / S.P.S.T. N.O.	1	
NS	5001182	NUT HEX NYRT M6-1.0 SS	1	
NS	502573	WASHER FL 6.4x12.5x1.6 SS	1	
NS	563409	CONNECTOR / SUPERSEAL 1.5 SERIES / SH 2C / AMP 282080-1	1	
NS	562607	SOCKET TERMINAL / 20-16 / AMP 183025-1	1	
12	060324	DIODE/ RESISTOR BLOCK "1"	1	
12	381145	DIODE ASSY / W/5 3AMPS	1	A
13	563332	RELAY 24V S.P.D.T. W/RESISTOR / "VOLVO" (20374662)	2	
14	060540	HVAC CONTROL HARNESS To K-6492	1	
14	069981	HVAC CONTROL HARNESS From L-6493	1	
14	061000	HARNESS EVAPORATOR CTRL 3 SPEED To K-6492	1	A
14	0611004	HARNESS EVAPORATOR CTRL 3 SPEED From L-6493	1	A
14	061001	HARNESS PREHEAT CHARGER SIGNAL	1	A
15	561183	RELAY BASE / TAB TERMINAL / BOSCH 3334485008	2	
16	060529	EVAPORATOR POWER HARNESS	1	
21	502868	SCREW TC TR PH #10-16x1/2 N500	AR	
22	5001182	NUT HEX NYRT M6-1.0 SS	1	
23	502573	WASHER FL 6.4x12.5x1.6 SS	1	
24	5001593	SCREW MA RND SLT 1/4-20x2 3/4 SS	2	
25	500477	WASHER LO SPT .262x.489x.062 SS	2	
26	500771	NUT HEX 1/4-20 SS	2	
27	502626	SCREW MA PAN PH M6-1.0x20 N500	4	
28	5001699	WASHER BEL SPR 8.2x22x1.4 N500	4	
31	504013	TIE MOUNT / 1/4" X 1/4" I.D.	4	
32	504637	CABLE TIE / 3/16" x 13"	AR	
33	509815	TIE MOUNT / ATTACHMENT W/TREE MOUNT	2	
41	871543	THERMOSTAT BIMETAL COLD 0 TO +60°C	1	B
41	0611111	WIRING HARNESS ADD THERMOSTAT AIR DUCT RETURN	1	B
NS	505538	TAPE DUAL LOCK 1" x 50 YARD / BLACK SJ3551 To P-6849	AR	B
NS	504637	CABLE TIE / 3/16" x 13" To P-6849	AR	B
42	0600186	MOUNTING RAIL From P-6850	1	B

From H-6180	Date:01/2024	PAGE:X3-0621-14
-------------	--------------	-----------------

A/C ELECTRICAL PANEL ASSY / EVAPORATOR COMPARTMENT GHG17

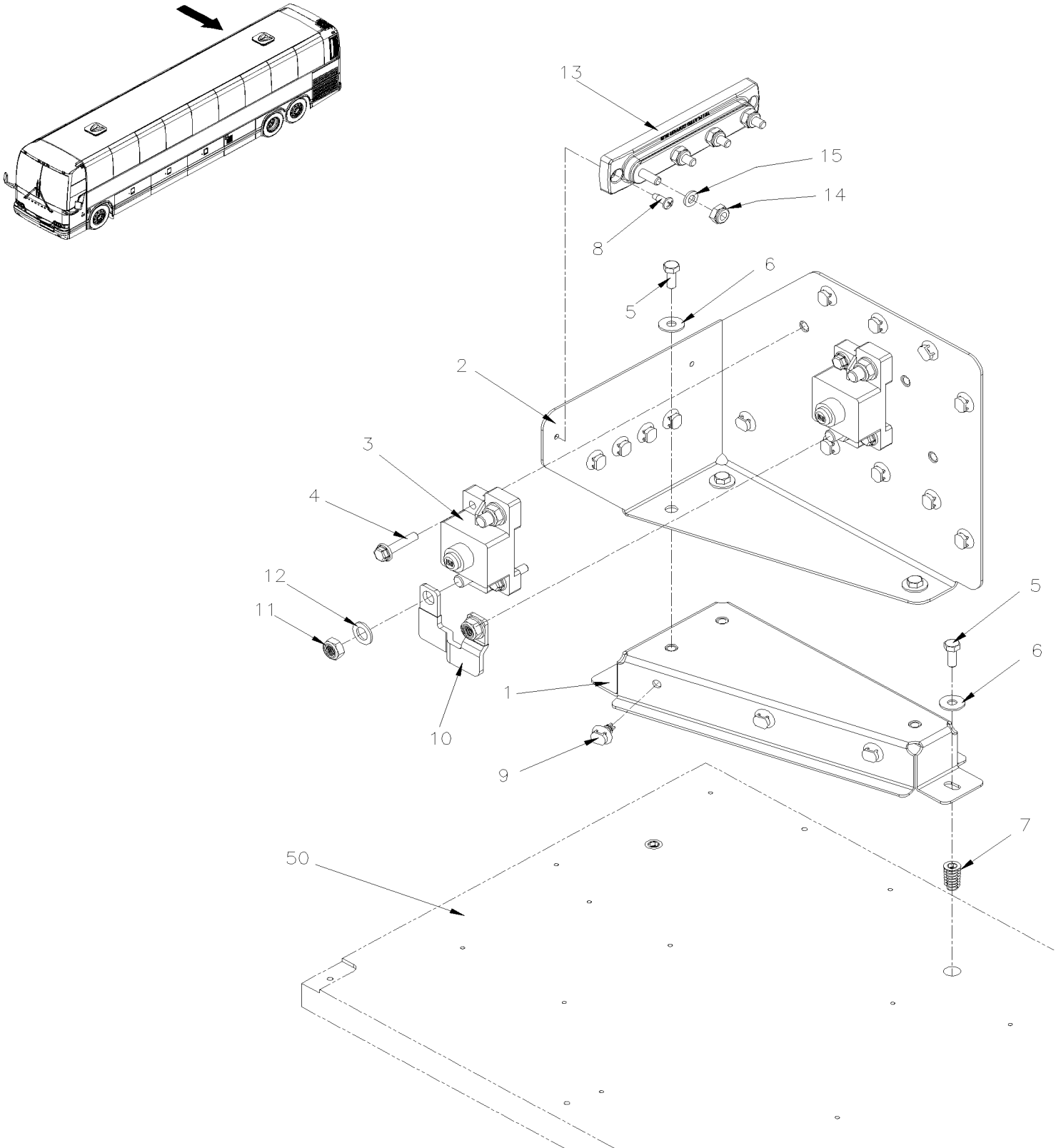
Item#	Part	Description	QTY	Notes
43	564670	SCREWLESS RAIL END STOP From P-6850	2	B
44	502868	SCREW TC TR PH #10-16x1/2 N500 From P-6890	2	B
50	X3-2220-00	UNDER FLOOR AIR DUCTING		
		A) PREHEAT SYSTEM EVAPORATOR 3 SPEEDS		
		B) OPTION WITH THERMOSTAT AIR DUCT RETURN		

From J-6245

Date:01/2024

PAGE:X3-0621-45

BREAKER PANEL, INVERTER



From J-6245	Date:01/2024	PAGE:X3-0621-45
BREAKER PANEL, INVERTER		

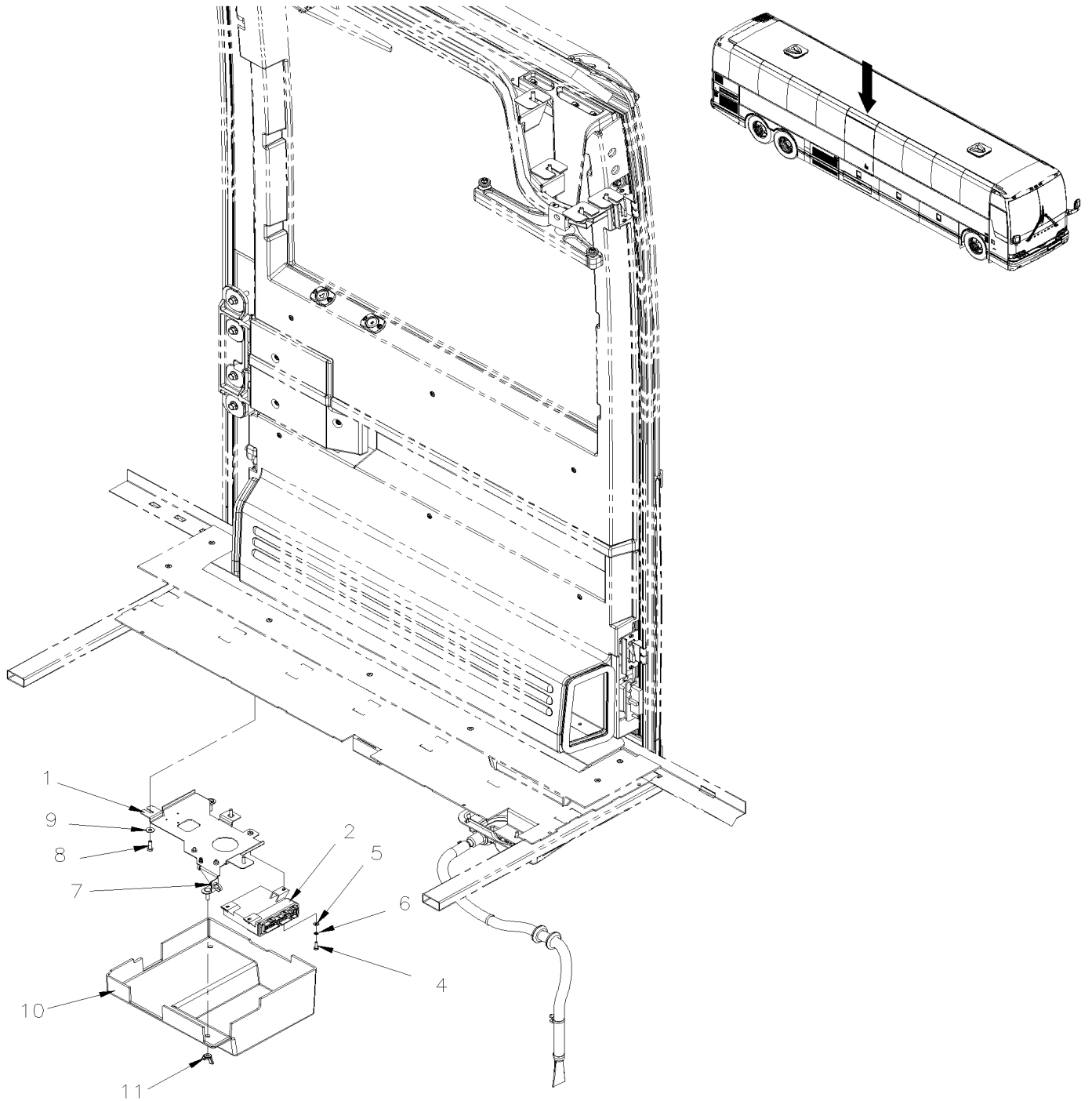
Item#	Part	Description	QTY	Notes
1	060448	LOWER SUPPORT BREAKER PANEL,	1	
2	060449	BREAKER PANEL, 4 A/C PARCEL RACK	1	
3	568114	BREAKER 150AMPS / 24V /	2	
4	5001815	SCREW CAP HEXF M6-1.0x30 G 8.8 N500	4	
5	5001744	SCREW CAP HEX M6-1.0x16 G8.8 N500	5	
6	5001833	WASHER BEL SPR 6.1x18x1.27 SS	5	
7	5000328	NUT AN INS THREADED M6-1.0x20MM	1	
8	502868	SCREW TC TR PH #10-16x1/2 N500	2	
9	509815	TIE MOUNT / ATTACHMENT W/TREE MOUNT	AR	
10	067465	BUS BAR 60 x 48MM	1	
11	5001936	NUT HEX NYRT 3/8-16 SS	4	
12	5001935	WASHER FL 10.5x18.0x1.6 SS	4	
13	560224	JUNCTION BLOCK W/4 STUDS	1	
14	5001251	NUT HEX NYRT 1/4-20 SS	3	
15	502573	WASHER FL 6.4x12.5x1.6 SS	3	
NS	069694	HARNESS INVERTER 24V	1	
NS	069695	HARNESS INVERTER 24V	1	
NS	069696	HARNESS INVERTER 24V	1	
50	X3-1838-03	FLOOR - BUS		

From H-6180

Date:01/2024

PAGE:X3-0621-80

MODULE WCL ASSY / GHG17



From H-6180	Date:01/2024	PAGE:X3-0621-80
MODULE WCL ASSY / GHG17		

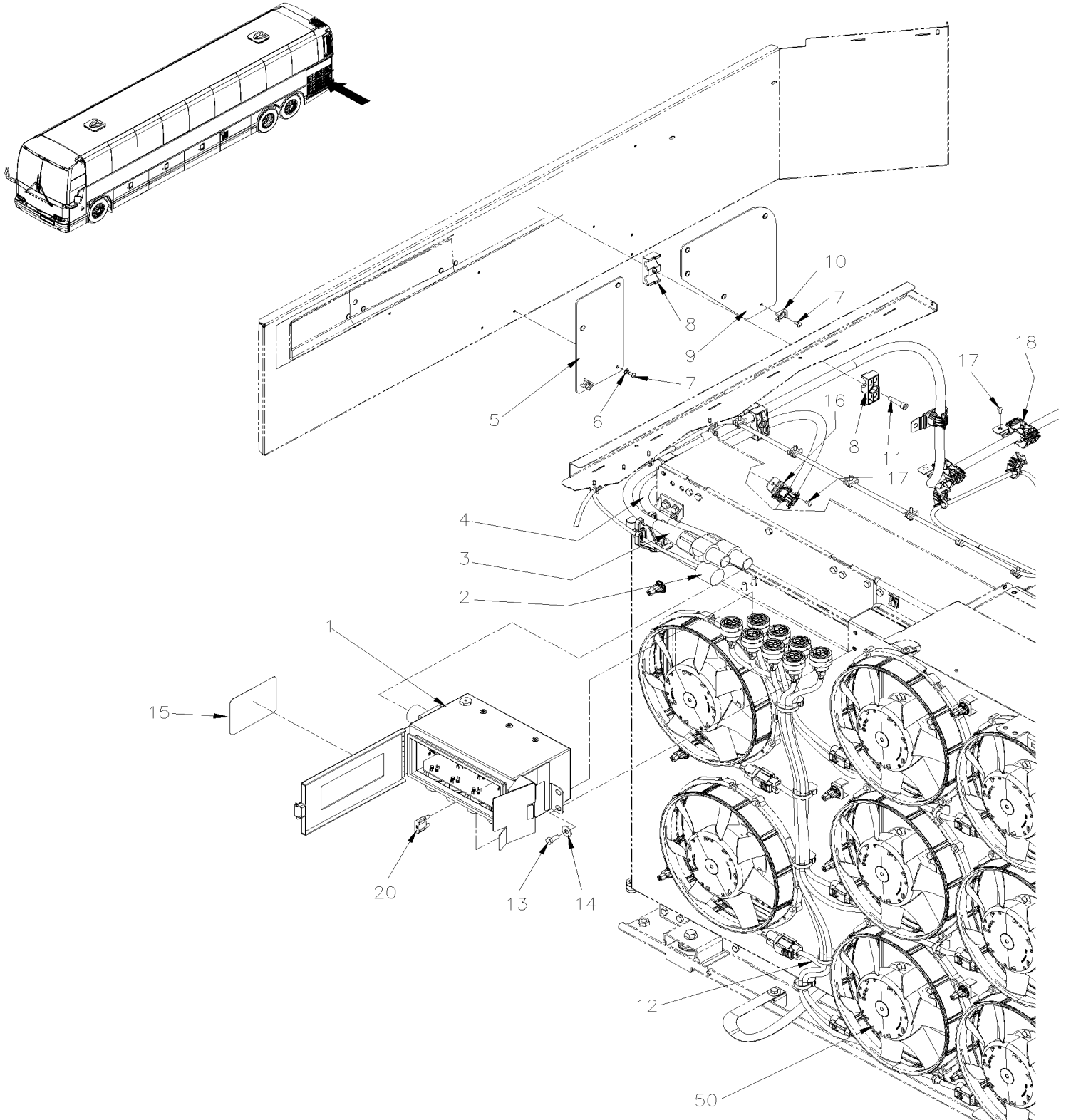
Item#	Part	Description	QTY	Notes
1	060624	PLATE ASSY To J-6353	1	
1	0601004	PLATE ASSY From J-6354	1	
2	22722846	I/O A E-MODULE VOLVO MULTIPLEX	1	
NS	069338	HARNESS WCL IOE CONTROL To J-6295	1	
NS	062239	HARNESS WCL IOE CONTROL From J-6296	1	
4	502653	SCREW MA PAN PH M5-0.8x16 SS	3	
5	5001137	WASHER FL .203x.438x.050 SS	3	
6	500914	WASHER LO SPT .193x.334x.047 N500	3	
7	509815	TIE MOUNT / ATTACHMENT W/TREE MOUNT	AR	
NS	504637	CABLE TIE / 3/16" x 13"	AR	
8	502830	SCREW CAP HEX M6-1.0x20 G8.8 N500	3	
9	5001833	WASHER BEL SPR 6.1x18x1.27 SS	3	
10	060169	LID MODULE WCL	1	
10	069194	DECAL "IOB"	1	
11	5001348	NUT WING 1/4-20 NYL	2	

From H-6180

Date:01/2024

PAGE:X3-0622-00

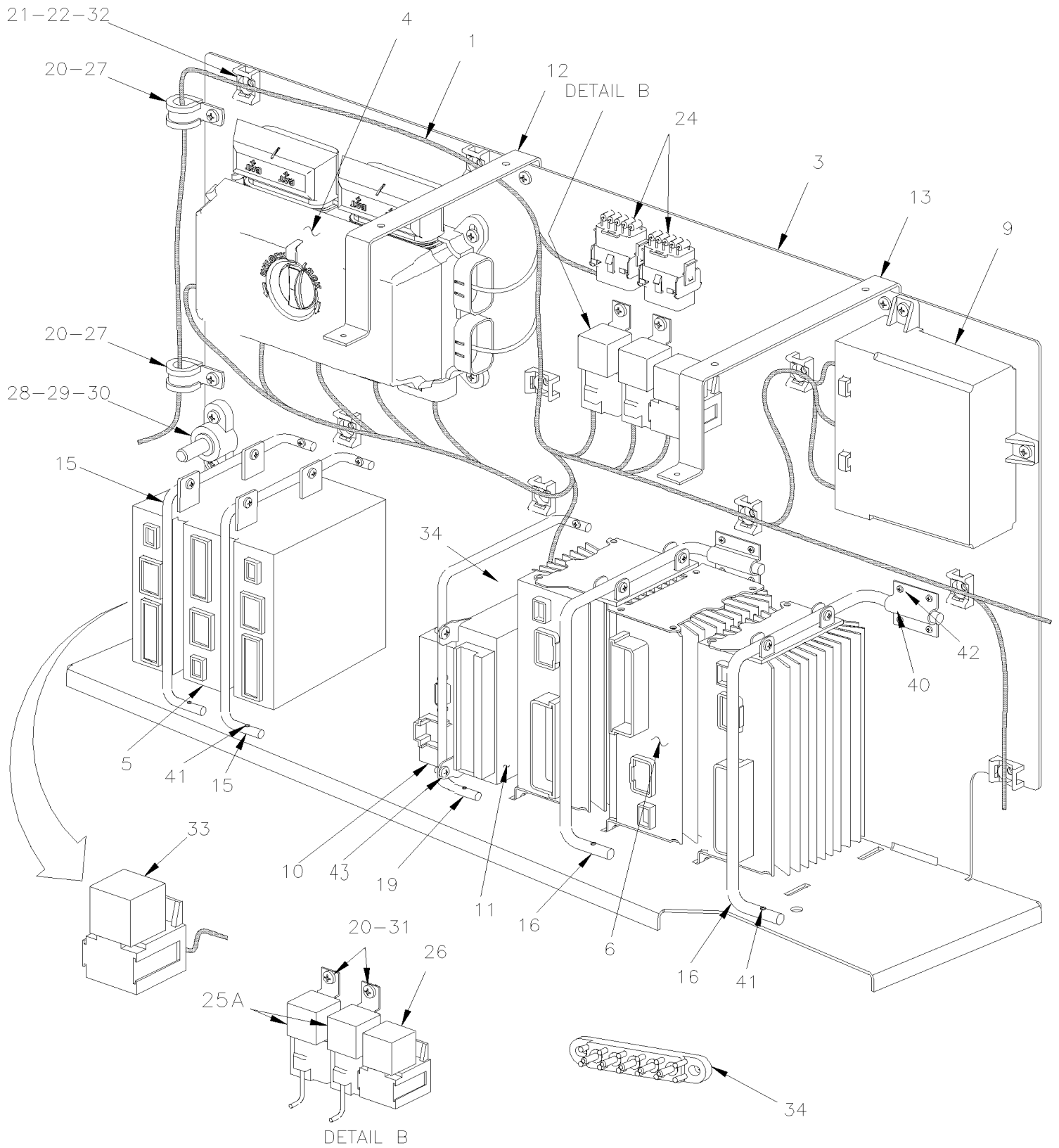
POWER BOX FOR RADIATORS FANS VOLVO D13 - GHG17



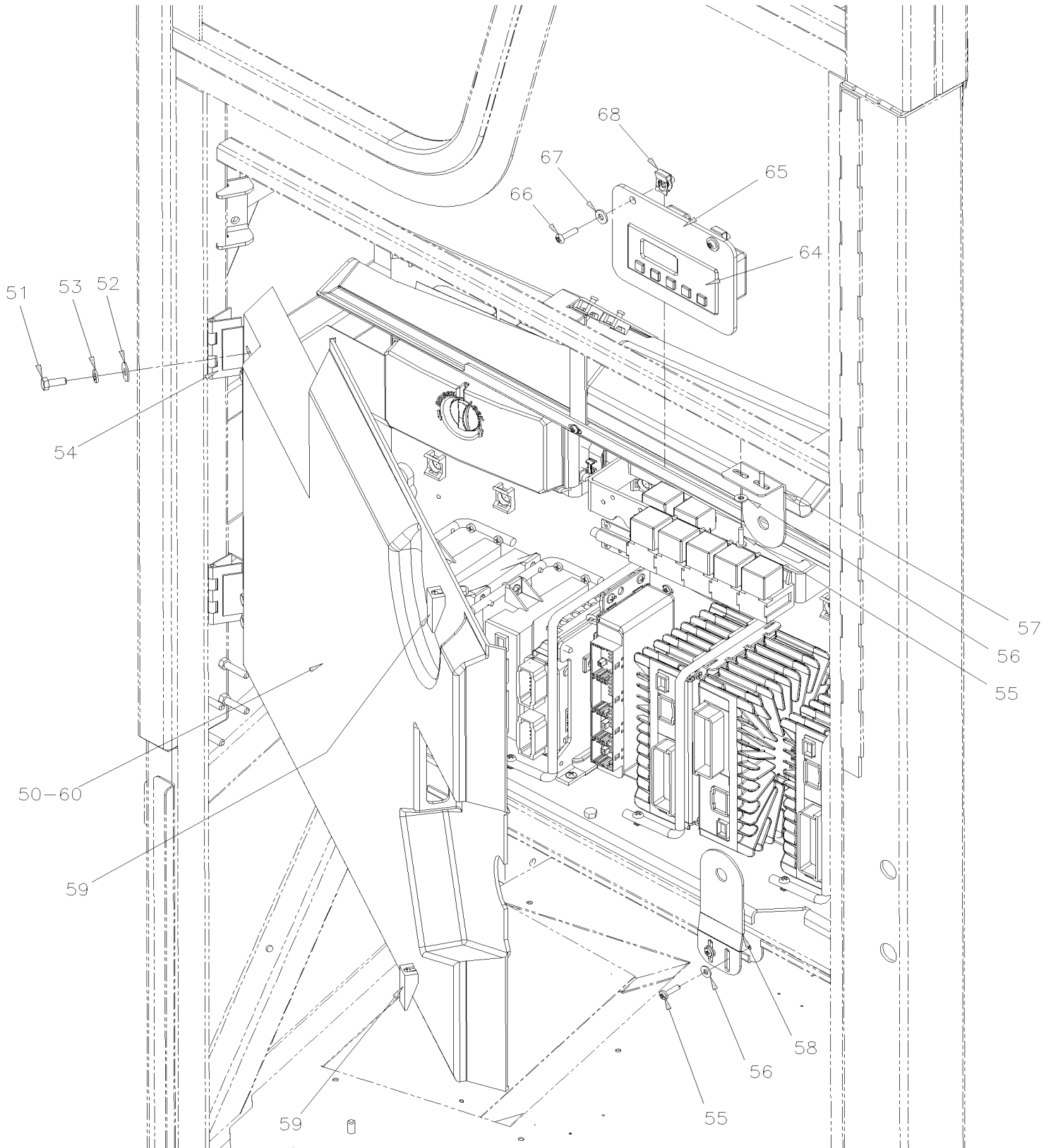
From H-6180	Date:01/2024	PAGE:X3-0622-00
POWER BOX FOR RADIATORS FANS VOLVO D13 - GHG17		

Item#	Part	Description	QTY	Notes
1	564603	POWER BOX, FAN DRIVE To J-6244	1	
1	564612	POWER BOX, FAN DRIVE From J-6245	1	
2	060535	CABLE HARNESS / ENGINE COMPT & ACCESSORIES To J-6244	1	
2	061422	CABLE HARNESS / ENGINE COMPT & ACCESSORIES From J-6245 To J-6312	1	
2	069874	CABLE HARNESS / ENGINE COMPT & ACCESSORIES From J-6313 To K-6439	1	
2	069961	CABLE HARNESS / ENGINE COMPT & ACCESSORIES From K-6440 To L-6610	1	
2	0610310	CABLE HARNESS / ENGINE COMPT & ACCESSORIES From L-6611	1	
3	069245	HARNESS PWR FAN DRIVE	1	
NS	560791	SHRINK TUBING / .940" - .406" / BLACK / ALPHA FIT-321-1-4B	AR	
NS	564542	TREE MOUNT CLIP FOR PED CONNECTOR	2	
4	069246	HARNESS GROUND FAN DRIVE	1	
5	069460	GUARD FOR POWER CABLE	1	
6	504357	WASHER FL .187x.437x.050 SS	AR	
7	504488	RIVET MGLP PRDG 3/16x17/64 SS	AR	
8	069351	CLAMP, POWER CABLE	AR	
NS	504016	CABLE TIE / 5/16" X 14"1/2	AR	
9	069459	GUARD FOR POWER CABLE	1	
10	504013	TIE MOUNT / 1/4" X 1/4" I.D.	AR	
11	5001661	SCREW CAP HEXS M8-1.25x35 G10.9 AD MAGNI 565	3	
12	068820	HARNESS FAN DRIVE	1	
13	500119	SCREW CAP HEX M8X1.25X20 BK	AR	
14	5001868	WASHER BEL SPR 8.4x18x2 SS	AR	
15	069205	DECAL "WARNING FAN"	1	
16	504193	CLAMP P SS PA 12.7-19.5 ID From M-6666	2	
17	504488	RIVET MGLP PRDG 3/16x17/64 SS From M-6666	4	
18	504187	CLAMP P SS PA 19.4-36 ID From M-6666	2	
20	564604	BREAKER 50A / 24V / AUTO WURTH To J-6245	8	
20	564613	BREAKER 50A / 24V / MANUAL WURTH From J-6245	8	
50	X3-0520-03	ELECTRICAL FANS - INSTALLATION VOLVO D13 - GHG17		

FRONT JUNCTION PANEL



FRONT JUNCTION PANEL



From 7-8754 To H-6179	Date:01/2024	PAGE:X3-0625-00
-----------------------	--------------	-----------------

FRONT JUNCTION PANEL

Item#	Part	Description	QTY	Notes
1	066408	WIRING HARNESS FRONT JUNCTION BOX / W/MUX To 7-8999	1	
1	066807	WIRING HARNESS FRONT JUNCTION BOX / W/MUX From 7-9001 To 7-9118	1	
1	066995	WIRING HARNESS FRONT JUNCTION BOX / W/MUX From 7-9119 To 8-9276	1	
1	067501	WIRING HARNESS FRONT JUNCTION BOX / W/MUX From 8-9277 To 8-9421	1	D13
1	067198	WIRING HARNESS FRONT JUNCTION BOX / W/MUX From 8-9422 To 9-9640	1	
1	067731	WIRING HARNESS FRONT JUNCTION BOX / W/MUX From 9-9641 To 9-9795	1	
1	067809	WIRING HARNESS FRONT JUNCTION BOX / W/MUX From 9-9796 To A-9894	1	
1	068006	WIRING HARNESS FRONT JUNCTION BOX / W/MUX From A-9895 To B-5001	1	
1	067640	WIRING HARNESS FRONT JUNCTION BOX / W/MUX From B-5002 To B-5035	1	
1	068267	WIRING HARNESS FRONT JUNCTION BOX / W/MUX From B-5036 To B-5049	1	
1	068204	WIRING HARNESS FRONT JUNCTION BOX / W/MUX From B-5050 To C-5092	1	
1	068367	WIRING HARNESS FRONT JUNCTION BOX / W/MUX From C-5093 To C-5143	1	
1	068375	WIRING HARNESS FRONT JUNCTION BOX / W/MUX From C-5144 To C-5274	1	
1	068418	WIRING HARNESS FRONT JUNCTION BOX / W/MUX From C-5275 To D-5299	1	
1	068556	WIRING HARNESS FRONT JUNCTION BOX / W/MUX From D-5300 To D-5374	1	
1	068410	WIRING HARNESS FRONT JUNCTION BOX / W/MUX From D-5375 To D-5458		
1	068603	WIRING HARNESS FRONT JUNCTION BOX / W/MUX From D-5459 To E-5759	1	
1	069081	WIRING HARNESS FRONT JUNCTION BOX / W/MUX From F-5760 To F-5871	1	
1	069108	WIRING HARNESS FRONT JUNCTION BOX / W/MUX From F-5872	1	
1	069653	WIRING HARNESS FRONT JUNCTION BOX / W/MUX WITH GATEWAY From H-6104	1	G
1	069642	WIRING HARNESS FRONT JUNCTION BOX / W/MUX From H-6100	1	GR
NS	068073	UNIVERSAL CAN HARNESS / FRT JCT BOX	1	
3	382160	FRONT PANEL BOX To 8-9276	1	
3	382374	FRONT PANEL BOX From 8-9277	1	
3	382402	FRONT PANEL BOX From 8-9457 To A-9871	1	
3	382445	FRONT PANEL BOX From A-9872 To A-9872	1	
3	382416	FRONT PANEL BOX From A-9873 To C-5143	1	
3	382463	FRONT PANEL BOX From C-5144 To C-5274	1	
3	382471	FRONT PANEL BOX From C-5275 To D-5369	1	
3	382502	FRONT PANEL BOX From D-5370	1	
NS	504784	NUT INS FL HEX M4-0.7 0.5-3.0 ZP From D-5370	3	
4	563361	VEC DISTRIBUTION MODULE / FRONT JCT BOX To 8-9276	1	P
NS	564104	COVER / VEC BOX To 8-9276	1	P
NS	563269	RELAY 24V S.P.D.T. W/RESISTOR / To 8-9276	1	P
NS	563004	FUSE / ATM 2 AMPS GREY To 8-9276	1	P
NS	563279	FUSE / ATM 3 AMPS VIOLET To 8-9276	14	P
NS	563280	FUSE / ATM 5 AMPS AMBER To 8-9276	2	P
NS	563005	FUSE / ATM 7.5 AMPS BROWN To 8-9276	5	P
NS	563283	FUSE / ATM 10 AMPS RED To 8-9276	6	P
NS	563284	FUSE / ATM 15 AMPS BLUE To 8-9276	4	P
NS	563282	FUSE / ATM 20 AMPS YELLOW To 8-9276	7	P
NS	563153	FUSE / ATM 25 AMPS NATURAL To 8-9276	2	P

From 7-8754 To H-6179	Date:01/2024	PAGE:X3-0625-00
-----------------------	--------------	-----------------

FRONT JUNCTION PANEL

Item#	Part	Description	QTY	Notes
. NS	563165	. FUSE / ATM 30 AMPS GREEN To 8-9276	3	P
. NS	564464	. MINI BREAKER / 20 AMPS / SERIES 223 To 8-9276	1	P
. NS	563181	. CONNECTOR / SH 8C / YELLOW / BUSSMANN 32006-E21 To 8-9276	1	P
. NS	563182	. CONNECTOR / SH 8C / ORANGE / BUSSMANN 32006-G21 To 8-9276	1	P
. NS	563183	. CONNECTOR / SH 8C / RED / BUSSMANN 32006-F21 To 8-9276	1	P
. NS	563184	. CONNECTOR / SH 8C / GREEN / BUSSMANN 32006-C21 To 8-9276	1	P
. NS	563185	. CONNECTOR / SH 8C / BLACK / BUSSMANN 32006-A21 To 8-9276	1	P
. NS	563186	. CONNECTOR / SH 8C / GREY / BUSSMANN 32006-B21 To 8-9276	1	P
. NS	563187	. CONNECTOR / SH 8C / BROWN / BUSSMANN 32006-H21 To 8-9276	1	P
. NS	563448	. CONNECTOR / SH 8C / BLUE / BUSSMANN 32006-D21 To 8-9276	1	P
. NS	19518268	. COVER RUBBER RED To 8-9276	2	P
4	563674	VEC DISTRIBUTION MODULE / FRONT JCT BOX From 8-9277 To B-5001	1	
. NS	564104	. COVER / VEC BOX From 8-9277 To B-5001	1	
. NS	563004	. FUSE / ATM 2 AMPS GREY From 8-9277 To B-5001	1	
. NS	563279	. FUSE / ATM 3 AMPS VIOLET From 8-9277 To B-5001	14	
. NS	563280	. FUSE / ATM 5 AMPS AMBER From 8-9277 To B-5001	2	
. NS	563005	. FUSE / ATM 7.5 AMPS BROWN From 8-9277 To B-5001	3	
. NS	563283	. FUSE / ATM 10 AMPS RED From 8-9277 To B-5001	6	
. NS	563284	. FUSE / ATM 15 AMPS BLUE From 8-9277 To B-5001	9	
. NS	563282	. FUSE / ATM 20 AMPS YELLOW From 8-9277 To B-5001	6	
. NS	563153	. FUSE / ATM 25 AMPS NATURAL From 8-9277 To B-5001	1	
. NS	563165	. FUSE / ATM 30 AMPS GREEN From 8-9277 To B-5001	3	
. NS	564464	. MINI BREAKER / 20 AMPS / SERIES 223 From 8-9277 To B-5001	1	
. NS	563181	. CONNECTOR / SH 8C / YELLOW / BUSSMANN 32006-E21 From 8-9277 To B-5001	1	
. NS	563182	. CONNECTOR / SH 8C / ORANGE / BUSSMANN 32006-G21 From 8-9277 To B-5001	1	
. NS	563183	. CONNECTOR / SH 8C / RED / BUSSMANN 32006-F21 From 8-9277 To B-5001	1	
. NS	563184	. CONNECTOR / SH 8C / GREEN / BUSSMANN 32006-C21 From 8-9277 To B-5001	1	
. NS	563185	. CONNECTOR / SH 8C / BLACK / BUSSMANN 32006-A21 From 8-9277 To B-5001	1	
. NS	563186	. CONNECTOR / SH 8C / GREY / BUSSMANN 32006-B21 From 8-9277 To B-5001	1	
. NS	563187	. CONNECTOR / SH 8C / BROWN / BUSSMANN 32006-H21 From 8-9277 To B-5001	1	
. NS	563448	. CONNECTOR / SH 8C / BLUE / BUSSMANN 32006-D21 From 8-9277 To B-5001	1	
. NS	19518268	. COVER RUBBER RED From 8-9277 To B-5001	2	
4	564145	VEC DISTRIBUTION MODULE / FRONT JCT BOX From B-5002	1	
. NS	564104	. COVER / VEC BOX From B-5002	1	
. NS	563269	. RELAY 24V S.P.D.T. W/RESISTOR / From B-5002	1	
. NS	563004	. FUSE / ATM 2 AMPS GREY From B-5002	1	
. NS	563279	. FUSE / ATM 3 AMPS VIOLET From B-5002	12	
. NS	563280	. FUSE / ATM 5 AMPS AMBER From B-5002	4	
. NS	563005	. FUSE / ATM 7.5 AMPS BROWN From B-5002	3	
. NS	563283	. FUSE / ATM 10 AMPS RED From B-5002	7	
. NS	563284	. FUSE / ATM 15 AMPS BLUE From B-5002	8	
. NS	563282	. FUSE / ATM 20 AMPS YELLOW From B-5002	7	

From 7-8754 To H-6179	Date:01/2024	PAGE:X3-0625-00
------------------------------	---------------------	------------------------

FRONT JUNCTION PANEL

Item#	Part	Description	QTY	Notes
. NS	563153	. FUSE / ATM 25 AMPS NATURAL From B-5002	1	
. NS	563165	. FUSE / ATM 30 AMPS GREEN From B-5002	1	
. NS	564464	. MINI BREAKER / 20 AMPS / SERIES 223 From B-5002	1	
. NS	563181	. CONNECTOR / SH 8C / YELLOW / BUSSMANN 32006-E21 From B-5002	1	
. NS	563182	. CONNECTOR / SH 8C / ORANGE / BUSSMANN 32006-G21 From B-5002	1	
. NS	563183	. CONNECTOR / SH 8C / RED / BUSSMANN 32006-F21 From B-5002	1	
. NS	563184	. CONNECTOR / SH 8C / GREEN / BUSSMANN 32006-C21 From B-5002	1	
. NS	563185	. CONNECTOR / SH 8C / BLACK / BUSSMANN 32006-A21 From B-5002	1	
. NS	563186	. CONNECTOR / SH 8C / GREY / BUSSMANN 32006-B21 From B-5002	1	
. NS	563187	. CONNECTOR / SH 8C / BROWN / BUSSMANN 32006-H21 From B-5002	1	
. NS	563448	. CONNECTOR / SH 8C / BLUE / BUSSMANN 32006-D21 From B-5002	1	
. NS	564132	. LOCK CONNECTOR POSITION ASSURANCE / BUSSMANN 32004-CP From B-5002	AR	
. NS	19518268	. COVER RUBBER RED From B-5002	2	
5	563272	I/O A-MODULE VOLVO MULTIPLEX / BLACK To 7-9116	3	
. NS	562767	. CONNECTOR / SH 30C / GREEN / JAE IL-AG5-30S-D3C1 To 7-9116	1	
. NS	562957	. CONNECTOR / SH 5C / GREEN / JAE IL-AG5-5S-S3C1 To 7-9116	1	
. NS	563132	. CONNECTOR / SH 2C / YAZAKI 7283-6458-40 To 7-9116	1	
5	565864	I/O A-MODULE VOLVO MULTIPLEX / BLACK From 7-9117 To 8-9493	3	
. NS	562767	. CONNECTOR / SH 30C / GREEN / JAE IL-AG5-30S-D3C1 From 7-9117 To 8-9493	1	
. NS	562957	. CONNECTOR / SH 5C / GREEN / JAE IL-AG5-5S-S3C1 From 7-9117 To 8-9493	1	
. NS	563132	. CONNECTOR / SH 2C / YAZAKI 7283-6458-40 From 7-9117 To 8-9493	1	
5	564101	I/O A-MODULE VOLVO MULTIPLEX / BLACK From 8-9494 To B-5029	3	
. NS	562767	. CONNECTOR / SH 30C / GREEN / JAE IL-AG5-30S-D3C1 From 8-9494 To B-5029	1	
. NS	562957	. CONNECTOR / SH 5C / GREEN / JAE IL-AG5-5S-S3C1 From 8-9494 To B-5029	1	
. NS	563132	. CONNECTOR / SH 2C / YAZAKI 7283-6458-40 From 8-9494 To B-5029	1	
5	564194	I/O A-MODULE VOLVO MULTIPLEX / BLACK From B-5030 To G-5877	3	
. NS	562767	. CONNECTOR / SH 30C / GREEN / JAE IL-AG5-30S-D3C1 From B-5030 To G-5877	1	
. NS	562957	. CONNECTOR / SH 5C / GREEN / JAE IL-AG5-5S-S3C1 From B-5030 To G-5877	1	
. NS	563132	. CONNECTOR / SH 2C / YAZAKI 7283-6458-40 From B-5030 To G-5877	1	
5	22561320	I/O A-MODULE VOLVO MULTIPLEX / BLACK From G-5878 To H-6093	3	
. NS	562767	. CONNECTOR / SH 30C / GREEN / JAE IL-AG5-30S-D3C1 From G-5878 To H-6093	1	
. NS	562957	. CONNECTOR / SH 5C / GREEN / JAE IL-AG5-5S-S3C1 From G-5878 To H-6093	1	
. NS	563132	. CONNECTOR / SH 2C / YAZAKI 7283-6458-40 From G-5878 To H-6093	1	
5	22722832	I/O A-MODULE VOLVO MULTIPLEX / BLACK From H-6094	3	
. NS	562767	. CONNECTOR / SH 30C / GREEN / JAE IL-AG5-30S-D3C1 From H-6094	1	
. NS	562957	. CONNECTOR / SH 5C / GREEN / JAE IL-AG5-5S-S3C1 From H-6094	1	
. NS	563132	. CONNECTOR / SH 2C / YAZAKI 7283-6458-40 From H-6094	1	
6	563273	I/O B-MODULE VOLVO MULTIPLEX / ALUMINUM To 7-9116	3	
. NS	563132	. CONNECTOR / SH 2C / YAZAKI 7283-6458-40 To 7-9116	1	
. NS	563133	. CONNECTOR / JUNIOR POWER TIMER / SH 29C / AMP 1-963449-2 To 7-9116	1	
. NS	562957	. CONNECTOR / SH 5C / GREEN / JAE IL-AG5-5S-S3C1 To 7-9116	1	
6	565865	I/O B-MODULE VOLVO MULTIPLEX / ALUMINUM From 7-9117 To 8-9493	3	

From 7-8754 To H-6179	Date:01/2024	PAGE:X3-0625-00
-----------------------	--------------	-----------------

FRONT JUNCTION PANEL

Item#	Part	Description	QTY	Notes
. NS	563132	. CONNECTOR / SH 2C / YAZAKI 7283-6458-40 From 7-9117 To 8-9493	1	
. NS	563133	. CONNECTOR / JUNIOR POWER TIMER / SH 29C / AMP 1-963449-2 From 7-9117 To 8-9493	1	
. NS	562957	. CONNECTOR / SH 5C / GREEN / JAE IL-AG5-5S-S3C1 From 7-9117 To 8-9493	1	
6	564075	I/O B-MODULE VOLVO MULTIPLEX / ALUMINUM From 8-9494 To B-5029	3	
. NS	563132	. CONNECTOR / SH 2C / YAZAKI 7283-6458-40 From 8-9494 To B-5029	1	
. NS	563133	. CONNECTOR / JUNIOR POWER TIMER / SH 29C / AMP 1-963449-2 From 8-9494 To B-5029	1	
. NS	562957	. CONNECTOR / SH 5C / GREEN / JAE IL-AG5-5S-S3C1 From 8-9494 To B-5029	1	
6	564193	I/O B-MODULE VOLVO MULTIPLEX / ALUMINUM From B-5030 To H-6093	3	
. NS	563132	. CONNECTOR / SH 2C / YAZAKI 7283-6458-40 From B-5030 To H-6093	1	
. NS	563133	. CONNECTOR / JUNIOR POWER TIMER / SH 29C / AMP 1-963449-2 From B-5030 To H-6093	1	
. NS	562957	. CONNECTOR / SH 5C / GREEN / JAE IL-AG5-5S-S3C1 From B-5030 To H-6093	1	
6	22722842	I/O B-MODULE VOLVO MULTIPLEX / ALUMINUM From H-6094	3	
. NS	563132	. CONNECTOR / SH 2C / YAZAKI 7283-6458-40 From H-6094	1	
. NS	563133	. CONNECTOR / JUNIOR POWER TIMER / SH 29C / AMP 1-963449-2 From H-6094	1	
. NS	562957	. CONNECTOR / SH 5C / GREEN / JAE IL-AG5-5S-S3C1 From H-6094	1	
7	564076	ECU TIRE PRESSURE To G-6064	1	
. NS	564073	. CONNECTOR TANDEM SPRING/ AMPMODU / SH 32C / AMP 1394010-1 To G-6064	1	
7	560056	ECU TIRE PRESSURE From G-6065	1	
8	382406	SUPPORT TIRE ECU PRESSURE	1	
9	563274	CECM VOLVO MULTIPLEX MODULE To C-5159	1	
9	563851	MCM - VOLVO MULTIPLEX MODULE From C-5160	1	E
9	23317365	MCM - VOLVO MULTIPLEX MODULE	1	E
10	563295	MASTER ID-MODULE VOLVO MULTIPLEX To C-5159	1	
. NS	562794	. CONNECTOR / JUNIOR POWER TIMER / SH 9C / AMP 964561-4 To C-5159	1	
10	069538	"MASTER ID" REPLACEMENT WITH "MCM" MODULE To C-5159	1	B
. NS	069420	. HARNESS MCM To C-5159	1	B
. NS	IS-11003	. SEE INSTRUCTION SHEET To C-5159	1	B
NS	066009	CABLE ADAPTOR / INTERFACE PC TO MASTER ID (3Meter)	1	
. NS	562650	. CONNECTOR / HDP-20 / SH 9C / AMP 205203-1	2	
10	068158	KIT, INSULATED MASTER ID MODULE PLUS UTILISER JEAN RUEL	1	
. NS	IS-09040	. SEE INSTRUCTION SHEET	1	
. NS	5001438	. RIVET DRV TR 1/4x3/4 NYL	2	
. NS	900251	. BUSHING, RUBBER	2	
. NS	502698	. SCREW MA PAN PH M4-0.7x16 SS BK	2	
. NS	563851	. MCM - VOLVO MULTIPLEX MODULE	1	
. NS	069420	. HARNESS MCM	1	
11	7770363	CONTROL UNIT 12V / ABS 4 CH / UNPROGRAMMED To 8-9281	1	
11	641948P	CONTROL UNIT 12V / ABS 4 CH / PROGRAMMED To 8-9281	1	
11	642081	ECU ABS / W/6 CHANNELS / STANDARD From 8-9282 To D-5299	1	
11	642083	ECU ABS / W/6 CHANNELS / ADVANCED ESP From 8-9282 To 9-9725	1	
11	642131	ECU ABS / W/6 CHANNELS / ADVANCED ESP From 9-9726 To A-9904	1	
11	642146	ECU ABS / W/6 CHANNELS / ADVANCED ESP UNPROGRAMMED / NON-PROGRAMME From A-9905	1	

From 7-8754 To H-6179	Date:01/2024	PAGE:X3-0625-00
-----------------------	--------------	-----------------

FRONT JUNCTION PANEL

Item#	Part	Description	QTY	Notes
NS	067060	CABLE ASSY ESP FRT JC BOX To B-5001	1	
11	067934	CABLE ASSY ESP FRT JC BOX From B-5002 To B-5035	1	
11	068260	CABLE ASSY ESP FRT JC BOX From B-5036	1	
12	382126	SUPPORT FRONT PANEL UPPER FORWARD To C-5143	1	
12	382465	SUPPORT FRONT PANEL UPPER FORWARD From C-5144	1	
13	382129	SUPPORT FRONT PANEL UPPER BACKWARD To C-5143	1	
13	382466	SUPPORT FRONT PANEL UPPER BACKWARD From C-5144	1	
15	382179	ROD ATTACHMENT / I/O A MODULE	2	
16	382166	ROD ATTACHMENT / I/O B MODULE To 8-9276	2	
16	382222	ROD ATTACHMENT CABLE / I/O B From 8-9277 To 8-9493	2	
16	382417	ROD ATTACHMENT / I/O B MODULE From 8-9494	2	
18	386652	SUPPORT From C-5125	1	
19	382167	ROD ATTACHMENT CABLE To 8-9276	1	
19	382223	ROD ATTACHMENT CABLE From 8-9277 To 8-9493	1	
19	382418	ROD ATTACHMENT CABLE From 8-9494	1	
20	500945	SCREW TC BDG PH #10-24x1/2 G500 To G-5931	AR	
20	5001966	SCREW TC BDG PH #10-24x1/2 SS410 ZINC From G-5932	AR	
21	504013	TIE MOUNT / 1/4" X 1/4" I.D.	AR	
22	504347	RIVET POP DOME OE 3/16x1/4 AL	AR	
23	381145	DIODE ASSY / W/5 3AMPS	2	
24	382387	DIODE SUPPORT PLATE From 8-9457 To C-5133	1	D13
24	382470	DIODE SUPPORT PLATE From C-5134	1	D13
25A	561991	RELAY 24V S.P.S.T. / 70 AMPS N.O. To C-5133	2	
25B	564218	RELAY 24V S.P.S.T. / 40 AMPS N.O. From C-5134	2	
25C	564210	RELAY BASE / TAB TERMINAL / COLE HERSEE 99025 From C-5134	2	
26	563332	RELAY 24V S.P.D.T. W/RESISTOR / "VOLVO" (20374662)	AR	
27	952627	CLAMP / 1/2" I.D.	2	
28	560422	BLOCK, TERMINAL / 1 STUD 3/8-16 / BLACK	1	
29	500478	WASHER LO SPT .380x.683x.094 Z050	1	
30	500379	NUT HEX 3/8-16 BR	1	
31	500623	SCREW TC PAN PH #10-24x3/4 N500	1	
32	504637	CABLE TIE / 3/16" x 13"	AR	
33	563033	E.C.U. / W/STEERING ASSIST (STP 272 or 330) ((77//125))	1	
33	661170	E.C.U. / W/STEERING ASSIST (STP 338) ((60//95))	1	C
33	563465	E.C.U. / W/STEERING ASSIST W/"ZF" TRANS ONLY (STP 146) To B-5001	1	
34	563218	JUNCTION BLOCK W/5 STUDS	1	
NS	500765	NUT HEX #10-32 BR	AR	
40	382169	HINGE ROD ATTACHMENT	5	
41	509827	SCREW MA RND PH M4-0.7x20 SS	9	
42	504340	RIVET POP DOME OE 1/8x3/16 SS	12	
43	502868	SCREW TC TR PH #10-16x1/2 N500	AR	
44	500965	SCREW TC BDG PH #8-32x1/2 N500	AR	

From 7-8754 To H-6179	Date:01/2024	PAGE:X3-0625-00
------------------------------	---------------------	------------------------

FRONT JUNCTION PANEL

Item#	Part	Description	QTY	Notes
45	382407	SUPPORT / RELAY To C-5274	1	
45	382472	SUPPORT / RELAY From C-5275 To D-5457	1	
45	382557	SUPPORT / RELAY From D-5458	1	
46	563703	CPC MODULE DETROIT PROTO	1	
46	563762	CPC MODULE DETROIT To 9-9591	1	
46	565866	CPC MODULE DETROIT From 9-9592 To 9-9721	1	
46	565867	CPC MODULE DETROIT From 9-9722	1	
46	20758808	VECU MODULE / VOLVO To A-9896	1	D13
46	21083383	VECU MODULE / VOLVO From A-9897 To D-5297	1	D13
46	21720495	VECU4 MODULE / VOLVO From D-5298	1	D13
46	382221	SUPPORT VECU MODULE / VOLVO	1	D13
46	502569	SCREW MA PAN PH M6-1.0x16 BK	4	D13
NS	067625	CABLE ASSY FRT JCT BOX WORLD TRANSMISSION To C-5143	1	
NS	068376	CABLE ASSY FRT JCT BOX WORLD TRANSMISSION From C-5144 To D-5458	1	
NS	068592	CABLE ASSY FRT JCT BOX WORLD TRANSMISSION From E-5459	1	
47	20700142	ECU VOLVO LINK MODULE To C-5274	1	D13
47	21284312	ECU VOLVO LINK MODULE From C-5275 To E-5570	1	D13
47	21443469	SIM CARD VOLVO LINK MODULE From C-5275 To E-5570	1	D13
47	21985688	ECU VOLVO LINK MODULE From E-5571 To F-5871	1	D13
47	22357675	ECU VOLVO LINK MODULE From F-5872	1	D13
47	IS14122	REPLACEMENT KIT TGW1 TO TWG2 To F-5871	1	D13
NS	IS-14122	SEE INSTRUCTION SHEET To F-5871	1	D13
NS	069100	KIT SERVICE TGW1 TO TWG2 To F-5871	1	D13
NS	22357675	ECU VOLVO LINK MODULE To F-5871	1	D13
47	067448	RETROFIT KIT / VOLVO LINK MODULE ONLY / WITH EPA 2010 From B-5002 To C-5274	1	
NS	21385255	CABLE ANTENNA (RF-in VOLVO LINK) From B-5002 To C-5274	1	
NS	21383947	ANTENNA (VOLVO LINK) From B-5002 To C-5274	1	
NS	23004613	SIM CARD VOLVO LINK MODULE From B-5002 To C-5274	1	
NS	23163299	ECU VOLVO LINK MODULE From B-5002 To C-5274	1	
NS	067447	CABLE / "GATEWAY" From B-5002 To C-5274	1	
NS	562583	CONNECTOR / DT SERIES / PH 6C / GRAY / DEUTSCH DT04-6P From B-5002 To C-5274	1	
NS	562286	PIN TERMINAL / 18-16 / DEUTSCH 0460-202-16141 From B-5002 To C-5274	6	
NS	382470	DIODE SUPPORT PLATE From B-5002 To C-5274	1	
NS	382472	SUPPORT / RELAY From B-5002 To C-5274	1	
NS	504013	TIE MOUNT / 1/4" X 1/4" I.D. From B-5002 To C-5274	1	
NS	502868	SCREW TC TR PH #10-16x1/2 N500 From B-5002 To C-5274	3	
NS	504347	RIVET POP DOME OE 3/16x1/4 AL From B-5002 To C-5274	1	
NS	880050	WASHER FL 19X24.4X3.2 RUB From B-5002 To C-5274	1	
50	286967	PROTECTOR FRONT ELECTRIC COMPARTMENT To E-5759	1	
50	280010	PROTECTOR FRONT ELECTRIC COMPARTMENT From F-5760	1	
51	502531	SCREW CAP HEX M6-1.0x16 G8.8 Z050 To F-5763	4	
51	5001743	SCREW CAP HEX M6-1.0x12 G8.8 N500 From F-5764	4	

From 7-8754 To H-6179	Date:01/2024	PAGE:X3-0625-00
------------------------------	---------------------	------------------------

FRONT JUNCTION PANEL

Item#	Part	Description	QTY	Notes
52	500411	WASHER FL .260x.697x.050 SS	10	
53	502570	WASHER LO SPT 6.1x11.8x1.6 SS	6	
54	287210	ATTACHMENT PLATE W/NUT	2	
55	500641	SCREW TP PAN PH #8x3/4 Z050	4	
56	500438	WASHER FL .187x.437x.050 Z050	4	
57	384286	RETAINER UPPER	1	
58	384287	RETAINER LOWER To E-5759	1	
58	382360	RETAINER LOWER From F-5760	1	
59	901052	LATCH RUBBER	2	
60	20848526	GS ECU 24v MODULE I-SHIFT TRANS To B-5001	1	
60	21522732	GS ECU 24v MODULE I-SHIFT TRANS From B-5002 To D-5315	1	
60	21715161	GS ECU 24v MODULE I-SHIFT TRANS From D-5316	1	
61	382430	SUPPORT GSECU I-SHIFT TRANS From B-5002	1	
NS	067626	CABLE ASSY FRT JCT BOX I-SHIFT TRANSMISSION From B-5002 To D-5458	1	
61	068721	CABLE ASSY FRT JCT BOX I-SHIFT TRANSMISSION From E-5459	1	
64	871250	TIMER ASSY / W/"WEBASTO" PREHEATER From B-5105 To H-6187	1	O
NS	19511692	BULB From B-5105 To H-6187	1	O
64	871464	TIMER ASSY / W/"SPHEROS" PREHEATER From H-6188	1	O
64	066217	WIRING HARNESS / W/ "WEBASTO" PREHEATER / W/MUX From B-5105	1	O
65	374626	SUPPORT / TIMER WEBASTO From B-5105	1	O
66	502698	SCREW MA PAN PH M4-0.7x16 SS BK From B-5105	2	O
67	500855	WASHER FL .188x.438x.049 N500 From B-5105	2	O
68	5001405	NUT SPR U M4-0.7 0.8-4.0x9.5 From B-5105	2	O
68	500539	NUT HEX NYRT M4-0.7 N500 From B-5105	2	O
70	066584	DECAL "FRT JCT BOX" COMPONENTS To 8-9276	1	
70	067013	DECAL "FRT JCT BOX" COMPONENTS From 8-9277	1	
70	067512	DECAL "FRT JCT BOX" COMPONENTS To 8-9320	1	
70	067223	DECAL "FRT JCT BOX" COMPONENTS From 8-9321 To 8-9421	1	
70	067560	DECAL "FRT JCT BOX" COMPONENTS From 8-9422	1	
70	067652	DECAL "FRT JCT BOX" COMPONENTS From B-5002 To B-5049	1	
70	068363	DECAL "FRT JCT BOX" COMPONENTS From B-5050 To C-5133	1	
70	068398	DECAL "FRT JCT BOX" COMPONENTS From C-5134 To C-5159	1	
70	068422	DECAL "FRT JCT BOX" COMPONENTS From C-5160 To D-5457	1	
70	068662	DECAL "FRT JCT BOX" COMPONENTS From D-5458 To G-6069	1	
70	069604	DECAL "FRT JCT BOX" COMPONENTS From G-6070	1	
70	068351	DECAL "FRT JCT BOX" COMPONENTS From B-5050 To D-5299	1	GR
70	068576	DECAL "FRT JCT BOX" COMPONENTS From D-5300 To E-5487	1	GR
70	068893	DECAL "FRT JCT BOX" COMPONENTS From E-5488 To G-6099	1	GR
70	069640	DECAL "FRT JCT BOX" COMPONENTS From G-6100	1	GR
70	066155	DECAL PIN OUT / JCT BOX W/MUX	1	

From 7-8754 To H-6179	Date:01/2024	PAGE:X3-0625-00
-----------------------	--------------	-----------------

FRONT JUNCTION PANEL

Item#	Part	Description	QTY	Notes
NS	068550	WIRING HARNESS FRONT PARCEL-RACK POWER From C-5288	1	T
		FOLLOWING ITEMS ARE RELATED WITH		
		BACK-UP PROXIMITY SENSORS		
80	409198	DUAL SENSORS JCT BOX ASSY / W/CONNECTORS	1	
. NS	382381	. DUAL SENSORS JCT BOX	1	
. NS	562583	. CONNECTOR / DT SERIES / PH 6C / GRAY / DEUTSCH DT04-6P	1	
. NS	561240	. SOCKET TERMINAL / 18-16 / SIGNAL CONTACT / AMP 66101-2	8	
. NS	561637	. CONNECTOR / CPC SERIES 1 / SH 9C / AMP 206708-1	1	
. NS	562481	. PIN TERMINAL / 16-14 / DEUTSCH 0460-215-16141	6	
NS	067495	CABLE ASSY / FRT JCT & BACK-UP SENSOR	1	
NS	067496	CABLE ASSY / FRT JCT BOX & REAR SENSOR	1	
NS	409199	SENSOR UNIT ASSY / W/CONNECTORS	1	
. NS	382382	. SENSOR UNIT	1	
. NS	562479	. CONNECTOR / DT SERIES / PH 4C / GRAY / DEUTSCH DT04-4P-C015	1	
NS	409197	DISPLAY SENSOR / ASSY W/CONNECTORS	1	D
. NS	382380	. DISPLAY SENSOR	1	D
. NS	562581	. CONNECTOR / DT SERIES / SH 6C / GRAY / DEUTSCH DT06-6S	1	D
80	382229	SUPPORT DISPALY	1	D
		FOLLOWING ITEMS ARE RELATED WITH		
		GATEWAY MODULE		
85	564527	MODULE GATEWAY VANSCO From E-5459 To H-6103	1	GR
85	564527	MODULE GATEWAY VANSCO From H-6104	1	G
85	068849	CABLE "GATEWAY" From E-5459 To H-6103	1	GR
85	069558	CABLE "GATEWAY" From H-6104	1	G
85	564518	CONNECTOR / DTM SERIES / SH 12C / GRAY / DEUTSCH DTM06-12SA From E-5459 To H-6103	1	GR
85	564518	CONNECTOR / DTM SERIES / SH 12C / GRAY / DEUTSCH DTM06-12SA From H-6104	1	G
85	069231	DECAL "GATEWAY SOFTWARE NUMBER" From E-5459 To H-6103	1	GR
85	069231	DECAL "GATEWAY SOFTWARE NUMBER" From H-6104	1	G
86	500226	SCREW CAP HEX 5/8-11x1 1/4 G5 ZP From E-5459 To H-6103	2	GR
86	500226	SCREW CAP HEX 5/8-11x1 1/4 G5 ZP From H-6104	1	G
90	068380	SERVICE KIT TO REPLACE 70 AMP RELAY	AR	
. NS	564210	. RELAY BASE / TAB TERMINAL / COLE HERSEE 99025	1	
. NS	564218	. RELAY 24V S.P.S.T. / 40 AMPS N.O.	1	

From 7-8754 To H-6179	Date:01/2024	PAGE:X3-0625-00
-----------------------	--------------	-----------------

FRONT JUNCTION PANEL

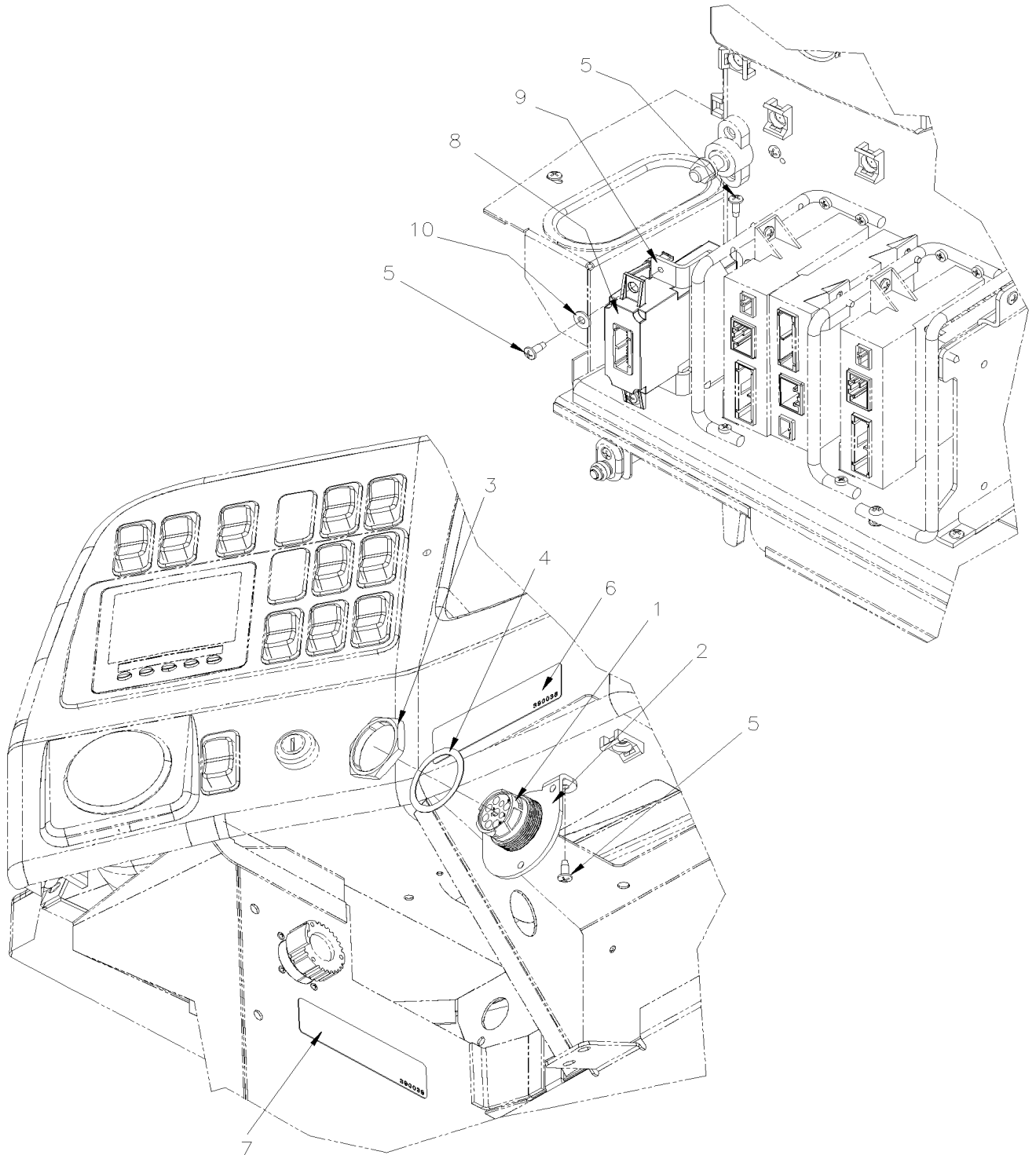
Item#	Part	Description	QTY	Notes
. NS	FI11015	. SEE INSTRUCTION SHEET ENS. REPLACEMENT RELAIS 70A	1	
. NS	IS11015	. SEE INSTRUCTION SHEET	1	
91	069798	ELD INTERFACE KIT FOR PREVOST VEHICLES & MULTIPLEX WITH DETROIT DIESEL ENGINES From 7-8933 To 8-9449	AR	
92	069799	ELD INTERFACE KIT FOR PRE-OBD PREVOST VEHICLES WITH VOLVO D13 ENGINE From 8-9451 To D-5457	AR	
93	069800	VOLVO ELD INTERFACE KIT FOR OBD VEHICLES From E-5459	AR	
		A) THOSE VEHICLE ARE USE WITH MODULE IOE-A AND IOE-B FOR FEILD TEST		
		B) CUSTOMER MUST CHECK ABS MODULE NUMBER BEFORE ORDERING. IF MODULE IS 642083 (BENDIX 5019416): MUST REPLACE BY 642206. ASK VIN TO CUSTOMER AND PROGRAM AT THE SAME TIME AS MCM		
		C) THIS E.C.U. GIVE LESS ASSISTANCE AT LOW SPEED		
		D) FIXED ON FRONT L.H. POST WINDSHIELD		
		D13) WITH VOLVO D13 ENGINE		
		E) WHEN YOU MUST REPLACE 563851, YOU MUST ORDER 23317365, BUT YOU MUST GIVE THE SERIAL NUMBER OF YOUR VEHICLE FOR IT TO BE PROGRAM		
		G) WITH GATEWAY		
		GR) WITH GREYHOUND OPTION		
		O) OPTION		
		P) FOR PRODUCT IMPROVEMENT FUSE F82 MAY BE REPLACE BY MINI BREAKER # 564464 WITH NEW DECAL # 382408		
		T) WITH TRANSDEV OPTION		

From 7-8933 To 8-9449

Date:01/2024

PAGE:069798

ELD INTERFACE KIT FOR PREVOST VEHICLES & MULTIPLEX WITH DETROIT DIESEL ENGINES



From 7-8933 To 8-9449	Date:01/2024	PAGE:069798
-----------------------	--------------	-------------

ELD INTERFACE KIT FOR PREVOST VEHICLES & MULTIPLEX WITH DETROIT DIESEL ENGINES

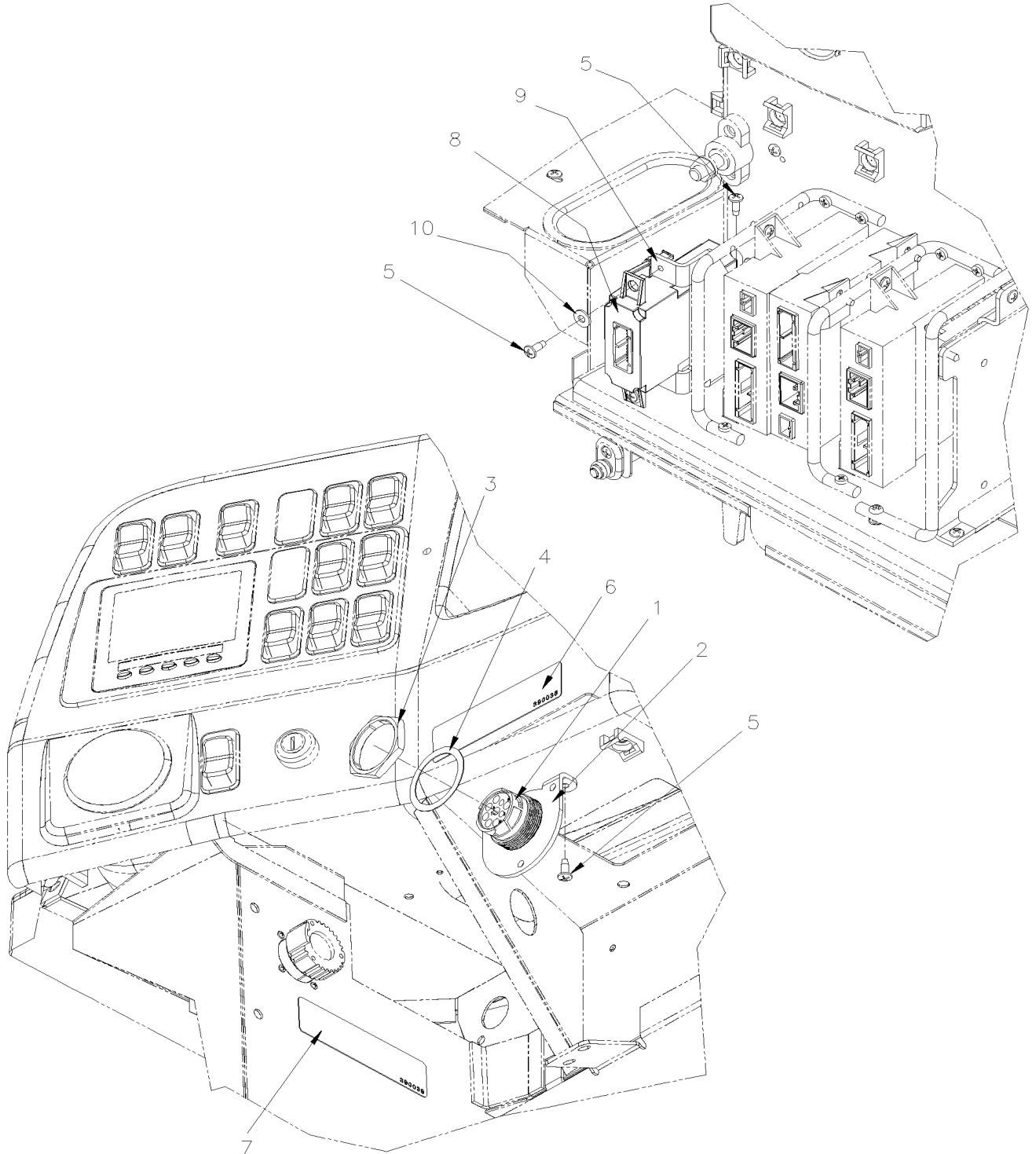
Item#	Part	Description	QTY	Notes
1	061889	ELD_AFTERMARKET_HARNES_9PIN	1	
2	380120	CONNECTOR SUPPORT	1	
3	566004	PANEL NUT / HDP20 SERIES / DEUTSCH 2411-002-1805	1	
4	566006	LOCK WASHER / HDP20 SERIES / DEUTSCH 2414-002-1886	1	
5	502868	SCREW TC TR PH #10-16x1/2 N500	6	
6	390038	DECAL, ELECTRONIC LOGGING DEVICE(ELD) / FR, ENG, SP	1	
7	390039	DECAL, ON-BOARD DIAGNOSTIC(OBD) / FR, ENG, SP	1	
8	20890176P	CONTROL UNIT FMS GATEWAY (PRE-PROGRAMMED)	1	
9	380121	SUPPORT GSECU I-SHIFT TRANS	1	
10	500855	WASHER FL .188x.438x.049 N500	2	
NS	504637	CABLE TIE / 3/16" x 13"	20	
NS	563160	SOCKET TERMINAL / 12 / YAZAKI 7116-4122-02	1	
NS	560587	RING TERMINAL .250 / 18-14 / INSULATED / AMP 160337-2	1	
NS	FI-17906	FEUILLE D'INSTRUCTION	1	
NS	IS-17906	INSTRUCTION SHEET	1	

From 8-9451 To D-5457

Date:01/2024

PAGE:069799

ELD INTERFACE KIT FOR PRE-OBD PREVOST VEHICLES WITH VOLVO D13 ENGINE



From 8-9451 To D-5457	Date:01/2024	PAGE:069799
ELD INTERFACE KIT FOR PRE-OBD PREVOST VEHICLES WITH VOLVO D13 ENGINE		

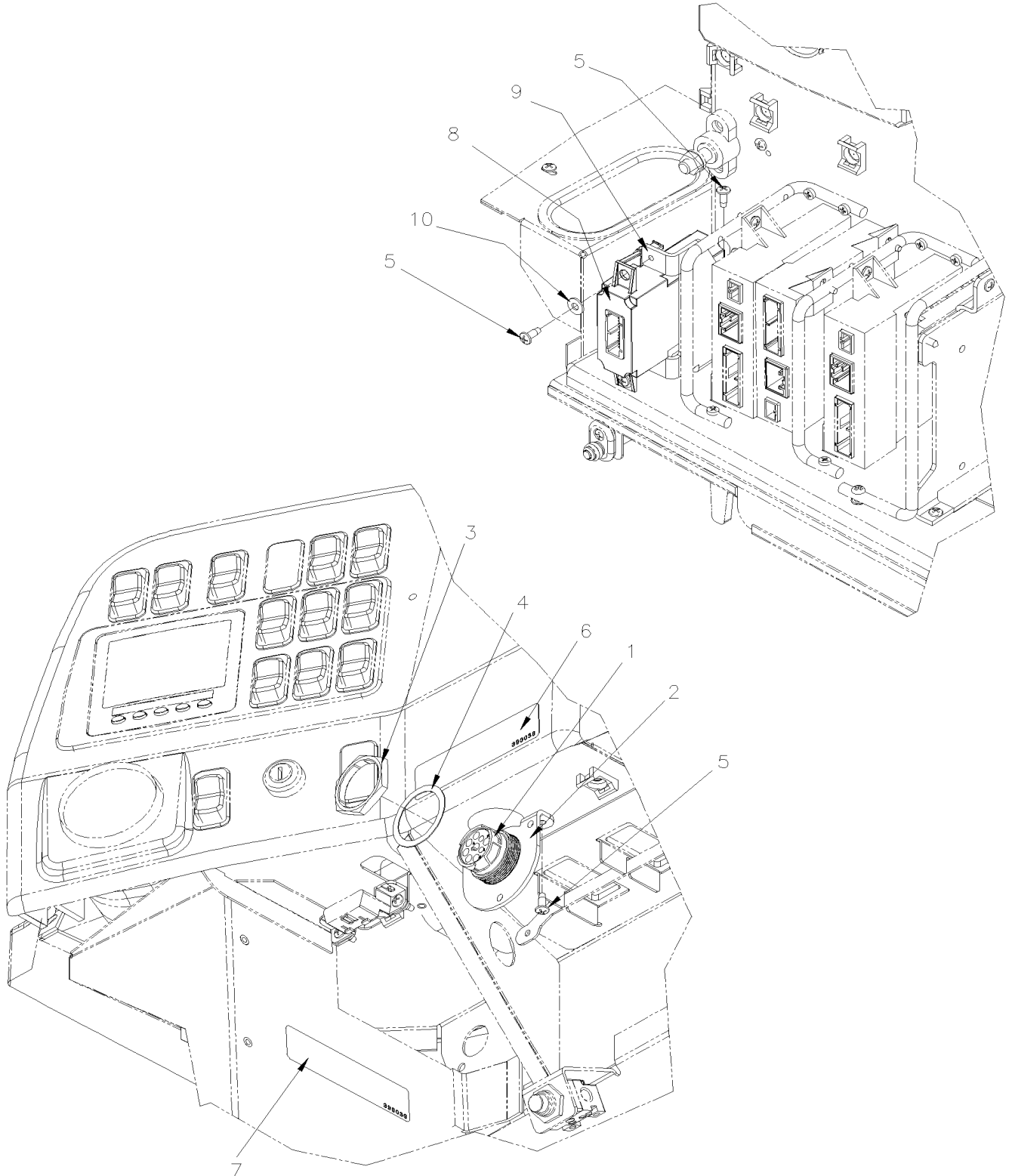
Item#	Part	Description	QTY	Notes
1	061889	ELD_AFTERMARKET_HARNESS_9PIN	1	
2	380120	CONNECTOR SUPPORT	1	
3	566004	PANEL NUT / HDP20 SERIES / DEUTSCH 2411-002-1805	1	
4	566006	LOCK WASHER / HDP20 SERIES / DEUTSCH 2414-002-1886	1	
5	502868	SCREW TC TR PH #10-16x1/2 N500	6	
6	390038	DECAL, ELECTRONIC LOGGING DEVICE(ELD) / FR, ENG, SP	1	
7	390039	DECAL, ON-BOARD DIAGNOSTIC(OBD) / FR, ENG, SP	1	
8	20890176	CONTROL UNIT FMS GATEWAY To N-6754	1	
8	23888708	CONTROL UNIT FMS GATEWAY From N-6755	1	
8	20890176	CONTROL UNIT FMS GATEWAY To P-1297	1	
8	23888708	CONTROL UNIT FMS GATEWAY From P-1298	1	
9	380121	SUPPORT GSECU I-SHIFT TRANS	1	
10	500855	WASHER FL .188x.438x.049 N500	2	
NS	504637	CABLE TIE / 3/16" x 13"	20	
NS	563160	SOCKET TERMINAL / 12 / YAZAKI 7116-4122-02	1	
NS	560587	RING TERMINAL .250 / 18-14 / INSULATED / AMP 160337-2	1	
NS	FI-17905	FEUILLE D'INSTRUCTION	1	
NS	IS-17905	INSTRUCTION SHEET	1	

From E-5459

Date:01/2024

PAGE:069800

VOLVO ELD INTERFACE KIT FOR OBD VEHICLES



From E-5459	Date:01/2024	PAGE:069800
VOLVO ELD INTERFACE KIT FOR OBD VEHICLES		

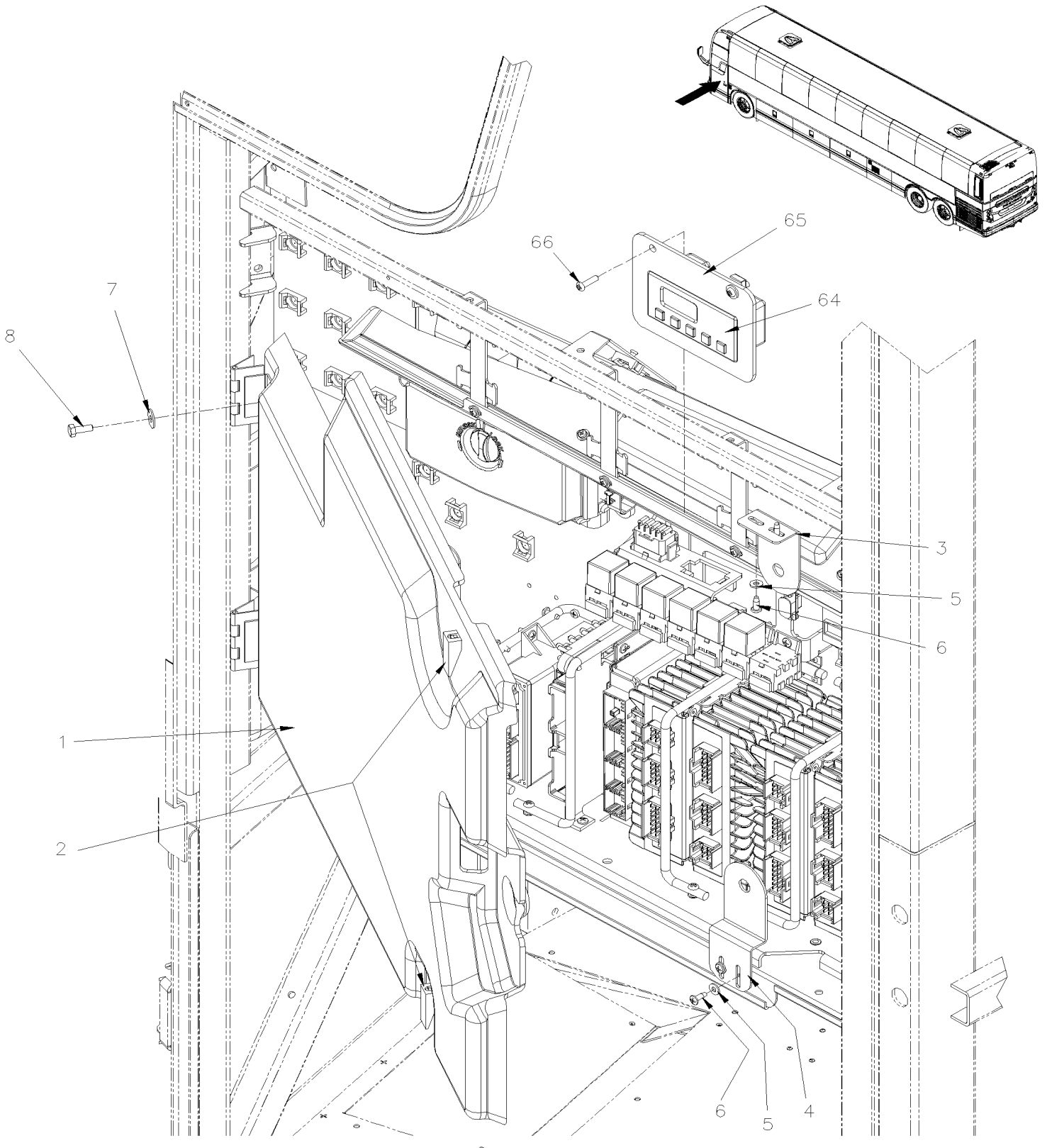
Item#	Part	Description	QTY	Notes
		LAPTOP WITH PTT (PREMIUM TECH TOOL, LATEST VERSION INSTALLED) & RELATED CABLES	1	
1	061890	ELD_AFTERMARKET_HARNESS_OBDII	1	
2	380120	CONNECTOR SUPPORT	1	
3	566004	PANEL NUT / HDP20 SERIES / DEUTSCH 2411-002-1805	1	
4	566006	LOCK WASHER / HDP20 SERIES / DEUTSCH 2414-002-1886	1	
5	502868	SCREW TC TR PH #10-16x1/2 N500	6	
6	390038	DECAL, ELECTRONIC LOGGING DEVICE(ELD) / FR, ENG, SP	1	
7	390039	DECAL, ON-BOARD DIAGNOSTIC(OBD) / FR, ENG, SP	1	
8	20890176	CONTROL UNIT FMS GATEWAY To N-6754	1	
8	23888708	CONTROL UNIT FMS GATEWAY From N-6755	1	
8	20890176	CONTROL UNIT FMS GATEWAY To P-1297	1	
8	23888708	CONTROL UNIT FMS GATEWAY From P-1298	1	
9	380121	SUPPORT GSECU I-SHIFT TRANS	1	
10	500855	WASHER FL .188x.438x.049 N500	2	
NS	504637	CABLE TIE / 3/16" x 13"	20	
NS	560587	RING TERMINAL .250 / 18-14 / INSULATED / AMP 160337-2	1	
NS	563160	SOCKET TERMINAL / 12 / YAZAKI 7116-4122-02	1	
NS	FI-17071	VOIR FEUILLE D'INSTRUCTION	1	
NS	IS-17071	SEE INSTRUCTION SHEET	1	

From H-6180

Date:01/2024

PAGE:X3-0625-01

FRONT JUNCTION PANEL VOLVO D13 - GHG17

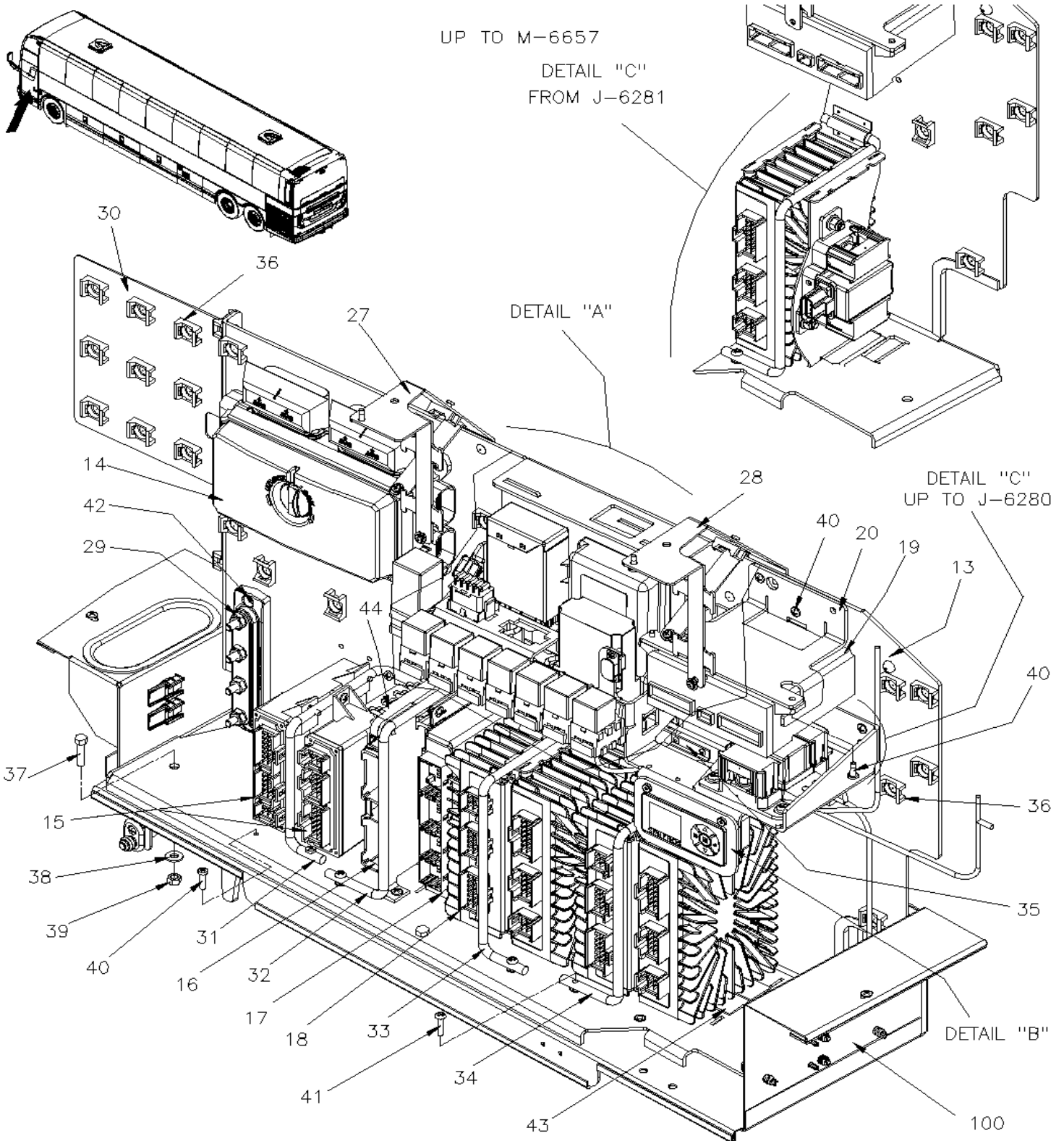


From H-6180

Date:01/2024

PAGE:X3-0625-01

FRONT JUNCTION PANEL VOLVO D13 - GHG17



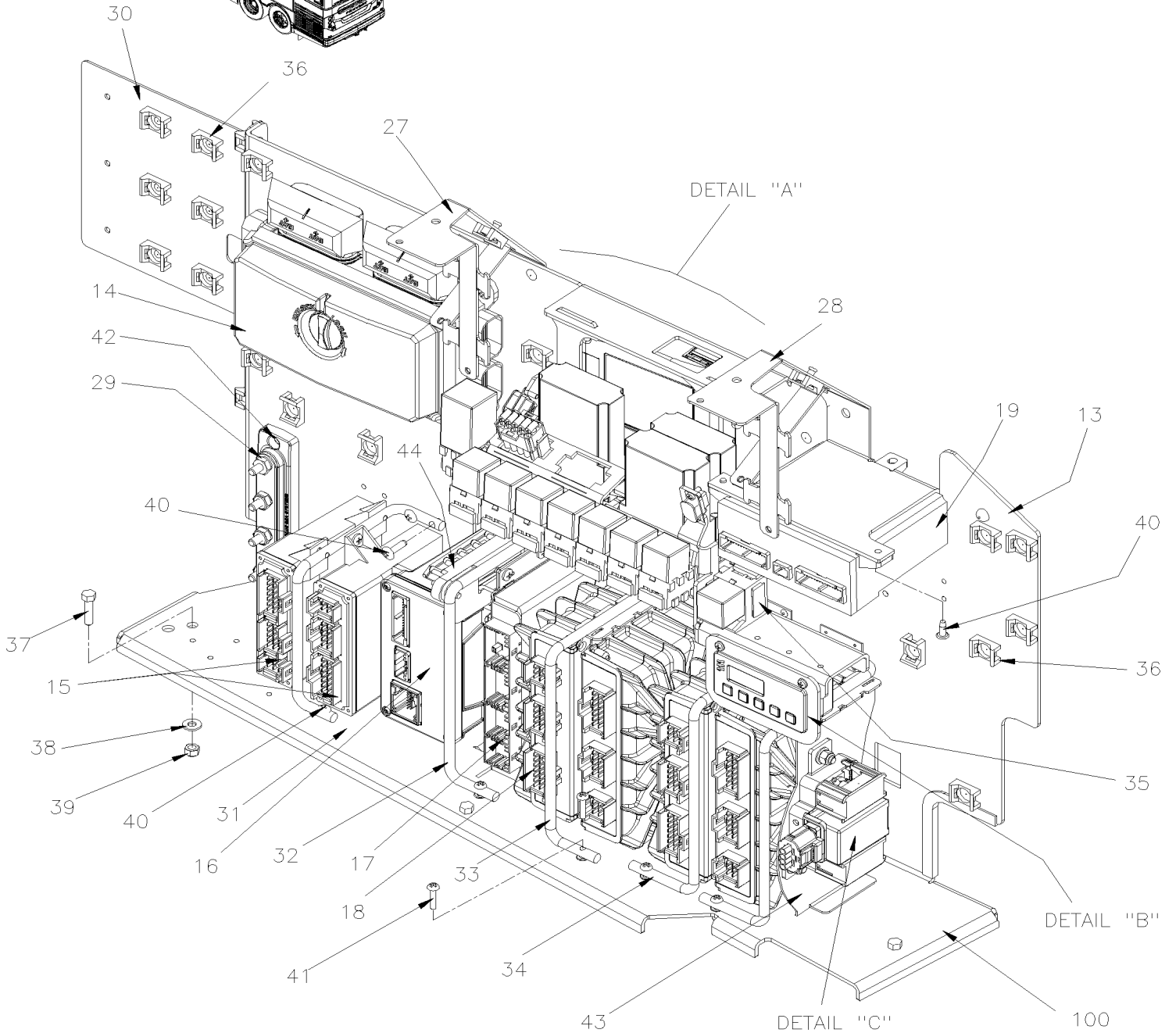
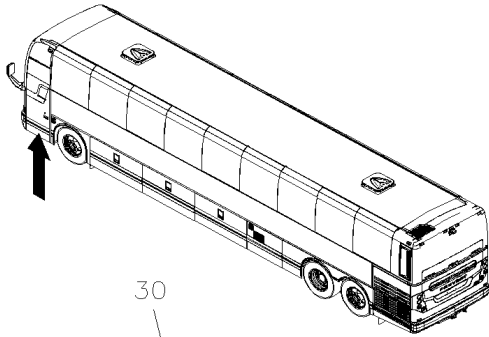
From H-6180

Date:01/2024

PAGE:X3-0625-01

FRONT JUNCTION PANEL VOLVO D13 - GHG17

FROM M-6658

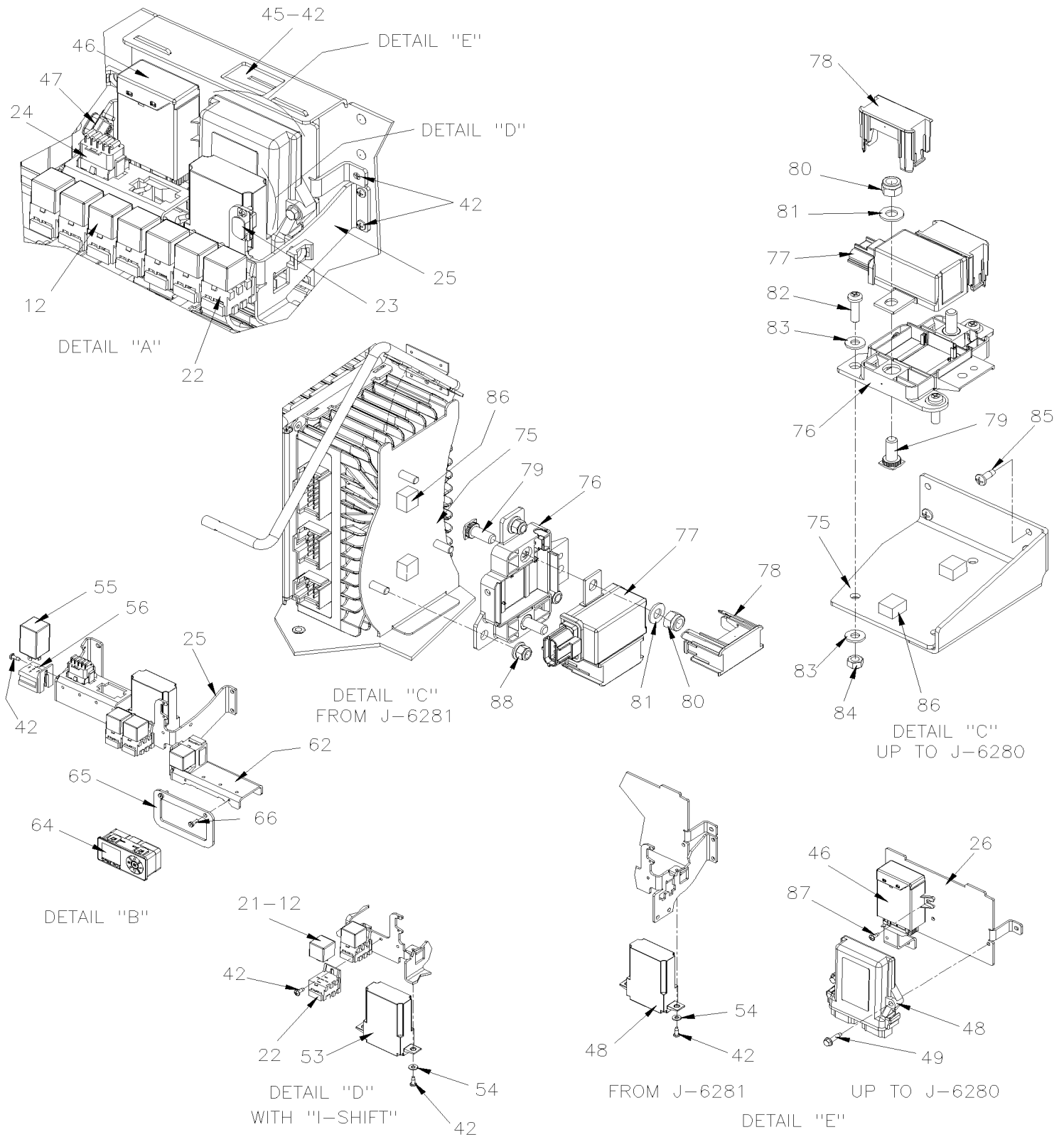


From H-6180

Date:01/2024

PAGE:X3-0625-01

FRONT JUNCTION PANEL VOLVO D13 - GHG17



From H-6180	Date:01/2024	PAGE:X3-0625-01
FRONT JUNCTION PANEL VOLVO D13 - GHG17		

Item#	Part	Description	QTY	Notes
	060541	WIRING HARNESS FRONT JUNCTION BOX To J-6241	1	
	060879	WIRING HARNESS FRONT JUNCTION BOX From J-6242 To J-6244	1	
	061439	WIRING HARNESS FRONT JUNCTION BOX From J-6245 To J-6280	1	
	061419	WIRING HARNESS FRONT JUNCTION BOX From J-6281 To J-6294	1	
	061857	WIRING HARNESS FRONT JUNCTION BOX From J-6295 To K-6359	1	
	069907	WIRING HARNESS FRONT JUNCTION BOX From K-6360 To L-6494	1	
	0611113	WIRING HARNESS FRONT JUNCTION BOX From L-6495 To M-6646	1	
	0610269	WIRING HARNESS FRONT JUNCTION BOX From M-6647 To M-6657	1	
	0610409	WIRING HARNESS FRONT JUNCTION BOX From M-6658	1	
	061436	WIRING HARNESS FRONT JUNCTION BOX From J-6242 To J-6294	1	GR
	069945	WIRING HARNESS FRONT JUNCTION BOX From J-6295 To K-6359	1	GR
	069837	WIRING HARNESS FRONT JUNCTION BOX From K-6360 To K-6439	1	GR
	060207	WIRING HARNESS FRONT JUNCTION BOX From K-6440 To K-6492	1	GR
	0610179	WIRING HARNESS FRONT JUNCTION BOX From L-6493 To M-6646	1	GR
	0610380	WIRING HARNESS FRONT JUNCTION BOX From M-6647 To M-6657	1	GR
	0610410	WIRING HARNESS FRONT JUNCTION BOX From M-6658	1	GR
	060542	CABLE ASSY FRT JCT BOX WORLD TRANSMISSION To K-6359	1	
	069901	CABLE ASSY FRT JCT BOX WORLD TRANSMISSION From K-6360 To K-6439	1	
	0610096	CABLE ASSY FRT JCT BOX WORLD TRANSMISSION From K-6440	1	
	060069	CABLE ASSY FRT JCT BOX I-SHIFT TRANSMISSION	1	
1	280622	PROTECTOR FRONT ELECTRIC COMPARTMENT	1	
NS	069192	DECAL PIN OUT / JCT BOX W/MUX	1	
NS	066155	DECAL PIN OUT / JCT BOX W/MUX	1	GR
NS	060916	DECAL "FRT JCT BOX" COMPONENTS To J-6280	1	
1	069819	DECAL "FRT JCT BOX" COMPONENTS From J-6281 To L-6494	1	
1	0611110	DECAL "FRT JCT BOX" COMPONENTS From L-6495 To M-6657	1	
1	0610522	DECAL "FRT JCT BOX" COMPONENTS From M-6658 To P-6797	1	
1	0610633	DECAL "FRT JCT BOX" COMPONENTS From P-6798	1	
NS	069640	DECAL "FRT JCT BOX" COMPONENTS To J-6244	1	GR
1	061438	DECAL "FRT JCT BOX" COMPONENTS From J-6245 To K-6439	1	GR
1	060202	DECAL "FRT JCT BOX" COMPONENTS From K-6440 To M-6657	1	GR
1	0610525	DECAL "FRT JCT BOX" COMPONENTS From M-6658 To P-6797	1	GR
1	0610635	DECAL "FRT JCT BOX" COMPONENTS From P-6798	1	
NS	0610390	DECAL "EMERGENCY LIGHTING..." From M-6666	1	D
2	901052	LATCH RUBBER	2	
3	384286	RETAINER UPPER	1	
4	380086	RETAINER LOWER	1	
5	500855	WASHER FL .188x.438x.049 N500	4	
6	502868	SCREW TC TR PH #10-16x1/2 N500	4	
7	5001833	WASHER BEL SPR 6.1x18x1.27 SS	4	
8	5001743	SCREW CAP HEX M6-1.0x12 G8.8 N500	4	
12	563332	RELAY 24V S.P.D.T. W/RESISTOR / "VOLVO" (20374662)	AR	

From H-6180		Date:01/2024	PAGE:X3-0625-01
FRONT JUNCTION PANEL VOLVO D13 - GHG17			

Item#	Part	Description	QTY	Notes
13	382594	FRONT PANEL BOX To J-6280	1	
13	380108	FRONT PANEL BOX From J-6281 To M-6657	1	
13	380452	FRONT PANEL BOX From M-6658	1	
NS	506025	RUBBER CHANNEL / 1/18" x 5/16" INT "U" SHAPE / SQUARE C.T.L.	AR	
14	565991	DVEC DISTRIBUTION MODULE / FRONT JCT BOX To J-6244	1	
NS	563280	FUSE / ATM 5 AMPS AMBER To J-6244	20	
NS	563283	FUSE / ATM 10 AMPS RED To J-6244	7	
NS	563284	FUSE / ATM 15 AMPS BLUE To J-6244	12	
NS	563282	FUSE / ATM 20 AMPS YELLOW To J-6244	3	
NS	563165	FUSE / ATM 30 AMPS GREEN To J-6244	11	
NS	564464	MINI BREAKER / 20 AMPS / SERIES 223 To J-6244	1	
NS	563269	RELAY 24V S.P.D.T. W/RESISTOR / To J-6244	5	
NS	563185	CONNECTOR / SH 8C / BLACK / BUSSMANN 32006-A21 To J-6244	1	
NS	563186	CONNECTOR / SH 8C / GREY / BUSSMANN 32006-B21 To J-6244	1	
NS	563184	CONNECTOR / SH 8C / GREEN / BUSSMANN 32006-C21 To J-6244	1	
NS	563448	CONNECTOR / SH 8C / BLUE / BUSSMANN 32006-D21 To J-6244	1	
NS	563181	CONNECTOR / SH 8C / YELLOW / BUSSMANN 32006-E21 To J-6244	1	
NS	563183	CONNECTOR / SH 8C / RED / BUSSMANN 32006-F21 To J-6244	1	
NS	563182	CONNECTOR / SH 8C / ORANGE / BUSSMANN 32006-G21 To J-6244	1	
NS	563187	CONNECTOR / SH 8C / BROWN / BUSSMANN 32006-H21 To J-6244	1	
NS	564132	LOCK CONNECTOR POSITION ASSURANCE / BUSSMANN 32004-CP To J-6244	AR	
NS	564104	COVER / VEC BOX To J-6244	1	
NS	19518268	COVER RUBBER RED To J-6244	2	
14	560531	DVEC DISTRIBUTION MODULE / FRONT JCT BOX From J-6245	1	
NS	563280	FUSE / ATM 5 AMPS AMBER From J-6245	19	
NS	563283	FUSE / ATM 10 AMPS RED From J-6245	6	
NS	563284	FUSE / ATM 15 AMPS BLUE From J-6245	13	
NS	563282	FUSE / ATM 20 AMPS YELLOW From J-6245	3	
NS	563165	FUSE / ATM 30 AMPS GREEN From J-6245	12	
NS	564464	MINI BREAKER / 20 AMPS / SERIES 223 From J-6245	1	
NS	563269	RELAY 24V S.P.D.T. W/RESISTOR / From J-6245	5	
NS	563185	CONNECTOR / SH 8C / BLACK / BUSSMANN 32006-A21 From J-6245	1	
NS	563186	CONNECTOR / SH 8C / GREY / BUSSMANN 32006-B21 From J-6245	1	
NS	563184	CONNECTOR / SH 8C / GREEN / BUSSMANN 32006-C21 From J-6245	1	
NS	563448	CONNECTOR / SH 8C / BLUE / BUSSMANN 32006-D21 From J-6245	1	
NS	563181	CONNECTOR / SH 8C / YELLOW / BUSSMANN 32006-E21 From J-6245	1	
NS	563183	CONNECTOR / SH 8C / RED / BUSSMANN 32006-F21 From J-6245	1	
NS	563182	CONNECTOR / SH 8C / ORANGE / BUSSMANN 32006-G21 From J-6245	1	
NS	563187	CONNECTOR / SH 8C / BROWN / BUSSMANN 32006-H21 From J-6245	1	
NS	564132	LOCK CONNECTOR POSITION ASSURANCE / BUSSMANN 32004-CP From J-6245	AR	
NS	564104	COVER / VEC BOX From J-6245	1	
NS	19518268	COVER RUBBER RED From J-6245	2	

From H-6180		Date:01/2024	PAGE:X3-0625-01
FRONT JUNCTION PANEL VOLVO D13 - GHG17			

Item#	Part	Description	QTY	Notes
14	564132	LOCK CONNECTOR POSITION ASSURANCE / BUSSMANN 32004-CP	8	
15	22722846	I/O A E-MODULE VOLVO MULTIPLEX	2	
16	21720495	VECU4 MODULE / VOLVO To M-6657	1	
16	24066689	VECU5 MODULE / VOLVO From M-6658	1	
NS	564756	CONNECTOR / MX34 / SH 20C / JAE MX34020SF1 From M-6658	1	
NS	502508	SCREW MA PAN PH M6-1.0x40 N050 From M-6658	3	
17	642146	ECU ABS / W/6 CHANNELS / ADVANCED ESP UNPROGRAMMED / NON-PROGRAMME To J-6294	1	
17	640022	ECU ABS / W/8 CHANNELS / ADVANCED ESP AFTERMARKET From J-6295	1	
18	22722850	I/O B E-MODULE VOLVO MULTIPLEX / ALUMINUM To M-6650	4	
18	23824204	I/O B E-MODULE VOLVO MULTIPLEX / ALUMINUM From M-6651	4	
19	563851	MCM - VOLVO MULTIPLEX MODULE To K-6384	1	A
19	23317365	MCM - VOLVO MULTIPLEX MODULE From K-6385 To K-6461	1	
19	23499009	MCM - VOLVO MULTIPLEX MODULE From K-6462	1	B
20	380062	SUPPORT, MCM To J-6280	1	
21	060541	WIRING HARNESS FRONT JUNCTION BOX To J-6241	1	
21	060879	WIRING HARNESS FRONT JUNCTION BOX From J-6242	1	
22	564496	. CONNECTOR / METRI-PACK 630 / SH 5C / PED 12033871	AR	
23	562649	. CONNECTOR / HDP-20 / PH 9C / AMP 205204-1	1	
NS	500601	SCREW TC PAN PH #6-32x3/8 N500	2	
NS	564090	PIN DUST CAP / MALE DB / FCI 70518CLF	1	
24	380047	DIODE 3 AND 10 AMP CONNECTOR ASSY	1	
25	382595	SUPPORT / RELAY To K-6439	1	
25	380110	SUPPORT / RELAY From J-6281 To K-6474	1	
25	380236	SUPPORT / RELAY From K-6475 To P-6797	1	
25	380252	SUPPORT / RELAY From P-6798	1	
26	382596	SUPPORT, DIODE To J-6280	1	
26	380109	SUPPORT TIRE ECU PRESSURE From J-6281	1	
27	382465	SUPPORT FRONT PANEL UPPER FORWARD	1	
NS	504347	RIVET POP DOME OE 3/16x1/4 AL	AR	
28	382597	SUPPORT FRONT PANEL UPPER BACKWARD	1	
NS	504347	RIVET POP DOME OE 3/16x1/4 AL	AR	
29	560224	JUNCTION BLOCK W/4 STUDS	1	
NS	502573	WASHER FL 6.4x12.5x1.6 SS	4	
NS	5001251	NUT HEX NYRT 1/4-20 SS	4	
30	386652	SUPPORT	1	
31	382179	ROD ATTACHMENT / I/O A MODULE To M-6657	1	
31	380482	ROD ATTACHMENT / I/O A MODULE From M-6658	1	
32	382418	ROD ATTACHMENT CABLE To M-6657	1	
32	380454	ROD ATTACHMENT CABLE From M-6658	1	
33	382166	ROD ATTACHMENT / I/O B MODULE	1	
34	382417	ROD ATTACHMENT / I/O B MODULE	1	
35	382169	HINGE ROD ATTACHMENT	3	

From H-6180		Date:01/2024	PAGE:X3-0625-01
FRONT JUNCTION PANEL VOLVO D13 - GHG17			

Item#	Part	Description	QTY	Notes
NS	504340	RIVET POP DOME OE 1/8x3/16 SS	12	
36	504013	TIE MOUNT / 1/4" X 1/4" I.D.	AR	
36	504637	CABLE TIE / 3/16" x 13"	AR	
NS	504347	RIVET POP DOME OE 3/16x1/4 AL	AR	
NS	507664	CABLE TIE / 3/16" 11" / DOUBLE LOOP HEAD	AR	
37	502737	SCREW CAP HEX M6-1.0x25 SS BK	3	
38	500877	WASHER FL .250x.562x.065 N500	3	
39	502681	NUT HEX NYRT M6-1.0 N500 G8	3	
40	500623	SCREW TC PAN PH #10-24x3/4 N500 To J-6280	AR	
40	500283	SCREW TC TR PH #10-24x3/4 SS From J-6281	AR	
41	509827	SCREW MA RND PH M4-0.7x20 SS	3	
42	502868	SCREW TC TR PH #10-16x1/2 N500 To J-6280	AR	
42	5001975	SCREW TC BDG PH #10-24x3/8 SS410 ZINC From J-6281 To M-6657	AR	
42	500209	SCREW TC BDG PH #10-24x3/8 N500 From M-6658	AR	
43	506339	TAPE RUB ADH1 NIT 1/4" x 1" x 35' / BLACK 1220	AR	
44	563218	JUNCTION BLOCK W/5 STUDS	1	
NS	500623	SCREW TC PAN PH #10-24x3/4 N500	2	
NS	500765	NUT HEX #10-32 BR	10	
45	22357675	ECU VOLVO LINK MODULE To J-6230	1	
45	22861158	ECU VOLVO LINK MODULE From J-6231 To K-6479	1	
45	23359380	ECU VOLVO LINK MODULE From K-6480 To L-6595	1	
45	23593814	ECU VOLVO LINK MODULE From L-6596 To R-6924	1	
45	23163299	ECU VOLVO LINK MODULE From R-6925	1	
NS	22990242	SIM CARD VOLVO LINK MODULE FOR SERVICE From H-6212 To R-6924	1	
NS	23004613	SIM CARD VOLVO LINK MODULE From R-6925	1	
46	560056	ECU TIRE PRESSURE To L-6515	1	
46	563631	ECU TIRE PRESSURE From L-6516 To N-6763	1	
46	564326	ECU TIRE PRESSURE From N-6764 To P-6797	1	
46	564413	TPMS, SENSATA ECU From P-6798	1	
46	562795	CONNECTOR / JUNIOR POWER TIMER / SH 15C / AMP 964561-2 From P-6798	1	
46	502686	SCREW CAP HEX M6-1.0x30 SS BK To L-6515	2	
46	5001975	SCREW TC BDG PH #10-24x3/8 SS410 ZINC From L-6516 To P-6797	2	
46	500804	WASHER FL .203x.500x.047 N500 From L-6516 To P-6797	2	
47	060045	WIRING HARNESS / ECU FRT JCT BOX & ACCES.. To L-6515	1	
47	0610142	WIRING HARNESS / ECU FRT JCT BOX & ACCES.. From L-6516 To P-6797	1	
47	0610632	WIRING HARNESS / ECU FRT JCT BOX & ACCES.. From P-6798	1	
NS	500601	SCREW TC PAN PH #6-32x3/8 N500 To P-6797	2	
NS	564090	PIN DUST CAP / MALE DB / FCI 70518CLF	1	
48		FOLLOWING ITEMS ARE RELATED WITH GATEWAY MODULE	1	
48	564527	MODULE GATEWAY VANSO To J-6280	1	

From H-6180		Date:01/2024	PAGE:X3-0625-01
FRONT JUNCTION PANEL VOLVO D13 - GHG17			

Item#	Part	Description	QTY	Notes
48	20890176	CONTROL UNIT FMS GATEWAY From J-6281 To N-6763	1	
48	23888708	CONTROL UNIT FMS GATEWAY From N-6764	1	
NS	564518	CONNECTOR / DTM SERIES / SH 12C / GRAY / DEUTSCH DTM06-12SA	1	
NS	563593	CONNECTOR W/END OF LINE RESISTOR 120R / DTM SERIES / SH 2C / GRAY / DEUTSCH DTM06-2S-P006	1	
NS	061488	CONNECTOR C-700 BYPASSED (CTGI) From J-6245	1	
NS	562637	HEAT DETECTOR SENSOR 2500MM From J-6245	1	
NS	561240	SOCKET TERMINAL / 18-16 / SIGNAL CONTACT / AMP 66101-2 From J-6245	4	
NS	561653	CABLE CLAMP / CPC / #13 / AMP 206966-1 From J-6245	1	
NS	562593	WIRE CABLE 18 / YELLOW / TXL From J-6245	1	
NS	563623	BUTT SPLICE / 16-14 / BLUE / W/THERMORETRAC / PANDUIT BSH14-Q From J-6245	1	
NS	069558	CABLE "GATEWAY"	1	
NS	069231	DECAL "GATEWAY SOFTWARE NUMBER"	1	
49	500266	SCREW TC CAP HEX 1/4-20x1 N500	2	
53	21715161	GS ECU 24v MODULE I-SHIFT TRANS	1	
54	500804	WASHER FL .203x.500x.047 N500	AR	
55	563033	E.C.U. / W/STEERING ASSIST (STP 272 or 330) ((77//125))	1	
55	661170	E.C.U. / W/STEERING ASSIST (STP 338) ((60//95))	1	C
56	060378	CABLE ASSY TO STEERING SPEED SIGNAL ECU	1	
62	380122	SUPPORT RELAY	1	
NS	5001975	SCREW TC BDG PH #10-24x3/8 SS410 ZINC	2	
64	871250	TIMER ASSY / W/"WEBASTO" PREHEATER To H-6187	1	O
NS	19511692	BULB To H-6187	1	O
64	871464	TIMER ASSY / W/"SPHEROS" PREHEATER From H-6188 To K-6452	1	O
64	870070	TIMER ASSY / W/"HYDRONIC L30" PREHEATER From K-6453	1	O
NS	060557	WIRING HARNESS TIMER PREHEATER	1	O
65	370154	SUPPORT / TIMER	1	O
66	500965	SCREW TC BDG PH #8-32x1/2 N500	2	O
NS	069993	WIRING HARNESS FRONT PARCEL-RACK POWER To K-6371	1	T
NS	0610099	WIRING HARNESS FRONT PARCEL-RACK POWER From K-6372	1	T
75	380123	BRACKET LACTHING RELAY BDS-A 24V From J-6245 To J-6280	1	GR
75	062382	BRACKET LACTHING RELAY BDS-A 24V From J-6281	1	
76	560529	BASE FOR LACTHING RELAY BDS-A 24V From J-6245 To J-6280	1	GR
76	560529	BASE FOR LACTHING RELAY BDS-A 24V From J-6281	1	
77	560493	LACTHING RELAY BDS-A 24V From J-6245 To J-6280	1	GR
77	560493	LACTHING RELAY BDS-A 24V From J-6281	1	
78	560538	COVER RELAY From J-6245 To J-6280	2	GR
78	560538	COVER RELAY From J-6281	2	
79	560539	SCREW FOR LACTHING RELAY BDS-A 24V / M8 From J-6245 To J-6280	2	GR
79	560539	SCREW FOR LACTHING RELAY BDS-A 24V / M8 From J-6281	2	
80	5001787	NUT HEX NYRT M8-1.25 SS From J-6245 To J-6280	2	GR
80	5001787	NUT HEX NYRT M8-1.25 SS From J-6281	2	

From H-6180	Date:01/2024	PAGE:X3-0625-01
FRONT JUNCTION PANEL VOLVO D13 - GHG17		

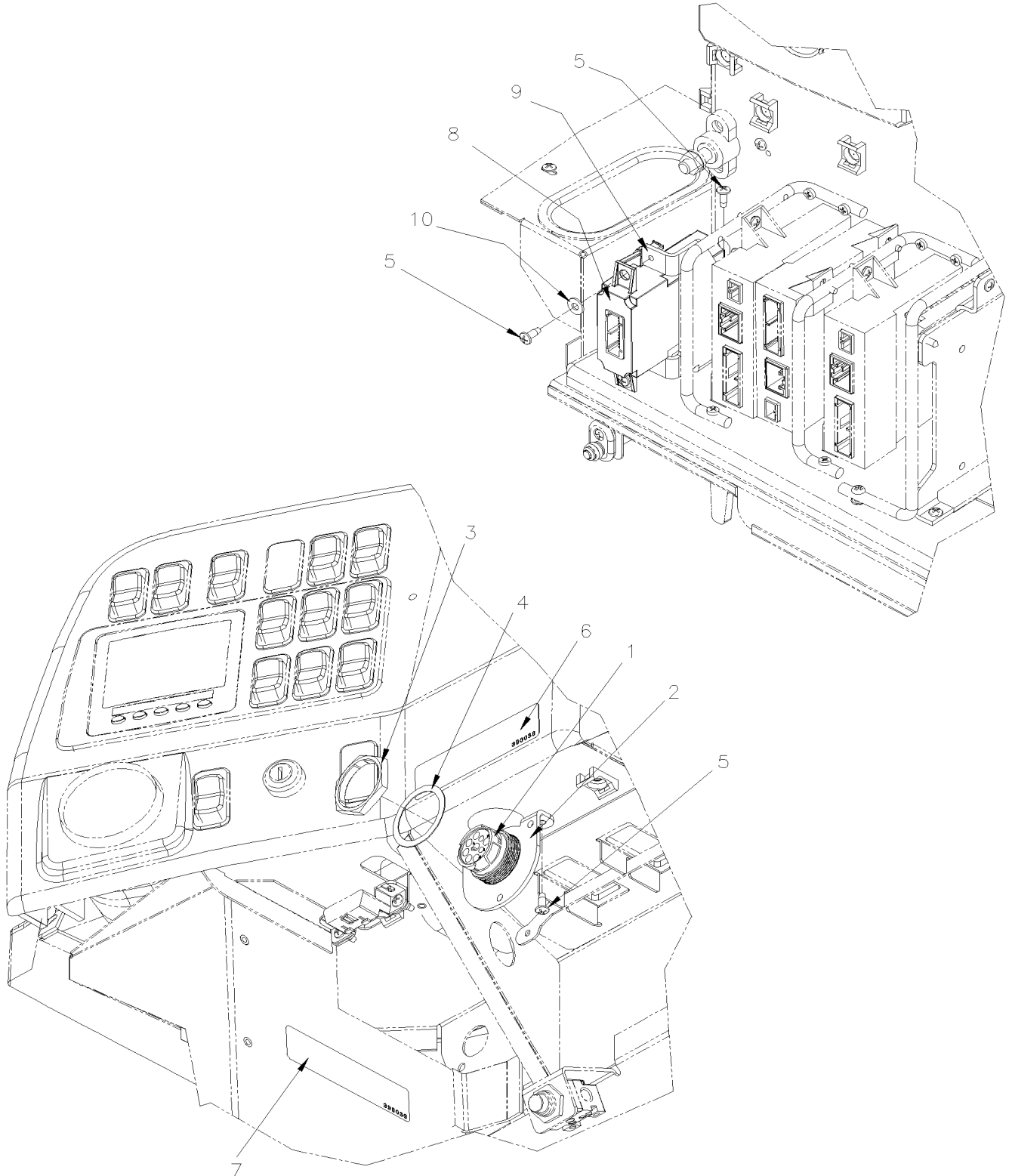
Item#	Part	Description	QTY	Notes
81	5001341	WASHER FL 8.4x17.0x1.6 SS From J-6245 To J-6280	2	GR
81	5001341	WASHER FL 8.4x17.0x1.6 SS From J-6281	2	
82	502626	SCREW MA PAN PH M6-1.0x20 N500 From J-6245 To J-6280	3	GR
83	500877	WASHER FL .250x.562x.065 N500 From J-6245 To J-6280	6	GR
84	502681	NUT HEX NYRT M6-1.0 N500 G8 From J-6245 To J-6280	3	GR
85	502868	SCREW TC TR PH #10-16x1/2 N500 From J-6245 To J-6280	3	GR
86	506004	TAPE RUB ADH1 CC POL 3/8" x 1/2" x 20' / GREY 2520X From J-6245 To J-6280	AR	GR
86	506004	TAPE RUB ADH1 CC POL 3/8" x 1/2" x 20' / GREY 2520X From J-6281	AR	
87	5001975	SCREW TC BDG PH #10-24x3/8 SS410 ZINC	AR	
88	5001932	NUT HEXF NYRT M6-1.0 G8.8 N500 From J-6281	3	
NS	069800	VOLVO ELD INTERFACE KIT FOR OBD VEHICLES To J-6280	AR	
NS	IS17102	ISM-INTELLIGENT SLEEP MODE- INSTALI.W/PRIME INSTALLED ONLY From H-6182 To J-6279	1	
100	X3-0625-11	FRONT JUNCTION BOX - INSTALLATION	1	
		A) WHEN YOU MUST REPLACE 563851, YOU MUST ORDER 23317365, BUT YOU MUST GIVE THE SERIAL NUMBER OF YOUR VEHICLE FOR IT TO BE PROGRAM		
		B) WHEN YOU HAVE TO ORDER 23499009, YOU MUST GIVE THE SERIAL NUMBER OF YOUR VEHICLE FOR IT TO BE PROGRAMED		
		C) THIS E.C.U GIVE LESS ASSISTANCE AT LOW SPEED		
		D) CALIFORNIA REGULATIONS		
		GR) WITH GREYHOUND OPTION		
		O) OPTION		
		T) OPTION TRANSDEV PERCEPTION SYSTEM VEOLIA		

To J-6280

Date:01/2024

PAGE:069800

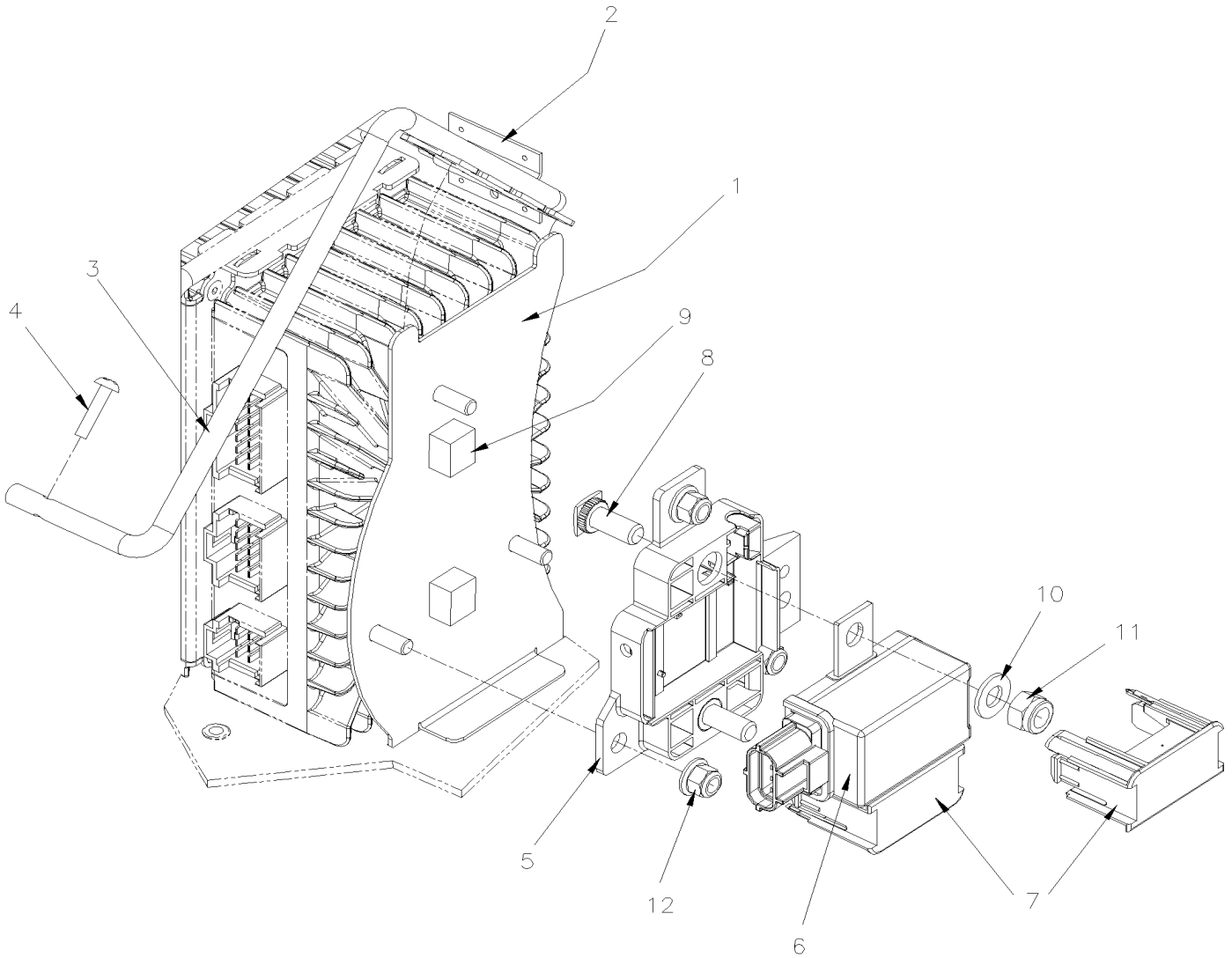
VOLVO ELD INTERFACE KIT FOR OBD VEHICLES



To J-6280	Date:01/2024	PAGE:069800
VOLVO ELD INTERFACE KIT FOR OBD VEHICLES		

Item#	Part	Description	QTY	Notes
		LAPTOP WITH PTT (PREMIUM TECH TOOL, LATEST VERSION INSTALLED) & RELATED CABLES	1	
1	061890	ELD_AFTERMARKET_HARNESS_OBDII	1	
2	380120	CONNECTOR SUPPORT	1	
3	566004	PANEL NUT / HDP20 SERIES / DEUTSCH 2411-002-1805	1	
4	566006	LOCK WASHER / HDP20 SERIES / DEUTSCH 2414-002-1886	1	
5	502868	SCREW TC TR PH #10-16x1/2 N500	6	
6	390038	DECAL, ELECTRONIC LOGGING DEVICE(ELD) / FR, ENG, SP	1	
7	390039	DECAL, ON-BOARD DIAGNOSTIC(OBD) / FR, ENG, SP	1	
8	20890176	CONTROL UNIT FMS GATEWAY To N-6754	1	
8	23888708	CONTROL UNIT FMS GATEWAY From N-6755	1	
8	20890176	CONTROL UNIT FMS GATEWAY To P-1297	1	
8	23888708	CONTROL UNIT FMS GATEWAY From P-1298	1	
9	380121	SUPPORT GSECU I-SHIFT TRANS	1	
10	500855	WASHER FL .188x.438x.049 N500	2	
NS	504637	CABLE TIE / 3/16" x 13"	20	
NS	560587	RING TERMINAL .250 / 18-14 / INSULATED / AMP 160337-2	1	
NS	563160	SOCKET TERMINAL / 12 / YAZAKI 7116-4122-02	1	
NS	FI-17071	VOIR FEUILLE D'INSTRUCTION	1	
NS	IS-17071	SEE INSTRUCTION SHEET	1	

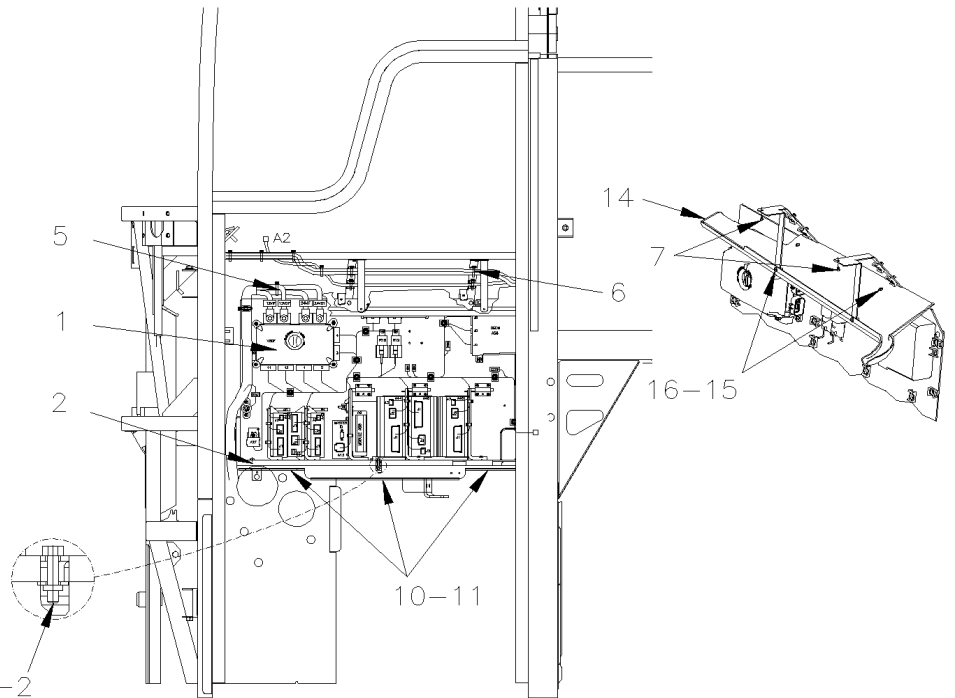
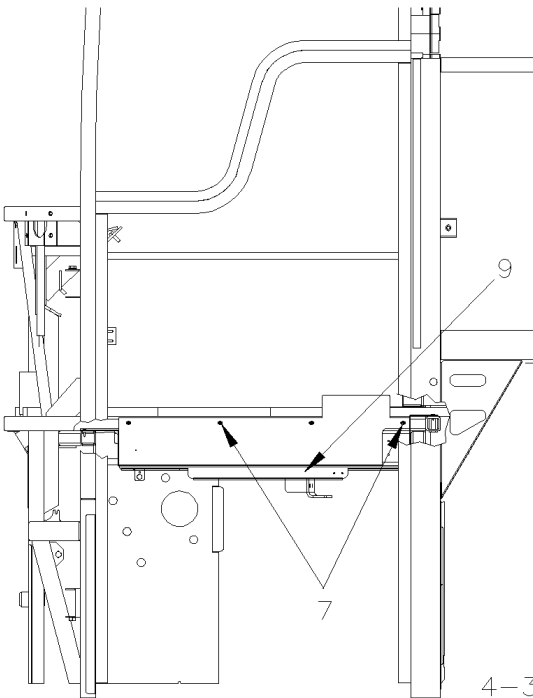
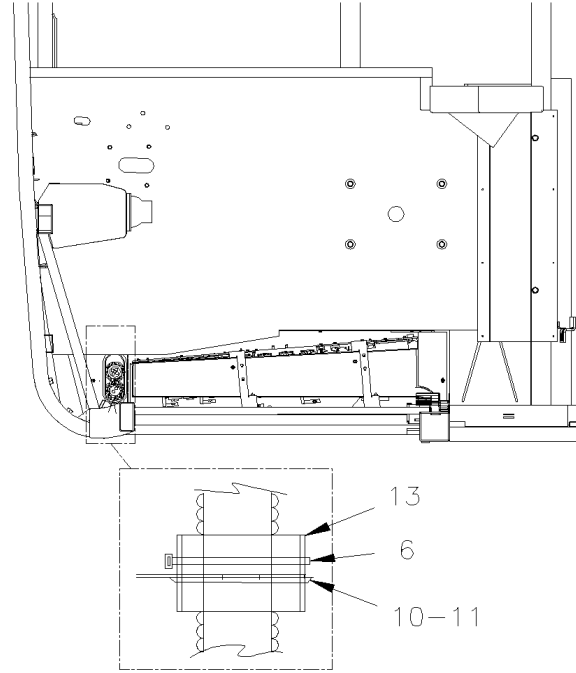
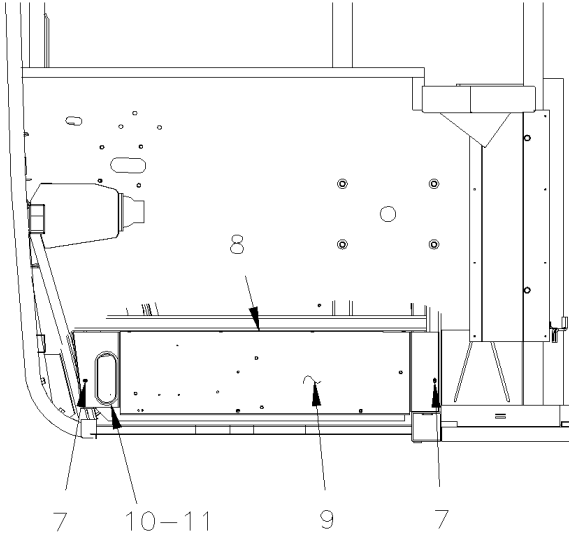
From H-6182 To J-6279	Date:01/2024	PAGE:IS17102
ISM-INTELLIGENT SLEEP MODE- INSTALI.W/PRIME INSTALLED ONLY		



From H-6182 To J-6279	Date:01/2024	PAGE:IS17102
ISM-INTELLIGENT SLEEP MODE- INSTALI.W/PRIME INSTALLED ONLY		

Item#	Part	Description	QTY	Notes
1	062382	BRACKET LACTHING RELAY BDS-A 24V	1	
NS	506339	TAPE RUB ADH1 NIT 1/4" x 1" x 35' / BLACK 1220	AR	
2	382169	HINGE ROD ATTACHMENT	1	
NS	504340	RIVET POP DOME OE 1/8x3/16 SS	5	
3	382417	ROD ATTACHMENT / I/O B MODULE	1	
4	509827	SCREW MA RND PH M4-0.7x20 SS	1	
5	560529	BASE FOR LACTHING RELAY BDS-A 24V	1	
6	560493	LACTHING RELAY BDS-A 24V	1	
7	560538	COVER RELAY	2	
8	560539	SCREW FOR LACTHING RELAY BDS-A 24V / M8	2	
9	506004	TAPE RUB ADH1 CC POL 3/8" x 1/2" x 20' / GREY 2520X	AR	
10	5001341	WASHER FL 8.4x17.0x1.6 SS	2	
11	5001787	NUT HEX NYRT M8-1.25 SS	2	
12	5001932	NUT HEXF NYRT M6-1.0 G8.8 N500	3	
NS	562935	BUTT SPLICE / 22-18 / RED / AMP 55824-1	2	
NS	563158	SHRINK TUBING / .300" - .060" / BLACK / 3M EPS-400.300	AR	
NS	062746	HARNAIS ISM SAV	1	
200	IS-17102	SEE INSTRUCTION SHEET	1	

FRONT JUNCTION BOX - INSTALLATION

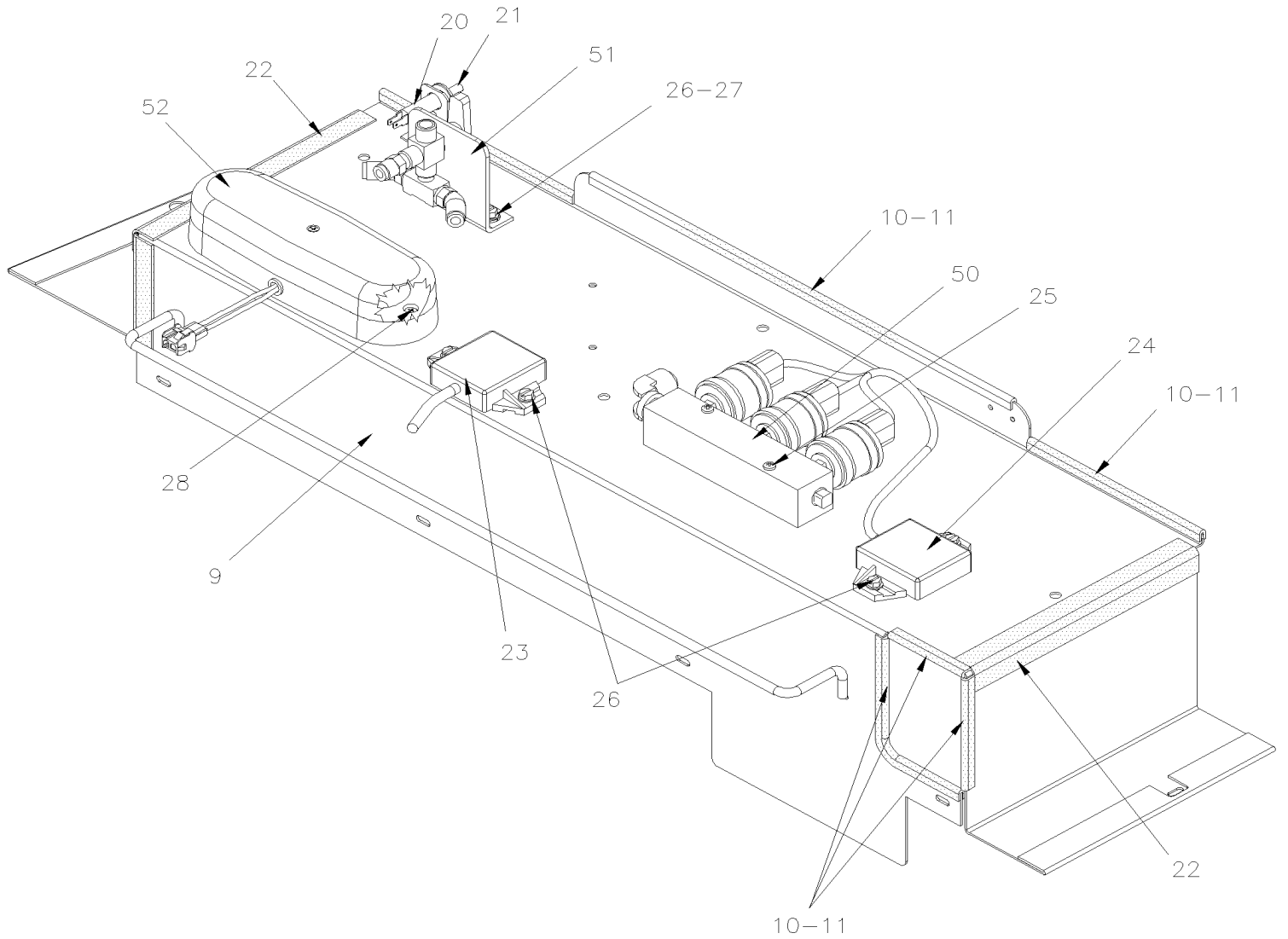


From 7-8754 To H-6179

Date:01/2024

PAGE:X3-0625-10

FRONT JUNCTION BOX - INSTALLATION



From 7-8754 To H-6179	Date:01/2024	PAGE:X3-0625-10
FRONT JUNCTION BOX - INSTALLATION		

Item#	Part	Description	QTY	Notes
1	X3-0625-00	FRONT JUNCTION PANEL	1	
2	502565	NUT HEX M6-1.0 SS	4	
3	502564	WASHER LO SPT 6.1x11.8x1.6 Z050	4	
4	502737	SCREW CAP HEX M6-1.0x25 SS BK	1	
5	504016	CABLE TIE / 5/16" X 14"1/2	AR	
6	504637	CABLE TIE / 3/16" x 13"	AR	
7	500641	SCREW TP PAN PH #8x3/4 Z050	6	
8	680532	SEALANT SIKA #221 / GREY / 310ml CARTRIDGE	AR	
9	382130	SUPPORT FRONT JCT BOX To 7-9232	1	
9	382379	SUPPORT FRONT JCT BOX From 7-9233 To B-5001	1	
9	382448	SUPPORT FRONT JCT BOX From B-5002 To C-5132	1	
9	382456	SUPPORT FRONT JCT BOX From C-5133 To F-5759	1	
9	382574	SUPPORT FRONT JCT BOX From F-5760 To H-6161	1	
9	380065	SUPPORT FRONT JCT BOX From H-6162	1	
NS	564108	SELF MOUNTING STUD // DEUTSCH 1011-310-0205	3	
NS	509815	TIE MOUNT / ATTACHMENT W/TREE MOUNT	1	
9	504750	CABLE TIE / 1/2" x 15" / CHRISTMAS TREE From H-6162	6	
NS	504637	CABLE TIE / 3/16" x 13"	1	
NS	386651	CABLE ATTACH / WELDED From E-5674 To F-5759	3	
NS	382287	CABLE ATTACH / WELDED From F-5760	3	
NS	411347	SUPPORT / HANDLE / WELDED From E-5674	1	
10	506338	RUBBER CHANNEL / 1/16" x 1/4" INT "U" SHAPE / ROUND C.T.L.	AR	
11	680066	ADHESIVE / ADBOND #5014 / 23.6ML BOTTLE	AR	
12	500615	NUT HEX M8-1.25 BR	12	
13	371600	INSULATING PAD 76.2MM x 374.7MM	1	
14	382135	DRIP PAN FRONT JCT BOX To C-5143	1	
14	382467	DRIP PAN FRONT JCT BOX From C-5144	1	
NS	382464	SUPPORT FRONT JCT BOX From C-5144	2	
15	502556	WASHER FL 4.3x9.0x0.8 SS	4	
16	502698	SCREW MA PAN PH M4-0.7x16 SS BK	4	
NS	5001182	NUT HEX NYRT M6-1.0 SS	1	
NS	500964	WASHER FL .203x.500x.047 Z050	1	
20	066638	SWITCH SUPPORT	1	
21	563464	SWITCH / S.P.S.T. / N.C. / W/RUBBER BOOT	1	
22	382404	RUBBER PROTECTOR, CORNER	1	
23	562357	RESISTANCE MODULE	1	
24	562381	RESISTANCE MODULE	1	
25	500508	SCREW TC PAN PH #10-32x1 1/2 Z050	2	
26	5001245	SCREW TC CAP HEXW SLT #12-24x1/2 Z050	6	
27	500473	WASHER LO SPT .262x.489x.062 Z050	2	
28	500430	SCREW TC PAN PH #8-32x1 1/4 SS BK	2	
50	X3-0750-00	AUTOMATIC TRANSMISSION - "WORLD" WITH DETROIT S-60 From 7-8754 To B-5001		

From 7-8754 To H-6179	Date:01/2024	PAGE:X3-0625-10
-----------------------	--------------	-----------------

FRONT JUNCTION BOX - INSTALLATION

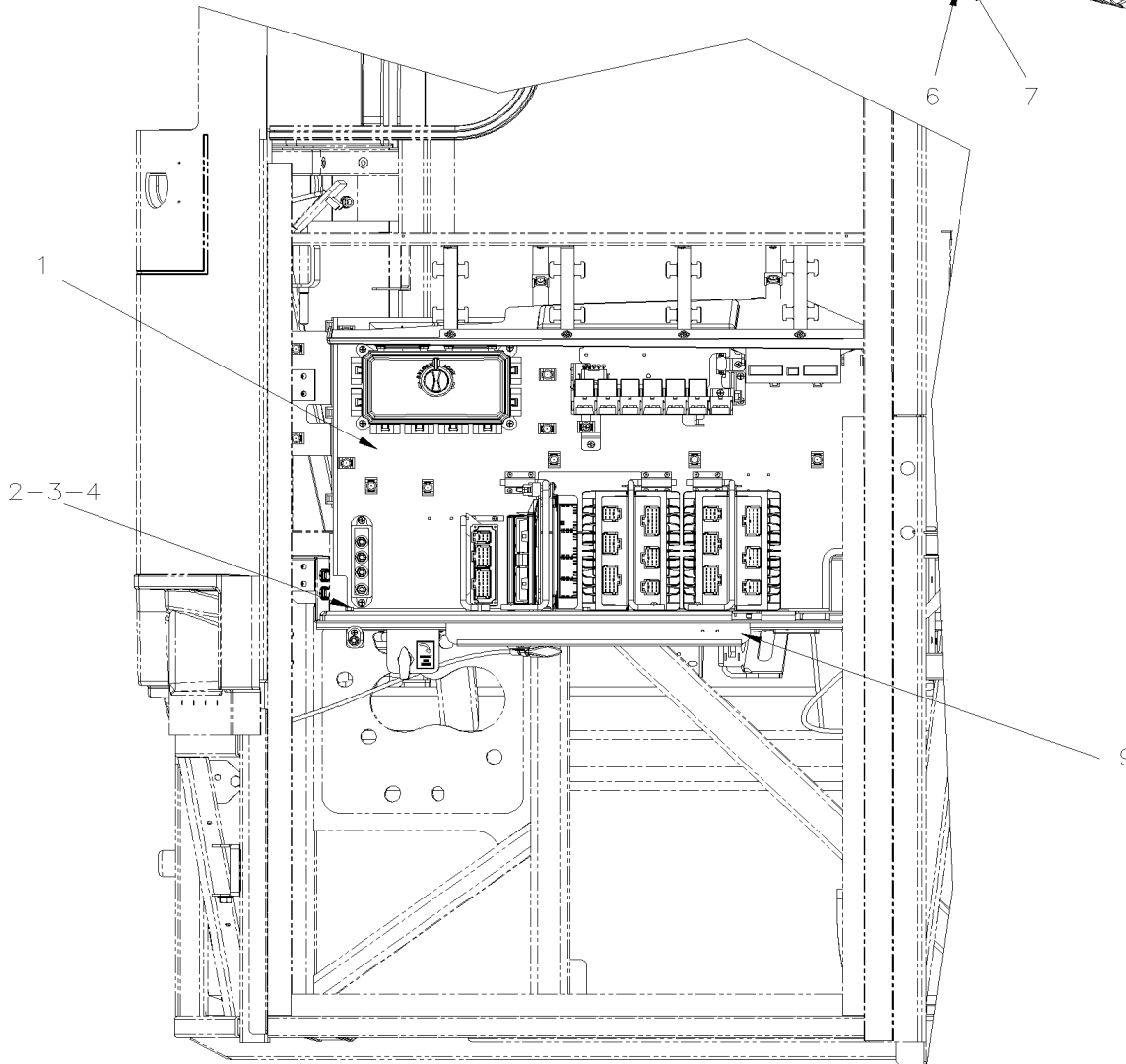
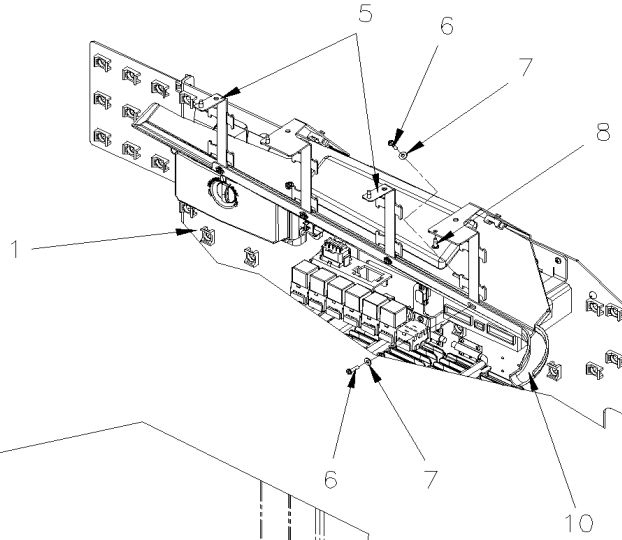
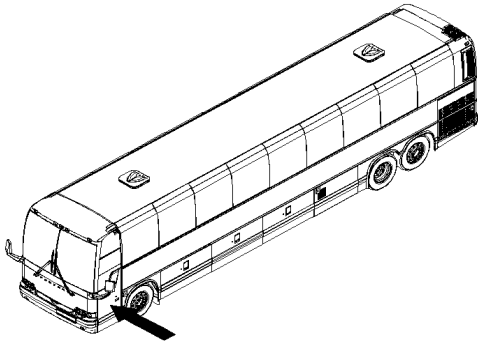
Item#	Part	Description	QTY	Notes
50	X3-0750-01	AUTOMATIC TRANSMISSION - "WORLD" WITH VOLVO D13 From 8-9457 To B-5001		
50	X3-0750-02	AUTOMATIC TRANSMISSION - "WORLD" WITH VOLVO D13 From B-5002		
51	X3-1802-00	ENTRANCE DOOR CONTROL		
52	X3-0665-10	SWITCHES, LIGHTS, AJAR - UNDER FLOOR To E-5759		
52	X3-0665-11	SWITCHES, LIGHTS, AJAR - UNDER FLOOR From F-5759		

From H-6180

Date:01/2024

PAGE:X3-0625-11

FRONT JUNCTION BOX - INSTALLATION

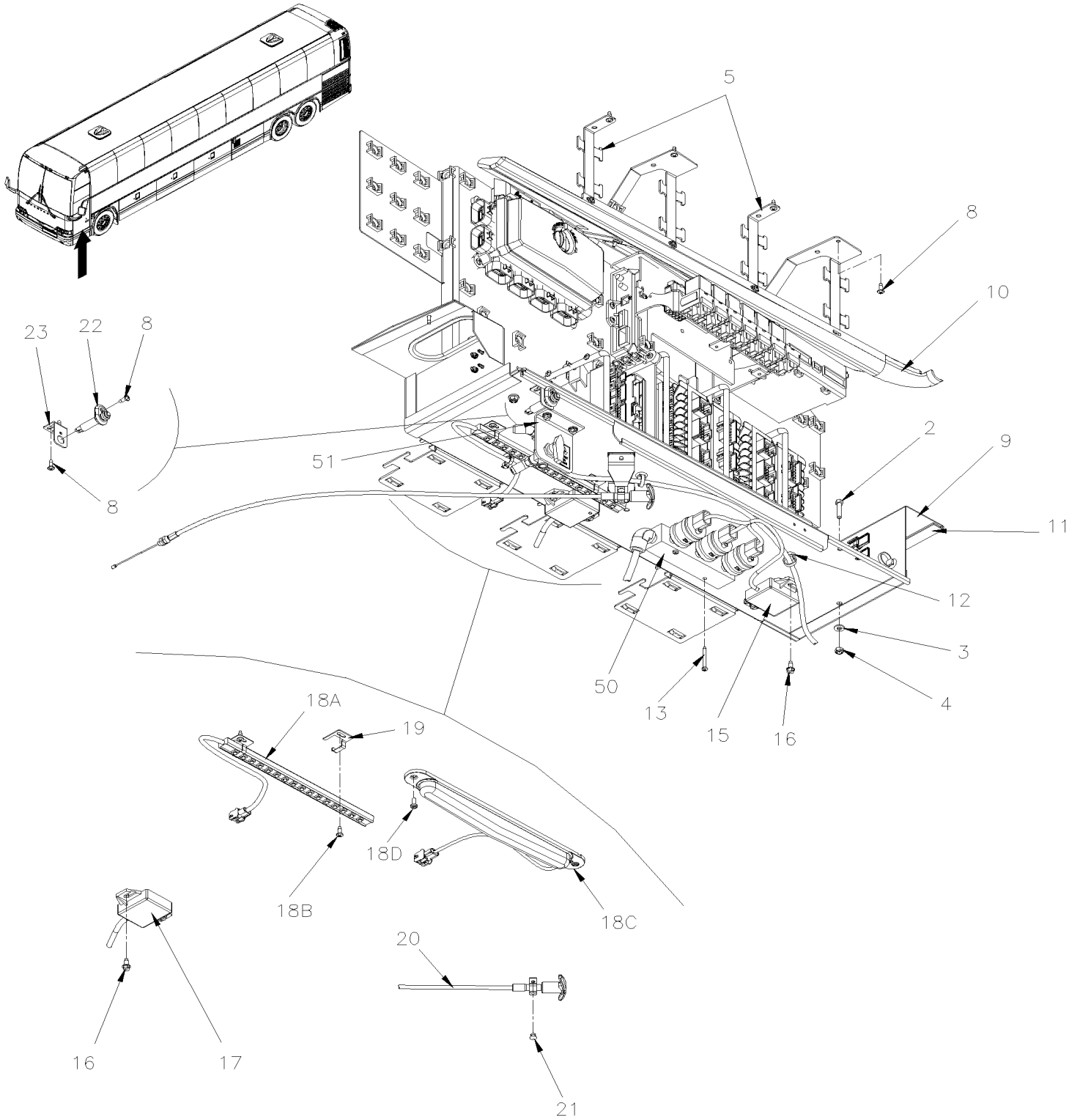


From H-6180

Date:01/2024

PAGE:X3-0625-11

FRONT JUNCTION BOX - INSTALLATION

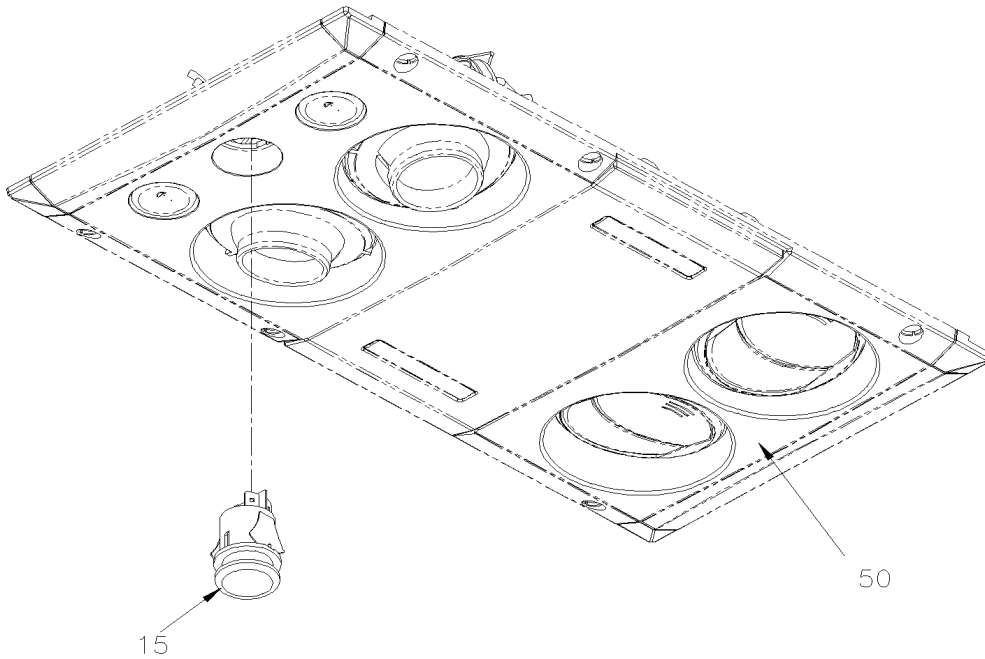
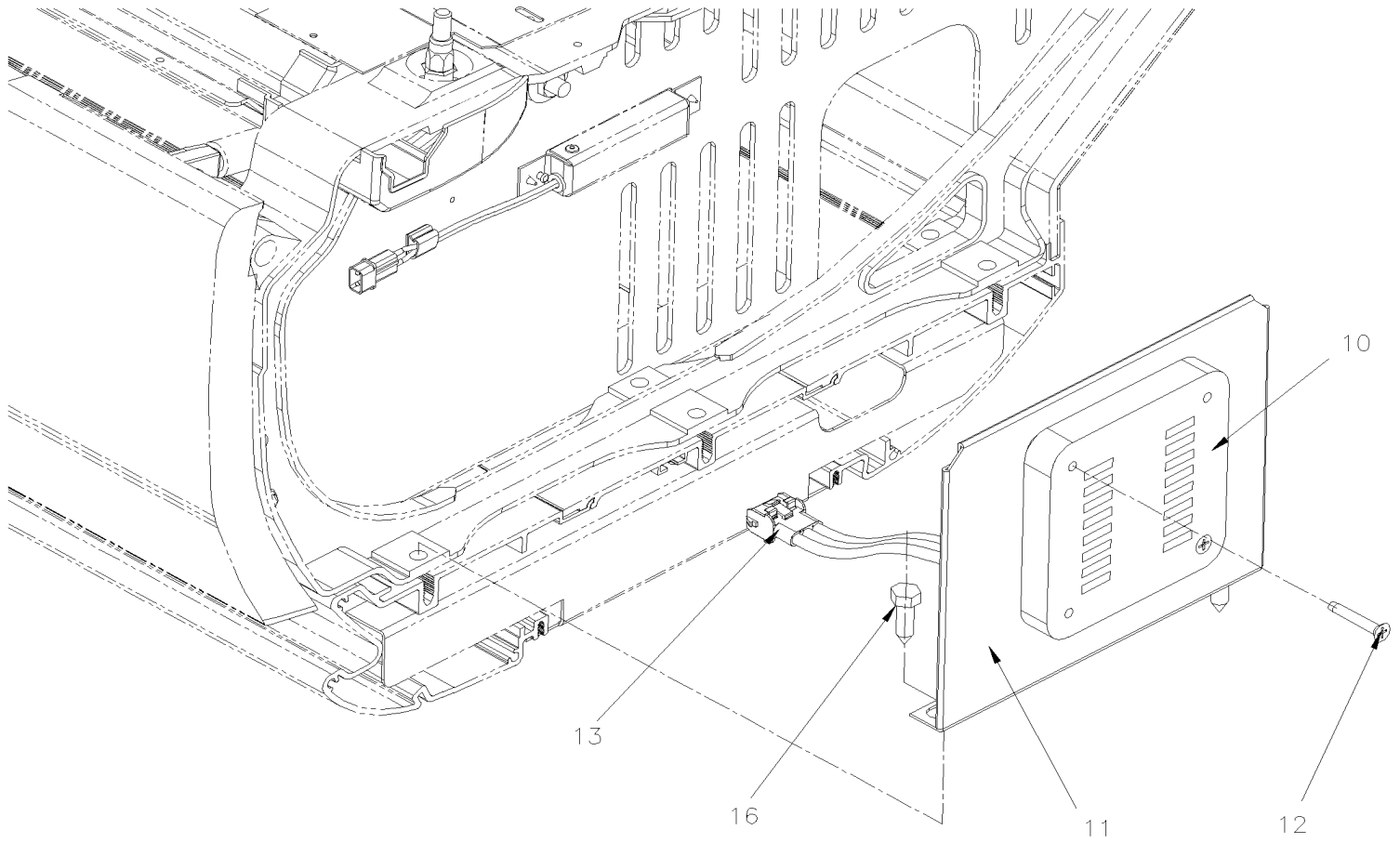


From H-6180	Date:01/2024	PAGE:X3-0625-11
-------------	--------------	-----------------

FRONT JUNCTION BOX - INSTALLATION

Item#	Part	Description	QTY	Notes
1	X3-0625-01	FRONT JUNCTION PANEL VOLVO D13 - GHG17		
2	502737	SCREW CAP HEX M6-1.0x25 SS BK	3	
3	502681	NUT HEX NYRT M6-1.0 N500 G8	3	
4	500877	WASHER FL .250x.562x.065 N500	3	
5	382464	SUPPORT FRONT JCT BOX	2	
6	502698	SCREW MA PAN PH M4-0.7x16 SS BK	6	
7	500855	WASHER FL .188x.438x.049 N500	6	
8	502868	SCREW TC TR PH #10-16x1/2 N500	AR	
9	380065	SUPPORT FRONT JCT BOX To H-6193	1	
9	380100	SUPPORT FRONT JCT BOX From H-6194 To K-6359	1	
9	380160	SUPPORT FRONT JCT BOX From K-6360 To K-6492	1	
9	380119	SUPPORT FRONT JCT BOX From L-6493	1	
NS	506227	TAPE RUB ADH1 CC POL 1/16" x 3/4" x 100' / GREY 2520	AR	
NS	506338	RUBBER CHANNEL / 1/16" x 1/4" INT "U" SHAPE / ROUND C.T.L.	AR	
NS	680066	ADHESIVE / ADBOND #5014 / 23.6ML BOTTLE	AR	
NS	504750	CABLE TIE / 1/2" x 15" / CHRISTMAS TREE	1	
10	382467	DRIP PAN FRONT JCT BOX	1	
11	382404	RUBBER PROTECTOR, CORNER	2	
12	509815	TIE MOUNT / ATTACHMENT W/TREE MOUNT	AR	
NS	504637	CABLE TIE / 3/16" x 13"	AR	
13	500508	SCREW TC PAN PH #10-32x1 1/2 Z050	2	
15	562381	RESISTANCE MODULE	1	
16	5001245	SCREW TC CAP HEXW SLT #12-24x1/2 Z050	4	
17	562357	RESISTANCE MODULE	1	
18A	330299	LAMP ASSY 24V / BAGGAGE COMPARTMENT LAMP / LED To H-6193	1	B
NS	561248	CONNECTOR / UNIVERSAL MATE-N-LOK / PH 2C / AMP 1-480699-0 To H-6193	1	B
18B	502868	SCREW TC TR PH #10-16x1/2 N500 To H-6193	2	
18C	830008	LAMP ASSY 24V / LED From H-6194	1	
NS	561248	CONNECTOR / UNIVERSAL MATE-N-LOK / PH 2C / AMP 1-480699-0 From H-6194	1	
18D	500965	SCREW TC BDG PH #8-32x1/2 N500 From H-6194	2	
NS	8631155	CABLE TIE / 4.6MM x 200 / CHRISTMAS TREE	AR	
19	330411	SUPPORT, LIGHT To H-7416	2	
20	289495	CABLE HANDLE ASSY	1	
21	504379	RIVET POP DOME OE 3/16x1/4 SS	2	
22	563464	SWITCH / S.P.S.T. / N.C. / W/RUBBER BOOT	1	
23	066638	SWITCH SUPPORT	1	
51	X3-1802-00	ENTRANCE DOOR CONTROL		
		B) WHEN YOU REPLACE LAMP #330299 BY THE NEW LAMP #830008 YOU HAVE TO DRILL HOLE TO INSTALL IT WITH TWO SCREWS #500965		

CHIME BELL - INSTALLATION

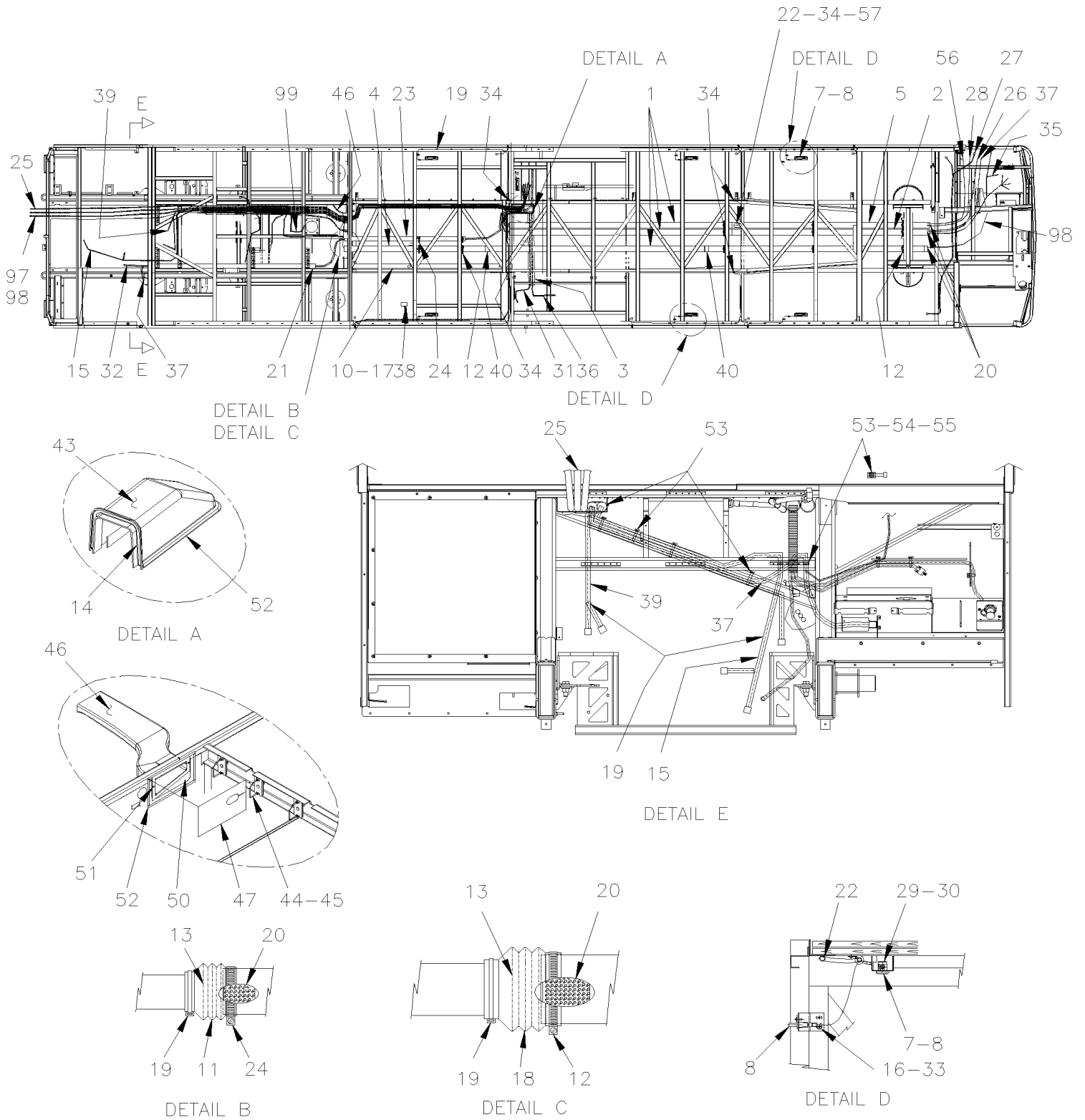


From 7-8754 To 9-9795	Date:01/2024	PAGE:X3-0628-00
-----------------------	--------------	-----------------

CHIME BELL - INSTALLATION

Item#	Part	Description	QTY	Notes
10	381854	CHIME / PASSENGER'S SIGNAL	1	
11	312709	. SUPPORT CHIM BELL	1	
12	500844	. SCREW TC FL PH #10-32x1 1/4 Z050	2	
13	561667	. CONNECTOR / UNIVERSAL MATE-N-LOK / PH 3C / AMP 1-480701-0	1	
NS	561671	. PIN TERMINAL / 24-18 / AMP 350690-1	2	
NS	562122	. PIN TERMINAL / 20-14 / AMP 350547-1	1	
NS	561740	. DIODE / 3AMPS	1	
15	830159	SWITCH / OFF-M/ON / S.P.S.T. / CHIME	AR	
16	502513	SCREW TP CAP HEX 5/16x1 Z050	2	
50	X3-0655-00	INTERIOR LIGHTING / "FLUORESCENT"		

CABLE & HARNESS - UNDER FLOOR



From 7-8754 To G-6083	Date:01/2024	PAGE:X3-0630-00
CABLE & HARNESS - UNDER FLOOR		

Item#	Part	Description	QTY	Notes
1	503390	TUBE / PVC PIPE / 3"x10' WHITE PVC	4	
2	141469	TUBE PVC / 3" X 2750MM	1	
3	453611	TUBE PVC / 3" X 1010MM	1	
4	066698	TUBE PVC / 3" X 1980MM	1	
5	066699	TUBE PVC / 3" X 2750MM W/HOLE To B-5001	1	
5	068153	TUBE PVC / 3" X 2344MM From B-5002 To D-5458	1	
5	068654	TUBE PVC / 3" X 1687MM From E-5459	1	
7	500957	SCREW TP BDG PH #10x3/4 N500	12	
8	X3-0665-10	SWITCHES, LIGHTS, AJAR - UNDER FLOOR To E-5759		
8	X3-0665-11	SWITCHES, LIGHTS, AJAR - UNDER FLOOR From F-5760		
10	504024	HOSE CLAMP / 1"13/16"-2"3/4 SS / HS-36 To G-5923	6	
10	504026	HOSE CLAMP / 2"13/16-3"3/4 SS / HS-52 From G-5924	6	
11	504533	CUFF END BELLOW / 2 3/8" I.D. x 2 3/8" x 4"	1	
12	504026	HOSE CLAMP / 2"13/16-3"3/4 SS / HS-52	AR	
13	680096	SEALANT BUTYL ALUM / GREY / 310ml CARTRIDGE	AR	
14	680532	SEALANT SIKA #221 / GREY / 310ml CARTRIDGE	AR	
15	066292	CABLE POWER MOTOR & ECU To 8-9276	1	
15	066976	CABLE POWER MOTOR & ECU W/"DETROIT" ENGINE W/"DETROIT" ENGINE From 8-9279 To B-5001	1	
15	067505	CABLE POWER MOTOR & ECU W/"VOLVO" ENGINE W/"VOLVO" ENGINE From 8-9457 To A-9951	1	
15	068089	CABLE POWER MOTOR & ECU W/"VOLVO" ENGINE W/"VOLVO" ENGINE From A-9952 To A-9977	1	
15	067826	CABLE POWER MOTOR & ECU W/"VOLVO" ENGINE W/"VOLVO" ENGINE From A-9978 To A-9995	1	
16	500432	SCREW TC PAN PH #8-32x3/4 Z050	AR	
17	032651	TUBE PVC / 3" X 2225MM	1	
18	504499	CUFF END BELLOW / 2 7/8" I.D. x 3 5/8" x 4 7/16	2	
19	504637	CABLE TIE / 3/16" x 13"	AR	
20	371600	INSULATING PAD 76.2MM x 374.7MM	1	
21	066274	TUBE PVC / 2" X 2180MM To B-5001	1	
21	067883	TUBE PVC / 2" X 3700MM From B-5002	1	
22	066284	CABLE ASSY / FRT & RR BAGGAGE COMPATMENT To B-5001	1	
22	068129	CABLE ASSY / FRT & RR BAGGAGE COMPATMENT From B-5002 To D-5458	1	
22	067568	CABLE ASSY / FRT & RR BAGGAGE COMPATMENT From E-5459 To G-5977		
22	069489	CABLE ASSY / FRT & RR BAGGAGE COMPATMENT From G-5978	1	
23	066273	TUBE PVC / 2" X 1650MM To B-5001	1	
24	504024	HOSE CLAMP / 1"13/16"-2"3/4 SS / HS-36	3	
25	066291	CABLE POWER / PARCEL RACK & LAVATORY	1	
25	067653	CABLE POWER / PARCEL RACK & LAVATORY To 9-9060	1	
25	068162	CABLE POWER / PARCEL RACK & LAVATORY From 9-9060	1	
26	066532	CABLE ASSY / FJB TO "ABS" & CABLE FRT & RR	1	
27	066404	CABLE ASSY TO WINDOW AJAR BOTH SIDE	1	
28	066287	CABLE POWER / RJB TO FJB To B-5001	1	

From 7-8754 To G-6083	Date:01/2024	PAGE:X3-0630-00
CABLE & HARNESS - UNDER FLOOR		

Item#	Part	Description	QTY	Notes
28	068137	CABLE ASSY POWER FR RR From B-5002 To D-5458	1	
28	068620	CABLE ASSY POWER FR RR From E-5459 To E-5759	1	
28	068974	CABLE ASSY POWER FR RR From F-5760	1	
28	068786	CABLE ASSY LAVATORY From B-5002 To G-6063	1	
28	069596	CABLE ASSY LAVATORY From G-6064	1	
29	952631	CLAMP / 3/4" I.D.	6	
30	500244	SCREW TP BDG PH #8x3/4 N500	6	
31	066444	CABLE POWER / TO REAR JCT BOX	1	
32	066301	CABLE POWER / RJB VOLTAGE & 120V AC To 8-9456	1	
32	067201	CABLE POWER / RJB VOLTAGE & 120V AC From 8-9457 To B-5001	1	
32	067645	CABLE POWER / RJB VOLTAGE & 120V AC PROTO From A-9907 To A-9926	1	
32	068130	CABLE BATTERIES CHARGER 120VAC POWER From B-5002	1	
33	500834	WASHER LO INT .168x.340x.023 N500	12	
34	504534	GROMMET / .875x1.250x.187x.562x1.625	4	
35	066288	CABLE MAIN / FRONT JCT BOX & REAR JCT BOX To 7-9000	1	
35	066808	CABLE MAIN / FRONT JCT BOX & REAR JCT BOX From 7-9001 To 8-9276	1	
35	066973	CABLE MAIN / FRONT JCT BOX & REAR JCT BOX From 8-9279	1	
NS	066719	CABLE RJB TO CONDENSOR FANS & FUEL SENSOR To 8-9322	1	
NS	066875	CABLE RJB TO CONDENSOR FANS & FUEL SENSOR From 8-9323 To B-5001	1	
NS	067886	CABLE RJB TO CONDENSOR FANS & FUEL SENSOR PROTO From A-9907 To A-9907	1	
NS	068128	CABLE RJB TO CONDENSOR FANS From B-5002 To B-5039	1	
NS	068280	CABLE RJB TO CONDENSOR FANS From B-5040 To D-5387	1	
36	WB17-16	KIT CONNECTOR REPLACEMENT C15 & C 58 From B-5040 To D-5387	1	
NS	564567	CONNECTOR / HDP20 SERIES / PH 8C / DEUTSCH HDP26-18-8PN From B-5040 To D-5387	2	
NS	564568	CONNECTOR / HDP20 SERIES / SH 8C / DEUTSCH HDP24-18-8-SN From B-5040 To D-5387	2	
NS	561996	SEALING PLUG TYPE 12 & 16 / DEUTSCH 114017 From B-5040 To D-5387	10	
NS	N10273	PIN TERMINAL / 14-12 / DEUTSCH 0460-204-12141 From B-5040 To D-5387	11	
NS	N10274	SOCKET TERMINAL / 14-12 / DEUTSCH 0462-203-12141 From B-5040 To D-5387	11	
NS	068623	CABLE RJB TO CONDENSOR FANS From D-5388 To D-5458	1	
36	068605	CABLE RJB TO CONDENSOR FANS From E-5459	1	
37	066289	CABLE ASSY / FRONT & REAR WITH "ZF" TRANS To 8-9276	1	
37	066977	CABLE ASSY / FRONT & REAR WITH "ZF" TRANS From 8-9279 To B-5001	1	
38	066552	CABLE ASSY / RJB & W.C.L. To B-5001	1	
38	067643	CABLE ASSY / RJB & W.C.L. PROTO From A-9907 To A-9926	1	
38	068133	CABLE ASSY / RJB & W.C.L. From B-5002 To D-5458	1	
38	067618	CABLE ASSY / RJB & W.C.L. From E-5459 To F-5759	1	
38	069082	CABLE ASSY / RJB & W.C.L. From F-5760	1	
39	066281	CABLE ASSY / FRONT & REAR WITH "WORLD" / TRANS To 8-9150	1	
39	066806	CABLE ASSY / FRONT & REAR WITH "WORLD" / TRANS From 8-9151 To 8-9421	1	
39	067213	CABLE ASSY / FRONT & REAR WITH "WORLD" / TRANS From 8-9422 To 9-9642	1	
39	067752	CABLE ASSY / FRONT & REAR WITH "WORLD" / TRANS From 9-9643 To B-5001	1	

From 7-8754 To G-6083	Date:01/2024	PAGE:X3-0630-00
CABLE & HARNESS - UNDER FLOOR		

Item#	Part	Description	QTY	Notes
39	067662	CABLE ASSY / FRONT & REAR WITH "WORLD" / TRANS From B-5002 To D-5458	1	
39	068473	CABLE ASSY / FRONT & REAR WITH "WORLD" / TRANS From E-5459	1	
40	680290	ADHESIVE PVC / 946ml	AR	
41	144849	TUBE PVC / 2" X 1320MM To B-5001	1	
41	032912	DUCT 2"X2797MM From B-5002 To F-5759	1	
41	033009	DUCT TUBE 2"X3123MM From F-5760 To G-5923	1	
41	503537	TUBE / PVC PIPE / 2.5"x10' GRAY PVC From G-5924	1	
41	501359	UNION ELBOW 45° / PVC PIPE / 2Fx2F PVC From F-5760 To G-5923	1	
41	5011294	UNION ELBOW 45° / PVC PIPE / 2 1/2Fx2 1/2F PVC From G-5924	1	
42	144850	TUBE PVC / 2" X 1000MM W/ 1 HOLE To B-5001	1	
42	143092	TUBE PVC / 2" X 1000MM W/ 1 HOLE From B-5002	1	
43	066551	DUCT CABLE COVER / BLACK / REAR JCT BOX	1	
44	066663	SUPPORT CABLE / FIXED ROOF BAG BAY	1	
45	066664	ROD "U" SHAPE / FIXED ROOF BAG BAY	1	
46	Call order desk	DUCT SS CABLE CHANEL To B-5001	1	P
46	175253	SUPPORT CABLE From G-5878	1	
46	502830	SCREW CAP HEX M6-1.0x20 G8.8 N500 From G-5878	4	
46	500877	WASHER FL .250x.562x.065 N500 From G-5878	4	
47	066725	CLOSING PLATE / PLASTIC FORMER	1	
47	067041	CLOSING PLATE / PLASTIC CURRENT	1	
NS	684517	ADHESIVE SIMSON #ISR 70-03 / GREY / 310ml CARTRIDGE	AR	
NS	504488	RIVET MGLP PRDG 3/16x17/64 SS	2	
NS	506790	TAPE RUB ADH2 CC POL 1/16" x 1/2" x 200' / BLACK I1C-N-A	AR	
48	502911	NUT HEXF M8-1.25 SS	7	
49	500851	SCREW CRG M8-1.25x70 Z050	7	
50	066713	PLATE END FORMER	1	
50	067042	PLATE END ASSY CURRENT	1	
51	Call order desk	DUCT CABLE	1	P
52	506643	TAPE RUB ADH1 CC NEO 1/8" x 1/2" x 60' / BLACK 2011	AR	
53	504016	CABLE TIE / 5/16" X 14"1/2	AR	
53	504273	CABLE TIE / 1/8" X 3"1/2	AR	
53	504637	CABLE TIE / 3/16" x 13"	AR	
54	504013	TIE MOUNT / 1/4" X 1/4" I.D.	3	
55	500946	SCREW TP BDG PH #8x1/2 N500	3	
56	066748	CABLE POWER AUDIO To 7-9082	1	
56	066865	CABLE POWER AUDIO From 7-9083	1	
57	680066	ADHESIVE / ADBOND #5014 / 23.6ML BOTTLE	AR	
NS	503390	TUBE / PVC PIPE / 3"x10' WHITE PVC	AR	
NS	503581	TUBE / PVC PIPE / 2"x20' GRAY PVC	AR	
98	064410	CABLE ASSY / BACK-UP CAMERA VIDEO / CAMERA & MONITOR B&W / 60' To 8-9397	1	
NS	990288	CABLE BACK-UP CAMERA 60' To 8-9397	1	
NS	561681	CONVOLUTED TUBING / SLIT / BLACK & GRAY / .350" To 8-9397	25	

From 7-8754 To G-6083	Date:01/2024	PAGE:X3-0630-00
-----------------------	--------------	-----------------

CABLE & HARNESS - UNDER FLOOR

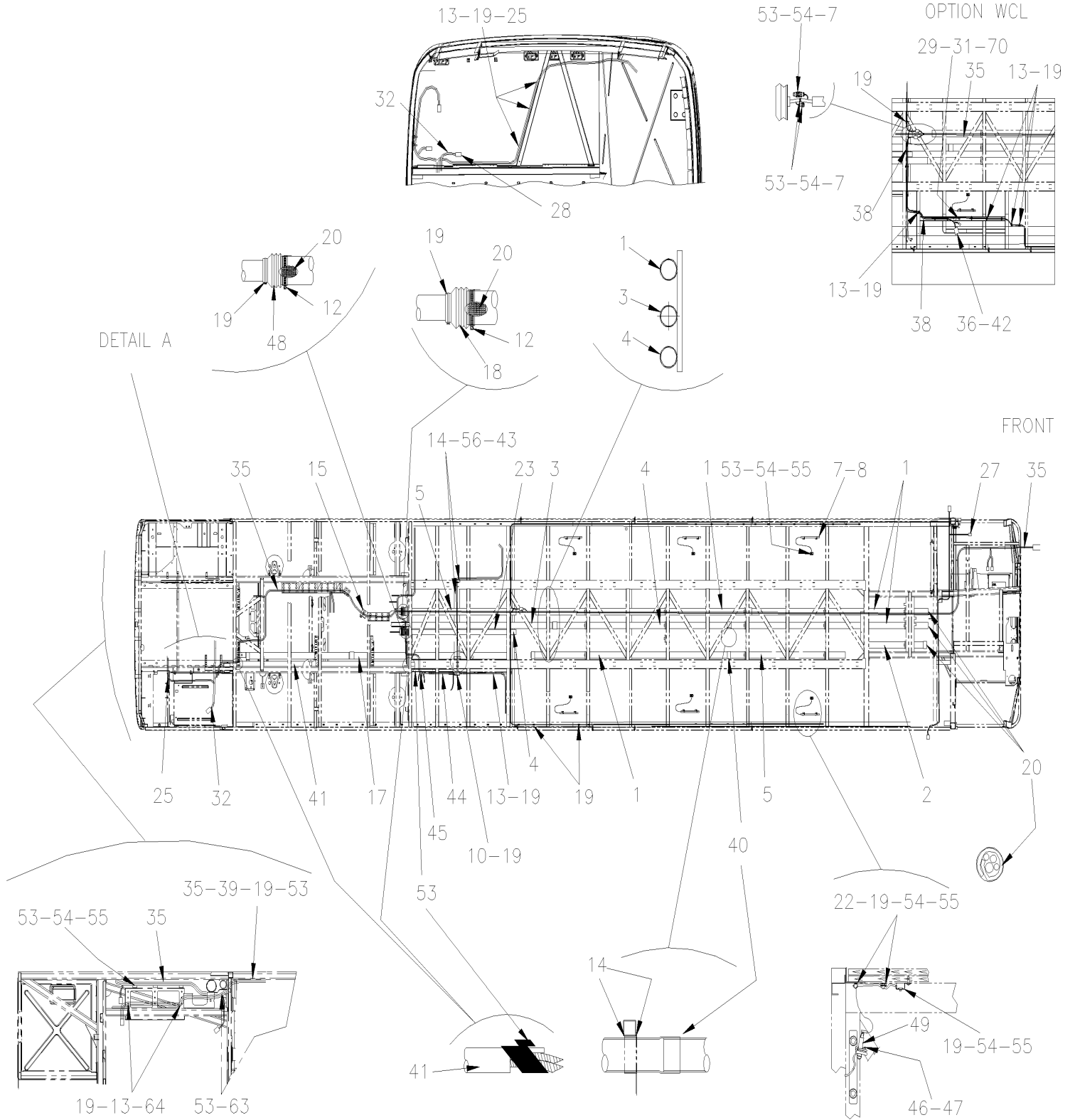
Item#	Part	Description	QTY	Notes
98	067071	CABLE ASSY / BACK-UP CAMERA VIDEO / CAMERA & MONITOR LCD / 60' From 8-9398	1	
. NS	901268	. CABLE BACK-UP CAMERA "COLOR" From 8-9398	1	
. NS	561681	. CONVOLUTED TUBING / SLIT / BLACK & GRAY / .350" From 8-9398	25	
99	066493	CABLE ASSY / "AIR DRYER "WABCO" EXTENTION W/"OPTION" BAGGAGE	1	
		A) THOSE VEHICLE ARE USE WITH MODULE IOE-A AND IOE-B FOR FEILD TEST F-5793 / F-5795 / F-5799 / F-5802		
		P) CALL ORDER DESK FOR SPECIFIC APPLICATION (V.I.N.)		

From G-6084

Date:01/2024

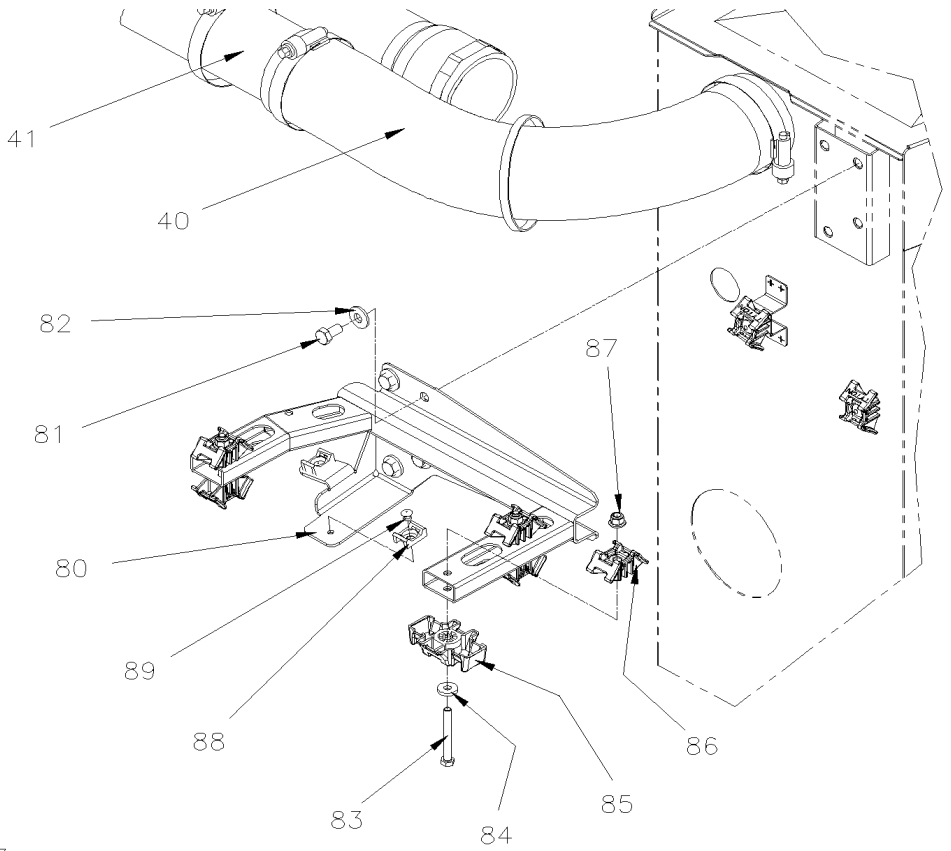
PAGE:X3-0630-01

CABLE & HARNESS - UNDER FLOOR

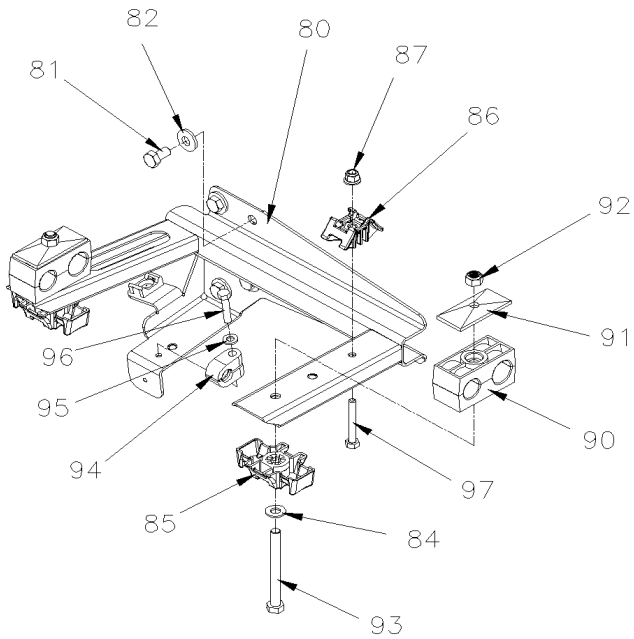


From G-6084	Date:01/2024	PAGE:X3-0630-01
CABLE & HARNESS - UNDER FLOOR		

DETAIL A
FROM H-6180



UP TO K-6464



FROM K-6465

From G-6084	Date:01/2024	PAGE:X3-0630-01
CABLE & HARNESS - UNDER FLOOR		

Item#	Part	Description	QTY	Notes
1	142032	TUBE PVC / 3" X 3041MM	4	
2	069479	TUBE PVC / 2" X 950MM From H-6180	1	
3	143224	PIPE 3" PVC X 3048MM	1	
4	066698	TUBE PVC / 3" X 1980MM	2	
5	068654	TUBE PVC / 3" X 1687MM	2	
NS	060558	HARNESS FR TO RR X NAE From H-6180	1	
NS	501028	UNION ELBOW 90° / ABS PIPE / 2Mx2F ABS	1	
NS	504533	CUFF END BELLOW / 2 3/8" I.D. x 2 3/8" x 4"	1	
7	500957	SCREW TP BDG PH #10x3/4 N500	AR	
8	X3-0665-11	SWITCHES, LIGHTS, AJAR - UNDER FLOOR		
10	504024	HOSE CLAMP / 1"13/16"-2"3/4 SS / HS-36	2	
12	504026	HOSE CLAMP / 2"13/16-3"3/4 SS / HS-52	AR	
13	509815	TIE MOUNT / ATTACHMENT W/TREE MOUNT	9	
14	680532	SEALANT SIKA #221 / GREY / 310ml CARTRIDGE	2	
15	175253	SUPPORT CABLE	1	
NS	502830	SCREW CAP HEX M6-1.0x20 G8.8 N500	4	
NS	500877	WASHER FL .250x.562x.065 N500	4	
16	069474	TUBE PVC / 2 1/2" X 1630MM From H-6180	1	
17	069475	TUBE PVC / 2 1/2" X 2570MM From H-6180	1	
18	504499	CUFF END BELLOW / 2 7/8" I.D. x 3 5/8" x 4 7/16	6	
19	504637	CABLE TIE / 3/16" x 13"	AR	
20	371600	INSULATING PAD 76.2MM x 374.7MM	4	
21	060282	FORMED HOSE SILICONE RUBBER / 3" DIA. From H-6180	1	
22	060559	CABLE ASSY / FRT & RR BAGGAGE COMPATMENT From H-6180 To K-6422	1	
22	069969	CABLE ASSY / FRT & RR BAGGAGE COMPATMENT From K-6423	1	
23	066273	TUBE PVC / 2" X 1650MM	1	
25	069312	CABLE POWER / PARCEL RACK & LAVATORY To H-6179	1	
25	069327	CABLE POWER / PARCEL RACK & LAVATORY From H-6180 To J-6244	1	
25	061384	CABLE POWER / PARCEL RACK & LAVATORY From J-6245 To K-6492	1	
25	069962	CABLE POWER / PARCEL RACK & LAVATORY From L-6493	1	
27	066404	CABLE ASSY TO WINDOW AJAR BOTH SIDE To H-6179	1	
27	060574	CABLE ASSY TO WINDOW AJAR BOTH SIDE From H-6180 To K-6492	1	
28	069596	CABLE ASSY LAVATORY To H-6179	1	
28	069332	CABLE ASSY LAVATORY From H-6180 To K-6492	1	
28	069964	CABLE ASSY LAVATORY From L-6493	1	
29	500832	WASHER FL .406x.812x.065 N500 To K-6492	1	
29	5001935	WASHER FL 10.5x18.0x1.6 SS From L-6493	1	
31	502859	NUT HEX NYRT M10-1.5 N500 To K-6492	1	
31	5002028	NUT HEX NYRT M10-1.5 SS From L-6493	1	
32	068130	CABLE BATTERIES CHARGER 120VAC POWER To H-6179	1	
32	060151	CABLE BATTERIES CHARGER 120VAC POWER From H-6180	1	
35	069607	CABLE MAIN / FRONT JCT BOX & REAR JCT BOX /W/ CURB SIDE LAMP OPTION To H-6093	1	C

From G-6084		Date:01/2024	PAGE:X3-0630-01
--------------------	--	---------------------	------------------------

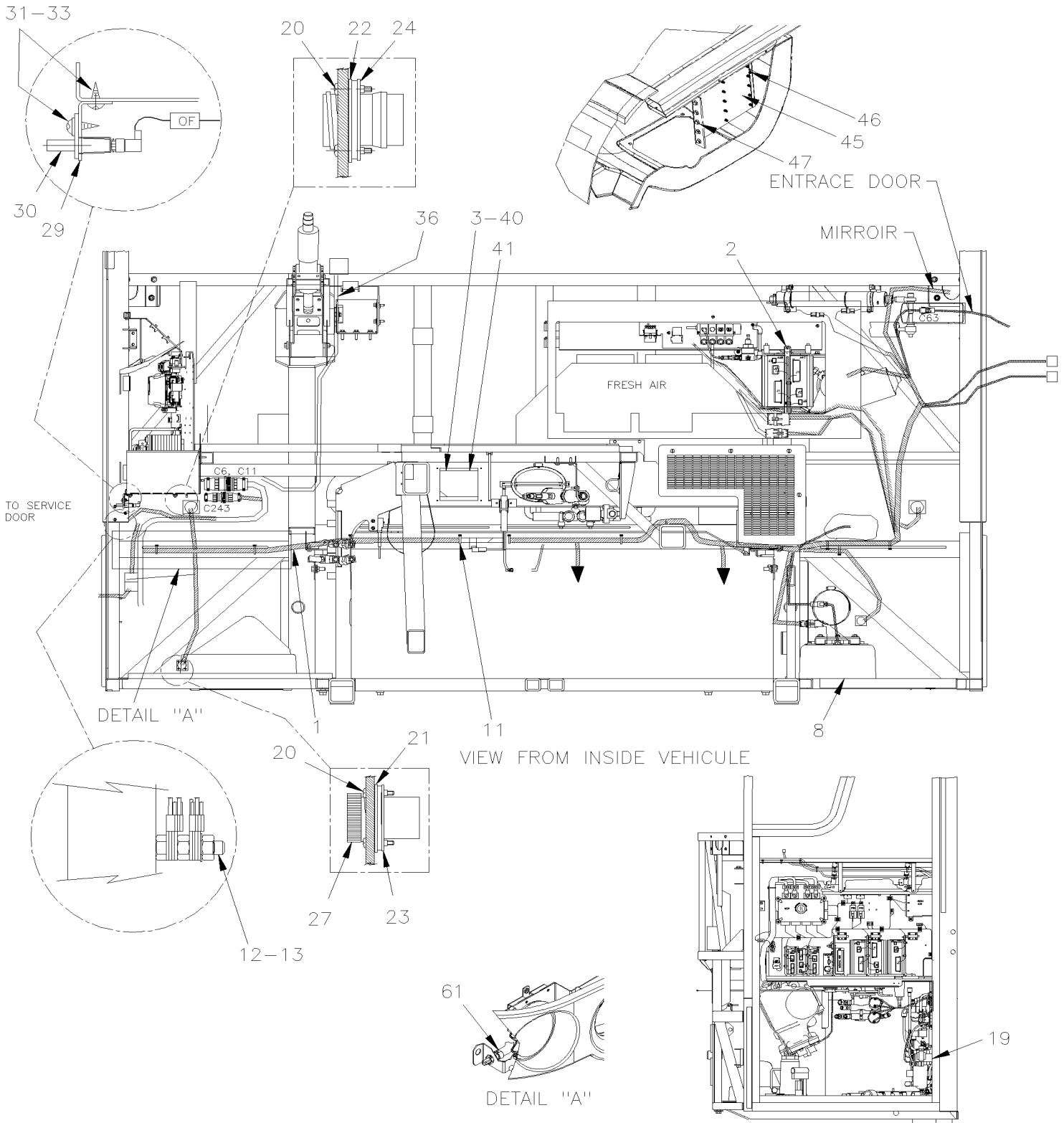
CABLE & HARNESS - UNDER FLOOR

Item#	Part	Description	QTY	Notes
35	069669	CABLE MAIN / FRONT JCT BOX & REAR JCT BOX /W/ CURB SIDE LAMP OPTION From H-6094	1	C
35	069570	CABLE MAIN / FRONT JCT BOX & REAR JCT BOX To H-6179	1	
35	060550	CABLE MAIN / FRONT JCT BOX & REAR JCT BOX From H-6180 To J-6244	1	
35	061421	CABLE MAIN / FRONT JCT BOX & REAR JCT BOX From J-6245 To K-6359	1	
35	069908	CABLE MAIN / FRONT JCT BOX & REAR JCT BOX From K-6360 To K-6439	1	
35	0610025	CABLE MAIN / FRONT JCT BOX & REAR JCT BOX From K-6440 To K-6452	1	
35	0610170	CABLE MAIN / FRONT JCT BOX & REAR JCT BOX From K-6453 To K-6492	1	
35	069973	CABLE MAIN / FRONT JCT BOX & REAR JCT BOX From L-6493 To M-6646	1	
35	0610274	CABLE MAIN / FRONT JCT BOX & REAR JCT BOX From M-6647 To M-6657	1	
35	0610414	CABLE MAIN / FRONT JCT BOX & REAR JCT BOX From M-6658	1	
35	061453	CABLE MAIN / FRONT JCT BOX & REAR JCT BOX From J-6245 To K-6359	1	GR
35	069564	CABLE MAIN / FRONT JCT BOX & REAR JCT BOX From K-6360 To K-6439	1	GR
35	060210	CABLE MAIN / FRONT JCT BOX & REAR JCT BOX From K-6440 To K-6452	1	GR
35	0610171	CABLE MAIN / FRONT JCT BOX & REAR JCT BOX From K-6453 To K-6492	1	GR
35	0610180	CABLE MAIN / FRONT JCT BOX & REAR JCT BOX From L-6493 To L-6610	1	GR
35	0610275	CABLE MAIN / FRONT JCT BOX & REAR JCT BOX From L-6611 To M-6657	1	GR
35	0610415	CABLE MAIN / FRONT JCT BOX & REAR JCT BOX From M-6658	1	GR
36	500855	WASHER FL .188x.438x.049 N500	2	
38	069082	CABLE ASSY / RJB & W.C.L. To H-6179	1	
38	069337	CABLE ASSY / RJB & W.C.L. From H-6180	1	
39	068473	CABLE ASSY / FRONT & REAR WITH "WORLD" / TRANS To H-6093	1	
39	069599	CABLE ASSY / FRONT & REAR WITH "WORLD" / TRANS From H-6094	1	
40	680290	ADHESIVE PVC / 946ml	AR	
41	503537	TUBE / PVC PIPE / 2.5"x10' GRAY PVC	1	
41	5011294	UNION ELBOW 45° / PVC PIPE / 2 1/2Fx2 1/2F PVC	1	
42	502698	SCREW MA PAN PH M4-0.7x16 SS BK	2	
43	063386	TUBE PVC / 3" X 1090MM	1	
44	504750	CABLE TIE / 1/2" x 15" / CHRISTMAS TREE	3	
45	060377	CABLE CONDENSOR FANS From H-6180 To L-6610	1	
45	0610237	CABLE CONDENSOR FANS From L-6611	1	
46	5001332	SCREW MA PAN PH M4-0.7x16 SS	6	
47	502557	NUT HEX NYRT M4-0.7 SS	6	
48	504533	CUFF END BELLOW / 2 3/8" I.D. x 2 3/8" x 4"	1	
49	563464	SWITCH / S.P.S.T. / N.C. / W/RUBBER BOOT	6	
51	330411	SUPPORT, LIGHT	12	
52	500957	SCREW TP BDG PH #10x3/4 N500	12	
53	504016	CABLE TIE / 5/16" X 14"1/2	AR	
54	504013	TIE MOUNT / 1/4" X 1/4" I.D.	3	
55	500443	SCREW TP PAN PH #8x1/2 N500	3	
56	504025	HOSE CLAMP / 2"5/16-3"1/4 SS / HS-44	2	
63	680290	ADHESIVE PVC / 946ml	AR	
64	952633	CLAMP / 7/8" I.D.	1	

From G-6084	Date:01/2024	PAGE:X3-0630-01
CABLE & HARNESS - UNDER FLOOR		

Item#	Part	Description	QTY	Notes
70	684013	RUBBER PROTECTOR / COLOR GUARD 14.5oz	AR	
80	260077	SUPPORT PIPE From H-6180 To K-6464	1	
80	260398	SUPPORT PIPE From K-6465	1	
81	5001527	SCREW CAP HEX M8-1.25x16 SS BK From H-6180	4	
82	5001848	WASHER BEL SPR .827 x .331 x .098 th SS From H-6180	4	
83	5001710	SCREW CAP HEX M6-1.0x55 SS From H-6180	3	
84	5001654	WASHER FL 6.4x17.0x3.0 SS From H-6180 To K-6464	AR	
84	5001341	WASHER FL 8.4x17.0x1.6 SS From K-6465	AR	
85	504051	ATTACHMENT 3-WAY USE WITH CABLE TIE From H-6180	AR	
86	509490	ATTACHMENT DOUBLE USE WITH CABLE TIE From H-6180	AR	
86	509894	TIE MOUNT HOLE 7.8MM From K-6465	AR	
NS	5001608	WASHER BEL SPR 6.2x15.0x0.7 G500 From H-6180	AT	
NS	504187	CLAMP P SS PA 19.4-36 ID From M-6666	1	
87	5001932	NUT HEXF NYRT M6-1.0 G8.8 N500 From H-6180	AR	
88	504013	TIE MOUNT / 1/4" X 1/4" I.D. From H-6180	AT	
89	504379	RIVET POP DOME OE 3/16x1/4 SS From H-6180	AT	
90	504189	CLAMP DOUBLE ASS / SPLIT BLOC / 22MM/19MM x 67MM POLYA From K-6465	2	
91	504728	PLATE RETAINER From K-6465	2	
92	5001983	NUT HEX NYRT M8-1.25 SS SS BK From K-6465	2	
93	5001185	SCREW CAP HEX M8-1.25x80 SS BK From K-6465	2	
94	504172	CLAMP SINGLE / 12.7MM x 33MM POLYA From K-6465	1	
95	502573	WASHER FL 6.4x12.5x1.6 SS From K-6465	1	
96	5001923	SCREW CAP HEX M6-1.0x45 SS BK From K-6465	1	
97	5001923	SCREW CAP HEX M6-1.0x45 SS BK From K-6465	1	
98	504187	CLAMP P SS PA 19.4-36 ID	1	
		C) WITH CURB SIDE LAMP OPTION		
		GR) GREYHOUND OPTION		

CABLE & HARNESS - FRONT END INSTALLATION

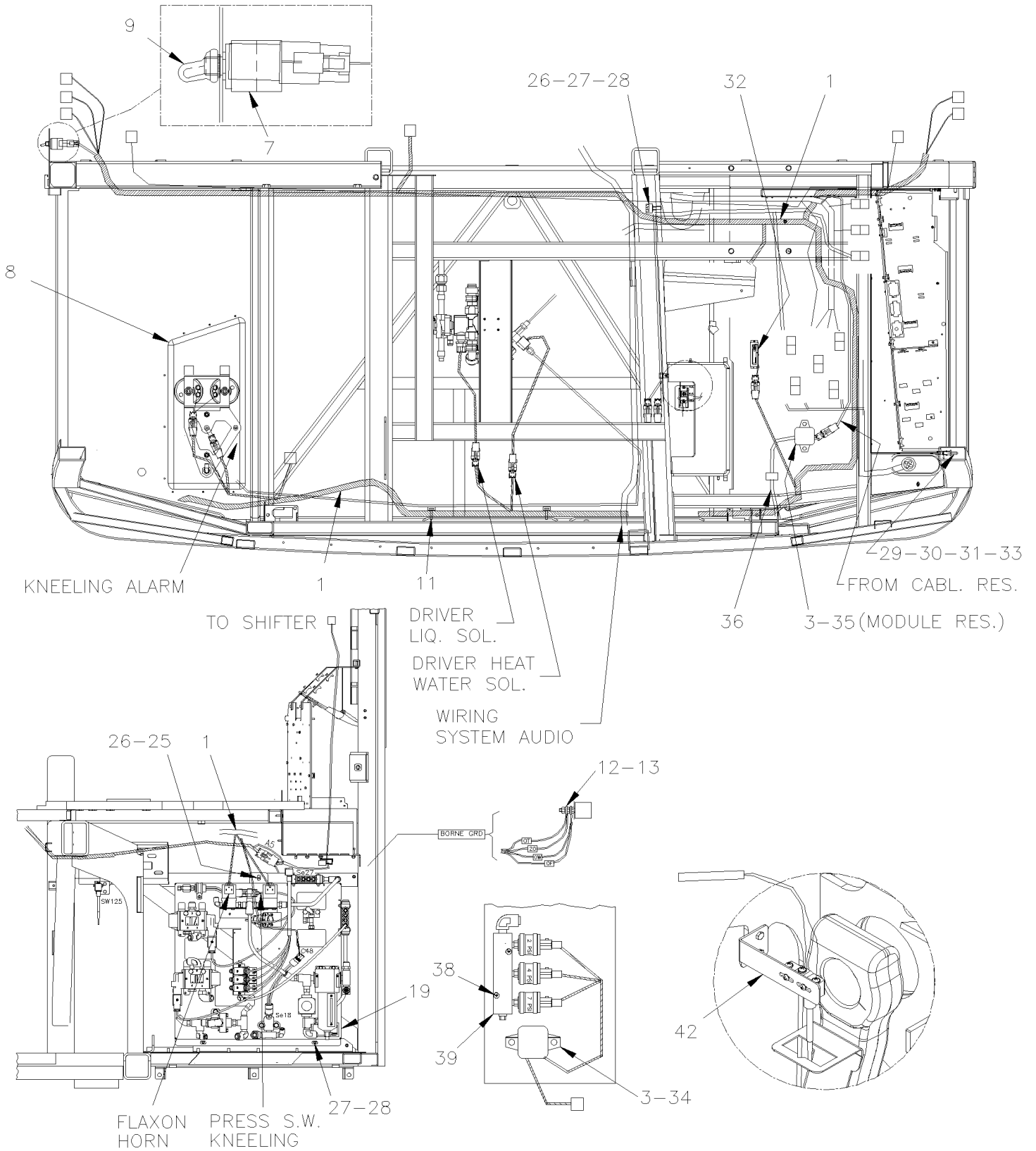


From 7-8754

Date:01/2024

PAGE:X3-0640-00

CABLE & HARNESS - FRONT END INSTALLATION



From 7-8754		Date:01/2024	PAGE:X3-0640-00
-------------	--	--------------	-----------------

CABLE & HARNESS - FRONT END INSTALLATION

Item#	Part	Description	QTY	Notes
1	066278	CABLE ASSY / FRONT LOWER END To 7-9118	1	
1	066996	CABLE ASSY / FRONT LOWER END From 7-9119 To 8-9276	1	
1	066974	CABLE ASSY / FRONT LOWER END From 8-9279 To 8-9423	1	
1	067322	CABLE ASSY / FRONT LOWER END From 8-9422 To 9-9642	1	
1	067732	CABLE ASSY / FRONT LOWER END From 9-9643 To A-9872	1	
1	067810	CABLE ASSY / FRONT LOWER END From A-9873 To B-5001	1	
1	067644	CABLE ASSY / FRONT LOWER END From B-5002 To B-5039	1	
1	068203	CABLE ASSY / FRONT LOWER END From B-5040 To C-5144	1	
1	068374	CABLE ASSY / FRONT LOWER END From C-5144 To C-5169	1	
1	068447	CABLE ASSY / FRONT LOWER END From C-5170 To D-5375	1	
1	068571	CABLE ASSY / FRONT LOWER END From D-5376 To D-5458	1	
1	068598	CABLE ASSY / FRONT LOWER END From E-5459 To F-5759	1	
1	069080	CABLE ASSY / FRONT LOWER END From F-5760 To F-5815	1	
1	069267	CABLE ASSY / FRONT LOWER END From F-5816 To F-5871	1	
1	069274	CABLE ASSY / FRONT LOWER END From F-5872 To H-6093	1	
1	069567	CABLE ASSY / FRONT LOWER END From H-6094 To H-6179	1	
1	060543	CABLE ASSY / FRONT LOWER END From H-6180 To J-6241	1	
1	060878	CABLE ASSY / FRONT LOWER END From J-6242 To J-6244	1	
1	061435	CABLE ASSY / FRONT LOWER END From J-6245 To K-6492	1	
1	069976	CABLE ASSY / FRONT LOWER END From L-6493 To L-6499	1	
1	0610216	CABLE ASSY / FRONT LOWER END From L-6500 To M-6646	1	
1	0610270	CABLE ASSY / FRONT LOWER END From M-6647 To M-6657	1	
1	0610487	CABLE ASSY / FRONT LOWER END From M-6658	1	
1	068202	HARNESS ENTRANCE DOOR SENSOR From B-5040	1	
2	X3-1802-00	ENTRANCE DOOR CONTROL		
3	500638	SCREW TP PAN PH #8x1/2 Z050	AR	
7	563047	SWITCH ASSY / WATERPROOF	1	
8	X3-2310-00	HORN - INSTALLATION To 8-9421		
8	X3-2310-01	HORN - INSTALLATION From 8-9422		
9	560241	RUBBER PROTECTOR, TOGGLE SWITCH	1	
11	504637	CABLE TIE / 3/16" x 13"	AR	
12	502565	NUT HEX M6-1.0 SS To K-6492	15	
12	5002028	NUT HEX NYRT M10-1.5 SS From L-6493	2	
13	502570	WASHER LO SPT 6.1x11.8x1.6 SS To K-6492	8	
13	5001935	WASHER FL 10.5x18.0x1.6 SS From L-6493	2	
NS	069820	CONNECTOR JUMPER SE51, SEAT BELT ALARM From J-6281 To K-6446	1	
NS	509815	TIE MOUNT / ATTACHMENT W/TREE MOUNT	AR	
NS	8631155	CABLE TIE / 4.6MM x 200 / CHRISTMAS TREE	AR	
NS	504273	CABLE TIE / 1/8" X 3"1/2	AR	
19	X3-1630-00	FRONT KNEELING - CONTROL PANEL To E-5589		
19	X3-1630-01	FRONT KNEELING - CONTROL PANEL From E-5590 To F-5871		
19	X3-1630-02	FRONT KNEELING - CONTROL PANEL From F-5872		

From 7-8754		Date:01/2024	PAGE:X3-0640-00
-------------	--	--------------	-----------------

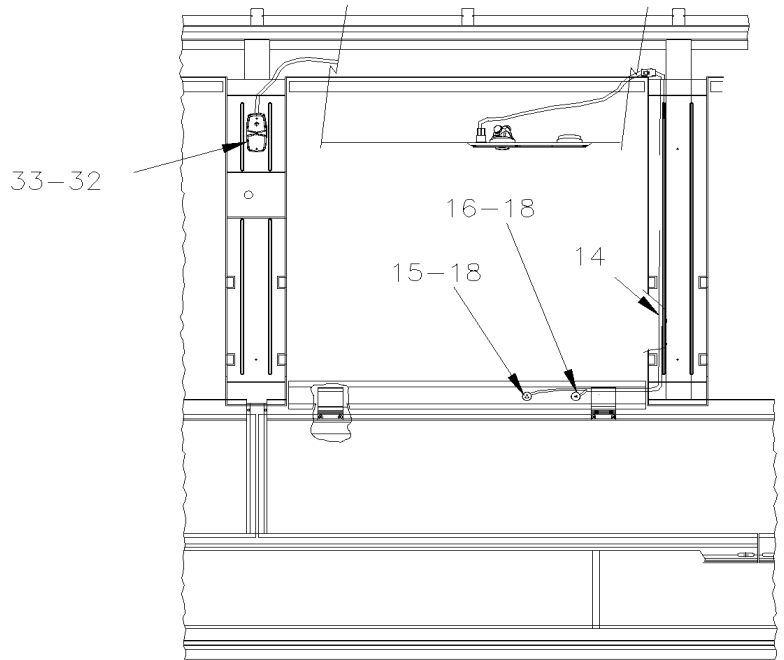
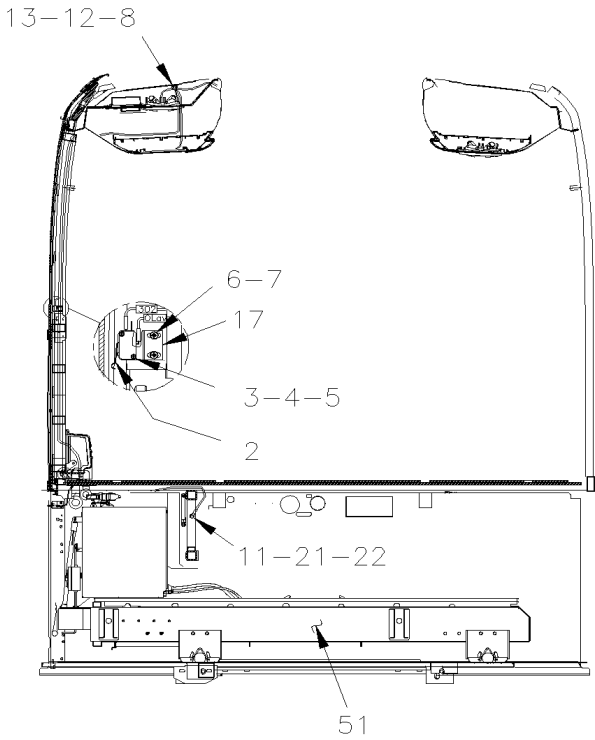
CABLE & HARNESS - FRONT END INSTALLATION

Item#	Part	Description	QTY	Notes
20	5001454	SCREW MA BDG PH #4-40x1/2 SS	20	
21	562945	GASKET MOUNTING / HD10 SERIES / 3C / DEUTSCH HD10-3-GKT	2	
22	563096	GASKET MOUNTING / HD10 SERIES / 6C / DEUTSCH HD10-6-GKT	2	
23	062268	NUT, RING #11 / .940" I.D. W/4 4-40	2	
24	561821	NUT, RING #17 & 20 / 1.500" I.D W/4 4-40	2	
NS	561820	NUT, RING #13 / 1.125" I.D. W/4 4-40 To M-6646	1	
NS	380135	PLATE CONNECTOR FIXATION From M-6647	1	
NS	5000339	SCREW MA PAN PH M3-0.5x20 SS From M-6647	4	
25	500942	WASHER LO SPT 8.1x14.8x2.0 N500	1	
26	502862	SCREW CAP HEX M8-1.25x20 G8.8 N500	1	
27	502573	WASHER FL 6.4x12.5x1.6 SS	2	
28	502854	NUT HEX M6-1.0 N500	2	
29	066638	SWITCH SUPPORT	1	
30	563464	SWITCH / S.P.S.T. / N.C. / W/RUBBER BOOT	1	
31	500834	WASHER LO INT .168x.340x.023 N500	2	
32	X3-0665-10	SWITCHES, LIGHTS, AJAR - UNDER FLOOR To E-5759		
32	X3-0665-11	SWITCHES, LIGHTS, AJAR - UNDER FLOOR From F-5760		
33	502868	SCREW TC TR PH #10-16x1/2 N500	3	
34	562381	RESISTANCE MODULE	1	
35	562357	RESISTANCE MODULE	1	
36	066210	CABLE ASSY / RESISTANCE MODULE & SWITCH / MUX To H-6179	1	
36	060083	CABLE ASSY / RESISTANCE MODULE & SWITCH / MUX From H-6180	1	
37	952625	CLAMP / 3/8" I.D.	4	
38	500940	SCREW TP FL PH #10x2 Z050	2	
39	X3-0750-00	AUTOMATIC TRANSMISSION - "WORLD" WITH DETROIT S-60 From 7-8754 To B-5001		
39	X3-0750-01	AUTOMATIC TRANSMISSION - "WORLD" WITH VOLVO D13 From 8-9457 To B-5001		
39	X3-0750-02	AUTOMATIC TRANSMISSION - "WORLD" WITH VOLVO D13 From B-5002 To H-6179		
39	X3-0750-03	AUTOMATIC TRANSMISSION - "WORLD" WITH VOLVO D13 - GHG17 From H-6180		
40	065209	PLATE, CLOSING	1	
NS	5060120	GROMMET EDGING ADHESIVE .036-.062	AR	
41	504398	GROMMET / 1.000x1.375x.062x.437x1.750	1	
42	X3-1650-00	TAG UNLOAD - STABILISATOR		
45	068405	SUPPORT / WIRING HARNESS To K-6492	1	
45	069860	SUPPORT / WIRING HARNESS From L-6493 To N-6756	1	
45	0610381	SUPPORT / WIRING HARNESS From N-6756	1	
NS	502573	WASHER FL 6.4x12.5x1.6 SS To K-6492	2	
45	5001935	WASHER FL 10.5x18.0x1.6 SS From L-6493	2	
NS	5001182	NUT HEX NYRT M6-1.0 SS To K-6492	2	
45	5002028	NUT HEX NYRT M10-1.5 SS From L-6493	2	
NS	380085	HOLDING PLATE From L-6493	1	
NS	502825	SCREW MA PAN PH M3-0.5x16 N500 From L-6493	4	
NS	502513	SCREW TP CAP HEX 5/16x1 Z050 From L-6493	2	

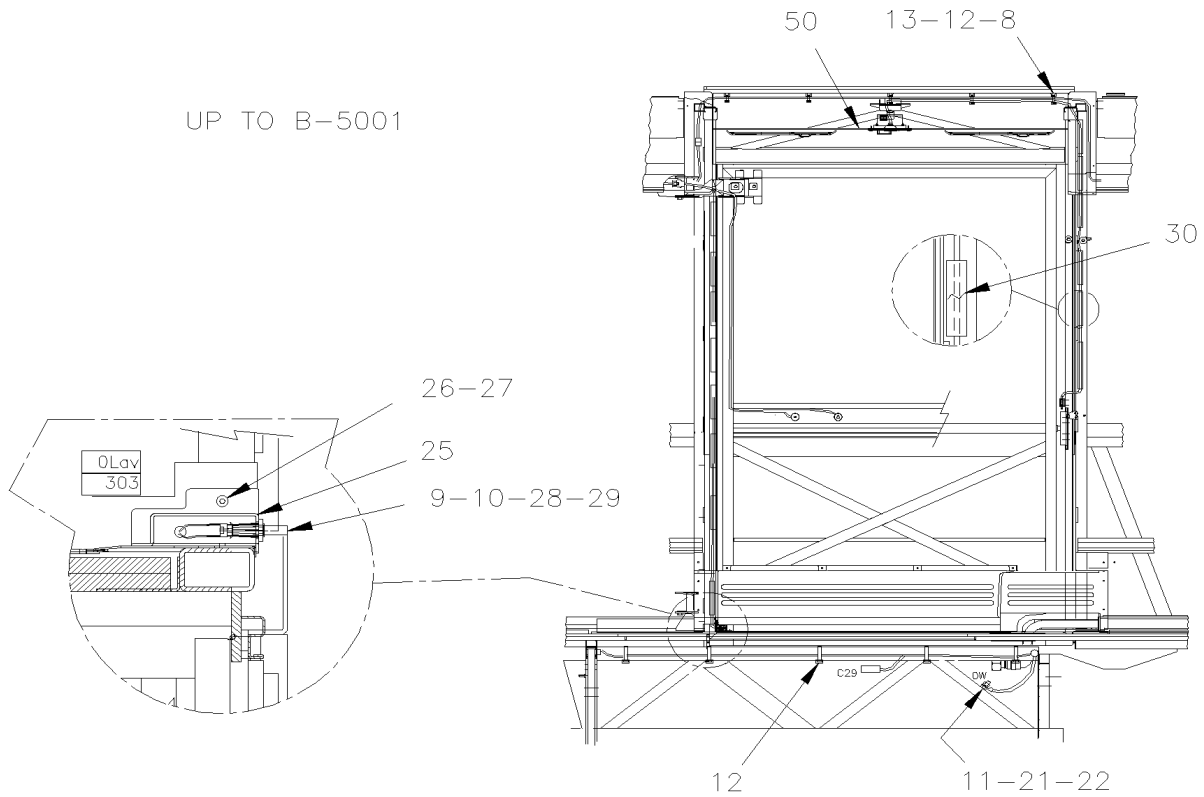
From 7-8754	Date:01/2024	PAGE:X3-0640-00
-------------	--------------	-----------------

CABLE & HARNESS - FRONT END INSTALLATION

Item#	Part	Description	QTY	Notes
NS	500942	WASHER LO SPT 8.1x14.8x2.0 N500 From L-6493	2	
46	500965	SCREW TC BDG PH #8-32x1/2 N500 To K-6492	2	
47	509815	TIE MOUNT / ATTACHMENT W/TREE MOUNT	AR	
NS	504013	TIE MOUNT / 1/4" X 1/4" I.D. From L-6493	AR	
NS	504487	RIVET MGLP PRDG 3/16x7/16 SS From L-6493	AR	
NS	504016	CABLE TIE / 5/16" X 14"1/2 From L-6493	AR	
NS	504637	CABLE TIE / 3/16" x 13" From L-6493	AR	
61	563335	SENSOR THERMISTOR ASSY / OUTSIDE // PED 15416387	1	PWT
61	067399	CABLE EXTENSION SENSOR REAR OF HEADLAMP BEZEL	1	PWT
61	504065	GROMMET / .625x.875x.187x.437x1.125	1	PWT
61	680532	SEALANT SIKA #221 / GREY / 310ml CARTRIDGE	AR	PWT
61	504637	CABLE TIE / 3/16" x 13"	AR	PWT
61	068530	RESISTOR 100OHMS 10WATTS	1	PWT
61	564108	SELF MOUNTING STUD // DEUTSCH 1011-310-0205	1	PWT
61	500798	SCREW TP PAN PH #4-3/8 ZP	2	PWT
		A) THOSE VEHICLE ARE USE WITH MODULE IOE-A AND IOE-B FOR FEILD TEST F-5793 / F-5795 / F-5799 / F-5802		
		PWT) WITH PWT OPTION		

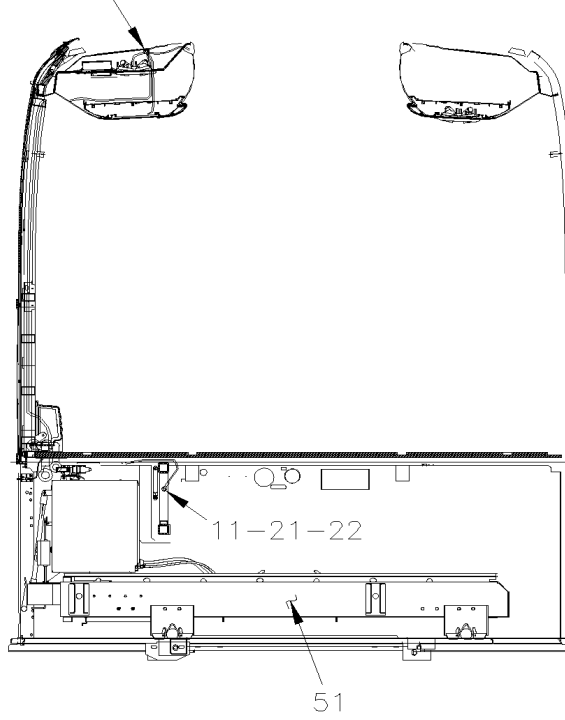


UP TO B-5001

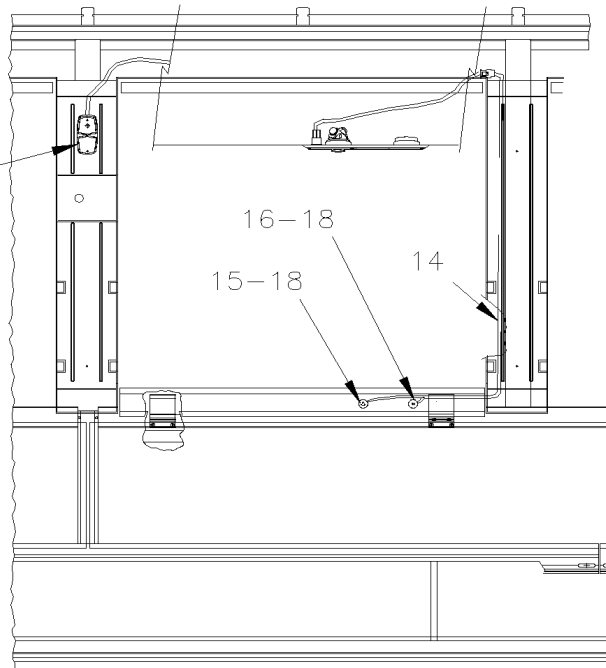


CABLE & HARNESS - W.C.L.

13-12-8



33-32



From 7-8754 To B-5001	Date:01/2024	PAGE:X3-0640-80
CABLE & HARNESS - W.C.L.		

Item#	Part	Description	QTY	Notes
2	562096	MICRO SWITCH To B-5001	1	
3	502519	SCREW MA FL SLT #4-40x5/8 Z050 To B-5001	2	
4	502520	NUT HEX #4-40 Z050 To B-5001	2	
5	5001407	WASHER LO EXT 3.2x6.0x0.4 SS To B-5001	2	
6	5001491	SCREW TC PAN PH #8-32x3/4 SS To B-5001	2	
7	500581	WASHER LO SPT .141x.250x.031 SS To B-5001	2	
8	500654	SCREW TC BDG PH #8-32x1/2 Z050	5	
9	500148	SCREW MA RND PH #6-32x1/2 SS To B-5001	1	
10	562303	SWITCH / S.P.S.T. / N.C. To B-5001	1	
11	684013	RUBBER PROTECTOR / COLOR GUARD 14.5oz	1	
12	504637	CABLE TIE / 3/16" x 13"	5	
13	504013	TIE MOUNT / 1/4" X 1/4" I.D.	11	
14	066308	CABLE ASSY / TO L.H. WINDOW / W/W.C.L.	1	
15	830159	SWITCH / OFF-M/ON / S.P.S.T. / CHIME	1	
16	830158	SWITCH / OFF-ON / S.P.S.T. / READING LIGHT	1	
17	065388	SUPPORT / SWITCH To B-5001	1	
18	409259	PROTECTOR SWITCH / CAP	2	
. NS	288728	. REINFORCMENT FOR SCREW PROTECTOR CAP	1	
NS	500814	SCREW TP BDG PH #6x3/4 BK	4	
20	504264	GROMMET / .750x1.250x.062x.250x1.625	1	
21	500998	NUT HEX 1/2-13 BR	1	
22	500482	WASHER LO SPT .506x.873x.125 Z050	1	
25	065444	SWITCH SUPPORT / ENTRANCE DOOR W.C.L. To B-5001	1	
26	500552	SCREW TP OV PH #6x3/4 Z050 To B-5001	2	
27	500463	WASHER FN CKF .187x.500x.090 BR Z050 To B-5001	2	
28	500553	NUT HEX #6-32 SS To B-5001	1	
29	502649	WASHER LO EXT .141x.320x.022 Z050 To B-5001	1	
30	680257	TAPE ALUMINUM ADH1 .005" x 2" x 300' TRM425-2 To B-5001	AR	
32	066720	LAMP WCL TWS	1	
33	500443	SCREW TP PAN PH #8x1/2 N500	2	
NS	680044	SEALANT TAPE BUTYL / GREY / 1/8"x1/2"x25' / 71017F1760	AR	
50	X3-1836-00	PARCEL RACK		
51	X3-2380-00	W.C.L. "RICON" REMOVABLE MODEL "F9TF" & "F9TH"		

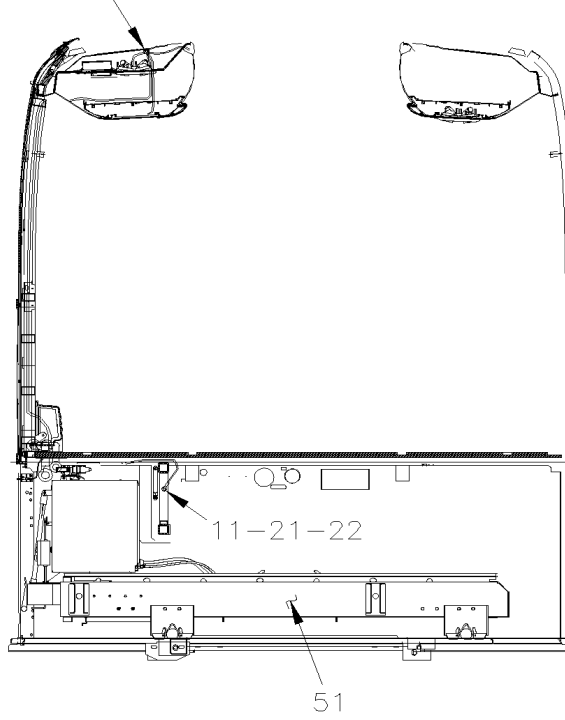
From B-5002

Date:01/2024

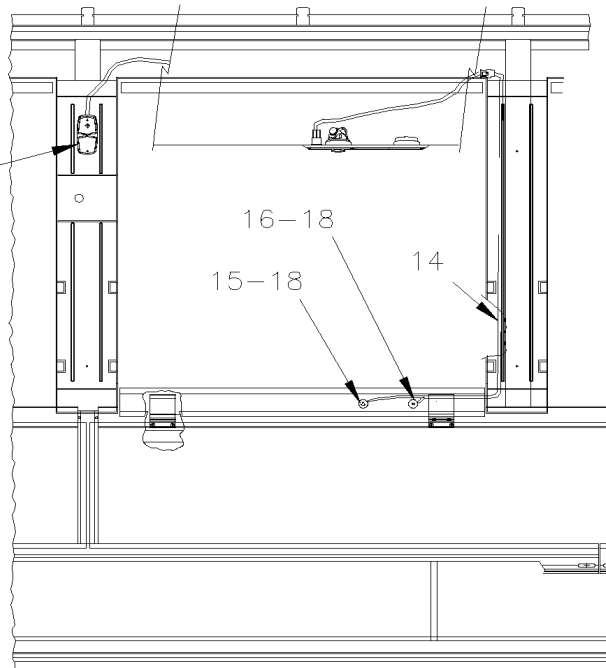
PAGE:X3-0640-81

CABLE & HARNESS - W.C.L.

13-12-8



33-32



From B-5002	Date:01/2024	PAGE:X3-0640-81
CABLE & HARNESS - W.C.L.		

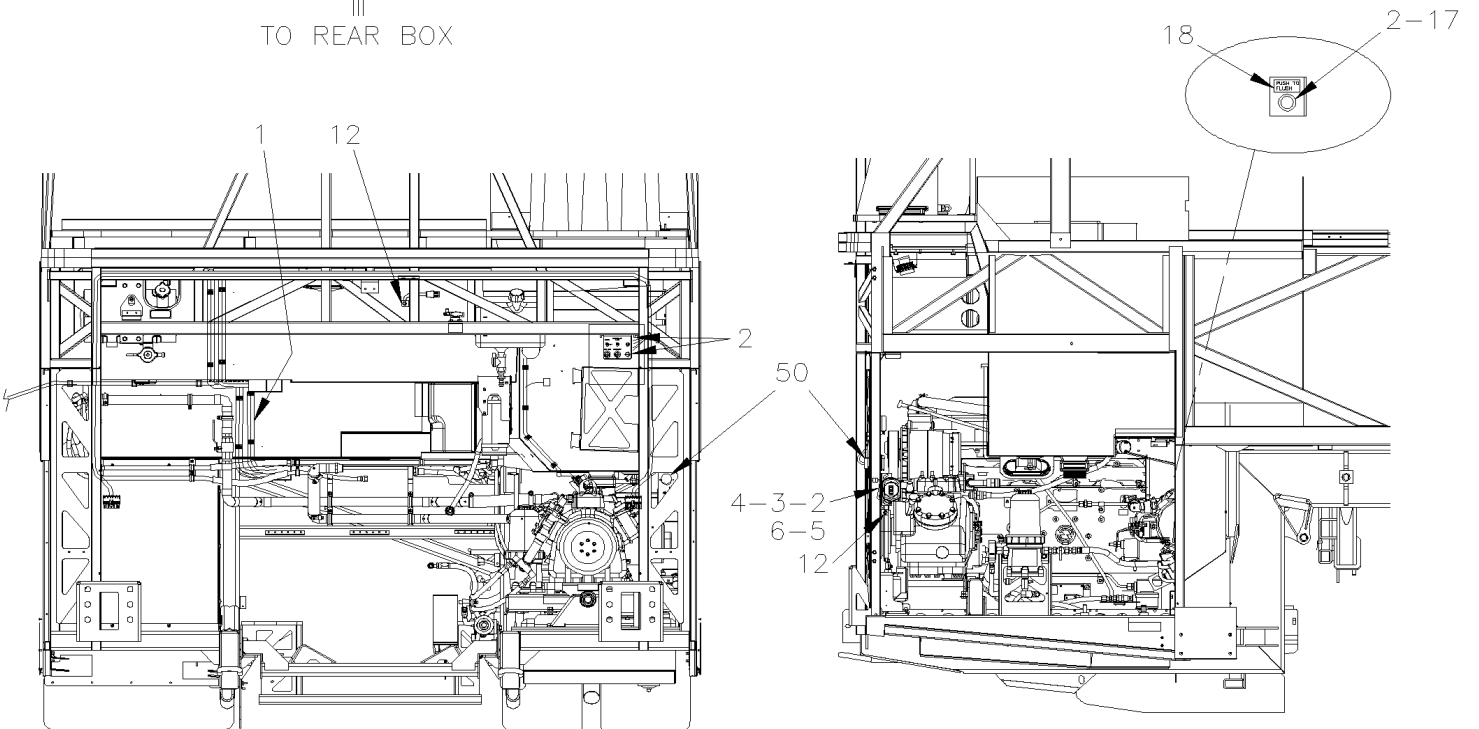
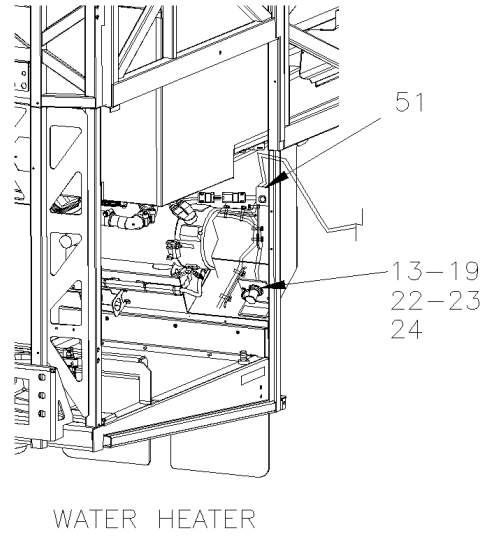
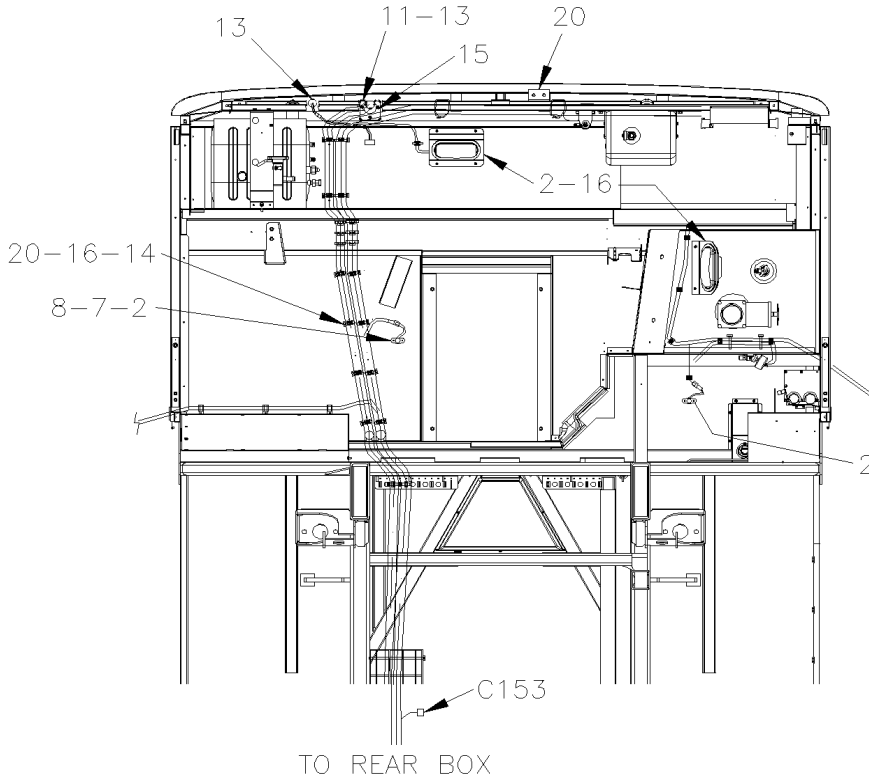
Item#	Part	Description	QTY	Notes
8	500654	SCREW TC BDG PH #8-32x1/2 Z050	5	
11	684013	RUBBER PROTECTOR / COLOR GUARD 14.5oz	1	
12	504637	CABLE TIE / 3/16" x 13"	5	
13	504013	TIE MOUNT / 1/4" X 1/4" I.D.	11	
14	066308	CABLE ASSY / TO L.H. WINDOW / W/W.C.L. To G-5977	1	
14	069304	CABLE ASSY / TO L.H. WINDOW / W/W.C.L. From G-5978 To H-6179	1	
14	060310	CABLE ASSY / TO L.H. WINDOW / W/W.C.L. From H-6180 To K-6492	1	
14	069971	CABLE ASSY / TO L.H. WINDOW / W/W.C.L. From L-6493	1	
14	060983	HARNESS, WCL DISTINCT HOSTESS CHIME LH From H-6180	1	A
14	061002	HARNESS, WCL DISTINCT HOSTESS CHIME RH From H-6180	1	A
15	830159	SWITCH / OFF-M/ON / S.P.S.T. / CHIME	1	
16	830158	SWITCH / OFF-ON / S.P.S.T. / READING LIGHT	1	
18	409259	PROTECTOR SWITCH / CAP	2	
. NS	288728	. REINFORCMENT FOR SCREW PROTECTOR CAP	1	
NS	500814	SCREW TP BDG PH #6x3/4 BK To K-6492	4	
18	502530	SCREW MA OV PH M4-0.7x40 SS From L-6493 To L-6636	4	
18	5001694	SCREW MA PAN PH M4-0.7x40 SS BK From L-6637	4	
18	500589	NUT WELL M4-0.7x13.5 From L-6493	4	
18	401192	SPACER From L-6493	2	
21	500998	NUT HEX 1/2-13 BR	1	
22	500482	WASHER LO SPT .506x.873x.125 Z050	1	
32	066720	LAMP WCL TWS	1	
33	500443	SCREW TP PAN PH #8x1/2 N500	2	
NS	680044	SEALANT TAPE BUTYL / GREY / 1/8"x1/2"x25' / 71017F1760	AR	
50	X3-1836-00	PARCEL RACK To D-5371		
50	X3-1836-01	PARCEL RACK /WITH LEDS From D-5372		
51	X3-2380-00	W.C.L. "RICON" REMOVABLE MODEL "F9TF" & "F9TH"		
52	X3-1862-86	ENTRANCE DOOR SLIDING - INSTALLATION - W.C.L. To J-6295		
52	X3-1862-87	ENTRANCE DOOR SLIDING - INSTALLATION - W.C.L. From J-6296		
		A) USE WITH HOSTESS CHIME DISTINCT GONG SOUND FOR WCL		

From 7-8754

Date:01/2024

PAGE:X3-0641-00

CABLE & HARNESS - REAR END INSTALLATION

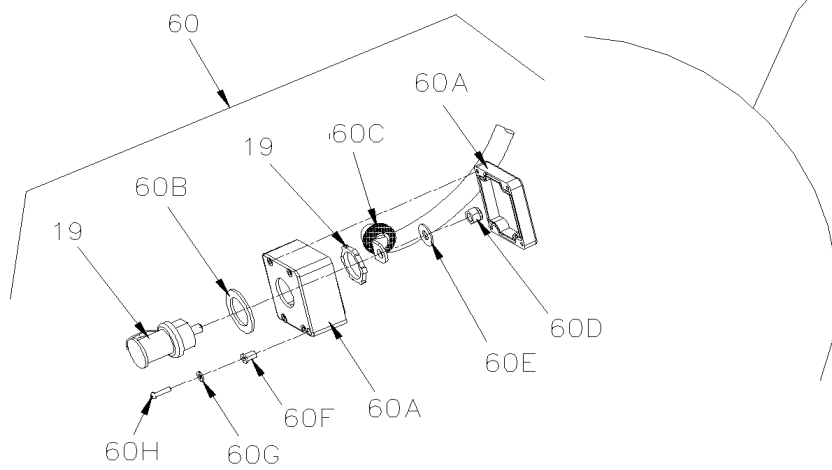
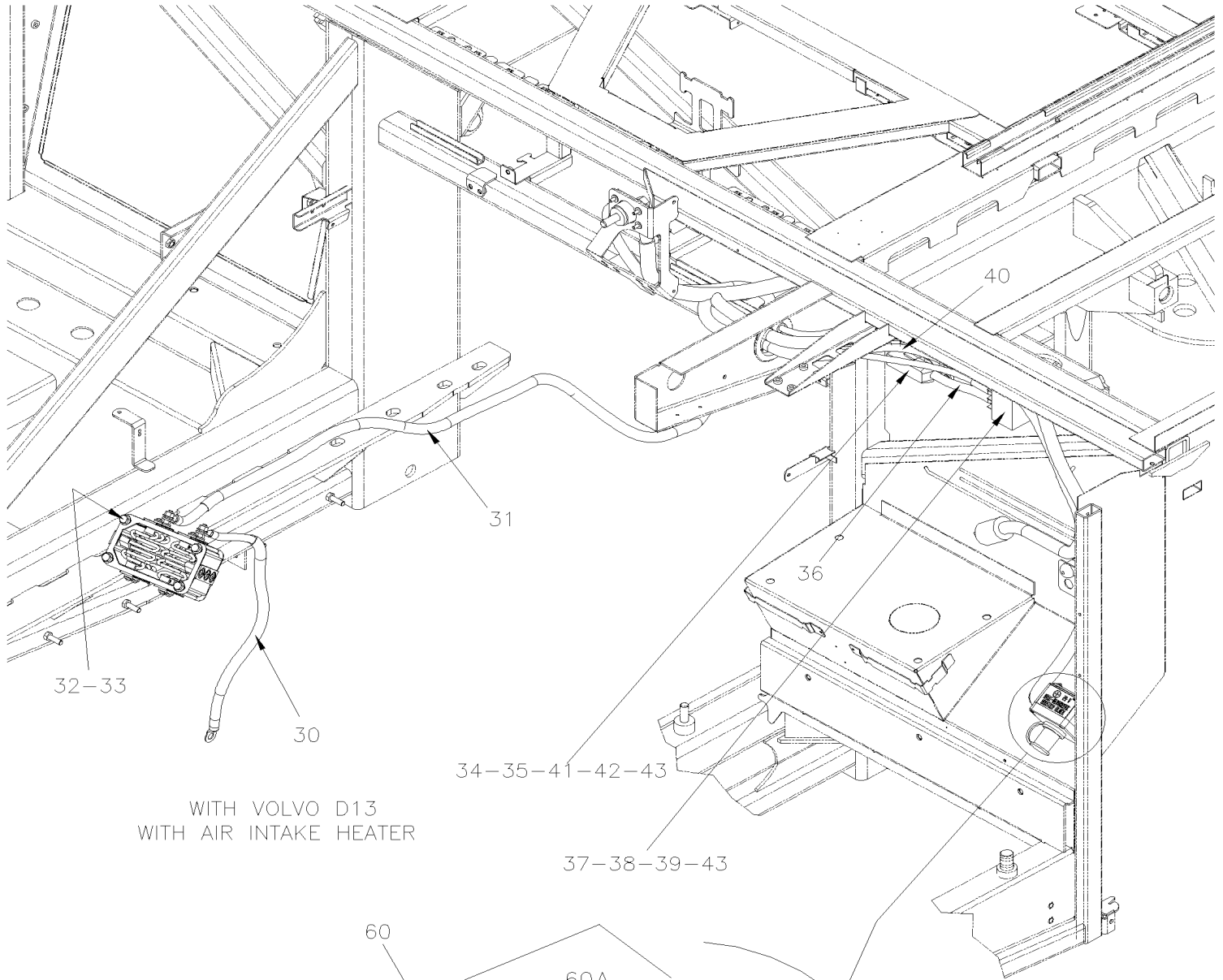


From 7-8754

Date:01/2024

PAGE:X3-0641-00

CABLE & HARNESS - REAR END INSTALLATION

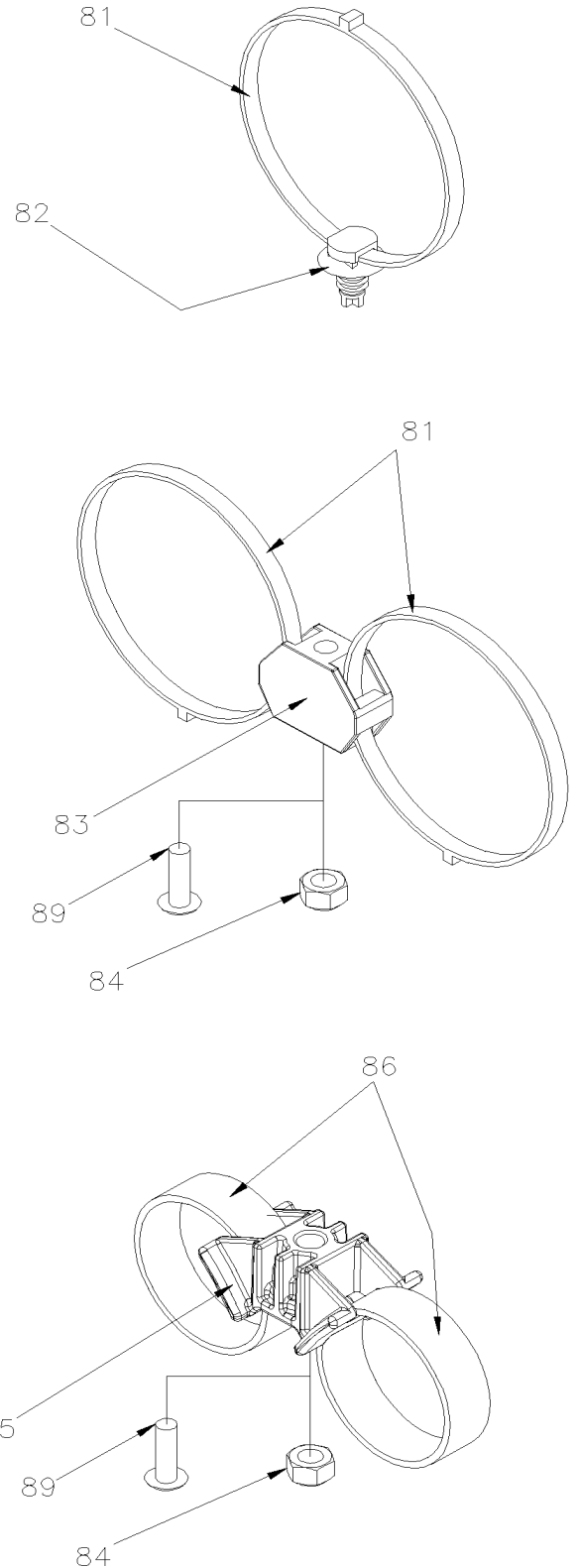
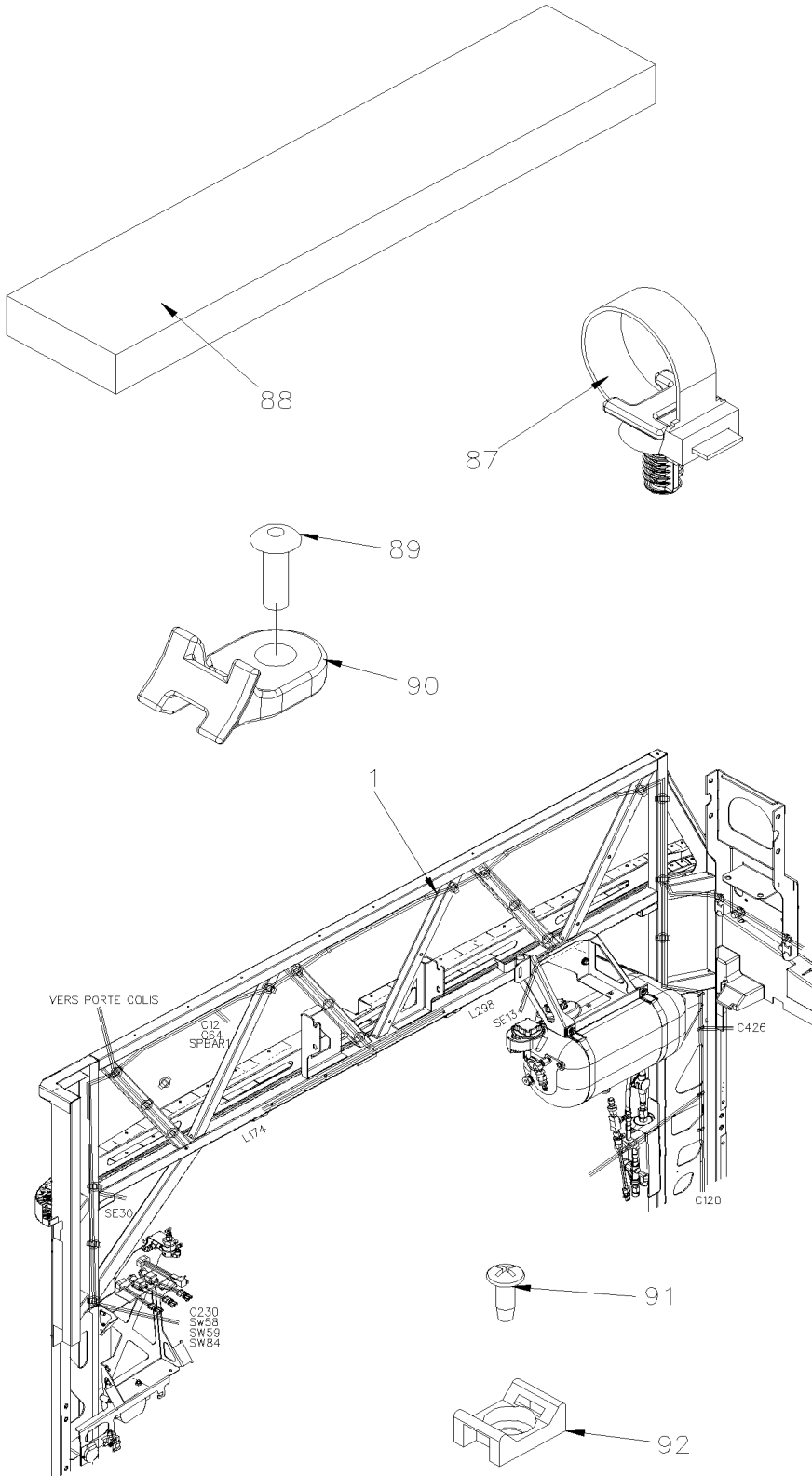


From 7-8754

Date:01/2024

PAGE:X3-0641-00

CABLE & HARNESS - REAR END INSTALLATION



From 7-8754		Date:01/2024	PAGE:X3-0641-00
-------------	--	--------------	-----------------

CABLE & HARNESS - REAR END INSTALLATION

Item#	Part	Description	QTY	Notes
1	066282	CABLE HARNESS / ENGINE COMPT & ACCESSORIES To 8-9276	1	
1	066978	CABLE HARNESS / ENGINE COMPT & ACCESSORIES From 8-9277 To 9-9599	1	
1	067308	CABLE HARNESS / ENGINE COMPT & ACCESSORIES From 9-9600 To 9-9777	1	
1	067864	CABLE HARNESS / ENGINE COMPT & ACCESSORIES From 9-9778 To B-5001	1	
1	067654	CABLE HARNESS / ENGINE COMPT & ACCESSORIES From B-5002 To B-5039	1	
1	068355	CABLE HARNESS / ENGINE COMPT & ACCESSORIES From B-5040 To C-5274	1	
1	068336	CABLE HARNESS / ENGINE COMPT & ACCESSORIES From C-5275 To E-5458	1	
1	068468	CABLE HARNESS / ENGINE COMPT & ACCESSORIES From E-5459 To E-5459	1	
1	068650	CABLE HARNESS / ENGINE COMPT & ACCESSORIES From E-5459 To E-5563	1	
1	068913	CABLE HARNESS / ENGINE COMPT & ACCESSORIES From E-5564 To E-5717	1	
1	069059	CABLE HARNESS / ENGINE COMPT & ACCESSORIES From E-5718 To E-5759	1	
1	068879	CABLE HARNESS / ENGINE COMPT & ACCESSORIES From F-5760 To H-6093	1	
1	069484	CABLE HARNESS / ENGINE COMPT & ACCESSORIES PRELIMINARY From G-6015 To G-6015	1	
1	069571	CABLE HARNESS / ENGINE COMPT & ACCESSORIES From H-6094	1	
NS	7770134	WIRING HARNESS / DPF ONLY W/DETROIT S60 To B-5001	1	
2	X3-0665-10	SWITCHES, LIGHTS, AJAR - UNDER FLOOR To E-5759		
2	X3-0665-11	SWITCHES, LIGHTS, AJAR - UNDER FLOOR From F-5760		
3	563199	BACK-UP ALARM "ECCO" / 12-36vdc / 107db	1	
4	5001527	SCREW CAP HEX M8-1.25x16 SS BK	2	
5	966171	NUT HEX NYRT M8x1.25 SS	2	
6	5001448	WASHER FL .343x.875x.062 SS18-8	2	
7	065290	HEAT DETECTOR "THERMO-DISK"	3	
8	5001204	SCREW TP FL PH #6x1 1/4 Z050	6	
11	065236	CLOSING PLATE 80MM X 75.4MM	1	
12	065011	SWITCH PROXIMITY ASSY	2	
NS	562950	SWITCH PROXIMITY / S.P.D.T. / W/3 WIRES	1	
NS	561566	CONNECTOR / WEATHER PACK / PH 2C / BLACK / PED 12010973	1	
13	680532	SEALANT SIKA #221 / GREY / 310ml CARTRIDGE	AR	
14	504013	TIE MOUNT / 1/4" X 1/4" I.D.	AR	
NS	504637	CABLE TIE / 3/16" x 13"	AR	
NS	564542	TREE MOUNT CLIP FOR PED CONNECTOR From H-6094	2	
15	500244	SCREW TP BDG PH #8x3/4 N500	3	
16	500957	SCREW TP BDG PH #10x3/4 N500	40	
17	064554	SWITCH ASSY W/CONNECTOR	1	
18	065466	DECAL / LAVATORY PUMP FLUSH / ENGLISH & FRANCAIS	1	
18	067576	DECAL / LAVATORY PUMP FLUSH / ENGLISH & SPANISH	1	
18	066050	DECAL / LAVATORY PUMP FLUSH / ENGLISH & SPANISH	1	
19	561856	BOOSTER BLOCK, REMOTE / RED	1	
19	509945	WASHER FL 10.5x18.0x1.6 SS From E-5655	1	
19	509946	NUT HEX NYRT 3/8-16 SS From E-5655	1	
20	504016	CABLE TIE / 5/16" X 14"1/2	AR	
22	381210	SEPARATOR / FIBERGLASS RED	1	A

From 7-8754		Date:01/2024	PAGE:X3-0641-00
CABLE & HARNESS - REAR END INSTALLATION			

Item#	Part	Description	QTY	Notes
23	504118	RIVET POP DOME OE 3/16x3/8 AL	2	
24	062682	DECAL / "BOOSTER BLOCK" / ENGLISH & FRANCAIS To 9-9551	2	
24	066045	DECAL / "BOOSTER BLOCK" / ENGLISH & SPANISH To 9-9551	1	
24	067314	DECAL / "BOOSTER BLOCK" - GRD / ENGLISH & FRANCAIS From 9-9852 To D-5459	1	
24	067316	DECAL / BARRA DE AYUDA / - GRD / SPANISH From A-9953 To D-5459	1	
24	067969	DECAL / "BOOSTER BLOCK" - GRD PICTOGRAM From D-5460	1	
24	067313	DECAL / "BOOSTER BLOCK" + 24 / ENGLISH & FRANCAIS From 9-9852 To A-9952	1	
24	067893	DECAL / "BOOSTER BLOCK" + 24 / ENGLISH & FRANCAIS From A-9953 To D-5459	1	
24	067315	DECAL / BARRA DE AYUDA / + 24 / SPANISH From 9-9852 To D-5459	1	
24	067968	DECAL / "BOOSTER BLOCK" + 24 PICTOGRAM From D-5460	1	
24	382441	PLASTIC BOX 80.5x75.5x55 To A-9952	1	
24	382442	PLASTIC BOX 80.5x75.5x55 From A-9953	1	
25	066688	CABLE ASSY / FUEL PUMP PRIMER	1	
26	065297	CABLE ASSY / 110V BATTERIES CHARGER	1	
27	641462	PRESSURE SWITCH N.O. 4PSI / 1/4NPT W/10-32 / SL-5 BRAKE	1	
30	067283	CABLE HEATER ELEMENT RELAY	1	H
31	067102	CABLE NEG HEATER ELEMENT To H-6179	1	H
31	060308	CABLE NEG HEATER ELEMENT From H-6180	1	H
32	500612	SCREW TP FL PH #8x1/2 ZP	2	H
33	5001161	WASHER LO SPT 8.1x14.8x2.0 SS-304	2	H
34	563750	FUSEHOLDER W/RED COVER / MEGA FUSE /	1	H
35	563751	FUSE / MEGA FUSE / 125 AMPS / GREEN	1	H
35	564174	FUSE / MEGA FUSE / 150 AMPS / ORANGE	1	H
36	067100	CABLE ASS FUSE & HEATER ELEMENT	1	H
37	563348	RELAY POWER 24V 200 AMPS / S.P.S.T. N.O.	1	H
. NS	5001182	. NUT HEX NYRT M6-1.0 SS	1	H
. NS	502573	. WASHER FL 6.4x12.5x1.6 SS	1	H
. NS	563409	. CONNECTOR / SUPERSEAL 1.5 SERIES / SH 2C / AMP 282080-1	1	H
. NS	562607	. SOCKET TERMINAL / 20-16 / AMP 183025-1	1	H
38	5001182	NUT HEX NYRT M6-1.0 SS	2	H
39	500855	WASHER FL .188x.438x.049 N500	2	H
40	067542	CABLE POWER HEATER ELEMENT	1	H
41	500035	WASHER LO SPT .317x.586x.078 SS	2	H
42	500615	NUT HEX M8-1.25 BR	2	H
43	502868	SCREW TC TR PH #10-16x1/2 N500	4	H
50	X3-0666-00	BLOCK HEATER RECEPTACLE		
51	X3-0670-10	BATTERIES CHARGER - INSTALLATION		
60	067700	KIT, RETROFIT BOOSTER BLOCK To A-9948	1	
. A	382441	. PLASTIC BOX 80.5x75.5x55 To A-9948	1	
. B	382444	. GASKET To A-9948	1	
. C	504671	. GROMMET / .687x1.000x.125x.437x1.312 To A-9948	1	
. D	500702	. NUT HEX NYRT 3/8-16 SS To A-9948	1	

From 7-8754	Date:01/2024	PAGE:X3-0641-00
-------------	--------------	-----------------

CABLE & HARNESS - REAR END INSTALLATION

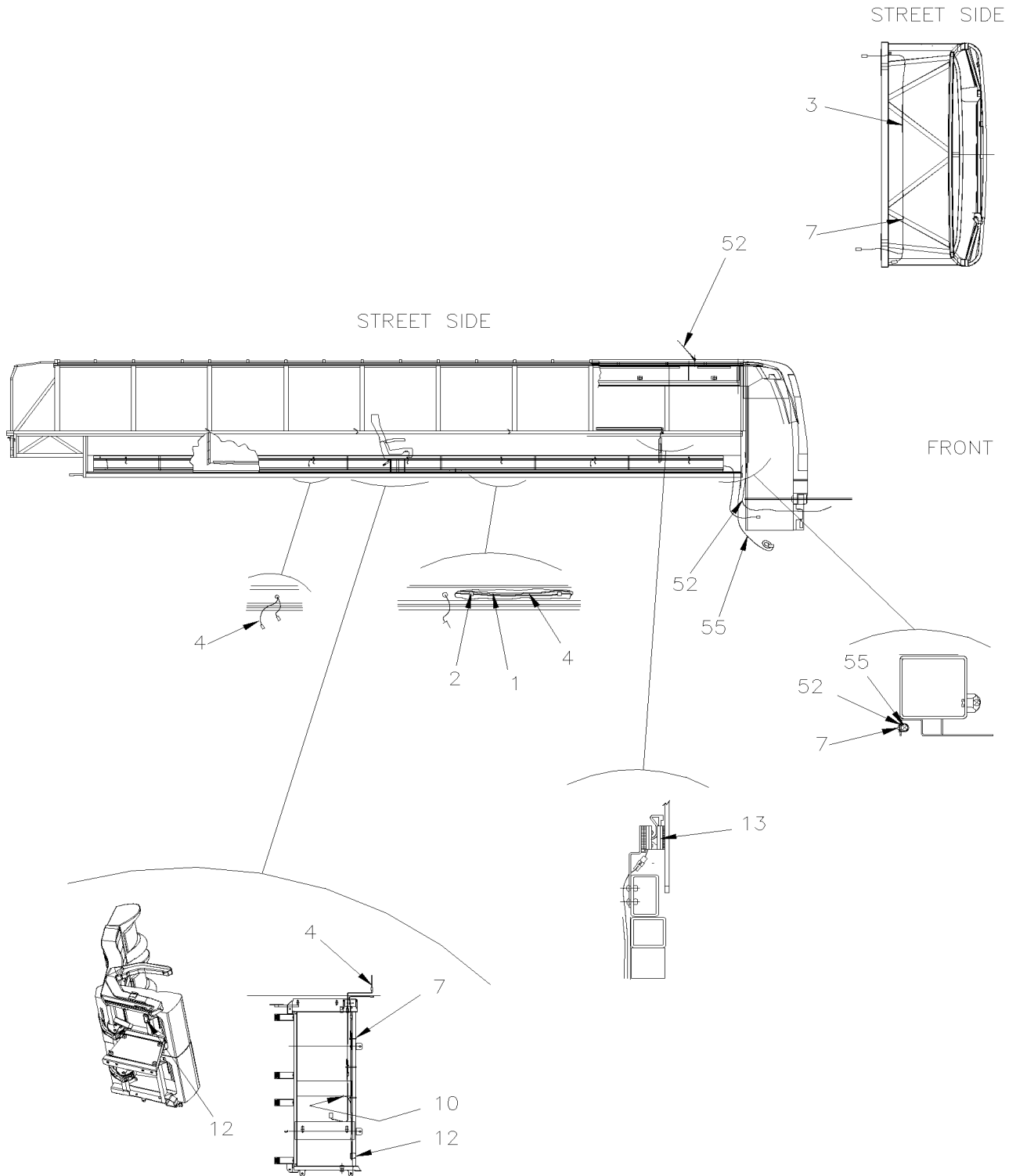
Item#	Part	Description	QTY	Notes
E	500270	WASHER FL .406x1.000x.063 SS To A-9948	1	
F	500678	NUT WELL #8-32x.450 To A-9948	1	
G	5001137	WASHER FL .203x.438x.050 SS To A-9948	1	
H	500873	SCREW MA RND PH #8-32x3/4 SS BK To A-9948	1	
NS	IS-09030	SEE INSTRUCTION SHEET To A-9948	1	
81	504637	CABLE TIE / 3/16" x 13"	AR	
81	504016	CABLE TIE / 5/16" X 14"1/2	AR	
82	509815	TIE MOUNT / ATTACHMENT W/TREE MOUNT	AR	
83	509492	CABLE TIE MOUNT FOR THREADED STUD 1/4	AR	
84	502681	NUT HEX NYRT M6-1.0 N500 G8	AR	
85	509490	ATTACHMENT DOUBLE USE WITH CABLE TIE	AR	
85	504610	RIVET MGLP PRDG 1/4x5/8 SS	AR	
86	509491	CABLE TIE / 13MM x 383MM	AR	
87	504750	CABLE TIE / 1/2" x 15" / CHRISTMAS TREE	AR	
88	371600	INSULATING PAD 76.2MM x 374.7MM	AR	
89	504610	RIVET MGLP PRDG 1/4x5/8 SS	AR	
90	507383	TIE MOUNT HOLE 3/8"	AR	
91	502868	SCREW TC TR PH #10-16x1/2 N500	AR	
92	504013	TIE MOUNT / 1/4" X 1/4" I.D.	AR	
		A) FOR PRODUCT IMPROVEMENT ASK KIT # 067700 TO PREVENT CORROSION OF TERMINAL CONECTOR		
		B) THOSE VEHICLE ARE USE WITH MODULE IOE-A AND IOE-B FOR FEILD TEST F-5793 / F-5795 / F-5799 / F-5802		
		H) WITH D13 ENGINE WITH AIR INTAKE HEATER		

From 7-8754

Date:01/2024

PAGE:X3-0642-00

CABLE & HARNESS - CENTRAL SECTION INSTALLATION

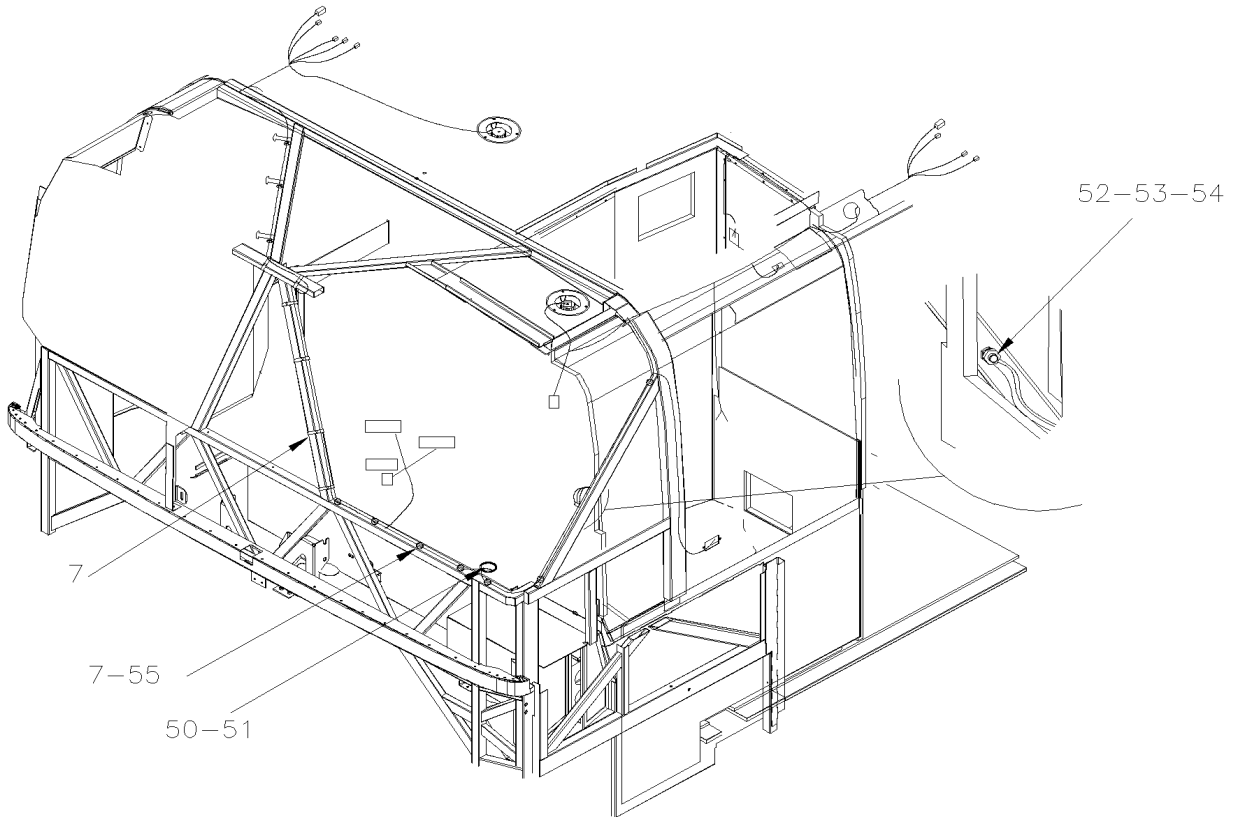
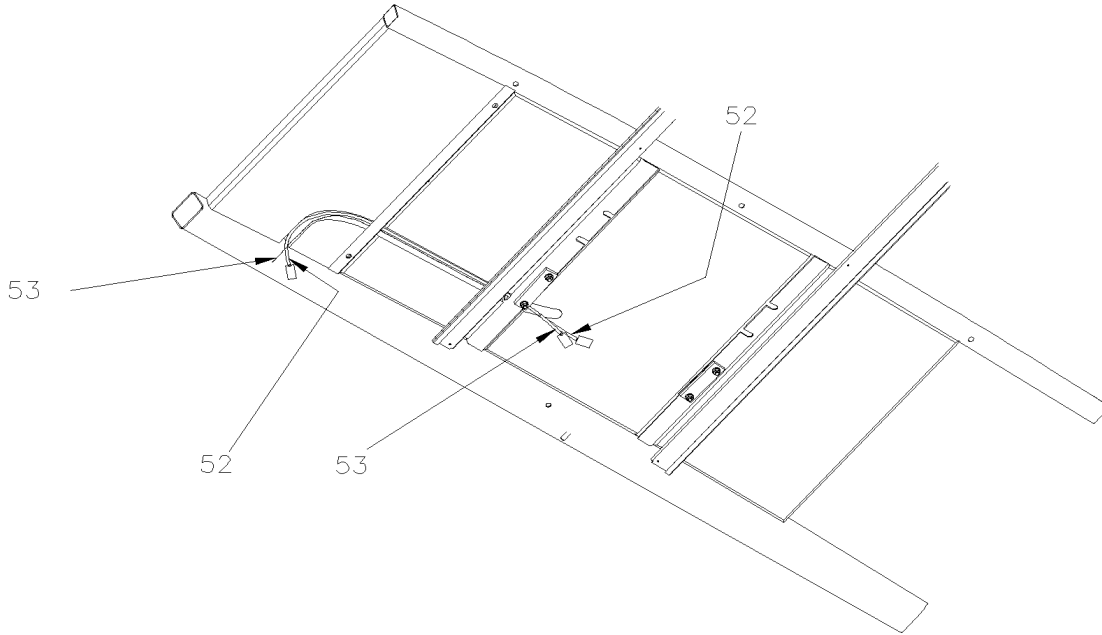


From 7-8754

Date:01/2024

PAGE:X3-0642-00

CABLE & HARNESS - CENTRAL SECTION INSTALLATION



From 7-8754	Date:01/2024	PAGE:X3-0642-00
-------------	--------------	-----------------

CABLE & HARNESS - CENTRAL SECTION INSTALLATION

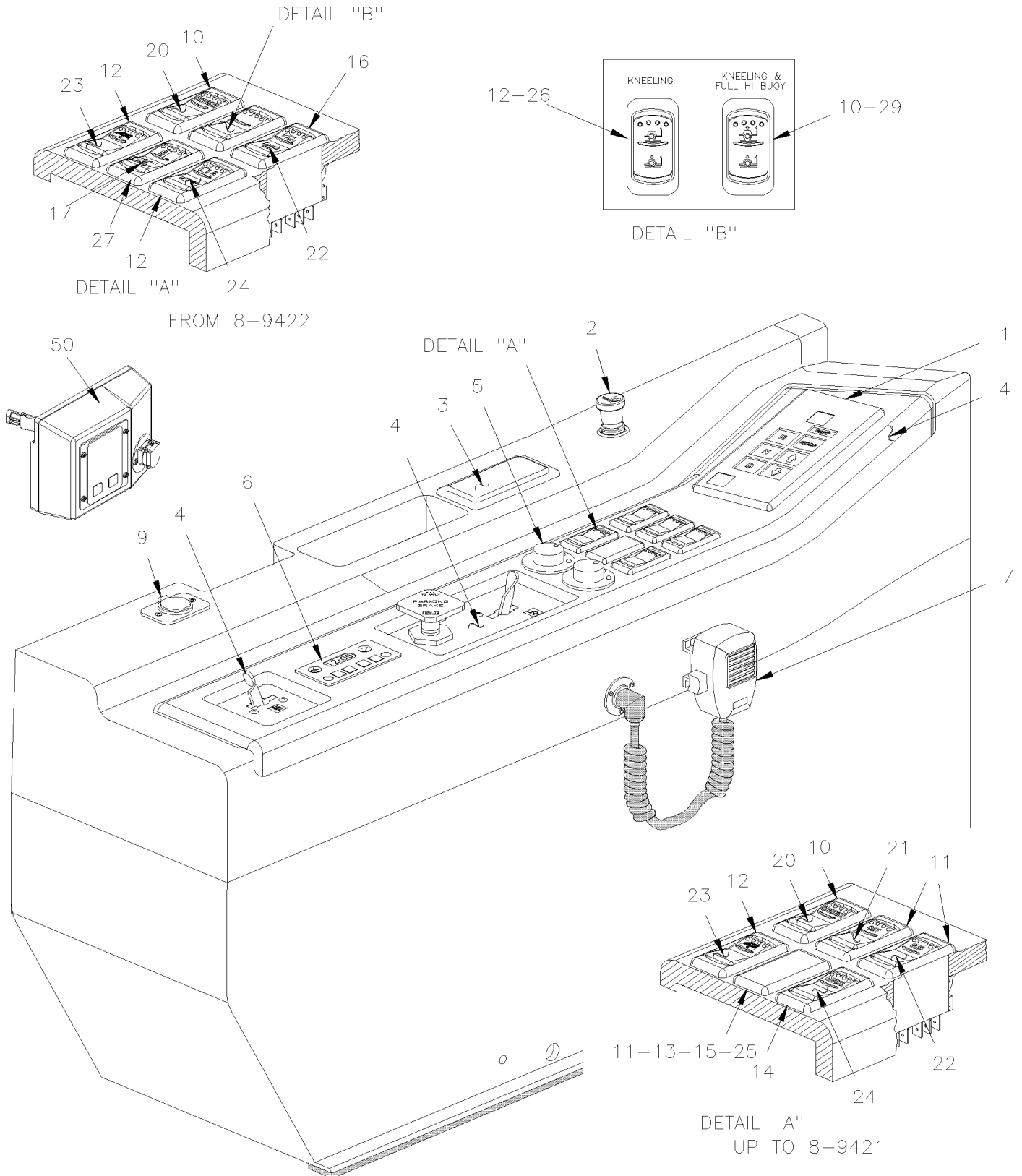
Item#	Part	Description	QTY	Notes
1	568101	LAMP LED ASSY / BLUE ISOLATED GROUND From H-6180	7	
1	066293	CABLE ASSY TO AISLE LAMP To E-5458	1	
1	068627	CABLE ASSY TO AISLE LAMP From E-5459 To G-6083	1	
2	504448	CABLE CLIP 1/4" / ADHESIVE To D-5297	AR	
2	680453	SEALANT TAPE / CLEAR / 1/32"x1/2"x65' / 1795 From D-5298	1	
3	066687	CABLE WINDOW AJAR TO STREESIDE To B-5001	1	
3	068755	CABLE WINDOW AJAR TO STREESIDE From B-5002 To H-6179	1	
3	060084	CABLE WINDOW AJAR TO STREESIDE From H-6180 To K-6492	1	
4	068118	CABLE WINDOW AJAR TO CURBSIDE From B-5002 To H-6179	1	
4	068118	CABLE WINDOW AJAR TO CURBSIDE To B-5001	1	
4	060085	CABLE WINDOW AJAR TO CURBSIDE From H-6180 To K-6492	1	
6	066686	CABLE WINDOW AJAR TO CURBSIDE To A-9896	1	
6	068118	CABLE WINDOW AJAR TO CURBSIDE From A-9897 To B-5001	1	
7	504637	CABLE TIE / 3/16" x 13"	AR	
10	500657	SCREW TC TR PH #10-24x1/2 Z050	7	
11	061310	CABLE ASSY / LIGHT & MAIN CABLE To H-6179	7	
12	564184	LAMP LED ASSY / BLUE 24V From B-5002 To H-6179	7	
12	568101	LAMP LED ASSY / BLUE ISOLATED GROUND From H-6180	7	
13	500582	SCREW TP PAN PH #8x3/8 Z050	14	
NS	500240	WASHER LO EXT .195x.410x.025 Z050	14	
50	504079	PLUG BUTTON / 1.500 O.D. / NICKEL	1	
51	680532	SEALANT SIKA #221 / GREY / 310ml CARTRIDGE	0	
52	500958	WASHER FL .531x1.062x.095 SS	1	
53	502595	NUT HEX NYRT 1/2-13 Z050	1	
54	680324	SEALER, ELECTRICAL CONNECTION AEROSOL / 17.75 OZ	0	
55	509815	TIE MOUNT / ATTACHMENT W/TREE MOUNT	7	

From 7-8754 To J-6335

Date:01/2024

PAGE:X3-0645-00

SWITCHES L.H. CONSOLE - BUS



From 7-8754 To J-6335	Date:01/2024	PAGE:X3-0645-00
SWITCHES L.H. CONSOLE - BUS		

Item#	Part	Description	QTY	Notes
1	571718	SHIFTER, SELECTOR "WORLD" / WTEC III To 7-9000	1	
1	572031	SHIFTER, SELECTOR "WORLD" / GEN IV From 7-9001 To 9-9589	1	
1	572124	SHIFTER, SELECTOR "WORLD" / GEN IV From 9-9590 To E-5624	1	
1	572155	SHIFTER, SELECTOR "WORLD" / GEN V From E-5625	1	
1	571773	SHIFTER SELECTOR "ZF" To B-5001	1	
1	071587	SHIFTER SELECTOR "I-SHIFT" From B-5002	1	
1	071562	DECAL / USE ELECTRONIC...PROXI...MAY CAUSE... / ENGLISH	1	I ZF
1	071563	DECAL / USE ELECTRONIC...PROXI...MAY CAUSE... / FRENCH / ENGLISH	1	I ZF
1	071564	DECAL / USE ELECTRONIC...PROXI...MAY CAUSE... / ENGLISH / SPANISH	1	I ZF
NS	406174	SUNLIGHT DEFLECTOR	1	
NS	071300	SUPPORT / SHIFTER SELECTOR "ZF" To B-5001	2	
NS	500423	NUT HEX NYRT #10-32 SS	2	
1	066277	WIRING HARNESS DASHBOARD LEFT MODULE / W/MUX To 8-9276	1	
1	066975	WIRING HARNESS DASHBOARD LEFT MODULE / W/MUX From 8-9277 To 8-9281	1	
1	067129	WIRING HARNESS DASHBOARD LEFT MODULE / W/MUX From 8-9282 To 8-9421	1	D13
1	067212	WIRING HARNESS DASHBOARD LEFT MODULE / W/MUX From 8-9422 To 9-9585	1	
1	067425	WIRING HARNESS DASHBOARD LEFT MODULE / W/MUX From 9-9586 To F-5871	1	
1	069275	WIRING HARNESS DASHBOARD LEFT MODULE From F-5872 To G-6099	1	
1	069345	WIRING HARNESS DASHBOARD LEFT MODULE From G-6100 To H-6179	1	
1	060544	WIRING HARNESS DASHBOARD LEFT MODULE From H-6180	1	
2	561491	LIGHTER ASSY / 12V	1	
2	562943	. POP OUT 12V	1	
NS	562944	. BASE LIGHTER	1	
3	890006	ASHTRAY	1	
4	X3-1806-10	L.H. CONSOLE - BUS		
5	562748	SWITCH, MIRROR / ROUND	AR	
5		CLIP RETAINER / MIRROR SWITCH (R2000-1372P)	2	
NS	562749	CONNECTOR / SH 8C / EURAMTEC W-RT8-200	2	
NS	507295	HOLE PLUG BUTTON / 1.375 O.D. BLACK	AR	
5	562799	DUMMY PLUG MIRROR	AR	
6	871250	TIMER ASSY / W/"WEBASTO" PREHEATER To H-6187	1	
NS	19511692	. BULB To H-6187	1	
6	871464	TIMER ASSY / W/"SPHEROS" PREHEATER From H-6188 To K-6439	1	
6	870070	TIMER ASSY / W/"HYDRONIC L30" PREHEATER From K-6440	1	
6	871101	TIMER ASSY / W/"PROHEAT" PREHEATER	1	
NS	066217	WIRING HARNESS / W/ "WEBASTO" PREHEATER / W/MUX To H-6179	1	
6	060557	WIRING HARNESS TIMER PREHEATER From H-6180	1	
NS	065392	WIRING HARNESS / W/ "PROHEAT" PREHEATER	1	
6	392162	SUPPORT W/"PROHEAT" TIMER	1	
6	060016	WIRING HARNESS / W/ "PROHEAT" PREHEATER From H-6180	1	
NS	391968	DUMMY / W/O TIMER	1	
7	X3-2315-00	SOUND SYSTEM & ACCESSORIES		

From 7-8754 To J-6335	Date:01/2024	PAGE:X3-0645-00
SWITCHES L.H. CONSOLE - BUS		

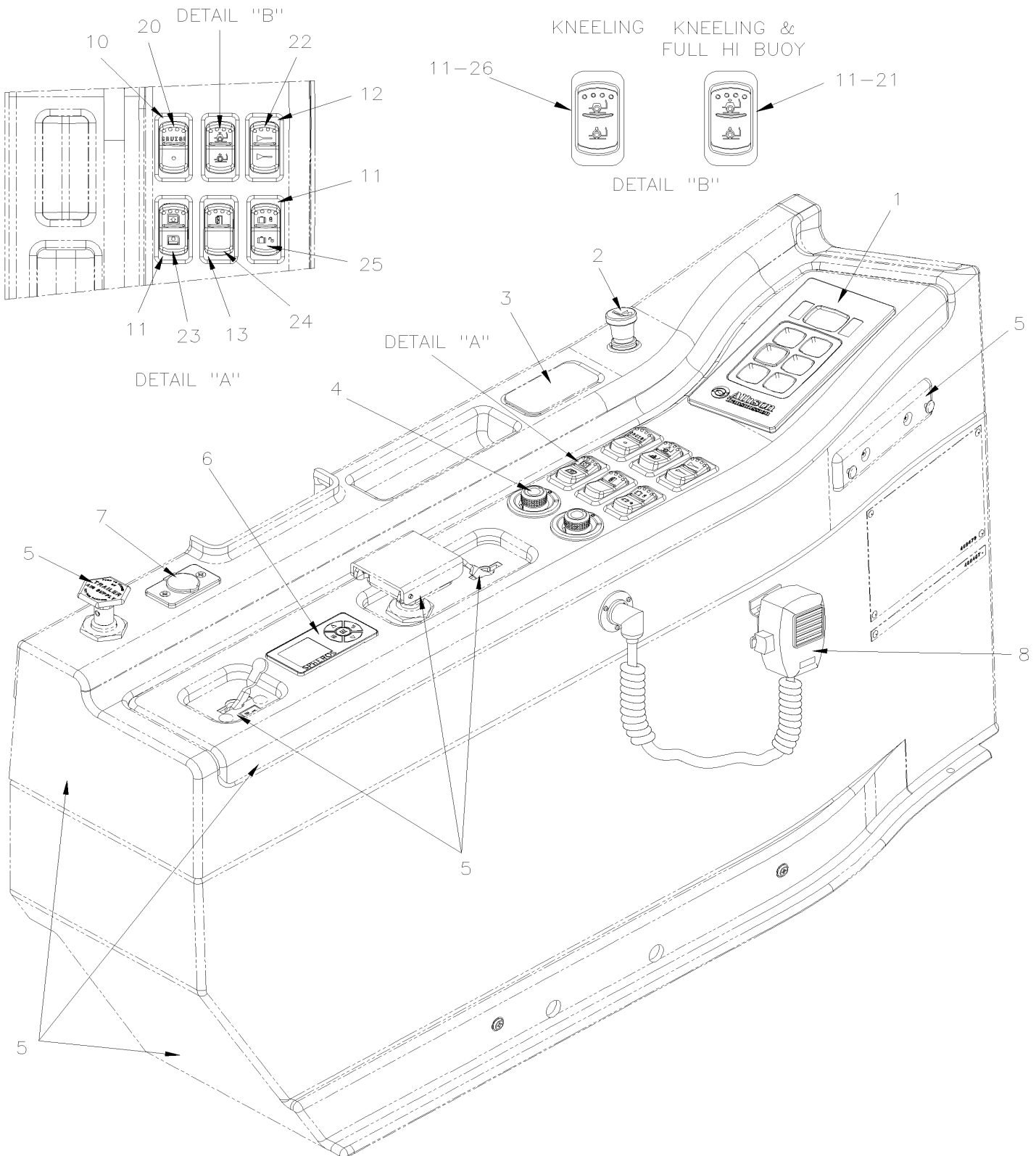
Item#	Part	Description	QTY	Notes
9	562796	12 VOLTS POWER OUTLET	1	
10	562697	SWITCH / ON-ON / D.P.D.T. / CH-OVER / W/RED & GREEN LED	AR	
11	562698	SWITCH / OFF-M/ON / D.P.S.T. / W/GREEN LED	AR	
12	562699	SWITCH / M/ON-OFF-M/ON / D.P.D.T. / W/GREEN LED	AR	
13	562773	SWITCH / "DUMMY" / PLUG	AR	
14	562855	SWITCH / OFF-M/ON / D.P.S.T. / W/RED LED To 8-9276	1	
14	563725	SWITCH / ON- M/ON / D.P.D.T. / W/RED LED From 8-9277	1	
15	563376	SWITCH / ON-M/ON / D.P.S.T. / NOMALY CLOSE 1-2 / 4-5 To 9-9585	1	B
16	563012	SWITCH / ON-ON / D.P.D.T. / CH-OVER / W/GREEN LED	1	
17	562854	SWITCH / ON-ON / D.P.D.T. / CH-OVER / W/RED LED To 9-9585	1	
17	564079	SWITCH / M/OFF-OFF-M/ON From 9-9586	1	
NS	562763	CONNECTOR RH 10C / SWITCH / NGR 28-5637-2	AR	
NS	562768	SOCKET TERMINAL / 16-14 / PED 12015870	AR	
20	562724	CAP / CRUISE CONTROL	1	
21	562725	CAP / SET / CRUISE CONTROL To 8-9421	1	
22	562726	CAP / RESUME / CRUISE CONTROL To 8-9421	1	
22	564081	CAP / HORN SELECTOR - ELEC / AIR	1	
23	562740	CAP / WINDOW DRIVER'S	1	
24	562787	CAP / DECEL / CRUISE CONTROL To 8-9421	1	
25	562714	CAP / PLAIN (W/O DESCRIPTION)	AR	B
26	562737	CAP / KNEELING From 8-9422	1	
27	562713	CAP / MIRROR HEATER From 8-9422	1	
28	562736	CAP / LUGGAGE DOOR LOCK From 8-9422	1	
29	562738	CAP / UP-DOWN From 8-9422	1	
50	X3-2320-35	FIRE PROTECTION SYSTEM INSTALLATION To B-5001		
50	X3-2320-36	FIRE PROTECTION SYSTEM BUS INSTALLATION / EPA 2010 From B-5002 To C-5133	1	
50	X3-2320-37	FIRE PROTECTION SYSTEM BUS INSTALLATION / 3RD BAGGAGE COMPARTMENT From C-5134	1	
		B) WITH SAFETY SWITCH PARKING BRAKE		
		D13) WITH "VOLVO" ENGINE		
		I) WITH "I-SHIFT" SHIFTER		
		ZF) WITH "ZF" SHIFTER		

From J-6336

Date:01/2024

PAGE:X3-0645-01

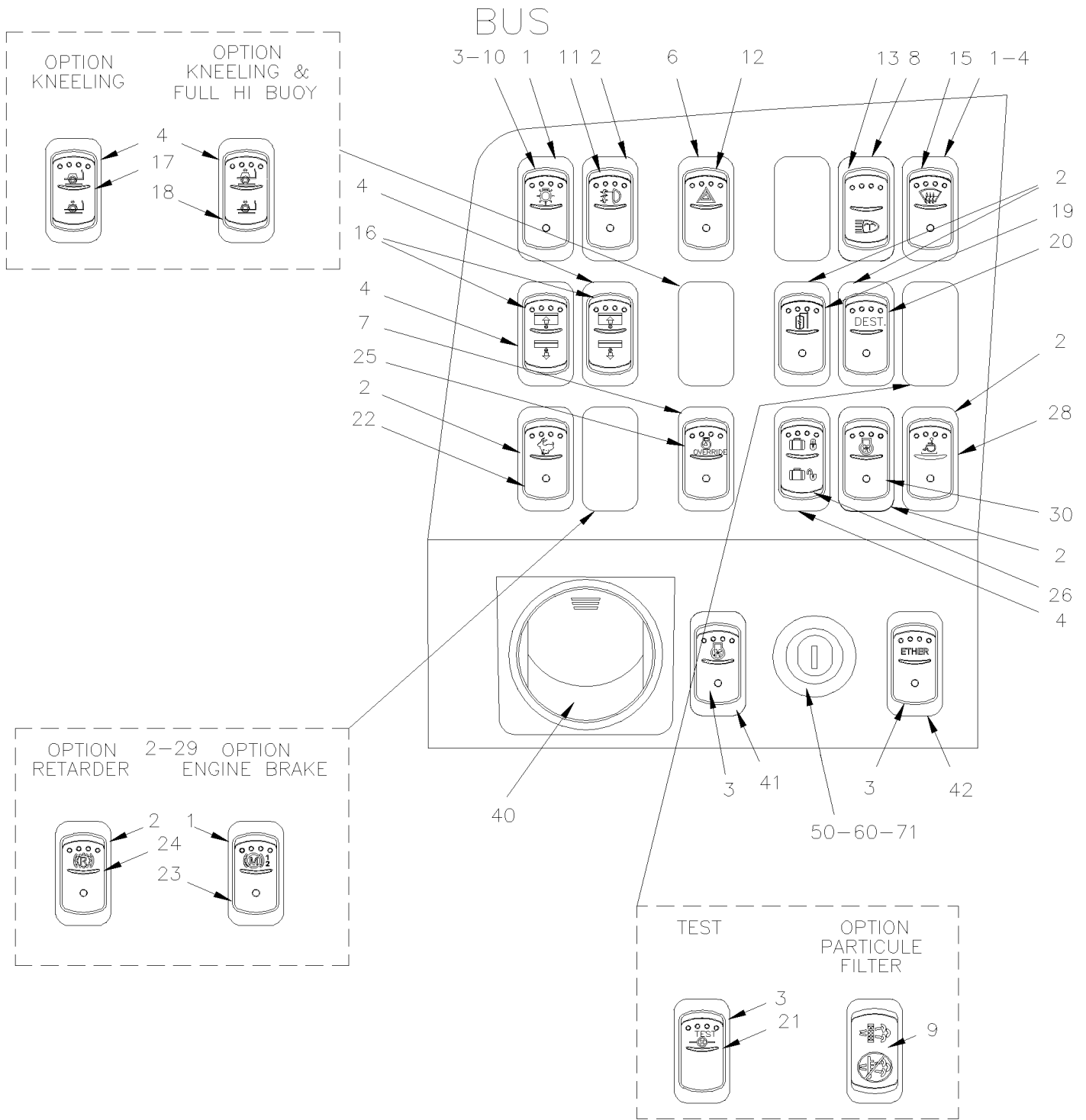
SWITCHES L.H. CONSOLE - BUS



From J-6336		Date:01/2024	PAGE:X3-0645-01
SWITCHES L.H. CONSOLE - BUS			

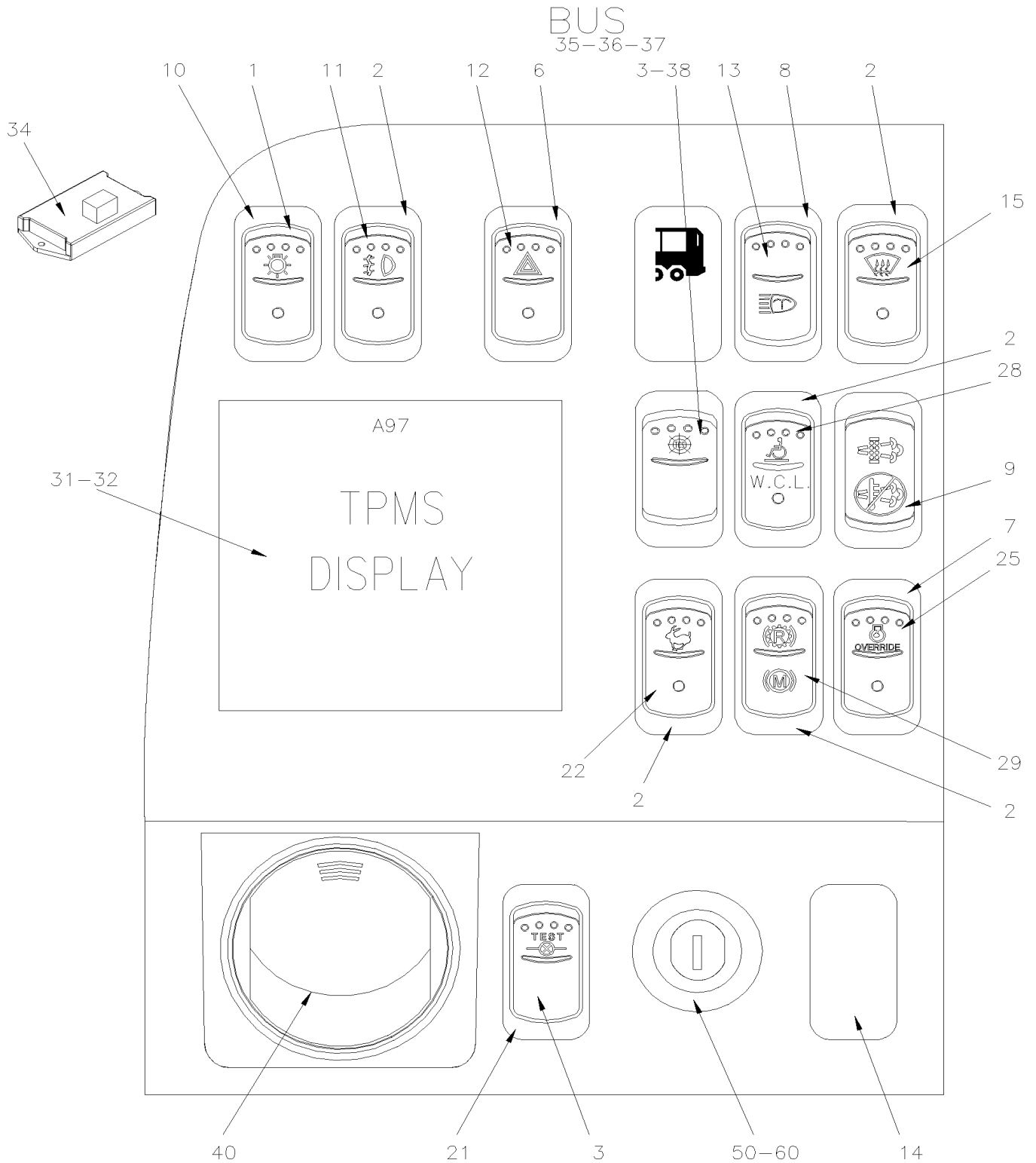
Item#	Part	Description	QTY	Notes
1	570052	SHIFTER, SELECTOR "WORLD" / GEN V To N-6738	1	
1	570134	SHIFTER, SELECTOR "WORLD" / GEN VI From N-6739	1	
1	071587	SHIFTER SELECTOR "I-SHIFT"	1	
2	561491	LIGHTER ASSY / 12V To P-6787	1	
3	890006	ASHTRAY To P-6787	1	
4	562748	SWITCH, MIRROR / ROUND	2	
NS	562799	DUMMY PLUG MIRROR	2	
5	X3-1806-11	L.H. CONSOLE - BUS		
5	060544	WIRING HARNESS DASHBOARD LEFT MODULE To M-6657	1	
5	0610411	WIRING HARNESS DASHBOARD LEFT MODULE From M-6658	1	
6	871464	TIMER ASSY / W/"SPHEROS" PREHEATER To K-6452	1	
6	870070	TIMER ASSY / W/"HYDRONIC L30" PREHEATER From K-6453	1	
6	060557	WIRING HARNESS TIMER PREHEATER	1	
6	871101	TIMER ASSY / W/"PROHEAT" PREHEATER	1	
6	392162	SUPPORT W/"PROHEAT" TIMER	1	
6	060016	WIRING HARNESS / W/ "PROHEAT" PREHEATER	1	
NS	391968	DUMMY / W/O TIMER	1	
7	562796	12 VOLTS POWER OUTLET	1	
8	X3-2315-01	SOUND SYSTEM & ACCESSORIES W/HED		
10	562697	SWITCH / ON-ON / D.P.D.T. / CH-OVER / W/RED & GREEN LED	1	
11	562699	SWITCH / M/ON-OFF-M/ON / D.P.D.T. / W/GREEN LED	AR	
12	563012	SWITCH / ON-ON / D.P.D.T. / CH-OVER / W/GREEN LED	1	
13	564079	SWITCH / M/OFF-OFF-M/ON	1	
20	562724	CAP / CRUISE CONTROL	1	
21	562738	CAP / UP-DOWN	1	
22	564081	CAP / HORN SELECTOR - ELEC / AIR	1	
23	562740	CAP / WINDOW DRIVER'S	1	
24	562713	CAP / MIRROR HEATER	1	
25	562736	CAP / LUGGAGE DOOR LOCK	1	
26	562737	CAP / KNEELING	1	
NS	562773	SWITCH / "DUMMY" / PLUG	1	
31	560466	MODULE USB DUAL PORT	1	
NS	563622	BUTT SPLICE / 22-18 / RED / W/THERMORETRAC / PANDUIT BSH18-Q	2	
NS	564099	TAPE ADHESIF ELECTRICAL TISSUS / BLACK 838MM	AR	
32	5001411	SCREW MA FL PH M4-0.7x20 BK	2	
33	500539	NUT HEX NYRT M4-0.7 N500	2	

L.H. DASHBOARD PANEL



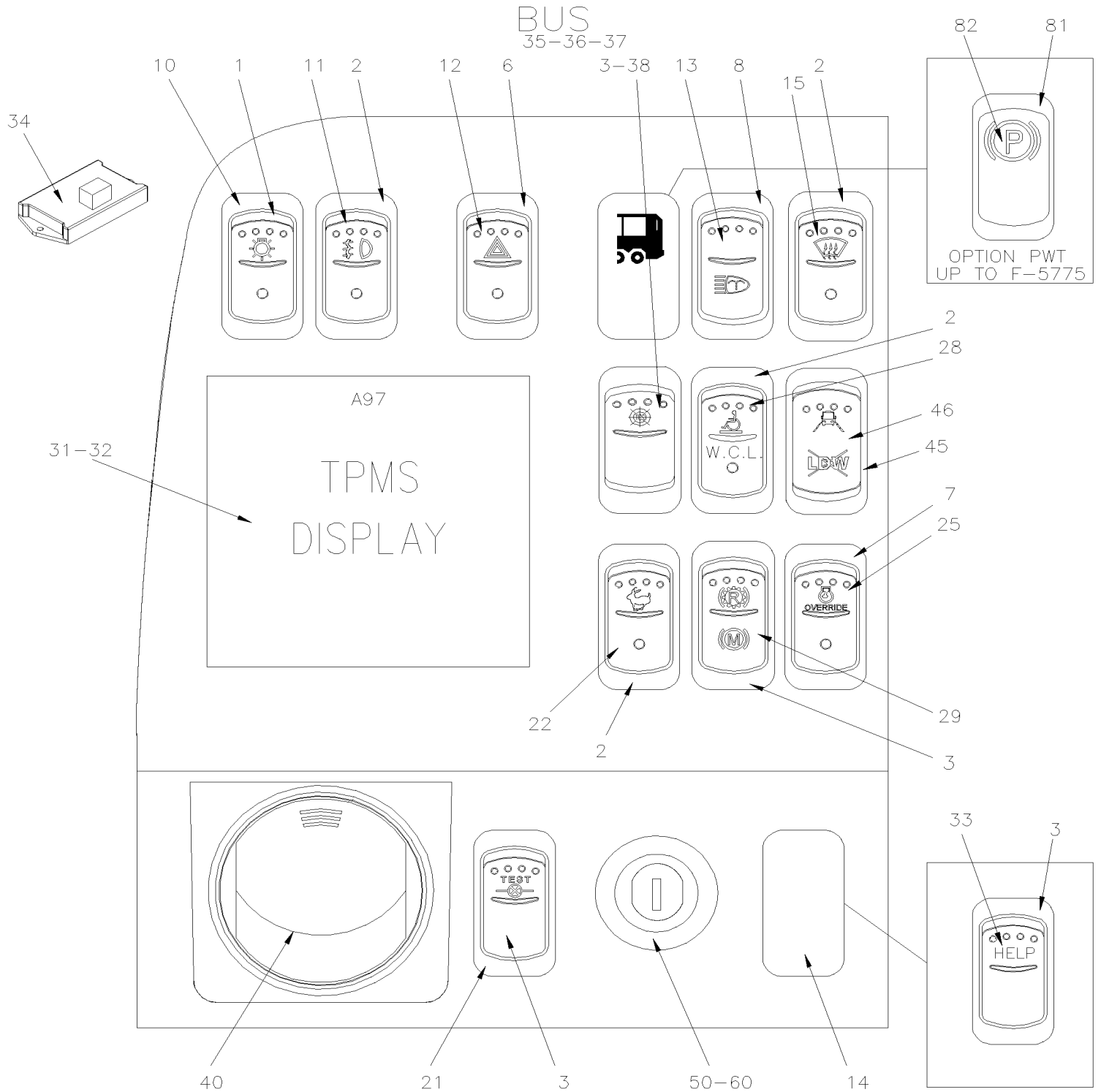
UP TO 8-9421

From 7-8754 To J-6335	Date:01/2024	PAGE:X3-0645-10
L.H. DASHBOARD PANEL		

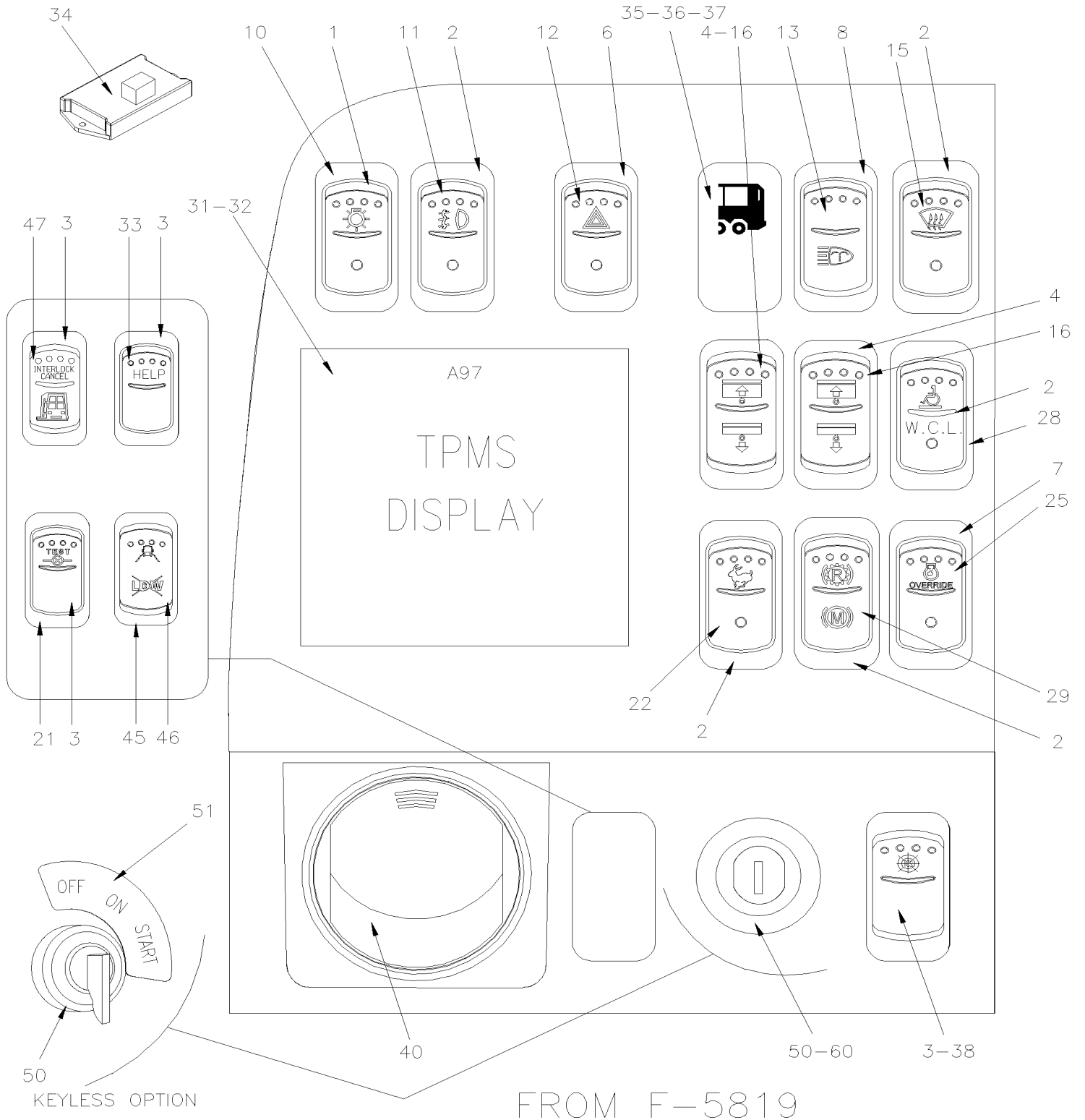


FROM 8-9422 UP TO B-5001

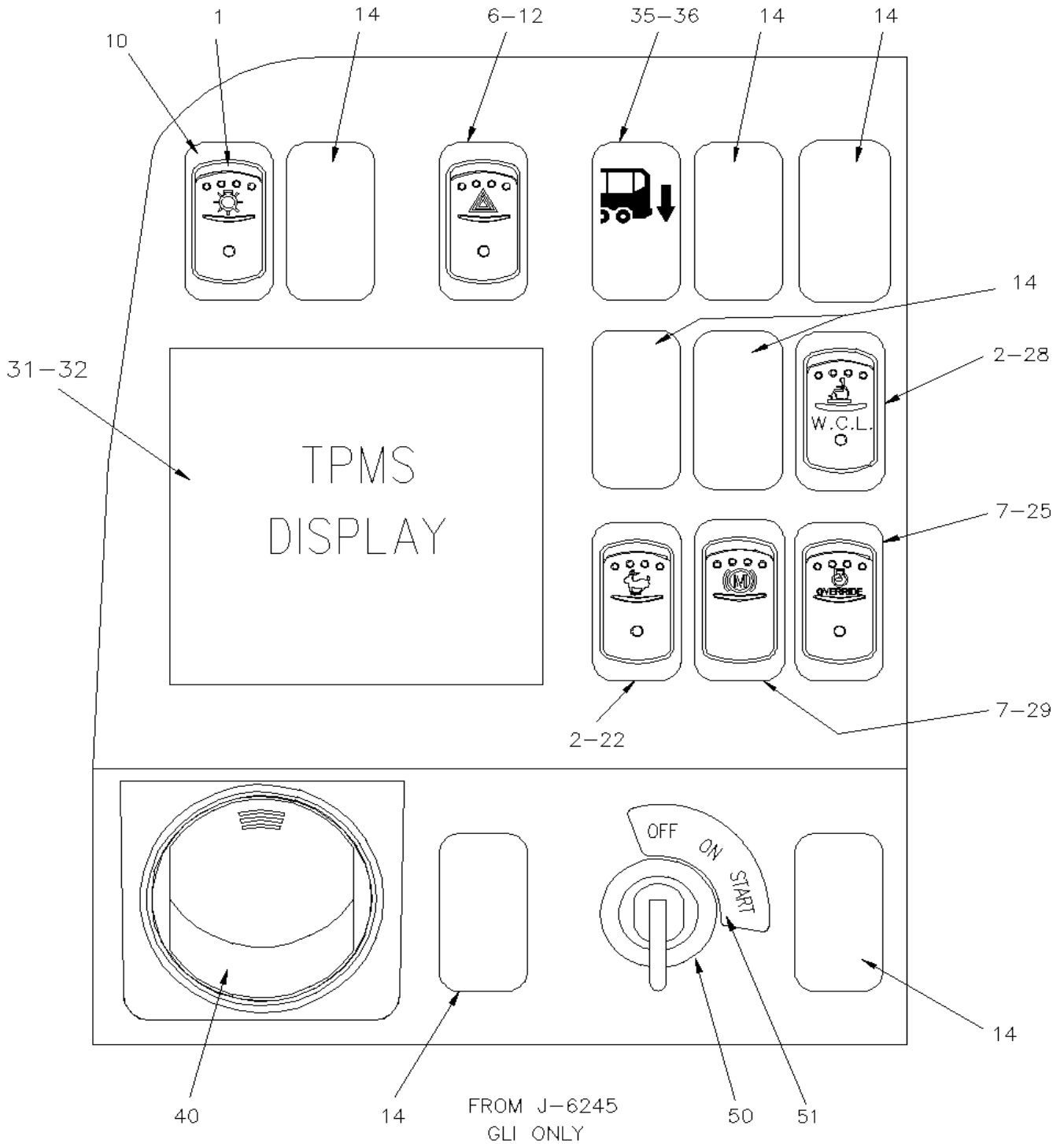
From 7-8754 To J-6335	Date:01/2024	PAGE:X3-0645-10
L.H. DASHBOARD PANEL		



FROM B-5002 UP TO F-5818



From 7-8754 To J-6335	Date:01/2024	PAGE:X3-0645-10
L.H. DASHBOARD PANEL		



From 7-8754 To J-6335	Date:01/2024	PAGE:X3-0645-10
------------------------------	---------------------	------------------------

L.H. DASHBOARD PANEL

Item#	Part	Description	QTY	Notes
1	562696	SWITCH / OFF-ON-ON SERIES S.P.D.T. / W/RED & GREEN LED	AR	
2	562697	SWITCH / ON-ON / D.P.D.T. / CH-OVER / W/RED & GREEN LED	AR	
3	562698	SWITCH / OFF-M/ON / D.P.S.T. / W/GREEN LED	AR	
4	562699	SWITCH / M/ON-OFF-M/ON / D.P.D.T. / W/GREEN LED	AR	
5	562700	SWITCH / ON-OFF-ON / D.P.D.T. / W/GREEN LED	AR	
6	562854	SWITCH / ON-ON / D.P.D.T. / CH-OVER / W/RED LED	AR	
7	562855	SWITCH / OFF-M/ON / D.P.S.T. / W/RED LED	AR	
8	564008	SWITCH / OFF-M/ON / S.P.S.T. / W/GREEN LED	AR	
NS	562773	SWITCH / "DUMMY" / PLUG	AR	
NS	562763	CONNECTOR RH 10C / SWITCH / NGR 28-5637-2	AR	
NS	562768	SOCKET TERMINAL / 16-14 / PED 12015870	AR	
9	563722	SWITCH ASSY W/CAP BLUE / D.P.Filter From 8-9277 To 9-9581	1	
9	564106	SWITCH ASSY W/CAP BLUE / D.P.Filter From 9-9582 To B-5001	1	
10	562708	CAP / HEADLIGHT	1	
11	562709	CAP / FOG	1	
12	562710	CAP / WARNING LIGHT HAZARD	1	
13	564006	CAP / HEADLAMP WASHER	1	
14	562773	SWITCH / "DUMMY" / PLUG	AR	
15	562712	CAP / DEFOGGER	1	
16	562739	CAP / ROLLER BLIND To 8-9421	2	
16	562739	CAP / ROLLER BLIND From F-5819	2	
16	IS-14145	SUNVISOR SWITCHES ON DASHBOARD From B-5002 To F-5818	1	
NS	069234	SUN VISOR SWITCH HARNESS From B-5002 To F-5818	1	
NS	562699	SWITCH / M/ON-OFF-M/ON / D.P.D.T. / W/GREEN LED From B-5002 To F-5818	2	
NS	562739	CAP / ROLLER BLIND From B-5002 To F-5818	2	
NS	562769	SOCKET TERMINAL / 20-18 / PED 12015869 From B-5002 To F-5818	3	
NS	IS14145	SEE INSTRUCTION SHEET From B-5002 To F-5818	1	
17	562737	CAP / KNEELING To 8-9421	1	
18	562738	CAP / UP-DOWN To 8-9421	1	
19	562713	CAP / MIRROR HEATER To 8-9421	1	
20	562743	CAP / DESTINATION SIGN To 8-9421	1	
21	562741	CAP / TELL TALE TEST	1	
22	562723	CAP / FAST IDLE	1	
23	562728	CAP / "JACOB'S" To 8-9421	1	
24	562729	CAP / "RETARDER" To 8-9421	1	
25	562727	CAP / ENGINE OVERRIDE	1	
NS	064819	DIODE DOUBLE ASSY To 8-9421	1	E
NS	065389	CABLE ASSY / "JACOB'S" & RETARDER To 8-9421	1	E
NS	562697	SWITCH / ON-ON / D.P.D.T. / CH-OVER / W/RED & GREEN LED To 8-9421	1	E
NS	563332	RELAY 24V S.P.D.T. W/RESISTOR / "VOLVO" (20374662) To 8-9421	1	E
26	562736	CAP / LUGGAGE DOOR LOCK To 8-9421	1	
27	562722	CAP / PRE-HEATER To 8-9421	1	

From 7-8754 To J-6335	Date:01/2024	PAGE:X3-0645-10
-----------------------	--------------	-----------------

L.H. DASHBOARD PANEL

Item#	Part	Description	QTY	Notes
28	562774	CAP / W.C.L.	1	
29	564082	CAP / "JACOB'S" & RETARDER" From 8-9422	AR	
29	564146	CAP / "JACOB'S" From B-5002	AR	I
29	562698	SWITCH / OFF-M/ON / D.P.S.T. / W/GREEN LED From G-6019	1	G
29	564146	CAP / "JACOB'S" From G-6019	1	G
30	562735	CAP / RADIATOR FAN To 8-9421	1	
31	564083	SCREEN MONITOR TIRE From 8-9422 To B-5023	1	
31	564094	SCREEN MONITOR TIRE From B-5024 To E-5569	1	
31	565912	SCREEN MONITOR TIRE From E-5570 To J-6301	1	
31	560561	SCREEN MONITOR TIRE From J-6302	1	
32	564084	PLATE TPMS / FIXED AT CENTRAL BOARD From 8-9422	1	
32	564086	PLATE REAR TPMS ON CENTRAL BOARD From 8-9422	1	
NS	564085	PLATE W/OUT TPMS ON CENTRAL BOARD From 8-9422	1	
NS	5001690	SCREW TC M5 From 8-9422	5	
33	562714	CAP / PLAIN (W/O DESCRIPTION)	1	C
33	565923	CAP / HELP !	1	
34	382446	GATEWAY LIN BUS INTERFACE To D-5518	1	B
34	382562	GATEWAY LIN BUS INTERFACE From D-5519 To E-5595	1	B
34	565917	GATEWAY LIN BUS INTERFACE From E-5596 To E-5682	1	B
34	565921	GATEWAY LIN BUS INTERFACE From E-5683 To G-6022	1	B
34	560008	GATEWAY LIN BUS INTERFACE From G-6023	1	B
35	565882	LIGHT SWITCH / LOAD MONITORING From B-5050	1	GR
36	565883	BASE INDICATOR AMBER LED From B-5050 To F-5823	1	GR
36	565961	BASE INDICATOR AMBER LED From F-5824	1	GR
37	068356	HARNESS, LIGHT LOAD SENSOR From B-5050 To F-5823	1	GR
37	069165	HARNESS, LIGHT LOAD SENSOR From F-5824	1	GR
37	068354	HARNESS, LIGHT LOAD SENSOR REAR AXLE From B-5050 To H-6179	1	GR
37	060211	HARNESS, LIGHT LOAD SENSOR REAR AXLE From H-6180	1	GR
38	564147	CAP / TCS	1	
39	563012	SWITCH / ON-ON / D.P.D.T. / CH-OVER / W/GREEN LED	1	
40	871314	LOUVER, ADJUSTABLE / ROUND 2 5/8" O.D.	1	
41	562735	CAP / RADIATOR FAN To 8-9421	1	
42	562734	CAP / ETHER To 8-9421	1	
45	565890	SWITCH / M/OFF-OFF-M/ON / W/AMBER LED From £-12080	1	
46	565891	CAP / LDW From £-12080	1	
47	563825	CAP / INTERLOCK From J-6242	1	F
50	562147	SWITCH, IGNITION / CODE 801	1	
. NS	780003	. KEY, IGNITION SWITCH CODE 801	1	
50	562148	SWITCH, IGNITION / CODE 802	1	
. NS	780004	. KEY, IGNITION SWITCH CODE 802	1	
50	562151	SWITCH, IGNITION / CODE 803	1	
. NS	780006	. KEY, IGNITION SWITCH CODE 803	1	

From 7-8754 To J-6335	Date:01/2024	PAGE:X3-0645-10
-----------------------	--------------	-----------------

L.H. DASHBOARD PANEL

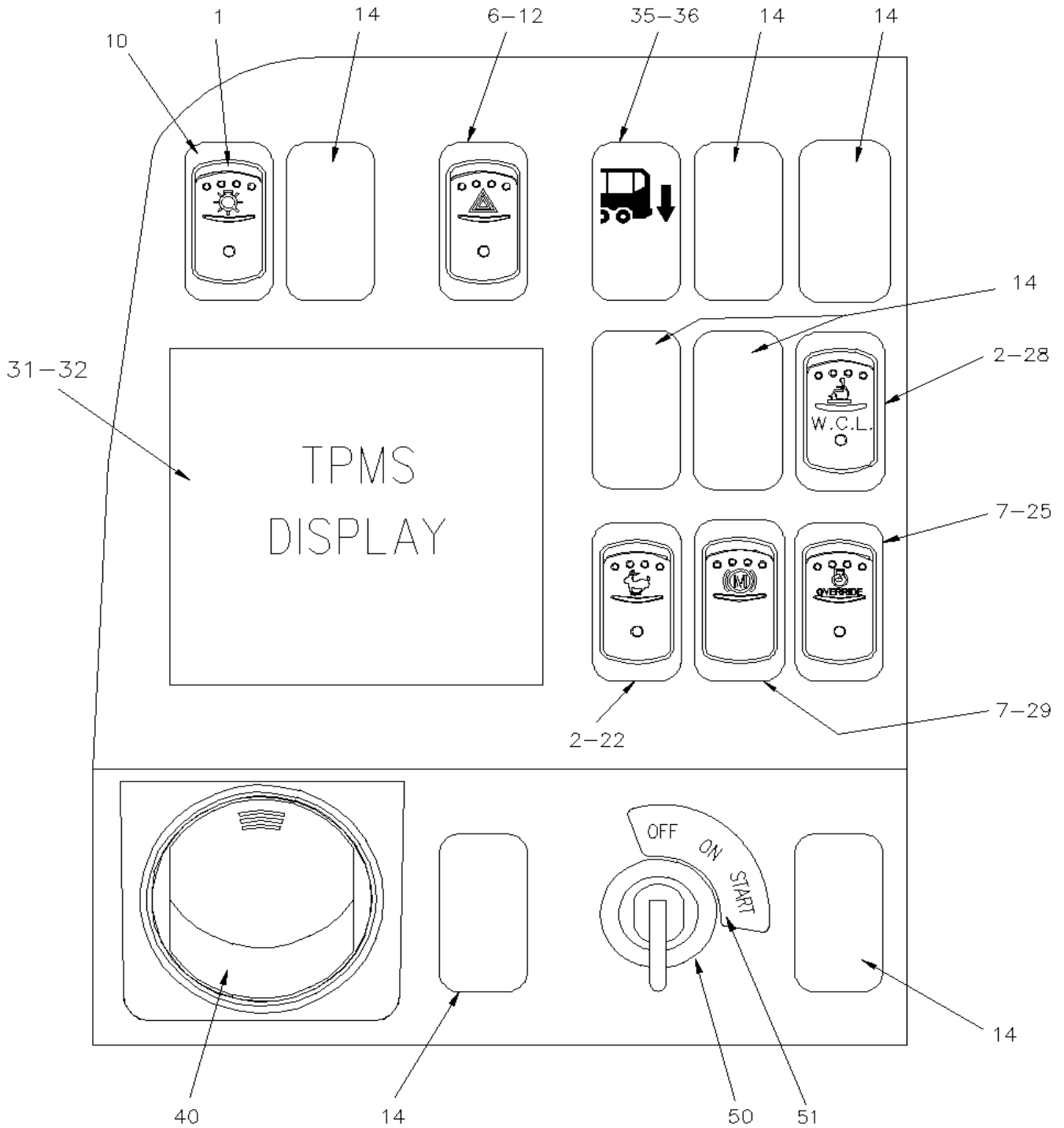
Item#	Part	Description	QTY	Notes
50	562150	SWITCH, IGNITION / CODE 804	1	
. NS	780007	. KEY, IGNITION SWITCH CODE 804	1	
50	562152	SWITCH, IGNITION / CODE 805	1	
. NS	780008	. KEY, IGNITION SWITCH CODE 805	1	
50	562149	SWITCH, IGNITION / CODE 806	1	
. NS	780009	. KEY, IGNITION SWITCH CODE 806	1	
50	562146	SWITCH, IGNITION / KEYLESS (ACC-OFF-IGN-START)	1	
50	562296	KEY / IGNITION BLANCK UNCUT	AR	
50	565888	SWITCH, IGNITION / KEYLESS (OFF-IGN-START) From J-6245	1	GR
51	068589	DECAL (OFF-IGN-START) From J-6245	1	GR
		NEXT ITEMS USED WITH "FORD" IGNITION SWITCH		
60	065512	CYLINDER IGNITION / CODE FA 0000	1	A
60	065658	CYLINDER IGNITION / CODE FA 0001	1	A
NS	064902	CYLINDER IGNITION / CODE FA 0013	1	A
60	065590	CYLINDER IGNITION / CODE FA 0055	1	A
60	065409	CYLINDER IGNITION / CODE FA 0107	1	A
60	065851	CYLINDER IGNITION / CODE FA 0109	1	A
60	065396	CYLINDER IGNITION / CODE FA 0113	1	A
60	068344	CYLINDER IGNITION / CODE FA 0150	1	A
60	065397	CYLINDER IGNITION / CODE FA 0206	1	A
60	065878	CYLINDER IGNITION / CODE FA 0208	1	A
60	061022	CYLINDER IGNITION / CODE FA 0231	1	A
60	064417	CYLINDER IGNITION / CODE FA 0528	1	A
60	065043	CYLINDER IGNITION / CODE FA 0528	1	A
60	067194	CYLINDER IGNITION / CODE FA 0692	1	A
60	065500	CYLINDER IGNITION / CODE FA 0704	1	A
60	065607	CYLINDER IGNITION / CODE FA 0714	1	A
60	069458	CYLINDER IGNITION / CODE FA 0726	1	A
60	065501	CYLINDER IGNITION / CODE FA 1343	1	A
60	067937	CYLINDER IGNITION / CODE FA 1509	1	A
NS	562654	SWITCH & CABLE / SWITCH To D-5349	1	A
60	068259	SERVICE KIT FOR FORD KEY SWITCH To D-5349	1	A
60	564566	SWITCH From D-5350	1	A
60	561626	TAB RECEPTACLE TERMINAL INSUL. NYLON / 22 / AMP 2-520264-4 From D-5350	4	A
NS	562655	NUT / TO FIX SWITCH	1	A
NS	391904	SPACER / SWITCH & MOUNTING PLATE	1	A
NS	064419	CABLE ASSY / RELAY AND SWITCH	1	A
NS	563332	RELAY 24V S.P.D.T. W/RESISTOR / "VOLVO" (20374662)	1	A
61	780645	KEY CODE A	1	A

From 7-8754 To J-6335	Date:01/2024	PAGE:X3-0645-10
-----------------------	--------------	-----------------

L.H. DASHBOARD PANEL

Item#	Part	Description	QTY	Notes
61	780654	KEY CODE / FA 0001	1	A
61	780604	KEY CODE / FA 0013	1	A
61	780651	KEY CODE / FA 0055	1	A
61	780634	KEY CODE / FA 0107	1	A
61	780656	KEY CODE / FA 0109	1	A
61	780627	KEY CODE / FA 0113	1	A
61	780631	KEY CODE / FA 0206	1	A
61	780659	KEY CODE / FA 0208	1	A
61	780579	KEY CODE / FA 0528	1	A
61	780632	KEY CODE / FA 0692	1	A
61	780639	KEY CODE / FA 0704	1	A
61	780608	KEY CODE / FA 0714	1	A
61	780644	KEY CODE / FA 1343	1	A
61	780798	KEY CODE / FA 0726	1	A
61	780020	KEY CODE / FA 0231	1	A
71	064673	CABLE ASSY / ANTI-THEF To C-5156		O
71	068452	CABLE ASSY / ANTI-THEF From C-5157	1	O
80	069156P	SERVICE KIT / PARK BRAKE INDICATOR To F-5774	1	PWT
81	565954	. BASE INDICATOR / RED To F-5774	1	PWT
81	069155	. HARNESS / PARKING BRAKE INDICATOR To F-5774	1	PWT
82	565955	. LIGHT SWITCH / PARK BRAKE To F-5774	1	PWT
		A) THOSE ITEMS ARE USED WITH "FORD" IGNITION KEY. SEE DIAGRAM D060950 FOR MORE INFORMATION		
		B) THIS INTERFACE IS LOCATED INSIDE OF DASH		
		C) WITH EMERGENCY SWITCH "HELP"		
		E) VEHICLE EQUIPPED WITH "JACOB" & "RETARDER"		
		F) WITH BI-FOLD DOOR OPTION		
		G) WITH ENGINE BRAKE WITH AUTOMATIQUE TRANSMISSION WITHOUT RETARDER		
		GR) WITH "GREYHOUND" OPTION		
		I) WITH I-SHIFT TRANSMISSION		
		O) WITH ORLEAN OPTION		
		PWT) PWT OPTION		

From J-6336	Date:01/2024	PAGE:X3-0645-11
L.H. DASHBOARD PANEL		



From J-6336		Date:01/2024	PAGE:X3-0645-11
-------------	--	--------------	-----------------

L.H. DASHBOARD PANEL

Item#	Part	Description	QTY	Notes
1	562696	SWITCH / OFF-ON-ON SERIES S.P.D.T. / W/RED & GREEN LED	AR	
2	562697	SWITCH / ON-ON / D.P.D.T. / CH-OVER / W/RED & GREEN LED	AR	
3	562698	SWITCH / OFF-M/ON / D.P.S.T. / W/GREEN LED	AR	
4	562699	SWITCH / M/ON-OFF-M/ON / D.P.D.T. / W/GREEN LED	AR	
5	562700	SWITCH / ON-OFF-ON / D.P.D.T. / W/GREEN LED	AR	
6	562854	SWITCH / ON-ON / D.P.D.T. / CH-OVER / W/RED LED	AR	
7	562855	SWITCH / OFF-M/ON / D.P.S.T. / W/RED LED	AR	
8	564008	SWITCH / OFF-M/ON / S.P.S.T. / W/GREEN LED	AR	
NS	562773	SWITCH / "DUMMY" / PLUG	AR	
NS	562763	CONNECTOR RH 10C / SWITCH / NGR 28-5637-2	AR	
NS	562768	SOCKET TERMINAL / 16-14 / PED 12015870	AR	
10	562708	CAP / HEADLIGHT	1	
11	562709	CAP / FOG	1	
12	562710	CAP / WARNING LIGHT HAZARD	1	
13	564006	CAP / HEADLAMP WASHER	1	
14	562773	SWITCH / "DUMMY" / PLUG	AR	
15	562712	CAP / DEFOGGER	1	
16	562739	CAP / ROLLER BLIND	2	
21	562741	CAP / TELL TALE TEST	1	
22	562723	CAP / FAST IDLE	1	
25	562727	CAP / ENGINE OVERRIDE	1	
28	562774	CAP / W.C.L.	1	
29	564082	CAP / "JACOB'S" & RETARDER"	AR	
29	564146	CAP / "JACOB'S"	AR	I
29	562698	SWITCH / OFF-M/ON / D.P.S.T. / W/GREEN LED	1	G
29	564146	CAP / "JACOB'S"	1	G
NS	560467	SKIM MODULE	1	
NS	5002069	SCREW MA PAN PH M5-0.8x30 Z050	2	
NS	502701	WASHER FL .172x.750x.031	2	
NS	5002042	NUT HEX NYRT M5-0.8 Z050	2	
31	560561	SCREEN MONITOR TIRE	1	
32	564084	PLATE TPMS / FIXED AT CENTRAL BOARD	1	
32	564086	PLATE REAR TPMS ON CENTRAL BOARD	1	
NS	5001690	SCREW TC M5	AR	
NS	390088	LOCK FOR TPMS PLATE	AR	
NS	5001401	SCREW MA CHE PH M4-0.7x8 ZP	AR	
NS	5002032	WASHER LO EXT 4.3x8.0x0.5 Z050	AR	
NS	564085	PLATE W/OUT TPMS ON CENTRAL BOARD	1	
NS	0610073	TPMS LITE ADAPTER	1	
33	562714	CAP / PLAIN (W/O DESCRIPTION)	1	C
33	565923	CAP / HELP !	1	
NS	069955	WIRING HARNESS EMERGENCY DESTINATION SIGN To L-6494	1	

From J-6336	Date:01/2024	PAGE:X3-0645-11
-------------	--------------	-----------------

L.H. DASHBOARD PANEL

Item#	Part	Description	QTY	Notes
NS	069944	WIRING HARNESS EMERGENCY DESTINATION SIGN From L-6495	1	
NS	504637	CABLE TIE / 3/16" x 13"	AR	
34	560008	GATEWAY LIN BUS INTERFACE	1	B
NS	5001398	SCREW MA CHE PH M3-0.5x10 SS	1	
34	5001970	WASHER FL 3.2x9.0x1.0 ZP	1	
34	5001408	NUT HEX STO M3-0.5 ZP	1	
35	565882	LIGHT SWITCH / LOAD MONITORING	1	GR
36	565961	BASE INDICATOR AMBER LED	1	GR
37	069165	HARNESS, LIGHT LOAD SENSOR	1	GR
37	060211	HARNESS, LIGHT LOAD SENSOR REAR AXLE	1	GR
38	564147	CAP / TCS	1	
39	563012	SWITCH / ON-ON / D.P.D.T. / CH-OVER / W/GREEN LED	1	
40	871314	LOUVER, ADJUSTABLE / ROUND 2 5/8" O.D.	1	
45	562698	SWITCH / OFF-M/ON / D.P.S.T. / W/GREEN LED From M-6647	1	H
46	563883	CAP / LDW From M-6647	1	H
47	563825	CAP / INTERLOCK	1	F
50	562147	SWITCH, IGNITION / CODE 801	1	
NS	780003	. KEY, IGNITION SWITCH CODE 801	1	
50	562148	SWITCH, IGNITION / CODE 802	1	
NS	780004	. KEY, IGNITION SWITCH CODE 802	1	
50	562151	SWITCH, IGNITION / CODE 803	1	
NS	780006	. KEY, IGNITION SWITCH CODE 803	1	
50	562150	SWITCH, IGNITION / CODE 804	1	
NS	780007	. KEY, IGNITION SWITCH CODE 804	1	
50	562152	SWITCH, IGNITION / CODE 805	1	
NS	780008	. KEY, IGNITION SWITCH CODE 805	1	
50	562149	SWITCH, IGNITION / CODE 806	1	
NS	780009	. KEY, IGNITION SWITCH CODE 806	1	
50	562146	SWITCH, IGNITION / KEYLESS (ACC-OFF-IGN-START)	1	
50	562296	KEY / IGNITION BLANCK UNCUT	AR	
50	565888	SWITCH, IGNITION / KEYLESS (OFF-IGN-START)	1	GR
51	068589	DECAL (OFF-IGN-START)	1	GR
		NEXT ITEMS USED WITH "FORD" IGNITION SWITCH		
60	065512	CYLINDER IGNITION / CODE FA 0000	1	A
60	065658	CYLINDER IGNITION / CODE FA 0001	1	A
NS	064902	CYLINDER IGNITION / CODE FA 0013	1	A
60	065590	CYLINDER IGNITION / CODE FA 0055	1	A
60	065409	CYLINDER IGNITION / CODE FA 0107	1	A
60	065851	CYLINDER IGNITION / CODE FA 0109	1	A
60	065396	CYLINDER IGNITION / CODE FA 0113	1	A

From J-6336	Date:01/2024	PAGE:X3-0645-11
-------------	--------------	-----------------

L.H. DASHBOARD PANEL

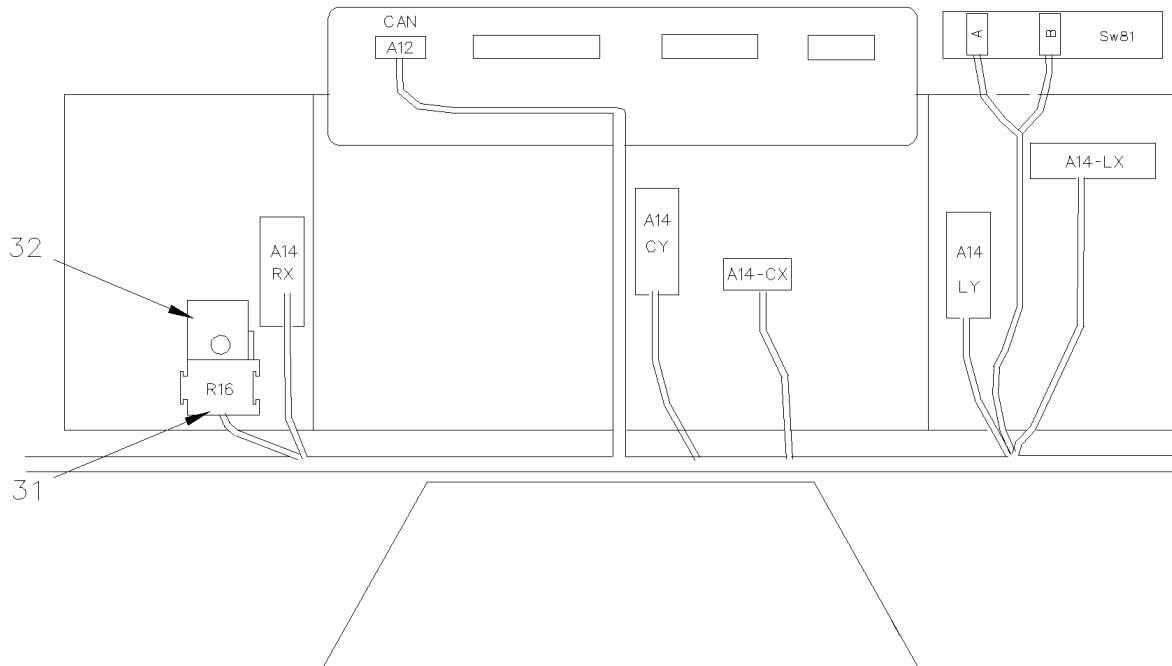
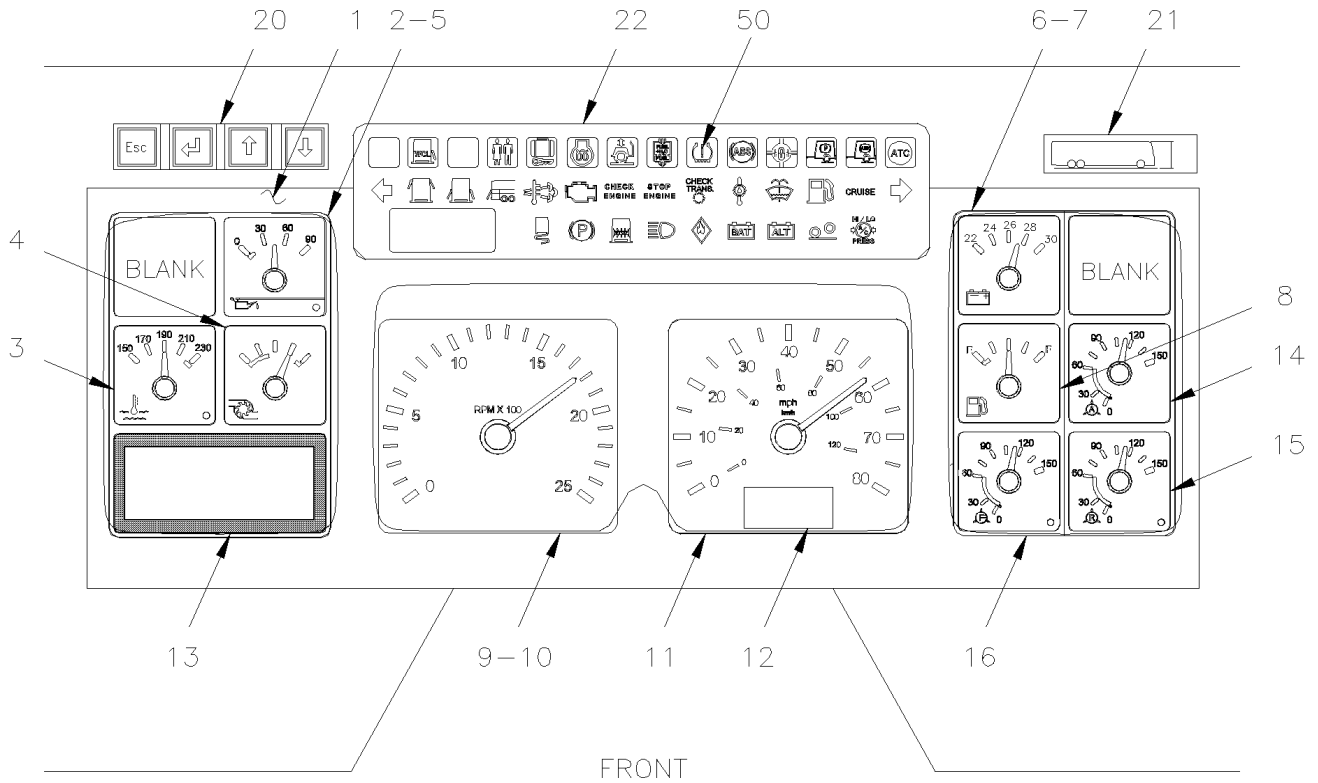
Item#	Part	Description	QTY	Notes
60	068344	CYLINDER IGNITION / CODE FA 0150	1	A
60	065397	CYLINDER IGNITION / CODE FA 0206	1	A
60	065878	CYLINDER IGNITION / CODE FA 0208	1	A
60	061022	CYLINDER IGNITION / CODE FA 0231	1	A
60	064417	CYLINDER IGNITION / CODE FA 0528	1	A
60	065043	CYLINDER IGNITION / CODE FA 0528	1	A
60	067194	CYLINDER IGNITION / CODE FA 0692	1	A
60	065500	CYLINDER IGNITION / CODE FA 0704	1	A
60	065607	CYLINDER IGNITION / CODE FA 0714	1	A
60	069458	CYLINDER IGNITION / CODE FA 0726	1	A
60	065501	CYLINDER IGNITION / CODE FA 1343	1	A
60	067937	CYLINDER IGNITION / CODE FA 1509	1	A
60	564566	SWITCH	1	A
60	561626	TAB RECEPTACLE TERMINAL INSUL. NYLON / 22 / AMP 2-520264-4	4	A
NS	562655	NUT / TO FIX SWITCH	1	A
NS	391904	SPACER / SWITCH & MOUNTING PLATE	1	A
NS	064419	CABLE ASSY / RELAY AND SWITCH	1	A
NS	563332	RELAY 24V S.P.D.T. W/RESISTOR / "VOLVO" (20374662)	1	A
61	780645	KEY CODE A	1	A
61	780654	KEY CODE / FA 0001	1	A
61	780604	KEY CODE / FA 0013	1	A
61	780651	KEY CODE / FA 0055	1	A
61	780634	KEY CODE / FA 0107	1	A
61	780656	KEY CODE / FA 0109	1	A
61	780627	KEY CODE / FA 0113	1	A
61	780631	KEY CODE / FA 0206	1	A
61	780659	KEY CODE / FA 0208	1	A
61	780579	KEY CODE / FA 0528	1	A
61	780632	KEY CODE / FA 0692	1	A
61	780639	KEY CODE / FA 0704	1	A
61	780608	KEY CODE / FA 0714	1	A
61	780644	KEY CODE / FA 1343	1	A
61	780798	KEY CODE / FA 0726	1	A
61	780020	KEY CODE / FA 0231	1	A
		A) THOSE ITEMS ARE USED WITH "FORD" IGNITION KEY. SEE DIAGRAM D060950 FOR MORE INFORMATION		
		B) THIS INTERFACE IS LOCATED INSIDE OF DASH		
		C) WITH EMERGENCY SWITCH "HELP"		
		F) WITH BI-FOLD DOOR OPTION		
		G) WITH ENGINE BRAKE WITH AUTOMATIQUE TRANSMISSION WITHOUT RETARDER		

From J-6336		Date:01/2024	PAGE:X3-0645-11
-------------	--	--------------	-----------------

L.H. DASHBOARD PANEL

Item#	Part	Description	QTY	Notes
		GR) WITH "GREYHOUND" OPTION		
		H) USE WITH "PREVOST DRIVER ASSIST"		
		I) WITH I-SHIFT TRANSMISSION		

CENTER DASHBOARD PANEL



From 7-8754 To B-5001	Date:01/2024	PAGE:X3-0645-20
CENTER DASHBOARD PANEL		

Item#	Part	Description	QTY	Notes
1	563560	CLUSTER, MPH To 7-8882	1	
1	563666	CLUSTER, MPH From 7-8883	1	
1	563559	CLUSTER, KPH To 7-8882	1	
1	563665	CLUSTER, KPH From 7-8883	1	
1	563561	CLUSTER, MPH / W/"ZF" TRANS To 7-8882	1	
1	563667	CLUSTER, MPH / W/"ZF" TRANS From 7-8883	1	
1	563562	CLUSTER, KPH / W/"ZF" TRANS To 7-8882	1	
1	563668	CLUSTER, KPH / W/"ZF" TRANS From 7-8883	1	
NS	065703	KIT, CLUSTER "POLLACK" GLASS REPLACEMENT	1	
. NS	IS-02038	. SEE INSTRUCTION SHEET		
2	563573	. GAUGES LEFT SIDE ASSY / 3 GAUGES	1	
3	N.P.N.	. . GAUGE WATER TEMPERATURE	1	4
4	N.P.N.	. . GAUGE OIL TEMPERATURE	1	4
5	N.P.N.	. . GAUGE OIL PRESSURE	1	4
6	563574	. GAUGES RIGHT SIDE ASSY / 2 GAUGES	1	
7	N.P.N.	. . GAUGE VOLTAGE	1	4
8	N.P.N.	. . GAUGE FUEL LEVEL	1	4
9	563566	. TACHO & SPEEDOMETER ASSY / MILES	1	
9	563567	. TACHO & SPEEDOMETER ASSY / KM	1	
10	N.P.N.	. . TACHOMETER	1	4
11	N.P.N.	. . SPEEDOMETER MILES	1	4
11	N.P.N.	. . SPEEDOMETER KM	1	4
12	N.P.N.	. . ODO LCD	1	4
13	066075	. KIT, GRAPHIC DISPLAY "POLLACK"	1	
. NS	563539	. . GRAPHIC DISPLAY "POLLACK"	1	
. NS	564586	. . GRAPHIC DISPLAY MODULE "POLLACK" CURRENT	1	
. NS	IS-17903	. . SEE INSTRUCTION SHEET	1	
13	IS17910	. KIT, GRAPHIC DISPLAY "POLLACK"	1	
. NS	19519274	. . GRAPHIC DISPLAY	1	
. NS	IS-17910	. . SEE INSTRUCTION SHEET	1	
NS	562838	. BULB / .50WATT-12VOLTS / SAE #2721MFX	AR	A
NS	562909	TOOL / CLUSTER BULB REMOVER	1	
. NS	MI03-14A	. SEE MAINTENANCE INFORMATION	1	
NS	392009	MOUNTING PLATE / CLUSTER	2	
NS	5001402	SCREW MA CHE PH M4-0.7x25 Z050	5	
14	563565	. GAUGE AIR APPLICATION	1	
15	563564	. GAUGE AIR REAR	1	
16	563563	. GAUGE AIR FRONT	1	
NS	563575	. BUZZER	1	
NS	563576	. CPU BOARD SPARE	1	
NS	641447	UNION ELBOW 90° / PUSH-IN FITTING / #4x#4 BR	3	
20	563017	CLUSTER SWITCH ASSY "POLLACK"	1	

From 7-8754 To B-5001	Date:01/2024	PAGE:X3-0645-20
CENTER DASHBOARD PANEL		

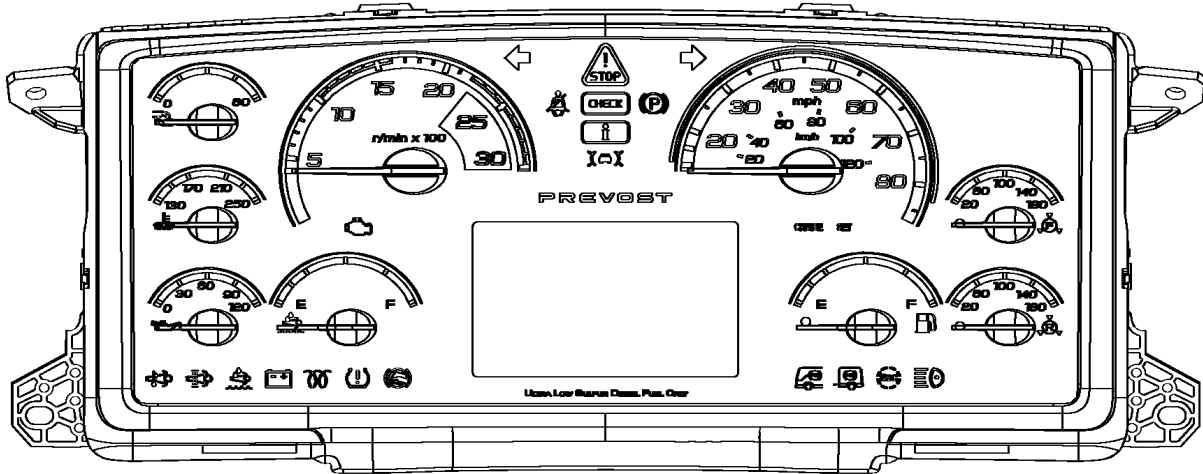
Item#	Part	Description	QTY	Notes
NS	392011	MOUNTING PLATE / CLUSTER SWITCH	1	
NS	5001412	SCREW MA CHE PH M3-0.5x20 EMN	2	
NS	5001408	NUT HEX STO M3-0.5 ZP	2	
21	402469	DECAL / VEHICLE HEIGHT 11' 8" / MTH 83"	1	
22	563333	TELLTALE MODULE ASSY To 8-9276	1	
. NS	563720	. FACE PLACE INSERT RETAINER To 8-9276	1	
22	564032	TELLTALE MODULE ASSY From 8-9277	1	
. NS	564201	. FACE PLACE INSERT RETAINER From 8-9277	1	
NS	392010	ATTACHMENT ANGLE / TO FIX TELLTALE	1	
NS	5001401	SCREW MA CHE PH M4-0.7x8 ZP	4	
NS	5001397	SCREW MA CHE PH M3-0.5x8 SS	4	
NS	5001407	WASHER LO EXT 3.2x6.0x0.4 SS	4	
30	064474	ALARM ASSY / WATER IN FUEL / (C-348)	1	
. NS	561479	. PIN TERMINAL / 24-18 / MOLEX 02-06-2103	1	
. NS	562070	. CONNECTOR / (.062) / PH 6C / MOLEX 03-06-2061	1	
. NS	561479	. PIN TERMINAL / 24-18 / MOLEX 02-06-2103	5	
31	063070	HARNESS ASSY / ALARM	1	
32	561706	RELAY 12V S.P.D.T. W/DIODE /	1	
33	563161	ALARM BUZZER	2	
50	FM-00IM-00	INSERT - "MEGATECH"		
		A) TOOL TO REMOVE BULB #562909		
		4) NO PARTS NUMBER		

From B-5002

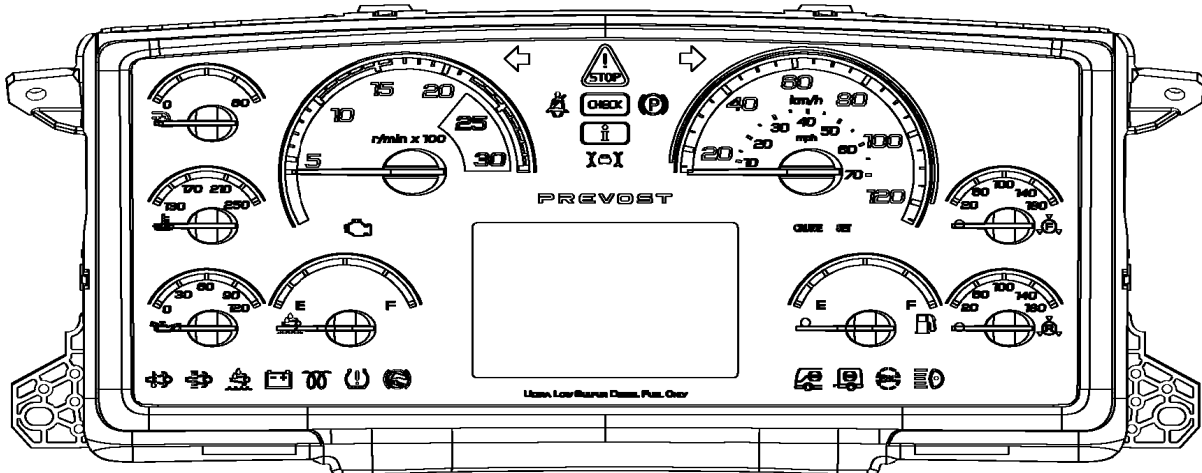
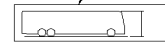
Date:01/2024

PAGE:X3-0645-21

CENTER DASHBOARD PANEL WITH "EPA 2010"



31

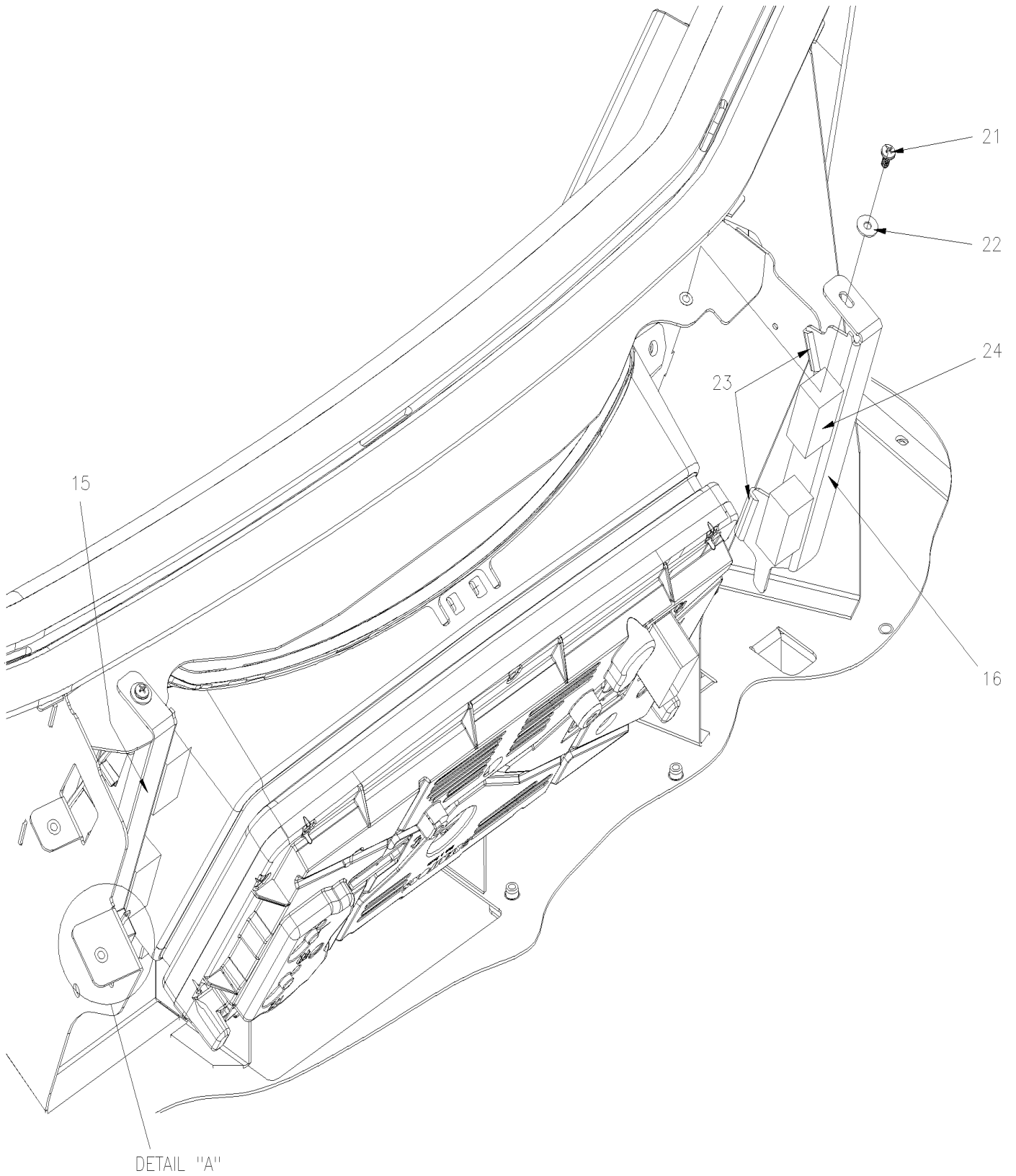


From B-5002

Date:01/2024

PAGE:X3-0645-21

CENTER DASHBOARD PANEL WITH "EPA 2010"



From B-5002	Date:01/2024	PAGE:X3-0645-21
CENTER DASHBOARD PANEL WITH "EPA 2010"		

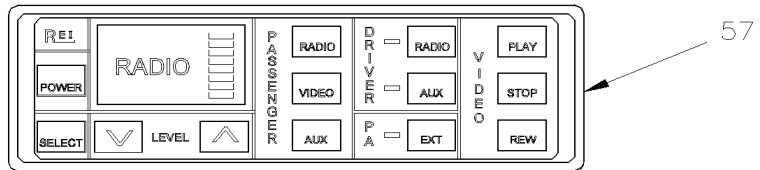
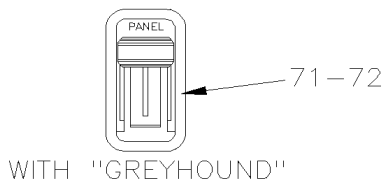
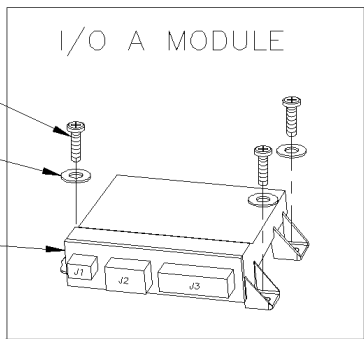
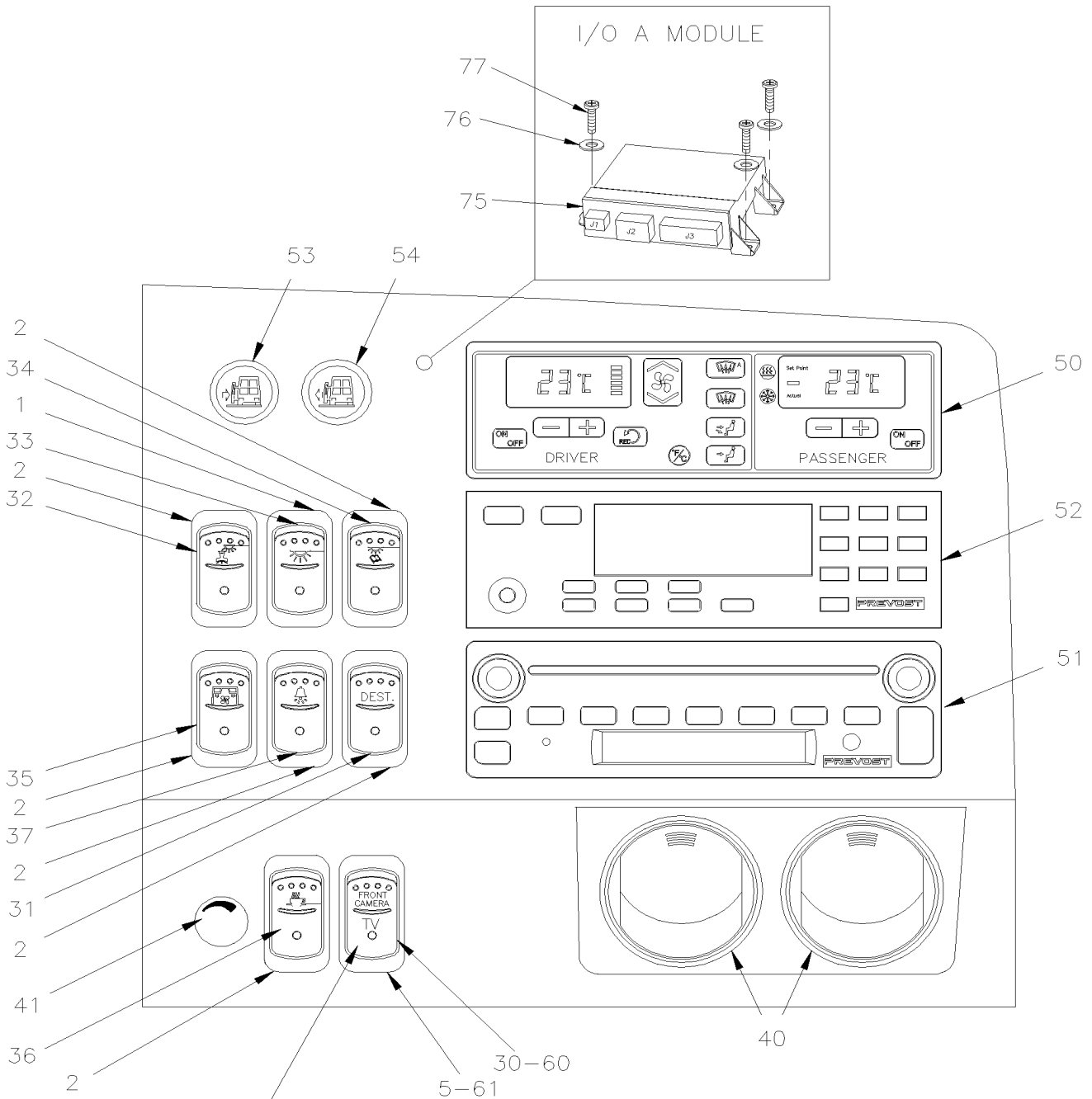
Item#	Part	Description	QTY	Notes
1	564111	CLUSTER, MPH To C-5271	1	
1	21580323	CLUSTER, MPH From C-5272 To D-5412	1	
1	21874708	CLUSTER, MPH From D-5413 To F-5871	1	
1	22261894	CLUSTER, MPH From F-5872 To K-6439	1	
1	23413703	CLUSTER, MPH From K-6440	1	
1	564144	CLUSTER, KPH To C-5271	1	
1	21580324	CLUSTER, KPH From C-5272 To D-5412	1	
1	21874711	CLUSTER, KPH From D-5413 To F-5871	1	
1	22261896	CLUSTER, KPH From F-5872 To K-6439	1	
1	23413708	CLUSTER, KPH From K-6440	1	
1	563667	CLUSTER, MPH / W/"ZF" TRANS From J-6336	1	
NS	560547	. GLOSSY LABEL 3" POLYESTER From J-6336	1	
1	N.P.N.	. . GAUGE WATER TEMPERATURE	1	4
1	N.P.N.	. . GAUGE OIL TEMPERATURE	1	4
1	N.P.N.	. . GAUGE OIL PRESSURE	1	4
1	N.P.N.	. . GAUGE VOLTAGE	1	4
1	N.P.N.	. . GAUGE FUEL LEVEL	1	4
1	N.P.N.	. . TACHOMETER	1	4
1	N.P.N.	. . SPEEDOMETER MILES	1	4
1	N.P.N.	. . SPEEDOMETER KM	1	4
1	N.P.N.	. . ODO LCD	1	4
1	N.P.N.	. GAUGE AIR APPLICATION	1	4
1	N.P.N.	. GAUGE AIR REAR	1	4
1	N.P.N.	. GAUGE AIR FRONT	1	4
NS	20476992	TRANSDUCER PRESSURE (0-12Bar / 0-174PSI)	3	B
15	392528	SUPPORT RH / CLUSTER To J-6279	1	
15	390053	SUPPORT RH / CLUSTER From J-6280	1	
16	392529	SUPPORT LH / CLUSTER To J-6279	1	
16	390052	SUPPORT LH / CLUSTER From J-6280	1	
21	5001401	SCREW MA CHE PH M4-0.7x8 ZP	2	
22	5001971	WASHER FL 4.3x12.0x1.6 ZP	2	
23	890017	TRIM SEAL	AR	
24	890011	TAPE RUB ADH1 NEO 3/4" x 5/8"	AR	
NS	506007	TAPE RUB ADH1 CC NEO 3/4" x 1" x 10' / BLACK 1220	AR	
31	402469	DECAL / VEHICLE HEIGHT 11' 8" / MTH 83"	1	
31	405108	DECAL / VEHICLE HEIGHT 12' 2" / MTH 89"	1	C
NS	X3-1806-00	CENTRAL DASHBOARD PANEL		

From B-5002		Date:01/2024	PAGE:X3-0645-21
-------------	--	--------------	-----------------

CENTER DASHBOARD PANEL WITH "EPA 2010"

Item#	Part	Description	QTY	Notes
		B) THIS TRANSDUCER USE ON ALLS AIR GAUGE APPLICATION		
		C) USE WITH ROOF AIR INTAKE		
		4) NO PARTS NUMBER		

R.H. DASHBOARD PANEL



BUS

From 7-8754 To J-6335	Date:01/2024	PAGE:X3-0645-30
------------------------------	---------------------	------------------------

R.H. DASHBOARD PANEL

Item#	Part	Description	QTY	Notes
1	562696	SWITCH / OFF-ON-ON SERIES S.P.D.T. / W/RED & GREEN LED	AR	
2	562697	SWITCH / ON-ON / D.P.D.T. / CH-OVER / W/RED & GREEN LED	AR	
4	562699	SWITCH / M/ON-OFF-M/ON / D.P.D.T. / W/GREEN LED	1	
NS	562773	SWITCH / "DUMMY" / PLUG	AR	
NS	562763	CONNECTOR RH 10C / SWITCH / NGR 28-5637-2	AR	
NS	562768	SOCKET TERMINAL / 16-14 / PED 12015870	AR	
5	563012	SWITCH / ON-ON / D.P.D.T. / CH-OVER / W/GREEN LED	1	
6	562854	SWITCH / ON-ON / D.P.D.T. / CH-OVER / W/RED LED	1	
30	562941	CAP / FRONT CAMERA	1	
31	562743	CAP / DESTINATION SIGN	1	
32	562716	CAP / DRIVER'S LAMP	1	
33	562717	CAP / INTERIOR LIGHT	1	
33	068595	CABLE / GROUND	1	GR
34	562718	CAP / READING LAMP	1	
35	562720	CAP / PARCEL RACK VENTILATION	1	A
36	562721	CAP / GALLEY	1	
37	562719	CAP / HOSTESS BELL	1	
38	562786	CAP / BACK-UP CAMERA	1	
39	562831	CAP / DOOR LOCK	1	
40	871314	LOUVER, ADJUSTABLE / ROUND 2 5/8" O.D.	1	
41	562846	KNOB / DASH ILLUMINATION	1	
NS	562845	RHEOSTAT / DASH ILLUMINATION	1	
41	1212770	. NUT RND SLT BK M8-.75	1	
50	871350	A/C CONTROL MODULE / W/MUX To J-6279	1	
50	563063	SENSOR THERMISTOR ASSY / TEMPERATURE / ("DELPHI")	2	B
50	870008	A/C CONTROL MODULE From J-6280	1	
NS	066770	CABLE ASSY / DASH & PARCEL RACK To 7-9082	1	
50	066869	CABLE ASSY / DASH & PARCEL RACK From 7-9083 To 7-9133	1	
50	066972	CABLE ASSY / DASH & PARCEL RACK From 7-9134 To 8-8281	1	
50	067516	CABLE ASSY / DASH & PARCEL RACK From 8-9312	1	R
51	901190	RADIO AM-FM-CD-CDX / "PRÉVOST" MP3 VR-300	1	
51	901209	RADIO "PREVOST" AM-FM-CD / "XM" READY (DELPHI) To 9-9795	1	
51	901218	RADIO "PREVOST" AM-FM-CD / "SIRIUS" READY (DELPHI) To 9-9795	1	
51	901315	RADIO "PREVOST" AM/FM/CD & MP3 BLUETOOTH (DELPHI) From 9-9796 To 9-9869	1	
51	901341	RADIO "PREVOST" AM/FM/CD & MP3 BLUETOOTH (DELPHI / PANA PACIFIC) From 9-9870 To A-9974	1	
51	901380	RADIO "PREVOST" AM/FM/CD & MP3 BLUETOOTH (DELPHI / PANA PACIFIC) From A-9975 To D-5318	1	
51	901417	RADIO "PREVOST" AM/FM/CD & MP3 BLUETOOTH (DELPHI / PANA PACIFIC) From D-5319 To E-5596	1	
51	901437	RADIO "PREVOST" AM/FM/CD & MP3 BLUETOOTH (DELPHI / PANA PACIFIC) From E-5597 To H-6179	1	
51	23000462	RADIO "PREVOST" AM/FM/CD & MP3 BLUETOOTH (PANA PACIFIC) From H-6180	1	
51	901316	RADIO "PREVOST" AM/FM/CD & MP3 BLUETOOTH & XM (DELPHI) From 9-9796 To 9-9869	1	
51	901342	RADIO "PREVOST" AM/FM/CD & MP3 BLUETOOTH & XM (DELPHI / PANA PACIFIC) From 9-9870 To B-5020	1	
51	901381	RADIO "PREVOST" AM/FM/CD & MP3 BLUETOOTH & XM (DELPHI / PANA PACIFIC) From B-5021 To D-5318	1	

From 7-8754 To J-6335	Date:01/2024	PAGE:X3-0645-30
------------------------------	---------------------	------------------------

R.H. DASHBOARD PANEL

Item#	Part	Description	QTY	Notes
51	901419	RADIO "PREVOST" AM/FM/CD & MP3 BLUETOOTH & XM (DELPHI / PANA PACIFIC) From D-5319 To E-5626	1	
51	901439	RADIO "PREVOST" AM/FM/CD & MP3 BLUETOOTH & XM (DELPHI / PANA PACIFIC) From E-5627 To H-6179	1	
51	23000444	RADIO "PREVOST" AM/FM/CD & MP3 BLUETOOTH & XM & SIRIUS (PANA PACIFIC) From H-6180	1	
51	901317	RADIO "PREVOST" AM/FM/CD & MP3 BLUETOOTH SIRIUS (DELPHI) From 9-9796 To 9-9869	1	
51	901343	RADIO "PREVOST" AM/FM/CD & MP3 BLUETOOTH SIRIUS (DELPHI / PANA PACIFIC) From 9-9870 To C-5104	1	
51	901382	RADIO "PREVOST" AM/FM/CD & MP3 BLUETOOTH SIRIUS (DELPHI / PANA PACIFIC) From C-5105 To D-5318	1	
51	901418	RADIO "PREVOST" AM/FM/CD & MP3 BLUETOOTH SIRIUS (DELPHI / PANA PACIFIC) From D-5319 To E-5704	1	
51	901438	RADIO "PREVOST" AM/FM/CD & MP3 BLUETOOTH SIRIUS (DELPHI / PANA PACIFIC) From E-5705 To H-6179	1	
51	23000444	RADIO "PREVOST" AM/FM/CD & MP3 BLUETOOTH & XM & SIRIUS (PANA PACIFIC) From H-6180	1	
51	400469	REPLACEMENT OF RADIO #901437 BY #23000462 WITH CONVERSION KIT VSS04 TO VSS05 To 9-9795	1	
NS	23000462	RADIO "PREVOST" AM/FM/CD & MP3 BLUETOOTH (PANA PACIFIC) To 9-9795	1	
NS	061010	JUMPER HARNESS FOR DEA5XX RADIO To 9-9795	1	
NS	563962	CONNECTOR / JUNIOR POWER TIMER / SH 8C / AMP 962191-1 To 9-9795	1	
NS	21516503	CONTROL HEAD / "VOLVO" (VSS-05) To 9-9795	1	
NS	21251311	REMOTE CONTROL / CONTROL HEAD VOLVO / VSS05 To 9-9795	1	
NS	21285274	CABLE INTERFACE VSS04 to VSS05 To 9-9795	1	
NS	IS-08080	SEE INSTRUCTION SHEET To 9-9795	1	
51	390021	REPLACEMENT OF RADIO #901437 BY #23000462 From 9-9796 To H-6179	1	
NS	23000444	RADIO "PREVOST" AM/FM/CD & MP3 BLUETOOTH & XM & SIRIUS (PANA PACIFIC) From 9-9796 To H-6179	1	
NS	061010	JUMPER HARNESS FOR DEA5XX RADIO From 9-9796 To H-6179	1	
NS	563962	CONNECTOR / JUNIOR POWER TIMER / SH 8C / AMP 962191-1 From 9-9796 To H-6179	1	
NS	IS16100	SEE INSTRUCTION SHEET From 9-9796 To H-6179	1	
51	400483	REPLACEMENT OF RADIO #901438 & #901439 BY #23000444 WITH CONVERSION KIT VSS04 TO VSS05 To 9-9795	1	
NS	23000444	RADIO "PREVOST" AM/FM/CD & MP3 BLUETOOTH & XM & SIRIUS (PANA PACIFIC) To 9-9795	1	
NS	061010	JUMPER HARNESS FOR DEA5XX RADIO To 9-9795	1	
NS	563962	CONNECTOR / JUNIOR POWER TIMER / SH 8C / AMP 962191-1 To 9-9795	1	
NS	21516503	CONTROL HEAD / "VOLVO" (VSS-05) To 9-9795	1	
NS	21251311	REMOTE CONTROL / CONTROL HEAD VOLVO / VSS05 To 9-9795	1	
NS	21285274	CABLE INTERFACE VSS04 to VSS05 To 9-9795	1	
NS	IS-08080	SEE INSTRUCTION SHEET To 9-9795	1	
51	390023	REPLACEMENT OF RADIO #901438 & #901439 BY #23000444 From 9-9796 To H-6179	1	
NS	23000444	RADIO "PREVOST" AM/FM/CD & MP3 BLUETOOTH & XM & SIRIUS (PANA PACIFIC) From 9-9796 To H-6179	1	
NS	061010	JUMPER HARNESS FOR DEA5XX RADIO From 9-9796 To H-6179	1	
NS	563962	CONNECTOR / JUNIOR POWER TIMER / SH 8C / AMP 962191-1 From 9-9796 To H-6179	1	
NS	IS16100	SEE INSTRUCTION SHEET From 9-9796 To H-6179	1	
51	406440	ATTACHMENT / RADIO	AR	
51	500989	WASHER FL .219x.875x.062 Z050	AR	
51	500470	WASHER LO SPT .193x.334x.047 Z050	AR	
51	502816	NUT HEX M5-0.8 N500	AR	
52	901192	CONTROL HEAD / "VOLVO" (VSS-04) To 9-9795	1	
NS	901266	REMOTE CONTROL / CONTROL HEAD VOLVO / VSS04 To 9-9795	1	

From 7-8754 To J-6335	Date:01/2024	PAGE:X3-0645-30
R.H. DASHBOARD PANEL		

Item#	Part	Description	QTY	Notes
		WHEN CHANGE VSS04 TO VSS05 YOU NEED CONTROL HEAD 21516503 To 9-9795		
		& HARNESS KIT 409439 & NEW RADIO To 9-9795		
		901417P OR 901418P OR 901419P To 9-9795		
52	IS08080	SOUND SELECTOR REPLACEMENT, VSS04 VS VSS05 To 9-9795	1	
. NS	900238	. CONTROL HEAD / "VOLVO" (VSS-05A) To 9-9795	1	
. . NS	21251311	. . REMOTE CONTROL / CONTROL HEAD VOLVO / VSS05 To 9-9795	1	
. NS	0610388	. CABLE INTERFACE VSS04 TO VSS05 To 9-9795	1	
. NS	IS-08080	. SEE INSTRUCTION SHEET To 9-9795	1	
52	21516503	CONTROL HEAD / "VOLVO" (VSS-05) To 9-9795	1	
. NS	21251311	. REMOTE CONTROL / CONTROL HEAD VOLVO / VSS05 To 9-9795	1	
52	900238	CONTROL HEAD / "VOLVO" (VSS-05A) From J-6297	1	
. NS	21251311	. REMOTE CONTROL / CONTROL HEAD VOLVO / VSS05 From J-6297	1	
52	901417P	RADIO "PREVOST" AM/FM/CD & MP3 BLUETOOTH COMPUTERIZ To 9-9795	1	
52	901418P	RADIO "PREVOST" AM/FM/CD & MP3 BLUETOOTH SIRIUS COMPUTERIZ To 9-9795	1	
52	901419P	RADIO "PREVOST" AM/FM/CD & MP3 BLUETOOTH & XM COMPUTERIZ To 9-9795	1	
52	21116371	CONTROL HEAD / "VOLVO" (VSS-05) From 9-9796 To A-9988	1	
. NS	21251311	. REMOTE CONTROL / CONTROL HEAD VOLVO / VSS05 From 9-9796 To A-9988	1	
52	21516503	CONTROL HEAD / "VOLVO" (VSS-05) From A-9989 To J-6296	1	
. NS	21251311	. REMOTE CONTROL / CONTROL HEAD VOLVO / VSS05 From A-9989 To J-6296	1	
53	563578	SWITCH / DOOR CLOSE	1	
53	562810	. INSERT / DOOR CLOSE	1	
54	563579	SWITCH / DOOR OPEN	1	
54	562830	. INSERT / DOOR OPEN	1	
57	900803	CONTROL HEAD / "R.E.I." SYSTEM 2000 From 8-9312	1	R
. NS	563064	. BULB (CONTROL HEAD GREEN) / 12VOLTS / 2700 From 8-9312	1	R
		NEXT 2 PARTS ARE RELATED WITH		
		DESTINATION SIGN "AESYS"		
		W/ "EMERGENCY CALL SWITCH" OPTION		
60	562714	CAP / PLAIN (W/O DESCRIPTION)	1	
61	562698	SWITCH / OFF-M/ON / D.P.S.T. / W/GREEN LED	1	
		READING LAMP SWITCH OPTION From B-5050		
71	563852	DIMMER SLIDE / READING LIGHTS From B-5050 To G-6099	1	D
71	562697	SWITCH / ON-ON / D.P.D.T. / CH-OVER / W/RED & GREEN LED From G-6100	1	F
71	562718	CAP / READING LAMP From G-6100	1	F

From 7-8754 To J-6335	Date:01/2024	PAGE:X3-0645-30
-----------------------	--------------	-----------------

R.H. DASHBOARD PANEL

Item#	Part	Description	QTY	Notes
72	068352	WIRING HARNESS, DIMMER READING LIGHTS From B-5050 To G-6025	1	D
72	069543	WIRING HARNESS, DIMMER READING LIGHTS From G-6026 To G-6083	1	D
72	069613	WIRING HARNESS, DIMMER READING LIGHTS, DASH From G-6084 To G-6099	1	D
72	069713	WIRING HARNESS, READING LIGHTS SWITCH, DASH / W/CONTROL OF 4 FRIST READING LAMP From G-6100	1	F
72	069622	WIRING READING LAMPS, L.H PARCEL RACK From G-6084 To J-6244	1	D
72	061444	WIRING READING LAMPS, L.H PARCEL RACK From J-6245	1	GR
72	069623	WIRING READING LAMPS, R.H PARCEL RACK From G-6084 To J-6244	1	D
NS	061445	WIRING READING LAMPS, L.H PARCEL RACK From J-6245	1	GR
72	069626	READING LAMPS, FRONT JUNCTION BOX / DIMER READING LAMP From G-6084 To G-6099	1	D
72	069712	READING LAMPS, FRONT JUNCTION BOX / W/CONTROL OF 4 FRIST READING LAMP From G-6100	1	F
NS	404226	OUTLET, MICROPHONE / 12" W/CONNECTOR From J-6245	1	GR
NS	900859	BRACKET, MOUNTING / MICROPHONE From J-6245	1	GR
75	565864	I/O A-MODULE VOLVO MULTIPLEX / BLACK From 8-9422 To 9-9493	1	S
NS	562767	CONNECTOR / SH 30C / GREEN / JAE IL-AG5-30S-D3C1 From 8-9422 To 9-9493	1	S
NS	562957	CONNECTOR / SH 5C / GREEN / JAE IL-AG5-5S-S3C1 From 8-9422 To 9-9493	1	S
NS	563132	CONNECTOR / SH 2C / YAZAKI 7283-6458-40 From 8-9422 To 9-9493	1	S
75	564101	I/O A-MODULE VOLVO MULTIPLEX / BLACK From 9-9494 To B-5029	1	S
NS	562767	CONNECTOR / SH 30C / GREEN / JAE IL-AG5-30S-D3C1 From 9-9494 To B-5029	1	S
NS	562957	CONNECTOR / SH 5C / GREEN / JAE IL-AG5-5S-S3C1 From 9-9494 To B-5029	1	S
NS	563132	CONNECTOR / SH 2C / YAZAKI 7283-6458-40 From 9-9494 To B-5029	1	S
75	564194	I/O A-MODULE VOLVO MULTIPLEX / BLACK From B-5030 To G-5877	1	S
NS	562767	CONNECTOR / SH 30C / GREEN / JAE IL-AG5-30S-D3C1 From B-5030 To G-5877	1	S
NS	562957	CONNECTOR / SH 5C / GREEN / JAE IL-AG5-5S-S3C1 From B-5030 To G-5877	1	S
NS	563132	CONNECTOR / SH 2C / YAZAKI 7283-6458-40 From B-5030 To G-5877	1	S
75	22561320	I/O A-MODULE VOLVO MULTIPLEX / BLACK From G-5878 To H-6093	1	S
NS	562767	CONNECTOR / SH 30C / GREEN / JAE IL-AG5-30S-D3C1 From G-5878 To H-6093	1	S
NS	562957	CONNECTOR / SH 5C / GREEN / JAE IL-AG5-5S-S3C1 From G-5878 To H-6093	1	S
NS	563132	CONNECTOR / SH 2C / YAZAKI 7283-6458-40 From G-5878 To H-6093	1	S
75	22722832	I/O A-MODULE VOLVO MULTIPLEX / BLACK From H-6094 To J-6244	1	S
NS	562767	CONNECTOR / SH 30C / GREEN / JAE IL-AG5-30S-D3C1 From H-6094 To J-6244	1	S
NS	562957	CONNECTOR / SH 5C / GREEN / JAE IL-AG5-5S-S3C1 From H-6094 To J-6244	1	S
NS	563132	CONNECTOR / SH 2C / YAZAKI 7283-6458-40 From H-6094 To J-6244	1	S
75	22722846	I/O A E-MODULE VOLVO MULTIPLEX From J-6245	1	
76	502690	WASHER FL 4.3x9.0x0.8 Z050 From 8-9422	3	S
77	502698	SCREW MA PAN PH M4-0.7x16 SS BK From 8-9422	3	S
		A) THOSE ITEMS ARE USED WITH "FORD" IGNITION KEY. SEE DIAGRAM D060950 FOR MORE INFORMATION		
		B) THIS INTERFACE IS LOCATED INSIDE OF DASH		
		C) WITH EMERGENCY SWITCH "HELP"		

From 7-8754 To J-6335		Date:01/2024	PAGE:X3-0645-30
-----------------------	--	--------------	-----------------

R.H. DASHBOARD PANEL

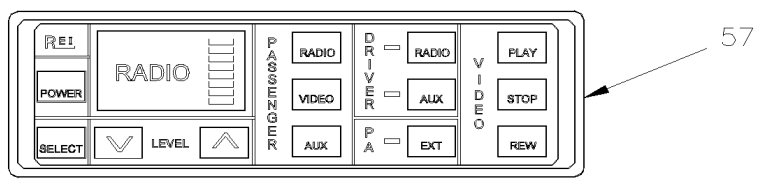
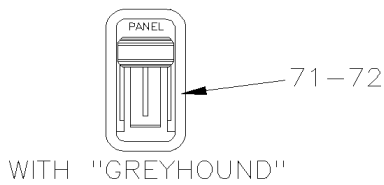
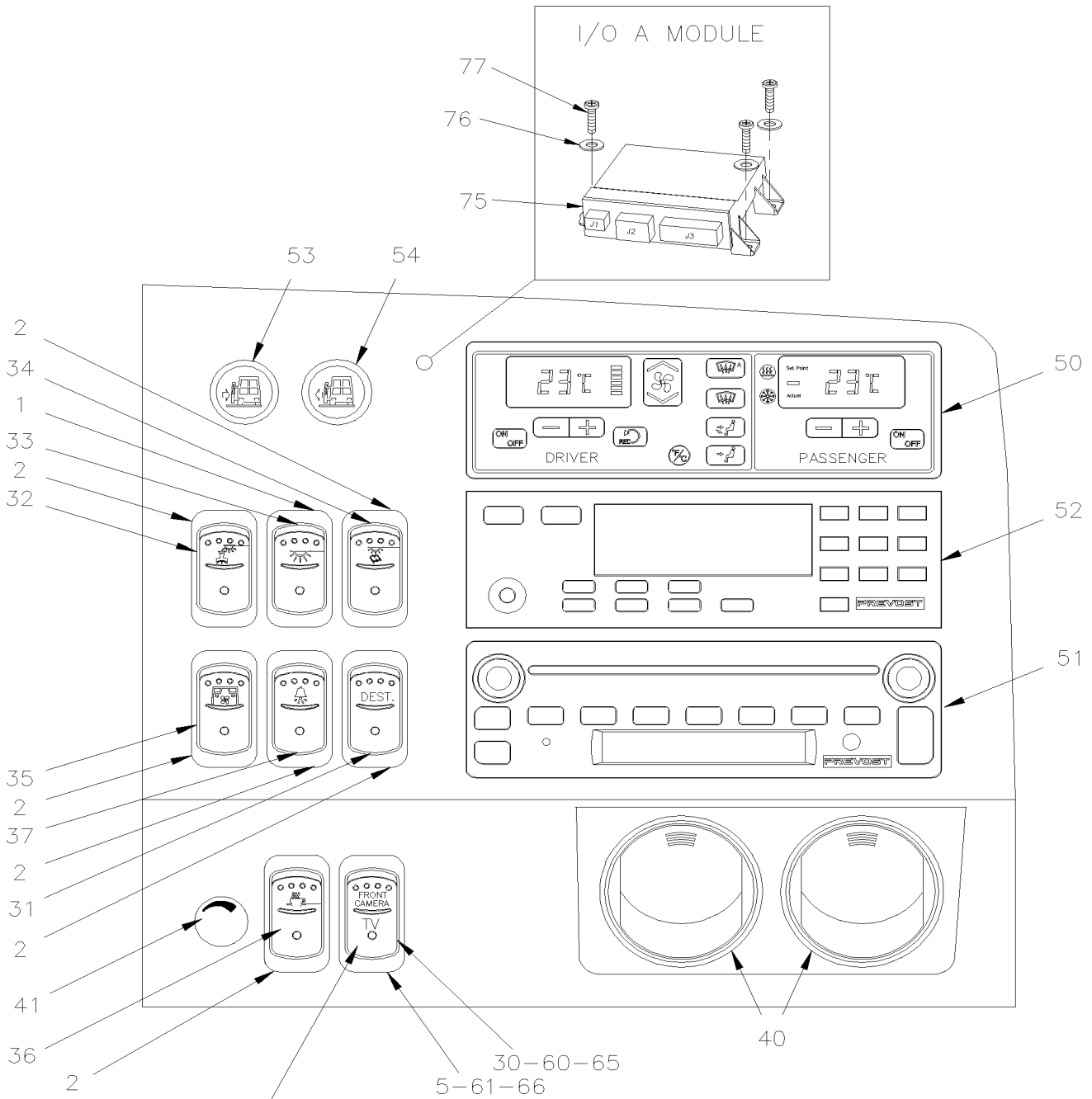
Item#	Part	Description	QTY	Notes
		D) WITH DIMMER SLIDE		
		F) WITH BI-FOLD DOOR OPTION		
		GR) WITH "GREYHOUND" OPTION		
		R) USE ONLY WITH "OPTION" R.E.I. CONTROL HEAD FROM 8-9312		
		S) ONLY W/ STEERING WHEEL CONTROL BUTTONS		

From J-6336

Date:01/2024

PAGE:X3-0645-31

R.H. DASHBOARD PANEL



BUS

From J-6336		Date:01/2024	PAGE:X3-0645-31
-------------	--	--------------	-----------------

R.H. DASHBOARD PANEL

Item#	Part	Description	QTY	Notes
1	562696	SWITCH / OFF-ON-ON SERIES S.P.D.T. / W/RED & GREEN LED	AR	
2	562697	SWITCH / ON-ON / D.P.D.T. / CH-OVER / W/RED & GREEN LED	AR	
4	562699	SWITCH / M/ON-OFF-M/ON / D.P.D.T. / W/GREEN LED	1	
NS	562773	SWITCH / "DUMMY" / PLUG	AR	
NS	562763	CONNECTOR RH 10C / SWITCH / NGR 28-5637-2	AR	
NS	562768	SOCKET TERMINAL / 16-14 / PED 12015870	AR	
5	563012	SWITCH / ON-ON / D.P.D.T. / CH-OVER / W/GREEN LED	1	
6	562854	SWITCH / ON-ON / D.P.D.T. / CH-OVER / W/RED LED	1	
30	562941	CAP / FRONT CAMERA	1	
31	562743	CAP / DESTINATION SIGN	1	
32	562716	CAP / DRIVER'S LAMP	1	
33	562717	CAP / INTERIOR LIGHT	1	
33	068595	CABLE / GROUND	1	GR
34	562718	CAP / READING LAMP	1	
35	562720	CAP / PARCEL RACK VENTILATION	1	A
36	562721	CAP / GALLEY	1	
37	562719	CAP / HOSTESS BELL	1	
38	562786	CAP / BACK-UP CAMERA	1	
39	562831	CAP / DOOR LOCK	1	
40	871314	LOUVER, ADJUSTABLE / ROUND 2 5/8" O.D.	1	
41	562846	KNOB / DASH ILLUMINATION To L-6552	1	
41	563915	KNOB / DASH ILLUMINATION From L-6553 To M-6646	1	
41	563911	CAP EATON NGR DIMER From M-6647	1	
41	562845	RHEOSTAT / DASH ILLUMINATION To L-6552	1	
41	563881	RHEOSTAT / DASH ILLUMINATION From L-6553 To M-6646	1	
41	562699	SWITCH / M/ON-OFF-M/ON / D.P.D.T. / W/GREEN LED From M-6647	1	
41	1212770	. NUT RND SLT BK M8-.75 To L-6552	1	
41	0610318	SERVICE KIT RHEOSTAT To L-6552	1	
. NS	563881	. RHEOSTAT / DASH ILLUMINATION To L-6552	1	
. NS	563915	. KNOB / DASH ILLUMINATION To L-6552	1	
50	870008	A/C CONTROL MODULE To N-6685	1	
50	870128	A/C CONTROL MODULE From N-6686 To R-6987	1	
50	870236	HVAC, CONTROL MODULE, FULL From R-6988	1	
50	563063	SENSOR THERMISTOR ASSY / TEMPERATURE / ("DELPHI")	2	B
50	067516	CABLE ASSY / DASH & PARCEL RACK	1	R
51	23000462	RADIO "PREVOST" AM/FM/CD & MP3 BLUETOOTH (PANA PACIFIC) To N-6685	1	
51	901882	RADIO AM/FM SD CARD USB DEA710 (PANA PACIFIC) From N-6686	1	
51	23000444	RADIO "PREVOST" AM/FM/CD & MP3 BLUETOOTH & XM & SIRIUS (PANA PACIFIC) To N-6685	1	
51	901883	RADIO "PREVOST" AM/FM/CD & MP3 BLUETOOTH & XM & SIRIUS (PANA PACIFIC) From N-6686	1	
51	901727	PIGTAIL ADAPTOR FOR RADIO ANTENNA From L-6495	1	
51	22480495	ADAPTOR, ANTENNA PHANTOM FEED From L-6495	1	
51	406440	ATTACHMENT / RADIO	AR	

From J-6336	Date:01/2024	PAGE:X3-0645-31
-------------	--------------	-----------------

R.H. DASHBOARD PANEL

Item#	Part	Description	QTY	Notes
51	500989	WASHER FL .219x.875x.062 Z050	AR	
51	500470	WASHER LO SPT .193x.334x.047 Z050	AR	
51	502816	NUT HEX M5-0.8 N500	AR	
52	900238	CONTROL HEAD / "VOLVO" (VSS-05A) To N-6685	1	
. NS	21251311	. REMOTE CONTROL / CONTROL HEAD VOLVO / VSS05 To N-6685	1	
52	563856	CONTROL HEAD / "VOLVO" (VSS-06) From N-6686	1	
. NS	21251311	. REMOTE CONTROL / CONTROL HEAD VOLVO / VSS05 From N-6686	1	
53	563578	SWITCH / DOOR CLOSE To R-6996	1	
53	562810	. INSERT / DOOR CLOSE To R-6996	1	
53	0600215	CLOSING DOOR SWITCH GREEN From R-6997	1	
. NS	562810	. INSERT / DOOR CLOSE From R-6997	1	
54	563579	SWITCH / DOOR OPEN To R-6996	1	
54	562830	. INSERT / DOOR OPEN To R-6996	1	
54	0600214	HARNES OPENING DOOR SWITCH RED From R-6997	1	
. NS	562830	. INSERT / DOOR OPEN From R-6997	1	
57	900803	CONTROL HEAD / "R.E.I." SYSTEM 2000	1	R
. NS	563064	. BULB (CONTROL HEAD GREEN) / 12VOLTS / 2700	1	R
		NEXT 2 PARTS ARE RELATED WITH		
		DESTINATION SIGN "AESYS"		
		W/ "EMERGENCY CALL SWITCH" OPTION		
60	562714	CAP / PLAIN (W/O DESCRIPTION)	1	
61	562698	SWITCH / OFF-M/ON / D.P.S.T. / W/GREEN LED	1	
63		NEXT 2 PARTS ARE RELATED WITH From M-6666		L
63		AUTOMATIC EMERGENCY LAMPS From M-6666		L
65	564348	CAP / SWITCH EMERGENCY LIGHT SB247 From M-6666	1	L
66	562698	SWITCH / OFF-M/ON / D.P.S.T. / W/GREEN LED From M-6666	1	L
		READING LAMP SWITCH OPTION		
71	562697	SWITCH / ON-ON / D.P.D.T. / CH-OVER / W/RED & GREEN LED	1	F
71	562718	CAP / READING LAMP	1	F
72	069713	WIRING HARNES, READING LIGHTS SWITCH, DASH / W/CONTROL OF 4 FRIST READING LAMP	1	F
72	061444	WIRING READING LAMPS, L.H PARCEL RACK	1	GR
NS	061445	WIRING READING LAMPS, L.H PARCEL RACK	1	GR
72	069712	READING LAMPS, FRONT JUNCTION BOX / W/CONTROL OF 4 FRIST READING LAMP	1	F
NS	404226	OUTLET, MICROPHONE / 12" W/CONNECTOR	1	GR
NS	900859	BRACKET, MOUNTING / MICROPHONE	1	GR

From J-6336	Date:01/2024	PAGE:X3-0645-31
R.H. DASHBOARD PANEL		

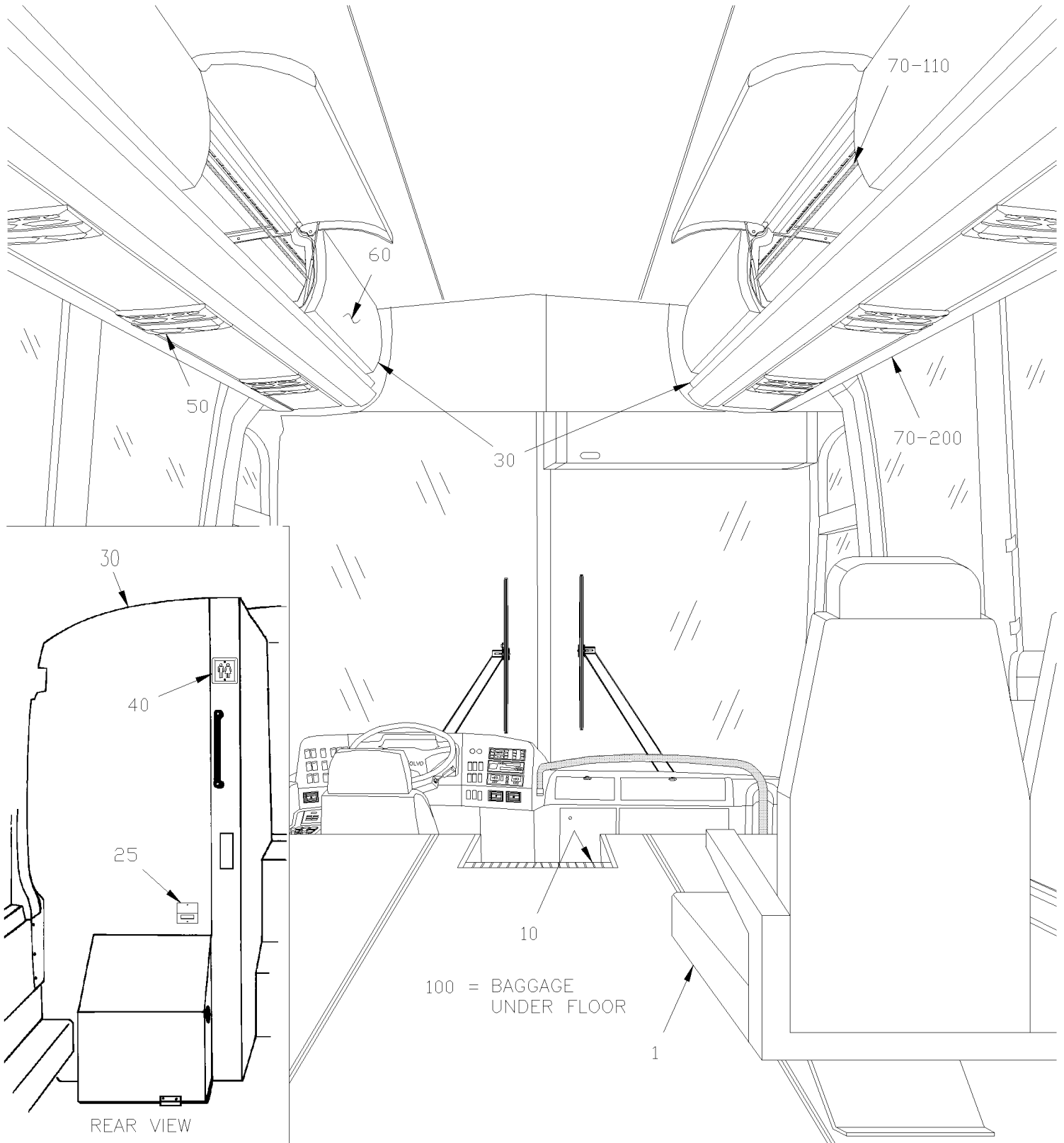
Item#	Part	Description	QTY	Notes
75	22722832	I/O A-MODULE VOLVO MULTIPLEX / BLACK	1	GR
. NS	562767	. CONNECTOR / SH 30C / GREEN / JAE IL-AG5-30S-D3C1	1	GR
. NS	562957	. CONNECTOR / SH 5C / GREEN / JAE IL-AG5-5S-S3C1	1	GR
. NS	563132	. CONNECTOR / SH 2C / YAZAKI 7283-6458-40	1	GR
75	22722846	I/O A E-MODULE VOLVO MULTIPLEX	1	
76	5001971	WASHER FL 4.3x12.0x1.6 ZP	3	S
77	5002035	SCREW MA PAN PH M4X0.7 X12 Z050	3	S
		A) THOSE ITEMS ARE USED WITH "FORD" IGNITION KEY. SEE DIAGRAM D060950 FOR MORE INFORMATION		
		B) THIS INTERFACE IS LOCATED INSIDE OF DASH		
		F) WITH BI-FOLD DOOR OPTION		
		GR) WITH "GREYHOUND" OPTION		
		L) CALIFORNIA REGULATIONS		
		R) USE ONLY WITH "OPTION" R.E.I. CONTROL HEAD FROM 8-9312		
		S) ONLY W/ STEERING WHEEL CONTROL BUTTONS		

From 7-8754 To D-5371

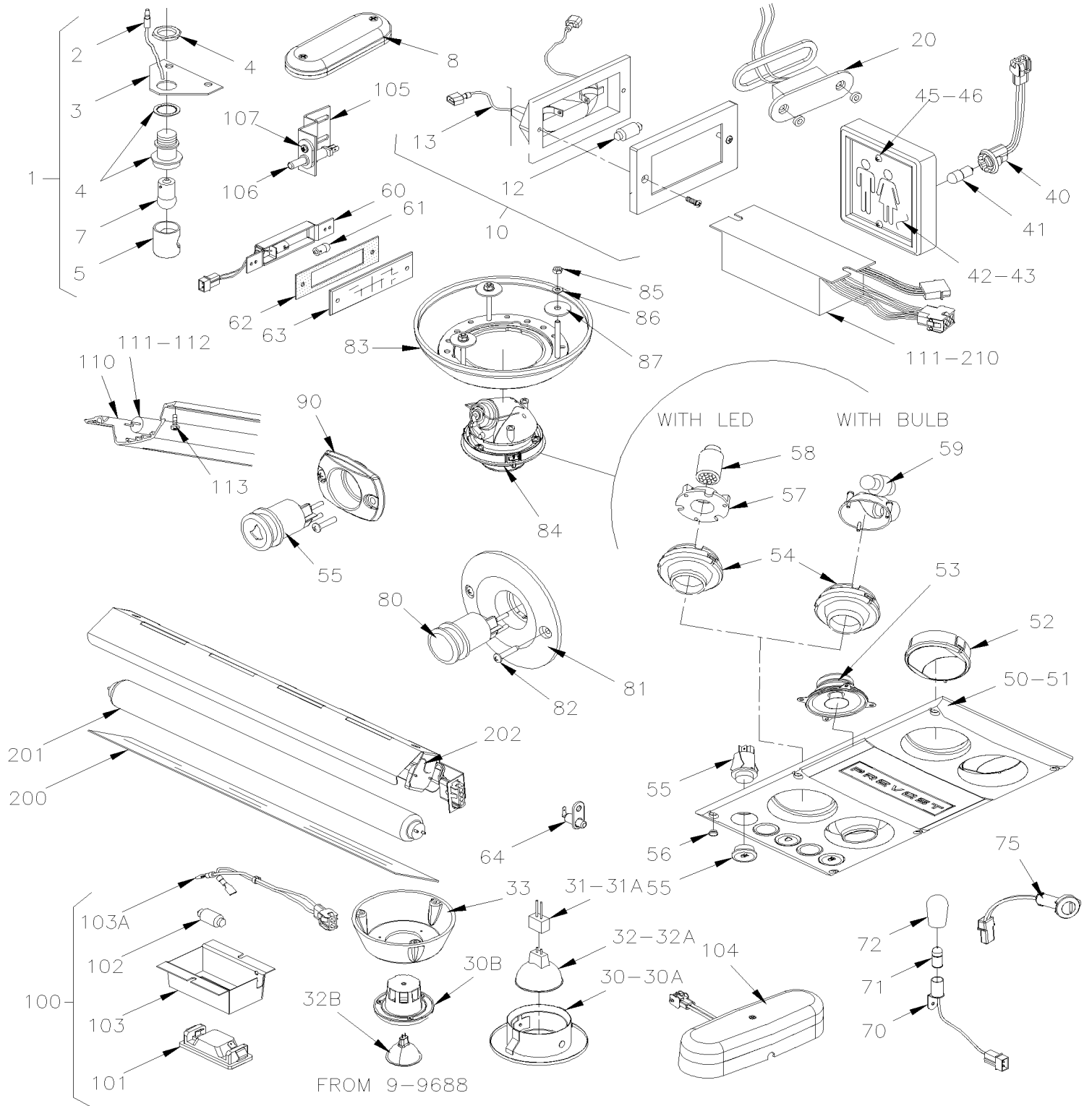
Date:01/2024

PAGE:X3-0655-00

INTERIOR LIGHTING / "FLUORESCENT"



INTERIOR LIGHTING / "FLUORESCENT"



From 7-8754 To D-5371	Date:01/2024	PAGE:X3-0655-00
-----------------------	--------------	-----------------

INTERIOR LIGHTING / "FLUORESCENT"

Item#	Part	Description	QTY	Notes
		AISLE LAMP - UNDER PASSENGER'S SEAT OR OVER LAVATORY DOOR		
1	330367	LAMP ASSY / UNDER SEAT W/LED To B-5001	AR	
2	560098	. TERMINAL SNAP PLUG / 16-14 / INSULATED / AMP 2-324225-1 To B-5001	1	
3	361343	. SUPPORT To B-5001	1	
4	830096	. LAMP To B-5001	1	
5	830113	. . CAP PROTECTOR To B-5001	1	
7	563546	. BULB / 7 LEDS BLUE / UNDER SEAT / #B607-2PB-028W To 9-9594	1	
7	564100	. BULB / 7 LEDS BLUE / UNDER SEAT / #270015 From 9-9595 To B-5001	1	
NS	061310	CABLE ASSY / LIGHT & MAIN CABLE	AR	
8	564184	LAMP LED ASSY / BLUE 24V From B-5002	1	
		STEPWELL LAMP		
10	330279	LAMP ASSY 24V W/BULB To B-5001	2	
. NS	830142	. LAMP To B-5001	1	
. NS	562278	. BULB / 10WATT-24VOLTS / SAE# 6429 To B-5001	1	
10	830197	LAMP ASSY 24V LEDS From B-5002	2	
NS	068140	CABLE INTERFACE 330279 TO 830197 To B-5001	AR	
12	562278	. BULB / 10WATT-24VOLTS / SAE# 6429 To B-5001	1	
13	561904	TAB TERMINAL INSULATION NYLON / 22-18 / AMP 2-520103-2 To B-5001	2	
NS	500148	SCREW MA RND PH #6-32x1/2 SS	AR	
NS	500422	NUT SPR U #6-32 .110-.120 SS	AR	
NS	500385	NUT SPR U #6-32 .135-.150 N500	4	C O
NS	5001303	SCREW MA BDG PH #6-32x1 ZP EMN	4	C O
NS	3200782	CLOSING PLATE / WITHOUT STEPWELL LAMP	1	C O
NS	500952	SCREW TP BDG PH #8x1/2 SS	4	C O
		GALLEY & WASTE CONTAINER LAMP & LAVATORY SAFETY LAMP		
20	563460	LAMP ASSY "LED"	AR	
		DRIVER'S LAMP & LAVATORY LAMP		
30	830179	LAMP BASE	2	
30	830179	LAMP BASE	2	
30A	830179	LAMP BASE To 9-9687	1	L
30A	830179	LAMP BASE To 9-9687	1	L
30B	830191	LAMP ASSY / LAVATORY "FRILIGHT" BLACK From 9-9688	1	L
. NS	830196	. BULB / 20 WATTS-12V/SAE#Q20MR16/FL40D From 9-9688	1	L

From 7-8754 To D-5371	Date:01/2024	PAGE:X3-0655-00
INTERIOR LIGHTING / "FLUORESCENT"		

Item#	Part	Description	QTY	Notes
31	562803	CONNECTOR / SOCKET HOUSING ASSY / LEECRAFT QBL-12	1	
31	562803	CONNECTOR / SOCKET HOUSING ASSY / LEECRAFT QBL-12	1	
31A	562803	CONNECTOR / SOCKET HOUSING ASSY / LEECRAFT QBL-12 To 9-9687	1	L
31A	562803	CONNECTOR / SOCKET HOUSING ASSY / LEECRAFT QBL-12 To 9-9687	1	L
32	830176	BULB / 20 WATTS-12V/SAE#Q20MR16/FL40D	1	
32	830176	BULB / 20 WATTS-12V/SAE#Q20MR16/FL40D	1	
32A	830176	BULB / 20 WATTS-12V/SAE#Q20MR16/FL40D To 9-9687	1	L
32A	830176	BULB / 20 WATTS-12V/SAE#Q20MR16/FL40D To 9-9687	1	L
32B	830196	BULB / 20 WATTS-12V/SAE#Q20MR16/FL40D From 9-9688	1	L
33	405371	LAMP SUPPORT / LAVATORY GREY PLATINE To 9-9687	1	
33	409270	LAMP SUPPORT / LAVATORY GREY PLATINE From 9-9688	1	
		LAVATORY LAMP (OCCUPIED)		
40	330342	BASE ASSY W/SOCKET & BULB 24V / LIGHT GREY	1	
NS	330265	. SOCKET ASSY W/CONNECTOR / W2.1x9.Dd	1	
. NS	562295	. . SOCKET BULB / PLASTIC W/WIRE / W2.1x9.5d	1	
. NS	561248	. . CONNECTOR / UNIVERSAL MATE-N-LOK / PH 2C / AMP 1-480699-0	1	
. NS	562122	. . PIN TERMINAL / 20-14 / AMP 350547-1	2	
41	561166	. BULB / 3WATT-24VOLTS / SAE# 464	1	
42	330341	. BASE BOX, LAMP / LIGHT GREY	1	
43	403137	LENS	1	
45	500504	SCREW TC OV PH #6-32x1/2 BK	2	
46	500422	NUT SPR U #6-32 .110-.120 SS	2	
		READING LIGHT		
50	330366	MODULE ASSY WITH LEDS LAMP, AIR DIFFUSOR To 7-8932	AR	
50	330379	MODULE ASSY W/LEDS LAMP, AIR DIFFUSOR & COAXIAL SPEAKER From 7-8933	AR	
. NS	830184	. MODULE ASSY W/OUT LAMP & W/AIR DIFFUSOR COAXIAL SPEAKER From 7-8933	1	
. NS	830180	. SUPPORT / 12 LEDS BULB From 7-8933	2	
. NS	563630	. BULB / 12 LEDS / READING LIGHT 24VOLTS / #270017 From 7-8933	2	
. NS	500235	. SCREW TP BDG PH #6x3/4 N500 From 7-8933	6	
50	330380	MODULE ASSY W/LEDS LAMP, AIR DIFFUSOR & DUAL CONE SPEAKER From 7-8933	AR	
. NS	830185	. MODULE ASSY W/OUT LED AND W/AIR DIFFUSOR DUAL CONE SPEAKER From 7-8933	1	
. NS	830180	. SUPPORT / 12 LEDS BULB From 7-8933	2	
. NS	563630	. BULB / 12 LEDS / READING LIGHT 24VOLTS / #270017 From 7-8933	2	
. NS	500235	. SCREW TP BDG PH #6x3/4 N500 From 7-8933	6	
50	830186	MODULE ASSY W/BULB LAMP, AIR DIFFUSOR & DUAL CONE SPEAKER From 7-8933	AR	
51	830178	. MODULE ASSY WITH LAMP AND AIR DIFFUSOR To 7-8932	1	BS
51	830186	. MODULE ASSY W/BULB LAMP, AIR DIFFUSOR & DUAL CONE SPEAKER From 7-8933	1	
51	830187	. MODULE ASSY W/BULB LAMP, AIR DIFFUSOR & COAXIAL SPEAKER From 7-8933	1	

From 7-8754 To D-5371	Date:01/2024	PAGE:X3-0655-00
INTERIOR LIGHTING / "FLUORESCENT"		

Item#	Part	Description	QTY	Notes
52	830157	. . AIR DIFFUSOR	2	
53	901195	. . SPEAKER COAXIAL From 7-8933	1	
53	901194	. . SPEAKER DUAL CONE From 7-8933	1	
54	830156	. . READING LAMP ASSY W/REFLECTOR LENS & CLIP	1	
54	N.S.S.	. . . REFLECTOR ASSY W/CLIP	1	1
54	830169	. . . CLIP SOKET RETAINER	1	
55	830159	. SWITCH / OFF-M/ON / S.P.S.T. / CHIME	1	WCL
55	830158	. SWITCH / OFF-ON / S.P.S.T. / READING LIGHT	2	WCL
56	830160	. PLUG COVER SCREW	6	
NS	5001439	. SCREW TP OV PH #6x5/8 BK	4	B
57	830180	. SUPPORT / 12 LEDS BULB	2	
NS	500235	. SCREW TP BDG PH #6x3/4 N500	6	
58	563349	. BULB / 12 LEDS / READING LIGHT 24VOLTS / #B612-0WW-024S To 7-9150	1	
58	563630	. BULB / 12 LEDS / READING LIGHT 24VOLTS / #270017 From 7-9151	1	
59	560135	. BULB / 6WATT-24VOLTS / SAE# 623	2	
NS	067272	CABLE READING LAMP W/REFLECTOR LENS & CLIP From 9-9582	AR	R
NS	066796	RESISTOR 4 OHMS 25W W/CONNECTOR	3	
NS	830164	TOOL / LENS REMOVER READING LIGHT	AR	
		PARCEL RACK - INTERIOR LIGHT		
60	430314	LAMP ASSY	AR	
60	430313	. BOX	1	
60	561556	. SOCKET BULB / METAL W/2 WIRES / BA9s / LEECRAFT B22Q2	1	
60	504462	. SNAP BUSHING / .187x.375x.312	1	
60	560853	. PIN TERMINAL / 24-18 / AMP 60618-1	2	
60	560900	. CONNECTOR / COM. MATE-N-LOCK / PH 2C / AMP 1-480319-0	1	
60	504109	. RIVET POP DOME OE 5/32x3/16 AL	2	
61	560144	BULB / 1.6WATT-24VOLTS / SAE# 1820	AR	
62	430316	SEAL	1	
63	430312	LENS	2	
NS	500124	SCREW TP TR PH #8x1/2 SS	1	
64	561563	SWITCH / S.P.S.T. / N.C.	1	
		EMERGENCY EXIT LAMP - LOCATED To 8-9330		
		UPPER OF SIDE WINDOW		
		ALSO IN LIGHTING MODULE OVER		
		PARCEL RACK DOORS		
70	330217	SOCKET ASSY	AR	
71	560601	BULB / 2WATT-24VOLTS / SAE# 456	AR	

From 7-8754 To D-5371	Date:01/2024	PAGE:X3-0655-00
INTERIOR LIGHTING / "FLUORESCENT"		

Item#	Part	Description	QTY	Notes
71	562112	BULB / 3WATT-24VOLTS / SAE# 1873	AR	
72	560942	BULB COVERING / BLUE	AR	
NS	500648	SCREW TC BDG PH #6-32x1/4 ZP	AR	
NS	500438	WASHER FL .187x.437x.050 Z050	AR	
		NEXT LAMPS USE "EMERGENCY" ONLY		
75	564070	LAMP ASSY "LED" W/RETAINING RING From 8-9331	AR	
. A	563723	. DIFFUSOR From 8-9331	1	
. B	563724	. RECEPTACLE ASSY From 8-9331	1	
. C	330393	. PIN HAIR CUTTER .062 X 9/32 SPEC From 8-9331	1	
NS	068315	HARNESS / EMERGENCY LIGHT To D-5371	1	
NS	067441	CABLE / EMERGENCY LIGHT LH From D-5372	1	
NS	067442	CABLE / EMERGENCY LIGHT RH From D-5372	1	
		NEXT LAMP USE "REAR LOUNGE SEAT" ONLY		
		NEAR LAVATORY		
80	830192	SWITCH / OFF-ON / S.P.S.T. / READING LIGHT RED CAP	1	
81	331930	SUPPORT SWITCH LAMP	1	
82	500814	SCREW TP BDG PH #6x3/4 BK	2	
83	331932	SUPPORT LAMP ASSY	1	
. NS	331931	. SUPPORT ASSY	1	
. NS	331924	. COVER LAMP	1	
84	N.S.A.	LAMP ASSY / W/BULB	1	3
. NS	067272	. CABLE READING LAMP W/REFLECTOR LENS & CLIP	1	
. NS	560135	. BULB / 6WATT-24VOLTS / SAE# 623	1	
. NS	830156	. READING LAMP ASSY W/RFLECTOR LENS & CLIP	1	
84	N.S.A.	LAMP ASSY / W/LEDS	1	3
. NS	067272	. CABLE READING LAMP W/REFLECTOR LENS & CLIP	1	
. NS	563630	. BULB / 12 LEDS / READING LIGHT 24VOLTS / #270017	1	
. NS	830180	. SUPPORT / 12 LEDS BULB	1	
. NS	500235	. SCREW TP BDG PH #6x3/4 N500	3	
85	502524	NUT HEX M4-0.7 Z050	3	
86	502690	WASHER FL 4.3x9.0x0.8 Z050	3	
87	502759	WASHER FL .218x.875x.062 SS	3	
90	409259	PROTECTOR SWITCH / CAP From 9-9643	AR	WCL
. NS	288728	. REINFORCMENT FOR SCREW PROTECTOR CAP From 9-9643	1	WCL
NS	500814	SCREW TP BDG PH #6x3/4 BK From 9-9643	2	WCL
		BAGGAGE & SERVICE DOOR		

From 7-8754 To D-5371	Date:01/2024	PAGE:X3-0655-00
-----------------------	--------------	-----------------

INTERIOR LIGHTING / "FLUORESCENT"

Item#	Part	Description	QTY	Notes
100	330372	LAMP ASSY 24V / BAGGAGE COMPARTMENT LAMP W//2 BULBS 5W To 7-9232	AR	
101	830183	. LAMP ASSY / W/2 BULBS To 7-9232	1	
102	562411	. BULB / 5WATT-24VOLTS / SAE # 6424 To 7-9232	2	
103	330369	. SUPPORT / SS / TO FIX LAMP / W/2 BULBS To 7-9232	1	
NS	504273	. CABLE TIE / 1/8" X 3"1/2 To 7-9232	1	
103A	066271	. CABLE ASSY / W/2 BULBS To 7-9232	1	
104	330224	LAMP ASSY 24V / BAGGAGE COMPARTMENT LAMP W/2 BULBS G4-10W From 7-9233 To C-5132	AR	
. NS	330396	. BULB / 10 WATTS -28VOLTS / SAE# G4-28 From 7-9233 To C-5132	2	
104	330299	LAMP ASSY 24V / BAGGAGE COMPARTMENT LAMP / LED From C-5133	AR	E
. NS	561248	. CONNECTOR / UNIVERSAL MATE-N-LOK / PH 2C / AMP 1-480699-0 From C-5133	1	E
104	830008	LAMP ASSY 24V / LED	AR	
. NS	561248	. CONNECTOR / UNIVERSAL MATE-N-LOK / PH 2C / AMP 1-480699-0	1	
105	066673	SWITCH ASSY / BAGGAGE COMPARTMENT To B-5001	8	
105	Call order desk	SWITCH ASSY / BAGGAGE COMPARTMENT From B-5002	8	P
105	066672	. SWITCH SUPPORT / W/BAGGAGE DOORS STD To B-5001	1	
105	066614	. SWITCH SUPPORT / W/BAGGAGE DOORS STD From B-5002	1	
106	563464	. SWITCH / S.P.S.T. / N.C. / W/RUBBER BOOT	1	
107	500623	. SCREW TC PAN PH #10-24x3/4 N500	1	
107	500840	. WASHER LO EXT .195x.410x.025 N500	1	
		FLUORESCENT FRONT UPPER		
		DOOR PARCEL RACK		
110	316288	LIGHTING MODULE / W/TUBE / W/OUT LAVATORY // W/OUT LAVATORY1347MM	1	A
110	312447	LIGHTING MODULE / W/TUBE / W/W.C.L. "ST & ST" / 1476.2MM "PWT"	1	A
110	312445	LIGHTING MODULE / W/TUBE 1590MM	12	A
110	313460	LIGHTING MODULE / "DUMMY" / W/W.C.L. "RICON" / 424MM	1	
110	313257	LIGHTING MODULE / "DUMMY" / W/W.C.L. "RICON" / 609MM	1	
110	312450	LIGHTING MODULE / "DUMMY" 779.5MM	2	
110	313256	LIGHTING MODULE / "DUMMY" 1318MM	1	
111	830154	BALLAST / 24 VOLTS / TO USE W/830152	AR	
NS	562850	. FUSE / 4 AMPS / GMA-4A	1	
NS	562784	SOCKET / BIPIN HOLDER / LEVITON 420	AR	
112	830152	TUBE / 13WATT / F13T5CW - 21" / G5 MINI BIPIN	AR	
113	500583	SCREW TP PAN PH #6x1/2 Z050	AR	
		FLUORESCENT UNDER PARCEL RACK		
200	312502	LENS 470MM	1	
200	312503	LENS 831MM To B-5001	1	
200	319085	LENS 871MM From B-5002	1	

From 7-8754 To D-5371	Date:01/2024	PAGE:X3-0655-00
-----------------------	--------------	-----------------

INTERIOR LIGHTING / "FLUORESCENT"

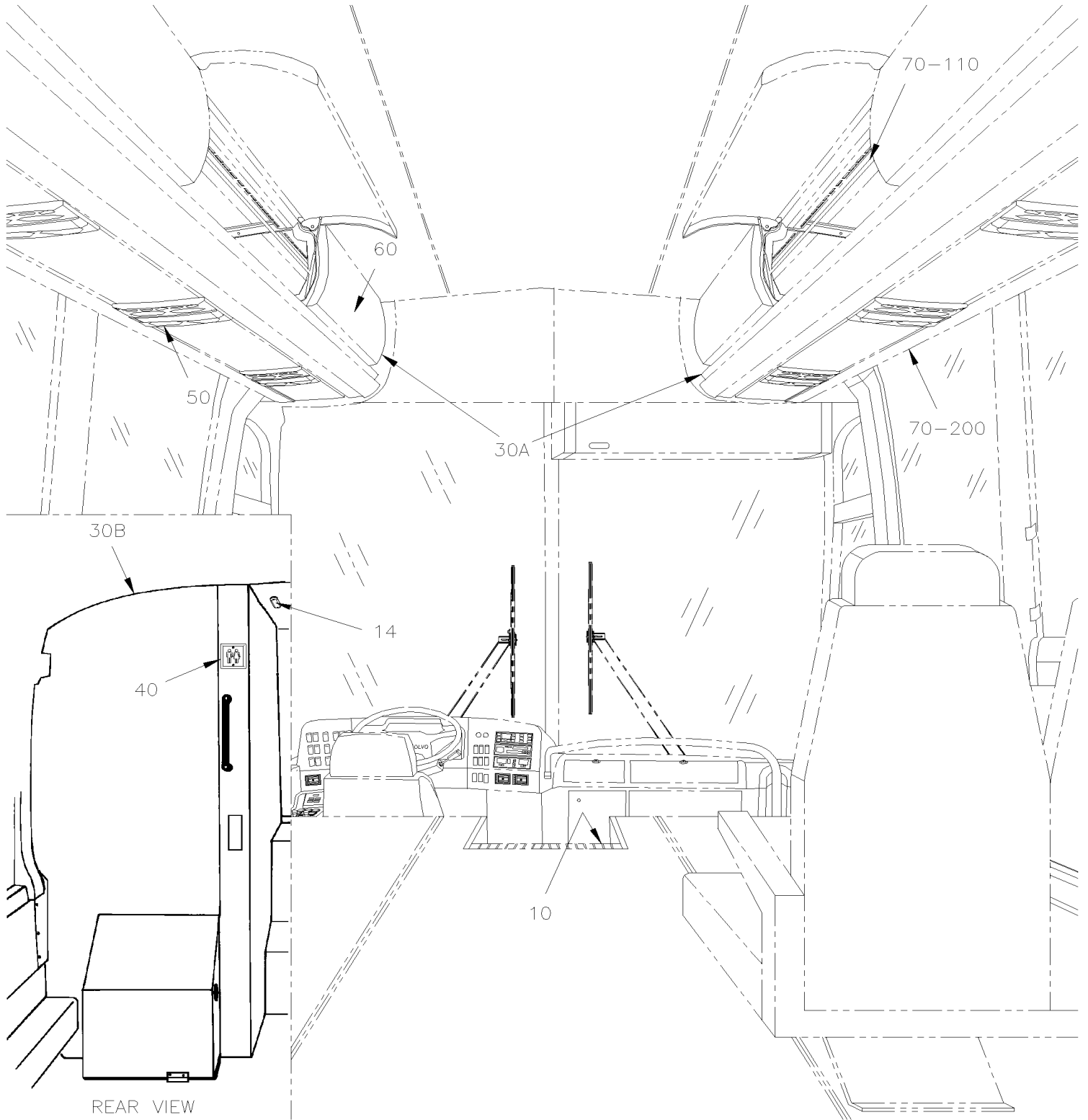
Item#	Part	Description	QTY	Notes
200	312501	LENS 1235MM	12	
200	313344	LENS 411MM / W/A/C	1	
200	313345	LENS 800MM / W/A/C	1	
200	313346	LENS 637MM / W/A/C	1	
200	313347	LENS 574MM / W/A/C	1	
201	830153	TUBE / 32WATT / F32T8SPX41 - 48"	AR	
201	830199	TUBE / 25WATT / F25T8SPX41 - 36" From B-5002	1	
201	830102	TUBE / 15WATT / F15T8CW - 18" / G13 MED BIPIN	1	
202	330340	SOCKET / TUBE	2	
202	561247	. CONNECTOR / UNIVERSAL MATE-N-LOK / SH 2C / AMP 1-480698-0	1	
202	561514	. SOCKET TERMINAL / 20-14 / AMP 350537-3	2	
202	830145	. SOCKET / BIPIN HOLDER	1	
210	830155	BALLAST / 24 VOLTS / TO USE W/830153	AR	
210	562850	. FUSE / 4 AMPS / GMA-4A	1	
		A) INCLUDE ITEMS # 70 & 111		
		B) TO FIX MODULES TO PARCEL RACK		
		BS) BULB SOCKET IT NOT AVAILABLE FOR REPLACEMENT ASK FOR CHEAPER MODULE # 830178		
		C) USE WHEN THE STEPWELL LAMP INSTALL ON CENTER DASH BOTTOM		
		E) WHEN YOU REPLACE LAMP #330299 BY THE NEW LAMP #830008 YOU HAVE TO DRILL HOLE TO INSTALL IT WITH TWO SCREWS #500443 OR #500965		
		L) LAVATORY ONLY		
		O) WITH ORLEAN OPTION		
		R) THIS READING LIGHT ARE LOCATED ON CEILING PANEL ROOF NEAR LAVATORY		
		WCL) THIS SWITCH IT ALSO INSTALL ON LOWER WINDOW MOULDING WITH PROTECTOR # 409259		
		1) NOT SOLD SEPARATELY		
		3) NOT SOLD ASSEMBLY		
		P) CALL ORDER DESK FOR SPECIFIC APPLICATION (V.I.N.)		

From C-5249

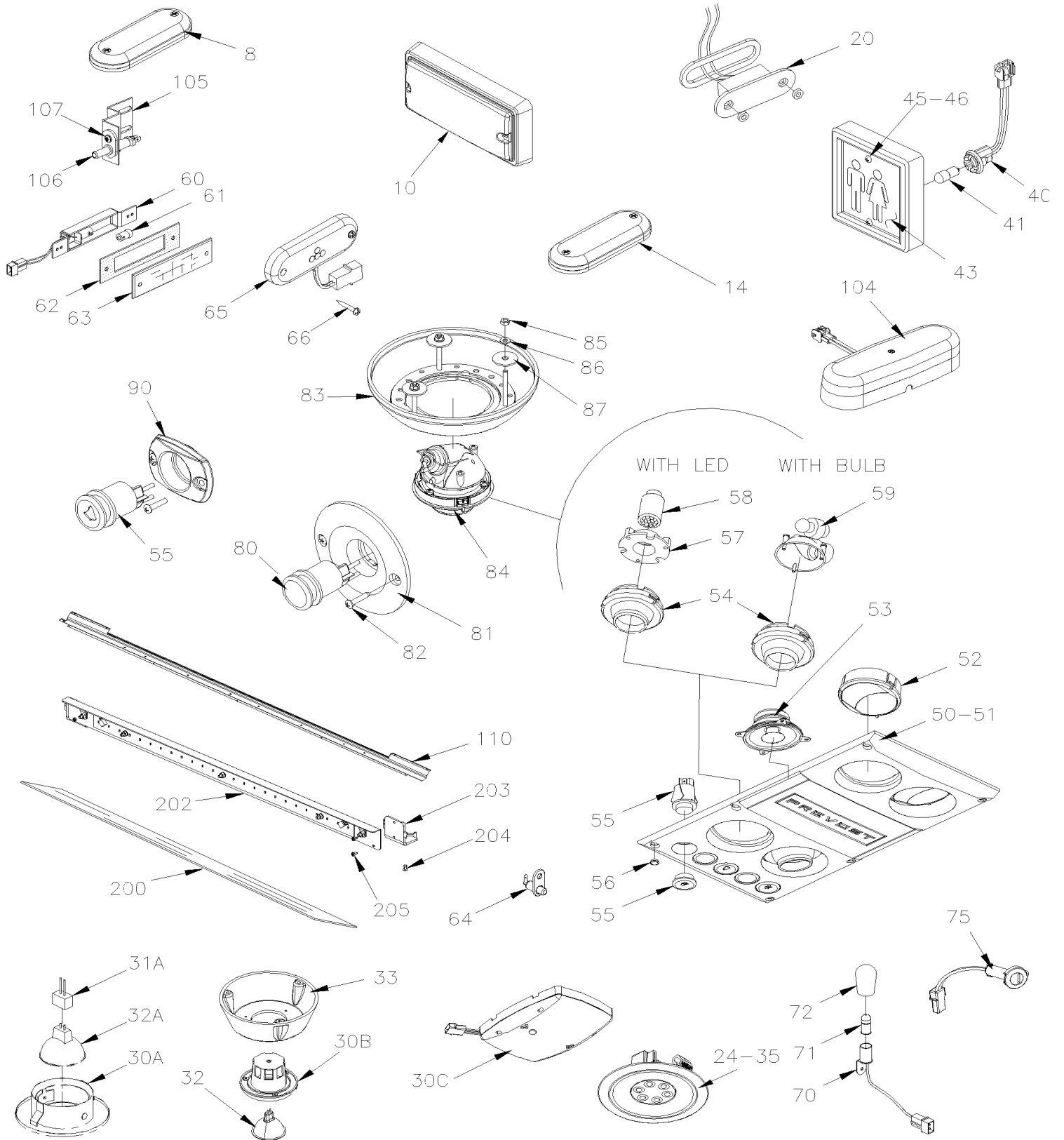
Date:01/2024

PAGE:X3-0655-01

INTERIOR LIGHTING / "LED"



INTERIOR LIGHTING / "LED"



From C-5249	Date:01/2024	PAGE:X3-0655-01
-------------	--------------	-----------------

INTERIOR LIGHTING / "LED"

Item#	Part	Description	QTY	Notes
		AISLE LAMP - UNDER PASSENGER'S SEAT		
		OR OVER LAVATORY DOOR		
NS	061310	CABLE ASSY / LIGHT & MAIN CABLE To H-6179	AR	
NS	069424	CABLE ASSY / LIGHT & MAIN CABLE From H-6180	AR	
NS	0610070	HARN. AISLE LAMPS WHITE (JUMPER 1200) W/FAIC	15	FAIC
NS	0610071	HARN. AISLE LAMPS WHITE FRONT (MOD-P) W/FAIC	1	FAIC
NS	0610299	HARN. AISLE LAMPS WCL W/FAIC	1	FAICW
8	564184	LAMP LED ASSY / BLUE 24V To H-6179	1	
8	568101	LAMP LED ASSY / BLUE ISOLATED GROUND From H-6180	AR	
		STEPWELL LAMP		
10	830197	LAMP ASSY 24V LEDS	2	
NS	500148	SCREW MA RND PH #6-32x1/2 SS	AR	
NS	500422	NUT SPR U #6-32 .110-.120 SS	AR	
NS	500385	NUT SPR U #6-32 .135-.150 N500	4	C O
NS	5001303	SCREW MA BDG PH #6-32x1 ZP EMN	4	C O
NS	3200782	CLOSING PLATE / WITHOUT STEPWELL LAMP	1	C O
NS	500952	SCREW TP BDG PH #8x1/2 SS	4	C O
		LAVATORY LOCATION LAMP		
14	564184	LAMP LED ASSY / BLUE 24V From G-6084	1	S
NS	069621	WIRING , LOCATION LAMP ABOVE TOILET DOOR From G-6084	1	S
15	061250	WIRING , LOCATION LAMP ABOVE TOILET DOOR From J-6240 To J-6241	1	
15	060879	WIRING HARNESS FRONT JUNCTION BOX From J-6242	1	
NS	504083	SNAP BUSHING / .250x.468.406 From G-6084	1	S
NS	504622	GROMMET / 1.500x1.750x.062x.437x2.125 From G-6084	1	S
		GALLEY & WASTE CONTAINER LAMP &		
		LAVATORY SAFETY LAMP		
20	563460	LAMP ASSY "LED"	AR	
24		NEXT ITEM ARE USE WITH AUTOMATIC EMERGENCY LAMPS From M-6666		K
25	830012	LAMP LED / NORMAL & EMERGENCY 24V From M-6666	14	K
		DRIVER'S LAMP & LAVATORY LAMP		

From C-5249	Date:01/2024	PAGE:X3-0655-01
-------------	--------------	-----------------

INTERIOR LIGHTING / "LED"

Item#	Part	Description	QTY	Notes
30A	830179	LAMP BASE To H-6179	2	
30B	830191	LAMP ASSY / LAVATORY "FRILIGHT" BLACK To H-6179	1	L
. NS	830196	. BULB / 20 WATTS-12V/SAE#Q20MR16/FL40D To H-6179	1	L
30C	830210	LAMP ASSY / LAVATORY To H-6179	1	L G
30C	830003	LAMP ASSY / LAVATORY From H-6180	1	L
31A	562803	CONNECTOR / SOCKET HOUSING ASSY / LEECRAFT QBL-12 To H-6179	2	
32A	830176	BULB / 20 WATTS-12V/SAE#Q20MR16/FL40D To H-6179	2	
32B	830196	BULB / 20 WATTS-12V/SAE#Q20MR16/FL40D To H-6179	1	L
33	409270	LAMP SUPPORT / LAVATORY GREY PLATINE To H-6179	1	L
NS	069598	HARNESS LAVATORY CEILING LIGHT From G-6064 To H-6179	1	L
NS	069674	HARNESS LAVATORY CEILING LIGHT To H-6179	1	L G
NS	069676	HARNESS LAVATORY CEILING LIGHT From H-6180	1	L
34	060628	HARNESS LAVATORY SECOND CEILING LIGHT From L-6493	1	J
35	830218	LAMP LED From H-6104 To H-6179	2	F
35	830218	LAMP LED From H-6180 To M-6665	2	
35	830012	LAMP LED / NORMAL & EMERGENCY 24V From M-6666	2	
		LAVATORY LAMP (OCCUPIED)		
40	330342	BASE ASSY W/SOCKET & BULB 24V / LIGHT GREY	1	
NS	330265	. SOCKET ASSY W/CONNECTOR / W2.1x9.Dd	1	
. NS	562295	. . SOCKET BULB / PLASTIC W/WIRE / W2.1x9.5d	1	
. NS	561248	. . CONNECTOR / UNIVERSAL MATE-N-LOK / PH 2C / AMP 1-480699-0	1	
. NS	562122	. . PIN TERMINAL / 20-14 / AMP 350547-1	2	
41	561166	. BULB / 3WATT-24VOLTS / SAE# 464	1	
42	330341	. BASE BOX, LAMP / LIGHT GREY	1	
43	403137	LENS	1	
45	500686	SCREW TP OV PH #6x1/2 BK To H-6130	2	
45	500333	SCREW TP OV PH #6x3/4 BK From H-6131	2	
46	500422	NUT SPR U #6-32 .110-.120 SS	2	
47	500640	SCREW TP PAN PH #6x3/4 Z050	2	F
NS	069597	HARNESS LAVATORY "OCCUPIED" LAMP From G-6064 To H-6179	1	
NS	069675	HARNESS LAVATORY "OCCUPIED" LAMP From H-6180	1	
NS	069840	HARNESS LAVATORY "OCCUPIED" LAMP From H-6180 To M-6654	1	J
48	0610383	HARNESS LAVATORY "OCCUPIED" LAMP From M-6655	1	J
		READING LIGHT		
50	330379	MODULE ASSY W/LEDS LAMP, AIR DIFFUSOR & COAXIAL SPEAKER To E-5537	AR	
. NS	830184	. MODULE ASSY W/OUT LAMP & W/AIR DIFFUSOR COAXIAL SPEAKER To E-5537	1	
. NS	830180	. SUPPORT / 12 LEDS BULB To E-5537	2	

From C-5249		Date:01/2024	PAGE:X3-0655-01
INTERIOR LIGHTING / "LED"			

Item#	Part	Description	QTY	Notes
. NS	563630	. BULB / 12 LEDS / READING LIGHT 24VOLTS / #270017 To E-5537	2	
. NS	500235	. SCREW TP BDG PH #6x3/4 N500 To E-5537	6	
50	830205	MODULE ASSY W/LEDS LAMP, AIR DIFFUSOR & COAXIAL SPEAKER From E-5538 To G-5977	AR	
50	830228	MODULE ASSY W/LEDS LAMP, AIR DIFFUSOR & COAXIAL SPEAKER From G-5978	AR	
50	830208	MODULE ASSY W/LEDS LAMP, AIR DIFFUSOR & COAXIAL SPEAKER From E-5542 To G-5977	AR	PWT
50	830229	MODULE ASSY W/LEDS LAMP, AIR DIFFUSOR & COAXIAL SPEAKER From G-5978	AR	PWT
50	330380	MODULE ASSY W/LEDS LAMP, AIR DIFFUSOR & DUAL CONE SPEAKER To E-5525	AR	
. NS	830185	. MODULE ASSY W/OUT LED AND W/AIR DIFFUSOR DUAL CONE SPEAKER To E-5525	1	
. NS	830180	. SUPPORT / 12 LEDS BULB To E-5525	2	
. NS	563630	. BULB / 12 LEDS / READING LIGHT 24VOLTS / #270017 To E-5525	2	
. NS	500235	. SCREW TP BDG PH #6x3/4 N500 To E-5525	6	
50	830201	MODULE ASSY W/LEDS LAMP, AIR DIFFUSOR & DUAL CONE SPEAKER From E-5526 To G-5977	AR	
50	830225	MODULE ASSY W/LEDS LAMP, AIR DIFFUSOR & DUAL CONE SPEAKER From G-5978	AR	
50	830235	MODULE ASSY W/LEDS LAMP BLUE, AIR DIFFUSOR & DUAL CONE SPEAKER From G-6100	4	GLI
50	330408	MODULE ASSY W/LEDS LAMP, AIR DIFFUSOR & DUAL CONE SPEAKER / SILVER To E-5570	AR	H
. NS	830198	. MODULE ASSY W/OUT LED AND W/AIR DIFFUSOR DUAL CONE SPEAKER / SILVER To E-5570	1	H
. NS	830180	. SUPPORT / 12 LEDS BULB To E-5570	2	H
. NS	563630	. BULB / 12 LEDS / READING LIGHT 24VOLTS / #270017 To E-5570	2	H
. NS	500235	. SCREW TP BDG PH #6x3/4 N500 To E-5570	6	H
50	830203	MODULE ASSY W/LEDS LAMP, AIR DIFFUSOR & DUAL CONE SPEAKER / SILVER From E-5571 To G-5977	AR	H
50	830227	MODULE ASSY W/LEDS LAMP, AIR DIFFUSOR & DUAL CONE SPEAKER / SILVER From G-5978	AR	H
50	830186	MODULE ASSY W/BULB LAMP, AIR DIFFUSOR & DUAL CONE SPEAKER To D-5458	AR	
51	830186	. MODULE ASSY W/BULB LAMP, AIR DIFFUSOR & DUAL CONE SPEAKER To D-5458	1	
51	830187	. MODULE ASSY W/BULB LAMP, AIR DIFFUSOR & COAXIAL SPEAKER To D-5458	1	
52	830157	. . AIR DIFFUSOR To E-5570	2	
52	871456	. AIR DIFFUSOR From E-5571	2	
53	901195	. . SPEAKER COAXIAL To E-5570	1	
53	901195	. SPEAKER COAXIAL From E-5571 To P-6883	1	
53	901194	. . SPEAKER DUAL CONE To E-5570	1	
53	901194	. SPEAKER DUAL CONE From E-5571 To P-6883	1	
53	901908	. SPEAKER 100MM From P-6884	1	
53	830223	. . SCREW, PHILLIPS SELF-TREADED To E-5570	4	
53	830223	. SCREW, PHILLIPS SELF-TREADED From E-5571	4	
53	901536	. GRILL, SPEAKER From E-5571	1	
53	830221	. TAG, PREVOST From E-5571	2	
54	830156	. . READING LAMP ASSY W/REFLECTOR LENS & CLIP To E-5570	2	
54	N.S.S.	. . . REFLECTOR ASSY W/CLIP To E-5570	2	1
54	830169	. . . CLIP SOKET RETAINER To E-5570	2	
54	565949	. BEZEL, LAMP From E-5571 To G-5977	2	
54	830232	. BEZEL, LAMP From G-5978	2	
55	830159	. SWITCH / OFF-M/ON / S.P.S.T. / CHIME To E-5570	1	WCL
55	565942	. SWITCH, BUTTON / CHIME From E-5571	1	

From C-5249		Date:01/2024	PAGE:X3-0655-01
-------------	--	--------------	-----------------

INTERIOR LIGHTING / "LED"

Item#	Part	Description	QTY	Notes
55	830158	. SWITCH / OFF-ON / S.P.S.T. / READING LIGHT To E-5570	2	WCL
55	565941	. SWITCH, BUTTON / READING LIGHT From E-5571	2	
55	565950	. SWITCH, BUTTON / STOP REQUEST From E-5542 To G-5977	1	PWT
55	565948	. BUTTON, "STOP" From G-5978	1	PWT
56	830160	. PLUG COVER SCREW	6	
NS	5001439	. SCREW TP OV PH #6x5/8 BK	4	B
57	830180	. SUPPORT / 12 LEDS BULB To E-5570	2	
NS	500235	. SCREW TP BDG PH #6x3/4 N500 To E-5570	6	
58	563630	. BULB / 12 LEDS / READING LIGHT 24VOLTS / #270017 To E-5570	2	
58	565952	. BULB / LEDS / READING LIGHT 24VOLTS From E-5571 To G-5977	2	
58	565946	. WIRING HARNESS From E-5571 To G-5977	1	
58	830224	. LED CHIP BOARD From G-5978	2	
58	830005	. LED CHIP BOARD / BLUE From G-6100	2	GLI
58	Call order desk	. SCREW TP PAN PH ST3.5x9.5 From G-5978	4	P
58	Call order desk	. WASHER 7.1MM O.D. x 3.7MM I.D. From G-5978	4	P
59	560135	. BULB / 6WATT-24VOLTS / SAE# 623 To D-5458	1	
NS	067272	CABLE READING LAMP W/REFLECTOR LENS & CLIP	AR	R
NS	066796	RESISTOR 4 OHMS 25W W/CONNECTOR	3	
NS	830164	TOOL / LENS REMOVER READING LIGHT	AR	
59	830200	COVER BUTTON, LIGHTING MODULE	AR	M
590		PARCEL RACK - INTERIOR LIGHT		
60	430314	LAMP ASSY To C-5130	AR	
60	430313	. BOX To C-5130	1	
60	561556	. SOCKET BULB / METAL W/2 WIRES / BA9s / LEECRAFT B22Q2 To C-5130	1	
60	504462	. SNAP BUSHING / .187x.375x.312 To C-5130	1	
60	560853	. PIN TERMINAL / 24-18 / AMP 60618-1 To C-5130	2	
60	560900	. CONNECTOR / COM. MATE-N-LOCK / PH 2C / AMP 1-480319-0 To C-5130	1	
60	504109	. RIVET POP DOME OE 5/32x3/16 AL To C-5130	2	
61	560144	BULB / 1.6WATT-24VOLTS / SAE# 1820 To C-5130	AR	
62	430316	SEAL To C-5130	1	
63	430312	LENS To C-5130	2	
NS	500124	SCREW TP TR PH #8x1/2 SS	1	
64	561563	SWITCH / S.P.S.T. / N.C.	1	
65	565889	LAMP LED From C-5131	AR	
66	502752	SCREW TP RND PH #4x3/4 ZP From C-5131	AR	
		UPPER OF SIDE WINDOW		
		ALSO IN LIGHTING MODULE OVER		
		PARCEL RACK DOORS		

From C-5249		Date:01/2024	PAGE:X3-0655-01
-------------	--	--------------	-----------------

INTERIOR LIGHTING / "LED"

Item#	Part	Description	QTY	Notes
70	330217	SOCKET ASSY	AR	
71	560601	BULB / 2WATT-24VOLTS / SAE# 456	AR	
71	562112	BULB / 3WATT-24VOLTS / SAE# 1873	AR	
72	560942	BULB COVERING / BLUE	AR	
NS	500648	SCREW TC BDG PH #6-32x1/4 ZP	AR	
NS	500438	WASHER FL .187x.437x.050 Z050	AR	
		NEXT LAMPS USE "EMERGENCY" ONLY		
75	564070	LAMP ASSY "LED" W/RETAINING RING	AR	
. A	563723	. DIFFUSOR	1	
. B	563724	. RECEPTACLE ASSY	1	
. C	330393	. PIN HAIR CUTTER .062 X 9/32 SPEC	1	
76	068315	HARNESS / EMERGENCY LIGHT To D-5371	1	
76	067441	CABLE / EMERGENCY LIGHT LH From D-5372 To H-6179	1	
76	060091	CABLE / EMERGENCY LIGHT LH From H-6180 To K-6492	1	
76	069968	CABLE / EMERGENCY LIGHT AND WINDOW AJAR LH From L-6493	1	
76	067442	CABLE / EMERGENCY LIGHT RH From D-5372 To H-6179	1	
76	060090	CABLE / EMERGENCY LIGHT RH From H-6180 To K-6492	1	
76	069967	CABLE / EMERGENCY LIGHT AND WINDOW AJAR RH From L-6493	1	
		NEXT LAMP USE "REAR LOUNGE SEAT" ONLY		
		NEAR LAVATORY		
80	830192	SWITCH / OFF-ON / S.P.S.T. / READING LIGHT RED CAP	1	
81	331930	SUPPORT SWITCH LAMP	1	
82	500814	SCREW TP BDG PH #6x3/4 BK	2	
83	331932	SUPPORT LAMP ASSY	1	
. NS	331931	. SUPPORT ASSY	1	
. NS	331924	. COVER LAMP	1	
84	N.S.A.	LAMP ASSY / W/BULB To D-5458	1	3
. NS	067272	. CABLE READING LAMP W/REFLECTOR LENS & CLIP To D-5458	1	
. NS	560135	. BULB / 6WATT-24VOLTS / SAE# 623 To D-5458	1	
. NS	830156	. READING LAMP ASSY W/RFLECTOR LENS & CLIP To D-5458	1	
84	N.S.A.	LAMP ASSY / W/LEDS	1	3
. NS	067272	. CABLE READING LAMP W/REFLECTOR LENS & CLIP	1	
. NS	563630	. BULB / 12 LEDS / READING LIGHT 24VOLTS / #270017	1	
. NS	830180	. SUPPORT / 12 LEDS BULB	1	
. NS	500235	. SCREW TP BDG PH #6x3/4 N500	3	
85	502524	NUT HEX M4-0.7 Z050	3	
86	502690	WASHER FL 4.3x9.0x0.8 Z050	3	

From C-5249	Date:01/2024	PAGE:X3-0655-01
INTERIOR LIGHTING / "LED"		

Item#	Part	Description	QTY	Notes
87	502759	WASHER FL .218x.875x.062 SS	3	
90	409259	PROTECTOR SWITCH / CAP	AR	WCL
NS	288728	REINFORCMENT FOR SCREW PROTECTOR CAP	1	WCL
NS	500814	SCREW TP BDG PH #6x3/4 BK	2	WCL
		BAGGAGE & SERVICE DOOR		
104	330299	LAMP ASSY 24V / BAGGAGE COMPARTMENT LAMP / LED To H-6193	AR	
NS	561248	CONNECTOR / UNIVERSAL MATE-N-LOK / PH 2C / AMP 1-480699-0 To H-6193	1	
104	830008	LAMP ASSY 24V / LED From H-6194	AR	A
NS	561248	CONNECTOR / UNIVERSAL MATE-N-LOK / PH 2C / AMP 1-480699-0 From H-6194	1	A
105	Call order desk	SWITCH ASSY / BAGGAGE COMPARTMENT	8	P
105	066614	SWITCH SUPPORT / W/BAGGAGE DOORS STD	1	
106	563464	SWITCH / S.P.S.T. / N.C. / W/RUBBER BOOT	1	
107	500623	SCREW TC PAN PH #10-24x3/4 N500	1	
107	500840	WASHER LO EXT .195x.410x.025 N500	1	
		LAMP LED INDIRECT LIGHT PARCEL RACK		
110	316452	LIGHT, INDIRECT, PARCEL RACK AISLE SIDE 1584.5MM 24VDC To D-5372	6	
110	316450	LIGHT, INDIRECT, PARCEL RACK AISLE SIDE 1340MM 24VDC "PWT" To D-5372	3	
110	316449	LIGHT, INDIRECT, PARCEL RACK AISLE SIDE 1312MM 24VDC To D-5372	2	
110	316508	LIGHT, INDIRECT, PARCEL RACK AISLE SIDE 604MM "DUMMY" To D-5372	1	
110	316509	LIGHT, INDIRECT, PARCEL RACK AISLE SIDE 770MM "DUMMY" To D-5372	3	
110	316579	INDIRECT LIGHTING "DUMMY", PARCEL RACK AISLE SIDE 770MM From D-5373	2	
110	316581	INDIRECT LIGHTING "DUMMY", PARCEL RACK AISLE SIDE 604MM From D-5373	1	
110	316580	LIGHT, INDIRECT, PARCEL RACK W/DOORS AISLE SIDE 1584.5MM 24VDC LED From D-5373 To G-5977	11	
110	319178	LIGHT, INDIRECT, PARCEL RACK W/DOORS AISLE SIDE 1584.5MM 24VDC LED From G-5978 To K-6492	11	
110	319178	LIGHT, INDIRECT, PARCEL RACK W/DOORS AISLE SIDE 1584.5MM 24VDC LED From L-6493	10	
110	310622	LIGHT, INDIRECT, PARCEL RACK W/O DOORS AISLE SIDE 1028.5MM 24VDC LED From L-6493	1	D
110	316576	LIGHT, INDIRECT, PARCEL RACK W/O DOORS AISLE SIDE 1584.5MM 24VDC LED From D-5373 To G-5977	10	
110	319181	LIGHT, INDIRECT, PARCEL RACK W/O DOORS AISLE SIDE 1584.5MM 24VDC LED From G-5978	10	
110	316583	LIGHT, INDIRECT, PARCEL RACK W/DOORS AISLE SIDE 1312MM 24VDC LED From D-5373 To G-5977	1	
110	319180	LIGHT, INDIRECT, PARCEL RACK W/DOORS AISLE SIDE 1312MM 24VDC LED From G-5978	1	
110	316578	LIGHT, INDIRECT, PARCEL RACK W/O DOORS AISLE SIDE 1312MM 24VDC LED From D-5373 To G-5977	1	
110	319183	LIGHT, INDIRECT, PARCEL RACK W/O DOORS AISLE SIDE 1312MM 24VDC LED From G-5978	1	
110	310620	LIGHT, INDIRECT, PARCEL RACK W/DOORS AISLE SIDE 1028MM 24VDC LED From L-6493	1	
110	316582	LIGHT, INDIRECT, PARCEL RACK W/DOORS / W/WCL AISLE SIDE 1341MM 24VDC LED From D-5373 To G-5977	3	D
110	319179	LIGHT, INDIRECT, PARCEL RACK W/DOORS / W/WCL AISLE SIDE 1341MM 24VDC LED From G-5978	3	D
110	316732	LIGHT, INDIRECT, PARCEL RACK W/DOORS / W/WCL AISLE SIDE 1081.5MM 24VDC LED From D-5373 To G-5977	1	D

From C-5249	Date:01/2024	PAGE:X3-0655-01
-------------	--------------	-----------------

INTERIOR LIGHTING / "LED"

Item#	Part	Description	QTY	Notes
110	319192	LIGHT, INDIRECT, PARCEL RACK W/DOORS / W/WCL AISLE SIDE 1081.5MM 24VDC LED From G-5978	1	D
110	314847	LIGHT, INDIRECT, PARCEL RACK W/DOORS / W/WCL AISLE SIDE 1029.5MM 24VDC LED From L-6493	1	J
110	316577	LIGHT, INDIRECT, PARCEL RACK W/O DOORS / W/WCL AISLE SIDE 1341MM 24VDC LED From D-5373 To G-5977	3	D
110	319182	LIGHT, INDIRECT, PARCEL RACK W/O DOORS / W/WCL AISLE SIDE 1341MM 24VDC LED From G-5978	3	D
110	316583	LIGHT, INDIRECT, PARCEL RACK W/DOORS AISLE SIDE 1312MM 24VDC LED From D-5373 To G-5977	2	D
110	319180	LIGHT, INDIRECT, PARCEL RACK W/DOORS AISLE SIDE 1312MM 24VDC LED From G-5978	2	D
110	316578	LIGHT, INDIRECT, PARCEL RACK W/O DOORS AISLE SIDE 1312MM 24VDC LED From D-5373 To G-5977	2	D
110	319183	LIGHT, INDIRECT, PARCEL RACK W/O DOORS AISLE SIDE 1312MM 24VDC LED From G-5978	2	D
110	310997	LIGHT, INDIRECT, PARCEL RACK W/O DOORS AISLE SIDE 498MM 24VDC LED From L-6493	1	D
110	316584	LIGHT, INDIRECT, PARCEL RACK W/O DOORS AISLE SIDE 1556MM 24VDC LED From D-5373 To G-5977	1	E
110	319184	LIGHT, INDIRECT, PARCEL RACK W/O DOORS AISLE SIDE 1556MM 24VDC LED From G-5978	1	E
110	067747	CABLE HARNESS / IND, LIGHT FRONT RH & REAR LH To H-6179	1	
110	069545	CABLE HARNESS / IND, LIGHT FRONT RH & REAR LH From H-6180 To K-6492	1	
110	069862	CABLE HARNESS / IND, LIGHT FRONT RH From L-6493	1	
110	068258	CABLE HARNESS / IND, LIGHT To H-6179	AR	
110	069546	CABLE HARNESS / IND, LIGHT From H-6180	AR	
110	068310	CABLE HARNESS / IND, LIGHT / W/W.C.L. To H-6179	1	
110	069547	CABLE HARNESS / IND, LIGHT / W/W.C.L. From H-6180 To K-6492	1	
110	069884	CABLE HARNESS / IND, LIGHT / W/W.C.L. From L-6493	1	
110	068547	CABLE HARNESS / IND, LIGHT FRONT LH & REAR RH To H-6179	1	
110	069544	CABLE HARNESS / IND, LIGHT FRONT LH & REAR RH From H-6180 To K-6492	1	
110	069861	CABLE HARNESS / IND, LIGHT REAR RH From L-6493	1	
110	069985	CABLE HARNESS / IND, LIGHT LH From L-6493	1	
		LAMP LED UNDER PARCEL RACK To G-5977		
200	312502	LENS 470MM To G-5977	1	
200	319085	LENS 871MM To G-5977	1	
200	312501	LENS 1235MM To G-5977	12	
200	313344	LENS 411MM / W/A/C To D-5458	1	
200	317038	LENS 286MM / W/A/C From E-5459 To G-5977	1	
200	313345	LENS 800MM / W/A/C To G-5977	1	
200	313346	LENS 637MM / W/A/C To G-5977	1	
200	313347	LENS 574MM / W/A/C To G-5977	1	
202	316453	LIGHT, DIRECT, PARCEL RACK WINDOW SIDE 600MM 24VDC To G-5977	6	
202	319193	LIGHT, DIRECT, PARCEL RACK WINDOW SIDE 600MM 24VDC From G-5977 To G-5977	6	
202	316458	LIGHT, DIRECT, PARCEL RACK WINDOW SIDE 1200MM 24VDC To G-5977	7	
202	319194	LIGHT, DIRECT, PARCEL RACK WINDOW SIDE 1200MM 24VDC From G-5977 To G-5977	7	
203	314372	ANGLE, LED LIGHT To G-5977	24	
204	504106	RIVET POP DOME OE 1/8x1/4 AL To G-5977	AR	
205	500601	SCREW TC PAN PH #6-32x3/8 N500 To G-5977	AR	

From C-5249	Date:01/2024	PAGE:X3-0655-01
-------------	--------------	-----------------

INTERIOR LIGHTING / "LED"

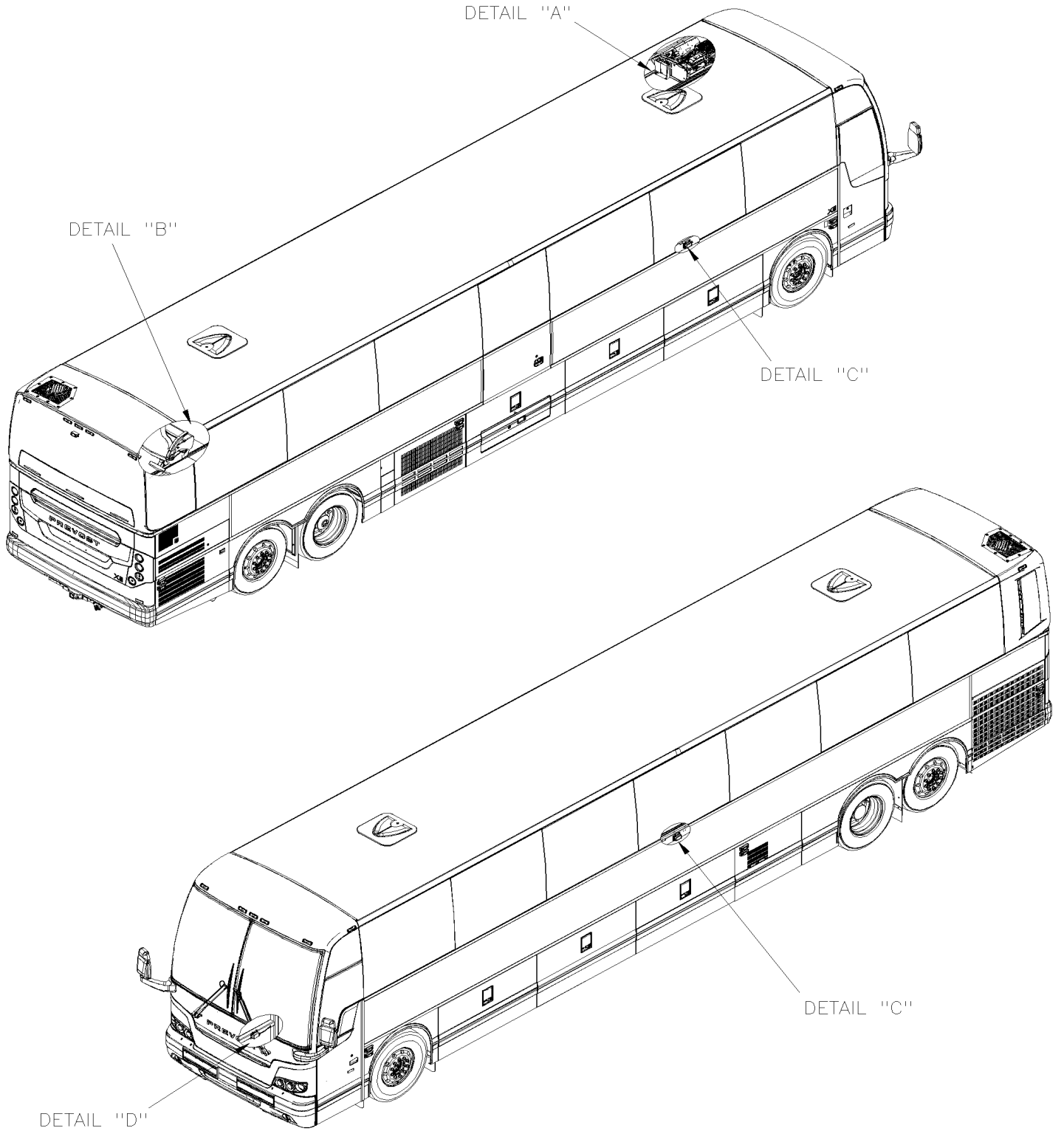
Item#	Part	Description	QTY	Notes
		A) WHEN YOU REPLACE LAMP #330299 BY THE NEW LAMP #830008 YOU HAVE TO DRILL HOLE TO INSTALL IT WITH TWO SCREWS #500443 OR #500965		
		B) TO FIX MODULES TO PARCEL RACK		
		C) USE WHEN THE STEPWELL LAMP INSTALL ON CENTER DASH BOTTOM		
		D) WITH WHEEL CHAIR LIFT		
		E) USE WITHOUT LAVATORY		
		F) OPTION DRIVER LED LAMP		
		FAIC) OPTION WITH FAIC SET SEAT		
		FAICW) OPTION WITH FAIC SET SEAT WITH WCL		
		G) CAPITAL MOTOR LINE OPTION		
		GLI) GREYHOUND OPTION		
		H) HAMPTON JITNEY OPTION		
		J) USE WITH PWT HOSPITAL		
		K) CALIFORNIA REGULATION		
		L) LAVATORY ONLY		
		M) OPTION WITH PLUG USE WITHOUT READING LAMP		
		O) WITH ORLEAN OPTION		
		PWT) PACIFIC WESTERN OPTION		
		R) THIS READING LIGHT ARE LOCATED ON CEILING PANEL ROOF NEAR LAVATORY		
		S) OPTION LAVATORY LOCALATION		
		WCL) THIS SWITCH IT ALSO INSTALL ON LOWER WINDOW MOULDING WITH PROTECTOR # 409259		
		1) NOT SOLD SEPARATELY		
		3) NOT SOLD ASSEMBLY		
		P) CALL ORDER DESK FOR SPECIFIC APPLICATION (V.I.N.)		

From M-6666

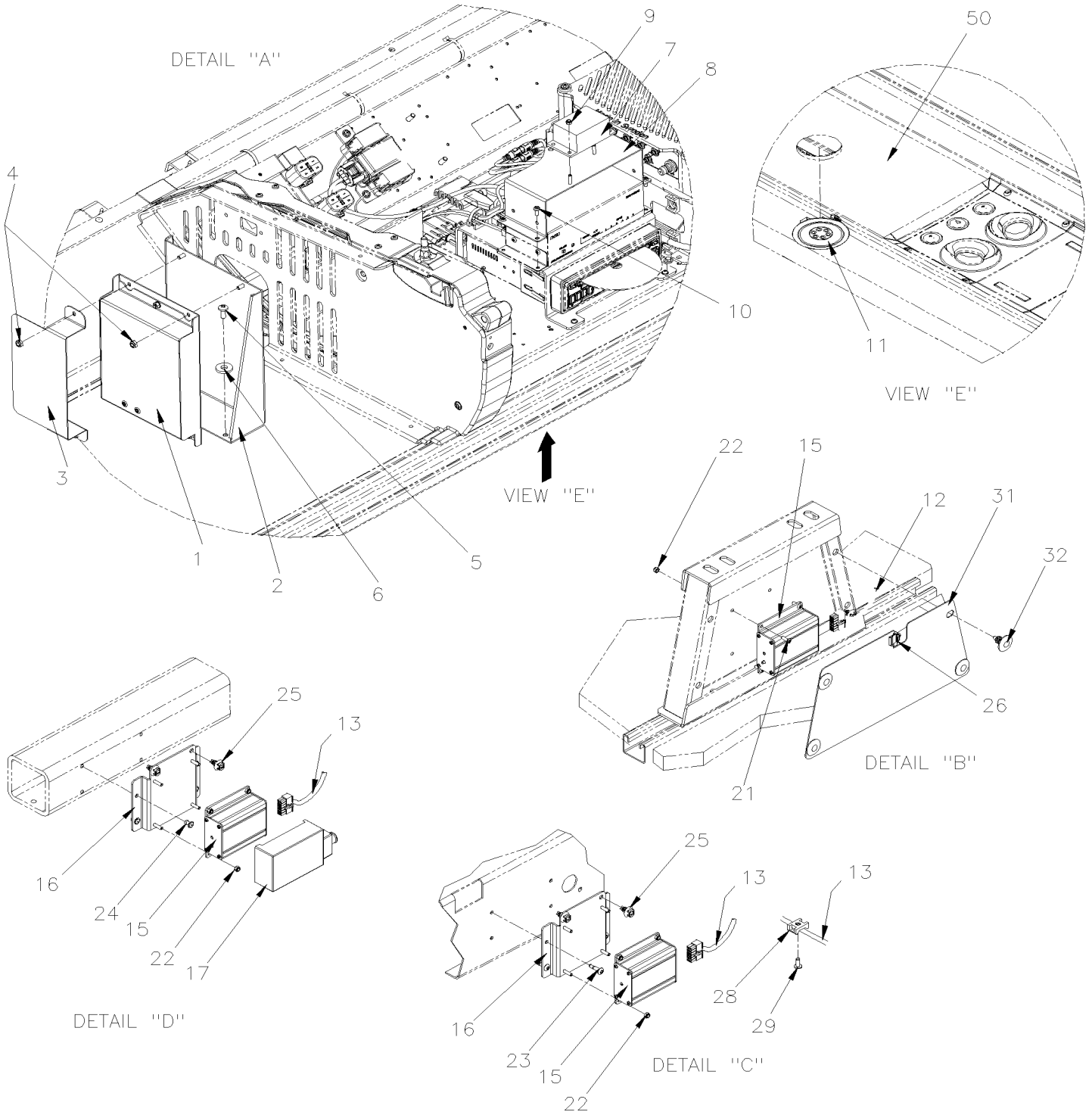
Date:01/2024

PAGE:X3-0655-10

AUTOMATIC EMERGENCY LAMPS



AUTOMATIC EMERGENCY LAMPS



From M-6666	Date:01/2024	PAGE:X3-0655-10
-------------	--------------	-----------------

AUTOMATIC EMERGENCY LAMPS

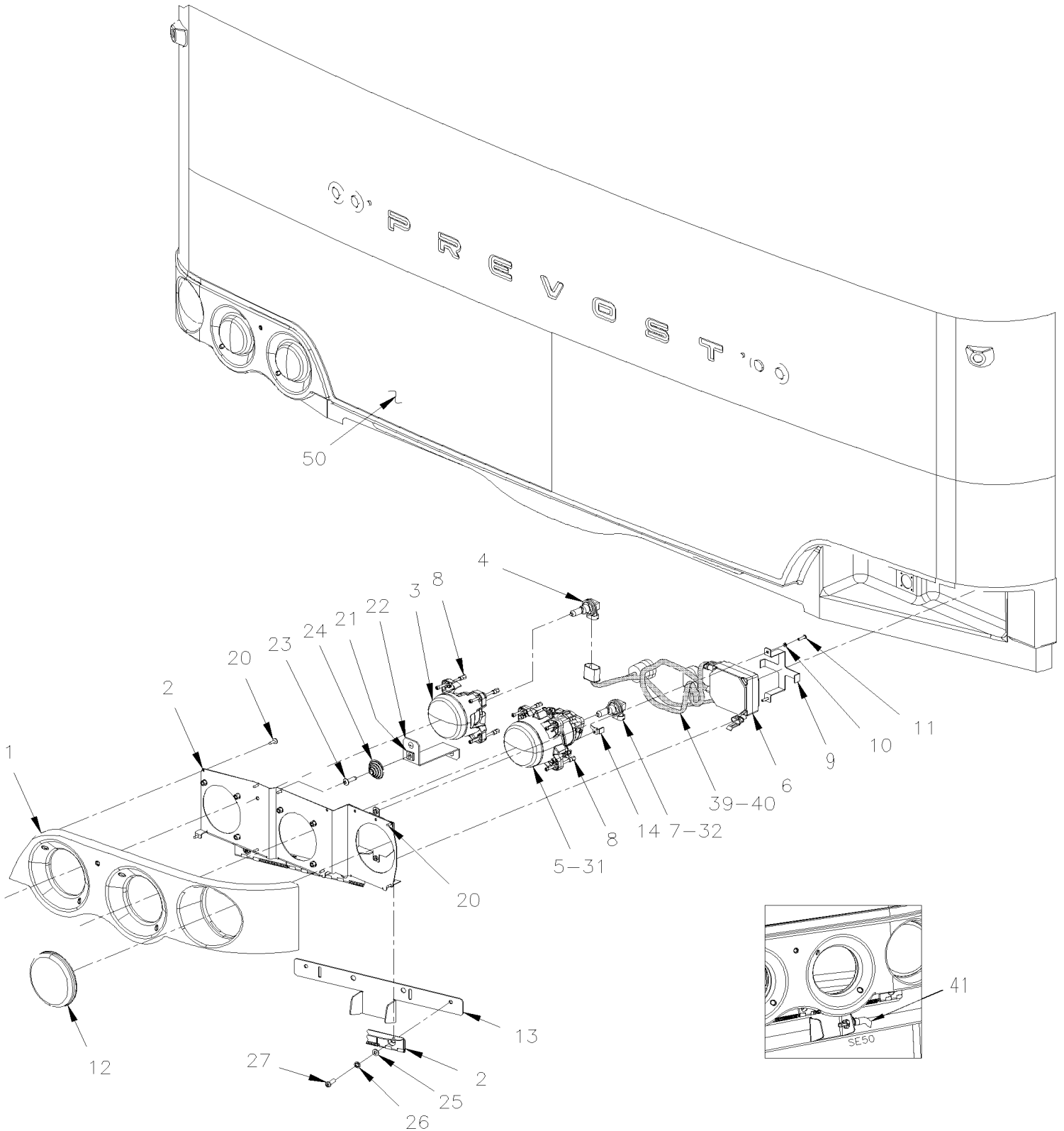
Item#	Part	Description	QTY	Notes
1	901831	EMERGENCY UNIT 24VDC TEKNOWARE	1	
NS	0610438	EMERGENCY LIGHTS MAIN HARNESS	1	
2	0610508	SUPPORT BATTERIE	1	
3	0610507	COVER BATTERIE	1	
4	502841	NUT HEX NYRT M5-0.8 N500	4	
5	500841	SCREW TP PAN PH #14x3/4 Z050	4	
6	500401	WASHER FL .343x.875x.125 N500	4	
7	901837	MOUDLE, ELM LED STATUS REI	1	
8	0610509	SUPPORT STATUS LED	1	
9	500539	NUT HEX NYRT M4-0.7 N500	2	
10	500799	SCREW TC PAN PH #8-32x3/8 N500	4	
11	830012	LAMP LED / NORMAL & EMERGENCY 24V	14	
NS	0610435	EMERGENCY LIGHT RH HARNESS	1	
NS	0610436	EMERGENCY LIGHT LH HARNESS	1	
12	0610432	EMERGENCY SEAT SENSOR HARNESS	1	
NS	0610434	EMERGENCY PASSENGERS SENSOR HARNESS	1	
13	0610437	EMERGENCY LUGGAGE COMP. SENSORS HARNESS	1	
15	901830	MODULE, EMERGENCY LIGHTING SENSOR REI	4	
16	0610386	SUPPORT REI MODULE, IMPACT DETECTION	3	
17	564370	COVER REI MODULE SB247	1	
21	5001996	SCREW MA PAN PH M4-0.7x12 N500	4	
22	500539	NUT HEX NYRT M4-0.7 N500	16	
23	504488	RIVET MGLP PRDG 3/16x17/64 SS	8	
24	504487	RIVET MGLP PRDG 3/16x7/16 SS	4	
25	509815	TIE MOUNT / ATTACHMENT W/TREE MOUNT	AR	
26	564204	CABLE TIE / WITH EDGE CLIP / T50REC4A 10MMx200MM	1	
28	504013	TIE MOUNT / 1/4" X 1/4" I.D.	3	
29	5001966	SCREW TC BDG PH #10-24x1/2 SS410 ZINC	3	
31	360090	COVER AMAYA SEAT	1	
32	864368	SCREW 3/8 PLASTIC	4	
50	X3-1836-01	PARCEL RACK /WITH LEDS		

From 7-8754 To K-6492

Date:01/2024

PAGE:X3-0660-00

HEADLAMP & FRONT DIRECTIONAL LAMPS



From 7-8754 To K-6492	Date:01/2024	PAGE:X3-0660-00
-----------------------	--------------	-----------------

HEADLAMP & FRONT DIRECTIONAL LAMPS

Item#	Part	Description	QTY	Notes
	430615	LAMP ASSY L.H. "XENON" W/BEZEL XL-II W/O CABLE ASSY	1	
	430619	LAMP ASSY L.H. "HALOGENE" W/BEZEL XL-II W/O CABLE ASSY	1	
	430616	LAMP ASSY R.H. "XENON" W/BEZEL XL-II W/O CABLE ASSY	1	
	430620	LAMP ASSY R.H. "HALOGENE" W/BEZEL XL-II W/O CABLE ASSY	1	
1	476210	. HEADLAMP BEZEL, R.H. / CURBE SIDE	1	
1	476211	. HEADLAMP BEZEL, L.H. / STREET SIDE	1	
2	430575	. SUPPORT R.H.	1	
2	430587	. SUPPORT L.H.	1	
3	930359	. LAMP ASSY / HIGH	1	
4	563092	. . BULB / 65WATT-12VOLTS / SAE# H9	1	
5	930388	. LAMP ASSY "XENON" / W/BALLAST	1	
5	930389	. . LAMP ASSY "XENON" / W/OUT BALLAST & W/OUT BULB	1	
6	930390	. . BALLAST "XENON" LOW BEAM 12Volt Power To C-5159	1	B
6	930390	. . BALLAST "XENON" LOW BEAM 12Volt Power From C-5160	1	
7	563365	. . BULB / 35WATT / SAE D2S / 85122	1	
8	930373	. . KIT, BOLTS ADJUSTMENT (3 BOLTS)	1	
9	930434	. . SUPPORT "XENON" BALLAST BLACK	1	
10	502698	. SCREW MA PAN PH M4-0.7x16 SS BK	4	
11	502834	. WASHER LO SPT 4.1x7.6x0.9 N500	4	
12	930364	. LED AMBER 4" / DIRECTIONAL / FRONT 12Volt / 60L (PREVOST)	1	
13	430576	. HOLDER LAMP	1	
14	430604	. BULB STOPPER / "SAFETY FAILURE STRESS" / SS	2	
20	5001536	. SCREW PTR BDG PH M4x12 SS	8	
21	5001009	. NUT AN 1/4 NYL	1	
22	430572	. SUPPORT CENTRAL	1	
23	504249	. RIVET CHY Q PRDG 3/16x3/8 SS	AR	
24	930369	. SPRING CONICAL	1	
25	502573	. WASHER FL 6.4x12.5x1.6 SS	4	
26	5001432	. WASHER LO INT .256x.478x.028 SS 410	4	
27	5001507	. SCREW MA PAN PH M6-1.0x20 SS	4	
31	930360	. LAMP ASSY / LOW	1	H A C
32	563092	. BULB / 65WATT-12VOLTS / SAE# H9	1	H
NS	430259	SERVICE KIT LED HEAD LAMP OPP1	1	
. NS	930040	. LAMP ASSY / LOW / WITH LEDS LED PREMIUM	2	
. NS	430242	. BOTTOM, HEAD LAMP	2	
. NS	430252	. BACK GUARD, HEAD LAMP	2	
. NS	930373	. KIT, BOLTS ADJUSTMENT (3 BOLTS)	2	
. NS	0610603	. WIRING HARNESS, TYP. HEAD LAMPS GLI	2	
39	066275	CABLE ASSY / W/"HALOGENE" LAMPS / MUX To H-6179	1	H
39	060078	CABLE ASSY / W/"HALOGENE" LAMPS / LH / MUX From H-6180	1	
39	060380	CABLE ASSY / W/"HALOGENE" LAMPS / RH / MUX From H-6180	1	
40	066276	CABLE ASSY / "XENON" / MUX To H-6179	1	

From 7-8754 To K-6492	Date:01/2024	PAGE:X3-0660-00
HEADLAMP & FRONT DIRECTIONAL LAMPS		

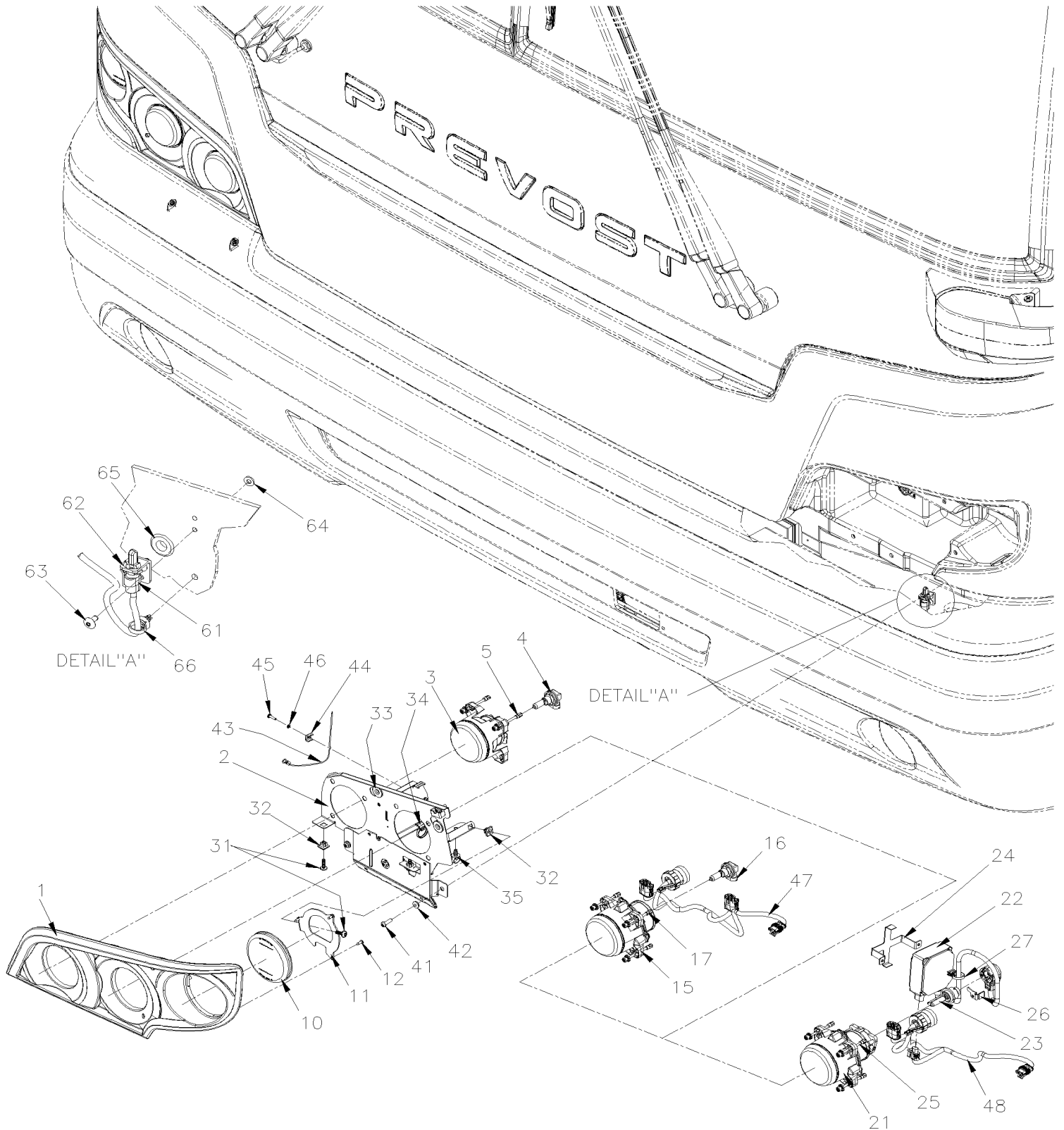
Item#	Part	Description	QTY	Notes
40	060079	CABLE ASSY / "XENON" / LH / MUX From H-6180	1	
40	060390	CABLE ASSY / "XENON" / RH / MUX From H-6180	1	
41	563335	SENSOR THERMISTOR ASSY / OUTSIDE // PED 15416387 From H-6180	1	
NS	430602	KIT RETROFIT "XENON" FROM HALOGENE "XL-II"	1	
50	X3-1851-00	FRONT CAP - INSTALLATION		
		A) TO CONVERT HALOGENE TO XENON, ASK KIT #430603		
		B) FOR OPTIMAL OPERATION OF THIS BALLAST REPLACE MASTER ID/CECM WITH NEW MCM. PERFORM IS-11003E		
		C) TO CONVERT HALOGENE TO LED ASK KIT 430259		
		H) USE WITH HALOGENE ONLY		

From L-6493

Date:01/2024

PAGE:X3-0660-01

HEADLAMP & FRONT DIRECTIONAL LAMPS



From L-6493	Date:01/2024	PAGE:X3-0660-01
-------------	--------------	-----------------

HEADLAMP & FRONT DIRECTIONAL LAMPS

Item#	Part	Description	QTY	Notes
	430158	LAMP ASSY L.H. "XENON" W/BEZEL ASSY	1	
	430160	LAMP ASSY L.H. "HALOGENE" W/BEZEL ASSY	1	
	430162	LAMP ASSY R.H. "XENON" W/BEZEL ASSY	1	
	430167	LAMP ASSY R.H. "HALOGENE" W/BEZEL ASSY	1	
1	471183	. HEADLAMP BEZEL, L.H. / STREET SIDE	1	
1	471188	. HEADLAMP BEZEL, R.H. / CURBE SIDE	1	
2	430001	. SUPPORT ASSY L.H.	1	
2	430005	. SUPPORT ASSY R.H.	1	
3	930359	. LAMP ASSY / HIGH	1	
4	563092	. . BULB / 65WATT-12VOLTS / SAE# H9	1	
5	930373	. . KIT, BOLTS ADJUSTMENT (3 BOLTS)	1	
10	930364	. LED AMBER 4" / DIRECTIONAL / FRONT 12Volt / 60L (PREVOST)	1	
11	430077	. FLASHER SUPPORT LEFT	1	
11	430078	. FLASHER SUPPORT RIGHT	1	
12	5001536	. SCREW PTR BDG PH M4x12 SS	3	
15	930360	. LAMP ASSY / LOW	1	H A
15	564199	. LAMP ASSY / LOW / WITH LEDS	2	B
NS	069850	. CABLE ASSY / W/"LEDS" LAMPS / LH	1	B
NS	069849	. CABLE ASSY / W/"LEDS" LAMPS / RH	1	B
NS	564108	. SELF MOUNTING STUD // DEUTSCH 1011-310-0205	2	B
NS	504637	. CABLE TIE / 3/16" x 13"	2	B
16	563092	. . BULB / 65WATT-12VOLTS / SAE# H9	1	H
17	930373	. . KIT, BOLTS ADJUSTMENT (3 BOLTS)	1	
18	430284	SERVICE KIT LED HEAD LAMP OPP2	1	
. NS	930040	. LAMP ASSY / LOW / WITH LEDS LED PREMIUM	2	
. NS	930373	. KIT, BOLTS ADJUSTMENT (3 BOLTS)	2	
. NS	0610603	. WIRING HARNESS, TYP. HEAD LAMPS GLI	2	
21	930388	. LAMP ASSY "XENON" / W/BALLAST	1	
21	930389	. . LAMP ASSY "XENON" / W/OUT BALLAST & W/OUT BULB	1	
22	930390	. . BALLAST "XENON" LOW BEAM 12Volt Power	1	
23	563365	. . BULB / 35WATT / SAE D2S / 85122	1	
24	930434	. . SUPPORT "XENON" BALLAST BLACK	1	
25	930373	. . KIT, BOLTS ADJUSTMENT (3 BOLTS)	1	
26	430604	. BULB STOPPER / "SAFETY FAILURE STRESS" / SS	1	
27	564204	. CABLE TIE / WITH EDGE CLIP / T50REC4A 10MMx200MM	1	
31	5001630	. SCREW TP BUTF TORX M6x20 SS	3	
32	5001009	. NUT AN 1/4 NYL	3	
33	504094	. GROMMET / .322x1.000x.079x.276x.984	2	
34	564534	. CABLE TIE / WITH EDGE CLIP / T50REC5A 10 MM x 200 MM	1	
35	509815	. TIE MOUNT / ATTACHMENT W/TREE MOUNT	1	
35	504637	. CABLE TIE / 3/16" x 13"	1	

From L-6493	Date:01/2024	PAGE:X3-0660-01
-------------	--------------	-----------------

HEADLAMP & FRONT DIRECTIONAL LAMPS

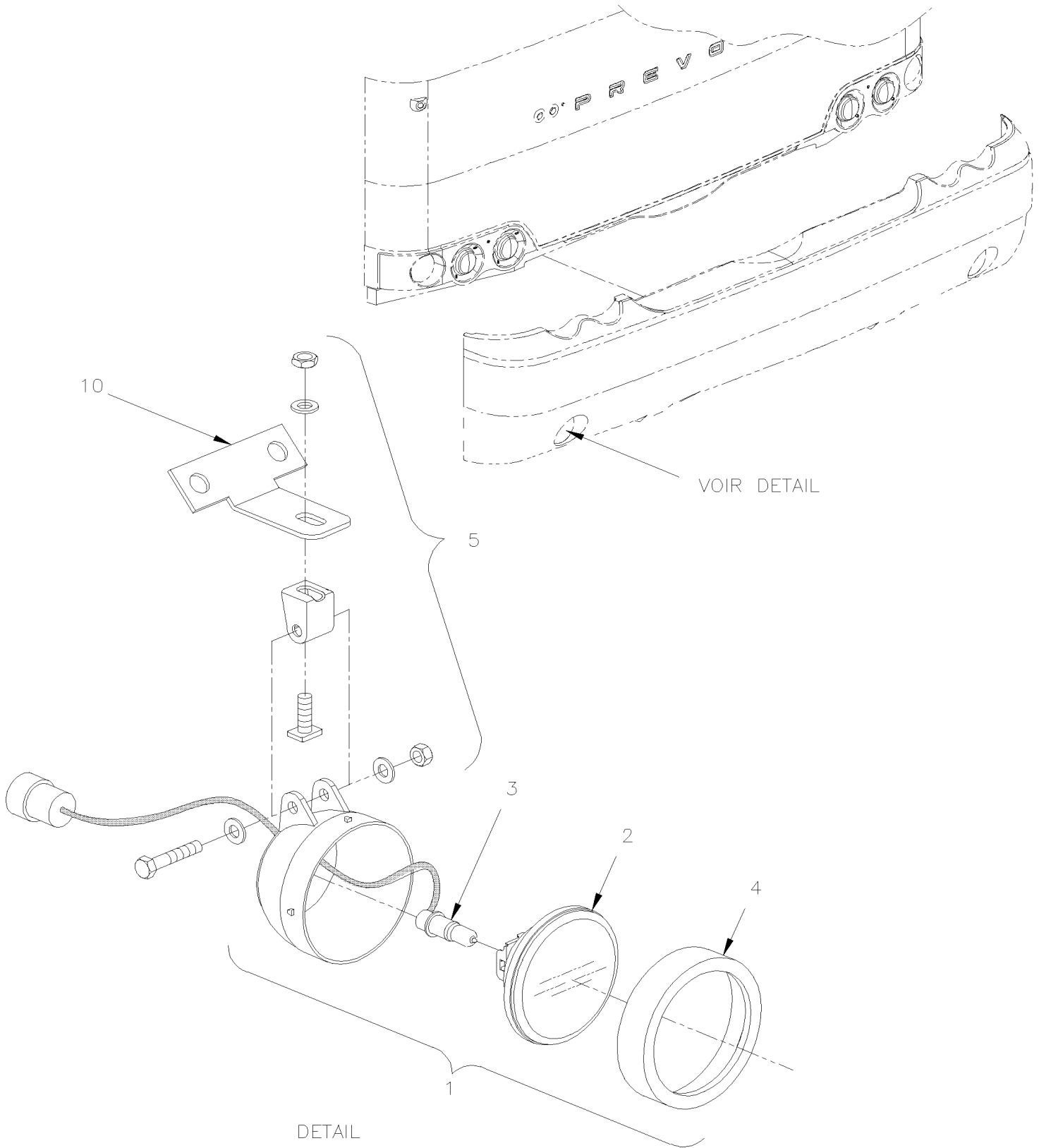
Item#	Part	Description	QTY	Notes
41	5001507	SCREW MA PAN PH M6-1.0x20 SS	8	
42	5001836	WASHER FL .250x1.250x.062	8	
43	504814	CABLE 0.063" (1/16") DIA, 18-8 SS	AR	
43	561918	SHRINK TUBING / .125" - .062" / BLACK / ALPHA FIT-221-1/8-4-B	AR	
43	780341	SLEEVE / TO HOLDING CABLE 1/16OD SS	2	
44	430079	STOPPER	2	
45	502698	SCREW MA PAN PH M4-0.7x16 SS BK	2	
46	502834	WASHER LO SPT 4.1x7.6x0.9 N500	2	
47	069864	CABLE ASSY / W/"HALOGENE"	2	
48	069977	CABLE ASSY / "XENON" / LH	1	
48	069865	CABLE ASSY / "XENON" / RH	1	
50	X3-1851-01	FRONT CAP - INSTALLATION		
61	563335	SENSOR THERMISTOR ASSY / OUTSIDE // PED 15416387	1	
62	069866	TEMP SENSOR SUPPORT	1	
63	504793	RIVET MNB OE LARGE HEAD 3/16x7/16 SS	2	
64	5001137	WASHER FL .203x.438x.050 SS	2	
65	504068	GROMMET / .500x.750x.062x.312x1.062	1	
66	509815	TIE MOUNT / ATTACHMENT W/TREE MOUNT	1	
66	504637	CABLE TIE / 3/16" x 13"	1	
100		REFERENCE ONLY	1	
		A) TO CONVERT HALOGENE TO LED ASK KIT 430284		
		B) WITH LED LAMP		
		H) USE WITH HALOGENE ONLY		

From 7-8754 To K-6442

Date:01/2024

PAGE:X3-0661-00

FOG LAMP



From 7-8754 To K-6442	Date:01/2024	PAGE:X3-0661-00
-----------------------	--------------	-----------------

FOG LAMP

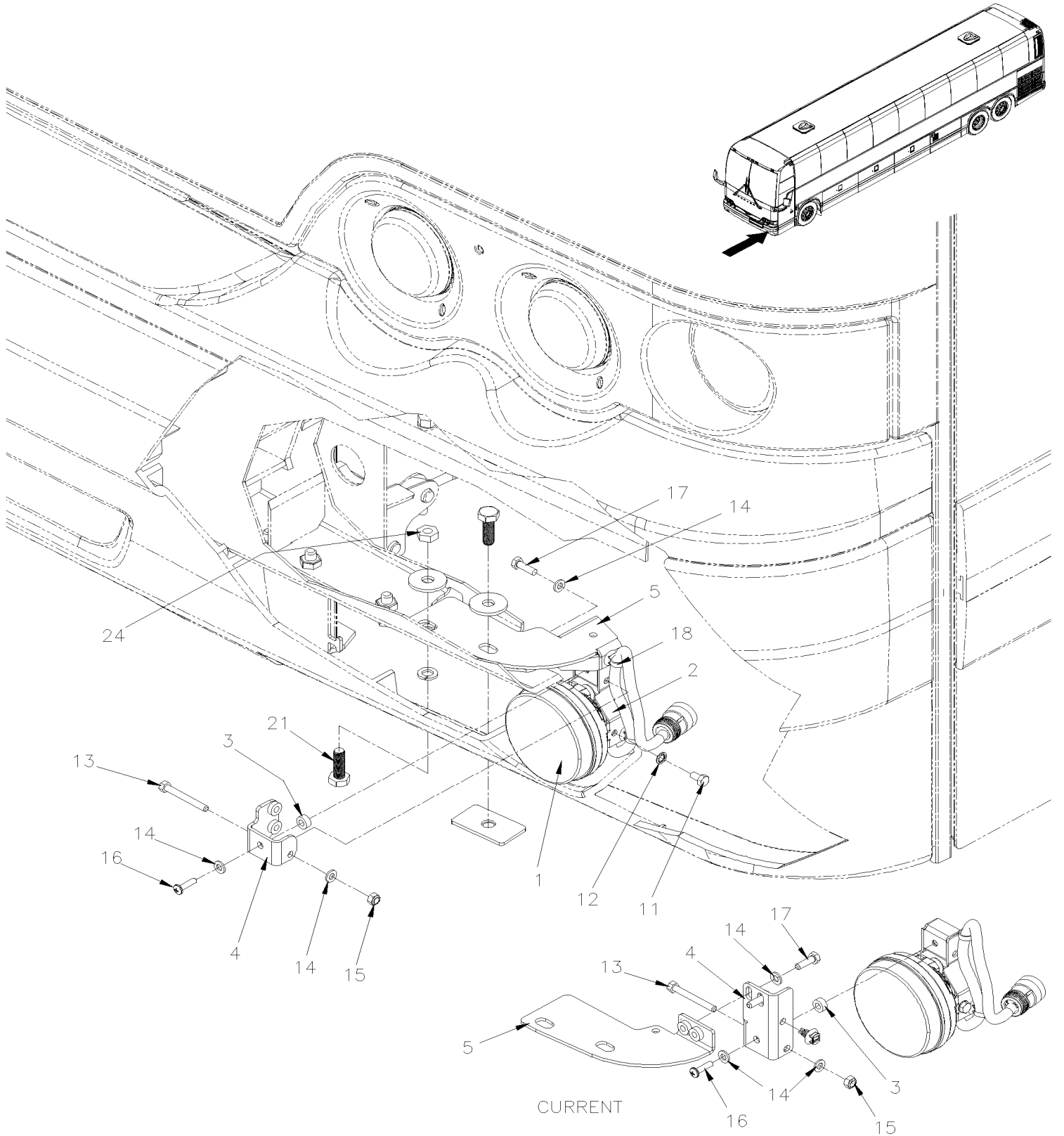
Item#	Part	Description	QTY	Notes
	430553	FOG LAMP 12 V / "BOSCH" COMPACT 100 / W/CONNECTOR "DEUTSCH" To H-6101	2	
	430706	FOG LAMP 12 V / "BOSCH" COMPACT 100 / W/CONNECTOR "DEUTSCH" From H-6102	2	
1	930361	. FOG LAMP ASSY To H-6101	1	
1	564475	. FOG LAMP ASSY From H-6102	1	
2	930370	. GLASS	1	
3	561882	. BULB / 55WATT-12VOLTS / SAE# H3 / 64151	1	
3	069636	. WIRING HARNESS, FOG LAMP From H-6102	1	
4	930371	. HOLDER RING	1	
5	930372	. KIT HARDWARE	1	
10	X3-1850-00	BUMPER FRONT		
NS	430028	FOG LAMP / REPLACEMENT KIT 2 LAMPS LED / "X3" / ADVANCED KIT		A
NS	430220	FOG LAMP / REPLACEMENT KIT 2 LAMPS / "XL-II" & "X3" & "H3" & "VIP" / BASIC KIT		B
		A) ADVANCED KIT WITH ADJUSTMENT		
		B) BASIC KIT WITHOUT ADJUSTMENT		

From 7-8754 To K-6442

Date:01/2024

PAGE:430028

FOG LAMP / REPLACEMENT KIT 2 LAMPS LED / "X3" / ADVANCED KIT



From 7-8754 To K-6442	Date:01/2024	PAGE:430028
-----------------------	--------------	-------------

FOG LAMP / REPLACEMENT KIT 2 LAMPS LED / "X3" / ADVANCED KIT

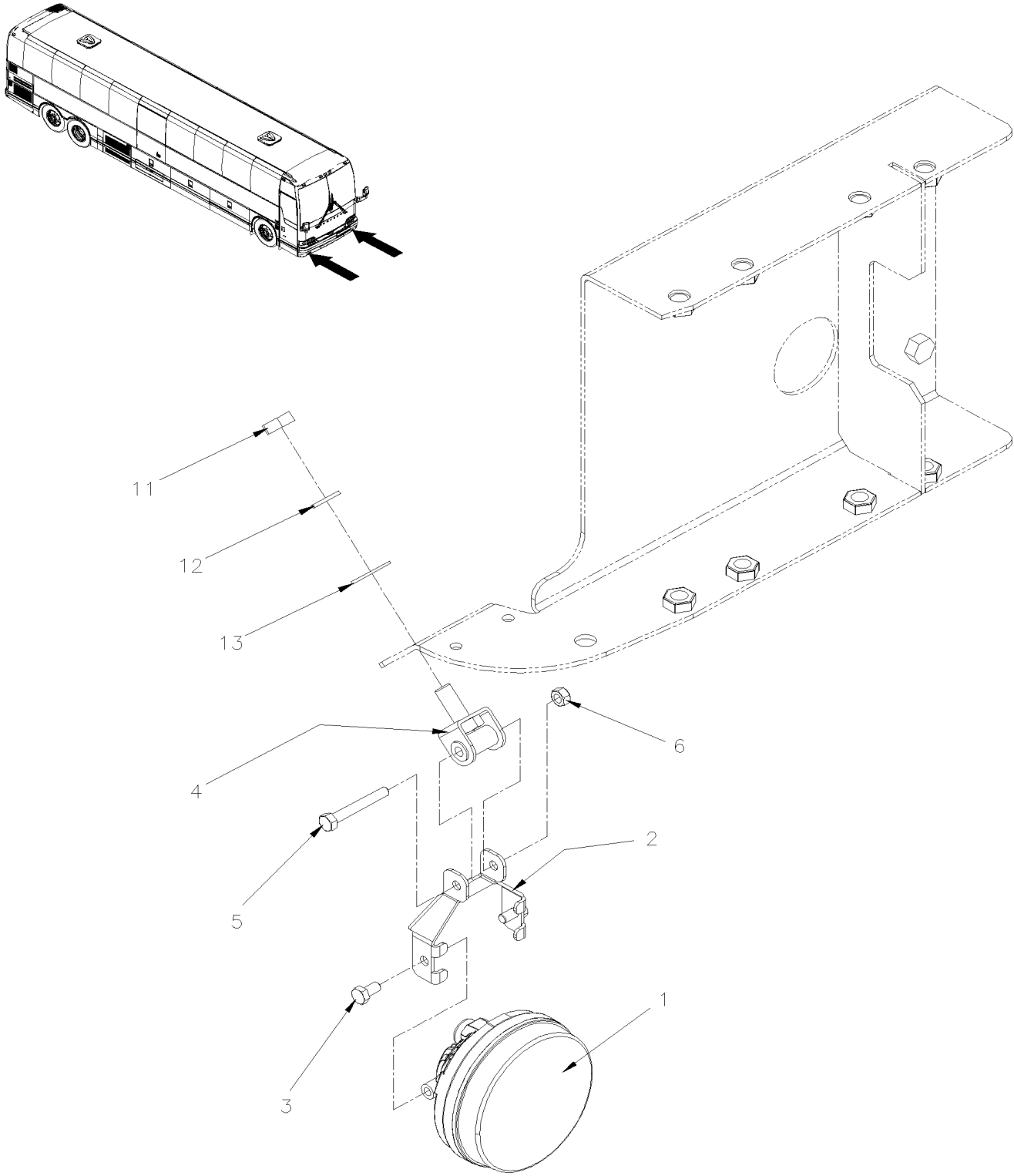
Item#	Part	Description	QTY	Notes
1	560636	FOG LAMP LED	2	
2	430011	SUPPORT, FOG LIGHT	2	
3	430015	SPACER	2	
4	430023	ATTACH, LH FOG LIGHT To FORMER	1	
4	430106	ATTACH, LH FOG LIGHT From CURRENT	1	
4	430022	ATTACH, RH FOG LIGHT To FORMER	1	
4	430105	ATTACH, RH FOG LIGHT From CURRENT	1	
5	430019	ATTACH, LH FOG LIGHT To FORMER	1	
5	430104	ATTACH, LH FOG LIGHT From CURRENT	1	
5	430018	ATTACH, RH FOG LIGHT To FORMER	1	
5	430103	ATTACH, RH FOG LIGHT From CURRENT	1	
11	5001982	SCREW CAP HEX M6-1.0x12 SS BK	4	
12	5001432	WASHER LO INT .256x.478x.028 SS 410	4	
13	5001636	SCREW CAP HEX M6-1.0x50 SS BK	2	
14	502573	WASHER FL 6.4x12.5x1.6 SS	8	
15	5001182	NUT HEX NYRT M6-1.0 SS	2	
16	502746	SCREW MA PAN PH M5-0.8x20 SS BK	2	
17	502622	SCREW CAP HEX M6-1.0x20 SS BK	4	
18	509815	TIE MOUNT / ATTACHMENT W/TREE MOUNT	4	
18	504637	CABLE TIE / 3/16" x 13"	4	
21	509856	SCREW CAP HEX M10-1.5x30 SS XLN BK	4	
24	502567	NUT HEX M10-1.5 SS	2	

From 7-8754 To K-6442

Date:01/2024

PAGE:430220

FOG LAMP / REPLACEMENT KIT 2 LAMPS / "XL-II" & "X3" & "H3" & "VIP" / BASIC KIT



From 7-8754 To K-6442	Date:01/2024	PAGE:430220
-----------------------	--------------	-------------

FOG LAMP / REPLACEMENT KIT 2 LAMPS / "XL-II" & "X3" & "H3" & "VIP" / BASIC KIT

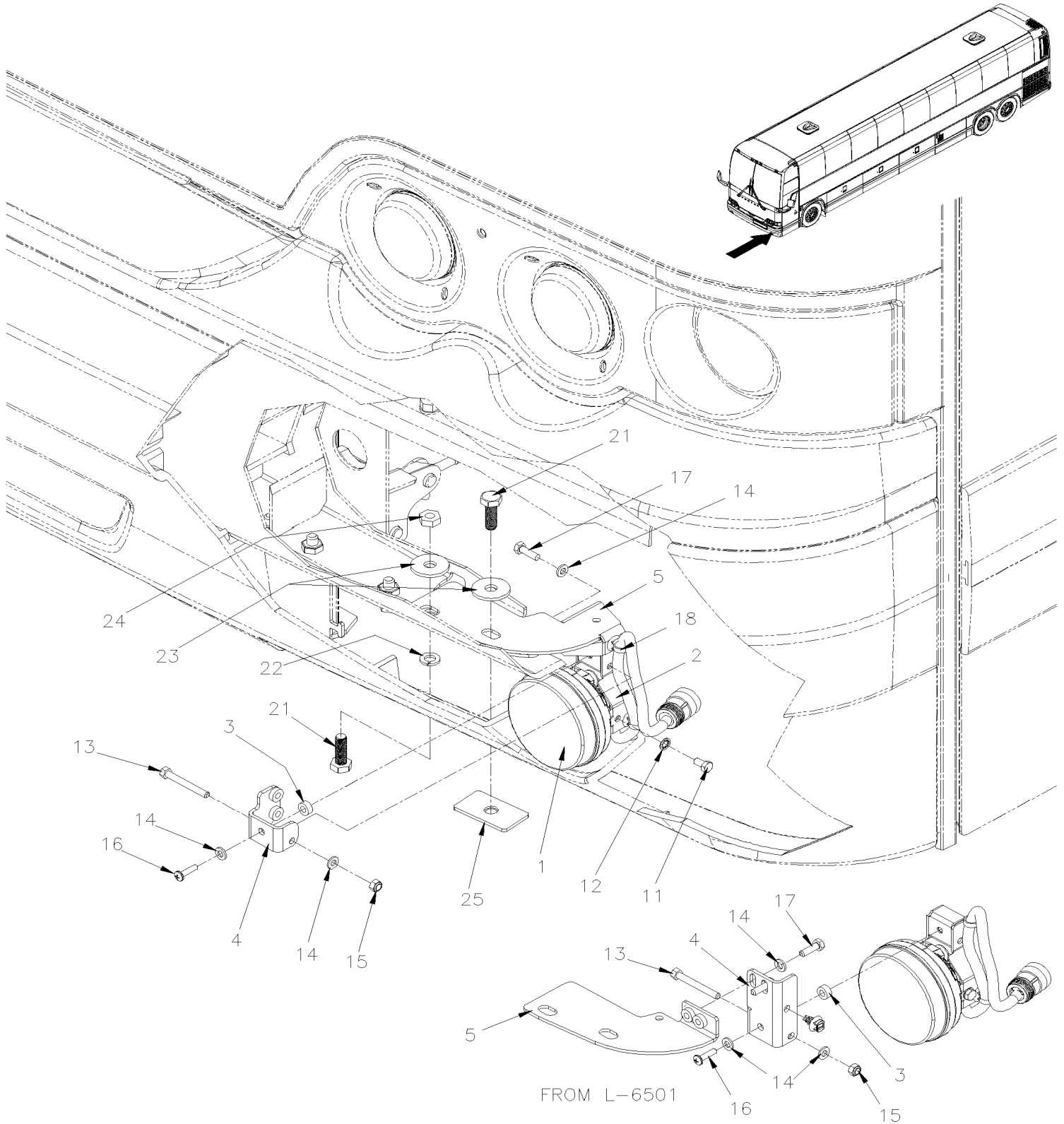
Item#	Part	Description	QTY	Notes
1	560636	FOG LAMP LED	2	
2	430200	SUPPORT, FOG LIGHT	2	
3	5001982	SCREW CAP HEX M6-1.0x12 SS BK	4	
4	430208	SUPPORT, FOG LIGHT	2	
5	5001923	SCREW CAP HEX M6-1.0x45 SS BK	2	
6	5001182	NUT HEX NYRT M6-1.0 SS	2	
11	502567	NUT HEX M10-1.5 SS	2	
12	502616	WASHER LO SPT 10.2x18.1x2.2 SS	2	
13	500270	WASHER FL .406x1.000x.063 SS	2	
NS	IS-17151	SEE INSTRUCTION SHEET	1	
NS	FI-17151	VOIR FEUILLE D'INSTRUCTION	1	

From K-6443

Date:01/2024

PAGE:X3-0661-01

FOG LAMP / LED



From K-6443	Date:01/2024	PAGE:X3-0661-01
FOG LAMP / LED		

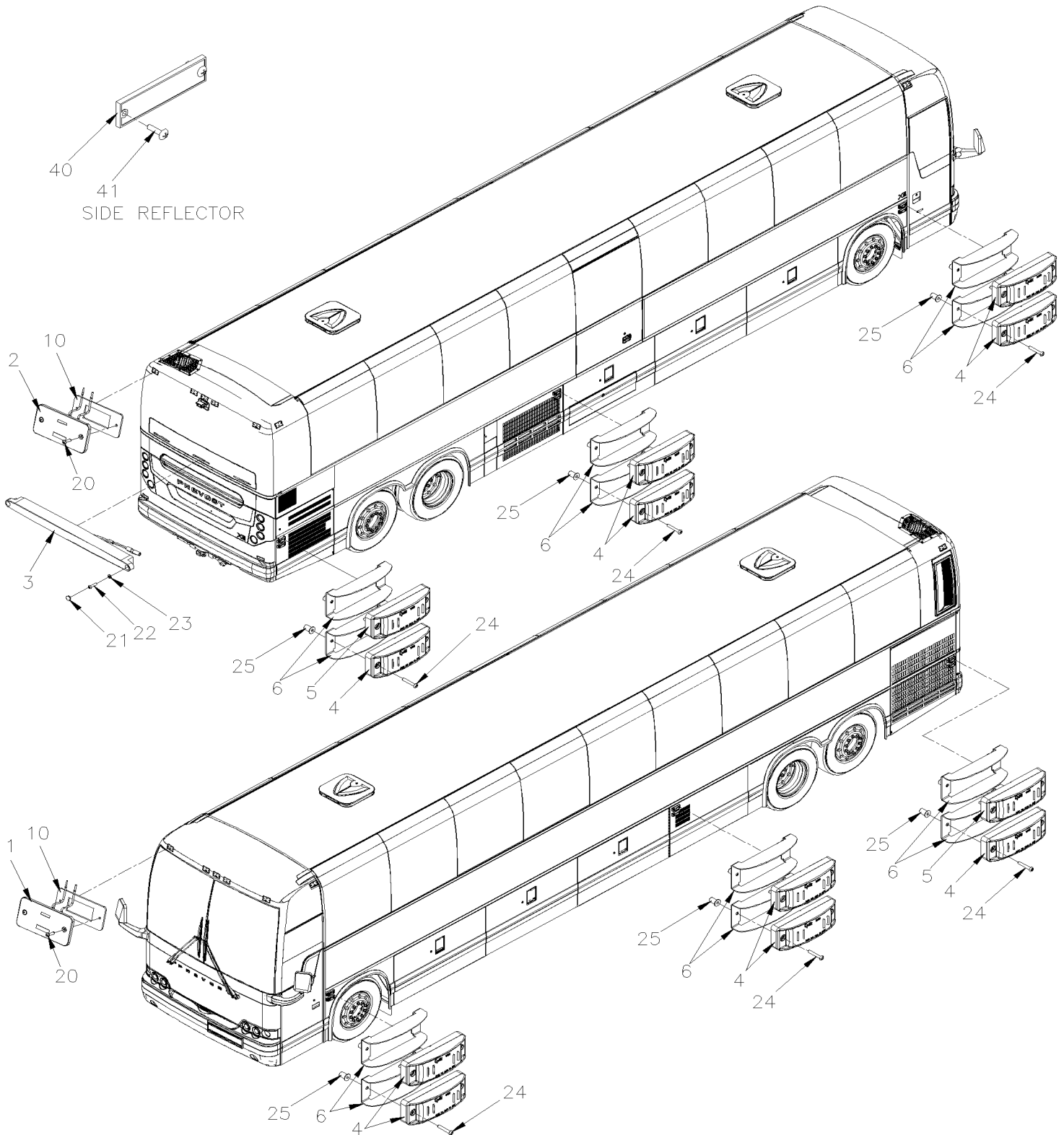
Item#	Part	Description	QTY	Notes
1	560636	FOG LAMP LED	2	
2	430011	SUPPORT, FOG LIGHT	2	
3	430015	SPACER	2	
4	430023	ATTACH, LH FOG LIGHT To L-6500	1	
4	430106	ATTACH, LH FOG LIGHT From L-6501	1	
4	430022	ATTACH, RH FOG LIGHT To L-6500	1	
4	430105	ATTACH, RH FOG LIGHT From L-6501	1	
5	430019	ATTACH, LH FOG LIGHT To L-6500	1	
5	430104	ATTACH, LH FOG LIGHT From L-6501	1	
5	430018	ATTACH, RH FOG LIGHT To L-6500	1	
5	430103	ATTACH, RH FOG LIGHT From L-6501	1	
11	5001982	SCREW CAP HEX M6-1.0x12 SS BK	4	
12	5001432	WASHER LO INT .256x.478x.028 SS 410	4	
13	5001636	SCREW CAP HEX M6-1.0x50 SS BK	2	
14	502573	WASHER FL 6.4x12.5x1.6 SS	8	
15	5001182	NUT HEX NYRT M6-1.0 SS	2	
16	502746	SCREW MA PAN PH M5-0.8x20 SS BK	2	
17	502622	SCREW CAP HEX M6-1.0x20 SS BK	4	
18	509815	TIE MOUNT / ATTACHMENT W/TREE MOUNT	4	
18	504273	CABLE TIE / 1/8" X 3"1/2	4	
21	509856	SCREW CAP HEX M10-1.5x30 SS XLN BK	4	
22	502616	WASHER LO SPT 10.2x18.1x2.2 SS	2	
23	5001417	WASHER FL 11.0x34.0x3.0 SS	4	
24	502567	NUT HEX M10-1.5 SS	2	
25	410878	ANCHOR NUT / M10-1.5	2	
50	X3-1850-00	BUMPER FRONT To K-6492	1	
50	X3-1850-01	BUMPER FRONT From L-6493	1	

From 7-8754 To K-6492

Date:01/2024

PAGE:X3-0662-00

CLEARANCE & MARKER LIGHT



From 7-8754 To K-6492	Date:01/2024	PAGE:X3-0662-00
CLEARANCE & MARKER LIGHT		

Item#	Part	Description	QTY	Notes
1	066123	LAMP ID & CLEAR -6 LED AMBER / "JIFFI SPLICE" To C-5118	7	
. NS	930337	. LAMP ID & CLEAR -LED AMBER / 6 LEDS To C-5118	1	
. NS	430630	. SEAL LAMP BLACK 1/8" THICK To C-5118	1	
. NS	562286	. PIN TERMINAL / 18-16 / DEUTSCH 0460-202-16141 To C-5118	1	
. NS	561608	. SOCKET TERMINAL / 18-16 / DEUTSCH 0462-201-16141 To C-5118	1	
1	066527	LAMP ID & CLEAR -3 LED AMBER / "JIFFI SPLICE" From C-5119 To H-6179	7	
. NS	930416	. LAMP ID & CLEAR -LED AMBER / 3 LEDS From C-5119 To H-6179	1	
. NS	430630	. SEAL LAMP BLACK 1/8" THICK From C-5119 To H-6179	1	
. NS	562286	. PIN TERMINAL / 18-16 / DEUTSCH 0460-202-16141 From C-5119 To H-6179	1	
. NS	561608	. SOCKET TERMINAL / 18-16 / DEUTSCH 0462-201-16141 From C-5119 To H-6179	1	
1	930422	LAMP ID & CLEAR -3 LED AMBER From H-6180	7	
NS	563545	SPLICE / JIFFI SPLICE / 16G / DEUTSCH JS16-00 To H-6179	AR	
2	066122	LAMP ID & CLEAR -6 LED RED / "JIFFI SPLICE" To C-5118	7	
. NS	930334	. LAMP ID & CLEAR -LED RED / 6 LEDS To C-5118	1	
. NS	430630	. SEAL LAMP BLACK 1/8" THICK To C-5118	1	
. NS	562286	. PIN TERMINAL / 18-16 / DEUTSCH 0460-202-16141 To C-5118	1	
. NS	561608	. SOCKET TERMINAL / 18-16 / DEUTSCH 0462-201-16141 To C-5118	1	
2	066526	LAMP ID & CLEAR -3 LED RED / "JIFFI SPLICE" From C-5119 To H-6179	7	
. NS	930415	. LAMP ID & CLEAR -LED RED / 3 LEDS From C-5119 To H-6179	1	
. NS	430630	. SEAL LAMP BLACK 1/8" THICK From C-5119 To H-6179	1	
. NS	562286	. PIN TERMINAL / 18-16 / DEUTSCH 0460-202-16141 From C-5119 To H-6179	1	
. NS	561608	. SOCKET TERMINAL / 18-16 / DEUTSCH 0462-201-16141 From C-5119 To H-6179	1	
2	930421	LAMP ID & CLEAR -3 LED RED From H-6180	7	
NS	563545	SPLICE / JIFFI SPLICE / 16G / DEUTSCH JS16-00 To H-6179	1	
3	930330	CYCLOP LAMP	3	
. NS	930353	. CAP PLUG SCREW	2	
NS	506191	TAPE RUB ADH1 CC POL 1/8" x 1/4" x 50' / GREY 2520X	AR	
4	930401	SIDE MARKER ASSY / AMBER / W/6 LED W/REFLECTOR To D-5378	10	
4	930443	SIDE MARKER ASSY / AMBER / W/2 LED W/REFLECTOR To D-5378	10	S
4	930441	SIDE MARKER ASSY / AMBER / W/6 LED W/O REFLECTOR From D-5379	10	
NS	477482	GROMMET 2 HOLESx1.6x23.5MMx2.0MMx8.0MMx25MM To D-5458	10	
NS	478900	GROMMET, MARKER LIGHT From E-5459	10	
NS	562155	CONNECTOR ASSY SEALED 2C / GROTE 6618-G8	10	
5	930400	SIDE MARKER ASSY / RED / W/6 LED W/REFLECTOR To D-5378	2	
5	930444	SIDE MARKER ASSY / RED / W/2 LED W/REFLECTOR To D-5378	2	S
5	930440	SIDE MARKER ASSY / RED / W/6 LED W/O REFLECTOR From D-5379	2	
5	477482	GROMMET 2 HOLESx1.6x23.5MMx2.0MMx8.0MMx25MM To D-5458	2	
NS	478900	GROMMET, MARKER LIGHT From E-5459	2	
NS	562155	CONNECTOR ASSY SEALED 2C / GROTE 6618-G8	2	
6	430696	GUARD / SIDE MARKER From H-6104 To J-6243	12	B
6	430051	GUARD / SIDE MARKER / WHITE From J-6244	12	B
10	930344	SEAL LAMP BLACK 1/8" THICK To 7-9038	14	

From 7-8754 To K-6492	Date:01/2024	PAGE:X3-0662-00
CLEARANCE & MARKER LIGHT		

Item#	Part	Description	QTY	Notes
10	430630	SEAL LAMP BLACK 1/8" THICK From 7-9039 To H-6179	14	
10	430048	SEAL LAMP BLACK 1/8" THICK From H-6180	14	
11	064990	CABLE ASSY / SIDE MARKER LAMP FOR DOORS To 8-9276	1	
NS	473832	GROMMET 2 HOLESx1.6x11.0MMx2.0MMx8.0MMx16MM To 8-9276	1	
20	5001547	SCREW PTR TR PH M4x20 G500	2	
21	930353	CAP PLUG SCREW	2	
22	502698	SCREW MA PAN PH M4-0.7x16 SS BK	2	
23	502834	WASHER LO SPT 4.1x7.6x0.9 N500	2	
24	5001042	SCREW MA RND PH #10-32x1 1/4 SS To J-6243	2	
24	5002021	SCREW MA TR PH #10-32x1 1/4 SS From J-6244	2	
25	502774	NUT WELL #10-32x.625	2	
30	066407	CABLE HARNESS / FRONT ROOF To 7-9118	1	
30	066994	CABLE HARNESS / FRONT ROOF W/FRONT DRIVER HALOGENE From 7-9119 To H-6179	1	
30	069660	CABLE HARNESS / FRONT ROOF W/FRONT DRIVER HALOGENE From H-6180	1	
30	069651	CABLE HARNESS / FRONT ROOF W/FRONT DRIVER LED From H-6100 To H-6179	1	
30	069331	CABLE HARNESS / FRONT ROOF W/FRONT DRIVER LED From H-6180 To L-6494	1	
30	069880	CABLE HARNESS / FRONT ROOF W/FRONT DRIVER LED From L-6495	1	
31	066531	CABLE ASSY / RH ROOF ACCESSORIES To 8-9122	1	
NS	066958	CABLE HARNESS / REAR ROOF / CURBSIDE From 8-9277 To B-5001	1	
NS	067666	CABLE HARNESS / REAR ROOF / CURBSIDE From B-5002 To B-5039	1	
NS	068322	CABLE HARNESS / REAR ROOF / CURBSIDE From B-5040 To H-6179	1	
NS	069553	CABLE HARNESS / REAR ROOF / CURBSIDE From H-6180	1	
31	069661	CABLE HARNESS / REAR ROOF / CURBSIDE From H-6180	1	N
NS	066959	CABLE HARNESS / REAR ROOF / STREETSIDE From 8-9277 To B-5001	1	
NS	067667	CABLE HARNESS / REAR ROOF / STREETSIDE From B-5002 To H-6179	1	
NS	060033	CABLE HARNESS / REAR ROOF / STREETSIDE From H-6180	1	
31	069662	CABLE HARNESS / REAR ROOF / STREETSIDE From H-6180	1	N
40	930212	REFLECTOR AMBER 1 1/8" x 4 3/8"	4	A E
40	930320	REFLECTOR RED 1 3/16" x 4 7/16"	2	C
41	500124	SCREW TP TR PH #8x1/2 SS	6	A
41	500124	SCREW TP TR PH #8x1/2 SS To D-5458	2	E
41	5001305	SCREW MA RND PH #8-32X3/4 SS From E-5459	2	E
41	500678	NUT WELL #8-32x.450 From E-5459	2	E
41	500606	SCREW MA TR PH #10-24x3/4 SS To D-5458	4	C
41	500914	WASHER LO SPT .193x.334x.047 N500 To D-5458	4	C
41	500787	NUT HEX #10-24 SS To D-5458	4	C
41	5001299	SCREW MA PAN PH #10-32x3/4 SS From E-5459	4	C
41	500423	NUT HEX NYRT #10-32 SS From E-5459 To H-6121	4	C
41	500519	NUT WELL #10-32x.518 From H-6122	4	C

From 7-8754 To K-6492	Date:01/2024	PAGE:X3-0662-00
-----------------------	--------------	-----------------

CLEARANCE & MARKER LIGHT

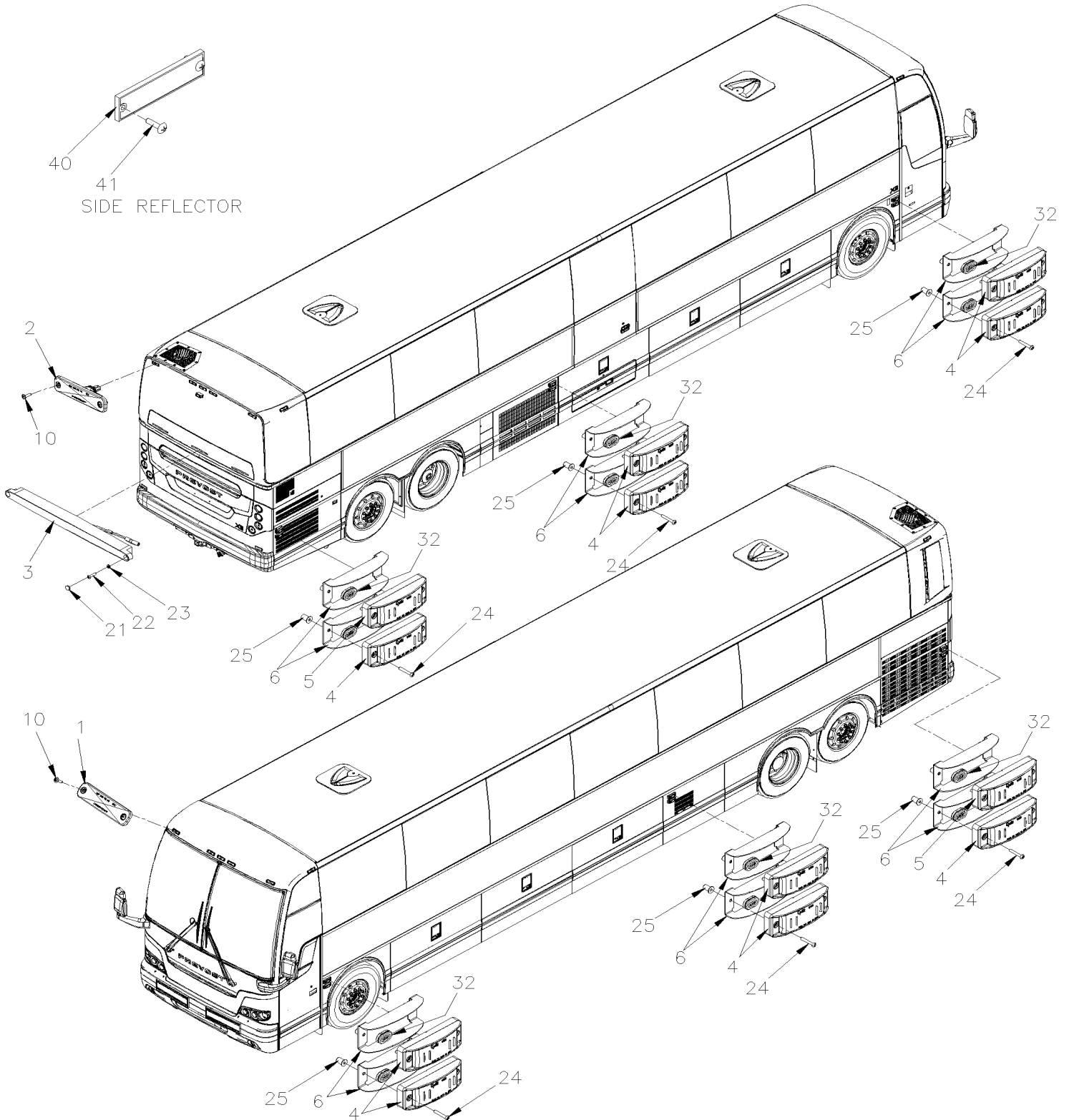
Item#	Part	Description	QTY	Notes
		A) USE WITH FRONT ENTRANCE DOOR / FRONT SERVICE DOOR / CONDENSOR DOOR		
		B) SOUTHEASTERN STAGE OPTION		
		C) USE WITH RADIATOR DOOR / COPMPRESSOR DOOR		
		E) USE WITH EVAPORATOR DOOR ONLY		
		N) NEW HAMPSHIRE TRANSIT OPTION		
		S) SERVICE		

From L-6493

Date:01/2024

PAGE:X3-0662-01

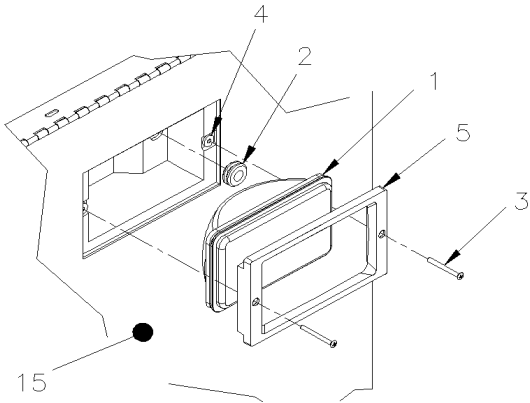
CLEARANCE & MARKER LIGHT



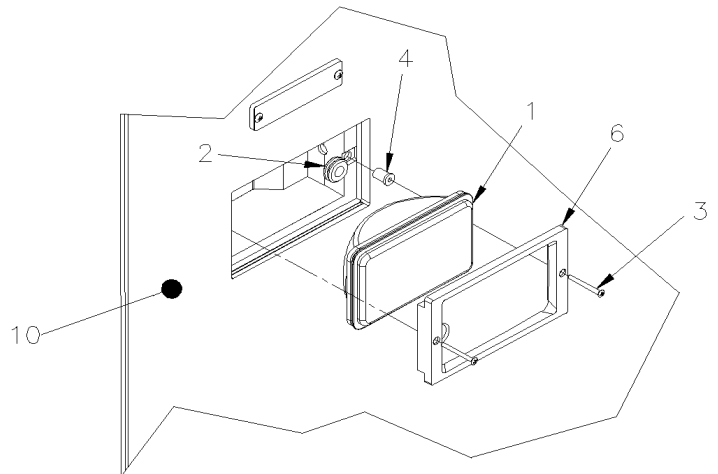
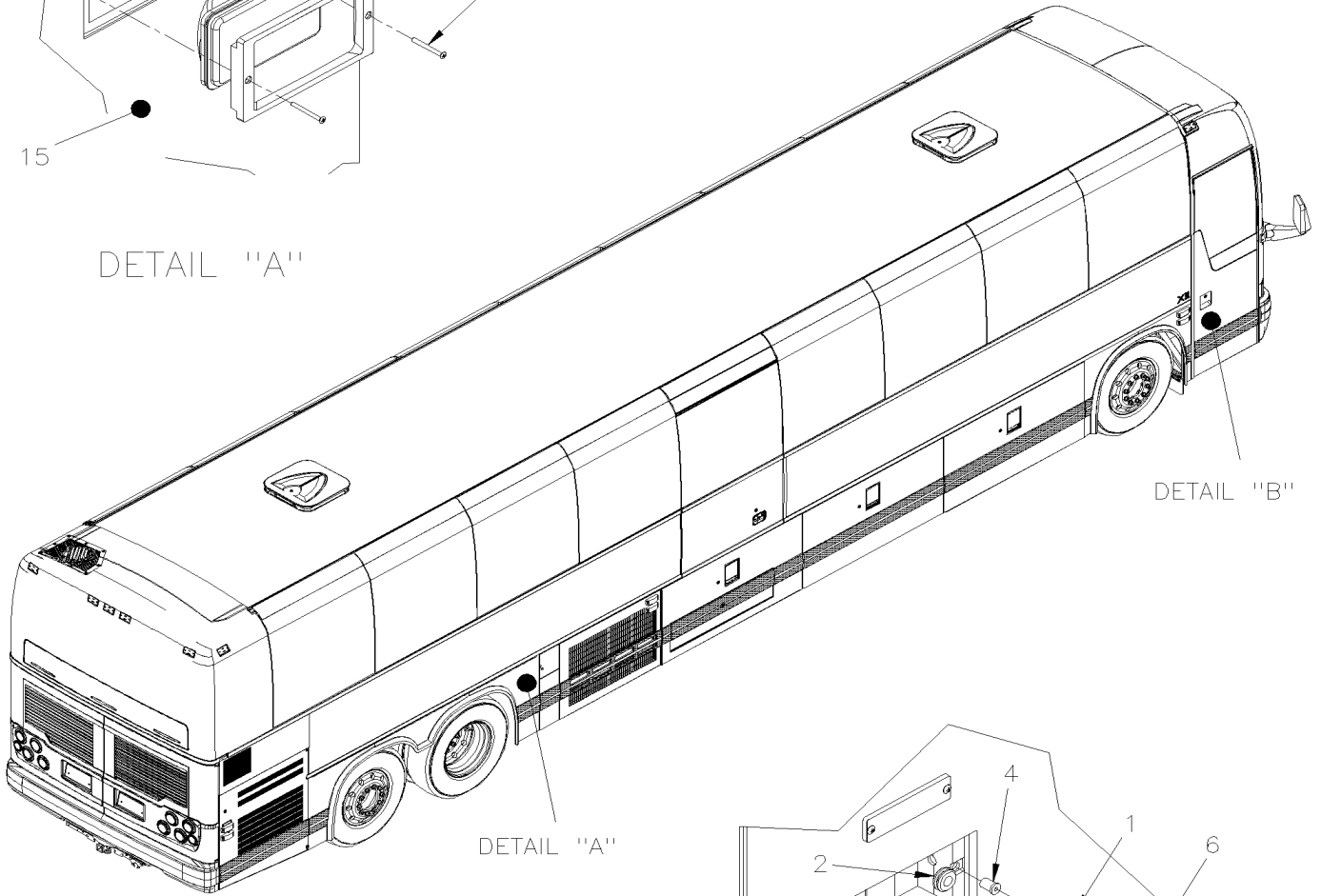
From L-6493	Date:01/2024	PAGE:X3-0662-01
CLEARANCE & MARKER LIGHT		

Item#	Part	Description	QTY	Notes
1	930005	LAMP ID & CLEARANCE - 4 LED AMBER	7	
2	930009	LAMP ID & CLEARANCE - 4 LED RED	7	
3	930330	CYCLOP LAMP	3	
. NS	930353	. CAP PLUG SCREW	2	
NS	506191	TAPE RUB ADH1 CC POL 1/8" x 1/4" x 50' / GREY 2520X	AR	
4	930441	SIDE MARKER ASSY / AMBER / W/6 LED W/O REFLECTOR	10	
5	930440	SIDE MARKER ASSY / RED / W/6 LED W/O REFLECTOR	2	
6	430051	GUARD / SIDE MARKER / WHITE	12	B
NS	430276	MARKER LIGHT SEAL	24	B
10	901589	SCREW FOR LAMP ID & CLEARANCE	2	
21	930353	CAP PLUG SCREW	2	
22	502698	SCREW MA PAN PH M4-0.7x16 SS BK	2	
23	502834	WASHER LO SPT 4.1x7.6x0.9 N500	2	
24	5002021	SCREW MA TR PH #10-32x1 1/4 SS	2	
25	502774	NUT WELL #10-32x.625	2	
NS	069974	CABLE HARNESS / FRONT ROOF W/FRONT	1	
NS	069829	CABLE HARNESS / REAR ROOF / CURBSIDE	1	
NS	069833	CABLE HARNESS / REAR ROOF / STREETSIDE	1	
32	478900	GROMMET, MARKER LIGHT	AR	
NS	562155	CONNECTOR ASSY SEALED 2C / GROTE 6618-G8	AR	
40	930212	REFLECTOR AMBER 1 1/8" x 4 3/8"	4	A E
40	930320	REFLECTOR RED 1 3/16" x 4 7/16"	2	C
41	500124	SCREW TP TR PH #8x1/2 SS	6	A
41	5001305	SCREW MA RND PH #8-32X3/4 SS	2	E
41	500678	NUT WELL #8-32x.450	2	E
41	5001299	SCREW MA PAN PH #10-32x3/4 SS	4	C
41	500519	NUT WELL #10-32x.518	4	C
		A) USE WITH FRONT ENTRANCE DOOR / FRONT SERVICE DOOR / CONDENSOR DOOR		
		B) OPTION		
		C) USE WITH RADIATOR DOOR / COMPRESSOR DOOR		
		E) USE WITH EVAPORATOR DOOR ONLY		

DOCK & CORNERING LIGHT



DETAIL "A"



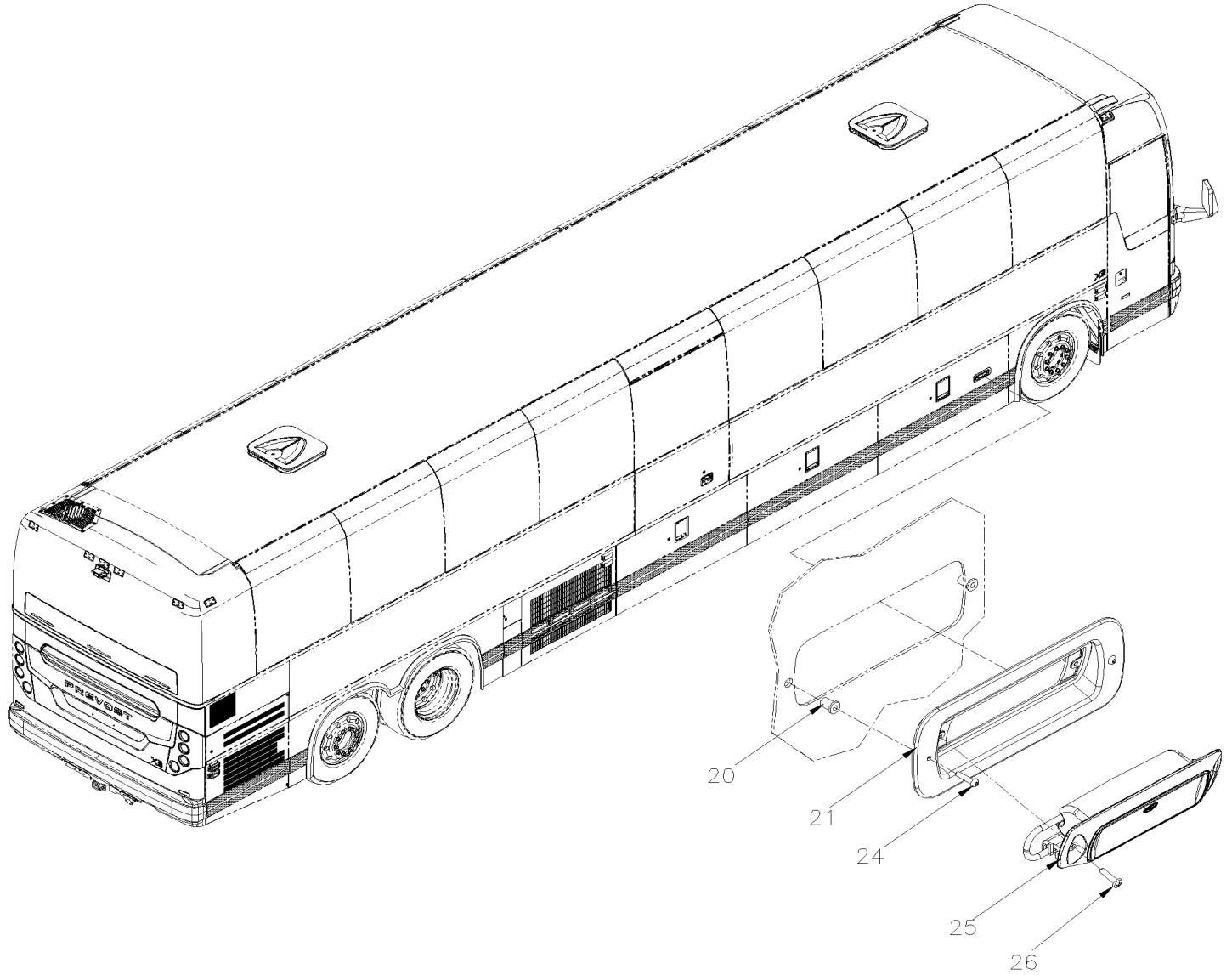
DETAIL "B"

From E-5580

Date:01/2024

PAGE:X3-0663-00

DOCK & CORNERING LIGHT



From E-5580	Date:01/2024	PAGE:X3-0663-00
-------------	--------------	-----------------

DOCK & CORNERING LIGHT

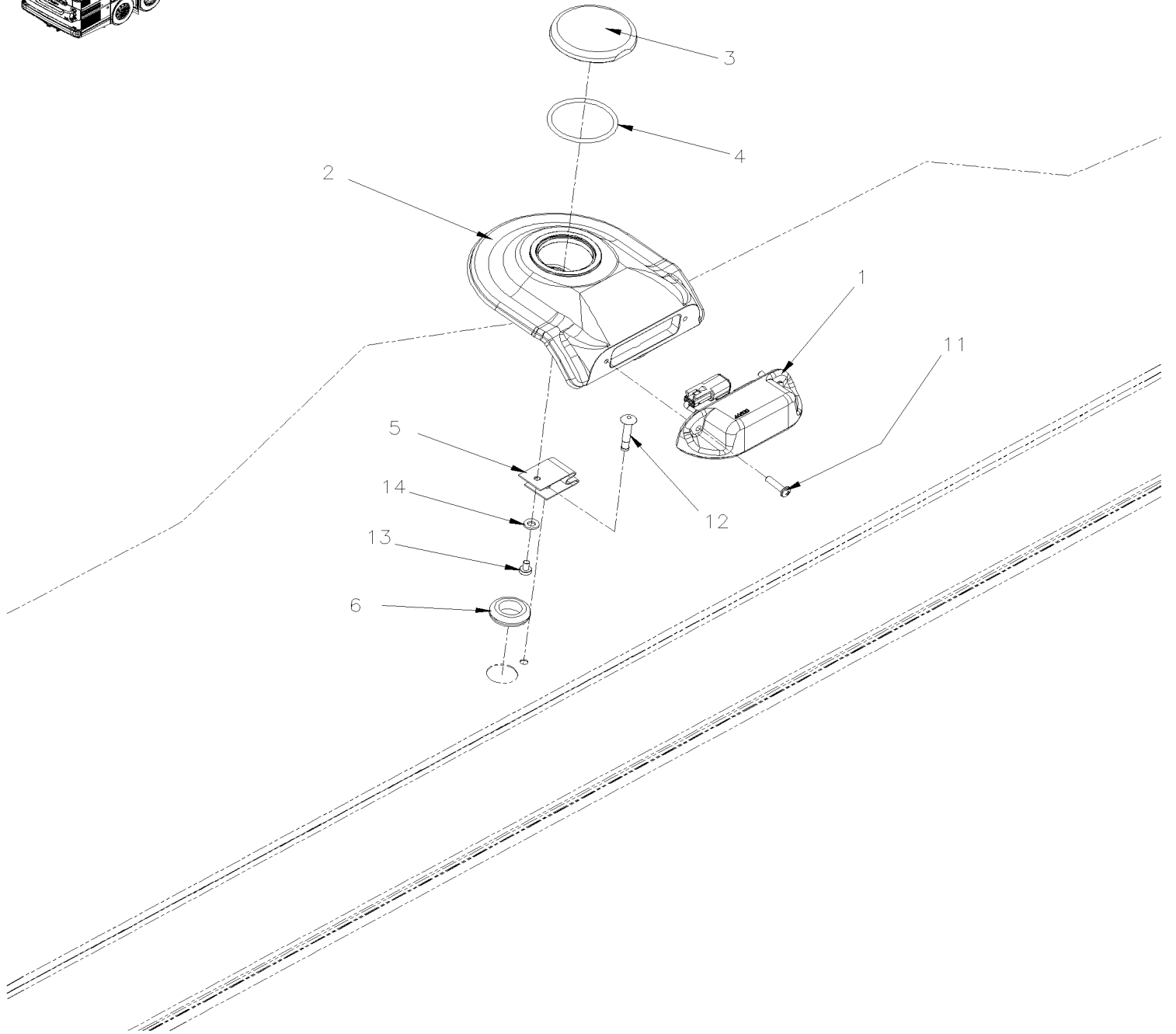
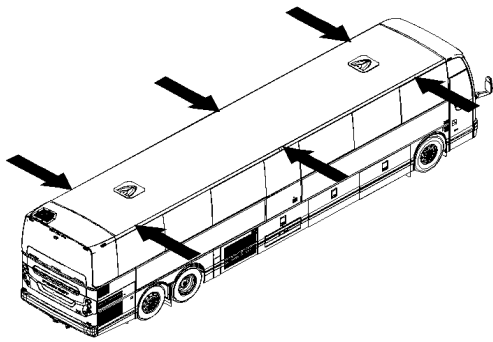
Item#	Part	Description	QTY	Notes
1	930319	SEAL BEAM / 37.5WATT-12V / SAE# H9415 To K-6379	2	
1	930429	SEAL BEAM / 37.5WATT-12V / SAE# H9415 From K-6380	2	
1	19515870	LAMPE RECTANGLE LED 38WATT	2	O
2	504062	GROMMET / .4375x.687x.125x.375x.937	2	
3	5001712	SCREW MA FL PH M4-0.7x30 SS	4	
4	500589	NUT WELL M4-0.7x13.5	4	
5	286400	BEZEL	1	
5	479044	BEZEL	1	O
6	473424	BEZEL	1	
10	X3-1862-00	ENTRANCE DOOR ASSY - BUS		
15	X3-1857-06	FENDERS R.H. - BUS W/FLAT PANELING To H-6179		
15	X3-1857-07	FENDERS R.H. - BUS W/FLAT PANELING / GHG17 From H-6180		
20	500678	NUT WELL #8-32x.450	2	
21	430701	SIDE BOX LAMP WCL	1	
24	500873	SCREW MA RND PH #8-32x3/4 SS BK	2	
25	430702P	LAMP ASSY / W.C.L. LED	1	
26	5001119	SCREW TP BDG PH #8x3/4 SS	2	
NS	069609	CABLE ASSY CURB LIGHT FIRST LUGG To H-6179	1	
NS	060766	CABLE ASSY CURB LIGHT FIRST LUGG From H-6180 To J-6235	1	
27	061260	CABLE ASSY CURB LUGG. DOOR LOCK W/ONE LAMP From J-6236 To K-6422	1	
27	069970	CABLE ASSY CURB LUGG. DOOR LOCK W/ONE LAMP From K-6423	1	
		O) WITH OPTION "OETIKER" HOSE CLAMP		

From L-6495

Date:01/2024

PAGE:X3-0663-30

PERIMETER LIGHTS ON ROOF



From L-6495	Date:01/2024	PAGE:X3-0663-30
PERIMETER LIGHTS ON ROOF		

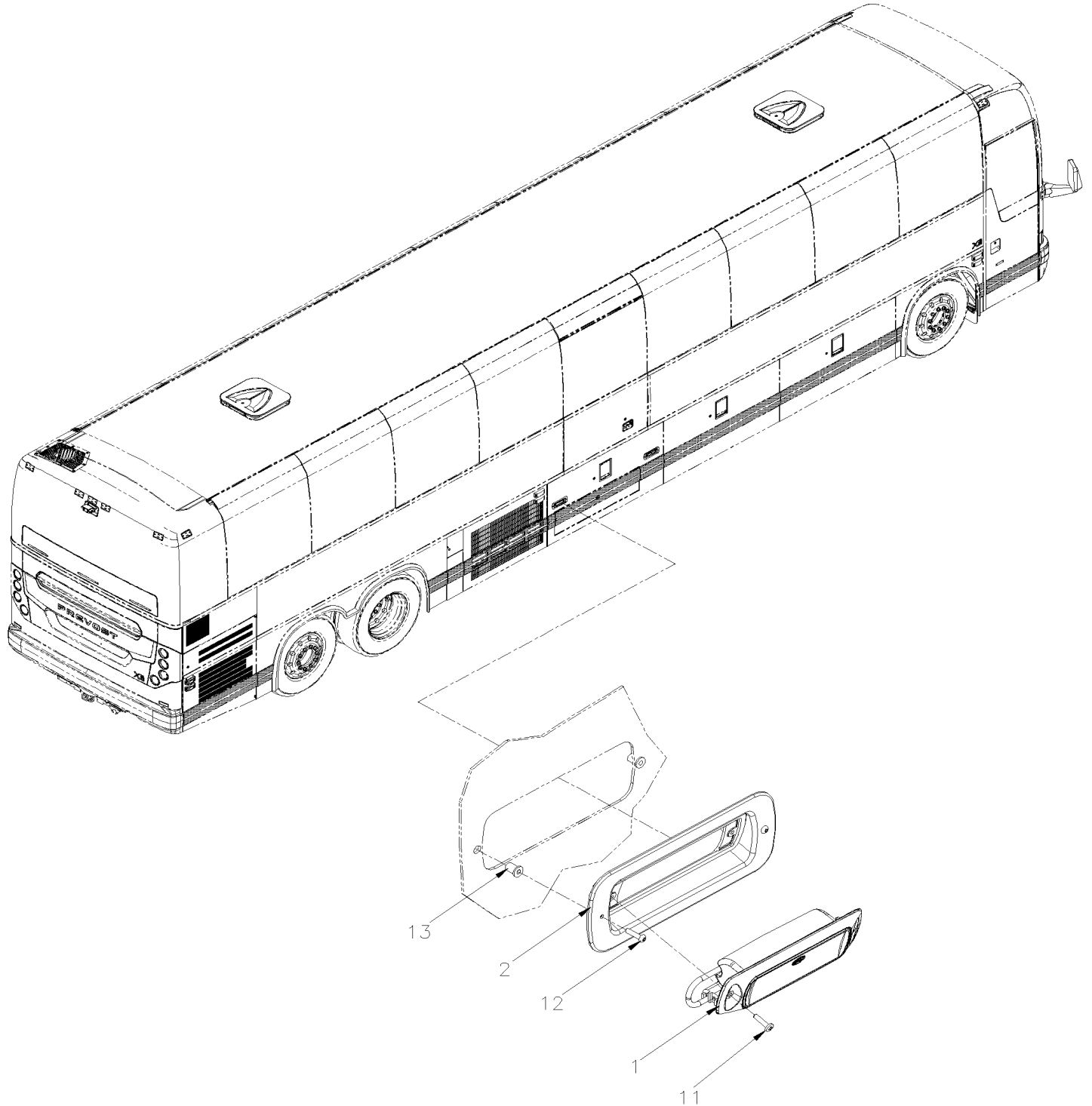
Item#	Part	Description	QTY	Notes
1	930026	SEALED LAMP LED / 12-32V To P-6845	6	
1	930051	SEALED LAMP LED / 8-32V From P-6846	1	
NS	060058	PERIMETER LIGHT HARNESS	2	
NS	509815	TIE MOUNT / ATTACHMENT W/TREE MOUNT	6	
NS	504273	CABLE TIE / 1/8" X 3"1/2	6	
2	430119	PERIMETER LIGHT HOLDER To M-6644	6	
2	430101	PERIMETER LIGHT HOLDER From M-6645	6	
NS	687957	GLUE MS POLYMER TEROSON MS 9399 / 400ml CARTRIDGE To M-6660	AR	
NS	685387	GLUE MS POLYMER TEROSON MS 9399 / 400ml CARTRIDGE From M-6661	AR	
NS	684685	ADHESIVE SIMSON #ISR 70-03 / 310ml CARTRIDGE	AR	
NS	506785	TAPE RUB ADH2 CC POL 1/16" X 1/4" X 200' / BLACK I1C-N-A	AR	
3	491549	PLUG, SUPPORT ACCESS " BRIGADE"	6	
4	507022	O-RING 1.984 ID x 2.262 OD x 0.139 W	6	
5	491848	RETAINING STRAP	6	
6	504066	GROMMET / .687x1.000x.062x.375x1.312	6	
11	502746	SCREW MA PAN PH M5-0.8x20 SS BK	12	
12	504787	RIVET CHY MONOLOK PRDG 1/4x5/8 ZP	6	
13	5001377	SCREW MA PAN PH M5-0.8x8 SS	6	
14	502573	WASHER FL 6.4x12.5x1.6 SS	6	

From G-6084

Date:01/2024

PAGE:X3-0663-80

LIGHT / W.C.L. BAGGAGE DOOR



From G-6084	Date:01/2024	PAGE:X3-0663-80
LIGHT / W.C.L. BAGGAGE DOOR		

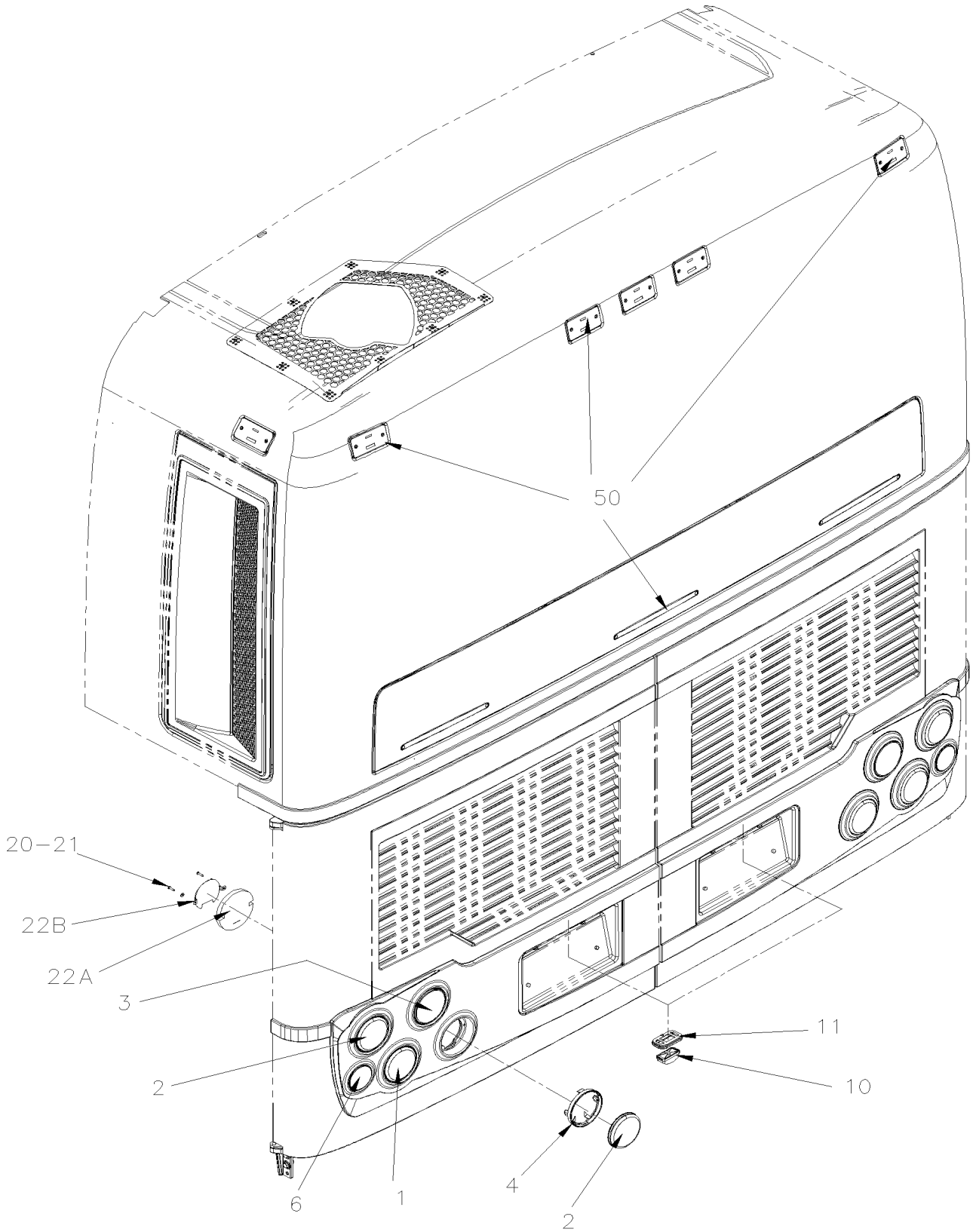
Item#	Part	Description	QTY	Notes
1	430702P	LAMP ASSY / W.C.L. LED	2	
NS	069608	CABLE ASSY / W/WCL	1	
NS	509815	TIE MOUNT / ATTACHMENT W/TREE MOUNT	2	
2	430701	SIDE BOX LAMP WCL	2	
11	5001119	SCREW TP BDG PH #8x3/4 SS	4	
12	500873	SCREW MA RND PH #8-32x3/4 SS BK	4	
13	500678	NUT WELL #8-32x.450	4	

From 7-8754 To E-5759

Date:01/2024

PAGE:X3-0664-00

REAR EXTERIOR LIGHTS & PLATE HOLDER



From 7-8754 To E-5759	Date:01/2024	PAGE:X3-0664-00
-----------------------	--------------	-----------------

REAR EXTERIOR LIGHTS & PLATE HOLDER

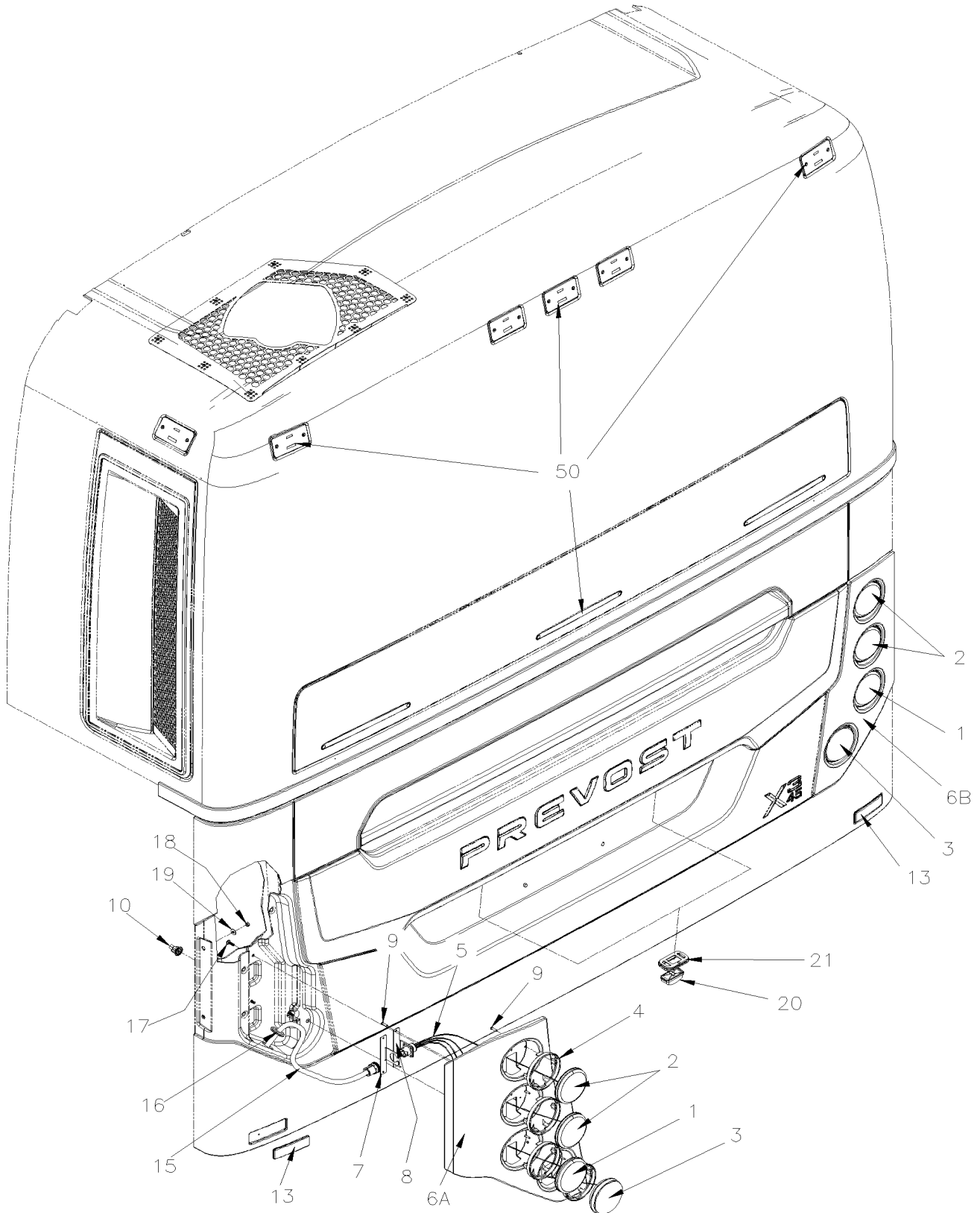
Item#	Part	Description	QTY	Notes
1	930365	LED AMBER 4" / DIRECTIONAL / REAR 12Volt / 42L (PREVOST)	1	
2	930366	LED STOP & TAIL 4" 12Volt / 6L (PREVOST)	2	
3	930367	LAMP BACK-UP 4" 12Volt / Sealed	1	A
3	930399	LAMP BACK-UP 4" 12Volt / 6L (PREVOST)	1	GR
4	430554	SUPPORT LAMP	4	
5	066491	CABLE / ENGINE DOOR REAR LAMP W/LEDS	2	
5	066003	CABLE ADAPTOR / N.J. D.O.T / TAIL & STOP / SEPARATED TAIL & STOP	2	N
6	930391	REFLECTOR RED 3 3/16" O.D. / W/ADH	1	
10	930368	SEAL LEDS / W/CONNECTOR LEDS - 12VOLTS	1	
. NS	12015378	. CONNECTOR / WEATHER PACK / SH 2C / GRAY / PED 12015378	1	
. NS	N.P.N.	. SEAL LEDS / W/CONNECTOR		4
. NS	562348	. CONNECTOR / WEATHER PACK / PH 2C / GRAY / PED 12034074	1	
. NS	561786	. CABLE SEAL / GRAY / PED 15324980	2	
. NS	561568	. PIN TERMINAL / 16-14 / PED 12089305	2	
11	930208	GROMMET RUBBER RETAINER / LICENCE LAMP TL 15700 To 8-9426	1	
11	930408	GROMMET RUBBER RETAINER / LICENCE LAMP TL 150702 From 8-9427	1	
20	5001547	SCREW PTR TR PH M4x20 G500	8	
21	504357	WASHER FL .187x.437x.050 SS	8	
22	430040	KIT, HEAT SHIELD PROTECTOR 4" O.D. LAMP	AR	
. A	430041	. INSULATING PAD	1	
. B	430042	. PROTECTOR PLATE	1	
NS	192215	LED BACK-UP 4" / W/CABLE ADAPTOR & GROMMET 12Volt / 27L	1	
. A	194114	. LED BACK-UP 4" 12Volt / 27L	1	
. B	G1076517	. GROMMET 4" I.D, BLACK TL 40700	1	
. C	N.P.N.	. LED BACK-UP 4" / W/CABLE ADAPTOR & GROMMET	1	4
NS	G1093246	ADAPTOR HARNESS ASSY / 2 WIRES / TRUCK-LITE 94789	1	
. NS	562601	. CONNECTOR / SUPERSEAL 1.5 SERIES / SH 3C / AMP 282087-1	1	
50	X3-0662-00	CLEARANCE & MARKER LIGHT		
		A) FOR REPLACE BULB LAMP TO "LEDS" ASK FOR 1 x 192215 + 1 x G1093246		
		GR) WITH GREYHOUND OPTION		
		N) USE WITH "NEW JERSEY" DOT REGULATION		
		4) NO PARTS NUMBER		

From F-5760

Date:01/2024

PAGE:X3-0664-01

REAR EXTERIOR LIGHTS & PLATE HOLDER



From F-5760		Date:01/2024	PAGE:X3-0664-01
-------------	--	--------------	-----------------

REAR EXTERIOR LIGHTS & PLATE HOLDER

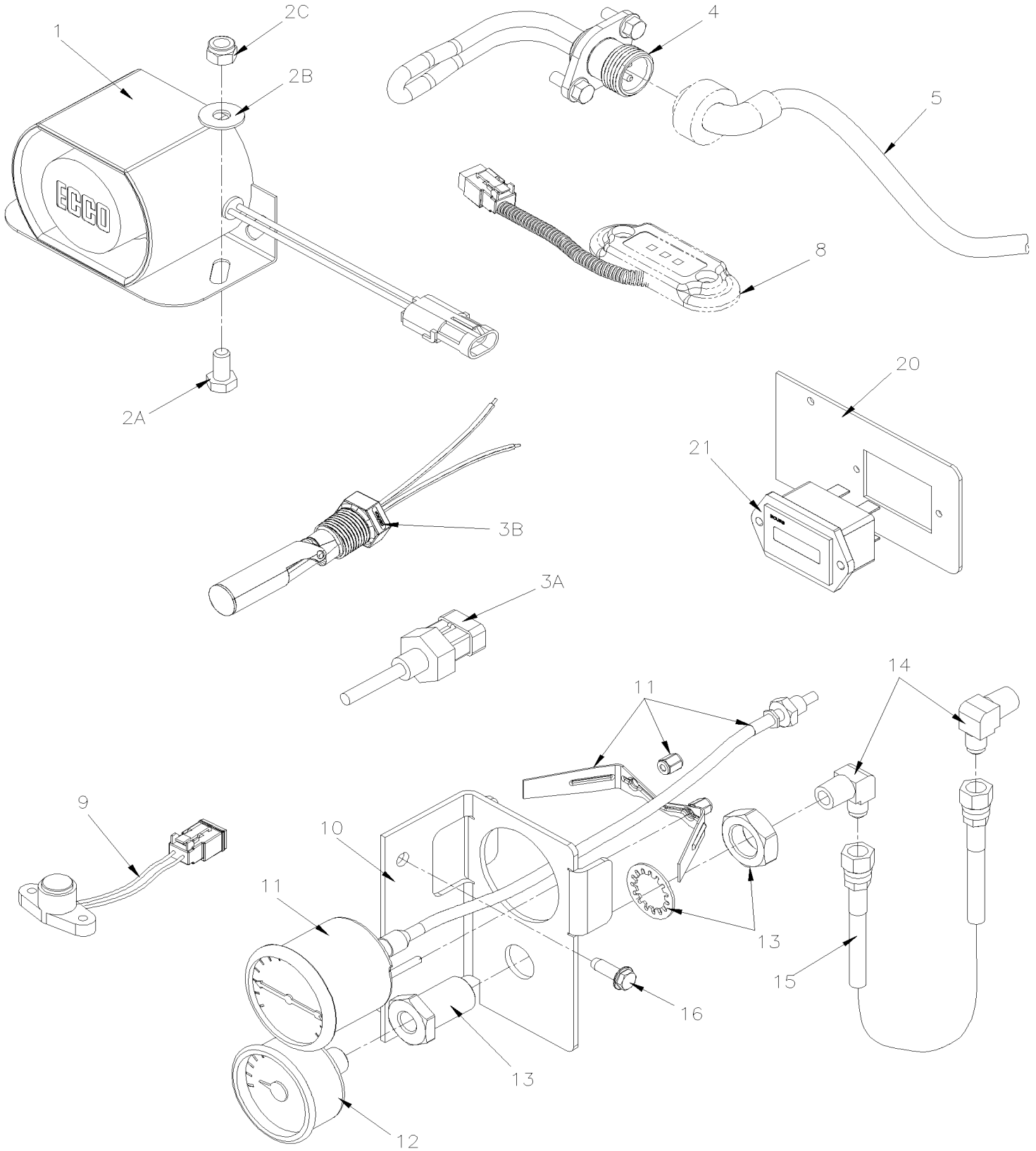
Item#	Part	Description	QTY	Notes
1	930446	LED AMBER 4" / DIRECTIONAL / REAR 12Volt / 6L (PREVOST)	2	
2	930366	LED STOP & TAIL 4" 12Volt / 6L (PREVOST)	4	
3	930420	LAMP BACK-UP 4" 12Volt / 6L	2	
4	430554	SUPPORT LAMP	8	
5	068878	HARNESS REAR LAMPS To H-6179	2	
5	069552	HARNESS REAR LAMPS From H-6180	2	
6A	2800347	SUPPORT LIGHT LEFT To K-6492	1	
6A	2800187	SUPPORT LIGHT LEFT BLACK From L-6493	1	
6B	2800346	SUPPORT LIGHT RIGHT To K-6492	1	
6B	2800186	SUPPORT LIGHT RIGHT BLACK From L-6493	1	
7	2800420	SUPPORT CONNECTOR	2	
8	2800418	SUPPORT CONNECTOR	2	
9	5001547	SCREW PTR TR PH M4x20 G500	20	
10	491237	NUT WING / PLASTIC M6-1.0 x 23	2	
13	430692	REFLECTOR RED 117MMx33MM	2	
15	068876	HARNESS ENGINE DOOR To H-6093	1	
15	069586	HARNESS ENGINE DOOR From H-6094 To H-6179	1	
15	060039	HARNESS ENGINE DOOR From H-6180	1	
NS	509815	TIE MOUNT / ATTACHMENT W/TREE MOUNT	3	
NS	504637	CABLE TIE / 3/16" x 13"	2	
16	504530	GROMMET / .750x1.250x.125x.312x1.625	2	
16	680066	ADHESIVE / ADBOND #5014 / 23.6ML BOTTLE	AR	
17	5001630	SCREW TP BUTF TORX M6x20 SS	8	
18	5001182	NUT HEX NYRT M6-1.0 SS	4	
19	500411	WASHER FL .260x.697x.050 SS	4	
20	930368	SEAL LEDS / W/CONNECTOR LEDS - 12VOLTS	2	
. NS	12015378	. CONNECTOR / WEATHER PACK / SH 2C / GRAY / PED 12015378	1	
. NS	N.P.N.	. SEAL LEDS / W/CONNECTOR		4
. NS	562348	. CONNECTOR / WEATHER PACK / PH 2C / GRAY / PED 12034074	1	
. NS	561786	. CABLE SEAL / GRAY / PED 15324980	2	
. NS	561568	. PIN TERMINAL / 16-14 / PED 12089305	2	
21	930408	GROMMET RUBBER RETAINER / LICENCE LAMP TL 150702	2	
50	X3-0662-00	CLEARANCE & MARKER LIGHT To K-6492		
50	X3-0662-01	CLEARANCE & MARKER LIGHT From L-6493	1	
		4) NO PARTS NUMBER		

From 7-8754 To E-5759

Date:01/2024

PAGE:X3-0665-00

ENGINE COMPARTMENT - ELECTRIC COMPONENTS

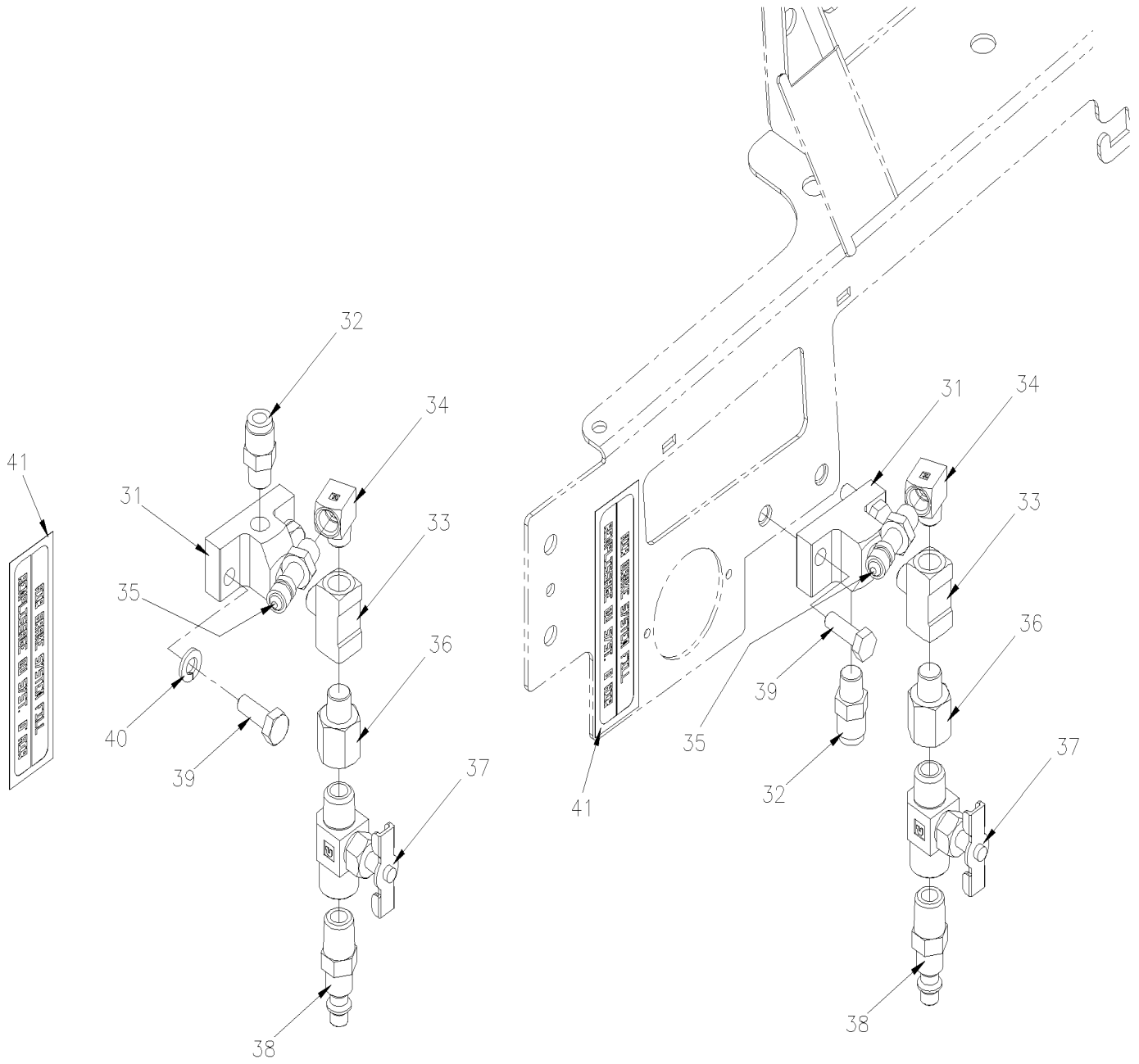


From 7-8754 To E-5759

Date:01/2024

PAGE:X3-0665-00

ENGINE COMPARTMENT - ELECTRIC COMPONENTS



UP TO B-5001

FROM B-5002

From 7-8754 To E-5759	Date:01/2024	PAGE:X3-0665-00
-----------------------	--------------	-----------------

ENGINE COMPARTMENT - ELECTRIC COMPONENTS

Item#	Part	Description	QTY	Notes
1	563199	BACK-UP ALARM "ECCO" / 12-36vdc / 107db	1	
2A	5001527	SCREW CAP HEX M8-1.25x16 SS BK	2	
2B	5001448	WASHER FL .343x.875x.062 SS18-8	2	
2C	5001787	NUT HEX NYRT M8-1.25 SS	2	
3A	562395	SENSOR PROBE "LOW LEVEL COOLANT" / 1/4" NPT	1	
3A	564463	SENSOR PROBE "LOW LEVEL COOLANT" / 1/4" NPT PROTO To 8-9456	1	D13
3B	067304	SENSOR PROBE "LOW LEVEL COOLANT" ASSY / 1/2" NPT From 8-9457	1	D13
. NS	564465	. SENSOR PROBE "LOW LEVEL COOLANT" / 1/2" NPT From 8-9457	1	D13
. NS	21242838	. SENSOR PROBE "LOW LEVEL COOLANT" / 1/2" NPT From 8-9457	1	D13
. NS	563764	. CONNECTOR / CPC SERIES 3 / PH 3C / PED 15300002 From 8-9457	1	D13
. NS	563765	. PIN TERMINAL / 18-16 / PED 12048159 From 8-9457	2	D13
. NS	563369	. CABLE SEAL / GRAY / PED 12010293 From 8-9457	2	D13
. NS	562387	. CONVOLUTED TUBING / SLIT / BLACK / .250" From 8-9457	AR	D13
. NS	562388	. SECONDARY LOCK / METRI-PACK 280 / 2C / BLUE / PED 15300014 From 8-9457	1	D13
4	560410	BLOCK HEATER To 8-9276	1	
4	564525	BLOCK HEATER From 8-9277	1	
4	Refer To Volvo	BLOCK HEATER	1	V D13
5	X3-0666-00	BLOCK HEATER RECEPTACLE		
8	X3-0665-10	SWITCHES, LIGHTS, AJAR - UNDER FLOOR		
9	065290	HEAT DETECTOR "THERMO-DISK" To 9-9599	2	
NS	5001204	SCREW TP FL PH #6x1 1/4 Z050 To 9-9599	6	
9	X3-2320-35	FIRE PROTECTION SYSTEM INSTALLATION From 9-9600 To B-5001		
9	X3-2320-36	FIRE PROTECTION SYSTEM BUS INSTALLATION / EPA 2010 From B-5002 To C-5133		
9	X3-2320-37	FIRE PROTECTION SYSTEM BUS INSTALLATION / 3RD BAGGAGE COMPARTMENT From C-5134		
10	011952	SUPPORT To 8-9339	1	
11	562331	GAUGE WATER TEMPERATURE / MECHANICAL (CURRENT) To 8-9339	1	
12	510481	GAUGE, OIL PRESSURE / MECHANICAL (CURRENT) To 8-9339	1	
13	501711	BULKHEAD COUPLING / PIPE FITTING / 1/4NPT-Fx1/4NPT-Fx1 1/2 BR To 8-9339	1	
14	501037	MALE ELBOW 90° / SAE 45° FITTING / #4FL-Mx1/4NPT-M BR To 8-9339	2	
15	011617	HOSE ASSY TEFLON #4 2615MM To 8-9339	1	
16	502848	SCREW TC CAP HEXF 1/4-20x3/4 N500 To 8-9339	2	
20	011538	HOURMETER SUPPORT / TOP MOUNT / 93MM X 60MM	1	
20	017328	HOURMETER SUPPORT / SIDE MOUNT / 100MM X 54MM	1	
21	560366	HOURMETER 4-40VOLT DC	1	
31	642021	DROP-EAR ELBOW 90° / PIPE FITTING / 1/8NPT-F BR	1	
32	641242	MALE CONNECTOR / PUSH-IN FITTING / #4x1/8NPT-M BR	1	
33	507589	MALE BRANCHE TEE / PIPE FITTING / 1/8NPT-Fx1/8NPT-Fx1/8NPT-M BR	1	
34	501331	STREET ELBOW 90° / PIPE FITTING / 1/8NPT-Mx1/8NPT-F BR	1	
35	640488	VALVE, AIR FILL 1/8" NPT	1	
. NS	650164	. CAP VALVE / CHROME	1	

From 7-8754 To E-5759	Date:01/2024	PAGE:X3-0665-00
ENGINE COMPARTMENT - ELECTRIC COMPONENTS		

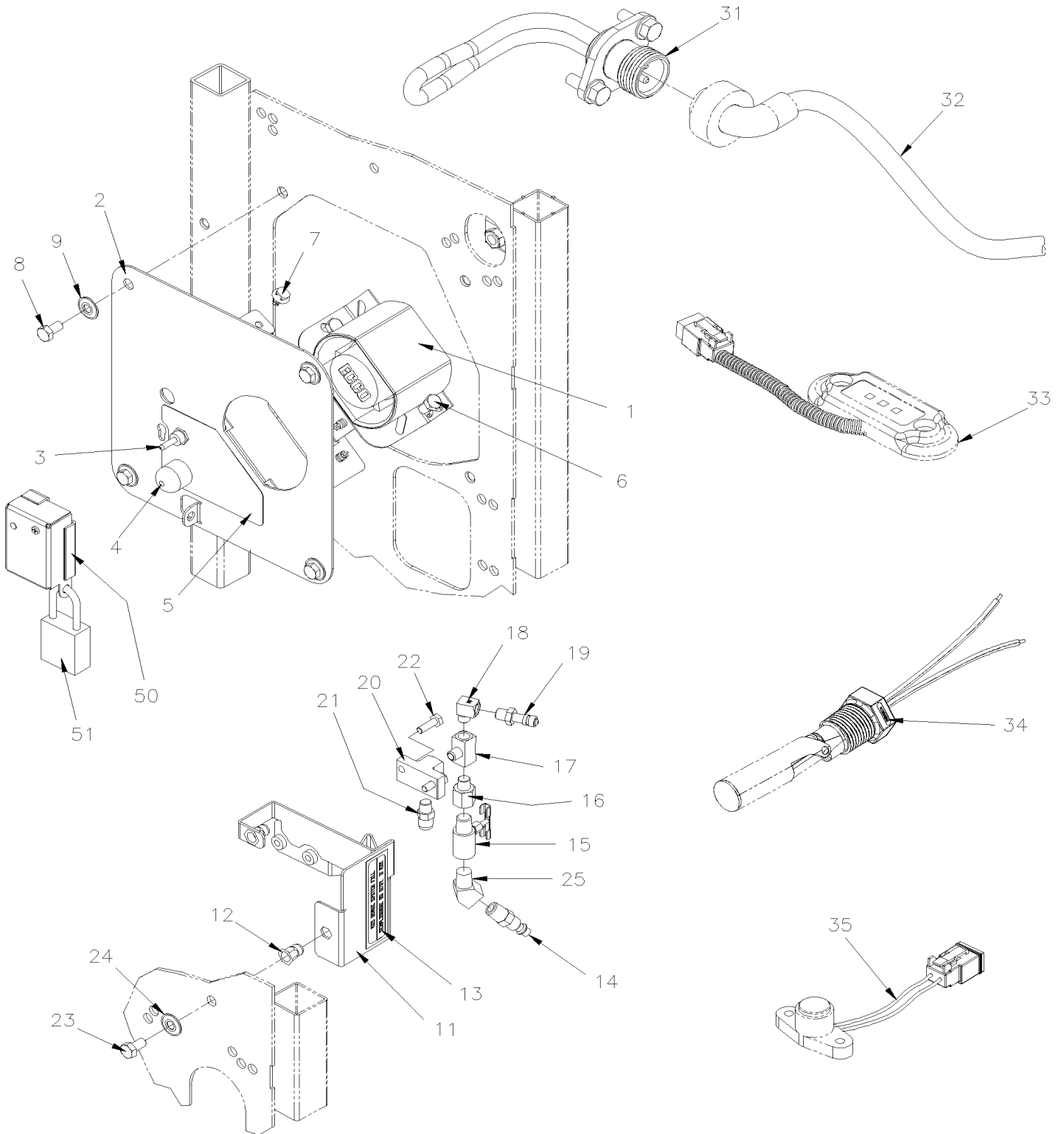
Item#	Part	Description	QTY	Notes
36	501310	ADAPTER / PIPE FITTING / 1/4NPT-Fx1/8NPT-M BR	1	
37	5011129	NEEDLE VALVE 1/4 NPT M x 1/4 NPT F	1	
38	684613	NIPPLE / QUICK DISCONNECT "INDUSTRIAL" / #4x1/4NPT-M STL	1	
39	500923	SCREW TC CAP HEX 1/4-20x3/4 Z050 To B-5001	2	
39	502830	SCREW CAP HEX M6-1.0x20 G8.8 N500 From B-5002	2	
40	500473	WASHER LO SPT .262x.489x.062 Z050 To B-5001	2	
41	140381	DECAL / "AIR BRAKE SYSTEM FILL" // ENGLISH & FRANCAIS	1	
		D13) WITH VOLVO ENGINE D-13		
		V) SEE IMPACT OR CALL ORDER DESK		

From F-5760 To H-6179

Date:01/2024

PAGE:X3-0665-01

ENGINE COMPARTMENT - ELECTRIC COMPONENTS



From F-5760 To H-6179	Date:01/2024	PAGE:X3-0665-01
ENGINE COMPARTMENT - ELECTRIC COMPONENTS		

Item#	Part	Description	QTY	Notes
1	563199	BACK-UP ALARM "ECCO" / 12-36vdc / 107db	1	
2	068931	BRACKET ASSY	1	
3	064362	SWITCH ASSY / WATERPROOF	1	
3	069263	PROTECTOR ASSY To G-5987	1	O
3	069500	PROTECTOR ASSY From G-5988	1	O
3	069258	. LID PROTECTOR To G-5987	1	O
3	069499	. LID PROTECTOR From G-5988	1	O
3	648596	. DECAL, S3 SU INTERLOCK COMMUTER EN To G-5987	1	O
3	145611	. DECAL, S3 SU INTERLOCK COMMUTER EN FR From G-5988	1	O
3	068517	. BASE PROTECTOR To G-5987	1	O
3	069501	. BASE PROTECTOR From G-5988	1	O
3	5001696	. SCREW MA PAN PH M4-0.7x35 SS	1	O
3	502557	. NUT HEX NYRT M4-0.7 SS	1	O
4	562484	SWITCH S.P.S.T. / N.C.	1	
4	562471	CONNECTOR / WEATHER PACK / SH 2C / BLACK / PED 12103784	1	
4	563158	SHRINK TUBING / .300" - .060" / BLACK / 3M EPS-400.300	AR	
4	561578	SOCKET TERMINAL / 16-14 / PED 12010182	2	
4	561786	CABLE SEAL / GRAY / PED 15324980	2	
5	068808	DECAL REAR ENGINE START NO TENSIONER...	1	
6	5001527	SCREW CAP HEX M8-1.25x16 SS BK	2	
6	5001699	WASHER BEL SPR 8.2x22x1.4 N500	2	
7	509815	TIE MOUNT / ATTACHMENT W/TREE MOUNT	6	
7	564108	SELF MOUNTING STUD // DEUTSCH 1011-310-0205	1	
8	5001527	SCREW CAP HEX M8-1.25x16 SS BK	4	
9	5001868	WASHER BEL SPR 8.4x18x2 SS	4	
11	068538	BRACKET ASSY	1	
12	5001692	. NUT INS FL HEX M8-1.25 0.5-3.0 SS	2	
13	140381	DECAL / "AIR BRAKE SYSTEM FILL" // ENGLISH & FRANCAIS	1	
13	142369	DECAL / "AIR BRAKE SYSTEM FILL" // ENGLISH & SPANISH From G-6084	1	
14	684613	NIPPLE / QUICK DISCONNECT "INDUSTRIAL" / #4x1/4NPT-M STL	1	
15	5011129	NEEDLE VALVE 1/4 NPT M x 1/4 NPT F	1	
16	501310	ADAPTER / PIPE FITTING / 1/4NPT-Fx1/8NPT-M BR	1	
NS	680098	THREAD SEALANT LOCTITE #567 / WHITE / 250ml	AR	
17	507589	MALE BRANCHE TEE / PIPE FITTING / 1/8NPT-Fx1/8NPT-Fx1/8NPT-M BR	1	
18	501331	STREET ELBOW 90° / PIPE FITTING / 1/8NPT-Mx1/8NPT-F BR	1	
19	640488	VALVE, AIR FILL 1/8" NPT	1	
. NS	650164	. CAP VALVE / CHROME	1	
20	642021	DROP-EAR ELBOW 90° / PIPE FITTING / 1/8NPT-F BR	1	
21	641242	MALE CONNECTOR / PUSH-IN FITTING / #4x1/8NPT-M BR	1	
22	502622	SCREW CAP HEX M6-1.0x20 SS BK	2	
23	5001527	SCREW CAP HEX M8-1.25x16 SS BK	2	

From F-5760 To H-6179	Date:01/2024	PAGE:X3-0665-01
-----------------------	--------------	-----------------

ENGINE COMPARTMENT - ELECTRIC COMPONENTS

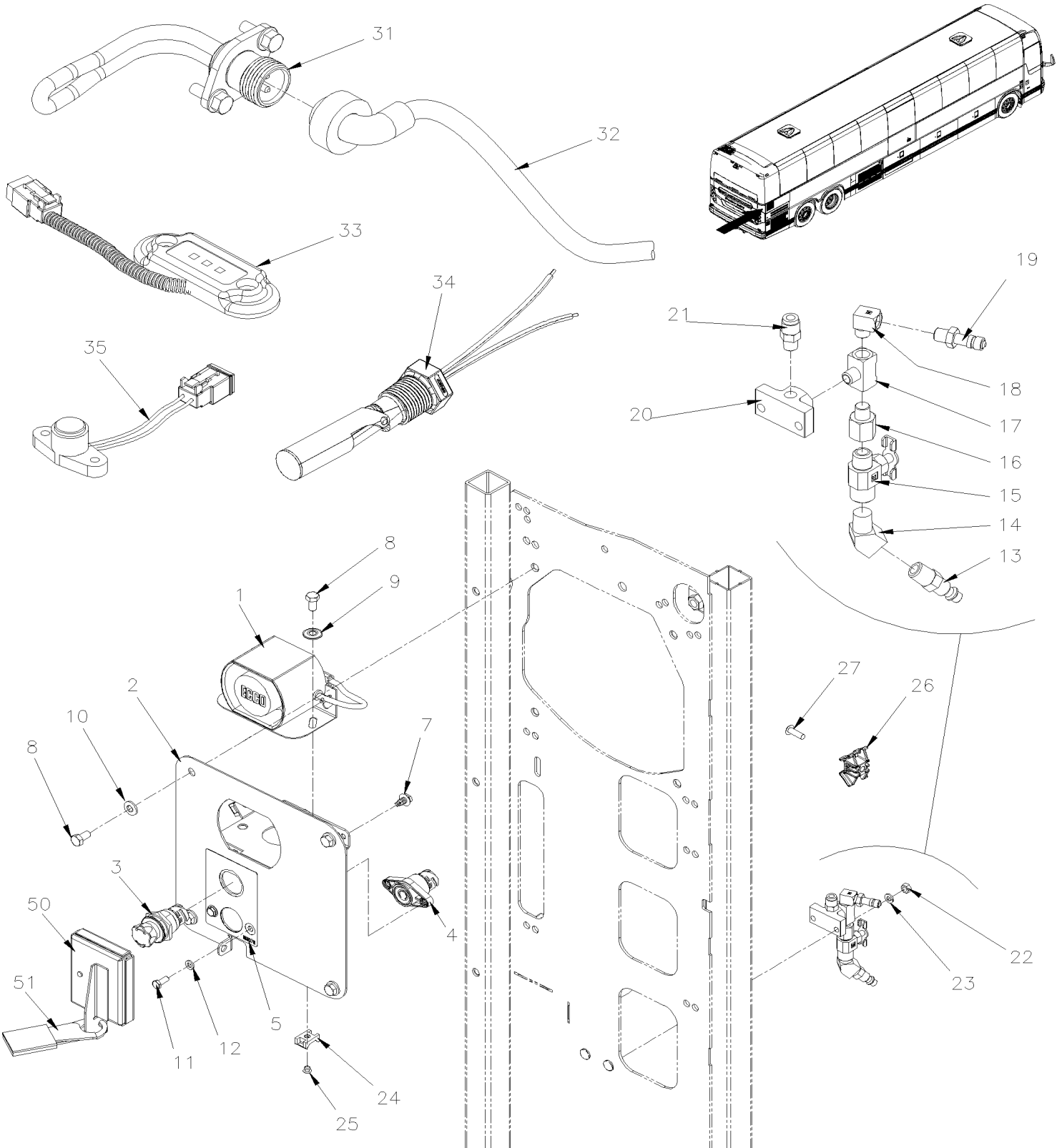
Item#	Part	Description	QTY	Notes
24	5001868	WASHER BEL SPR 8.4x18x2 SS	2	
25	501329	STREET ELBOW 45° / PIPE FITTING / 1/4NPT-Mx1/4NPT-F BR From F-5783	1	
31	Refer To Volvo	BLOCK HEATER	1	V D13
32	X3-0666-00	BLOCK HEATER RECEPTACLE		
33	X3-0665-11	SWITCHES, LIGHTS, AJAR - UNDER FLOOR		
34	X3-0510-02	SURGE TANK WITH "EPA 2010"		
35	X3-2320-37	FIRE PROTECTION SYSTEM BUS INSTALLATION / 3RD BAGGAGE COMPARTMENT		
50	G35064	LOCKING BOX ASSEMBLY From G-5916	1	
51	N.S.P.	PADLOCK From G-5916	1	2
		D13) WITH VOLVO ENGINE D-13		
		O) USE WITH BI-FOLD DOOR OPTION		
		2) NOT SOLD BY PREVOST (SEE MANUFACTURING PART NUMBER AT END OF DESCRIPTION LINE)		
		V) SEE IMPACT OR CALL ORDER DESK		

From H-6180

Date:01/2024

PAGE:X3-0665-02

ENGINE COMPARTMENT - ELECTRIC COMPONENTS VOLVO D13 - GHG17



From H-6180		Date:01/2024	PAGE:X3-0665-02
-------------	--	--------------	-----------------

ENGINE COMPARTMENT - ELECTRIC COMPONENTS VOLVO D13 - GHG17

Item#	Part	Description	QTY	Notes
1	563199	BACK-UP ALARM "ECCO" / 12-36vdc / 107db	1	
2	060171	BRACKET ASSY	1	
3	560259	ENGINE SHUT DOWN SWITCH	1	
4	560013	PUSH BUTTON / GREEN WHITH LED, TS SERIES	1	
5	060170	DECAL REAR ENGINE START	1	
7	509815	TIE MOUNT / ATTACHMENT W/TREE MOUNT	2	
7	504637	CABLE TIE / 3/16" x 13"	2	
8	5001527	SCREW CAP HEX M8-1.25x16 SS BK	4	
9	5001699	WASHER BEL SPR 8.2x22x1.4 N500	2	
10	5001868	WASHER BEL SPR 8.4x18x2 SS	4	
11	5001530	SCREW CAP HEX M6-1.0x16 SS	4	
12	502570	WASHER LO SPT 6.1x11.8x1.6 SS	4	
13	684613	NIPPLE / QUICK DISCONNECT "INDUSTRIAL" / #4x1/4NPT-M STL	1	
14	501329	STREET ELBOW 45° / PIPE FITTING / 1/4NPT-Mx1/4NPT-F BR	1	
15	5011129	NEEDLE VALVE 1/4 NPT M x 1/4 NPT F	1	
16	501310	ADAPTER / PIPE FITTING / 1/4NPT-Fx1/8NPT-M BR	1	
17	507589	MALE BRANCHE TEE / PIPE FITTING / 1/8NPT-Fx1/8NPT-Fx1/8NPT-M BR	1	
18	501331	STREET ELBOW 90° / PIPE FITTING / 1/8NPT-Mx1/8NPT-F BR	1	
19	640488	VALVE, AIR FILL 1/8" NPT	1	
NS	650164	. CAP VALVE / CHROME	1	
20	642021	DROP-EAR ELBOW 90° / PIPE FITTING / 1/8NPT-F BR	1	
21	641242	MALE CONNECTOR / PUSH-IN FITTING / #4x1/8NPT-M BR	1	
NS	680098	THREAD SEALANT LOCTITE #567 / WHITE / 250ml	AR	
22	5001851	NUT HEX M6-1.0 SS BK	2	
23	502570	WASHER LO SPT 6.1x11.8x1.6 SS	2	
24	504013	TIE MOUNT / 1/4" X 1/4" I.D.	2	
25	504379	RIVET POP DOME OE 3/16x1/4 SS	2	
26	509490	ATTACHMENT DOUBLE USE WITH CABLE TIE	2	
27	504610	RIVET MGLP PRDG 1/4x5/8 SS	2	
31	Refer To Volvo	BLOCK HEATER		V
32	X3-0666-01	BLOCK HEATER RECEPTACLE	1	
33	X3-0665-11	SWITCHES, LIGHTS, AJAR - UNDER FLOOR	1	
34	X3-0510-03	SURGE TANK VOLVO D13 - GHG17	1	
35	X3-2320-37	FIRE PROTECTION SYSTEM BUS INSTALLATION / 3RD BAGGAGE COMPARTMENT	1	
50	G35890	LOCKING BOX ASSEMBLY	1	
51	N.S.P.	PADLOCK	1	2
		2) NOT SOLD BY PREVOST (SEE MANUFACTURING PART NUMBER AT END OF DESCRIPTION LINE)		
		V) SEE IMPACT OR CALL ORDER DESK		

From 7-8754 To E-5759	Date:01/2024	PAGE:X3-0665-10
SWITCHES, LIGHTS, AJAR - UNDER FLOOR		

Item#	Part	Description	QTY	Notes
1	563464	SWITCH / S.P.S.T. / N.C. / W/RUBBER BOOT To E-5458	AR	
1	562303	SWITCH / S.P.S.T. / N.C. From E-5459	6	
2	066638	SWITCH SUPPORT	1	
2	065444	SWITCH SUPPORT / ENTRANCE DOOR W.C.L.	1	
2	066672	SWITCH SUPPORT / W/BAGGAGE DOORS STD To E-5458	6	
2	X3-1864-02	BAGGAGE DOOR ASSY From E-5459		
2	X3-1864-70	BAGGAGE DOOR ASSY / W.C.L. From E-5459	1	
3	330372	LAMP ASSY 24V / BAGGAGE COMPARTMENT LAMP W//2 BULBS 5W To 7-9232	AR	
4	330369	. SUPPORT / SS / TO FIX LAMP / W/2 BULBS To 7-9232	1	
5	066271	. CABLE ASSY / W/2 BULBS To 7-9232	1	
6	562411	. BULB / 5WATT-24VOLTS / SAE # 6424 To 7-9232	2	
7	830183	. LAMP ASSY / W/2 BULBS To 7-9232	1	
8	330224	LAMP ASSY 24V / BAGGAGE COMPARTMENT LAMP W/2 BULBS G4-10W From 7-9233 To C-5132	AR	
. NS	330396	. BULB / 10 WATTS -28VOLTS / SAE# G4-28 From 7-9233 To C-5132	2	
8	330299	LAMP ASSY 24V / BAGGAGE COMPARTMENT LAMP / LED From C-5133	AR	J
. NS	561248	. CONNECTOR / UNIVERSAL MATE-N-LOK / PH 2C / AMP 1-480699-0 From C-5133	1	J
8	830008	LAMP ASSY 24V / LED	AR	
. NS	561248	. CONNECTOR / UNIVERSAL MATE-N-LOK / PH 2C / AMP 1-480699-0	1	
10	065011	SWITCH PROXIMITY ASSY To B-5001	1	F
. NS	562950	. SWITCH PROXIMITY / S.P.D.T. / W/3 WIRES To B-5001	1	F
. NS	561566	. CONNECTOR / WEATHER PACK / PH 2C / BLACK / PED 12010973 To B-5001	1	F
10	065557	SWITCH PROXIMITY ASSY To B-5001	1	
10	068053	SWITCH PROXIMITY WITH LED ASSY From B-5002 To D-5299	1	
. NS	564176	. SWITCH PROXIMITY / S.P.D.T. / W/3 WIRES W/LED From B-5002 To D-5299	1	
10	068076	SWITCH PROXIMITY WITH LED ASSY From D-5300	1	
. NS	564176	. SWITCH PROXIMITY / S.P.D.T. / W/3 WIRES W/LED From D-5300	1	
NS	288791	SWITCH SUPPORT ENGINE DOOR AJAR To B-5001	1	
NS	289701	CATCH PIN / RETAINER / W/SWITCH SUPPORT 45MMx21MM 90° To B-5001	1	G
NS	288780	SWITCH SUPPORT COMPRESSOR DOOR AJAR	1	
NS	289703	SWITCH SUPPORT COMPRESSOR DOOR AJAR To B-5001	1	G
10	068125	KIT, RETROFIT PROXIMITY SWITH / "X" SERIES To B-5001	1	T
. NS	065557	. SWITCH PROXIMITY ASSY To B-5001	2	T
. NS	065558	. CABLE INTERFACE / SWITHS AND MAIN HARNESS To B-5001	2	T
. NS	289701	. CATCH PIN / RETAINER / W/SWITCH SUPPORT 45MMx21MM 90° To B-5001	1	T
. NS	289702	. SUPPORT LOCK / UPPER W/SWITCH DETECTOR To B-5001	1	T
. NS	289703	. SWITCH SUPPORT COMPRESSOR DOOR AJAR To B-5001	1	T
. NS	504339	. RIVET POP DOME OE 1/8x3/8 SS To B-5001	2	T
10	068621	KIT SERVICE / PROXIMITY SWITCH CONNECTOR From B-5002 To D-5299	1	T
. NS	564555	. CONNECTOR / DT SERIES / SH 3C / BLACK / DEUTSCH DT06-3S-CE02 From B-5002 To D-5299	1	T
. NS	564556	. BACKSHELL / DT SERIES / 3C / DEUTSCH 1011-259-0305 From B-5002 To D-5299	1	T
. NS	IS-12059	. SEE INSTRUCTION SHEET From B-5002 To D-5299	1	T
10	068622	KIT SERVICE / PROXIMITY SWITCH From B-5002 To D-5299	1	T

From 7-8754 To E-5759	Date:01/2024	PAGE:X3-0665-10
SWITCHES, LIGHTS, AJAR - UNDER FLOOR		

Item#	Part	Description	QTY	Notes
. NS	068076	. SWITCH PROXIMITY WITH LED ASSY From B-5002 To D-5299	1	T
. . NS	564176	. . SWITCH PROXIMITY / S.P.D.T. / W/3 WIRES W/LED From B-5002 To D-5299	1	T
. NS	IS-12059	. SEE INSTRUCTION SHEET From B-5002 To D-5299	1	T
11	562949	MAGNET ROUND .200x.700 DIA	2	B
19	430567	LAMP ASSY W/CONNECTOR / "U" SHAPE To 8-9276	AR	
20	430568	LAMP ASSY W/CONNECTOR / "L" SHAPE To B-5001	AR	
21	052503	. SUPPORT LAMP / "U" SHAPE To 8-9276	1	
22	430456	. SUPPORT LAMP / "L" SHAPE To B-5001	1	
NS	506338	. RUBBER CHANNEL / 1/16" x 1/4" INT "U" SHAPE / ROUND C.T.L. To B-5001	1	
23	930382	. GROMMET OBLONG, BLACK To B-5001	1	
24	930383	. LAMP ASSY CLEAR SEALED / BACK-UP 12V To B-5001	1	D
26	563047	SWITCH ASSY / WATERPROOF	1	
27	560241	RUBBER PROTECTOR, TOGGLE SWITCH	1	
30	Call order desk	SUPPORT ASSY W/SWITCHES	1	P
30	Call order desk	SUPPORT ASSY W/SWITCHES From A-9926	1	P
30	Call order desk	SUPPORT ASSY W/SWITCHES	1	P
30	066365	. SUPPORT REAR ENGINE SWITCHES	1	
31	064554	. SWITCH ASSY W/CONNECTOR To 9-9777	1	
31	N.P.N.	. SWITCH ASSY W/CONNECTOR From 9-9778	1	4
31	562484	. . SWITCH S.P.S.T. / N.C.	1	
NS	561690	. . CONNECTOR / WEATHER PACK / SH 2C / BLACK / PED 12015792	1	
31	562471	. . CONNECTOR / WEATHER PACK / SH 2C / BLACK / PED 12103784 From 9-9778	1	C
NS	561565	. . CABLE SEAL / GREEN / PED 15324982	2	
NS	561578	. . SOCKET TERMINAL / 16-14 / PED 12010182	2	
32	561891	. CAP RUBBER	1	
33	066376	. DECAL REAR ENGINE START....	1	
34	064362	. SWITCH ASSY / WATERPROOF	1	
35	563609	. SWITCH / OFF-ON / S.P.S.T. / SEALED W/WIRES ASSY	1	
36	032892	. SUPPORT FILTER AIR From A-9926	1	E
37	067876	. DECAL REAR ENGINE START.... From A-9926 To B-5001	1	E
37	068307	. DECAL REAR ENGINE START.... From B-5002 To F-5743	1	E
37	069130	. DECAL REAR ENGINE START.... From F-5744	1	E
37	068808	. DECAL REAR ENGINE START NO TENSIONER...	1	E
		SUPPORT SWITCH LAVATORY PUMP		
41	065466	. DECAL / LAVATORY PUMP FLUSH / ENGLISH & FRANCAIS	1	
41	067576	DECAL / LAVATORY PUMP FLUSH / ENGLISH & SPANISH	1	
45	505056	ANTISTATIC STRAP / UNDER STRUCTURE	1	
50	X3-0120-02	DRIVE PULLEY, BELTS & TENSIONER WITH VOLVO D13 To A-9974		
50	X3-0120-03	DRIVE PULLEY, BELTS & TENSIONER WITH VOLVO D13 & 2x120Amps From A-9975 To D-5458		
54	563845	LAMP ASSY 24V / W/LEDS From B-5002	4	
. NS	563589	. CONNECTOR / DTM SERIES / SH 2C / GRAY / DEUTSCH DTM06-2S-E007 From B-5002	1	
55	068065	SUPPORT LAMP From B-5002	1	

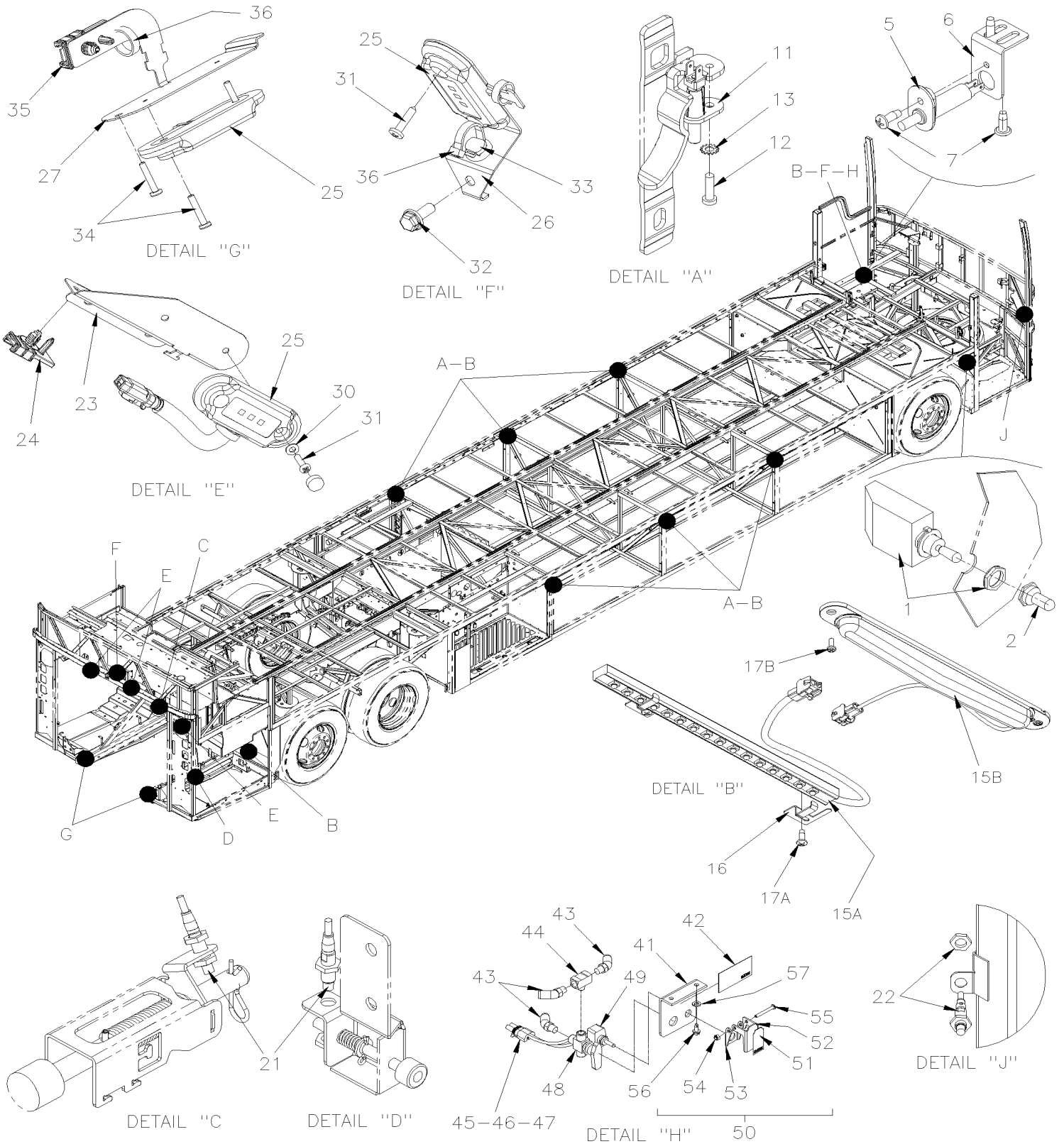
From 7-8754 To E-5759	Date:01/2024	PAGE:X3-0665-10
SWITCHES, LIGHTS, AJAR - UNDER FLOOR		

Item#	Part	Description	QTY	Notes
55	068170	SUPPORT LAMP From B-5002 To E-5517	1	
NS	5001730	SCREW CAP HEXF M6-1.0x16 G10.9 N500 From B-5002 To E-5517	1	
56	5001036	SCREW MA PAN PH M4-0.7x10 Z050 From B-5002	2	
56	500590	NUT HEX NYRT M4-0.7 Z050 From B-5002	2	
57	500244	SCREW TP BDG PH #8x3/4 N500 From B-5002	6	
58	502830	SCREW CAP HEX M6-1.0x20 G8.8 N500 From B-5002	1	
59	5001833	WASHER BEL SPR 6.1x18x1.27 SS From B-5002	1	
		LAMP, ENGINE COMPARTMENT		
		TO CHANGE BULB FOR LED		
61	430672	KIT, LAMP LED / ENGINE COMPARTMENT To B-5001	1	S
. A	430671	. LAMPE LED ASSY To B-5001	2	S
. B	563590	. CONNECTOR / DTM SERIES / PH 2C / GRAY / DEUTSCH DTM04-2P To B-5001	2	S
. C	563588	. PIN TERMINAL / 20-16 / DEUTSCH 0460-202-20141 To B-5001	6	S
. D	563536	. RING TERMINAL .3125 / 12-10 / AMP 33459 To B-5001	1	S
. E	562120	. FUSE / 2 AMPS / 3AG-2 To B-5001	1	S
. F	560067	. FUSE HOLDER IN LINE To B-5001	1	S
. . NS	8905111	. . TERMINAL FUSE HOLDER To B-5001	QR	S
. G	563593	. CONNECTOR W/END OF LINE RESISTOR 120R / DTM SERIES / SH 2C / GRAY / DEUTSCH DTM06-2S-P006 To B-5001	1	S
. H	561608	. SOCKET TERMINAL / 18-16 / DEUTSCH 0462-201-16141 To B-5001	1	S
. I	562286	. PIN TERMINAL / 18-16 / DEUTSCH 0460-202-16141 To B-5001	3	S
. J	562806	. SOCKET TERMINAL / 20-16 / AMP 927779-3 To B-5001	2	S
. K	562953	. BUTT SPLICE / 16-14 / BLUE / AMP 55825-1 To B-5001	2	S
. L	560784	. SHRINK TUBING / .250" - .080" / BLACK / ALPHA FIT-300-1/4-4B To B-5001	AR	S
. M	564099	. TAPE ADHESIF ELECTRICAL TISSUS / BLACK 838MM To B-5001	AR	S
. N	564088	. CONVOLUTED TUBING / .125" POLYPROPYLENE To B-5001	AR	S
. O	561258	. WIRE CABLE 18 / RED / GXL To B-5001	AR	S
. P	561261	. WIRE CABLE 18 / BLACK / GXL To B-5001	AR	S
. Q	560673	. WIRE CABLE 16 / BLACK / GXL To B-5001	AR	S
. R	560667	. WIRE CABLE 12 / RED / GXL To B-5001	AR	S
61	430671	. LAMPE LED ASSY To B-5001	1	S
61	IS-10016	. . SEE INSTRUCTION SHEET To B-5001	1	S
62	563845	. . LAMP ASSY 24V / W/LEDS To B-5001	1	S
. NS	563589	. . . CONNECTOR / DTM SERIES / SH 2C / GRAY / DEUTSCH DTM06-2S-E007 To B-5001	1	S
63	430670	. . SUPPORT ENGINE COMPARTMENT LAMP To B-5001	1	S
64	500235	. . SCREW TP BDG PH #6x3/4 N500 To B-5001	2	S
65	509815	. . TIE MOUNT / ATTACHMENT W/TREE MOUNT To B-5001	1	S
66	504637	. . CABLE TIE / 3/16" x 13" To B-5001	1	S

From 7-8754 To E-5759	Date:01/2024	PAGE:X3-0665-10
SWITCHES, LIGHTS, AJAR - UNDER FLOOR		

Item#	Part	Description	QTY	Notes
		B) FIXED ON COMPRESSOR & ENGINE DOOR		
		C) USE WITH REAR START BUTTON ONLY .: FROM 9-9778		
		D) FOR PRODUCT IMPROVEMENT LIFE OF THIS LAMP ASK KIT # 430672 FOR REPLACEMENT		
		E) WITH EPA 2010		
		F) FOR PRODUCT IMPROVEMENT LIFE OF THIS SWITCH ASK KIT # 068125 FOR REPLACEMENT		
		G) INCLUDED WITH KIT # 068125		
		J) WHEN YOU REPLACE LAMP #330299 BY THE NEW LAMP #830008 YOU HAVE TO DRILL HOLE TO INSTALL IT WITH TWO SCREWS #500443 OR #500965		
		S) TO UPGRADE BULB LAMP WITH LED LAMPS		
		T) SERVICE		
		4) NO PARTS NUMBER		
		P) CALL ORDER DESK FOR SPECIFIC APPLICATION (V.I.N.)		

SWITCHES, LIGHTS, AJAR - UNDER FLOOR



From F-5760		Date:01/2024	PAGE:X3-0665-11
SWITCHES, LIGHTS, AJAR - UNDER FLOOR			

Item#	Part	Description	QTY	Notes
1	563047	SWITCH ASSY / WATERPROOF	1	
2	560241	RUBBER PROTECTOR, TOGGLE SWITCH	1	
5	563464	SWITCH / S.P.S.T. / N.C. / W/RUBBER BOOT	1	
6	066638	SWITCH SUPPORT	1	
7	502868	SCREW TC TR PH #10-16x1/2 N500	3	
11	562303	SWITCH / S.P.S.T. / N.C. To E-5759	6	
11	563464	SWITCH / S.P.S.T. / N.C. / W/RUBBER BOOT From F-5760	6	
12	500623	SCREW TC PAN PH #10-24x3/4 N500 To E-5759	6	
12	5001332	SCREW MA PAN PH M4-0.7x16 SS From F-5760	6	
13	5001544	WASHER LO EXT .195x.410x.025 SS To E-5759	6	
13	502557	NUT HEX NYRT M4-0.7 SS From F-5760	6	
15A	330299	LAMP ASSY 24V / BAGGAGE COMPARTMENT LAMP / LED To H-6193	7	D
. NS	561248	. CONNECTOR / UNIVERSAL MATE-N-LOK / PH 2C / AMP 1-480699-0 To H-6193	1	D
15B	830008	LAMP ASSY 24V / LED From H-6180 To H-6193	1	C
. NS	561248	. CONNECTOR / UNIVERSAL MATE-N-LOK / PH 2C / AMP 1-480699-0 From H-6180 To H-6193	1	C
15B	830008	LAMP ASSY 24V / LED From H-6194	8	
. NS	561248	. CONNECTOR / UNIVERSAL MATE-N-LOK / PH 2C / AMP 1-480699-0 From H-6194	1	
16	330411	SUPPORT, LIGHT To H-6193	14	
17A	500957	SCREW TP BDG PH #10x3/4 N500 To H-6193	12	
17A	502868	SCREW TC TR PH #10-16x1/2 N500 To H-6193	2	A
17B	500799	SCREW TC PAN PH #8-32x3/8 N500 From H-6180	2	C
17B	500443	SCREW TP PAN PH #8x1/2 N500 From H-6194	12	
17B	500965	SCREW TC BDG PH #8-32x1/2 N500 From H-6194	2	A
21	068076	SWITCH PROXIMITY WITH LED ASSY	2	
. NS	564176	. SWITCH PROXIMITY / S.P.D.T. / W/3 WIRES W/LED	1	
22	564163	SWITCH PROXIMITY / S.P.D.T. / W/3 WIRES	1	
23	060232	SUPPORT LAMP From H-6180	1	
23	504488	RIVET MGLP PRDG 3/16x17/64 SS From H-6180	2	
23	069733	HARNESS / LIGHT EXTENSION WITHOUT LAVATORY	1	E
24	564108	SELF MOUNTING STUD // DEUTSCH 1011-310-0205 From H-6180	1	
25	563845	LAMP ASSY 24V / W/LEDS	AR	
. NS	563589	. CONNECTOR / DTM SERIES / SH 2C / GRAY / DEUTSCH DTM06-2S-E007	1	
26	068170	SUPPORT LAMP To E-5717	1	
27	287678	SUPPORT LAMP	2	
30	502556	WASHER FL 4.3x9.0x0.8 SS	AR	
31	500244	SCREW TP BDG PH #8x3/4 N500	4	
32	5001730	SCREW CAP HEXF M6-1.0x16 G10.9 N500 To E-5717	1	
33	509815	TIE MOUNT / ATTACHMENT W/TREE MOUNT To E-5717	1	
34	5001040	SCREW TC PAN PH #6-32x3/4 SS	6	
35	564108	SELF MOUNTING STUD // DEUTSCH 1011-310-0205	2	
36	504637	CABLE TIE / 3/16" x 13"	AR	
41	287476	SUPPORT, VALVE 3 WAYS To G-5987	1	

From F-5760		Date:01/2024	PAGE:X3-0665-11
SWITCHES, LIGHTS, AJAR - UNDER FLOOR			

Item#	Part	Description	QTY	Notes
41	287861	SUPPORT, VALVE 3 WAYS From G-5988	1	
42	068348	DECAL "MASTER INTERLOCK..."	1	
43	641365	MALE ELBOW 45° NON-SWIVEL / PUSH-IN FITTING / #4x1/8NPT-M BR	2	
44	507589	MALE BRANCHE TEE / PIPE FITTING / 1/8NPT-Fx1/8NPT-Fx1/8NPT-M BR	1	
45	561690	CONNECTOR / WEATHER PACK / SH 2C / BLACK / PED 12015792	1	
46	561578	SOCKET TERMINAL / 16-14 / PED 12010182	2	
47	561786	CABLE SEAL / GRAY / PED 15324980	2	
48	642161	VALVE, 3 WAYS 1/8NPT-Fx1/8NPT-Fx1/8NPT-F BR	1	
. NS	642014	. HANDLE / RED	1	
NS	642014	. HANDLE / RED	1	
49	563609	SWITCH / OFF-ON / S.P.S.T. / SEALED W/WIRES ASSY	1	
50	068518	PROTECTOR ASSY To F-7021	1	
50	069263	PROTECTOR ASSY From F-7022 To G-5987	1	
50	069500	PROTECTOR ASSY From G-5988	1	
51	648596	. DECAL, S3 SU INTERLOCK COMMUTER EN To G-5987	1	
51	145609	. DECAL, S3 SU INTERLOCK COMMUTER EN From G-5988	1	
51	145611	. DECAL, S3 SU INTERLOCK COMMUTER EN FR	1	
52	068516	. LID PROTECTOR	1	
53	068517	. BASE PROTECTOR	1	
53	069501	. BASE PROTECTOR From G-5988	1	
54	502577	. SCREW MA PAN PH M3-0.5x16 ZP	1	
55	5001696	. SCREW MA PAN PH M4-0.7x35 SS	1	
55	5001694	. SCREW MA PAN PH M4-0.7x40 SS BK From G-5988	1	
56	5001245	. SCREW TC CAP HEXW SLT #12-24x1/2 Z050	1	
57	500473	. WASHER LO SPT .262x.489x.062 Z050	1	
NS	068251	HARNESS, LUGGAGE To G-5977	1	
NS	069477	HARNESS, LUGGAGE From G-5978 To H-6179	1	
NS	060328	HARNESS, LUGGAGE From H-6180 To K-6422	1	
NS	0610080	HARNESS, LUGGAGE From K-6423	1	
NS	069717	HARNESS, LUGGAGE WITH CURB LIGHT From G-6100	1	
NS	685353	TORQUE SEAL	AR	
		A) USE IN FRONT JUNCTION BOX		
		C) USE IN REAR JUNCTION BOX		
		D) WHEN YOU REPLACE LAMP #330299 BY THE NEW LAMP #830008 YOU HAVE TO DRILL HOLE TO INSTALL IT WITH TWO SCREWS #500443 OR #500965		
		E) WITHOUT LAVATORY		

From 7-8754 To H-6179	Date:01/2024	PAGE:X3-0665-20
CABLE TRAILER - INSTALLATION - BUS		

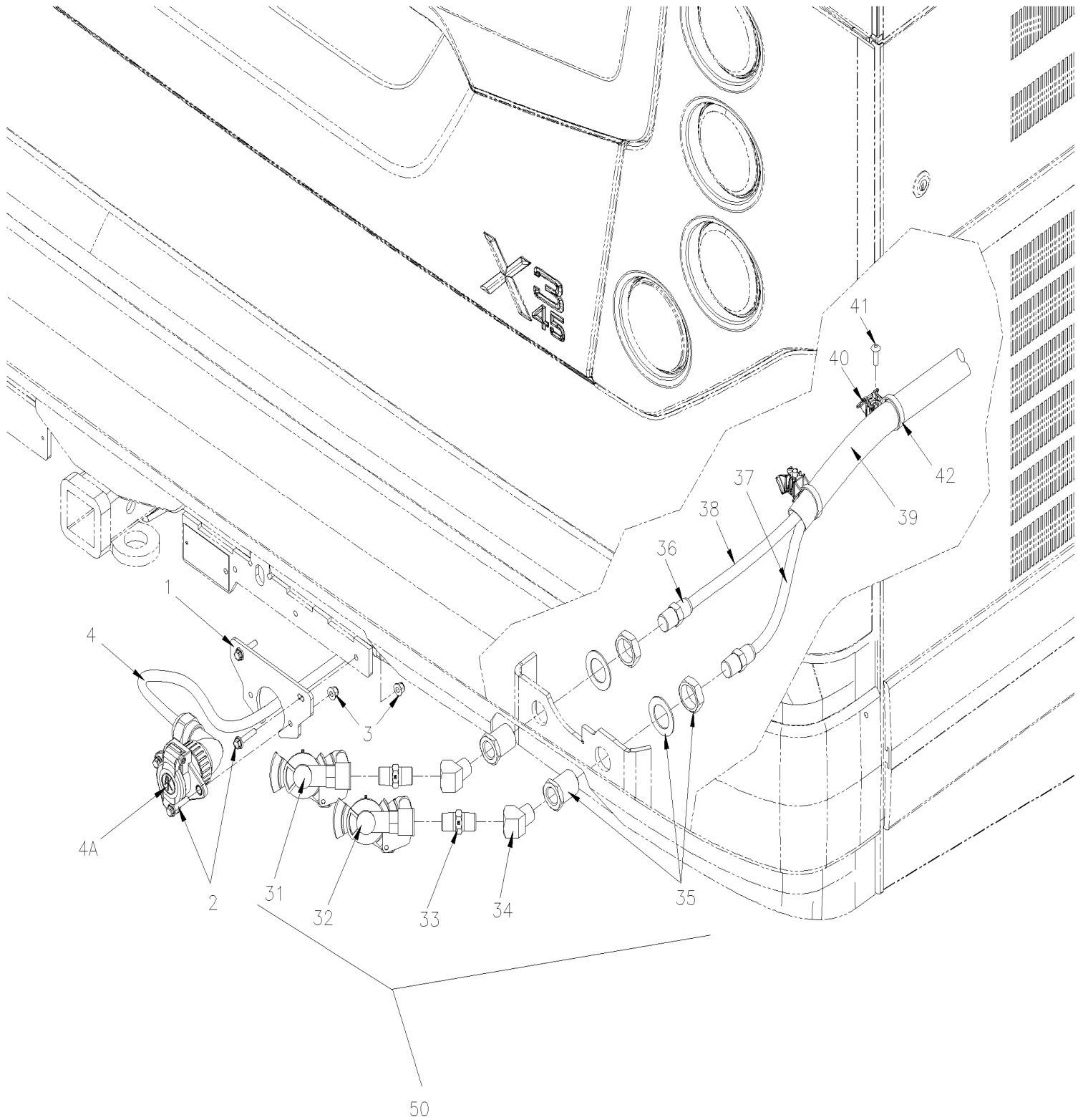
Item#	Part	Description	QTY	Notes
1	410998	SUPPORT ELECTRICAL CONECTOR	1	
2	5001815	SCREW CAP HEXF M6-1.0x30 G 8.8 N500	4	
3	502681	NUT HEX NYRT M6-1.0 N500 G8 To E-5651	4	
3	5001932	NUT HEXF NYRT M6-1.0 G8.8 N500 From E-5652	4	
4	066272	CABLE ASSY / TRAILER CONNECTOR / "POLLAK" CONNECTOR To C-5291	1	
4	068532	CABLE ASSY / TRAILER CONNECTOR / "POLLAK" CONNECTOR From C-5292	1	
4	067309	CABLE ASSY / TRAILER CONNECTOR / "TRUCK-LITE" CONNECTOR	1	
5	563352	CONNECTOR MALE 7C / POLLAK 11-723	1	
5	067306	NOSE BOX / TRUCK-LITE 50822	1	
6	563353	BOOT PROTECTOR / POLLAK 11-761	1	
7	504637	CABLE TIE / 3/16" x 13"	AR	
10	410996	PROTECTOR VALVE CONNECTOR	1	
11	410997	SUPPORT QUICK CONNECT HOSE CONNECTOR	1	
20	501796	BULKHEAD COUPLING / PIPE FITTING / 1/2NPT-Fx1/2NPT-Fx1 1/2 BR	2	
21	501713	MALE ELBOW 90° / PIPE FITTING / 1/2NPT-Mx1/2NPT-M BR	2	
22	641938	GLANDHAND W/DUST COVER "RED"	1	
23	641939	GLANDHAND W/DUST COVER "BLUE"	1	
NS	066939	"TOWING CABLE" "Y" / ADAPTOR 4300MM	1	
50	X3-1220-50	TRAILER VALVE INSTALLATION To 8-9281	1	
50	X3-1220-51	TRAILER VALVE INSTALLATION From 8-9282 To G-5896		
50	X3-1220-52	TRAILER VALVE INSTALLATION From G-5897		

From H-6180

Date:01/2024

PAGE:X3-0665-21

CABLE TRAILER - INSTALLATION - BUS

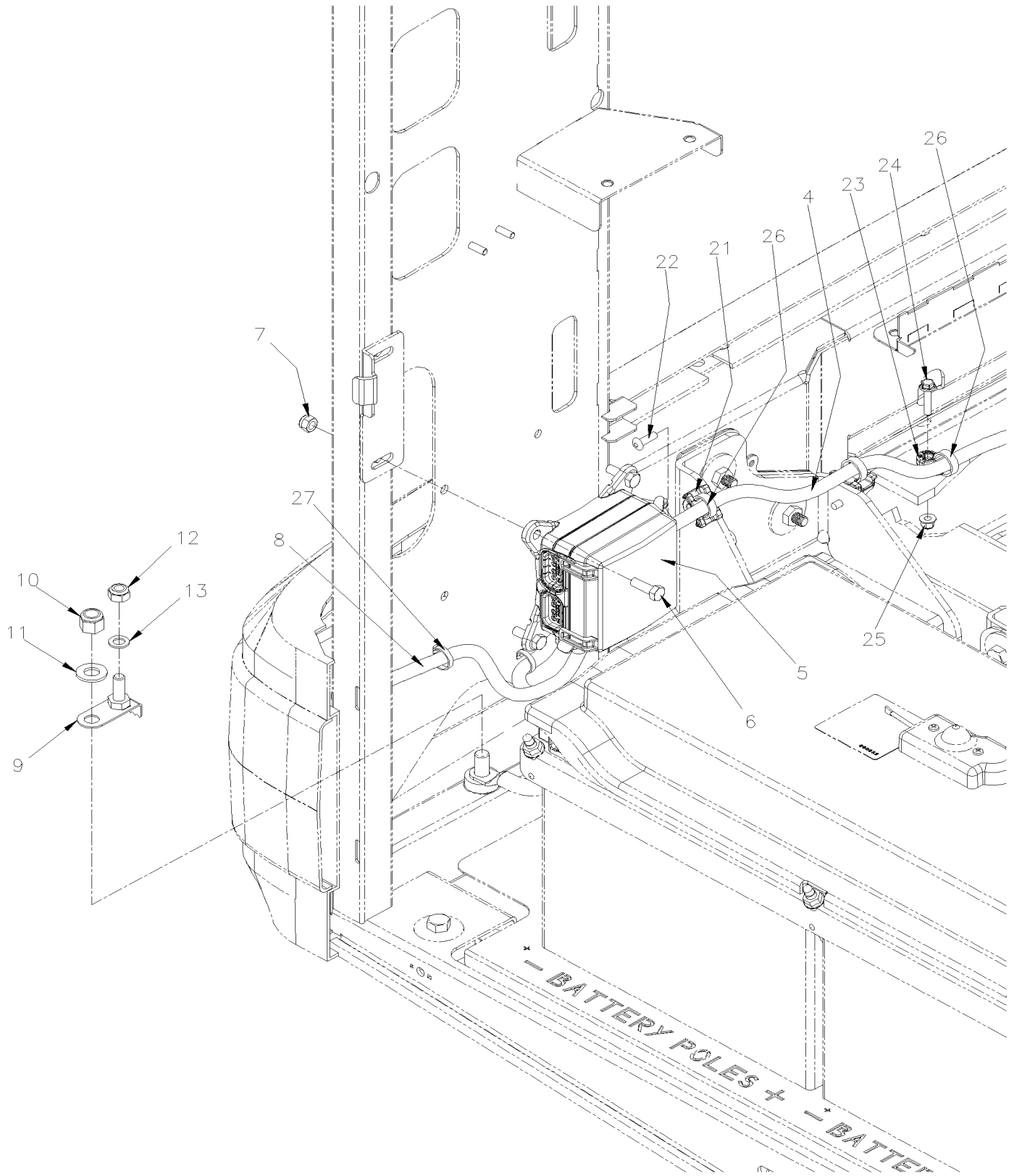


From H-6180

Date:01/2024

PAGE:X3-0665-21

CABLE TRAILER - INSTALLATION - BUS



From H-6180		Date:01/2024	PAGE:X3-0665-21
CABLE TRAILER - INSTALLATION - BUS			

Item#	Part	Description	QTY	Notes
1	410998	SUPPORT ELECTRICAL CONECTOR	1	
2	5001815	SCREW CAP HEXF M6-1.0x30 G 8.8 N500	4	
3	5001932	NUT HEXF NYRT M6-1.0 G8.8 N500	4	
4	060317	CABLE ASSY / TRAILER W/ELECTRICAL BRAKE CONNECTOR	1	
A	560233	CONNECTOR TRAILER 7C / AK-TECK AK060 058 113	1	
5	560075	DVEC DISTRIBUTION MODULE FOR TRAILER	1	
NS	563284	FUSE / ATM 15 AMPS BLUE	11	
NS	560490	MICRO RELAY 12 VOLTS	1	
5	560476	DVEC DISTRIBUTION MODULE FOR TRAILER W/ELECTRICAL BRAKE From J-6245	1	GR
NS	563284	FUSE / ATM 15 AMPS BLUE From J-6245	1	GR
NS	560490	MICRO RELAY 12 VOLTS From J-6245	1	GR
NS	564399	MINI BREAKER / 20 AMPS / SERIES 233 From J-6245	1	GR
NS	563714	CONNECTOR / SH 8C / SEALED / GREEN / BUSSMANN 32006-C12 From J-6245	1	GR
NS	561783	SEAL PLUG CAVITY / GREEN / PED 12010300 From J-6245	AR	GR
6	502780	SCREW CAP HEX M8-1.25x25 SS BK	4	
7	5001787	NUT HEX NYRT M8-1.25 SS	4	
8	060316	CABLE ASSY / TRAILER W/ELECTRICAL BRAKE	1	
8	069771	CABLE ASSY / TRAILER W/ELECTRICAL BRAKE From J-6245	1	GR
9	061253	OFFSET GROUND STUD	1	
10	5002001	NUT HEX NYRT 1/2-13 SS BK	1	
11	500958	WASHER FL .531x1.062x.095 SS	1	
12	5001628	NUT HEX NYRT M10-1.5 SS	1	
13	5001935	WASHER FL 10.5x18.0x1.6 SS	1	
21	504772	ATTACHMENT USE WITH CABLE TIE 5/16 BOLT	2	
22	504610	RIVET MGLP PRDG 1/4x5/8 SS	2	
23	509894	TIE MOUNT HOLE 7.8MM	3	
24	5001815	SCREW CAP HEXF M6-1.0x30 G 8.8 N500	3	
25	5001932	NUT HEXF NYRT M6-1.0 G8.8 N500	3	
26	504016	CABLE TIE / 5/16" X 14"1/2 To L-6494	5	
26	5040100	CABLE TIE /OUTSIDE SERRATED 5/16" X 14"1/2 From L-6495	5	
27	504637	CABLE TIE / 3/16" x 13"	AR	
31	641938	GLANDHAND W/DUST COVER "RED"	1	
32	641939	GLANDHAND W/DUST COVER "BLUE"	1	
33	5011067	NIPPLE HEX / PIPE FITTING / 1/2NPT-Mx1/2NPT-Mx1 13/16 BR	2	
34	501528	STREET ELBOW 45° / PIPE FITTING / 1/2NPT-Mx1/2NPT-F BR	2	
35	501796	BULKHEAD COUPLING / PIPE FITTING / 1/2NPT-Fx1/2NPT-Fx1 1/2 BR	2	
36	641383	MALE CONNECTOR / PUSH-IN FITTING / #8x1/2NPT-M BR	2	
37	503406	TUBE, NYLON 1/2 O.D. / GREEN S.L.	AR	
38	503638	TUBE, NYLON 1/2 O.D. / BROWN S.L.	AR	
39	562218	CONVOLUTED TUBING / UNSLIT / BLACK & GRAY / 1.000"	AR	

From H-6180	Date:01/2024	PAGE:X3-0665-21
-------------	--------------	-----------------

CABLE TRAILER - INSTALLATION - BUS

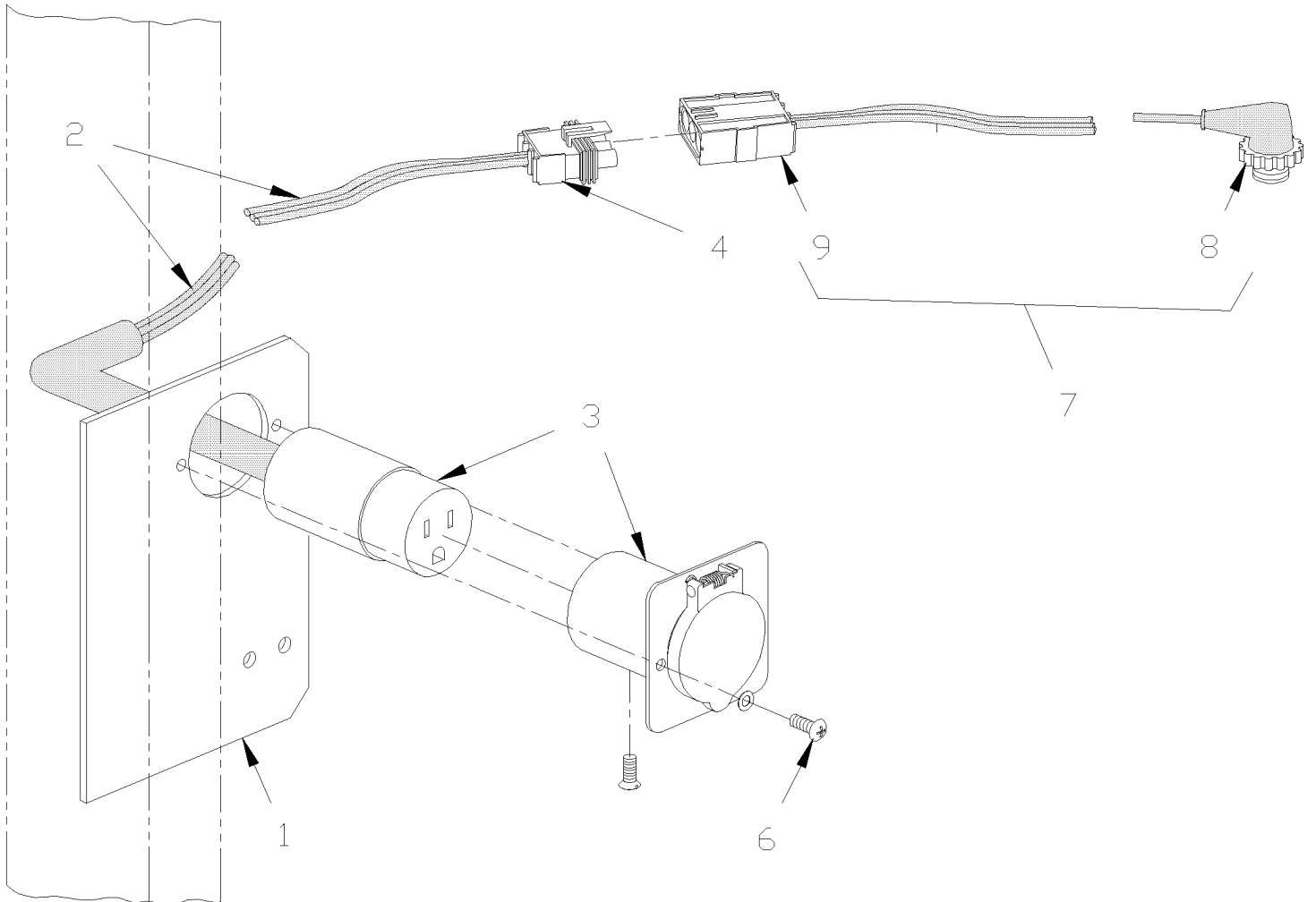
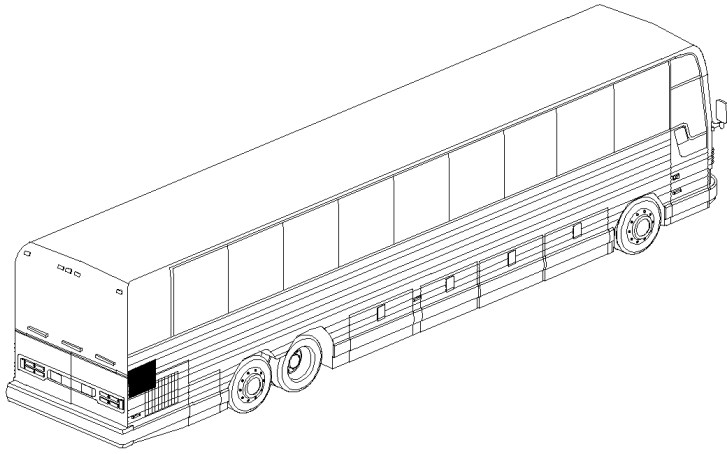
Item#	Part	Description	QTY	Notes
40	509490	ATTACHMENT DOUBLE USE WITH CABLE TIE	4	
41	504610	RIVET MGLP PRDG 1/4x5/8 SS	4	
42	504016	CABLE TIE / 5/16" X 14"1/2	4	
50	X3-1220-52	TRAILER VALVE INSTALLATION		
		GR) GREYHOUND OPTION		

From 7-8754 To E-5759

Date:01/2024

PAGE:X3-0666-00

BLOCK HEATER RECEPTACLE



From 7-8754 To E-5759	Date:01/2024	PAGE:X3-0666-00
BLOCK HEATER RECEPTACLE		

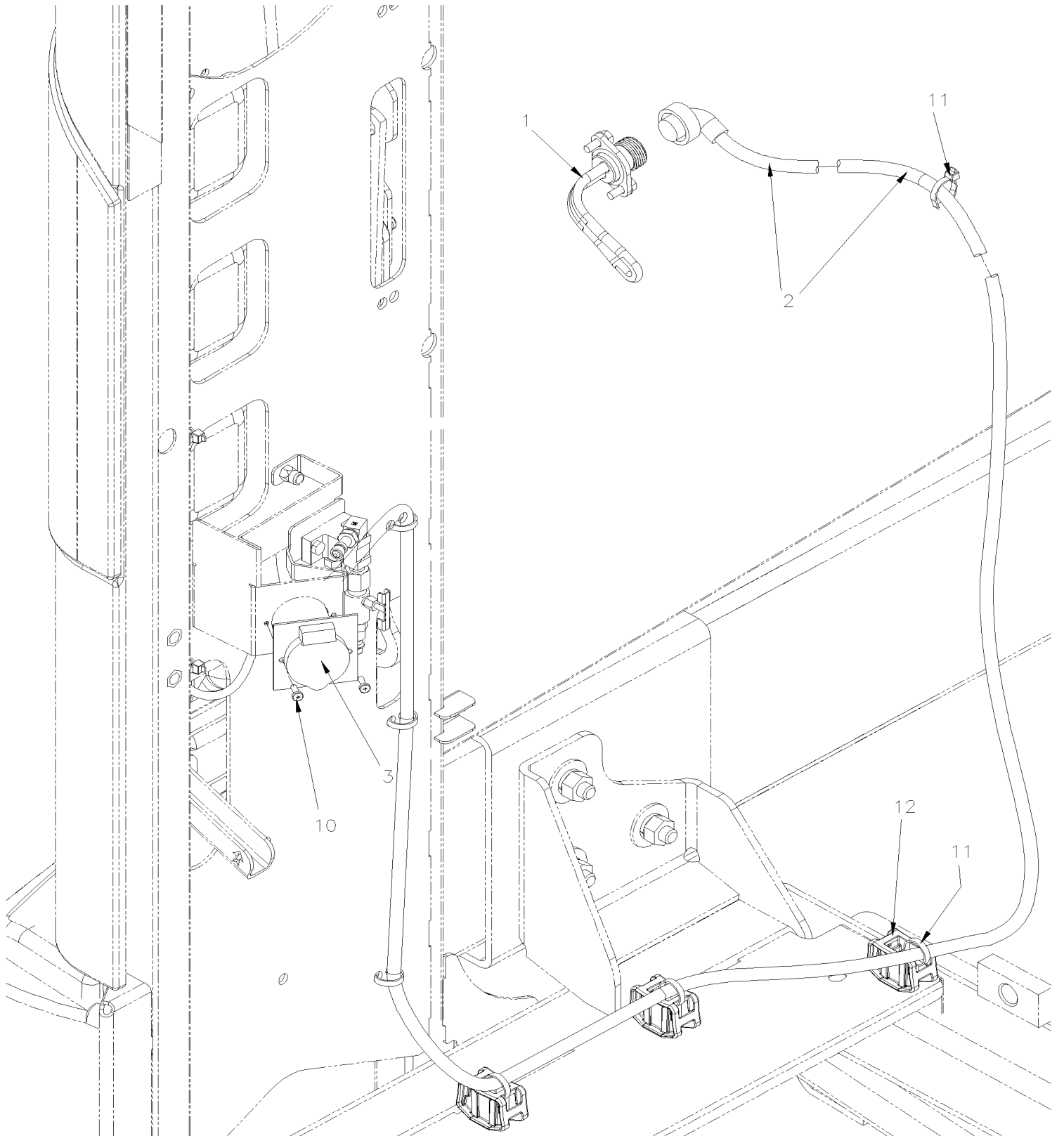
Item#	Part	Description	QTY	Notes
1	215278	SUPPORT BACK-UP ALARM To 8-9276	1	
1	216100	SUPPORT BACK-UP ALARM From 8-9277	1	
2	065517	CABLE ASSY / 110V BLOCK HEATER To 8-9276	1	
2	067411	CABLE ASSY / 110V BLOCK HEATER From 8-9277 To D-5380	1	
2	068723	CABLE ASSY / 110V BLOCK HEATER From D-5381	1	
2	019224	DECAL / BLOCK HEATER To D-5380	1	
2	019224	DECAL / BLOCK HEATER From D-5381	1	
3	561572	RECEPTACLE ASSY W/CORD To 8-9276	1	
3	564103	RECEPTACLE ASSY W/CORD From 8-9277	1	
4	561782	CONNECTOR / WEATHER PACK / SH 3C / BLACK / PED 12015793 To D-5380	1	
NS	561578	SOCKET TERMINAL / 16-14 / PED 12010182 To D-5380	3	
4	561778	WIRE CABLE 12 / BLUE / TEW To D-5380	3	
NS	561786	CABLE SEAL / GRAY / PED 15324980 To D-5380	3	
NS	561783	SEAL PLUG CAVITY / GREEN / PED 12010300 To D-5380	1	
6	500965	SCREW TC BDG PH #8-32x1/2 N500 To D-5380	2	
6	500623	SCREW TC PAN PH #10-24x3/4 N500 From D-5381	2	
7	063295	CABLE ASSY / 110V BLOCK HEATER ENGINE SECTION To 8-9276	1	
7	067413	CABLE ASSY / 110V BLOCK HEATER ENGINE SECTION From 8-9277 To D-5380	1	
8	560411	HEATER PLUG ASSY To 8-9276	1	
8	564102	HEATER PLUG ASSY From 8-9277	1	
9	561781	CONNECTOR / WEATHER PACK / PH 3C / BLACK / PED 12010717 To D-5380	1	
NS	561786	CABLE SEAL / GRAY / PED 15324980 To D-5380	3	
NS	561568	PIN TERMINAL / 16-14 / PED 12089305 To D-5380	3	
NS	561681	CONVOLUTED TUBING / SLIT / BLACK & GRAY / .350" To D-5380	AR	
NS	560410	BLOCK HEATER To 8-9276	1	S60
10	564525	BLOCK HEATER From 8-9277 To B-5001	1	S60
10	Refer To Volvo	BLOCK HEATER	1	V D13
		D13) WITH "VOLVO" ENGINE		
		S60) WITH DETROIT S60		
		V) SEE IMPACT OR CALL ORDER DESK		

From F-5760

Date:01/2024

PAGE:X3-0666-01

BLOCK HEATER RECEPTACLE

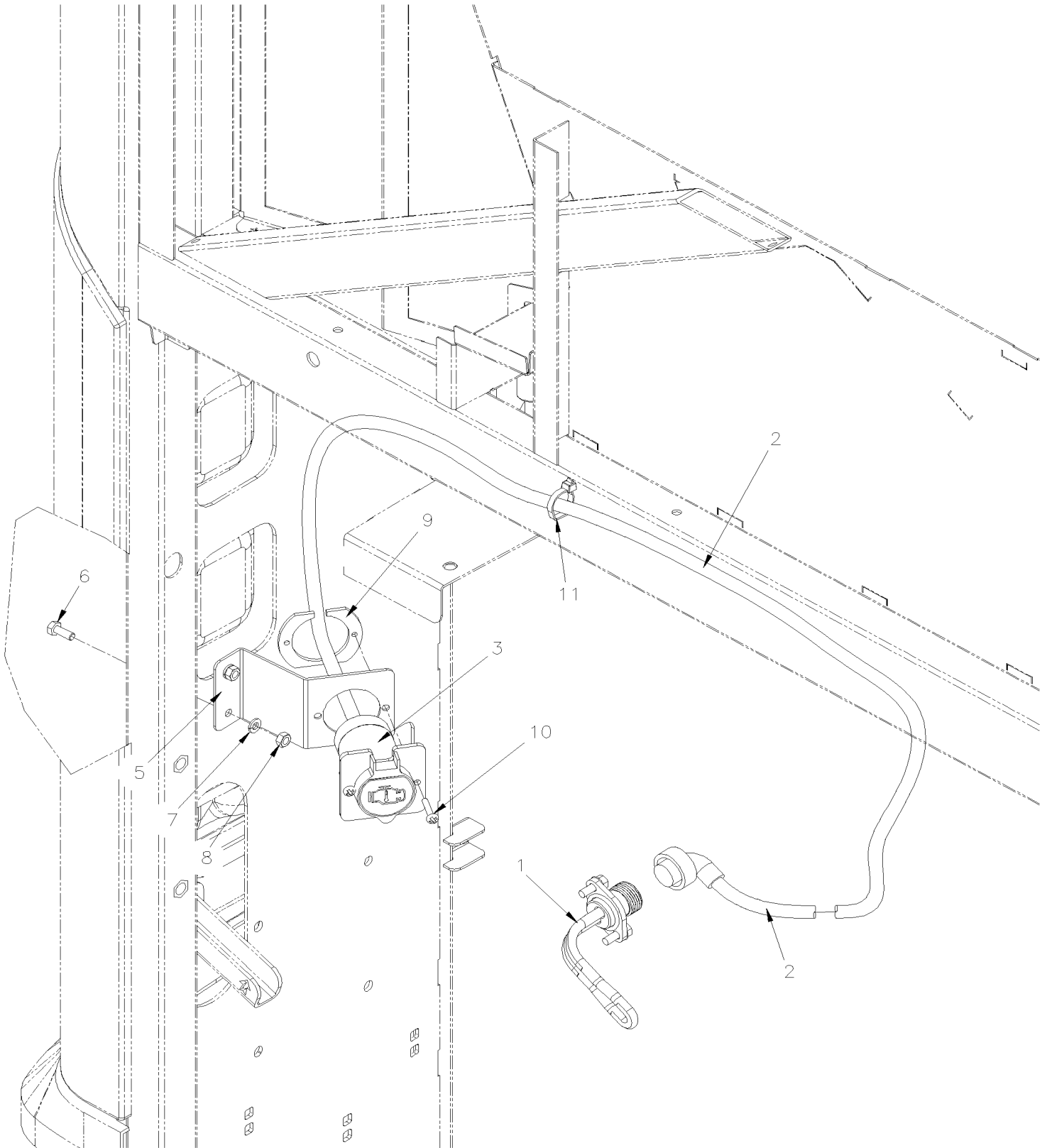


From F-5760

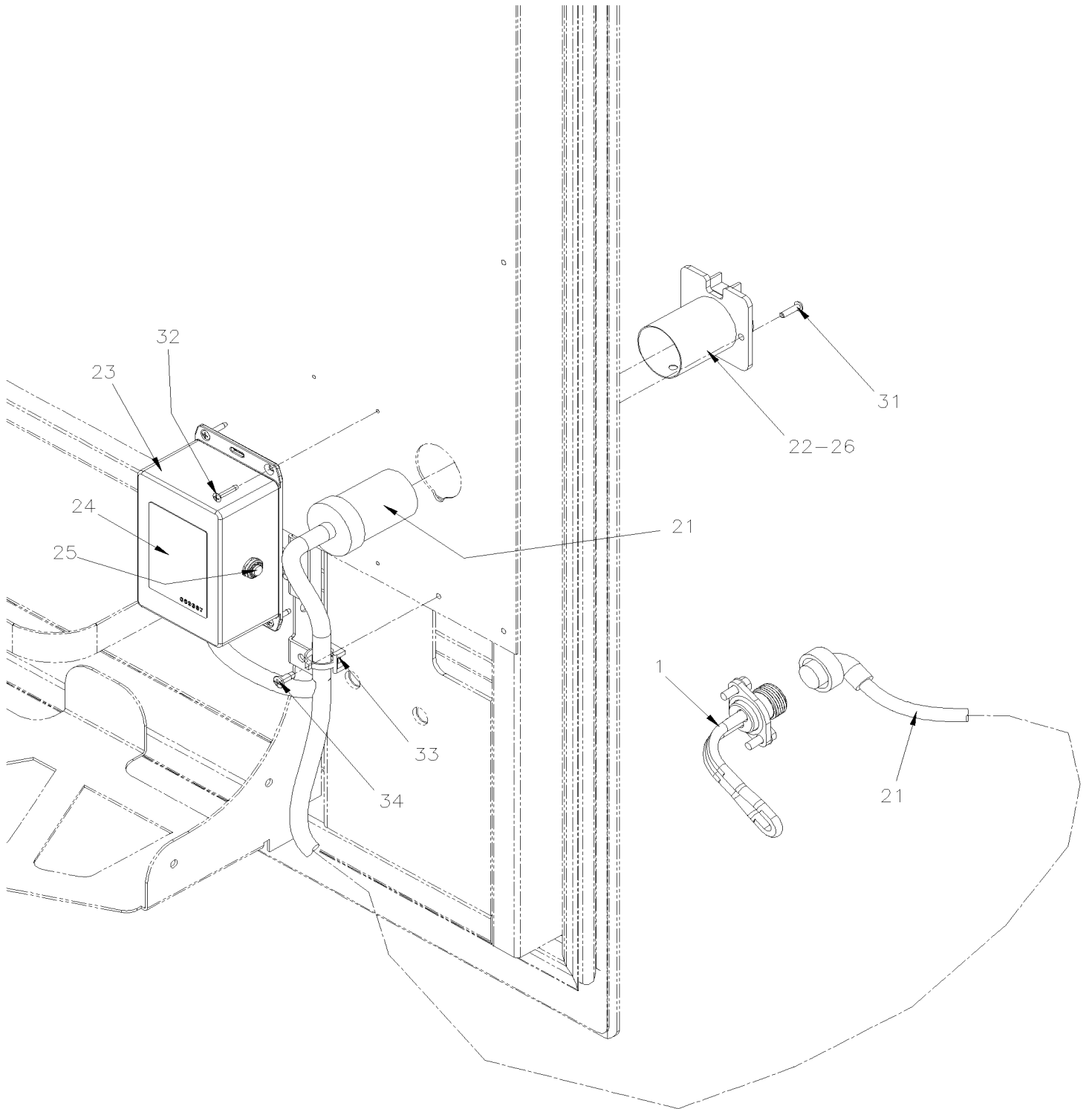
Date:01/2024

PAGE:X3-0666-01

BLOCK HEATER RECEPTACLE



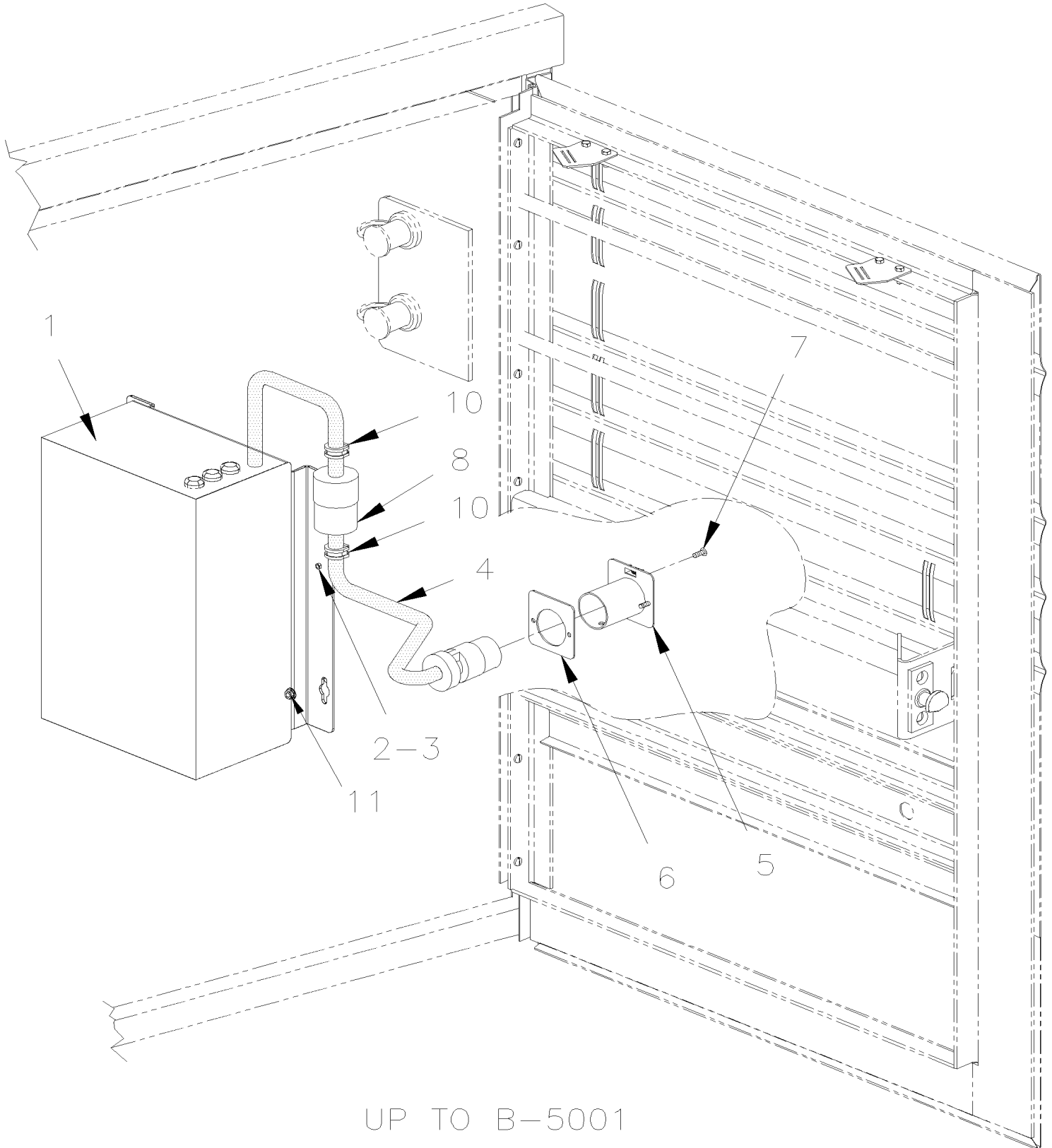
BLOCK HEATER RECEPTACLE



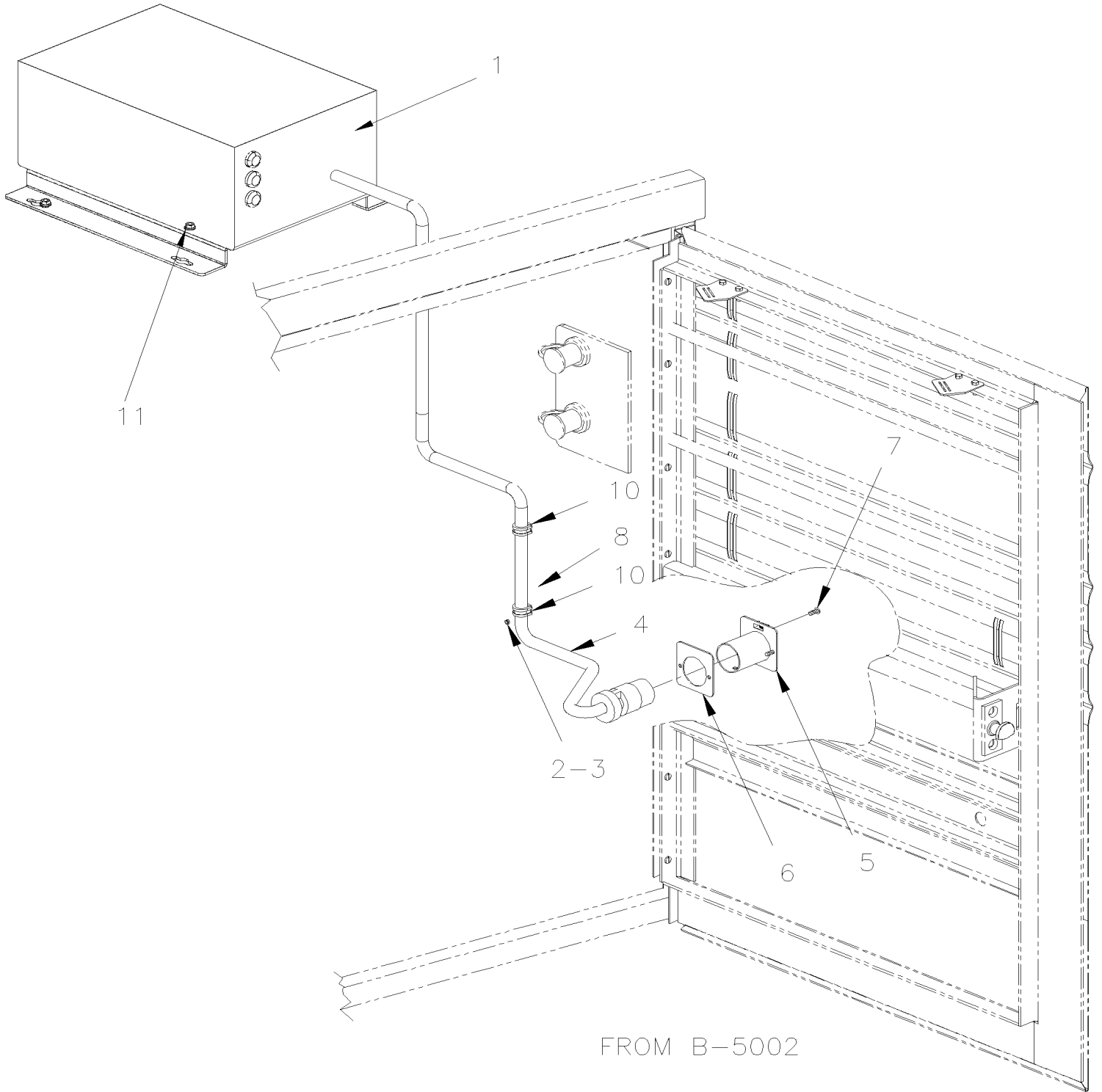
From F-5760		Date:01/2024	PAGE:X3-0666-01
BLOCK HEATER RECEPTACLE			

Item#	Part	Description	QTY	Notes
1	Refer To Volvo	ENGINE HEATER,120V 1500W	1	V
2	068723	CABLE ASSY / 110V BLOCK HEATER To K-6481	1	
2	0610126	CABLE ASSY / 110V BLOCK HEATER From K-6482	1	
2	019224	. DECAL / BLOCK HEATER	1	
3	564103	. RECEPTACLE ASSY W/CORD To K-6481	1	
3	564102	. HEATER PLUG ASSY From K-6482	2	
5	061003	SUPPORT / BLOCK HEATER HARNESS From H-6180	1	
6	5001744	SCREW CAP HEX M6-1.0x16 G8.8 N500 From H-6180	2	
7	502570	WASHER LO SPT 6.1x11.8x1.6 SS From H-6180	2	
8	5001851	NUT HEX M6-1.0 SS BK From H-6180	2	
9	064388	FIXATION RING From H-6180	1	
10	500623	SCREW TC PAN PH #10-24x3/4 N500 To H-6179	2	
10	502677	SCREW MA RND PH M4-0.7x25 SS From H-6180	2	
11	504637	CABLE TIE / 3/16" x 13"	AR	
11	507664	CABLE TIE / 3/16" 11" / DOUBLE LOOP HEAD To H-6179	AR	
12	509493	ATTACHMENT DOUBLE USE WITH CABLE TIE CHRISTMAS TREE To H-6179	3	
NS	504751	ROTATIF SPACER DOUBLE / SMALL From J-6245	1	
21	069352	CABLE ASSY / 110V BLOCK HEATER From G-5935	1	T
22	564103	. RECEPTACLE ASSY W/CORD From G-5935	1	T
23	Call order desk	BOX, ABS W/FLANGED LID WIHTOUT BREAKER From G-5935	1	P T
23	Call order desk	BOX, ABS W/FLANGED LID / WITH BREAKERS From K-6368	1	P S
NS	504062	GROMMET / .4375x.687x.125x.375x.937 From G-5935	1	T
NS	504062	GROMMET / .4375x.687x.125x.375x.937 From K-6368	2	S
24	069367	DECAL, 120VAC ENG. BLOCK HEATER PROT. From G-5935	1	T
24	0610009	DECAL / BLOCK HEATER & BATTERY CHARGER From K-6368	1	S
25	565184	BREAKER 20AMPS / 250V / From G-5935	1	T
25	560779	BREAKER 15AMPS / 250V / From K-6368	2	S
26	019224	DECAL / BLOCK HEATER From G-5935	1	T
31	5001332	SCREW MA PAN PH M4-0.7x16 SS From G-5935	2	T
32	500289	SCREW TC OV PH #6-32x3/4 SS410 From G-5935	4	T
33	504013	TIE MOUNT / 1/4" X 1/4" I.D. From G-5935	1	T
33	504637	CABLE TIE / 3/16" x 13" From G-5935	1	T
34	502868	SCREW TC TR PH #10-16x1/2 N500 From G-5935	1	T
		S) TRANSDEV OPTION WITH FRONT BLOCK HEATER PLUG & BATTERY CHARGER PLUG		
		T) TRANSDEV OPTION WITH FRONT BLOCK HEATER PLUG		
		P) CALL ORDER DESK FOR SPECIFIC APPLICATION (V.I.N.)		
		V) SEE IMPACT OR CALL ORDER DESK		

BATTERIES CHARGER - INSTALLATION



BATTERIES CHARGER - INSTALLATION



From 7-8754 To H-6179	Date:01/2024	PAGE:X3-0670-10
BATTERIES CHARGER - INSTALLATION		

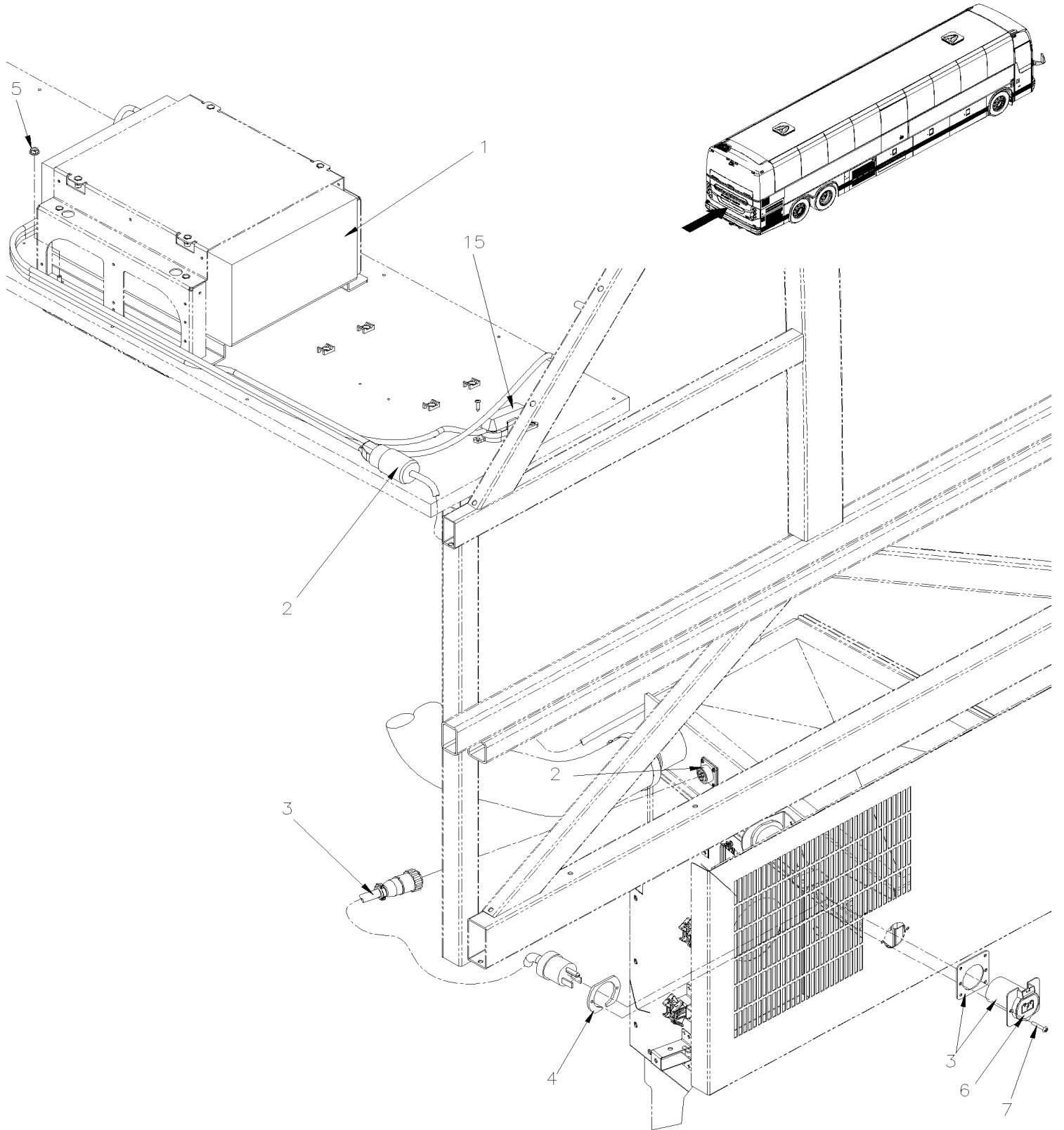
Item#	Part	Description	QTY	Notes
1	562967	BATTERY CHARGER 24V	1	B
NS	069419	DECAL, M3 EL BATT. CHARGER CONN. E	1	
2	502565	NUT HEX M6-1.0 SS	4	
3	502570	WASHER LO SPT 6.1x11.8x1.6 SS	4	
4	065297	CABLE ASSY / 110V BATTERIES CHARGER	1	
4	065462	CABLE ASSY / 110V BATTERIES WARMER INSTALL A REVOIR	1	A
5	561572	. RECEPTACLE ASSY W/CORD	1	
6	064388	. FIXATION RING	1	
7	502677	. SCREW MA RND PH M4-0.7x25 SS	4	
8	561932	. CONNECTOR / 15 AMPS / HUBBELL 5269-C	1	
10	952631	CLAMP / 3/4" I.D.	2	
11	502874	NUT HEX NYRT 1/4-20 N500	4	
NS	504637	CABLE TIE / 3/16" x 13"	2	
NS	065445	DECAL / BATTERY HEATING & WARMER 164MM x 30MM To B-5001	1	A
NS	068112	DECAL / ICON "BATTERY CHARGER" 41.5MM O.D. From B-5002	1	C
NS	068113	DECAL / ICON "BATTERY WARMER" 41.5MM O.D. From B-5002	1	A C
NS	068254	DECAL "POWER DISTRIBUTION" From B-5002	1	
50	X3-1868-00	A/C COMPRESSOR DOOR ASSY To E-5759		
50	X3-1868-01	A/C COMPRESSOR DOOR ASSY From F-5760		
		A) USE WITH BATTERIES WARMER		
		B) LOCATED IN REAR JCT BOX STREETSIDE		
		C) THIS DECAL IT FIXED OUTSIDE OF RECEPTACLE (# 561572) COVER		

From H-6180

Date:01/2024

PAGE:X3-0670-11

BATTERIES CHARGER - INSTALLATION / GHG17

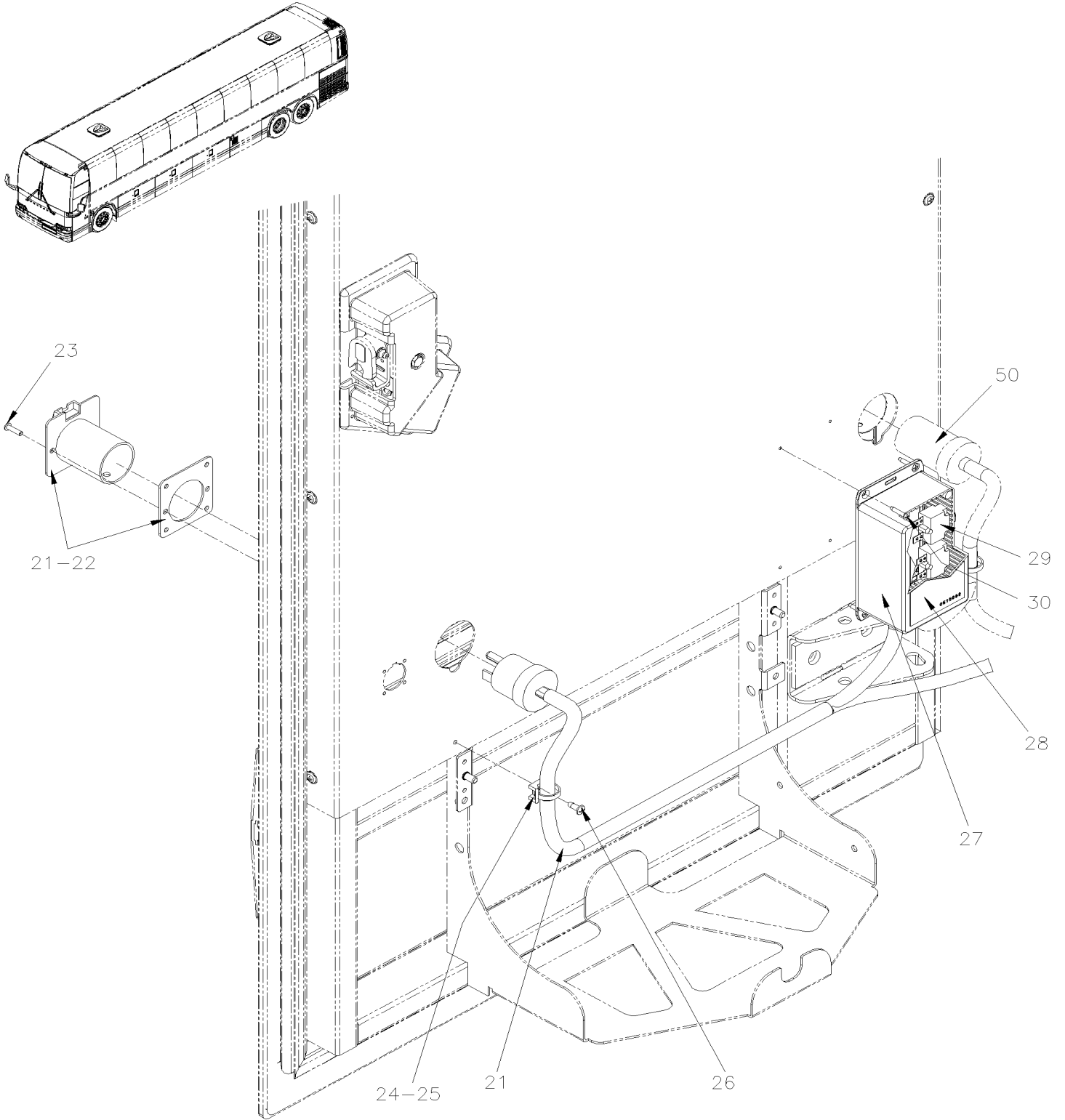


From H-6180

Date:01/2024

PAGE:X3-0670-11

BATTERIES CHARGER - INSTALLATION / GHG17



From H-6180		Date:01/2024	PAGE:X3-0670-11
BATTERIES CHARGER - INSTALLATION / GHG17			

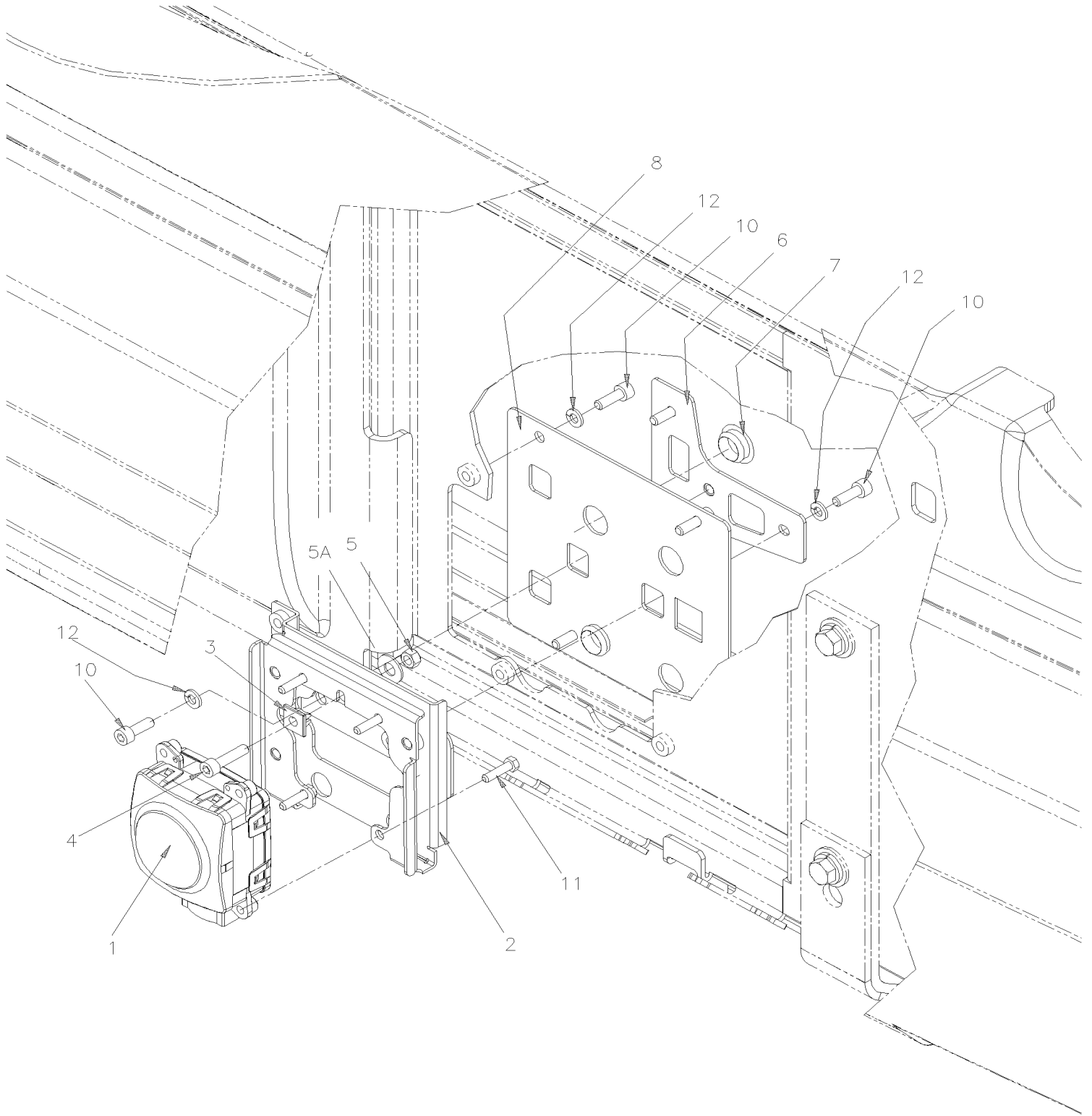
Item#	Part	Description	QTY	Notes
1	562967	BATTERY CHARGER 24V To M-6657	1	
1	564334	BATTERY CHARGER 24V From M-6658	1	
2	060149	CABLE EXT. BATTERY CHARGER 120VAC	1	
NS	560034	. CONNECTOR / CPC SEAL / SH 3C / AMP 788189-1	1	
NS	561655	. CABLE CLAMP / CPC / #17 / AMP 206070-8	1	
NS	561932	. CONNECTOR / 15 AMPS / HUBBELL 5269-C	1	
3	060151	CABLE BATTERIES CHARGER 120VAC POWER	1	
NS	561572	. RECEPTACLE ASSY W/CORD	1	
NS	561655	. CABLE CLAMP / CPC / #17 / AMP 206070-8	1	
NS	564034	. CONNECTOR / CPC SEAL / PH 3C / AMP 788188-1	1	
4	064388	FIXATION RING	1	
5	5001857	NUT HEXF M6-1.0 N500	4	
6	068112	DECAL / ICON "BATTERY CHARGER" 41.5MM O.D.	1	
7	502677	SCREW MA RND PH M4-0.7x25 SS	2	
15	563750	FUSEHOLDER W/RED COVER / MEGA FUSE /	1	
NS	5001787	NUT HEX NYRT M8-1.25 SS	2	
NS	5001341	WASHER FL 8.4x17.0x1.6 SS	2	
NS	068169	BUS BAR / W/2 HOLES	1	G
NS	502859	NUT HEX NYRT M10-1.5 N500	1	
NS	500170	SCREW CAP HEX 1/4-20x2 G5 PT Z050	1	
21	0610008	CABLE BATTERIES CHARGER 120VAC POWER	1	T
21	564102	. HEATER PLUG ASSY	1	T
21	504062	. GROMMET / .4375x.687x.125x.375x.937	1	T
22	068112	DECAL / ICON "BATTERY CHARGER" 41.5MM O.D.	1	T
23	5001332	SCREW MA PAN PH M4-0.7x16 SS	2	T
24	504013	TIE MOUNT / 1/4" X 1/4" I.D.	2	T
25	504637	CABLE TIE / 3/16" x 13"	2	T
26	502868	SCREW TC TR PH #10-16x1/2 N500	2	T
27	Call order desk	BOX, ABS W/FLANGED LID / WITH BREAKERS	1	P T
28	0610009	. DECAL / BLOCK HEATER & BATTERY CHARGER	1	T
29	560779	. BREAKER 15AMPS / 250V /	2	T
30	500289	SCREW TC OV PH #6-32x3/4 SS410	4	T
50	X3-0666-01	BLOCK HEATER RECEPTACLE		
		G) GLI OPTION		
		T) TRANSDEV OPTION WITH FRONT BLOCK HEATER PLUG & BATTERY CHARGER PLUG		
		P) CALL ORDER DESK FOR SPECIFIC APPLICATION (V.I.N.)		

From B-5010 To E-5693

Date:01/2024

PAGE:X3-0675-05

SYSTEM - ADAPTIVE CRUISE CONTROL ACB - "BENDIX" FLR10



From B-5010 To E-5693	Date:01/2024	PAGE:X3-0675-05
SYSTEM - ADAPTIVE CRUISE CONTROL ACB - "BENDIX" FLR10		

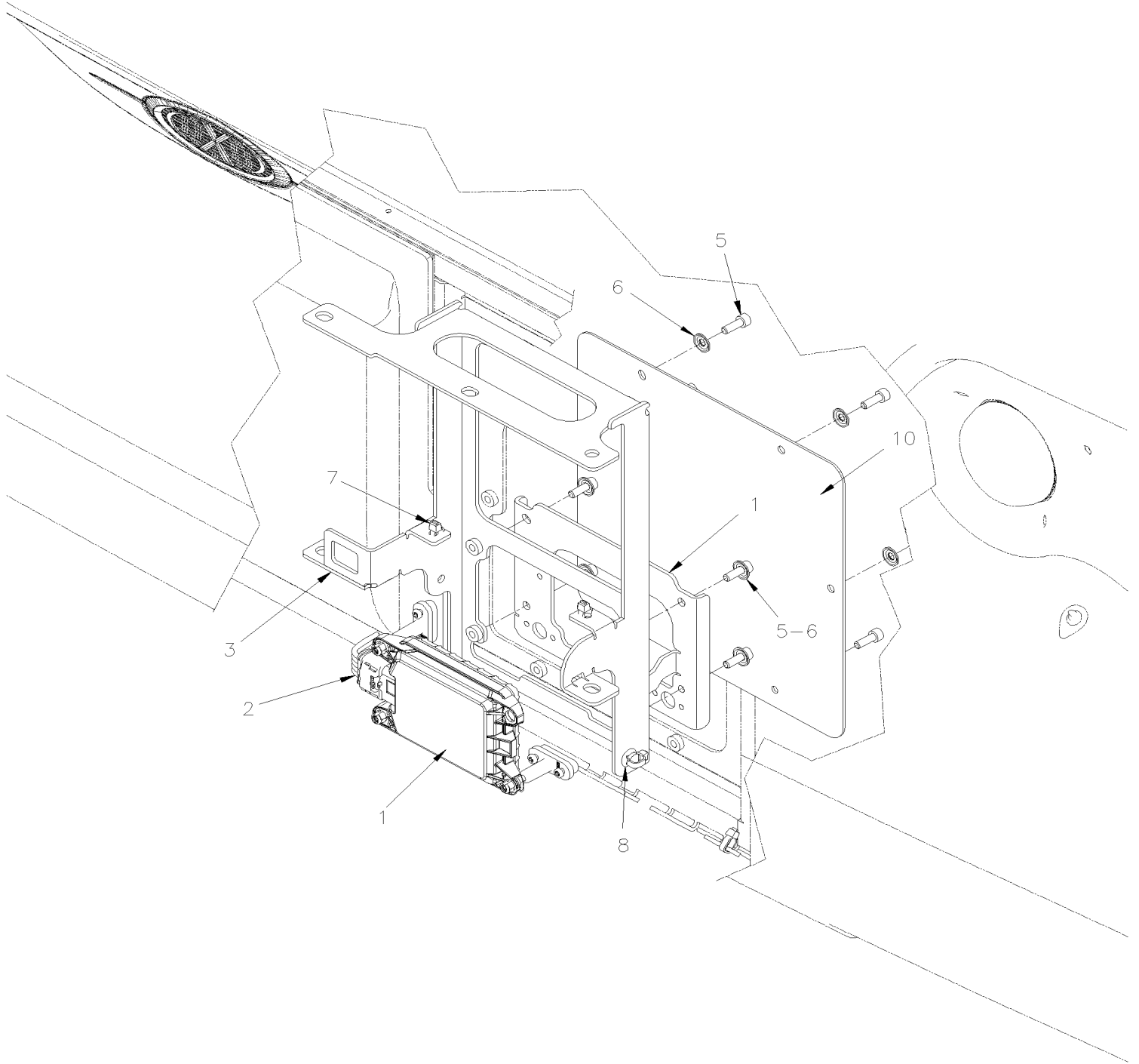
Item#	Part	Description	QTY	Notes
1	563636	RADAR ACB "BENDIX" To C-5092	1	
1	564209	RADAR ACB "BENDIX" From C-5093	1	
1	564561	RADAR ACB "BENDIX"	1	S
1	564594	RADAR ACB "BENDIX"	1	S
NS	067925	CABLE ADAPTIVE CRUISE CONTROL 450MM To B-9996	1	
NS	068247	CABLE ADAPTIVE CRUISE CONTROL 1500MM From B-9997	1	
2	Call order desk	SUPPORT ASSY	1	P
2	143204	. SUPPORT	1	
3	502939	. NUT AN 1/4 NYL	2	
4	5001610	. SCREW CAP HEXS M6-1.0x25 SS EMN	2	
5	5001182	. NUT HEX NYRT M6-1.0 SS	2	
5A	502573	. WASHER FL 6.4x12.5x1.6 SS	2	
6	143207	ATTACHMENT	1	
7	504690	SNAP-IN PLUG / .750 O.D.	1	
8	280251	PLATE CLOSING W/"ACB"	1	
8	280256	PLATE CLOSING W/OUT "ACB"	1	
10	5001648	SCREW CAP HEXS M6-1.0x18 SS BK	4	
11	500032	SCREW CAP HEX M5-0.8x16 BK	4	
12	502570	WASHER LO SPT 6.1x11.8x1.6 SS	4	
21	IS19922	PREVOST AWARE ADAPTIVE CRUISE BRAKING (ACB) – FLR10 TO FLR21 RADAR SENSOR UPGRADE	1	
. NS	069043	. CABLE ADAPTIVE CRUISE CONTROL	1	
. NS	145206	. MAIN SUPPORT, RADAR	1	
. NS	145207	. PLATE, RADAR MOUNTING	1	
. NS	560468	. FLR21 RADAR (NEW)	1	
. NS	564257	. FLR20 AJUSTER KIT SET OF 3	1	
. NS	504637	. CABLE TIE / 3/16" x 13"	6	
. NS	5001648	. SCREW CAP HEXS M6-1.0x18 SS BK	4	
. NS	5001833	. WASHER BEL SPR 6.1x18x1.27 SS	4	
. NS	IS-19922	. SEE INSTRUCTION SHEET	1	
. NS	FI-19922	. VOIR FEUILLE D'INSTRUCTION	1	
		S) SERVICE		
		P) CALL ORDER DESK FOR SPECIFIC APPLICATION (V.I.N.)		

From E-5694

Date:01/2024

PAGE:X3-0675-06

SYSTEM - ADAPTIVE CRUISE CONTROL ACB - "BENDIX FLR20 & FLR21



From E-5694	Date:01/2024	PAGE:X3-0675-06
SYSTEM - ADAPTIVE CRUISE CONTROL ACB - "BENDIX FLR20 & FLR21		

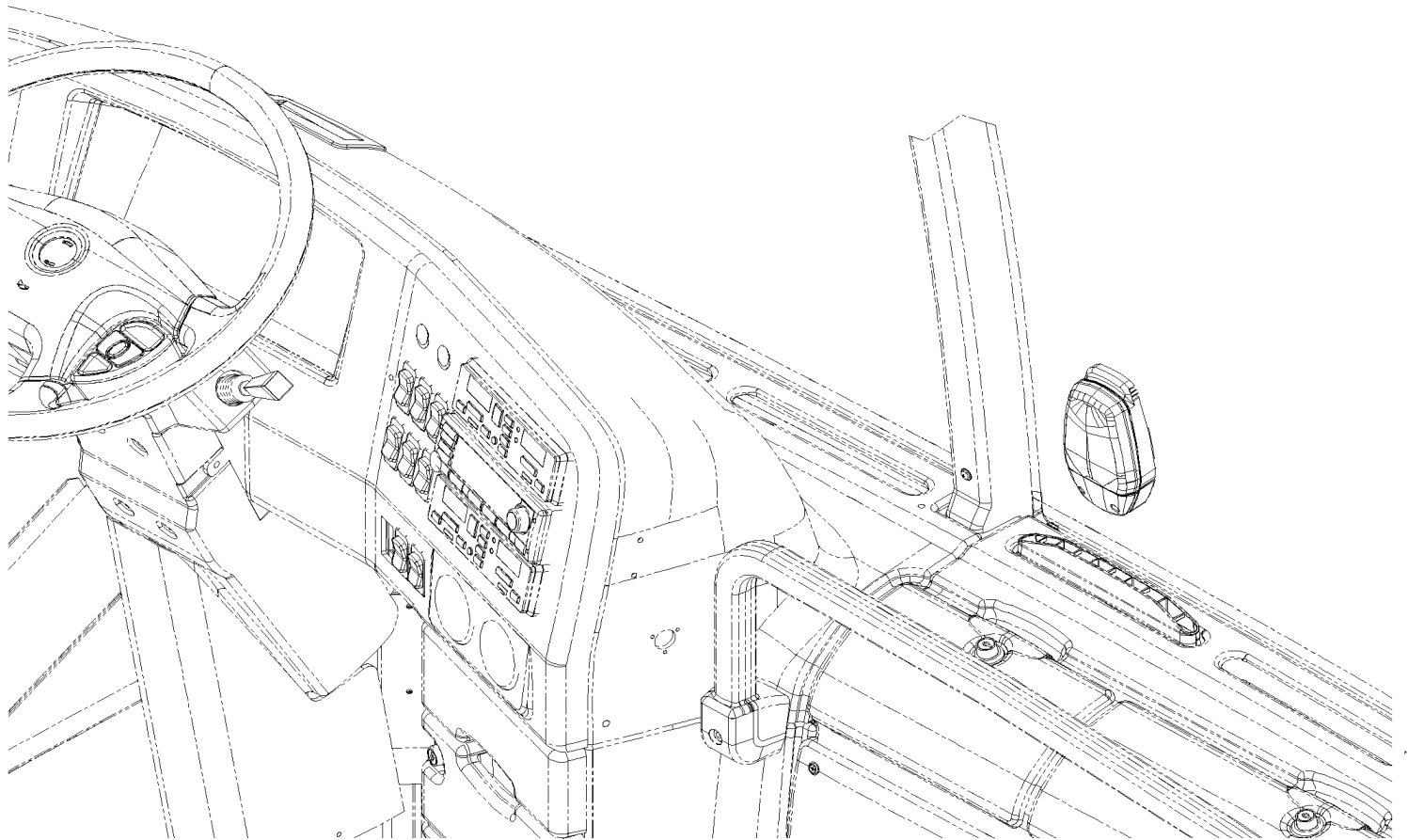
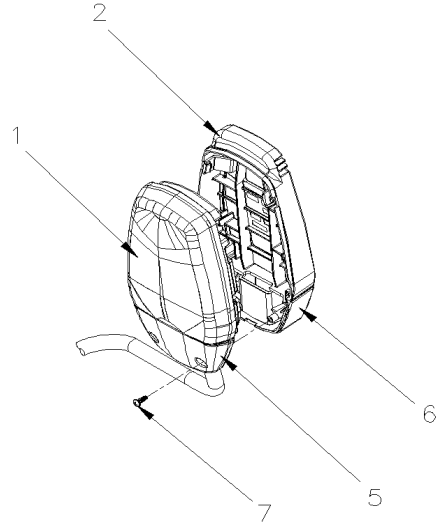
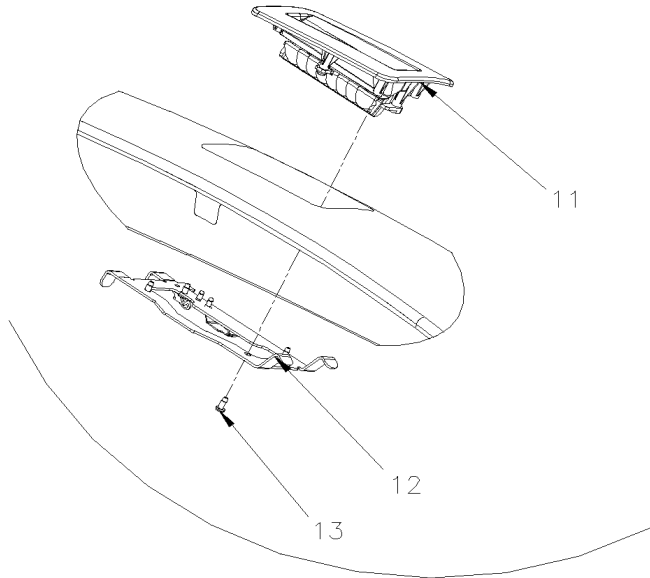
Item#	Part	Description	QTY	Notes
1	IS13169-2	FLR20 RADAR SENSOR REPLACEMENT KIT X3-45 /SAV To M-6646	1	
. NS	145372	. RADAR ACB ASSY To M-6646	1	
. . NS	564257	. . FLR20 AJUSTER KIT SET OF 3 To M-6646	1	
. NS	IS-13169	. INSTRUCTION SHEET To M-6646	1	
. NS	FI-13169	. FEUILLE D'INSTRUCTION To M-6646	1	
1	880018	RADAR From M-6647	1	
2	069043	CABLE ADAPTIVE CRUISE CONTROL To H-6179	1	
2	060035	CABLE ADAPTIVE CRUISE CONTROL From H-6180 To M-6646	1	
2	0610271	CABLE ADAPTIVE CRUISE CONTROL From M-6647	1	
3	145206	MAIN SUPPORT, RADAR	1	
5	5001648	SCREW CAP HEXS M6-1.0x18 SS BK	AR	
6	5001833	WASHER BEL SPR 6.1x18x1.27 SS	AR	
7	504637	CABLE TIE / 3/16" x 13"	7	
8	509815	TIE MOUNT / ATTACHMENT W/TREE MOUNT	2	
10	2800893	PLATE CLOSING W/"ACB" OR W/OUT "ACB"	1	

From M-6647

Date:01/2024

PAGE:X3-0675-20

SYSTEM CAMERA & HUD - "PREVOST DRIVER ASSIST"



From M-6647	Date:01/2024	PAGE:X3-0675-20
SYSTEM CAMERA & HUD - "PREVOST DRIVER ASSIT"		

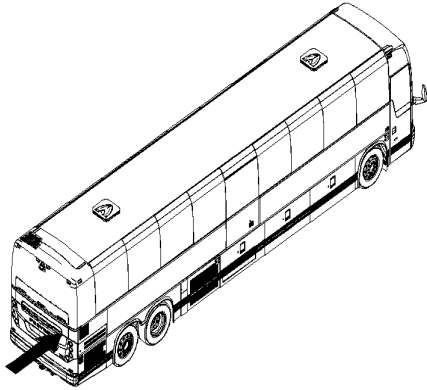
Item#	Part	Description	QTY	Notes
1	880015	CAMERA "PREVOST DRIVER ASSIT"	1	
2	880011	BRACKET WINDSHEILD / CAMERA "PREVOST DRIVER ASSIT" To M-6652	1	
2	880060	BRACKET WINDSHEILD / CAMERA "PREVOST DRIVER ASSIT" From M-6653	1	
2	G37276	TEMPLATE, CAMERA POSITION MARKINGS X3	1	C
5	3211136	CABLE COVER "PREVOST DRIVER ASSIT"	1	
6	3211135	CABLE COVER "PREVOST DRIVER ASSIT"	1	
7	5002198	SCREW TP PAN PH #4-20 X 5/16 Z050	2	
11	380362	DISPLAY MODULE ASSY "HUD"	1	
12	380367	HOLDER ASSY "HUD"	1	
13	5002199	SCREW TP PAN PH #4-20 X 5/16 Z050	4	
NS	640048	CALIBRATION TEMPLATE	1	
50	X3-0675-06	SYSTEM - ADAPTIVE CRUISE CONTROL ACB - "BENDIX FLR20 & FLR21	1	
51	X3-0645-11	L.H. DASHBOARD PANEL	1	
		A) WHEN YOU INSTALL "PREVOST DRIVER ASSIT" CAMERA SYSTEM ON VEHICLE WITH ACB		
		B) WHEN YOU INSTALL "PREVOST DRIVER ASSIT" CAMERA SYSTEM ON VEHICLE WITHOUT ACB		
		C) USE IF WINDSHIELD DOESN'T ALREADY HAVE POSITION MARKINGS		

From E-5459 To H-6179

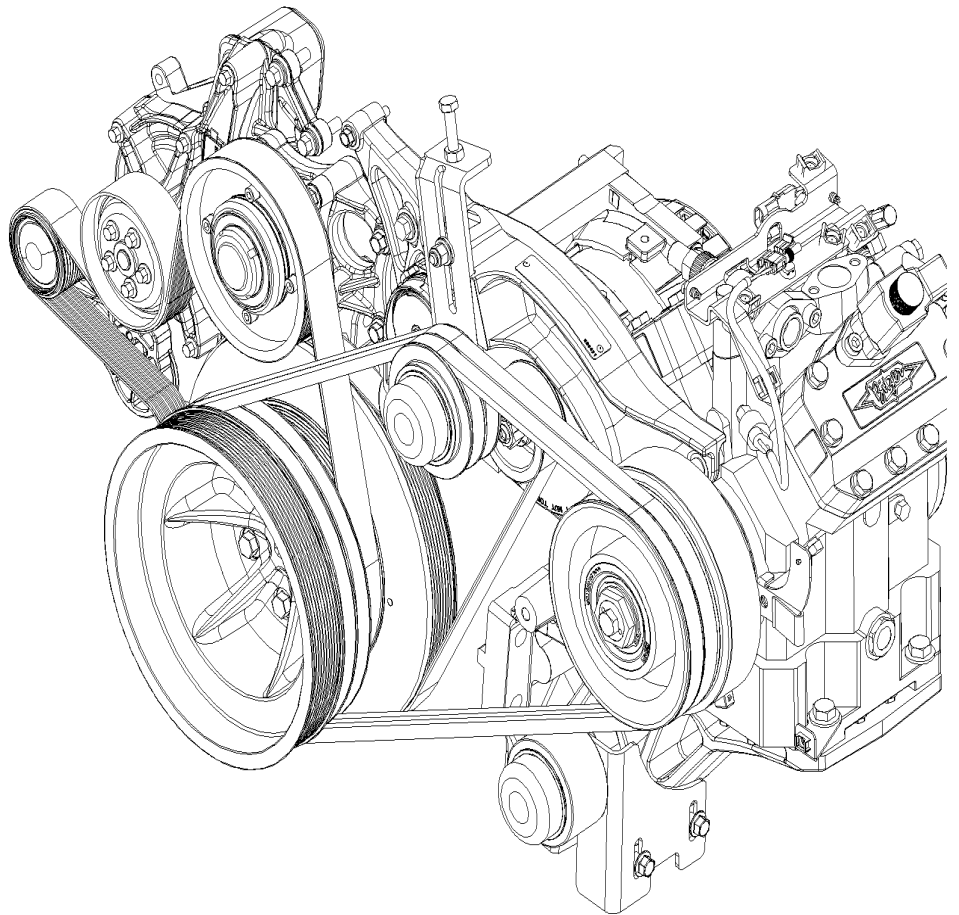
Date:01/2024

PAGE:IS19909

BOSCH TO DELCO REMY ALTERNATOR INSTALLATION X3-45



WITH REMY ALTERNATOR



From E-5459 To H-6179	Date:01/2024	PAGE:IS19909
-----------------------	--------------	--------------

BOSCH TO DELCO REMY ALTERNATOR INSTALLATION X3-45

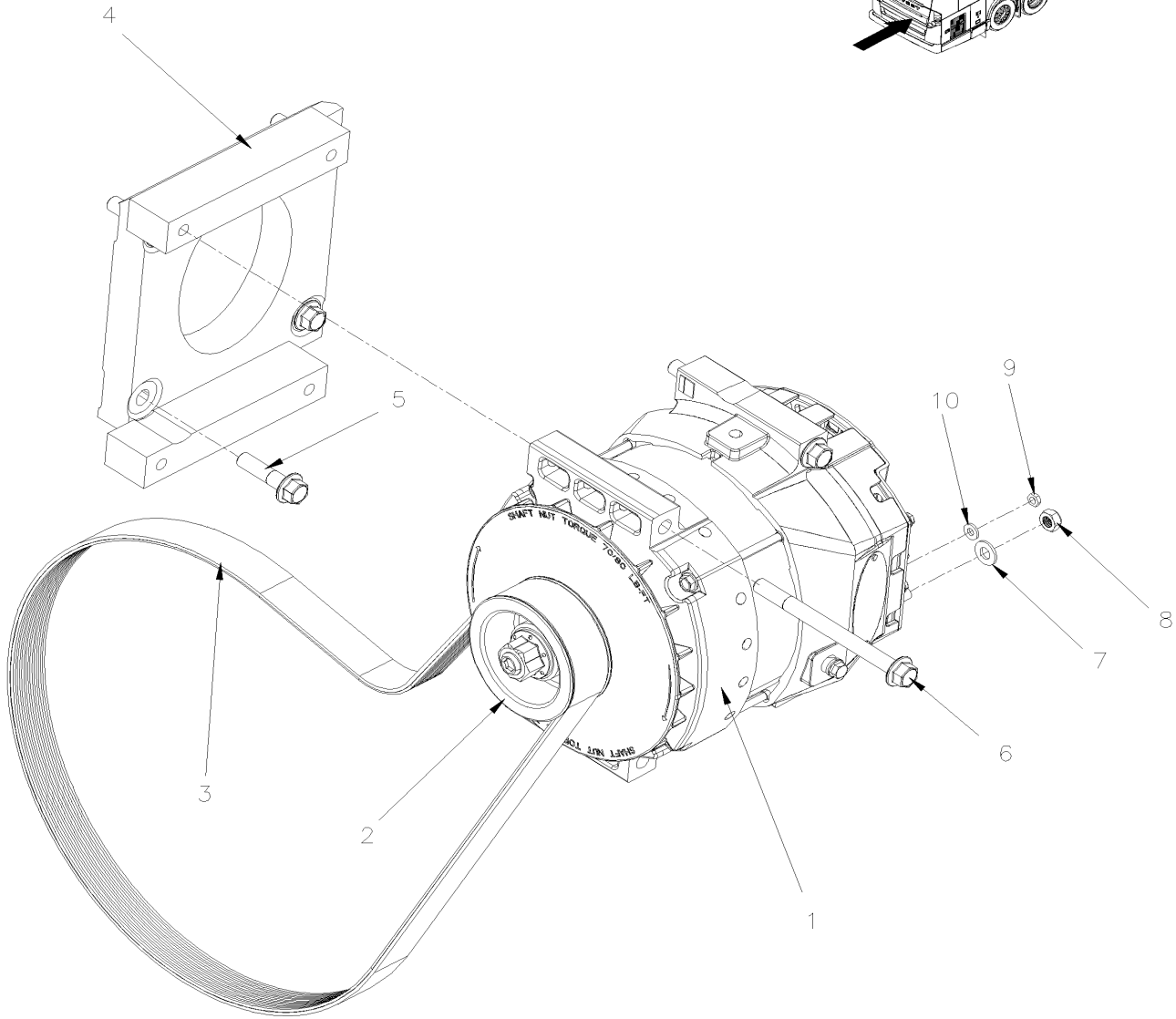
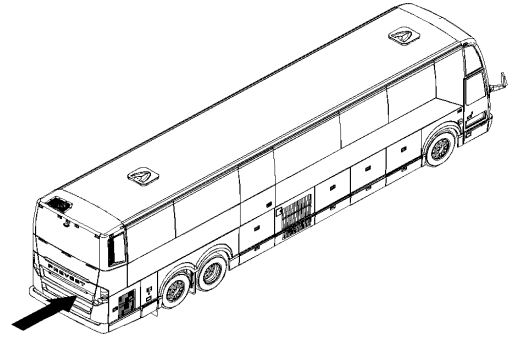
Item#	Part	Description	QTY	Notes
1	0610086	KIT INSTALLATION, ALTERNATOR REMY CURB SIDE	1	
2	0610091	ALTERNATOR REMY ADAPTATION X3 CURB SIDE	1	
3	IS-19909	INSTRUCTION SHEET	1	

From E-5459 To H-6179

Date:01/2024

PAGE:0610086

KIT INSTALLATION, ALTERNATOR REMY CURB SIDE



From E-5459 To H-6179	Date:01/2024	PAGE:0610086
-----------------------	--------------	--------------

KIT INSTALLATION, ALTERNATOR REMY CURB SIDE

Item#	Part	Description	QTY	Notes
1	560720	ALTERNATOR ASSY 24V/250 AMPS / "REMY"	1	
2	069892	PULLEY ALTERNATOR / "REMY" / 83MM DOB. x 8 PK	1	
3	506065	MULTI V-BELT / 8 RIB 56.5" (1435MM) 8PK1435 QT EPDM	2	
4	069894	BRACKET, ALTERNATOR REMY	1	
5	5001308	SCREW CAP HEXF M10-1.5x40 G10.9 N500	4	
6	5002091	SCREW CAP HEXF M10-1.5X120 G10.9 N500	4	
7	5001341	WASHER FL 8.4x17.0x1.6 SS	1	
8	500685	NUT HEX NYRT 5/16-18 SS	1	
9	5001180	NUT HEX NYRT #10-24 SS	2	
10	5001137	WASHER FL .203x.438x.050 SS	2	
NS	500411	WASHER FL .260x.697x.050 SS	1	
NS	IS-19905	SEE INSTRUCTION SHEET	1	

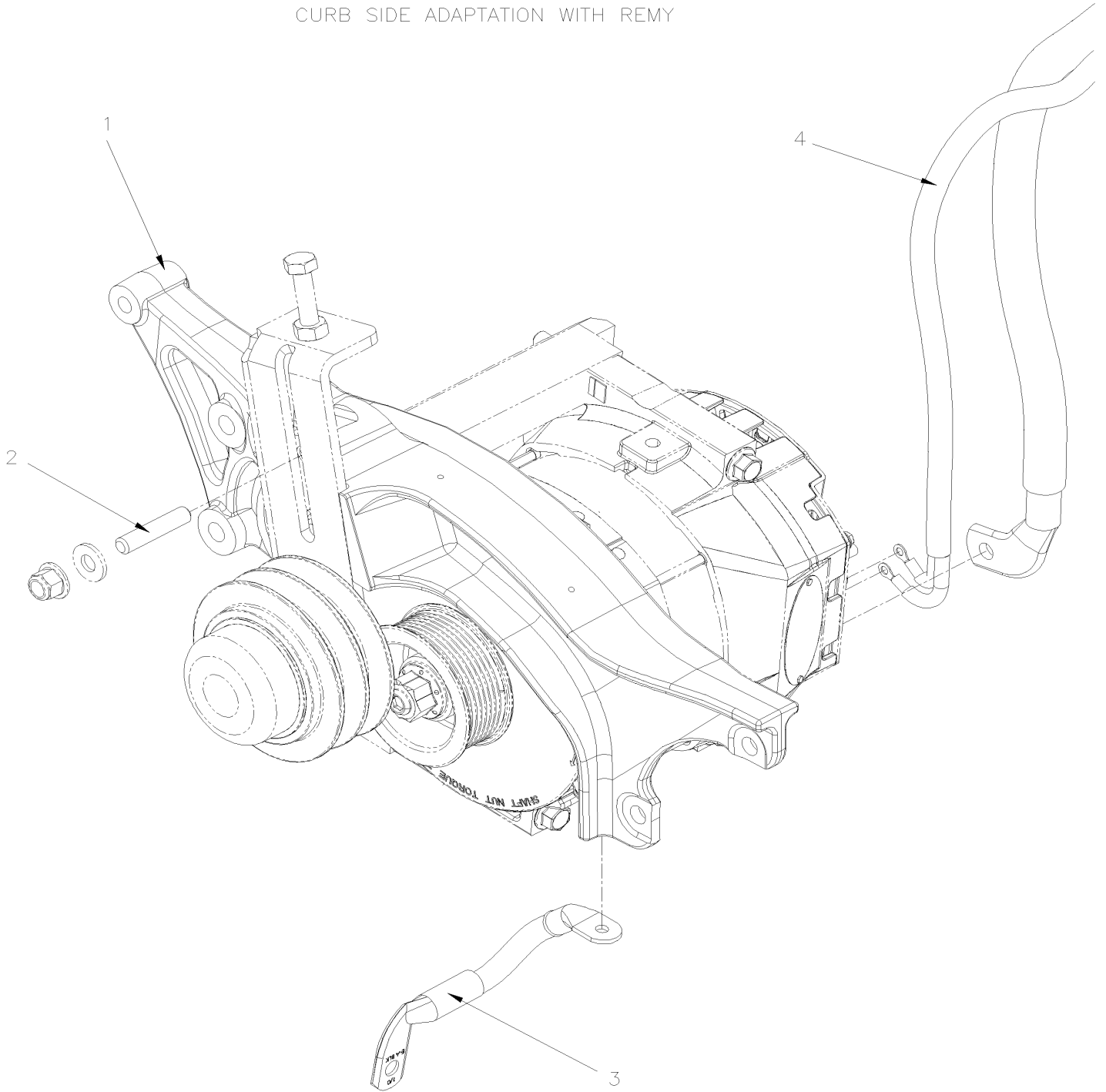
From E-5459 To H-6179

Date:01/2024

PAGE:0610091

ALTERNATOR REMY ADAPTATION X3 CURB SIDE

CURB SIDE ADAPTATION WITH REMY



From E-5459 To H-6179	Date:01/2024	PAGE:0610091
-----------------------	--------------	--------------

ALTERNATOR REMY ADAPTATION X3 CURB SIDE

Item#	Part	Description	QTY	Notes
1	450580	SUPPORT, TENSIONNER CASTING	1	
2	5000360	ROD M10-1.5x52 N500	1	
3	0610034	HARNESS, ALTERNATOR CHASSIS GROUND / CURBSIDE	1	
4	0610030	HARNESS, ALTERNATOR BATTERY / CURBSIDE	1	
NS	N55439-02	RING TERMINAL #5 / 16-14 / DURASEAL / AMP B-106-1502	3	
NS	N33509-06	SHRINK TUBING / .187" - .060" / BLACK / RAYCHEM SCL 3/16-0	AR	
NS	5001834	WASHER BEL SPR 10.5X23X2.5 N500	1	
NS	5001930	NUT HEXF NYRT M10-1.5 N500 G10.9	1	
NS	5001799	SCREW CAP HEXF M10-1.5x70 G10.9 N500	2	
NS	563870	RING TERMINAL #5 / 16-14 / DURASEAL / AMP B-106-1502	3	
NS	563158	SHRINK TUBING / .300" - .060" / BLACK / 3M EPS-400.300	AR	

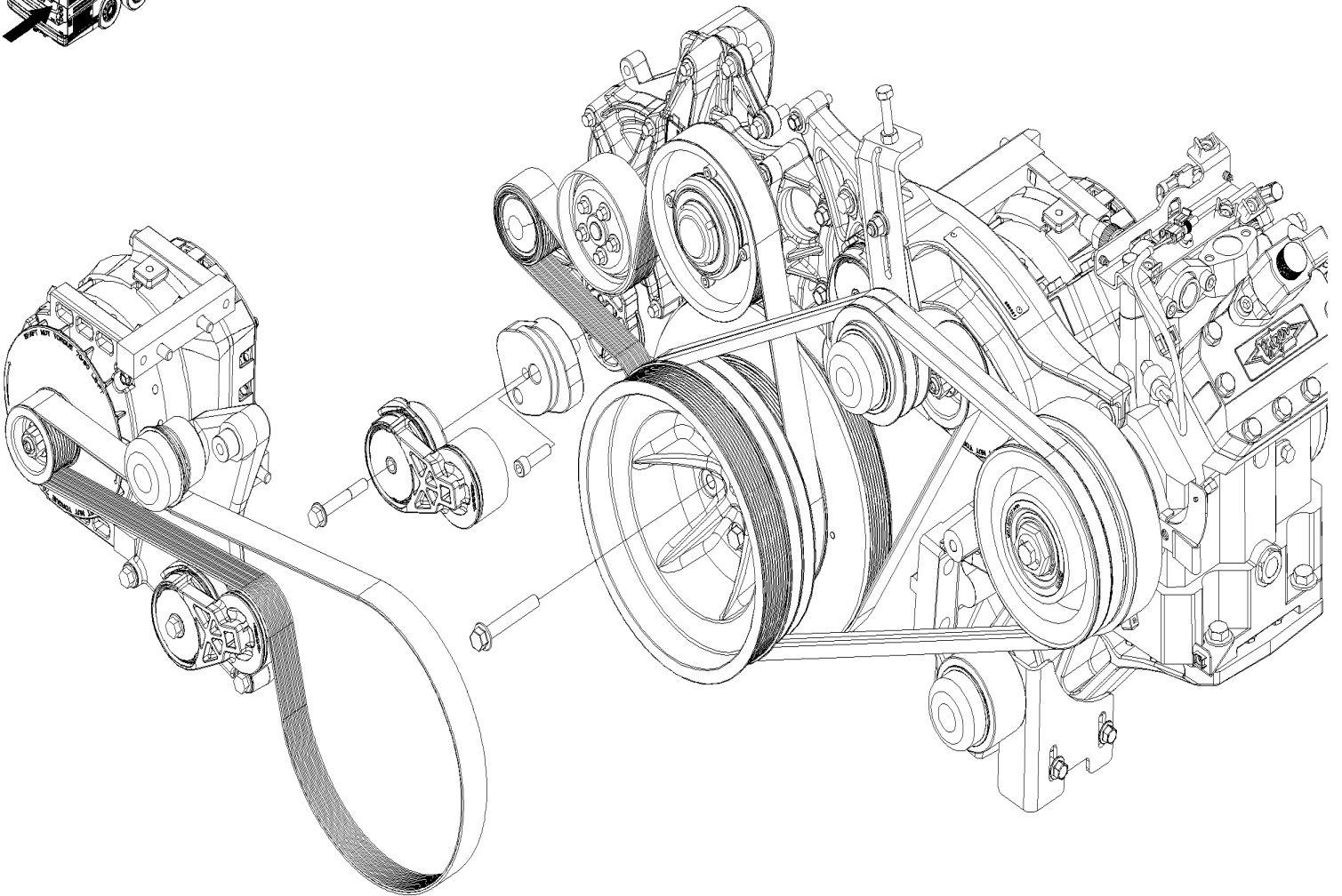
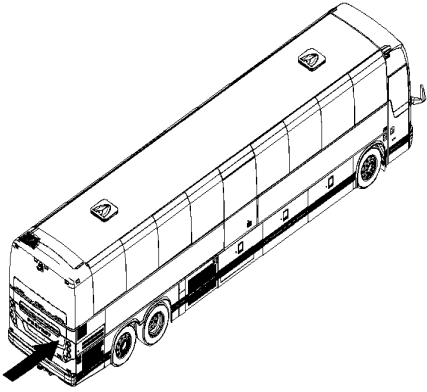
From H-6180

Date:01/2024

PAGE:IS19906

BOSCH TO DELCO REMY ALTERNATOR INSTALLATION X3-45 W/ELECTRICAL FAN DRIVE

WITH REMY ALTERNATOR



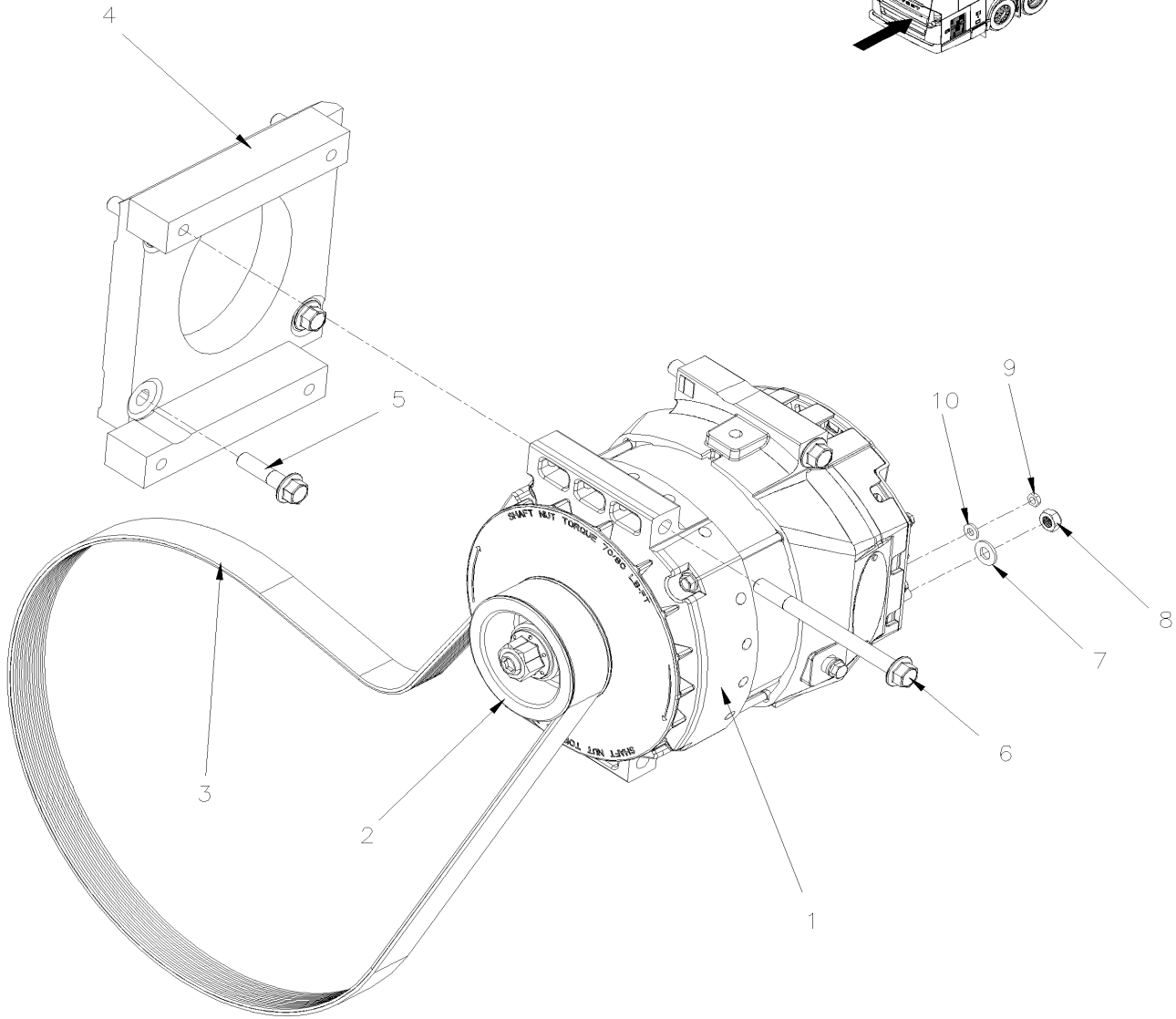
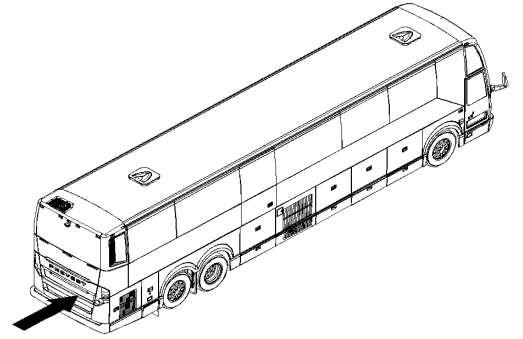
From H-6180		Date:01/2024	PAGE:IS19906	
BOSCH TO DELCO REMY ALTERNATOR INSTALLATION X3-45 W/ELECTRICAL FAN DRIVE				
Item#	Part	Description	QTY	Notes
1	0610086	KIT INSTALLATION, ALTERNATOR REMY CURB SIDE	1	
2	0610087	KIT, INSTALLATION ALTERNATOR REMY STREET SIDE	1	
3	0610091	ALTERNATOR REMY ADAPTATION X3 CURB SIDE	1	
4	0610107	ALTERNATOR REMY ADAPTATION X3 STREET SIDE	1	
5	0610108	BOOST REGULATOR ALT REMY W/ELECTRICAL FANS	1	
6	IS-19906	INSTRUCTION SHEET	1	

From H-6180

Date:01/2024

PAGE:0610086

KIT INSTALLATION, ALTERNATOR REMY CURB SIDE



From H-6180	Date:01/2024	PAGE:0610086
KIT INSTALLATION, ALTERNATOR REMY CURB SIDE		

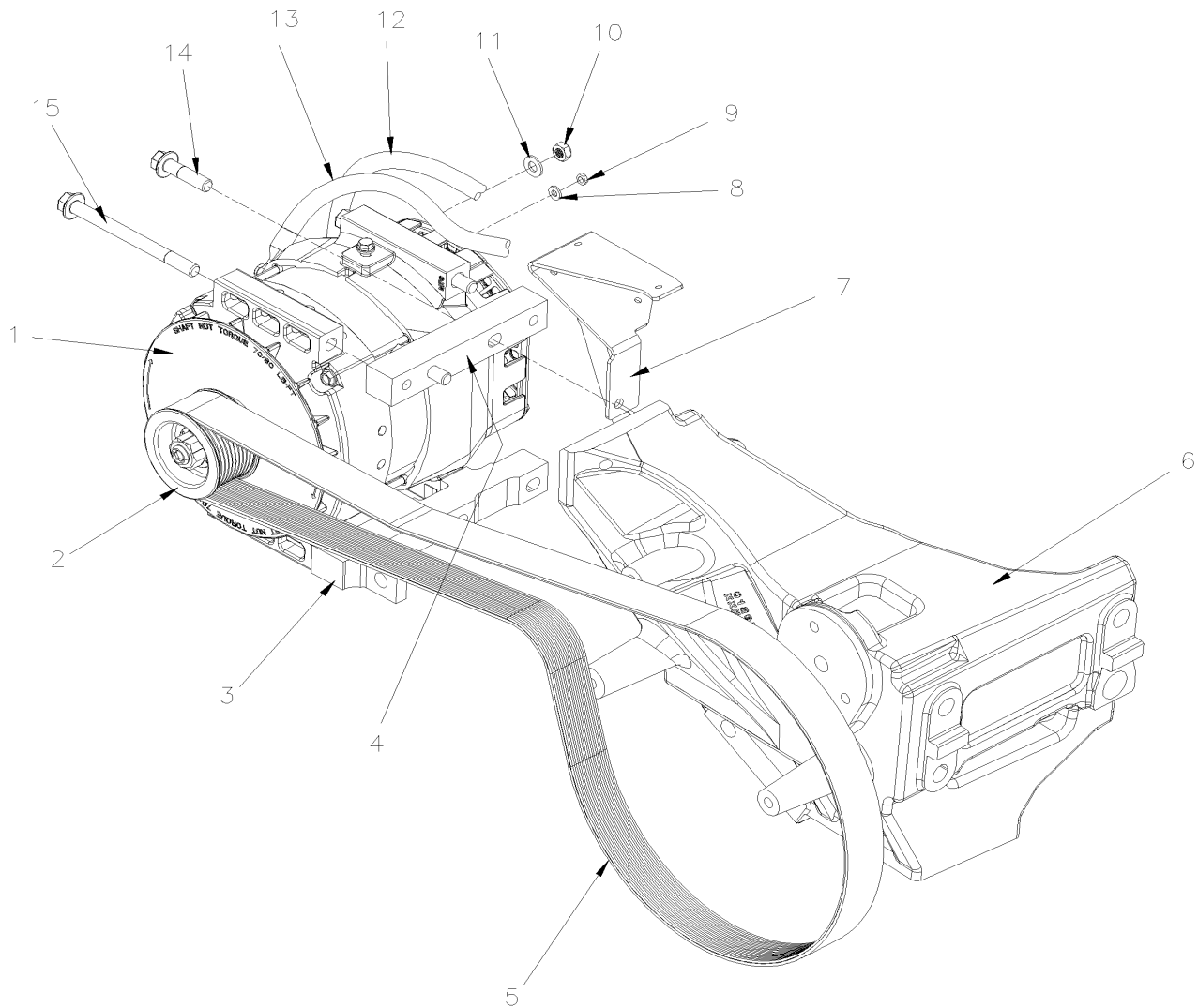
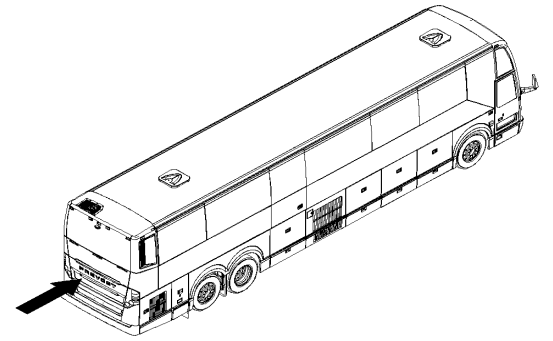
Item#	Part	Description	QTY	Notes
1	560720	ALTERNATOR ASSY 24V/250 AMPS / "REMY"	1	
2	069892	PULLEY ALTERNATOR / "REMY" / 83MM DOB. x 8 PK	1	
3	506065	MULTI V-BELT / 8 RIB 56.5" (1435MM) 8PK1435 QT EPDM	2	
4	069894	BRACKET, ALTERNATOR REMY	1	
5	5001308	SCREW CAP HEXF M10-1.5x40 G10.9 N500	4	
6	5002091	SCREW CAP HEXF M10-1.5X120 G10.9 N500	4	
7	5001341	WASHER FL 8.4x17.0x1.6 SS	1	
8	500685	NUT HEX NYRT 5/16-18 SS	1	
9	5001180	NUT HEX NYRT #10-24 SS	2	
10	5001137	WASHER FL .203x.438x.050 SS	2	
NS	500411	WASHER FL .260x.697x.050 SS	1	
NS	IS-19905	SEE INSTRUCTION SHEET	1	

From H-6180

Date:01/2024

PAGE:0610087

KIT, INSTALLATION ALTERNATOR REMY STREET SIDE



From H-6180	Date:01/2024	PAGE:0610087
KIT, INSTALLATION ALTERNATOR REMY STREET SIDE		

Item#	Part	Description	QTY	Notes
1	560720	ALTERNATOR ASSY 24V/250 AMPS / "REMY"	1	
2	069893	PULLEY ALTERNATOR / "REMY" / 69MM DOB x 10 PK	1	
3	069890	BRACKET, ALTERNATOR REMY LOWER	1	
4	069891	BRACKET, ALTERNATOR REMY UPPER	1	
5	20846320	MULTI V-BELT / 10 RIB 67.1" (1705MM) 10PK1705 STANDARD DUTY	2	
6	010090	ENGINE MOUNT STREET SIDE W/D13 W/REMY	1	
7	061502	BRACKET, ALTERNATOR CABLES W/REMY	1	
NS	504379	RIVET POP DOME OE 3/16x1/4 SS	3	
8	5001180	NUT HEX NYRT #10-24 SS	2	
9	5001137	WASHER FL .203x.438x.050 SS	2	
10	500685	NUT HEX NYRT 5/16-18 SS	1	
11	5001341	WASHER FL 8.4x17.0x1.6 SS	1	
12	0610037	HARNESS, ALTERNATOR CONTROL / STREET SIDE	1	
13	0610035	HARNESS, ALTERNATOR CHASSIS GROUND / STREET SIDE	1	
14	5001308	SCREW CAP HEXF M10-1.5x40 G10.9 N500	4	
NS	500411	WASHER FL .260x.697x.050 SS	1	
15	5002091	SCREW CAP HEXF M10-1.5X120 G10.9 N500	4	
NS	010111	DECAL / "BELT ROUTING" W/REMY	1	
NS	IS-19905	SEE INSTRUCTION SHEET	1	

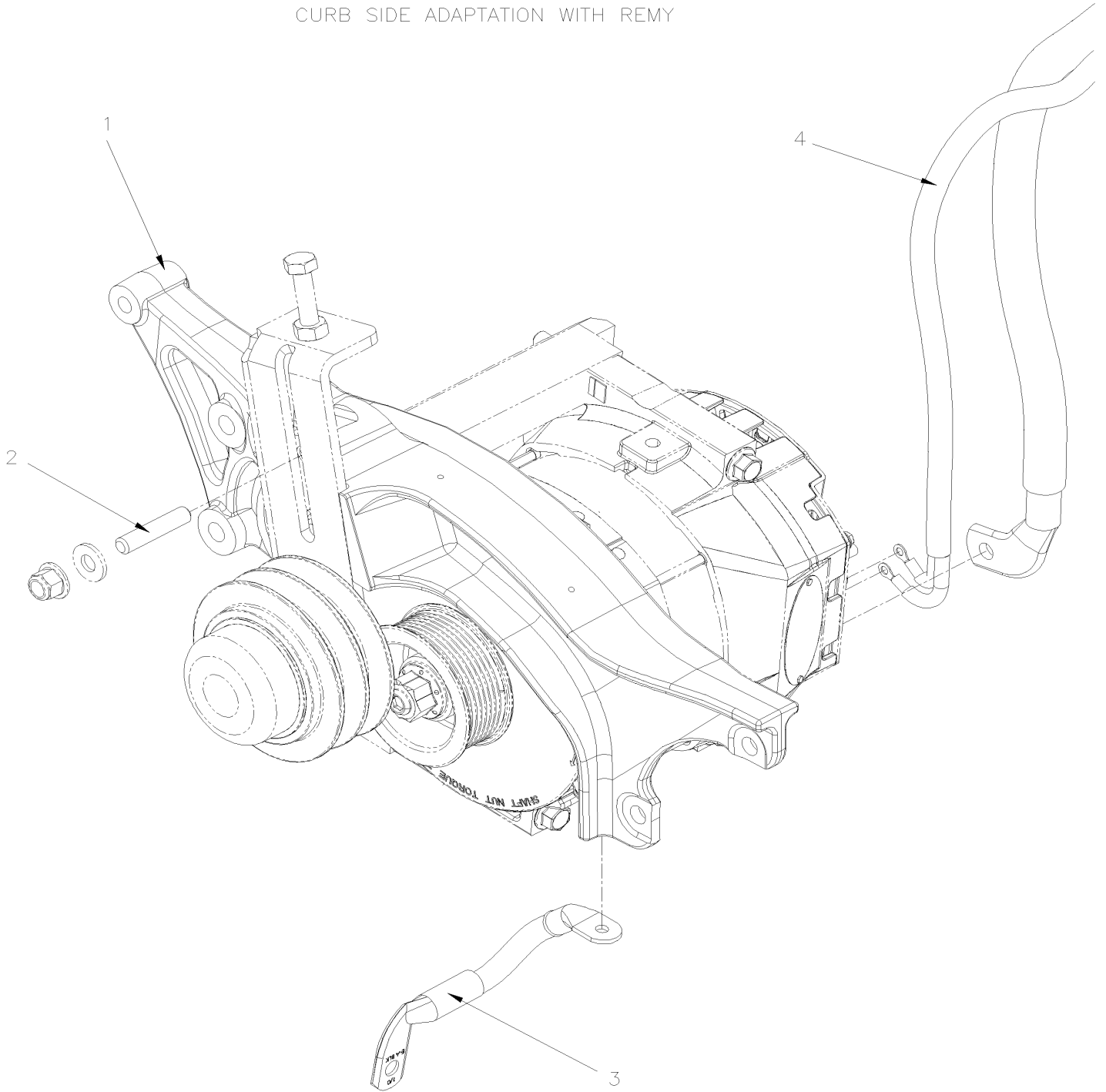
From H-6180

Date:01/2024

PAGE:0610091

ALTERNATOR REMY ADAPTATION X3 CURB SIDE

CURB SIDE ADAPTATION WITH REMY



From H-6180	Date:01/2024	PAGE:0610091
-------------	--------------	--------------

ALTERNATOR REMY ADAPTATION X3 CURB SIDE

Item#	Part	Description	QTY	Notes
1	450580	SUPPORT, TENSIONNER CASTING	1	
2	5000360	ROD M10-1.5x52 N500	1	
3	0610034	HARNESS, ALTERNATOR CHASSIS GROUND / CURBSIDE	1	
4	0610030	HARNESS, ALTERNATOR BATTERY / CURBSIDE	1	
NS	N55439-02	RING TERMINAL #5 / 16-14 / DURASEAL / AMP B-106-1502	3	
NS	N33509-06	SHRINK TUBING / .187" - .060" / BLACK / RAYCHEM SCL 3/16-0	AR	
NS	5001834	WASHER BEL SPR 10.5X23X2.5 N500	1	
NS	5001930	NUT HEXF NYRT M10-1.5 N500 G10.9	1	
NS	5001799	SCREW CAP HEXF M10-1.5x70 G10.9 N500	2	
NS	563870	RING TERMINAL #5 / 16-14 / DURASEAL / AMP B-106-1502	3	
NS	563158	SHRINK TUBING / .300" - .060" / BLACK / 3M EPS-400.300	AR	

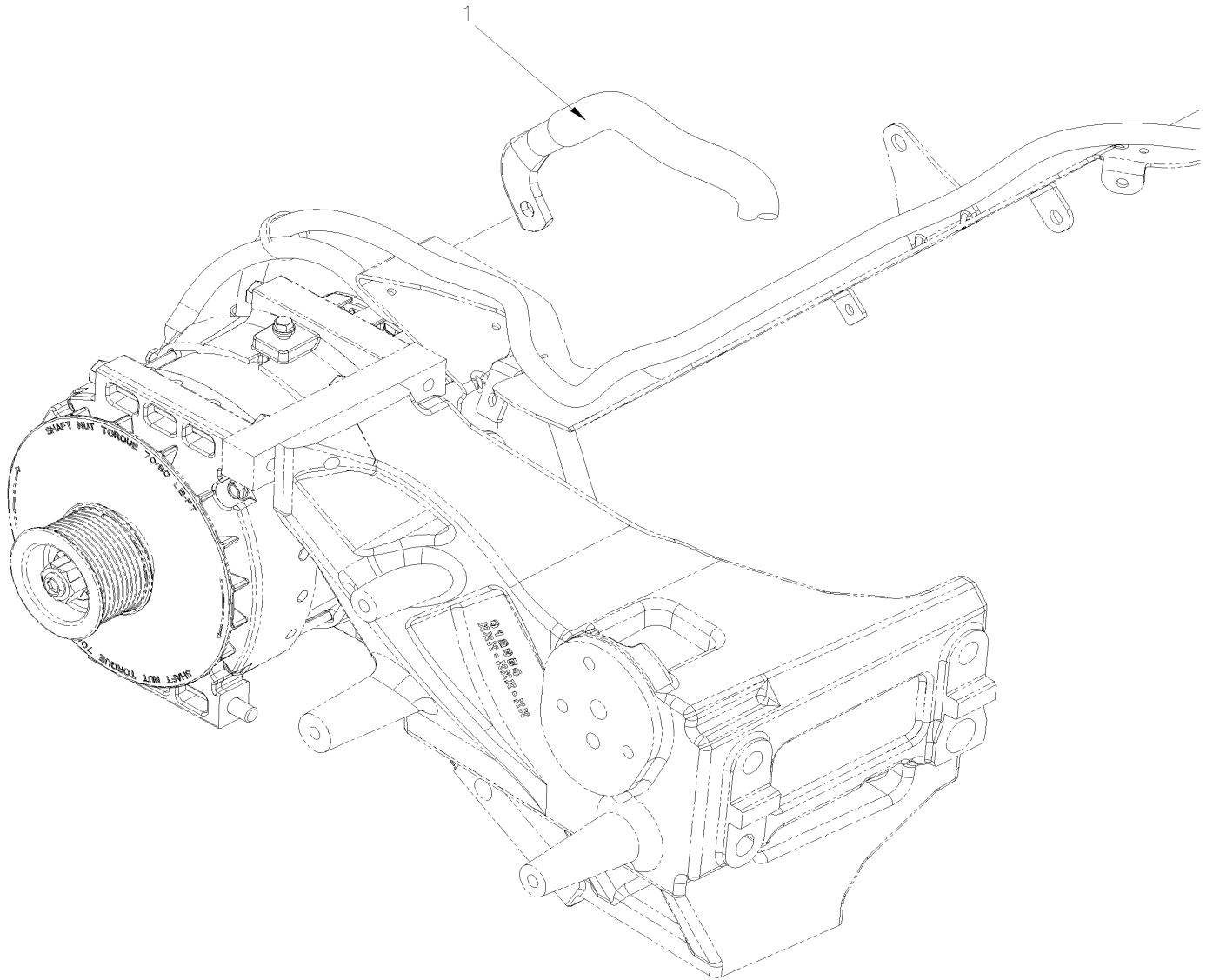
From H-6180

Date:01/2024

PAGE:0610107

ALTERNATOR REMY ADAPTATION X3 STREET SIDE

STREET SIDE ADAPTATION WITH REMY



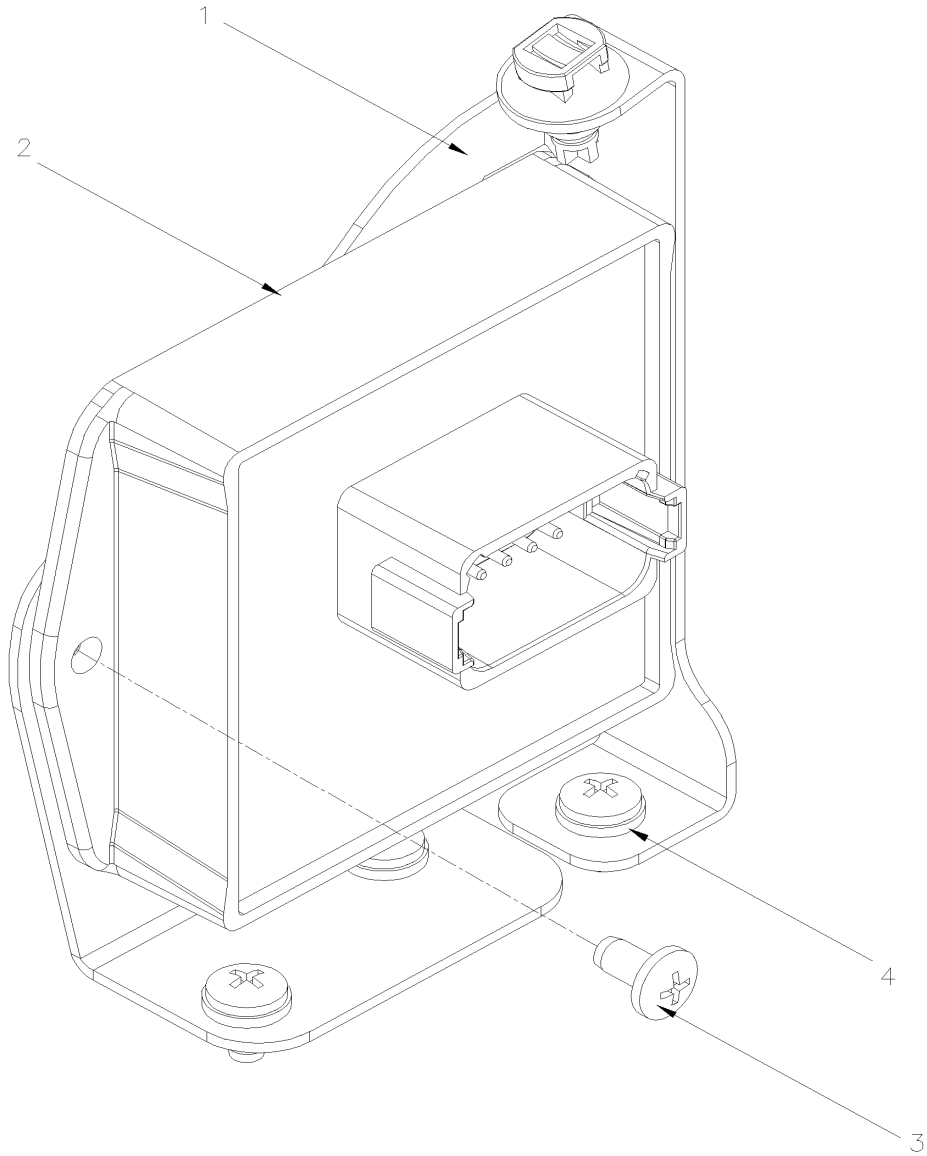
From H-6180		Date:01/2024	PAGE:0610107	
ALTERNATOR REMY ADAPTATION X3 STREET SIDE				
Item#	Part	Description	QTY	Notes
1	0610031	HARNESS, ALTERNATOR BATTERY / STREET SIDE	1	
2	0610355	HARNESS, BOOST REGULATOR	1	

From H-6180

Date:01/2024

PAGE:0610108

BOOST REGULATOR ALT REMY W/ELECTRICAL FANS



From H-6180	Date:01/2024	PAGE:0610108
-------------	--------------	--------------

BOOST REGULATOR ALT REMY W/ELECTRICAL FANS

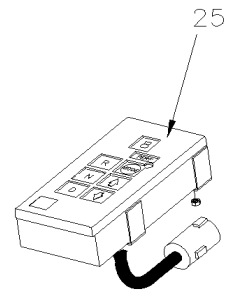
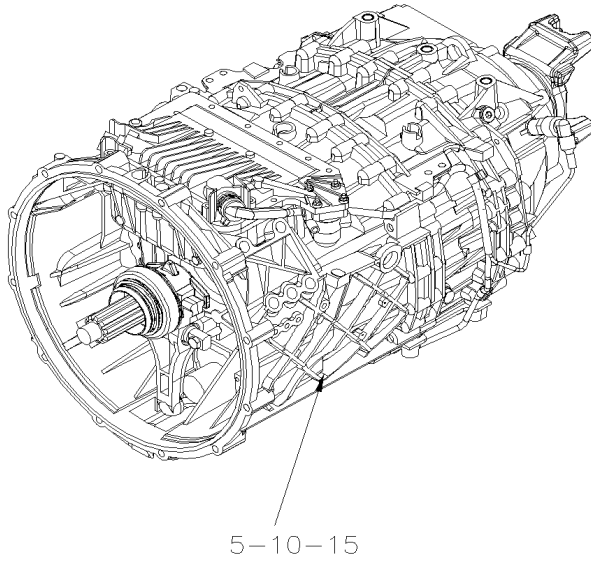
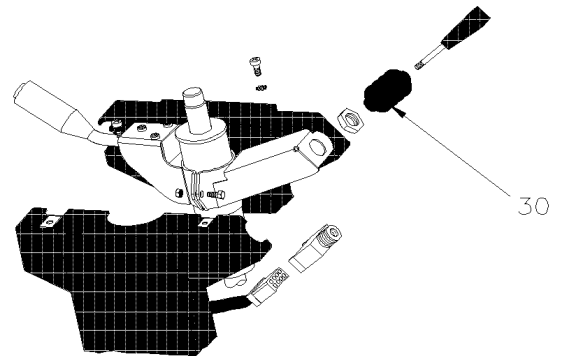
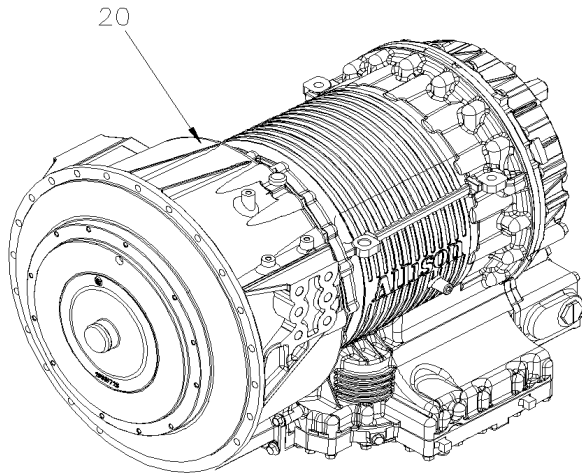
Item#	Part	Description	QTY	Notes
1	0610001	SUPPORT, BOOSTER REGULATOR W/REMY	1	
2	0610187	JUMPER	1	
3	5001975	SCREW TC BDG PH #10-24x3/8 SS410 ZINC	4	
4	5001137	WASHER FL .203x.438x.050 SS	3	
6	0610036	HARNESS, ALTERNATOR CONTROL / CURBSIDE	1	
NS	562286	PIN TERMINAL / 18-16 / DEUTSCH 0460-202-16141	2	
NS	IS-19905	SEE INSTRUCTION SHEET	1	

From 7-8754

Date:01/2024

X3-07

TRANSMISSION



From 7-8754	Date:01/2024	X3-07
-------------	--------------	-------

TRANSMISSION

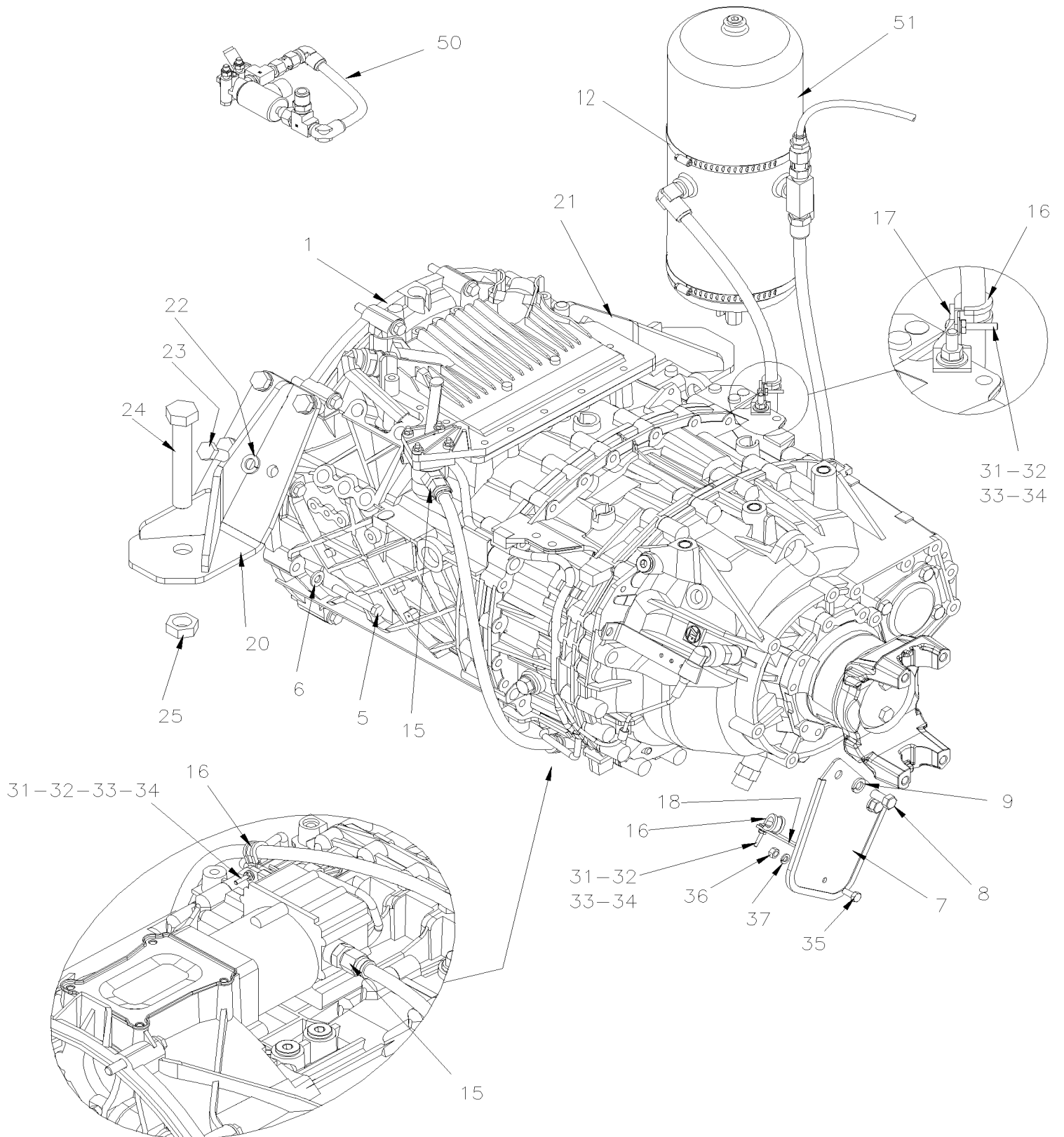
Item#	Part	Description	QTY	Notes
5	X3-0700-00	TRANSMISSION "ZF" - INSTALLATION From 7-8754 To B-5001		
5	X3-0700-01	TRANSMISSION "VOLVO I-SHIFT" - INSTALLATION WITH "EPA 2010" From B-5002 To P-6867		
10	X3-0700-05	TRANSMISSION "ZF" - AIR SYSTEM From 7-8754 To B-5001		
15	X3-0705-00	TRANSMISSION "ZF-ASTRONIC" From 7-8754 To B-5001		
15	X3-0705-05	GEARBOX HOUSING From 7-8754 To B-5001		
15	X3-0705-10	INPUT SHAFT From 7-8754 To B-5001		
15	X3-0705-15	LAYSHAFT From 7-8754 To B-5001		
15	X3-0705-20	MAIN SHAFT From 7-8754 To B-5001		
15	X3-0705-25	REVERSE GEAR From 7-8754 To B-5001		
15	X3-0705-30	GEAR SHIFT SYSTEM From 7-8754 To B-5001		
15	X3-0705-35	OUTPUT HOUSING From 7-8754 To B-5001		
15	X3-0705-40	OUTPUT FLANGE & PLANETARY DRIVE From 7-8754 To B-5001		
15	X3-0705-45	SYNCHRONIZER ASSY From 7-8754 To B-5001		
15	X3-0705-50	TRANS "I-SHIFT" - OIL FILTER - INSTALLATION From B-5002 To P-6867		
20	X3-0750-00	AUTOMATIC TRANSMISSION - "WORLD" WITH DETROIT S-60 From 7-8754 To B-5001		
20	X3-0750-01	AUTOMATIC TRANSMISSION - "WORLD" WITH VOLVO D13 From 8-9457 To B-5001		
20	X3-0750-02	AUTOMATIC TRANSMISSION - "WORLD" WITH VOLVO D13 From B-5002 To H-6179		
20	X3-0750-03	AUTOMATIC TRANSMISSION - "WORLD" WITH VOLVO D13 - GHG17 From H-6180		
25	X3-0755-15	SHIFTER ELECTRONIC - "WORLD" TRANSMISSION From 7-8754		
30	X3-0760-00	RETARDER SELECTOR SWITCH - "WORLD" From 7-8754		

From 7-8754 To B-5001

Date:01/2024

PAGE:X3-0700-00

TRANSMISSION "ZF" - INSTALLATION



From 7-8754 To B-5001	Date:01/2024	PAGE:X3-0700-00
TRANSMISSION "ZF" - INSTALLATION		

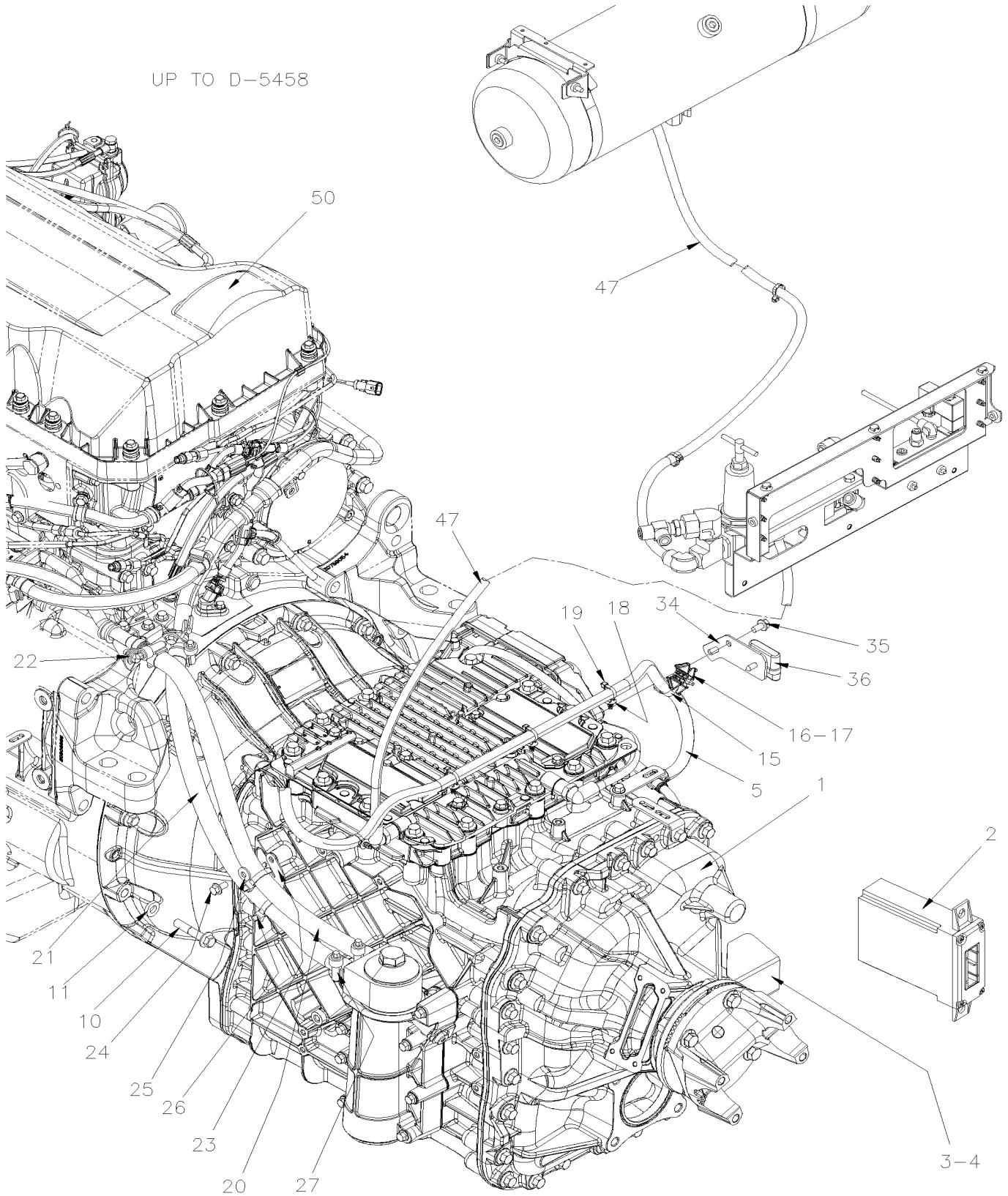
Item#	Part	Description	QTY	Notes
1	571772	TRANSMISSION "ZF" W/O INTARDER / W10 SPEEDS To 8-9340	1	
1	572042	TRANSMISSION "ZF" W/O INTARDER / W12 SPEEDS From 8-9341 To 8-9421	1	
1	572112	TRANSMISSION "ZF" W/O INTARDER / W12 SPEEDS From 8-9422	1	
1	571775	CLUTCH ASSY	1	
1	571776	PRESSURE PLATE	1	
1	507113	BALL BEARING	1	
5	955554	SCREW CAP HEX 7/16-14x3 G8 ZP	24	
6	5001567	WASHER FL .474x.937x.112 CP STP	12	
7	071293	PROTECTOR CABLE RUBBER	1	
8	500850	SCREW CAP HEX M12-1.75X25 G8.8 Z050	2	
9	500482	WASHER LO SPT .506x.873x.125 Z050	2	
12	504649	HOSE CLAMP / 4"5/8-7"1/2 SS	1	
15	641977	MALE CONNECTOR / PUSH-IN FITTING / #4xM16NPT-M BR	1	
16	952629	CLAMP / 5/8" I.D.	3	
17	061027	SUPPORT 2"1/2 LG	2	
18	070368	SUPPORT	3	
20	012282	SUPPORT REAR R.H. W/"ZF" TRANS	1	
21	012278	SUPPORT REAR L.H. W/"ZF" TRANS	1	
22	502884	WASHER LO SPT 16.2x27.4x3.5 N500	8	
23	5001591	SCREW CAP HEX M16-1.5x35 G10.9 DP	8	
24	500571	SCREW CAP HEX M24-3.0x150 G10.9 N500	2	
25	500570	NUT HEX STO M24-3.0 GR.10 N500	2	
31	500574	SCREW MA TR PH #10-24x1 1/4 SS	3	
32	500786	NUT HEX #10-24 Z050	3	
33	500470	WASHER LO SPT .193x.334x.047 Z050	3	
34	500964	WASHER FL .203x.500x.047 Z050	3	
35	502862	SCREW CAP HEX M8-1.25x20 G8.8 N500	1	
36	502851	NUT HEX M8-1.25 N500	1	
37	500942	WASHER LO SPT 8.1x14.8x2.0 N500	1	
50	X3-0700-05	TRANSMISSION "ZF" - AIR SYSTEM	1	
51	X3-1203-00	AIR TANK - INSTALLATION	1	

From B-5002 To P-6867

Date:01/2024

PAGE:X3-0700-01

TRANSMISSION "VOLVO I-SHIFT" - INSTALLATION WITH "EPA 2010"

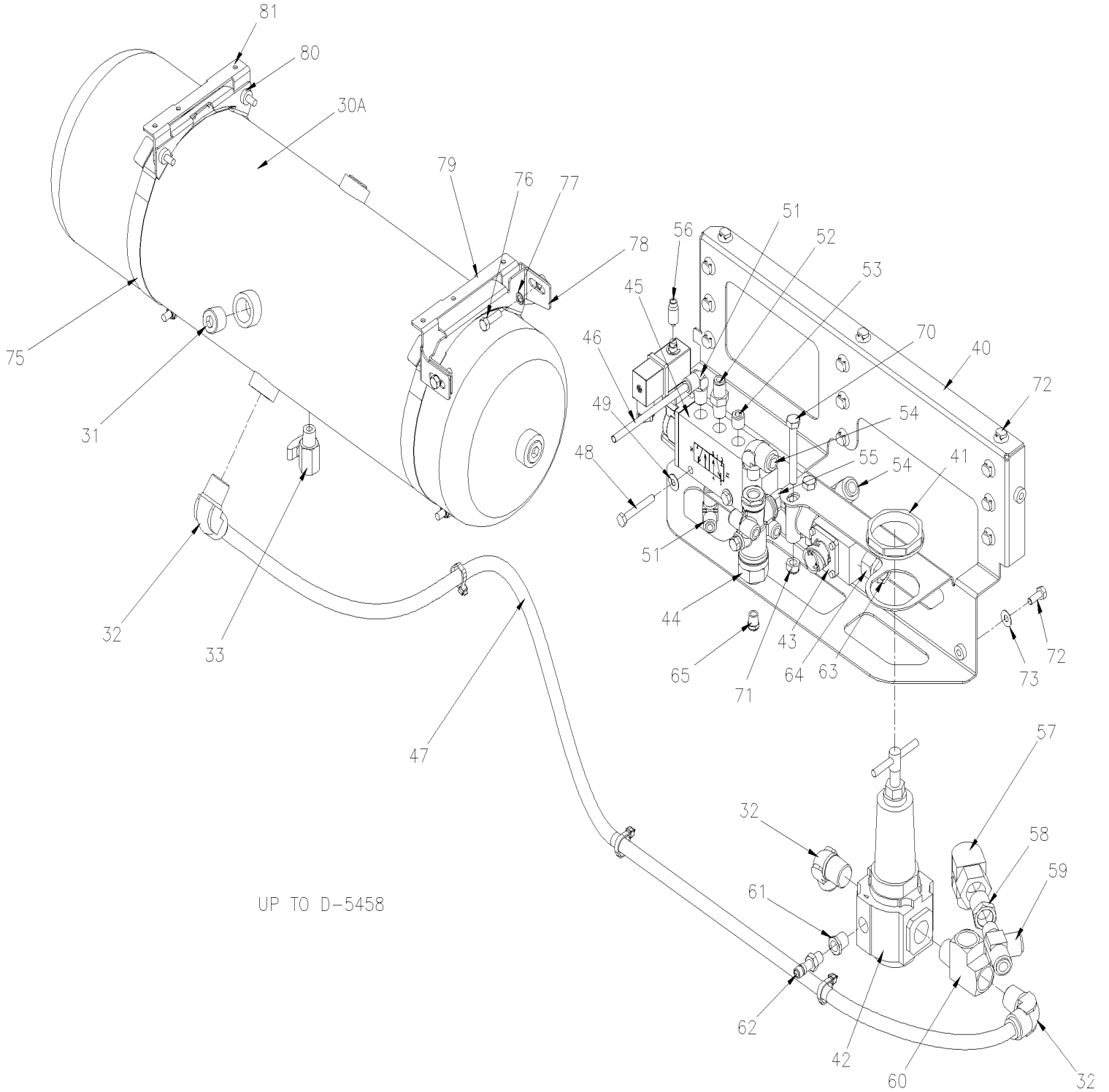


From B-5002 To P-6867

Date:01/2024

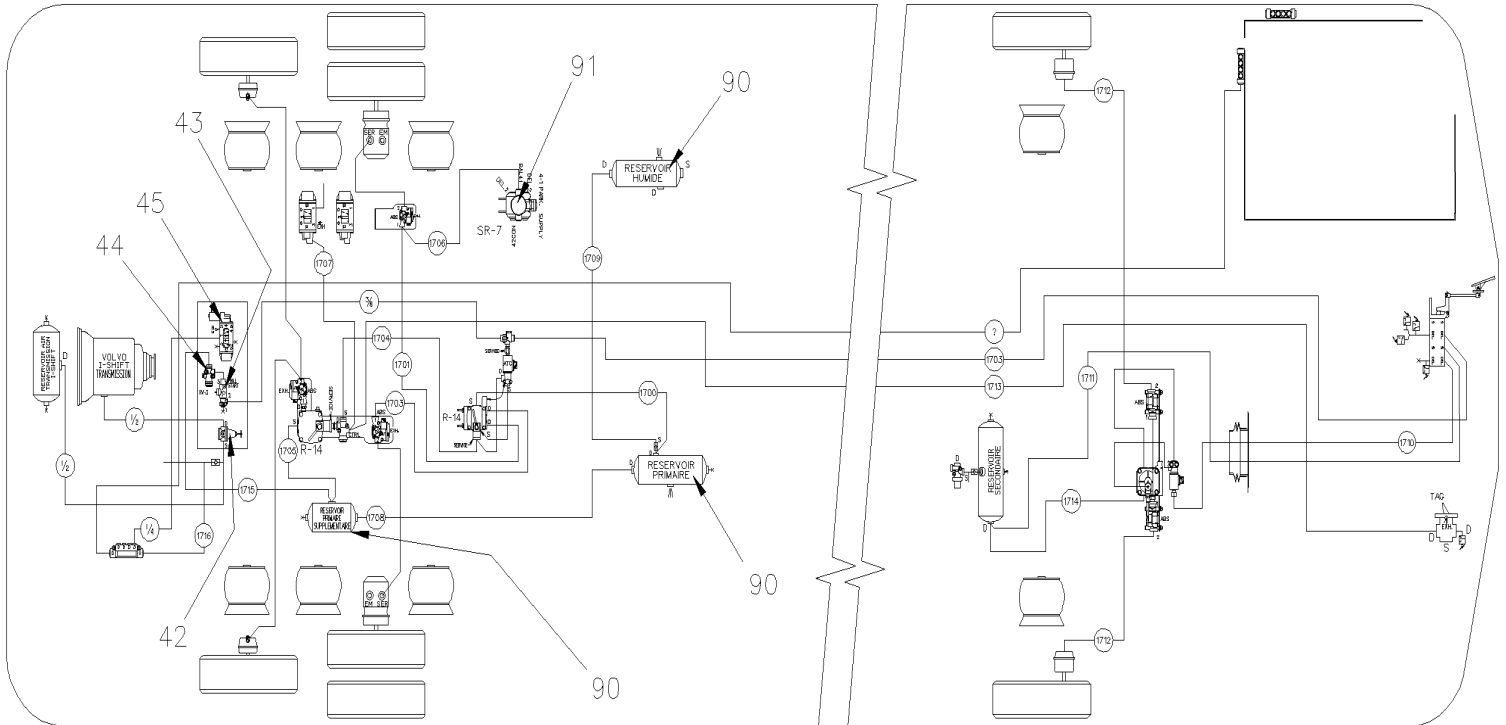
PAGE:X3-0700-01

TRANSMISSION "VOLVO I-SHIFT" - INSTALLATION WITH "EPA 2010"



From B-5002 To P-6867	Date:01/2024	PAGE:X3-0700-01
TRANSMISSION "VOLVO I-SHIFT" - INSTALLATION WITH "EPA 2010"		

UP TO D-5458



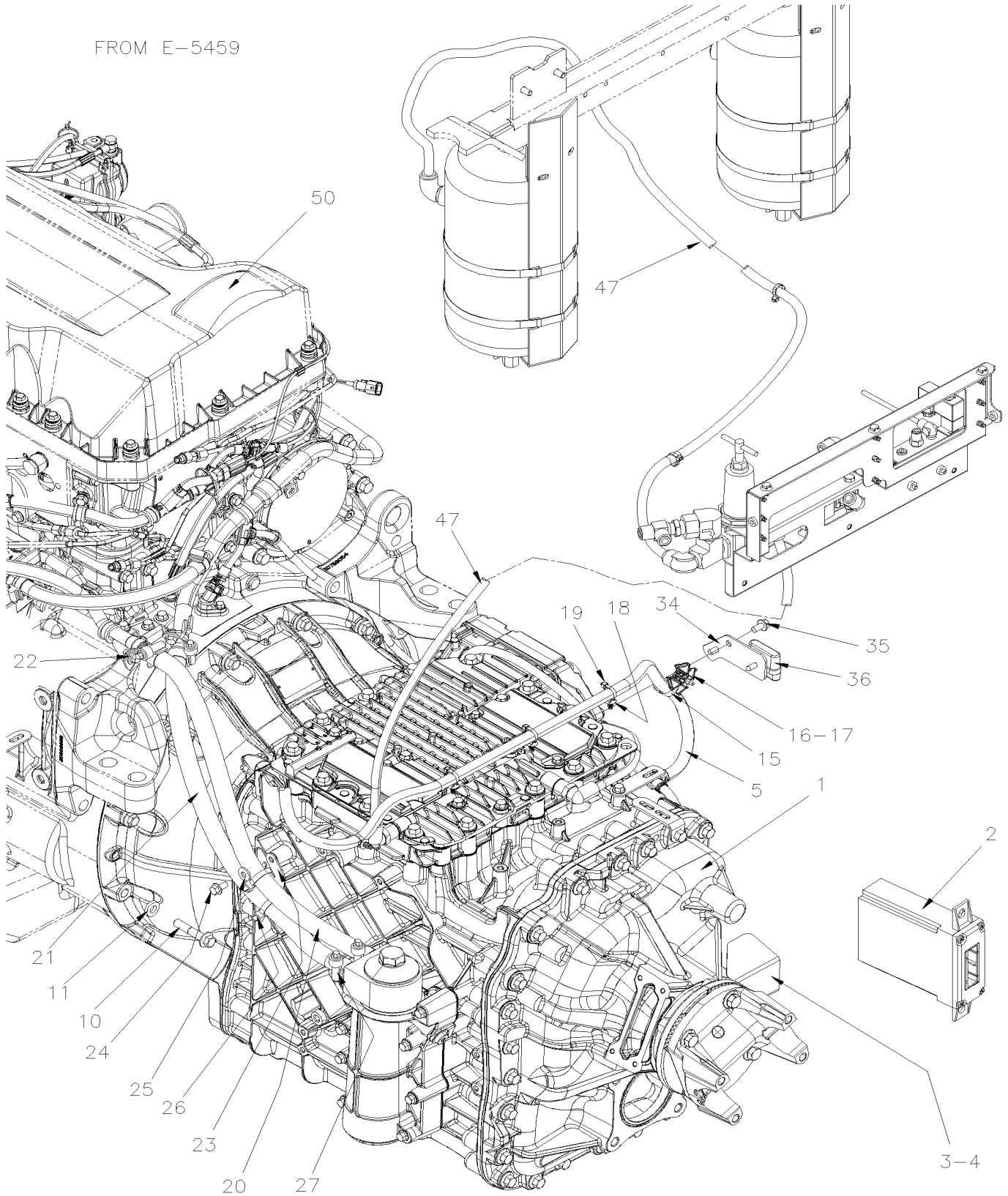
From B-5002 To P-6867

Date:01/2024

PAGE:X3-0700-01

TRANSMISSION "VOLVO I-SHIFT" - INSTALLATION WITH "EPA 2010"

FROM E-5459



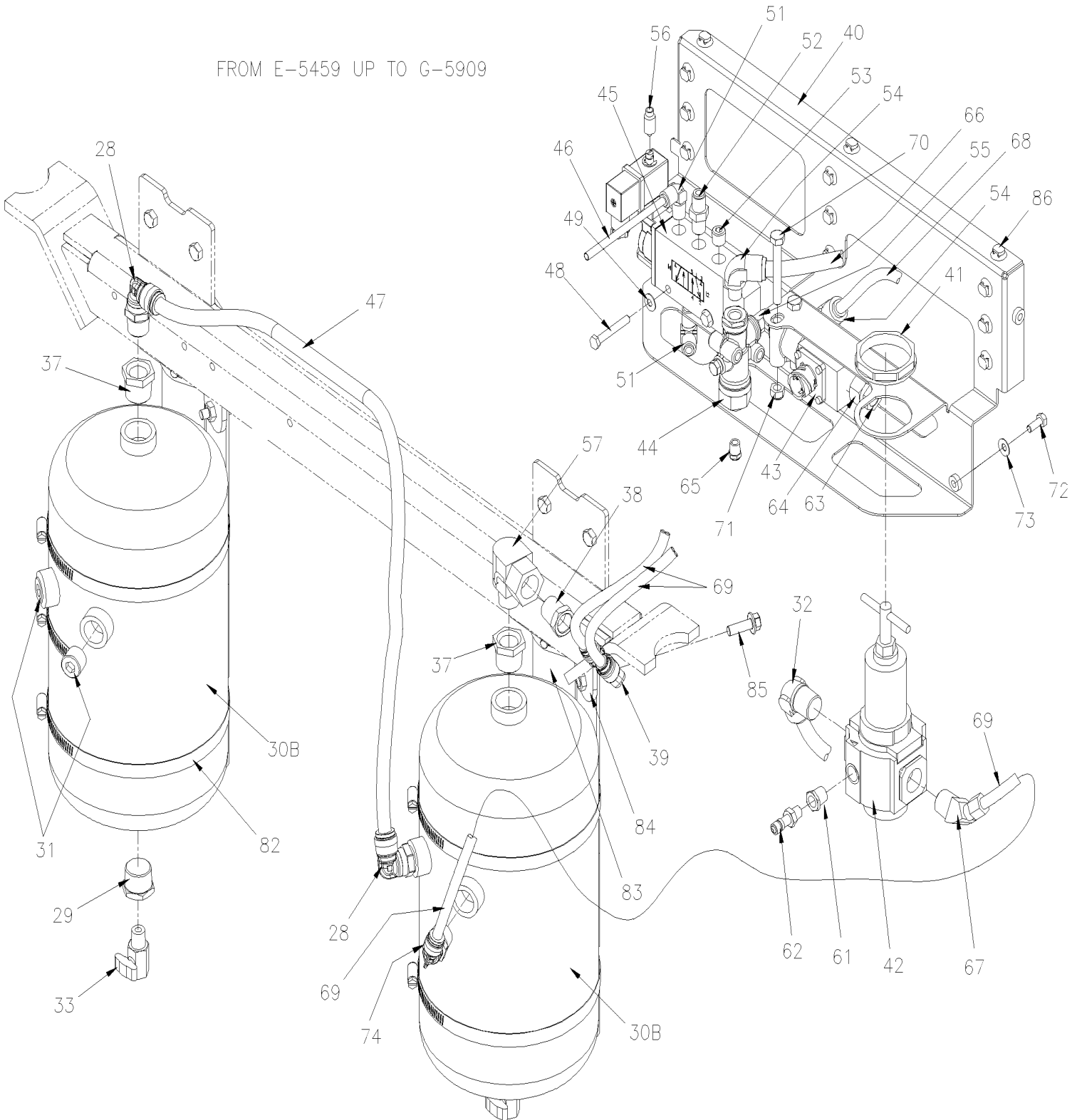
From B-5002 To P-6867

Date:01/2024

PAGE:X3-0700-01

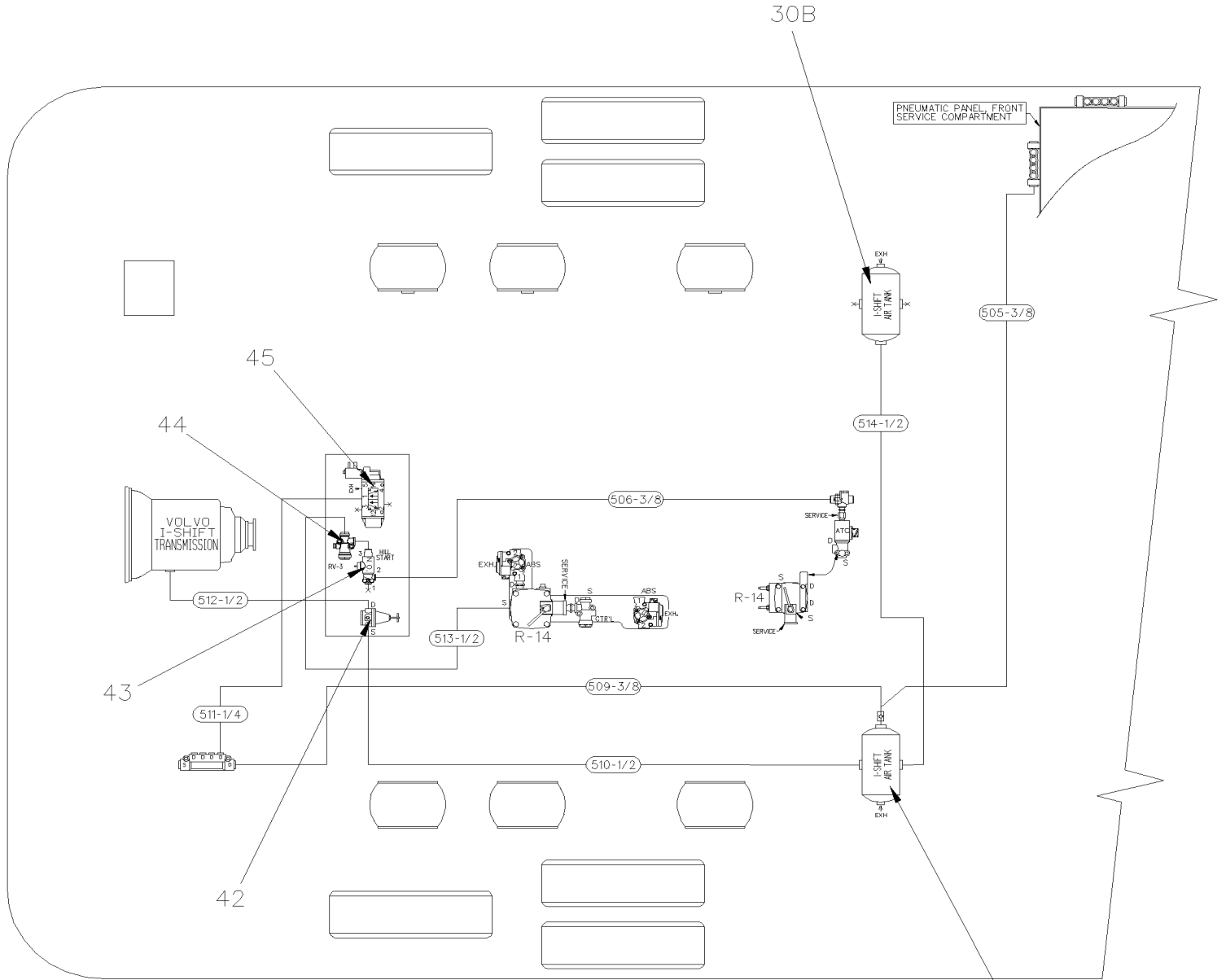
TRANSMISSION "VOLVO I-SHIFT" - INSTALLATION WITH "EPA 2010"

FROM E-5459 UP TO G-5909



From B-5002 To P-6867	Date:01/2024	PAGE:X3-0700-01
TRANSMISSION "VOLVO I-SHIFT" - INSTALLATION WITH "EPA 2010"		

FROM E-5459



I-SHIFT TRANSMISSION OPTION

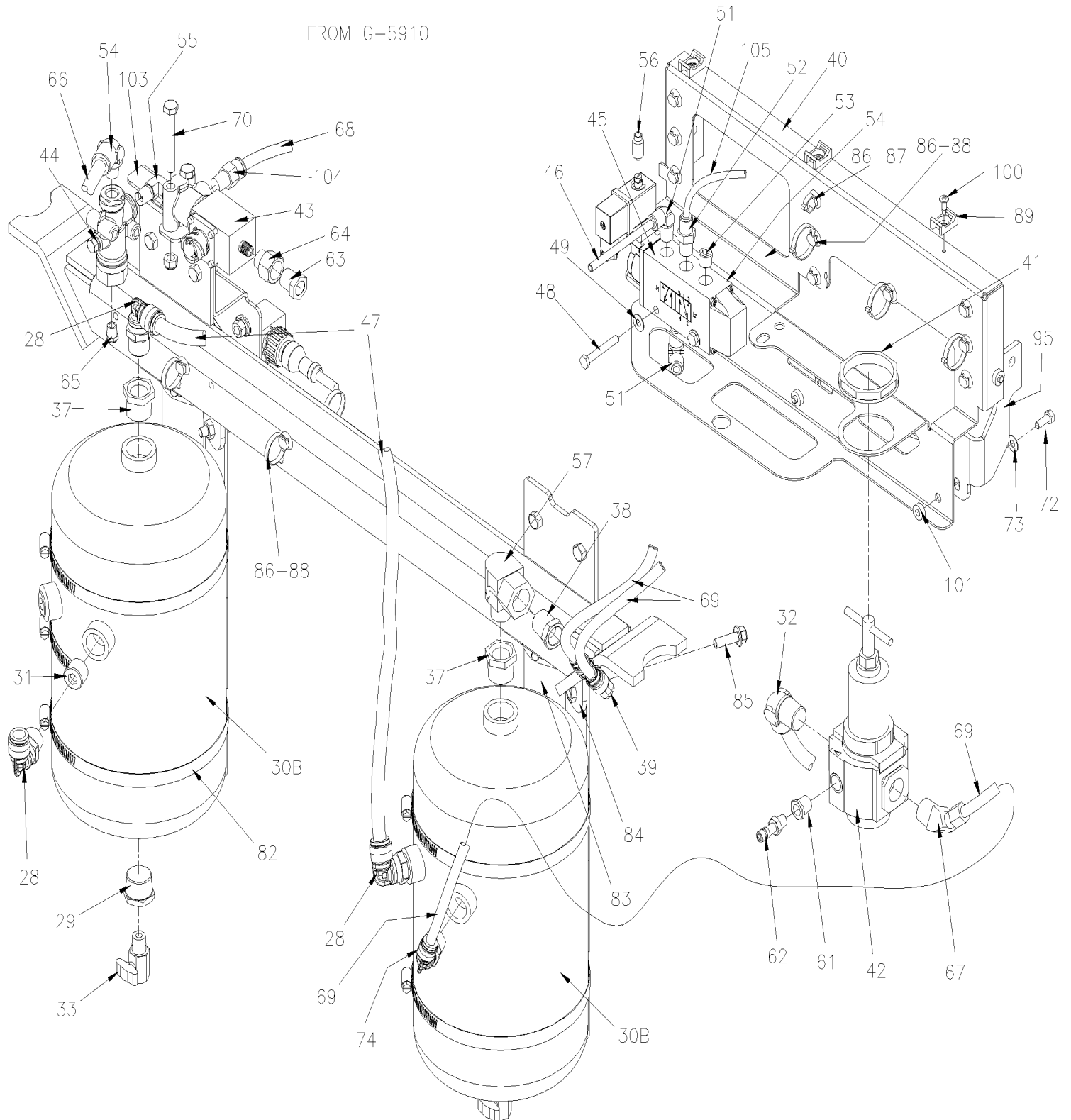
30B

From B-5002 To P-6867

Date:01/2024

PAGE:X3-0700-01

TRANSMISSION "VOLVO I-SHIFT" - INSTALLATION WITH "EPA 2010"



From B-5002 To P-6867	Date:01/2024	PAGE:X3-0700-01
TRANSMISSION "VOLVO I-SHIFT" - INSTALLATION WITH "EPA 2010"		

Item#	Part	Description	QTY	Notes
1	Refer To Volvo	TRANSMISSION "VOLVO I-SHIFT" MODEL "AT2512"	1	V
1	572140	PRESSURE PLATE	1	
1	572141	CLUTCH ASSY	1	
1	20566389	CLUTCH ASSY	1	
1	21539802	CLUTCH ASSY To C-5214	1	
1	21593944	CLUTCH ASSY From C-5215 To F-5766	1	
1	21615194	CLUTCH ASSY From F-5767	1	
1	067663	CABLE ASSY / WITH "I-SHIFT" TRANSMISSION To D-5458	1	
1	068472	CABLE ASSY / WITH "I-SHIFT" TRANSMISSION From E-5459 To H-6179	1	
1	060118	CABLE ASSY / WITH "I-SHIFT" TRANSMISSION From H-6180 To J-6244	1	
1	061475	CABLE ASSY / WITH "I-SHIFT" TRANSMISSION From J-6245	1	
1	685323	OIL TRANSYND TRANSMISSION "ISHIFT" CASTROL / 75W/85 AP1 GL4 / 200 LITERS	AR	
2	20848526	GS ECU 24v MODULE I-SHIFT TRANS To A-9991	1	
2	21522732	GS ECU 24v MODULE I-SHIFT TRANS From A-9992 To D-5315	1	
2	21715161	GS ECU 24v MODULE I-SHIFT TRANS From D-5316	1	
3	071594	CAP PROTECTOR CABLE	1	
4	5001314	SCREW CAP HEX M12-1.75x19 G8.8 ZP	2	
5	067353	CABLE HARNESS I-SHIFT TRANS To D-5458	1	
5	068453	CABLE HARNESS I-SHIFT TRANS From E-5459	1	
10	5001764	SCREW CAP HEXF 7/16-14x2 1/4 G8 N500	12	
11	5001792	WASHER FL HARD .468x.937x.187 Z050	12	
15	509491	CABLE TIE / 13MM x 383MM	1	
16	500266	SCREW TC CAP HEX 1/4-20x1 N500	1	
17	509490	ATTACHMENT DOUBLE USE WITH CABLE TIE	1	
18	509815	TIE MOUNT / ATTACHMENT W/TREE MOUNT	1	
19	504637	CABLE TIE / 3/16" x 13"	1	
20	Call order desk	HOSE 5/8" I.D. x 620MM	1	P
20	503720	. HOSE SILICONE 1 PLY 5/8" I.D. x 25' / S.L. To D-5381	AR	
20	503802	. HOSE SILICONE 1 PLY / NOMEX-ARAMID 5/8" I.D. x 100' / S.L. From D-5382	AR	
21	Call order desk	HOSE 5/8" I.D. x 640MM	1	P
21	503720	. HOSE SILICONE 1 PLY 5/8" I.D. x 25' / S.L. To D-5381	AR	
21	503802	. HOSE SILICONE 1 PLY / NOMEX-ARAMID 5/8" I.D. x 100' / S.L. From D-5382	AR	
22	374358	ADAPTOR HOSE D15 TO 5/8" I.D. HOSE	1	
23	071624	SUPPORT HOSE	1	
24	5001780	SCREW CAP HEXF M8-1.25x16 G8.8 N500	1	
25	500321	WASHER BEL SPR .331x.827x.098 N500	1	
26	504016	CABLE TIE / 5/16" X 14"1/2 To L-6494	2	
26	5040100	CABLE TIE /OUTSIDE SERRATED 5/16" X 14"1/2 From L-6495	1	
27	504646	HOSE CLAMP / 11/16"-1"1/4 / C.T. 9412 To D-5404	4	
27	504781	HOSE CLAMP / 13/16"-1 5/16" SS / C.T. W.S. From D-5405 To F-5823	4	
27	992084	HOSE CLAMP / 23MM/35MM From F-5824	4	
28	642126	MALE ELBOW 90° SWIVEL / PUSH-IN FITTING / #8x1/2NPT-M COMPOSITE From E-5459	2	

From B-5002 To P-6867	Date:01/2024	PAGE:X3-0700-01
TRANSMISSION "VOLVO I-SHIFT" - INSTALLATION WITH "EPA 2010"		

Item#	Part	Description	QTY	Notes
29	501755	BUSHING REDUCER / PIPE FITTING / 3/4NTP-Mx1/4NPT-F BR From E-5459	2	
30A	641456	AIR TANK / 976 IN° / 7" O.D. X 25.5" To D-5458	1	
30B	131403	AIR TANK / 434 IN° / 7" O.D. X 13 1/4" From E-5459	2	
31	501966	PLUG HEXS / PIPE FITTING / 1/2NPT-M STL To D-5458	3	
31	501966	PLUG HEXS / PIPE FITTING / 1/2NPT-M STL From E-5459 To G-5909	2	
31	501966	PLUG HEXS / PIPE FITTING / 1/2NPT-M STL From G-5910	1	
32	641378	MALE ELBOW 90° / PUSH-IN FITTING / #8x1/2NPT-M BRASS To D-5458	3	
32	641378	MALE ELBOW 90° / PUSH-IN FITTING / #8x1/2NPT-M BRASS From E-5459	2	
33	641043	DRAIN VALVE 1/4 NPT M To D-5458	1	
33	641043	DRAIN VALVE 1/4 NPT M From E-5459	2	
34	965534	SUPPORT CABLE To D-5458	1	
34	071680	SUPPORT CABLE From E-5459 To £-16098	1	
35	946173	SCREW CAP HEXF M8-1.25x20	1	
36	564139	CAP CONNECTOR / METRI-PACK 280 / 6C / BLACK From E-5459	1	
36	564542	TREE MOUNT CLIP FOR PED CONNECTOR From E-5459	1	
37	501462	BUSHING REDUCER / PIPE FITTING / 3/4NTP-Mx1/2NPT-F BR From E-5459	2	
38	501534	BUSHING REDUCER / PIPE FITTING / 1/2NPT-Mx3/8NPT-F BR From E-5459	1	
39	642128	MALE ELBOW 90° SWIVEL DUAL PORT / PUSH-IN / #6x#6x3/8NPT-M BR From E-5459	1	
40	143126	SUPPORT VALVE To A-9992	1	
40	143221	SUPPORT VALVE From A-9993 To C-5124	1	
40	143249	SUPPORT VALVE From C-5125 To D-5458	1	
40	142851	SUPPORT VALVE From E-5459	1	
41	641506	NUT RING / AIR REGULATOR RETAINING	1	
42	641352	AIR PRESSURE REGULATOR 1/2" NPT	1	
43	642079	VALVE, "ATC" 12VOLT	1	
44	642136	VALVE, PRESSURE REDUCING / RV-3 55 PSI	1	
44	144980	RESTRICTION / 1.59MM From B-5045	1	
45	641527	VALVE, 4 WAYS, 2 POSITIONS	1	
. NS	641929	. COIL 24V	1	
. NS	641186	. SPOOL	1	
. NS	641385	. CONNECTOR / SOCKET HOUSING ASSY 3C / PNEUMAC 54934-01	1	
46	503402	TUBE, NYLON 1/4 O.D. / BLACK S.L.	AR	
47	503488	TUBE, NYLON 1/2 O.D. / BLACK S.L./	AR	
48	502793	SCREW CAP HEX M6-1.0x45 G8.8 Z050	2	
49	5001608	WASHER BEL SPR 6.2x15.0x0.7 G500	2	
50	Refer To Volvo	SEE IMPACT OR CALL ORDER DESK		V
51	641371	MALE ELBOW 90° NON-SWIVEL / PUSH-IN FITTING / #4x1/4NPT-M BR	2	
52	641332	MALE CONNECTOR / PUSH-IN FITTING / #4x1/4NPT-M BR	1	
53	501800	PLUG HEXS / PIPE FITTING / 1/4NPT-M STL	2	
54	641372	MALE ELBOW 90° NON-SWIVEL / PUSH-IN FITTING / #6x1/4NPT-M BR	2	

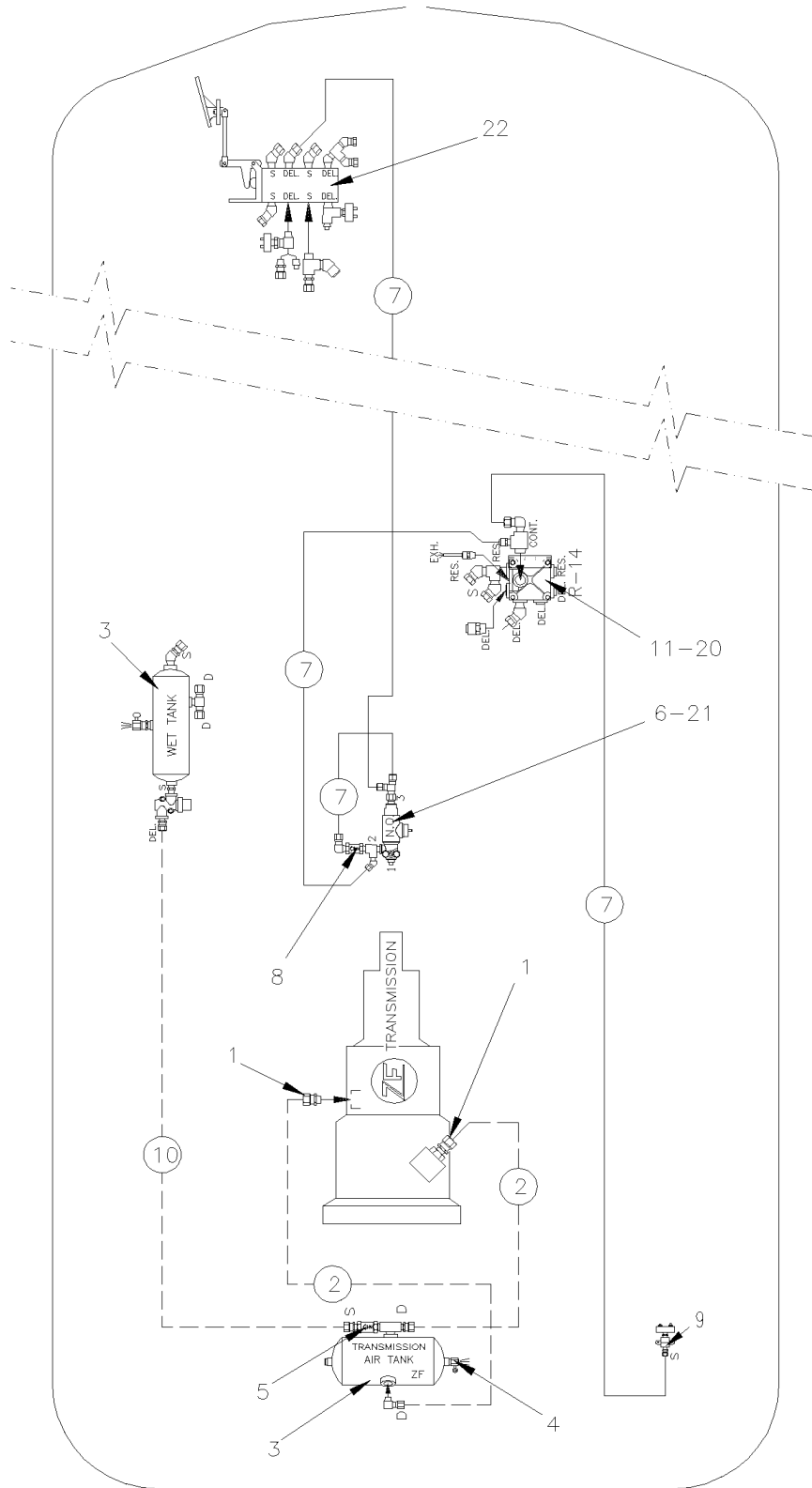
From B-5002 To P-6867	Date:01/2024	PAGE:X3-0700-01
TRANSMISSION "VOLVO I-SHIFT" - INSTALLATION WITH "EPA 2010"		

Item#	Part	Description	QTY	Notes
55	501999	MALE ELBOW 45° / JIC 37° FITTING / #20JIC-Mx1 1/4NPT-M STL	1	
56	642113	MALE CONNECTOR / PUSH-IN FITTING / #4x#10-32-M BR	1	
57	641172	VALVE, CHECK ELBOW 90° 1/2 NPT To J-6303	1	
57	640123	VALVE, CHECK 1/2 NPT SC-1 From J-6304	1	
. NS	641401	. VALVE, CHECK 1/2 NPT SC-1 From J-6304	1	
NS	507557	STREET ELBOW 90° / PIPE FITTING / 1/2NPT-Mx1/2NPT-F BR From J-6304	1	
58	501534	BUSHING REDUCER / PIPE FITTING / 1/2NPT-Mx3/8NPT-F BR	1	
59	641388	MALE RUN TEE NON-SWIVEL / PUSH-IN FITTING / #6x#6x3/8NPT-M BR	1	
60	501473	MALE RUN TEE / PIPE FITTING / 1/2NPT-Mx1/2NPT-Fx1/2NPT-F BR	1	
61	501312	BUSHING REDUCER / PIPE FITTING / 1/4NTP-Mx1/8NPT-F BR	1	
62	640488	VALVE, AIR FILL 1/8" NPT	1	
. NS	650164	. CAP VALVE / CHROME	1	
63	641934	SILENCER / MUFFLER / 3/8NPT-M	1	
64	5001660	REDUCER COUPLING / PIPE FITTING / 3/8NPT-Fx1/8NPT-F BR	1	
65	641943	SILENCER / MUFFLER / 1/8NPT-M	1	
66	503406	TUBE, NYLON 1/2 O.D. / GREEN S.L.	AR	
67	641119	MALE ELBOW 45° / NTA FITTING / #6x1/2NPT-M BR	1	
68	503463	TUBE, NYLON 3/8 O.D. / GREEN S.L.	AR	
69	503404	TUBE, NYLON 3/8 O.D. / BLACK S.L.	AR	
70	5001178	SCREW CAP HEX M8-1.25x60 SS BK	2	
71	502847	NUT HEX NYRT M8-1.25 N500	2	
72	5001744	SCREW CAP HEX M6-1.0x16 G8.8 N500	5	
73	5001608	WASHER BEL SPR 6.2x15.0x0.7 G500	5	
74	642179	MALE ELBOW 90° NON-SWIVEL / PUSH-IN FITTING / #6 x1/2NPT-M COMPOSITE	1	
75	504041	T-BOLT BAND CLAMP/ 6.75" ID To D-5458	2	
76	502531	SCREW CAP HEX M6-1.0x16 G8.8 Z050 To D-5458	4	
77	5001739	WASHER LO EXT 6.4x11.0x0.7 N500 To D-5458	4	
78	143120	SUPPORT AIR TANK To C-5132	1	
79	213983	SUPPORT AIR TANK (WELDED AT STRUCTURE) To C-5132	1	
79	217023	SUPPORT AIR TANK (WELDED AT STRUCTURE) From C-5133 To D-5458	1	
80	143121	SUPPORT AIR TANK To C-5132	1	
80	144991	SUPPORT AIR TANK From C-5133 To D-5458	1	
81	213984	SUPPORT AIR TANK (WELDED AT STRUCTURE) To C-5132	1	
81	217022	SUPPORT AIR TANK (WELDED AT STRUCTURE) From C-5133 To D-5458	1	
82	504649	HOSE CLAMP / 4"5/8-7"1/2 SS From E-5459	4	
83	071675	SUPPORT / AIR TANK From E-5459	2	
84	175073	SUPPORT / AIR TANK (WELDED AT STRUCTURE) From E-5459	2	
85	5001643	SCREW CAP HEXF M8-1.25x25 G8.8 G500 From E-5459	4	
86	509815	TIE MOUNT / ATTACHMENT W/TREE MOUNT	AR	
87	504637	CABLE TIE / 3/16" x 13"	1	
88	504637	CABLE TIE / 3/16" x 13"	AR	
89	504013	TIE MOUNT / 1/4" X 1/4" I.D.	3	

From B-5002 To P-6867	Date:01/2024	PAGE:X3-0700-01
TRANSMISSION "VOLVO I-SHIFT" - INSTALLATION WITH "EPA 2010"		

Item#	Part	Description	QTY	Notes
90	X3-1203-01	AIR TANK - INSTALLATION To D-5458		
90	X3-1203-02	AIR TANK - INSTALLATION From E-5459		
91	X3-1250-11	ABS/ESP BRAKE VALVE - INSTALLATION To D-5458		
91	X3-1250-12	ABS/ESP BRAKE VALVE - INSTALLATION From E-5459		
92	X3-1202-00	TUBES PLASTIC / AIR D.O.T.		
95	173797	SUPPORT VALVE From G-5910	1	
100	502868	SCREW TC TR PH #10-16x1/2 N500	3	
101	502659	NUT WD RND M6-1.0 SS	AR	
103	145500	SUPPORT L.H. / VALVE ABS & RELAY VALVE	1	
104	641331	MALE CONNECTOR / PUSH-IN FITTING / #6x1/4NPT-M BR	1	
105	503402	TUBE, NYLON 1/4 O.D. / BLACK S.L.	AR	
NS	504751	ROTATIF SPACER DOUBLE / SMALL	AR	
NS	509491	CABLE TIE / 13MM x 383MM	AR	
NS	509491	CABLE TIE / 13MM x 383MM	AR	
NS	509493	ATTACHMENT DOUBLE USE WITH CABLE TIE CHRISTMAS TREE	AR	
		P) CALL ORDER DESK FOR SPECIFIC APPLICATION (V.I.N.)		
		V) SEE IMPACT OR CALL ORDER DESK		

TRANSMISSION "ZF" - AIR SYSTEM

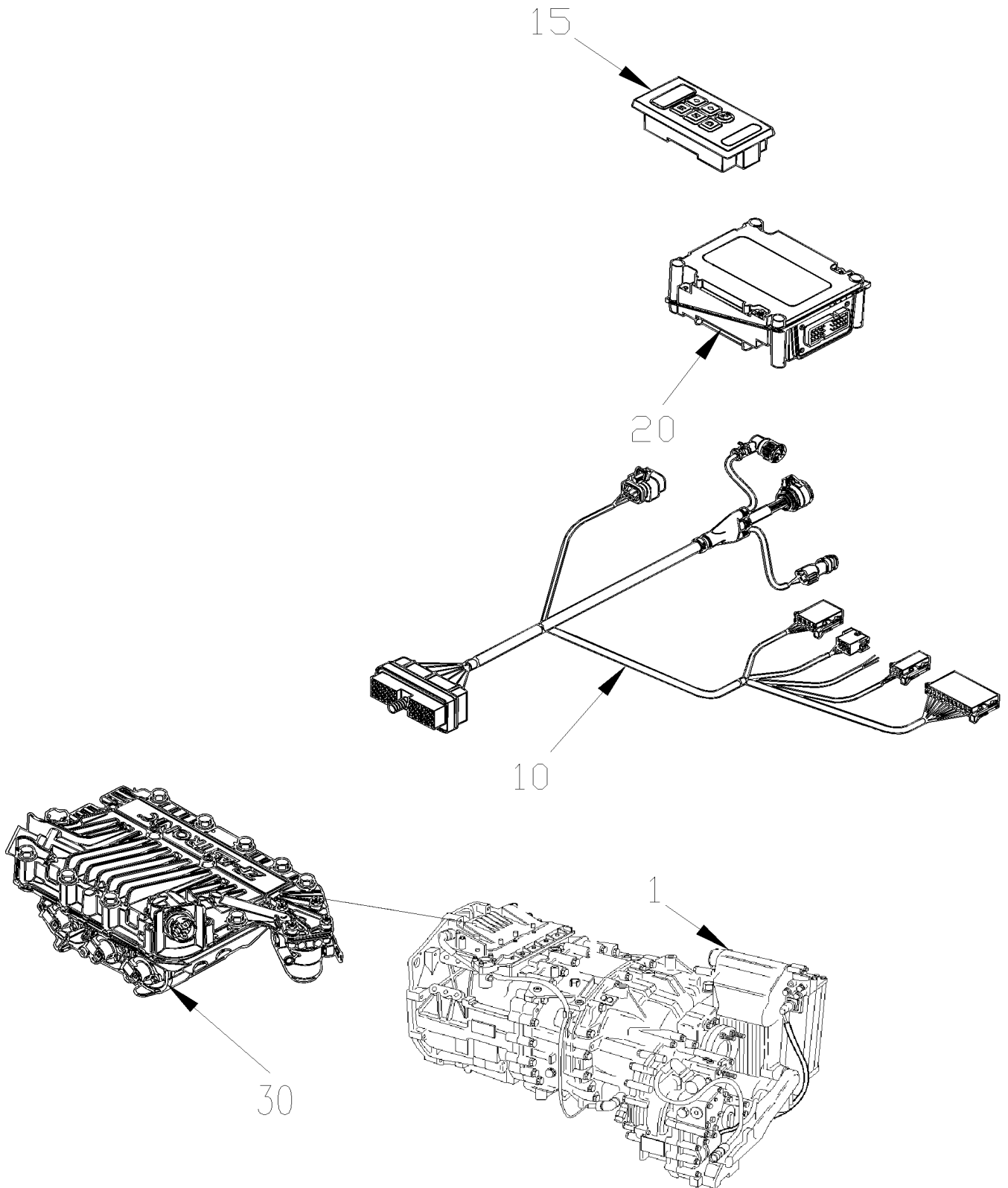


X3-45 COACH, WITH OPTION TRANSMISSION ZF

From 7-8754 To B-5001	Date:01/2024	PAGE:X3-0700-05
TRANSMISSION "ZF" - AIR SYSTEM		

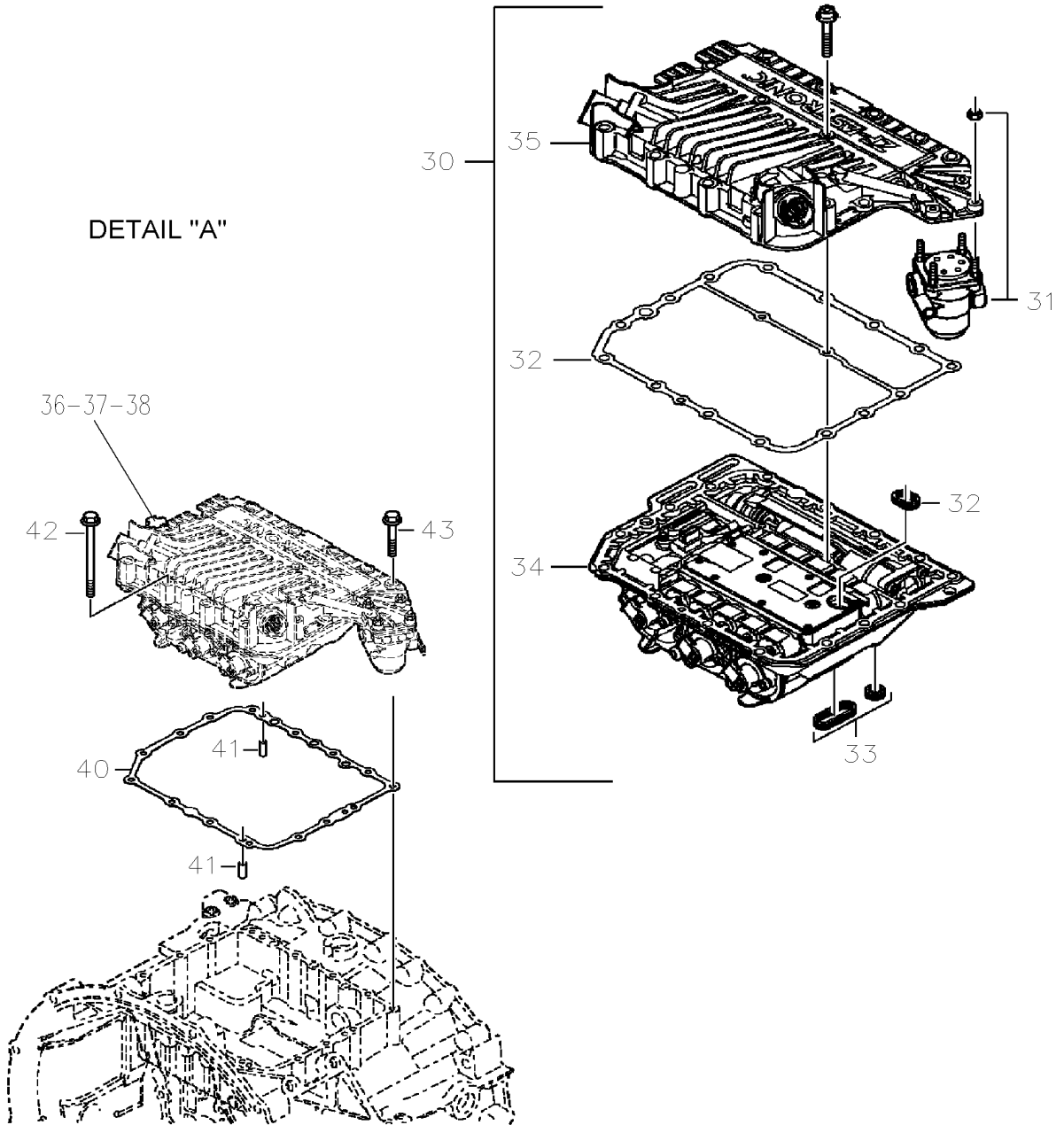
Item#	Part	Description	QTY	Notes
1	641977	MALE CONNECTOR / PUSH-IN FITTING / #4xM16NPT-M BR	2	
2	503540	TUBE, NYLON 5/8 O.D. / BLACK S.L.	AR	
3	X3-1203-00	AIR TANK - INSTALLATION		
4	641043	DRAIN VALVE 1/4 NPT M	1	
5	640123	VALVE, CHECK 1/2 NPT SC-1	1	
NS	641401	VALVE, CHECK 1/2 NPT SC-1	1	
6	641950	VALVE, "ATC" 12VOLT	1	
7	503463	TUBE, NYLON 3/8 O.D. / GREEN S.L.	AR	
8	640135	VALVE, CHECK 1/4 NPT	1	
9	641462	PRESSURE SWITCH N.O. 4PSI / 1/4NPT W/10-32 / SL-5 BRAKE	1	
10	503404	TUBE, NYLON 3/8 O.D. / BLACK S.L.	AR	
11	641991	VALVE, RELAY R-14 "WABCO"	1	
12	503639	TUBE, NYLON 3/8 O.D. / BROWN S.L.	AR	
13	503408	TUBE, NYLON 5/8 O.D. / GREEN S.L.	AR	
14	503469	TUBE, NYLON 5/8 O.D. / RED S.L.	AR	
15	641399	VALVE, RELAY R-12 P SUPPERSEDED 642097	1	
16	641495	TRACTOR PROTECTION VALVE TP-3 DC	1	
17	950245	PRESSURE SWITCH N.C. 20-30 LO-UNLOAD W/WIRE BLACK	1	
18	503467	TUBE, NYLON 3/8 O.D. / RED S.L.	AR	
19	641397	TRAILER SUPPLY VALVE PP-7	1	
20	X3-1220-00	MISCELLANEOUS AIR VALVE		
21	X3-1250-00	ANTI-LOCK BRAKING SYSTEM		
22	X3-1220-10	BRAKE PEDAL VALVE - "BENDIX" E-10P		
23	X3-1220-50	TRAILER VALVE INSTALLATION		

From 7-8754 To B-5001	Date:01/2024	PAGE:X3-0705-00
TRANSMISSION "ZF-ASTRONIC"		



TRANSMISSION "ZF-ASTRONIC"

DETAIL "A"



From 7-8754 To B-5001	Date:01/2024	PAGE:X3-0705-00
TRANSMISSION "ZF-ASTRONIC"		

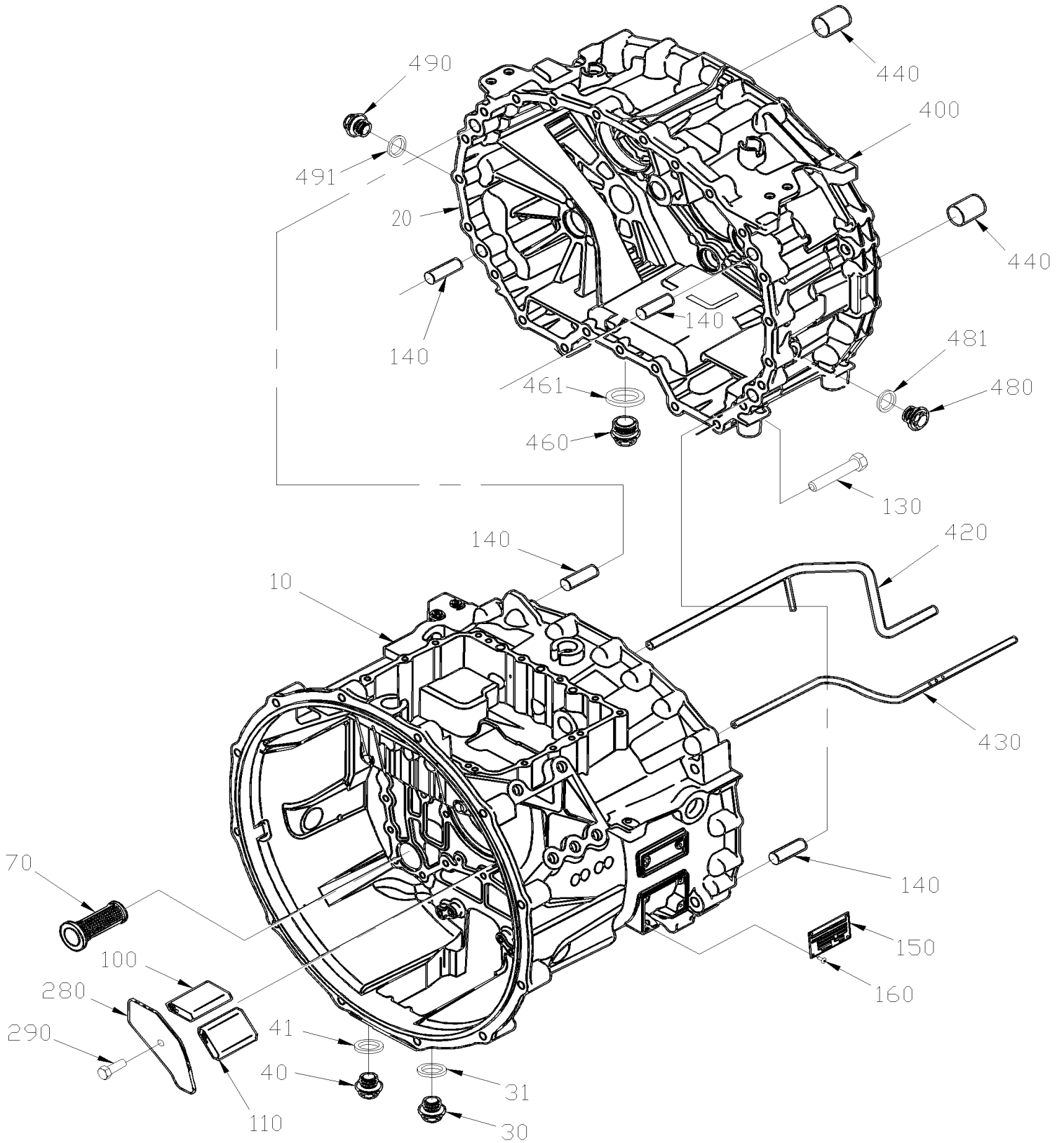
Item#	Part	Description	QTY	Notes
		"WARNING" - "WARNING" -"WARNING" - "WARNING"		
		V.I.N. 8-9151 IT EQUIPED WITH 12 SPEEDS TRANS		
1	571772	TRANSMISSION "ZF" W/O INTARDER / W10 SPEEDS To 8-9340	1	
1	572042	TRANSMISSION "ZF" W/O INTARDER / W12 SPEEDS From 8-9341 To 8-9421	1	
1	572112	TRANSMISSION "ZF" W/O INTARDER / W12 SPEEDS From 8-9422	1	
NS	684516	OIL TRANSYND TRANSMISSION "ZF" CASTROL / 75W/85 AP1 GL4 / (25 LITERS)	AR	
NS	684911	OIL TRANSYND TRANSMISSION "ZF" TOTAL EXON / 75W/80 AP1 GL4 / (20 LITERS)	AR	
10	066636	CABLE ASSY / FRT SELECTOR & RR "ZMTec"	1	
NS	563340	CONNECTOR / SEAL CIRC. 2.5 SERIES / SH 4C / AMP 1-967325-1	1	
NS	562877	CONNECTOR / DT SERIES / PH 3C / GRAY / DEUTSCH DT04-3P-E008	1	
15	571773	SHIFTER SELECTOR "ZF"	1	
20	572027	MODULE "ZF" ZMTEC / W10 SPEEDS To 8-9340	1	
20	572041	MODULE "ZF" ZMTEC / W12 SPEEDS From 8-9341	1	
30	572022	TRANSMISSION ACTUATOR GS 3 / 10 speeds To 8-9340	1	
30	572093	TRANSMISSION ACTUATOR GS 3.3 / 12 speeds From 8-9341	1	
31	19504975	PRESSURE REDUCER VALVE	1	
32	570003	SEAL KIT	1	
33	Call order desk	SEAL KIT GROMMET	1	P
34	N.S.P.	BOTTOM ACTUATOR 6009.274.058	1	2
35	N.S.P.	UPPER PART ACTUATOR 6009.397.074	1	2
36	572131	BREATHER	1	
37	572132	ELBOW 90°	1	
38	572133	ADAPTOR	1	
40	572024	GASKET / TRANS ACTUATOR & HOUSING	1	
41	N.S.P.	CYLINDER PIN 8MMX45MM 10.9 0631.306.863	2	2
42	502797	SCREW CAP HEX M8-1.25x70 G10.9 G500	6	
43	N.S.P.	SCREW CAP HEX M8-1.25x45 G10.9 DP	9	2
44	N.S.P.	ANGLE PIECE 0501.315.796	1	2
50	X3-0625-00	FRONT JUNCTION PANEL		
		2) NOT SOLD BY PREVOST (SEE MANUFACTURING PART NUMBER AT END OF DESCRIPTION LINE)		
		P) CALL ORDER DESK FOR SPECIFIC APPLICATION (V.I.N.)		

From 7-8754 To B-5001

Date:01/2024

PAGE:X3-0705-05

GEARBOX HOUSING



From 7-8754 To B-5001	Date:01/2024	PAGE:X3-0705-05
GEARBOX HOUSING		

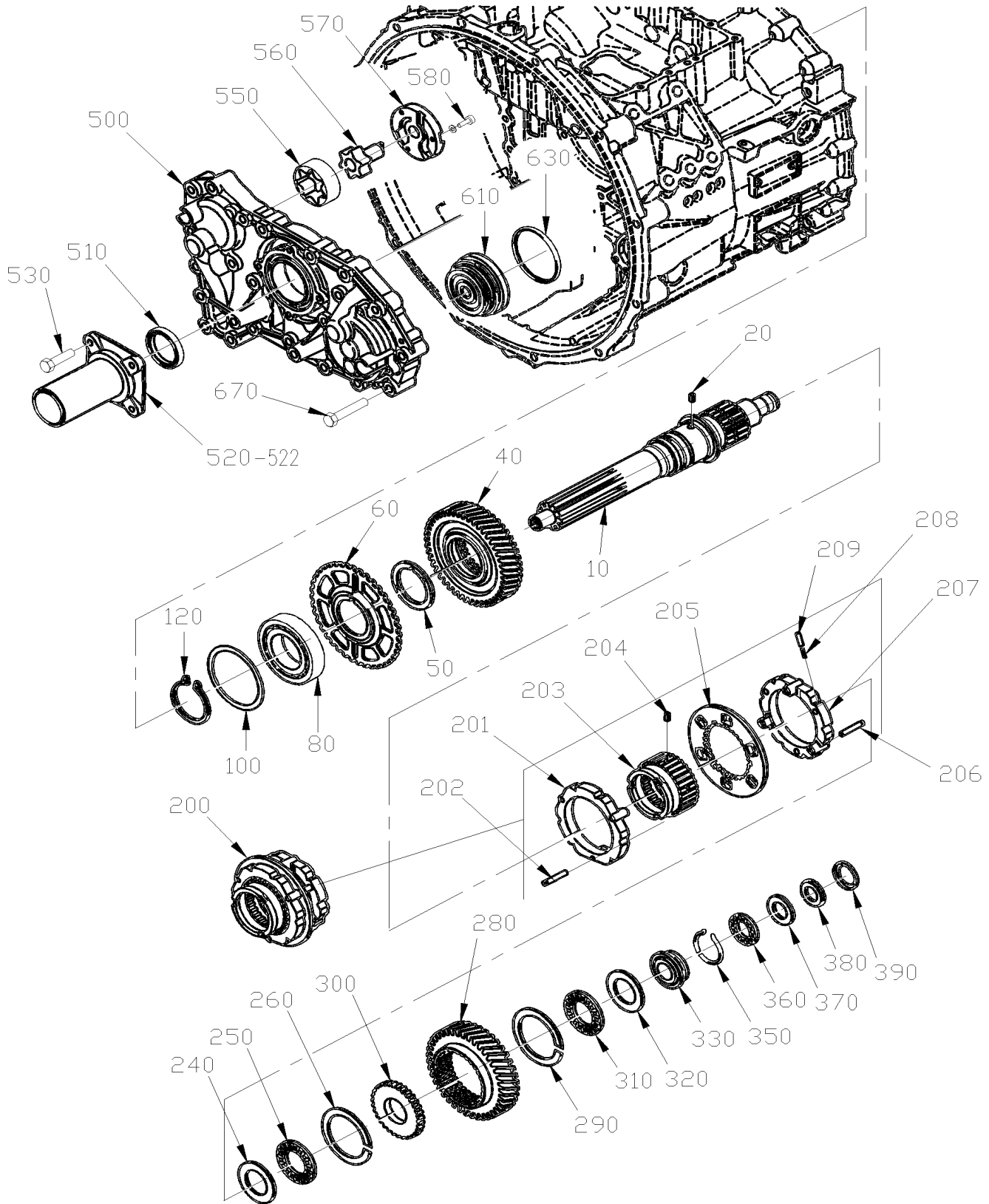
Item#	Part	Description	QTY	Notes
		"WARNING" - "WARNING" -"WARNING" - "WARNING"		
		V.I.N. 8-9151 IT EQUIPED WITH 12 SPEEDS TRANS		
10	571787	HOUSING To 8-9340	1	
10	571527	HOUSING From 8-9341	1	
20	572068	GASKET / BETWEEN HOUSING / METAL From 8-9341	1	
20	571004	GASKET / BETWEEN HOUSING / METAL / AFTER MARKET	1	
30	571788	SCREW PLUG M22x1.5 DIN 908	1	
31	571789	SEALING RING	1	
40	571788	SCREW PLUG M22x1.5 DIN 908	1	
41	571789	SEALING RING	1	
70	571790	SCREEN INSERT	1	
100	571791	BREATHER	1	
110	571791	BREATHER	1	
130	571792	SCREW CAP HEX M101.5x60 G10.9	24	
140	571793	CYLINDRICAL PIN	4	
150	571794	TYPE PLATE	1	
160	571795	BLIND RIVET	4	
280	571796	COVER	1	
290	502790	SCREW CAP HEX M8-1.25x20 G8.8 Z050	1	
400	571797	HOUSING To 8-9340	1	
400	571656	HOUSING From 8-9341	1	
400	571657	HOUSING From 8-9341	1	
420	571798	SPRAY TUBE To 8-9340	1	
420	571675	SPRAY TUBE From 8-9341		
430	571799	SPRAY TUBE To 8-9340	1	
430	571677	SPRAY TUBE From 8-9341	1	
440	571800	PIN	2	
460	571801	SCREW PLUG	1	
461	571802	SEALING RING	1	
480	571803	SCREW PLUG M24x1.5 DIN 910	1	
481	571802	SEALING RING	1	
490	571803	SCREW PLUG M24x1.5 DIN 910	1	
491	571802	SEALING RING	1	
NS	684516	OIL TRANSYND TRANSMISSION "ZF" CASTROL / 75W/85 AP1 GL4 / (25 LITERS)	AR	
NS	684911	OIL TRANSYND TRANSMISSION "ZF" TOTAL EXON / 75W/80 AP1 GL4 / (20 LITERS)	AR	

From 7-8754 To B-5001

Date:01/2024

PAGE:X3-0705-10

INPUT SHAFT



From 7-8754 To B-5001	Date:01/2024	PAGE:X3-0705-10
-----------------------	--------------	-----------------

INPUT SHAFT

Item#	Part	Description	QTY	Notes
		"WARNING" - "WARNING" -"WARNING" - "WARNING"		
		V.I.N. 8-9151 IT EQUIPED WITH 12 SPEEDS TRANS		
10	571804	INPUT SHAFT	1	
20	571805	PIN	1	
40	571806	HELICAL GEAR	1	
50	571807	THRUST WASHER	1	
60	571808	COUNTING RING	1	
80	571809	BALL BEARING	1	
100	571810	SHIM 1.40MM	AR	
100	571811	SHIM 1.45MM	AR	
100	571812	SHIM 1.50MM	AR	
100	571813	SHIM 1.55MM	AR	
100	571814	SHIM 1.60MM	AR	
100	571815	SHIM 1.65MM	AR	
100	571816	SHIM 1.70MM	AR	
100	571817	SHIM 1.75MM	AR	
100	571818	SHIM 1.80MM	AR	
100	571819	SHIM 1.85MM	AR	
100	571820	SHIM 1.90MM	AR	
100	571821	SHIM 1.95MM	AR	
100	571822	SHIM 2.00MM	AR	
120	571823	RETAINING RING 3.25MM	AR	
120	571824	RETAINING RING 3.30MM	AR	
120	571825	RETAINING RING 3.35MM	AR	
120	571826	RETAINING RING 3.40MM	AR	
120	571827	RETAINING RING 3.45MM	AR	
120	571828	RETAINING RING 3.50MM	AR	
120	571829	RETAINING RING 3.55MM	AR	
120	571830	RETAINING RING 3.60MM	AR	
120	571831	RETAINING RING 3.65MM	AR	
120	571832	RETAINING RING 3.70MM	AR	
120	571833	RETAINING RING 3.75MM	AR	
120	571834	RETAINING RING 3.80MM	AR	
120	571835	RETAINING RING 3.85MM	AR	
120	571836	RETAINING RING 3.90MM	AR	
120	571837	RETAINING RING 3.95MM	AR	
120	571838	RETAINING RING 4.00MM	AR	
200	571839	SYNCHRONIZER ASSY To 8-9340	1	
200	572069	SYNCHRONIZER ASSY From 8-9341	1	
201	571840	. SYNCHRONIZER RING To 8-9340	1	
201	572071	. SYNCHRONIZER RING From 8-9341	1	

From 7-8754 To B-5001	Date:01/2024	PAGE:X3-0705-10
INPUT SHAFT		

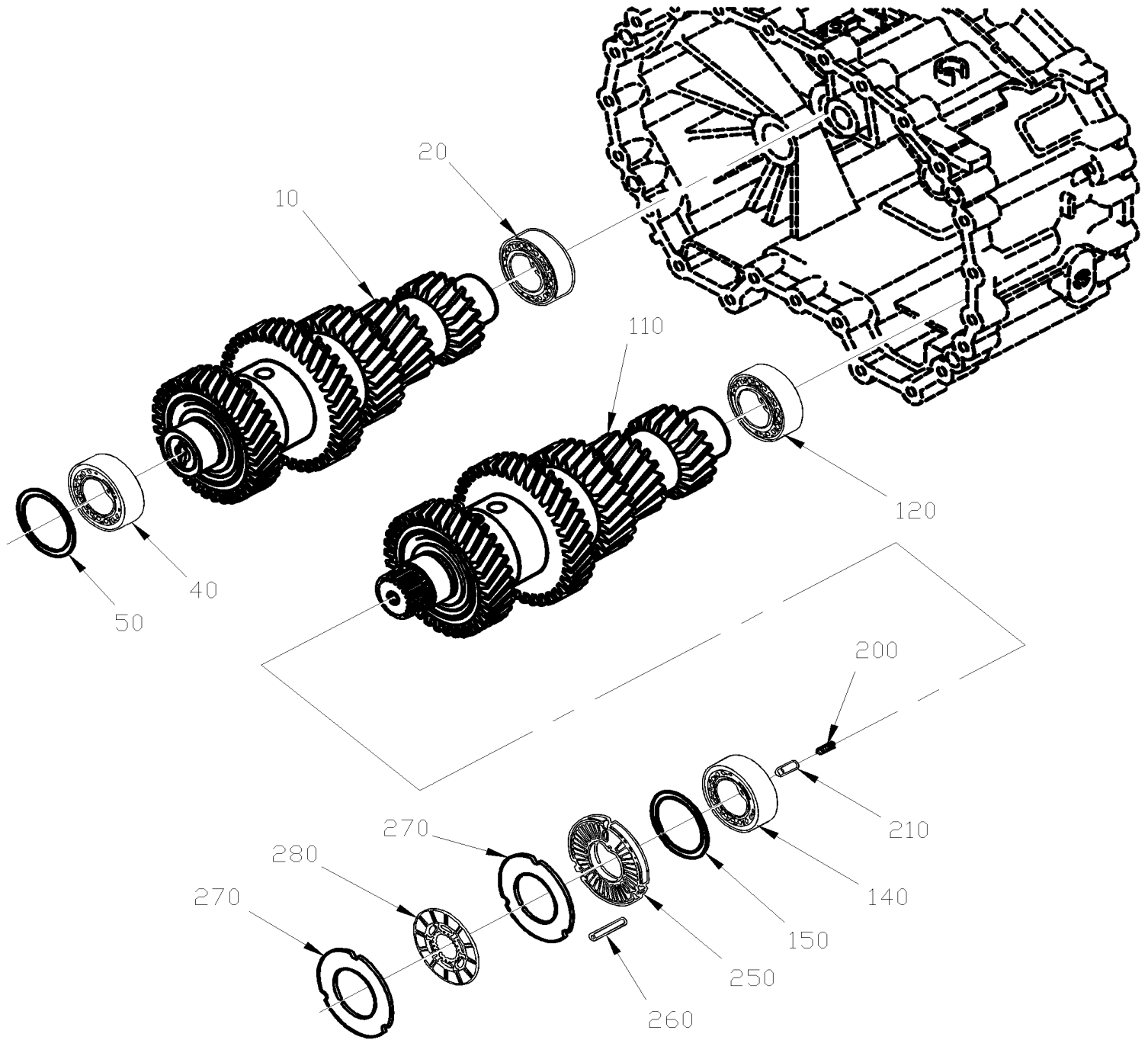
Item#	Part	Description	QTY	Notes
202	571841	. PIN	3	
203	571842	. GEAR SHIFT SLEEVE	1	
204	571805	. PIN	1	
205	571843	. PLATE To 8-9340	1	
205	572072	. PLATE From 8-9341	1	
206	571844	. PIN	3	
207	571845	. SYCHRONIZER RING To 8-9340	1	
207	572073	. SYCHRONIZER RING From 8-9341	1	
208	571846	. COMPRESSION SPRING	3	
209	571847	. CYLINDER ROLLER 7X10 DIN 5402	3	
240	571848	WASHER	1	
250	571849	AXLE NEEDLE CAGE	1	
260	571850	SNAP RING To 8-9340	1	
260	572074	SNAP RING From 8-9341	1	
280	571851	HELICAL GEAR	1	
290	571850	SNAP RING	1	
300	571852	BEARING DISC	1	
310	571849	AXLE NEEDLE CAGE	1	
320	571848	WASHER	1	
330	571853	BEARING RING	1	
350	571854	RETAINING RING	1	
360	571855	AXLE ROLLER CAGE	1	
370	571856	WASHER / 5MM	1	
380	571857	SPLIT RING To 8-9340	1	
380	572075	SPLIT RING From 8-9341	1	
390	571858	RETAINING RING	1	
500	571859	CONNECTING PLATE	1	
510	571860	SHAFT SEAL	1	
520	571861	RELEASE FLANGE	1	
522	572076	GASKET From 8-9341	1	
530	502589	SCREW CAP HEX M8-1.25x25 G8.8 Z050	4	
550	571862	ROTOR	1	
560	571863	PUMP SHAFT	1	
570	571864	PUMP COVER	1	
580	571865	SCREW CAP HEXS TORX M6-1.0x25	3	
610	571866	PISTON	1	
630	571867	U-RING	1	
670	571868	SCREW CAP HEX M10-1.5x60 G10.9	22	

From 7-8754 To B-5001

Date:01/2024

PAGE:X3-0705-15

LAYSHAFT



From 7-8754 To B-5001	Date:01/2024	PAGE:X3-0705-15
-----------------------	--------------	-----------------

LAYSHAFT

Item#	Part	Description	QTY	Notes
		"WARNING" - "WARNING" -"WARNING" - "WARNING"		
		V.I.N. 8-9151 IT EQUIPED WITH 12 SPEEDS TRANS		
10	571869	LAYSHAFT To 8-9340	1	
10	N.S.P.	LAYSHAFT 1327.203.044 From 8-9341	1	2
20	571870	ROLLER BEARING	1	
40	571870	ROLLER BEARING	1	
50	571871	SHIM 1.70MM	AR	
50	571872	SHIM 1.75MM	AR	
50	571873	SHIM 1.80MM	AR	
50	571874	SHIM 1.85MM	AR	
50	571875	SHIM 1.90MM	AR	
50	571876	SHIM 1.95MM	AR	
50	571877	SHIM 2.00MM	AR	
50	571878	SHIM 2.05MM	AR	
50	571879	SHIM 2.10MM	AR	
50	571880	SHIM 2.15MM	AR	
50	571881	SHIM 2.20MM	AR	
50	571882	SHIM 2.25MM	AR	
50	571883	SHIM 2.30MM	AR	
50	571884	SHIM 2.35MM	AR	
50	571885	SHIM 2.40MM	AR	
50	571886	SHIM 2.45MM	AR	
50	571887	SHIM 2.50MM	AR	
50	571888	SHIM 2.55MM	AR	
50	571889	SHIM 2.60MM	AR	
50	571890	SHIM 2.65MM	AR	
50	571891	SHIM 2.70MM	AR	
50	571892	SHIM 2.75MM	AR	
50	571893	SHIM 2.80MM	AR	
110	571894	LAYSHAFT To 8-9340	1	
110	N.S.P.	LAYSHAFT 1327.203.046 From 8-9341	1	2
120	571870	ROLLER BEARING	1	
140	571870	ROLLER BEARING	1	
150	571871	SHIM 1.70MM	AR	
150	571872	SHIM 1.75MM	AR	
150	571873	SHIM 1.80MM	AR	
150	571874	SHIM 1.85MM	AR	
150	571875	SHIM 1.90MM	AR	
150	571876	SHIM 1.95MM	AR	
150	571877	SHIM 2.00MM	AR	
150	571878	SHIM 2.05MM	AR	

From 7-8754 To B-5001	Date:01/2024	PAGE:X3-0705-15
LAYSHAFT		

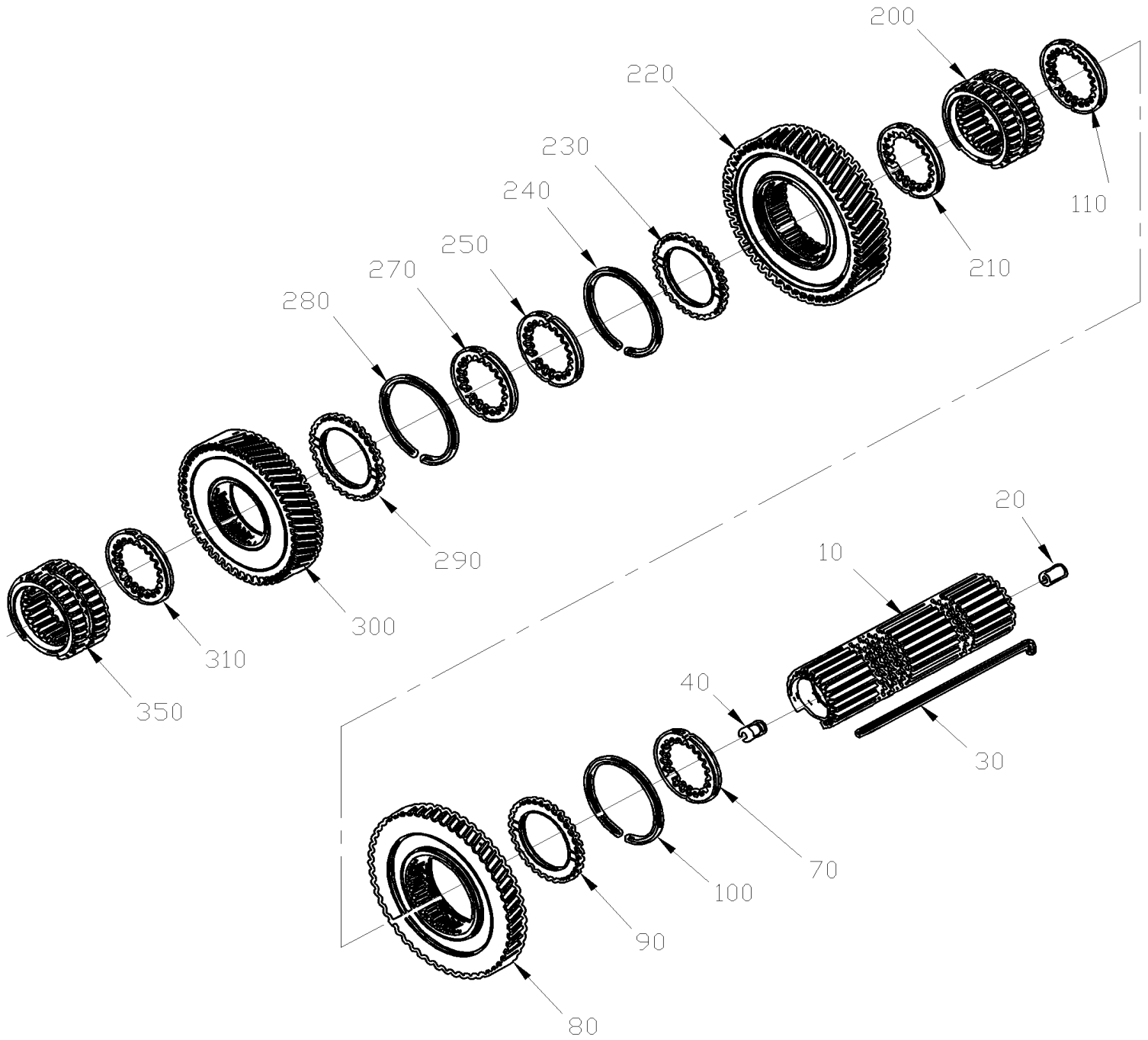
Item#	Part	Description	QTY	Notes
150	571879	SHIM 2.10MM	AR	
150	571880	SHIM 2.15MM	AR	
150	571881	SHIM 2.20MM	AR	
150	571882	SHIM 2.25MM	AR	
150	571883	SHIM 2.30MM	AR	
150	571884	SHIM 2.35MM	AR	
150	571885	SHIM 2.40MM	AR	
150	571886	SHIM 2.45MM	AR	
150	571887	SHIM 2.50MM	AR	
150	571888	SHIM 2.55MM	AR	
150	571889	SHIM 2.60MM	AR	
150	571890	SHIM 2.65MM	AR	
150	571891	SHIM 2.70MM	AR	
150	571892	SHIM 2.75MM	AR	
150	571893	SHIM 2.80MM	AR	
200	571895	COMPRESSION SPRING	1	
210	571896	DETENT PIN	1	
250	571897	BRAKE COVER	1	
260	571898	CYLINDRICAL PIN M6x50	3	
270	571899	OUT CLUTCH DISC	4	
280	571900	LINNIG CLUTCH DISC	2	
		2) NOT SOLD BY PREVOST (SEE MANUFACTURING PART NUMBER AT END OF DESCRIPTION LINE)		

From 7-8754 To B-5001

Date:01/2024

PAGE:X3-0705-20

MAIN SHAFT



From 7-8754 To B-5001	Date:01/2024	PAGE:X3-0705-20
MAIN SHAFT		

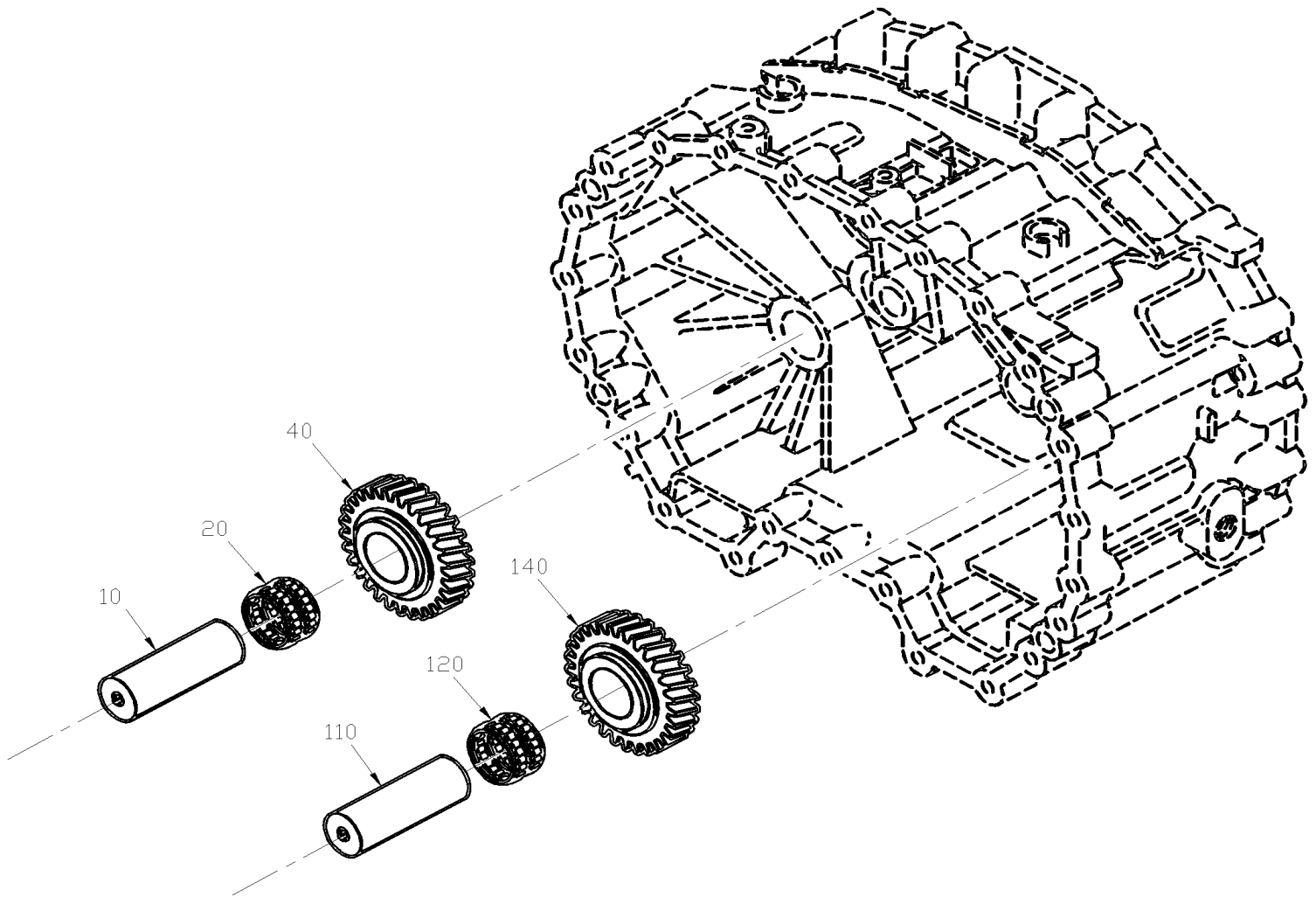
Item#	Part	Description	QTY	Notes
		"WARNING" - "WARNING" -"WARNING" - "WARNING"		
		V.I.N. 8-9151 IT EQUIPED WITH 12 SPEEDS TRANS		
10	571901	MAIN SHAFT To 8-9340	1	
10	572077	MAIN SHAFT From 8-9341	1	
20	571902	OIL TUBE	1	
30	571903	KEY	1	
40	571904	OIL TUBE	1	
70	571905	WASHER	1	
80	571906	HELICAL GEAR	1	
90	571907	WASHER	1	
100	571850	SNAP RING	1	
110	571905	WASHER	1	
200	571908	SLIDING SLEEVE To 8-9340	1	
200	572078	SLIDING SLEEVE From 8-9341	1	
210	571905	WASHER	1	
220	571909	HELICAL GEAR	1	
230	571907	WASHER	1	
240	571850	SNAP RING	1	
250	571905	WASHER	1	
270	571905	WASHER	1	
280	571850	SNAP RING	1	
290	571907	WASHER	1	
300	571910	HELICAL GEAR To 8-9340	1	
300	N.S.P.	HELICAL GEAR 1327.304.024 From 8-9341	1	2
310	571905	WASHER	1	
350	571908	SLIDING SLEEVE	1	
		2) NOT SOLD BY PREVOST (SEE MANUFACTURING PART NUMBER AT END OF DESCRIPTION LINE)		

From 7-8754 To B-5001

Date:01/2024

PAGE:X3-0705-25

REVERSE GEAR

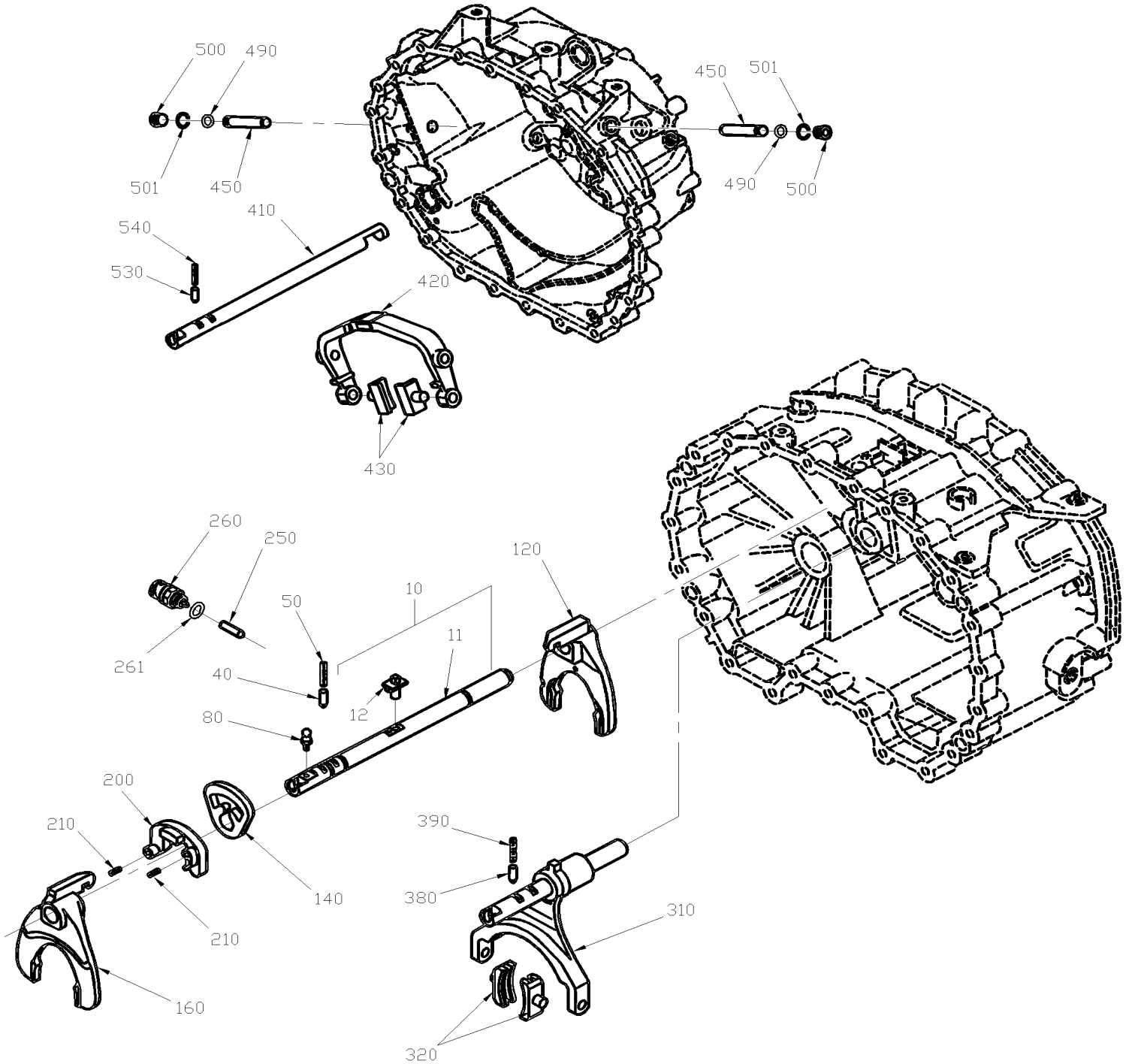


From 7-8754 To B-5001		Date:01/2024	PAGE:X3-0705-25
-----------------------	--	--------------	-----------------

REVERSE GEAR

Item#	Part	Description	QTY	Notes
10	571911	REVERSE IDLER SHAFT	1	
20	571912	NEEDLE CAGE	1	
40	571913	HELICAL GEAR	1	
110	571911	REVERSE IDLER SHAFT	1	
120	571912	NEEDLE CAGE	1	
140	571913	HELICAL GEAR	1	

From 7-8754 To B-5001	Date:01/2024	PAGE:X3-0705-30
GEAR SHIFT SYSTEM		



From 7-8754 To B-5001	Date:01/2024	PAGE:X3-0705-30
GEAR SHIFT SYSTEM		

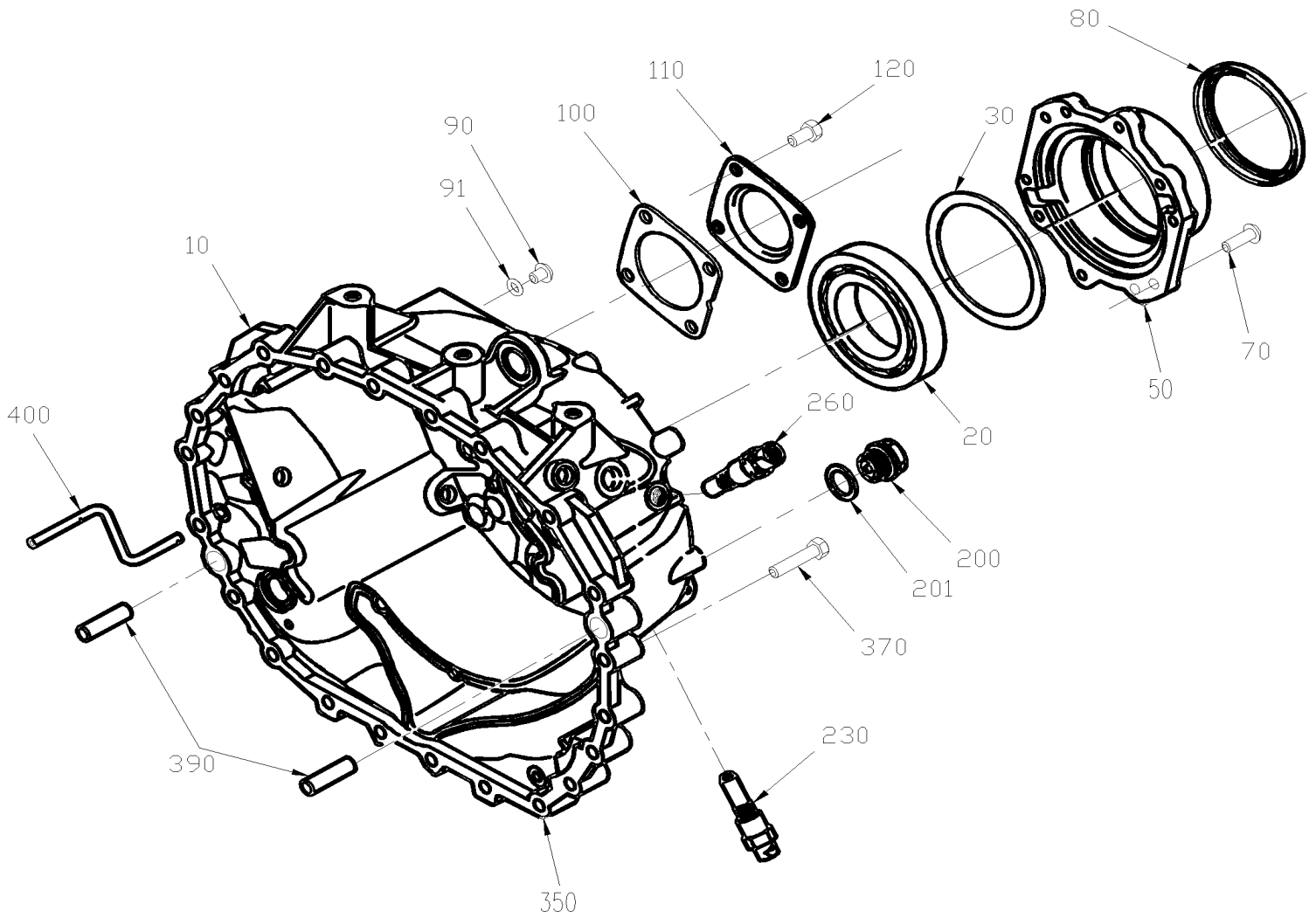
Item#	Part	Description	QTY	Notes
10	571914	GEAR SHIFT SHAFT ASSY	1	
11	571915	. GEAR SHIFT SHAFT	1	
12	571916	. GEAR SHIFT FINGER	1	
40	571896	DETENT PIN	1	
50	571895	COMPRESSION SPRING	1	
80	571917	BALL PIN	1	
120	571918	GEAR SHIFT FORK	1	
140	571919	INERTLOCK	1	
160	571920	GEAR SHIFT FORK	1	
200	571921	SPACER	1	
210	571922	SLOT PIN 6x18MM	2	
250	571923	PIN	1	
261	571924	SEALING RING	1	
310	571926	GEAR SHIFT FORK	1	
320	571927	SLIDING PAD	2	
380	571896	DETENT PIN	1	
390	571895	COMPRESSION SPRING	1	
410	571998	GEAR SHIFT RAIL	1	
420	571999	GEAR SHIFT FORK	1	
430	572000	SLIDING PAD	2	
450	572001	JOINT PIN	2	
490	572002	SNAP RING	2	
500	572003	SCREW PLUG M20x1.5 DIN 908	2	
501	572004	SEALING RING	2	
530	571896	DETENT PIN	1	
540	571895	COMPRESSION SPRING	1	

From 7-8754 To B-5001

Date:01/2024

PAGE:X3-0705-35

OUTPUT HOUSING



From 7-8754 To B-5001	Date:01/2024	PAGE:X3-0705-35
OUTPUT HOUSING		

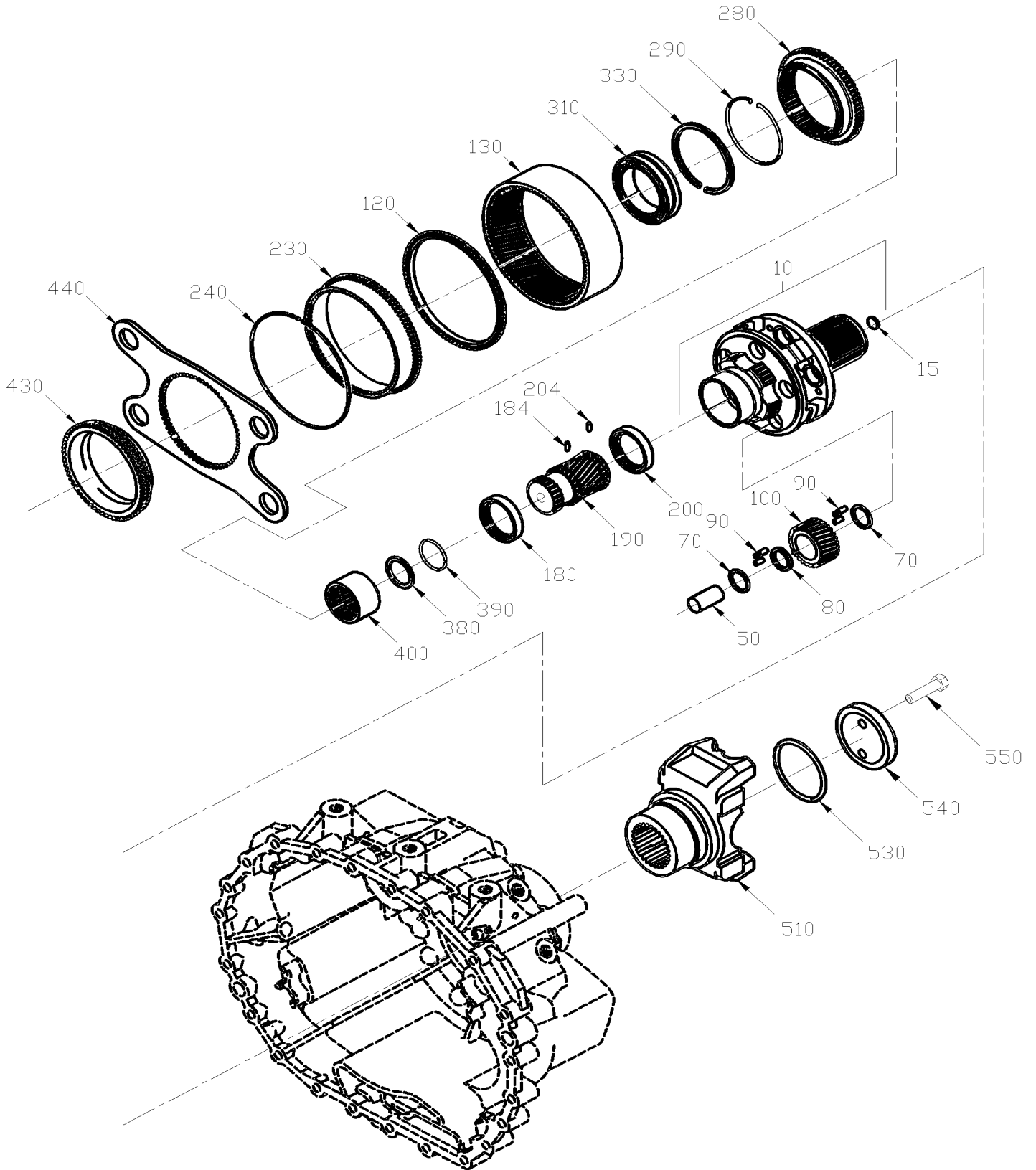
Item#	Part	Description	QTY	Notes
		"WARNING" - "WARNING" -"WARNING" - "WARNING"		
		V.I.N. 8-9151 IT EQUIPED WITH 12 SPEEDS TRANS		
10	571928	HOUSING To 8-9340	1	
10	572079	HOUSING From 8-9341	1	
10	571006	GASKET / BETWEEN HOUSING / METAL	1	
20	571929	BALL BEARING To 8-9340	1	
20	572080	BALL BEARING From 8-9341	1	
30	571930	SHIM 0.20MM	AR	
30	571931	SHIM 0.30MM	AR	
30	571932	SHIM 0.40MM	AR	
30	571933	SHIM 0.50MM	AR	
30	571934	SHIM 0.60MM	AR	
50	571935	COVER To 8-9340	1	
50	572081	COVER From 8-9341	1	
70	500829	SCREW CAP HEX M10-1.5x40 G8.8	10	
80	571936	SHAFT SEAL	1	
90	571937	SCREW PLUG M10x1.0 DIN 908	1	
91	571938	SEALING RING	1	
100	571939	GASKET	1	
110	571940	COVER	1	
120	500850	SCREW CAP HEX M12-1.75X25 G8.8 Z050	4	
200	571801	SCREW PLUG	1	
201	571802	SEALING RING	1	
230	571941	PULSE SENSOR	1	
260	571941	PULSE SENSOR To 8-9340	1	
350	N.S.P.	GASKET 0501.321.443 From 8-9341	1	2
370	571792	SCREW CAP HEX M101.5x60 G10.9	22	
390	571793	CYLINDRICAL PIN	2	
400	571942	SPRAY TUBE	1	
		2) NOT SOLD BY PREVOST (SEE MANUFACTURING PART NUMBER AT END OF DESCRIPTION LINE)		

From 7-8754 To B-5001

Date:01/2024

PAGE:X3-0705-40

OUTPUT FLANGE & PLANETARY DRIVE



From 7-8754 To B-5001	Date:01/2024	PAGE:X3-0705-40
OUTPUT FLANGE & PLANETARY DRIVE		

Item#	Part	Description	QTY	Notes
		"WARNING" - "WARNING" -"WARNING" - "WARNING"		
		V.I.N. 8-9151 IT EQUIPED WITH 12 SPEEDS TRANS		
10	571943	PLANET CARRIER To 8-9340	1	
10	572082	PLANET CARRIER From 8-9341	1	
15	571944	. SEALING CAP	1	
50	571945	PLANET SHAFT	5	
70	571946	WASHER	10	
80	571947	WASHER	5	
90	571948	ROLLER	140	
100	571949	PLANET GEAR SET	1	
120	571950	THRUST RING To 8-9340	1	
120	572083	THRUST RING From 8-9341	1	
130	571951	RING GEAR To 8-9340	1	
130	572084	RING GEAR From 8-9341	1	
180	571952	PRESSURE DISC	1	
184	571953	DRIVING PIN	1	
190	571954	SUN GEAR	1	
200	571952	PRESSURE DISC	1	
204	571953	DRIVING PIN	1	
230	571955	RING GEAR CARRIER	1	
240	571956	LOCKING WIRE	2	
280	571957	CLUTCH BODY To 8-9340	1	
280	572085	CLUTCH BODY From 8-9341	1	
290	571958	RETAINING RING	1	
310	571959	CYLINDRICAL ROLLER BEARING	1	
330	571960	SNAP RING	1	
380	571961	SHIM 1.00MM	AR	
380	571962	SHIM 1.10MM	AR	
380	571963	SHIM 1.20MM	AR	
380	571964	SHIM 1.30MM	AR	
380	571965	SHIM 1.40MM	AR	
380	571966	SHIM 1.50MM	AR	
380	571967	SHIM 1.60MM	AR	
380	571968	SHIM 1.70MM	AR	
380	571969	SHIM 1.80MM	AR	
380	571970	SHIM 1.90MM	AR	
380	571971	SHIM 2.00MM	AR	
380	571972	SHIM 2.10MM	AR	
380	571973	SHIM 2.20MM	AR	
380	571974	SHIM 2.30MM	AR	
380	571975	SHIM 2.40MM	AR	

From 7-8754 To B-5001	Date:01/2024	PAGE:X3-0705-40
-----------------------	--------------	-----------------

OUTPUT FLANGE & PLANETARY DRIVE

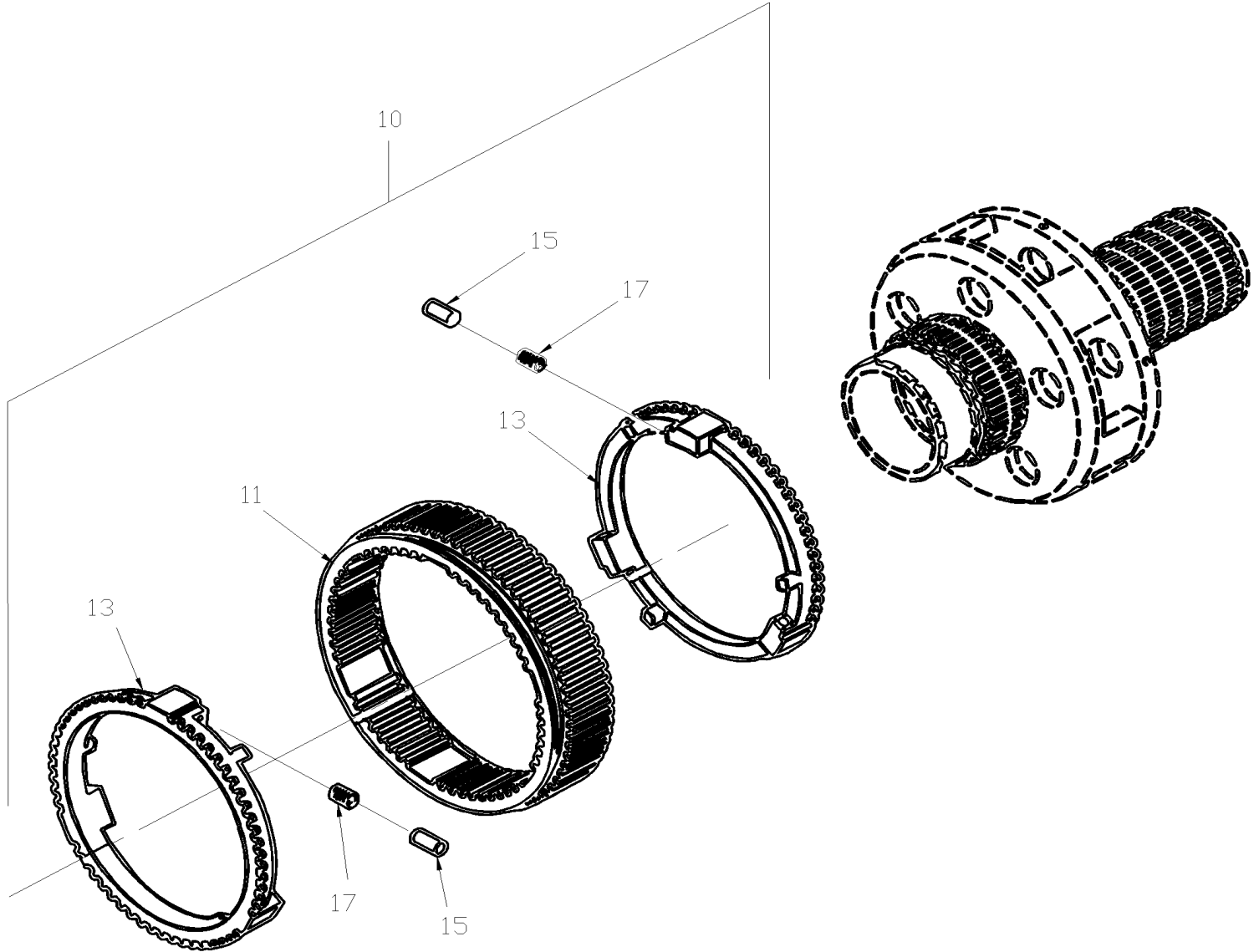
Item#	Part	Description	QTY	Notes
380	571976	SHIM 2.50MM	AR	
380	571977	SHIM 2.60MM	AR	
380	571978	SHIM 2.70MM	AR	
380	571979	SHIM 2.80MM	AR	
380	571980	SHIM 2.90MM	AR	
380	571981	SHIM 3.00MM	AR	
380	571982	SHIM 3.10MM	AR	
380	571983	SHIM 3.20MM	AR	
380	571984	SHIM 3.30MM	AR	
390	571985	RETAINING RING	1	
400	571986	SLEEVE	1	
430	571987	CLUTCH BODY	1	
440	571988	PLATE	1	
510	571989	YOKE (1810) HALF ROUND / "ZF" TRANS To 8-9340	1	
510	572086	YOKE (1810) HALF ROUND / "ZF" TRANS 1348.332.001 From 8-9341	1	
530	571990	O-RING	1	
540	571991	WASHER	1	
550	571992	SCREW CAP HEX M10-1.5x60 G10.9	2	

From 7-8754 To B-5001

Date:01/2024

PAGE:X3-0705-45

SYNCHRONIZER ASSY



From 7-8754 To B-5001		Date:01/2024	PAGE:X3-0705-45
-----------------------	--	--------------	-----------------

SYNCHRONIZER ASSY

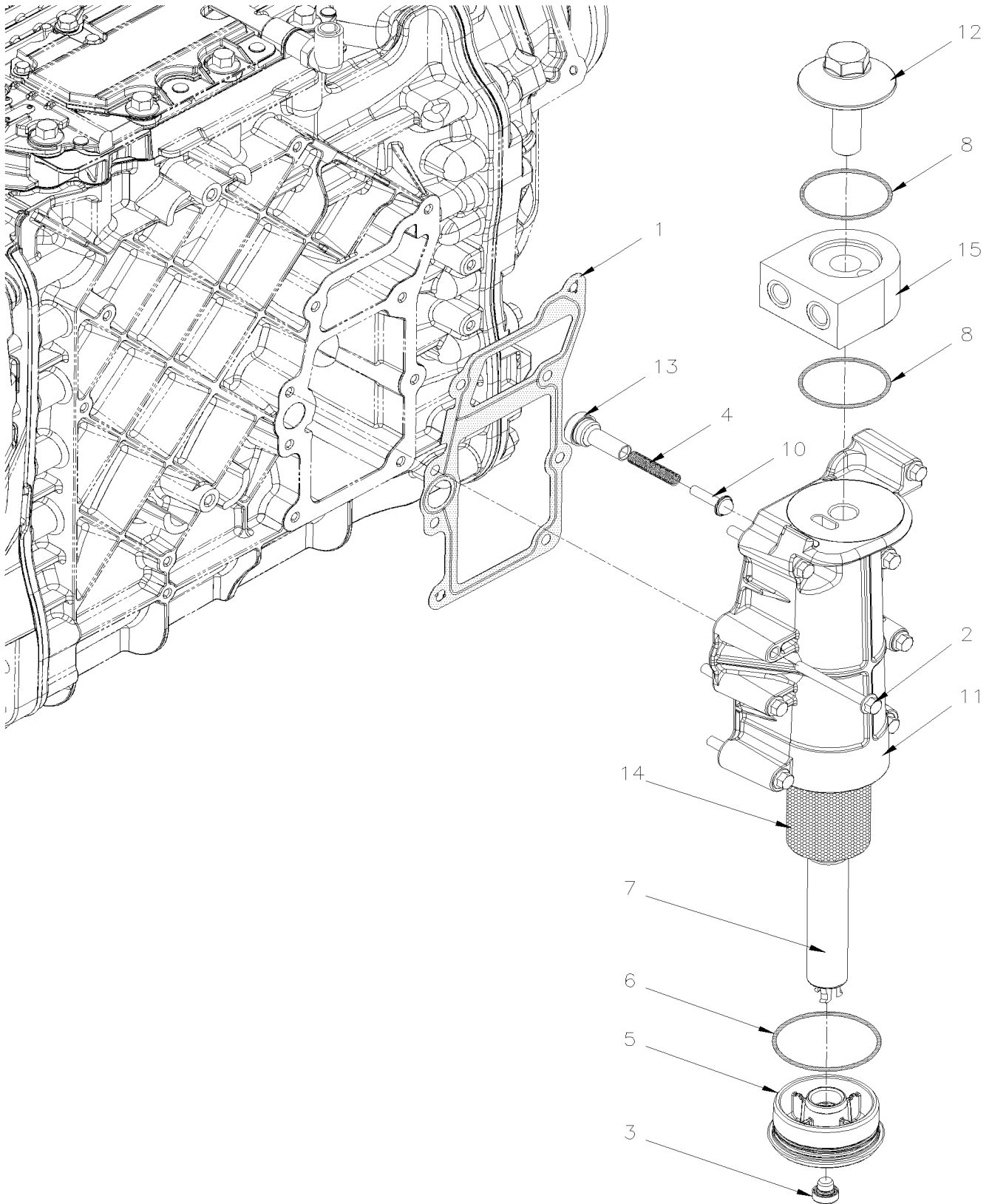
Item#	Part	Description	QTY	Notes
10	571993	SYNCHRONIZER ASSY	1	
11	571994	. SLIDING SLEEVE	1	
13	571995	. SYCHRONIZER RING	2	
15	571996	. BUSHING	6	
17	571997	. COMPRESSION SPRING	6	

From B-5002 To P-6867

Date:01/2024

PAGE:X3-0705-50

TRANS "I-SHIFT" - OIL FILTER - INSTALLATION



From B-5002 To P-6867	Date:01/2024	PAGE:X3-0705-50
TRANS "I-SHIFT" - OIL FILTER - INSTALLATION		

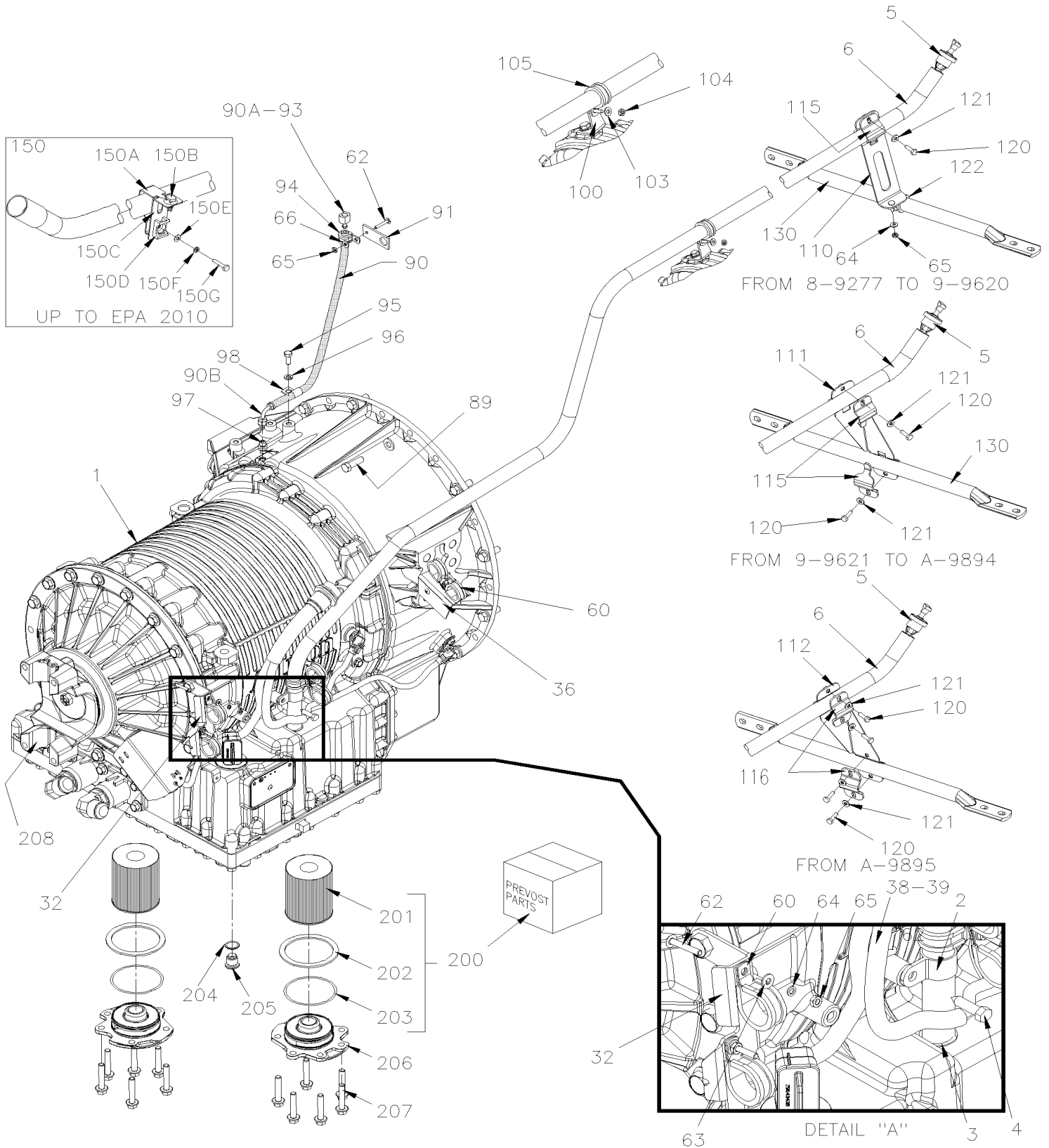
Item#	Part	Description	QTY	Notes
1	Refer To Volvo	GASKET OIL FILTER HOUSING	1	V
2	Refer To Volvo	FLANGE SCREW	1	V
3	Refer To Volvo	DRAIN PLUG	2	V
4	Refer To Volvo	SPRING BY-PASS	1	V
5	Refer To Volvo	COVER LOWER FILTER	1	V
6	Refer To Volvo	O-RING	1	V
7	Refer To Volvo	TUBE	1	V
8	Refer To Volvo	O-RING	3	V
10	Refer To Volvo	VALVE BY-PASS	1	V
11	Refer To Volvo	FILTER HOUSING	1	V
12	Refer To Volvo	COVER	1	V
13	Refer To Volvo	PLUG	1	V
14	Refer To Volvo	KIT, OIL FILTER TRANS I-SHIFT	1	VI
15	Refer To Volvo	CONNECTING BLOCK	1	V
NS	Refer To Volvo	NIPPLE	2	V
NS	Refer To Volvo	GASKET	4	V
		I) INCLUDE ITEM # 6 & 8		
		V) SEE IMPACT OR CALL ORDER DESK		

From 7-8754 To B-5001

Date:01/2024

PAGE:X3-0750-00

AUTOMATIC TRANSMISSION - "WORLD" WITH DETROIT S-60

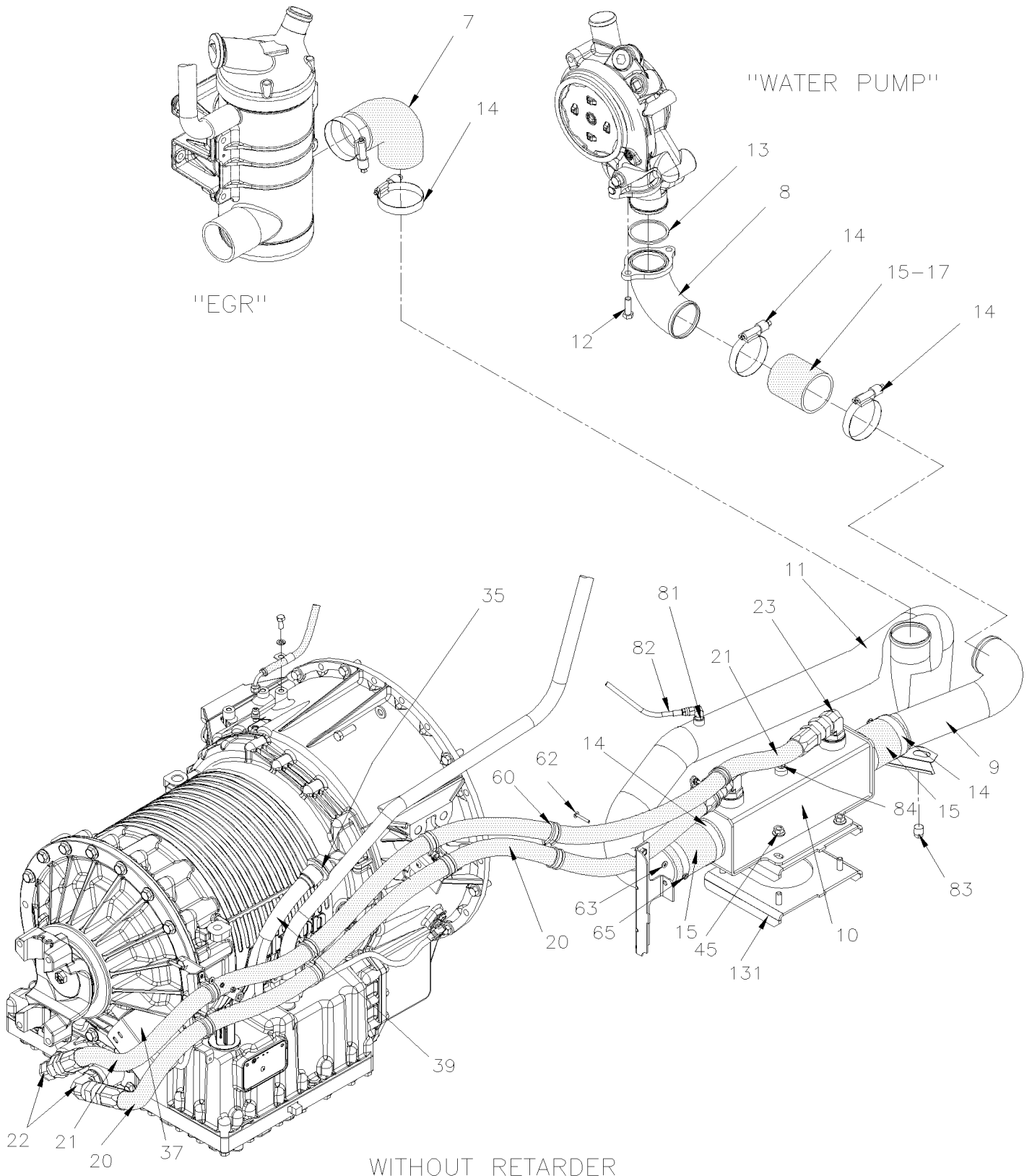


From 7-8754 To B-5001

Date:01/2024

PAGE:X3-0750-00

AUTOMATIC TRANSMISSION - "WORLD" WITH DETROIT S-60

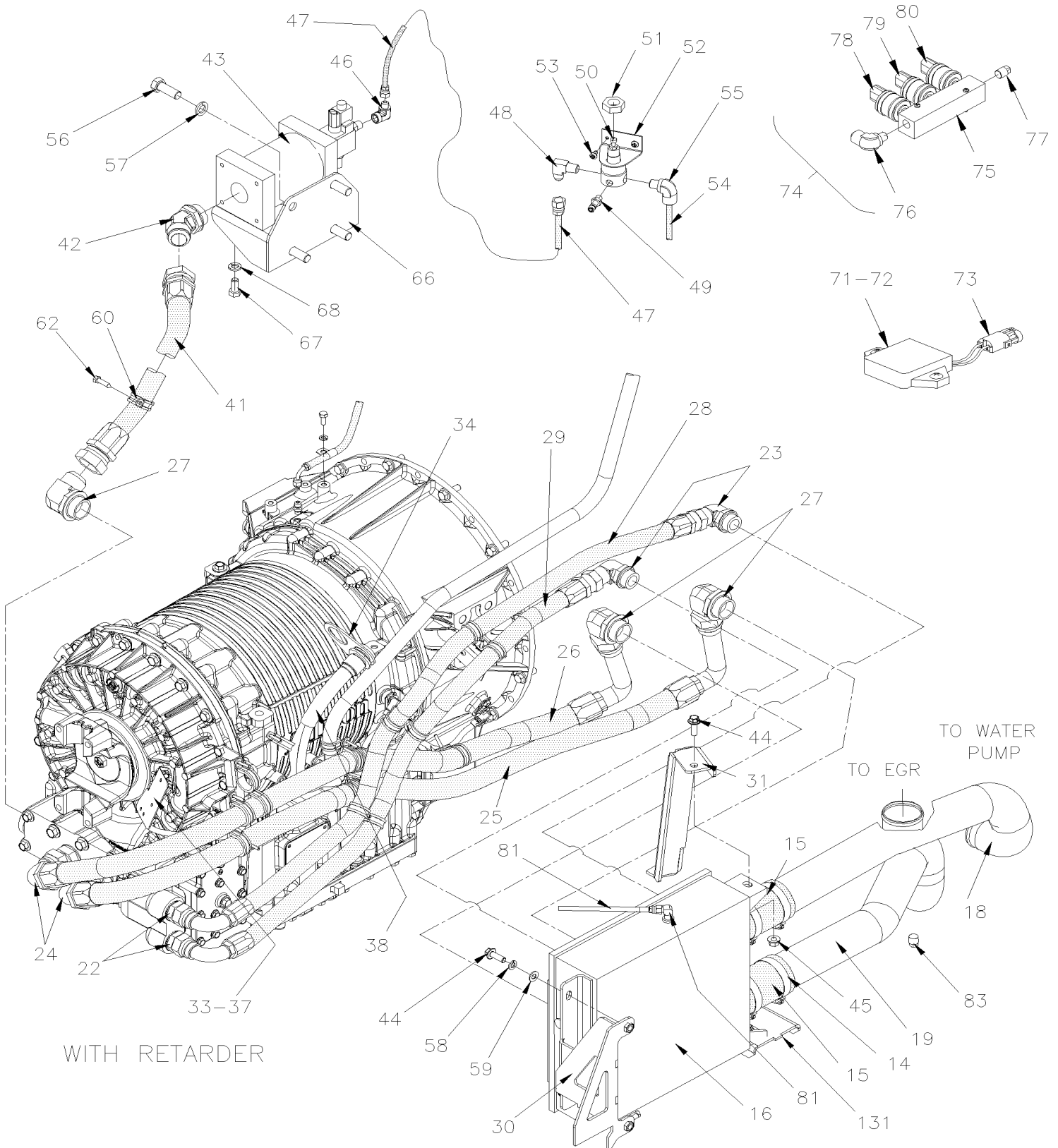


From 7-8754 To B-5001

Date:01/2024

PAGE:X3-0750-00

AUTOMATIC TRANSMISSION - "WORLD" WITH DETROIT S-60



WITH RETARDER

TO WATER PUMP

TO EGR

From 7-8754 To B-5001	Date:01/2024	PAGE:X3-0750-00
AUTOMATIC TRANSMISSION - "WORLD" WITH DETROIT S-60		

Item#	Part	Description	QTY	Notes
		THE NEXT FOLLOWING TRANSMISSION W/O RETARDER	1	
		ARE USED WITH 12.7 LITERS / 350HP		
	571680	TRANSMISSION ASSY B500 / WTEC III To 8-9281	1	
	572029	TRANSMISSION ASSY B500 / GEN IV	1	
	571742	E.C.U. B500 / WTEC III To 8-9281	1	
	572028	E.C.U. B500 / GEN IV To 7-9143	1	
	572044	E.C.U. B500 / GEN IV From 7-9144 To 8-9276	1	
	572047	E.C.U. B500 / GEN IV From 8-9277 To 8-9381	1	
	572066	E.C.U. B500 / GEN IV From 8-9382 To 9-9589	1	
	572113	INTERFACE TCM / B500 / GEN IV From 9-9590	1	
	572127	INTERFACE TCM / B500 / GEN IV USE WITH 3.42 RATIO	1	
		THE NEXT FOLLOWING TRANSMISSION W/RETARDER		
		ARE USED WITH 12.7 LITERS / 350HP		
	571781	TRANSMISSION ASSY B500R / WTEC III To 8-9281	1	
	572036	TRANSMISSION ASSY B500R / GEN IV	1	
	571742	E.C.U. B500 / WTEC III To 8-9281	1	
	572028	E.C.U. B500 / GEN IV To 7-9143	1	
	572044	E.C.U. B500 / GEN IV From 7-9144 To 8-9276	1	
	572047	E.C.U. B500 / GEN IV From 8-9277 To 8-9381	1	
	572066	E.C.U. B500 / GEN IV From 8-9382 To 9-9589	1	
	572113	INTERFACE TCM / B500 / GEN IV From 9-9590	1	
		THE NEXT FOLLOWING TRANSMISSION W/O RETARDER		
		ARE USED WITH 12.7 LITERS / 400HP		
	571702	TRANSMISSION ASSY B500 / WTEC III To 8-9281	1	
	572032	TRANSMISSION ASSY B500 / GEN IV To 9-9589	1	
	572116	TRANSMISSION ASSY B500 / GEN IV From 9-9590	1	
	571743	E.C.U. HD4060R / WTEC III To 8-9281	1	
	572037	E.C.U. HD4060R / GEN IV To 7-9143	1	
	572045	E.C.U. HD4000MG / GEN IV From 7-9144 To 8-9276	1	
	572048	E.C.U. 4000MH / GEN IV From 8-9277 To 8-9381	1	
	572067	E.C.U. 4000MH / GEN IV From 8-9382 To 9-9589	1	
	572114	E.C.U. 4000MH / GEN IV From 9-9590	1	
		THE NEXT FOLLOWING TRANSMISSION W/RETARDER		
		ARE USED WITH 12.7 LITERS / 400HP		
	571780	TRANSMISSION ASSY B500R / WTEC III To 8-9281	1	

From 7-8754 To B-5001	Date:01/2024	PAGE:X3-0750-00
AUTOMATIC TRANSMISSION - "WORLD" WITH DETROIT S-60		

Item#	Part	Description	QTY	Notes
	572035	TRANSMISSION ASSY B500R / GEN IV To 9-9589	1	
	572117	TRANSMISSION ASSY B500R / GEN IV From 9-9590	1	
	571743	E.C.U. HD4060R / WTEC III To 8-9281	1	
	572037	E.C.U. HD4060R / GEN IV To 7-9143	1	
	572045	E.C.U. HD4000MG / GEN IV From 7-9144 To 8-9276	1	
	572048	E.C.U. 4000MH / GEN IV From 8-9277 To 8-9381	1	
	572067	E.C.U. 4000MH / GEN IV From 8-9382 To 9-9589	1	
	572114	E.C.U. 4000MH / GEN IV From 9-9590	1	
		TRANSMISSION ASSY / SEE ABOVE		
2	504602	CLAMP / 1" I.D. X .375 HOLE	1	
3	571662	GROMMET RUBBER / TUBE & TRANS	1	
4	5001473	SCREW CAP HEXS 5/16-18x3/4 NYRT	1	
5	572023	TRANS DIPSTICK 2261.7MM To 8-9276	1	
5	572038	TRANS DIPSTICK 2465.7MM From 8-9277 To 9-9627	1	
5	572128	TRANS DIPSTICK 2465.7MM From 9-9628	1	
6	071326	TUBE DIPSTICK To 8-9276	1	
6	071389	TUBE DIPSTICK From 8-9277	1	
7	052600	ELBOW 90° X 2 3/4" I.D. / 110MM x 110MM C/C / SILICONE From 8-9277 To 8-9293	1	
7	052898	ELBOW 90° X 2 3/4" I.D. / 110MM x 110MM C/C / SILICONE From 8-9294	1	
8	071231	ELBOW 90°	1	
9	071240	PIPE WATER PUMP TO OIL COOLER / W/O RETARDER	1	
10	571769	OIL COOLER "MODINE" / SINGLE	1	
11	071239	PIPE OIL COOLER TO EGR / W/O RETARDER To 8-9281	1	
11	071543	PIPE OIL COOLER TO EGR / SS / W/O RETARDER SERVICE To 8-9281	1	
11	071521	PIPE OIL COOLER TO EGR / W/O RETARDER From 8-9282 To 9-9642	1	
11	071540	PIPE OIL COOLER TO EGR / SS / W/O RETARDER From 9-9643	1	
12	510779	BOLT / TO FIX ELBOW	2	
13	510778	O-RING 2.612 I.D.	1	
14	504562	HOSE CLAMP / 2"3/4-3"5/8 / C.T. 350	8	
15	071250	HOSE 2 3/4" I.D. X 100MM	2	
15	503395	. HOSE SILICONE 4PLY 2 3/4" I.D. x 3'	AR	
16	571770	OIL COOLER "MODINE" / DOUBLE To 8-9293	1	
16	572046	OIL COOLER "MODINE" / DOUBLE From 8-9294	1	
17	071268	HOSE SILICONE 4 PLY 2 3/4" I.D X 84MM	1	
17	503395	. HOSE SILICONE 4PLY 2 3/4" I.D. x 3'	AR	
18	071338	PIPE WATER PUMP TO OIL COOLER	1	
19	071339	PIPE OIL COOLER TO EGR To 8-9293	1	
19	071542	PIPE OIL COOLER TO EGR / SS SERVICE To 8-9293	1	
19	071390	PIPE OIL COOLER TO EGR From 8-9294 To 9-9642	1	
19	071539	PIPE OIL COOLER TO EGR / SS From 9-9643	1	

From 7-8754 To B-5001	Date:01/2024	PAGE:X3-0750-00
AUTOMATIC TRANSMISSION - "WORLD" WITH DETROIT S-60		

Item#	Part	Description	QTY	Notes
20	071262	HOSE ASSY / #16 1480MM To 9-9597	1	C
20	079024	HOSE ASSY / #16 1520MM From 9-9598	1	
21	071261	HOSE ASSY / #16 1795MM To 9-9597	1	B
21	079023	HOSE ASSY / #16 1840MM From 9-9598	1	
22	501573	MALE CONNECTOR / JIC 37° FITTING / #16JIC-Mx#16ORB-M STL To 9-9597	2	O
22	501523	MALE ELBOW 90° / JIC 37° FITTING / #16JIC-Mx#16ORB-M STL From 9-9598	2	O
22	501573	MALE CONNECTOR / JIC 37° FITTING / #16JIC-Mx#16ORB-M STL	2	R
23	501523	MALE ELBOW 90° / JIC 37° FITTING / #16JIC-Mx#16ORB-M STL	2	
24	501575	MALE CONNECTOR / JIC 37° FITTING / #20JIC-Mx#20ORB-M STL VITON	2	
25	071332	HOSE ASSY / #20 1385MM	1	
26	071331	HOSE ASSY / #20 1287MM	1	
27	5011065	MALE ELBOW 90° / JIC 37° FITTING / #20JIC-Mx#20ORB-M STL VITON	2	
28	071333	HOSE ASSY / #16 1240MM	1	
29	071334	HOSE ASSY / #16 996MM	1	
30	071343	ATTACHMENT / 255MM HIGHT	1	
31	071328	ATTACHMENT	1	
32	071407	SUPPORT HOSE	1	
33	071096	PROTECTOR SUPPORT SS ANGLE SHAPE 61MM X 73MM To 7-9241	1	O S
33	071097	PROTECTOR SUPPORT SS 102MM X 90MM To 7-9241	1	R S
34	071035	SUPPORT CABLE HARNESS / W/2 HOLES / WTEC III To 7-9000	1	
35	071403	SUPPORT CABLE HARNESS / W/1 HOLE & 1 STUD / GEN IV From 7-9001	1	
36	071305	SUPPORT "J" SHAPE	1	
37	071440	PROTECTOR SUPPORT SS "V" SHAPE 80MM HIGH From 7-9242 To 9-9597	1	
37	079022	PROTECTOR SUPPORT SS "V" SHAPE 74MM HIGH From 9-9598	1	
38	066208	CABLE HARNESS / SENSOR WTEC W/RETARDER / MUX	1	
39	066209	CABLE HARNESS / SENSOR WTEC W/OUT RETARDER / MUX	1	
NS	061129	SUPPORT FLAT TWISTED / TUBE DIPSTICK	1	
NS	071341	PROTECTOR RUBBER CABLE HARNESS & HOSES To 7-9000	1	
NS	071408	PROTECTOR RUBBER CABLE HARNESS & HOSES From 7-9001	1	O
NS	071404	PROTECTOR RUBBER CABLE HARNESS & HOSES From 7-9001	1	R
41	071335	HOSE ASSY / #20 770MM	1	
42	507558	MALE ELBOW 45° / JIC 37° FITTING / #20JIC-Mx#20ORB-M STL VITON	1	
43	571745	ACCUMULATOR & SOLENOID / WTEC III	1	
NS	571707	ACCUMULATOR	1	
NS	571708	VALVE SOLENOID 12V	1	
43	572030	ACCUMULATOR & SOLENOID / GEN IV	1	
43	571708	VALVE SOLENOID 12V	1	
44	5001741	SCREW CAP HEXF M10-1.5x30 G8.8 N500	5	
45	5001760	NUT HEXF STO M10-1.5 G8 ZP	5	
46	5011112	FEMALE ELBOW 90° / JIC 37° FITTING / #6JIC-Mx3/8NPT-F STL	1	
47	144645	HOSE ASSY TEFLON #6 330MM	1	
48	501687	MALE CONNECTOR / JIC 37° FITTING / #6JIC-Mx1/4NPT-M STL	1	

From 7-8754 To B-5001	Date:01/2024	PAGE:X3-0750-00
AUTOMATIC TRANSMISSION - "WORLD" WITH DETROIT S-60		

Item#	Part	Description	QTY	Notes
49	640488	VALVE, AIR FILL 1/8" NPT	1	
NS	650164	. CAP VALVE / CHROME	1	
50	641472	AIR PRESSURE REGULATOR 1/4" NPT / COPPER	1	
51	500734	NUT HEX JAM 3/4-16 Z050	1	
52	142013	SUPPORT AIR REGULATOR / ANGLE 90DEG STYLE	1	
53	500535	SCREW TP CAP HEX #14x3/4 Z050	2	
NS	500473	WASHER LO SPT .262x.489x.062 Z050	2	
54	503404	TUBE, NYLON 3/8 O.D. / BLACK S.L.	AR	
55	641372	MALE ELBOW 90° NON-SWIVEL / PUSH-IN FITTING / #6x1/4NPT-M BR	1	
56	500225	SCREW CAP HEX 5/8-11x1 G5 Z050	3	
56	500817	SCREW CAP HEX 5/8-11x1 3/4 G5 Z050	3	
57	500484	WASHER LO SPT .635x1.079x.156 Z050	3	
57	500802	WASHER LO SPT 16.2x37.4x3.5 Z050	3	
58	3852496	WASHER LO SPT 10.2x18.1x2.2 ZG603	2	
59	500832	WASHER FL .406x.812x.065 N500	2	
60	952637	CLAMP / 1"1/16 I.D.	AR	
60	952641	CLAMP / 1 5/16" I.D.	AR	
62	500574	SCREW MA TR PH #10-24x1 1/4 SS	AR	
63	500964	WASHER FL .203x.500x.047 Z050	AR	
64	500470	WASHER LO SPT .193x.334x.047 Z050	AR	
65	500786	NUT HEX #10-24 Z050	AR	
66	071329	SUPPORT / TRANS & ACUMULATOR / WTEC III (168mm c/c holes)	1	
66	071400	SUPPORT / TRANS & ACUMULATOR / GEN IV (155mm c/c holes)	1	
67	500213	SCREW CAP HEX 1/2-13x1 G5 Z050	4	
68	500482	WASHER LO SPT .506x.873x.125 Z050	4	
71	562357	RESISTANCE MODULE	1	
72	562381	RESISTANCE MODULE	1	
73	063782	CABLE ASSY / RESISTANCE MODULE & SWITCH	1	
74	070902	PRESSURES SWITCH ASSY W/MANIFOLD	1	
75	070903	. MANIFOLD	1	
76	640999	. MALE ELBOW 90° / NTA FITTING / #6x1/4NPT-M BR	1	
77	501304	. PLUG SQUARE HEAD / PIPE FITTING / 1/4NPT-M BR To A-9968	1	
77	501800	. PLUG HEXS / PIPE FITTING / 1/4NPT-M STL From A-9969	1	
78	562358	. PRESSURE SWITCH N.O. 2PSI / 1/8NPT	1	
79	562384	. PRESSURE SWITCH N.O. 4PSI / 1/8NPT	1	
80	562385	. PRESSURE SWITCH N.O. 7PSI / 1/8NPT To A-9625	1	
81	501037	MALE ELBOW 90° / SAE 45° FITTING / #4FL-Mx1/4NPT-M BR	1	
81	501027	MALE CONNECTOR / SAE 45° FITTING / #4FL-Mx1/4NPT-M BR	1	
82	052509	HOSE ASSY TEFLON #4 1170MM To 8-9281	1	
82	053532	HOSE ASSY TEFLON #4 1250MM From 8-9282	1	
83	501129	EXTERNAL SEAL DRAIN 1/4 NPT To 8-9293	1	
83	501449	PLUG HEXS / PIPE FITTING / 3/8NPT-M STL From 8-9294 To 9-9642	1	

From 7-8754 To B-5001	Date:01/2024	PAGE:X3-0750-00
AUTOMATIC TRANSMISSION - "WORLD" WITH DETROIT S-60		

Item#	Part	Description	QTY	Notes
83	501305	PLUG SQUARE HEAD / PIPE FITTING / 3/8NPT-M BR From 9-9643 To A-9968	1	
83	501449	PLUG HEXS / PIPE FITTING / 3/8NPT-M STL From A-9969	1	
84	501304	PLUG SQUARE HEAD / PIPE FITTING / 1/4NPT-M BR To A-9968	1	
84	501800	PLUG HEXS / PIPE FITTING / 1/4NPT-M STL From A-9969	1	
85	061025	SUPPORT	1	
88	502719	SCREW CAP HEX M10-1.5x20 SS EMN	1	
89	5001427	SCREW CAP HEX 7/16-14x1 3/8 G5 Z050	12	A
NS	500853	WASHER LO EXT .437x.760x.036 Z050	12	A
90	071170	HOSE ASSY / #4 24"	1	
. A	071167	. FEMALE CONNECTOR / HOSE BARB @ METRIC / #4x M10-1.5-F BR	1	
. B	071166	. MALE CONNECTOR / HOSE BARB @ METRIC / #4x M10-1.5-M BR	1	
91	060840	SUPPORT HARNESS	1	
92	504601	CLAMP / 5/16" I.D. x .375 HOLE	1	
93	571763	BREATHER	1	
94	952627	CLAMP / 1/2" I.D.	1	
95	502862	SCREW CAP HEX M8-1.25x20 G8.8 N500	1	
96	500942	WASHER LO SPT 8.1x14.8x2.0 N500	1	
97	071166	MALE CONNECTOR / HOSE BARB @ METRIC / #4x M10-1.5-M BR	1	
97	071497	MALE CONNECTOR / SAE 45° @ METRIC / #4FL-Mx M10-1.5 M BR	1	
98	504601	CLAMP / 5/16" I.D. x .375 HOLE	1	
100	071392	SUPPORT / TUBE DIPSTICK / ANGLE W/STUD To 8-9276	1	
NS	071363	SUPPORT / TUBE DIPSTICK / "U" SHAPE 132MM To 8-9276	1	
NS	500574	SCREW MA TR PH #10-24x1 1/4 SS To 8-9276	1	
103	500470	WASHER LO SPT .193x.334x.047 Z050 To 8-9276	1	
104	500786	NUT HEX #10-24 Z050 To 8-9276	1	
105	952635	CLAMP / 1" I.D. To 8-9276	1	
110	071486	SUPPORT / TUBE DIPSTICK From 8-9277 To 9-9620	1	B
111	071547	SUPPORT / TUBE DIPSTICK From 9-9621 To A-9894	1	B
112	071611	SUPPORT / TUBE DIPSTICK From A-9894	1	
115	071487	ATTACHMENT DIPSTICK TUBE W1 HOLE & HOCK From 8-9277 To 9-9620	1	
115	071487	ATTACHMENT DIPSTICK TUBE W1 HOLE & HOCK From 9-9621 To A-9894	2	
116	071612	ATTACHMENT DIPSTICK TUBE W/2 HOLES From A-9895	2	
120	502830	SCREW CAP HEX M6-1.0x20 G8.8 N500 From 8-9277	AR	
121	500877	WASHER FL .250x.562x.065 N500 From 8-9277	AR	
122	952635	CLAMP / 1" I.D. From 8-9277 To 9-9620	AR	
130	X3-0120-01	DRIVE PULLEY, BELTS & TENSIONER WITH DETROIT S-60		
131	X3-0150-00	ENGINE CRADLE - WITH DETROIT S-60		
150	068139	KIT CABLE SUPPORT / THERMAL PROTECTOR	1	
. A	071638	. BASE SUPPORT / W/NUT M4-0.7	1	
. B	509815	. TIE MOUNT / ATTACHMENT W/TREE MOUNT	1	
. C	071639	. ANGLE CABLE SUPPORT / THERMAL DETECTOR 25.4MMx 61.3MMx25.4	1	
. D	504013	. TIE MOUNT / 1/4" X 1/4" I.D.	1	

From 7-8754 To B-5001	Date:01/2024	PAGE:X3-0750-00
-----------------------	--------------	-----------------

AUTOMATIC TRANSMISSION - "WORLD" WITH DETROIT S-60

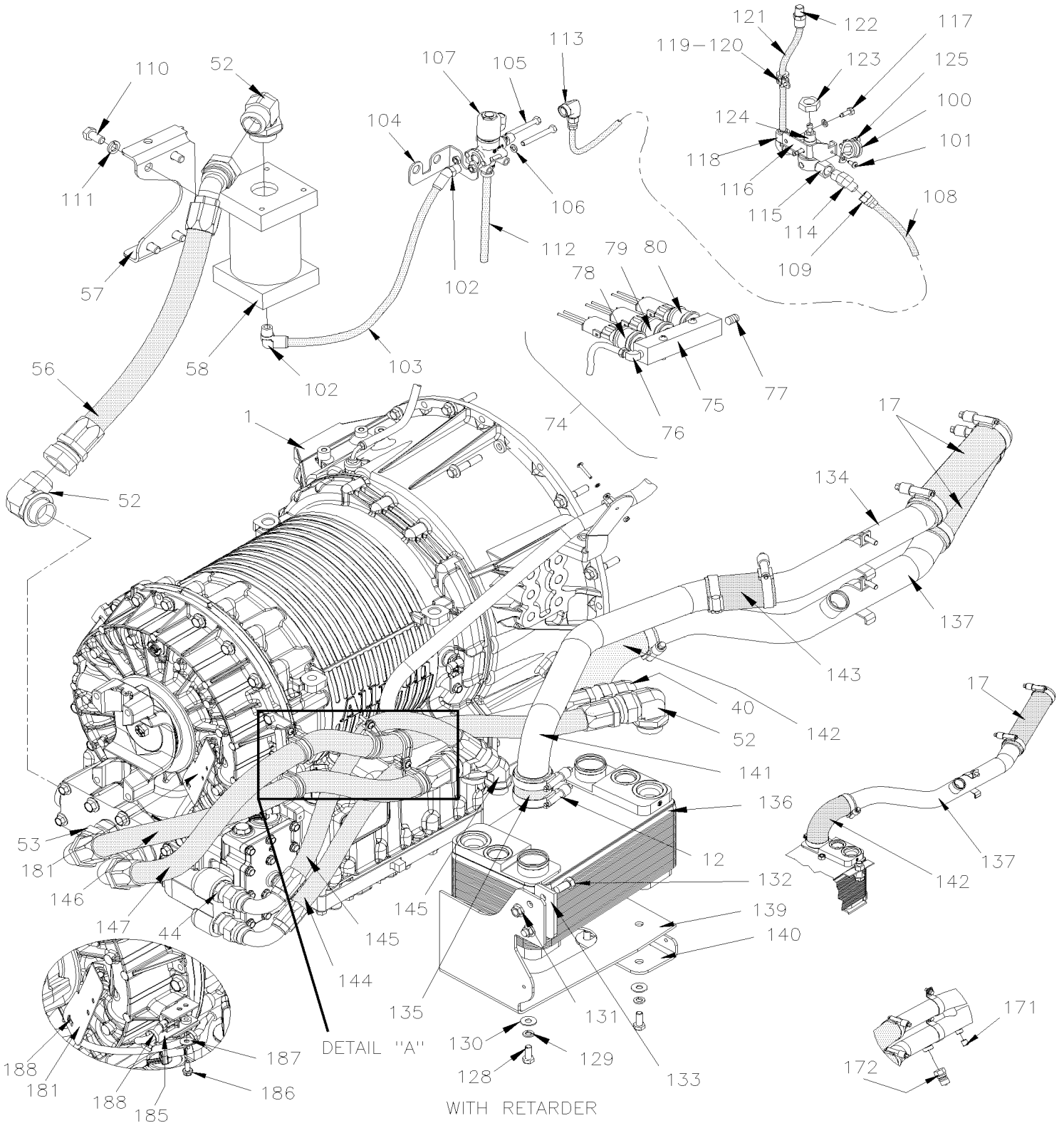
Item#	Part	Description	QTY	Notes
E	502556	WASHER FL 4.3x9.0x0.8 SS	1	
F	502834	WASHER LO SPT 4.1x7.6x0.9 N500	1	
G	502685	SCREW CAP HEX M4-0.7x20 SS EMN	1	
NS	683904	TESTING FOR GLYCOL CONTAMINATION IN TRANSMISSION OIL	1	
NS	IS-99901A	SEE INSTRUCTION SHEET	1	
200	572050	TRANSMISSION FILTER / MAINTENANCE KIT	AR	
NS	571692	O-RING / (LARGE SQUARE CUT)	2	
NS	571693	O-RING / (SMALL)	2	
NS	571694	O-RING / DRAIN PLUG	2	
NS	571695	DRAIN PLUG ASSY W/O-RING	1	
201	N.S.S.	FILTER	2	1
202	571692	O-RING / (LARGE SQUARE CUT)	2	
203	571693	O-RING / (SMALL)	2	
204	571694	O-RING / DRAIN PLUG	2	
205	571695	DRAIN PLUG ASSY W/O-RING	1	
NS	071249	DECAL "TranSynd OIL ONLY" / ENGLISH & FRANCAIS	1	
205	071364	DECAL "TranSynd OIL ONLY" / ENGLISH & SPANISH	1	
NS	684016	OIL TRANSYND TRANSMISSION "WORLD"	1	
206	N.S.P.	COVER FILTER / (29507434)	2	2
207	N.S.P.	BOLT M10-1.5 x 55M / (2954186)	AR	2
208	N.S.P.	YOKE (1810) HALF ROUND(29511516/6.5-4-4521-1)	1	2
208	N.S.P.	STRAP LOCK PLATE	1	2
208	N.S.P.	BOLT M10-1.5 X 30MM GR 10.9	2	2
208	N.S.P.	SEAL OUTPUT / (29515621)	1	2
209	N.P.N.	BOLT M10-1.5 X 30MM GR10.9	1	4
		A) TO FIX TRANSMISSION TO ENGINE		
		B) PRODUCT IMPROVEMENT CORRODING HOSE FITTING, CHANGE FOR HOSE # 079023 WITH 1 FITTING # 501523		
		C) PRODUCT IMPROVEMENT CORRODING HOSE CHANGE FOR HOSE # 079024 WITH 1 FITTING # 501523		
		O) WITHOUT RETARDER		
		R) WITH RETARDER		
		S) AS SHOWN		
		1) NOT SOLD SEPARATELY		
		2) NOT SOLD BY PREVOST (SEE MANUFACTURING PART NUMBER AT END OF DESCRIPTION LINE)		
		4) NO PARTS NUMBER		

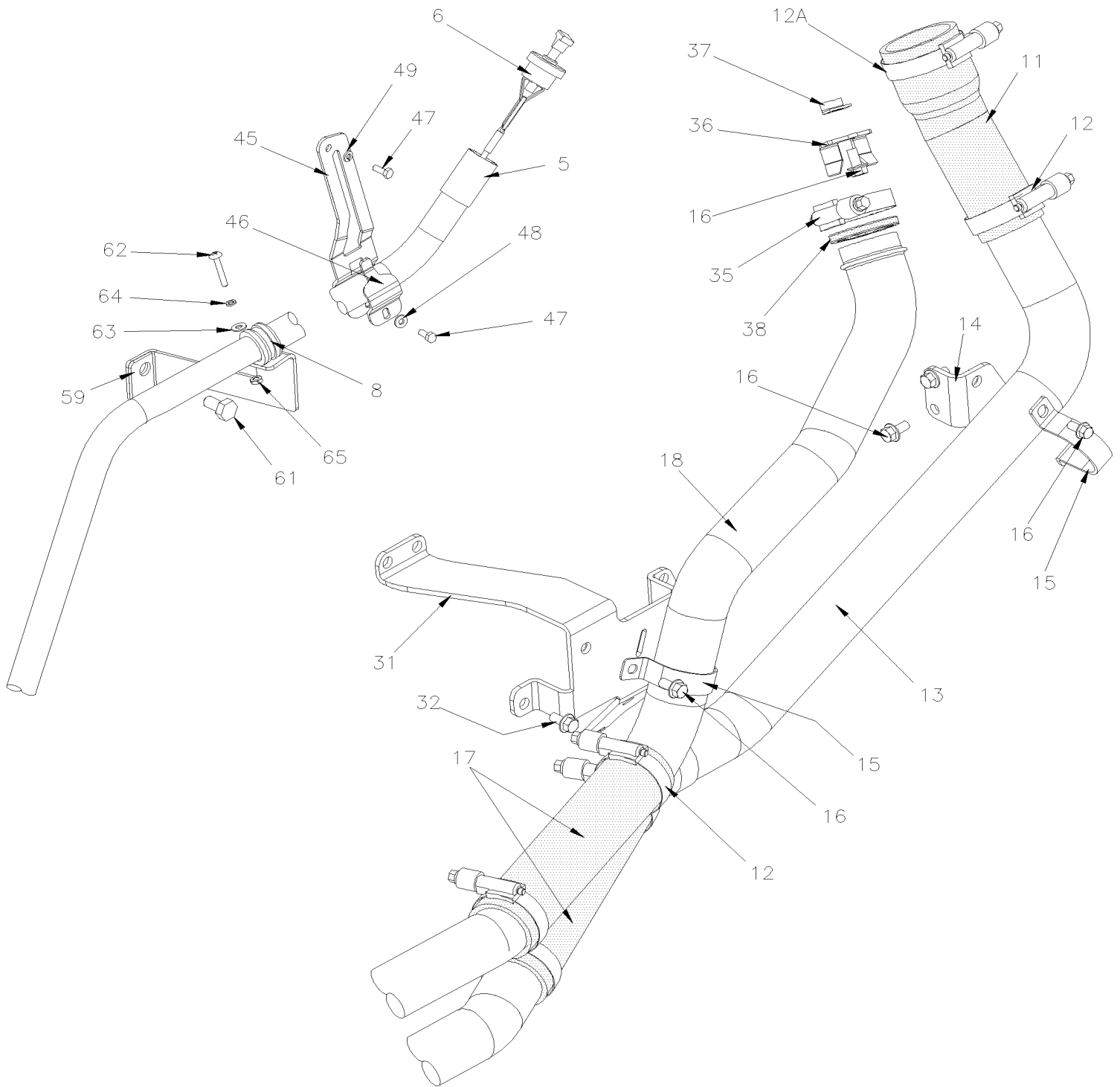
From 8-9457 To B-5001

Date:01/2024

PAGE:X3-0750-01

AUTOMATIC TRANSMISSION - "WORLD" WITH VOLVO D13





WITH EPA 2007
UP TO B-5001

From 8-9457 To B-5001	Date:01/2024	PAGE:X3-0750-01
AUTOMATIC TRANSMISSION - "WORLD" WITH VOLVO D13		

Item#	Part	Description	QTY	Notes
		THE NEXT FOLLOWING TRANSMISSION W/O RETARDER		
		ARE USED WITH D13 ENGINE / 435HP		
	572056	TRANSMISSION ASSY B500 / GEN IV To 9-9589	1	
	572120	TRANSMISSION ASSY B500 / GEN IV From 9-9590	1	
		THE NEXT FOLLOWING TRANSMISSION W/O RETARDER		
		ARE USED WITH D13 ENGINE / 485HP		
	572053	TRANSMISSION ASSY B500 / GEN IV To 9-9589	1	
	572120	TRANSMISSION ASSY B500 / GEN IV From 9-9590	1	
		THE NEXT FOLLOWING TRANSMISSION W/RETARDER		
		ARE USED WITH D13 ENGINE / 435HP		
	572052	TRANSMISSION ASSY B500R / GEN IV To 9-9589	1	
	572121	TRANSMISSION ASSY B500R / GEN IV From 9-9590	1	
		THE NEXT FOLLOWING TRANSMISSION W/RETARDER		
		ARE USED WITH D13 ENGINE / 485HP		
		TRANSMISSION ASSY SEE ABOVE		
NS	20788933	SPACER FLY WHEEL HOUSING 21MM	1	
NS	684016	OIL TRANSYND TRANSMISSION "WORLD"	AR	
2	504602	CLAMP / 1" I.D. X .375 HOLE	1	
3	571662	GROMMET RUBBER / TUBE & TRANS	1	
4	502513	SCREW TP CAP HEX 5/16x1 Z050	1	
5	071399	TUBE DIPSTICK ASSY	1	
6	572038	TRANS DIPSTICK 2465.7MM To 9-9627	1	
6	572128	TRANS DIPSTICK 2465.7MM From 9-9628	1	
NS	071249	DECAL "TranSynd OIL ONLY" / ENGLISH & FRANCAIS	1	
NS	071364	DECAL "TranSynd OIL ONLY" / ENGLISH & SPANISH	1	
7	071447	SUPPORT / TUBE DIPSTICK	1	
8	952635	CLAMP / 1" I.D.	2	
9	500965	SCREW TC BDG PH #8-32x1/2 N500	1	
10	504293	HOSE CLAMP / 2"5/16-3"1/4 SS / E.T. 44	1	
11	20960543	HOSE REDUCER 58.1 I.D. X 48.5 I.D. x 190MM / SILICONE To A-9959	1	
11	21000149	HOSE REDUCER 58 I.D. X 48I.D. x 190MM / SILICONE From A-9960	1	
12	504754	HOSE CLAMP / 1"3/4-2"5/8 / C.T. 250	AR	
12A	504561	HOSE CLAMP / 2"1/4-3"1/8 / C.T. 300	1	
13	012524	PIPE / THERMOSTAT HOUSING & OIL COOLER	1	
14	012358	SUPPORT OIL COOLER PIPE	1	

From 8-9457 To B-5001	Date:01/2024	PAGE:X3-0750-01
AUTOMATIC TRANSMISSION - "WORLD" WITH VOLVO D13		

Item#	Part	Description	QTY	Notes
15	012551	"U" CLAMP OFFSET 51MM I.D.	3	
16	946440	SCREW CAP HEXF M12-1.75x140 G8.8 MAGNI 565	3	
17	071429	HOSE SILICONE 4PLY 2" I.D. x 254 MM	2	
17	572049	. HOSE SILICONE 4PLY 2" I.D. x 12'	AR	
18	012525	PIPE / OIL COOLER TO HOSE REDUCER	1	
19	572059	INTERFACE TCM To 9-9589	1	
19	572115	INTERFACE TCM From 9-9590	1	
20	502622	SCREW CAP HEX M6-1.0x20 SS BK	3	
20	502570	WASHER LO SPT 6.1x11.8x1.6 SS	3	
21	071517	PIPE 2" O.D. INLET x 2 3/4" O.D. OUTLET	1	
NS	501449	PLUG HEXS / PIPE FITTING / 3/8NPT-M STL	1	
22	071268	HOSE SILICONE 4 PLY 2 3/4" I.D X 84MM	1	
22	503395	. HOSE SILICONE 4PLY 2 3/4" I.D. x 3'	AR	
23	504562	HOSE CLAMP / 2"3/4-3"5/8 / C.T. 350	4	
24	571769	OIL COOLER "MODINE" / SINGLE	1	
25	052600	ELBOW 90° X 2 3/4" I.D. / 110MM x 110MM C/C / SILICONE To 8-9293	1	
26	071516	PIPE 2 3/4" I.D. INLET x 2" O.D. OUTLET	1	
27	071407	SUPPORT HOSE	1	
28	501027	MALE CONNECTOR / SAE 45° FITTING / #4FL-Mx1/4NPT-M BR	1	
29	501037	MALE ELBOW 90° / SAE 45° FITTING / #4FL-Mx1/4NPT-M BR	1	
30	052509	HOSE ASSY TEFLON #4 1170MM	1	
31	21104724	SUPPORT OIL COOLER PIPE	1	
32	5001780	SCREW CAP HEXF M8-1.25x16 G8.8 N500	2	
35	504561	HOSE CLAMP / 2"1/4-3"1/8 / C.T. 300	1	
36	012529	ANGLE RETAINER TUBE "U" SHAPE	1	
37	1546532	ANGLE RETAINER	1	
38	1547254	RUBBER JOINT 49MM ID	1	
39	502862	SCREW CAP HEX M8-1.25x20 G8.8 N500	4	
40	501523	MALE ELBOW 90° / JIC 37° FITTING / #16JIC-Mx#16ORB-M STL	1	
41	052916	HOSE ASSY TEFLON #4 2015MM	1	
42	071472	HOSE ASSY / #16 710MM To 9-9597	1	
42	079026	HOSE ASSY / #16 710MM From 9-9598	1	
43	071473	HOSE ASSY / #16 1040MM To 9-9597	1	
43	079025	HOSE ASSY / #16 1040MM From 9-9598	1	
NS	071511	PROTECTOR RUBBER CABLE HARNESS & HOSES	1	
44	501573	MALE CONNECTOR / JIC 37° FITTING / #16JIC-Mx#16ORB-M STL	2	
45	071491	SUPPORT / TUBE DIPSTICK	1	
46	071487	ATTACHMENT DIPSTICK TUBE W1 HOLE & HOCK	1	
47	955271	SCREW CAP HEX M6-1.0x16 G8.8 ZG603	2	
48	500877	WASHER FL .250x.562x.065 N500	1	
49	502853	WASHER LO SPT 6.1x11.8x1.6 N500	1	
52	5011065	MALE ELBOW 90° / JIC 37° FITTING / #20JIC-Mx#20ORB-M STL VITON	4	

From 8-9457 To B-5001	Date:01/2024	PAGE:X3-0750-01
AUTOMATIC TRANSMISSION - "WORLD" WITH VOLVO D13		

Item#	Part	Description	QTY	Notes
53	501575	MALE CONNECTOR / JIC 37° FITTING / #20JIC-Mx#20ORB-M STL VITON	2	
56	071433	HOSE ASSY / #20 440MM	1	
57	071432	SUPPORT ACCUMULATOR	1	
58	572030	ACCUMULATOR & SOLENOID / GEN IV	1	
59	071485	SUPPORT DIPSTICK To A-9897	1	
60	952637	CLAMP / 1"1/16 I.D.	AR	
60	952641	CLAMP / 1 5/16" I.D.	AR	
61	502719	SCREW CAP HEX M10-1.5x20 SS EMN	1	
62	500574	SCREW MA TR PH #10-24x1 1/4 SS	AR	
63	500964	WASHER FL .203x.500x.047 Z050	AR	
64	500470	WASHER LO SPT .193x.334x.047 Z050	AR	
65	500786	NUT HEX #10-24 Z050	AR	
66	500440	WASHER FL .250x.562x.065 Z050	1	
67	500942	WASHER LO SPT 8.1x14.8x2.0 N500	1	
68	502862	SCREW CAP HEX M8-1.25x20 G8.8 N500	1	
69	504601	CLAMP / 5/16" I.D. x .375 HOLE	1	
70	563669	VECU MODULE / VOLVO / (VOLVO 20758808)	1	
70	20758808	VECU MODULE / VOLVO To A-9896	1	
70	21083383	VECU MODULE / VOLVO From A-9897	1	
71	562357	RESISTANCE MODULE	1	
72	562381	RESISTANCE MODULE	1	
73	563762	CPC MODULE DETROIT To 9-9591	1	
73	565866	CPC MODULE DETROIT From 9-9592 To 9-9721	1	
73	565867	CPC MODULE DETROIT From 9-9722	1	
74	070902	PRESSURES SWITCH ASSY W/MANIFOLD	1	
75	070903	. MANIFOLD	1	
76	640999	. MALE ELBOW 90° / NTA FITTING / #6x1/4NPT-M BR	1	
77	501304	. PLUG SQUARE HEAD / PIPE FITTING / 1/4NPT-M BR To A-9968	1	
77	501800	. PLUG HEXS / PIPE FITTING / 1/4NPT-M STL From A-9969	1	
78	562358	. PRESSURE SWITCH N.O. 2PSI / 1/8NPT	1	
79	562384	. PRESSURE SWITCH N.O. 4PSI / 1/8NPT	1	
80	562385	. PRESSURE SWITCH N.O. 7PSI / 1/8NPT	1	
81	5001741	SCREW CAP HEXF M10-1.5x30 G8.8 N500	5	
82	971098	NUT HEXF STO M10-1.5 G8 ZP	4	
83	5001834	WASHER BEL SPR 10.5X23X2.5 N500	1	
86	5001643	SCREW CAP HEXF M8-1.25x25 G8.8 G500	AR	
89	20953751	SCREW CAP HEXF 7/16-14x2 1/4 G8 MAGNI 565	12	
NS	8397499	WASHER FL HARD .468x.937x.187 ZP	12	
90	071500	HOSE ASSY / #4 610MM	1	
. A	071167	. FEMALE CONNECTOR / HOSE BARB @ METRIC / #4x M10-1.5-F BR	1	
. B	5011303	. FEMALE ELBOW 90° SWIVEL / PUSH-LOK FITTING / #4FL-Fx#4 BR	1	
. C	503706	. HOSE FC-332-4 #4	AR	

From 8-9457 To B-5001	Date:01/2024	PAGE:X3-0750-01
AUTOMATIC TRANSMISSION - "WORLD" WITH VOLVO D13		

Item#	Part	Description	QTY	Notes
91	060840	SUPPORT HARNESS	1	
92	504601	CLAMP / 5/16" I.D. x .375 HOLE	1	
93	571763	BREATHER	1	
94	952627	CLAMP / 1/2" I.D.	1	
95	071403	SUPPORT CABLE HARNESS / W/1 HOLE & 1 STUD / GEN IV	1	
95	500829	SCREW CAP HEX M10-1.5x40 G8.8	1	
95	5001834	WASHER BEL SPR 10.5X23X2.5 N500	1	
95	5001930	NUT HEXF NYRT M10-1.5 N500 G10.9	1	
96	071035	SUPPORT CABLE HARNESS / W/2 HOLES / WTEC III	1	
97	071497	MALE CONNECTOR / SAE 45° @ METRIC / #4FL-Mx M10-1.5 M BR	1	
99	071635	SUPPORT OIL COOLER W/O RETARDER	1	
100	952631	CLAMP / 3/4" I.D.	1	
101	500945	SCREW TC BDG PH #10-24x1/2 G500	1	
102	641376	MALE ELBOW 90° NON-SWIVEL / PUSH-IN FITTING / #8x3/8NPT-M BR	2	
103	503488	TUBE, NYLON 1/2 O.D. / BLACK S.L./	AR	
104	071484	SUPPORT SOLENOID	1	
105	5001347	SCREW CAP HEX M8-1.25x70 SS	2	
106	500942	WASHER LO SPT 8.1x14.8x2.0 N500	2	
107	571708	VALVE SOLENOID 12V	1	
108	142774	HOSE ASSY TEFLON #6 455MM To A-9951	1	
109	5011194	FEMALE CONNECTOR SWIVEL / JIC 37° FITTING / TEFLON / #6JIC-Fx#6 STL	2	
110	500213	SCREW CAP HEX 1/2-13x1 G5 Z050	4	
111	500482	WASHER LO SPT .506x.873x.125 Z050	4	
112	560384	PLASTIC TUBING / 3/8" / CLEAR	AR	
113	5011112	FEMALE ELBOW 90° / JIC 37° FITTING / #6JIC-Mx3/8NPT-F STL	1	
114	507573	MALE ELBOW 45° / JIC 37° FITTING / #6JIC-Mx3/8NPT-M STL	1	
115	501311	ADAPTER / PIPE FITTING / 3/8NPT-Fx1/4NPT-M BR	1	
116	163489	SUPPORT AIR REGULATOR / ANGLE 90DEG STYLE	1	
117	502878	SCREW TP CAP HEX #14x3/4 N500	2	
117	955920	WASHER LO SPT 6.5x11.5x1.6 ZP	2	
118	641372	MALE ELBOW 90° NON-SWIVEL / PUSH-IN FITTING / #6x1/4NPT-M BR	1	
119	952625	CLAMP / 3/8" I.D.	1	
120	500613	SCREW TP PAN PH #10x1/2 Z050	1	
121	503404	TUBE, NYLON 3/8 O.D. / BLACK S.L.	1	
122	641331	MALE CONNECTOR / PUSH-IN FITTING / #6x1/4NPT-M BR	1	
123	500734	NUT HEX JAM 3/4-16 Z050	1	
124	641472	AIR PRESSURE REGULATOR 1/4" NPT / COPPER	1	
125	640488	VALVE, AIR FILL 1/8" NPT	1	
. NS	650164	. CAP VALVE / CHROME	1	
128	502804	SCREW CAP HEX M10-1.5x25 G8.8 N500	4	
129	502616	WASHER LO SPT 10.2x18.1x2.2 SS	4	
130	960143	WASHER FL 10.5x26.0x2.0 ZP	4	

From 8-9457 To B-5001	Date:01/2024	PAGE:X3-0750-01
AUTOMATIC TRANSMISSION - "WORLD" WITH VOLVO D13		

Item#	Part	Description	QTY	Notes
131	5001456	NUT HEXF M12-1.75 SS	2	
132	502705	SCREW CAP HEX M12-1.75X25 G8.8 N500	2	
133	012373	PLATE 100MMx45MM W/2 HOLES	1	
134	071532	PIPE OIL COOLER 2" O.D.	1	
135	071494	HOSE SILICONE 4PLY 2" I.D. 60MM	1	
135	572049	. HOSE SILICONE 4PLY 2" I.D. x 12'	AR	
136	572043	COOLER, OIL, DOUBLE CIRCUIT	1	
137	071530	PIPE OIL COOLER 2" O.D.	1	
138	5011035	MALE ELBOW 90° / JIC 37° FITTING / #16JIC-Mx#16ORB-M STL	1	
139	071430	SUPPORT OIL COOLER W/RETARDER	1	
140	071428	SUPPORT OIL COOLER W/RETARDER	1	
141	071531	PIPE OIL COOLER 2" O.D.	1	
142	071533	ELBOW 90° X 2" I.D. / 114.3MM x 101.2MM C/C / SILICONE	1	
143	071493	HOSE SILICONE 4PLY 2" I.D. 110MM	1	
143	572049	. HOSE SILICONE 4PLY 2" I.D. x 12'	AR	
144	071501	HOSE ASSY / #16 609MM	1	
145	071586	HOSE ASSY / #16 720MM	1	
146	071436	HOSE ASSY / #20 1130MM	1	
147	071435	HOSE ASSY / #20 690MM	1	
NS	071510	PROTECTOR RUBBER CABLE HARNESS & HOSES	1	
170	068139	KIT CABLE SUPPORT / THERMAL PROTECTOR From 9-9936	1	
. A	071638	. BASE SUPPORT / W/NUT M4-0.7 From 9-9936	1	
. B	509815	. TIE MOUNT / ATTACHMENT W/TREE MOUNT From 9-9936	1	
. C	071639	. ANGLE CABLE SUPPORT / THERMAL DETECTOR 25.4MMx61.3MMx25.4 From 9-9936	1	
. D	504013	. TIE MOUNT / 1/4" X 1/4" I.D. From 9-9936	1	
. E	502556	. WASHER FL 4.3x9.0x0.8 SS From 9-9936	1	
. F	502834	. WASHER LO SPT 4.1x7.6x0.9 N500 From 9-9936	1	
. G	502685	. SCREW CAP HEX M4-0.7x20 SS EMN From 9-9936	1	
171	501449	PLUG HEXS / PIPE FITTING / 3/8NPT-M STL	1	
172	1675641	NIPPLE / QUICK DISCONNECT "VOLVO" / 1/2NPT-M	1	
. NS	V476279	. DUST CAP / QUICK DISCONNECT "VOLVO" /	1	
. NS	507666	. DUST CAP / QUICK DISCONNECT "VOLVO" /	1	
181	071097	PROTECTOR SUPPORT SS 102MM X 90MM	1	
182	071096	PROTECTOR SUPPORT SS ANGLE SHAPE 61MM X 73MM To 7-9240	1	
182	071440	PROTECTOR SUPPORT SS "V" SHAPE 80MM HIGH From 7-9241 To 9-9597	1	
182	079022	PROTECTOR SUPPORT SS "V" SHAPE 74MM HIGH From 9-9598	1	
NS	066209	CABLE HARNESS / SENSOR WTEC W/OUT RETARDER / MUX	1	
NS	066208	CABLE HARNESS / SENSOR WTEC W/RETARDER / MUX	1	
185	065398	SUPPORT RETARDER TEMPERATURE SENSOR	1	

From 8-9457 To B-5001	Date:01/2024	PAGE:X3-0750-01
AUTOMATIC TRANSMISSION - "WORLD" WITH VOLVO D13		

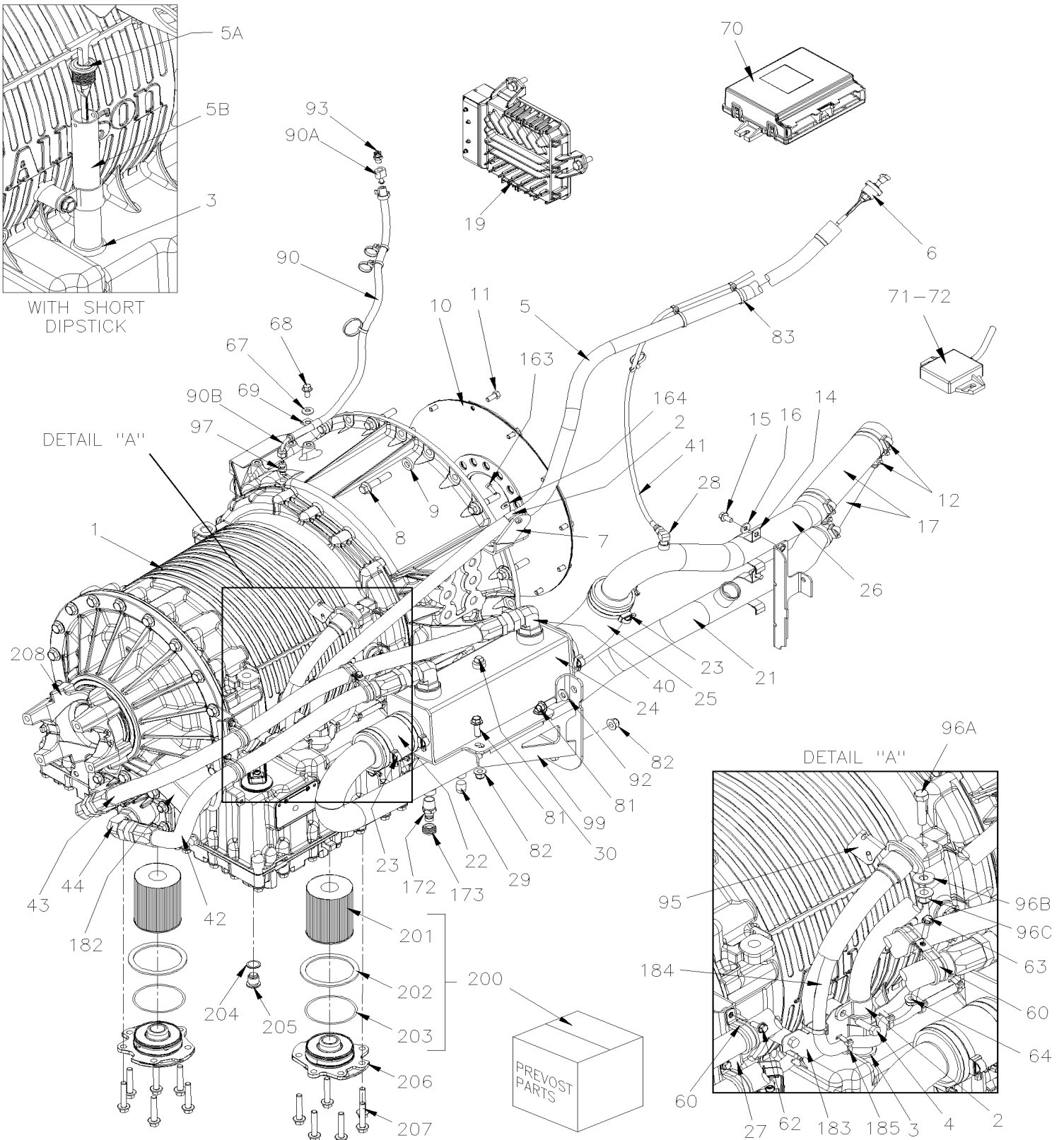
Item#	Part	Description	QTY	Notes
186	500344	SCREW MA RND PH M4-0.7x12 Z050	1	
186	502524	NUT HEX M4-0.7 Z050	1	
187	502636	WASHER LO SPT 4.1x7.6x0.9 Z050	1	
188	504637	CABLE TIE / 3/16" x 13"	AR	
200	572050	TRANSMISSION FILTER / MAINTENANCE KIT	1	
. NS	571692	. O-RING / (LARGE SQUARE CUT)	2	
. NS	571693	. O-RING / (SMALL)	2	
. NS	571694	. O-RING / DRAIN PLUG	2	
. NS	571695	. DRAIN PLUG ASSY W/O-RING	1	
201	N.S.S.	. FILTER	1	1
202	571692	. O-RING / (LARGE SQUARE CUT)	2	
203	571693	. O-RING / (SMALL)	2	
204	571694	. O-RING / DRAIN PLUG	2	
205	571695	. DRAIN PLUG ASSY W/O-RING	1	
205	684016	OIL TRANSYND TRANSMISSION "WORLD"	AR	
206	N.S.P.	COVER FILTER / (29507434)	2	2
207	N.S.P.	BOLT M10-1.5 x 55M / (2954186)	AR	2
208	N.S.P.	YOKE (1810) HALF ROUND (29511516/6.5-4-4521-1)	1	2
208	N.S.P.	STRAP LOCK PLATE	1	2
208	N.S.P.	BOLT M10-1.5 X 30MM GR 10.9	2	2
208	N.S.P.	SEAL OUTPUT / (29515621)	1	2
		1) NOT SOLD SEPARATELY		
		2) NOT SOLD BY PREVOST (SEE MANUFACTURING PART NUMBER AT END OF DESCRIPTION LINE)		

From B-5002 To H-6179

Date:01/2024

PAGE:X3-0750-02

AUTOMATIC TRANSMISSION - "WORLD" WITH VOLVO D13

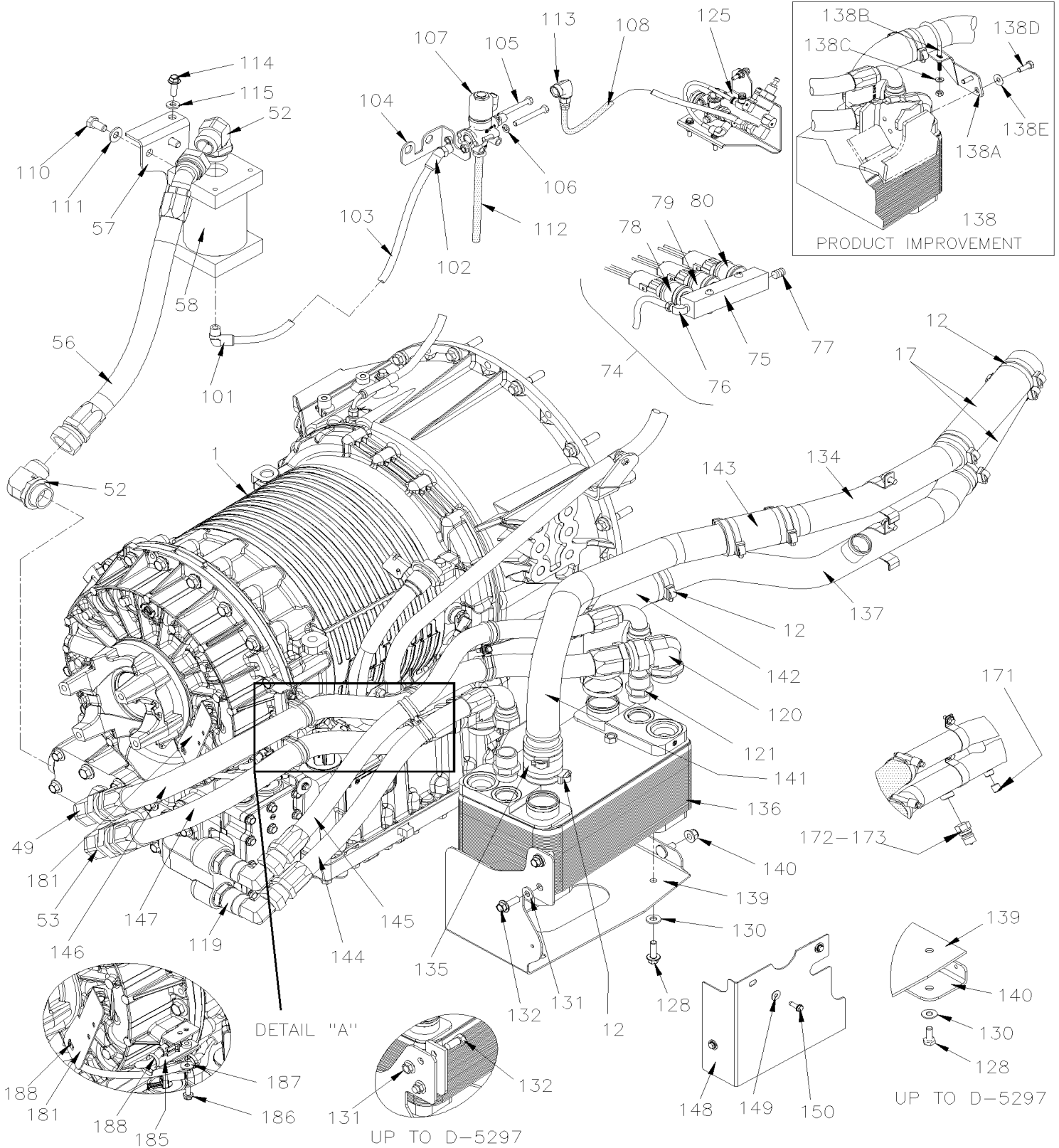


From B-5002 To H-6179

Date:01/2024

PAGE:X3-0750-02

AUTOMATIC TRANSMISSION - "WORLD" WITH VOLVO D13

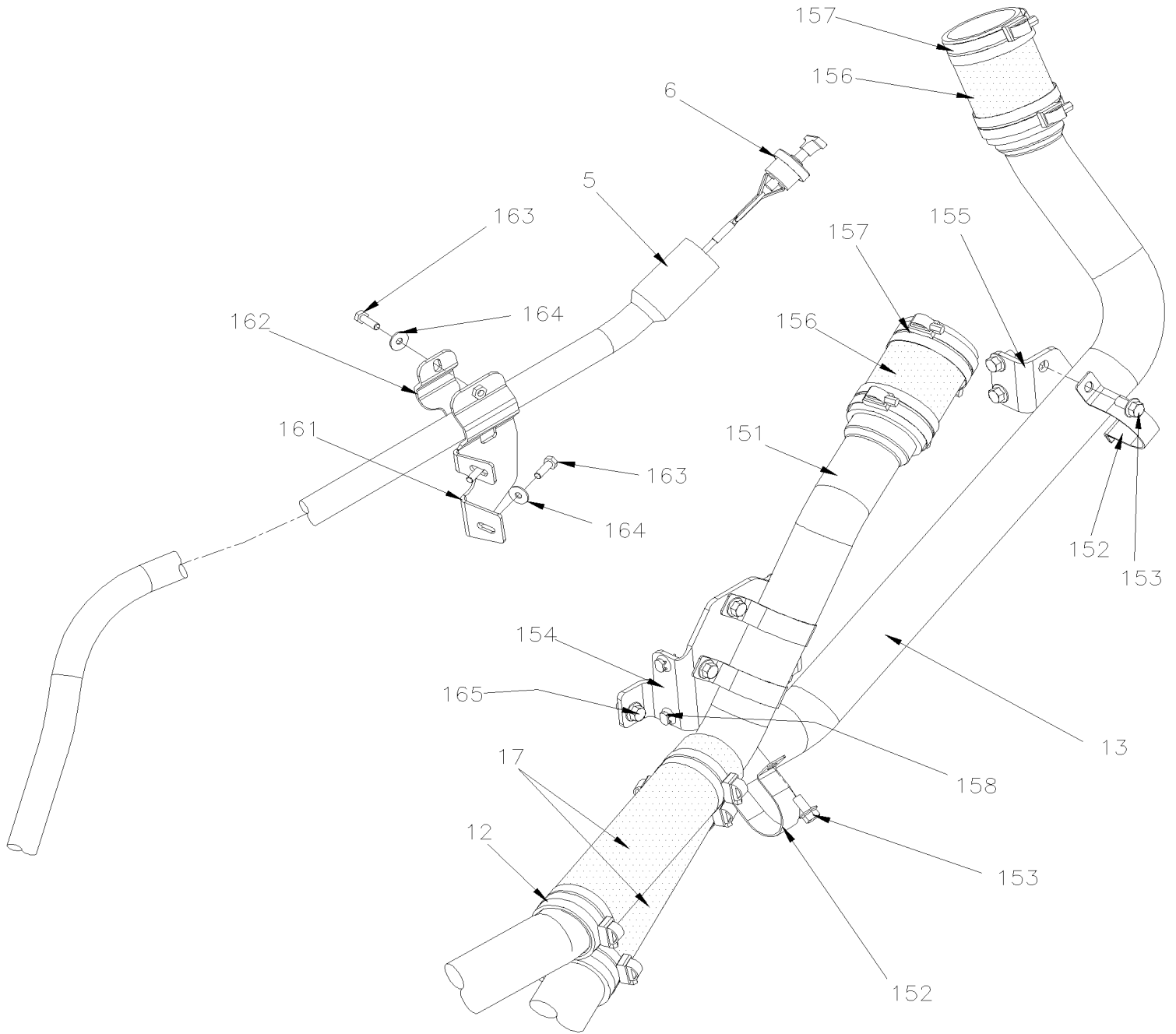


From B-5002 To H-6179

Date:01/2024

PAGE:X3-0750-02

AUTOMATIC TRANSMISSION - "WORLD" WITH VOLVO D13



WITH EPA 2010
FROM B-5002

From B-5002 To H-6179	Date:01/2024	PAGE:X3-0750-02
AUTOMATIC TRANSMISSION - "WORLD" WITH VOLVO D13		

Item#	Part	Description	QTY	Notes
		THE NEXT FOLLOWING TRANSMISSION W/O RETARDER		
	572138	TRANSMISSION ASSY B500 / GEN V	1	
	572174	TRANSMISSION ASSY B500 / GEN V / WITH SHORT DIPSTICK From E-5718	1	S
		THE NEXT FOLLOWING TRANSMISSION W/RETARDER		
	572139	TRANSMISSION ASSY B500R / GEN V	1	
		TRANSMISSION ASSY SEE ABOVE		
NS	683276	GREASE LOW TEMPERATURE 450GR To G-5950	AR	
NS	685371	GREASE / GREY BLACK MOBIL XHP 222 SPECIAL 400 g From G-5951	AR	
NS	20788933	SPACER FLY WHEEL HOUSING 21MM	1	
NS	684016	OIL TRANSYND TRANSMISSION "WORLD"	AR	
2	504602	CLAMP / 1" I.D. X .375 HOLE	2	
3	571662	GROMMET RUBBER / TUBE & TRANS	1	
4	502513	SCREW TP CAP HEX 5/16x1 Z050	1	
5	071636	TUBE DIPSTICK ASSY To B-5053	1	
5	071656	TUBE DIPSTICK ASSY From B-5054	1	
5A	572158	TRANS DIPSTICK SHORT From E-5718	1	S
5B	572159	TUBE DIPSTICK SHORT From E-5718	1	S
NS	7770111	FILL TUBE KIT From E-5718	1	S
6	572147	TRANS DIPSTICK 2385.7MM	1	
NS	071249	DECAL "TranSynd OIL ONLY" / ENGLISH & FRANCAIS To E-5759	1	
6	071687	DECAL "TranSynd OIL ONLY" / ENGLISH & FRANCAIS From F-5760	1	
NS	071364	DECAL "TranSynd OIL ONLY" / ENGLISH & SPANISH To E-5759	1	
6	071688	DECAL "TranSynd OIL ONLY" / ENGLISH & SPANISH From F-5760	1	
7	071641	SUPPORT / TUBE DIPSTICK To E-5626	1	
7	071685	SUPPORT / TUBE DIPSTICK From E-5627	1	
8	20953751	SCREW CAP HEXF 7/16-14x2 1/4 G8 MAGNI 565	12	
9	8397499	WASHER FL HARD .468x.937x.187 ZP	12	
10	Refer To Volvo	FLEXPLATE	1	V
11	5001217	SCREW CAP HEX M8-1.25x20 G10.9	12	
12	504754	HOSE CLAMP / 1"3/4-2"5/8 / C.T. 250 To F-5812	AR	
12	992088	HOSE CLAMP / 50MM/70MM From F-5813	AR	
13	019225	PIPE / THERMOSTAT HOUSING & OIL COOLER To E-5759	1	
13	071696	PIPE / THERMOSTAT HOUSING & OIL COOLER From F-5760	1	
14	012551	"U" CLAMP OFFSET 51MM I.D.	2	
15	5001780	SCREW CAP HEXF M8-1.25x16 G8.8 N500	2	
16	500321	WASHER BEL SPR .331x.827x.098 N500	2	
17	071429	HOSE SILICONE 4PLY 2" I.D. x 254 MM	2	
17	572049	HOSE SILICONE 4PLY 2" I.D. x 12' To D-5381	AR	

From B-5002 To H-6179	Date:01/2024	PAGE:X3-0750-02
AUTOMATIC TRANSMISSION - "WORLD" WITH VOLVO D13		

Item#	Part	Description	QTY	Notes
17	503784	. HOSE SILICONE 4 PLY / NOMEX-ARAMID 2" I.D. x 12' From D-5382	AR	
17	071659	HOSE SILICONE 4PLY / NOMEX 2" I.D. x 280MM GREYHOUND From B-5050 To D-5381	2	GR
17	503784	. HOSE SILICONE 4 PLY / NOMEX-ARAMID 2" I.D. x 12' GREYHOUND From B-5050 To D-5381	AR	GR
19	X3-0620-01	REAR JUNCTION BOX ASSY WITH "EPA 2010" To D-5458		
19	X3-0620-02	REAR JUNCTION BOX ASSY From E-5459		
21	071517	PIPE 2" O.D. INLET x 2 3/4" O.D. OUTLET	1	
22	071268	HOSE SILICONE 4 PLY 2 3/4" I.D X 84MM	1	
22	503395	. HOSE SILICONE 4PLY 2 3/4" I.D. x 3' To D-5381	AR	
22	503787	. HOSE SILICONE 4 PLY / NOMEX-ARAMID 2 3/4" I.D. x 6' From D-5382	AR	
22	071662	HOSE SILICONE 4PLY / NOMEX GREYHOUND From B-5050 To D-5381	1	GR
22	503787	. HOSE SILICONE 4 PLY / NOMEX-ARAMID 2 3/4" I.D. x 6' GREYHOUND From B-5050 To D-5381	AR	GR
23	504562	HOSE CLAMP / 2"3/4-3"5/8 / C.T. 350 To F-5809	4	
23	992090	HOSE CLAMP / 70MM/90MM From F-5810	8	
24	571769	OIL COOLER "MODINE" / SINGLE To G-6079	1	
24	570014	OIL COOLER "MODINE" / SINGLE / SS From G-6080	1	
25	052898	ELBOW 90° X 2 3/4" I.D. / 110MM x 110MM C/C / SILICONE To F-5809	1	
25	053696	ELBOW 90° X 2 3/4" I.D. / 110MM x 110MM C/C / SILICONE ARAMID From F-5810	1	
26	071516	PIPE 2 3/4" I.D. INLET x 2" O.D. OUTLET To E-5759	1	
26	071693	PIPE 2 3/4" I.D. INLET x 2" O.D. OUTLET From F-5760 To G-6083	1	
26	070056	PIPE 2 3/4" I.D. INLET x 2" O.D. OUTLET From G-6084	1	
27	071407	SUPPORT HOSE	1	
28	501037	MALE ELBOW 90° / SAE 45° FITTING / #4FL-Mx1/4NPT-M BR To G-6083	1	
29	501449	PLUG HEXS / PIPE FITTING / 3/8NPT-M STL To D-5371	1	
29	501305	PLUG SQUARE HEAD / PIPE FITTING / 3/8NPT-M BR From D-5372	1	
30	5001304	SCREW TC CAP HEXW SLT #12-24x5/8 ZP	1	
40	501523	MALE ELBOW 90° / JIC 37° FITTING / #16JIC-Mx#16ORB-M STL To D-5452	1	
40	5001917	MALE ELBOW 90° / JIC 37° FITTING / #16JIC-Mx#16ORB-M STL VITON From D-5453	1	
41	053585P	HOSE ASSY TEFLON #4 1850MM To G-6083	1	
. NS	503064	. HOSE TEFLON #4 / S.L. To G-6083	AR	
. NS	5011182	. FEMALE CONNECTOR SWIVEL / SAE 45° FITTING / #4FL-Fx#4 STL To G-6083	2	
. NS	5011183	. SLEEVE / #4 STL To G-6083	2	
42	071566	HOSE ASSY / #16 725MM	1	
43	071567	HOSE ASSY / #16 1045MM	1	
NS	071511	PROTECTOR RUBBER CABLE HARNESS & HOSES	1	
NS	071702	PROTECTOR RUBBER CABLE HARNESS & HOSES WITH SHORT DIPSTICK From E-5718	1	S
44	501573	MALE CONNECTOR / JIC 37° FITTING / #16JIC-Mx#16ORB-M STL To C-5132	2	
44	501708	MALE ELBOW 90° LONG / JIC 37° FITTING / #16JIC-Mx#16ORB-Mx3.72 STL From C-5133 To D-5452	2	
44	5001917	MALE ELBOW 90° / JIC 37° FITTING / #16JIC-Mx#16ORB-M STL VITON From D-5453	2	
49	501575	MALE CONNECTOR / JIC 37° FITTING / #20JIC-Mx#20ORB-M STL VITON To C-5132	1	
49	5011065	MALE ELBOW 90° / JIC 37° FITTING / #20JIC-Mx#20ORB-M STL VITON From C-5133	1	
52	5011065	MALE ELBOW 90° / JIC 37° FITTING / #20JIC-Mx#20ORB-M STL VITON	4	
53	501575	MALE CONNECTOR / JIC 37° FITTING / #20JIC-Mx#20ORB-M STL VITON To C-5132	1	

From B-5002 To H-6179	Date:01/2024	PAGE:X3-0750-02
AUTOMATIC TRANSMISSION - "WORLD" WITH VOLVO D13		

Item#	Part	Description	QTY	Notes
53	501709	MALE ELBOW 90° LONG / JIC 37° FITTING / #20JIC-Mx#20ORB-Mx4.41 STL From C-5133 To D-5452	1	
53	5001918	MALE ELBOW 90° LONG / JIC 37° FITTING / #20JIC-Mx#20ORB-Mx4.41 STL VIT From D-5453	1	
56	071595	HOSE ASSY / #20 493MM	1	
57	071565	SUPPORT ACCUMULATOR To D-5297	1	
57	071672	SUPPORT ACCUMULATOR From D-5298		
58	572030	ACCUMULATOR & SOLENOID / GEN IV	1	
60	952637	CLAMP / 1"1/16 I.D.	AR	
60	952641	CLAMP / 1 5/16" I.D.	AR	
62	500574	SCREW MA TR PH #10-24x1 1/4 SS To E-5651	2	
62	500964	WASHER FL .203x.500x.047 Z050 To E-5651	2	
62	500470	WASHER LO SPT .193x.334x.047 Z050 To E-5651	2	
62	5001730	SCREW CAP HEXF M6-1.0x16 G10.9 N500 From E-5652	2	
63	500574	SCREW MA TR PH #10-24x1 1/4 SS To E-5651	1	
63	500964	WASHER FL .203x.500x.047 Z050 To E-5651	1	
63	500470	WASHER LO SPT .193x.334x.047 Z050 To E-5651	1	
63	500786	NUT HEX #10-24 Z050 To E-5651	1	
63	5001815	SCREW CAP HEXF M6-1.0x30 G 8.8 N500 From E-5652	2	
64	500786	NUT HEX #10-24 Z050 To E-5651	1	
64	5001932	NUT HEXF NYRT M6-1.0 G8.8 N500 From E-5652	1	
67	500942	WASHER LO SPT 8.1x14.8x2.0 N500	1	
68	502862	SCREW CAP HEX M8-1.25x20 G8.8 N500	1	
69	504601	CLAMP / 5/16" I.D. x .375 HOLE	1	
70	X3-0625-00	FRONT JUNCTION PANEL		
71	562357	RESISTANCE MODULE	1	
72	562381	RESISTANCE MODULE	1	
74	070902	PRESSURES SWITCH ASSY W/MANIFOLD To F-5812	1	
74	071709	PRESSURES SWITCH ASSY W/MANIFOLD From F-5813	1	
75	070903	. MANIFOLD	1	
76	640999	. MALE ELBOW 90° / NTA FITTING / #6x1/4NPT-M BR	1	
77	501800	. PLUG HEXS / PIPE FITTING / 1/4NPT-M STL	1	
78	562358	. PRESSURE SWITCH N.O. 2PSI / 1/8NPT	1	
79	562384	. PRESSURE SWITCH N.O. 4PSI / 1/8NPT	1	
80	562385	. PRESSURE SWITCH N.O. 7PSI / 1/8NPT	1	
81	5001741	SCREW CAP HEXF M10-1.5x30 G8.8 N500 To D-5297	4	
81	5001741	SCREW CAP HEXF M10-1.5x30 G8.8 N500 From D-5298	5	
82	5001727	NUT HEXF NYRT M10-1.5 N500 To D-5297	4	
82	5001727	NUT HEXF NYRT M10-1.5 N500 From D-5298 To E-5651	6	
82	5001930	NUT HEXF NYRT M10-1.5 N500 G10.9 From E-5652	6	
83	507664	CABLE TIE / 3/16" 11" / DOUBLE LOOP HEAD	AR	
90	071500	HOSE ASSY / #4 610MM	1	
. A	071167	. FEMALE CONNECTOR / HOSE BARB @ METRIC / #4x M10-1.5-F BR	1	
. B	5011303	. FEMALE ELBOW 90° SWIVEL / PUSH-LOK FITTING / #4FL-Fx#4 BR	1	

From B-5002 To H-6179	Date:01/2024	PAGE:X3-0750-02
AUTOMATIC TRANSMISSION - "WORLD" WITH VOLVO D13		

Item#	Part	Description	QTY	Notes
. C	503706	. HOSE FC-332-4 #4	AR	
92	5001834	WASHER BEL SPR 10.5X23X2.5 N500	3	
93	571763	BREATHER	1	
95	071403	SUPPORT CABLE HARNESS / W/1 HOLE & 1 STUD / GEN IV	1	
96A	500829	SCREW CAP HEX M10-1.5x40 G8.8	1	
96B	5001834	WASHER BEL SPR 10.5X23X2.5 N500	1	
96C	5001930	NUT HEXF NYRT M10-1.5 N500 G10.9	1	
97	071497	MALE CONNECTOR / SAE 45° @ METRIC / #4FL-Mx M10-1.5 M BR	1	
99	071635	SUPPORT OIL COOLER W/O RETARDER To D-5297	1	
99	071674	SUPPORT OIL COOLER W/O RETARDER From D-5298 To G-6001	1	
99	071713	SUPPORT OIL COOLER W/O RETARDER From G-6002	1	
101	641376	MALE ELBOW 90° NON-SWIVEL / PUSH-IN FITTING / #8x3/8NPT-M BR	1	
102	641376	MALE ELBOW 90° NON-SWIVEL / PUSH-IN FITTING / #8x3/8NPT-M BR To E-5624	1	
102	641368	MALE ELBOW 45° NON-SWIVEL / PUSH-IN FITTING / #8x3/8NPT-M BR From E-5625	1	
103	503488	TUBE, NYLON 1/2 O.D. / BLACK S.L./	AR	
104	071484	SUPPORT SOLENOID To E-5624	1	
104	071690	SUPPORT SOLENOID From E-5625	1	
105	5001347	SCREW CAP HEX M8-1.25x70 SS	2	
106	500942	WASHER LO SPT 8.1x14.8x2.0 N500	2	
107	571708	VALVE SOLENOID 12V	1	
108	071089	HOSE ASSY TEFLON #6 355MM To B-5074	1	
108	071658P	HOSE ASSY TEFLON #6 270MM From B-5075 To G-6069	1	
. NS	5011194	. FEMALE CONNECTOR SWIVEL / JIC 37° FITTING / TEFLON / #6JIC-Fx#6 STL From B-5075 To G-6069	2	
. NS	503065	. HOSE TEFLON #6 / S.L. From B-5075 To G-6069	AR	
108	070052	HOSE ASSY TEFLON #6 270MM From G-6070	1	
. NS	5011194	. FEMALE CONNECTOR SWIVEL / JIC 37° FITTING / TEFLON / #6JIC-Fx#6 STL From G-6070	2	
. NS	503065	. HOSE TEFLON #6 / S.L. From G-6070	AR	
110	5001565	SCREW CAP HEX 1/2-13x1 G5 N500	4	
111	500967	WASHER BEL SPR .512x1.142x.098 N500	4	
112	560384	PLASTIC TUBING / 3/8" / CLEAR	AR	
113	5011112	FEMALE ELBOW 90° / JIC 37° FITTING / #6JIC-Mx3/8NPT-F STL	1	
114	5001741	SCREW CAP HEXF M10-1.5x30 G8.8 N500	2	
115	5001834	WASHER BEL SPR 10.5X23X2.5 N500	2	
119	501573	MALE CONNECTOR / JIC 37° FITTING / #16JIC-Mx#16ORB-M STL To C-5132	2	
119	501708	MALE ELBOW 90° LONG / JIC 37° FITTING / #16JIC-Mx#16ORB-Mx3.72 STL From C-5133 To D-5452	2	
119	5001919	MALE ELBOW 90° LONG / JIC 37° FITTING / #16JIC-M x#16ORB-Mx3.72 STL VITON From D-5453	2	
120	5011065	MALE ELBOW 90° / JIC 37° FITTING / #20JIC-Mx#20ORB-M STL VITON	2	
121	501573	MALE CONNECTOR / JIC 37° FITTING / #16JIC-Mx#16ORB-M STL To D-5452	2	
121	5001920	MALE CONNECTOR / JIC 37° FITTING / #16JIC-Mx#16ORB-M STL VITON From D-5453	2	
125	X3-0405-10	7TH INJECTOR / EXHAUST VOLVO D13 To B-5074	Z	
125	X3-0405-11	7TH INJECTOR / "AHI" / EXHAUST VOLVO D13 From B-5075		
128	502804	SCREW CAP HEX M10-1.5x25 G8.8 N500 To D-5297	4	

From B-5002 To H-6179	Date:01/2024	PAGE:X3-0750-02
AUTOMATIC TRANSMISSION - "WORLD" WITH VOLVO D13		

Item#	Part	Description	QTY	Notes
128	5001741	SCREW CAP HEXF M10-1.5x30 G8.8 N500 From D-5298 To G-5925	4	
128	5001307	SCREW CAP HEXF M10-1.5x20 8.8 N500 From G-5926	4	
130	5001834	WASHER BEL SPR 10.5X23X2.5 N500	4	
131	5001728	NUT HEXF STO M12-1.75 N500 G10 To D-5297	2	
131	5001834	WASHER BEL SPR 10.5X23X2.5 N500 From D-5298	2	
132	502705	SCREW CAP HEX M12-1.75X25 G8.8 N500 To D-5297	2	
132	5001741	SCREW CAP HEXF M10-1.5x30 G8.8 N500 From D-5298	2	
134	071532	PIPE OIL COOLER 2" O.D. To E-5759	1	
134	071695	PIPE OIL COOLER 2" O.D. From F-5760	1	
135	071494	HOSE SILICONE 4PLY 2" I.D. 60MM	1	
135	572049	. HOSE SILICONE 4PLY 2" I.D. x 12' To D-5381	AR	
135	503784	. HOSE SILICONE 4 PLY / NOMEX-ARAMID 2" I.D. x 12' From D-5382	AR	
136	572043	COOLER, OIL, DOUBLE CIRCUIT	1	
137	071530	PIPE OIL COOLER 2" O.D. To E-5759	1	
137	071694	PIPE OIL COOLER 2" O.D. From F-5760	1	
138	070070	KIT,ELBOW SUPPORT COOLING SYSTEM	1	A
. A	070069	. SUPPORT PIPE, TRANSMISSION OIL COOLER	1	A
. B	504050	. U-BOLT 2" I.D. x 3 1/4 x 1/4-20 GLV	1	A
. C	500877	. WASHER FL .250x.562x.065 N500	2	A
. D	502780	. SCREW CAP HEX M8-1.25x25 SS BK	2	A
. E	5001699	. WASHER BEL SPR 8.2x22x1.4 N500	2	A
139	071588	SUPPORT OIL COOLER W/RETARDER To D-5297	1	
139	071673	SUPPORT OIL COOLER W/RETARDER From D-5298 To G-6001	1	
139	070040	SUPPORT OIL COOLER W/RETARDER From G-6002	1	
140	071428	SUPPORT OIL COOLER W/RETARDER To D-5297	1	
140	500847	NUT HEX M10-1.5 N500 From D-5298 To E-5651	2	
140	5001834	WASHER BEL SPR 10.5X23X2.5 N500 From D-5298 To E-5651	2	
140	5001930	NUT HEXF NYRT M10-1.5 N500 G10.9 From E-5652	2	
141	071591	PIPE OIL COOLER 2" O.D.	1	
142	071533	ELBOW 90° X 2" I.D. / 114.3MM x 101.2MM C/C / SILICONE	1	
143	071493	HOSE SILICONE 4PLY 2" I.D. 110MM	1	
143	572049	. HOSE SILICONE 4PLY 2" I.D. x 12' To D-5381	AR	
143	503784	. HOSE SILICONE 4 PLY / NOMEX-ARAMID 2" I.D. x 12' From D-5382	AR	
144	071601	HOSE ASSY / #16 474.8MM To C-5132	1	
144	071649P	HOSE ASSY / #16 466MM From C-5133 To G-6069	1	
144	070049	HOSE ASSY / #16 466MM From G-6070	1	
145	071600	HOSE ASSY / #16 781.5MM To C-5132	1	
145	071648P	HOSE ASSY / #16 766MM From C-5133 To G-6069	1	
145	070048	HOSE ASSY / #16 766MM From G-6070	1	
146	071598	HOSE ASSY / #20 1102.1MM To C-5132	1	
146	071650P	HOSE ASSY / #20 1083MM From C-5133 To G-6069	1	

From B-5002 To H-6179	Date:01/2024	PAGE:X3-0750-02
AUTOMATIC TRANSMISSION - "WORLD" WITH VOLVO D13		

Item#	Part	Description	QTY	Notes
146	070050	HOSE ASSY / #20 1083MM From G-6070	1	
147	071599	HOSE ASSY / #20 673MM To C-5132	1	
147	071651P	HOSE ASSY / #20 649MM From C-5133 To G-6069	1	
147	070051	HOSE ASSY / #20 649MM From G-6070	1	
NS	071510	PROTECTOR RUBBER CABLE HARNESS & HOSES	1	
148	071589	PROTECTOR OIL COOLER \	1	
149	500411	WASHER FL .260x.697x.050 SS	3	
150	502848	SCREW TC CAP HEXF 1/4-20x3/4 N500	3	
151	019226	PIPE / OIL COOLER TO HOSE REDUCER To E-5759	1	
151	071697	PIPE / OIL COOLER TO HOSE REDUCER From F-5760	1	
152	012551	"U" CLAMP OFFSET 51MM I.D.	4	
153	5001780	SCREW CAP HEXF M8-1.25x16 G8.8 N500	AR	
154	012668	SUPPORT OIL COOLER PIPE	1	
155	012358	SUPPORT OIL COOLER PIPE	1	
156	984677	HOSE 60 I.D. x 102MM / SILICONE To C-5130	2	
156	071660	HOSE / SILICONE W/NOMEX 2 3/8" I.D. 98MM From C-5131	1	
157	504561	HOSE CLAMP / 2"1/4-3"1/8 / C.T. 300 To F-5759	AR	
157	992089	HOSE CLAMP / 60MM/80MM From F-5760	AR	
158	509815	TIE MOUNT / ATTACHMENT W/TREE MOUNT	2	
158	504637	CABLE TIE / 3/16" x 13"	2	
161	071640	SUPPORT / TUBE DIPSTICK	1	
162	071487	ATTACHMENT DIPSTICK TUBE W1 HOLE & HOCK	1	
163	502830	SCREW CAP HEX M6-1.0x20 G8.8 N500	3	
164	5001833	WASHER BEL SPR 6.1x18x1.27 SS	3	
165	5001745	SCREW CAP HEX M8-1.25x25 G8.8 N500	3	
166	500321	WASHER BEL SPR .331x.827x.098 N500	3	
171	501449	PLUG HEXS / PIPE FITTING / 3/8NPT-M STL To D-5371	1	
171	501305	PLUG SQUARE HEAD / PIPE FITTING / 3/8NPT-M BR From D-5372	1	
172	1675641	NIPPLE / QUICK DISCONNECT "VOLVO" / 1/2NPT-M	1	
. NS	V476279	. DUST CAP / QUICK DISCONNECT "VOLVO" /	1	
. NS	507666	. DUST CAP / QUICK DISCONNECT "VOLVO" /	1	
173	507666	DUST CAP / QUICK DISCONNECT "VOLVO" /	1	
NS	507664	CABLE TIE / 3/16" 11" / DOUBLE LOOP HEAD	2	
181	071097	PROTECTOR SUPPORT SS 102MM X 90MM	1	
182	079022	PROTECTOR SUPPORT SS "V" SHAPE 74MM HIGH	1	
183	071581	SUPPORT CABLE HARNESS	1	
184	066209	CABLE HARNESS / SENSOR WTEC W/OUT RETARDER / MUX To H-6093	1	
184	069508	CABLE HARNESS / SENSOR WTEC W/OUT RETARDER From H-6094	1	
184	066797	CABLE HARNESS / SENSOR WTEC W/RETARDER / MUX To H-6093	1	
184	069509	CABLE HARNESS / SENSOR WTEC W/RETARDER From H-6094	1	
185	065398	SUPPORT RETARDER TEMPERATURE SENSOR		

From B-5002 To H-6179	Date:01/2024	PAGE:X3-0750-02
AUTOMATIC TRANSMISSION - "WORLD" WITH VOLVO D13		

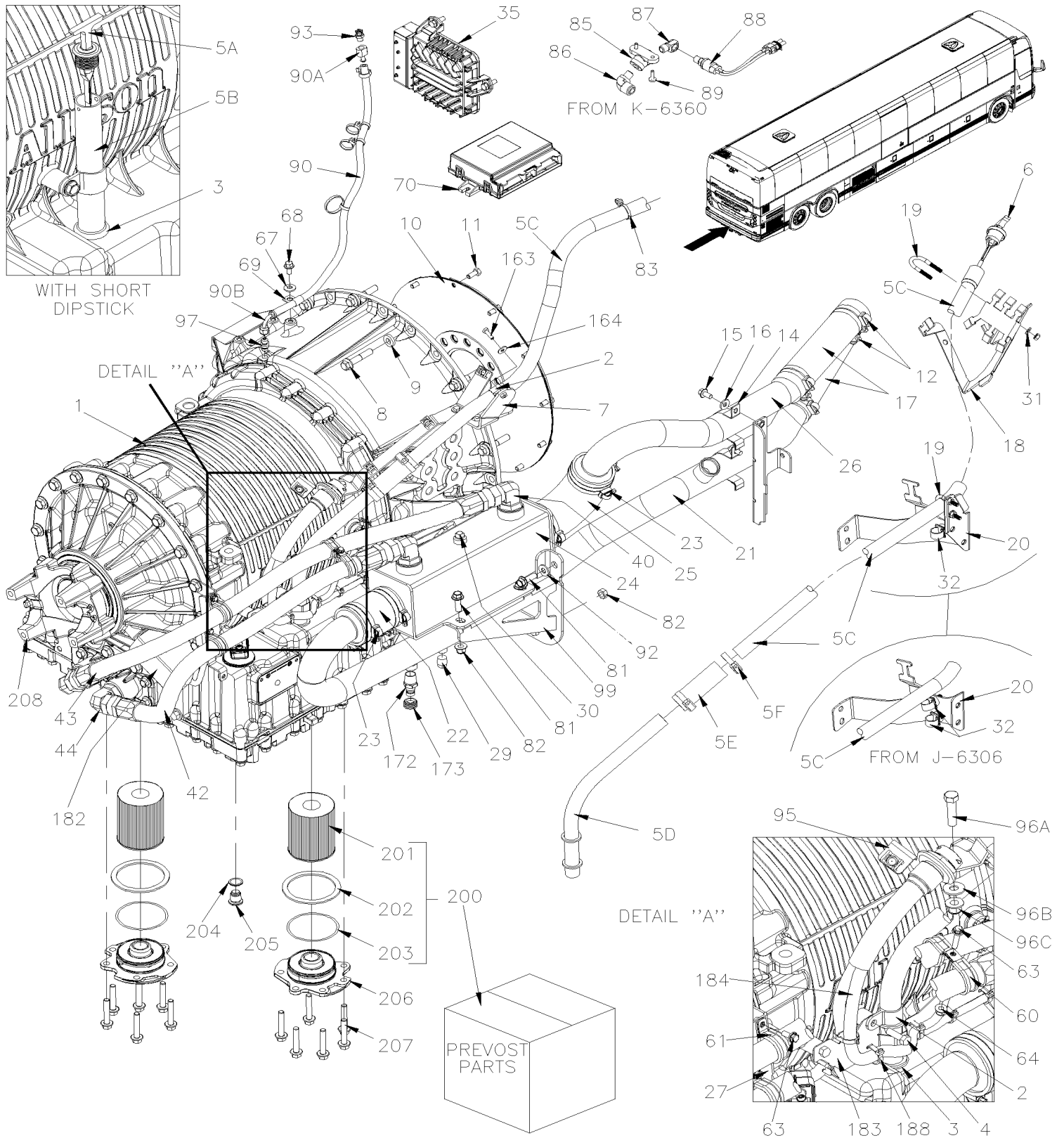
Item#	Part	Description	QTY	Notes
186	500344	SCREW MA RND PH M4-0.7x12 Z050 To E-5652	1	
186	502524	NUT HEX M4-0.7 Z050 To E-5652	1	
186	5001730	SCREW CAP HEXF M6-1.0x16 G10.9 N500 From E-5651	1	
187	502636	WASHER LO SPT 4.1x7.6x0.9 Z050 To E-5652	1	
187	5001833	WASHER BEL SPR 6.1x18x1.27 SS From E-5651	1	
188	504637	CABLE TIE / 3/16" x 13"	AR	
200	572050	TRANSMISSION FILTER / MAINTENANCE KIT	1	
. NS	571692	. O-RING / (LARGE SQUARE CUT)	2	
. NS	571693	. O-RING / (SMALL)	2	
. NS	571694	. O-RING / DRAIN PLUG	2	
. NS	571695	. DRAIN PLUG ASSY W/O-RING	1	
201	N.S.S.	. FILTER	1	1
202	571692	. O-RING / (LARGE SQUARE CUT)	2	
203	571693	. O-RING / (SMALL)	2	
204	571694	. O-RING / DRAIN PLUG	2	
205	571695	. DRAIN PLUG ASSY W/O-RING	1	
205	684016	OIL TRANSYND TRANSMISSION "WORLD"	AR	
206	N.S.P.	COVER FILTER / (29507434)	2	2
207	N.S.P.	BOLT M10-1.5 x 55M / (2954186)	AR	2
208	N.S.P.	YOKE (1810) HALF ROUND (29511516/6.5-4-4521-1)	1	2
208	N.S.P.	STRAP LOCK PLATE	1	2
208	N.S.P.	BOLT M10-1.5 X 30MM GR 10.9	2	2
208	N.S.P.	SEAL OUTPUT / (29515621)	1	2
		A) FOR PROCUCT IMPROVEMENT		
		GR) GREYHOUND "OPTION"		
		S) USE WITH SHORT DIPSTICK		
		1) NOT SOLD SEPARATELY		
		2) NOT SOLD BY PREVOST (SEE MANUFACTURING PART NUMBER AT END OF DESCRIPTION LINE)		
		V) SEE IMPACT OR CALL ORDER DESK		

From H-6180

Date:01/2024

PAGE:X3-0750-03

AUTOMATIC TRANSMISSION - "WORLD" WITH VOLVO D13 - GHG17

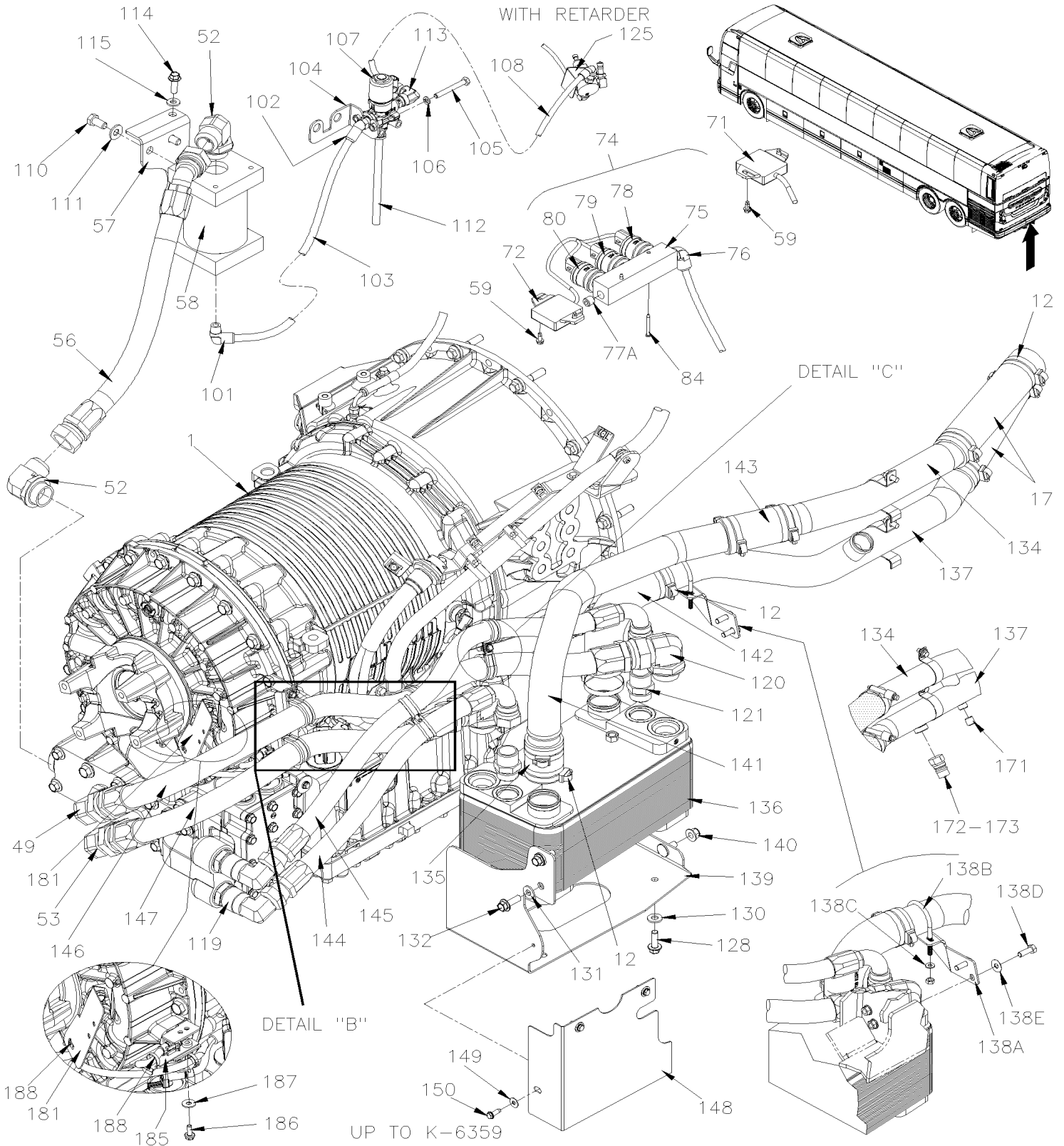


From H-6180

Date:01/2024

PAGE:X3-0750-03

AUTOMATIC TRANSMISSION - "WORLD" WITH VOLVO D13 - GHG17

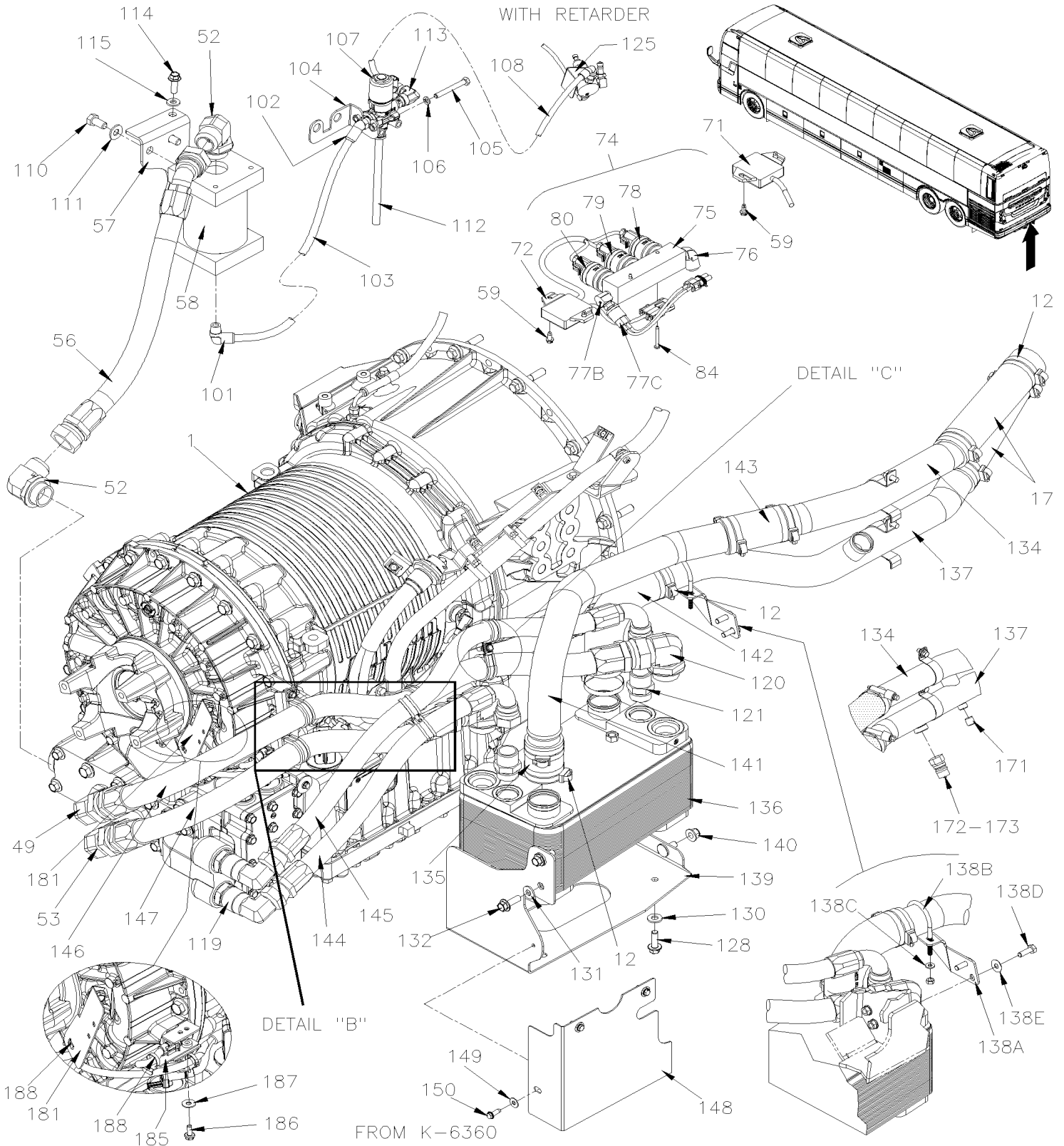


From H-6180

Date:01/2024

PAGE:X3-0750-03

AUTOMATIC TRANSMISSION - "WORLD" WITH VOLVO D13 - GHG17

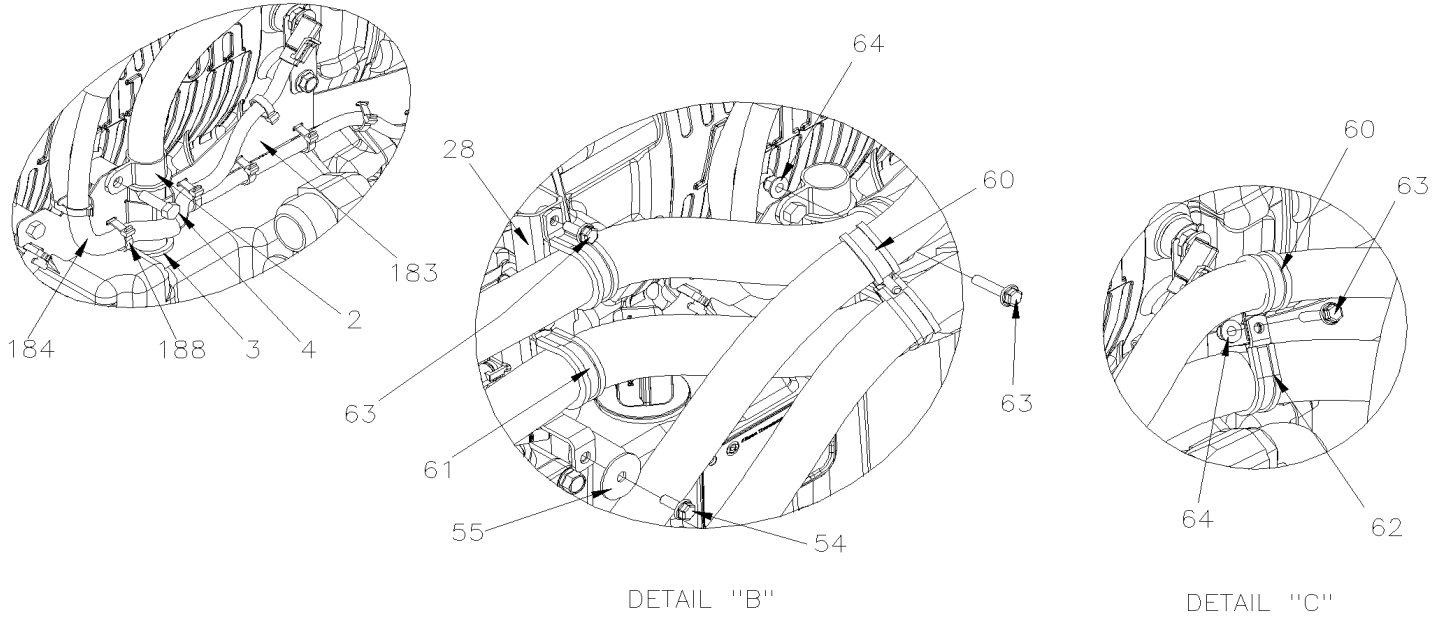


From H-6180

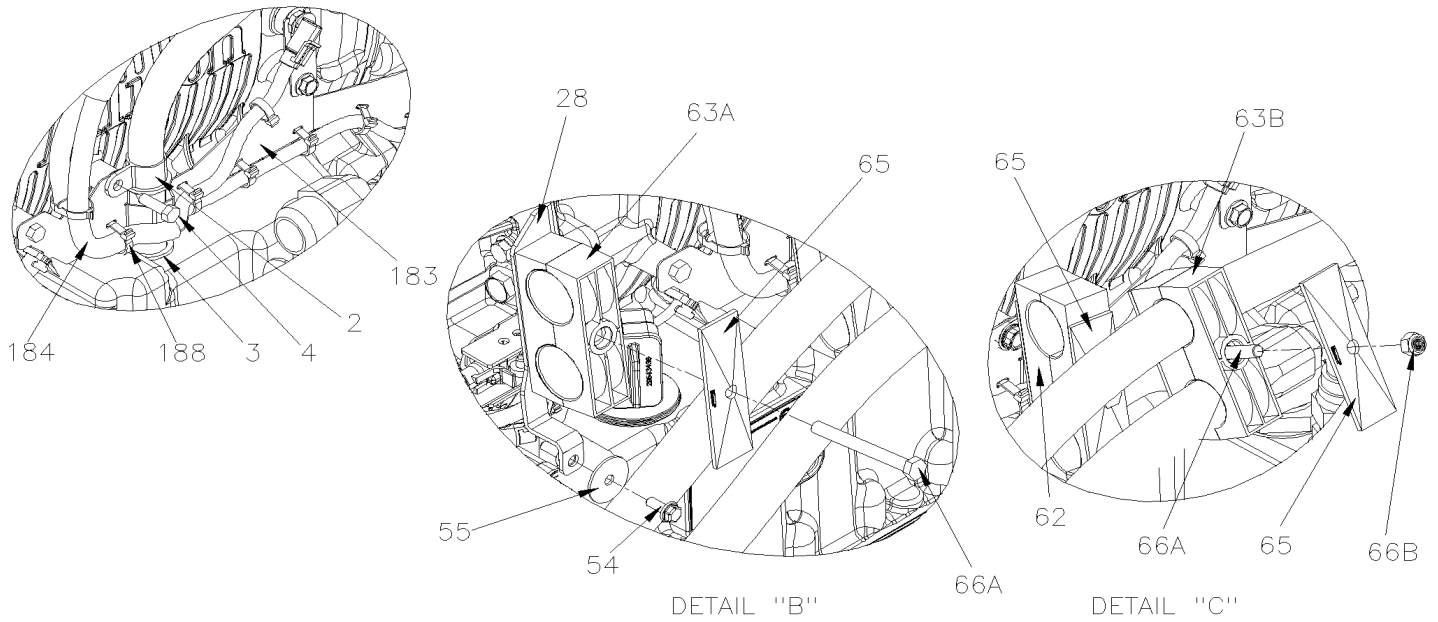
Date:01/2024

PAGE:X3-0750-03

AUTOMATIC TRANSMISSION - "WORLD" WITH VOLVO D13 - GHG17

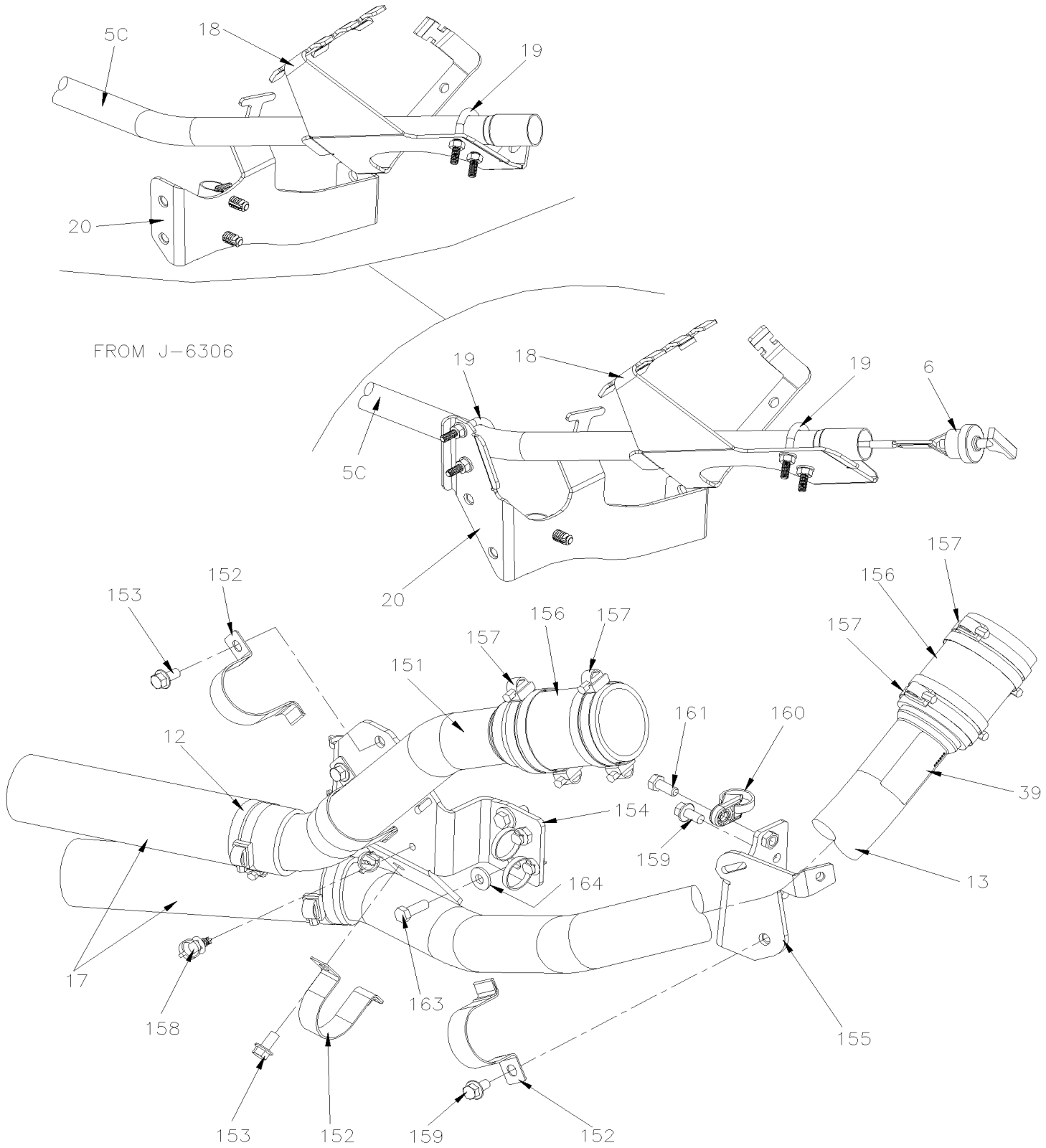


UP TO ?-18003



FROM ?-18003

From H-6180	Date:01/2024	PAGE:X3-0750-03
AUTOMATIC TRANSMISSION - "WORLD" WITH VOLVO D13 - GHG17		



From H-6180	Date:01/2024	PAGE:X3-0750-03
-------------	--------------	-----------------

AUTOMATIC TRANSMISSION - "WORLD" WITH VOLVO D13 - GHG17

Item#	Part	Description	QTY	Notes
		THE NEXT FOLLOWING TRANSMISSION W/O RETARDER		
	572138	TRANSMISSION ASSY B500 / GEN V To N-6738	1	
	570107	TRANSMISSION ASSY B500 / GEN VI From N-6739	1	
	572174	TRANSMISSION ASSY B500 / GEN V / WITH SHORT DIPSTICK To N-6738	1	S
	570114	TRANSMISSION ASSY B500 / GEN VI / WITH SHORT DIPSTICK From N-6739	1	S
		THE NEXT FOLLOWING TRANSMISSION W/RETARDER		
	572139	TRANSMISSION ASSY B500R / GEN V To N-6738	1	
	570108	TRANSMISSION ASSY B500 / GEN VI From N-6739	1	
		TRANSMISSION ASSY SEE ABOVE		
NS	685371	GREASE / GREY BLACK MOBIL XHP 222 SPECIAL 400 g	AR	
NS	20788933	SPACER FLY WHEEL HOUSING 21MM	1	
NS	684016	OIL TRANSYND TRANSMISSION "WORLD" To N-6677	AR	
NS	685391	OIL TRANSYND TRANSMISSION "WORLD" From N-6678	AR	
2	504602	CLAMP / 1" I.D. X .375 HOLE	2	
3	571662	GROMMET RUBBER / TUBE & TRANS	1	
4	502513	SCREW TP CAP HEX 5/16x1 Z050	1	
5A	572158	TRANS DIPSTICK SHORT	1	S
5B	572159	TUBE DIPSTICK SHORT	1	S
NS	7770111	FILL TUBE KIT	1	S
5C	070053	PIPE, TRANSMISSION DIPSTICK 1729MM To L-6631	1	
5C	070028	PIPE, TRANSMISSION DIPSTICK 1729MM From L-6632 To R-6924	1	
5C	070001	PIPE, TRANSMISSION DIPSTICK 1729MM SS304 From R-6925	1	
5C	070001	PIPE, TRANSMISSION DIPSTICK 1729MM SS304 To R-6924	1	C
5D	071714	PIPE, TRANSMISSION DIPSTICK	1	
5E	503788	HOSE SILICONE 4 PLY / NOMEX-ARAMID 1" I.D. x 54"	AR	
5F	992084	HOSE CLAMP / 23MM/35MM	2	
6	070055	TRANS DIPSTICK 2328.5 MM	1	
6	071687	DECAL "TranSynd OIL ONLY" / ENGLISH & FRANCAIS	1	
6	071688	DECAL "TranSynd OIL ONLY" / ENGLISH & SPANISH	1	
7	071722	SUPPORT / TUBE DIPSTICK	1	
8	5001764	SCREW CAP HEXF 7/16-14x2 1/4 G8 N500	12	
9	5001792	WASHER FL HARD .468x.937x.187 Z050	12	
10	Refer To Volvo	FLEXPLATE	1	V
11	5001217	SCREW CAP HEX M8-1.25x20 G10.9	12	
12	992088	HOSE CLAMP / 50MM/70MM	AR	
13	071712	PIPE / THERMOSTAT HOUSING & OIL COOLER	1	
13	071735	PIPE / THERMOSTAT HOUSING & OIL COOLER SS304	1	C
14	012551	"U" CLAMP OFFSET 51MM I.D.	2	

From H-6180	Date:01/2024	PAGE:X3-0750-03
AUTOMATIC TRANSMISSION - "WORLD" WITH VOLVO D13 - GHG17		

Item#	Part	Description	QTY	Notes
15	5001780	SCREW CAP HEXF M8-1.25x16 G8.8 N500	2	
16	500321	WASHER BEL SPR .331x.827x.098 N500	2	
17	071429	HOSE SILICONE 4PLY 2" I.D. x 254 MM	2	
17	503784	. HOSE SILICONE 4 PLY / NOMEX-ARAMID 2" I.D. x 12'	AR	
18	071715	BRACKET, TRANSMISSION DIPSTICK	1	
18	X3-0510-03	SURGE TANK VOLVO D13 - GHG17	1	
19	504809	U-BOLT 1" I.D. x 2 x 1/4-20 GLV To J-6305	2	
19	504809	U-BOLT 1" I.D. x 2 x 1/4-20 GLV From J-6306	1	
20	053038	BRACKET, HOSE & DIPSTICK To J-6305	1	
20	050111	BRACKET, HOSE 275.5x165.7x48.5 MM From J-6306	1	
20	X3-0510-03	SURGE TANK VOLVO D13 - GHG17	1	
21	071517	PIPE 2" O.D. INLET x 2 3/4" O.D. OUTLET	1	
22	071268	HOSE SILICONE 4 PLY 2 3/4" I.D X 84MM	1	
22	503787	. HOSE SILICONE 4 PLY / NOMEX-ARAMID 2 3/4" I.D. x 6'	AR	
23	992090	HOSE CLAMP / 70MM/90MM	8	
24	570014	OIL COOLER "MODINE" / SINGLE / SS	1	
25	053696	ELBOW 90° X 2 3/4" I.D. / 110MM x 110MM C/C / SILICONE ARAMID	1	
26	070056	PIPE 2 3/4" I.D. INLET x 2" O.D. OUTLET	1	
26	071740	PIPE 2 3/4" I.D. INLET x 2" O.D. OUTLET SS304	1	C
27	071407	SUPPORT HOSE	1	A
28	071407	SUPPORT HOSE To M-6647	1	R
28	070022	SUPPORT HOSE From M-6648	1	R
29	501305	PLUG SQUARE HEAD / PIPE FITTING / 3/8NPT-M BR	1	
30	5001304	SCREW TC CAP HEXW SLT #12-24x5/8 ZP	1	
31	500877	WASHER FL .250x.562x.065 N500	4	
32	504750	CABLE TIE / 1/2" x 15" / CHRISTMAS TREE	1	
35	X3-0620-03	REAR JUNCTION BOX ASSY GHG17	1	
39	069356	DECAL "DO NOT POWER WASH ALTERNATORS" ENGLISH To L-6584	1	
39	0610176	DECAL "DO NOT POWER WASH ALTERNATORS" ENGLISH From L-6585	1	
39	0610181	DECAL "DO NOT POWER WASH ALTERNATORS" ENGLISH / FRANCAIS From L-6585	1	
40	5001917	MALE ELBOW 90° / JIC 37° FITTING / #16JIC-Mx#16ORB-M STL VITON	1	
42	071566	HOSE ASSY / #16 725MM	1	
43	071567	HOSE ASSY / #16 1045MM	1	
NS	071511	PROTECTOR RUBBER CABLE HARNESS & HOSES	1	
NS	071702	PROTECTOR RUBBER CABLE HARNESS & HOSES WITH SHORT DIPSTICK	1	S
44	5001917	MALE ELBOW 90° / JIC 37° FITTING / #16JIC-Mx#16ORB-M STL VITON	2	
49	5011065	MALE ELBOW 90° / JIC 37° FITTING / #20JIC-Mx#20ORB-M STL VITON	1	
52	5011065	MALE ELBOW 90° / JIC 37° FITTING / #20JIC-Mx#20ORB-M STL VITON	4	
53	5001918	MALE ELBOW 90° LONG / JIC 37° FITTING / #20JIC-Mx#20ORB-Mx4.41 STL VIT To H-6197	1	
53	501074	MALE ELBOW 90° LONG / JIC 37° FITTING / #20JIC-M x#20ORB-Mx4.41 STL VITON From H-6198	1	
54	5001815	SCREW CAP HEXF M6-1.0x30 G 8.8 N500	1	
55	500913	WASHER FL .281x1.250x.065 N500	1	

From H-6180	Date:01/2024	PAGE:X3-0750-03
AUTOMATIC TRANSMISSION - "WORLD" WITH VOLVO D13 - GHG17		

Item#	Part	Description	QTY	Notes
56	071595	HOSE ASSY / #20 493MM	1	
57	071672	SUPPORT ACCUMULATOR		
58	572030	ACCUMULATOR & SOLENOID / GEN IV To M-6657	1	
58	570058	ACCUMULATOR & SOLENOID / GEN IV From M-6658	1	
59	5001245	SCREW TC CAP HEXW SLT #12-24x1/2 Z050	2	
60	504778	CLAMP / SS / SILICONE RUBBER / 1 1/8" I.D. x .281 HOLE	AR	
61	504004	CLAMP / SS / SILICONE RUBBER / 1 1/4" I.D. x .281 HOLE	AR	
62	504785	CLAMP / SS / SILICONE RUBBER / 1 1/2" I.D. x .281 HOLE To M-6647	AR	
62	070023	CLAMP DOUBLE / SPLIT BLOC / 37.2MMx37.2MM x 131MM POLYA From M-6648	2	
63	5001815	SCREW CAP HEXF M6-1.0x30 G 8.8 N500	4	
63A	504157	CLAMP DOUBLE ASS / SPLIT BLOC / 37.2MM/37.2MM x 106MM POLYA From M-6648	1	
63B	504163	CLAMP DOUBLE ASS / SPLIT BLOC / 32MM/32MM x 106MM POLYA From M-6648	1	
64	5001932	NUT HEXF NYRT M6-1.0 G8.8 N500	1	
65	504160	PLATE RETAINER 102MM SS From M-6648	5	
66A	5001185	SCREW CAP HEX M8-1.25x80 SS BK From M-6648	3	
66B	5001983	NUT HEX NYRT M8-1.25 SS SS BK From M-6648	2	
67	500321	WASHER BEL SPR .331x.827x.098 N500	1	
68	5001730	SCREW CAP HEXF M6-1.0x16 G10.9 N500	1	
69	504601	CLAMP / 5/16" I.D. x .375 HOLE To K-6367	1	
69	504072	CLAMP / 5/8" I.D. x .375 HOLE From K-6368	1	
70	X3-0625-01	FRONT JUNCTION PANEL VOLVO D13 - GHG17		
71	562357	RESISTANCE MODULE	1	R
72	562381	RESISTANCE MODULE	1	R
74	071709	PRESSURES SWITCH ASSY W/MANIFOLD To K-6359	1	R
74	070017	PRESSURES SWITCH ASSY W/MANIFOLD From K-6360	1	R
75	070903	. MANIFOLD	1	R
76	641372	. MALE ELBOW 90° NON-SWIVEL / PUSH-IN FITTING / #6x1/4NPT-M BR	1	R
77A	501800	. PLUG HEXS / PIPE FITTING / 1/4NPT-M STL	1	R
77B	501332	. STREET ELBOW 90° / PIPE FITTING / 1/4NPT-Mx1/4NPT-F BR From K-6360	1	R
77C	070013	. PRESSURE SWITCH ASSY From K-6360	1	R
. NS	950590	. . PRESSURE SWITCH N.O. 30-15 From K-6360	1	R
. NS	561690	. . CONNECTOR / WEATHER PACK / SH 2C / BLACK / PED 12015792 From K-6360	1	R
. NS	561578	. . SOCKET TERMINAL / 16-14 / PED 12010182 From K-6360	2	R
. NS	561840	. . CABLE SEAL / BLUE / PED 15324981 From K-6360	2	R
78	562358	. PRESSURE SWITCH N.O. 2PSI / 1/8NPT	1	R
79	562384	. PRESSURE SWITCH N.O. 4PSI / 1/8NPT	1	R
80	562385	. PRESSURE SWITCH N.O. 7PSI / 1/8NPT	1	R
NS	680098	. THREAD SEALANT LOCTITE #567 / WHITE / 250ml	AR	R
81	5001741	SCREW CAP HEXF M10-1.5x30 G8.8 N500	5	
82	5001930	NUT HEXF NYRT M10-1.5 N500 G10.9	6	
82A	500847	NUT HEX M10-1.5 N500	2	
83	507664	CABLE TIE / 3/16" 11" / DOUBLE LOOP HEAD	AR	

From H-6180	Date:01/2024	PAGE:X3-0750-03
AUTOMATIC TRANSMISSION - "WORLD" WITH VOLVO D13 - GHG17		

Item#	Part	Description	QTY	Notes
84	500508	SCREW TC PAN PH #10-32x1 1/2 Z050	2	
85	070015	PRESSURES SWITCH ASSY From K-6360	1	A
85	640643	. ANCHOR ELBOW / PIPE FITTING / 1/4NPT-Fx1/4NPT-F STL From K-6360	1	A
86	641372	. MALE ELBOW 90° NON-SWIVEL / PUSH-IN FITTING / #6x1/4NPT-M BR From K-6360	1	A
87	501332	. STREET ELBOW 90° / PIPE FITTING / 1/4NPT-Mx1/4NPT-F BR From K-6360	1	A
88	070013	. PRESSURE SWITCH ASSY From K-6360	1	A
. NS	950590	. . PRESSURE SWITCH N.O. 30-15 From K-6360	1	A
. NS	561690	. . CONNECTOR / WEATHER PACK / SH 2C / BLACK / PED 12015792 From K-6360	1	A
. NS	561578	. . SOCKET TERMINAL / 16-14 / PED 12010182 From K-6360	2	A
. NS	561840	. . CABLE SEAL / BLUE / PED 15324981 From K-6360	2	A
89	502526	SCREW TC BDG PH #12-24x3/4 Z050 From K-6360	2	A
90	071500	HOSE ASSY / #4 610MM To K-6367	1	
. A	071167	. FEMALE CONNECTOR / HOSE BARB @ METRIC / #4x M10-1.5-F BR To K-6367	1	
. B	5011303	. FEMALE ELBOW 90° SWIVEL / PUSH-LOK FITTING / #4FL-Fx#4 BR To K-6367	1	
. C	503706	. HOSE FC-332-4 #4 To K-6367	AR	
90	070075	HOSE ASSY / #6 640 MM From K-6368	1	
. A	501085	. FEMALE CONNECTOR / HOSE BARB @ METRIC / #6x M10-1.5-F BR From K-6368	1	
. B	501118	. FEMALE ELBOW 90° SWIVEL / PUSH-LOK FITTING / #4FL-Fx#6 BR From K-6368	1	
. C	503728	. HOSE FC-332-6 #6 From K-6368	1	
92	5001834	WASHER BEL SPR 10.5X23X2.5 N500	5	
93	571763	BREATHER	1	
95	071721	SUPPORT, TRANSMISSION WIRING	1	
95	070014	SUPPORT, TRANSMISSION WIRING	1	S
NS	504013	TIE MOUNT / 1/4" X 1/4" I.D.	AR	
NS	504379	RIVET POP DOME OE 3/16x1/4 SS	1	
96A	500829	SCREW CAP HEX M10-1.5x40 G8.8	1	
96B	5001751	WASHER FL 10.5x26.0x2.0 N500	1	
96C	5001930	NUT HEXF NYRT M10-1.5 N500 G10.9	1	
97	071497	MALE CONNECTOR / SAE 45° @ METRIC / #4FL-Mx M10-1.5 M BR	1	
99	071713	SUPPORT OIL COOLER W/O RETARDER	1	
101	641376	MALE ELBOW 90° NON-SWIVEL / PUSH-IN FITTING / #8x3/8NPT-M BR	1	
102	641368	MALE ELBOW 45° NON-SWIVEL / PUSH-IN FITTING / #8x3/8NPT-M BR	1	
103	503488	TUBE, NYLON 1/2 O.D. / BLACK S.L./	AR	
104	071690	SUPPORT SOLENOID	1	
105	5001347	SCREW CAP HEX M8-1.25x70 SS	2	
106	500942	WASHER LO SPT 8.1x14.8x2.0 N500	2	
107	571708	VALVE SOLENOID 12V	1	
108	070059	HOSE ASSY TEFLON #6 364MM	1	
. NS	503065	. HOSE TEFLON #6 / S.L.	AR	
. NS	5011193	. SLEEVE / #5 STL	2	
. NS	5011194	. FEMALE CONNECTOR SWIVEL / JIC 37° FITTING / TEFLON / #6JIC-Fx#6 STL	1	
. NS	5011195	. FEMALE ELBOW 90° SHORT DROP/ JIC 37° FITTING/ #6JIC-Fx#6 STL	1	

From H-6180	Date:01/2024	PAGE:X3-0750-03
AUTOMATIC TRANSMISSION - "WORLD" WITH VOLVO D13 - GHG17		

Item#	Part	Description	QTY	Notes
110	5001565	SCREW CAP HEX 1/2-13x1 G5 N500	4	
111	500967	WASHER BEL SPR .512x1.142x.098 N500	4	
112	560384	PLASTIC TUBING / 3/8" / CLEAR	AR	
113	5011112	FEMALE ELBOW 90° / JIC 37° FITTING / #6JIC-Mx3/8NPT-F STL	1	
114	5001741	SCREW CAP HEXF M10-1.5x30 G8.8 N500	2	
115	5001834	WASHER BEL SPR 10.5X23X2.5 N500	2	
119	5001919	MALE ELBOW 90° LONG / JIC 37° FITTING / #16JIC-M x#16ORB-Mx3.72 STL VITON	2	
120	5011065	MALE ELBOW 90° / JIC 37° FITTING / #20JIC-Mx#20ORB-M STL VITON	2	
121	5001920	MALE CONNECTOR / JIC 37° FITTING / #16JIC-Mx#16ORB-M STL VITON	2	
125	X3-0405-12	7TH INJECTOR / "AHI" / EXHAUST VOLVO D13 - GHG17	1	
128	5001307	SCREW CAP HEXF M10-1.5x20 8.8 N500	4	
130	5001834	WASHER BEL SPR 10.5X23X2.5 N500	4	
131	5001834	WASHER BEL SPR 10.5X23X2.5 N500	2	
132	5001741	SCREW CAP HEXF M10-1.5x30 G8.8 N500	2	
134	071695	PIPE OIL COOLER 2" O.D.	1	
134	071737	PIPE OIL COOLER 2" O.D.SS304	1	C
135	071494	HOSE SILICONE 4PLY 2" I.D. 60MM	1	
135	503784	. HOSE SILICONE 4 PLY / NOMEX-ARAMID 2" I.D. x 12'	AR	
136	572043	COOLER, OIL, DOUBLE CIRCUIT	1	
137	071694	PIPE OIL COOLER 2" O.D.	1	
137	071739	PIPE OIL COOLER 2" O.D.SS304	1	C
138	070070	KIT,ELBOW SUPPORT COOLING SYSTEM From H-6202	1	
. A	070069	. SUPPORT PIPE, TRANSMISSION OIL COOLER From H-6202	1	
. B	504050	. U-BOLT 2" I.D. x 3 1/4 x 1/4-20 GLV From H-6202	1	
. C	500877	. WASHER FL .250x.562x.065 N500 From H-6202	2	
. D	502780	. SCREW CAP HEX M8-1.25x25 SS BK From H-6202	2	
. E	5001699	. WASHER BEL SPR 8.2x22x1.4 N500 From H-6202	2	
139	070040	SUPPORT OIL COOLER W/RETARDER	1	
140	5001930	NUT HEXF NYRT M10-1.5 N500 G10.9	2	
141	071591	PIPE OIL COOLER 2" O.D.	1	
141	071738	PIPE OIL COOLER 2" O.D.	1	C
142	071533	ELBOW 90° X 2" I.D. / 114.3MM x 101.2MM C/C / SILICONE	1	
143	071493	HOSE SILICONE 4PLY 2" I.D. 110MM	1	
143	503784	. HOSE SILICONE 4 PLY / NOMEX-ARAMID 2" I.D. x 12'	AR	
144	070049	HOSE ASSY / #16 466MM	1	
145	070048	HOSE ASSY / #16 766MM	1	
146	070050	HOSE ASSY / #20 1083MM To M-6647	1	
146	070021	HOSE ASSY / #20 1148MM From M-6648	1	
147	070051	HOSE ASSY / #20 649MM	1	
NS	071510	PROTECTOR RUBBER CABLE HARNESS & HOSES To M-6647	1	
NS	070030	PROTECTOR RUBBER CABLE HARNESS & HOSES From M-6648	1	
148	071589	PROTECTOR OIL COOLER \	1	

From H-6180	Date:01/2024	PAGE:X3-0750-03
AUTOMATIC TRANSMISSION - "WORLD" WITH VOLVO D13 - GHG17		

Item#	Part	Description	QTY	Notes
149	500411	WASHER FL .260x.697x.050 SS	3	
150	502848	SCREW TC CAP HEXF 1/4-20x3/4 N500	3	
151	071697	PIPE / OIL COOLER TO HOSE REDUCER	1	
151	071736	PIPE / OIL COOLER TO HOSE REDUCER SS304	1	C
152	012551	"U" CLAMP OFFSET 51MM I.D.	4	
153	5001780	SCREW CAP HEXF M8-1.25x16 G8.8 N500	AR	
154	010070	SUPPORT OIL COOLER PIPE	1	
155	071708	SUPPORT OIL COOLER PIPE	1	
156	070039	HOSE SILICONE 4PLY / NOMEX-ARAMID 2 3/8" x 100MM	2	
. NS	503785	. HOSE SILICONE 4PLY / NOMEX-ARAMID 2 3/8" I.D. x 6'	AR	
157	992089	HOSE CLAMP / 60MM/80MM	AR	
158	509815	TIE MOUNT / ATTACHMENT W/TREE MOUNT	2	
158	504637	CABLE TIE / 3/16" x 13"	2	
159	5001780	SCREW CAP HEXF M8-1.25x16 G8.8 N500 To P-6849	2	
159	502862	SCREW CAP HEX M8-1.25x20 G8.8 N500 From P-6850	2	
160	509894	TIE MOUNT HOLE 7.8MM	1	
160	504016	CABLE TIE / 5/16" X 14"1/2 To L-6494	1	
160	5040100	CABLE TIE /OUTSIDE SERRATED 5/16" X 14"1/2 From L-6495	1	
161	502862	SCREW CAP HEX M8-1.25x20 G8.8 N500	1	
163	5001745	SCREW CAP HEX M8-1.25x25 G8.8 N500	3	
164	500321	WASHER BEL SPR .331x.827x.098 N500	3	
171	501305	PLUG SQUARE HEAD / PIPE FITTING / 3/8NPT-M BR	1	
172	1675641	NIPPLE / QUICK DISCONNECT "VOLVO" / 1/2NPT-M	1	
. NS	V476279	. DUST CAP / QUICK DISCONNECT "VOLVO" /	1	
. NS	507666	. DUST CAP / QUICK DISCONNECT "VOLVO" /	1	
173	507666	DUST CAP / QUICK DISCONNECT "VOLVO" /	1	
NS	507664	CABLE TIE / 3/16" 11" / DOUBLE LOOP HEAD	2	
181	071097	PROTECTOR SUPPORT SS 102MM X 90MM	1	
182	079022	PROTECTOR SUPPORT SS "V" SHAPE 74MM HIGH	1	
183	071581	SUPPORT CABLE HARNESS	1	
184	060082	CABLE HARNESS / SENSOR WTEC W/OUT RETARDER To J-6278	1	
184	069778	CABLE HARNESS / SENSOR WTEC W/OUT RETARDER From J-6279 To N-6738	1	
184	0610588	CABLE HARNESS / SENSOR WTEC W/OUT RETARDER From N-6739	1	
184	060081	CABLE HARNESS / SENSOR WTEC W/RETARDER To J-6278	1	
184	069777	CABLE HARNESS / SENSOR WTEC W/RETARDER From J-6279 To N-6738	1	
184	0610586	CABLE HARNESS / SENSOR WTEC W/RETARDER From N-6739	1	
185	065398	SUPPORT RETARDER TEMPERATURE SENSOR		
186	5001730	SCREW CAP HEXF M6-1.0x16 G10.9 N500	1	
187	5001833	WASHER BEL SPR 6.1x18x1.27 SS	1	
188	504637	CABLE TIE / 3/16" x 13"	AR	
199	680343	GREASE CLEAR SPRAY BOTTLE 283GR	AR	
199	680098	THREAD SEALANT LOCTITE #567 / WHITE / 250ml	AR	

From H-6180	Date:01/2024	PAGE:X3-0750-03
AUTOMATIC TRANSMISSION - "WORLD" WITH VOLVO D13 - GHG17		

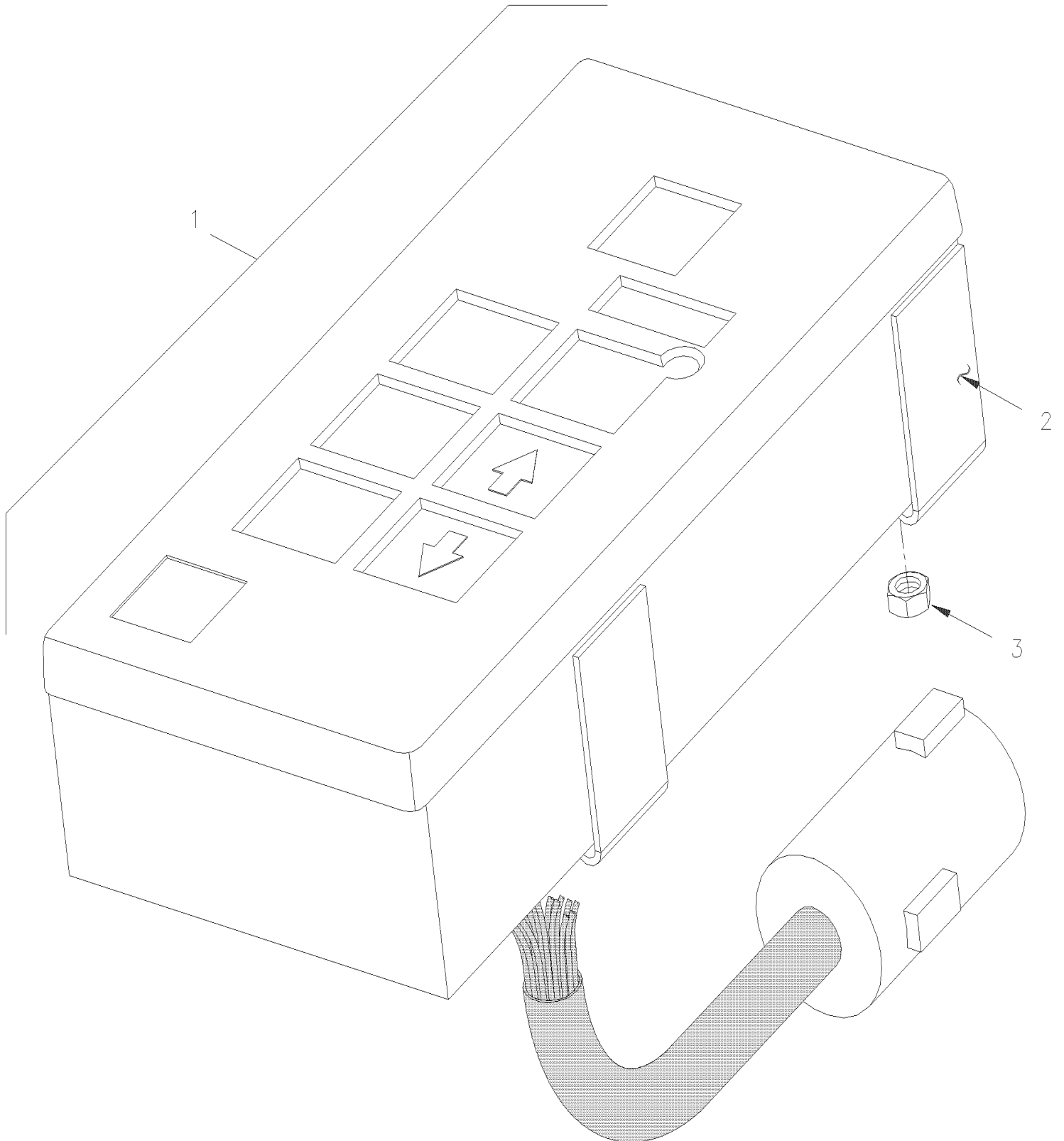
Item#	Part	Description	QTY	Notes
199	680038	THREAD LOCKER LOCTITE #243 / BLUE / 50ml	AR	
199	685371	GREASE / GREY BLACK MOBIL XHP 222 SPECIAL 400 g	AR	
200	572050	TRANSMISSION FILTER / MAINTENANCE KIT	1	
. NS	571692	. O-RING / (LARGE SQUARE CUT)	2	
. NS	571693	. O-RING / (SMALL)	2	
. NS	571694	. O-RING / DRAIN PLUG	2	
. NS	571695	. DRAIN PLUG ASSY W/O-RING	1	
201	N.S.S.	. FILTER	1	1
202	571692	. O-RING / (LARGE SQUARE CUT)	2	
203	571693	. O-RING / (SMALL)	2	
204	571694	. O-RING / DRAIN PLUG	2	
205	571695	. DRAIN PLUG ASSY W/O-RING	1	
NS	684016	OIL TRANSYND TRANSMISSION "WORLD" To N-6677	AR	
NS	685391	OIL TRANSYND TRANSMISSION "WORLD" From N-6678	AR	
206	N.S.P.	COVER FILTER / (29507434)	2	2
207	N.S.P.	BOLT M10-1.5 x 55M / (2954186)	AR	2
208	N.S.P.	YOKE (1810) HALF ROUND (29511516/6.5-4-4521-1)	1	2
208	N.S.P.	STRAP LOCK PLATE	1	2
208	N.S.P.	BOLT M10-1.5 X 30MM GR 10.9	2	2
208	N.S.P.	SEAL OUTPUT / (29515621)	1	2
		A) WITHOUT RETARDER		
		C) SPECIAL OPTION SS304		
		R) WITH RETARDER		
		S) USE WITH SHORT DIPSTICK		
		1) NOT SOLD SEPARATELY		
		2) NOT SOLD BY PREVOST (SEE MANUFACTURING PART NUMBER AT END OF DESCRIPTION LINE)		
		V) SEE IMPACT OR CALL ORDER DESK		

From 7-8754

Date:01/2024

PAGE:X3-0755-15

SHIFTER ELECTRONIC - "WORLD" TRANSMISSION



From 7-8754	Date:01/2024	PAGE:X3-0755-15
SHIFTER ELECTRONIC - "WORLD" TRANSMISSION		

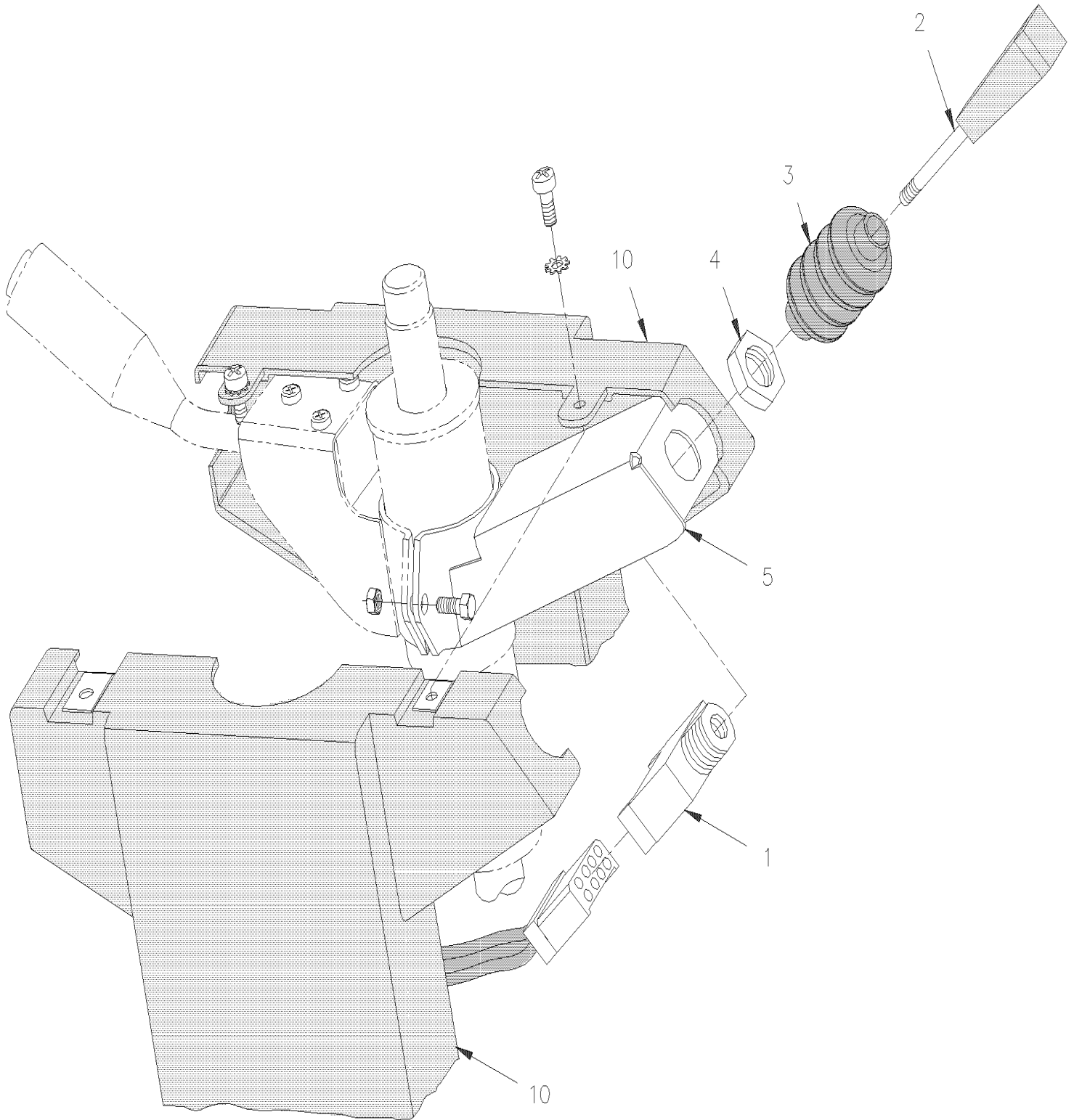
Item#	Part	Description	QTY	Notes
1	571718	SHIFTER, SELECTOR "WORLD" / WTEC III To 7-9000	1	
1	572031	SHIFTER, SELECTOR "WORLD" / GEN IV From 7-9001 To 9-9589	1	
1	572124	SHIFTER, SELECTOR "WORLD" / GEN IV From 9-9590 To E-5624	1	
1	572155	SHIFTER, SELECTOR "WORLD" / GEN V From E-5625 To J-6335	1	
1	570052	SHIFTER, SELECTOR "WORLD" / GEN V From J-6336 To N-6738	1	
1	570134	SHIFTER, SELECTOR "WORLD" / GEN VI From N-6739	1	
2	N.S.S.	. BRACKET	2	1
3	500423	. NUT HEX NYRT #10-32 SS	4	
		1) NOT SOLD SEPARATELY		

From 7-8754

Date:01/2024

PAGE:X3-0760-00

RETARDER SELECTOR SWITCH - "WORLD"



From 7-8754	Date:01/2024	PAGE:X3-0760-00
RETARDER SELECTOR SWITCH - "WORLD"		

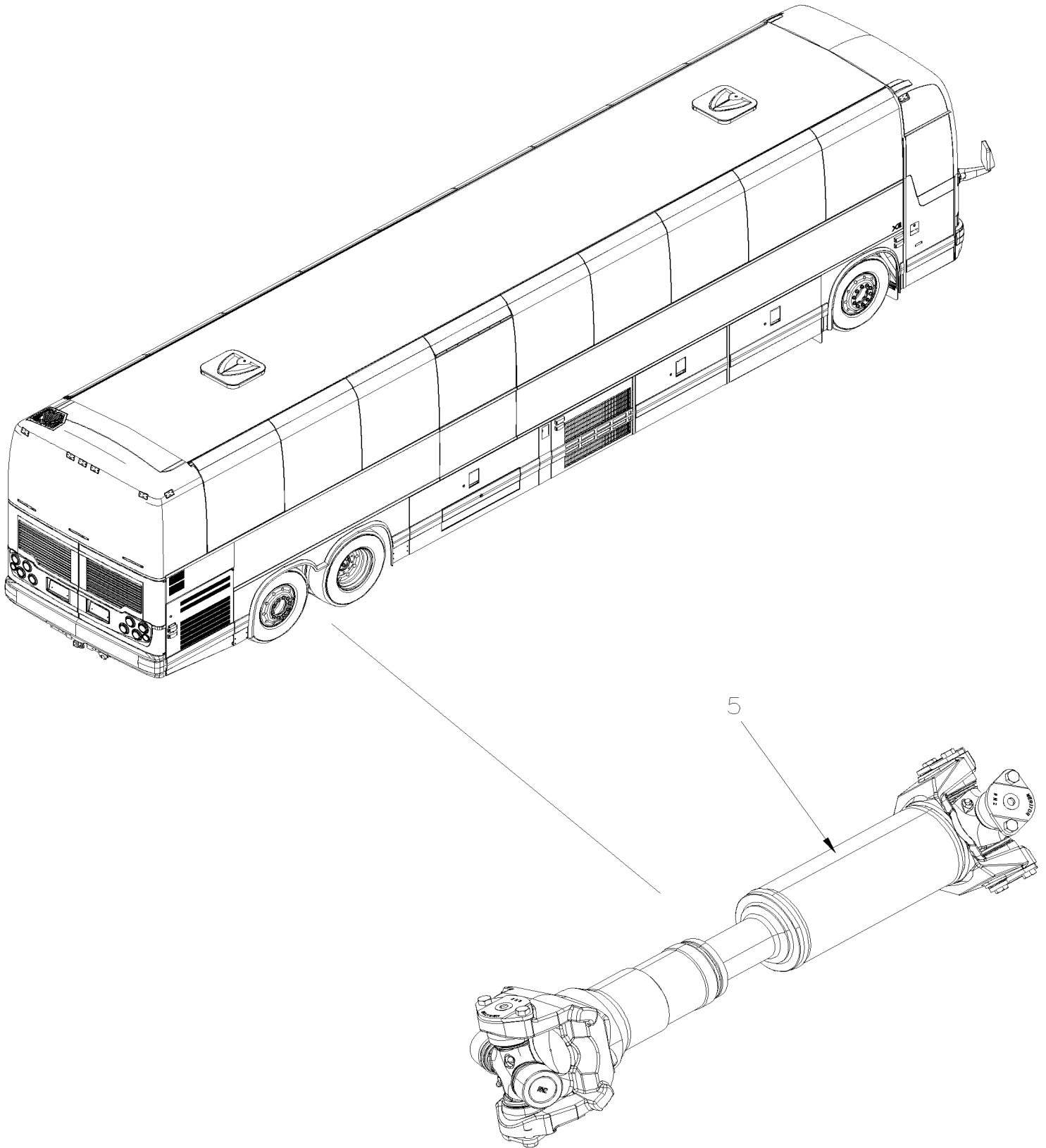
Item#	Part	Description	QTY	Notes
1	562356	SWITCH ASSY / W/LEVER & BOOT / 6 POSITIONS To £-23062	1	
1	564801	LEVER HAND-RETARDER From £-23062	1	
2	N.S.S.	. LEVER	1	1
3	N.S.S.	. BOOT	1	1
4	N.S.S.	. NUT JAM	1	1
5	N.P.N.	SUPPORT CONTROL SWITCH	1	4
10	X3-1407-00	STEERING COLUMN & COVER - INSTALLATION		
		1) NOT SOLD SEPARATELY		
		4) NO PARTS NUMBER		

From 7-8754

Date:01/2024

X3-09

PROPELLER SHAFT

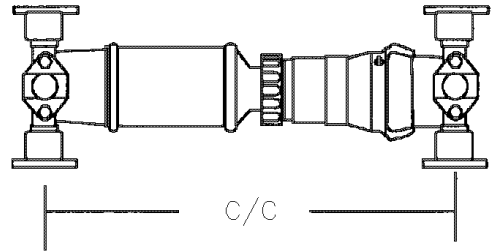


From 7-8754		Date:01/2024	X3-09
-------------	--	--------------	-------

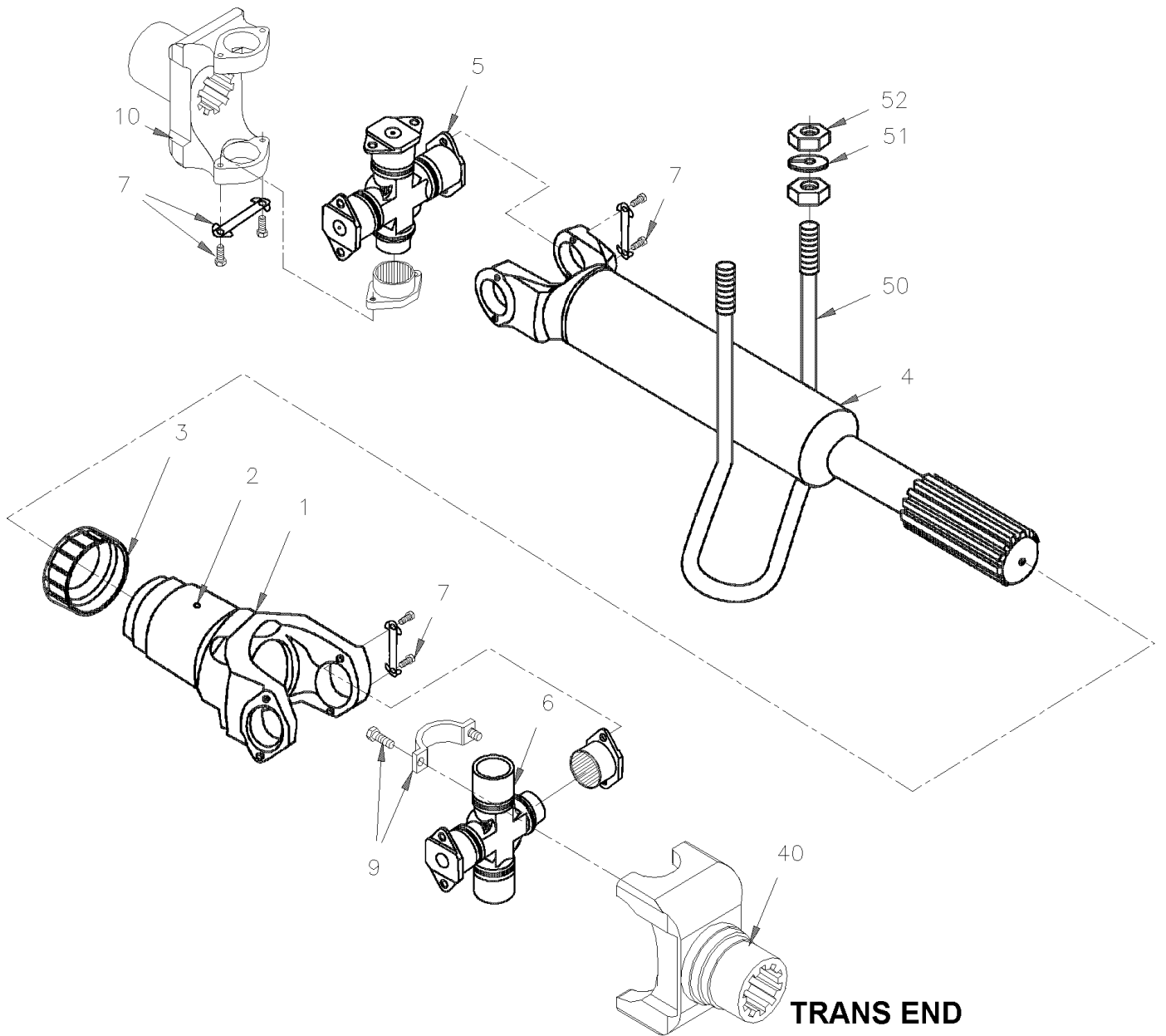
PROPELLER SHAFT

Item#	Part	Description	QTY	Notes
5	X3-0905-00	PROPELLER SHAFT From 7-8754 To B-5001		
5	X3-0905-01	PROPELLER SHAFT WITH "EPA 2010" From B-5002		

PROPELLER SHAFT



DIFFERENTIAL END

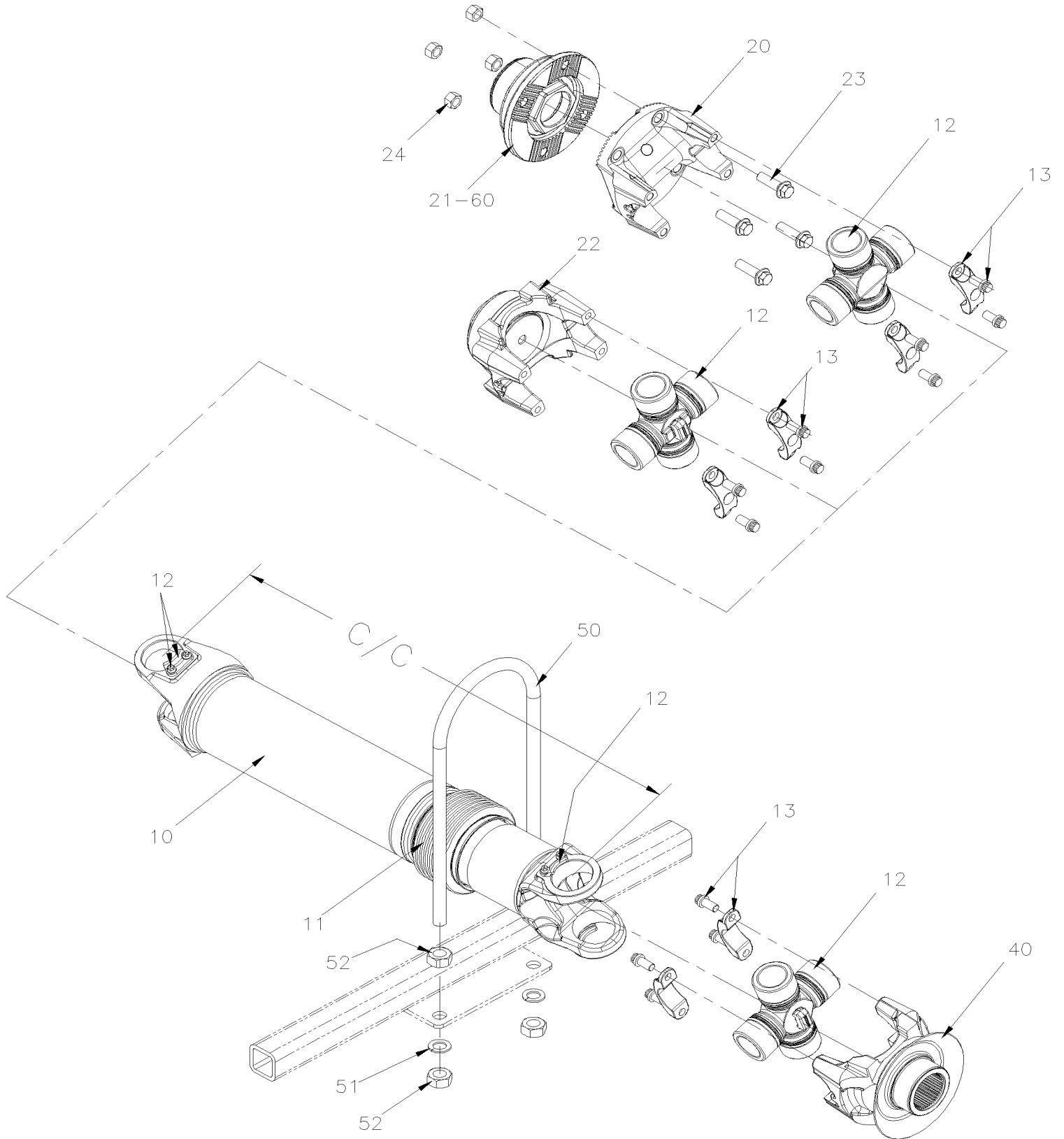


From 7-8754 To B-5001	Date:01/2024	PAGE:X3-0905-00
PROPELLER SHAFT		

Item#	Part	Description	QTY	Notes
		MESURE FROM C/C OF BEARING CAP		
		W/MINIMUM COLLAPSED		
		PROPELLER SHAFT SERIES 1810		
	580075	SHAFT ASSY 14" C/C	1	Z
	580083	SHAFT ASSY 17.937" C/C	1	W
1	580066	. SLIP YOKE	1	B
. NS	580084	. . WELSH PLUG / PLASTIC BLUE 3 1/4" O.D. DEEP	1	B
2	501491	. . GREASE FITTING / 1/8 NPTx3/4"	1	
3	580052	. DUST CAP KIT / W/1800 SERIES	1	
5	580043	. KIT, CROSS & BEARING / W/1800 FULL ROUND	2	
6	580062	. KIT, CROSS & BEARING / W/1800 HALF ROUND	1	
7	580071	. . SCREW CAP HEX 3/8-24 x 5/8 G8	4	
NS	580067	. . BEARING END (1810) W/QUICK DISCONNECT	2	
9	580063	. KIT STRAP & BOLT	2	
. NS	N8893184	. . SCREW CB 12POINT (SET OF 4) 1/2-20 x 1" G8	4	
		NEXT FOLLOWING YOKE ARE PART OF		
		REAR AXLE		
10	621403	YOKE (1810) FULL ROUND (46 SPL)	1	
. NS	621501	. DEFLECTOR, OIL	1	
. NS	621492	. SPEEDY SLEEVE 3.250" I.D. / TO REPAIR OIL LEAK ON YOKE	1	
		FOLLOWING YOKE ARE PARTS OF		
		TRANSMISSION		
40	N.S.P.	YOKE (1810) HALF ROUND / W/"WORLD" TRANS (29511516)	1	2
40	571989	YOKE (1810) HALF ROUND / "ZF" TRANS To 8-9340	1	Z
40	572086	YOKE (1810) HALF ROUND / "ZF" TRANS 1348.332.001 From 8-9341	1	Z
50	121440	PROTECTOR GUARD PROPELLER SHAFT 424MM x 140MM	1	
51	500488	WASHER LO SPT .760x1.271x.188 Z050	2	
52	500733	NUT HEX 3/4-16 Z050	2	
		B) WITH CHOICE BACKREST BACK COLOR		
		W) WITH "WORLD" TRANSMISSION		
		Z) WITH "ZF" TRANSMISSION		

From 7-8754 To B-5001		Date:01/2024	PAGE:X3-0905-00	
PROPELLER SHAFT				
Item#	Part	Description	QTY	Notes
		2) NOT SOLD BY PREVOST (SEE MANUFACTURING PART NUMBER AT END OF DESCRIPTION LINE)		

PROPELLER SHAFT WITH "EPA 2010"



From B-5002	Date:01/2024	PAGE:X3-0905-01
-------------	--------------	-----------------

PROPELLER SHAFT WITH "EPA 2010"

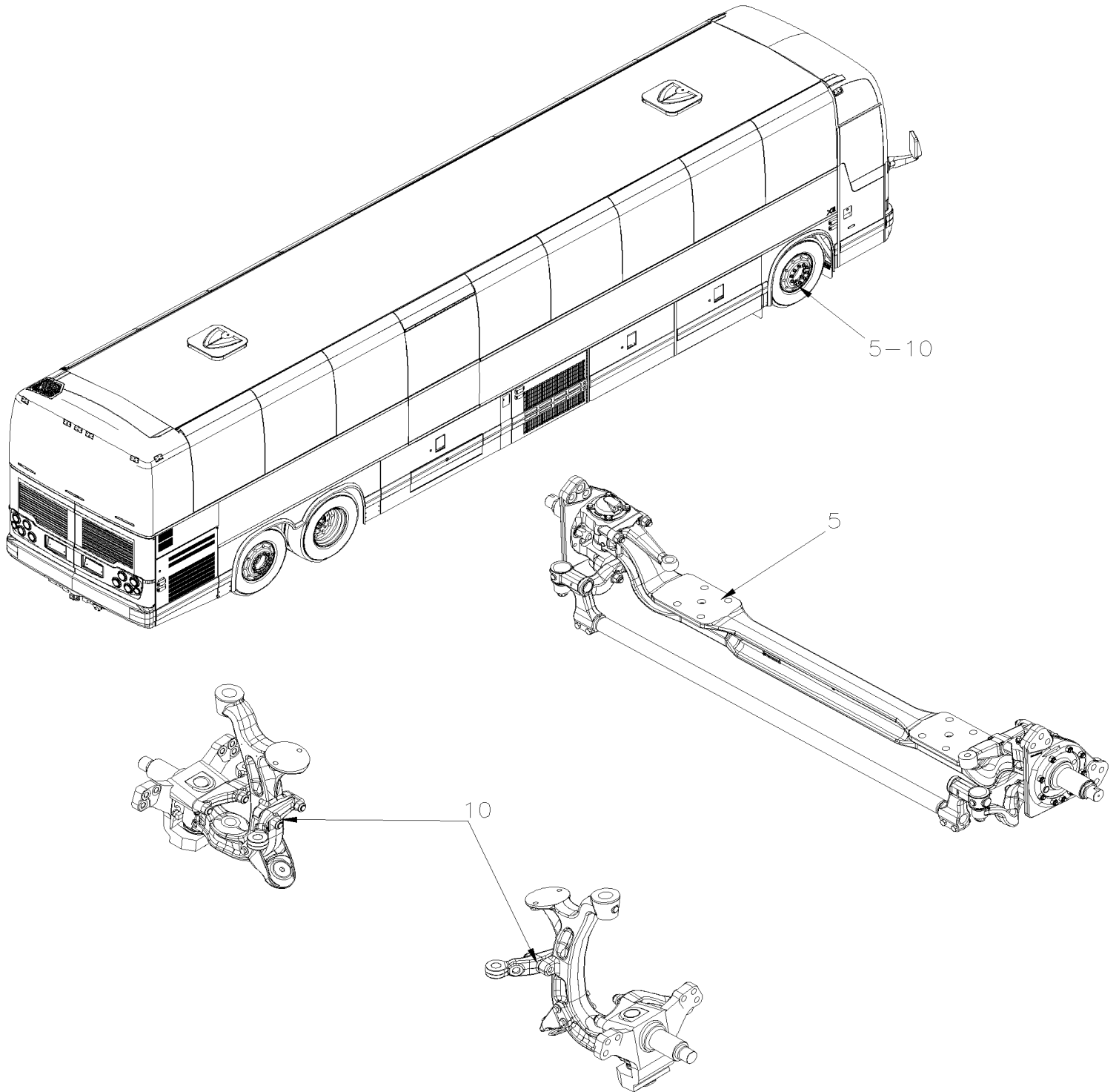
Item#	Part	Description	QTY	Notes
		PROPELLER SHAFT SERIES SPL250		
10	580086	SHAFT ASSY 373MM C/C / SPL250-373MM I-SHIFT	1	
10	580090	DRIVE SHAFT ASSY 451MM C/C WORLD TRANS	1	
11	3947801	. KIT BOOT & CLIPS SPL250X	1	
12	19511258	. KIT, CROSS & BEARING SPL250-3X	2	
. NS	3095735	. . GREASE FITTING	1	
13	3947800	. KIT STRAP & BOLT SPL250-70-18X To M-6645	2	
13	85133971	. KIT STRAP & BOLT From M-6646	2	
		NEXT FOLLOWING YOKE ARE PART OF TRANSMISSION		
20	580089	FLANGE YOKE "I"-SHIFT SPL250	1	
20	20828302	FLANGE YOKE "I"-SHIFT OR "ZF DRIVE AXLE" SPL250	1	
21	20773853	COMPANION FLANGE "I" -SHIFT TRANS	1	
22	N.P.N.	YOKE SERIES 250 HALF ROUND / W/"WORLD" TRANS	1	4
23	5001715	SCREW CAP HEXF M14-2.0x47 G10.9 MAGNI 565	4	
24	5001716	NUT HEX M14-2.0 MAG565 G10.9	4	
		NEXT FOLLOWING YOKE ARE PART OF DIFERENTIAL		
40	621833	YOKE SERIES 250 HALF ROUND	1	
. NS	621501	. DEFLECTOR, OIL	1	
. NS	621492	. SPEEDY SLEEVE 3.250" I.D. / TO REPAIR OIL LEAK ON YOKE	1	
50	121909	PROTECTOR GUARD PROPELLER SHAFT 433.5MM x 169MM	1	
51	500488	WASHER LO SPT .760x1.271x.188 Z050	2	
52	500733	NUT HEX 3/4-16 Z050	4	
NS	682175	UNDERCOATING BLACK PROTECTOR (GRAVELGUARD) 567gr To N-6731	AR	
NS	685413	RUBBERRIZED UNDERCOAT (GRAVELGUARD) 560gr From N-6732	AR	
60	SEE IMPACT	SEE IMPACT OR CALL ORDER DESK		
		4) NO PARTS NUMBER		

From 7-8754

Date:01/2024

X3-10

FRONT AXLE



From 7-8754		Date:01/2024	X3-10
-------------	--	--------------	-------

FRONT AXLE

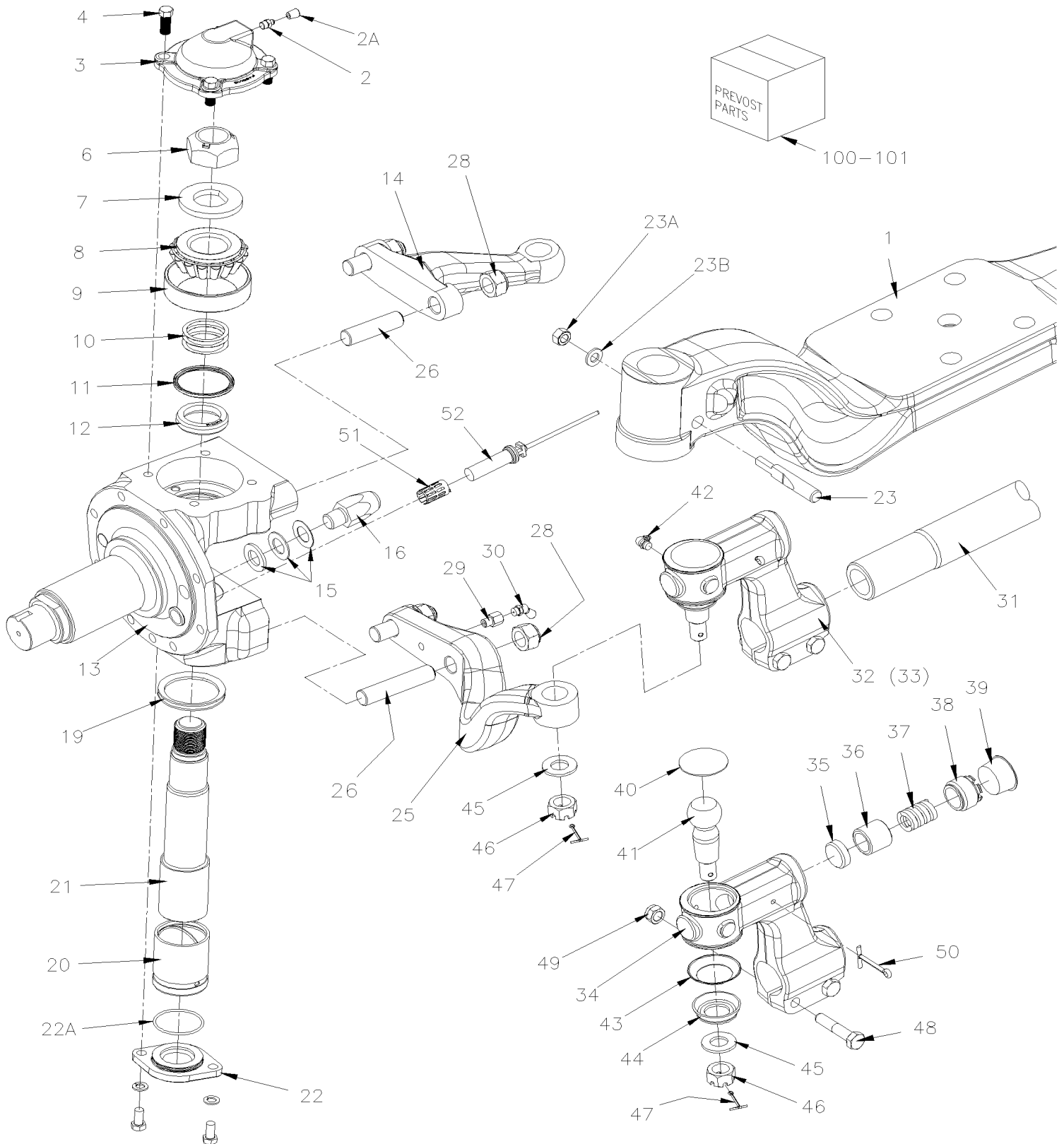
Item#	Part	Description	QTY	Notes
5	X3-1005-00	FRONT AXLE - I BEAM RIGID MODEL "S84U" From 7-8754 To K-6411		
5	X3-1005-01	FRONT AXLE - I BEAM RIGID MODEL "S84U" From K-6412		
10	X3-1005-50	FRONT AXLE - INDEPENDENT MODEL "NDIFS80P" / 18000LBS From 7-8754 To F-5796		
10	X3-1005-51	FRONT AXLE - INDEPENDENT MODEL "NDIFS80P" / 19000LBS From F-5797		

From 7-8754 To K-6411

Date:01/2024

PAGE:X3-1005-00

FRONT AXLE - I BEAM RIGID MODEL "S84U"



From 7-8754 To K-6411	Date:01/2024	PAGE:X3-1005-00
FRONT AXLE - I BEAM RIGID MODEL "S84U"		

Item#	Part	Description	QTY	Notes
	611269	AXLE ASSY W/ABS / MODEL "S84U" W/TYPE 27 BOOSTER To 7-9159	1	
	612350	AXLE ASSY W/ABS / MODEL "S84U" W/TYPE 24 BOOSTER From 7-9160 To 9-9518	1	
	611964	AXLE ASSY W/ABS / MODEL "S84U" W/TYPE 24 BOOSTER From 9-9519 To A-9882	1	
	611351	AXLE ASSY W/ABS / MODEL "S84U" / W/ BRAKE INDICATOR W/TYPE 24 BOOSTER From A-9883 To E-5525	1	
	612386	AXLE ASSY W/ABS / MODEL "S84U" / W/ BRAKE INDICATOR W/TYPE 24 BOOSTER From E-5526 To H-6188	1	
	610019	AXLE ASSY W/ABS / MODEL "S84U" / W/ BRAKE INDICATOR W/TYPE 24 BOOSTER From H-6189	1	
1	611454	. AXLE BEAM	1	
2	501491	. GREASE FITTING / 1/8 NPTx3/4"	2	
2A	504615	. PROTECTOR CAP / BLACK / .313 I.D. x .500	2	
3	611008	. CAP COVER	2	
4	500067	. SCREW CAP HEX 7/16-20x1 G5 Z050	4	
4	680404	. . CAP PLUG	1	
4	500447	. WASHER FL .562x1.375x.109 ZP	4	
6	611153	. NUT HEX STO 1 3/8"-12	2	
7	611010	. WASHER 38.23x69.85x7	2	
8	611011	. CONE BEARING	2	
9	611012	. CUP BEARING	2	
10	611017	. WASHER SHIM / .015"	AR	
10	611016	. WASHER SHIM / .010"	AR	
10	611015	. WASHER SHIM / .008"	AR	
10	611014	. WASHER SHIM / .006"	AR	
10	611013	. WASHER SHIM / .005"	AR	
11	611145	. OIL SEAL	2	
12	611154	. SLEEVE	2	
13	611290	. KNUCKLE R.H. CURBSIDE	1	
13	611289	. KNUCKLE L.H. STREET SIDE	1	
14	611031	. STEERING ARM UPPER L.H. STREET SIDE	1	
14	161033	. STEERING ARM UPPER R.H. CURBSIDE	1	
15	611042	. WASHER SHIM / 1/32" TH To J-6333	AR	
15	5002077	. WASHER SHIM / 1/32" TH From J-6334	AR	
15	611041	. WASHER SHIM / 1/16" TH To J-6333	AR	
15	5002076	. WASHER SHIM / 1/16" TH From J-6334	AR	
15	611040	. WASHER SHIM / 1/8" TH To J-6333	AR	
15	5002075	. WASHER SHIM / 1/8" TH From J-6334	AR	
16	611170	. SWIVEL STOP SCREW 43MM	2	
NS	611296	. SWIVEL STOP SCREW 54MM To A-9882	1	
16	611355	. SWIVEL STOP SCREW 54MM From A-9883	1	
18	5007001	. NUT HEX STO 1/2-20 Z050 G "C"	16	
19	611020	. V-SEAL To 9-9518	2	
NS	611152	. SEAL RING To 9-9518	2	
19	611294	. V-SEAL From 9-9519	2	
20	611144	. BUSHING LOWER KING PIN	2	

From 7-8754 To K-6411	Date:01/2024	PAGE:X3-1005-00
FRONT AXLE - I BEAM RIGID MODEL "S84U"		

Item#	Part	Description	QTY	Notes
21	611148	. KING PIN	2	
22	611155	. CAP LOWER / KING PIN	2	
22	612364	. SCREW 3/8-24	4	
22	612363	. WASHER	4	
22A	611156	. O-RING	1	
23	611258	. SWIVEL PIN LOCK	2	
23A	610029	. NUT 7/16 UNF	1	
23B	5001200	. WASHER FL .453x.875x.090	1	
25	611032	. STEERING ARM LOWER L.H. STREET SIDE	1	
NS	611033	. STEERING ARM LOWER R.H. CURBSIDE	1	
26	611291	. STUD 3/4-16 X 4" To 9-9518	2	
26	611028	. STUD / STREET SIDE / 3/4-16 X 3" To 9-9518	2	
26	611029	. STUD / TO FIX LOWER ARM 3/4-16 X 3 5/8" To 9-9518	2	
26	611330	. STUD 3/4-16 X 3 7/8" From 9-9519	2	
26	611166	. STUD 3/4-16 X 3 1/4" From 9-9519	2	
26	611479	. STUD / STREET SIDE / 3/4-16 X 3" From 9-9519	2	
26	611331	. STUD / CURBSIDE / 3/4-16 X 4 1/4" From 9-9519	2	
28	5001196	. NUT HEX SLT 3/4-16 To 9-9518	8	
28	611480	. NUT HEX SLO 3/4-16 From 9-9519	8	
29	611062	. ADAPTER / BSP FITTING / 1/8BSP-Mx1/8NPT-F To G-6041	2	
30	501493	. GREASE FITTING 45° / 1/8 NPT To G-6041	2	
30	610004	. GREASE FITTING 45° / 1/8BSP-M From G-6042	2	
NS	504615	. PROTECTOR CAP / BLACK / .313 I.D. x .500	2	
31	611292	. ROD	1	
32	611024	. TIE ROD ASSY / 5" OFFSET / R.H. THREAD M48-2 CURB SIDE	1	
33	611025	. TIE ROD ASSY / 5" OFFSET / L.H. THREAD M48-2 STREET SIDE	1	
34	N.S.S.	. . HOUSING / OFFSET L.H. THREAD	1	1
34	N.S.S.	. . HOUSING / OFFSET R.H. THREAD	1	1
35	N.S.P.	. . RUBBING PAD / (7157/156)	1	2
36	N.S.P.	. . THRUST CUP / (7157/153)	1	2
37	N.S.P.	. . COMPRESSION SPRING / (5443/4)	1	2
38	N.S.P.	. . ADJUSTER PIECE / (5443/154)	1	2
39	680404	. . CAP PLUG	1	
40	N.S.P.	. . PLUG / (5247/155)	1	2
40	N.S.P.	. . SNAP RING / (ML7544/55N)	1	2
41	N.S.P.	. . BALL STUD / (F4223/11)	1	2
42	501495	. . GREASE FITTING 90° / 1/8 NPT	2	
43	611056	. . DIRT SEAL PRESSING	1	
44	611057	. . RUBBER SEAL BOOT	1	
45	500420	. . WASHER FL .938x1.750x.134 ZP	1	
46	5001196	. . NUT HEX SLT 3/4-16	1	
47	502111	. . PIN, COTTER 1/8 x 1 1/2 SS	1	

From 7-8754 To K-6411	Date:01/2024	PAGE:X3-1005-00
FRONT AXLE - I BEAM RIGID MODEL "S84U"		

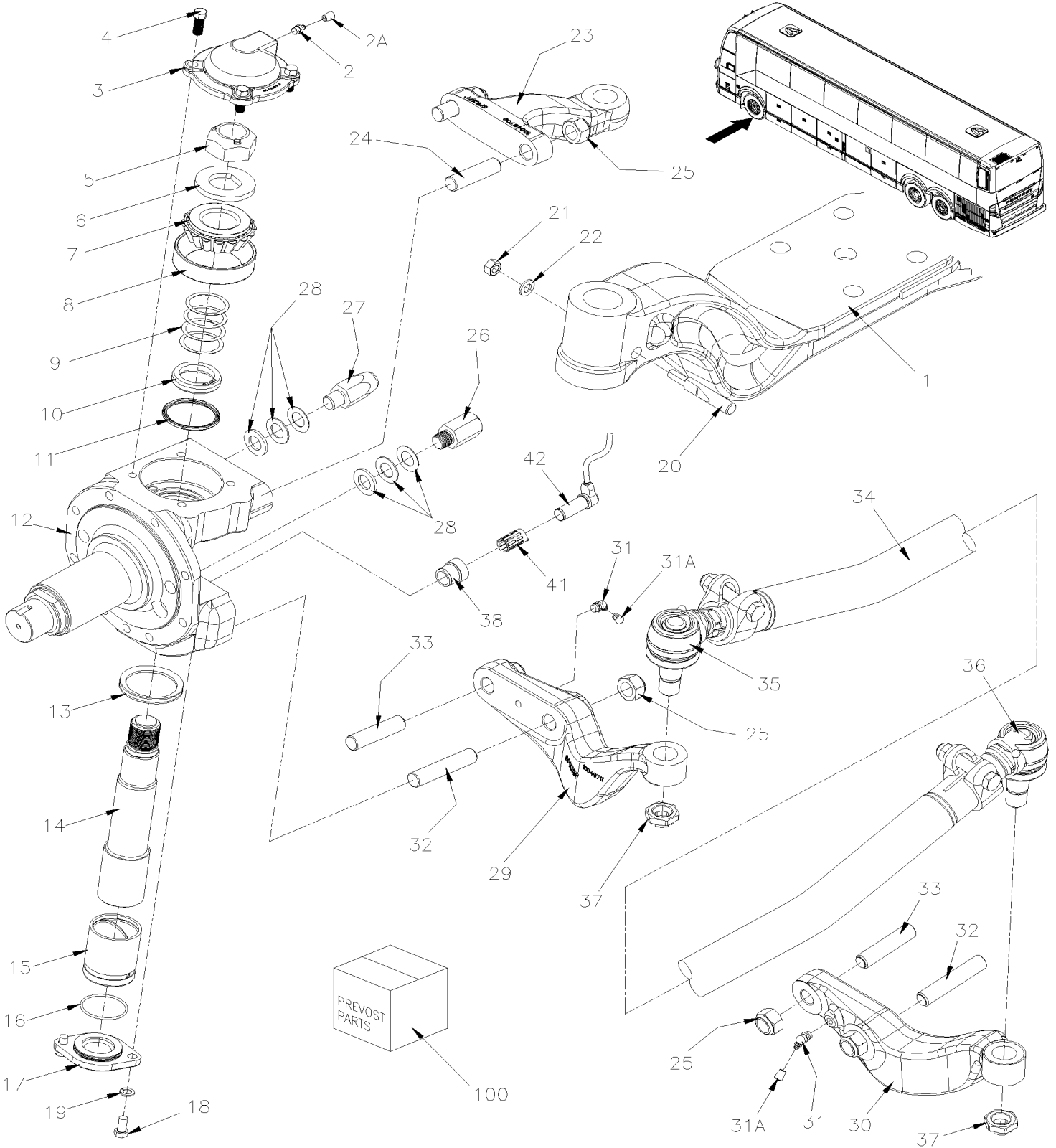
Item#	Part	Description	QTY	Notes
48	5001861	. . SCREW CAP HEX M12-1.75x60 G10.9 N500	2	
49	500811	. . NUT HEX STO M12-1.75 G500	2	
50	502115	. . PIN, COTTER 3/16 x 2 1/2	1	
51	641096	. CLIP, SPRING / TO FIX SENSOR	2	
52	642084	. SENSOR ABS 90° ANGLE - OEM	2	
53	X3-1300-00	HUB & ROTOR - FRONT AXLE - I BEAM MODEL "S84U"		
55	X3-1410-00	STEERING GEAR BOX & DRAG LINK - INSTALLATION		
100	611966	KIT REPAIR / STEERING KNUCKLE BUSHING (PARALLEL) / (REQUIRES 2 KITS)	AR	B
101	611101	KIT REPAIR / TIE ROD END	2	A
102	IS18091	TIE ROD 610052 FIRST INSTALLATION INSTRUCTIONS	1	
. NS	610052	. TIE ROD ASSY	1	
. NS	610051	. NUT HEX SLO / SINGLE USE M24-1.5	2	
. NS	IS-18091	. SEE INSTRUCTION SHEET	1	
. NS	FI-18091	. VOIR FEUILLE D'INSTRUCTION	1	
		A) INCLUDING ITEMS #35 TO 50		
		B) INCLUDING ITEMS #4 TO 12, 19 TO 21 & 23		
		1) NOT SOLD SEPARATELY		
		2) NOT SOLD BY PREVOST (SEE MANUFACTURING PART NUMBER AT END OF DESCRIPTION LINE)		

From K-6412

Date:01/2024

PAGE:X3-1005-01

FRONT AXLE - I BEAM RIGID MODEL "S84U"



From K-6412	Date:01/2024	PAGE:X3-1005-01
FRONT AXLE - I BEAM RIGID MODEL "S84U"		

Item#	Part	Description	QTY	Notes
	610042	AXLE ASSY W/ABS / MODEL "S84U" / W/ BRAKE INDICATOR W/TYPE 24 BOOSTER To M-6657	1	
	610065	AXLE ASSY W/ABS / MODEL "S84U" / W/ BRAKE INDICATOR W/TYPE 24 BOOSTER From M-6658	1	
1	611454	. AXLE BEAM	1	
2	501491	. GREASE FITTING / 1/8 NPTx3/4"	2	
2A	504615	. PROTECTOR CAP / BLACK / .313 I.D. x .500	2	
3	611008	. CAP COVER	2	
4	500067	. SCREW CAP HEX 7/16-20x1 G5 Z050	4	
4	680404	. . CAP PLUG	1	
5	611153	. NUT HEX STO 1 3/8"-12	2	
6	611010	. WASHER 38.23x69.85x7	2	
7	611011	. CONE BEARING	2	
8	611012	. CUP BEARING	2	
9	611017	. WASHER SHIM / .015"	AR	
9	611016	. WASHER SHIM / .010"	AR	
9	611015	. WASHER SHIM / .008"	AR	
9	611014	. WASHER SHIM / .006"	AR	
9	611013	. WASHER SHIM / .005"	AR	
10	611154	. SLEEVE	2	
11	611145	. OIL SEAL	2	
12	611289	. KNUCKLE L.H. STREET SIDE	1	
12	611290	. KNUCKLE R.H. CURBSIDE	1	
13	611294	. V-SEAL	2	
14	611148	. KING PIN	2	
15	611144	. BUSHING LOWER KING PIN	2	
16	611156	. O-RING	1	
17	611155	. CAP LOWER / KING PIN	2	
18	612364	. SCREW 3/8-24	4	
19	612363	. WASHER	4	
20	611258	. SWIVEL PIN LOCK	2	
21	610029	. NUT 7/16 UNF	2	
22	5001200	. WASHER FL .453x.875x.090	2	
23	610047	. STEERING ARM UPPER L.H. STREET SIDE	1	
23	161033	. STEERING ARM UPPER R.H. CURBSIDE	1	
24	611479	. STUD / STREET SIDE / 3/4-16 X 3"	2	
24	611331	. STUD / CURBSIDE / 3/4-16 X 4 1/4"	2	
25	611480	. NUT HEX SLO 3/4-16	8	
26	611170	. SWIVEL STOP SCREW 43MM	2	
27	611355	. SWIVEL STOP SCREW 54MM	1	
28	5002077	. WASHER SHIM / 1/32" TH	AR	
28	5002076	. WASHER SHIM / 1/16" TH	AR	
28	5002075	. WASHER SHIM / 1/8" TH	AR	
29	610049	. STEERING ARM LOWER L.H. STREET SIDE	1	

From K-6412	Date:01/2024	PAGE:X3-1005-01
FRONT AXLE - I BEAM RIGID MODEL "S84U"		

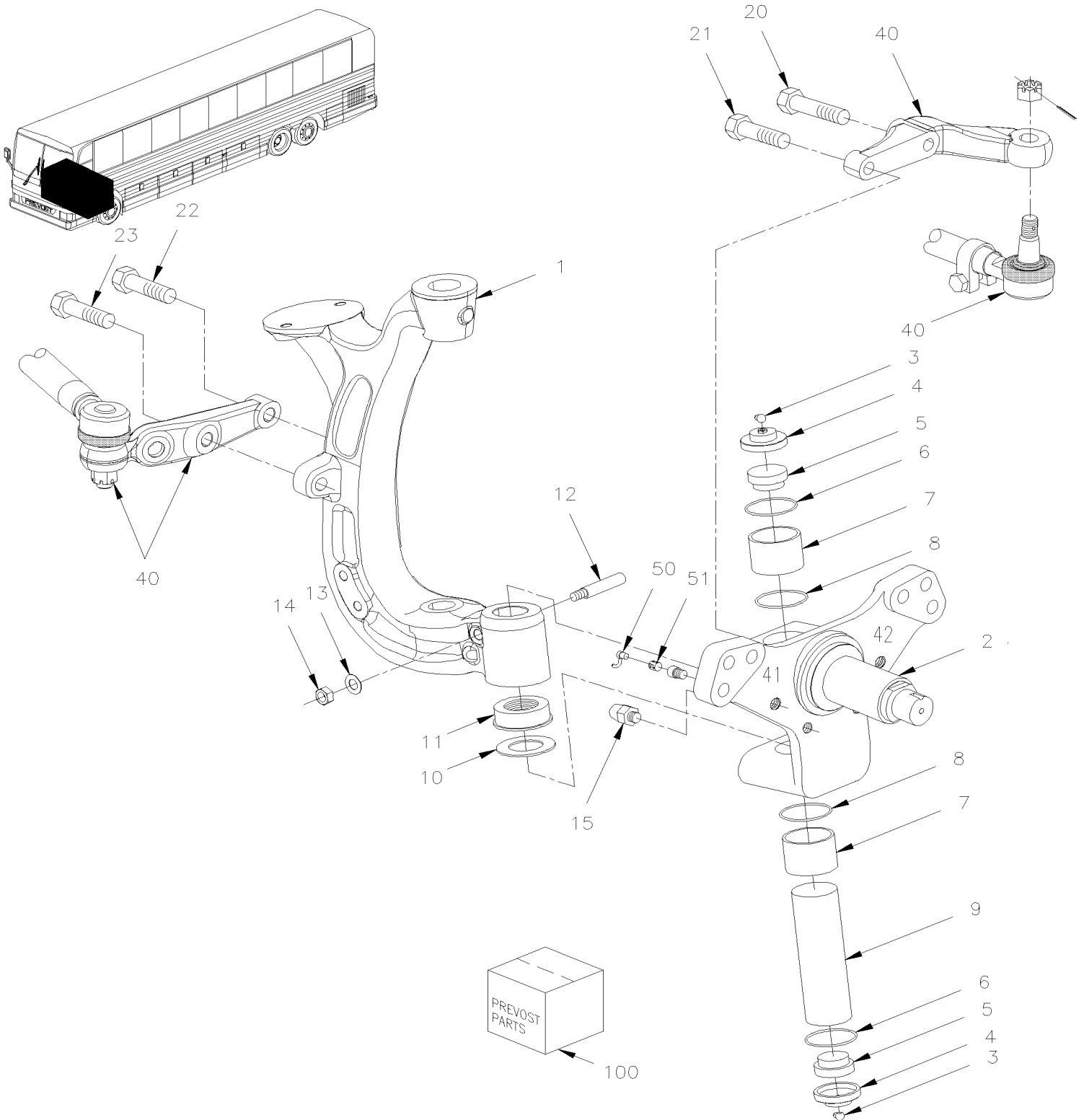
Item#	Part	Description	QTY	Notes
30	610050	. STEERING ARM LOWER R.H. CURBSIDE	1	
31	610004	. GREASE FITTING 45° / 1/8BSP-M	2	
31A	504615	. PROTECTOR CAP / BLACK / .313 I.D. x .500	2	
32	611330	. STUD 3/4-16 X 3 7/8"	2	
33	611166	. STUD 3/4-16 X 3 1/4"	2	
34	610052	. TIE ROD ASSY	1	
34	610057	. . TIE ROD	1	
35	610055	. . TIE ROD END L.H. STREET SIDE	1	
36	610056	. . TIE ROD END R.H. CURBSIDE	1	
37	610051	. NUT HEX SLO / SINGLE USE M24-1.5	2	
38	612384	. BUSHING / ABS SENSOR	1	
41	641096	CLIP, SPRING / TO FIX SENSOR	2	
42	642084	SENSOR ABS 90° ANGLE - OEM	2	
50	X3-1225-04	BRAKE PARTS - FRONT RIGIDE & TAG AXLE "KNORR-BREMSE" SN7 SERIES W/N2G ADJUSTER		
51	X3-1300-00	HUB & ROTOR - FRONT AXLE - I BEAM MODEL "S84U"		
52	X3-1410-00	STEERING GEAR BOX & DRAG LINK - INSTALLATION		
100	611966	KIT REPAIR / STEERING KNUCKLE BUSHING (PARALLEL) / (REQUIRES 2 KITS)	AR	B
		B) INCLUDING ITEMS #2 TO #11 & #13 TO #22		

From 7-8754 To F-5796

Date:01/2024

PAGE:X3-1005-50

FRONT AXLE - INDEPENDENT MODEL "NDIFS80P" / 18000LBS



From 7-8754 To F-5796	Date:01/2024	PAGE:X3-1005-50
-----------------------	--------------	-----------------

FRONT AXLE - INDEPENDENT MODEL "NDIFS80P" / 18000LBS

Item#	Part	Description	QTY	Notes
	611345	AXLE ASSY L.H. & R.H. / NDIFS80P / W/58 Deg From 6-8833 To 7-9160	1	
	612352	AXLE ASSY L.H. & R.H. / NDIFS80P / W/58 Deg From 7-9159 To 8-9261	1	
	612355	AXLE ASSY L.H. & R.H. / NDIFS80P / W/58 Deg From 8-9262 To 9-9556	1	
	611963	AXLE ASSY L.H. & R.H. / NDIFS80P / W/58 Deg From 9-9555 To A-9882	1	
	611352	AXLE ASSY L.H. & R.H. / NDIFS80P / W/58 Deg From A-9883 To E-5585	1	
	612383	AXLE ASSY L.H. & R.H. / NDIFS80P / W/58 Deg From E-5586	1	
1	612325	. AXLE L.H. To 8-9261	1	
1	612370	. AXLE L.H. / W/DOUBLE LOCK ON KING PIN From 8-9262	1	
1	612327	. AXLE R.H. To 8-9261	1	
1	612369	. AXLE R.H. / W/DOUBLE LOCK ON KING PIN From 8-9262	1	
2	611280	. KNUCKLE L.H. & R.H.	2	
3	501490	. GREASE FITTING / 1/8 NPT	2	
4	611283	. CAP UPPER & LOWER	2	
5	611939	. FOAM INSERT	2	
6	611284	. SNAP RING, EXT 2400-55	2	
7	611937	. BUSHING (STD)	2	
8	611936	. OIL SEAL	2	
9	611947	. KING PIN WITH SINGLE LOCK PIN To 8-9261	1	
10	611956	. SHIM 0.013	AR	
10	611957	. SHIM 0.025	AR	
10	611958	. SHIM 0.050	AR	
10	611959	. SHIM 0.020	AR	
11	611941	. BEARING THRUST To 8-9261	1	
12	611942	. PIN COTTER To 8-9261	1	
13	500446	. WASHER FL .531x1.250x.125 Z050	1	
14	500716	. NUT HEX 1/2-20 Z050	1	
15	611287	. LOCKSTOP SCREW FRONT To 8-9261	1	
NS	611288	. LOCKSTOP SCREW BACK To 8-9261	1	
20	611308	. SCREW CAP HEX M20-2.5x100 G12.9	1	
21	611306	. SCREW CAP HEX M20-2.5x65 G12.9	1	
22	611305	. SCREW CAP HEX M20-2.5x60 G12.9	1	
23	611307	. SCREW CAP HEX M20-2.5x80 G12.9	1	
40	X3-1410-50	STEERING RODS - INSTALLATION W/INDEPENDENT "NDIFS80P" / 18000LBS		
41	X3-1225-00	BRAKE PARTS - FRONT & TAG AXLE "KNORR-BREMSE" SB7 SERIES To 7-9159	1	
41	X3-1225-01	BRAKE PARTS - FRONT & TAG AXLE "KNORR-BREMSE" SN7 SERIES From 7-9160 To A-9882	1	
41	X3-1225-02	BRAKE PARTS - FRONT & TAG AXLE "KNORR-BREMSE" SN7 SERIES W/NEW SLIDE PINS From A-9883	1	
42	X3-1300-00	HUB & ROTOR - FRONT AXLE - I BEAM MODEL "S84U"		
50	641288	SENSOR ABS (ON FRONT AXLE) 90° ANGLE To 8-9281	1	
50	642085	SENSOR ABS - OEM From 8-9282	1	
50	642184	SENSOR ABS - AFTER MARKET	1	
51	641096	CLIP, SPRING / TO FIX SENSOR	1	
100	611962	KIT REPAIR / STEERING KNUCKLE BUSHING (STD) / (REQUIRE 2 KITS) To 8-9261	2	

From 7-8754 To F-5796	Date:01/2024	PAGE:X3-1005-50
-----------------------	--------------	-----------------

FRONT AXLE - INDEPENDENT MODEL "NDIFS80P" / 18000LBS

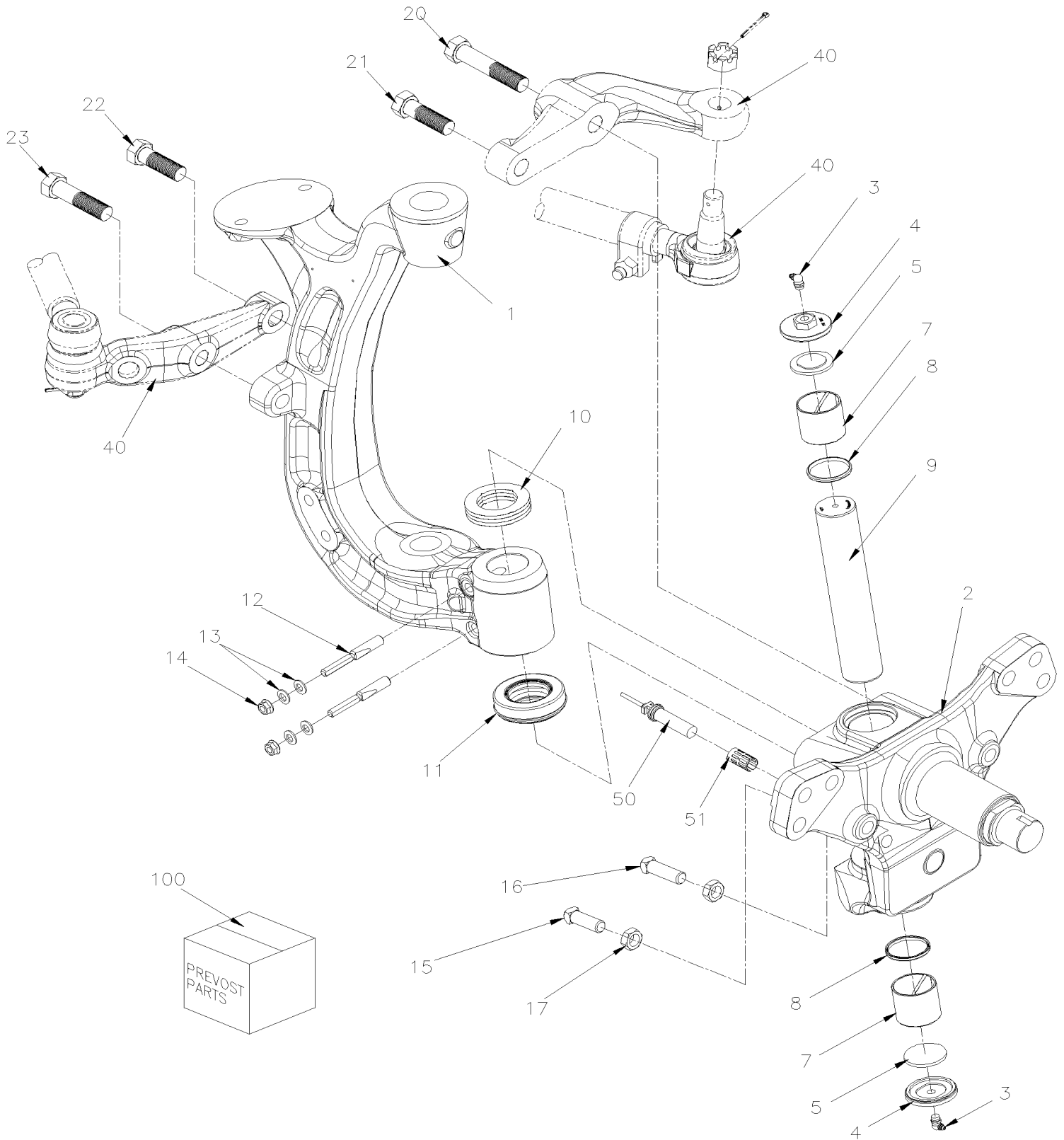
Item#	Part	Description	QTY	Notes
100	611131	KIT REPAIR / STEERING KNUCKLE BUSHING (UNDER SIZED) / (REQUIRE 2 KITS) From 8-9262	2	T
. NS	SB07_03	. NSDIFS80P - KINGPIN KITS From 8-9262	1	T
100	611132	KIT REPAIR / STEERING KNUCKLE BUSHING (STD) / (REQUIRE 2 KITS) From 8-9262	2	
. NS	SB07_03	. NSDIFS80P - KINGPIN KITS From 8-9262	1	
		T) WITH THIS KITS YOU REQUIRE REAMER TOOL TO REPAIR		

From F-5797

Date:01/2024

PAGE:X3-1005-51

FRONT AXLE - INDEPENDENT MODEL "NDIFS80P" / 19000LBS



From F-5797		Date:01/2024	PAGE:X3-1005-51
-------------	--	--------------	-----------------

FRONT AXLE - INDEPENDENT MODEL "NDIFS80P" / 19000LBS

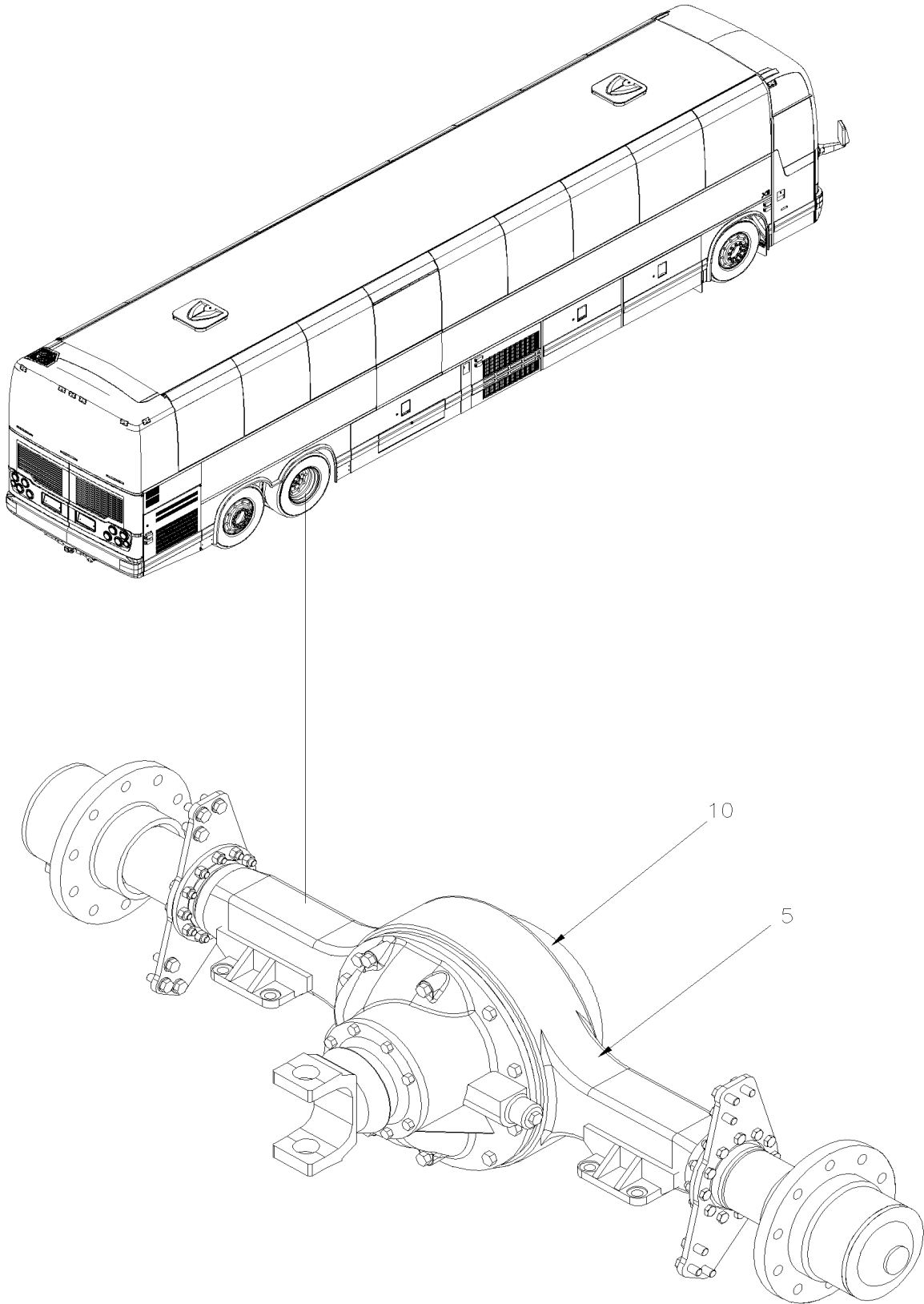
Item#	Part	Description	QTY	Notes
	612375	AXLE ASSY L.H. & R.H. / NDIFS80P / 19K To E-5525	1	
	612387	AXLE ASSY L.H. & R.H. / NDIFS80P / 19K From E-5526 To G-6007	1	
	612391	AXLE ASSY L.H. & R.H. / NDIFS80P / 19K From G-6008 To H-6203	1	
	610020	AXLE ASSY L.H. & R.H. / NDIFS80P / 19K From H-6204 To M-6658	1	
	610063	AXLE ASSY L.H. & R.H. / NDIFS80P / 19K From M-6657	1	
1	612377	. AXLE L.H. / W/DOUBLE LOCK ON KING PIN / 19K	1	
1	612376	. AXLE R.H. / W/DOUBLE LOCK ON KING PIN / 19K	1	
2	612361	. KNUCKEL L.H. & R.H.	2	
3	501490	. GREASE FITTING / 1/8 NPT	2	
4	611283	. CAP UPPER & LOWER	2	
5	611939	. FOAM INSERT	2	
7	N.S.S.	. BUSHING (STD)	2	1
8	611936	. OIL SEAL	2	
9	N.S.S.	. KING PIN	2	1
10	611956	. SHIM 0.013	AR	
10	611957	. SHIM 0.025	AR	
11	N.S.S.	. THRUST BEARING	2	1
12	N.S.S.	. DRAW KEY	4	1
13	N.S.S.	. WASHER - DRAW KEY	8	1
14	N.S.S.	. NUT - DRAW KEY	4	1
15	611287	. LOCKSTOP SCREW FRONT To G-6007	2	
15	611288	. LOCKSTOP SCREW FRONT From G-6008	2	
16	611288	. LOCKSTOP SCREW BACK To G-6007	2	
16	611288	. LOCKSTOP SCREW BACK From G-6008	2	
17	612392	. NUT - LOCKSTOP To G-6007	4	
17	612393	. NUT - LOCKSTOP From G-6008	4	
20	612359	. SCREW CAP HEX M22-2.5x100 G12.9	1	
21	612360	. SCREW CAP HEX M22-2.5x65 G12.9	1	
22	611305	. SCREW CAP HEX M20-2.5x60 G12.9	1	
23	611307	. SCREW CAP HEX M20-2.5x80 G12.9	1	
40	X3-1410-51	STEERING RODS - INSTALLATION W/INDEPENDENT "NDIFS80P" / 19000LBS		
50	642085	SENSOR ABS - OEM	2	
50	642184	SENSOR ABS - AFTER MARKET	2	
51	641096	CLIP, SPRING / TO FIX SENSOR	2	
100	611132	KIT REPAIR / STEERING KNUCKLE BUSHING (STD) / (REQUIRE 2 KITS)	1	A
. NS	SB07_03	. NSDIFS80P - KINGPIN KITS	1	A
		A) THIS KIT INCLUDES ITEMS 3, 4, 5, 7, 8, 9, 10, 11, 12, 13, 14		
		1) NOT SOLD SEPARATELY		

From 7-8754

Date:01/2024

X3-11

REAR AXLE



From 7-8754		Date:01/2024	X3-11
-------------	--	--------------	-------

REAR AXLE

Item#	Part	Description	QTY	Notes
5	X3-1105-00	REAR AXLE - MODEL "RC23165" From 7-8754		
10	X3-1110-00	CARRIER ASSY From 7-8754		

From 7-8754		Date:01/2024	PAGE:X3-1105-00
REAR AXLE - MODEL "RC23165"			

Item#	Part	Description	QTY	Notes
	N.P.N.	AXLE ASSY WITHOUT WHEELS STUD		4
621815		REAR AXLE ASSY / 2.50 RATIO From B-5002 To D-5458	1	V IS
621880		REAR AXLE ASSY / 2.50 RATIO From E-5459 To E-5541	1	V IS
621896		REAR AXLE ASSY / 2.50 RATIO From E-5542 To E-5605	1	V IS
621908		REAR AXLE ASSY / 2.50 RATIO From E-5606 To M-6657	1	V IS
620082		REAR AXLE ASSY / 2.50 RATIO From M-6658	1	V IS
621827		REAR AXLE ASSY / 2.50 RATIO / SUPER SINGLE From B-5002 To E-5541	1	V IS
621885		REAR AXLE ASSY / 2.50 RATIO / SUPER SINGLE From E-5542 To E-5605	1	V IS
621902		REAR AXLE ASSY / 2.50 RATIO / SUPER SINGLE From E-5606 To M-6657	1	V IS
620075		REAR AXLE ASSY / 2.50 RATIO / SUPER SINGLE From M-6658	1	V IS
621794		REAR AXLE ASSY / 3.21 RATIO From 8-9341 To B-5001	1	ZF
621798		REAR AXLE ASSY / 3.21 RATIO / SUPER SINGLE From 8-9341 To B-5001	1	ZF
621769		REAR AXLE ASSY / 3.42 RATIO To 7-9159	1	ZF
621791		REAR AXLE ASSY / 3.42 RATIO From 7-9160 To B-5001	1	ZF
621770		REAR AXLE ASSY / 3.42 RATIO / SUPER SINGLE To 7-9159	1	ZF
621792		REAR AXLE ASSY / 3.42 RATIO / SUPER SINGLE From 7-9160 To B-5001	1	ZF
621760		REAR AXLE ASSY / 3.58 RATIO To 7-9159	1	ZF
621789		REAR AXLE ASSY / 3.58 RATIO From 7-9160 To B-5001	1	ZF
621864		REAR AXLE ASSY / 3.58 RATIO From B-5050 To D-5458	1	V
621881		REAR AXLE ASSY / 3.58 RATIO From E-5459 To E-5541	1	V
621897		REAR AXLE ASSY / 3.58 RATIO From E-5542 To E-5605	1	V
621909		REAR AXLE ASSY / 3.58 RATIO From E-5606 To M-6657	1	V
620084		REAR AXLE ASSY / 3.58 RATIO From M-6658	1	V
621862		REAR AXLE ASSY / 3.58 RATIO / SUPER SINGLE From B-5050 To E-5541	1	V
621886		REAR AXLE ASSY / 3.58 RATIO / SUPER SINGLE From E-5542 To E-5605	1	V
621903		REAR AXLE ASSY / 3.58 RATIO / SUPER SINGLE From E-5606 To M-6657	1	V
620076		REAR AXLE ASSY / 3.58 RATIO / SUPER SINGLE From M-6658	1	V
621768		REAR AXLE ASSY / 3.58 RATIO / SUPER SINGLE To 7-9159	1	ZF
621790		REAR AXLE ASSY / 3.58 RATIO / SUPER SINGLE From 7-9160 To B-5001	1	ZF
621749		REAR AXLE ASSY / 3.73 RATIO To 7-9159	1	ZF
621788		REAR AXLE ASSY / 3.73 RATIO From 7-9160 To B-5001	1	ZF
621742		REAR AXLE ASSY / 3.73 RATIO / SUPER SINGLE To 7-9159	1	ZF
621782		REAR AXLE ASSY / 3.73 RATIO / SUPER SINGLE From 7-9160 To B-5001	1	ZF
621799		REAR AXLE ASSY / 3.91 RATIO From 8-9457 To B-5001	1	
621820		REAR AXLE ASSY / 3.91 RATIO From B-5002 To D-5458	1	V
621882		REAR AXLE ASSY / 3.91 RATIO From E-5459 To E-5541	1	V
621895		REAR AXLE ASSY / 3.91 RATIO From E-5542 To E-5605	1	V
621907		REAR AXLE ASSY / 3.91 RATIO From E-5606 To M-6657	1	V
620080		REAR AXLE ASSY / 3.91 RATIO From M-6658	1	V
621800		REAR AXLE ASSY / 3.91 RATIO / SUPER SINGLE From 8-9457 To B-5001	1	
621824		REAR AXLE ASSY / 3.91 RATIO / SUPER SINGLE From B-5002 To E-5541	1	V

From 7-8754		Date:01/2024	PAGE:X3-1105-00
REAR AXLE - MODEL "RC23165"			

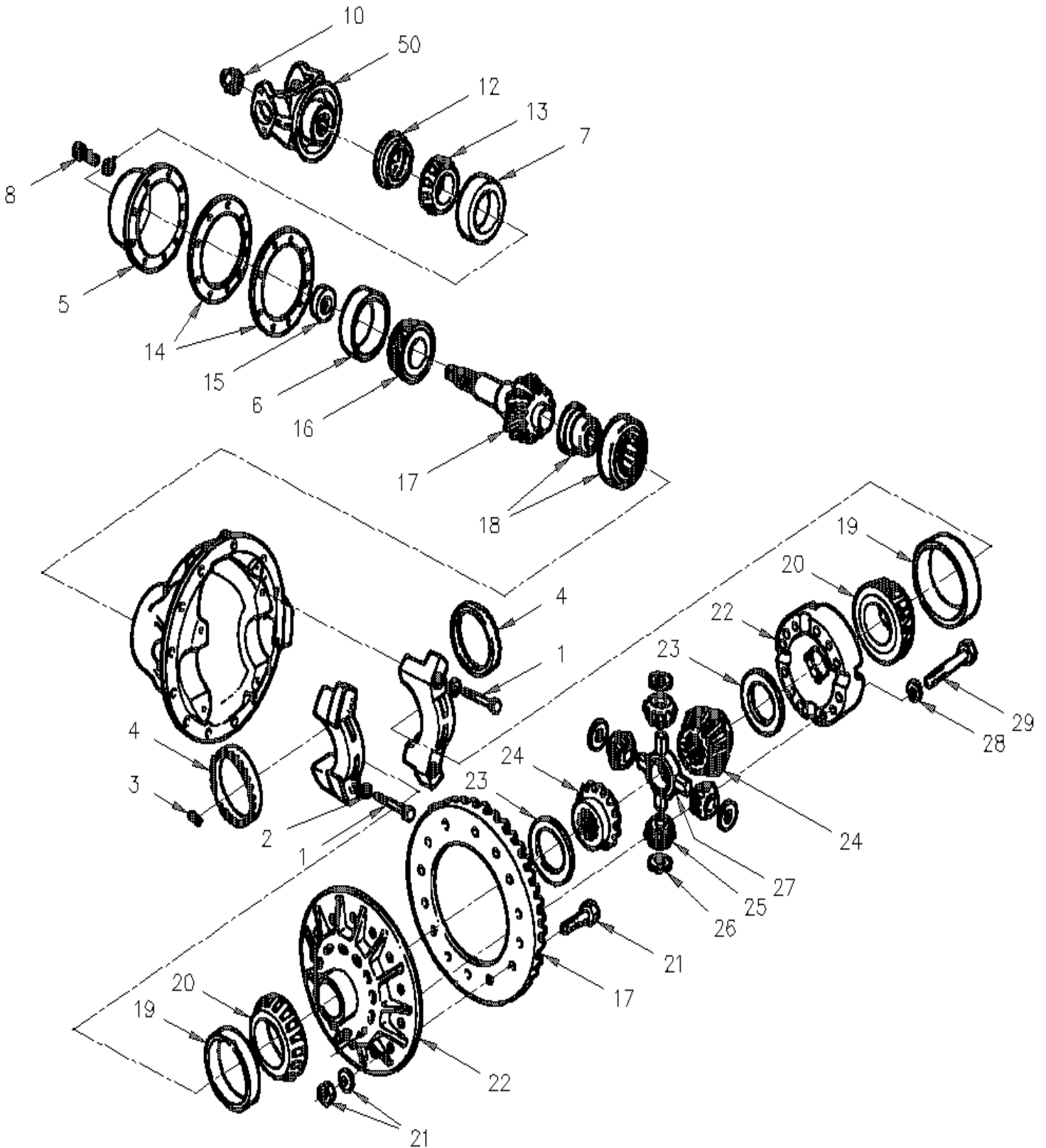
Item#	Part	Description	QTY	Notes
	621887	REAR AXLE ASSY / 3.91 RATIO / SUPER SINGLE From E-5542 To E-5605	1	V
	621904	REAR AXLE ASSY / 3.91 RATIO / SUPER SINGLE From E-5606 To M-6657	1	V
	620078	REAR AXLE ASSY / 3.91 RATIO / SUPER SINGLE From M-6658	1	V
	621744	REAR AXLE ASSY / 4.10 RATIO To 7-9159	1	
	621784	REAR AXLE ASSY / 4.10 RATIO From 7-9160 To B-5001	1	
	621818	REAR AXLE ASSY / 4.10 RATIO From B-5002 To D-5458	1	V
	621883	REAR AXLE ASSY / 4.10 RATIO From E-5459 To E-5541	1	V
	621898	REAR AXLE ASSY / 4.10 RATIO From E-5542 To E-5605	1	V
	621910	REAR AXLE ASSY / 4.10 RATIO From E-5606 To M-6657	1	V
	620085	REAR AXLE ASSY / 4.10 RATIO From M-6658	1	V
	621740	REAR AXLE ASSY / 4.10 RATIO / SUPER SINGLE To 7-9159	1	
	621781	REAR AXLE ASSY / 4.10 RATIO / SUPER SINGLE From 7-9160 To B-5001	1	
	621822	REAR AXLE ASSY / 4.10 RATIO / SUPER SINGLE From B-5002 To E-5541	1	V
	621888	REAR AXLE ASSY / 4.10 RATIO / SUPER SINGLE From E-5542 To E-5605	1	V
	621905	REAR AXLE ASSY / 4.10 RATIO / SUPER SINGLE From E-5606	1	V
	620079	REAR AXLE ASSY / 4.10 RATIO / SUPER SINGLE From M-6658	1	V
	621745	REAR AXLE ASSY / 4.30 RATIO To 7-9159	1	
	621785	REAR AXLE ASSY / 4.30 RATIO From 7-9160 To B-5001	1	
	621739	REAR AXLE ASSY / 4.30 RATIO / SUPER SINGLE To 7-9159	1	
	621780	REAR AXLE ASSY / 4.30 RATIO / SUPER SINGLE From 7-9160 To B-5001	1	
	621748	REAR AXLE ASSY / 4.56 RATIO / W/DIFF LOCK To 7-9159	1	
	621741	REAR AXLE ASSY / 4.56 RATIO / W/DIFF LOCK & SUPER SINGLE To 7-9159	1	
	621746	REAR AXLE ASSY / 4.56 RATIO To 7-9159	1	
	621786	REAR AXLE ASSY / 4.56 RATIO From 7-9160 To B-5001	1	
	621738	REAR AXLE ASSY / 4.56 RATIO / SUPER SINGLE To 7-9159	1	
	621779	REAR AXLE ASSY / 4.56 RATIO / SUPER SINGLE From 7-9160 To B-5001	1	
	621747	REAR AXLE ASSY / 4.89 RATIO To 7-9159	1	
	621787	REAR AXLE ASSY / 4.89 RATIO From 7-9160 To B-5001	1	
	621743	REAR AXLE ASSY / 4.89 RATIO / SUPER SINGLE To 7-9159	1	
	621783	REAR AXLE ASSY / 4.89 RATIO / SUPER SINGLE From 7-9160 To B-5001	1	
1	621754	HOUSING ASSY W/BRACKET WELDED To B-5001	1	D
1	620046	HOUSING ASSY W/BRACKET WELDED From B-5002 To D-5458	1	D
1	620047	HOUSING ASSY W/BRACKET WELDED From E-5459	1	D
1	621752	HOUSING ASSY W/BRACKET WELDED / SUPER SINGLE	1	S
NS	680053	. SILICONE TUBE RTV103 / BLACK / 3 oz	2	
2	621142	. PLUG FILLER	1	
3	620442	. BREATHER / (CURRENT 1 PIECE) To F-5816	2	
3	621871	. BREATHER AND TUBE From F-5817	1	
4	621615	. PLUG MAGNETIC	1	
8	5001422	. SCREW CAP HEX 5/8-11x2 1/2 G8 ZP	12	
8	5001423	. SCREW CAP HEX 5/8-11x4 G8 ZP	4	

From 7-8754

Date:01/2024

PAGE:X3-1110-00

CARRIER ASSY



From 7-8754	Date:01/2024	PAGE:X3-1110-00
CARRIER ASSY		

Item#	Part	Description	QTY	Notes
	621875	CARRIER ASSY / 2.50 RATIO From B-5002	1	
	621715	CARRIER ASSY / 3.21 RATIO To B-5001	1	
	621728	CARRIER ASSY / 3.58 RATIO To B-5001	1	
	621242	CARRIER ASSY / 3.58 RATIO From B-5002	1	
	621722	CARRIER ASSY / 3.42 RATIO To B-5001	1	
	621723	CARRIER ASSY / 3.73 RATIO To B-5001	1	
	621812	CARRIER ASSY / 3.91 RATIO To B-5001	1	
	621866	CARRIER ASSY / 3.91 RATIO From B-5002	1	
	621724	CARRIER ASSY / 4.10 RATIO To B-5001	1	
	621249	CARRIER ASSY / 4.10 RATIO From B-5002	1	
	621725	CARRIER ASSY / 4.30 RATIO To B-5001	1	
	621726	CARRIER ASSY / 4.56 RATIO To B-5001	1	
	621729	CARRIER ASSY / 4.56 RATIO / W/DIFF LOCK To B-5001	1	B
	621727	CARRIER ASSY / 4.89 RATIO To B-5001	1	
	N.S.S.	. CASE CARRIER	1	1
1	621418	. . SCREW, CAP	2	
2	621417	. . WASHER	4	
3	505128	. SPRING, PIN 1/4 X 2	2	
4	621479	. RING, ADJUSTING / W/MODEL 3200-P-1706	2	
5	621419	. CASE & CUP ASSY / PINION BEARING	1	
6	621420	. . CUP BEARING / INNER BEARING	1	
7	621421	. . CUP BEARING / OUTER BEARING	1	
8	621439	. SCREW, CAP	8	
10	621418	. SCREW, CAP	4	
NS	621445	. NUT / DRIVE PINION	1	
12	621424	. SEAL, OIL	1	
NS	195671	SEAL INSTALLER TOOL / CARRIER DRIVE PINION (2731T1)	1	I
13	621423	. CONE BEARING / OUTER	1	
14	621438	. SHIM 0.020	AR	
14	621437	. SHIM 0.008	AR	
14	621436	. SHIM 0.005	AR	
14	621435	. SHIM 0.003	AR	
15	621434	. SPACER .263	AR	
15	621433	. SPACER .262	AR	
15	621432	. SPACER .261	AR	
15	621431	. SPACER .260	AR	
15	621430	. SPACER .256	AR	
15	621429	. SPACER .254	AR	
15	621428	. SPACER .253	AR	
15	621427	. SPACER .252	AR	
15	621426	. SPACER .251	AR	
15	621425	. SPACER .250	AR	

From 7-8754		Date:01/2024	PAGE:X3-1110-00
CARRIER ASSY			

Item#	Part	Description	QTY	Notes
16	621422	. CONE BEARING / INNER	1	
17	621877	. SET, GEAR DRIVE & PINION / 2.50 RATIO	1	C
17	621721	. SET, GEAR DRIVE & PINION / 3.21 RATIO	1	
17	621712	. SET, GEAR DRIVE & PINION / 3.42 RATIO	1	
17	621718	. SET, GEAR DRIVE & PINION / 3.58 RATIO	1	
17	621713	. SET, GEAR DRIVE & PINION / 3.73 RATIO	1	
17	621813	. SET, GEAR DRIVE & PINION / 3.91 RATIO	1	
17	621710	. SET, GEAR DRIVE & PINION / 4.10 RATIO	1	
17	621720	. SET, GEAR DRIVE & PINION / 4.30 RATIO	1	
17	621716	. SET, GEAR DRIVE & PINION / 4.56 RATIO	1	
17	621719	. SET, GEAR DRIVE & PINION / 4.89 RATIO	1	
18	621481	. BEARING SPIGOT / INNER & OUTER / W/3200-P-1706	1	
NS	621482	. RING, SNAP / TO FIX SPIGOT BEARING	1	
19	621210	. CUP BEARING	2	A
20	621209	. CONE BEARING	2	A
21	621444	. BOLT, NUT & WASHER / (KIT OF 12)	1	
22	621876	. CASE ASSY / W/RATIO 2.50	1	C
22	621480	. CASE ASSY W/RATIO 3.07, 3.21, 3.42& 3.73	1	
22	621488	. CASE ASSY / W/RATIO 3.91, 4.10, 4.30 & 4.56	1	
22	621539	. CASE ASSY / W/RATIO 4.89	1	
23	621449	. . WASHER, THRUST / SIDE GEAR	2	
24	621450	. . GEAR, SIDE	2	
25	621452	. . GEAR, PINION	4	
26	621453	. . WASHER, GEAR PINION	4	
27	621451	. . SPIDER	1	
28	621447	. . WASHER	12	
29	621448	. . SCREW, CAP	12	
50	621403	YOKE (1810) FULL ROUND (46 SPL) To B-5001	1	
. NS	621501	. DEFLECTOR, OIL To B-5001	1	
. NS	621492	. SPEEDY SLEEVE 3.250" I.D. / TO REPAIR OIL LEAK ON YOKE To B-5001	1	
50	621833	YOKE SERIES 250 HALF ROUND From B-5002	1	
. NS	621501	. DEFLECTOR, OIL From B-5002	1	
. NS	621492	. SPEEDY SLEEVE 3.250" I.D. / TO REPAIR OIL LEAK ON YOKE From B-5002	1	
NS	621501	. DEFLECTOR, OIL To B-5001	1	
NS	621492	SPEEDY SLEEVE 3.250" I.D. / TO REPAIR OIL LEAK ON YOKE To B-5001	1	
NS	621653	KIT, CUP & CONE	AR	
		A) ALSO SOLD IN KIT #621653		
		B) CARRIER WITH DIFFERENTIAL LOCK		
		C) CARRIER WITH DIFFERENTIAL LOCK		

From 7-8754		Date:01/2024	PAGE:X3-1110-00	
CARRIER ASSY				
Item#	Part	Description	QTY	Notes
		I) THIS TOOL INSTALLER ARE USE WITH NEW SEAL STAMPED A1205A2731		
		1) NOT SOLD SEPARATELY		

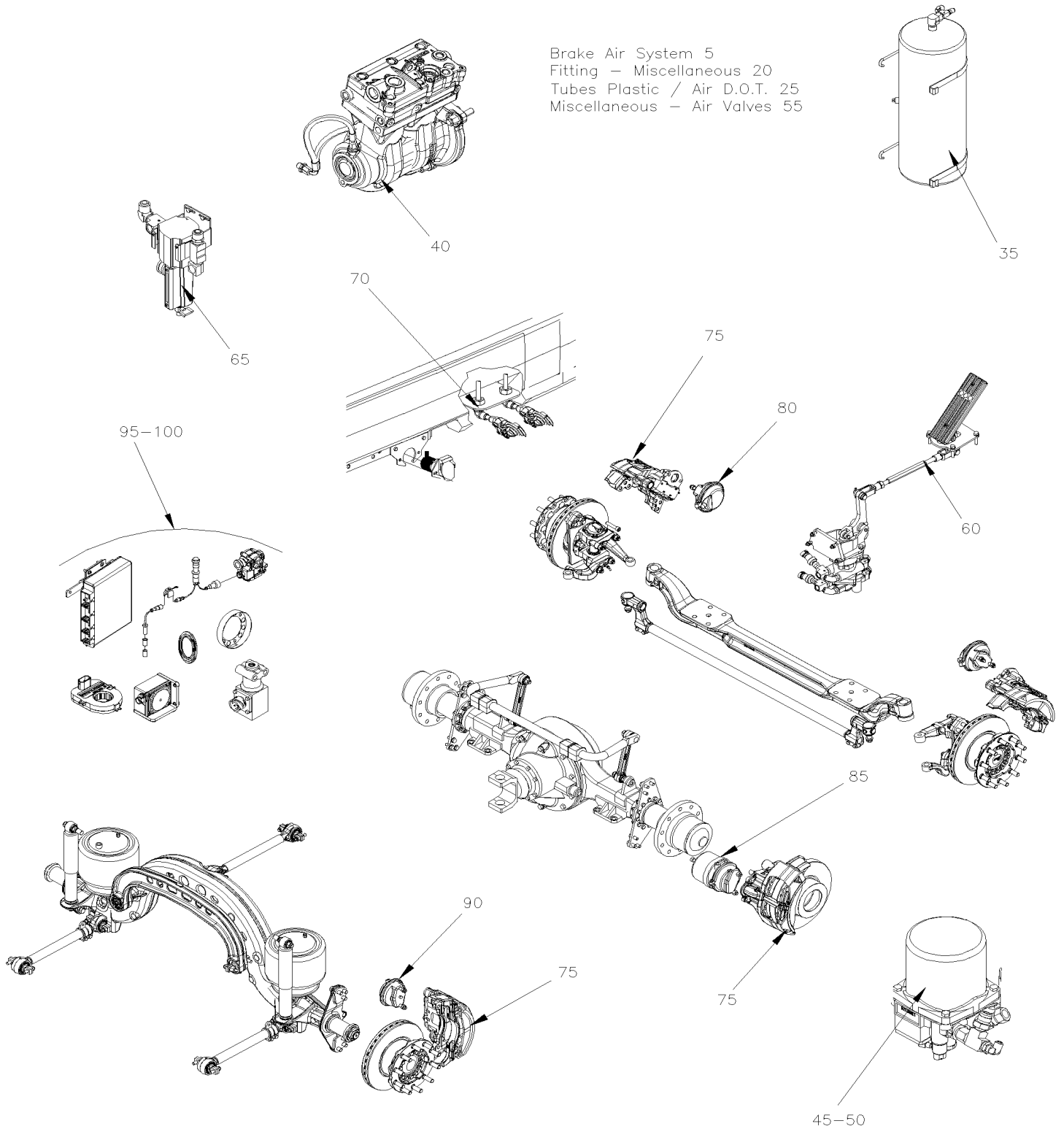
From 7-8754

Date:01/2024

X3-12

BRAKE

Brake Air System 5
Fitting - Miscellaneous 20
Tubes Plastic / Air D.O.T. 25
Miscellaneous - Air Valves 55



From 7-8754	Date:01/2024	X3-12
-------------	--------------	-------

BRAKE

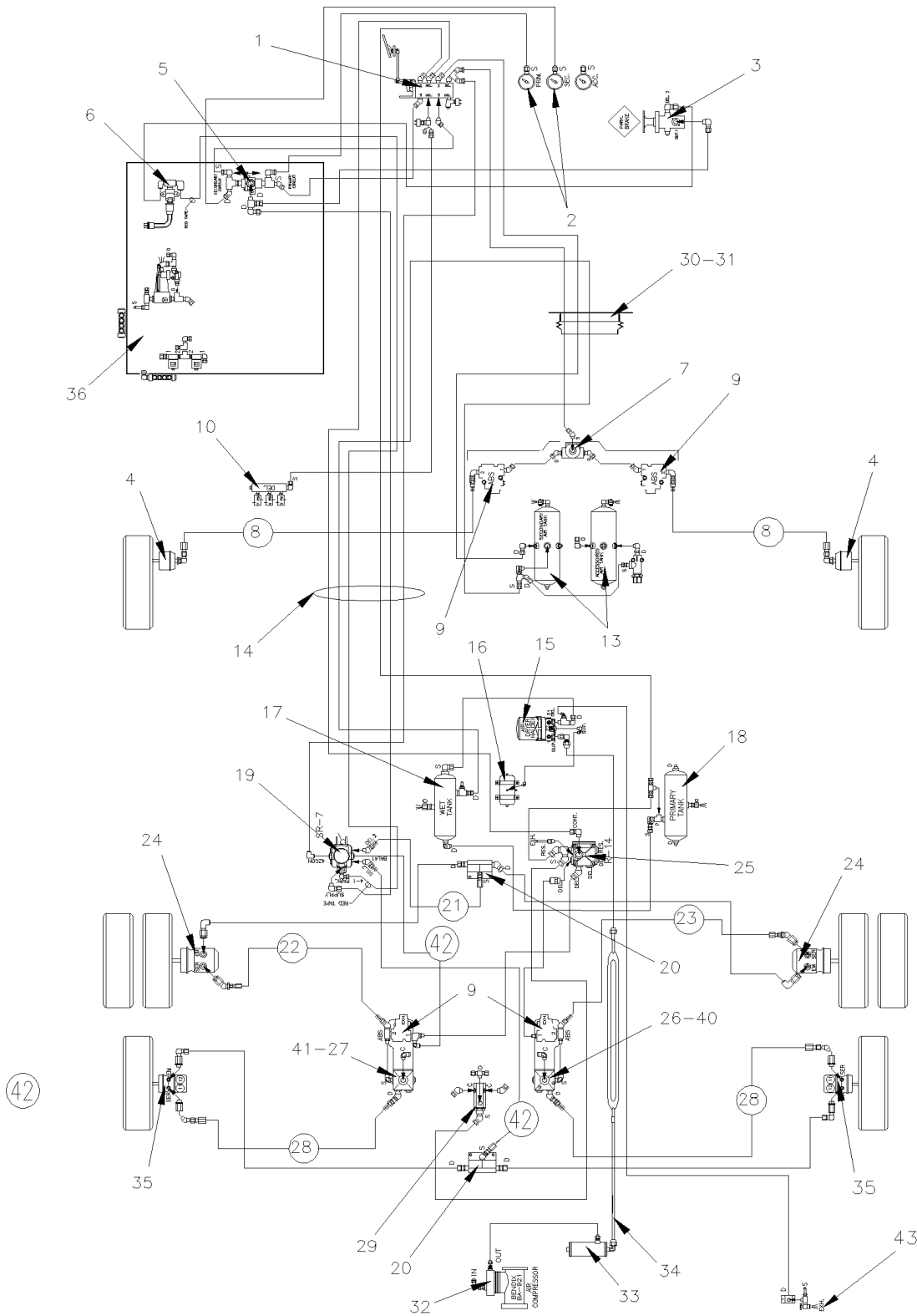
Item#	Part	Description	QTY	Notes
5	X3-1200-00	BRAKE AIR SYSTEM From 7-8754 To F-5871		
5	X3-1200-01	BRAKE AIR SYSTEM From F-5872		
20	X3-1201-00	FITTING - MISCELLANEOUS From 7-8754		
25	X3-1202-00	TUBES PLASTIC / AIR D.O.T. From 7-8754		
35	X3-1203-00	AIR TANK - INSTALLATION From 7-8754 To B-5001		
35	X3-1203-01	AIR TANK - INSTALLATION From B-5002 To D-5458		
35	X3-1203-02	AIR TANK - INSTALLATION From E-5459		
40	X3-1205-10	AIR COMPRESSOR - "BA921" - WITH DETROIT S-60 From 7-8754 To B-5001		
40	Refer To Volvo	AIR COMPRESSOR - "WABCO" 636CC - WITH VOLVO D13 From 8-9457		V
43	X3-1206-00	FRONT AIR SUPPLY FOR TOWING From H-6104		
45	X3-1215-00	AIR DRYER - "HALDEX" From 7-8754 To D-5458		
45	X3-1215-01	AIR DRYER - "WABCO" / "OPTIONAL" From 7-8754 To B-5001		
45	X3-1215-02	AIR DRYER - "WABCO" From B-5002 To D-5458		
45	X3-1215-03	AIR DRYER - "WABCO" From E-5459 To H-6179		
45	X3-1215-04	AIR DRYER - "WABCO" VOLVO D13 - GHG17 From H-6180		
45	X3-1215-11	AIR DRYER - INSTALLATION From 7-8754 To A-9951		
45	X3-1215-12	AIR DRYER TUBE - INSTALLATION From A-9952 To B-5001		
45	X3-1215-13	AIR DRYER - INSTALLATION From B-5002		
50	X3-1215-15	CHECK VALVE INSTALLATION W/"WABCO" From 7-8754 To B-5001		
55	X3-1220-00	MISCELLANEOUS AIR VALVE From 7-8754		
60	X3-1220-10	BRAKE PEDAL VALVE - "BENDIX" E-10P From 7-8754 To F-5761		
60	X3-1220-11	BRAKE PEDAL VALVE - "BENDIX" E-10P From F-5762 To F-5850		
60	X3-1220-12	BRAKE PEDAL VALVE - "BENDIX" E-8P From F-5851		
65	X3-1220-15	AIR FILTER - ACCESSORIES From 7-8754 To E-5589		
70	X3-1220-50	TRAILER VALVE INSTALLATION From 7-8754 To 8-9281		
70	X3-1220-51	TRAILER VALVE INSTALLATION From 8-9282 To G-5896		
70	X3-1220-52	TRAILER VALVE INSTALLATION From G-5897		
75	X3-1225-00	BRAKE PARTS - FRONT & TAG AXLE "KNORR-BREMSE" SB7 SERIES From 7-8754 To 7-9159		
75	X3-1225-01	BRAKE PARTS - FRONT & TAG AXLE "KNORR-BREMSE" SN7 SERIES From 7-9160 To A-9882		

From 7-8754	Date:01/2024	X3-12
-------------	--------------	-------

BRAKE

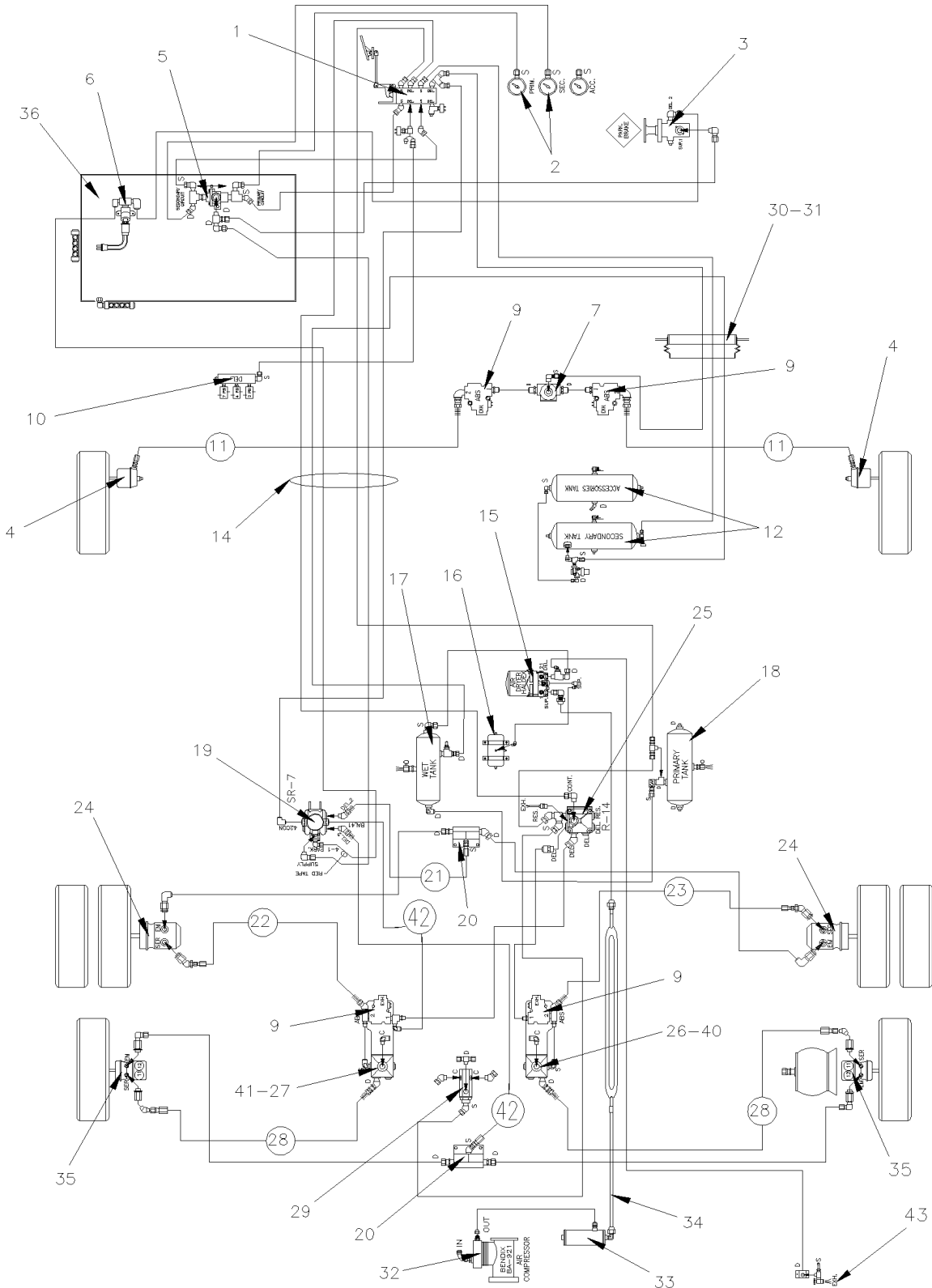
Item#	Part	Description	QTY	Notes
75	X3-1225-02	BRAKE PARTS - FRONT & TAG AXLE "KNORR-BREMSE" SN7 SERIES W/NEW SLIDE PINS From A-9883 To E-5525		
75	X3-1225-03	BRAKE PARTS - "KNORR-BREMSE" SN7 SERIES W/N2G ADJUSTER From E-5459 To E-5525		GR
75	X3-1225-04	BRAKE PARTS - FRONT RIGIDE & TAG AXLE "KNORR-BREMSE" SN7 SERIES W/N2G ADJUSTER From E-5526		R
75	X3-1225-20	BRAKE PARTS - FRONT INDEPENDENT "KNORR-BREMSE" SN7 SERIES W/NEW SLIDE PINS From E-5526 To F-5796		I
75	X3-1225-21	BRAKE PARTS - FRONT INDEPENDENT "KNORR-BREMSE" SN7 SERIES W/N2G ADJUSTER From F-5797		I
80	X3-1225-10	BRAKE CHAMBER - FRONT AXLE TYPE 24 From 7-8754		
85	X3-1235-00	BRAKE PARTS - DRIVE AXLE "KNORR-BREMSE" SB7 SERIES From 7-8754 To 7-9159		
85	X3-1235-01	BRAKE PARTS - DRIVE AXLE "KNORR-BREMSE" SN7 SERIES From 7-9160 To E-5541		
85	X3-1235-03	BRAKE PARTS - DRIVE AXLE "KNORR-BREMSE" SN7 SERIES W/N2G ADJUSTER From E-5542		
85	X3-1235-10	BRAKE CHAMBER - DRIVE AXLE TYPE 24/24 From 7-8754		
90	X3-1245-10	BRAKE CHAMBER - TAG AXLE TYPE 14/16 From 7-8754 To 8-9281		
90	X3-1245-12	BRAKE CHAMBER - TAG AXLE TYPE 14 & 16 From 8-9282 To J-6294		
90	X3-1245-13	BRAKE CHAMBER - TAG AXLE TYPE 20 From J-6295		
95	X3-1250-00	ANTI-LOCK BRAKING SYSTEM From 7-8754 To 8-9281		
95	X3-1250-01	ABS & ESP CONTROL From 8-9282		
100	X3-1250-10	ABS BRAKE VALVE - INSTALLATION From 7-8754 To 8-9281		
100	X3-1250-11	ABS/ESP BRAKE VALVE - INSTALLATION From 8-9282 To D-5458		
100	X3-1250-12	ABS/ESP BRAKE VALVE - INSTALLATION From E-5459 To £-22037		
100	X3-1250-13	ABS/ESP BRAKE VALVE - INSTALLATION From £-22037		
		GR) WITH GREYHOUND OPTION		
		I) WITH INDEPENANTE SUSPENSION		
		R) WITH "I" BEAM SUSPENSION		
		V) SEE IMPACT OR CALL ORDER DESK		

BRAKE AIR SYSTEM



X3-45 COACH, WITH INDEPENDENT FRONT SUSPENSION (IFS) BRAKES SYSTEM

BRAKE AIR SYSTEM



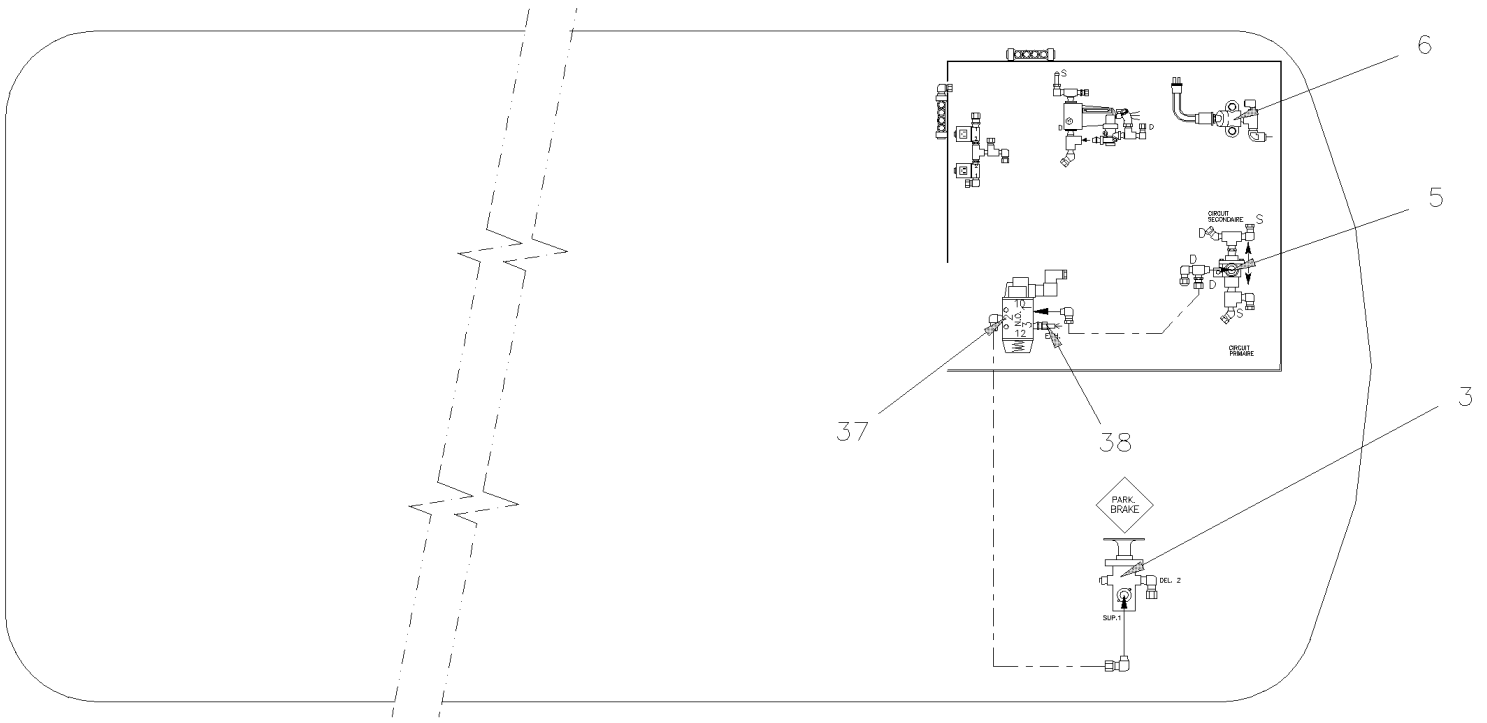
X3-45 COACH, WITH FRONT I-BEAM AXLE BRAKES SYSTEM

From 7-8754 To F-5871

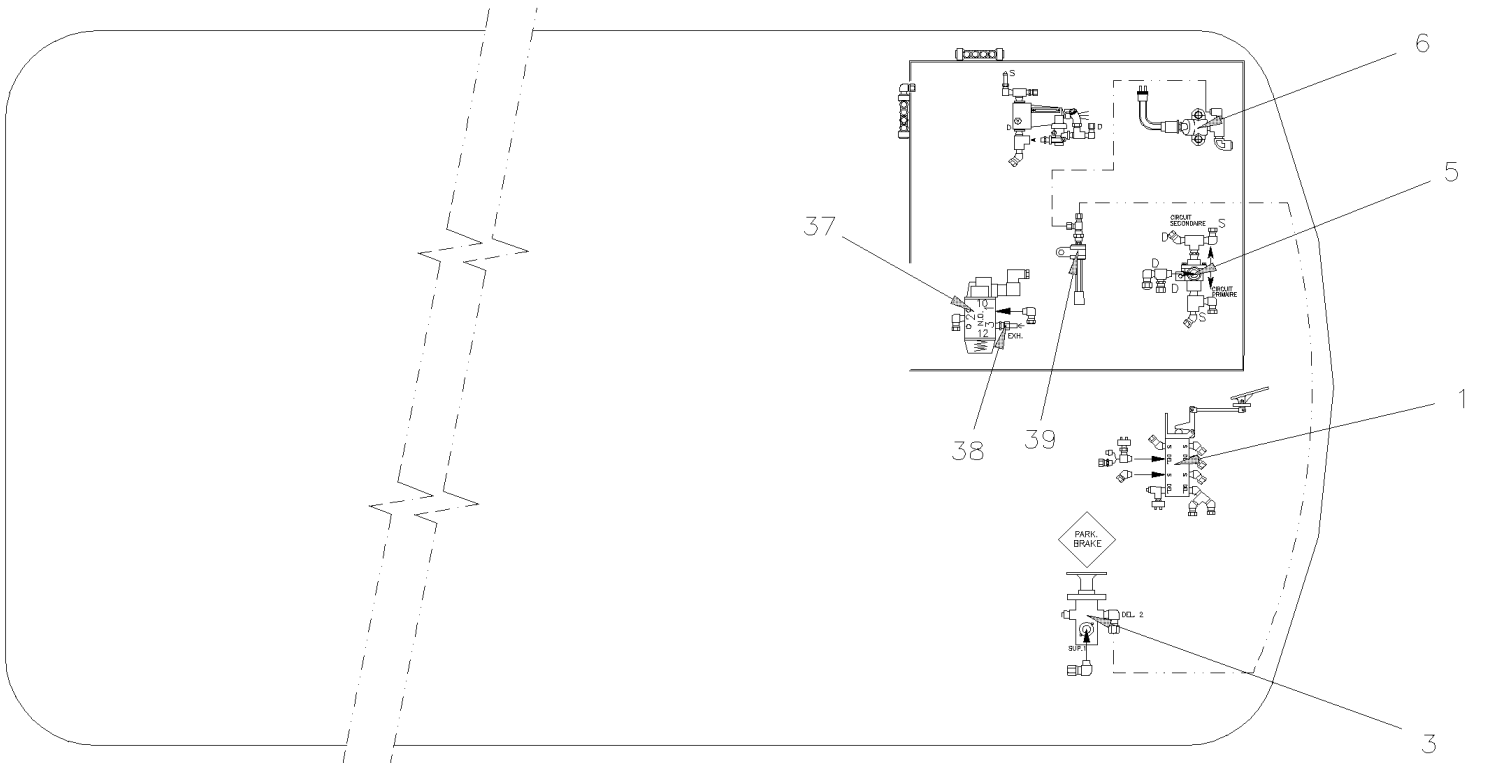
Date:01/2024

PAGE:X3-1200-00

BRAKE AIR SYSTEM

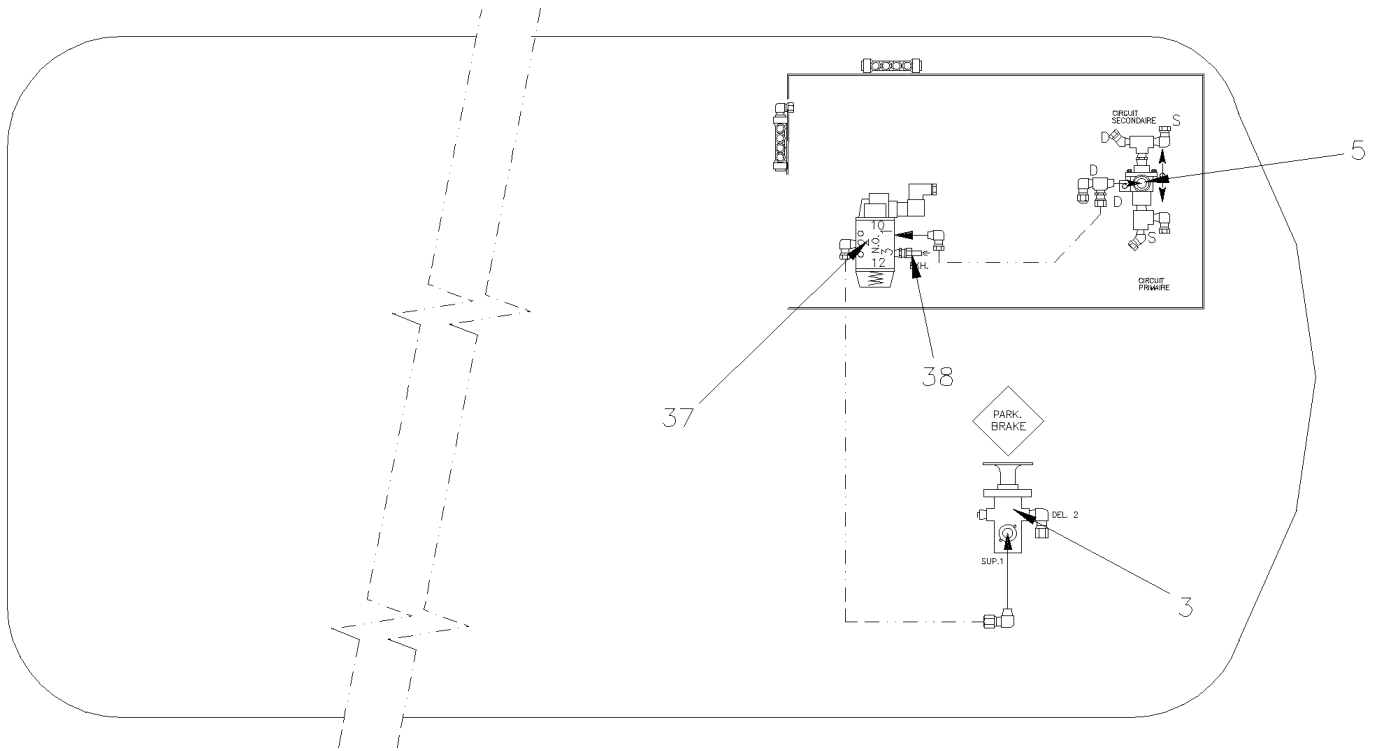


X3-45 COACH, WITH INDEPENDENT FRONT SUSPENSION
WITH OPTION PARKING BRAKE WITH WHEELCHAIR LIFT AND WITHOUT KNEELING

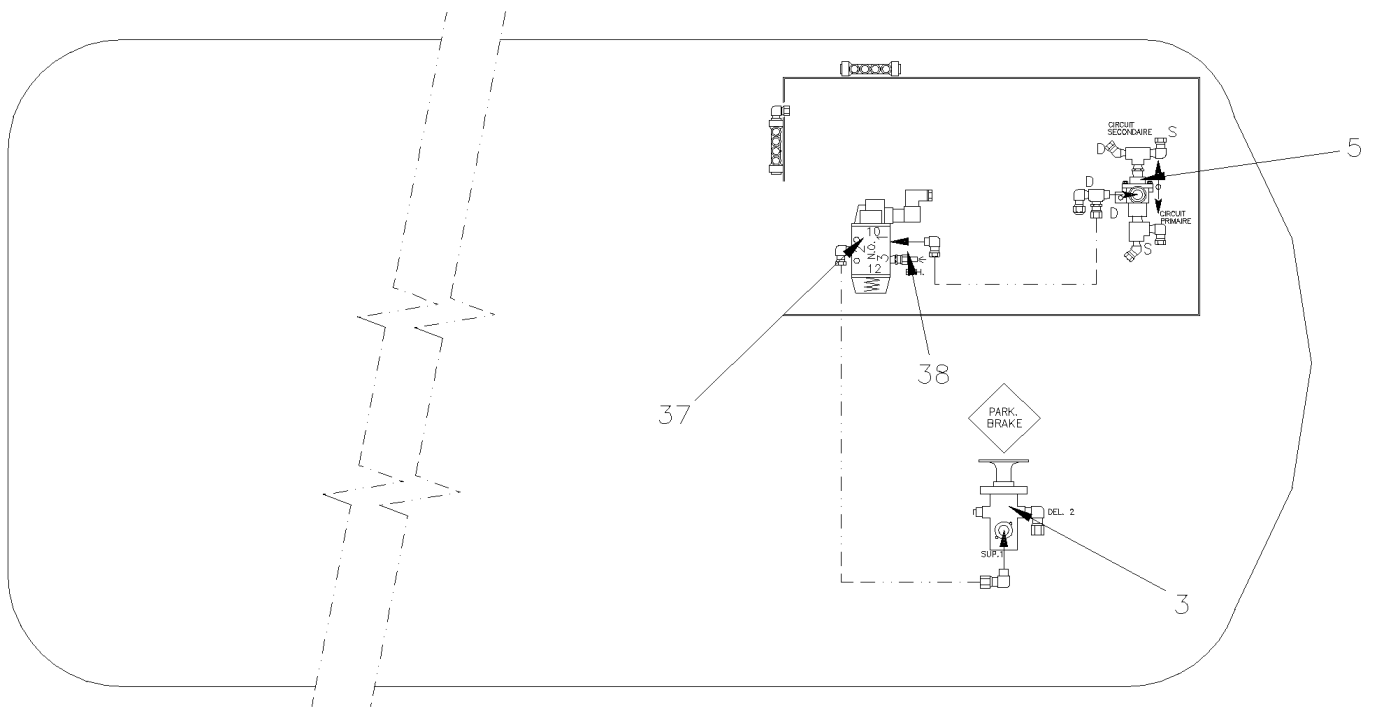


X3-45 COACH, WITH INDEPENDENT FRONT SUSPENSION
WITH OPTION PARKING BRAKE RELEASE WITH SUPPLEMENTARY SWITCH

BRAKE AIR SYSTEM



X3-45 COACH, WITH FRONT BEAM AXLE
WITH OPTION PARKING BRAKE WITH WHEELCHAIR LIFT AND WITHOUT KNEELING



X3-45 COACH, WITH FRONT BEAM AXLE
WITH OPTION PARKING BRAKE RELEASE WITH SUPPLEMENTARY SWITCH

From 7-8754 To F-5871		Date:01/2024	PAGE:X3-1200-00
BRAKE AIR SYSTEM			

Item#	Part	Description	QTY	Notes
1	X3-1220-10	BRAKE PEDAL VALVE - "BENDIX" E-10P		
2	X3-0645-20	CENTER DASHBOARD PANEL		
3	641128	VALVE, CONTROL VALVE PP-1 / 40PSI To D-5452	1	
. NS	641154	. REPAIR KIT / PP-1 & RD-3 To D-5452	1	
3	642169	VALVE, CONTROL VALVE PP-1 / 60PSI From D-5453	1	
. NS	641154	. REPAIR KIT / PP-1 & RD-3 From D-5453	1	
. NS	641149	. BUTTON, PARKING BRAKE DIAMOND YELLOW / 1" From D-5453	1	
4	X3-1225-10	BRAKE CHAMBER - FRONT AXLE TYPE 24		
5	641564	VALVE, DOUBLE CHECK DC-4	1	
6	287234	PRESSURE SWITCH N.C. 30-10 20PS001AB030E010E	2	
7	641429	VALVE, QUICK RELEASE QR-1 / 3/8NPTx3/8NPTx3/8NPT To 8-9281	1	
. NS	640924	. REPAIR KIT / QR-1 To 8-9281	1	
7	641991	VALVE, RELAY R-14 "WABCO" From 8-9282 To D-5458	1	
7	640018	VALVE, RELAY & ATC / ATR-6 From E-5459	1	
8	641903	HOSE BRAKE #8 1090MM (43")	2	
9	641951	VALVE, "ABS" 12VOLT To 8-9281	4	
9	642077	VALVE, "ABS" 12VOLT / M-32QR From 8-9282 To G-6051	4	A
9	640228	VALVE, "ABS" 12VOLT / M-40QR From G-6052	4	
10	X3-0750-00	AUTOMATIC TRANSMISSION - "WORLD" WITH DETROIT S-60		
11	641908	HOSE BRAKE #8 1300MM (51") To F-5838	2	
11	145292P	HOSE BRAKE #8 1366MM From F-5839	2	
12	641583	AIR TANK / 1508 IN° / 9" 1/2 O.D. X 24"	2	
13	141834	AIR TANK / 1303 IN° / 8" O.D. X 27"1/2	2	
14	X3-1202-00	TUBES PLASTIC / AIR D.O.T.		
15	X3-1215-00	AIR DRYER - "HALDEX"		
15	X3-1215-01	AIR DRYER - "WABCO" / "OPTIONAL"		
16	70307176	AIR TANK / 281 IN° / 6" O.D. X 12"	1	
17	144848	AIR TANK / 1791 IN° / 9 1/2" O.D. X 27"	1	
18	140869	AIR TANK / 1791 IN° / 9 1/2" O.D. X 27"	1	
19	642015	VALVE / SPRING BRAKE SR-7 To 8-9360	1	
NS	643385	KIT CHECK VALVE CONVERSION SR-7 To 8-9360	1	
19	643384	VALVE / SPRING BRAKE SR-7 From 8-9361	1	
. NS	642119	. VALVE / SPRING BRAKE SR-7 From 8-9361	1	
20	641136	ANCHOR TEE / PIPE FITTING / 3/8NPT-Fx3/8NPT-Fx3/8NPT-F ZP	1	
21	642019	HOSE BRAKE #8 718MM (28 1/4") To A-9951	1	
21	642143	HOSE BRAKE #8 560MM (22") From A-9952	1	
22	641302	HOSE BRAKE #8 610MM (24")	1	
23	641305	HOSE BRAKE #8 718MM (28 1/4")	1	
24	X3-1235-10	BRAKE CHAMBER - DRIVE AXLE TYPE 24/24		
25	641991	VALVE, RELAY R-14 "WABCO"	1	
26	642067	VALVE, RELAY R-12 HORIZONTAL PORT	1	
26	641120	VALVE, RELAY R-14 HORIZONTAL PORT	1	

From 7-8754 To F-5871		Date:01/2024	PAGE:X3-1200-00
BRAKE AIR SYSTEM			

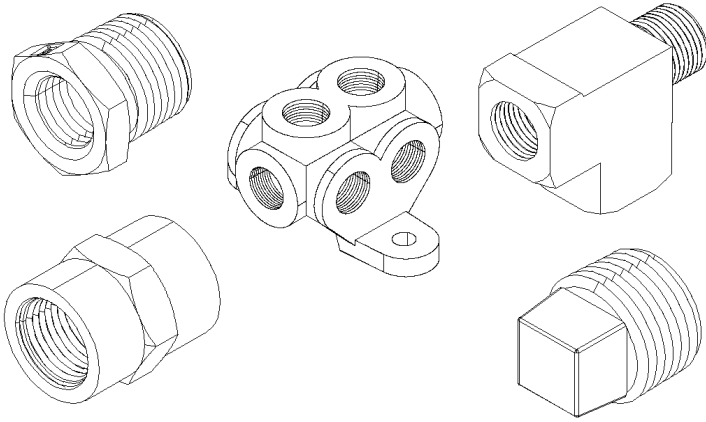
Item#	Part	Description	QTY	Notes
. NS	10508267	. KIT, REPAIR	1	
27	642068	VALVE, RELAY R-12 HORIZONTAL PORT / W/OUT SUPPORT To D-5299	1	
NS	640471	VALVE, INVERSION TR-3 25-40LBS From 8-9282	1	
28	641902	HOSE BRAKE #8 737MM (29")	2	
28	641905	HOSE BRAKE #8 952MM (37 1/2")	2	
29	640442	VALVE, INVERSION TR-2 To D-5299	1	
30	504499	CUFF END BELLOW / 2 7/8" I.D. x 3 5/8" x 4 7/16	1	
31	141567	PROTECTOR RUBBER 100MM	1	
32	X3-1205-10	AIR COMPRESSOR - "BA921" - WITH DETROIT S-60		
33	641982	AIR TANK / 96 IN° / 3 1/2" O.D. X 10"	1	
34	X3-1215-11	AIR DRYER - INSTALLATION		
35	X3-1245-10	BRAKE CHAMBER - TAG AXLE TYPE 14/16		
36	X3-1630-00	FRONT KNEELING - CONTROL PANEL To E-5589		
36	X3-1630-01	FRONT KNEELING - CONTROL PANEL From E-5590		
37	641528	VALVE, 3 WAYS, 2 POSITIONS N.O. To E-5589	1	
. NS	641929	. COIL 24V To E-5589	1	
. NS	641169	. SPOOL To E-5589	1	
. NS	641385	. CONNECTOR / SOCKET HOUSING ASSY 3C / PNEUMAC 54934-01 To E-5589	1	
37	642191	VALVE, 3 WAYS, 2 POSITIONS N.C. From E-5590 To G-6078	1	
. NS	195765	. SOLENOIDE 24 VOLTS From E-5590 To G-6078	1	
37	642227	VALVE, 3 WAYS, 2 POSITIONS N.C. From G-6079	1	
. NS	195765	. SOLENOIDE 24 VOLTS From G-6079	1	
38	641934	SILENCER / MUFFLER / 3/8NPT-M	1	
39	452082	PRESSURE SWITCH N.O. 30-15 20SP001AA030C015C	1	
40	144861	SUPPORT R.H. / VALVE ABS & RELAY VALVE To 8-9281	1	
40	142682	SUPPORT BRAKE VALVE REAR / CURBSIDE From 8-9282	1	
41	144862	SUPPORT L.H. / VALVE ABS & RELAY VALVE To 8-9281	1	
42	642020	HOSE BRAKE #8 914MM (36") To 8-9281	1	
43	5011129	NEEDLE VALVE 1/4 NPT M x 1/4 NPT F	1	
43	140381	DECAL / "AIR BRAKE SYSTEM FILL" // ENGLISH & FRANCAIS	1	
43	142369	DECAL / "AIR BRAKE SYSTEM FILL" // ENGLISH & SPANISH	1	
		A) WHEN YOU REPLACE THE VALVE #642077 BY THE VALVE #640228 YOU HAVE REPLACE BOTH SIDE LEFT AND RIGHT		

From 7-8754

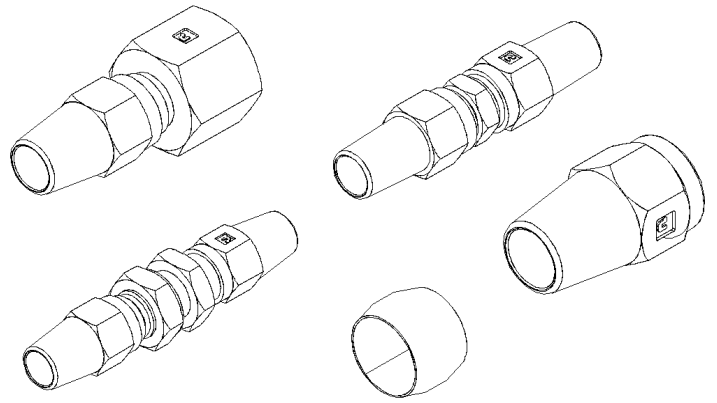
Date:01/2024

PAGE:X3-1201-00

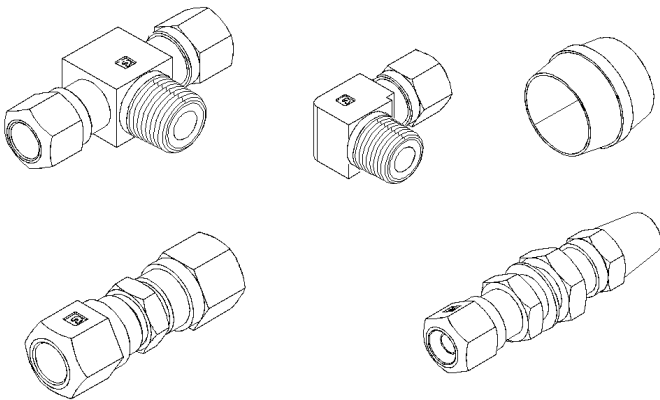
FITTING - MISCELLANEOUS



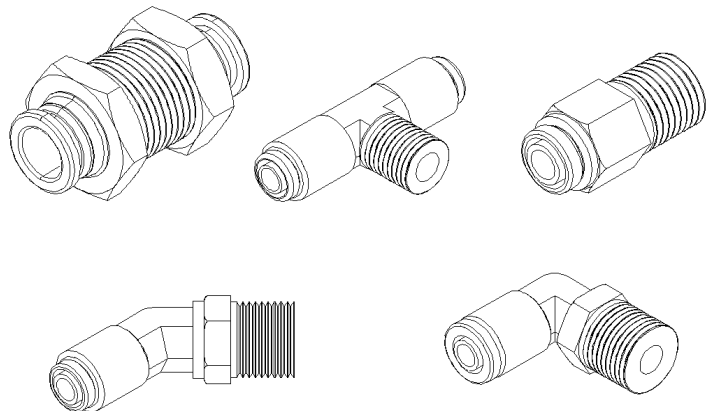
FITTING PIPE "NPT"
1



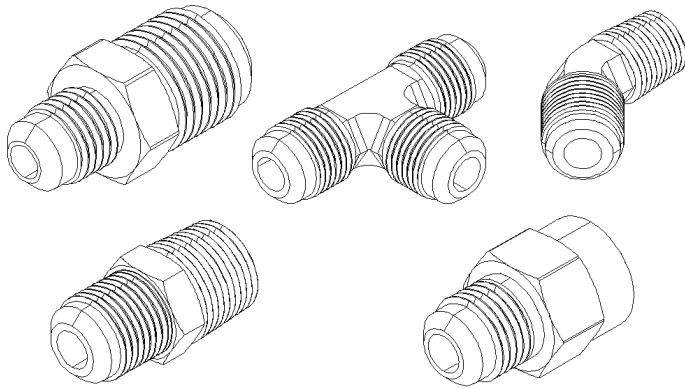
FITTING BRAKE "AB"
2



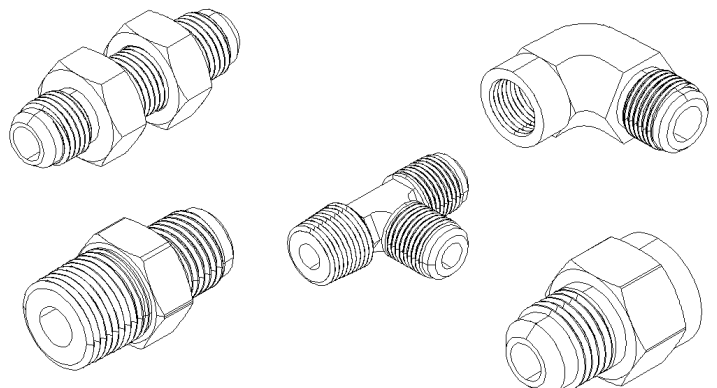
FITTING BRAKE "NTA"
3



FITTING BRAKE "PUSH-IN"
4

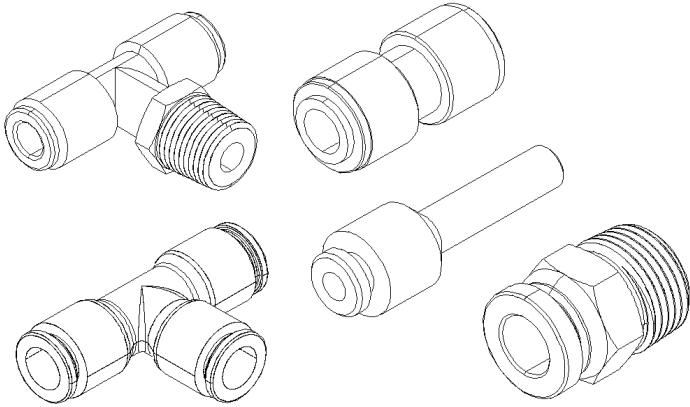


FITTING "SAE 45°"
5

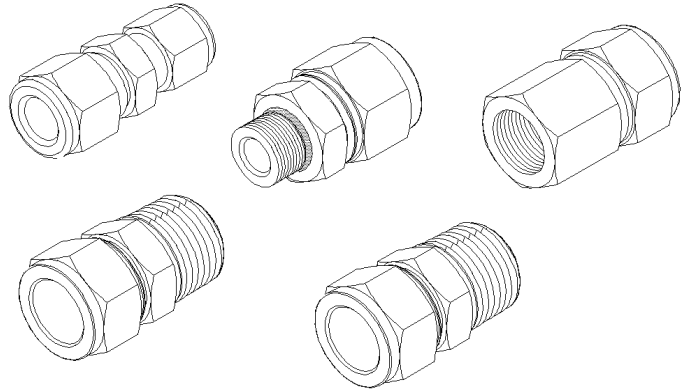


FITTING "JIC 37°"
6

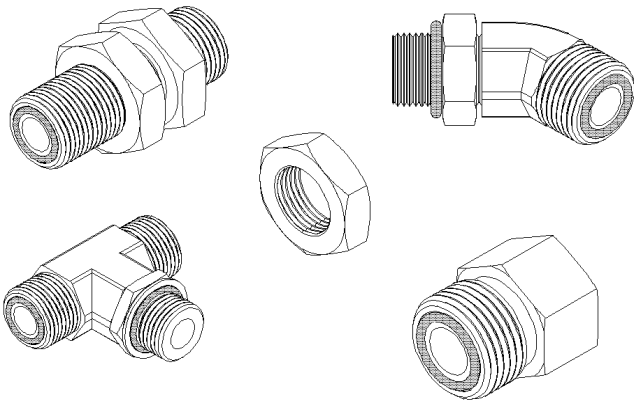
FITTING - MISCELLANEOUS



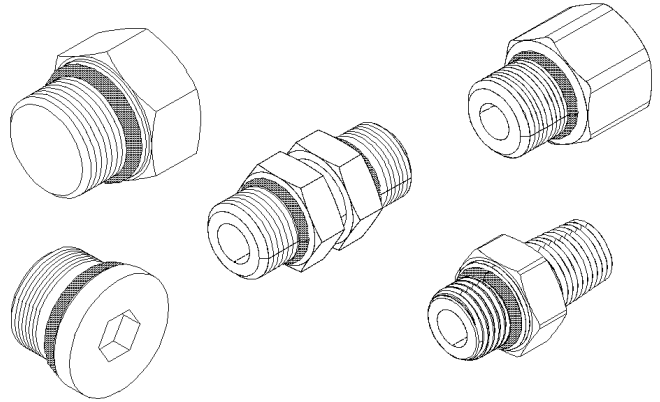
FITTING "PUSH-IN"
7



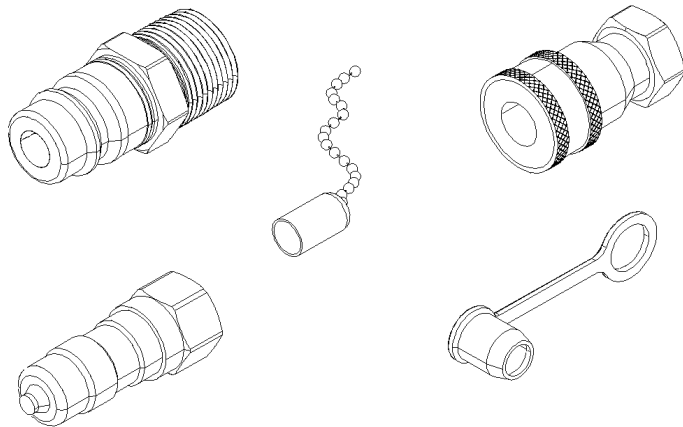
FITTING "A-LOK"
8



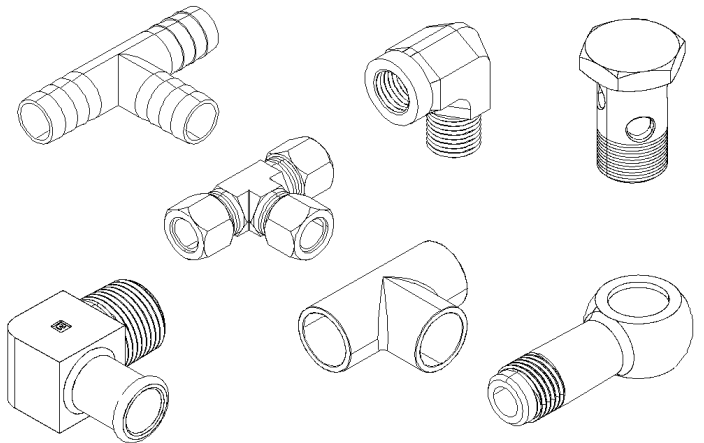
FITTING "ORS"
9



FITTING "ORB"
10

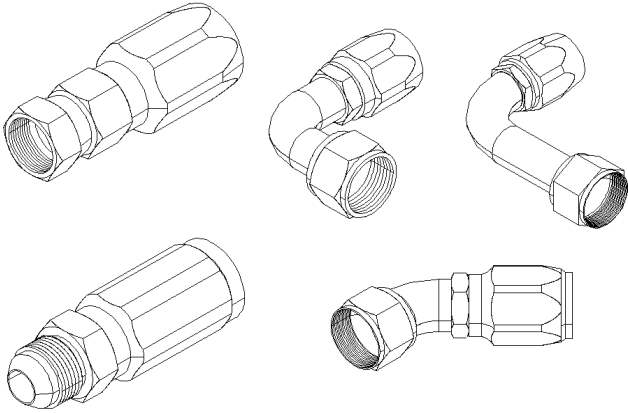


FITTING "QUICK DISCONNECT"
11

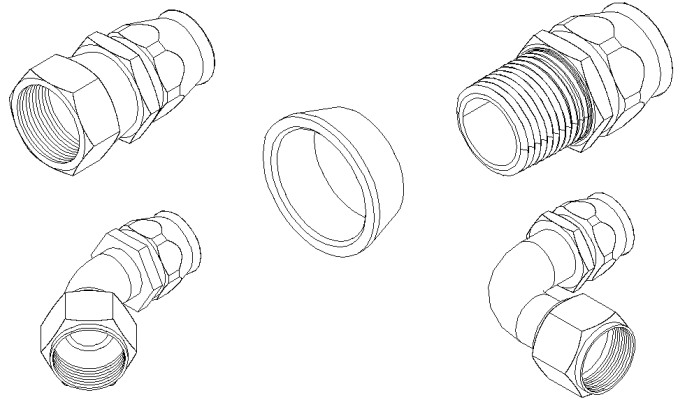


FITTING "MISCELANOUS"
12

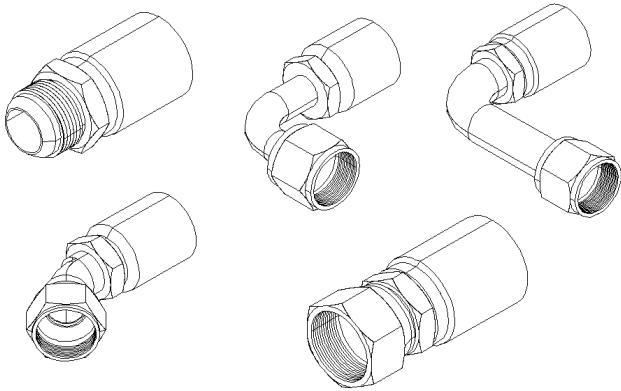
FITTING - MISCELLANEOUS



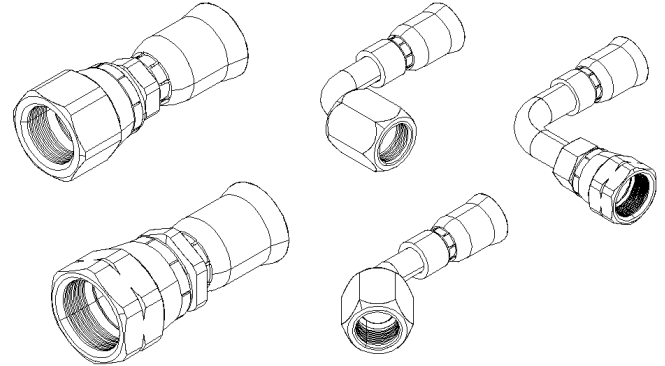
FITTING "HOSE END REUSABLE"
13



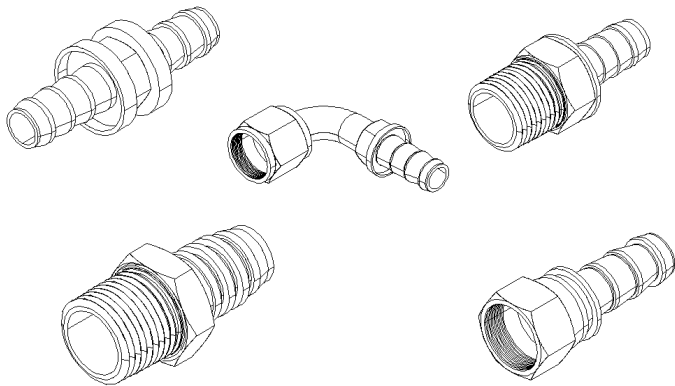
FITTING "HOSE END REUSABLE"
TEFLON
14



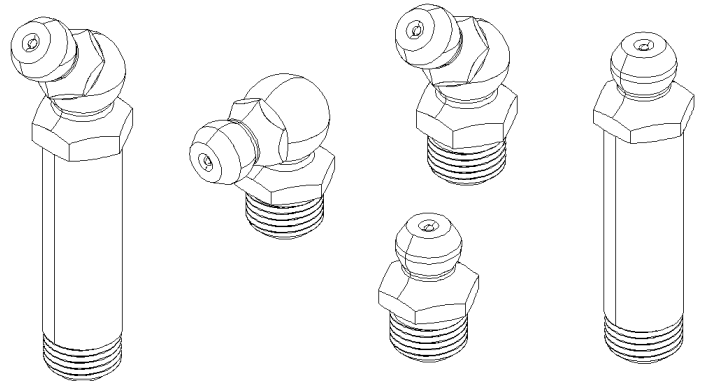
FITTING "HOSE END CRIMP"
15



FITTING "HOSE END CRIMP"
TEFLON
16



FITTING "HOSE END"
"PUSH-LOK & COLLAR"
17



FITTING "GREASE"
30

From 7-8754	Date:01/2024	PAGE:X3-1201-00
-------------	--------------	-----------------

FITTING - MISCELLANEOUS

Item#	Part	Description	QTY	Notes
		... BRAKE		
1	FM-00FM-00	FITTING NPT PIPE - MISCELANOUS		
2	FM-00FM-01	FITTING BRAKE "AB" - MISCELANOUS (D.O.T.)		
3	FM-00FM-02	FITTING BRAKE "NTA" - MISCELANOUS (D.O.T.)		
4	FM-00FM-03	FITTING BRAKE "PUSH-IN" - MISCELANOUS (D.O.T.)		
		... SAE & JIC		
5	FM-00FM-04	FITTING "SAE 45°" - MISCELANOUS		
6	FM-00FM-05	FITTING "JIC 37°" - MISCELANOUS		
7	FM-00FM-06	FITTING "PUSH-IN" - MISCELANOUS		
8	FM-00FM-07	FITTING "A-LOK" - MISCELANOUS (SWAGLELOK)		
		... ORS & ORB		
9	FM-00FM-08	FITTING "ORS" - MISCELANOUS		
10	FM-00FM-09	FITTING "ORB" - MISCELANOUS		
		... QUICK DISCONNECT		
11	FM-00FM-10	FITTING "QUICK DISCONNECT" - MISCELANOUS		
12	FM-00FM-11	FITTING "MISCELANOUS"		
		... HOSE END FITTING		
13	FM-00FM-12	FITTING "HOSE END REUSABLE" - MISCELANOUS		
14	FM-00FM-13	FITTING "HOSE END REUSABLE TEFLON" - MISCELANOUS		
15	FM-00FM-14	FITTING "HOSE END CRIMP" - MISCELANOUS		
16	FM-00FM-15	FITTING "HOSE END CRIMP TEFLON" - MISCELANOUS		
17	FM-00FM-16	FITTING "HOSE END" - "PUSH-LOK & COLLAR"		
30	FM-00GF-00	GREASE FITTING		

From 7-8754

Date:01/2024

PAGE:X3-1202-00

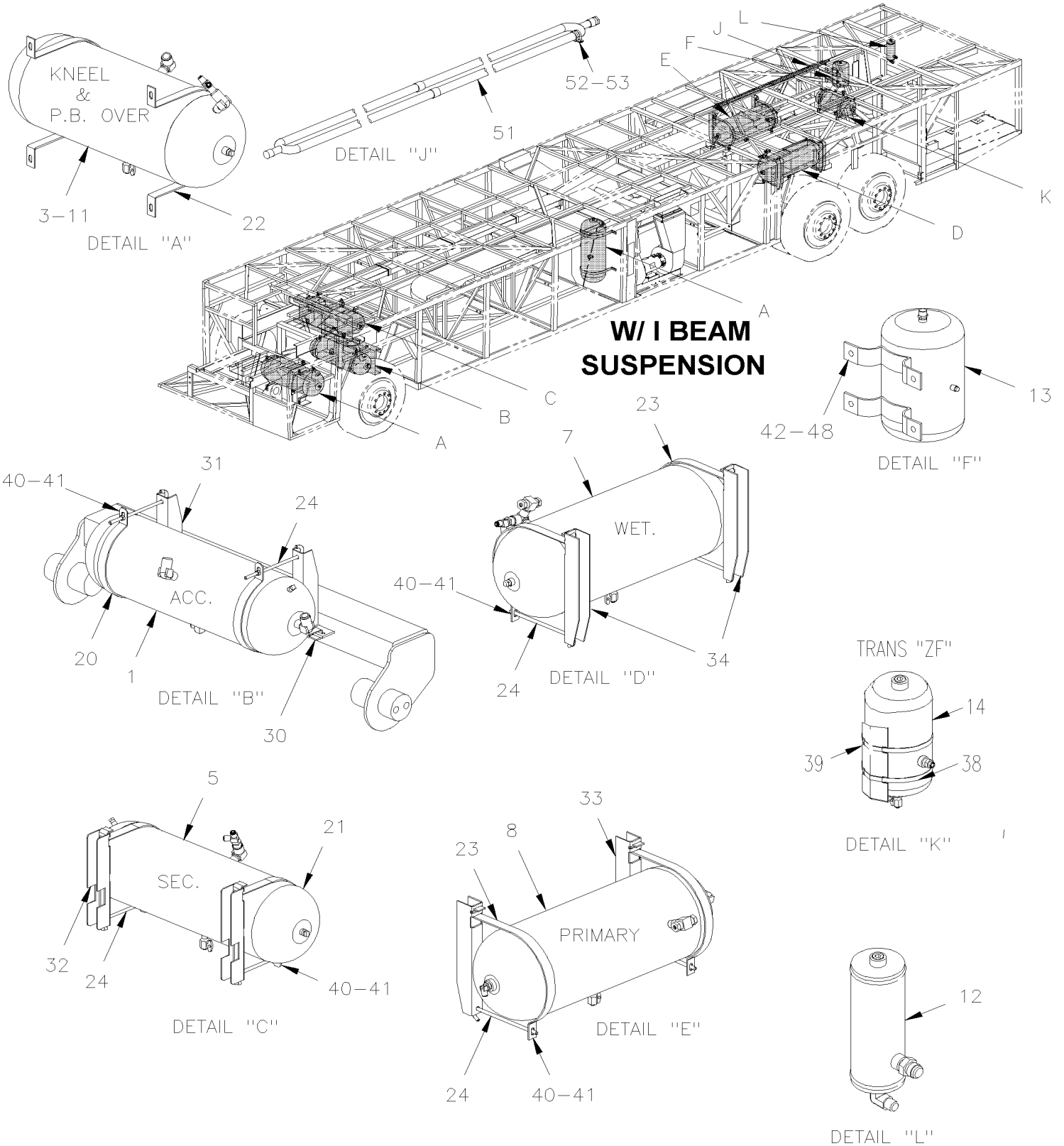
TUBES PLASTIC / AIR D.O.T.

ILLUSTRATION NOT
AVAILABLE AT TIME OF
PRINTING

From 7-8754	Date:01/2024	PAGE:X3-1202-00
TUBES PLASTIC / AIR D.O.T.		

Item#	Part	Description	QTY	Notes
	503747	TUBE, NYLON 6MM O.D. / BLACK S.L.		
	503529	TUBE, NYLON 8MM O.D. / BLACK S.L.		
	503563	TUBE, NYLON 6MM O.D. / WHITE S.L.		
	503566	TUBE, NYLON 1/4 O.D. / BLUE S.L.		
	503471	TUBE, NYLON 3/8 O.D. / BLUE S.L.		
	503517	TUBE, NYLON 1/2 O.D. / BLUE S.L.		
	503536	TUBE, NYLON 1/8 O.D. / BLACK S.L.		
	503402	TUBE, NYLON 1/4 O.D. / BLACK S.L.		
	503404	TUBE, NYLON 3/8 O.D. / BLACK S.L.		
	503488	TUBE, NYLON 1/2 O.D. / BLACK S.L./		
	503540	TUBE, NYLON 5/8 O.D. / BLACK S.L.		
	503541	TUBE, NYLON 3/4" O.D. / BLACK S.L		
	503548	TUBE, NYLON 1/4 O.D. / YELLOW S.L.		
	503470	TUBE, NYLON 3/8 O.D. / YELLOW S.L.		
	503533	TUBE, NYLON 1/2 O.D. / YELLOW S.L.		
NS	19514092	TUBE, NYLON 1/2 O.D. / YELLOW / 100FT ROLL		
	503466	TUBE, NYLON 1/4 O.D. / RED S.L.		
	503467	TUBE, NYLON 3/8 O.D. / RED S.L.		
	503468	TUBE, NYLON 1/2 O.D. / RED S.L.		
	503469	TUBE, NYLON 5/8 O.D. / RED S.L.		
	503464	TUBE, NYLON 1/4 O.D. / GREEN S.L.		
	503463	TUBE, NYLON 3/8 O.D. / GREEN S.L.		
	503406	TUBE, NYLON 1/2 O.D. / GREEN S.L.		
	503408	TUBE, NYLON 5/8 O.D. / GREEN S.L.		
	503465	TUBE, NYLON 3/4 O.D. / GREEN S.L.		
	503472	TUBE, NYLON 3/8 O.D. / GREY S.L.		
	503822	TUBE, NYLON 1/4 O.D. / BROWN S.L.		
	503639	TUBE, NYLON 3/8 O.D. / BROWN S.L.		
	503638	TUBE, NYLON 1/2 O.D. / BROWN S.L.		
NS	683355	TOOL PLASTIC TUBE CUTTER / PLASTIC	1	
NS	681625	TOOL PLASTIC TUBE CUTTER / METAL	1	

AIR TANK - INSTALLATION



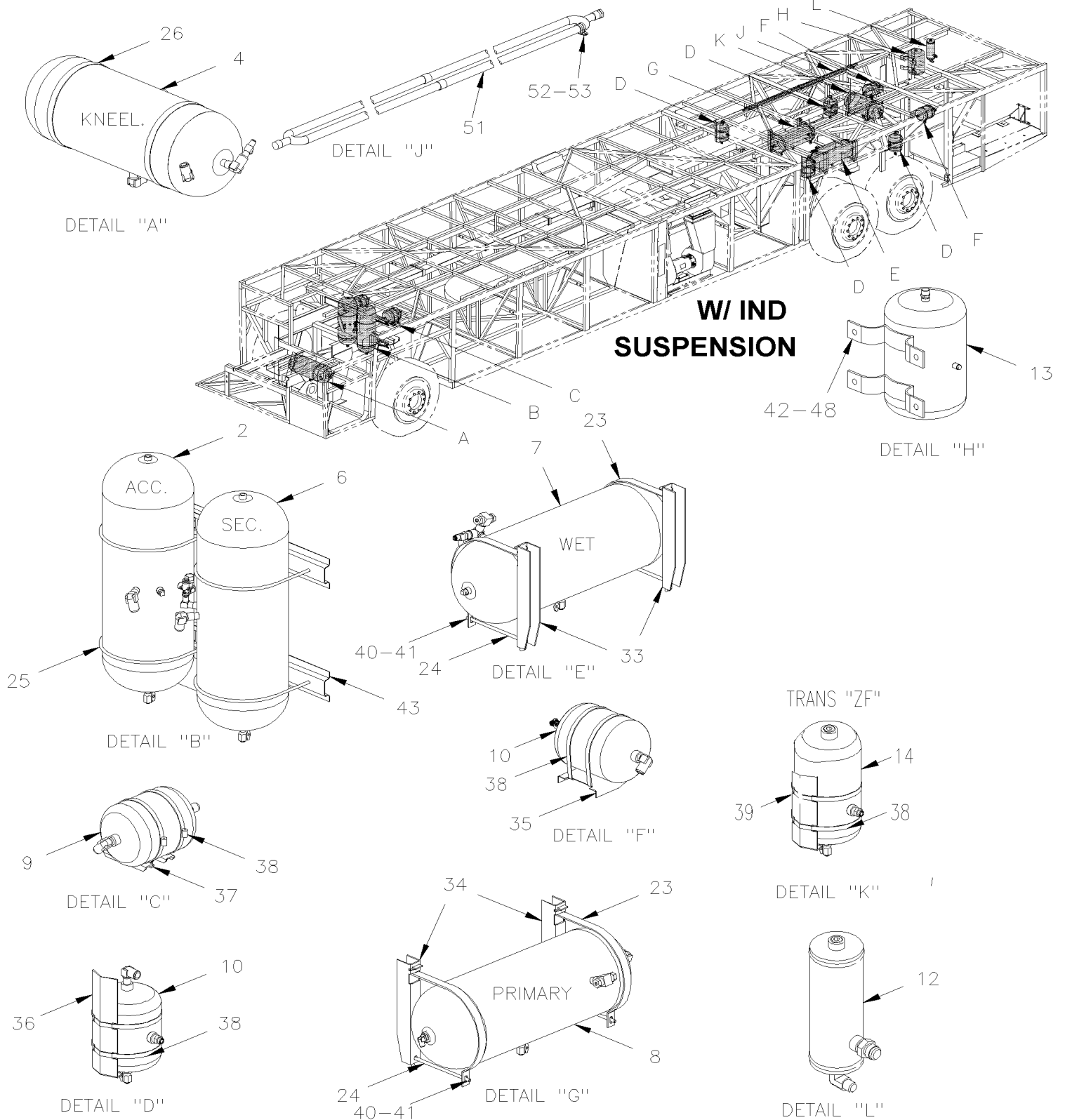
From 7-8754 To B-5001

Date:01/2024

PAGE:X3-1203-00

AIR TANK - INSTALLATION

TYPICAL STRUCTURE USE ONLY FOR TANK POSITIONING



From 7-8754 To B-5001	Date:01/2024	PAGE:X3-1203-00
-----------------------	--------------	-----------------

AIR TANK - INSTALLATION

Item#	Part	Description	QTY	Notes
		ACCESSORIES AIR TANK		
1	641583	AIR TANK / 1508 IN° / 9" 1/2 O.D. X 24"	1	R
2	141834	AIR TANK / 1303 IN° / 8" O.D. X 27"1/2	1	I
NS	641172	VALVE, CHECK ELBOW 90° 1/2 NPT	1	
		KNEELING AIR TANK		
3	641411	AIR TANK / 2370 IN° / 12" O.D. X 24"	1	R
4	641583	AIR TANK / 1508 IN° / 9" 1/2 O.D. X 24"	1	I
		SECONDARY AIR TANK		
5	641583	AIR TANK / 1508 IN° / 9" 1/2 O.D. X 24"	1	R
6	141834	AIR TANK / 1303 IN° / 8" O.D. X 27"1/2	1	I
NS	641137	VALVE, PRESSURE PROTECTION TYPE PR-4 70PSI	1	
		WET AIR TANK		
7	144848	AIR TANK / 1791 IN° / 9 1/2" O.D. X 27"	1	
NS	642022	SAFETY VALVE 150 PSI X 3/8 NPT / ST-3	1	
		PRIMARY AIR TANK		
8	140869	AIR TANK / 1791 IN° / 9 1/2" O.D. X 27"	1	
		AIR BELLOW EXPANSION TANK		
9	131403	AIR TANK / 434 IN° / 7" O.D. X 13 1/4"	2	
9	641043	DRAIN VALVE 1/4 NPT M	1	
10	641424	AIR TANK / 288 IN° / 7" O.D. X 9 1/4" / W/(3) 1/2" NPT To 8-9429	6	
10	642110	AIR TANK / 290 IN° / 6" O.D. X 12" / W/(3) 1/2" NPT From 8-9430 To 9-9599	6	
		PARKING BRAKE OVERULE		
11	641583	AIR TANK / 1508 IN° / 9" 1/2 O.D. X 24"	1	
		PING AIR TANK		
12	641982	AIR TANK / 96 IN° / 3 1/2" O.D. X 10"	1	

From 7-8754 To B-5001	Date:01/2024	PAGE:X3-1203-00
-----------------------	--------------	-----------------

AIR TANK - INSTALLATION

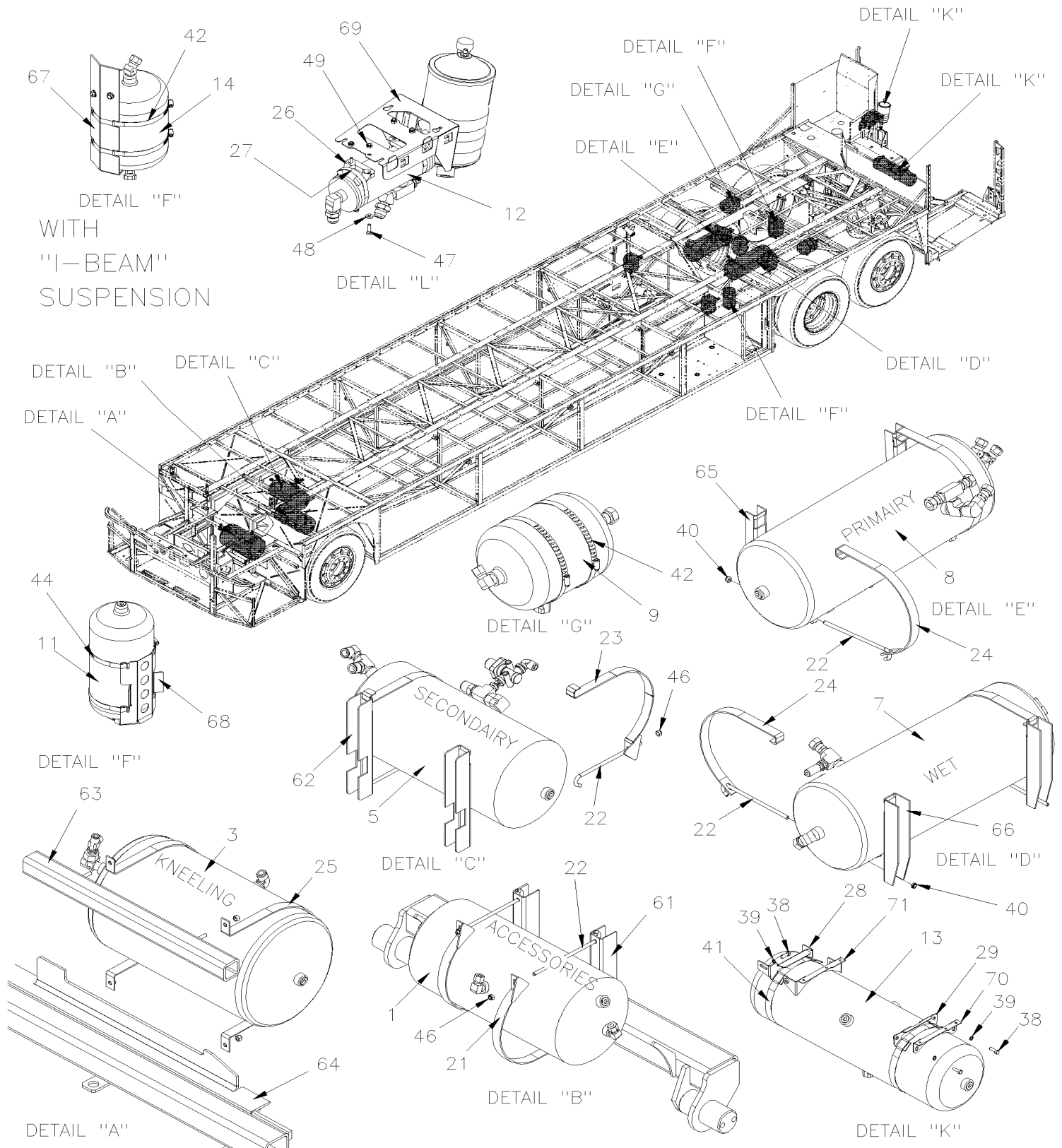
Item#	Part	Description	QTY	Notes
		PURGE TANK		
13	70307176	AIR TANK / 281 IN° / 6" O.D. X 12"	1	
		MANUAL TRANSMISSION "ZF" AIR TANK		
14	641978	AIR TANK / 610 IN° / 7" O.D.X 18"	1	
20	142100	STRAP / TO USE W/9" O.D. TANK / "J" SHAPE	2	
21	142029	STRAP / TO USE W/9"1/2 O.D. TANK / "J" SHAPE	2	
22	131590	STRAP / TO USE W/12" O.D. TANK / "U" SHAPE	2	
23	141816	STRAP / TO USE W/9"1/2 O.D. TANK / "J" SHAPE	4	
24	141409	J-HOOK / 220 MM / M8-1.25 SS	4	
25	141835	ROD / TO USE W/8" O.D. TANK / "U" SHAPE	4	
26	131610	STRAP / TO USE W/9"1/2 O.D. TANK / "O" SHAPE	2	
30	141649	ATTACHMENT / (WELDED TO FRAME)	2	
31	172489	SUPPORT AIR TANK / WELDED TO STRUCTURE	2	
32	172478	SUPPORT / SECONDAIRY AIR TANK / (WELDED TO FRAME)	2	
33	172147	SUPPORT "U" / AIR TANK / 263MM	2	
34	171600	SUPPORT "U" / AIR TANK / 250MM	2	
35	171974	SUPPORT / (WELDED TO FRAME)	2	
36	171969	SUPPORT AIR TANK To 8-9429	2	
36	173506	SUPPORT / AIR TANK W/6" TANK From 8-9430 To 9-9599	2	
37	131746	SUPPORT AIR TANK / BELLOW To 5-8805	2	
38	504649	HOSE CLAMP / 4"5/8-7"1/2 SS To 8-9429	4	
38	504324	HOSE CLAMP / 4"1/2-6"1/2 SS / HS-96 From 8-9430 To 9-9599	4	
39	173187	SUPPORT / (WELDED TO FRAME)	2	
40	500868	NUT HEX NYRT M8-1.25 Z050	2	
41	500874	WASHER FL 8.4x17.0x1.6 Z050	AR	
42	5001083	NUT HEXF NYRT 5/16-18 Z050	4	
43	500868	NUT HEX NYRT M8-1.25 Z050	8	
44	500942	WASHER LO SPT 8.1x14.8x2.0 N500	AR	
45	5001319	SCREW CAP HEX M8-1.25x40 SS	2	
46	500942	WASHER LO SPT 8.1x14.8x2.0 N500	4	
47	500778	NUT HEX 5/16-18 N500	4	
NS	5001164	WASHER FL 8.4x25.0x2.0 Z050	4	
48	173148	SUPPORT / AIR TANK	1	
51	X3-1215-11	AIR DRYER - INSTALLATION		
52	500613	SCREW TP PAN PH #10x1/2 Z050	AR	
53	952633	CLAMP / 7/8" I.D.	6	

From 7-8754 To B-5001		Date:01/2024	PAGE:X3-1203-00
-----------------------	--	--------------	-----------------

AIR TANK - INSTALLATION

Item#	Part	Description	QTY	Notes
		I) WITH INDEPENDENT SUSPENSION		
		R) WITH I BEAM RIGID SUSPENSION		

AIR TANK - INSTALLATION

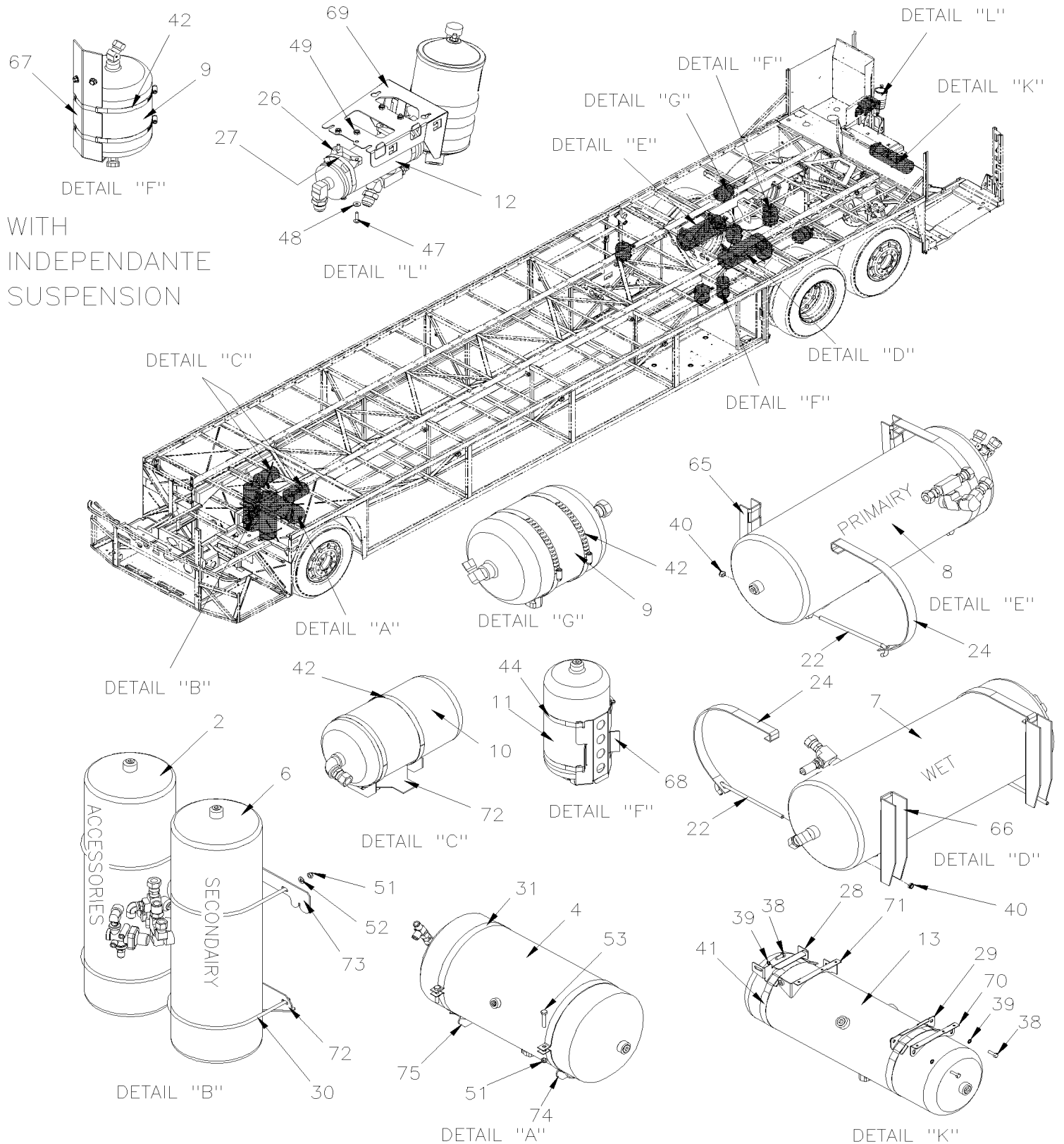


From B-5002 To D-5458

Date:01/2024

PAGE:X3-1203-01

AIR TANK - INSTALLATION



From B-5002 To D-5458	Date:01/2024	PAGE:X3-1203-01
-----------------------	--------------	-----------------

AIR TANK - INSTALLATION

Item#	Part	Description	QTY	Notes
		ACCESSORIES AIR TANK		
1	641583	AIR TANK / 1508 IN° / 9" 1/2 O.D. X 24"	1	R
2	141834	AIR TANK / 1303 IN° / 8" O.D. X 27"1/2	1	I
		KNEELING AIR TANK		
3	641411	AIR TANK / 2370 IN° / 12" O.D. X 24"	1	R
4	641583	AIR TANK / 1508 IN° / 9" 1/2 O.D. X 24"	1	I
		SECONDARY AIR TANK		
5	641583	AIR TANK / 1508 IN° / 9" 1/2 O.D. X 24"	1	R
6	141834	AIR TANK / 1303 IN° / 8" O.D. X 27"1/2	1	I
NS	641137	VALVE, PRESSURE PROTECTION TYPE PR-4 70PSI	1	
		WET AIR TANK		
7	144848	AIR TANK / 1791 IN° / 9 1/2" O.D. X 27"	1	
NS	642022	SAFETY VALVE 150 PSI X 3/8 NPT / ST-3	1	
NS	642155	AUTOMATIC DRAIN VALVE "EXPELLO"	1	GR
		PRIMARY AIR TANK		
8	140869	AIR TANK / 1791 IN° / 9 1/2" O.D. X 27"	1	
		AIR BELLOW EXPANSION TANK		
9	641424	AIR TANK / 288 IN° / 7" O.D. X 9 1/4" / W/(3) 1/2" NPT	6	
10	131403	AIR TANK / 434 IN° / 7" O.D. X 13 1/4" To C-5242	2	I
		PURGE TANK		
11	642110	AIR TANK / 290 IN° / 6" O.D. X 12" / W/(3) 1/2" NPT	1	
		PING AIR TANK		
12	641982	AIR TANK / 96 IN° / 3 1/2" O.D. X 10"	1	
		"I-SHIFT TRANSMISSION AIR TANK		

From B-5002 To D-5458	Date:01/2024	PAGE:X3-1203-01
AIR TANK - INSTALLATION		

Item#	Part	Description	QTY	Notes
13	641456	AIR TANK / 976 IN° / 7" O.D. X 25.5"	1	T
14	641424	AIR TANK / 288 IN° / 7" O.D. X 9 1/4" / W/(3) 1/2" NPT	1	
21	142100	STRAP / TO USE W/9" O.D. TANK / "J" SHAPE	2	
22	141409	J-HOOK / 220 MM / M8-1.25 SS	8	
23	142029	STRAP / TO USE W/9"1/2 O.D. TANK / "J" SHAPE	2	
24	141816	STRAP / TO USE W/9"1/2 O.D. TANK / "J" SHAPE	4	
25	131590	STRAP / TO USE W/12" O.D. TANK / "U" SHAPE	2	
26	161337	SUPPORT / PING AIR TANK	2	
27	504235	HOSE CLAMP / 3"9/16"-4"1/2 SS / HS-64	2	
28	143120	SUPPORT AIR TANK To C-5132	1	T
29	143121	SUPPORT AIR TANK To C-5132	1	T
29	144991	SUPPORT AIR TANK From C-5133	1	T
30	141835	ROD / TO USE W/8" O.D. TANK / "U" SHAPE	4	
31	131610	STRAP / TO USE W/9"1/2 O.D. TANK / "O" SHAPE	2	I
38	502622	SCREW CAP HEX M6-1.0x20 SS BK	4	
39	5001739	WASHER LO EXT 6.4x11.0x0.7 N500	4	
40	500868	NUT HEX NYRT M8-1.25 Z050 To D-5458	4	
41	504041	T-BOLT BAND CLAMP/ 6.75" ID	2	
42	504649	HOSE CLAMP / 4"5/8-7"1/2 SS	AR	
44	504324	HOSE CLAMP / 4"1/2-6"1/2 SS / HS-96	2	
45	502600	NUT HEX NYRT 5/16-18 Z050	2	
46	502847	NUT HEX NYRT M8-1.25 N500	4	
47	500558	SCREW MA TR PH 1/4-20x1 SS	4	
48	500411	WASHER FL .260x.697x.050 SS	4	
49	502874	NUT HEX NYRT 1/4-20 N500	4	
51	500868	NUT HEX NYRT M8-1.25 Z050	10	
52	500874	WASHER FL 8.4x17.0x1.6 Z050	8	
53	5001319	SCREW CAP HEX M8-1.25x40 SS	2	
55	X3-1215-13	AIR DRYER - INSTALLATION		
61	172489	SUPPORT AIR TANK / WELDED TO STRUCTURE	2	
62	172478	SUPPORT / SECONDAIRY AIR TANK / (WELDED TO FRAME)	2	
63	172395	TUBE 661MM	2	
64	172467	FRONT LOWER TUBE ASSY	1	
65	172147	SUPPORT "U" / AIR TANK / 263MM	2	
66	171600	SUPPORT "U" / AIR TANK / 250MM	2	
67	173481	SUPPORT / AIR TANK	1	
68	173506	SUPPORT / AIR TANK W/6" TANK	1	
69	161332	SUPPORT / AIR TANK & POWER STEERING RESERVOIR	1	
70	213984	SUPPORT AIR TANK (WELDED AT STRUCTURE) To C-5132	1	

From B-5002 To D-5458	Date:01/2024	PAGE:X3-1203-01
AIR TANK - INSTALLATION		

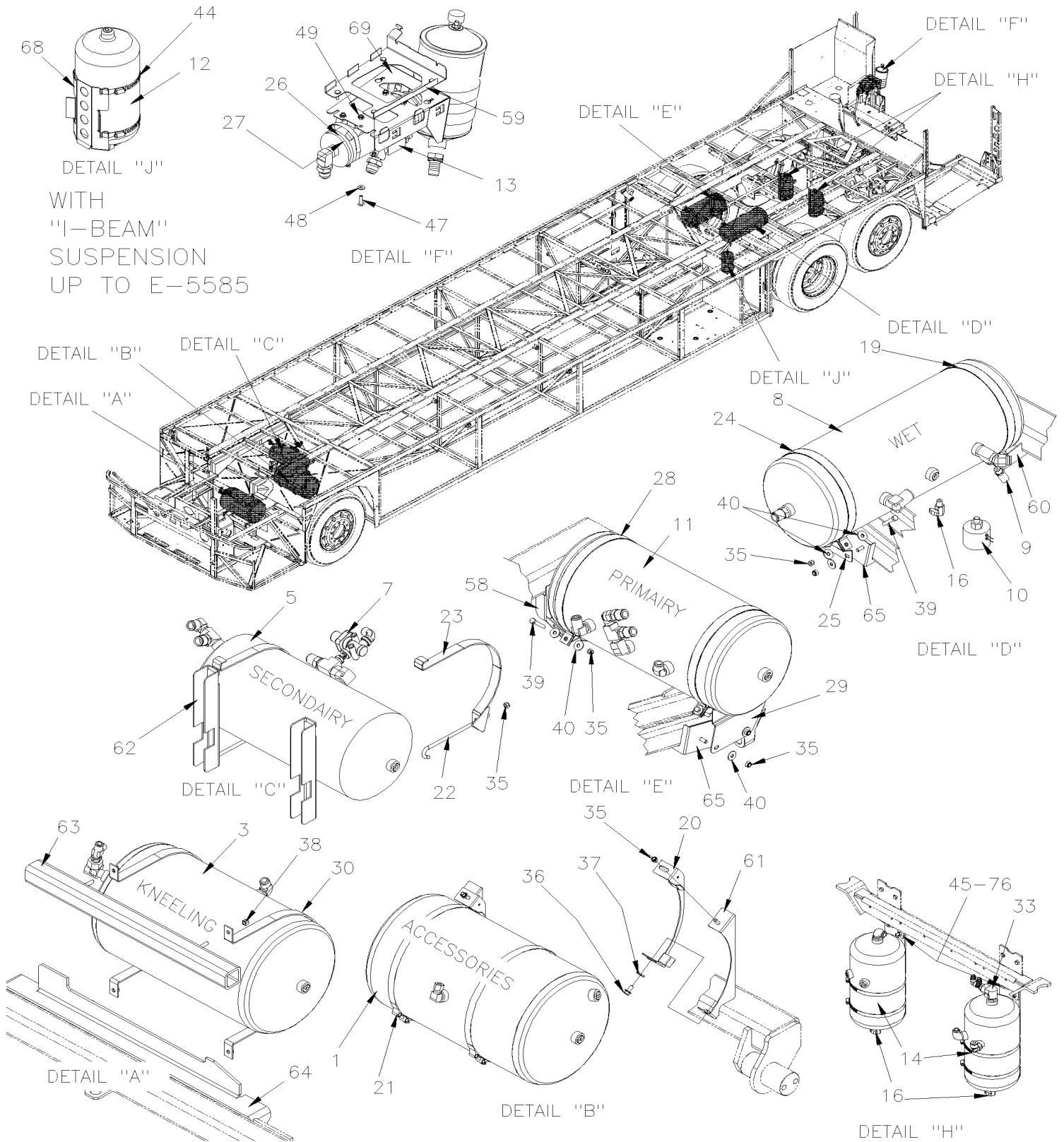
Item#	Part	Description	QTY	Notes
70	217022	SUPPORT AIR TANK (WELDED AT STRUCTURE) From C-5133	1	
71	213983	SUPPORT AIR TANK (WELDED AT STRUCTURE) To C-5132	1	
71	217023	SUPPORT AIR TANK (WELDED AT STRUCTURE) From C-5133	1	
72	172704	SUPPORT AIR TANK / LOWER	1	I
73	171815	SUPPORT AIR TANK / UPPER To C-5242	1	I
73	173724	SUPPORT AIR TANK / UPPER From C-5243	1	I
74	131747	SUPPORT L.H. "KNEELING" TANK	1	I
75	131748	SUPPORT R.H. "KNEELING" TANK	1	I
76	131746	SUPPORT AIR TANK / BELLOW	2	I
		GR) WITH GREYHOUND OPTION		
		I) WITH INDEPENDANTE SUSPENSION		
		R) WITH I-BEAM SUSPENSION		
		T) WITH "I-SHIFT" TRANSMISSION		

From E-5459

Date:01/2024

PAGE:X3-1203-02

AIR TANK - INSTALLATION

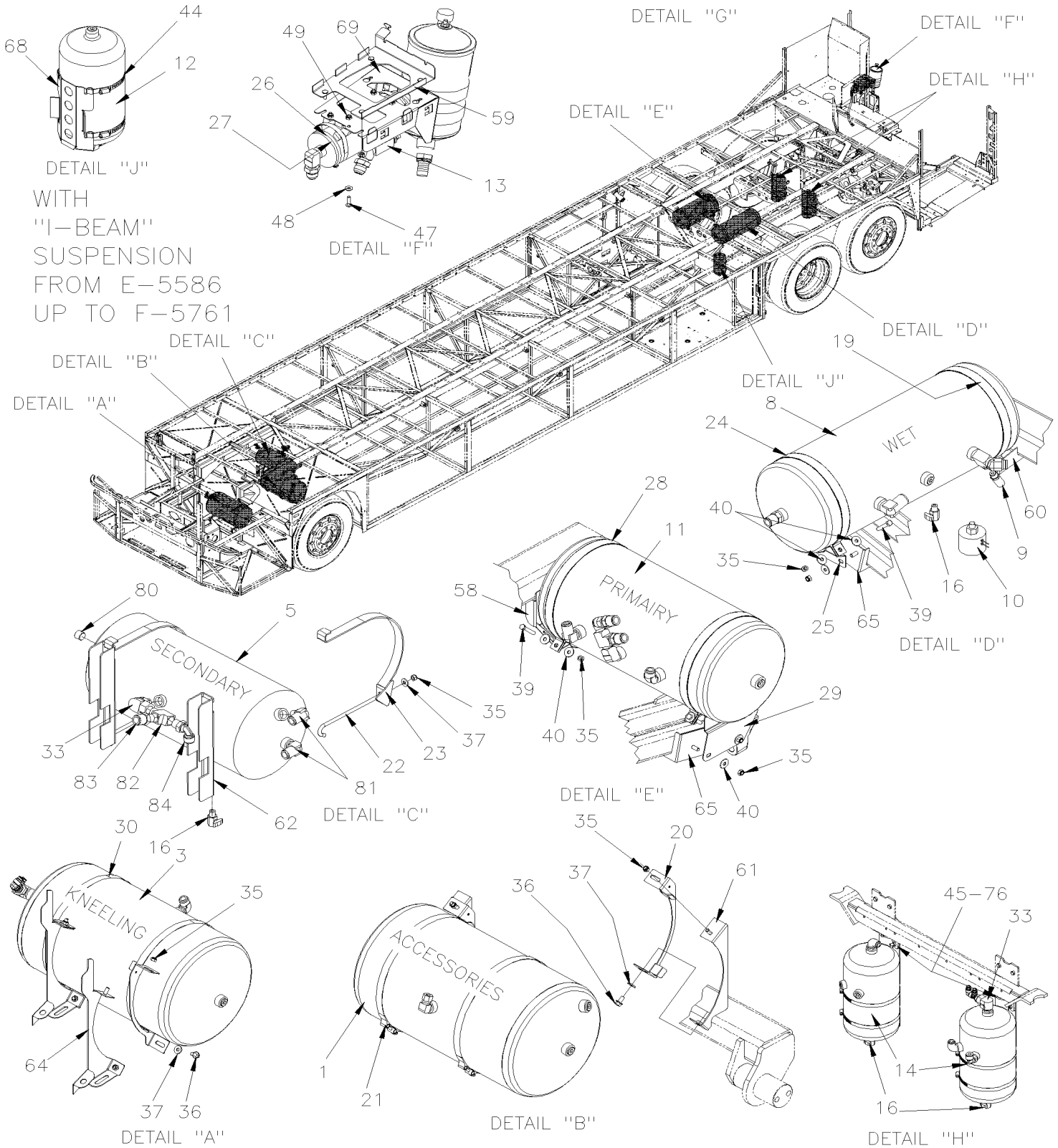


From E-5459

Date:01/2024

PAGE:X3-1203-02

AIR TANK - INSTALLATION

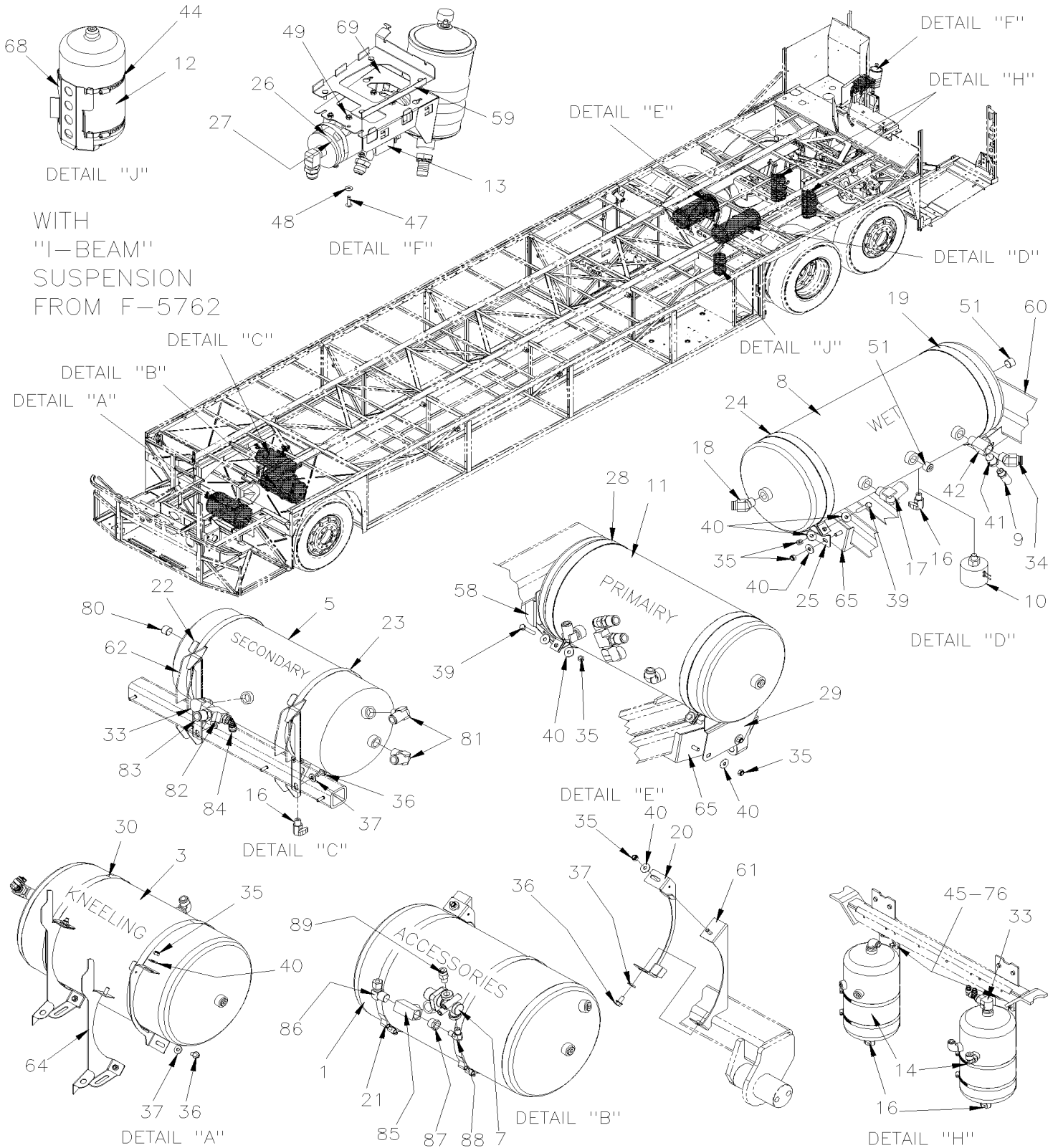


From E-5459

Date:01/2024

PAGE:X3-1203-02

AIR TANK - INSTALLATION



From E-5459	Date:01/2024	PAGE:X3-1203-02
-------------	--------------	-----------------

AIR TANK - INSTALLATION

Item#	Part	Description	QTY	Notes
		ACCESSORIES AIR TANK		
1	641411	AIR TANK / 2370 IN° / 12" O.D. X 24"	1	R
2	141834	AIR TANK / 1303 IN° / 8" O.D. X 27"1/2	1	I
		KNEELING AIR TANK		
3	641411	AIR TANK / 2370 IN° / 12" O.D. X 24"	1	R
4	641583	AIR TANK / 1508 IN° / 9" 1/2 O.D. X 24"	1	I
		SECONDARY AIR TANK		
5	641583	AIR TANK / 1508 IN° / 9" 1/2 O.D. X 24"	1	R
6	141834	AIR TANK / 1303 IN° / 8" O.D. X 27"1/2	1	I
7	641137	VALVE, PRESSURE PROTECTION TYPE PR-4 70PSI	1	
		WET AIR TANK		
8	642000	AIR TANK / 1791 IN° / 9 1/2" O.D. X 27"	1	
9	642022	SAFETY VALVE 150 PSI X 3/8 NPT / ST-3 To F-5812	1	
9	642210	SAFETY VALVE 153 PSI X 1/4 NPT OEM From F-5813	1	
9	19511125	SAFETY VALVE 153 PSI X 1/4 NPT AFTER-MARKET From F-5813	1	
NS	501316	BUSHING REDUCER / PIPE FITTING / 1/2NPT-Mx1/4NPT-F BR From F-5813	1	
10	642155	AUTOMATIC DRAIN VALVE "EXPELLO"	1	GR
		PRIMARY AIR TANK		
11	642026	AIR TANK / 1954 IN° / 10 1/2" OD X24 1/2" To F-5812	1	
11	642209	AIR TANK / 1954 IN° / 10 1/2" OD X24 1/2" From F-5813	1	
		PURGE TANK		A
12	642110	AIR TANK / 290 IN° / 6" O.D. X 12" / W/(3) 1/2" NPT	1	A
		PING AIR TANK		
13	641982	AIR TANK / 96 IN° / 3 1/2" O.D. X 10"	1	
		"I-SHIFT TRANSMISSION AIR TANK		
14	131403	AIR TANK / 434 IN° / 7" O.D. X 13 1/4"	2	T

From E-5459		Date:01/2024	PAGE:X3-1203-02
AIR TANK - INSTALLATION			

Item#	Part	Description	QTY	Notes
14	X3-0700-01	TRANSMISSION "VOLVO I-SHIFT" - INSTALLATION WITH "EPA 2010"		T
16	641043	DRAIN VALVE 1/4 NPT M	AR	
17	641410	MALE ELBOW 90° NON-SWIVEL / PUSH-IN FITTING / #12x1/2NPT-M BR	1	
18	642069	MALE ELBOW 45° NON-SWIVEL / PUSH-IN FITTING / #10x1/2NPT-M BR	1	
19	145051	BAND CLAMPS 245MM I.D. To F-5877	1	
19	145280	BAND CLAMPS 245MM I.D. From G-5878 To G-6072	1	
19	145592	BAND CLAMPS 245MM I.D. From G-6073	1	
20	140823	SUPPORT / AIR TANK To E-5759	2	
20	145222	SUPPORT / AIR TANK From F-5760	2	
21	504046	T-BOLT BAND CLAMP/ 12.05"-12.44" ID To E-5585	2	
21	504046	T-BOLT BAND CLAMP/ 12.05"-12.44" ID From E-5586	4	
22	141409	J-HOOK / 220 MM / M8-1.25 SS To F-5761	2	
22	145252	BRACKET, SECONDARY AIR TANK From F-5762	2	
23	142029	STRAP / TO USE W/9"1/2 O.D. TANK / "J" SHAPE To F-5761	2	
23	504775	T-BOLT BAND CLAMP/ 9.69" ID From F-5762	2	
24	145051	BAND CLAMPS 245MM I.D.	1	
25	145007	SUPPORT / WET AIR TANK / FORWARD	1	
26	161337	SUPPORT / PING AIR TANK	2	
27	504235	HOSE CLAMP / 3"9/16"-4"1/2 SS / HS-64	2	
28	145052	BAND CLAMPS 270MM I.D.	2	
28	145027	SUPPORT / PRIMARY AIR TANK / BACKWARD To E-5759	1	
28	145047	SUPPORT / PRIMARY AIR TANK / BACKWARD From F-5760	1	
29	145008	SUPPORT / PRIMARY AIR TANK / FOWARD To E-5759	1	
29	145046	SUPPORT / PRIMARY AIR TANK / FOWARD From F-5760	1	
30	131590	STRAP / TO USE W/12" O.D. TANK / "U" SHAPE To E-5585	2	
30	140823	SUPPORT / AIR TANK From E-5586 To E-5759	2	
30	145222	SUPPORT / AIR TANK From F-5760	2	
31	141835	ROD / TO USE W/8" O.D. TANK / "U" SHAPE	4	
32	131610	STRAP / TO USE W/9"1/2 O.D. TANK / "O" SHAPE To L-6597	2	I
32	504775	T-BOLT BAND CLAMP/ 9.69" ID From L-6598	2	I
33	641172	VALVE, CHECK ELBOW 90° 1/2 NPT To J-6303	1	
33	640123	VALVE, CHECK 1/2 NPT SC-1 From J-6304	1	
NS	641401	VALVE, CHECK 1/2 NPT SC-1 From J-6304	1	
33	507557	STREET ELBOW 90° / PIPE FITTING / 1/2NPT-Mx1/2NPT-F BR From J-6304	1	
34	642069	MALE ELBOW 45° NON-SWIVEL / PUSH-IN FITTING / #10x1/2NPT-M BR	1	
35	502847	NUT HEX NYRT M8-1.25 N500	AR	
NS	680098	THREAD SEALANT LOCTITE #567 / WHITE / 250ml	AR	
36	5001780	SCREW CAP HEXF M8-1.25x16 G8.8 N500	AR	
37	500321	WASHER BEL SPR .331x.827x.098 N500	AR	
38	502600	NUT HEX NYRT 5/16-18 Z050 To E-5585	4	

From E-5459	Date:01/2024	PAGE:X3-1203-02
AIR TANK - INSTALLATION		

Item#	Part	Description	QTY	Notes
39	502927	SCREW CAP HEX M8-1.25x50 G8.8 N500	2	
40	500381	WASHER FL 8.4x25.0x2.0 N500	AR	
41	501316	BUSHING REDUCER / PIPE FITTING / 1/2NPT-Mx1/4NPT-F BR	1	
42	501473	MALE RUN TEE / PIPE FITTING / 1/2NPT-Mx1/2NPT-Fx1/2NPT-F BR	1	
44	504324	HOSE CLAMP / 4"1/2-6"1/2 SS / HS-96	2	
45	5001643	SCREW CAP HEXF M8-1.25x25 G8.8 G500	2	
46	5001736	WASHER FL 8.4x18.0x2.0 N500	2	
47	500558	SCREW MA TR PH 1/4-20x1 SS	4	
48	500411	WASHER FL .260x.697x.050 SS	4	
49	502874	NUT HEX NYRT 1/4-20 N500	4	
50	5001319	SCREW CAP HEX M8-1.25x40 SS	2	
51	501966	PLUG HEXS / PIPE FITTING / 1/2NPT-M STL	2	
55	X3-1215-13	AIR DRYER - INSTALLATION		
58	175126	SUPPORT, AIR TANK To E-5525	1	
58	175147	SUPPORT / PRIMARY AIR TANK / FOWARD / (WELDED TO FRAME) From E-5526	1	
59	218493	SUPPORT / AIR TANK & POWER STEERING RESERVOIR / (WELDED TO FRAME)	1	
60	175125	SUPPORT / WET AIR TANK / FORWAD / (WELDED TO FRAME)	1	
61	140822	SUPPORT / (WELDED TO FRAME) To E-5585	2	
61	145021	SUPPORT / ACCESSORIES AIR TANK / (WELDED TO FRAME) From E-5586 To E-5759	2	
61	145220	SUPPORT / ACCESSORIES AIR TANK / (WELDED TO FRAME) From F-5760	2	
62	172478	SUPPORT / SECONDAIRY AIR TANK / (WELDED TO FRAME) To F-5761	2	
62	175215	SUPPORT / SECONDAIRY AIR TANK / (WELDED TO FRAME) From F-5762	2	
63	172395	TUBE 661MM To E-5585	2	
64	172467	FRONT LOWER TUBE ASSY To E-5585	1	
64	145062	SUPPORT / KNEELING AIR TANK / (WELDED TO FRAME) From E-5586 To E-5759	2	
64	145221	SUPPORT / KNEELING AIR TANK / (WELDED TO FRAME) From F-5760	2	
65	175124	SUPPORT / AIR TANK / BACKWARD / (WELDED TO FRAME)	2	
68	173506	SUPPORT / AIR TANK W/6" TANK	1	
69	161332	SUPPORT / AIR TANK & POWER STEERING RESERVOIR To K-6464	1	
69	160030	SUPPORT / AIR TANK & POWER STEERING RESERVOIR From K-6465	1	
71	172705	SUPPORT AIR TANK / LOWER	1	
72	172704	SUPPORT AIR TANK / LOWER	1	I
73	173724	SUPPORT AIR TANK / UPPER	1	I
74	131747	SUPPORT L.H. "KNEELING" TANK	1	I
75	131748	SUPPORT R.H. "KNEELING" TANK	1	I
76	175073	SUPPORT / AIR TANK (WELDED AT STRUCTURE)	2	T
80	501966	PLUG HEXS / PIPE FITTING / 1/2NPT-M STL From E-5586	AR	
81	641379	MALE ELBOW 90° NON-SWIVEL / PUSH-IN FITTING / #10x1/2NPT-M BR From E-5586	AR	
82	501473	MALE RUN TEE / PIPE FITTING / 1/2NPT-Mx1/2NPT-Fx1/2NPT-F BR From E-5586	AR	
83	641384	MALE CONNECTOR / PUSH-IN FITTING / #10x1/2NPT-M BR From E-5586 To G-6075	AR	
83	640994	MALE CONNECTOR / NTA FITTING / #10x1/2NPT-M BR From G-6076	AR	
84	642179	MALE ELBOW 90° NON-SWIVEL / PUSH-IN FITTING / #6 x1/2NPT-M COMPOSITE From E-5586	AR	

From E-5459	Date:01/2024	PAGE:X3-1203-02
-------------	--------------	-----------------

AIR TANK - INSTALLATION

Item#	Part	Description	QTY	Notes
85	507556	MALE BRANCHE TEE / PIPE FITTING / 1/2NPT-Fx1/2NPT-Fx1/2NPT-M BR	AR	
86	641175	MALE ELBOW 90° / NTA FITTING / #6x1/2NPT-M BR	AR	
87	501316	BUSHING REDUCER / PIPE FITTING / 1/2NPT-Mx1/4NPT-F BR	AR	
88	641999	MALE ELBOW 90° / PIPE FITTING / 3/8NPT-Mx3/8NPT-M BR	AR	
89	641331	MALE CONNECTOR / PUSH-IN FITTING / #6x1/4NPT-M BR	AR	
		A) WITH AIR DRYER HALDEX		
		GR) WITH GREYHOUND OPTION		
		I) WITH INDEPENDANTE SUSPENSION		
		R) WITH I-BEAM SUSPENSION		
		T) WITH "I-SHIFT" TRANSMISSION		

From 7-8754 To B-5001	Date:01/2024	PAGE:X3-1205-10
AIR COMPRESSOR - "BA921" - WITH DETROIT S-60		

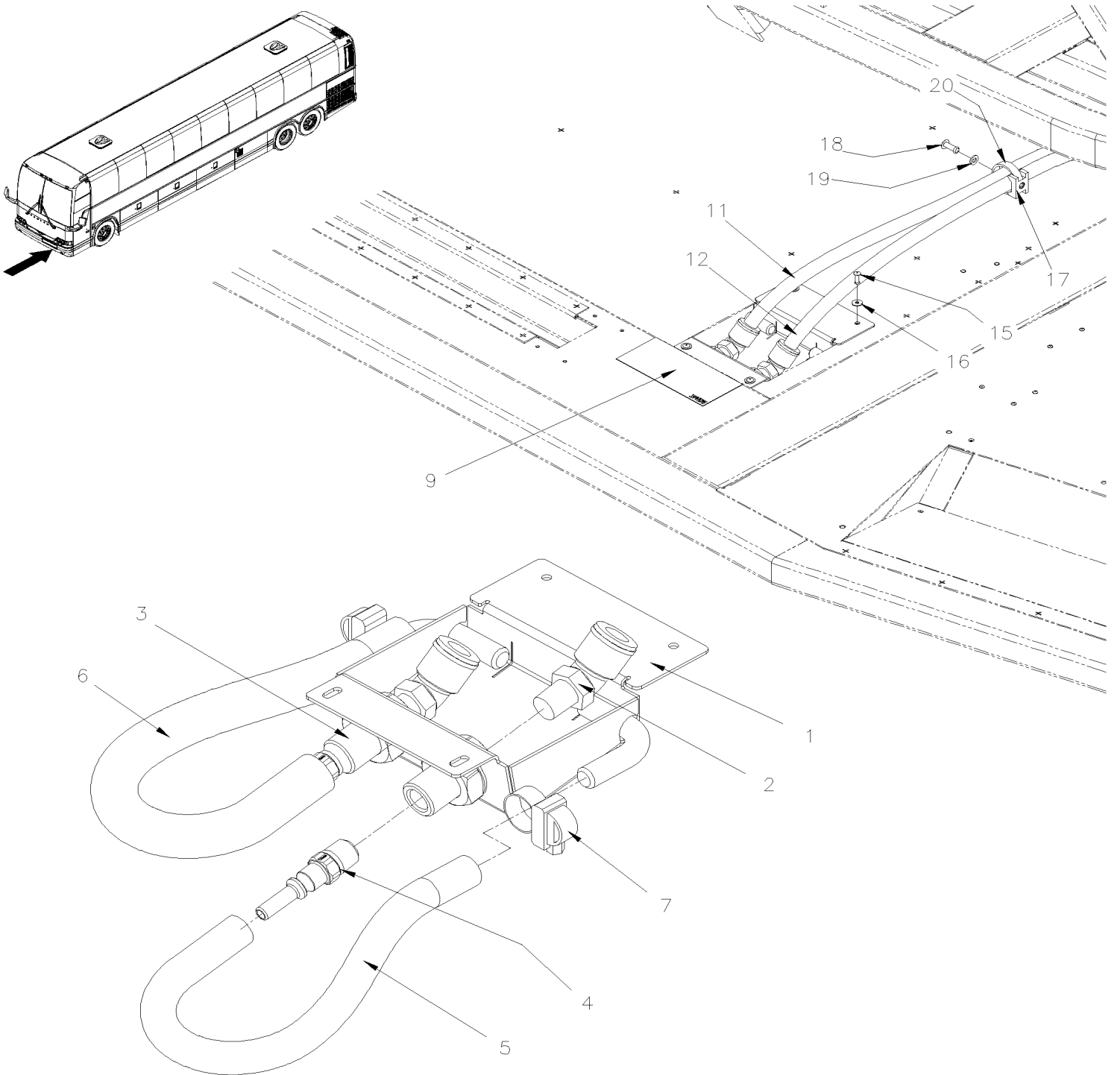
Item#	Part	Description	QTY	Notes
1	641990	COMPRESSOR, AIR (SUPPLY W/ENGINE)	1	
2	N.S.S.	. COVER	1	1 A
3	N.S.S.	. GASKET	1	1 A
4	N.S.S.	. BALANCE PISTON	1	1 A
5	N.S.S.	. SPRING	1	1 A
6	N.S.S.	. O-RING	1	1 A
7	N.S.S.	. PISTON	1	1 A
8	N.S.S.	. O-RING	1	1 A
9	N.S.S.	. O-RING	1	1 A
10	641989	. SAFETY VALVE ST-A / M16x1.5	1	
11	641986	. CYLINER HEAD SEAL KIT	1	B
12		. REED VALVE ASSY	1	
13		. INLET REED VALVE GASKET	1	
14	641987	. COMPRESSOR SEAL KIT	1	C
15		. BOTTOM COVER	1	
20	641988	. ENGINE INTERFACE SEAL KIT	1	D
		A) NOT REQUIRE WITH AIR DRYER "HALDEX"		
		B) INCLUDE ITEM# 11 & 13		
		C) INCLUDE ITEM# 14 & 20		
		D) USE ONLY WITH VEHICLE EQUIPPED WITH AIR DRYER AD-9		
		1) NOT SOLD SEPARATELY		

From H-6104

Date:01/2024

PAGE:X3-1206-00

FRONT AIR SUPPLY FOR TOWING



From H-6104	Date:01/2024	PAGE:X3-1206-00
FRONT AIR SUPPLY FOR TOWING		

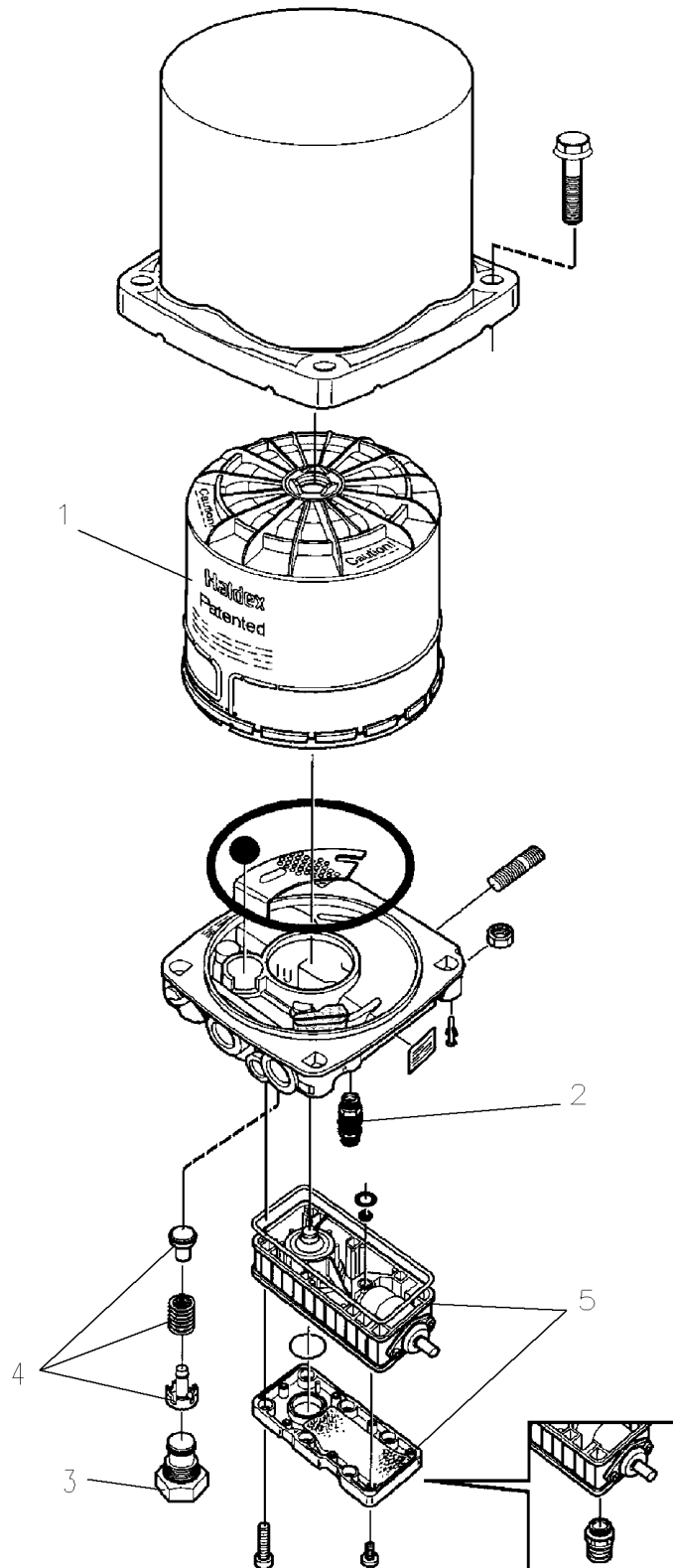
Item#	Part	Description	QTY	Notes
1	140057	BRACKET, QUICK COUPLING	1	
2	642073	MALE ELBOW 45° / PUSH-IN FITTING / #8x1/4NPT-M	2	
3	501711	BULKHEAD COUPLING / PIPE FITTING / 1/4NPT-Fx1/4NPT-Fx1 1/2 BR	2	
4	5011341	NIPPLE / QUICK DISCONNECT "LINCOLN" / #4x1/4NPT-M STL	2	
5	503005	HOSE SILICONE 3/8" x 144"	AR	
6	503821	HOSE SILICONE 4 PLY / NOMEX-ARAMID 3/8" x 144"	AR	
7	992081	HOSE CLAMP / 12MM/22MM	2	
9	144979	DECAL, AIR LINE	1	
11	503406	TUBE, NYLON 1/2 O.D. / GREEN S.L.	AR	
12	503638	TUBE, NYLON 1/2 O.D. / BROWN S.L.	AR	
15	504717	RIVET POP DOME OE 1/8x1/4 SS	4	
16	500157	WASHER FL .125x.375x.032 SS	4	
17	504013	TIE MOUNT / 1/4" X 1/4" I.D.	3	
18	504119	RIVET POP DOME OE 3/16x1/2 AL	1	
18	504118	RIVET POP DOME OE 3/16x3/8 AL	1	
18	504379	RIVET POP DOME OE 3/16x1/4 SS	1	
19	500855	WASHER FL .188x.438x.049 N500	3	
20	504016	CABLE TIE / 5/16" X 14"1/2	AR	
50	X3-1220-12	BRAKE PEDAL VALVE - "BENDIX" E-8P		
51	X3-1630-02	FRONT KNEELING - CONTROL PANEL		

From 7-8754 To D-5458

Date:01/2024

PAGE:X3-1215-00

AIR DRYER - "HALDEX"

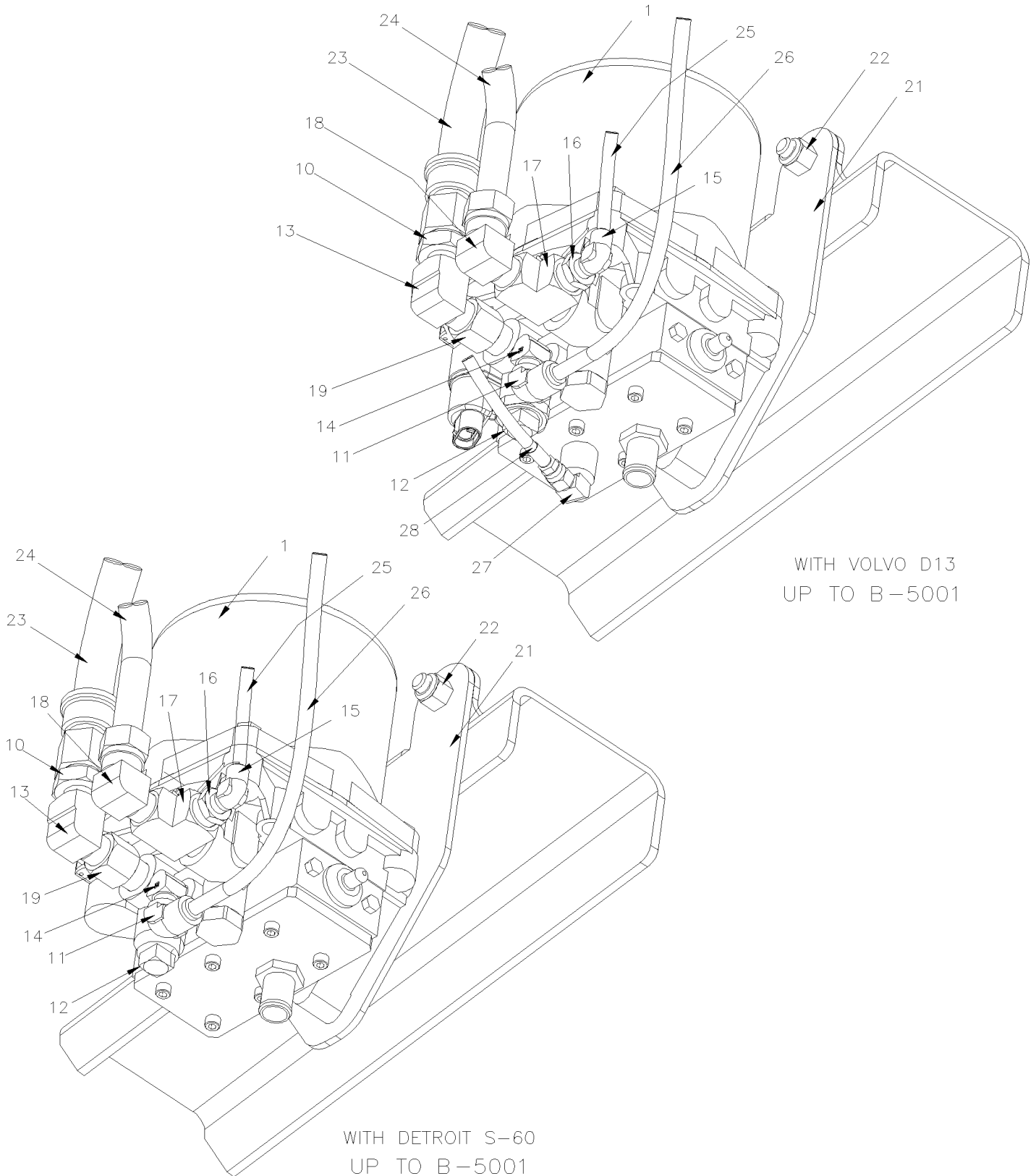


From 7-8754 To D-5458

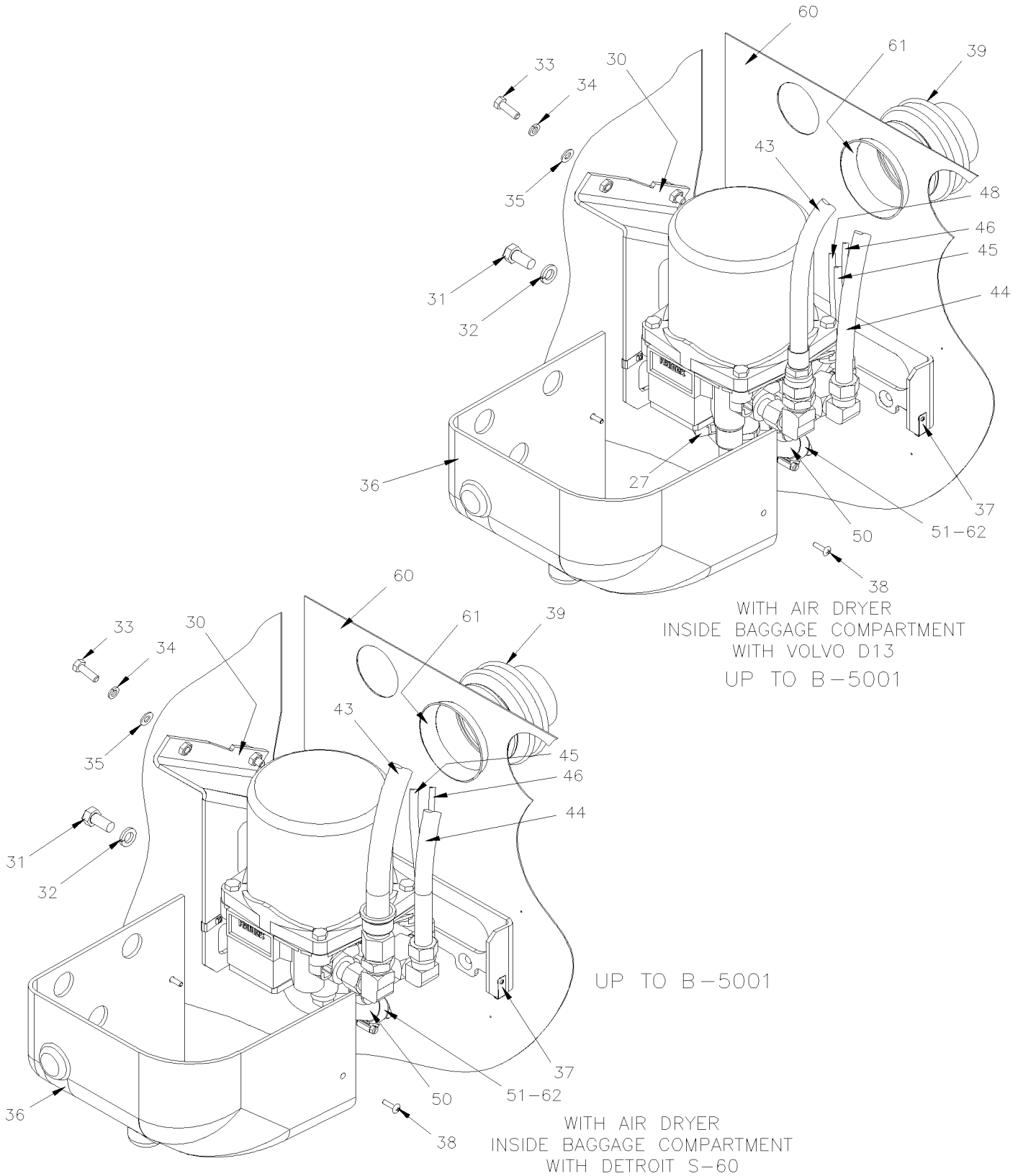
Date:01/2024

PAGE:X3-1215-00

AIR DRYER - "HALDEX"



AIR DRYER - "HALDEX"

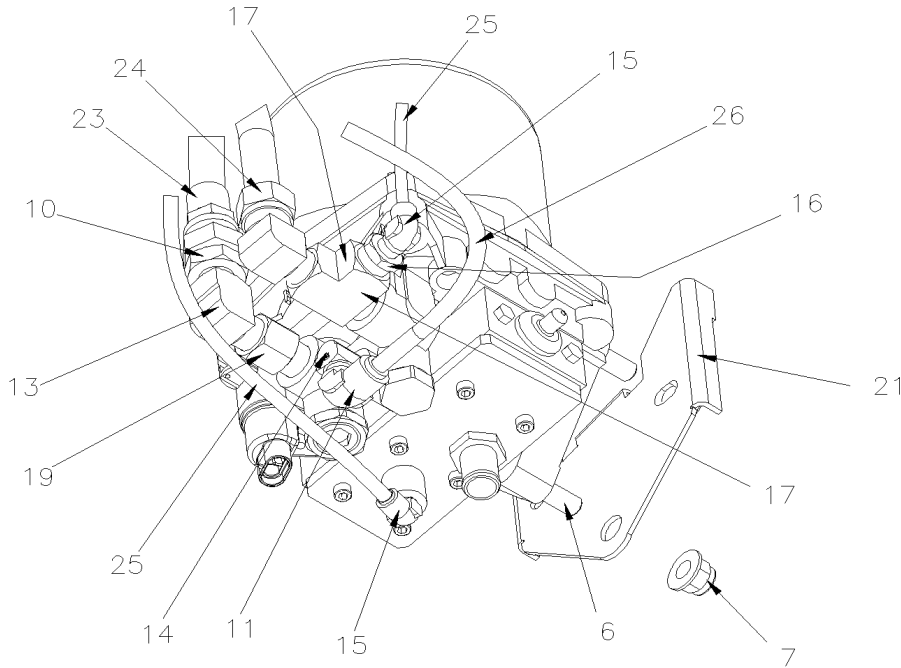


From 7-8754 To D-5458

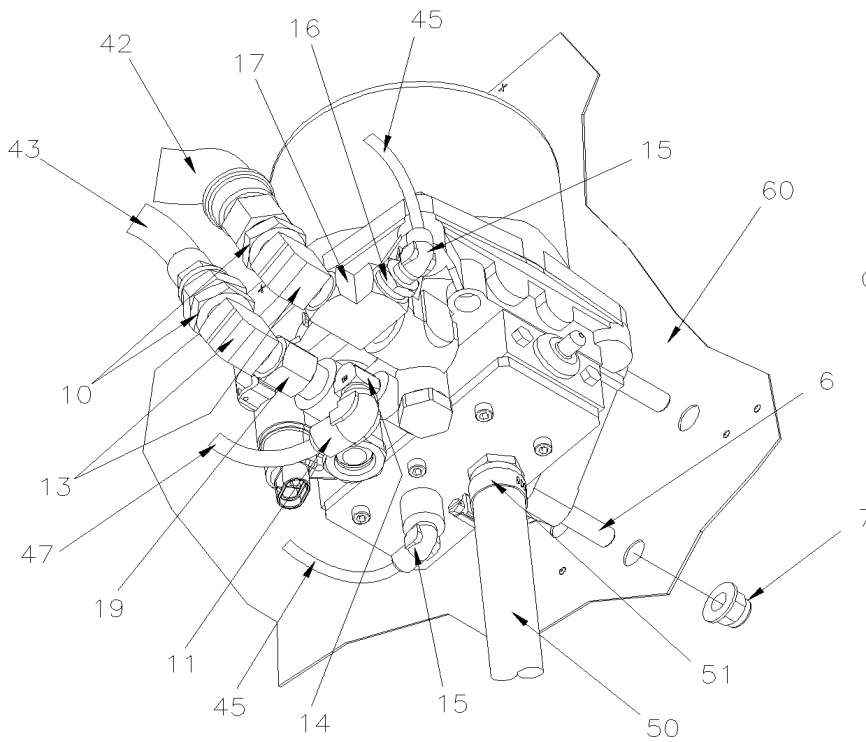
Date:01/2024

PAGE:X3-1215-00

AIR DRYER - "HALDEX"



FROM B-5002
REAR SUB-FRAME
INSTALLATION



FROM B-5002
WATER HEATER
COMPARTMENT INST.

From 7-8754 To D-5458	Date:01/2024	PAGE:X3-1215-00
AIR DRYER - "HALDEX"		

Item#	Part	Description	QTY	Notes
	642016	AIR DRYER "HALDEX" / WITH GOVERNOR 8.5 Bar To 7-9032	1	
	642070	AIR DRYER "HALDEX" / WITH GOVERNOR 9.0 Bar From 7-9033 To B-5001	1	
	642111	AIR DRYER "HALDEX" / WITH GOVERNOR 9.0 Bar From 8-9457	1	D13
1	3097369	. DESICANT CARTRIDGE / "HALDEX"	1	
2	641953	SAFETY VALVE	1	
3	N8885277	. REGENERATION VALVE BLACK PLASTIC M22-1.5	1	
4	N8894693	. . KIT CHECK VALVE	1	
5	642017	. VALVE PACK / W/INTEGRATED GOVERNOR 8.5BAR To 7-9032	1	
5	642071	. VALVE PACK / W/INTEGRATED GOVERNOR 9.0BAR From 7-9033	1	
6	5001700	STUD M12-1.75x50 From B-5002	3	
7	5001761	NUT HEXF NYRT M12-1.75 G8 N500 From B-5002	3	
7	502705	SCREW CAP HEX M12-1.75X25 G8.8 N500	1	
7	500944	WASHER LO SPT .506x.873x.125 N500	1	
10	501600	MALE CONNECTOR / JIC 37° FITTING / #12JIC-Mx1/2NPT-M STL	1	
11	641372	MALE ELBOW 90° NON-SWIVEL / PUSH-IN FITTING / #6x1/4NPT-M BR	1	
12	501517	PLUG SQUARE HEAD / PIPE FITTING / 3/4NPT-M BR To A-9968	1	
12	500720	PLUG HEXS / PIPE FITTING / 3/4NPT-M STL From A-9969	1	
13	507557	STREET ELBOW 90° / PIPE FITTING / 1/2NPT-Mx1/2NPT-F BR	1	
14	501332	STREET ELBOW 90° / PIPE FITTING / 1/4NPT-Mx1/4NPT-F BR	1	
15	641371	MALE ELBOW 90° NON-SWIVEL / PUSH-IN FITTING / #4x1/4NPT-M BR	1	
16	501316	BUSHING REDUCER / PIPE FITTING / 1/2NPT-Mx1/4NPT-F BR	1	
17	501473	MALE RUN TEE / PIPE FITTING / 1/2NPT-Mx1/2NPT-Fx1/2NPT-F BR	1	
18	641134	MALE ELBOW 90° / NTA FITTING / #12x1/2NPT-M BR	1	
19	5011119	ADAPTER / PIPE FITTING / 1/2NPT-Fx1/2NPT-M BR	1	
21	173147	SUPPORT, AIR DRYER To B-5001	1	
21	Call order desk	SUPPORT, AIR DRYER From B-5002	1	P
22	5001647	SCREW CAP FL HEXS M12-1.75x25 G10.9	3	
23	142394	HOSE ASSY / #12 546MM To B-5001	1	A
23	142894	HOSE ASSY TEFLON #12 1097MM From A-9952 To B-5001	1	A D13
23	141943	HOSE ASSY TEFLON /DRYER&COMPRESSOR / #12 3738MM From B-5002	1	
24	503465	TUBE, NYLON 3/4 O.D. / GREEN S.L.	AR	
25	503402	TUBE, NYLON 1/4 O.D. / BLACK S.L. To B-5001	AR	
25	503464	TUBE, NYLON 1/4 O.D. / GREEN S.L. From B-5002	AR	
26	503472	TUBE, NYLON 3/8 O.D. / GREY S.L.	AR	
27	501873	MALE ELBOW 90° / JIC 37° FITTING / #4JIC-Mx1/4NPT-M STL From 8-9457	1	
28	144901	HOSE ASSY TEFLON #4 3825MM From 8-9457	1	
		NEXT ITEMS ARE USED WITH		
		AIR DRIER INSIDE OF BAGGAGE COMPARTMENT		

From 7-8754 To D-5458	Date:01/2024	PAGE:X3-1215-00
AIR DRYER - "HALDEX"		

Item#	Part	Description	QTY	Notes
		OR WATER HEATER COMPARTMENT		
30	173269	SUPPORT, AIR DRYER & COVER To 9-9642	1	
30	173643	SUPPORT, AIR DRYER & COVER From 9-9643 To B-5001	1	C
31	500850	SCREW CAP HEX M12-1.75X25 G8.8 Z050 To B-5001	3	
32	500482	WASHER LO SPT .506x.873x.125 Z050 To B-5001	3	
33	502589	SCREW CAP HEX M8-1.25x25 G8.8 Z050 From 9-9643 To B-5001	2	
34	500874	WASHER FL 8.4x17.0x1.6 Z050 From 9-9643 To B-5001	2	
35	502507	WASHER LO SPT 8.1x14.8x2.0 Z050 From 9-9643 To B-5001	2	
36	142525	PROTECTOR COVER To B-5001	1	
37	500252	NUT SPR U #10-24 .156-.187 To B-5001	2	
38	500852	SCREW TP BDG PH #6x3/8 N500 To B-5001	2	
NS	500387	SCREW MA RND PH #10-24x3/4 Z050 To B-5001	2	
39	504499	CUFF END BELLOW / 2 7/8" I.D. x 3 5/8" x 4 7/16	1	
NS	504026	HOSE CLAMP / 2"13/16-3"3/4 SS / HS-52	1	
NS	504637	CABLE TIE / 3/16" x 13"	1	
NS	371600	INSULATING PAD 76.2MM x 374.7MM	1	
42	143153P	HOSE ASSY / #12 1550MM	1	
43	142511	HOSE ASSY / #12 700MM To B-5001	1	A
43	143072	HOSE ASSY TEFLON #12 x 3612MM "PWT" From A-9952 To B-5001	1	D13
NS	5011206	SLEEVE / #12 STL From A-9952 To B-5001	2	D13
NS	5011207	FEMALE CONNECTOR SWIVEL / JIC 37° FITTING / #12JIC-Fx#12 STL From A-9952 To B-5001	2	D13
NS	503376	HOSE TEFLON #12 / S.L. From A-9952 To B-5001	AR	D13
NS	504637	CABLE TIE / 3/16" x 13" From A-9952 To B-5001	3	D13
NS	503749	FIRESLLEEVE / .960 I.D. From A-9952 To B-5001	AR	D13
43	Call order desk	HOSE ASSY TEFLON #12 3780MM "PWT" From B-5005 To B-5005	1	P D13
43	143151P	HOSE ASSY TEFLON #12 4860MM From B-5002 To D-5458	1	
43	143174	HOSE ASSY TEFLON #12 4650MM From E-5459	1	
44	503465	TUBE, NYLON 3/4 O.D. / GREEN S.L.	AR	
45	503402	TUBE, NYLON 1/4 O.D. / BLACK S.L. To B-5001	AR	
45	503464	TUBE, NYLON 1/4 O.D. / GREEN S.L. From B-5002	AR	
46	503472	TUBE, NYLON 3/8 O.D. / GREY S.L. To B-5001	AR	
47	Call order desk	TUBE, NYLON 1/2 O.D. / GREY S.L. #8 2195MM From B-5002	1	P
48	144887	HOSE ASSY TEFLON #4 3850MM "PWT" From A-9952 To B-5001	1	D13
50	503523	HOSE SILICONE 1PLY 3/4" I.D. x 100' / S.L.	AR	
51	504020	HOSE CLAMP / 9/16"-1"1/4 SS / HS-12	2	
NS	066493	CABLE ASSY / "AIR DRYER "WABCO" EXTENTION W"OPTION" BAGGAGE To 8-9456	1	
NS	067307	CABLE ASSY / "AIR DRYER "WABCO" EXTENTION W"OPTION" BAGGAGE From 8-9457	1	
60	221519	BAGGAGE PANEL WITH HOLES FOR AIR DRIER To B-5001	1	
60	221518	BAGGAGE PANEL WITH HOLES FOR AIR DRIER / W/W.C.L. To A-9951	1	
60	218411	BAGGAGE PANEL WITH HOLES FOR AIR DRIER / W/W.C.L. From A-9952 To B-5001	1	

From 7-8754 To D-5458	Date:01/2024	PAGE:X3-1215-00
AIR DRYER - "HALDEX"		

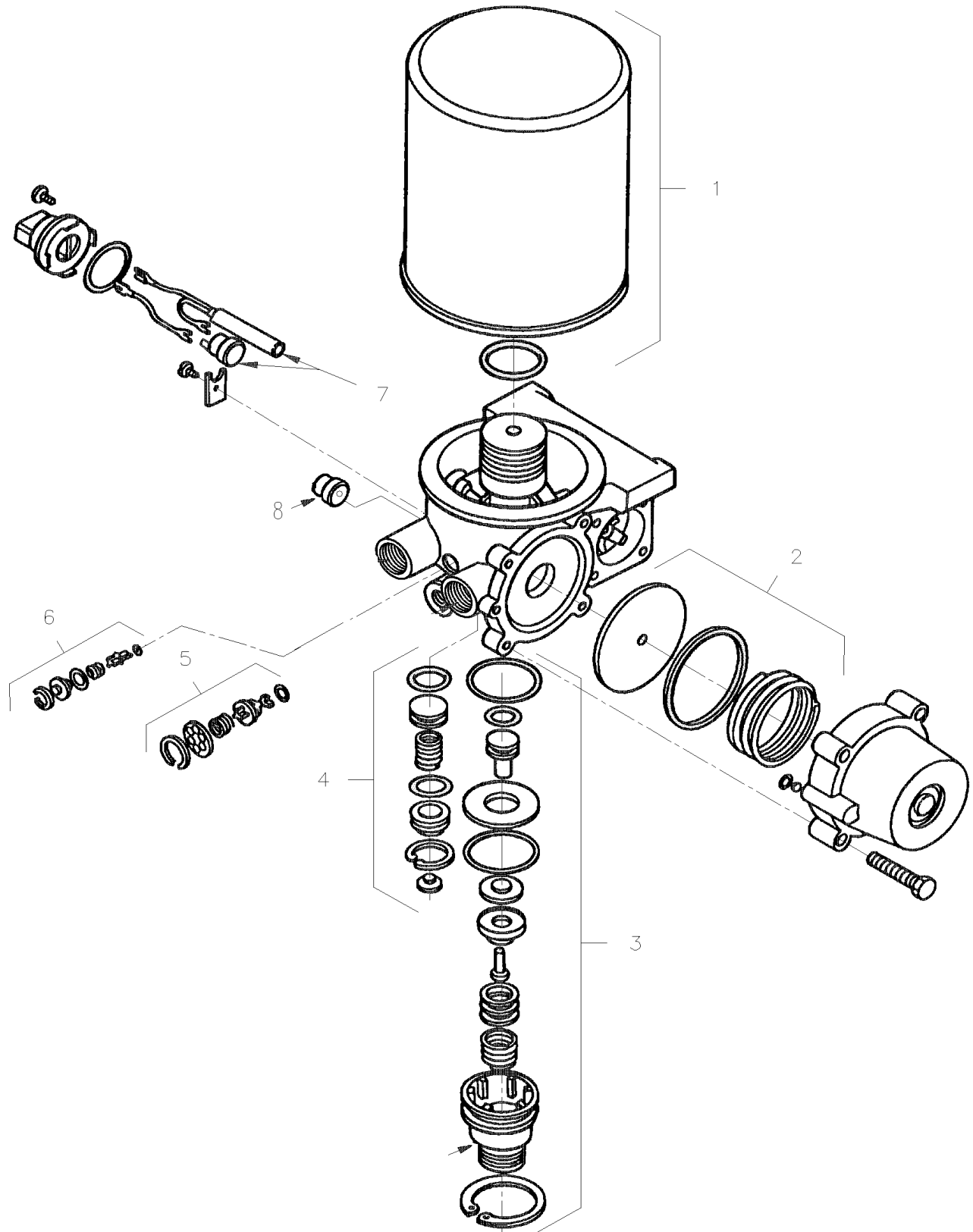
Item#	Part	Description	QTY	Notes
60	216437	PANEL REAR STREET SIDE From B-5002 To B-5049	1	
60	216985	PANEL REAR STREET SIDE From B-5050	1	
NS	5060120	GROMMET EDGING ADHESIVE .036-.062 From B-5050	AR	
61	172326	TUBE / FIXED TO REAR WALL / 89MM O.D.	1	
62	142512	TUBE 3/4" O.D. / FIXED TO REAR WALL	1	
		A) FROM AIR DRYER TUBE		
		C) AS SHOWN		
		D13) D13 WITH "VOLVO" ENGINE		
		P) CALL ORDER DESK FOR SPECIFIC APPLICATION (V.I.N.)		

From 7-8754 To B-5001

Date:01/2024

PAGE:X3-1215-01

AIR DRYER - "WABCO" / "OPTIONAL"

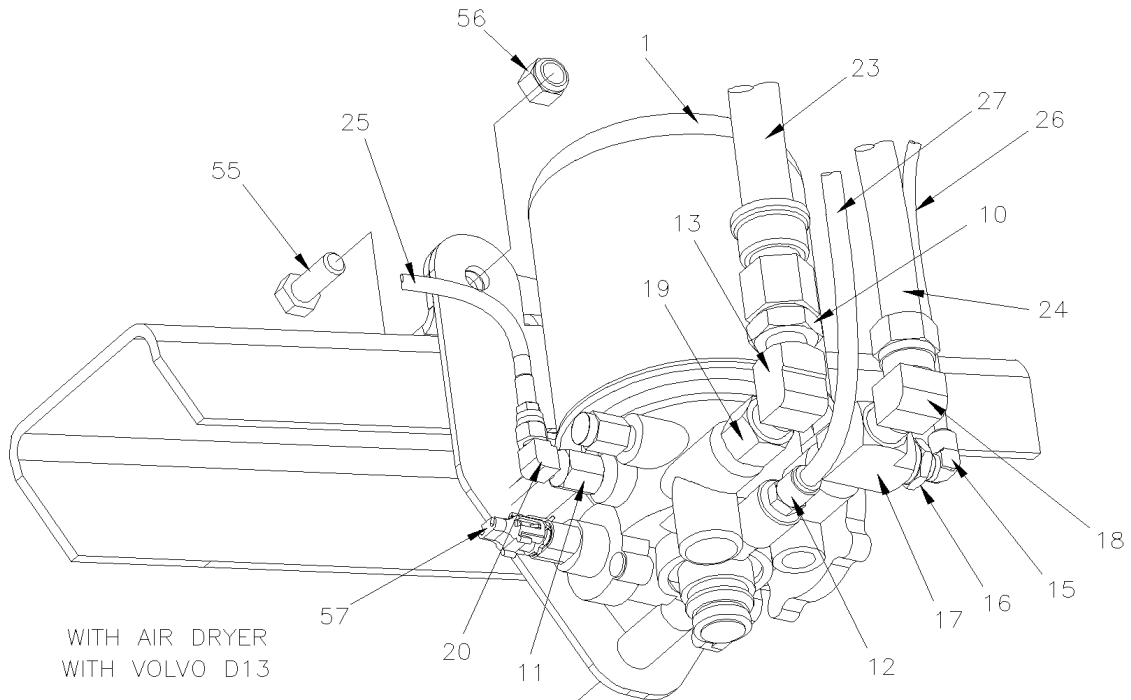


From 7-8754 To B-5001

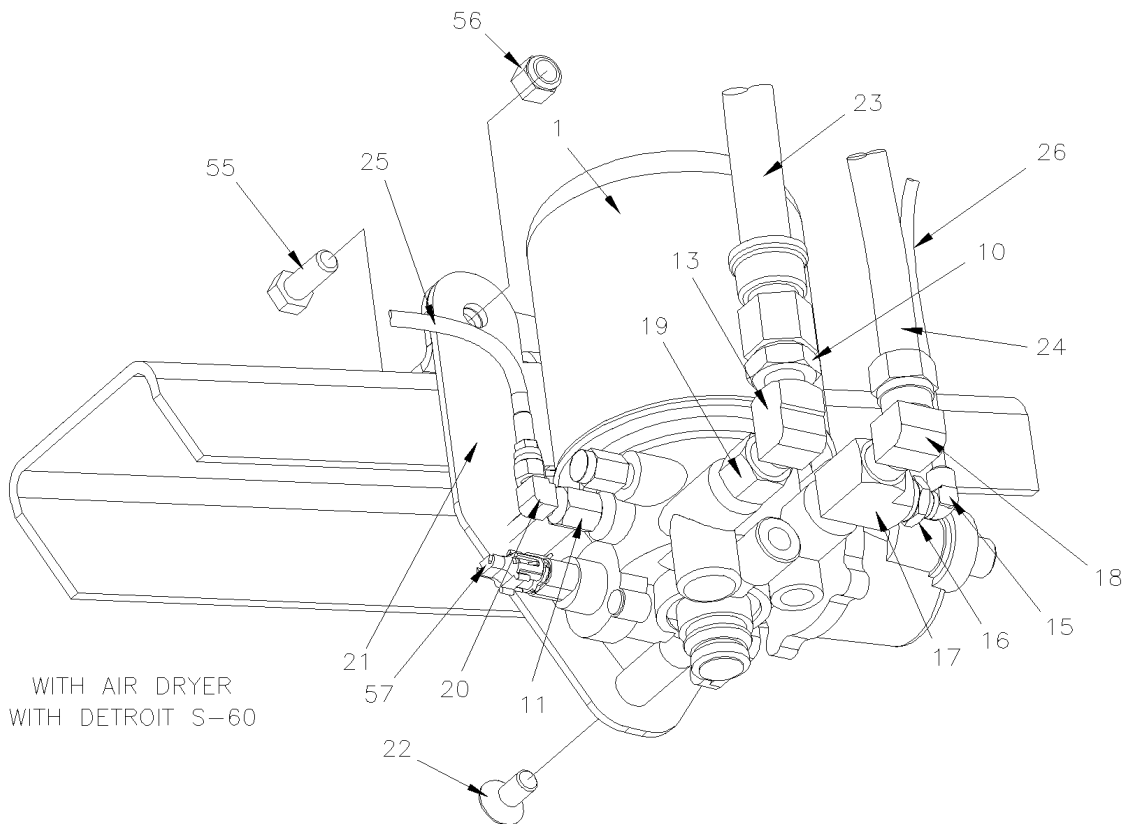
Date:01/2024

PAGE:X3-1215-01

AIR DRYER - "WABCO" / "OPTIONAL"

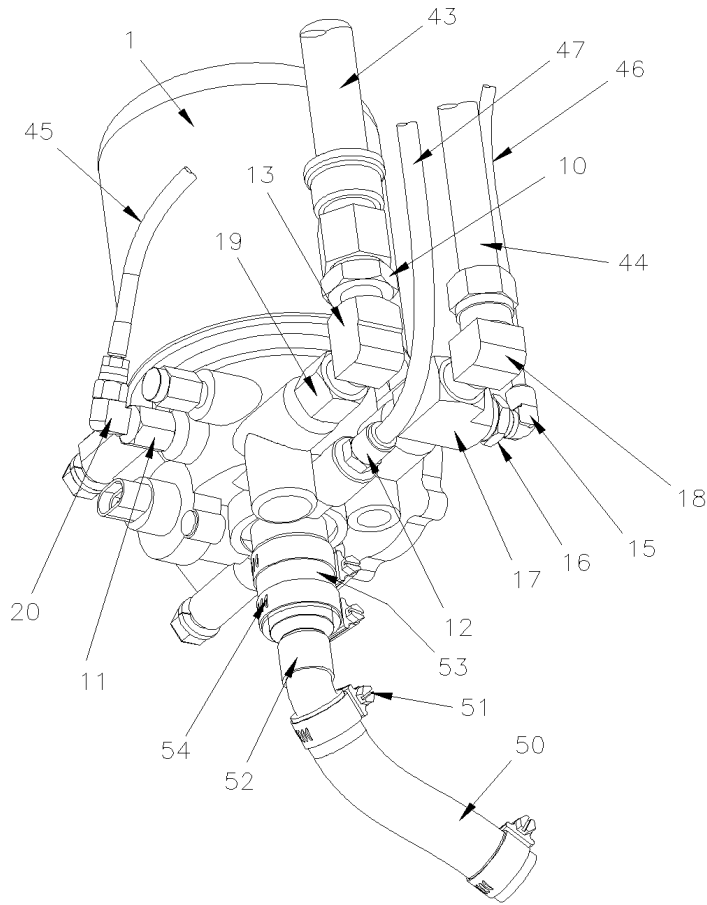


WITH AIR DRYER
WITH VOLVO D13

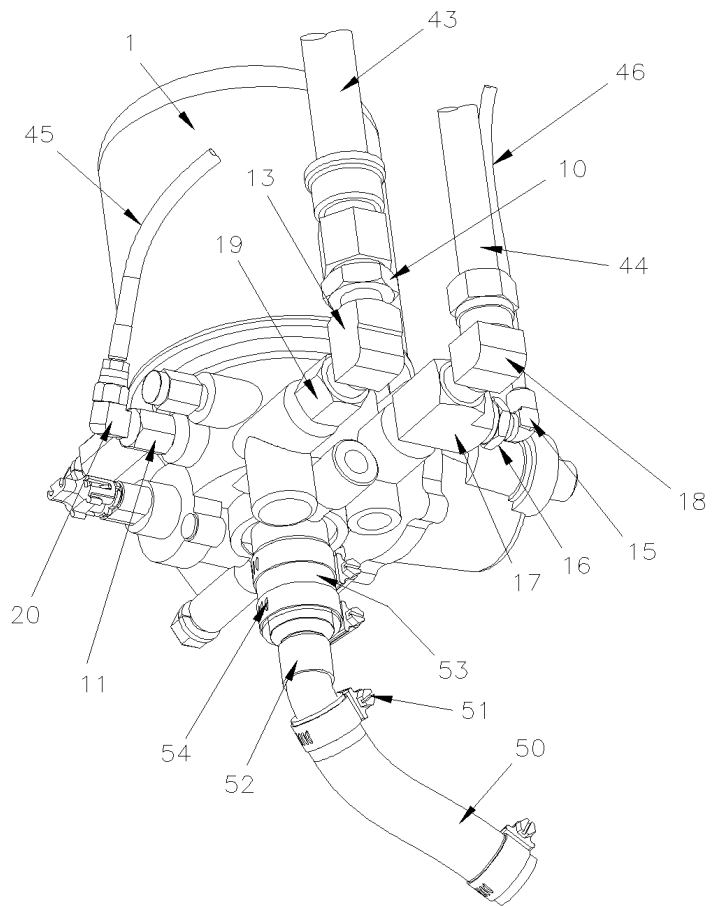


WITH AIR DRYER
WITH DETROIT S-60

From 7-8754 To B-5001	Date:01/2024	PAGE:X3-1215-01
AIR DRYER - "WABCO" / "OPTIONAL"		



WITH AIR DRYER
INSIDE BAGGAGE COMPARTMENT
WITH VOLVO D13



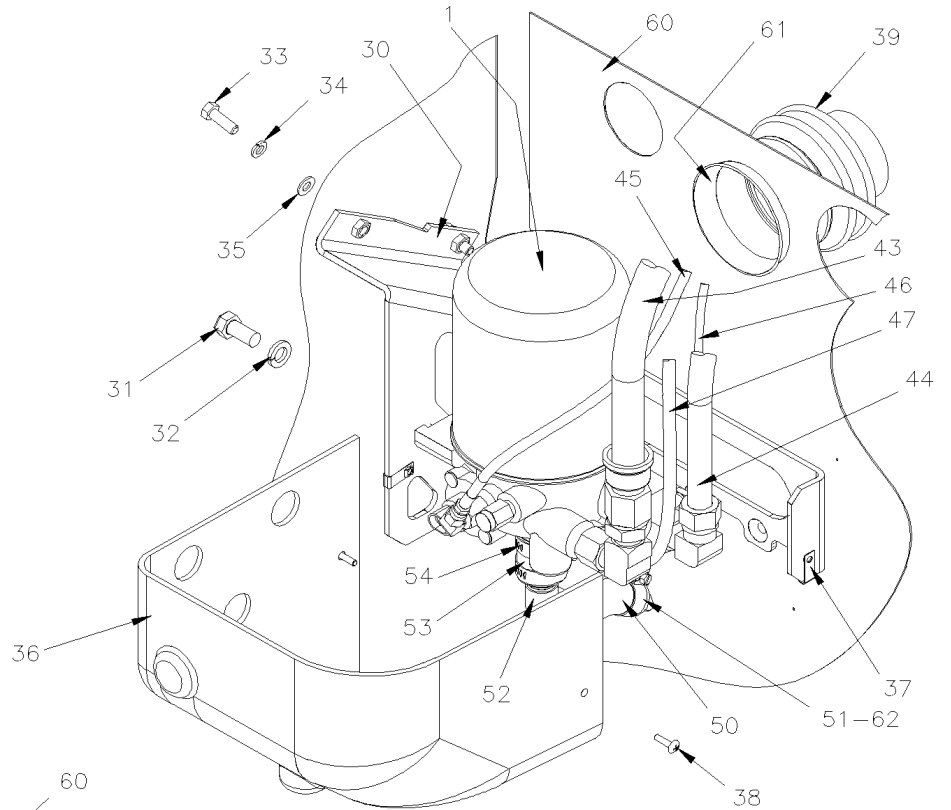
WITH AIR DRYER
INSIDE BAGGAGE COMPARTMENT
WITH DETROIT S-60

From 7-8754 To B-5001

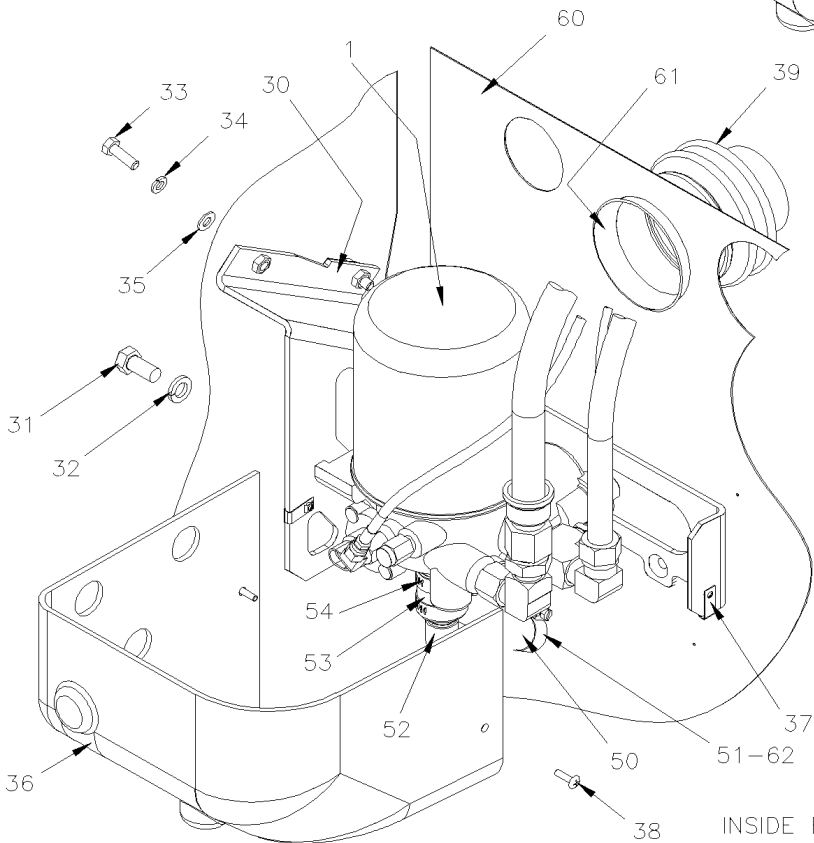
Date:01/2024

PAGE:X3-1215-01

AIR DRYER - "WABCO" / "OPTIONAL"



WITH AIR DRYER
INSIDE BAGGAGE COMPARTMENT
WITH VOLVO D13



WITH AIR DRYER
INSIDE BAGGAGE COMPARTMENT
WITH DETROIT S-60

From 7-8754 To B-5001	Date:01/2024	PAGE:X3-1215-01
AIR DRYER - "WABCO" / "OPTIONAL"		

Item#	Part	Description	QTY	Notes
	641337	AIR DRYER "WABCO" / S-1200 / 24V HEATER To 8-9456	1	
	20935355	AIR DRYER "WABCO" / SS-1200UP / 12V HEATER From 8-9457	1	D13 W
1	641278	. DESICANT CARTRIDGE / "WABCO"	1	E
. NS	MI04-12	. . SEE MAINTENANCE INFORMATION	1	E
1	642123	. DESICANT CARTRIDGE / "WABCO" / SS-1200UP	1	
1	640045	. DESICANT CARTRIDGE / "WABCO"	1	
2	641284	. REGENERATION VALVE KIT	1	E
3	641283	. PURGE VALVE KIT	1	
4	641282	. TURBO CUT-OFF VALVE KIT	1	E
5	641281	. OUTLET CHECK VALVE KIT	1	
6	641280	. BY-PASS VALVE KIT	1	
7	641279	. HEATER ASSY KIT 24 VOLTS From 8-9457	1	
. NS	562251	. . CONNECTOR / METRI-PACK 280 / SH 2C / PED 12020599 From 8-9457	1	
. NS	562101	. . SOCKET TERMINAL / 14-12 / PED 12129493 From 8-9457	2	
8	3919796	. RELIEF VALVE ASSY	1	
10	501600	MALE CONNECTOR / JIC 37° FITTING / #12JIC-Mx1/2NPT-M STL	1	
11	501308	ADAPTER / PIPE FITTING / 1/4NPT-Fx1/4NPT-M BR	1	
12	641331	MALE CONNECTOR / PUSH-IN FITTING / #6x1/4NPT-M BR From 8-9457	1	
13	507557	STREET ELBOW 90° / PIPE FITTING / 1/2NPT-Mx1/2NPT-F BR	1	
15	641371	MALE ELBOW 90° NON-SWIVEL / PUSH-IN FITTING / #4x1/4NPT-M BR	1	
16	501316	BUSHING REDUCER / PIPE FITTING / 1/2NPT-Mx1/4NPT-F BR	1	
17	501473	MALE RUN TEE / PIPE FITTING / 1/2NPT-Mx1/2NPT-Fx1/2NPT-F BR	1	
18	641134	MALE ELBOW 90° / NTA FITTING / #12x1/2NPT-M BR	1	
19	5011119	ADAPTER / PIPE FITTING / 1/2NPT-Fx1/2NPT-M BR	1	
20	501037	MALE ELBOW 90° / SAE 45° FITTING / #4FL-Mx1/4NPT-M BR	1	
21	173147	SUPPORT, AIR DRYER	1	
22	5001565	SCREW CAP HEX 1/2-13x1 G5 N500	3	
23	142531	HOSE ASSY / #12 610MM To A-9951	1	C
23	142394	HOSE ASSY / #12 546MM From A-9952	1	C
24	503465	TUBE, NYLON 3/4 O.D. / GREEN S.L.	AR	
NS	142395	HOSE ASSY TEFLON #4 4200MM	1	B
24	142547	HOSE ASSY TEFLON #4 4010MM	1	B
25	142396	HOSE ASSY TEFLON #4 5650MM	1	A
25	142546	HOSE ASSY TEFLON #4 3250MM	1	A
26	503402	TUBE, NYLON 1/4 O.D. / BLACK S.L.	AR	
27	503472	TUBE, NYLON 3/8 O.D. / GREY S.L.	AR	
		NEXT ITEMS ARE USED WITH		
		AIR DRIER INSIDE OF BAGGAGE COMPARTMENT		
30	173269	SUPPORT, AIR DRYER & COVER To 9-4642	1	
30	173643	SUPPORT, AIR DRYER & COVER From 9-4643	1	S

From 7-8754 To B-5001	Date:01/2024	PAGE:X3-1215-01
AIR DRYER - "WABCO" / "OPTIONAL"		

Item#	Part	Description	QTY	Notes
31	500850	SCREW CAP HEX M12-1.75X25 G8.8 Z050	3	
32	500482	WASHER LO SPT .506x.873x.125 Z050	3	
33	502589	SCREW CAP HEX M8-1.25x25 G8.8 Z050	2	
34	502507	WASHER LO SPT 8.1x14.8x2.0 Z050	2	
35	500874	WASHER FL 8.4x17.0x1.6 Z050	2	
36	142525	PROTECTOR COVER	1	
37	500252	NUT SPR U #10-24 .156-.187	2	
38	504658	HOSE CLAMP / 13/16"-1"3/4 / C.T. 9420	4	
38	500852	SCREW TP BDG PH #6x3/8 N500	2	
39	504499	CUFF END BELLOW / 2 7/8" I.D. x 3 5/8" x 4 7/16	1	
NS	504026	HOSE CLAMP / 2"13/16-3"3/4 SS / HS-52	1	
NS	504637	CABLE TIE / 3/16" x 13"	1	
NS	371600	INSULATING PAD 76.2MM x 374.7MM	1	
43	142511	HOSE ASSY / #12 700MM	1	C
43	143072	HOSE ASSY TEFLON #12 x 3612MM From A-9952	1	F
NS	5011206	SLEEVE / #12 STL From A-9952	2	F
NS	5011207	FEMALE CONNECTOR SWIVEL / JIC 37° FITTING / #12JIC-Fx#12 STL From A-9952	2	F
NS	503376	HOSE TEFLON #12 / S.L. From A-9952	AR	F
NS	504637	CABLE TIE / 3/16" x 13" From A-9952	3	F
NS	503749	FIRESLEEVE / .960 I.D. From A-9952	AR	F
44	503465	TUBE, NYLON 3/4 O.D. / GREEN S.L.	AR	
NS	142546	HOSE ASSY TEFLON #4 3250MM	1	B
NS	144886	HOSE ASSY TEFLON #4 2935MM From 8-9457	1	B D13
45	142560	HOSE ASSY TEFLON #4 3965MM From 7-9277	1	A
45	144887	HOSE ASSY TEFLON #4 3850MM From 8-9457	1	A D13
46	503402	TUBE, NYLON 1/4 O.D. / BLACK S.L.	AR	
47	503472	TUBE, NYLON 3/8 O.D. / GREY S.L. From 8-9457	AR	D13
50	503523	HOSE SILICONE 1PLY 3/4" I.D. x 100' / S.L.	AR	
NS	504022	HOSE CLAMP / 3/4"-1"3/4 SS / HS-20	AR	
51	504020	HOSE CLAMP / 9/16"-1"1/4 SS / HS-12	2	
52	142545	ELBOW REDUCER ASSY 1" x 5/8" From 8-9457	1	D13
53	141892	HOSE ASSY TEFLON #4 5190MM	1	A
NS	141887	HOSE ASSY TEFLON #4 3607MM	1	B
53	144886	HOSE ASSY TEFLON #4 2935MM From 8-9457	1	B D13
53	504022	HOSE CLAMP / 3/4"-1"3/4 SS / HS-20	2	
54	503652	HOSE SILICONE 2PLY 1 1/8" I.D. x 3'	AR	O
55	500214	SCREW CAP HEX 1/2-13x1 1/4 G5 Z050	3	
56	502595	NUT HEX NYRT 1/2-13 Z050	3	
57	066493	CABLE ASSY / "AIR DRYER "WABCO" EXTENTION W"OPTION" BAGGAGE	1	
57	067307	CABLE ASSY / "AIR DRYER "WABCO" EXTENTION W"OPTION" BAGGAGE	1	

From 7-8754 To B-5001	Date:01/2024	PAGE:X3-1215-01
-----------------------	--------------	-----------------

AIR DRYER - "WABCO" / "OPTIONAL"

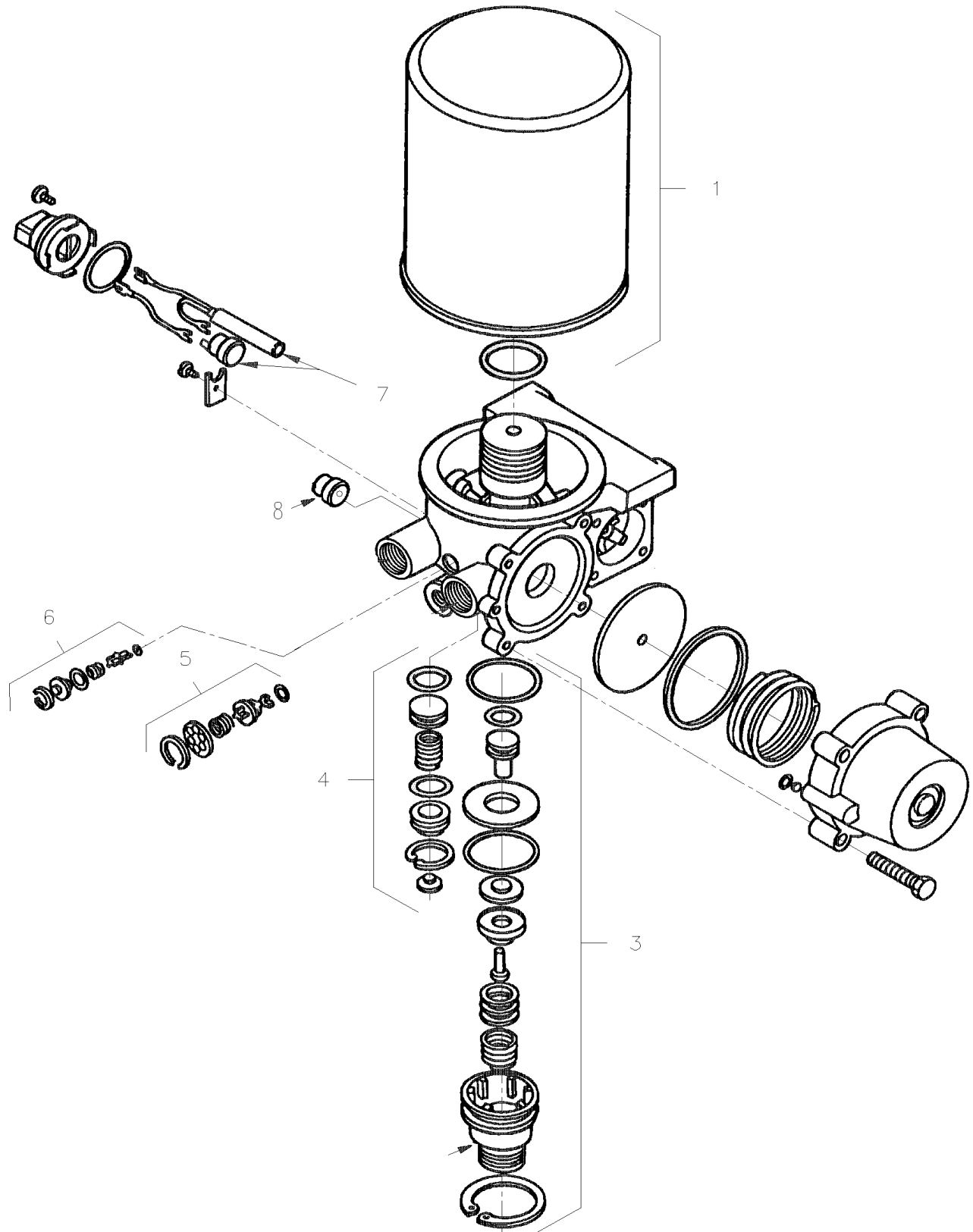
Item#	Part	Description	QTY	Notes
60	221519	BAGGAGE PANEL WITH HOLES FOR AIR DRIER To A-9951		
60	218413	BAGGAGE PANEL WITH HOLES FOR AIR DRIER From A-9952 To B-5001	1	
60	221518	BAGGAGE PANEL WITH HOLES FOR AIR DRIER / W/W.C.L. To A-9951	1	
60	218411	BAGGAGE PANEL WITH HOLES FOR AIR DRIER / W/W.C.L. From A-9952 To B-5001	1	
61	172326	TUBE / FIXED TO REAR WALL / 89MM O.D.	1	
62	142512	TUBE 3/4" O.D. / FIXED TO REAR WALL	1	
70	X3-1215-11	AIR DRYER - INSTALLATION		
71	X3-1215-15	CHECK VALVE INSTALLATION W/"WABCO"		
		A) TO AIR GOVERNOR LOCATED NEAR AIR COMPRESSOR & CHECK VALVE		
		B) FROM GOVERNOR TO WET TANK		
		C) FROM AIR DRYER TUBE		
		D13) WITH VOLVO ENGINE		
		E) USE ONLY WITH # 641337		
		F) TO AIR COMPRESSOR		
		O) OPTION BAGGAGE COMPARTMENT INSTALLATION		
		S) AS SHOWN		
		W) "WARNING BEFOR INSTALL THIS AIR DRYER ON VEHICULE DO NOT FORGET TO CHANGE ITEM # 7 HEATER KIT # 641279		

From B-5002 To D-5458

Date:01/2024

PAGE:X3-1215-02

AIR DRYER - "WABCO"

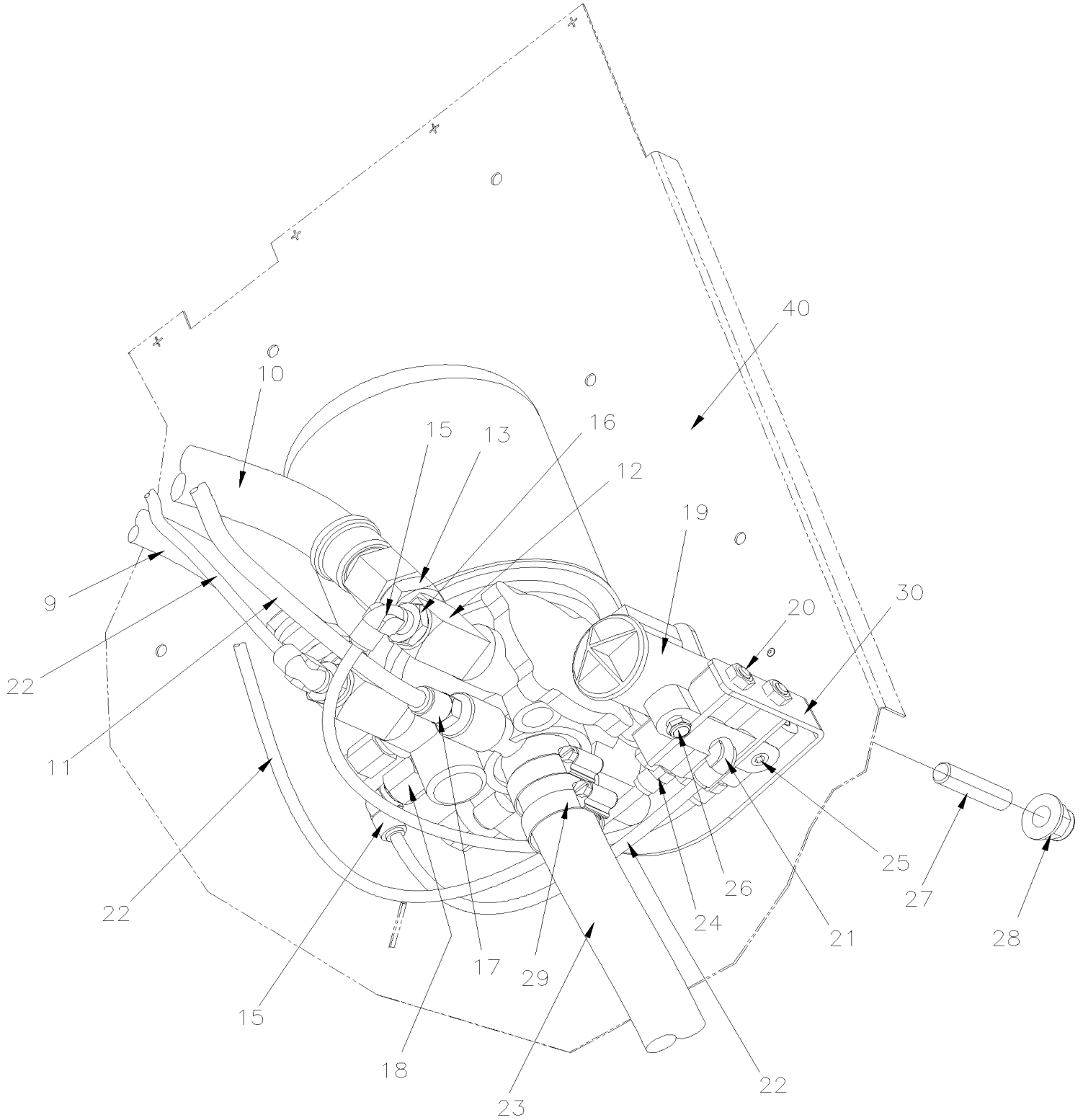


From B-5002 To D-5458

Date:01/2024

PAGE:X3-1215-02

AIR DRYER - "WABCO"



From B-5002 To D-5458	Date:01/2024	PAGE:X3-1215-02
AIR DRYER - "WABCO"		

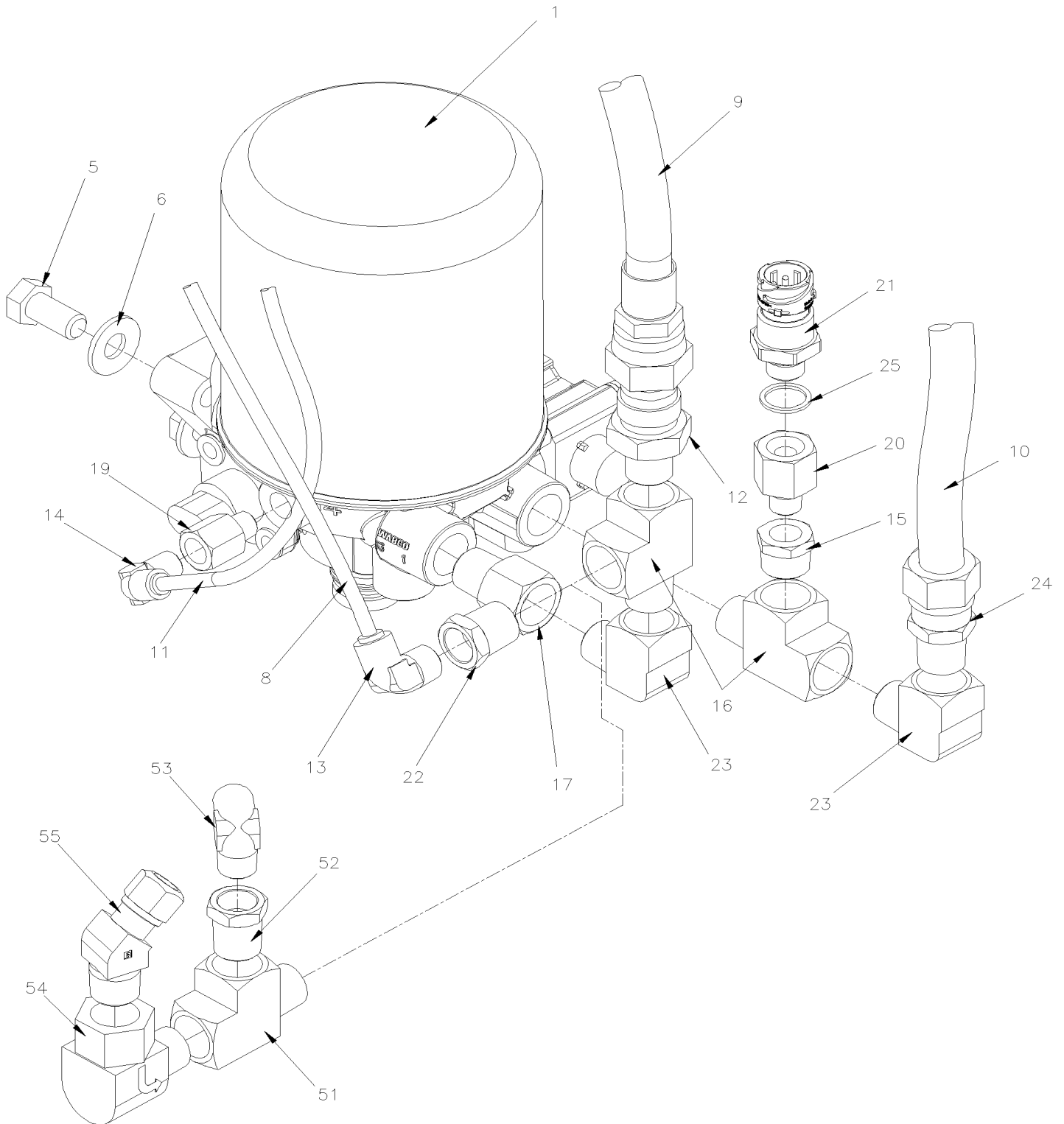
Item#	Part	Description	QTY	Notes
	20935355	AIR DRYER "WABCO" / SS-1200UP / 12V HEATER From 8-9457	1	D13 W
1	642123	. DESICANT CARTRIDGE / "WABCO" / SS-1200UP	1	
1	640045	. DESICANT CARTRIDGE / "WABCO"	1	
3	641283	. PURGE VALVE KIT	1	
4	641282	. TURBO CUT-OFF VALVE KIT	1	
5	641281	. OUTLET CHECK VALVE KIT	1	
6	641280	. BY-PASS VALVE KIT	1	
7	641279	. HEATER ASSY KIT 24 VOLTS From 8-9457	1	
. NS	562251	. . CONNECTOR / METRI-PACK 280 / SH 2C / PED 12020599 From 8-9457	1	
. NS	562101	. . SOCKET TERMINAL / 14-12 / PED 12129493 From 8-9457	2	
8	3919796	. RELIEF VALVE ASSY	1	
9	143151P	HOSE ASSY TEFLON #12 4860MM	1	
10	143153P	HOSE ASSY / #12 1550MM	1	
11	503472	TUBE, NYLON 3/8 O.D. / GREY S.L.	AR	
12	501473	MALE RUN TEE / PIPE FITTING / 1/2NPT-Mx1/2NPT-Fx1/2NPT-F BR	2	
13	501600	MALE CONNECTOR / JIC 37° FITTING / #12JIC-Mx1/2NPT-M STL	1	
15	641371	MALE ELBOW 90° NON-SWIVEL / PUSH-IN FITTING / #4x1/4NPT-M BR	3	
16	501316	BUSHING REDUCER / PIPE FITTING / 1/2NPT-Mx1/4NPT-F BR	2	
17	641331	MALE CONNECTOR / PUSH-IN FITTING / #6x1/4NPT-M BR From 8-9457	1	
18	501308	ADAPTER / PIPE FITTING / 1/4NPT-Fx1/4NPT-M BR	1	
19	641933	GOVERNOR, AIR / D-2 / (110/130PSI)	1	
. NS	640965	. REPAIR KIT / GOVERNOR D-2	1	
. NS	640638	. GASKET, AIR GOVERNOR	1	
. NS	500187	. SCREW CAP HEX 5/16-18x3 G5 Z050	2	
. NS	500942	. WASHER LO SPT 8.1x14.8x2.0 N500	2	
20	502797	SCREW CAP HEX M8-1.25x70 G10.9 G500	2	
21	641369	MALE ELBOW 90° NON-SWIVEL / PUSH-IN FITTING / #4x1/8NPT-M BR	1	
22	503464	TUBE, NYLON 1/4 O.D. / GREEN S.L.	AR	
23	503652	HOSE SILICONE 2PLY 1 1/8" I.D. x 3' To D-5381	AR	
23	503796	HOSE SILICONE 2 PLY / NOMEX-ARAMID 1 1/8" I.D. x 6' From D-5382	AR	
24	641242	MALE CONNECTOR / PUSH-IN FITTING / #4x1/8NPT-M BR	2	
25	501072	PLUG HEXS / PIPE FITTING / 1/8NPT-M STL	1	
26	641943	SILENCER / MUFFLER / 1/8NPT-M	1	
27	5001879	STUD 1/2-13x2"	3	
28	5001761	NUT HEXF NYRT M12-1.75 G8 N500	3	
29	504022	HOSE CLAMP / 3/4"-1"3/4 SS / HS-20	2	
30	143148	SUPPORT / AIR DRYER WABCO	1	
40	216437	PANEL REAR STREET SIDE To B-5049	1	
40	216437	PANEL REAR STREET SIDE From B-5050	1	
50	X3-1215-13	AIR DRYER - INSTALLATION		

From B-5002 To D-5458		Date:01/2024	PAGE:X3-1215-02
-----------------------	--	--------------	-----------------

AIR DRYER - "WABCO"

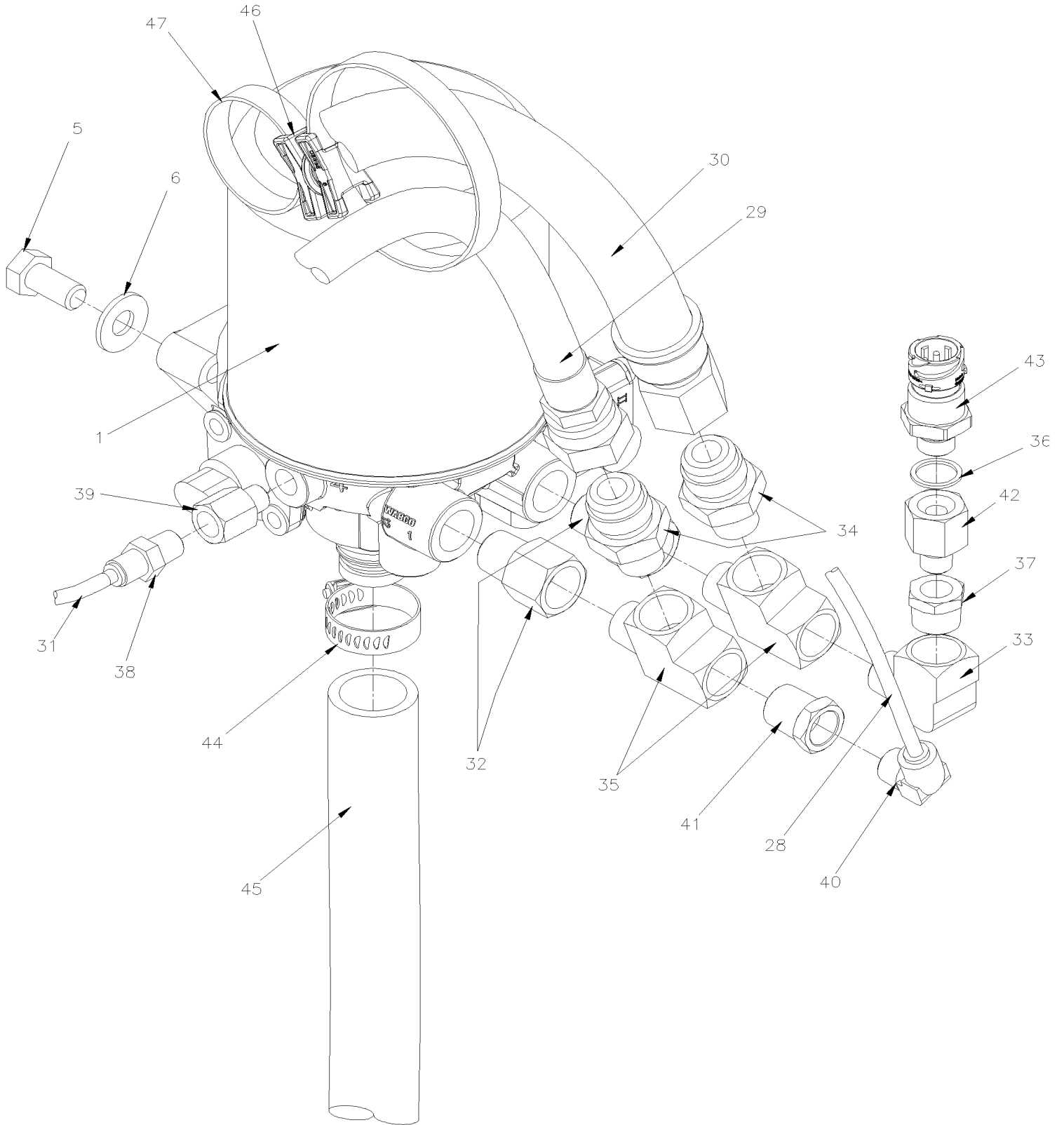
Item#	Part	Description	QTY	Notes
		D13) WITH VOLVO ENGINE		
		W) "WARNING BEFOR INSTALL THIS AIR DRYER ON VEHICULE DO NOT FORGET TO CHANGE ITEM # 7 HEATER KIT # 641279		

AIR DRYER - "WABCO"



OPTION
SOUTHEASTERN STAGE

From E-5459 To H-6179	Date:01/2024	PAGE:X3-1215-03
AIR DRYER - "WABCO"		



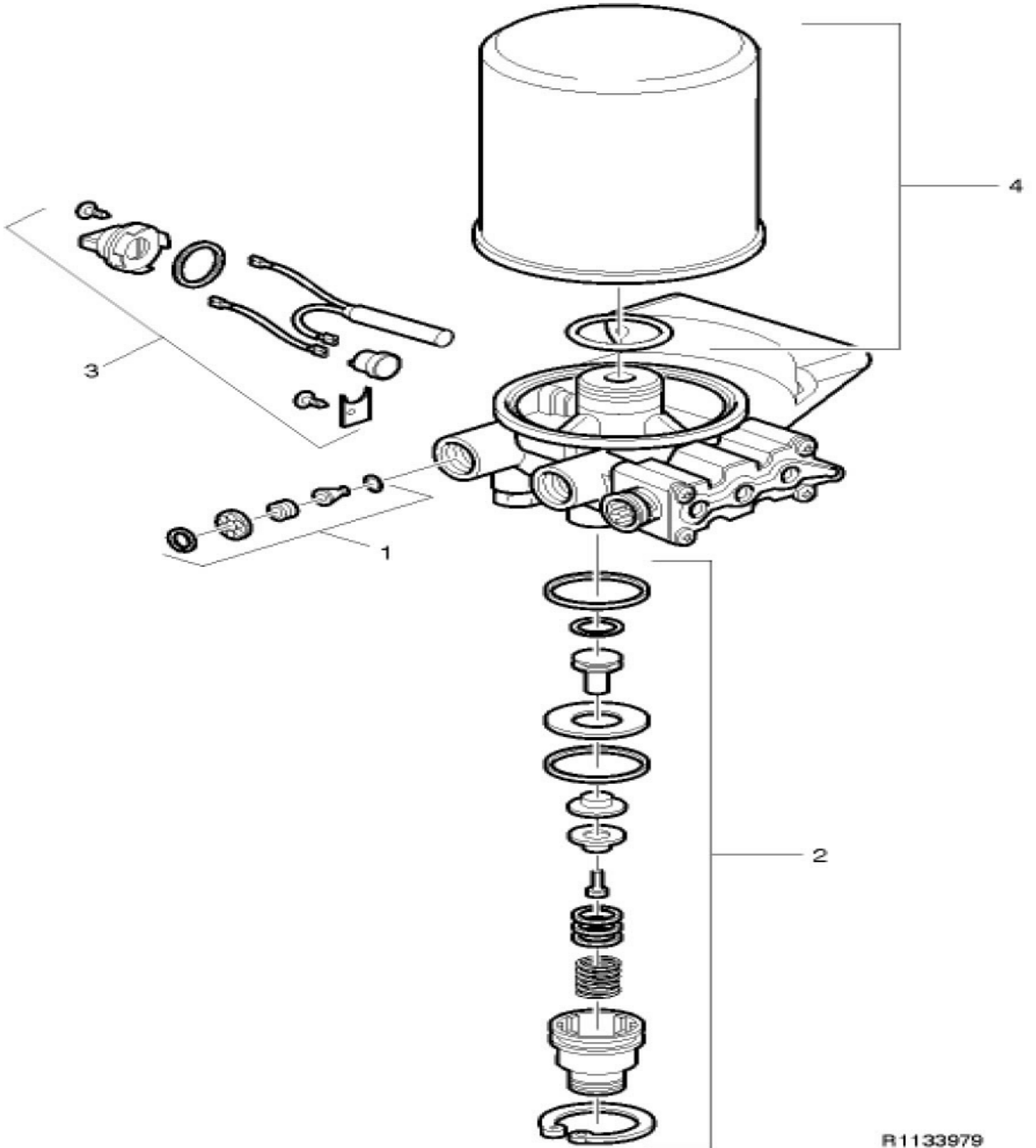
From E-5459 To H-6179	Date:01/2024	PAGE:X3-1215-03
AIR DRYER - "WABCO"		

Item#	Part	Description	QTY	Notes
1	21440978	AIR DRYER "WABCO" 12 VOLTS	1	
1	067966	HARNESS / AIR DRYER CONTROL	1	A
NS	680098	THREAD SEALANT LOCTITE #567 / WHITE / 250ml	AR	
5	5001565	SCREW CAP HEX 1/2-13x1 G5 N500	3	
6	500967	WASHER BEL SPR .512x1.142x.098 N500	3	
NS	682175	UNDERCOATING BLACK PROTECTOR (GRAVELGUARD) 567gr	AR	
8	503464	TUBE, NYLON 1/4 O.D. / GREEN S.L.	AR	
9	145061	HOSE ASSY TEFLON / #12 3510MM	1	
10	503465	TUBE, NYLON 3/4 O.D. / GREEN S.L.	AR	
11	503464	TUBE, NYLON 1/4 O.D. / GREEN S.L. To F-5871	AR	
11	503548	TUBE, NYLON 1/4 O.D. / YELLOW S.L. From F-5872	AR	
12	501600	MALE CONNECTOR / JIC 37° FITTING / #12JIC-Mx1/2NPT-M STL	1	
13	641374	MALE ELBOW 90° NON-SWIVEL / PUSH-IN FITTING / #4x3/8NPT-M BR	1	
14	641371	MALE ELBOW 90° NON-SWIVEL / PUSH-IN FITTING / #4x1/4NPT-M BR	1	
15	501316	BUSHING REDUCER / PIPE FITTING / 1/2NPT-Mx1/4NPT-F BR	1	
16	501473	MALE RUN TEE / PIPE FITTING / 1/2NPT-Mx1/2NPT-Fx1/2NPT-F BR	2	
17	5011119	ADAPTER / PIPE FITTING / 1/2NPT-Fx1/2NPT-M BR	1	
19	501308	ADAPTER / PIPE FITTING / 1/4NPT-Fx1/4NPT-M BR	1	
20	647893	ADAPTER / PIPE FITTING / 1/4NPT-MxM16-F STL	1	
21	20829689	SENSOR PRESSURE / 0-15bar	1	
22	501534	BUSHING REDUCER / PIPE FITTING / 1/2NPT-Mx3/8NPT-F BR	1	
23	507557	STREET ELBOW 90° / PIPE FITTING / 1/2NPT-Mx1/2NPT-F BR	2	
24	640995	MALE CONNECTOR / NTA FITTING / #12x1/2NPT-M BR	1	
25	504789	RETAINING RING	1	
28	503464	TUBE, NYLON 1/4 O.D. / GREEN S.L.	AR	
29	143174	HOSE ASSY TEFLON #12 4650MM	1	
30	143153P	HOSE ASSY / #12 1550MM	1	
31	503464	TUBE, NYLON 1/4 O.D. / GREEN S.L. To F-5871	AR	
31	503548	TUBE, NYLON 1/4 O.D. / YELLOW S.L. From F-5872	AR	
32	5011119	ADAPTER / PIPE FITTING / 1/2NPT-Fx1/2NPT-M BR	2	
33	507557	STREET ELBOW 90° / PIPE FITTING / 1/2NPT-Mx1/2NPT-F BR	1	
34	501600	MALE CONNECTOR / JIC 37° FITTING / #12JIC-Mx1/2NPT-M STL	2	
35	501473	MALE RUN TEE / PIPE FITTING / 1/2NPT-Mx1/2NPT-Fx1/2NPT-F BR	2	
36	504789	RETAINING RING	1	
37	501316	BUSHING REDUCER / PIPE FITTING / 1/2NPT-Mx1/4NPT-F BR	1	
38	641332	MALE CONNECTOR / PUSH-IN FITTING / #4x1/4NPT-M BR	1	
39	501308	ADAPTER / PIPE FITTING / 1/4NPT-Fx1/4NPT-M BR	1	
40	641374	MALE ELBOW 90° NON-SWIVEL / PUSH-IN FITTING / #4x3/8NPT-M BR	1	
41	501534	BUSHING REDUCER / PIPE FITTING / 1/2NPT-Mx3/8NPT-F BR	1	

From E-5459 To H-6179	Date:01/2024	PAGE:X3-1215-03
AIR DRYER - "WABCO"		

Item#	Part	Description	QTY	Notes
42	647893	ADAPTER / PIPE FITTING / 1/4NPT-MxM16-F STL	1	
43	20829689	SENSOR PRESSURE / 0-15bar	1	
44	504022	HOSE CLAMP / 3/4"-1"3/4 SS / HS-20	1	
45	503796	HOSE SILICONE 2 PLY / NOMEX-ARAMID 1 1/8" I.D. x 6'	AR	
46	504752	ROTATIF SPACER DOUBLE / LARGE	AR	
47	509491	CABLE TIE / 13MM x 383MM	AR	
47	507664	CABLE TIE / 3/16" 11" / DOUBLE LOOP HEAD	AR	
51	501473	MALE RUN TEE / PIPE FITTING / 1/2NPT-Mx1/2NPT-Fx1/2NPT-F BR	1	S
52	501534	BUSHING REDUCER / PIPE FITTING / 1/2NPT-Mx3/8NPT-F BR	1	S
53	641374	MALE ELBOW 90° NON-SWIVEL / PUSH-IN FITTING / #4x3/8NPT-M BR	1	S
54	641172	VALVE, CHECK ELBOW 90° 1/2 NPT	1	S
55	641089	MALE ELBOW 45° / NTA FITTING / #8x1/2NPT-M BR	1	S
		A) WITH PRIME - "POWER RECOVERY BY INTELLIGENT MANAGEMENT OF ENERGY"		
		S) SOUTHEASTERN STAGE OPTION		

From E-5459 To H-6179	Date:01/2024	PAGE:21440978
AIR DRYER "WABCO" 12 VOLTS		



From E-5459 To H-6179	Date:01/2024	PAGE:21440978
-----------------------	--------------	---------------

AIR DRYER "WABCO" 12 VOLTS

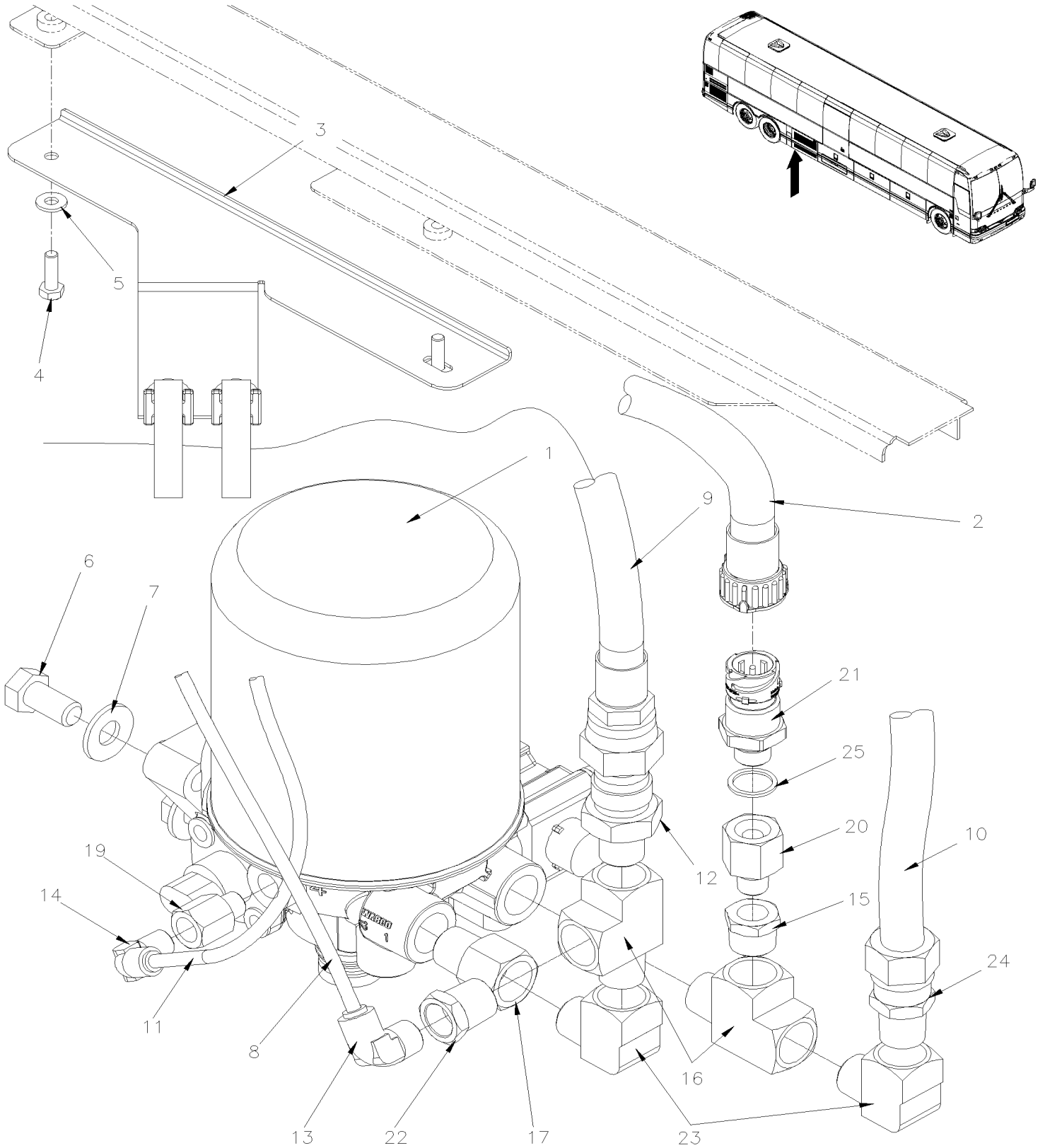
Item#	Part	Description	QTY	Notes
1	641281	OUTLET CHECK VALVE KIT	1	
2	641283	PURGE VALVE KIT	1	
3	3918354	HEATER ASSY KIT 12 VOLTS	1	
. NS	562251	. CONNECTOR / METRI-PACK 280 / SH 2C / PED 12020599	1	
. NS	562101	. SOCKET TERMINAL / 14-12 / PED 12129493	2	
4	642123	DESICANT CARTRIDGE / "WABCO" / SS-1200UP	1	
4	640045	DESICANT CARTRIDGE / "WABCO"	1	

From H-6180

Date:01/2024

PAGE:X3-1215-04

AIR DRYER - "WABCO" VOLVO D13 - GHG17

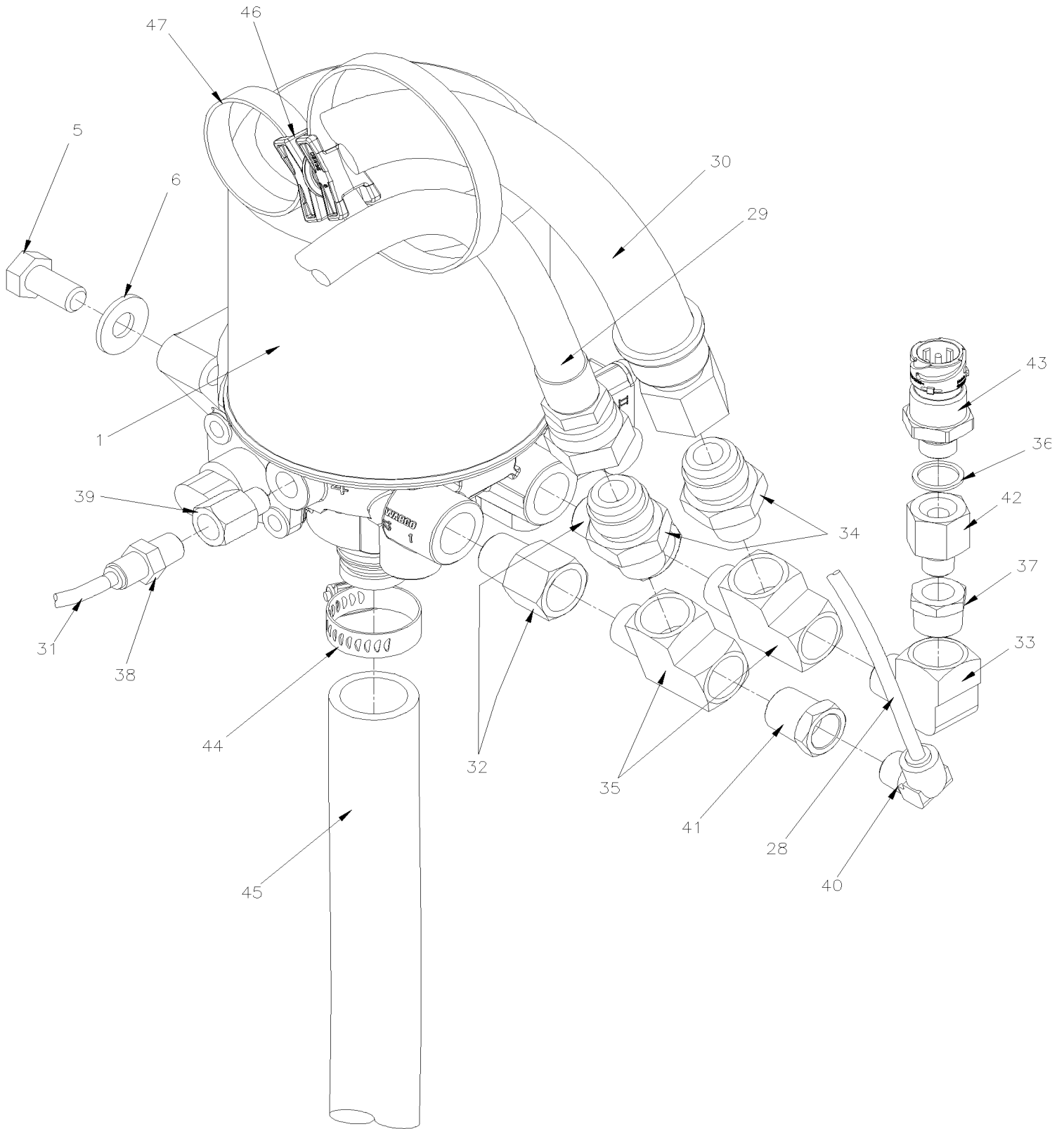


From H-6180

Date:01/2024

PAGE:X3-1215-04

AIR DRYER - "WABCO" VOLVO D13 - GHG17



From H-6180	Date:01/2024	PAGE:X3-1215-04
AIR DRYER - "WABCO" VOLVO D13 - GHG17		

Item#	Part	Description	QTY	Notes
1	21440978	AIR DRYER "WABCO" 12 VOLTS	1	
NS	680098	THREAD SEALANT LOCTITE #567 / WHITE / 250ml	AR	
2	060095	HARNESS / AIR DRYER CONTROL	1	A
NS	504637	CABLE TIE / 3/16" x 13"	AR	
3	175232	SUPPORT PIPE	1	
NS	504750	CABLE TIE / 1/2" x 15" / CHRISTMAS TREE	AR	
4	502830	SCREW CAP HEX M6-1.0x20 G8.8 N500	2	
5	500877	WASHER FL .250x.562x.065 N500	2	
6	5001565	SCREW CAP HEX 1/2-13x1 G5 N500	3	
7	500967	WASHER BEL SPR .512x1.142x.098 N500	3	
NS	682175	UNDERCOATING BLACK PROTECTOR (GRAVELGUARD) 567gr To N-6731	AR	
NS	685413	RUBBERIZED UNDERCOAT (GRAVELGUARD) 560gr From N-6732	AR	
8	503464	TUBE, NYLON 1/4 O.D. / GREEN S.L.	AR	
9	145061	HOSE ASSY TEFLON / #12 3510MM	1	
NS	504751	ROTATIF SPACER DOUBLE / SMALL	1	
10	503465	TUBE, NYLON 3/4 O.D. / GREEN S.L.	AR	
11	503548	TUBE, NYLON 1/4 O.D. / YELLOW S.L.	AR	
12	501600	MALE CONNECTOR / JIC 37° FITTING / #12JIC-Mx1/2NPT-M STL	1	
13	641374	MALE ELBOW 90° NON-SWIVEL / PUSH-IN FITTING / #4x3/8NPT-M BR	1	
14	641371	MALE ELBOW 90° NON-SWIVEL / PUSH-IN FITTING / #4x1/4NPT-M BR	1	
15	501316	BUSHING REDUCER / PIPE FITTING / 1/2NPT-Mx1/4NPT-F BR	1	
16	501473	MALE RUN TEE / PIPE FITTING / 1/2NPT-Mx1/2NPT-Fx1/2NPT-F BR	2	
17	5011119	ADAPTER / PIPE FITTING / 1/2NPT-Fx1/2NPT-M BR	1	
19	501308	ADAPTER / PIPE FITTING / 1/4NPT-Fx1/4NPT-M BR	1	
20	647893	ADAPTER / PIPE FITTING / 1/4NPT-MxM16-F STL	1	
21	20829689	SENSOR PRESSURE / 0-15bar	1	
22	501534	BUSHING REDUCER / PIPE FITTING / 1/2NPT-Mx3/8NPT-F BR	1	
23	507557	STREET ELBOW 90° / PIPE FITTING / 1/2NPT-Mx1/2NPT-F BR	2	
24	640995	MALE CONNECTOR / NTA FITTING / #12x1/2NPT-M BR	1	
25	504789	RETAINING RING	1	
28	503464	TUBE, NYLON 1/4 O.D. / GREEN S.L.	AR	
29	143174	HOSE ASSY TEFLON #12 4650MM	1	
30	143153P	HOSE ASSY / #12 1550MM	1	
31	503548	TUBE, NYLON 1/4 O.D. / YELLOW S.L.	AR	
32	5011119	ADAPTER / PIPE FITTING / 1/2NPT-Fx1/2NPT-M BR	2	
33	507557	STREET ELBOW 90° / PIPE FITTING / 1/2NPT-Mx1/2NPT-F BR	1	
34	501600	MALE CONNECTOR / JIC 37° FITTING / #12JIC-Mx1/2NPT-M STL	2	
35	501473	MALE RUN TEE / PIPE FITTING / 1/2NPT-Mx1/2NPT-Fx1/2NPT-F BR	2	
36	504789	RETAINING RING	1	
37	501316	BUSHING REDUCER / PIPE FITTING / 1/2NPT-Mx1/4NPT-F BR	1	
38	641332	MALE CONNECTOR / PUSH-IN FITTING / #4x1/4NPT-M BR	1	

From H-6180	Date:01/2024	PAGE:X3-1215-04
AIR DRYER - "WABCO" VOLVO D13 - GHG17		

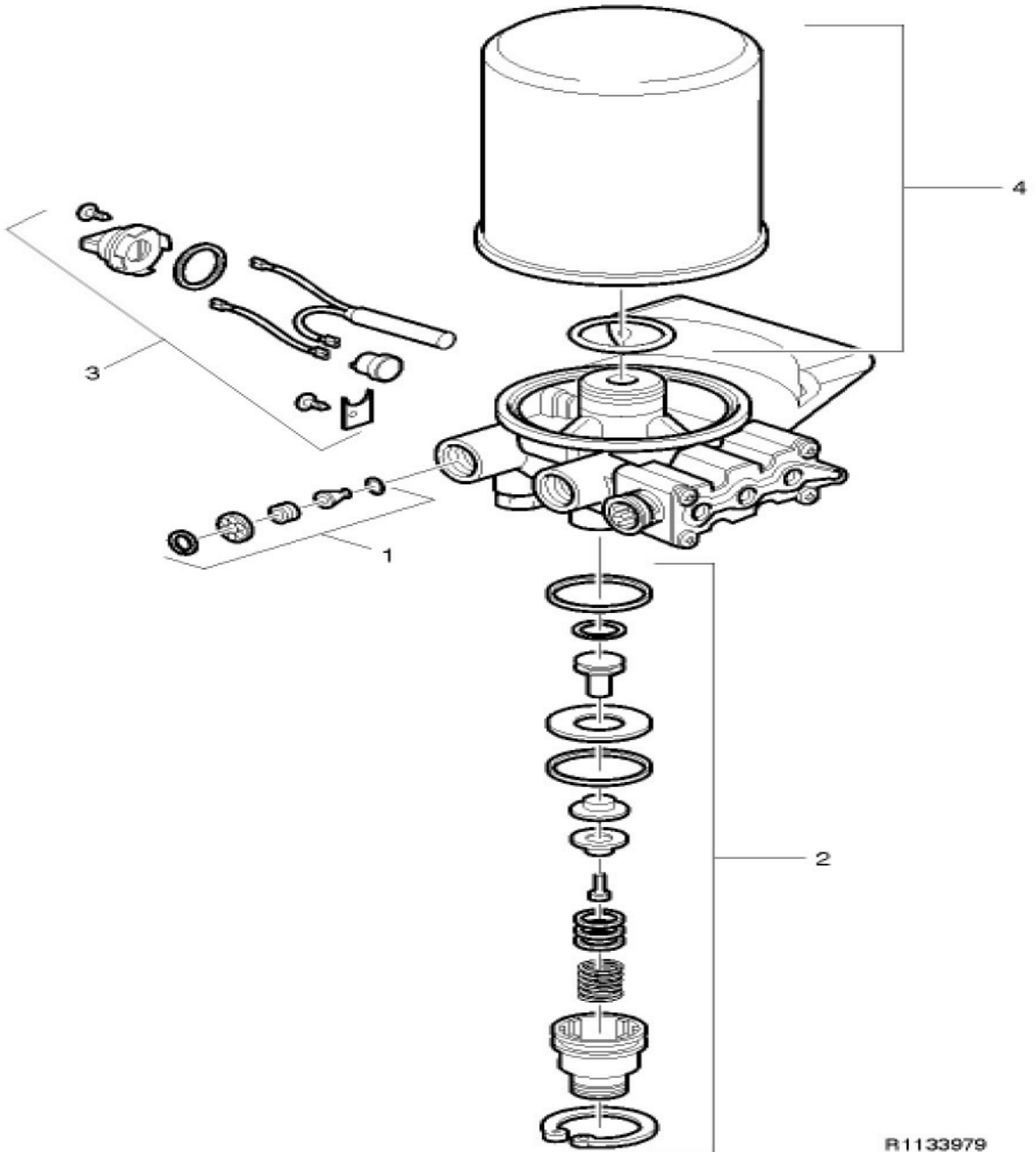
Item#	Part	Description	QTY	Notes
39	501308	ADAPTER / PIPE FITTING / 1/4NPT-Fx1/4NPT-M BR	1	
40	641374	MALE ELBOW 90° NON-SWIVEL / PUSH-IN FITTING / #4x3/8NPT-M BR	1	
41	501534	BUSHING REDUCER / PIPE FITTING / 1/2NPT-Mx3/8NPT-F BR	1	
42	647893	ADAPTER / PIPE FITTING / 1/4NPT-MxM16-F STL	1	
43	20829689	SENSOR PRESSURE / 0-15bar	1	
44	504022	HOSE CLAMP / 3/4"-1"3/4 SS / HS-20	1	
45	503796	HOSE SILICONE 2 PLY / NOMEX-ARAMID 1 1/8" I.D. x 6'	AR	
NS	504060	GROMMET / 1.500x2.000x.094x.375x2.375	1	
46	504752	ROTATIF SPACER DOUBLE / LARGE	AR	
47	509491	CABLE TIE / 13MM x 383MM	AR	
47	507664	CABLE TIE / 3/16" 11" / DOUBLE LOOP HEAD	AR	
NS	680064	OIL ANTICORROSIVE GREY (TECTYL) (20 LITERS)	AR	
NS	682175	UNDERCOATING BLACK PROTECTOR (GRAVELGUARD) 567gr To N-6731	AR	
NS	685413	RUBBERIZED UNDERCOAT (GRAVELGUARD) 560gr From N-6732	1	
		A) WITH PRIME - "POWER RECOVERY BY INTELLIGENT MANAGEMENT OF ENERGY"		

From H-6180

Date:01/2024

PAGE:21440978

AIR DRYER "WABCO" 12 VOLTS

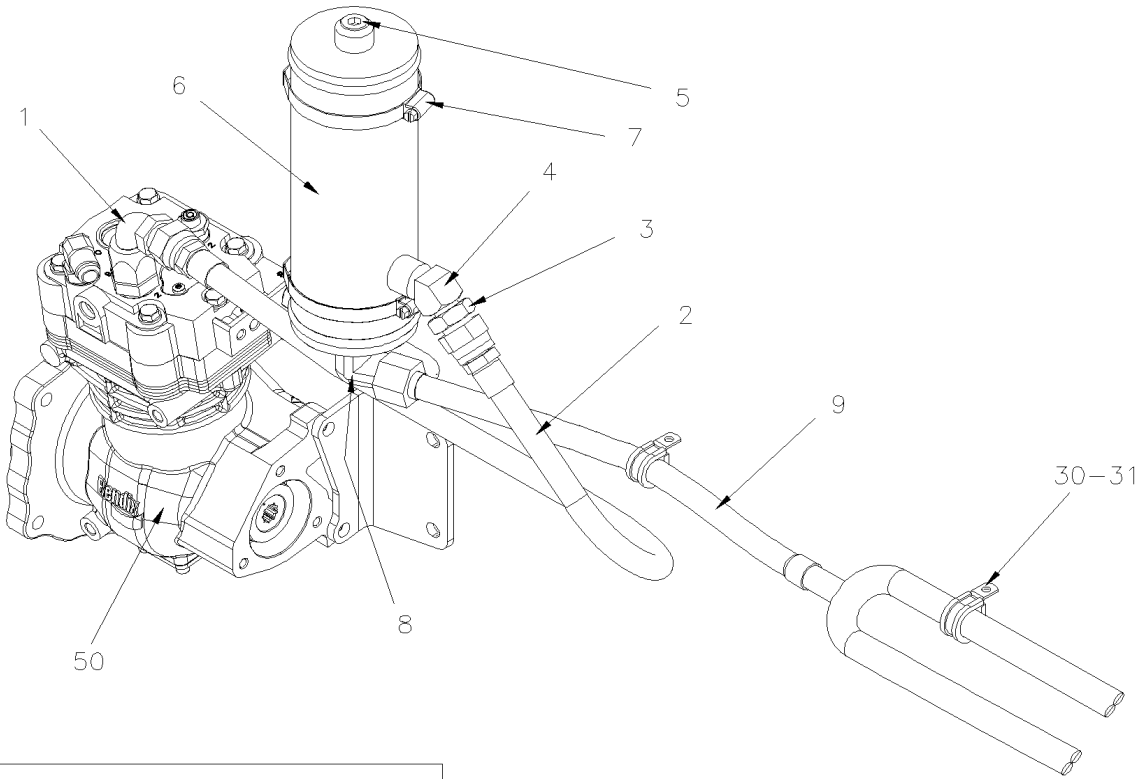


From H-6180	Date:01/2024	PAGE:21440978
-------------	--------------	---------------

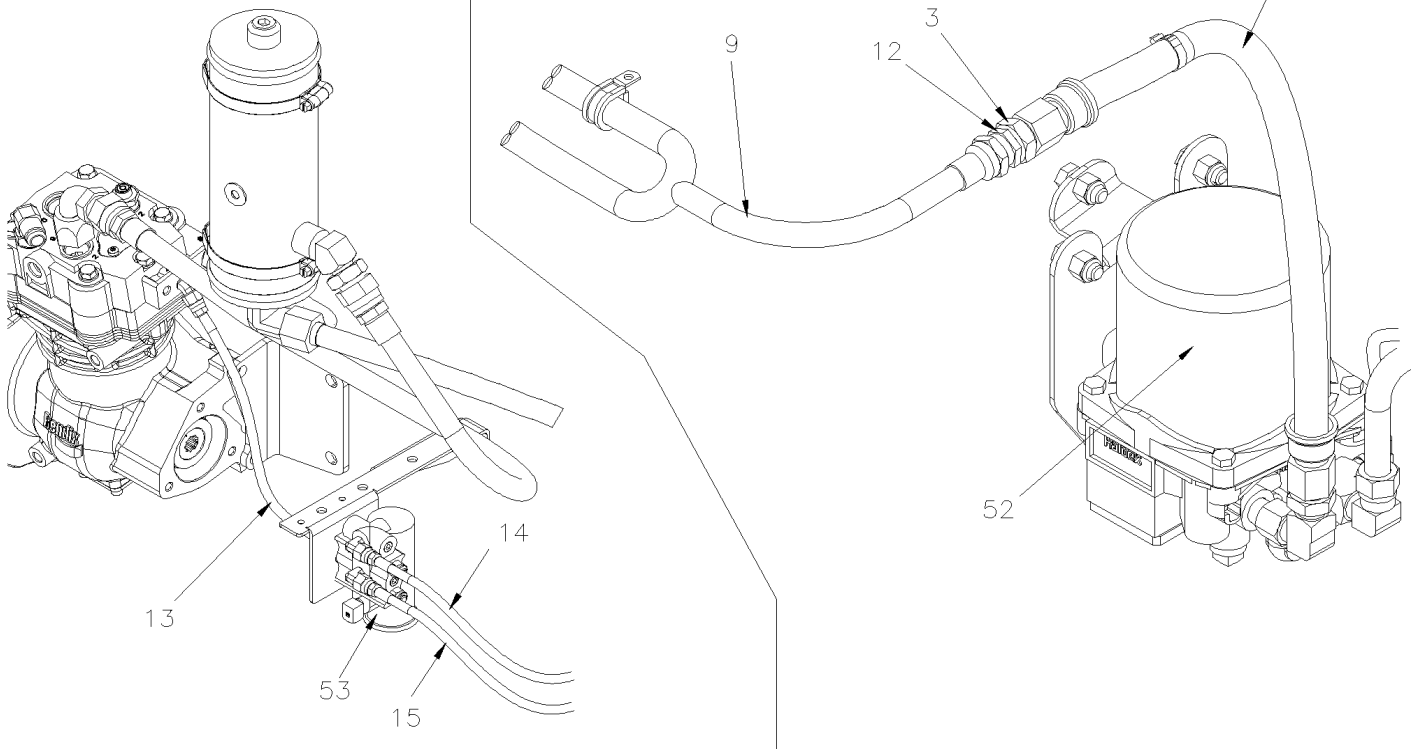
AIR DRYER "WABCO" 12 VOLTS

Item#	Part	Description	QTY	Notes
1	641281	OUTLET CHECK VALVE KIT	1	
2	641283	PURGE VALVE KIT	1	
3	3918354	HEATER ASSY KIT 12 VOLTS	1	
. NS	562251	. CONNECTOR / METRI-PACK 280 / SH 2C / PED 12020599	1	
. NS	562101	. SOCKET TERMINAL / 14-12 / PED 12129493	2	
4	642123	DESICANT CARTRIDGE / "WABCO" / SS-1200UP	1	
4	640045	DESICANT CARTRIDGE / "WABCO"	1	

AIR DRYER - INSTALLATION



WITH WABCO AIR DRYER



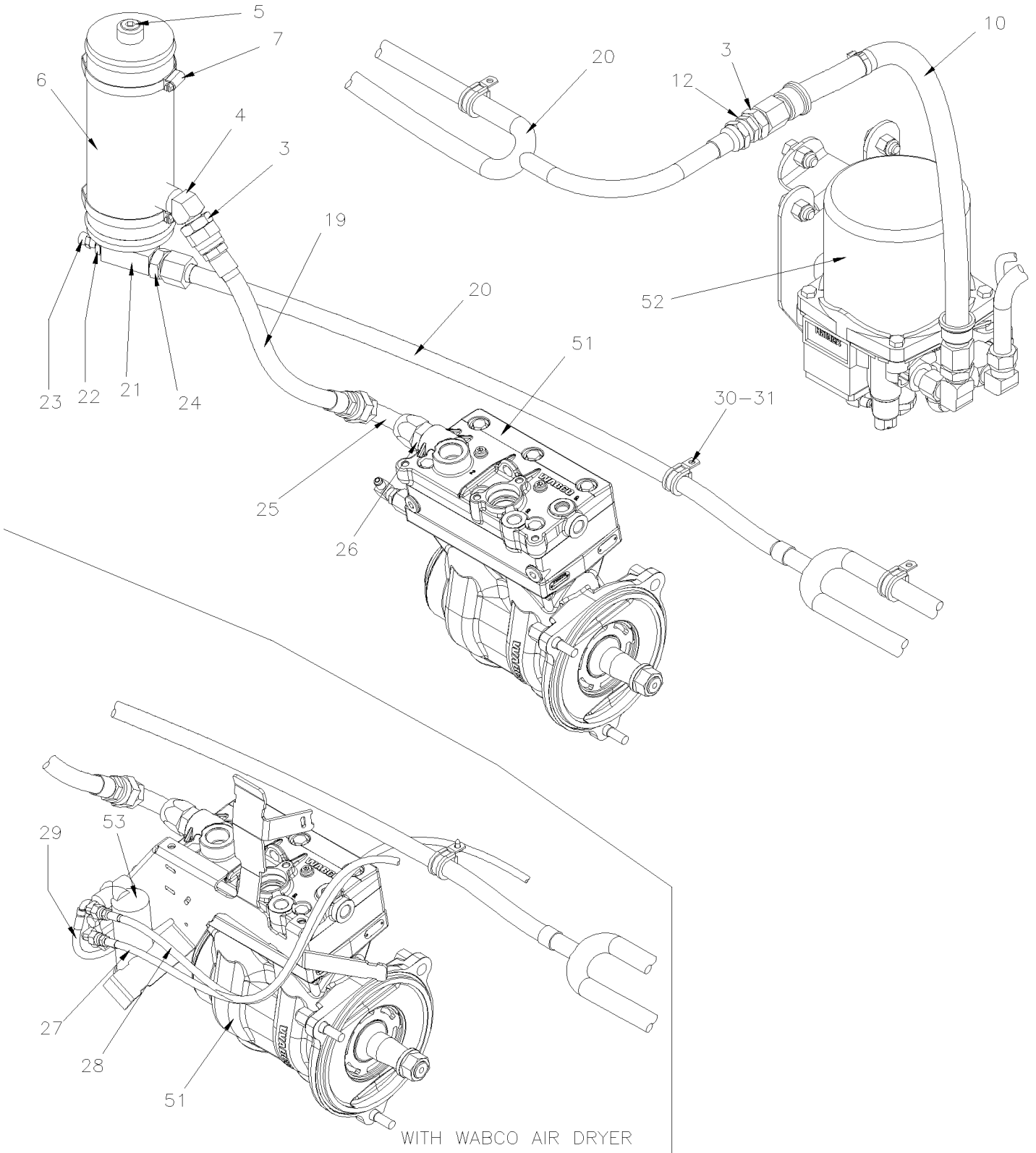
From 7-8754 To A-9951

Date:01/2024

PAGE:X3-1215-11

AIR DRYER - INSTALLATION

WITH VOLVO D13 ENGINE



From 7-8754 To A-9951	Date:01/2024	PAGE:X3-1215-11
AIR DRYER - INSTALLATION		

Item#	Part	Description	QTY	Notes
1	5011257	MALE CONNECTOR / JIC 37° FITTING / #12JIC-MxM22-1.5-M STL To 8-9276	1	
NS	N.P.N.	O-RING To 8-9276	1	4
NS	507341	WASHER RET M22x1.5 To 8-9276	1	
1	507544	SWIVEL NUT ELBOW 90° SHORT / JIC 37° FITTING/ #12JIC-Fx#12JIC-Mx1.82 STL From 8-9277	1	
2	142277	HOSE ASSY TEFLON #12 970MM	1	
3	501600	MALE CONNECTOR / JIC 37° FITTING / #12JIC-Mx1/2NPT-M STL	2	
4	501528	STREET ELBOW 45° / PIPE FITTING / 1/2NPT-Mx1/2NPT-F BR	1	
5	501966	PLUG HEXS / PIPE FITTING / 1/2NPT-M STL	1	
6	641982	AIR TANK / 96 IN° / 3 1/2" O.D. X 10"	1	
7	504235	HOSE CLAMP / 3"9/16"-4"1/2 SS / HS-64	2	
8	5011233	MALE ELBOW 90° / JIC 37° FITTING / #12JIC-Mx1/2NPT-M SS	1	
9	142381P	AIR DRYER TUBE ASSY	1	
9	Call order desk	AIR DRYER TUBE ASSY	1	P B W
9	Call order desk	AIR DRYER TUBE ASSY To 9-9626	1	P B H
9	Call order desk	AIR DRYER TUBE ASSY From 9-9627	1	P B H
10	142531	HOSE ASSY / #12 610MM	1	W
10	142394	HOSE ASSY / #12 546MM	1	H
10	142511	HOSE ASSY / #12 700MM	1	B
12	501462	BUSHING REDUCER / PIPE FITTING / 3/4NTP-Mx1/2NPT-F BR	1	
13	148039	HOSE ASSY TEFLON #4 290MM	1	
14	142546	HOSE ASSY TEFLON #4 3250MM	1	
15	142547	HOSE ASSY TEFLON #4 4010MM	1	
19	144872	HOSE ASSY TEFLON #12 285MM From 8-9457	1	D13
20	Call order desk	AIR DRYER TUBE ASSY PROTO	1	P D13 H
20	Call order desk	AIR DRYER TUBE ASSY	1	P
20	Call order desk	AIR DRYER TUBE ASSY From 8-9457	1	P D13 H
20	Call order desk	AIR DRYER TUBE ASSY From 8-9457	1	P
20	Call order desk	AIR DRYER TUBE ASSY PROTO	1	P B D13 W
20	Call order desk	AIR DRYER TUBE ASSY	1	P
20	Call order desk	AIR DRYER TUBE ASSY From 8-9457	1	P B D13 W
20	Call order desk	AIR DRYER TUBE ASSY From 8-9457	1	P
21	507556	MALE BRANCHE TEE / PIPE FITTING / 1/2NPT-Fx1/2NPT-Fx1/2NPT-M BR From 8-9457	1	
22	501316	BUSHING REDUCER / PIPE FITTING / 1/2NPT-Mx1/4NPT-F BR From 8-9457	1	
23	642109	SAFETY VALVE 200 PSI x 1/4 NPT / ST-4 From 8-9457	1	
24	501600	MALE CONNECTOR / JIC 37° FITTING / #12JIC-Mx1/2NPT-M STL From 8-9457	1	
25	507544	SWIVEL NUT ELBOW 90° SHORT / JIC 37° FITTING/ #12JIC-Fx#12JIC-Mx1.82 STL From 8-9457	1	D13
26	507647	MALE CONNECTOR W/ED SEAL / JIC 37° FITTING / #12JIC-MxM26-1.5-M STL From 8-9457	1	D13
27	144887	HOSE ASSY TEFLON #4 3850MM From 8-9457	1	B D13 W
28	144886	HOSE ASSY TEFLON #4 2935MM From 8-9457	1	B D13 W
29	144885	HOSE ASSY TEFLON #4 180MM From 8-9457	1	B D13 W
30	952631	CLAMP / 3/4" I.D.	3	

From 7-8754 To A-9951	Date:01/2024	PAGE:X3-1215-11
AIR DRYER - INSTALLATION		

Item#	Part	Description	QTY	Notes
30	952633	CLAMP / 7/8" I.D.	6	
31	500613	SCREW TP PAN PH #10x1/2 Z050	AR	
50	X3-1205-10	AIR COMPRESSOR - "BA921" - WITH DETROIT S-60		
51	Refer To Volvo	AIR COMPRESSOR - "WABCO" 636CC - WITH VOLVO D13		V D13
52	X3-1215-00	AIR DRYER - "HALDEX"		
52	X3-1215-01	AIR DRYER - "WABCO" / "OPTIONAL"		
53	X3-1215-15	CHECK VALVE INSTALLATION W/"WABCO"		
		B) WITH AIR DRYER INSTALLED IN BAGGAGE COMPARTMENT		
		D13) WITH VOLVO ENGINE D-13		
		H) WITH AIR DRIER "HALDEX"		
		W) WITH AIR DRIER "WABCO"		
		P) CALL ORDER DESK FOR SPECIFIC APPLICATION (V.I.N.)		
		V) SEE IMPACT OR CALL ORDER DESK		
		4) NO PARTS NUMBER		

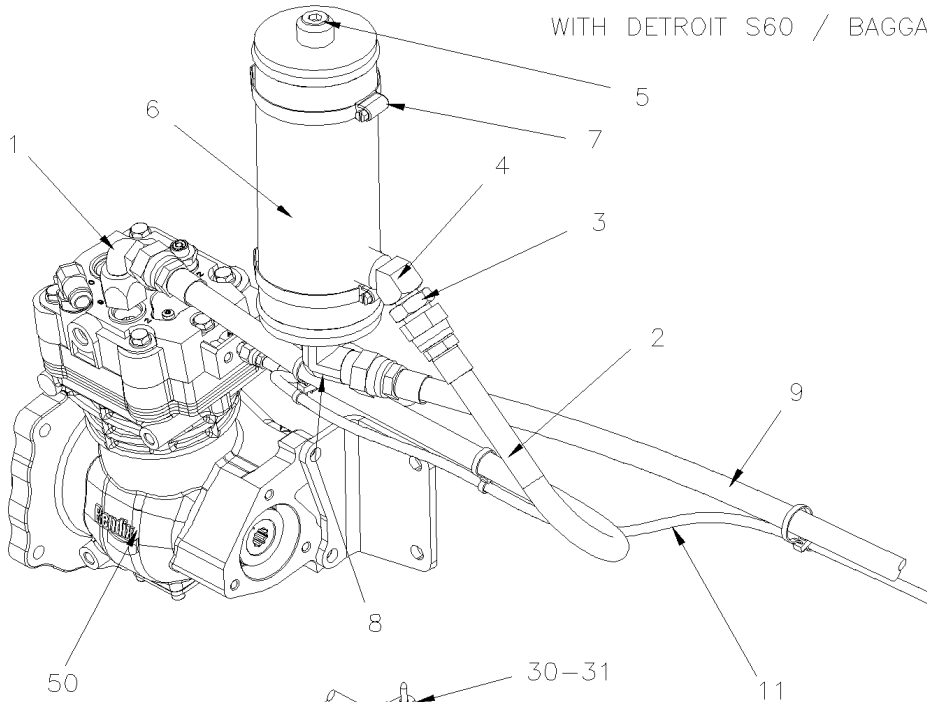
From A-9952 To B-5001

Date:01/2024

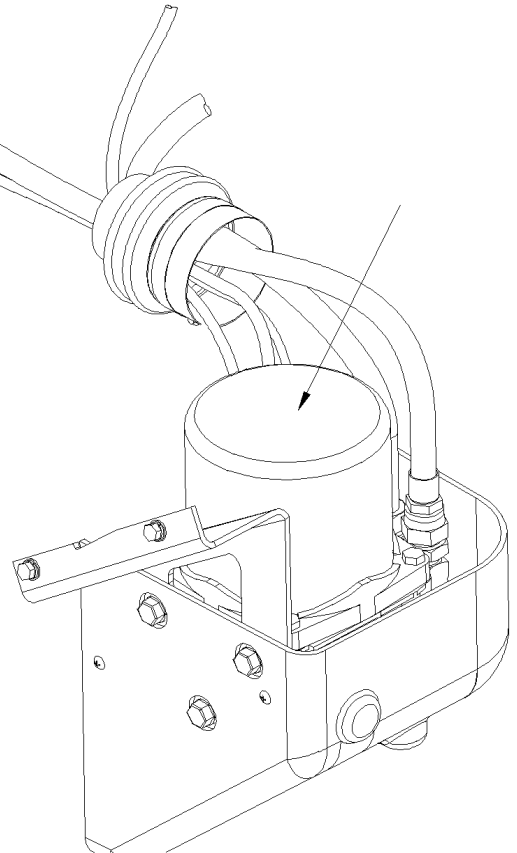
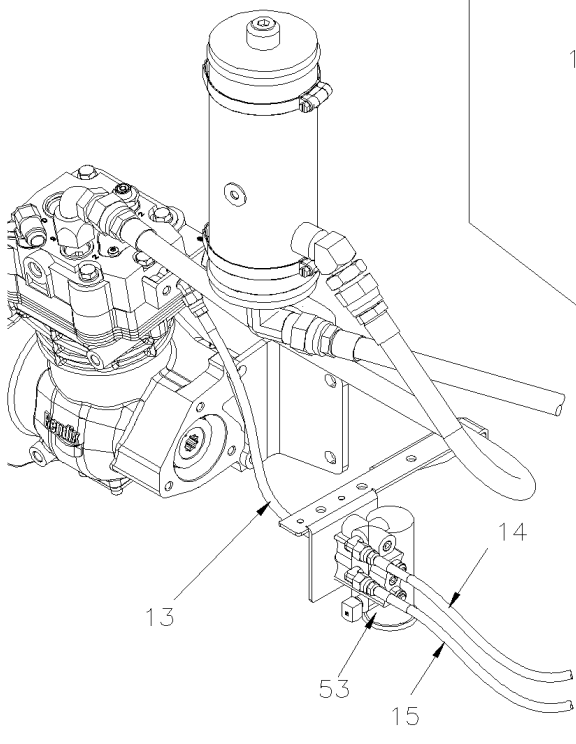
PAGE:X3-1215-12

AIR DRYER TUBE - INSTALLATION

WITH DETROIT S60 / BAGGAGE COMP INSTALLATION

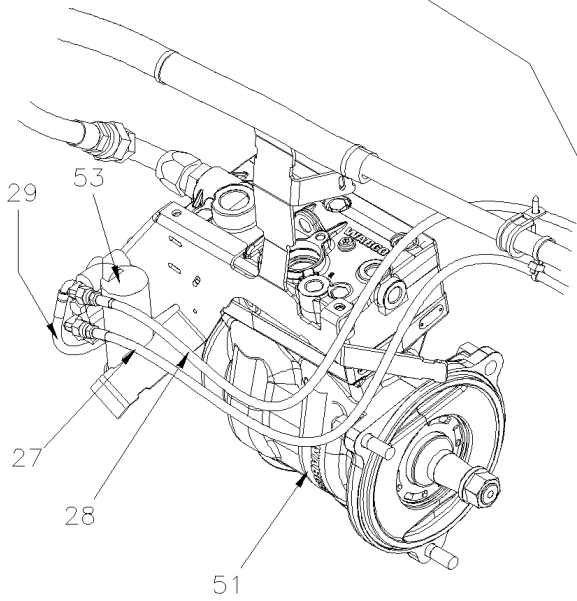
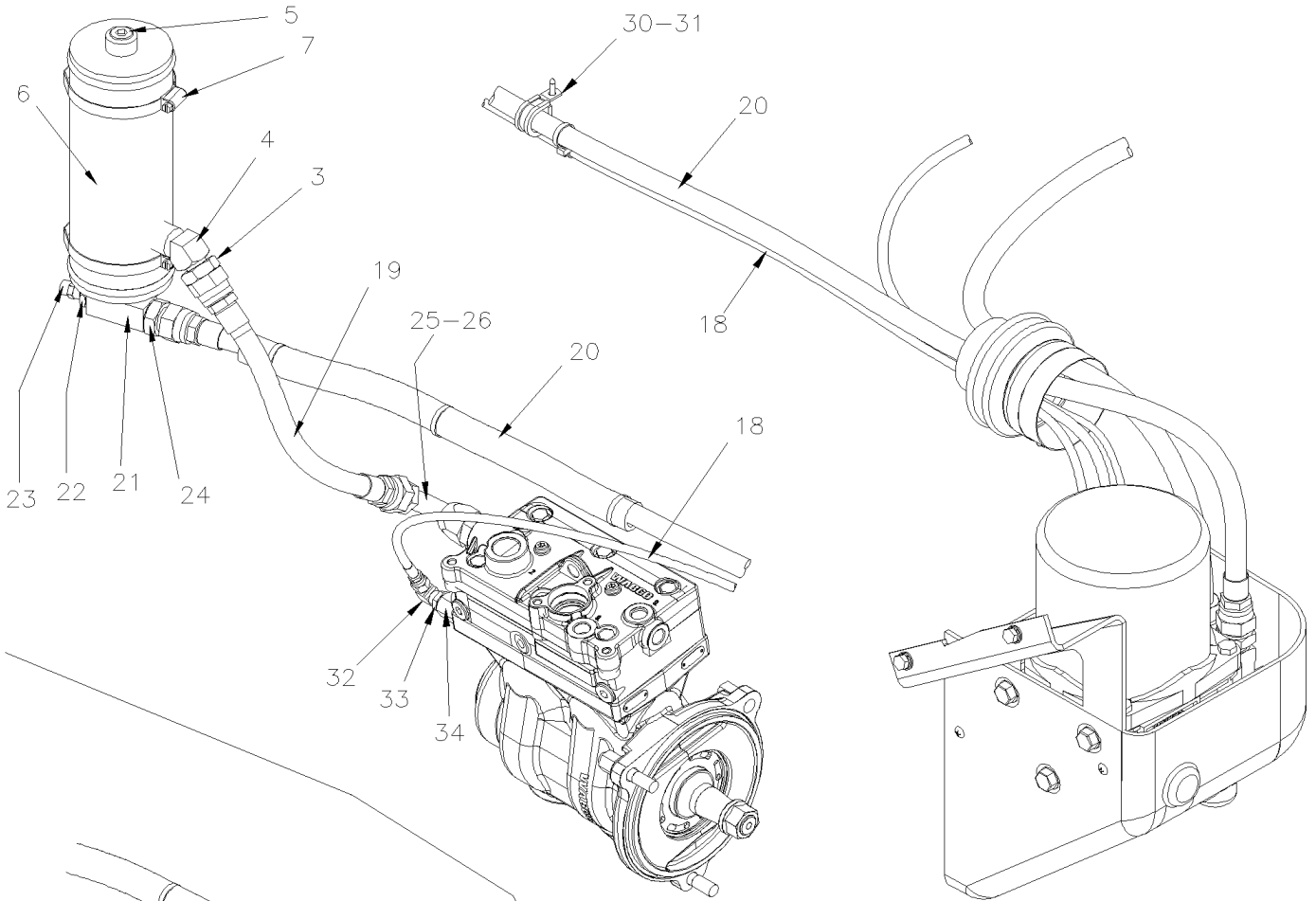


WITH WABCO AIR DRYER



AIR DRYER TUBE - INSTALLATION

WITH VOLVO D13 / BAGGAGE COMP INSTALLATION



WITH WABCO AIR DRYER

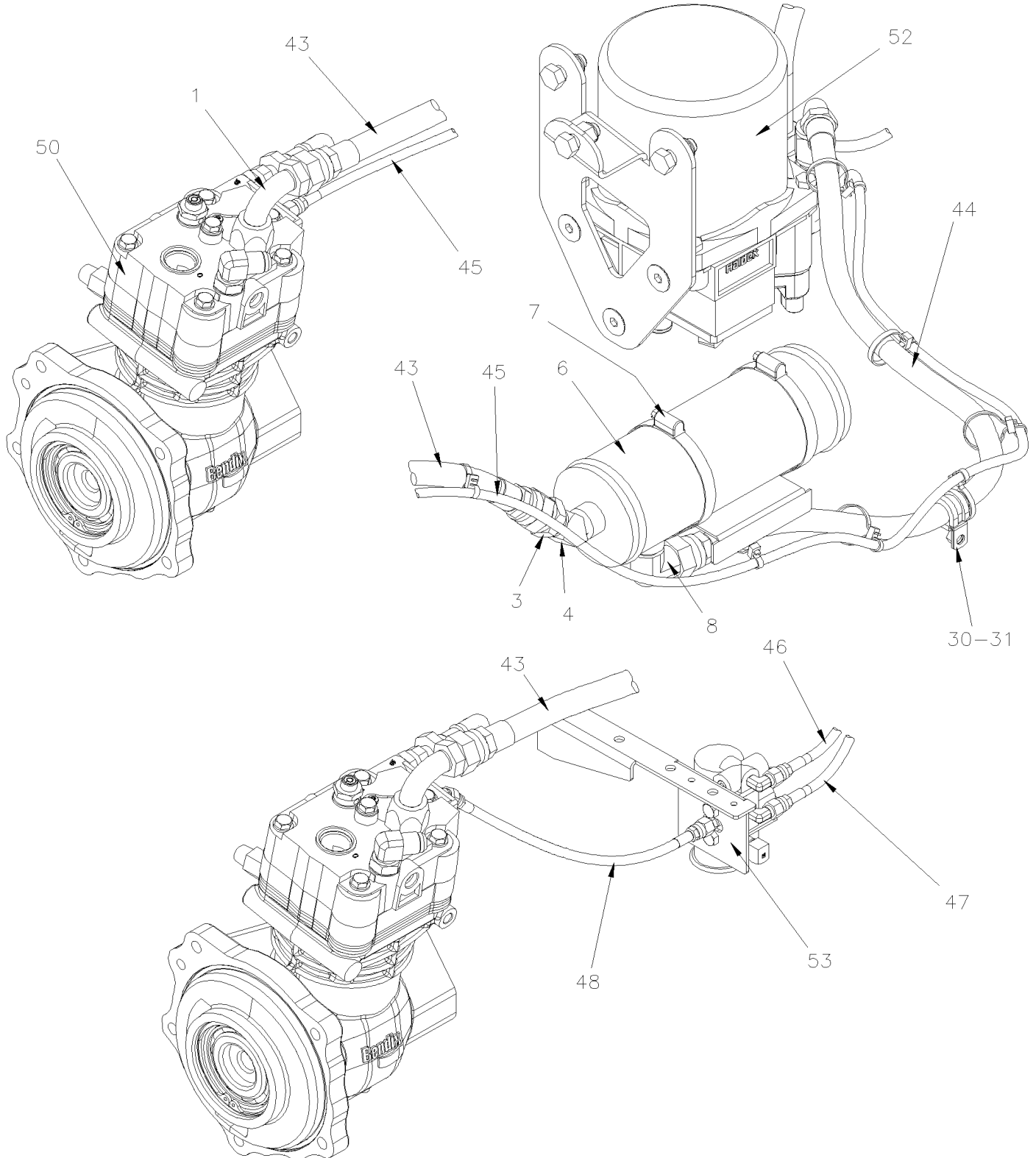
From A-9952 To B-5001

Date:01/2024

PAGE:X3-1215-12

AIR DRYER TUBE - INSTALLATION

WITH DETROIT S60 / SUBFRAME INSTALLATION



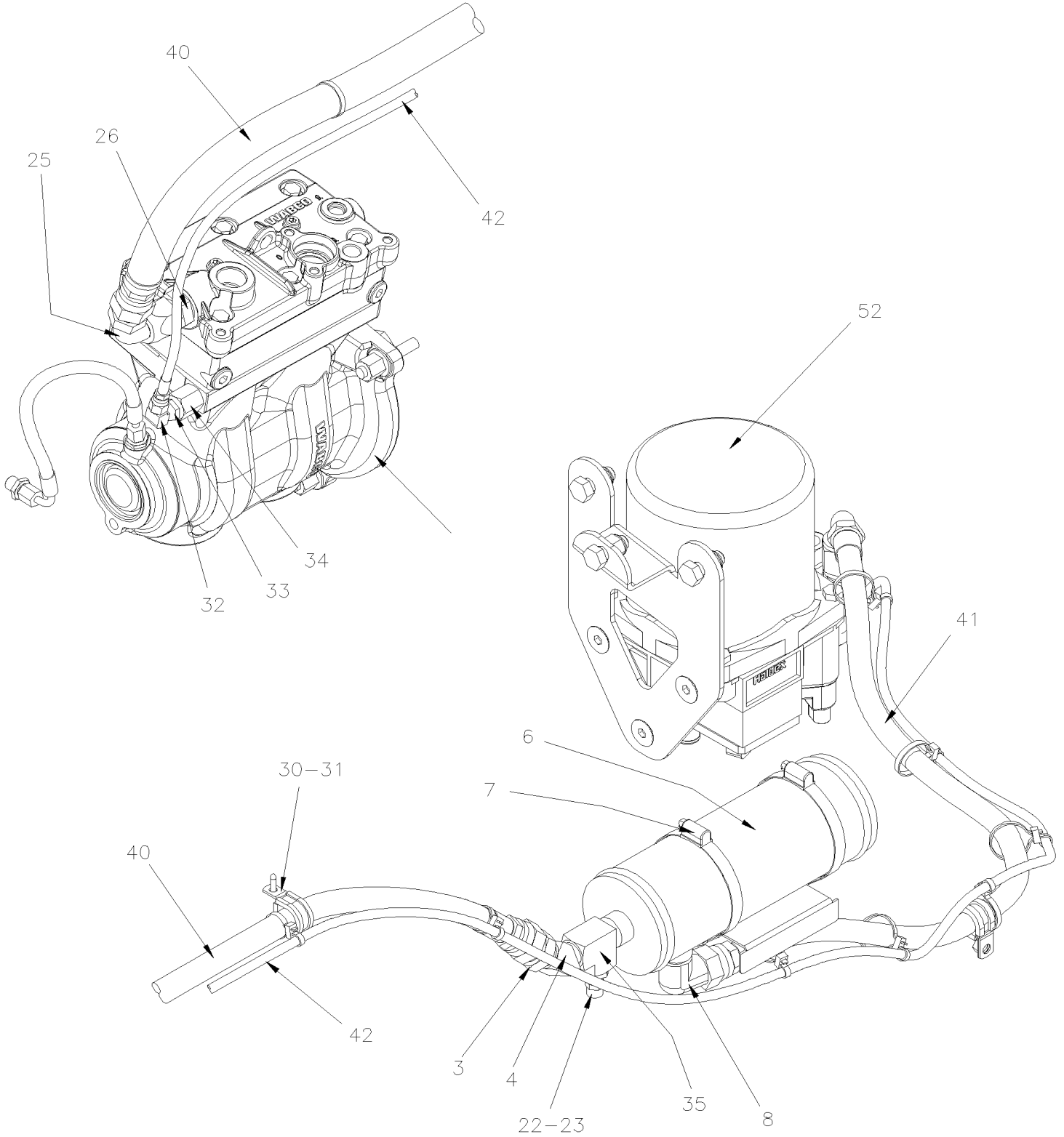
From A-9952 To B-5001

Date:01/2024

PAGE:X3-1215-12

AIR DRYER TUBE - INSTALLATION

WITH VOLVO D13 / SUBFRAME INSTALLATION



From A-9952 To B-5001	Date:01/2024	PAGE:X3-1215-12
-----------------------	--------------	-----------------

AIR DRYER TUBE - INSTALLATION

Item#	Part	Description	QTY	Notes
1	507544	SWIVEL NUT ELBOW 90° SHORT / JIC 37° FITTING/ #12JIC-Fx#12JIC-Mx1.82 STL From 8-9277	1	
2	142277	HOSE ASSY TEFLON #12 970MM	1	B
3	501600	MALE CONNECTOR / JIC 37° FITTING / #12JIC-Mx1/2NPT-M STL	2	
4	501528	STREET ELBOW 45° / PIPE FITTING / 1/2NPT-Mx1/2NPT-F BR	1	
5	501966	PLUG HEXS / PIPE FITTING / 1/2NPT-M STL	1	
6	641982	AIR TANK / 96 IN° / 3 1/2" O.D. X 10"	1	
NS	Call order desk	SUPPORT / AIR TANK	1	P S
7	504235	HOSE CLAMP / 3"9/16"-4"1/2 SS / HS-64	2	
8	5011233	MALE ELBOW 90° / JIC 37° FITTING / #12JIC-Mx1/2NPT-M SS	1	
9	143072	HOSE ASSY TEFLON #12 x 3612MM S-60	1	B H
. NS	5011206	. SLEEVE / #12 STL	2	B H
. NS	5011207	. FEMALE CONNECTOR SWIVEL / JIC 37° FITTING / #12JIC-Fx#12 STL	2	B H
. NS	503376	. HOSE TEFLON #12 / S.L.	AR	B H
. NS	504637	. CABLE TIE / 3/16" x 13"	3	B H
. NS	503749	. FIRESLEEVE / .960 I.D.	AR	B H
9	142511	HOSE ASSY / #12 700MM S-60	1	B W
11	141829	HOSE ASSY TEFLON #4 4200MM	1	B
13	148039	HOSE ASSY TEFLON #4 290MM	1	B W
14	142546	HOSE ASSY TEFLON #4 3250MM	1	B W
15	142560	HOSE ASSY TEFLON #4 3965MM	1	B W
18	144887	HOSE ASSY TEFLON #4 3850MM	1	B
19	144872	HOSE ASSY TEFLON #12 285MM	1	
20	143072	HOSE ASSY TEFLON #12 x 3612MM	1	B
. NS	5011206	. SLEEVE / #12 STL	2	B
. NS	5011207	. FEMALE CONNECTOR SWIVEL / JIC 37° FITTING / #12JIC-Fx#12 STL	2	B
. NS	503376	. HOSE TEFLON #12 / S.L.	AR	B
. NS	504637	. CABLE TIE / 3/16" x 13"	3	B
. NS	503749	. FIRESLEEVE / .960 I.D.	AR	B
21	507556	MALE BRANCHE TEE / PIPE FITTING / 1/2NPT-Fx1/2NPT-Fx1/2NPT-M BR	1	
22	501316	BUSHING REDUCER / PIPE FITTING / 1/2NPT-Mx1/4NPT-F BR	1	
23	642109	SAFETY VALVE 200 PSI x 1/4 NPT / ST-4	1	
24	501600	MALE CONNECTOR / JIC 37° FITTING / #12JIC-Mx1/2NPT-M STL	1	
25	507544	SWIVEL NUT ELBOW 90° SHORT / JIC 37° FITTING/ #12JIC-Fx#12JIC-Mx1.82 STL	1	
26	507647	MALE CONNECTOR W/ED SEAL / JIC 37° FITTING / #12JIC-MxM26-1.5-M STL	1	
27	144887	HOSE ASSY TEFLON #4 3850MM	1	B W
28	144886	HOSE ASSY TEFLON #4 2935MM	1	B W
29	144885	HOSE ASSY TEFLON #4 180MM	1	B W
30	952631	CLAMP / 3/4" I.D.	3	
30	952633	CLAMP / 7/8" I.D.	6	
31	500613	SCREW TP PAN PH #10x1/2 Z050	AR	
32	501873	MALE ELBOW 90° / JIC 37° FITTING / #4JIC-Mx1/4NPT-M STL	1	
33	501314	BUSHING REDUCER / PIPE FITTING / 3/8NTP-Mx1/4NPT-F BR	1	

From A-9952 To B-5001	Date:01/2024	PAGE:X3-1215-12
AIR DRYER TUBE - INSTALLATION		

Item#	Part	Description	QTY	Notes
34	5011205	FEMALE CONNECTOR / PIPE @ METRIC / 3/8NPT-FxM16-1.5-M ZP	1	
. NS	641297	. O-RING 13.1MM I.D. X 2.6 TH	1	
. NS	641298	. WASHER FL 17MM I.D x 22MM O.D. x 1.5MM	1	
35	501473	MALE RUN TEE / PIPE FITTING / 1/2NPT-Mx1/2NPT-Fx1/2NPT-F BR	1	
40	143055	HOSE ASSY TEFLON #12 2030MM	1	S H
41	142894	HOSE ASSY TEFLON #12 1097MM	1	S H
42	143056	HOSE ASSY TEFLON #4 3680MM	1	S H
43	143047	HOSE ASSY TEFLON #12 2503MM	1	S
44	142894	HOSE ASSY TEFLON #12 1097MM	1	S
45	142560	HOSE ASSY TEFLON #4 3965MM	1	S H
46	142546	HOSE ASSY TEFLON #4 3250MM	1	S W
47	144901	HOSE ASSY TEFLON #4 3825MM	1	S W
48	148039	HOSE ASSY TEFLON #4 290MM	1	S W
50	X3-1205-10	AIR COMPRESSOR - "BA921" - WITH DETROIT S-60		
51	Refer To Volvo	AIR COMPRESSOR - "WABCO" 636CC - WITH VOLVO D13		V
52	X3-1215-00	AIR DRYER - "HALDEX"		
53	X3-1215-15	CHECK VALVE INSTALLATION W/"WABCO"		
		B) WITH AIR DRYER INSTALLED IN BAGGAGE COMPARTMENT		
		H) WITH AIR DRIER "HALDEX"		
		S) WITH INSTALLATION ON SUB FRAME		
		W) WITH AIR DRIER "WABCO"		
		P) CALL ORDER DESK FOR SPECIFIC APPLICATION (V.I.N.)		
		V) SEE IMPACT OR CALL ORDER DESK		

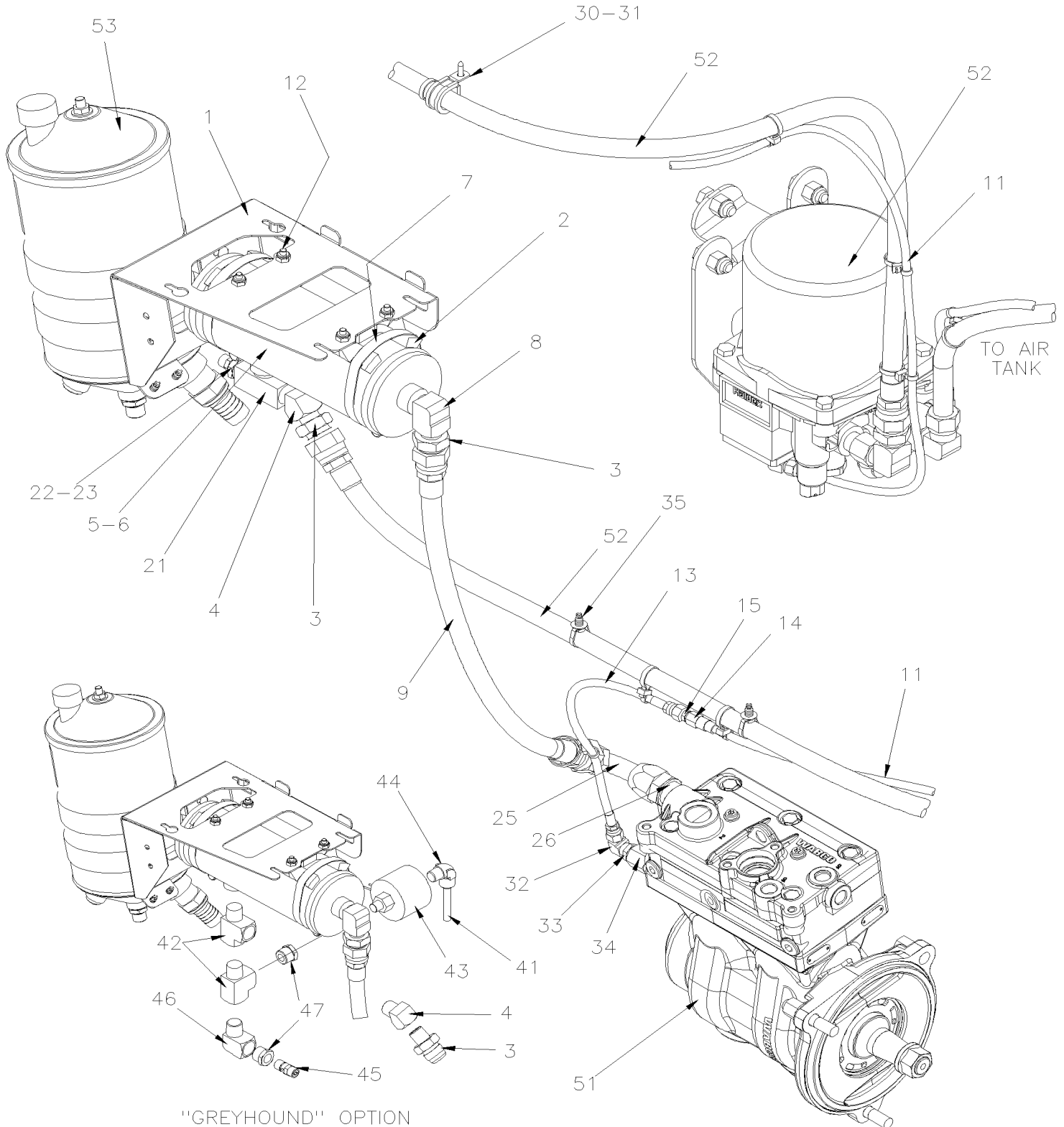
From B-5002

Date:01/2024

PAGE:X3-1215-13

AIR DRYER - INSTALLATION

WITH VOLVO D13 ENGINE EPA 2010



From B-5002		Date:01/2024	PAGE:X3-1215-13
-------------	--	--------------	-----------------

AIR DRYER - INSTALLATION

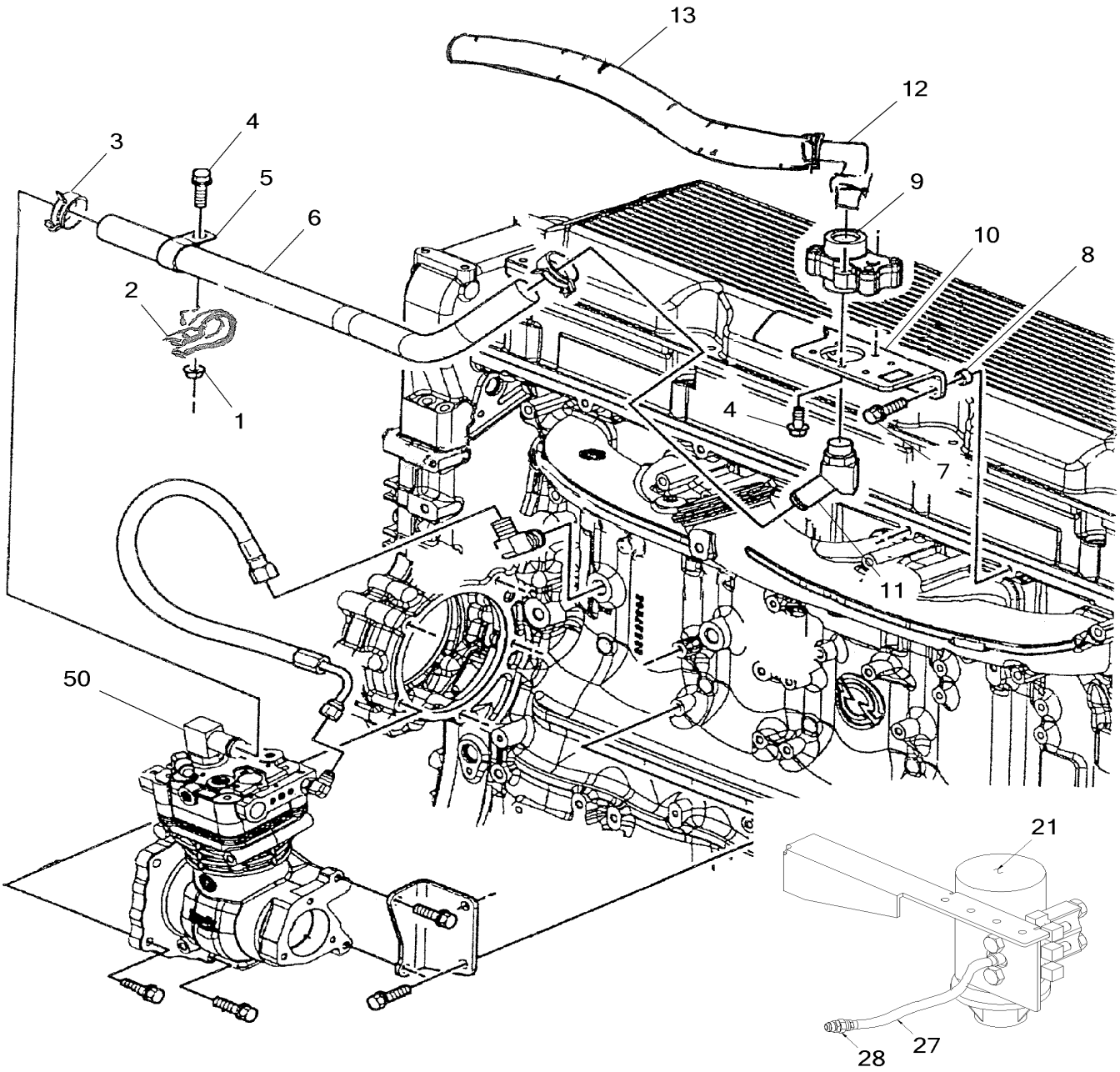
Item#	Part	Description	QTY	Notes
1	161332	SUPPORT / AIR TANK & POWER STEERING RESERVOIR To K-6464	1	
1	160030	SUPPORT / AIR TANK & POWER STEERING RESERVOIR From K-6465	1	
2	161337	SUPPORT / PING AIR TANK	1	
3	501600	MALE CONNECTOR / JIC 37° FITTING / #12JIC-Mx1/2NPT-M STL	2	
NS	680098	THREAD SEALANT LOCTITE #567 / WHITE / 250ml	AR	
4	501528	STREET ELBOW 45° / PIPE FITTING / 1/2NPT-Mx1/2NPT-F BR	1	
5	501966	PLUG HEXS / PIPE FITTING / 1/2NPT-M STL	1	
6	641982	AIR TANK / 96 IN° / 3 1/2" O.D. X 10"	1	
7	504235	HOSE CLAMP / 3"9/16"-4"1/2 SS / HS-64	2	
8	507557	STREET ELBOW 90° / PIPE FITTING / 1/2NPT-Mx1/2NPT-F BR	1	
9	143198	HOSE ASSY TEFLON #12 410MM	1	
11	503464	TUBE, NYLON 1/4 O.D. / GREEN S.L.	AR	
12	500558	SCREW MA TR PH 1/4-20x1 SS	4	
NS	500411	WASHER FL .260x.697x.050 SS	4	
NS	502874	NUT HEX NYRT 1/4-20 N500	4	
13	140657	HOSE ASSY TEFLON #4 364MM To B-5049	1	
13	143248	HOSE ASSY TEFLON #4 152MM From B-5050	1	
14	642080	FEMALE CONNECTOR / PUSH-IN FITTING / #4x1/8NPT-F NP	1	
15	501026	MALE CONNECTOR / SAE 45° FITTING / #4FL-Mx1/8NPT-M BR	1	
21	507556	MALE BRANCHE TEE / PIPE FITTING / 1/2NPT-Fx1/2NPT-Fx1/2NPT-M BR	1	
22	501316	BUSHING REDUCER / PIPE FITTING / 1/2NPT-Mx1/4NPT-F BR	1	
23	642109	SAFETY VALVE 200 PSI x 1/4 NPT / ST-4	1	
25	507544	SWIVEL NUT ELBOW 90° SHORT / JIC 37° FITTING/ #12JIC-Fx#12JIC-Mx1.82 STL	1	
26	507647	MALE CONNECTOR W/ED SEAL / JIC 37° FITTING / #12JIC-MxM26-1.5-M STL	1	
NS	506758	TAPE RUB ADH1 NEO 1/16"X 1 1/2"X50'	1	
NS	504016	CABLE TIE / 5/16" X 14"1/2	AR	
NS	504750	CABLE TIE / 1/2" x 15" / CHRISTMAS TREE	AR	
NS	504751	ROTATIF SPACER DOUBLE / SMALL	AR	
NS	504768	CABLE TIE / 3/16" 14.7" / DOUBLE LOOP HEAD	AR	
NS	509815	TIE MOUNT / ATTACHMENT W/TREE MOUNT	AR	
30	952631	CLAMP / 3/4" I.D.	AR	
30	952633	CLAMP / 7/8" I.D.	AR	
31	500957	SCREW TP BDG PH #10x3/4 N500	AR	
32	501037	MALE ELBOW 90° / SAE 45° FITTING / #4FL-Mx1/4NPT-M BR From B-5050	1	
33	501314	BUSHING REDUCER / PIPE FITTING / 3/8NPT-Mx1/4NPT-F BR	1	
34	5011205	FEMALE CONNECTOR / PIPE @ METRIC / 3/8NPT-FxM16-1.5-M ZP	1	
NS	641297	O-RING 13.1MM I.D. X 2.6 TH	1	
NS	641298	WASHER FL 17MM I.D x 22MM O.D. x 1.5MM	1	
35	509815	TIE MOUNT / ATTACHMENT W/TREE MOUNT To F-5850	2	
35	504013	TIE MOUNT / 1/4" X 1/4" I.D. From F-5851	2	
35	504379	RIVET POP DOME OE 3/16x1/4 SS From F-5851	2	

From B-5002	Date:01/2024	PAGE:X3-1215-13
-------------	--------------	-----------------

AIR DRYER - INSTALLATION

Item#	Part	Description	QTY	Notes
		WITH "GREYHOUND" OPTION From B-5050		
41	503404	TUBE, NYLON 3/8 O.D. / BLACK S.L. From B-5050	AR	GR
42	501473	MALE RUN TEE / PIPE FITTING / 1/2NPT-Mx1/2NPT-Fx1/2NPT-F BR From B-5050	2	GR
43	642155	AUTOMATIC DRAIN VALVE "EXPELLO" From B-5050	1	GR
43	509815	TIE MOUNT / ATTACHMENT W/TREE MOUNT From H-6100	3	GR
43	504637	CABLE TIE / 3/16" x 13" From H-6100	3	GR
44	641375	MALE ELBOW 90° NON-SWIVEL / PUSH-IN FITTING / #6x3/8NPT-M BR From B-5050	1	GR
45	642109	SAFETY VALVE 200 PSI x 1/4 NPT / ST-4 From B-5050	1	GR
46	507557	STREET ELBOW 90° / PIPE FITTING / 1/2NPT-Mx1/2NPT-F BR From B-5050	1	GR
47	501316	BUSHING REDUCER / PIPE FITTING / 1/2NPT-Mx1/4NPT-F BR From B-5050	2	GR
51	Refer To Volvo	AIR COMPRESSOR - "WABCO" 636CC - WITH VOLVO D13		V
52	X3-1215-00	AIR DRYER - "HALDEX"		
52	X3-1215-02	AIR DRYER - "WABCO" To D-5458		
52	X3-1215-03	AIR DRYER - "WABCO" From E-5459		
53	X3-1420-00	POWER STEERING TANK - 4 QT U.S. To K-6464		
53	X3-1420-10	POWER STEERING TANK - ZF From K-6465		
		GR) WITH "GREYHOUND" OPTION		
		V) SEE IMPACT OR CALL ORDER DESK		

CHECK VALVE INSTALLATION W/"WABCO"

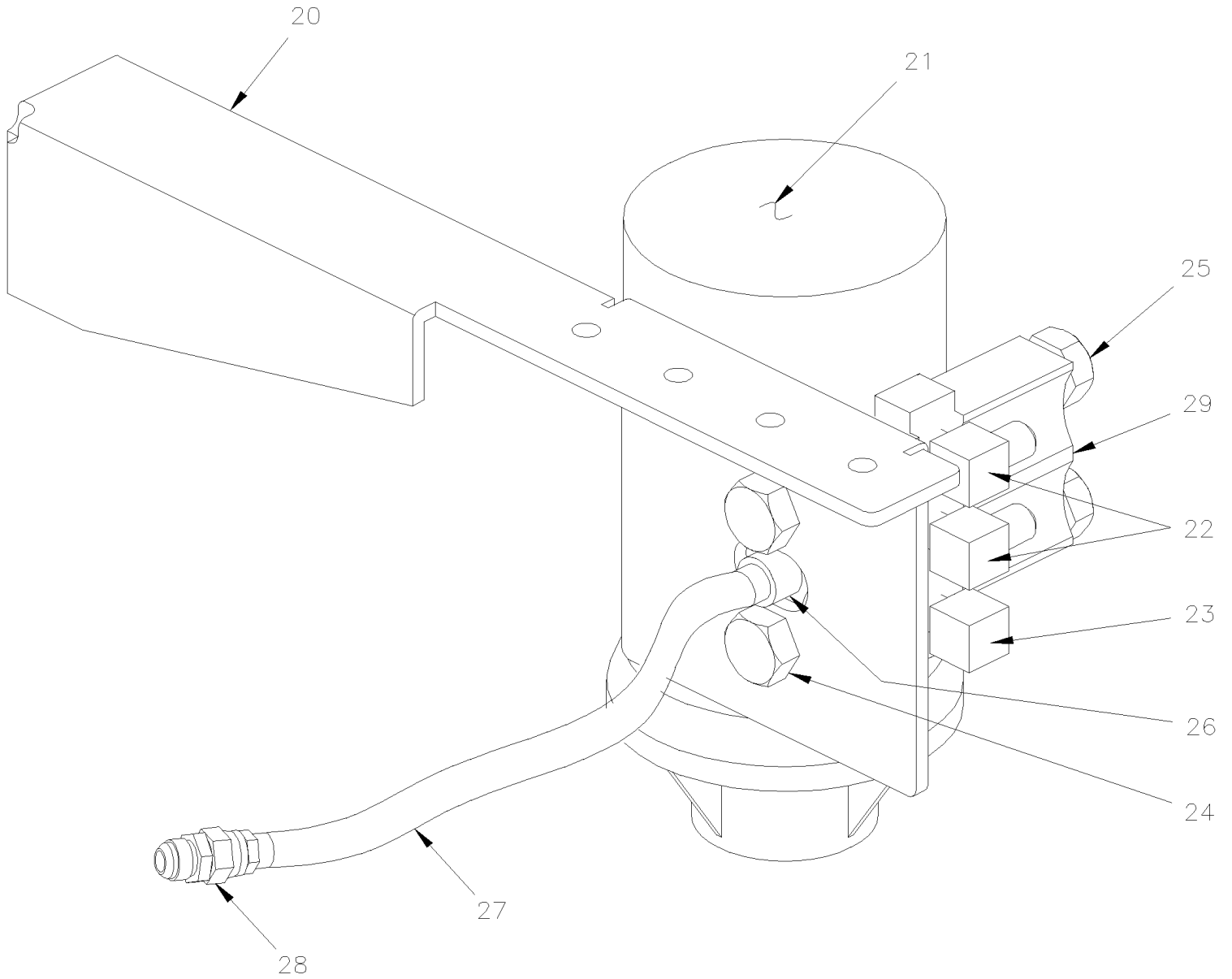


From 7-8754 To B-5001

Date:01/2024

PAGE:X3-1215-15

CHECK VALVE INSTALLATION W/"WABCO"



From 7-8754 To B-5001	Date:01/2024	PAGE:X3-1215-15
CHECK VALVE INSTALLATION W/"WABCO"		

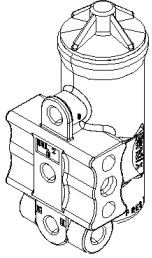
Item#	Part	Description	QTY	Notes
1	507636	NUT HEXF M8-1.25	1	
2	952625	CLAMP / 3/8" I.D.	1	
3	504319	HOSE CLAMP / 1"-1"1/2 SS / E.T. 16	1	
4	507637	SCREW CAP HEXF M8-1.25x20 G10.9 PHC	3	
5	507638	CLAMP 1"1/4 I.D. X .531	1	
6	510870	HOSE 1" I.D. X 29.38"	1	
7	507639	SCREW CAP HEXF M8-1.25x30 G10.9 PHC	2	
8	507640	SPACER 13/32" I.D. X 7/8" O.D. X 1/4"	2	
9	510866	INTAKE CHECK VALVE	1	
10	510867	SUPPORT CHECK VALVE	1	
11	510868	HOSE ADAPTOR 45 DEG M27 X 1"	1	
12	510869	HOSE ADAPTOR 90 DEG M27 X 1"	1	
13	142290	HOSE / (SUCTION AIR COMPRESSOR) / #16 870MM	1	
13	142601	HOSE / (SUCTION AIR COMPRESSOR) / #16 905MM	1	
13	032613	HOSE / (SUCTION AIR COMPRESSOR) / #16 630MM	1	
13	503739	. HOSE (SUCTION) / 1" I.D. X 250' / C.T.L.	AR	
13	505111	. COIL PROTECTOR / PLASTIC / #22 From 8-9457	AR	
20	066059	SUPPORT / AIR GOUVERNOR D-2	1	A
20	012528	SUPPORT / AIR GOUVERNOR D-2 From 8-9457	1	D13
21	641933	GOVERNOR, AIR / D-2 / (110/130PSI)	1	A
. NS	640965	. REPAIR KIT / GOVERNOR D-2	1	A
. NS	640638	. GASKET, AIR GOVERNOR	1	A
. NS	500187	. SCREW CAP HEX 5/16-18x3 G5 Z050	2	A
. NS	500942	. WASHER LO SPT 8.1x14.8x2.0 N500	2	A
22	501036	MALE ELBOW 90° / SAE 45° FITTING / #4FL-Mx1/8NPT-M BR	2	A
23	501331	STREET ELBOW 90° / PIPE FITTING / 1/8NPT-Mx1/8NPT-F BR	1	A
24	502258	SCREW CAP HEX M8-1.25x75 G8.8 FT Z050	2	A
25	966171	NUT HEX NYRT M8x1.25 SS	2	A
26	501026	MALE CONNECTOR / SAE 45° FITTING / #4FL-Mx1/8NPT-M BR	1	A
27	148039	HOSE ASSY TEFLON #4 290MM	1	A
27	143056	HOSE ASSY TEFLON #4 3680MM From A-9872	1	D13
28	501808	MALE ELBOW 45° / SAE 45° FITTING / #4FL-Mx1/8NPT-M BR	1	A B
29	501072	PLUG HEXS / PIPE FITTING / 1/8NPT-M STL	2	A
50	X3-1205-10	AIR COMPRESSOR - "BA921" - WITH DETROIT S-60		
		A) FIXED UNDER ENGINE AIR INLET MANIFOLD		
		B) FIXED AT COMPRESSOR HEAD		
		D13) WITH VOLVO ENGINE		

From 7-8754

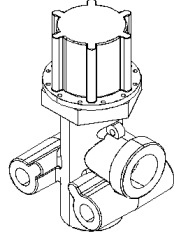
Date:01/2024

PAGE:X3-1220-00

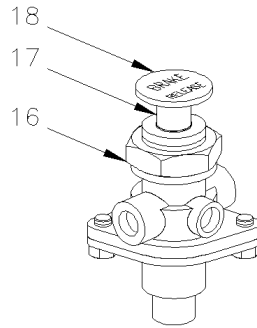
MISCELLANEOUS AIR VALVE



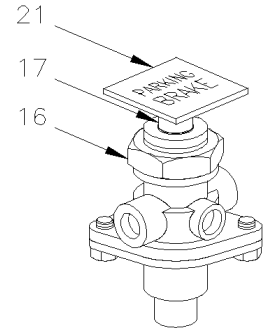
5



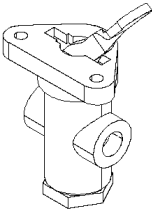
10



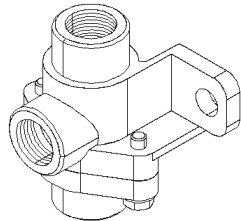
15



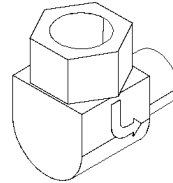
20



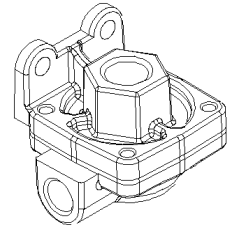
25



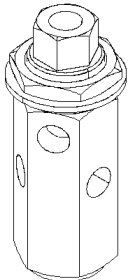
30



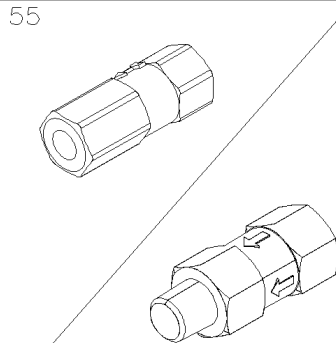
35



40

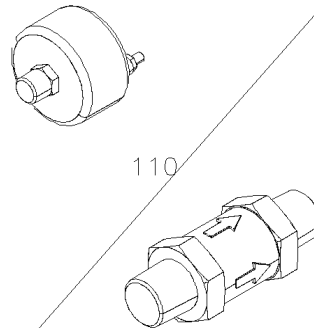


45



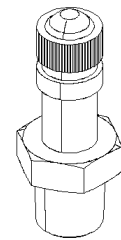
55

50

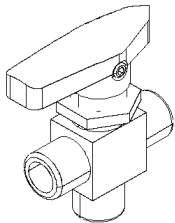


110

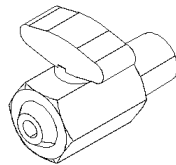
60



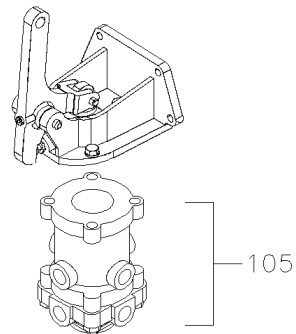
70



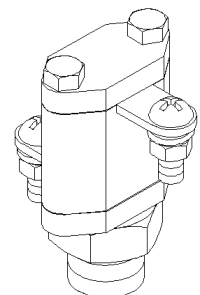
75



90



100



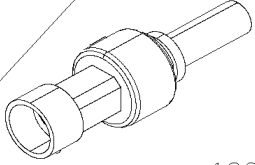
85

From 7-8754

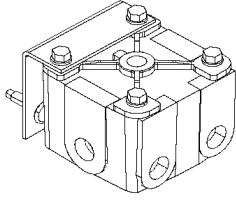
Date:01/2024

PAGE:X3-1220-00

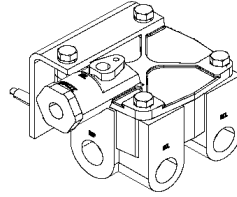
MISCELLANEOUS AIR VALVE



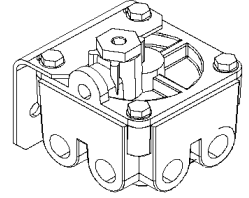
120



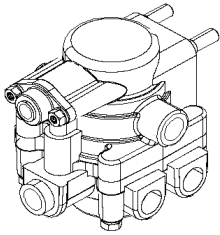
125



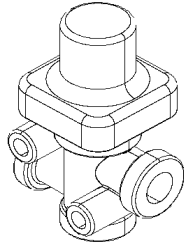
130



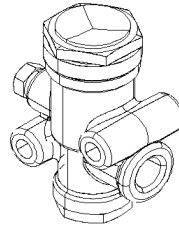
135



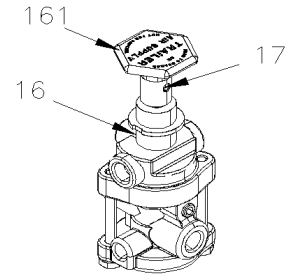
145



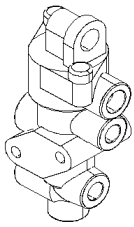
150



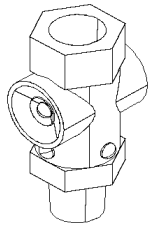
155



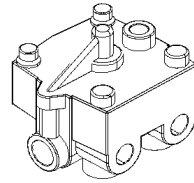
160



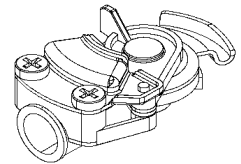
170



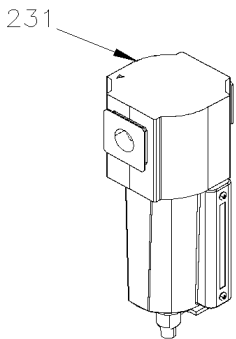
175



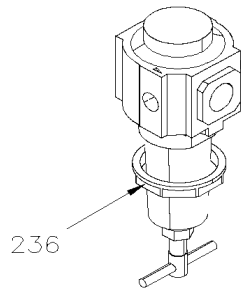
180



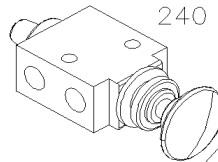
185



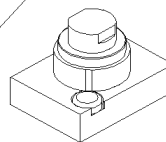
230



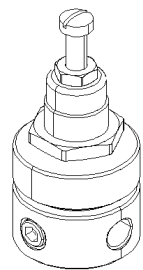
235



240



241



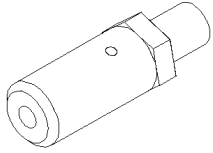
245

From 7-8754

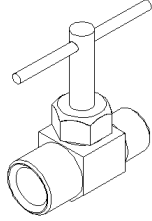
Date:01/2024

PAGE:X3-1220-00

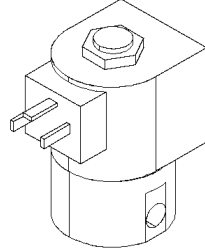
MISCELLANEOUS AIR VALVE



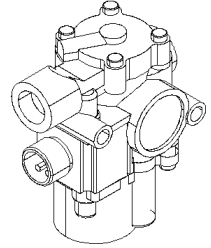
250



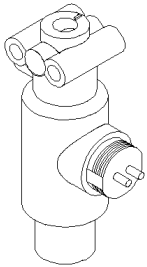
260



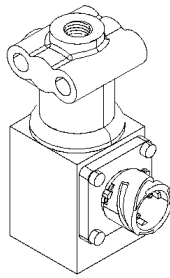
275



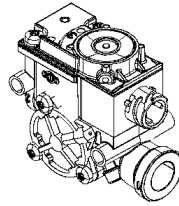
300



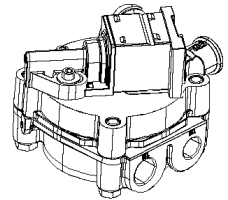
305



310



322



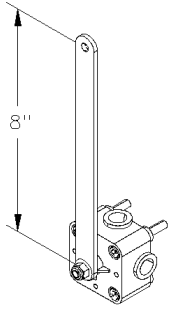
323

From 7-8754

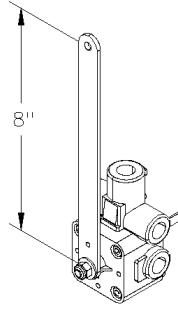
Date:01/2024

PAGE:X3-1220-00

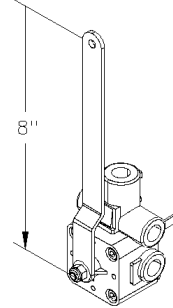
MISCELLANEOUS AIR VALVE



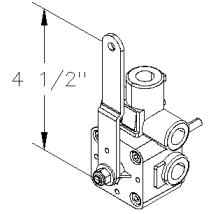
350



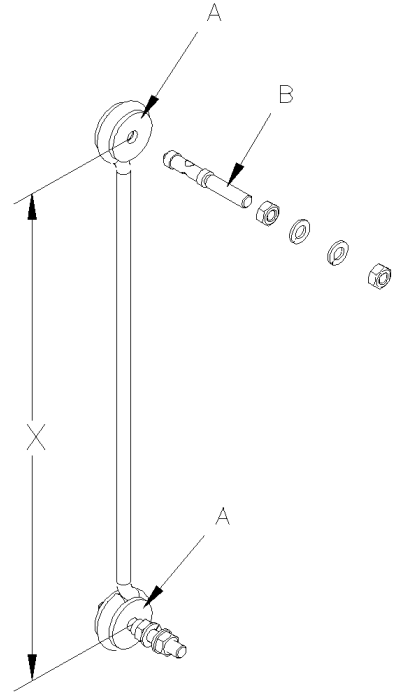
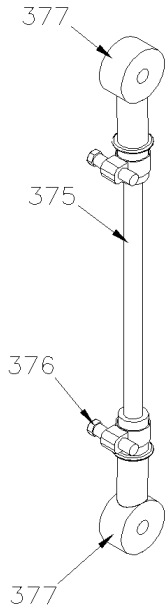
360



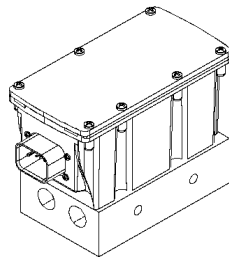
362



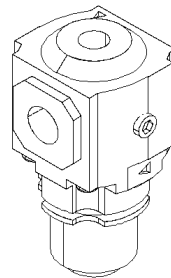
365



385



395



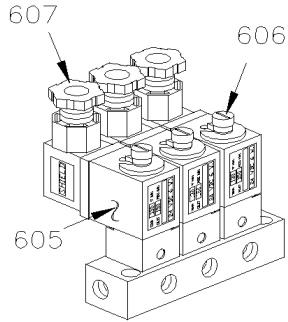
397

From 7-8754

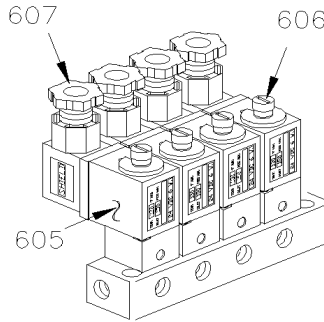
Date:01/2024

PAGE:X3-1220-00

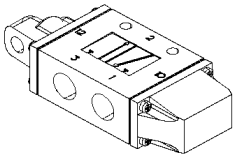
MISCELLANEOUS AIR VALVE



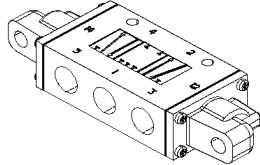
601



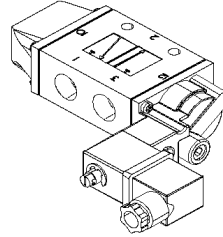
602



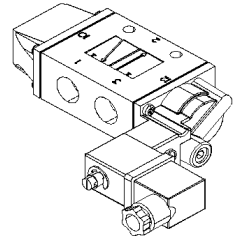
610



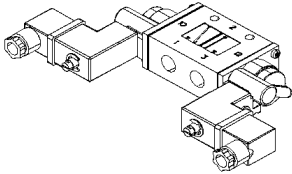
615



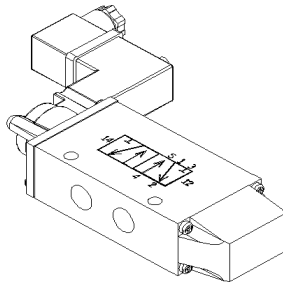
620



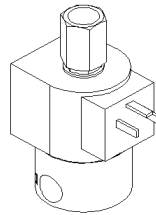
625



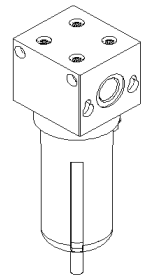
630



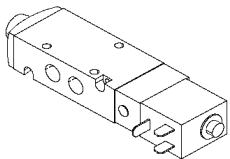
635



640



645



650

From 7-8754		Date:01/2024	PAGE:X3-1220-00
MISCELLANEOUS AIR VALVE			

Item#	Part	Description	QTY	Notes
5	641933	GOVERNOR, AIR / D-2 / (110/130PSI)	1	
. NS	640965	. REPAIR KIT / GOVERNOR D-2	1	
. NS	640638	. GASKET, AIR GOVERNOR	1	
. NS	500187	. SCREW CAP HEX 5/16-18x3 G5 Z050	2	
. NS	500942	. WASHER LO SPT 8.1x14.8x2.0 N500	2	
10	642136	VALVE, PRESSURE REDUCING / RV-3 55 PSI	1	
15	640472	VALVE, CONTROL / RD-3	1	
. NS	641154	. REPAIR KIT / PP-1 & RD-3	1	
16	640297	NUT	1	
17	640286	PIN ROLLER	1	
18	641155	BUTTON, OVERRULE ROUND BLACK	1	
NS	640394	BUTTON, PARKING BRAKE ROUND BLACK / 1"	1	
20	641128	VALVE, CONTROL VALVE PP-1 / 40PSI To D-5452	1	
. NS	641154	. REPAIR KIT / PP-1 & RD-3 To D-5452	1	
20	642169	VALVE, CONTROL VALVE PP-1 / 60PSI From D-5453	1	
. NS	641154	. REPAIR KIT / PP-1 & RD-3 From D-5453	1	
. NS	641149	. BUTTON, PARKING BRAKE DIAMOND YELLOW / 1" From D-5453	1	
21	641149	BUTTON, PARKING BRAKE DIAMOND YELLOW / 1"	1	
25	640136	VALVE, CONTROL TW-1	1	
. NS	641156	. REPAIR KIT / TW-1	1	
30	641564	VALVE, DOUBLE CHECK DC-4	1	
35	641172	VALVE, CHECK ELBOW 90° 1/2 NPT	1	
40	641429	VALVE, QUICK RELEASE QR-1 / 3/8NPTx3/8NPTx3/8NPT	1	
. NS	640924	. REPAIR KIT / QR-1	1	
45	640442	VALVE, INVERSION TR-2 To D-5299	1	
50	640135	VALVE, CHECK 1/4 NPT	1	
55	640123	VALVE, CHECK 1/2 NPT SC-1	1	
. NS	641401	. VALVE, CHECK 1/2 NPT SC-1	1	
55	641401	VALVE, CHECK 1/2 NPT SC-1	1	
60	530175	VALVE, CHECK 1/8 NPT	1	
70	640488	VALVE, AIR FILL 1/8" NPT	1	
. NS	650164	. CAP VALVE / CHROME	1	
75	641417	VALVE, 3 WAYS 1/8NPT-Fx1/8NPT-Fx1/8NPT-F BR	1	
. NS	642014	. HANDLE / RED	1	
75	642161	VALVE, 3 WAYS 1/8NPT-Fx1/8NPT-Fx1/8NPT-F BR / SERVICE	1	
. NS	642014	. HANDLE / RED	1	
85	640975	PRESSURE SWITCH N.C. 66PSI / 1/4NPT LP-3	1	
85	641174	PRESSURE SWITCH N.C. 30PSI / 1/4NPT LP-2	1	
90	641043	DRAIN VALVE 1/4 NPT M	1	
100	641856	BRAKE VALVE ASSY W/BRACKET / MODEL E-10P	1	
. NS	19507993	. BOOT PLUNGER	1	
. NS	19510779	. PLUNGER	1	

From 7-8754	Date:01/2024	PAGE:X3-1220-00
MISCELLANEOUS AIR VALVE		

Item#	Part	Description	QTY	Notes
. NS	2222120	. MOUNTING BRACKET COUPLING D-1	1	
105	641925	. VALVE SUB ASSY / MODEL E-10P	1	
110	641462	PRESSURE SWITCH N.O. 4PSI / 1/4NPT W/10-32 / SL-5 BRAKE	1	
120	642075	TRANSDUCER PRESSURE	1	
. NS	563159	. CONNECTOR / METRI-PACK 150 / SH 3C / PED 12065287	1	
125	641088	VALVE, RELAY R-12 HORIZONTAL PORT	1	
125	642068	VALVE, RELAY R-12 HORIZONTAL PORT / W/OUT SUPPORT	1	
130	641120	VALVE, RELAY R-14 HORIZONTAL PORT 4psi Crack	1	
. NS	10508267	. KIT, REPAIR	1	
135	641991	VALVE, RELAY R-14 "WABCO"	1	
145	643384	VALVE / SPRING BRAKE SR-7	1	
. NS	642119	. VALVE / SPRING BRAKE SR-7	1	
150	641137	VALVE, PRESSURE PROTECTION TYPE PR-4 70PSI	1	
155	640471	VALVE, INVERSION TR-3 25-40LBS	1	
155	21243502	VALVE PRESSURE REDUCER RV-3 / K028993	1	
160	641397	TRAILER SUPPLY VALVE PP-7	1	
161	641935	BUTTON RED / FOR TRAILER VALVE PP-7	1	
170	641495	TRACTOR PROTECTION VALVE TP-3 DC	1	
175	642088	VALVE, QUICK RELEASE QR-L / IN LINE	1	
180	641399	VALVE, RELAY R-12 P SUPPERSEEDDED 642097	1	
185	641939	GLANDHAND W/DUST COVER "BLUE"	1	
185	641938	GLANDHAND W/DUST COVER "RED"	1	
230	641338	AIR FILTER ASSY	1	
231	641339	SUPPORT / AIR FILTER	1	
235	641352	AIR PRESSURE REGULATOR 1/2" NPT	1	
236	641506	NUT RING / AIR REGULATOR RETAINING	1	
NS	142025	SUPPORT / AIR REGULATOR	1	A
240	641445	VALVE, 3 WAYS, 2 POSITIONS MECHANICAL To D-5458	1	
. NS	641992	. KNOB To D-5458	1	
241	642173	VALVE, 3 WAYS, 2 POSITIONS MECHANICAL From E-5459	1	
245	641472	AIR PRESSURE REGULATOR 1/4" NPT / COPPER	1	
250	642022	SAFETY VALVE 150 PSI X 3/8 NPT / ST-3	1	
260	501354	NEEDLE VALVE 1/8 NPT M x 1/8 NPT F	1	
275	562804	VALVE, 2 WAYS N.C.	1	
. NS	562848	. CONNECTOR / SOCKET HOUSING ASSY 3C / PNEUMAC 54933-05	1	
300	641951	VALVE, "ABS" 12VOLT	1	
305	641460	VALVE, "ATC" 24VOLT	1	
305	641950	VALVE, "ATC" 12VOLT	1	
310	642079	VALVE, "ATC" 12VOLT	1	
322	642077	VALVE, "ABS" 12VOLT / M-32QR To G-6051	1	B
322	640228	VALVE, "ABS" 12VOLT / M-40QR From G-6052	1	
350	630156	VALVE, HEIGHT CONTROL "BARKSDALE" 8"	1	

From 7-8754		Date:01/2024	PAGE:X3-1220-00
MISCELLANEOUS AIR VALVE			

Item#	Part	Description	QTY	Notes
360	630261	VALVE, HEIGHT CONTROL "BARKSDALE" / FRONT / W/DRAIN 8"	1	
362	630247	VALVE, HEIGHT CONTROL "BARKSDALE" / REAR / W/DRAIN 8"	1	
365	630266	VALVE, HEIGHT CONTROL "BARKSDALE" / FRONT / W/DRAIN 4½"	1	
375	131351	ROD LINK / 140MM	1	
375	131308	ROD LINK / 305MM x .250"	1	
376	504014	. HOSE CLAMP / 1/4"-5/8" SS / HM-4	AR	
377	630133	. ROD END / BLACK RUBBER 1/4" I.D.		
385	630231	LINK ASSY 185MM C/C 7 1/4"	1	
. A	N8889244	. GROMMET / LINK	2	
. B	630250	. STUD RETAINER 1/4-20 X 1"	2	
. C	500247	. NUT HEX 1/4-20 N500	4	
. D	500473	. WASHER LO SPT .262x.489x.062 Z050	4	
385	630232	LINK ASSY 265MM C/C 10 1/2"	1	
. A	N8889244	. GROMMET / LINK	2	
. B	630250	. STUD RETAINER 1/4-20 X 1"	2	
. NS	500479	. WASHER LO INT .448x.789x.040 Z050	4	
. NS	500473	. WASHER LO SPT .262x.489x.062 Z050	4	
385	630263	LINK ASSY 317MM C/C 11 1/2"	1	
. A	N8889244	. GROMMET / LINK	2	
. B	630250	. STUD RETAINER 1/4-20 X 1"	2	
. NS	500769	. NUT HEX 1/4-20 Z050	4	
. NS	500473	. WASHER LO SPT .262x.489x.062 Z050	4	
395	630262	VALVE, TAG CONTROL "BARKSDALE" / MASTER	1	
. NS	563463	. CONNECTOR / AMPSEAL SERIES / SH 14C / WHITE / AMP 776273-2	1	
. NS	131829	. COVER PROTECTOR / CONNECTOR	1	
. NS	131830	. SUPPORT PROTECTOR / COVER	1	
395	630265	VALVE, TAG CONTROL "BARKSDALE" / SLAVE	1	
. NS	563463	. CONNECTOR / AMPSEAL SERIES / SH 14C / WHITE / AMP 776273-2	1	
. NS	131829	. COVER PROTECTOR / CONNECTOR	1	
. NS	131830	. SUPPORT PROTECTOR / COVER	1	
397	630269	VALVE DISCHARGE V72G W/3/8	1	
601	641180	MANIFOLD VALVE / W/3 SOLENOID	1	
. NS	641928	. KIT, MANIFOLD REPAIR / N.C.	3	
. NS	641107	. COIL 24V	1	
602	641906	MANIFOLD VALVE / W/4 SOLENOID	1	
. NS	641927	. KIT, MANIFOLD REPAIR / N.O.	1	
. NS	641928	. KIT, MANIFOLD REPAIR / N.C.	3	
. NS	641107	. COIL 24V	1	
. NS	642213	. MALE ELBOW 90° SWIVEL / PUSH-IN FITTING / #2x10-32 NP	1	
. NS	990143	. MALE CONNECTOR / PUSH-IN FITTING / W/O-RING / #2x#10-32-M BR	1	
. NS	641385	. CONNECTOR / SOCKET HOUSING ASSY 3C / PNEUMAC 54934-01	1	
. NS	641455	. REDUCER STEM / PUSH-IN FITTING / #2x#4 PLAS	1	

From 7-8754	Date:01/2024	PAGE:X3-1220-00
MISCELLANEOUS AIR VALVE		

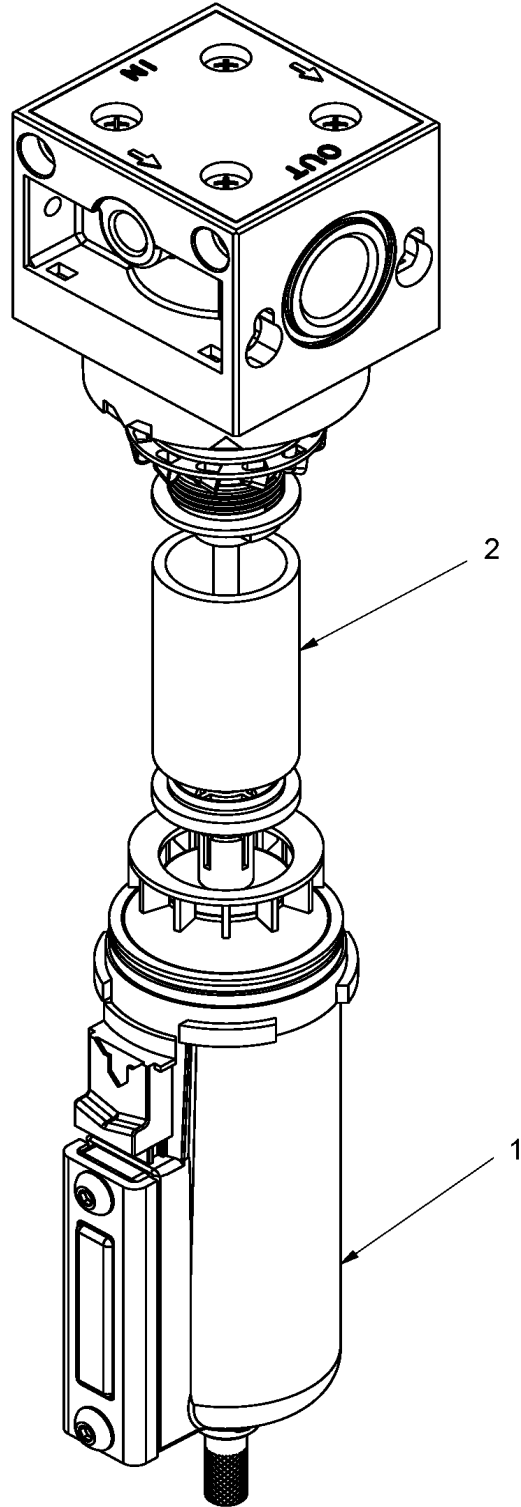
Item#	Part	Description	QTY	Notes
605	641107	. COIL 24V	AR	
606	641353	. PLUNGER REPAIR KIT / MANIFOLD VALVE (1)	AR	
607	641385	. CONNECTOR / SOCKET HOUSING ASSY 3C / PNEUMAC 54934-01	AR	
610	641274	VALVE, 3 WAYS, 2 POSITIONS N.C.	1	
615	641531	VALVE, 5 WAYS, 3 POSITIONS	1	
. NS	641186	. SPOOL	1	
620	641937	VALVE, 3 WAYS, 2 POSITIONS N.C. / W/MAN OVERRIDE	1	
. NS	641929	. COIL 24V	1	
. NS	641385	. CONNECTOR / SOCKET HOUSING ASSY 3C / PNEUMAC 54934-01	1	
625	641528	VALVE, 3 WAYS, 2 POSITIONS N.O.	1	
. NS	641929	. COIL 24V	1	
. NS	641169	. SPOOL	1	
. NS	641385	. CONNECTOR / SOCKET HOUSING ASSY 3C / PNEUMAC 54934-01	1	
630	641530	VALVE, 3 WAYS, 2 POSITIONS / 2 SOLENOIDS	1	
. NS	641929	. COIL 24V	1	
. NS	641169	. SPOOL	1	
. NS	641385	. CONNECTOR / SOCKET HOUSING ASSY 3C / PNEUMAC 54934-01	1	
635	641527	VALVE, 4 WAYS, 2 POSITIONS	1	
. NS	641929	. COIL 24V	1	
. NS	641186	. SPOOL	1	
. NS	641385	. CONNECTOR / SOCKET HOUSING ASSY 3C / PNEUMAC 54934-01	1	
640	642191	VALVE, 3 WAYS, 2 POSITIONS N.C. To G-6078	1	
. NS	195765	. SOLENOIDE 24 VOLTS To G-6078	1	
640	642227	VALVE, 3 WAYS, 2 POSITIONS N.C. From G-6079	1	
. NS	195765	. SOLENOIDE 24 VOLTS From G-6079	1	
645	642192	AIR FILTER	1	
650	642023	VALVE, 5 WAYS, 2 POSITIONS 24V / MODEL V19	1	
. NS	641385	. CONNECTOR / SOCKET HOUSING ASSY 3C / PNEUMAC 54934-01	1	
		A) LOCATED IN SPARE COMPARTMENT NEAR DRIVE'RS FLOOR		
		B) WHEN YOU REPLACE THE VALVE #642077 BY THE VALVE #640228 YOU HAVE REPLACE BOTH SIDE LEFT AND RIGHT		

From 7-8754

Date:01/2024

PAGE:642192

AIR FILTER



From 7-8754	Date:01/2024	PAGE:642192
--------------------	---------------------	--------------------

AIR FILTER

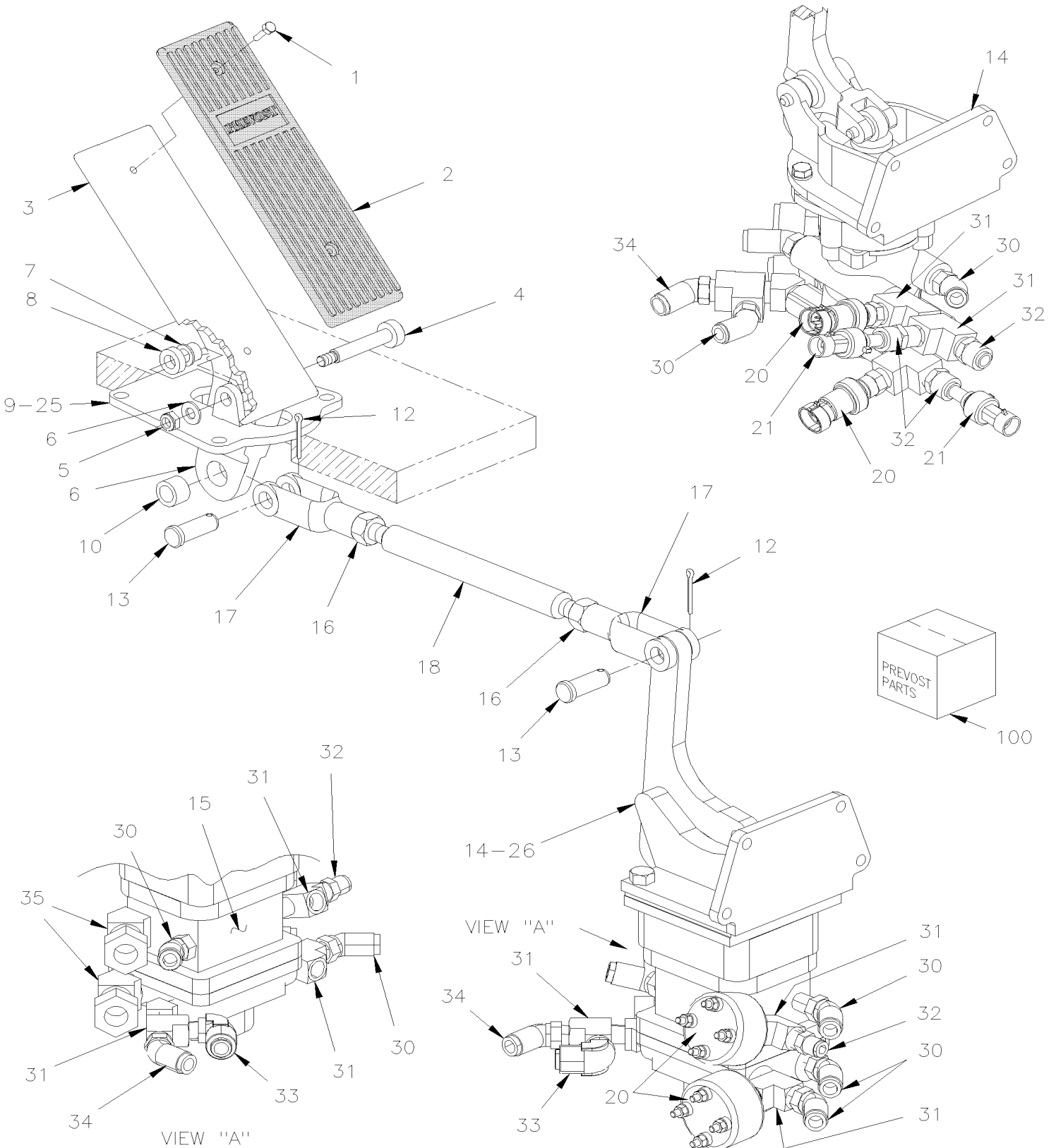
Item#	Part	Description	QTY	Notes
1	642219	METAL BOWL MANUAL DRAIN	1	
2	642220	FILTER ELEMENT	1	
NS	642221	SERVICE KIT AIR FILTER	1	A
. NS	N.S.S.	. FILTER SIDE PLATE	2	1 A
. NS	N.S.S.	. SCREW CAP BUT	2	1 A
. NS	N.S.S.	. PLUG	1	1 A
. NS	N.S.S.	. O-RING	1	1 A
. NS	N.S.S.	. GREASE PACKET	1	1 A
		A) CONTAIN SIDE COVER 2X / SCREW X2 / PLUG 1X / O-RING 1X / GREASE PACKAGE 1X		
		1) NOT SOLD SEPARATELY		

From 7-8754 To F-5761

Date:01/2024

PAGE:X3-1220-10

BRAKE PEDAL VALVE - "BENDIX" E-10P



From 7-8754 To F-5761	Date:01/2024	PAGE:X3-1220-10
BRAKE PEDAL VALVE - "BENDIX" E-10P		

Item#	Part	Description	QTY	Notes
	141206	PEDAL ASSY	1	
1	500416	. SCREW MA PAN PH #10-32x1/2 BK	2	
2	141212	. THREADLE COVER / W/STEEL BACKING To 9-9610	1	
2	142842	. THREADLE COVER / W/STEEL BACKING From 9-9611	1	
3	141207	. PEDAL BRAKE	1	
4	502575	. SCREW SHR HEXS 10x50 {M8-1.25	1	
5	500868	. NUT HEX NYRT M8-1.25 Z050	1	
6	500874	. WASHER FL 8.4x17.0x1.6 Z050	1	
7	507297	. FLANGE BUSHING	2	
8	141211	. SPACER	1	
9	141996	. SUPPORT ASSY / TO FIX BRAKE PEDAL	1	
10	507307	. BUSHING OIL 1/2 I.D. X 3/4 O.D. X 1/2	1	
12	502102	PIN, COTTER 1/8 x 1	1	
13	502035	PIN, CLEVIS 1/2 x 1 3/8 Z050	1	
14	641856	BRAKE VALVE ASSY W/BACKET / MODEL E-10P	1	
. NS	19507993	. BOOT PLUNGER	1	
. NS	19510779	. PLUNGER	1	
. NS	2222120	. MOUNTING BRACKET COUPLING D-1	1	
15	641925	. VALVE SUB ASSY / MODEL E-10P	1	
16	500716	NUT HEX 1/2-20 Z050 To 9-9579	2	
16	500716	NUT HEX 1/2-20 Z050 From 9-9580	1	
17	020317	YOKE 1/2-20x1 15/16 C/Lx9/16Wx1/2 To 9-9579	2	
17	142830	YOKE 1/2-20x1 15/16 C/Lx9/16Wx1/2 From 9-9580	1	
17	142831	YOKE L.H. 1/2-20x1 15/16 C/Lx9/16Wx1/2 From 9-9580	1	
18	141178	SHAFT THREADED W/R.H. THREAD 260MM To 9-9579	1	
18	142829	SHAFT THREADED W/R.H. & L.H. THREAD 260MM From 9-9580 To C-5242	1	
18	142849	SHAFT THREADED W/R.H. & L.H. THREAD 275MM From C-5243	1	
20	641462	PRESSURE SWITCH N.O. 4PSI / 1/4NPT W/10-32 / SL-5 BRAKE To 8-9276	2	
20	642072	PRESSURE SWITCH N.C. 2-6 PSI / 1/4" TUBE From 8-9277	2	
. NS	563677	. CONNECTOR / METRI-PACK 150 / SH 4C / PED 12065402 From 8-9277	1	
21	642075	TRANSDUCER PRESSURE From 8-9282	1	
. NS	563159	. CONNECTOR / METRI-PACK 150 / SH 3C / PED 12065287 From 8-9282	1	
25	5001814	SCREW CAP HEX 5/16-18X1 1/2 G5 N500	4	
25	500942	WASHER LO SPT 8.1x14.8x2.0 N500	4	
26	5001738	SCREW CAP HEX M8-1.25x30 G8.8 N500	4	
26	502692	NUT HEXF STO M8-1.25 Z050	4	
30	641367	MALE ELBOW 45° NON-SWIVEL / PUSH-IN FITTING / #6x3/8NPT-M BR	AR	
31	501699	MALE RUN TEE / PIPE FITTING / 3/8NPT-Mx3/8NPT-Fx3/8NPT-F BR	AR	
32	641330	MALE CONNECTOR / PUSH-IN FITTING / #6x3/8NPT-M BR	AR	
33	641375	MALE ELBOW 90° NON-SWIVEL / PUSH-IN FITTING / #6x3/8NPT-M BR	AR	
34	641368	MALE ELBOW 45° NON-SWIVEL / PUSH-IN FITTING / #8x3/8NPT-M BR	AR	
35	641602	MALE CONNECTOR / PUSH-IN FITTING / #10x3/8NPT-M BR	AR	

From 7-8754 To F-5761	Date:01/2024	PAGE:X3-1220-10
-----------------------	--------------	-----------------

BRAKE PEDAL VALVE - "BENDIX" E-10P

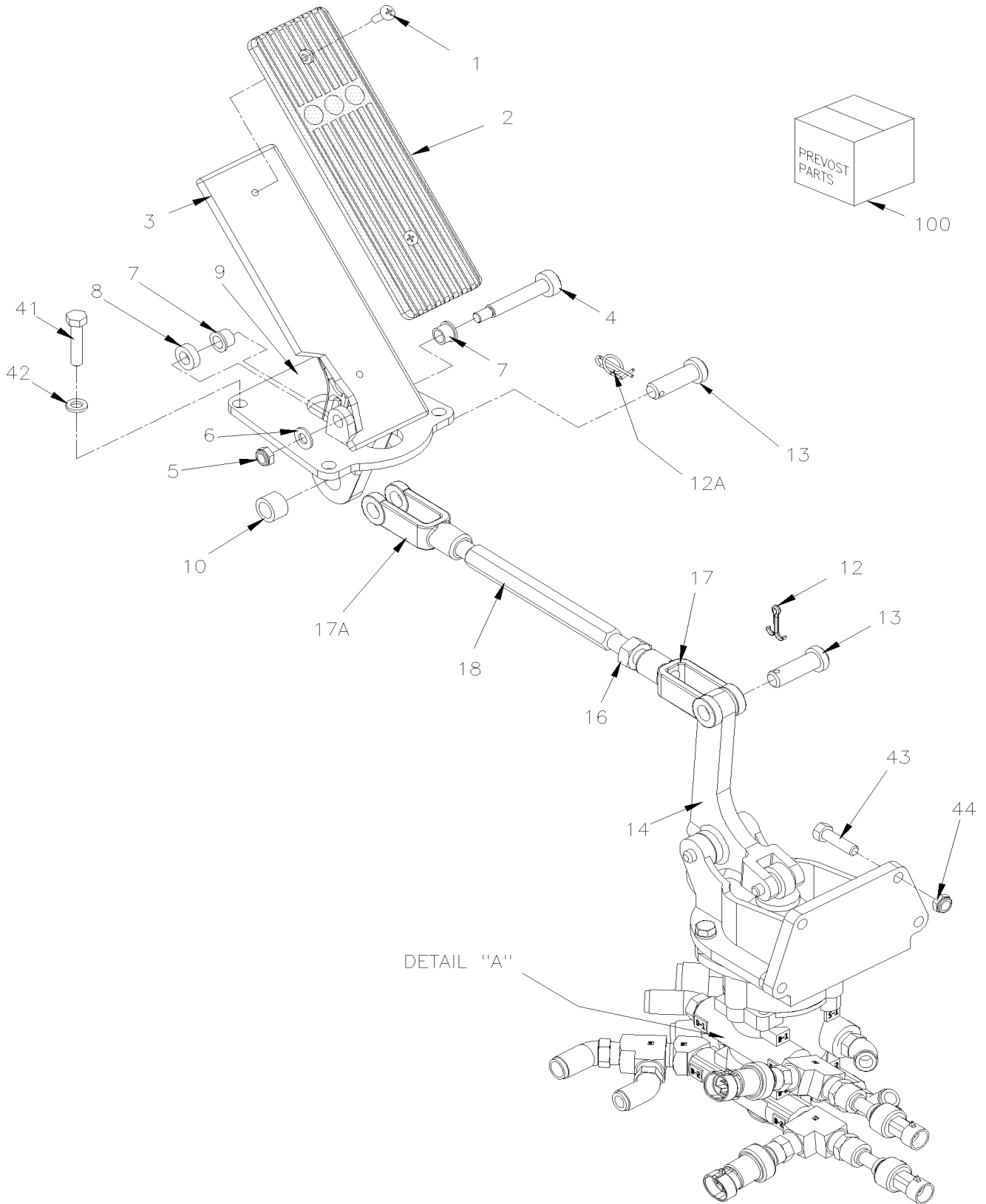
Item#	Part	Description	QTY	Notes
36	501330	STREET ELBOW 45° / PIPE FITTING / 3/8NPT-Mx3/8NPT-F BR	AR	
37	501305	PLUG SQUARE HEAD / PIPE FITTING / 3/8NPT-M BR To A-9968	1	
37	501449	PLUG HEXS / PIPE FITTING / 3/8NPT-M STL From A-9969	1	
100	640949	KIT, REPAIR / BRAKE VALVE E-10	1	

From F-5762 To F-5850

Date:01/2024

PAGE:X3-1220-11

BRAKE PEDAL VALVE - "BENDIX" E-10P



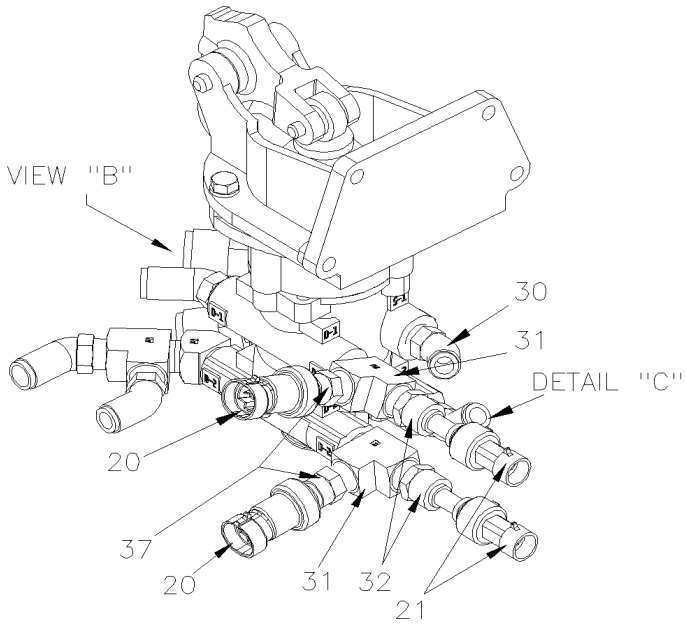
From F-5762 To F-5850

Date:01/2024

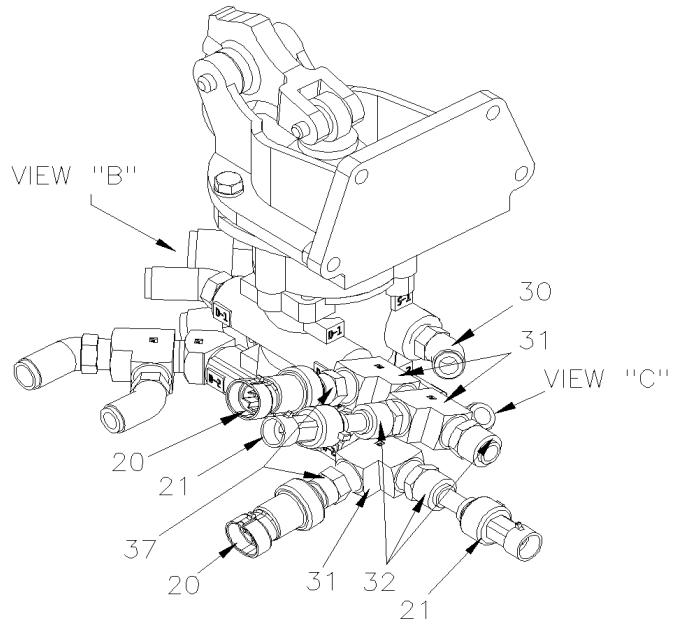
PAGE:X3-1220-11

BRAKE PEDAL VALVE - "BENDIX" E-10P

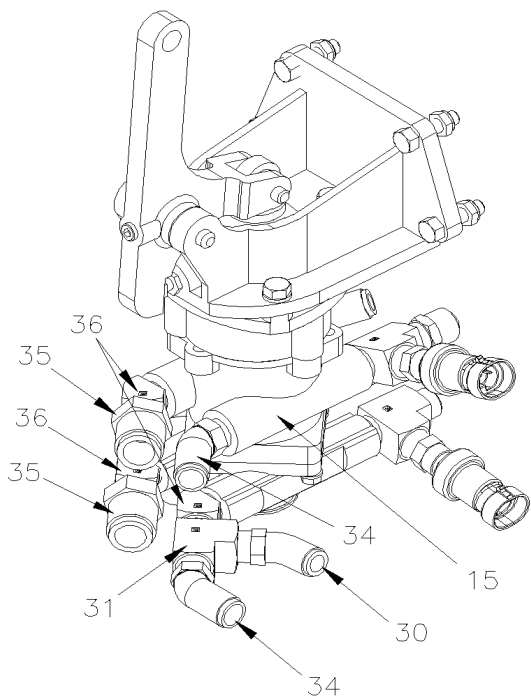
DETAIL "A"
WITHOUT RETARDER



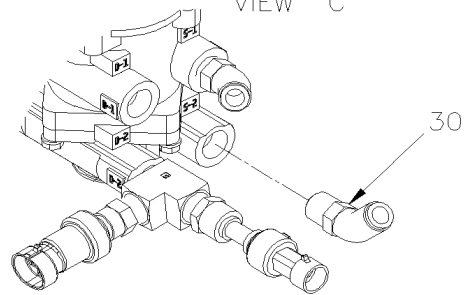
DETAIL "A"
WITH RETARDER



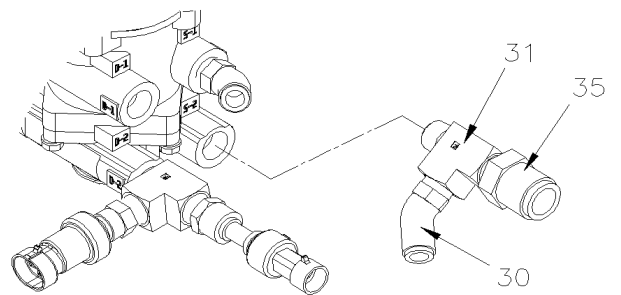
VIEW "B"



VIEW "C"



WITHOUT TRAILER
AIR BRAKE



WITH TRAILER
AIR BRAKE

From F-5762 To F-5850	Date:01/2024	PAGE:X3-1220-11
BRAKE PEDAL VALVE - "BENDIX" E-10P		

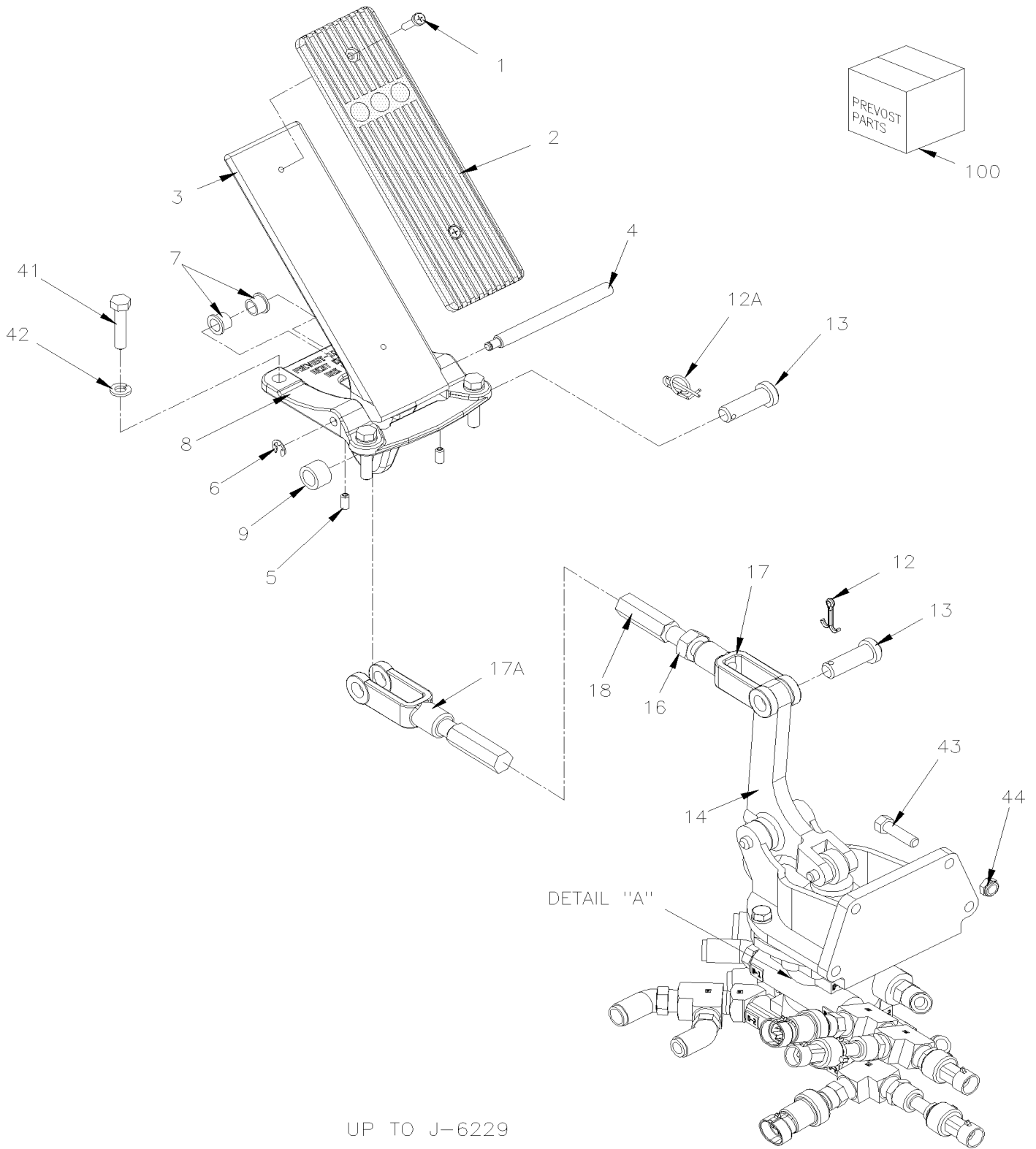
Item#	Part	Description	QTY	Notes
	141206	PEDAL ASSY	1	
1	500416	. SCREW MA PAN PH #10-32x1/2 BK	2	
2	142842	. THREADLE COVER / W/STEEL BACKING	1	
3	141207	. PEDAL BRAKE	1	
4	502575	. SCREW SHR HEXS 10x50 {M8-1.25	1	
5	500868	. NUT HEX NYRT M8-1.25 Z050	1	
6	500874	. WASHER FL 8.4x17.0x1.6 Z050	1	
7	507297	. FLANGE BUSHING	2	
8	141211	. SPACER	1	
9	141996	. SUPPORT ASSY / TO FIX BRAKE PEDAL	1	
10	507307	. BUSHING OIL 1/2 I.D. X 3/4 O.D. X 1/2	1	
12	502102	PIN, COTTER 1/8 x 1	1	
12A	502107	PIN, WRAP-AROUND LOCKING	1	
13	502035	PIN, CLEVIS 1/2 x 1 3/8 Z050	1	
14	641856	BRAKE VALVE ASSY W/BACKET / MODEL E-10P	1	
. NS	19507993	. BOOT PLUNGER	1	
. NS	19510779	. PLUNGER	1	
. NS	2222120	. MOUNTING BRACKET COUPLING D-1	1	
15	641925	. VALVE SUB ASSY / MODEL E-10P	1	
16	500716	NUT HEX 1/2-20 Z050	1	
17	142830	YOKE 1/2-20x1 15/16 C/Lx9/16Wx1/2	1	
17A	142831	YOKE L.H. 1/2-20x1 15/16 C/Lx9/16Wx1/2	1	
18	142849	SHAFT THREADED W/R.H. & L.H. THREAD 275MM	1	
20	642072	PRESSURE SWITCH N.C. 2-6 PSI / 1/4" TUBE	2	
. NS	563677	. CONNECTOR / METRI-PACK 150 / SH 4C / PED 12065402	1	
21	642075	TRANSDUCER PRESSURE	2	
. NS	563159	. CONNECTOR / METRI-PACK 150 / SH 3C / PED 12065287	1	
30	641367	MALE ELBOW 45° NON-SWIVEL / PUSH-IN FITTING / #6x3/8NPT-M BR	AR	
31	501699	MALE RUN TEE / PIPE FITTING / 3/8NPT-Mx3/8NPT-Fx3/8NPT-F BR	AR	
32	641330	MALE CONNECTOR / PUSH-IN FITTING / #6x3/8NPT-M BR	AR	
34	641368	MALE ELBOW 45° NON-SWIVEL / PUSH-IN FITTING / #8x3/8NPT-M BR	AR	
35	641602	MALE CONNECTOR / PUSH-IN FITTING / #10x3/8NPT-M BR	AR	
36	501330	STREET ELBOW 45° / PIPE FITTING / 3/8NPT-Mx3/8NPT-F BR	AR	
37	641347	MALE CONNECTOR / PUSH-IN FITTING / #4x3/8NPT-M BR	AR	
41	5001814	SCREW CAP HEX 5/16-18X1 1/2 G5 N500	4	
42	500942	WASHER LO SPT 8.1x14.8x2.0 N500	4	
43	500544	SCREW CAP HEX M8-1.25x30 G8.8 Z050	4	
44	502692	NUT HEXF STO M8-1.25 Z050	4	
100	640949	KIT, REPAIR / BRAKE VALVE E-10	1	

From F-5851

Date:01/2024

PAGE:X3-1220-12

BRAKE PEDAL VALVE - "BENDIX" E-8P



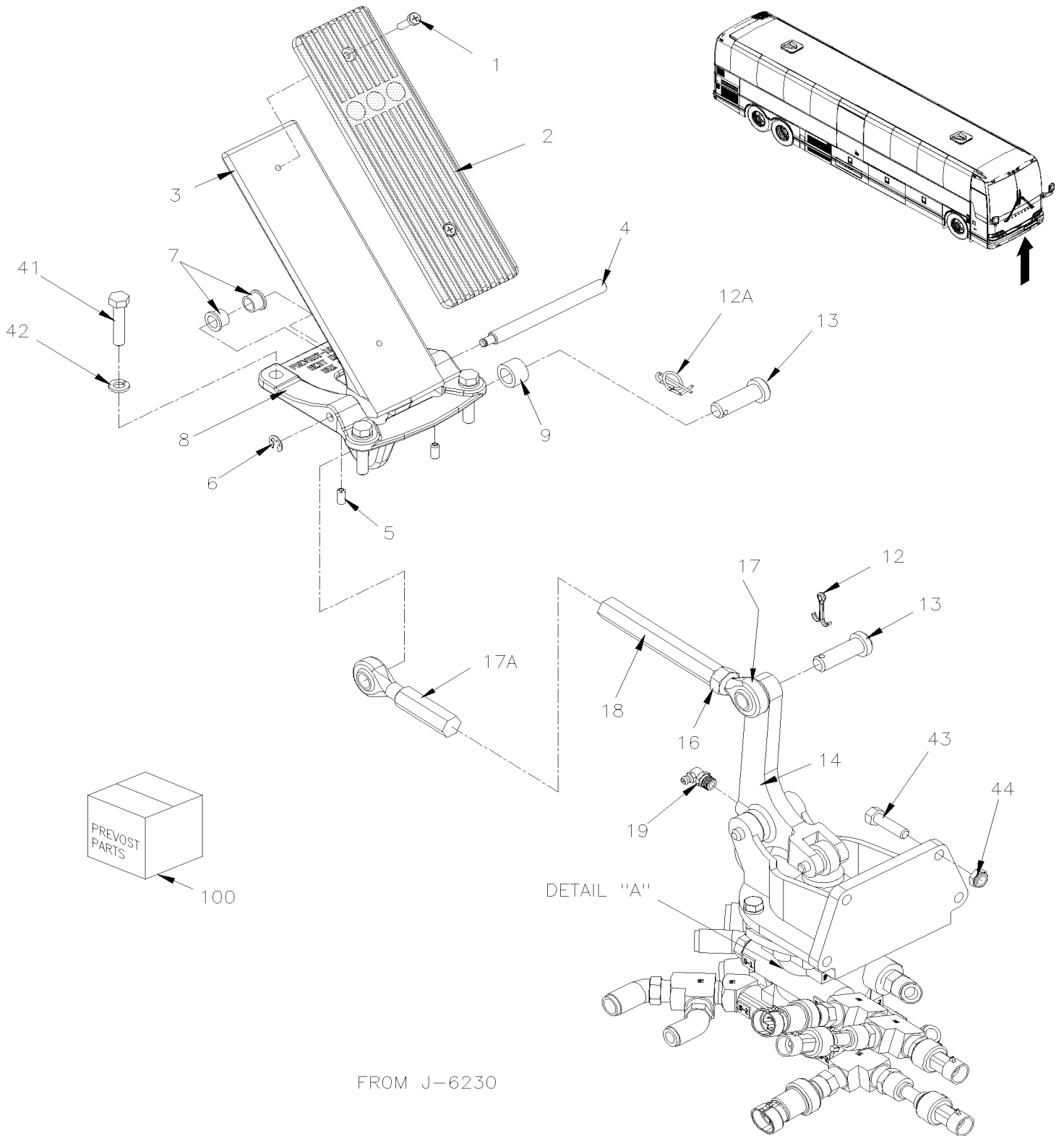
UP TO J-6229

From F-5851

Date:01/2024

PAGE:X3-1220-12

BRAKE PEDAL VALVE - "BENDIX" E-8P



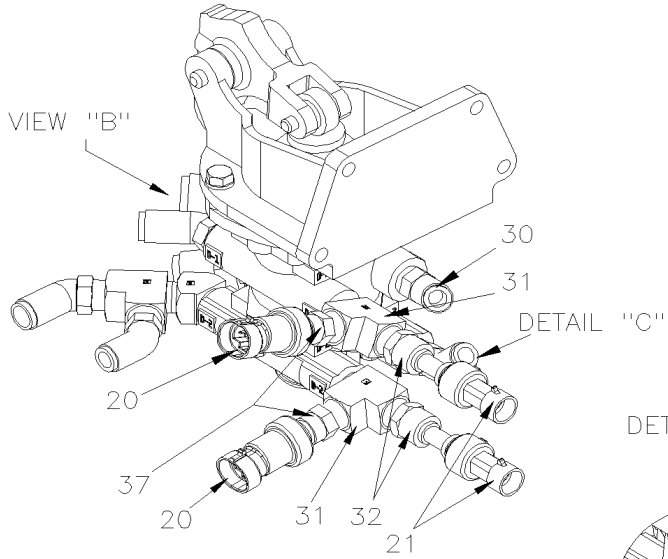
From F-5851

Date:01/2024

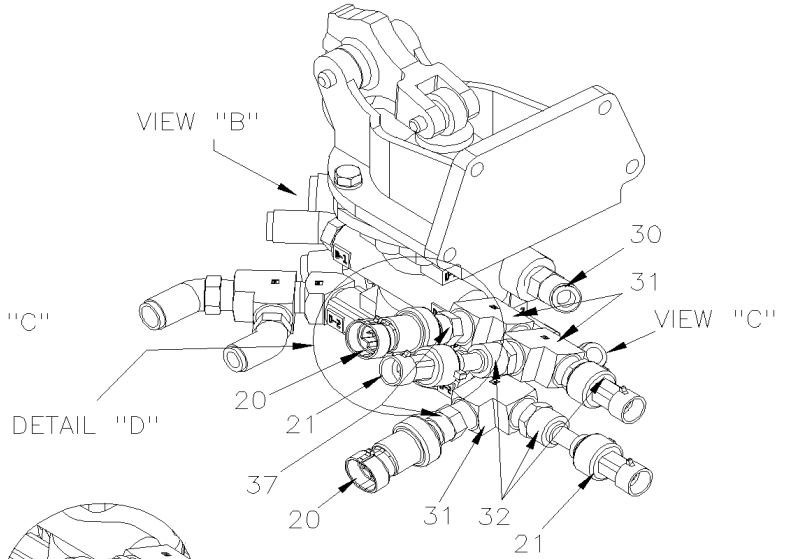
PAGE:X3-1220-12

BRAKE PEDAL VALVE - "BENDIX" E-8P

DETAIL "A"
WITH "WORLD" TRANSMISSION
WITHOUT RETARDER
WITH "I-SHIFT" TRANSMISSION



DETAIL "A"
WITH "WORLD" TRANSMISSION
WITH RETARDER

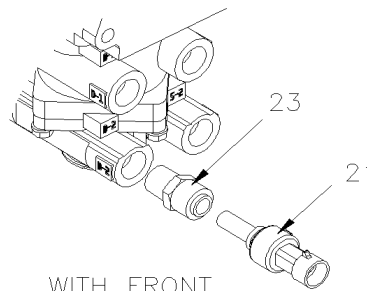
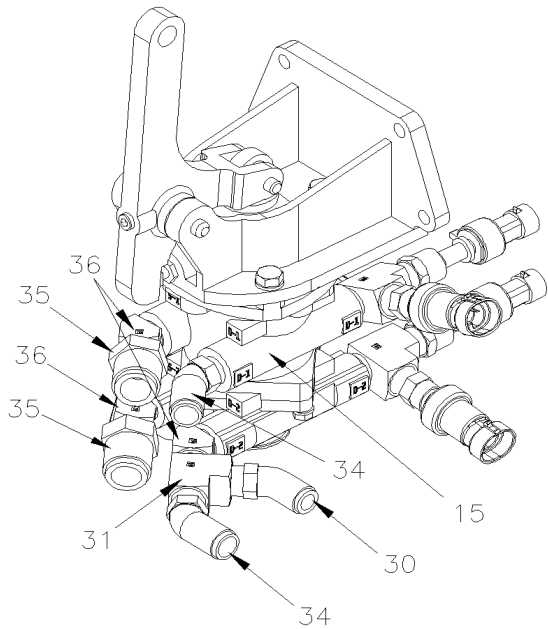


VIEW "B"

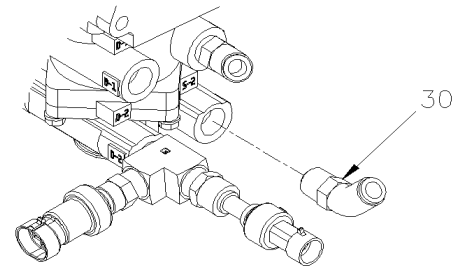
22

23 DETAIL "D"

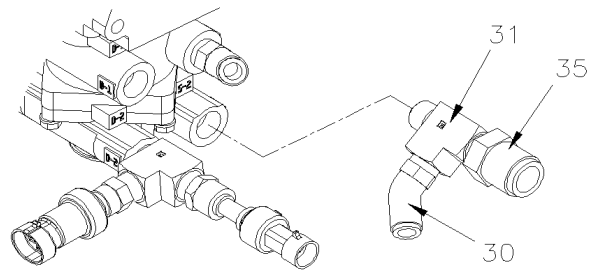
VIEW "C"



WITH FRONT
AIR SUPPLY
FOR TOWING



WITHOUT TRAILER
AIR BRAKE

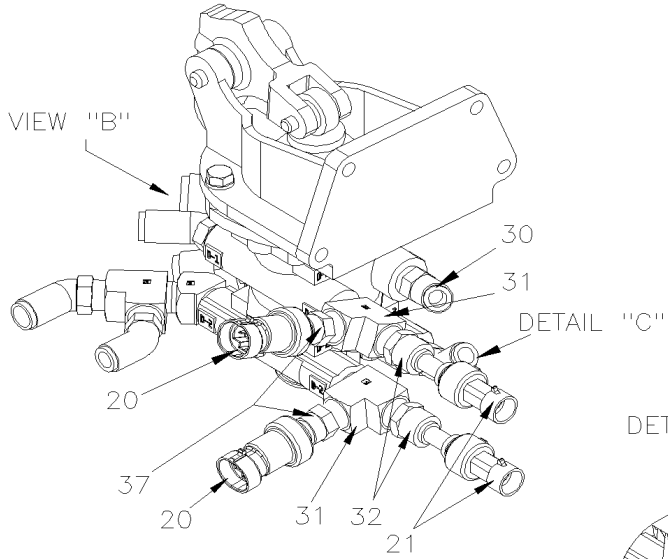


WITH TRAILER
AIR BRAKE

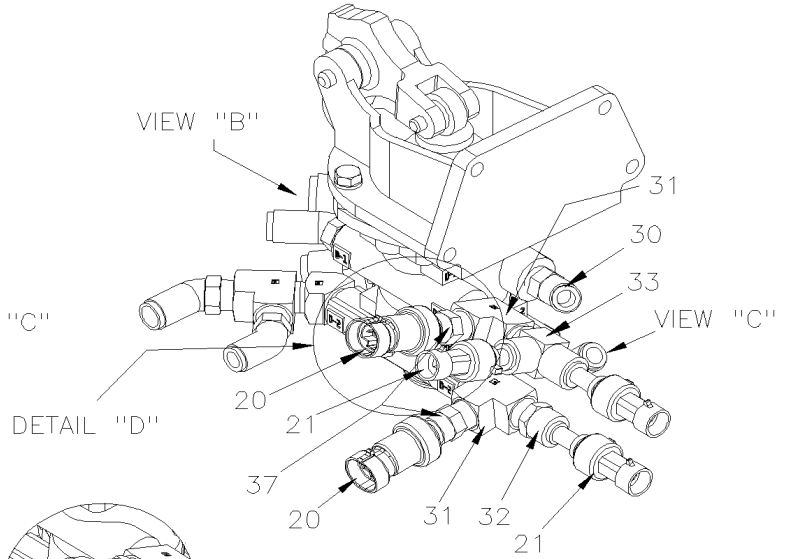
UP TO K-6359

BRAKE PEDAL VALVE - "BENDIX" E-8P

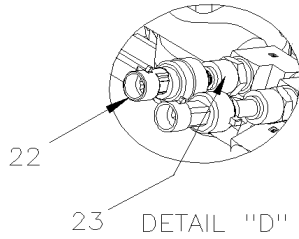
DETAIL "A"
WITH "I-SHIFT" TRANSMISSION



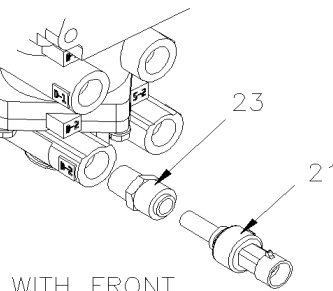
DETAIL "A"
WITH "WORLD" TRANSMISSION



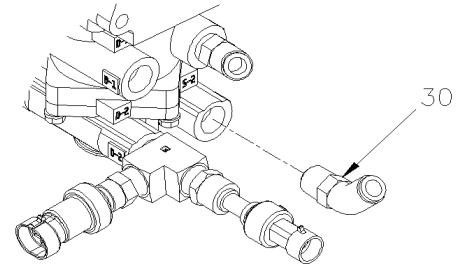
VIEW "B"



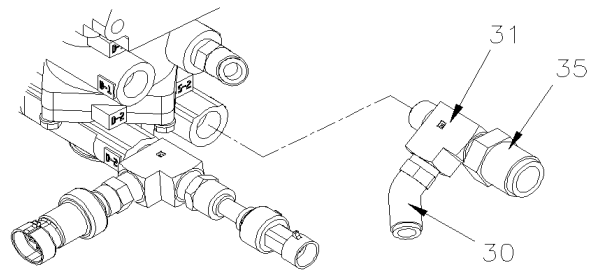
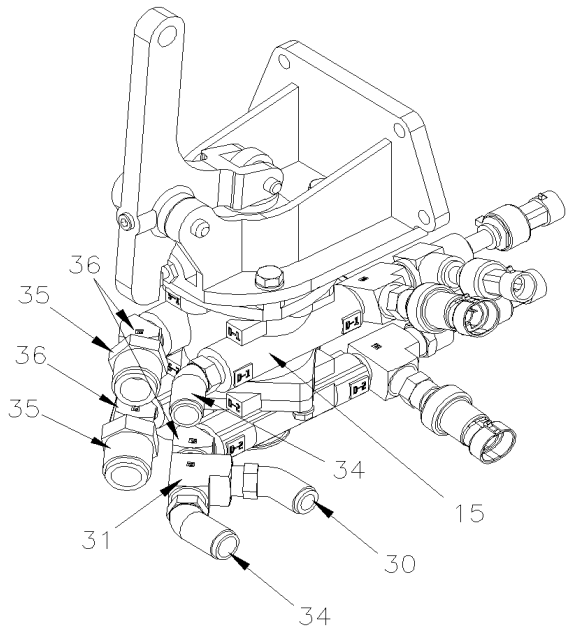
VIEW "C"



WITH FRONT
AIR SUPPLY
FOR TOWING



WITHOUT TRAILER
AIR BRAKE



WITH TRAILER
AIR BRAKE

FROM K-6360

From F-5851		Date:01/2024	PAGE:X3-1220-12
BRAKE PEDAL VALVE - "BENDIX" E-8P			

Item#	Part	Description	QTY	Notes
	145262	PEDAL ASSY	1	
1	502746	. SCREW MA PAN PH M5-0.8x20 SS BK	2	
2	142842	. THREADLE COVER / W/STEEL BACKING	1	
3	145309	. PEDAL BRAKE	1	
4	145311	. SHAFT, BRAKE PEDAL	1	
5	5001634	. SCREW SET HEXS CUP M6-1.0X12MM Z050	2	
6	504699	. RING RETAINER / EXT .250 x .207 x .025" / SS	1	
7	507297	. FLANGE BUSHING	2	
8	145310	. SUPPORT ASSY / TO FIX BRAKE PEDAL	1	
9	507307	. BUSHING OIL 1/2 I.D. X 3/4 O.D. X 1/2	1	
12	502102	PIN, COTTER 1/8 x 1 To N-6758	1	
12	502111	PIN, COTTER 1/8 x 1 1/2 SS From N-6759	1	
12A	502107	PIN, WRAP-AROUND LOCKING To L-6558	1	
12A	502018	LOCK PIN 3/32 X 1 5/8 SS From L-6559	1	
13	502035	PIN, CLEVIS 1/2 x 1 3/8 Z050 To J-6230	2	
13	140050	PIN, CLEVIS 4 x 40 SS From J-6231	2	
14	642211	BRAKE VALVE ASSY W/BACKET / MODEL E-8P	1	
15	642212	. VALVE SUB ASSY / MODEL E-8P	1	
. NS	640943	. . REPAIR KIT / MINOR / VALVE MODEL E-8P	1	
. NS	6987220	. . REPAIR KIT / MAJOR / VALVE MODEL E-8P	1	
16	500716	NUT HEX 1/2-20 Z050 To J-6230	1	
16	5001757	NUT HEX M12-1.75 N500 From J-6231	1	
17	142830	YOKE 1/2-20x1 15/16 C/Lx9/16Wx1/2 To J-6230	1	
17	502252	ROD END MALE M12-1.75 / 12MM I.D. From J-6231	1	
17A	142831	YOKE L.H. 1/2-20x1 15/16 C/Lx9/16Wx1/2 To J-6230	1	
17A	502253	ROD END MALE L.H. M12-1.75-L.HH / 12MM I.D. From J-6231	1	
18	142829	SHAFT THREADED W/R.H. & L.H. THREAD 260MM To J-6230	1	
18	140048	SHAFT THREADED W/R.H. & L.H. THREAD 280MM From J-6231 To P-6792	1	
18	140513	SHAFT THREADED W/R.H. & L.H. THREAD 271MM From P-6793	1	
19	501495	GREASE FITTING 90° / 1/8 NPT From J-6245	1	GR
NS	680098	THREAD SEALANT LOCTITE #567 / WHITE / 250ml From J-6245	AR	
20	642072	PRESSURE SWITCH N.C. 2-6 PSI / 1/4" TUBE	2	
. NS	563677	. CONNECTOR / METRI-PACK 150 / SH 4C / PED 12065402	1	
21	642075	TRANSDUCER PRESSURE	2	
. NS	563159	. CONNECTOR / METRI-PACK 150 / SH 3C / PED 12065287	1	
22	560005	TRANSDUCER PRESSURE (0-12 BAR, 0-174 PSI) To M-6657	1	B
22	22443498	TRANSDUCER PRESSURE (0-12 BAR, 0-174 PSI) From M-6658	1	B
23	641330	MALE CONNECTOR / PUSH-IN FITTING / #6x3/8NPT-M BR	1	
30	641367	MALE ELBOW 45° NON-SWIVEL / PUSH-IN FITTING / #6x3/8NPT-M BR	AR	
31	501699	MALE RUN TEE / PIPE FITTING / 3/8NPT-Mx3/8NPT-Fx3/8NPT-F BR	AR	
32	641330	MALE CONNECTOR / PUSH-IN FITTING / #6x3/8NPT-M BR	AR	
33	641388	MALE RUN TEE NON-SWIVEL / PUSH-IN FITTING / #6x#6x3/8NPT-M BR From K-6360	1	

From F-5851	Date:01/2024	PAGE:X3-1220-12
BRAKE PEDAL VALVE - "BENDIX" E-8P		

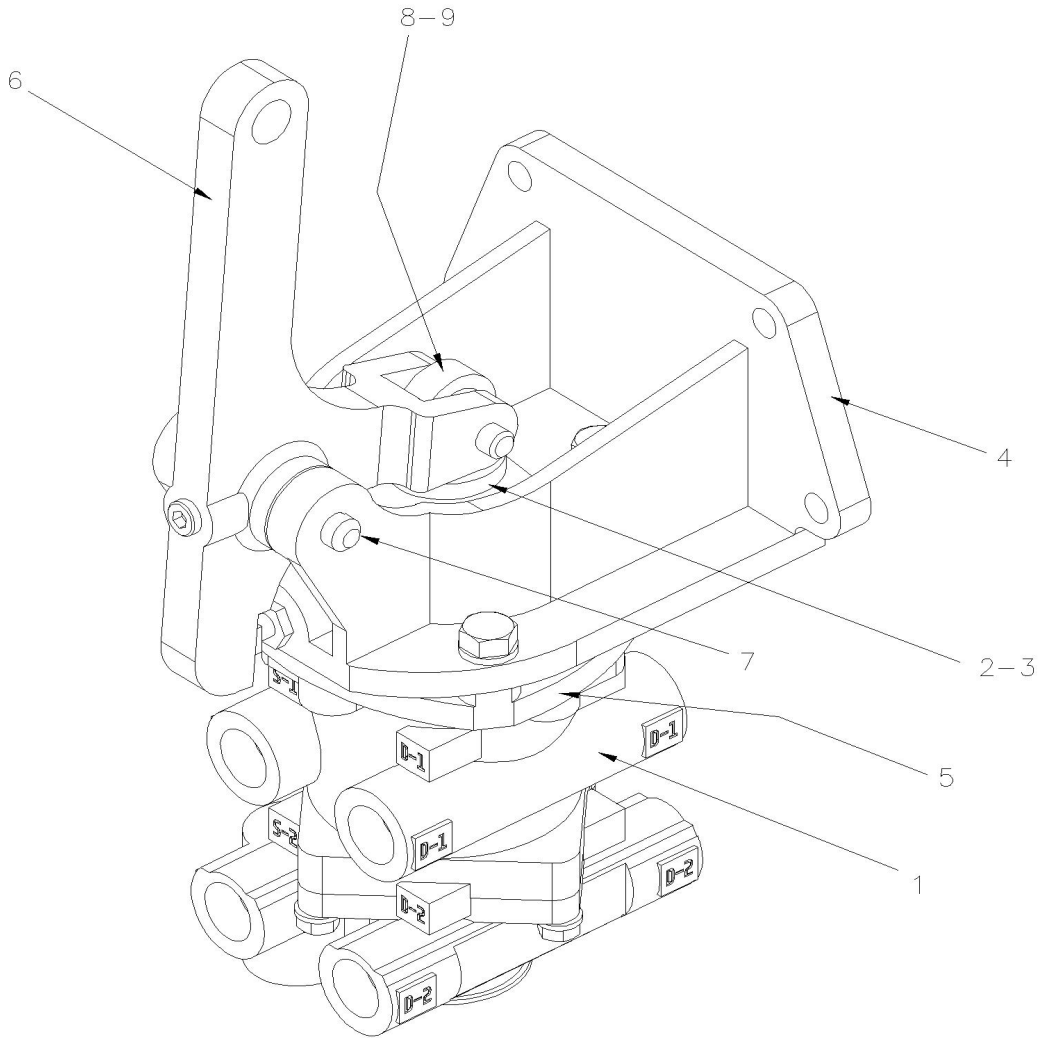
Item#	Part	Description	QTY	Notes
34	641368	MALE ELBOW 45° NON-SWIVEL / PUSH-IN FITTING / #8x3/8NPT-M BR	AR	
35	641602	MALE CONNECTOR / PUSH-IN FITTING / #10x3/8NPT-M BR	AR	
36	501330	STREET ELBOW 45° / PIPE FITTING / 3/8NPT-Mx3/8NPT-F BR	AR	
37	641347	MALE CONNECTOR / PUSH-IN FITTING / #4x3/8NPT-M BR	AR	
41	5001814	SCREW CAP HEX 5/16-18X1 1/2 G5 N500 To J-6230	4	
41	5001992	SCREW CAP HEX SLO 5/16-18x1 1/2 SS From J-6231	4	
42	500942	WASHER LO SPT 8.1x14.8x2.0 N500 To J-6230	4	
42	5001341	WASHER FL 8.4x17.0x1.6 SS From J-6231	4	
43	5001738	SCREW CAP HEX M8-1.25x30 G8.8 N500 To J-6243	4	
43	502836	SCREW CAP HEX M8-1.25x35 G8.8 N500 From J-6244	4	
44	502692	NUT HEXF STO M8-1.25 Z050	4	
100	640943	REPAIR KIT / MINOR / VALVE MODEL E-8P	1	
100	6987220	REPAIR KIT / MAJOR / VALVE MODEL E-8P	1	
		B) WITH BY-FOLD DOOR		
		GR) GREYHOUND OPTION		

From F-5851

Date:01/2024

PAGE:642211

BRAKE VALVE ASSY W/BRACKET / MODEL E-8P

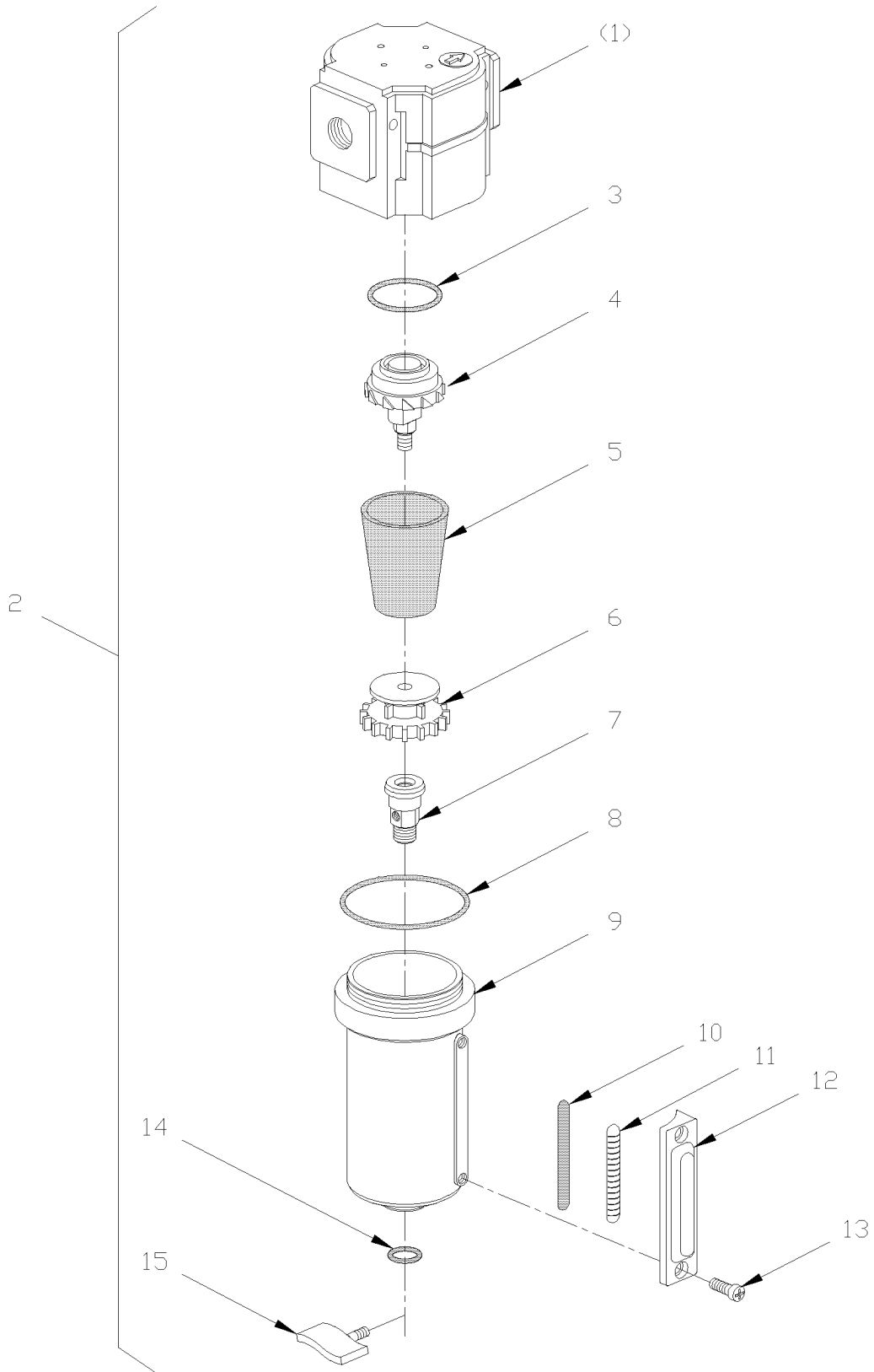


From F-5851	Date:01/2024	PAGE:642211
-------------	--------------	-------------

BRAKE VALVE ASSY W/BRACKET / MODEL E-8P

Item#	Part	Description	QTY	Notes
1	642212	VALVE SUB ASSY / MODEL E-8P	1	
. NS	640943	. REPAIR KIT / MINOR / VALVE MODEL E-8P	1	
. NS	6987220	. REPAIR KIT / MAJOR / VALVE MODEL E-8P	1	
2	19507993	BOOT PLUNGER	1	
3	19510779	PLUNGER	1	
4	2222120	MOUNTING BRACKET COUPLING D-1	1	
5	19512957	PLATE, TOP ADAPTER	1	
6	195554	LEVER	1	
7	19510780	PIN	1	
8	2054524	ROLLER	1	
9	640027	CLEVIS PIN	1	

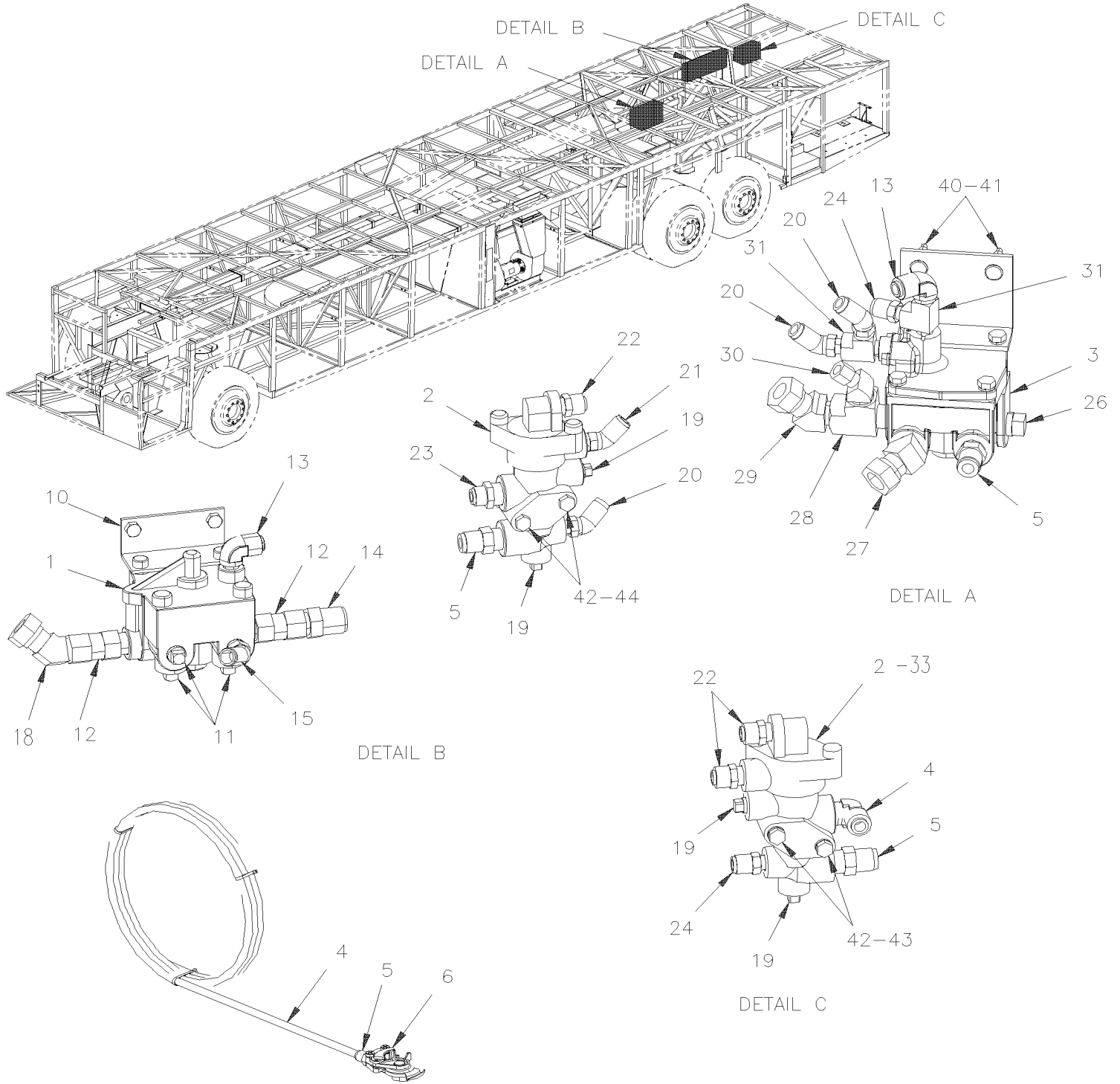
AIR FILTER - ACCESSORIES



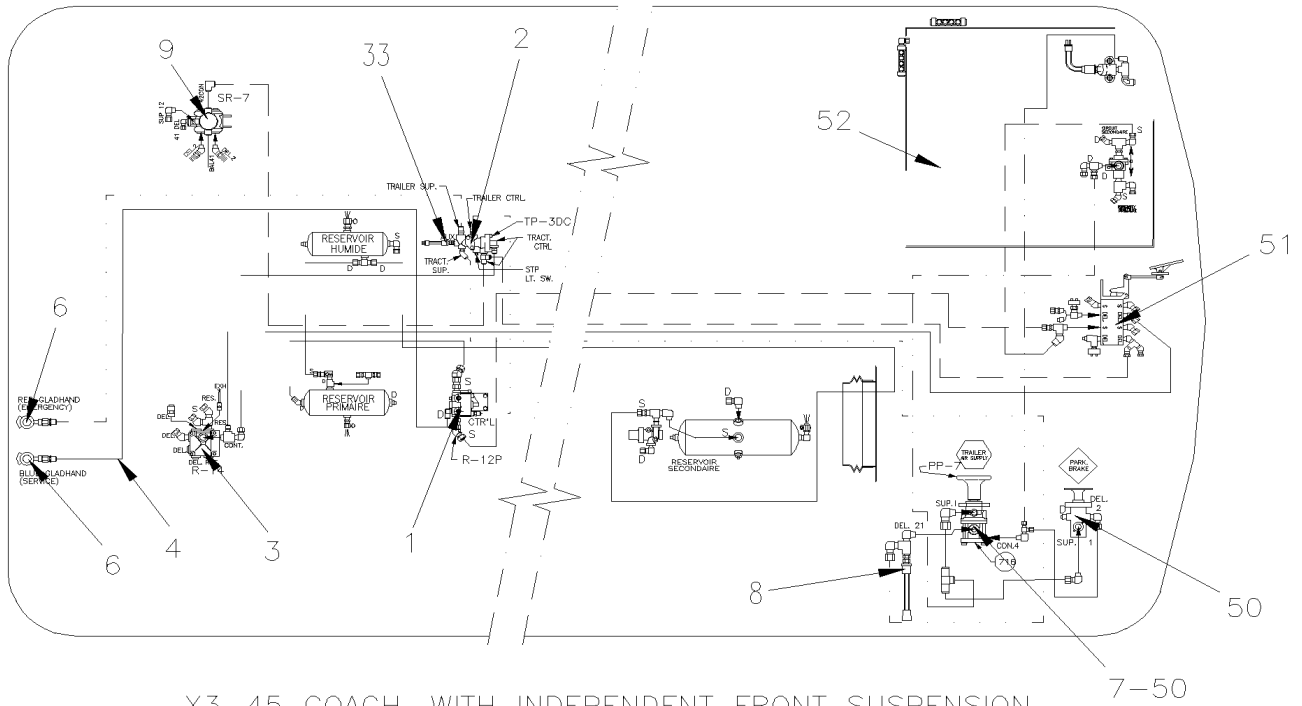
From 7-8754 To E-5589	Date:01/2024	PAGE:X3-1220-15
AIR FILTER - ACCESSORIES		

Item#	Part	Description	QTY	Notes
1	641339	SUPPORT / AIR FILTER	1	
2	641338	AIR FILTER ASSY	1	
3	N.S.S.	. O-RING / UPPER CENTER POST	1	1
4	641969	. CENTER POST	1	
5	641340	. FILTER ELEMENT	1	
6	641970	. SCREW BAFFLE	1	
7	641971	. DRAIN VALVE BODY	1	
8	N.S.S.	. O-RING / UPPER BOWL	1	1
9	N.S.S.	. BOWL METAL	1	1
10	N.S.S.	. INDICATOR FILTER	1	1
11	N.S.S.	. GLASS / INDICATOR	1	1
12	N.S.S.	. RETAINER / GLASS	1	1
13	N.S.S.	. SCREW / TO FIX RETAINER	2	1
14	N.S.S.	. O-RING / LOWER BOWL	1	1
15	641972	. DRAIN VALVE	1	
16	N.S.S.	. NUT RETAINER / DRAIN VALVE	1	1
NS	641354	KIT, O-RING	AR	A
NS	641355	KIT, LEVEL INDICATOR	AR	B
17	7770058	KIT, DRAIN VALVE	AR	C
		A) INCLUDE ITEMS #3,8 & 14		
		B) INCLUDE ITEMS #8,10,11 & 13		
		C) INCLUDE ITEMS #7,14 & 15		
		1) NOT SOLD SEPARATELY		

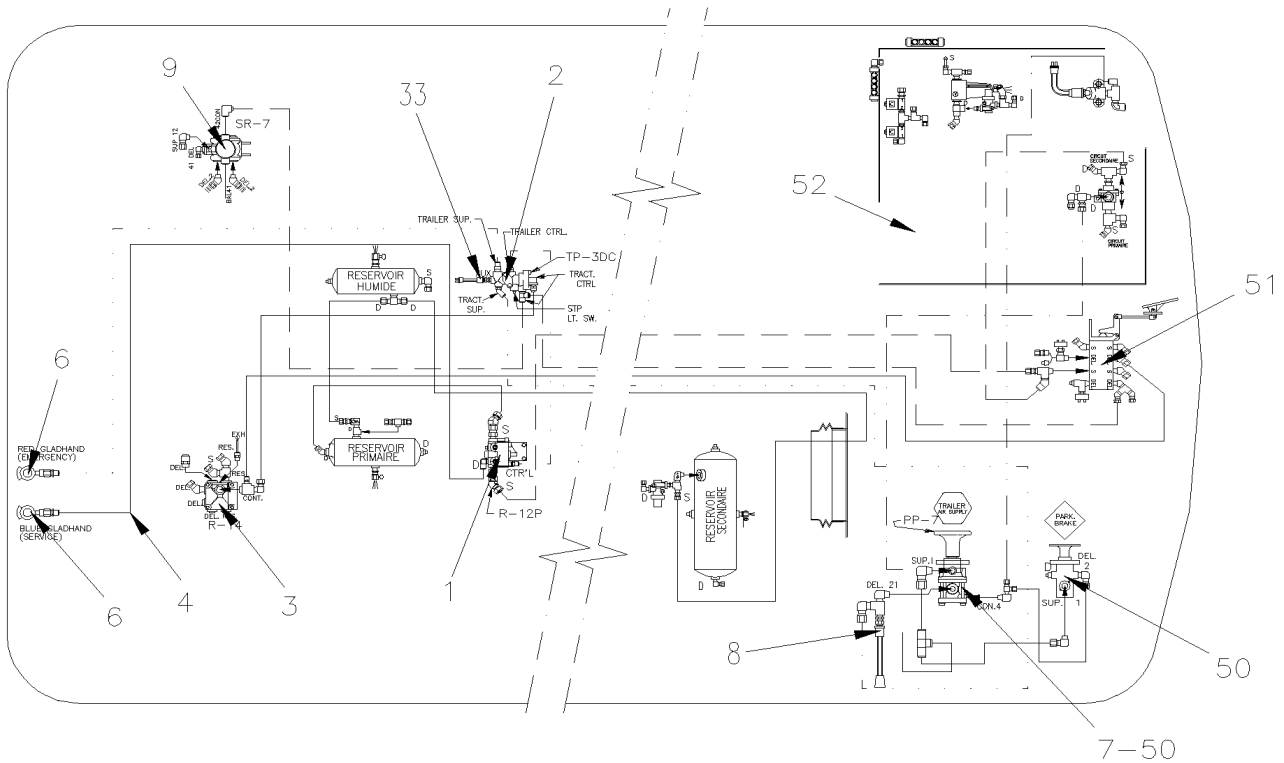
TRAILER VALVE INSTALLATION



TRAILER VALVE INSTALLATION



X3-45 COACH, WITH INDEPENDENT FRONT SUSPENSION
WITH OPTION TRAILER HITCH



X3-45 COACH, WITH FRONT I BEAM AXLE
WITH OPTION TRAILER HITCH

From 7-8754 To 8-9281	Date:01/2024	PAGE:X3-1220-50
TRAILER VALVE INSTALLATION		

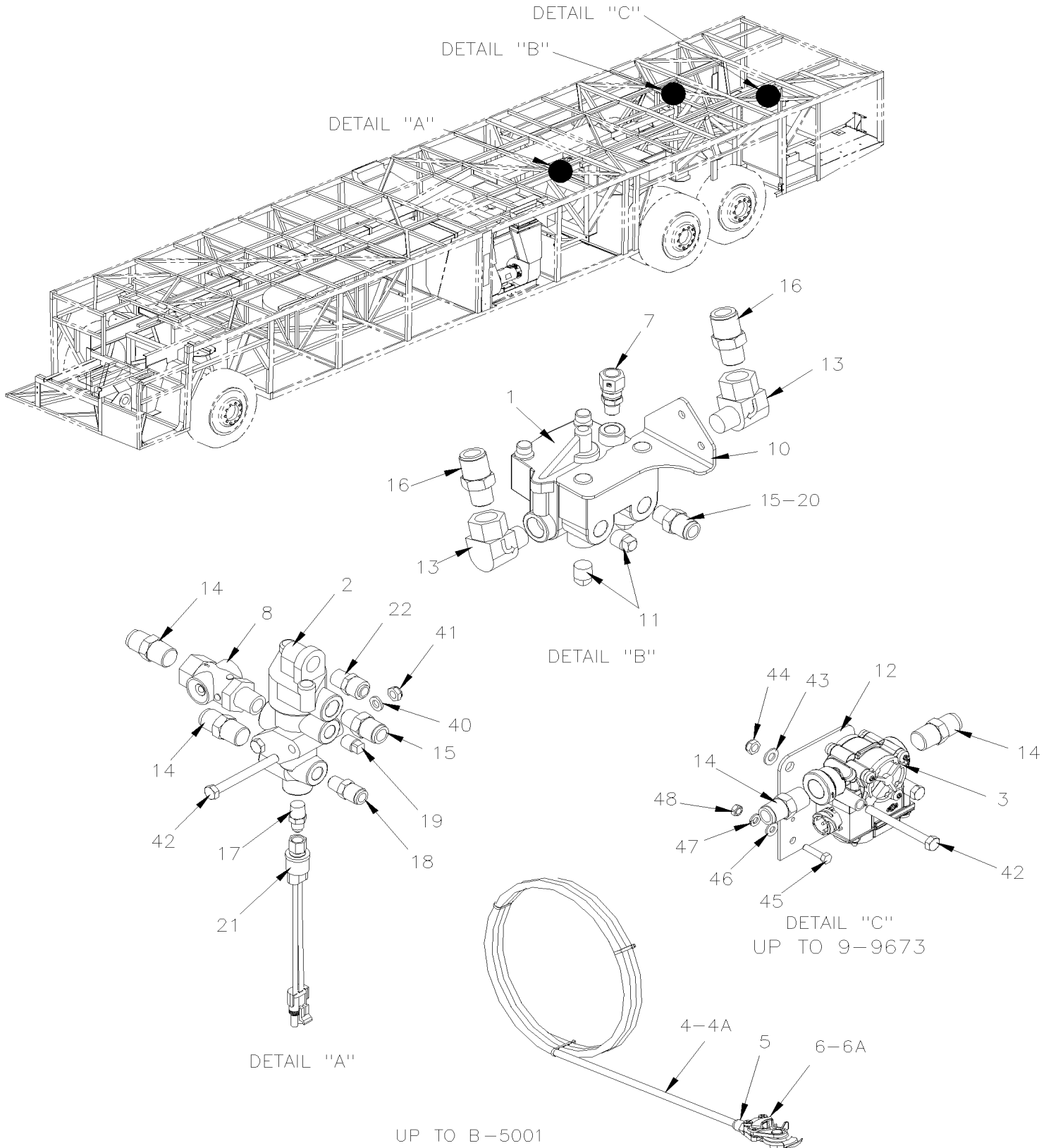
Item#	Part	Description	QTY	Notes
1	641399	VALVE, RELAY R-12 P SUPPERSEDED 642097	1	
2	641495	TRACTOR PROTECTION VALVE TP-3 DC	1	
3	641991	VALVE, RELAY R-14 "WABCO"	1	
4	503638	TUBE, NYLON 1/2 O.D. / BROWN S.L.	AR	
4	503406	TUBE, NYLON 1/2 O.D. / GREEN S.L.	AR	
5	640992	MALE CONNECTOR / NTA FITTING / #8x1/2NPT-M BR	AR	
6	641938	GLANDHAND W/DUST COVER "RED"	1	
6	641939	GLANDHAND W/DUST COVER "BLUE"	1	
7	641397	TRAILER SUPPLY VALVE PP-7	1	
8	452043	PRESSURE SWITCH N.O. 60-35 20SP001AA060E035E	1	
8	643384	VALVE / SPRING BRAKE SR-7	1	
. NS	642119	. VALVE / SPRING BRAKE SR-7	1	
9	642015	VALVE / SPRING BRAKE SR-7	1	
10	142312	SUPPORT VALVE R-12P "XL-II OPTION"	1	A
11	501305	PLUG SQUARE HEAD / PIPE FITTING / 3/8NPT-M BR	3	
12	641401	VALVE, CHECK 1/2 NPT SC-1	2	
13	641372	MALE ELBOW 90° NON-SWIVEL / PUSH-IN FITTING / #6x1/4NPT-M BR	AR	
14	641384	MALE CONNECTOR / PUSH-IN FITTING / #10x1/2NPT-M BR	AR	
15	641368	MALE ELBOW 45° NON-SWIVEL / PUSH-IN FITTING / #8x3/8NPT-M BR	AR	
16	641376	MALE ELBOW 90° NON-SWIVEL / PUSH-IN FITTING / #8x3/8NPT-M BR	AR	
17	507557	STREET ELBOW 90° / PIPE FITTING / 1/2NPT-Mx1/2NPT-F BR	AR	
18	641027	MALE ELBOW 45° / NTA FITTING / #10x1/2NPT-M BR	1	
19	501304	PLUG SQUARE HEAD / PIPE FITTING / 1/4NPT-M BR	AR	
20	641366	MALE ELBOW 45° NON-SWIVEL / PUSH-IN FITTING / #6x1/4NPT-M BR	AR	
21	641367	MALE ELBOW 45° NON-SWIVEL / PUSH-IN FITTING / #6x3/8NPT-M BR	AR	
22	641330	MALE CONNECTOR / PUSH-IN FITTING / #6x3/8NPT-M BR	AR	
23	641382	MALE CONNECTOR / PUSH-IN FITTING / #6x1/2NPT-M BR	AR	
24	641331	MALE CONNECTOR / PUSH-IN FITTING / #6x1/4NPT-M BR	AR	
25	641175	MALE ELBOW 90° / NTA FITTING / #6x1/2NPT-M BR	AR	
26	501306	PLUG SQUARE HEAD / PIPE FITTING / 1/2NPT-M BR	AR	
27	641089	MALE ELBOW 45° / NTA FITTING / #8x1/2NPT-M BR	AR	
28	501473	MALE RUN TEE / PIPE FITTING / 1/2NPT-Mx1/2NPT-Fx1/2NPT-F BR	AR	
29	641027	MALE ELBOW 45° / NTA FITTING / #10x1/2NPT-M BR	AR	
30	641119	MALE ELBOW 45° / NTA FITTING / #6x1/2NPT-M BR	AR	
31	501338	MALE RUN TEE / PIPE FITTING / 1/4NPT-Mx1/4NPT-Fx1/4NPT-F BR	AR	
33	950245	PRESSURE SWITCH N.C. 20-30 LO-UNLOAD W/WIRE BLACK	AR	
40	500778	NUT HEX 5/16-18 N500	AR	
41	500942	WASHER LO SPT 8.1x14.8x2.0 N500	AR	
42	502650	SCREW CAP HEX M8-1.25x80 G8.8 Z050	2	
43	502507	WASHER LO SPT 8.1x14.8x2.0 Z050	2	
44	500069	SCREW CAP HEX M8-1.25x16 G10.9 DP	2	
50	X3-1806-10	L.H. CONSOLE - BUS		

From 7-8754 To 8-9281	Date:01/2024	PAGE:X3-1220-50
-----------------------	--------------	-----------------

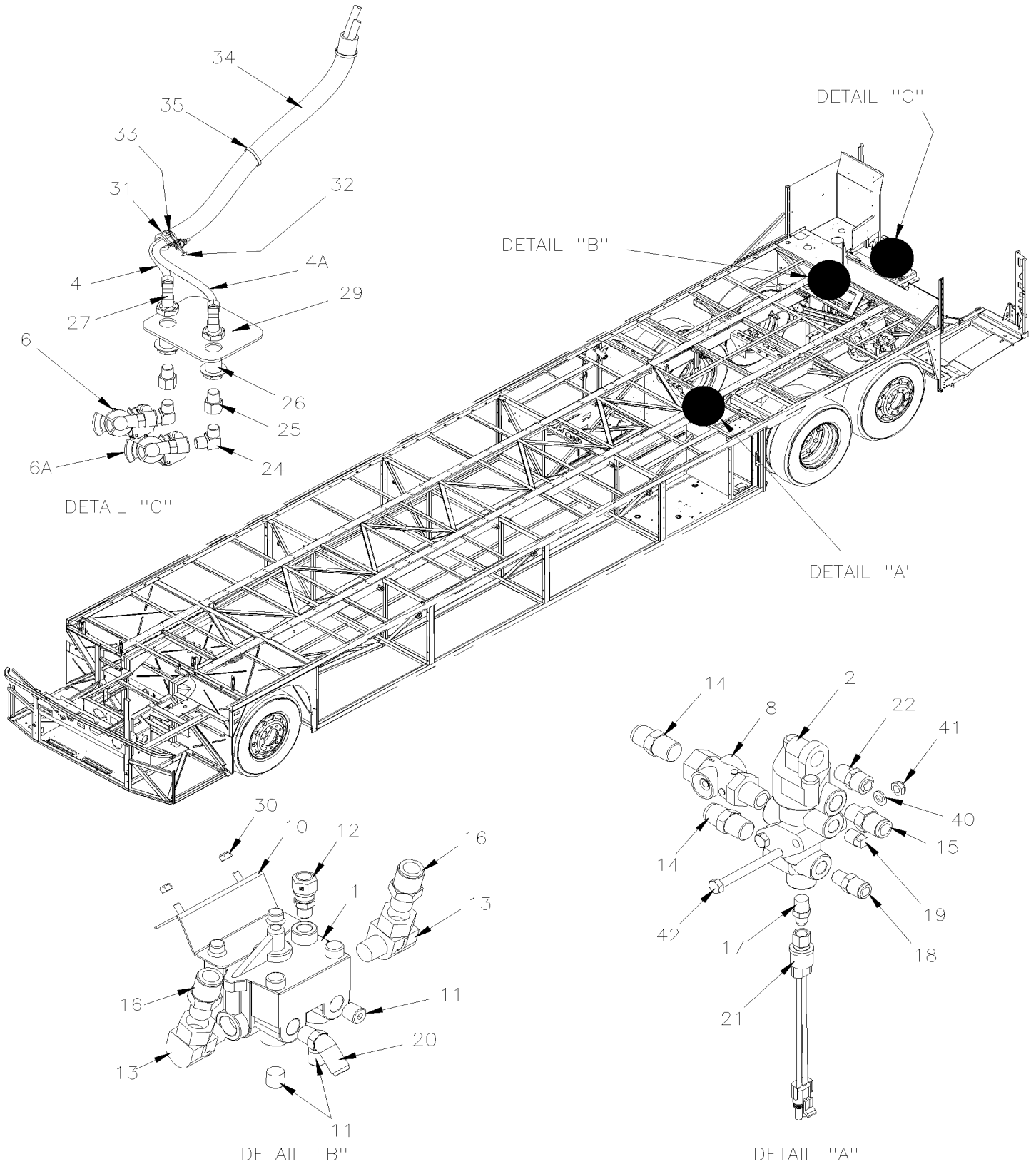
TRAILER VALVE INSTALLATION

Item#	Part	Description	QTY	Notes
51	X3-1220-10	BRAKE PEDAL VALVE - "BENDIX" E-10P		
52	X3-1630-00	FRONT KNEELING - CONTROL PANEL		
		A) WITH VALVE LOCATED SIDE OF AIR DRYER		

TRAILER VALVE INSTALLATION



TRAILER VALVE INSTALLATION

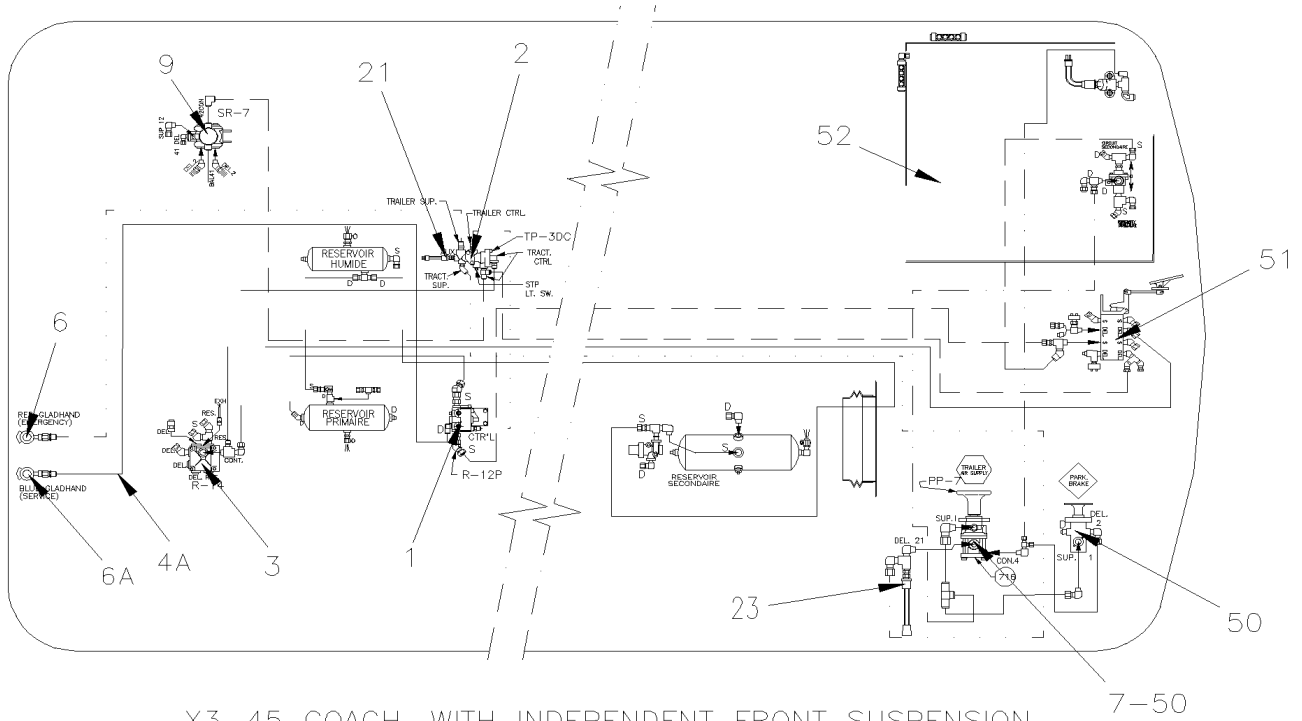


From 8-9282 To G-5896

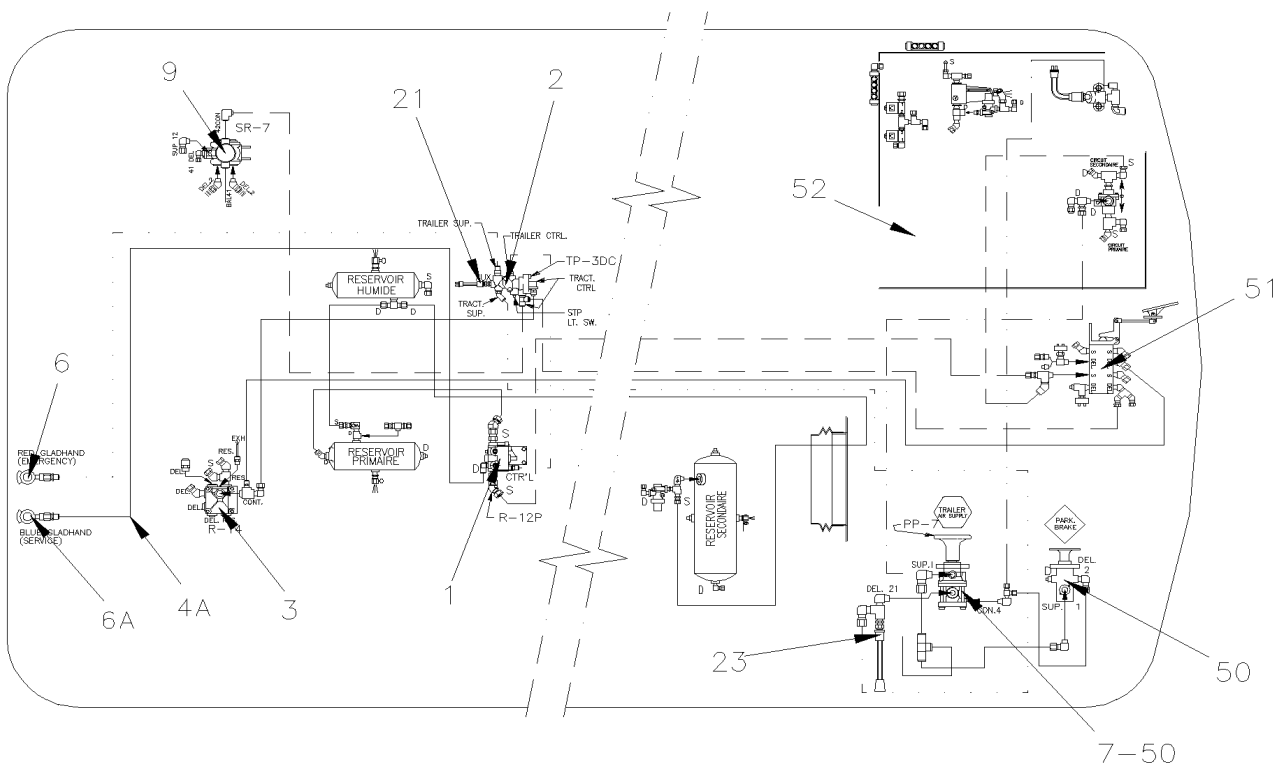
Date:01/2024

PAGE:X3-1220-51

TRAILER VALVE INSTALLATION



X3-45 COACH, WITH INDEPENDENT FRONT SUSPENSION
WITH OPTION TRAILER HITCH



X3-45 COACH, WITH FRONT I BEAM AXLE
WITH OPTION TRAILER HITCH

From 8-9282 To G-5896	Date:01/2024	PAGE:X3-1220-51
TRAILER VALVE INSTALLATION		

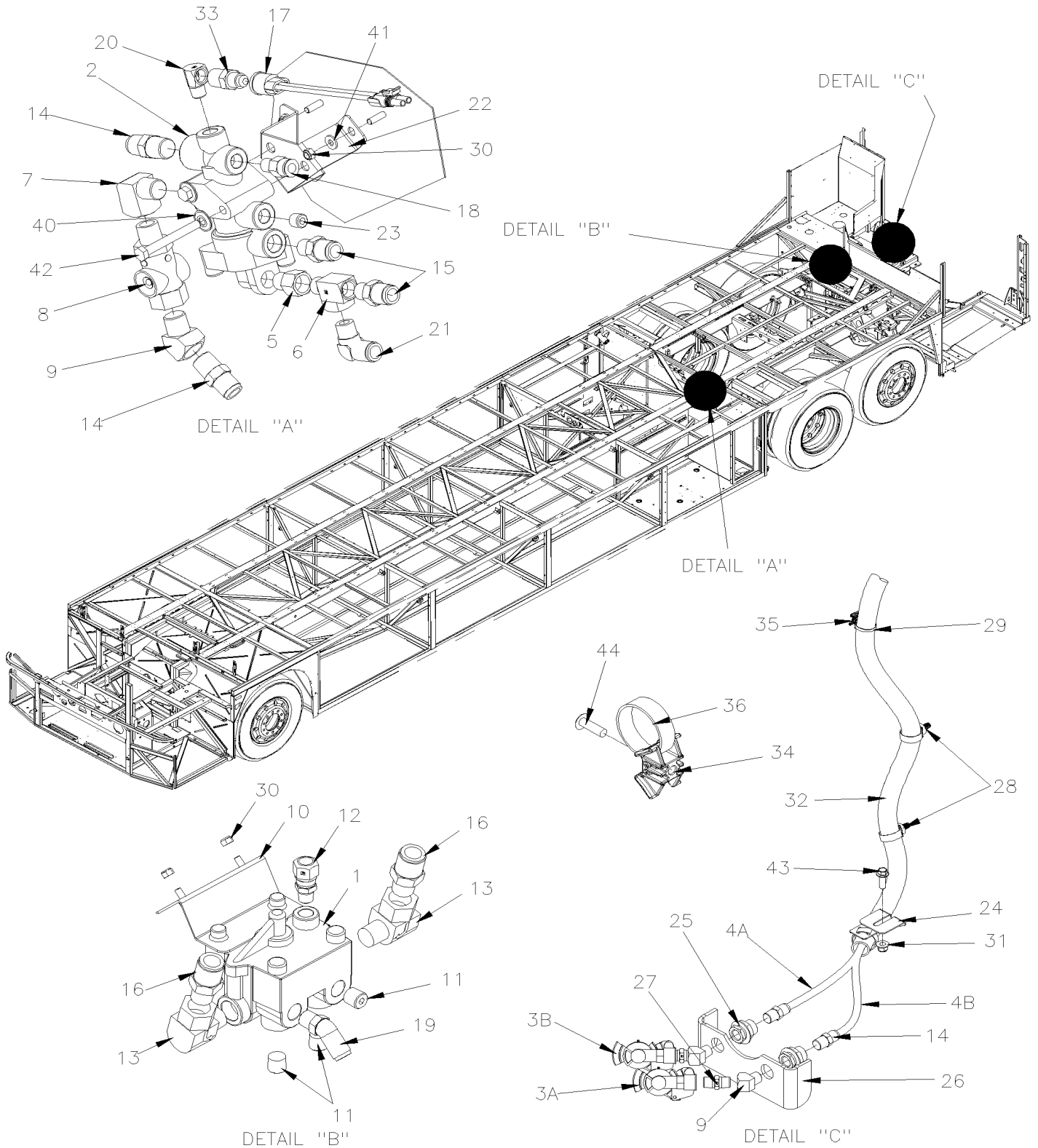
Item#	Part	Description	QTY	Notes
1	641399	VALVE, RELAY R-12 P SUPPERSEDED 642097	1	
2	641495	TRACTOR PROTECTION VALVE TP-3 DC	1	
3	642077	VALVE, "ABS" 12VOLT / M-32QR To 9-9673	1	S B
3	640228	VALVE, "ABS" 12VOLT / M-40QR To 9-9673	1	S
4	503638	TUBE, NYLON 1/2 O.D. / BROWN S.L.	AR	
4A	503406	TUBE, NYLON 1/2 O.D. / GREEN S.L.	AR	
5	640992	MALE CONNECTOR / NTA FITTING / #8x1/2NPT-M BR	AR	
6	641938	GLANDHAND W/DUST COVER "RED"	1	
6A	641939	GLANDHAND W/DUST COVER "BLUE"	1	
7	641397	TRAILER SUPPLY VALVE PP-7	1	
8	642088	VALVE, QUICK RELEASE QR-L / IN LINE	1	
9	643384	VALVE / SPRING BRAKE SR-7	1	
. NS	642119	. VALVE / SPRING BRAKE SR-7	1	
10	142697	SUPPORT VALVE R-12P To D-5458	1	
10	142850	SUPPORT VALVE R-12P From E-5459	1	
11	501305	PLUG SQUARE HEAD / PIPE FITTING / 3/8NPT-M BR To A-9968	3	
11	501449	PLUG HEXS / PIPE FITTING / 3/8NPT-M STL From A-9969	1	
12	142804	SUPPORT VALVE "ABS" To 9-9673	2	
13	641172	VALVE, CHECK ELBOW 90° 1/2 NPT	2	
14	641383	MALE CONNECTOR / PUSH-IN FITTING / #8x1/2NPT-M BR	AR	
15	641381	MALE CONNECTOR / PUSH-IN FITTING / #8x3/8NPT-M BR	AR	
16	641384	MALE CONNECTOR / PUSH-IN FITTING / #10x1/2NPT-M BR	AR	
17	641027	MALE ELBOW 45° / NTA FITTING / #10x1/2NPT-M BR	AR	
18	641331	MALE CONNECTOR / PUSH-IN FITTING / #6x1/4NPT-M BR	AR	
19	501304	PLUG SQUARE HEAD / PIPE FITTING / 1/4NPT-M BR To A-9968	AR	
19	501800	PLUG HEXS / PIPE FITTING / 1/4NPT-M STL From A-9969 To B-5001	1	
19	501449	PLUG HEXS / PIPE FITTING / 3/8NPT-M STL From B-5002	1	
20	641368	MALE ELBOW 45° NON-SWIVEL / PUSH-IN FITTING / #8x3/8NPT-M BR From B-5002	1	
21	950245	PRESSURE SWITCH N.C. 20-30 LO-UNLOAD W/WIRE BLACK	1	
22	641330	MALE CONNECTOR / PUSH-IN FITTING / #6x3/8NPT-M BR	AR	
23	452043	PRESSURE SWITCH N.O. 60-35 20SP001AA060E035E	1	
24	501713	MALE ELBOW 90° / PIPE FITTING / 1/2NPT-Mx1/2NPT-M BR	2	
25	5011119	ADAPTER / PIPE FITTING / 1/2NPT-Fx1/2NPT-M BR	2	
26	501796	BULKHEAD COUPLING / PIPE FITTING / 1/2NPT-Fx1/2NPT-Fx1 1/2 BR	2	
27	641076	MALE ELBOW 90° / NTA FITTING / #8x1/2NPT-M BR	2	
29	410997	SUPPORT QUICK CONNECT HOSE CONNECTOR	1	
30	502681	NUT HEX NYRT M6-1.0 N500 G8	2	
31	562036	CLAMP / 7/8" I.D. X 90°	1	
32	500606	SCREW MA TR PH #10-24x3/4 SS	3	
33	500767	NUT HEX #10-24 Z050	3	
34	562218	CONVOLUTED TUBING / UNSLIT / BLACK & GRAY / 1.000"	AR	
35	504637	CABLE TIE / 3/16" x 13"	AR	

From 8-9282 To G-5896	Date:01/2024	PAGE:X3-1220-51
-----------------------	--------------	-----------------

TRAILER VALVE INSTALLATION

Item#	Part	Description	QTY	Notes
40	502507	WASHER LO SPT 8.1x14.8x2.0 Z050	2	
41	500868	NUT HEX NYRT M8-1.25 Z050	2	
42	502650	SCREW CAP HEX M8-1.25x80 G8.8 Z050	2	
43	5001341	WASHER FL 8.4x17.0x1.6 SS	2	
44	500868	NUT HEX NYRT M8-1.25 Z050	2	
45	502737	SCREW CAP HEX M6-1.0x25 SS BK	2	
46	500877	WASHER FL .250x.562x.065 N500	2	
47	955920	WASHER LO SPT 6.5x11.5x1.6 ZP	2	
48	502854	NUT HEX M6-1.0 N500	2	
50	X3-1806-10	L.H. CONSOLE - BUS		
51	X3-1220-10	BRAKE PEDAL VALVE - "BENDIX" E-10P		
52	X3-1630-00	FRONT KNEELING - CONTROL PANEL To E-5589		
52	X3-1630-01	FRONT KNEELING - CONTROL PANEL From E-5590		
NS	143039	DECAL / TRAILER FRENCH	1	
NS	143040	DECAL / TRAILER ENGLISH	1	
NS	143065	DECAL / TRAILER SPANISH	1	
		B) WHEN YOU REPLACE THE VALVE #642077 BY THE VALVE #640228 YOU HAVE REPLACE BOTH SIDE LEFT AND RIGHT		
		S) FOR YOUR SECURITY IF YOUR TRAILER ARE NOT EQUIPED WITH "EPS" SYTEM THIS VALVE DO NOT WORK PROPELY SEE DECAL # 143039,143040 OR 143065		

TRAILER VALVE INSTALLATION



From G-5897		Date:01/2024	PAGE:X3-1220-52
TRAILER VALVE INSTALLATION			

Item#	Part	Description	QTY	Notes
1	641399	VALVE, RELAY R-12 P SUPPERSEDED 642097	1	
2	641495	TRACTOR PROTECTION VALVE TP-3 DC	1	
3A	641938	GLANDHAND W/DUST COVER "RED"	1	
3B	641939	GLANDHAND W/DUST COVER "BLUE"	1	
4A	503406	TUBE, NYLON 1/2 O.D. / GREEN S.L.	AR	
4B	503638	TUBE, NYLON 1/2 O.D. / BROWN S.L.	AR	
5	501309	ADAPTER / PIPE FITTING / 3/8NPT-Fx3/8NPT-M BR	1	
6	501699	MALE RUN TEE / PIPE FITTING / 3/8NPT-Mx3/8NPT-Fx3/8NPT-F BR	1	
7	507557	STREET ELBOW 90° / PIPE FITTING / 1/2NPT-Mx1/2NPT-F BR	1	
8	642088	VALVE, QUICK RELEASE QR-L / IN LINE	1	
9	501528	STREET ELBOW 45° / PIPE FITTING / 1/2NPT-Mx1/2NPT-F BR	1	
10	142850	SUPPORT VALVE R-12P	1	
11	501449	PLUG HEXS / PIPE FITTING / 3/8NPT-M STL	3	
12	641173	MALE CONNECTOR / NTA FITTING / #8x1/4NPT-M BR To G-5997	1	
12	641380	MALE CONNECTOR / PUSH-IN FITTING / #8x1/4NPT-M BR From G-5998	1	
13	641172	VALVE, CHECK ELBOW 90° 1/2 NPT To J-6303	2	
13	640123	VALVE, CHECK 1/2 NPT SC-1 From J-6304	2	
NS	641401	VALVE, CHECK 1/2 NPT SC-1 From J-6304	1	
13	507557	STREET ELBOW 90° / PIPE FITTING / 1/2NPT-Mx1/2NPT-F BR From J-6304	2	
14	641383	MALE CONNECTOR / PUSH-IN FITTING / #8x1/2NPT-M BR	2	
15	641381	MALE CONNECTOR / PUSH-IN FITTING / #8x3/8NPT-M BR	2	
16	641384	MALE CONNECTOR / PUSH-IN FITTING / #10x1/2NPT-M BR	2	
17	950245	PRESSURE SWITCH N.C. 20-30 LO-UNLOAD W/WIRE BLACK	1	
18	641331	MALE CONNECTOR / PUSH-IN FITTING / #6x1/4NPT-M BR	1	
19	641368	MALE ELBOW 45° NON-SWIVEL / PUSH-IN FITTING / #8x3/8NPT-M BR To H-6179	1	
19	641381	MALE CONNECTOR / PUSH-IN FITTING / #8x3/8NPT-M BR From H-6180	1	
20	501332	STREET ELBOW 90° / PIPE FITTING / 1/4NPT-Mx1/4NPT-F BR	1	
21	641376	MALE ELBOW 90° NON-SWIVEL / PUSH-IN FITTING / #8x3/8NPT-M BR	1	
NS	680098	THREAD SEALANT LOCTITE #567 / WHITE / 250ml	AR	
22	175275	SUPPORT VALVE TP-3	1	
23	501800	PLUG HEXS / PIPE FITTING / 1/4NPT-M STL	1	
24	145467	SUPPORT, AIR BRAKE HOSE	1	
25	501796	BULKHEAD COUPLING / PIPE FITTING / 1/2NPT-Fx1/2NPT-Fx1 1/2 BR	1	
26	261341	GLAD HANDS CONNECTORS SUPPORT	1	
27	5011067	NIPPLE HEX / PIPE FITTING / 1/2NPT-Mx1/2NPT-Mx1 13/16 BR	1	
28	504750	CABLE TIE / 1/2" x 15" / CHRISTMAS TREE	5	
29	504637	CABLE TIE / 3/16" x 13"	4	
30	502681	NUT HEX NYRT M6-1.0 N500 G8	5	
31	5001930	NUT HEXF NYRT M10-1.5 N500 G10.9	1	
32	562218	CONVOLUTED TUBING / UNSLIT / BLACK & GRAY / 1.000"	AR	
33	501027	MALE CONNECTOR / SAE 45° FITTING / #4FL-Mx1/4NPT-M BR	1	
34	509490	ATTACHMENT DOUBLE USE WITH CABLE TIE	5	

From G-5897	Date:01/2024	PAGE:X3-1220-52
-------------	--------------	-----------------

TRAILER VALVE INSTALLATION

Item#	Part	Description	QTY	Notes
35	504751	ROTATIF SPACER DOUBLE / SMALL	1	
36	509491	CABLE TIE / 13MM x 383MM	1	
40	5001699	WASHER BEL SPR 8.2x22x1.4 N500	2	
41	500877	WASHER FL .250x.562x.065 N500	3	
42	502797	SCREW CAP HEX M8-1.25x70 G10.9 G500	2	
43	5001741	SCREW CAP HEXF M10-1.5x30 G8.8 N500	1	
44	504610	RIVET MGLP PRDG 1/4x5/8 SS	5	
50	X3-1202-00	TUBES PLASTIC / AIR D.O.T.		
51	X3-1806-00	CENTRAL DASHBOARD PANEL		

From 7-8754 To 7-9159	Date:01/2024	PAGE:X3-1225-00
-----------------------	--------------	-----------------

BRAKE PARTS - FRONT & TAG AXLE "KNORR-BREMSE" SB7 SERIES

Item#	Part	Description	QTY	Notes
	N.S.A.	CALIPER ASSY R.H. / W/BOOSTER	1	3
	N.S.A.	CALIPER ASSY L.H. / W/BOOSTER	1	3
NS	611184	CALIPER ASSY R.H. / W/O BOOSTER / SB7	1	A
NS	611185	CALIPER ASSY L.H. / W/O BOOSTER / SB7	1	A
1	N.S.S.	CALIPER HOUSING	1	1
2	611340	BRAKE CARRIER / W/6 HOLES BOLT RETAINERS M20-2.5	1	
4	N.S.S.	GUIDE BUSHING / SHORT	1	1
5	N.S.S.	GUIDE BUSHING / LONG	1	1
6	611245	GUIDE SLEEVE / RUBBER SB 7 SERIES	1	
7	611107	BUSHING / BRASS	1	
8	N.S.S.	BOOT RUBBER / WHITE	2	1
9	N.S.S.	BELLOW GUIDE BUSHING / RED	1	1
10	641421	BELLOW CAP / RUBBER	1	
11	N.S.S.	BRAKE PAD BRACKET	1	1
12	611049	LINING SET STD /	1	B
11	N.S.S.	BRAKE PAD BRACKET	1	1 B
26	N.S.S.	SPRING SPLIT PIN	1	1 B
37	641313	PLUG CAP / ADJUSTING DEVICE / PLASTIC INTERIOR GRIP	1	B
44	N.S.S.	CLEVIS PIN	1	1 B
45	N.S.S.	WASHER	1	1 B
61	N.S.S.	SHEAR ADAPTER	1	1 B
13	N.S.S.	THRUST MEMBER / INCLUDED ITEM #8	2	1
14	N.S.S.	SYNCHRONIZING HOUSING	1	1
15	N.S.S.	PLUG HALF / RUBBER	1	1
17	N.S.S.	BEAM	1	1
18	N.S.S.	O-RING	1	1
19	N.S.S.	LEVER	1	1
21	N.S.S.	COVER SYNCHRONIZING HOUSING	1	1
22	N.S.S.	BOOT	2	1
23	N.S.S.	CLEARANCE ADJUSTER	1	1
24	N.S.S.	DRIVER	1	1
25	N.S.S.	LEVER BEARING	1	1
26	N.S.S.	SPRING SPLINT PIN	1	1
27	N.S.S.	COMPRESSION SPRING	1	1
28	N.S.S.	COMPRESSION SPRING	1	1
29	N.S.S.	RING RETAINING	2	1
30	N.S.S.	ROLLER CHAIN	1	1
31	641420	PERFORATED CLIP	1	
32	N.S.S.	CHAIN DRIVE WHEEL	2	1
33	N.S.S.	SHAFT SEALING RING	1	1
37	641313	PLUG CAP / ADJUSTING DEVICE / PLASTIC INTERIOR GRIP	1	
38	N.S.S.	DOWEL	4	1

From 7-8754 To 7-9159	Date:01/2024	PAGE:X3-1225-00
-----------------------	--------------	-----------------

BRAKE PARTS - FRONT & TAG AXLE "KNORR-BREMSE" SB7 SERIES

Item#	Part	Description	QTY	Notes
39	N.S.S.	. . SCREW CAP HEXS M16-1.5x140 G10.9 ZP	1	1
40	N.S.S.	. . SCREW CAP HEXS M16-1.5x90 G10.9 ZP	1	1
41	N.S.S.	. . SOCKET HEAD CAP SCREW M14 X 60MM GR 12.9	3	1
43	N.S.S.	. . SOCKET HEAD CAP SCREW M5 X 12MM	8	1
44	N.S.S.	. . CLEVIS PIN	1	1
45	N.S.S.	. . WASHER	1	1
54	5001193	SCREW CAP HEX M20-2.5x65 G10.9 ZP	6	
54	5001358	SCREW CAP HEX M20-2.5x50 G10.9 ZP	6	
54	611309	SCREW CAP HEX M20-2.5x60 G10.9 DP	2	
55	502558	WASHER FL 21.0x37.0x3.0 G500	6	
58	N.S.P.	BOOT RETAINER	1	2
59	X3-1005-50	FRONT AXLE - INDEPENDENT MODEL "NDIFS80P" / 18000LBS		
59	X3-1005-00	FRONT AXLE - I BEAM RIGID MODEL "S84U"		
60	X3-1300-00	HUB & ROTOR - FRONT AXLE - I BEAM MODEL "S84U"		
60	X3-1310-00	HUB & ROTOR - TAG AXLE TYPE TS8U		
70	110786	BRAKE WEAR INDICATOR MECHANICAL / 44MM	AR	
100	611054	KIT, TAPPET W/BOOT	AR	D
.08	N.S.S.	. BOOT RUBBER / WHITE	2	1 D
.13	N.S.S.	. TAPPET	2	1 D
101	611168	KIT, GUIDANCE PINS & BELLOW	AR	E
.04	N.S.S.	. GUIDE BUSHING / SHORT	1	1 E
.05	N.S.S.	. GUIDE BUSHING / LONG	1	1 E
.06	611245	. GUIDE SLEEVE / RUBBER SB 7 SERIES	1	E
.07	611107	. BUSHING / BRASS	1	E
.09	N.S.S.	. BELLOW GUIDE BUSHING / RUBBER RED	1	1 E
.10	641421	. BELLOW CAP / RUBBER	1	E
.31	641420	. PERFORATED CLIP	1	E
.39	N.S.S.	. SCREW CAP HEXS	1	1 E
.40	N.S.S.	. SCREW CAP HEXS	1	1 E
.58	N.S.S.	. PLASTIC RING / BOOT RETAINER	1	1 E
102	611177	KIT, BOOT PROTECTOR & TAPPET	AR	F
.08	N.S.S.	. BOOT RUBBER / WHITE	1	1 F
.13	N.S.S.	. TAPPET	1	1 F
.29	N.S.S.	. RING RETAINING / TAPPET	1	1 F
103	611179	KIT, CARRIER & GUIDING PIN	AR	G
.02	611340	. BRAKE CARRIER / W/6 HOLES BOLT RETAINERS M20-2.5	1	G
.04	N.S.S.	. GUIDE BUSHING / SHORT	1	1 G
.05	N.S.S.	. GUIDE BUSHING / LONG	1	1 G
.39	N.S.S.	. SCREW CAP HEXS	1	1 G
.40	N.S.S.	. SCREW CAP HEXS	1	1 G
104	641402	KIT, PAD HOLDER	AR	H
.26	N.S.S.	. SPRING SPLIT PIN	1	1 H

From 7-8754 To 7-9159	Date:01/2024	PAGE:X3-1225-00
-----------------------	--------------	-----------------

BRAKE PARTS - FRONT & TAG AXLE "KNORR-BREMSE" SB7 SERIES

Item#	Part	Description	QTY	Notes
. 44	N.S.S.	. CLEVIS PIN	1	1 H
. 45	N.S.S.	. WASHER	1	1 H
105	611199	KIT, BOOT & SEAL	AR	I
. 09	N.S.S.	. BELLOW GUIDE BUSHING / RUBBER RED	1	1 I
. 10	641421	. BELLOW CAP / RUBBER	1	I
. 31	641420	. PERFORATED CLIP	1	I
. 37	641313	. PLUG CAP / ADJUSTING DEVICE / PLASTIC INTERIOR GRIP	1	I
. 58	N.S.S.	. PLASTIC RING / BOOT RETAINER	1	1 I
106	611246	KIT, GUIDANCE PIN & RUBBER BUSHING / SHORT PIN	AR	C
. 04	N.S.S.	. GUIDE BUSHING / SHORT	1	1 C
. 06	611245	. GUIDE SLEEVE / RUBBER SB 7 SERIES	1	C
. 39	N.S.S.	. SCREW CAP HEXS	1	1 C
107	641427	KIT BOOT & CLIP	AR	P
. 10	641421	. BELLOW CAP / RUBBER	1	P
. 31	641420	. PERFORATED CLIP	1	P
107	683344	GREASE GREEN / 5GR	AR	J
107	641931	GREASE GREEN / 500GR	AR	J
107	683345	GREASE WHITE / 5GR	AR	K
107	641930	GREASE WHITE / 500GR	AR	K
107	641321	TOOL / THRUST MEMBER W/BELLOW	AR	L
107	641322	TOOL / CALIPER INNER BELLOW	AR	M
107	641323	TOOL / BUSHING INSTALLER / SERIES SB	AR	N
107	641444	TOOL / GROOVING BUSHING	AR	N
107	641435	TOOL / FORK (FOR BELLOW CAP)	AR	L
200	X3-1225-10	BRAKE CHAMBER - FRONT AXLE TYPE 24		
202	X3-1245-10	BRAKE CHAMBER - TAG AXLE TYPE 14/16		
		A) INCLUDES ITEM #2 BUT NOT ITEM # 12		
		B) INCLUDES ITEMS #11, 26, 37, 44, 45 & 61		
		C) INCLUDE ITEMS #4,6 & 39		
		D) INCLUDE 2 OF ITEMS #8 & 13		
		E) INCLUDE ITEMS #4,5,6,7,9,10,31,39,40 & 58		
		F) INCLUDE ITEMS #8,13 & 29		
		G) INCLUDE ITEMS #2,4,5,39 & 40		
		H) INCLUDES ITEMS #11,26,44 & 45		
		I) INCLUDE ITEMS #9,10,31,37 & 58		
		J) FOR ITEM #4 & 6		
		K) FOR ITEMS #5 & 7		
		L) TO USE W/ITEMS #8 & 13		
		M) TO USE W/ITEM #9		

From 7-8754 To 7-9159	Date:01/2024	PAGE:X3-1225-00
-----------------------	--------------	-----------------

BRAKE PARTS - FRONT & TAG AXLE "KNORR-BREMSE" SB7 SERIES

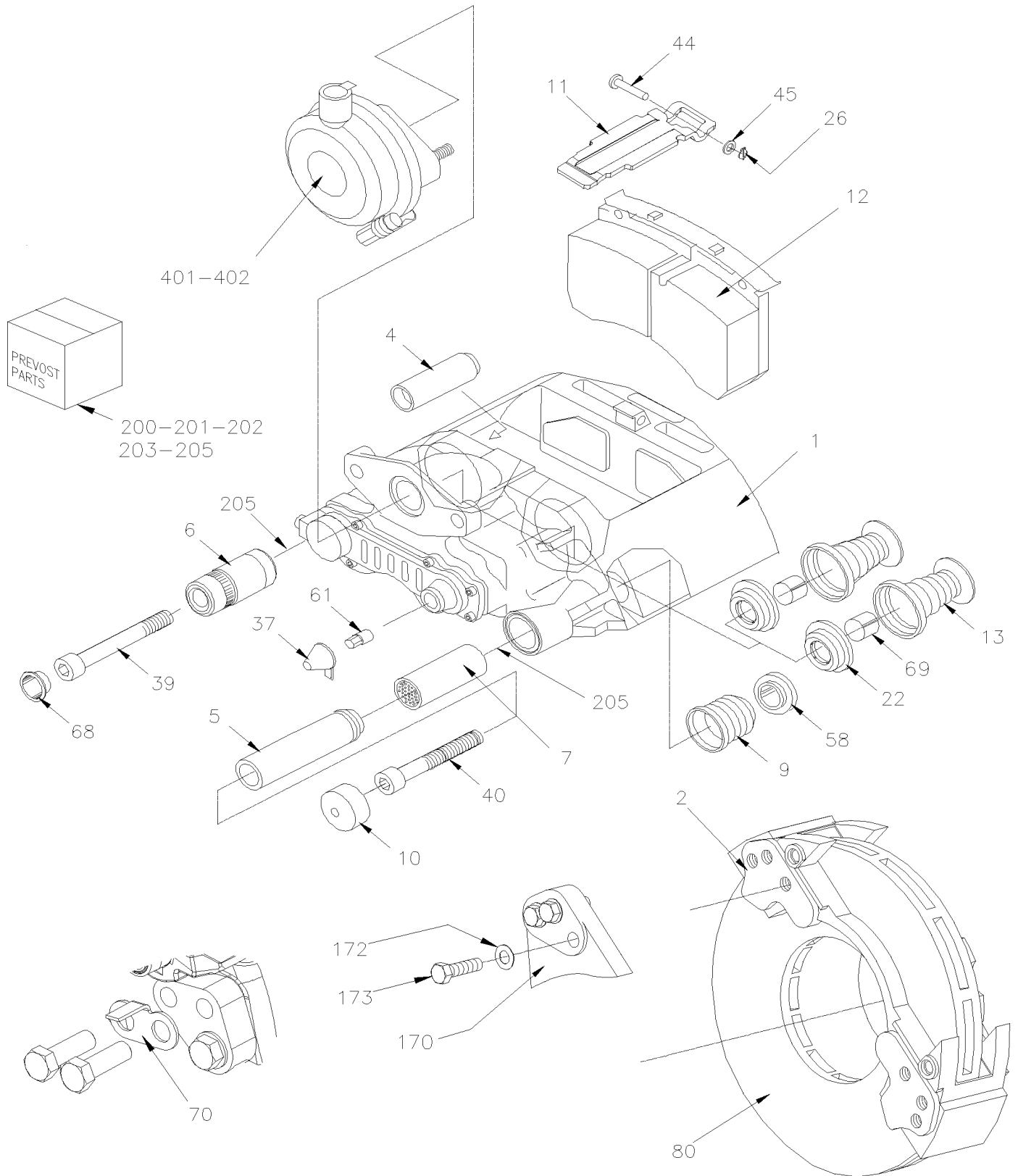
Item#	Part	Description	QTY	Notes
		N) TO USE W/ITEM #7		
		P) INCLUDE ITEM #10 & 31		
		1) NOT SOLD SEPARATELY		
		2) NOT SOLD BY PREVOST (SEE MANUFACTURING PART NUMBER AT END OF DESCRIPTION LINE)		
		3) NOT SOLD ASSEMBLY		
		1) NOT SOLD SEPARATELY		

From 7-9160 To A-9882

Date:01/2024

PAGE:X3-1225-01

BRAKE PARTS - FRONT & TAG AXLE "KNORR-BREMSE" SN7 SERIES



From 7-9160 To A-9882		Date:01/2024	PAGE:X3-1225-01
-----------------------	--	--------------	-----------------

BRAKE PARTS - FRONT & TAG AXLE "KNORR-BREMSE" SN7 SERIES

Item#	Part	Description	QTY	Notes
	611341	CALIPER ASSY R.H. / W/O BOOSTER / SN7	1	A
	611342	CALIPER ASSY L.H. / W/O BOOSTER / SN7	1	A
1	N.S.S.	. CALIPER HOUSING	1	1
2	611960	. BRAKE CARRIER / W/6 HOLES BOLT RETAINERS M20-1.5	1	
4	N.S.S.	. . GUIDE BUSHING / SHORT	1	1
5	N.S.S.	. . GUIDE BUSHING / LONG	1	1
6	N.S.S.	. . GUIDE SLEEVE	1	1
7	611107	. . BUSHING / BRASS	1	
8	N.S.S.	. . BOOT RUBBER / WHITE	2	1
9	N.S.S.	. . BELLOW GUIDE BUSHING / RED	1	1
10	N.S.S.	. . STEEL CAP	1	1
11	N.S.S.	. . BRAKE PAD BRACKET	1	1
12	611049	. . LINING SET STD /	1	B
. 11	N.S.S.	. . . BRAKE PAD BRACKET	1	1 B
. 26	N.S.S.	. . . SPRING SPLIT PIN	1	1 B
. 37	641313	. . . PLUG CAP / ADJUSTING DEVICE / PLASTIC INTERIOR GRIP	1	B
. 44	N.S.S.	. . . CLEVIS PIN	1	1 B
. 45	N.S.S.	. . . WASHER	1	1 B
. 61	N.S.S.	. . . SHEAR ADAPTER	1	1 B
13	N.S.S.	. . TAPPET WITH BOOT ASSY	2	1
22	N.S.S.	. . BOOT	2	1
26	N.S.S.	. . SPRING SPLINT PIN	1	1
37	N.S.S.	. . PLUG CAP / ADJUSTING DEVICE	1	1
39	N.S.S.	. . SCREW CAP HEXS ZP M16-1.5 GR10.9	1	1
40	N.S.S.	. . SCREW CAP HEXS ZP M16-1.5 GR10.9	1	1
44	N.S.S.	. . CLEVIS PIN	1	1
45	N.S.S.	. . WASHER	1	1
58	N.S.S.	. . RING	1	1
61	N.S.S.	. . SHEAR ADAPTER	1	1
68	N.S.S.	. . CAP	1	1
69	N.S.S.	. RING RETAINING	2	1
70	110786	BRAKE WEAR INDICATOR MECHANICAL / 44MM From A-9883	AR	
80	X3-1300-00	HUB & ROTOR - FRONT AXLE - I BEAM MODEL "S84U"	1	
80	X3-1300-50	HUB & ROTOR - FRONT AXLE - INDEPENDANT MODEL "NDIFS80P"	1	
80	X3-1310-00	HUB & ROTOR - TAG AXLE TYPE TS8U	1	
170	X3-1005-50	FRONT AXLE - INDEPENDENT MODEL "NDIFS80P" / 18000LBS		
170	X3-1005-00	FRONT AXLE - I BEAM RIGID MODEL "S84U"		
170	X3-1615-00	TAG AXLE - INSTALL SUSPENSION		
172	502558	WASHER FL 21.0x37.0x3.0 G500	6	
173	5001529	SCREW CAP HEX M20-1.5x60 G10.9 G500	6	
200	642032	KIT, TAPPET W/BOOT	AR	C
201	642031	KIT, GUIDANCE PINS & BELLOW / SN W/39MM BUSHING END	AR	E

From 7-9160 To A-9882	Date:01/2024	PAGE:X3-1225-01
-----------------------	--------------	-----------------

BRAKE PARTS - FRONT & TAG AXLE "KNORR-BREMSE" SN7 SERIES

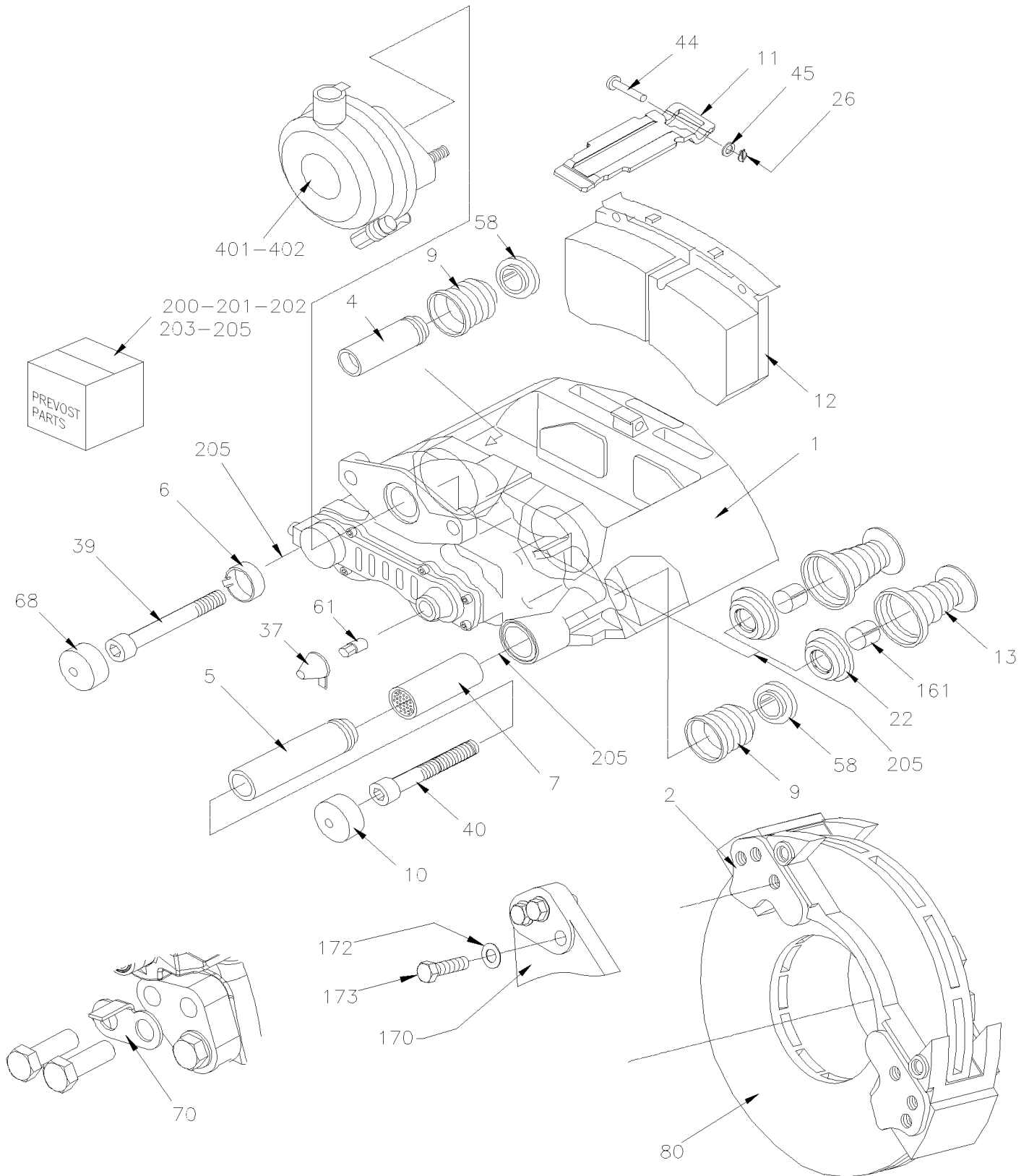
Item#	Part	Description	QTY	Notes
202	642034	KIT, PLUG CAP W/AJUSTING DEVICE (PACK of 10x #37, #37a & 61)	AR	S
203	641402	KIT, PAD HOLDER	AR	H
. 26	N.S.S.	. SPRING SPLIT PIN	1	1 H
. 44	N.S.S.	. CLEVIS PIN	1	1 H
. 45	N.S.S.	. WASHER	1	1 H
205	683345	GREASE WHITE / 5GR	AR	K
205	641930	GREASE WHITE / 500GR	AR	K
NS	641321	TOOL / THRUST MEMBER W/BELLOW	AR	L
NS	641322	TOOL / CALIPER INNER BELLOW	AR	M
NS	642074	TOOL / BUSHING INSTALLER / SERIES SN	AR	N
NS	641435	TOOL / FORK (FOR BELLOW CAP)	AR	L
NS	641993	TOOL / PRESS IN COVER	AR	X
NS	641994	TOOL / BUSHING - INSTALLER	AR	Y
NS	641998	TOOL / RUBBER BUSHING - INSTALLER	AR	Z
NS	642035	KIT TOOL BOX "KNORR BREMSE" SERIE SN7	AR	
401	X3-1225-10	BRAKE CHAMBER - FRONT AXLE TYPE 24		
402	X3-1245-10	BRAKE CHAMBER - TAG AXLE TYPE 14/16 To 8-9281		
402	X3-1245-12	BRAKE CHAMBER - TAG AXLE TYPE 14 & 16 From 8-9282		
500	Y006471_000_EN	MAINTENANCE MANUAL / ENGLISH KNORR-BREMSE		
NS	Y006471_000_FR	MANUEL D'ENTRETIEN / FRANÇAIS KNORR-BREMSE		
		A) DO NOT INCLUDE ITEM #2 & #12		
		B) INCLUDES ITEMS #11, 26, 37, 44, 45 & 61		
		C) INCLUDES 2 OF ITEMS #13, 22 & 69		
		E) INCLUDES ITEMS #4, 5, 6, 7, 9, 10, 39, 40, 58 & 68		
		H) INCLUDES ITEMS #11,26,44 & 45		
		K) FOR ITEMS #5 & 7		
		L) TO USE W/ITEMS #13		
		M) TO USE W/ITEM #9		
		N) TO USE W/ITEM #7		
		S) INCLUDES 10 ITEMS #37 AND 61		
		X) TO USE WITH ITEM #10		
		Y) TO USE WITH ITEM 6		
		Z) TO USE WITH ITEM #68		
		1) NOT SOLD SEPARATELY		
		1) NOT SOLD SEPARATELY		

From A-9883 To E-5525

Date:01/2024

PAGE:X3-1225-02

BRAKE PARTS - FRONT & TAG AXLE "KNORR-BREMSE" SN7 SERIES W/NEW SLIDE PINS



From A-9883 To E-5525	Date:01/2024	PAGE:X3-1225-02
-----------------------	--------------	-----------------

BRAKE PARTS - FRONT & TAG AXLE "KNORR-BREMSE" SN7 SERIES W/NEW SLIDE PINS

Item#	Part	Description	QTY	Notes
	642134	CALIPER ASSY R.H. FRONT & TAG OR L.H. DRIVE AXLE / W/O BOOSTER SN7	1	
	642139	CALIPER ASSY L.H. FRONT & TAG OR R.H. DRIVE AXLE / W/O BOOSTER SN7	1	
1	N.S.S.	. CALIPER HOUSING	1	1
2	611960	. BRAKE CARRIER / W/6 HOLES BOLT RETAINERS M20-1.5	1	
4	N.S.S.	. . GUIDE BUSHING / SHORT	1	1
5	N.S.S.	. . GUIDE BUSHING / LONG	1	1
6	N.S.S.	. . GUIDE BUSHING / DU	1	1
7		. . BUSHING / BRASS	1	
8	N.S.S.	. . BOOT RUBBER / WHITE	2	1
9	N.S.S.	. . BELLOW GUIDE BUSHING / RED	2	1
10	N.S.S.	. . STEEL CAP	1	1
11	N.S.S.	. . BRAKE PAD BRACKET	1	1
12	611049	. . LINING SET STD /	1	B
. 11	N.S.S.	. . . BRAKE PAD BRACKET	1	1 B
. 26	N.S.S.	. . . SPRING SPLIT PIN	1	1 B
. 37	641313	. . . PLUG CAP / ADJUSTING DEVICE / PLASTIC INTERIOR GRIP	1	B
. 44	N.S.S.	. . . CLEVIS PIN	1	1 B
. 45	N.S.S.	. . . WASHER	1	1 B
. 61	N.S.S.	. . . SHEAR ADAPTER	1	1 B
13	N.S.S.	. . TAPPET WITH BOOT ASSY	2	1
22	N.S.S.	. . BOOT	2	1
26	N.S.S.	. . SPRING SPLINT PIN	1	1
37	N.S.S.	. . PLUG CAP / ADJUSTING DEVICE	1	1
39	N.S.S.	. . SCREW CAP HEXS ZP M16-1.5 GR10.9	1	1
40	N.S.S.	. . SCREW CAP HEXS ZP M16-1.5 GR10.9	1	1
44	N.S.S.	. . CLEVIS PIN	1	1
45	N.S.S.	. . WASHER	1	1
58	N.S.S.	. . RING	2	1
61	N.S.S.	. . SHEAR ADAPTER	1	1
68	N.S.S.	. . CAP	1	1
70	110786	BRAKE WEAR INDICATOR MECHANICAL / 44MM	AR	
80	X3-1300-00	HUB & ROTOR - FRONT AXLE - I BEAM MODEL "S84U"		
80	X3-1310-00	HUB & ROTOR - TAG AXLE TYPE TS8U		
161	N.S.S.	. RING RETAINING	2	1
170	X3-1005-00	FRONT AXLE - I BEAM RIGID MODEL "S84U"		
170	X3-1005-50	FRONT AXLE - INDEPENDENT MODEL "NDIFS80P" / 18000LBS		
170	X3-1615-00	TAG AXLE - INSTALL SUSPENSION		
170	X3-1615-01	TAG AXLE - INSTALL SUSPENSION ONE PIECE		
172	502558	WASHER FL 21.0x37.0x3.0 G500	6	
173	5001529	SCREW CAP HEX M20-1.5x60 G10.9 G500	6	
200	642032	KIT, TAPPET W/BOOT	AR	C
201	642141	KIT, GUIDANCE PINS & BELLOW / SN W/ GUIDE SLEEVE BUSHING END	AR	E

From A-9883 To E-5525	Date:01/2024	PAGE:X3-1225-02
-----------------------	--------------	-----------------

BRAKE PARTS - FRONT & TAG AXLE "KNORR-BREMSE" SN7 SERIES W/NEW SLIDE PINS

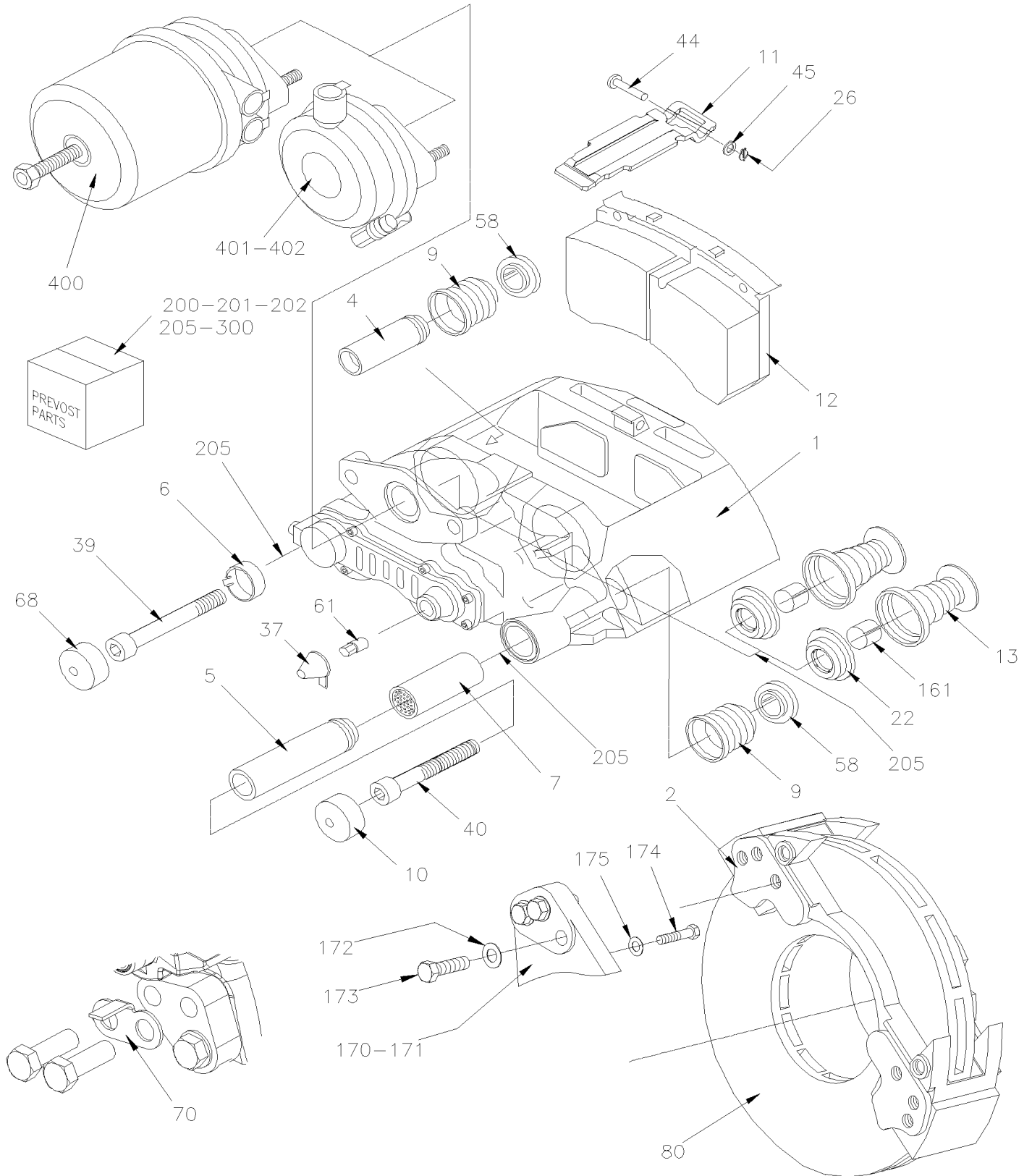
Item#	Part	Description	QTY	Notes
202	642034	KIT, PLUG CAP W/AJUSTING DEVICE (PACK of 10x #37, #37a & 61)	AR	S
203	641402	KIT, PAD HOLDER	AR	H
26	N.S.S.	SPRING SPLIT PIN	1	1 H
44	N.S.S.	CLEVIS PIN	1	1 H
45	N.S.S.	WASHER	1	1 H
205	683345	GREASE WHITE / 5GR	AR	K
205	641930	GREASE WHITE / 500GR	AR	K
NS	641321	TOOL / THRUST MEMBER W/BELLOW	AR	L
NS	641322	TOOL / CALIPER INNER BELLOW	AR	M
NS	19400416	TOOL / PUSH-IN INNER BOOT (9)	AR	M
NS	642074	TOOL / BUSHING INSTALLER / SERIES SN	AR	N
NS	641435	TOOL / FORK (FOR BELLOW CAP)	AR	L
305	N.P.N.	TOOL / PRESS IN COVER / K015825	AR	4 X
306	N.P.N.	TOOL / BUSHING - INSTALLER & REMOVER KIT / K005986	AR	4 Y
307	N.P.N.	TOOL / RUBBER BUSHING - INSTALLER / K016743	AR	4 Z
NS	642035	KIT TOOL BOX "KNORR BREMSE" SERIE SN7	AR	
401	X3-1225-10	BRAKE CHAMBER - FRONT AXLE TYPE 24		
402	X3-1245-12	BRAKE CHAMBER - TAG AXLE TYPE 14 & 16		
500	Y006471_000_EN	MAINTENANCE MANUAL / ENGLISH KNORR-BREMSE		
NS	Y006471_000_FR	MANUEL D'ENTRETIEN / FRANÇAIS KNORR-BREMSE		
		B) INCLUDES ITEMS #11, 26, 37, 44, 45 & 61		
		C) INCLUDES 2 OF ITEMS #13, 22 & 161		
		E) INCLUDES ITEMS #4, 5, 6, 7, 9, 10, 39, 40, 58 & 68		
		H) INCLUDES ITEMS #11,26,44 & 45		
		K) FOR ITEMS #5 & 7		
		L) TO USE W/ITEMS #13		
		M) TO USE W/ITEM #9		
		N) TO USE W/ITEM #7		
		S) INCLUDES 10 ITEMS #37 AND 61		
		X) TO USE WITH ITEM #10		
		Y) TO USE WITH ITEM 6		
		Z) TO USE WITH ITEM #68		
		1) NOT SOLD SEPARATELY		
		4) NO PARTS NUMBER		
		1) NOT SOLD SEPARATELY		

From E-5459 To E-5525

Date:01/2024

PAGE:X3-1225-03

BRAKE PARTS - "KNORR-BREMSE" SN7 SERIES W/N2G ADJUSTER



From E-5459 To E-5525	Date:01/2024	PAGE:X3-1225-03
-----------------------	--------------	-----------------

BRAKE PARTS - "KNORR-BREMSE" SN7 SERIES W/N2G ADJUSTER

Item#	Part	Description	QTY	Notes
	642186	CALIPER ASSY R.H. FRONT & TAG OR L.H. DRIVE AXLE / W/O POTENTIOMETER SN7	1	
	642187	CALIPER ASSY L.H. FRONT & TAG OR R.H. DRIVE AXLE / W/O POTENTIOMETER SN7	1	
1	N.S.S.	. CALIPER HOUSING	1	1
2	611960	. BRAKE CARRIER / W/6 HOLES BOLT RETAINERS M20-1.5	1	
4	N.S.S.	. . GUIDE BUSHING / SHORT	1	1
5	N.S.S.	. . GUIDE BUSHING / LONG	1	1
6	N.S.S.	. . GUIDE BUSHING / DU	1	1
7		. . BUSHING / BRASS	1	
8	N.S.S.	. . BOOT RUBBER / WHITE	2	1
9	N.S.S.	. . BELLOW GUIDE BUSHING / RED	2	1
10	N.S.S.	. . STEEL CAP	1	1
11	N.S.S.	. . BRAKE PAD BRACKET	1	1
12	642188	. . LINING SET STD /	1	B
. 11	N.S.S.	. . . BRAKE PAD BRACKET	1	1 B
. 26	N.S.S.	. . . SPRING SPLIT PIN	1	1 B
. 37	642034	. . . KIT, PLUG CAP W/AJUSTING DEVICE (PACK of 10x #37, #37a & 61)	1	B
. 44	N.S.S.	. . . CLEVIS PIN	1	1 B
. 45	N.S.S.	. . . WASHER	1	1 B
. 61	N.S.S.	. . . SHEAR ADAPTER	1	1 B
13	N.S.S.	. . TAPPET WITH BOOT ASSY	2	1
22	N.S.S.	. . BOOT	2	1
26	N.S.S.	. . SPRING SPLINT PIN	1	1
37	N.S.S.	. . PLUG CAP / ADJUSTING DEVICE	1	1
39	N.S.S.	. . SCREW CAP HEXS ZP M16-1.5 GR10.9	1	1
40	N.S.S.	. . SCREW CAP HEXS ZP M16-1.5 GR10.9	1	1
44	N.S.S.	. . CLEVIS PIN	1	1
45	N.S.S.	. . WASHER	1	1
58	N.S.S.	. . RING	2	1
61	N.S.S.	. . SHEAR ADAPTER	1	1
68	N.S.S.	. . CAP	1	1
70	110786	BRAKE WEAR INDICATOR MECHANICAL / 44MM	AR	
80	X3-1300-00	HUB & ROTOR - FRONT AXLE - I BEAM MODEL "S84U"		
80	X3-1305-00	HUB & ROTOR - DRIVE AXLE		
80	X3-1305-99	ROTOR (SPLINED DISC) PRODUCT IMPROVMENT		
80	X3-1310-00	HUB & ROTOR - TAG AXLE TYPE TS8U		
161	N.S.S.	. RING RETAINING	2	1
170	X3-1005-00	FRONT AXLE - I BEAM RIGID MODEL "S84U"		
170	X3-1105-00	REAR AXLE - MODEL "RC23165"		
170	X3-1615-01	TAG AXLE - INSTALL SUSPENSION ONE PIECE		
171	621868	CALIPER MOUNTING BRACKET L.H. & R.H. W/OUT BUSHING	1	D
172	502558	WASHER FL 21.0x37.0x3.0 G500	6	
173	5001529	SCREW CAP HEX M20-1.5x60 G10.9 G500	6	

From E-5459 To E-5525	Date:01/2024	PAGE:X3-1225-03
-----------------------	--------------	-----------------

BRAKE PARTS - "KNORR-BREMSE" SN7 SERIES W/N2G ADJUSTER

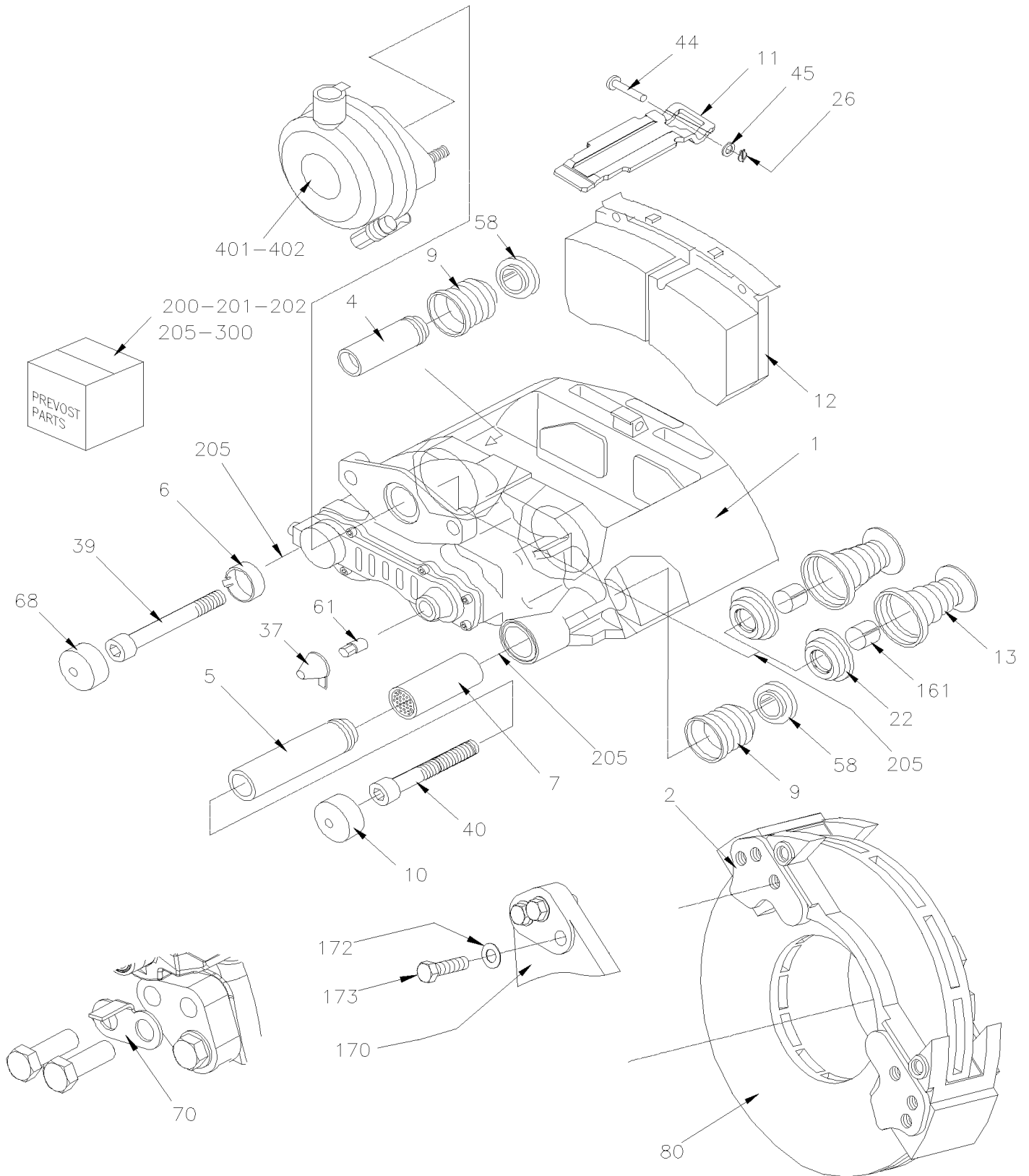
Item#	Part	Description	QTY	Notes
174	621636	SCREW CAP HEX / TO FIX BRACKET TO AXLE 9/16-18 X 2 GR 8	24	D
175	621365	WASHER (HARD) .59IDX.97ODX.09	24	D
200	19509429	KIT, TAPPET W/BOOT	AR	C
201	642141	KIT, GUIDANCE PINS & BELLOW / SN W/ GUIDE SLEEVE BUSHING END	AR	E
202	642034	KIT, PLUG CAP W/AJUSTING DEVICE (PACK of 10x #37, #37a & 61)	AR	S
205	683345	GREASE WHITE / 5GR	AR	K
205	641930	GREASE WHITE / 500GR	AR	K
300	642214	KIT TOOL TO REPAIR BRAKE N2G	AR	L
400	X3-1235-10	BRAKE CHAMBER - DRIVE AXLE TYPE 24/24		
401	X3-1225-10	BRAKE CHAMBER - FRONT AXLE TYPE 24		
402	X3-1245-12	BRAKE CHAMBER - TAG AXLE TYPE 14 & 16		
		B) INCLUDES ITEMS #11, 26, 37, 44, 45 & 61		
		C) INCLUDES 2 OF ITEMS #13, 22 & 161		
		D) ON DRIVE AXLE ONLY		
		E) INCLUDES ITEMS #4, 5, 6, 7, 9, 10, 39, 40, 58 & 68		
		K) FOR ITEMS #5 & 7		
		L) TO USE W/ITEMS #13		
		S) INCLUDES 10 ITEMS #37 AND 61		
		1) NOT SOLD SEPARATELY		
		1) NOT SOLD SEPARATELY		

From E-5526

Date:01/2024

PAGE:X3-1225-04

BRAKE PARTS - FRONT RIGIDE & TAG AXLE "KNORR-BREMSE" SN7 SERIES W/N2G ADJUSTER



From E-5526		Date:01/2024	PAGE:X3-1225-04
-------------	--	--------------	-----------------

BRAKE PARTS - FRONT RIGIDE & TAG AXLE "KNORR-BREMSE" SN7 SERIES W/N2G ADJUSTER

Item#	Part	Description	QTY	Notes
	642186	CALIPER ASSY R.H. FRONT & TAG OR L.H. DRIVE AXLE / W/O POTENTIOMETER SN7 To M-6657	1	
	640071	CALIPER ASSY R.H. FRONT & TAG OR L.H. DRIVE AXLE / W/O POTENTIOMETER SN7 From M-6658	1	
	642187	CALIPER ASSY L.H. FRONT & TAG OR R.H. DRIVE AXLE / W/O POTENTIOMETER SN7 To M-6657	1	
	640076	CALIPER ASSY L.H. FRONT & TAG OR R.H. DRIVE AXLE / W/O POTENTIOMETER SN7 From M-6658	1	
1	N.S.S.	. CALIPER HOUSING	1	1
2	611960	. BRAKE CARRIER / W/6 HOLES BOLT RETAINERS M20-1.5	1	
4	N.S.S.	. . GUIDE BUSHING / SHORT	1	1
5	N.S.S.	. . GUIDE BUSHING / LONG	1	1
6	N.S.S.	. . GUIDE BUSHING / DU	1	1
7		. . BUSHING / BRASS	1	
8	N.S.S.	. . BOOT RUBBER / WHITE	2	1
9	N.S.S.	. . BELLOW GUIDE BUSHING / RED	2	1
10	N.S.S.	. . STEEL CAP	1	1
11	N.S.S.	. . BRAKE PAD BRACKET	1	1
12	642188	. . LINING SET STD / To M-6657	1	B
. 11	N.S.S.	. . . BRAKE PAD BRACKET To M-6657	1	1 B
. 26	N.S.S.	. . . SPRING SPLIT PIN To M-6657	1	1 B
. 37	642034	. . . KIT, PLUG CAP W/AJUSTING DEVICE (PACK of 10x #37, #37a & 61) To M-6657	1	B
. 44	N.S.S.	. . . CLEVIS PIN To M-6657	1	1 B
. 45	N.S.S.	. . . WASHER To M-6657	1	1 B
. 61	N.S.S.	. . . SHEAR ADAPTER To M-6657	1	1 B
12	610072	. . LINING SET STD / TX3054 From M-6658	1	
13	N.S.S.	. . TAPPET WITH BOOT ASSY	2	1
22	N.S.S.	. . BOOT	2	1
26	N.S.S.	. . SPRING SPLINT PIN	1	1
37	N.S.S.	. . PLUG CAP / ADJUSTING DEVICE	1	1
39	N.S.S.	. . SCREW CAP HEXS ZP M16-1.5 GR10.9	1	1
40	N.S.S.	. . SCREW CAP HEXS ZP M16-1.5 GR10.9	1	1
44	N.S.S.	. . CLEVIS PIN	1	1
45	N.S.S.	. . WASHER	1	1
58	N.S.S.	. . RING	2	1
61	N.S.S.	. . SHEAR ADAPTER	1	1
68	N.S.S.	. . CAP	1	1
70	110786	BRAKE WEAR INDICATOR MECHANICAL / 44MM To K-6411	AR	A
70	110061	BRAKE WEAR INDICATOR MECHANICAL / 47MM From K-6412	AR	A
70	142907	BRAKE WEAR INDICATOR WITH HOLE MECHANICAL	AR	TG
80	X3-1300-00	HUB & ROTOR - FRONT AXLE - I BEAM MODEL "S84U"		
80	X3-1310-00	HUB & ROTOR - TAG AXLE TYPE TS8U		
161	N.S.S.	. RING RETAINING	2	1
170	X3-1005-00	FRONT AXLE - I BEAM RIGID MODEL "S84U" To K-6411		
170	X3-1005-01	FRONT AXLE - I BEAM RIGID MODEL "S84U" From K-6412		
170	X3-1005-50	FRONT AXLE - INDEPENDENT MODEL "NDIFS80P" / 18000LBS To F-5796		

From E-5526		Date:01/2024	PAGE:X3-1225-04
-------------	--	--------------	-----------------

BRAKE PARTS - FRONT RIGIDE & TAG AXLE "KNORR-BREMSE" SN7 SERIES W/N2G ADJUSTER

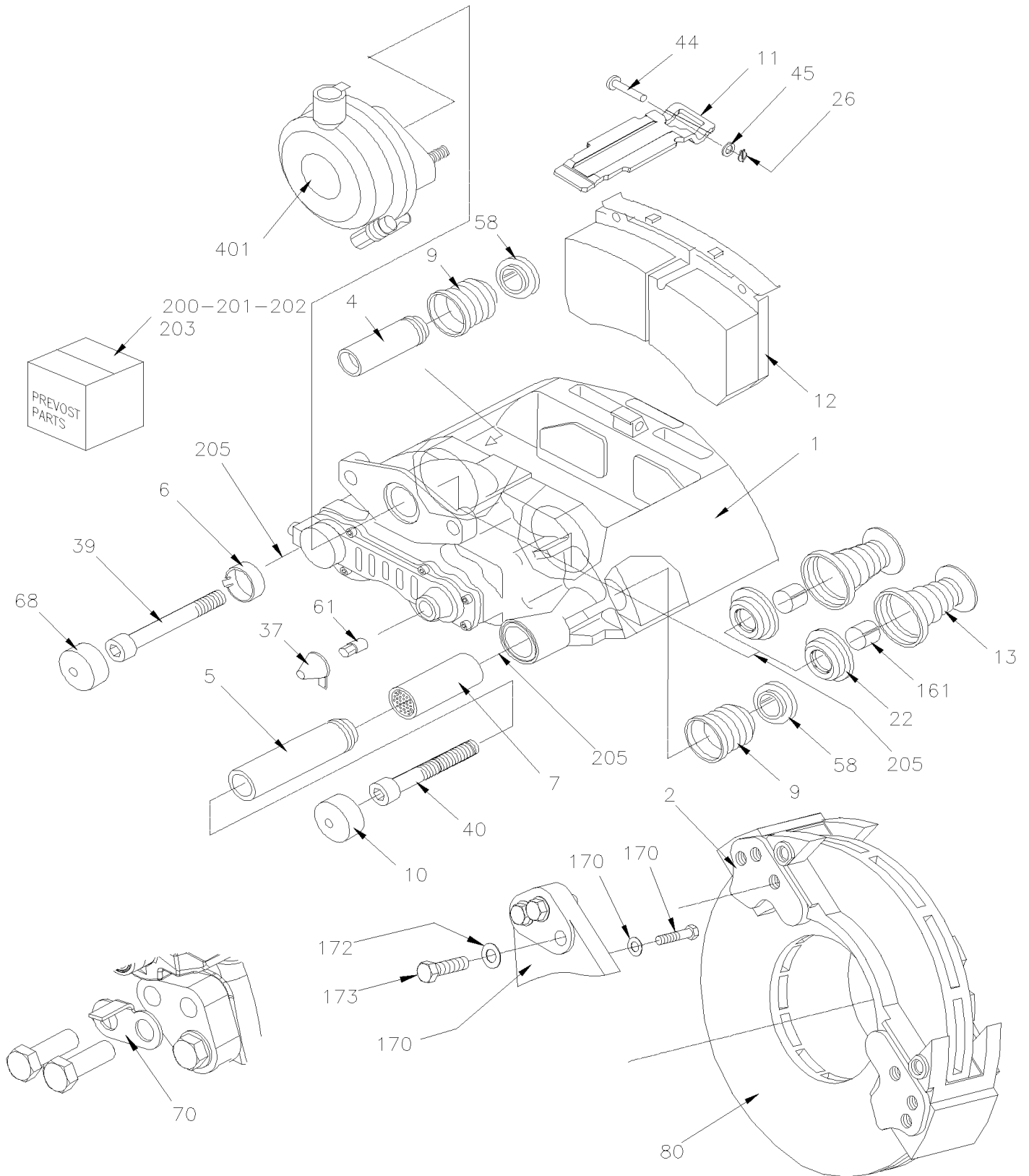
Item#	Part	Description	QTY	Notes
170	X3-1005-51	FRONT AXLE - INDEPENDENT MODEL "NDIFS80P" / 19000LBS From F-5797		
170	X3-1615-01	TAG AXLE - INSTALL SUSPENSION ONE PIECE		
172	502558	WASHER FL 21.0x37.0x3.0 G500	6	
173	5001529	SCREW CAP HEX M20-1.5x60 G10.9 G500	6	
200	19509429	KIT, TAPPET W/BOOT	AR	C
201	642141	KIT, GUIDANCE PINS & BELLOW / SN W/ GUIDE SLEEVE BUSHING END To F-5840	AR	E
201	640019	KIT, GUIDANCE PINS & BELLOW / SN W/ GUIDE SLEEVE BUSHING END From F-5841	AR	E
202	642034	KIT, PLUG CAP W/AJUSTING DEVICE (PACK of 10x #37, #37a & 61)	AR	S
205	683345	GREASE WHITE / 5GR	AR	K
205	641930	GREASE WHITE / 500GR	AR	K
300	642214	KIT TOOL TO REPAIR BRAKE N2G	AR	L
401	X3-1225-10	BRAKE CHAMBER - FRONT AXLE TYPE 24		
402	X3-1245-12	BRAKE CHAMBER - TAG AXLE TYPE 14 & 16		
		A) WITH "I BEAM" SUSPENSION		
		B) INCLUDES ITEMS #11, 26, 37, 44, 45 & 61		
		C) INCLUDES 2 OF ITEMS #13, 22 & 161		
		E) INCLUDES ITEMS #4, 5, 6, 7, 9, 10, 39, 40, 58 & 68		
		K) FOR ITEMS #5 & 7		
		L) TO USE W/ITEMS #13		
		S) INCLUDES 10 ITEMS #37 AND 61		
		TG) TAG AXLE ONLY		
		1) NOT SOLD SEPARATELY		
		1) NOT SOLD SEPARATELY		

From E-5526 To F-5796

Date:01/2024

PAGE:X3-1225-20

BRAKE PARTS - FRONT INDEPENDENT "KNORR-BREMSE" SN7 SERIES W/NEW SLIDE PINS



From E-5526 To F-5796		Date:01/2024	PAGE:X3-1225-20
-----------------------	--	--------------	-----------------

BRAKE PARTS - FRONT INDEPENDENT "KNORR-BREMSE" SN7 SERIES W/NEW SLIDE PINS

Item#	Part	Description	QTY	Notes
	642134	CALIPER ASSY R.H. FRONT & TAG OR L.H. DRIVE AXLE / W/O BOOSTER SN7	1	
	642139	CALIPER ASSY L.H. FRONT & TAG OR R.H. DRIVE AXLE / W/O BOOSTER SN7	1	
1	N.S.S.	. CALIPER HOUSING	1	1
2	611960	. BRAKE CARRIER / W/6 HOLES BOLT RETAINERS M20-1.5	1	
4	N.S.S.	. . GUIDE BUSHING / SHORT	1	1
5	N.S.S.	. . GUIDE BUSHING / LONG	1	1
6	N.S.S.	. . GUIDE BUSHING / DU	1	1
7		. . BUSHING / BRASS	1	
8	N.S.S.	. . BOOT RUBBER / WHITE	2	1
9	N.S.S.	. . BELLOW GUIDE BUSHING / RED	2	1
10	N.S.S.	. . STEEL CAP	1	1
11	N.S.S.	. . BRAKE PAD BRACKET	1	1
12	611049	. . LINING SET STD /	1	B
. 11	N.S.S.	. . . BRAKE PAD BRACKET	1	1 B
. 26	N.S.S.	. . . SPRING SPLIT PIN	1	1 B
. 37	641313	. . . PLUG CAP / ADJUSTING DEVICE / PLASTIC INTERIOR GRIP	1	B
. 44	N.S.S.	. . . CLEVIS PIN	1	1 B
. 45	N.S.S.	. . . WASHER	1	1 B
. 61	N.S.S.	. . . SHEAR ADAPTER	1	1 B
13	N.S.S.	. . TAPPET WITH BOOT ASSY	2	1
22	N.S.S.	. . BOOT	2	1
26	N.S.S.	. . SPRING SPLINT PIN	1	1
37	N.S.S.	. . PLUG CAP / ADJUSTING DEVICE	1	1
39	N.S.S.	. . SCREW CAP HEXS ZP M16-1.5 GR10.9	1	1
40	N.S.S.	. . SCREW CAP HEXS ZP M16-1.5 GR10.9	1	1
44	N.S.S.	. . CLEVIS PIN	1	1
45	N.S.S.	. . WASHER	1	1
58	N.S.S.	. . RING	2	1
61	N.S.S.	. . SHEAR ADAPTER	1	1
68	N.S.S.	. . CAP	1	1
70	110786	BRAKE WEAR INDICATOR MECHANICAL / 44MM	AR	
80	X3-1300-00	HUB & ROTOR - FRONT AXLE - I BEAM MODEL "S84U"		
161	N.S.S.	. RING RETAINING	2	1
170	X3-1005-00	FRONT AXLE - I BEAM RIGID MODEL "S84U"		
170	X3-1005-50	FRONT AXLE - INDEPENDENT MODEL "NDIFS80P" / 18000LBS		
172	502558	WASHER FL 21.0x37.0x3.0 G500	6	
173	5001529	SCREW CAP HEX M20-1.5x60 G10.9 G500	6	
200	642032	KIT, TAPPET W/BOOT	AR	C
201	642141	KIT, GUIDANCE PINS & BELLOW / SN W/ GUIDE SLEEVE BUSHING END	AR	E
202	642034	KIT, PLUG CAP W/AJUSTING DEVICE (PACK of 10x #37, #37a & 61)	AR	S
203	641402	KIT, PAD HOLDER	AR	H
. 26	N.S.S.	. SPRING SPLIT PIN	1	1 H

From E-5526 To F-5796	Date:01/2024	PAGE:X3-1225-20
-----------------------	--------------	-----------------

BRAKE PARTS - FRONT INDEPENDENT "KNORR-BREMSE" SN7 SERIES W/NEW SLIDE PINS

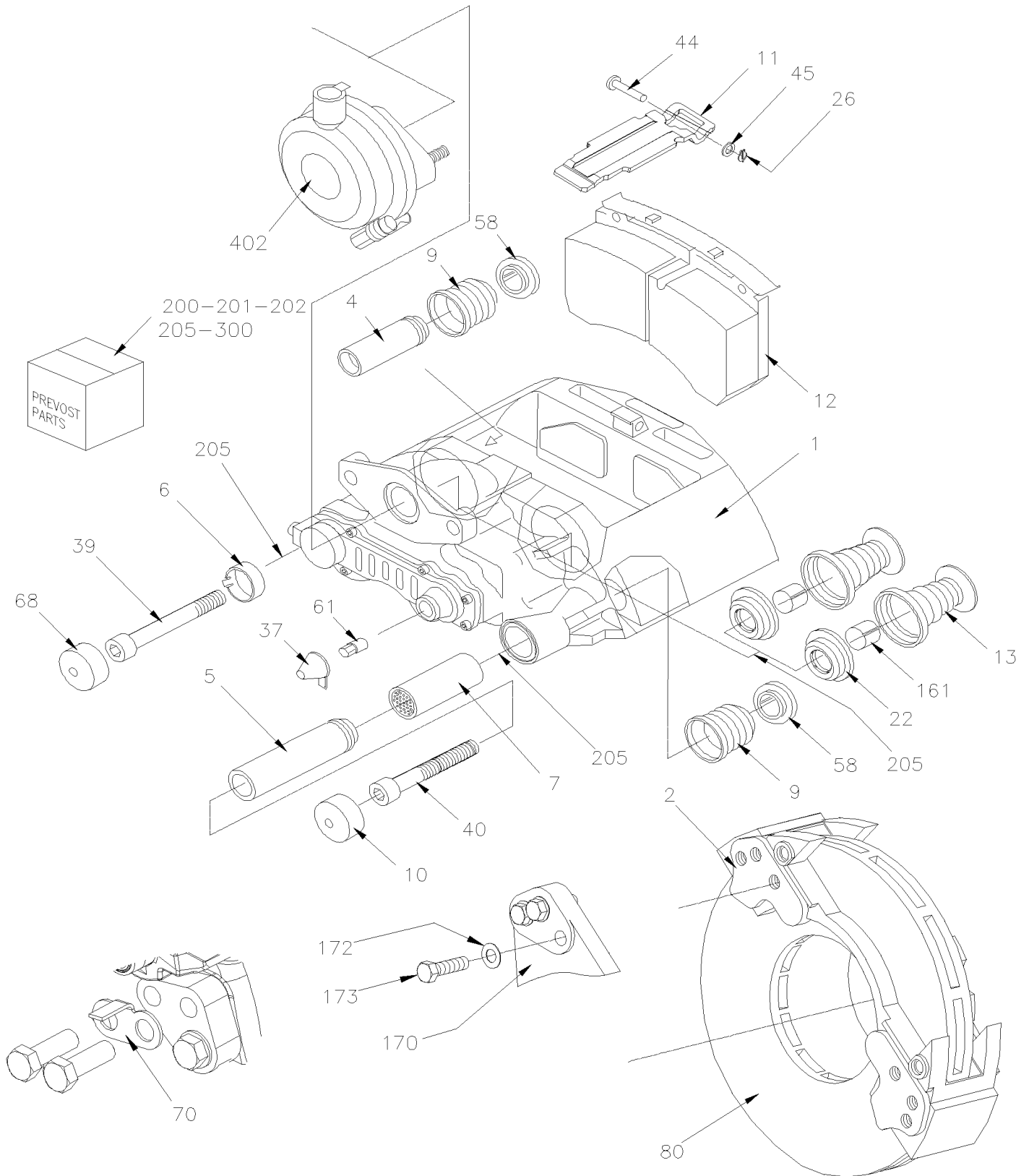
Item#	Part	Description	QTY	Notes
. 44	N.S.S.	. CLEVIS PIN	1	1 H
. 45	N.S.S.	. WASHER	1	1 H
205	683345	GREASE WHITE / 5GR	AR	K
205	641930	GREASE WHITE / 500GR	AR	K
NS	641321	TOOL / THRUST MEMBER W/BELLOW	AR	L
NS	641322	TOOL / CALIPER INNER BELLOW	AR	M
NS	19400416	TOOL / PUSH-IN INNER BOOT (9)	AR	M
NS	642074	TOOL / BUSHING INSTALLER / SERIES SN	AR	N
NS	641435	TOOL / FORK (FOR BELLOW CAP)	AR	L
NS	N.P.N.	TOOL / PRESS IN COVER	AR	4 X
306	N.P.N.	TOOL / BUSHING - INSTALLER & REMOVER KIT / K005986	AR	4 Y
307	N.P.N.	TOOL / RUBBER BUSHING - INSTALLER / K016743	AR	4 Z
NS	642035	KIT TOOL BOX "KNORR BREMSE" SERIE SN7	AR	
401	X3-1225-10	BRAKE CHAMBER - FRONT AXLE TYPE 24		
500	Y006471_000_EN	MAINTENANCE MANUAL / ENGLISH KNORR-BREMSE		
NS	Y006471_000_FR	MANUEL D'ENTRETIEN / FRANÇAIS KNORR-BREMSE		
		B) INCLUDES ITEMS #11, 26, 37, 44, 45 & 61		
		C) INCLUDES 2 OF ITEMS #13, 22 & 161		
		E) INCLUDES ITEMS #4, 5, 6, 7, 9, 10, 39, 40, 58 & 68		
		H) INCLUDES ITEMS #11,26,44 & 45		
		K) FOR ITEMS #5 & 7		
		L) TO USE W/ITEMS #13		
		M) TO USE W/ITEM #9		
		N) TO USE W/ITEM #7		
		S) INCLUDES 10 ITEMS #37 AND 61		
		X) TO USE WITH ITEM #10		
		Y) TO USE WITH ITEM 6		
		Z) TO USE WITH ITEM #68		
		1) NOT SOLD SEPARATELY		
		4) NO PARTS NUMBER		
		1) NOT SOLD SEPARATELY		

From F-5797

Date:01/2024

PAGE:X3-1225-21

BRAKE PARTS - FRONT INDEPENDENT "KNORR-BREMSE" SN7 SERIES W/N2G ADJUSTER



From F-5797		Date:01/2024	PAGE:X3-1225-21
-------------	--	--------------	-----------------

BRAKE PARTS - FRONT INDEPENDENT "KNORR-BREMSE" SN7 SERIES W/N2G ADJUSTER

Item#	Part	Description	QTY	Notes
	642186	CALIPER ASSY R.H. FRONT & TAG OR L.H. DRIVE AXLE / W/O POTENTIOMETER SN7	1	
	642187	CALIPER ASSY L.H. FRONT & TAG OR R.H. DRIVE AXLE / W/O POTENTIOMETER SN7	1	
1	N.S.S.	. CALIPER HOUSING	1	1
2	611960	. BRAKE CARRIER / W/6 HOLES BOLT RETAINERS M20-1.5	1	
4	N.S.S.	. . GUIDE BUSHING / SHORT	1	1
5	N.S.S.	. . GUIDE BUSHING / LONG	1	1
6	N.S.S.	. . GUIDE BUSHING / DU	1	1
7		. . BUSHING / BRASS	1	
8	N.S.S.	. . BOOT RUBBER / WHITE	2	1
9	N.S.S.	. . BELLOW GUIDE BUSHING / RED	2	1
10	N.S.S.	. . STEEL CAP	1	1
11	N.S.S.	. . BRAKE PAD BRACKET	1	1
12	642188	. . LINING SET STD /	1	B
. 11	N.S.S.	. . . BRAKE PAD BRACKET	1	1 B
. 26	N.S.S.	. . . SPRING SPLIT PIN	1	1 B
. 37	642034	. . . KIT, PLUG CAP W/AJUSTING DEVICE (PACK of 10x #37, #37a & 61)	1	B
. 44	N.S.S.	. . . CLEVIS PIN	1	1 B
. 45	N.S.S.	. . . WASHER	1	1 B
. 61	N.S.S.	. . . SHEAR ADAPTER	1	1 B
13	N.S.S.	. . TAPPET WITH BOOT ASSY	2	1
22	N.S.S.	. . BOOT	2	1
26	N.S.S.	. . SPRING SPLINT PIN	1	1
37	N.S.S.	. . PLUG CAP / ADJUSTING DEVICE	1	1
39	N.S.S.	. . SCREW CAP HEXS ZP M16-1.5 GR10.9	1	1
40	N.S.S.	. . SCREW CAP HEXS ZP M16-1.5 GR10.9	1	1
44	N.S.S.	. . CLEVIS PIN	1	1
45	N.S.S.	. . WASHER	1	1
58	N.S.S.	. . RING	2	1
61	N.S.S.	. . SHEAR ADAPTER	1	1
68	N.S.S.	. . CAP	1	1
70	110786	BRAKE WEAR INDICATOR MECHANICAL / 44MM	AR	
80	X3-1300-00	HUB & ROTOR - FRONT AXLE - I BEAM MODEL "S84U"		
161	N.S.S.	. RING RETAINING	2	1
170	X3-1005-51	FRONT AXLE - INDEPENDENT MODEL "NDIFS80P" / 19000LBS		
172	502558	WASHER FL 21.0x37.0x3.0 G500	6	
173	5001529	SCREW CAP HEX M20-1.5x60 G10.9 G500	6	
200	19509429	KIT, TAPPET W/BOOT	AR	C
201	642141	KIT, GUIDANCE PINS & BELLOW / SN W/ GUIDE SLEEVE BUSHING END To F-5840	AR	E
201	640019	KIT, GUIDANCE PINS & BELLOW / SN W/ GUIDE SLEEVE BUSHING END From F-5841	AR	E
202	642034	KIT, PLUG CAP W/AJUSTING DEVICE (PACK of 10x #37, #37a & 61)	AR	S
205	683345	GREASE WHITE / 5GR	AR	K
205	641930	GREASE WHITE / 500GR	AR	K

From F-5797	Date:01/2024	PAGE:X3-1225-21
-------------	--------------	-----------------

BRAKE PARTS - FRONT INDEPENDENT "KNORR-BREMSE" SN7 SERIES W/N2G ADJUSTER

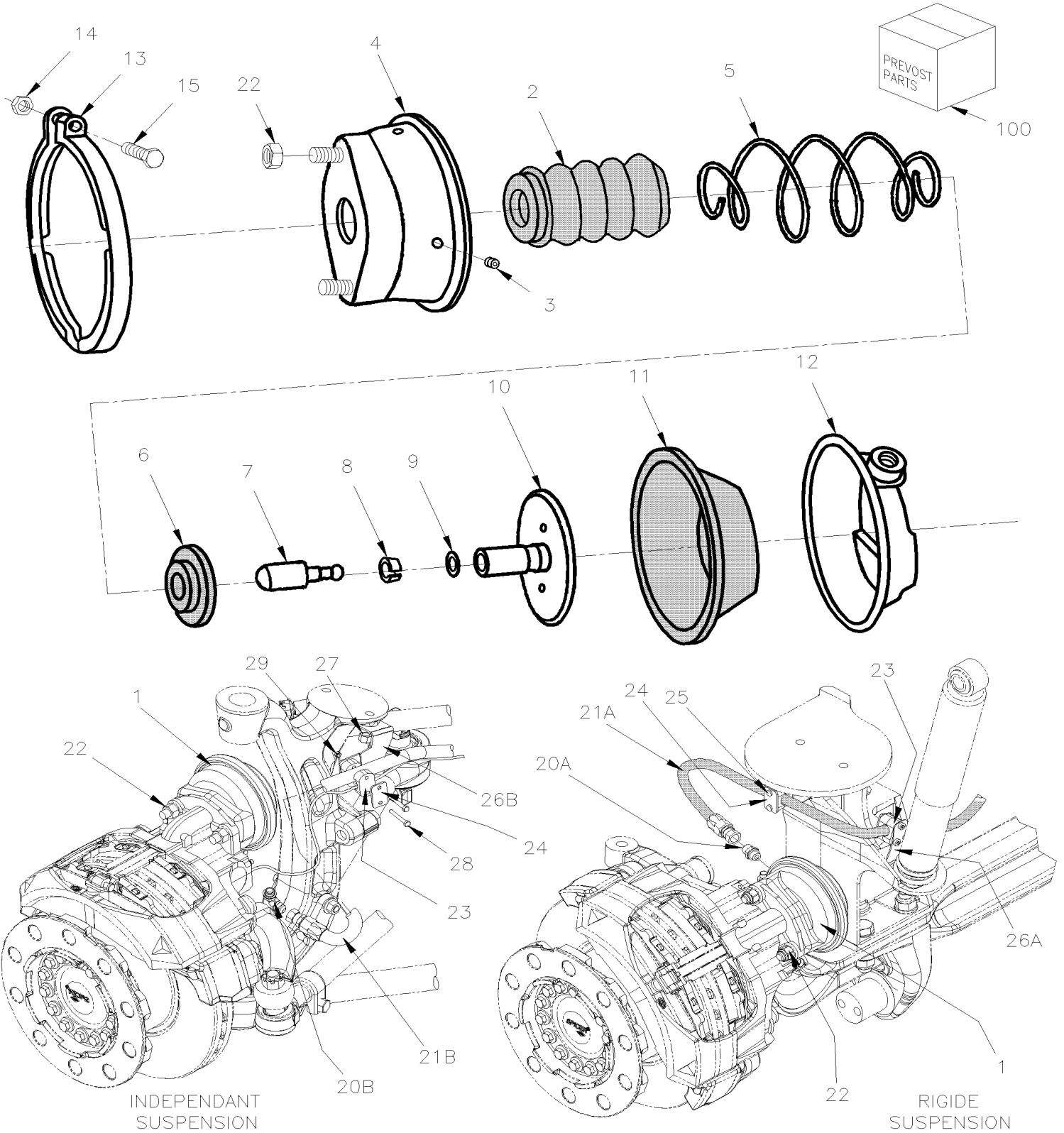
Item#	Part	Description	QTY	Notes
300	642214	KIT TOOL TO REPAIR BRAKE N2G	AR	L
402	X3-1225-10	BRAKE CHAMBER - FRONT AXLE TYPE 24		
		B) INCLUDES ITEMS #11, 26, 37, 44, 45 & 61		
		C) INCLUDES 2 OF ITEMS #13, 22 & 161		
		E) INCLUDES ITEMS #4, 5, 6, 7, 9, 10, 39, 40, 58 & 68		
		K) FOR ITEMS #5 & 7		
		L) TO USE W/ITEMS #13		
		S) INCLUDES 10 ITEMS #37 AND 61		
		1) NOT SOLD SEPARATELY		
		1) NOT SOLD SEPARATELY		

From 7-8754

Date:01/2024

PAGE:X3-1225-10

BRAKE CHAMBER - FRONT AXLE TYPE 24

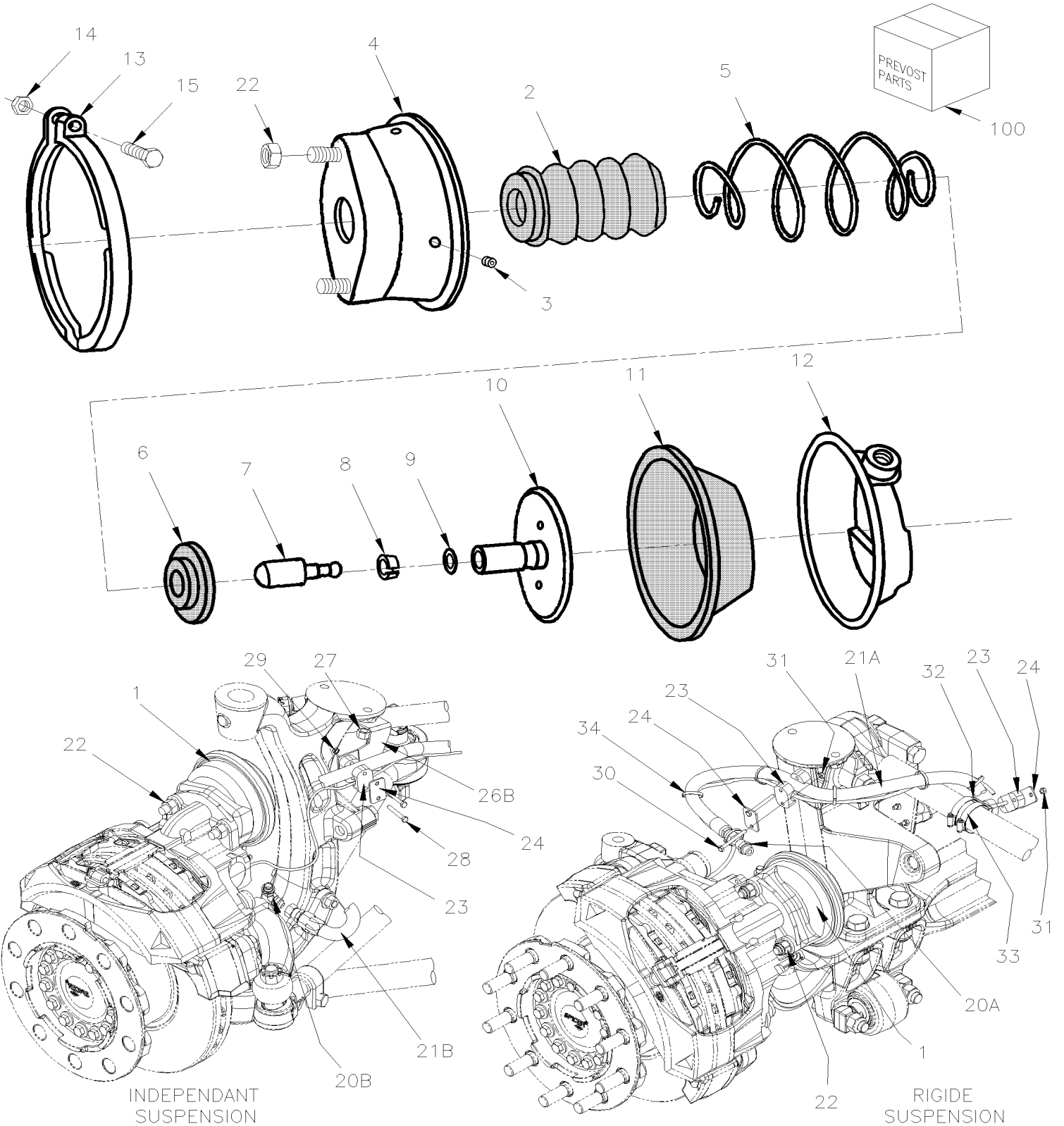


From 7-8754

Date:01/2024

PAGE:X3-1225-10

BRAKE CHAMBER - FRONT AXLE TYPE 24



From 7-8754		Date:01/2024	PAGE:X3-1225-10
BRAKE CHAMBER - FRONT AXLE TYPE 24			

Item#	Part	Description	QTY	Notes
1	612353	BRAKE CHAMBER ASSY R.H. / TYPE 24 WITH "I" BEAM SUSPENSION	1	
1	612354	BRAKE CHAMBER ASSY L.H. / TYPE 24 WITH "I" BEAM SUSPENSION	1	
2	N.S.S.	. BOOT	1	1
3	N.S.S.	. HOLE PLUG	1	1
4	N.S.S.	. CHAMBER , NO-PRESSURE	1	1
5	640231	. SPRING, COMP.	1	
6	N.S.S.	. SPRING SEAT	1	1
7	N.S.S.	. PUSH ROD END	1	1
8	N.S.S.	. RETAINER	1	1
9	N.S.S.	. RING	1	1
10	N.S.S.	. PUSH ROD	1	1
11	640229	. DIAPHRAGM / TYPE 24	1	
12	N.S.S.	. CHAMBER PRESSURE PLATE	1	1
13	N.S.S.	. CLAMP W/BOLT & NUT	1	1
14	502543	. . NUT HEX M8-1.25 Z050	1	
15	5001021	. . SCREW CAP HEXS M8-1.25x60 G8.8 PT	1	
20A	641294	MALE CONNECTOR / JIC 37° FITTING / #8JIC-MxM16-1.5-M STL	1	
. NS	641297	. O-RING 13.1MM I.D. X 2.6 TH	1	
. NS	641298	. WASHER FL 17MM I.D x 22MM O.D. x 1.5MM	1	
20B	660914	MALE ELBOW 90° / JIC 37° FITTING / #8JIC-MxM16-1.5-M STL	1	
. NS	641297	. O-RING 13.1MM I.D. X 2.6 TH	1	
. NS	641298	. WASHER FL 17MM I.D x 22MM O.D. x 1.5MM	1	
21A	641908	HOSE BRAKE #8 1300MM (51") To F-5838	2	R
21A	145292P	HOSE BRAKE #8 1366MM From F-5839	2	R
21B	641903	HOSE BRAKE #8 1090MM (43")	2	I
22	5001253	NUT HEX STO M16-1.5 G500	2	
23	504612	COLLAR 13/16" I.D. / TO FIX HOSE To H-6201	2	
23	140079	HALF COLLAR 44MM I.D. / TO FIX HOSE From H-6202	4	
24	504614	PLATE RETAINING / COLLAR	2	
25	502843	SCREW CAP HEX M6-1.0x45 G8.8 N500 To E-5585	4	
26A	110765	HOSE SUPPORT L.H. & R.H. / FIXED AT SHOCK END / To E-5585	2	R
26B	142353	HOSE SUPPORT L.H. To L-6515	1	I
26B	140152	HOSE SUPPORT L.H. From L-6516	1	I
26B	142352	HOSE SUPPORT R.H. To L-6515	1	I
26B	140151	HOSE SUPPORT R.H. From L-6516	1	I
27	500276	NUT HEX STO 1/2-13 N500	1	I
28	502656	SCREW CAP HEX M6-1.0x50 SS	2	
29	502565	NUT HEX M6-1.0 SS	2	
30	5001681	SCREW CAP HEX M6-1.0x60 SS From E-5586	8	R
31	502860	NUT HEX STO M6-1.0 N500 From E-5586	8	R
32	132002	SUPPORT HOSE LH From E-5586	1	R
32	132022	SUPPORT HOSE RH From E-5586	1	R

From 7-8754	Date:01/2024	PAGE:X3-1225-10
BRAKE CHAMBER - FRONT AXLE TYPE 24		

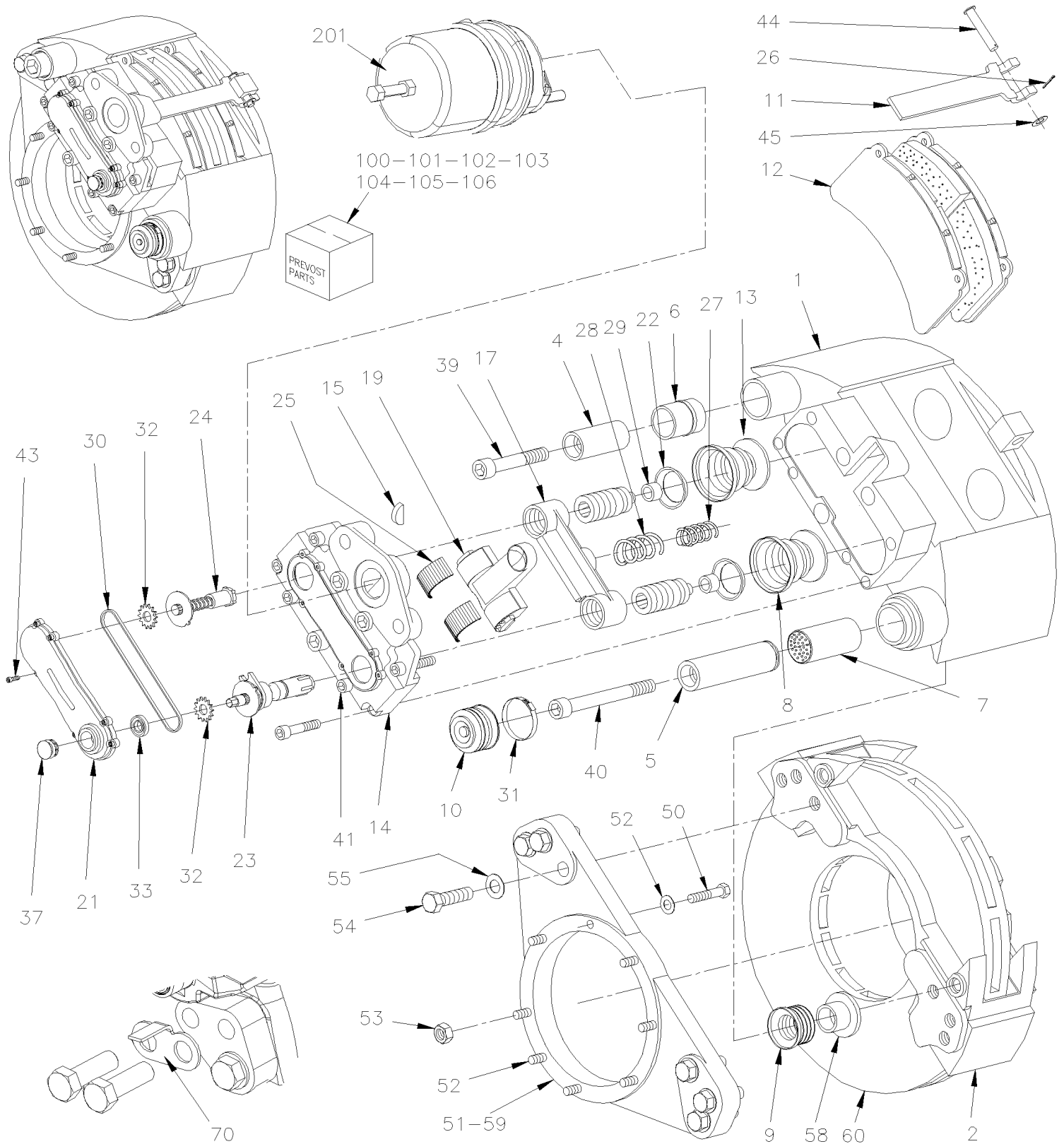
Item#	Part	Description	QTY	Notes
33	504023	HOSE CLAMP / 1"5/16-2"1/4 SS / HS-28 From E-5586	4	R
34	504637	CABLE TIE / 3/16" x 13"	AR	
50	X3-1250-10	ABS BRAKE VALVE - INSTALLATION To 8-9281		
50	X3-1250-11	ABS/ESP BRAKE VALVE - INSTALLATION From 8-9282 To D-5458		
50	X3-1250-12	ABS/ESP BRAKE VALVE - INSTALLATION From E-5459		
100	641422	KIT REPAIR / TYPE 24	1	A
		A) INCLUDED ITEMS #2,3,6,8,9 & 11		
		I) WITH INDEPENDANT SUSPENSION		
		R) WITH "I" BEAM SUSPENSION		
		1) NOT SOLD SEPARATELY		

From 7-8754 To 7-9159

Date:01/2024

PAGE:X3-1235-00

BRAKE PARTS - DRIVE AXLE "KNORR-BREMSE" SB7 SERIES



From 7-8754 To 7-9159	Date:01/2024	PAGE:X3-1235-00
-----------------------	--------------	-----------------

BRAKE PARTS - DRIVE AXLE "KNORR-BREMSE" SB7 SERIES

Item#	Part	Description	QTY	Notes
	N.S.A.	CALIPER ASSY R.H. / W/BOOSTER	1	3
	N.S.A.	CALIPER ASSY L.H. / W/BOOSTER	1	3
NS	611184	CALIPER ASSY R.H. / W/O BOOSTER / SB7	1	A
NS	611185	CALIPER ASSY L.H. / W/O BOOSTER / SB7	1	A
1	N.S.S.	CALIPER HOUSING	1	1
2	611340	BRAKE CARRIER / W/6 HOLES BOLT RETAINERS M20-2.5	1	
4	N.S.S.	GUIDE BUSHING / SHORT	1	1
5	N.S.S.	GUIDE BUSHING / LONG	1	1
6	611245	GUIDE SLEEVE / RUBBER SB 7 SERIES	1	
7	611107	BUSHING / BRASS	1	
8	N.S.S.	BOOT RUBBER / WHITE	2	1
9	N.S.S.	BELLOW GUIDE BUSHING / RED	1	1
10	641421	BELLOW CAP / RUBBER	1	
11	N.S.S.	BRAKE PAD BRACKET	1	1
12	611049	LINING SET STD /	1	B
11	N.S.S.	BRAKE PAD BRACKET	1	1 B
26	N.S.S.	SPRING SPLIT PIN	1	1 B
37	641313	PLUG CAP / ADJUSTING DEVICE / PLASTIC INTERIOR GRIP	1	B
44	N.S.S.	CLEVIS PIN	1	1 B
45	N.S.S.	WASHER	1	1 B
61	N.S.S.	SHEAR ADAPTER	1	1 B
13	N.S.S.	THRUST MEMBER / INCLUDED ITEM #8	2	1
14	N.S.S.	SYNCHRONIZING HOUSING	1	1
15	N.S.S.	PLUG HALF / RUBBER	1	1
17	N.S.S.	BEAM	1	1
18	N.S.S.	O-RING	1	1
19	N.S.S.	LEVER	1	1
21	N.S.S.	COVER SYNCHRONIZING HOUSING	1	1
22	N.S.S.	BOOT	2	1
23	N.S.S.	CLEARANCE ADJUSTER	1	1
24	N.S.S.	DRIVER	1	1
25	N.S.S.	LEVER BEARING	1	1
26	N.S.S.	SPRING SPLINT PIN	1	1
27	N.S.S.	COMPRESSION SPRING	1	1
28	N.S.S.	COMPRESSION SPRING	1	1
29	N.S.S.	RING RETAINING	2	1
30	N.S.S.	ROLLER CHAIN	1	1
31	641420	PERFORATED CLIP	1	
32	N.S.S.	CHAIN DRIVE WHEEL	2	1
33	N.S.S.	SHAFT SEALING RING	1	1
37	641313	PLUG CAP / ADJUSTING DEVICE / PLASTIC INTERIOR GRIP	1	
38	N.S.S.	DOWEL	4	1

From 7-8754 To 7-9159	Date:01/2024	PAGE:X3-1235-00
-----------------------	--------------	-----------------

BRAKE PARTS - DRIVE AXLE "KNORR-BREMSE" SB7 SERIES

Item#	Part	Description	QTY	Notes
39	N.S.S.	. . SCREW CAP HEXS M16-1.5x140 G10.9 ZP	1	1
40	N.S.S.	. . SCREW CAP HEXS M16-1.5x90 G10.9 ZP	1	1
41	N.S.S.	. . SOCKET HEAD CAP SCREW M14 X 60MM GR 12.9	3	1
43	N.S.S.	. . SOCKET HEAD CAP SCREW M5 X 12MM	8	1
44	N.S.S.	. . CLEVIS PIN	1	1
45	N.S.S.	. . WASHER	1	1
50	621636	SCREW CAP HEX / TO FIX BRACKET TO AXLE 9/16-18 X 2 GR 8	12	
51	621868	CALIPER MOUNTING BRACKET L.H. & R.H. W/OUT BUSHING	2	R
52	621365	WASHER (HARD) .59IDX.97ODX.09	24	R
53	621638	NUT HEX 9/16-18 GR8	24	R
54	5001193	SCREW CAP HEX M20-2.5x65 G10.9 ZP	6	
54	5001358	SCREW CAP HEX M20-2.5x50 G10.9 ZP	6	
54	611309	SCREW CAP HEX M20-2.5x60 G10.9 DP	2	
55	N8889049	WASHER	6	
58	N.S.P.	BOOT RETAINER	1	2
59	X3-1105-00	REAR AXLE - MODEL "RC23165"		
60	X3-1305-00	HUB & ROTOR - DRIVE AXLE		
70	110786	BRAKE WEAR INDICATOR MECHANICAL / 44MM	AR	
100	611054	KIT, TAPPET W/BOOT	AR	D
.08	N.S.S.	. BOOT RUBBER / WHITE	2	1 D
.13	N.S.S.	. TAPPET	2	1 D
101	611168	KIT, GUIDANCE PINS & BELLOW	AR	E
.04	N.S.S.	. GUIDE BUSHING / SHORT	1	1 E
.05	N.S.S.	. GUIDE BUSHING / LONG	1	1 E
.06	611245	. GUIDE SLEEVE / RUBBER SB 7 SERIES	1	E
.07	611107	. BUSHING / BRASS	1	E
.09	N.S.S.	. BELLOW GUIDE BUSHING / RUBBER RED	1	1 E
.10	641421	. BELLOW CAP / RUBBER	1	E
.31	641420	. PERFORATED CLIP	1	E
.39	N.S.S.	. SCREW CAP HEXS	1	1 E
.40	N.S.S.	. SCREW CAP HEXS	1	1 E
.58	N.S.S.	. PLASTIC RING / BOOT RETAINER	1	1 E
102	611177	KIT, BOOT PROTECTOR & TAPPET	AR	F
.08	N.S.S.	. BOOT RUBBER / WHITE	1	1 F
.13	N.S.S.	. TAPPET	1	1 F
.29	N.S.S.	. RING RETAINING / TAPPET	1	1 F
103	611179	KIT, CARRIER & GUIDING PIN	AR	G
.02	611340	. BRAKE CARRIER / W/6 HOLES BOLT RETAINERS M20-2.5	1	G
.04	N.S.S.	. GUIDE BUSHING / SHORT	1	1 G
.05	N.S.S.	. GUIDE BUSHING / LONG	1	1 G
.39	N.S.S.	. SCREW CAP HEXS	1	1 G
.40	N.S.S.	. SCREW CAP HEXS	1	1 G

From 7-8754 To 7-9159	Date:01/2024	PAGE:X3-1235-00
-----------------------	--------------	-----------------

BRAKE PARTS - DRIVE AXLE "KNORR-BREMSE" SB7 SERIES

Item#	Part	Description	QTY	Notes
104	641402	KIT, PAD HOLDER	AR	H
26	N.S.S.	SPRING SPLIT PIN	1	1 H
44	N.S.S.	CLEVIS PIN	1	1 H
45	N.S.S.	WASHER	1	1 H
105	611199	KIT, BOOT & SEAL	AR	I
09	N.S.S.	BELLOW GUIDE BUSHING / RUBBER RED	1	1 I
10	641421	BELLOW CAP / RUBBER	1	I
31	641420	PERFORATED CLIP	1	I
37	641313	PLUG CAP / ADJUSTING DEVICE / PLASTIC INTERIOR GRIP	1	I
58	N.S.S.	PLASTIC RING / BOOT RETAINER	1	1 I
106	611246	KIT, GUIDANCE PIN & RUBBER BUSHING / SHORT PIN	AR	C
04	N.S.S.	GUIDE BUSHING / SHORT	1	1 C
06	611245	GUIDE SLEEVE / RUBBER SB 7 SERIES	1	C
39	N.S.S.	SCREW CAP HEXS	1	1 C
107	641427	KIT BOOT & CLIP	AR	P
10	641421	BELLOW CAP / RUBBER	1	P
31	641420	PERFORATED CLIP	1	P
107	683344	GREASE GREEN / 5GR	AR	J
107	641931	GREASE GREEN / 500GR	AR	J
107	683345	GREASE WHITE / 5GR	AR	K
107	641930	GREASE WHITE / 500GR	AR	K
107	641321	TOOL / THRUST MEMBER W/BELLOW	AR	L
107	641322	TOOL / CALIPER INNER BELLOW	AR	M
107	641323	TOOL / BUSHING INSTALLER / SERIES SB	AR	N
107	641444	TOOL / GROOVING BUSHING	AR	N
107	641435	TOOL / FORK (FOR BELLOW CAP)	AR	L
201	X3-1235-10	BRAKE CHAMBER - DRIVE AXLE TYPE 24/24		
		A) INCLUDES ITEM #2 BUT NOT ITEM # 12		
		B) INCLUDES ITEMS #11, 26, 37, 44, 45 & 61		
		C) INCLUDE ITEMS #4,6 & 39		
		D) INCLUDE 2 OF ITEMS #8 & 13		
		E) INCLUDE ITEMS #4,5,6,7,9,10,31,39,40 & 58		
		F) INCLUDE ITEMS #8,13 & 29		
		G) INCLUDE ITEMS #2,4,5,39 & 40		
		H) INCLUDES ITEMS #11,26,44 & 45		
		I) INCLUDE ITEMS #9,10,31,37 & 58		
		J) FOR ITEM #4 & 6		
		K) FOR ITEMS #5 & 7		
		L) TO USE W/ITEMS #8 & 13		

From 7-8754 To 7-9159	Date:01/2024	PAGE:X3-1235-00
-----------------------	--------------	-----------------

BRAKE PARTS - DRIVE AXLE "KNORR-BREMSE" SB7 SERIES

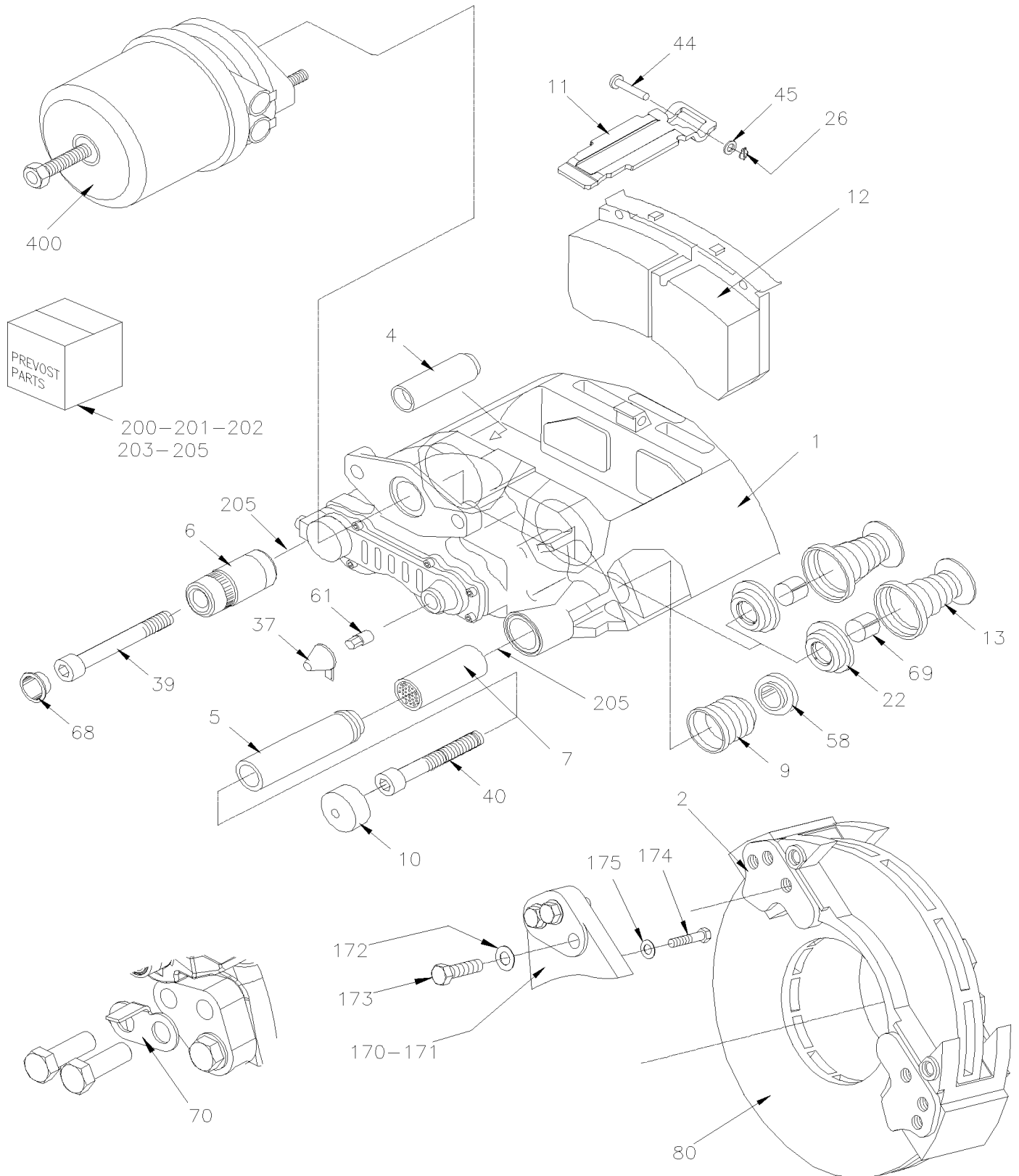
Item#	Part	Description	QTY	Notes
		M) TO USE W/ITEM #9		
		N) TO USE W/ITEM #7		
		P) INCLUDE ITEM #10 & 31		
		R) ON DRIVE AXLE ONLY		
		1) NOT SOLD SEPARATELY		
		2) NOT SOLD BY PREVOST (SEE MANUFACTURING PART NUMBER AT END OF DESCRIPTION LINE)		
		3) NOT SOLD ASSEMBLY		
		1) NOT SOLD SEPARATELY		

From 7-9160 To E-5541

Date:01/2024

PAGE:X3-1235-01

BRAKE PARTS - DRIVE AXLE "KNORR-BREMSE" SN7 SERIES



From 7-9160 To E-5541	Date:01/2024	PAGE:X3-1235-01
BRAKE PARTS - DRIVE AXLE "KNORR-BREMSE" SN7 SERIES		

Item#	Part	Description	QTY	Notes
	611341	CALIPER ASSY R.H. / W/O BOOSTER / SN7	1	A
	611342	CALIPER ASSY L.H. / W/O BOOSTER / SN7	1	A
1	N.S.S.	. CALIPER HOUSING	1	1
2	611960	. BRAKE CARRIER / W/6 HOLES BOLT RETAINERS M20-1.5	1	
4	N.S.S.	. . GUIDE BUSHING / SHORT	1	1
5	N.S.S.	. . GUIDE BUSHING / LONG	1	1
6	N.S.S.	. . GUIDE SLEEVE	1	1
7	611107	. . BUSHING / BRASS	1	
8	N.S.S.	. . BOOT RUBBER / WHITE	2	1
9	N.S.S.	. . BELLOW GUIDE BUSHING / RED	1	1
10	N.S.S.	. . STEEL CAP	1	1
11	N.S.S.	. . BRAKE PAD BRACKET	1	1
12	611049	. . LINING SET STD /	1	B
. 11	N.S.S.	. . . BRAKE PAD BRACKET	1	1 B
. 26	N.S.S.	. . . SPRING SPLIT PIN	1	1 B
. 37	641313	. . . PLUG CAP / ADJUSTING DEVICE / PLASTIC INTERIOR GRIP	1	B
. 44	N.S.S.	. . . CLEVIS PIN	1	1 B
. 45	N.S.S.	. . . WASHER	1	1 B
. 61	N.S.S.	. . . SHEAR ADAPTER	1	1 B
13	N.S.S.	. . TAPPET WITH BOOT ASSY	2	1
22	N.S.S.	. . BOOT	2	1
26	N.S.S.	. . SPRING SPLINT PIN	1	1
37	N.S.S.	. . PLUG CAP / ADJUSTING DEVICE	1	1
39	N.S.S.	. . SCREW CAP HEXS ZP M16-1.5 GR10.9	1	1
40	N.S.S.	. . SCREW CAP HEXS ZP M16-1.5 GR10.9	1	1
44	N.S.S.	. . CLEVIS PIN	1	1
45	N.S.S.	. . WASHER	1	1
58	N.S.S.	. . RING	1	1
61	N.S.S.	. . SHEAR ADAPTER	1	1
68	N.S.S.	. . CAP	1	1
69	N.S.S.	. RING RETAINING	2	1
70	110786	BRAKE WEAR INDICATOR MECHANICAL / 44MM From A-9883	AR	
80	X3-1305-00	HUB & ROTOR - DRIVE AXLE		
170	X3-1105-00	REAR AXLE - MODEL "RC23165"		
171	621868	CALIPER MOUNTING BRACKET L.H. & R.H. W/OUT BUSHING	2	D
172	N8889049	WASHER	6	
173	5001529	SCREW CAP HEX M20-1.5x60 G10.9 G500	6	
174	621636	SCREW CAP HEX / TO FIX BRACKET TO AXLE 9/16-18 X 2 GR 8	24	D
175	621365	WASHER (HARD) .59IDX.97ODX.09	24	D
200	642032	KIT, TAPPET W/BOOT	AR	C
201	642031	KIT, GUIDANCE PINS & BELLOW / SN W/39MM BUSHING END	AR	E
202	642034	KIT, PLUG CAP W/AJUSTING DEVICE (PACK of 10x #37, #37a & 61)	AR	S

From 7-9160 To E-5541	Date:01/2024	PAGE:X3-1235-01
-----------------------	--------------	-----------------

BRAKE PARTS - DRIVE AXLE "KNORR-BREMSE" SN7 SERIES

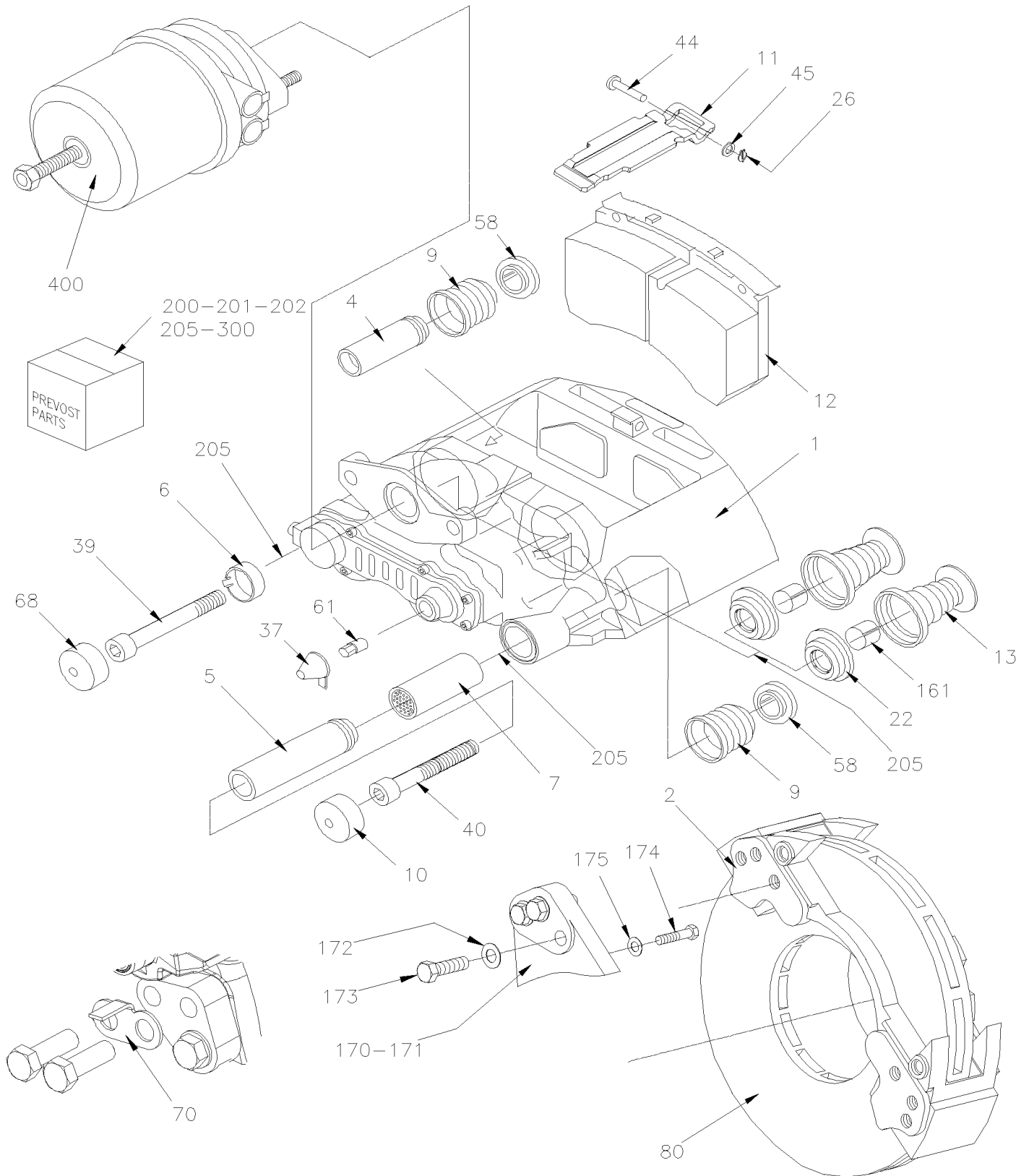
Item#	Part	Description	QTY	Notes
203	641402	KIT, PAD HOLDER	AR	H
26	N.S.S.	SPRING SPLIT PIN	1	1 H
44	N.S.S.	CLEVIS PIN	1	1 H
45	N.S.S.	WASHER	1	1 H
205	683345	GREASE WHITE / 5GR	AR	K
205	641930	GREASE WHITE / 500GR	AR	K
NS	641321	TOOL / THRUST MEMBER W/BELLOW	AR	L
NS	641322	TOOL / CALIPER INNER BELLOW	AR	M
NS	642074	TOOL / BUSHING INSTALLER / SERIES SN	AR	N
NS	641435	TOOL / FORK (FOR BELLOW CAP)	AR	L
NS	641993	TOOL / PRESS IN COVER	AR	X
NS	641994	TOOL / BUSHING - INSTALLER	AR	Y
NS	641998	TOOL / RUBBER BUSHING - INSTALLER	AR	Z
NS	642035	KIT TOOL BOX "KNORR BREMSE" SERIE SN7	AR	
400	X3-1235-10	BRAKE CHAMBER - DRIVE AXLE TYPE 24/24		
500	Y006471_000_EN	MAINTENANCE MANUAL / ENGLISH KNORR-BREMSE		
NS	Y006471_000_FR	MANUEL D'ENTRETIEN / FRANÇAIS KNORR-BREMSE		
		A) DO NOT INCLUDE ITEM #2 & #12		
		B) INCLUDES ITEMS #11, 26, 37, 44, 45 & 61		
		C) INCLUDES 2 OF ITEMS #13, 22 & 161		
		D) ON DRIVE AXLE ONLY		
		E) INCLUDES ITEMS #4, 5, 6, 7, 9, 10, 39, 40, 58 & 68		
		H) INCLUDES ITEMS #11,26,44 & 45		
		K) FOR ITEMS #5 & 7		
		L) TO USE W/ITEMS #13		
		M) TO USE W/ITEM #9		
		N) TO USE W/ITEM #7		
		S) INCLUDES 10 ITEMS #37 AND 61		
		X) TO USE WITH ITEM #10		
		Y) TO USE WITH ITEM 6		
		Z) TO USE WITH ITEM #68		
		1) NOT SOLD SEPARATELY		
		1) NOT SOLD SEPARATELY		

From E-5542

Date:01/2024

PAGE:X3-1235-03

BRAKE PARTS - DRIVE AXLE "KNORR-BREMSE" SN7 SERIES W/N2G ADJUSTER



From E-5542		Date:01/2024	PAGE:X3-1235-03
-------------	--	--------------	-----------------

BRAKE PARTS - DRIVE AXLE "KNORR-BREMSE" SN7 SERIES W/N2G ADJUSTER

Item#	Part	Description	QTY	Notes
	642186	CALIPER ASSY R.H. FRONT & TAG OR L.H. DRIVE AXLE / W/O POTENTIOMETER SN7 To M-6657	1	
	640071	CALIPER ASSY R.H. FRONT & TAG OR L.H. DRIVE AXLE / W/O POTENTIOMETER SN7 From M-6658	1	
	642187	CALIPER ASSY L.H. FRONT & TAG OR R.H. DRIVE AXLE / W/O POTENTIOMETER SN7 To M-6657	1	
	640076	CALIPER ASSY L.H. FRONT & TAG OR R.H. DRIVE AXLE / W/O POTENTIOMETER SN7 From M-6658	1	
1	N.S.S.	. CALIPER HOUSING	1	1
2	611960	. BRAKE CARRIER / W/6 HOLES BOLT RETAINERS M20-1.5	1	
4	N.S.S.	. . GUIDE BUSHING / SHORT	1	1
5	N.S.S.	. . GUIDE BUSHING / LONG	1	1
6	N.S.S.	. . GUIDE BUSHING / DU	1	1
7		. . BUSHING / BRASS	1	
8	N.S.S.	. . BOOT RUBBER / WHITE	2	1
9	N.S.S.	. . BELLOW GUIDE BUSHING / RED	2	1
10	N.S.S.	. . STEEL CAP	1	1
11	N.S.S.	. . BRAKE PAD BRACKET	1	1
12	642188	. . LINING SET STD / To M-6657	1	B
. 11	N.S.S.	. . . BRAKE PAD BRACKET To M-6657	1	1 B
. 26	N.S.S.	. . . SPRING SPLIT PIN To M-6657	1	1 B
. 37	642034	. . . KIT, PLUG CAP W/AJUSTING DEVICE (PACK of 10x #37, #37a & 61) To M-6657	1	B
. 44	N.S.S.	. . . CLEVIS PIN To M-6657	1	1 B
. 45	N.S.S.	. . . WASHER To M-6657	1	1 B
. 61	N.S.S.	. . . SHEAR ADAPTER To M-6657	1	1 B
12	610072	. . LINING SET STD / TX3054 From M-6658	1	
13	N.S.S.	. . TAPPET WITH BOOT ASSY	2	1
22	N.S.S.	. . BOOT	2	1
26	N.S.S.	. . SPRING SPLINT PIN	1	1
37	N.S.S.	. . PLUG CAP / ADJUSTING DEVICE	1	1
39	N.S.S.	. . SCREW CAP HEXS ZP M16-1.5 GR10.9	1	1
40	N.S.S.	. . SCREW CAP HEXS ZP M16-1.5 GR10.9	1	1
44	N.S.S.	. . CLEVIS PIN	1	1
45	N.S.S.	. . WASHER	1	1
58	N.S.S.	. . RING	2	1
61	N.S.S.	. . SHEAR ADAPTER	1	1
68	N.S.S.	. . CAP	1	1
70	110786	BRAKE WEAR INDICATOR MECHANICAL / 44MM	AR	
80	X3-1305-00	HUB & ROTOR - DRIVE AXLE		
80	X3-1305-99	ROTOR (SPLINED DISC) PRODUCT IMPROVMENT		
161	N.S.S.	. RING RETAINING	2	1
170	X3-1105-00	REAR AXLE - MODEL "RC23165"		
171	621868	CALIPER MOUNTING BRACKET L.H. & R.H. W/OUT BUSHING	1	D
172	N8889049	WASHER	6	
173	5001529	SCREW CAP HEX M20-1.5x60 G10.9 G500	6	
174	621636	SCREW CAP HEX / TO FIX BRACKET TO AXLE 9/16-18 X 2 GR 8	24	D

From E-5542	Date:01/2024	PAGE:X3-1235-03
-------------	--------------	-----------------

BRAKE PARTS - DRIVE AXLE "KNORR-BREMSE" SN7 SERIES W/N2G ADJUSTER

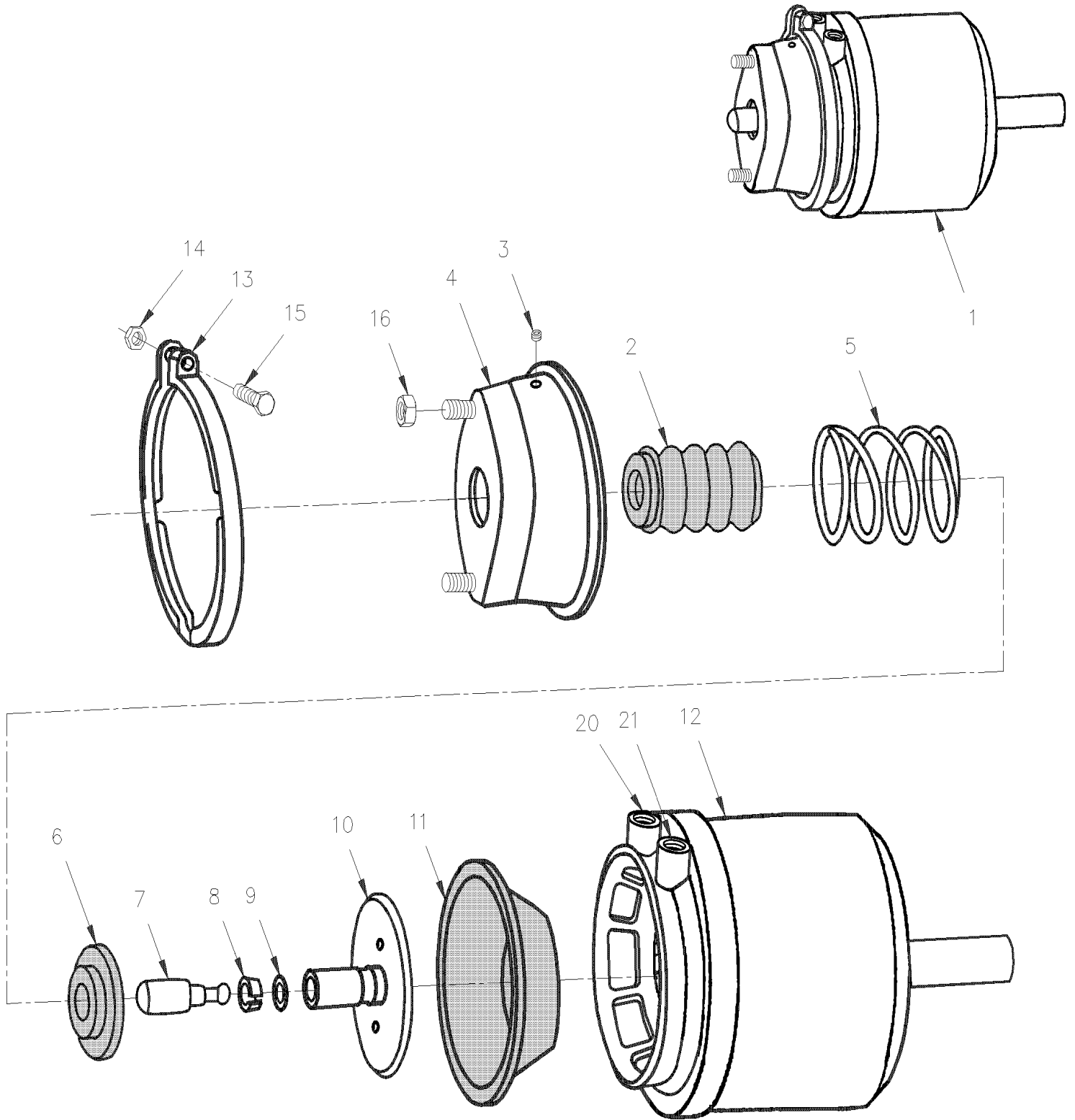
Item#	Part	Description	QTY	Notes
175	621365	WASHER (HARD) .59IDX.97ODX.09	24	D
200	19509429	KIT, TAPPET W/BOOT	AR	C
201	642141	KIT, GUIDANCE PINS & BELLOW / SN W/ GUIDE SLEEVE BUSHING END To F-5841	AR	E
201	640019	KIT, GUIDANCE PINS & BELLOW / SN W/ GUIDE SLEEVE BUSHING END From F-5840	AR	E
202	642034	KIT, PLUG CAP W/AJUSTING DEVICE (PACK of 10x #37, #37a & 61)	AR	S
203	641402	KIT, PAD HOLDER	AR	H
. 26	N.S.S.	. SPRING SPLIT PIN	1	1 H
. 44	N.S.S.	. CLEVIS PIN	1	1 H
. 45	N.S.S.	. WASHER	1	1 H
205	683345	GREASE WHITE / 5GR	AR	K
205	641930	GREASE WHITE / 500GR	AR	K
300	642214	KIT TOOL TO REPAIR BRAKE N2G	AR	L
400	X3-1235-10	BRAKE CHAMBER - DRIVE AXLE TYPE 24/24		
		B) INCLUDES ITEMS #11, 26, 37, 44, 45 & 61		
		C) INCLUDES 2 OF ITEMS #13, 22 & 161		
		D) ON DRIVE AXLE ONLY		
		E) INCLUDES ITEMS #4, 5, 6, 7, 9, 10, 39, 40, 58 & 68		
		H) INCLUDES ITEMS #11,26,44 & 45		
		K) FOR ITEMS #5 & 7		
		L) TO USE W/ITEMS #13		
		S) INCLUDES 10 ITEMS #37 AND 61		
		1) NOT SOLD SEPARATELY		
		1) NOT SOLD SEPARATELY		

From 7-8754

Date:01/2024

PAGE:X3-1235-10

BRAKE CHAMBER - DRIVE AXLE TYPE 24/24

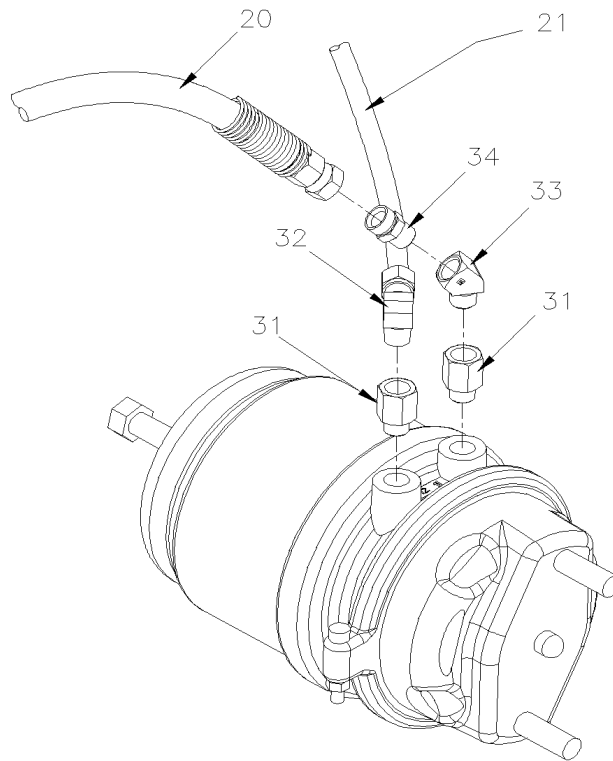


From 7-8754

Date:01/2024

PAGE:X3-1235-10

BRAKE CHAMBER - DRIVE AXLE TYPE 24/24



From 7-8754	Date:01/2024	PAGE:X3-1235-10
-------------	--------------	-----------------

BRAKE CHAMBER - DRIVE AXLE TYPE 24/24

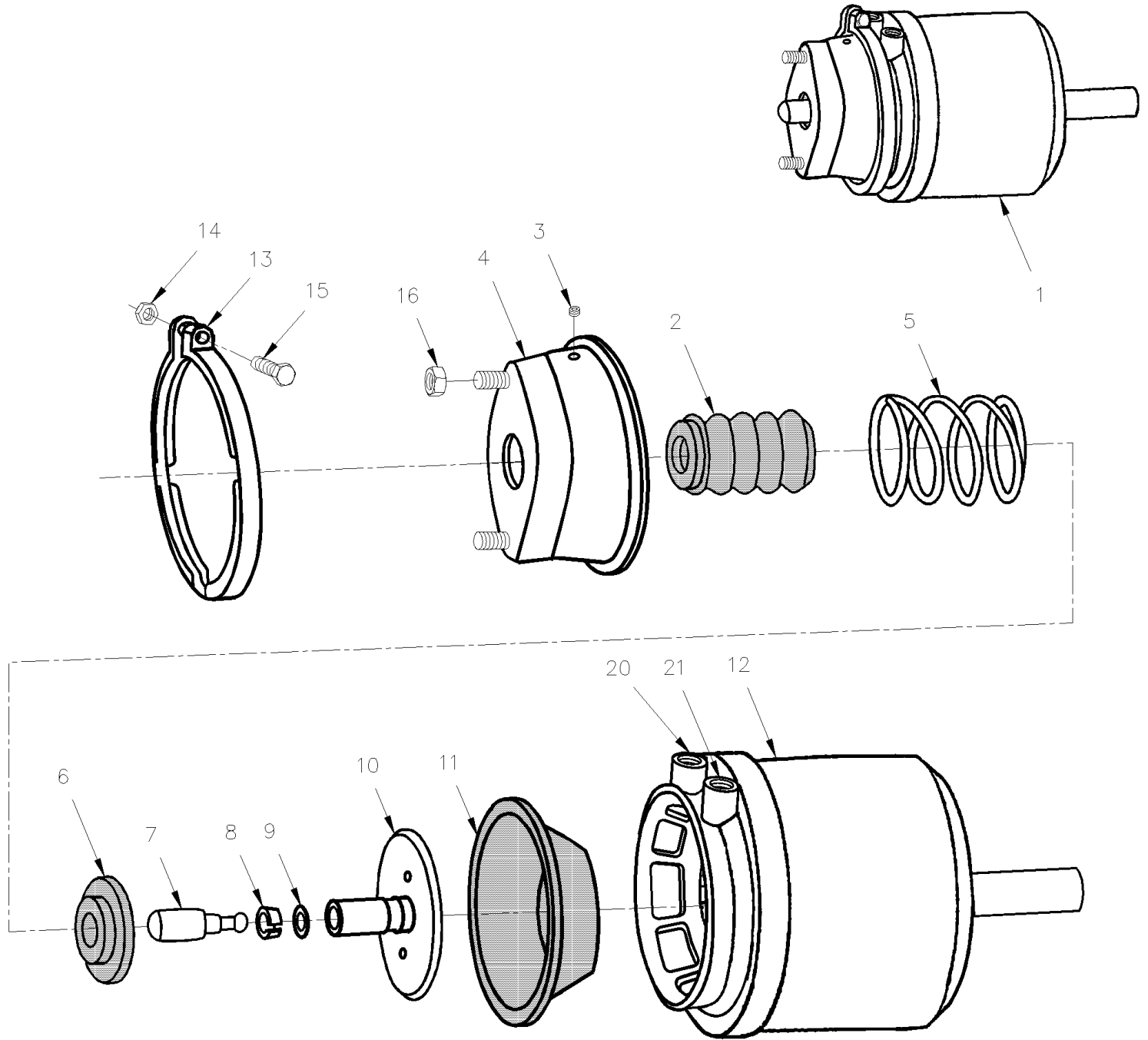
Item#	Part	Description	QTY	Notes
1	641432	BRAKE CHAMBER ASSY L.H. & R.H. / TYPE 24/24 To 7-9159	2	
1	642057	BRAKE CHAMBER ASSY L.H. / TYPE 24/24 (SEALED) From 7-9160	1	
1	642058	BRAKE CHAMBER ASSY R.H. / TYPE 24/24 (SEALED) From 7-9160	1	
2	N.S.S.	. BOOT	1	1
3	N.S.S.	. HOLE PLUG	1	1
4	N.S.S.	. CHAMBER , NO-PRESSURE	1	1
5	N.S.S.	. SPRING	1	1
6	N.S.S.	. SPRING SEAT	1	1
7	N.S.S.	. PUSH ROD END	1	1
8	N.S.S.	. RETAINER	1	1
9	N.S.S.	. RING	1	1
10	N.S.S.	. PUSH ROD	1	1
11	640229	. DIAPHRAGM / TYPE 24 To 7-9159	1	
12	641433	. CHAMBER SUB ASSY / TYPE 24/24 To 7-9159	1	
13	N.S.S.	. CLAMP W/BOLT & NUT To 7-9159	1	1
14	502543	. . NUT HEX M8-1.25 Z050 To 7-9159	1	
15	5001021	. . SCREW CAP HEXS M8-1.25x60 G8.8 PT To 7-9159	1	
16	5001253	NUT HEX STO M16-1.5 G500	2	
NS	641443	KIT REPAIR / TYPE 24/24 To 7-9159	AR	B
		HOSE SERVICE BRAKE		
20	641303	HOSE BRAKE #8 914MM (36")	2	A
20	641305	HOSE BRAKE #8 718MM (28 1/4")	1	
		HOSE EMERGENCY BRAKE		
21	503488	TUBE, NYLON 1/2 O.D. / BLACK S.L./	AR	
31	5011205	FEMALE CONNECTOR / PIPE @ METRIC / 3/8NPT-FxM16-1.5-M ZP	4	
. NS	641297	. O-RING 13.1MM I.D. X 2.6 TH	1	
. NS	641298	. WASHER FL 17MM I.D x 22MM O.D. x 1.5MM	1	
32	641040	MALE ELBOW 90° / NTA FITTING / #8x3/8NPT-M BR	2	
33	501330	STREET ELBOW 45° / PIPE FITTING / 3/8NPT-Mx3/8NPT-F BR	2	
34	501842	ADAPTER / AIR BRAKE HOSE FITTING / 3/4-20-Mx3/8NPT-M STL	2	
		A) R.H. & L.H.		
		B) INCLUDING ITEM 2,4,6,8,9 & 11		
		1) NOT SOLD SEPARATELY		

From 7-8754 To 8-9281

Date:01/2024

PAGE:X3-1245-10

BRAKE CHAMBER - TAG AXLE TYPE 14/16

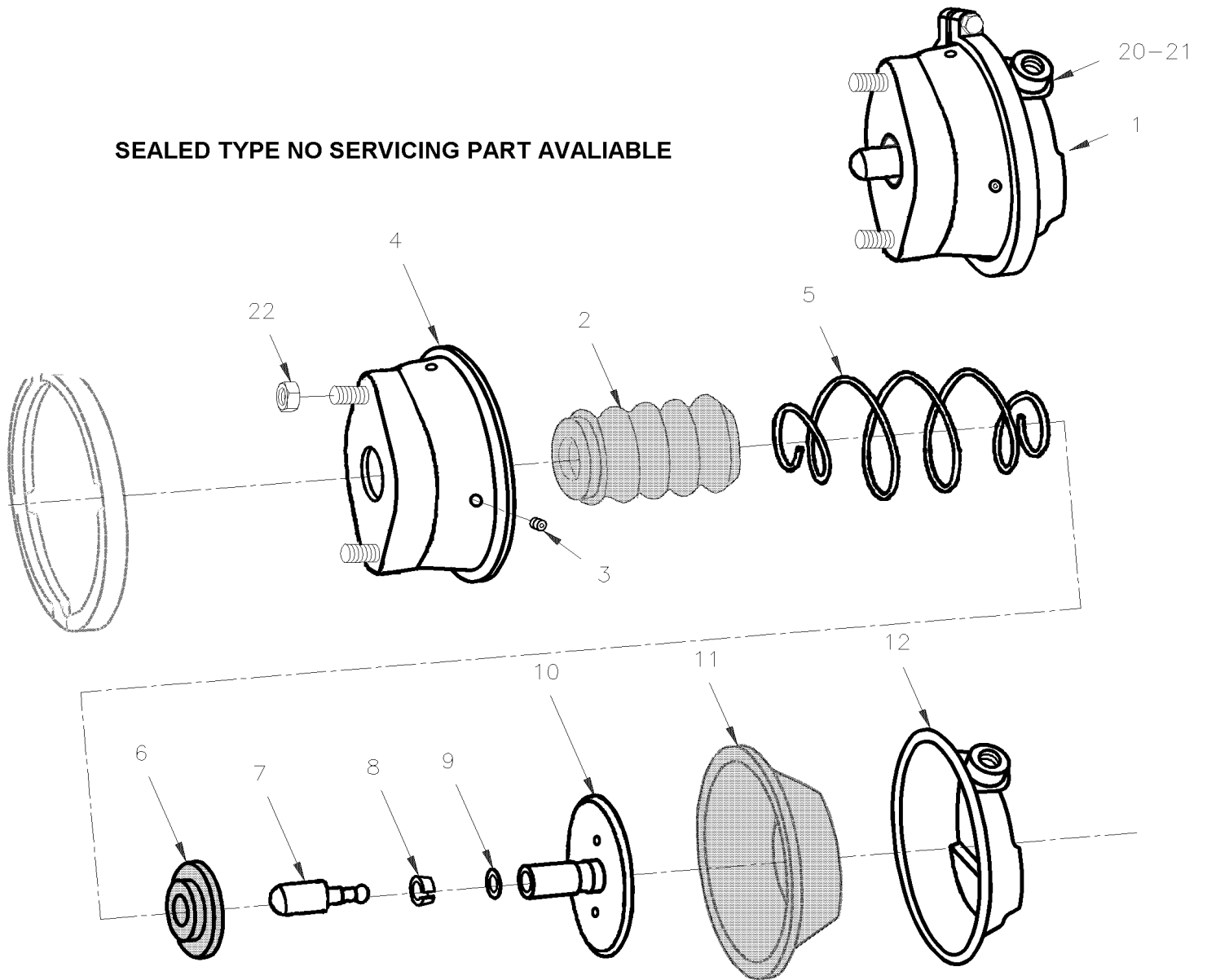


From 7-8754 To 8-9281	Date:01/2024	PAGE:X3-1245-10
BRAKE CHAMBER - TAG AXLE TYPE 14/16		

Item#	Part	Description	QTY	Notes
1	641980	BRAKE CHAMBER ASSY L.H. & R.H / TYPE 14/16	2	
2	N.S.S.	. BOOT	1	1
3	N.S.S.	. HOLE PLUG	1	1
4	N.S.S.	. CHAMBER , NO-PRESSURE	1	1
5	N.S.S.	. SPRING	1	1
6	N.S.S.	. SPRING SEAT	1	1
7	N.S.S.	. PUSH ROD END	1	1
8	N.S.S.	. RETAINER	1	1
9	N.S.S.	. RING	1	1
10	N.S.S.	. PUSH ROD	1	1
11	N.P.N.	. DIAPHRAGM / TYPE 14	1	4
12	N.P.N.	. CHAMBER SUB ASSY / TYPE 14/16	1	4
13	N.S.S.	. CLAMP W/BOLT & NUT	1	1
14	502543	. NUT HEX M8-1.25 Z050	1	
15	5001021	. SCREW CAP HEXS M8-1.25x60 G8.8 PT	1	
16	5001253	NUT HEX STO M16-1.5 G500	2	
		HOSE SERVICE BRAKE		
20	641903	HOSE BRAKE #8 1090MM (43")	2	
NS	501291	MALE ELBOW 45° / JIC 37° FITTING / #8JIC-Mx3/8NPT-M STL	1	A
		HOSE EMERGENCY BRAKE		
21	503488	TUBE, NYLON 1/2 O.D. / BLACK S.L./	AR	
NS	641381	MALE CONNECTOR / PUSH-IN FITTING / #8x3/8NPT-M BR	1	
21	641902	HOSE BRAKE #8 737MM (29")	2	
NS	5011205	FEMALE CONNECTOR / PIPE @ METRIC / 3/8NPT-FxM16-1.5-M ZP	2	
. NS	641297	. O-RING 13.1MM I.D. X 2.6 TH	1	
. NS	641298	. WASHER FL 17MM I.D x 22MM O.D. x 1.5MM	1	
NS	641297	O-RING 13.1MM I.D. X 2.6 TH	2	B
NS	641298	WASHER FL 17MM I.D x 22MM O.D. x 1.5MM	2	B
		A) SERVICE		
		B) SERVICE & EMERGENCY		
		1) NOT SOLD SEPARATELY		
		4) NO PARTS NUMBER		

BRAKE CHAMBER - TAG AXLE TYPE 14 & 16

SEALED TYPE NO SERVICING PART AVAILIABLE



From 8-9282 To J-6294	Date:01/2024	PAGE:X3-1245-12
BRAKE CHAMBER - TAG AXLE TYPE 14 & 16		

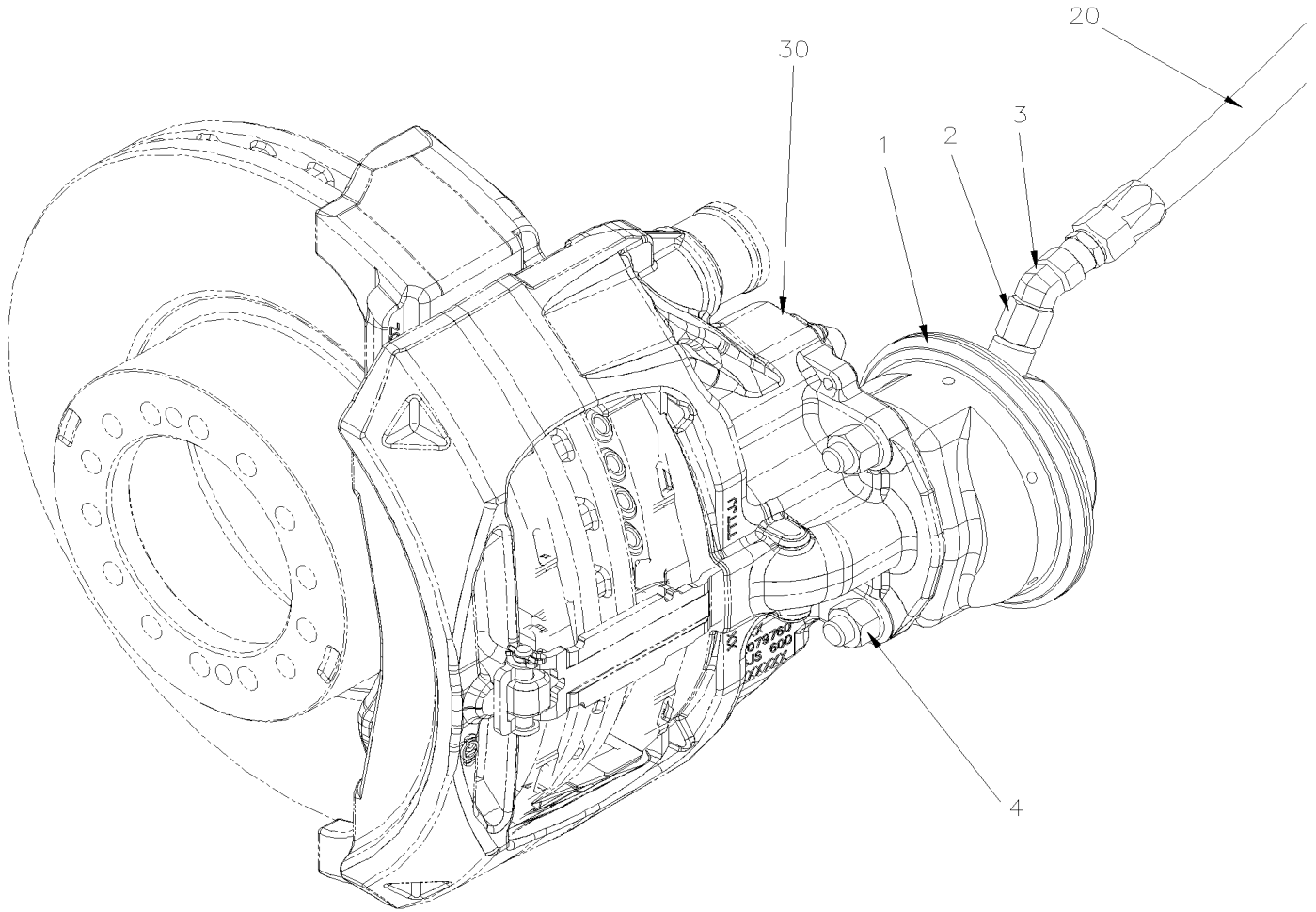
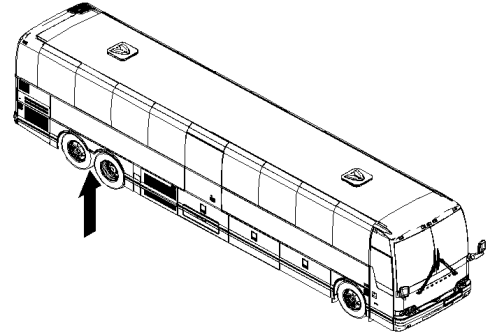
Item#	Part	Description	QTY	Notes
1	642087	BRAKE CHAMBER ASSY / TYPE 14 / SEALED To D-5299	2	ABS
1	642086	BRAKE CHAMBER ASSY / TYPE 16 / SEALED	2	ESP
2	N.S.S.	. BOOT	1	1
3	N.S.S.	. HOLE PLUG	1	1
4	N.S.S.	. CHAMBER , NO-PRESSURE	1	1
5	N.S.S.	. SPRING, COMP.	1	1
6	N.S.S.	. SPRING SEAT	1	1
7	N.S.S.	. PUSH ROD END	1	1
8	N.S.S.	. RETAINER	1	1
9	N.S.S.	. RING	1	1
10	N.S.S.	. PUSH ROD	1	1
11	N.S.S.	. DIAPHRAGM / TYPE 14 To D-5299	1	1 ABS
11	N.S.S.	. DIAPHRAGM / TYPE 16	1	1 ESP
12	N.S.S.	. CHAMBER PRESSURE PLATE	1	1
13	N.S.S.	. CLAMP W/BOLT & NUT	1	1
20	660914	MALE ELBOW 90° / JIC 37° FITTING / #8JIC-MxM16-1.5-M STL	1	
. NS	641297	. O-RING 13.1MM I.D. X 2.6 TH	1	
. NS	641298	. WASHER FL 17MM I.D x 22MM O.D. x 1.5MM	1	
21	641902	HOSE BRAKE #8 737MM (29") To D-5299	2	ABS
21	641905	HOSE BRAKE #8 952MM (37 1/2")	2	ESP
22	5001253	NUT HEX STO M16-1.5 G500	2	
		ABS) WITH "ABS"		
		ESP) WITH "ESP"		
		1) NOT SOLD SEPARATELY		

From J-6295

Date:01/2024

PAGE:X3-1245-13

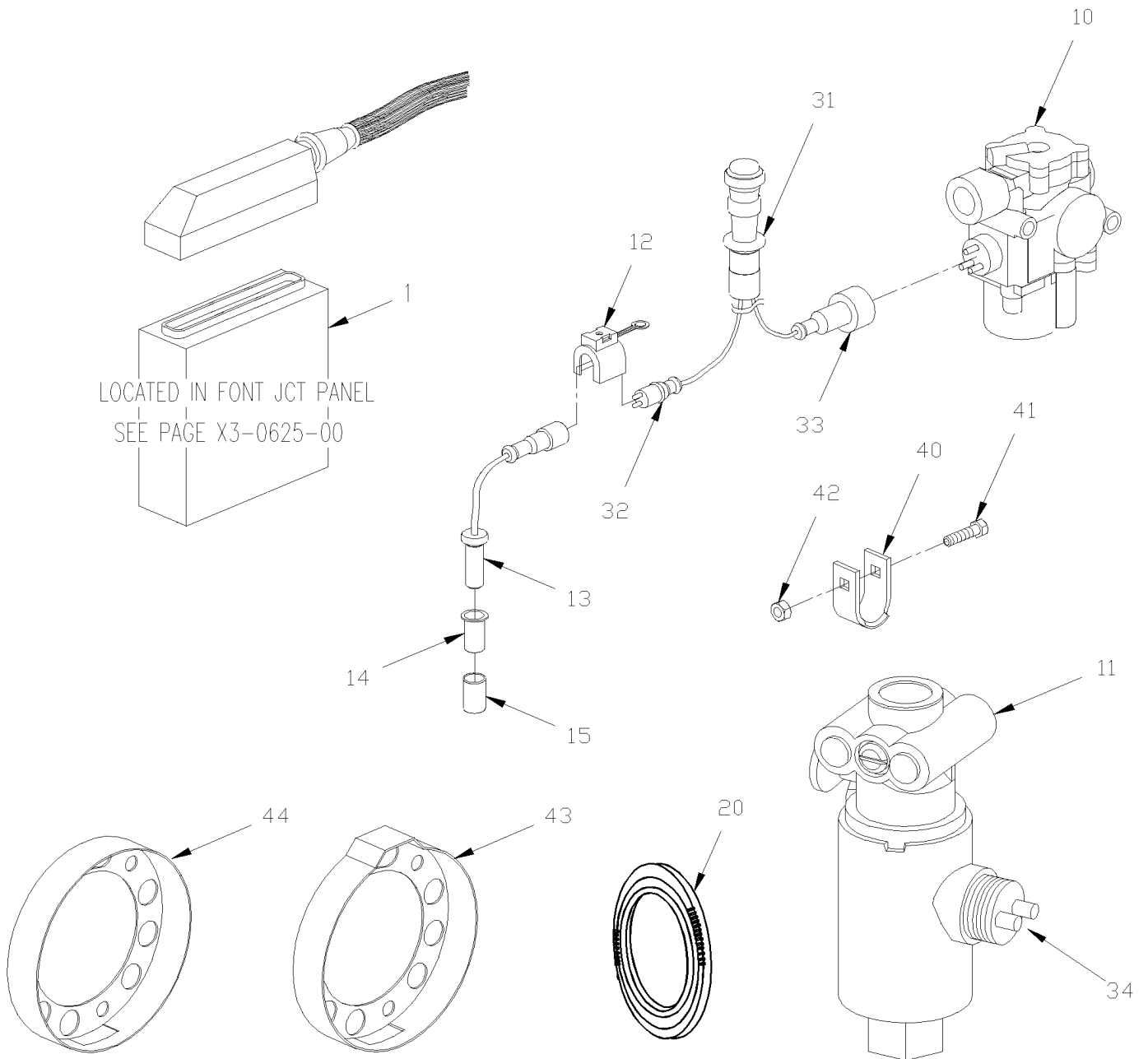
BRAKE CHAMBER - TAG AXLE TYPE 20



From J-6295	Date:01/2024	PAGE:X3-1245-13
BRAKE CHAMBER - TAG AXLE TYPE 20		

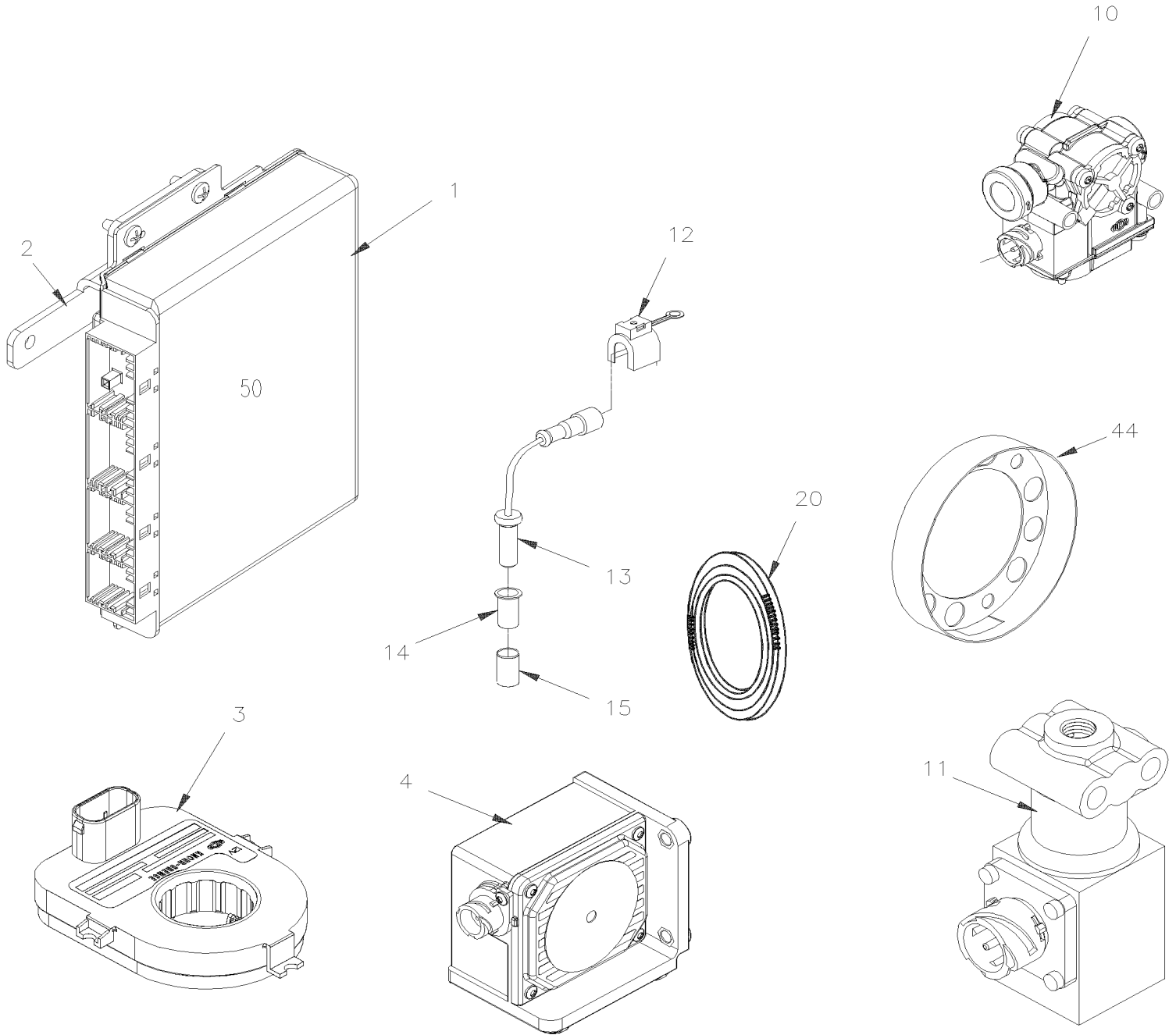
Item#	Part	Description	QTY	Notes
1	640016	BRAKE CHAMBER ASSY / TYPE 20 / SEALED	1	
2	5011205	FEMALE CONNECTOR / PIPE @ METRIC / 3/8NPT-FxM16-1.5-M ZP	1	
. NS	641297	. O-RING 13.1MM I.D. X 2.6 TH	1	
. NS	641298	. WASHER FL 17MM I.D x 22MM O.D. x 1.5MM	1	
3	501291	MALE ELBOW 45° / JIC 37° FITTING / #8JIC-Mx3/8NPT-M STL	1	
4	5001253	NUT HEX STO M16-1.5 G500	2	
20	X3-1250-12	ABS/ESP BRAKE VALVE - INSTALLATION		
30	X3-1235-03	BRAKE PARTS - DRIVE AXLE "KNORR-BREMSE" SN7 SERIES W/N2G ADJUSTER		

ANTI-LOCK BRAKING SYSTEM



From 7-8754 To 8-9281	Date:01/2024	PAGE:X3-1250-00
ANTI-LOCK BRAKING SYSTEM		

Item#	Part	Description	QTY	Notes
1	7770363	CONTROL UNIT 12V / ABS 4 CH / UNPROGRAMMED	1	
1	641948P	CONTROL UNIT 12V / ABS 4 CH / PROGRAMMED	1	
1	641947	CONTROL UNIT 12V / ABS 4 CH	AR	C
1	502511	NUT HEX NYRT M6-1.0 Z050	7	
1	502573	WASHER FL 6.4x12.5x1.6 SS	7	
10	641951	VALVE, "ABS" 12VOLT	4	
11	641950	VALVE, "ATC" 12VOLT	2	
12	561115	CLAMP W/ 3 & 4 / ITT CANNON 029-0262-000	4	
13	641099	SENSOR ABS (ON FRONT & DRIVE AXLE)	2	A I
13	641946	SENSOR ABS (ON FRONT AXLE) 90° ANGLE	1	R
14	641096	CLIP, SPRING / TO FIX SENSOR	2	
15	621869	BUSHING - ABS SENSOR	1	A
20	611304	TOOTH WHEEL / FRONT AXLE W/ "TIMKEN" 138.89MM I.D.	1	I
20	611473	TOOTH WHEEL / FRONT AXLE & TAG W/ "FAG" 143.90MM I.D. SERVICE	1	I D
NS	611457	ROTOR VENTED (W/TOOTH WHEEL / DRIVE AXLE)	1	
NS	562279	TOOL / BOX CONNECTOR 54 PINS	1	
31	066224	CABLE ASSY / FRONT "ABS" SENSOR & VALVE / MUX	1	
31	066550	CABLE ASSY / REAR "ABS" SENSOR & VALVE / MUX	1	
32	641132	. CONNECTOR / MALE W2 WIRES x 3 METER / WABCO 8945900102	AR	
33	641098	. CONNECTOR / FEMALE W3 WIRES x 3 METER / WABCO 8946010102	AR	
34	641461	CONNECTOR / FEMALE W2 WIRES x 15 METER / WABCO 4495211500	AR	C
44	621711	ABS SHIELD PROTECTOR	1	
50	X3-0625-00	FRONT JUNCTION PANEL		
		A) DRIVE AXLE ONLY		
		C) USE WITH "ATC" VALVE OR WITH TRAILER EQUIPPED WITH "ABS"		
		D) WITH HUB "FAG" ONLY		
		I) WITH INDEPENDENT SUSPENSION		
		R) WITH I BEAM RIGID FRONT AXLE "OPTIONAL"		



From 8-9282		Date:01/2024	PAGE:X3-1250-01
ABS & ESP CONTROL			

Item#	Part	Description	QTY	Notes
1	642081	ECU ABS / W/6 CHANNELS / STANDARD To D-5299	1	
1	642083	ECU ABS / W/6 CHANNELS / ADVANCED ESP To 9-9725	1	
1	642131	ECU ABS / W/6 CHANNELS / ADVANCED ESP From 9-9726 To A-9904	1	
1	642146	ECU ABS / W/6 CHANNELS / ADVANCED ESP UNPROGRAMMED / NON-PROGRAMME From A-9905 To J-6294	1	
1	640022	ECU ABS / W/8 CHANNELS / ADVANCED ESP AFTERMARKET From J-6295	1	
2	382375	SUPPORT ECU To C-5143	1	
2	382468	SUPPORT ECU From C-5144	1	
3	661120	SENSOR ANGLE POSITION DETECTOR	1	
. NS	564042	. CONNECTOR / BOSCH 1 928 404 025	1	
3	661148	SENSOR ANGLE POSITION DETECTOR	1	
. NS	564042	. CONNECTOR / BOSCH 1 928 404 025	1	
4	642076	SENSOR "YAW" To B-5035	1	
4	642151	SENSOR "YAW" From B-5036 To R-6967	1	
4	640150	SENSOR, YAW From R-6968	1	
4	640151	SENSOR, YAW / SERVICE From B-5036	1	
5	642075	TRANSDUCER PRESSURE	1	
. NS	563159	. CONNECTOR / METRI-PACK 150 / SH 3C / PED 12065287	1	
10	642077	VALVE, "ABS" 12VOLT / M-32QR To G-6051	AR	B
10	640228	VALVE, "ABS" 12VOLT / M-40QR From G-6052	AR	
11	642079	VALVE, "ATC" 12VOLT To D-5458	1	
11	640018	VALVE, RELAY & ATC / ATR-6 From E-5459	1	
12	561115	CLAMP W/ 3 & 4 / ITT CANNON 029-0262-000	AR	
13	642084	SENSOR ABS 90° ANGLE - OEM	2	R
13	642108	SENSOR ABS 90° ANGLE - AFTER MARKET	2	R
13	642085	SENSOR ABS - OEM	2	I
13	642184	SENSOR ABS - AFTER MARKET	2	I
13	642085	SENSOR ABS - OEM	2	T
13	642184	SENSOR ABS - AFTER MARKET	2	T
13	642085	SENSOR ABS - OEM	2	A
13	642184	SENSOR ABS - AFTER MARKET	2	A
NS	565885	TIE MOUNT HOLE 1/2"	2	
NS	504637	CABLE TIE / 3/16" x 13"	2	
NS	500594	SCREW CAP HEX 7/16-20x1 1/4 G8 N500	2	
14	641096	CLIP, SPRING / TO FIX SENSOR	AR	
15	621869	BUSHING - ABS SENSOR	2	A
15	610641	BUSHING ABS SENSOR MOUNTING TAG AXLE From 8-9282 To A-9952	2	T
15	121912	BUSHING ABS SENSOR MOUNTING TAG AXLE ONE PIECE From A-9952	2	T
20	611304	TOOTH WHEEL / FRONT AXLE W/ "TIMKEN" 138.89MM I.D. To 9-9518	1	I
20	611473	TOOTH WHEEL / FRONT AXLE & TAG W/ "FAG" 143.90MM I.D. From 9-9519	1	I D
20	611473	TOOTH WHEEL / FRONT AXLE & TAG W/ "FAG" 143.90MM I.D. From A-9952	1	T
20	611457	ROTOR VENTED (W/TOOTH WHEEL / DRIVE AXLE)	1	
20	621801	TOOTH WHEEL / TAG AXLE W/CAST TAG From A-9952	1	T

From 8-9282		Date:01/2024	PAGE:X3-1250-01
-------------	--	--------------	-----------------

ABS & ESP CONTROL

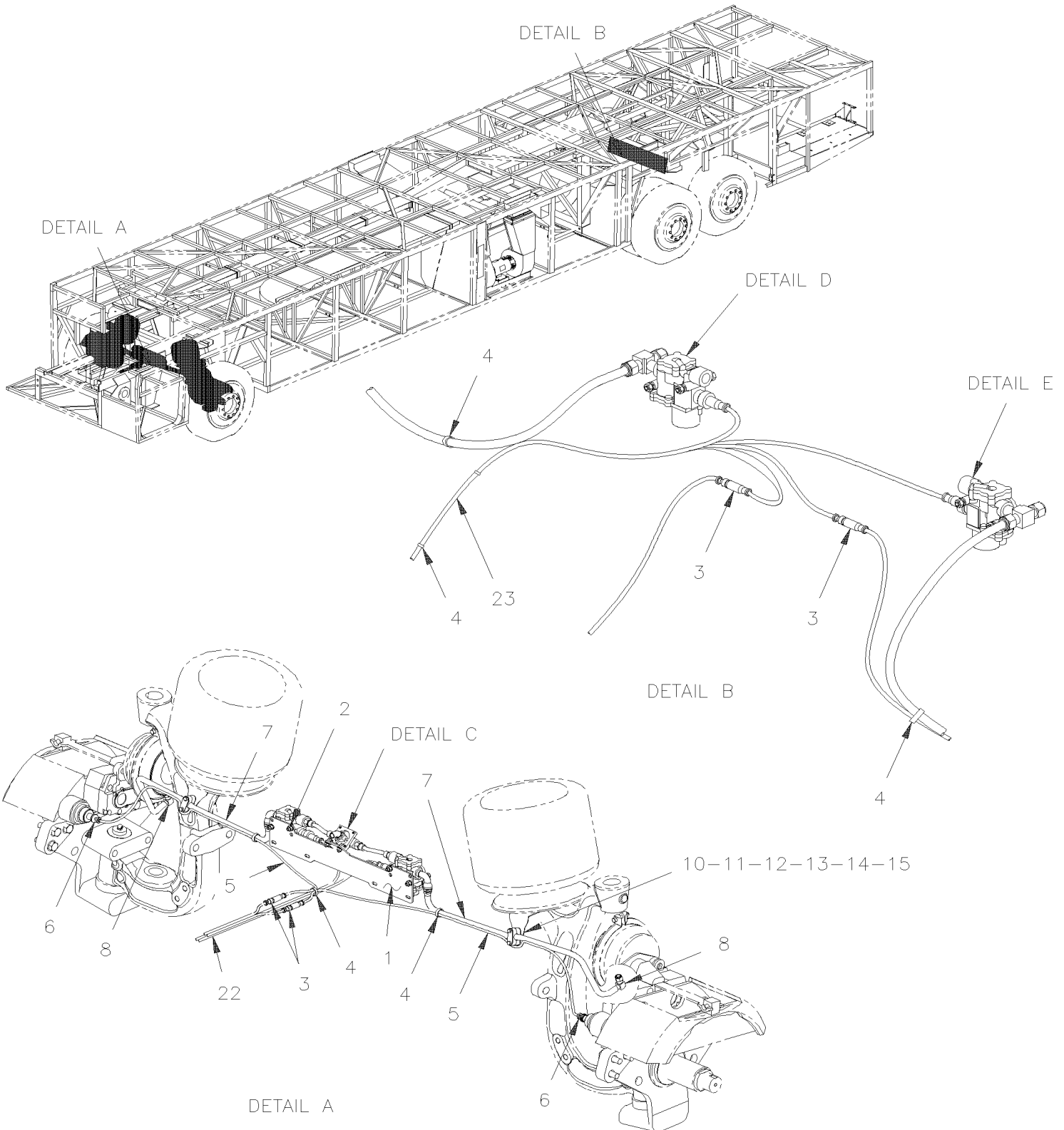
Item#	Part	Description	QTY	Notes
31	067532	CABLE ASSY / FRONT "ABS" SENSOR & VALVE / MUX & EPS To B-5035	1	
31	067010	CABLE ASSY / FRONT "ABS" SENSOR & VALVE From B-5036 To C-5143	1	
31	068377	CABLE ASSY / FRONT "ABS" SENSOR & VALVE From C-5144 To D-5299	1	
44	621870	ABS SHIELD PROTECTOR	2	
50	X3-0625-00	FRONT JUNCTION PANEL		
		A) DRIVE AXLE ONLY		
		B) WHEN YOU REPLACE THE VALVE #642077 BY THE VALVE #640228 YOU HAVE REPLACE BOTH SIDE LEFT AND RIGHT		
		D) WITH HUB "FAG"		
		I) WITH INDEPENDENT SUSPENSION		
		R) WITH "I" BEAM SUSPENSION		
		T) ON TAG AXLE ONLY		

From 7-8754 To 8-9281

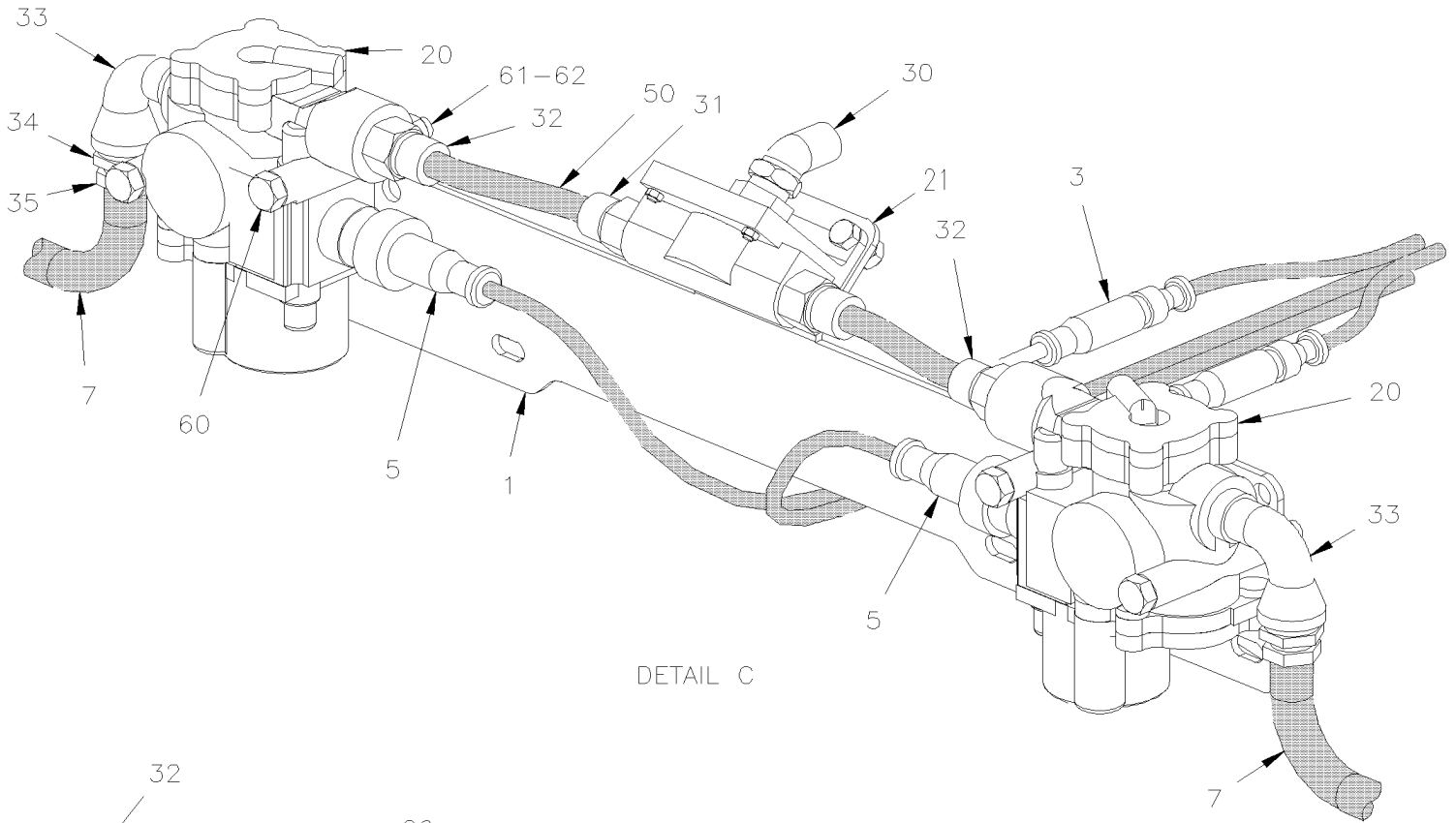
Date:01/2024

PAGE:X3-1250-10

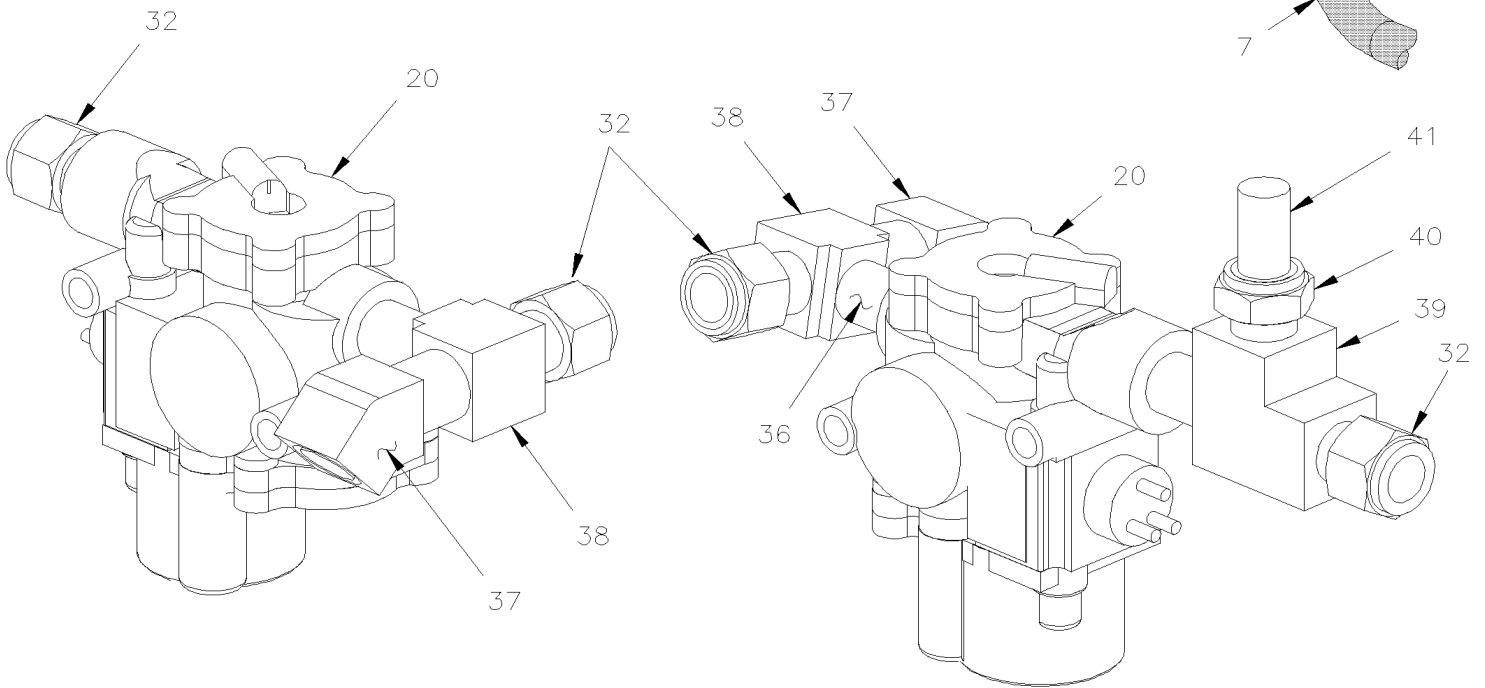
ABS BRAKE VALVE - INSTALLATION



From 7-8754 To 8-9281	Date:01/2024	PAGE:X3-1250-10
ABS BRAKE VALVE - INSTALLATION		



DETAIL C



DETAIL D

DETAIL E

From 7-8754 To 8-9281	Date:01/2024	PAGE:X3-1250-10
-----------------------	--------------	-----------------

ABS BRAKE VALVE - INSTALLATION

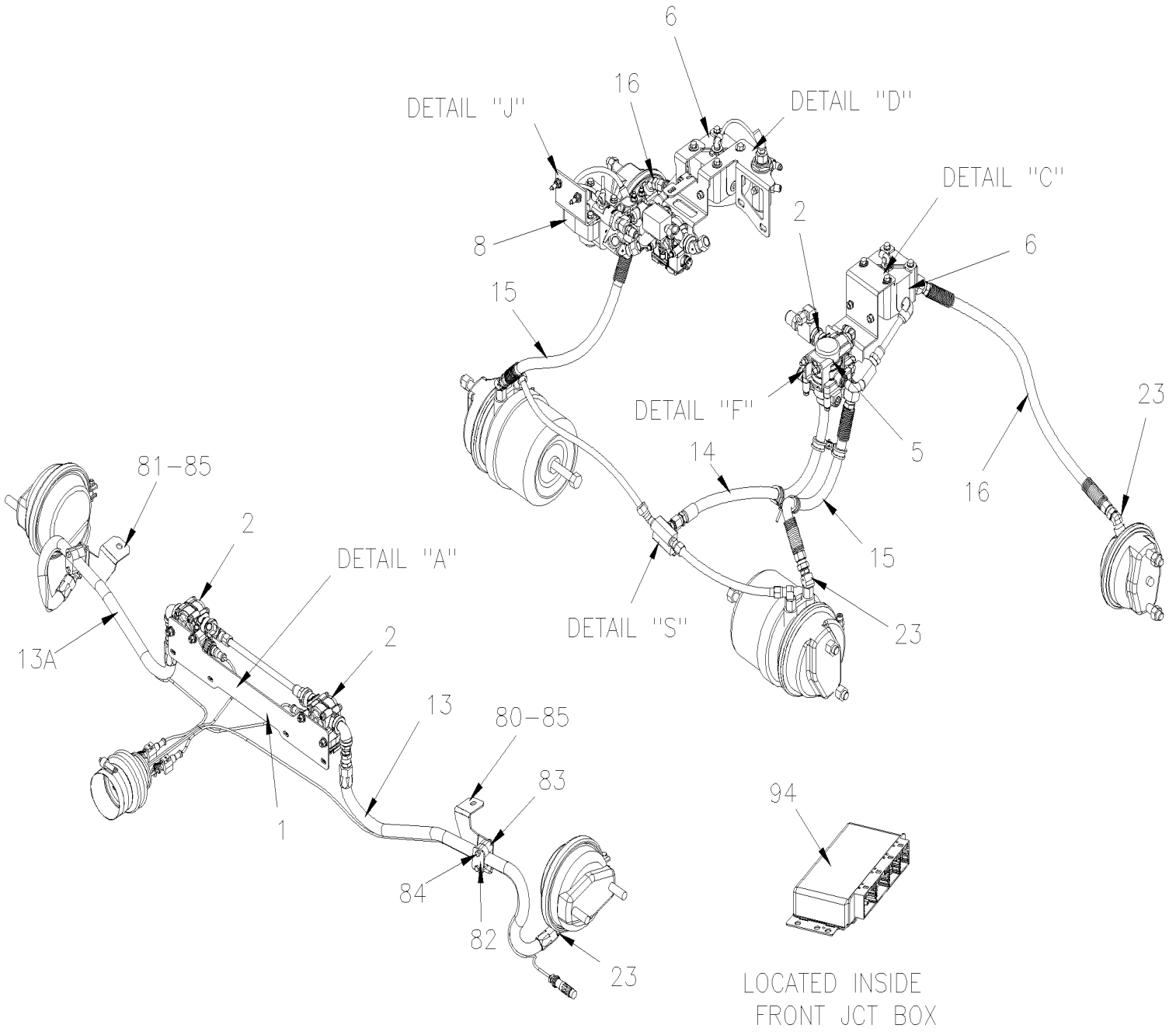
Item#	Part	Description	QTY	Notes
1	142303	SUPPORT	1	
2	502565	NUT HEX M6-1.0 SS	4	
NS	502570	WASHER LO SPT 6.1x11.8x1.6 SS	4	
NS	502573	WASHER FL 6.4x12.5x1.6 SS	4	
3	561115	CLAMP W/ 3 & 4 / ITT CANNON 029-0262-000	4	
4	504637	CABLE TIE / 3/16" x 13"	AR	
5	641099	SENSOR ABS (ON FRONT & DRIVE AXLE)	2	
6	641096	CLIP, SPRING / TO FIX SENSOR	4	
7	641903	HOSE BRAKE #8 1090MM (43")	2	I
7	641908	HOSE BRAKE #8 1300MM (51")	2	R
8	660914	MALE ELBOW 90° / JIC 37° FITTING / #8JIC-MxM16-1.5-M STL	2	
NS	641297	O-RING 13.1MM I.D. X 2.6 TH	1	
NS	641298	WASHER FL 17MM I.D x 22MM O.D. x 1.5MM	1	
10	142352	HOSE SUPPORT R.H.	1	
10	142353	HOSE SUPPORT L.H.	1	
11	504612	COLLAR 13/16" I.D. / TO FIX HOSE	4	
12	504614	PLATE RETAINING / COLLAR	4	
13	502656	SCREW CAP HEX M6-1.0x50 SS	4	
14	502570	WASHER LO SPT 6.1x11.8x1.6 SS	4	
15	502565	NUT HEX M6-1.0 SS	4	
20	641951	VALVE, "ABS" 12VOLT	4	
NS	144861	SUPPORT R.H. / VALVE ABS & RELAY VALVE	1	
NS	144862	SUPPORT L.H. / VALVE ABS & RELAY VALVE	1	
21	641429	VALVE, QUICK RELEASE QR-1 / 3/8NPTx3/8NPTx3/8NPT	4	
NS	640924	REPAIR KIT / QR-1	1	
22	066224	CABLE ASSY / FRONT "ABS" SENSOR & VALVE / MUX	1	
23	066550	CABLE ASSY / REAR "ABS" SENSOR & VALVE / MUX	1	
30	641368	MALE ELBOW 45° NON-SWIVEL / PUSH-IN FITTING / #8x3/8NPT-M BR	1	
31	641381	MALE CONNECTOR / PUSH-IN FITTING / #8x3/8NPT-M BR	2	
32	641383	MALE CONNECTOR / PUSH-IN FITTING / #8x1/2NPT-M BR	2	
33	501406	STREET ELBOW 90° / PIPE FITTING / 1/2NPT-Mx1/2NPT-F BR	2	
34	501534	BUSHING REDUCER / PIPE FITTING / 1/2NPT-Mx3/8NPT-F BR	2	
35	501842	ADAPTER / AIR BRAKE HOSE FITTING / 3/4-20-Mx3/8NPT-M STL	2	
36	5011067	NIPPLE HEX / PIPE FITTING / 1/2NPT-Mx1/2NPT-Mx1 13/16 BR	2	
37	501528	STREET ELBOW 45° / PIPE FITTING / 1/2NPT-Mx1/2NPT-F BR	2	
38	501472	FEMALE UNION TEE / PIPE FITTING / 1/2NPT-Fx1/2NPT-Fx1/2NPT-F BR	2	
39	501473	MALE RUN TEE / PIPE FITTING / 1/2NPT-Mx1/2NPT-Fx1/2NPT-F BR	1	
40	501316	BUSHING REDUCER / PIPE FITTING / 1/2NPT-Mx1/4NPT-F BR	1	
41	641332	MALE CONNECTOR / PUSH-IN FITTING / #4x1/4NPT-M BR	1	
50	X3-1202-00	TUBES PLASTIC / AIR D.O.T.		
60	500187	SCREW CAP HEX 5/16-18x3 G5 Z050	AR	
61	500942	WASHER LO SPT 8.1x14.8x2.0 N500	AR	

From 7-8754 To 8-9281	Date:01/2024	PAGE:X3-1250-10
-----------------------	--------------	-----------------

ABS BRAKE VALVE - INSTALLATION

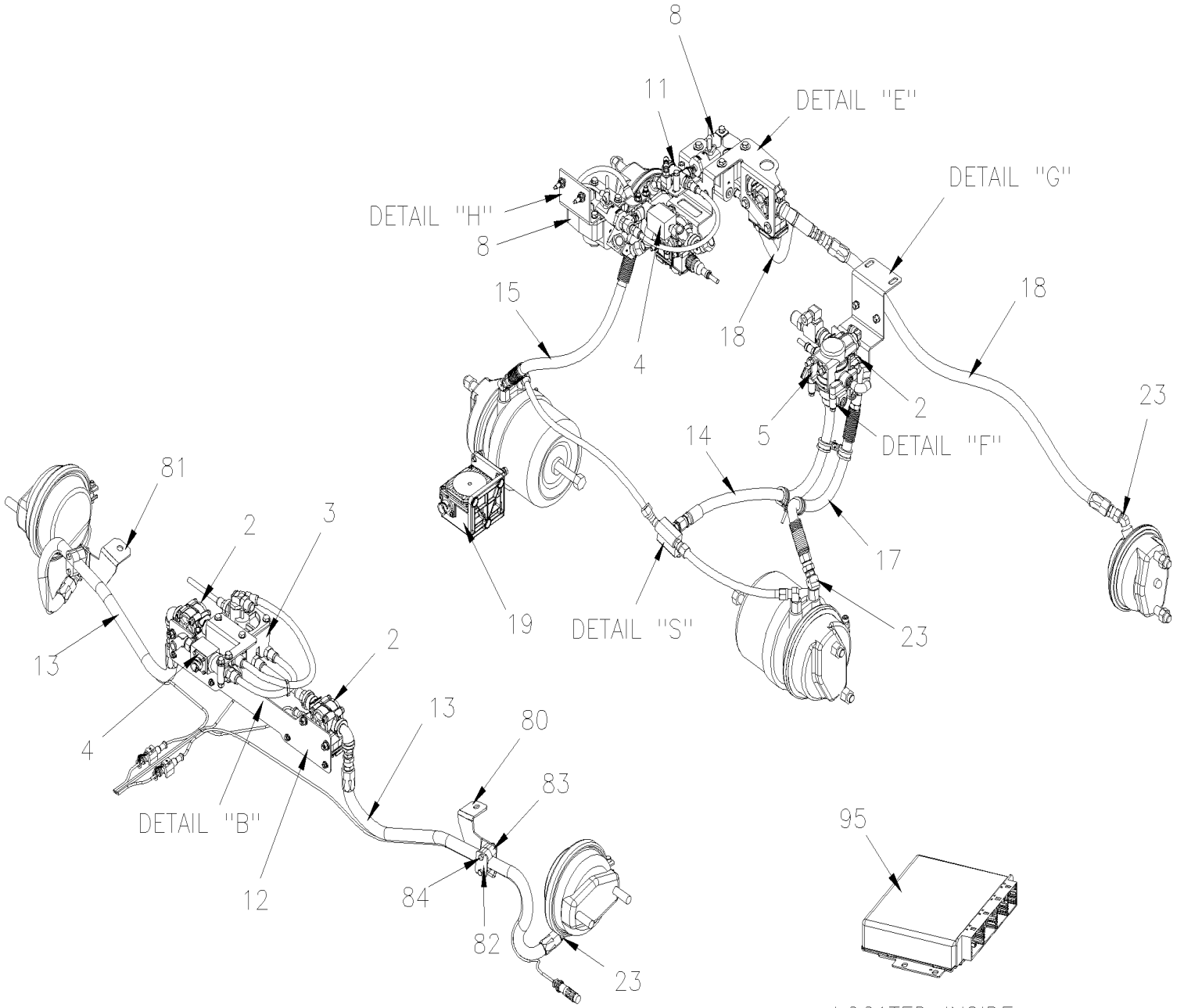
Item#	Part	Description	QTY	Notes
62	500778	NUT HEX 5/16-18 N500	AR	
		I) WITH INDEPENDANT SUSPENSION		
		R) WITH "I-BEAM" SUSPENSION		

ABS/ESP BRAKE VALVE - INSTALLATION



BASIC "STANDARD"

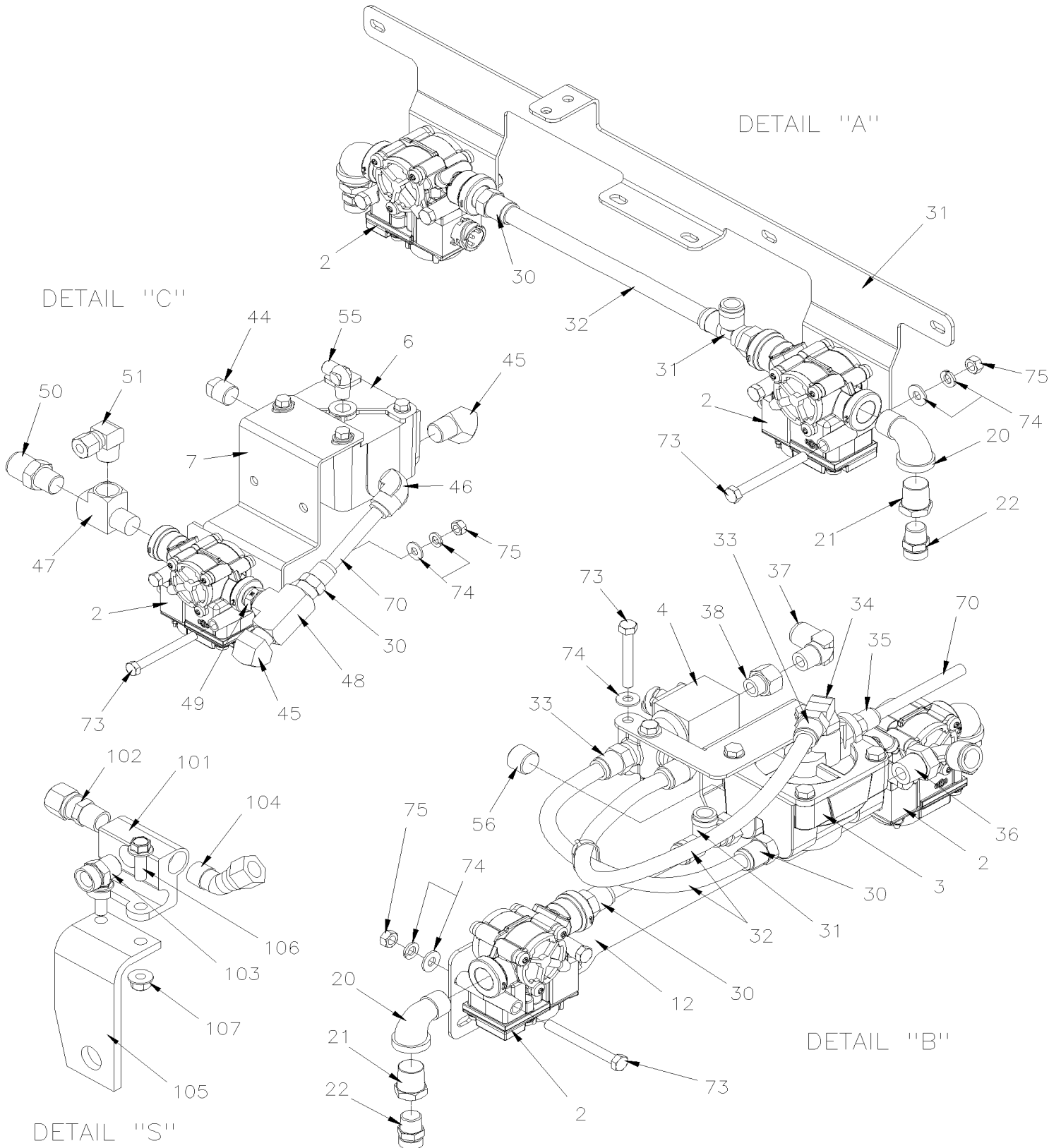
ABS/ESP BRAKE VALVE - INSTALLATION



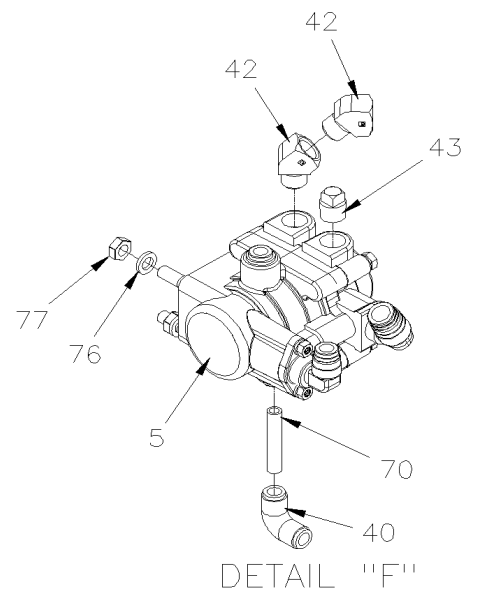
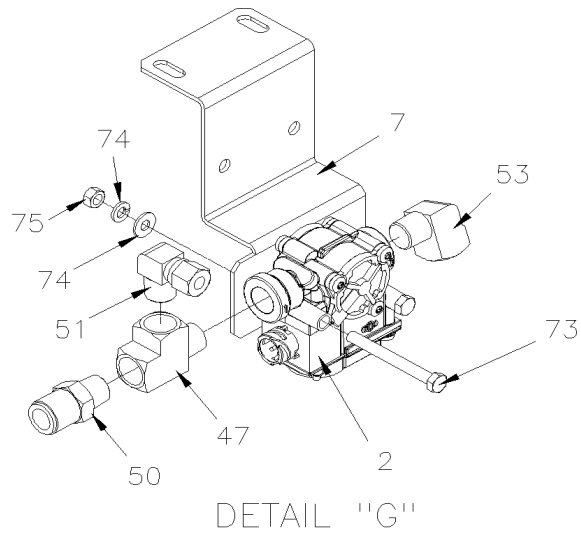
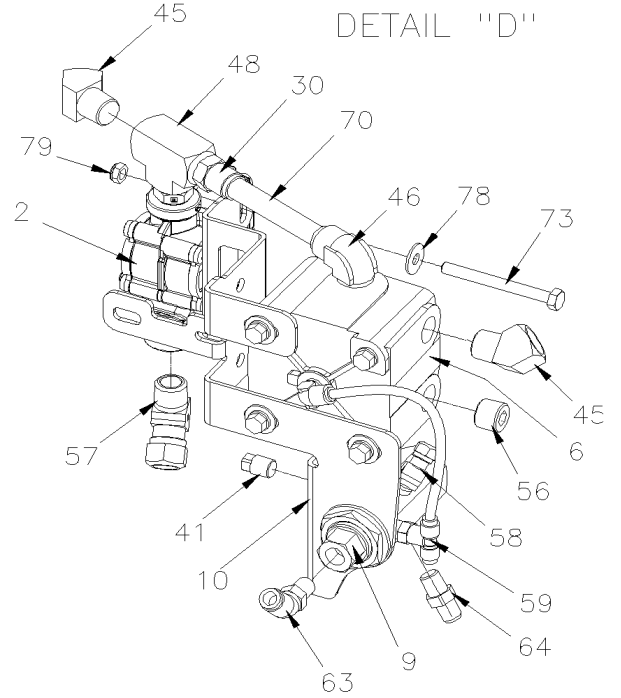
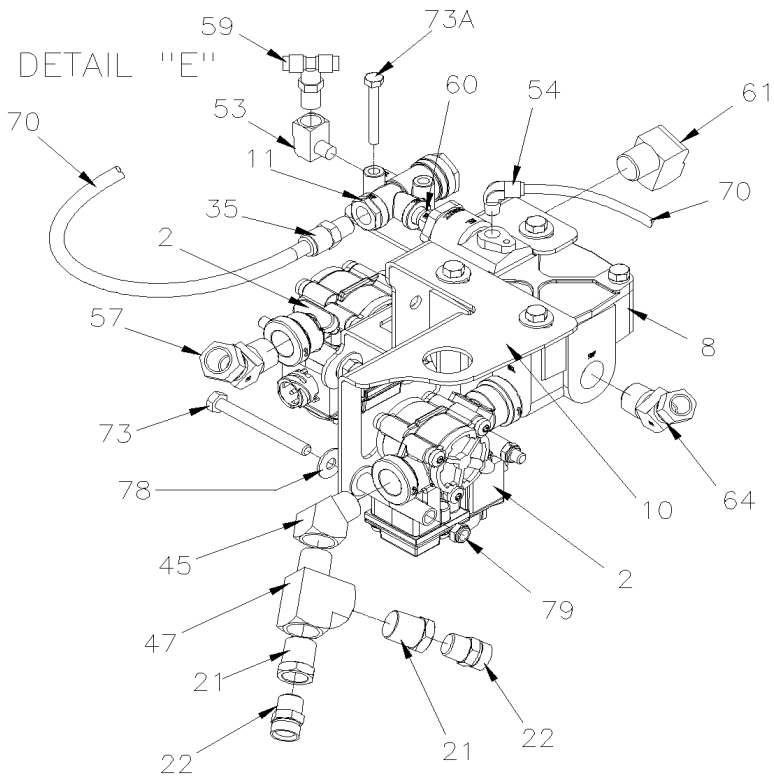
LOCATED INSIDE
FRONT JCT BOX

ADVANCE "OPTION"
WITH ESP

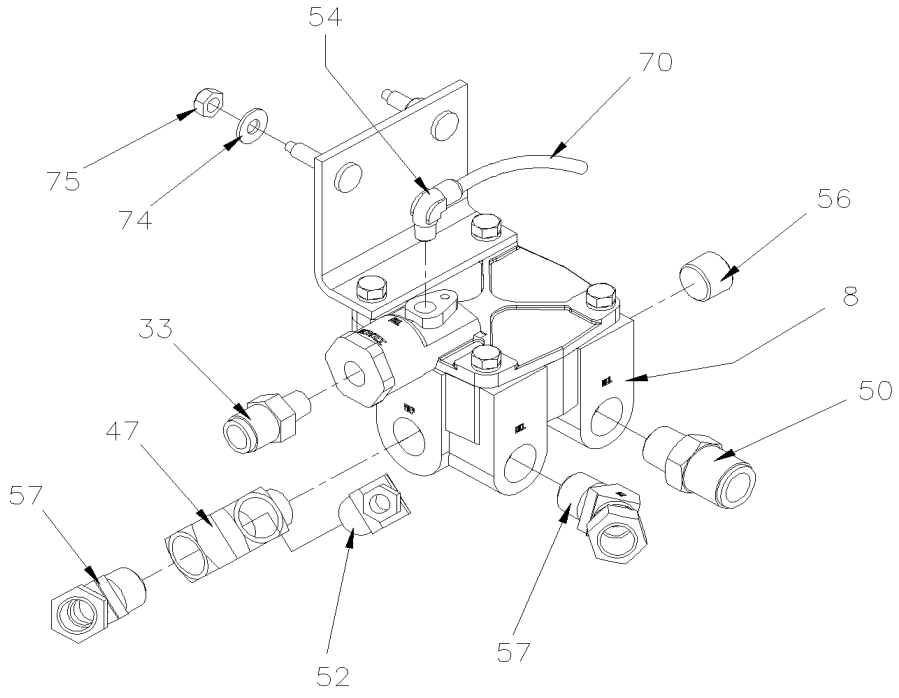
ABS/ESP BRAKE VALVE - INSTALLATION



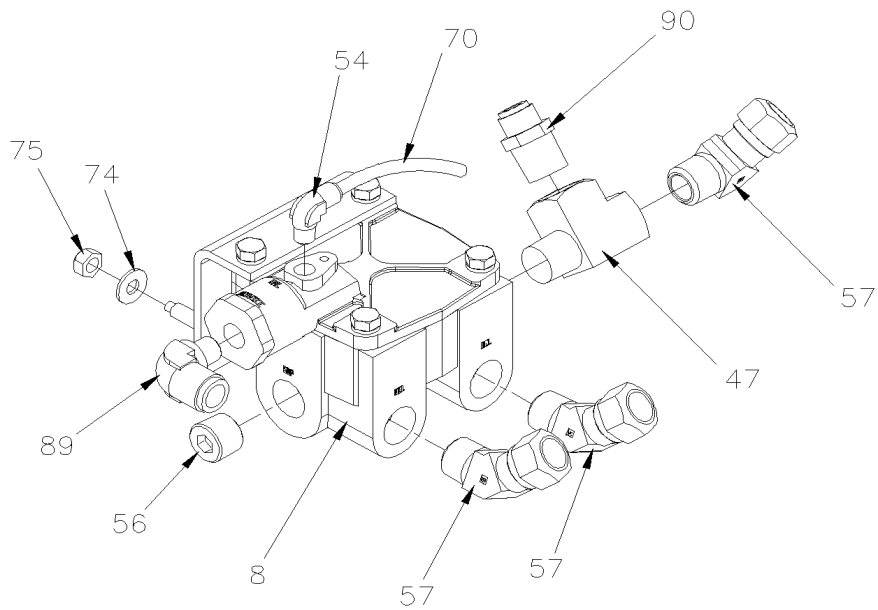
ABS/ESP BRAKE VALVE - INSTALLATION



ABS/ESP BRAKE VALVE - INSTALLATION

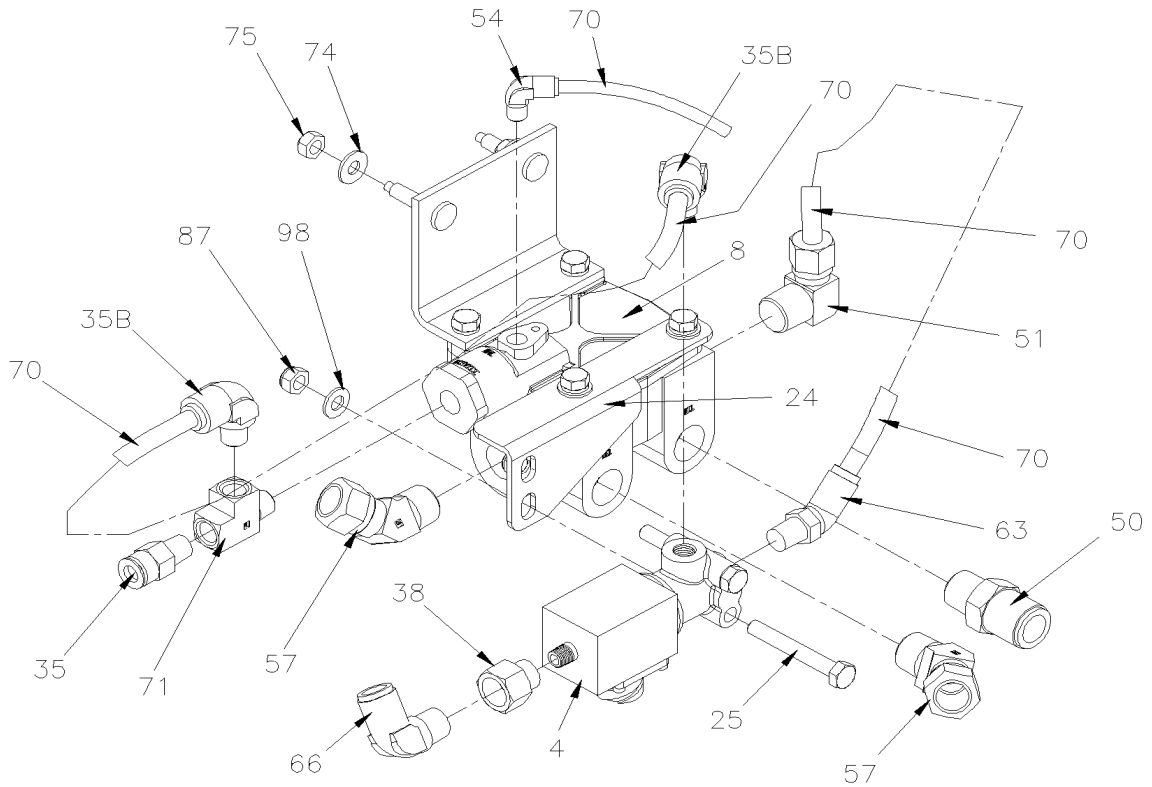


DETAIL "J"
WITH WORLD TRANSMISSION
WITH "ABS 6"
UP TO A-9951

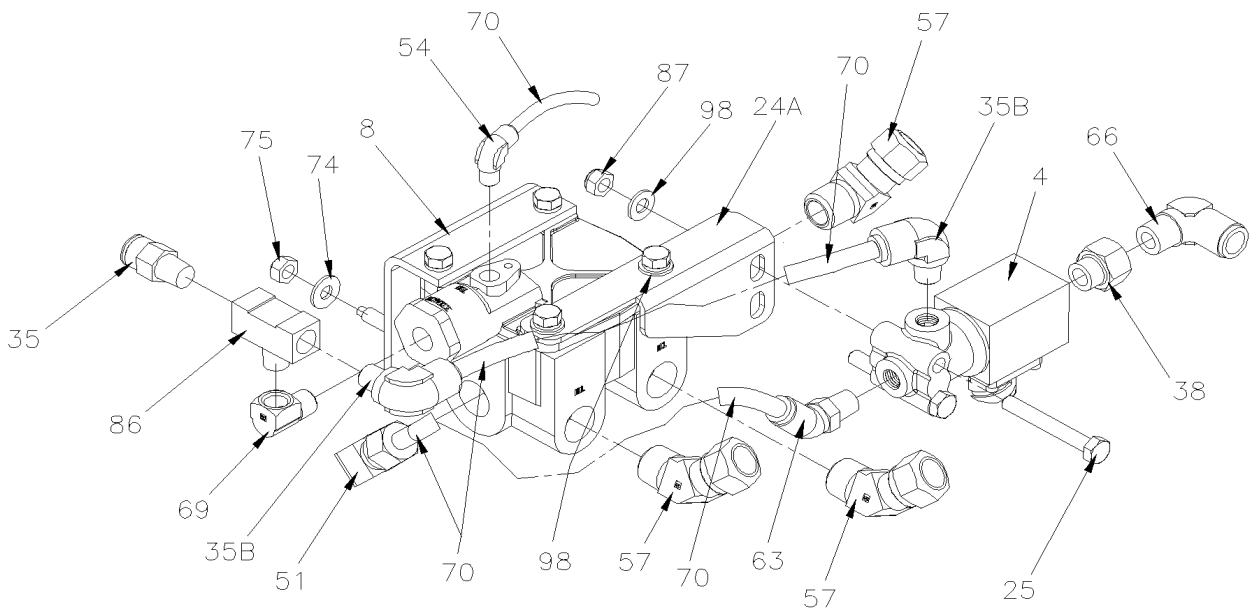


DETAIL "J"
WITH WORLD TRANSMISSION
WITH "ABS 6"
FROM A-9952 UP TO D-5300

ABS/ESP BRAKE VALVE - INSTALLATION



DETAIL "H"
WITH WORLD TRANSMISSION
WITH "ESP"
UP TO A-9951



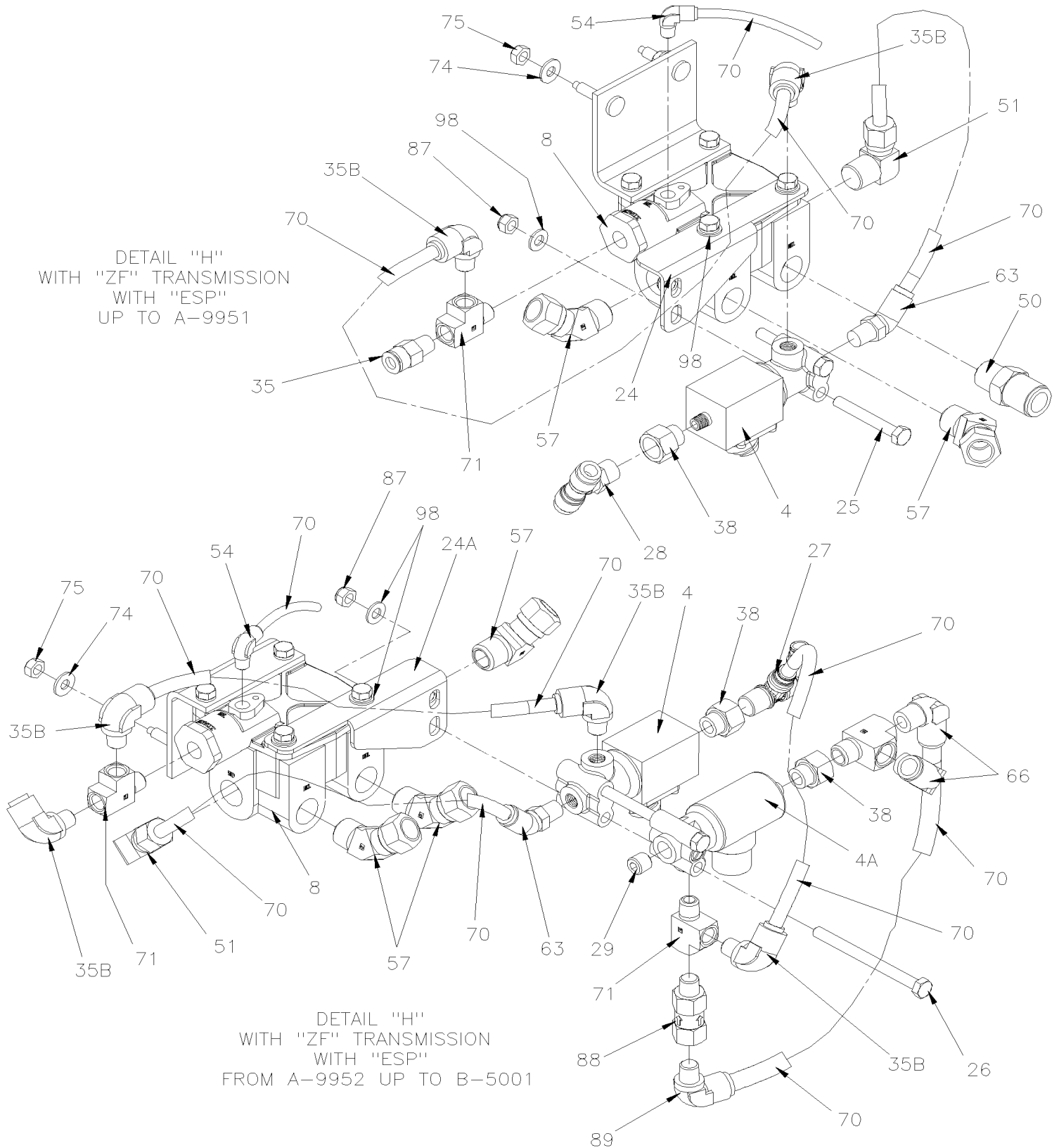
DETAIL "H"
WITH WORLD TRANSMISSION
WITH "ESP"
FROM A-9952

From 8-9282 To D-5458

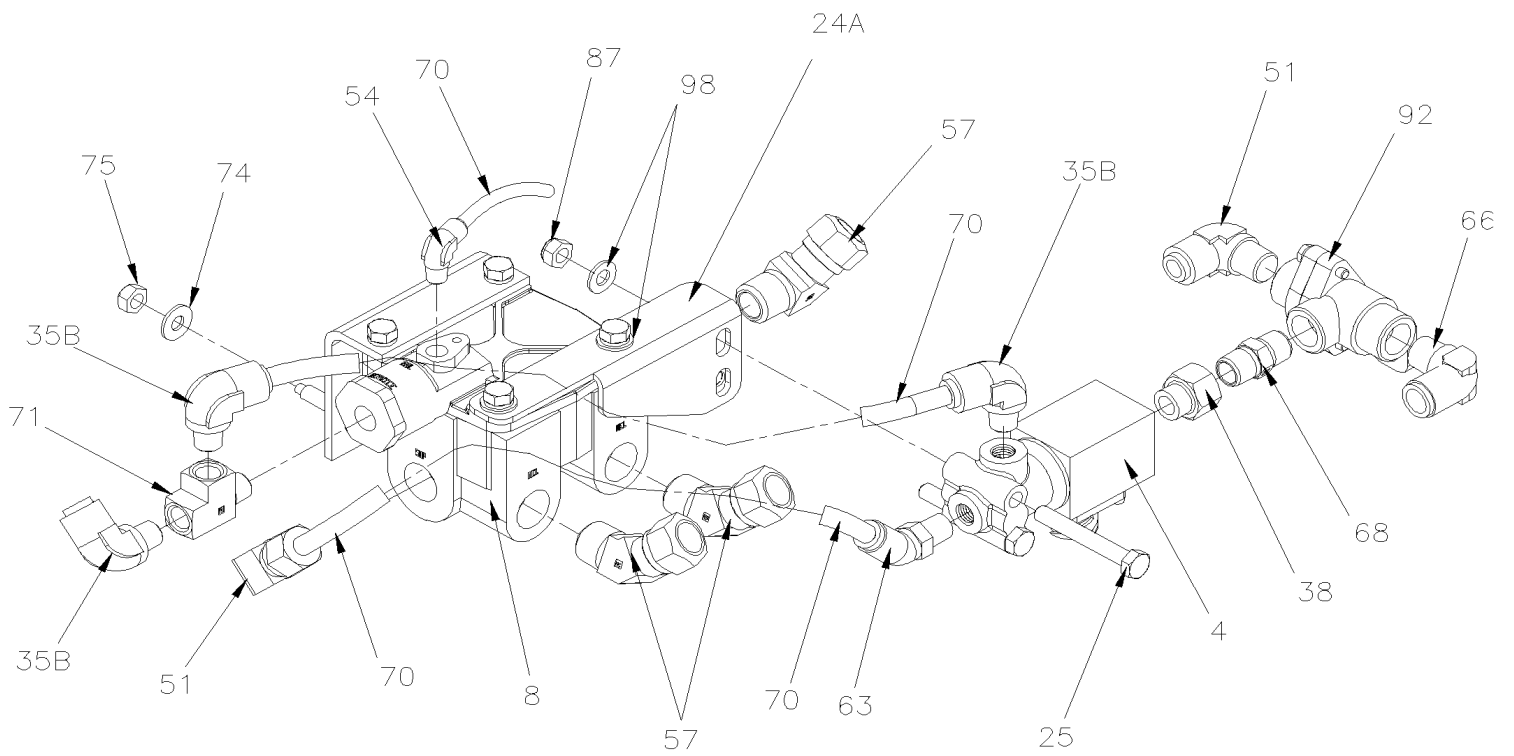
Date:01/2024

PAGE:X3-1250-11

ABS/ESP BRAKE VALVE - INSTALLATION



From 8-9282 To D-5458	Date:01/2024	PAGE:X3-1250-11
ABS/ESP BRAKE VALVE - INSTALLATION		



DETAIL "H"
WITH "I-SHIFT" TRANSMISSION
WITH "ESP"
FROM B-5002

From 8-9282 To D-5458	Date:01/2024	PAGE:X3-1250-11
ABS/ESP BRAKE VALVE - INSTALLATION		

Item#	Part	Description	QTY	Notes
1	142624	SUPPORT VALVE FRONT "STD" To D-5299	1	I
1	142786	SUPPORT VALVE FRONT	1	
2	642077	VALVE, "ABS" 12VOLT / M-32QR	AR	B
2	640228	VALVE, "ABS" 12VOLT / M-40QR	AR	
3	641991	VALVE, RELAY R-14 "WABCO"	1	
4	642079	VALVE, "ATC" 12VOLT	1	
4A	641950	VALVE, "ATC" 12VOLT	1	
5	643384	VALVE / SPRING BRAKE SR-7	1	
. NS	642119	. VALVE / SPRING BRAKE SR-7	1	
6	642068	VALVE, RELAY R-12 HORIZONTAL PORT / W/OUT SUPPORT To D-5299	2	
7	144862	SUPPORT L.H. / VALVE ABS & RELAY VALVE	1	
8	641120	VALVE, RELAY R-14 HORIZONTAL PORT	1	
. NS	10508267	. KIT, REPAIR	1	
9	640442	VALVE, INVERSION TR-2 To D-5299	1	
10	142682	SUPPORT BRAKE VALVE REAR / CURBSIDE	1	
11	640471	VALVE, INVERSION TR-3 25-40LBS	1	
12	142781	SUPPORT VALVE FRONT "ADV"	1	I
12	142786	SUPPORT VALVE FRONT	1	R
13	641903	HOSE BRAKE #8 1090MM (43")	2	I
13A	641908	HOSE BRAKE #8 1300MM (51")	2	R
14	642019	HOSE BRAKE #8 718MM (28 1/4") To A-9951	1	
14	642143	HOSE BRAKE #8 560MM (22") From A-9952	1	
15	641305	HOSE BRAKE #8 718MM (28 1/4")	AR	
16	641902	HOSE BRAKE #8 737MM (29") To D-5299	2	
17	641302	HOSE BRAKE #8 610MM (24")	1	
18	641905	HOSE BRAKE #8 952MM (37 1/2")	2	
19	642076	SENSOR "YAW" To B-5035	1	
19	642151	SENSOR "YAW" From B-5036	1	
20	501406	STREET ELBOW 90° / PIPE FITTING / 1/2NPT-Mx1/2NPT-F BR	2	
21	501534	BUSHING REDUCER / PIPE FITTING / 1/2NPT-Mx3/8NPT-F BR	2	
22	501842	ADAPTER / AIR BRAKE HOSE FITTING / 3/4-20-Mx3/8NPT-M STL	2	
23	660914	MALE ELBOW 90° / JIC 37° FITTING / #8JIC-MxM16-1.5-M STL	AR	
. NS	641297	. O-RING 13.1MM I.D. X 2.6 TH	1	
. NS	641298	. WASHER FL 17MM I.D x 22MM O.D. x 1.5MM	1	
24	142692	SUPPORT "ATC" VALVE & RELAY VALVE To A-9951	1	
24A	143031	SUPPORT "ATC" VALVE & RELAY VALVE From A-9952	1	
25	5001178	SCREW CAP HEX M8-1.25x60 SS BK	AR	
26	5001160	SCREW CAP HEX M8-1.25x100 SS EMN	AR	
27	642128	MALE ELBOW 90° SWIVEL DUAL PORT / PUSH-IN / #6x#6x3/8NPT-M BR	AR	
28	642090	MALE BRANCH TEE / PUSH-IN FITTING / #6x#6x1/4NPT-M COMPOSITE	AR	

From 8-9282 To D-5458	Date:01/2024	PAGE:X3-1250-11
ABS/ESP BRAKE VALVE - INSTALLATION		

Item#	Part	Description	QTY	Notes
29	501800	PLUG HEXS / PIPE FITTING / 1/4NPT-M STL	AR	
30	641383	MALE CONNECTOR / PUSH-IN FITTING / #8x1/2NPT-M BR	AR	
31	642096	MALE RUN TEE NON-SWIVEL / PUSH-IN FITTING / #8x#8x1/2NPT-M COMPOSITE	AR	
31	641210	MALE RUN TEE / NTA FITTING / #8x#8x1/2NPT-M BR	AR	
32	503468	TUBE, NYLON 1/2 O.D. / RED S.L.	AR	
33	641380	MALE CONNECTOR / PUSH-IN FITTING / #8x1/4NPT-M BR	AR	
34	501787	STREET ELBOW 90° / PIPE FITTING / 1/8NPT-Mx1/4NPT-F BR	AR	
35	641331	MALE CONNECTOR / PUSH-IN FITTING / #6x1/4NPT-M BR	AR	
35B	641372	MALE ELBOW 90° NON-SWIVEL / PUSH-IN FITTING / #6x1/4NPT-M BR	AR	
36	642098	MALE ELBOW 90° NON-SWIVEL / PUSH-IN FITTING / #10x1/2NPT-M COMPOSITE	AR	
37	641376	MALE ELBOW 90° NON-SWIVEL / PUSH-IN FITTING / #8x3/8NPT-M BR	AR	
38	5001660	REDUCER COUPLING / PIPE FITTING / 3/8NPT-Fx1/8NPT-F BR	AR	
39	641379	MALE ELBOW 90° NON-SWIVEL / PUSH-IN FITTING / #10x1/2NPT-M BR	AR	
40	641436	UNION ELBOW 90° / PUSH-IN FITTING / #6x#6 BR	AR	
41	501304	PLUG SQUARE HEAD / PIPE FITTING / 1/4NPT-M BR To A-9968	AR	
41	501800	PLUG HEXS / PIPE FITTING / 1/4NPT-M STL From A-9969	AR	
42	501330	STREET ELBOW 45° / PIPE FITTING / 3/8NPT-Mx3/8NPT-F BR	AR	
43	501305	PLUG SQUARE HEAD / PIPE FITTING / 3/8NPT-M BR To A-9968	AR	
43	501449	PLUG HEXS / PIPE FITTING / 3/8NPT-M STL From A-9969	AR	
44	501306	PLUG SQUARE HEAD / PIPE FITTING / 1/2NPT-M BR To A-9968	AR	
44	501966	PLUG HEXS / PIPE FITTING / 1/2NPT-M STL From A-9969	AR	
45	501528	STREET ELBOW 45° / PIPE FITTING / 1/2NPT-Mx1/2NPT-F BR	AR	
46	641378	MALE ELBOW 90° / PUSH-IN FITTING / #8x1/2NPT-M BRASS	AR	
47	501473	MALE RUN TEE / PIPE FITTING / 1/2NPT-Mx1/2NPT-Fx1/2NPT-F BR	AR	
48	501472	FEMALE UNION TEE / PIPE FITTING / 1/2NPT-Fx1/2NPT-Fx1/2NPT-F BR	AR	
49	5011067	NIPPLE HEX / PIPE FITTING / 1/2NPT-Mx1/2NPT-Mx1 13/16 BR	AR	
50	641384	MALE CONNECTOR / PUSH-IN FITTING / #10x1/2NPT-M BR	AR	
51	641175	MALE ELBOW 90° / NTA FITTING / #6x1/2NPT-M BR	AR	
52	641119	MALE ELBOW 45° / NTA FITTING / #6x1/2NPT-M BR	AR	
53	507557	STREET ELBOW 90° / PIPE FITTING / 1/2NPT-Mx1/2NPT-F BR	AR	
54	641369	MALE ELBOW 90° NON-SWIVEL / PUSH-IN FITTING / #4x1/8NPT-M BR	AR	
55	641371	MALE ELBOW 90° NON-SWIVEL / PUSH-IN FITTING / #4x1/4NPT-M BR	AR	
56	501966	PLUG HEXS / PIPE FITTING / 1/2NPT-M STL	AR	
57	641027	MALE ELBOW 45° / NTA FITTING / #10x1/2NPT-M BR	AR	
58	641042	MALE ELBOW 45° / NTA FITTING / #4x1/4NPT-M BR	AR	
59	642094	MALE BRANCH TEE / PUSH-IN FITTING / #4x#4x1/4NPT-M COMPOSITE	AR	
60	501321	NIPPLE HEX / PIPE FITTING / 1/4NPT-Mx1/4NPT-Mx1 3/8 BR	AR	
61	501424	NIPPLE / PIPE FITTING / 1/2NPT-Mx1/2NPT-Mx1 1/8 BR	AR	
62	641089	MALE ELBOW 45° / NTA FITTING / #8x1/2NPT-M BR	AR	
63	641366	MALE ELBOW 45° NON-SWIVEL / PUSH-IN FITTING / #6x1/4NPT-M BR	AR	
64	641332	MALE CONNECTOR / PUSH-IN FITTING / #4x1/4NPT-M BR	AR	

From 8-9282 To D-5458	Date:01/2024	PAGE:X3-1250-11
ABS/ESP BRAKE VALVE - INSTALLATION		

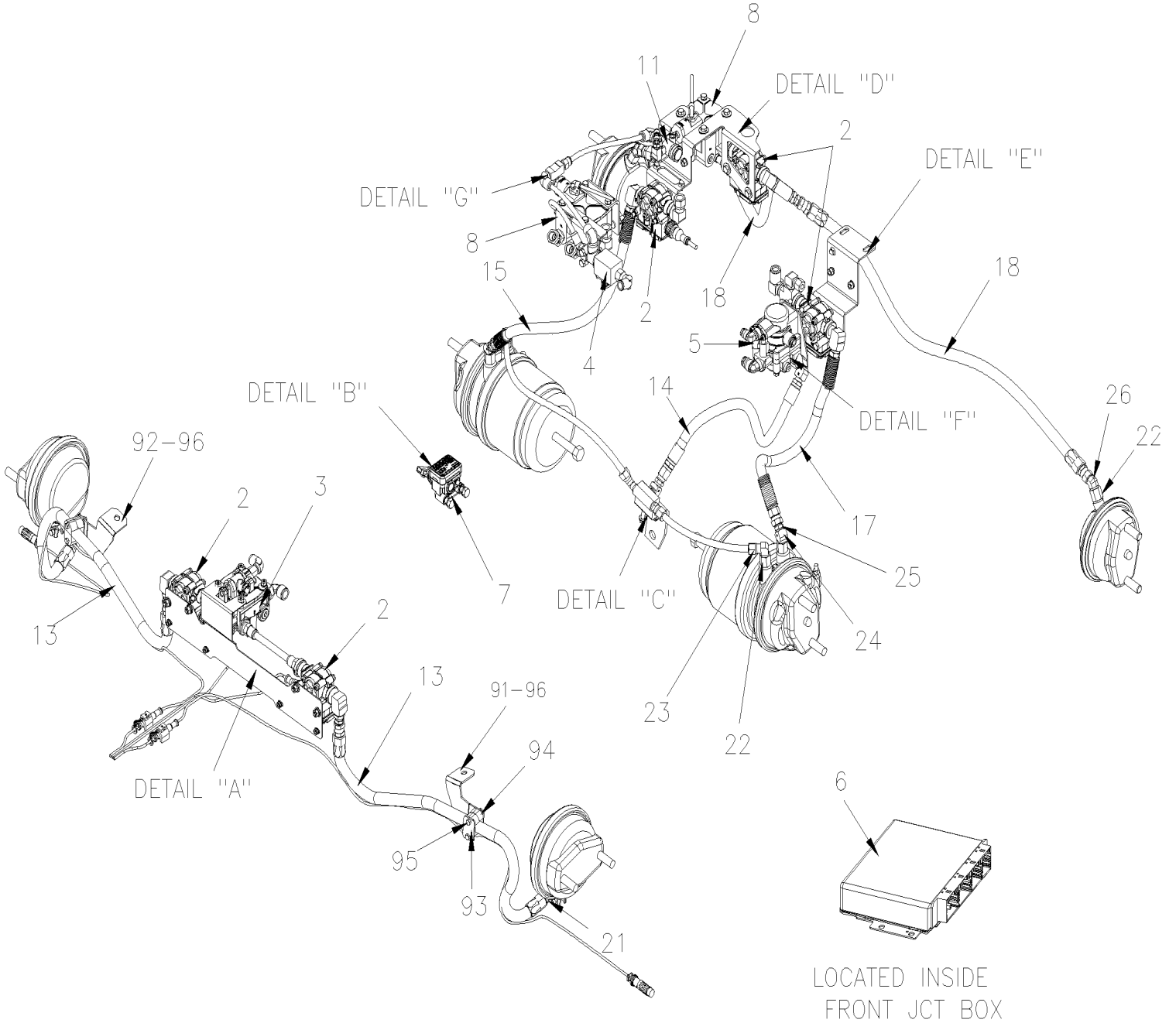
Item#	Part	Description	QTY	Notes
65	641366	MALE ELBOW 45° NON-SWIVEL / PUSH-IN FITTING / #6x1/4NPT-M BR	AR	
66	641376	MALE ELBOW 90° NON-SWIVEL / PUSH-IN FITTING / #8x3/8NPT-M BR	AR	
67	641388	MALE RUN TEE NON-SWIVEL / PUSH-IN FITTING / #6x#6x3/8NPT-M BR	AR	
68	501322	NIPPLE HEX / PIPE FITTING / 3/8NPT-Mx3/8NPT-Mx1 13/32 BR	AR	
69	501332	STREET ELBOW 90° / PIPE FITTING / 1/4NPT-Mx1/4NPT-F BR	AR	
70	X3-1202-00	TUBES PLASTIC / AIR D.O.T.		
71	501338	MALE RUN TEE / PIPE FITTING / 1/4NPT-Mx1/4NPT-Fx1/4NPT-F BR	AR	
72	501699	MALE RUN TEE / PIPE FITTING / 3/8NPT-Mx3/8NPT-Fx3/8NPT-F BR	AR	
73	500187	SCREW CAP HEX 5/16-18x3 G5 Z050	AR	
73	500185	SCREW CAP HEX 5/16-18x2 1/4 G5 Z050	AR	
73	502650	SCREW CAP HEX M8-1.25x80 G8.8 Z050	AR	
73A	500170	SCREW CAP HEX 1/4-20x2 G5 PT Z050	AR	
74	502638	WASHER FL .312x.734x.065 N500	AR	
74A	500942	WASHER LO SPT 8.1x14.8x2.0 N500	AR	
75	500248	NUT HEX STO 5/16-18 N500	AR	
76	500478	WASHER LO SPT .380x.683x.094 Z050	AR	
77	500783	NUT HEX 3/8-16 Z050	AR	
78	5011215	WASHER FL .328x.875x.062 Z050	AR	
79	500868	NUT HEX NYRT M8-1.25 Z050	AR	
80	142353	HOSE SUPPORT L.H.	1	I
81	142352	HOSE SUPPORT R.H.	1	I
82	504614	PLATE RETAINING / COLLAR	2	
83	504612	COLLAR 13/16" I.D. / TO FIX HOSE	2	
84	502656	SCREW CAP HEX M6-1.0x50 SS	2	
NS	502565	NUT HEX M6-1.0 SS	2	
85	110765	HOSE SUPPORT L.H. & R.H. / FIXED AT SHOCK END /	2	R
86	501894	MALE BRANCHE TEE / PIPE FITTING / 1/4NPT-Fx1/4NPT-Fx1/4NPT-M BR	AR	
87	502847	NUT HEX NYRT M8-1.25 N500	AR	
88	640135	VALVE, CHECK 1/4 NPT	AR	
89	641373	MALE ELBOW 90° NON-SWIVEL / PUSH-IN FITTING / #8x1/4NPT-M BR	AR	
90	641382	MALE CONNECTOR / PUSH-IN FITTING / #6x1/2NPT-M BR	AR	
91	641389	MALE RUN TEE SWIVEL / PUSH-IN FITTING / #6x#6x1/4NPT-M BR	AR	
92	641564	VALVE, DOUBLE CHECK DC-4	AR	
94	642081	ECU ABS / W/6 CHANNELS / STANDARD To D-5299	1	
95	642083	ECU ABS / W/6 CHANNELS / ADVANCED ESP To 9-9625	1	
96	642131	ECU ABS / W/6 CHANNELS / ADVANCED ESP From 9-9626 To A-9904	1	
96	642146	ECU ABS / W/6 CHANNELS / ADVANCED ESP UNPROGRAMMED / NON-PROGRAMME From A-9905	1	
98	5001341	WASHER FL 8.4x17.0x1.6 SS	AR	
101	641136	ANCHOR TEE / PIPE FITTING / 3/8NPT-Fx3/8NPT-Fx3/8NPT-F ZP	1	
102	640991	MALE CONNECTOR / NTA FITTING / #8x3/8NPT-M BR	1	
103	501842	ADAPTER / AIR BRAKE HOSE FITTING / 3/4-20-Mx3/8NPT-M STL	1	
104	641010	MALE ELBOW 45° / NTA FITTING / #8x3/8NPT-M BR	1	

From 8-9282 To D-5458	Date:01/2024	PAGE:X3-1250-11
-----------------------	--------------	-----------------

ABS/ESP BRAKE VALVE - INSTALLATION

Item#	Part	Description	QTY	Notes
105	121444	SUPPORT / ANCHOR TEE / WITH MERITOR DRIVE AXLE	1	
106	5001643	SCREW CAP HEXF M8-1.25x25 G8.8 G500	2	
107	502837	NUT HEXF STO M8-1.25 N500	2	
		B) WHEN YOU REPLACE THE VALVE #642077 BY THE VALVE #640228 YOU HAVE REPLACE BOTH SIDE LEFT AND RIGHT		
		I) WITH INDEPENDENT SUSPENSION		
		R) WITH I-BEAM RIGID SUSPENSION		

ABS/ESP BRAKE VALVE - INSTALLATION



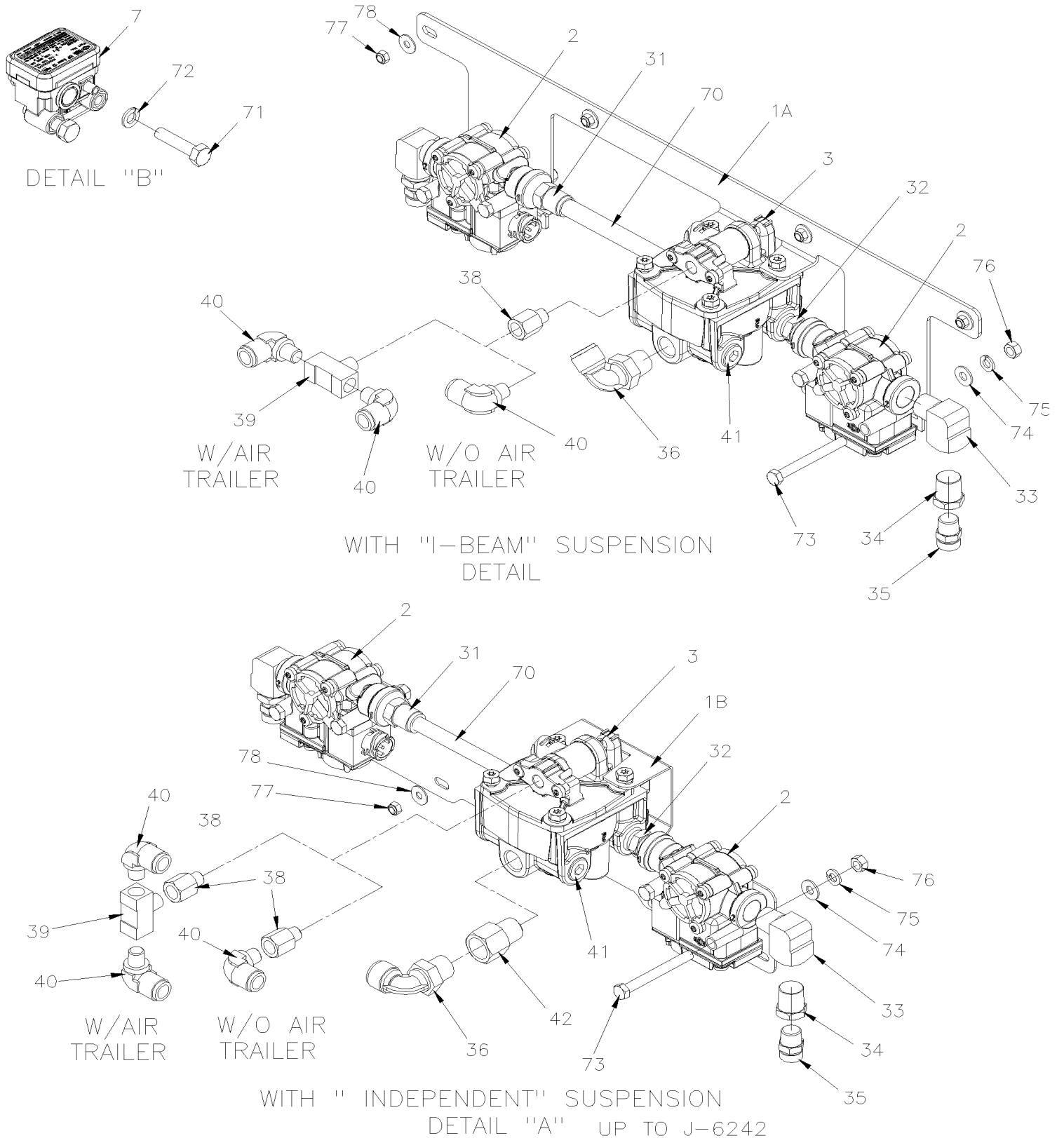
ADVANCE "OPTION"

From E-5459 To £-22037

Date:01/2024

PAGE:X3-1250-12

ABS/ESP BRAKE VALVE - INSTALLATION



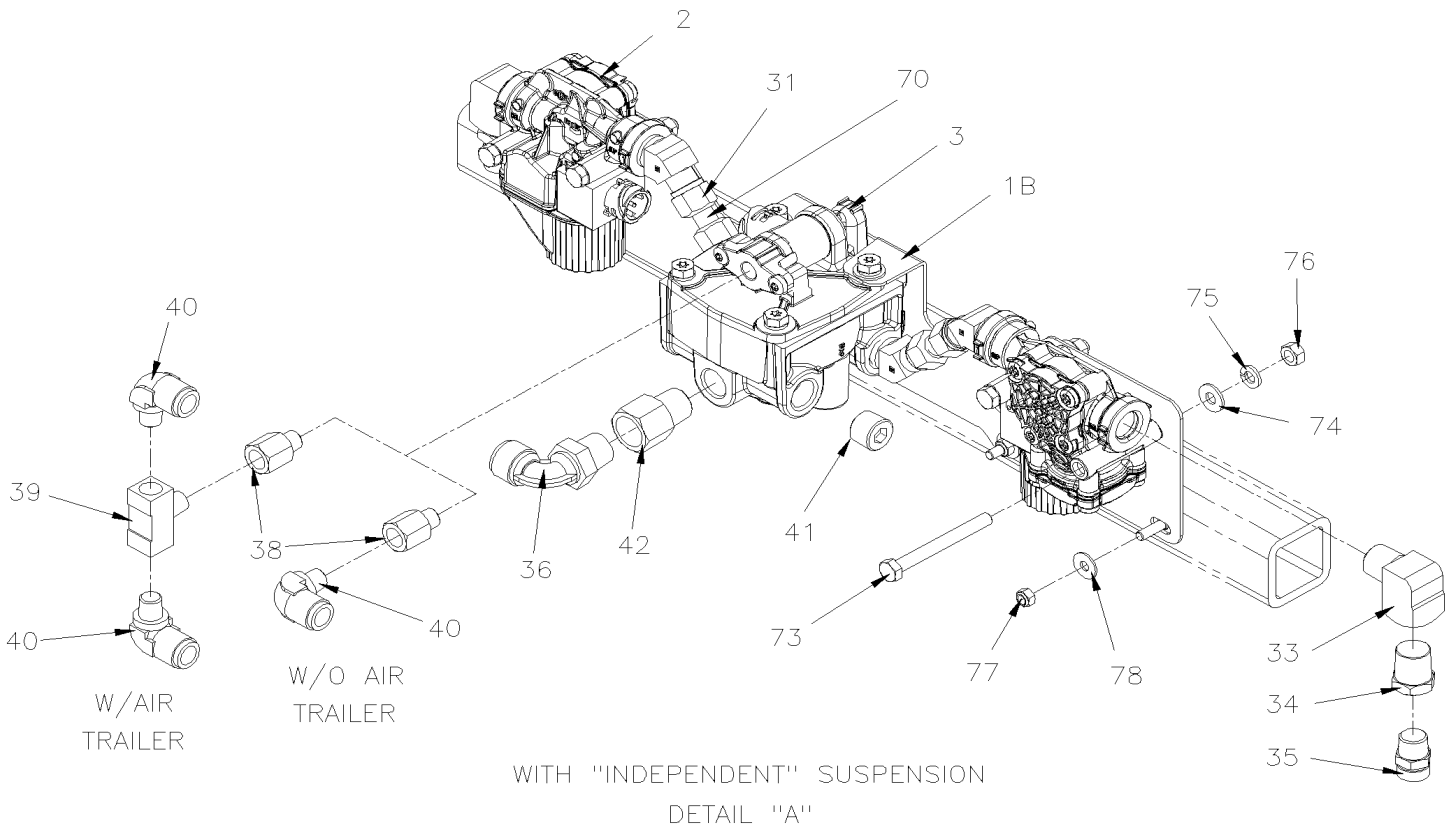
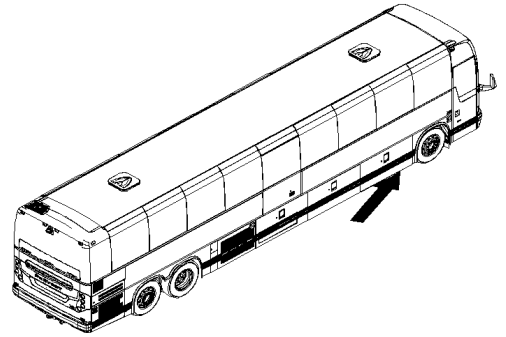
From E-5459 To £-22037

Date:01/2024

PAGE:X3-1250-12

ABS/ESP BRAKE VALVE - INSTALLATION

FROM J-6243

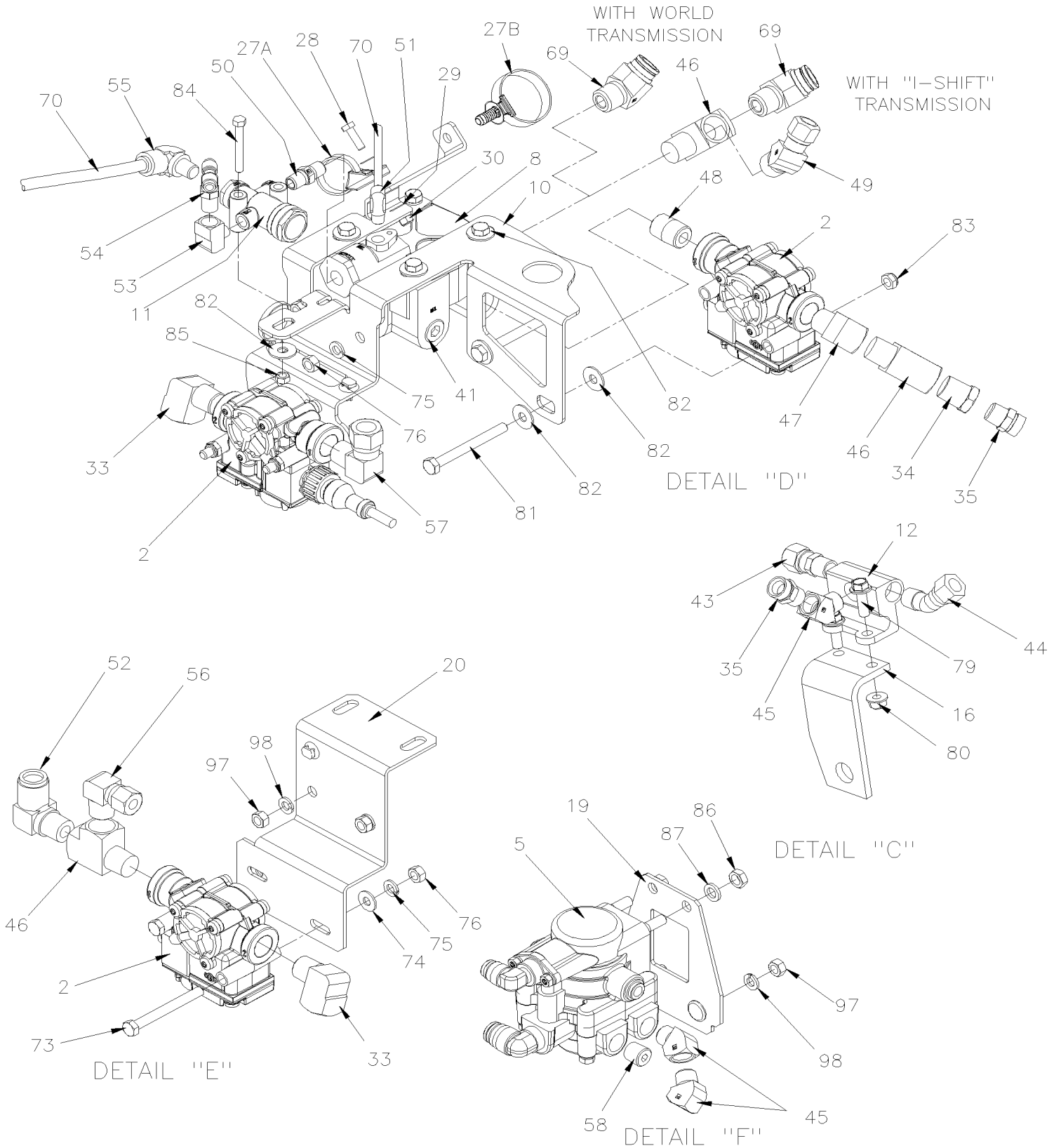


From E-5459 To £-22037

Date:01/2024

PAGE:X3-1250-12

ABS/ESP BRAKE VALVE - INSTALLATION

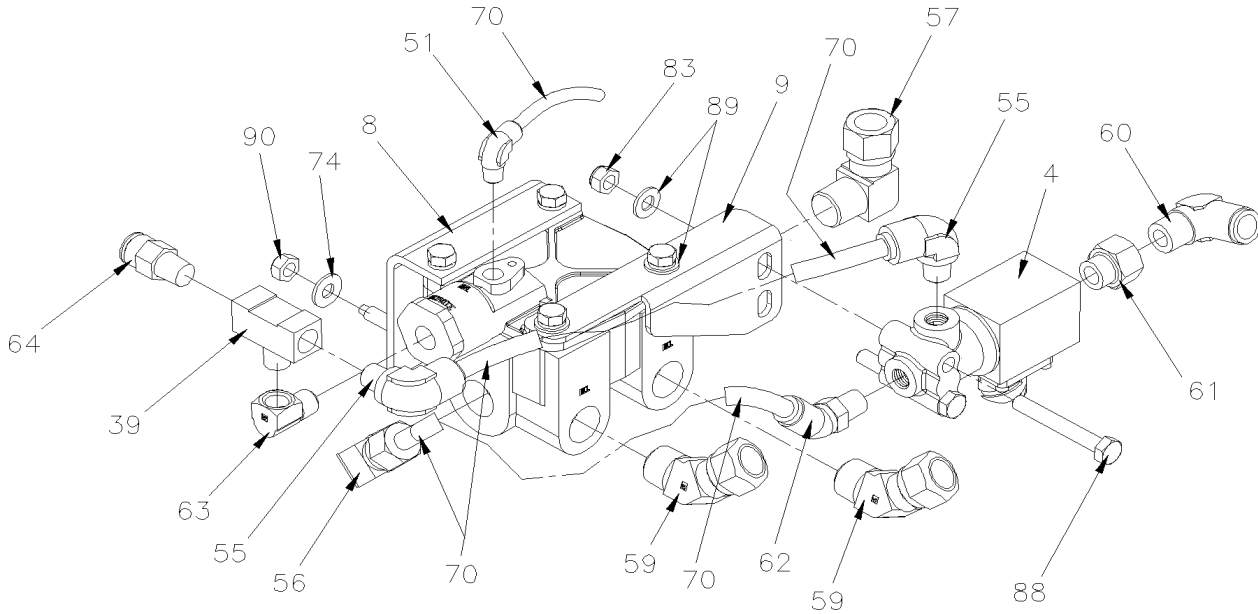


From E-5459 To £-22037

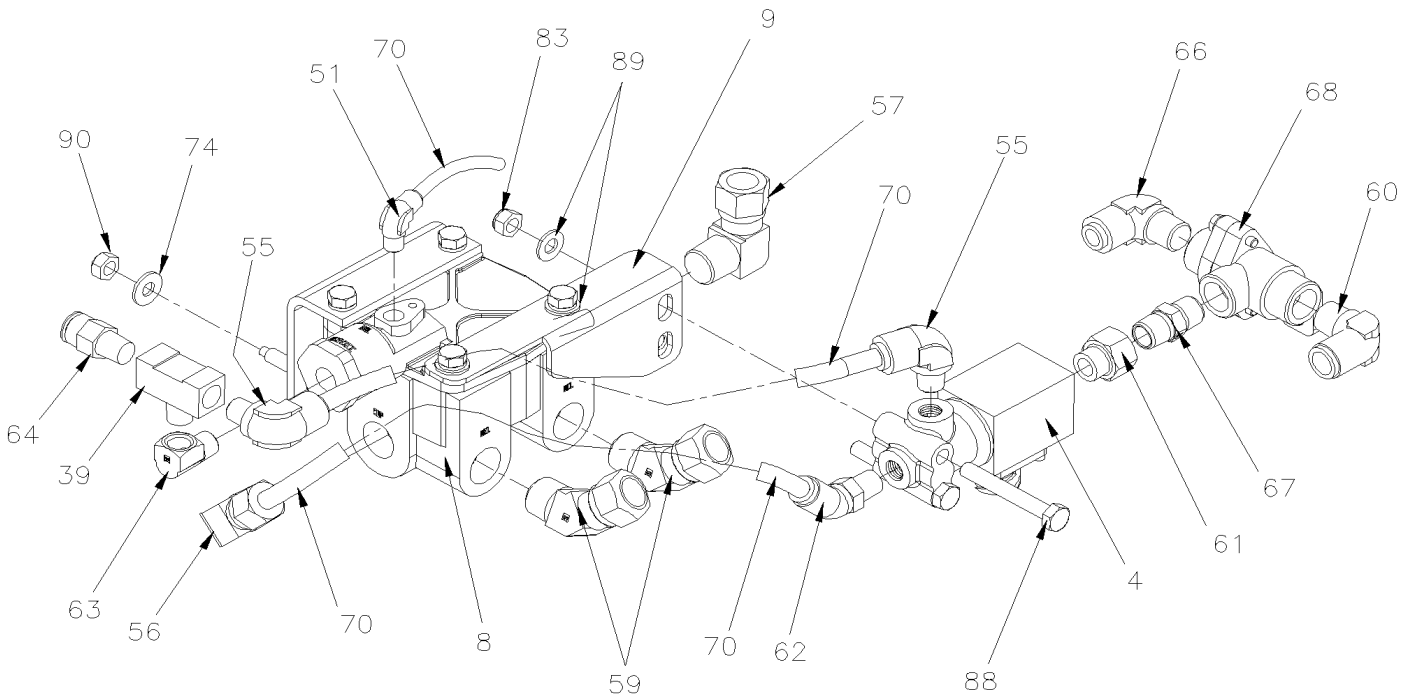
Date:01/2024

PAGE:X3-1250-12

ABS/ESP BRAKE VALVE - INSTALLATION



DETAIL "G"
WITH WORLD TRANSMISSION
WITH "ESP"



DETAIL "G"
WITH "I-SHIFT" TRANSMISSION
WITH "ESP"

From E-5459 To £-22037	Date:01/2024	PAGE:X3-1250-12
ABS/ESP BRAKE VALVE - INSTALLATION		

Item#	Part	Description	QTY	Notes
1A	145057	SUPPORT VALVE FRONT To E-5585	1	R
1A	145081	SUPPORT VALVE FRONT From E-5586 To J-6303	1	R
1A	140105	SUPPORT VALVE FRONT From J-6304	1	R
NS	509815	TIE MOUNT / ATTACHMENT W/TREE MOUNT	1	R
1B	145056	SUPPORT VALVE FRONT To J-6242	1	I
1B	140083	SUPPORT VALVE FRONT From J-6243	1	I
2	642077	VALVE, "ABS" 12VOLT / M-32QR To G-6051	AR	B
2	640228	VALVE, "ABS" 12VOLT / M-40QR From G-6052	AR	
3	640018	VALVE, RELAY & ATC / ATR-6	1	
4	642079	VALVE, "ATC" 12VOLT	1	
5	643384	VALVE / SPRING BRAKE SR-7	1	
. NS	642119	. VALVE / SPRING BRAKE SR-7	1	
6	642146	ECU ABS / W/6 CHANNELS / ADVANCED ESP UNPROGRAMMED / NON-PROGRAMME To J-6294	1	
6	640022	ECU ABS / W/8 CHANNELS / ADVANCED ESP AFTERMARKET From J-6295	1	
7	642151	SENSOR "YAW" To R-6967	1	
7	640150	SENSOR, YAW From R-6968	1	
7	640151	SENSOR, YAW / SERVICE	1	
8	641120	VALVE, RELAY R-14 HORIZONTAL PORT To J-6294	2	
. NS	10508267	. KIT, REPAIR To J-6294	1	
8	640013	VALVE, RELAY R-14 HORIZONTAL PORT From J-6295	1	
9	143031	SUPPORT "ATC" VALVE & RELAY VALVE	1	
10	142682	SUPPORT BRAKE VALVE REAR / CURBSIDE To G-5909	1	
10	145272	SUPPORT BRAKE VALVE REAR / CURBSIDE From G-5910 To L-6644	1	
10	140264	SUPPORT BRAKE VALVE REAR / CURBSIDE From M-6645	1	
NS	504165	PLATE RETAINER 33MM C/C SS From M-6645	1	
NS	504227	CLAMP SIMPLE ASS / SPLIT BLOC / 22MM x 50MM x 33MM C/C POLYA From M-6645	1	
NS	5001636	SCREW CAP HEX M6-1.0x50 SS BK From M-6645	2	
NS	509815	TIE MOUNT / ATTACHMENT W/TREE MOUNT	AR	
NS	504637	CABLE TIE / 3/16" x 13"	AR	
11	640471	VALVE, INVERSION TR-3 25-40LBS	1	
12	641136	ANCHOR TEE / PIPE FITTING / 3/8NPT-Fx3/8NPT-Fx3/8NPT-F ZP	1	
13	641903	HOSE BRAKE #8 1090MM (43")	2	I
13	641908	HOSE BRAKE #8 1300MM (51") To F-5838	2	R
13	145292P	HOSE BRAKE #8 1366MM From F-5839	2	R
14	642143	HOSE BRAKE #8 560MM (22")	1	
15	641305	HOSE BRAKE #8 718MM (28 1/4")	1	
16	121444	SUPPORT / ANCHOR TEE / WITH MERITOR DRIVE AXLE	1	
17	641302	HOSE BRAKE #8 610MM (24")	1	
18	641905	HOSE BRAKE #8 952MM (37 1/2")	2	
19	142475	SUPPORT SPRING BRAKE VALVE	1	
20	144862	SUPPORT L.H. / VALVE ABS & RELAY VALVE To G-5909	1	

From E-5459 To £-22037	Date:01/2024	PAGE:X3-1250-12
ABS/ESP BRAKE VALVE - INSTALLATION		

Item#	Part	Description	QTY	Notes
20	145500	SUPPORT L.H. / VALVE ABS & RELAY VALVE From G-5910	1	
21	660914	MALE ELBOW 90° / JIC 37° FITTING / #8JIC-MxM16-1.5-M STL	2	I
NS	641297	O-RING 13.1MM I.D. X 2.6 TH	1	I
NS	641298	WASHER FL 17MM I.D x 22MM O.D. x 1.5MM	1	I
21	641294	MALE CONNECTOR / JIC 37° FITTING / #8JIC-MxM16-1.5-M STL	2	R
NS	641297	O-RING 13.1MM I.D. X 2.6 TH	1	R
NS	641298	WASHER FL 17MM I.D x 22MM O.D. x 1.5MM	1	R
22	5011205	FEMALE CONNECTOR / PIPE @ METRIC / 3/8NPT-FxM16-1.5-M ZP	6	
NS	641297	O-RING 13.1MM I.D. X 2.6 TH	1	
NS	641298	WASHER FL 17MM I.D x 22MM O.D. x 1.5MM	1	
23	641040	MALE ELBOW 90° / NTA FITTING / #8x3/8NPT-M BR	2	
24	501330	STREET ELBOW 45° / PIPE FITTING / 3/8NPT-Mx3/8NPT-F BR	2	
25	501842	ADAPTER / AIR BRAKE HOSE FITTING / 3/4-20-Mx3/8NPT-M STL	2	
26	501291	MALE ELBOW 45° / JIC 37° FITTING / #8JIC-Mx3/8NPT-M STL	2	
27A	509894	TIE MOUNT HOLE 7.8MM From G-5910	1	
27A	509491	CABLE TIE / 13MM x 383MM From G-5910	1	
27B	504750	CABLE TIE / 1/2" x 15" / CHRISTMAS TREE From G-5910	1	
28	502830	SCREW CAP HEX M6-1.0x20 G8.8 N500 From G-5910	1	
29	5001608	WASHER BEL SPR 6.2x15.0x0.7 G500 From G-5910	2	
30	502681	NUT HEX NYRT M6-1.0 N500 G8 From G-5910	1	
31	641383	MALE CONNECTOR / PUSH-IN FITTING / #8x1/2NPT-M BR	AR	R
31	641383	MALE CONNECTOR / PUSH-IN FITTING / #8x1/2NPT-M BR To J-6242	AR	I
31	641089	MALE ELBOW 45° / NTA FITTING / #8x1/2NPT-M BR From J-6243	4	I
32	5011067	NIPPLE HEX / PIPE FITTING / 1/2NPT-Mx1/2NPT-Mx1 13/16 BR	ar	R
32	5011067	NIPPLE HEX / PIPE FITTING / 1/2NPT-Mx1/2NPT-Mx1 13/16 BR To J-6242	AR	I
33	507557	STREET ELBOW 90° / PIPE FITTING / 1/2NPT-Mx1/2NPT-F BR	AR	
34	501534	BUSHING REDUCER / PIPE FITTING / 1/2NPT-Mx3/8NPT-F BR	AR	
35	501842	ADAPTER / AIR BRAKE HOSE FITTING / 3/4-20-Mx3/8NPT-M STL	AR	
36	642098	MALE ELBOW 90° NON-SWIVEL / PUSH-IN FITTING / #10x1/2NPT-M COMPOSITE	AR	
37	641380	MALE CONNECTOR / PUSH-IN FITTING / #8x1/4NPT-M BR	AR	
38	501308	ADAPTER / PIPE FITTING / 1/4NPT-Fx1/4NPT-M BR	AR	
39	501894	MALE BRANCHE TEE / PIPE FITTING / 1/4NPT-Fx1/4NPT-Fx1/4NPT-M BR	AR	
40	641373	MALE ELBOW 90° NON-SWIVEL / PUSH-IN FITTING / #8x1/4NPT-M BR	AR	
41	501966	PLUG HEXS / PIPE FITTING / 1/2NPT-M STL	AR	
42	5011119	ADAPTER / PIPE FITTING / 1/2NPT-Fx1/2NPT-M BR	AR	
43	640991	MALE CONNECTOR / NTA FITTING / #8x3/8NPT-M BR	AR	
44	641010	MALE ELBOW 45° / NTA FITTING / #8x3/8NPT-M BR	AR	
45	501330	STREET ELBOW 45° / PIPE FITTING / 3/8NPT-Mx3/8NPT-F BR	AR	
NS	680098	THREAD SEALANT LOCTITE #567 / WHITE / 250ml	AR	
46	501473	MALE RUN TEE / PIPE FITTING / 1/2NPT-Mx1/2NPT-Fx1/2NPT-F BR	AR	
47	501528	STREET ELBOW 45° / PIPE FITTING / 1/2NPT-Mx1/2NPT-F BR	AR	
48	501424	NIPPLE / PIPE FITTING / 1/2NPT-Mx1/2NPT-Mx1 1/8 BR	AR	

From E-5459 To £-22037	Date:01/2024	PAGE:X3-1250-12
ABS/ESP BRAKE VALVE - INSTALLATION		

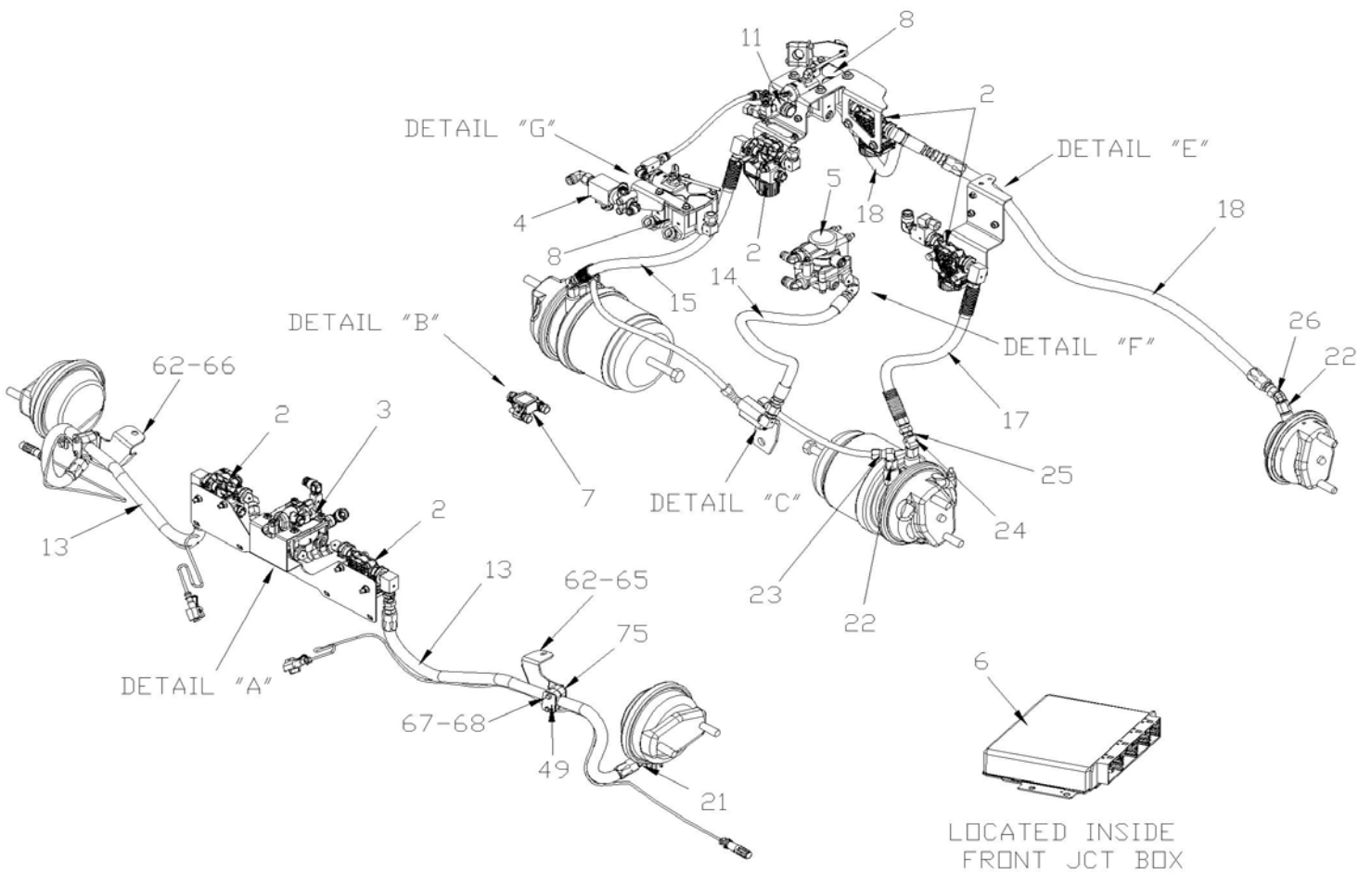
Item#	Part	Description	QTY	Notes
49	641089	MALE ELBOW 45° / NTA FITTING / #8x1/2NPT-M BR	AR	
50	501321	NIPPLE HEX / PIPE FITTING / 1/4NPT-Mx1/4NPT-Mx1 3/8 BR	AR	
51	641369	MALE ELBOW 90° NON-SWIVEL / PUSH-IN FITTING / #4x1/8NPT-M BR	AR	
52	641379	MALE ELBOW 90° NON-SWIVEL / PUSH-IN FITTING / #10x1/2NPT-M BR	AR	
53	501787	STREET ELBOW 90° / PIPE FITTING / 1/8NPT-Mx1/4NPT-F BR	AR	
54	642094	MALE BRANCH TEE / PUSH-IN FITTING / #4x#4x1/4NPT-M COMPOSITE	AR	
55	641372	MALE ELBOW 90° NON-SWIVEL / PUSH-IN FITTING / #6x1/4NPT-M BR	AR	
56	641175	MALE ELBOW 90° / NTA FITTING / #6x1/2NPT-M BR	AR	
57	641001	MALE ELBOW 90° / NTA FITTING / #10x1/2NPT-M BR	AR	
58	501449	PLUG HEXS / PIPE FITTING / 3/8NPT-M STL	AR	
59	641027	MALE ELBOW 45° / NTA FITTING / #10x1/2NPT-M BR	AR	
60	641376	MALE ELBOW 90° NON-SWIVEL / PUSH-IN FITTING / #8x3/8NPT-M BR	AR	
61	5001660	REDUCER COUPLING / PIPE FITTING / 3/8NPT-Fx1/8NPT-F BR	AR	
62	641366	MALE ELBOW 45° NON-SWIVEL / PUSH-IN FITTING / #6x1/4NPT-M BR	AR	
63	501332	STREET ELBOW 90° / PIPE FITTING / 1/4NPT-Mx1/4NPT-F BR	AR	
64	641331	MALE CONNECTOR / PUSH-IN FITTING / #6x1/4NPT-M BR	AR	
65	501338	MALE RUN TEE / PIPE FITTING / 1/4NPT-Mx1/4NPT-Fx1/4NPT-F BR	AR	
66	641375	MALE ELBOW 90° NON-SWIVEL / PUSH-IN FITTING / #6x3/8NPT-M BR	AR	
67	501322	NIPPLE HEX / PIPE FITTING / 3/8NPT-Mx3/8NPT-Mx1 13/32 BR	AR	
68	641564	VALVE, DOUBLE CHECK DC-4	AR	
69	642069	MALE ELBOW 45° NON-SWIVEL / PUSH-IN FITTING / #10x1/2NPT-M BR	AR	
70	X3-1202-00	TUBES PLASTIC / AIR D.O.T.		
71	5001316	SCREW CAP HEX M10-1.5x45 SS	2	
72	502616	WASHER LO SPT 10.2x18.1x2.2 SS	2	
73	500187	SCREW CAP HEX 5/16-18x3 G5 Z050 To L-6607	AR	
73	502650	SCREW CAP HEX M8-1.25x80 G8.8 Z050 From L-6608	AR	
74	502638	WASHER FL .312x.734x.065 N500 To L-6607	AR	
74	5001341	WASHER FL 8.4x17.0x1.6 SS From L-6608	AR	
75	500942	WASHER LO SPT 8.1x14.8x2.0 N500 To L-6607	AR	
76	500778	NUT HEX 5/16-18 N500 To L-6607	AR	
76	502847	NUT HEX NYRT M8-1.25 N500 From L-6608	AR	
77	502681	NUT HEX NYRT M6-1.0 N500 G8	AR	
78	500411	WASHER FL .260x.697x.050 SS	AR	
79	5001643	SCREW CAP HEXF M8-1.25x25 G8.8 G500	2	
80	502837	NUT HEXF STO M8-1.25 N500	2	
81	502650	SCREW CAP HEX M8-1.25x80 G8.8 Z050	AR	
82	500332	WASHER FL .328x.875x.062 N500	AR	
83	502847	NUT HEX NYRT M8-1.25 N500	AR	
84	5001636	SCREW CAP HEX M6-1.0x50 SS BK	1	
85	502681	NUT HEX NYRT M6-1.0 N500 G8	1	

From E-5459 To £-22037	Date:01/2024	PAGE:X3-1250-12
------------------------	--------------	-----------------

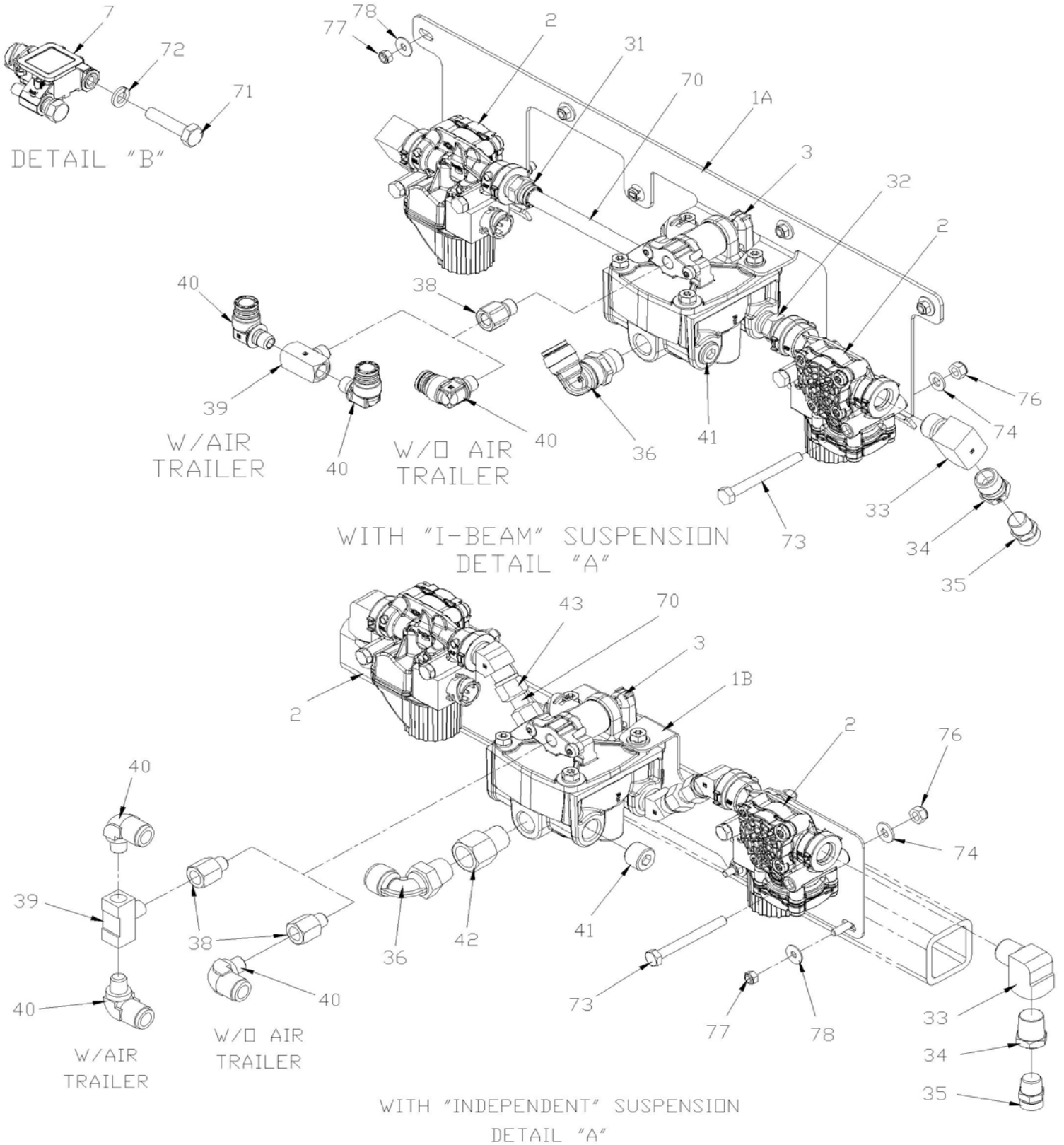
ABS/ESP BRAKE VALVE - INSTALLATION

Item#	Part	Description	QTY	Notes
86	500783	NUT HEX 3/8-16 Z050	2	
87	500478	WASHER LO SPT .380x.683x.094 Z050	2	
88	5001178	SCREW CAP HEX M8-1.25x60 SS BK	2	
89	5001341	WASHER FL 8.4x17.0x1.6 SS	2	
90	500248	NUT HEX STO 5/16-18 N500	2	
91	142353	HOSE SUPPORT L.H. To L-6515	1	I
91	140152	HOSE SUPPORT L.H. From L-6516	1	I
92	142352	HOSE SUPPORT R.H. To L-6515	1	I
92	140151	HOSE SUPPORT R.H. From L-6516	1	I
93	504614	PLATE RETAINING / COLLAR	2	
94	504612	COLLAR 13/16" I.D. / TO FIX HOSE To H-6201	2	
94	140079	HALF COLLAR 44MM I.D. / TO FIX HOSE From H-6202	4	
95	502656	SCREW CAP HEX M6-1.0x50 SS	2	
95	502565	NUT HEX M6-1.0 SS	2	
96	110765	HOSE SUPPORT L.H. & R.H. / FIXED AT SHOCK END /	2	R
97	500778	NUT HEX 5/16-18 N500	AR	
98	500942	WASHER LO SPT 8.1x14.8x2.0 N500	AR	
		B) WHEN YOU REPLACE THE VALVE #642077 BY THE VALVE #640228 YOU HAVE REPLACE BOTH SIDE LEFT AND RIGHT		
		I) WITH INDEPENDENT SUSPENSION		
		R) WITH I-BEAM RIGID SUSPENSION		

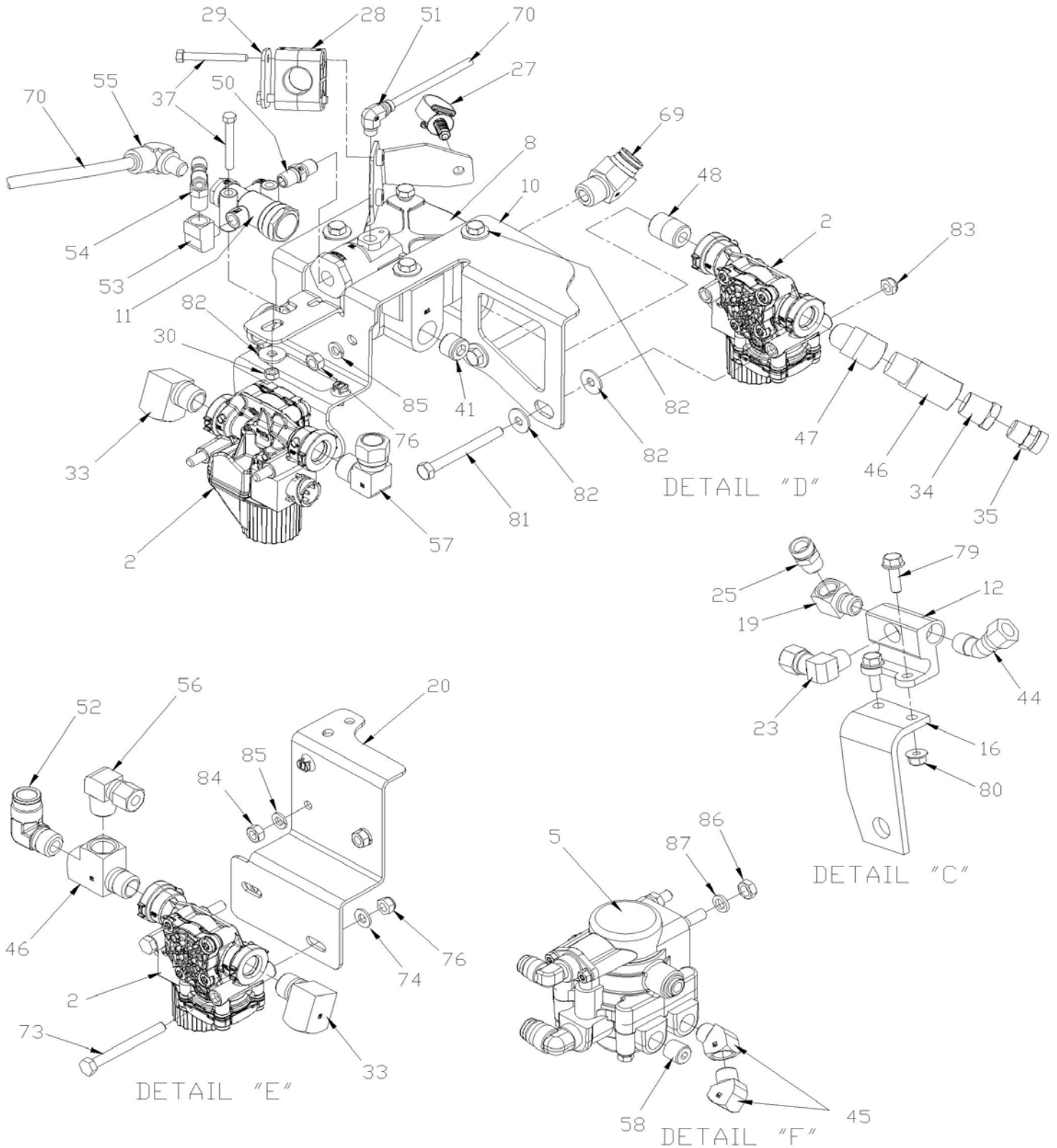
	Date:01/2024	PAGE:X3-1250-13
ABS/ESP BRAKE VALVE - INSTALLATION		



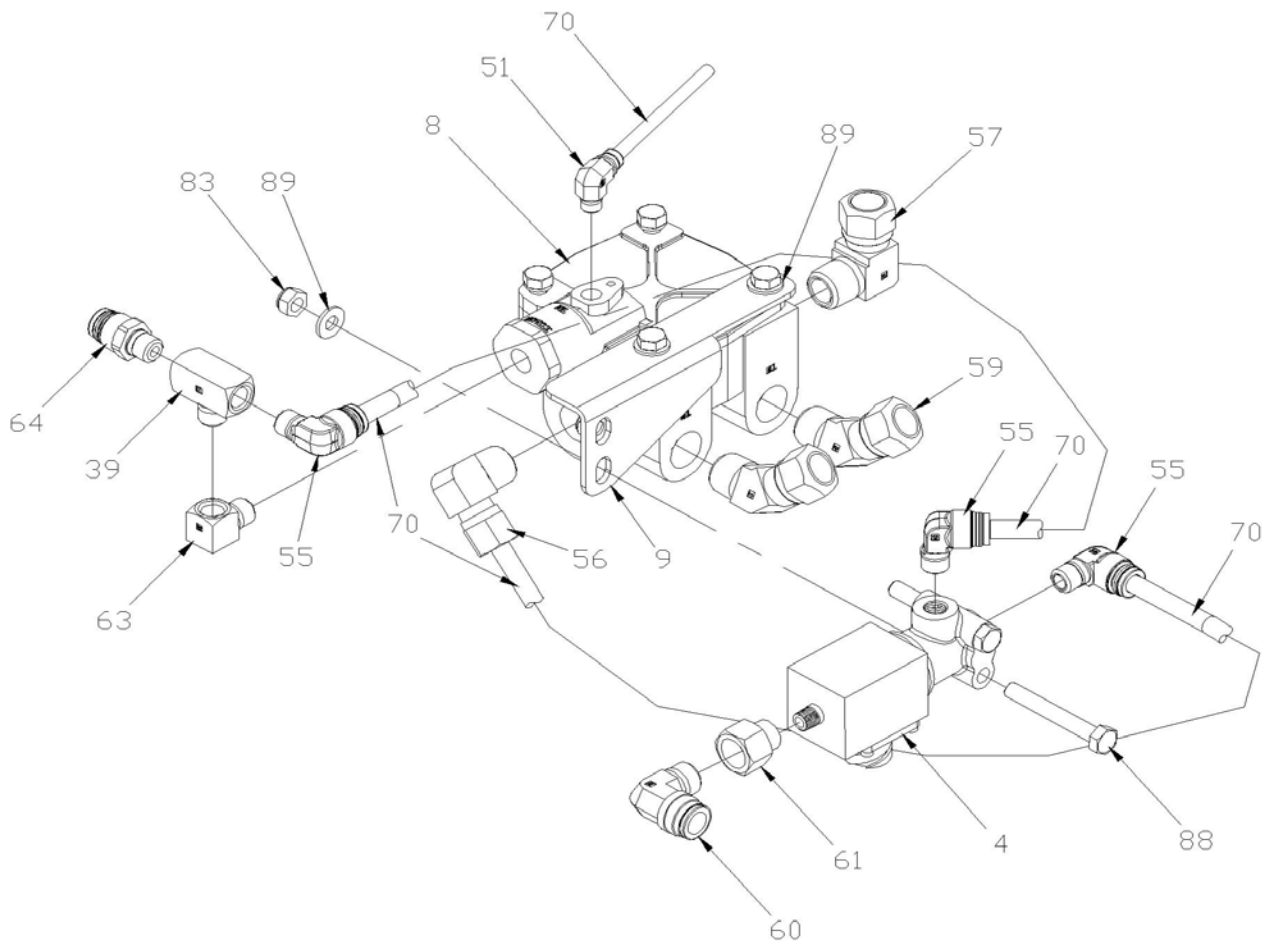
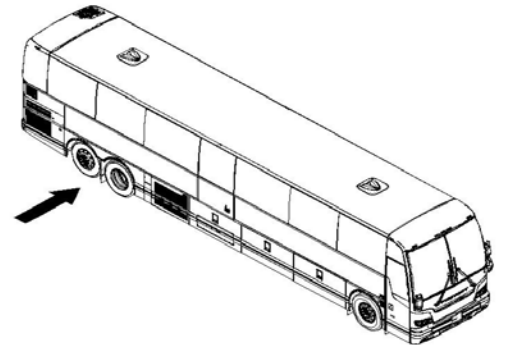
	Date:01/2024	PAGE:X3-1250-13
ABS/ESP BRAKE VALVE - INSTALLATION		



	Date:01/2024	PAGE:X3-1250-13
ABS/ESP BRAKE VALVE - INSTALLATION		



	Date:01/2024	PAGE:X3-1250-13
ABS/ESP BRAKE VALVE - INSTALLATION		



DETAIL "G"

ABS/ESP BRAKE VALVE - INSTALLATION

Item#	Part	Description	QTY	Notes
1A	140105	SUPPORT VALVE FRONT	1	R
NS	509815	TIE MOUNT / ATTACHMENT W/TREE MOUNT	1	R
1B	140083	SUPPORT VALVE FRONT	1	I
2	640228	VALVE, "ABS" 12VOLT / M-40QR	AR	
3	640018	VALVE, RELAY & ATC / ATR-6	1	
4	642079	VALVE, "ATC" 12VOLT	1	
5	643384	VALVE / SPRING BRAKE SR-7	1	
NS	642119	VALVE / SPRING BRAKE SR-7	1	
6	640022	ECU ABS / W/8 CHANNELS / ADVANCED ESP AFTERMARKET	1	
7	640150	SENSOR, YAW	1	
7	640151	SENSOR, YAW / SERVICE	1	
8	640013	VALVE, RELAY R-14 HORIZONTAL PORT	2	
9	140597	ATC SUPPORT ESP XL	1	
10	140264	SUPPORT BRAKE VALVE REAR / CURBSIDE	1	
11	640471	VALVE, INVERSION TR-3 25-40LBS	1	
12	641136	ANCHOR TEE / PIPE FITTING / 3/8NPT-Fx3/8NPT-Fx3/8NPT-F ZP	1	
13	641903	HOSE BRAKE #8 1090MM (43")	2	I
13	145292P	HOSE BRAKE #8 1366MM	2	R
14	642143	HOSE BRAKE #8 560MM (22")	1	
15	641305	HOSE BRAKE #8 718MM (28 1/4")	1	
16	121444	SUPPORT / ANCHOR TEE / WITH MERITOR DRIVE AXLE	1	
17	641302	HOSE BRAKE #8 610MM (24")	1	
18	641905	HOSE BRAKE #8 952MM (37 1/2")	2	
19	501333	STREET ELBOW 90° / PIPE FITTING / 3/8NPT-Mx3/8NPT-F BR	1	
20	145500	SUPPORT L.H. / VALVE ABS & RELAY VALVE	1	
21	660914	MALE ELBOW 90° / JIC 37° FITTING / #8JIC-MxM16-1.5-M STL	2	I
NS	641297	O-RING 13.1MM I.D. X 2.6 TH	1	I
NS	641298	WASHER FL 17MM I.D x 22MM O.D. x 1.5MM	1	I
21	641294	MALE CONNECTOR / JIC 37° FITTING / #8JIC-MxM16-1.5-M STL	2	R
NS	641297	O-RING 13.1MM I.D. X 2.6 TH	1	R
NS	641298	WASHER FL 17MM I.D x 22MM O.D. x 1.5MM	1	R
22	5011205	FEMALE CONNECTOR / PIPE @ METRIC / 3/8NPT-FxM16-1.5-M ZP	6	
NS	641297	O-RING 13.1MM I.D. X 2.6 TH	1	
NS	641298	WASHER FL 17MM I.D x 22MM O.D. x 1.5MM	1	
23	641040	MALE ELBOW 90° / NTA FITTING / #8x3/8NPT-M BR	3	
24	501330	STREET ELBOW 45° / PIPE FITTING / 3/8NPT-Mx3/8NPT-F BR	2	
25	501842	ADAPTER / AIR BRAKE HOSE FITTING / 3/4-20-Mx3/8NPT-M STL	AR	
26	501291	MALE ELBOW 45° / JIC 37° FITTING / #8JIC-Mx3/8NPT-M STL	2	
27	504750	CABLE TIE / 1/2" x 15" / CHRISTMAS TREE	1	
28	504227	CLAMP SIMPLE ASS / SPLIT BLOC / 22MM x 50MM x 33MM C/C POLYA	1	
29	504165	PLATE RETAINER 33MM C/C SS	1	
30	502681	NUT HEX NYRT M6-1.0 N500 G8	1	

	Date:01/2024	PAGE:X3-1250-13
ABS/ESP BRAKE VALVE - INSTALLATION		

Item#	Part	Description	QTY	Notes
31	641383	MALE CONNECTOR / PUSH-IN FITTING / #8x1/2NPT-M BR	AR	
32	5011067	NIPPLE HEX / PIPE FITTING / 1/2NPT-Mx1/2NPT-Mx1 13/16 BR	AR	
33	507557	STREET ELBOW 90° / PIPE FITTING / 1/2NPT-Mx1/2NPT-F BR	AR	
34	501534	BUSHING REDUCER / PIPE FITTING / 1/2NPT-Mx3/8NPT-F BR	AR	
35	501842	ADAPTER / AIR BRAKE HOSE FITTING / 3/4-20-Mx3/8NPT-M STL	AR	
36	642098	MALE ELBOW 90° NON-SWIVEL / PUSH-IN FITTING / #10x1/2NPT-M COMPOSITE	AR	
37	5001636	SCREW CAP HEX M6-1.0x50 SS BK	3	
38	501308	ADAPTER / PIPE FITTING / 1/4NPT-Fx1/4NPT-M BR	AR	
39	501894	MALE BRANCHE TEE / PIPE FITTING / 1/4NPT-Fx1/4NPT-Fx1/4NPT-M BR	AR	
40	641373	MALE ELBOW 90° NON-SWIVEL / PUSH-IN FITTING / #8x1/4NPT-M BR	AR	
41	501966	PLUG HEXS / PIPE FITTING / 1/2NPT-M STL	AR	
42	5011119	ADAPTER / PIPE FITTING / 1/2NPT-Fx1/2NPT-M BR	AR	
43	641089	MALE ELBOW 45° / NTA FITTING / #8x1/2NPT-M BR	4	
44	641010	MALE ELBOW 45° / NTA FITTING / #8x3/8NPT-M BR	AR	
45	501330	STREET ELBOW 45° / PIPE FITTING / 3/8NPT-Mx3/8NPT-F BR	AR	
NS	680098	THREAD SEALANT LOCTITE #567 / WHITE / 250ml	AR	
46	501473	MALE RUN TEE / PIPE FITTING / 1/2NPT-Mx1/2NPT-Fx1/2NPT-F BR	AR	
47	501528	STREET ELBOW 45° / PIPE FITTING / 1/2NPT-Mx1/2NPT-F BR	AR	
48	501424	NIPPLE / PIPE FITTING / 1/2NPT-Mx1/2NPT-Mx1 1/8 BR	AR	
49	504614	PLATE RETAINING / COLLAR	2	
50	501321	NIPPLE HEX / PIPE FITTING / 1/4NPT-Mx1/4NPT-Mx1 3/8 BR	AR	
51	641369	MALE ELBOW 90° NON-SWIVEL / PUSH-IN FITTING / #4x1/8NPT-M BR	AR	
52	641379	MALE ELBOW 90° NON-SWIVEL / PUSH-IN FITTING / #10x1/2NPT-M BR	AR	
53	501787	STREET ELBOW 90° / PIPE FITTING / 1/8NPT-Mx1/4NPT-F BR	AR	
54	642094	MALE BRANCH TEE / PUSH-IN FITTING / #4x#4x1/4NPT-M COMPOSITE	AR	
55	641372	MALE ELBOW 90° NON-SWIVEL / PUSH-IN FITTING / #6x1/4NPT-M BR	AR	
56	641175	MALE ELBOW 90° / NTA FITTING / #6x1/2NPT-M BR	AR	
57	641001	MALE ELBOW 90° / NTA FITTING / #10x1/2NPT-M BR	AR	
58	501449	PLUG HEXS / PIPE FITTING / 3/8NPT-M STL	AR	
59	641027	MALE ELBOW 45° / NTA FITTING / #10x1/2NPT-M BR	AR	
60	641376	MALE ELBOW 90° NON-SWIVEL / PUSH-IN FITTING / #8x3/8NPT-M BR	AR	
61	5001660	REDUCER COUPLING / PIPE FITTING / 3/8NPT-Fx1/8NPT-F BR	AR	
62	110765	HOSE SUPPORT L.H. & R.H. / FIXED AT SHOCK END /	2	R
63	501332	STREET ELBOW 90° / PIPE FITTING / 1/4NPT-Mx1/4NPT-F BR	AR	
64	641331	MALE CONNECTOR / PUSH-IN FITTING / #6x1/4NPT-M BR	AR	
65	140152	HOSE SUPPORT L.H.	1	I
66	140151	HOSE SUPPORT R.H.	1	I
67	502656	SCREW CAP HEX M6-1.0x50 SS	2	
68	502565	NUT HEX M6-1.0 SS	2	
69	642069	MALE ELBOW 45° NON-SWIVEL / PUSH-IN FITTING / #10x1/2NPT-M BR	AR	
70	X3-1202-00	TUBES PLASTIC / AIR D.O.T.		

	Date:01/2024	PAGE:X3-1250-13
ABS/ESP BRAKE VALVE - INSTALLATION		

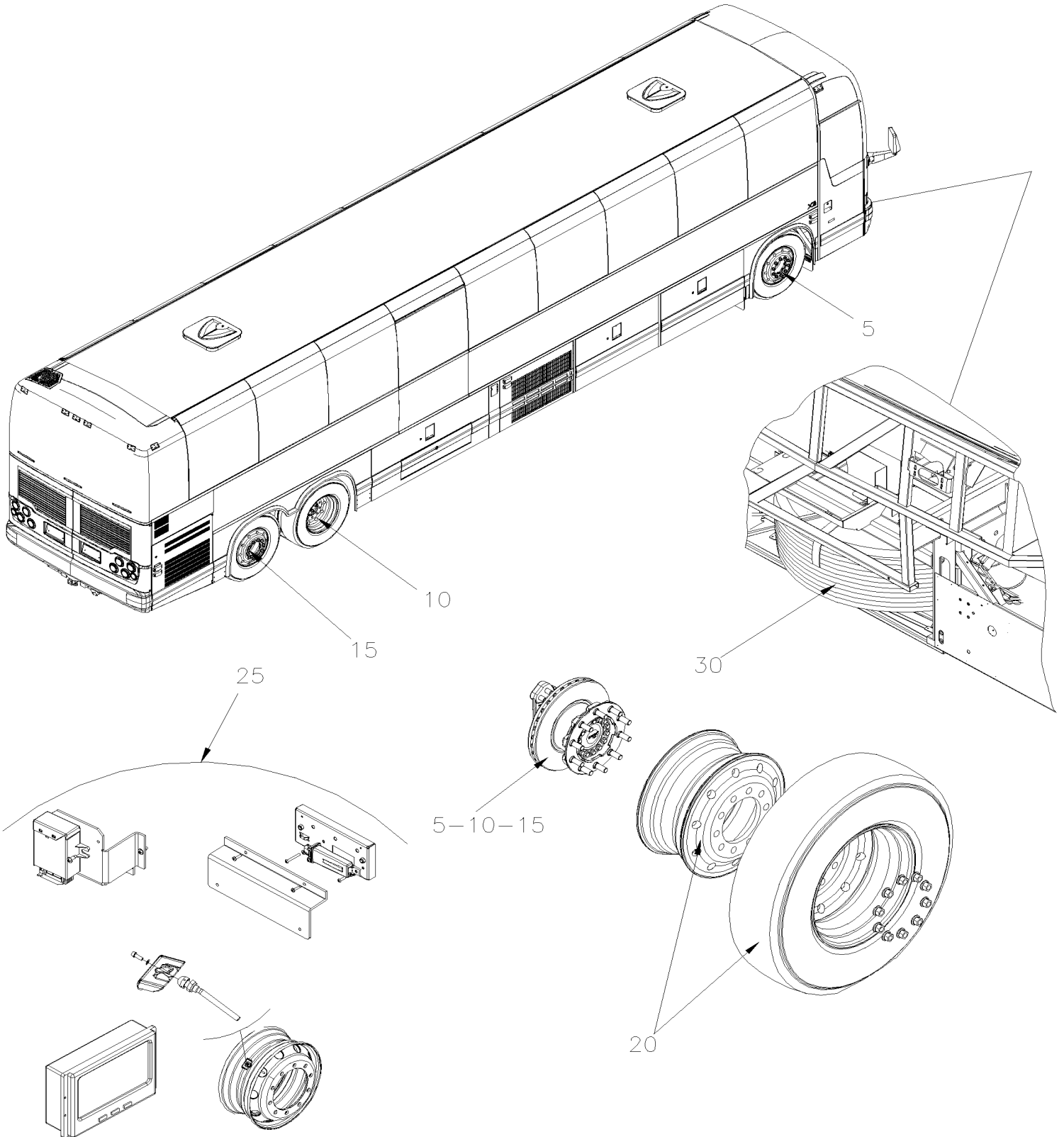
Item#	Part	Description	QTY	Notes
71	5001316	SCREW CAP HEX M10-1.5x45 SS	2	
72	502616	WASHER LO SPT 10.2x18.1x2.2 SS	2	
73	502650	SCREW CAP HEX M8-1.25x80 G8.8 Z050	AR	
74	5001341	WASHER FL 8.4x17.0x1.6 SS	AR	
75	140079	HALF COLLAR 44MM I.D. / TO FIX HOSE	4	
76	502847	NUT HEX NYRT M8-1.25 N500	AR	
77	502681	NUT HEX NYRT M6-1.0 N500 G8	AR	
78	500411	WASHER FL .260x.697x.050 SS	AR	
79	5001643	SCREW CAP HEXF M8-1.25x25 G8.8 G500	2	
80	502837	NUT HEXF STO M8-1.25 N500	2	
81	502650	SCREW CAP HEX M8-1.25x80 G8.8 Z050	AR	
82	500332	WASHER FL .328x.875x.062 N500	AR	
83	502847	NUT HEX NYRT M8-1.25 N500	AR	
84	500778	NUT HEX 5/16-18 N500	AR	
85	500942	WASHER LO SPT 8.1x14.8x2.0 N500	AR	
86	500783	NUT HEX 3/8-16 Z050	2	
87	500478	WASHER LO SPT .380x.683x.094 Z050	2	
88	5001178	SCREW CAP HEX M8-1.25x60 SS BK	2	
89	5001341	WASHER FL 8.4x17.0x1.6 SS	4	
		I) WITH INDEPENDENT SUSPENSION		
		R) WITH I-BEAM RIGID SUSPENSION		

From 7-8754

Date:01/2024

X3-13

WHEELS, HUBS & TIRES



From 7-8754	Date:01/2024	X3-13
-------------	--------------	-------

WHEELS, HUBS & TIRES

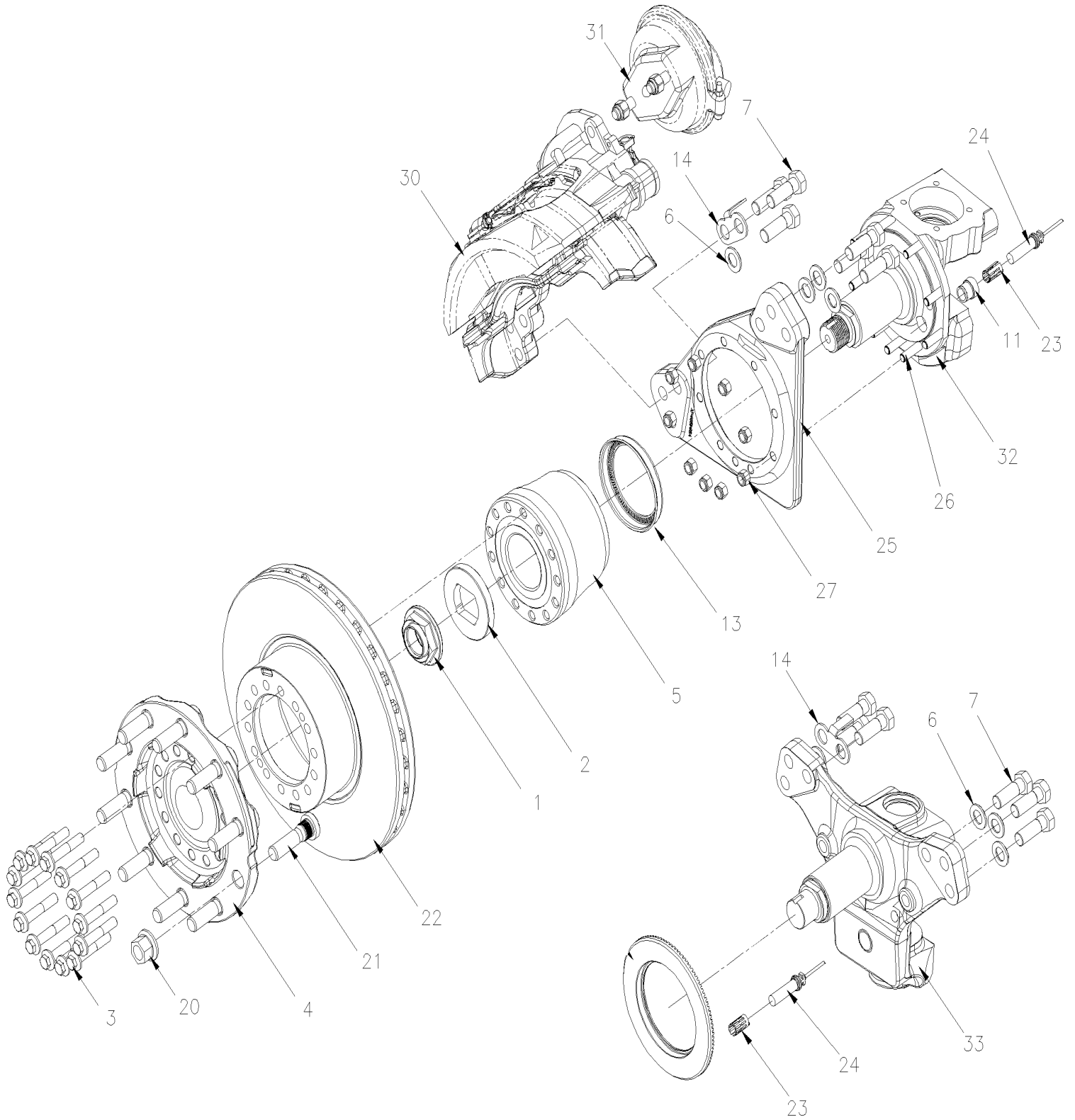
Item#	Part	Description	QTY	Notes
5	X3-1300-00	HUB & ROTOR - FRONT AXLE - I BEAM MODEL "S84U" From 7-8754		
5	X3-1300-50	HUB & ROTOR - FRONT AXLE - INDEPENDANT MODEL "NDIFS80P" From 7-8754		
10	X3-1305-00	HUB & ROTOR - DRIVE AXLE From 7-8754		
10	X3-1305-99	ROTOR (SPLINED DISC) PRODUCT IMPROVMENT From 7-8754		
15	X3-1310-00	HUB & ROTOR - TAG AXLE TYPE TS8U From 7-8754		
20	X3-1318-00	WHEELS & COMPONENTS - TRUCK MOUNT (METRIC) From 7-8754		
20	X3-1318-05	TAG AXLE WHEEL SCRAPER From 7-8754		O
25	X3-1318-10	TIRE MONITOR PRESSURE - "BERU" From 8-9422 To P-6797		
25	X3-1318-11	TIRE MONITOR PRESSURE - "SENSATA" From P-6798	1	
25	X3-1318-99	TIRE MONITOR - PRESSURE & TEMPERATURE - "RETROFIT" From 7-8754 To 8-9421		
30	X3-1325-00	SPARE WHEEL - INSTALLATION From 7-8754 To E-5585		
31	X3-1325-01	SPARE WHEEL - INSTALLATION From E-5586		
		O) OPTION		

From 7-8754

Date:01/2024

PAGE:X3-1300-00

HUB & ROTOR - FRONT AXLE - I BEAM MODEL "S84U"



WITH INDEPENDANT SUSP.

From 7-8754		Date:01/2024	PAGE:X3-1300-00
HUB & ROTOR - FRONT AXLE - I BEAM MODEL "S84U"			

Item#	Part	Description	QTY	Notes
1	611949	HUB NUT 1 3/4-8	1	
2	611948	THRUST WASHER	1	
3	611955	SCREW CAP HEXF M14-1.5x78 G12.9 N500	14	S
4	611301	HUB FLANGE	1	
5	611953	HUB ASSY / UNITISED L.H. & R.H. "TIMKEN" To 9-9518	1	R S
5	611471	HUB ASSY / UNITISED L.H. & R.H. "FAG" ASSY W/"ABS" RING From 9-9519 To H-6188	1	R S
. NS	N.S.S.	. TOOTH WHEEL From 9-9519 To H-6188	1	1 R S
. NS	509939	. SCREW DRV RND #4x1/4 SS From 9-9519 To H-6188	3	R S
5	611360	BEARING HOUSING ASSY / UNITISED L.H. & R.H. "FAG" ASSY W/"ABS" RING From H-6189	1	R S
. NS	N.S.S.	. HUB ASSY / UNITISED L.H. & R.H. "FAG" From H-6189	1	1 R S
. NS	N.S.S.	. TOOTH WHEEL From H-6189	1	1 R S
NS	491115	TOOL, HUB INSTALLER W/UNITISED BEARING / 70MM	1	
. NS	NDS8	. MAINTENANCE INSTRUCTION	1	
6	611044	WASHER FL HARD 21.0x37.0x3.0 N500 To 9-9518	4	R
7	5001529	SCREW CAP HEX M20-1.5x60 G10.9 G500 To 9-9518	6	R
7	612362	SCREW CAP HEXF M20-1.5x55 G10.9 From 9-9519	6	
11	612384	BUSHING / ABS SENSOR	1	
13	N.S.S.	TOOTH WHEEL / FRONT AXLE RIGID INCLUDE WITH ITEM #5	1	1 R
14	110786	BRAKE WEAR INDICATOR MECHANICAL / 44MM To K-6411	1	
14	110061	BRAKE WEAR INDICATOR MECHANICAL / 47MM From K-6412	1	
20	20434082	NUT R.H. / W/HUB-MOUNT WHEEL M22-1.5 / 27 MM TH	10	
21	611207	STUD / R.H. / W/HUB-MOUNT WHEEL M22-1.5 x 81MM	10	
22	611300	ROTOR VENTED To M-6657	1	
22	611359	ROTOR VENTED From M-6658	1	
23	641096	CLIP, SPRING / TO FIX SENSOR To 8-9281	1	
24	641946	SENSOR ABS (ON FRONT AXLE) 90° ANGLE From 8-9282	1	
24	642084	SENSOR ABS 90° ANGLE - OEM From 8-9282	1	
24	642108	SENSOR ABS 90° ANGLE - AFTER MARKET	1	
25	611039	CALIPER MOUNTING BRACKET L.H. & R.H.	1	
26	611030	STUD 1/2-20 X 1 11/16"	AR	
27	5007001	NUT HEX STO 1/2-20 Z050 G "C"	AR	
30	X3-1225-00	BRAKE PARTS - FRONT & TAG AXLE "KNORR-BREMSE" SB7 SERIES To 7-9159		
30	X3-1225-01	BRAKE PARTS - FRONT & TAG AXLE "KNORR-BREMSE" SN7 SERIES From 7-9160 To A-9882		
30	X3-1225-02	BRAKE PARTS - FRONT & TAG AXLE "KNORR-BREMSE" SN7 SERIES W/NEW SLIDE PINS From A-9883 To E-5525		
30	X3-1225-03	BRAKE PARTS - "KNORR-BREMSE" SN7 SERIES W/N2G ADJUSTER From E-5459 To E-5525		GR
30	X3-1225-04	BRAKE PARTS - FRONT RIGIDE & TAG AXLE "KNORR-BREMSE" SN7 SERIES W/N2G ADJUSTER From E-5526		
31	X3-1225-10	BRAKE CHAMBER - FRONT AXLE TYPE 24		
32	X3-1005-00	FRONT AXLE - I BEAM RIGID MODEL "S84U" To K-6411		
32	X3-1005-01	FRONT AXLE - I BEAM RIGID MODEL "S84U" From K-6412		
33	X3-1005-50	FRONT AXLE - INDEPENDENT MODEL "NDIFS80P" / 18000LBS		
33	X3-1005-51	FRONT AXLE - INDEPENDENT MODEL "NDIFS80P" / 19000LBS		
NS	MI08-04	SEE MAINTENANCE INFORMATION	1	

From 7-8754	Date:01/2024	PAGE:X3-1300-00
HUB & ROTOR - FRONT AXLE - I BEAM MODEL "S84U"		

Item#	Part	Description	QTY	Notes
		GR) WITH GREYHOUND OPTION		
		R) WITH I BEAM RIGID SUSPENSION		
		S) INSPECTED ALL BOLTS FOR DAMAGE TO THE THREAD AND ON THE SURFACE BELOW THE HEAD WHEN YOU DISASSEMBLED OR UNSCREWED THE HUB AND REPLACE IF NECESSARY		
		1) NOT SOLD SEPARATELY		
		1) NOT SOLD SEPARATELY		

From 7-8754		Date:01/2024	PAGE:X3-1300-50
HUB & ROTOR - FRONT AXLE - INDEPENDANT MODEL "NDIFS80P"			

Item#	Part	Description	QTY	Notes
1A	611949	HUB NUT 1 3/4-8 To F-5796	1	A
1B	612357	HUB NUT M42-2.0 From F-5797		B
2A	611948	THRUST WASHER To F-5796	1	A
2B	612358	THRUST WASHER From F-5797	1	B
3	611955	SCREW CAP HEXF M14-1.5x78 G12.9 N500	14	S
4	611301	HUB FLANGE	1	
NS	491115	TOOL, HUB INSTALLER W/UNITISED BEARING / 70MM	1	
NS	NDS8	MAINTENANCE INSTRUCTION	1	
5A	611474	HUB ASSY / UNITISED L.H. & R.H. "FAG" ASSY W/"ABS" RING To F-5796	1	A S
NS	611472	HUB ASSY / UNITISED L.H. & R.H. "FAG" To F-5796	1	A S
NS	611473	TOOTH WHEEL / FRONT AXLE & TAG W/ "FAG" 143.90MM I.D. To F-5796	1	A S
5A	610022	HUB ASSY / UNITISED L.H. & R.H. "FAG" ASSY W/"ABS" RING To F-5796	1	A S
NS	N.S.S.	HUB ASSY / UNITISED L.H. & R.H. "FAG" To F-5796	1	1 A S
NS	N.S.S.	TOOTH WHEEL / FRONT AXLE & TAG W/ "FAG" To F-5796	1	1 A S
5B	611471	HUB ASSY / UNITISED L.H. & R.H. "FAG" ASSY W/"ABS" RING From F-5797 To H-6203	1	B S
NS	N.S.S.	TOOTH WHEEL From F-5797 To H-6203	1	1 B S
NS	509939	SCREW DRV RND #4x1/4 SS From F-5797 To H-6203	3	B S
5B	611360	BEARING HOUSING ASSY / UNITISED L.H. & R.H. "FAG" ASSY W/"ABS" RING From H-6204	1	B S
NS	N.S.S.	HUB ASSY / UNITISED L.H. & R.H. "FAG" From H-6204	1	1 B S
NS	N.S.S.	TOOTH WHEEL From H-6204	1	1 B S
6	611044	WASHER FL HARD 21.0x37.0x3.0 N500 To F-5796	4	A
7A	5001529	SCREW CAP HEX M20-1.5x60 G10.9 G500 To F-5796	6	A
7B	612362	SCREW CAP HEXF M20-1.5x55 G10.9 From F-5797	6	B
12	611473	TOOTH WHEEL / FRONT AXLE & TAG W/ "FAG" 143.90MM I.D. To F-5796	1	A
14	110786	BRAKE WEAR INDICATOR MECHANICAL / 44MM	1	
20	20434082	NUT R.H. / W/HUB-MOUNT WHEEL M22-1.5 / 27 MM TH	10	
21	611207	STUD / R.H. / W/HUB-MOUNT WHEEL M22-1.5 x 81MM	10	
22	611300	ROTOR VENTED To M-6657	1	
22	611359	ROTOR VENTED From M-6658	1	
23	641096	CLIP, SPRING / TO FIX SENSOR	1	
24	642085	SENSOR ABS - OEM	1	
24	642184	SENSOR ABS - AFTER MARKET	1	
30	X3-1225-00	BRAKE PARTS - FRONT & TAG AXLE "KNORR-BREMSE" SB7 SERIES To 7-9159		
30	X3-1225-01	BRAKE PARTS - FRONT & TAG AXLE "KNORR-BREMSE" SN7 SERIES From 7-9160 To A-9882		
30	X3-1225-02	BRAKE PARTS - FRONT & TAG AXLE "KNORR-BREMSE" SN7 SERIES W/NEW SLIDE PINS From A-9883 To E-5525		
30	X3-1225-04	BRAKE PARTS - FRONT RIGIDE & TAG AXLE "KNORR-BREMSE" SN7 SERIES W/N2G ADJUSTER From E-5526		
31A	X3-1225-10	BRAKE CHAMBER - FRONT AXLE TYPE 24		
33A	X3-1005-50	FRONT AXLE - INDEPENDENT MODEL "NDIFS80P" / 18000LBS To F-5796		
33B	X3-1005-51	FRONT AXLE - INDEPENDENT MODEL "NDIFS80P" / 19000LBS From F-5797		

From 7-8754	Date:01/2024	PAGE:X3-1300-50
-------------	--------------	-----------------

HUB & ROTOR - FRONT AXLE - INDEPENDANT MODEL "NDIFS80P"

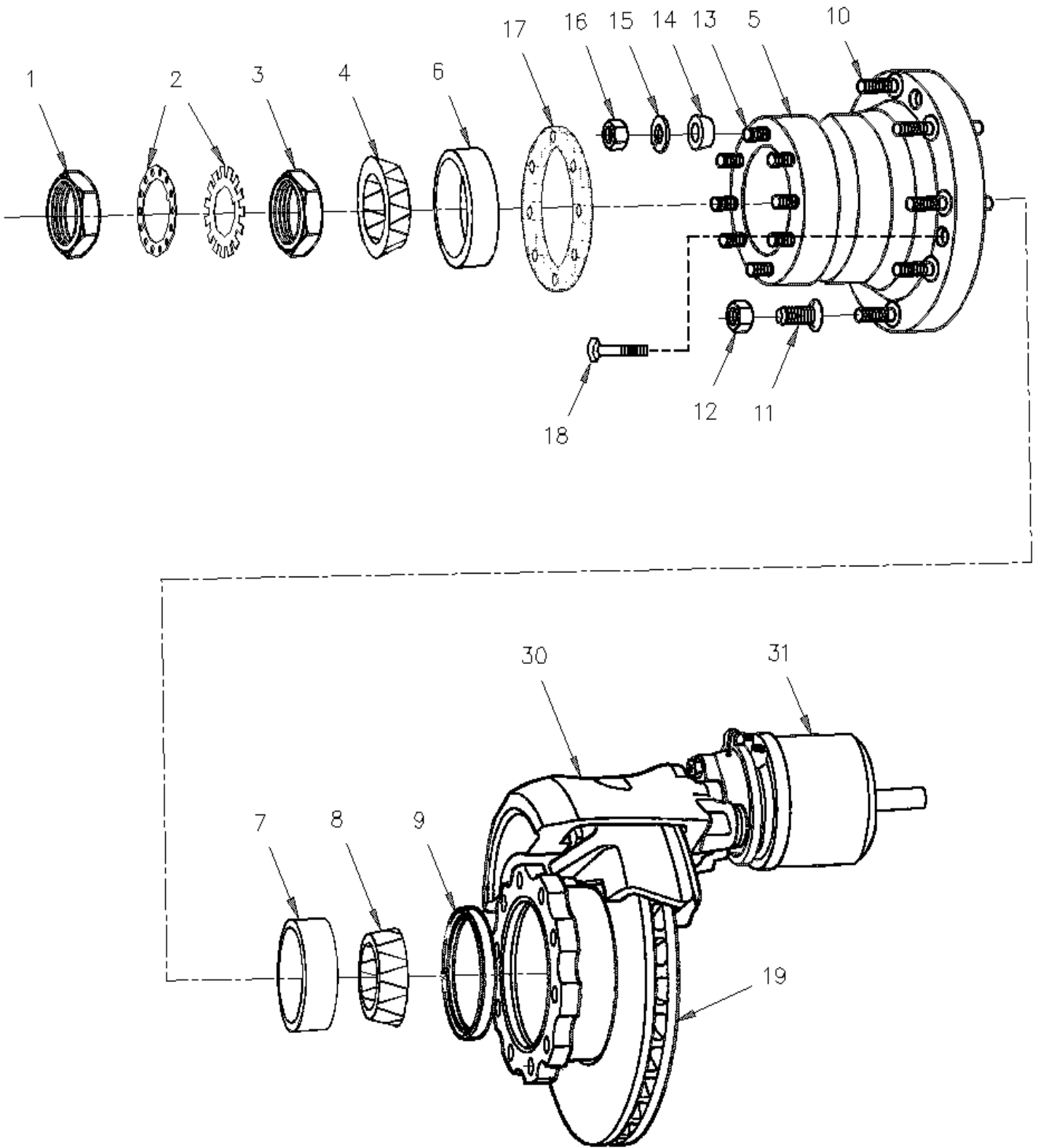
Item#	Part	Description	QTY	Notes
		A) WITH 18,000LBS INDEPENDANTE SUSPENSION		
		B) WITH 19,000LBS INDEPENDANTE SUSPENSION		
		S) INSPECTED ALL BOLTS FOR DAMAGE TO THE THREAD AND ON THE SURFACE BELOW THE HEAD WHEN YOU DISASSEMBLED OR UNSCREWED THE HUB AND REPLACE IF NECESSARY		
		1) NOT SOLD SEPARATELY		

From 7-8754

Date:01/2024

PAGE:X3-1305-00

HUB & ROTOR - DRIVE AXLE



From 7-8754		Date:01/2024	PAGE:X3-1305-00
HUB & ROTOR - DRIVE AXLE			

Item#	Part	Description	QTY	Notes
1	620275	NUT OUTER / WHEEL BEARING	1	
2	621624	WASHER LOCK / KIT	1	
3	620279	NUT INNER / WHEEL BEARING	1	
4	620034	CONE BEARING / OUTER WHEEL BEARING	1	A
5	621617	HUB & CUPS ASSY	2	
6	620032	. CUP BEARING	1	A
7	621210	. CUP BEARING	1	B
8	621209	CONE BEARING	1	B
9	621623	SEAL OIL To E-5605	1	
9	621916	SEAL OIL From E-5606	1	
10	621634	STUD / L.H. / W/STUD-MOUNT WHEEL	10	
10	621633	STUD / R.H. / W/STUD-MOUNT WHEEL	10	
10	621645	STUD / R.H. / W/HUB-MOUNT WHEEL M22-1.5 x 100 MM To G-5984	10	
10	620002	STUD / R.H. / W/HUB-MOUNT WHEEL M22-1.5 x 100 MM From G-5985 To J-6293	10	
10	620027	STUD / R.H. / W/HUB-MOUNT WHEEL M22-1.5 x 98.5 MM From J-6294	10	
10	621686	STUD / R.H. / W/HUB-MOUNT WHEEL M22-1.5 x 110 MM To G-5984	AR	D
10	620004	STUD / R.H. / W/HUB-MOUNT WHEEL M22-1.5 x 110 MM From G-5985 To J-6293	AR	D
10	620028	STUD / R.H. / W/HUB-MOUNT WHEEL M22-1.5 x 109.5 MM From J-6294	AR	D
11	610961	NUT R.H. INNER / W/STEEL INSIDE & ALUM. OUTSI To A-9951	10	
11	610962	NUT L.H. INNER / W/STEEL INSIDE & ALUM. OUTSI To A-9951	10	
11	611192	NUT R.H. INNER / W/2 ALUMINUM WHEEL To A-9951	10	
11	611191	NUT L.H. INNER / W/2 ALUMINUM WHEEL To A-9951	10	
11	620250	NUT R.H. INNER / W/2 STEEL WHEEL To A-9951	10	
11	620251	NUT L.H. INNER / W/2 STEEL WHEEL To A-9951	10	
12	610175	NUT L.H. 1 1/8-16 / STUD MOUNT WHEEL	10	
12	610176	NUT R.H. 1 1/8-16 / STUD MOUNT WHEEL	10	
12	20434082	NUT R.H. / W/HUB-MOUNT WHEEL M22-1.5 / 27 MM TH	10	
13	621730	STUD / 5/8-11x 5/8-18 x 2 7/8"	8	
14	621627	DOWEL 5/8" I.D.	8	
15	5001518	WASHER LO EXT .625x1.070x.055 ZP	8	
16	500723	NUT HEX 5/8-18 ZP	8	
17	621640	GASKET / AXLE SHAFT W/8 STUDS	AR	
18	621628	SCREW CAP HEXS 5/8-18x1 3/4 GR8	10	
19	621672	ROTOR SOLID (W/TOOTH WHEEL / DRIVE AXLE)	1	
19	611457	ROTOR VENTED (W/TOOTH WHEEL / DRIVE AXLE)	1	
30	X3-1235-00	BRAKE PARTS - DRIVE AXLE "KNORR-BREMSE" SB7 SERIES To 7-9159		
30	X3-1235-01	BRAKE PARTS - DRIVE AXLE "KNORR-BREMSE" SN7 SERIES From 7-9160 To E-5541		
30	X3-1235-03	BRAKE PARTS - DRIVE AXLE "KNORR-BREMSE" SN7 SERIES W/N2G ADJUSTER From E-5542		
30	X3-1225-03	BRAKE PARTS - "KNORR-BREMSE" SN7 SERIES W/N2G ADJUSTER From E-5459 To E-5525	1	
NS	621652	KIT, CUP & CONE	1	
NS	621653	KIT, CUP & CONE	1	
NS	684646	SEAL INSTALLER TOOL / DRIVE W/DISC	1	

From 7-8754	Date:01/2024	PAGE:X3-1305-00
-------------	--------------	-----------------

HUB & ROTOR - DRIVE AXLE

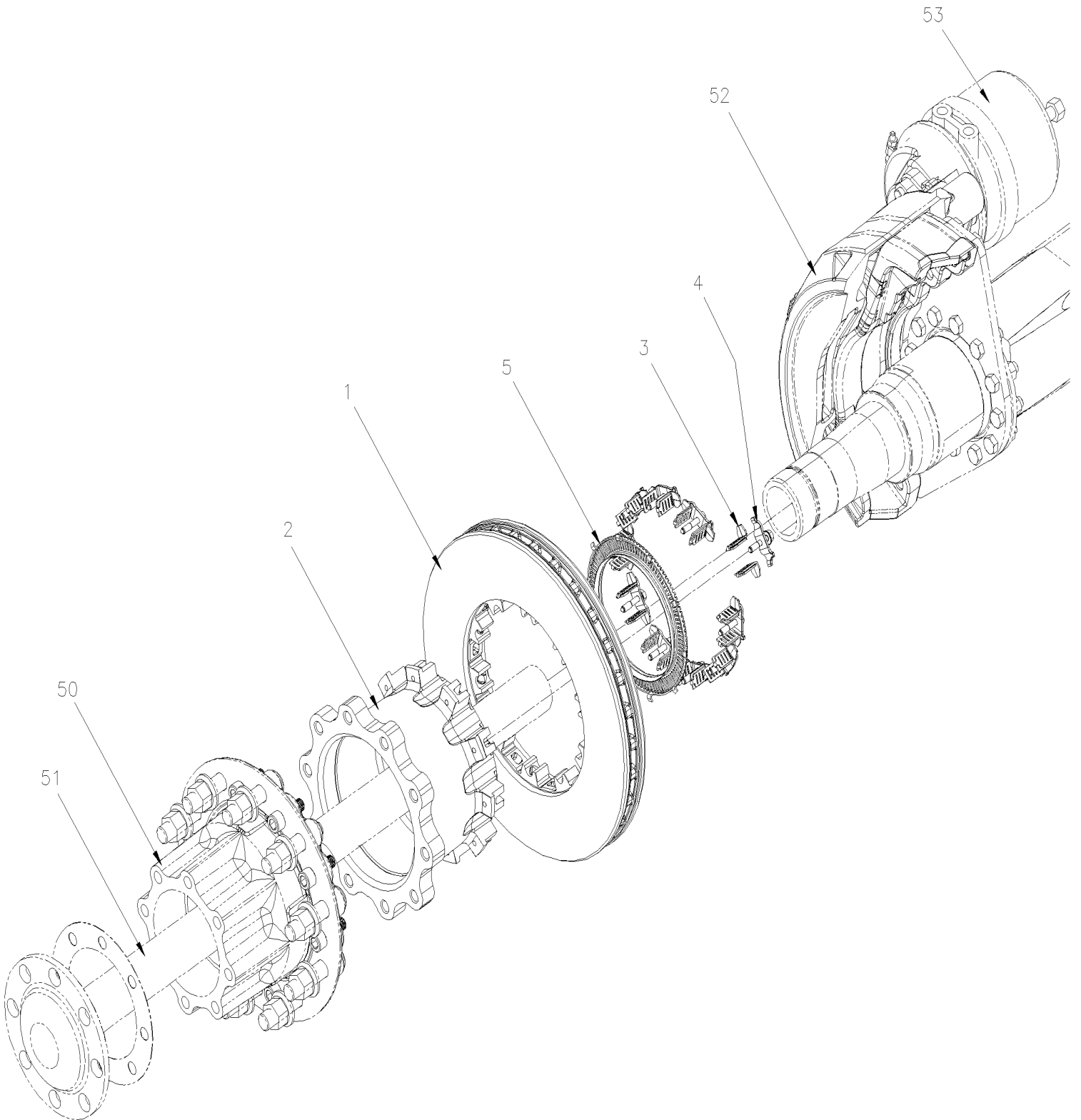
Item#	Part	Description	QTY	Notes
NS	X3-1305-99	ROTOR (SPLINED DISC) PRODUCT IMPROVMENT		
		A) ALSO AVAILABLE IN KIT #621652		
		B) ALSO AVAILABLE IN KIT #621653		
		D) WITH 2 ALUMINUM WHEELS		

From 7-8754

Date:01/2024

PAGE:X3-1305-99

ROTOR (SPLINED DISC) PRODUCT IMPROVMENT



From 7-8754	Date:01/2024	PAGE:X3-1305-99
-------------	--------------	-----------------

ROTOR (SPLINED DISC) PRODUCT IMPROVMENT

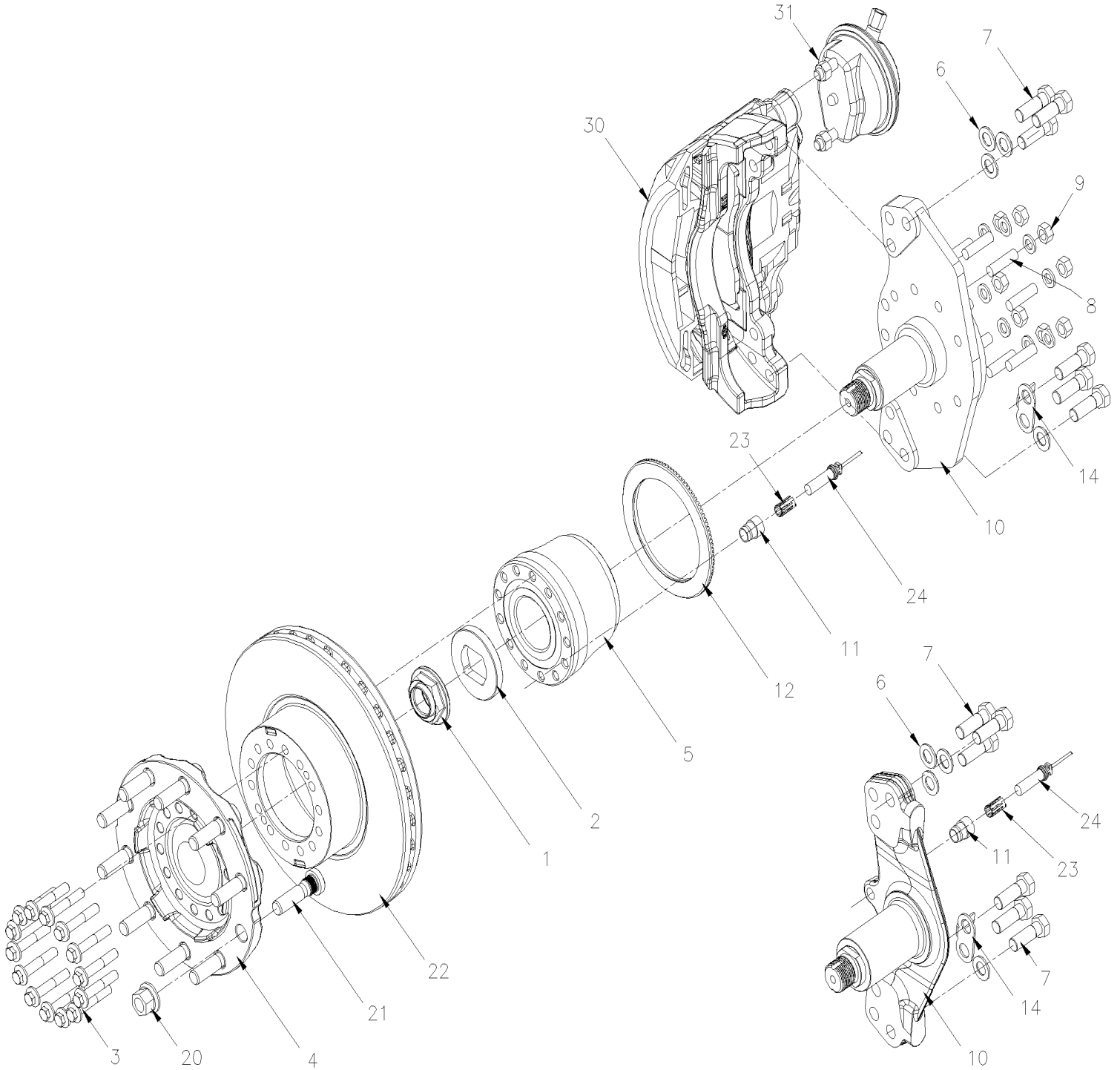
Item#	Part	Description	QTY	Notes
	144982	KIT SPLINED BRAKE DISC ON DRIVE AXLE	1	
NS	IS-09085	SEE INSTRUCTION SHEET	1	
1	144984	ROTOR / "SPLINED DISC"	1	
2	144983	ROTOR ADAPTOR / "SPLINED DISC"	1	
3	144986	PIECE INTERMEDIATE / "SPLINED DISC"	20	
4	144985	SPRING ELEMENT / "SPLINED DISC"	10	
5	124921	TOOTH WHEEL / DRIVE AXLE / "SPLINED DISC"	1	
NS	680754	GREASE, ANTI-SEIZE PERMATEX COPPER (454GR)	AR	
50	X3-1305-00	HUB & ROTOR - DRIVE AXLE		
51	X3-1105-00	REAR AXLE - MODEL "RC23165"		
52	X3-1235-00	BRAKE PARTS - DRIVE AXLE "KNORR-BREMSE" SB7 SERIES To 7-9159		
52	X3-1235-01	BRAKE PARTS - DRIVE AXLE "KNORR-BREMSE" SN7 SERIES From 7-9160 To E-5541		
52	X3-1225-03	BRAKE PARTS - "KNORR-BREMSE" SN7 SERIES W/N2G ADJUSTER From E-5459 To E-5525		GR
52	X3-1225-04	BRAKE PARTS - FRONT RIGIDE & TAG AXLE "KNORR-BREMSE" SN7 SERIES W/N2G ADJUSTER From E-5526		
53	X3-1235-10	BRAKE CHAMBER - DRIVE AXLE TYPE 24/24		
		GR) WITH GREYHOUND OPTION		

From 7-8754

Date:01/2024

PAGE:X3-1310-00

HUB & ROTOR - TAG AXLE TYPE TS8U



WITH ONE PIECE TAG

From 7-8754		Date:01/2024	PAGE:X3-1310-00
HUB & ROTOR - TAG AXLE TYPE TS8U			

Item#	Part	Description	QTY	Notes
1	611949	HUB NUT 1 3/4-8 To A-9951	1	
1	621811	HUB NUT 1 3/4-8 From A-9952 To G-5941	1	
1	621967	HUB NUT 1 3/4-8 From G-5942	1	
2	611948	THRUST WASHER To A-9951	1	
2	621810	THRUST WASHER From A-9952	1	
3	611955	SCREW CAP HEXF M14-1.5x78 G12.9 N500 To A-9951	14	S
3	5001842	SCREW CAP HEXF M14-1.5x75 G10.9 SERR G500 From A-9952	14	S
4	611301	HUB FLANGE To A-9951	1	
4	621809	HUB FLANGE From A-9952	1	
5	611953	HUB ASSY / UNITISED L.H. & R.H. "TIMKEN" To 9-9518	1	S
5	611471	HUB ASSY / UNITISED L.H. & R.H. "FAG" ASSY W/"ABS" RING From 9-9519 To A-9951	1	S
. NS	N.S.S.	. TOOTH WHEEL From 9-9519 To A-9951	1	1 S
. NS	509939	. SCREW DRV RND #4x1/4 SS From 9-9519 To A-9951	3	S
5	611474	HUB ASSY / UNITISED L.H. & R.H. "FAG" ASSY W/"ABS" RING From 8-9282 To A-9951	1	S A
. NS	611472	. HUB ASSY / UNITISED L.H. & R.H. "FAG" From 8-9282 To A-9951	1	S A
. NS	611473	. TOOTH WHEEL / FRONT AXLE & TAG W/ "FAG" 143.90MM I.D. From 8-9282 To A-9951	1	S A
5	621816P	HUB ASSY / UNITISED L.H. & R.H. "FAG" WITH TOOTH WHEEL From A-9952	1	S
. NS	621807	. HUB ASSY / UNITISED L.H. & R.H. "FAG" From A-9952	1	S
. . NS	621894	. . O-RING From A-9952	1	S
. NS	621801	. TOOTH WHEEL / TAG AXLE W/CAST TAG From A-9952	1	S
NS	491115	TOOL, HUB INSTALLER W/UNITISED BEARING / 70MM To A-9951	1	
. NS	NDS8	. MAINTENANCE INSTRUCTION To A-9951	1	
NS	G32950	TOOL, HUB INSTALLER W/UNITISED BEARING / 82MM From A-9952	1	
6	611044	WASHER FL HARD 21.0x37.0x3.0 N500	6	
7	5001529	SCREW CAP HEX M20-1.5x60 G10.9 G500	6	
8	611048	STUD / M16-2.0 x 60MM To A-9951	8	
NS	502884	WASHER LO SPT 16.2x27.4x3.5 N500 To A-9951	8	
9	502588	NUT HEX M16-2.0 ZP To A-9951	8	
10	611302	SPINDLE / WITH MODEL "G.K.N." (TS8U UNITISED) To 8-9281	1	
10	610640	SPINDLE / WITH MODEL "G.K.N." (TS8U UNITISED) W/ABS HOLE From 8-9282 To A-9951	1	
. NS	610641	. BUSHING ABS SENSOR MOUNTING TAG AXLE From 8-9282 To A-9951	1	
10	621808	TAG AXLE / FORGE From A-9952	1	
11	610641	BUSHING ABS SENSOR MOUNTING TAG AXLE From 8-9282 To A-9951	1	
11	121912	BUSHING ABS SENSOR MOUNTING TAG AXLE ONE PIECE From A-9952	1	
12	611473	TOOTH WHEEL / FRONT AXLE & TAG W/ "FAG" 143.90MM I.D. To A-9951	1	
12	621801	TOOTH WHEEL / TAG AXLE W/CAST TAG From A-9952	1	
14	110786	BRAKE WEAR INDICATOR MECHANICAL / 44MM To F-5787	1	
14	142907	BRAKE WEAR INDICATOR WITH HOLE MECHANICAL From F-5788	1	
20	20434082	NUT R.H. / W/HUB-MOUNT WHEEL M22-1.5 / 27 MM TH	10	
21	611207	STUD / R.H. / W/HUB-MOUNT WHEEL M22-1.5 x 81MM To A-9951	10	
21	20515515	STUD / R.H. / W/HUB-MOUNT WHEEL M22-1.5 x 88MM From A-9952 To £-23078	10	
21	24075971	WHEEL STUD M22X1.5X88 From £-23078	10	

From 7-8754	Date:01/2024	PAGE:X3-1310-00
-------------	--------------	-----------------

HUB & ROTOR - TAG AXLE TYPE TS8U

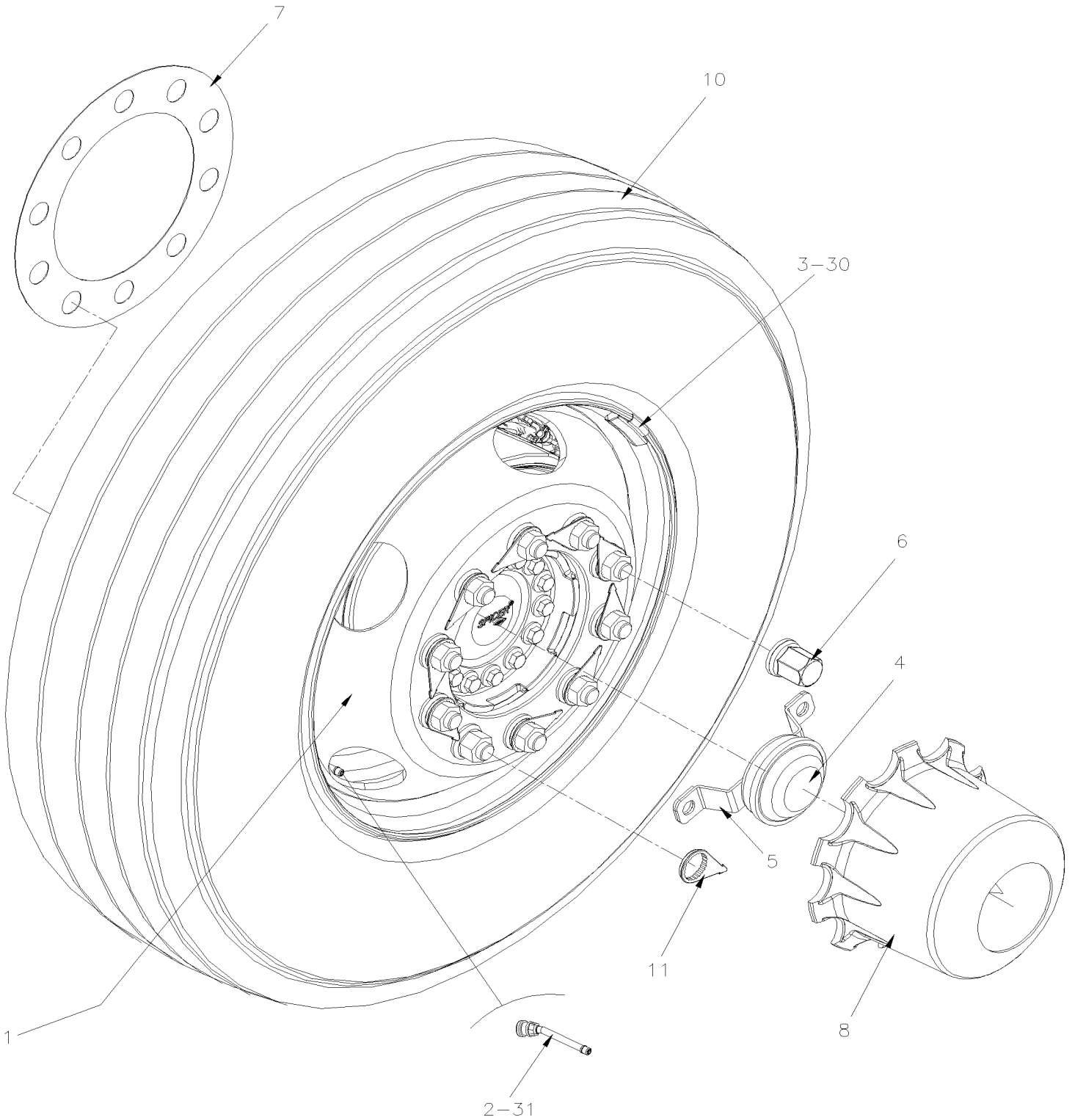
Item#	Part	Description	QTY	Notes
22	611300	ROTOR VENTED To M-6657	1	
22	611359	ROTOR VENTED From M-6658	1	
23	641096	CLIP, SPRING / TO FIX SENSOR	1	
24	642085	SENSOR ABS - OEM	1	
24	642184	SENSOR ABS - AFTER MARKET	1	
30	X3-1225-00	BRAKE PARTS - FRONT & TAG AXLE "KNORR-BREMSE" SB7 SERIES To 7-9159		
30	X3-1225-01	BRAKE PARTS - FRONT & TAG AXLE "KNORR-BREMSE" SN7 SERIES From 7-9160 To A-9882		
30	X3-1225-02	BRAKE PARTS - FRONT & TAG AXLE "KNORR-BREMSE" SN7 SERIES W/NEW SLIDE PINS From A-9883 To E-5525		
30	X3-1225-03	BRAKE PARTS - "KNORR-BREMSE" SN7 SERIES W/N2G ADJUSTER From E-5459 To E-5525		
30	X3-1225-04	BRAKE PARTS - FRONT RIGIDE & TAG AXLE "KNORR-BREMSE" SN7 SERIES W/N2G ADJUSTER From E-5526		
31	X3-1245-10	BRAKE CHAMBER - TAG AXLE TYPE 14/16 To 8-9281		
31	X3-1245-12	BRAKE CHAMBER - TAG AXLE TYPE 14 & 16 From 8-9282		
NS	MI08-04	SEE MAINTENANCE INFORMATION		
		A) THIS HUB ARE RELATED WITH ABS SYSTEM ON TAG (ESP)		
		S) REPLACED ALL BOLTS EACH TIME WHEN YOU DISASSEMBLED OR UNSCREWED THE HUB		
		1) NOT SOLD SEPARATELY		

From 7-8754

Date:01/2024

PAGE:X3-1318-00

WHEELS & COMPONENTS - TRUCK MOUNT (METRIC)



From 7-8754		Date:01/2024	PAGE:X3-1318-00
-------------	--	--------------	-----------------

WHEELS & COMPONENTS - TRUCK MOUNT (METRIC)

Item#	Part	Description	QTY	Notes
		STEEL WHEELS / HUB-MOUNTED		
1	650484	WHEEL, STEEL HUB 22.5 X 8.25 / WHITE / POWDER COAT To D-5458	AR	
1	650486	WHEEL, STEEL HUB 22.5 X 9.00 / SILVER / POWDER COAT	AR	
1	650485	WHEEL, STEEL HUB 22.5 X 9.00 / WHITE / POWDER COAT	AR	
1	650487	WHEEL, STEEL HUB 22.5 X 8.25 / SILVER / POWDER COAT To D-5458	AR	
1	657801	WHEEL, STEEL HUB 22.5 X 8.25 / ORANGE / POWDER COAT To D-5458	AR	
		ALUMINUM WHEELS / HUB-MOUNTED		
1	650958	WHEEL, ALU. HUB 22.5 X 9.00 / BOTH SIDE MACHINED	AR	D
1	650959	WHEEL, ALU. HUB 22.5 X 9.00 / OUTSIDE POLISH To E-5675	AR	D
1	651145	WHEEL, ALU. HUB 22.5 X 9.00 / OUTSIDE POLISH From E-5676 To H-6109	AR	D
1	650038	WHEEL, ALU. HUB 22.5 X 9.00 / OUTSIDE POLISH From H-6110	AR	D
1	650976	WHEEL, ALU. HUB 22.5 X 9.00 / OUTSIDE DURA-BRIGHT To E-5675	AR	D
1	651140	WHEEL, ALU. HUB 22.5 X 9.00 / OUTSIDE DURA-BRIGHT XBR From E-5676 To H-6109	AR	D
1	650044	WHEEL, ALU. HUB 22.5 X 9.00 / OUTSIDE DURA-BRIGHT EVO From H-6110	AR	D
1	650989	WHEEL, ALU. HUB 22.5 X 9.00 / INSIDE POLISH To E-5689	AR	D
1	651143	WHEEL, ALU. HUB 22.5 X 9.00 / INSIDE POLISH From E-5690 To H-6109	AR	D
1	650039	WHEEL, ALU. HUB 22.5 X 9.00 / INSIDE POLISH From H-6110	AR	D
1	651007	WHEEL, ALU. HUB 22.5 X 9.00 / INSIDE DURA BRIGHT To E-5690	AR	D
1	651141	WHEEL, ALU. HUB 22.5 X 9.00 / INSIDE DURA BRIGHT XBR From E-5691 To H-6109	AR	D
1	650045	WHEEL, ALU. HUB 22.5 X 9.00 / INSIDE DURA BRIGHT EVO From H-6110	AR	D
1	651021	WHEEL, ALU. HUB 22.5 X 9.00 / BOTH SIDE POLISH To E-5675	AR	D
1	651144	WHEEL, ALU. HUB 22.5 X 9.00 / BOTH SIDE POLISH From E-5676 To H-6109	AR	D
1	650043	WHEEL, ALU. HUB 22.5 X 9.00 / BOTH SIDE POLISH From H-6110	AR	D
1	651038	WHEEL, ALU. HUB 22.5 X 9.00 / BOTH SIDE DURA-BRIGHT To E-5675	AR	D
1	651142	WHEEL, ALU. HUB 22.5 X 9.00 / BOTH SIDE DURA-BRIGHT XBR From E-5676 To H-6109	AR	D
1	650046	WHEEL, ALU. HUB 22.5 X 9.00 / BOTH SIDE DURA-BRIGHT EVO From H-6110	AR	D
1	651206	WHEEL, ALU. HUB 22.5 X 9.00 / BOTH SIDE POLISH / ACCURIDE	AR	
1	651209	WHEEL, ALU. HUB 22.5 X 9.00 / BOTH SIDE POLISH / XPC / ACCURIDE	AR	
1	650662	WHEEL, ALU. HUB 22.5 X 10.5 / BOTH SIDE DURA-BRIGHT XBR To H-6109	AR	E
1	650047	WHEEL, ALU. HUB 22.5 X 10.5 / BOTH SIDE DURA-BRIGHT EVO From H-6110	AR	E
1	650443	WHEEL, ALU. HUB 22.5 X 10.5 / OUTSIDE POLISH	AR	E
1	650728	WHEEL, ALU. HUB 22.5 X 14.00 / INSIDE POLISH To A-9933	2	S
1	651548	WHEEL, ALU. HUB 22.5 X 14.00 / INSIDE POLISH From A-9934 To E-5675	2	S
1	659199	WHEEL, ALU. HUB 22.5 X 14.00 / INSIDE POLISH From E-5676 To H-6109	2	S
1	650048	WHEEL, ALU. HUB 22.5 X 14.00 / INSIDE POLISH From H-6110 To P-6869	2	S
1	651264	WHEEL, ALU. HUB 22.5 X 14.00 / INSIDE POLISH From P-6870	2	S
1	650729	WHEEL, ALU. HUB 22.5 X 14.00 / INSIDE DURA BRIGHT To A-9933	2	S

From 7-8754	Date:01/2024	PAGE:X3-1318-00
-------------	--------------	-----------------

WHEELS & COMPONENTS - TRUCK MOUNT (METRIC)

Item#	Part	Description	QTY	Notes
1	651549	WHEEL, ALU. HUB 22.5 X 14.00 / INSIDE DURA BRIGHT From A-9934 To E-5675	2	S
1	651159	WHEEL, ALU. HUB 22.5 X 14.00 / INSIDE DURA BRIGHT XBR From E-5676 To H-6109	2	S
1	650049	WHEEL, ALU. HUB 22.5 X 14.00 / INSIDE DURA BRIGHT EVO From H-6110 To P-6869	2	S
1	651263	WHEEL, ALU. HUB 22.5 X 14.00 / INSIDE DURA BRIGHT EVO From P-6870	2	S
NS	683527	SEALANT "ALLUMINUM WHEEL" / SPRAY 13 OZ.	AR	
NS	683529	CLEANER "ALUMINUM WHEEL" / SPRAY 22 OZ.	AR	
NS	683528	POLISH "ALLUMINUM WHEEL" / WAX 16 OZ.	AR	
		VALVES - VALVE EXTENTION & HOLDER		
2	150293	VALVE / W/STEEL WHEEL / "KNORR-BREMSE " BRAKE -	AR	A
2	650194	VALVE / W/ALUMINUM WHEEL / 1.38" LG W/60 deg	AR	
2	650744	VALVE / W/ALUMINUM WHEEL / 1.26" LG	AR	
2	651078	VALVE / W/ALUMINUM WHEEL / 2.31" LG	AR	
2	651114	VALVE / W/ALUMINUM WHEEL / 2.60" LG W/60 deg	AR	
NS	650164	. CAP VALVE / CHROME	AR	
NS	650151	. CAP VALVE / STD	AR	
NS	650008	. SPRING VALVE	AR	
NS	650205	. SPRING VALVE 21116	AR	B
NS	650745	EXTENSION VALVE 3/4" LG	AR	
NS	650201	EXTENSION VALVE 1 3/8" LG	AR	
2	650188	EXTENSION VALVE / 7" LG	AR	
NS	651064	RUBBER HOLDER / 2" O.D. / EXTENSION VALVE To N-6722	AR	
NS	651181	RUBBER HOLDER / 2" O.D. / EXTENSION VALVE From N-6723	AR	
NS	650178	RUBBER HOLDER / 1.5" O.D. / EXTENSION VALVE	AR	
2	651214	RUBBER HOLDER / 2.25" O.D. / EXTENSION VALVE / ACCURIDE	AR	
		WEIGHTS		
3	650030	WEIGHT BALANCING / 0.5 OZ / WEIGHT FREE LEAD	AR	
3	650003	WEIGHT BALANCING / W/STEEL WHEEL / 1 OZ / WEIGHT FREE LEAD	AR	
3	650062	WEIGHT BALANCING / W/STEEL WHEEL / 2 OZ	AR	
3	650005	WEIGHT BALANCING / W/STEEL WHEEL / 2 OZ / WEIGHT FREE LEAD	AR	
3	650063	WEIGHT BALANCING / W/STEEL WHEEL / 3 OZ	AR	
3	650006	WEIGHT BALANCING / W/STEEL WHEEL / 3 OZ / WEIGHT FREE LEAD	AR	
3	650064	WEIGHT BALANCING / W/STEEL WHEEL / 4 OZ	AR	
3	650010	WEIGHT BALANCING / W/STEEL WHEEL / 4 OZ / WEIGHT FREE LEAD	AR	
3	650011	WEIGHT BALANCING / W/STEEL WHEEL / 5 OZ / WEIGHT FREE LEAD	AR	
3	650065	WEIGHT BALANCING / W/STEEL WHEEL / 6 OZ	AR	
3	650012	WEIGHT BALANCING / W/STEEL WHEEL / 6 OZ / WEIGHT FREE LEAD	AR	
3	650066	WEIGHT BALANCING / W/STEEL WHEEL / 8 OZ	AR	
3	650032	WEIGHT BALANCING / W/STEEL WHEEL / 8 OZ / WEIGHT FREE LEAD	AR	

From 7-8754	Date:01/2024	PAGE:X3-1318-00
-------------	--------------	-----------------

WHEELS & COMPONENTS - TRUCK MOUNT (METRIC)

Item#	Part	Description	QTY	Notes
3	650067	WEIGHT BALANCING / W/STEEL WHEEL / 10 OZ	AR	
3	650068	WEIGHT BALANCING / W/STEEL WHEEL / 12 OZ	AR	
3	650069	WEIGHT BALANCING / W/STEEL WHEEL / 14 OZ	AR	
3	650070	WEIGHT BALANCING / W/STEEL WHEEL / 16 OZ	AR	
3	650030	WEIGHT BALANCING / 0.5 OZ / WEIGHT FREE LEAD	AR	
3	650175	WEIGHT BALANCING / W/ALUMINUM WHEEL / INT. & EXT. / 2 OZ	AR	
3	650025	WEIGHT BALANCING / W/ALUMINUM WHEEL / 2 OZ / WEIGHT FREE LEAD	AR	
3	650109	WEIGHT BALANCING / W/ALUMINUM WHEEL / INT. & EXT. / 3 OZ	AR	
3	650026	WEIGHT BALANCING / W/ALUMINUM WHEEL / 3 OZ / WEIGHT FREE LEAD	AR	
3	650110	WEIGHT BALANCING / W/ALUMINUM WHEEL / EXT. ON 4 OZ	AR	
3	650114	WEIGHT BALANCING / W/ALUMINUM WHEEL / INT. ON 4 OZ	AR	
3	650027	WEIGHT BALANCING / W/ALUMINUM WHEEL / 4 OZ / WEIGHT FREE LEAD	AR	
3	650060	WEIGHT BALANCING / W/ALUMINUM WHEEL / 5 OZ / WEIGHT FREE LEAD	1	
3	650111	WEIGHT BALANCING / W/ALUMINUM WHEEL / EXT. ON 6 OZ	AR	
3	650115	WEIGHT BALANCING / W/ALUMINUM WHEEL / INT. ON 6 OZ	AR	
3	650192	WEIGHT BALANCING / W/ALUMINUM WHEEL / W/ADHES 6 OZ	AR	
3	650028	WEIGHT BALANCING / W/ALUMINUM WHEEL / 6 OZ / WEIGHT FREE LEAD	AR	
3	650116	WEIGHT BALANCING / W/ALUMINUM WHEEL / INT. ON 8 OZ	AR	
3	650112	WEIGHT BALANCING / W/ALUMINUM WHEEL / EXT. ON 8 OZ	AR	
3	650029	WEIGHT BALANCING / W/ALUMINUM WHEEL / 8 OZ / WEIGHT FREE LEAD	AR	
3	650206	WEIGHT BALANCING / POWDER (12 OZ BAG)	AR	
		HUBODOMETER		
4	650002	HUBODOMETER, COMPLETE 11 X 20 & 12 X 22.5 MPH / STEMCO	AR	
4	650117	HUBODOMETER, COMPLETE 11 X 20 & 12 X 22.5 KMH / STEMCO	AR	
4	590216	HUBODOMETER, COMPLETE 11 X 20 & 12 X 22.5 KMH / V.D.O.	AR	
4	650174	HUBODOMETER, COMPLETE / FOR 295/80 KMH	AR	
5	650145	HUBODOMETER BRACKET / W/8 STUDS AXLE SHAFT	AR	
5	150015	HUBODOMETER BRACKET / USE WITH 14" WHEEL ONLY From G-6031	AR	
		OTHERS		
6	5001339	CAP, PLASTIC CHROME / WHEEL NUT / HUB MOUNT / PUSH-ON TYPE	60	
7	650134	WHEEL GUARD MYLAR / WHEEL & HUB	AR	
8	621683	HUB CAP PLASTIC CHROME W/NUT / HUB MOUNT	2	G
8	621753	HUB CAP PLASTIC CHROME W/NUT / HUB MOUNT / METRIC AFTER MARKET	2	G
. NS	624215	. CAP NUT COVER WRENCH	1	G
8	652236	HUB CAP PLASTIC CHROME / HUB MOUNT / METRIC ONE SET OF 2	2	G
. NS	652238	. RETENTION NUT, PACK OF 10	1	G
. NS	652237	. RETENTION NUT, PACK OF 50	1	G
8	150662	HUB CAP PLASTIC CHROME / HUB MOUNT / USE WITH HUBODOMETER WITH 9" WHEEL From G-6031	1	G

From 7-8754		Date:01/2024	PAGE:X3-1318-00
-------------	--	--------------	-----------------

WHEELS & COMPONENTS - TRUCK MOUNT (METRIC)

Item#	Part	Description	QTY	Notes
8	150016	HUB CAP PLASTIC CHROME / HUB MOUNT / USE WITH HUBODOMETER WITH 14" WHEEL From G-6031	1	G
8	611470	HUB CAP PLASTIC CHROME W/NUT / HUB MOUNT / METRIC	2	F
NS	624215	CAP NUT COVER WRENCH	1	F
8	652235	HUB CAP PLASTIC CHROME W/NUT / HUB MOUNT / METRIC ONE SET OF 2	2	F
10	650447	TIRE MICHELIN 455/55 R22.5 X-ONE-XTE SUMMER TIRE	1	
10	652630	TIRE MICHELIN 455/55 R22.5 X ONE XDA-HT PLUS SUMMER TIRE To B-5010	1	
10	651120	TIRE MICHELIN 455/55 R22.5 X ONE XONE XDA-ENERGY SUMMER TIRE From B-5011	1	
10	651099	TIRE MICHELIN 455/55 R22.5 XD-N2 WINTER TIRE To K-6390	1	
10	651166	TIRE MICHELIN 455/55 R22.5 X-ONE LINE GRIP D WINTER TIRE From K-6391 To N-6736	1	
10	651203	TIRE MICHELIN 455/55 R22.5 X-ONE LINE GRIP D WINTER TIRE From N-6737	1	
11	652066	WHEEL NUT FLAG, ORANGE	AR	
11	651163	WHEEL NUT FLAG, WHITE	AR	
NS	491190	KIT DECAL TIRE PRESSURE 2 x 130 + 4 x 105	1	
		VALVES - WITH TIRE PRESSURE SENSOR		
30	066446	DECAL / "WARNING DETECTOR INSIDE" / ENGLISH & FRANCAIS To L-6538	1	
30	066445	DECAL / "WARNING DETECTOR INSIDE" / ENGLISH To L-6538	1	
31	X3-1318-10	TIRE MONITOR PRESSURE - "BERU" To P-6797		
31	X3-1318-11	TIRE MONITOR PRESSURE - "SENSATA" From P-6798		
NS	IS21070	KIT TPMS ANTENNAS REPLACEMENT	1	
NS	MI02-17	SEE MAINTENANCE INFORMATION	1	
NS	MI03-26A	SEE MAINTENANCE INFORMATION	1	
		A) USE THIS VALVE WITH ALLS STEEL WHEELS MOUNTED WITH "KNORR-BREMSE" BRAKE SYSTEM		
		B) USE THIS EXTENSION WITH POWDER BALANCING WEIGHT		
		D) USE WITH 651064 RUBBER HOLDER		
		E) USE WITH 650178 RUBBER HOLDER		
		F) TO USE WITH FRONT AND TAG WHEEL		
		G) TO USE WITH DRIVE AXLE WHEEL		
		S) USE ONLY WITH SUPER SINGLE TIRE (650447)		

From 7-8754

Date:01/2024

PAGE:IS21070

KIT TPMS ANTENNAS REPLACEMENT

PREVOST

Feuille d'instructions

FI-21070

REPLACEMENT ANTENNES TPMS OBSOLÈTE

PREVOST

Instruction Sheet

IS-21070

OBSOLETE TPMS ANTENNAS REPLACEMENT

From 7-8754	Date:01/2024	PAGE:IS21070
KIT TPMS ANTENNAS REPLACEMENT		

Item#	Part	Description	QTY	Notes
NS	564305	ANTENNA, TPMS "SENSATA"	3	
NS	564413	TPMS, SENSATA ECU	1	
NS	380252	SUPPORT / RELAY	1	
NS	406762	SUPPORT, ANTENNA	1	
NS	406119	PROTECTOR ANTENNA / AL "Z" SHAPE	1	
NS	401333	SUPPORT, ANTENNA	2	
NS	406764	PROTECTOR, ANTENNA	2	
NS	0610632	WIRING HARNESS / ECU FRT JCT BOX & ACCES..	1	
NS	504622	GROMMET / 1.500x1.750x.062x.437x2.125	1	
NS	0610631	WIRING HARNESS / FRT JCT BOX & ANTENNA	1	
NS	562795	CONNECTOR / JUNIOR POWER TIMER / SH 15C / AMP 964561-2	1	
NS	5001182	NUT HEX NYRT M6-1.0 SS	2	
NS	502708	SCREW CAP HEX M5-0.8x35 SS	3	
NS	5001137	WASHER FL .203x.438x.050 SS	3	
NS	502848	SCREW TC CAP HEXF 1/4-20x3/4 N500	4	
NS	5001608	WASHER BEL SPR 6.2x15.0x0.7 G500	4	
NS	5001681	SCREW CAP HEX M6-1.0x60 SS	4	
NS	500411	WASHER FL .260x.697x.050 SS	8	
NS	502681	NUT HEX NYRT M6-1.0 N500 G8	4	
NS	502868	SCREW TC TR PH #10-16x1/2 N500	2	
NS	500804	WASHER FL .203x.500x.047 N500	2	
NS	509815	TIE MOUNT / ATTACHMENT W/TREE MOUNT	17	
NS	504637	CABLE TIE / 3/16" x 13"	20	
NS	8631155	CABLE TIE / 4.6MM x 200 / CHRISTMAS TREE	2	
NS	504013	TIE MOUNT / 1/4" X 1/4" I.D.	2	
NS	504347	RIVET POP DOME OE 3/16x1/4 AL	2	
NS	IS-21070	SEE ENGLISH INSTRUCTION SHEET	1	
NS	FI-21070	SEE FRENCH INSTRUCTION SHEET	1	
NS		PARTS BELOW NOT INCLUDED IN KIT IS21070		
NS		STEEL WHEEL 9"		
NS	150006	KIT VALVE & SENSOR / FOR WHEEL STEEL 9"	1	
NS		ALUMINIUM WHEEL 9"		
NS	150201	KIT VALVE & SENSOR / FOR WHEEL AL 9"	1	
NS		ALUMINIUM WHEEL 10.5"		
NS	150149	KIT VALVE & SENSOR / FOR WHEEL AL 10.5"	1	
NS		ALUMINIUM WHEEL 14"		
NS	150177	KIT VALVE & SENSOR / FOR WHEEL AL 14"	1	

From 7-8754		Date:01/2024	PAGE:IS21070
-------------	--	--------------	--------------

KIT TPMS ANTENNAS REPLACEMENT

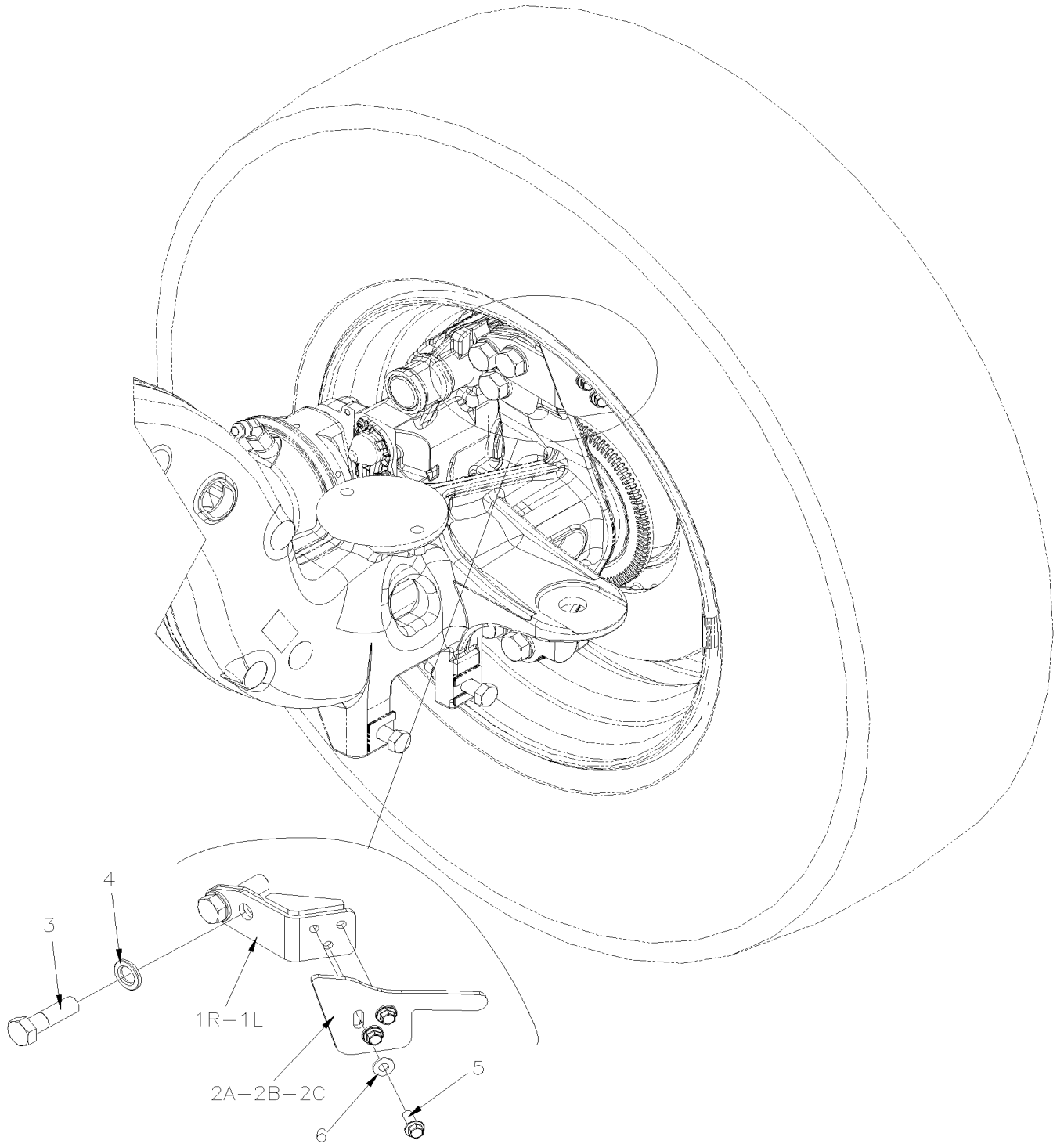
Item#	Part	Description	QTY	Notes
NS	684517	ADHESIVE SIMSON #SR 70-03 / GREY / 310ml CARTRIDGE	1	
NS	680038	THREAD LOCKER LOCTITE #243 / BLUE / 50ml	1	
NS	685324	GREASE "PERMATEX" DIELECTRIC TUBE 3 OZ	1	

From 7-8754

Date:01/2024

PAGE:X3-1318-05

TAG AXLE WHEEL SCRAPER



From 7-8754	Date:01/2024	PAGE:X3-1318-05
-------------	--------------	-----------------

TAG AXLE WHEEL SCRAPER

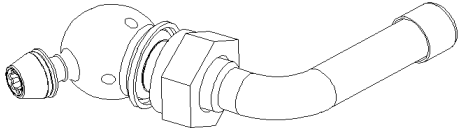
Item#	Part	Description	QTY	Notes
	Call order desk	KIT SCRAPER ALUMINUM WH 9" To A-9951	1	P
	150809	KIT SCRAPER ALUMINUM WH 9" ONE PIECE TAG From A-9952	1	
	Call order desk	KIT SCRAPER STEEL WH 9" To A-9951	1	P
	150810	KIT SCRAPER STEEL WH 9" ONE PIECE TAG From A-9952	1	
	Call order desk	KIT SCRAPER ALUMINUM WH 10.5" To A-9951	1	P
	150811	KIT SCRAPER ALUMINUM WH 10.5" ONE PIECE TAG From A-9952	1	
1L	150801	. SCRAPER HOLDER LEFT SIDE	1	L
1R	150800	. SCRAPER HOLDER RIGHT SIDE	1	R
2A	150806	. SCRAPER PLATE FOR RIM 9" STEEL	1	
2B	150807	. SCRAPER PLATE FOR RIM 9" ALUMINUM	1	
2C	150808	. SCRAPER PLATE FOR RIM 10.5" ALUMINUM	1	
3	5001997	. SCREW CAP HEX M20-1.5x70 G10.9 ZP	AR	
4	611044	. WASHER FL HARD 21.0x37.0x3.0 N500	AR	
5	5001741	. SCREW CAP HEXF M10-1.5x30 G8.8 N500	AR	
6	5001834	. WASHER BEL SPR 10.5X23X2.5 N500	AR	
		L) LEFT SIDE		
		R) RIGTH SIDE		
		P) CALL ORDER DESK FOR SPECIFIC APPLICATION (V.I.N.)		

From 8-9422 To P-6797

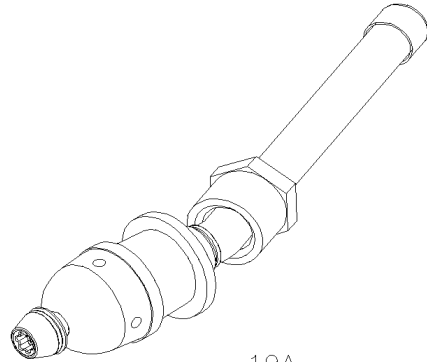
Date:01/2024

PAGE:X3-1318-10

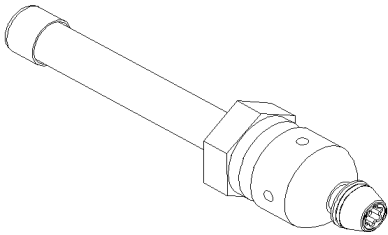
TIRE MONITOR PRESSURE - "BERU"



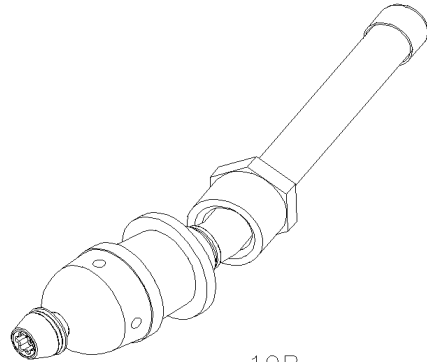
15



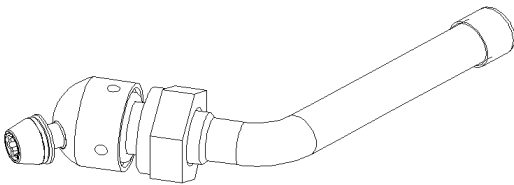
19A



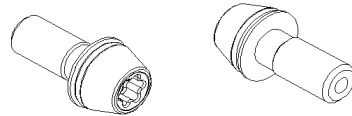
16



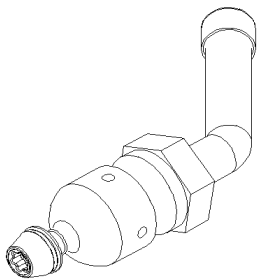
19B



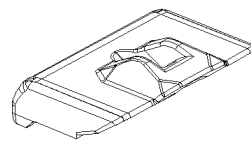
17



20



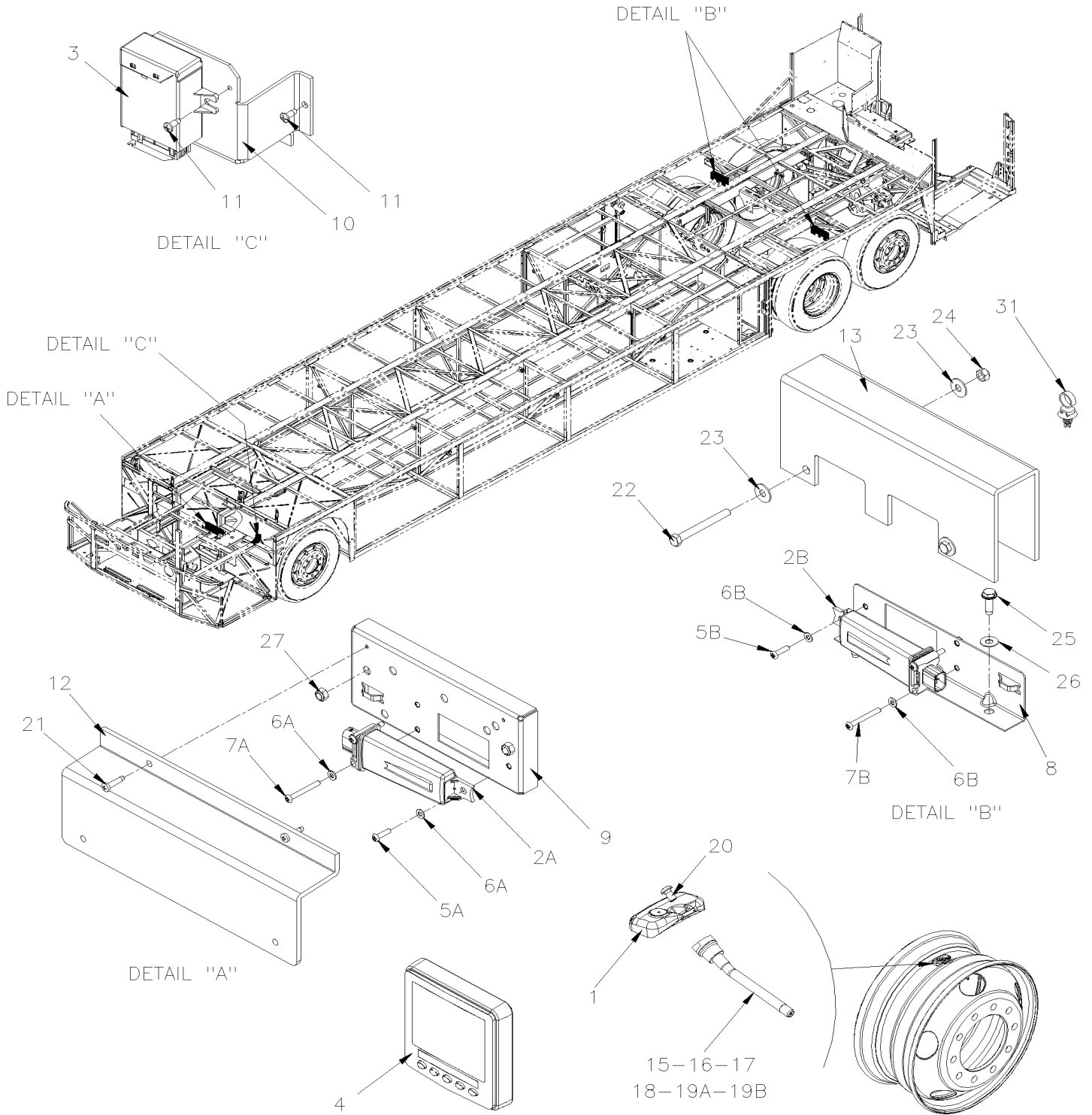
18



1

TIRE MONITOR PRESSURE - "BERU"

FROM G-6065

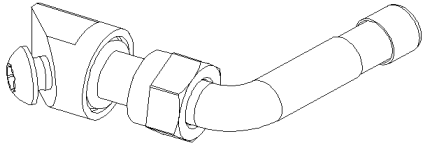


From 8-9422 To P-6797

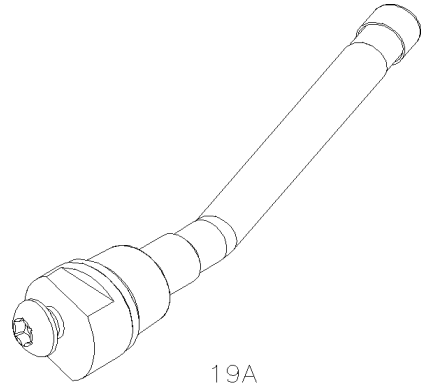
Date:01/2024

PAGE:X3-1318-10

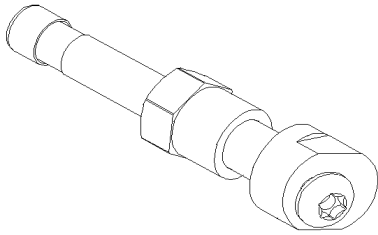
TIRE MONITOR PRESSURE - "BERU"



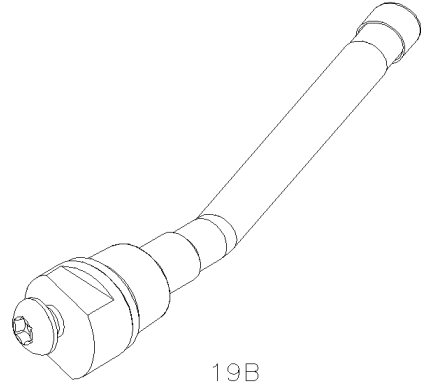
15



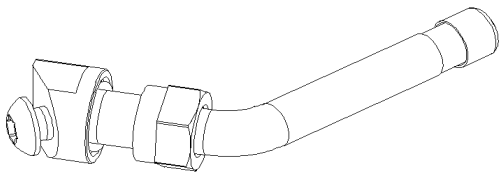
19A



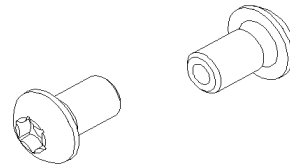
16



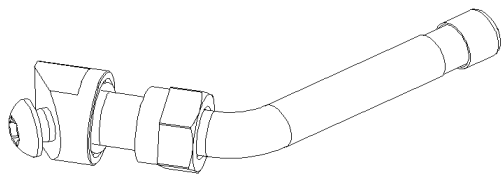
19B



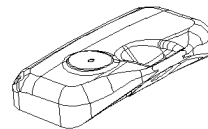
17



20



18



1

From 8-9422 To P-6797	Date:01/2024	PAGE:X3-1318-10
TIRE MONITOR PRESSURE - "BERU"		

Item#	Part	Description	QTY	Notes
1	564078	SENSOR TIRE PRESSURE - "BERU" To G-6064	9	A
NS	651118	WASHER REINFORCMENT SENSOR TIRE MODULE OBLONG / SS To G-6064	1	A
1	560032	SENSOR TIRE PRESSURE - "BERU" From G-6065 To H-6164	9	
1	560279	SENSOR TIRE PRESSURE - "BERU" From H-6165 To K-6392	9	
1	560749	SENSOR TIRE PRESSURE - "BERU" From K-6393 To N-6692	9	
1	564327	SENSOR TIRE PRESSURE - "BERU" From N-6693	9	
NS	066445	DECAL / "WARNING DETECTOR INSIDE" / ENGLISH To L-6537	AR	
NS	066446	DECAL / "WARNING DETECTOR INSIDE" / ENGLISH & FRANCAIS To L-6537	AR	
2A	564077	ANTENNA - TIRE PRESSURE To L-6515	1	
2A	564077	ANTENNA - TIRE PRESSURE To L-6515	1	
NS	563758	CONNECTOR / MICRO-QUADLOK-SYSTEM / SH 4C / AMP 1-967640-1 To L-6515	1	
NS	564074	CONNECTOR CAP 90° / MICRO-QUADLOK-SYSTEM / SCH 7806880-K To L-6515	1	
NS	563759	SOCKET TERMINAL / 24-20 / AMP 963727-1 To L-6515	1	
NS	563761	SEAL PLUG CAVITY / BLUE / AMP 967056-1 To L-6515	1	
2A	563520	FRONT ANTENNA - TIRE PRESSURE From L-6516	1	
2B	564077	ANTENNA - TIRE PRESSURE To L-6515	2	
2B	564077	ANTENNA - TIRE PRESSURE To L-6515	2	
NS	563758	CONNECTOR / MICRO-QUADLOK-SYSTEM / SH 4C / AMP 1-967640-1 To L-6515	1	
NS	564074	CONNECTOR CAP 90° / MICRO-QUADLOK-SYSTEM / SCH 7806880-K To L-6515	1	
NS	563759	SOCKET TERMINAL / 24-20 / AMP 963727-1 To L-6515	1	
NS	563761	SEAL PLUG CAVITY / BLUE / AMP 967056-1 To L-6515	1	
2B	563521	REAR RIGHT ANTENNA - TIRE PRESSURE From L-6516	1	
2B	563522	REAR LEFT ANTENNA - TIRE PRESSURE From L-6516	1	
3	564076	ECU TIRE PRESSURE To G-6064	1	
NS	564073	CONNECTOR TANDEM SPRING/ AMPMODU / SH 32C / AMP 1394010-1 To G-6064	1	
3	560056	ECU TIRE PRESSURE From G-6065 To L-6515	1	
3	563631	ECU TIRE PRESSURE From L-6516 To N-6763	1	
3	564326	ECU TIRE PRESSURE From N-6764	1	
4	564083	SCREEN MONITOR TIRE To B-5023	1	
4	564094	SCREEN MONITOR TIRE From B-5024 To E-5569	1	
4	565912	SCREEN MONITOR TIRE From E-5570 To J-6301	1	
4	560561	SCREEN MONITOR TIRE From J-6302	1	
NS	564084	PLATE TPMS / FIXED AT CENTRAL BOARD	1	
NS	564086	PLATE REAR TPMS ON CENTRAL BOARD	1	
NS	5001690	SCREW TC M5	3	
NS	564085	PLATE W/OUT TPMS ON CENTRAL BOARD	1	
NS	067205	WIRING HARNESS / FRT JCT BOX & ANTENNA To E-5581	1	
NS	068986	WIRING HARNESS / FRT JCT BOX & ANTENNA From E-5582 To H-6179		
4	060143	WIRING HARNESS / FRT JCT BOX & ANTENNA From H-6180 To L-6515	1	
4	0610143	WIRING HARNESS / FRT JCT BOX & ANTENNA From L-6516	1	
NS	067204	WIRING HARNESS / ECU FRT JCT BOX & ACCES.. To H-6179	1	
NS	060045	WIRING HARNESS / ECU FRT JCT BOX & ACCES.. From H-6180 To L-6515	1	

From 8-9422 To P-6797	Date:01/2024	PAGE:X3-1318-10
TIRE MONITOR PRESSURE - "BERU"		

Item#	Part	Description	QTY	Notes
4	0610142	WIRING HARNESS / ECU FRT JCT BOX & ACCES.. From L-6516	1	
NS	5001694	SCREW MA PAN PH M4-0.7x40 SS BK	6	
5A	502698	SCREW MA PAN PH M4-0.7x16 SS BK	1	
5B	5001332	SCREW MA PAN PH M4-0.7x16 SS To L-6515	2	
5B	500032	SCREW CAP HEX M5-0.8x16 BK From L-6516	2	
6A	502556	WASHER FL 4.3x9.0x0.8 SS	3	
6A	502556	WASHER FL 4.3x9.0x0.8 SS	3	
6B	502556	WASHER FL 4.3x9.0x0.8 SS To L-6515	6	
6B	502556	WASHER FL 4.3x9.0x0.8 SS To L-6515	6	
6B	5001137	WASHER FL .203x.438x.050 SS From L-6516	6	
7A	5001694	SCREW MA PAN PH M4-0.7x40 SS BK	2	
7B	5001696	SCREW MA PAN PH M4-0.7x35 SS To L-6515	4	
7B	502708	SCREW CAP HEX M5-0.8x35 SS From L-6516	4	
8	406121	SUPPORT ANTENNA TIRE PRESSURE To L-6515	2	
8	401257	SUPPORT ANTENNA TIRE PRESSURE From L-6516	2	
8	509815	TIE MOUNT / ATTACHMENT W/TREE MOUNT From L-6516	6	
8	564108	SELF MOUNTING STUD // DEUTSCH 1011-310-0205 From L-6516	1	
9	406085	SUPPORT ANTENNA TIRE PRESSURE	1	
10	382406	SUPPORT TIRE ECU PRESSURE To H-6179	1	
11	502868	SCREW TC TR PH #10-16x1/2 N500 To H-6179	5	
11	502686	SCREW CAP HEX M6-1.0x30 SS BK From H-6180 To L-6515	2	
11	5001975	SCREW TC BDG PH #10-24x3/8 SS410 ZINC From L-6516	2	
11	500804	WASHER FL .203x.500x.047 N500 From L-6516	2	
12	406119	PROTECTOR ANTENNA / AL "Z" SHAPE	1	
13	406122	PROTECTOR ANTENNA / AL "U" SHAPE To L-6515	2	
13	401364	PROTECTOR ANTENNA / AL "U" SHAPE From L-6516	2	
15	651079	KIT VALVE TR543E 60DEG 17.1 HD / W/WAL / 14" To C-5195	1	
. NS	651084	. SCREW MA BUT TORX W/HOLE M5-0.8x17 To C-5195	1	
. . NS	651118	. . WASHER REINFORCMENT SENSOR TIRE MODULE OBLONG / SS To C-5195	1	
. NS	651116	. O-RING 8.9MM I.D. x 1.9MM "VITON" To C-5195	1	
15	651126	KIT VALVE TR543E 60DEG 17.1 HD / W/WAL / 14" From C-5196 To G-6064	1	
. NS	651084	. SCREW MA BUT TORX W/HOLE M5-0.8x17 From C-5196 To G-6064	1	
. . NS	651118	. . WASHER REINFORCMENT SENSOR TIRE MODULE OBLONG / SS From C-5196 To G-6064	1	
. NS	651117	. O-RING 9.5MM I.D. x 2.0MM "VITON" From C-5196 To G-6064	1	
15	650013	KIT VALVE 60DEG / W/WAL / 14" From G-6065 To J-6274	1	
. NS	651116	. O-RING 8.9MM I.D. x 1.9MM "VITON" From G-6065 To J-6274	1	
. NS	650019	. SCREW MA BUT TORX W/HOLE M5 From G-6065 To J-6274	1	
15	650635	KIT VALVE 60DEG / W/WAL / 14" From J-6275	1	
15	150030	KIT VALVE 60DEG / W/WAL / 14" W/SENSOR From G-6065 To K-6392	1	
. NS	650635	. KIT VALVE 60DEG / W/WAL / 14" From G-6065 To K-6392	1	
. NS	560279	. SENSOR TIRE PRESSURE - "BERU" From G-6065 To K-6392	1	
15	150009	KIT VALVE 60DEG / W/WAL / 14" W/SENSOR From K-6393 To N-6692	1	

From 8-9422 To P-6797	Date:01/2024	PAGE:X3-1318-10
TIRE MONITOR PRESSURE - "BERU"		

Item#	Part	Description	QTY	Notes
. NS	650635	. KIT VALVE 60DEG / W/AL / 14" From K-6393 To N-6692	1	
. NS	560749	. SENSOR TIRE PRESSURE - "BERU" From K-6393 To N-6692	1	
15	150001	KIT VALVE 60DEG / W/AL / 14" W/SENSOR From N-6693	1	
. NS	650635	. KIT VALVE 60DEG / W/AL / 14" From N-6693	1	
. NS	564327	. SENSOR TIRE PRESSURE - "BERU" From N-6693	1	
16	651080	KIT VALVE TR543 13HD / W/AL / 10.5" To C-5195	1	
. NS	651084	. SCREW MA BUT TORX W/HOLE M5-0.8x17 To C-5195	1	
. . NS	651118	. . WASHER REINFORCMENT SENSOR TIRE MODULE OBLONG / SS To C-5195	1	
. NS	651117	. O-RING 9.5MM I.D. x 2.0MM "VITON" To C-5195	1	
16	651128	KIT VALVE TR543 13HD / W/AL / 10.5" From C-5196 To G-6064	1	
. NS	651084	. SCREW MA BUT TORX W/HOLE M5-0.8x17 From C-5196 To G-6064	1	
. . NS	651118	. . WASHER REINFORCMENT SENSOR TIRE MODULE OBLONG / SS From C-5196 To G-6064	1	
. NS	651117	. O-RING 9.5MM I.D. x 2.0MM "VITON" From C-5196 To G-6064	1	
16	650014	KIT VALVE / W/AL / 10.5" From G-6065 To J-6274	1	
. NS	651116	. O-RING 8.9MM I.D. x 1.9MM "VITON" From G-6065 To J-6274	1	
. NS	650019	. SCREW MA BUT TORX W/HOLE M5 From G-6065 To J-6274	1	
16	650636	KIT VALVE / W/AL / 10.5" From J-6275	1	
16	150031	KIT VALVE / W/AL / 10.5" / W/SENSOR From G-6065 To K-6392	1	
. NS	650636	. KIT VALVE / W/AL / 10.5" From G-6065 To K-6392	1	
. NS	560279	. SENSOR TIRE PRESSURE - "BERU" From G-6065 To K-6392	1	
16	150110	KIT VALVE / W/AL / 10.5" / W/SENSOR From K-6393 To N-6692	1	
. NS	650636	. KIT VALVE / W/AL / 10.5" From K-6393 To N-6692	1	
. NS	560749	. SENSOR TIRE PRESSURE - "BERU" From K-6393 To N-6692	1	
16	150002	KIT VALVE / W/AL / 10.5" / W/SENSOR From N-6693	1	
. NS	650636	. KIT VALVE / W/AL / 10.5" From N-6693	1	
. NS	564327	. SENSOR TIRE PRESSURE - "BERU" From N-6693	1	
17	651081	KIT VALVE TR544D 40DEG 13HD / W/AL HUB MOUNT / 9" To C-5195	1	
. NS	651084	. SCREW MA BUT TORX W/HOLE M5-0.8x17 To C-5195	1	
. . NS	651118	. . WASHER REINFORCMENT SENSOR TIRE MODULE OBLONG / SS To C-5195	1	
. NS	651117	. O-RING 9.5MM I.D. x 2.0MM "VITON" To C-5195	1	
17	651122	KIT VALVE TR544D 40DEG 13HD / W/AL HUB MOUNT / 9" From C-5196 To G-6064	1	
. NS	651084	. SCREW MA BUT TORX W/HOLE M5-0.8x17 From C-5196 To G-6064	1	
. . NS	651118	. . WASHER REINFORCMENT SENSOR TIRE MODULE OBLONG / SS From C-5196 To G-6064	1	
. NS	651117	. O-RING 9.5MM I.D. x 2.0MM "VITON" From C-5196 To G-6064	1	
17	650015	KIT VALVE 40DEG / W/AL / 9" From G-6065 To J-6274	1	
. NS	651116	. O-RING 8.9MM I.D. x 1.9MM "VITON" From G-6065 To J-6274	1	
. NS	650019	. SCREW MA BUT TORX W/HOLE M5 From G-6065 To J-6274	1	
17	650634	KIT VALVE 40DEG / W/AL / 9" From J-6275	1	
. NS	650019	. SCREW MA BUT TORX W/HOLE M5 From J-6275	1	
. NS	651191	. NUT From J-6275	1	
. NS	651267	. GROMMET V9-10-6 BLACK, TPMS VALVE From J-6275	1	
17	150032	KIT VALVE 40DEG / W/AL / 9" /W/SENSOR From G-6065 To K-6392	1	

From 8-9422 To P-6797	Date:01/2024	PAGE:X3-1318-10
TIRE MONITOR PRESSURE - "BERU"		

Item#	Part	Description	QTY	Notes
. NS	650634	. KIT VALVE 40DEG / W/AL / 9" From G-6065 To K-6392	1	
. . NS	650019	. . SCREW MA BUT TORX W/HOLE M5 From G-6065 To K-6392	1	
. . NS	651191	. . NUT From G-6065 To K-6392	1	
. . NS	651267	. . GROMMET V9-10-6 BLACK, TPMS VALVE From G-6065 To K-6392	1	
. NS	560279	. SENSOR TIRE PRESSURE - "BERU" From G-6065 To K-6392	1	
17	150111	KIT VALVE 40DEG / W/AL / 9" /W/SENSOR From K-6393 To N-6692	1	
. NS	650634	. KIT VALVE 40DEG / W/AL / 9" From K-6393 To N-6692	1	
. . NS	650019	. . SCREW MA BUT TORX W/HOLE M5 From K-6393 To N-6692	1	
. . NS	651191	. . NUT From K-6393 To N-6692	1	
. . NS	651267	. . GROMMET V9-10-6 BLACK, TPMS VALVE From K-6393 To N-6692	1	
. NS	560279	. SENSOR TIRE PRESSURE - "BERU" From K-6393 To N-6692	1	
17	150003	KIT VALVE 40DEG / W/AL / 9" /W/SENSOR From N-6693	1	
. NS	650634	. KIT VALVE 40DEG / W/AL / 9" From N-6693	1	
. . NS	650019	. . SCREW MA BUT TORX W/HOLE M5 From N-6693	1	
. . NS	651191	. . NUT From N-6693	1	
. . NS	651267	. . GROMMET V9-10-6 BLACK, TPMS VALVE From N-6693	1	
. NS	564327	. SENSOR TIRE PRESSURE - "BERU" From N-6693	1	
18	651082	KIT VALVE TR543C 9.5HD / W/AL STUD MOUNT / 9" To G-6064	1	
. NS	651084	. SCREW MA BUT TORX W/HOLE M5-0.8x17 To G-6064	1	
. . NS	651118	. . WASHER REINFORCMENT SENSOR TIRE MODULE OBLONG / SS To G-6064	1	
. NS	651117	. O-RING 9.5MM I.D. x 2.0MM "VITON" To G-6064	1	
18	650015	KIT VALVE 40DEG / W/AL / 9" From G-6065 To J-6274	1	
. NS	651116	. O-RING 8.9MM I.D. x 1.9MM "VITON" From G-6065 To J-6274	1	
. NS	650019	. SCREW MA BUT TORX W/HOLE M5 From G-6065 To J-6274	1	
18	650634	KIT VALVE 40DEG / W/AL / 9" From J-6275	1	
. NS	650019	. SCREW MA BUT TORX W/HOLE M5 From J-6275	1	
. NS	651191	. NUT From J-6275	1	
. NS	651267	. GROMMET V9-10-6 BLACK, TPMS VALVE From J-6275	1	
18	150032	KIT VALVE 40DEG / W/AL / 9" /W/SENSOR From G-6065 To K-6392	1	
. NS	650634	. KIT VALVE 40DEG / W/AL / 9" From G-6065 To K-6392	1	
. . NS	650019	. . SCREW MA BUT TORX W/HOLE M5 From G-6065 To K-6392	1	
. . NS	651191	. . NUT From G-6065 To K-6392	1	
. . NS	651267	. . GROMMET V9-10-6 BLACK, TPMS VALVE From G-6065 To K-6392	1	
. NS	560279	. SENSOR TIRE PRESSURE - "BERU" From G-6065 To K-6392	1	
18	150111	KIT VALVE 40DEG / W/AL / 9" /W/SENSOR From K-6393 To N-6692	1	
. NS	650634	. KIT VALVE 40DEG / W/AL / 9" From K-6393 To N-6692	1	
. . NS	650019	. . SCREW MA BUT TORX W/HOLE M5 From K-6393 To N-6692	1	
. . NS	651191	. . NUT From K-6393 To N-6692	1	
. . NS	651267	. . GROMMET V9-10-6 BLACK, TPMS VALVE From K-6393 To N-6692	1	
. NS	560279	. SENSOR TIRE PRESSURE - "BERU" From K-6393 To N-6692	1	
18	150003	KIT VALVE 40DEG / W/AL / 9" /W/SENSOR From N-6693	1	
. NS	650634	. KIT VALVE 40DEG / W/AL / 9" From N-6693	1	

From 8-9422 To P-6797	Date:01/2024	PAGE:X3-1318-10
TIRE MONITOR PRESSURE - "BERU"		

Item#	Part	Description	QTY	Notes
. . NS	650019	. . SCREW MA BUT TORX W/HOLE M5 From N-6693	1	
. . NS	651191	. . NUT From N-6693	1	
. . NS	651267	. . GROMMET V9-10-6 BLACK, TPMS VALVE From N-6693	1	
. NS	564327	. SENSOR TIRE PRESSURE - "BERU" From N-6693	1	
19A	651083	KIT VALVE TR572 20DEG 13HD / W/STEEL WHEELS 8.25" & 9" To G-6064	1	9.0
19A	651083	KIT VALVE TR572 20DEG 13HD / W/STEEL WHEELS 8.25" & 9" To G-6064	1	9.0
. NS	651084	. SCREW MA BUT TORX W/HOLE M5-0.8x17 To G-6064	1	9.0
. . NS	651118	. . WASHER REINFORCMENT SENSOR TIRE MODULE OBLONG / SS To G-6064	1	9.0
. NS	651119	. SEAL VALVE / STEEL "VITON" GREEN To G-6064	1	9.0
19A	650018	KIT VALVE 20DEG / W/STEEL WHEELS 9" From G-6065 To K-6426	1	9.0
. NS	650019	. SCREW MA BUT TORX W/HOLE M5 From G-6065 To K-6426	1	9.0
. NS	651119	. SEAL VALVE / STEEL "VITON" GREEN From G-6065 To K-6426	1	9.0
19A	650016	KIT VALVE 20DEG / W/STEEL WHEELS 9" From K-6427	1	9.0
. NS	650019	. SCREW MA BUT TORX W/HOLE M5 From K-6427	1	9.0
. NS	651119	. SEAL VALVE / STEEL "VITON" GREEN From K-6427	1	9.0
19A	150034	KIT VALVE 20DEG / W/STEEL WHEELS 9" / W/SENSOR From G-6065 To K-6392	1	9.0
. NS	650018	. KIT VALVE 20DEG / W/STEEL WHEELS 9" From G-6065 To K-6392	1	9.0
. . NS	650019	. . SCREW MA BUT TORX W/HOLE M5 From G-6065 To K-6392	1	9.0
. . NS	651119	. . SEAL VALVE / STEEL "VITON" GREEN From G-6065 To K-6392	1	9.0
. NS	560279	. SENSOR TIRE PRESSURE - "BERU" From G-6065 To K-6392	1	9.0
19A	150114	KIT VALVE 20DEG / W/STEEL WHEELS 9" / W/SENSOR From K-6393 To N-6692	1	9.0
. NS	650016	. KIT VALVE 20DEG / W/STEEL WHEELS 9" From K-6393 To N-6692	1	9.0
. . NS	650019	. . SCREW MA BUT TORX W/HOLE M5 From K-6393 To N-6692	1	9.0
. . NS	651119	. . SEAL VALVE / STEEL "VITON" GREEN From K-6393 To N-6692	1	9.0
. NS	560749	. SENSOR TIRE PRESSURE - "BERU" From K-6393 To N-6692	1	9.0
19A	150005	KIT VALVE 20DEG / W/STEEL WHEELS 9" / W/SENSOR From N-6693	1	9.0
. NS	650016	. KIT VALVE 20DEG / W/STEEL WHEELS 9" From N-6693	1	9.0
. . NS	650019	. . SCREW MA BUT TORX W/HOLE M5 From N-6693	1	9.0
. . NS	651119	. . SEAL VALVE / STEEL "VITON" GREEN From N-6693	1	9.0
. NS	564327	. SENSOR TIRE PRESSURE - "BERU" From N-6693	1	9.0
19B	651083	KIT VALVE TR572 20DEG 13HD / W/STEEL WHEELS 8.25" & 9" To G-6064	1	8.25
19B	651083	KIT VALVE TR572 20DEG 13HD / W/STEEL WHEELS 8.25" & 9" To G-6064	1	8.25
. NS	651084	. SCREW MA BUT TORX W/HOLE M5-0.8x17 To G-6064	1	8.25
. . NS	651118	. . WASHER REINFORCMENT SENSOR TIRE MODULE OBLONG / SS To G-6064	1	8.25
. NS	651119	. SEAL VALVE / STEEL "VITON" GREEN To G-6064	1	8.25
19B	650017	KIT VALVE 20DEG / W/STEEL WHEELS 8.25" From G-6065	1	8.25
. NS	650019	. SCREW MA BUT TORX W/HOLE M5 From G-6065	1	8.25
. NS	651119	. SEAL VALVE / STEEL "VITON" GREEN From G-6065	1	8.25
19B	150033	KIT VALVE 20DEG / W/STEEL WHEELS 8.25" / W/SENSOR From G-6065 To K-6392	1	8.25
. NS	650017	. KIT VALVE 20DEG / W/STEEL WHEELS 8.25" From G-6065 To K-6392	1	8.25
. . NS	650019	. . SCREW MA BUT TORX W/HOLE M5 From G-6065 To K-6392	1	8.25
. . NS	651119	. . SEAL VALVE / STEEL "VITON" GREEN From G-6065 To K-6392	1	8.25

From 8-9422 To P-6797	Date:01/2024	PAGE:X3-1318-10
-----------------------	--------------	-----------------

TIRE MONITOR PRESSURE - "BERU"

Item#	Part	Description	QTY	Notes
. NS	560279	. SENSOR TIRE PRESSURE - "BERU" From G-6065 To K-6392	1	8.25
19B	150112	KIT VALVE 20DEG /W/STEEL WHEELS 8.25"/W/SENSOR From K-6393 To N-6692	1	8.25
. NS	650017	. KIT VALVE 20DEG / W/STEEL WHEELS 8.25" From K-6393 To N-6692	1	8.25
. . NS	650019	. . SCREW MA BUT TORX W/HOLE M5 From K-6393 To N-6692	1	8.25
. . NS	651119	. . SEAL VALVE / STEEL "VITON" GREEN From K-6393 To N-6692	1	8.25
. NS	560749	. SENSOR TIRE PRESSURE - "BERU" From K-6393 To N-6692	1	8.25
19B	150004	KIT VALVE 20DEG /W/STEEL WHEELS 8.25"/W/SENSOR From N-6693	1	8.25
. NS	650017	. KIT VALVE 20DEG / W/STEEL WHEELS 8.25" From N-6693	1	8.25
. . NS	650019	. . SCREW MA BUT TORX W/HOLE M5 From N-6693	1	8.25
. . NS	651119	. . SEAL VALVE / STEEL "VITON" GREEN From N-6693	1	8.25
. NS	564327	. SENSOR TIRE PRESSURE - "BERU" From N-6693	1	8.25
20	651084	. SCREW MA BUT TORX W/HOLE M5-0.8x17 To G-6064	1	
. NS	651118	. . WASHER REINFORCMENT SENSOR TIRE MODULE OBLONG / SS To G-6064	1	
20	650019	. SCREW MA BUT TORX W/HOLE M5 From G-6065	1	
NS	685324	GREASE "PERMATEX" DIELECTRIC TUBE 3 OZ	AR	S
20	680038	THREAD LOCKER LOCTITE #243 / BLUE / 50ml	AR	
21	500952	SCREW TP BDG PH #8x1/2 SS	2	
22	5001681	SCREW CAP HEX M6-1.0x60 SS	2	
23	500411	WASHER FL .260x.697x.050 SS	8	
24	502681	NUT HEX NYRT M6-1.0 N500 G8	AR	
25	502848	SCREW TC CAP HEXF 1/4-20x3/4 N500	2	
26	5001608	WASHER BEL SPR 6.2x15.0x0.7 G500	4	
27	5001182	NUT HEX NYRT M6-1.0 SS	2	
31	509815	TIE MOUNT / ATTACHMENT W/TREE MOUNT	AR	
31	504637	CABLE TIE / 3/16" x 13"	AR	
NS	IS21070	KIT TPMS ANTENNAS REPLACEMENT	1	
		8.25) USE WITH STEEL WHEEL 8.25"		
		9.0) USE WITH STEEL WHEEL 9.0"		
		A) WHEN YOU REPLACE SENSOR 564078 YOU NEED TO REPLACE IT WITH SENSOR 560032 AND CHOOSE KIT VALVE 650013 / 650014 / 650015 / 650018 / 650017 FOR YOUR WHEEL MODEL		
		S) USE TO PREVENT CORROSION WITH ALUMINUM WHEELS		

PREVOST

Feuille d'instructions

FI-21070

REPLACEMENT ANTENNES TPMS OBSOLÈTE

PREVOST

Instruction Sheet

IS-21070

OBSOLETE TPMS ANTENNAS REPLACEMENT

From 8-9422 To P-6797	Date:01/2024	PAGE:IS21070
KIT TPMS ANTENNAS REPLACEMENT		

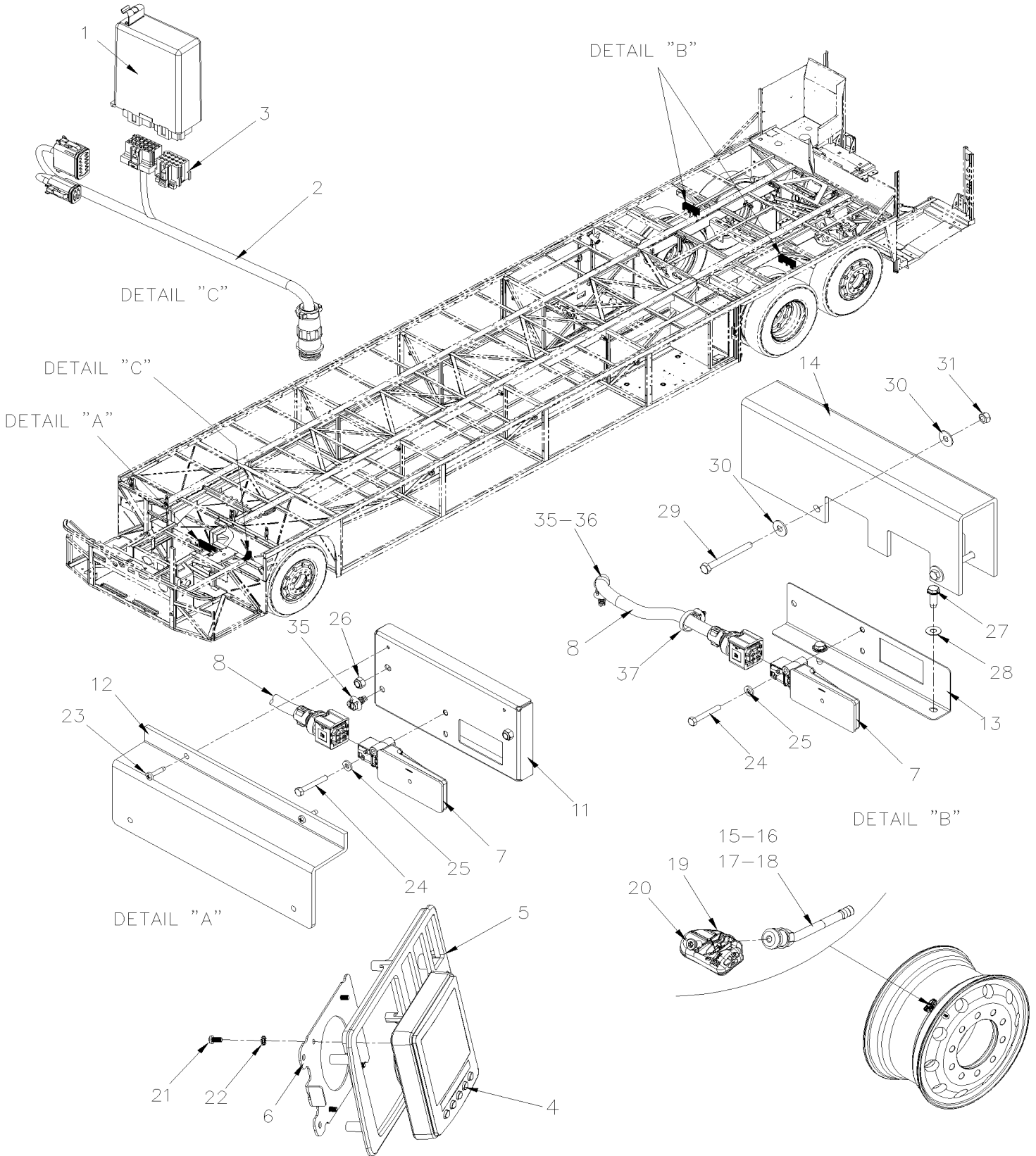
Item#	Part	Description	QTY	Notes
NS	564305	ANTENNA, TPMS "SENSATA"	3	
NS	564413	TPMS, SENSATA ECU	1	
NS	380252	SUPPORT / RELAY	1	
NS	406762	SUPPORT, ANTENNA	1	
NS	406119	PROTECTOR ANTENNA / AL "Z" SHAPE	1	
NS	401333	SUPPORT, ANTENNA	2	
NS	406764	PROTECTOR, ANTENNA	2	
NS	0610632	WIRING HARNESS / ECU FRT JCT BOX & ACCES..	1	
NS	504622	GROMMET / 1.500x1.750x.062x.437x2.125	1	
NS	0610631	WIRING HARNESS / FRT JCT BOX & ANTENNA	1	
NS	562795	CONNECTOR / JUNIOR POWER TIMER / SH 15C / AMP 964561-2	1	
NS	5001182	NUT HEX NYRT M6-1.0 SS	2	
NS	502708	SCREW CAP HEX M5-0.8x35 SS	3	
NS	5001137	WASHER FL .203x.438x.050 SS	3	
NS	502848	SCREW TC CAP HEXF 1/4-20x3/4 N500	4	
NS	5001608	WASHER BEL SPR 6.2x15.0x0.7 G500	4	
NS	5001681	SCREW CAP HEX M6-1.0x60 SS	4	
NS	500411	WASHER FL .260x.697x.050 SS	8	
NS	502681	NUT HEX NYRT M6-1.0 N500 G8	4	
NS	502868	SCREW TC TR PH #10-16x1/2 N500	2	
NS	500804	WASHER FL .203x.500x.047 N500	2	
NS	509815	TIE MOUNT / ATTACHMENT W/TREE MOUNT	17	
NS	504637	CABLE TIE / 3/16" x 13"	20	
NS	8631155	CABLE TIE / 4.6MM x 200 / CHRISTMAS TREE	2	
NS	504013	TIE MOUNT / 1/4" X 1/4" I.D.	2	
NS	504347	RIVET POP DOME OE 3/16x1/4 AL	2	
NS	IS-21070	SEE ENGLISH INSTRUCTION SHEET	1	
NS	FI-21070	SEE FRENCH INSTRUCTION SHEET	1	
NS		PARTS BELOW NOT INCLUDED IN KIT IS21070		
NS		STEEL WHEEL 9"		
NS	150006	KIT VALVE & SENSOR / FOR WHEEL STEEL 9"	1	
NS		ALUMINIUM WHEEL 9"		
NS	150201	KIT VALVE & SENSOR / FOR WHEEL AL 9"	1	
NS		ALUMINIUM WHEEL 10.5"		
NS	150149	KIT VALVE & SENSOR / FOR WHEEL AL 10.5"	1	
NS		ALUMINIUM WHEEL 14"		
NS	150177	KIT VALVE & SENSOR / FOR WHEEL AL 14"	1	

From 8-9422 To P-6797		Date:01/2024	PAGE:IS21070
-----------------------	--	--------------	--------------

KIT TPMS ANTENNAS REPLACEMENT

Item#	Part	Description	QTY	Notes
NS	684517	ADHESIVE SIMSON #SR 70-03 / GREY / 310ml CARTRIDGE	1	
NS	680038	THREAD LOCKER LOCTITE #243 / BLUE / 50ml	1	
NS	685324	GREASE "PERMATEX" DIELECTRIC TUBE 3 OZ	1	

TIRE MONITOR PRESSURE - "SENSATA"

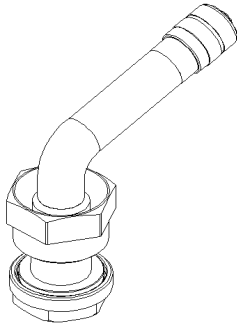


From P-6798

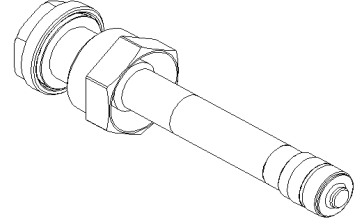
Date:01/2024

PAGE:X3-1318-11

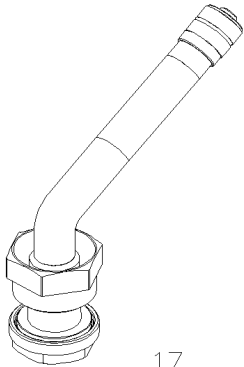
TIRE MONITOR PRESSURE - "SENSATA"



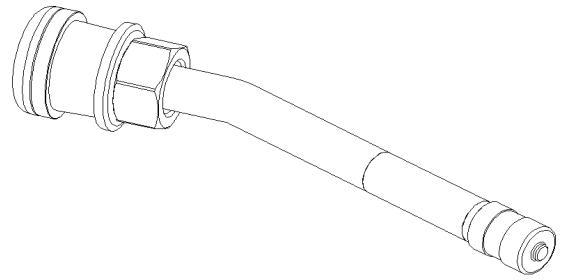
15



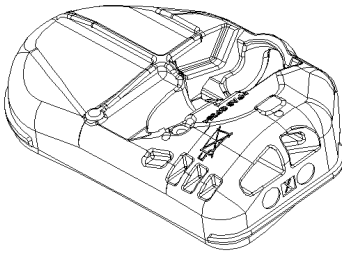
16



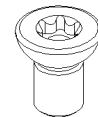
17



18



19



20

From P-6798		Date:01/2024	PAGE:X3-1318-11
-------------	--	--------------	-----------------

TIRE MONITOR PRESSURE - "SENSATA"

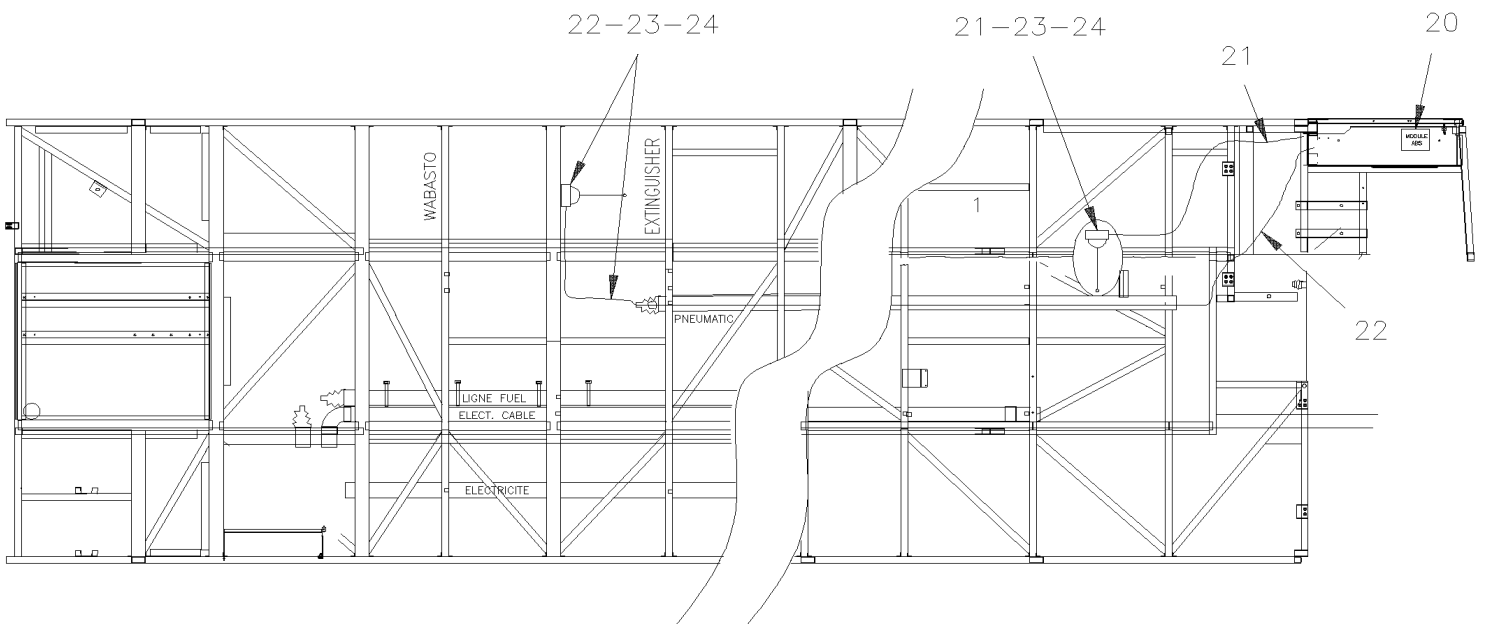
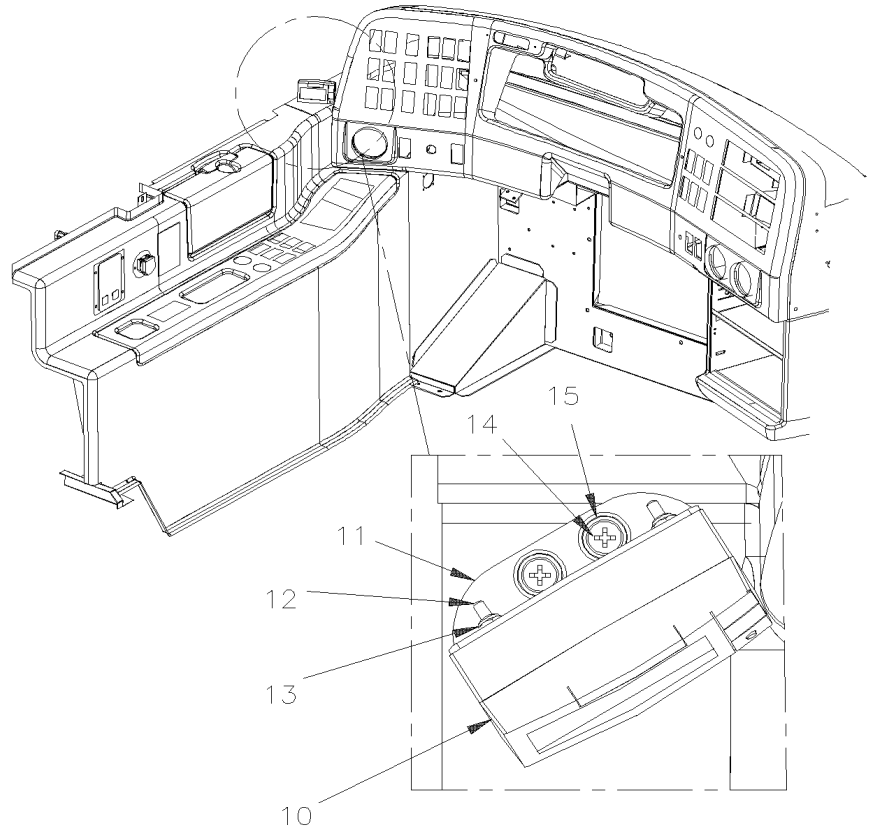
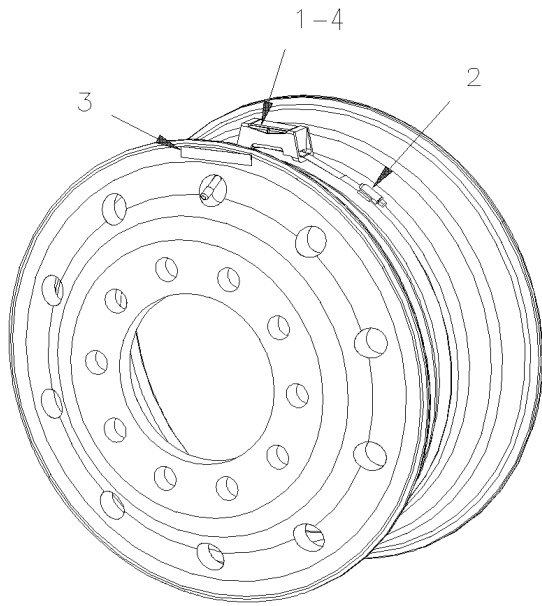
Item#	Part	Description	QTY	Notes
1	564413	TPMS, SENSATA ECU	1	
2	0610632	WIRING HARNESS / ECU FRT JCT BOX & ACCES..	1	
3	562795	CONNECTOR / JUNIOR POWER TIMER / SH 15C / AMP 964561-2	1	
4	560561	SCREEN MONITOR TIRE	1	
5	390088	LOCK FOR TPMS PLATE	1	
5	564084	PLATE TPMS / FIXED AT CENTRAL BOARD	1	
5	5001690	SCREW TC M5	6	
6	564086	PLATE REAR TPMS ON CENTRAL BOARD	1	
7	564305	ANTENNA, TPMS "SENSATA"	3	
8	0610631	WIRING HARNESS / FRT JCT BOX & ANTENNA	1	
11	406762	SUPPORT, ANTENNA	1	
12	406119	PROTECTOR ANTENNA / AL "Z" SHAPE	1	
13	401333	SUPPORT, ANTENNA	2	
14	406764	PROTECTOR, ANTENNA	2	
15	651194	VALVE, ALUMINIUM WHEEL 14"	AR	
15	150177	KIT VALVE & SENSOR / FOR WHEEL AL 14"	AR	
16	651195	VALVE, ALUMINIUM WHEEL 10.5"	AR	
16	150149	KIT VALVE & SENSOR / FOR WHEEL AL 10.5"	AR	
17	651196	VALVE, ALUMINIUM WHEEL 9"	AR	
17	150201	KIT VALVE & SENSOR / FOR WHEEL AL 9"	AR	
18	651198	VALVE, STEEL WHEEL 9"	AR	
18	150006	KIT VALVE & SENSOR / FOR WHEEL STEEL 9"	AR	
19	564307	SENSOR TPMS "SENSATA"	AR	
20	651200	SCREW MA TORX AD M6-1.0x10 "SENSATA"	AR	
21	5001401	SCREW MA CHE PH M4-0.7x8 ZP	4	
22	5002032	WASHER LO EXT 4.3x8.0x0.5 Z050	4	
23	502868	SCREW TC TR PH #10-16x1/2 N500	2	
24	502708	SCREW CAP HEX M5-0.8x35 SS	3	
25	5001137	WASHER FL .203x.438x.050 SS	3	
26	5001182	NUT HEX NYRT M6-1.0 SS	2	
27	502848	SCREW TC CAP HEXF 1/4-20x3/4 N500	4	
28	5001608	WASHER BEL SPR 6.2x15.0x0.7 G500	4	
29	5001681	SCREW CAP HEX M6-1.0x60 SS	4	
30	500411	WASHER FL .260x.697x.050 SS	8	
31	502681	NUT HEX NYRT M6-1.0 N500 G8	4	
35	509815	TIE MOUNT / ATTACHMENT W/TREE MOUNT	AR	
36	504637	CABLE TIE / 3/16" x 13"	AR	
37	8631155	CABLE TIE / 4.6MM x 200 / CHRISTMAS TREE	2	

From 7-8754 To 8-9421

Date:01/2024

PAGE:X3-1318-99

TIRE MONITOR - PRESSURE & TEMPERATURE - "RETROFIT"



From 7-8754 To 8-9421	Date:01/2024	PAGE:X3-1318-99
TIRE MONITOR - PRESSURE & TEMPERATURE - "RETROFIT"		

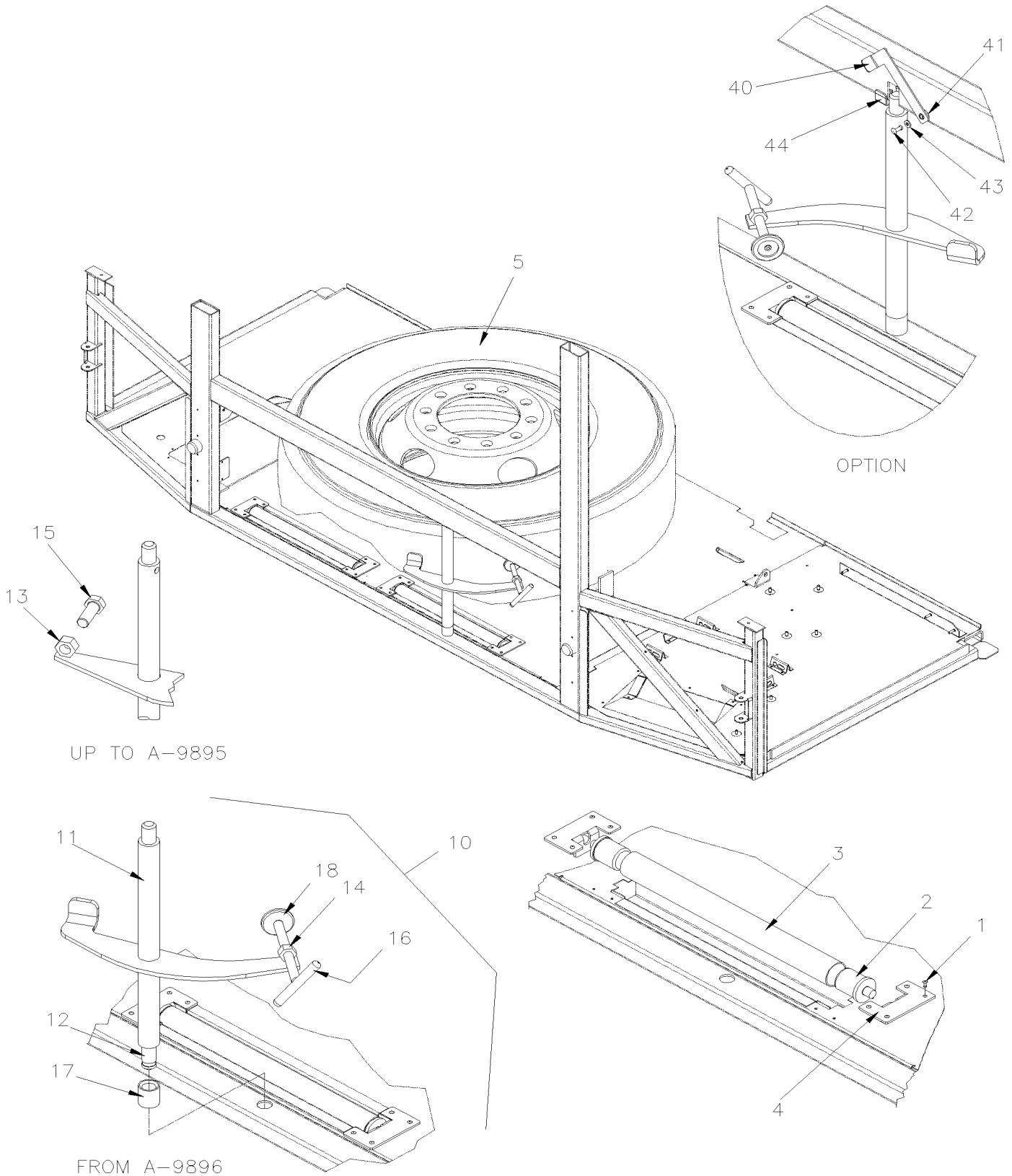
Item#	Part	Description	QTY	Notes
1	382333	DETECTOR PRESSURE & TEMPERATURE	AR	
2	507643	CLAMP DETECTOR PRESSURE / INSIDE OF WHEEL	AR	
3	066445	DECAL / "WARNING DETECTOR INSIDE" / ENGLISH	AR	
4	651068	CRADLE BOX / SENSOR	1	
10	382332	DISPLAY MONITOR TIRE / FULL PROGRAMATION	1	
11	382340	SUPPORT DISPLAY	1	
12	5001454	SCREW MA BDG PH #4-40x1/2 SS	2	
13	500425	NUT HEX NYRT #4-40 SS	2	
14	500353	SCREW TP FL PH #8x3/4 BK	2	
15	500345	WASHER FN CKF .187x.500x.090 BR BK	2	
20	382334	RECEIVER TIRE MONITOR / ASSY W/CONNECTOR	1	
. NS	382355	. RECEIVER TIRE MONITOR	1	
21	382331	ANTENNA TIRE MONITOR / FRONT	1	
22	382335	ANTENNA TIRE MONITOR / REAR	1	
22	382358	SUPPORT ANTENNA TIRE MONITOR	2	
23	500623	SCREW TC PAN PH #10-24x3/4 N500	6	
24	500470	WASHER LO SPT .193x.334x.047 Z050	6	
NS	563611	INITIALER TIRE SMART CONTROLER / CUSTOMER USE ONLY TO START S	1	
NS	060906	KIT, COMPLET MODULE TIRE PSI DETECTOR / W/MUX SERVICE	1	
. NS	IS-04084A	. SEE INSTRUCTION SHEET	1	

From 7-8754 To E-5585

Date:01/2024

PAGE:X3-1325-00

SPARE WHEEL - INSTALLATION



From 7-8754 To E-5585	Date:01/2024	PAGE:X3-1325-00
SPARE WHEEL - INSTALLATION		

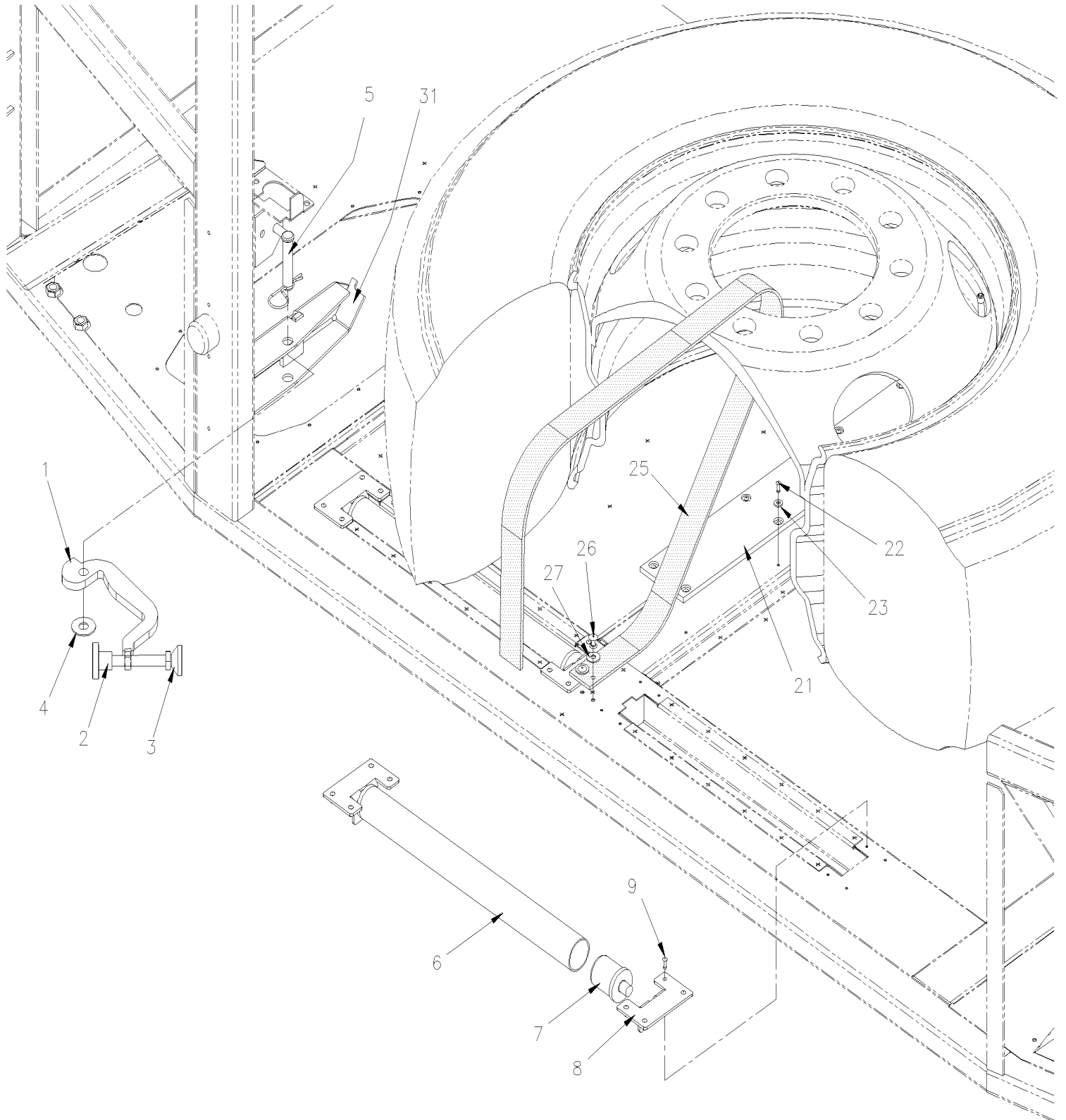
Item#	Part	Description	QTY	Notes
1	150313	ANGLE SUPPORT	4	
2	150314	AXLE SHAFT	4	
3	150318	TUBE	2	
4	504339	RIVET POP DOME OE 1/8x3/8 SS	AR	
5	150128	COVER SPARE WHEEL	1	
10	150768	ATTACHMENT SPARE TIRE RETAINER ASSY / COMPLETE To A-9895	1	
10	150670	ATTACHMENT SPARE TIRE RETAINER ASSY / COMPLETE From A-9896 To B-5009	1	B
10	150788	ATTACHMENT SPARE TIRE RETAINER ASSY / COMPLETE From B-5010	1	A
11	150769	. ATTACHMENT ASSY To A-9895	1	
11	150669	. ATTACHMENT ASSY From A-9896	1	
12	150771	. . ATTACHMENT RETAINER ASSY To A-9895	1	
13	500792	. . NUT HEX 5/8-11 Z050 To A-9895	1	
14	500789	. . NUT HEX 1/2-13 Z050	1	
15	500225	. SCREW CAP HEX 5/8-11x1 G5 Z050 To A-9895	1	
16	150223	. HANDLE ASSY	1	
17	150767	SPACER	1	
18	5001001	NUT SW 1/2-13	1	
NS	156011	STOPPER ANGLE 100MM X 90MM From 9-9536	1	
NS	161182	DECAL "WARNING SPARE TIRE...." BILINGUAL 315/80/R22.5 Tag & Frt	1	
NS	150786	DECAL "WARNING SPARE TIRE...." BILINGUAL 315/80/R22.5 STEEL WHEEL To C-5122	1	
30	150791	DECAL "WARNING SPARE TIRE...." BILINGUAL From C-5123	1	
30	150786	DECAL "WARNING SPARE TIRE...." BILINGUAL 315/80/R22.5 STEEL WHEEL To C-5090	1	GR
30	150795	DECAL "WARNING SPARE TIRE...." BILINGUAL / ENGLISH & SPANISH From C-5091	1	GR
30	150796	DECAL "WARNING SPARE TIRE...." BILINGUAL / ENGLISH & FRANCAIS From C-5091	1	GR
40	156354	LATCH, SPARE TIRE	1	GR
41	156355	PIVOT, SPARE TIRE	1	GR
42	504416	RIVET POP DOME OE 3/16x5/8 SS	3	GR
43	504357	WASHER FL .187x.437x.050 SS	1	GR
44	156353	LOCK, SPARE TIRE	1	GR
		A) DO NOT INCLUDE SPACER #150767 <input type="checkbox"/>		
		B) INCLUDE SPACER #150767		
		GR) GREYHOUND" OPTION		

From E-5586

Date:01/2024

PAGE:X3-1325-01

SPARE WHEEL - INSTALLATION



From E-5586	Date:01/2024	PAGE:X3-1325-01
SPARE WHEEL - INSTALLATION		

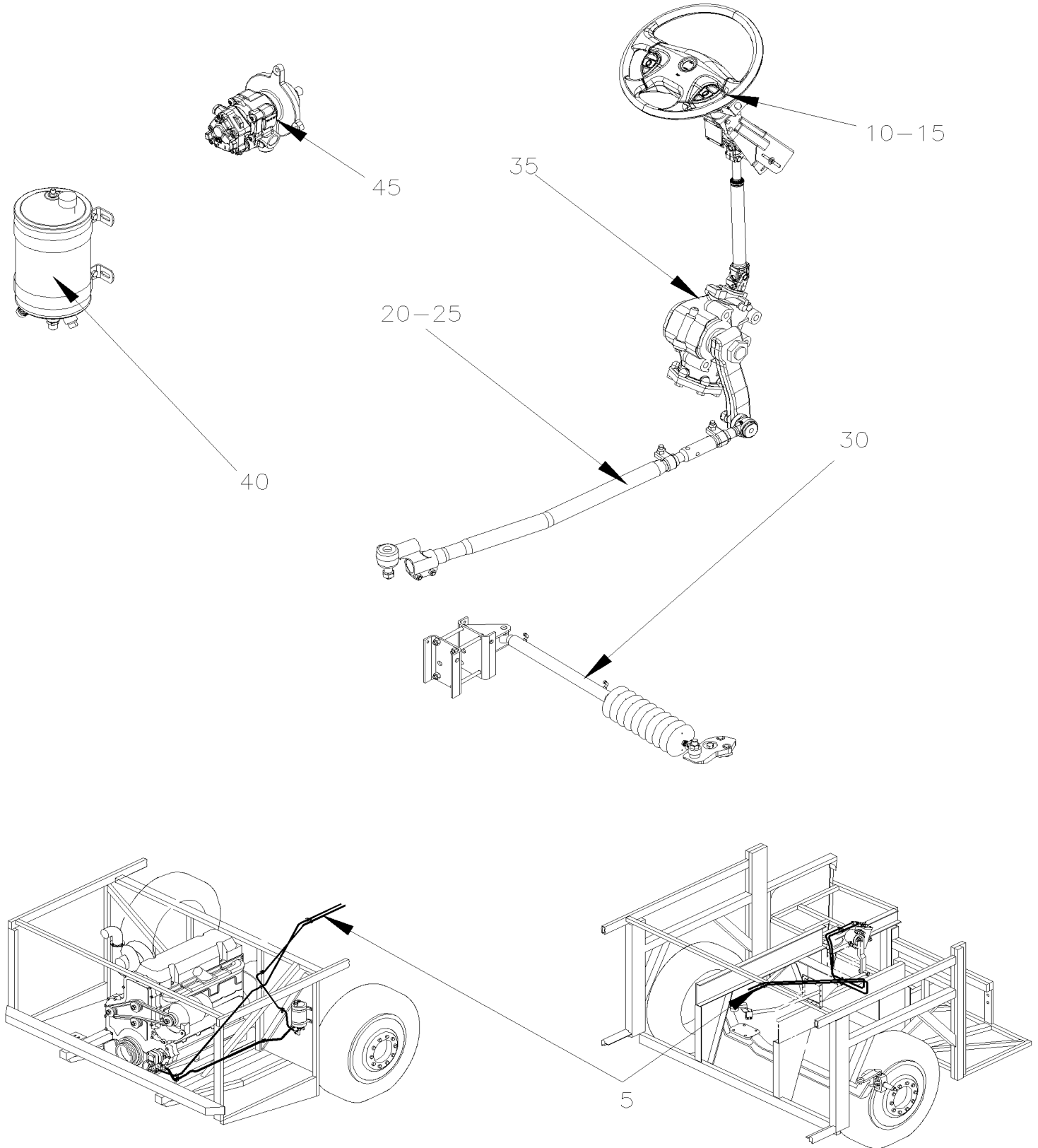
Item#	Part	Description	QTY	Notes
1	411302	STOPPER ASSY	1	
2	5001701	BUTTON SS M10-1.5 SS	1	
3	5001702	NUT SW M10-1.5 SS	1	
4	5001233	WASHER FL .500x1.250x.062 NYL	1	
5	5001703	PIN, CLEVIS 1/2 x 2 1/2 SS	1	
6	150318	TUBE	2	
7	150314	AXLE SHAFT	4	
8	150797	ANGLE SUPPORT	4	
9	504339	RIVET POP DOME OE 1/8x3/8 SS	16	
NS	680343	GREASE CLEAR SPRAY BOTTLE 283GR	1	
NS	150128	COVER SPARE WHEEL	1	
21	150798	SLIDE TRACK	1	
22	504339	RIVET POP DOME OE 1/8x3/8 SS	9	
23	5001137	WASHER FL .203x.438x.050 SS	9	
25	157734	STRAP	1	
26	504747	RIVET HKL MMS 3/16x3/8 SS To E-5603	2	
26	504793	RIVET MNB OE LARGE HEAD 3/16x7/16 SS From E-5604	2	
27	500411	WASHER FL .260x.697x.050 SS	2	
NS	682175	UNDERCOATING BLACK PROTECTOR (GRAVELGUARD) 567gr To N-6731	AR	
NS	685413	RUBBERIZED UNDERCOAT (GRAVELGUARD) 560gr From N-6732	AR	
31	173958	SUPPORT, STOPPER (WELDED)	1	

From 7-8754

Date:01/2024

X3-14

STEERING



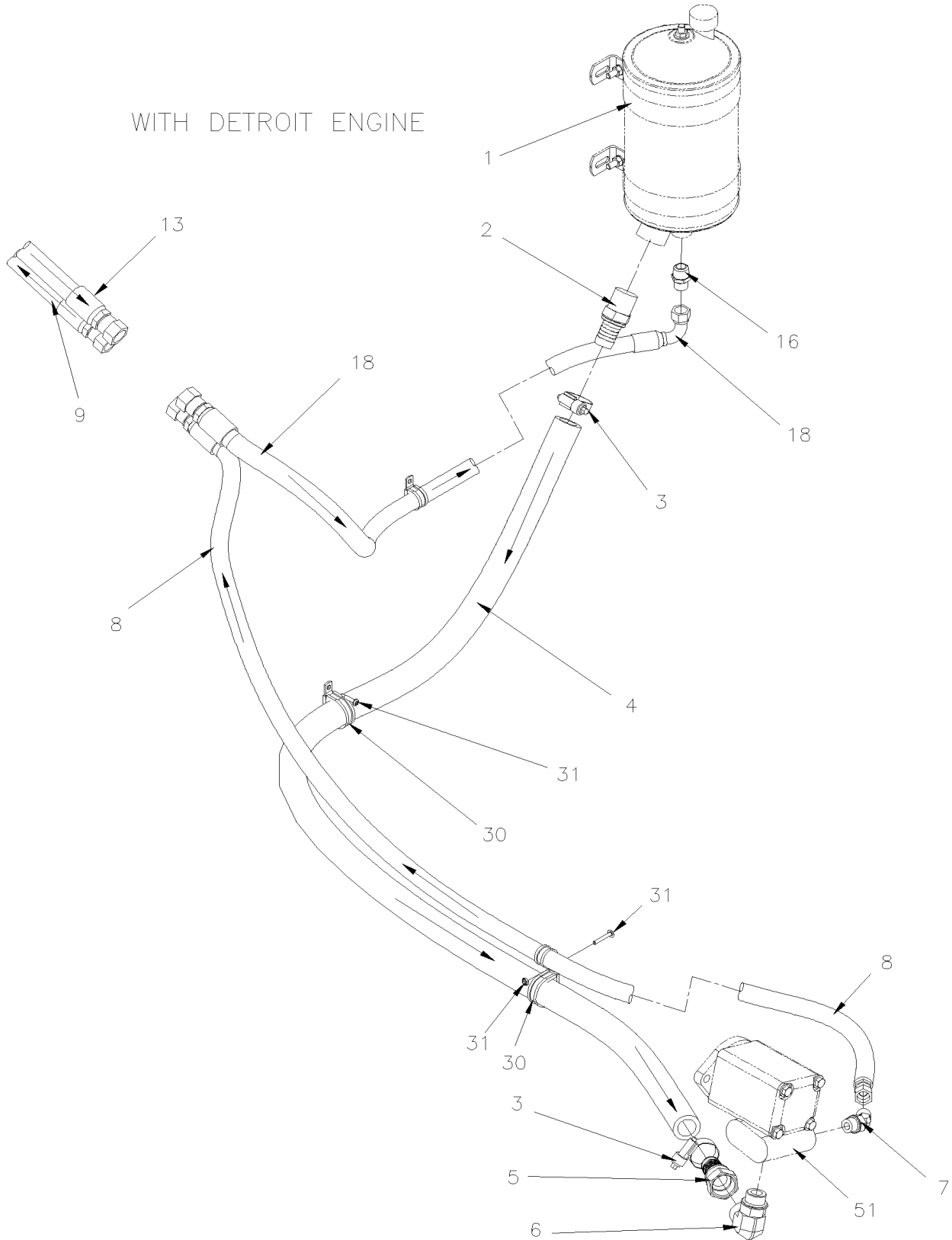
From 7-8754	Date:01/2024	X3-14
-------------	--------------	-------

STEERING

Item#	Part	Description	QTY	Notes
5	X3-1400-00	POWER STEERING HOSE - INSTALLATION From 7-8754 To E-5488		
5	X3-1400-01	POWER STEERING HOSE - INSTALLATION From E-5489 To H-6179		
5	X3-1400-02	POWER STEERING HOSE - INSTALLATION VOLVO D13 - GHG17 From H-6180		
10	X3-1405-00	STEERING WHEEL & COLUMN ASSY From 7-8754 To 8-9421		
10	X3-1405-01	STEERING WHEEL & COLUMN ASSY WITH CONTROL SWITCHES From 8-9422		
15	X3-1407-00	STEERING COLUMN & COVER - INSTALLATION From 7-8754		
20	X3-1410-00	STEERING GEAR BOX & DRAG LINK - INSTALLATION From 7-8754		
25	X3-1410-50	STEERING RODS - INSTALLATION W/INDEPENDENT "NDIFS80P" / 18000LBS From 7-8754 To F-5796		
25	X3-1410-51	STEERING RODS - INSTALLATION W/INDEPENDENT "NDIFS80P" / 19000LBS From F-5797		
30	X3-1412-00	STEERING DAMPER - INSTALL W/ I BEAM RIGID From 7-8754		
35	X3-1415-00	STEERING GEARBOX - "ZF" W/ I BEAM RIGID From 7-8754		
35	X3-1415-50	STEERING GEARBOX - "ZF" - W/INDEPENDENT From 7-8754		
40	X3-1420-00	POWER STEERING TANK - 4 QT U.S. From 7-8754 To K-6464		
40	X3-1420-10	POWER STEERING TANK - ZF From K-6465		
45	X3-1427-00	POWER STEERING PUMP - "TRW" - WITH DETROIT S-60 From 7-8754 To B-5001		
45	X3-1427-01	POWER STEERING PUMP - "VOLVO" D13 From 8-9457		

POWER STEERING HOSE - INSTALLATION

WITH DETROIT ENGINE

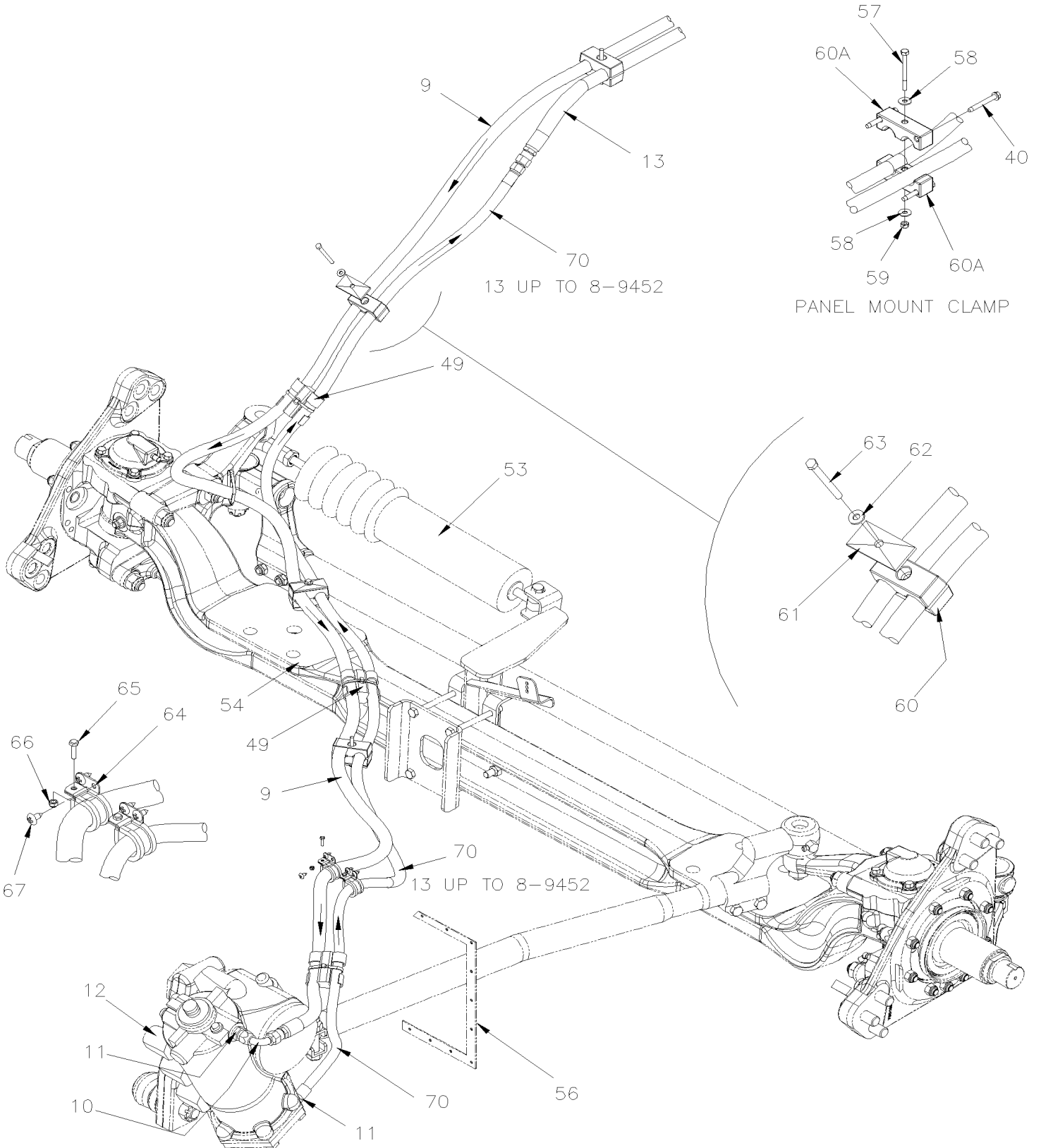


From 7-8754 To E-5488

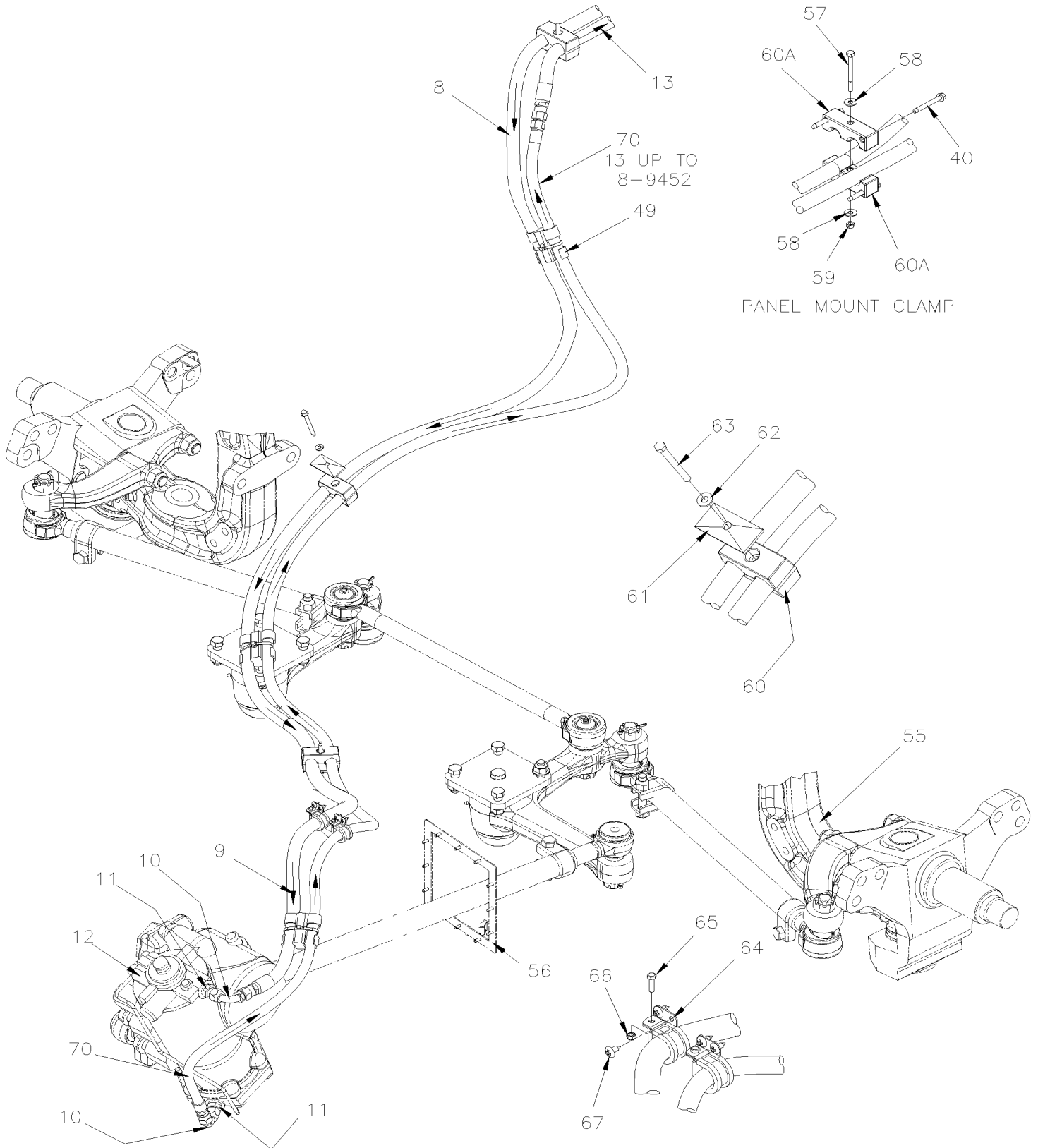
Date:01/2024

PAGE:X3-1400-00

POWER STEERING HOSE - INSTALLATION



POWER STEERING HOSE - INSTALLATION



From 7-8754 To E-5488	Date:01/2024	PAGE:X3-1400-00
POWER STEERING HOSE - INSTALLATION		

Item#	Part	Description	QTY	Notes
1	X3-1420-00	POWER STEERING TANK - 4 QT U.S.		
2	5011086	MALE CONNECTOR / PUSH-LOK FITTING / 1NPT-Mx#16 STL	1	
3	504291	HOSE CLAMP / 1"1/8-1"3/4 SS / E.T. 20	AR	
4	161131	HOSE #16 1350MM To 8-9276	1	S60
4	163483	HOSE #16 1450MM From 8-9277 To B-5001	1	S60
4	161275	HOSE #16 1180MM From 8-9451 To B-5001	1	D13
4	503577	. HOSE #16 / S.L.	AR	
4	161334P	HOSE #16 1040MM From B-5002	1	D13
5	5011147	FEMALE CONNECTOR SWIVEL / COLLAR FITTING / #16JIC-Fx#16 STL	1	
6	5011148	MALE ELBOW 90° / JIC 37° FITTING / #16JIC-Mx#12ORB-M STL	1	
7	5011167	MALE ELBOW 45° / JIC 37° FITTING / #8JIC-Mx#8ORB-M STL	1	
8	163473	HOSE ASSY / #8 2750MM To A-9866	1	A S60
8	163473	HOSE ASSY / #8 2750MM From A-9867 To B-5001	1	A S60
8	163487	HOSE ASSY / #8 1600MM From 8-9451 To A-9666	1	D13
8	163487	HOSE ASSY / #8 1600MM From A-9867 To B-5001	1	D13
8	505181	COIL PROTECTOR / PLASTIC / #8	AR	
8	Call order desk	HOSE PHANTOM SUPPERSEEDED BY # 163473 & # 163474 PHANTOM From A-9867 To B-5001	1	P A S60
. NS	163473	. HOSE ASSY / #8 2750MM From A-9867 To B-5001	1	A S60
. NS	163474	. HOSE ASSY / #8 11570MM (X3/WE) From A-9867 To B-5001	1	A S60
8	Call order desk	HOSE PHANTOM SUPPERSEEDED BY # 163487 & # 163474 PHANTOM From A-9867 To B-5001	1	P D13
. NS	163487	. HOSE ASSY / #8 1600MM From A-9867 To B-5001	1	D13
. NS	163474	. HOSE ASSY / #8 11570MM (X3/WE) From A-9867 To B-5001	1	D13
9	163474	HOSE ASSY / #8 11570MM (X3/WE) To A-9866	1	
9	163474	HOSE ASSY / #8 11570MM (X3/WE) From A-9867 To B-5001	1	
9	161335P	HOSE ASSY / #8 11620MM From B-5002	1	D13
9	505181	COIL PROTECTOR / PLASTIC / #8	AR	
9	161197	KIT, HOSE REPAIR / FRONT SECTION STEERING / X SERIES To B-5001	1	
. NS	WB04-10A	. SEE WARRANTY BULLETIN To B-5001	1	
. NS	161195	. HOSE ASSY / #8 1570MM To B-5001	1	
. NS	501456	. MALE CONNECTOR / JIC 37° FITTING / #8JIC-Mx#8 STL To B-5001	1	
9	160122	KIT, POWER STEERING PUMP DISCHARGE HOSE (PRESSURE) X From B-5002		
. NS	160006	. HOSE PRESSURE, POWER STEERING #8 11690MM From B-5002	1	
. NS	1600100	. FLANGE, POWER STEERING HOSE From B-5002	2	
. NS	500107	. SCREW TC CAP HEXW 1/4-20x2 1/2 Z050 From B-5002	3	
. NS	501031	. SEAL / JIC 37° FITTING / #8 From B-5002	1	
. NS	504189	. CLAMP DOUBLE ASS / SPLIT BLOC / 22MM/19MM x 67MM POLYA From B-5002	13	
. NS	504728	. PLATE RETAINER From B-5002	3	
. NS	IS-19040	. INSTRUCTION SHEET From B-5002	1	
. NS	FI-19040	. VOIR FEUILLE D'INSTRUCTION From B-5002	1	
9	Call order desk	HOSE PHANTOM SUPPERSEEDED BY # 163473 & # 163474 PHANTOM From A-9867 To B-5001	1	P A S60
. NS	163473	. HOSE ASSY / #8 2750MM From A-9867 To B-5001	1	A S60
. NS	163474	. HOSE ASSY / #8 11570MM (X3/WE) From A-9867 To B-5001	1	A S60

From 7-8754 To E-5488	Date:01/2024	PAGE:X3-1400-00
POWER STEERING HOSE - INSTALLATION		

Item#	Part	Description	QTY	Notes
9	Call order desk	HOSE PHANTOM SUPPERSEEDED BY # 163487 & # 163474 PHANTOM From A-9867 To B-5001	1	P A D13
. NS	163487	. HOSE ASSY / #8 1600MM From A-9867 To B-5001	1	A D13
. NS	163474	. HOSE ASSY / #8 11570MM (X3/WE) From A-9867 To B-5001	1	A D13
10	501845	SWIVEL NUT ELBOW 90° LONG / JIC 37° FITTING / #8JIC-Fx#8JIC-Mx1.86 STL	2	
11	5011192	MALE CONNECTOR / JIC 37° FITTING / #8JIC-MxM18-1.5-M STL	2	
. NS	N.P.N.	. O-RING	1	4
. NS	N.P.N.	. WASHER RET	1	4
NS	688910	THREAD LOCKER LOCTITE #262 / RED / 250ml	AR	
12	X3-1415-00	STEERING GEARBOX - "ZF" W/ I BEAM RIGID	1	
12	X3-1415-50	STEERING GEARBOX - "ZF" - W/INDEPENDENT	1	
13	163475	HOSE ASSY / #8 11900MM To 8-9452	1	A C
13	161294	HOSE ASSY / #8 8850MM From 8-9453 To A-9866	1	A
13	161294	HOSE ASSY / #8 8850MM From A-9867 To B-5001	1	A
13	163248	HOSE ASSY / #8 8850MM From B-5002	1	
13	505181	COIL PROTECTOR / PLASTIC / #8	AR	
13	161197	KIT, HOSE REPAIR / FRONT SECTION STEERING / X SERIES To B-5001	1	
. NS	WB04-10A	. SEE WARRANTY BULLETIN To B-5001	1	
. NS	161195	. HOSE ASSY / #8 1570MM To B-5001	1	
. NS	501456	. MALE CONNECTOR / JIC 37° FITTING / #8JIC-Mx#8 STL To B-5001	1	
13	Call order desk	HOSE PHANTOM SUPPERSEEDED BY # 163482 + # 161294 + # 161295 PHANTOM From A-9867 To B-5001	1	P A
. NS	163482	. HOSE ASSY / #8 2072MM From A-9867 To B-5001	1	A
. NS	161294	. HOSE ASSY / #8 8850MM From A-9867 To B-5001	1	A
. NS	161295	. HOSE ASSY / #6 3000MM From A-9867 To B-5001	1	A
13	161336P	HOSE ASSY / PHANTOM From B-5002	1	A
. NS	163250	. HOSE ASSY / #8 1860MM From B-5002	1	A
. NS	163248	. HOSE ASSY / #8 8850MM From B-5002	1	A
. NS	163249	. HOSE ASSY / #6 3000MM From B-5002	1	A
16	501739	MALE CONNECTOR / JIC 37° FITTING / #8JIC-Mx1/2NPT-M STL	1	
18	163482	HOSE ASSY / #8 2072MM To A-9866	1	
18	163482	HOSE ASSY / #8 2072MM From A-9867 To B-5001	1	
18	163250	HOSE ASSY / #8 1860MM From B-5002	1	
18	Call order desk	HOSE PHANTOM SUPPERSEEDED BY # 163482 + # 161294 + # 161295 PHANTOM From A-9897 To B-5001	1	P
. NS	163482	. HOSE ASSY / #8 2072MM From A-9897 To B-5001	1	
. NS	161294	. HOSE ASSY / #8 8850MM From A-9897 To B-5001	1	
. NS	161295	. HOSE ASSY / #6 3000MM From A-9897 To B-5001	1	
18	161336P	HOSE ASSY / PHANTOM From B-5002	1	
. NS	163250	. HOSE ASSY / #8 1860MM From B-5002	1	
. NS	163248	. HOSE ASSY / #8 8850MM From B-5002	1	
. NS	163249	. HOSE ASSY / #6 3000MM From B-5002	1	
19	501845	SWIVEL NUT ELBOW 90° LONG / JIC 37° FITTING / #8JIC-Fx#8JIC-Mx1.86 STL	1	D13
20	5011162	FEMALE CONNECTOR SWIVEL / JIC 37° FITTING / #8JIC-Fx#8 STL	1	D13
21	641294	MALE CONNECTOR / JIC 37° FITTING / #8JIC-MxM16-1.5-M STL	1	D13

From 7-8754 To E-5488	Date:01/2024	PAGE:X3-1400-00
POWER STEERING HOSE - INSTALLATION		

Item#	Part	Description	QTY	Notes
. NS	641297	. O-RING 13.1MM I.D. X 2.6 TH	1	D13
. NS	641298	. WASHER FL 17MM I.D x 22MM O.D. x 1.5MM	1	D13
22	507647	MALE CONNECTOR W/ED SEAL / JIC 37° FITTING / #12JIC-MxM26-1.5-M STL	1	D13
23	507544	SWIVEL NUT ELBOW 90° SHORT / JIC 37° FITTING/ #12JIC-Fx#12JIC-Mx1.82 STL	1	D13
24	507646	FEMALE CONNECTOR SWIVEL / COLLAR FITTING / #12JIC-Fx#16 STL	1	D13
25	163490	KIT, NOISE ATENUATOR TUBE WITH VOLVO ENGINE To B-5001	1	D13
. NS	IS-10015	. SEE INSTRUCTION SHEET To B-5001	1	D13
. NS	163606	. HOSE ASSY WITH NOISE ATENUATOR TUBE To B-5001	1	D13
. . NS	163607	. . HOSE ASSY #12 380MM To B-5001	1	D13
. . NS	163608	. . PIPE ASSY To B-5001	1	D13
. . NS	5011342	. . SWIVEL NUT ELBOW 90° LONG / JIC 37° FITTING / #12JIC-Mx#8JIC-F STL To B-5001	1	D13
. NS	501005	. FEMALE CONNECTOR SWIVEL / JIC 37° FITTING / #8JIC-Fx#8 STL To B-5001	1	D13
25	163597	HOSE ASSY WITH NOISE ATENUATOR TUBE From B-5002	1	D13
. NS	163603	. HOSE ASSY / #12 593MM From B-5002	1	D13
		. CHAR(255) From B-5002	1	D13
NS	5011162	. FEMALE CONNECTOR SWIVEL / JIC 37° FITTING / #8JIC-Fx#8 STL From B-5002	1	D13
26	501845	. SWIVEL NUT ELBOW 90° LONG / JIC 37° FITTING / #8JIC-Fx#8JIC-Mx1.86 STL From B-5002	1	D13
27	501594	. FEMALE ELBOW 90° SHORT DROP/ JIC 37° FITTING/ #8JIC-Fx#8 STL From B-5002	1	D13
28	501739	. MALE CONNECTOR / JIC 37° FITTING / #8JIC-Mx1/2NPT-M STL From B-5002	1	D13
29	5011249	. SWIVEL NUT MALE CONNECTOR / JIC 37° FITTING / #8JIC-Fx1/2NPT-M STL From B-5002	1	D13
30	952631	CLAMP / 3/4" I.D.	AR	
30	952634	CLAMP / 15/16" I.D.	AR	
31	500613	SCREW TP PAN PH #10x1/2 Z050	AR	
32	952641	CLAMP / 1 5/16" I.D.	AR	
33	500574	SCREW MA TR PH #10-24x1 1/4 SS	AR	
34	500767	NUT HEX #10-24 Z050	AR	
35	562036	CLAMP / 7/8" I.D. X 90°	AR	
36	500657	SCREW TC TR PH #10-24x1/2 Z050	AR	
40	500625	SCREW TC CAP HEXW 1/4-20x2 Z050	4	
49	504634	T-CLIP / 7/8" - 1"	AR	
NS	504637	CABLE TIE / 3/16" x 13"	AR	
NS	500620	SCREW TP FL PH #10x1 1/2 Z050	AR	
51	X3-1427-00	POWER STEERING PUMP - "TRW" - WITH DETROIT S-60		
52	X3-1427-01	POWER STEERING PUMP - "VOLVO" D13		
53	X3-1412-00	STEERING DAMPER - INSTALL W/ I BEAM RIGID		
54	X3-1005-00	FRONT AXLE - I BEAM RIGID MODEL "S84U"		
55	X3-1005-50	FRONT AXLE - INDEPENDENT MODEL "NDIFS80P" / 18000LBS		
56	X3-1410-00	STEERING GEAR BOX & DRAG LINK - INSTALLATION		
57	502541	SCREW CAP HEX M6-1.0x65 G8.8 Z050	1	
58	500411	WASHER FL .260x.697x.050 SS	2	
59	5001182	NUT HEX NYRT M6-1.0 SS	1	
60	504727	CLAMP DOUBLE ASS / 2 HOSE SIZE 3/8"	AR	

From 7-8754 To E-5488	Date:01/2024	PAGE:X3-1400-00
POWER STEERING HOSE - INSTALLATION		

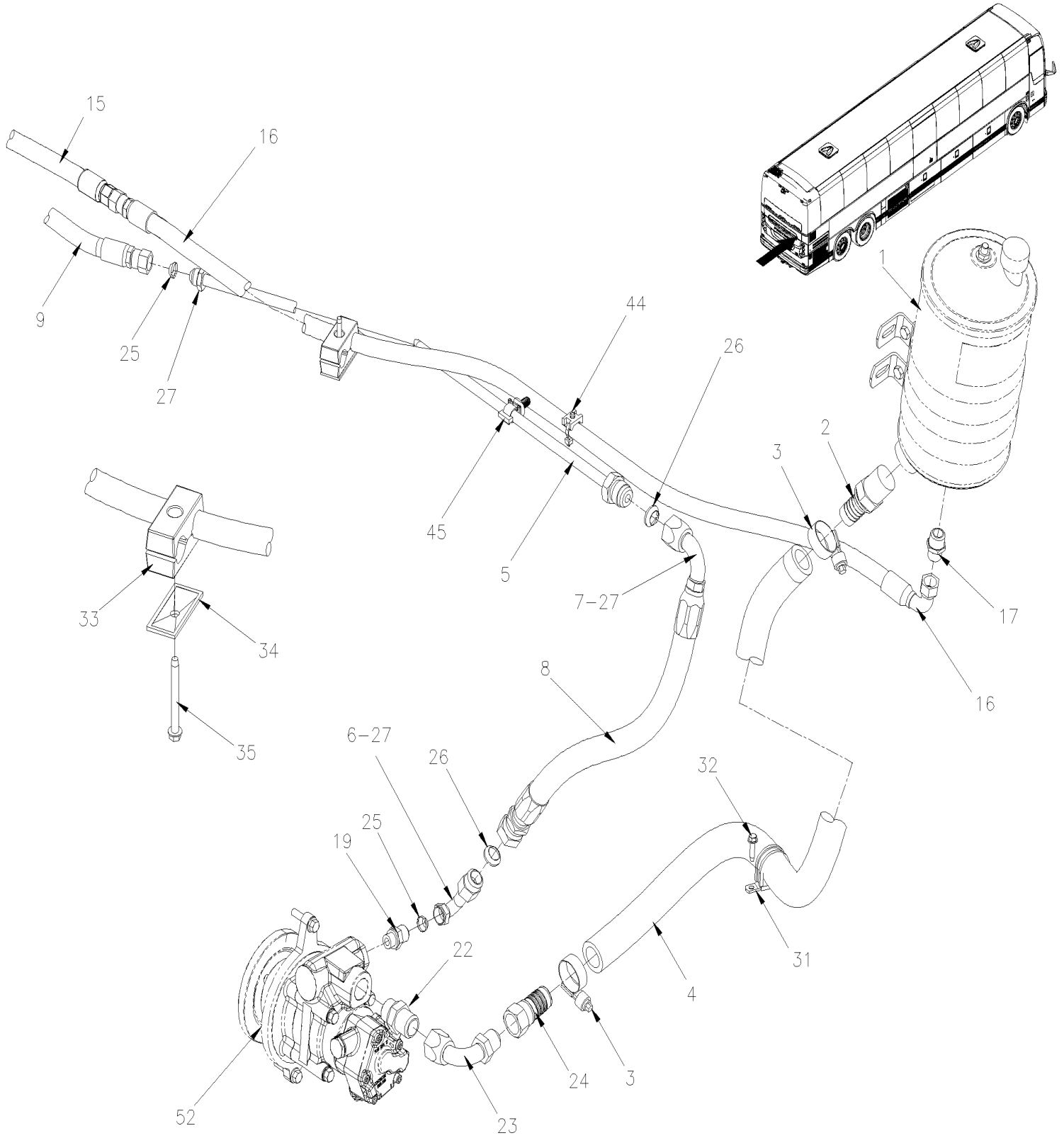
Item#	Part	Description	QTY	Notes
60A	161177	HOSE RETAINER BLOCK CLAMP From 9-9643	2	
60A	160033	HOSE RETAINER BLOCK CLAMP To 9-9642	2	
61	504728	PLATE RETAINER	AR	
62	500440	WASHER FL .250x.562x.065 Z050	AR	
63	500107	SCREW TC CAP HEXW 1/4-20x2 1/2 Z050	AR	
64	562036	CLAMP / 7/8" I.D. X 90°	AR	
65	502550	SCREW CAP HEX M4-0.7x16 G8.8 Z050	AR	
66	500590	NUT HEX NYRT M4-0.7 Z050	AR	
67	500657	SCREW TC TR PH #10-24x1/2 Z050	AR	
70	161295	HOSE ASSY / #6 3000MM From 8-9453 To A-9866	1	
70	161295	HOSE ASSY / #6 3000MM From A-9867 To B-5001	1	
70	163249	HOSE ASSY / #6 3000MM From B-5002	1	
70	Call order desk	HOSE PHANTOM SUPPERSEDED BY # 163482 + # 161294 + # 161295 From A-9867 To B-5001	1	P
. NS	163482	. HOSE ASSY / #8 2072MM From A-9867 To B-5001	1	
. NS	161294	. HOSE ASSY / #8 8850MM From A-9867 To B-5001	1	
. NS	161295	. HOSE ASSY / #6 3000MM From A-9867 To B-5001	1	
70	161336P	HOSE ASSY / From B-5002	1	
. NS	163250	. HOSE ASSY / #8 1860MM From B-5002	1	
. NS	163248	. HOSE ASSY / #8 8850MM From B-5002	1	
. NS	163249	. HOSE ASSY / #6 3000MM From B-5002	1	
		A) FOR SERVICE, IT'S POSSIBLE TO REPAIR THIS HOSE IN FRONT SERVICE COMPARTMENT WITH KIT #161197		
		C) THIS HOSE IT ONE PIECE LONGER FROM REAR JUNCTION TO STEERING GEAR BOX		
		D13) WITH "VOLVO" ENGINE D13		
		S60) WITH "DETOIT" ENGINE SERIES 6		
		P) CALL ORDER DESK FOR SPECIFIC APPLICATION (V.I.N.)		
		4) NO PARTS NUMBER		

From E-5489 To H-6179

Date:01/2024

PAGE:X3-1400-01

POWER STEERING HOSE - INSTALLATION

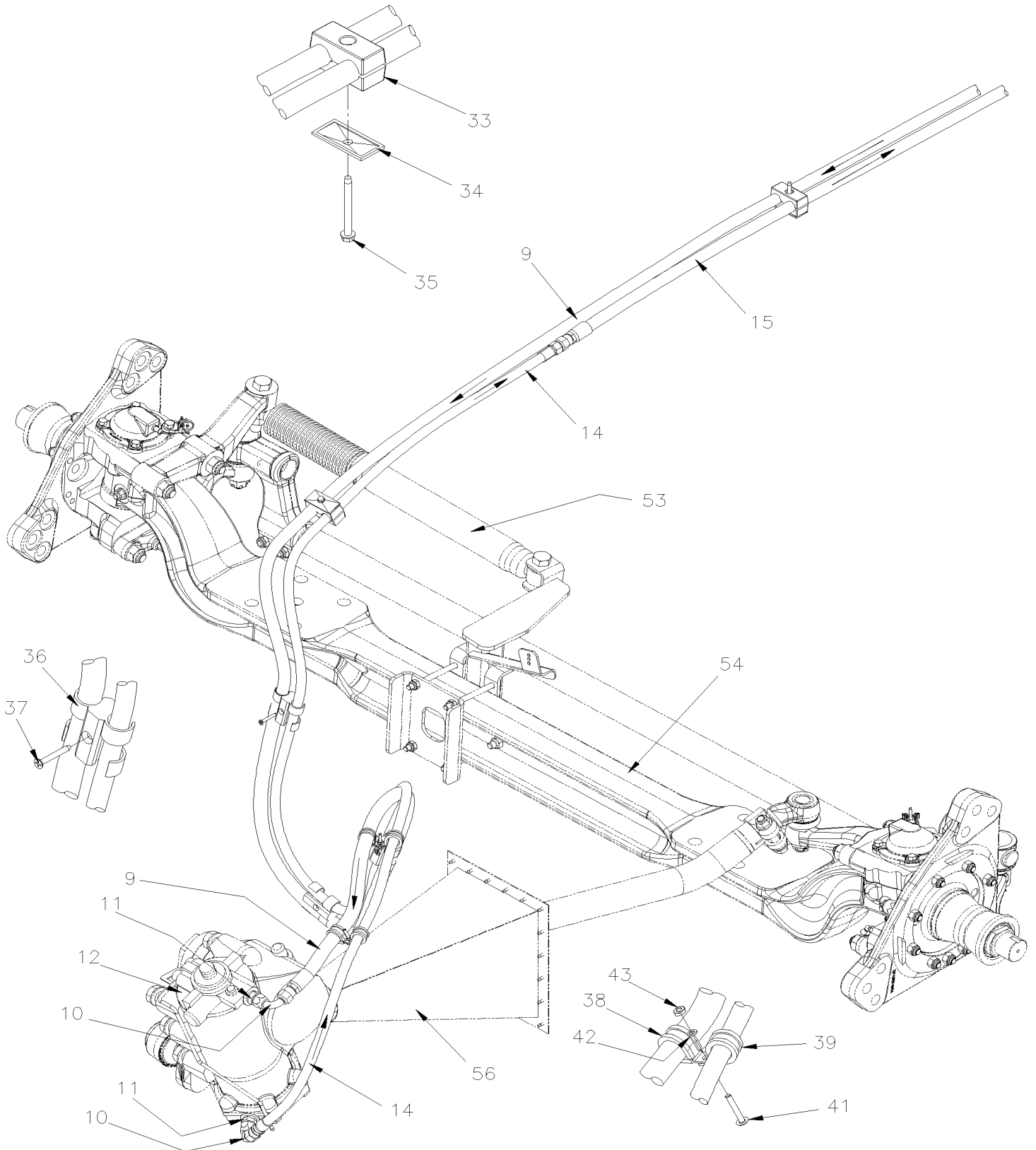


From E-5489 To H-6179

Date:01/2024

PAGE:X3-1400-01

POWER STEERING HOSE - INSTALLATION

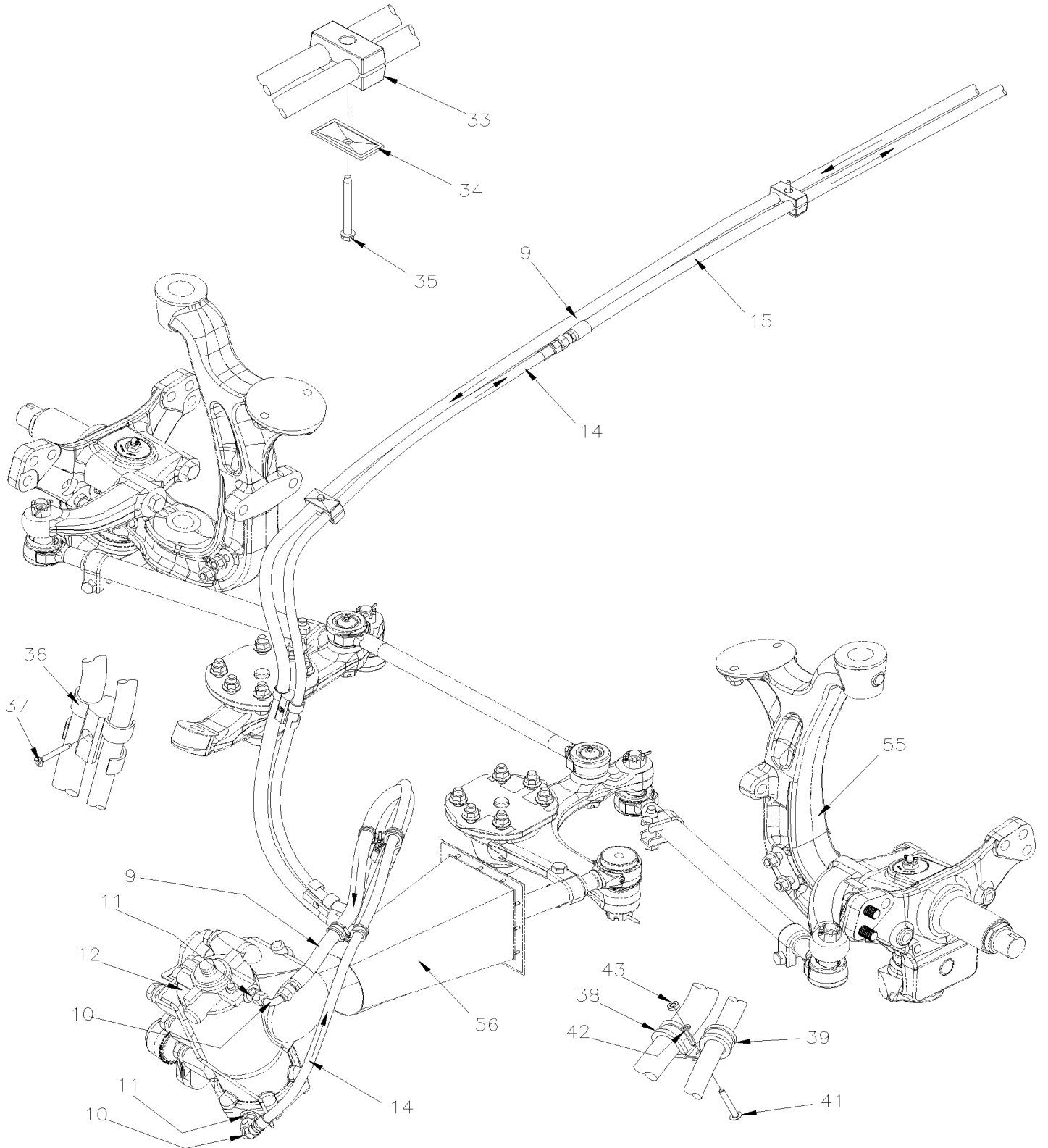


From E-5489 To H-6179

Date:01/2024

PAGE:X3-1400-01

POWER STEERING HOSE - INSTALLATION



From E-5489 To H-6179	Date:01/2024	PAGE:X3-1400-01
POWER STEERING HOSE - INSTALLATION		

Item#	Part	Description	QTY	Notes
1	X3-1420-00	POWER STEERING TANK - 4 QT U.S.		
2	5011086	MALE CONNECTOR / PUSH-LOK FITTING / 1NPT-Mx#16 STL	1	
3	504291	HOSE CLAMP / 1"1/8-1"3/4 SS / E.T. 20 To F-5811	AR	
3	992086	HOSE CLAMP / 32MM/52MM From F-5812	AR	
4	161334P	HOSE #16 1040MM	1	D13
5	163597	HOSE ASSY WITH NOISE ATENUATOR TUBE To F-5779	1	D13
. NS	163603	. HOSE ASSY / #12 593MM To F-5779	1	D13
5	169070	HOSE ASSY WITH NOISE ATENUATOR TUBE From F-5780		D13
5	501739	. MALE CONNECTOR / JIC 37° FITTING / #8JIC-Mx1/2NPT-M STL To F-5779	1	D13
6	5011342	. SWIVEL NUT ELBOW 90° LONG / JIC 37° FITTING / #12JIC-Mx#8JIC-F STL To F-5779	1	D13
6	5011342	. SWIVEL NUT ELBOW 90° LONG / JIC 37° FITTING / #12JIC-Mx#8JIC-F STL From F-5780	1	D13
7	501594	. FEMALE ELBOW 90° SHORT DROP/ JIC 37° FITTING/ #8JIC-Fx#8 STL To F-5779	1	D13
8	163603	. HOSE ASSY / #12 593MM To F-5779	1	D13
8	169072	. HOSE ASSY / #12 570MM From F-5780	1	D13
9	161335P	HOSE ASSY / #8 11620MM To G-6072	1	D13
9	160039	HOSE ASSY / #8 11620MM From G-6073	1	D13
9	503748	. HOSE PROTECTOR / YELLOW / .838 I.D.	AR	
9	160122	KIT, POWER STEERING PUMP DISCHARGE HOSE (PRESSURE) X To D-5387	1	
. NS	160006	. HOSE PRESSURE, POWER STEERING #8 11690MM To D-5387	1	
. NS	1600100	. FLANGE, POWER STEERING HOSE To D-5387	2	
. NS	500107	. SCREW TC CAP HEXW 1/4-20x2 1/2 Z050 To D-5387	3	
. NS	501031	. SEAL / JIC 37° FITTING / #8 To D-5387	1	
. NS	504189	. CLAMP DOUBLE ASS / SPLIT BLOC / 22MM/19MM x 67MM POLYA To D-5387	13	
. NS	504728	. PLATE RETAINER To D-5387	3	
. NS	IS-19040	. INSTRUCTION SHEET To D-5387	1	
. NS	FI-19040	. VOIR FEUILLE D'INSTRUCTION To D-5387	1	
9	160127	KIT, POWER STEERING PUMP DISCHARGE HOSE (PRESSURE) X From D-5388	1	
. NS	160006	. HOSE PRESSURE, POWER STEERING #8 11690MM From D-5388	1	
. NS	500107	. SCREW TC CAP HEXW 1/4-20x2 1/2 Z050 From D-5388	3	
. NS	501031	. SEAL / JIC 37° FITTING / #8 From D-5388	1	
. NS	504189	. CLAMP DOUBLE ASS / SPLIT BLOC / 22MM/19MM x 67MM POLYA From D-5388	13	
. NS	504728	. PLATE RETAINER From D-5388	3	
. NS	IS-19040	. INSTRUCTION SHEET From D-5388	1	
. NS	FI-19040	. VOIR FEUILLE D'INSTRUCTION From D-5388	1	
10	501845	SWIVEL NUT ELBOW 90° LONG / JIC 37° FITTING / #8JIC-Fx#8JIC-Mx1.86 STL	2	
11	5011192	MALE CONNECTOR / JIC 37° FITTING / #8JIC-MxM18-1.5-M STL	2	
. NS	N.P.N.	. O-RING	1	4
. NS	N.P.N.	. WASHER RET	1	4
NS	688910	THREAD LOCKER LOCTITE #262 / RED / 250ml	AR	
12	X3-1415-00	STEERING GEARBOX - "ZF" W/ I BEAM RIGID	1	
12	X3-1415-50	STEERING GEARBOX - "ZF" - W/INDEPENDENT	1	
13	161336P	HOSE ASSY / PHANTOM To G-6072	1	A

From E-5489 To H-6179	Date:01/2024	PAGE:X3-1400-01
POWER STEERING HOSE - INSTALLATION		

Item#	Part	Description	QTY	Notes
. NS	163250	. HOSE ASSY / #8 1860MM To G-6072	1	A
. NS	163248	. HOSE ASSY / #8 8850MM To G-6072	1	A
. NS	163249	. HOSE ASSY / #6 3000MM To G-6072	1	A
13	160040	HOSE ASSY / From G-6073	1	
14	163249	. HOSE ASSY / #6 3000MM	1	
15	163248	. HOSE ASSY / #8 8850MM	1	
15	503748	HOSE PROTECTOR / YELLOW / .838 I.D.	AR	
16	163250	HOSE ASSY / #8 1860MM	1	
17	501739	MALE CONNECTOR / JIC 37° FITTING / #8JIC-Mx1/2NPT-M STL	1	
19	641294	MALE CONNECTOR / JIC 37° FITTING / #8JIC-MxM16-1.5-M STL	1	D13
. NS	641297	. O-RING 13.1MM I.D. X 2.6 TH	1	D13
. NS	641298	. WASHER FL 17MM I.D x 22MM O.D. x 1.5MM	1	D13
22	507647	MALE CONNECTOR W/ED SEAL / JIC 37° FITTING / #12JIC-MxM26-1.5-M STL	1	D13
23	507544	SWIVEL NUT ELBOW 90° SHORT / JIC 37° FITTING/ #12JIC-Fx#12JIC-Mx1.82 STL	1	D13
24	507646	FEMALE CONNECTOR SWIVEL / COLLAR FITTING / #12JIC-Fx#16 STL	1	D13
25	501031	SEAL / JIC 37° FITTING / #8 From H-6100	2	
26	501059	SEAL / JIC 37° FITTING / #12 From H-6100	2	
27	688910	THREAD LOCKER LOCTITE #262 / RED / 250ml From H-6100	AR	
31	952641	CLAMP / 1 5/16" I.D.	1	
32	500266	SCREW TC CAP HEX 1/4-20x1 N500	1	
33	504727	CLAMP DOUBLE ASS / 2 HOSE SIZE 3/8"	AR	
34	504728	PLATE RETAINER	AR	
35	500107	SCREW TC CAP HEXW 1/4-20x2 1/2 Z050	AR	
36	504634	T-CLIP / 7/8" - 1"	3	
37	500267	SCREW TC FL PH #10-32x1 1/2 Z050	2	
38	952633	CLAMP / 7/8" I.D.	2	
39	952631	CLAMP / 3/4" I.D.	2	
40	504016	CABLE TIE / 5/16" X 14"1/2	AR	
41	500574	SCREW MA TR PH #10-24x1 1/4 SS	2	
42	500470	WASHER LO SPT .193x.334x.047 Z050	2	
43	502882	NUT HEX #10-24 N500	2	
44	504013	TIE MOUNT / 1/4" X 1/4" I.D.	AR	
44	504379	RIVET POP DOME OE 3/16x1/4 SS	AR	
44	504637	CABLE TIE / 3/16" x 13"	AR	
45	504750	CABLE TIE / 1/2" x 15" / CHRISTMAS TREE	AR	
52	X3-1427-01	POWER STEERING PUMP - "VOLVO" D13		
53	X3-1412-00	STEERING DAMPER - INSTALL W/ I BEAM RIGID		
54	X3-1005-00	FRONT AXLE - I BEAM RIGID MODEL "S84U"		
55	X3-1005-50	FRONT AXLE - INDEPENDENT MODEL "NDIFS80P" / 18000LBS To F-5796		
55	X3-1005-51	FRONT AXLE - INDEPENDENT MODEL "NDIFS80P" / 19000LBS From F-5797		
56	X3-1410-00	STEERING GEAR BOX & DRAG LINK - INSTALLATION		

From E-5489 To H-6179		Date:01/2024	PAGE:X3-1400-01
-----------------------	--	--------------	-----------------

POWER STEERING HOSE - INSTALLATION

Item#	Part	Description	QTY	Notes
		A) FOR SERVICE, IT'S POSSIBLE TO REPAIR THIS HOSE IN FRONT SERVICE COMPARTMENT WITH KIT #161197		
		D13) WITH "VOLVO" ENGINE D13		
		4) NO PARTS NUMBER		

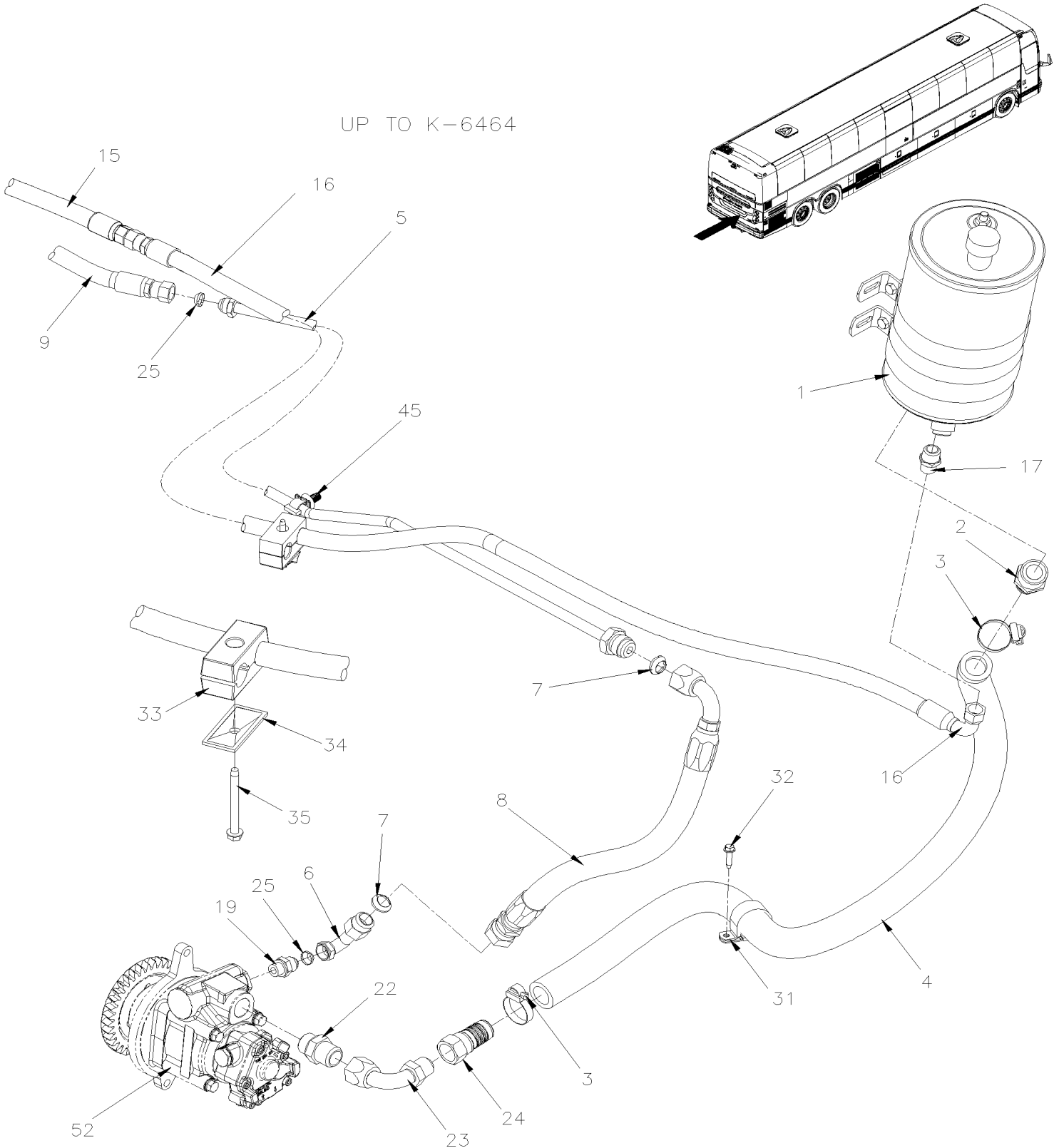
From H-6180

Date:01/2024

PAGE:X3-1400-02

POWER STEERING HOSE - INSTALLATION VOLVO D13 - GHG17

UP TO K-6464



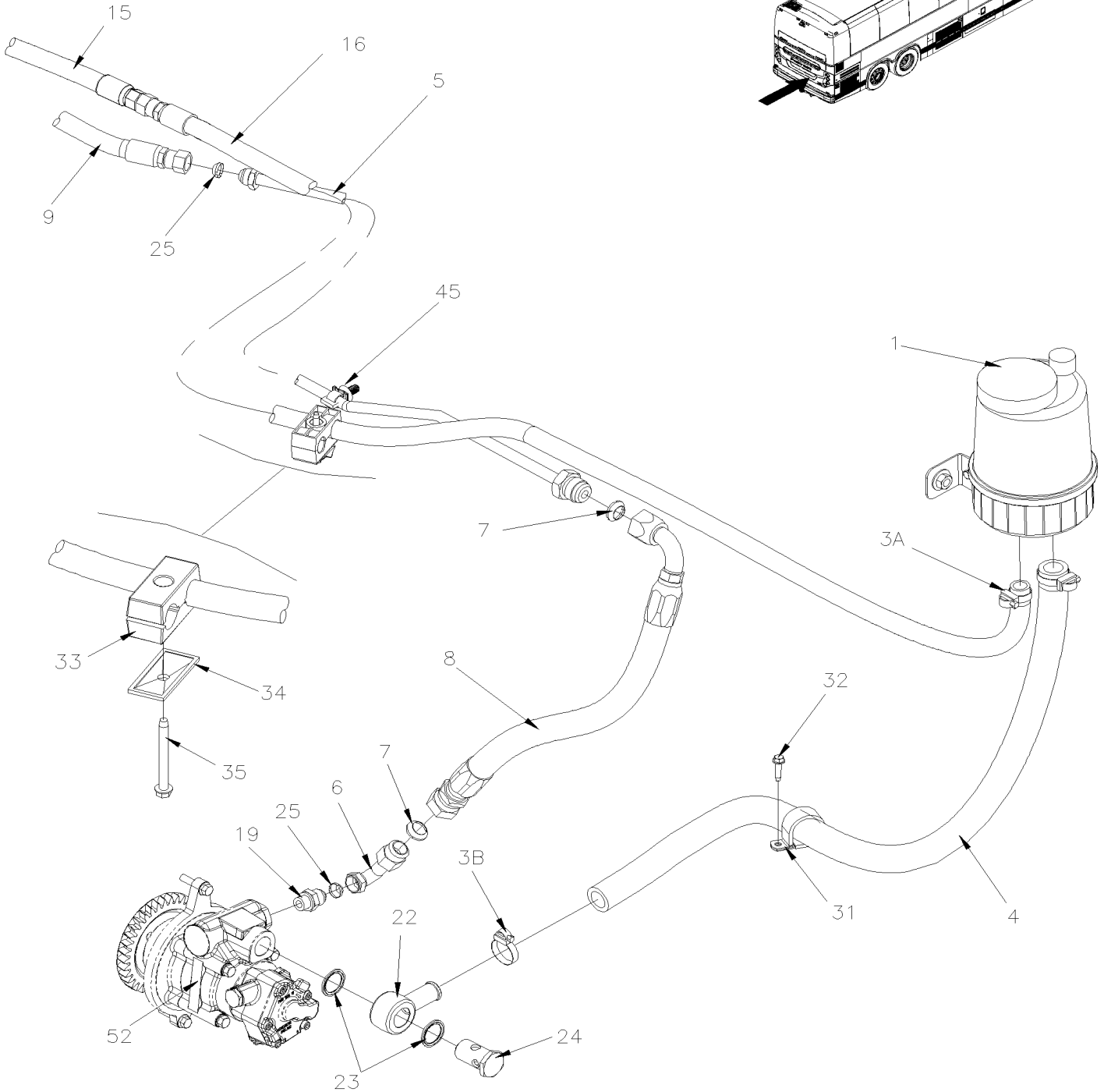
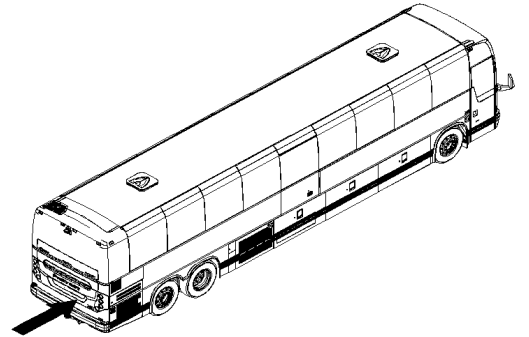
From H-6180

Date:01/2024

PAGE:X3-1400-02

POWER STEERING HOSE - INSTALLATION VOLVO D13 - GHG17

FROM K-6465

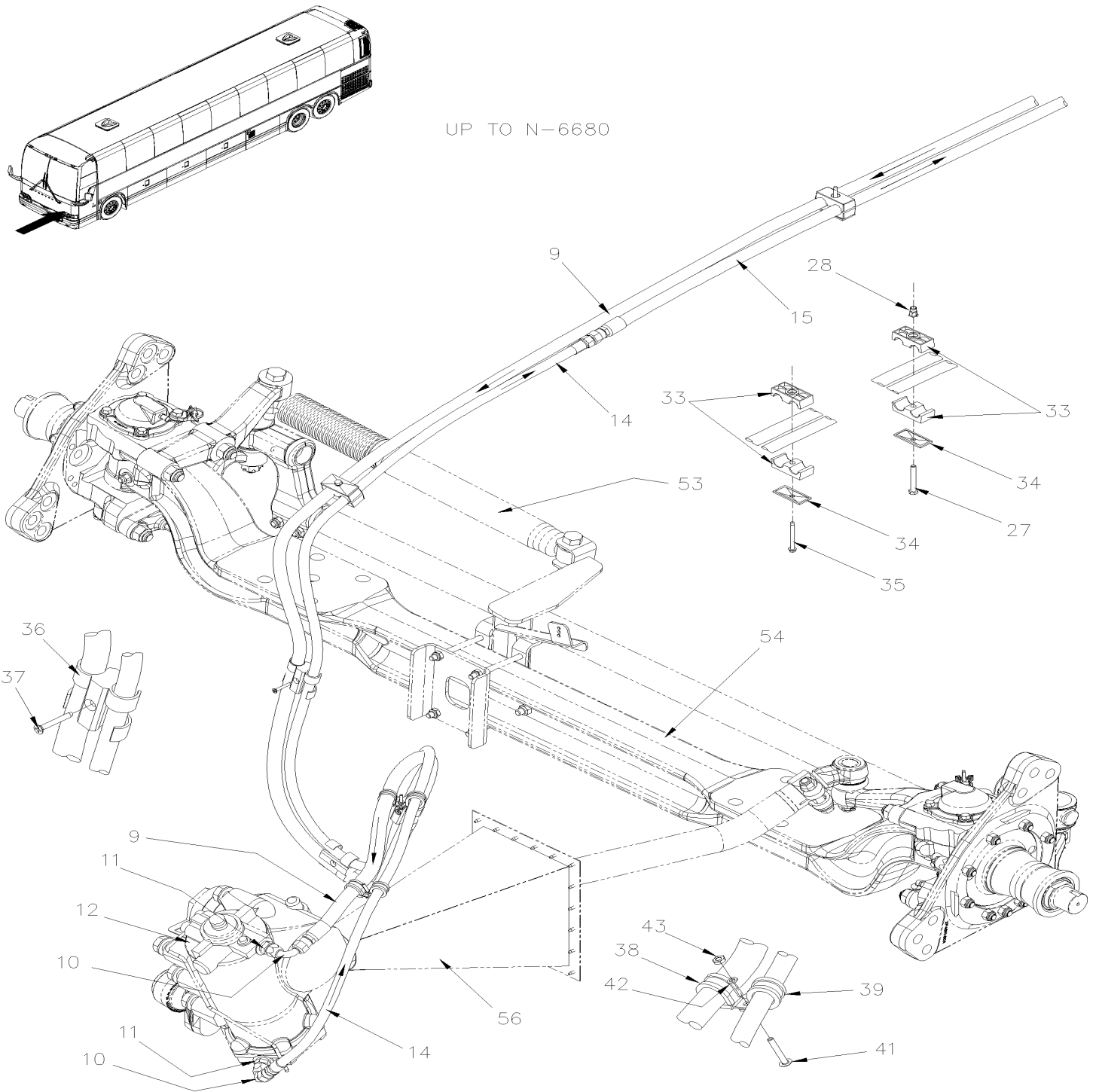


From H-6180

Date:01/2024

PAGE:X3-1400-02

POWER STEERING HOSE - INSTALLATION VOLVO D13 - GHG17

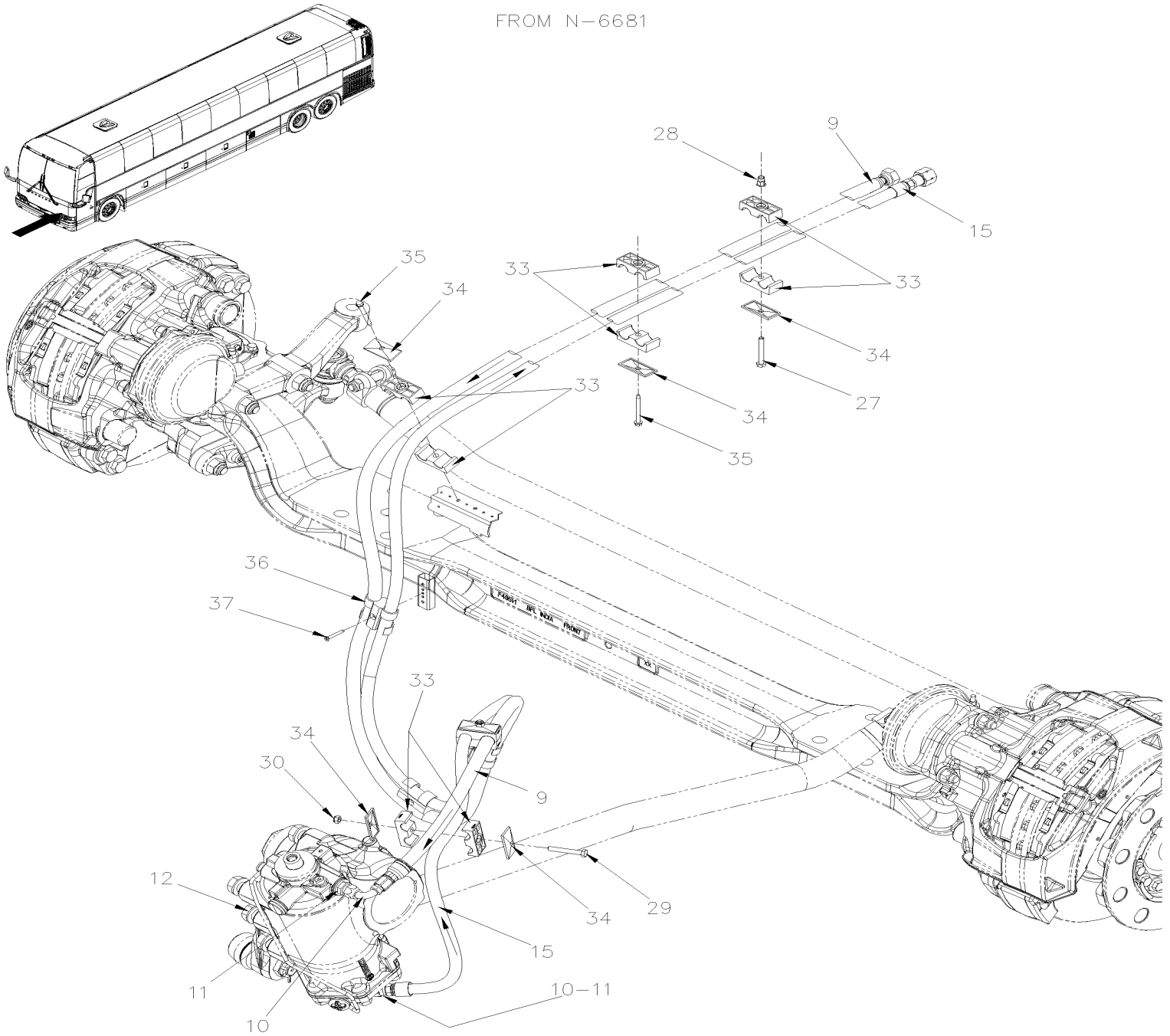


From H-6180

Date:01/2024

PAGE:X3-1400-02

POWER STEERING HOSE - INSTALLATION VOLVO D13 - GHG17

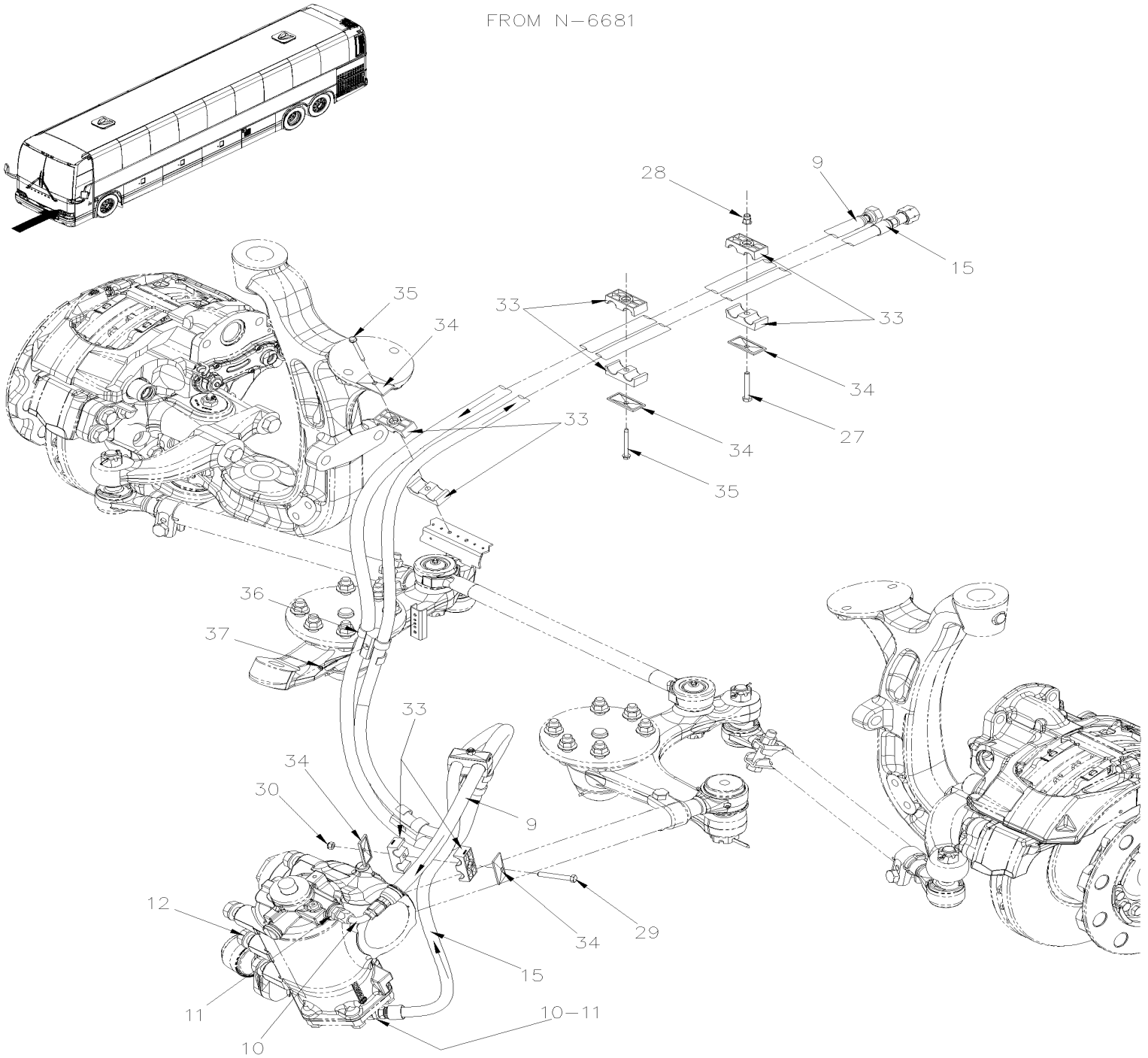


From H-6180

Date:01/2024

PAGE:X3-1400-02

POWER STEERING HOSE - INSTALLATION VOLVO D13 - GHG17



From H-6180		Date:01/2024	PAGE:X3-1400-02
POWER STEERING HOSE - INSTALLATION VOLVO D13 - GHG17			

Item#	Part	Description	QTY	Notes
1	X3-1420-00	POWER STEERING TANK - 4 QT U.S. To K-6464	1	
1	5011086	. MALE CONNECTOR / PUSH-LOK FITTING / 1NPT-Mx#16 STL To K-6464	1	
1	X3-1420-10	POWER STEERING TANK - ZF From K-6465	1	
2	5011086	MALE CONNECTOR / PUSH-LOK FITTING / 1NPT-Mx#16 STL To K-6464	1	
3	992086	HOSE CLAMP / 32MM/52MM To K-6464	AR	
3A	992082	HOSE CLAMP / 16MM/27MM From K-6465	1	
3B	992084	HOSE CLAMP / 23MM/35MM From K-6465	2	
4	161334P	HOSE #16 1040MM To K-6464	1	
4	160074	HOSE / ID 22MM, 1210MM From K-6465	AR	
5	169074	HOSE ASSY WITH NOISE ATENUATOR TUBE To N-6685	1	
5	163605	HOSE ASSY WITH NOISE ATENUATOR TUBE From N-6686 To N-6738	1	
5	160195	HOSE ASSY WITH NOISE ATENUATOR TUBE From N-6739	1	
5	169073	. NOISE ATENUATOR TUBE To N-6685	1	
5	163604	. NOISE ATENUATOR TUBE From N-6686	1	
6	5011342	. SWIVEL NUT ELBOW 90° LONG / JIC 37° FITTING / #12JIC-Mx#8JIC-F STL	1	
7	501059	. SEAL / JIC 37° FITTING / #12	2	
8	169072	. HOSE ASSY / #12 570MM To N-6738	1	
8	160194	. HOSE ASSY / #12 706MM From N-6739	1	
NS	688910	THREAD LOCKER LOCTITE #262 / RED / 250ml	AR	
9	160039	HOSE ASSY / #8 11620MM To L-6558	1	
9	503748	HOSE PROTECTOR / YELLOW / .838 I.D.	AR	
9	160006	HOSE PRESSURE, POWER STEERING #8 11690MM From L-6559	1	
10	501845	SWIVEL NUT ELBOW 90° LONG / JIC 37° FITTING / #8JIC-Fx#8JIC-Mx1.86 STL	2	
11	5011192	MALE CONNECTOR / JIC 37° FITTING / #8JIC-MxM18-1.5-M STL	2	
. NS	N.P.N.	. O-RING	1	4
. NS	N.P.N.	. WASHER RET	1	4
11	688910	THREAD LOCKER LOCTITE #262 / RED / 250ml	AR	
12	X3-1415-00	STEERING GEARBOX - "ZF" W/ I BEAM RIGID	1	
12	X3-1415-50	STEERING GEARBOX - "ZF" - W/INDEPENDENT	1	
13	160040	HOSE ASSY / To L-6558	1	
14	163249	. HOSE ASSY / #6 3000MM To L-6558	1	
15	163248	. HOSE ASSY / #8 8850MM To L-6558	1	
15	160128	HOSE RETURN, POWER STEERING From L-6559	1	
16	163250	. HOSE ASSY / #8 1860MM To L-6558	1	
16	160009	HOSE RETURN, POWER STEERING #10 2059MM From L-6559	1	
17	501739	MALE CONNECTOR / JIC 37° FITTING / #8JIC-Mx1/2NPT-M STL	1	
19	641294	MALE CONNECTOR / JIC 37° FITTING / #8JIC-MxM16-1.5-M STL To N-6738	1	
. NS	641297	. O-RING 13.1MM I.D. X 2.6 TH To N-6738	1	
. NS	641298	. WASHER FL 17MM I.D x 22MM O.D. x 1.5MM To N-6738	1	
19	660914	MALE ELBOW 90° / JIC 37° FITTING / #8JIC-MxM16-1.5-M STL From N-6739	1	
. NS	641297	. O-RING 13.1MM I.D. X 2.6 TH From N-6739	1	
. NS	641298	. WASHER FL 17MM I.D x 22MM O.D. x 1.5MM From N-6739	1	

From H-6180		Date:01/2024	PAGE:X3-1400-02
POWER STEERING HOSE - INSTALLATION VOLVO D13 - GHG17			

Item#	Part	Description	QTY	Notes
22	507647	MALE CONNECTOR W/ED SEAL / JIC 37° FITTING / #12JIC-MxM26-1.5-M STL To K-6464	1	
22	507680	BANJO UNION / 26MMx22MMHOSE From K-6465 To N-6738	1	
22	1598055	BANJO UNION ELBOW / 26MMx22MMHOSE 44DEG From N-6739	1	
23	507544	SWIVEL NUT ELBOW 90° SHORT / JIC 37° FITTING/ #12JIC-Fx#12JIC-Mx1.82 STL To K-6464	1	
23	507682	BANJO WASHER / M26 From K-6465 To N-6680	2	
23	507037	BANJO WASHER / M26 From N-6681	2	
24	507646	FEMALE CONNECTOR SWIVEL / COLLAR FITTING / #12JIC-Fx#16 STL To K-6464	1	
24	507681	BANJO BOLT / M26-1.5 From K-6465	1	
25	501031	SEAL / JIC 37° FITTING / #8	2	
27	5001178	SCREW CAP HEX M8-1.25x60 SS BK	AR	
28	5001337	NUT INS FL HEX M8-1.25 0.5-3.0 Z050	AR	
29	5001178	SCREW CAP HEX M8-1.25x60 SS BK From N-6681	2	
30	502847	NUT HEX NYRT M8-1.25 N500 From N-6681	2	
31	504779	CLAMP / SS / SILICONE RUBBER / 1 3/8" I.D. x .281 HOLE To K-6464	1	
31	504004	CLAMP / SS / SILICONE RUBBER / 1 1/4" I.D. x .281 HOLE From K-6465	1	
32	500107	SCREW TC CAP HEXW 1/4-20x2 1/2 Z050	AR	
32	5001178	SCREW CAP HEX M8-1.25x60 SS BK	AR	
33	504727	CLAMP DOUBLE ASS / 2 HOSE SIZE 3/8" To L-6558	AR	
33	504189	CLAMP DOUBLE ASS / SPLIT BLOC / 22MM/19MM x 67MM POLYA From L-6559	AR	
34	504728	PLATE RETAINER	AR	
35	500107	SCREW TC CAP HEXW 1/4-20x2 1/2 Z050	AR	
36	504634	T-CLIP / 7/8" - 1"	AR	
37	500267	SCREW TC FL PH #10-32x1 1/2 Z050	2	
38	952633	CLAMP / 7/8" I.D. To N-6680	2	
39	952631	CLAMP / 3/4" I.D. To N-6680	2	
40	504016	CABLE TIE / 5/16" X 14"1/2	AR	
41	500574	SCREW MA TR PH #10-24x1 1/4 SS To N-6680	2	
42	500470	WASHER LO SPT .193x.334x.047 Z050 To N-6680	2	
43	502882	NUT HEX #10-24 N500 To N-6680	AR	
44	504013	TIE MOUNT / 1/4" X 1/4" I.D.	AR	
NS	504379	RIVET POP DOME OE 3/16x1/4 SS	AR	
NS	504637	CABLE TIE / 3/16" x 13"	AR	
45	504750	CABLE TIE / 1/2" x 15" / CHRISTMAS TREE	AR	
47	160127	KIT, POWER STEERING PUMP DISCHARGE HOSE (PRESSURE) X To L-6558	1	
. NS	160006	. HOSE PRESSURE, POWER STEERING #8 11690MM To L-6558	1	
. NS	500107	. SCREW TC CAP HEXW 1/4-20x2 1/2 Z050 To L-6558	3	
. NS	501031	. SEAL / JIC 37° FITTING / #8 To L-6558	1	
. NS	504189	. CLAMP DOUBLE ASS / SPLIT BLOC / 22MM/19MM x 67MM POLYA To L-6558	13	
. NS	504728	. PLATE RETAINER To L-6558	3	
. NS	IS-19040	. INSTRUCTION SHEET To L-6558	1	
. NS	FI-19040	. VOIR FEUILLE D'INSTRUCTION To L-6558	1	
52	X3-1427-01	POWER STEERING PUMP - "VOLVO" D13	1	

From H-6180	Date:01/2024	PAGE:X3-1400-02
POWER STEERING HOSE - INSTALLATION VOLVO D13 - GHG17		

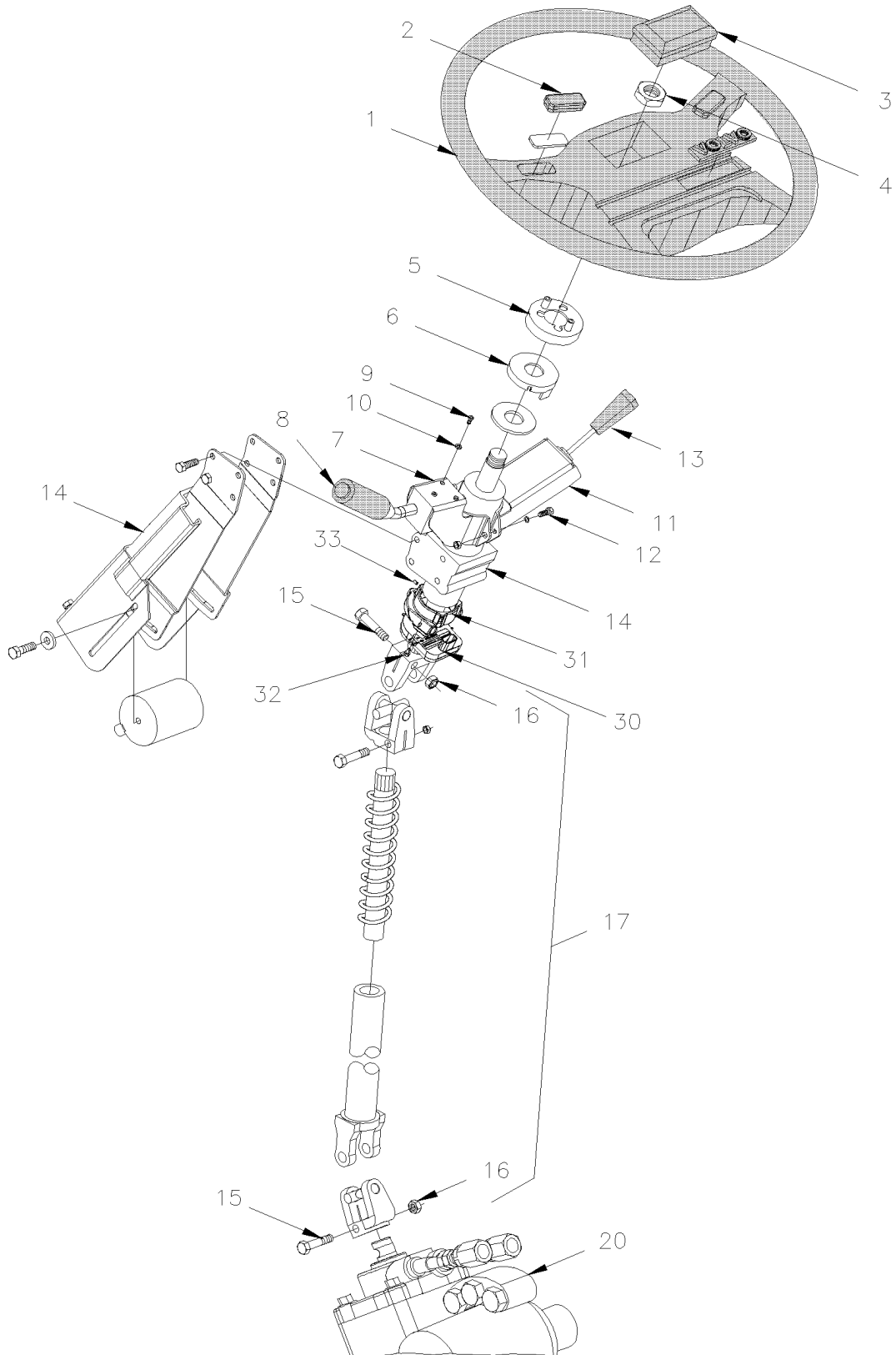
Item#	Part	Description	QTY	Notes
53	X3-1412-00	STEERING DAMPER - INSTALL W/ I BEAM RIGID	1	
54	X3-1005-00	FRONT AXLE - I BEAM RIGID MODEL "S84U" To K-6411	1	
54	X3-1005-01	FRONT AXLE - I BEAM RIGID MODEL "S84U" From K-6412	1	
55	X3-1005-51	FRONT AXLE - INDEPENDENT MODEL "NDIFS80P" / 19000LBS	1	
56	X3-1410-00	STEERING GEAR BOX & DRAG LINK - INSTALLATION	1	
		4) NO PARTS NUMBER		

From 7-8754 To 8-9421

Date:01/2024

PAGE:X3-1405-00

STEERING WHEEL & COLUMN ASSY



From 7-8754 To 8-9421	Date:01/2024	PAGE:X3-1405-00
STEERING WHEEL & COLUMN ASSY		

Item#	Part	Description	QTY	Notes
1	661032	STEERING WHEEL	1	
. NS	661061	. BRUSH ASSY SPOKE CONTACT	1	
. NS	661062	. BRUSH ASSY CENTRAL CONTACT	1	
. NS	661063	. GROUNDING CABLE ASSY	1	
. NS	661064	. INSULATOR	1	
2	661052	. HORN BUTTON / ELECTRICAL LH	1	
2	661053	. HORN BUTTON / ELECTRICAL RH	1	
NS	661058	. CONTACT PLATE	2	
3	661085	HORN BUTTON / AIR	1	
4	661051	NUT	1	
5	661035	RING TURN SIGNAL CANCELING	1	
5	504669	RIVET DRV BDG .187x.609 NYL	2	
6	661034	HORN CONTACT RING	1	
7	161149	SUPPORT, DIRECTIONAL SWITCH	1	
8	661075	LEVER ASSY / MULTIFONCTINAL	1	
. NS	660781	. CAP PLEATED RUBBER	1	
9	5001377	SCREW MA PAN PH M5-0.8x8 SS	3	
10	5001378	WASHER LO EXT 5.3x10x0.6 Z050	3	
11	161058	COLLAR / W/O RETARDER	1	
11	161060	COLLAR W/SWITCH SUPPORT	1	
11	161211	COLLAR W/SWITCH SUPPORT	1	
12	502631	SCREW CAP HEX M6-1.0x20 G8.8 Z050	2	
13	562356	SWITCH ASSY / W/LEVER & BOOT / 6 POSITIONS	1	
14	661041	STEERING COLUMN ASSY 36SPL / 79SPL LOWER To 8-9281	1	
14	661122	STEERING COLUMN ASSY W/E.C.S. 36SPL / 66SPL LOWER From 8-9282	1	E
NS	641242	MALE CONNECTOR / PUSH-IN FITTING / #4x1/8NPT-M BR	1	
15	661095	SCREW CAP HEX "SPECIAL" STEERING SHAFT "ZF"	2	
15	661195	SCREW "SPECIAL" STEERING SHAFT "ZF"	2	E
16	661096	NUT "SPECIAL" STEERING SHAFT "ZF"	2	
17	661048	SHAFT ASSY STEERING 79SPL / 79SPL LOWER To 8-9281	1	
17	661123	SHAFT ASSY STEERING W/E.C.S. 66SPL / 79SPL LOWER From 8-9282	1	
. NS	661095	. SCREW CAP HEX "SPECIAL" STEERING SHAFT "ZF" From 8-9282	2	
. NS	661096	. NUT "SPECIAL" STEERING SHAFT "ZF" From 8-9282	2	
17	661179	SHAFT ASSY STEERING W/E.C.S. 66SPL / 79SPL LOWER	1	E
. NS	661195	. SCREW "SPECIAL" STEERING SHAFT "ZF"	2	E
NS	161220	DECAL "WARNING" STREERING SYSTEM CALIBRA.." From 8-9282	1	E
20	X3-1415-00	STEERING GEARBOX - "ZF" W/ I BEAM RIGID		
20	X3-1415-50	STEERING GEARBOX - "ZF" - W/INDEPENDENT		
30	661148	SENSOR ANGLE POSITION DETECTOR From 8-9282	1	E
. NS	564042	. CONNECTOR / BOSCH 1 928 404 025 From 8-9282	1	E
31	161265	SUPPORT SENSOR ANGLE POSITION STEERING From 8-9282	1	E
32	5001670	SCREW CAP HEXS M4-0.7x8 G8.8 Z050 From 8-9282	3	E

From 7-8754 To 8-9421		Date:01/2024	PAGE:X3-1405-00
STEERING WHEEL & COLUMN ASSY			

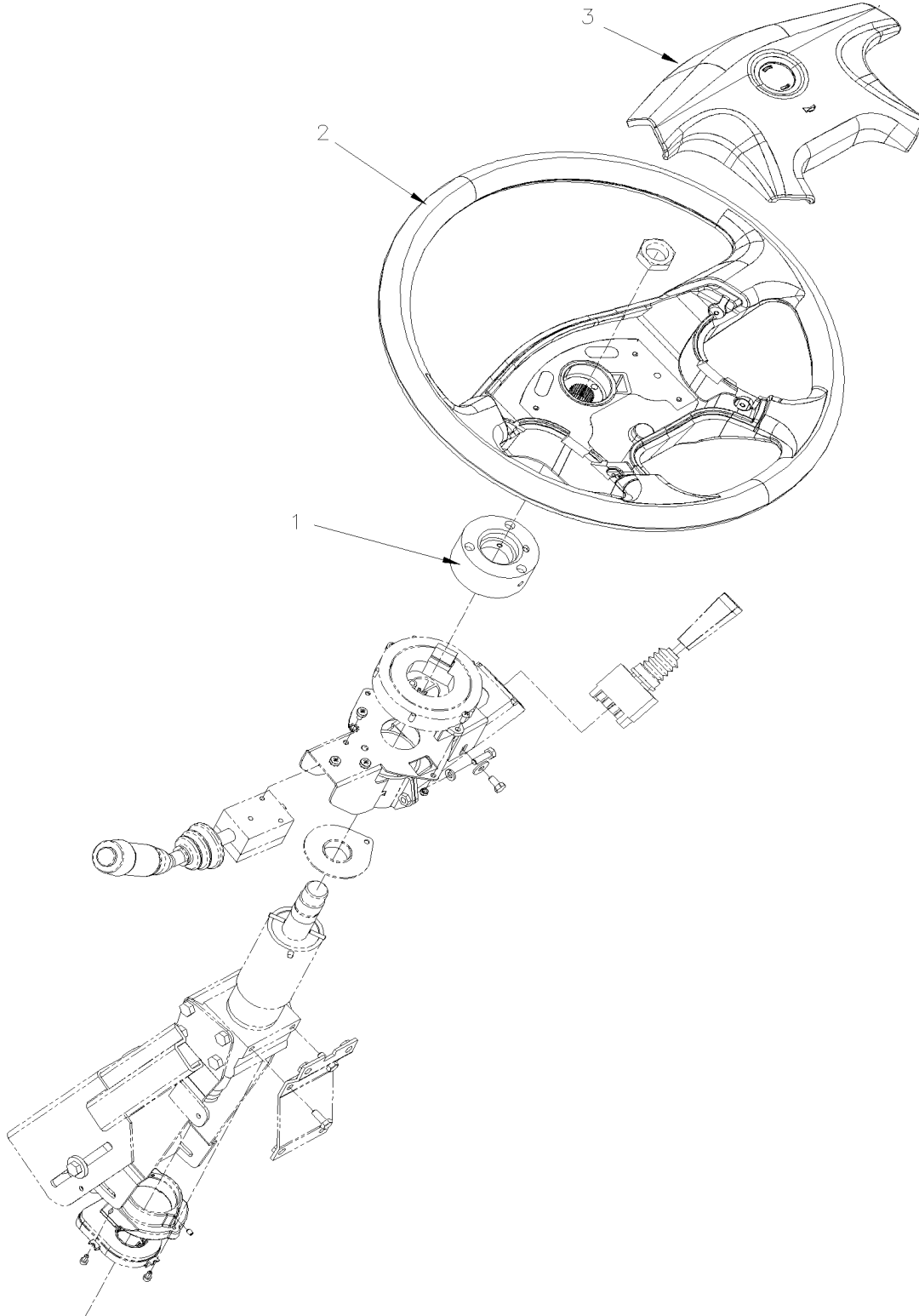
Item#	Part	Description	QTY	Notes
33	500587	SCREW SET HEXS CUP M4-0.7x6 From 8-9282	3	E
40	IS19036	PETRI STEERING WHEEL REPLACEMENT	1	
		E) WITH OPTION "ELECTRONIC CONTROL STABILITY"		

From 7-8754 To 8-9421

Date:01/2024

PAGE:IS19036

PETRI STEERING WHEEL REPLACEMENT



From 7-8754 To 8-9421	Date:01/2024	PAGE:IS19036
PETRI STEERING WHEEL REPLACEMENT		

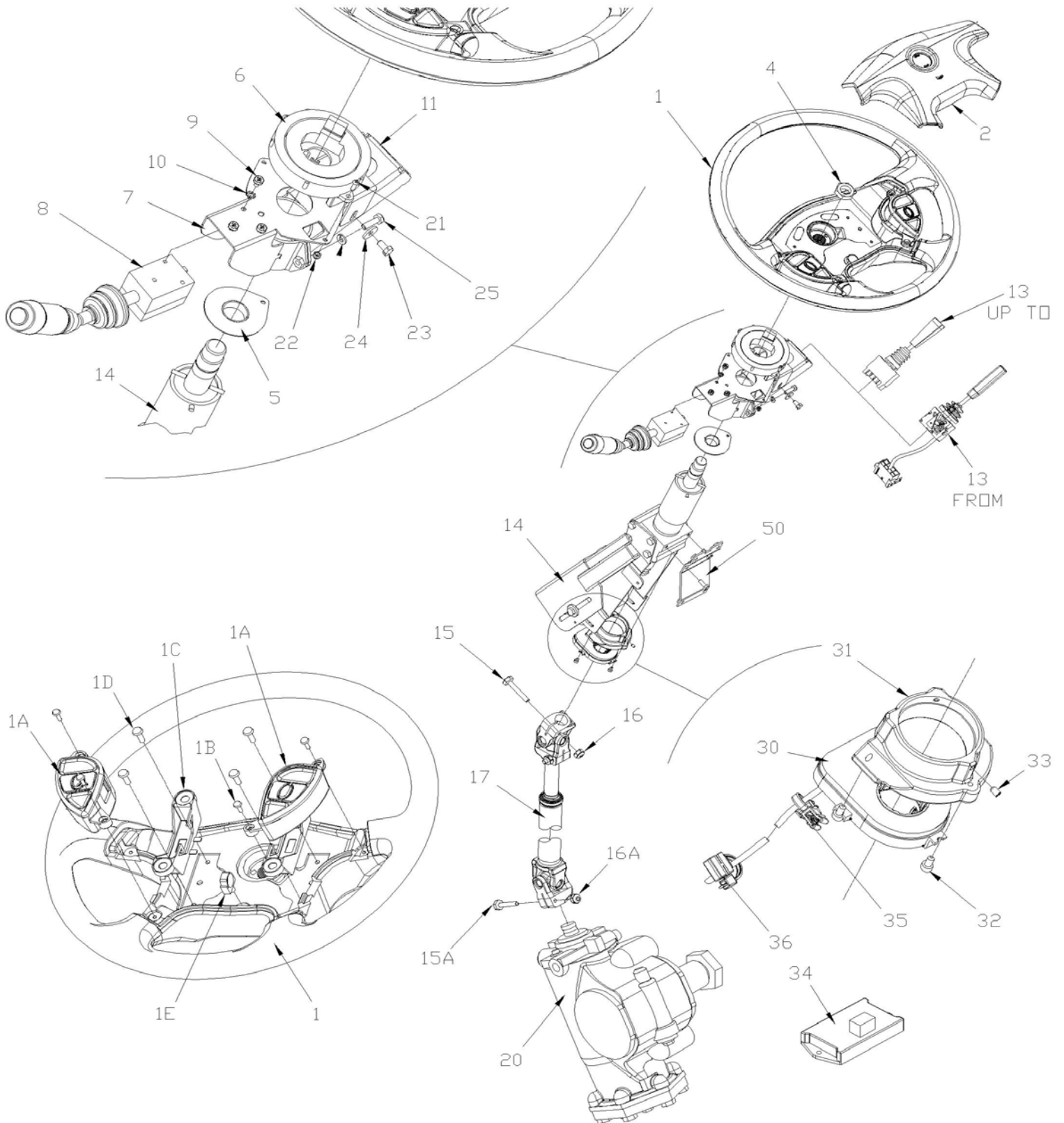
Item#	Part	Description	QTY	Notes
1	160004	STEERING ADAPTER RING	1	
2	661171	STEERING WHEEL URHETHANE W/OUT ANY CONTROL	1	
3	661149	HORN BUTTON CUSHION PAD W PROVOST EMBLEM	1	
. NS	N.S.S.	. SPRING HORN	4	1
. NS	661162	. SPRING RETAINER / HORN SPRING	4	
. NS	661163	. HORN CONTACT	1	
NS	562697	SWITCH / ON-ON / D.P.D.T. / CH-OVER / W/RED & GREEN LED	1	
NS	564081	CAP / HORN SELECTOR - ELEC / AIR	1	
NS	0610188	HARNES, INTERFACE STEERING WHEEL	1	
NS	562768	SOCKET TERMINAL / 16-14 / PED 12015870	2	
8	IS-19036	SEE INSTRUCTION SHEET	1	
8	FI-19036	VOIR FEUILLE D'INSTRUCTION	1	
		1) NOT SOLD SEPARATELY		

From 8-9422

Date:01/2024

PAGE:X3-1405-01

STEERING WHEEL & COLUMN ASSY WITH CONTROL SWITCHES



From 8-9422		Date:01/2024	PAGE:X3-1405-01
-------------	--	--------------	-----------------

STEERING WHEEL & COLUMN ASSY WITH CONTROL SWITCHES

Item#	Part	Description	QTY	Notes
1	661142	STEERING WHEEL URHETHANE To B-5001	1	
A	661155	SWITCH ASSY / W/OUT TRANS SHIFTER To B-5001	1	
B	661159	SCREW MA BUT M4-0.7x8 To B-5001	4	
C	661157	HORN PAD BASE To B-5001	2	
D	661160	SCREW MA M5-0.8x8 To B-5001	4	
E	661158	CLIP WIRE RETAINER To B-5001	1	
1	661172	STEERING WHEEL URHETHANE From B-5002	1	
A	661204	SWITCH ASSY / W/OUT TRANS SHIFTER From B-5002	1	
B	661159	SCREW MA BUT M4-0.7x8 From B-5002	4	
C	661157	HORN PAD BASE From B-5002	2	
D	661160	SCREW MA M5-0.8x8 From B-5002	4	
E	661158	CLIP WIRE RETAINER From B-5002	1	
1	661118	STEERING WHEEL URHETHANE W/ "ZF" TRANS SHIFTER To B-5001	1	
A	661156	SWITCH ASSY / W/ "ZF" TRANS SHIFTER To B-5001	1	
B	661159	SCREW MA BUT M4-0.7x8 To B-5001	4	
C	661157	HORN PAD BASE To B-5001	2	
D	661160	SCREW MA M5-0.8x8 To B-5001	4	
E	661158	CLIP WIRE RETAINER To B-5001	1	
1	661173	STEERING WHEEL URHETHANE W/ "I-Shift" "VOLVO" From B-5002	1	
A	661205	SWITCH ASSY / W/TRANS SHIFTER From B-5002	1	
B	661159	SCREW MA BUT M4-0.7x8 From B-5002	4	
C	661157	HORN PAD BASE From B-5002	2	
D	661160	SCREW MA M5-0.8x8 From B-5002	4	
E	661158	CLIP WIRE RETAINER From B-5002	1	
1	661143	STEERING WHEEL LEATHER To B-5001	1	
A	661155	SWITCH ASSY / W/OUT TRANS SHIFTER To B-5001	1	
B	661159	SCREW MA BUT M4-0.7x8 To B-5001	4	
C	661157	HORN PAD BASE To B-5001	2	
D	661160	SCREW MA M5-0.8x8 To B-5001	4	
E	661158	CLIP WIRE RETAINER To B-5001	1	
1	661174	STEERING WHEEL LEATHER From B-5002	1	
A	661204	SWITCH ASSY / W/OUT TRANS SHIFTER From B-5002	1	
B	661159	SCREW MA BUT M4-0.7x8 From B-5002	4	
C	661157	HORN PAD BASE From B-5002	2	
D	661160	SCREW MA M5-0.8x8 From B-5002	4	
E	661158	CLIP WIRE RETAINER From B-5002	1	
1	661144	STEERING WHEEL LEATHER W/ "ZF" TRANS SHIFTER To B-5001	1	
A	661156	SWITCH ASSY / W/ "ZF" TRANS SHIFTER To B-5001	1	
B	661159	SCREW MA BUT M4-0.7x8 To B-5001	4	
C	661157	HORN PAD BASE To B-5001	2	
D	661160	SCREW MA M5-0.8x8 To B-5001	4	
E	661158	CLIP WIRE RETAINER To B-5001	1	

From 8-9422		Date:01/2024	PAGE:X3-1405-01
-------------	--	--------------	-----------------

STEERING WHEEL & COLUMN ASSY WITH CONTROL SWITCHES

Item#	Part	Description	QTY	Notes
1	661175	STEERING WHEEL LEATHER W/ "I-Shift" "VOLVO" From B-5002	1	
A	661205	SWITCH ASSY / W/TRANS SHIFTER From B-5002	1	
B	661159	SCREW MA BUT M4-0.7x8 From B-5002	4	
C	661157	HORN PAD BASE From B-5002	2	
D	661160	SCREW MA M5-0.8x8 From B-5002	4	
E	661158	CLIP WIRE RETAINER From B-5002	1	
1	661145	STEERING WHEEL LEATHER & WOOD To B-5001	1	
A	661155	SWITCH ASSY / W/OUT TRANS SHIFTER To B-5001	1	
B	661159	SCREW MA BUT M4-0.7x8 To B-5001	4	
C	661157	HORN PAD BASE To B-5001	2	
D	661160	SCREW MA M5-0.8x8 To B-5001	4	
E	661158	CLIP WIRE RETAINER To B-5001	1	
1	661176	STEERING WHEEL LEATHER & WOOD From B-5002	1	
A	661204	SWITCH ASSY / W/OUT TRANS SHIFTER From B-5002	1	
B	661159	SCREW MA BUT M4-0.7x8 From B-5002	4	
C	661157	HORN PAD BASE From B-5002	2	
D	661160	SCREW MA M5-0.8x8 From B-5002	4	
E	661158	CLIP WIRE RETAINER From B-5002	1	
1	661146	STEERING WHEEL LEATHER & WOOD W/ "ZF" TRANS SHIFTER To B-5001	1	
A	661156	SWITCH ASSY / W/ "ZF" TRANS SHIFTER To B-5001	1	
B	661159	SCREW MA BUT M4-0.7x8 To B-5001	4	
C	661157	HORN PAD BASE To B-5001	2	
D	661160	SCREW MA M5-0.8x8 To B-5001	4	
E	661158	CLIP WIRE RETAINER To B-5001	1	
1	661180	STEERING WHEEL LEATHER & WOOD W/ "I-Shift" "VOLVO" From B-5002	1	
A	661205	SWITCH ASSY / W/TRANS SHIFTER From B-5002	1	
B	661159	SCREW MA BUT M4-0.7x8 From B-5002	4	
C	661157	HORN PAD BASE From B-5002	2	
D	661160	SCREW MA M5-0.8x8 From B-5002	4	
E	661158	CLIP WIRE RETAINER From B-5002	1	
1	661164	STEERING WHEEL LEATHER & WOOD BLACK To B-5001	1	
A	661155	SWITCH ASSY / W/OUT TRANS SHIFTER To B-5001	1	
B	661159	SCREW MA BUT M4-0.7x8 To B-5001	4	
C	661157	HORN PAD BASE To B-5001	2	
D	661160	SCREW MA M5-0.8x8 To B-5001	4	
E	661158	CLIP WIRE RETAINER To B-5001	1	
1	661177	STEERING WHEEL LEATHER & WOOD BLACK From B-5002	1	
A	661204	SWITCH ASSY / W/OUT TRANS SHIFTER From B-5002	1	
B	661159	SCREW MA BUT M4-0.7x8 From B-5002	4	
C	661157	HORN PAD BASE From B-5002	2	
D	661160	SCREW MA M5-0.8x8 From B-5002	4	
E	661158	CLIP WIRE RETAINER From B-5002	1	

From 8-9422	Date:01/2024	PAGE:X3-1405-01
STEERING WHEEL & COLUMN ASSY WITH CONTROL SWITCHES		

Item#	Part	Description	QTY	Notes
1	661165	STEERING WHEEL LEATHER & WOOD BLACK W/ "ZF" TRANS SHIFTER To B-5001	1	
. NS	661156	. SWITCH ASSY / W/ "ZF" TRANS SHIFTER To B-5001	1	
. NS	661159	. SCREW MA BUT M4-0.7x8 To B-5001	4	
. NS	661157	. HORN PAD BASE To B-5001	2	
. NS	661160	. SCREW MA M5-0.8x8 To B-5001	4	
. NS	661158	. CLIP WIRE RETAINER To B-5001	1	
1	661181	STEERING WHEEL LEATHER & WOOD BLACK W/ "I-Shift" "VOLVO" From B-5002	1	
. A	661205	. SWITCH ASSY / W/TRANS SHIFTER From B-5002	1	
. B	661159	. SCREW MA BUT M4-0.7x8 From B-5002	4	
. C	661157	. HORN PAD BASE From B-5002	2	
. D	661160	. SCREW MA M5-0.8x8 From B-5002	4	
. E	661158	. CLIP WIRE RETAINER From B-5002	1	
1	661172	STEERING WHEEL URHETHANE To J-6375	1	G
. A	661204	. SWITCH ASSY / W/OUT TRANS SHIFTER To J-6375	1	G
. B	661159	. SCREW MA BUT M4-0.7x8 To J-6375	4	G
. C	661157	. HORN PAD BASE To J-6375	2	G
. D	661160	. SCREW MA M5-0.8x8 To J-6375	4	G
. E	661158	. CLIP WIRE RETAINER To J-6375	1	G
1	660037	STEERING LIN, URETHANE W/O BLIND CONT. From J-6376	1	G
. A	661204	. SWITCH ASSY / W/OUT TRANS SHIFTER From J-6376	1	G
. B	661159	. SCREW MA BUT M4-0.7x8 From J-6376	4	G
. C	661157	. HORN PAD BASE From J-6376	2	G
. D	661160	. SCREW MA M5-0.8x8 From J-6376	4	G
. E	661158	. CLIP WIRE RETAINER From J-6376	1	G
2	661149	HORN BUTTON CUSHION PAD W PROVOST EMBLEM	1	
. NS	N.S.S.	. SPRING HORN	4	1
. NS	661162	. SPRING RETAINER / HORN SPRING	4	
. NS	661163	. HORN CONTACT	1	
4	661051	NUT	1	
5	161273	RING TURN SIGNAL CANCELING	1	
NS	502506	SCREW SET HEXS CUP M4-0.7x16	2	
6	661119	ROTATING CONTACT / CLOCK SPRING To H-6096	1	
6	660012	ROTATING CONTACT / CLOCK SPRING From H-6097 To N-6756	1	
6	661224	ROTATING CONTACT / CLOCK SPRING From N-6757	1	
NS	067214	EXTENSION, CLOCK SPRING	1	
NS	161249	GUIDE ROTATING CONTACT	1	
NS	504742	RING RETAINER / EXT 1.562 x 1.446 x 0.62	1	
7	161212	SUPPORT, DIRECTIONAL SWITCH	1	
8	661075	LEVER ASSY / MULTIFONCTINAL	1	
. NS	660781	. CAP PLEATED RUBBER	1	
8	504804	RING RETAINER / EXT 1 3/4 From F-5796	1	
9	5001377	SCREW MA PAN PH M5-0.8x8 SS	3	

From 8-9422		Date:01/2024	PAGE:X3-1405-01
-------------	--	--------------	-----------------

STEERING WHEEL & COLUMN ASSY WITH CONTROL SWITCHES

Item#	Part	Description	QTY	Notes
10	5001378	WASHER LO EXT 5.3x10x0.6 Z050	3	
11	161211	COLLAR W/SWITCH SUPPORT	1	
13	562356	SWITCH ASSY / W/LEVER & BOOT / 6 POSITIONS To £-23062	1	
13	564801	LEVER HAND-RETARDER From £-23062	1	
NS		UP TO £-23062		
NS		FROM £-23062		
14	661147	STEERING COLUMN ASSY W/E.C.S. 36SPL / 66SPL LOWER	1	
NS	509558	WEATHERSEAL SNAP-ON 1/8" / SINGLE LIP / WH / C.T.L.	AR	
NS	161220	DECAL "WARNING" STREERING SYSTEM CALIBRA.."	1	
NS	641242	MALE CONNECTOR / PUSH-IN FITTING / #4x1/8NPT-M BR	1	
15	661095	SCREW CAP HEX "SPECIAL" STEERING SHAFT "ZF" To A-9968	1	
15	661095	SCREW CAP HEX "SPECIAL" STEERING SHAFT "ZF" To A-9968	1	
15	661195	SCREW "SPECIAL" STEERING SHAFT "ZF" From A-9969	1	
15	661195	SCREW "SPECIAL" STEERING SHAFT "ZF" From A-9969	1	
15A	661095	SCREW CAP HEX "SPECIAL" STEERING SHAFT "ZF" To A-9968	1	
15A	661095	SCREW CAP HEX "SPECIAL" STEERING SHAFT "ZF" To A-9968	1	
15A	661195	SCREW "SPECIAL" STEERING SHAFT "ZF" From A-9969 To F-5818	1	
15A	661195	SCREW "SPECIAL" STEERING SHAFT "ZF" From A-9969 To F-5818	1	
15A	502946	SCREW CAP HEX M10-1.5x50 G10.9 N500 From F-5819	1	
16	661096	NUT "SPECIAL" STEERING SHAFT "ZF" To A-9968	1	
16	661096	NUT "SPECIAL" STEERING SHAFT "ZF" To A-9968	1	
16A	661096	NUT "SPECIAL" STEERING SHAFT "ZF" To A-9968	1	
16A	661096	NUT "SPECIAL" STEERING SHAFT "ZF" To A-9968	1	
16A	502859	NUT HEX NYRT M10-1.5 N500 From F-5819	1	
17	661123	SHAFT ASSY STEERING W/E.C.S. 66SPL / 79SPL LOWER To A-9968	1	
. NS	661095	. SCREW CAP HEX "SPECIAL" STEERING SHAFT "ZF" To A-9968	2	
. NS	661096	. NUT "SPECIAL" STEERING SHAFT "ZF" To A-9968	2	
17	661179	SHAFT ASSY STEERING W/E.C.S. 66SPL / 79SPL LOWER From A-9969 To F-5818	1	
. NS	661195	. SCREW "SPECIAL" STEERING SHAFT "ZF" From A-9969 To F-5818	2	
17	660770	SHAFT ASSY STEERING W/E.C.S. 66SPL / 79SPL LOWER From F-5819	1	
. NS	661195	. SCREW "SPECIAL" STEERING SHAFT "ZF" From F-5819	1	
NS	161220	DECAL "WARNING" STREERING SYSTEM CALIBRA.."	1	
20	X3-1415-00	STEERING GEARBOX - "ZF" W/ I BEAM RIGID		
20	X3-1415-50	STEERING GEARBOX - "ZF" - W/INDEPENDENT		
21	500344	SCREW MA RND PH M4-0.7x12 Z050	2	
22	500590	NUT HEX NYRT M4-0.7 Z050	2	
23	502563	SCREW CAP HEX M6-1.0x12 G8.8 Z050	2	
24	5001462	WASHER FL 6.4x18.0x1.6 Z050	2	
25	502631	SCREW CAP HEX M6-1.0x20 G8.8 Z050	2	
26	500356	WASHER LO SERR 6.1x16.0x0.9 N500	2	
30	661148	SENSOR ANGLE POSITION DETECTOR	1	
. NS	564042	. CONNECTOR / BOSCH 1 928 404 025	1	

From 8-9422	Date:01/2024	PAGE:X3-1405-01
-------------	--------------	-----------------

STEERING WHEEL & COLUMN ASSY WITH CONTROL SWITCHES

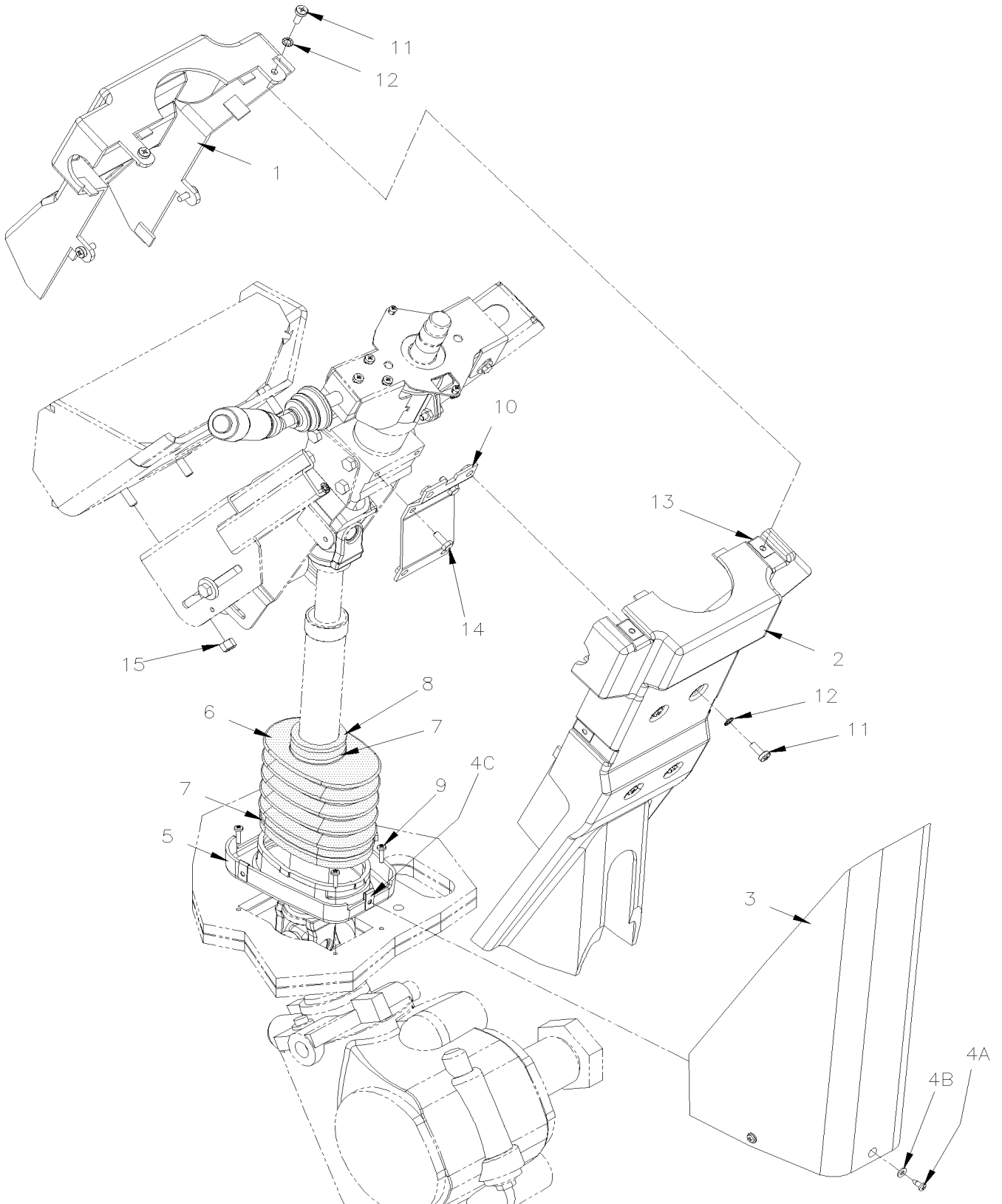
Item#	Part	Description	QTY	Notes
31	161265	SUPPORT SENSOR ANGLE POSITION STEERING	1	
32	5001670	SCREW CAP HEXS M4-0.7x8 G8.8 Z050	3	
33	500587	SCREW SET HEXS CUP M4-0.7x6	3	
34	382446	GATEWAY LIN BUS INTERFACE From B-5002 To D-5518	1	A
34	382562	GATEWAY LIN BUS INTERFACE From D-5519 To E-5595	1	A
34	565917	GATEWAY LIN BUS INTERFACE From E-5596 To E-5682	1	A
34	565921	GATEWAY LIN BUS INTERFACE From E-5683 To G-6022	1	A
34	560008	GATEWAY LIN BUS INTERFACE From G-6023	1	A
35	564204	CABLE TIE / WITH EDGE CLIP / T50REC4A 10MMx200MM From D-5353	1	
36	564534	CABLE TIE / WITH EDGE CLIP / T50REC5A 10 MM x 200 MM From D-5353	1	
50	X3-1407-00	STEERING COLUMN & COVER - INSTALLATION		
		A) THIS INTERFACE BOX IS LOCATED INSIDE OF DASH ON L.H. SIDE		
		G) GREYHOUND OPTION		
		1) NOT SOLD SEPARATELY		

From 7-8754

Date:01/2024

PAGE:X3-1407-00

STEERING COLUMN & COVER - INSTALLATION



From 7-8754		Date:01/2024	PAGE:X3-1407-00
-------------	--	--------------	-----------------

STEERING COLUMN & COVER - INSTALLATION

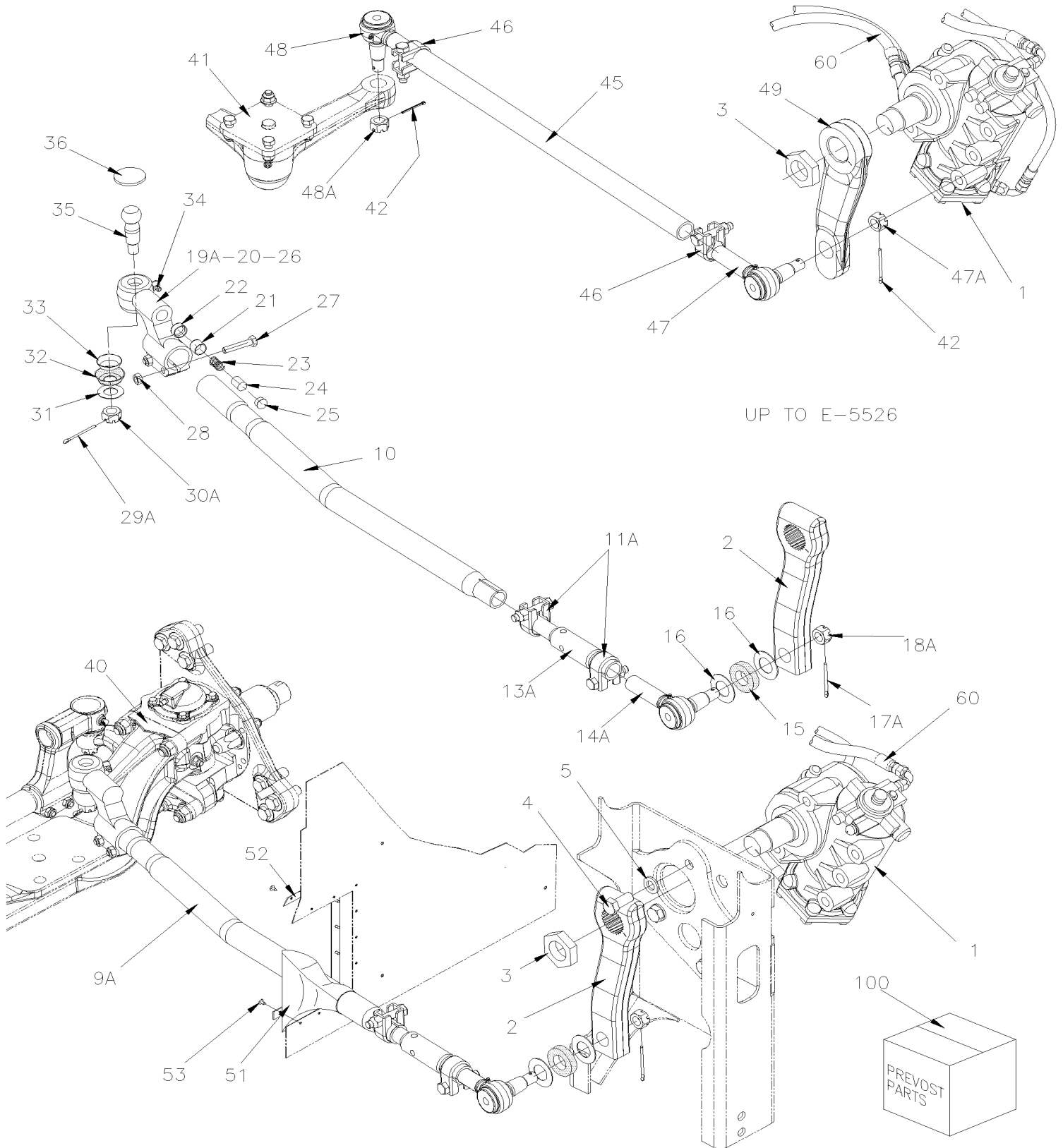
Item#	Part	Description	QTY	Notes
1	161086	COVER / W/RETARDER / BLACK To 8-9421	1	
1	161268	COVER / W/RETARDER / BLACK From 8-9422 To F-5803	1	
1	161358	COVER / W/RETARDER / BLACK From F-5804 To £-23062	1	
1	160253	UPPER COVER, STEERING COLUMN W/RET From £-23062	1	
1	161087	COVER / W/O RETARDER / BLACK To 8-9421	1	
1	161270	COVER / W/O RETARDER / BLACK From 8-9422 To F-5770	1	
1	161356	COVER / W/O RETARDER / BLACK From F-5771	1	
2	161084	COVER / W/RETARDER / BLACK To 8-9421	1	
2	161271	COVER / W/RETARDER / BLACK From 8-9422 To F-5803	1	
2	161357	COVER / W/RETARDER / BLACK From F-5804 To £-23062	1	
2	160254	LOWER COVER, STEERING COLUMN W/RET From £-23062	1	
2	161085	COVER / W/O RETARDER / BLACK To 8-9421	1	
2	161269	COVER / W/O RETARDER / BLACK From 8-9422 To F-5770	1	
2	161355	COVER / W/O RETARDER / BLACK From F-5771	1	
3	161066	COVER, LOWER / BLACK To 8-9421	1	
3	161152	COVER, LOWER / BLACK From 8-9422 To F-5818	1	
3	160881	COVER, LOWER / BLACK From F-5819	1	
3	161991	COVER, LOWER / BLACK From D-5300 To F-5818	1	GR
3	160882	COVER, LOWER / BLACK From F-5819	1	GR
4A	504619	CLIP CHRISTMAS TREE / BLACK 7/32"O.D.x1/2" HOLE 3/16 To E-5570	3	
4A	500443	SCREW TP PAN PH #8x1/2 N500 From E-5571 To K-6442	3	
4A	500957	SCREW TP BDG PH #10x3/4 N500 From K-6443	3	
4B	500855	WASHER FL .188x.438x.049 N500 From E-5571	3	
4C	500684	NUT SPR U #8A .025-.064 From E-5571	3	
5	391974	PLATE SUPPORT	1	
6	660981	BELLOW	1	
7	504637	CABLE TIE / 3/16" x 13"	2	
8	391930	COLLAR	1	
9	500641	SCREW TP PAN PH #8x3/4 Z050	4	
10	161068	ATTACHMENT	1	
11	502569	SCREW MA PAN PH M6-1.0x16 BK	8	
12	5001739	WASHER LO EXT 6.4x11.0x0.7 N500	8	
13	502738	NUT SPR U M6-1.0 0.6-4.0 To G-5931	2	
13	5001965	NUT SPR U M6-1.0 0.6-4.0 N500 From G-5932	2	
13	504669	RIVET DRV BDG .187x.609 NYL	2	
14	502531	SCREW CAP HEX M6-1.0x16 G8.8 Z050	2	
15	502600	NUT HEX NYRT 5/16-18 Z050	4	
		GR) "GREYHOUND" OPTION		

From 7-8754

Date:01/2024

PAGE:X3-1410-00

STEERING GEAR BOX & DRAG LINK - INSTALLATION

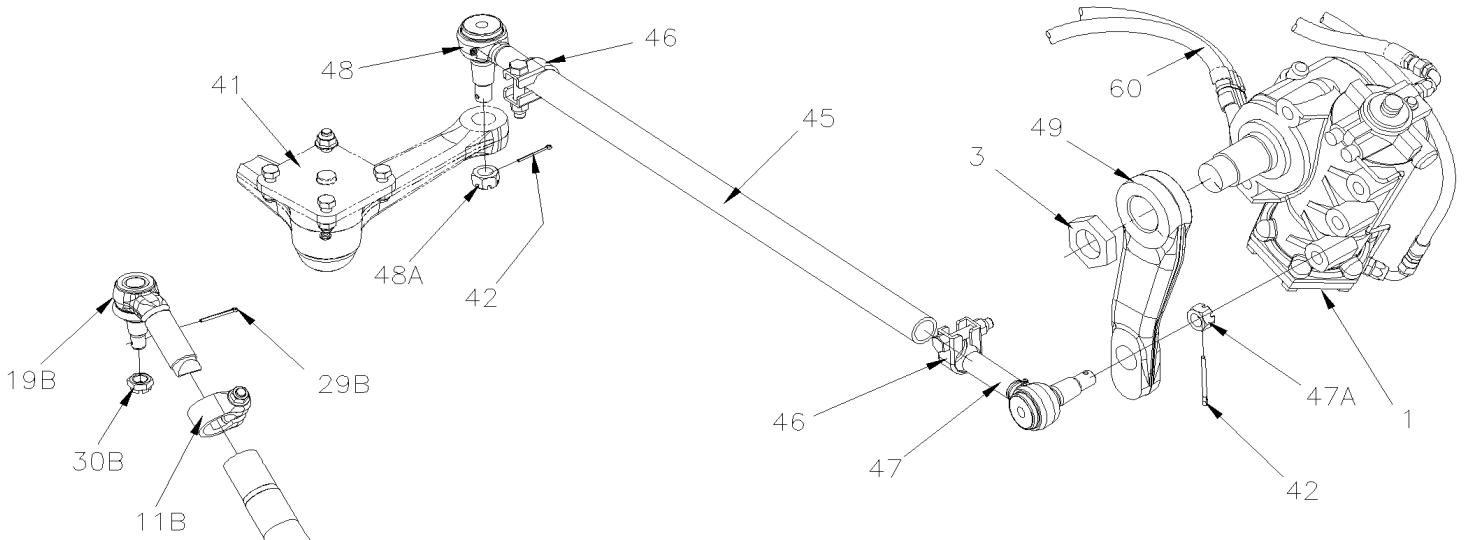


From 7-8754

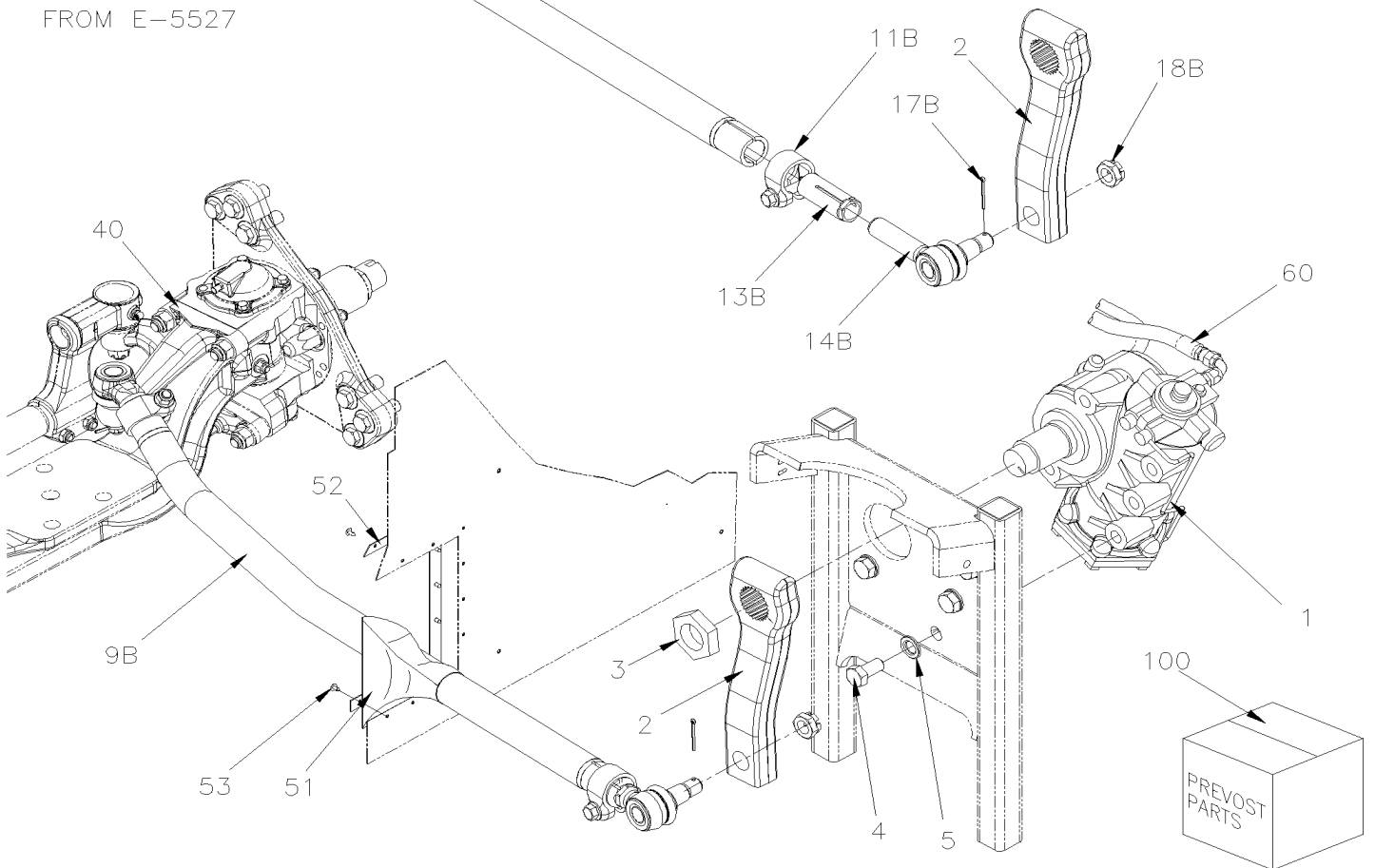
Date:01/2024

PAGE:X3-1410-00

STEERING GEAR BOX & DRAG LINK - INSTALLATION



FROM E-5527



From 7-8754

Date:01/2024

PAGE:X3-1410-00

STEERING GEAR BOX & DRAG LINK - INSTALLATION



From 7-8754		Date:01/2024	PAGE:X3-1410-00
-------------	--	--------------	-----------------

STEERING GEAR BOX & DRAG LINK - INSTALLATION

Item#	Part	Description	QTY	Notes
1	X3-1415-00	STEERING GEARBOX - "ZF" W/ I BEAM RIGID		
1	X3-1415-50	STEERING GEARBOX - "ZF" - W/INDEPENDENT		
2	163477P	ARM, PITMAN ASSY To F-5818	1	
. NS	661046	. ARM, PITMAN 270MM C/C 116.5° MARK INDEX To F-5818	1	
. NS	066608	. ACTUATOR TAG UNLOAD / To F-5818	1	
. NS	506785	. TAPE RUB ADH2 CC POL 1/16" X 1/4" X 200' / BLACK I1C-N-A To F-5818	AR	
. NS	684517	. ADHESIVE SIMSON #ISR 70-03 / GREY / 310ml CARTRIDGE To F-5818	AR	
2	160134P	ARM, PITMAN ASSY From F-5819 To L-6499	1	
. NS	660618	. ARM, PITMAN From F-5819 To L-6499	1	
. NS	066608	. ACTUATOR TAG UNLOAD / From F-5819 To L-6499	1	
. NS	506785	. TAPE RUB ADH2 CC POL 1/16" X 1/4" X 200' / BLACK I1C-N-A From F-5819 To L-6499	AR	
. NS	684517	. ADHESIVE SIMSON #ISR 70-03 / GREY / 310ml CARTRIDGE From F-5819 To L-6499	AR	
2	660618	ARM, PITMAN From L-6500	1	
3	661050	LOCKNUT M45X1.5 GEARBOX ZF	1	
4	5001494	SCREW CAP HEX M20-1.5x45 G10.9 Z050 To D-5394	5	R
4	5001442	SCREW CAP HEX M20-1.5x40 G10.9 N500 From D-5395	5	
5	5001495	WASHER FL 21.0x37.0x4.0 ZP To D-5394	5	R
5	611044	WASHER FL HARD 21.0x37.0x3.0 N500 From D-5395	5	
NS	682175	UNDERCOATING BLACK PROTECTOR (GRAVELGUARD) 567gr To N-6731	AR	
NS	685413	RUBBERIZED UNDERCOAT (GRAVELGUARD) 560gr From N-6732	AR	
9A	160959	DRAG LINK ASSY / 1329.5MM C/C To C-5124	1	
9A	161378	DRAG LINK ASSY / 1329.5MM C/C From C-5125 To E-5525	1	
9B	161458	DRAG LINK ZF / SERVICE KIT To E-5525	1	
. NS	660699	. DRAG LINK ASSY / 1320.5MM C/C To E-5525	1	
. NS	502104	. PIN, COTTER 5/32 x 2 To E-5525	2	
. NS	IS-13009	. INSTRUCTION SHEET To E-5525	1	
9B	660699	DRAG LINK ASSY / 1320.5MM C/C From E-5526	1	
10	160960	. ROD / W/1 CURVE // W/ONE CURVE 975MM To E-5525	1	
11A	661133	. COLLAR ASSY / W/BOLT & NUT & STOPPER 1 5/8" I.D. To E-5525	2	
. NS	500231	. . SCREW CAP HEX 5/8-11x3 G5 ZP To E-5525	1	
. NS	500683	. . NUT HEX STO 5/8-11 ZP To E-5525	1	
11B	661209	. COLLAR ASSY / W/BOLT & NUT 50MM I.D. From E-5526 To G-6058	2	
11B	660018	. COLLAR ASSY / W/BOLT & NUT 50MM I.D. From G-6059	2	
. NS	22164949	. . SCREW KIT From G-6059	1	
13A	160932	. TURNBUCKLE 275MM To E-5525	1	
13A	161910	. TURNBUCKLE 275MM To E-5525	1	T
13B	661210	. SLEEVE THREADED From E-5526 To G-6058	1	
13B	660013	. SLEEVE THREADED From G-6059	1	
14A	661150	. TIE ROD END L.H. THREAD 1 1/4-12 To E-5525	1	
14B	661212	. TIE ROD END R.H. THREAD M30-1.5 From E-5526	1	
15	661135	. . RUBBER WASHER SEAL To E-5525	1	
16	161989	. . WASHER FL 34.9x63.5x16GA SS To E-5525	1	

From 7-8754		Date:01/2024	PAGE:X3-1410-00
-------------	--	--------------	-----------------

STEERING GEAR BOX & DRAG LINK - INSTALLATION

Item#	Part	Description	QTY	Notes
17A	502115	. . PIN, COTTER 3/16 x 2 1/2 To E-5525	1	
17B	502104	. . PIN, COTTER 5/32 x 2 From E-5526	1	
18A	5001345	. . NUT HEX CSL THN 7/8-14 To E-5525	1	
18B	661216	. NUT HEX CSL THN M24-1.5 From E-5526	1	
19A	610991	. TIE ROD ASSY / 3" OFFSET / L.H. THREAD M48-2 To E-5525	1	
19B	661211	. TIE ROD END R.H. THREAD M38-1.5 From E-5526	1	
20	N.S.P.	. . HOUSING / OFFSET L.H. THREAD M48-2 To E-5525	1	2
21	N.S.S.	. . RUBBING PAD / (7157/156) To E-5525	1	1
22	N.S.S.	. . THRUST CUP / (7157/153) To E-5525	1	1
23	N.S.S.	. . COMPRESSION SPRING / (5443/4) To E-5525	1	1
24	N.S.S.	. . ADJUSTER PIECE / (5443/154) To E-5525	1	1
25	680404	. . CAP PLUG To E-5525	1	
26	502115	. . PIN, COTTER 3/16 x 2 1/2 To E-5525	1	
27	5001177	. . SCREW CAP HEX M12-1.75x60 G8.8 Z050 To E-5525	2	
28	500811	. . NUT HEX STO M12-1.75 G500 To E-5525	2	
29A	502114	. . PIN, COTTER 5/32 x 2 1/2 To E-5525	1	
29B	502104	. . PIN, COTTER 5/32 x 2 From E-5526	1	
30A	5001196	. . NUT HEX SLT 3/4-16 To E-5525	1	
30B	661213	. NUT HEX CSL THN M20-1.5 From E-5526	1	
31	161989	. . WASHER FL 34.9x63.5x16GA SS To E-5525	2	
32	611057	. . RUBBER SEAL BOOT To E-5525	1	
33	611056	. . DIRT SEAL PRESSING To E-5525	1	
34	501495	. . GREASE FITTING 90° / 1/8 NPT To E-5525	2	
35	N.S.S.	. . BALL STUD / (F4223/11) To E-5525	1	1
36	N.S.S.	. . PLUG / (5247/155) To E-5525	1	1
36	N.S.S.	. . SNAP RING / (ML7544/55N) To E-5525	1	1
40	611031	STEERING ARM UPPER L.H. STREET SIDE	1	
		WITH INDEPENDENT FRONT SUSPENSION		
41	X3-1410-50	STEERING RODS - INSTALLATION W/INDEPENDENT "NDIFS80P" / 18000LBS To F-5796		
41	X3-1410-51	STEERING RODS - INSTALLATION W/INDEPENDENT "NDIFS80P" / 19000LBS From F-5797		
42	502115	PIN, COTTER 3/16 x 2 1/2 To D-5392	2	
42	502109	PIN, COTTER 6.3MM x 71MM Z50 From D-5393	2	
NS	684420	SCREW MARKER LOCK 90ml	AR	
45	661067	DRAG LINK ASSY / 970 MM C/C To 8-9301	1	
45	661134	DRAG LINK ASSY / 970 MM C/C WITH LONG NECK TIE ROD END From 8-9302 To 9-9596	1	L
45	661153	DRAG LINK ASSY / 970 MM C/C WITH LONG NECK TIE ROD END From 9-9597 To D-5392	1	L
45	661188	DRAG LINK ASSY / 970 MM C/C / 19000LBS / LARGE TIE ROD END From D-5393	1	
45	N.P.N.	. ROD	1	4
46	660978	. COLLAR ASSY / W/BOLT & NUT 1 5/8" I.D. To 8-9301	1	

From 7-8754		Date:01/2024	PAGE:X3-1410-00
-------------	--	--------------	-----------------

STEERING GEAR BOX & DRAG LINK - INSTALLATION

Item#	Part	Description	QTY	Notes
. NS	500231	. . SCREW CAP HEX 5/8-11x3 G5 ZP To 8-9301	1	
. NS	500683	. . NUT HEX STO 5/8-11 ZP To 8-9301	1	
46	661133	. COLLAR ASSY / W/BOLT & NUT & STOPPER 1 5/8" I.D. From 8-9302	2	
. NS	500231	. . SCREW CAP HEX 5/8-11x3 G5 ZP From 8-9302	1	
. NS	500683	. . NUT HEX STO 5/8-11 ZP From 8-9302	1	
47	611458	. TIE ROD END R.H. THREAD 1 1/4-12 To 8-9301	1	
47	N8892657	. TIE ROD END R.H. THREAD 1 1/4-12 To D-5392	1	S
47	661138	. TIE ROD END R.H. THREAD 1 1/4-12 From 8-9302 To 9-9596	1	
47	661152	. TIE ROD END R.H. THREAD 1 1/4-12 W/LONG NECK TIE ROD From 9-9597 To D-5392	1	LL
47	661200	. TIE ROD END R.H. THREAD 1 1/4-12 / 19000LBS From D-5393	1	
47A	5001345	. . NUT HEX CSL THN 7/8-14 To D-5392	1	
47A	661207	. . NUT HEX CSL THN 1 1/8-12 From D-5393	1	
48	611459	. TIE ROD END L.H. THREAD 1 1/4-12 To 8-9301	1	
48	661150	. TIE ROD END L.H. THREAD 1 1/4-12 To D-5392	1	S
48	661139	. TIE ROD END L.H. THREAD 1 1/4-12 From 8-9302 To 9-9596	1	
48	661151	. TIE ROD END L.H. THREAD 1 1/4-12 W/LONG NECK TIE ROD From 9-9597 To D-5392	1	LL
48	661202	. TIE ROD END L.H. THREAD 1 1/4-12 / 19000LBS From D-5393	1	
48A	5001345	. . NUT HEX CSL THN 7/8-14 To D-5392	1	
48A	661207	. . NUT HEX CSL THN 1 1/8-12 From D-5393	1	
49	661760	ARM, PITMAN 9" / (PAINTED BLACK) To D-5392	1	
49	661187	ARM, PITMAN 9" / (PAINTED BLACK) / 19000LBS From D-5393 To F-5818	1	
49	660663	ARM, PITMAN 9" / (PAINTED BLACK) / 19000LBS From F-5819	1	
51	160931	SHIELD RUBBER To H-6120	1	
51	160116	SHIELD RUBBER From H-6121	1	
51	161009	SHIELD RUBBER To H-6120	1	I
51	160112	SHIELD RUBBER From H-6121	1	I
51	680066	ADHESIVE / ADBOND #5014 / 23.6ML BOTTLE From H-6121	AR	
52	161120	COLLAR SHIELD RETAINER To H-6120	1	
52	161994	COLLAR SHIELD RETAINER From H-6121	1	
52	160994	COLLAR SHIELD RETAINER / "O" FORM CLOSED To H-6120	1	I
52	161993	COLLAR SHIELD RETAINER From H-6121	1	I
53	5001966	SCREW TC BDG PH #10-24x1/2 SS410 ZINC	AR	
NS	504089	BLACK NYLON RETAINER 13 x 5 16 mm Lg From H-6121	2	
NS	500855	WASHER FL .188x.438x.049 N500 From H-6121	2	
NS	500805	WASHER FL .218x.875x.062 N500 From H-6121	4	
60	X3-1400-00	POWER STEERING HOSE - INSTALLATION To E-5488		
60	X3-1400-01	POWER STEERING HOSE - INSTALLATION From E-5489 To H-6179		
60	X3-1400-02	POWER STEERING HOSE - INSTALLATION VOLVO D13 - GHG17 From H-6180		
100	611101	KIT REPAIR / TIE ROD END USE KIT 161458 To E-5525	AR	A
100	161458	DRAG LINK ZF / SERVICE KIT To E-5525	1	

From 7-8754	Date:01/2024	PAGE:X3-1410-00
-------------	--------------	-----------------

STEERING GEAR BOX & DRAG LINK - INSTALLATION

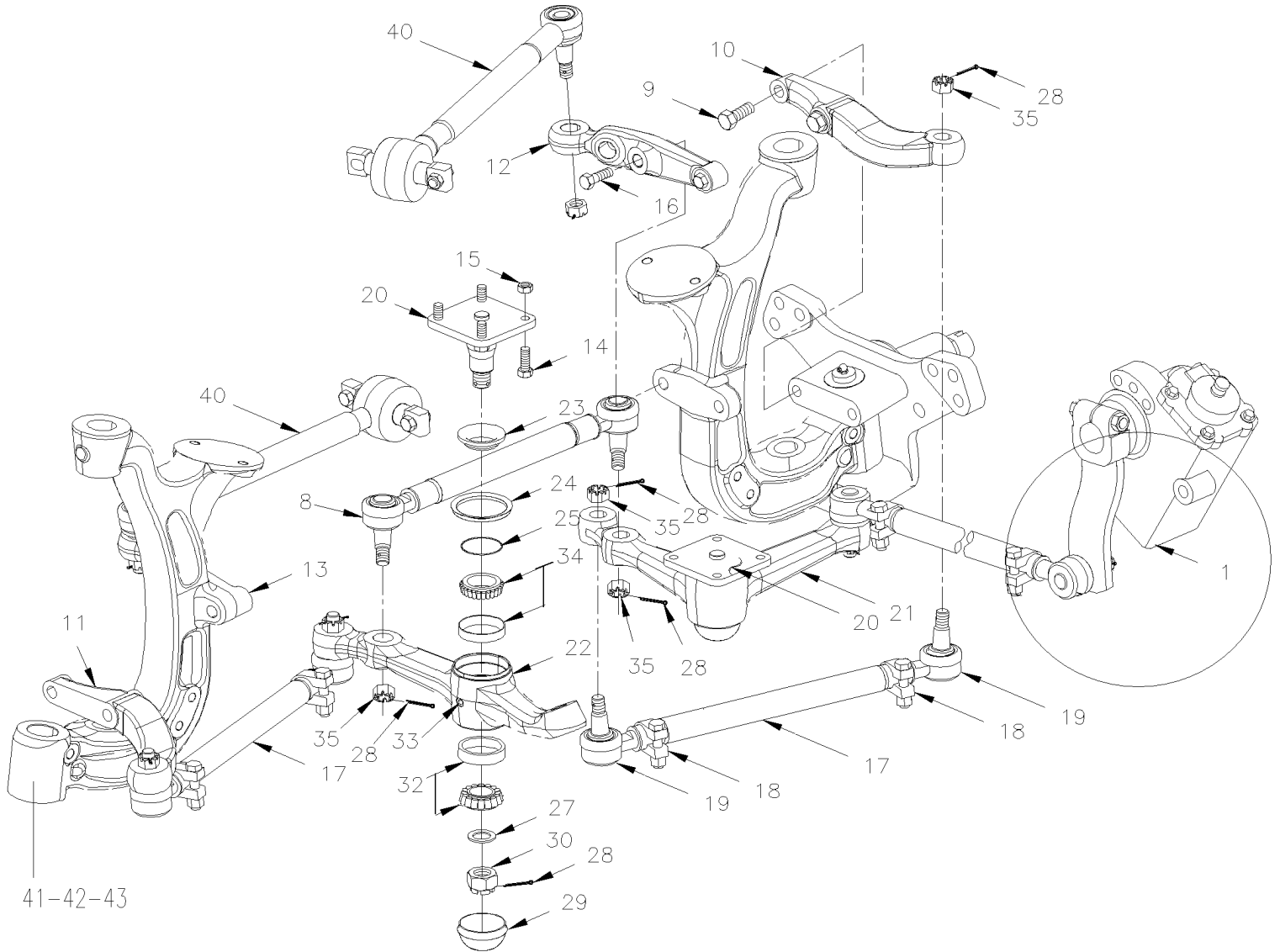
Item#	Part	Description	QTY	Notes
. NS	660699	. DRAG LINK ASSY / 1320.5MM C/C To E-5525	1	
. NS	502104	. PIN, COTTER 5/32 x 2 To E-5525	2	
. NS	IS-13009	. INSTRUCTION SHEET To E-5525	1	
105	661207	NUT HEX CSL THN 1 1/8-12	1	
		A) ITEMS 21 TO 36		
		I) WITH INDEPENDENT SUSPENSION		
		L) THIS ASSY USE ONLY LONG NECK TIE ROD END # 661151 & # 661152		
		LL) USE ONLY WITH ASSY 661134 & 661153		
		R) IF YOU HAVE REBUILT THE FRONT END STRUCTURE USE THOSE SCREW CAP 5001494 AND WASHER 611044		
		S) SERVICE ON SHORT FORMER MODEL		
		T) SERVICE ONLY		
		1) NOT SOLD SEPARATELY		
		2) NOT SOLD BY PREVOST (SEE MANUFACTURING PART NUMBER AT END OF DESCRIPTION LINE)		
		4) NO PARTS NUMBER		

From 7-8754 To F-5796

Date:01/2024

PAGE:X3-1410-50

STEERING RODS - INSTALLATION W/INDEPENDENT "NDIFS80P" / 18000LBS



From 7-8754 To F-5796

Date:01/2024

PAGE:X3-1410-50

STEERING RODS - INSTALLATION W/INDEPENDENT "NDIFS80P" / 18000LBS



From 7-8754 To F-5796	Date:01/2024	PAGE:X3-1410-50
STEERING RODS - INSTALLATION W/INDEPENDENT "NDIFS80P" / 18000LBS		

Item#	Part	Description	QTY	Notes
1	X3-1410-00	STEERING GEAR BOX & DRAG LINK - INSTALLATION		
8	661083	ROD ASSY / 591.8MM C/C CENTER To 8-9301	1	
8	661132	ROD ASSY / 591.8MM C/C CENTER From 8-9302	1	
8	661183	ROD ASSY / 591.8MM C/C CENTER From 8-9302	1	S
9	611306	SCREW CAP HEX M20-2.5x65 G12.9	1	
9	611308	SCREW CAP HEX M20-2.5x100 G12.9	1	
10	163246	STEERING ARM L.H.	1	
10	612084	STEERING ARM L.H.	1	S
11	163468	STEERING ARM R.H.	1	
11	612085	STEERING ARM R.H.	1	S
12	661113	UPRIGHT ARM L.H / W/58 Deg	1	
12	612380	UPRIGHT ARM L.H	1	S
13	661114	UPRIGHT ARM R.H / W/58 Deg	1	
13	612381	UPRIGHT ARM R.H	1	S
14	5001476	SCREW CAP HEX M14-2.0x45 G8.8 G500	8	
15	502538	NUT HEX STO M14-2.0 Z050	8	
16	611305	SCREW CAP HEX M20-2.5x60 G12.9	1	
16	611307	SCREW CAP HEX M20-2.5x80 G12.9	1	
17	661024	ROD ASSY / 657MM C/C To 8-9301	2	
17	661129	ROD ASSY / 657MM C/C WITH LONG NECK TIE ROD END From 8-9302	2	R
17	661182	ROD ASSY / 657MM C/C From 8-9302	2	S
17	N.P.N.	. ROD	1	4
18	660978	. COLLAR ASSY / W/BOLT & NUT 1 5/8" I.D. To 8-9301	2	
. NS	500231	. . SCREW CAP HEX 5/8-11x3 G5 ZP To 8-9301	1	
. NS	500683	. . NUT HEX STO 5/8-11 ZP To 8-9301	1	
18	661133	. COLLAR ASSY / W/BOLT & NUT & STOPPER 1 5/8" I.D. From 8-9302	1	
. NS	500231	. . SCREW CAP HEX 5/8-11x3 G5 ZP From 8-9302	1	
. NS	500683	. . NUT HEX STO 5/8-11 ZP From 8-9302	1	
19	611070	. TIE ROD END R.H. THREAD 1 1/4-12 To 8-9301	1	
19	2005362	. TIE ROD END R.H. THREAD 1 1/4-12	1	S
19	661138	. TIE ROD END R.H. THREAD 1 1/4-12 From 8-9302	1	RR
19	661199	. TIE ROD END R.H. THREAD 1 1/4-12 From 8-9302	1	S
19	611071	. TIE ROD END L.H. THREAD 1 1/4-12 To 8-9301	1	
19	2005363	. TIE ROD END L.H. THREAD 1 1/4-12	1	S
19	661139	. TIE ROD END L.H. THREAD 1 1/4-12 From 8-9302	1	RR
19	661201	. TIE ROD END L.H. THREAD 1 1/4-12 From 8-9302	1	S
20	160983	SPINDLE SHAFT To C-5242	1	
20	661206	SPINDLE SHAFT From C-5243	1	
NS	161005	SHIM 26GAGE 105MM C/C x 14MM slot	AR	
NS	161006	SHIM 20GAGE 105MM C/C x 14MM slot	AR	
21	161169	LEVER L.H.	1	
21	161349	REPLACEMENT KIT / LEVER L.H.	1	S A

From 7-8754 To F-5796	Date:01/2024	PAGE:X3-1410-50
STEERING RODS - INSTALLATION W/INDEPENDENT "NDIFS80P" / 18000LBS		

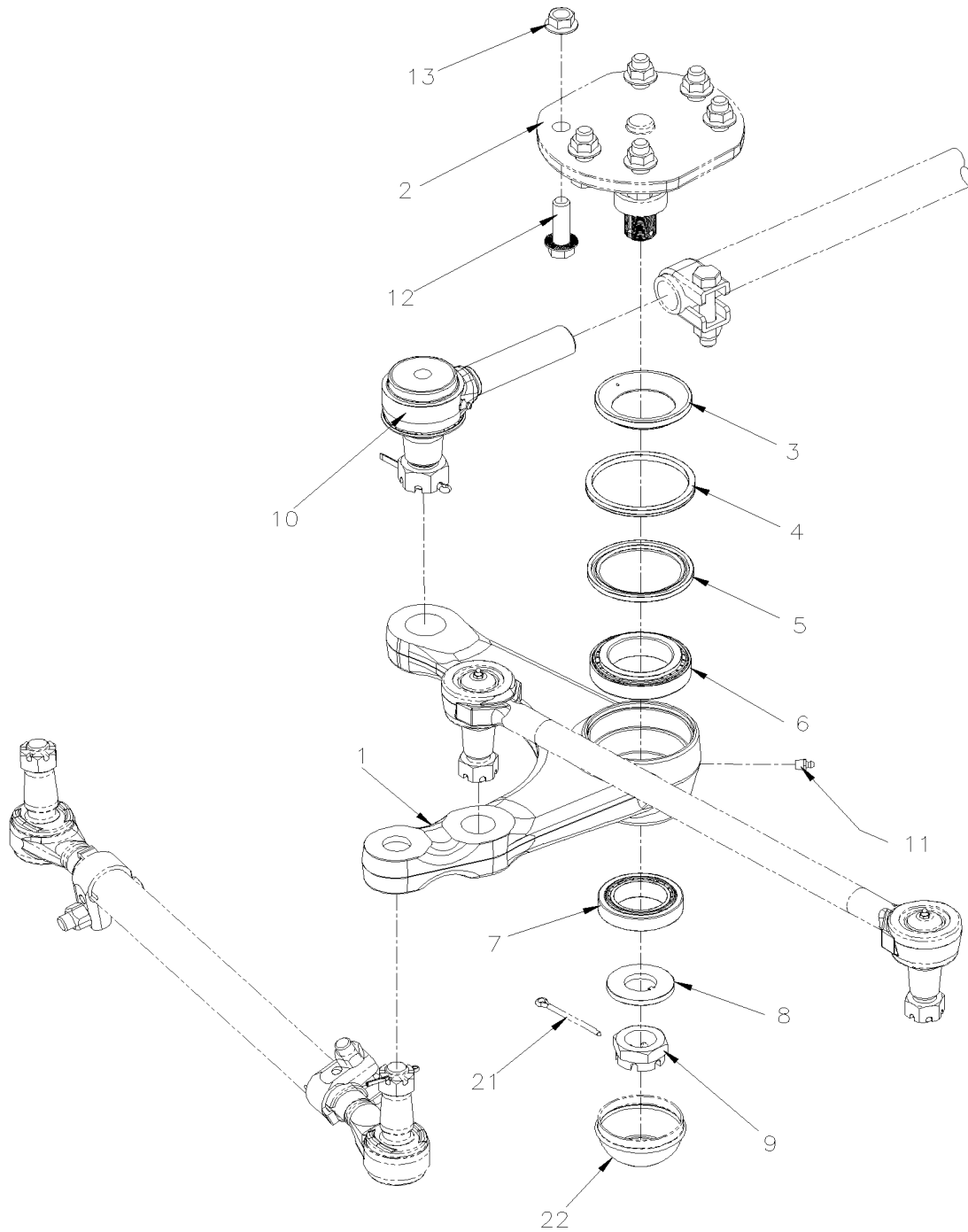
Item#	Part	Description	QTY	Notes
22	161170	LEVER R.H.	1	
22	161350	REPLACEMENT KIT / LEVER R.H.	1	S A
23	160984	SLEEVE WIPER 63.5MM O.D.	1	
24	507351	DUST SEAL 3.270 I.D. X 3.085 O.D.	1	
25	507350	OIL SEAL	1	
27	5001227	WASHER FL .453x.875x.090	1	
28	502115	PIN, COTTER 3/16 x 2 1/2	1	
29	661014	COVER	1	
30	5001218	NUT HEX CSL M30-1.5	1	
32	507354	KIT, CUP & CONE BEARING	2	
33	501490	GREASE FITTING / 1/8 NPT	1	
34	507353	KIT, CUP & CONE BEARING	2	
35	5001345	NUT HEX CSL THN 7/8-14	1	
40	X3-1605-50	FRONT AXLE - INSTALL W/INDEPENDENT "NDIFS80P" / 18000LBS		
41	X3-1005-50	FRONT AXLE - INDEPENDENT MODEL "NDIFS80P" / 18000LBS		
42	X3-1225-00	BRAKE PARTS - FRONT & TAG AXLE "KNORR-BREMSE" SB7 SERIES To 7-9159		
42	X3-1225-01	BRAKE PARTS - FRONT & TAG AXLE "KNORR-BREMSE" SN7 SERIES From 7-9160 To A-9882		
42	X3-1225-02	BRAKE PARTS - FRONT & TAG AXLE "KNORR-BREMSE" SN7 SERIES W/NEW SLIDE PINS From A-9883		
43	X3-1300-00	HUB & ROTOR - FRONT AXLE - I BEAM MODEL "S84U"		
NS	5001327	SCREW CAP HEX M14-2.0x80 G10.9 DP	1	
NS	161009	SHIELD RUBBER	1	
NS	160994	COLLAR SHIELD RETAINER / "O" FORM CLOSED	1	
NS	500657	SCREW TC TR PH #10-24x1/2 Z050	12	
NS	504024	HOSE CLAMP / 1"13/16"-2"3/4 SS / HS-36	1	
		A) USE ONLY WHEN THE OLD NUMBER IS NO LONGER AVAILABLE		
		R) THIS ASSY USE ONLY LONG NECK TIE ROD END # 661138 & # 661139		
		RR) USE ONLY WITH ASSY # 661129		
		S) SERVICE ON SHORT FORMER MODEL		
		4) NO PARTS NUMBER		

From 7-8754 To F-5796

Date:01/2024

PAGE:161349

REPLACEMENT KIT / LEVER L.H.



From 7-8754 To F-5796	Date:01/2024	PAGE:161349
REPLACEMENT KIT / LEVER L.H.		

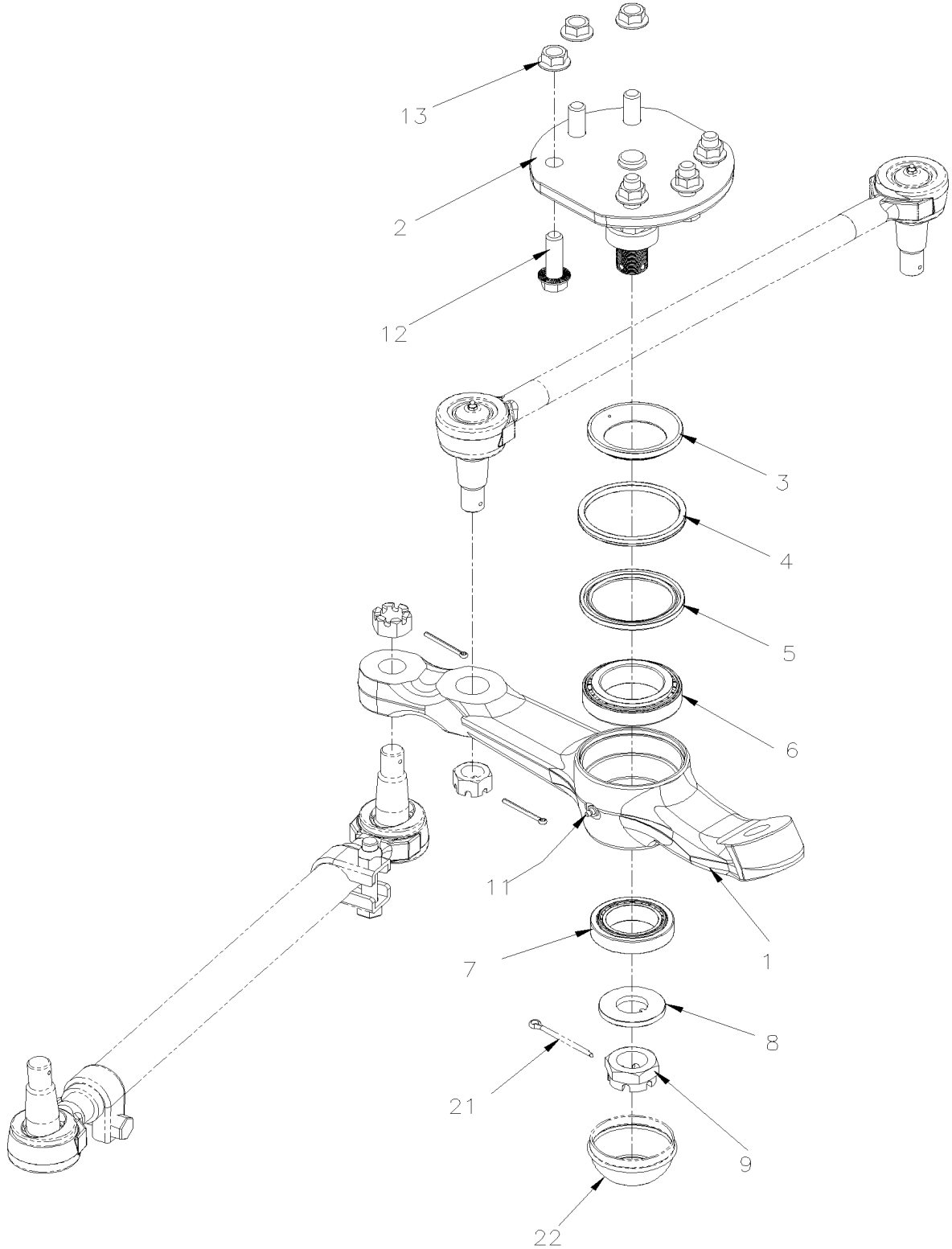
Item#	Part	Description	QTY	Notes
1	661185	LEVER L.H. / 19000LBS	1	
2	661186	SPINDLE SHAFT / 19K	1	
3	160115	SLEEVE WIPER 77.2MM O.D.	1	
4	507673	DUST SEAL 3.470 I.D. X 4.085 O.D.	1	
5	507674	OIL SEAL	1	
6	507672	KIT, CUP & CONE BEARING / 19K	1	
7	507353	KIT, CUP & CONE BEARING	1	
8	161338	WASHER FL / W/ INTERIOR KEY 30.5x63.05x6.3	1	
9	5001218	NUT HEX CSL M30-1.5	1	
10	661202	TIE ROD END L.H. THREAD 1 1/4-12 / 19000LBS	1	
11	501490	GREASE FITTING / 1/8 NPT	1	
12	5001859	SCREW CAP HEXF SERR M16-2.0x50 G10.9	4	
13	5001844	NUT HEXF SERR M16-2.0 G500	4	
NS	IS-12010	SEE INSTRUCTION SHEET	1	
NS	FI-12010	VOIR FEUILLE D'INSTRUCTION	1	
21	502115	PIN, COTTER 3/16 x 2 1/2 NOT INCLUDE WITH KIT	1	
NS	502104	PIN, COTTER 5/32 x 2 NOT INCLUDE WITH KIT	2	
NS	502109	PIN, COTTER 6.3MM x 71MM Z50 NOT INCLUDE WITH KIT	1	
22	661014	COVER NOT INCLUDE WITH KIT	1	

From 7-8754 To F-5796

Date:01/2024

PAGE:161350

REPLACEMENT KIT / LEVER R.H.



From 7-8754 To F-5796	Date:01/2024	PAGE:161350
REPLACEMENT KIT / LEVER R.H.		

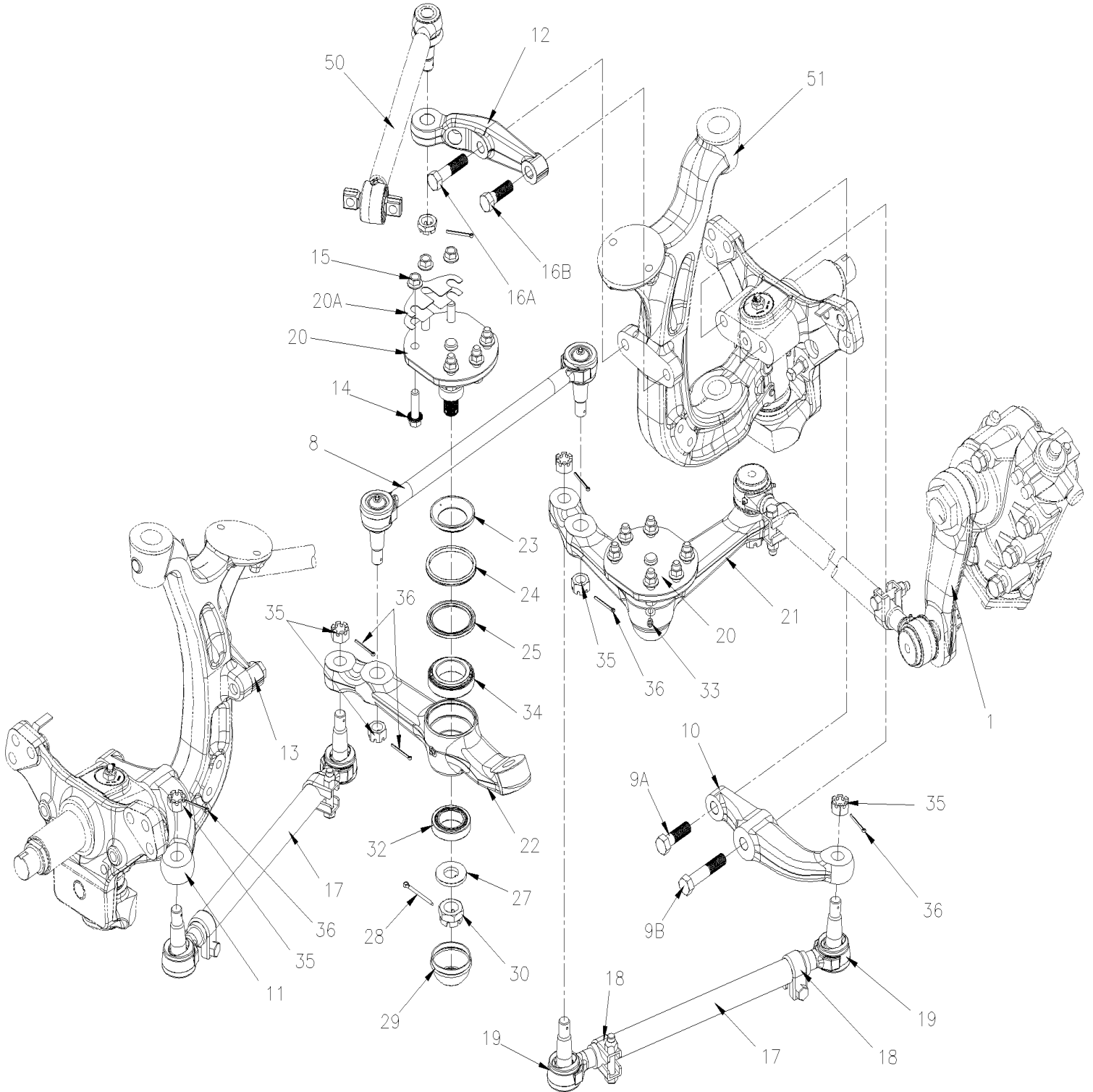
Item#	Part	Description	QTY	Notes
1	661184	LEVER R.H. / 19000LBS	1	
2	661186	SPINDLE SHAFT / 19K	1	
3	160115	SLEEVE WIPER 77.2MM O.D.	1	
4	507673	DUST SEAL 3.470 I.D. X 4.085 O.D.	1	
5	507674	OIL SEAL	1	
6	507672	KIT, CUP & CONE BEARING / 19K	1	
7	507353	KIT, CUP & CONE BEARING	1	
8	161338	WASHER FL / W/ INTERIOR KEY 30.5x63.05x6.3	1	
9	5001218	NUT HEX CSL M30-1.5	1	
11	501490	GREASE FITTING / 1/8 NPT	1	
12	5001859	SCREW CAP HEXF SERR M16-2.0x50 G10.9	4	
13	5001844	NUT HEXF SERR M16-2.0 G500	4	
NS	IS-12010	SEE INSTRUCTION SHEET	1	
NS	FI-12010	VOIR FEUILLE D'INSTRUCTION	1	
21	502115	PIN, COTTER 3/16 x 2 1/2 NOT INCLUDE WITH KIT	1	
22	661014	COVER NOT INCLUDE WITH KIT	1	

From F-5797

Date:01/2024

PAGE:X3-1410-51

STEERING RODS - INSTALLATION W/INDEPENDENT "NDIFS80P" / 19000LBS



From F-5797	Date:01/2024	PAGE:X3-1410-51
STEERING RODS - INSTALLATION W/INDEPENDENT "NDIFS80P" / 19000LBS		

Item#	Part	Description	QTY	Notes
1	X3-1410-00	STEERING GEAR BOX & DRAG LINK - INSTALLATION		
8	661183	ROD ASSY / 591.8MM C/C CENTER	1	
9A	N.P.N.	SCREW CAP HEX M22-2.5x65 G12.9	1	4
9B	N.P.N.	SCREW CAP HEX M22-2.5x100 G12.9	1	4
10	612378	STEERING ARM L.H. / 19000LBS To G-6007	1	
10	612389	STEERING ARM L.H. / 19000LBS From G-6008	1	
11	612379	STEERING ARM R.H. / 19000LBS To G-6007	1	
11	612390	STEERING ARM R.H. / 19000LBS From G-6008	1	
12	612380	UPRIGHT ARM L.H.	1	
13	612381	UPRIGHT ARM R.H.	1	
14	5001859	SCREW CAP HEXF SERR M16-2.0x50 G10.9	12	
15	5001844	NUT HEXF SERR M16-2.0 G500	12	
16A	611307	SCREW CAP HEX M20-2.5x80 G12.9	1	
16B	611305	SCREW CAP HEX M20-2.5x60 G12.9	1	
17	661182	ROD ASSY / 657MM C/C	2	
17	N.P.N.	. ROD	1	4
18	661133	. COLLAR ASSY / W/BOLT & NUT & STOPPER 1 5/8" I.D.	2	
. NS	500231	. . SCREW CAP HEX 5/8-11x3 G5 ZP	1	
. NS	500683	. . NUT HEX STO 5/8-11 ZP	1	
19	661199	. TIE ROD END R.H. THREAD 1 1/4-12	1	
19	661201	. TIE ROD END L.H. THREAD 1 1/4-12	1	
20	661186	SPINDLE SHAFT / 19K To N-6692	1	
20	660076	SPINDLE SHAFT / 19K From N-6693 To P-6872	1	
20	660082	SPINDLE SHAFT / 19K From P-6873	1	
NS	682175	UNDERCOATING BLACK PROTECTOR (GRAVELGUARD) 567gr From N-6693 To N-6731	AR	
NS	685413	RUBBERIZED UNDERCOAT (GRAVELGUARD) 560gr From N-6732	AR	
20A	161343	SHIM 26GAGE 105MM C/C x 18MM slot	AR	
20A	161344	SHIM 20GAGE 105MM C/C x 18MM slot	AR	
21	661185	LEVER L.H. / 19000LBS	1	
22	661184	LEVER R.H. / 19000LBS	1	
23	160115	SLEEVE WIPER 77.2MM O.D.	2	
24	507673	DUST SEAL 3.470 I.D. X 4.085 O.D.	2	
24	680752	GREASE LITHIUM / BLUE To G-5950	AR	
24	685371	GREASE / GREY BLACK MOBIL XHP 222 SPECIAL 400 g From G-5951	AR	
25	507674	OIL SEAL	2	
27	161338	WASHER FL / W/ INTERIOR KEY 30.5x63.05x6.3	2	
28	502115	PIN, COTTER 3/16 x 2 1/2	2	
29	661014	COVER	2	
30	5001218	NUT HEX CSL M30-1.5	2	
32	507353	KIT, CUP & CONE BEARING	2	
33	501490	GREASE FITTING / 1/8 NPT	2	
34	507672	KIT, CUP & CONE BEARING / 19K	2	

From F-5797	Date:01/2024	PAGE:X3-1410-51
-------------	--------------	-----------------

STEERING RODS - INSTALLATION W/INDEPENDENT "NDIFS80P" / 19000LBS

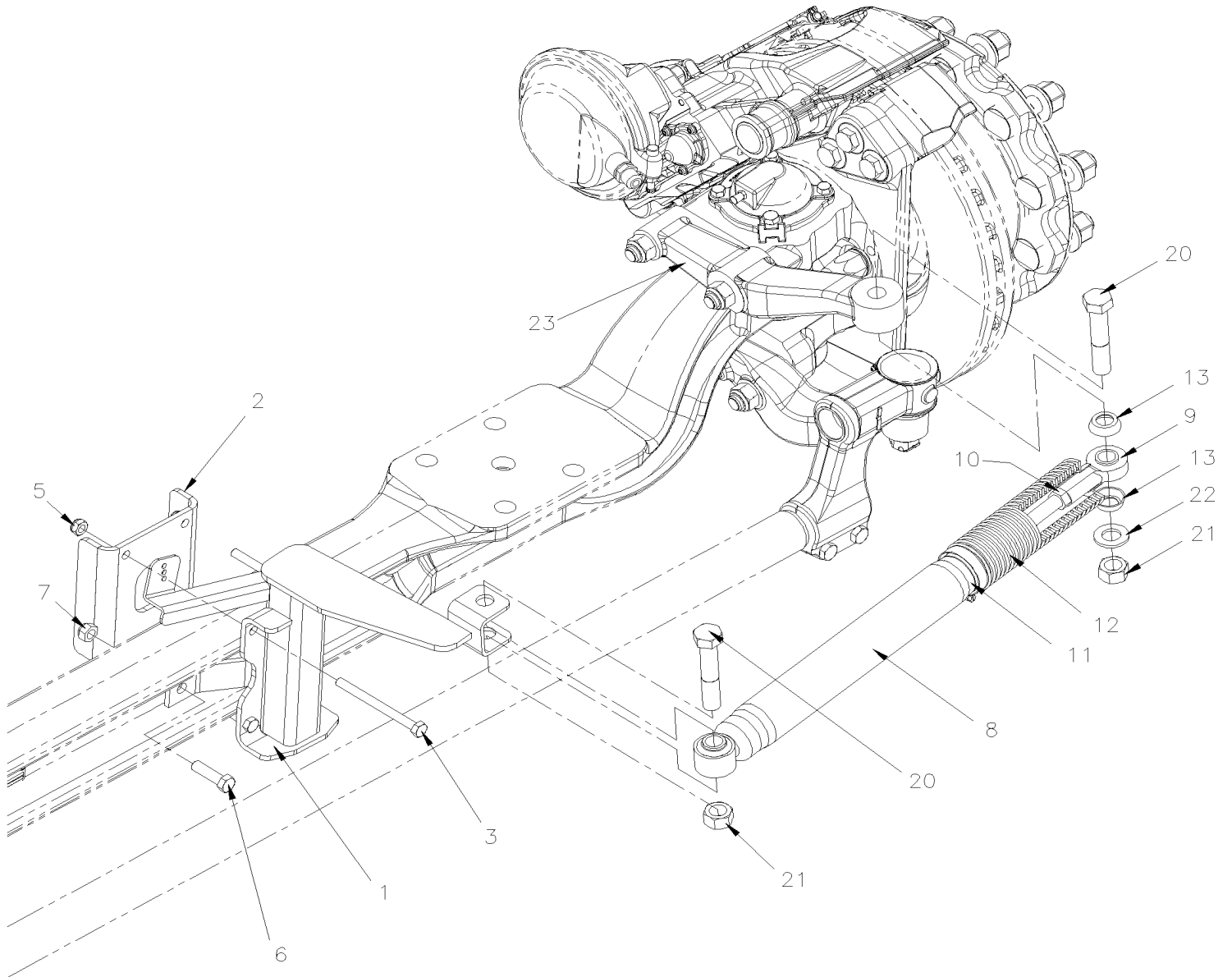
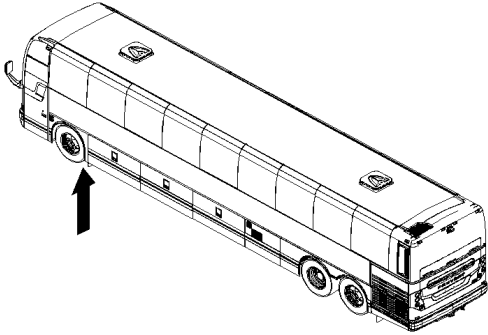
Item#	Part	Description	QTY	Notes
35	5001345	NUT HEX CSL THN 7/8-14	6	
36	502104	PIN, COTTER 5/32 x 2	6	
50	X3-1605-51	FRONT AXLE - INSTALL W/INDEPENDENT "NDIFS80P" / 19000LBS		
51	X3-1005-51	FRONT AXLE - INDEPENDENT MODEL "NDIFS80P" / 19000LBS		
		4) NO PARTS NUMBER		

From 7-8754

Date:01/2024

PAGE:X3-1412-00

STEERING DAMPER - INSTALL W/ I BEAM RIGID



From 7-8754	Date:01/2024	PAGE:X3-1412-00
STEERING DAMPER - INSTALL W/ I BEAM RIGID		

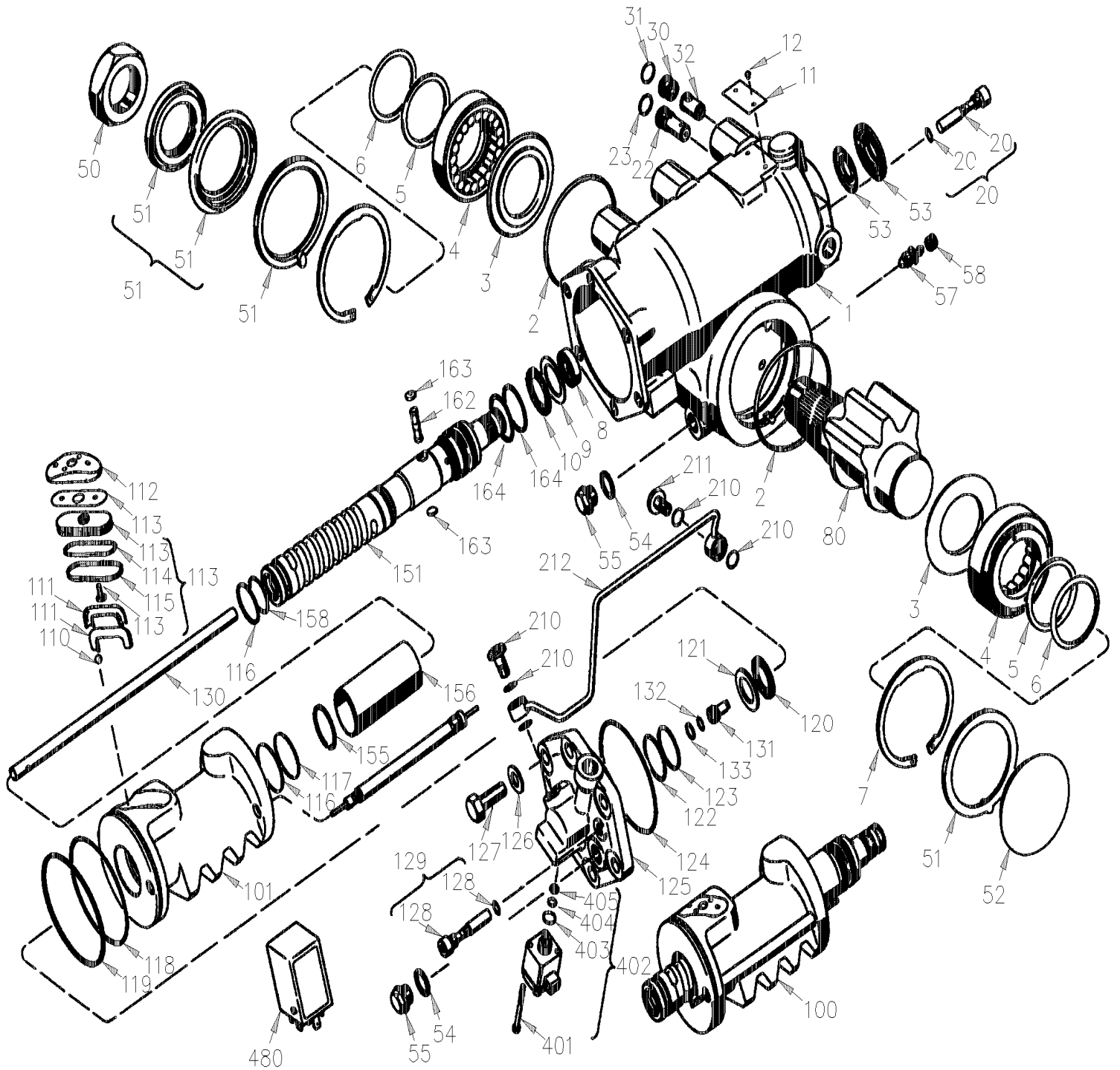
Item#	Part	Description	QTY	Notes
1	110741	ATTACHMENT CYLINDER	1	
2	110749	ATTACHMENT PLATE	1	
3	5001500	SCREW CAP HEX M10-1.5x120 G10.9 N500	4	
4	500444	WASHER FL .406x.812x.065 Z050	8	
5	500680	NUT HEX STO M10-1.5 Z050	4	
6	502731	SCREW CAP HEX M12-1.75x40 G8.8 Z050	1	
7	500811	NUT HEX STO M12-1.75 G500	1	
8	160835	DAMPER SHOCK ASS	1	
. NS	IS-96052A	. SEE INSTRUCTION SHEET	1	
8	660979	. DAMPER SHOCK	1	
9	660884	. . ROD END FEMALE 3/4"-16 / 3/4 I.D. To P-6828	1	
9	660090	. . ROD END FEMALE 3/4"-16 / 3/4 I.D. From P-6829	1	
9	501497	. . . GREASE FITTING / 1/4-28	1	
10	500734	. . NUT HEX JAM 3/4-16 Z050	1	
11	504023	. HOSE CLAMP / 1"5/16-2"1/4 SS / HS-28 To E-5585	1	
11	504792	. HOSE CLAMP / 1"9/16-2.5" SS / HAS-32 From E-5586	1	
12	661007	. BOOT PROTECTOR	1	
13	660980	. COVER ROD END / RUBBER To P-6828	2	
20	500145	SCREW CAP HEX 3/4-16x3 1/2 G5 Z050 To 9-9608	2	
20	500146	SCREW CAP HEX 3/4-16x4 G5 N500 From 9-9609	2	
21	500735	NUT HEX STO 3/4-16 ZP To 9-9625	2	
21	500251	NUT HEX NYRT 3/4-16 Z050 From 9-9626	2	
22	5001152	WASHER CON 21.0x50.0x4.5 ZP From F-5787 To G-5932	1	
22	500087	WASHER FL .812x1.500x.134 N500 From G-6063	1	
23	161033	STEERING ARM UPPER R.H. CURBSIDE	1	

From 7-8754

Date:01/2024

PAGE:X3-1415-00

STEERING GEARBOX - "ZF" W/ I BEAM RIGID



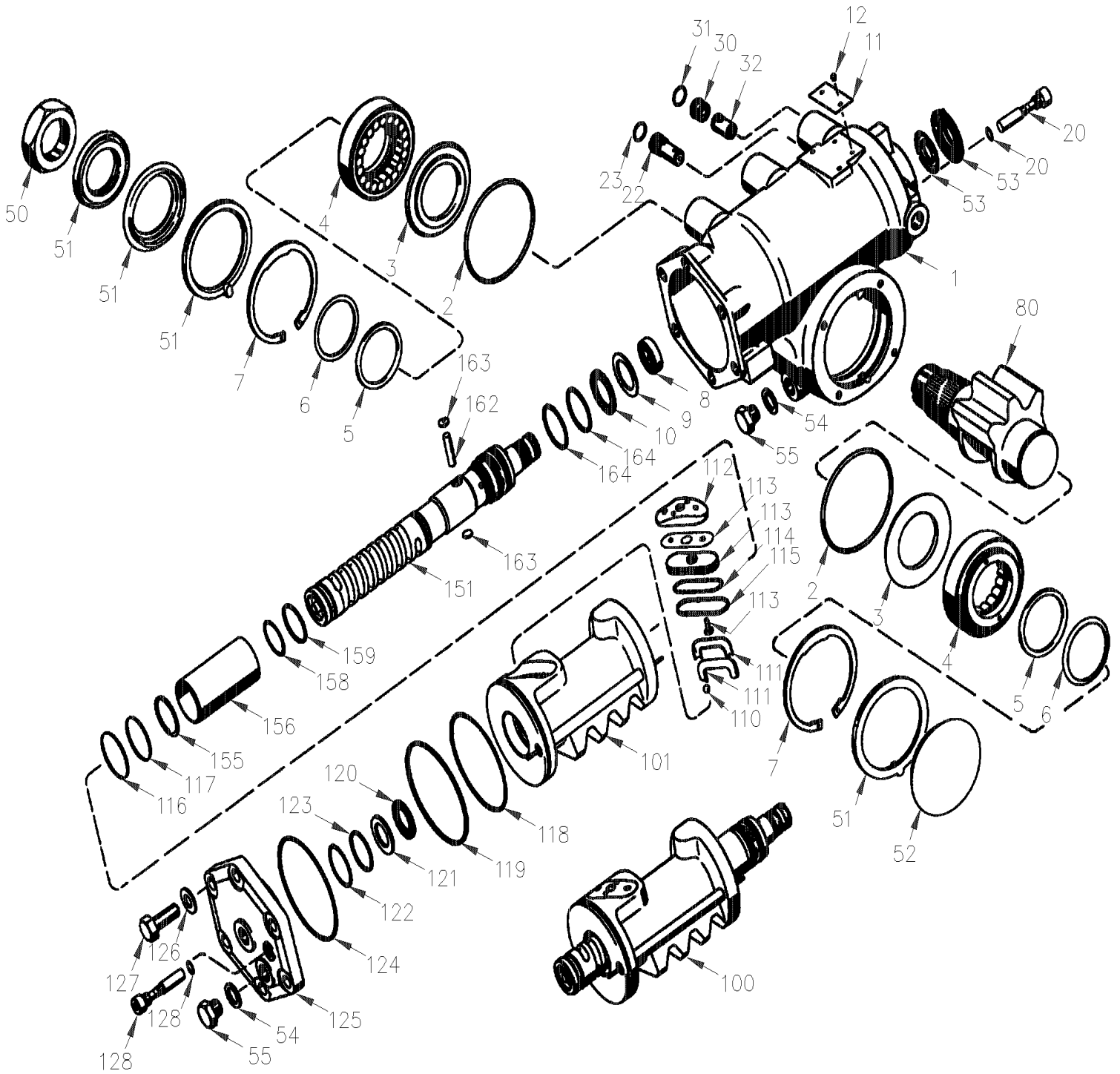
MODEL "ZF" - SERVOCOMTRONIC

From 7-8754

Date:01/2024

PAGE:X3-1415-00

STEERING GEARBOX - "ZF" W/ I BEAM RIGID



MODEL "ZF" - SEVOCOM

From 7-8754	Date:01/2024	PAGE:X3-1415-00
-------------	--------------	-----------------

STEERING GEARBOX - "ZF" W/ I BEAM RIGID

Item#	Part	Description	QTY	Notes
	661044	GEARBOX STEERING "ZF" W/VARIABLE STEERING ASSISTANCE "SERVOCOMTRONIC" To A-9890	1	
	661136	GEARBOX STEERING "ZF" W/VARIABLE STEERING ASSISTANCE "SERVOCOMTRONIC" From 8-9457 To A-9890	1	D13
	661167	GEARBOX STEERING "ZF" W/VARIABLE STEERING ASSISTANCE "SERVOCOMTRONIC" From A-9891 To P-6848	1	
	661045	GEARBOX STEERING "ZF" To A-9890	1	
	661137	GEARBOX STEERING "ZF" From 8-9457 To A-9890	1	D13
	661137	GEARBOX STEERING "ZF" From A-9891	1	
1	N.P.N.	. HOUSING	1	4
2	N.P.N.	. O-RING	1	4
3	N.P.N.	. WASHER	1	4
4	N.P.N.	. HOUSING COVER	1	4
5	N.P.N.	. GASKET	1	4
6	N.P.N.	. SUPPORT RING	1	4
7	N.P.N.	. RETAINING RING	1	4
8	N.P.N.	. SHAFT SEAL	1	4
9	N.P.N.	. AXIAL-, WASHER	1	4
10	N.P.N.	. NEEDLE CAGE	1	4
11	N.P.N.	. TYPE PLATE	1	4
12	N.P.N.	. GROOVED STUD	1	4
20	N.P.N.	. SET SCREW / ADJUSTING SCREW / SCREW	1	4
20	N.P.N.	. O-RING	1	4
21	N.P.N.	. COLLAR NUT	1	4
22	N.P.N.	. VALVE INSERT	1	4
23	N.P.N.	. O-RING	1	4
30	N.P.N.	. SCREW	1	4
31	N.P.N.	. O-RING	1	4
32	N.P.N.	. VALVE INSERT	1	4
50	661050	. LOCKNUT M45X1.5 GEARBOX ZF	1	
51	N.P.N.	. DUST SEAL	1	4
51	N.P.N.	. STOP-RING	1	4
51	N.P.N.	. GASKET	1	4
51	N.P.N.	. DUST SEAL	1	4
52	N.P.N.	. PLUG	1	4
53	N.P.N.	. PROTECTING CAP	1	4
53	N.P.N.	. GASKET	1	4
54	N.P.N.	. SEALING RING	1	4
55	N.P.N.	. SCREW PLUG	1	4
56	N.P.N.	. PROTECTING SLEEVE	1	4
57	N.P.N.	. BREATHER	1	4
58	N.P.N.	. PROTECTING CAP	1	4
80	661102	. SECTOR SHAFT	1	
100	661103	. PISTON	1	A
100	661104	. PISTON To P-6848	1	B

From 7-8754	Date:01/2024	PAGE:X3-1415-00
STEERING GEARBOX - "ZF" W/ I BEAM RIGID		

Item#	Part	Description	QTY	Notes
101	N.P.N.	. PISTON	1	4
110	N.P.N.	. BALL SET	1	4
111	N.P.N.	. RECIRCULATING HALF TUBE	1	4
112	N.P.N.	. GASKET / PLUG	1	4
113	N.P.N.	. GASKET	1	4
113	N.P.N.	. COMPENSATING PLATE	1	4
113	N.P.N.	. PIN	1	4
114	N.P.N.	. O-RING	1	4
115	N.P.N.	. SEALING RING	1	4
116	N.P.N.	. SEALING RING	1	4
117	N.P.N.	. SEALING RING	1	4
118	N.P.N.	. O-RING	1	4
119	N.P.N.	. GASKET	1	4
120	N.P.N.	. NEEDLE CAGE	1	4
121	N.P.N.	. WASHER	1	4
122	N.P.N.	. O-RING	1	4
123	N.P.N.	. SEALING RING	1	4
124	N.P.N.	. O-RING	1	4
125	N.P.N.	. CYLINDER COVER	1	4
126	N.P.N.	. WASHER	1	4
127	N.P.N.	. HEXAGON SCREW	1	4
128	N.P.N.	. SET SCREW / SCREW	1	4
128	N.P.N.	. O-RING	1	4
129	N.P.N.	. COLLAR NUT	1	4
130	N.P.N.	. PIPE	1	4
131	N.P.N.	. REACTION PISTON	1	4
132	N.P.N.	. O-RING	1	4
133	N.P.N.	. SEALING RING	1	4
151	N.P.N.	. WORM	1	4
155	N.P.N.	. SNAP RING	1	4
156	N.P.N.	. SLIDING TUBE	1	4
158	N.P.N.	. O-RING	1	4
159	N.P.N.	. SEALING RING	1	4
162	N.P.N.	. PIN	1	4
163	N.P.N.	. PLUG	1	4
164	N.P.N.	. SEALING RING	1	4
210	661105	. O-RING To P-6848	1	
211	661106	. UNION SCREW To P-6848	1	
212	661107	. PIPE To P-6848	1	
401	N.P.N.	. CAP SCREW To P-6848	1	4 B
402	661108	. CONVERTER To P-6848	1	B
403	N.P.N.	. O-RING To P-6848	1	4 B

From 7-8754	Date:01/2024	PAGE:X3-1415-00
STEERING GEARBOX - "ZF" W/ I BEAM RIGID		

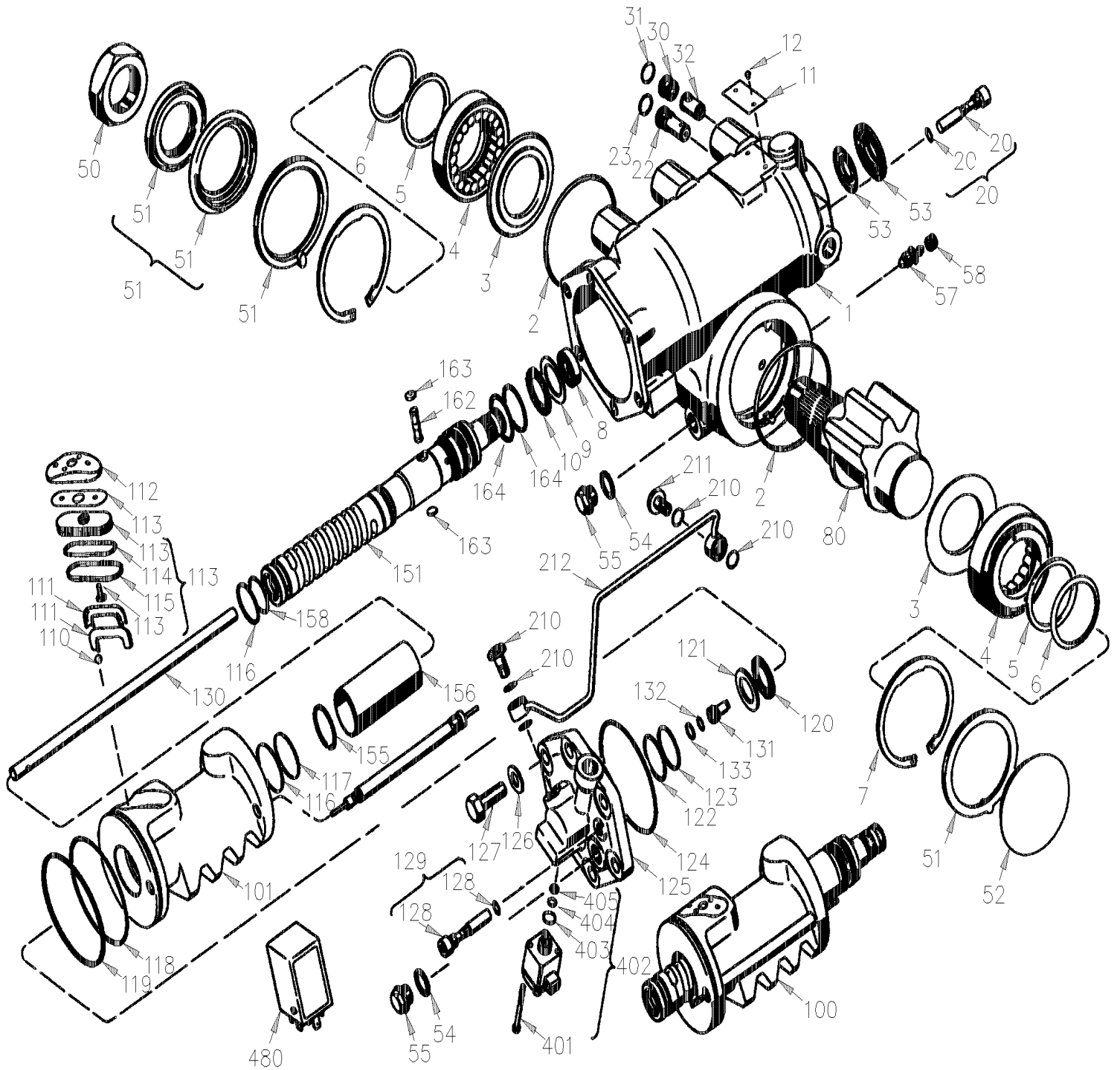
Item#	Part	Description	QTY	Notes
404	N.P.N.	. O-RING To P-6848	1	4 B
405	N.P.N.	. OIL SCREEN To P-6848	1	4 B
480	563033	. E.C.U. / W/STEERING ASSIST (STP 272 or 330) ((77//125)) To P-6848	1	B
480	661170	. E.C.U. / W/STEERING ASSIST (STP 338) ((60//95)) To P-6848	1	B C
480	563465	. E.C.U. / W/STEERING ASSIST W/"ZF" TRANS ONLY (STP 146) To B-5001	1	B
NS	661109	KIT, SEAL REPAIR MAJOR	1	A
. NS	85109281	. KIT, SEAL REPAIR MAJOR	1	A
NS	661110	KIT, SEAL REPAIR MAJOR / W/SERVOCOMTRONIC To P-6848	1	B
. NS	85109291	. KIT, SEAL REPAIR MAJOR / W/SERVOCOMTRONIC To P-6848	1	B
		A) WITHOUT "ZF" SERVOCOMTRONIC		
		B) WITH "ZF" SERVOCOMTRONIC		
		C) THIS E.C.U. GIVE LESS ASSISTANCE AT LOW SPEED		
		D13) WITH "VOLVO" ENGI		
		4) NO PARTS NUMBER		

From 7-8754

Date:01/2024

PAGE:X3-1415-50

STEERING GEARBOX - "ZF" - W/INDEPENDENT



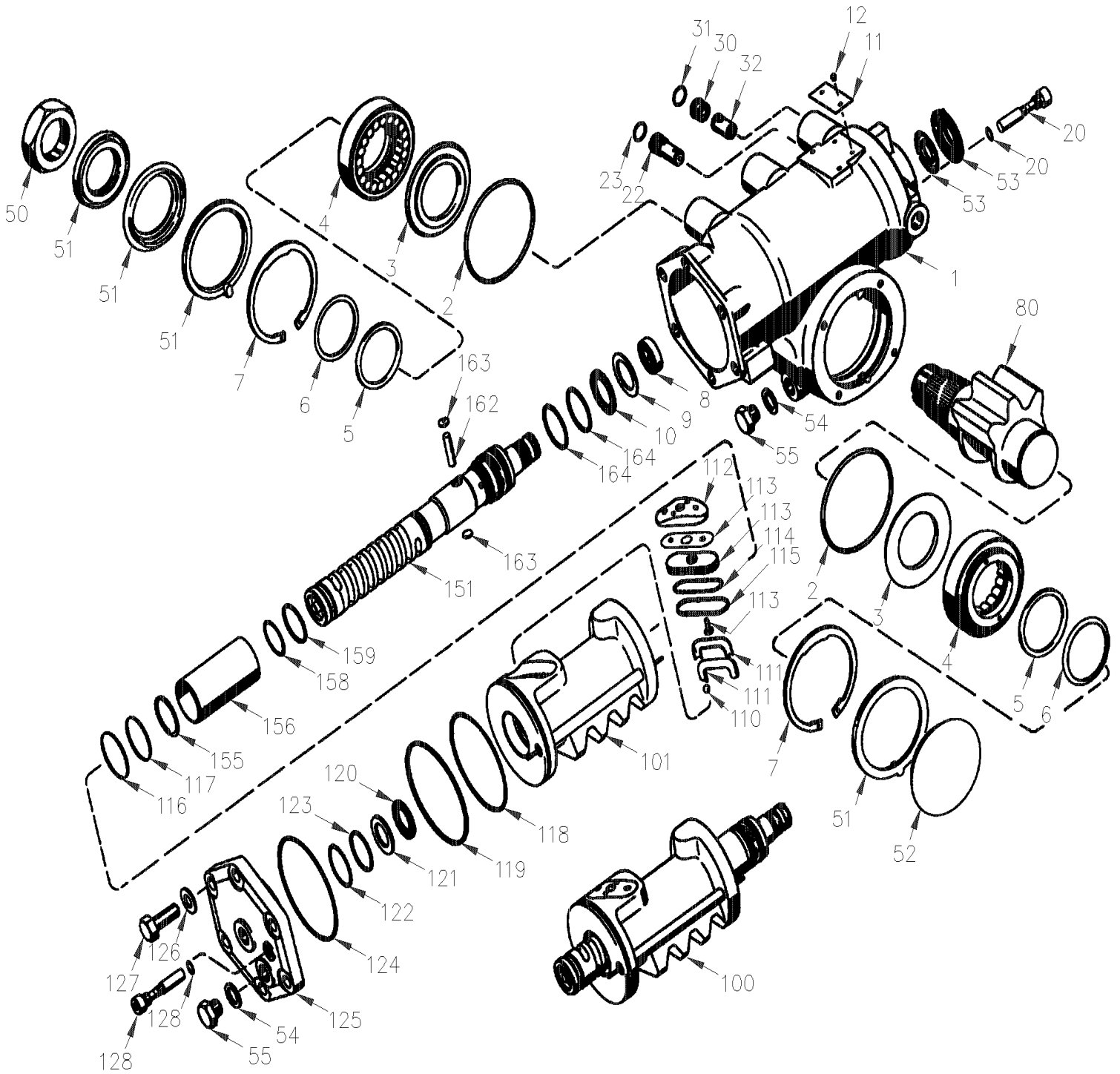
MODEL "ZF" - SERVOCOMTRONIC

From 7-8754

Date:01/2024

PAGE:X3-1415-50

STEERING GEARBOX - "ZF" - W/INDEPENDENT



MODEL "ZF" - SEVOCOM

From 7-8754		Date:01/2024	PAGE:X3-1415-50
STEERING GEARBOX - "ZF" - W/INDEPENDENT			

Item#	Part	Description	QTY	Notes
	661044	GEARBOX STEERING "ZF" W/VARIABLE STEERING ASSISTANCE "SERVOCOMTRONIC" To A-9890	1	
	661136	GEARBOX STEERING "ZF" W/VARIABLE STEERING ASSISTANCE "SERVOCOMTRONIC" From 8-9457 To A-9890	1	D13
	661167	GEARBOX STEERING "ZF" W/VARIABLE STEERING ASSISTANCE "SERVOCOMTRONIC" From A-9891 To D-5392	1	
	661191	GEARBOX STEERING "ZF"® / W/SERVOCOMTRONIC From D-5393 To P-6848	1	
	661045	GEARBOX STEERING "ZF" To A-9890	1	
	661137	GEARBOX STEERING "ZF" From 8-9457 To A-9890	1	D13
	661137	GEARBOX STEERING "ZF" From A-9891 To D-5392	1	
	661190	GEARBOX STEERING "ZF"® From D-5393	1	
1	N.P.N.	. HOUSING	1	4
2	N.P.N.	. O-RING	1	4
3	N.P.N.	. WASHER	1	4
4	N.P.N.	. HOUSING COVER	1	4
5	N.P.N.	. GASKET	1	4
6	N.P.N.	. SUPPORT RING	1	4
7	N.P.N.	. RETAINING RING	1	4
8	N.P.N.	. SHAFT SEAL	1	4
9	N.P.N.	. AXIAL-, WASHER	1	4
10	N.P.N.	. NEEDLE CAGE	1	4
11	N.P.N.	. TYPE PLATE	1	4
12	N.P.N.	. GROOVED STUD	1	4
20	N.P.N.	. SET SCREW / ADJUSTING SCREW / SCREW	1	4
20	N.P.N.	. O-RING	1	4
21	N.P.N.	. COLLAR NUT	1	4
22	N.P.N.	. VALVE INSERT	1	4
23	N.P.N.	. O-RING	1	4
30	N.P.N.	. SCREW	1	4
31	N.P.N.	. O-RING	1	4
32	N.P.N.	. VALVE INSERT	1	4
50	661050	. LOCKNUT M45X1.5 GEARBOX ZF	1	
51	N.P.N.	. DUST SEAL	1	4
51	N.P.N.	. STOP-RING	1	4
51	N.P.N.	. GASKET	1	4
51	N.P.N.	. DUST SEAL	1	4
52	N.P.N.	. PLUG	1	4
53	N.P.N.	. PROTECTING CAP	1	4
53	N.P.N.	. GASKET	1	4
54	N.P.N.	. SEALING RING	1	4
55	N.P.N.	. SCREW PLUG	1	4
56	N.P.N.	. PROTECTING SLEEVE	1	4
57	N.P.N.	. BREATHER	1	4
58	N.P.N.	. PROTECTING CAP	1	4
80	661102	. SECTOR SHAFT	1	

From 7-8754	Date:01/2024	PAGE:X3-1415-50
STEERING GEARBOX - "ZF" - W/INDEPENDENT		

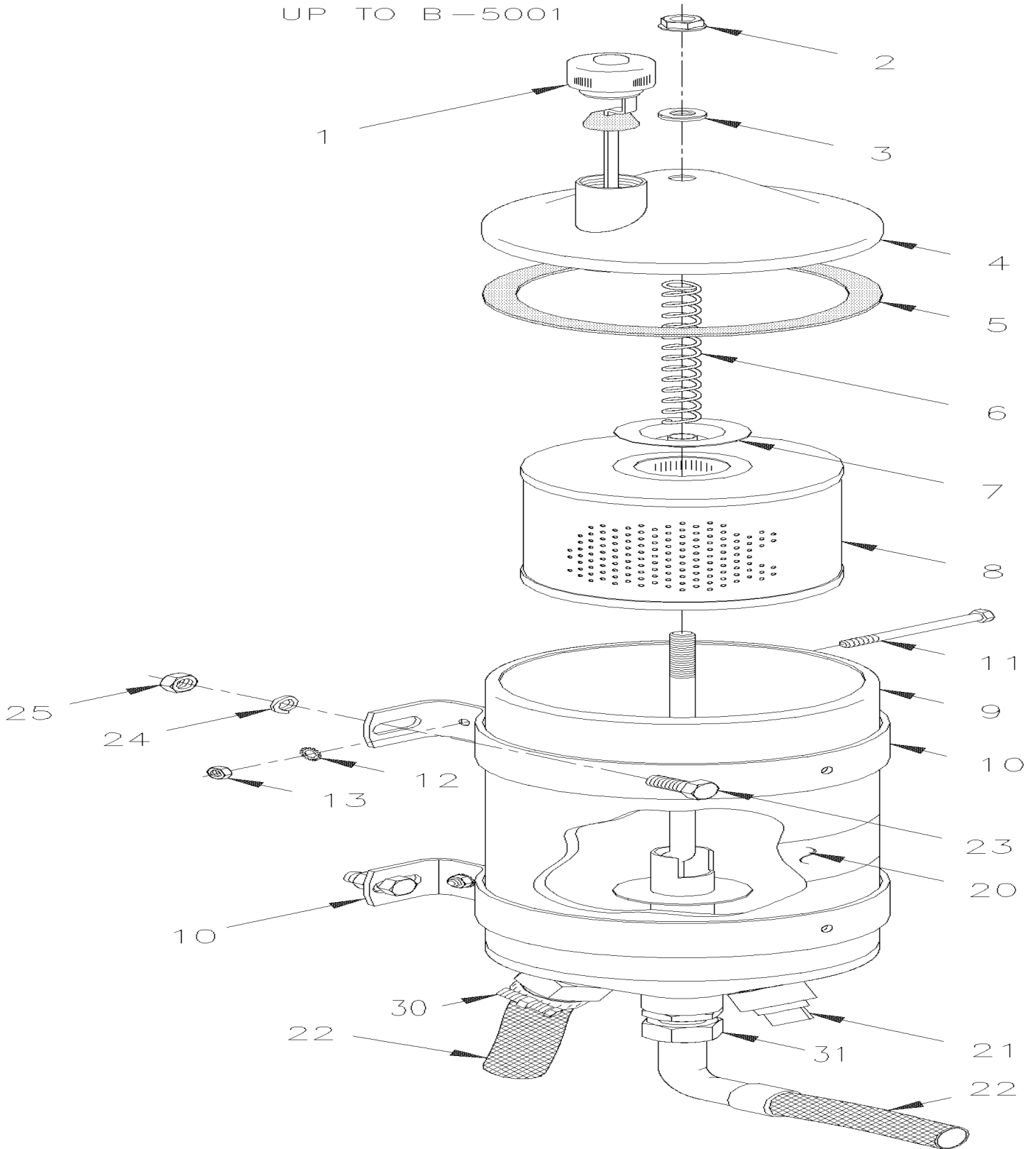
Item#	Part	Description	QTY	Notes
100	661103	. PISTON	1	A
100	661104	. PISTON To P-6848	1	B
101	N.P.N.	. PISTON	1	4
110	N.P.N.	. BALL SET	1	4
111	N.P.N.	. RECIRCULATING HALF TUBE	1	4
112	N.P.N.	. GASKET / PLUG	1	4
113	N.P.N.	. GASKET	1	4
113	N.P.N.	. COMPENSATING PLATE	1	4
113	N.P.N.	. PIN	1	4
114	N.P.N.	. O-RING	1	4
115	N.P.N.	. SEALING RING	1	4
116	N.P.N.	. SEALING RING	1	4
117	N.P.N.	. SEALING RING	1	4
118	N.P.N.	. O-RING	1	4
119	N.P.N.	. GASKET	1	4
120	N.P.N.	. NEEDLE CAGE	1	4
121	N.P.N.	. WASHER	1	4
122	N.P.N.	. O-RING	1	4
123	N.P.N.	. SEALING RING	1	4
124	N.P.N.	. O-RING	1	4
125	N.P.N.	. CYLINDER COVER	1	4
126	N.P.N.	. WASHER	1	4
127	N.P.N.	. HEXAGON SCREW	1	4
128	N.P.N.	. SET SCREW / SCREW	1	4
128	N.P.N.	. O-RING	1	4
129	N.P.N.	. COLLAR NUT	1	4
130	N.P.N.	. PIPE	1	4
131	N.P.N.	. REACTION PISTON	1	4
132	N.P.N.	. O-RING	1	4
133	N.P.N.	. SEALING RING	1	4
151	N.P.N.	. WORM	1	4
155	N.P.N.	. SNAP RING	1	4
156	N.P.N.	. SLIDING TUBE	1	4
158	N.P.N.	. O-RING	1	4
159	N.P.N.	. SEALING RING	1	4
162	N.P.N.	. PIN	1	4
163	N.P.N.	. PLUG	1	4
164	N.P.N.	. SEALING RING	1	4
210	661105	. O-RING To P-6848	1	
211	661106	. UNION SCREW To P-6848	1	
212	661107	. PIPE To P-6848	1	
401	N.P.N.	. CAP SCREW To P-6848	1	4 B

From 7-8754	Date:01/2024	PAGE:X3-1415-50
STEERING GEARBOX - "ZF" - W/INDEPENDENT		

Item#	Part	Description	QTY	Notes
402	661108	. CONVERTER To P-6848	1	B
403	N.P.N.	. O-RING To P-6848	1	4 B
404	N.P.N.	. O-RING To P-6848	1	4 B
405	N.P.N.	. OIL SCREEN To P-6848	1	4 B
480	563033	. E.C.U. / W/STEERING ASSIST (STP 272 or 330) ((77//125)) To P-6848	1	B
480	661170	. E.C.U. / W/STEERING ASSIST (STP 338) ((60//95)) To P-6848	1	B C
480	563465	. E.C.U. / W/STEERING ASSIST W/"ZF" TRANS ONLY (STP 146) To B-5001	1	B
NS	661109	KIT, SEAL REPAIR MAJOR	1	A
. NS	85109281	. KIT, SEAL REPAIR MAJOR	1	A
NS	661110	KIT, SEAL REPAIR MAJOR / W/SERVOCOMTRONIC To P-6848	1	B
. NS	85109291	. KIT, SEAL REPAIR MAJOR / W/SERVOCOMTRONIC To P-6848	1	B
		A) WITHOUT "ZF" SERVOCOMTRONIC		
		B) WITH "ZF" SERVOCOMTRONIC		
		C) THIS E.C.U. GIVE LESS ASSISTANCE AT LOW SPEED		
		D13) WITH "VOLVO" ENGINE		
		4) NO PARTS NUMBER		

POWER STEERING TANK - 4 QT U.S.

UP TO B-5001

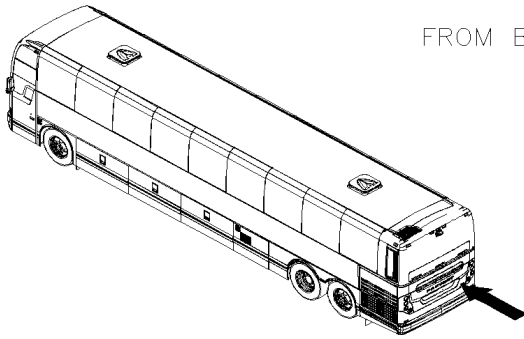


From 7-8754 To K-6464

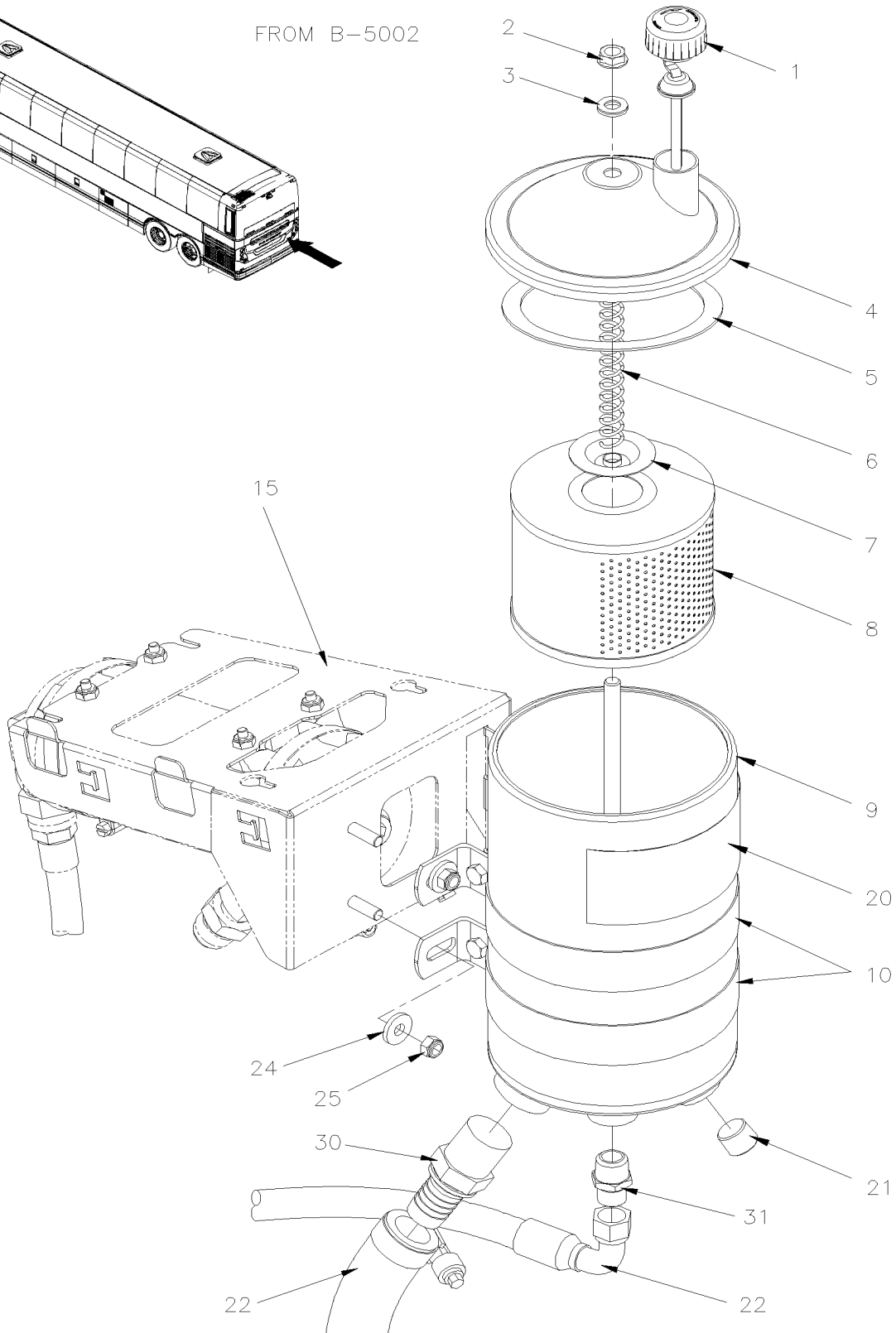
Date:01/2024

PAGE:X3-1420-00

POWER STEERING TANK - 4 QT U.S.



FROM B-5002



From 7-8754 To K-6464	Date:01/2024	PAGE:X3-1420-00
POWER STEERING TANK - 4 QT U.S.		

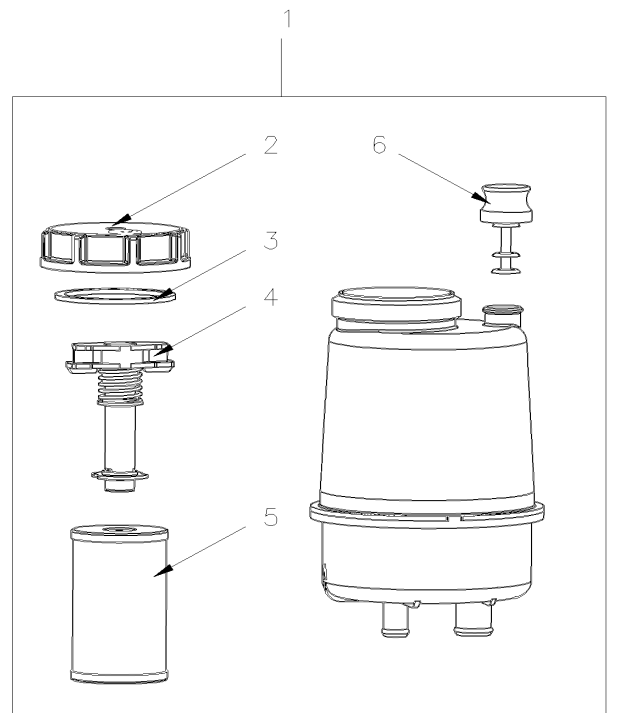
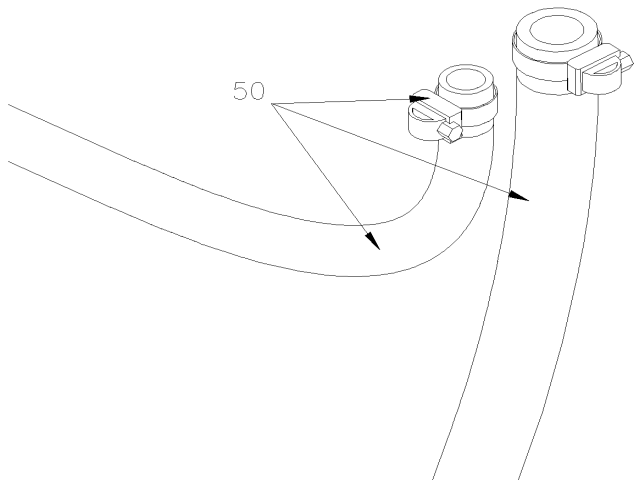
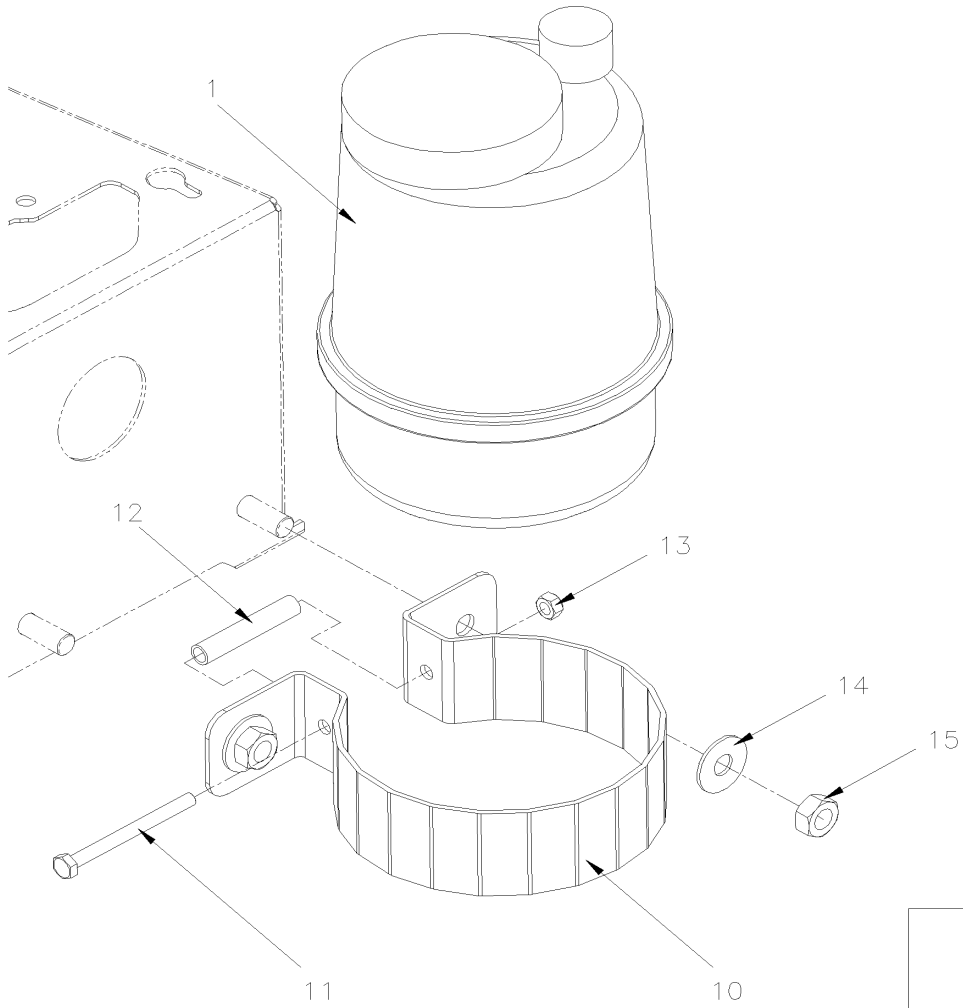
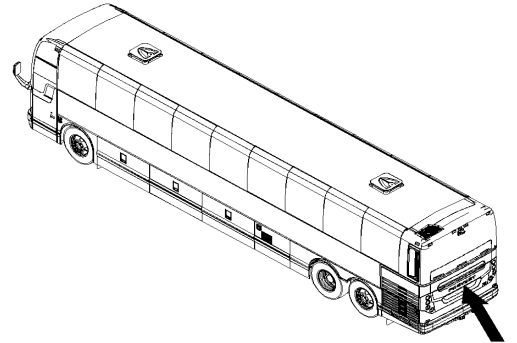
Item#	Part	Description	QTY	Notes
	660982	TANK ASSY 4QT U.S.	1	
	661060	TANK ASSY 4QT US / WITH SIGHT GLASS OPTION	1	A
1	660985	. DIPSTICK	1	
2	N.S.P.	. WING NUT 3/8-16	1	2
3	N.S.P.	. WASHER	1	2
4	660989	. COVER ASSY	1	
5	660986	. GASKET	1	
6	660991	. SPRING, COMP.	1	
7	N8886469	. WASHER, RETAINER	1	
8	660987	. ELEMENT FILTER	1	
9		. TANK	1	
10	660988	. ATTACHMENT SUPPORT	2	
11	500187	. . SCREW CAP HEX 5/16-18x3 G5 Z050	1	
12	500942	. . WASHER LO SPT 8.1x14.8x2.0 N500	1	
13	500778	. . NUT HEX 5/16-18 N500	1	
15	X3-1203-02	AIR TANK - INSTALLATION	1	
20	160370	DECAL "OIL DEXTRON" To H-6179	1	
20	160044	DECAL "OIL DEXTRON" From H-6180	1	
21	501306	PLUG SQUARE HEAD / PIPE FITTING / 1/2NPT-M BR To A-9968	1	
21	501966	PLUG HEXS / PIPE FITTING / 1/2NPT-M STL From A-9969	1	
21	501966	PLUG HEXS / PIPE FITTING / 1/2NPT-M STL From B-5002 To C-5124	1	D13
21	667586	PLUG HEXS / PIPE FITTING / MAGNETIC / 1/2NPT-M STL From C-5125	1	D13
22	X3-1400-00	POWER STEERING HOSE - INSTALLATION To E-5488		
22	X3-1400-01	POWER STEERING HOSE - INSTALLATION From E-5489 To H-6179		
22	X3-1400-02	POWER STEERING HOSE - INSTALLATION VOLVO D13 - GHG17 From H-6180	1	
23	502559	SCREW CAP HEX M10-1.5x25 G8.8 Z050 To B-5001	4	
24	502644	WASHER FL 10.5x30.0x2.5 Z050 To B-5001	4	
NS	500257	WASHER LO SPT 10.2x18.1x2.2 Z050 To B-5001	4	
24	500401	WASHER FL .343x.875x.125 N500 From B-5002	2	
25	500256	NUT HEX M10-1.5 Z050 To B-5001	4	
25	502847	NUT HEX NYRT M8-1.25 N500 From B-5002	2	
30	5011086	MALE CONNECTOR / PUSH-LOK FITTING / 1NPT-Mx#16 STL	1	
31	501739	MALE CONNECTOR / JIC 37° FITTING / #8JIC-Mx1/2NPT-M STL	1	
		A) OPTION AMERICAN COACH LINES		
		D13) WITH "VOLVO" ENGINE		
		2) NOT SOLD BY PREVOST (SEE MANUFACTURING PART NUMBER AT END OF DESCRIPTION LINE)		

From K-6465

Date:01/2024

PAGE:X3-1420-10

POWER STEERING TANK - ZF



From K-6465	Date:01/2024	PAGE:X3-1420-10
-------------	--------------	-----------------

POWER STEERING TANK - ZF

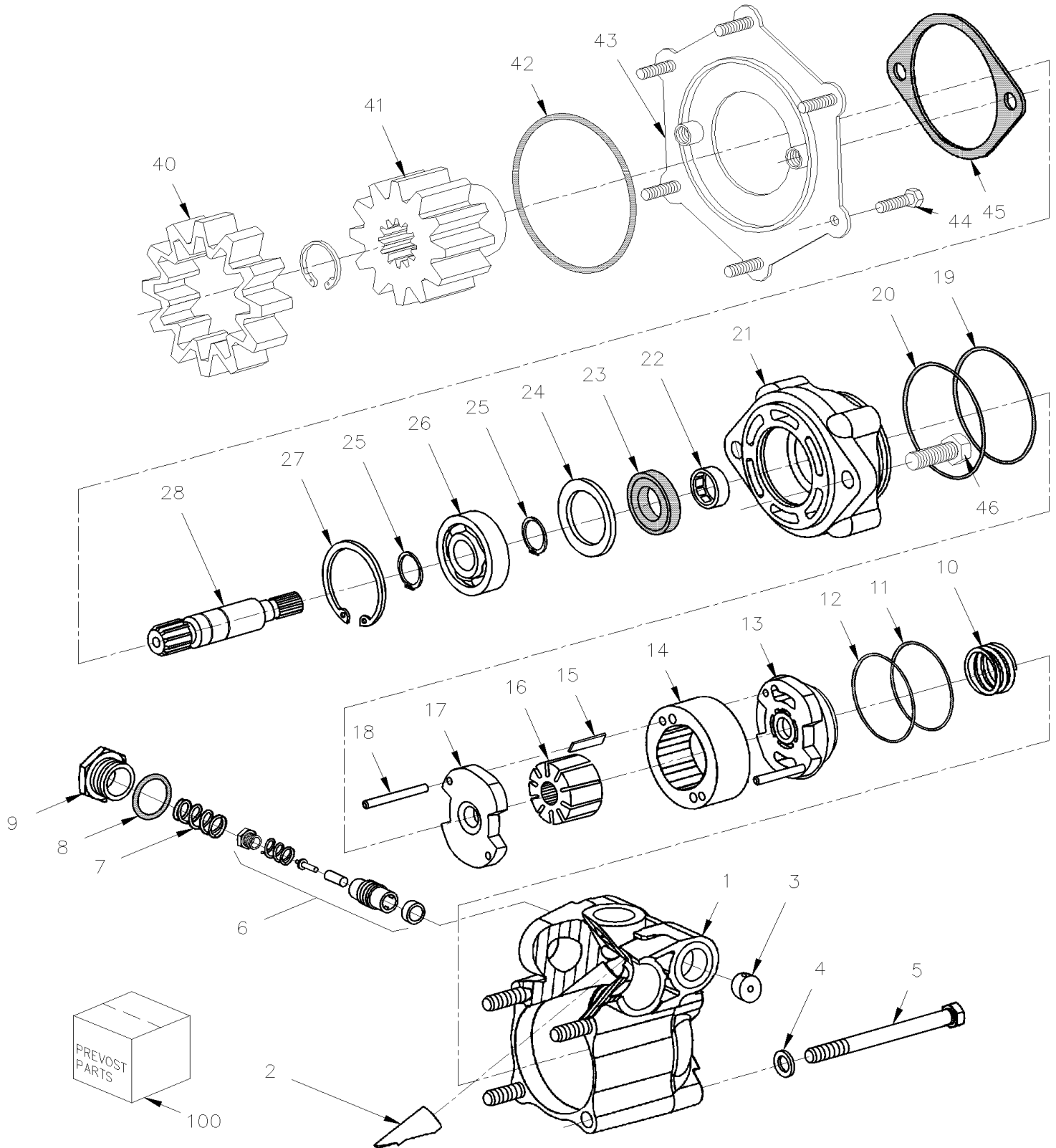
Item#	Part	Description	QTY	Notes
1	669400	TANK ASSY ZF	1	
2	660086	. CAP OIL TANK ZF	1	
3	1696360	. SEALING RING	1	
4	1696359	. BOLT OIL TANK ZF	1	
5	661221	. FILTER OIL TANK ZF	1	
6	661222	. DIPSTICK OIL TANK ZF	1	
10	160026	CLAMP / OIL TANK ZF	1	
11	5001667	SCREW CAP HEX M6-1.0x70 BK	1	
12	160027	SPACER	1	
13	502681	NUT HEX NYRT M6-1.0 N500 G8	1	
14	5001718	WASHER BEL SPR 10.2x27x1.6 MAGNI 565	2	
15	500847	NUT HEX M10-1.5 N500	2	
50	X3-1400-02	POWER STEERING HOSE - INSTALLATION VOLVO D13 - GHG17		

From 7-8754 To B-5001

Date:01/2024

PAGE:X3-1427-00

POWER STEERING PUMP - "TRW" - WITH DETROIT S-60



From 7-8754 To B-5001	Date:01/2024	PAGE:X3-1427-00
POWER STEERING PUMP - "TRW" - WITH DETROIT S-60		

Item#	Part	Description	QTY	Notes
	661070	PUMP ASSY To A-9890	1	
	661168	PUMP ASSY From A-9891	1	
1	N.S.S.	. HOUSING	1	1
2	N.S.S.	. BOOST TUBE	1	1
3	N.S.S.	. ORIFICE	1	1
4	N.S.S.	. BOLTS	1	1
5	N.S.S.	. WASHERS	1	1
6	N.S.S.	. VALVE SPOOL ASSY	1	1
6	N.S.S.	. . SPOOL	1	1
6	N.S.S.	. . SPRING	1	1
6	N.S.S.	. . POPPET	1	1
6	N.S.S.	. . SHIMS	1	1
6	N.S.S.	. . RELIEF VALVE SEAT ASSY	1	1
7	N.S.S.	. SPRING	1	1
8	N.S.S.	. O-RING	1	1
9	N.S.S.	. PLUG	1	1
10	N.S.S.	. SPRING	1	1
11	N.S.S.	. O-RING	1	1
12	N.S.S.	. BACKUP RING	1	1
13	N.S.S.	. TOP PLATE	1	1
14	N.S.S.	. CAM RING	1	1
15	N.S.S.	. VANES	1	1
16	N.S.S.	. ROTOR	1	1
17	N.S.S.	. BOTTOM PLATE	1	1
18	N.S.S.	. LOCATING PINS	1	1
19	N.S.S.	. O-RING	1	1
20	N.S.S.	. O-RING	1	1
21	N.S.S.	. COVER	1	1
22	N.S.S.	. NEEDLE BEARING	1	1
23	N.S.S.	. SHAFT SEAL	1	1
24	N.S.S.	. SPACER	1	1
25	N.S.S.	. RETAINING RING	2	1
26	N.S.S.	. BALL BEARING	1	1
27	N.S.S.	. RETAINING RING	1	1
28	661011	. INPUT SHAFT	1	
40	510438	COUPLING DRIVE	1	
41	510437	SPROCKET ASSY W/SNAP-RING	1	
42	N.S.P.	O-RING / (08929289)	1	2
43	N.S.P.	ADAPTOR COVER / (11514329)	1	2
44	N.S.P.	SCREW M8-1.25 X 30MM / (11514329) 500544	5	2
44	N.S.P.	SCREW M8-1.25 X 30MM / (11505299)	1	2
45	510488	GASKET	1	

From 7-8754 To B-5001	Date:01/2024	PAGE:X3-1427-00
POWER STEERING PUMP - "TRW" - WITH DETROIT S-60		

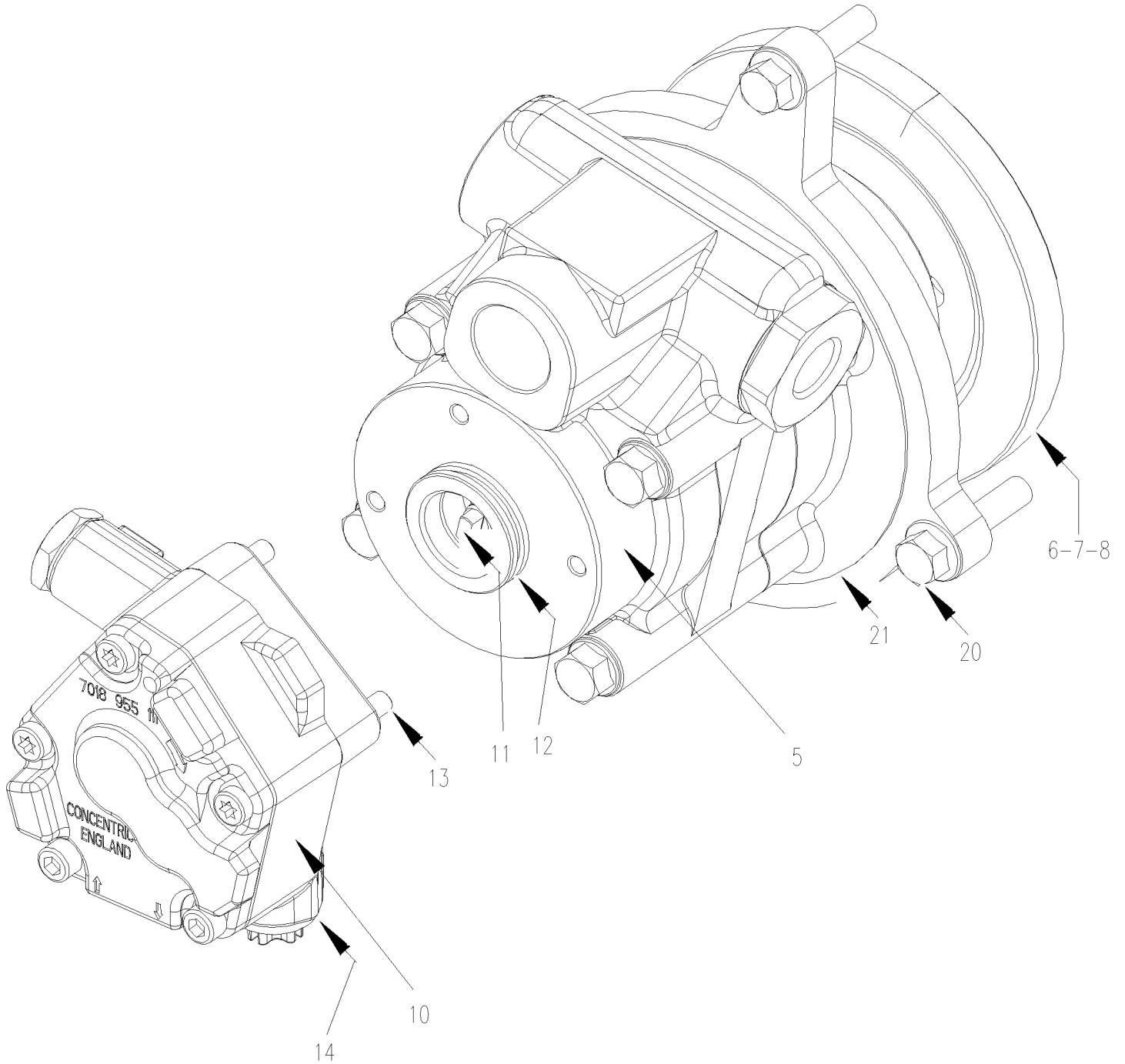
Item#	Part	Description	QTY	Notes
46		. BOLT	1	
100	661012	KIT REPAIR	AR	A
102	N.S.S.	TEST	1	1
		A) INCLUDE ITEMS #8,11,12,19,20 & 23		
		1) NOT SOLD SEPARATELY		
		2) NOT SOLD BY PREVOST (SEE MANUFACTURING PART NUMBER AT END OF DESCRIPTION LINE)		

From 8-9457

Date:01/2024

PAGE:X3-1427-01

POWER STEERING PUMP - "VOLVO" D13



From 8-9457	Date:01/2024	PAGE:X3-1427-01
POWER STEERING PUMP - "VOLVO" D13		

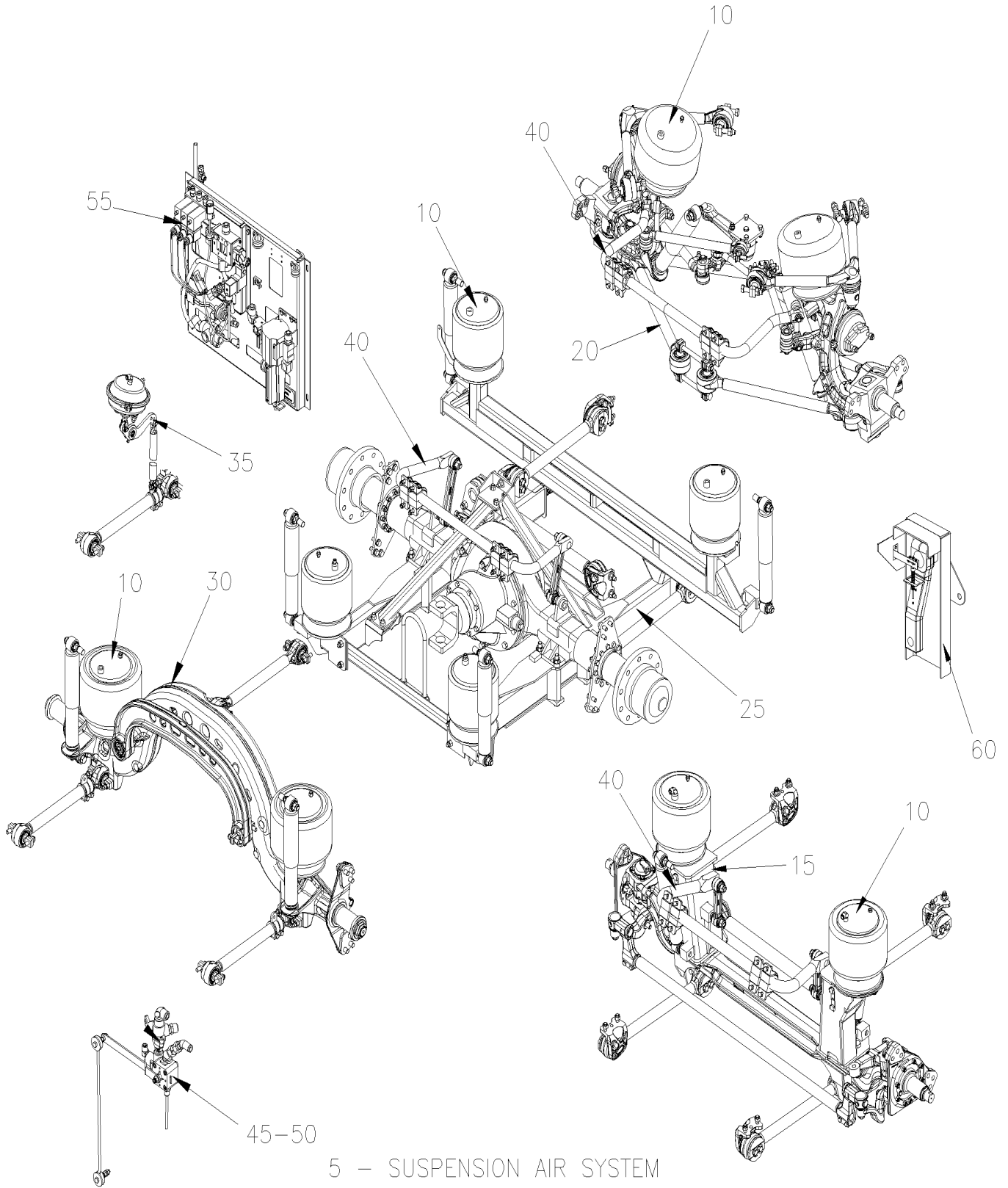
Item#	Part	Description	QTY	Notes
	70377032	POWER STEERING & FUEL PUMP ASSY W/435	1	
5	N.P.N.	. POWER STEERING PUMP W/485 & 515	1	4
5	70377033	. POWER STEERING PUMP W/435		
6	8131292	. GEAR DRIVE PUMP	1	
7	1505357	. KEY	1	
8	20367040	. LOCK NUT	1	
10	85109709	. FUEL PUMP	1	
10	85103778	. . FUEL PUMP W/485 & 515	1	
10	20997341	. . FUEL PUMP W/435	1	
11	85103779	. . . CONSTANT VELOCITY JOINT	1	
12	85103703	. O-RING	1	
13	85103780	. HEX. SOCKET SCREW	3	
14	11996	. WASHER SEAL BANJO FITTING	4	
20	946470	FLANGE SCREW M8-35	3	
21	977030	O-RING	1	
		4) NO PARTS NUMBER		

From 7-8754

Date:01/2024

X3-16

SUSPENSION

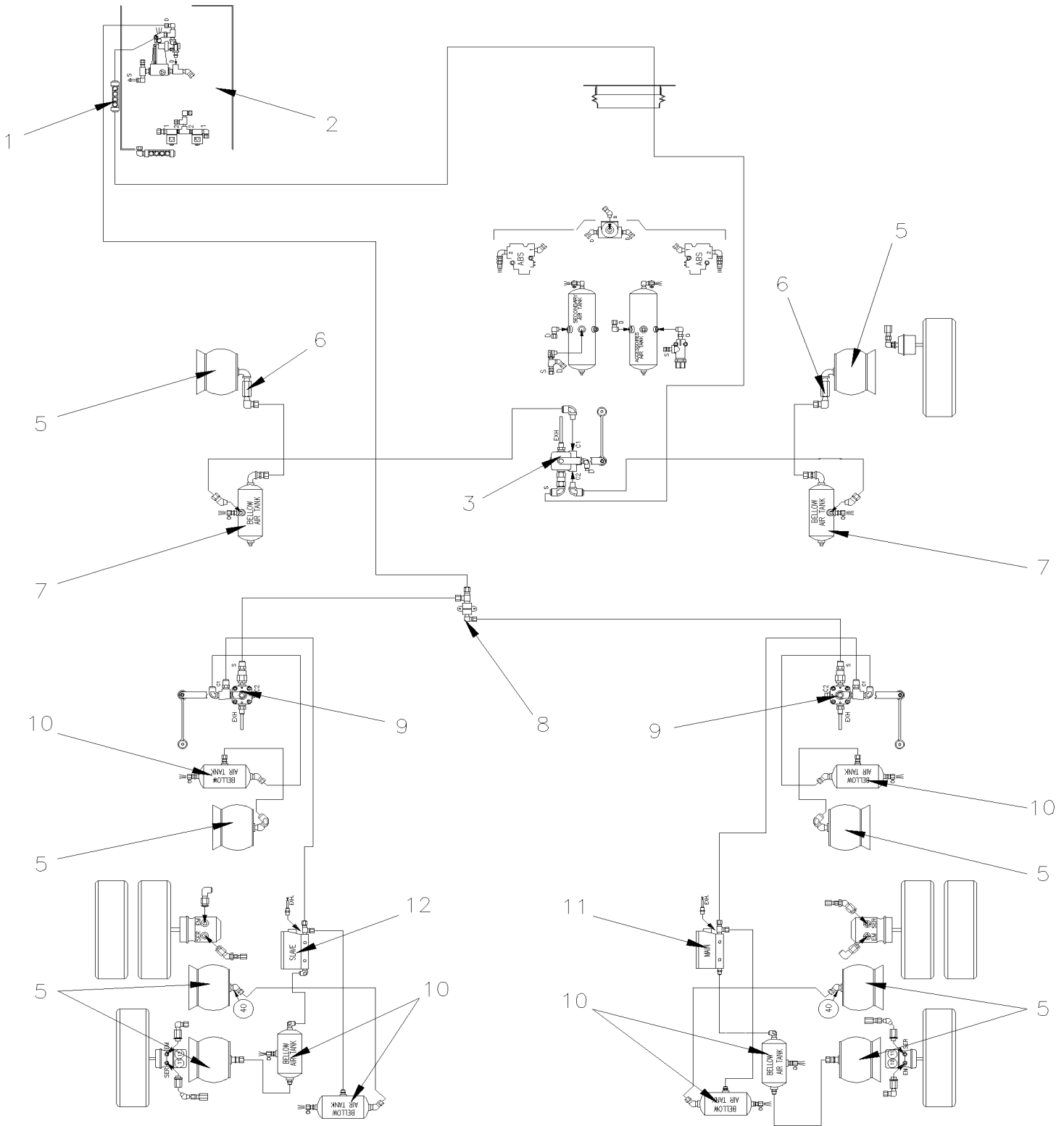


From 7-8754	Date:01/2024	X3-16
-------------	--------------	-------

SUSPENSION

Item#	Part	Description	QTY	Notes
5	X3-1600-00	SUSPENSION AIR SYSTEM From 7-8754 To F-5871		
5	X3-1600-01	SUSPENSION AIR SYSTEM From F-5872		
10	X3-1601-00	BELLOWS - AIR SUSPENSION From 7-8754		
15	X3-1605-00	FRONT AXLE - INSTALL W/ I BEAM RIGID From 7-8754 To E-5585		
15	X3-1605-01	FRONT AXLE - INSTALL W/ I BEAM RIGID From E-5586		
20	X3-1605-50	FRONT AXLE - INSTALL W/INDEPENDENT "NDIFS80P" / 18000LBS From 7-8754 To F-5796		
20	X3-1605-51	FRONT AXLE - INSTALL W/INDEPENDENT "NDIFS80P" / 19000LBS From F-5797		
25	X3-1610-00	REAR AXLE - INSTALL SUSPENSION From 7-8754 To D-5458		
25	X3-1610-01	REAR AXLE - INSTALL SUSPENSION From E-5459		
30	X3-1615-00	TAG AXLE - INSTALL SUSPENSION From 7-8754 To A-9951		
30	X3-1615-01	TAG AXLE - INSTALL SUSPENSION ONE PIECE From A-9952		
35	X3-1615-10	TAG AXLE - LIFTING From 7-8754		
40	X3-1616-00	SWAY BAR From 7-8754 To E-5585		
40	X3-1616-01	SWAY BAR From E-5586 To £-22037		
40	X3-1616-02	SWAY BAR From £-22037		
45	X3-1620-00	HEIGHT CONTROL VALVE From 7-8754 To B-5001		
45	X3-1620-01	HEIGHT CONTROL VALVE From B-5002 To D-5458		
45	X3-1620-02	HEIGHT CONTROL VALVE From E-5459		
50	X3-1620-10	HIGH-BUOY, LOW BUOY & "KNEELING" VALVE PNEUMATIC DIAGRAM From 7-8754 To F-5871		
50	X3-1620-11	HIGH-BUOY, LOW BUOY & "KNEELING" VALVE PNEUMATIC DIAGRAM From F-5872		
55	X3-1630-00	FRONT KNEELING - CONTROL PANEL From 7-8754 To E-5589		
55	X3-1630-01	FRONT KNEELING - CONTROL PANEL From E-5590 To F-5871		
55	X3-1630-02	FRONT KNEELING - CONTROL PANEL From F-5872		
60	X3-1650-00	TAG UNLOAD - STABILISATOR From 7-8754		

SUSPENSION AIR SYSTEM



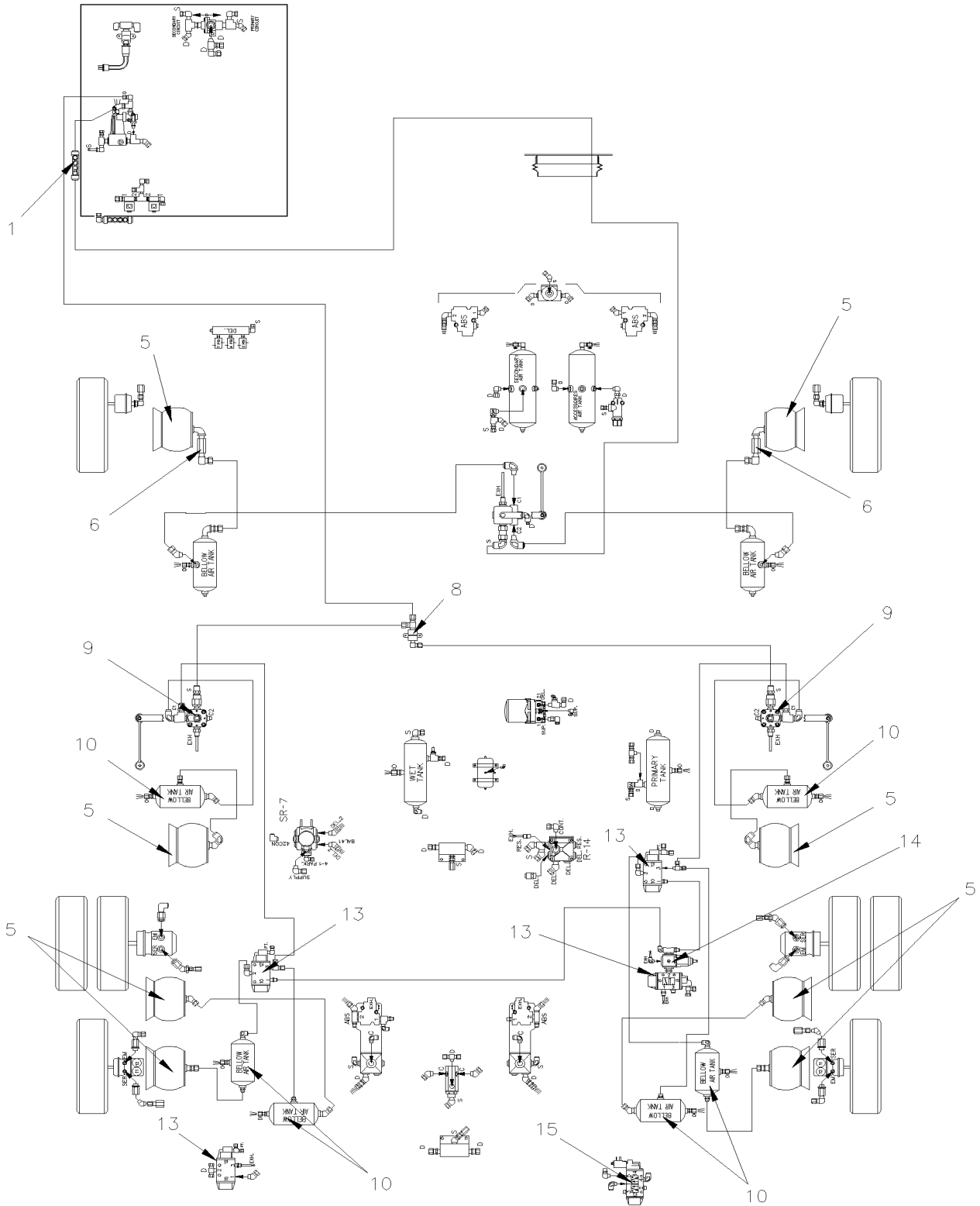
X3-45 COACH, WITH INDEPENDENT FRONT SUSPENSION (IFS)
STANDARD SUSPENSION UP TO 8-9225

From 7-8754 To F-5871

Date:01/2024

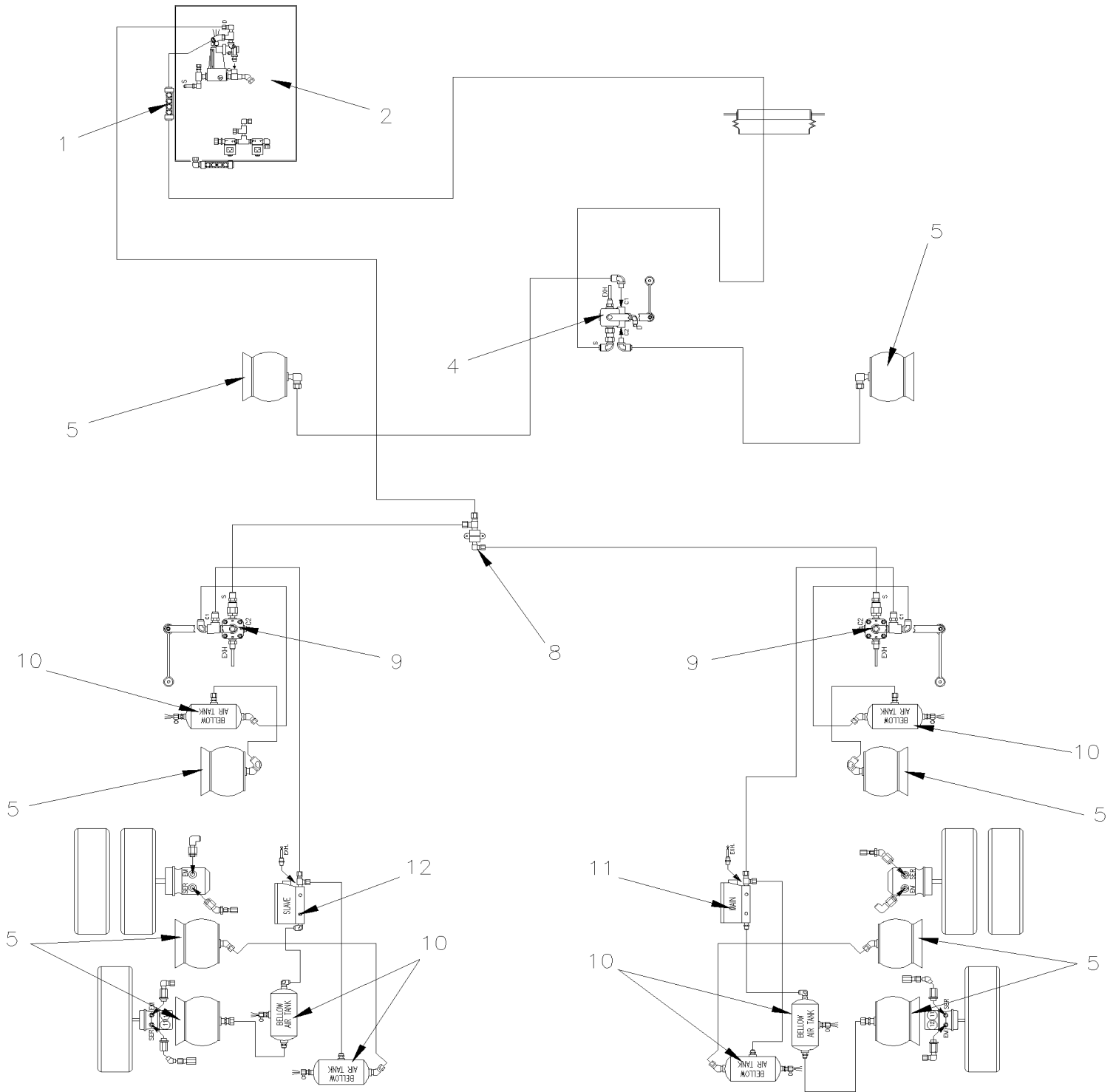
PAGE:X3-1600-00

SUSPENSION AIR SYSTEM



X3-45 COACH, WITH INDEPENDENT FRONT SUSPENSION (IFS)
STANDARD SUSPENSION FROM 8-9226

SUSPENSION AIR SYSTEM



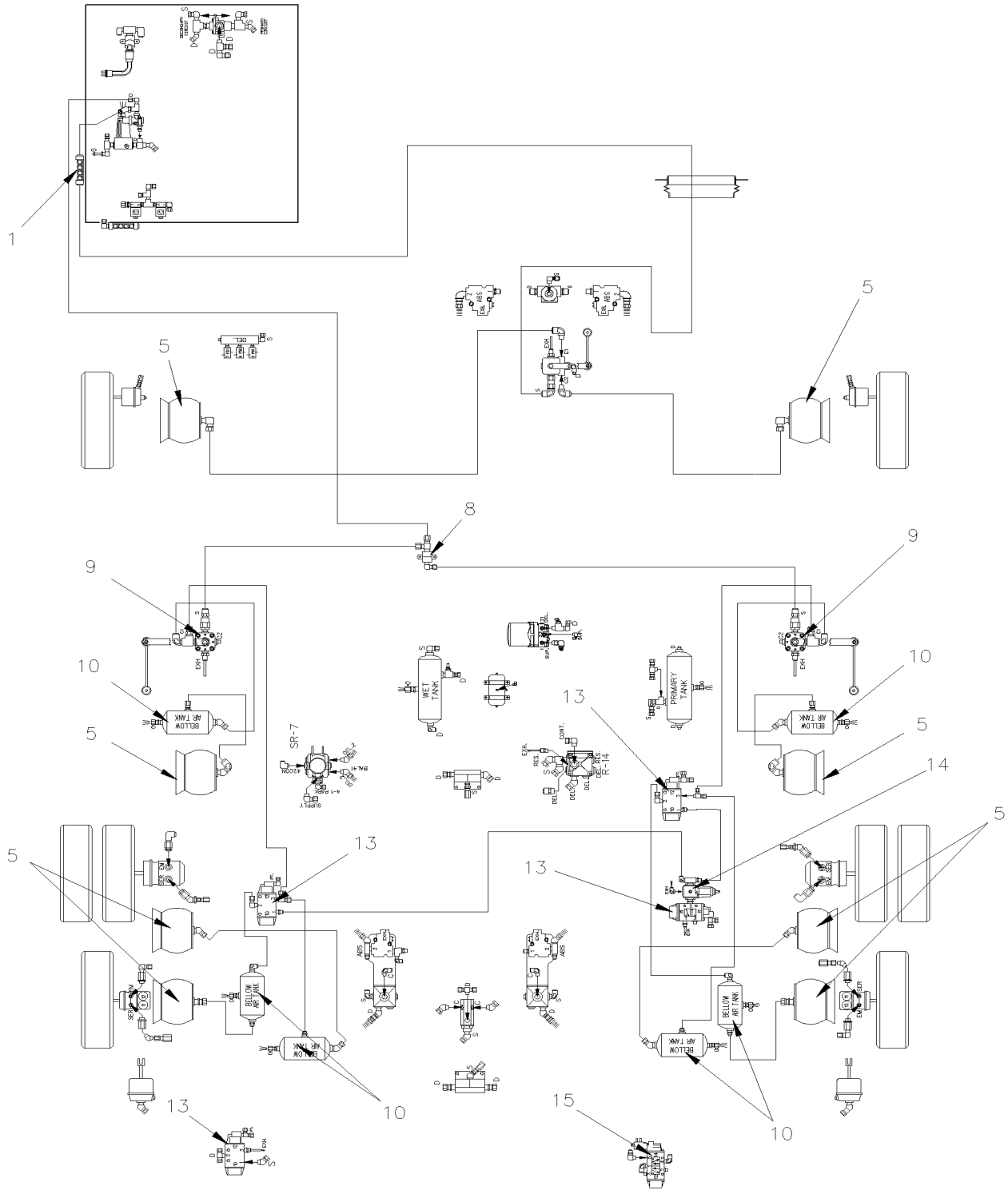
X3-45 COACH, WITH FRONT I-BEAM AXLE
STANDARD SUSPENSION UP TO 8-9225

From 7-8754 To F-5871

Date:01/2024

PAGE:X3-1600-00

SUSPENSION AIR SYSTEM



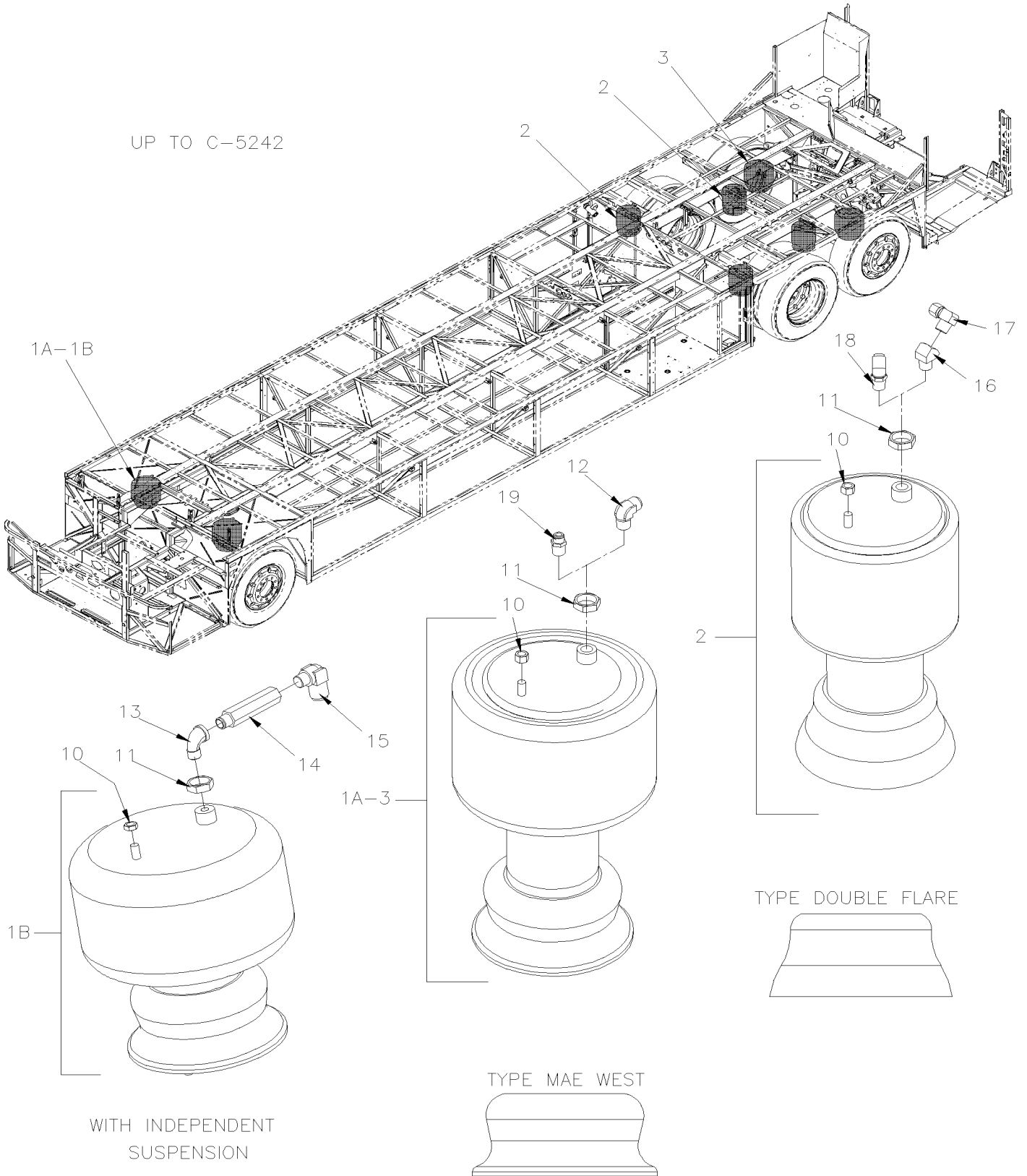
X3-45 COACH, WITH FRONT I-BEAM AXLE
STANDARD SUSPENSION FROM 8-9226

From 7-8754 To F-5871	Date:01/2024	PAGE:X3-1600-00
-----------------------	--------------	-----------------

SUSPENSION AIR SYSTEM

Item#	Part	Description	QTY	Notes
1	641415	MANIFOLD / PUSH-IN FITTING / 2x#6 / 4x#4 PLAS	1	
2	X3-1630-00	FRONT KNEELING - CONTROL PANEL To E-5589	1	
2	X3-1630-01	FRONT KNEELING - CONTROL PANEL From E-5590		
3	630237	VALVE, HEIGHT CONTROL "BARKSDALE" / FRONT	1	
4	630261	VALVE, HEIGHT CONTROL "BARKSDALE" / FRONT / W/DRAIN	1	
5	X3-1601-00	BELLOWS - AIR SUSPENSION	1	
6	131737	MALE CONNECTOR 123.8MM 1/2 NPT	2	
7	131403	AIR TANK / 434 IN° / 7" O.D. X 13 1/4"	2	
8	640643	ANCHOR ELBOW / PIPE FITTING / 1/4NPT-Fx1/4NPT-F STL	1	
9	630156	VALVE, HEIGHT CONTROL "BARKSDALE"	2	
9	630247	VALVE, HEIGHT CONTROL "BARKSDALE" / REAR / W/DRAIN	AR	K
10	641424	AIR TANK / 288 IN° / 7" O.D. X 9 1/4" / W/(3) 1/2" NPT	6	
11	630262	VALVE, TAG CONTROL "BARKSDALE" / MASTER To 8-9225	1	S
. NS	563463	. CONNECTOR / AMPSEAL SERIES / SH 14C / WHITE / AMP 776273-2 To 8-9225	1	S
. NS	131829	. COVER PROTECTOR / CONNECTOR To 8-9225	1	S
. NS	131830	. SUPPORT PROTECTOR / COVER To 8-9225	1	S
12	630265	VALVE, TAG CONTROL "BARKSDALE" / SLAVE To 8-9225	1	S
. NS	563463	. CONNECTOR / AMPSEAL SERIES / SH 14C / WHITE / AMP 776273-2 To 8-9225	1	S
. NS	131829	. COVER PROTECTOR / CONNECTOR To 8-9225	1	S
. NS	131830	. SUPPORT PROTECTOR / COVER To 8-9225	1	S
13	641274	VALVE, 3 WAYS, 2 POSITIONS N.C. From 8-9226	4	
14	630269	VALVE DISCHARGE V72G W/3/8 From 8-9226	1	
15	641527	VALVE, 4 WAYS, 2 POSITIONS From 8-9226	1	A
. NS	641929	. COIL 24V From 8-9226	1	A
. NS	641186	. SPOOL From 8-9226	1	A
. NS	641385	. CONNECTOR / SOCKET HOUSING ASSY 3C / PNEUMAC 54934-01 From 8-9226	1	A
NS	131870	KIT RETROFIT COTROL VALVE To 8-9225	1	
		A) THIS VALVE IT LOCATED IN ENGINE COMPARTMENT		
		K) WITH REAR LOW BUOY OR HIGH BUOY		
		S) THIS VALVE IT SUPPERSEDED BY KIT 131870		

BELLOWS - AIR SUSPENSION



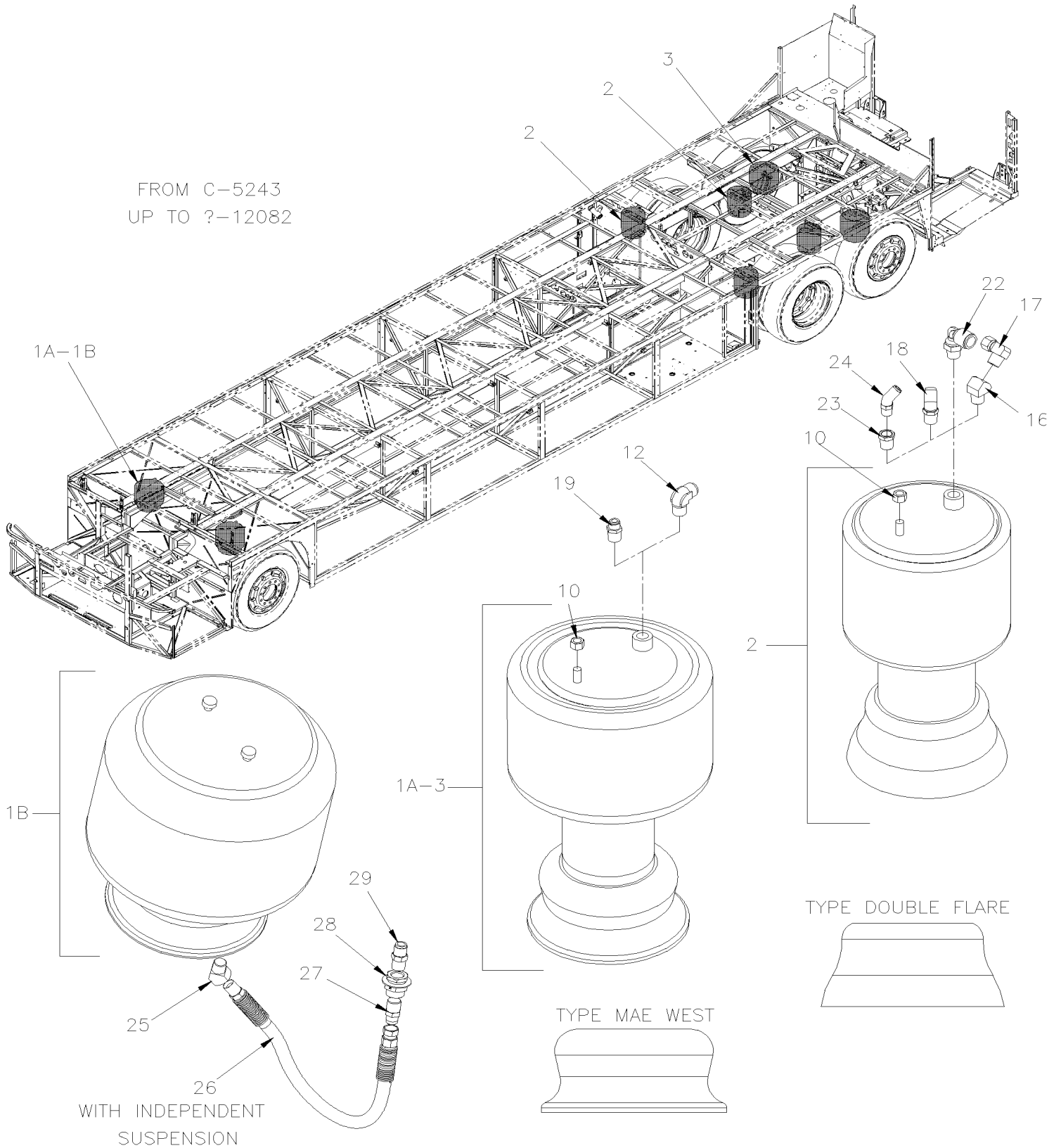
From 7-8754

Date:01/2024

PAGE:X3-1601-00

BELLOWS - AIR SUSPENSION

FROM C-5243
UP TO ?-12082



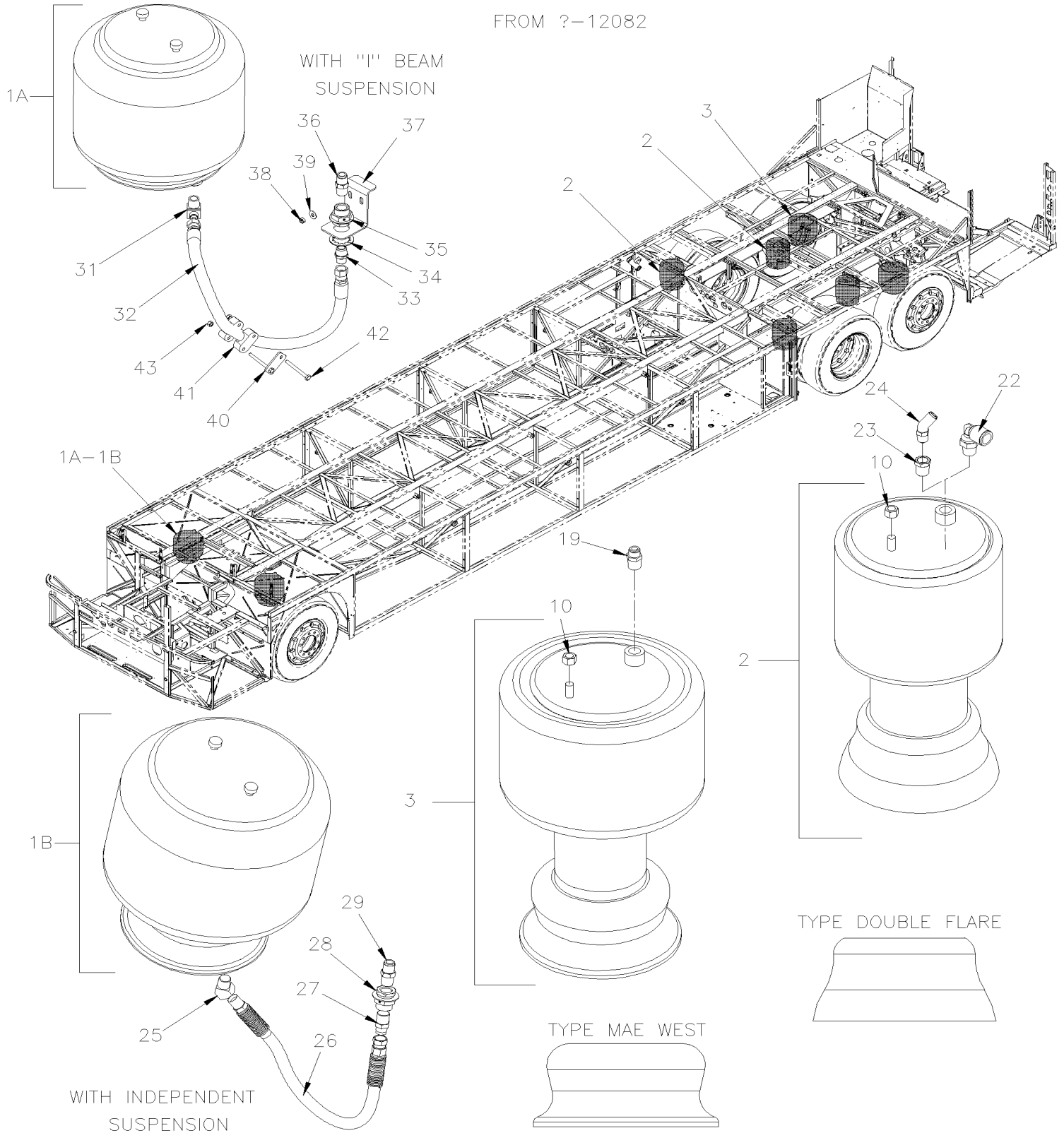
From 7-8754

Date:01/2024

PAGE:X3-1601-00

BELLOWS - AIR SUSPENSION

FROM ?-12082



From 7-8754		Date:01/2024	PAGE:X3-1601-00
-------------	--	--------------	-----------------

BELLOWS - AIR SUSPENSION

Item#	Part	Description	QTY	Notes
		... FRONT AXLE BELLOW		
1A	630151	BELLOW ASSY / MODEL 1200 M.W. To 8-9288	2	R
1A	630151	BELLOW ASSY / MODEL 1200 M.W. To 8-9288	2	R
1A	630162	BELLOW ASSY / MODEL 1200 M.W. From 8-9289 To E-5585	2	R
1A	630162	BELLOW ASSY / MODEL 1200 M.W. From 8-9289 To E-5585	2	R
1A	630285	BELLOW ASSY / MODEL 1400 M.W. From E-5586	2	R
1B	630151	BELLOW ASSY / MODEL 1200 M.W. To 8-9288	2	I
1B	630151	BELLOW ASSY / MODEL 1200 M.W. To 8-9288	2	I
1B	630162	BELLOW ASSY / MODEL 1200 M.W. From 8-9289 To C-5242	2	I
1B	630162	BELLOW ASSY / MODEL 1200 M.W. From 8-9289 To C-5242	2	I
1B	630280	BELLOW ASSY / MODEL 1400 M.W. / 19000lbs From C-5243	2	I
		... DRIVE AXLE BELLOW		
2	630260	BELLOW ASSY / MODEL 1100 D.F.	4	
		... TAG AXLE BELLOW		
3	630259	BELLOW ASSY / MODEL 1100 M.W. To A-9951	2	
3	630162	BELLOW ASSY / MODEL 1200 M.W. From A-9952 To E-5525	2	
3	630286	BELLOW ASSY / MODEL 1200 M.W. From E-5526	2	
10	500276	NUT HEX STO 1/2-13 N500	AR	
11	5001041	NUT HEX THN 1 1/4-12x1/2 To 8-9430	AR	
12	641378	MALE ELBOW 90° / PUSH-IN FITTING / #8x1/2NPT-M BRASS To E-12082	2	R
13	5011339	STREET ELBOW 90° / PIPE FITTING / 1/2NPT-Mx1/2NPT-F STL To C-5242	2	I
14	131737	MALE CONNECTOR 123.8MM 1/2 NPT To C-5242	2	I
15	641410	MALE ELBOW 90° NON-SWIVEL / PUSH-IN FITTING / #12x1/2NPT-M BR To C-5242	2	I
16	501528	STREET ELBOW 45° / PIPE FITTING / 1/2NPT-Mx1/2NPT-F BR To D-5458	2	
17	641175	MALE ELBOW 90° / NTA FITTING / #6x1/2NPT-M BR To D-5458	2	
18	642129	MALE ELBOW 45° NON-SWIVEL / PUSH-IN FITTING / #6x1/2NPT-M BR To D-5458	2	
19	641384	MALE CONNECTOR / PUSH-IN FITTING / #10x1/2NPT-M BR To 9-9598	1	
19	641382	MALE CONNECTOR / PUSH-IN FITTING / #6x1/2NPT-M BR From 9-9599	1	
22	642179	MALE ELBOW 90° NON-SWIVEL / PUSH-IN FITTING / #6 x1/2NPT-M COMPOSITE From E-5459	2	
23	501534	BUSHING REDUCER / PIPE FITTING / 1/2NPT-Mx3/8NPT-F BR From E-5459	2	
24	641367	MALE ELBOW 45° NON-SWIVEL / PUSH-IN FITTING / #6x3/8NPT-M BR From E-5459	2	
25	501528	STREET ELBOW 45° / PIPE FITTING / 1/2NPT-Mx1/2NPT-F BR From C-5243	2	I
26	642153	HOSE ASSY / #8 22" From C-5243	2	I
27	501616	MALE CONNECTOR / SAE 45° FITTING / #8FL-Mx1/2NPT-M BR From C-5243	2	I
28	501796	BULKHEAD COUPLING / PIPE FITTING / 1/2NPT-Fx1/2NPT-Fx1 1/2 BR From C-5243	2	I

From 7-8754	Date:01/2024	PAGE:X3-1601-00
-------------	--------------	-----------------

BELLOWS - AIR SUSPENSION

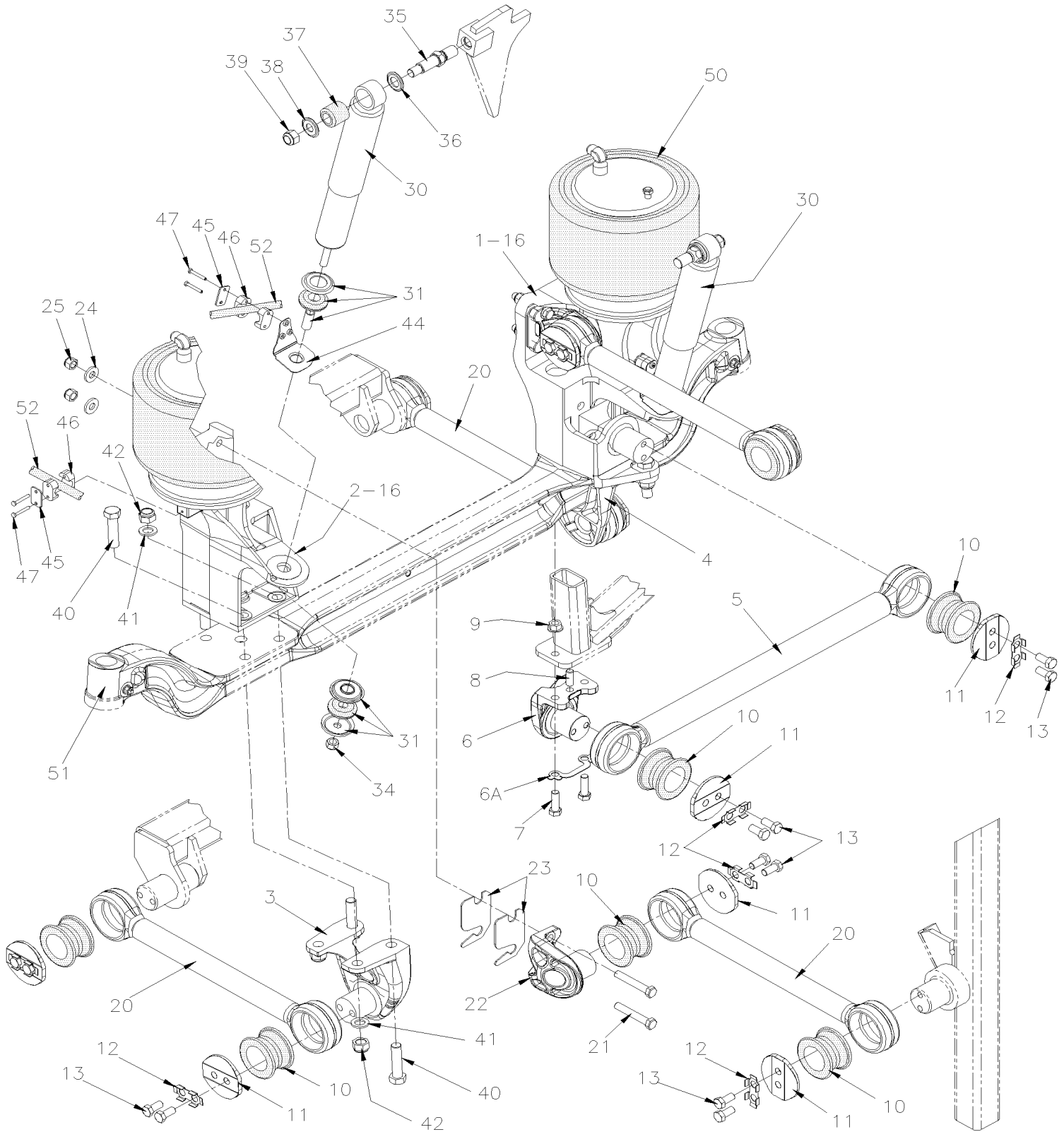
Item#	Part	Description	QTY	Notes
29	641383	MALE CONNECTOR / PUSH-IN FITTING / #8x1/2NPT-M BR From C-5243	2	I
31	501719	MALE ELBOW 90° / JIC 37° FITTING / #8JIC-Mx1/2NPT-M BR From E-5586	2	R
32	642181	HOSE ASSY / #8 28" From E-5586 To F-5838	2	R
32	145293P	HOSE ASSY / #8 727MM From F-5839	2	R
33	501739	MALE CONNECTOR / JIC 37° FITTING / #8JIC-Mx1/2NPT-M STL From E-5586	2	R
34	500979	WASHER LO INT 1.144x1.830x.067 Z050 From E-5586	2	R
35	501796	BULKHEAD COUPLING / PIPE FITTING / 1/2NPT-Fx1/2NPT-Fx1 1/2 BR From E-5586	2	R
36	641383	MALE CONNECTOR / PUSH-IN FITTING / #8x1/2NPT-M BR From E-5586	2	R
37	132056	SUPPORT From E-5586 To J-6303	2	R
37	130028	SUPPORT From J-6304	2	R
38	5001182	NUT HEX NYRT M6-1.0 SS From E-5586	4	R
39	500411	WASHER FL .260x.697x.050 SS From E-5586	4	R
40	504614	PLATE RETAINING / COLLAR From E-5586	2	R
41	504612	COLLAR 13/16" I.D. / TO FIX HOSE From E-5586 To H-6201	4	R
41	140079	HALF COLLAR 44MM I.D. / TO FIX HOSE From H-6202	8	R
42	5001681	SCREW CAP HEX M6-1.0x60 SS From E-5586	4	R
43	502860	NUT HEX STO M6-1.0 N500 From E-5586	4	R
		I) WITH INDEPENDENT SUSPENSION		
		R) WITH I BEAM RIGID SUSPENSION		

From 7-8754 To E-5585

Date:01/2024

PAGE:X3-1605-00

FRONT AXLE - INSTALL W/ I BEAM RIGID



From 7-8754 To E-5585	Date:01/2024	PAGE:X3-1605-00
FRONT AXLE - INSTALL W/ I BEAM RIGID		

Item#	Part	Description	QTY	Notes
1	110713	SUPPORT ASSY L.H. BELLOW	1	
2	110712	SUPPORT ASSY R.H. BELLOW	1	
3	110740	SUPPORT RADIUS ROD R.H.	1	
4	110739	SUPPORT RADIUS ROD L.H.	1	
5	110648	ROD ASSY / 34 13/16" C/C (885MM)	1	
6	132912	SUPPORT / ROD / W/2 M16-2 HOLES & DOWEL PIN / 95MM C/C // 150MM SHORT	1	
6A	121578	TAB LOCK / W/2 HOLES 17MM I.D. X 90MM C/C	1	
7	5001372	SCREW CAP HEX M16-2.0x50 G10.9 N500 To C-5157	2	
7	5001224	SCREW CAP HEX M16-2.0x60 G10.9 G500 From C-5158	2	
8	502164	PIN DOWEL M16 X 40MM	1	
9	5001474	NUT HEXF M16-2.0 DP From C-5158	2	
10	630021	RUBBER BUSHING "PREVOST"	10	
NS	192380	SHIM WASHER / BUSHING RADIUS ROD 2.795x4.330x.0625 SS	AR	W
11	110681	RETAINER PLATE / IRON 110MM OD W/16.7 @ 38C/C	10	
12	110340	TAB LOCK / W/2 HOLES / W/4 TABS / 18MM I.D. X 38MM C/C To A-9994	10	
12	110788	TAB LOCK / W/2 HOLES / W/6 TABS / 18MM I.D. X 38MM C/C From A-9995	10	
13	500813	SCREW CAP HEX M16-2.0x35 G8.8 ZP	20	
16	110746	SHIM "U SHAPE" 1/32"	AR	
20	131560	ROD ASSY / 24 1/16" C/C (611MM)	4	
21	5001512	SCREW CAP HEX M16-2.0x100 G10.9 G500	2	
22	132914	SUPPORT / ROD / W/2 M16-2 HOLES / 95MM C/C // 150MM SHORT	1	
. NS	121890	. TORQUE PLATE / W/2HOLES 17MM I.D. X 90MM C/C	AR	
23	110732	SHIM 0.125	AR	
24	5001046	WASHER FL .656x1.500x.187	2	
25	500781	NUT HEX STO M16-2.0 DP To 8-9187	2	
25	5001662	NUT HEX NYRT M16-2.0 G10 Z050 From 8-9188	2	
30	630254	SHOCK ABSORBER / SACHS / 206	2	
. NS	630255	. KIT WASHER & RUBBER BUSHING	1	
. NS	630257	. BUSHING / RUBBER / (TWO PIECES) 1" x 1.005" I.D.	1	
30	630013	SHOCK ABSORBER	2	
. NS	630291	. BUSHING / RUBBER / (TWO PIECES) 1" x 1.005" I.D.	1	
. NS	630255	. KIT WASHER & RUBBER BUSHING	1	
31	630255	. KIT WASHER & RUBBER BUSHING	AR	
34	963121	. . NUT HEX NYRT M16-1.5 ZP	2	
35	131424	PIN W/TAPER ATTACHMENT M20-2.5	2	
36	5001153	WASHER CON 25.5x50.0x4.5 ZP	2	
37	630257	BUSHING / RUBBER / (TWO PIECES) 1" x 1.005" I.D.	2	
38	5001152	WASHER CON 21.0x50.0x4.5 ZP	2	
39	5001663	NUT HEX NYRT M20-2.5 G10 Z050	2	
40	5001175	SCREW CAP HEX M22-2.5x80 G8.8 Z050	9	
41	5001509	WASHER FL 23.0x39.0x4.0 ZP	9	
42	5001665	NUT HEX NYRT M22-2.5 G8 Z050	9	

From 7-8754 To E-5585	Date:01/2024	PAGE:X3-1605-00
FRONT AXLE - INSTALL W/ I BEAM RIGID		

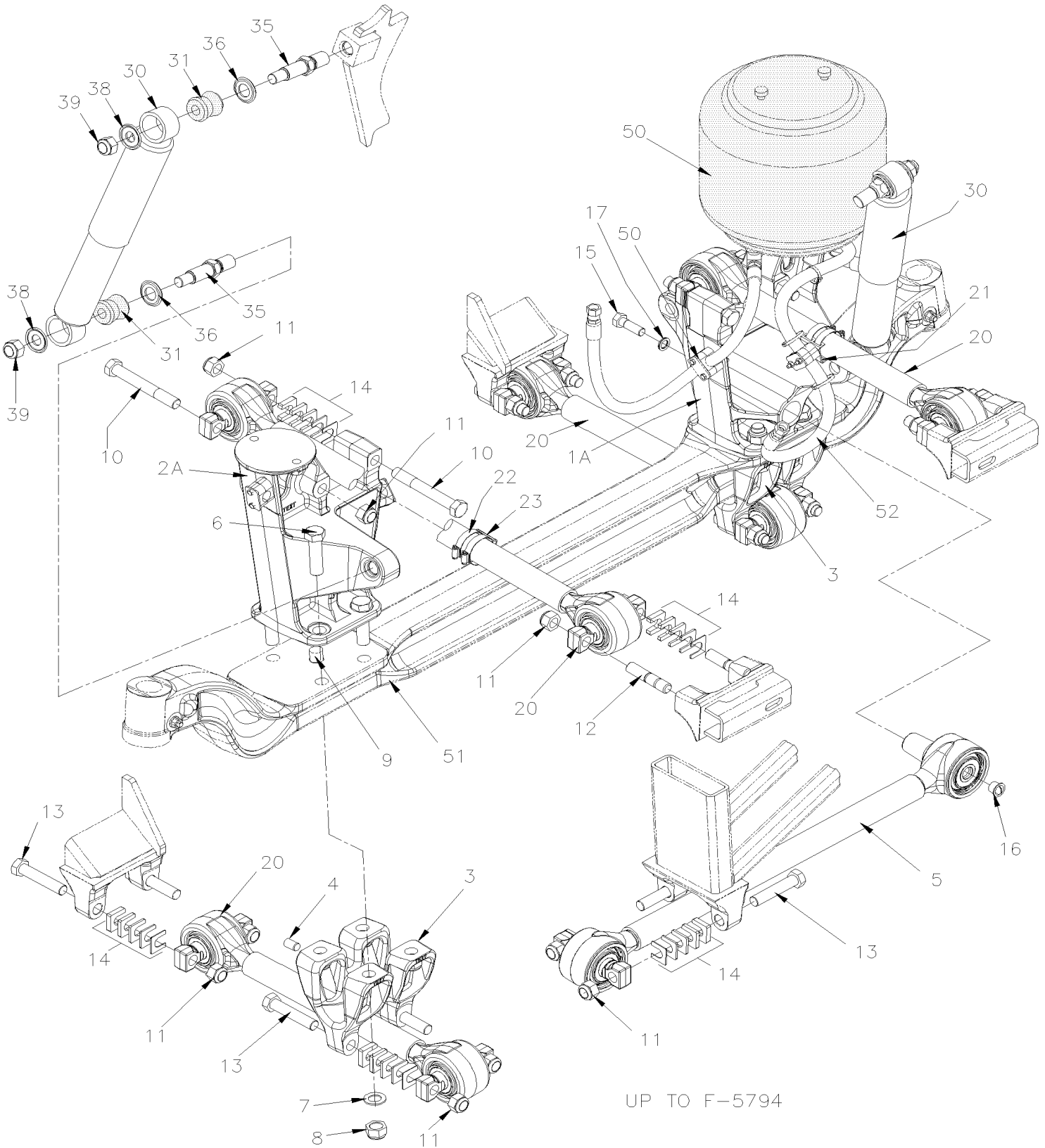
Item#	Part	Description	QTY	Notes
44	110765	HOSE SUPPORT L.H. & R.H. / FIXED AT SHOCK END /	2	
45	504614	PLATE RETAINING / COLLAR	2	
46	504612	COLLAR 13/16" I.D. / TO FIX HOSE	4	
47	502793	SCREW CAP HEX M6-1.0x45 G8.8 Z050	4	
50	X3-1601-00	BELLOWS - AIR SUSPENSION		
51	X3-1005-00	FRONT AXLE - I BEAM RIGID MODEL "S84U"		
52	X3-1225-10	BRAKE CHAMBER - FRONT AXLE TYPE 24		
		W) IF NEED, USE BETWEEN BUSHING ROD SUPPORT		

From E-5586

Date:01/2024

PAGE:X3-1605-01

FRONT AXLE - INSTALL W/ I BEAM RIGID

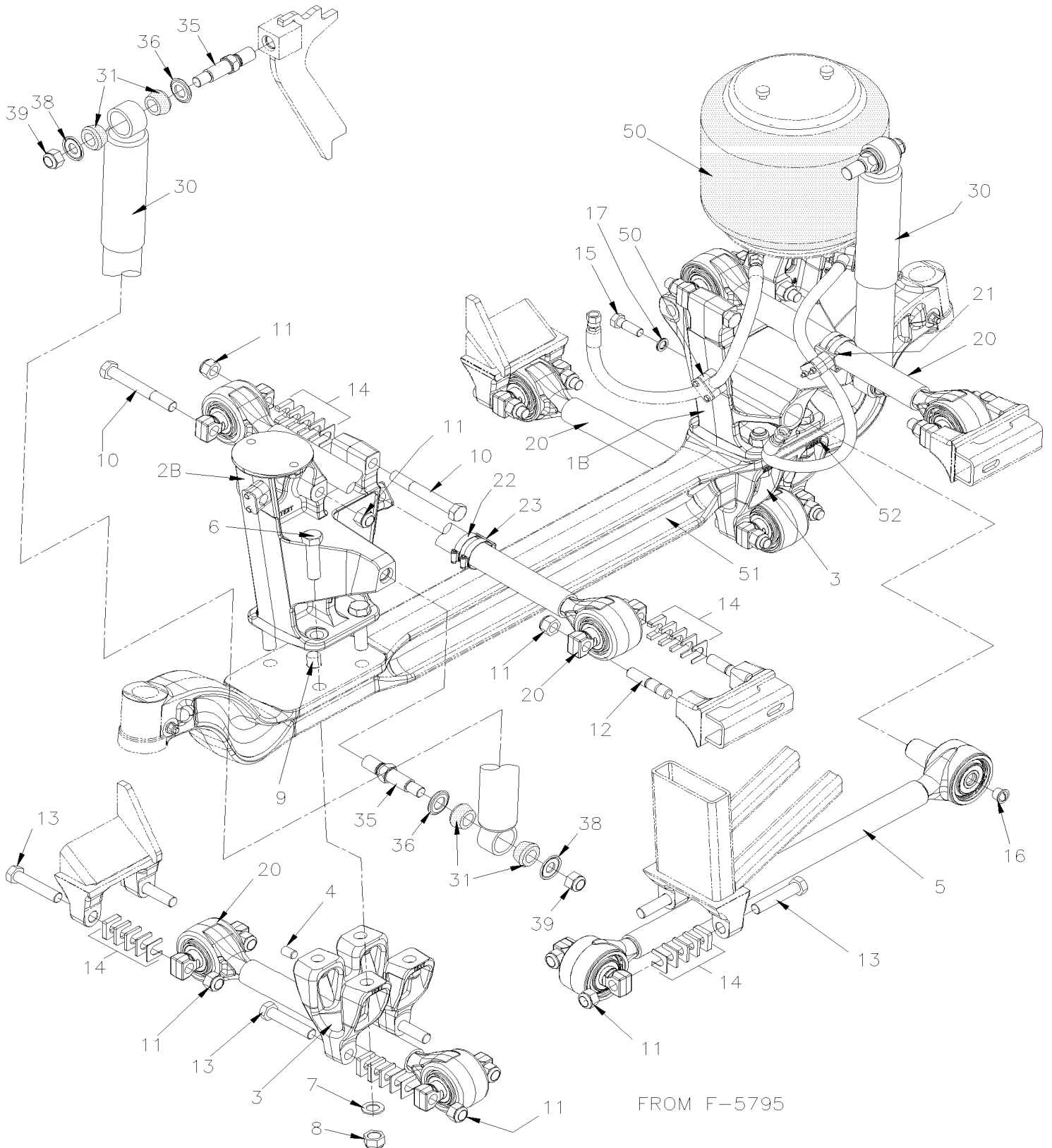


From E-5586

Date:01/2024

PAGE:X3-1605-01

FRONT AXLE - INSTALL W/ I BEAM RIGID



FROM F-5795

From E-5586		Date:01/2024	PAGE:X3-1605-01
FRONT AXLE - INSTALL W/ I BEAM RIGID			

Item#	Part	Description	QTY	Notes
1A	611482	SUPPORT ASSY L.H. BELLOW To F-5794	1	
1B	611488	SUPPORT ASSY L.H. BELLOW From F-5795 To L-6631	1	
1B	110146	SUPPORT ASSY L.H. BELLOW From L-6632 To M-6657	1	
1B	118920	SUPPORT ASSY L.H. BELLOW From M-6658	1	
2A	611483	SUPPORT ASSY R.H. BELLOW To F-5794	1	
2B	611489	SUPPORT ASSY R.H. BELLOW From F-5795 To L-6631	1	
2B	110148	SUPPORT ASSY R.H. BELLOW From L-6632 To M-6657	1	
2B	118922	SUPPORT ASSY R.H. BELLOW From M-6658	1	
3	611487	SUPPORT RADIUS ROD To E-5650	2	
3	611484	SUPPORT RADIUS ROD From E-5651 To L-6631	2	
3	110144	SUPPORT RADIUS ROD From L-6632 To M-6657	2	
3	118918	SUPPORT RADIUS ROD From M-6658	2	
4	5001907	SCREW SET HEXS CUP M16-2x25 N500	2	
5	621879	ROD ASSY / 889MM	1	
. NS	621891	. BALL PIN BUSHING / REPAIR KIT 70MM O.D.	1	
. NS	621892	. BALL PIN BUSHING / REPAIR KIT 70MM O.D. / 130MM C/C	1	
6	5001909	SCREW CAP HEX M22-2.5x80 G10.9 N500	8	
7	5001509	WASHER FL 23.0x39.0x4.0 ZP	8	
8	5002115	NUT HEX NYRT M22-2.5 G10 NX500	8	
9	505541	DOWEL PIN 1"x1"	2	
10	5001905	SCREW CAP HEX M20-2.5X150 G10.9 N500	4	
11	5001663	NUT HEX NYRT M20-2.5 G10 Z050	18	
12	5001897	STUD M20-2.5x70 G10.9 N500	4	
13	5001525	SCREW CAP HEX M20-2.5x100 G10.9 N500	10	
14	661219	SHIM "U" 0.79 x 39.5MM x 38MM x 20 i.d.	AR	
14	661101	SHIM "U" 1.52 x 39.5MM x 38MM x 20 i.d.	AR	
14	160993	SHIM "U" 3.175x 39.5MM x 38MM x 20 i.d.	AR	
14	661094	SHIM "U" 4.76 x 39.5MM x 38MM x 20 i.d.	AR	
14	160992	SHIM "U" 6.35 x 39.5MM x 38MM x 20 i.d.	AR	
14	163599	SHIM "U" 9.53 x 39.5MM x 38MM x 20 i.d.	AR	
15	5001899	SCREW CAP HEX M16-1.5x50 G10.9 N500	1	
16	621832	PULL PLUG DIA. 23MM	1	
17	630278	WASHER "NORD-LOCK" 17.0x25.4x3.4 YP	1	
20	621878	ROD ASSY / 594MM To F-5771	4	
. NS	621890	. BALL PIN BUSHING / REPAIR KIT 70MM O.D. / 130MM C/C To F-5771	2	
20	621900	ROD ASSY / 594MM From F-5772	4	
21	132002	SUPPORT HOSE LH	1	
22	504792	HOSE CLAMP / 1"9/16-2.5" SS / HAS-32	4	
23	132022	SUPPORT HOSE RH	1	
30	630252	SHOCK ABSORBER / SACHS To F-5780	2	
30	630288	SHOCK ABSORBER / SACHS From F-5781	2	
31	630257	. BUSHING / RUBBER / (TWO PIECES) 1" x 1.005" I.D. To F-5780	2	

From E-5586	Date:01/2024	PAGE:X3-1605-01
FRONT AXLE - INSTALL W/ I BEAM RIGID		

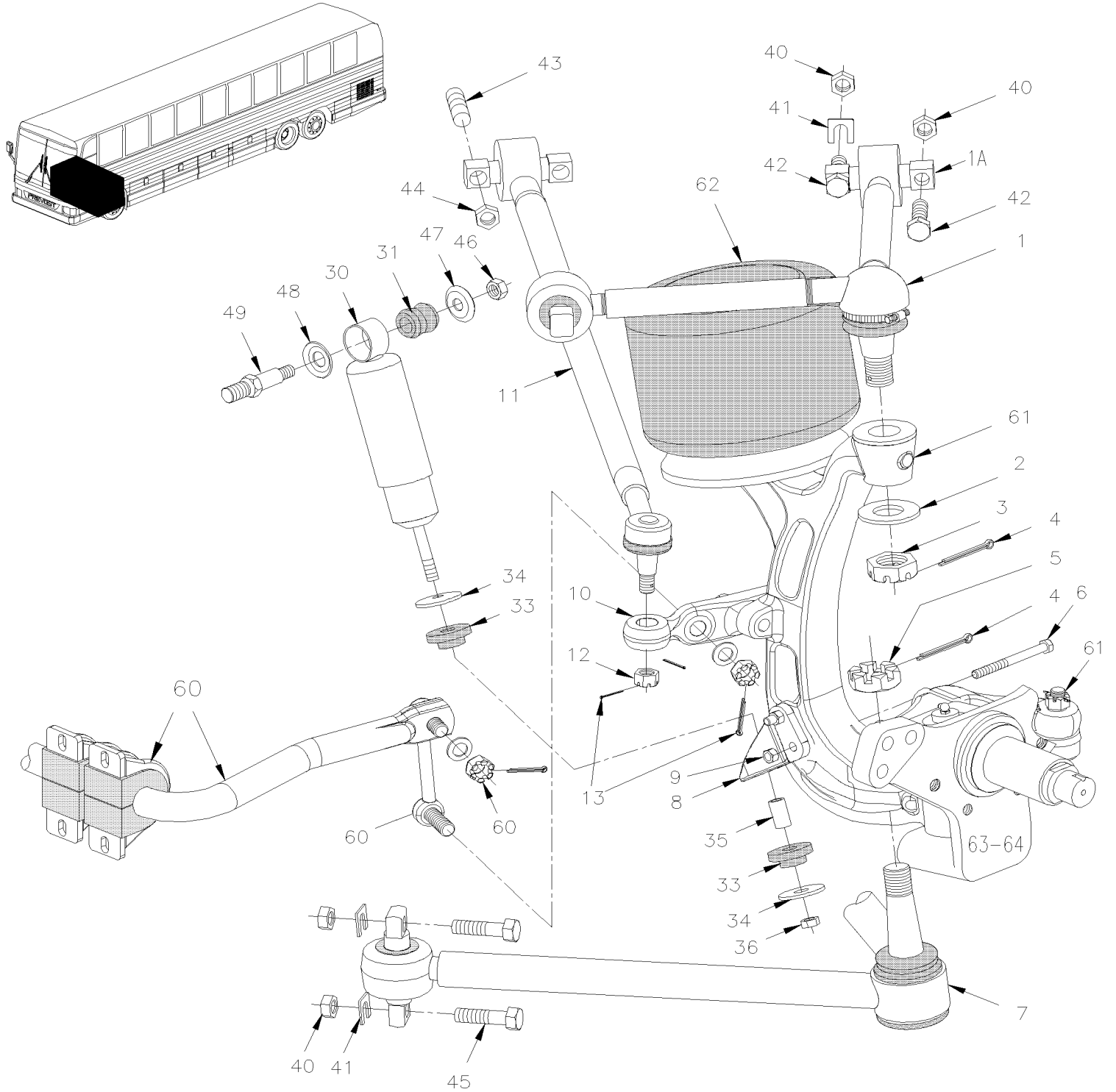
Item#	Part	Description	QTY	Notes
31	630291	. BUSHING / RUBBER / (TWO PIECES) 1" x 1.005" I.D. From F-5781	2	
35	131424	PIN W/TAPER ATTACHMENT M20-2.5	4	
36	5001153	WASHER CON 25.5x50.0x4.5 ZP	4	
38	5001152	WASHER CON 21.0x50.0x4.5 ZP	4	
39	5001663	NUT HEX NYRT M20-2.5 G10 Z050	2	
50	X3-1601-00	BELLOWS - AIR SUSPENSION		
51	X3-1005-00	FRONT AXLE - I BEAM RIGID MODEL "S84U" To K-6411		
51	X3-1005-01	FRONT AXLE - I BEAM RIGID MODEL "S84U" From K-6412		
52	X3-1225-10	BRAKE CHAMBER - FRONT AXLE TYPE 24		

From 7-8754 To F-5796

Date:01/2024

PAGE:X3-1605-50

FRONT AXLE - INSTALL W/INDEPENDENT "NDIFS80P" / 18000LBS



From 7-8754 To F-5796	Date:01/2024	PAGE:X3-1605-50
FRONT AXLE - INSTALL W/INDEPENDENT "NDIFS80P" / 18000LBS		

Item#	Part	Description	QTY	Notes
1	611270	UPPER ARM ASSY / L.H. & R.H.	2	
. A	611346	. BUSHING BAR PIN / 20MM 150mm c/c 85MM O.D. x 72MM wide	2	
. A1	611358	. BUSHING BAR PIN / 20MM 150mm c/c 85MM O.D. x 72MM wide	2	
2	5001255	WASHER FL 31.75x54.77x3.175	1	
3	5001321	NUT HEX CSL M30-1.5 17TH CJ	1	
4	502115	PIN, COTTER 3/16 x 2 1/2	2	
5	5001333	NUT HEX CSL M36-1.5 17TH CJ	1	
6	611273	SCREW CAP HEX M14-2.0x135 G8.8 Z050	2	
7	611344	LOWER ARM ASSY / R.H / W/58 Deg	1	
. NS	611326	. LOWER BEARING BALL ASSY / REPAIR KIT	1	
. NS	611325	. BUSHING BAR PIN / 20MM 150mm c/c 85MM O.D. x 70MM wide	2	
7	611343	LOWER ARM ASSY / L.H / W/58 Deg	1	
. NS	611326	. LOWER BEARING BALL ASSY / REPAIR KIT	1	
. NS	611325	. BUSHING BAR PIN / 20MM 150mm c/c 85MM O.D. x 70MM wide	2	
8	116454	ATTACHMENT / SHOCK ABSORBER	1	
9	502538	NUT HEX STO M14-2.0 Z050	2	
10	661113	UPRIGHT ARM L.H / W/58 Deg	1	
10	612380	UPRIGHT ARM L.H	1	S
10	661114	UPRIGHT ARM R.H / W/58 Deg	1	
10	612381	UPRIGHT ARM R.H	1	S
11	661111	ROD ASSY / 5TH / W/58 Deg	2	
12	5001325	. NUT HEX CSL M24-1.5 15TH CJ	1	
13	661215	. PIN, COTTER 5MMx40MM	1	
30	630136	SHOCK ABSORBER / BLACK To C-5242	2	A
30	630281	SHOCK ABSORBER / SACHS From C-5243 To D-5381	1	
. NS	630255	. KIT WASHER & RUBBER BUSHING From C-5243 To D-5381	1	
. NS	630257	. BUSHING / RUBBER / (TWO PIECES) 1" x 1.005" I.D. From C-5243 To D-5381	1	
30	630282	SHOCK ABSORBER / "KONI" (GOLD) From D-5382 To F-5780	1	
. NS	630255	. KIT WASHER & RUBBER BUSHING From D-5382 To F-5780	1	
. NS	630291	. BUSHING / RUBBER / (TWO PIECES) 1" x 1.005" I.D. From D-5382 To F-5780	1	
30	630287	SHOCK ABSORBER / SACHS From F-5781	1	
. NS	630255	. KIT WASHER & RUBBER BUSHING From F-5781	1	
. NS	630291	. BUSHING / RUBBER / (TWO PIECES) 1" x 1.005" I.D. From F-5781	1	
31	630257	BUSHING / RUBBER / (TWO PIECES) 1" x 1.005" I.D.	2	A
33	630249	KIT WASHER & RUBBER BUSHING	2	
34	110756	. WASHER CONCAVE 75MM O.D. X 16.5MM I.D	2	A
35	N.S.S.	. BUSHING	2	1 A
36	5001579	. NUT HEX NYRT M16-1.5 Z050	1	
36	500725	. NUT HEX STO 5/8-18 Z050	2	A
40	5001252	NUT HEX STO M20-2.5 DP	4	
41	160992	SHIM "U" 6.35 x 39.5MM x 38MM x 20 i.d.	AR	
41	160993	SHIM "U" 3.175x 39.5MM x 38MM x 20 i.d.	AR	

From 7-8754 To F-5796	Date:01/2024	PAGE:X3-1605-50
FRONT AXLE - INSTALL W/INDEPENDENT "NDIFS80P" / 18000LBS		

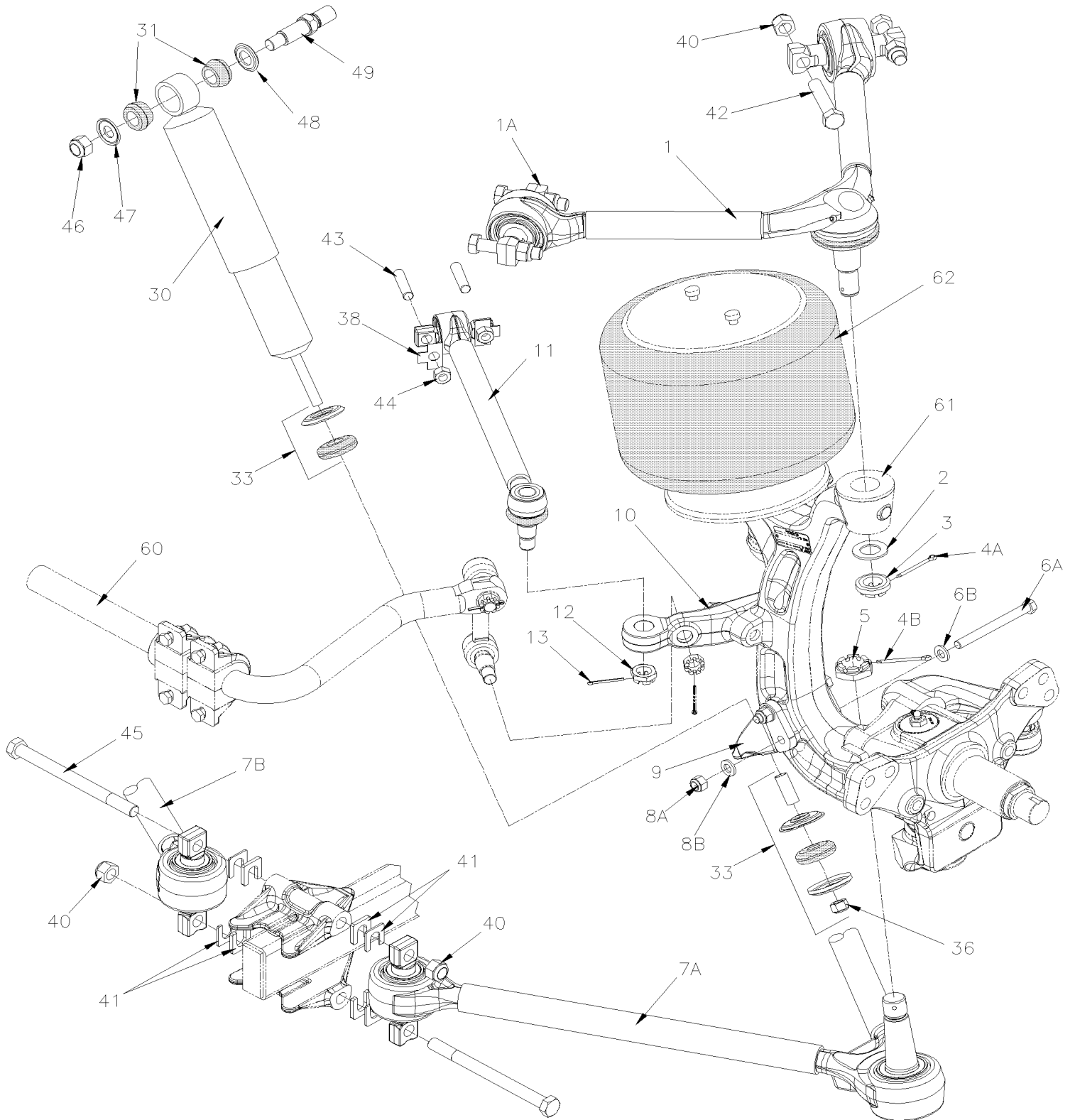
Item#	Part	Description	QTY	Notes
41	661094	SHIM "U" 4.76 x 39.5MM x 38MM x 20 i.d.	AR	
42	983296	SCREW CAP HEX M20-2.5x90 G10.9 ZP	4	
42	5001525	SCREW CAP HEX M20-2.5x100 G10.9 N500	4	
43	130963	STUD M16-2.0x70	2	
44	502588	NUT HEX M16-2.0 ZP	2	
45	5001561	SCREW CAP HEX M20-2.5x250 G10.9 ZP	4	
46	500809	NUT HEX STO M20-2.5 N500	1	
47	5001152	WASHER CON 21.0x50.0x4.5 ZP	1	
48	5001153	WASHER CON 25.5x50.0x4.5 ZP	1	
49	131424	PIN W/TAPER ATTACHMENT M20-2.5	1	
60	X3-1616-00	SWAY BAR To E-5585		
60	X3-1616-01	SWAY BAR From E-5586		
61	X3-1005-50	FRONT AXLE - INDEPENDENT MODEL "NDIFS80P" / 18000LBS		
62	X3-1601-00	BELLOWS - AIR SUSPENSION		
63	X3-1225-00	BRAKE PARTS - FRONT & TAG AXLE "KNORR-BREMSE" SB7 SERIES		
63	X3-1225-01	BRAKE PARTS - FRONT & TAG AXLE "KNORR-BREMSE" SN7 SERIES		
63	X3-1225-02	BRAKE PARTS - FRONT & TAG AXLE "KNORR-BREMSE" SN7 SERIES W/NEW SLIDE PINS		
64	X3-1300-00	HUB & ROTOR - FRONT AXLE - I BEAM MODEL "S84U"		
		A) USE ONLY WITH BUS WITH INDEPENDANT SUSPENSION		
		S) SERVICE		
		1) NOT SOLD SEPARATELY		

From F-5797

Date:01/2024

PAGE:X3-1605-51

FRONT AXLE - INSTALL W/INDEPENDENT "NDIFS80P" / 19000LBS



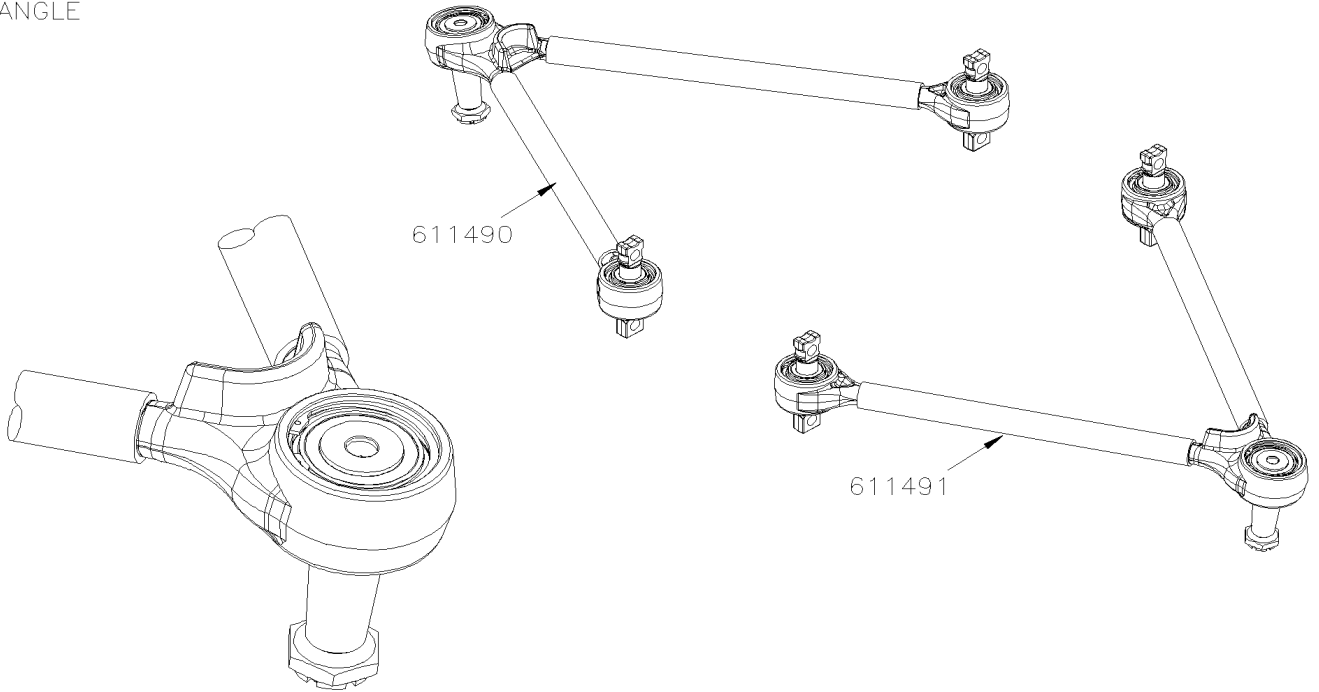
From F-5797

Date:01/2024

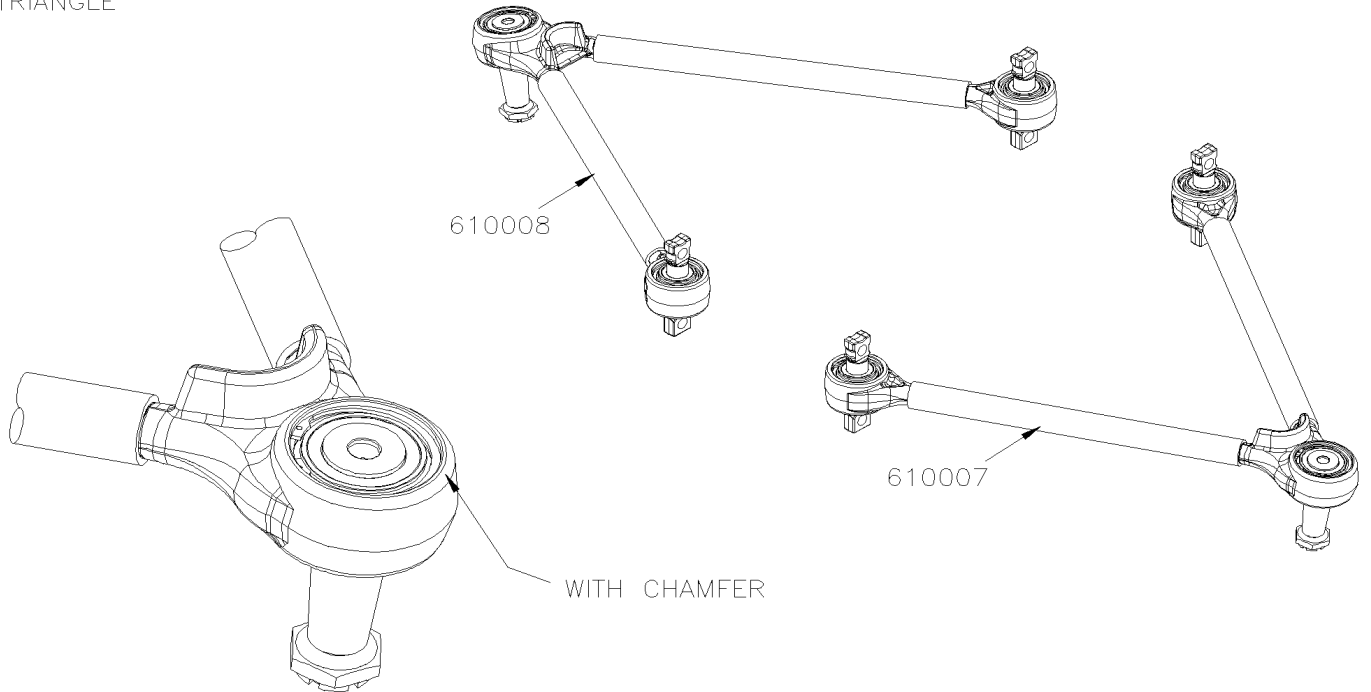
PAGE:X3-1605-51

FRONT AXLE - INSTALL W/INDEPENDENT "NDIFS80P" / 19000LBS

OLD TRIANGLE



NEW TRIANGLE



From F-5797		Date:01/2024	PAGE:X3-1605-51
FRONT AXLE - INSTALL W/INDEPENDENT "NDIFS80P" / 19000LBS			

Item#	Part	Description	QTY	Notes
1	611270	UPPER ARM ASSY / L.H. & R.H.	2	
. A	611346	. BUSHING BAR PIN / 20MM 150mm c/c 85MM O.D. x 72MM wide	2	
. A1	611358	. BUSHING BAR PIN / 20MM 150mm c/c 85MM O.D. x 72MM wide	2	
2	5001255	WASHER FL 31.75x54.77x3.175	2	
3	5001321	NUT HEX CSL M30-1.5 17TH CJ	2	
4A	502115	PIN, COTTER 3/16 x 2 1/2 To H-6139	4	
4A	502115	PIN, COTTER 3/16 x 2 1/2 From H-6140	2	
4B	502109	PIN, COTTER 6.3MM x 71MM Z50 From H-6140	2	
5	5001333	NUT HEX CSL M36-1.5 17TH CJ	2	
6A	5001790	SCREW CAP HEXF M14-2.0x130 G10.9 PHC To F-5891	2	
6A	5001993	SCREW CAP HEX M14-2.0x140 G10.9 PT N500 From F-5892 To J-6226	2	
6A	5002000	SCREW CAP HEX M14-2.0x150 G10.9 PT N500 From J-6227	2	
6B	5001995	WASHER FL 15.0x28.0x3.5 N500 From F-5892	2	
7A	612373	LOWER ARM ASSY / R.H / 19K To G-6007	1	
. NS	611477	. BUSHING BAR PIN / REPAIR KIT To G-6007	2	
. NS	611478	. BALL ASSY / REPAIR KIT To G-6007	1	
7A	611490	LOWER ARM ASSY / R.H / 19K From G-6008 To H-6144	1	
. NS	611477	. BUSHING BAR PIN / REPAIR KIT From G-6008 To H-6144	2	
. NS	611478	. BALL ASSY / REPAIR KIT From G-6008 To H-6144	1	
7A	610008	LOWER ARM ASSY / R.H / 19K From H-6145	1	
. NS	610009	. BUSHING BAR PIN / REPAIR KIT FRAME SIDE From H-6145	2	
. NS	610010	. BALL ASSY / REPAIR KIT WHEEL SIDE From H-6145	1	
7B	612374	LOWER ARM ASSY / L.H / 19K To G-6007	1	
. NS	611477	. BUSHING BAR PIN / REPAIR KIT To G-6007	2	
. NS	611478	. BALL ASSY / REPAIR KIT To G-6007	1	
7B	611491	LOWER ARM ASSY / L.H / 19K From G-6008 To H-6144	1	
. NS	611477	. BUSHING BAR PIN / REPAIR KIT From G-6008 To H-6144	2	
. NS	611478	. BALL ASSY / REPAIR KIT From G-6008 To H-6144	1	
7B	610007	LOWER ARM ASSY / L.H / 19K From H-6145	1	
. NS	610009	. BUSHING BAR PIN / REPAIR KIT FRAME SIDE From H-6145	2	
. NS	610010	. BALL ASSY / REPAIR KIT WHEEL SIDE From H-6145	1	
8A	5001771	NUT HEXF STO M14-2.0 G10 PHC To F-5910	2	
8A	5001994	NUT HEX NYRT M14-2.0 NX500 From F-5911	2	
8B	5001995	WASHER FL 15.0x28.0x3.5 N500 From F-5911	2	
9	116454	ATTACHMENT / SHOCK ABSORBER To G-5925	2	
9	110819	ATTACHMENT / SHOCK ABSORBER LH From G-5926 To J-6226	1	
9	110820	ATTACHMENT / SHOCK ABSORBER RH From G-5926 To J-6226	1	
9	110821	ATTACHMENT / SHOCK ABSORBER From J-6227	2	
10	612380	UPRIGHT ARM L.H	1	
10	612381	UPRIGHT ARM R.H	1	
11	661111	ROD ASSY / 5TH / W/58 Deg	2	
12	5001325	. NUT HEX CSL M24-1.5 15TH CJ	1	

From F-5797		Date:01/2024	PAGE:X3-1605-51
FRONT AXLE - INSTALL W/INDEPENDENT "NDIFS80P" / 19000LBS			

Item#	Part	Description	QTY	Notes
13	661215	. PIN, COTTER 5MMx40MM	1	
30	630281	SHOCK ABSORBER / SACHS To D-5381	2	
. NS	630255	. KIT WASHER & RUBBER BUSHING To D-5381	1	
. NS	630257	. BUSHING / RUBBER / (TWO PIECES) 1" x 1.005" I.D. To D-5381	1	
30	630282	SHOCK ABSORBER / "KONI" (GOLD) From D-5382 To F-5780	2	
. NS	630255	. KIT WASHER & RUBBER BUSHING From D-5382 To F-5780	1	
. NS	630291	. BUSHING / RUBBER / (TWO PIECES) 1" x 1.005" I.D. From D-5382 To F-5780	1	
30	630287	SHOCK ABSORBER / SACHS From F-5781 To H-6102	2	
. NS	630255	. KIT WASHER & RUBBER BUSHING From F-5781 To H-6102	1	
. NS	630291	. BUSHING / RUBBER / (TWO PIECES) 1" x 1.005" I.D. From F-5781 To H-6102	1	
30	630292	SHOCK ABSORBER / SACHS From H-6103	2	M
. NS	630255	. KIT WASHER & RUBBER BUSHING From H-6103	1	M
. NS	630291	. BUSHING / RUBBER / (TWO PIECES) 1" x 1.005" I.D. From H-6103	1	M
30	630282	SHOCK ABSORBER / "KONI" (GOLD) To F-5780	AR	S
. NS	630255	. KIT WASHER & RUBBER BUSHING To F-5780	1	S
. NS	630291	. BUSHING / RUBBER / (TWO PIECES) 1" x 1.005" I.D. To F-5780	1	S
NS	131633	SHIM To F-5780	2	
31	630257	. BUSHING / RUBBER / (TWO PIECES) 1" x 1.005" I.D. To F-5780	2	
31	630291	. BUSHING / RUBBER / (TWO PIECES) 1" x 1.005" I.D. From F-5781	2	
33	630255	. KIT WASHER & RUBBER BUSHING	2	
36	5001579	. NUT HEX NYRT M16-1.5 Z050	2	
38	161176	TAB LOCK W/1 HOLE 17MM I.D. To H-6175	4	
38	131961	TAB LOCK From H-6176	4	
40	5001663	NUT HEX NYRT M20-2.5 G10 Z050	12	
41	661219	SHIM "U" 0.79 x 39.5MM x 38MM x 20 i.d.	AR	
41	661101	SHIM "U" 1.52 x 39.5MM x 38MM x 20 i.d.	AR	
41	160993	SHIM "U" 3.175x 39.5MM x 38MM x 20 i.d.	AR	
41	661094	SHIM "U" 4.76 x 39.5MM x 38MM x 20 i.d.	AR	
41	160992	SHIM "U" 6.35 x 39.5MM x 38MM x 20 i.d.	AR	
41	163599	SHIM "U" 9.53 x 39.5MM x 38MM x 20 i.d.	AR	
42	5001525	SCREW CAP HEX M20-2.5x100 G10.9 N500	4	
43	130963	STUD M16-2.0x70 To H-6175	4	
43	5000308	STUD M16-2.0x50 G10.9 N500 From H-6176	4	
44	502588	NUT HEX M16-2.0 ZP To H-6175	4	
44	5001662	NUT HEX NYRT M16-2.0 G10 Z050 From H-6176	4	
45	5001561	SCREW CAP HEX M20-2.5x250 G10.9 ZP	8	
46	5001663	NUT HEX NYRT M20-2.5 G10 Z050	2	
47	5001152	WASHER CON 21.0x50.0x4.5 ZP	2	
48	5001153	WASHER CON 25.5x50.0x4.5 ZP	2	
49	131424	PIN W/TAPER ATTACHMENT M20-2.5	2	
NS	682175	UNDERCOATING BLACK PROTECTOR (GRAVELGUARD) 567gr To N-6731	AR	
NS	685413	RUBBERIZED UNDERCOAT (GRAVELGUARD) 560gr From N-6732	AR	

From F-5797	Date:01/2024	PAGE:X3-1605-51
-------------	--------------	-----------------

FRONT AXLE - INSTALL W/INDEPENDENT "NDIFS80P" / 19000LBS

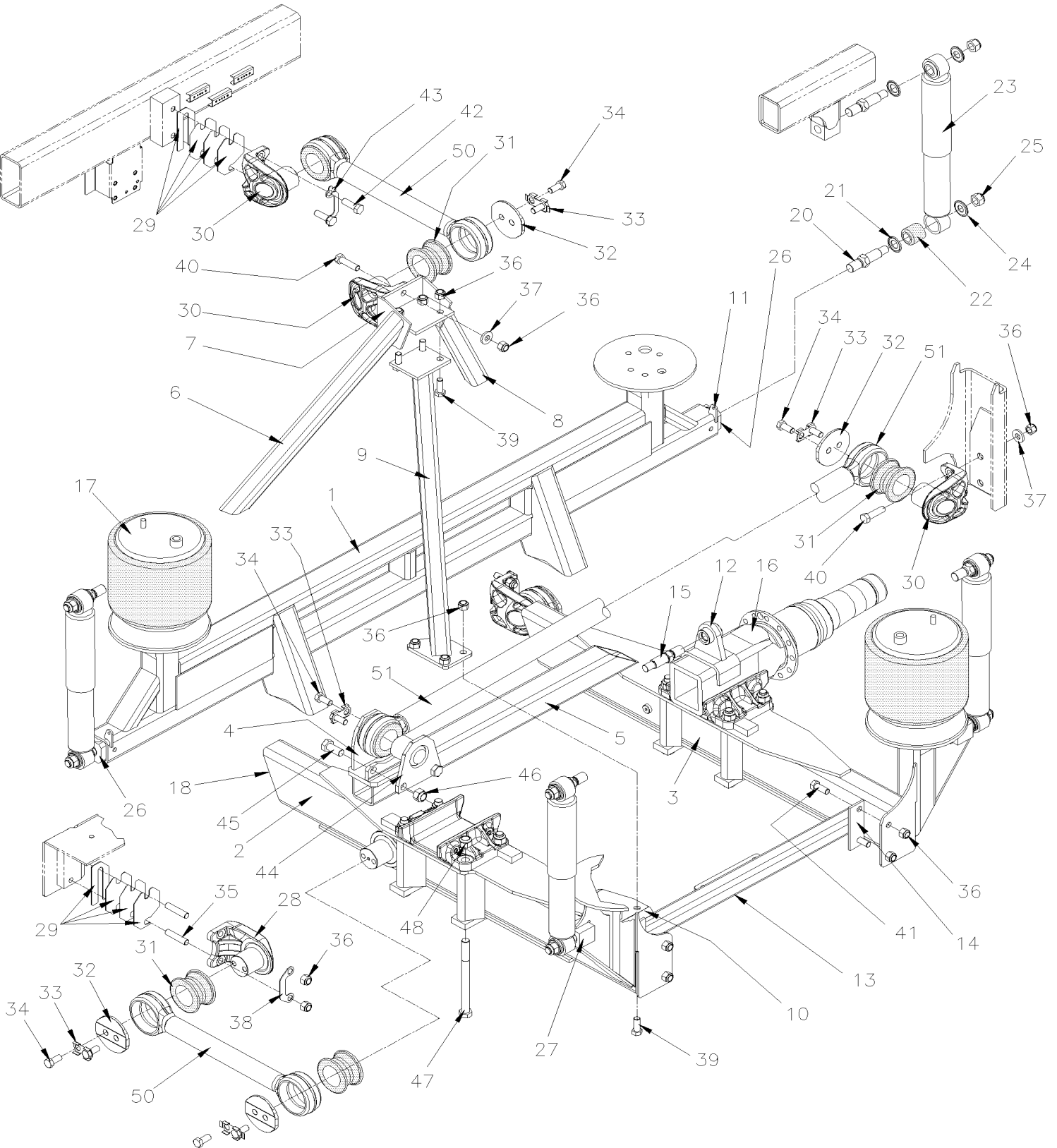
Item#	Part	Description	QTY	Notes
60	X3-1616-01	SWAY BAR		
61	X3-1005-51	FRONT AXLE - INDEPENDENT MODEL "NDIFS80P" / 19000LBS		
62	X3-1601-00	BELLOWS - AIR SUSPENSION		
		M) METAL SLEEVE FROM KIT 630255 NOT USED		
		S) USE IN SERVICE REQUIRE (2) TWO SHIMS #131633		

From 7-8754 To D-5458

Date:01/2024

PAGE:X3-1610-00

REAR AXLE - INSTALL SUSPENSION



From 7-8754 To D-5458	Date:01/2024	PAGE:X3-1610-00
-----------------------	--------------	-----------------

REAR AXLE - INSTALL SUSPENSION

Item#	Part	Description	QTY	Notes
	Call order desk	REAR AXLE ASSY W/4.30 RATIO W/ALLS PARTS SHOWN From 7-9009 To 7-9009	1	P
	Call order desk	REAR DIFFERENTIAL CARRIER ASSY WELDED	1	P
. NS	121787P	. REAR DIFFERENTIAL CARRIER ASSY WELDED	1	
. . NS	121788P	. . BEAM ASSY / L.H.	1	
. . NS	121789P	. . BEAM ASSY / R.H.	1	
. . NS	121790P	. . FRONT FRAME ASSY / W/AXLE WITH DISC BRAKE	1	
. . NS	121432	. . SUPPORT ASSY / (WELDED)	1	
. NS	121610P	. TRIPOD ASSY WELDED	1	
. NS	121577P	. PLATE TOP TRIPOD ASSY WELDED	1	
	Call order desk	REAR DIFFERENTIAL CARRIER ASSY WELDED To 7-9031	1	P
	Call order desk	REAR DIFFERENTIAL CARRIER ASSY WELDED From 7-9032	1	P
. NS	121788P	. BEAM ASSY / L.H. From 7-9032	1	
. NS	121789P	. BEAM ASSY / R.H. From 7-9032	1	
. NS	121790P	. FRONT FRAME ASSY / W/AXLE WITH DISC BRAKE From 7-9032	1	
. NS	121432	. SUPPORT ASSY / (WELDED) From 7-9032	1	
1	Call order desk	. FRONT FRAME ASSY / W/AXLE WITH DISC BRAKE To 7-9031	1	P
1	121790P	. FRONT FRAME ASSY / W/AXLE WITH DISC BRAKE From 7-9032	1	
2	Call order desk	. BEAM ASSY / L.H. To 7-9031	1	P
2	121788P	. BEAM ASSY / L.H. From 7-9032	1	
3	Call order desk	. BEAM ASSY / R.H. To 7-9031	1	P
3	121789P	. BEAM ASSY / R.H. From 7-9032	1	
4	131785	. SUPPORT ASSY / (WELDED)	1	
5	121773	. TUBE / (WELDED) UNDER	1	
6	121098	. BRACE / FRONT L.H.	1	
7	121577P	. PLATE TOP TRIPOD ASSY WELDED	1	
8	121099	. BRACE / FRONT R.H.	1	
9	121610P	. TRIPOD ASSY WELDED	1	
10	121601	PLATE SUPPORT	1	
11	121776	ACTUATOR SUPPORT / TO FIX LINK / (WELDED)	2	
12	121467	ATTACHMENT PIN SWAY BAR / (WELDED TO HOUSING)	2	
13	121575	BAR ASSY To B-5001	1	
13	121911	BAR ASSY From B-5002	1	
14	121442	. ATTACHMENT PLATE	2	
15	131522	PIN W/TAPER ATTACHMENT M20-2.5 / SWAY-BAR	2	
16	X3-1105-00	REAR AXLE - MODEL "RC23165"		
17	X3-1601-00	BELLOWS - AIR SUSPENSION		
18	121786	CLOSING END / BEAM / (WELDED)	2	
20	131424	PIN W/TAPER ATTACHMENT M20-2.5	4	
21	5001153	WASHER CON 25.5x50.0x4.5 ZP	8	
22	630257	BUSHING / RUBBER / (TWO PIECES) 1" x 1.005" I.D.	8	
23	630253	SHOCK ABSORBER / SACHS / 209	4	
23	630236	SHOCK ABSORBER / "KONI" (ORANGE)	4	O

From 7-8754 To D-5458	Date:01/2024	PAGE:X3-1610-00
REAR AXLE - INSTALL SUSPENSION		

Item#	Part	Description	QTY	Notes
. NS	630062	. BUSHING / RUBBER / (ONE PIECE) 2" x 1.005" I.D.	1	O
. NS	630255	. KIT WASHER & RUBBER BUSHING	1	O
24	5001152	WASHER CON 21.0x50.0x4.5 ZP	8	
25	500809	NUT HEX STO M20-2.5 N500	4	
26	121703	RETAINER / (WELDED)	2	
27	171032	SUPPORT 1"-14 / SHOCK ABSORBER / 55MM	2	
28	131753	SUPPORT / ROD / W/2 M16-2 HOLES / 95MM C/C // 150MM SHORT To 7-8937	2	
28	132914	SUPPORT / ROD / W/2 M16-2 HOLES / 95MM C/C // 150MM SHORT From 7-8938 To 7-9031	2	
. NS	121890	. TORQUE PLATE / W/2HOLES 17MM I.D. X 90MM C/C From 7-8938 To 7-9031	AR	
28	131807	SUPPORT / ROD / W/2 M16-2 HOLES / 144MM C/C // 169MM LONG From 7-9032	2	
29	121267	SHIM 26GAGE	AR	
NS	121039	SHIM 20GAGE	AR	
NS	131068	SHIM 14GAGE	AR	
NS	121419	SHIM "U" 14GA SS 133MM x 62MM x 18 i.d.	AR	
NS	121418	SHIM "U" 26 GA SS 133MM x 62MM x 18 i.d.	AR	
30	131065	SUPPORT / ROD / W/2 M16-2 HOLES / 95MM C/C // 150MM SHORT To 7-8937	3	
30	132914	SUPPORT / ROD / W/2 M16-2 HOLES / 95MM C/C // 150MM SHORT From 7-8938	3	
. NS	121890	. TORQUE PLATE / W/2HOLES 17MM I.D. X 90MM C/C From 7-8938	AR	
31	630021	RUBBER BUSHING "PREVOST"	8	
NS	192380	SHIM WASHER / BUSHING RADIUS ROD 2.795x4.330x.0625 SS	AR	W
32	110681	RETAINER PLATE / IRON 110MM OD W/16.7 @ 38C/C	7	
33	110340	TAB LOCK / W/2 HOLES / W/4 TABS / 18MM I.D. X 38MM C/C To A-9994	8	
33	110788	TAB LOCK / W/2 HOLES / W/6 TABS / 18MM I.D. X 38MM C/C From A-9995	8	
34	500813	SCREW CAP HEX M16-2.0x35 G8.8 ZP	AR	
35	621776	STUD M16-2.0x72 MM ZP To 7-9049	4	
35	621795	STUD M16-2.0x72 MM ZP From 7-9050	4	
36	500781	NUT HEX STO M16-2.0 DP To 8-9187	18	
36	5001662	NUT HEX NYRT M16-2.0 G10 Z050 From 8-9188	18	
37	5001046	WASHER FL .656x1.500x.187	4	
38	121890	TORQUE PLATE / W/2HOLES 17MM I.D. X 90MM C/C From 7-8938	2	
39	5001590	SCREW CAP HEX M16-2.0x40 G10.9 N500	6	
40	5001224	SCREW CAP HEX M16-2.0x60 G10.9 G500	4	
41	5001590	SCREW CAP HEX M16-2.0x40 G10.9 N500	4	
42	5001372	SCREW CAP HEX M16-2.0x50 G10.9 N500	2	
43	121578	TAB LOCK / W/2 HOLES 17MM I.D. X 90MM C/C	1	
44	131784	ATTACHMENT	1	
45	5001765	SCREW CAP HEX M20-2.5x45 G8.8 Z050	2	
46	5001663	NUT HEX NYRT M20-2.5 G10 Z050	2	
47	5001472	SCREW CAP HEX 3/4-16x9 1/2 G5 Z050 To B-5001	8	
47	5001829	SCREW CAP HEX M20-2.5x240 G10.9 N500 From B-5002	8	
48	500251	NUT HEX NYRT 3/4-16 Z050 To B-5001	8	
48	5001663	NUT HEX NYRT M20-2.5 G10 Z050 From B-5002	8	

From 7-8754 To D-5458	Date:01/2024	PAGE:X3-1610-00
-----------------------	--------------	-----------------

REAR AXLE - INSTALL SUSPENSION

Item#	Part	Description	QTY	Notes
50	121697	ROD ASSY / 21 1/8" C/C (536.5MM)	3	
51	110648	ROD ASSY / 34 13/16" C/C (885MM)	1	
NS	688910	THREAD LOCKER LOCTITE #262 / RED / 250ml	AR	
NS	680038	THREAD LOCKER LOCTITE #243 / BLUE / 50ml	AR	
		O) OPTION		
		W) IF NEED, USE BETWEEN BUSHING ROD SUPPORT		
		P) CALL ORDER DESK FOR SPECIFIC APPLICATION (V.I.N.)		

From E-5459		Date:01/2024	PAGE:X3-1610-01
REAR AXLE - INSTALL SUSPENSION			

Item#	Part	Description	QTY	Notes
	120188	REAR DIFFERENTIAL CARRIER ASSY WELDED To E-5525	1	
	Call order desk	REAR DIFFERENTIAL CARRIER ASSY WELDED From E-5526 To F-5780	1	P
	Call order desk	REAR DIFFERENTIAL CARRIER ASSY WELDED From F-5781	1	P
1	121977	. FRONT FRAME ASSY / W/AXLE To E-5525	1	
1	122048	. FRONT FRAME ASSY / W/AXLE From E-5526 To F-5780	1	
1	122053	. FRONT FRAME ASSY / W/AXLE From F-5781	1	
2	121967	. BEAM ASSY / L.H.	1	
3	121968	. BEAM ASSY / R.H.	1	
4	122000	. CROSS MEMBER ASSY	1	
5	121990	. PANHARD ATTACHMEN ASSY To P-6787	1	
5	120115	. PANHARD ATTACHMEN ASSY From P-6788	1	
6	121998	BRACE / FRONT L.H.	1	
7	121970	TOP TRIPOD ASSY WELDED To F-5777	1	
7	122065	TOP TRIPOD ASSY WELDED From F-5778	1	
8	121997	BRACE / FRONT R.H.	1	
9	121980	TRIPOD ASSY WELDED	1	
10	122023	PLATE SUPPORT	1	
11	122013	ACTUATOR SUPPORT / TO FIX LINK / (WELDED)	2	
12	121467	ATTACHMENT PIN SWAY BAR / (WELDED TO HOUSING)	2	
13	131522	PIN W/TAPER ATTACHMENT M20-2.5 / SWAY-BAR	2	
15	621874	ROD ASSY / 594MM To F-5771	2	
. NS	621891	. BALL PIN BUSHING / REPAIR KIT 70MM O.D. To F-5771	1	
. NS	621892	. BALL PIN BUSHING / REPAIR KIT 70MM O.D. / 130MM C/C To F-5771	1	
15	621899	ROD ASSY / 594MM From F-5772	2	
. NS	630275	. BALL PIN BUSHING / REPAIR KIT 85MM O.D. From F-5772	1	
16	621873	ROD ASSY / 889MM	1	
. NS	621890	. BALL PIN BUSHING / REPAIR KIT 70MM O.D. / 130MM C/C	2	
17	621878	ROD ASSY / 594MM To F-5771	1	
. NS	621890	. BALL PIN BUSHING / REPAIR KIT 70MM O.D. / 130MM C/C To F-5771	2	
17	621900	ROD ASSY / 594MM From F-5772	1	
20	131424	PIN W/TAPER ATTACHMENT M20-2.5	4	
21	5001153	WASHER CON 25.5x50.0x4.5 ZP	4	
22	630271	SHOCK ABSORBER / SACHS To F-5780	4	
. NS	630257	. BUSHING / RUBBER / (TWO PIECES) 1" x 1.005" I.D. To F-5780	2	
. NS	630255	. KIT WASHER & RUBBER BUSHING To F-5780	1	
22	630289	SHOCK ABSORBER / DRIVE AXLE SACHS From F-5781 To H-6095	4	
. NS	630255	. KIT WASHER & RUBBER BUSHING From F-5781 To H-6095	1	
. NS	630291	. BUSHING / RUBBER / (TWO PIECES) 1" x 1.005" I.D. From F-5781 To H-6095	1	
22	630294	SHOCK ABSORBER / SACHS From H-6096	4	M
. NS	630291	. BUSHING / RUBBER / (TWO PIECES) 1" x 1.005" I.D. From H-6096	1	M
. NS	630255	. KIT WASHER & RUBBER BUSHING From H-6096	1	M
24	5001152	WASHER CON 21.0x50.0x4.5 ZP	4	

From E-5459	Date:01/2024	PAGE:X3-1610-01
REAR AXLE - INSTALL SUSPENSION		

Item#	Part	Description	QTY	Notes
25	5001663	NUT HEX NYRT M20-2.5 G10 Z050	4	
30	5001897	STUD M20-2.5x70 G10.9 N500 To E-5627	8	
30	5001897	STUD M20-2.5x70 G10.9 N500 From E-5628	4	
31	661219	SHIM "U" 0.79 x 39.5MM x 38MM x 20 i.d.	AR	
31	661101	SHIM "U" 1.52 x 39.5MM x 38MM x 20 i.d.	AR	
31	161351	SHIM "U" 2.28 x 39.5MM x 38MM x 20 i.d.	AR	
31	160993	SHIM "U" 3.175x 39.5MM x 38MM x 20 i.d.	AR	
31	661094	SHIM "U" 4.76 x 39.5MM x 38MM x 20 i.d.	AR	
31	160992	SHIM "U" 6.35 x 39.5MM x 38MM x 20 i.d.	AR	
31	163599	SHIM "U" 9.53 x 39.5MM x 38MM x 20 i.d.	AR	
32	5001663	NUT HEX NYRT M20-2.5 G10 Z050	20	
33	5001225	SCREW CAP HEX M20-2.5x80 G10.9 G500	4	
34	5001899	SCREW CAP HEX M16-1.5x50 G10.9 N500	2	
35	630278	WASHER "NORD-LOCK" 17.0x25.4x3.4 YP	2	
36	621832	PULL PLUG DIA. 23MM	2	
37	5001898	SCREW CAP HEX M20-2.5x275 G10.9 N500	8	
38	5001590	SCREW CAP HEX M16-2.0x40 G10.9 N500	4	
39	5001150	WASHER FL 17.0x30.0x3.0 N500	13	
40	5001662	NUT HEX NYRT M16-2.0 G10 Z050	10	
41	5001372	SCREW CAP HEX M16-2.0x50 G10.9 N500	6	
NS	680038	THREAD LOCKER LOCTITE #243 / BLUE / 50ml	AR	
NS	688910	THREAD LOCKER LOCTITE #262 / RED / 250ml	AR	
NS	680098	THREAD SEALANT LOCTITE #567 / WHITE / 250ml	AR	
NS	680064	OIL ANTICOROSIVE GREY (TECTYL) (20 LITERS)	AR	
NS	682175	UNDERCOATING BLACK PROTECTOR (GRAVELGUARD) 567gr To N-6731	AR	
NS	685413	RUBBERIZED UNDERCOAT (GRAVELGUARD) 560gr From N-6732	AR	
50	X3-1105-00	REAR AXLE - MODEL "RC23165"		
51	X3-1601-00	BELLOWS - AIR SUSPENSION		
60	5001934	SCREW CAP HEX M20-2.5x140 G10.9 N500 From E-5628	4	
NS	502558	WASHER FL 21.0x37.0x3.0 G500 From E-5628	4	
90	Call order desk	CROSSMEMBER REAR SUB-FRAM To E-5525	1	P
90	Call order desk	CROSSMEMBER REAR SUB-FRAM From E-5526 To E-5627	1	P
90	178855	CROSSMEMBER REAR SUB-FRAM From E-5628 To J-6303	1	
90	170117	CROSSMEMBER REAR SUB-FRAM From J-6304 To P-6808	1	
90	174146	CROSSMEMBER REAR SUB-FRAM From P-6809	1	
		M) METAL SLEEVE FROM KIT 630255 NOT USED		
		P) CALL ORDER DESK FOR SPECIFIC APPLICATION (V.I.N.)		

From 7-8754 To A-9951	Date:01/2024	PAGE:X3-1615-00
-----------------------	--------------	-----------------

TAG AXLE - INSTALL SUSPENSION

Item#	Part	Description	QTY	Notes
	121677P	AXLE ASSY W/AUTOMATIC TRANSMISSION	1	
1	121680	. SHAFT / TO FIX LATERAL ROD W/AXLE	1	
2	121682	. . PLATE REINFORCEMENT (WELDED)	1	
NS	121706	. . PLATE REINFORCEMENT (WELDED)	1	
3	121580	. ATTACHMENT / SHOCK ABSORBER PIN	2	
. NS	171032	. . SUPPORT 1"-14 / SHOCK ABSORBER / 55MM	1	
9	120868	ROD ASSY / 23 3/8" C/C (593MM)	1	
10	630021	RUBBER BUSHING "PREVOST"	6	
NS	192380	SHIM WASHER / BUSHING RADIUS ROD 2.795x4.330x.0625 SS	AR	W
11	131370	ROD ASSY / 35" C/C (889MM) / CASTING	1	
12	110681	RETAINER PLATE / IRON 110MM OD W/16.7 @ 38C/C	6	
13	110340	TAB LOCK / W/2 HOLES / W/4 TABS / 18MM I.D. X 38MM C/C	6	
13	110788	TAB LOCK / W/2 HOLES / W/6 TABS / 18MM I.D. X 38MM C/C	6	
14	130963	STUD M16-2.0x70	12	
15	500781	NUT HEX STO M16-2.0 DP To 8-9187	18	
15	5001662	NUT HEX NYRT M16-2.0 G10 Z050 From 8-9188	18	
16	132914	SUPPORT / ROD / W/2 M16-2 HOLES / 95MM C/C // 150MM SHORT	4	
. NS	121890	. TORQUE PLATE / W/2HOLES 17MM I.D. X 90MM C/C	AR	
17	5001224	SCREW CAP HEX M16-2.0x60 G10.9 G500	4	
18	121358	ROD ASSY W/CHAIN HOOK / 23 3/8" C/C (593MM)	2	
19	500809	NUT HEX STO M20-2.5 N500	4	
20	5001152	WASHER CON 21.0x50.0x4.5 ZP	4	
21	630253	SHOCK ABSORBER / SACHS / 209	2	
21	630236	SHOCK ABSORBER / "KONI" (ORANGE)	2	O
. NS	630062	. BUSHING / RUBBER / (ONE PIECE) 2" x 1.005" I.D.	1	O
. NS	630255	. KIT WASHER & RUBBER BUSHING	1	O
22	630257	. BUSHING / RUBBER / (TWO PIECES) 1" x 1.005" I.D.	4	
23	500833	WASHER CON 25.5x60.0x2.5 ZP	4	
NS	5001153	WASHER CON 25.5x50.0x4.5 ZP	4	
24	131424	PIN W/TAPER ATTACHMENT M20-2.5	4	
25	611302	SPINDLE / WITH MODEL "G.K.N." (TS8U UNITISED) To 8-9281	2	
25	610640	SPINDLE / WITH MODEL "G.K.N." (TS8U UNITISED) W/ABS HOLE From 8-9282	2	
. NS	610641	. BUSHING ABS SENSOR MOUNTING TAG AXLE From 8-9282	1	
26	611048	STUD / M16-2.0 x 60MM	8	
27	502588	NUT HEX M16-2.0 ZP	8	
NS	502884	WASHER LO SPT 16.2x27.4x3.5 N500	8	
28	121203	SHIM / CAMBER ADJUSTMENT 0.117 DEGRES / SPINDLE & AXLE	AR	
NS	121240	SHIM / CAMBER ADJUSTMENT 0.250 DEGRES / SPINDLE & AXLE	AR	
29	500813	SCREW CAP HEX M16-2.0x35 G8.8 ZP	4	
30	5001370	SCREW CAP HEX M16-2.0x180 G10.9 G500	2	
31	131784	ATTACHMENT	1	
32	955385	SCREW CAP HEX M20-2.5x45 G8.8 ZP	2	

From 7-8754 To A-9951	Date:01/2024	PAGE:X3-1615-00
-----------------------	--------------	-----------------

TAG AXLE - INSTALL SUSPENSION

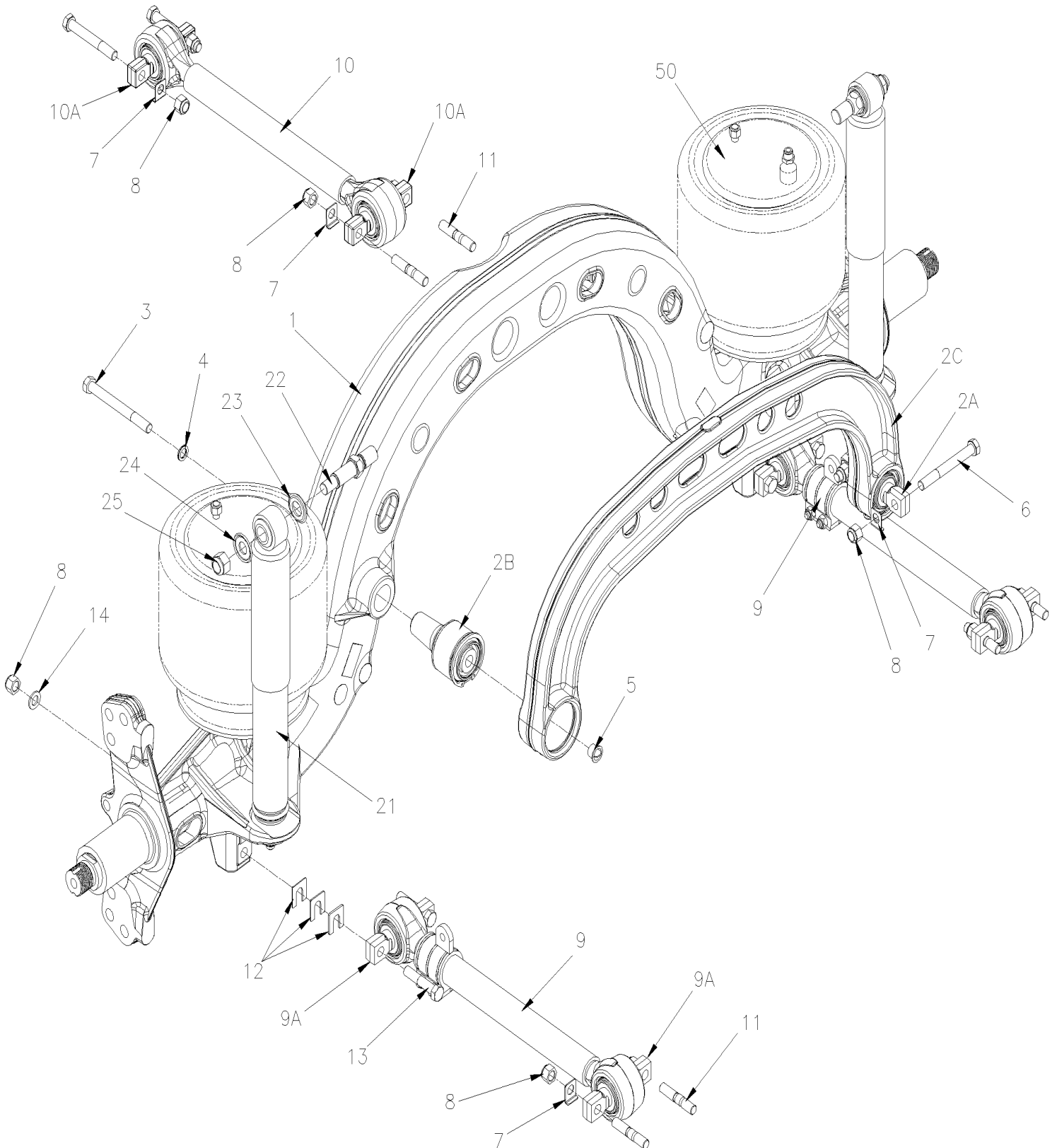
Item#	Part	Description	QTY	Notes
33	5001252	NUT HEX STO M20-2.5 DP	2	
50	X3-1601-00	BELLOWS - AIR SUSPENSION		
51	X3-1225-00	BRAKE PARTS - FRONT & TAG AXLE "KNORR-BREMSE" SB7 SERIES To 7-9159		
51	X3-1225-01	BRAKE PARTS - FRONT & TAG AXLE "KNORR-BREMSE" SN7 SERIES From 7-9160 To A-9882		
51	X3-1225-02	BRAKE PARTS - FRONT & TAG AXLE "KNORR-BREMSE" SN7 SERIES W/NEW SLIDE PINS From A-9883 To E-5525		
51	X3-1225-03	BRAKE PARTS - "KNORR-BREMSE" SN7 SERIES W/N2G ADJUSTER From E-5459 To E-5525		
51	X3-1225-04	BRAKE PARTS - FRONT RIGIDE & TAG AXLE "KNORR-BREMSE" SN7 SERIES W/N2G ADJUSTER From E-5526		
52	X3-1310-00	HUB & ROTOR - TAG AXLE TYPE TS8U		
		O) OPTION		
		R) REFERENCE NUMBER PRODUCTION USE ONLY		
		W) IF NEED, USE BETWEEN BUSHING ROD SUPPORT		

From A-9952

Date:01/2024

PAGE:X3-1615-01

TAG AXLE - INSTALL SUSPENSION ONE PIECE



From A-9952		Date:01/2024	PAGE:X3-1615-01
-------------	--	--------------	-----------------

TAG AXLE - INSTALL SUSPENSION ONE PIECE

Item#	Part	Description	QTY	Notes
1	621808	TAG AXLE / FORGE	1	
2	630272	ROD ASSY WITH / 35" C/C (889MM) / CASTING	1	
. A	630274	. BALL PIN BUSHING / REPAIR KIT 75MM O.D. / 130MM C/C	1	
. B	630275	. BALL PIN BUSHING / REPAIR KIT 85MM O.D.	1	
. C	630273	. ROD 35" C/C (889MM) / CASTING	1	
NS	G32952	TOOL REMOVER TAG PANHARD FROM AXLE	1	
3	5001795	SCREW CAP HEX M16-1.5x160 G10.9 N500	1	
4	630278	WASHER "NORD-LOCK" 17.0x25.4x3.4 YP	1	
5	621832	PULL PLUG DIA. 23MM	1	
6	5001828	SCREW CAP HEX M16-2.0x140 G10.9 N500	2	
7	131961	TAB LOCK From B-5017	10	
8	5001662	NUT HEX NYRT M16-2.0 G10 Z050	14	
9	621803	ROD ASSY / 23.38" (594.1MM) / 130MM / M16	2	
. A	630274	. BALL PIN BUSHING / REPAIR KIT 75MM O.D. / 130MM C/C	2	
10	621806	ROD ASSY / 23.38" (594.1MM) / 130MM / M16	1	
. A	630274	. BALL PIN BUSHING / REPAIR KIT 75MM O.D. / 130MM C/C	2	
11	621795	STUD M16-2.0x72 MM ZP To B-5016	6	
11	5001867	STUD M16-2.0x60 G10.9 N500 From B-5017 To H-6175	6	
11	5000308	STUD M16-2.0x50 G10.9 N500 From H-6176	6	
12	661220	SHIM "U" 0.79 x39.5MM x 38MM x17 i.d.	AR	
12	621830	SHIM "U" 1.59 x 39.5MM x 38MM x17 i.d.	AR	
12	161352	SHIM "U" 2.28 x39.5MM x 38MM x17 i.d.	AR	
12	621831	SHIM "U" 3.175 x39.5MM x 38MM x17 i.d.	AR	
13	5001830	SCREW CAP HEX M16-2.0x80 G10.9 N500	4	
14	5001722	WASHER FL 17.0x30.0x3.0 SS	4	
15	5001827	SCREW CAP HEX M16-2.0x120 G10.9 N500	2	
21	630271	SHOCK ABSORBER / SACHS To F-5780	2	
. NS	630257	. BUSHING / RUBBER / (TWO PIECES) 1" x 1.005" I.D. To F-5780	2	
. NS	630255	. KIT WASHER & RUBBER BUSHING To F-5780	1	
21	630290	SHOCK ABSORBER / TAG AXLE SACHS From F-5781 To H-6096	2	
. NS	630255	. KIT WASHER & RUBBER BUSHING From F-5781 To H-6096	1	
. NS	630257	. BUSHING / RUBBER / (TWO PIECES) 1" x 1.005" I.D. From F-5781 To H-6096	1	
21	630295	SHOCK ABSORBER / SACHS From H-6097	2	M
. NS	630255	. KIT WASHER & RUBBER BUSHING From H-6097	1	M
. NS	630291	. BUSHING / RUBBER / (TWO PIECES) 1" x 1.005" I.D. From H-6097	1	M
22	131424	PIN W/TAPER ATTACHMENT M20-2.5	1	
23	5001153	WASHER CON 25.5x50.0x4.5 ZP	2	
24	5001152	WASHER CON 21.0x50.0x4.5 ZP	2	
25	5001663	NUT HEX NYRT M20-2.5 G10 Z050	2	
NS	682175	UNDERCOATING BLACK PROTECTOR (GRAVELGUARD) 567gr To N-6731	AR	
NS	685413	RUBBERIZED UNDERCOAT (GRAVELGUARD) 560gr From N-6732	AR	
50	X3-1601-00	BELLOWS - AIR SUSPENSION		

From A-9952		Date:01/2024	PAGE:X3-1615-01
-------------	--	--------------	-----------------

TAG AXLE - INSTALL SUSPENSION ONE PIECE

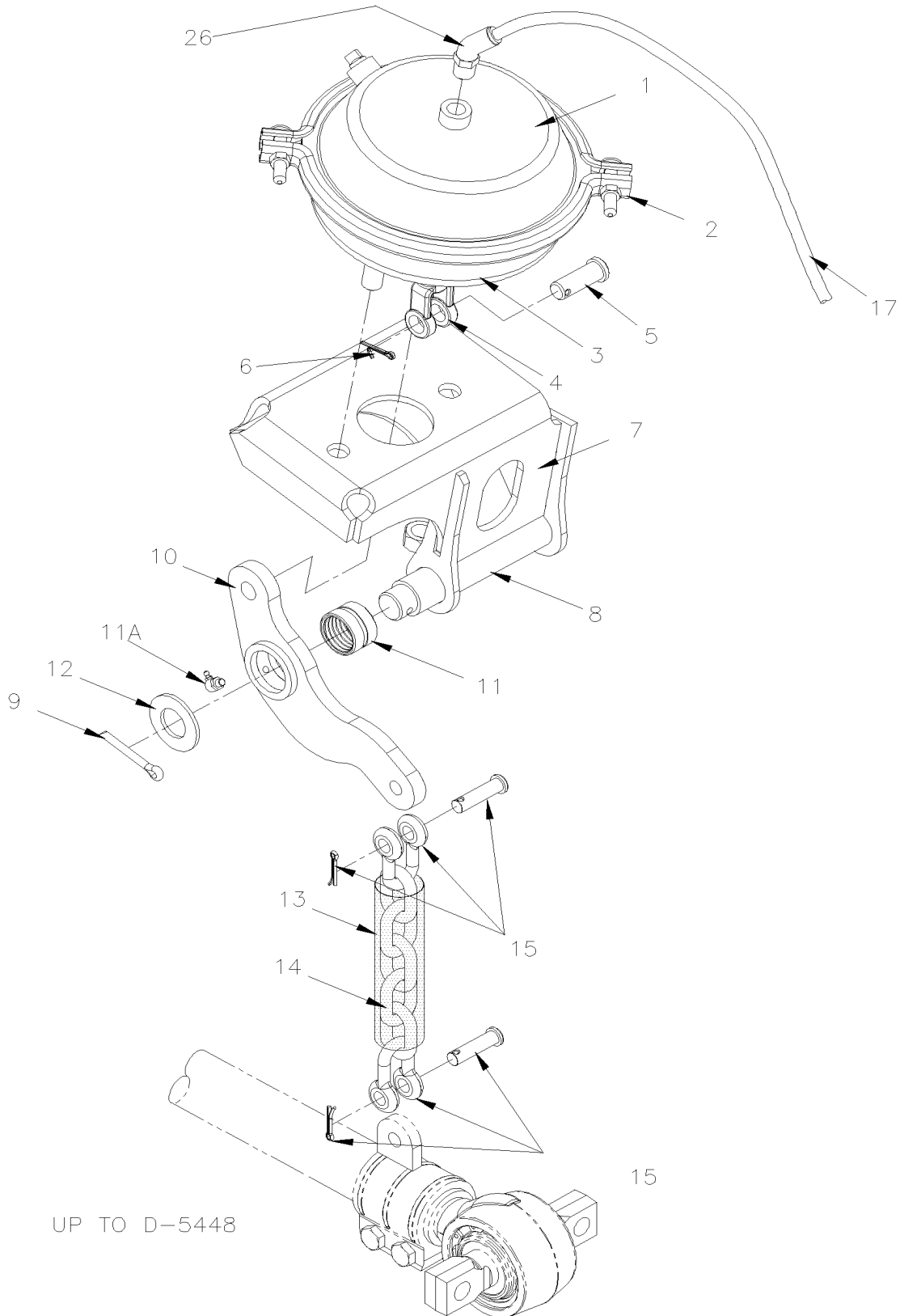
Item#	Part	Description	QTY	Notes
		M) METAL SLEEVE FROM KIT 630255 NOT USED		

From 7-8754

Date:01/2024

PAGE:X3-1615-10

TAG AXLE - LIFTING

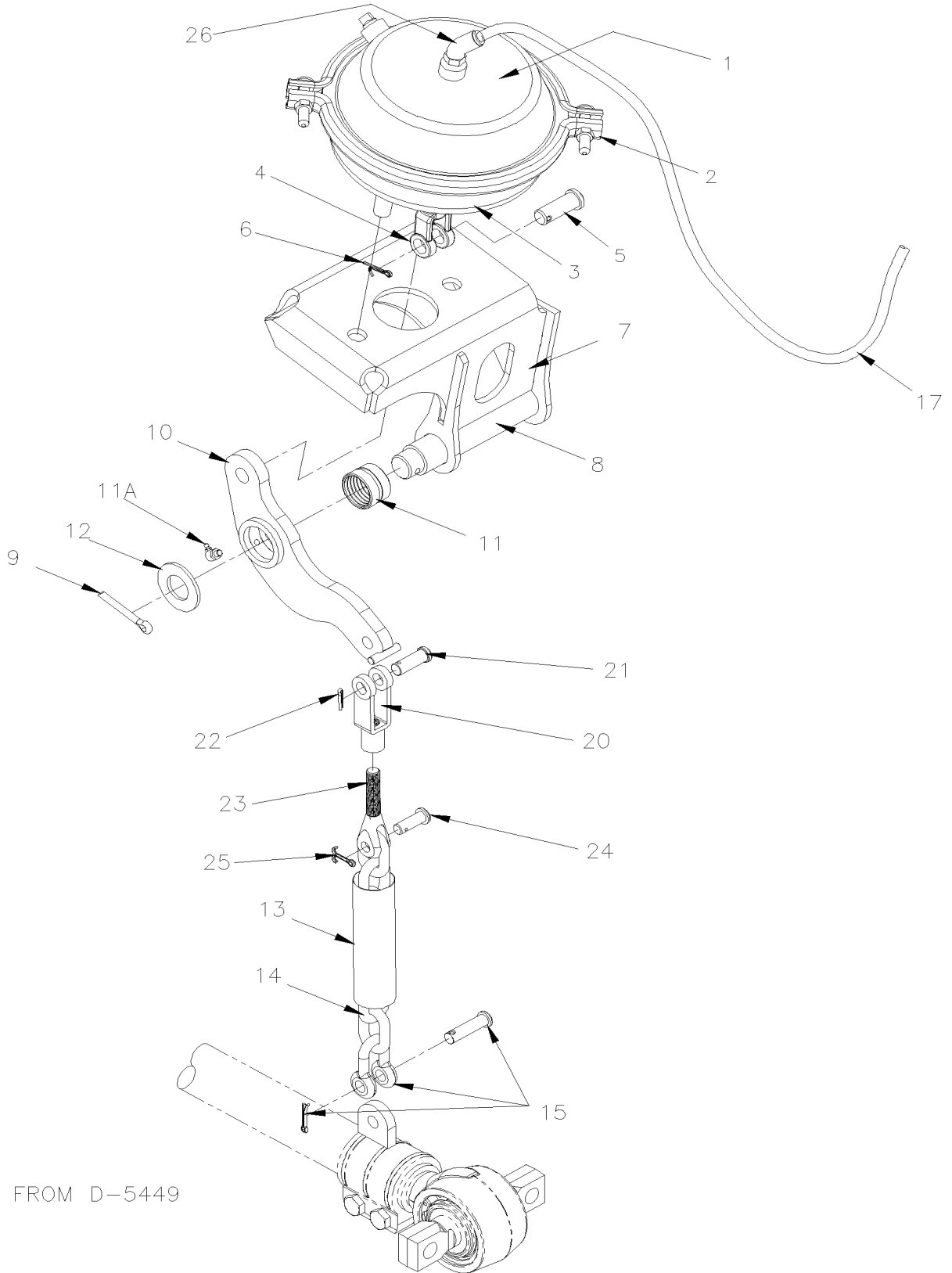


From 7-8754

Date:01/2024

PAGE:X3-1615-10

TAG AXLE - LIFTING



FROM D-5449

From 7-8754		Date:01/2024	PAGE:X3-1615-10
TAG AXLE - LIFTING			

Item#	Part	Description	QTY	Notes
1	641425	BRAKE CHAMBER ASSY / TYPE 36	2	
2	641067	. CLAMP TYPE 36	1	
3	640979	. DIAPHRAGM / TYPE 36	1	
3	641066	. BOOT RUBBER	1	
4	640130	. YOKE 5/8-18x1 3/8 C/Lx9/16Wx5/8	1	
5	502028	. . PIN, CLEVIS 5/8 x 3/4	1	
6	502102	. . PIN, COTTER 1/8 x 1	1	
NS	641426	. SHIELD, ROD CENTER HOLE	1	
7	173154P	BRACKET / R.H. To D-5448	1	
7	173756	BRACKET / R.H. From D-5449 To E-5525	1	
7	175144	BRACKET / R.H. From E-5526	1	
7	173155P	BRACKET / L.H. To D-5448	1	
7	173773	BRACKET / L.H. From D-5449 To E-5525	1	
7	175143	BRACKET / L.H. From E-5526	1	
8	121724	PIVOT PIN	1	
9	502106	PIN, COTTER 1/4 x 2	1	
10	131790	LEVER ASSY To 7-8971	2	
10	131837	LEVER ASSY From 7-8972 To D-5448	2	
10	132007	LEVER ASSY From D-5449 To E-5525	2	
10	132004	LEVER ASSY From E-5526	1	
11	131791	. BUSHING BRASS / W/GROOVE INSIDE 38.17 O.D. x 32.2 I.D. x 25.4	1	
11A	501500	. GREASE FITTING 90° / 1/4-28	1	
12	500456	WASHER FL 1.062x2.000x.134 Z050	1	
13	121123	TUBE COVERING CHAIN 290MM	1	
. NS	5001503	. TUBE, PVC / CLEAR / 1 1/2" I.D./ S.L.	AR	
14	121122	CHAIN / 340MM To 7-8971	1	
14	121807	CABLE LINK ASSY 302MM From 7-8972 To 9-9592	1	
14	121834	CHAIN / 307MM From 9-9593 To A-9951	1	
14	121913	CHAIN / 340MM From A-9952 To D-5448	1	
14	121930	CHAIN / 243MM From D-5449 To E-5525	1	
14	121851	CHAIN / 210MM From E-5526 To H-6093	1	
14	121930	CHAIN / 243MM From H-6094	1	
15	505064	SHACKLE CHAIN 3/8 To D-5448	2	
15	505064	SHACKLE CHAIN 3/8 From D-5449	1	
17	503404	TUBE, NYLON 3/8 O.D. / BLACK S.L.	AR	
20	5021002	CLEVIS ROD END 1/2 From D-5449	1	
21	502035	PIN, CLEVIS 1/2 x 1 3/8 Z050 From D-5449	1	
22	502103	PIN, COTTER 1/8 x 2 From D-5449	1	
23	5021003	CLEVIS ROD END 7/16 From D-5449	1	
24	5021004	PIN, CLEVIS 7/16 x 1 1/4 ZP From D-5449	1	
25	502102	PIN, COTTER 1/8 x 1 From D-5449	1	
26	641367	MALE ELBOW 45° NON-SWIVEL / PUSH-IN FITTING / #6x3/8NPT-M BR To E-5525	1	

From 7-8754	Date:01/2024	PAGE:X3-1615-10
-------------	--------------	-----------------

TAG AXLE - LIFTING

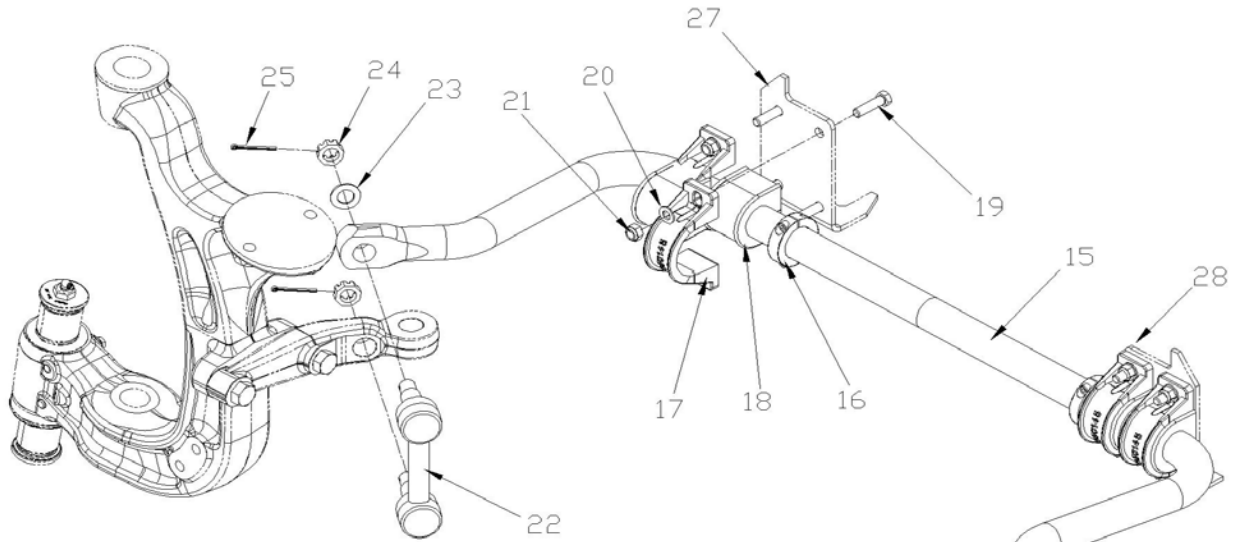
Item#	Part	Description	QTY	Notes
26	641375	MALE ELBOW 90° NON-SWIVEL / PUSH-IN FITTING / #6x3/8NPT-M BR From E-5526	1	

From 7-8754 To E-5585

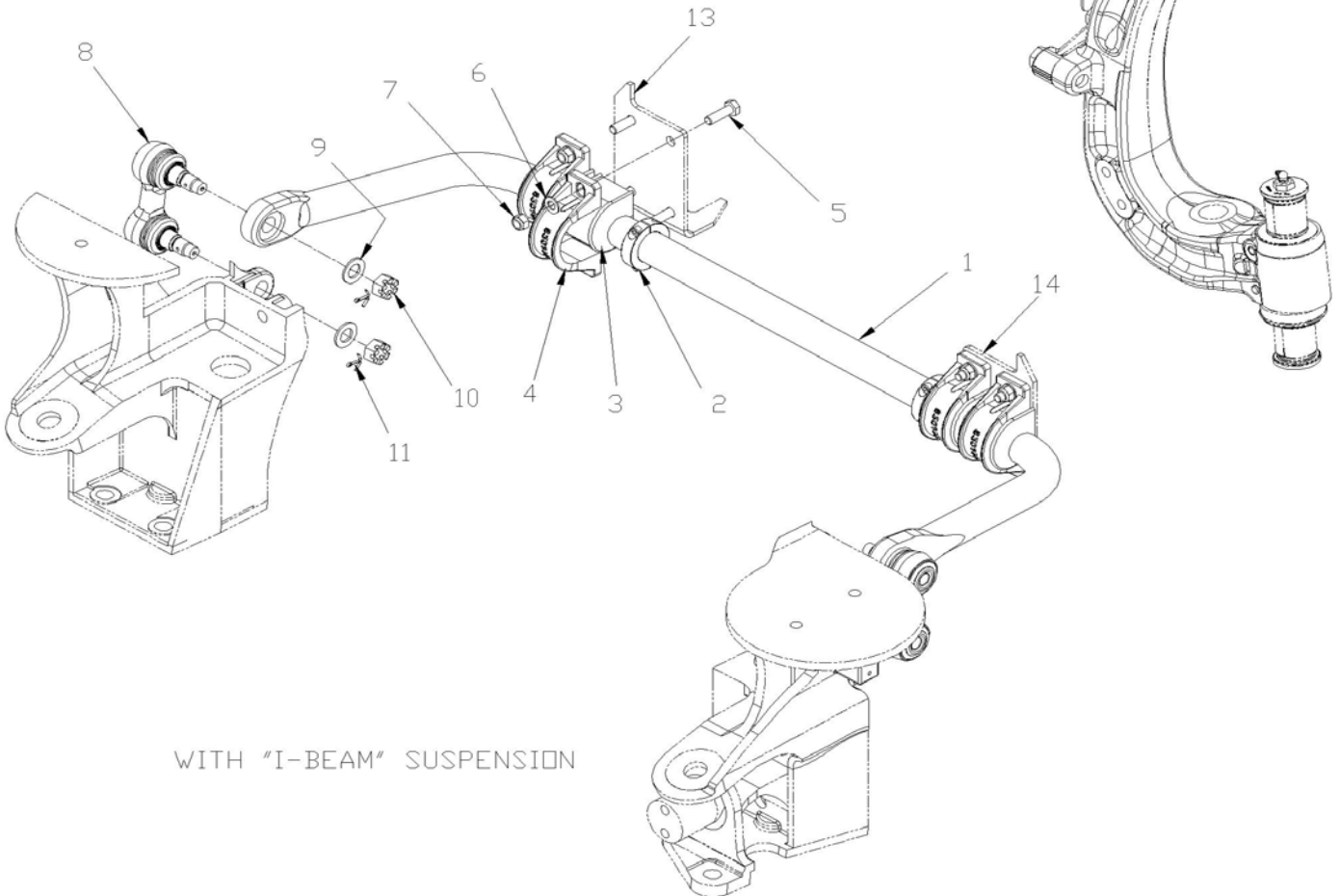
Date:01/2024

PAGE:X3-1616-00

SWAY BAR



WITH INDEPENDANTE SUSPENSION



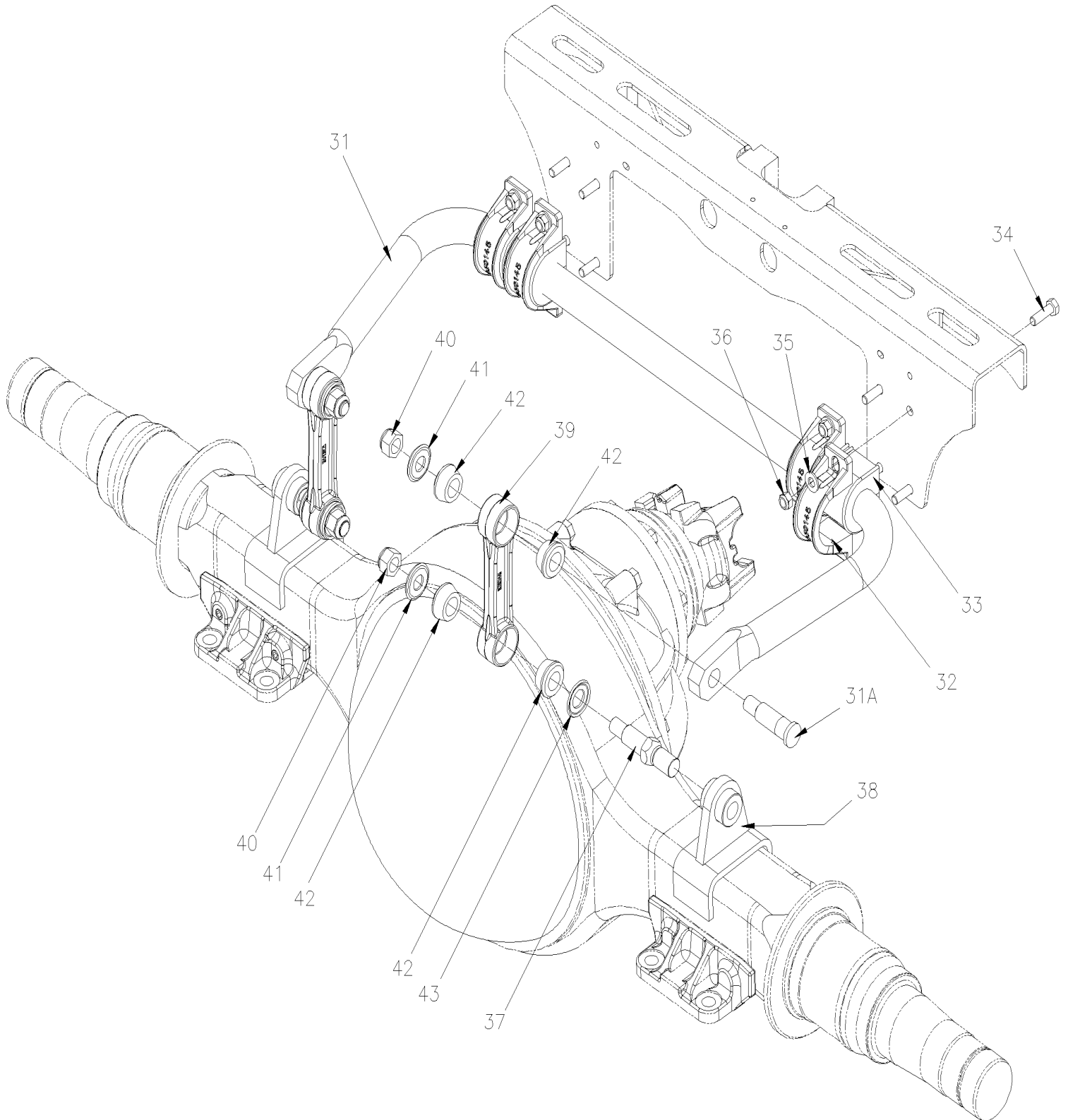
WITH "I-BEAM" SUSPENSION

From 7-8754 To E-5585

Date:01/2024

PAGE:X3-1616-00

SWAY BAR



From 7-8754 To E-5585	Date:01/2024	PAGE:X3-1616-00
SWAY BAR		

Item#	Part	Description	QTY	Notes
1	131570	SWAY BAR ASSY / 1 3/4" O.D. X 1090MM	1	F
2	563042	COLLAR 1 3/4" I.D.	2	F
3	630020	BUSHING / RUBBER / USE WITH SWAY BAR 1 3/4"	4	F
4	630145	COLLAR / IRON / 2x.472" HOLE 4 5/8 C/C	4	F
NS	130078	SERV. KIT SWAYBAR COLLAR 45MM 1,75" DI	1	
. NS	130076	. MACHINED NODULAR COLLAR	4	
. NS	630020	. BUSHING / RUBBER / USE WITH SWAY BAR 1 3/4"	4	
. NS	5001688	. SCREW CAP HEX M12-1.75x100 G10.9 G500	8	
. NS	5001695	. NUT HEX NYRT M12-1.75 Z050	8	
. NS	5002008	. WASHER FL 13.0x35.0x5.0 N500	8	
. NS	IS-23019	. SEE ENGLISH INSTRUCTION SHEET	1	
. NS	FI-23019	. SEE FRENCH INSTRUCTION SHEET	1	
5	5001885	SCREW CAP HEX M12-1.75X40 G10.9 N500	8	F
6	500011	WASHER FL / HARDENED 13.0x24.0x3.0 STL	8	F
7	500811	NUT HEX STO M12-1.75 G500 To 8-9457	8	F
7	5001695	NUT HEX NYRT M12-1.75 Z050 From 8-9458	8	F
8	630248	LINK SWAY BAR / 4" C/C To 7-9011	2	F
8	630267	LINK SWAY BAR / 4" / 101.60MM C/C From 7-9012	2	F
9	502558	WASHER FL 21.0x37.0x3.0 G500 To E-5484	4	F
10	500736	NUT HEX SLT 3/4-16 To 7-9011	4	F
10	5001553	NUT HEX CSL M20-1.5 N500 From 7-9012 To E-5484	4	F
10	132034	NUT HEX CSL M20-1.5 ZP From E-5485	4	F
11	502111	PIN, COTTER 1/8 x 1 1/2 SS	4	F
13	172399	ATTACHMENT SWAY BAR CURBSIDE	1	F
14	172398	ATTACHMENT SWAY BAR STREETSIDE	1	F
15	131755	SWAY BAR 1 3/4" O.D. 1175MM // W/58 Deg	1	I
16	563042	COLLAR 1 3/4" I.D.	2	I
17	630145	COLLAR / IRON / 2x.472" HOLE 4 5/8 C/C	4	I
NS	130078	SERV. KIT SWAYBAR COLLAR 45MM 1,75" DI	1	
. NS	130076	. MACHINED NODULAR COLLAR	4	
. NS	630020	. BUSHING / RUBBER / USE WITH SWAY BAR 1 3/4"	4	
. NS	5001688	. SCREW CAP HEX M12-1.75x100 G10.9 G500	8	
. NS	5001695	. NUT HEX NYRT M12-1.75 Z050	8	
. NS	5002008	. WASHER FL 13.0x35.0x5.0 N500	8	
. NS	IS-23019	. SEE ENGLISH INSTRUCTION SHEET	1	
. NS	FI-23019	. SEE FRENCH INSTRUCTION SHEET	1	
18	630020	BUSHING / RUBBER / USE WITH SWAY BAR 1 3/4"	4	I
19	500806	SCREW CAP HEX M12-1.75X35 G10.9 G500	8	I
20	500011	WASHER FL / HARDENED 13.0x24.0x3.0 STL	8	I
21	500811	NUT HEX STO M12-1.75 G500 To 8-9457	1	I

From 7-8754 To E-5585	Date:01/2024	PAGE:X3-1616-00
SWAY BAR		

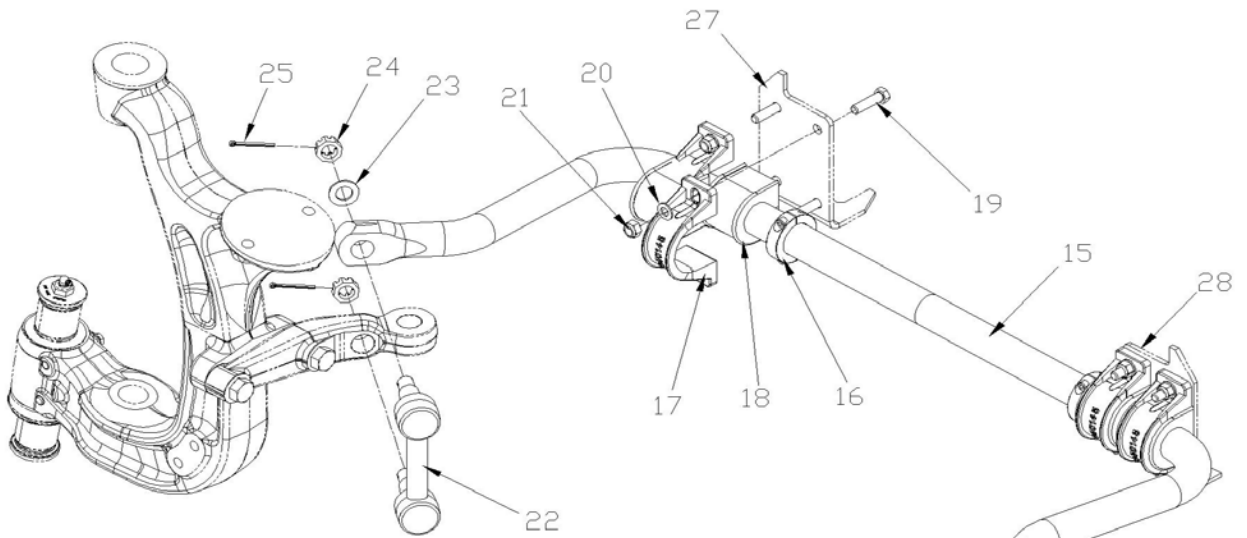
Item#	Part	Description	QTY	Notes
21	5001695	NUT HEX NYRT M12-1.75 Z050 From 8-9458	8	I
22	630246	LINK ASSY / 150MM C/C / W/18000LBS	2	I
23	502558	WASHER FL 21.0x37.0x3.0 G500	2	I
24	5001553	NUT HEX CSL M20-1.5 N500	4	I
25	502104	PIN, COTTER 5/32 x 2	4	I
27	171718	ATTACHMENT SWAY BAR CURBSIDE	1	I
28	171908	ATTACHMENT SWAY BAR STREETSIDE	1	I
31	131019	SWAY BAR ASSY / 1 1/2" O.D. X 848MM	1	R
. A	131520	. STUD 1 1/4" O.D.	2	R
32	630145	COLLAR / IRON / 2x.472" HOLE 4 5/8 C/C	4	R
NS	130077	SERV. KIT SWAYBAR COLLAR 38MM, 1.5" DI	1	
. NS	130076	. MACHINED NODULAR COLLAR	4	
. NS	130953	. BUSHING / RUBBER / USE WITH SWAY BAR 1 1/2"	4	
. NS	5001688	. SCREW CAP HEX M12-1.75x100 G10.9 G500	8	
. NS	5001695	. NUT HEX NYRT M12-1.75 Z050	8	
. NS	5002008	. WASHER FL 13.0x35.0x5.0 N500	8	
. NS	IS-23019	. SEE ENGLISH INSTRUCTION SHEET	1	
. NS	FI-23019	. SEE FRENCH INSTRUCTION SHEET	1	
33	130953	BUSHING / RUBBER / USE WITH SWAY BAR 1 1/2"	4	R
34	5001338	SCREW CAP HEX M12-1.75x45 G10.9 N500	8	R
35	500011	WASHER FL / HARDENED 13.0x24.0x3.0 STL	8	R
36	500811	NUT HEX STO M12-1.75 G500 To 8-9457	8	R
36	5001695	NUT HEX NYRT M12-1.75 Z050 From 8-9458	8	R
37	131522	PIN W/TAPER ATTACHMENT M20-2.5 / SWAY-BAR	2	R B
38	121467	ATTACHMENT PIN SWAY BAR / (WELDED TO HOUSING)	2	R
39	630146	LINK ASSY / 7" C/C / IRON	2	R
40	500809	NUT HEX STO M20-2.5 N500 To 8-9457	4	R
40	5001663	NUT HEX NYRT M20-2.5 G10 Z050 From 8-9458	4	R
41	5001152	WASHER CON 21.0x50.0x4.5 ZP	4	R
42	506678	BUSHING / POLYURETHANE / (TWO PIECES) RED 1" x 1.005" I.D.	8	R
43	5001153	WASHER CON 25.5x50.0x4.5 ZP	2	R
		B) THIS PIN IS 3MM SHORTER ON BUSHING SIDE AND BLACK PAINTED FOR EASY IDENTIFICATION		
		F) FRONT I BEAM RIGIDE SUSPENSION		
		I) INDEPENDANT SUSPENSION		
		R) REAR SUSPENSION		

From E-5586 To £-22037

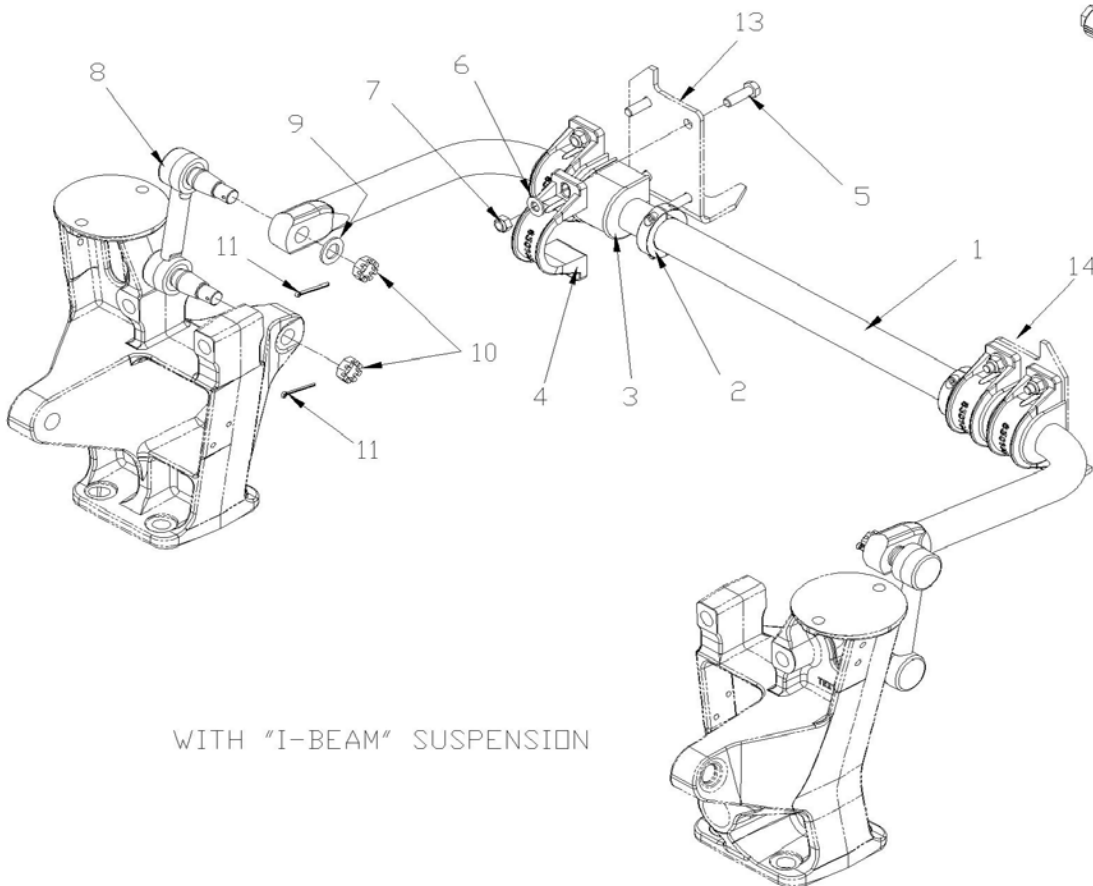
Date:01/2024

PAGE:X3-1616-01

SWAY BAR



WITH INDEPENDANTE SUSPENSION



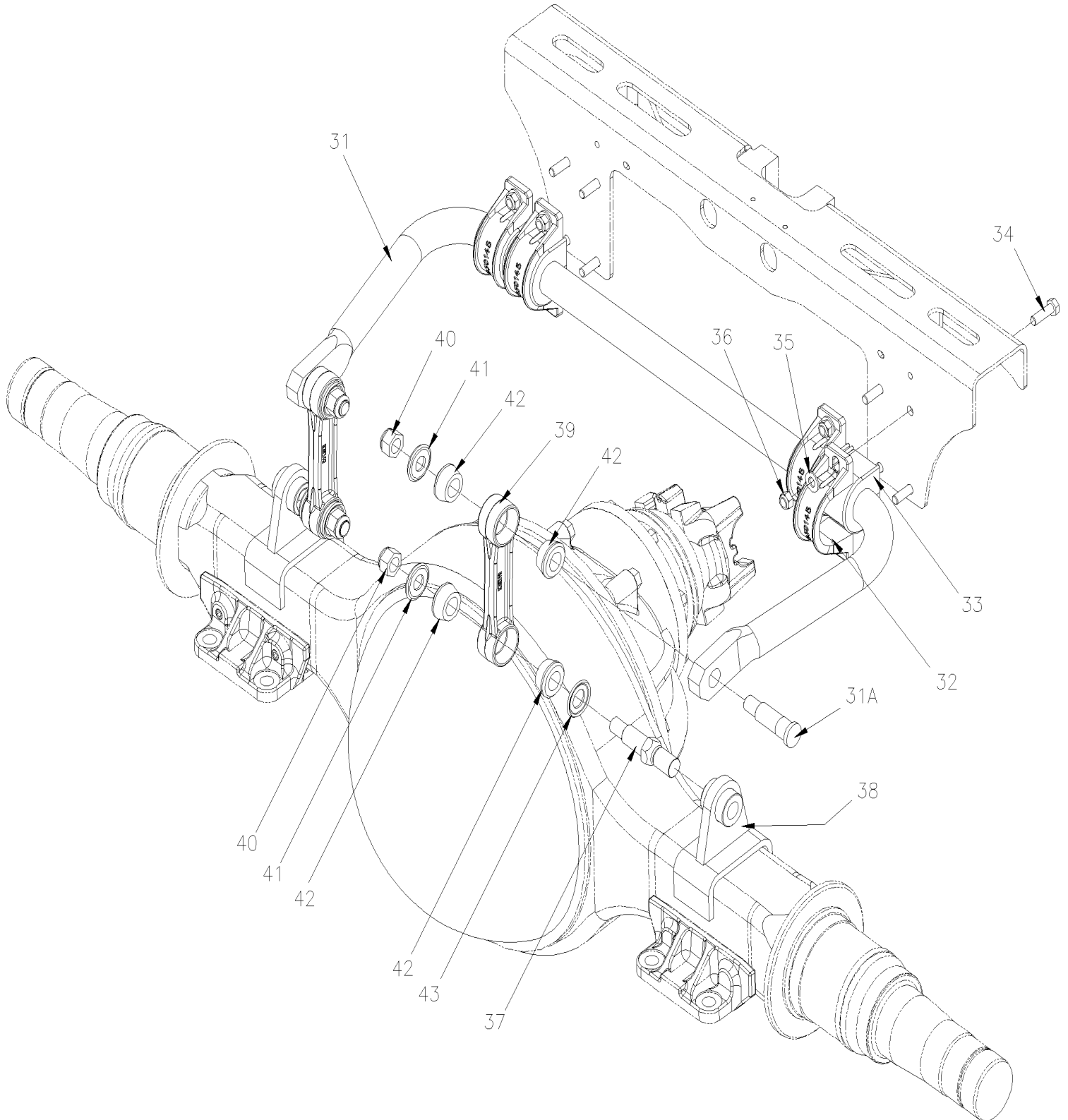
WITH "I-BEAM" SUSPENSION

From E-5586 To £-22037

Date:01/2024

PAGE:X3-1616-01

SWAY BAR



From E-5586 To £-22037	Date:01/2024	PAGE:X3-1616-01
-------------------------------	---------------------	------------------------

SWAY BAR

Item#	Part	Description	QTY	Notes
1	132008	SWAY BAR ASSY / 1 3/4" O.D. X 993MM To K-6395	1	F
1	130014	SWAY BAR ASSY / 45 MM O.D. x 993 MM From K-6396	1	F
2	563042	COLLAR 1 3/4" I.D.	2	F
3	630020	BUSHING / RUBBER / USE WITH SWAY BAR 1 3/4"	4	F
4	630145	COLLAR / IRON / 2x.472" HOLE 4 5/8 C/C	4	F
NS	130078	SERV. KIT SWAYBAR COLLAR 45MM 1,75" DI	1	
. NS	130076	. MACHINED NODULAR COLLAR	4	
. NS	630020	. BUSHING / RUBBER / USE WITH SWAY BAR 1 3/4"	4	
. NS	5001688	. SCREW CAP HEX M12-1.75x100 G10.9 G500	8	
. NS	5001695	. NUT HEX NYRT M12-1.75 Z050	8	
. NS	5002008	. WASHER FL 13.0x35.0x5.0 N500	8	
. NS	IS-23019	. SEE ENGLISH INSTRUCTION SHEET	1	
. NS	FI-23019	. SEE FRENCH INSTRUCTION SHEET	1	
5	5001885	SCREW CAP HEX M12-1.75X40 G10.9 N500	8	F
6	500011	WASHER FL / HARDENED 13.0x24.0x3.0 STL	8	F
7	5001695	NUT HEX NYRT M12-1.75 Z050	8	F
8	630246	LINK ASSY / 150MM C/C / W/18000LBS	2	F
9	502558	WASHER FL 21.0x37.0x3.0 G500	2	F
10	5001553	NUT HEX CSL M20-1.5 N500	4	F
11	502104	PIN, COTTER 5/32 x 2	4	F
13	171718	ATTACHMENT SWAY BAR CURBSIDE To G-6047	1	
13	170002	ATTACHMENT SWAY BAR CURBSIDE From G-6048	1	
14	171908	ATTACHMENT SWAY BAR STREETSIDE To G-6047	1	
14	170003	ATTACHMENT SWAY BAR STREETSIDE From G-6048	1	
15	131755	SWAY BAR 1 3/4" O.D. 1175MM // W/58 Deg To K-6395	1	I
15	130017	SWAY BAR 45 MM O.D. 1175MM // W/58 Deg From K-6396	1	I
16	563042	COLLAR 1 3/4" I.D.	2	I
17	630145	COLLAR / IRON / 2x.472" HOLE 4 5/8 C/C	4	I
NS	130078	SERV. KIT SWAYBAR COLLAR 45MM 1,75" DI	1	
. NS	130076	. MACHINED NODULAR COLLAR	4	
. NS	630020	. BUSHING / RUBBER / USE WITH SWAY BAR 1 3/4"	4	
. NS	5001688	. SCREW CAP HEX M12-1.75x100 G10.9 G500	8	
. NS	5001695	. NUT HEX NYRT M12-1.75 Z050	8	
. NS	5002008	. WASHER FL 13.0x35.0x5.0 N500	8	
. NS	IS-23019	. SEE ENGLISH INSTRUCTION SHEET	1	
. NS	FI-23019	. SEE FRENCH INSTRUCTION SHEET	1	
18	630020	BUSHING / RUBBER / USE WITH SWAY BAR 1 3/4"	4	I
19	500806	SCREW CAP HEX M12-1.75X35 G10.9 G500	8	I
20	500011	WASHER FL / HARDENED 13.0x24.0x3.0 STL	8	I
21	5001695	NUT HEX NYRT M12-1.75 Z050	8	I

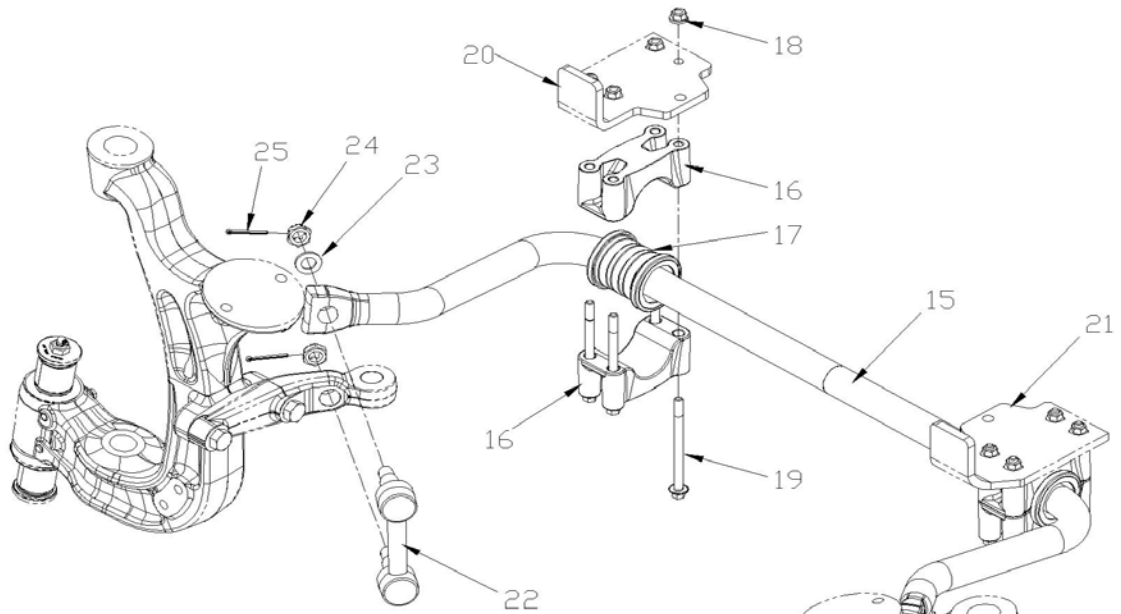
From E-5586 To £-22037	Date:01/2024	PAGE:X3-1616-01
SWAY BAR		

Item#	Part	Description	QTY	Notes
22	630246	LINK ASSY / 150MM C/C / W/18000LBS	2	I
23	502558	WASHER FL 21.0x37.0x3.0 G500	2	I
24	5001553	NUT HEX CSL M20-1.5 N500	4	I
25	502104	PIN, COTTER 5/32 x 2	4	I
27	171718	ATTACHMENT SWAY BAR CURBSIDE To G-6047	1	
27	170002	ATTACHMENT SWAY BAR CURBSIDE From G-6048	1	
28	171908	ATTACHMENT SWAY BAR STREETSIDE To G-6047	1	
28	170003	ATTACHMENT SWAY BAR STREETSIDE From G-6048	1	
31	131019	SWAY BAR ASSY / 1 1/2" O.D. X 848MM	1	R
. A	131520	. STUD 1 1/4" O.D.	2	R
32	630145	COLLAR / IRON / 2x.472" HOLE 4 5/8 C/C	4	R
NS	130077	SERV. KIT SWAYBAR COLLAR 38MM, 1.5" DI	1	
. NS	130076	. MACHINED NODULAR COLLAR	4	
. NS	130953	. BUSHING / RUBBER / USE WITH SWAY BAR 1 1/2"	4	
. NS	5001688	. SCREW CAP HEX M12-1.75x100 G10.9 G500	8	
. NS	5001695	. NUT HEX NYRT M12-1.75 Z050	8	
. NS	5002008	. WASHER FL 13.0x35.0x5.0 N500	8	
. NS	IS-23019	. SEE ENGLISH INSTRUCTION SHEET	1	
. NS	FI-23019	. SEE FRENCH INSTRUCTION SHEET	1	
33	130953	BUSHING / RUBBER / USE WITH SWAY BAR 1 1/2"	4	R
34	5001338	SCREW CAP HEX M12-1.75x45 G10.9 N500	8	R
35	500011	WASHER FL / HARDENED 13.0x24.0x3.0 STL	8	R
36	5001695	NUT HEX NYRT M12-1.75 Z050	8	R
37	131522	PIN W/TAPER ATTACHMENT M20-2.5 / SWAY-BAR	2	R B
38	121467	ATTACHMENT PIN SWAY BAR / (WELDED TO HOUSING)	2	R
39	630146	LINK ASSY / 7" C/C / IRON	2	R
40	5001663	NUT HEX NYRT M20-2.5 G10 Z050	4	R
41	5001152	WASHER CON 21.0x50.0x4.5 ZP	4	R
42	506678	BUSHING / POLYURETHANE / (TWO PIECES) RED 1" x 1.005" I.D.	8	R
43	5001153	WASHER CON 25.5x50.0x4.5 ZP	2	R
NS	682175	UNDERCOATING BLACK PROTECTOR (GRAVELGUARD) 567gr To N-6731	AR	
NS	685413	RUBBERIZED UNDERCOAT (GRAVELGUARD) 560gr From N-6732	AR	
		B) THIS PIN IS 3MM SHORTER ON BUSHING SIDE AND BLACK PAINTED FOR EASY IDENTIFICATION		
		F) FRONT I BEAM RIGIDE SUSPENSION		
		I) INDEPENDANT SUSPENSION		
		R) REAR SUSPENSION		

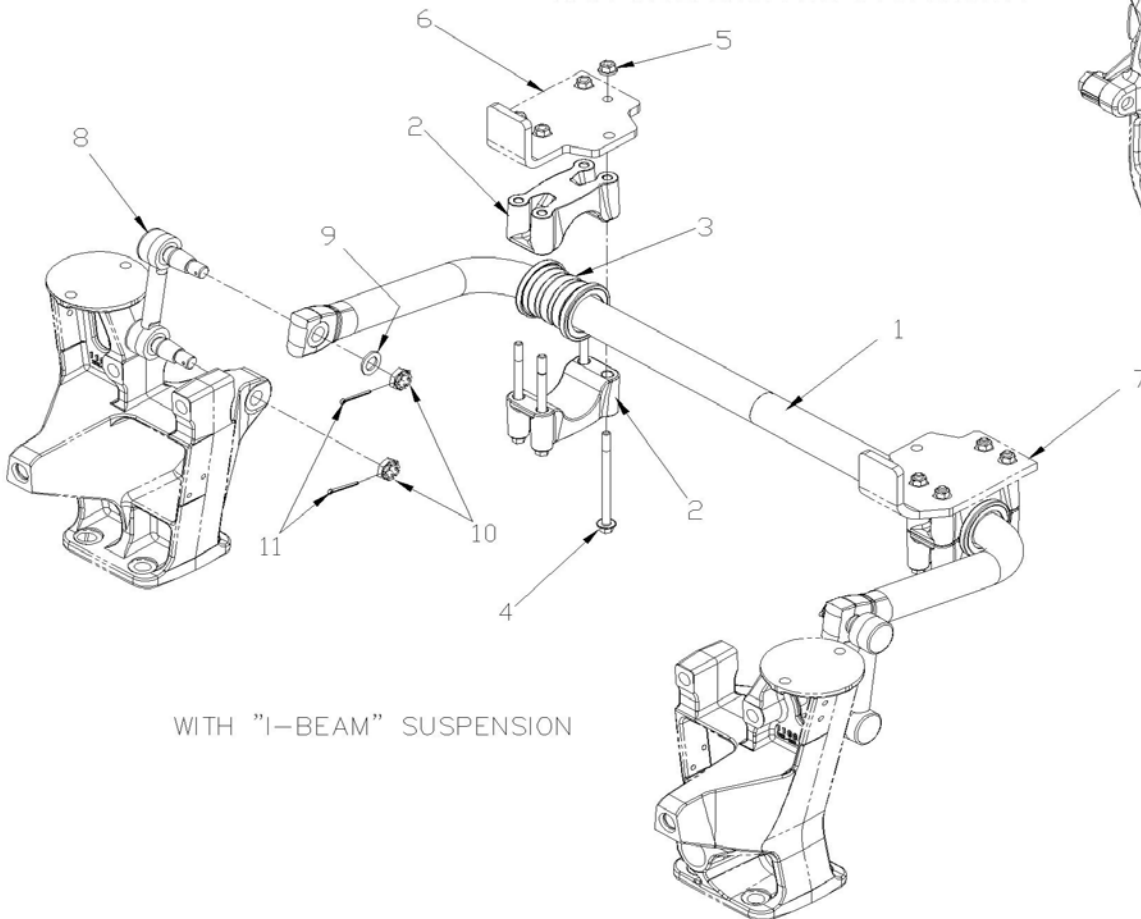
Date:01/2024

PAGE:X3-1616-02

SWAY BAR

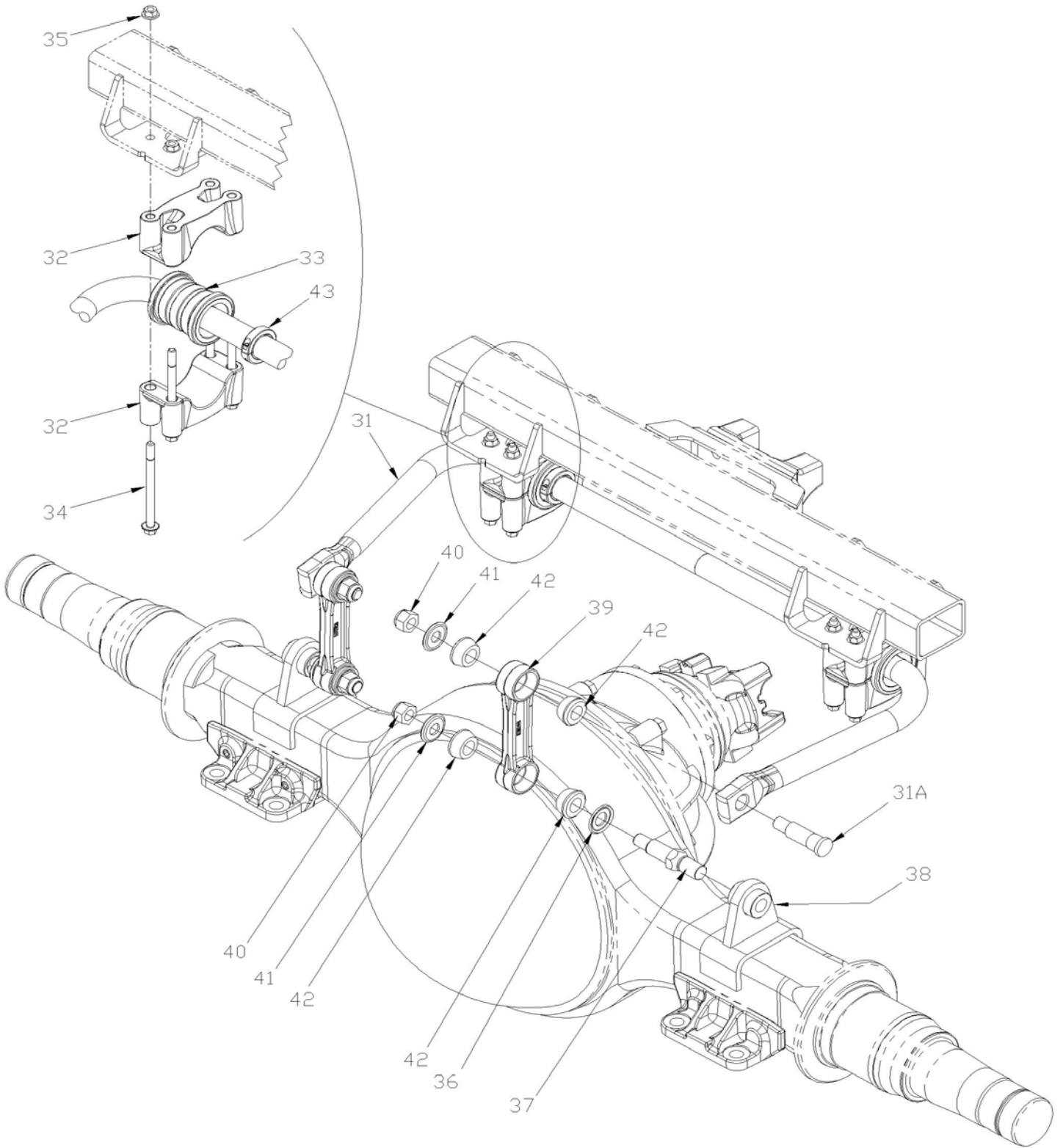


WITH INDEPENDANTE SUSPENSION



WITH "I-BEAM" SUSPENSION

SWAY BAR

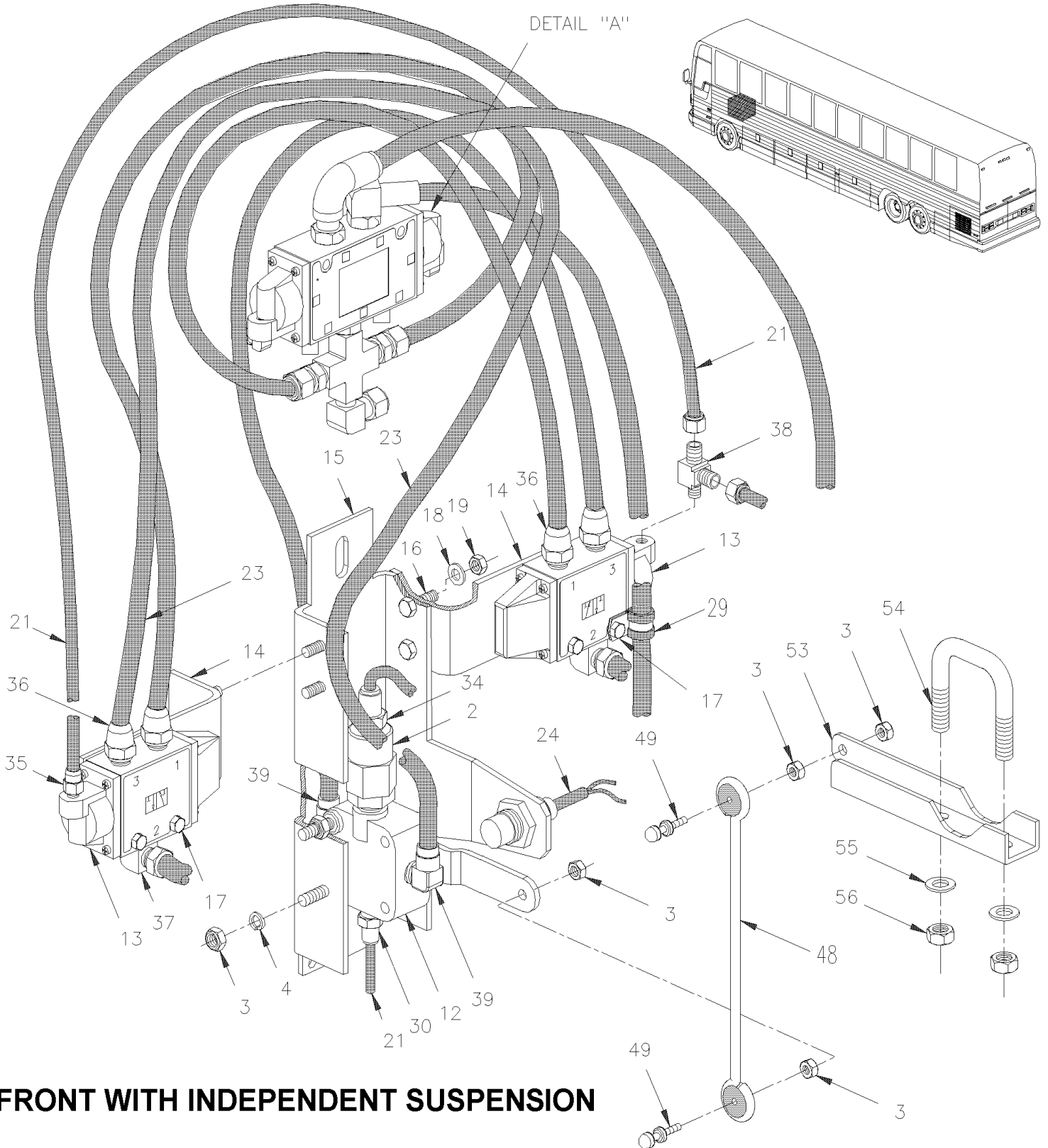


		Date:01/2024	PAGE:X3-1616-02
SWAY BAR			

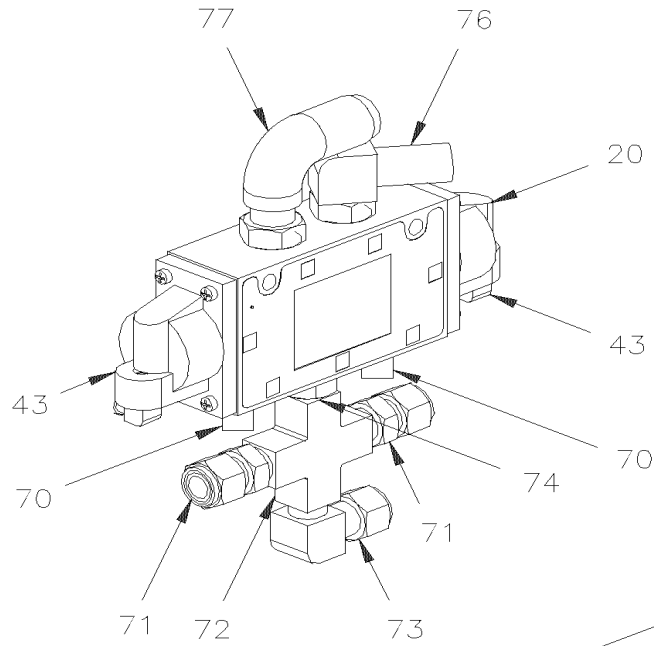
Item#	Part	Description	QTY	Notes
1	130014	SWAY BAR ASSY / 45 MM O.D. x 993 MM	1	F
2	9522629	ANCHORAGE STABILIZER REAR	4	F
3	70301194	RUBBER BUSHING DIAM45, STABILIZER	2	F
4	5001723	SCREW CAP HEXF M12-1.75x160 G10.9 N500	8	F
5	5001086	NUT HEXF M12-1.75 DP	8	F
6	174153	SUPPORT ANTI ROLL BAR RH	1	F
7	174154	SUPPORT ANTI ROLL BAR LH	1	F
8	630246	LINK ASSY / 150MM C/C / W/18000LBS	2	F
9	502558	WASHER FL 21.0x37.0x3.0 G500	2	F
10	5001553	NUT HEX CSL M20-1.5 N500	4	F
11	502104	PIN, COTTER 5/32 x 2	4	F
15	130017	SWAY BAR 45 MM O.D. 1175MM // W/58 Deg	1	I
16	9522629	ANCHORAGE STABILIZER REAR	4	I
17	70301194	RUBBER BUSHING DIAM45, STABILIZER	2	I
18	5001086	NUT HEXF M12-1.75 DP	8	I
19	5001723	SCREW CAP HEXF M12-1.75x160 G10.9 N500	8	I
20	174153	SUPPORT ANTI ROLL BAR RH	1	I
21	174154	SUPPORT ANTI ROLL BAR LH	1	I
22	630246	LINK ASSY / 150MM C/C / W/18000LBS	2	I
23	502558	WASHER FL 21.0x37.0x3.0 G500	2	I
24	5001553	NUT HEX CSL M20-1.5 N500	4	I
25	502104	PIN, COTTER 5/32 x 2	4	I
31	131019	SWAY BAR ASSY / 1 1/2" O.D. X 848MM	1	R
. A	131520	. STUD 1 1/4" O.D.	2	R
32	9522629	ANCHORAGE STABILIZER REAR	4	R
33	20898698	RUBBER BUSHING DIAM 40, STABILIZER	2	R
34	5001723	SCREW CAP HEXF M12-1.75x160 G10.9 N500	8	R
35	5001086	NUT HEXF M12-1.75 DP	8	R
36	5001153	WASHER CON 25.5x50.0x4.5 ZP	2	R
37	131522	PIN W/TAPER ATTACHMENT M20-2.5 / SWAY-BAR	2	B R
38	121467	ATTACHMENT PIN SWAY BAR / (WELDED TO HOUSING)	2	R
39	630146	LINK ASSY / 7" C/C / IRON	2	R
40	5001663	NUT HEX NYRT M20-2.5 G10 Z050	4	R
41	5001152	WASHER CON 21.0x50.0x4.5 ZP	4	R
42	506678	BUSHING / POLYURETHANE / (TWO PIECES) RED 1" x 1.005" I.D.	8	R
43	502026	COLLAR 1,5" DIA. INT.	2	R
NS	685413	RUBBERIZED UNDERCOAT (GRAVELGUARD) 560gr	AR	

		Date:01/2024	PAGE:X3-1616-02	
SWAY BAR				
Item#	Part	Description	QTY	Notes
		B) THIS PIN IS 3MM SHORTER ON BUSHING SIDE AND BLACK PAINTED FOR EASY IDENTIFICATION		
		F) FRONT I BEAM RIGIDE SUSPENSION		
		I) INDEPENDANT SUSPENSION		
		R) REAR SUSPENSION		

HEIGHT CONTROL VALVE

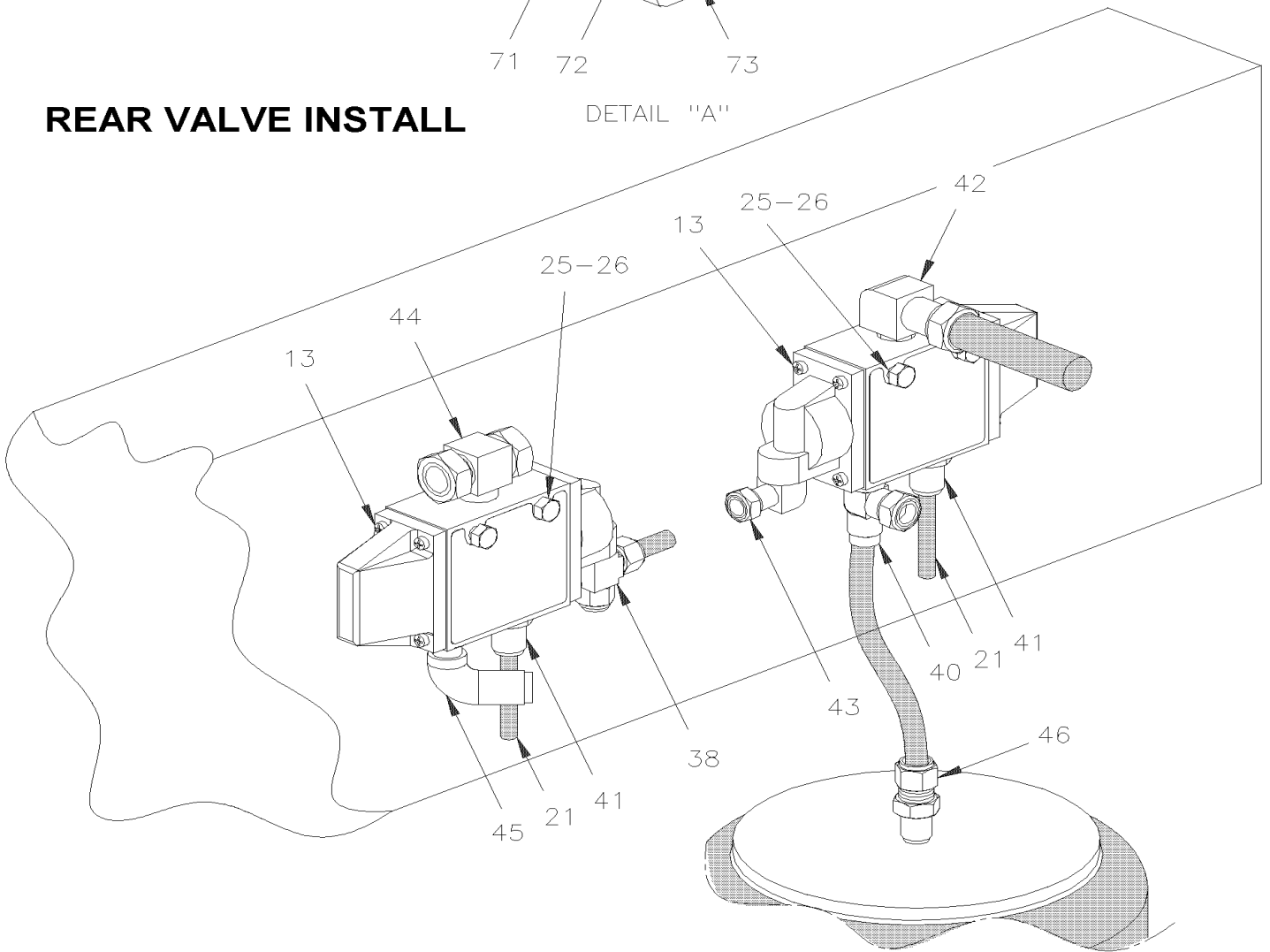


HEIGHT CONTROL VALVE



REAR VALVE INSTALL

DETAIL "A"

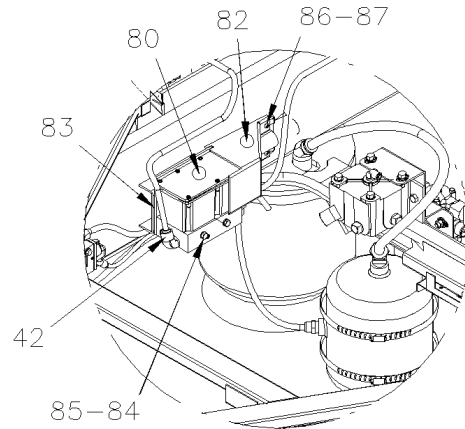
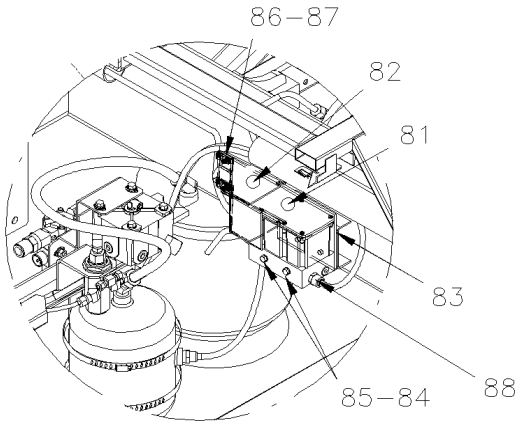


From 7-8754 To B-5001

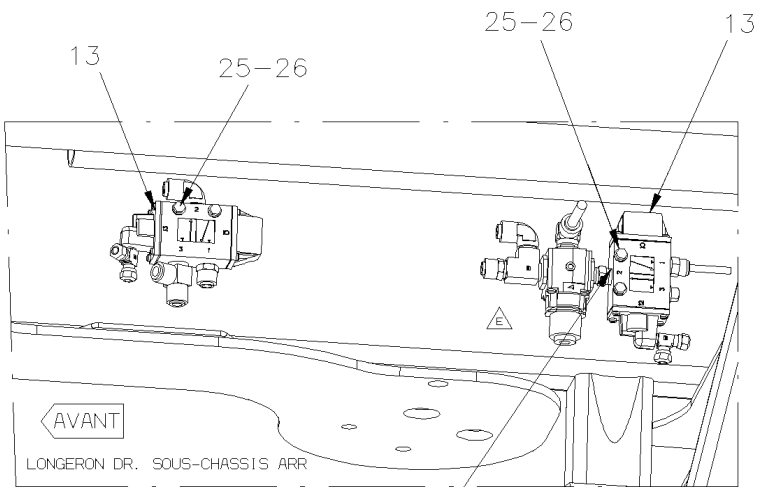
Date:01/2024

PAGE:X3-1620-00

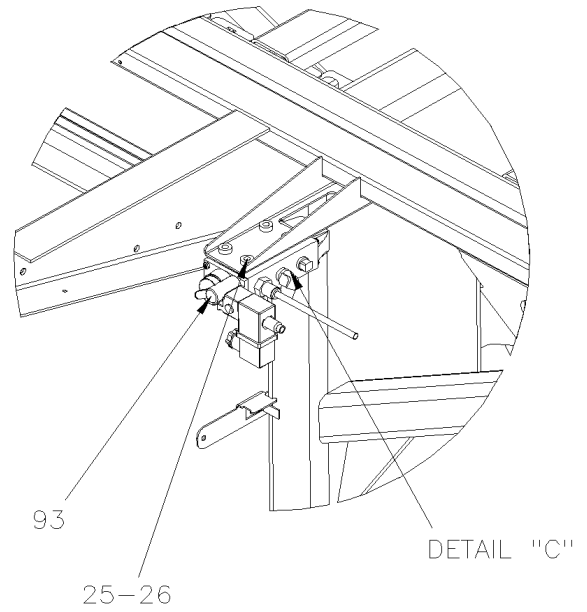
HEIGHT CONTROL VALVE



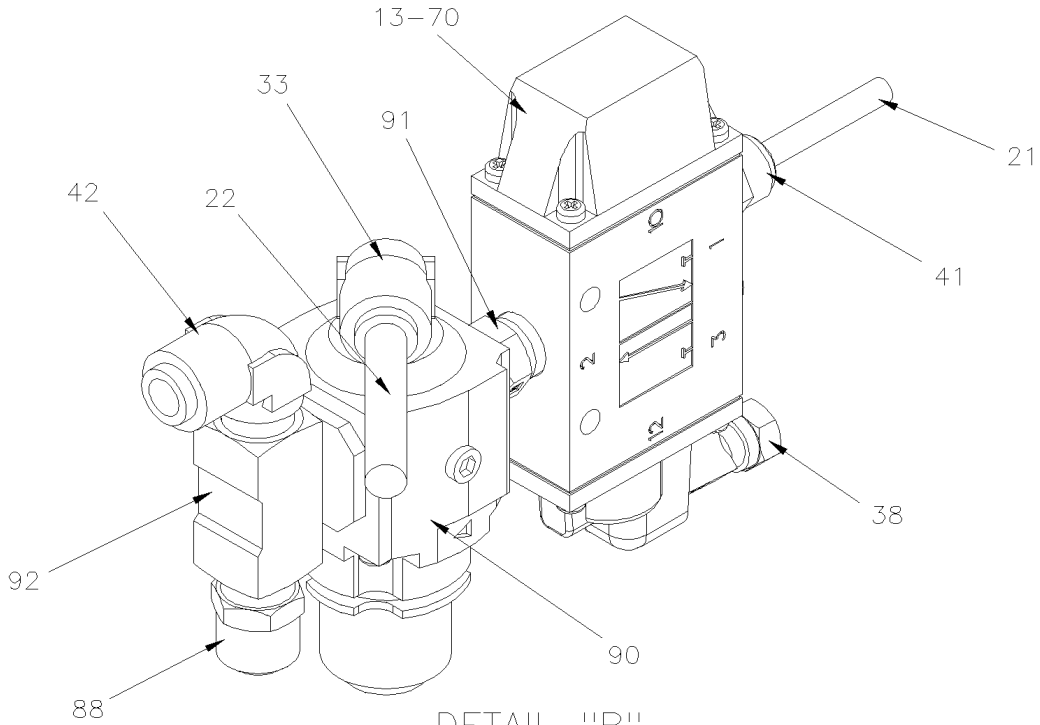
UP TO 8-9225



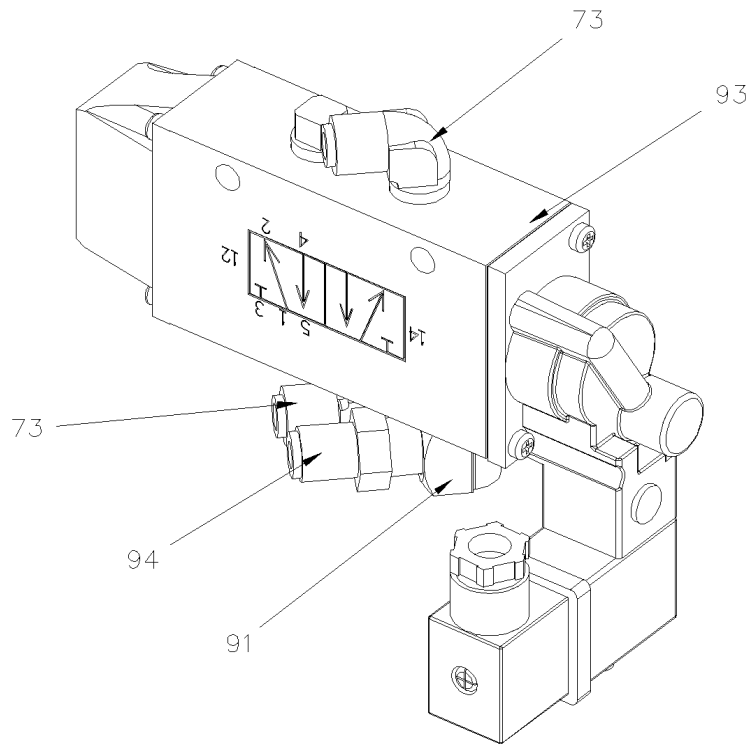
DETAIL "B"
WITH RETROFIT



HEIGHT CONTROL VALVE



**DETAIL "B"
WITH RETROFIT**



**DETAIL "C"
WITH RETROFIT**

From 7-8754 To B-5001	Date:01/2024	PAGE:X3-1620-00
-----------------------	--------------	-----------------

HEIGHT CONTROL VALVE

Item#	Part	Description	QTY	Notes
1	630156	VALVE, HEIGHT CONTROL "BARKSDALE"	2	
1	630247	VALVE, HEIGHT CONTROL "BARKSDALE" / REAR / W/DRAIN	AR	K
2	640135	VALVE, CHECK 1/4 NPT	1	
3	500769	NUT HEX 1/4-20 Z050	2	
4	500473	WASHER LO SPT .262x.489x.062 Z050	2	
5	630261	VALVE, HEIGHT CONTROL "BARKSDALE" / FRONT / W/DRAIN	1	
11	630263	LINK ASSY 317MM C/C 11 1/2"	2	
. A	N8889244	. GROMMET / LINK	2	
. B	630250	. STUD RETAINER 1/4-20 X 1"	2	
. NS	500769	. NUT HEX 1/4-20 Z050	4	
. NS	500473	. WASHER LO SPT .262x.489x.062 Z050	4	
12	630237	VALVE, HEIGHT CONTROL "BARKSDALE" / FRONT To 9-9711	1	
12	630266	VALVE, HEIGHT CONTROL "BARKSDALE" / FRONT / W/DRAIN From 9-9712	1	
13	641274	VALVE, 3 WAYS, 2 POSITIONS N.C.	2	
14	131319	SUPPORT VALVE	2	
15	131621	SUPPORT HEIGHT CONTROL VALVE / WHITOUT "KNEELING"	1	
15	131613	SUPPORT HEIGHT CONTROL VALVE / W/KNEELING To 9-9711	1	
15	131921	SUPPORT HEIGHT CONTROL VALVE / W/KNEELING From 9-9712	1	
16	502622	SCREW CAP HEX M6-1.0x20 SS BK	4	
17	502656	SCREW CAP HEX M6-1.0x50 SS	4	
18	502570	WASHER LO SPT 6.1x11.8x1.6 SS	8	
19	502565	NUT HEX M6-1.0 SS	8	
20	641531	VALVE, 5 WAYS, 3 POSITIONS	1	
. NS	641186	. SPOOL	1	
21	503402	TUBE, NYLON 1/4 O.D. / BLACK S.L.	AR	
22	503471	TUBE, NYLON 3/8 O.D. / BLUE S.L.	AR	
23	503517	TUBE, NYLON 1/2 O.D. / BLUE S.L.	AR	
24	131535	SWITCH PROXIMITY ASSY 1520MM	1	
25	500625	SCREW TC CAP HEXW 1/4-20x2 Z050	AR	
26	500440	WASHER FL .250x.562x.065 Z050	AR	
NS	500473	WASHER LO SPT .262x.489x.062 Z050	AR	
27	641372	MALE ELBOW 90° NON-SWIVEL / PUSH-IN FITTING / #6x1/4NPT-M BR	1	A
28	642075	TRANSDUCER PRESSURE	1	
. NS	563159	. CONNECTOR / METRI-PACK 150 / SH 3C / PED 12065287	1	
29	952627	CLAMP / 1/2" I.D.	1	
30	641332	MALE CONNECTOR / PUSH-IN FITTING / #4x1/4NPT-M BR	1	
32	501304	PLUG SQUARE HEAD / PIPE FITTING / 1/4NPT-M BR	1	
33	641372	MALE ELBOW 90° NON-SWIVEL / PUSH-IN FITTING / #6x1/4NPT-M BR	1	
34	641331	MALE CONNECTOR / PUSH-IN FITTING / #6x1/4NPT-M BR	1	
35	641242	MALE CONNECTOR / PUSH-IN FITTING / #4x1/8NPT-M BR	1	
36	641381	MALE CONNECTOR / PUSH-IN FITTING / #8x3/8NPT-M BR	4	
37	641040	MALE ELBOW 90° / NTA FITTING / #8x3/8NPT-M BR	2	

From 7-8754 To B-5001	Date:01/2024	PAGE:X3-1620-00
HEIGHT CONTROL VALVE		

Item#	Part	Description	QTY	Notes
38	641002	MALE RUN TEE / NTA FITTING / #4x#4x1/8NPT-M BR	1	
39	641373	MALE ELBOW 90° NON-SWIVEL / PUSH-IN FITTING / #8x1/4NPT-M BR	2	
40	641388	MALE RUN TEE NON-SWIVEL / PUSH-IN FITTING / #6x#6x3/8NPT-M BR	1	
41	641347	MALE CONNECTOR / PUSH-IN FITTING / #4x3/8NPT-M BR	3	
42	641375	MALE ELBOW 90° NON-SWIVEL / PUSH-IN FITTING / #6x3/8NPT-M BR	1	
43	641369	MALE ELBOW 90° NON-SWIVEL / PUSH-IN FITTING / #4x1/8NPT-M BR	2	
44	641008	MALE BRANCH TEE / NTA FITTING / #6x#6x3/8NPT-M BR	1	
45	641367	MALE ELBOW 45° NON-SWIVEL / PUSH-IN FITTING / #6x3/8NPT-M BR	1	
46	641384	MALE CONNECTOR / PUSH-IN FITTING / #10x1/2NPT-M BR	1	
46	641382	MALE CONNECTOR / PUSH-IN FITTING / #6x1/2NPT-M BR	1	
47	630232	LINK ASSY 265MM C/C 10 1/2"	1	
. A	N8889244	. GROMMET / LINK	2	
. B	630250	. STUD RETAINER 1/4-20 X 1"	2	
. NS	500479	. WASHER LO INT .448x.789x.040 Z050	4	
. NS	500473	. WASHER LO SPT .262x.489x.062 Z050	4	
48	630231	LINK ASSY 185MM C/C 7 1/4"	1	
. A	N8889244	. GROMMET / LINK	2	
. B	630250	. STUD RETAINER 1/4-20 X 1"	2	
. C	500247	. NUT HEX 1/4-20 N500	4	
. D	500473	. WASHER LO SPT .262x.489x.062 Z050	4	
49	630250	. STUD RETAINER 1/4-20 X 1"	2	
50	172114	SUPPORT / FRONT HEIGHT CONTROL VALVE	1	
51	110594	PLATE, RETAINER	1	
52	121561	ACTUATOR SUPPORT / TO FIX LINK / (WELDED)	2	
53	110679	ACTUATOR LEVER	1	
54	504635	U-BOLT 1 3/4" I.D. x 2 3/4" x 5/16-18	1	
55	500942	WASHER LO SPT 8.1x14.8x2.0 N500	2	
56	500778	NUT HEX 5/16-18 N500	2	
57	172493	SUPPORT HEIGHT CONTROL VALVE (WELDED)	1	
58	500179	SCREW CAP HEX 5/16-18x3/4 G5 Z050	2	
60	131591	SUPPORT VALVE	1	
61	952625	CLAMP / 3/8" I.D.	1	
62	952627	CLAMP / 1/2" I.D.	1	
63	502793	SCREW CAP HEX M6-1.0x45 G8.8 Z050	6	
64	502573	WASHER FL 6.4x12.5x1.6 SS	6	
65	502511	NUT HEX NYRT M6-1.0 Z050	6	
66	500440	WASHER FL .250x.562x.065 Z050	1	
70	501305	PLUG SQUARE HEAD / PIPE FITTING / 3/8NPT-M BR	2	
70	501449	PLUG HEXS / PIPE FITTING / 3/8NPT-M STL	2	
71	641173	MALE CONNECTOR / NTA FITTING / #8x1/4NPT-M BR	1	
72	501902	CROSS / PIPE FITTING / 1/4NPT-Fx1/4NPT-Fx 1/4NPT-Fx1/4NPT-F BR	1	
73	641371	MALE ELBOW 90° NON-SWIVEL / PUSH-IN FITTING / #4x1/4NPT-M BR	1	

From 7-8754 To B-5001	Date:01/2024	PAGE:X3-1620-00
HEIGHT CONTROL VALVE		

Item#	Part	Description	QTY	Notes
74	501749	NIPPLE REDUCER HEX / PIPE FITTING / 3/8NPT-Mx1/4NPT-Mx1 13/32 BR	1	
75	640991	MALE CONNECTOR / NTA FITTING / #8x3/8NPT-M BR	1	
76	641428	MALE ELBOW 90° SWIVEL / PUSH-IN FITTING / #8x3/8NPT-M BR	1	
77	641368	MALE ELBOW 45° NON-SWIVEL / PUSH-IN FITTING / #8x3/8NPT-M BR	1	
78	504637	CABLE TIE / 3/16" x 13"	AR	
79	641380	MALE CONNECTOR / PUSH-IN FITTING / #8x1/4NPT-M BR	1	
80	630265	VALVE, TAG CONTROL "BARKSDALE" / SLAVE	1	S
. NS	563463	. CONNECTOR / AMPSEAL SERIES / SH 14C / WHITE / AMP 776273-2	1	S
. NS	131829	. COVER PROTECTOR / CONNECTOR	1	S
. NS	131830	. SUPPORT PROTECTOR / COVER	1	S
81	630262	VALVE, TAG CONTROL "BARKSDALE" / MASTER	1	S
. NS	563463	. CONNECTOR / AMPSEAL SERIES / SH 14C / WHITE / AMP 776273-2	1	S
. NS	131829	. COVER PROTECTOR / CONNECTOR	1	S
. NS	131830	. SUPPORT PROTECTOR / COVER	1	S
82	131829	COVER PROTECTOR / CONNECTOR	2	
83	131830	SUPPORT PROTECTOR / COVER	2	
84	5001632	SCREW CAP HEX 1/4-20x4 G5 Z050	4	
85	500473	WASHER LO SPT .262x.489x.062 Z050	4	
86	500252	NUT SPR U #10-24 .156-.187	4	
87	500386	SCREW MA RND PH #10-24x1/2 Z050	4	
88	641330	MALE CONNECTOR / PUSH-IN FITTING / #6x3/8NPT-M BR	1	
89	641376	MALE ELBOW 90° NON-SWIVEL / PUSH-IN FITTING / #8x3/8NPT-M BR	1	
		NEXT ITEMS ARE RELATED WITH "RETROFIT"		
89	131870	KIT RETROFIT COTROL VALVE		
90	630269	VALVE DISCHARGE V72G W/3/8	1	
91	501322	NIPPLE HEX / PIPE FITTING / 3/8NPT-Mx3/8NPT-Mx1 13/32 BR	1	
92	501737	MALE BRANCHE TEE / PIPE FITTING / 3/8NPT-Fx3/8NPT-Fx3/8NPT-M BR	1	
93	641527	VALVE, 4 WAYS, 2 POSITIONS	1	
. NS	641929	. COIL 24V	1	
. NS	641186	. SPOOL	1	
. NS	641385	. CONNECTOR / SOCKET HOUSING ASSY 3C / PNEUMAC 54934-01	1	
94	641332	MALE CONNECTOR / PUSH-IN FITTING / #4x1/4NPT-M BR	2	
NS	501737	MALE BRANCHE TEE / PIPE FITTING / 3/8NPT-Fx3/8NPT-Fx3/8NPT-M BR	1	
96	501699	MALE RUN TEE / PIPE FITTING / 3/8NPT-Mx3/8NPT-Fx3/8NPT-F BR	1	
97	501338	MALE RUN TEE / PIPE FITTING / 1/4NPT-Mx1/4NPT-Fx1/4NPT-F BR	1	
		NEXT ITEMS ARE RELATED WITH "OPTION"		
		FRONT WEIGHT CONTROL ON FRONT AXLE "GREYHOUND"		
100	501699	MALE RUN TEE / PIPE FITTING / 3/8NPT-Mx3/8NPT-Fx3/8NPT-F BR	1	G

From 7-8754 To B-5001		Date:01/2024	PAGE:X3-1620-00
-----------------------	--	--------------	-----------------

HEIGHT CONTROL VALVE

Item#	Part	Description	QTY	Notes
101	641330	MALE CONNECTOR / PUSH-IN FITTING / #6x3/8NPT-M BR	1	G
102	20476992	TRANSDUCER PRESSURE (0-12Bar / 0-174PSI)	1	G
		A) WITH OPTION "ABS-6 ESP ADVENCE"		
		G) WITH VEHICULE OPTION WEIGHT CONTROL ON FRONT AXLE		
		K) WITH REAR LOW BUOY OR HIGH BUOY		
		S) THIS VALVE IT SUPPERSEDED BY KIT 131870		

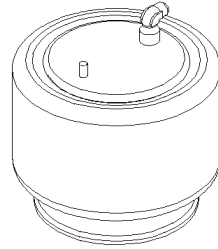
From B-5002 To D-5458

Date:01/2024

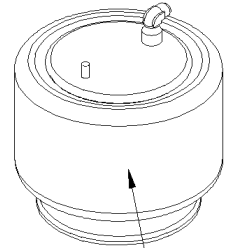
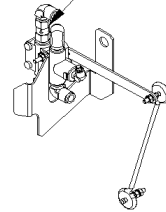
PAGE:X3-1620-01

HEIGHT CONTROL VALVE

FRONT AXLE
I-BEAM RIGID SUSPENSION

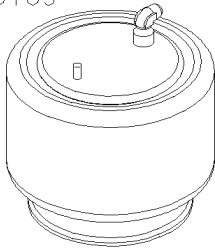


DETAIL "A"

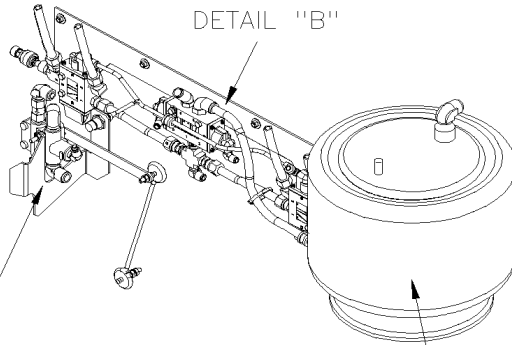


112

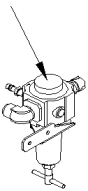
FRONT AXLE
I-BEAM RIGID SUSPENSION
WITH KNEELING
UP TO C-5169



DETAIL "B"



DETAIL "C"

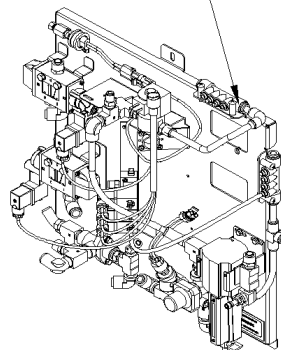


DETAIL "A"

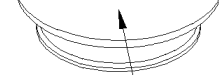
110



111



112



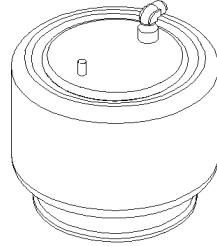
From B-5002 To D-5458

Date:01/2024

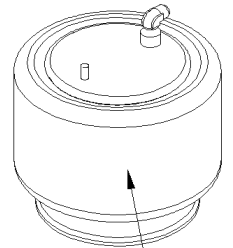
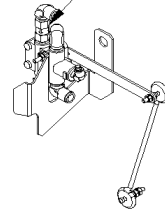
PAGE:X3-1620-01

HEIGHT CONTROL VALVE

FRONT AXLE
I-BEAM RIGID SUSPENSION

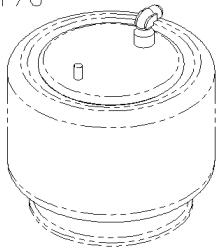


DETAIL "A"

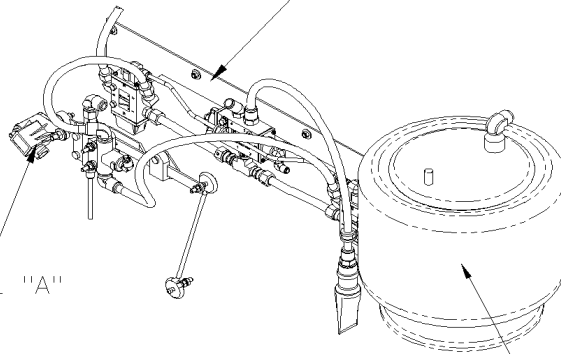


112

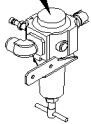
FRONT AXLE
I-BEAM RIGID SUSPENSION
WITH KNEELING
FROM C-5170



DETAIL "B"



DETAIL "C"

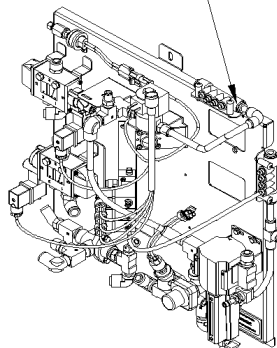


DETAIL "A"

110



111



112

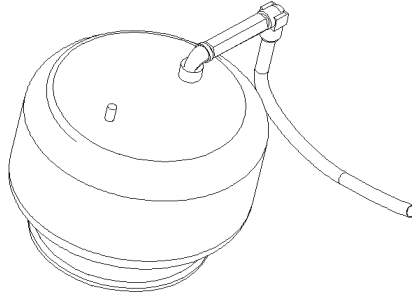
From B-5002 To D-5458

Date:01/2024

PAGE:X3-1620-01

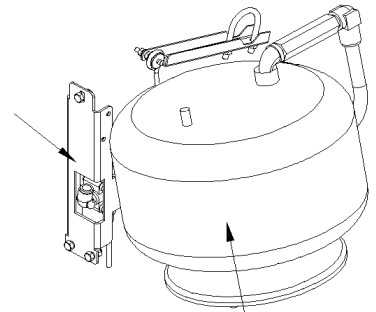
HEIGHT CONTROL VALVE

INDEPENDANT SUSPENSION

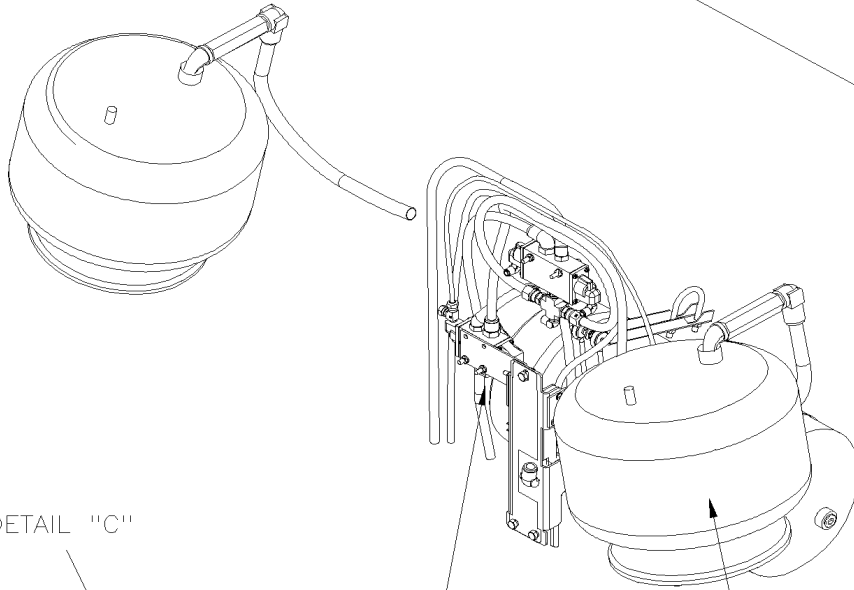


FRONT AXLE
INDEPENDANT SUSPENSION
WITH KNEELING
UP TO C-5169

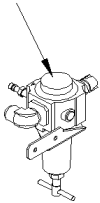
DETAIL "D"



112



DETAIL "C"



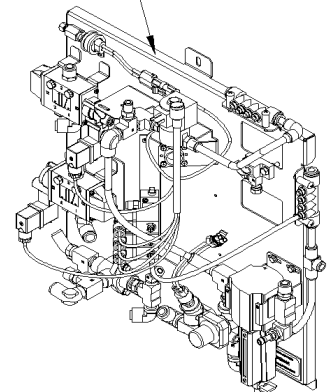
110



DETAIL "D"

112

111



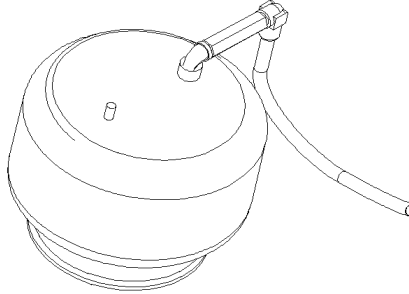
From B-5002 To D-5458

Date:01/2024

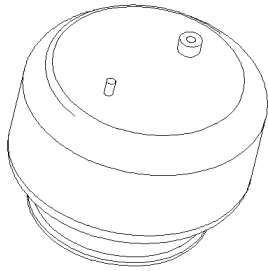
PAGE:X3-1620-01

HEIGHT CONTROL VALVE

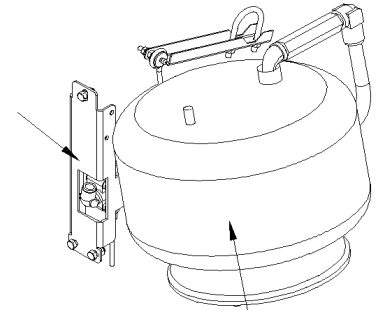
FRONT AXLE
INDEPENDANT SUSPENSION



FRONT AXLE
INDEPENDANT SUSPENSION
WITH KNEELING
FROM C-5170

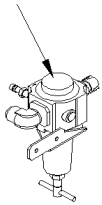


DETAIL "D"



112

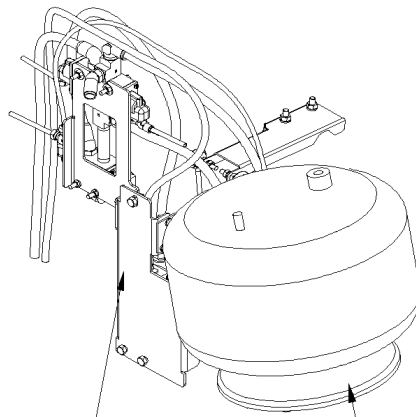
DETAIL "C"



110

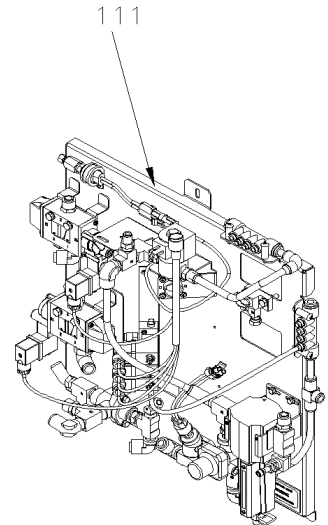


DETAIL "D"



112

111



From B-5002 To D-5458	Date:01/2024	PAGE:X3-1620-01
HEIGHT CONTROL VALVE		

REAR AND TAG AXLE

DETAIL "J"

DETAIL "L"

DETAIL "H"

DETAIL "G"

DETAIL "G"

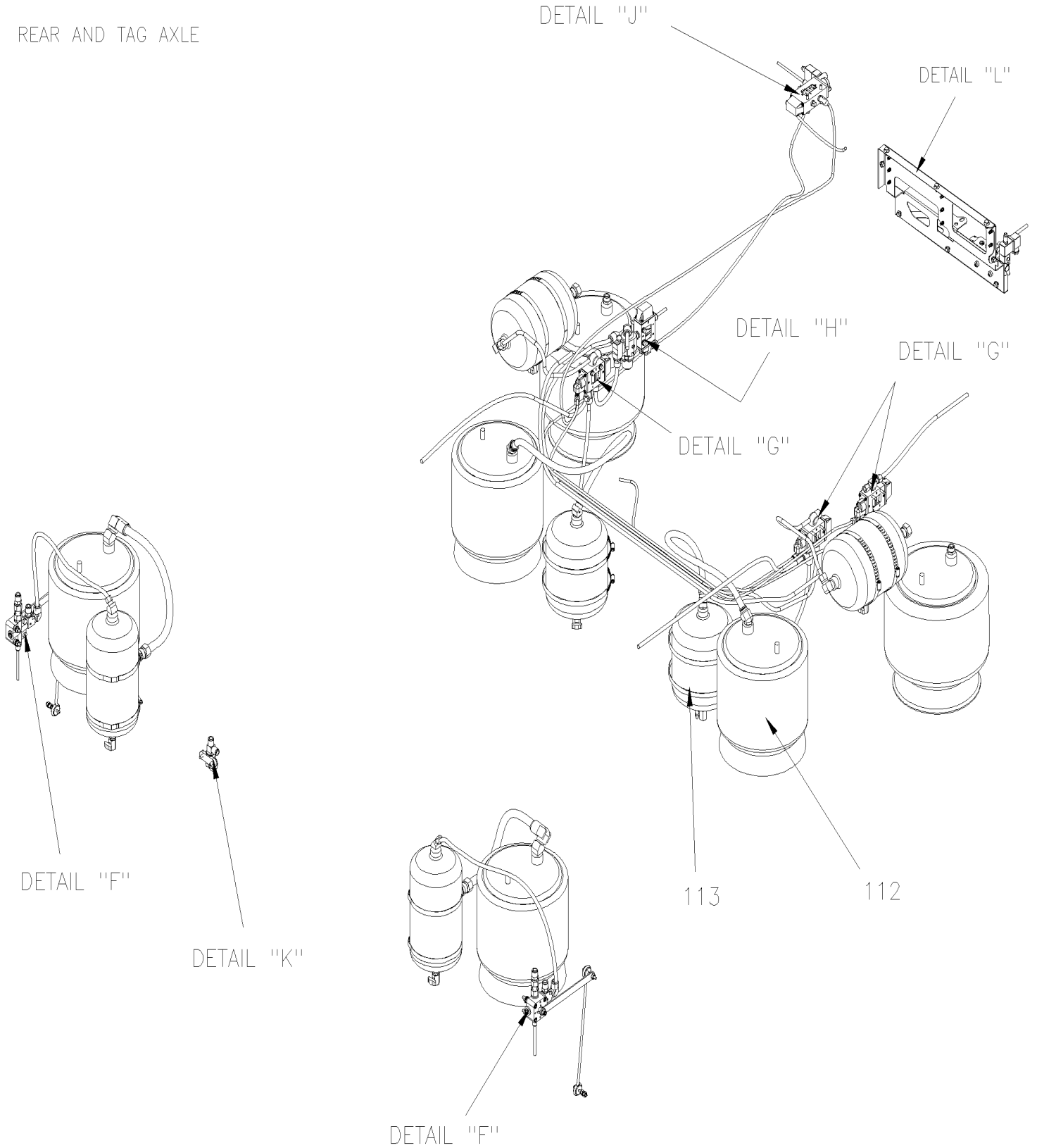
DETAIL "F"

DETAIL "K"

113

112

DETAIL "F"

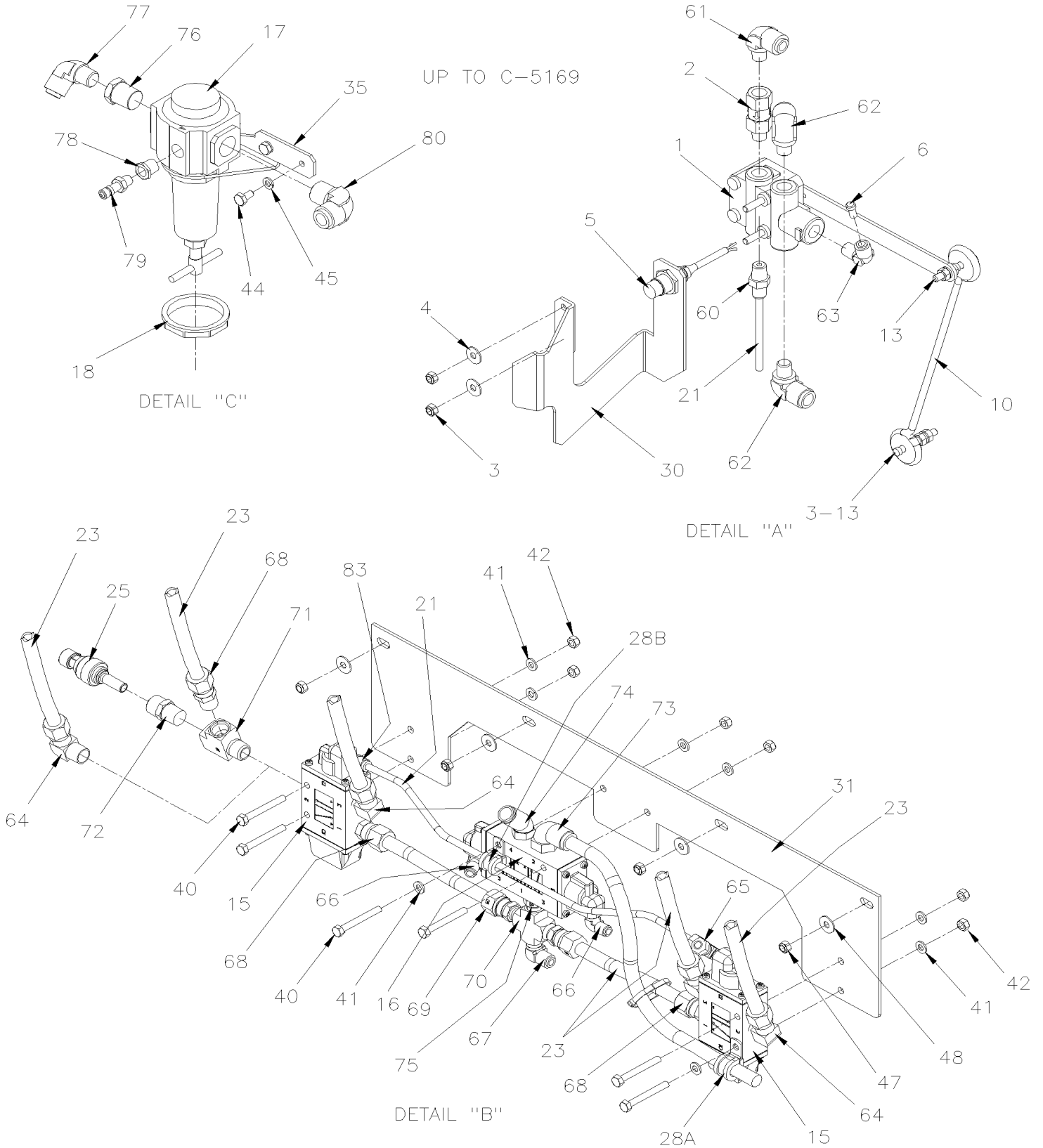


From B-5002 To D-5458

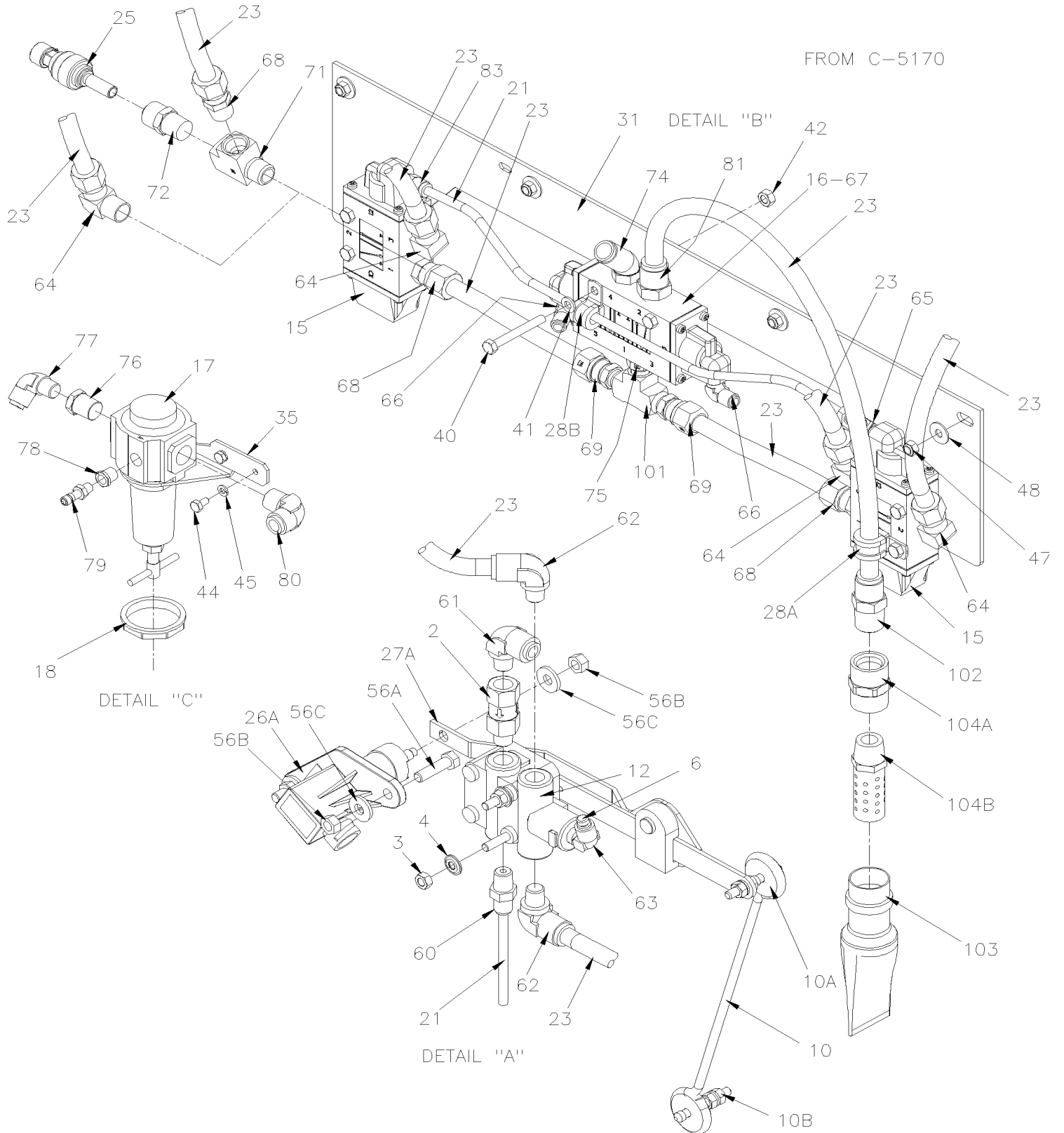
Date:01/2024

PAGE:X3-1620-01

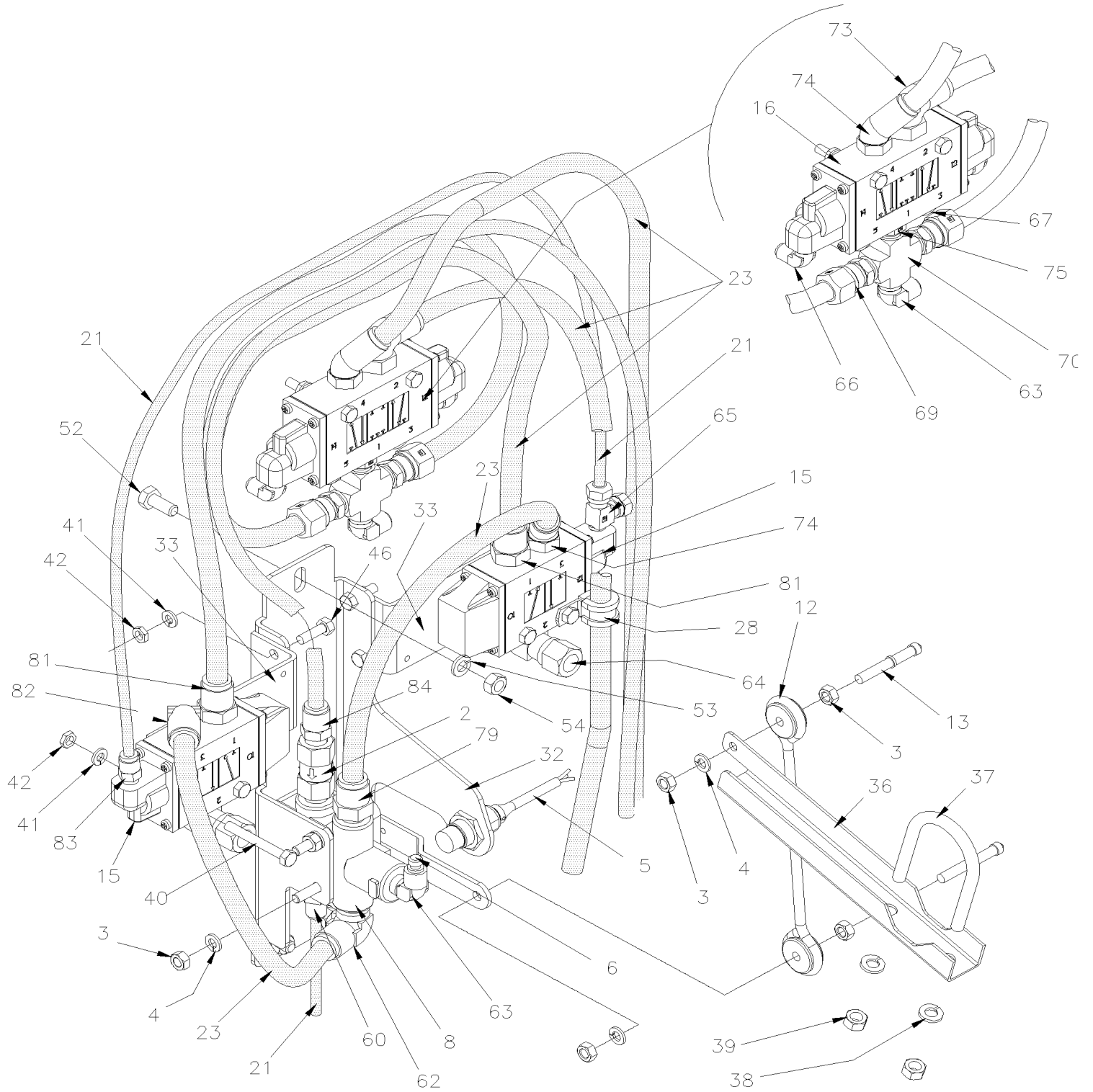
HEIGHT CONTROL VALVE



From B-5002 To D-5458	Date:01/2024	PAGE:X3-1620-01
HEIGHT CONTROL VALVE		

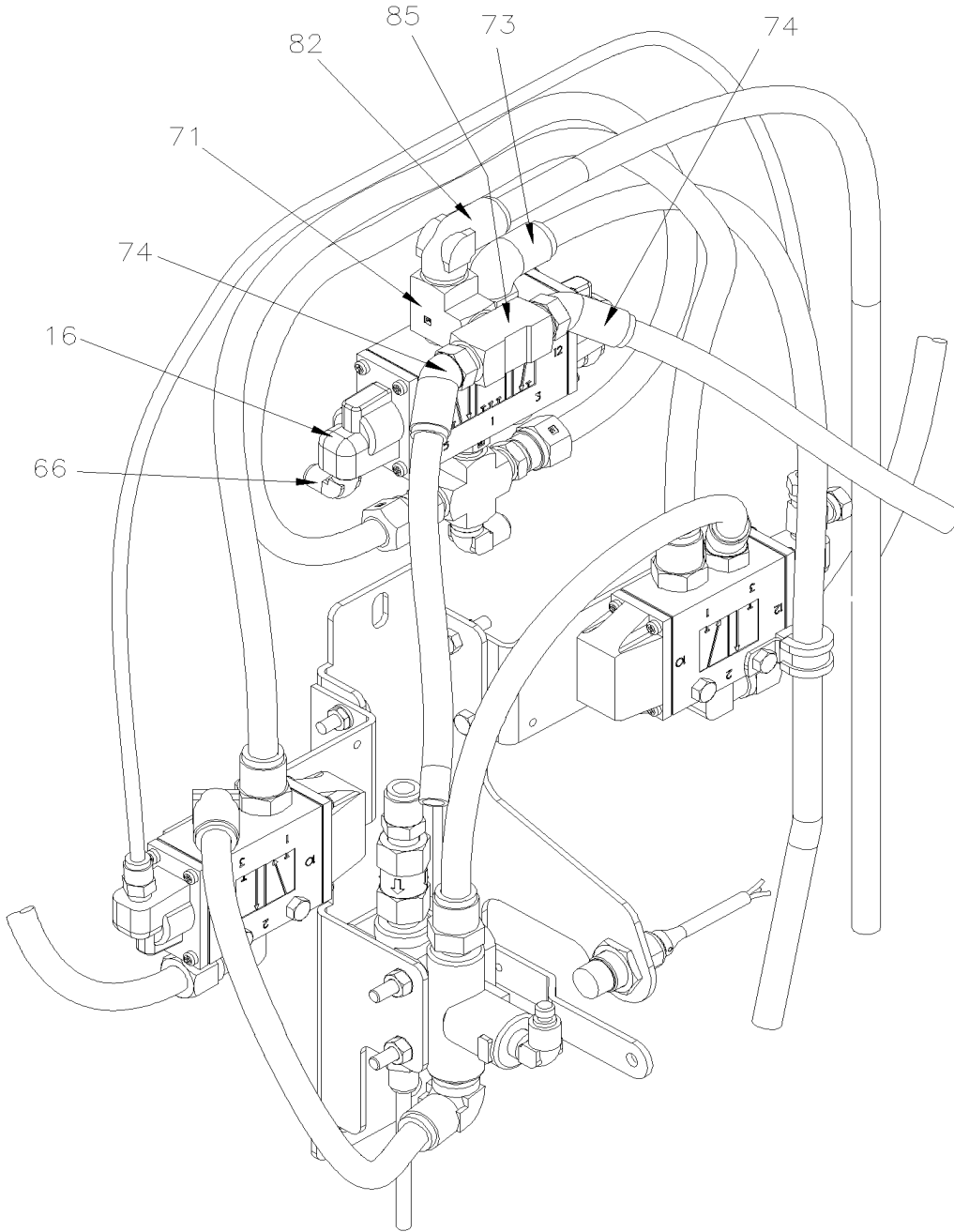


HEIGHT CONTROL VALVE



DETAIL "D"
UP TO C-5169

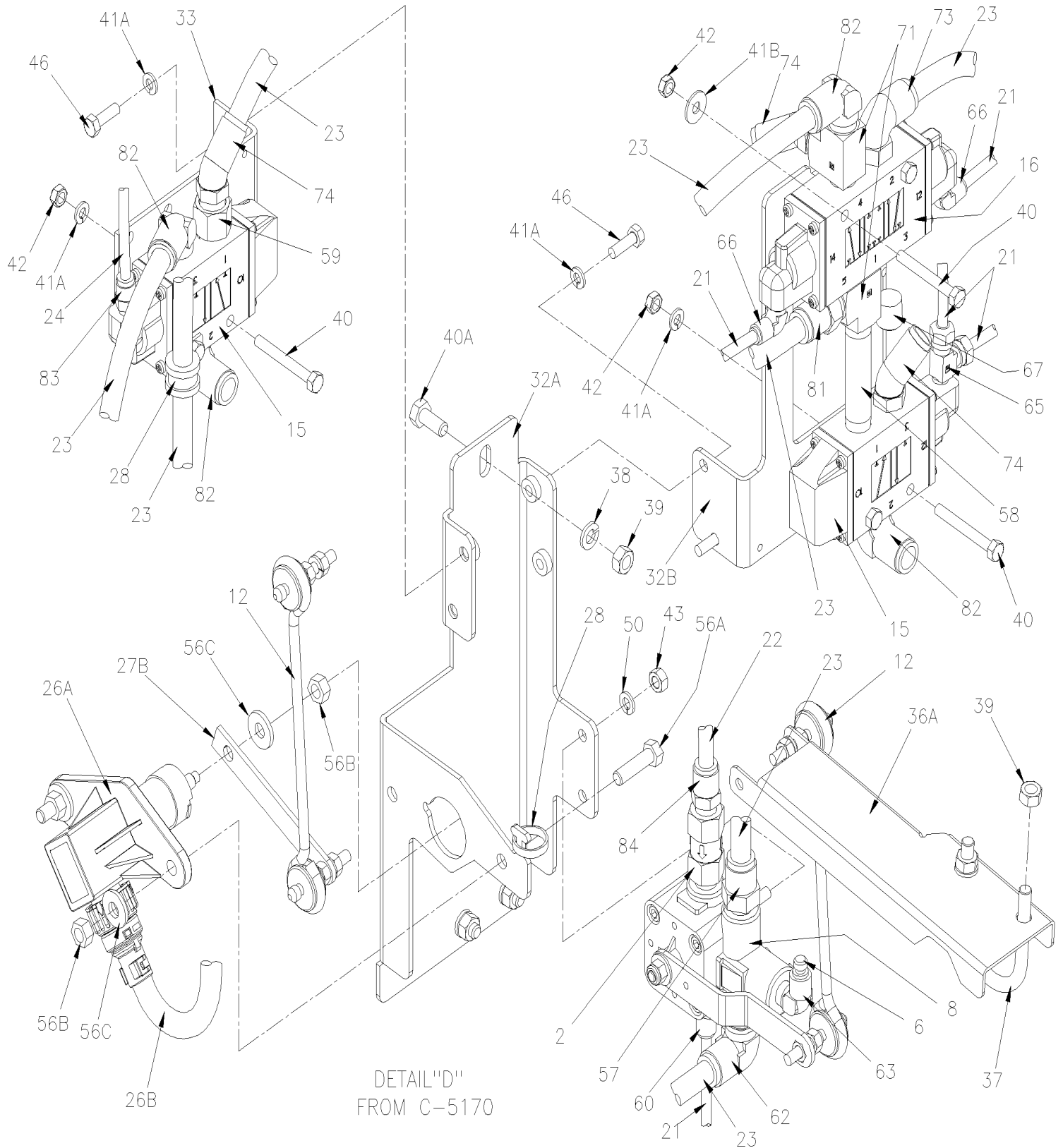
HEIGHT CONTROL VALVE



WITH QUICK RECOVERY KNEELING

DETAIL "D"
UP TO C-5169

HEIGHT CONTROL VALVE



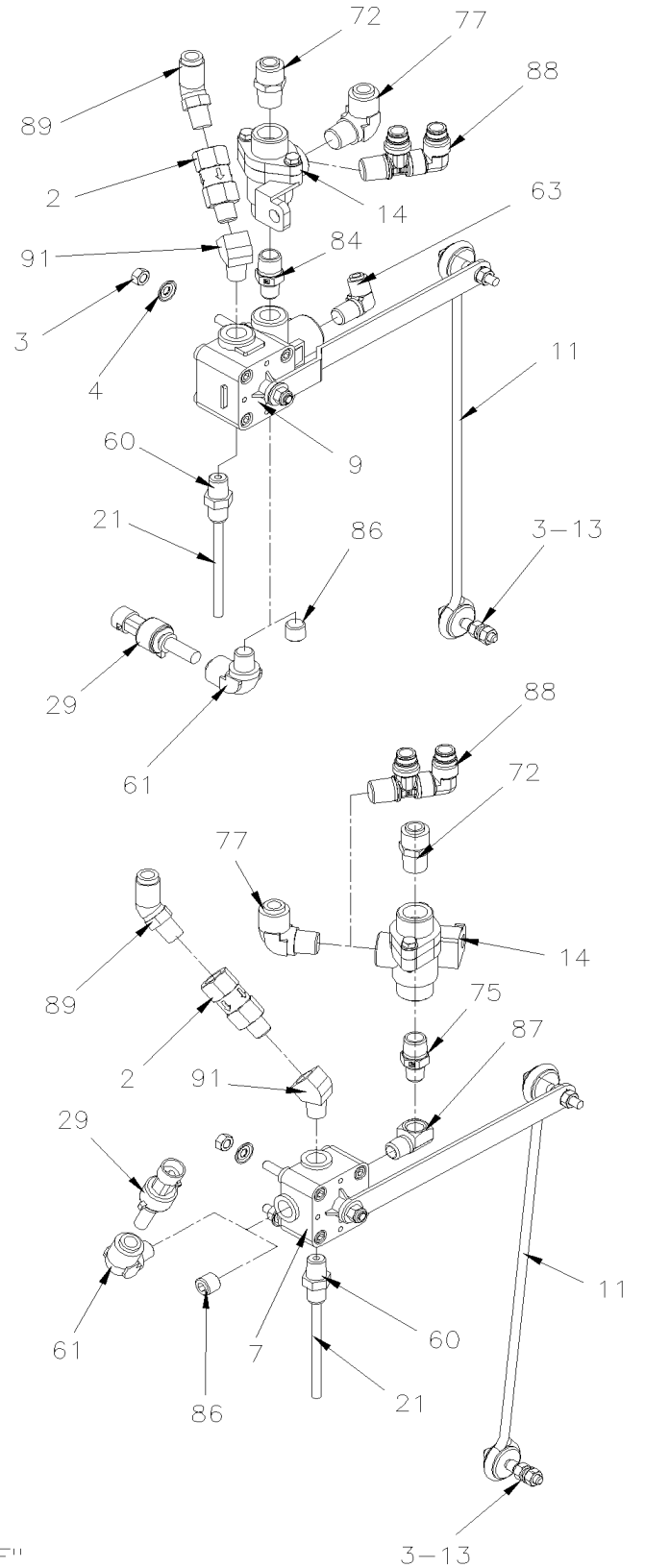
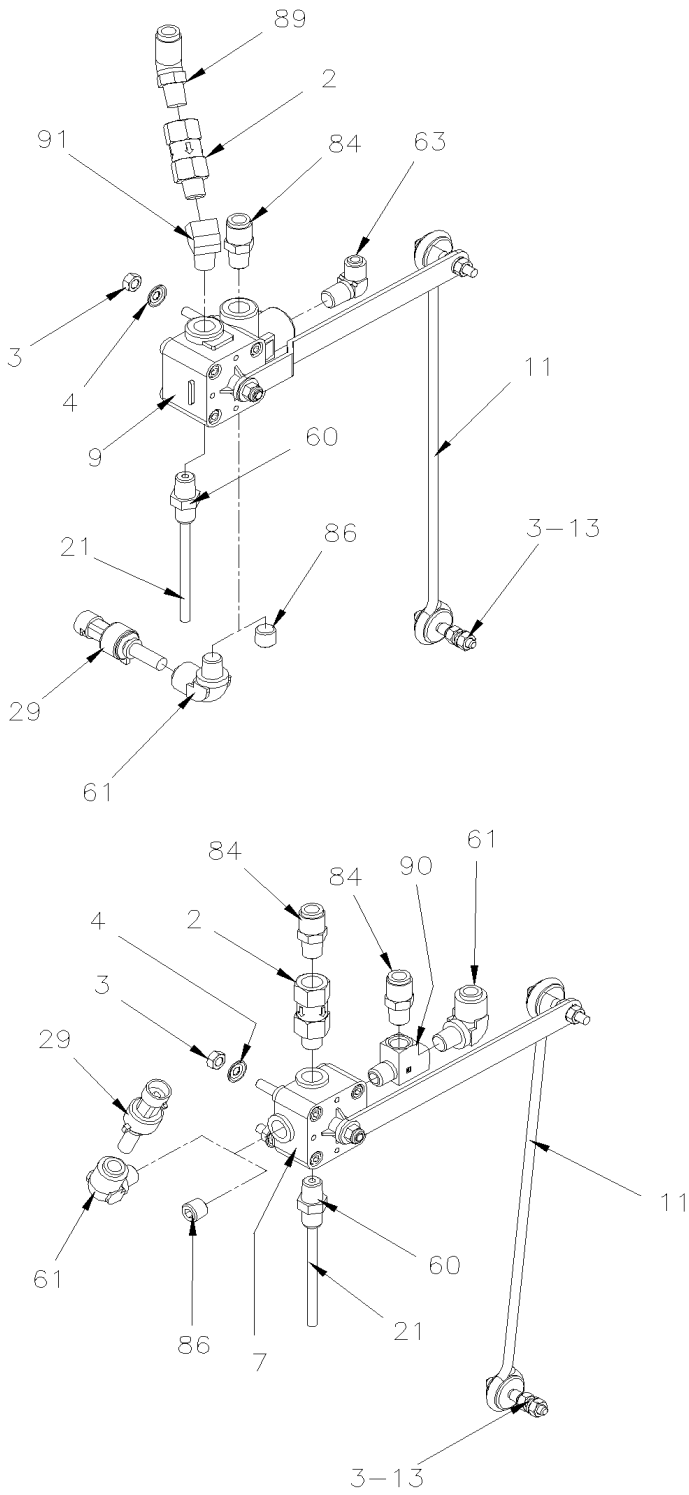
DETAIL "D"
FROM C-5170

From B-5002 To D-5458

Date:01/2024

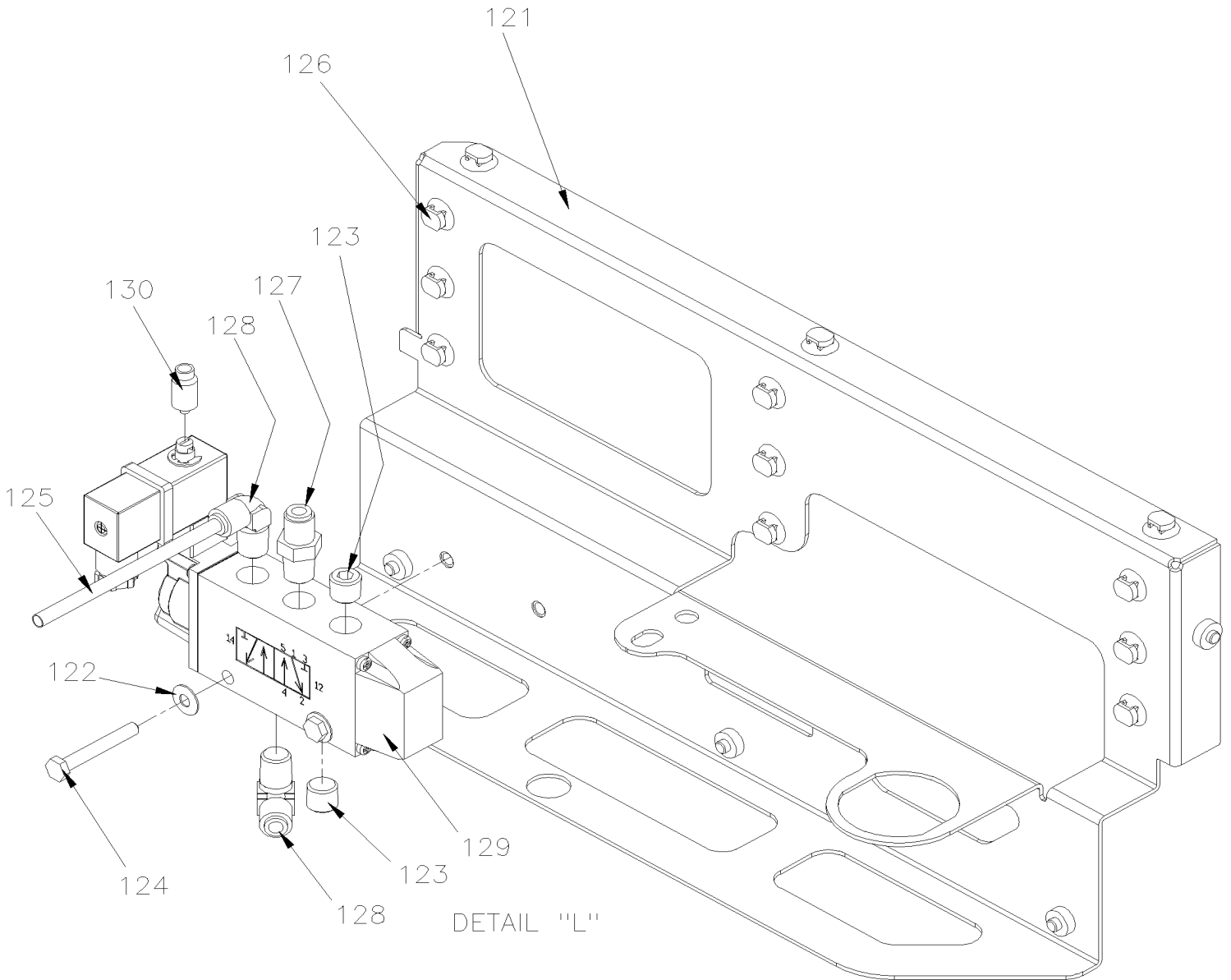
PAGE:X3-1620-01

HEIGHT CONTROL VALVE



DETAIL "F"

HEIGHT CONTROL VALVE



From B-5002 To D-5458	Date:01/2024	PAGE:X3-1620-01
HEIGHT CONTROL VALVE		

Item#	Part	Description	QTY	Notes
1	630261	VALVE, HEIGHT CONTROL "BARKSDALE" / FRONT / W/DRAIN	1	
2	640135	VALVE, CHECK 1/4 NPT	1	
3	500769	NUT HEX 1/4-20 Z050	2	
4	502582	WASHER LO SERR 6.1x16.2x0.9 Z050	2	
5	131535	SWITCH PROXIMITY ASSY 1520MM	1	
6	641416	PLUG STEM / PUSH-IN FITTING / #4 PLAS	1	
6	642147	PLUG STEM / PUSH-IN FITTING / #6 PLAS	AR	
7	630156	VALVE, HEIGHT CONTROL "BARKSDALE"	2	
8	630266	VALVE, HEIGHT CONTROL "BARKSDALE" / FRONT / W/DRAIN	1	
9	630247	VALVE, HEIGHT CONTROL "BARKSDALE" / REAR / W/DRAIN	2	
10	630232	LINK ASSY 265MM C/C 10 1/2"	1	
. A	N8889244	. GROMMET / LINK	2	
. B	630250	. STUD RETAINER 1/4-20 X 1"	2	
. NS	500479	. WASHER LO INT .448x.789x.040 Z050	4	
. NS	500473	. WASHER LO SPT .262x.489x.062 Z050	4	
11	630263	LINK ASSY 317MM C/C 11 1/2"	2	
. A	N8889244	. GROMMET / LINK	2	
. B	630250	. STUD RETAINER 1/4-20 X 1"	2	
. NS	500769	. NUT HEX 1/4-20 Z050	4	
. NS	500473	. WASHER LO SPT .262x.489x.062 Z050	4	
12	630231	LINK ASSY 185MM C/C 7 1/4"	1	
. A	N8889244	. GROMMET / LINK	2	
. B	630250	. STUD RETAINER 1/4-20 X 1"	2	
. C	500247	. NUT HEX 1/4-20 N500	4	
. D	500473	. WASHER LO SPT .262x.489x.062 Z050	4	
13	630250	STUD RETAINER 1/4-20 X 1"	2	
14	641564	VALVE, DOUBLE CHECK DC-4	1	
15	641274	VALVE, 3 WAYS, 2 POSITIONS N.C.	2	
16	641531	VALVE, 5 WAYS, 3 POSITIONS	1	
. NS	641186	. SPOOL	1	
17	641352	AIR PRESSURE REGULATOR 1/2" NPT	1	
18	641506	NUT RING / AIR REGULATOR RETAINING	1	
19	630269	VALVE DISCHARGE V72G W/3/8	1	
20	641527	VALVE, 4 WAYS, 2 POSITIONS	1	
. NS	641929	. COIL 24V	1	
. NS	641186	. SPOOL	1	
. NS	641385	. CONNECTOR / SOCKET HOUSING ASSY 3C / PNEUMAC 54934-01	1	
21	503402	TUBE, NYLON 1/4 O.D. / BLACK S.L.	AR	
22	503471	TUBE, NYLON 3/8 O.D. / BLUE S.L.	AR	
23	503517	TUBE, NYLON 1/2 O.D. / BLUE S.L.	AR	
24	503566	TUBE, NYLON 1/4 O.D. / BLUE S.L.	AR	
NS	507664	CABLE TIE / 3/16" 11" / DOUBLE LOOP HEAD	AR	

From B-5002 To D-5458	Date:01/2024	PAGE:X3-1620-01
------------------------------	---------------------	------------------------

HEIGHT CONTROL VALVE

Item#	Part	Description	QTY	Notes
25	20476992	TRANSDUCER PRESSURE (0-12Bar / 0-174PSI) To C-5169	1	G
26A	21585711	SENSOR / HEIGHT From C-5170 To C-5287	1	
26A	068563	SENSOR / HEIGHT ASSY From C-5288	1	
26B	068353	WIRING HARNESS From C-5170 To D-5299	1	
26B	068561	WIRING HARNESS From D-5300	1	
27A	138611	PIVOT CAPTOR ASSY From C-5170	1	I
27B	131968	PIVOT CAPTOR ASSY From C-5170	1	R
28	504637	CABLE TIE / 3/16" x 13"	AR	
28A	952627	CLAMP / 1/2" I.D.	1	
28B	952625	CLAMP / 3/8" I.D.	1	
29	642075	TRANSDUCER PRESSURE	1	
NS	563159	CONNECTOR / METRI-PACK 150 / SH 3C / PED 12065287	1	
29	20476992	TRANSDUCER PRESSURE (0-12Bar / 0-174PSI)	1	GR
30	173179	SUPPORT HEIGHT CONTROL VALVE (WELDED)	1	
31	131591	SUPPORT VALVE	1	
32	131621	SUPPORT HEIGHT CONTROL VALVE / WHITOUT "KNEELING"	1	
32	131921	SUPPORT HEIGHT CONTROL VALVE / W/KNEELING To C-5169	1	
32A	131969	SUPPORT HEIGHT CONTROL VALVE / W/KNEELING From C-5170	1	
32B	131972	SUPPORT VALVE From C-5170	1	
33	131319	SUPPORT VALVE To C-5169	2	
33	131319	SUPPORT VALVE From C-5170	1	
35	131803	SUPPORT AIR REGULATOR / W/HIGH BUOY	1	
36	110679	ACTUATOR LEVER To C-5169	1	
36A	110798	ACTUATOR LEVER From C-5170	1	
37	504635	U-BOLT 1 3/4" I.D. x 2 3/4" x 5/16-18	1	
38	500942	WASHER LO SPT 8.1x14.8x2.0 N500 To C-5169	2	
39	502846	NUT HEX 5/16-18 N500 To C-5169	2	
39	500685	NUT HEX NYRT 5/16-18 SS From C-5170	2	
40	502656	SCREW CAP HEX M6-1.0x50 SS	6	
40A	500836	SCREW CAP HEX 5/16-18x3/4 G5 N500	3	
41	502573	WASHER FL 6.4x12.5x1.6 SS	6	
41A	502570	WASHER LO SPT 6.1x11.8x1.6 SS	6	
41B	5001833	WASHER BEL SPR 6.1x18x1.27 SS	2	
42	502681	NUT HEX NYRT M6-1.0 N500 G8	6	
42	502565	NUT HEX M6-1.0 SS	6	
43	500247	NUT HEX 1/4-20 N500	2	
44	5001381	SCREW TC CAP HEX 1/4-20x1/2 Z050	2	
45	502564	WASHER LO SPT 6.1x11.8x1.6 Z050	2	
46	502622	SCREW CAP HEX M6-1.0x20 SS BK	4	
47	500411	WASHER FL .260x.697x.050 SS	4	
48	5001182	NUT HEX NYRT M6-1.0 SS	4	
49	500625	SCREW TC CAP HEXW 1/4-20x2 Z050	AR	

From B-5002 To D-5458	Date:01/2024	PAGE:X3-1620-01
HEIGHT CONTROL VALVE		

Item#	Part	Description	QTY	Notes
50	500473	WASHER LO SPT .262x.489x.062 Z050	AR	
51	500923	SCREW TC CAP HEX 1/4-20x3/4 Z050	2	
52	500179	SCREW CAP HEX 5/16-18x3/4 G5 Z050	2	
53	500942	WASHER LO SPT 8.1x14.8x2.0 N500	2	
54	500778	NUT HEX 5/16-18 N500	2	
55	500994	SCREW CAP HEX 1/4-20x1 3/4 G5 PT Z050	2	
56A	5001738	SCREW CAP HEX M8-1.25x30 G8.8 N500	2	
56B	502851	NUT HEX M8-1.25 N500	3	
56C	500321	WASHER BEL SPR .331x.827x.098 N500	3	
57	641380	MALE CONNECTOR / PUSH-IN FITTING / #8x1/4NPT-M BR	1	
58	501309	ADAPTER / PIPE FITTING / 3/8NPT-Fx3/8NPT-M BR	1	
60	641332	MALE CONNECTOR / PUSH-IN FITTING / #4x1/4NPT-M BR	1	
61	641372	MALE ELBOW 90° NON-SWIVEL / PUSH-IN FITTING / #6x1/4NPT-M BR	1	A
62	641373	MALE ELBOW 90° NON-SWIVEL / PUSH-IN FITTING / #8x1/4NPT-M BR	2	
63	641371	MALE ELBOW 90° NON-SWIVEL / PUSH-IN FITTING / #4x1/4NPT-M BR	1	
64	641040	MALE ELBOW 90° / NTA FITTING / #8x3/8NPT-M BR	2	
65	641002	MALE RUN TEE / NTA FITTING / #4x#4x1/8NPT-M BR	1	
66	641369	MALE ELBOW 90° NON-SWIVEL / PUSH-IN FITTING / #4x1/8NPT-M BR	2	
67	501449	PLUG HEXS / PIPE FITTING / 3/8NPT-M STL	2	
68	640991	MALE CONNECTOR / NTA FITTING / #8x3/8NPT-M BR	1	
69	641173	MALE CONNECTOR / NTA FITTING / #8x1/4NPT-M BR	1	
70	501902	CROSS / PIPE FITTING / 1/4NPT-Fx1/4NPT-Fx 1/4NPT-Fx1/4NPT-F BR	1	
71	501699	MALE RUN TEE / PIPE FITTING / 3/8NPT-Mx3/8NPT-Fx3/8NPT-F BR	1	
72	641330	MALE CONNECTOR / PUSH-IN FITTING / #6x3/8NPT-M BR	1	
73	641428	MALE ELBOW 90° SWIVEL / PUSH-IN FITTING / #8x3/8NPT-M BR	1	
74	641368	MALE ELBOW 45° NON-SWIVEL / PUSH-IN FITTING / #8x3/8NPT-M BR	1	
75	501749	NIPPLE REDUCER HEX / PIPE FITTING / 3/8NPT-Mx1/4NPT-Mx1 13/32 BR	1	
76	501534	BUSHING REDUCER / PIPE FITTING / 1/2NPT-Mx3/8NPT-F BR	1	
77	641375	MALE ELBOW 90° NON-SWIVEL / PUSH-IN FITTING / #6x3/8NPT-M BR	1	
78	501312	BUSHING REDUCER / PIPE FITTING / 1/4NTP-Mx1/8NPT-F BR	1	
79	640488	VALVE, AIR FILL 1/8" NPT	1	
. NS	650164	. CAP VALVE / CHROME	1	
80	641378	MALE ELBOW 90° / PUSH-IN FITTING / #8x1/2NPT-M BRASS	1	
81	641381	MALE CONNECTOR / PUSH-IN FITTING / #8x3/8NPT-M BR	4	
82	641376	MALE ELBOW 90° NON-SWIVEL / PUSH-IN FITTING / #8x3/8NPT-M BR	1	
83	641242	MALE CONNECTOR / PUSH-IN FITTING / #4x1/8NPT-M BR	1	
84	641331	MALE CONNECTOR / PUSH-IN FITTING / #6x1/4NPT-M BR	1	
85	501737	MALE BRANCHE TEE / PIPE FITTING / 3/8NPT-Fx3/8NPT-Fx3/8NPT-M BR	1	
86	501800	PLUG HEXS / PIPE FITTING / 1/4NPT-M STL	1	
87	501332	STREET ELBOW 90° / PIPE FITTING / 1/4NPT-Mx1/4NPT-F BR	1	
88	642128	MALE ELBOW 90° SWIVEL DUAL PORT / PUSH-IN / #6x#6x3/8NPT-M BR	1	

From B-5002 To D-5458	Date:01/2024	PAGE:X3-1620-01
-----------------------	--------------	-----------------

HEIGHT CONTROL VALVE

Item#	Part	Description	QTY	Notes
89	641366	MALE ELBOW 45° NON-SWIVEL / PUSH-IN FITTING / #6x1/4NPT-M BR	1	
90	501338	MALE RUN TEE / PIPE FITTING / 1/4NPT-Mx1/4NPT-Fx1/4NPT-F BR	1	
91	501329	STREET ELBOW 45° / PIPE FITTING / 1/4NPT-Mx1/4NPT-F BR	1	
92	501304	PLUG SQUARE HEAD / PIPE FITTING / 1/4NPT-M BR To A-9968	1	
92	501800	PLUG HEXS / PIPE FITTING / 1/4NPT-M STL From A-9969	1	
93	642113	MALE CONNECTOR / PUSH-IN FITTING / #4x#10-32-M BR	1	
94	641347	MALE CONNECTOR / PUSH-IN FITTING / #4x3/8NPT-M BR	3	
95	501322	NIPPLE HEX / PIPE FITTING / 3/8NPT-Mx3/8NPT-Mx1 13/32 BR	1	
96	641388	MALE RUN TEE NON-SWIVEL / PUSH-IN FITTING / #6x#6x3/8NPT-M BR	1	
97	641389	MALE RUN TEE SWIVEL / PUSH-IN FITTING / #6x#6x1/4NPT-M BR	1	
98	640643	ANCHOR ELBOW / PIPE FITTING / 1/4NPT-Fx1/4NPT-F STL	1	
99	641008	MALE BRANCH TEE / NTA FITTING / #6x#6x3/8NPT-M BR	1	
100	641367	MALE ELBOW 45° NON-SWIVEL / PUSH-IN FITTING / #6x3/8NPT-M BR	1	
100	641332	MALE CONNECTOR / PUSH-IN FITTING / #4x1/4NPT-M BR	2	
101	501337	FEMALE UNION TEE / PIPE FITTING / 1/4NPT-Fx1/4NPT-Fx1/4NPT-F BR From C-5170	1	
102	641383	MALE CONNECTOR / PUSH-IN FITTING / #8x1/2NPT-M BR From C-5170	1	
103	561679	SHRINK TUBING / 1.000" - .500" / YELLOW / ALPHA FIT-221-1 From C-5170	AR	
104A	501529	COUPLING / PIPE FITTING / 1/2NPT-Fx1/2NPT-F BR From C-5170	1	
104B	640237	SILENCER / MUFFLER / 1/2NPT-M From C-5170	1	
105	131737	MALE CONNECTOR 123.8MM 1/2 NPT From C-5170	2	
110	X3-1650-00	TAG UNLOAD - STABILISATOR		
111	X3-1630-00	FRONT KNEELING - CONTROL PANEL		
112	X3-1601-00	BELLOWS - AIR SUSPENSION		
113	X3-1203-00	AIR TANK - INSTALLATION		
121	143221	SUPPORT VALVE To C-5124	1	
121	143249	SUPPORT VALVE From C-5125	1	
122	5001608	WASHER BEL SPR 6.2x15.0x0.7 G500	2	
123	501800	PLUG HEXS / PIPE FITTING / 1/4NPT-M STL	2	
124	502793	SCREW CAP HEX M6-1.0x45 G8.8 Z050	2	
125	503402	TUBE, NYLON 1/4 O.D. / BLACK S.L.	AR	
126	509815	TIE MOUNT / ATTACHMENT W/TREE MOUNT	AR	
127	641332	MALE CONNECTOR / PUSH-IN FITTING / #4x1/4NPT-M BR	1	
128	641371	MALE ELBOW 90° NON-SWIVEL / PUSH-IN FITTING / #4x1/4NPT-M BR	2	
129	641527	VALVE, 4 WAYS, 2 POSITIONS	1	
. NS	641929	. COIL 24V	1	
. NS	641186	. SPOOL	1	
. NS	641385	. CONNECTOR / SOCKET HOUSING ASSY 3C / PNEUMAC 54934-01	1	
130	642113	MALE CONNECTOR / PUSH-IN FITTING / #4x#10-32-M BR	1	
NS	507383	TIE MOUNT HOLE 3/8" To L-6581	1	
NS	509894	TIE MOUNT HOLE 7.8MM From L-6582	1	

From B-5002 To D-5458	Date:01/2024	PAGE:X3-1620-01
-----------------------	--------------	-----------------

HEIGHT CONTROL VALVE

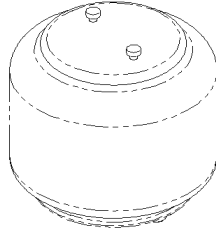
Item#	Part	Description	QTY	Notes
NS	502681	NUT HEX NYRT M6-1.0 N500 G8	1	
NS	500877	WASHER FL .250x.562x.065 N500	1	
NS	509491	CABLE TIE / 13MM x 383MM	1	
200	132118	KIT SENSOR FOR INDEPENDENT FRONT SUSPENSION From C-5241 To D-2362	1	
		A) WITH OPTION "ABS-6 ESP ADVENCE"		
		G) WITH VEHICULE OPTION WEIGHT CONTROL ON FRONT AXLE "GREYHOUND"		
		GR) WITH GREYHOUND OPTION		
		I) WITH INDEPENDANTE SUSPENSION		
		R) WITH "I BEAM" SUSPENSION		

From C-5241 To D-2362	Date:01/2024	PAGE:132118
KIT SENSOR FOR INDEPENDENT FRONT SUSPENSION		

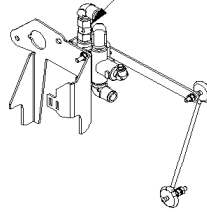
Item#	Part	Description	QTY	Notes
1	132127	SUPPORT HEIGHT CTR'L VALVE, W/FRONT KNEE	1	
2	132128	PIVOT ARM FOR ECS CAPTOR	1	
3	630231	LINK ASSY 185MM C/C 7 1/4"	1	
. A	N8889244	. GROMMET / LINK	2	
. B	630250	. STUD RETAINER 1/4-20 X 1"	2	
. C	500247	. NUT HEX 1/4-20 N500	4	
. D	500473	. WASHER LO SPT .262x.489x.062 Z050	4	
4	22194741	SENSOR / HEIGHT ASSY	1	
5	641380	MALE CONNECTOR / PUSH-IN FITTING / #8x1/4NPT-M BR	1	
6	502851	NUT HEX M8-1.25 N500	3	
7	500321	WASHER BEL SPR .331x.827x.098 N500	3	
8	5001745	SCREW CAP HEX M8-1.25x25 G8.8 N500	2	
9	5001736	WASHER FL 8.4x18.0x2.0 N500	2	
10	500247	NUT HEX 1/4-20 N500	2	
11	500473	WASHER LO SPT .262x.489x.062 Z050	2	
12	500836	SCREW CAP HEX 5/16-18x3/4 G5 N500	3	
13	500942	WASHER LO SPT 8.1x14.8x2.0 N500	3	
14	500778	NUT HEX 5/16-18 N500	3	
15	502570	WASHER LO SPT 6.1x11.8x1.6 SS	4	
16	502622	SCREW CAP HEX M6-1.0x20 SS BK	4	
17	504637	CABLE TIE / 3/16" x 13"	4	
NS	IS-18025	SEE INSTRUCTION SHEET	1	

From E-5459	Date:01/2024	PAGE:X3-1620-02
HEIGHT CONTROL VALVE		

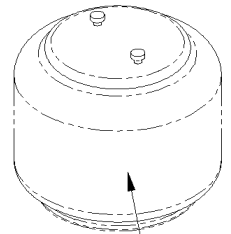
FRONT AXLE
I-BEAM RIGID SUSPENSION



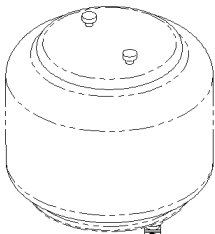
DETAIL "A"



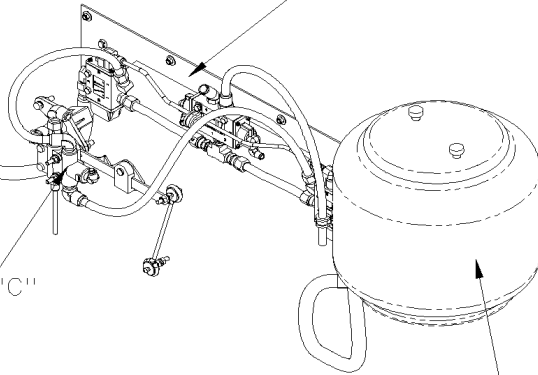
FRONT AXLE
I-BEAM RIGID SUSPENSION
WITH KNEELING



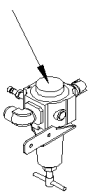
112



DETAIL "D"

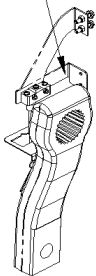


DETAIL "E"

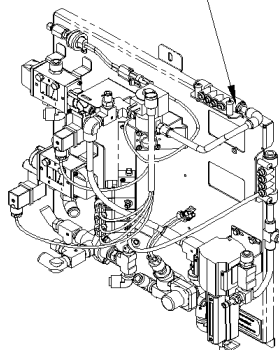


DETAIL "C"

110



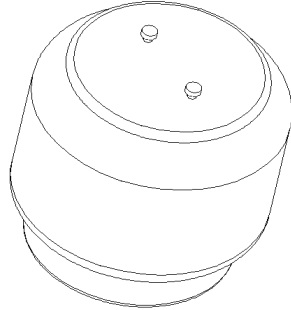
111



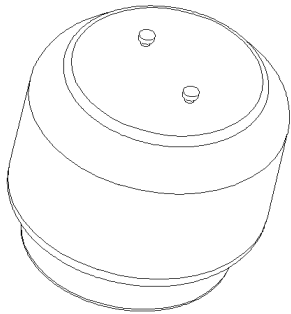
112

From E-5459	Date:01/2024	PAGE:X3-1620-02
HEIGHT CONTROL VALVE		

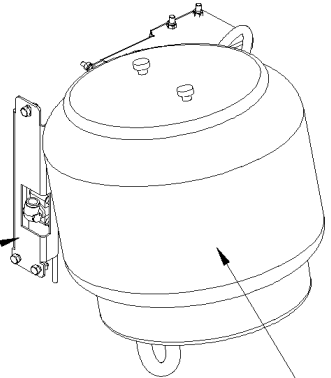
FRONT AXLE
INDEPENDANT SUSPENSION



FRONT AXLE
INDEPENDANT SUSPENSION
WITH KNEELING

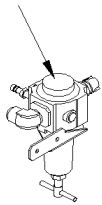


DETAIL "B"



112

DETAIL "E"



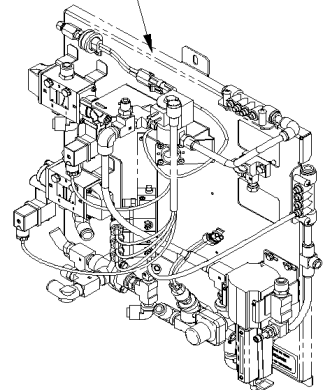
DETAIL "F"



110

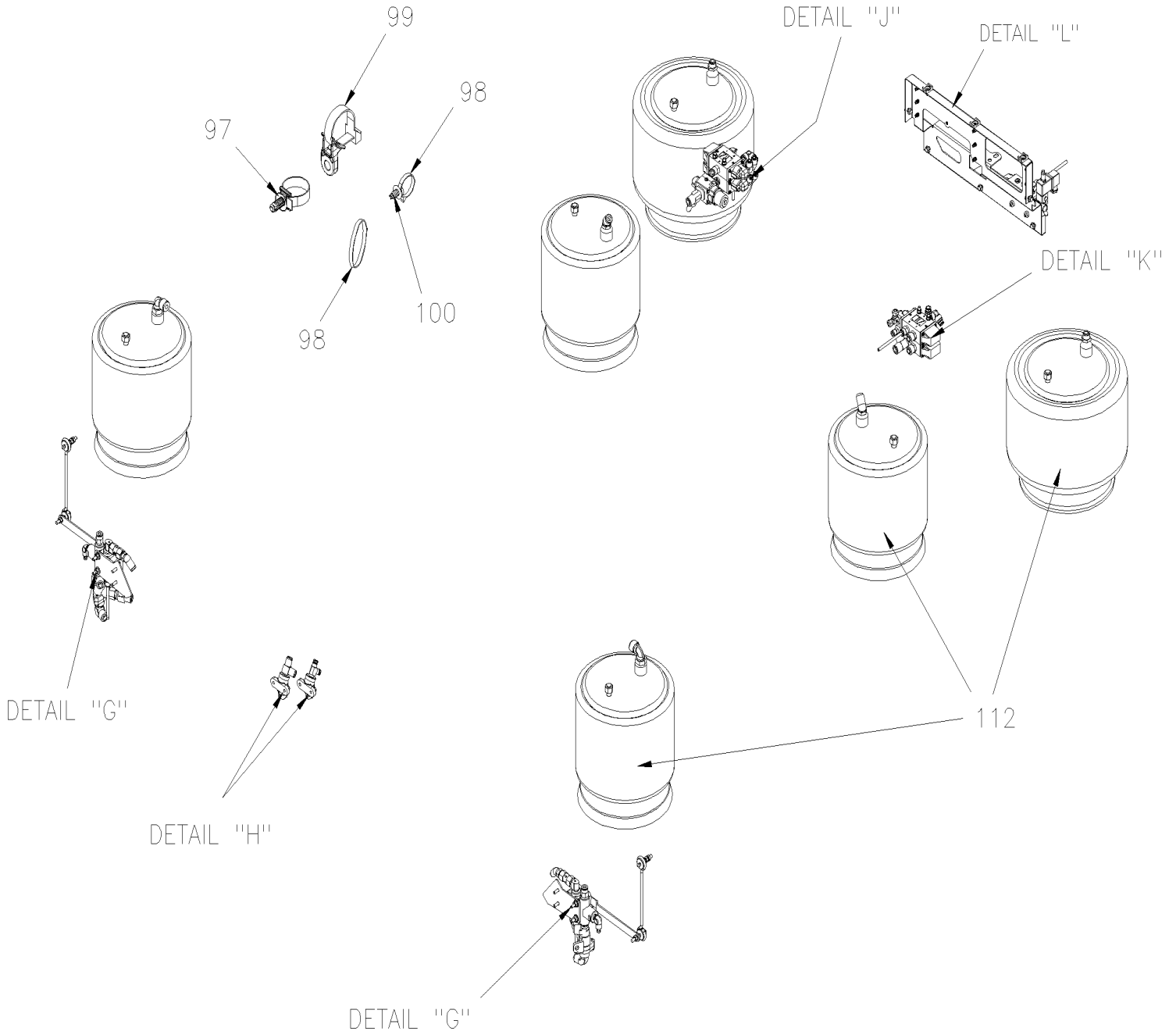
112

111



HEIGHT CONTROL VALVE

REAR AND TAG AXLE



From E-5459

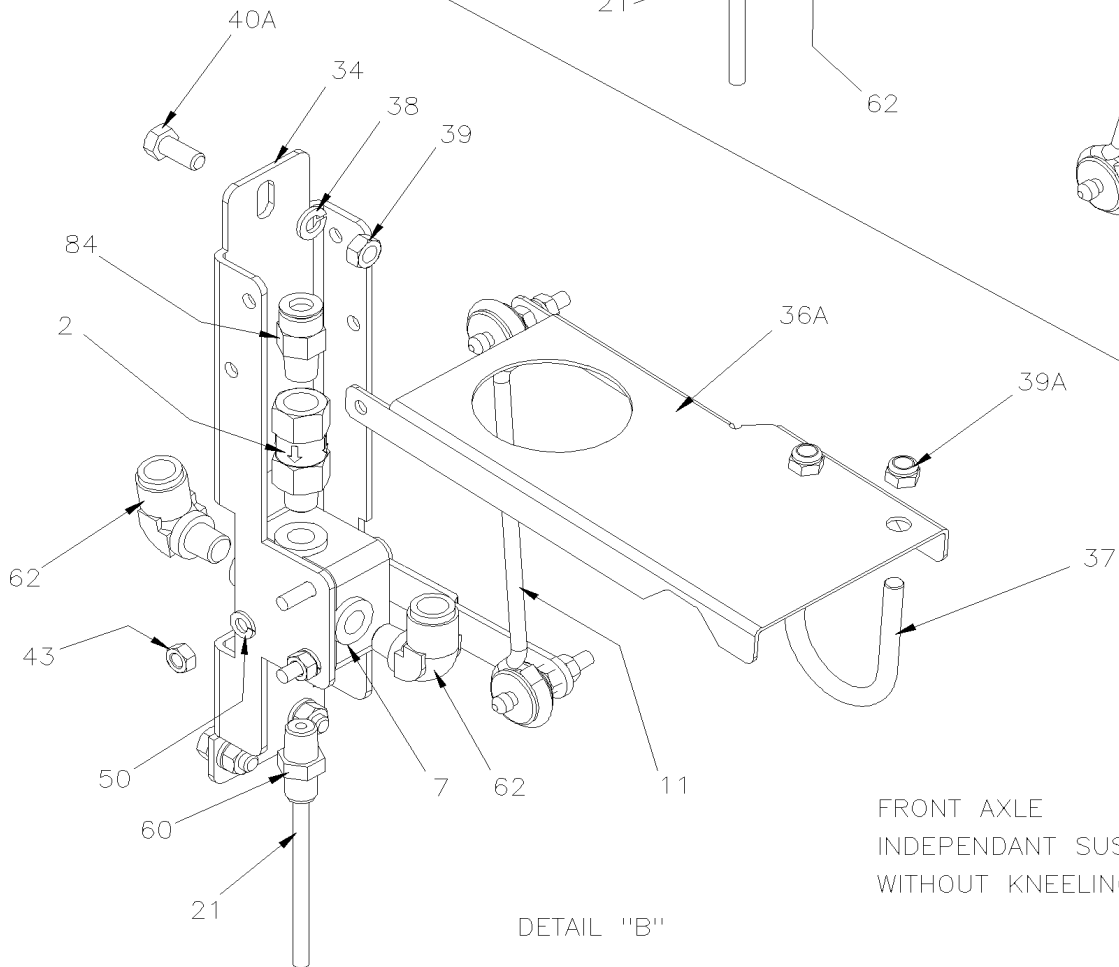
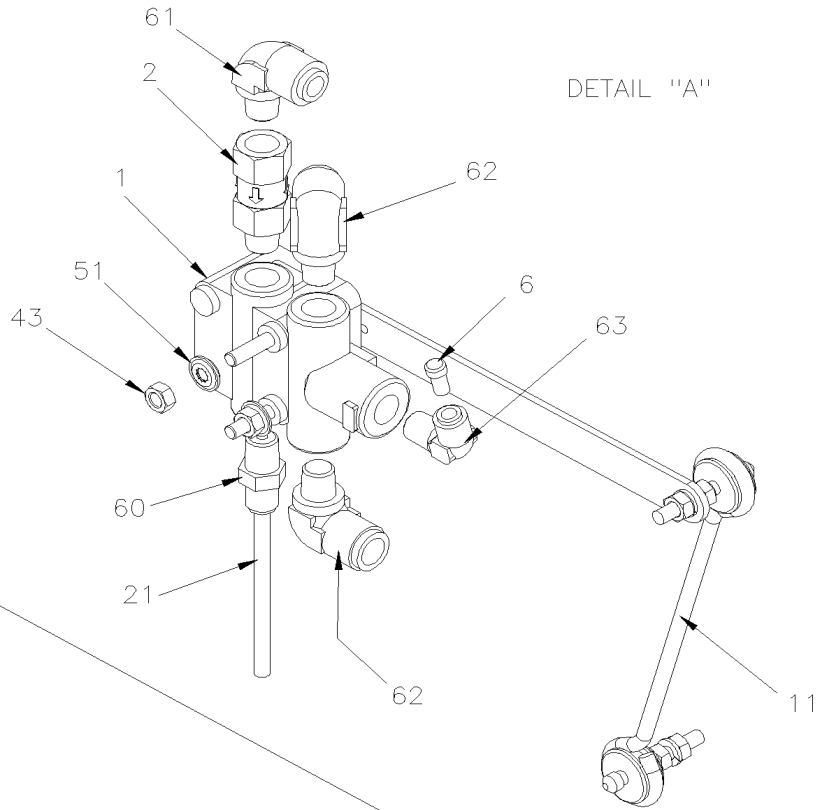
Date:01/2024

PAGE:X3-1620-02

HEIGHT CONTROL VALVE

FRONT AXLE
RIGIDE SUSPENSION
WITHOUT KNEELING

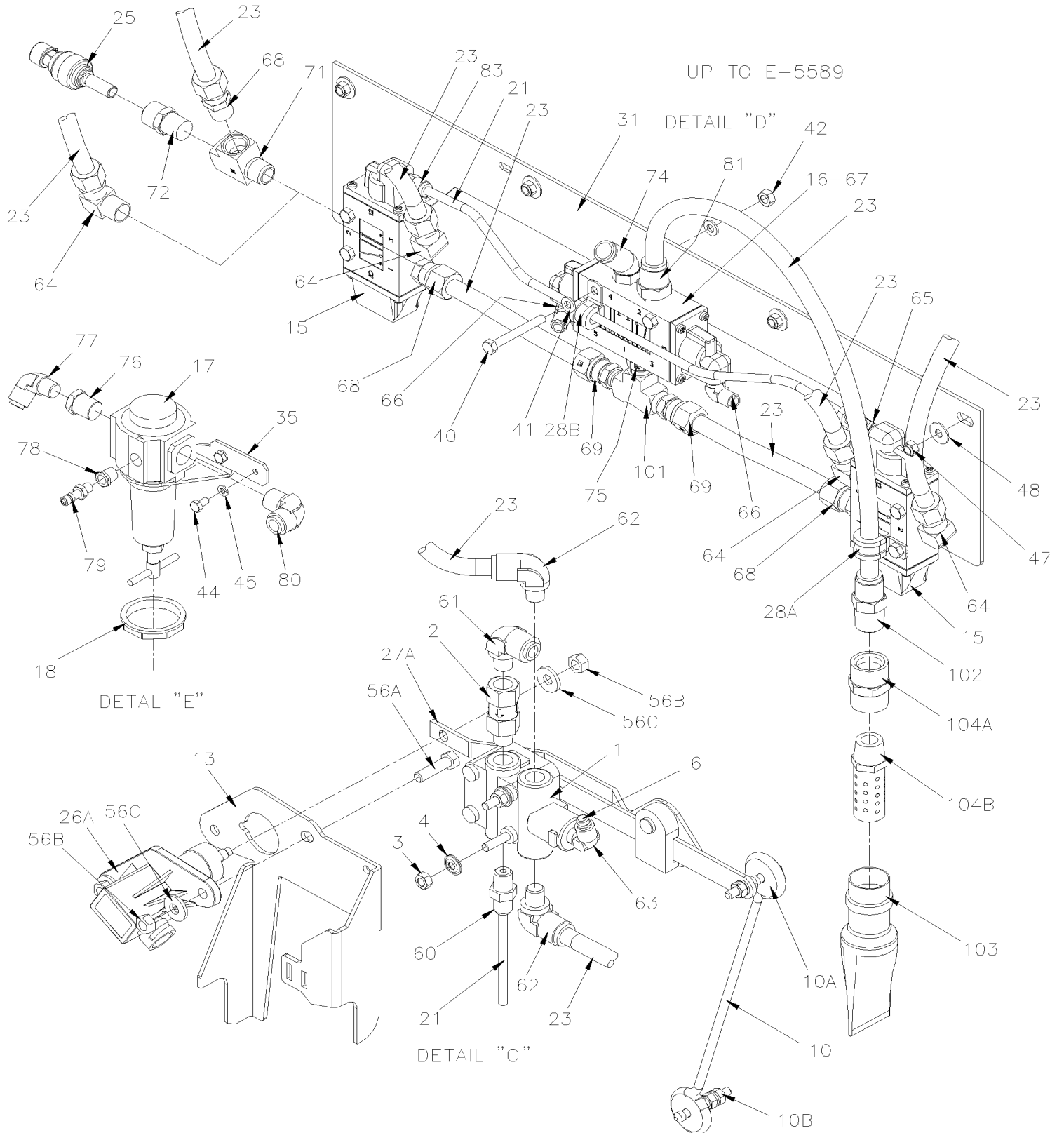
DETAIL "A"



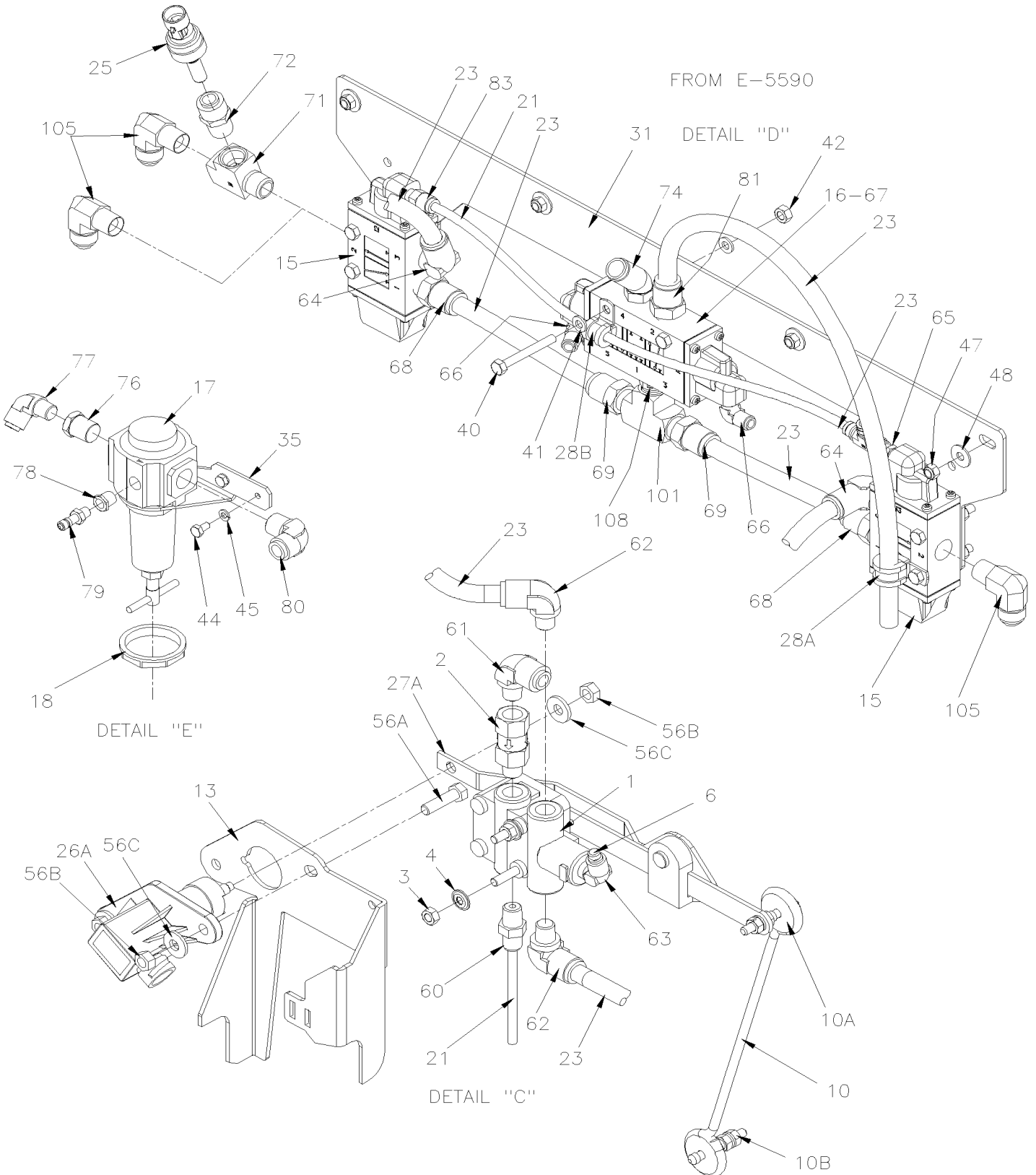
FRONT AXLE
INDEPENDANT SUSPENSION
WITHOUT KNEELING

DETAIL "B"

From E-5459	Date:01/2024	PAGE:X3-1620-02
HEIGHT CONTROL VALVE		



HEIGHT CONTROL VALVE

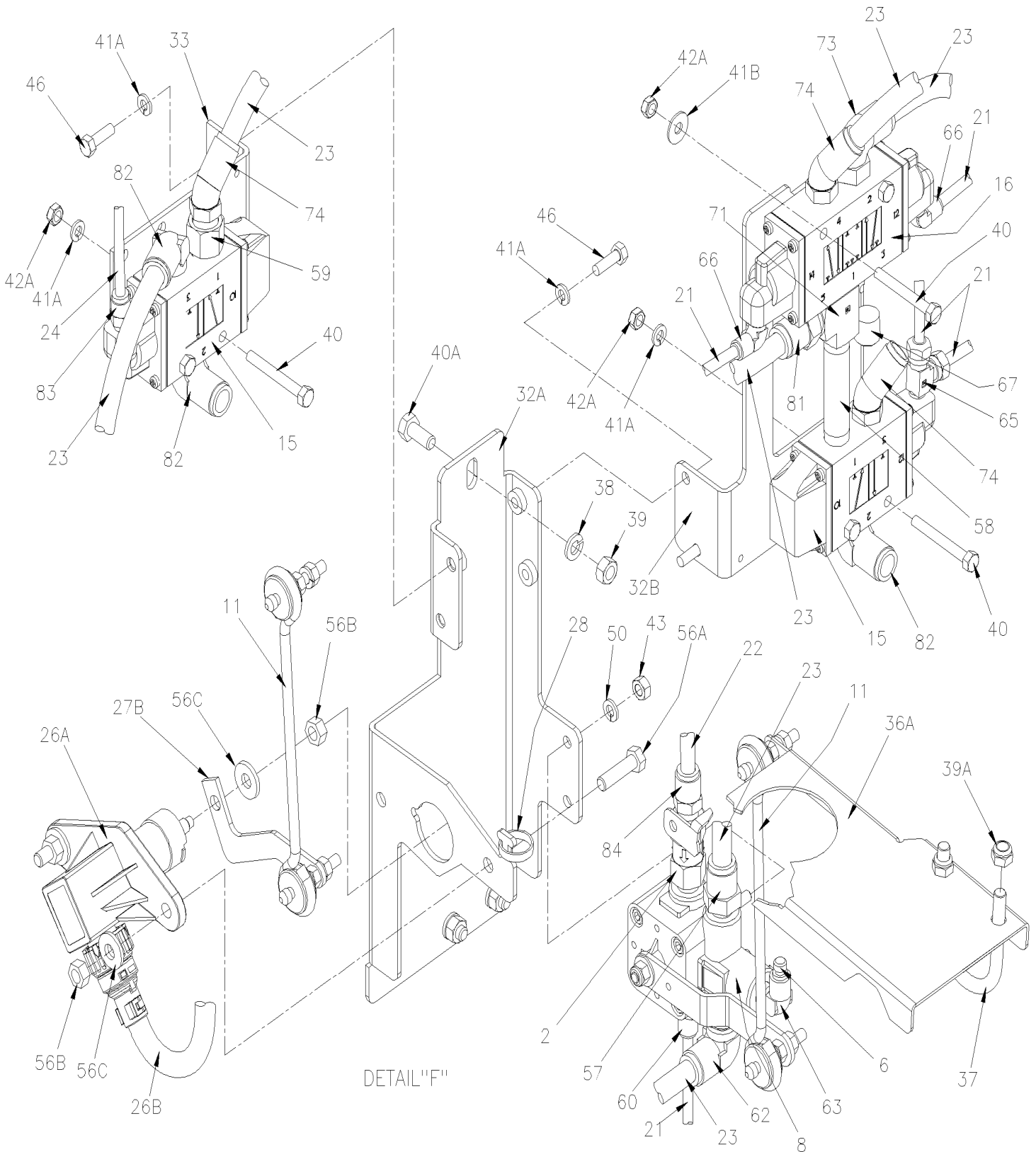


From E-5459

Date:01/2024

PAGE:X3-1620-02

HEIGHT CONTROL VALVE



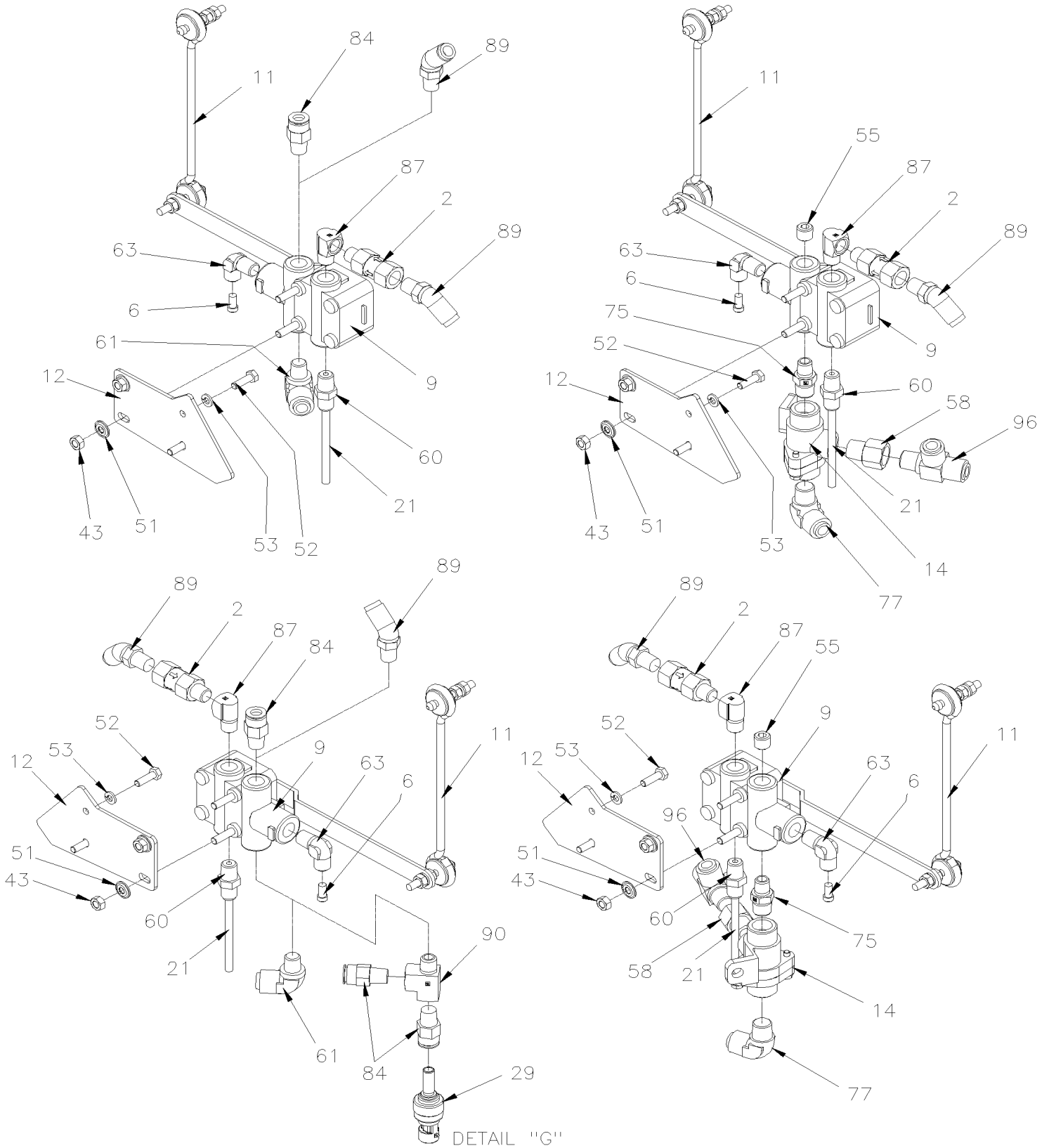
DETAIL "F"

From E-5459

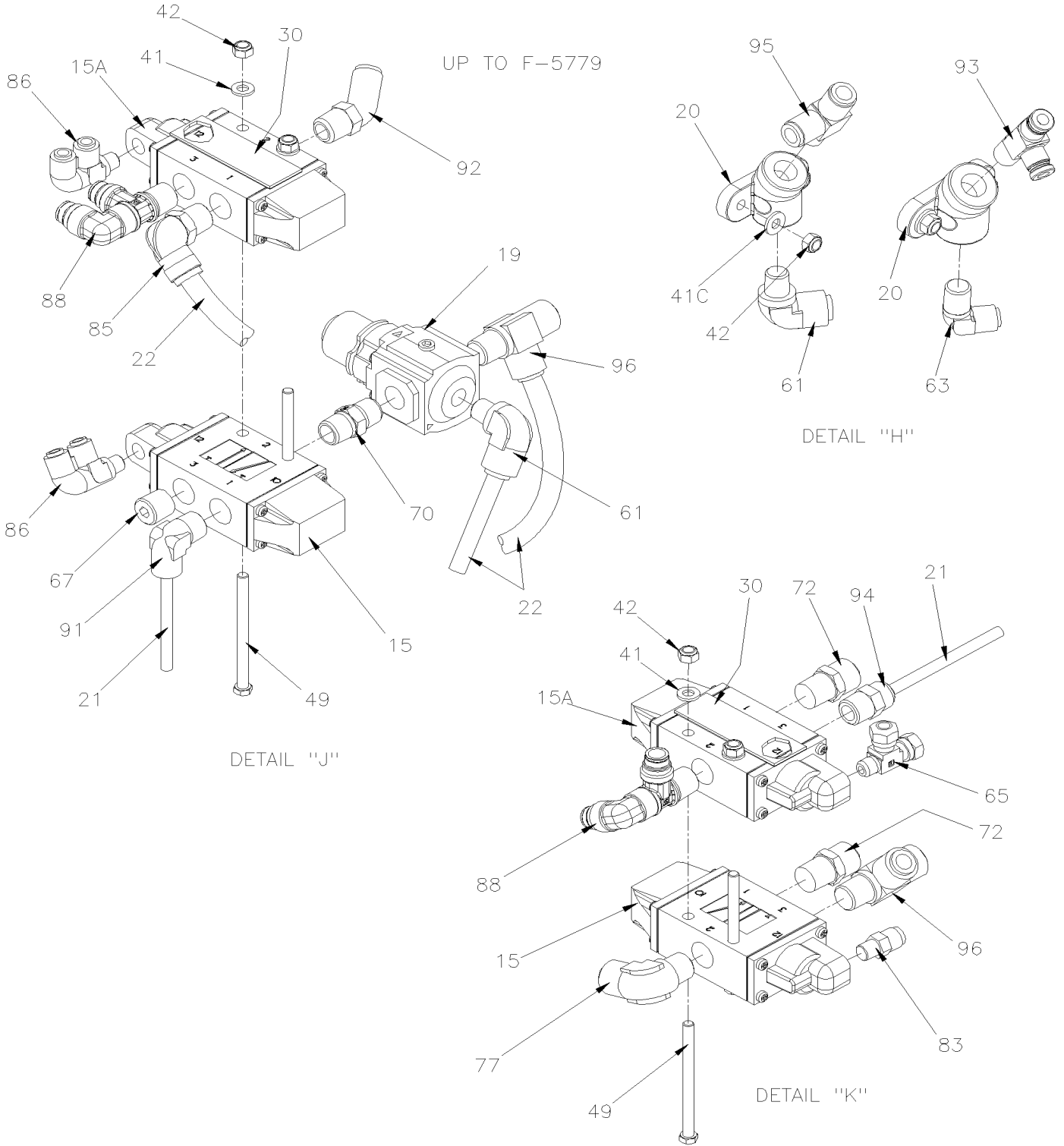
Date:01/2024

PAGE:X3-1620-02

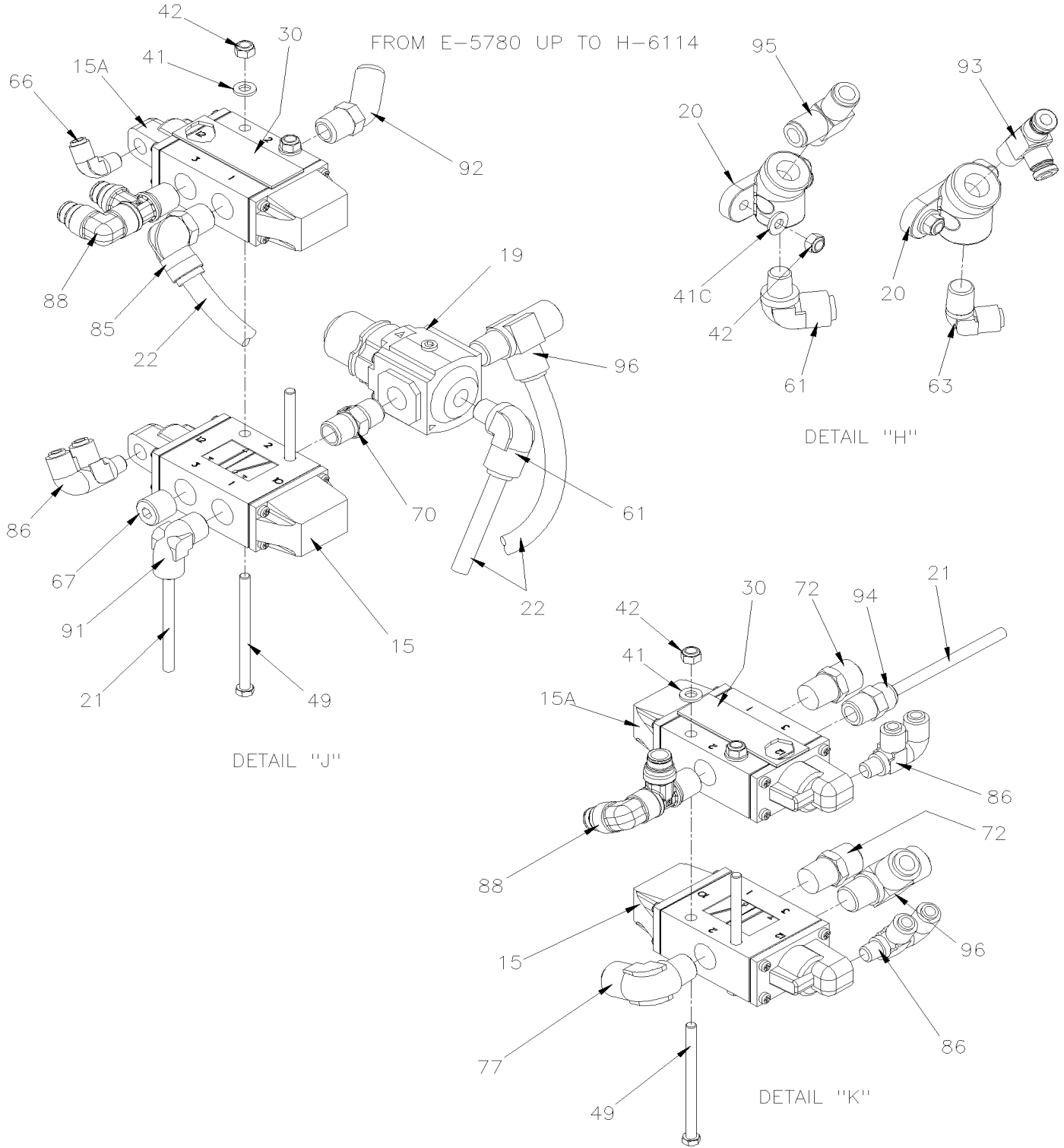
HEIGHT CONTROL VALVE



From E-5459	Date:01/2024	PAGE:X3-1620-02
HEIGHT CONTROL VALVE		

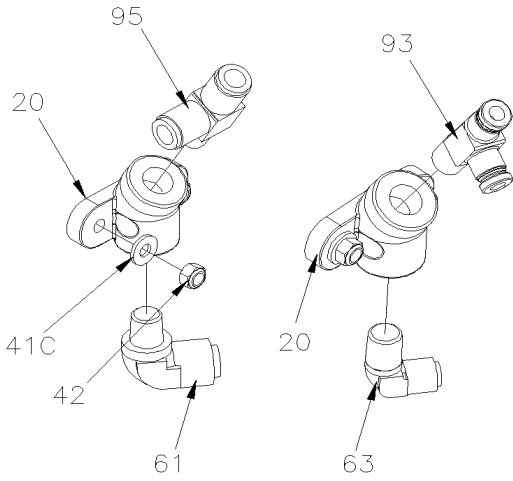


From E-5459	Date:01/2024	PAGE:X3-1620-02
HEIGHT CONTROL VALVE		

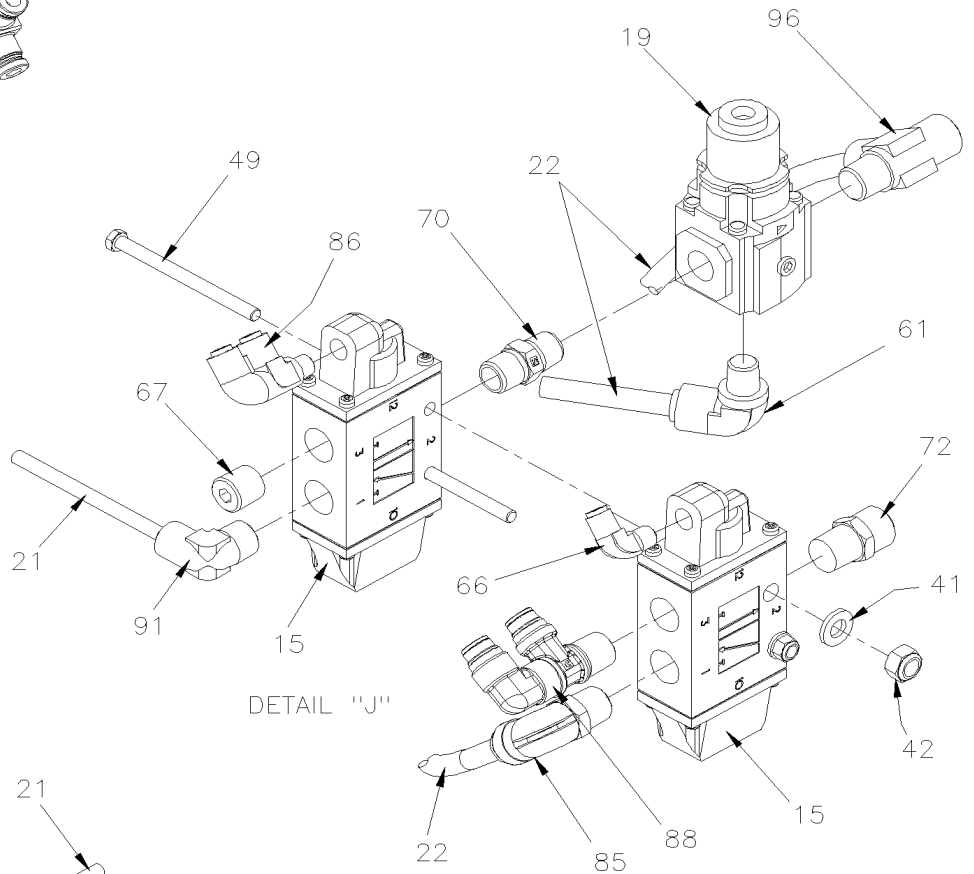


From E-5459	Date:01/2024	PAGE:X3-1620-02
HEIGHT CONTROL VALVE		

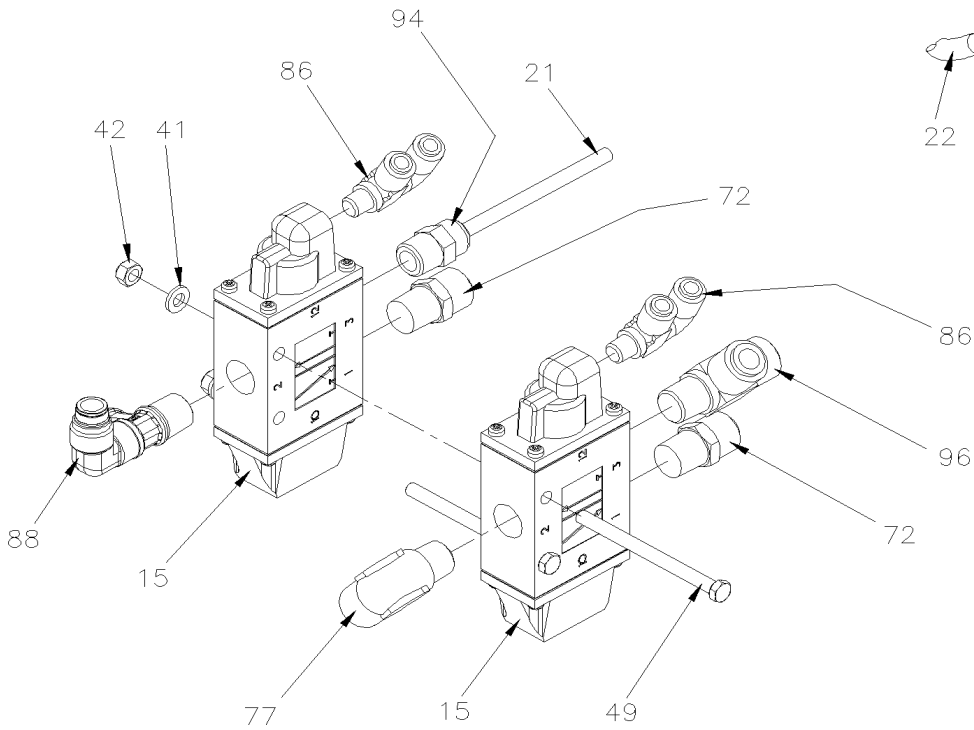
FROM H-6115



DETAIL "H"

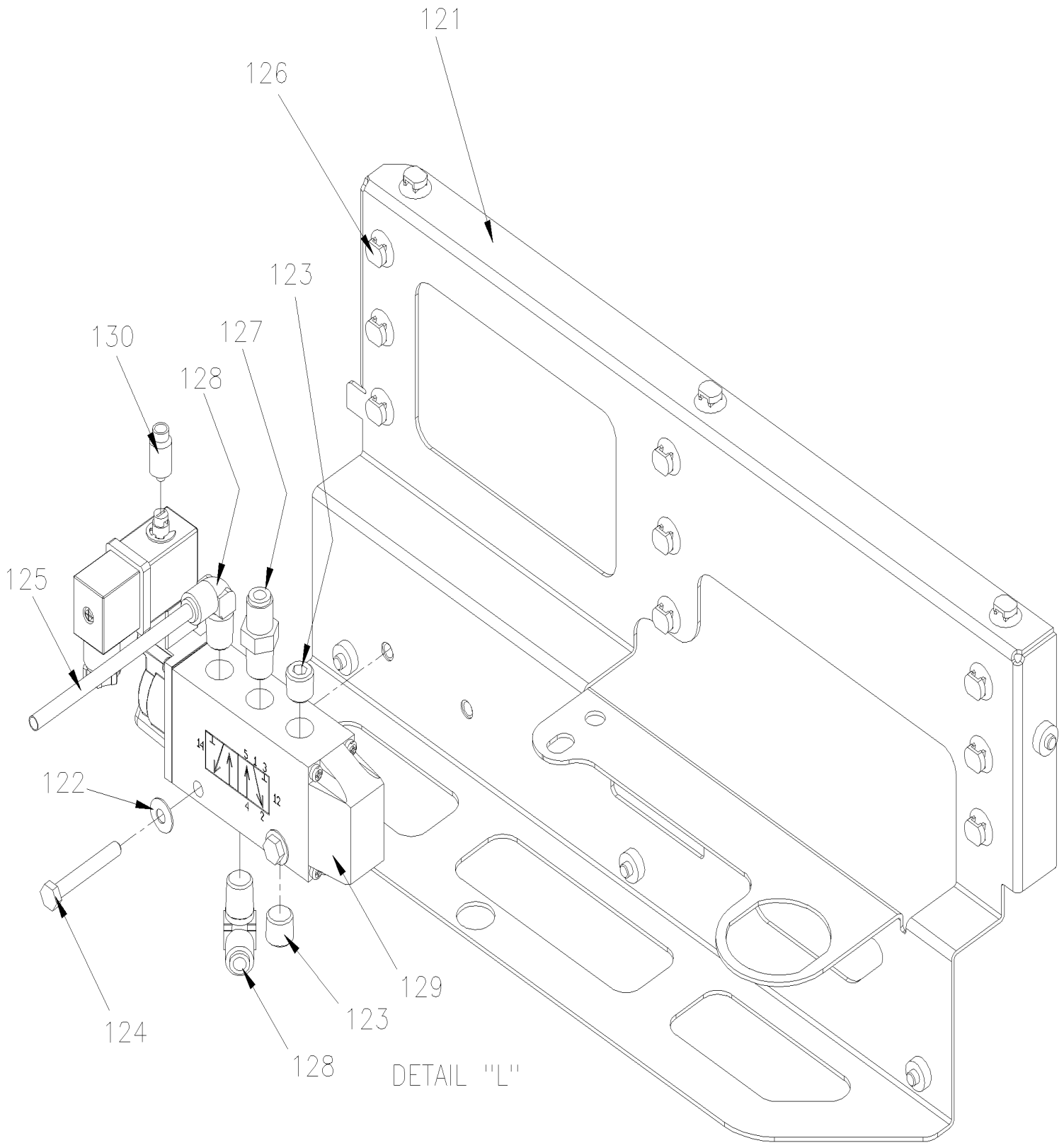


DETAIL "J"



DETAIL "K"

From E-5459	Date:01/2024	PAGE:X3-1620-02
HEIGHT CONTROL VALVE		



DETAIL "L"

From E-5459	Date:01/2024	PAGE:X3-1620-02
HEIGHT CONTROL VALVE		

Item#	Part	Description	QTY	Notes
1	630261	VALVE, HEIGHT CONTROL "BARKSDALE" / FRONT / W/DRAIN	1	
2	640135	VALVE, CHECK 1/4 NPT	1	
3	500769	NUT HEX 1/4-20 Z050	2	
4	502582	WASHER LO SERR 6.1x16.2x0.9 Z050	2	
6	641416	PLUG STEM / PUSH-IN FITTING / #4 PLAS	1	
7	630237	VALVE, HEIGHT CONTROL "BARKSDALE" / FRONT	1	
8	630266	VALVE, HEIGHT CONTROL "BARKSDALE" / FRONT / W/DRAIN	1	
9	630247	VALVE, HEIGHT CONTROL "BARKSDALE" / REAR / W/DRAIN	2	
10	630232	LINK ASSY 265MM C/C 10 1/2"	1	
. A	N8889244	. GROMMET / LINK	2	
. B	630250	. STUD RETAINER 1/4-20 X 1"	2	
. NS	500479	. WASHER LO INT .448x.789x.040 Z050	4	
. NS	500473	. WASHER LO SPT .262x.489x.062 Z050	4	
11	630231	LINK ASSY 185MM C/C 7 1/4"	2	
. A	N8889244	. GROMMET / LINK	2	
. B	630250	. STUD RETAINER 1/4-20 X 1"	2	
. C	500247	. NUT HEX 1/4-20 N500	4	
. D	500473	. WASHER LO SPT .262x.489x.062 Z050	4	
12	131993	SUPPORT VALVE	1	
13	178837	SUPPORT VALVE To E-5585	1	
13	173889	SUPPORT VALVE From E-5586 To F-5797	1	
13	174090	SUPPORT VALVE From F-5798	1	
14	641564	VALVE, DOUBLE CHECK DC-4	1	
15	641274	VALVE, 3 WAYS, 2 POSITIONS N.C. To H-6114	2	B
15	641274	VALVE, 3 WAYS, 2 POSITIONS N.C. From H-6115	2	
15A	130009	VALVE, 3 WAYS, 2 POSITIONS N.C. WITH VENT PROTECTOR To H-6114	2	
. NS	641274	. VALVE, 3 WAYS, 2 POSITIONS N.C. To H-6114	1	
. NS	640004	. VENT PROTECTOR To H-6114	1	
16	641531	VALVE, 5 WAYS, 3 POSITIONS	1	
. NS	641186	. SPOOL	1	
17	641352	AIR PRESSURE REGULATOR 1/2" NPT To F-5871	1	
18	641506	NUT RING / AIR REGULATOR RETAINING To F-5871	1	
19	630269	VALVE DISCHARGE V72G W/3/8	1	
20	640643	ANCHOR ELBOW / PIPE FITTING / 1/4NPT-Fx1/4NPT-F STL	1	
21	503402	TUBE, NYLON 1/4 O.D. / BLACK S.L.	AR	
22	503471	TUBE, NYLON 3/8 O.D. / BLUE S.L.	AR	
23	503517	TUBE, NYLON 1/2 O.D. / BLUE S.L.	AR	
24	503566	TUBE, NYLON 1/4 O.D. / BLUE S.L.	AR	
25	20476992	TRANSDUCER PRESSURE (0-12Bar / 0-174PSI) To E-5585	1	G
25	560005	TRANSDUCER PRESSURE (0-12 BAR, 0-174 PSI) From E-5586 To M-6657	1	G
25	22443498	TRANSDUCER PRESSURE (0-12 BAR, 0-174 PSI) From M-6658	1	G
26A	068563	SENSOR / HEIGHT ASSY To E-5585	1	

From E-5459		Date:01/2024	PAGE:X3-1620-02
HEIGHT CONTROL VALVE			

Item#	Part	Description	QTY	Notes
26A	21643575	SENSOR / HEIGHT ASSY From E-5586 To J-6331	1	
26A	22194741	SENSOR / HEIGHT ASSY From J-6332	1	
26B	068561	WIRING HARNESS To D-5375	1	
26B	068571	CABLE ASSY / FRONT LOWER END From D-5376	1	
27A	138611	PIVOT CAPTOR ASSY To E-5585	1	R
27A	138620	PIVOT CAPTOR ASSY From E-5586	1	R
27B	131968	PIVOT CAPTOR ASSY To E-5585	1	I
27B	132024	PIVOT CAPTOR ASSY From E-5586	1	I
28	504637	CABLE TIE / 3/16" x 13"	AR	
28A	952627	CLAMP / 1/2" I.D.	1	
28B	952625	CLAMP / 3/8" I.D. To E-5585	1	
28B	952631	CLAMP / 3/4" I.D. From E-5586	1	
29	20476992	TRANSDUCER PRESSURE (0-12Bar / 0-174PSI) To E-5655	1	GR
29	560005	TRANSDUCER PRESSURE (0-12 BAR, 0-174 PSI) From E-5656 To M-6657	1	GR
29	22443498	TRANSDUCER PRESSURE (0-12 BAR, 0-174 PSI) From M-6658	1	GR
30	640004	VENT PROTECTOR To H-6114	2	B
31	131591	SUPPORT VALVE To J-6303	1	
31	130027	SUPPORT VALVE From J-6304	1	
32A	131969	SUPPORT HEIGHT CONTROL VALVE / W/KNEELING To E-5585	1	
32A	132023	SUPPORT HEIGHT CONTROL VALVE / W/KNEELING From E-5586	1	
32B	131972	SUPPORT VALVE To G-5965	1	
32B	132108	SUPPORT VALVE From G-5966	1	
33	131319	SUPPORT VALVE To E-5585	1	
34	131621	SUPPORT HEIGHT CONTROL VALVE / WHITOUT "KNEELING"	1	
35	131803	SUPPORT AIR REGULATOR / W/HIGH BUOY To F-5871	1	
36A	110798	ACTUATOR LEVER To E-5585	1	
36A	110814	ACTUATOR LEVER From E-5586 To L-6642	1	
36A	110062	ACTUATOR LEVER From L-6643	1	
37	504635	U-BOLT 1 3/4" I.D. x 2 3/4" x 5/16-18 To L-6642	1	
37	504215	U-CLAMP / 1 3/4" I.D. x 5/16-18 From L-6643	1	
38	500942	WASHER LO SPT 8.1x14.8x2.0 N500	3	
39	500778	NUT HEX 5/16-18 N500	3	
39A	500685	NUT HEX NYRT 5/16-18 SS To L-6642	2	
39A	500701	NUT HEX 5/16-18 ZP From L-6643	2	
40	502656	SCREW CAP HEX M6-1.0x50 SS	6	
40A	500836	SCREW CAP HEX 5/16-18x3/4 G5 N500	3	
41	502573	WASHER FL 6.4x12.5x1.6 SS	6	
41A	502570	WASHER LO SPT 6.1x11.8x1.6 SS	6	
41B	5001833	WASHER BEL SPR 6.1x18x1.27 SS	2	
41C	500877	WASHER FL .250x.562x.065 N500	4	
42	502681	NUT HEX NYRT M6-1.0 N500 G8	AR	
42A	502565	NUT HEX M6-1.0 SS	6	

From E-5459		Date:01/2024	PAGE:X3-1620-02
HEIGHT CONTROL VALVE			

Item#	Part	Description	QTY	Notes
43	500247	NUT HEX 1/4-20 N500	2	
NS	680098	THREAD SEALANT LOCTITE #567 / WHITE / 250ml	AR	
44	5001381	SCREW TC CAP HEX 1/4-20x1/2 Z050 To F-5871	2	
45	502564	WASHER LO SPT 6.1x11.8x1.6 Z050 To F-5871	2	
46	502622	SCREW CAP HEX M6-1.0x20 SS BK	4	
47	500411	WASHER FL .260x.697x.050 SS	4	
48	5001182	NUT HEX NYRT M6-1.0 SS	4	
49	5001682	SCREW CAP HEX M6-1.0x80 SS	4	
50	500473	WASHER LO SPT .262x.489x.062 Z050	AR	
51	502582	WASHER LO SERR 6.1x16.2x0.9 Z050	4	
52	502830	SCREW CAP HEX M6-1.0x20 G8.8 N500	4	
53	502853	WASHER LO SPT 6.1x11.8x1.6 N500	4	
55	501800	PLUG HEXS / PIPE FITTING / 1/4NPT-M STL	2	
56A	5001738	SCREW CAP HEX M8-1.25x30 G8.8 N500 To F-5797	2	
56A	5001742	SCREW CAP HEXF M8-1.25x30 G8.8 N500 From F-5798	2	
56B	502851	NUT HEX M8-1.25 N500	3	
56C	500321	WASHER BEL SPR .331x.827x.098 N500	3	
57	641380	MALE CONNECTOR / PUSH-IN FITTING / #8x1/4NPT-M BR	AR	
58	501309	ADAPTER / PIPE FITTING / 3/8NPT-Fx3/8NPT-M BR	AR	
59	501814	NIPPLE / PIPE FITTING / 3/8NPT-Mx3/8NPT-Mx3 BR	AR	
60	641332	MALE CONNECTOR / PUSH-IN FITTING / #4x1/4NPT-M BR	AR	
61	641372	MALE ELBOW 90° NON-SWIVEL / PUSH-IN FITTING / #6x1/4NPT-M BR	AR	A
62	641373	MALE ELBOW 90° NON-SWIVEL / PUSH-IN FITTING / #8x1/4NPT-M BR	AR	
63	641371	MALE ELBOW 90° NON-SWIVEL / PUSH-IN FITTING / #4x1/4NPT-M BR	AR	
64	641040	MALE ELBOW 90° / NTA FITTING / #8x3/8NPT-M BR To G-5920	AR	
64	641376	MALE ELBOW 90° NON-SWIVEL / PUSH-IN FITTING / #8x3/8NPT-M BR From G-5921	1	
65	641002	MALE RUN TEE / NTA FITTING / #4x#4x1/8NPT-M BR	AR	
66	641369	MALE ELBOW 90° NON-SWIVEL / PUSH-IN FITTING / #4x1/8NPT-M BR	AR	
67	501449	PLUG HEXS / PIPE FITTING / 3/8NPT-M STL	AR	
68	640991	MALE CONNECTOR / NTA FITTING / #8x3/8NPT-M BR To G-5920	AR	
68	641381	MALE CONNECTOR / PUSH-IN FITTING / #8x3/8NPT-M BR From G-5921	AR	
69	641173	MALE CONNECTOR / NTA FITTING / #8x1/4NPT-M BR To G-5920	AR	
69	641381	MALE CONNECTOR / PUSH-IN FITTING / #8x3/8NPT-M BR From G-5921	AR	
70	501322	NIPPLE HEX / PIPE FITTING / 3/8NPT-Mx3/8NPT-Mx1 13/32 BR	AR	
71	501699	MALE RUN TEE / PIPE FITTING / 3/8NPT-Mx3/8NPT-Fx3/8NPT-F BR	AR	
72	641330	MALE CONNECTOR / PUSH-IN FITTING / #6x3/8NPT-M BR	AR	
73	641428	MALE ELBOW 90° SWIVEL / PUSH-IN FITTING / #8x3/8NPT-M BR	AR	
74	641368	MALE ELBOW 45° NON-SWIVEL / PUSH-IN FITTING / #8x3/8NPT-M BR	AR	
75	501749	NIPPLE REDUCER HEX / PIPE FITTING / 3/8NPT-Mx1/4NPT-Mx1 13/32 BR	AR	
76	501534	BUSHING REDUCER / PIPE FITTING / 1/2NPT-Mx3/8NPT-F BR To F-5871	AR	
77	641375	MALE ELBOW 90° NON-SWIVEL / PUSH-IN FITTING / #6x3/8NPT-M BR To F-5871	AR	
78	501312	BUSHING REDUCER / PIPE FITTING / 1/4NPT-Mx1/8NPT-F BR To F-5871	AR	

From E-5459	Date:01/2024	PAGE:X3-1620-02
HEIGHT CONTROL VALVE		

Item#	Part	Description	QTY	Notes
79	640488	VALVE, AIR FILL 1/8" NPT To F-5871	AR	
NS	650164	CAP VALVE / CHROME To F-5871	1	
80	641378	MALE ELBOW 90° / PUSH-IN FITTING / #8x1/2NPT-M BRASS To F-5871	AR	
81	641381	MALE CONNECTOR / PUSH-IN FITTING / #8x3/8NPT-M BR	AR	
82	641376	MALE ELBOW 90° NON-SWIVEL / PUSH-IN FITTING / #8x3/8NPT-M BR	AR	
83	641242	MALE CONNECTOR / PUSH-IN FITTING / #4x1/8NPT-M BR	AR	
84	641331	MALE CONNECTOR / PUSH-IN FITTING / #6x1/4NPT-M BR	AR	
85	642130	MALE ELBOW 90° NON-SWIVEL / PUSH-IN FITTING / #6x3/8NPT-M COMPOSITE To D-5458	AR	
85	641375	MALE ELBOW 90° NON-SWIVEL / PUSH-IN FITTING / #6x3/8NPT-M BR From D-5459	AR	
86	642127	MALE ELBOW 90° SWIVEL DUAL PORT / PUSH-IN / #4x#4x1/8NPT-M BR	AR	
87	501332	STREET ELBOW 90° / PIPE FITTING / 1/4NPT-Mx1/4NPT-F BR	AR	
88	642128	MALE ELBOW 90° SWIVEL DUAL PORT / PUSH-IN / #6x#6x3/8NPT-M BR	AR	
89	641366	MALE ELBOW 45° NON-SWIVEL / PUSH-IN FITTING / #6x1/4NPT-M BR	AR	
90	501338	MALE RUN TEE / PIPE FITTING / 1/4NPT-Mx1/4NPT-Fx1/4NPT-F BR	AR	
91	641374	MALE ELBOW 90° NON-SWIVEL / PUSH-IN FITTING / #4x3/8NPT-M BR	AR	
92	641367	MALE ELBOW 45° NON-SWIVEL / PUSH-IN FITTING / #6x3/8NPT-M BR	AR	
93	641956	MALE RUN TEE SWIVEL / PUSH-IN FITTING / #4x#4x1/4NPT-M BR	AR	
94	641347	MALE CONNECTOR / PUSH-IN FITTING / #4x3/8NPT-M BR	AR	
95	641389	MALE RUN TEE SWIVEL / PUSH-IN FITTING / #6x#6x1/4NPT-M BR	AR	
96	641388	MALE RUN TEE NON-SWIVEL / PUSH-IN FITTING / #6x#6x3/8NPT-M BR	AR	
97	504750	CABLE TIE / 1/2" x 15" / CHRISTMAS TREE	AR	
98	504637	CABLE TIE / 3/16" x 13"	AR	
99	507383	TIE MOUNT HOLE 3/8"	AR	
99	509491	CABLE TIE / 13MM x 383MM	AR	
100	509815	TIE MOUNT / ATTACHMENT W/TREE MOUNT	AR	
101	501337	FEMALE UNION TEE / PIPE FITTING / 1/4NPT-Fx1/4NPT-Fx1/4NPT-F BR To G-5920	1	
101	501527	FEMALE UNION TEE / PIPE FITTING / 3/8NPT-Fx3/8NPT-Fx3/8NPT-F BR From G-5921	1	
102	641383	MALE CONNECTOR / PUSH-IN FITTING / #8x1/2NPT-M BR To E-5585	1	
103	561679	SHRINK TUBING / 1.000" - .500" / YELLOW / ALPHA FIT-221-1 To E-5585	AR	
104A	501529	COUPLING / PIPE FITTING / 1/2NPT-Fx1/2NPT-F BR To E-5585	1	
104B	640237	SILENCER / MUFFLER / 1/2NPT-M To E-5585	1	
105	501587	MALE ELBOW 90° / JIC 37° FITTING / #8JIC-Mx3/8NPT-M STL From E-5586	AR	
108	501749	NIPPLE REDUCER HEX / PIPE FITTING / 3/8NPT-Mx1/4NPT-Mx1 13/32 BR To G-5920	1	
108	501322	NIPPLE HEX / PIPE FITTING / 3/8NPT-Mx3/8NPT-Mx1 13/32 BR From G-5921	1	
110	X3-1650-00	TAG UNLOAD - STABILISATOR		
111	X3-1630-00	FRONT KNEELING - CONTROL PANEL To E-5589		
111	X3-1630-01	FRONT KNEELING - CONTROL PANEL From E-5590 To F-5871		
111	X3-1630-02	FRONT KNEELING - CONTROL PANEL From F-5872		
112	X3-1601-00	BELLOWS - AIR SUSPENSION		
113	X3-1203-02	AIR TANK - INSTALLATION		
121	142851	SUPPORT VALVE	1	
122	5001608	WASHER BEL SPR 6.2x15.0x0.7 G500	2	

From E-5459	Date:01/2024	PAGE:X3-1620-02
HEIGHT CONTROL VALVE		

Item#	Part	Description	QTY	Notes
123	501800	PLUG HEXS / PIPE FITTING / 1/4NPT-M STL	2	
124	502793	SCREW CAP HEX M6-1.0x45 G8.8 Z050	2	
125	503402	TUBE, NYLON 1/4 O.D. / BLACK S.L.	AR	
126	509815	TIE MOUNT / ATTACHMENT W/TREE MOUNT	AR	
127	641332	MALE CONNECTOR / PUSH-IN FITTING / #4x1/4NPT-M BR	1	
128	641371	MALE ELBOW 90° NON-SWIVEL / PUSH-IN FITTING / #4x1/4NPT-M BR	2	
129	641527	VALVE, 4 WAYS, 2 POSITIONS	1	
. NS	641929	. COIL 24V	1	
. NS	641186	. SPOOL	1	
. NS	641385	. CONNECTOR / SOCKET HOUSING ASSY 3C / PNEUMAC 54934-01	1	
130	642113	MALE CONNECTOR / PUSH-IN FITTING / #4x#10-32-M BR	1	
200	132119	KIT SENSOR FOR FRONT BEAM AXLE From E-5538 To F-5796	1	
		A) WITH OPTION "ABS-6 ESP ADVENCE"		
		B) WHEN YOU CHANGE THE VALVE 641274 OF THE TAG AXLE, YOU MUST ORDER THE NEW VALVE 130009 TO PROTECT THE EVENT OF DUST		
		G) WITH VEHICULE OPTION WEIGHT CONTROL ON FRONT AXLE "GREYHOUND"		
		GR) WITH GREYHOUND OPTION		
		I) WITH INDEPENDANTE SUSPENSION		
		R) WITH "I BEAM" SUSPENSION		

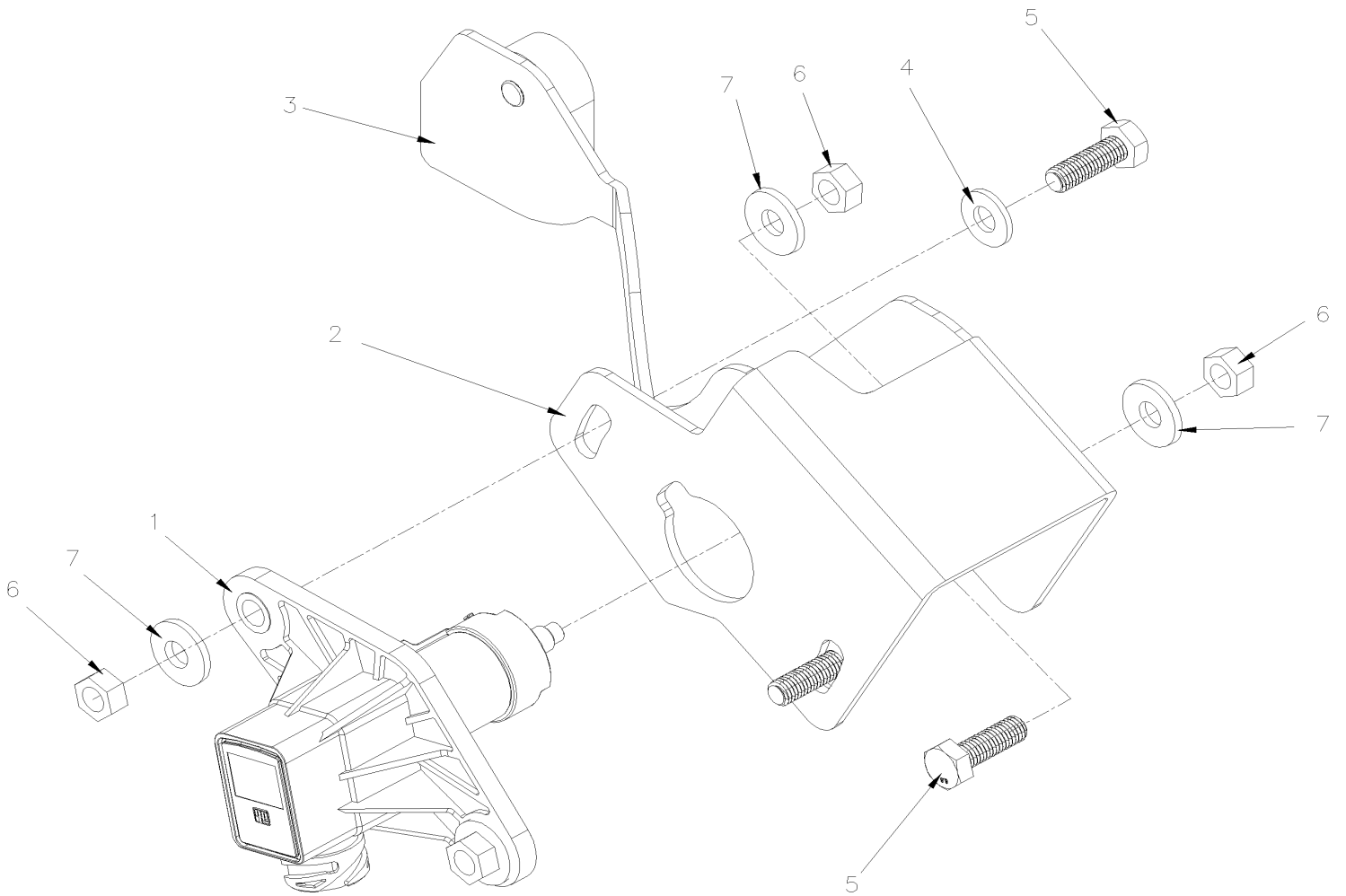
From E-5538 To F-5796

Date:01/2024

PAGE:132119

KIT SENSOR FOR FRONT BEAM AXLE

SERVICE KIT 132119



From E-5538 To F-5796		Date:01/2024	PAGE:132119
------------------------------	--	---------------------	--------------------

KIT SENSOR FOR FRONT BEAM AXLE

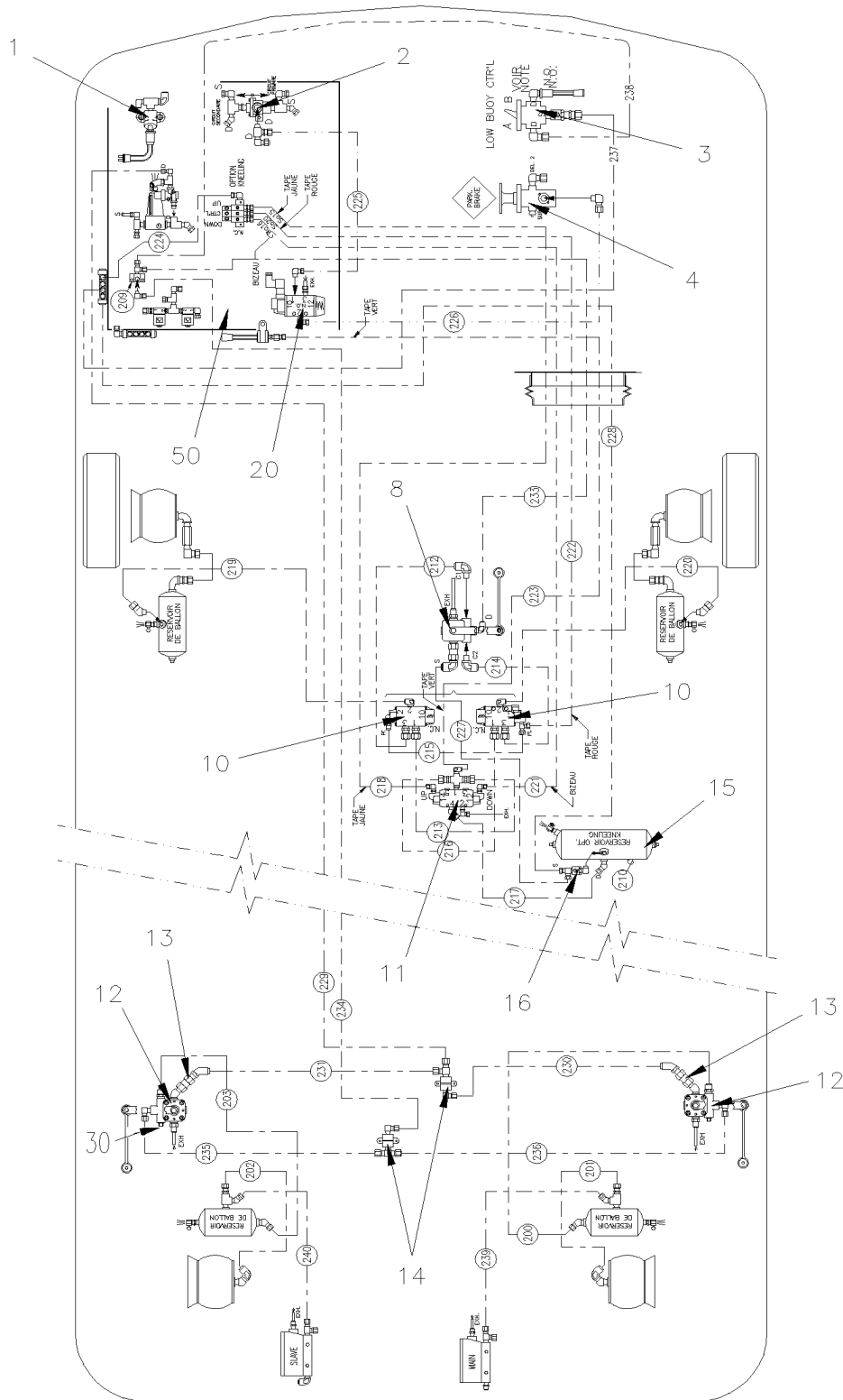
Item#	Part	Description	QTY	Notes
1	22194741	SENSOR / HEIGHT ASSY	1	
2	132126	ADAPTOR CAPTOR ECS X3 FRONT BEAM AXLE	1	
3	132124	PIVOT CAPTOR X3 FRONT BEAM AXLE ASSY	1	
4	5001736	WASHER FL 8.4x18.0x2.0 N500	2	
5	5001745	SCREW CAP HEX M8-1.25x25 G8.8 N500	4	
6	502851	NUT HEX M8-1.25 N500	5	
7	500321	WASHER BEL SPR .331x.827x.098 N500	5	
8	504637	CABLE TIE / 3/16" x 13"	4	
NS	IS-18025	SEE INSTRUCTION SHEET	1	

From 7-8754 To F-5871

Date:01/2024

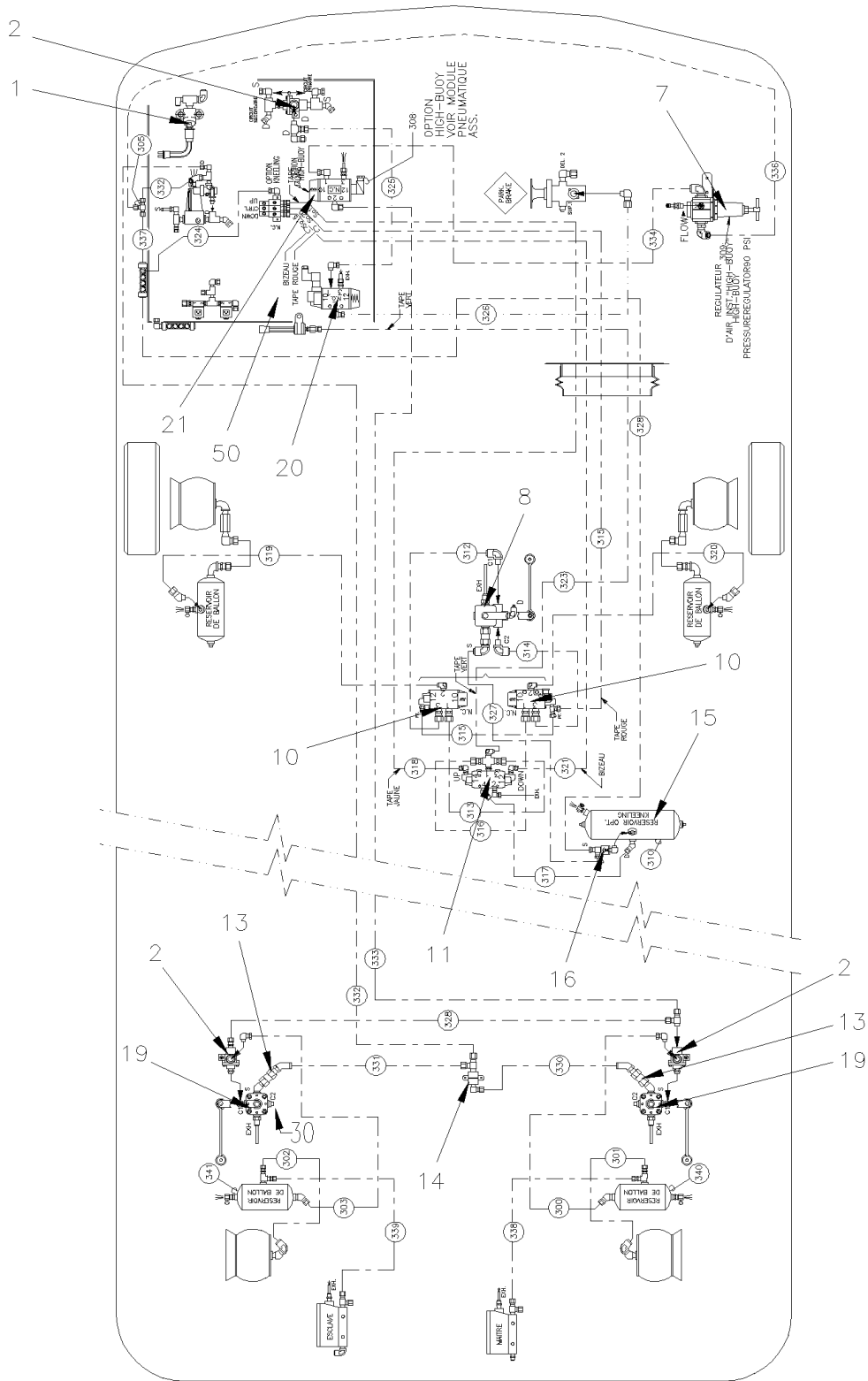
PAGE:X3-1620-10

HIGH-BUOY, LOW BUOY & "KNEELING" VALVE PNEUMATIC DIAGRAM



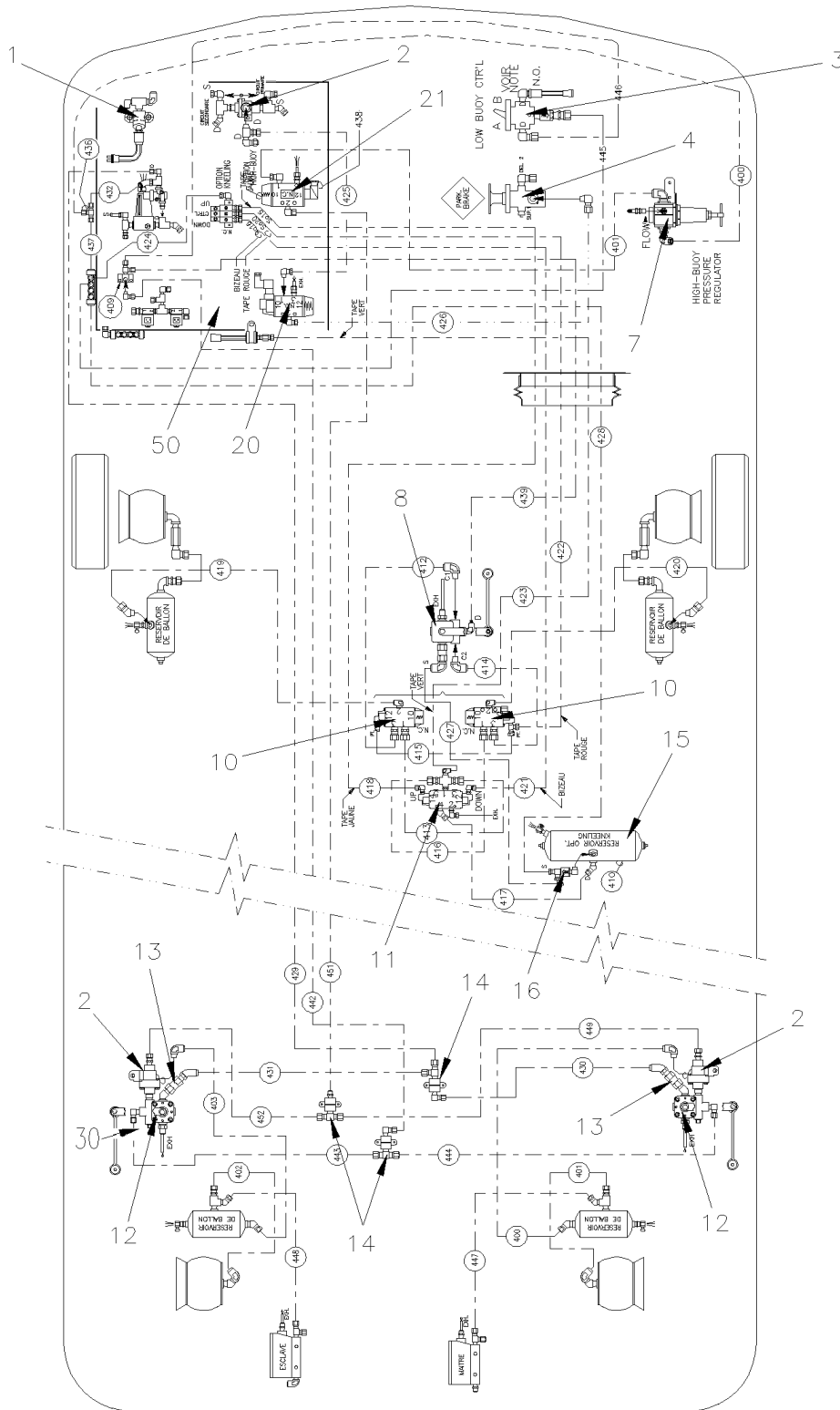
X3-45 COACH, WITH INDEPENDENT FRONT SUSPENSION WITH OPTION FRONT KNEELING & LOW-BUOY COMBINATION

HIGH-BUOY, LOW BUOY & "KNEELING" VALVE PNEUMATIC DIAGRAM



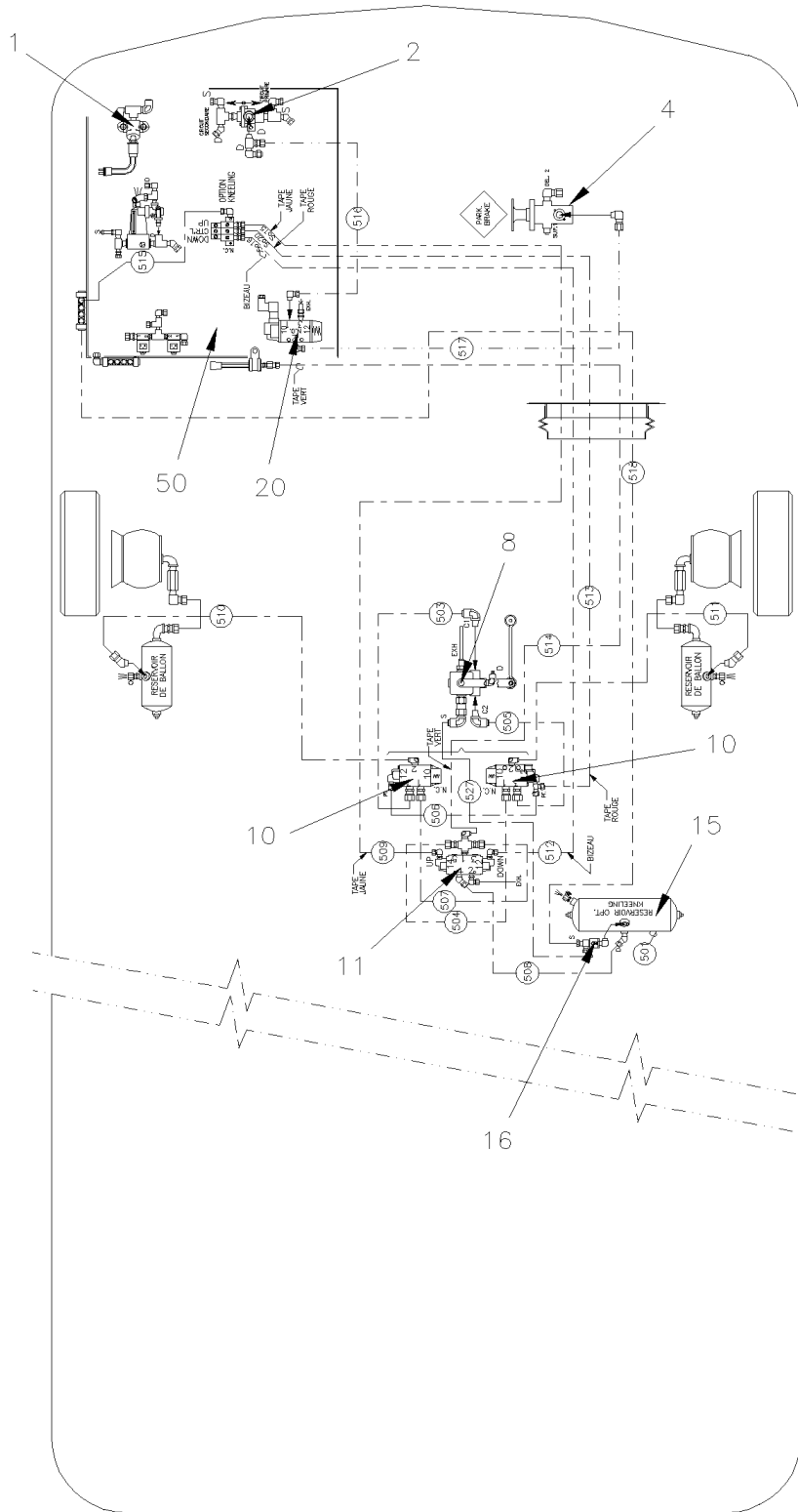
X3-45 COACH, WITH INDEPENDENT FRONT SUSPENSION WITH OPTION FRONT KNEELING & HIGH-BUOY COMBINATION

HIGH-BUOY, LOW BUOY & "KNEELING" VALVE PNEUMATIC DIAGRAM



X3-45 COACH, WITH INDEPENDENT FRONT SUSPENSION WITH OPTION FRONT KNEELING, LOW-BUOY & HIGH-BUOY COMBINATION

HIGH-BUOY, LOW BUOY & "KNEELING" VALVE PNEUMATIC DIAGRAM



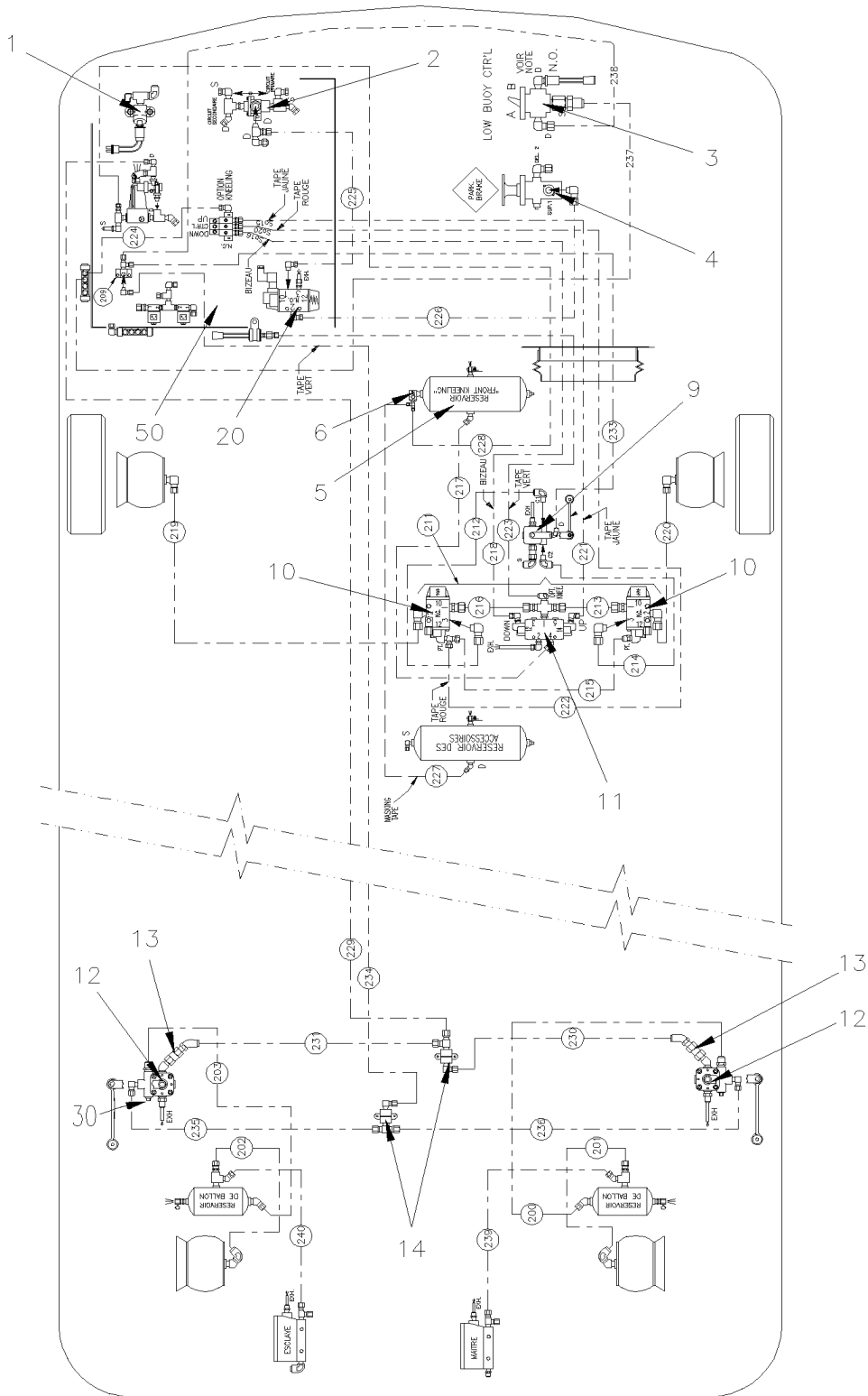
X3-45 COACH, WITH INDEPENDENT FRONT SUSPENSION WITH OPTION FRONT KNEELING

From 7-8754 To F-5871

Date:01/2024

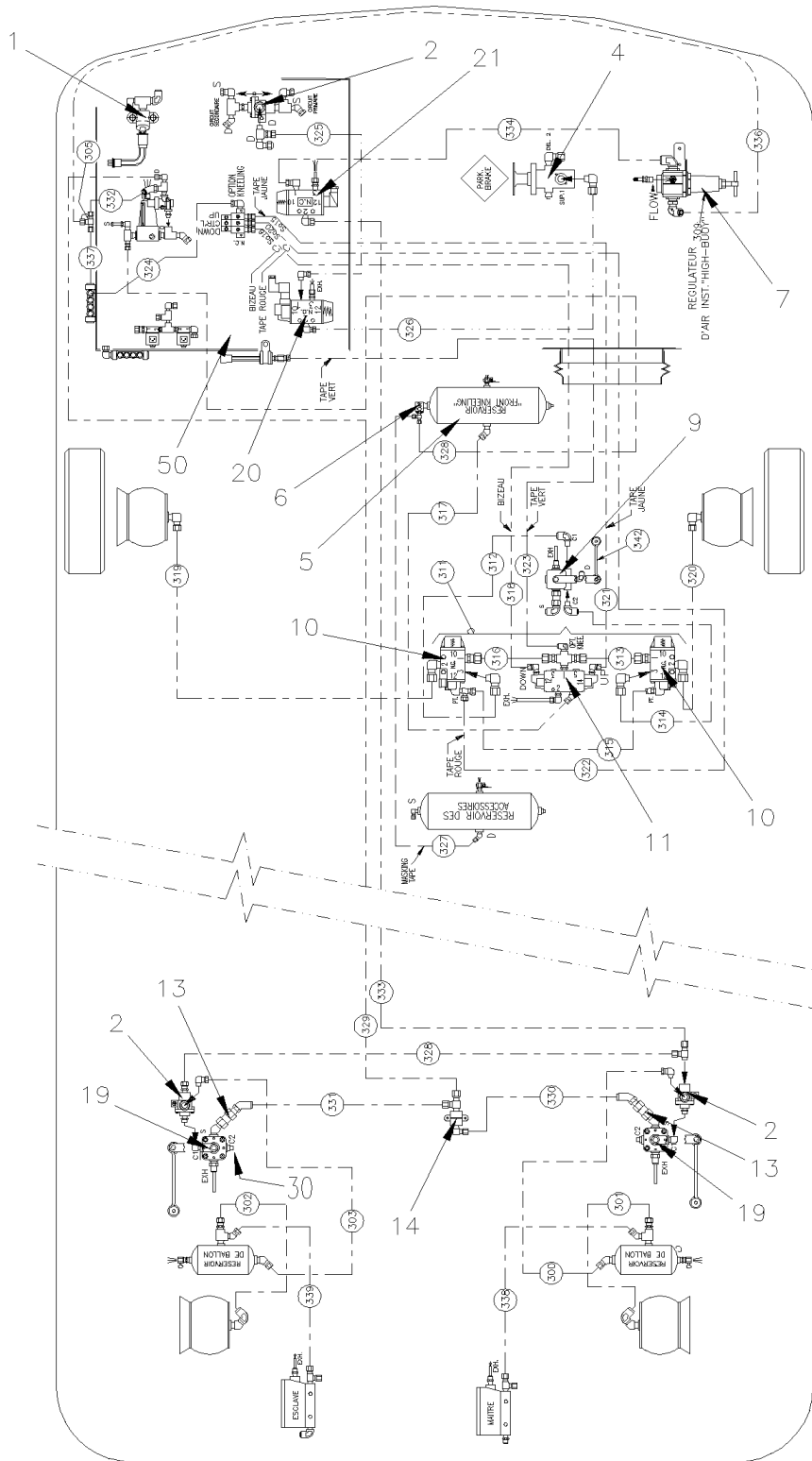
PAGE:X3-1620-10

HIGH-BUOY, LOW BUOY & "KNEELING" VALVE PNEUMATIC DIAGRAM



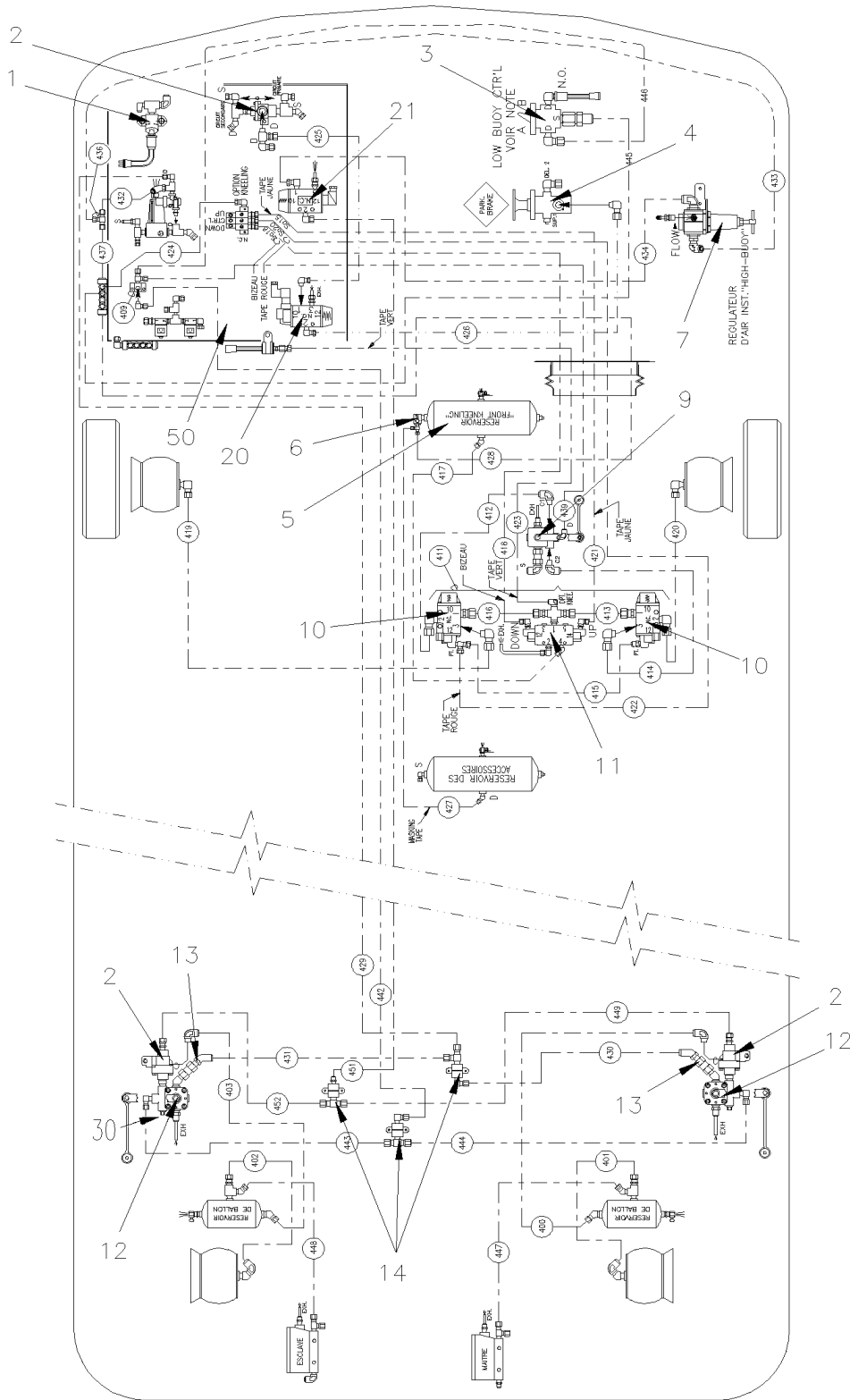
X3-45 COACH, WITH FRONT I-BEAM AXLE WITH OPTION FRONT KNEELING & LOW-BUOY COMBINATION

HIGH-BUOY, LOW BUOY & "KNEELING" VALVE PNEUMATIC DIAGRAM



X3-45 COACH, WITH FRONT I-BEAM AXLE
WITH OPTION FRONT KNEELING & HIGH-BUOY COMBINATION

HIGH-BUOY, LOW BUOY & "KNEELING" VALVE PNEUMATIC DIAGRAM



X3-45 COACH, WITH FRONT I-BEAM AXLE
WITH OPTION FRONT KNEELING, LOW-BUOY & HIGH-BUOY COMBINATION

From 7-8754 To F-5871	Date:01/2024	PAGE:X3-1620-10
-----------------------	--------------	-----------------

HIGH-BUOY, LOW BUOY & "KNEELING" VALVE PNEUMATIC DIAGRAM

Item#	Part	Description	QTY	Notes
1	287234	PRESSURE SWITCH N.C. 30-10 20PS001AB030E010E	1	
2	641564	VALVE, DOUBLE CHECK DC-4	1	
3	640136	VALVE, CONTROL TW-1	1	
. NS	641156	. REPAIR KIT / TW-1	1	
4	641128	VALVE, CONTROL VALVE PP-1 / 40PSI To D-5452	1	
. NS	641154	. REPAIR KIT / PP-1 & RD-3 To D-5452	1	
4	642169	VALVE, CONTROL VALVE PP-1 / 60PSI From D-5453	1	
. NS	641154	. REPAIR KIT / PP-1 & RD-3 From D-5453	1	
. NS	641149	. BUTTON, PARKING BRAKE DIAMOND YELLOW / 1" From D-5453	1	
5	641411	AIR TANK / 2370 IN° / 12" O.D. X 24"	1	
6	641172	VALVE, CHECK ELBOW 90° 1/2 NPT To J-6303	1	
6	640123	VALVE, CHECK 1/2 NPT SC-1 From J-6304	1	
. NS	641401	. VALVE, CHECK 1/2 NPT SC-1 From J-6304	1	
NS	641172	VALVE, CHECK ELBOW 90° 1/2 NPT From J-6304	1	
7	641352	AIR PRESSURE REGULATOR 1/2" NPT	1	
NS	131803	SUPPORT AIR REGULATOR / W/HIGH BUOY	1	
8	630237	VALVE, HEIGHT CONTROL "BARKSDALE" / FRONT	1	
9	630261	VALVE, HEIGHT CONTROL "BARKSDALE" / FRONT / W/DRAIN	1	
10	641274	VALVE, 3 WAYS, 2 POSITIONS N.C.	2	
11	641531	VALVE, 5 WAYS, 3 POSITIONS	1	
. NS	641186	. SPOOL	1	
12	630247	VALVE, HEIGHT CONTROL "BARKSDALE" / REAR / W/DRAIN	2	
13	630135	VALVE, 3 WAYS, 2 POSITIONS N.O.	2	
. NS	641169	. SPOOL	1	
. NS	641929	. COIL 24V	1	
14	640643	ANCHOR ELBOW / PIPE FITTING / 1/4NPT-Fx1/4NPT-F STL	1	
15	641583	AIR TANK / 1508 IN° / 9" 1/2 O.D. X 24"	1	
16	640135	VALVE, CHECK 1/4 NPT	1	
19	630156	VALVE, HEIGHT CONTROL "BARKSDALE"	2	
20	641528	VALVE, 3 WAYS, 2 POSITIONS N.O. To E-5589	1	
. NS	641929	. COIL 24V To E-5589	1	
. NS	641169	. SPOOL To E-5589	1	
. NS	641385	. CONNECTOR / SOCKET HOUSING ASSY 3C / PNEUMAC 54934-01 To E-5589	1	
20	642191	VALVE, 3 WAYS, 2 POSITIONS N.C. From E-5590 To G-6078	1	
. NS	195765	. SOLENOIDE 24 VOLTS From E-5590 To G-6078	1	
20	642227	VALVE, 3 WAYS, 2 POSITIONS N.C. From G-6079	1	
. NS	195765	. SOLENOIDE 24 VOLTS From G-6079	1	
21	641937	VALVE, 3 WAYS, 2 POSITIONS N.C. / W/MAN OVERRIDE	1	
. NS	641929	. COIL 24V	1	
. NS	641385	. CONNECTOR / SOCKET HOUSING ASSY 3C / PNEUMAC 54934-01	1	
30	642075	TRANSDUCER PRESSURE From 8-9259	1	
. NS	563159	. CONNECTOR / METRI-PACK 150 / SH 3C / PED 12065287 From 8-9259	1	

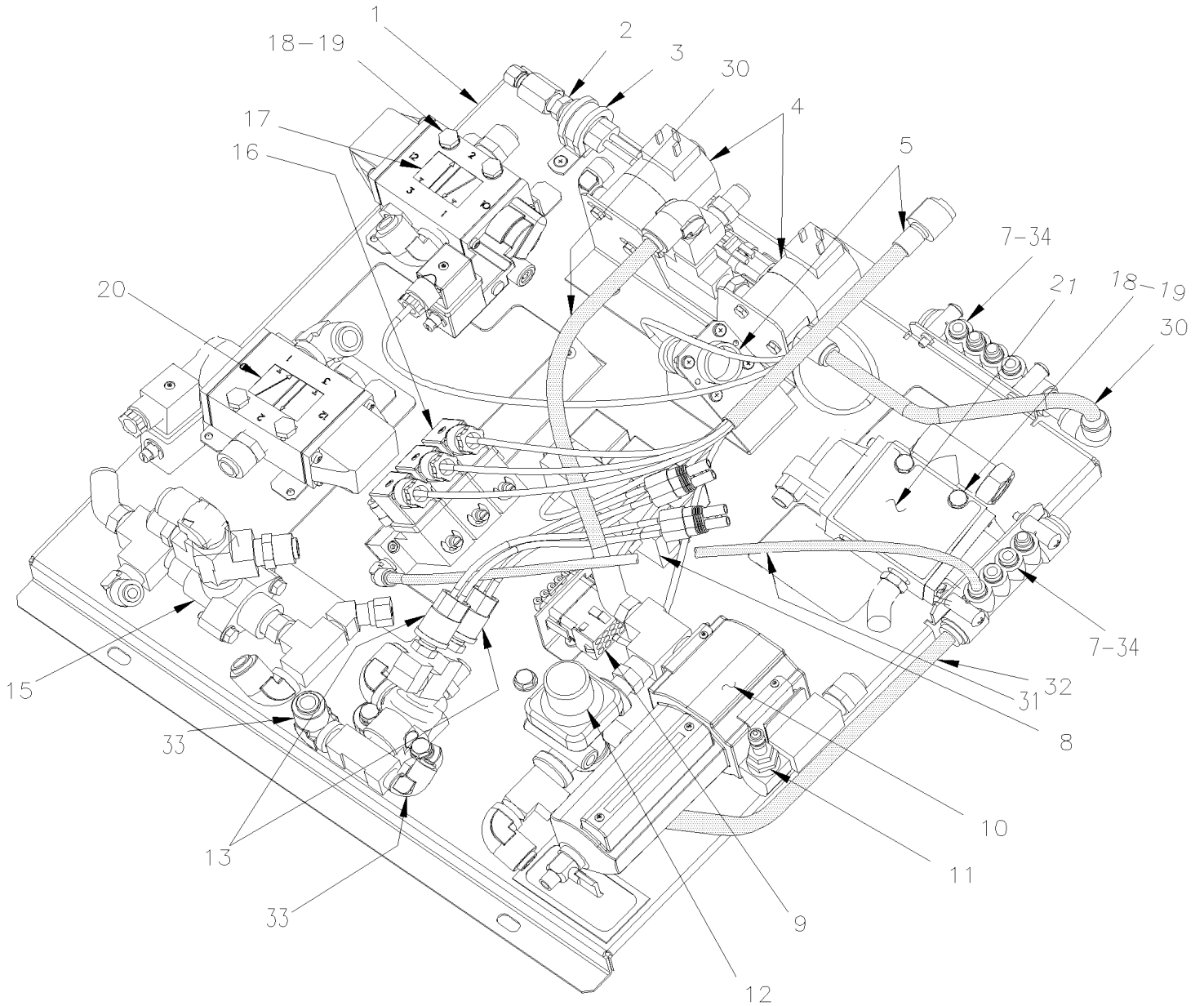
From 7-8754 To F-5871		Date:01/2024	PAGE:X3-1620-10	
HIGH-BUOY, LOW BUOY & "KNEELING" VALVE PNEUMATIC DIAGRAM				
Item#	Part	Description	QTY	Notes
50	X3-1630-00	FRONT KNEELING - CONTROL PANEL To E-5589		
50	X3-1630-01	FRONT KNEELING - CONTROL PANEL From E-5590		

From 7-8754 To E-5589

Date:01/2024

PAGE:X3-1630-00

FRONT KNEELING - CONTROL PANEL



From 7-8754 To E-5589	Date:01/2024	PAGE:X3-1630-00
FRONT KNEELING - CONTROL PANEL		

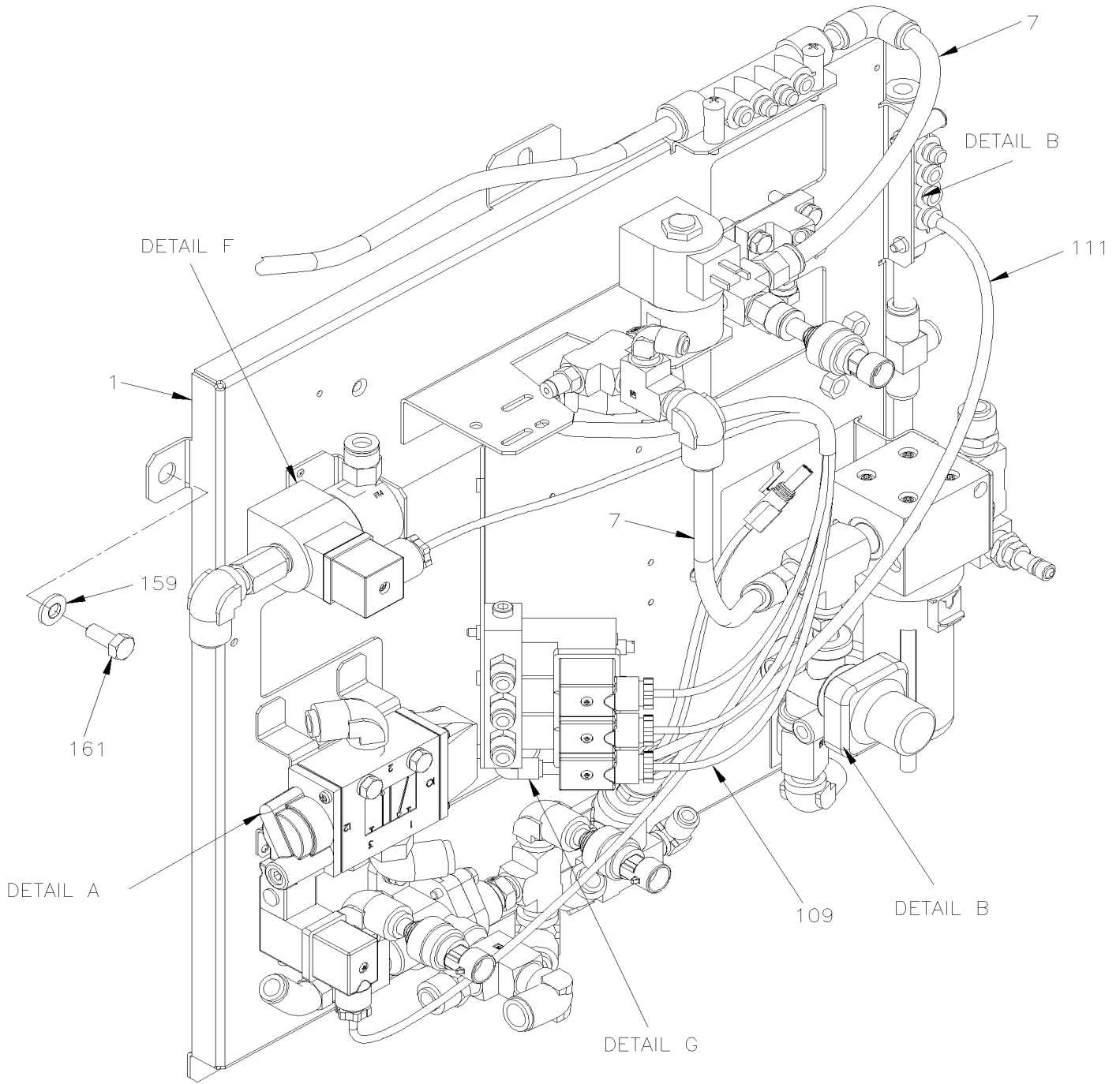
Item#	Part	Description	QTY	Notes
1	142366	VALVE SUPPORT ASSY To E-5585	1	
1	143266	VALVE SUPPORT ASSY	1	
1	502854	NUT HEX M6-1.0 N500 To E-5585	2	
1	502573	WASHER FL 6.4x12.5x1.6 SS To E-5585	2	
1	502853	WASHER LO SPT 6.1x11.8x1.6 N500 To E-5585	2	
1	502862	SCREW CAP HEX M8-1.25x20 G8.8 N500	1	
1	500942	WASHER LO SPT 8.1x14.8x2.0 N500 To E-5585	1	
1	5001868	WASHER BEL SPR 8.4x18x2 SS From E-5586	1	
2	452082	PRESSURE SWITCH N.O. 30-15 20SP001AA030C015C	1	
3	952633	CLAMP / 7/8" I.D. To C-5169	1	
4	562804	VALVE, 2 WAYS N.C. To C-5169	2	
. NS	562848	. CONNECTOR / SOCKET HOUSING ASSY 3C / PNEUMAC 54933-05 To C-5169	1	
5	066225	CABLE ASSY / "KNEELING PANEL"	1	
NS	065950	CABLE ASSY / SAFETY SWITCH / PARKING BRAKE (BETWEEN SWITCH & RELAY)	1	A
7	641897	MANIFOLD / PUSH-IN FITTING / 2x#6 / 4x#4 PLAS	2	
NS	500574	SCREW MA TR PH #10-24x1 1/4 SS	4	
8	561706	RELAY 12V S.P.D.T. W/DIODE /	3	
9	381145	DIODE ASSY / W/5 3AMPS	1	
NS	381518	SUPPORT / FOR 10 PINS CONNECTOR	1	
10	X3-1220-15	AIR FILTER - ACCESSORIES		
NS	140227	DECAL / ACC AIR FILTER DRAIN / ENGLISH & FRANCAIS	1	
NS	142368	DECAL / ACC AIR FILTER DRAIN / ENGLISH & SPANISH	1	
11	640488	VALVE, AIR FILL 1/8" NPT	1	
. NS	650164	. CAP VALVE / CHROME	1	
12	641137	VALVE, PRESSURE PROTECTION TYPE PR-4 70PSI	1	
13	287234	PRESSURE SWITCH N.C. 30-10 20PS001AB030E010E	2	
15	641564	VALVE, DOUBLE CHECK DC-4	1	
16	641180	MANIFOLD VALVE / W/3 SOLENOID	1	
. NS	641928	. KIT, MANIFOLD REPAIR / N.C.	3	
. NS	641107	. COIL 24V	1	
NS	641242	MALE CONNECTOR / PUSH-IN FITTING / #4x1/8NPT-M BR	3	
17	641528	VALVE, 3 WAYS, 2 POSITIONS N.O.	1	
. NS	641929	. COIL 24V	1	
. NS	641169	. SPOOL	1	
. NS	641385	. CONNECTOR / SOCKET HOUSING ASSY 3C / PNEUMAC 54934-01	1	
18	500994	SCREW CAP HEX 1/4-20x1 3/4 G5 PT Z050	2	
19	500473	WASHER LO SPT .262x.489x.062 Z050	AR	
20	641937	VALVE, 3 WAYS, 2 POSITIONS N.C. / W/MAN OVERRIDE	AR	
. NS	641929	. COIL 24V	1	
. NS	641385	. CONNECTOR / SOCKET HOUSING ASSY 3C / PNEUMAC 54934-01	1	
21	641274	VALVE, 3 WAYS, 2 POSITIONS N.C.	1	
30	503404	TUBE, NYLON 3/8 O.D. / BLACK S.L.	AR	

From 7-8754 To E-5589	Date:01/2024	PAGE:X3-1630-00
-----------------------	--------------	-----------------

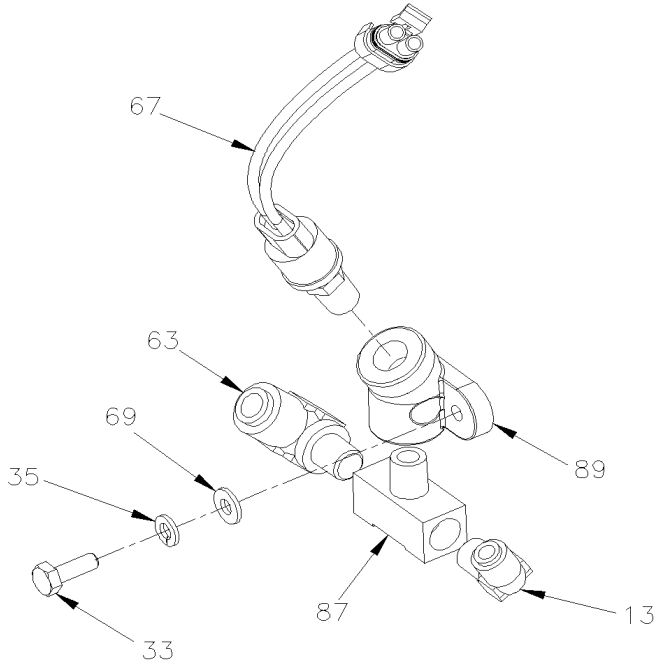
FRONT KNEELING - CONTROL PANEL

Item#	Part	Description	QTY	Notes
31	503402	TUBE, NYLON 1/4 O.D. / BLACK S.L.	AR	
32	503463	TUBE, NYLON 3/8 O.D. / GREEN S.L.	AR	
33	X3-1201-00	FITTING - MISCELLANEOUS	1	
34	641416	PLUG STEM / PUSH-IN FITTING / #4 PLAS	2	
34	642147	PLUG STEM / PUSH-IN FITTING / #6 PLAS	AR	
35	066410	CABLE ASSY KNEELING PANEL To C-5169	1	
35	068446	CABLE ASSY KNEELING PANEL From C-5170	1	
		A) WITH "OPTION" SAFETY PARKING BRAKE SWITCH ON DASHBOARD		

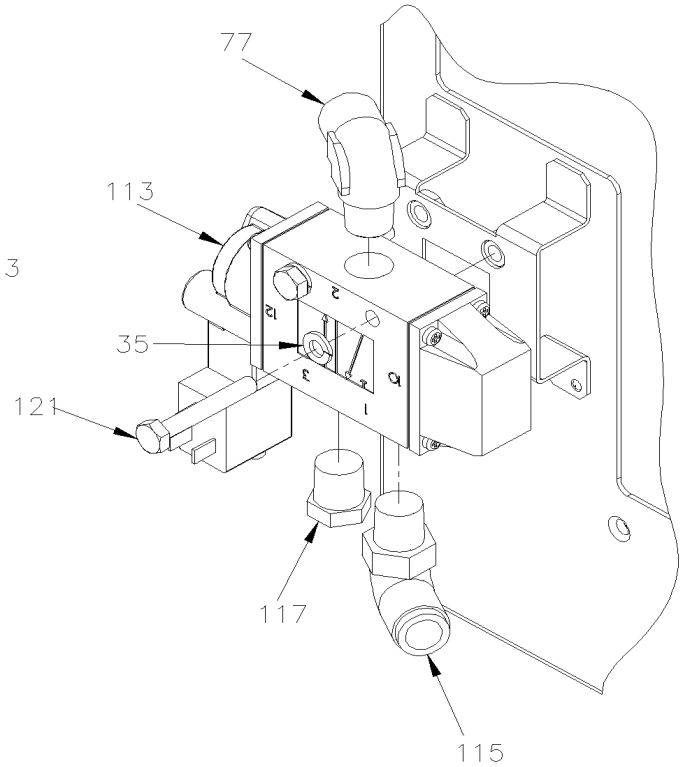
FRONT KNEELING - CONTROL PANEL



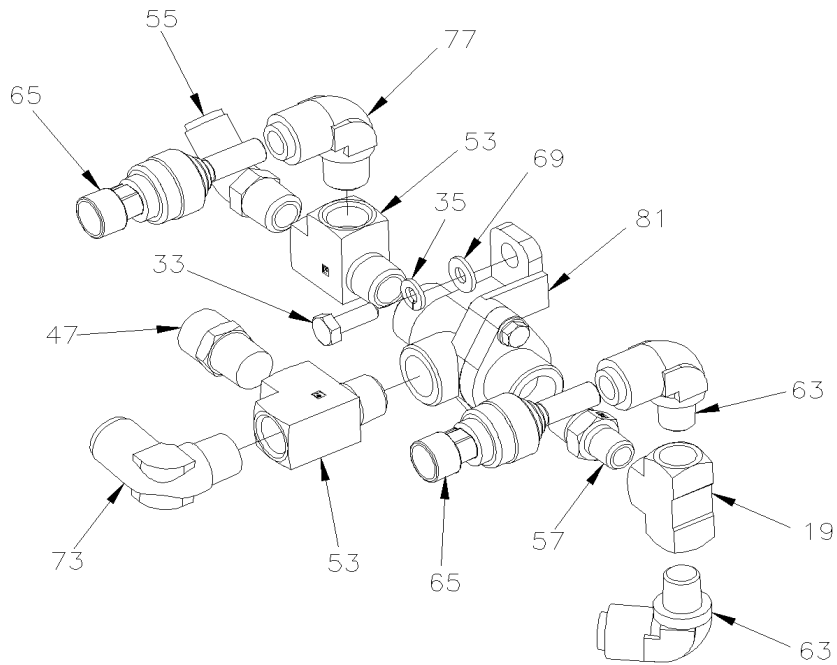
From E-5590 To F-5871	Date:01/2024	PAGE:X3-1630-01
FRONT KNEELING - CONTROL PANEL		



DETAIL C

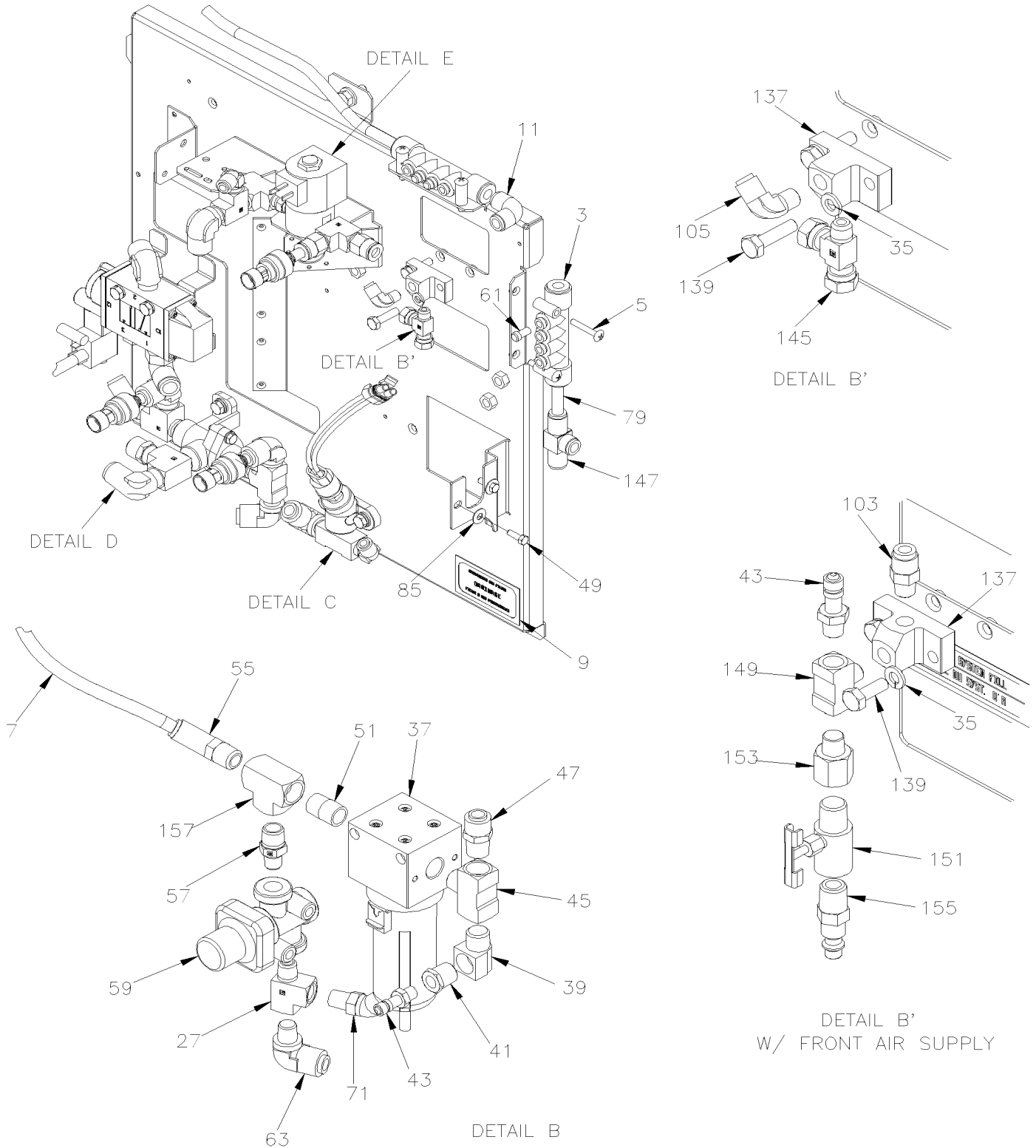


DETAIL A

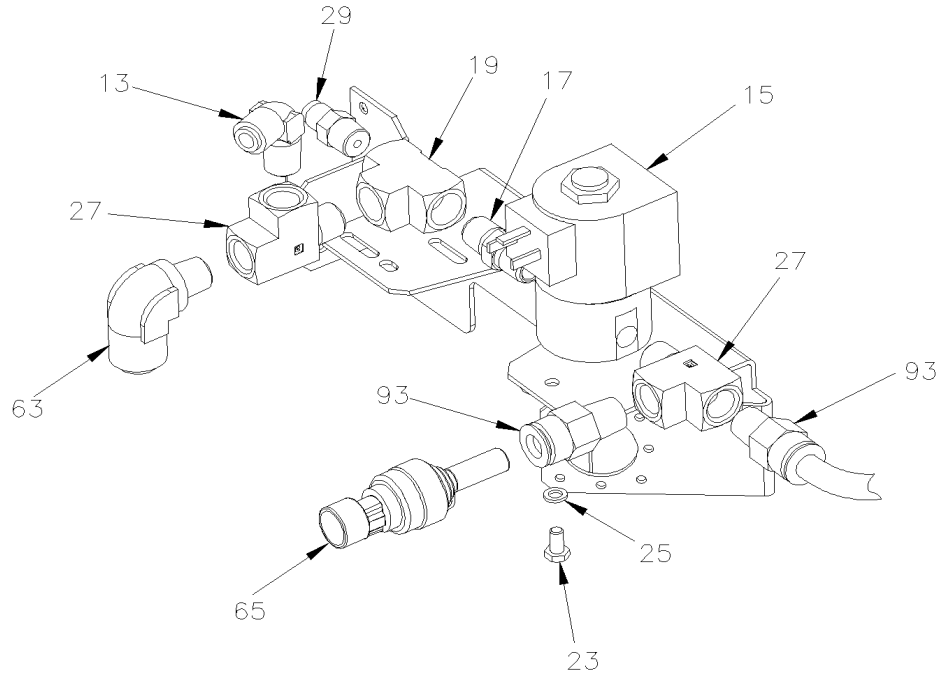


DETAIL D

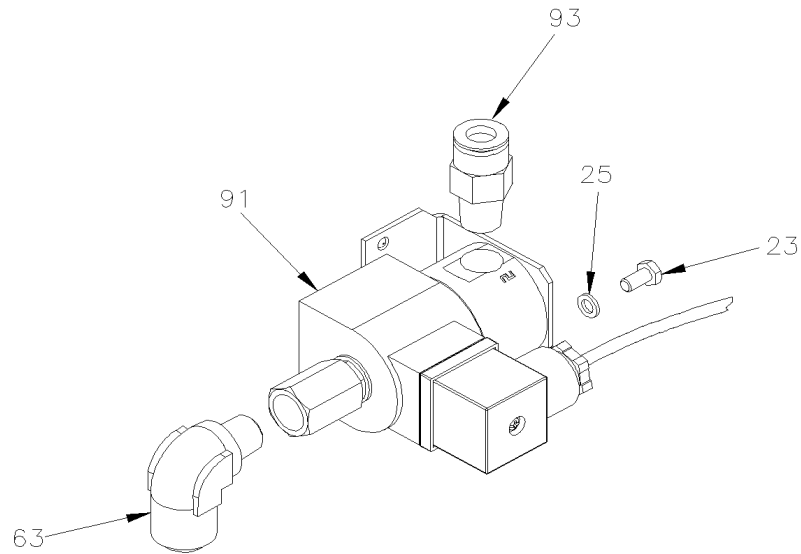
FRONT KNEELING - CONTROL PANEL



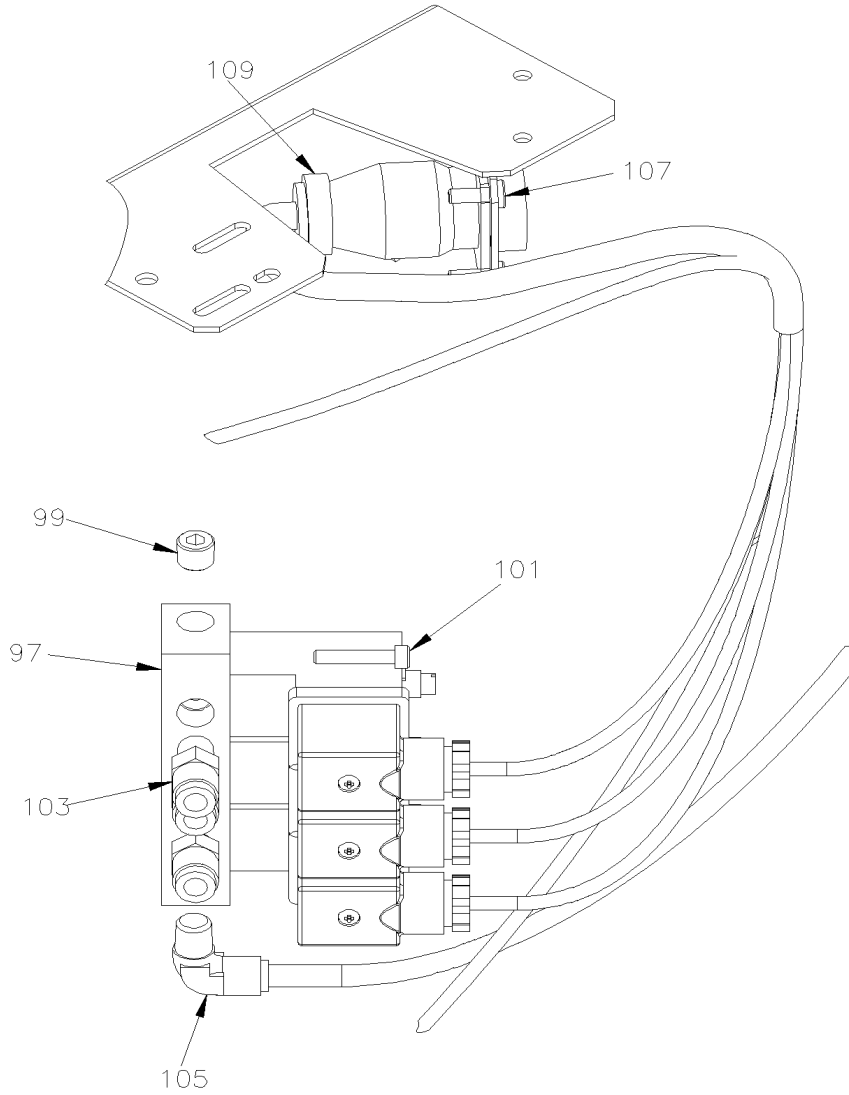
FRONT KNEELING - CONTROL PANEL



DETAIL E



DETAIL F



DETAIL G

From E-5590 To F-5871	Date:01/2024	PAGE:X3-1630-01
FRONT KNEELING - CONTROL PANEL		

Item#	Part	Description	QTY	Notes
1	142659	VALVE MOUNTING SUPPORT	1	
3	641897	MANIFOLD / PUSH-IN FITTING / 2x#6 / 4x#4 PLAS	2	
5	500574	SCREW MA TR PH #10-24x1 1/4 SS	4	
7	503404	TUBE, NYLON 3/8 O.D. / BLACK S.L.	AR	
9	140227	DECAL / ACC AIR FILTER DRAIN / ENGLISH & FRANCAIS	1	
11	641436	UNION ELBOW 90° / PUSH-IN FITTING / #6x#6 BR	1	
13	641371	MALE ELBOW 90° NON-SWIVEL / PUSH-IN FITTING / #4x1/4NPT-M BR	2	
15	562804	VALVE, 2 WAYS N.C.	1	
. NS	562848	. CONNECTOR / SOCKET HOUSING ASSY 3C / PNEUMAC 54933-05	1	
17	501321	NIPPLE HEX / PIPE FITTING / 1/4NPT-Mx1/4NPT-Mx1 3/8 BR	1	
19	501337	FEMALE UNION TEE / PIPE FITTING / 1/4NPT-Fx1/4NPT-Fx1/4NPT-F BR	2	
23	502751	SCREW CAP HEX #10-32x3/8 Z050	4	
25	500470	WASHER LO SPT .193x.334x.047 Z050	4	
27	501338	MALE RUN TEE / PIPE FITTING / 1/4NPT-Mx1/4NPT-Fx1/4NPT-F BR	3	
29	642117	MALE CONNECTOR / PUSH-IN FITTING / #2x1/4NPT-M NP	1	
NS	501332	STREET ELBOW 90° / PIPE FITTING / 1/4NPT-Mx1/4NPT-F BR	1	
33	5001746	SCREW CAP HEX 1/4-20x3/4 G5 N500	3	
35	500473	WASHER LO SPT .262x.489x.062 Z050	7	
37	642192	AIR FILTER	1	
39	501333	STREET ELBOW 90° / PIPE FITTING / 3/8NPT-Mx3/8NPT-F BR	1	
41	501313	BUSHING REDUCER / PIPE FITTING / 3/8NPT-Mx1/8NPT-F BR	1	
43	640488	VALVE, AIR FILL 1/8" NPT	1	
. NS	650164	. CAP VALVE / CHROME	1	
45	501737	MALE BRANCHE TEE / PIPE FITTING / 3/8NPT-Fx3/8NPT-Fx3/8NPT-M BR	1	
47	641330	MALE CONNECTOR / PUSH-IN FITTING / #6x3/8NPT-M BR	4	
49	500032	SCREW CAP HEX M5-0.8x16 BK	2	
51	501325	NIPPLE / PIPE FITTING / 3/8NPT-Mx3/8NPT-Mx1 BR	1	
53	501699	MALE RUN TEE / PIPE FITTING / 3/8NPT-Mx3/8NPT-Fx3/8NPT-F BR	3	
55	641367	MALE ELBOW 45° NON-SWIVEL / PUSH-IN FITTING / #6x3/8NPT-M BR	2	
57	501749	NIPPLE REDUCER HEX / PIPE FITTING / 3/8NPT-Mx1/4NPT-Mx1 13/32 BR	2	
59	641137	VALVE, PRESSURE PROTECTION TYPE PR-4 70PSI	1	
61	641416	PLUG STEM / PUSH-IN FITTING / #4 PLAS	3	
63	641372	MALE ELBOW 90° NON-SWIVEL / PUSH-IN FITTING / #6x1/4NPT-M BR	7	
65	20476992	TRANSDUCER PRESSURE (0-12Bar / 0-174PSI) To E-5655	3	
65	560005	TRANSDUCER PRESSURE (0-12 BAR, 0-174 PSI) From E-5656	3	
67	287234	PRESSURE SWITCH N.C. 30-10 20PS001AB030E010E	1	
69	500877	WASHER FL .250x.562x.065 N500	3	
71	641366	MALE ELBOW 45° NON-SWIVEL / PUSH-IN FITTING / #6x1/4NPT-M BR	1	
73	641376	MALE ELBOW 90° NON-SWIVEL / PUSH-IN FITTING / #8x3/8NPT-M BR	1	
77	641375	MALE ELBOW 90° NON-SWIVEL / PUSH-IN FITTING / #6x3/8NPT-M BR	2	
79	503471	TUBE, NYLON 3/8 O.D. / BLUE S.L.	AR	
81	641564	VALVE, DOUBLE CHECK DC-4	1	

From E-5590 To F-5871	Date:01/2024	PAGE:X3-1630-01
FRONT KNEELING - CONTROL PANEL		

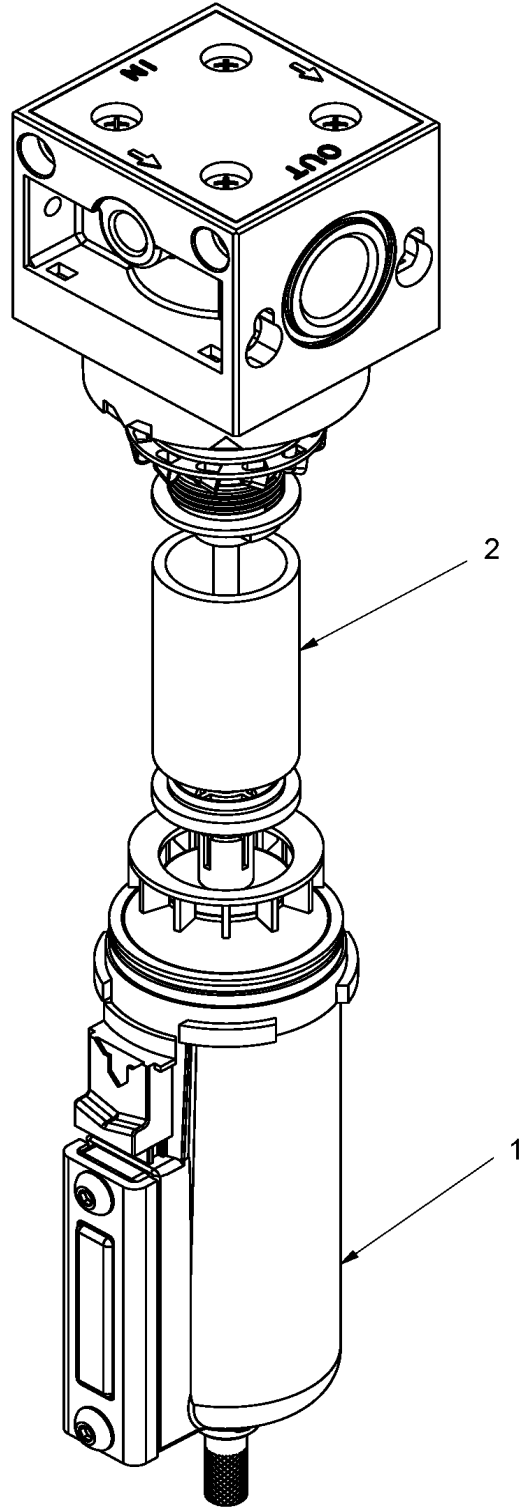
Item#	Part	Description	QTY	Notes
85	5001608	WASHER BEL SPR 6.2x15.0x0.7 G500	2	
87	501894	MALE BRANCHE TEE / PIPE FITTING / 1/4NPT-Fx1/4NPT-Fx1/4NPT-M BR	1	
89	640643	ANCHOR ELBOW / PIPE FITTING / 1/4NPT-Fx1/4NPT-F STL	1	
91	642191	VALVE, 3 WAYS, 2 POSITIONS N.C.	1	
. NS	195765	. SOLENOIDE 24 VOLTS	1	
93	641331	MALE CONNECTOR / PUSH-IN FITTING / #6x1/4NPT-M BR	3	
97	641180	MANIFOLD VALVE / W/3 SOLENOID	1	
. NS	641928	. KIT, MANIFOLD REPAIR / N.C.	3	
. NS	641107	. COIL 24V	1	
99	501072	PLUG HEXS / PIPE FITTING / 1/8NPT-M STL	1	
101	500671	SCREW CAP HEXS #8-32x7/8	2	
103	641242	MALE CONNECTOR / PUSH-IN FITTING / #4x1/8NPT-M BR	3	
105	641369	MALE ELBOW 90° NON-SWIVEL / PUSH-IN FITTING / #4x1/8NPT-M BR	2	
107	500654	SCREW TC BDG PH #8-32x1/2 Z050	4	
109	068446	CABLE ASSY KNEELING PANEL To E-5589	1	
109	068834	CABLE ASSY KNEELING PANEL From E-5590 To E-5759	1	
109	068446	CABLE ASSY KNEELING PANEL From F-5760	1	
111	503402	TUBE, NYLON 1/4 O.D. / BLACK S.L.	AR	
113	641937	VALVE, 3 WAYS, 2 POSITIONS N.C. / W/MAN OVERRIDE	1	
. NS	641929	. COIL 24V	1	
. NS	641385	. CONNECTOR / SOCKET HOUSING ASSY 3C / PNEUMAC 54934-01	1	
115	641428	MALE ELBOW 90° SWIVEL / PUSH-IN FITTING / #8x3/8NPT-M BR	1	
117	641934	SILENCER / MUFFLER / 3/8NPT-M	2	
121	500994	SCREW CAP HEX 1/4-20x1 3/4 G5 PT Z050	2	
137	642021	DROP-EAR ELBOW 90° / PIPE FITTING / 1/8NPT-F BR	1	
139	500171	SCREW CAP HEX 1/4-20x1 G5 N500	2	
145	641002	MALE RUN TEE / NTA FITTING / #4x#4x1/8NPT-M BR	2	
147	641922	UNION TEE / PUSH-IN FITTING / #6x#6x#6 BR	1	
149	507589	MALE BRANCHE TEE / PIPE FITTING / 1/8NPT-Fx1/8NPT-Fx1/8NPT-M BR	1	
151	5011129	NEEDLE VALVE 1/4 NPT M x 1/4 NPT F	1	
153	501310	ADAPTER / PIPE FITTING / 1/4NPT-Fx1/8NPT-M BR	1	
155	684613	NIPPLE / QUICK DISCONNECT "INDUSTRIAL" / #4x1/4NPT-M STL	1	
157	501527	FEMALE UNION TEE / PIPE FITTING / 3/8NPT-Fx3/8NPT-Fx3/8NPT-F BR	1	
159	5001868	WASHER BEL SPR 8.4x18x2 SS	2	
161	502862	SCREW CAP HEX M8-1.25x20 G8.8 N500	2	

From E-5590 To F-5871

Date:01/2024

PAGE:642192

AIR FILTER

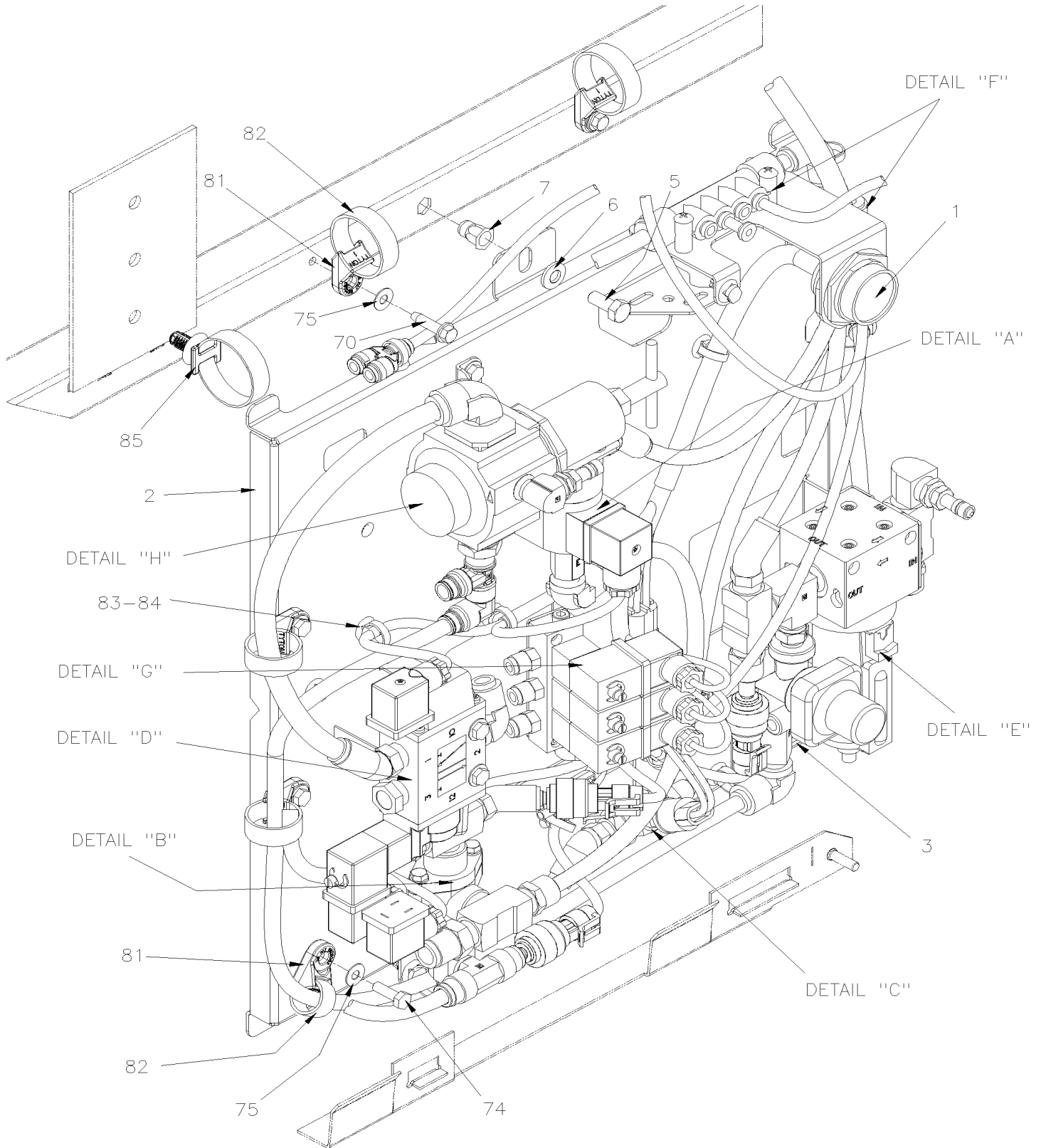


From E-5590 To F-5871	Date:01/2024	PAGE:642192
-----------------------	--------------	-------------

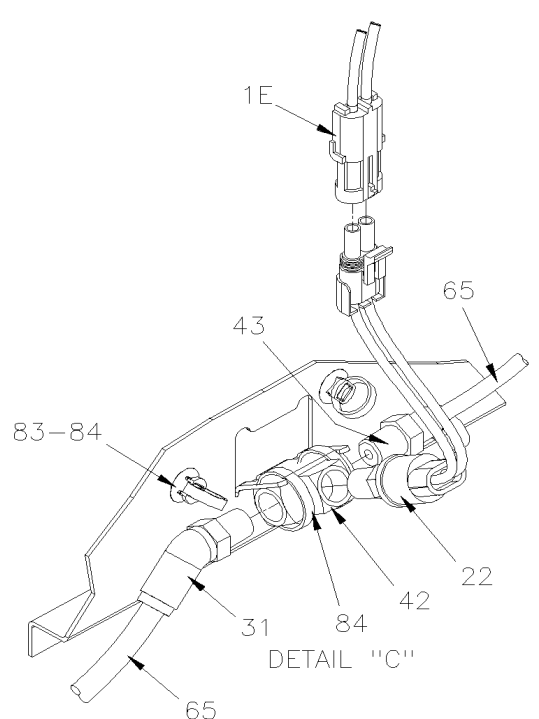
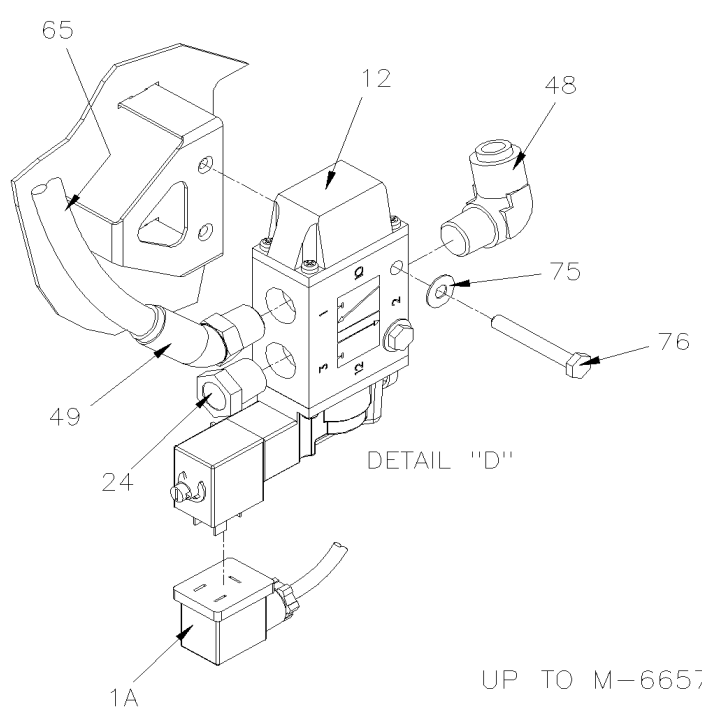
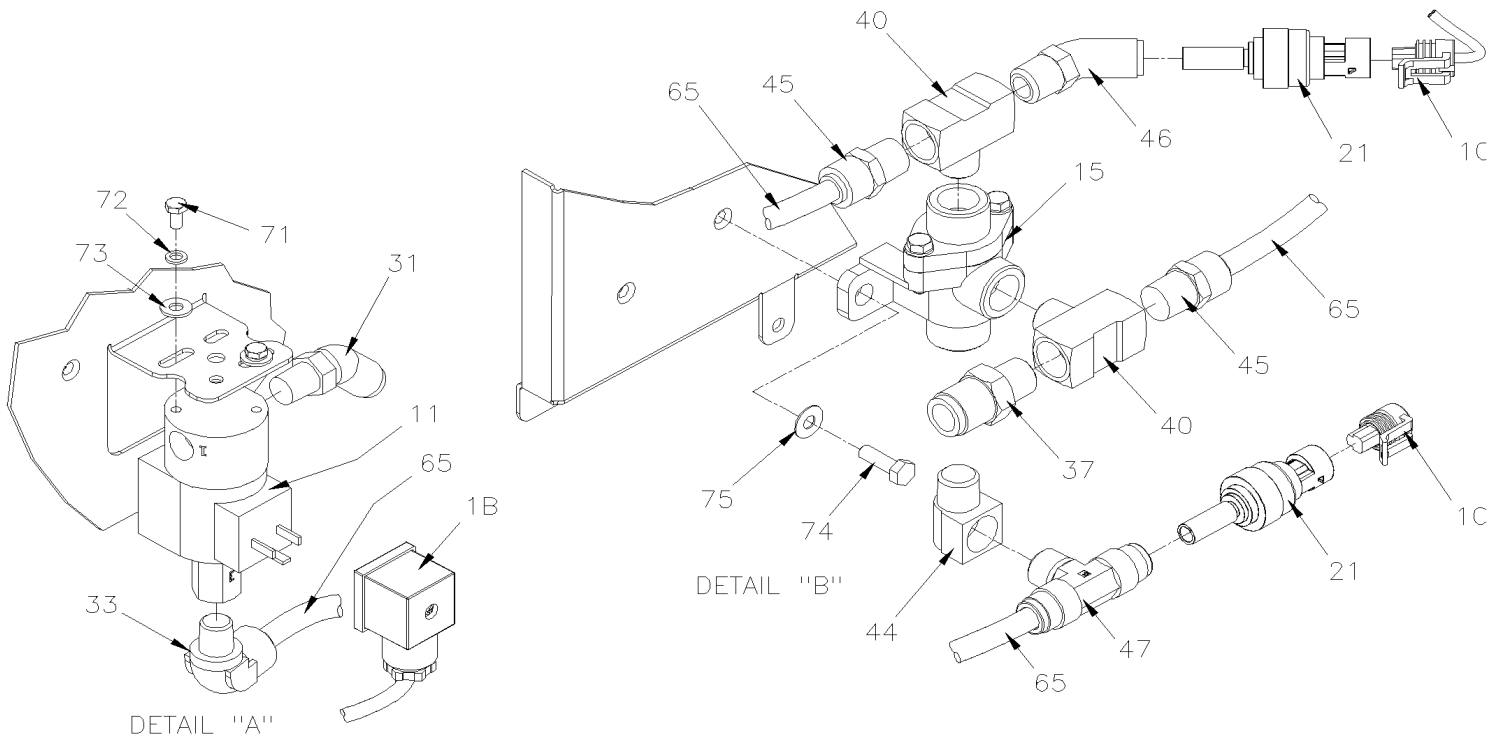
AIR FILTER

Item#	Part	Description	QTY	Notes
1	642219	METAL BOWL MANUAL DRAIN	1	
2	642220	FILTER ELEMENT	1	
NS	642221	SERVICE KIT AIR FILTER	1	A
. NS	N.S.S.	. FILTER SIDE PLATE	2	1 A
. NS	N.S.S.	. SCREW CAP BUT	2	1 A
. NS	N.S.S.	. PLUG	1	1 A
. NS	N.S.S.	. O-RING	1	1 A
. NS	N.S.S.	. GREASE PACKET	1	1 A
		A) CONTAIN SIDE COVER 2X / SCREW X2 / PLUG 1X / O-RING 1X / GREASE PACKAGE 1X		
		1) NOT SOLD SEPARATELY		

FRONT KNEELING - CONTROL PANEL

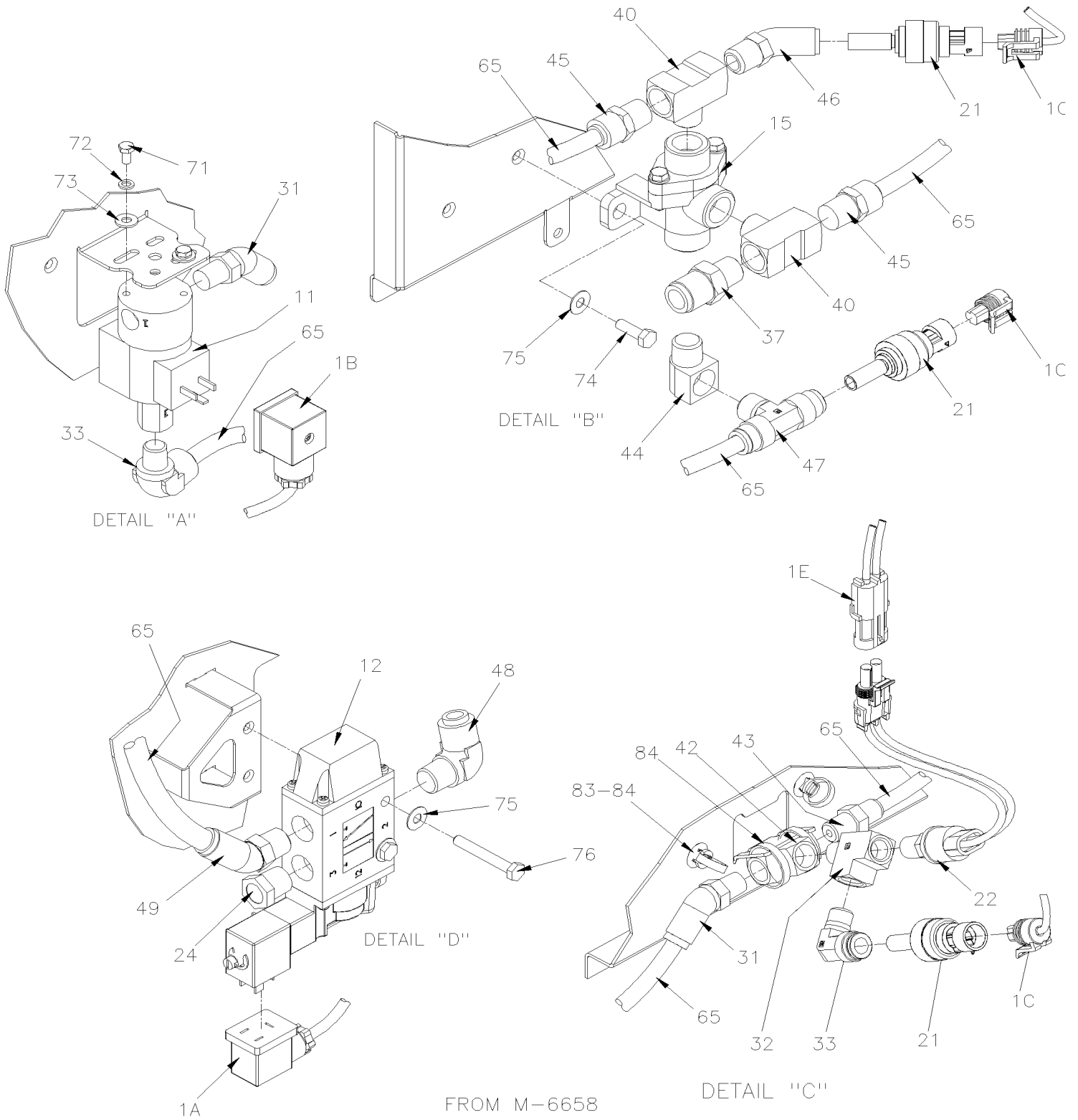


FRONT KNEELING - CONTROL PANEL

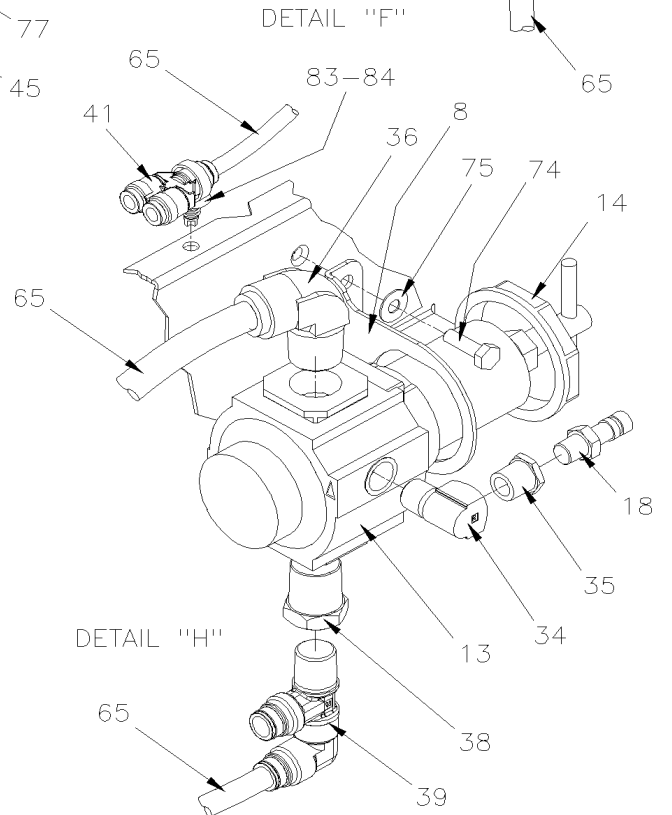
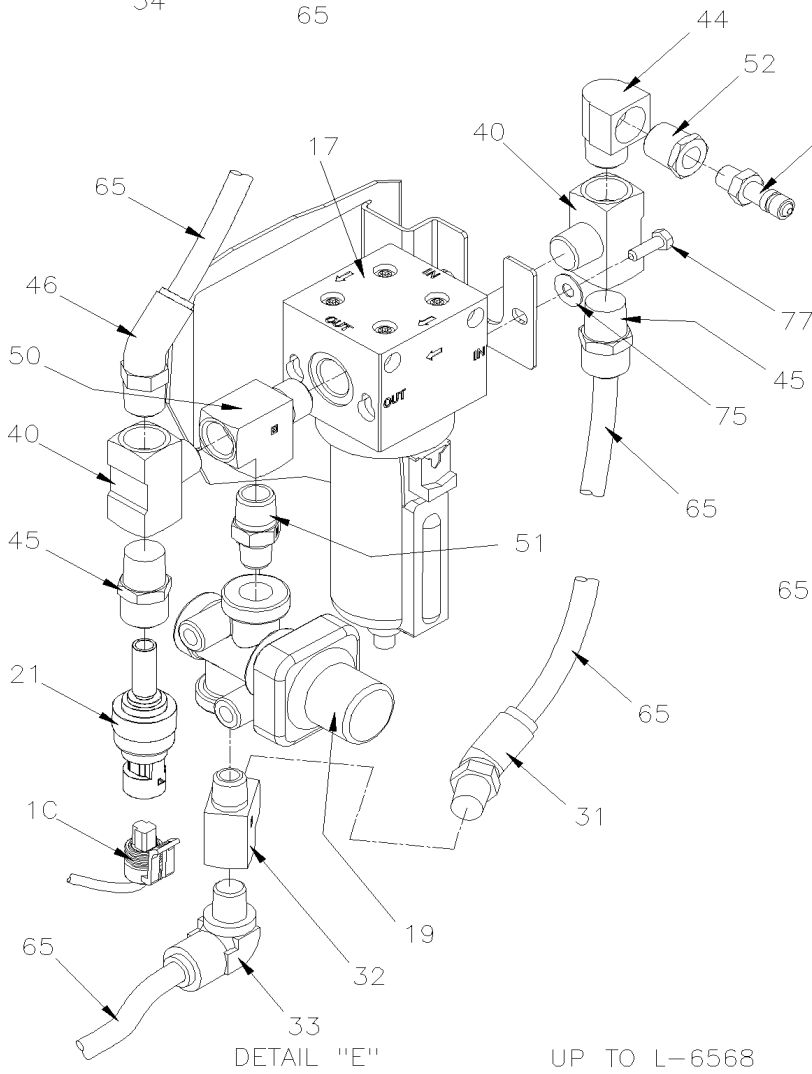
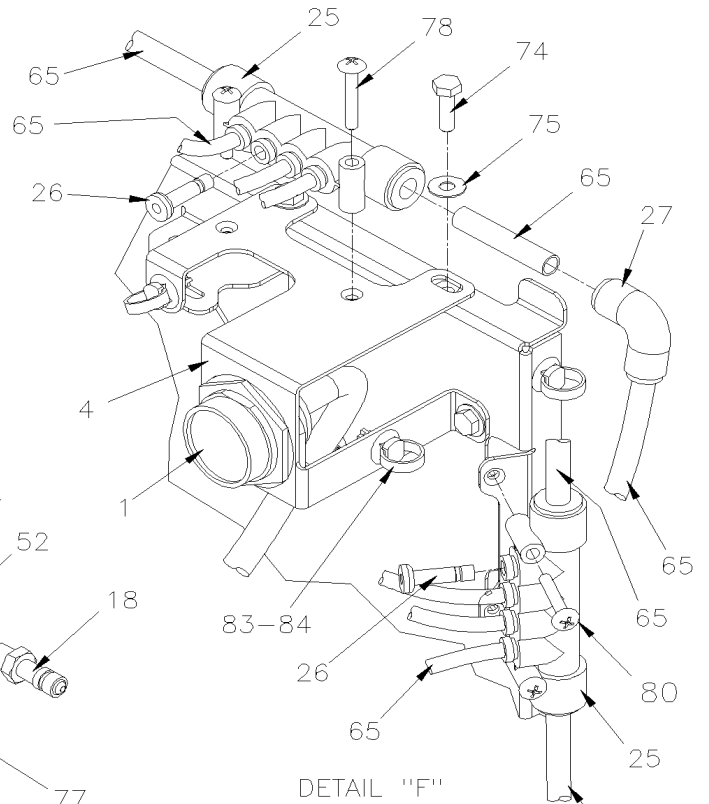
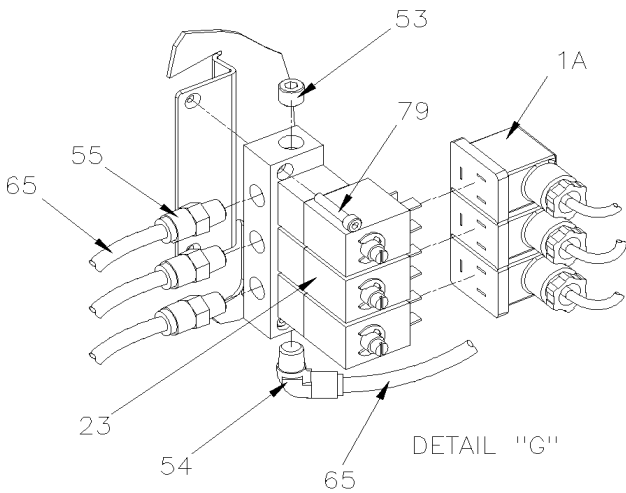


UP TO M-6657

FRONT KNEELING - CONTROL PANEL

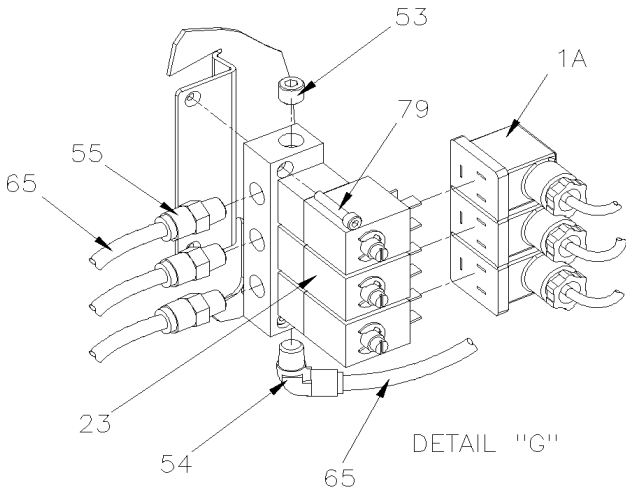


FRONT KNEELING - CONTROL PANEL

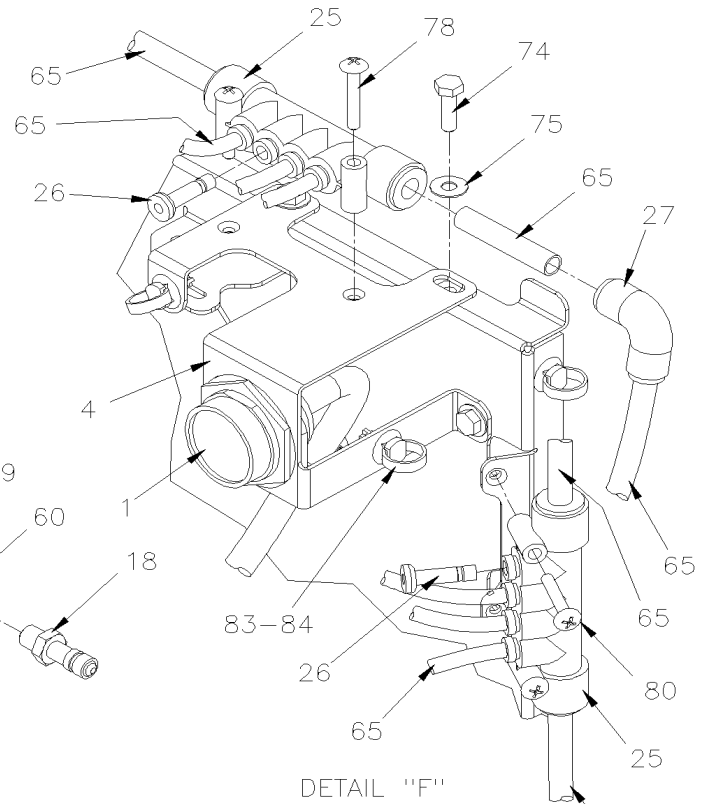


UP TO L-6568

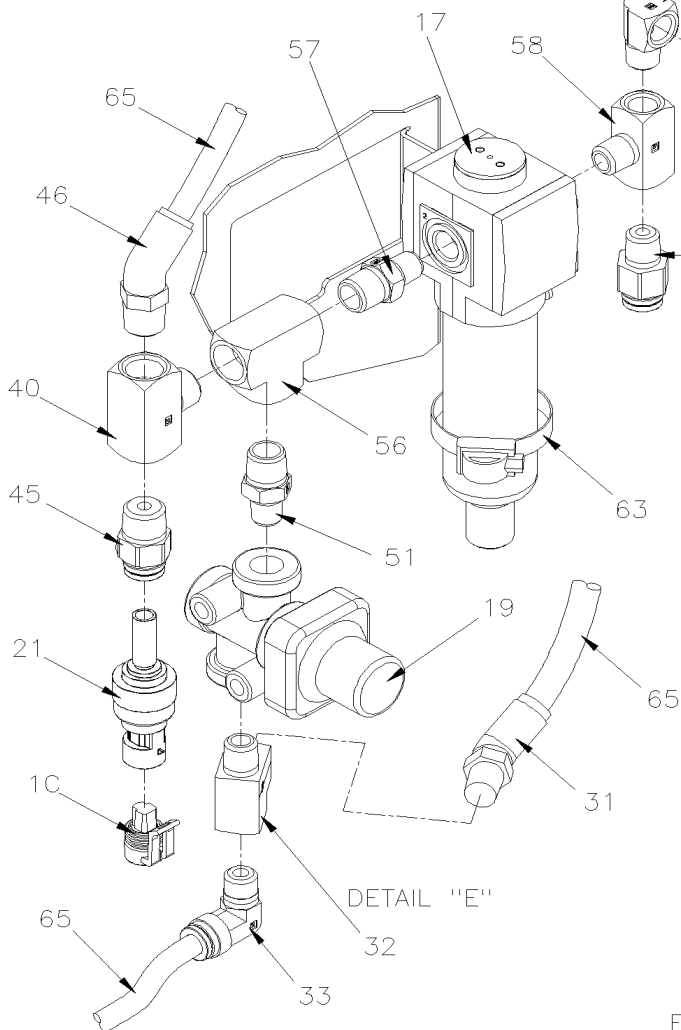
FRONT KNEELING - CONTROL PANEL



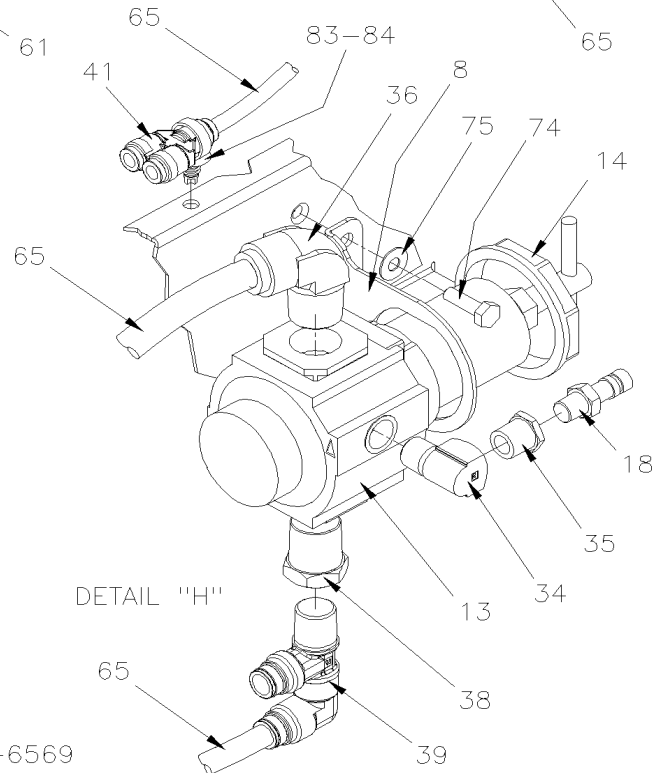
DETAIL "G"



DETAIL "F"



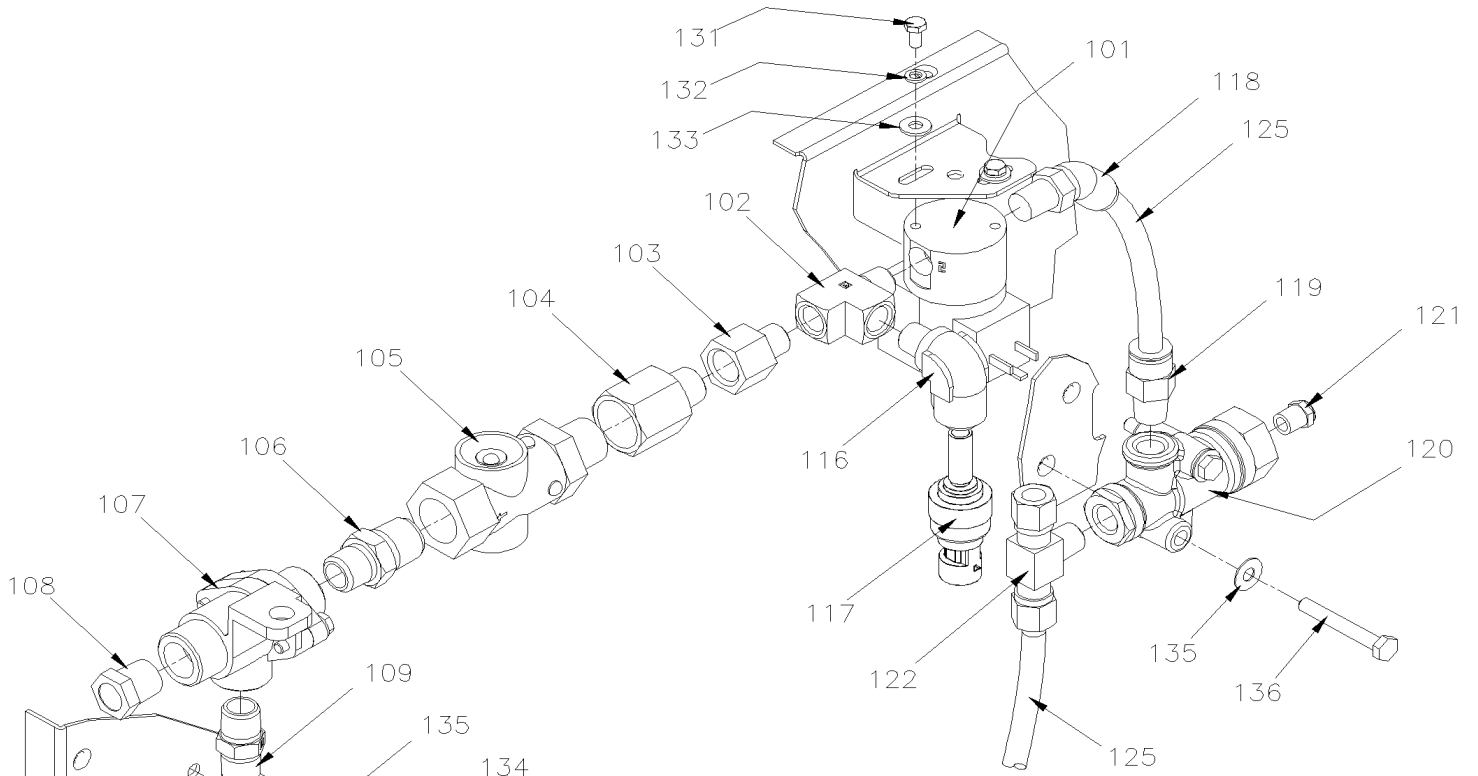
DETAIL "E"



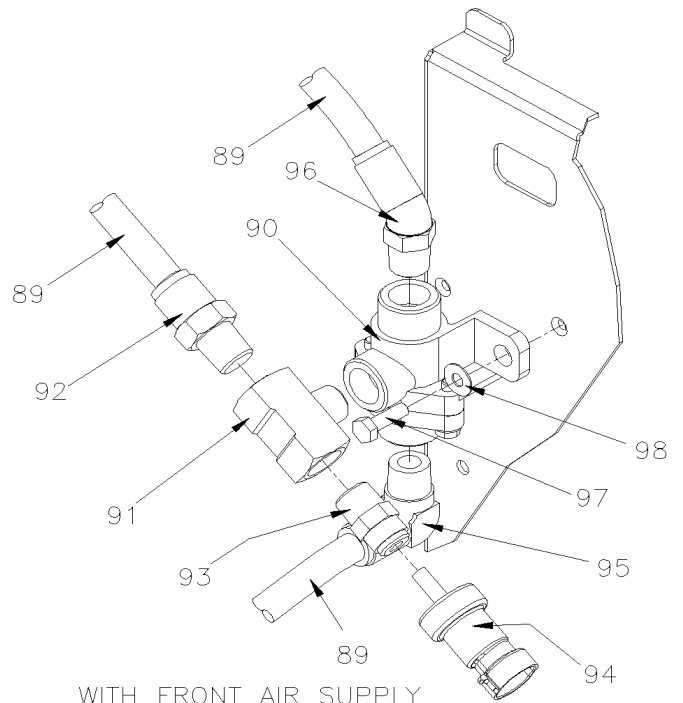
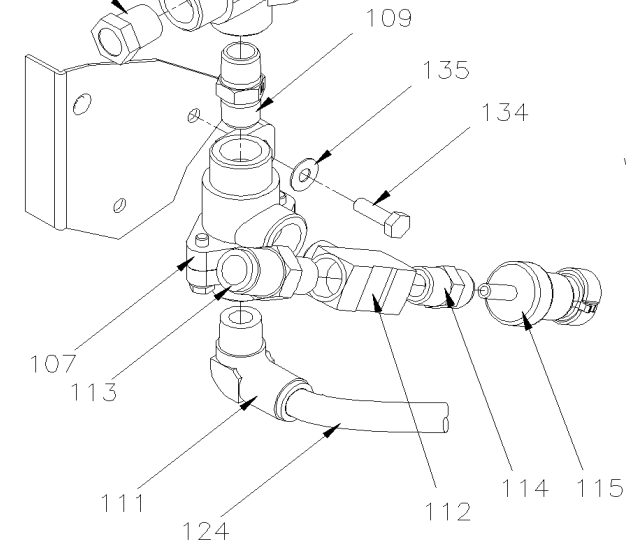
DETAIL "H"

FROM L-6569

From F-5872	Date:01/2024	PAGE:X3-1630-02
FRONT KNEELING - CONTROL PANEL		



WITH BY FOLD DOOR



WITH FRONT AIR SUPPLY
FOR TOWING

From F-5872		Date:01/2024	PAGE:X3-1630-02
-------------	--	--------------	-----------------

FRONT KNEELING - CONTROL PANEL

Item#	Part	Description	QTY	Notes
1	069271	CABLE ASSY KNEELING PANEL To H-6093	1	
A	641385	CONNECTOR / SOCKET HOUSING ASSY 3C / PNEUMAC 54934-01 To H-6093	6	
B	562848	CONNECTOR / SOCKET HOUSING ASSY 3C / PNEUMAC 54933-05 To H-6093	1	
C	563159	CONNECTOR / METRI-PACK 150 / SH 3C / PED 12065287 To H-6093	3	
D	563677	CONNECTOR / METRI-PACK 150 / SH 4C / PED 12065402 To H-6093	1	
E	561566	CONNECTOR / WEATHER PACK / PH 2C / BLACK / PED 12010973 To H-6093	1	
F	561690	CONNECTOR / WEATHER PACK / SH 2C / BLACK / PED 12015792 To H-6093	1	
1	069506	CABLE ASSY KNEELING PANEL From H-6094 To H-6179	1	
A	641385	CONNECTOR / SOCKET HOUSING ASSY 3C / PNEUMAC 54934-01 From H-6094 To H-6179	6	
B	562848	CONNECTOR / SOCKET HOUSING ASSY 3C / PNEUMAC 54933-05 From H-6094 To H-6179	1	
C	563159	CONNECTOR / METRI-PACK 150 / SH 3C / PED 12065287 From H-6094 To H-6179	3	
D	563677	CONNECTOR / METRI-PACK 150 / SH 4C / PED 12065402 From H-6094 To H-6179	1	
E	561566	CONNECTOR / WEATHER PACK / PH 2C / BLACK / PED 12010973 From H-6094 To H-6179	1	
F	561690	CONNECTOR / WEATHER PACK / SH 2C / BLACK / PED 12015792 From H-6094 To H-6179	1	
1	069330	CABLE ASSY KNEELING PANEL From H-6180 To J-6241	1	
1	069715	CABLE ASSY KNEELING PANEL From J-6242 To M-6657	1	
A	641385	CONNECTOR / SOCKET HOUSING ASSY 3C / PNEUMAC 54934-01 From J-6242 To M-6657	4	
B	562848	CONNECTOR / SOCKET HOUSING ASSY 3C / PNEUMAC 54933-05 From J-6242 To M-6657	2	
C	563159	CONNECTOR / METRI-PACK 150 / SH 3C / PED 12065287 From J-6242 To M-6657	4	
D	563677	CONNECTOR / METRI-PACK 150 / SH 4C / PED 12065402 From J-6242 To M-6657	1	
E	561566	CONNECTOR / WEATHER PACK / PH 2C / BLACK / PED 12010973 From J-6242 To M-6657	1	
F	568109	CONNECTOR / HDP20 SERIES / SH 31C / DEUTSCH HDP24-24-31SE-L017 From J-6242 To M-6657	1	
1	0610472	CABLE ASSY KNEELING PANEL From M-6658	1	
A	641385	CONNECTOR / SOCKET HOUSING ASSY 3C / PNEUMAC 54934-01 From M-6658	4	
B	562848	CONNECTOR / SOCKET HOUSING ASSY 3C / PNEUMAC 54933-05 From M-6658	2	
C	563159	CONNECTOR / METRI-PACK 150 / SH 3C / PED 12065287 From M-6658	5	
D	563677	CONNECTOR / METRI-PACK 150 / SH 4C / PED 12065402 From M-6658	1	
E	561566	CONNECTOR / WEATHER PACK / PH 2C / BLACK / PED 12010973 From M-6658	1	
F	568109	CONNECTOR / HDP20 SERIES / SH 31C / DEUTSCH HDP24-24-31SE-L017 From M-6658	1	
2	145286	VALVE SUPPORT ASSY To G-6078	1	
2	140038	VALVE SUPPORT ASSY From G-6079 To L-6568	1	
2	140221	VALVE SUPPORT ASSY From L-6569	1	
3	140227	DECAL / ACC AIR FILTER DRAIN / ENGLISH & FRANCAIS	1	
3	142368	DECAL / ACC AIR FILTER DRAIN / ENGLISH & SPANISH From G-6084	1	
4	145261	CABLE SUPPORT To H-6093	1	
4	140039	CABLE SUPPORT From H-6094	1	
5	502862	SCREW CAP HEX M8-1.25x20 G8.8 N500	1	
6	5001868	WASHER BEL SPR 8.4x18x2 SS	1	
7	5001692	NUT INS FL HEX M8-1.25 0.5-3.0 SS	1	
8	145267	SUPPORT, REGULATOR	1	
11	642191	VALVE, 3 WAYS, 2 POSITIONS N.C. To G-6078	1	

From F-5872		Date:01/2024	PAGE:X3-1630-02
FRONT KNEELING - CONTROL PANEL			

Item#	Part	Description	QTY	Notes
. NS	195765	. SOLENOIDE 24 VOLTS To G-6078	1	
11	642227	VALVE, 3 WAYS, 2 POSITIONS N.C. From G-6079	1	
. NS	195765	. SOLENOIDE 24 VOLTS From G-6079	1	
12	641937	VALVE, 3 WAYS, 2 POSITIONS N.C. / W/MAN OVERRIDE	1	
. NS	641929	. COIL 24V	1	
. NS	641385	. CONNECTOR / SOCKET HOUSING ASSY 3C / PNEUMAC 54934-01	1	
13	641352	AIR PRESSURE REGULATOR 1/2" NPT	1	
14	641506	NUT RING / AIR REGULATOR RETAINING	1	
15	641564	VALVE, DOUBLE CHECK DC-4	1	
17	642192	AIR FILTER To L-6558	1	
17	640031	AIR FILTER From L-6559	1	
. NS	640050	. AIR FILTER From L-6559	1	
. NS	640049	. BOWL FILTER From L-6559	1	
17	140259	SERVICE KIT AIR FILTER PNEUMATIC To L-6558	1	
18	640488	VALVE, AIR FILL 1/8" NPT	2	
. NS	650164	. CAP VALVE / CHROME	1	
19	641137	VALVE, PRESSURE PROTECTION TYPE PR-4 70PSI	1	
21	560005	TRANSDUCER PRESSURE (0-12 BAR, 0-174 PSI) To M-6657	3	
21	22443498	TRANSDUCER PRESSURE (0-12 BAR, 0-174 PSI) From M-6658 To M-6657	3	
21	22443498	TRANSDUCER PRESSURE (0-12 BAR, 0-174 PSI) From M-6658	4	
22	287234	PRESSURE SWITCH N.C. 30-10 20PS001AB030E010E	1	
23	641180	MANIFOLD VALVE / W/3 SOLENOID	1	
. NS	641928	. KIT, MANIFOLD REPAIR / N.C.	3	
. NS	641107	. COIL 24V	1	
24	641934	SILENCER / MUFFLER / 3/8NPT-M	1	
25	641897	MANIFOLD / PUSH-IN FITTING / 2x#6 / 4x#4 PLAS	2	
26	641416	PLUG STEM / PUSH-IN FITTING / #4 PLAS	2	
27	641436	UNION ELBOW 90° / PUSH-IN FITTING / #6x#6 BR	1	
31	641366	MALE ELBOW 45° NON-SWIVEL / PUSH-IN FITTING / #6x1/4NPT-M BR	2	
32	501338	MALE RUN TEE / PIPE FITTING / 1/4NPT-Mx1/4NPT-Fx1/4NPT-F BR To M-6657	1	
32	501338	MALE RUN TEE / PIPE FITTING / 1/4NPT-Mx1/4NPT-Fx1/4NPT-F BR From M-6658	2	
33	641372	MALE ELBOW 90° NON-SWIVEL / PUSH-IN FITTING / #6x1/4NPT-M BR To M-6657	2	
33	641372	MALE ELBOW 90° NON-SWIVEL / PUSH-IN FITTING / #6x1/4NPT-M BR From M-6658	3	
34	501332	STREET ELBOW 90° / PIPE FITTING / 1/4NPT-Mx1/4NPT-F BR	1	
35	501312	BUSHING REDUCER / PIPE FITTING / 1/4NTP-Mx1/8NPT-F BR	1	
36	641378	MALE ELBOW 90° / PUSH-IN FITTING / #8x1/2NPT-M BRASS	1	
37	641381	MALE CONNECTOR / PUSH-IN FITTING / #8x3/8NPT-M BR	1	
38	501534	BUSHING REDUCER / PIPE FITTING / 1/2NPT-Mx3/8NPT-F BR	1	
39	642128	MALE ELBOW 90° SWIVEL DUAL PORT / PUSH-IN / #6x#6x3/8NPT-M BR	1	
40	501737	MALE BRANCHE TEE / PIPE FITTING / 3/8NPT-Fx3/8NPT-Fx3/8NPT-M BR To L-6558	4	
40	501737	MALE BRANCHE TEE / PIPE FITTING / 3/8NPT-Fx3/8NPT-Fx3/8NPT-M BR From L-6559	3	

From F-5872	Date:01/2024	PAGE:X3-1630-02
FRONT KNEELING - CONTROL PANEL		

Item#	Part	Description	QTY	Notes
41	642208	UNION "Y" / PUSH-IN FITTING / #4x#4x#4 PLAS	1	
42	501337	FEMALE UNION TEE / PIPE FITTING / 1/4NPT-Fx1/4NPT-Fx1/4NPT-F BR	1	
43	641332	MALE CONNECTOR / PUSH-IN FITTING / #4x1/4NPT-M BR	1	
44	501333	STREET ELBOW 90° / PIPE FITTING / 3/8NPT-Mx3/8NPT-F BR To L-6558	2	
44	501333	STREET ELBOW 90° / PIPE FITTING / 3/8NPT-Mx3/8NPT-F BR From L-6559	1	
45	641330	MALE CONNECTOR / PUSH-IN FITTING / #6x3/8NPT-M BR To L-6558	4	
45	641330	MALE CONNECTOR / PUSH-IN FITTING / #6x3/8NPT-M BR From L-6559	3	
46	641367	MALE ELBOW 45° NON-SWIVEL / PUSH-IN FITTING / #6x3/8NPT-M BR	2	
47	649942	MALE BRANCH TEE / PUSH-IN FITTING / #6x#6x3/8NPT-M BR	1	
48	641375	MALE ELBOW 90° NON-SWIVEL / PUSH-IN FITTING / #6x3/8NPT-M BR	1	
49	641368	MALE ELBOW 45° NON-SWIVEL / PUSH-IN FITTING / #8x3/8NPT-M BR	1	
50	501699	MALE RUN TEE / PIPE FITTING / 3/8NPT-Mx3/8NPT-Fx3/8NPT-F BR To L-6558	1	
51	501749	NIPPLE REDUCER HEX / PIPE FITTING / 3/8NPT-Mx1/4NPT-Mx1 13/32 BR	1	
52	501313	BUSHING REDUCER / PIPE FITTING / 3/8NPT-Mx1/8NPT-F BR To L-6558	1	
53	501072	PLUG HEXS / PIPE FITTING / 1/8NPT-M STL	1	
54	641369	MALE ELBOW 90° NON-SWIVEL / PUSH-IN FITTING / #4x1/8NPT-M BR	1	
55	641242	MALE CONNECTOR / PUSH-IN FITTING / #4x1/8NPT-M BR	3	
56	501527	FEMALE UNION TEE / PIPE FITTING / 3/8NPT-Fx3/8NPT-Fx3/8NPT-F BR From L-6559	1	
57	501749	NIPPLE REDUCER HEX / PIPE FITTING / 3/8NPT-Mx1/4NPT-Mx1 13/32 BR From L-6559	1	
58	501894	MALE BRANCHE TEE / PIPE FITTING / 1/4NPT-Fx1/4NPT-Fx1/4NPT-M BR From L-6559	1	
59	501332	STREET ELBOW 90° / PIPE FITTING / 1/4NPT-Mx1/4NPT-F BR From L-6559	1	
60	501312	BUSHING REDUCER / PIPE FITTING / 1/4NPT-Mx1/8NPT-F BR From L-6559	1	
61	641331	MALE CONNECTOR / PUSH-IN FITTING / #6x1/4NPT-M BR From L-6559	1	
NS	680098	THREAD SEALANT LOCTITE #567 / WHITE / 250ml From L-6559	AR	
63	992086	HOSE CLAMP / 32MM/52MM	1	
65	X3-1202-00	TUBES PLASTIC / AIR D.O.T.		
70	500266	SCREW TC CAP HEX 1/4-20x1 N500	2	
71	502751	SCREW CAP HEX #10-32x3/8 Z050 To G-6078	2	
71	500393	SCREW TC PAN PH #10-24x3/8 Z050 From G-6079	2	
72	500470	WASHER LO SPT .193x.334x.047 Z050	2	
73	500964	WASHER FL .203x.500x.047 Z050	2	
74	502830	SCREW CAP HEX M6-1.0x20 G8.8 N500	AR	
75	5001608	WASHER BEL SPR 6.2x15.0x0.7 G500	AR	
76	502843	SCREW CAP HEX M6-1.0x45 G8.8 N500	2	
77	500032	SCREW CAP HEX M5-0.8x16 BK	2	
78	500574	SCREW MA TR PH #10-24x1 1/4 SS To H-6093	2	
78	5001991	SCREW MA RND PH M5-0.8x30 SS From H-6094	2	
79	500671	SCREW CAP HEXS #8-32x7/8	2	
80	500574	SCREW MA TR PH #10-24x1 1/4 SS To G-6078	2	
80	5001991	SCREW MA RND PH M5-0.8x30 SS From G-6079	2	

From F-5872	Date:01/2024	PAGE:X3-1630-02
FRONT KNEELING - CONTROL PANEL		

Item#	Part	Description	QTY	Notes
81	509894	TIE MOUNT HOLE 7.8MM	5	
82	509491	CABLE TIE / 13MM x 383MM	5	
83	509815	TIE MOUNT / ATTACHMENT W/TREE MOUNT	AR	
84	504637	CABLE TIE / 3/16" x 13"	AR	
85	504750	CABLE TIE / 1/2" x 15" / CHRISTMAS TREE	AR	
89	503406	TUBE, NYLON 1/2 O.D. / GREEN S.L. From H-6104	AR	B
90	641564	VALVE, DOUBLE CHECK DC-4 From H-6104	1	B
NS	680098	THREAD SEALANT LOCTITE #567 / WHITE / 250ml From H-6104	AR	B
91	501737	MALE BRANCHE TEE / PIPE FITTING / 3/8NPT-Fx3/8NPT-Fx3/8NPT-M BR From H-6104	1	B
92	641381	MALE CONNECTOR / PUSH-IN FITTING / #8x3/8NPT-M BR From H-6104	1	B
93	641347	MALE CONNECTOR / PUSH-IN FITTING / #4x3/8NPT-M BR From H-6104	1	B
94	642072	PRESSURE SWITCH N.C. 2-6 PSI / 1/4" TUBE From H-6104	1	B
NS	563677	CONNECTOR / METRI-PACK 150 / SH 4C / PED 12065402 From H-6104	1	B
95	641376	MALE ELBOW 90° NON-SWIVEL / PUSH-IN FITTING / #8x3/8NPT-M BR From H-6104	1	B
96	641368	MALE ELBOW 45° NON-SWIVEL / PUSH-IN FITTING / #8x3/8NPT-M BR From H-6104	1	B
97	502830	SCREW CAP HEX M6-1.0x20 G8.8 N500 From H-6104	1	B
98	5001608	WASHER BEL SPR 6.2x15.0x0.7 G500 From H-6104	1	B
101	642137	VALVE, 3 WAYS, N.C.	1	A
101	195765	SOLENOIDE 24 VOLTS	1	A
102	501338	MALE RUN TEE / PIPE FITTING / 1/4NPT-Mx1/4NPT-Fx1/4NPT-F BR	1	A
103	501311	ADAPTER / PIPE FITTING / 3/8NPT-Fx1/4NPT-M BR	1	A
104	501810	ADAPTER / PIPE FITTING / 3/8NPT-Mx1/2NPT-F STL	1	A
105	642088	VALVE, QUICK RELEASE QR-L / IN LINE	1	A
106	5011151	NIPPLE REDUCER HEX / PIPE FITTING / 1/2NPT-Mx3/8NPT-Mx1 5/8 BR	1	A
107	641564	VALVE, DOUBLE CHECK DC-4	2	A
108	641934	SILENCER / MUFFLER / 3/8NPT-M	1	A
109	501322	NIPPLE HEX / PIPE FITTING / 3/8NPT-Mx3/8NPT-Mx1 13/32 BR	1	A
111	641376	MALE ELBOW 90° NON-SWIVEL / PUSH-IN FITTING / #8x3/8NPT-M BR	1	A
112	501737	MALE BRANCHE TEE / PIPE FITTING / 3/8NPT-Fx3/8NPT-Fx3/8NPT-M BR	1	A
113	641381	MALE CONNECTOR / PUSH-IN FITTING / #8x3/8NPT-M BR	1	A
114	641347	MALE CONNECTOR / PUSH-IN FITTING / #4x3/8NPT-M BR	1	A
115	642072	PRESSURE SWITCH N.C. 2-6 PSI / 1/4" TUBE	1	A
NS	563677	CONNECTOR / METRI-PACK 150 / SH 4C / PED 12065402	1	A
116	641372	MALE ELBOW 90° NON-SWIVEL / PUSH-IN FITTING / #6x1/4NPT-M BR	1	A
117	560005	TRANSDUCER PRESSURE (0-12 BAR, 0-174 PSI) To M-6657	1	A
117	22443498	TRANSDUCER PRESSURE (0-12 BAR, 0-174 PSI) From M-6658	1	A
118	641366	MALE ELBOW 45° NON-SWIVEL / PUSH-IN FITTING / #6x1/4NPT-M BR	1	A
119	641331	MALE CONNECTOR / PUSH-IN FITTING / #6x1/4NPT-M BR	1	A
120	642136	VALVE, PRESSURE REDUCING / RV-3 55 PSI	1	A
121	641943	SILENCER / MUFFLER / 1/8NPT-M	1	A

From F-5872	Date:01/2024	PAGE:X3-1630-02
FRONT KNEELING - CONTROL PANEL		

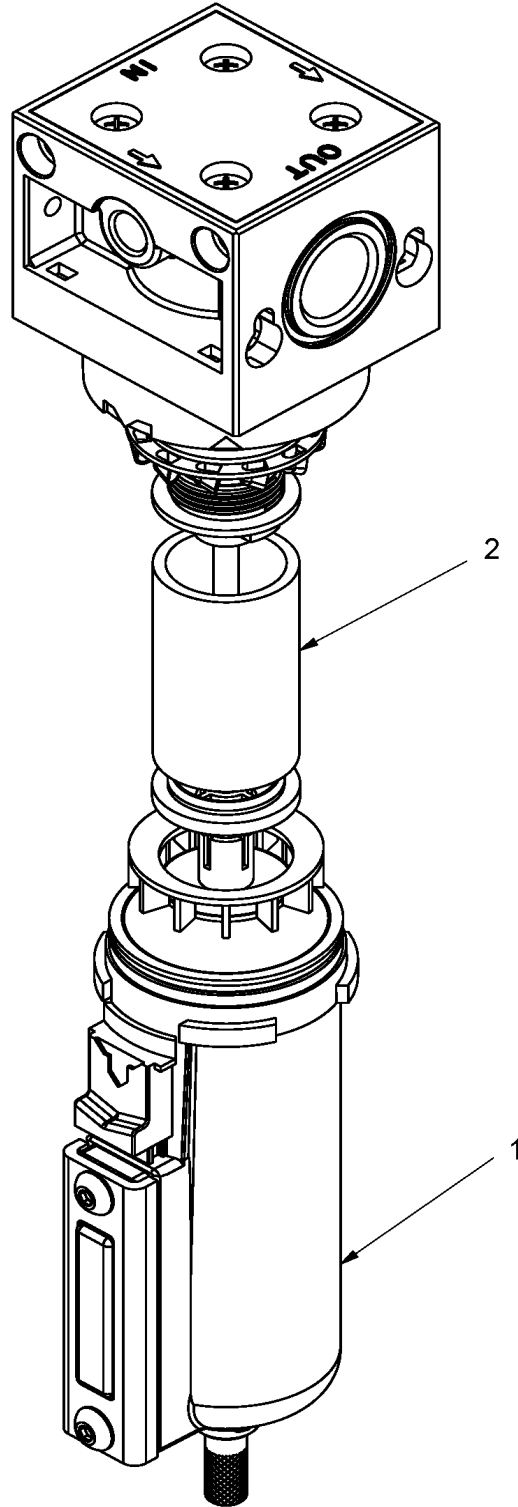
Item#	Part	Description	QTY	Notes
122	641007	MALE BRANCH TEE / NTA FITTING / #6x#6x1/4NPT-M BR	1	A
NS	680098	THREAD SEALANT LOCTITE #567 / WHITE / 250ml	AR	A
124	503406	TUBE, NYLON 1/2 O.D. / GREEN S.L.	AR	A
125	503639	TUBE, NYLON 3/8 O.D. / BROWN S.L.	AR	A
131	502751	SCREW CAP HEX #10-32x3/8 Z050	2	A
132	500470	WASHER LO SPT .193x.334x.047 Z050	2	A
133	500964	WASHER FL .203x.500x.047 Z050	2	A
134	502830	SCREW CAP HEX M6-1.0x20 G8.8 N500	1	A
135	5001608	WASHER BEL SPR 6.2x15.0x0.7 G500	3	A
136	502843	SCREW CAP HEX M6-1.0x45 G8.8 N500	2	A
		A) USE WITH BI-FOLD DOOR		
		B) WITH FRONT AIR SUPPLY TOWING		

To L-6558

Date:01/2024

PAGE:642192

AIR FILTER

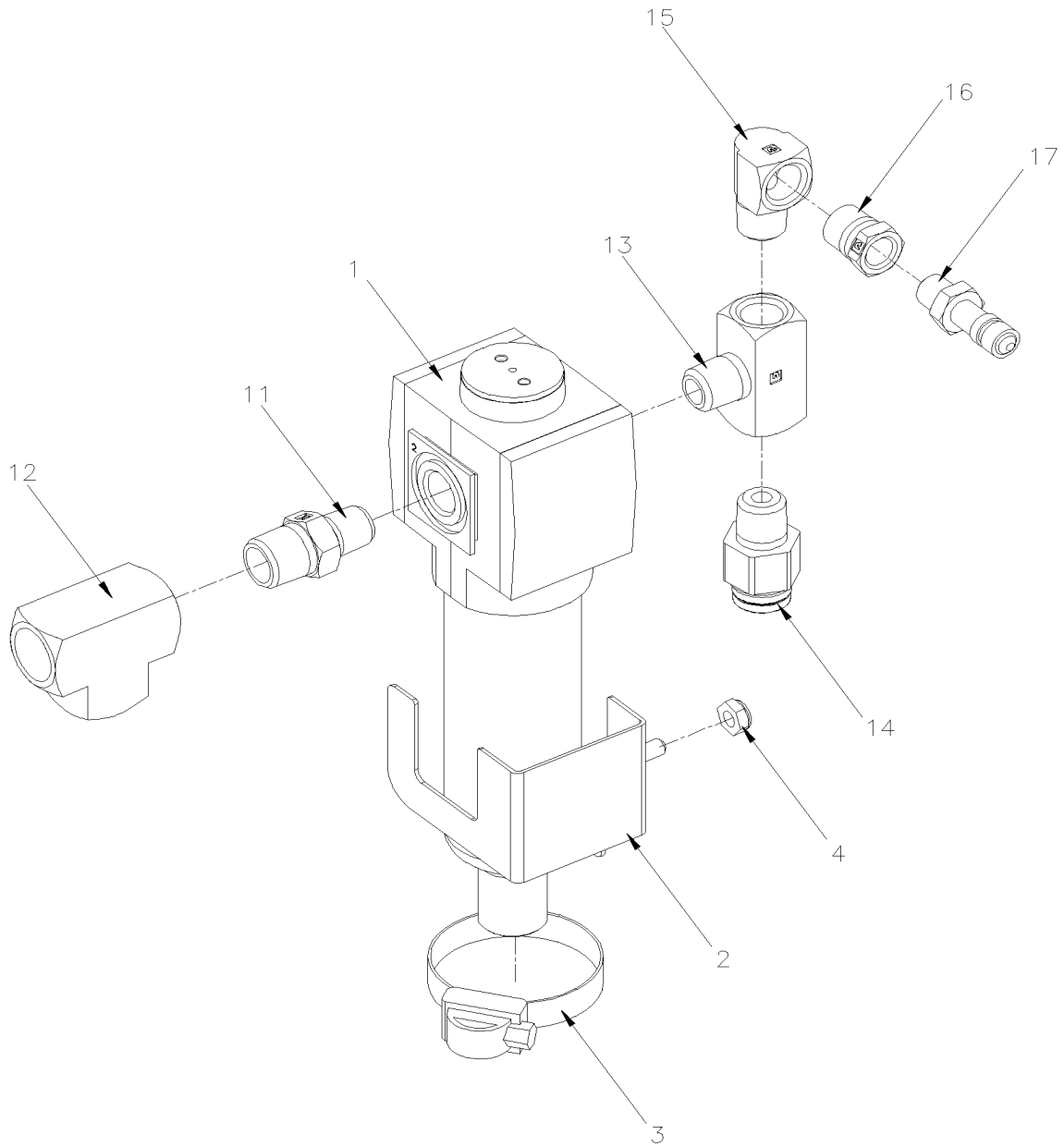


To L-6558	Date:01/2024	PAGE:642192
-----------	--------------	-------------

AIR FILTER

Item#	Part	Description	QTY	Notes
1	642219	METAL BOWL MANUAL DRAIN	1	
2	642220	FILTER ELEMENT	1	
NS	642221	SERVICE KIT AIR FILTER	1	A
. NS	N.S.S.	. FILTER SIDE PLATE	2	1 A
. NS	N.S.S.	. SCREW CAP BUT	2	1 A
. NS	N.S.S.	. PLUG	1	1 A
. NS	N.S.S.	. O-RING	1	1 A
. NS	N.S.S.	. GREASE PACKET	1	1 A
		A) CONTAIN SIDE COVER 2X / SCREW X2 / PLUG 1X / O-RING 1X / GREASE PACKAGE 1X		
		1) NOT SOLD SEPARATELY		

To L-6558	Date:01/2024	PAGE:140259
SERVICE KIT AIR FILTER PNEUMATIC		



To L-6558	Date:01/2024	PAGE:140259
SERVICE KIT AIR FILTER PNEUMATIC		

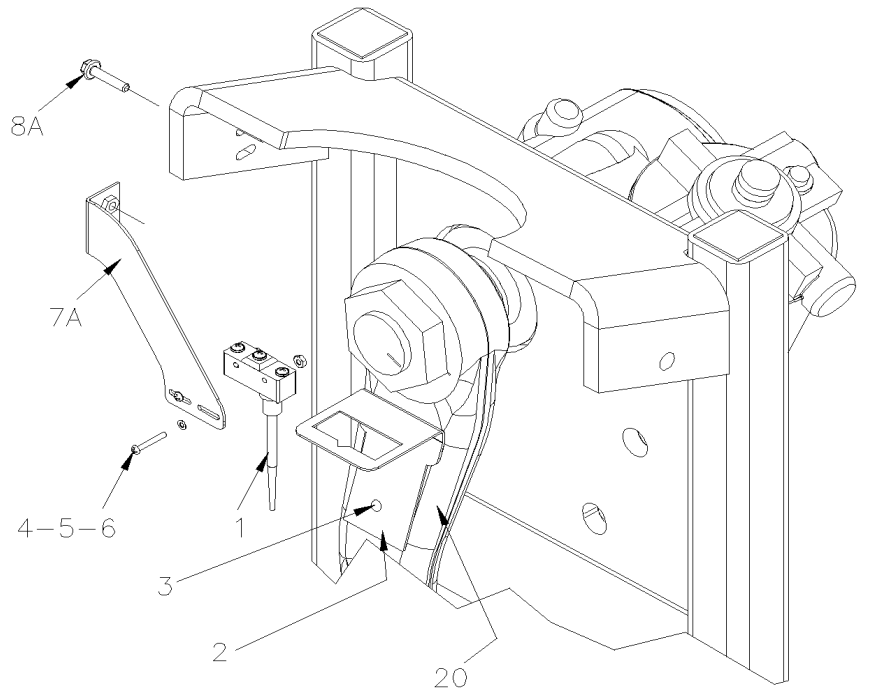
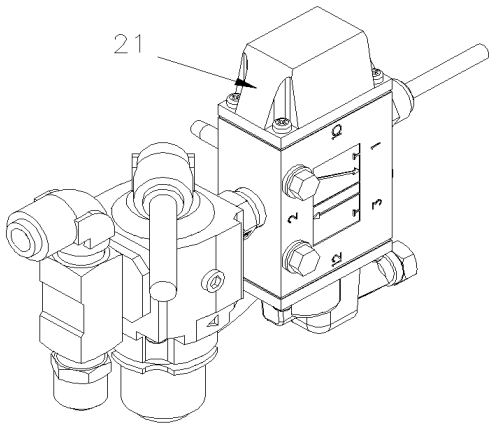
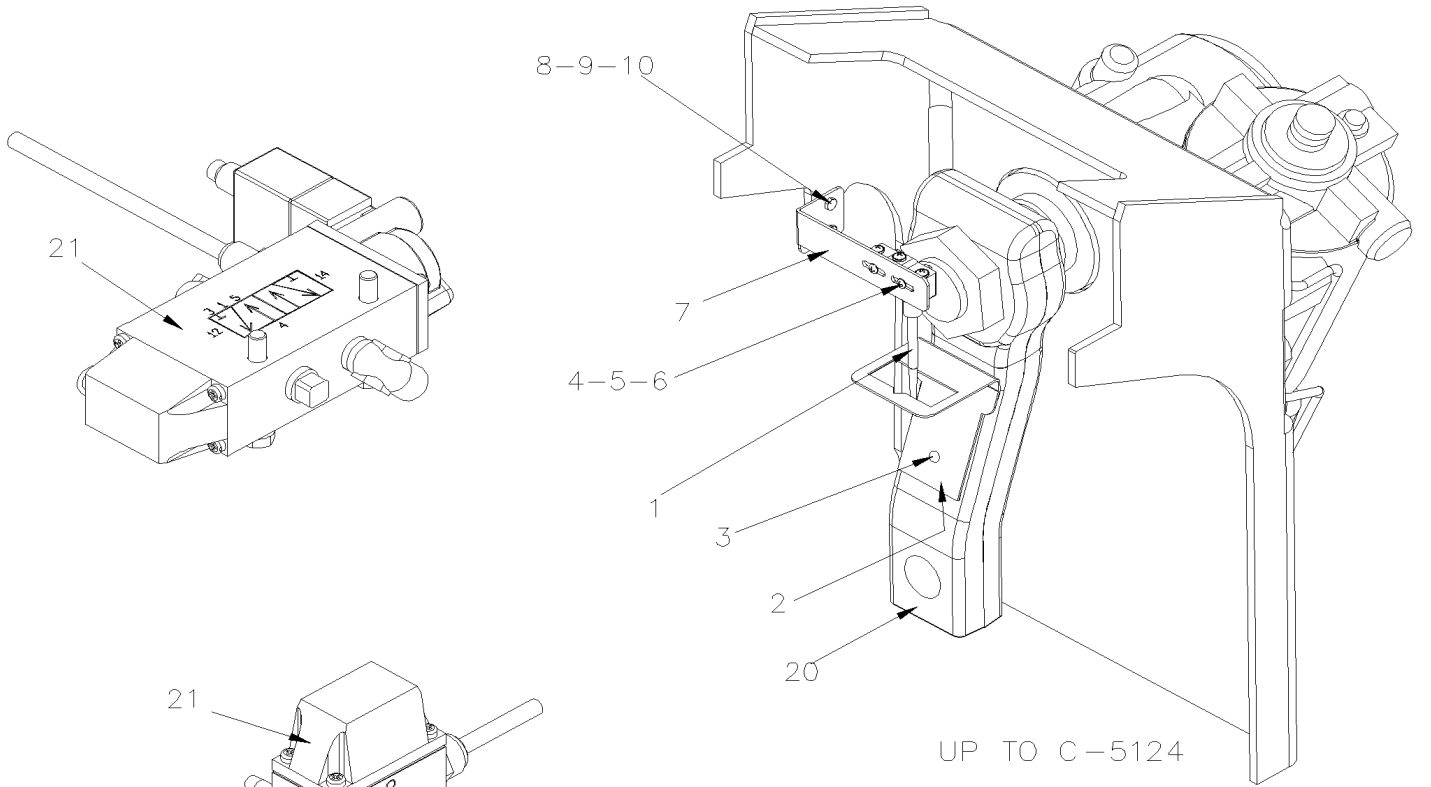
Item#	Part	Description	QTY	Notes
1	640031	AIR FILTER	1	
. NS	640050	. AIR FILTER	1	
. NS	640049	. BOWL FILTER	1	
2	140219	BRACKET, AIR FILTER	1	
3	992086	HOSE CLAMP / 32MM/52MM	1	
4	502841	NUT HEX NYRT M5-0.8 N500	2	
11	501749	NIPPLE REDUCER HEX / PIPE FITTING / 3/8NPT-Mx1/4NPT-Mx1 13/32 BR	1	
12	501527	FEMALE UNION TEE / PIPE FITTING / 3/8NPT-Fx3/8NPT-Fx3/8NPT-F BR	1	
13	501894	MALE BRANCHE TEE / PIPE FITTING / 1/4NPT-Fx1/4NPT-Fx1/4NPT-M BR	1	
14	641331	MALE CONNECTOR / PUSH-IN FITTING / #6x1/4NPT-M BR	1	
15	501332	STREET ELBOW 90° / PIPE FITTING / 1/4NPT-Mx1/4NPT-F BR	1	
16	501312	BUSHING REDUCER / PIPE FITTING / 1/4NTP-Mx1/8NPT-F BR	1	
17	640488	VALVE, AIR FILL 1/8" NPT	1	
. NS	650164	. CAP VALVE / CHROME	1	
18	IS-19084	SEE INSTRUCTION SHEET	1	

From 7-8754

Date:01/2024

PAGE:X3-1650-00

TAG UNLOAD - STABILISATOR



From 7-8754	Date:01/2024	PAGE:X3-1650-00
-------------	--------------	-----------------

TAG UNLOAD - STABILISATOR

Item#	Part	Description	QTY	Notes
1	562343	MICRO SWITCH ASSY WITH FLEX To L-6499	1	
2	066608	ACTUATOR TAG UNLOAD / To L-6499	1	
3	500500	SCREW DRV RND #8x3/8 Z050 To L-6499	2	
4	502612	SCREW MA RND PH #6-32x1 Z050 To L-6499	2	A
5	500689	NUT HEX #6-32 Z050 To L-6499	2	
6	500467	WASHER LO INT .138x.275x.019 Z050 To L-6499	2	
7	066607	SUPPORT, SWITCH To C-5124	1	
7A	068236	SUPPORT, SWITCH From C-5125 To L-6499	1	
7A	8631155	CABLE TIE / 4.6MM x 200 / CHRISTMAS TREE From F-5781 To L-6499	1	
8	500978	SCREW CAP HEX #10-24x3/4 Z050 To C-5124	2	
8A	5001815	SCREW CAP HEXF M6-1.0x30 G 8.8 N500 From C-5125 To L-6499	2	
9	500786	NUT HEX #10-24 Z050 To C-5124	2	
10	500470	WASHER LO SPT .193x.334x.047 Z050 To C-5124	2	
NS	506785	TAPE RUB ADH2 CC POL 1/16" X 1/4" X 200' / BLACK I1C-N-A	AR	
NS	684517	ADHESIVE SIMSON #ISR 70-03 / GREY / 310ml CARTRIDGE	AR	
20	X3-1410-50	STEERING RODS - INSTALLATION W/INDEPENDENT "NDIFS80P" / 18000LBS To F-5796		I
20	X3-1410-51	STEERING RODS - INSTALLATION W/INDEPENDENT "NDIFS80P" / 19000LBS From F-5797		I
20	X3-1410-00	STEERING GEAR BOX & DRAG LINK - INSTALLATION		R
21	X3-1620-00	HEIGHT CONTROL VALVE To B-5001		
21	X3-1620-01	HEIGHT CONTROL VALVE From B-5002 To D-5458		
21	X3-1620-02	HEIGHT CONTROL VALVE From E-5459		
		A) (TO FIX SWITCH)		
		I) WITH "INDEPENDENT" SUSPENSION		
		R) WITH I BEAM "RIGID" SUSPENSION		

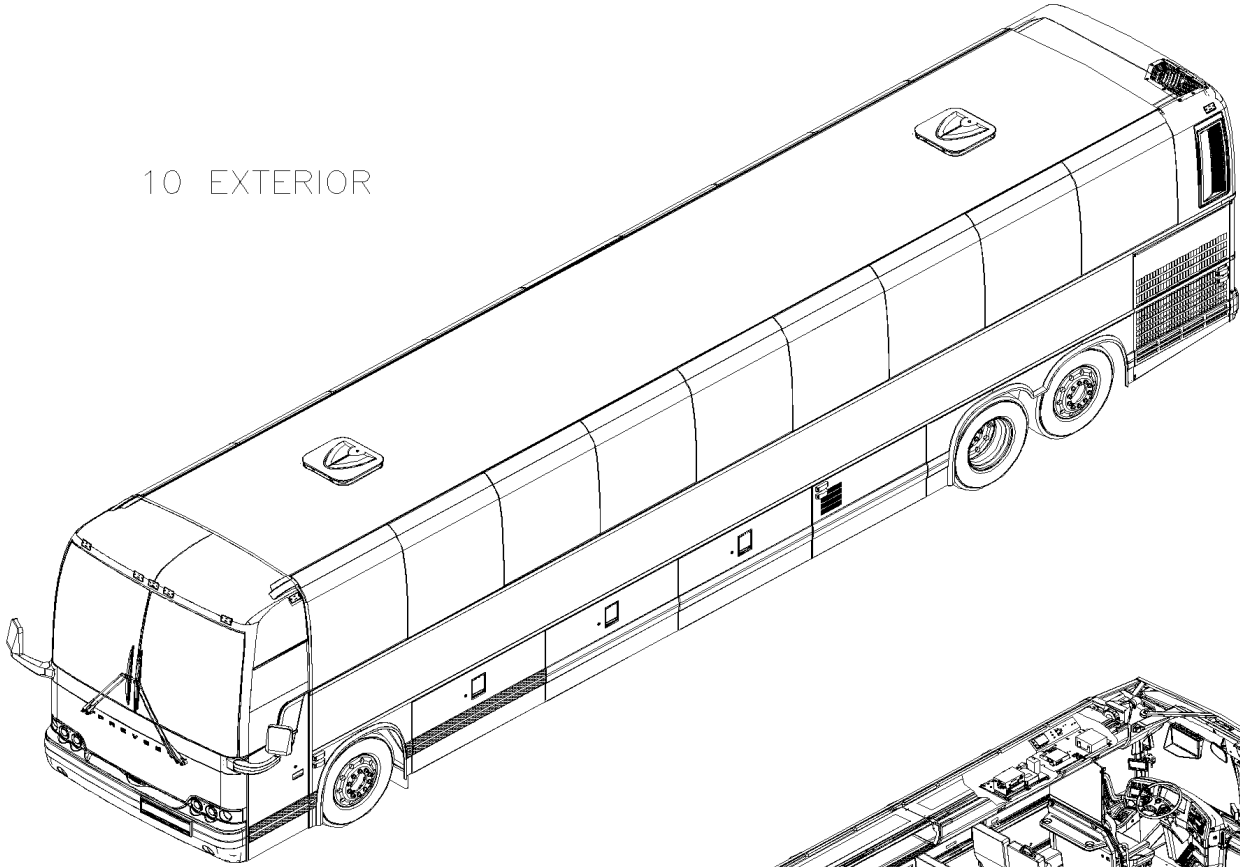
From 7-8754

Date:01/2024

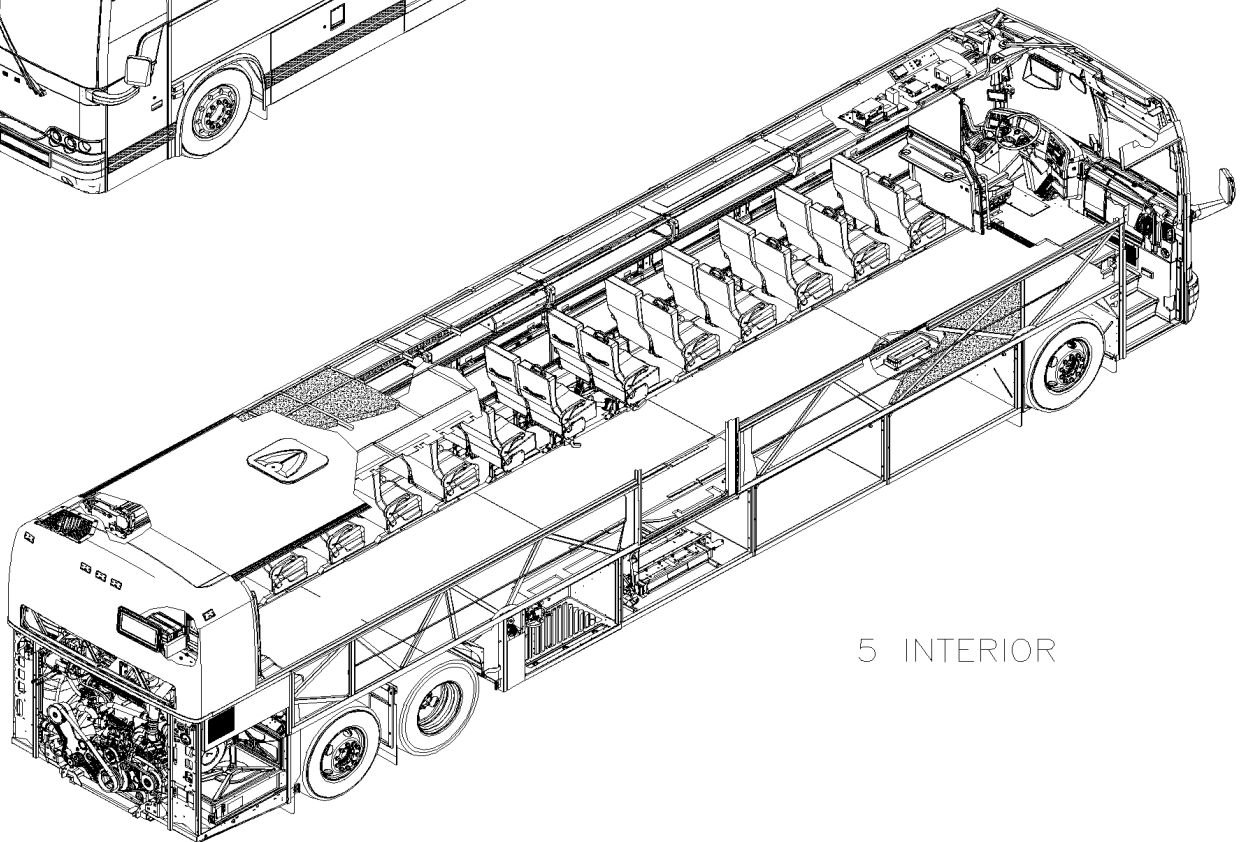
X3-18

BODY

10 EXTERIOR



5 INTERIOR



From 7-8754	Date:01/2024	X3-18
-------------	--------------	-------

BODY

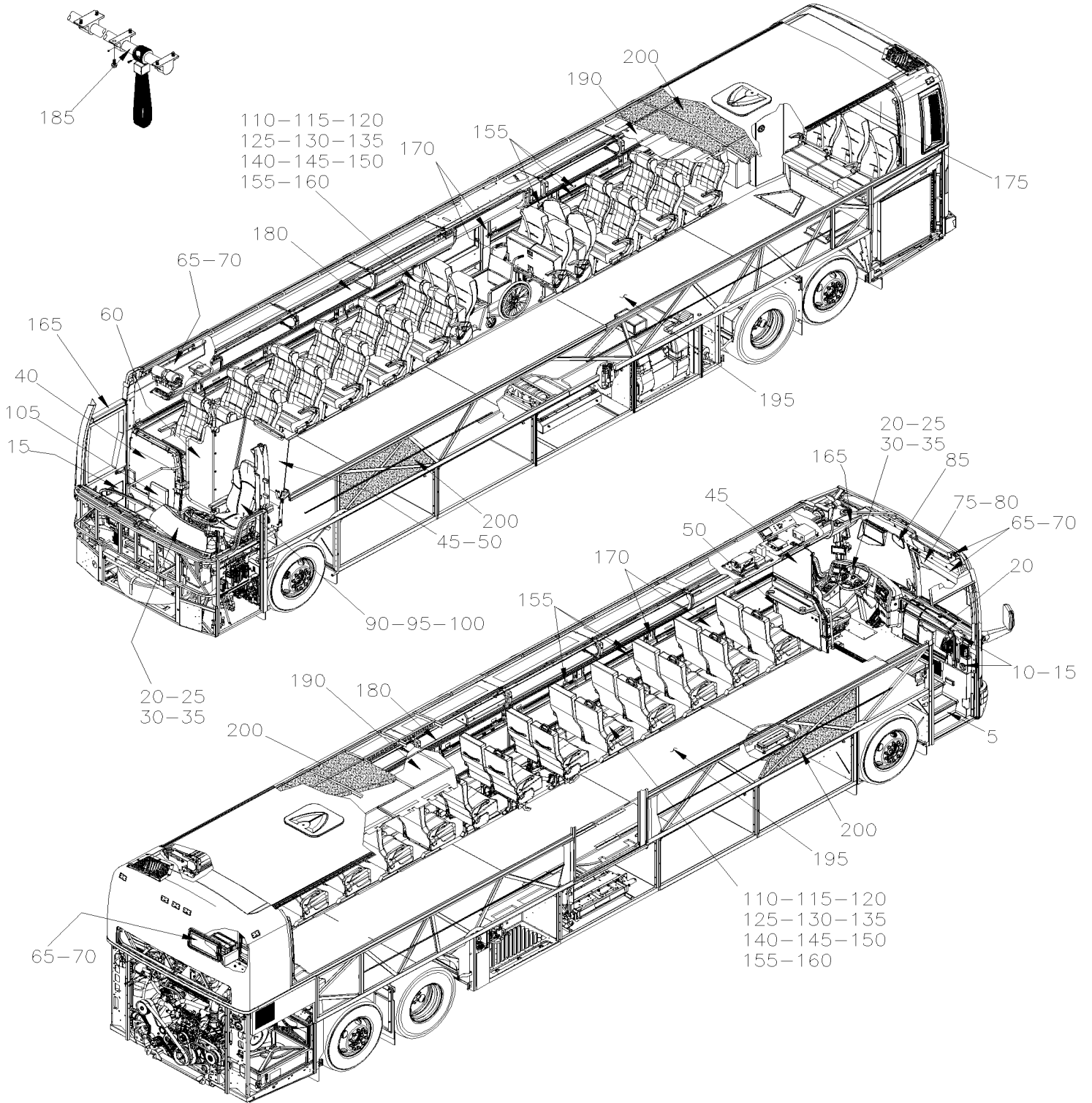
Item#	Part	Description	QTY	Notes
5	X3-18-INT	BODY INTERIOR From 7-8754		
10	X3-18-EXT	BODY EXTERIOR From 7-8754		

From 7-8754

Date:01/2024

PAGE:X3-18-INT

BODY INTERIOR



From 7-8754		Date:01/2024	PAGE:X3-18-INT
BODY INTERIOR			

Item#	Part	Description	QTY	Notes
5	X3-1800-00	FRONT STEPWELL - BUS From 7-8754 To K-6492		
5	X3-1800-01	FRONT STEPWELL - BUS From L-6493		
10	X3-1802-00	ENTRANCE DOOR CONTROL From 7-8754		
10	X3-1802-10	ENTRANCE DOOR CONTROL WITH BI-FOLD DOOR From G-5936		
15	X3-1804-00	ENTRANCE DOOR LOCK From 7-8754		
15	X3-1804-10	ENTRANCE DOOR LOCK WITH BI-FOLD DOOR From G-5939		
20	X3-1806-00	CENTRAL DASHBOARD PANEL From 7-8754 To J-6335		
20	X3-1806-01	CENTRAL DASHBOARD PANEL From J-6336		
25	X3-1806-10	L.H. CONSOLE - BUS From 7-8754 To J-6335		
25	X3-1806-11	L.H. CONSOLE - BUS From J-6336		
30	X3-1806-15	DASHBOARD - ASSY From 7-8754		
35	X3-1806-20	DASHBOARD PANEL From 7-8754 To J-6335		
35	X3-1806-21	DASHBOARD PANEL From J-6336 To R-6936		
35	X3-1806-22	DASHBOARD PANEL From R-6937		
40	X3-1810-00	MODESTY PANEL R.H. From 7-8754 To R-6936		
40	X3-1810-01	MODESTY PANEL R.H. From R-6937		
45	X3-1811-00	MODESTY PLEXIGLASS From 7-8754		
50	X3-1812-00	MODESTY PANEL L.H. From 7-8754 To R-6936		
50	X3-1812-01	MODESTY PANEL L.H. From R-6937		
60	X3-1813-00	DRIVER'S GATE From 8-9426 To H-6179		
60	X3-1813-01	DRIVER'S GATE From H-6180		
65	X3-1814-00	DESTINATION SIGN - INSTALLATION FRONT - "POCATEC" From 7-8754 To E-5516		
65	X3-1814-01	DESTINATION SIGN - INSTALLATION FRONT - "AESYS" From 7-8754 To K-6492		
65	X3-1814-02	DESTINATION SIGN - INSTALLATION FRONT - "AXION" From E-5517 To K-6492		
65	X3-1814-03	DESTINATION SIGN - INSTALLATION - "AESYS" From L-6493		
70	X3-1814-10	DESTINATION SIGN - "POCATEC" From 7-8754 To E-5516		
70	X3-1814-20	DESTINATION SIGN - INSTALLATION SIDE - "AESYS" From 9-9830 To K-6492		
75	X3-1816-00	ROLLER BLIND - DRIVER' S & WINDSHIELD From 7-8754 To K-6492		
75	X3-1816-01	ROLLER BLIND - DRIVER' S & WINDSHIELD From L-6493		
75	X3-1816-05	ROLLER BLIND - WINDSHIELD W/ELECTRICAL From 7-8754 To K-6492		
80	X3-1816-10	SUN SHADE - PASSENGER'S WINDOW From 7-8754 To K-6492		
80	X3-1816-11	SUN SHADE - PASSENGER'S WINDOW From L-6493		
85	X3-1820-00	MIRROR - INTERIOR From 7-8754		
90	X3-1821-00	DRIVER'S SEAT - "NATIONAL SEATING" - MODEL NSIII B From 7-8754		
95	X3-1822-00	DRIVER'S SEAT - "ISRI" - 6800/338 From 7-8754 To C-5104		
95	X3-1822-01	DRIVER'S SEAT - "ISRI" - 6832/872 From B-5050		
95	X3-1822-10	DRIVER'S SEAT - "ISRI" - 6000/515 & 6500/515 From 7-8754		
100	X3-1823-50	DRIVER'S SEAT - "USSC" - 9100ALX3 From 7-8754		
100	X3-1823-60	SEAT ASSY - "USSC" - 9100ALX3 From 7-8754		
100	X3-1823-70	SUSPENSION ASSY - "USSC" - 9100ALX3 From 7-8754		
100	X3-1823-80	BASE ASSY - "USSC" - 9100ALX3 From 7-8754		
105	X3-1824-00	HOSTESS SEAT ASSY From 7-8754 To E-5585		

From 7-8754		Date:01/2024	PAGE:X3-18-INT
BODY INTERIOR			

Item#	Part	Description	QTY	Notes
110	X3-1824-30	PASSENGER'S SEAT - "AMAYA" IDENTIFICATION "MODEL" From 7-8754		
110	X3-1825-02	PASSENGER'S SEAT - "AMERICAN" - W6695 From 7-8754 To C-5107		
110	X3-1825-03	PASSENGER'S SEAT - "AMERICAN" - W6696 & W7696 From 7-8754 To C-5107		
110	X3-1825-05	PASSENGER'S SEAT - "AMERICAN" - FRAME From 7-8754 To C-5107		
110	X3-1825-06	PASSENGER'S SEAT - "AMERICAN" SERIES 2000 & MORE From 7-8754 To C-5107		
110	X3-1825-10	PASSENGER'S SEAT - "AMERICAN" - FRAME ROTATIN From 7-8754 To C-5107		
110	X3-1825-20	PASSENGER'S SEAT - "AMERICAN" - CUSHION From 7-8754 To C-5107		
110	X3-1825-31	PASSENGER'S SEAT - "AMERICAN" - BACKREST WX69 From 7-8754 To C-5107		
110	X3-1825-40	PASSENGER'S SEAT - "AMERICAN" - FOOTREST From 7-8754 To C-5107		
110	X3-1825-50	PASSENGER'S SEAT - "AMERICAN" - ARMREST From 7-8754 To C-5107		
110	X3-1825-51	PASSENGER'S SEAT - "AMERICAN" SERIES 2000 & MORE From 7-8754 To C-5107		
110	X3-1825-60	PASSENGER'S SEAT - "AMERICAN" - BACK & ACCESS From 7-8754 To C-5107		
115	X3-1826-00	PASSENGER'S SEAT - "NATIONAL" - 4209 & 4210 From 7-8754		
120	X3-1826-05	PASSENGER'S SEAT - "AMAYA" "EUROTECH" From 7-8754 To 9-9642		
120	X3-1826-06	PASSENGER'S SEAT - "AMAYA" "BRASIL" From 7-8754		
120	X3-1826-07	PASSENGER'S SEAT - "AMAYA" "SIGLIUM" TORO & TORINO From 7-8754		
120	X3-1826-08	PASSENGER'S SEAT - "AMAYA" "GAUDI" From 7-8754 To B-5001		
120	X3-1826-09	PASSENGER'S SEAT - "AMAYA" "BRASIL" WITH 3 POINTS From 9-9643		
125	X3-1826-10	PASSENGER'S SEAT - "NATIONAL" - 4209 & 4210 - SLIDING & FLIP-UP From 7-8754 To C-5107		
130	X3-1826-11	PASSENGER'S SEAT - "AMAYA" "TORINO" WITH 3 POINTS From 9-9643		
130	X3-1826-40	PASSENGER'S SEAT - "AMAYA" - FOOTREST & PEDESTAL From 7-8754 To 9-9642		
130	X3-1826-41	PASSENGER'S SEAT - "AMAYA" - FOOTREST & PEDESTAL From 9-9643		
130	X3-1826-50	ARMREST PASSENGER'S SEAT - "AMAYA" WITH "EUROTECH" From 7-8754 To 9-9642		
130	X3-1826-51	ARMREST PASSENGER'S SEAT - "AMAYA" WITH "BRASIL" From 7-8754 To 8-9276		
130	X3-1826-52	ARMREST PASSENGER'S SEAT - "AMAYA" WITH "GAUDI" From 7-8754 To B-5001		
130	X3-1826-53	ARMREST PASSENGER'S SEAT - "AMAYA" WITH "SIGLIUM" TORO & TORINO From 7-8754 To 9-9642		
130	X3-1826-54	ARMREST PASSENGER'S SEAT - "AMAYA" WITH "TORINO" & "TORINO V.I.P." From 9-9643		
130	X3-1826-60	ACCESSORIES PASSENGER'S SEAT - "AMAYA" From 7-8754		
130	X3-1826-71	PASSENGER'S SEAT - "AMAYA" - FLIP-UP HANDICAP From 7-8754 To 9-9642		
130	X3-1826-72	PASSENGER'S SEAT - "AMAYA" - FLIP-UP HANDICAP WITH 3POINTS From 9-9643		
135	X3-1826-80	PASSENGER'S SEAT - "AMAYA" 2 SEATS PARTIOT "GREYHOUND" From 8-9426 To 9-9533		
135	X3-1826-82	PASSENGER'S SEAT - "AMAYA" 3 SEATS PARTIOT "GREYHOUND" From 8-9426 To 9-9533		
135	X3-1826-84	PASSENGER'S SEAT - "AMAYA" 40" FLIP-UP PARTIOT "GREYHOUND" From 8-9426 To 9-9533		
135	X3-1826-86	PASSENGER'S SEAT - "AMAYA" 38" FLIP-UP PARTIOT "GREYHOUND" From 8-9426 To 9-9533		
140	X3-1827-00	PASSENGER'S SEAT - "ULTRA" From 7-8754 To 9-9091		
140	X3-1827-01	PASSENGER'S SEAT INSTALLATION AMAYA "A-2TEN" From 9-9643		
140	X3-1827-02	PASSENGER'S SEAT INSTALLATION AMAYA "A-220" From H-6185		
140	X3-1827-03	PASSENGER'S SEAT INSTALLATION AMAYA "GT" From J-6327		
140	X3-1827-10	PASSENGER'S SEAT - ROTATING "PREVOST From 7-8754 To 9-9091		
140	X3-1827-11	PASSENGER'S SEAT / STANDARD AMAYA "A-2TEN" From 9-9643		
140	X3-1827-12	PASSENGER'S SEAT / STANDARD AMAYA "A-220" From H-6185		
140	X3-1827-13	PASSENGER'S SEAT AMAYA "GT" From J-6327		

From 7-8754	Date:01/2024	PAGE:X3-18-INT
BODY INTERIOR		

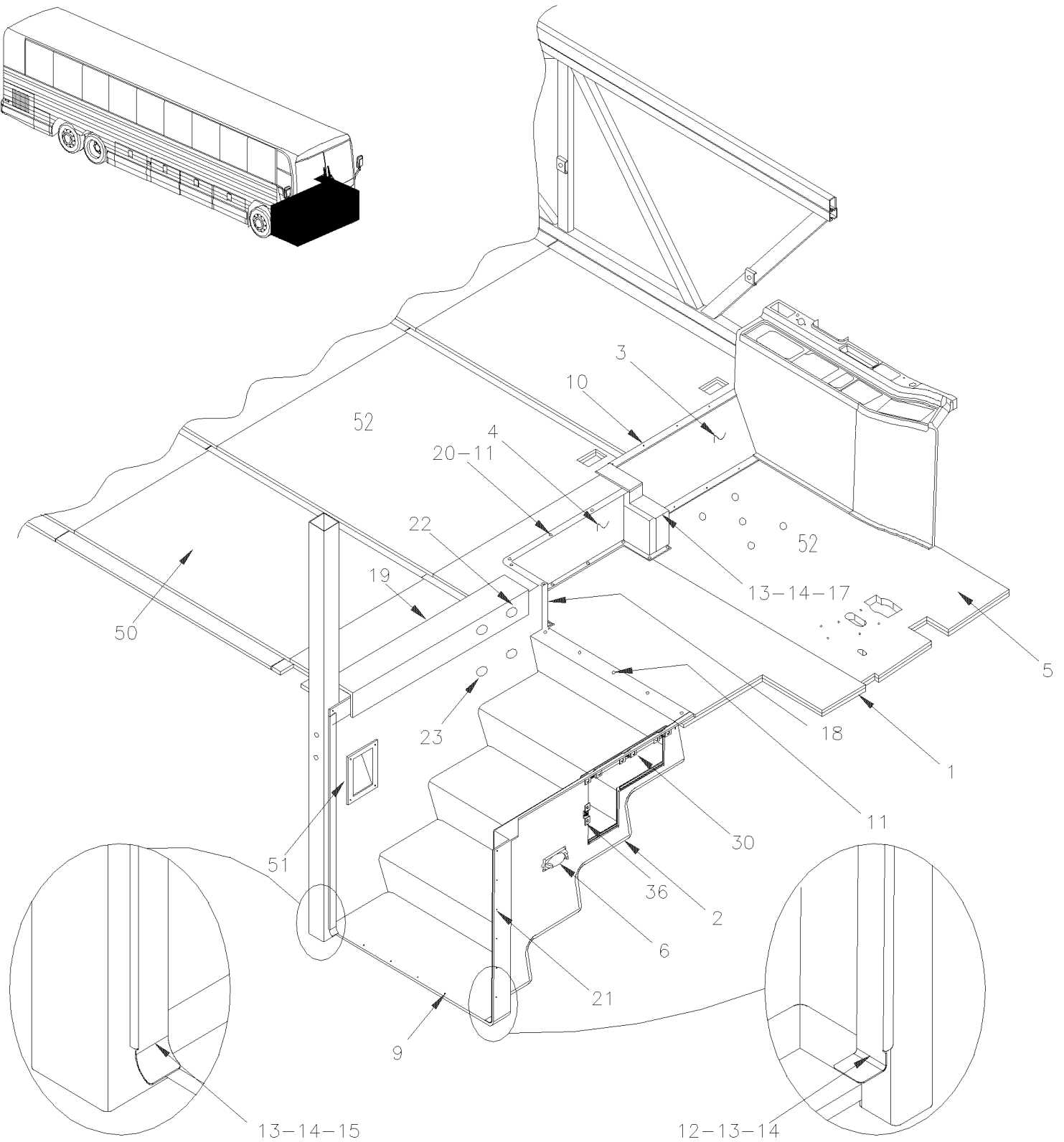
Item#	Part	Description	QTY	Notes
140	X3-1827-21	PASSENGER'S SEAT / FLIP-UP/FIXE AMAYA "A-2TEN" From 9-9643		
140	X3-1827-22	PASSENGER'S SEAT / FLIP-UP/FIXE AMAYA "A-220" From H-6185		
140	X3-1827-31	PASSENGER'S SEAT / FLIP-UP/SLIDER AMAYA "A-2TEN" From 9-9643		
140	X3-1827-32	PASSENGER'S SEAT / FLIP-UP / SLIDER AMAYA "A-220" From H-6185		
140	X3-1827-41	PASSENGER'S SEAT / REAR CROSS SEAT AMAYA "A-2TEN" From 9-9643		
140	X3-1827-42	PASSENGER'S SEAT / REAR CROSS SEAT AMAYA "A-220" From H-6185		
140	X3-1827-49	PASSENGER'S SEAT - "AMAYA" - FOOTREST & PEDESTAL AMAYA "GT", "GT TRANSIT" From J-6327		
140	X3-1827-50	ARMREST PASSENGER'S SEAT - "PREVOST" From 7-8754 To 9-9091		
140	X3-1827-51	ARMREST AMAYA "A-2TEN" From 9-9643		
140	X3-1827-52	ARMREST AMAYA "A-220" From H-6185		
140	X3-1827-54	ARMREST AMAYA "GT" From J-6327		
140	X3-1827-61	BACKREST AMAYA "A-2TEN" From 9-9643		
140	X3-1827-62	BACKREST AMAYA "A-220" From H-6185		
140	X3-1827-63	BACKREST AMAYA "GT" From J-6327		
140	X3-1827-70	PASSENGER'S SEAT - "TOURISMO II" - FLIP-UP W/W.C.L. From 7-8754 To 9-9091		
140	X3-1827-71	SEAT CUSHION AMAYA "A-2TEN" From 9-9643		
140	X3-1827-72	SEAT CUSHION AMAYA "A-220" From H-6185		
140	X3-1827-73	SEAT CUSHIONS AMAYA TORINO, "GT" & "GTT" From J-6327		
140	X3-1827-81	PASSENGER'S SEAT / REVERSIBLE AMAYA "A-2TEN" From 9-9643		
140	X3-1827-82	PASSENGER'S SEAT / REVERSIBLE AMAYA "A-220" From H-6185		
145	X3-1828-00	PASSENGER'S SEAT - "TOURISMO II" From 7-8754 To 9-9091		
150	X3-1828-01	PASSENGER'S SEAT INSTALLATION / CLOUDONE From N-6686 To 9-9091		
150	X3-1828-05	PASSENGER'S SEAT - "MULTINA" From 7-8754 To 9-9091		
150	X3-1828-10	PASSENGER'S SEAT - "MULTINA" From 7-8754 To 9-9091		
150	X3-1828-11	PASSENGER'S SEAT / CLOUDONE From N-6686		
150	X3-1828-21	ACCESSORIES PASSENGER'S SEAT / CLOUDONE From N-6686		
150	X3-1828-41	PEDESTAL INSTALLATION / CLOUDONE From N-6686		
150	X3-1828-50	ARMREST PASSENGER'S - "MULTINA" From 7-8754 To 9-9091		
150	X3-1828-51	ARMREST / CLOUDONE From N-6686		
150	X3-1828-60	ACCESSORIES PASSENGER'S SEAT - "MULTINA" From 7-8754 To 9-9091		
150	X3-1828-61	BACKREST / CLOUDONE From N-6686		
150	X3-1828-71	SEAT CUSHIONS / CLOUDONE From N-6686		
150	X3-1828-75	PASSENGER'S SEAT - "MULTINA" BELT INSTL From 7-8754		
155	X3-1829-00	ACCESSORIES PASSENGER'S SEAT - "PREVOST" From 7-8754		
155	X3-1829-05	TABLE WALL INSTALLATION From 9-9582 To G-6063		
160	X3-1830-00	PASSENGER'S SEAT - "AMERICAN" & "IMMI" "PREMIER"&"SAFEGUARD PREMIER" From 9-9643		
165	X3-1832-00	FRONT FINISHING CAP From 7-8754 To K-6492		
165	X3-1832-01	FRONT FINISHING CAP From L-6493		
165	X3-1832-10	FRONT FINISHING CAP - BUS WITH BY-FOLD DOOR From G-5936 To K-6492		
165	X3-1832-11	FRONT FINISHING CAP - BUS WITH BY-FOLD DOOR From L-6493		
170	X3-1833-00	WINDOW FINISHING CAP & WALL From 7-8754 To B-5001		
170	X3-1833-01	WINDOW FINISHING CAP & WALL From B-5002 To K-6492		

From 7-8754 To K-6492

Date:01/2024

PAGE:X3-1800-00

FRONT STEPWELL - BUS



From 7-8754 To K-6492	Date:01/2024	PAGE:X3-1800-00
FRONT STEPWELL - BUS		

Item#	Part	Description	QTY	Notes
1	328863	DRIVER'S FLOOR "STEPWELL SIDE" To D-5299	1	
2	326793	STEPWELL BUS To B-5001	1	
2	3200091	STEPWELL BUS From B-5002 To E-5585	1	
2	3201146	STEPWELL BUS From E-5586	1	
2	3202674	STEPWELL BUS WITH BY-FOLD DOOR	1	
3	328043	FINISHING PLATE / DRIVER'S FLOOR To C-5092	1	
3	3200489	FINISHING PLATE / DRIVER'S FLOOR From C-5093 To F-5854	1	
3	3201240	FINISHING PLATE / DRIVER'S FLOOR From F-5855	1	
4	326861	AISLE STEP To B-5001	1	
4	3200092	AISLE STEP From B-5002 To E-5589	1	
4	3201135	AISLE STEP From E-5586	1	
5	328044	DRIVER'S FLOOR "UNDER SEAT" To A-9872	1	
5	3200158	DRIVER'S FLOOR "UNDER SEAT" From A-9873 To D-5299	1	
5	3200783	DRIVER'S FLOOR From D-5300 To F-5818	1	
5	320975	DRIVER'S FLOOR From F-5819 To F-5850	1	
5	3201328	DRIVER'S FLOOR From F-5851 To G-6046	1	
5	3201476	DRIVER'S FLOOR From G-6047	1	
5	329661	DRIVER'S FLOOR "UNDER SEAT" To A-9872	1	B
5	3200157	DRIVER'S FLOOR "UNDER SEAT" From A-9873 To D-5299	1	B
5	3200815	DRIVER'S FLOOR From D-5300 To F-5818	1	GR
5	320974	DRIVER'S FLOOR From F-5819 To F-5850	1	GR
5	3201327	DRIVER'S FLOOR From F-5851 To G-6046	1	GR
5	3202936	DRIVER'S FLOOR From G-6047	1	GR
NS	5001535	SCREW DR WF RO #14x1 3/4 Z050	40	
5	329657	PLATE ALUMINUM / DIAMOND THREAD 600MM x 250MM	1	GR
5	5001626	SCREW MA FL PH 1/4-20x1 3/4 SS	6	GR
6	X3-0655-00	INTERIOR LIGHTING / "FLUORESCENT" To D-5371		
6	X3-0655-01	INTERIOR LIGHTING / "LED" From C-5249		
9	504339	RIVET POP DOME OE 1/8x3/8 SS	22	
NS	351262	INSULATING PANEL / BACKWARD / UNDER STEPWELL	1	A
NS	351263	INSULATING PANEL / FORWARD / UNDER STEPWELL	1	A
NS	503549	ANCHOR SELF-STICK 1"	3	
NS	500748	WASHER INSU G.10x1.125x1.250 Z050	3	
10	500640	SCREW TP PAN PH #6x3/4 Z050 To G-5948	8	
10	5001119	SCREW TP BDG PH #8x3/4 SS From G-5949	8	
11	500267	SCREW TC FL PH #10-32x1 1/2 Z050	20	
12	327216	FINISHING MOULDING ENTRANCE STEP To E-5585	1	
12	3201132	FINISHING MOULDING ENTRANCE STEP From E-5586	1	
13	500345	WASHER FN CKF .187x.500x.090 BR BK To E-5585	10	
13	500463	WASHER FN CKF .187x.500x.090 BR Z050 From E-5586	10	
14	500333	SCREW TP OV PH #6x3/4 BK To E-5585	10	
14	500644	SCREW TP OV PH #6x1 ZP From E-5586	10	

From 7-8754 To K-6492	Date:01/2024	PAGE:X3-1800-00
FRONT STEPWELL - BUS		

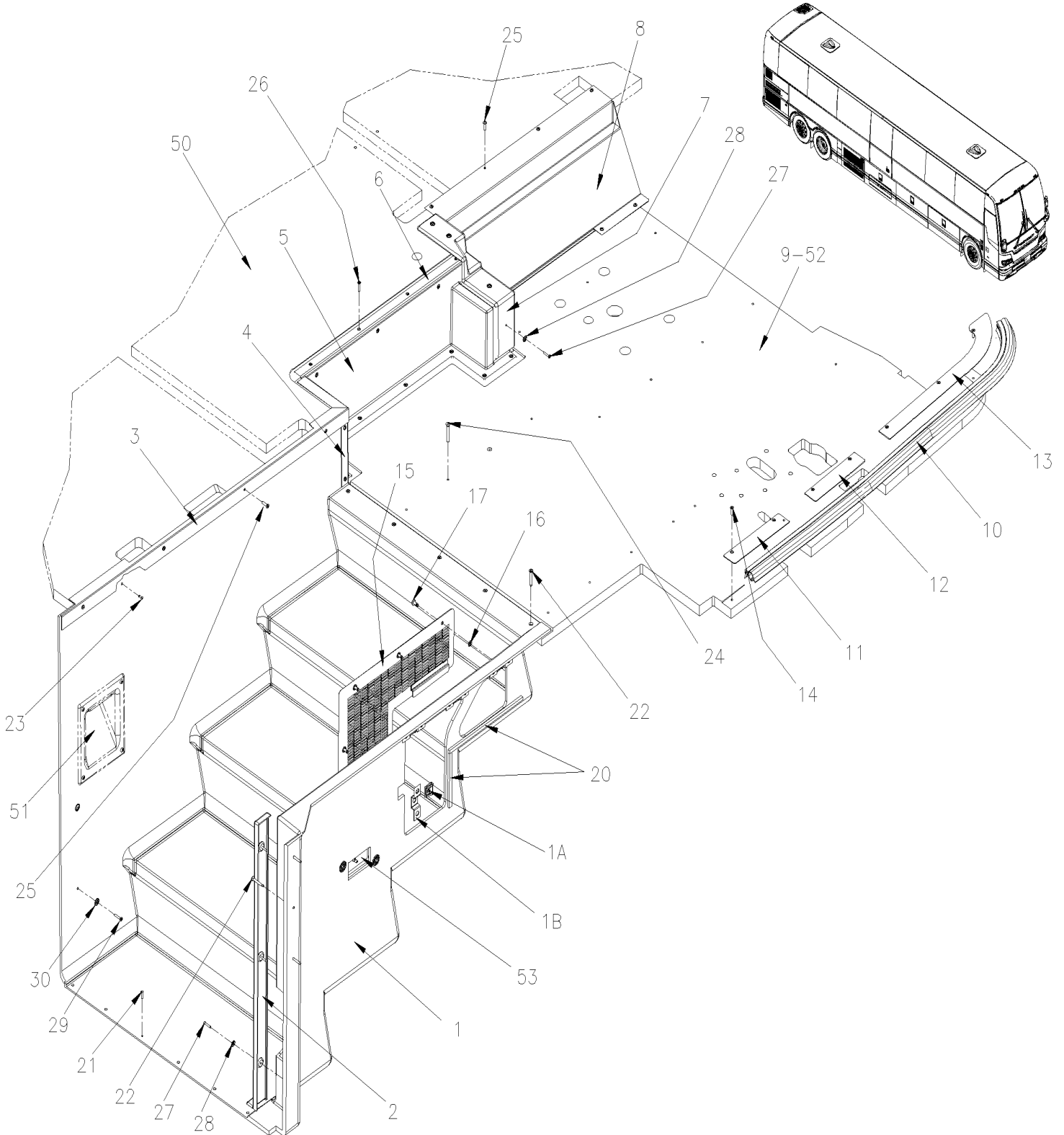
Item#	Part	Description	QTY	Notes
15	327217	FINISHING MOULDING ENTRANCE STEP To E-5585	1	
15	3201133	FINISHING MOULDING ENTRANCE STEP From E-5586	1	
15	3201139	FINISHING MOULDING ENTRANCE STEP WITH BY-FOLD DOOR	1	
17	328042	FINISHING R.H. CONSOLE To C-5092	1	
17	320366	FINISHING R.H. CONSOLE From C-5093 To E-5585	1	
17	3201134	FINISHING R.H. CONSOLE From E-5586	1	
18	327323	FINISHING ANGLE STEP	1	
19	327324	FIXATION ANGLE STEP 1132MM To E-5585	1	
19	3201145	FIXATION ANGLE STEP 1132MM From E-5586	1	
NS	500640	SCREW TP PAN PH #6x3/4 Z050	3	
20	327325	ANGLE 770MM	1	
21	504416	RIVET POP DOME OE 3/16x5/8 SS	5	
22	504078	PLUG BUTTON / 1.000 O.D. / NICKEL & BRASS To E-5585	2	
23	504638	HOLE PLUG BUTTON / 1.000 O.D. BLACK To E-5585	2	
30	453428	GRILL AIR / FRONT STEPWELL / RETURN / 309MM X 424MM To E-5585	1	
30	504681	. STUD 6MM (DZUS) To E-5585	4	
30	504604	. FASTENER To E-5585	4	
30	681283	. TAPE RUB ADH2 ACRYLIC .045" x 1/2" x 108' / WHITE 4945 To E-5585	AR	
30	453110	. REINFORCEMENT "Z" SHAPE 210MM To E-5585	1	
30	453429	. REINFORCEMENT "Z" SHAPE 140MM To E-5585	1	
30	457701	GRILL AIR / FRONT STEPWELL / RETURN From E-5586	1	
30	457703	. REINFORCEMENT "Z" SHAPE From E-5586	2	
30	681283	. TAPE RUB ADH2 ACRYLIC .045" x 1/2" x 108' / WHITE 4945 From E-5586	AR	
30	504604	. FASTENER From E-5586	4	
30	504681	. STUD 6MM (DZUS) From E-5586	4	
36	504605	RECEPTACLE 6 MM	4	
NS	326869	INSERT RECEPTACLE RETAINER	4	
50	X3-1838-00	FLOOR - BUS To 9-9642		
50	X3-1838-01	FLOOR - BUS From 9-9643 To B-5001		
50	X3-1838-02	FLOOR - BUS From B-5002 To G-6046		
50	X3-1838-03	FLOOR - BUS From G-6047		
51	X3-2221-20	ENTRANCE STEP DE-ICER		
52	X3-1838-05	FLOOR & COVERING - "R.C.A."		
52	X3-1838-10	FLOOR COVERING - "TARAFLEX"		
		A) UNDER STEPWELL		
		B) USE WITH PLATE ON DRIVER SEAT #329657		
		GR) "GREYHOUND" OPTION		

From L-6493

Date:01/2024

PAGE:X3-1800-01

FRONT STEPWELL - BUS



From L-6493		Date:01/2024	PAGE:X3-1800-01
FRONT STEPWELL - BUS			

Item#	Part	Description	QTY	Notes
1	3210452	STEPWELL BUS	1	
1	3210562	STEPWELL BUS WITH BY-FOLD DOOR	1	
1A	504605	. RECEPTACLE 6 MM	4	
1B	326869	. INSERT RECEPTACLE RETAINER	4	
2	3201132	FINISHING MOULDING ENTRANCE STEP	1	
3	3210408	FIXATION ANGLE STEP	1	
4	327323	FINISHING ANGLE STEP	1	
5	3201135	AISLE STEP	1	
6	327325	ANGLE 770MM	1	
7	3201134	FINISHING R.H. CONSOLE	1	
8	3201240	FINISHING PLATE / DRIVER'S FLOOR	1	
9	3210148	DRIVER'S FLOOR	1	
. NS	501066	. NUT TEE 5/16-18 Z050	7	
9	3201629	DRIVER'S FLOOR	1	GR
. NS	501066	. NUT TEE 5/16-18 Z050	7	GR
9	329657	PLATE ALUMINUM / DIAMOND THREAD 600MM x 250MM	1	GR
9	5001626	SCREW MA FL PH 1/4-20x1 3/4 SS	6	GR
10	3210466	RUBBER EXTRUSION SEAL / 1152MM	1	
. NS	506410	. RUBBER EXTRUSION SEAL / GRIP .062 X 100' / RAW MATERIAL	AR	
11	3210318	SUPPORT PLATE JOINT SEALING	1	
12	3210314	SUPPORT PLATE JOINT SEALING	1	
13	3210315	SUPPORT PLATE JOINT SEALING	1	
14	5001845	SCREW TP FL PH #8x3/4 SS410	7	
15	457701	GRILL AIR / FRONT STEPWELL / RETURN	1	
15	457703	. REINFORCEMENT "Z" SHAPE	2	
15	681283	. TAPE RUB ADH2 ACRYLIC .045" x 1/2" x 108' / WHITE 4945	AR	
16	504604	. FASTENER	4	
17	504681	. STUD 6MM (DZUS)	4	
20	506210	TAPE RUB ADH1 URE 1/2" x 3/4" x 20' / GREY 1820	AR	
21	504643	RIVET POP DOME OE 1/8x1/2 SS	6	
22	500267	SCREW TC FL PH #10-32x1 1/2 Z050	AR	
23	504339	RIVET POP DOME OE 1/8x3/8 SS	AR	
24	5001535	SCREW DR WF RO #14x1 3/4 Z050	AR	
25	5001119	SCREW TP BDG PH #8x3/4 SS	AR	
26	5001349	SCREW WO TR PH #8x7/8	AR	
27	500644	SCREW TP OV PH #6x1 ZP	7	
28	500463	WASHER FN CKF .187x.500x.090 BR Z050	7	
29	5001118	SCREW TP FL PH #8x1 SS410	2	
30	500464	WASHER FN CKF .210x.540 SS	2	

From L-6493	Date:01/2024	PAGE:X3-1800-01
-------------	--------------	-----------------

FRONT STEPWELL - BUS

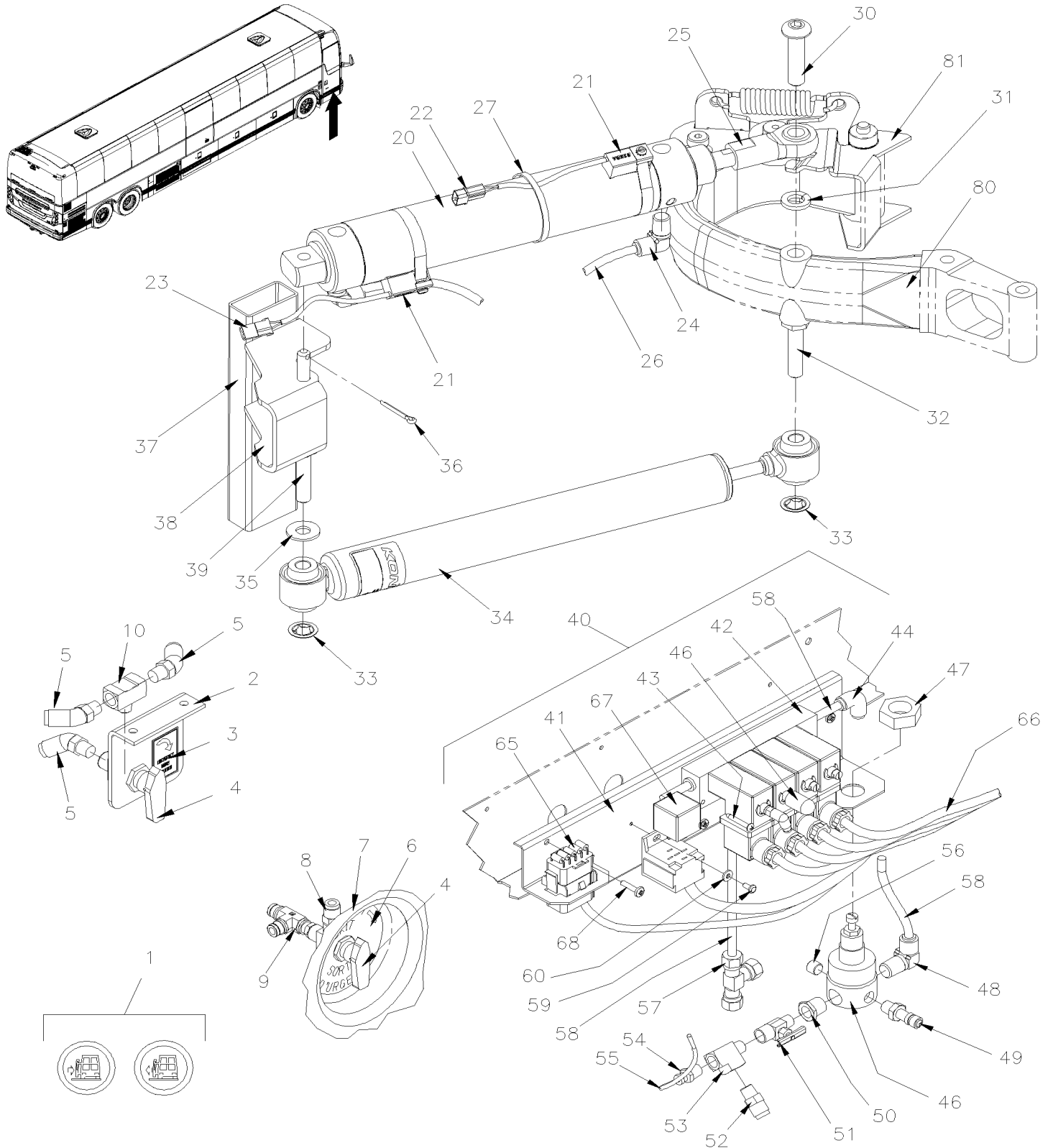
Item#	Part	Description	QTY	Notes
NS	680532	SEALANT SIKA #221 / GREY / 310ml CARTRIDGE	AR	
NS	683838	PUTTY	AR	
NS	680128	PLASTIC WOOD	AR	
50	X3-1838-03	FLOOR - BUS		
51	X3-2221-20	ENTRANCE STEP DE-ICER		
52	X3-1838-05	FLOOR & COVERING - "R.C.A."		
52	X3-1838-10	FLOOR COVERING - "TARAFLEX"		
53	X3-0655-01	INTERIOR LIGHTING / "LED"		
		GR) GREYHOUND OPTION		

From 7-8754

Date:01/2024

PAGE:X3-1802-00

ENTRANCE DOOR CONTROL



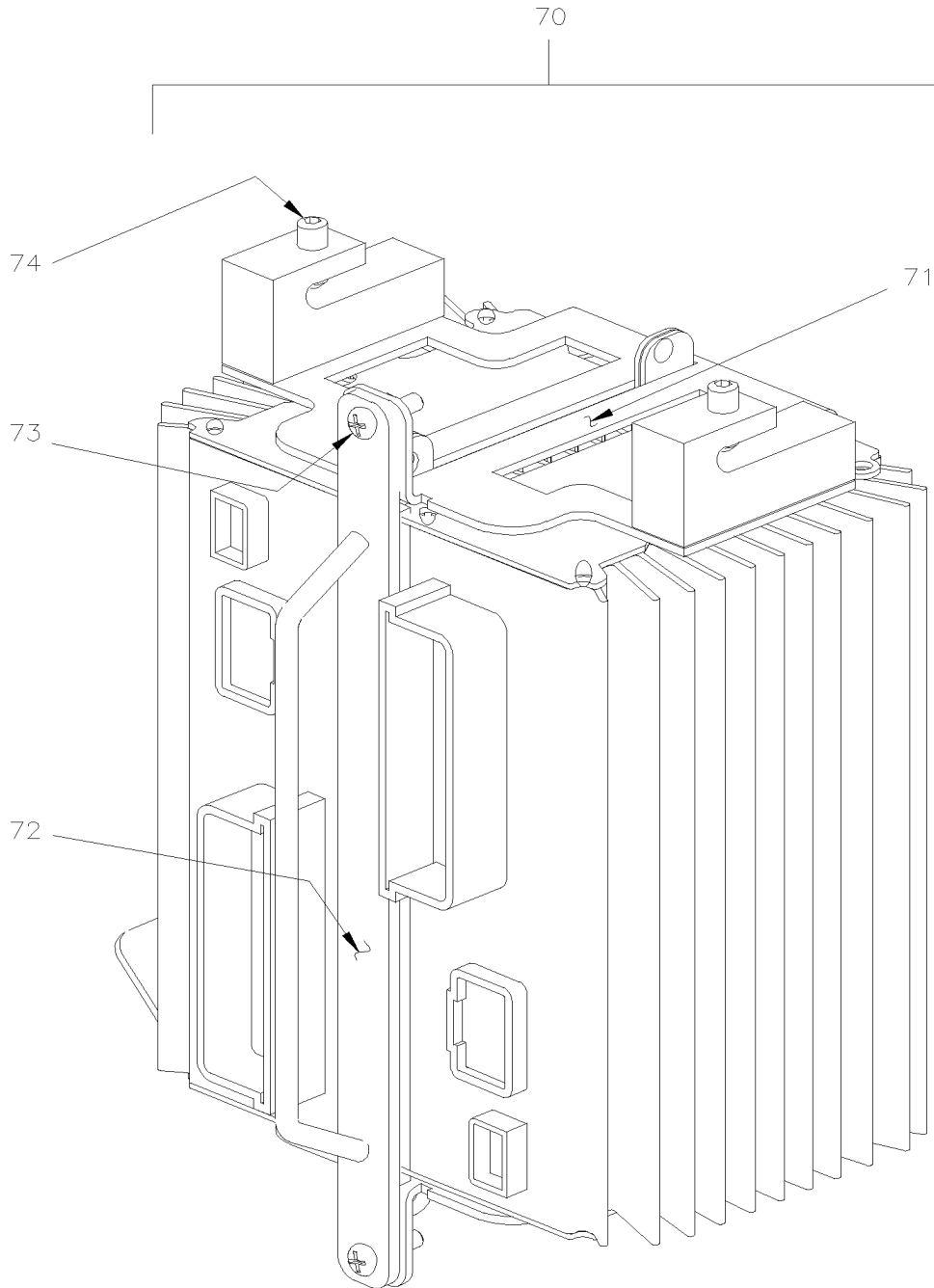
From 7-8754

Date:01/2024

PAGE:X3-1802-00

ENTRANCE DOOR CONTROL

UP TO 8-9493



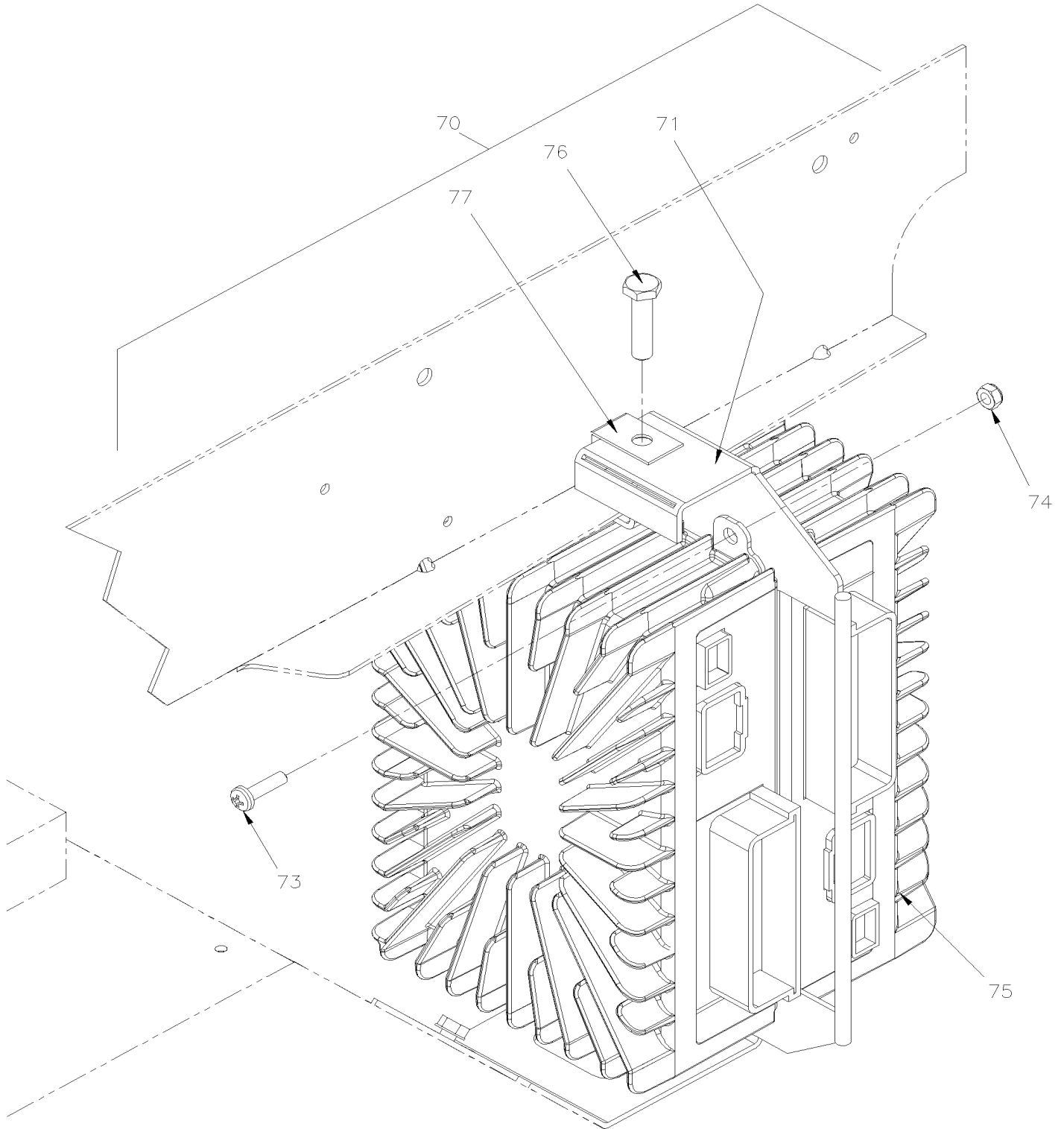
From 7-8754

Date:01/2024

PAGE:X3-1802-00

ENTRANCE DOOR CONTROL

FROM 8-9494



From 7-8754		Date:01/2024	PAGE:X3-1802-00
-------------	--	--------------	-----------------

ENTRANCE DOOR CONTROL

Item#	Part	Description	QTY	Notes
1	X3-0645-30	R.H. DASHBOARD PANEL		
2	285537	SUPPORT	1	
3	283989	DECAL "EMERGENCY DOOR VALVE" / IN STEERING COMPARTMENT	1	
4	641417	VALVE, 3 WAYS 1/8NPT-Fx1/8NPT-Fx1/8NPT-F BR To C-5132	1	
. NS	642014	. HANDLE / RED To C-5132	1	
4	642161	VALVE, 3 WAYS 1/8NPT-Fx1/8NPT-Fx1/8NPT-F BR From C-5133	1	
. NS	642014	. HANDLE / RED From C-5133	1	
5	641365	MALE ELBOW 45° NON-SWIVEL / PUSH-IN FITTING / #4x1/8NPT-M BR	3	
6	284057	DECAL "EMERGENCY EXIT" / ENGLISH & FRANCAIS To P-6782	1	
6	2810660	DECAL "MANUAL DOOR RELEASE" / ENGLISH & FRANCAIS From P-6783	1	
6	288197	DECAL "EMERGENCY EXIT" / ENGLISH & SPANISH To P-6782	1	
6	2810666	DECAL "MANUAL DOOR RELEASE" / ENGLISH & SPANISH From P-6783	1	
6	280617	DECAL "EMERGENCY EXIT" / ENGLISH To P-6782	1	
6	2810667	DECAL "MANUAL DOOR RELEASE" / ENGLISH From P-6783	1	
7	X3-1806-20	DASHBOARD PANEL		
8	641242	MALE CONNECTOR / PUSH-IN FITTING / #4x1/8NPT-M BR	2	
9	641909	MALE RUN TEE SWIVEL / PUSH-IN FITTING / #4x#4x1/8NPT-M BR	1	
10	507589	MALE BRANCHE TEE / PIPE FITTING / 1/8NPT-Fx1/8NPT-Fx1/8NPT-M BR	1	
20	780595	CYLINDER 2" To A-9895	1	
20	780813	CYLINDER 2" From A-9896	1	
. NS	780022	. BEARING, SPHERICAL From A-9896	1	
21	780594	LIMITING REED SWITCH ASSY S.P.S.T. N.O. / W/ 2" CYLINDER	2	
22	560900	CONNECTOR / COM. MATE-N-LOCK / PH 2C / AMP 1-480319-0	1	
22	560853	PIN TERMINAL / 24-18 / AMP 60618-1	2	
23	560898	CONNECTOR / COM. MATE-N-LOCK / SH 2C / AMP 1-480318-0	1	
23	560854	SOCKET TERMINAL / 24-18 / AMP 60617-1	2	
24	641371	MALE ELBOW 90° NON-SWIVEL / PUSH-IN FITTING / #4x1/4NPT-M BR	2	
25	502196	ROD END FEMALE 1/2-20 / 1/2 I.D.	1	
26	503402	TUBE, NYLON 1/4 O.D. / BLACK S.L.	AR	
27	504637	CABLE TIE / 3/16" x 13"	1	
30	5001075	SCREW CAP BUT HEXS 1/2-13x2 Z050	1	
31	500482	WASHER LO SPT .506x.873x.125 Z050	1	
32	285433	PIVOT STUD 7/16-14 X 80MM LG	1	
33	502601	NUT SPR PO RND 7/16	2	
34	780714	SHOCK DAMPER "KONI" To H-6131	1	
34	780896	SHOCK DAMPER "KONI" From H-6132	1	
35	500897	WASHER FL .437x1.000x.083 N500	1	
36	502102	PIN, COTTER 1/8 x 1	1	
37	251179	TUBE ASSY / W/CYLINDER SUPPORT To E-5479	1	
37	251656	TUBE ASSY / W/CYLINDER SUPPORT From E-5480	1	
37	251031	. TUBE	1	
38	251190	. SUPPORT / CYLINDER	1	

From 7-8754		Date:01/2024	PAGE:X3-1802-00
ENTRANCE DOOR CONTROL			

Item#	Part	Description	QTY	Notes
39	251191	. PIVOT PIN To E-5479	1	
39	251657	. PIVOT PIN From E-5480	1	
40	288628	SEDAN DOOR MODULE ASSY	1	
41	288629	. SUPPORT	1	
42	641906	. MANIFOLD VALVE / W/4 SOLENOID	1	
. NS	641927	. . KIT, MANIFOLD REPAIR / N.O.	1	
. NS	641928	. . KIT, MANIFOLD REPAIR / N.C.	3	
. NS	641107	. . COIL 24V	1	
. NS	642213	. . MALE ELBOW 90° SWIVEL / PUSH-IN FITTING / #2x10-32 NP	1	
. NS	990143	. . MALE CONNECTOR / PUSH-IN FITTING / W/O-RING / #2x#10-32-M BR	1	
. NS	641385	. . CONNECTOR / SOCKET HOUSING ASSY 3C / PNEUMAC 54934-01	1	
. NS	641455	. . REDUCER STEM / PUSH-IN FITTING / #2x#4 PLAS	1	
43	500495	. SCREW TP PAN PH #6x1 Z050	2	
44	641447	. UNION ELBOW 90° / PUSH-IN FITTING / #4x#4 BR	1	
45	871374	. MUFFLER M5 PLASTIC	1	
46	641472	. AIR PRESSURE REGULATOR 1/4" NPT / COPPER	1	
47	500734	. NUT HEX JAM 3/4-16 Z050	1	
48	641371	. MALE ELBOW 90° NON-SWIVEL / PUSH-IN FITTING / #4x1/4NPT-M BR	1	
49	640488	. VALVE, AIR FILL 1/8" NPT	1	
. NS	650164	. . CAP VALVE / CHROME	1	
50	501312	. BUSHING REDUCER / PIPE FITTING / 1/4NTP-Mx1/8NPT-F BR	1	
51	501354	. NEEDLE VALVE 1/8 NPT M x 1/8 NPT F	1	
52	641242	. MALE CONNECTOR / PUSH-IN FITTING / #4x1/8NPT-M BR	1	
53	501653	. MALE RUN TEE / PIPE FITTING / 1/8NPT-Mx1/8NPT-Fx1/8NPT-F BR	1	
54	641126	. MALE CONNECTOR / PUSH-IN FITTING / #2x1/8NPT-M BR	1	
55	503536	. TUBE, NYLON 1/8 O.D. / BLACK S.L.	AR	
56	501303	. PLUG SQUARE HEAD / PIPE FITTING / 1/8NPT-M BR To A-9968	1	
56	501072	. PLUG HEXS / PIPE FITTING / 1/8NPT-M STL From A-9969	1	
57	641092	. UNION TEE / NTA FITTING / #4x#4x#4 BR	1	
58	503402	. TUBE, NYLON 1/4 O.D. / BLACK S.L.	AR	
59	500417	. SCREW TP PAN PH #6x3/8 Z050	2	
59	504531	. TIE MOUNT / 3/16" #10 SCREW / TA1S8-C	1	
60	502630	. WASHER FL .156x.375x.049 Z050	1	
NS	680098	. THREAD SEALANT LOCTITE #567 / WHITE / 250ml	AR	
65	381145	DIODE ASSY / W/5 3AMPS	1	
66	066278	CABLE ASSY / FRONT LOWER END To 7-9118	1	
66	066996	CABLE ASSY / FRONT LOWER END From 7-9119 To 8-9276	1	
66	066974	CABLE ASSY / FRONT LOWER END From 8-9277	1	
66	067322	CABLE ASSY / FRONT LOWER END To 9-9642	1	
66	067732	CABLE ASSY / FRONT LOWER END From 9-9643 To A-9872	1	
66	067810	CABLE ASSY / FRONT LOWER END From A-9873 To B-5001	1	
66	067644	CABLE ASSY / FRONT LOWER END From B-5002 To B-5039	1	

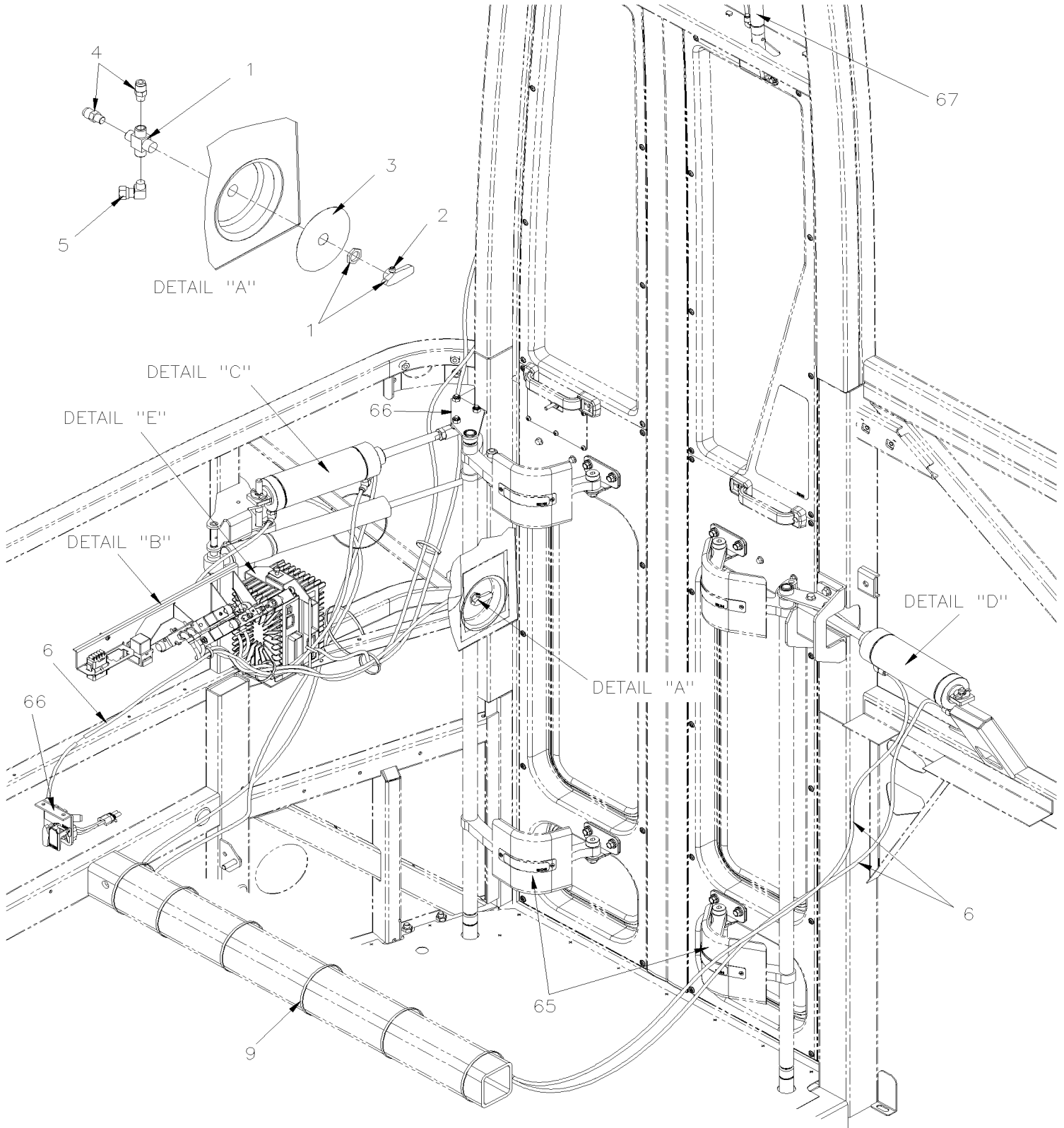
From 7-8754		Date:01/2024	PAGE:X3-1802-00
ENTRANCE DOOR CONTROL			

Item#	Part	Description	QTY	Notes
66	068203	CABLE ASSY / FRONT LOWER END From B-5040 To C-5143	1	
66	068374	CABLE ASSY / FRONT LOWER END From C-5144 To C-5169	1	
66	068447	CABLE ASSY / FRONT LOWER END From C-5170 To D-5375	1	
66	068571	CABLE ASSY / FRONT LOWER END From D-5376 To D-5458	1	
66	068598	CABLE ASSY / FRONT LOWER END From E-5459 To F-5759	1	
66	069080	CABLE ASSY / FRONT LOWER END From F-5760 To F-5815	1	
66	069267	CABLE ASSY / FRONT LOWER END From F-5816 To F-5871	1	
66	069274	CABLE ASSY / FRONT LOWER END From F-5872 To H-6093	1	
66	069567	CABLE ASSY / FRONT LOWER END From H-6094 To H-6179	1	
66	060543	CABLE ASSY / FRONT LOWER END From H-6180 To J-6241	1	
66	060878	CABLE ASSY / FRONT LOWER END From J-6242 To J-6244	1	
66	061435	CABLE ASSY / FRONT LOWER END From J-6245 To K-6492	1	
66	069976	CABLE ASSY / FRONT LOWER END From L-6493 To L-6499	1	
66	0610216	CABLE ASSY / FRONT LOWER END From L-6500 To M-6646	1	
66	0610270	CABLE ASSY / FRONT LOWER END From M-6647 To M-6657	1	
66	0610487	CABLE ASSY / FRONT LOWER END From M-6658	1	
67	563332	RELAY 24V S.P.D.T. W/RESISTOR / "VOLVO" (20374662)	1	
68	500638	SCREW TP PAN PH #8x1/2 Z050	3	
		NOTE: BEFORE CHANGING FORMER I/OB MODULE MODEL #565865 To 8-9493		
		IT'S POSSIBLE TO USE SAME MODULE To 8-9493		
		FOUND ELSEWHERE IN THE VEHICLE To 8-9493		
		WITH THIS OPTION WILL NOT HAVE TO CHANGE To 8-9493		
		OLDER SUPPORT #382132 FOR NEW ONE To 8-9493		
70	Call order desk	I/O B-MODULE VOLVO MULTIPLEX ASSY To 8-9493	1	P
70	Call order desk	I/O B-MODULE VOLVO MULTIPLEX ASSY From 8-9494 To H-6179	1	P
70	Call order desk	I/O B-MODULE VOLVO MULTIPLEX ASSY From H-6180	1	P
71	382132	. SUPPORT REAR I/O B MODULE To 8-9493	1	
71	382398	. SUPPORT REAR I/O B MODULE From 8-9494	1	
72	382172	. SUPPORT FRONT I/O B MODULE To 8-9493	1	
NS	506228	. TAPE RUB ADH1 CC POL 1/4" x 1/2" x 37.5' / GREY 2520X To 8-9493	AR	
73	502698	. SCREW MA PAN PH M4-0.7x16 SS BK To 8-9493	2	
73	502698	. SCREW MA PAN PH M4-0.7x16 SS BK From 8-9494	4	
74	5001282	. SCREW SET HEXS CUP 1/4-20x5/8 To 8-9493	1	
74	5001409	. NUT HEX STO M4-0.7 Z050 From 8-9494	4	
75	563273	. I/O B-MODULE VOLVO MULTIPLEX / ALUMINUM To 7-9116	2	
. NS	563132	. . CONNECTOR / SH 2C / YAZAKI 7283-6458-40 To 7-9116	1	
. NS	563133	. . CONNECTOR / JUNIOR POWER TIMER / SH 29C / AMP 1-963449-2 To 7-9116	1	
. NS	562957	. . CONNECTOR / SH 5C / GREEN / JAE IL-AG5-5S-S3C1 To 7-9116	1	
75	565865	. I/O B-MODULE VOLVO MULTIPLEX / ALUMINUM From 7-9117 To 8-9493	2	
. NS	563132	. . CONNECTOR / SH 2C / YAZAKI 7283-6458-40 From 7-9117 To 8-9493	1	

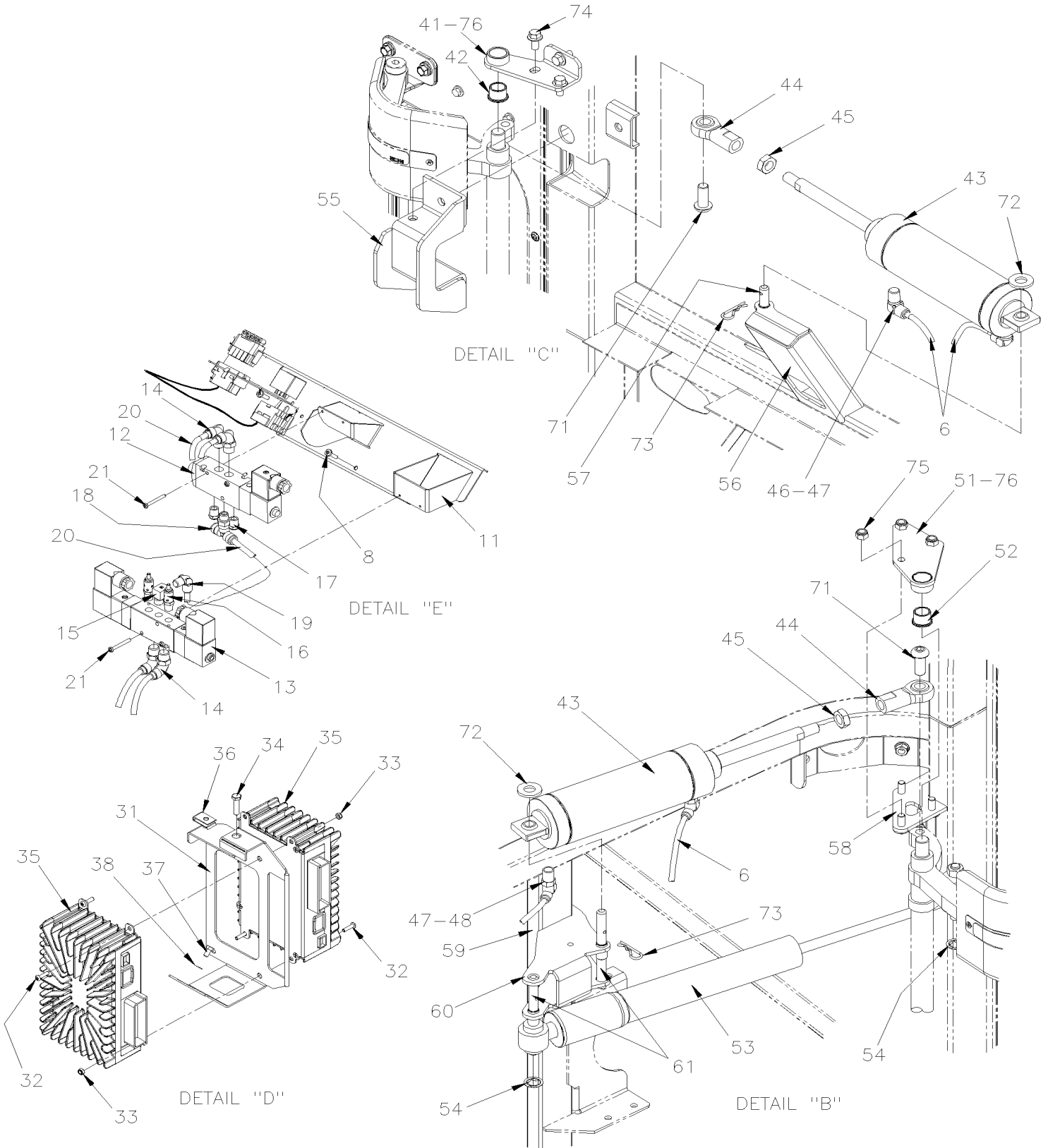
From 7-8754	Date:01/2024	PAGE:X3-1802-00
ENTRANCE DOOR CONTROL		

Item#	Part	Description	QTY	Notes
. NS	563133	. . CONNECTOR / JUNIOR POWER TIMER / SH 29C / AMP 1-963449-2 From 7-9117 To 8-9493	1	
. NS	562957	. . CONNECTOR / SH 5C / GREEN / JAE IL-AG5-5S-S3C1 From 7-9117 To 8-9493	1	
75	564075	. I/O B-MODULE VOLVO MULTIPLEX / ALUMINUM From 8-9494 To B-5029	2	
. NS	563132	. . CONNECTOR / SH 2C / YAZAKI 7283-6458-40 From 8-9494 To B-5029	1	
. NS	563133	. . CONNECTOR / JUNIOR POWER TIMER / SH 29C / AMP 1-963449-2 From 8-9494 To B-5029	1	
. NS	562957	. . CONNECTOR / SH 5C / GREEN / JAE IL-AG5-5S-S3C1 From 8-9494 To B-5029	1	
75	564193	. I/O B-MODULE VOLVO MULTIPLEX / ALUMINUM From B-5030 To H-6093	2	
. NS	563132	. . CONNECTOR / SH 2C / YAZAKI 7283-6458-40 From B-5030 To H-6093	1	
. NS	563133	. . CONNECTOR / JUNIOR POWER TIMER / SH 29C / AMP 1-963449-2 From B-5030 To H-6093	1	
. NS	562957	. . CONNECTOR / SH 5C / GREEN / JAE IL-AG5-5S-S3C1 From B-5030 To H-6093	1	
75	22722842	. I/O B-MODULE VOLVO MULTIPLEX / ALUMINUM From H-6094 To H-6179	2	
. NS	563132	. . CONNECTOR / SH 2C / YAZAKI 7283-6458-40 From H-6094 To H-6179	1	
. NS	563133	. . CONNECTOR / JUNIOR POWER TIMER / SH 29C / AMP 1-963449-2 From H-6094 To H-6179	1	
. NS	562957	. . CONNECTOR / SH 5C / GREEN / JAE IL-AG5-5S-S3C1 From H-6094 To H-6179	1	
75	22722850	. I/O B E-MODULE VOLVO MULTIPLEX / ALUMINUM From H-6180 To M-6650	2	
75	23824204	. I/O B E-MODULE VOLVO MULTIPLEX / ALUMINUM From M-6651	2	
76	5001433	. SCREW CAP HEX M6-1.0x25 SS From 8-9494	1	
NS	502738	. NUT SPR U M6-1.0 0.6-4.0 From 8-9494 To G-5931	1	
77	5001965	. NUT SPR U M6-1.0 0.6-4.0 N500 From G-5932	1	
80	X3-1862-60	ENTRANCE DOOR FRAME - INSTALLATION		
81	X3-1895-00	FRONT STRUCTURE To D-5458		
81	X3-189X-XX	STRUCTURE / CALL ORDER DESK From E-5459	1	
		A) THOSE VEHICLE ARE USE WITH MODULE IOE-A AND IOE-B FOR FEILD TEST F-5793 / F-5795 / F-5799 / F-5802		
		P) CALL ORDER DESK FOR SPECIFIC APPLICATION (V.I.N.)		

ENTRANCE DOOR CONTROL WITH BI-FOLD DOOR



ENTRANCE DOOR CONTROL WITH BI-FOLD DOOR



From G-5936		Date:01/2024	PAGE:X3-1802-10
ENTRANCE DOOR CONTROL WITH BI-FOLD DOOR			

Item#	Part	Description	QTY	Notes
1	642161	VALVE, 3 WAYS 1/8NPT-Fx1/8NPT-Fx1/8NPT-F BR	1	
. NS	642014	. HANDLE / RED	1	
2	5001670	SCREW CAP HEXS M4-0.7x8 G8.8 Z050	1	
3	284057	DECAL "EMERGENCY EXIT" / ENGLISH & FRANCAIS To P-6782	1	
3	2810660	DECAL "MANUAL DOOR RELEASE" / ENGLISH & FRANCAIS From P-6783	1	
3	288197	DECAL "EMERGENCY EXIT" / ENGLISH & SPANISH To P-6782	1	
3	2810666	DECAL "MANUAL DOOR RELEASE" / ENGLISH & SPANISH From P-6783	1	
3	280617	DECAL "EMERGENCY EXIT" / ENGLISH To P-6782	1	
3	2810667	DECAL "MANUAL DOOR RELEASE" / ENGLISH From P-6783	1	
4	641242	MALE CONNECTOR / PUSH-IN FITTING / #4x1/8NPT-M BR	2	
5	641369	MALE ELBOW 90° NON-SWIVEL / PUSH-IN FITTING / #4x1/8NPT-M BR	1	
6	503402	TUBE, NYLON 1/4 O.D. / BLACK S.L.	AR	
8	500641	SCREW TP PAN PH #8x3/4 Z050	AR	
9	504637	CABLE TIE / 3/16" x 13"	AR	
9	8631155	CABLE TIE / 4.6MM x 200 / CHRISTMAS TREE	AR	
11	145017	SUPPORT / VALVE	1	
12	642023	VALVE, 5 WAYS, 2 POSITIONS 24V / MODEL V19	1	
. NS	641385	. CONNECTOR / SOCKET HOUSING ASSY 3C / PNEUMAC 54934-01	1	
13	642135	VALVE SOLONOID 5/3 V60	1	
14	642154	MALE ELBOW 90° SWIVEL / PUSH-IN FITTING / #4x1/8NPT-M COMPOSITE	4	
15	501331	STREET ELBOW 90° / PIPE FITTING / 1/8NPT-Mx1/8NPT-F BR	1	
16	642140	SILENCER / MUFFLER / 1/8 NPT	2	
17	641943	SILENCER / MUFFLER / 1/8NPT-M	2	
18	642142	MALE BRANCH TEE SWIVEL / PUSH-IN FITTING / #4x#4x1/8NPT-M COMPOSITE	1	
19	641369	MALE ELBOW 90° NON-SWIVEL / PUSH-IN FITTING / #4x1/8NPT-M BR	1	
20	503402	TUBE, NYLON 1/4 O.D. / BLACK S.L.	AR	
21	5001085	SCREW TP PAN PH #6x1 1/4 Z050	4	
NS	680098	THREAD SEALANT LOCTITE #567 / WHITE / 250ml	AR	
31	382398	SUPPORT REAR I/O B MODULE	1	
32	502698	SCREW MA PAN PH M4-0.7x16 SS BK	4	
33	500539	NUT HEX NYRT M4-0.7 N500	4	
34	5001433	SCREW CAP HEX M6-1.0x25 SS	1	
35	564193	I/O B-MODULE VOLVO MULTIPLEX / ALUMINUM To H-6093	2	
. NS	563132	. CONNECTOR / SH 2C / YAZAKI 7283-6458-40 To H-6093	1	
. NS	563133	. CONNECTOR / JUNIOR POWER TIMER / SH 29C / AMP 1-963449-2 To H-6093	1	
. NS	562957	. CONNECTOR / SH 5C / GREEN / JAE IL-AG5-5S-S3C1 To H-6093	1	
35	22722842	I/O B-MODULE VOLVO MULTIPLEX / ALUMINUM From H-6094 To H-6179	2	
. NS	563132	. CONNECTOR / SH 2C / YAZAKI 7283-6458-40 From H-6094 To H-6179	1	
. NS	563133	. CONNECTOR / JUNIOR POWER TIMER / SH 29C / AMP 1-963449-2 From H-6094 To H-6179	1	
. NS	562957	. CONNECTOR / SH 5C / GREEN / JAE IL-AG5-5S-S3C1 From H-6094 To H-6179	1	

From G-5936		Date:01/2024	PAGE:X3-1802-10
-------------	--	--------------	-----------------

ENTRANCE DOOR CONTROL WITH BI-FOLD DOOR

Item#	Part	Description	QTY	Notes
35	22722850	I/O B E-MODULE VOLVO MULTIPLEX / ALUMINUM From H-6180 To M-6650	2	
35	23824204	I/O B E-MODULE VOLVO MULTIPLEX / ALUMINUM From M-6651	2	
36	5001965	NUT SPR U M6-1.0 0.6-4.0 N500	1	
37	N8889857	SCREW CAP HEX M5x10	1	
38	N8890487	WASHER LO EXT #10	1	
41	281254P	SUPPORT, REAR SHAFT ASS. To K-6492	1	
41	Call order desk	SUPPORT, REAR SHAFT ASS. From L-6493	1	P
41	281160	. SUPPORT, REAR SHAFT To K-6492	1	
41	287880	. SUPPORT, REAR SHAFT From L-6493	1	
42	507382	. BUSHING FLANGE 16I.D.x20O.D.x16MM BRASS	1	
43	642132	CYLINDER 2 1/2"	2	
. NS	642171	. BEARING, SPHERICAL	1	
44	502196	ROD END FEMALE 1/2-20 / 1/2 I.D.	2	
45	5001798	NUT HEX JAM THN 1/2-20x5/16 N500	2	
46	641371	MALE ELBOW 90° NON-SWIVEL / PUSH-IN FITTING / #4x1/4NPT-M BR	2	
47	680098	THREAD SEALANT LOCTITE #567 / WHITE / 250ml	AR	
48	642094	MALE BRANCH TEE / PUSH-IN FITTING / #4x#4x1/4NPT-M COMPOSITE	2	
51	280963P	SUPPORT, FRONT SHAFT ASS.	1	
51	280957	. SUPPORT, FRONT SHAFT	1	
52	507382	. BUSHING FLANGE 16I.D.x20O.D.x16MM BRASS	1	
53	780714	SHOCK DAMPER "KONI" To H-6131	1	
53	780896	SHOCK DAMPER "KONI" From H-6132	1	
54	502601	NUT SPR PO RND 7/16	2	
55	251299	REINFORCMENT HAT FORM WELDED	1	
56	218703	SUPPORT, DOUBLE DOOR WELDED	1	
57	289261	. PIVOT CYLINDER, ENTRANCE DOOR	1	
58	251599	SUPPORT, FRONT SHAFT WELDED	1	
59	251654	CYLINDER BRACKET, BI-FOLD DOOR (WELDED) FRONT SECTION	1	
60	251233	. CYLINDER BRACKET, BI-FOLD DOOR (WELDED) FRONT SECTION	1	
61	251655	. PIVOT CYLINDER, ENTRANCE DOOR	2	
65	X3-1862-65	ENTRANCE DOOR INSTALLATION BY-FOLD DOOR		
66	X3-0665-11	SWITCHES, LIGHTS, AJAR - UNDER FLOOR		
67	X3-1804-10	ENTRANCE DOOR LOCK WITH BI-FOLD DOOR		
71	5001615	SCREW CAP BUT HEXS M12-1.75x30 G10.9 G500	2	
72	500920	WASHER FL .540x1.125x.125 NYL	2	
73	502180	PIN HITCH CLIP 3/32 x 1/2 Z050	2	
74	5001780	SCREW CAP HEXF M8-1.25x16 G8.8 N500	3	
75	502847	NUT HEX NYRT M8-1.25 N500	3	

From G-5936		Date:01/2024	PAGE:X3-1802-10
-------------	--	--------------	-----------------

ENTRANCE DOOR CONTROL WITH BI-FOLD DOOR

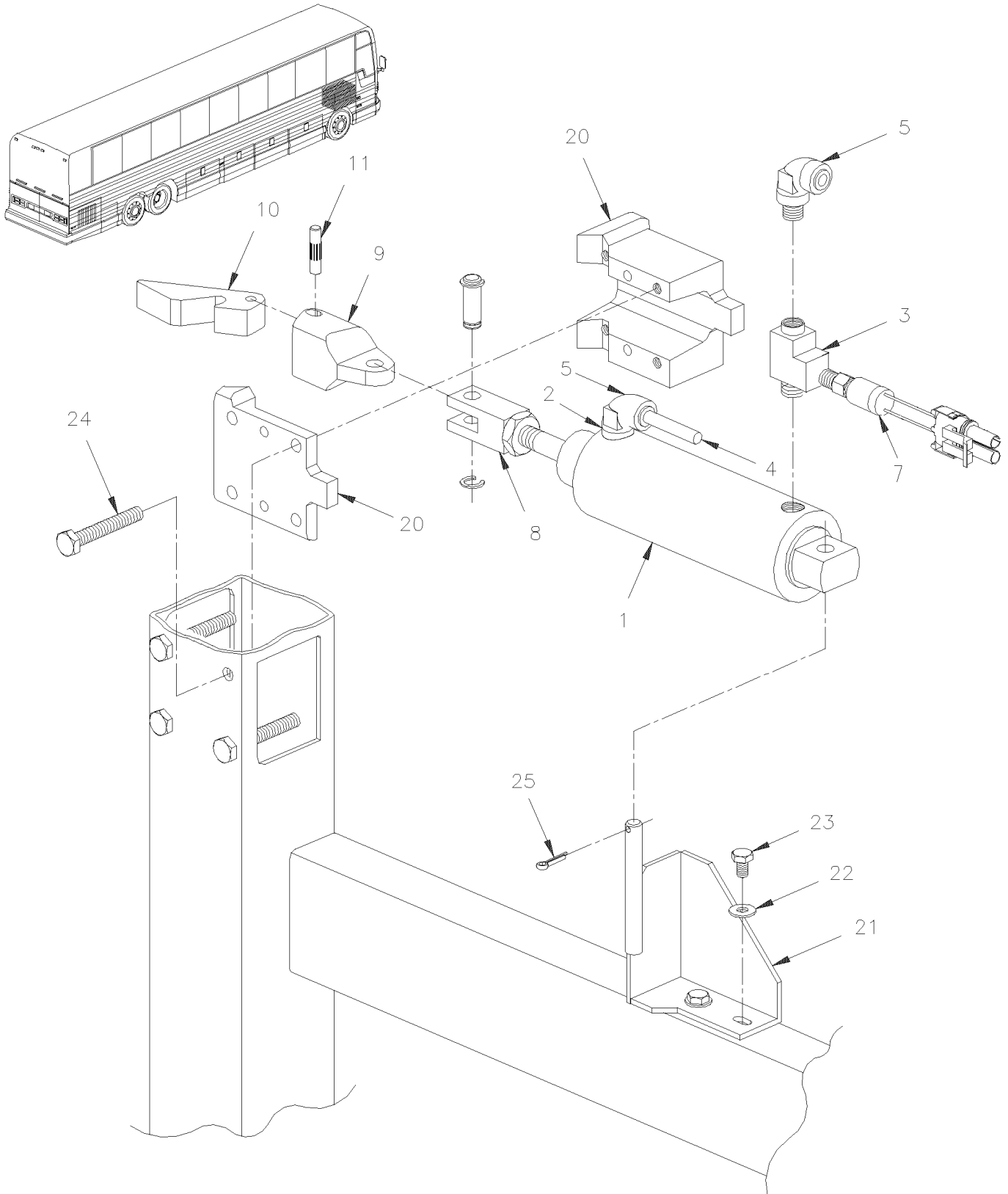
Item#	Part	Description	QTY	Notes
76	683652	GREASE SYNTHETIC / RED BOX 50 TUBE	AR	
		P) CALL ORDER DESK FOR SPECIFIC APPLICATION (V.I.N.)		

From 7-8754

Date:01/2024

PAGE:X3-1804-00

ENTRANCE DOOR LOCK



From 7-8754	Date:01/2024	PAGE:X3-1804-00
ENTRANCE DOOR LOCK		

Item#	Part	Description	QTY	Notes
1	641985	CYLINDER 2"1/2 X- 1"1/2 STROKE	1	
2	680098	THREAD SEALANT LOCTITE #567 / WHITE / 250ml	AR	
3	501338	MALE RUN TEE / PIPE FITTING / 1/4NPT-Mx1/4NPT-Fx1/4NPT-F BR	1	
4	503402	TUBE, NYLON 1/4 O.D. / BLACK S.L.	AR	
5	641371	MALE ELBOW 90° NON-SWIVEL / PUSH-IN FITTING / #4x1/4NPT-M BR	2	
7	287234	PRESSURE SWITCH N.C. 30-10 20PS001AB030E010E	1	
8	641216	YOKE	1	
. NS	642225	. CLIP	2	
9	286696	DOOR LOCK GUIDE	1	
10	286695	DOOR LOCK	1	
11	286694	ENTRANCE DOOR PIN	1	
12	501312	BUSHING REDUCER / PIPE FITTING / 1/4NTP-Mx1/8NPT-F BR	1	
20	286724	GUIDING BLOCK	1	
21	287952	SUPPORT ASSY W/PIN / (WELDED TO STRUCTURE) To G-5931	1	
. NS	286698	. PIN 3/8" O.D. X 78MM To G-5931	1	
21	2801005	SUPPORT ASSY W/PIN / (WELDED TO STRUCTURE) From G-5932	1	
. NS	286698	. PIN 3/8" O.D. X 78MM From G-5932	1	
22	500473	WASHER LO SPT .262x.489x.062 Z050	4	
23	500923	SCREW TC CAP HEX 1/4-20x3/4 Z050	2	
24	500167	SCREW CAP HEX 1/4-20x1 1/4 G5 PT Z050	2	
24	500994	SCREW CAP HEX 1/4-20x1 3/4 G5 PT Z050	2	
NS	500473	WASHER LO SPT .262x.489x.062 Z050	4	
25	502180	PIN HITCH CLIP 3/32 x 1/2 Z050	1	
26	286700	SUPPORT ASSY W/PIN / BOLTED TO STRUCTURE	1	
. NS	286698	. PIN 3/8" O.D. X 78MM	1	

From G-5939		Date:01/2024	PAGE:X3-1804-10
ENTRANCE DOOR LOCK WITH BI-FOLD DOOR			

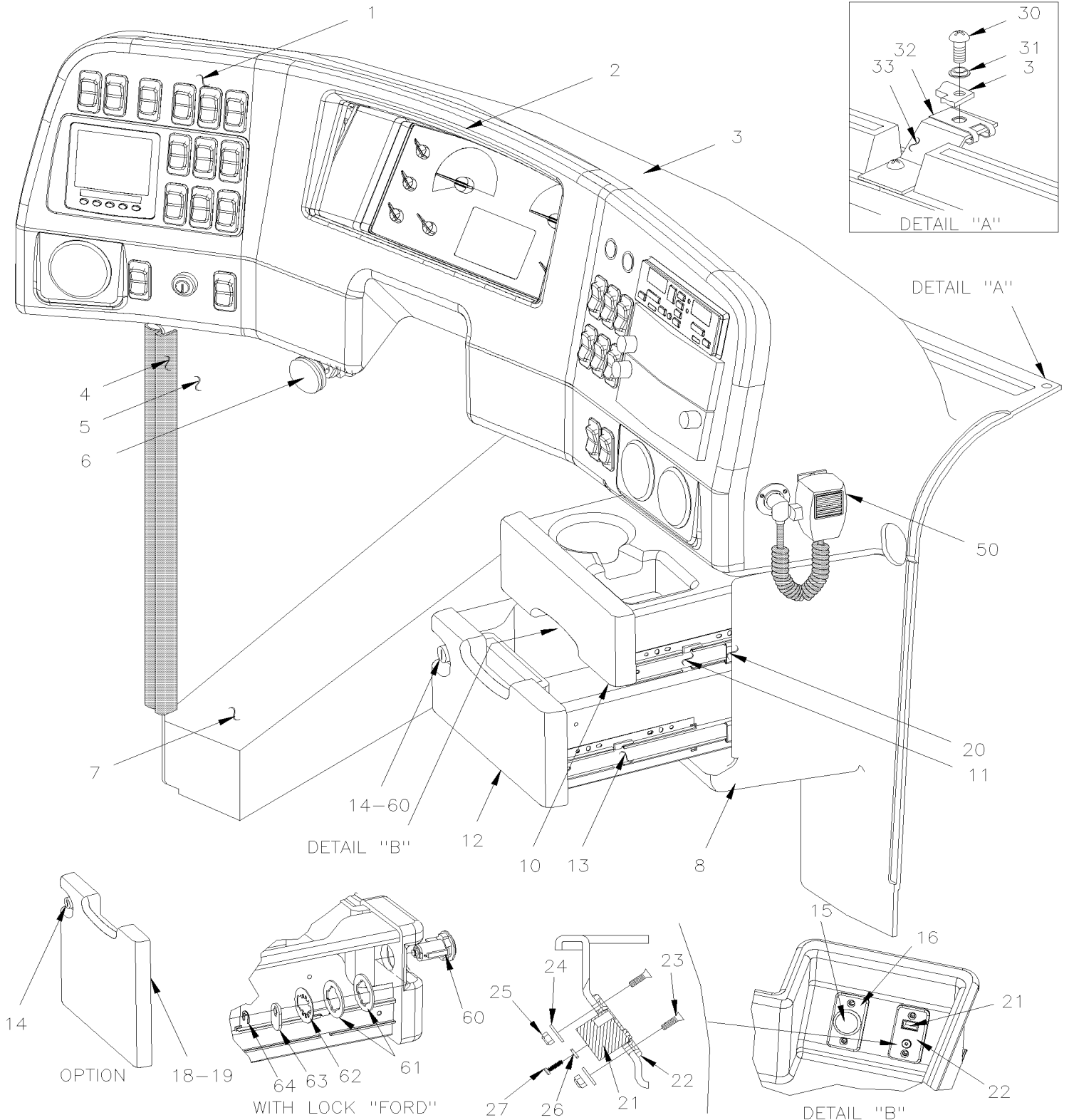
Item#	Part	Description	QTY	Notes
1	287011	PLATE MOUNTING	2	
2	282383	CATCH	2	
3	281247	ASSEMBLY BLOCK, BI-FOLD DOOR	2	
4	641983	CYLINDER 7/8" X 1" STROKE / DOUBLE ACTION	2	
5A	641909	MALE RUN TEE SWIVEL / PUSH-IN FITTING / #4x#4x1/8NPT-M BR To K-6492	1	
5A	642127	MALE ELBOW 90° SWIVEL DUAL PORT / PUSH-IN / #4x#4x1/8NPT-M BR From L-6493	1	
5B	641909	MALE RUN TEE SWIVEL / PUSH-IN FITTING / #4x#4x1/8NPT-M BR	1	
6	641369	MALE ELBOW 90° NON-SWIVEL / PUSH-IN FITTING / #4x1/8NPT-M BR	2	
7	281227	STOPPER	2	
8	500124	SCREW TP TR PH #8x1/2 SS	2	
9	502809	SCREW MA OV PH M4-0.7x30 SS BK	8	
10	5001106	SCREW CAP HEX M6-1.0x10 G8.8 Z050	2	
11	502564	WASHER LO SPT 6.1x11.8x1.6 Z050	2	
12	500877	WASHER FL .250x.562x.065 N500	2	
13	503402	TUBE, NYLON 1/4 O.D. / BLACK S.L.	AR	
NS	680038	THREAD LOCKER LOCTITE #243 / BLUE / 50ml	AR	
NS	680098	THREAD SEALANT LOCTITE #567 / WHITE / 250ml	AR	
NS	685371	GREASE / GREY BLACK MOBIL XHP 222 SPECIAL 400 g	AR	
21	503465	TUBE, NYLON 3/4 O.D. / GREEN S.L.	AR	
22	562679	4 WAY ADH. BACKED MOUNTS 1.000 x 1.000 x .160	AR	
23	504637	CABLE TIE / 3/16" x 13"	AR	
50	X3-1862-70	ENTRANCE DOOR ASSY - FRONT SECTION BY-FOLD DOOR To K-6492		
50	X3-1862-71	ENTRANCE DOOR ASSY - FRONT SECTION BY-FOLD DOOR From L-6493		
50	X3-1862-75	ENTRANCE DOOR ASSY - REAR SECTION BY-FOLD DOOR To K-6492		
50	X3-1862-76	ENTRANCE DOOR ASSY - REAR SECTION BY-FOLD DOOR From L-6493		

From 7-8754 To J-6335

Date:01/2024

PAGE:X3-1806-00

CENTRAL DASHBOARD PANEL



From 7-8754 To J-6335	Date:01/2024	PAGE:X3-1806-00
CENTRAL DASHBOARD PANEL		

Item#	Part	Description	QTY	Notes
1	392304	PANEL / FRONT INSTRUMENTATION To 8-9421	1	
1	392392	PANEL / FRONT INSTRUMENTATION From 8-9422 To B-5001	1	
1	392470	PANEL / FRONT INSTRUMENTATION From B-5002	1	
1	392393	PANEL / FRONT INSTRUMENTATION / W/ R.E.I. SYS From 8-9312 To B-5001	1	
1	392408	PANEL / FRONT INSTRUMENTATION W/OUT RADIO "GREYHOUND" From 8-9426 To 8-9597	1	B
1	392411	PANEL / FRONT INSTRUMENTATION W/OUT RADIO &VS "GREYHOUND" From 8-9598 To B-5001	1	C
1	392476	PANEL / FRONT INSTRUMENTATION W/OUT RADIO From B-5002	1	B
1	392547	PANEL / FRONT INSTRUMENTATION W/S-SYS W/O RAD KEY W/O ACC "GREYHOUND" From J-6245	1	GLI
NS	5002041	SCREW SET HEXS CUP M5-0.8x25 SS NSS	1	
NS	5002042	NUT HEX NYRT M5-0.8 Z050	1	
NS	5002043	NUT HEX M5-0.8 Z050	1	
2	X3-0645-10	L.H. DASHBOARD PANEL		
2	X3-0645-20	CENTER DASHBOARD PANEL To B-5001		
2	X3-0645-21	CENTER DASHBOARD PANEL WITH "EPA 2010" From B-5002		
2	X3-0645-30	R.H. DASHBOARD PANEL		
3	392112	COVER, DASHBOARD PANEL / BUS	1	
4	504675	RUBBER EXTRUSION TRIM SEAL / GRIP .040/.070 / 5/8" HOLLOW BULB C.T.L.	AR	
5	392302	STRUCTURE / L.H. To 8-9421	1	
NS	890017	TRIM SEAL From J-6245	AR	GLI
NS	890018	TRIM SEAL KONGSBERG From J-6245	AR	GLI
5	392389	STRUCTURE / L.H. / W/R.E.I. CONTROL HEAD From 8-9422 To B-5001	1	
5	392387	STRUCTURE / L.H. / W/TPMS From 8-9422 To B-5001	1	
5	392471	STRUCTURE / L.H. / W/TPMS From B-5002 To D-5458	1	
5	392502	STRUCTURE / L.H. / W/TPMS W/HANDRAIL From E-5459	1	
NS	392305	ADAPTOR RADIO TO STRUCTURE From B-5002	1	
NS	562361	PROTECTIVE CAP / HD10 SERIES / 6C / DEUTSCH HDC16-6-BLACK	1	F
NS	562492	TYPE A COUPLING	1	F
NS	562493	CHAIN / C.T.L.	1	F
NS	562494	RING / ATTACHMENT END	1	F
6	641445	VALVE, 3 WAYS, 2 POSITIONS MECHANICAL To D-5458	1	
NS	641992	KNOB To D-5458	1	
NS	5001403	SCREW MA CHE PH M5-0.8x40 ZP To D-5458	2	
NS	500964	WASHER FL .203x.500x.047 Z050 To D-5458	2	
NS	502782	NUT HEX NYRT M5-0.8 Z050 To D-5458	2	
6	642173	VALVE, 3 WAYS, 2 POSITIONS MECHANICAL From E-5459	1	
NS	5001036	SCREW MA PAN PH M4-0.7x10 Z050 From E-5459	2	
NS	500539	NUT HEX NYRT M4-0.7 N500 From E-5459	2	
NS	392073	ACCESS PANEL / FOR WIPER REPAIR	1	
6	501307	ADAPTER / PIPE FITTING / 1/8NPT-Fx1/8NPT-M BR	1	
6	641365	MALE ELBOW 45° NON-SWIVEL / PUSH-IN FITTING / #4x1/8NPT-M BR	2	
7	392013	FOOT REST / SUPPORT	1	
NS	5001036	SCREW MA PAN PH M4-0.7x10 Z050	4	

From 7-8754 To J-6335	Date:01/2024	PAGE:X3-1806-00
CENTRAL DASHBOARD PANEL		

Item#	Part	Description	QTY	Notes
8	391936	UNDER DASH PANEL / BLACK	1	
NS	391920	CONSOLE CAP R.H. / NORYL GRAY	1	
8	392199	UNDER DASH PANEL / BLACK	1	SP
NS	392497	ACCESS PANEL / FOR WIPER REPAIR	1	
10	391932	DRAWER, UPPER / BLACK	1	
NS	392237	SUPPORT MAGNETIC LOCK / UPPER DRAWER	1	
NS	392241	CATCH MAGNETIC LOCK LOWER DRAWER	1	
NS	504733	KIT SLIDE TRACK / FIXED AT DRAWER	1	
NS	066888	CABLE ASSY / W/3.5MM / "I POD" / 12'	1	
11	504677	RAIL ASSY 8" / (SET)	1	
NS	504673	CATCH MAGNETIC	2	
12	391933	DRAWER, LOWER / BLACK	1	
NS	392238	SUPPORT MAGNETIC LOCK / LOWER DRAWER	1	
NS	392240	CATCH MAGNETIC LOCK LOWER DRAWER	1	
NS	504733	KIT SLIDE TRACK / FIXED AT DRAWER	1	
12	392420	DRAWER, LOWER / BLACK W/I-POD CONNETOR To H-6179	1	
NS	392238	SUPPORT MAGNETIC LOCK / LOWER DRAWER To H-6179	1	
NS	392240	CATCH MAGNETIC LOCK LOWER DRAWER To H-6179	1	
NS	504733	KIT SLIDE TRACK / FIXED AT DRAWER To H-6179	1	
12	390019	DRAWER, LOWER / BLACK W/12VOLTS OUTLET From H-6180	1	
NS	392238	SUPPORT MAGNETIC LOCK / LOWER DRAWER From H-6180	1	
NS	392240	CATCH MAGNETIC LOCK LOWER DRAWER From H-6180	1	
NS	504733	KIT SLIDE TRACK / FIXED AT DRAWER From H-6180	1	
12	390003	DRAWER, LOWER / KEYLESS / BLACK W/I-POD CONNETOR To H-6179	1	
NS	890008	LATCH ASSY KEYLESS To H-6179	1	
NS	504733	KIT SLIDE TRACK / FIXED AT DRAWER To H-6179	1	
12	390020	DRAWER, LOWER / KEYLESS / BLACK W/12VOLTS OUTLET From H-6180	1	
NS	890008	LATCH ASSY KEYLESS From H-6180	1	
NS	504733	KIT SLIDE TRACK / FIXED AT DRAWER From H-6180	1	
12	Call order desk	DRAWER, LOWER / WITH FORD LOCK FA0329 / BLACK W/I-POD CONNETOR To H-6179	1	P
12	390012	DRAWER, LOWER / WITH FORD LOCK FA0329 / BLACK W/12VOLTS OUTLET From H-6180	1	
12	Call order desk	DRAWER, LOWER / WITH FORD LOCK FA0368 / BLACK W/I-POD CONNETOR To H-6179	1	P
12	390013	DRAWER, LOWER / WITH FORD LOCK FA0368 / BLACK W/12VOLTS OUTLET From H-6180	1	
12	Call order desk	DRAWER, LOWER / WITH FORD LOCK FA0899 / BLACK W/I-POD CONNETOR To H-6179	1	P
12	390014	DRAWER, LOWER / WITH FORD LOCK FA0899 / BLACK W/12VOLTS OUTLET From H-6180	1	
12	Call order desk	DRAWER, LOWER / WITH FORD LOCK FA0000 / BLACK W/I-POD CONNETOR To H-6179	1	P
12	390015	DRAWER, LOWER / WITH FORD LOCK FA0000 / BLACK W/12VOLTS OUTLET From H-6180	1	
12	Call order desk	DRAWER, LOWER / WITH FORD LOCK FA1509 / BLACK W/I-POD CONNETOR To H-6179	1	P
12	390016	DRAWER, LOWER / WITH FORD LOCK FA1509 / BLACK W/12VOLTS OUTLET From H-6180	1	
12	Call order desk	DRAWER, LOWER / WITH FORD LOCK FA0144 / BLACK W/I-POD CONNETOR To H-6179	1	P
12	390017	DRAWER, LOWER / WITH FORD LOCK FA0144 / BLACK W/12VOLTS OUTLET From H-6180	1	
12	Call order desk	DRAWER, LOWER / WITH FORD LOCK FA0726 / BLACK W/I-POD CONNETOR To H-6179	1	P

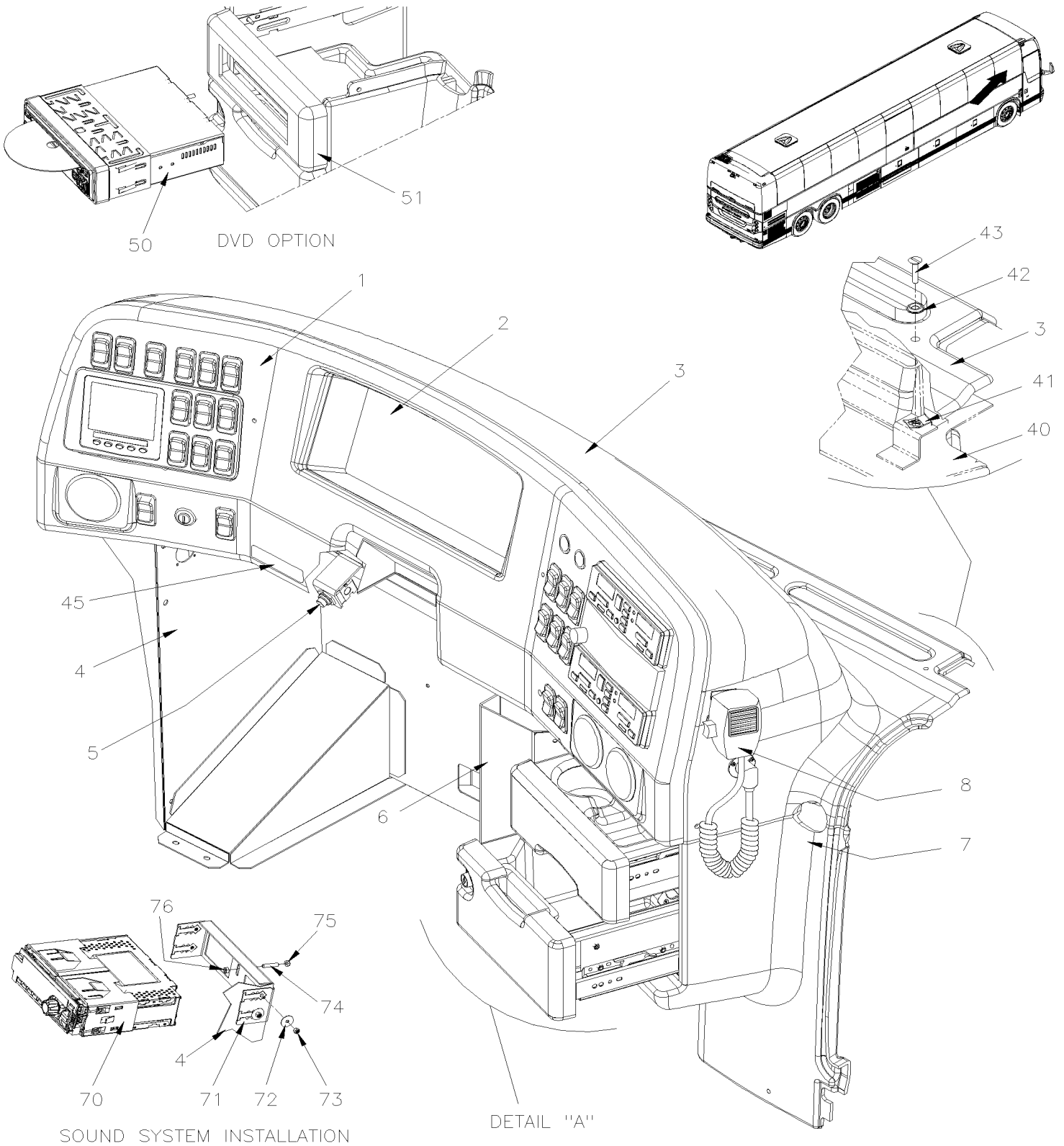
From 7-8754 To J-6335	Date:01/2024	PAGE:X3-1806-00
CENTRAL DASHBOARD PANEL		

Item#	Part	Description	QTY	Notes
12	390018	DRAWER, LOWER / WITH FORD LOCK FA0726 / BLACK W/12VOLTS OUTLET From H-6180	1	
12	390025	DRAWER, LOWER / WITH FORD LOCK FA0576 / BLACK W/12VOLTS OUTLET From H-6180	1	
12	390030	DRAWER, LOWER / WITH FORD LOCK FA0321 / BLACK W/12VOLTS OUTLET From H-6180	1	
13	504678	. RAIL ASSY 10" / (SET)	1	
NS	504673	CATCH MAGNETIC	2	
14	504672	LATCH ASSY W/2 KEYS	1	
. NS	810084	. KEY / (CH751)	1	
14	810084	. KEY / (CH751)	2	
15	562796	12 VOLTS POWER OUTLET	1	
16	500343	SCREW MA FL PH M4-0.7x16 ZP	2	
NS	500590	NUT HEX NYRT M4-0.7 Z050	2	
18	392028	UNDER DASH PANEL ASSY W/FLIP-UP BOX	1	A
. NS	901217	. LATCH GRABBER CATCH / 44N PLASTIC BLACK	1	A
19	392205	. COVER ONLY / W/OUT BOX OR DRAWER	1	
NS	504673	CATCH MAGNETIC	2	
NS	392239	SUPPORT MAGNET FLIP-UP BOX	1	
20	392012	MOUNTING PLATE / DRAWER	4	
NS	5001413	SCREW MA FL PH M4-0.7x20 Z050	AR	
21	21280133	CABLE USB / (DRAWER TO RADIO) / I-POD CONECTOR From 9-9796 To E-5495	1	
21	401044	CABLE USB / (DRAWER TO RADIO) / I-POD CONECTOR From E-5496 To H-6179	1	
22	406413	SUPPORT "USB" CONNECTOR To H-6179	1	
23	5001429	SCREW MA FL PH M4-0.7x25 BK To H-6179	2	
24	500855	WASHER FL .188x.438x.049 N500 To H-6179	2	
25	500539	NUT HEX NYRT M4-0.7 N500 To H-6179	2	
26	406414	PLATE RETAINER "USB" CONECTOR To H-6179	1	
27	500798	SCREW TP PAN PH #4-3/8 ZP To H-6179	2	
30	5001411	SCREW MA FL PH M4-0.7x20 BK	AR	
31	500345	WASHER FN CKF .187x.500x.090 BR BK	AR	
32	5001406	NUT SPR U M4-0.7 0.8-4.0x13.5	AR	
33	X3-2230-00	DEFROSTER - INSTALLATION To B-5001		
33	X3-2230-01	DEFROSTER - INSTALLATION From B-5002	1	
NS	563063	SENSOR THERMISTOR ASSY / TEMPERATURE / ("DELPHI")	1	
NS	373792	BOX SENSOR PROTECTOR	1	
NS	503707	HOSE / PVC REINFORCED 1/2" I.D. 100' / S.L.	AR	
NS	140097	DECAL, O1 SU AIR PRESSURE / FRENCH ENGLISH SPANISH From J-6245	1	GLI
NS	140098	DECAL, O1 SU PARK BRAKE / FRENCH ENGLISH SPANISH From J-6245	1	GLI
50	X3-2315-00	SOUND SYSTEM & ACCESSORIES		
50	X3-2315-01	SOUND SYSTEM & ACCESSORIES W/HHED From H-6179		
NS	409149	CABLE ASSY / DASH & PARCEL RACK / AUDIO	1	
NS	066731	WIRING HARNESS DASHBOARD CENTRAL MODULE / MUX To 7-8932	1	
NS	066889	WIRING HARNESS DASHBOARD CENTRAL MODULE / MUX From 7-8933 To 8-9161	1	
NS	067097	WIRING HARNESS DASHBOARD CENTRAL MODULE / MUX From 8-9162 To 8-9421	1	

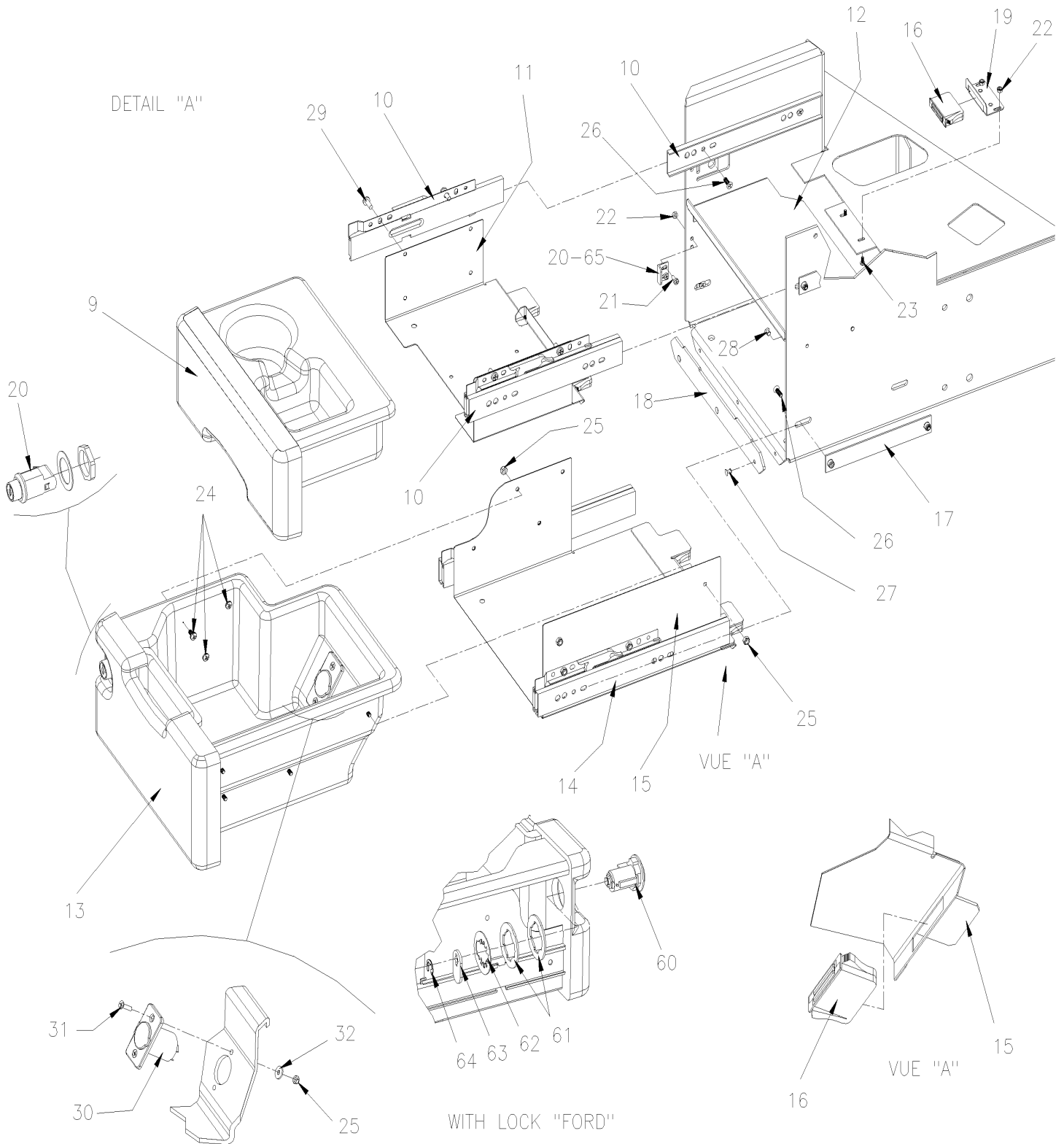
From 7-8754 To J-6335	Date:01/2024	PAGE:X3-1806-00
CENTRAL DASHBOARD PANEL		

Item#	Part	Description	QTY	Notes
NS	067215	WIRING HARNESS DASHBOARD CENTRAL MODULE / MUX From 8-9422 To 9-9795	1	
NS	067811	WIRING HARNESS DASHBOARD CENTRAL MODULE / MUX From 9-9796 To B-5001	1	
NS	067638	WIRING HARNESS DASHBOARD CENTRAL MODULE / MUX From B-5002 To B-5039	1	
NS	068205	WIRING HARNESS DASHBOARD CENTRAL MODULE / MUX From B-5040 To C-5143	1	
NS	068373	WIRING HARNESS DASHBOARD CENTRAL MODULE / MUX From C-5144 To D-5374	1	
NS	068166	WIRING HARNESS DASHBOARD CENTRAL MODULE / MUX From D-5375 To D-5458	1	
NS	068602	WIRING HARNESS DASHBOARD CENTRAL MODULE / MUX From E-5459 To F-5818	1	
NS	069247	WIRING HARNESS DASHBOARD CENTRAL MODULE / MUX From F-5819 To F-5871	1	
NS	069273	WIRING HARNESS DASHBOARD CENTRAL MODULE / MUX From F-5872 To G-5977	1	
51	069313	WIRING HARNESS DASHBOARD CENTRAL MODULE / MUX From G-5978 To H-6179	1	
51	069643	WIRING HARNESS DASHBOARD CENTRAL MODULE / MUX From G-6100 To H-6179	1	GLI
51	060533	WIRING HARNESS DASHBOARD CENTRAL MODULE From H-6180 To J-6241	1	
51	060885	WIRING HARNESS DASHBOARD CENTRAL MODULE From J-6242 To J-6280	1	
51	061416	WIRING HARNESS DASHBOARD CENTRAL MODULE From J-6281	1	
51	061423	WIRING HARNESS DASHBOARD CENTRAL MODULE / MUX From J-6245	1	GLI
NS	561821	NUT, RING #17 & 20 / 1.500" I.D W/4 4-40 To D-5458	1	G
NS	5001454	SCREW MA BDG PH #4-40x1/2 SS To D-5458	4	G
NS	562543	PROTECTIVE CAP / HD10 SERIES / 9C / DEUTSCH HDC16-9 To D-5458	1	G
NS	562492	TYPE A COUPLING To D-5458	1	G
NS	562493	CHAIN / C.T.L. To D-5458	1	G
NS	562494	RING / ATTACHMENT END To D-5458	1	G
55	390038	DECAL, ELECTRONIC LOGGING DEVICE(ELD) / FR, ENG, SP From J-6281	1	
56	390039	DECAL, ON-BOARD DIAGNOSTIC(OBD) / FR, ENG, SP From J-6281	1	
60	X3-1867-00	KEY & CYLINDER CODE "FORD" & "NS"	1	
61	780826	SPACER LOCK "FORD"	1	
62	780824	RETAINER WASHER LOCK "FORD"	1	
63	780825	LEVER WITH "FORD" CYLINDER LOCK	1	
64	504477	RING RETAINER / EXT 14.0 X 13.4 X 1.0MM	1	
		A) INCLUDE ITEM 8		
		B) WITHOUT RADIO		
		C) WITHOUT RADIO & WITHOUT VSS		
		D) THOSE VEHICLE ARE USE WITH MODULE IOE-A AND IOE-B FOR FEILD TEST F-5793 / F-5795 / F-5799 / F-5802		
		F) ITEMS ARE RELATED WITH CONNECTOR FOR DIAGNOSTIC "DDEC"		
		G) USE WITH DIAGNOSTIC CONNECTIOR		
		GLI) GREYHOUND OPTION		
		SP) USE WITHOUT HANDRAIL & WITH DRAWER		
		P) CALL ORDER DESK FOR SPECIFIC APPLICATION (V.I.N.)		

CENTRAL DASHBOARD PANEL



CENTRAL DASHBOARD PANEL



From J-6336		Date:01/2024	PAGE:X3-1806-01
-------------	--	--------------	-----------------

CENTRAL DASHBOARD PANEL

Item#	Part	Description	QTY	Notes
1	392470	PANEL / FRONT INSTRUMENTATION To M-6646	1	
1	392844	PANEL / FRONT INSTRUMENTATION From M-6647	1	
1	392476	PANEL / FRONT INSTRUMENTATION W/OUT RADIO To M-6646	1	B
1	392842	PANEL / FRONT INSTRUMENTATION W/OUT RADIO From M-6647	1	B
1	392547	PANEL / FRONT INSTRUMENTATION W/S-SYS W/O RAD KEY W/O ACC "GREYHOUND" To M-6646	1	GR
1	392846	PANEL / FRONT INSTRUMENTATION W/S-SYS W/O RAD KEY W/O ACC "GREYHOUND" From M-6647	1	GR
2	X3-0645-11	L.H. DASHBOARD PANEL		
2	X3-0645-21	CENTER DASHBOARD PANEL WITH "EPA 2010"		
2	X3-0645-30	R.H. DASHBOARD PANEL		
3	392112	COVER, DASHBOARD PANEL / BUS To K-6492	1	
3	390871	COVER, DASHBOARD PANEL / BUS From L-6493 To M-6646	1	
3	390871	COVER, DASHBOARD PANEL / BUS From M-6647	1	
3	392774	COVER, DASHBOARD PANEL / BUS WITH "PREVOST DRIVER ASSIT" From M-6647	1	
3	392422	COVER, DASHBOARD PANEL / BUS To K-6421	1	GR
3	391106	COVER, DASHBOARD PANEL / BUS From K-6422 To K-6492	1	GR
3	392672	COVER, DASHBOARD PANEL / BUS From L-6493 To M-6646	1	GR
3	392883	COVER, DASHBOARD PANEL / BUS WITH "PREVOST DRIVER ASSIT" From M-6647	1	GR
NS	505027	GASKET EPDM / 60° +/- 5 SHORE A BLACK	1	
4	392502	STRUCTURE / L.H. / W/TPMS W/HANDRAIL	AR	
NS	390078	CARPET FOOT REST	1	
NS	509558	WEATHERSEAL SNAP-ON 1/8" / SINGLE LIP / WH / C.T.L. From L-6493	AR	
NS	392305	ADAPTOR RADIO TO STRUCTURE To N-6685	1	
NS	392946	ADAPTOR RADIO TO STRUCTURE From N-6686	1	
NS	502701	WASHER FL .172x.750x.031 From N-6686	2	
NS	5002040	NUT HEX NYRT M4x0.7 SS NSS From N-6686	2	
5	642173	VALVE, 3 WAYS, 2 POSITIONS MECHANICAL	1	
NS	501307	ADAPTER / PIPE FITTING / 1/8NPT-Fx1/8NPT-M BR	1	
NS	641365	MALE ELBOW 45° NON-SWIVEL / PUSH-IN FITTING / #4x1/8NPT-M BR	2	
6	392497	ACCESS PANEL / FOR WIPER REPAIR	1	
NS	5001996	SCREW MA PAN PH M4-0.7x12 N500	4	
7	391936	UNDER DASH PANEL / BLACK	1	
7	392199	UNDER DASH PANEL / BLACK	1	SP
8	X3-2315-01	SOUND SYSTEM & ACCESSORIES W/HHD	1	
NS	391920	CONSOLE CAP R.H. / NORYL GRAY	1	
9	390086	DRAWER, UPPER ASS'Y / PLASTIC BLACK To L-6653	1	
9	392704	DRAWER, UPPER ASS'Y / PLASTIC BLACK From L-6654	1	
10	504677	RAIL ASSY 8" / (SET)	1	
11	390061	SUPPORT, UPPER DRAWER To L-6653	1	
11	392708	SUPPORT MAGNETIC LOCK / UPPER DRAWER From L-6654	1	
12	390043	SEPARATION PLATE	1	
13	390085	DRAWER LOW / PLASTIC BLACK To L-6653	1	
13	392692	DRAWER LOW / PLASTIC BLACK From L-6654	1	

From J-6336		Date:01/2024	PAGE:X3-1806-01
CENTRAL DASHBOARD PANEL			

Item#	Part	Description	QTY	Notes
13	391603	DRAWER LOW / W/ FORD KEY To L-6653	1	
13	392693	DRAWER LOW / W/ FORD KEY From L-6654	1	
14	504678	RAIL ASSY 10" / (SET)	1	
15	390051	SUPPORT, LOWER DRAWER To L-6653	1	
15	392707	SUPPORT MAGNETIC LOCK / LOWER DRAWER From L-6654	1	
16	504673	CATCH MAGNETIC	2	
17	392012	MOUNTING PLATE / DRAWER To L-6653	4	
17	392711	MOUNTING PLATE / DRAWER From L-6654	4	
17	505030	SPACER 4.2x13x6 From L-6654	8	
18	390047	PLATE STOP MAGNET	1	
19	780029	MOUNTING PLATE MAGNETIC LATCH	1	
20	780023	LATCH W/LOCK	1	
NS	780539	KEY / (CH751)	2	
20	890008	LATCH ASSY KEYLESS	1	
21	5001397	SCREW MA CHE PH M3-0.5x8 SS	2	
22	5001408	NUT HEX STO M3-0.5 ZP	4	
23	5002029	SCREW MA PAN PH M3-0.5x6 Z050	2	
24	5002048	SCREW MA PAN PH M4-0.7x8 Z050	8	
25	5001409	NUT HEX STO M4-0.7 Z050	AR	
26	5002030	SCREW MA FL PH M4-0.7x12 Z050 To L-6653	AR	
26	5001414	SCREW MA FL PH M4-0.7x16 BK From L-6654	AR	
27	504128	RIVET POP DOME OE 1/8x1/16 SS	3	
28	504140	RIVET POP DOME OE 1/8x3/8 SS	4	
29	500443	SCREW TP PAN PH #8x1/2 N500	1	
30	562796	12 VOLTS POWER OUTLET	1	
31	5001414	SCREW MA FL PH M4-0.7x16 BK	2	
32	5001971	WASHER FL 4.3x12.0x1.6 ZP	2	
33	563063	SENSOR THERMISTOR ASSY / TEMPERATURE / ("DELPHI")	1	
33	373792	BOX SENSOR PROTECTOR	1	
NS	680459	ADHESIVE CYANOACRYLATE LOCTITE 404 Quick Set(TM)	AR	
33	503707	HOSE / PVC REINFORCED 1/2" I.D. 100' / S.L.	AR	
40	X3-2230-01	DEFROSTER - INSTALLATION		
41	5001406	NUT SPR U M4-0.7 0.8-4.0x13.5	AR	
42	500345	WASHER FN CKF .187x.500x.090 BR BK	AR	
43	5001411	SCREW MA FL PH M4-0.7x20 BK	AR	
45	390038	DECAL, ELECTRONIC LOGGING DEVICE(ELD) / FR, ENG, SP	1	
50	901339	DVD PLAYER 12V To J-6353	1	O
NS	901377	REMOTE CONTROL / DVD R.E.I. To J-6353	1	O
50	901436	DVD PLAYER 12V From J-6354	1	O
NS	901264	REMOTE CONTROL / DVD REI From J-6354	1	O
NS	890003	SCREW MOUNT GRABBER CATCH	1	O
NS	390363	DVD DRAWER SHEET ASSY	1	O

From J-6336		Date:01/2024	PAGE:X3-1806-01
-------------	--	--------------	-----------------

CENTRAL DASHBOARD PANEL

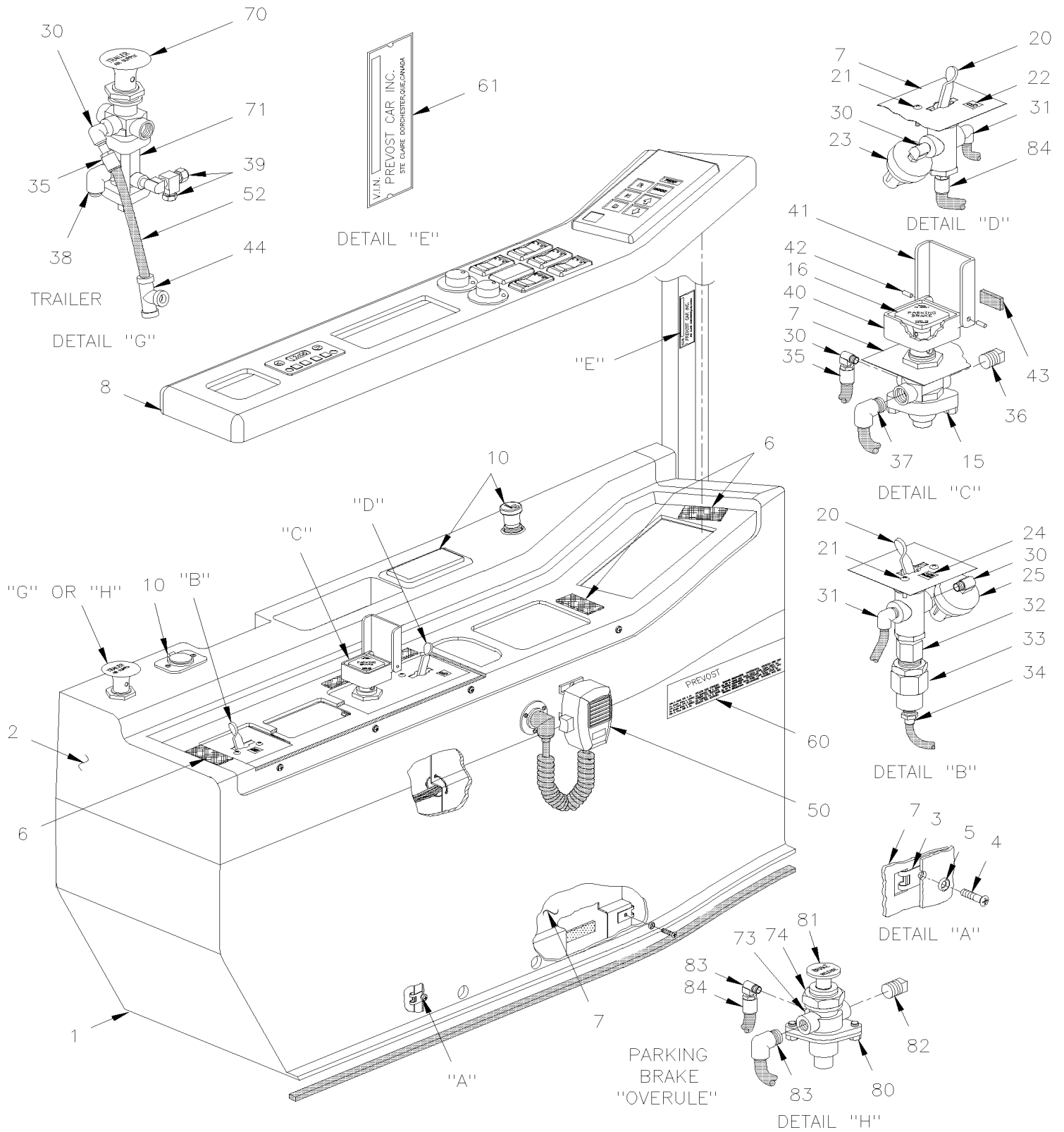
Item#	Part	Description	QTY	Notes
NS	5001408	NUT HEX STO M3-0.5 ZP	2	O
NS	5002040	NUT HEX NYRT M4x0.7 SS NSS	6	O
NS	5001996	SCREW MA PAN PH M4-0.7x12 N500	4	O
NS	5001969	SCREW CAP HEXS M5-0.8x8 SS	2	O
NS	5001401	SCREW MA CHE PH M4-0.7x8 ZP	4	O
NS	502577	SCREW MA PAN PH M3-0.5x16 ZP	2	O
NS	5002053	WASHER FL 5.3x15.0x2 N050	2	O
NS	5002032	WASHER LO EXT 4.3x8.0x0.5 Z050	2	O
NS	067419	HARNESS JUMPER FOR DVD IN DASH	1	O
51	390364	FRONT PANEL FOR DVD	1	O
NS	061416	WIRING HARNESS DASHBOARD CENTRAL MODULE To K-6492	1	
55	0611112	WIRING HARNESS DASHBOARD CENTRAL MODULE From L-6493 To L-6552	1	
NS	061423	WIRING HARNESS DASHBOARD CENTRAL MODULE / MUX To K-6492	1	GR
55	060206	WIRING HARNESS DASHBOARD CENTRAL MODULE From L-6493 To L-6518	1	GR
55	0611112	WIRING HARNESS DASHBOARD CENTRAL MODULE From L-6519 To L-6552	1	GLI
55	0610240	WIRING HARNESS DASHBOARD CENTRAL MODULE From L-6553 To M-6646	1	
55	0610268	WIRING HARNESS DASHBOARD CENTRAL MODULE From M-6647 To M-6657	1	
55	0610408	WIRING HARNESS DASHBOARD CENTRAL MODULE From M-6658 To N-6748	1	
55	0610599	WIRING HARNESS DASHBOARD CENTRAL MODULE From P-6749	1	
60	X3-1867-00	KEY & CYLINDER CODE "FORD" & "NS" To K-6492	1	
60	X3-1867-01	KEY & CYLINDER CODE "FORD" From L-6493	1	
61	780826	SPACER LOCK "FORD"	1	
62	780824	RETAINER WASHER LOCK "FORD"	1	
63	780825	LEVER WITH "FORD" CYLINDER LOCK	1	
64	504556	RING RETAINER / EXT 6.00 x 5.00 x 0.72MM	1	
65	504154	RECEPTACLE, LOCK	1	
70	X3-2315-01	SOUND SYSTEM & ACCESSORIES W/HHED		
71	392305	ADAPTOR RADIO TO STRUCTURE	1	
72	502701	WASHER FL .172x.750x.031	AR	
73	5002040	NUT HEX NYRT M4x0.7 SS NSS	AR	
74	5002041	SCREW SET HEXS CUP M5-0.8x25 SS NSS	1	
75	5002042	NUT HEX NYRT M5-0.8 Z050	1	
76	5002043	NUT HEX M5-0.8 Z050	1	
		B) WITHOUT RADIO		
		GLI) GREYHOUND OPTION		
		GR) GREYHOUND OPTION		
		O) OPTIONAL EQUIPMENT		
		SP) USE WITHOUT HANDRAIL & WITH DRAWER		

From 7-8754

Date:01/2024

PAGE:X3-1806-10

L.H. CONSOLE - BUS



From 7-8754		Date:01/2024	PAGE:X3-1806-10
L.H. CONSOLE - BUS			

Item#	Part	Description	QTY	Notes
1	392042	CONSOLE / LOWER To 8-9276	1	
1	392378	CONSOLE / LOWER From 8-9277	1	
1	5001531	SCREW TP FL PH #10x1 SS410	1	
NS	502761	SCREW TP BDG PH #10x3/4 SS BK	1	
2	392114	CONSOLE / W/ASHTRAY & LIGHTER	1	
2	392115	CONSOLE / W/O ASHTRAY & W/O LIGHTER	1	
2	392143	CONSOLE / W/LIGHTER	1	
3	5001405	NUT SPR U M4-0.7 0.8-4.0x9.5	10	
4	5001414	SCREW MA FL PH M4-0.7x16 BK	10	
5	500345	WASHER FN CKF .187x.500x.090 BR BK	10	
6	506493	TAPE DUAL LOCK 1/2" x 150' / BLACK SJ3541	AR	
7	392039	STRUCTURE ASSY	1	
8	392119	PANEL / W/AUTOMATIC TRANSMISSION WO/PREAHEAT TIMER "WORLD"	1	
8	392118	PANEL / W/AUTOMATIC TRANSMISSION W/PREAHEAT TIMER "WORLD"	1	T
8	392462	PANEL / W/MANUAL TRANSMISSION WO/PREAHEAT TIMER "I"-SHIFT From B-5002	1	
8	392454	PANEL / W/MANUAL TRANSMISSION W/PREAHEAT TIMER "I"-SHIFT From B-5002	1	T
10	X3-0645-00	SWITCHES L.H. CONSOLE - BUS		
15	641128	VALVE, CONTROL VALVE PP-1 / 40PSI To D-5452	1	
NS	641154	. REPAIR KIT / PP-1 & RD-3 To D-5452	1	
15	642169	VALVE, CONTROL VALVE PP-1 / 60PSI From D-5453	1	
NS	641154	. REPAIR KIT / PP-1 & RD-3 From D-5453	1	
NS	641149	. BUTTON, PARKING BRAKE DIAMOND YELLOW / 1" From D-5453	1	
NS	640297	. NUT	1	
NS	640286	. PIN ROLLER	1	
16	641149	. BUTTON, PARKING BRAKE DIAMOND YELLOW / 1"	1	
20	640136	VALVE, CONTROL TW-1	1	
NS	641156	. REPAIR KIT / TW-1	1	
21	500572	SCREW MA TR PH #10-24x1/2 SS BK	2	
22	391952	DECAL "TAG"	1	
23	562518	PRESSURE SWITCH N.O. 4PSI / 1/8NPT W/2 SCREWS / TAG	1	
NS	063892	WIRE ASSY / W/LOW BUOY	1	
24	391951	DECAL "LOW BUOY"	1	
25	560816	PRESSURE SWITCH N.C. 3PSI / 1/8NPT W/2 SCREWS	1	
30	501331	STREET ELBOW 90° / PIPE FITTING / 1/8NPT-Mx1/8NPT-F BR	3	
31	641369	MALE ELBOW 90° NON-SWIVEL / PUSH-IN FITTING / #4x1/8NPT-M BR	3	
32	501310	ADAPTER / PIPE FITTING / 1/4NPT-Fx1/8NPT-M BR	1	
33	640135	VALVE, CHECK 1/4 NPT	1	
34	641332	MALE CONNECTOR / PUSH-IN FITTING / #4x1/4NPT-M BR	1	
35	641349	MALE CONNECTOR / PUSH-IN FITTING / #6x1/8NPT-M BR	1	
36	501304	PLUG SQUARE HEAD / PIPE FITTING / 1/4NPT-M BR To A-9968	1	
36	501800	PLUG HEXS / PIPE FITTING / 1/4NPT-M STL From A-9969	1	
37	641371	MALE ELBOW 90° NON-SWIVEL / PUSH-IN FITTING / #4x1/4NPT-M BR	1	

From 7-8754		Date:01/2024	PAGE:X3-1806-10
L.H. CONSOLE - BUS			

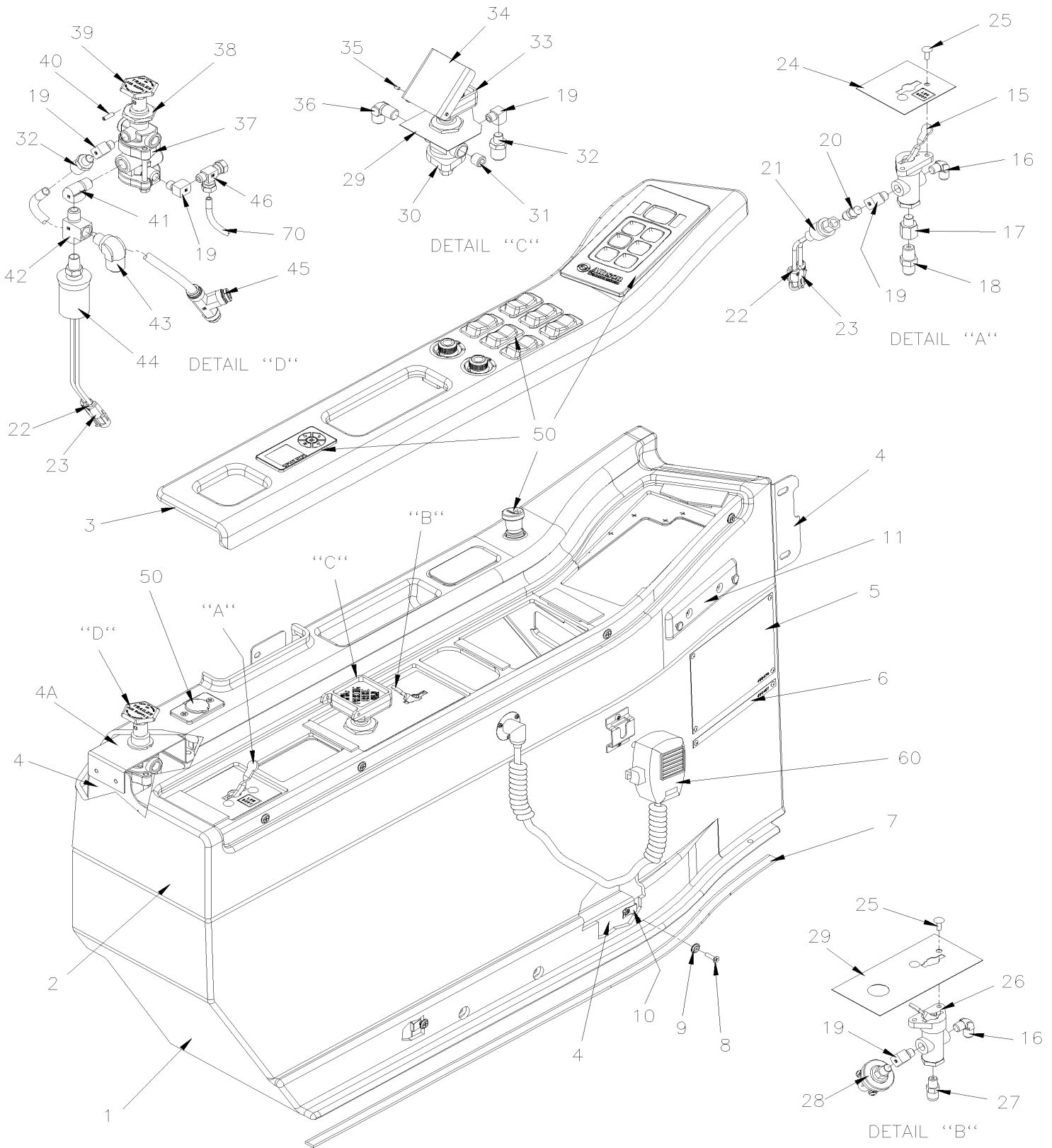
Item#	Part	Description	QTY	Notes
38	641372	MALE ELBOW 90° NON-SWIVEL / PUSH-IN FITTING / #6x1/4NPT-M BR	1	
NS	452043	PRESSURE SWITCH N.O. 60-35 20SP001AA060E035E	1	
39	641002	MALE RUN TEE / NTA FITTING / #4x#4x1/8NPT-M BR	1	
40	391727	PROTECTOR BOX ASSY / OVER PARKING BRAKE VALVE To F-5759	1	
40	391725	. BOX To F-5759	1	
40	391725	BOX From F-5760	1	
41	391726	. COVER / CLEAR PLASTIC To F-5759	1	
42	505221	. SPRING, PIN 1/8 X 3/8 To F-5759	1	
43	506035	. TAPE RUB ADH1 NEO 1/2" x 1" x 15' / BLACK 1220X To F-5759	1	
44	641922	UNION TEE / PUSH-IN FITTING / #6x#6x#6 BR	1	
50	X3-2315-00	SOUND SYSTEM & ACCESSORIES		
50	X3-2315-01	SOUND SYSTEM & ACCESSORIES W/HHED From H-6179		
52	X3-1202-00	TUBES PLASTIC / AIR D.O.T.		
60	Call order desk	PLATE / V.I.N. To B-5001	1	P
60	Call order desk	PLATE / V.I.N. From B-5002 To D-5449	1	P
60	Call order desk	PLATE / V.I.N. To B-5001	1	P
60	Call order desk	PLATE / V.I.N. From B-5002	1	P
60	Call order desk	PLATE / V.I.N. To B-5001	1	P SS
60	Call order desk	PLATE / V.I.N. From B-5002 To E-5548	1	P SS
60	Call order desk	PLATE / V.I.N. From E-5549	1	P SS
60	Call order desk	PLATE / V.I.N. To B-5001	1	P
60	Call order desk	PLATE / V.I.N. From B-5002	1	P
60	Call order desk	PLATE / V.I.N. To D-5368	1	P G
60	Call order desk	PLATE / V.I.N. From D-5369	1	P G
60	504107	RIVET POP DOME OE 1/8x5/16 AL	4	
61	Call order desk	PLATE / V.I.N.	1	P
NS	504107	RIVET POP DOME OE 1/8x5/16 AL	2	
70	641935	BUTTON RED / FOR TRAILER VALVE PP-7	1	
71	641397	TRAILER SUPPLY VALVE PP-7	1	
NS	452043	PRESSURE SWITCH N.O. 60-35 20SP001AA060E035E	1	
73	640297	NUT	1	
74	640286	PIN ROLLER	1	
80	640472	VALVE, CONTROL / RD-3	1	
. NS	641154	. REPAIR KIT / PP-1 & RD-3	1	
81	641155	BUTTON, OVERRULE ROUND BLACK	1	
82	501303	PLUG SQUARE HEAD / PIPE FITTING / 1/8NPT-M BR To A-9968	1	
82	501072	PLUG HEXS / PIPE FITTING / 1/8NPT-M STL From A-9969	1	
83	641370	MALE ELBOW 90° NON-SWIVEL / PUSH-IN FITTING / #6x1/8NPT-M BR	2	
84	641242	MALE CONNECTOR / PUSH-IN FITTING / #4x1/8NPT-M BR	1	
NS	405158	CARD HOLDER SS / 8 3/4" x 11" x 1" TH	1	
NS	500649	SCREW TP BDG PH #6x3/4 BK	6	

From 7-8754		Date:01/2024	PAGE:X3-1806-10
-------------	--	--------------	-----------------

L.H. CONSOLE - BUS

Item#	Part	Description	QTY	Notes
		G) GREYHOUND OPTION		
		SS) WITH SUPER SINGLE TIRES		
		T) USE WITH AUXILIARY HEATER TIMER		
		P) CALL ORDER DESK FOR SPECIFIC APPLICATION (V.I.N.)		

From J-6336	Date:01/2024	PAGE:X3-1806-11
L.H. CONSOLE - BUS		



From J-6336		Date:01/2024	PAGE:X3-1806-11
L.H. CONSOLE - BUS			

Item#	Part	Description	QTY	Notes
1	392378	CONSOLE / LOWER	1	
2	392115	CONSOLE / W/O ASHTRAY & W/O LIGHTER To K-6492	1	
2	390873	CONSOLE / W/O ASHTRAY & W/O LIGHTER From L-6493	1	
2	392114	CONSOLE / W/ASHTRAY & LIGHTER To K-6492	1	
2	390875	CONSOLE / W/O ASHTRAY & W/O LIGHTER / W/ OUTLET 12V To K-6492	1	
2	390895	CONSOLE / W/O ASHTRAY & W/O LIGHTER / W/ OUTLET 12V From L-6493	1	
3	392118	PANEL / W/AUTOMATIC TRANSMISSION W/PREAHEAT TIMER "WORLD"	1	
3	392119	PANEL / W/AUTOMATIC TRANSMISSION WO/PREAHEAT TIMER "WORLD"	1	
3	392454	PANEL / W/MANUAL TRANSMISSION W/PREAHEAT TIMER "I"-SHIFT	1	
3	392462	PANEL / W/MANUAL TRANSMISSION WO/PREAHEAT TIMER "I"-SHIFT	1	
4	392039	STRUCTURE ASSY To K-6492	1	
4	390817	STRUCTURE ASSY From L-6493	1	
4A	390075	BRACKET	1	
4A	504140	RIVET POP DOME OE 1/8x3/8 SS	4	
5	Call order desk	PLATE / V.I.N. To P-6845	1	P
5	Call order desk	PLATE CONFORMITY USA From P-6846	1	P
5	Call order desk	PLATE CONFORMITY CANADA From P-6846	1	P
5	Call order desk	PLATE / V.I.N. To P-6845	1	P SS
5	Call order desk	PLATE CONFORMITY USA From P-6846	1	P SS
5	Call order desk	PLATE CONFORMITY CANADA From P-6846	1	P SS
5	Call order desk	PLATE / V.I.N. To P-6845	1	P
5	Call order desk	PLATE / V.I.N. To P-6845	1	P G
5	Call order desk	PLATE CONFORMITY USA From P-6846	1	P G
5	Call order desk	PLATE CONFORMITY CANADA From P-6846	1	P G
5	Call order desk	PLATE CONFORMITY CANADA From P-6846	1	P
5	Call order desk	PLATE CONFORMITY USA From P-6846	1	P
5	Call order desk	PLATE CONFORMITY CANADA From P-6846	1	P
5	Call order desk	PLATE CONFORMITY USA From P-6846	1	P
5	Call order desk	PLATE CONFORMITY CANADA From P-6846	1	P
5	Call order desk	PLATE CONFORMITY USA From P-6846	1	P
NS	504107	RIVET POP DOME OE 1/8x5/16 AL	AR	
6	400457	CONFORMITY PLATE ICES-2	1	
NS	504107	RIVET POP DOME OE 1/8x5/16 AL	AR	
7	506071	TAPE RUB ADH1 CC POL 1/8" x 1/2" x 50' / GREY 2520X	AR	
NS	505537	TAPE DUAL LOCK 2" X 50 YARD / BLACK SJ3551	AR	
8	5001414	SCREW MA FL PH M4-0.7x16 BK	AR	
9	500345	WASHER FN CKF .187x.500x.090 BR BK	14	
10	5001406	NUT SPR U M4-0.7 0.8-4.0x13.5	AR	
11	860875	TRASH BAG, SUPPORT / BLACK FIXED TO WALL	1	
11	863976	TRASH BAG, SUPPORT / GREY FIXED TO WALL	1	
NS	502666	SCREW MA FL PH #6-32x3/4 SS BK	2	
NS	861107	TRASH BAG / BOX OF 5000	1	

From J-6336		Date:01/2024	PAGE:X3-1806-11
L.H. CONSOLE - BUS			

Item#	Part	Description	QTY	Notes
15	640136	VALVE, CONTROL TW-1	1	
. NS	641156	. REPAIR KIT / TW-1	1	
16	641369	MALE ELBOW 90° NON-SWIVEL / PUSH-IN FITTING / #4x1/8NPT-M BR	2	
17	501310	ADAPTER / PIPE FITTING / 1/4NPT-Fx1/8NPT-M BR	1	
18	641332	MALE CONNECTOR / PUSH-IN FITTING / #4x1/4NPT-M BR	1	
19	501331	STREET ELBOW 90° / PIPE FITTING / 1/8NPT-Mx1/8NPT-F BR	AR	
20	950030	SCHRADER VALVE 1/8NPT-M	1	
NS	680098	THREAD SEALANT LOCTITE #567 / WHITE / 250ml	AR	
21	950217	PRESSURE SWITCH N.O. 30-15	1	
22	561840	CABLE SEAL / BLUE / PED 15324981	2	
23	561566	CONNECTOR / WEATHER PACK / PH 2C / BLACK / PED 12010973	1	
NS	561568	PIN TERMINAL / 16-14 / PED 12089305	2	
24	391951	DECAL "LOW BUOY"	1	
24	391967	DUMMY / W/O LOW BUOY	1	
25	500572	SCREW MA TR PH #10-24x1/2 SS BK	AR	
26	640136	VALVE, CONTROL TW-1	1	
. NS	641156	. REPAIR KIT / TW-1	1	
27	641242	MALE CONNECTOR / PUSH-IN FITTING / #4x1/8NPT-M BR	1	
28	562518	PRESSURE SWITCH N.O. 4PSI / 1/8NPT W/2 SCREWS / TAG	1	
29	391952	DECAL "TAG"	1	
30	642169	VALVE, CONTROL VALVE PP-1 / 60PSI	1	
. NS	641154	. REPAIR KIT / PP-1 & RD-3	1	
. NS	641149	. BUTTON, PARKING BRAKE DIAMOND YELLOW / 1"	1	
NS	390386	GASKET, VALVE	1	
NS	390385	NUT, VALVE	1	
31	501800	PLUG HEXS / PIPE FITTING / 1/4NPT-M STL	1	
32	641349	MALE CONNECTOR / PUSH-IN FITTING / #6x1/8NPT-M BR	1	
33	391725	BOX	1	
34	391726	COVER / CLEAR PLASTIC	1	
35	505221	SPRING, PIN 1/8 X 3/8	2	
36	641371	MALE ELBOW 90° NON-SWIVEL / PUSH-IN FITTING / #4x1/4NPT-M BR	1	
37	641397	TRAILER SUPPLY VALVE PP-7	1	
38	640297	NUT	1	
39	641935	BUTTON RED / FOR TRAILER VALVE PP-7		
40	640286	PIN ROLLER	1	
41	501332	STREET ELBOW 90° / PIPE FITTING / 1/4NPT-Mx1/4NPT-F BR	1	
42	501338	MALE RUN TEE / PIPE FITTING / 1/4NPT-Mx1/4NPT-Fx1/4NPT-F BR	1	
43	641372	MALE ELBOW 90° NON-SWIVEL / PUSH-IN FITTING / #6x1/4NPT-M BR	1	
44	450545P	PRESSURE SWITCH N.O. 60-35 20SP001AA060E035E	1	
45	641922	UNION TEE / PUSH-IN FITTING / #6x#6x#6 BR	1	
46	641002	MALE RUN TEE / NTA FITTING / #4x#4x1/8NPT-M BR	1	
50	X3-0645-01	SWITCHES L.H. CONSOLE - BUS		

From J-6336	Date:01/2024	PAGE:X3-1806-11
-------------	--------------	-----------------

L.H. CONSOLE - BUS

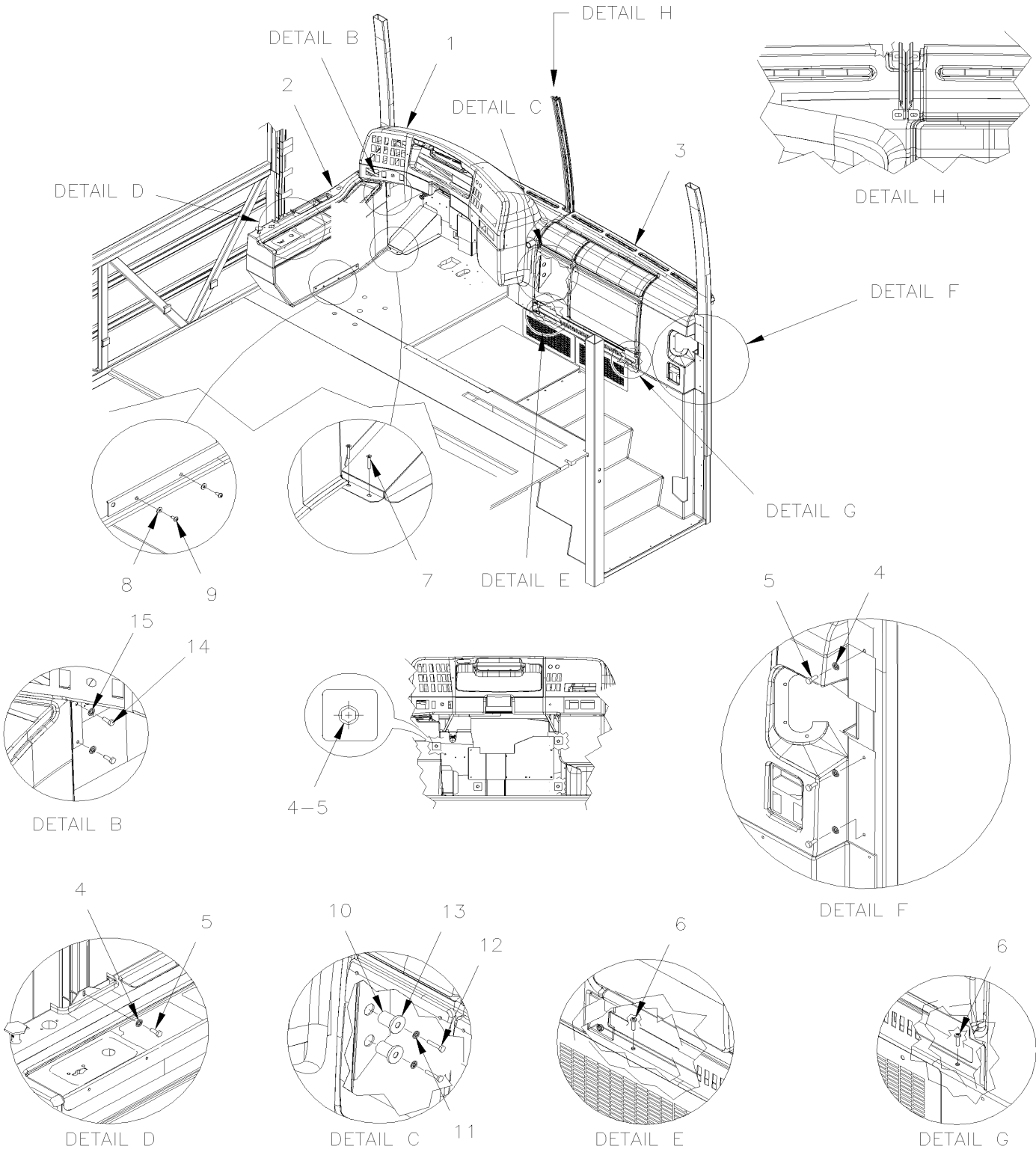
Item#	Part	Description	QTY	Notes
60	X3-2315-01	SOUND SYSTEM & ACCESSORIES W/HHED		
70	X3-1202-00	TUBES PLASTIC / AIR D.O.T.		
		G) GREYHOUND OPTION		
		SS) WITH SUPER SINGLE TIRES		
		P) CALL ORDER DESK FOR SPECIFIC APPLICATION (V.I.N.)		

From 7-8754

Date:01/2024

PAGE:X3-1806-15

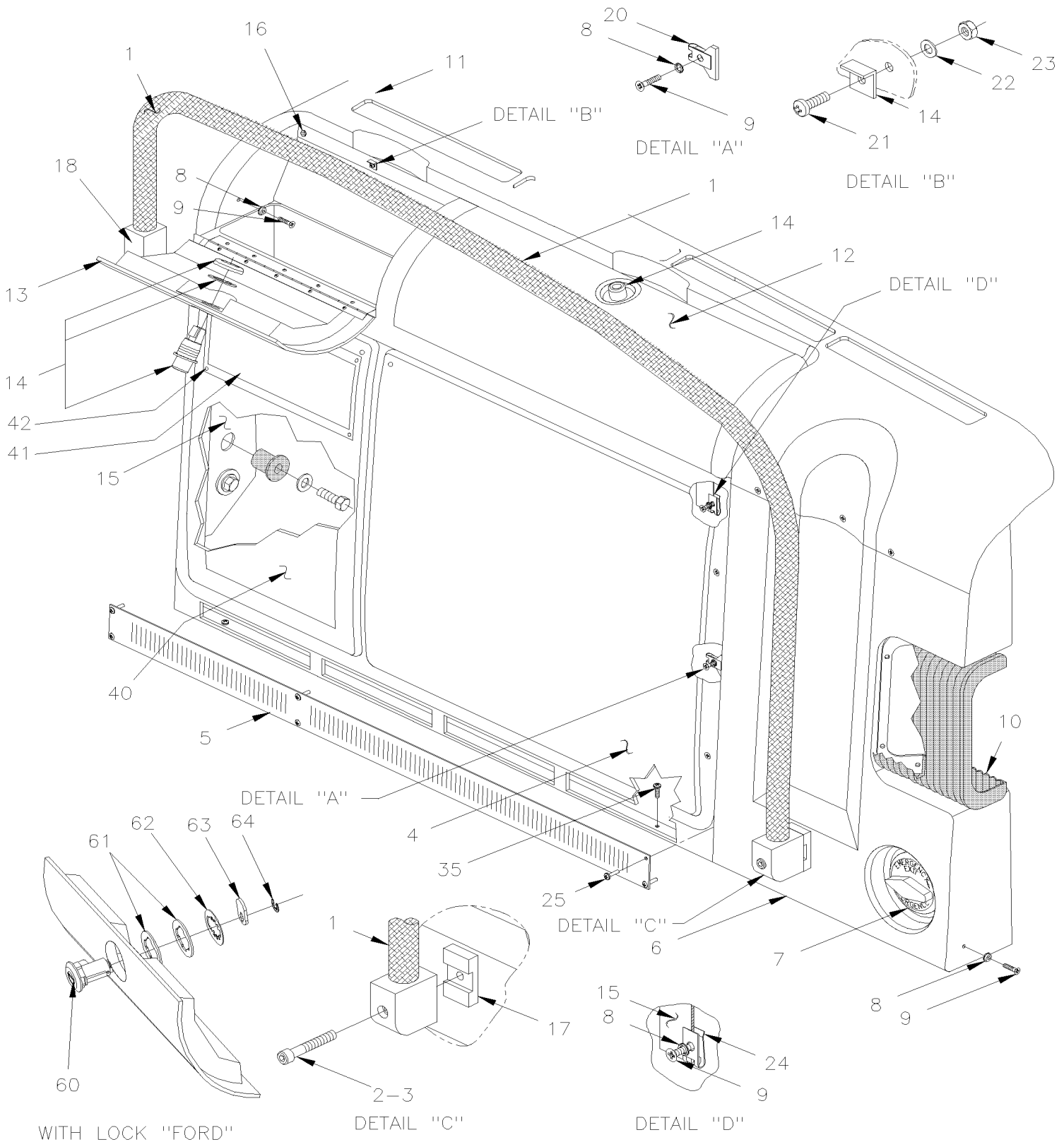
DASHBOARD - ASSY



From 7-8754	Date:01/2024	PAGE:X3-1806-15
DASHBOARD - ASSY		

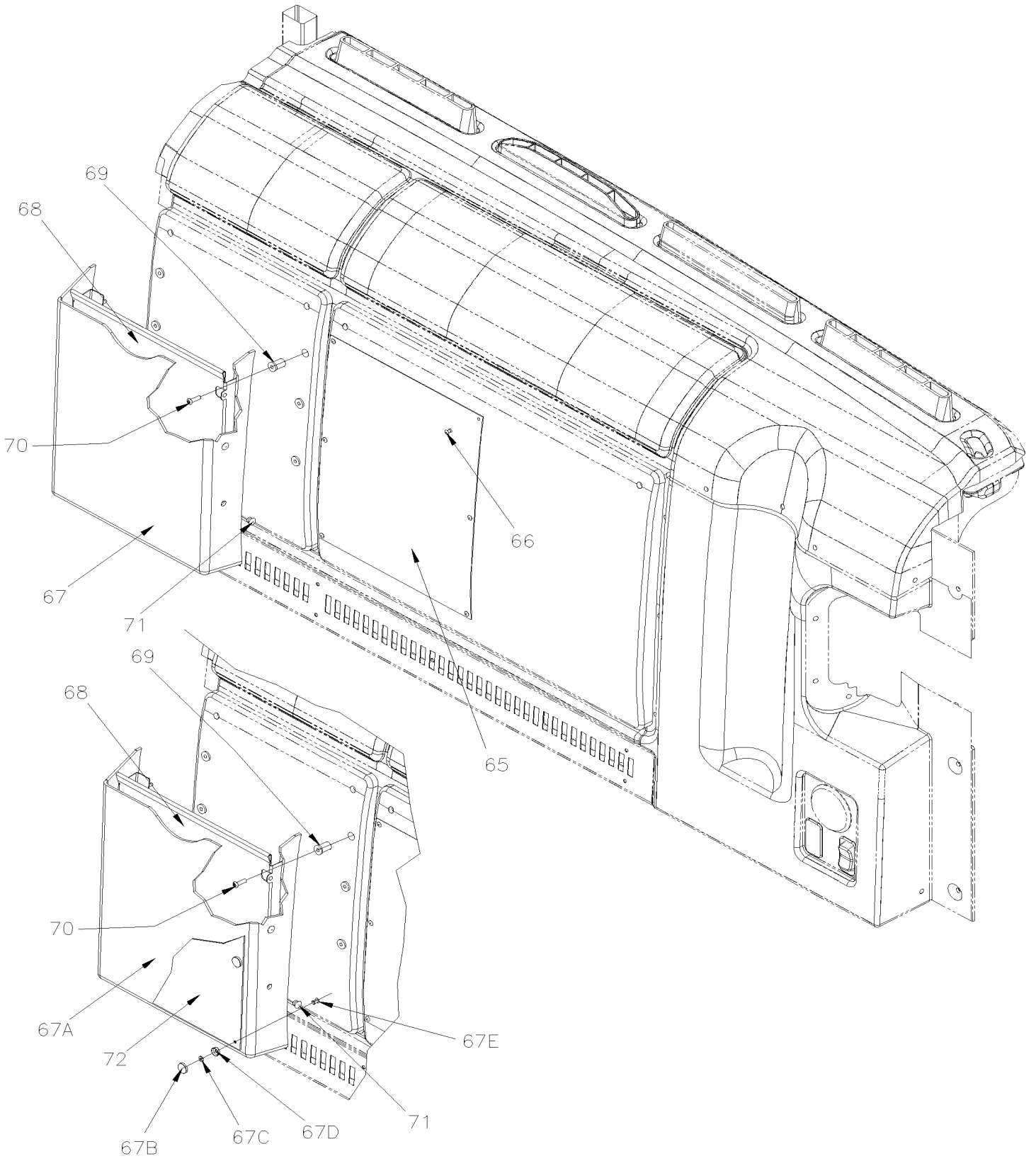
Item#	Part	Description	QTY	Notes
1	X3-1806-00	CENTRAL DASHBOARD PANEL		
2	X3-1806-10	L.H. CONSOLE - BUS To J-6335		
2	X3-1806-11	L.H. CONSOLE - BUS From J-6336	1	
3	X3-1806-20	DASHBOARD PANEL To J-6335		
3	X3-1806-21	DASHBOARD PANEL From J-6336	1	
4	502582	WASHER LO SERR 6.1x16.2x0.9 Z050 To K-6492	6	
5	500923	SCREW TC CAP HEX 1/4-20x3/4 Z050 To K-6492	6	
5	5002070	SCREW DR SEMS FN OV PH #8x1 Z050 From L-6493	6	
6	500641	SCREW TP PAN PH #8x3/4 Z050	3	
7	5001531	SCREW TP FL PH #10x1 SS410	2	
8	500964	WASHER FL .203x.500x.047 Z050	2	
9	500613	SCREW TP PAN PH #10x1/2 Z050	2	
10	890007	UNION TUBE	2	
11	502507	WASHER LO SPT 8.1x14.8x2.0 Z050	2	
12	502797	SCREW CAP HEX M8-1.25x70 G10.9 G500	2	
13	5001164	WASHER FL 8.4x25.0x2.0 Z050	2	
14	890013	SCREW MA PAN PH M4-0.7x10 BKP KONGSBERG	2	
15	508401	WASHER FL .218x.875x.062 SS XL BK To K-6494	2	
NS	502761	SCREW TP BDG PH #10x3/4 SS BK From L-6493	1	

DASHBOARD PANEL



WITH LOCK "FORD"

DASHBOARD PANEL



From 7-8754 To J-6335	Date:01/2024	PAGE:X3-1806-20
DASHBOARD PANEL		

Item#	Part	Description	QTY	Notes
1	392266	HAND RAIL / BLACK	1	B
1	3202061	KIT SERVICE METAL BLACK RAMP DASHBOARD	1	
1	392494	HAND RAIL / YELLOW	1	WCL C
1	3202030	KIT SERVICE METAL YELLOW RAMP DASHBOARD	1	
1	3200962	HAND RAIL / YELLOW From J-6309	1	GR
2	5001598	SCREW CAP HEXS M8-1.25x30 SS	1	
3	5001380	SCREW CAP HEXS M8-1.25x100 SS	2	
3	5001604	SCREW CAP HEXS M8-1.25x70 G8.8 G500 From J-6309	1	GR
4	392007	PANEL / SERVICING	1	
NS	066609	DECAL "FRONT PNEUMATIC PANELM DIAGRAM" To H-6179	1	
4	060262	DECAL "FRONT PNEUMATIC PANELM DIAGRAM" From H-6180	1	
NS	066155	DECAL PIN OUT / JCT BOX W/MUX	1	
5	392194	GRILLE / LOWER	1	
6	392120	COVER / ENTRANCE DOOR MECHANISM	1	
6	392442	COVER / ENTRANCE DOOR MECHANISM W/ BY-FOLD DOOR	1	
7	X3-1802-00	ENTRANCE DOOR CONTROL		
8	500345	WASHER FN CKF .187x.500x.090 BR BK	AR	
9	5001413	SCREW MA FL PH M4-0.7x20 Z050	AR	
9	5001429	SCREW MA FL PH M4-0.7x25 BK	AR	
10	X3-1862-60	ENTRANCE DOOR FRAME - INSTALLATION	1	
11	392117	PANEL R.H. / TOP W/2 BOX	1	
12	391954	COVER R.H. / BLACK	1	
13	391955	COVER L.H. / BLACK	1	
13	504676	STRAP RETAINER	1	
14	504672	LATCH ASSY W/2 KEYS	AR	
NS	810084	. KEY / (CH751)	1	
NS	810084	. KEY / (CH751)	2	
14	890008	LATCH ASSY KEYLESS	1	
15	392054	STRUCTURE / R.H.	1	
NS	392018	. STRAP R.H. / TO FIX DUCT TO STRUCTURE	1	
NS	392017	. SUPPORT / R.H. WINDSHIELD	1	
NS	392019	. STRAP L.H. / TO FIX DUCT TO STRUCTURE	1	
15	392441	STRUCTURE / R.H. W/ BY-FOLD DOOR	1	
16	504674	BUMPER RUBBER / 1/4X13/32X13/32X1/8	4	
17	392489	RAMP BLOCK SUPPORT WELD TO DASH STRUCTURE	1	
18	392116	RAMP SUPPORT WELD TO DASH STRUCTURE	1	
20	5001406	NUT SPR U M4-0.7 0.8-4.0x13.5	4	
21	5001398	SCREW MA CHE PH M3-0.5x10 SS	1	
22	N.P.N.	WASHER	4	4
23	5001408	NUT HEX STO M3-0.5 ZP	4	
25	5001410	SCREW MA CHE PH M4-0.7x16 SS	6	
33	500923	SCREW TC CAP HEX 1/4-20x3/4 Z050	AR	

From 7-8754 To J-6335	Date:01/2024	PAGE:X3-1806-20
-----------------------	--------------	-----------------

DASHBOARD PANEL

Item#	Part	Description	QTY	Notes
34	502582	WASHER LO SERR 6.1x16.2x0.9 Z050	AR	
35	500641	SCREW TP PAN PH #8x3/4 Z050	AR	
40	406150	DECAL "FOR PASSENGER SAFETY....WHITE" / ASSY / ENGLISH & SPANISH	1	
. NS	405647	. DECAL "FOR PASSENGER SAFETY....WHITE" / ASSY / ENGLISH & SPANISH	1	
. NS	406148	. PLATE SUPPORT DECAL 242MM x 290MM	1	
40	400099	DECAL "FOR PASSENGER SAFETY....YELLOW" / ASSY / ENGLISH & SPANISH	1	
. NS	400098	. DECAL "FOR PASSENGER SAFETY....YELLOW" // ENGLISH & SPANISH	1	
. NS	406148	. PLATE SUPPORT DECAL 242MM x 290MM	1	
40	409376	DECAL "FOR PASSENGER SAFETY....YELLOW" / ASSY / ENGLISH & FRANCAIS	1	
. NS	409377	. DECAL "FOR PASSENGER SAFETY....YELLOW" / ASSY / ENGLISH & SPANISH	1	
. NS	406148	. PLATE SUPPORT DECAL 242MM x 290MM	1	
40	400119	DECAL "FOR PASSENGER SAFETY....YELLOW" / ASSY / ENGLISH & SPANISH	1	
. NS	400125	. DECAL "FOR PASSENGER SAFETY....YELLOW" // ENGLISH & SPANISH	1	
. NS	400132	. PLATE SUPPORT DECAL 242MM x 290MM	1	
40	407647	DECAL "FOR PASSENGER SAFETY....YELLOW" / ASSY / ENGLISH & FRANCAIS	1	
. NS	400132	. PLATE SUPPORT DECAL 242MM x 290MM	1	
. NS	407646	. DECAL "THIS VEHICILE IS NOT DESIGNED TO ACCOMMODATE STANDING PASSENGERS"	1	
40	400024	DECAL "FOR PASSENGER SAFETY....YELLOW" / ASSY / ENGLISH & SPANISH & FRANCAIS	1	
. NS	400016	. DECAL "FOR PASSENGER SAFETY....YELLOW" // ENGLISH & SPANISH & FRANCAIS	1	
. NS	400132	. PLATE SUPPORT DECAL 242MM x 290MM	1	
40	407748	DECAL "THIS VEHICLE IS NOT" / ASSY / ENGLISH & FRANCAIS	1	
. NS	407745	. DECAL "THIS VEHICLE IS NOT" // ENGLISH & FRANCAIS	1	
. NS	400132	. PLATE SUPPORT DECAL 242MM x 290MM	1	
40	407749	DECAL "THIS VEHICLE IS NOT" / ASSY / ENGLISH & SPANISH	1	
. NS	400132	. PLATE SUPPORT DECAL 242MM x 290MM	1	
. NS	407746	. DECAL "THIS VEHICLE IS NOT" / ASSY / ENGLISH & SPANISH	1	
40	407750	DECAL "THIS VEHICLE IS NOT" / ASSY / ENGLISH & SPANISH & FRANCAIS	1	
. NS	400132	. PLATE SUPPORT DECAL 242MM x 290MM	1	
. NS	407747	. DECAL "THIS VEHICLE IS NOT" / ASSY / ENGLISH & SPANISH & FRANCAIS	1	
40	400642	DECAL "PASSENGER MUST REMAIN" / ASSY / ENGLISH & SPANISH & FRANCAIS From J-6245	1	GR
. NS	400132	. PLATE SUPPORT DECAL 242MM x 290MM From J-6245	1	GR
. NS	400604	. DECAL "PASSENGER MUST REMAIN" / ASSY / ENGLISH & SPANISH & FRANCAIS From J-6245	1	GR
41	404625	DECAL "POUR LA SECURITE... BLANCHE" / ASM FRANÇAIS	1	
. NS	404623	. DECAL "POUR LA SECURITE... BLANCHE" FRANÇAIS	1	
. NS	404624	. PLATE SUPPORT DECAL 232MM x 119MM	1	
41	404626	DECAL "FOR PASSENGER SAFETY....WHITE" / ASSY / ENGLISH	1	
. NS	404622	. DECAL "FOR PASSENGER SAFETY....WHITE" / ENGLISH	1	
. NS	404624	. PLATE SUPPORT DECAL 232MM x 119MM	1	
41	407724	DECAL "THIS VEHICLE IS NOT" / ASSY / ENGLISH	1	
. NS	407722	. DECAL "THIS VEHICLE IS NOT....WHITE" / ENGLISH	1	
. NS	407726	. PLATE SUPPORT DECAL 247MM X 122MM	1	
41	407725	DECAL "CE VEHICULEN'EST PAS...." / ASSY / FRANÇAIS	1	

From 7-8754 To J-6335	Date:01/2024	PAGE:X3-1806-20
DASHBOARD PANEL		

Item#	Part	Description	QTY	Notes
. NS	407723	. DECAL "CE VEHICULEN'EST PAS....BLANCHE"/ FRANCAIS	1	
. NS	407726	. PLATE SUPPORT DECAL 247MM X 122MM	1	
42	504107	RIVET POP DOME OE 1/8x5/16 AL	4	
60	X3-1867-00	KEY & CYLINDER CODE "FORD" & "NS"		
61	780826	SPACER LOCK "FORD"	2	
62	780824	RETAINER WASHER LOCK "FORD"	1	
63	780825	LEVER WITH "FORD" CYLINDER LOCK	1	
64	504477	RING RETAINER / EXT 14.0 X 13.4 X 1.0MM	1	
65	400099	DECAL "FOR PASSENGER SAFETY....YELLOW" / ASSY / ENGLISH & SPANISH		
. NS	400098	. DECAL "FOR PASSENGER SAFETY....YELLOW" // ENGLISH & SPANISH	1	
. NS	406148	. PLATE SUPPORT DECAL 242MM x 290MM	1	
65	400119	DECAL "FOR PASSENGER SAFETY....YELLOW" / ASSY / ENGLISH & SPANISH	1	
. NS	400125	. DECAL "FOR PASSENGER SAFETY....YELLOW" // ENGLISH & SPANISH	1	
. NS	400132	. PLATE SUPPORT DECAL 242MM x 290MM	1	
65	407647	DECAL "FOR PASSENGER SAFETY....YELLOW" / ASSY / ENGLISH & FRANCAIS	1	
. NS	400132	. PLATE SUPPORT DECAL 242MM x 290MM	1	
. NS	407646	. DECAL "THIS VEHICILE IS NOT DESIGNED TO ACCOMMODATE STANDING PASSENGERS"	1	
65	400024	DECAL "FOR PASSENGER SAFETY....YELLOW" / ASSY / ENGLISH & SPANISH & FRANCAIS	1	
. NS	400016	. DECAL "FOR PASSENGER SAFETY....YELLOW" // ENGLISH & SPANISH & FRANCAIS	1	
. NS	400132	. PLATE SUPPORT DECAL 242MM x 290MM	1	
65	407748	DECAL "THIS VEHICLE IS NOT" / ASSY / ENGLISH & FRANCAIS	1	
. NS	407745	. DECAL "THIS VEHICLE IS NOT" // ENGLISH & FRANCAIS	1	
. NS	400132	. PLATE SUPPORT DECAL 242MM x 290MM	1	
65	407749	DECAL "THIS VEHICLE IS NOT" / ASSY / ENGLISH & SPANISH	1	
. NS	400132	. PLATE SUPPORT DECAL 242MM x 290MM	1	
. NS	407746	. DECAL "THIS VEHICLE IS NOT" / ASSY / ENGLISH & SPANISH	1	
65	407750	DECAL "THIS VEHICLE IS NOT" / ASSY / ENGLISH & SPANISH & FRANCAIS	1	
. NS	400132	. PLATE SUPPORT DECAL 242MM x 290MM	1	
. NS	407747	. DECAL "THIS VEHICLE IS NOT" / ASSY / ENGLISH & SPANISH & FRANCAIS	1	
66	504107	RIVET POP DOME OE 1/8x5/16 AL	6	
NS	504412	WASHER RETAINER SNAP CAP #8 From J-6245	AR	GR
66	502578	WASHER FL 3.2x7.0x0.5 Z050 From J-6245	AR	GR
66	504403	SNAP CAP #8 FINISHING BLACK From J-6245	AR	GR
67	409383	WALL POCKET DOCUMENT INSTALLATION KIT	1	
. NS	IS-11900	. SEE INSTRUCTION SHEET	1	
67	200943P	WALL POCKET DOCUMENT KIT	1	
67A	409379	. WALL POCKET DOCUMENT	1	
67B	504403	. SNAP CAP #8 FINISHING BLACK	6	
67C	502578	. WASHER FL 3.2x7.0x0.5 Z050	6	
67D	504412	. WASHER RETAINER SNAP CAP #8	6	
67E	504107	. RIVET POP DOME OE 1/8x5/16 AL	6	
68	406528	. SUPPORT DOCUMENT	1	

From 7-8754 To J-6335	Date:01/2024	PAGE:X3-1806-20
-----------------------	--------------	-----------------

DASHBOARD PANEL

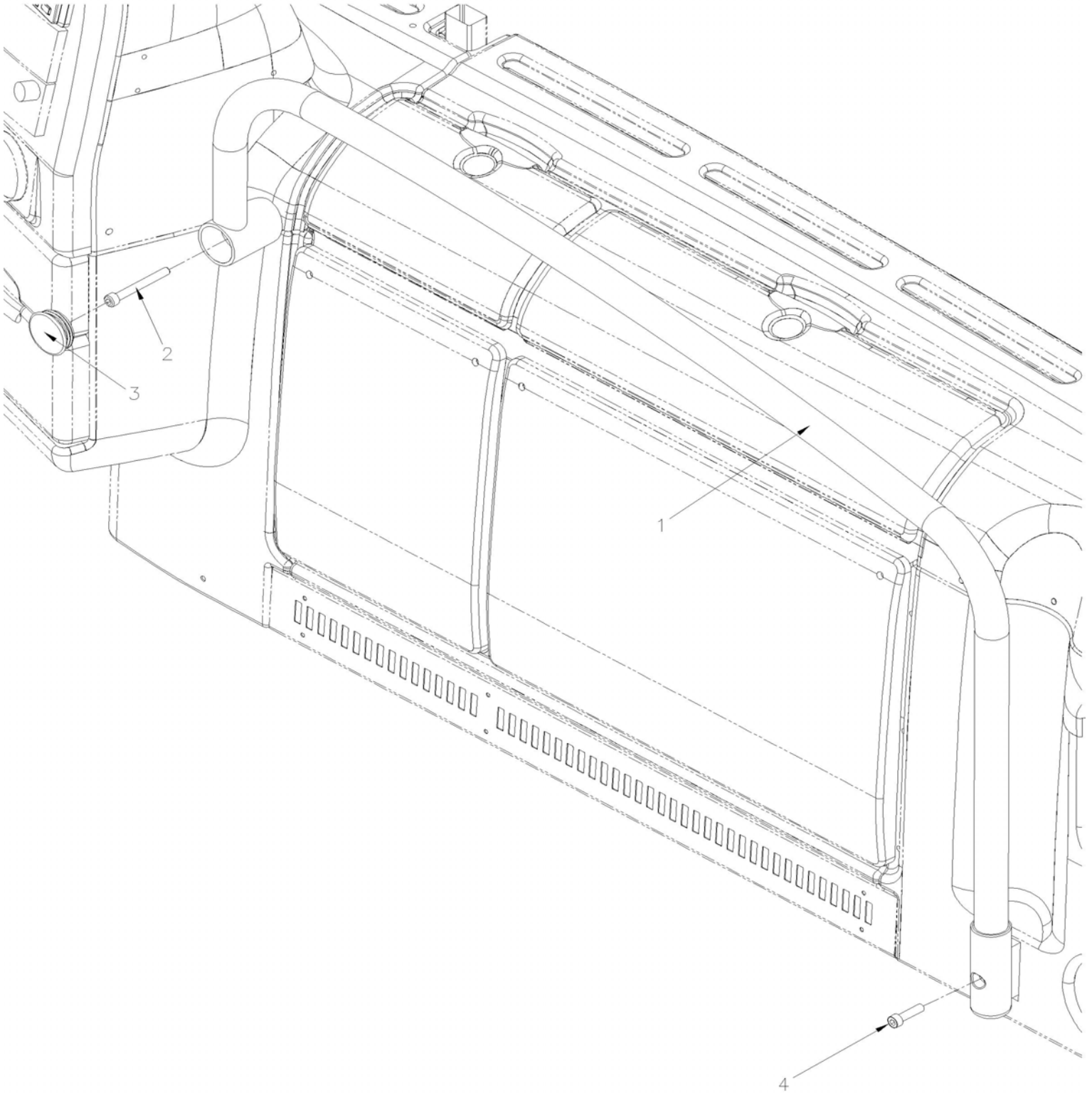
Item#	Part	Description	QTY	Notes
69	500589	. NUT WELL M4-0.7x13.5	6	
70	502698	. SCREW MA PAN PH M4-0.7x16 SS BK	6	
71	504582	. RIVET POP DOME OE 3/16x1/4 SS BK	6	
72	400119	. DECAL "FOR PASSENGER SAFETY.....YELLOW" / ASSY / ENGLISH & SPANISH	1	
. NS	400125	. . DECAL "FOR PASSENGER SAFETY.....YELLOW" // ENGLISH & SPANISH	1	
. NS	400132	. . PLATE SUPPORT DECAL 242MM x 290MM	1	
72	407647	DECAL "FOR PASSENGER SAFETY.....YELLOW" / ASSY / ENGLISH & FRANCAIS	1	
. NS	400132	. PLATE SUPPORT DECAL 242MM x 290MM	1	
. NS	407646	. DECAL "THIS VEHICILE IS NOT DESIGNED TO ACCOMMODATE STANDING PASSENGERS"	1	
72	400024	DECAL "FOR PASSENGER SAFETY.....YELLOW" / ASSY / ENGLISH & SPANISH & FRANCAIS	1	
. NS	400016	. DECAL "FOR PASSENGER SAFETY.....YELLOW" // ENGLISH & SPANISH & FRANCAIS	1	
. NS	400132	. PLATE SUPPORT DECAL 242MM x 290MM	1	
72	407748	DECAL "THIS VEHICLE IS NOT" / ASSY / ENGLISH & FRANCAIS	1	
. NS	407745	. DECAL "THIS VEHICLE IS NOT" // ENGLISH & FRANCAIS	1	
. NS	400132	. PLATE SUPPORT DECAL 242MM x 290MM	1	
72	407749	DECAL "THIS VEHICLE IS NOT" / ASSY / ENGLISH & SPANISH	1	
. NS	400132	. PLATE SUPPORT DECAL 242MM x 290MM	1	
. NS	407746	. DECAL "THIS VEHICLE IS NOT" / ASSY / ENGLISH & SPANISH	1	
72	407750	DECAL "THIS VEHICLE IS NOT" / ASSY / ENGLISH & SPANISH & FRANCAIS	1	
. NS	400132	. PLATE SUPPORT DECAL 242MM x 290MM	1	
. NS	407747	. DECAL "THIS VEHICLE IS NOT" / ASSY / ENGLISH & SPANISH & FRANCAIS	1	
NS	068439	DECAL FRONT DASH PANEL WITH BY-FOLD DOOR To H-6179	1	
73	069742	DECAL FRONT DASH PANEL WITH BY-FOLD DOOR From H-6180	1	
		A) THOSE VEHICLE ARE USE WITH MODULE IOE-A AND IOE-B FOR FEILD TEST F-5793 / F-5795 / F-5799 / F-5802		
		B) FOR SOLUTION IN SERVICE, SEE SERVICE KIT 3202061		
		C) FOR SOLUTION IN SERVICE, SEE SERVICE KIT 3202030		
		GR) WITH GREYHOUND		
		WCL) WITH WHEEL CHAIR LIFT		
		4) NO PARTS NUMBER		

From 7-8754 To J-6335

Date:01/2024

PAGE:3202061

KIT SERVICE METAL BLACK RAMP DASHBOARD



From 7-8754 To J-6335	Date:01/2024	PAGE:3202061
-----------------------	--------------	--------------

KIT SERVICE METAL BLACK RAMP DASHBOARD

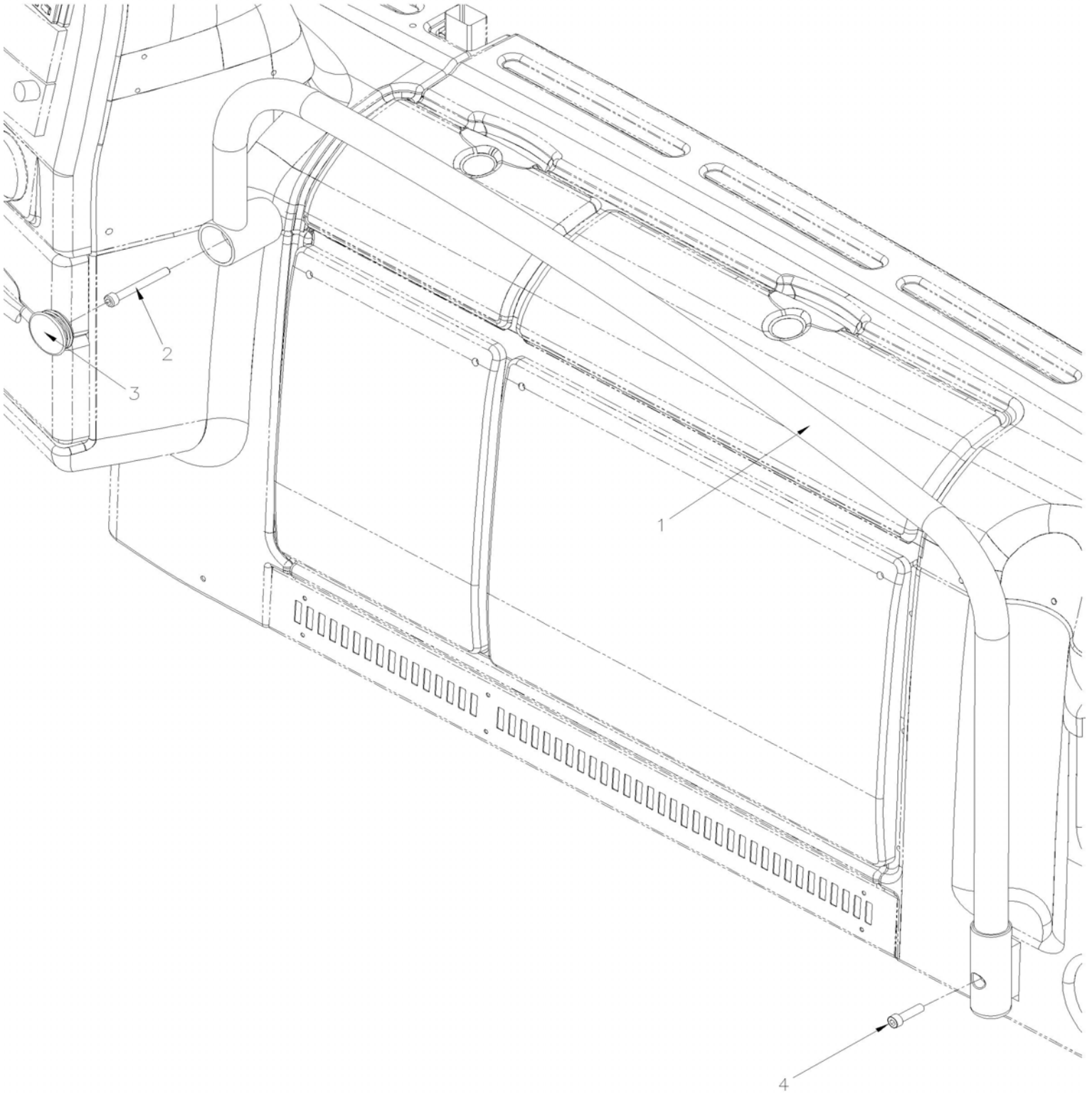
Item#	Part	Description	QTY	Notes
1	3202048	METAL HANDRAIL BLACK DASHBOARD	1	
2	5001604	SCREW CAP HEXS M8-1.25x70 G8.8 G500	1	
3	504513	PLUG BUTTON / 1.9 X 0.58 POL BK	1	
4	5001598	SCREW CAP HEXS M8-1.25x30 SS	1	

From 7-8754 To J-6335

Date:01/2024

PAGE:3202030

KIT SERVICE METAL YELLOW RAMP DASHBOARD



From 7-8754 To J-6335	Date:01/2024	PAGE:3202030
-----------------------	--------------	--------------

KIT SERVICE METAL YELLOW RAMP DASHBOARD

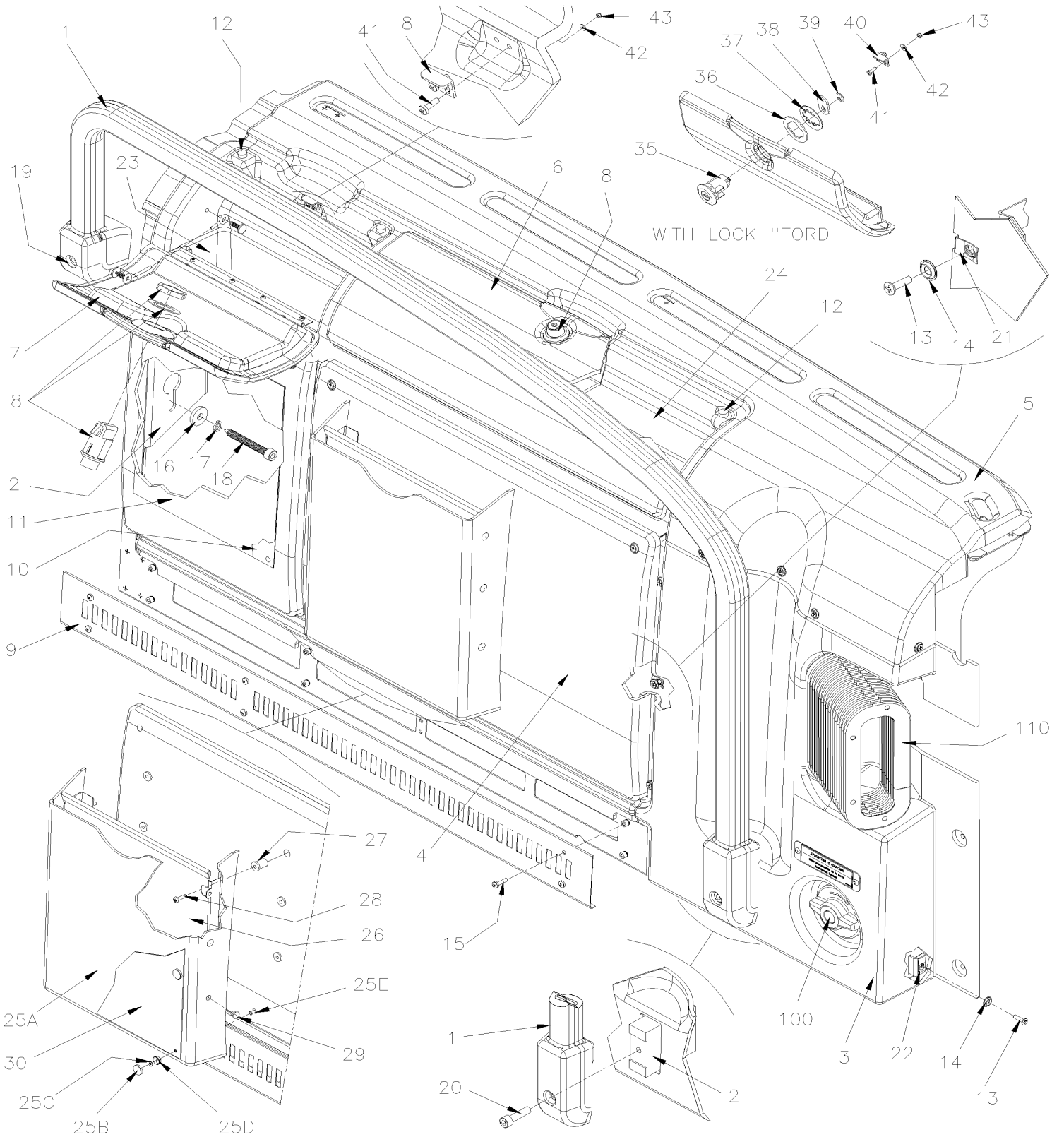
Item#	Part	Description	QTY	Notes
1	3211769	METAL HANDRAIL YELLOW DASHBOARD	1	
2	5001604	SCREW CAP HEXS M8-1.25x70 G8.8 G500	1	
3	504513	PLUG BUTTON / 1.9 X 0.58 POL BK	1	
4	5001598	SCREW CAP HEXS M8-1.25x30 SS	1	

From J-6336 To R-6936

Date:01/2024

PAGE:X3-1806-21

DASHBOARD PANEL



From J-6336 To R-6936		Date:01/2024	PAGE:X3-1806-21
-----------------------	--	--------------	-----------------

DASHBOARD PANEL

Item#	Part	Description	QTY	Notes
1	392266	HAND RAIL / BLACK	1	A
1	3202061	KIT SERVICE METAL BLACK RAMP DASHBOARD	1	
1	3200962	HAND RAIL / YELLOW To K-6421	1	
1	392494	HAND RAIL / YELLOW From K-6422	1	B
1	3202030	KIT SERVICE METAL YELLOW RAMP DASHBOARD	1	
2	392054	STRUCTURE / R.H. To K-6492	1	
. NS	392018	. STRAP R.H. / TO FIX DUCT TO STRUCTURE To K-6492	1	
. NS	392017	. SUPPORT / R.H. WINDSHIELD To K-6492	1	
. NS	392019	. STRAP L.H. / TO FIX DUCT TO STRUCTURE To K-6492	1	
2	390815	STRUCTURE / R.H. From L-6493	1	
2	392441	STRUCTURE / R.H. W/ BY-FOLD DOOR To K-6492	1	
2	390365	STRUCTURE / R.H. W/ BY-FOLD DOOR From L-6493	1	
3	392120	COVER / ENTRANCE DOOR MECHANISM	1	
3	392442	COVER / ENTRANCE DOOR MECHANISM W/ BY-FOLD DOOR	1	
4	392007	PANEL / SERVICING	1	
5	390982	PANEL R.H. / TOP W/2 BOXES To K-6492	1	
5	390798	PANEL R.H. / TOP W/2 BOXES From L-6493	1	
NS	392625	PLATE FOR RIVET 190MM x 12.7MM x 1MM	3	
6	390930	COVER R.H.	1	
6	392626	COVER R.H. W/FORD	1	
NS	504643	RIVET POP DOME OE 1/8x1/2 SS	AR	
NS	504676	STRAP RETAINER	2	
NS	504110	BLACK NYLON RETAINER	4	
7	390952	COVER L.H.	1	
7	392618	COVER L.H. W/FORD	1	
7	504643	RIVET POP DOME OE 1/8x1/2 SS	AR	
NS	504676	STRAP RETAINER	1	
NS	504110	BLACK NYLON RETAINER	4	
8	890008	LATCH ASSY KEYLESS	2	
8	780023	LATCH W/LOCK	2	
. NS	780539	. KEY / (CH751)	2	
9	392194	GRILLE / LOWER	1	
10	400132	PLATE SUPPORT DECAL 242MM x 290MM	1	
11	407748	DECAL "THIS VEHICLE IS NOT" / ASSY / ENGLISH & FRANCAIS	1	
. NS	407745	. DECAL "THIS VEHICLE IS NOT" // ENGLISH & FRANCAIS	1	
. NS	400132	. PLATE SUPPORT DECAL 242MM x 290MM	1	
11	400642	DECAL "PASSENGER MUST REMAIN" / ASSY / ENGLISH & SPANISH & FRANCAIS	1	
. NS	400132	. PLATE SUPPORT DECAL 242MM x 290MM	1	
. NS	400604	. DECAL "PASSENGER MUST REMAIN" / ASSY / ENGLISH & SPANISH & FRANCAIS	1	
12	504498	BUMPER PLUG / .406ODx.218THx.250HOLEx.125	4	
13	5001414	SCREW MA FL PH M4-0.7x16 BK	AR	
14	500345	WASHER FN CKF .187x.500x.090 BR BK	AR	

From J-6336 To R-6936		Date:01/2024	PAGE:X3-1806-21
-----------------------	--	--------------	-----------------

DASHBOARD PANEL

Item#	Part	Description	QTY	Notes
15	5001410	SCREW MA CHE PH M4-0.7x16 SS	AR	
16	5002037	WASHER FL 8.4x23.0x4.0 N050	2	
17	5002038	WASHER LO SPT 8.1x12.7x2.0 N050	2	
18	5002052	SCREW SET HEXS CUP M8 x1.25 X70 N050	2	
19	5001380	SCREW CAP HEXS M8-1.25x100 SS	1	
20	5001598	SCREW CAP HEXS M8-1.25x30 SS	1	
21	5001406	NUT SPR U M4-0.7 0.8-4.0x13.5	AR	
22	5001405	NUT SPR U M4-0.7 0.8-4.0x9.5	AR	
23	392640	SMALL TOP BOX	1	
24	392641	BIG TOP BOX	1	
25	409383	WALL POCKET DOCUMENT INSTALLATION KIT	1	
. NS	IS-11900	. SEE INSTRUCTION SHEET	1	
25	200943P	WALL POCKET DOCUMENT KIT	1	
25A	409379	WALL POCKET DOCUMENT	1	
25B	504403	SNAP CAP #8 FINISHING BLACK	6	
25C	502578	WASHER FL 3.2x7.0x0.5 Z050	6	
25D	504412	WASHER RETAINER SNAP CAP #8	6	
25E	504107	RIVET POP DOME OE 1/8x5/16 AL	6	
26	406528	SUPPORT DOCUMENT	1	
27	500589	NUT WELL M4-0.7x13.5	6	
28	502698	SCREW MA PAN PH M4-0.7x16 SS BK	6	
29	504582	RIVET POP DOME OE 3/16x1/4 SS BK	6	
30	400119	DECAL "FOR PASSENGER SAFETY....YELLOW" / ASSY / ENGLISH & SPANISH	1	
. NS	400125	. DECAL "FOR PASSENGER SAFETY....YELLOW" // ENGLISH & SPANISH	1	
. NS	400132	. PLATE SUPPORT DECAL 242MM x 290MM	1	
30	407748	DECAL "THIS VEHICLE IS NOT" / ASSY / ENGLISH & FRANCAIS	1	
. NS	407745	. DECAL "THIS VEHICLE IS NOT" // ENGLISH & FRANCAIS	1	
. NS	400132	. PLATE SUPPORT DECAL 242MM x 290MM	1	
35	X3-1867-00	KEY & CYLINDER CODE "FORD" & "NS" To K-6492		
35	X3-1867-01	KEY & CYLINDER CODE "FORD" From L-6493		
36	780826	SPACER LOCK "FORD"	2	
37	780824	RETAINER WASHER LOCK "FORD"	2	
38	780825	LEVER WITH "FORD" CYLINDER LOCK	2	
39	504556	RING RETAINER / EXT 6.00 x 5.00 x 0.72MM	2	
40	504154	RECEPTACLE, LOCK	2	
41	5001398	SCREW MA CHE PH M3-0.5x10 SS	AR	
42	5001970	WASHER FL 3.2x9.0x1.0 ZP	AR	
43	5001048	SCREW MA RND PH #10-24x3/8 ZP	AR	
100	X3-1802-00	ENTRANCE DOOR CONTROL		
100	X3-1802-10	ENTRANCE DOOR CONTROL WITH BI-FOLD DOOR		
110	X3-1862-60	ENTRANCE DOOR FRAME - INSTALLATION		

From J-6336 To R-6936		Date:01/2024	PAGE:X3-1806-21
-----------------------	--	--------------	-----------------

DASHBOARD PANEL

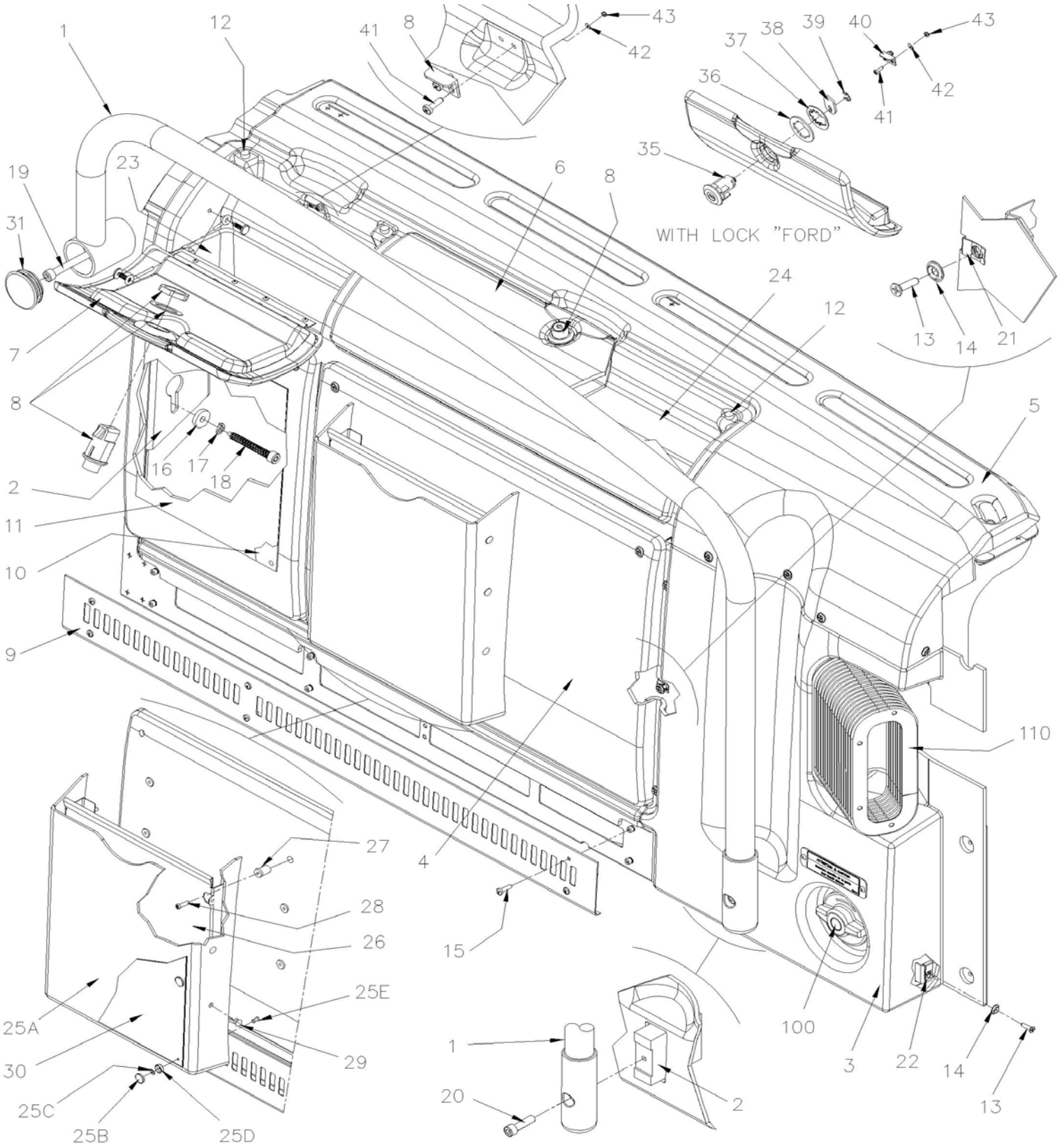
Item#	Part	Description	QTY	Notes
		A) FOR SOLUTION IN SERVICE, SEE SERVICE KIT 3202061		
		B) FOR SOLUTION IN SERVICE, SEE SERVICE KIT 3202030		

From R-6937

Date:01/2024

PAGE:X3-1806-22

DASHBOARD PANEL



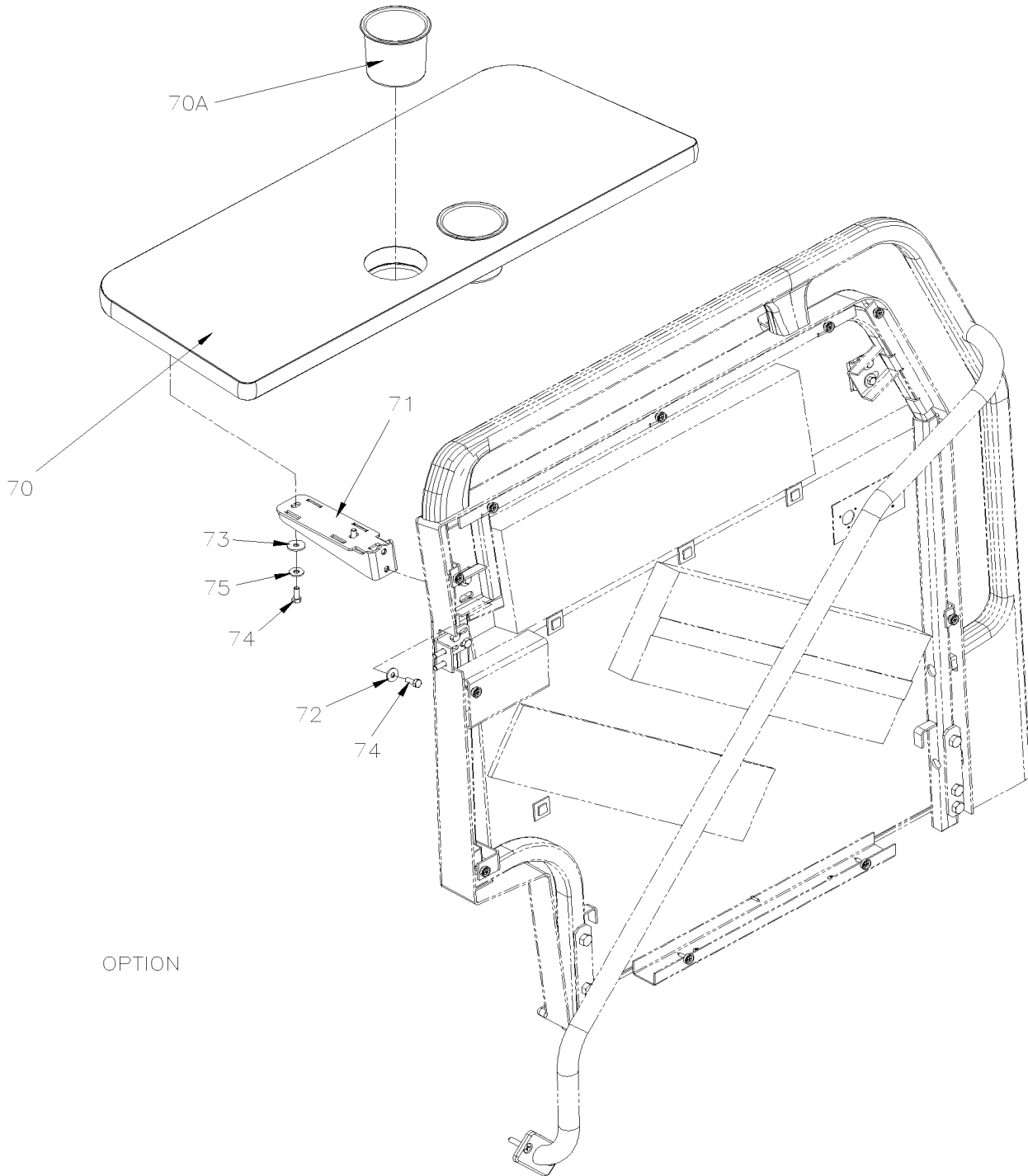
From R-6937		Date:01/2024	PAGE:X3-1806-22
DASHBOARD PANEL			

Item#	Part	Description	QTY	Notes
1	3202048	METAL HANDRAIL BLACK DASHBOARD	1	
1	3211769	METAL HANDRAIL YELLOW DASHBOARD	1	
2	390815	STRUCTURE / R.H.	1	
2	390365	STRUCTURE / R.H. W/ BY-FOLD DOOR	1	
3	392120	COVER / ENTRANCE DOOR MECHANISM	1	
3	392442	COVER / ENTRANCE DOOR MECHANISM W/ BY-FOLD DOOR	1	
4	392007	PANEL / SERVICING	1	
5	390798	PANEL R.H. / TOP W/2 BOXES	1	
NS	392625	PLATE FOR RIVET 190MM x 12.7MM x 1MM	3	
6	390930	COVER R.H.	1	
6	392626	COVER R.H. W/FORD	1	
NS	504643	RIVET POP DOME OE 1/8x1/2 SS	AR	
NS	504676	STRAP RETAINER	2	
NS	504110	BLACK NYLON RETAINER	4	
7	390952	COVER L.H.	1	
7	392618	COVER L.H. W/FORD	1	
7	504643	RIVET POP DOME OE 1/8x1/2 SS	AR	
NS	504676	STRAP RETAINER	1	
NS	504110	BLACK NYLON RETAINER	4	
8	890008	LATCH ASSY KEYLESS	2	
8	780023	LATCH W/LOCK	2	
NS	780539	KEY / (CH751)	2	
9	392194	GRILLE / LOWER	1	
10	400132	PLATE SUPPORT DECAL 242MM x 290MM	1	
11	407748	DECAL "THIS VEHICLE IS NOT" / ASSY / ENGLISH & FRANCAIS	1	
NS	407745	DECAL "THIS VEHICLE IS NOT" // ENGLISH & FRANCAIS	1	
NS	400132	PLATE SUPPORT DECAL 242MM x 290MM	1	
11	400642	DECAL "PASSENGER MUST REMAIN" / ASSY / ENGLISH & SPANISH & FRANCAIS	1	
NS	400132	PLATE SUPPORT DECAL 242MM x 290MM	1	
NS	400604	DECAL "PASSENGER MUST REMAIN" / ASSY / ENGLISH & SPANISH & FRANCAIS	1	
12	504498	BUMPER PLUG / .406ODx.218THx.250HOLEx.125	4	
13	5001414	SCREW MA FL PH M4-0.7x16 BK	AR	
14	500345	WASHER FN CKF .187x.500x.090 BR BK	AR	
15	5001410	SCREW MA CHE PH M4-0.7x16 SS	AR	
16	5002037	WASHER FL 8.4x23.0x4.0 N050	2	
17	5002038	WASHER LO SPT 8.1x12.7x2.0 N050	2	
18	5002052	SCREW SET HEXS CUP M8 x1.25 X70 N050	2	
19	5001604	SCREW CAP HEXS M8-1.25x70 G8.8 G500	1	
20	5001598	SCREW CAP HEXS M8-1.25x30 SS	1	
21	5001406	NUT SPR U M4-0.7 0.8-4.0x13.5	AR	
22	5001405	NUT SPR U M4-0.7 0.8-4.0x9.5	AR	
23	392640	SMALL TOP BOX	1	

From R-6937	Date:01/2024	PAGE:X3-1806-22
DASHBOARD PANEL		

Item#	Part	Description	QTY	Notes
24	392641	BIG TOP BOX	1	
25	409383	WALL POCKET DOCUMENT INSTALLATION KIT	1	
. NS	IS-11900	. SEE INSTRUCTION SHEET	1	
25	200943P	WALL POCKET DOCUMENT KIT	1	
25A	409379	WALL POCKET DOCUMENT	1	
25B	504403	SNAP CAP #8 FINISHING BLACK	6	
25C	502578	WASHER FL 3.2x7.0x0.5 Z050	6	
25D	504412	WASHER RETAINER SNAP CAP #8	6	
25E	504107	RIVET POP DOME OE 1/8x5/16 AL	6	
26	406528	SUPPORT DOCUMENT	1	
27	500589	NUT WELL M4-0.7x13.5	6	
28	502698	SCREW MA PAN PH M4-0.7x16 SS BK	6	
29	504582	RIVET POP DOME OE 3/16x1/4 SS BK	6	
30	400119	DECAL "FOR PASSENGER SAFETY....YELLOW" / ASSY / ENGLISH & SPANISH	1	
. NS	400125	. DECAL "FOR PASSENGER SAFETY....YELLOW" // ENGLISH & SPANISH	1	
. NS	400132	. PLATE SUPPORT DECAL 242MM x 290MM	1	
30	407748	DECAL "THIS VEHICLE IS NOT" / ASSY / ENGLISH & FRANCAIS	1	
. NS	407745	. DECAL "THIS VEHICLE IS NOT" // ENGLISH & FRANCAIS	1	
. NS	400132	. PLATE SUPPORT DECAL 242MM x 290MM	1	
31	504513	PLUG BUTTON / 1.9 X 0.58 POL BK	1	
35	X3-1867-01	KEY & CYLINDER CODE "FORD"		
36	780826	SPACER LOCK "FORD"	2	
37	780824	RETAINER WASHER LOCK "FORD"	2	
38	780825	LEVER WITH "FORD" CYLINDER LOCK	2	
39	504556	RING RETAINER / EXT 6.00 x 5.00 x 0.72MM	2	
40	504154	RECEPTACLE, LOCK	2	
41	5001398	SCREW MA CHE PH M3-0.5x10 SS	AR	
42	5001970	WASHER FL 3.2x9.0x1.0 ZP	AR	
43	5001048	SCREW MA RND PH #10-24x3/8 ZP	AR	
100	X3-1802-00	ENTRANCE DOOR CONTROL		
100	X3-1802-10	ENTRANCE DOOR CONTROL WITH BI-FOLD DOOR		
110	X3-1862-60	ENTRANCE DOOR FRAME - INSTALLATION		

From 7-8754 To R-6936	Date:01/2024	PAGE:X3-1810-00
MODESTY PANEL R.H.		



OPTION

From 7-8754 To R-6936	Date:01/2024	PAGE:X3-1810-00
MODESTY PANEL R.H.		

Item#	Part	Description	QTY	Notes
	327189	MODESTY PANEL R.H. ASSY WITH BLACK HANDRAIL To K-6492	1	
	3210507	MODESTY PANEL R.H. ASSY WITH BLACK HANDRAIL From L-6493	1	
	3200536	MODESTY PANEL R.H. ASSY WITH YELLOW HANDRAIL To K-6492	1	
	3210387	MODESTY PANEL R.H. ASSY WITH YELLOW HANDRAIL From L-6493	1	
	327188	MODESTY PANEL R.H. ASSY WITH BLACK HANDRAIL To K-6492	1	A
	3210456	MODESTY PANEL R.H. ASSY WITH BLACK HANDRAIL From L-6493	1	A
	3200819	MODESTY PANEL R.H. ASSY WITH YELLOW HANDRAIL To K-6492	1	A
	3210505	MODESTY PANEL R.H. ASSY WITH YELLOW HANDRAIL From L-6493	1	A
	3200928	MODESTY PANEL R.H. ASSY WITH BLACK HANDRAIL To K-6492	1	A D
	3210538	MODESTY PANEL R.H. ASSY WITH BLACK HANDRAIL From L-6493	1	A D
	327248	MODESTY PANEL R.H. ASSY WITH BLACK HANDRAIL To E-5585	1	B
	327247	MODESTY PANEL R.H. ASSY WITH BLACK HANDRAIL To E-5585	1	A B
	3202672	MODESTY PANEL R.H. ASSY WITH BLACK HANDRAIL To K-6492	1	Y
	3210539	MODESTY PANEL R.H. ASSY WITH BLACK HANDRAIL From L-6493	1	Y
1	327200	. PANEL REAR / PLASTIC To K-6492	1	
1	3210388	. PANEL REAR / PLASTIC From L-6493	1	
1	327199	. PANEL REAR / PLASTIC To K-6492	1	A
1	3210454	. PANEL REAR / PLASTIC From L-6493	1	A
2	327195	. STRUCTURE ASSY R.H. MODESTY To K-6492	1	
2	3210386	. STRUCTURE ASSY R.H. MODESTY From L-6493	1	
3	327196	. HANDLE TOP	1	G H
4	327197	. HANDLE R.H. To K-6492	1	G H
4	3210385	. HANDLE R.H. From L-6493	1	G H
4	327250	. HANDLE R.H. To E-5585	1	B
5	327193	. HANDRAIL CURBSIDE / BLACK	1	G
5	3200538	. HANDRAIL CURBSIDE / YELLOW	1	WCL H
5	327365	. HANDRAIL CURBSIDE / BLACK To E-5585	1	B
5	3202673	. HANDRAIL CURBSIDE / BLACK	1	Y
5	327253	. . PLATE WALL CONNECTOR	1	
8	327198	. SHELF	1	
8	3200802	. SHELF / SPECIAL CUP HOLDER "ORLEAN"	1	D
. NS	3200804	. . CUP HOLDER	1	D
9	500193	. SCREW CAP HEX 3/8-16x1 1/2 G5 Z050	5	
10	500496	. WASHER FL .437x.750x.054 Z050	5	
11	N30853	. SCREW MA FL PH #10-24x3/4 SS	5	
12	500465	. WASHER FN CKF .278x.729x.119 SS	5	
13	500007	. SCREW CAP HEX 1/4-28x3/4 G5 ZP	4	
14	502638	. WASHER FL .312x.734x.065 N500	4	
15	Call order desk	. RIVET NUT FL 3/8-16 .027-.150	6	P
16	Call order desk	. RIVET NUT FL #10-24 .020-.130	5	P
17	Call order desk	. NUT SPR J #10A .087-.110	8	P
18	Call order desk	. STUD 3/8-16 x 2"	1	P

From 7-8754 To R-6936	Date:01/2024	PAGE:X3-1810-00
MODESTY PANEL R.H.		

Item#	Part	Description	QTY	Notes
19	502842	. NUT INS TYPE "A-L" OE M6-1.0 0.7-4.2 Z050 From L-6493	1	
NS	9985283	. THREAD LOCKER LOCTITE #242 / BLUE / 250ml	AR	
21	327260P	PANEL FRONT ASSY W/COVERING To K-6492	1	
21	Call order desk	PANEL FRONT ASSY W/COVERING From L-6493	1	P
21	Call order desk	PANEL FRONT ASSY W/COVERING From L-6493	1	P Y
21	327261	. ALUMINUM PANEL To K-6492	1	
21	3210417	. ALUMINUM PANEL From L-6493	1	
21	3210571	. ALUMINUM PANEL From L-6493	1	Y
NS	326962P	COVERING MODESTY PANEL "TISSUS" W/"LOGO" / EMBROIDERED To K-6492	AR	
NS	900088	DISPENSER / SOAP	1	F
NS	500641	SCREW TP PAN PH #8x3/4 Z050	4	F
22	504400	SNAP CAP #10 FINISHING BLACK	AR	
23	500641	SCREW TP PAN PH #8x3/4 Z050 From 8-9177 To H-6139	AR	
23	500642	SCREW TP PAN PH #10x3/4 Z050 From H-6140	AR	
24	504399	WASHER RETAINER SNAP CAP #10	AR	
25	500855	WASHER FL .188x.438x.049 N500	AR	
26	327478	PLATE RETAINER	6	
27	500197	SCREW CAP HEX 3/8-16x1 G5 N500	AR	
28	327353	CHANNEL 520MM To 9-9777	1	
28	320686	CHANNEL 410MM From 9-9778 To K-6492	1	
28	3210398	CHANNEL 120MM From L-6493	2	
29	500642	SCREW TP PAN PH #10x3/4 Z050	2	
NS	500552	SCREW TP OV PH #6x3/4 Z050 To K-6492	1	
30	500552	SCREW TP OV PH #6x3/4 Z050 From L-6493	2	
NS	500463	WASHER FN CKF .187x.500x.090 BR Z050 To K-6492	1	
31	500463	WASHER FN CKF .187x.500x.090 BR Z050 From L-6493	2	
32	5001513	SCREW CAP BUT HEXS 3/8x1 1/2 SS	1	
33	502748	SCREW TP FL PH #14x1 1/4 EMN	2	
34	562679	4 WAY ADH. BACKED MOUNTS 1.000 x 1.000 x .160	AR	
35	327321	ANGLE To K-6492	1	
35	3210397	REINFORCEMENT From L-6493	1	
36	5001608	WASHER BEL SPR 6.2x15.0x0.7 G500 From L-6493	1	
37	500923	SCREW TC CAP HEX 1/4-20x3/4 Z050 To K-6492	1	
37	502830	SCREW CAP HEX M6-1.0x20 G8.8 N500 From L-6493	1	
38	5001961	SCREW MA FL PH M6-1.0x20 Z050 From L-6493	2	
50	X3-2315-00	SOUND SYSTEM & ACCESSORIES To N-6755		
50	X3-2315-01	SOUND SYSTEM & ACCESSORIES W/HHED From H-6179		
60	3202060	KIT SERV BLACK METAL RAMP MOD PAN RH X	1	
60	3202028	KIT SERV YELLOW METAL RAMP MOD PAN RH X	1	
NS	861922	MAGAZINE NET 16" x 6 3/4"	2	E

From 7-8754 To R-6936	Date:01/2024	PAGE:X3-1810-00
MODESTY PANEL R.H.		

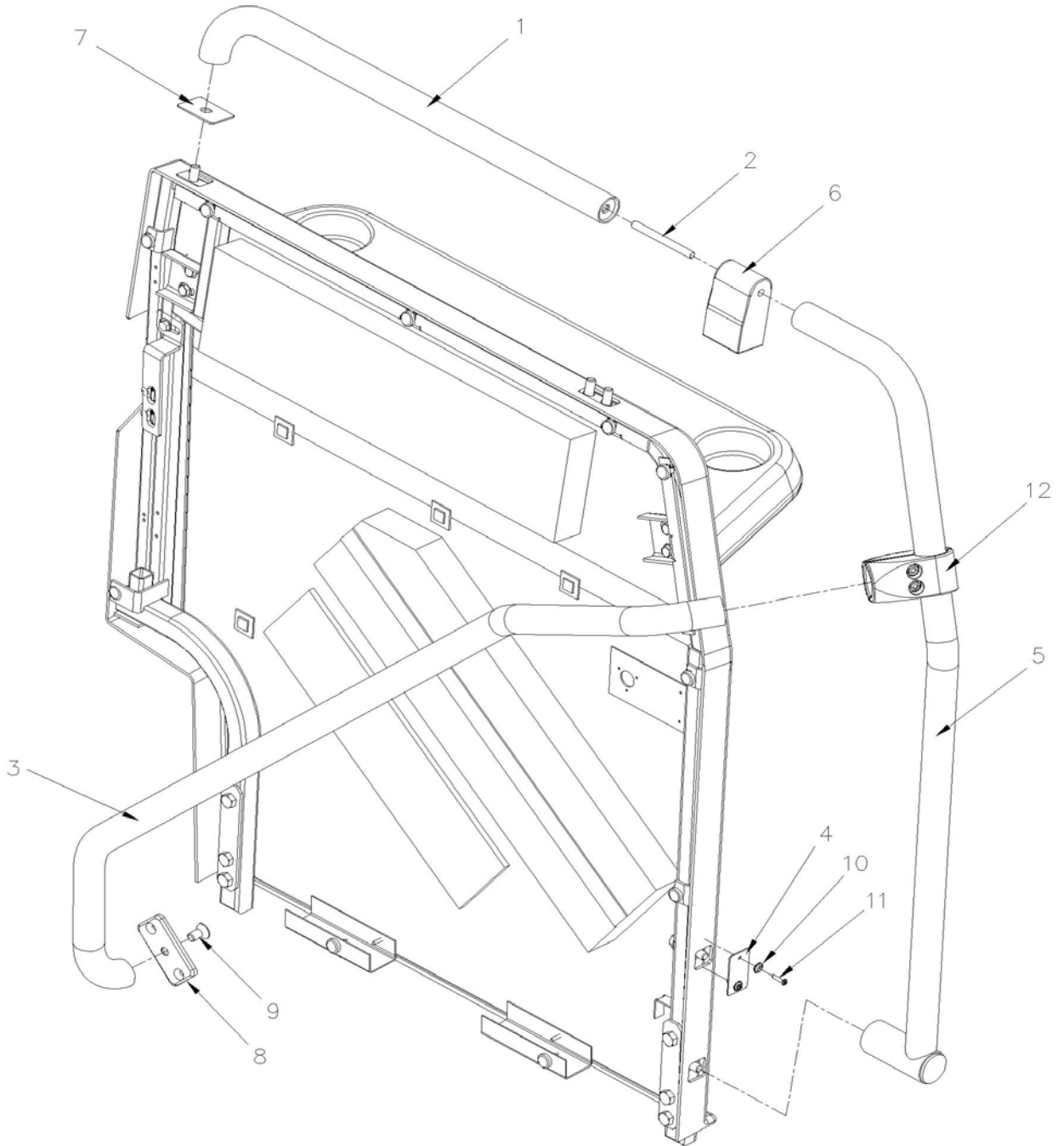
Item#	Part	Description	QTY	Notes
NS	502666	SCREW MA FL PH #6-32x3/4 SS BK	8	E
NS	500286	NUT WELL #6-32	8	E
70	3210163	SHELF / SPECIAL CUP HOLDER	1	O
70A	900252	. CUP HOLDER	1	O
71	3210162	SHELF SUPPORT	2	O
72	5001462	WASHER FL 6.4x18.0x1.6 Z050	4	
73	500142	WASHER FL 6.6x22.0x2.0 SS	4	
74	5001744	SCREW CAP HEX M6-1.0x16 G8.8 N500	8	
75	5001833	WASHER BEL SPR 6.1x18x1.27 SS	4	
		A) TO USE WITH SHELF		
		B) TO USE WITH HOSTESS SEAT		
		D) WITH ORELAN OPTION WITH DEEPER CUP HOLDER		
		E) USE WITH MAGAZINE OPTION		
		F) WITH ANTISEPTIC GEL DISPENSER		
		G) FOR SOLUTION IN SERVICE, USE SERVICE KIT 3202060		
		H) FOR SOLUTION IN SERVICE, USE SERVICE KIT 3202028		
		O) OPTION		
		WCL) WITH WHEEL CHAIR LIFT		
		Y) WITH BY-FOLD DOOR		
		P) CALL ORDER DESK FOR SPECIFIC APPLICATION (V.I.N.)		

From 7-8754 To R-6936

Date:01/2024

PAGE:3202060

KIT SERV BLACK METAL RAMP MOD PAN RH X



From 7-8754 To R-6936	Date:01/2024	PAGE:3202060
-----------------------	--------------	--------------

KIT SERV BLACK METAL RAMP MOD PAN RH X

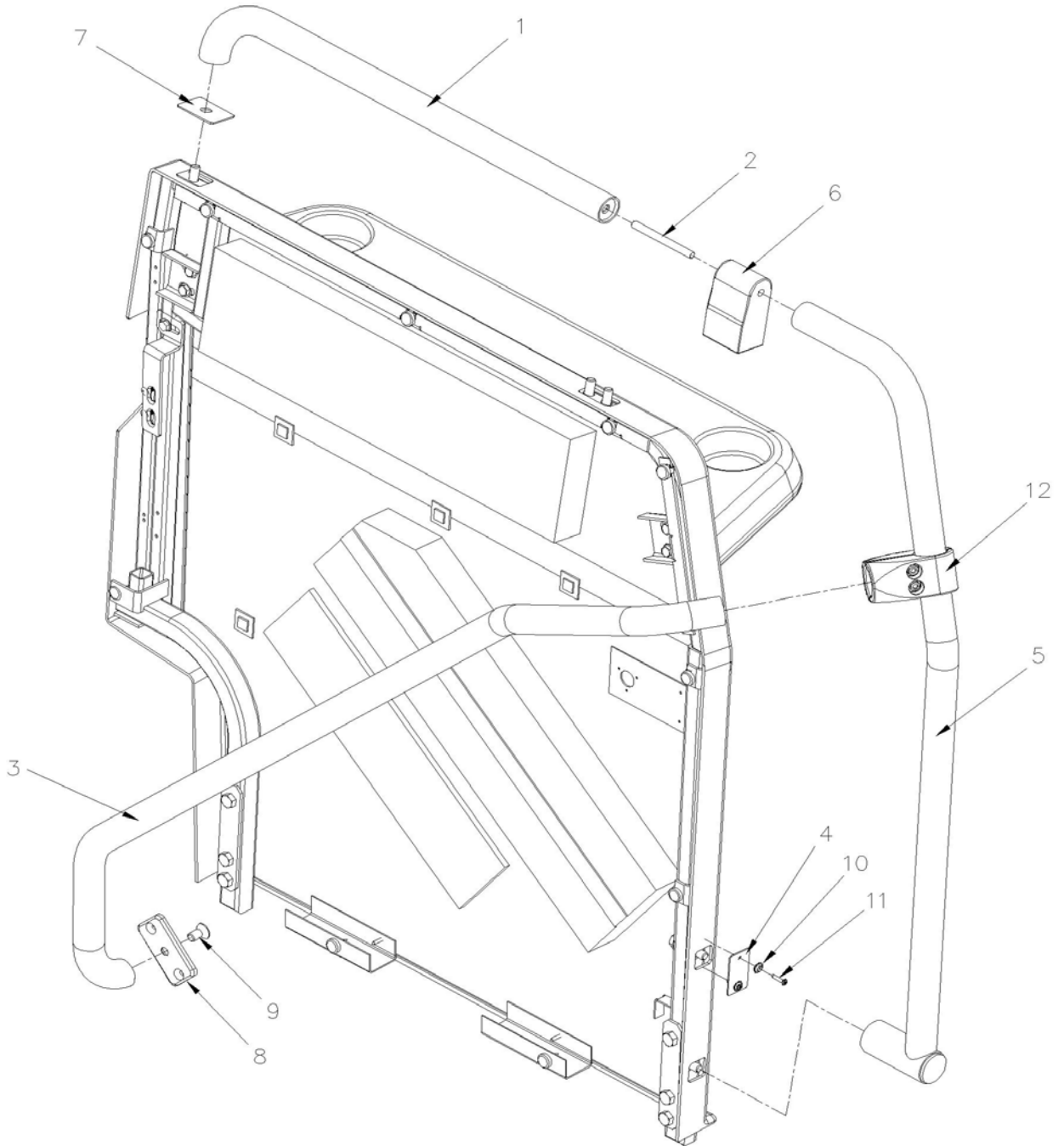
Item#	Part	Description	QTY	Notes
1	3201720	METAL HANDRAIL UPPER BLACK	1	
2	3201977	SHAFT,THREADED	1	
3	3202047	METAL HANDRAIL ENTRANCE BLACK	1	
4	3210725	COVER METAL HANDRAIL	1	
5	3211762	METAL HANDRAIL RH BLACK	1	
6	3211766	METAL HANDRAIL ANCH. MOD. PAN	1	
7	3211767	COVER METAL HANDRAIL	1	
8	327253	PLATE WALL CONNECTOR	1	
9	5001574	SCREW CAP FL HEXS 3/8-16x3/4	1	
10	500463	WASHER FN CKF .187x.500x.090 BR Z050	2	
11	500552	SCREW TP OV PH #6x3/4 Z050	2	
12	820619	FITTING 1 1/4" T	1	

From 7-8754 To R-6936

Date:01/2024

PAGE:3202028

KIT SERV YELLOW METAL RAMP MOD PAN RH X



From 7-8754 To R-6936	Date:01/2024	PAGE:3202028
KIT SERV YELLOW METAL RAMP MOD PAN RH X		

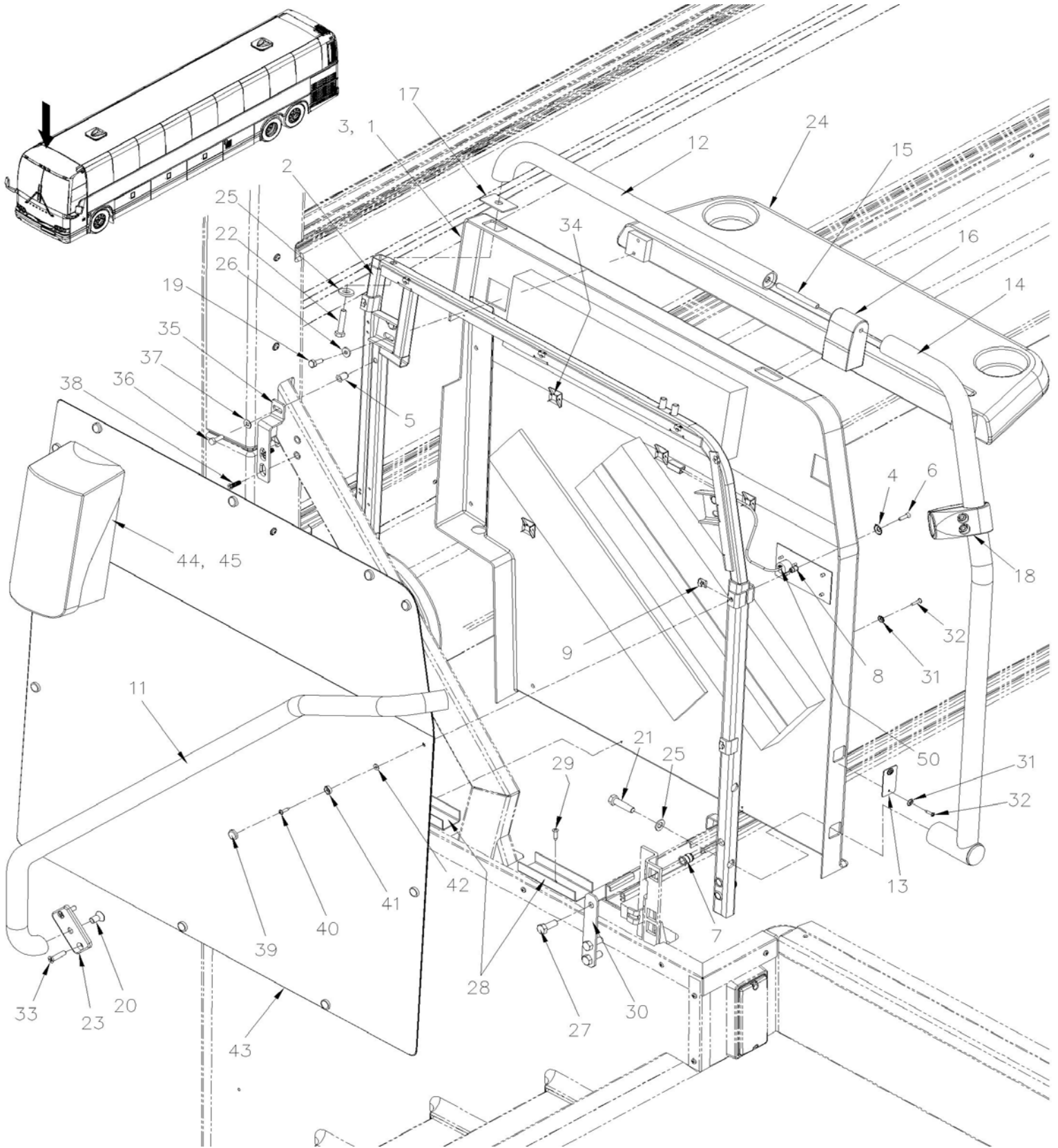
Item#	Part	Description	QTY	Notes
1	3201720	METAL HANDRAIL UPPER BLACK	1	
2	3201977	SHAFT, THREADED	1	
3	3201717	METAL HANDRAIL ENTRANCE YELLOW	1	
4	3210725	COVER METAL HANDRAIL	1	
5	3211762	METAL HANDRAIL RH BLACK	1	
6	3211766	METAL HANDRAIL ANCH. MOD. PAN	1	
7	3211767	COVER METAL HANDRAIL	1	
8	327253	PLATE WALL CONNECTOR	1	
9	5001574	SCREW CAP FL HEXS 3/8-16x3/4	1	
10	500463	WASHER FN CKF .187x.500x.090 BR Z050	2	
11	500552	SCREW TP OV PH #6x3/4 Z050	2	
12	820619	FITTING 1 1/4" T	1	

From R-6937

Date:01/2024

PAGE:X3-1810-01

MODESTY PANEL R.H.

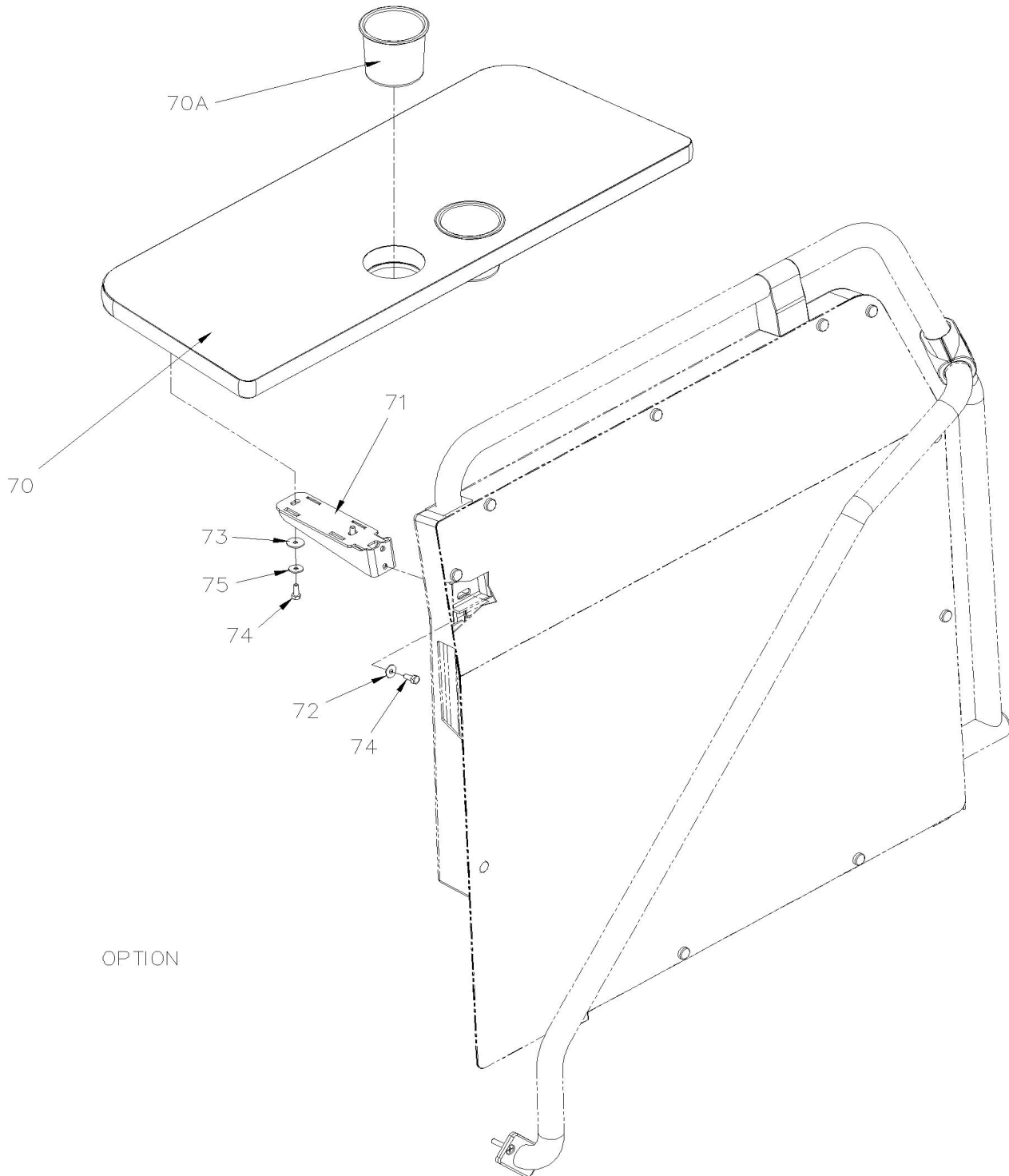


From R-6937

Date:01/2024

PAGE:X3-1810-01

MODESTY PANEL R.H.



OPTION

From R-6937		Date:01/2024	PAGE:X3-1810-01
MODESTY PANEL R.H.			

Item#	Part	Description	QTY	Notes
	Call order desk	RH MODESTY PANEL NO/SHELF BLACK RAMPS	1	P
	Call order desk	RH MODESTY PANEL NO/SHELF YELLOW RAMPS	1	P WCL
	Call order desk	RH MODESTY PANEL W/TABL BLACK RAMPS	1	P A
	Call order desk	RH MODESTY PANEL W/TABL YELLOW RAMPS	1	P A WCL
1	3211768	RH MODESTY PANEL WO/SHELF	1	
1	3211775	RH MODESTY PANEL W/SHELF	1	A
2	3210386	. STRUCTURE ASSY R.H. MODESTY	1	
3	3210388	. PANEL REAR / PLASTIC	1	
3	3210454	. PANEL REAR / PLASTIC	1	A
4	500465	. WASHER FN CKF .278x.729x.119 SS	5	
5	502842	. NUT INS TYPE "A-L" OE M6-1.0 0.7-4.2 Z050	1	
6	N30853	. SCREW MA FL PH #10-24x3/4 SS	5	
7	Call order desk	. RIVET NUT FL 3/8-16 .027-.150	6	P
8	Call order desk	. RIVET NUT FL #10-24 .020-.130	5	P
9	Call order desk	. NUT SPR J #10A .087-.110	8	P
NS	9985283	. THREAD LOCKER LOCTITE #242 / BLUE / 250ml	AR	
11	3202047	METAL HANDRAIL ENTRANCE BLACK	1	
11	3201717	METAL HANDRAIL ENTRANCE YELLOW	1	WCL
12	3201720	METAL HANDRAIL UPPER BLACK	1	
13	3210725	COVER METAL HANDRAIL	1	
14	3211762	METAL HANDRAIL RH BLACK	1	
15	3201977	SHAFT,THREADED	1	
16	3211766	METAL HANDRAIL ANCH. MOD. PAN	1	
17	3211767	COVER METAL HANDRAIL	1	
18	820619	FITTING 1 1/4" T	1	
19	500007	SCREW CAP HEX 1/4-28x3/4 G5 ZP	4	
20	5001574	SCREW CAP FL HEXS 3/8-16x3/4	1	
21	5001847	SCREW CAP HEX M8-1.25x65 SS	1	
22	5001989	SCREW CAP HEX M8-1.25x40 BK	3	
23	327253	PLATE WALL CONNECTOR	1	
24	327198	SHELF	1	
25	500496	WASHER FL .437x.750x.054 Z050	4	
26	502638	WASHER FL .312x.734x.065 N500	4	
27	500197	SCREW CAP HEX 3/8-16x1 G5 N500	6	
28	3210398	CHANNEL 120MM	2	
29	500642	SCREW TP PAN PH #10x3/4 Z050	2	
30	327478	PLATE RETAINER	2	
31	500463	WASHER FN CKF .187x.500x.090 BR Z050	4	
32	500552	SCREW TP OV PH #6x3/4 Z050	4	
33	502748	SCREW TP FL PH #14x1 1/4 EMN	2	
34	562679	4 WAY ADH. BACKED MOUNTS 1.000 x 1.000 x .160	AR	
35	3210397	REINFORCEMENT	1	

From R-6937	Date:01/2024	PAGE:X3-1810-01
MODESTY PANEL R.H.		

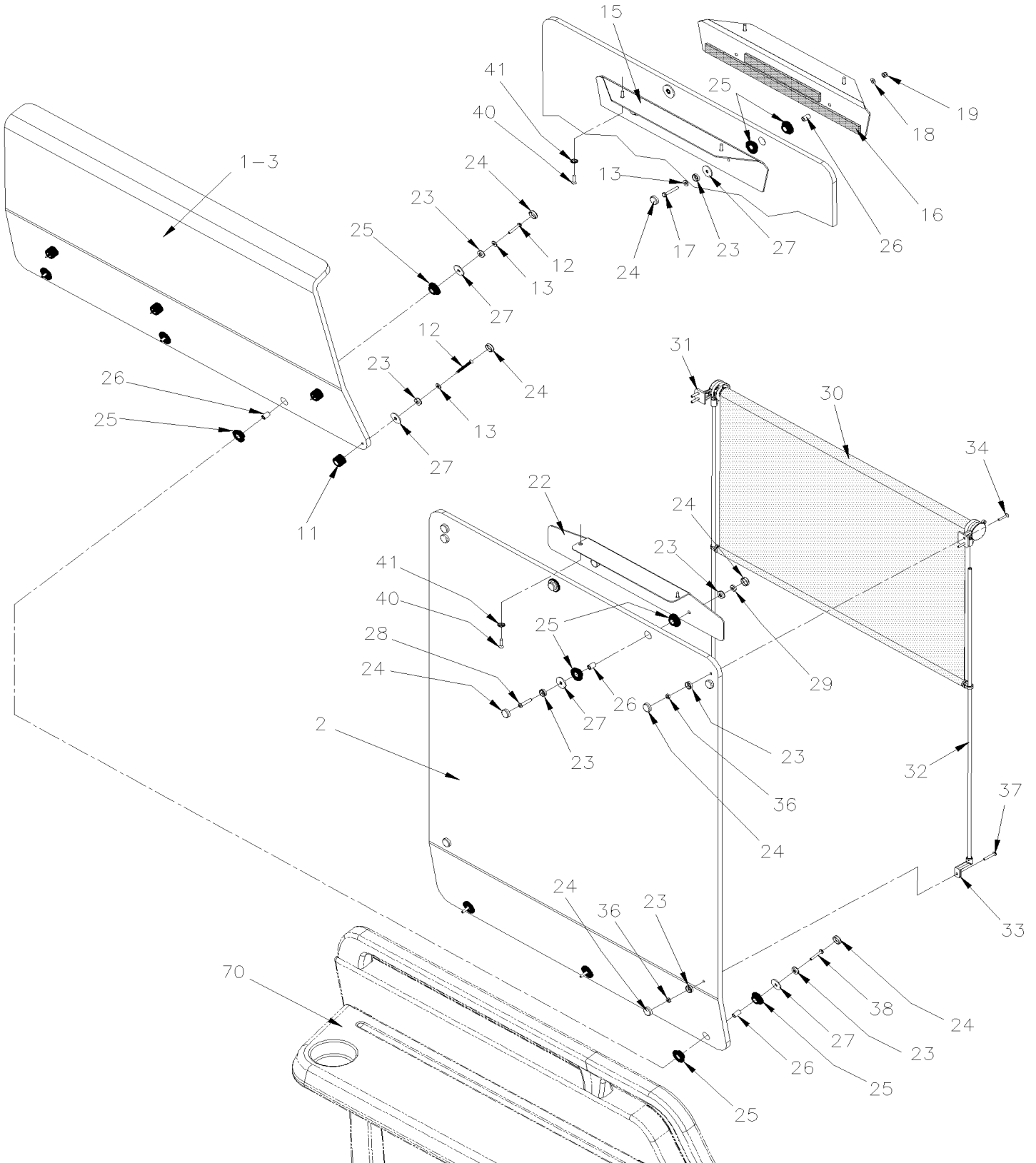
Item#	Part	Description	QTY	Notes
36	502830	SCREW CAP HEX M6-1.0x20 G8.8 N500	1	
37	5001608	WASHER BEL SPR 6.2x15.0x0.7 G500	1	
38	5001961	SCREW MA FL PH M6-1.0x20 Z050	2	
39	504400	SNAP CAP #10 FINISHING BLACK	10	
40	500641	SCREW TP PAN PH #8x3/4 Z050	10	
41	504399	WASHER RETAINER SNAP CAP #10	10	
42	500855	WASHER FL .188x.438x.049 N500	10	
43	Call order desk	PANEL FRONT ASSY W/COVERING	1	P
43	3210417	. ALUMINUM PANEL	1	
44	900088	DISPENSER / SOAP	1	F
45	500641	SCREW TP PAN PH #8x3/4 Z050	4	F
50	X3-2315-01	SOUND SYSTEM & ACCESSORIES W/HED		
NS	861922	MAGAZINE NET 16" x 6 3/4"	2	
NS	502666	SCREW MA FL PH #6-32x3/4 SS BK	8	
NS	500286	NUT WELL #6-32	8	
70	3210163	SHELF / SPECIAL CUP HOLDER	1	
70A	900252	CUP HOLDER	1	
71	3210162	SHELF SUPPORT	2	
72	5001462	WASHER FL 6.4x18.0x1.6 Z050	4	
73	500142	WASHER FL 6.6x22.0x2.0 SS	4	
74	5001744	SCREW CAP HEX M6-1.0x16 G8.8 N500	8	
75	5001833	WASHER BEL SPR 6.1x18x1.27 SS	4	
		A) TO USE WITH SHELF		
		F) WITH ANTISEPTIC GEL DISPENSER		
		WCL) WITH WHEEL CHAIR LIFT		
		P) CALL ORDER DESK FOR SPECIFIC APPLICATION (V.I.N.)		

From 7-8754

Date:01/2024

PAGE:X3-1811-00

MODESTY PLEXIGLASS

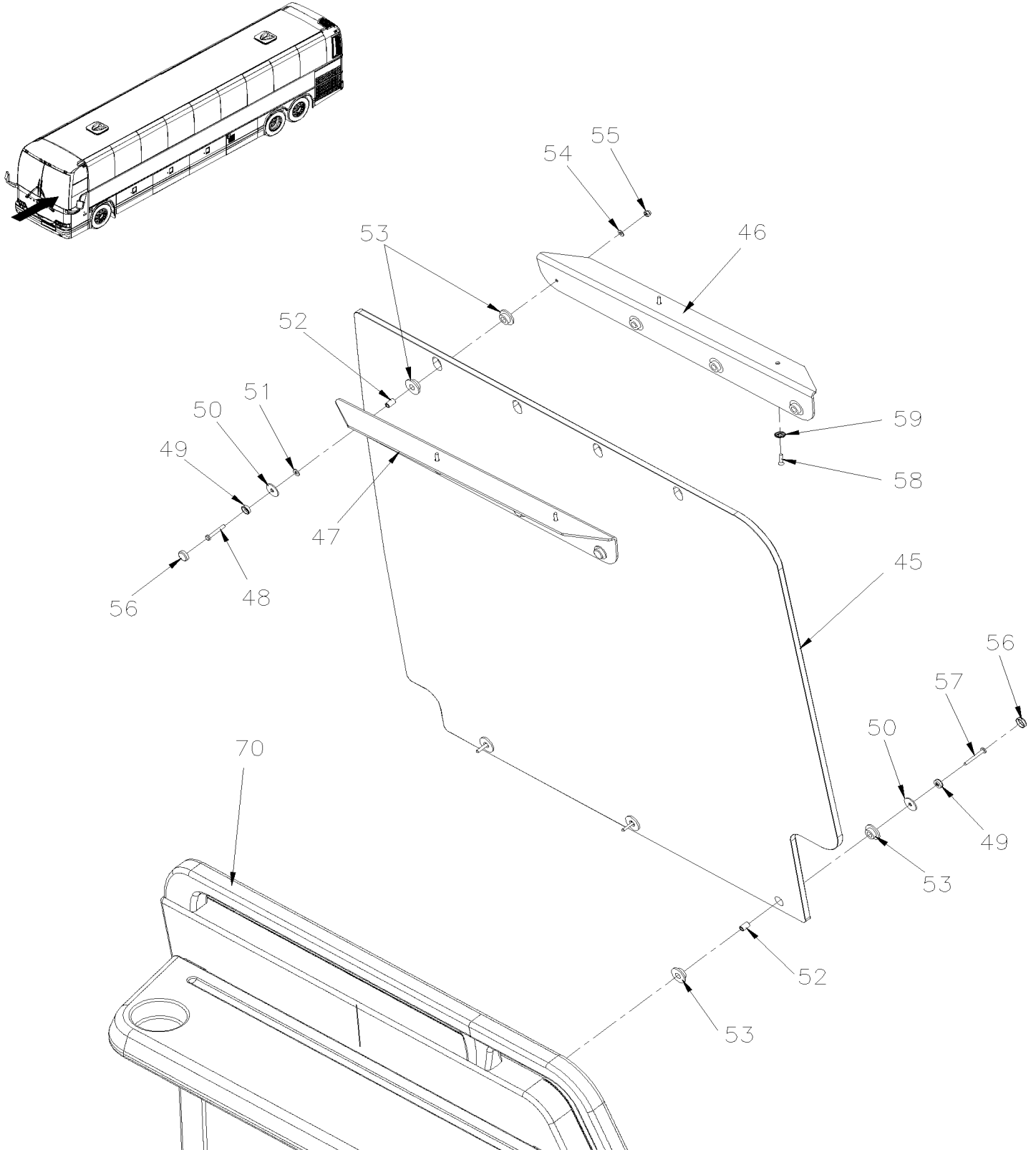


From 7-8754

Date:01/2024

PAGE:X3-1811-00

MODESTY PLEXIGLASS

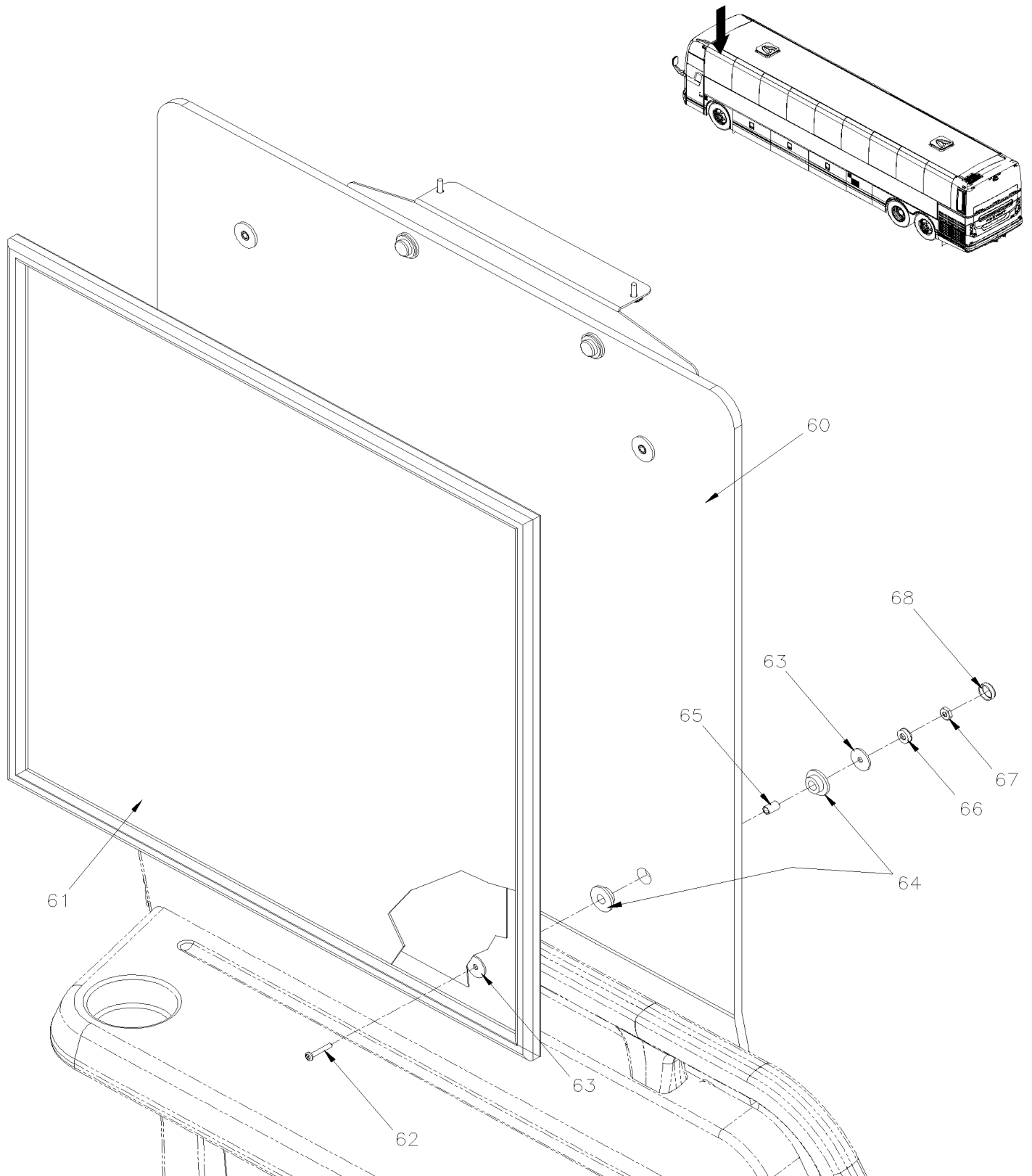


From 7-8754

Date:01/2024

PAGE:X3-1811-00

MODESTY PLEXIGLASS



From 7-8754		Date:01/2024	PAGE:X3-1811-00
MODESTY PLEXIGLASS			

Item#	Part	Description	QTY	Notes
1	328925	PLEXIGLASS / TINTED STREETSIDE / (233MM APROX)	1	
1	326286	PLEXIGLASS / CLEAR STREETSIDE / (233MM APROX)	1	
2	327359	PLEXIGLASS / CLEAR STREETSIDE / (831MM APROX) To K-6492	1	
2	3210558	PLEXIGLASS / CLEAR STREETSIDE / (818MM APROX) From L-6493	1	
2	327358	PLEXIGLASS / TINTED STREETSIDE / (831MM APROX) To K-6492	1	
2	3210557	PLEXIGLASS / TINTED STREETSIDE / (818MM APROX) From L-6493	1	
3	328852	PLEXIGLASS / CLEAR CURBSIDE / (333MM APROX)	1	
3	320133	PLEXIGLASS / CLEAR CURBSIDE / (233MM APROX)	1	
3	328926	PLEXIGLASS / TINTED CURBSIDE / (233MM APROX) To J-6339	1	
11	5001168	BUMPER RUBBER / .750 OD x .562 TH x .187 HOLE From J-6340	4	
11	5002023	BUMPER NEOPRENE / .750 OD x .562 TH x .187 HOLE	4	
12	500632	SCREW TP OV PH #8x1 1/2 Z050	7	
13	500438	WASHER FL .187x.437x.050 Z050	7	
15	320061	BRACKET ANGLE / LIGHT GREY / "OPTION" To B-5093	2	O
15	320915	BRACKET ANGLE / LIGHT GREY / "OPTION" From B-5094	2	O
16	506002	TAPE RUB ADH1 CC POL 3/16" x 1/2" x 40' / GREY 2520	AR	O
17	502643	SCREW MA PAN PH #8-32x1 1/4 Z050	2	O
18	500240	WASHER LO EXT .195x.410x.025 Z050	2	O
19	500501	NUT HEX CAP #8-32 SS	2	O
22	326355	BRACKET ANGLE To B-5093	1	
22	320914	BRACKET ANGLE GREY From B-5094	1	
23	504399	WASHER RETAINER SNAP CAP #10	5	
24	504400	SNAP CAP #10 FINISHING BLACK	5	
25	900251	BUSHING, RUBBER	6	
26	400380	SPACER 5/16 O.D. x 17/32" x 18GA	5	
26	505539	SPACER 5/16 O.D. x 17/32" x 18GA	5	
27	500805	WASHER FL .218x.875x.062 N500	5	
28	5001317	SCREW MA PAN PH #8-32x1 SS	2	
29	500764	NUT HEX #8-32 Z050	5	
29	500501	NUT HEX CAP #8-32 SS	2	
30	901042	BLIND ROLLER / CHARCOAL / 600MM To D-5449	1	
30	901374	BLIND ROLLER / CHARCOAL / 593MM From D-5450	1	
. NS	5001999	. SCREW SET HEXS CUP M4-0.7x5 From D-5450	2	
. NS	901562	. BRACKET W/O SHAFT & RATCHED LEVER From D-5450	1	
. NS	901560	. BRACKET W/SHAFT & RATCHED LEVER From D-5450	1	
31	900478	BEARING HOLDER / R.H. / BLACK CASTING To D-5449	1	
32	401901	ROD, 26" / BACKWARD	2	
33	900476	ROD HOLDER 90° / BLACK PLASTIC 30MM C/L To F-5789	2	
33	407650	ROD HOLDER / BLACK / PLASTIC "S" SHAPE From F-5790	2	
34	502666	SCREW MA FL PH #6-32x3/4 SS BK	2	
36	500689	NUT HEX #6-32 Z050	6	

From 7-8754		Date:01/2024	PAGE:X3-1811-00
MODESTY PLEXIGLASS			

Item#	Part	Description	QTY	Notes
37	5001303	SCREW MA BDG PH #6-32x1 ZP EMN	2	
38	5001317	SCREW MA PAN PH #8-32x1 SS To F-5867	3	
38	500637	SCREW TP PAN PH #8x1 1/2 Z050 From F-5868	3	
40	500626	SCREW TP OV PH #8x3/4 Z050	2	
41	500463	WASHER FN CKF .187x.500x.090 BR Z050	2	
45	321268	DRIVER'S PROTECTOR / TINTED PLEXIGLASS From G-6084	1	
46	329687	ANGLE SUPPORT FRONT PLEXIGLASS 545MM From G-6084	1	
47	329688	ANGLE SUPPORT REAR PLEXIGLASS 545MM From G-6084	1	
48	502643	SCREW MA PAN PH #8-32x1 1/4 Z050 From G-6084	4	
49	504399	WASHER RETAINER SNAP CAP #10 From G-6084	7	
50	500805	WASHER FL .218x.875x.062 N500 From G-6084	7	
51	500855	WASHER FL .188x.438x.049 N500 From G-6084	4	
52	505539	SPACER 5/16 O.D. x 17/32" x 18GA From G-6084	7	
53	900251	BUSHING, RUBBER From G-6084	14	
54	500240	WASHER LO EXT .195x.410x.025 Z050 From G-6084	4	
55	500501	NUT HEX CAP #8-32 SS From G-6084	4	
56	504400	SNAP CAP #10 FINISHING BLACK From G-6084	7	
57	500637	SCREW TP PAN PH #8x1 1/2 Z050 From G-6084	3	
58	500626	SCREW TP OV PH #8x3/4 Z050 From G-6084	4	
59	500464	WASHER FN CKF .210x.540 SS From G-6084	4	
60	3210536	PLEXIGLASS / TINTED STREETSIDE / (831MM APROX) To K-6492	1	A
60	3210559	PLEXIGLASS / TINTED STREETSIDE / (818MM APROX) From L-6493	1	A
61	900420	CARDFRAME	1	A
62	5001317	SCREW MA PAN PH #8-32x1 SS	4	A
63	500805	WASHER FL .218x.875x.062 N500	8	A
64	900251	BUSHING, RUBBER	8	A
65	505539	SPACER 5/16 O.D. x 17/32" x 18GA	4	A
66	504399	WASHER RETAINER SNAP CAP #10	4	A
67	500764	NUT HEX #8-32 Z050	4	A
68	504400	SNAP CAP #10 FINISHING BLACK	4	A
70	X3-1810-00	MODESTY PANEL R.H.		
70	X3-1812-00	MODESTY PANEL L.H.		
NS	IS20907	PLEXIGLASS SHIELD BEHIND DRIVER X3	1	
. NS	3210558	. PLEXIGLASS / CLEAR STREETSIDE / (818MM APROX)	1	
. NS	320914	. BRACKET ANGLE GREY	1	
. NS	504399	. WASHER RETAINER SNAP CAP #10	5	
. NS	504400	. SNAP CAP #10 FINISHING BLACK	5	
. NS	900251	. BUSHING, RUBBER	10	
. NS	500805	. WASHER FL .218x.875x.062 N500	5	

From 7-8754	Date:01/2024	PAGE:X3-1811-00
MODESTY PLEXIGLASS		

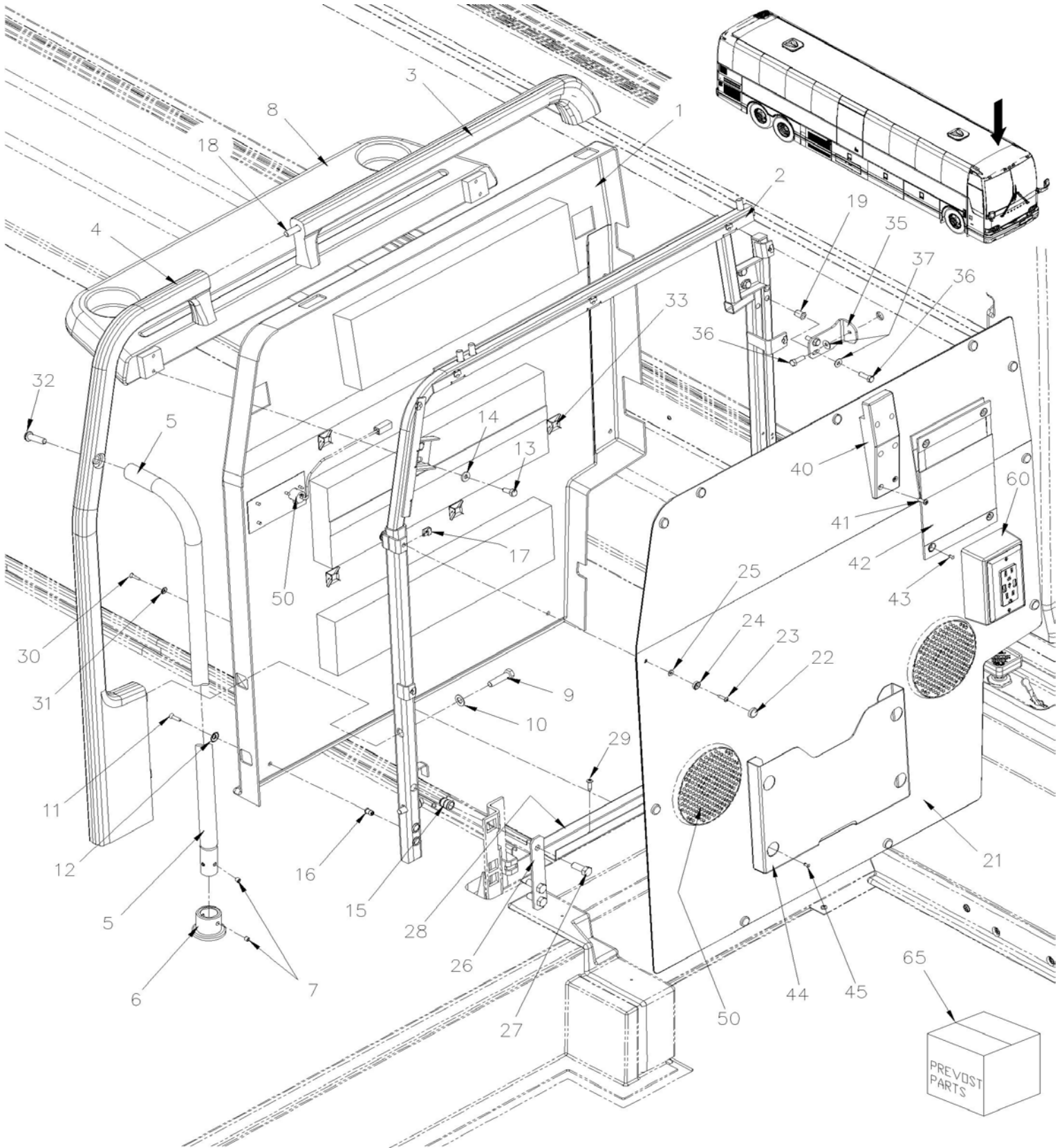
Item#	Part	Description	QTY	Notes
. NS	5001317	. SCREW MA PAN PH #8-32x1 SS	2	
. NS	500501	. NUT HEX CAP #8-32 SS	2	
. NS	500626	. SCREW TP OV PH #8x3/4 Z050	2	
. NS	500464	. WASHER FN CKF .210x.540 SS	2	
. NS	500637	. SCREW TP PAN PH #8x1 1/2 Z050	3	
. NS	IS-20907	. SEE INSTRUCTION SHEET	1	
. NS	FI-20907	. VOIR FEUILLE D'INSTRUCTION	1	
. NS	D320271	. DIAGRAM	1	
		A) USE WITH CARDFRAME OPTION		
		O) LOCATED EACH SIDE OF PLEXIGLASS / "OPTION"		

From 7-8754 To R-6936

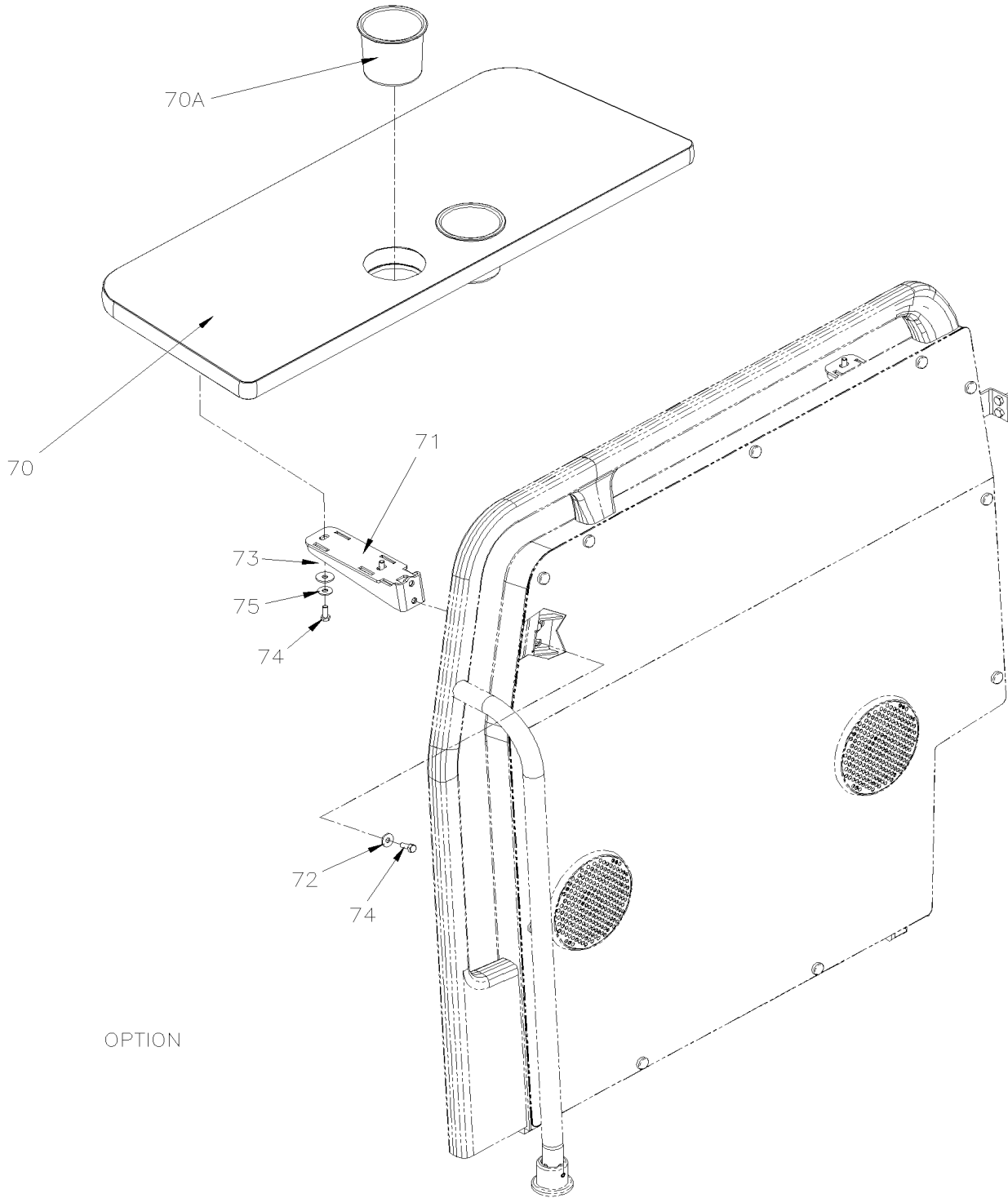
Date:01/2024

PAGE:X3-1812-00

MODESTY PANEL L.H.



MODESTY PANEL L.H.



OPTION

From 7-8754 To R-6936	Date:01/2024	PAGE:X3-1812-00
MODESTY PANEL L.H.		

Item#	Part	Description	QTY	Notes
	327192	MODESTY PANEL L.H. ASSY WITH BLACK HANDRAIL To K-6492	1	
	3210502	MODESTY PANEL L.H. ASSY WITH BLACK HANDRAIL From L-6493	1	
	3200541	MODESTY PANEL L.H. ASSY WITH YELLOW HANDRAIL To K-6492	1	
	3210497	MODESTY PANEL L.H. ASSY WITH YELLOW HANDRAIL From L-6493	1	
	323135	MODESTY PANEL L.H. ASSY WITH BLACK HANDRAIL From A-9895 To K-6492	1	B
	3210500	MODESTY PANEL L.H. ASSY WITH BLACK HANDRAIL From L-6493	1	B
	3201085	MODESTY PANEL L.H. ASSY WITH YELLOW HANDRAIL To K-6492	1	B
	3210499	MODESTY PANEL L.H. ASSY WITH YELLOW HANDRAIL From L-6493	1	B
	327191	MODESTY PANEL L.H. ASSY WITH BLACK HANDRAIL To K-6492	1	A
	3210501	MODESTY PANEL L.H. ASSY WITH BLACK HANDRAIL From L-6493	1	A
	3200820	MODESTY PANEL L.H. ASSY WITH YELLOW HANDRAIL To K-6492	1	A
	3210496	MODESTY PANEL L.H. ASSY WITH YELLOW HANDRAIL From L-6493	1	A
	3200927	MODESTY PANEL L.H. ASSY WITH BLACK HANDRAIL To K-6492	1	A E
	3210509	MODESTY PANEL L.H. ASSY WITH BLACK HANDRAIL From L-6493	1	A E
	323133	MODESTY PANEL L.H. ASSY WITH BLACK HANDRAIL From A-9895 To K-6492	1	A B
	3210461	MODESTY PANEL L.H. ASSY WITH BLACK HANDRAIL From L-6493	1	A B
	3201084	MODESTY PANEL L.H. ASSY WITH YELLOW HANDRAIL To K-6492	1	A B
	3210498	MODESTY PANEL L.H. ASSY WITH YELLOW HANDRAIL From L-6493	1	A B
1	327205	. PANEL REAR / PLASTIC To K-6492	1	
1	3210504	. PANEL REAR / PLASTIC From L-6493	1	
1	323136	. PANEL REAR / PLASTIC From A-9895 To K-6492	1	B
1	3210506	. PANEL REAR / PLASTIC From L-6493	1	B
1	327204	. PANEL REAR / PLASTIC To K-6492	1	A
1	3210503	. PANEL REAR / PLASTIC From L-6493	1	A
1	323134	. PANEL REAR / PLASTIC From A-9895 To K-6492	1	A B
1	3210471	. PANEL REAR / PLASTIC From L-6493	1	A B
2	327202	. STRUCTURE ASSY L.H. MODESTY To K-6492	1	
2	3210460	. STRUCTURE ASSY L.H. MODESTY From L-6493	1	
3	327196	. HANDLE TOP	1	G H
4	327203	. HANDLE L.H.	1	G H
5	327194	. HANDRAIL STREETSIDE / BLACK	1	G
5	3200535	. HANDRAIL STREETSIDE / YELLOW	1	WCL H
6	327254	. COLLAR	1	
7	500306	. SCREW SET HEXS CUP 1/4-20x1/4	6	
8	327198	. SHELF	1	
8	3200802	. SHELF / SPECIAL CUP HOLDER "ORLEAN"	1	E
. NS	3200804	. . CUP HOLDER	1	E
9	500193	. SCREW CAP HEX 3/8-16x1 1/2 G5 Z050	5	
10	500496	. WASHER FL .437x.750x.054 Z050	5	
11	N30853	. SCREW MA FL PH #10-24x3/4 SS	5	
12	500465	. WASHER FN CKF .278x.729x.119 SS	5	
13	500007	. SCREW CAP HEX 1/4-28x3/4 G5 ZP	4	

From 7-8754 To R-6936	Date:01/2024	PAGE:X3-1812-00
MODESTY PANEL L.H.		

Item#	Part	Description	QTY	Notes
14	502638	. WASHER FL .312x.734x.065 N500	4	
15	Call order desk	. RIVET NUT FL 3/8-16 .027-.150	6	P
16	Call order desk	. RIVET NUT FL #10-24 .020-.130	5	P
17	Call order desk	. NUT SPR J #10A .087-.110	9	P
18	Call order desk	. STUD 3/8-16 x 2"	1	P
19	502842	. NUT INS TYPE "A-L" OE M6-1.0 0.7-4.2 Z050 From L-6493	2	
NS	9985283	. THREAD LOCKER LOCTITE #242 / BLUE / 250ml	AR	
21	327792P	PANEL FRONT ASSY W/COVERING S.C.C. To K-6492	1	
21	Call order desk	PANEL FRONT ASSY W/COVERING S.C.C. From L-6493	1	P
21	328884P	PANEL FRONT ASSY W/COVERING S.C.C. / USE W/SPEAKER To 9-9711	1	
21	Call order desk	PANEL FRONT ASSY W/COVERING S.C.C. / USE W/SPEAKER From 9-9712 To K-6492	1	P
21	Call order desk	PANEL FRONT ASSY W/COVERING S.C.C. / USE W/SPEAKER From L-6493	1	P
21	Call order desk	PANEL FRONT ASSY W/COVERING S.C.C. / USE W/SPEAKER & CONTROL From 9-9830 To K-6492	1	P
21	327259	. ALUMINUM PANEL / W/OUT SPEAKER To K-6492	1	
21	3210560	. ALUMINUM PANEL / W/OUT SPEAKER From L-6493	1	
21	327225	. ALUMINUM PANEL / USE W/SPEAKER 92MM O.D. / UPPER PANEL To 7-9056	1	
21	328397	. ALUMINUM PANEL / USE W/SPEAKER 105MM O.D. / UPPER PANEL From 7-9057 To 9-9711	1	
21	320043	. ALUMINUM PANEL / USE W/SPEAKER 105MM O.D. / LOWER PANEL From 9-9712 To K-6492	1	
21	3210475	. ALUMINUM PANEL / USE W/SPEAKER 105MM O.D. / LOWER PANEL From L-6493	1	
21	320522	. ALUMINUM PANEL / USE W/SPEAKER / USE W/SPEAKER & CONTROL From 9-9830 To K-6492	1	
22	504400	SNAP CAP #10 FINISHING BLACK	AR	
23	504399	WASHER RETAINER SNAP CAP #10	AR	
24	500641	SCREW TP PAN PH #8x3/4 Z050 From 8-9177 To H-6139	AR	
24	500642	SCREW TP PAN PH #10x3/4 Z050 From H-6140	AR	
25	500855	WASHER FL .188x.438x.049 N500	AR	
26	327478	PLATE RETAINER	2	
27	500197	SCREW CAP HEX 3/8-16x1 G5 N500	6	
28	327353	CHANNEL 520MM To 9-9778	1	
28	320686	CHANNEL 410MM From 9-9778	1	
29	500642	SCREW TP PAN PH #10x3/4 Z050	2	
30	500552	SCREW TP OV PH #6x3/4 Z050	1	
31	500463	WASHER FN CKF .187x.500x.090 BR Z050	1	
32	5001513	SCREW CAP BUT HEXS 3/8x1 1/2 SS	1	
33	562679	4 WAY ADH. BACKED MOUNTS 1.000 x 1.000 x .160	AR	
35	327321	ANGLE To K-6492	1	
35	3210469	ANGLE From L-6493	1	
36	500923	SCREW TC CAP HEX 1/4-20x3/4 Z050 To K-6492	4	
36	502830	SCREW CAP HEX M6-1.0x20 G8.8 N500 From L-6493	3	
37	5001608	WASHER BEL SPR 6.2x15.0x0.7 G500 From L-6493	3	
40	360293	STOPPER / USSC SEAT / WITH PLEXI GLASS	1	C
40	360295	STOPPER / USSC SEAT / WITHOUT PLEXI GLASS	1	C
41	5001155	SCREW TP PAN PH #8X3/4 N050	6	C

From 7-8754 To R-6936	Date:01/2024	PAGE:X3-1812-00
MODESTY PANEL L.H.		

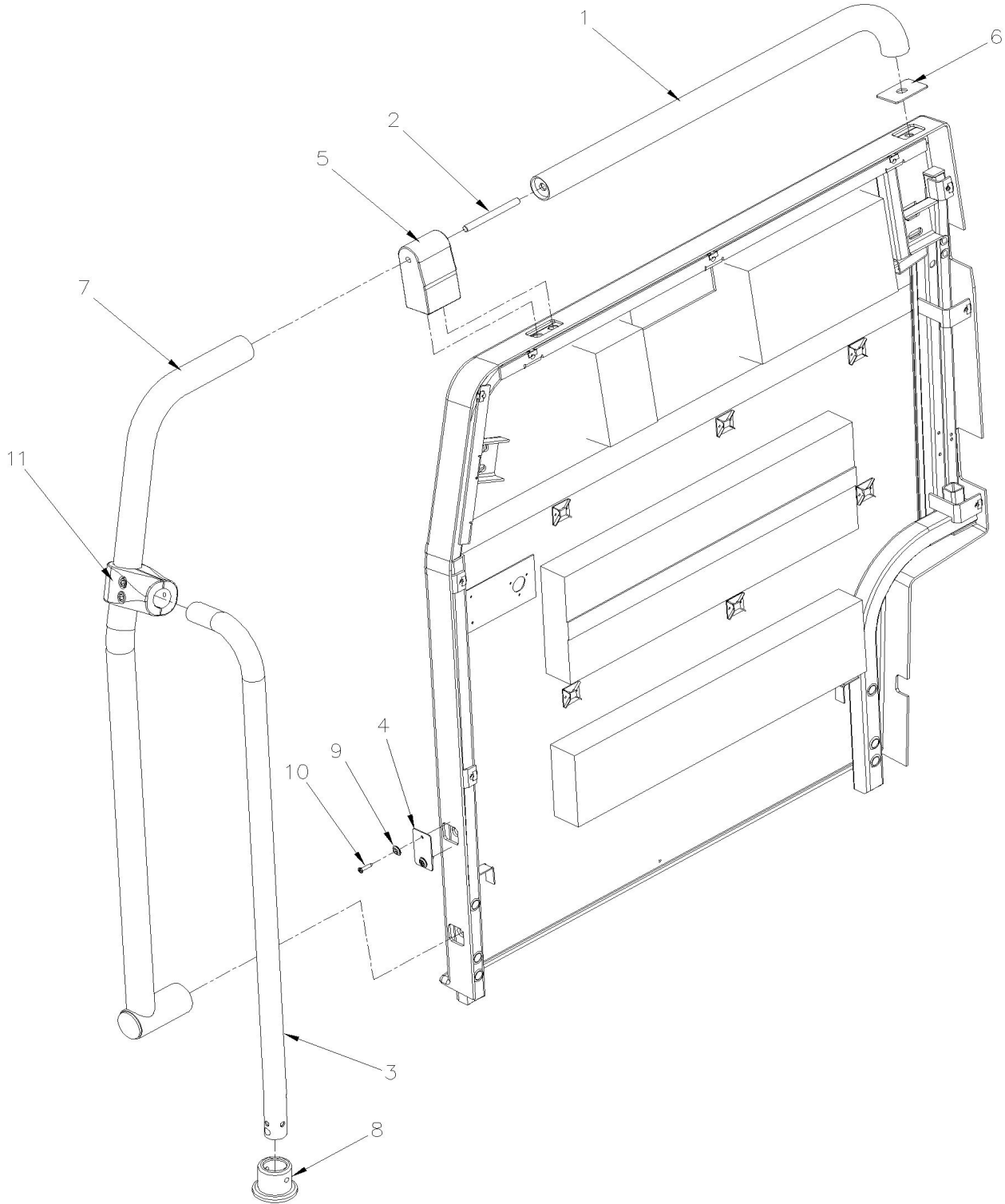
Item#	Part	Description	QTY	Notes
42	900217	CELLPHONE POUCH From J-6245	1	O
43	504118	RIVET POP DOME OE 3/16x3/8 AL From J-6245	4	O
44	405158	CARD HOLDER SS / 8 3/4" x 11" x 1" TH To J-6232	1	S
44	400508	CARD HOLDER SS / 8 " x 12" x 1" TH From J-6233	1	S
45	504106	RIVET POP DOME OE 1/8x1/4 AL	AR	S
50	X3-2315-00	SOUND SYSTEM & ACCESSORIES To N-6755		
50	X3-2315-01	SOUND SYSTEM & ACCESSORIES W/HHED From H-6179		
60	X3-2345-43	110 VOLT - OUTLET		
65	3202057	KIT SERV BLACK METAL RAMP MOD PAN LH X	1	
65	3202029	KIT SERV YELLOW METAL RAMP MOD PAN LH X	1	
NS	861922	MAGAZINE NET 16" x 6 3/4"	2	F
NS	502666	SCREW MA FL PH #6-32x3/4 SS BK	8	F
NS	500286	NUT WELL #6-32	8	F
70	3210163	SHELF / SPECIAL CUP HOLDER	1	O
70A	900252	. CUP HOLDER	2	O
71	3210162	SHELF SUPPORT	2	O
72	5001462	WASHER FL 6.4x18.0x1.6 Z050	4	O
73	500142	WASHER FL 6.6x22.0x2.0 SS	4	O
74	5001744	SCREW CAP HEX M6-1.0x16 G8.8 N500	4	O
75	5001833	WASHER BEL SPR 6.1x18x1.27 SS	4	O
		A) TO USE WITH SHELF		
		B) WITH AUDIO & I-POD CONNECTOR AS SHOWN AT PAGE X3-2315-05		
		C) USE WITH USSC DRIVER'S SEAT		
		E) WITH ORLEAN OPTION WITH DEEPER CUP HOLDER		
		F) USE WITH MAGAZINE OPTION		
		G) FOR SOLUTION IN SERVICE, USE SERVICE KIT 3202057		
		H) FOR SOLUTION IN SERVICE, USE SERVICE KIT 3202029		
		O) OPTION		
		S) SOUTHEASTERN STAGE OPTION		
		WCL) WITH WHEEL CHAIR LIFT		
		P) CALL ORDER DESK FOR SPECIFIC APPLICATION (V.I.N.)		

From 7-8754 To R-6936

Date:01/2024

PAGE:3202057

KIT SERV BLACK METAL RAMP MOD PAN LH X



From 7-8754 To R-6936	Date:01/2024	PAGE:3202057
-----------------------	--------------	--------------

KIT SERV BLACK METAL RAMP MOD PAN LH X

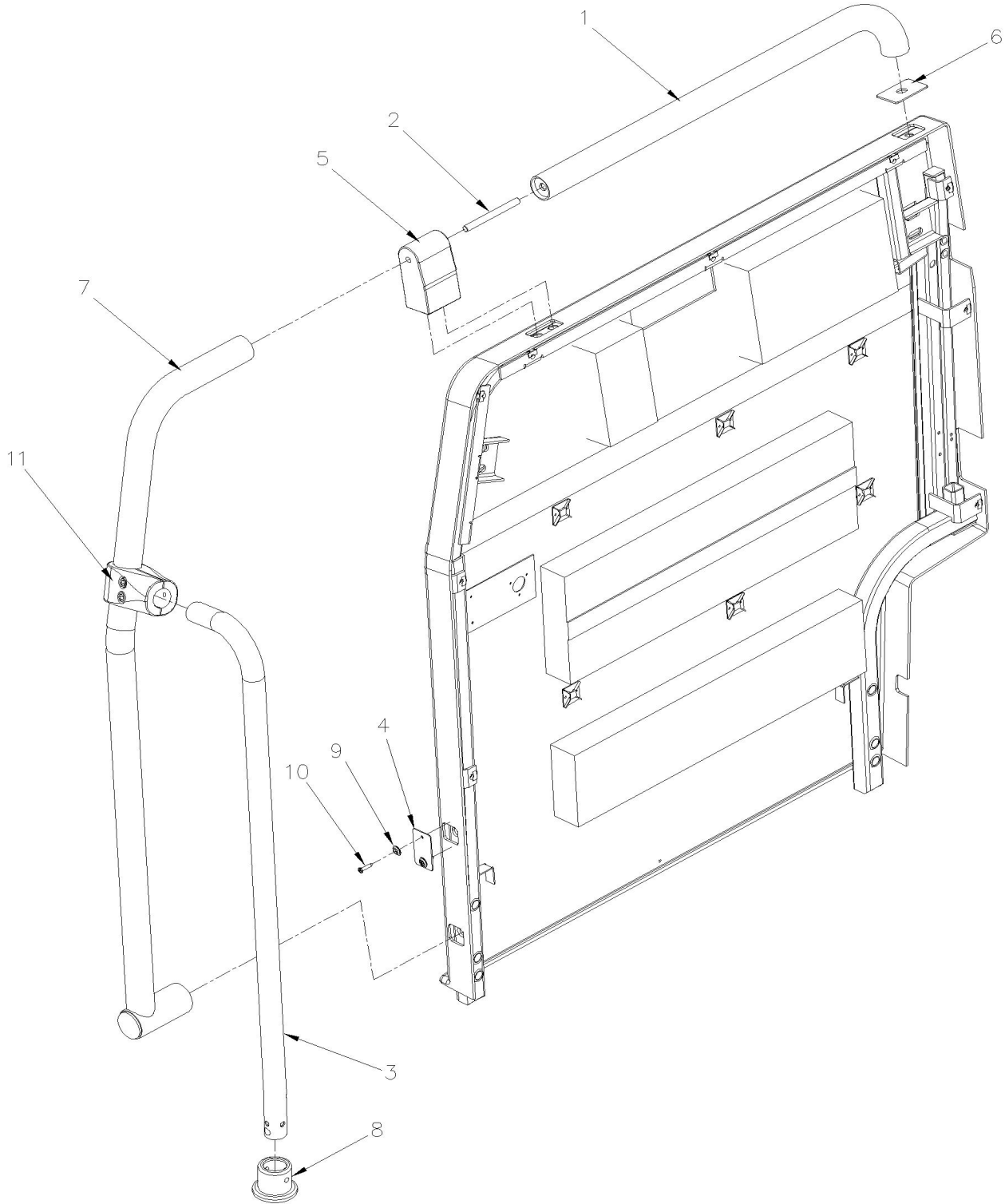
Item#	Part	Description	QTY	Notes
1	3201720	METAL HANDRAIL UPPER BLACK	1	
2	3201977	SHAFT,THREADED	1	
3	3202045	METAL HANDRAIL DRIVER BLACK	1	
4	3210725	COVER METAL HANDRAIL	1	
5	3211766	METAL HANDRAIL ANCH. MOD. PAN	1	
6	3211767	COVER METAL HANDRAIL	1	
7	3211772	METAL HANDRAIL LH BLACK	1	
8	327254	COLLAR	1	
9	500463	WASHER FN CKF .187x.500x.090 BR Z050	2	
10	500552	SCREW TP OV PH #6x3/4 Z050	2	
11	820620	FITTING 1 1/4" X 1" T	1	

From 7-8754 To R-6936

Date:01/2024

PAGE:3202029

KIT SERV YELLOW METAL RAMP MOD PAN LH X



From 7-8754 To R-6936	Date:01/2024	PAGE:3202029
-----------------------	--------------	--------------

KIT SERV YELLOW METAL RAMP MOD PAN LH X

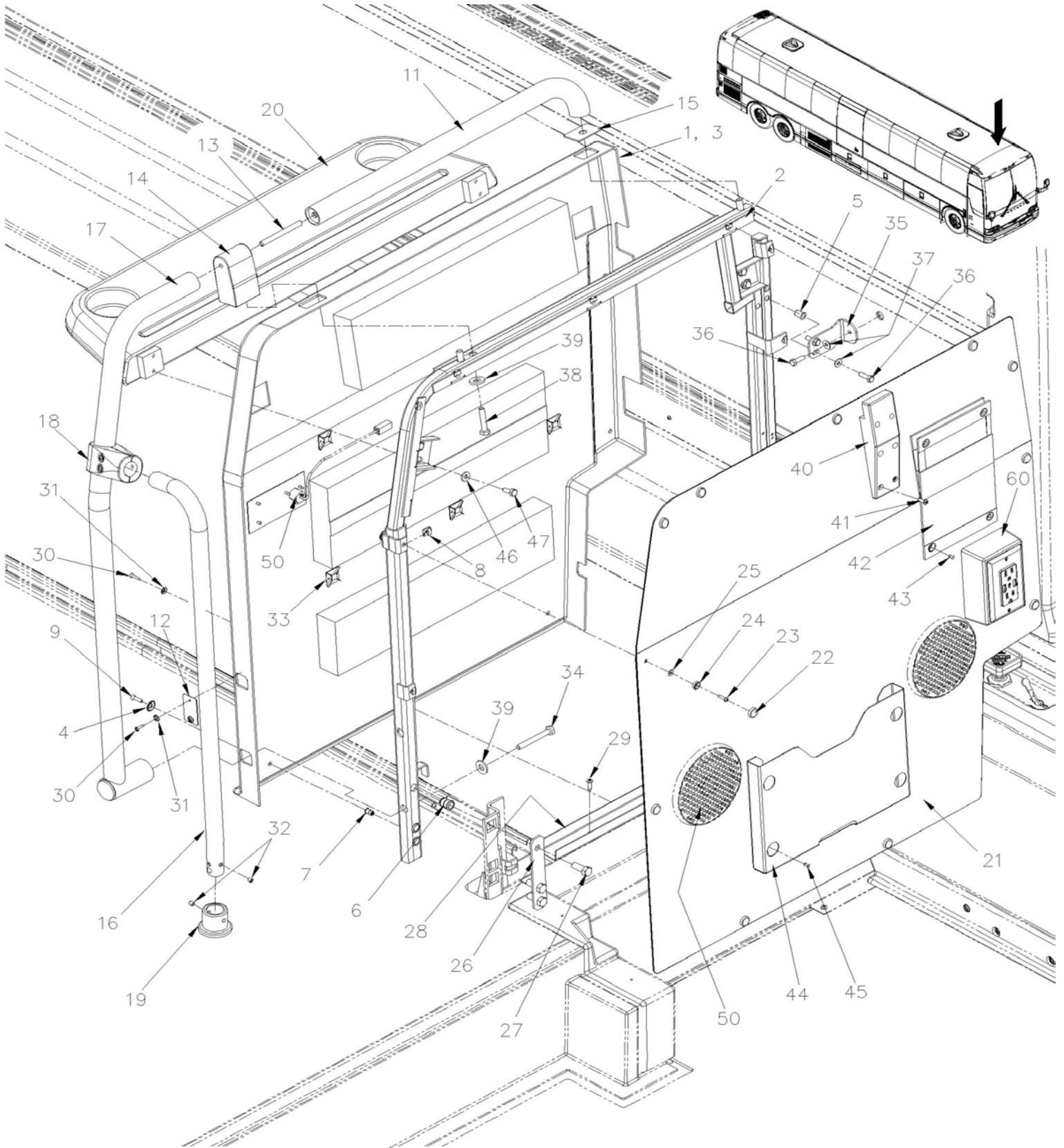
Item#	Part	Description	QTY	Notes
1	3201720	METAL HANDRAIL UPPER BLACK	1	
2	3201977	SHAFT,THREADED	1	
3	3201726	METAL HANDRAIL DRIVER YELLOW	1	
4	3210725	COVER METAL HANDRAIL	1	
5	3211766	METAL HANDRAIL ANCH. MOD. PAN	1	
6	3211767	COVER METAL HANDRAIL	1	
7	3211772	METAL HANDRAIL LH BLACK	1	
8	327254	COLLAR	1	
9	500463	WASHER FN CKF .187x.500x.090 BR Z050	2	
10	500552	SCREW TP OV PH #6x3/4 Z050	2	
11	820620	FITTING 1 1/4" X 1" T	1	

From R-6937

Date:01/2024

PAGE:X3-1812-01

MODESTY PANEL L.H.

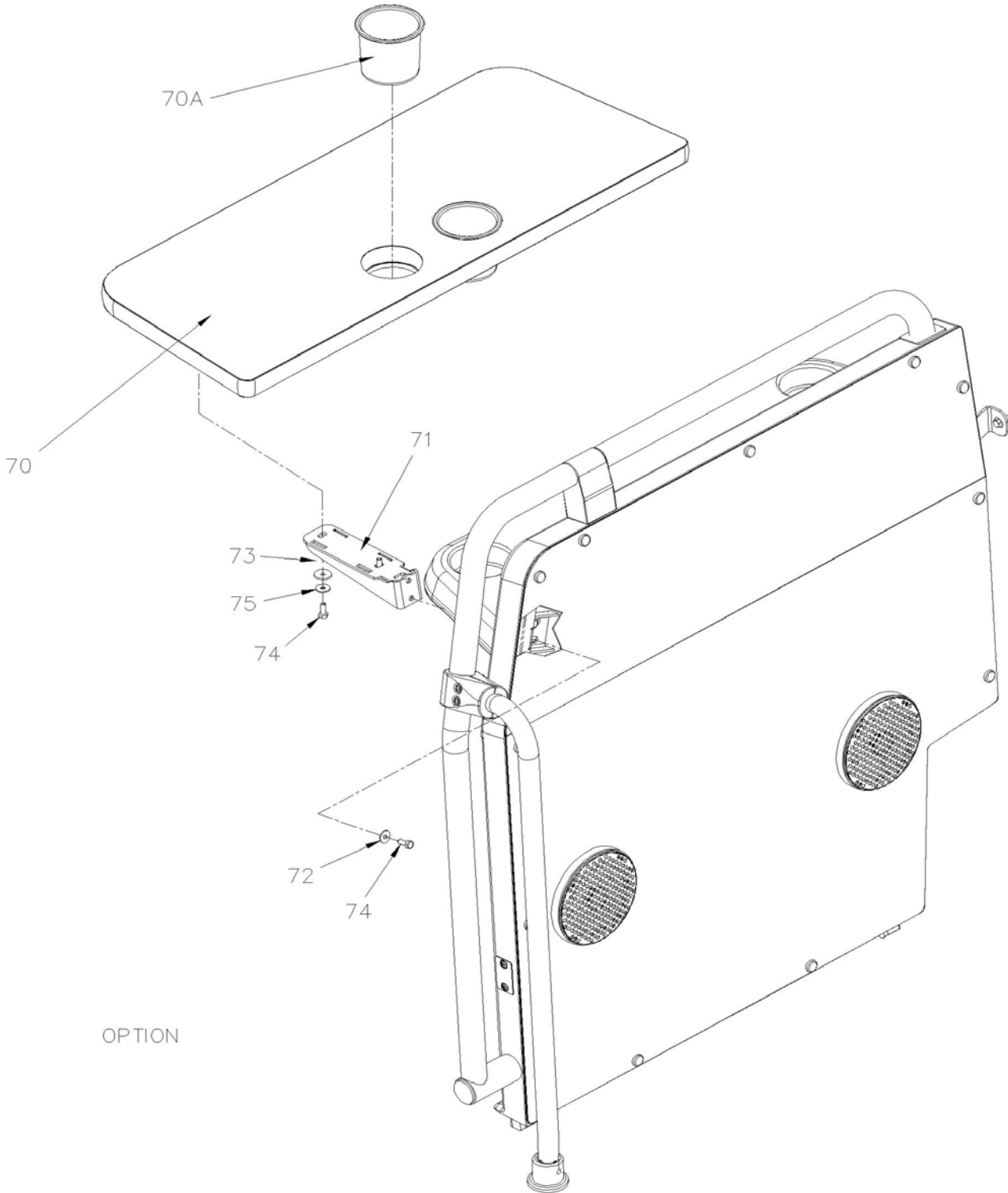


From R-6937

Date:01/2024

PAGE:X3-1812-01

MODESTY PANEL L.H.



OPTION

From R-6937	Date:01/2024	PAGE:X3-1812-01
MODESTY PANEL L.H.		

Item#	Part	Description	QTY	Notes
	Call order desk	LH MOD PAN WO/SHELF WO/AU OUT BLACK RAM	1	P
	Call order desk	LH MOD PAN WO/SHELF WO/AU OUT YELLOW RAM	1	P
	Call order desk	LH MOD PAN WO/SHELF W/AUD OUT YELLOW RAM	1	P B
	Call order desk	LH MOD PAN W/SHELF WO/AUD OUT BLACK RAM	1	P A
	Call order desk	LH MOD PAN W/SHELF WO/AUD OUT YELLOW RAM	1	P A
	Call order desk	LH MOD PAN W/SHELF W/AUD OUT BLACK RAMP	1	P A B
	Call order desk	LH MOD PAN W/SHELF W/AUD OUT YELLOW RAMP	1	P A B
	Call order desk	LH MOD PAN WO/SHELF W/AUD OUT BLACK RAM	1	P B
1	3211777	LH MOD PAN WO/SHELF WO/AUD OUT	1	
1	3211779	LH MOD PAN WO/SHELF W/AUD OUT	1	B
1	3211776	LH MOD PAN W/SHELF WO/AUD OUT	1	A
1	3211778	LH MOD PAN W/SHELF W/AUD OUT	1	A B
2	3210460	. STRUCTURE ASSY L.H. MODESTY	1	
3	3210504	. PANEL REAR / PLASTIC	1	
3	3210506	. PANEL REAR / PLASTIC	1	B
3	3210503	. PANEL REAR / PLASTIC	1	A
3	3210471	. PANEL REAR / PLASTIC	1	A B
4	500465	. WASHER FN CKF .278x.729x.119 SS	5	
5	502842	. NUT INS TYPE "A-L" OE M6-1.0 0.7-4.2 Z050	2	
6		. RIVET NUT FL 3/8-16 .027-.150	6	
7		. RIVET NUT FL #10-24 .020-.130	5	
8		NUT SPR J #10A .087-.110	9	
9	N30853	. SCREW MA FL PH #10-24x3/4 SS	5	
NS	9985283	. THREAD LOCKER LOCTITE #242 / BLUE / 250ml	AR	
11	3201720	METAL HANDRAIL UPPER BLACK	1	
12	3210725	COVER METAL HANDRAIL	1	
13	3201977	SHAFT, THREADED	1	
14	3211766	METAL HANDRAIL ANCH. MOD. PAN	1	
15	3211767	COVER METAL HANDRAIL	1	
16	3202045	METAL HANDRAIL DRIVER BLACK	1	
16	3201726	METAL HANDRAIL DRIVER YELLOW	1	WCL
17	3211772	METAL HANDRAIL LH BLACK	1	
18	820620	FITTING 1 1/4" X 1" T	1	
19	327254	COLLAR	1	
20	327198	SHELF	1	
21	Call order desk	PANEL FRONT ASSY W/COVERING S.C.C.	1	P
21	Call order desk	PANEL FRONT ASSY W/COVERING S.C.C. / USE W/SPEAKER	1	P
21	3210560	. ALUMINUM PANEL / W/OUT SPEAKER	1	
21	3210475	. ALUMINUM PANEL / USE W/SPEAKER 105MM O.D. / LOWER PANEL	1	
22	504400	SNAP CAP #10 FINISHING BLACK	AR	
23	500641	SCREW TP PAN PH #8x3/4 Z050	AR	
24	504399	WASHER RETAINER SNAP CAP #10	AR	

From R-6937		Date:01/2024	PAGE:X3-1812-01
MODESTY PANEL L.H.			

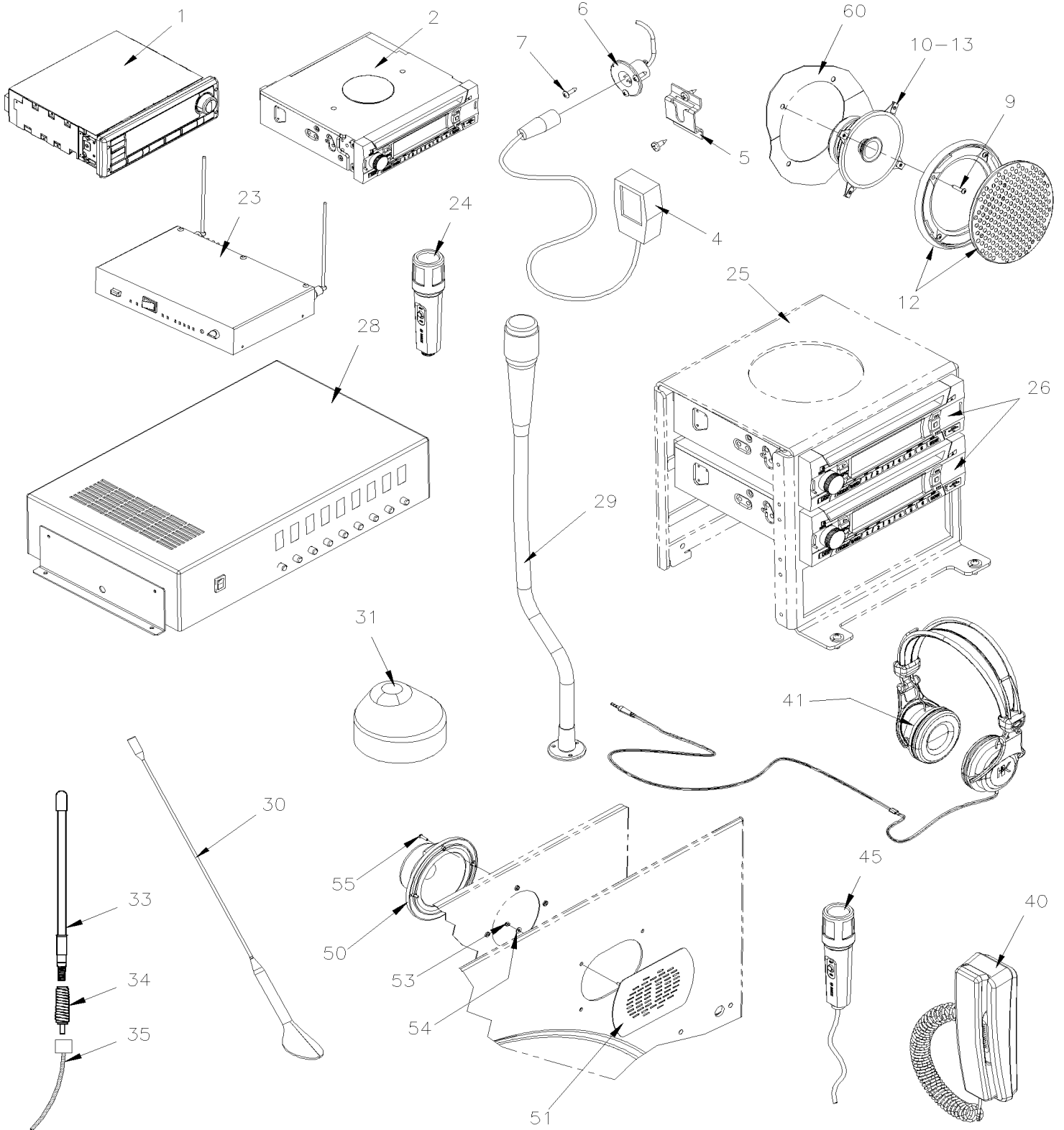
Item#	Part	Description	QTY	Notes
25	500855	WASHER FL .188x.438x.049 N500	AR	
26	327478	PLATE RETAINER	2	
27	500197	SCREW CAP HEX 3/8-16x1 G5 N500	6	
28	320686	CHANNEL 410MM	1	
29	500642	SCREW TP PAN PH #10x3/4 Z050	2	
30	500552	SCREW TP OV PH #6x3/4 Z050	3	
31	500463	WASHER FN CKF .187x.500x.090 BR Z050	3	
32	500306	SCREW SET HEXS CUP 1/4-20x1/4	6	
33	562679	4 WAY ADH. BACKED MOUNTS 1.000 x 1.000 x .160	AR	
34	5001847	SCREW CAP HEX M8-1.25x65 SS	1	
35	3210469	ANGLE	1	
36	502830	SCREW CAP HEX M6-1.0x20 G8.8 N500	3	
37	5001608	WASHER BEL SPR 6.2x15.0x0.7 G500	3	
38	5001989	SCREW CAP HEX M8-1.25x40 BK	3.000	
39	5000106	WASHER FL .454X.913X.106 ECOGUARD	4.000	
40	360293	STOPPER / USSC SEAT / WITH PLEXI GLASS	1	C
40	360295	STOPPER / USSC SEAT / WITHOUT PLEXI GLASS	1	C
41	5001155	SCREW TP PAN PH #8X3/4 N050	6	C
42	900217	CELLPHONE POUCH	1	O
43	504118	RIVET POP DOME OE 3/16x3/8 AL	4	O
44	400508	CARD HOLDER SS / 8 " x 12" x 1" TH	1	
45	504106	RIVET POP DOME OE 1/8x1/4 AL	AR	
46	500007	SCREW CAP HEX 1/4-28x3/4 G5 ZP	4	
47	502638	WASHER FL .312x.734x.065 N500	4	
50	X3-2315-01	SOUND SYSTEM & ACCESSORIES W/HED		
60	X3-2345-43	110 VOLT - OUTLET		
NS	861922	MAGAZINE NET 16" x 6 3/4"		F
NS	502666	SCREW MA FL PH #6-32x3/4 SS BK		F
NS	500286	NUT WELL #6-32		F
70	3210163	SHELF / SPECIAL CUP HOLDER		O
70A	900252	. CUP HOLDER		O
71	3210162	SHELF SUPPORT		O
72	5001462	WASHER FL 6.4x18.0x1.6 Z050		O
73	500142	WASHER FL 6.6x22.0x2.0 SS		O
74	5001744	SCREW CAP HEX M6-1.0x16 G8.8 N500		O
75	5001833	WASHER BEL SPR 6.1x18x1.27 SS		O
		A) TO USE WITH SHELF		

From R-6937		Date:01/2024	PAGE:X3-1812-01
-------------	--	--------------	-----------------

MODESTY PANEL L.H.

Item#	Part	Description	QTY	Notes
		B) WITH AUDIO & USB CONNECTOR AS SHOWN AT PAGE X3-2315-06		
		C) USE WITH USSC DRIVER'S SEAT		
		F) USE WITH MAGAZINE OPTION		
		O) OPTION		
		WCL) WITH WHEEL CHAIR LIFT		
		P) CALL ORDER DESK FOR SPECIFIC APPLICATION (V.I.N.)		

SOUND SYSTEM & ACCESSORIES W/HHED



From 7-8754		Date:01/2024	PAGE:X3-2315-01
SOUND SYSTEM & ACCESSORIES W/HHED			

Item#	Part	Description	QTY	Notes
1	21516503	CONTROL HEAD / "VOLVO" (VSS-05) To J-6296	1	
. NS	21251311	. REMOTE CONTROL / CONTROL HEAD VOLVO / VSS05 To J-6296	1	
1	900238	CONTROL HEAD / "VOLVO" (VSS-05A) From J-6297 To N-6685	1	
. NS	21251311	. REMOTE CONTROL / CONTROL HEAD VOLVO / VSS05 From J-6297 To N-6685	1	
1	563856	CONTROL HEAD / "VOLVO" (VSS-06) From N-6686	1	
. NS	21251311	. REMOTE CONTROL / CONTROL HEAD VOLVO / VSS05 From N-6686	1	
2	901437	RADIO "PREVOST" AM/FM/CD & MP3 BLUETOOTH (DELPHI / PANA PACIFIC) To H-6179	1	
2	23000462	RADIO "PREVOST" AM/FM/CD & MP3 BLUETOOTH (PANA PACIFIC) From H-6180 To N-6685	1	
2	901882	RADIO AM/FM SD CARD USB DEA710 (PANA PACIFIC) From N-6686	1	
2	901439	RADIO "PREVOST" AM/FM/CD & MP3 BLUETOOTH & XM (DELPHI / PANA PACIFIC) To H-6179	1	
2	23000444	RADIO "PREVOST" AM/FM/CD & MP3 BLUETOOTH & XM & SIRIUS (PANA PACIFIC) From H-6180 To N-6685	1	
2	901883	RADIO "PREVOST" AM/FM/CD & MP3 BLUETOOTH & XM & SIRIUS (PANA PACIFIC) From N-6686	1	
2	901438	RADIO "PREVOST" AM/FM/CD & MP3 BLUETOOTH SIRIUS (DELPHI / PANA PACIFIC) To H-6179	1	
2	23000444	RADIO "PREVOST" AM/FM/CD & MP3 BLUETOOTH & XM & SIRIUS (PANA PACIFIC) From H-6180 To N-6685	1	
2	901883	RADIO "PREVOST" AM/FM/CD & MP3 BLUETOOTH & XM & SIRIUS (PANA PACIFIC) From N-6686	1	
2	390021	REPLACEMENT OF RADIO #901437 BY #23000462 To H-6179	1	
. NS	23000444	. RADIO "PREVOST" AM/FM/CD & MP3 BLUETOOTH & XM & SIRIUS (PANA PACIFIC) To H-6179	1	
. NS	061010	. JUMPER HARNESS FOR DEA5XX RADIO To H-6179	1	
. NS	563962	. CONNECTOR / JUNIOR POWER TIMER / SH 8C / AMP 962191-1 To H-6179	1	
. NS	IS16100	. SEE INSTRUCTION SHEET To H-6179	1	
2	390023	REPLACEMENT OF RADIO #901438 & #901439 BY #23000444 To H-6179	1	
. NS	23000444	. RADIO "PREVOST" AM/FM/CD & MP3 BLUETOOTH & XM & SIRIUS (PANA PACIFIC) To H-6179	1	
. NS	061010	. JUMPER HARNESS FOR DEA5XX RADIO To H-6179	1	
. NS	563962	. CONNECTOR / JUNIOR POWER TIMER / SH 8C / AMP 962191-1 To H-6179	1	
. NS	IS16100	. SEE INSTRUCTION SHEET To H-6179	1	
NS	406440	ATTACHMENT / RADIO	AR	
NS	500989	WASHER FL .219x.875x.062 Z050	AR	
NS	500470	WASHER LO SPT .193x.334x.047 Z050	AR	
NS	502816	NUT HEX M5-0.8 N500	AR	
4	900808	MICROPHONE / W/6' CORD / "REI" TYPE C.B.	1	
. NS	900721	. CONNECTOR MICROPHONE 90° / R4F	1	
4	900829	MICROPHONE / W/10' CORD / "REI" TYPE C.B.	1	
. NS	900721	. CONNECTOR MICROPHONE 90° / R4F	1	
. NS	900900	. CABLE MICROPHONE 10' / "REI"	1	
4	901286	MICROPHONE / W/10' CORD / "REI" TYPE C.B.	1	
. NS	900721	. CONNECTOR MICROPHONE 90° / R4F	1	
. NS	900900	. CABLE MICROPHONE 10' / "REI"	1	
4	7770304	HANDS FREE MICROPHONE	1	
5	900859	BRACKET, MOUNTING / MICROPHONE	AR	
NS	500583	SCREW TP PAN PH #6x1/2 Z050 To H-6179	AR	
5	5001332	SCREW MA PAN PH M4-0.7x16 SS From H-6180	2	
6	404226	OUTLET, MICROPHONE / 12" W/CONNECTOR	AR	

From 7-8754		Date:01/2024	PAGE:X3-2315-01
SOUND SYSTEM & ACCESSORIES W/HHED			

Item#	Part	Description	QTY	Notes
7	500798	SCREW TP PAN PH #4-3/8 ZP To H-6179	AR	
7	5001399	SCREW MA CHE PH M3-0.5x12 SS From H-6180	AR	
9	500814	SCREW TP BDG PH #6x3/4 BK	4	
10	500996	NUT SPR U #6-32 .135-.150	4	
12	901195	SPEAKER COAXIAL To P-6883	1	
12	901908	SPEAKER 100MM From P-6884	1	
12	901261	GRILLE / SPEAKER NO STAMPED To P-6883	1	
12	901909	GRILLE / SPEAKER From P-6884	1	
13	066704	CABLE SPEAKER / JCT & LH & RH	1	
23	901201	RECEIVER WIRELESS MICROPHONE / 16 CHANNEL To H-6188	1	
23	901657	RECEIVER WIRELESS MICROPHONE / 200 CHANNEL From H-6189 To K-6444	1	
23	901702	RECEIVER WIRELESS MICROPHONE / 200 CHANNEL From K-6445	1	
NS	500799	SCREW TC PAN PH #8-32x3/8 N500	4	
24	900954	MICROPHONE, WIRELESS / 16 CHANNEL To H-6188	1	
NS	685199	BATTERY 1.5V / TYPE "AA" / RECHARGEABLE To H-6188	AR	
24	901640	MICROPHONE, WIRELESS / 100 CHANNEL From H-6189 To K-6444	1	
24	901701	MICROPHONE, WIRELESS / 100 CHANNEL From K-6445	1	
NS	685199	BATTERY 1.5V / TYPE "AA" / RECHARGEABLE From K-6445	2	
NS	900953	STATION WIRELESS BATTERY CHARGING 16 CHANNEL To H-6188	1	
NS	901639	STATION WIRELESS BATTERY CHARGING 100 CHANNEL From H-6189	1	
25	X3-2317-31	VIDEO & AUDIO SYSTEM - INSTALLATION W/HHED		
26	23000444	RADIO "PREVOST" AM/FM/CD & MP3 BLUETOOTH & XM & SIRIUS (PANA PACIFIC) To N-6685	1	
26	901883	RADIO "PREVOST" AM/FM/CD & MP3 BLUETOOTH & XM & SIRIUS (PANA PACIFIC) From N-6686	1	
26	23000462	RADIO "PREVOST" AM/FM/CD & MP3 BLUETOOTH (PANA PACIFIC) To N-6685	1	
26	901882	RADIO AM/FM SD CARD USB DEA710 (PANA PACIFIC) From N-6686	1	
29	901045	MICROPHONE / W/GOOSE NECK 36"	1	
NS	504234	SPRING CLIP 5/16" To K-6492	2	
29	504234	SPRING CLIP 5/16" From L-6493	1	
NS	500409	SCREW TP PAN PH #8x1/2 BK To K-6492	2	
29	5001155	SCREW TP PAN PH #8X3/4 N050 From L-6493	1	
NS	500862	SCREW TC PAN PH #6-32x3/4 Z050	3	
30	901371	ANTENNA, RADIO / W/AMPLIFIER To L-6494	1	
30	23037107	ANTENNA AM/FM/DAB W/SPRING 200MM From L-6495	1	
30	22571367	ANTENNA AM/FM/DAB 200MM From L-6495	1	
30	22472986	ANTENNA AM/FM/DAB FLEXABLE From L-6495	1	
30	901252	EXTENSION CABLE FOR RADIO ANTENNA 25' To H-6179	1	
30	900060	EXTENSION CABLE FOR RADIO ANTENNA 20' From H-6180 To L-6494	1	
30	901728	CABLE RG58 AM-FM ANTENNA FAKRA B FEM WHT 25' From L-6495	1	
30	901371	ANTENNA, RADIO / W/AMPLIFIER	1	O
30	900060	EXTENSION CABLE FOR RADIO ANTENNA 20'	1	O
30	22472979	ANTENNA (VOLVO LINK) From L-6495	1	

From 7-8754	Date:01/2024	PAGE:X3-2315-01
SOUND SYSTEM & ACCESSORIES W/HHED		

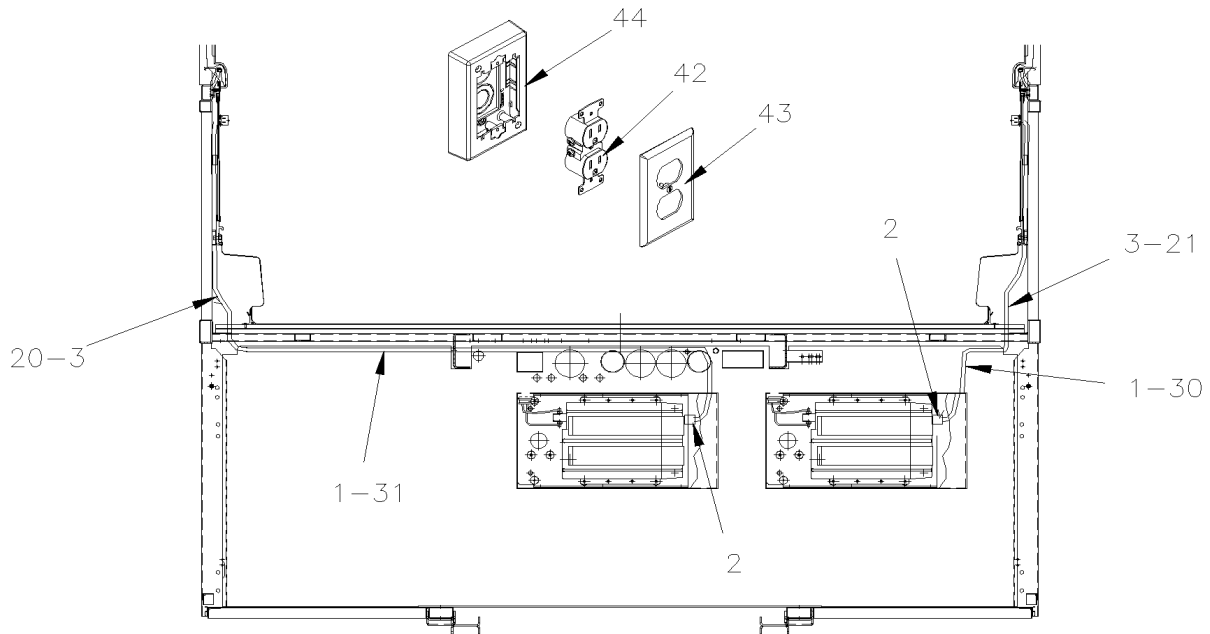
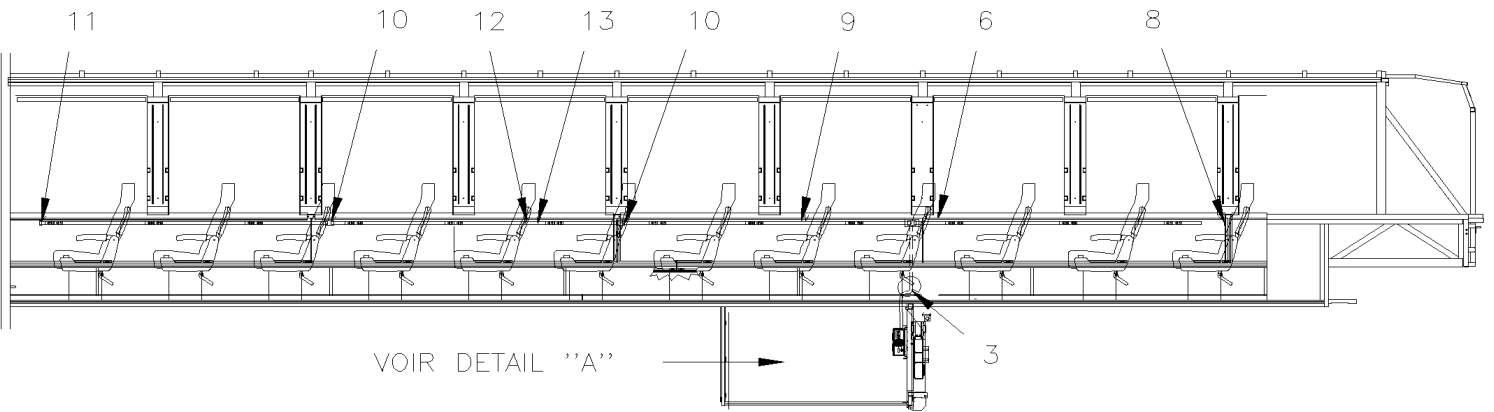
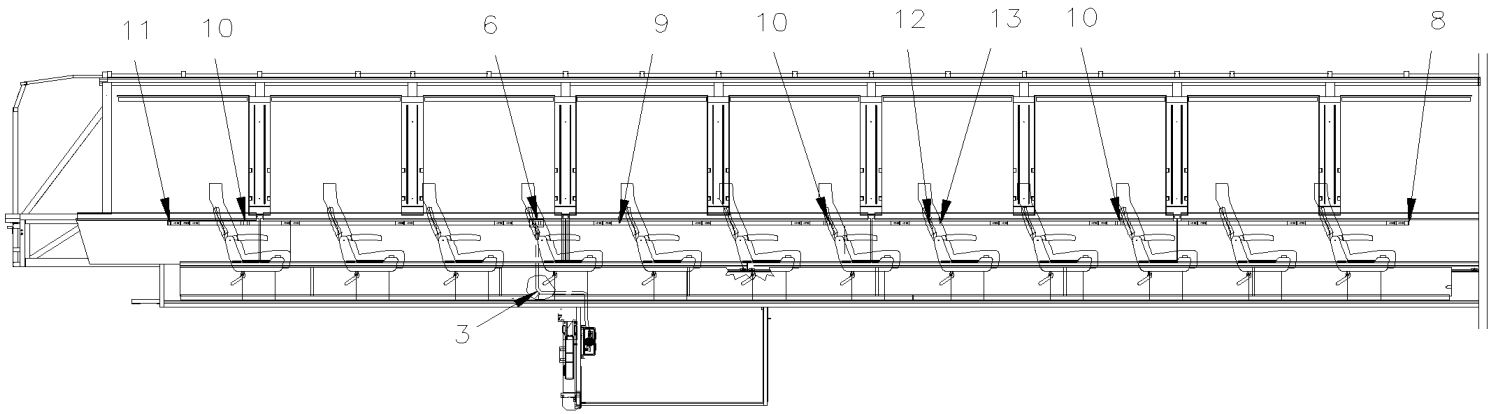
Item#	Part	Description	QTY	Notes
NS	900775	Y RADIO ANTENNA CABLE / TO USE W/2 RADIOS	AR	
NS	900663	ADAPTOR / RADIO & ANTENNA CABLE / MOTOROLA MALE to EURO FEMA	AR	
30	901372	CABLE ADAPTOR / RADIO & ANTENNA CABLE / MOTOROLA / M TO EURO / F	1	
NS	901219	ANTENNA ROOF "XM" & SIRIUS"	1	
NS	901220	CABLE, ANTENNA EXTENSION / "XM & SIRIUS"	1	
31	901124	ANTENNA ASSY / CELLULAR	1	
33	900888	ANTENNA ASSY / C.B. / 12"	1	
33	901563	ANTENNA ASSY 170MM	1	
34	900895	SPRING EXTENSION / .828 O.D. x 3.010 X .104 W/3/8	1	
35	900889	CABLE, ANTENNA 22' / 511386	1	
NS	5001242	WASHER SHR .375x.110 NYL	2	
NS	403488	WASHER	1	
NS	685126	ADHESIVE SIMSON #ISR 70-03 / GREY / 600ml SAUSAGE	AR	
40	901446	INTERCOM SYS. DUAL HANDSET AT-406B	1	
40	901447	POWER ADAPTER 120VAC TO 6VDC	1	
41	900881	HEAD SET EARPHONE	AR	
NS	900882	FOAM CUSHION PAD / (SET OF 2) / FOR 900881	1	
41	900882	FOAM CUSHION PAD / (SET OF 2) / FOR 900881	AR	
45	900745	MICROPHONE / W/10' CORD / "SHURE" / TYPE ENTERTAINER	1	
NS	900900	CABLE MICROPHONE 10' / "REI"	1	
50	563011	SPEAKER / EXTERIOR / PIONEER	1	B
51	491474	GRILLE SS / SPEAKER / EXTERIOR 200MM X 130	1	B
53	502557	NUT HEX NYRT M4-0.7 SS	4	B
54	504357	WASHER FL .187x.437x.050 SS	4	B
55	502698	SCREW MA PAN PH M4-0.7x16 SS BK	4	B
60	X3-1812-00	MODESTY PANEL L.H.		
69	OC2021102	REFERENCE ONLY From P-6884	1	
		B) WITH EXTERIOR SPEAKER FIXED FRONT FENDER PANEL		
		O) WITH INDIVIDUAL HEAD SET		

From 7-8754

Date:01/2024

PAGE:X3-2345-43

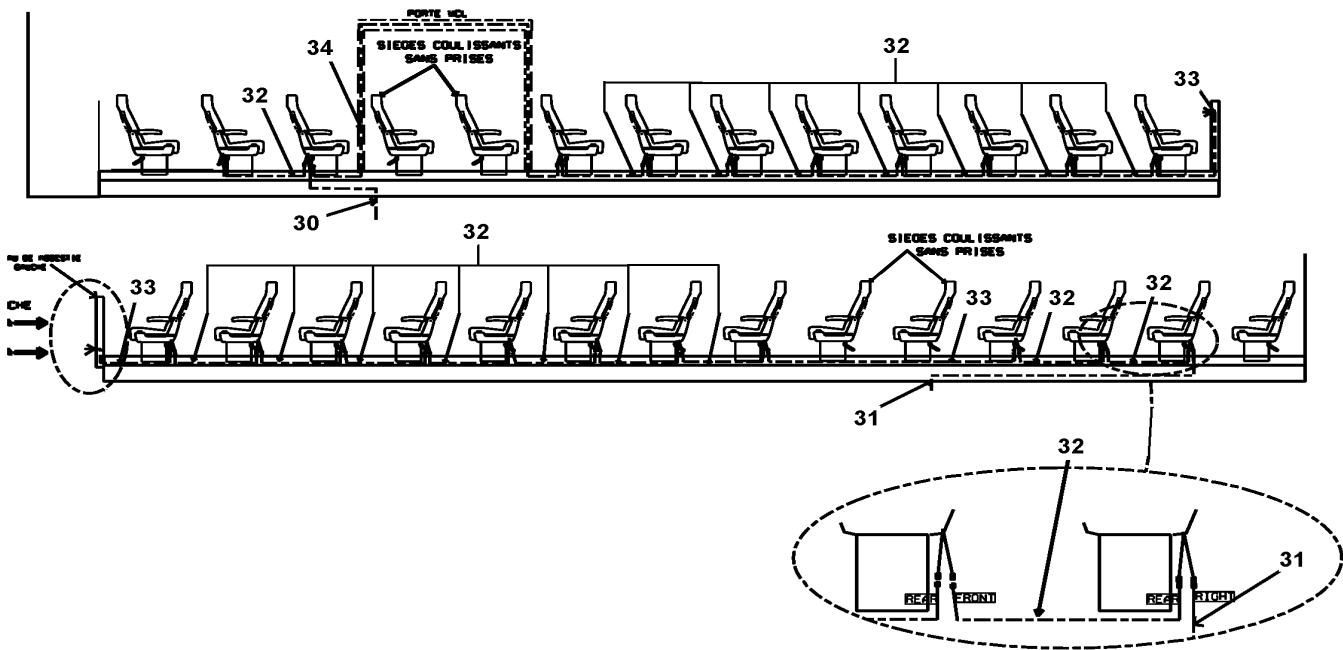
110 VOLT - OUTLET



DETAIL 'A'

From 7-8754	Date:01/2024	PAGE:X3-2345-43
110 VOLT - OUTLET		

WITH "AMAYA" PATRIOT SEAT MODEL

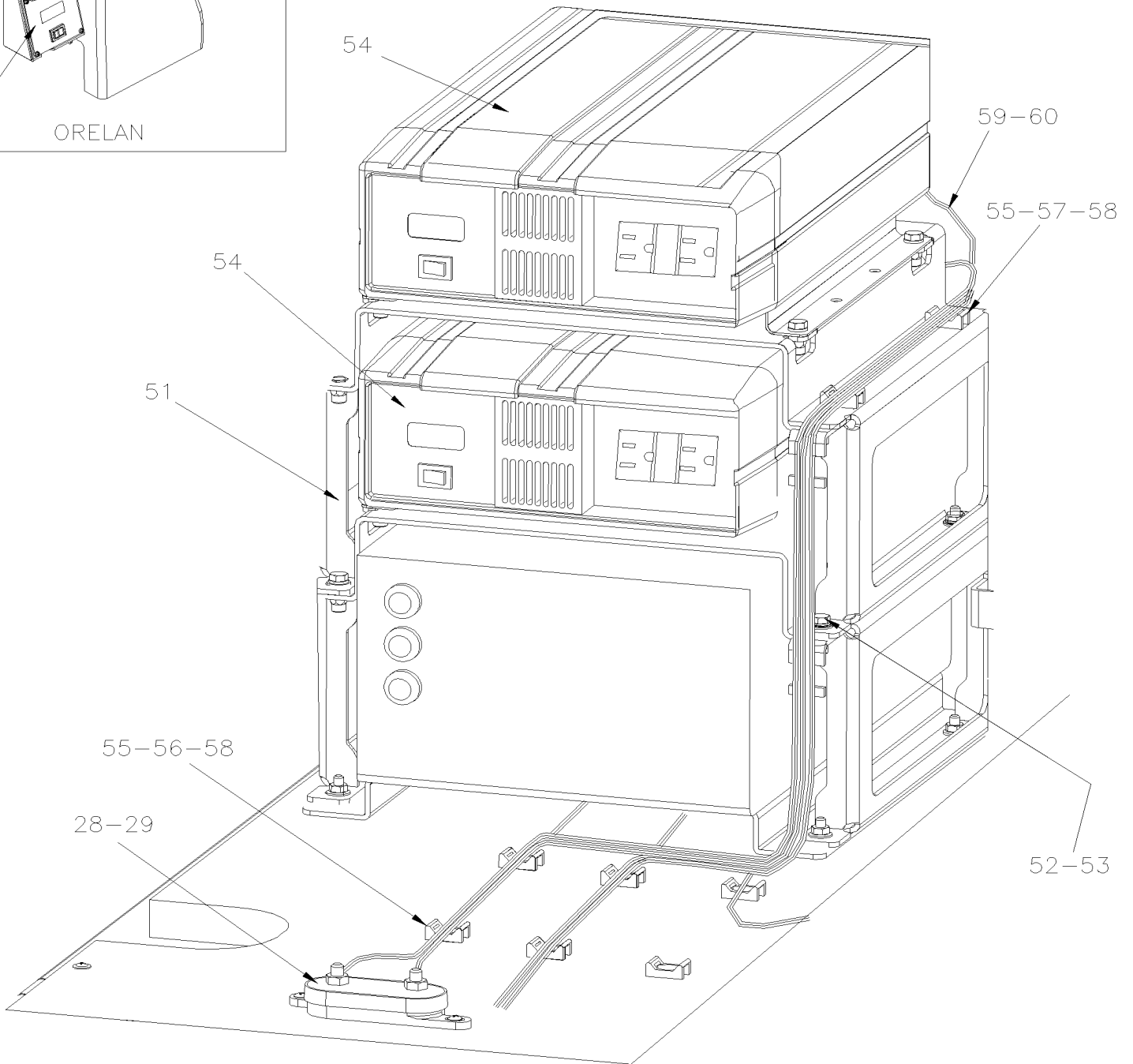
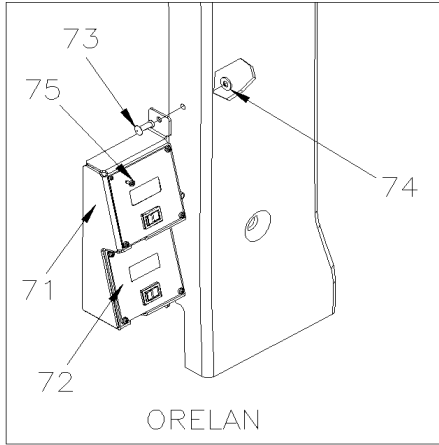


From 7-8754

Date:01/2024

PAGE:X3-2345-43

110 VOLT - OUTLET

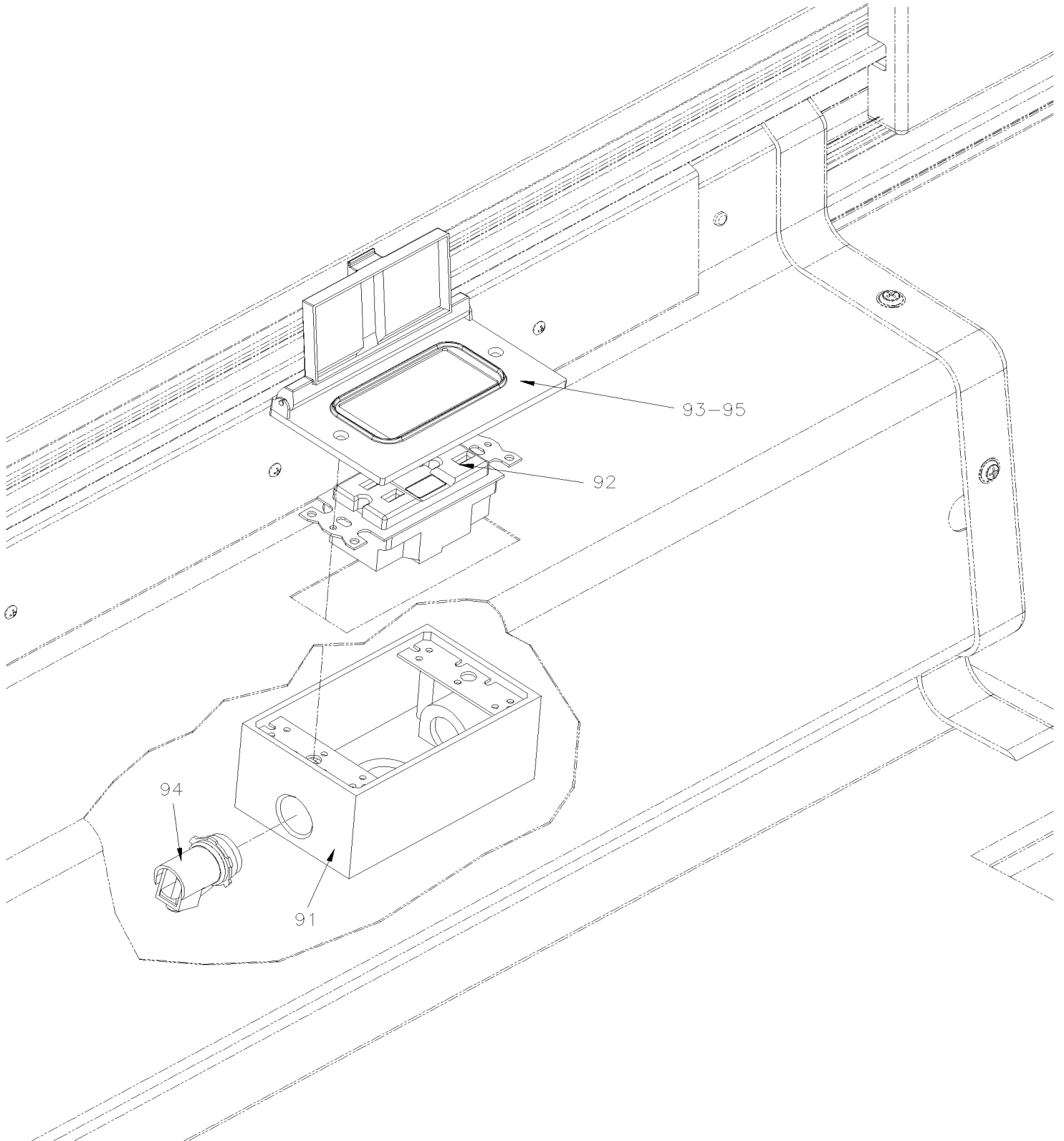


From 7-8754

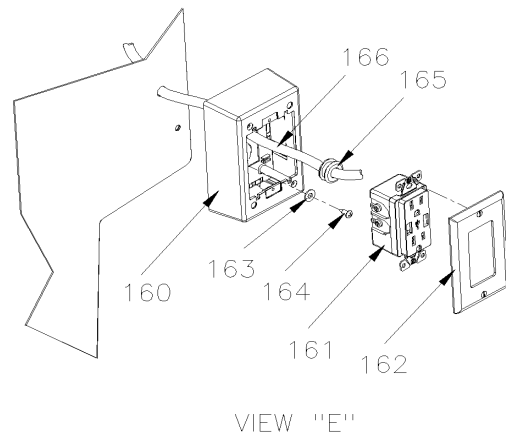
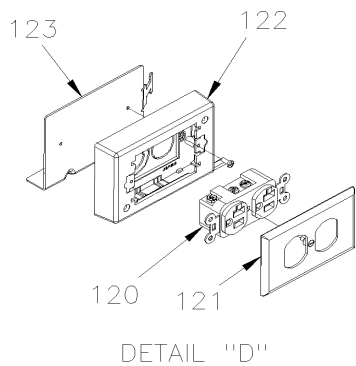
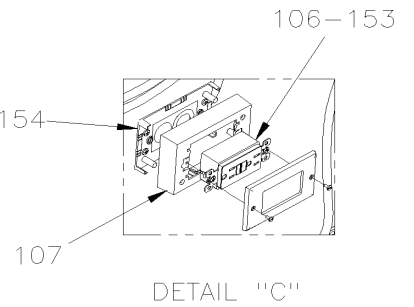
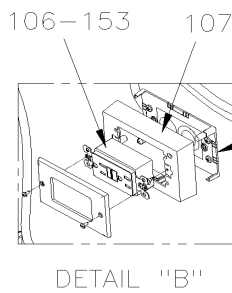
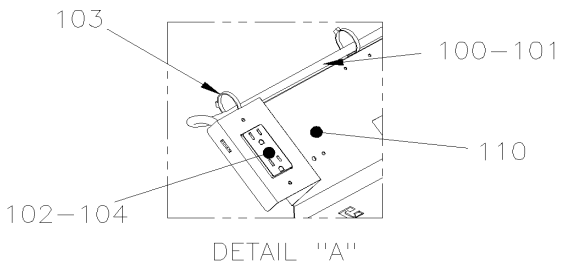
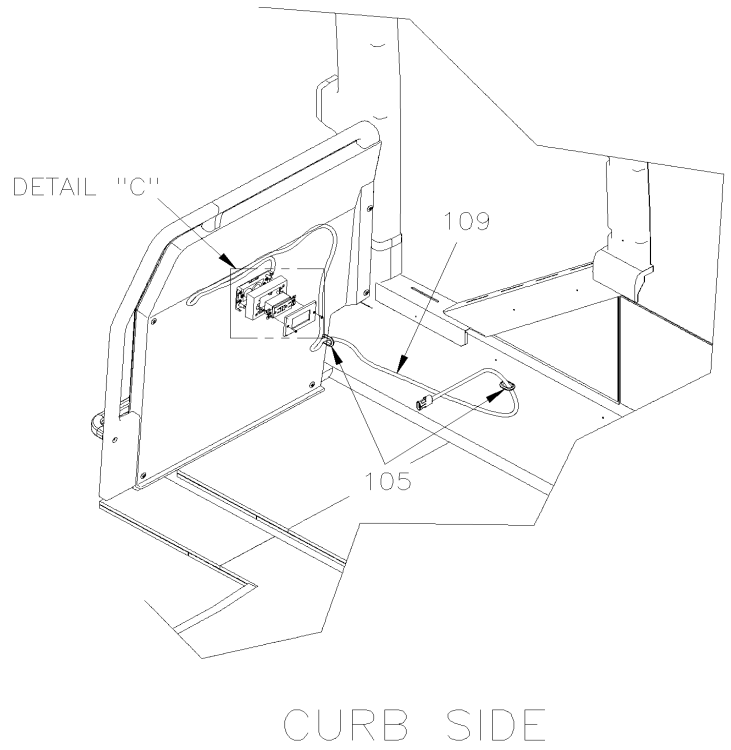
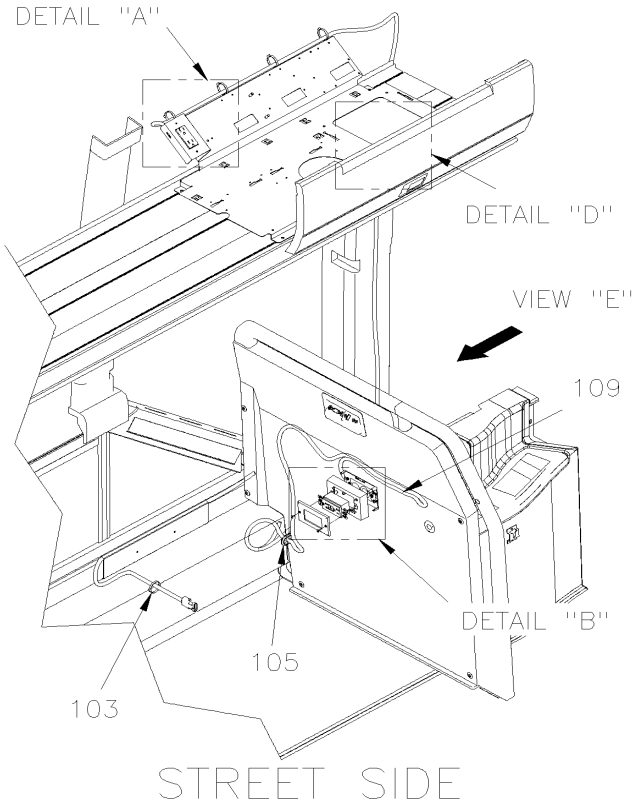
Date:01/2024

PAGE:X3-2345-43

110 VOLT - OUTLET



From 7-8754	Date:01/2024	PAGE:X3-2345-43
110 VOLT - OUTLET		



From 7-8754	Date:01/2024	PAGE:X3-2345-43
110 VOLT - OUTLET		

Item#	Part	Description	QTY	Notes
1	562664	PROTECTOR METALLIC 1"/CABLE	AR	
2	560933	CONNECTOR / 15 AMPS / HUBBELL 5266-C	AR	
3	562595	SPECIAL WIRE CABLE 14/3 / WHITE (BOAT CABLE)	AR	WT
6	563098	STARTER, 110V FEEDER HATRD WIRED	AR	WT
8	563146	COVER, END TRACK	AR	WT
9	563100	RECEPTACLE 110V	AR	WT
10	563101	CONNECTOR STRAIGHT TRACK	AR	WT
11	563102	TRACK END CAP	AR	WT
12	563099	TRACK 110V 96"	AR	WT
12	563989	TRACK 110V 60"	AR	WT
13	563103	COVER, TRACK	AR	WT
		NEXT CABLES USE WITH 110V OUTLET		
		INSTALL BY SEAT SUPPLIER		
20	067423	CABLE ASSY / STREETSIDE W/14 PLUGS W/59 PASS	1	
20	067569	CABLE ASSY / STREETSIDE W/14 PLUGS "GREYHOUND"	1	
21	067374	CABLE ASSY / CURBSIDE W/11 PLUGS "GREYHOUND" W/55 PASS	1	
21	067570	CABLE ASSY / CURBSIDE W/8 PLUGS "GREYHOUND"	1	
22	067571	CABLE ASSY / CURBSIDE W/3 PLUGS "GREYHOUND"	1	
22	067424	CABLE ASSY / CURBSIDE W/13 PLUGS W/59 PASS	1	
22	067375	CABLE ASSY / CURBSIDE W/8 PLUGS "GREYHOUND" W/55 PASS	1	
28	563750	FUSEHOLDER W/RED COVER / MEGA FUSE /	1	
29	068169	BUS BAR / W/2 HOLES From J-6221	1	
30	067608	CABLE ASSY / W/CONNECTOR / INVERTER STREET SIDE LH / 3200M To B-5001	1	
30	068257	CABLE ASSY / W/CONNECTOR / INVERTER STREETSIDE 73000MM From B-5002 To J-6244	1	
30	060586	CABLE ASSY / W/CONNECTOR / INVERTER STREETSIDE From J-6245	1	
31	067607	CABLE ASSY / W/CONNECTOR / INVERTER CURBSIDE / RH /1300MM To B-5001	1	
31	068198	CABLE ASSY / W/CONNECTOR / INVERTER CURBSIDE 5000MM From B-5002 To J-6244	1	
31	060587	CABLE ASSY / W/CONNECTOR / INVERTER CURBSIDE From J-6245	1	
32	067703	CABLE ASSY EXTENSION 1200MM / EACH SEAT	AR	
33	067704	CABLE ASSY EXTENSION 2900MM / TO FRONT MODESTIE PANEL	AR	
34	067705	CABLE ASSY EXTENSION 7300MM / OVER W.C.L. DOOR		
NS	067984	CABLE ASSY 2 PLUG, FOR SLIDING SEATS	1	
35	068321	CABLE ASSY 3 PLUG, FOR SLIDING SEATS /	1	
36	068221	CABLE ASSY JUMPER "Y" 120VAC	2	
		NEXT CABLES USE WITH 110V OUTLET		
		INSTALL STD HOUSE 110V OUTLET		
40	067989	CABLE ASSY / STREETSIDE W/6 RECEPTACLES	1	

From 7-8754		Date:01/2024	PAGE:X3-2345-43
110 VOLT - OUTLET			

Item#	Part	Description	QTY	Notes
41	067990	CABLE ASSY / CURBSIDE W/5 RECEPTACLE	1	
42	562657	PLUG DOUBLE 110 VAC MURAL / WHITE	AR	
42	564507	PLUG DOUBLE 110 VAC MURAL W/2 USB PORT GREY NYLON "DECORA" To J-6316	AR	
42	561200	PLUG DOUBLE 110 VAC MURAL GREY NYLON "DECORA" From J-6317	AR	
43	562659	COVER PLATE DOUBLE 110V OUTLET / WHITE	AR	
43	564591	COVER PLATE DOUBLE 110V OUTLET GREY NYLON "DECORA"	AR	
44	564129	RECEPTACLE BOX / 110Vac outlet / WHITE	AR	
44	564187	RECEPTACLE BOX / 110Vac outlet / GREY	AR	
NS	504061	GROMMET / .4375x.687x.062x.312x.937	2	
		FIXED OVER THE BATTERIE CHARGER BESIDE LAVATORY		
51	068200	SUPPORT "HAT" CHANNEL From B-5002 To E-5578	2	
51	068897	SUPPORT "HAT" CHANNEL From E-5579 To H-6179	2	
NS	5001344	NUT INS FL HEX M6-1.0 0.5-3.0 SS From E-5579 To H-6179	8	
51	060588	SUPPORT "HAT" CHANNEL From H-6180	2	
52	5001743	SCREW CAP HEX M6-1.0x12 G8.8 N500 From B-5002	12	
53	502853	WASHER LO SPT 6.1x11.8x1.6 N500 From B-5002	12	
54	563082	POWERVERTER ASSY / 24/110 V 1800 WATTS W/DISPLAY ON INVERTER From B-5002	2	
54	564636	POWERVERTER ASSY / 24/110 V 1800 WATTS W/REMOTE DISPLAY From B-5002	2	
55	504013	TIE MOUNT / 1/4" X 1/4" I.D. From B-5002	10	
56	500957	SCREW TP BDG PH #10x3/4 N500 From B-5002	10	
57	500209	SCREW TC BDG PH #10-24x3/8 N500 From B-5002 To G-5931	4	
57	5001975	SCREW TC BDG PH #10-24x3/8 SS410 ZINC From G-5932	4	
58	504637	CABLE TIE / 3/16" x 13" From B-5002	10	
59	068252	CABLE GROUND INVERTER From B-5002 To J-6220	1	
59	060018	CABLE GROUND INVERTER From J-6221	1	
60	068253	CABLE POSITIF INVERTER From B-5002 To J-6220	1	
60	069040	BUS BAR From J-6221	1	
63	065542	CABLE ASSY #4 x 1750MM From B-5002	1	
63	067835	CABLE ALT POWER HARNESS W/VOLVO From B-5002	1	
63	068136	CABLE INVERTER From B-5002 To H-6179	1	
63	069526	CABLE INVERTER /24V From H-6180	1	
71	068776	SUPPORT TWO DISPLAY	1	A
71	060071	SUPPORT ONE DISPLAY	1	A
72	564637	INVERTER DISPLAY & SWITCH	2	A
72	068778	CABLE INVERTER DISPLAY To G-6014	1	A
72	069353	CABLE INVERTER DISPLAY From G-6015 To K-6417	1	A
72	0610041	CABLE INVERTER DISPLAY From K-6418	1	A
72	565129	REMOTE INTERFACE PANEL - FOR DISPLAY From G-6015	1	A D
72	8631155	CABLE TIE / 4.6MM x 200 / CHRISTMAS TREE	1	A

From 7-8754		Date:01/2024	PAGE:X3-2345-43
110 VOLT - OUTLET			

Item#	Part	Description	QTY	Notes
73	504118	RIVET POP DOME OE 3/16x3/8 AL	2	A
74	500964	WASHER FL .203x.500x.047 Z050	2	A
75	5001091	SCREW TC PAN PH #4-40x1/4 BK	8	A
91	564506	BOX ALUMINIUM / 110 VAC MURAL	2	
92	564507	PLUG DOUBLE 110 VAC MURAL W/2 USB PORT GREY NYLON "DECORA"	2	
93	564508	COVER PLATE DOUBLE 110V OUTLET SILVER	2	
94	564565	CONNECTOR L-16	2	
95	068404	DECAL "120 VOLTS AC"	2	
100	068295	CABLE / 120VAC / PARCEL RACK OUTLET To L-6602	1	C
100	068339	CABLE / 120VAC / PARCEL RACK OUTLET From L-6603	1	C
100	069630	CABLE / 120VAC / PARCEL RACK OUTLET (LH & RH)	1	B
100	069632	CABLE / 120VAC / PARCEL RACK OUTLET (MAIN)	1	B
101	560784	SHRINK TUBING / .250" - .080" / BLACK / ALPHA FIT-300-1/4-4B	AR	
102	564187	RECEPTACLE BOX / 110Vac outlet / GREY	1	
102	564507	PLUG DOUBLE 110 VAC MURAL W/2 USB PORT GREY NYLON "DECORA"	1	
103	504637	CABLE TIE / 3/16" x 13"	AR	
104	564591	COVER PLATE DOUBLE 110V OUTLET GREY NYLON "DECORA"	1	
104	680319	TAPE ADHESIF ELECTRIC / BLACK 3/4"	AR	
105	504574	GROMMET / 1.125x1.312x.062x.312x1.56	4	
106	564188	PLUG DOUBLE 110 VAC MURAL GREY NYLON "DECORA"	2	
106	564507	PLUG DOUBLE 110 VAC MURAL W/2 USB PORT GREY NYLON "DECORA" To J-6316	2	
106	561200	PLUG DOUBLE 110 VAC MURAL GREY NYLON "DECORA" From J-6317	2	
106	564591	COVER PLATE DOUBLE 110V OUTLET GREY NYLON "DECORA"	2	
107	564187	RECEPTACLE BOX / 110Vac outlet / GREY	2	
108	500638	SCREW TP PAN PH #8x1/2 Z050	8	
109	067704	CABLE ASSY EXTENSION 2900MM / TO FRONT MODESTIE PANEL	2	
110	406630	PLATE SUPPORT MAIN SYSTEM To K-6367	1	
110	400682	PLATE SUPPORT MAIN SYSTEM From K-6368 To L-6494	1	
110	401365	VIDEO PLATE From L-6495 To N-6755	1	
110	406772	VIDEO PLATE From N-6756	1	
		OUTLET ONTO AMPLIFIER ENCLOSURE To D-5377		
120	562657	PLUG DOUBLE 110 VAC MURAL / WHITE To D-5377	1	
121	562659	COVER PLATE DOUBLE 110V OUTLET / WHITE To D-5377	1	
122	564129	RECEPTACLE BOX / 110Vac outlet / WHITE To D-5377	1	
123	381790	SUPPORT / 110V OUTLET To D-5377	1	
NS	504637	CABLE TIE / 3/16" x 13" To D-5377	4	
NS	068295	CABLE / 120VAC / PARCEL RACK OUTLET To D-5377	1	
NS	560094	FLANGE SPADE TERMINAL #10 / 16-14 / AMP 320863 To D-5377	3	

From 7-8754	Date:01/2024	PAGE:X3-2345-43
110 VOLT - OUTLET		

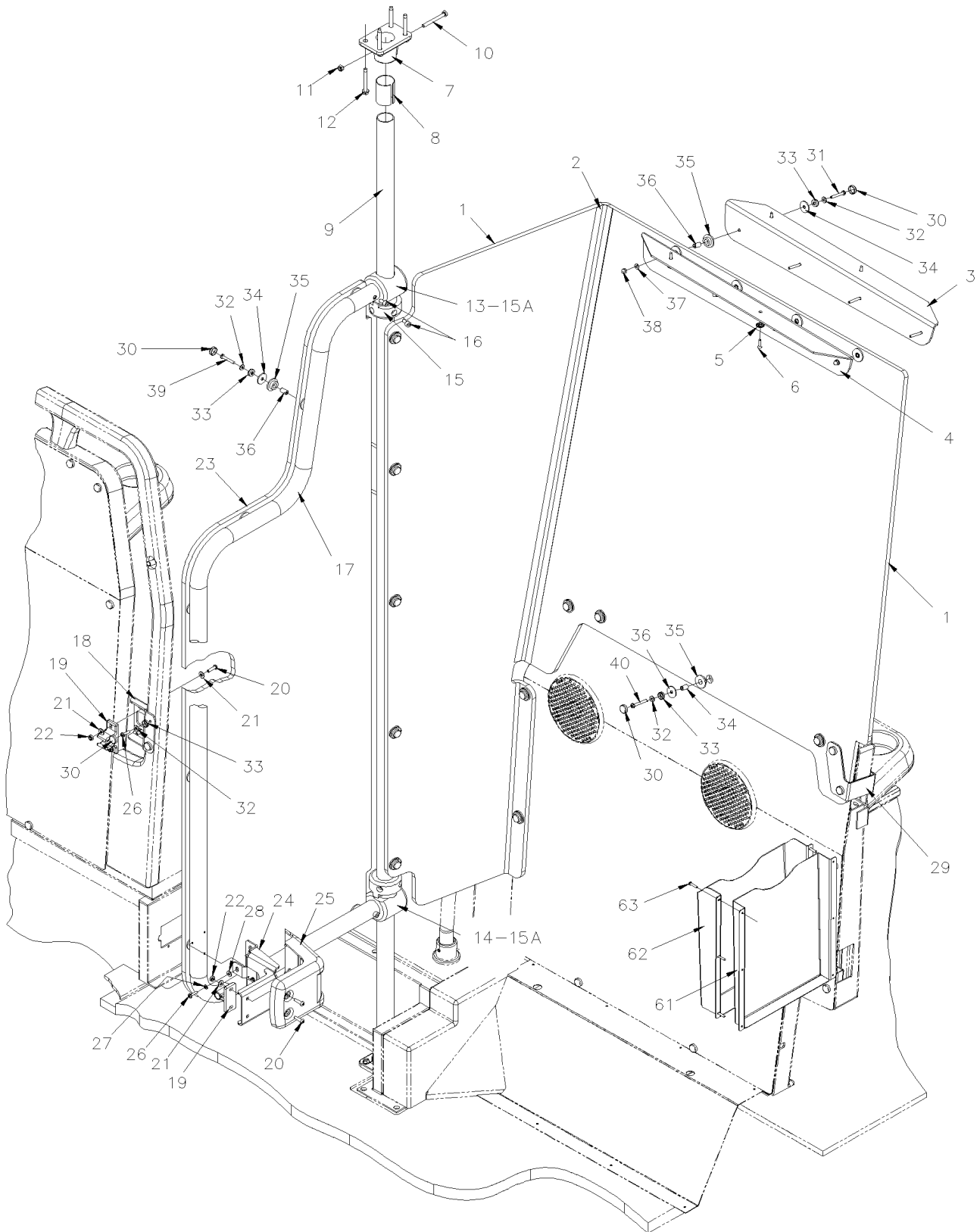
Item#	Part	Description	QTY	Notes
		OUTLET WITH USB PORT		
151	069612	HARNESS, 120VAC GREY USB, MOD. PANEL From G-6084	2	
152	068937	CABLE ASSY EXTENSION / WCL DOOR From G-6084	1	
153	565200	PLUG DOUBLE 110 VAC MURAL W/2 USB PORT / GREY From G-6084	2	
153	564591	COVER PLATE DOUBLE 110V OUTLET GREY NYLON "DECORA" From G-6084	2	
154	500638	SCREW TP PAN PH #8x1/2 Z050 From G-6084	24	
155	680093	SEALANT TAPE BUTYL / GREY / 1/16"x1 1/2"x50' /71079B11760 From G-6084	AR	
		OUTLET ON LEFT MODESTY (REAR DRIVER SEAT)		
160	564580	RECEPTACLE BOX / 110Vac outlet / GRAY From K-6467	1	
160	564187	RECEPTACLE BOX / 110Vac outlet / GREY From K-6467	1	
161	565200	PLUG DOUBLE 110 VAC MURAL W/2 USB PORT / GREY From K-6467	1	
161	564233	PLUG DOUBLE 110 VAC MURAL W/2 USB PORT / BLACK From K-6467 To N-6685	1	
161	564354	PLUG DOUBLE 110 VAC MURAL W/2 USB PORT / BLACK From N-6686	1	
161	564507	PLUG DOUBLE 110 VAC MURAL W/2 USB PORT GREY NYLON "DECORA" From K-6467	1	
162	564591	COVER PLATE DOUBLE 110V OUTLET GREY NYLON "DECORA" From K-6467	1	
162	564579	COVER PLATE DOUBLE 110V OUTLET BLACK NYLON "DECORA" From K-6467	1	
NS	563623	. BUTT SPLICE / 16-14 / BLUE / W/THERMORETRAC / PANDUIT BSH14-Q From K-6467	3	
163	500964	WASHER FL .203x.500x.047 Z050 From K-6467	4	
164	500638	SCREW TP PAN PH #8x1/2 Z050 From K-6467	4	
165	504568	GROMMET / .437x.687x.250x.500x1.000 From K-6467	1	
166	0610152	CABLE / 120VAC OUTLET / LEFT MODESTY From K-6467	1	
NS	504637	CABLE TIE / 3/16" x 13" From K-6467	4	
		A) WITH INVERTER DISPLAY BESIDE DRIVER		
		B) WITH 120V OUTLET IN PARCEL RACK LH AND RH		
		C) WITH 120V OUTLET IN PARCEL RACK LH OR RH		
		D) INSTALL ON INVERTER		
		WT) WITH INSTALLATION WITH WALL TRACK		

From 8-9426 To H-6179

Date:01/2024

PAGE:X3-1813-00

DRIVER'S GATE



From 8-9426 To H-6179	Date:01/2024	PAGE:X3-1813-00
DRIVER'S GATE		

Item#	Part	Description	QTY	Notes
1	329659	DRIVER'S PROTECTOR	1	
2	329671	DECAL BLACK	AR	
3	329688	ANGLE SUPPORT REAR PLEXIGLASS 545MM	1	
4	329687	ANGLE SUPPORT FRONT PLEXIGLASS 545MM	1	
5	500626	SCREW TP OV PH #8x3/4 Z050	4	
6	500464	WASHER FN CKF .210x.540 SS	4	
7	5011313	CUP W/2 SCREWS / STANCHION / ALUMINIUM / DIA. 1 5/16 3 1/2 x 2 3/8	2	
NS	216373	SUPPORT ROOF TUBE	1	
NS	216374	SUPPORT FLOOR TUBE	1	
8	329665	TUBE FLANGE 46.3 MM	2	
9	329662	TUBE DRIVER'S GUARD 2187MM To B-5049	1	
9	3200556	TUBE DRIVER'S GUARD 2189MM From B-5050	1	
10	5001710	SCREW CAP HEX M6-1.0x55 SS	2	
11	5001182	NUT HEX NYRT M6-1.0 SS	2	
12	5001708	SCREW TC CAP HEXW 1/4-20x2 SS To 9-9533	8	
12	5001733	SCREW CAP HEX 1/4-20x1 3/4 SS From 9-9534	8	
12	680038	THREAD LOCKER LOCTITE #243 / BLUE / 50ml From 9-9534	AR	
13	406185	HINGE UPPER, DRIVER PARTITION DOOR To D-5299	1	
13	406595	HINGE , DRIVER PARTITION DOOR From D-5300	1	
13	507314	PLUNGER BALL M12 X 1.75 From D-5300 To D-5316	1	
13	500341	SCREW SET HEXS CUP M12-1.75x20 From D-5317	1	
14	406186	HINGE LOWER, DRIVER PARTITION DOOR To D-5299	1	
14	406595	HINGE , DRIVER PARTITION DOOR From D-5300	1	
14	507314	PLUNGER BALL M12 X 1.75 From D-5300 To D-5316	1	
14	500341	SCREW SET HEXS CUP M12-1.75x20 From D-5317	1	
15	406187	STOPPER, DRIVER PARTITION DOOR To D-5299	2	
15	406601	STOPPER, DRIVER PARTITION DOOR From D-5300	1	
15A	406188	BUSHING, DOOR HINGE To D-5299	2	
15A	406602	BUSHING, DOOR HINGE From D-5300	1	
16	5001783	SCREW CAP HEXS M6-1.0x12 SS	4	
16	502634	SCREW SET HEXS CUP M6-1.0x6 From D-5300	4	
16	680038	THREAD LOCKER LOCTITE #243 / BLUE / 50ml	AR	
17	406197P	DOOR, DRIVER PARTITION ASSY.	1	A
17	406190	FRAME, DRIVER PARTITION DOOR	1	
18	406192	SUPPORT CATCH	1	
19	504753	LATCH ASSY NYLON (2 PARTS) PLASTIC WHITE	1	
20	500387	SCREW MA RND PH #10-24x3/4 Z050	4	
21	500964	WASHER FL .203x.500x.047 Z050	6	
22	500767	NUT HEX #10-24 Z050	4	
23	406191	PANEL, DRIVER PARTITION DOOR	1	
24	406189	BRACKET, DOOR LOCK	1	
25	406198	COVER, FINISHING, BRACKET DOOR LOCK	1	

From 8-9426 To H-6179		Date:01/2024	PAGE:X3-1813-00
DRIVER'S GATE			

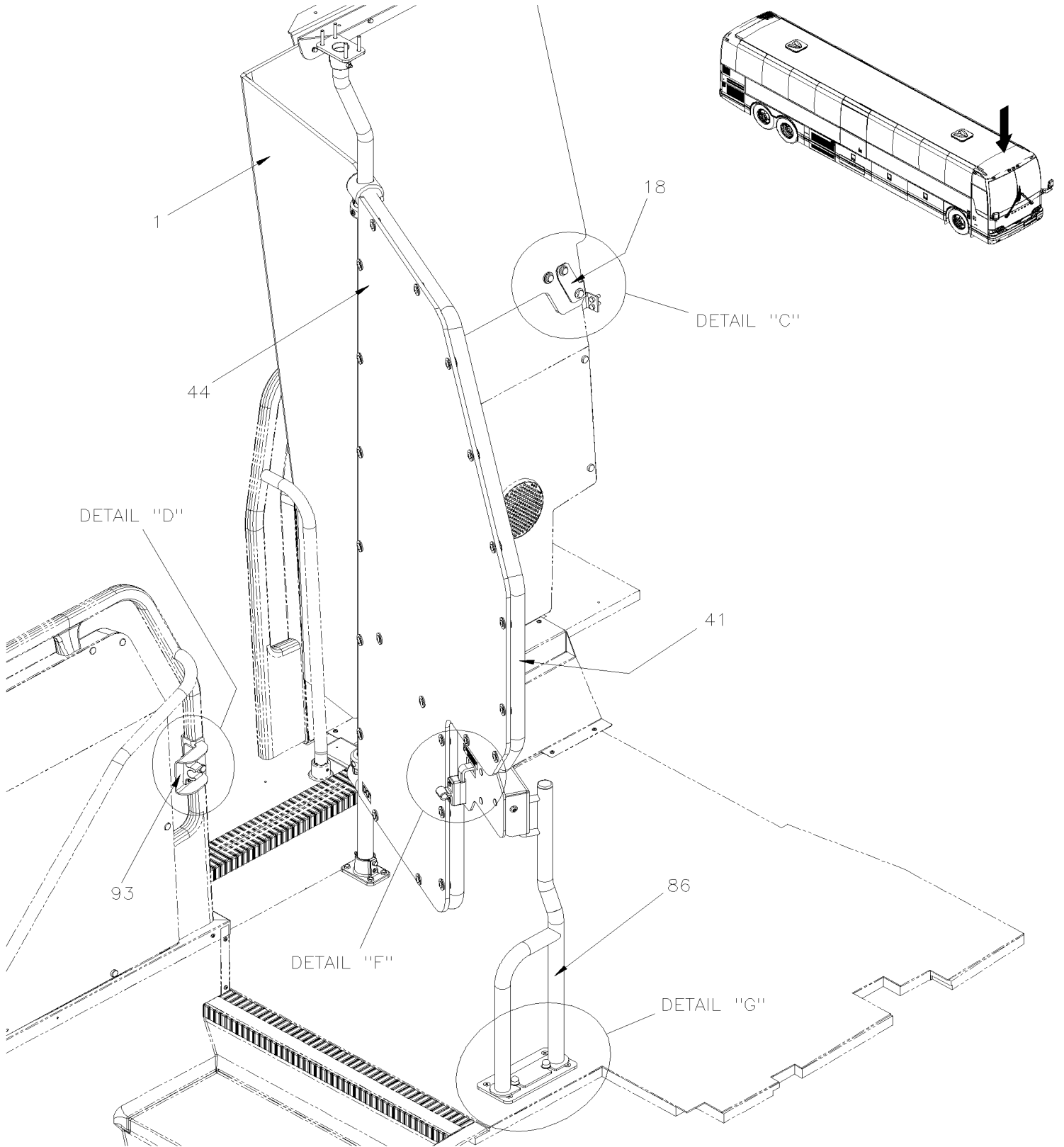
Item#	Part	Description	QTY	Notes
26	500641	SCREW TP PAN PH #8x3/4 Z050	6	
27	500470	WASHER LO SPT .193x.334x.047 Z050	5	
28	500438	WASHER FL .187x.437x.050 Z050	5	
29	3200641	SUPPORT ASSY	1	
29	329664	. SUPPORT	1	
NS	506466	. TAPE RUB ADH1 CC POL 1/16" x 1 1/2" x 100 / GREY 2520	AR	
30	504400	SNAP CAP #10 FINISHING BLACK	1	
31	502643	SCREW MA PAN PH #8-32x1 1/4 Z050	AR	
32	500855	WASHER FL .188x.438x.049 N500	AR	
33	504399	WASHER RETAINER SNAP CAP #10	AR	
34	500805	WASHER FL .218x.875x.062 N500	AR	
35	900251	BUSHING, RUBBER	AR	
36	400380	SPACER 5/16 O.D. x 17/32" x 18GA	AR	
36	505539	SPACER 5/16 O.D. x 17/32" x 18GA	AR	
37	500240	WASHER LO EXT .195x.410x.025 Z050	AR	
38	500501	NUT HEX CAP #8-32 SS	AR	
39	500575	SCREW TP PAN PH #8x1 1/4	AR	
40	500637	SCREW TP PAN PH #8x1 1/2 Z050	AR	
40	500436	SCREW TP OV PH #10x2 Z050	1	
61	405158	CARD HOLDER SS / 8 3/4" x 11" x 1" TH	1	
62	409194	CARD HOLDER SS / 8 3/4" x 11" x 2" TH	1	
63	500640	SCREW TP PAN PH #6x3/4 Z050	6	
70	X3-1810-00	MODESTY PANEL R.H.		
		A) INCULED 17-19-20-21-22-23-24-25-26-27-30-32-33-34-35-36-39		

From H-6180

Date:01/2024

PAGE:X3-1813-01

DRIVER'S GATE

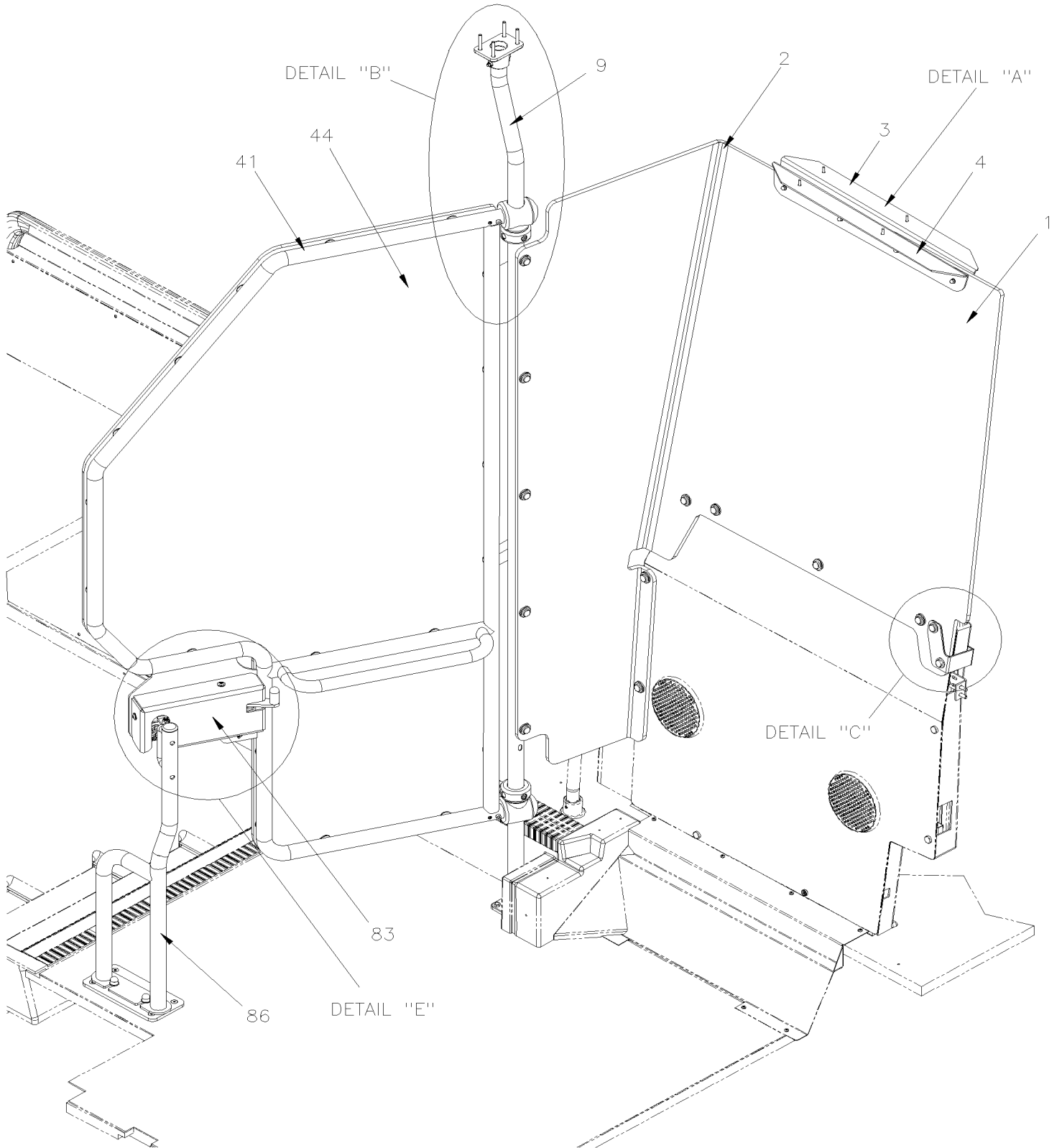


From H-6180

Date:01/2024

PAGE:X3-1813-01

DRIVER'S GATE

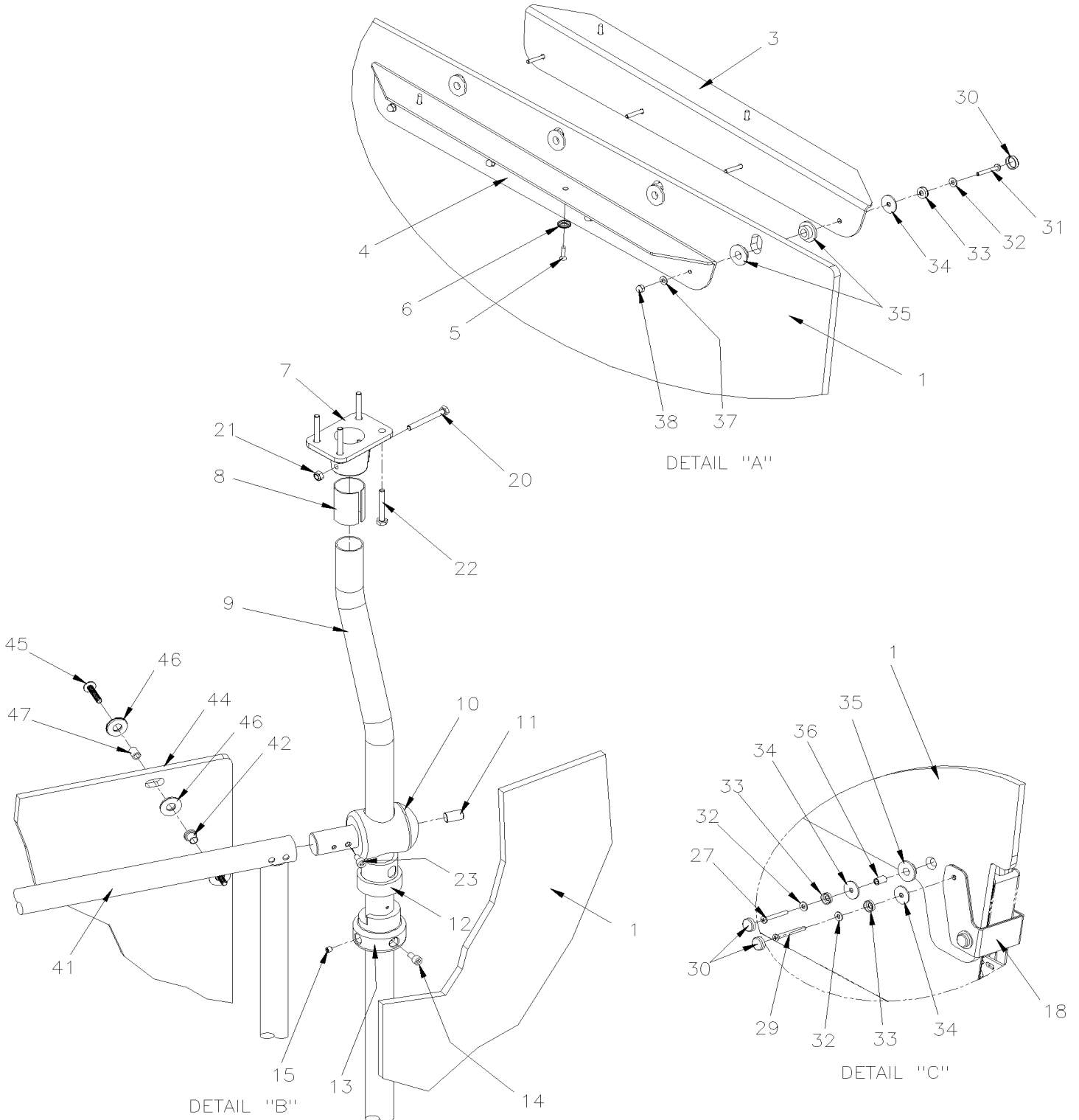


From H-6180

Date:01/2024

PAGE:X3-1813-01

DRIVER'S GATE

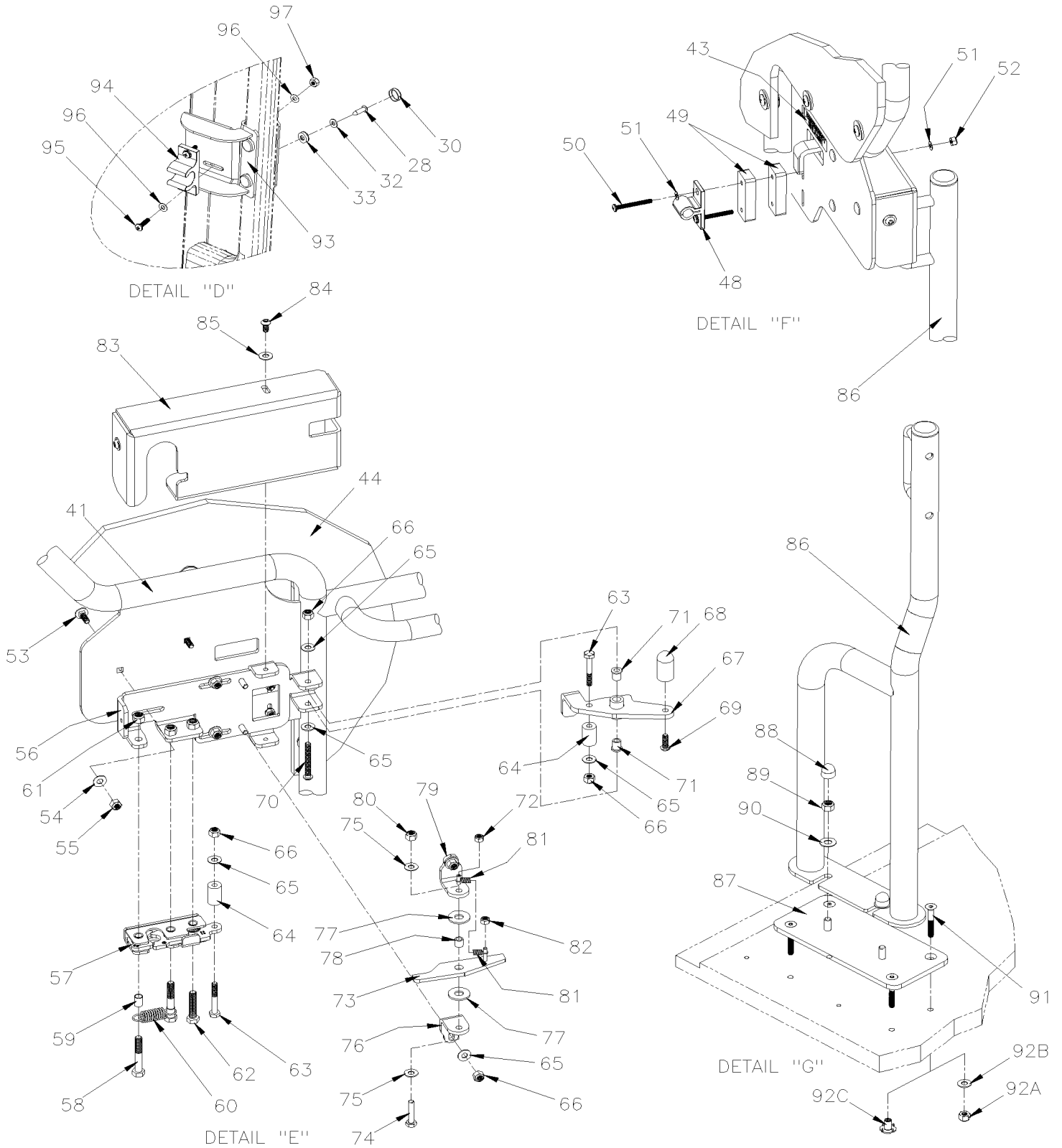


From H-6180

Date:01/2024

PAGE:X3-1813-01

DRIVER'S GATE



From H-6180		Date:01/2024	PAGE:X3-1813-01
DRIVER'S GATE			

Item#	Part	Description	QTY	Notes
1	329659	DRIVER'S PROTECTOR To K-6492	1	
1	3210474	DRIVER'S PROTECTOR From L-6493	1	
2	329671	DECAL BLACK	AR	
3	329688	ANGLE SUPPORT REAR PLEXIGLASS 545MM	1	
4	329687	ANGLE SUPPORT FRONT PLEXIGLASS 545MM	1	
5	500626	SCREW TP OV PH #8x3/4 Z050	4	
6	500464	WASHER FN CKF .210x.540 SS	4	
7	5011313	CUP W/2 SCREWS / STANCHION / ALUMINIUM / DIA. 1 5/16 3 1/2 x 2 3/8	2	
NS	216373	SUPPORT ROOF TUBE	1	
NS	216374	SUPPORT FLOOR TUBE	1	
8	329665	TUBE FLANGE 46.3 MM	2	
9	Call order desk	TUBE DRIVER'S GUARD ASSEMBLY To K-6492	1	P
9	329666P	TUBE DRIVER'S GUARD ASSEMBLY From L-6493	1	
9	3200556	. TUBE DRIVER'S GUARD 2189MM To K-6492	1	
9	3210540	. TUBE DRIVER'S GUARD 2180MM From L-6493	1	
10	406595	. HINGE , DRIVER PARTITION DOOR	2	
11	500341	. SCREW SET HEXS CUP M12-1.75x20	2	
12	406602	. BUSHING, DOOR HINGE	2	
13	406601	. STOPPER, DRIVER PARTITION DOOR	2	
14	5001783	. SCREW CAP HEXS M6-1.0x12 SS	4	
15	502634	. SCREW SET HEXS CUP M6-1.0x6	4	
NS	680038	. THREAD LOCKER LOCTITE #243 / BLUE / 50ml	AR	
18	3200641	SUPPORT ASSY To K-6492	1	
18	329664	. SUPPORT To K-6492	1	
NS	506466	. TAPE RUB ADH1 CC POL 1/16" x 1 1/2" x 100 / GREY 2520 To K-6492	AR	
18	3210494	SUPPORT ASSY From L-6493	1	
20	5001710	SCREW CAP HEX M6-1.0x55 SS To J-6308	2	
21	5001182	NUT HEX NYRT M6-1.0 SS To J-6308	2	
22	5001733	SCREW CAP HEX 1/4-20x1 3/4 SS To K-6492	8	
22	5001733	SCREW CAP HEX 1/4-20x1 3/4 SS From L-6493	4	
22	500948	SCREW TC CAP HEX 1/4-20x1 Z050 From L-6493	4	
23	5001783	SCREW CAP HEXS M6-1.0x12 SS	2	
NS	680038	THREAD LOCKER LOCTITE #243 / BLUE / 50ml	AR	
27	500637	SCREW TP PAN PH #8x1 1/2 Z050	AR	
28	500642	SCREW TP PAN PH #10x3/4 Z050	3	
29	500436	SCREW TP OV PH #10x2 Z050	1	
30	504400	SNAP CAP #10 FINISHING BLACK	AR	
31	502643	SCREW MA PAN PH #8-32x1 1/4 Z050	AR	
32	500855	WASHER FL .188x.438x.049 N500	AR	
33	504399	WASHER RETAINER SNAP CAP #10	AR	
34	500805	WASHER FL .218x.875x.062 N500	AR	

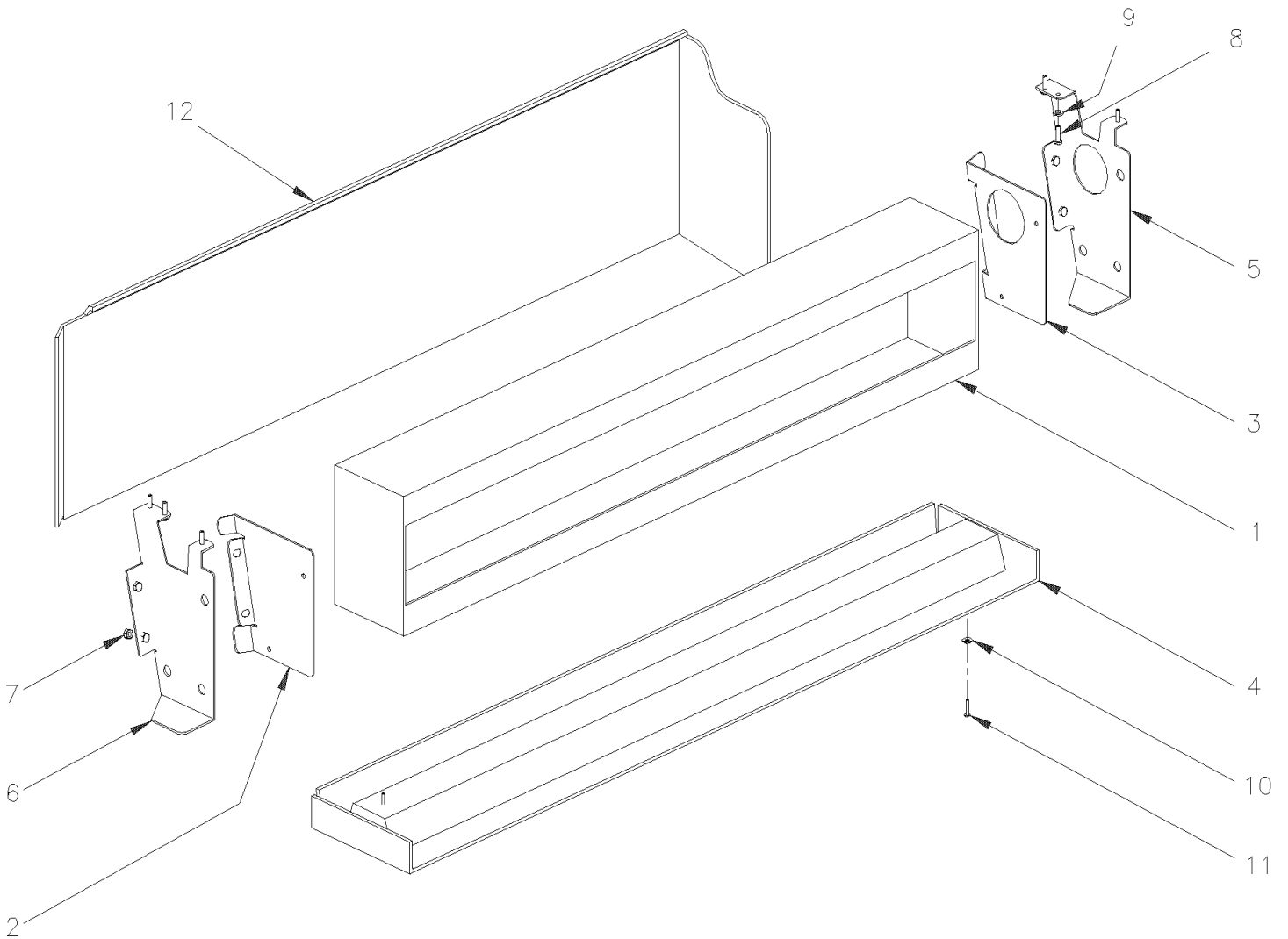
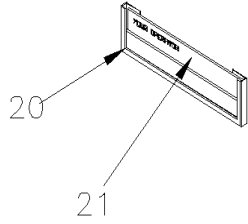
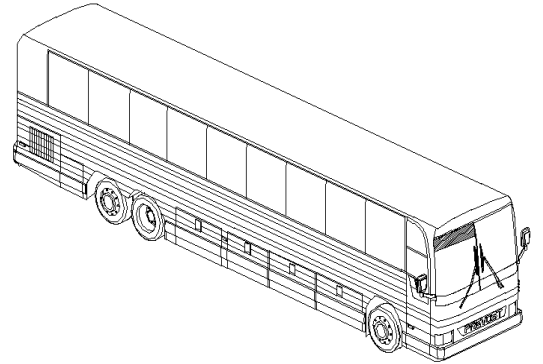
From H-6180		Date:01/2024	PAGE:X3-1813-01
DRIVER'S GATE			

Item#	Part	Description	QTY	Notes
35	900251	BUSHING, RUBBER	AR	
36	505539	SPACER 5/16 O.D. x 17/32" x 18GA	AR	
37	500240	WASHER LO EXT .195x.410x.025 Z050	AR	
38	500501	NUT HEX CAP #8-32 SS	AR	
40	900062	DRIVER'S BARRIER KIT	1	
41	900141	. DRIVER BARRIER - DOOR SUBASSEMBLY	1	
41	900140	. . DRIVER BARRIER FRAME	1	
42	19511322	. . . RIVET NUT FL OKS 1/4-20 ZP	22	
43	900157	. . . DECAL « EMEGRENCY RELEASE »	1	
44	900139	. . DRIVER BARRIER - DOOR POLYCARBONATE	1	
45	900068	. . SCREW MA PAN PH 1/4-20x1 1/4 SS	22	
46	900101	. . WASHER FL WITH NEOPRENE BONDED .434x1.000x.099 SS	44	
47	900090	. . SPACER .375ODx.252IDx.500 SS	22	
48	19509620	. . DRIVER BARRIER - NYLON MALE / FEMALE DOOR CATCH	1	
49	900145	. . CATCH SPACER	2	
50	900082	. . SCREW MA PAN PH #10-32x1 3/4 SS	2	
51	N12843	. . WASHER FL .203x.438x.024 SS	4	
52	900086	. . NUT HEX NYRT #10-32 SS	2	
53	900095	SCREW CRG 1/4-20x3/4 SS	3	
54	19511344	. . WASHER FL .281x.625x.050 SS BK	3	
55	900067	. . NUT HEX NYRT 1/4-20 SS	3	
56	900146	. . LATCH SUBASSEMBLY	1	
56	900144	. . . LATCH PLATE ASSY	1	
57	900129	. . . ROTARY LATCH	1	
58	900133	. . . SCREW CAP HEX 5/16-18 x 2 G5	2	
59	900132	. . . SLEEVE / 3/8 O.D. x 5/16 I.D x 1/2 BR	2	
60	900131	. . . SPRING EXTENSION / .700 x 1.5	1	
61	900123	. . . NUT HEX NYRT 5/16-18 SS	3	
62	900100	. . . SCREW CAP HEX 5/16-18 x 1 1/2 G5	1	
63	900078	. . . SCREW CAP HEX 1/4-20X1-3/4 G5	2	
64	900134	. . . LATCH ROLLER	2	
65	19511344	. . . WASHER FL .281x.625x.050 SS BK	6	
66	900067	. . . NUT HEX NYRT 1/4-20 SS	5	
67	900149	. . . LEVER ARM WELDMENT	1	
68	900158	. . . LATCH HANDLE	1	
69	900110	. . . SCREW CAP BUT HEXS 1/4-20x3/4	1	
70	19511888	. . . SCREW CAP BUT HEXS 1/4-20x2 SS BK	1	
71	900074	. . . FLANGED BEARING 3/8 O.D x 1/4 I.D. x 1/2 NYL	2	
72	900124	. . . NUT HEX NYRT #10-24	1	
73	900130	. . . LATCH LEVER MOUNTING ASSY	1	
73	900128	. . . TOGGLE LEVER ASSEMBLY	1	

From H-6180		Date:01/2024	PAGE:X3-1813-01
DRIVER'S GATE			

Item#	Part	Description	QTY	Notes
74	900126	... SCREW CAP HEX 1/4-20 x 1 1/4	1	
75	19511344	... WASHER FL .281x.625x.050 SS BK	2	
76	900156	... LATCH PIVOT TAB	1	
77	900077	... WASHER FL .406x1.000x.080 NYL	2	
78	900075	... SLEEVE / .375 O.D. x .25 I.D. x .375	1	
79	900127	... LATCH PIVOT TAB ASSEMBLY	1	
80	900067	... NUT HEX NYRT 1/4-20 SS	1	
81	900104	... SPRING EXTENSION / .313 x 1.00 ZP	1	
82	900124	... NUT HEX NYRT #10-24	1	
83	900143	. LATCH COVER	1	
84	900097	. SCREW CAP BUT HEXS 1/4-20x1/2" SS BK	3	
85	19511344	. WASHER FL .281x.625x.050 SS BK	3	
86	900138	. STANCHION ASSY	1	
87	900137	. STANCHION BASEPLATE ASSY	1	
88	900135	. CAP DOME NYLON 5/16 BK	2	
89	900123	. NUT HEX NYRT 5/16-18 SS	2	
90	900108	. FLAT WASHER - 18-8 SS BLACK OX - 11/32" ID, 3/4" OD .344x.750x.050 SS BK	2	
91	19511323	. SCREW CAP FL HEXS 1/4-20x1 3/4 SS BK	4	
92A	900067	. NUT HEX NYRT 1/4-20 SS	2	
92B	19511344	. WASHER FL .281x.625x.050 SS BK	2	
92C	900136	. NUT TEE 1/4-20, 1/2" SS	2	
93	406192	. SUPPORT CATCH To K-6492	1	
93	400805	. SUPPORT CATCH From L-6493	1	
93	900154	. . DOOR CATCH WELDMENT	1	
94	19509620	. . DRIVER BARRIER - NYLON MALE / FEMALE DOOR CATCH	1	
95	900080	. . SCREW MA PAN PH #10-32x3/4 SS	2	
96	N12843	. . WASHER FL .203x.438x.024 SS	4	
97	900086	. . NUT HEX NYRT #10-32 SS	2	
100	X3-1810-00	MODESTY PANEL R.H.		
105	IS20910	DRIVER PARTION AND DOOR INSTALLATION From L-6493	1	
		P) CALL ORDER DESK FOR SPECIFIC APPLICATION (V.I.N.)		

WITH "POCATEC"



From 7-8754 To E-5516	Date:01/2024	PAGE:X3-1814-00
-----------------------	--------------	-----------------

DESTINATION SIGN - INSTALLATION FRONT - "POCATEC"

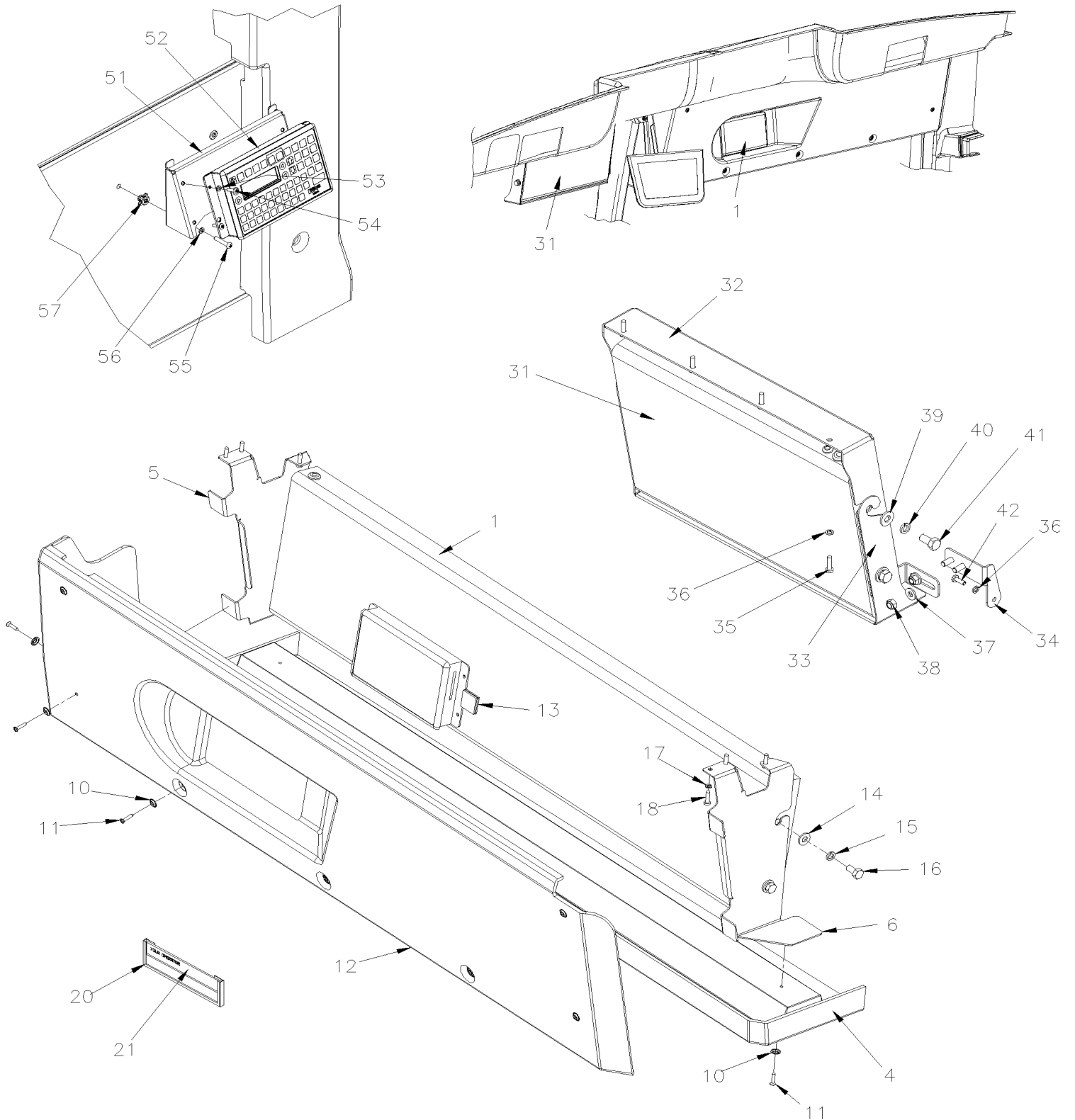
Item#	Part	Description	QTY	Notes
1	X3-1814-10	DESTINATION SIGN - "POCATEC"		
2	440364	SUPPORT R.H. / W/"POCATEC" To A-9997	1	
2	440412	SUPPORT R.H. From A-9998	1	
3	440363	SUPPORT L.H. / W/"POCATEC" To A-9997	1	
3	440411	SUPPORT L.H. From A-9998	1	
4	440361	COVER UNDER	1	
5	440372	SUPPORT L.H. / W/"POCATEC"	1	
6	440371	SUPPORT R.H. / W/"POCATEC"	1	
7	502511	NUT HEX NYRT M6-1.0 Z050	4	
8	500658	SCREW TC PAN PH #10-24x3/4 Z050	6	
9	500473	WASHER LO SPT .262x.489x.062 Z050	6	
10	500463	WASHER FN CKF .187x.500x.090 BR Z050	10	
11	500552	SCREW TP OV PH #6x3/4 Z050	10	
12	440360	COVER REAR / W/"POCATEC" To A-9997	1	
12	440413	COVER REAR / W/"POCATEC" From A-9998	1	
NS	506228	TAPE RUB ADH1 CC POL 1/4" x 1/2" x 37.5' / GREY 2520X	AR	
13	506318	TAPE DUAL LOCK 1" x 150' / BLACK SJ3541	AR	
20	400638	MOULDING / 11" / "U" SHAPE DRIVER'S NAME HO	1	
21	400636	PLATE / STAMPED "NOM DU CONDUCTEUR"	1	
21	400637	PLATE / STAMPED "DRIVER'S NAME" / REAR	1	
21	400601	PLATE (BLANK) / FOR DRIVER'S NAME / SPECIFY NAME	1	
NS	406155	DECAL / THIS COACH IS RESTROOM EQUIPED... / ENGLISH & SPANISH	1	
NS	406323	DECAL / THIS COACH IS RESTROOM EQUIPED... / ENGLISH & FRANCAIS	1	
22	400017	DECAL / THIS COACH IS RESTROOM EQUIPED... / ENGLISH & SPANISH & FRANCAIS	1	
22	400302	DECAL / THIS COACH IS RESTROOM EQUIPED... / ENGLISH	1	
NS	406156	DECAL / NO SMOKING / DRINKING INTOXICANTS.... / ENGLISH & SPANISH To E-5469	1	
NS	406691	DECAL / NO SMOKING / DRINKING INTOXICANTS.... / ENGLISH & SPANISH From E-5470	1	
NS	406322	DECAL / NO SMOKING / DRINKING INTOXICANTS.... / ENGLISH & FRANCAIS To E-5469	1	
NS	406694	DECAL / NO SMOKING / DRINKING INTOXICANTS.... / ENGLISH & FRANCAIS From E-5470	1	
NS	400014	DECAL / NO SMOKING / DRINKING INTOXICANTS.... / ENGLISH & SPANISH & FRANCAIS From E-5470	1	
23	400298	DECAL / NO SMOKING / DRINKING INTOXICANTS.... / ENGLISH From E-5470	1	

From 7-8754 To K-6492

Date:01/2024

PAGE:X3-1814-01

DESTINATION SIGN - INSTALLATION FRONT - "AESYS"

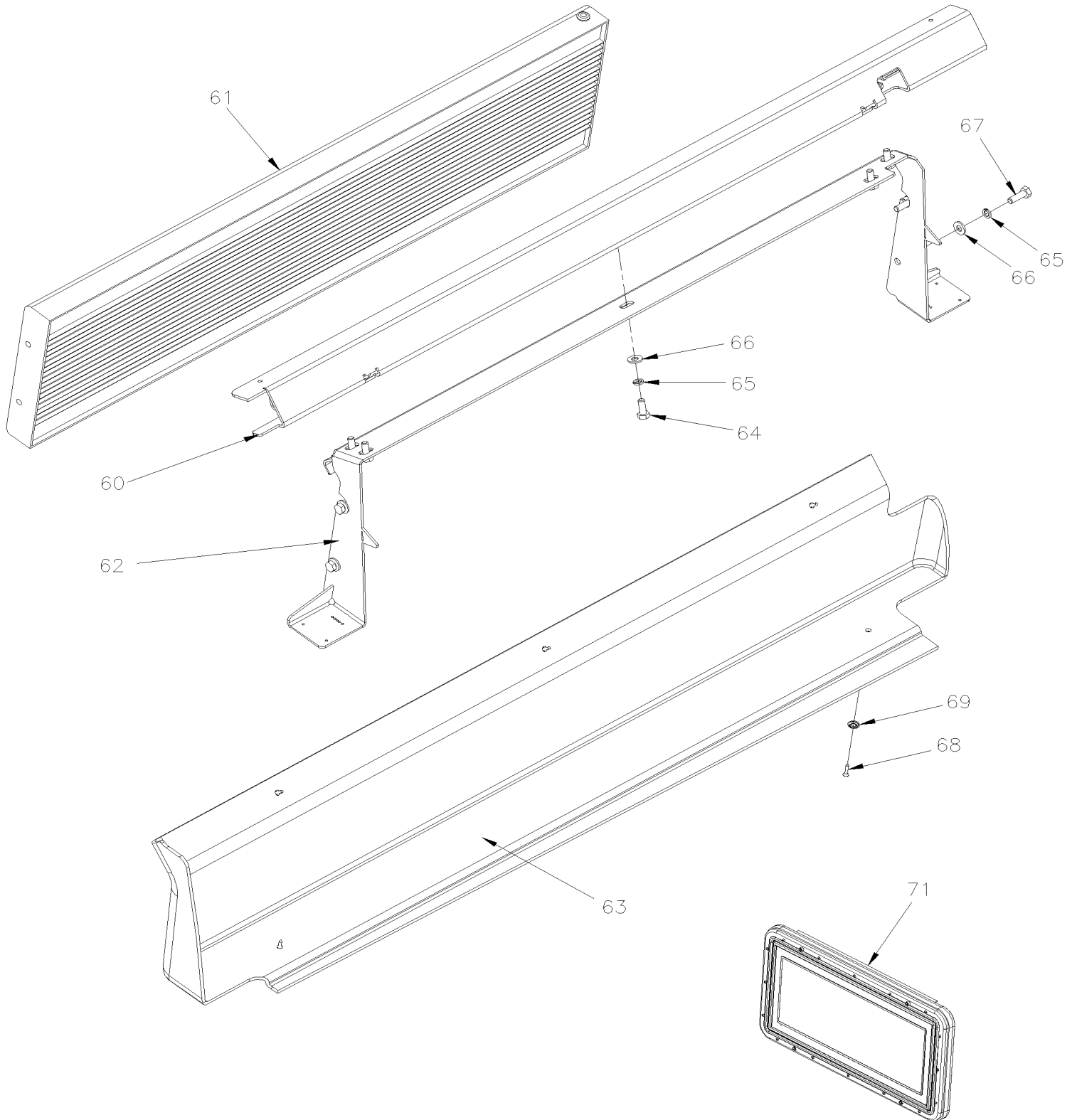


From 7-8754 To K-6492

Date:01/2024

PAGE:X3-1814-01

DESTINATION SIGN - INSTALLATION FRONT - "AESYS"



From 7-8754 To K-6492	Date:01/2024	PAGE:X3-1814-01
DESTINATION SIGN - INSTALLATION FRONT - "AESYS"		

Item#	Part	Description	QTY	Notes
1	940073	FRONT DESTINATION SIGN "AESYS" WITH ONE SIGN ONLY	1	
1	940076	FRONT DESTINATION SIGN "AESYS" WITH TWO SIGN OR MORE	1	
1	940077	FRONT DESTINATION SIGN "AESYS" / W/ EMERGENCY SWITCH	1	
1	940134	FRONT DESTINATION SIGN "AESYS" WHITE LED W/EMERGENCY	1	
1	940089	FRONT DESTINATION SIGN "AESYS" W/O CONTROL To C-5287	1	
1	940101	FRONT DESTINATION SIGN "AESYS" W/O CONTROL From C-5288	1	
1	068099	CABLE ASSY W/FRONT DESTINATION W/CONTROL ON WALL To C-5287	1	O
1	068551	CABLE ASSY W/FRONT DESTINATION W/CONTROL ON WALL From C-5288 To C-5290	1	O
1	067175	CABLE POWER DESTINATION SIGN SHIELD & TWISTED From C-5105 To J-6283	1	PWT
1	069848	CABLE POWER DESTINATION SIGN SHIELD & TWISTED From J-6284	1	PWT
4	440361	COVER UNDER	1	
5	440380	SUPPORT L.H. / "AESYS" To A-9997	1	
5	440411	SUPPORT L.H. From A-9998	1	
6	440381	SUPPORT R.H. / "AESYS" To A-9997	1	
6	440412	SUPPORT R.H. From A-9998	1	
10	500463	WASHER FN CKF .187x.500x.090 BR Z050	10	
11	500552	SCREW TP OV PH #6x3/4 Z050	10	
12	440382	COVER REAR / "AESYS" To A-9997	1	
12	440414	COVER REAR / "AESYS" From A-9998	1	
12	440417	COVER REAR / "AESYS" W/O CONTROL	1	
NS	506228	TAPE RUB ADH1 CC POL 1/4" x 1/2" x 37.5' / GREY 2520X	AR	
13	506318	TAPE DUAL LOCK 1" x 150' / BLACK SJ3541	AR	
14	192288	WASHER FL 8.4x18.0x2.0 ZG603	4	
15	502889	WASHER LO SPT 8.1x12.7x2.0 N500	4	
16	500820	SCREW CAP HEX M8-1.25x16 G10.9 N500	4	
17	500914	WASHER LO SPT .193x.334x.047 N500	6	
18	500623	SCREW TC PAN PH #10-24x3/4 N500	6	
20	400638	MOULDING / 11" / "U" SHAPE DRIVER'S NAME HO	1	
21	400636	PLATE / STAMPED "NOM DU CONDUCTEUR"	1	
21	400637	PLATE / STAMPED "DRIVER'S NAME" / REAR	1	
21	400601	PLATE (BLANK) / FOR DRIVER'S NAME / SPECIFY NAME	1	
NS	406155	DECAL / THIS COACH IS RESTROOM EQUIPED... / ENGLISH & SPANISH	1	
NS	406323	DECAL / THIS COACH IS RESTROOM EQUIPED... / ENGLISH & FRANCAIS	1	
NS	400017	DECAL / THIS COACH IS RESTROOM EQUIPED... / ENGLISH & SPANISH & FRANCAIS	1	
22	400302	DECAL / THIS COACH IS RESTROOM EQUIPED... / ENGLISH	1	
NS	406156	DECAL / NO SMOKING / DRINKING INTOXICANTS.... / ENGLISH & SPANISH To E-5469	1	
NS	406691	DECAL / NO SMOKING / DRINKING INTOXICANTS.... / ENGLISH & SPANISH From E-5470	1	
NS	406322	DECAL / NO SMOKING / DRINKING INTOXICANTS.... / ENGLISH & FRANCAIS To E-5469	1	
NS	406694	DECAL / NO SMOKING / DRINKING INTOXICANTS.... / ENGLISH & FRANCAIS From E-5470	1	
NS	400014	DECAL / NO SMOKING / DRINKING INTOXICANTS.... / ENGLISH & SPANISH & FRANCAIS From E-5470	1	
23	400298	DECAL / NO SMOKING / DRINKING INTOXICANTS.... / ENGLISH From E-5470	1	

From 7-8754 To K-6492	Date:01/2024	PAGE:X3-1814-01
-----------------------	--------------	-----------------

DESTINATION SIGN - INSTALLATION FRONT - "AESYS"

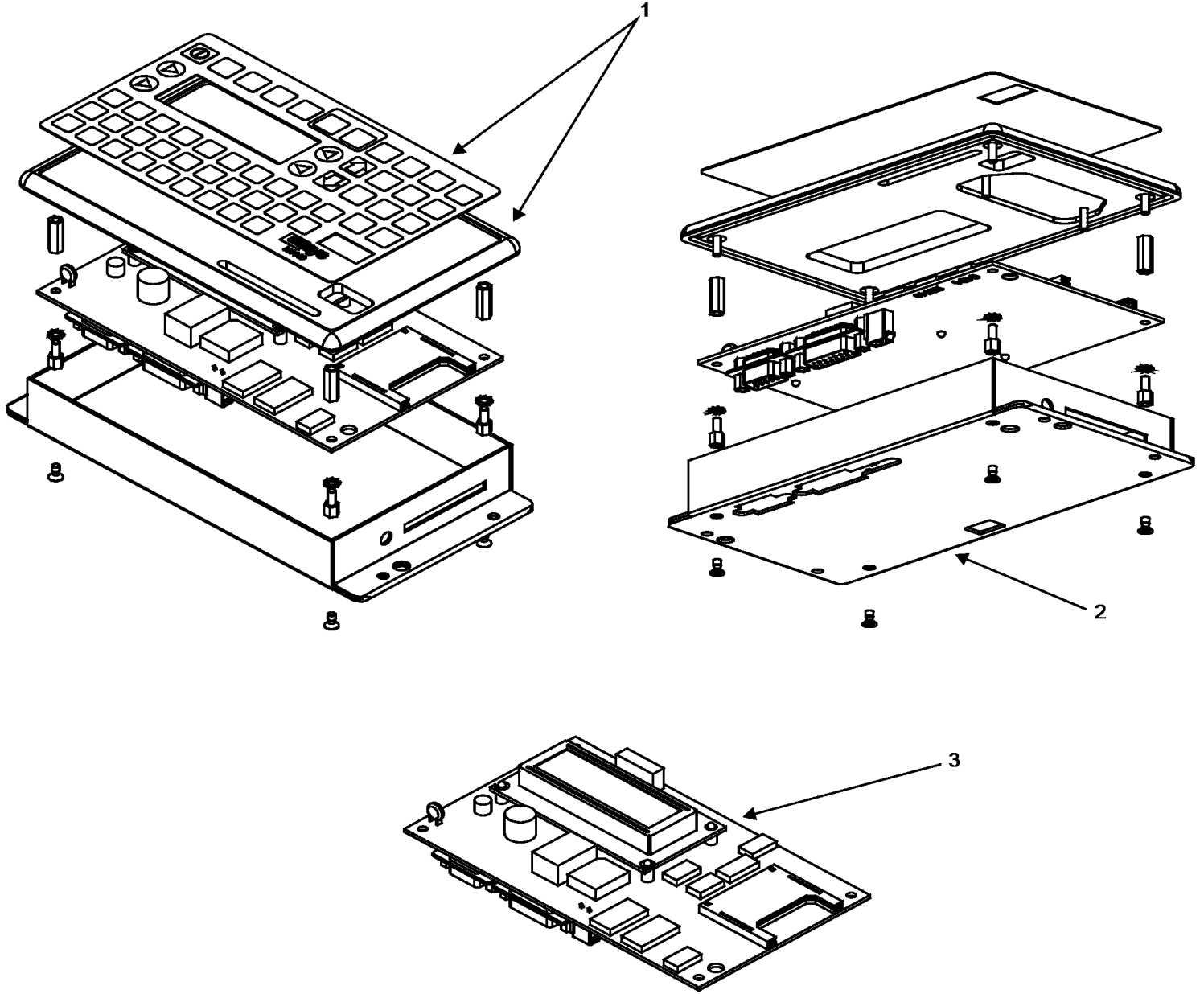
Item#	Part	Description	QTY	Notes
		WITH ROAD NUMBER SIGN		
31	940085	SIGN "AESYS" ROAD NUMBER	1	
32	440398	SUPPORT ASSY FRONT ROAD NUMBER	1	
33	440399	DEFLECTOR ROAD NUMBER	1	
34	440400	REINFORCMENT ROAD NUMBER SIGN	1	
35	500623	SCREW TC PAN PH #10-24x3/4 N500	4	
36	500914	WASHER LO SPT .193x.334x.047 N500	5	
37	500877	WASHER FL .250x.562x.065 N500	2	
38	502681	NUT HEX NYRT M6-1.0 N500 G8	2	
39	5001736	WASHER FL 8.4x18.0x2.0 N500	4	
40	502889	WASHER LO SPT 8.1x12.7x2.0 N500	4	
41	500820	SCREW CAP HEX M8-1.25x16 G10.9 N500	1	
42	500965	SCREW TC BDG PH #8-32x1/2 N500	1	
NS	940078	KIT PROGRAMMATION "AESYS" DESTINATION SIGN	1	
. NS	940157	. PORT SMART MEDIA CARD HOLDER KIT	1	
		WITH CONSOL CONTROL FIX ON STREET SIDE WALL		
51	440416	SUPPORT / CONSOL CONTROL	1	
52	940075	CONSOL CONTROL / DESTINATION SIGN To C-5287	1	
52	940102	CONSOL CONTROL / DESTINATION SIGN From C-5288	1	
53	500338	SCREW CAP HEXS M10-1.5x20 ZP	2	
54	500470	WASHER LO SPT .193x.334x.047 Z050	2	
55	500888	NUT AN JK #10-24	2	
56	502698	SCREW MA PAN PH M4-0.7x16 SS BK	4	
57	502834	WASHER LO SPT 4.1x7.6x0.9 N500	4	
		WITH SIDE SIGN		
60	272394	SUPPORT SIDE SIGN	1	
61	940088	SIDE DESTINATION SIGN "AESYS" 6.66"x37.40"	1	
62	440393	SIDE SIGN BRACKET	1	
63	440390	COVER SIDE DESTINATION SIGN	1	
64	502862	SCREW CAP HEX M8-1.25x20 G8.8 N500	9	
65	5001736	WASHER FL 8.4x18.0x2.0 N500	9	
66	500942	WASHER LO SPT 8.1x14.8x2.0 N500	9	
67	5001745	SCREW CAP HEX M8-1.25x25 G8.8 N500	4	
68	500552	SCREW TP OV PH #6x3/4 Z050	5	
69	500463	WASHER FN CKF .187x.500x.090 BR Z050	5	
		WITH REAR SIGN From C-5288		

From 7-8754 To K-6492	Date:01/2024	PAGE:X3-1814-01
-----------------------	--------------	-----------------

DESTINATION SIGN - INSTALLATION FRONT - "AESYS"

Item#	Part	Description	QTY	Notes
71	940079	REAR DESTINATION SIGN 7.125"x22.047" From C-5288	1	
NS	506769	TAPE RUB ADH2 CC POL 1/8" x 1/4" x 60' / BLACK H1CC-N#14 From C-5288	AR	
NS	680098	THREAD SEALANT LOCTITE #567 / WHITE / 250ml From C-5288	AR	
NS	684685	ADHESIVE SIMSON #ISR 70-03 / 310ml CARTRIDGE From C-5288	AR	
		NEXT CABLE ARE USE WITH FRONT, SIDE & REAR SIGN From C-5288		
NS	901367	HARNESS SIGN D02 AESYS From C-5288	1	
NS	901369	HARNESS SIGN D03 AESYS From C-5288	1	
NS	901370	HARNESS SIGN S02 AESYS From C-5288	1	
NS	901415	HARNESS SIGN DATA& POWER AESYS From C-5288	1	
NS	901422	HARNESS SIGN CONSOL AESYS From C-5288	1	
NS	504637	CABLE TIE / 3/16" x 13"	AR	
		O) OPTION WITH CONTROL ON THE WALL		
		PWT) ONLY PACIFIC WESTERN		

CONSOL CONTROL / DESTINATION SIGN



From 7-8754 To K-6492	Date:01/2024	PAGE:940075
-----------------------	--------------	-------------

CONSOL CONTROL / DESTINATION SIGN

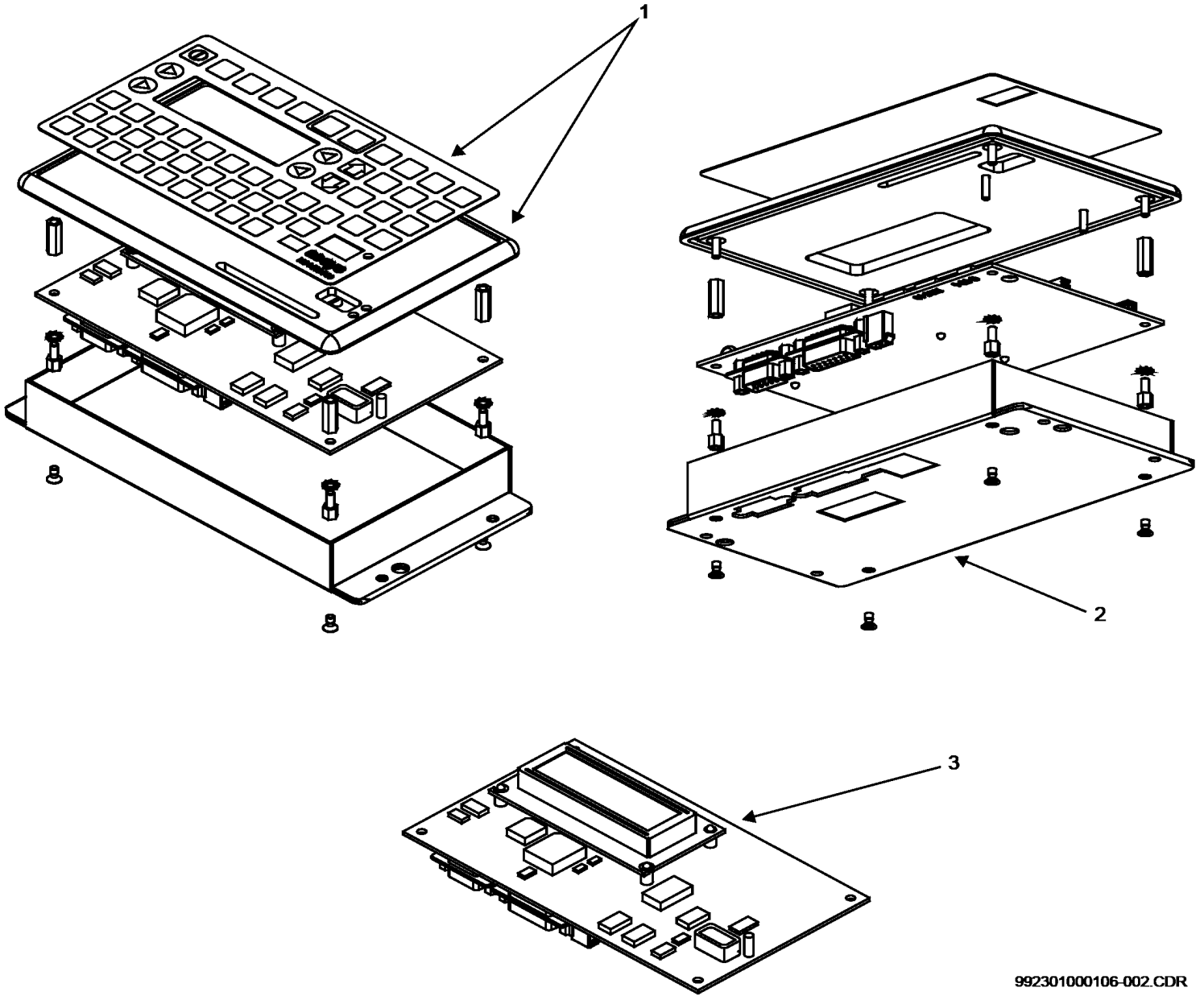
Item#	Part	Description	QTY	Notes
1	Call order desk	KEYBOARD MEMBRANE KC640	AR	P
1	Call order desk	FRONT PANEL GPS KC640	AR	P
2	Call order desk	MAIN HOUSING KC640	AR	P
3	Call order desk	PRINTED CIRCUIT BOARD FOR KC640/KC640 J1708	AR	P
		P) CALL ORDER DESK FOR SPECIFIC APPLICATION (V.I.N.)		

From 7-8754 To K-6492

Date:01/2024

PAGE:940102

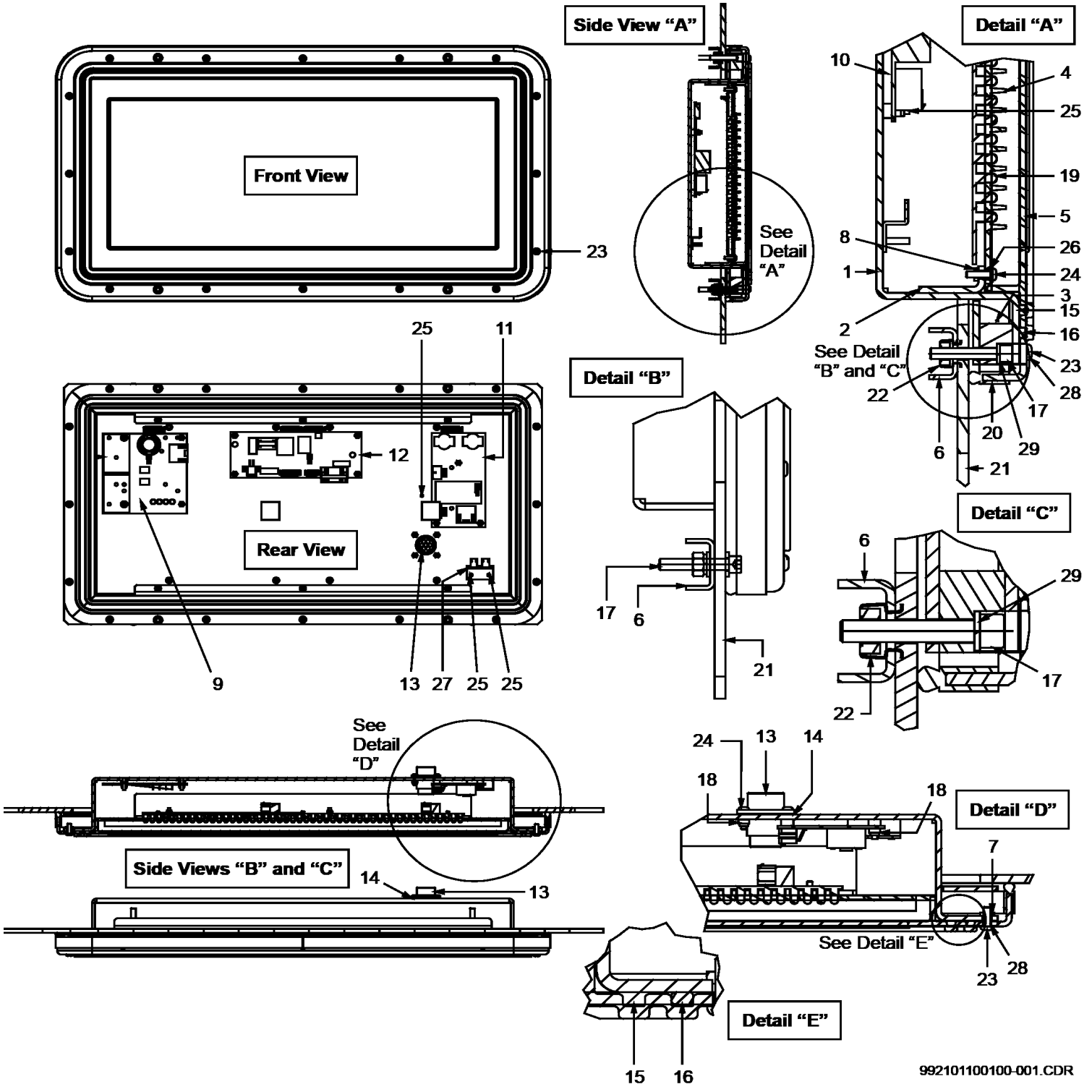
CONSOL CONTROL / DESTINATION SIGN



From 7-8754 To K-6492		Date:01/2024	PAGE:940102
-----------------------	--	--------------	-------------

CONSOL CONTROL / DESTINATION SIGN

Item#	Part	Description	QTY	Notes
1	940176	KEYBOARD MEMBRANE KC640 USB	1	
1	Call order desk	FRONT PANEL GPS KC640 USB	1	P
2	Call order desk	MAIN HOUSING	1	P
3	Call order desk	PRINTED CIRCUIT BOARD FOR KC640/KC640 J1708	1	P
		P) CALL ORDER DESK FOR SPECIFIC APPLICATION (V.I.N.)		



From 7-8754 To K-6492	Date:01/2024	PAGE:940079
REAR DESTINATION SIGN 7.125"x22.047"		

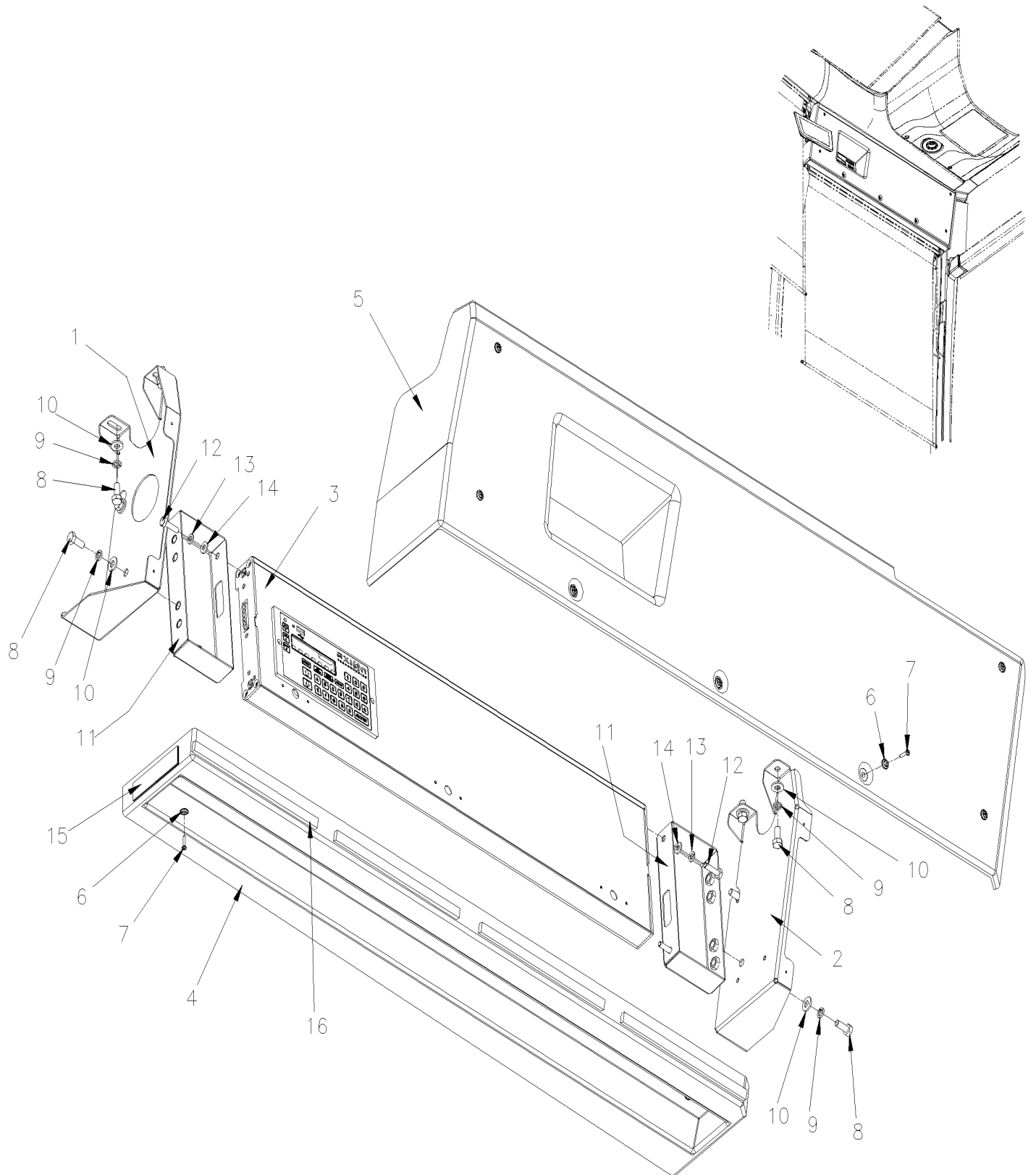
Item#	Part	Description	QTY	Notes
1	Call order desk	CASE - MAIN HOUSING	AR	P
2	Call order desk	LED BOARD REST PLATE	AR	P
3	Call order desk	BLOCK	AR	P
4	Call order desk	LOUVER PLATE	AR	P
5	Call order desk	FACIAL LENS (BONNET)	AR	P
6	Call order desk	REST BAR	AR	P
7	Call order desk	NUT SELF/CLINCHING 8/32	AR	P
8	Call order desk	NUT SELF/CLINCHING 4-40	AR	P
9	940097	PCB - 0133C/0616B POWER SUPPLY	AR	
10	Call order desk	DISTANCE RING NYLON 7 OD x 3 ID x 4	AR	P
11	Call order desk	PCB - 0318A - SUPPRESSOR - (W/10 A FUSE)	AR	P
12	940095	PCB - 0109A - PROCESSOR/CPU Z84C15 S 4 MB RS485	AR	
13	Call order desk	CIRCULAR PLASTIC CONNECTORS C.P.C. RECEPTACLE HOUSING, SERIES 1, SIZE	AR	P
14	Call order desk	ECONOSEAL, FLANGE, GASKET, CPC	AR	P
15	Call order desk	SEAL (INTERNAL LOOP) 6 MM OR	AR	P
16	Call order desk	SEAL (INTERNAL LOOP) 6 MM OR	AR	P
17	Call order desk	SCREW CAP HEXS #12-24X1 1/4 SS	AR	P
18	Call order desk	NUT HEXF NYRT #4-40 SS	AR	P
19	Call order desk	LED BOARD - 9929B HG3 24 X 16	AR	P
20	Call order desk	AUTOMOTIVE GASKET	AR	P
22	Call order desk	NUT SQUARE CLIP-ON #12-24 - ZINC	AR	P
23	Call order desk	SCREW CAP BUT HEXS 8/32x3/8 BLACK	AR	P
24	Call order desk	SCREW CAP BUT HEXS #4-40x1/2	AR	P
25	Call order desk	STUD #4-40x1/2	AR	P
26	Call order desk	WASHER LO INT M3 BLACK	AR	P
27	Call order desk	GROUND PLATE	AR	P
28	Call order desk	FASTENER M4 [8/32] NYLON	AR	P
29	Call order desk	WASHER LOCK #12	AR	P
NS	Call order desk	CONN - C.P.C. PLUG ASSEMBLY SIZE 13-7, STANDARD SEX, SERIES 1	AR	P
NS	Call order desk	CBL - CABLE CLAMP KIT, RIGHT ANGLE, WITH COVER, SIZE 13, (C.P.C.)	AR	P
NS	Call order desk	PIN TERMINAL / 24-20	AR	P
NS	Call order desk	PIN TERMINAL / 18-14	AR	P
NS	Call order desk	SOCKET TERMINAL / 24-20	AR	P
NS	Call order desk	SOCKET TERMINAL / 18-14	AR	P
NS	Call order desk	KEYING PLUG	AR	P
		P) CALL ORDER DESK FOR SPECIFIC APPLICATION (V.I.N.)		

From E-5517 To K-6492

Date:01/2024

PAGE:X3-1814-02

DESTINATION SIGN - INSTALLATION FRONT - "AXION"



From E-5517 To K-6492	Date:01/2024	PAGE:X3-1814-02
DESTINATION SIGN - INSTALLATION FRONT - "AXION"		

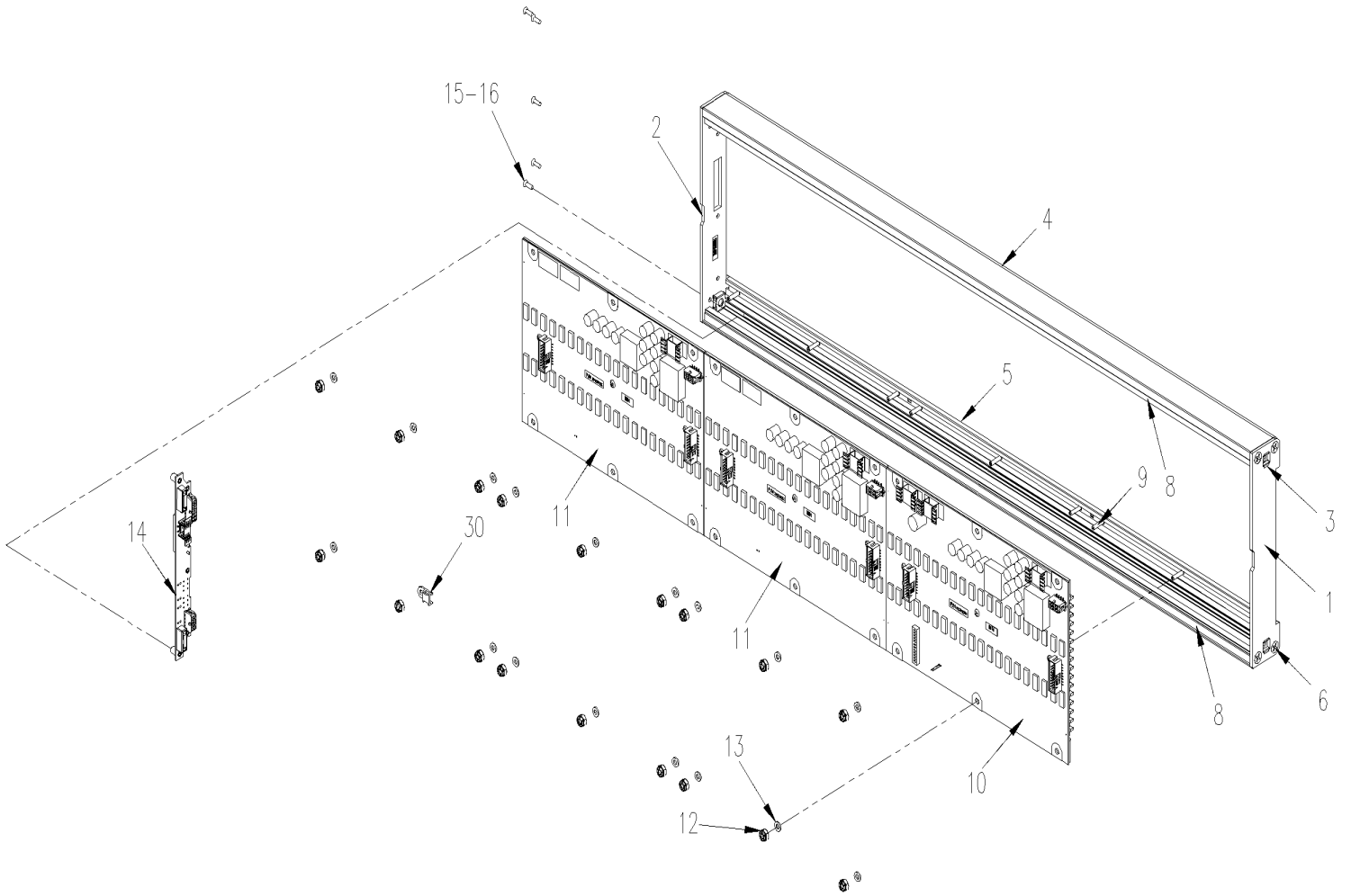
Item#	Part	Description	QTY	Notes
1	440411	SUPPORT L.H.	1	
2	440412	SUPPORT R.H.	1	
3	940103	FRONT DESTINATION SIGN "AXION" 7.66"x30.28"	1	
NS	0610218	HARN. FRONT DESTIN. SIGN INTERFACE AXION From L-6495	1	
4	440361	COVER UNDER	1	
5	446165	COVER / "AXION" SIGN	1	
NS	406155	DECAL / THIS COACH IS RESTROOM EQUIPED... / ENGLISH & SPANISH	1	
NS	406323	DECAL / THIS COACH IS RESTROOM EQUIPED... / ENGLISH & FRANCAIS	1	
NS	400017	DECAL / THIS COACH IS RESTROOM EQUIPED... / ENGLISH & SPANISH & FRANCAIS	1	
5	400302	DECAL / THIS COACH IS RESTROOM EQUIPED... / ENGLISH	1	
NS	406691	DECAL / NO SMOKING / DRINKING INTOXICANTS.... / ENGLISH & SPANISH	1	
NS	406694	DECAL / NO SMOKING / DRINKING INTOXICANTS.... / ENGLISH & FRANCAIS	1	
NS	400014	DECAL / NO SMOKING / DRINKING INTOXICANTS.... / ENGLISH & SPANISH & FRANCAIS	1	
5	400298	DECAL / NO SMOKING / DRINKING INTOXICANTS.... / ENGLISH	1	
6	500463	WASHER FN CKF .187x.500x.090 BR Z050	9	
7	500552	SCREW TP OV PH #6x3/4 Z050	9	
8	502862	SCREW CAP HEX M8-1.25x20 G8.8 N500	8	
9	500942	WASHER LO SPT 8.1x14.8x2.0 N500	8	
10	5001736	WASHER FL 8.4x18.0x2.0 N500	8	
11	446166	EXTENSION, SIGN "AXION"	2	
12	500957	SCREW TP BDG PH #10x3/4 N500	4	
13	5001749	WASHER LO SPT 6.5x11.5x1.6 N500	4	
14	500877	WASHER FL .250x.562x.065 N500	4	
15	506755	VELCRO / HOOK ADHESIF 1" x 75'	AR	
15	506756	VELCRO / LOOP ADHESIF 1" x 75'	AR	
16	506228	TAPE RUB ADH1 CC POL 1/4" x 1/2" x 37.5' / GREY 2520X	AR	

From E-5517 To K-6492

Date:01/2024

PAGE:940103

FRONT DESTINATION SIGN "AXION" 7.66"x30.28"

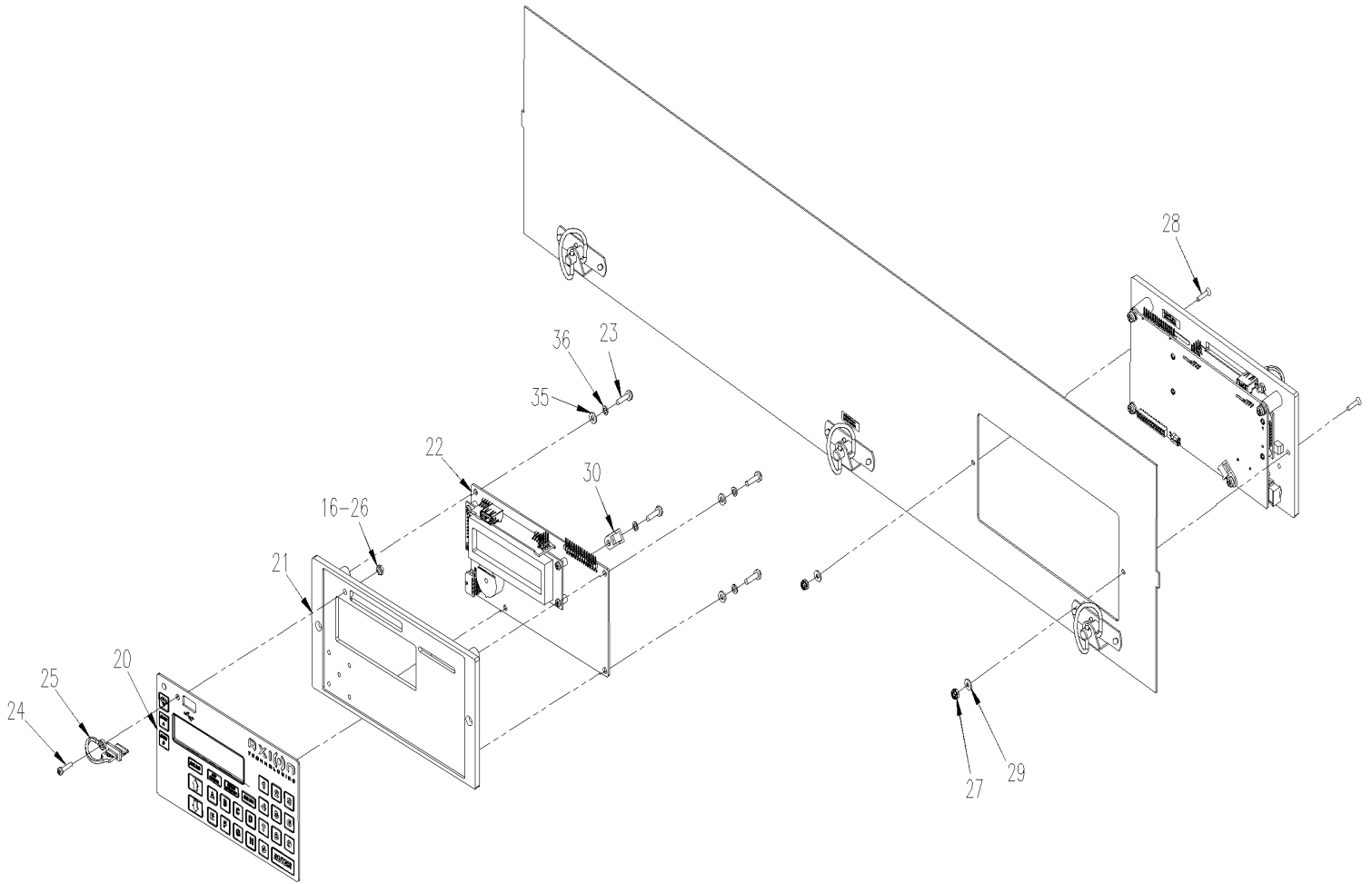


From E-5517 To K-6492

Date:01/2024

PAGE:940103

FRONT DESTINATION SIGN "AXION" 7.66"x30.28"

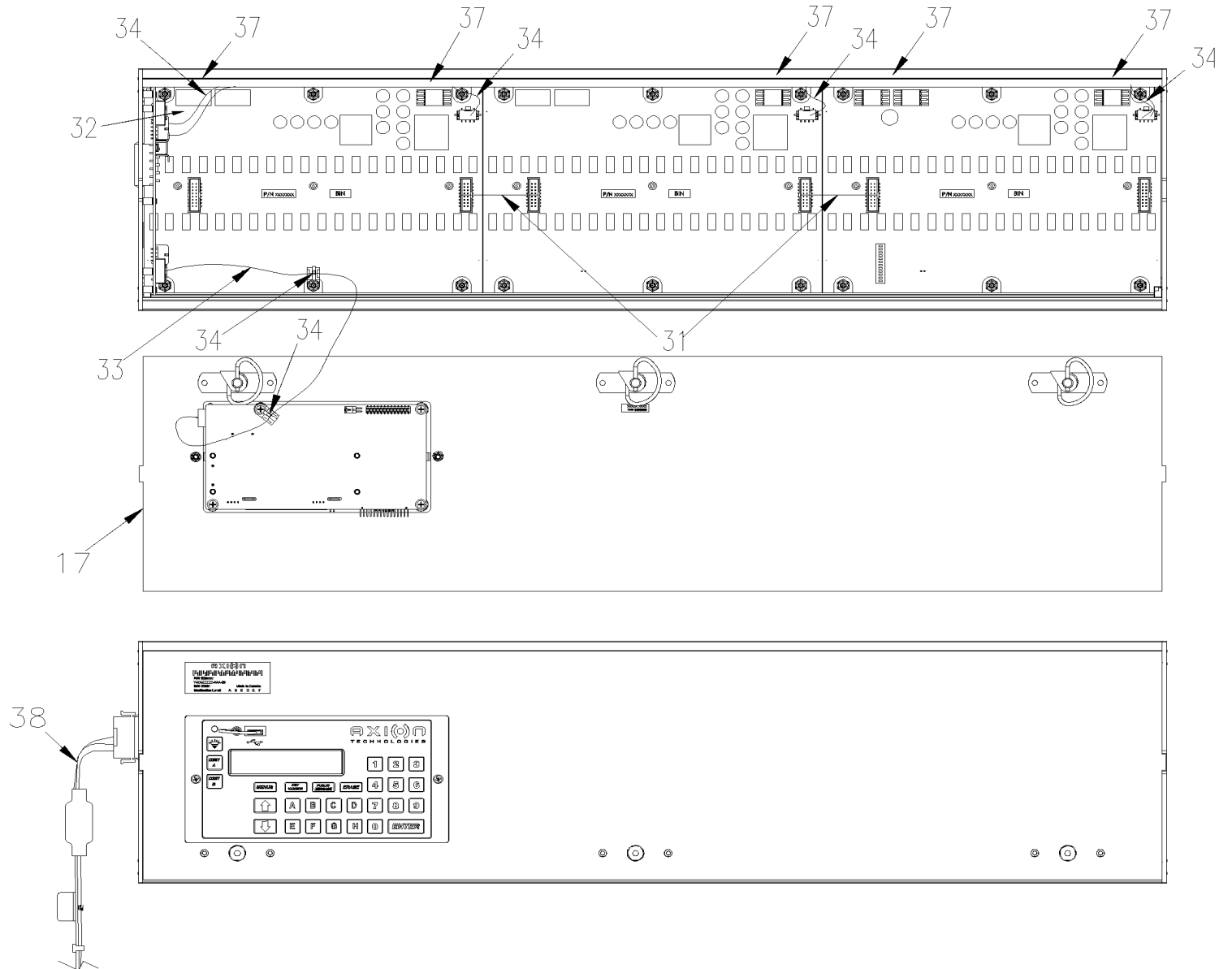


From E-5517 To K-6492

Date:01/2024

PAGE:940103

FRONT DESTINATION SIGN "AXION" 7.66"x30.28"



From E-5517 To K-6492	Date:01/2024	PAGE:940103
FRONT DESTINATION SIGN "AXION" 7.66"x30.28"		

Item#	Part	Description	QTY	Notes
	941083	CASING ASS	1	A
1	941027	SIDE PLATE LH 5"	1	
2	941087	SIDE PLATE RH 5"	1	
3	N.S.S.	NUT RETAINERS 1/4-20 ZP	4	1
4	941088	FRONT UPPER CASING 16x120	1	
5	941089	FRONT LOWER CASING 16x120	1	
6	N.S.S.	SCREW MA FL PH 10 1-1/4 ZP	8	1
8	N.S.S.	GASKET NEOPRENE 1/4x1/16 EP.	AR	1
9	941067	STUD 16x40	6	
10	941085	LED-DRIVER-PS-CPU BOARD	1	
11	941086	LED-DRIVER-PS BOARD	2	
12	Call order desk	NUT HEX NYRT #6-32 ZP	18	P
13	Call order desk	WASHER FL #6x5/16x3/64 NYL	17	P
14	941072	JUNCTION CARD 9-36V	1	
15	Call order desk	SCREW MA FL PH #4-40x3/8 ZP	5	P
16	9985283	THREAD LOCKER LOCTITE #242 / BLUE / 250ml	AR	
17	941028	REAR PANEL FRONT DISPLAY 16x120	1	
18	941053	LATCH SPRING .063-.375	3	
19	N.S.S.	RIVET POP DOME CLE 1/8x1/16-1/8	6	1
20	941024	KEYBOARD CONSOLE USB	1	
21	941041	FRONT PLATE CONSOLE	1	
22	941071	CARD CONSOLE	1	
23	Call order desk	SCREW MA FL PH #6-32x1/2 ZP	4	P
24	Call order desk	SCREW MA FL PH #4-40x1/2 ZP	1	P
25	941048	DUST CAP TYPE A	1	
26	Call order desk	NUT HEX #4-40 ZP	1	P
27	Call order desk	NUT HEX JAM NYRT #4-40 ZP	2	P
28	Call order desk	SCREW MA PAN PH #4-40x1/2 SS	2	P
29	Call order desk	WASHER FL #4x.313x.031 ZP	2	P
30	Call order desk	CABLE HOLD TIE SCR NYL 3/8	2	P
31	941079	CABLE PLAT DRV-DRV 4"	2	
32	941077	CABLE FRONT DISPLAY 16x120	1	
33	941078	CABLE FRONT CONSOLE	1	
34	941056	TIE MOUNT 3.9 BLACK	6	
35	Call order desk	WASHER FL #6x5/16x3/64 NYL	3	P
36	Call order desk	WASHER LO SPT #6	4	P
37	Call order desk	TIE MOUNT 5/16 NYL WHITE	5	P
38	941074	CABLE POWER SUPPLY 12"	1	
		A) INCLUDE 1,2,3,4,5,6,7,8,9,17,18 & 19		

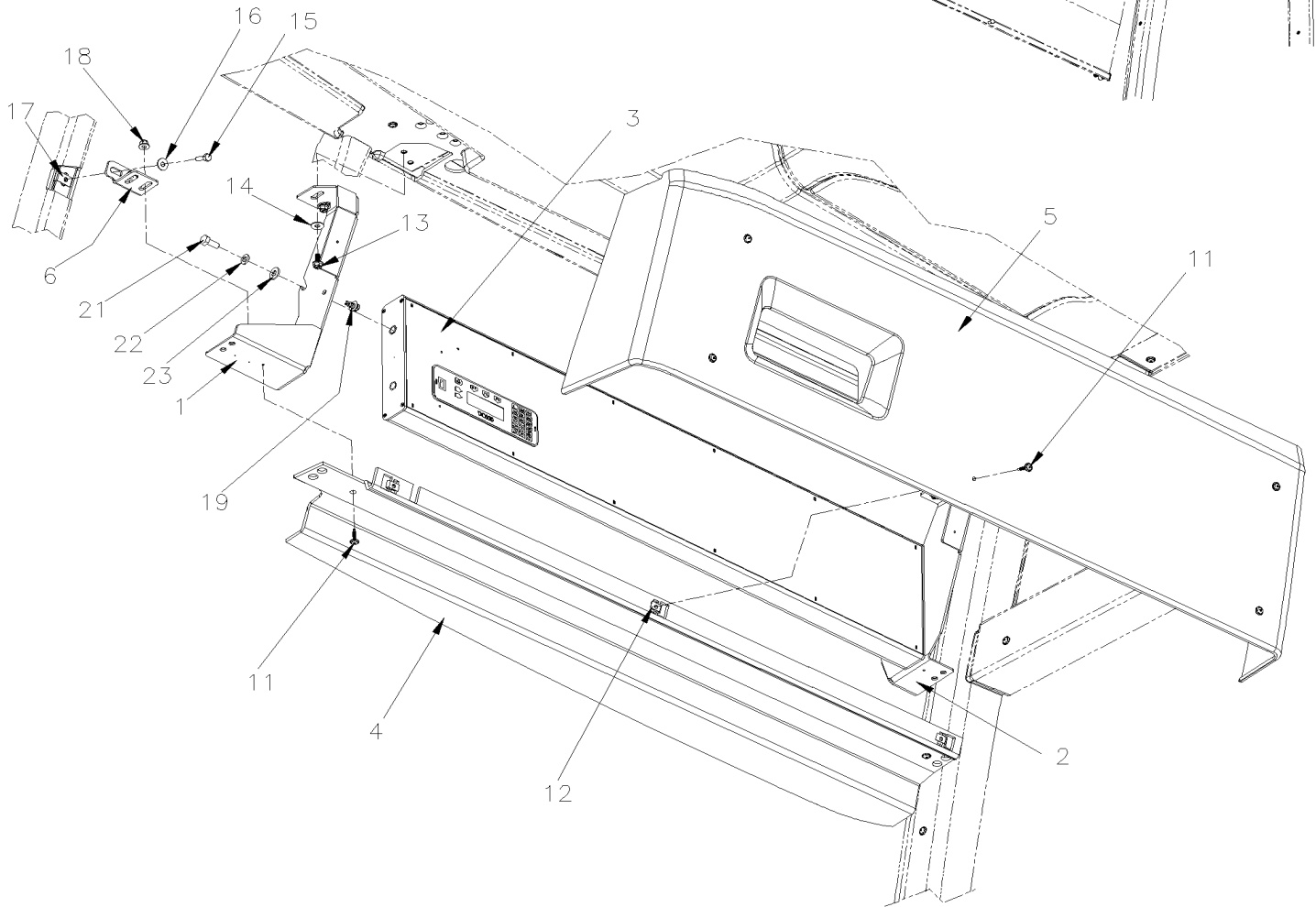
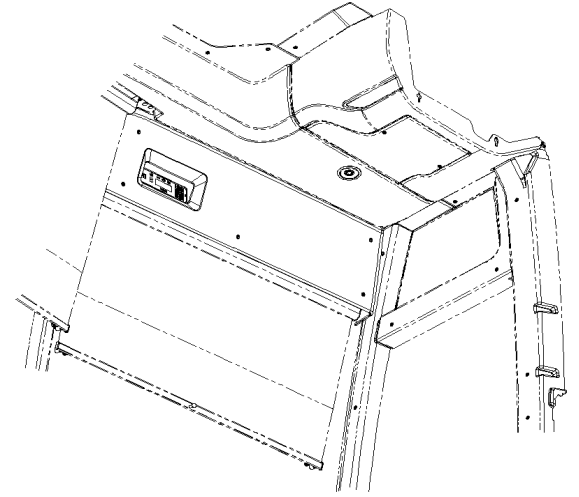
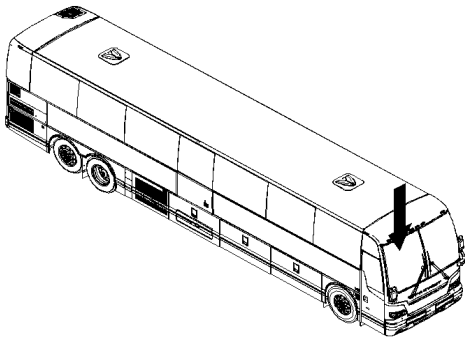
From E-5517 To K-6492			Date:01/2024	PAGE:940103		
FRONT DESTINATION SIGN "AXION" 7.66"x30.28"						
Item#	Part	Description			QTY	Notes
		1) NOT SOLD SEPARATELY				
		P) CALL ORDER DESK FOR SPECIFIC APPLICATION (V.I.N.)				

From L-6493

Date:01/2024

PAGE:X3-1814-03

DESTINATION SIGN - INSTALLATION - "AESYS"

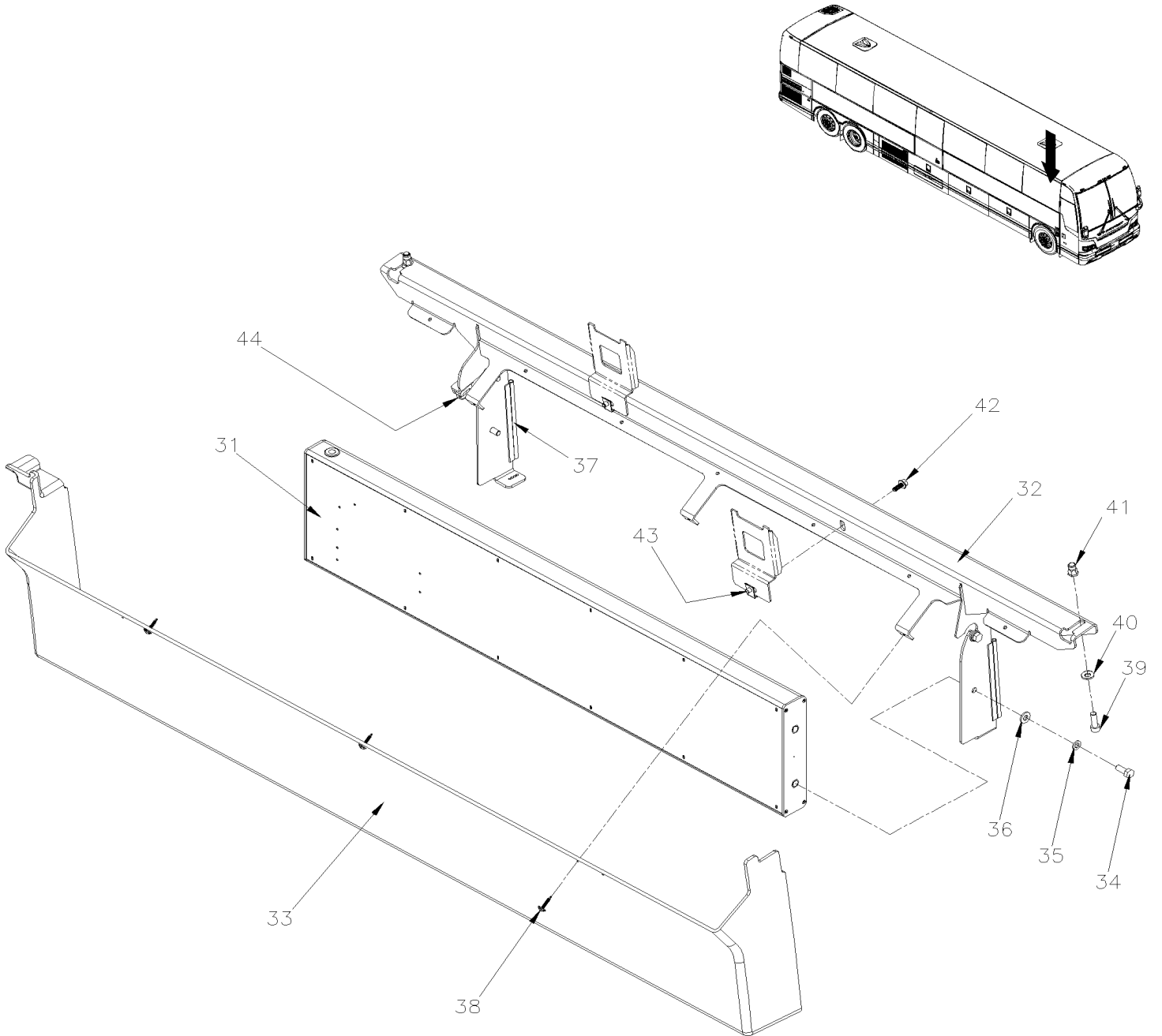


From L-6493

Date:01/2024

PAGE:X3-1814-03

DESTINATION SIGN - INSTALLATION - "AESYS"

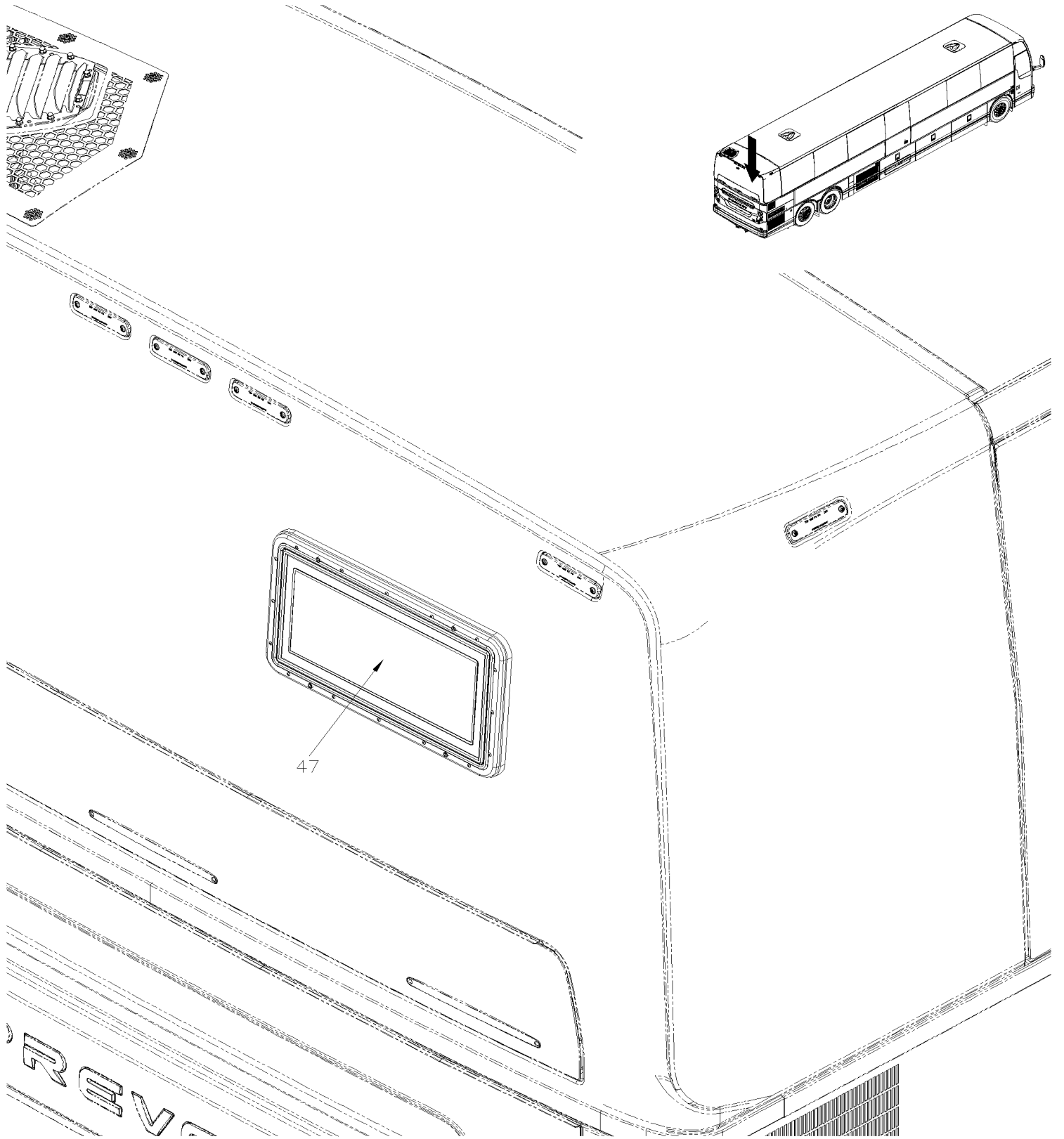


From L-6493

Date:01/2024

PAGE:X3-1814-03

DESTINATION SIGN - INSTALLATION - "AESYS"

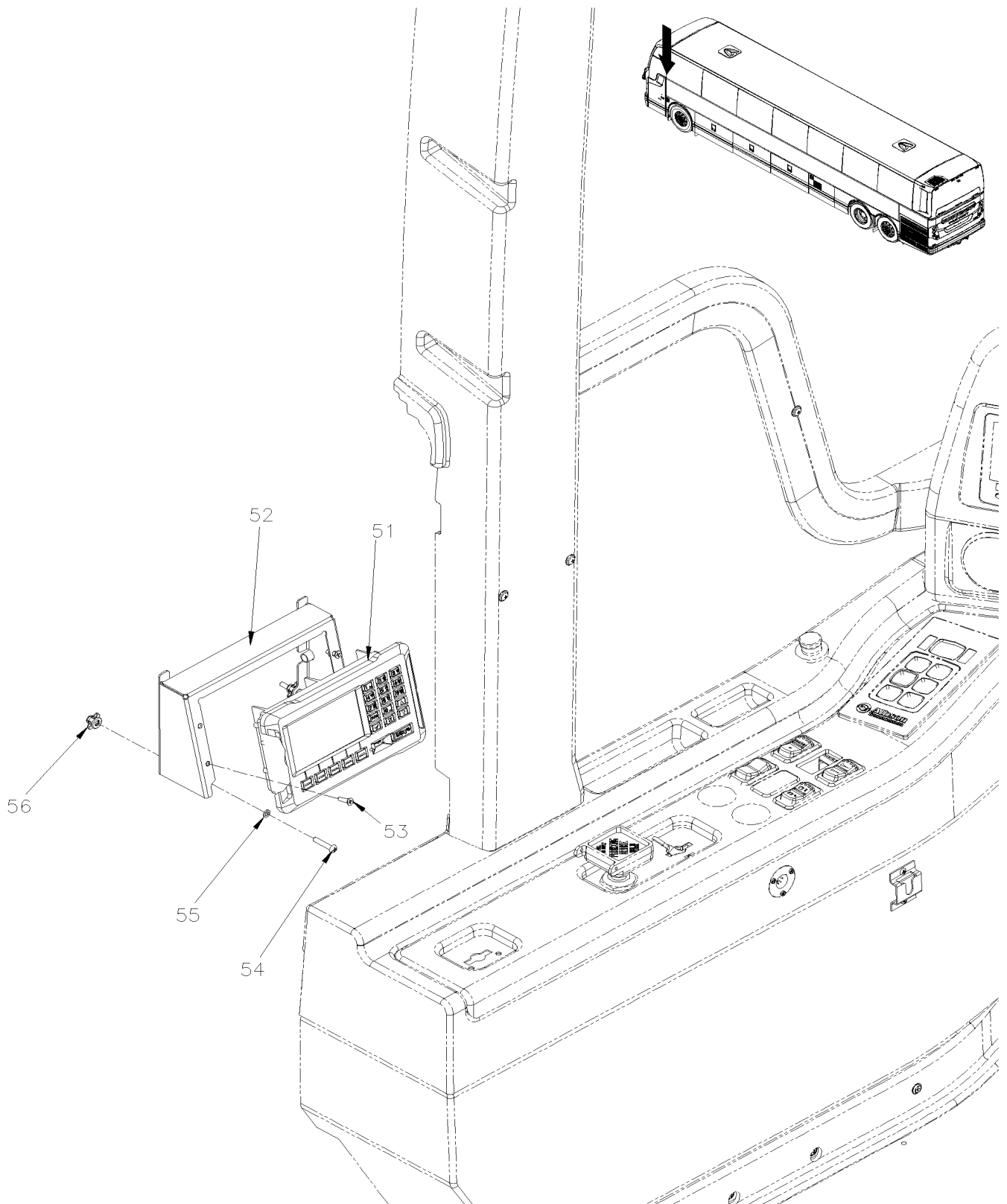


From L-6493

Date:01/2024

PAGE:X3-1814-03

DESTINATION SIGN - INSTALLATION - "AESYS"



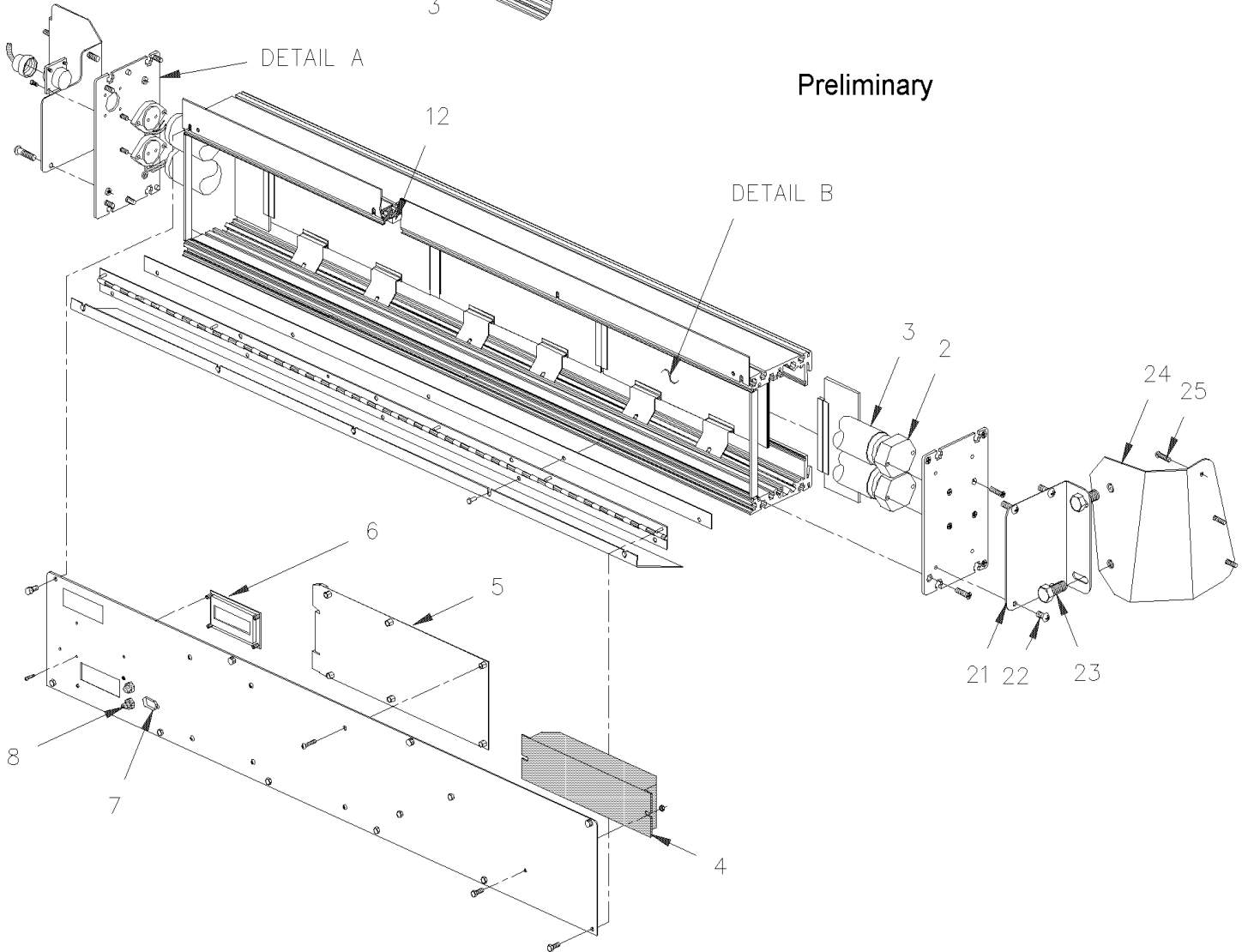
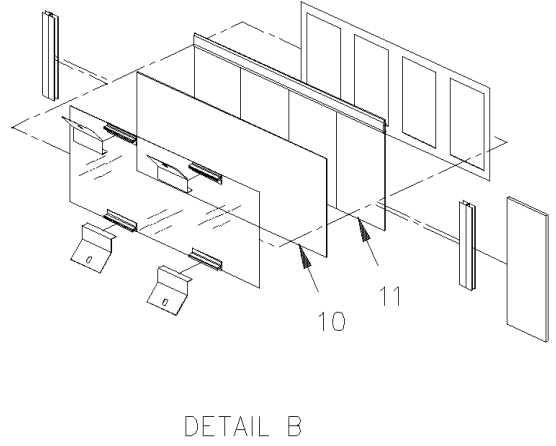
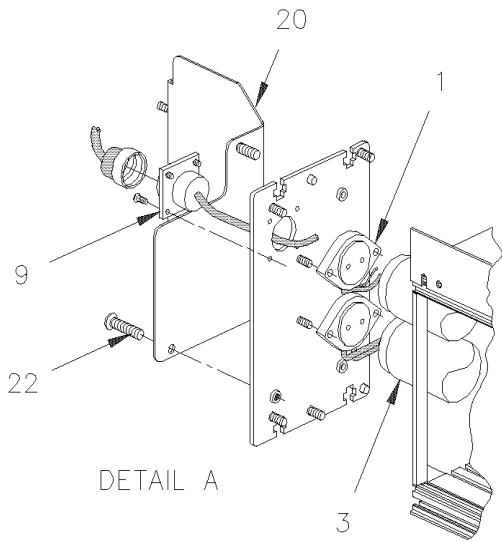
From L-6493	Date:01/2024	PAGE:X3-1814-03
DESTINATION SIGN - INSTALLATION - "AESYS"		

Item#	Part	Description	QTY	Notes
1	440129	SUPPORT L.H.	1	
2	440128	SUPPORT R.H.	1	
3	940012	FRONT DESTINATION SIGN "AESYS"	1	
3	940136	FRONT DESTINATION SIGN "AESYS" WHITE LED W/EMERGENCY	1	
3	940139	FRONT DESTINATION SIGN "AESYS" W/O CONTROL	1	A
3	0610193	CABLE POWER DESTINATION SIGN SHIELD & TWISTED	1	PWT
4	440144	COVER UNDER	1	
5	440137	COVER / "AESYS" SIGN	1	
5	440251	COVER / "AESYS" SIGN WITHOUT HOLE FOR KEYBOARD	1	A
NS	406155	DECAL / THIS COACH IS RESTROOM EQUIPED... / ENGLISH & SPANISH	1	
NS	406323	DECAL / THIS COACH IS RESTROOM EQUIPED... / ENGLISH & FRANCAIS	1	
NS	400017	DECAL / THIS COACH IS RESTROOM EQUIPED... / ENGLISH & SPANISH & FRANCAIS	1	
5	400302	DECAL / THIS COACH IS RESTROOM EQUIPED... / ENGLISH	1	
NS	406691	DECAL / NO SMOKING / DRINKING INTOXICANTS.... / ENGLISH & SPANISH	1	
NS	406694	DECAL / NO SMOKING / DRINKING INTOXICANTS.... / ENGLISH & FRANCAIS	1	
NS	400014	DECAL / NO SMOKING / DRINKING INTOXICANTS.... / ENGLISH & SPANISH & FRANCAIS	1	
5	400298	DECAL / NO SMOKING / DRINKING INTOXICANTS.... / ENGLISH	1	
6	440434	AJUSTING BRACKET	1	
11	5002083	SCREW DR SEMS FN OV PH #8X1 N050	7	
12	5002071	NUT SPR U #8 .110-.187 BK	3	
13	5002027	SCREW CAP HEXF AD M6-1.0x16 G10.9 N500	4	
14	5001833	WASHER BEL SPR 6.1x18x1.27 SS	4	
15	502830	SCREW CAP HEX M6-1.0x20 G8.8 N500	1	
16	5001833	WASHER BEL SPR 6.1x18x1.27 SS	1	
17	5001965	NUT SPR U M6-1.0 0.6-4.0 N500	1	
18	5001932	NUT HEXF NYRT M6-1.0 G8.8 N500	2	
19	509815	TIE MOUNT / ATTACHMENT W/TREE MOUNT	2	
21	5001450	SCREW CAP HEX M8-1.25x20 G10.9 DP	4	
22	500942	WASHER LO SPT 8.1x14.8x2.0 N500	4	
23	5001736	WASHER FL 8.4x18.0x2.0 N500	4	
31	940018	SIDE DESTINATION SIGN "AESYS"	1	
31	069941	HARNESS. DESIN. SIGNS FRONT TO SIDE	1	
31	069942	HARNESS SIGNS SIDE, REAR	1	
32	440001	BRACKET ASSY SIDE SIGN "AESYS"	1	
32	440086	SIDE SIGN BRACKET / W/O SUN VISOR	1	
33	340233	COVER SIDE DESTINATION SIGN	1	
34	500820	SCREW CAP HEX M8-1.25x16 G10.9 N500	4	
35	502889	WASHER LO SPT 8.1x12.7x2.0 N500	4	
36	5001736	WASHER FL 8.4x18.0x2.0 N500	4	

From L-6493	Date:01/2024	PAGE:X3-1814-03
DESTINATION SIGN - INSTALLATION - "AESYS"		

Item#	Part	Description	QTY	Notes
37	506302	RUBBER EXTRUSION TRIM SEAL / GRIP .024 / 7/16" HOLLOW BULB C.T.L.	AR	
38	5002083	SCREW DR SEMS FN OV PH #8X1 N050	5	
39	5001775	SCREW CAP HEXS M8-1.25x25 G8.8 G500	2	
40	5001868	WASHER BEL SPR 8.4x18x2 SS	2	
41	5001337	NUT INS FL HEX M8-1.25 0.5-3.0 Z050	2	
42	5002027	SCREW CAP HEXF AD M6-1.0x16 G10.9 N500	2	
43	5001965	NUT SPR U M6-1.0 0.6-4.0 N500	2	
44	504013	TIE MOUNT / 1/4" X 1/4" I.D.	1	
44	504379	RIVET POP DOME OE 3/16x1/4 SS	1	
44	504637	CABLE TIE / 3/16" x 13"	1	
47	940013	REAR DESTINATION SIGN 7.125"x22.047"	1	
47	684685	ADHESIVE SIMSON #ISR 70-03 / 310ml CARTRIDGE	AR	
47	680098	THREAD SEALANT LOCTITE #567 / WHITE / 250ml	AR	
47	506769	TAPE RUB ADH2 CC POL 1/8" x 1/4" x 60' / BLACK H1CC-N#14	AR	
48	069943	HARNESS SIGNS REAR	1	
51	940137	KEYBOARD CONTROLER "AESYS"	1	A
51	069940	HARNESS SIGNS INTERCONNECTION	1	A
51	562387	CONVOLUTED TUBING / SLIT / BLACK / .250"	AR	A
51	504637	CABLE TIE / 3/16" x 13"	1	A
52	440093	SUPPORT / CONSOL CONTROL	1	A
53	5001414	SCREW MA FL PH M4-0.7x16 BK	4	A
54	500388	SCREW MA RND PH #10-24x1 Z050	2	A
55	500470	WASHER LO SPT .193x.334x.047 Z050	2	A
56	500488	WASHER LO SPT .760x1.271x.188 Z050	2	A
		A) USE WITH KEYBOARD CONTROLER ON WALL BEHIND DRIVER		
		PWT) PWT OPTION		

DESTINATION SIGN - "POCATEC"



Preliminary

From 7-8754 To E-5516	Date:01/2024	PAGE:X3-1814-10
DESTINATION SIGN - "POCATEC"		

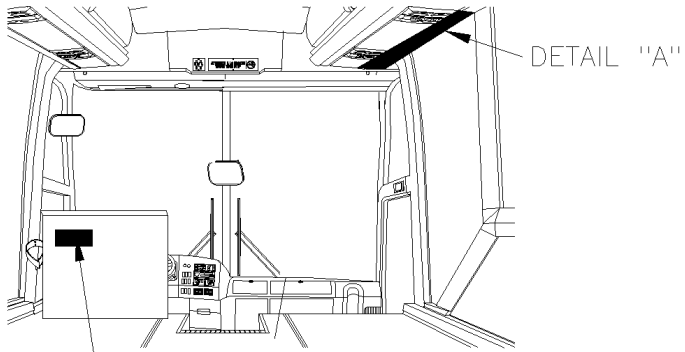
Item#	Part	Description	QTY	Notes
NS	940050	FRONT DESTINATION SIGN "POCATEC"	1	
1	830162	. FLUORESCENT SOCKET NON RETRACTABLE	2	
2	830163	. FLUORESCENT SOCKET RETRACTABLE	2	
3	830161	. TUBE / 30WATT / F30T12/CW/RS -36"/G13MED BIPIN	2	
4	940052	. BALLAST	1	
5	940044	. CONTROL BOARD	1	
NS	562309	. . FUSE / 2 AMPS / 2A	1	
6	940045	. REAR CD DISPLAY	1	
7	N.S.P.	. SERIAL LINK CONNECTOR / (205203-1)	1	2
7	N.S.P.	. SOCKET, SERIAL LINK CONNECTOR CONTACT / (5-66504-9)	AR	2
8	940046	. ROUTE SELECTOR BUTTON	2	
9	561635	. CONNECTOR / CPC SERIES 1 / PH 9C / AMP 206705-1	1	
9	N.S.P.	. PIN, SIGN CONNECTOR CONTACT / (66361-2)	AR	2
10	940047	. FRONT LEXAN WINDOW	3	
11	940048	. 4 CHARACTERS GLASS ASSY	3	
12	940053	. INTERFACE BOARD	1	
20	440312	SUPPORT L.H. / W/DIGITAL	1	
21	440313	SUPPORT R.H. / W/DIGITAL	1	
22	500873	SCREW MA RND PH #8-32x3/4 SS BK	6	
NS	500163	SCREW CAP HEX 1/4-20x3/4 G5 Z050	2	
23	500440	WASHER FL .250x.562x.065 Z050	2	
NS	500478	WASHER LO SPT .380x.683x.094 Z050	2	
24	440314	SUPPORT R.H. / W/DIGITAL	1	
25	500333	SCREW TP OV PH #6x3/4 BK	6	
NS	500345	WASHER FN CKF .187x.500x.090 BR BK	6	
NS	440309	COVER / W/DIGITAL	1	
NS	940051	CABLE ADAPTOR / INTERFACE / W/CD PC TO DESTINATION SING	1	
		2) NOT SOLD BY PREVOST (SEE MANUFACTURING PART NUMBER AT END OF DESCRIPTION LINE)		

From 9-9830 To K-6492

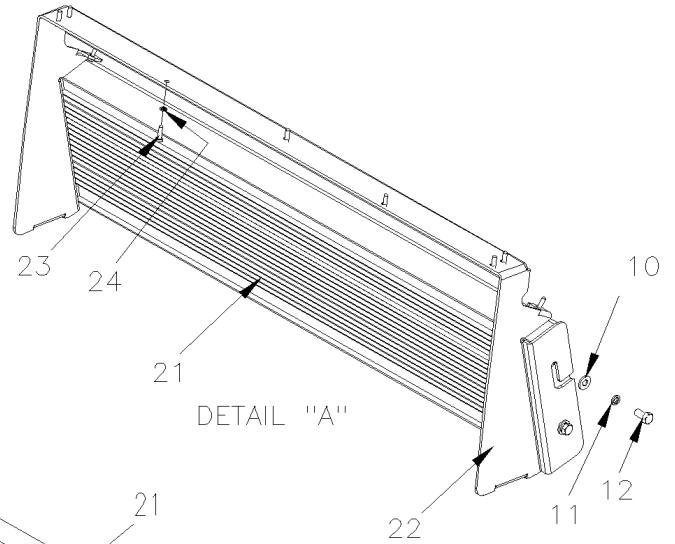
Date:01/2024

PAGE:X3-1814-20

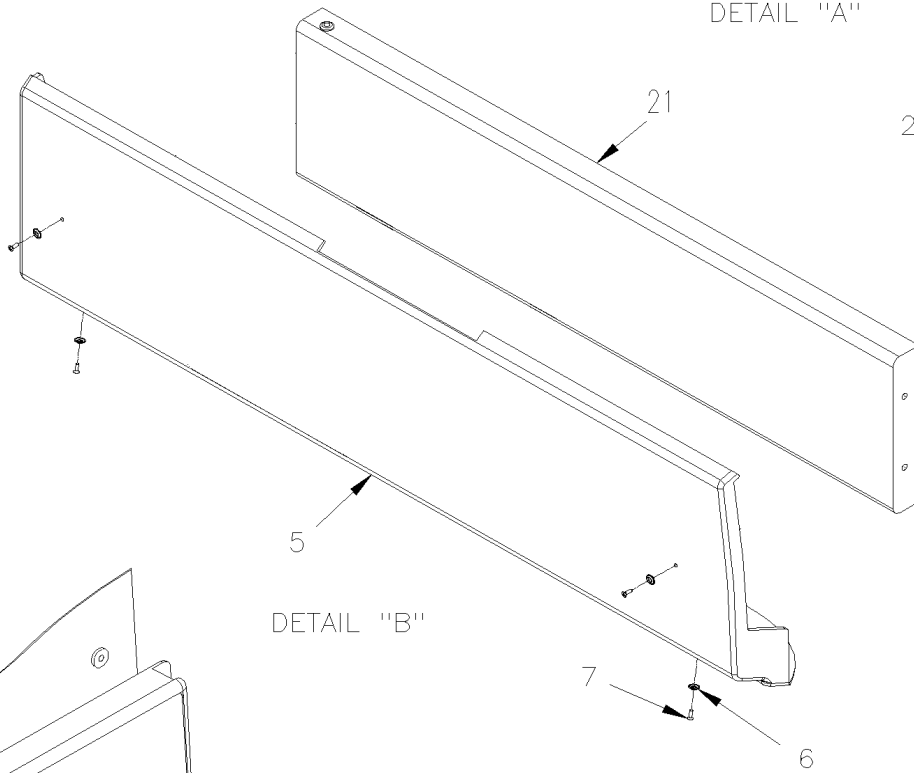
DESTINATION SIGN - INSTALLATION SIDE - "AESYS"



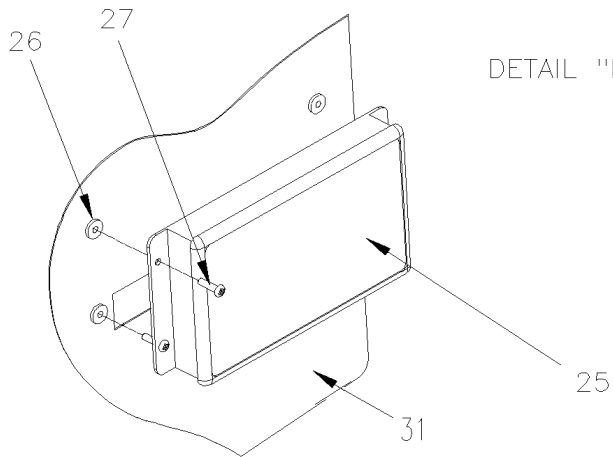
DETAIL "C"



DETAIL "A"



DETAIL "B"



DETAIL "C"

From 9-9830 To K-6492	Date:01/2024	PAGE:X3-1814-20
-----------------------	--------------	-----------------

DESTINATION SIGN - INSTALLATION SIDE - "AESYS"

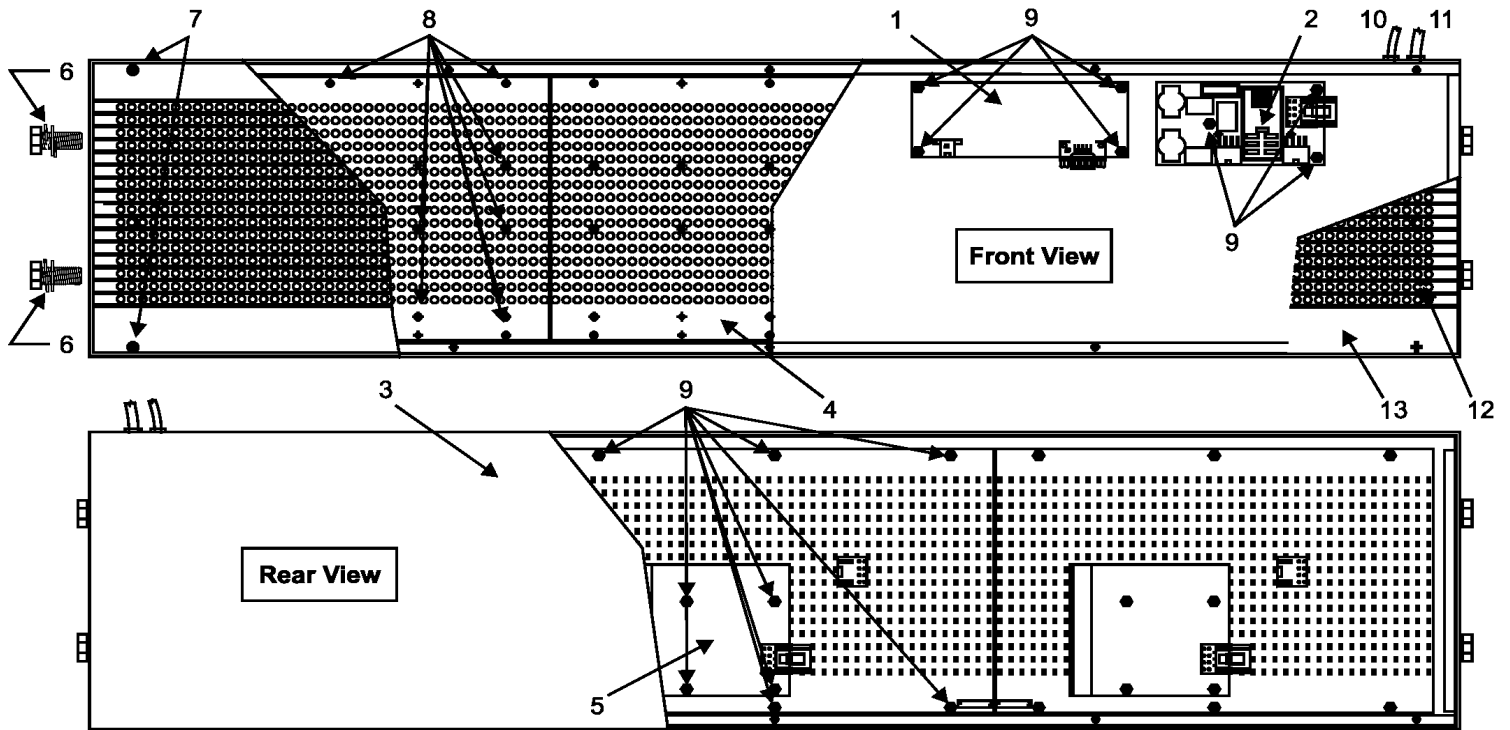
Item#	Part	Description	QTY	Notes
5	440403	COVER / "AESYS" SIGN	1	
NS	5061020	TAPE RUB ADH1 CC POL 1/32" x 1/2" x 50' / BLACK H1C-N	AR	B
6	500463	WASHER FN CKF .187x.500x.090 BR Z050	4	
7	500624	SCREW TP OV PH #6x1/2 Z050	4	
8	500356	WASHER LO SERR 6.1x16.0x0.9 N500	2	
9	502772	SCREW CAP HEX 1/4-20x1/2 G5 N500	2	
10	192288	WASHER FL 8.4x18.0x2.0 ZG603	4	
11	502889	WASHER LO SPT 8.1x12.7x2.0 N500	4	
12	500820	SCREW CAP HEX M8-1.25x16 G10.9 N500	4	
13	500957	SCREW TP BDG PH #10x3/4 N500	6	
21	940082	SIDE DESTINATION SIGN "AESYS" To A-9883	1	
21	940088	SIDE DESTINATION SIGN "AESYS" 6.66"x37.40" From A-9884	1	
22	440402	SUPPORT SIDE DESTINATION SIGN	1	
23	500923	SCREW TC CAP HEX 1/4-20x3/4 Z050	9	
24	500914	WASHER LO SPT .193x.334x.047 N500	9	
25	940075	CONSOL CONTROL / DESTINATION SIGN To C-5287	1	
25	940102	CONSOL CONTROL / DESTINATION SIGN From C-5288	1	
26	500589	NUT WELL M4-0.7x13.5	4	
27	502698	SCREW MA PAN PH M4-0.7x16 SS BK	4	
30	067534	CABLE ASSY W/SIDE DESTINATION ONLY To A-9883	1	
30	068100	CABLE ASSY W/SIDE DESTINATION ONLY From A-9884 To L-6494	1	
31	Call order desk	PANEL FRONT ASSY W/COVERING S.C.C. / USE W/SPEAKER & CONTROL	1	P
NS	940078	KIT PROGRAMMATION "AESYS" DESTINATION SIGN	1	
NS	940157	PORT SMART MEDIA CARD HOLDER KIT	1	
		B) INSIDE OF PANEL ITEM #5		
		P) CALL ORDER DESK FOR SPECIFIC APPLICATION (V.I.N.)		

From 9-9830 To K-6492

Date:01/2024

PAGE:940088

SIDE DESTINATION SIGN "AESYS" 6.66"x37.40"

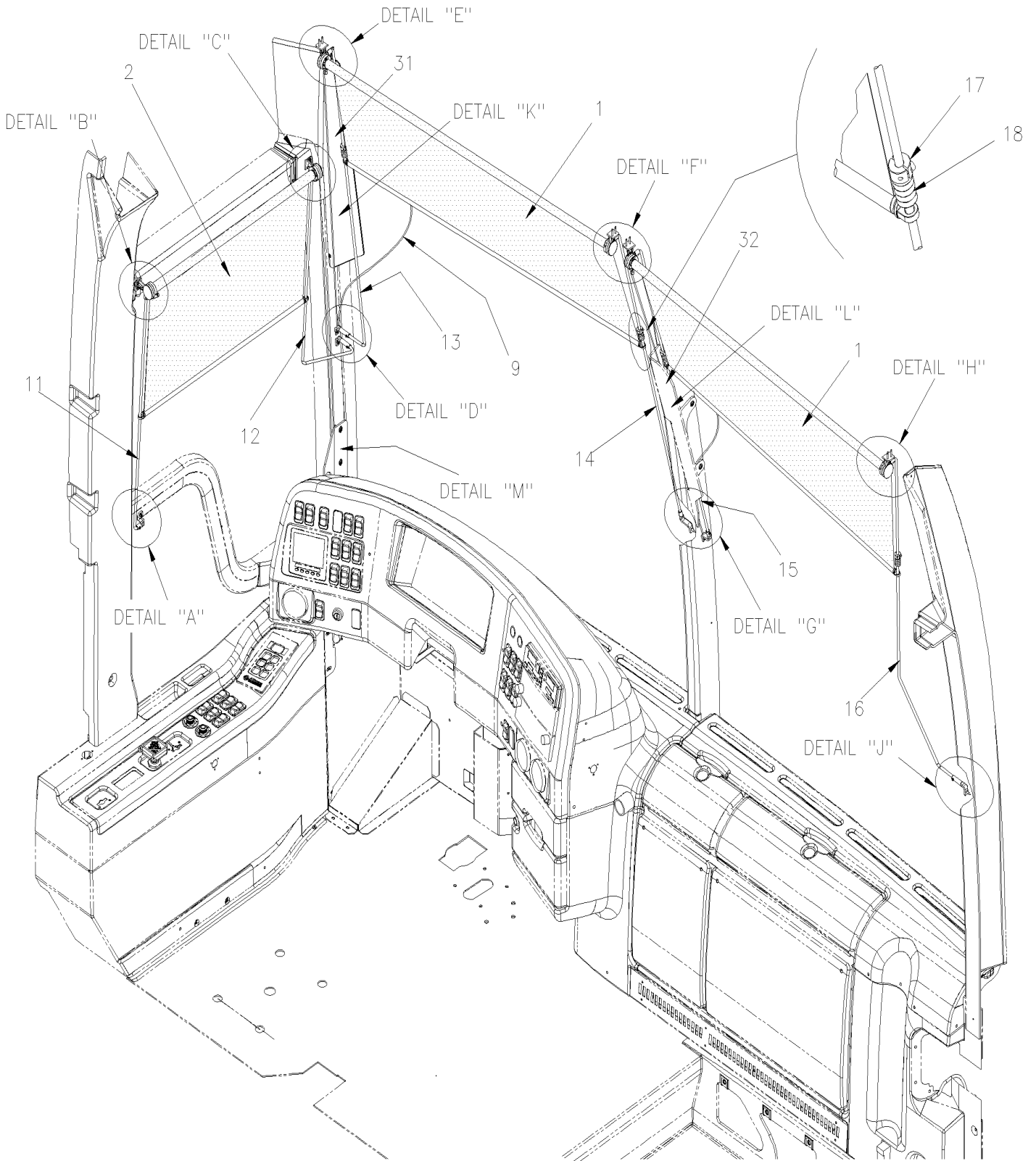


002100200600 001 CDB

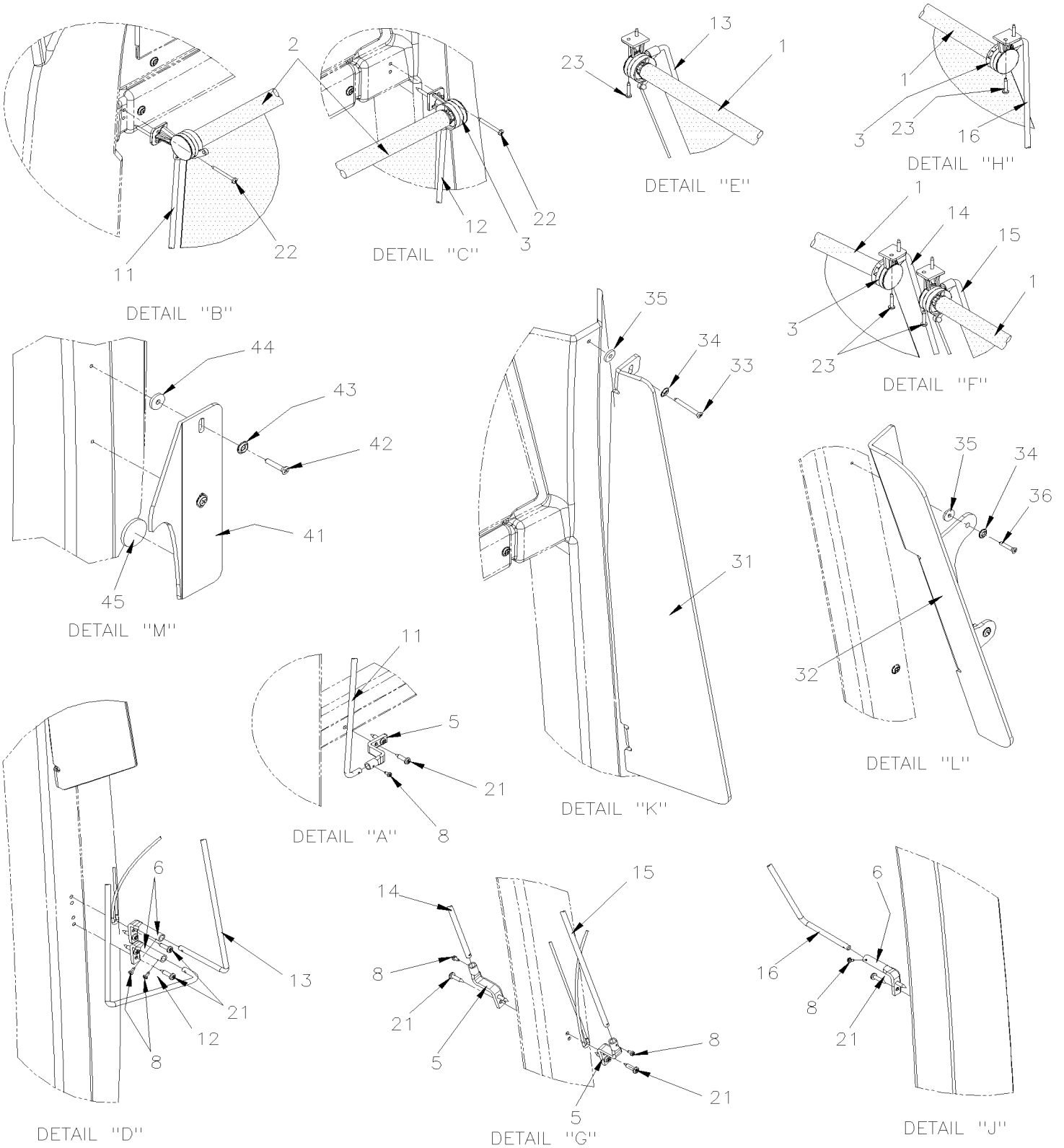
From 9-9830 To K-6492	Date:01/2024	PAGE:940088
SIDE DESTINATION SIGN "AESYS" 6.66"x37.40"		

Item#	Part	Description	QTY	Notes
1	940095	PCB - 0109A - PROCESSOR/CPU Z84C15 S 4 MB RS485		
2	Call order desk	PCB - 0318A - SUPPRESSOR - (W/10 A FUSE)		P
3	Call order desk	CASE - MAIN HOUSING (STEEL)		P
4	940099	PCB - 9929B - LED PANEL - (300X37540X16) - NO PHOTOCELL		
5	940100	PCB - 0133B/0133C/0616B - POWER SUPPLY/DC-DC		
6	Call order desk	SCREW CAP HEX M8 X 20 MM G8.8		P
6	Call order desk	WASHER FLAT Ø8.4 X 16 X 1.6 MM		P
6	Call order desk	WASHER LOCK Ø8.1 X 14.8 X 2 MM		P
7	Call order desk	SCREW M3 X 8 MM - BLACK OXIDIZED		P
8	Call order desk	SPACER NYLON USE FOR PCB 9929B 3.3 X 7 X 5H		P
9	Call order desk	NUT HEX SELF LOCKING M3		P
9	Call order desk	DISTANCE RING NYLON 7 OD x 3 ID x 4		P
10	Call order desk	CBL - DATA CABLE (CONNECTS TO SUPPRESSOR BD) 40 INCH/1016 MM		P
11	Call order desk	CBL - POWER CABLE (CONNECTS TO SUPPRESSOR BD) 40 INCH/1016 MM		P
12	940098	PCB - 9929B - LED PANEL - (300X37540X16)- WITH PHOTOCELL		
13	Call order desk	FRONT - EXTRUSION WITH LOUVERS (ALUMINUM)		P
NS	Call order desk	INSERT F. EXAG. CH. TFL ZB M8 3÷6 MM		P
NS	Call order desk	FLAT CABLE 16P 9 CM 2IDTF (1T/1B)		P
NS	Call order desk	CBL - RIBBON CABLE FLAT - 16P (21.2 INCH/54 CM)		P
NS	Call order desk	CBL - KC640 DATA/PWR CABLE (DB9F>DB9F) 10.5 INCH/26.6 MM		P
NS	Call order desk	FERRITE - SMALL (16 X 9 X 28L MM)		P
NS	Call order desk	FERRITE - LARGE (17.5 X 9.5 X 35L MM)		P
		P) CALL ORDER DESK FOR SPECIFIC APPLICATION (V.I.N.)		

ROLLER BLIND - DRIVER'S & WINDSHIELD

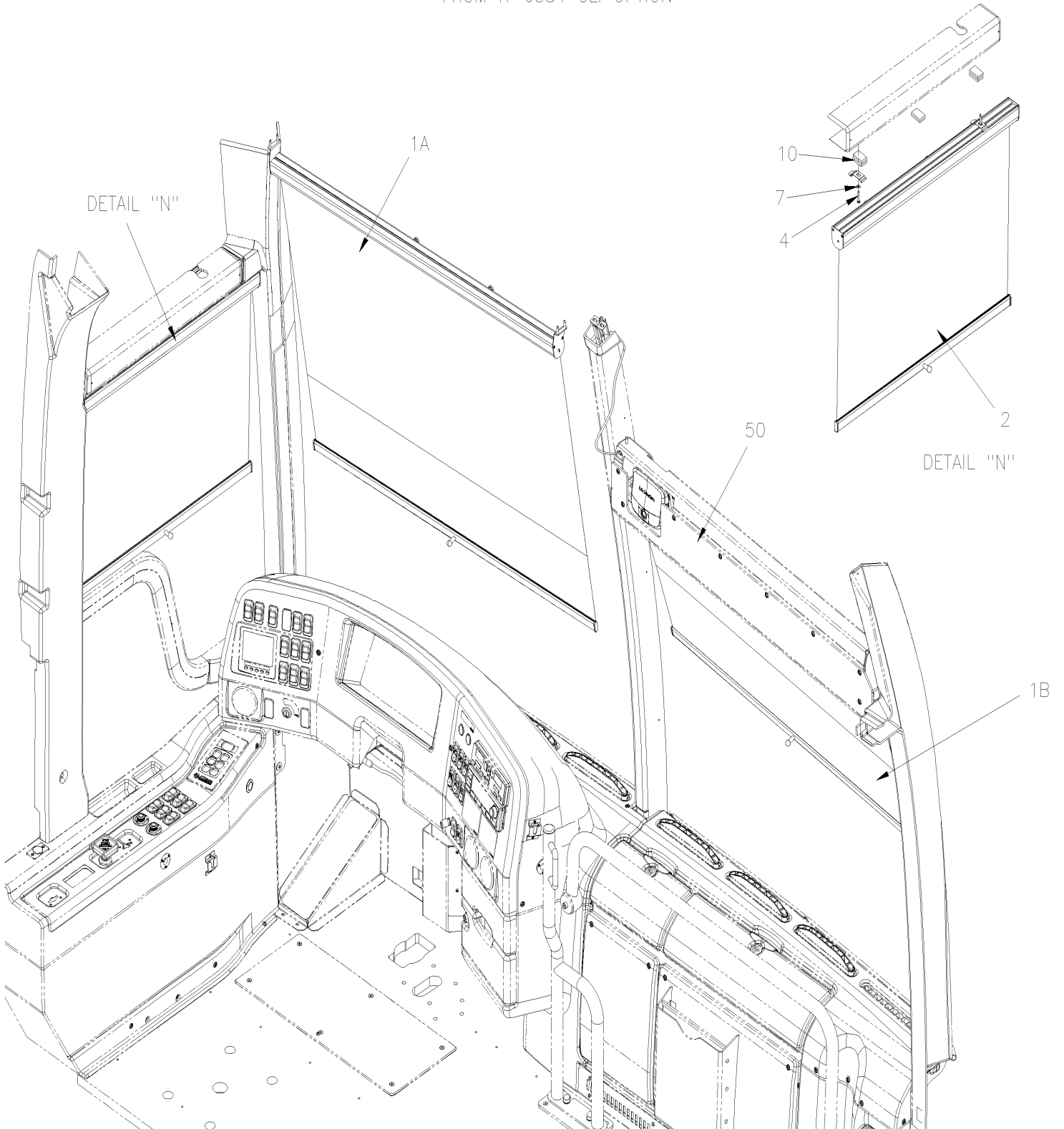


ROLLER BLIND - DRIVER' S & WINDSHIELD



ROLLER BLIND - DRIVER' S & WINDSHIELD

FROM K-6384 GLI OPTION



From 7-8754 To K-6492	Date:01/2024	PAGE:X3-1816-00
ROLLER BLIND - DRIVER' S & WINDSHIELD		

Item#	Part	Description	QTY	Notes
1	901043	BLIND ROLLER / CHARCOAL / 996MM To D-5449	2	
NS	900597	. GUIDING PLUG / EACH END OF BLIND To D-5449	2	
1	901373	BLIND ROLLER / CHARCOAL / 1045MM From D-5450	2	
. NS	901561	. BRACKET W/SHAFT & RATCHED LEVER From D-5450	1	
. NS	901560	. BRACKET W/SHAFT & RATCHED LEVER From D-5450	1	
1A	901586	BLIND ROLLER / LH 1030MM From K-6384	1	GR
NS	500432	SCREW TC PAN PH #8-32x3/4 Z050 From K-6384	4	GR
1B	901585	BLIND ROLLER / RH 1044MM From K-6384	1	GR
NS	500654	SCREW TC BDG PH #8-32x1/2 Z050 From K-6384	4	GR
2	901042	BLIND ROLLER / CHARCOAL / 600MM To D-5449	1	
NS	900597	. GUIDING PLUG / EACH END OF BLIND To D-5449	2	
2	901374	BLIND ROLLER / CHARCOAL / 593MM From D-5450	1	
. NS	5001999	. SCREW SET HEXS CUP M4-0.7x5 From D-5450	2	
. NS	901562	. BRACKET W/O SHAFT & RATCHED LEVER From D-5450	1	
. NS	901560	. BRACKET W/SHAFT & RATCHED LEVER From D-5450	1	
2	901587	BLIND ROLLER 667MM From K-6384	1	GR
. NS	901838	. SUPPORT, SUN BLIND From K-6384	2	GR
3	900478	BEARING HOLDER / R.H. / BLACK CASTING To D-5449	1	
4	500430	SCREW TC PAN PH #8-32x1 1/4 SS BK From K-6384	2	GR
5	900476	ROD HOLDER 90° / BLACK PLASTIC 30MM C/L To F-5789	AR	
5	407650	ROD HOLDER / BLACK / PLASTIC "S" SHAPE From F-5790 To G-5943	AR	
5	401060	ROD HOLDER / BLACK / PLASTIC "S" SHAPE / 2 HOLES From G-5944	AR	
6	403570	ROD HOLDER / BLACK / STEEL "L" SHAPE To 8-9212	3	
6	901263	ROD HOLDER / BLACK / PLASTIC 50MM From 8-9213 To E-5589	3	
6	901445	ROD HOLDER / BLACK / PLASTIC From E-5590 To F-5789	3	
6	403570	ROD HOLDER / BLACK / STEEL "L" SHAPE From F-5790 To G-5943	3	
6	401059	ROD HOLDER / BLACK / STEEL "L" SHAPE / 2 HOLES From G-5944	3	
7	500964	WASHER FL .203x.500x.047 Z050 From K-6384	2	GR
8	5001091	SCREW TC PAN PH #4-40x1/4 BK	AR	
9	900482	CORD, W/BUTTON / BLACK 1700MM To D-5449	1	
10	790597	RUBBER BLOCK ADJUSTEMENT 20MM x 31.75MM x 4.7 60 DURO From K-6384	AR	
11	405069	ROD / BACKWARD / 640MM X 25MM	1	
12	405192	ROD / FORWARD / 481MM X 130MM	1	
13	405071	ROD / L.H. STREET SIDE / 718MM X 107MM To B-9997	1	
13	406475	ROD, 886MM X 97MM From B-9998 To F-5789	1	
13	407655	ROD, 869MM X 80MM From F-5790	1	
14	405070	ROD / R.H. STREET SIDE / 710MM X 20MM To B-9997	1	
14	406473	ROD, 886MM X 23MM From B-9998	1	
15	405077	ROD / L.H. CURBSIDE / 710MM X 20MM To B-9997	1	
15	406474	ROD, 886MM X 26MM From B-9998 To F-5789	1	
15	406473	ROD, 886MM X 23MM From F-5790	1	
15	405138	ROD / L.H. CURBSIDE / 478MM X 22MM To F-5789	1	A

From 7-8754 To K-6492	Date:01/2024	PAGE:X3-1816-00
ROLLER BLIND - DRIVER' S & WINDSHIELD		

Item#	Part	Description	QTY	Notes
15	406477	ROD / L.H. CURBSIDE / 478MM X 22MM From F-5790	1	A
15	408242	ROD / L.H. CURBSIDE / 658MM X 20MM	1	B
16	405072	ROD / R.H. CURBSIDE / 718MM X 107MM To B-9997	1	
16	406476	ROD / R.H. CURBSIDE From B-9998 To F-5789	1	
16	407654	ROD / R.H. CURBSIDE From F-5790	1	
16	405137	ROD / R.H. CURBSIDE / 445MM X 79MM To F-5789	1	A
16	406478	ROD / R.H. CURBSIDE / 445MM X 79MM From F-5790	1	A
16	408243	ROD / R.H. CURBSIDE / 666MM X 107MM	1	B
17	504030	SHAFT COLLAR 6MM From H-6125	4	
18	504033	CUFF END BELLOW / 1/4 ID x 5/8 x 15/16 W/FLANGE From H-6125	4	
NS	500814	SCREW TP BDG PH #6x3/4 BK To F-5789	AR	
NS	5001145	SCREW TP BDG PH #6x1 BK To F-5789	AR	
21	5001155	SCREW TP PAN PH #8X3/4 N050 From F-5790	AR	
22	5001298	SCREW TP BDG PH #6x1 1/2 BK	AR	
NS	500333	SCREW TP OV PH #6x3/4 BK To F-5789	AR	
23	500862	SCREW TC PAN PH #6-32x3/4 Z050 From F-5790	AR	
31	327564	PLEXIGLASS / TINTED L.H. STREET SIDE / 647MM To A-9997	1	
31	328369	PLEXIGLASS / TINTED L.H. STREET SIDE / 795MM To A-9997	1	
31	3200339	PLEXIGLASS / TINTED L.H. STREET SIDE / 795MM From A-9998	1	
31	3201220	PLEXIGLASS / TINTED L.H. STREET SIDE / 645MM From A-9998	1	O
32	327565	PLEXIGLASS / TINTED L.H. CURBSIDE / 418MM To A-9997	1	
32	328370	PLEXIGLASS / TINTED L.H. CURBSIDE / 566MM To A-9997	1	
32	3200340	PLEXIGLASS / TINTED L.H. CURBSIDE / 540MM From A-9998	1	
33	5001298	SCREW TP BDG PH #6x1 1/2 BK To A-9997	AR	
33	500632	SCREW TP OV PH #8x1 1/2 Z050 From A-9998	AR	
34	500345	WASHER FN CKF .187x.500x.090 BR BK To A-9997	AR	
34	500463	WASHER FN CKF .187x.500x.090 BR Z050 From A-9998	AR	
35	500950	WASHER FL .187x.625x.094 RUB	AR	
36	500333	SCREW TP OV PH #6x3/4 BK To A-9997	AR	
36	500629	SCREW TP OV PH #8x1 Z050 From A-9998	AR	
41	400462	PLEXIGLASS BLACK	1	O
42	500871	SCREW TP OV PH #8x1 BK	2	O
43	500345	WASHER FN CKF .187x.500x.090 BR BK	2	O
44	500950	WASHER FL .187x.625x.094 RUB	2	O
45	473615	WASHER	1	O
50	X3-2317-26	"WI-FI" MODULE / "CADEC" MODULE / "DRIVECAM" - INSTALLTION		O
		A) WITH DESTINATION SIGN "POCATEC"		
		B) WITH DESTINATION SIGN "AESYS"		
		GR) GREYHOUND OPTION		

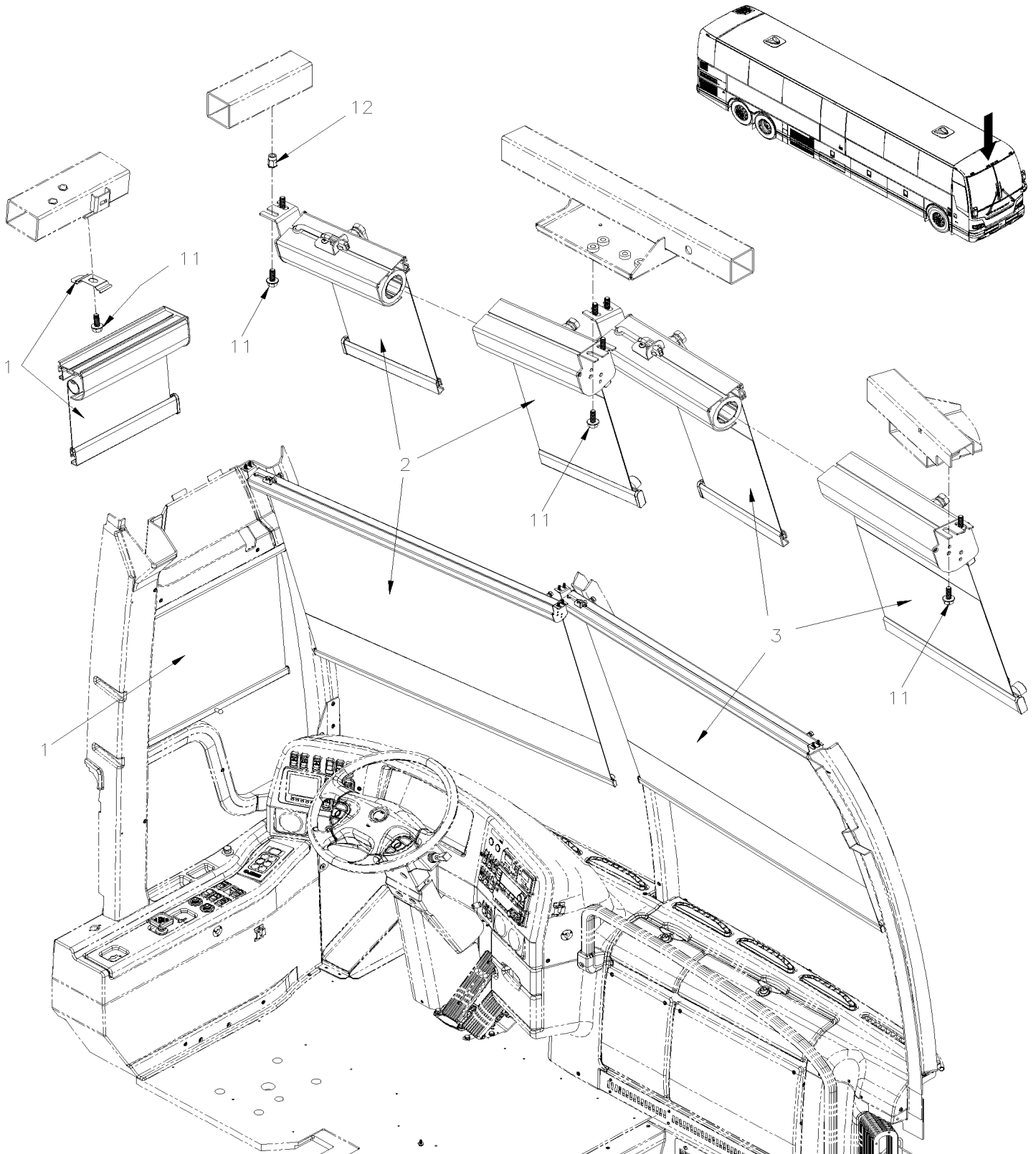
From 7-8754 To K-6492		Date:01/2024	PAGE:X3-1816-00	
ROLLER BLIND - DRIVER' S & WINDSHIELD				
Item#	Part	Description	QTY	Notes
		O) SPECIAL OPTION		

From L-6493

Date:01/2024

PAGE:X3-1816-01

ROLLER BLIND - DRIVER'S & WINDSHIELD

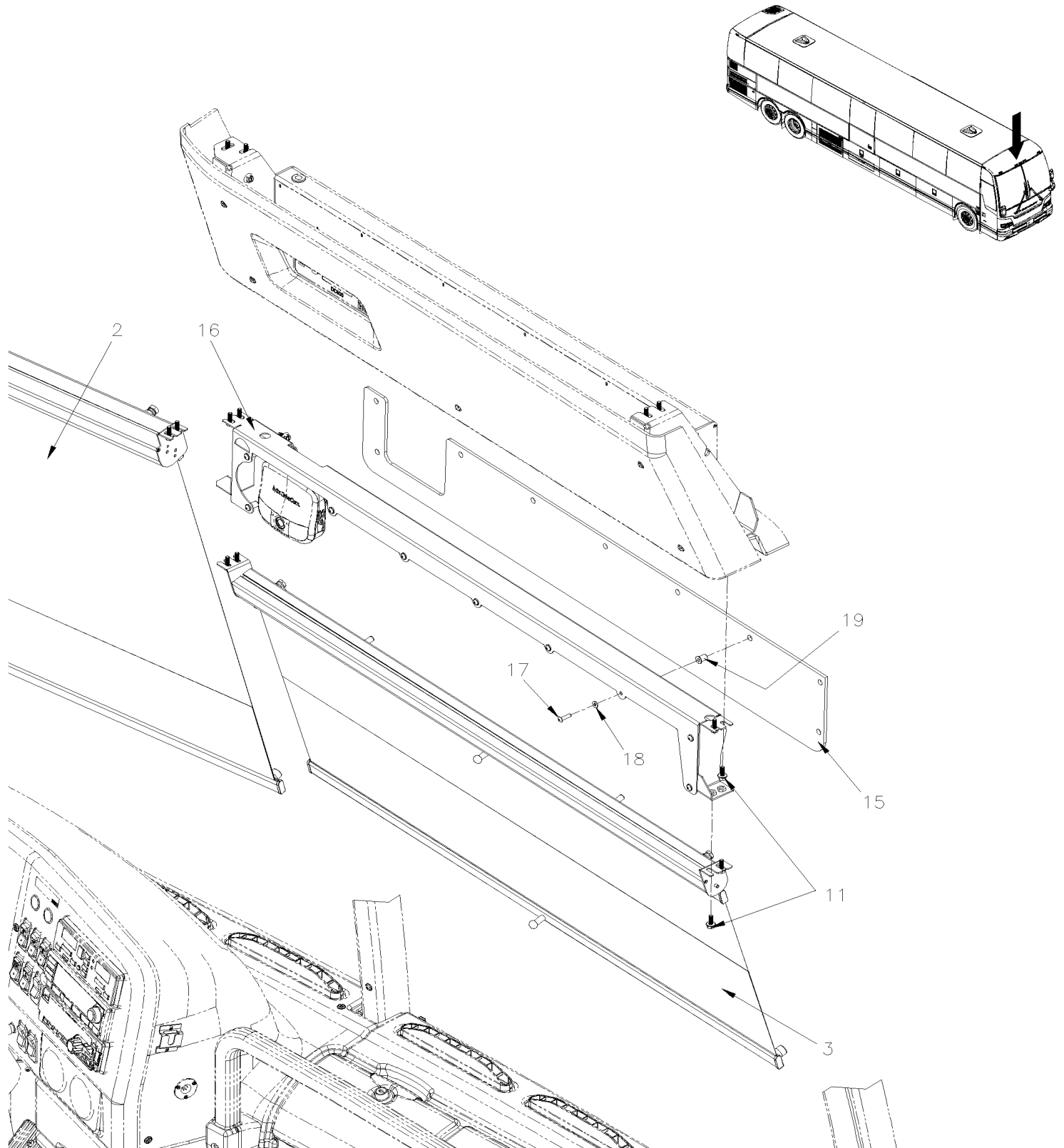


From L-6493

Date:01/2024

PAGE:X3-1816-01

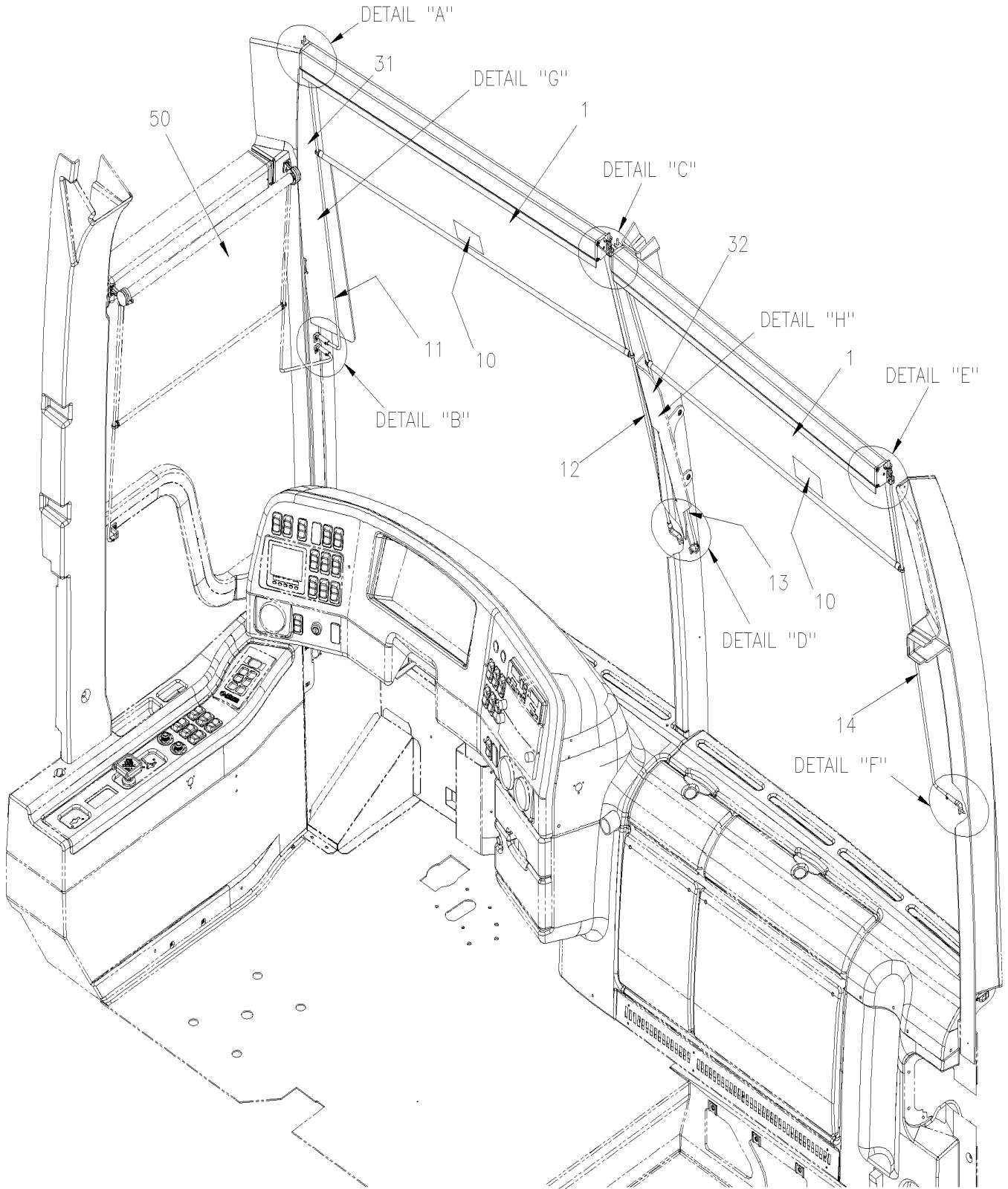
ROLLER BLIND - DRIVER' S & WINDSHIELD



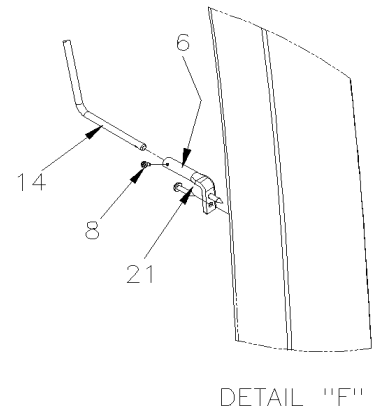
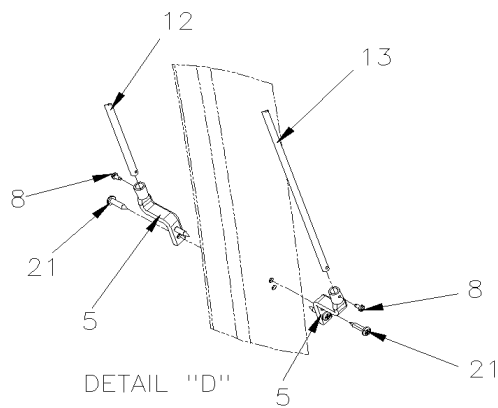
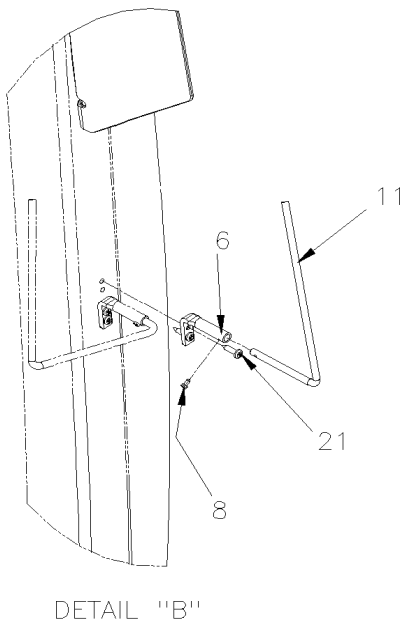
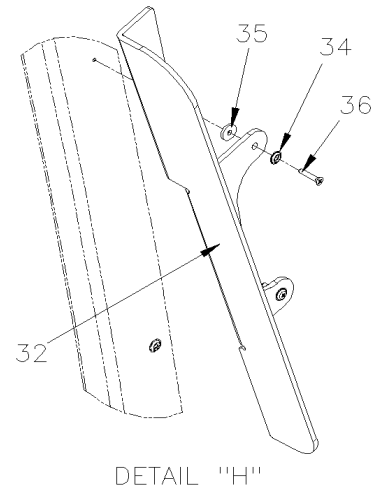
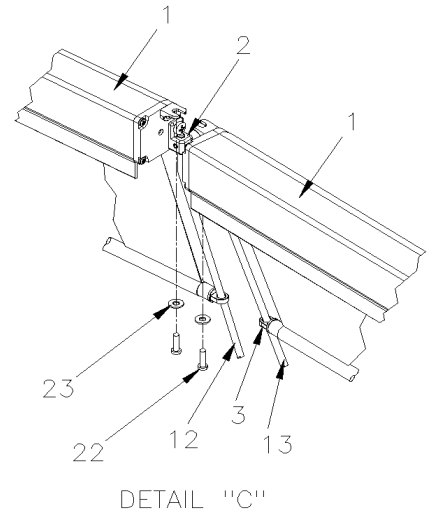
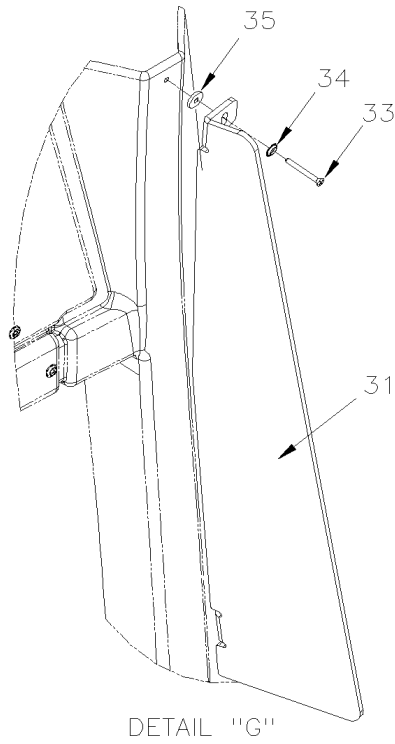
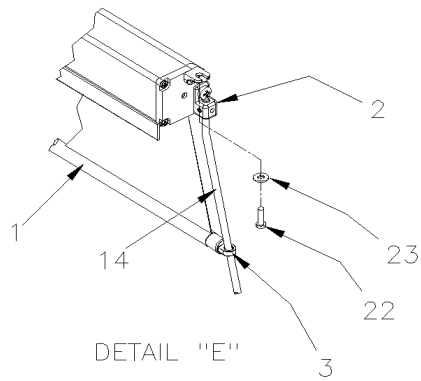
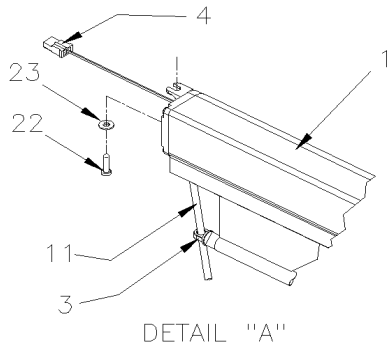
From L-6493	Date:01/2024	PAGE:X3-1816-01
ROLLER BLIND - DRIVER' S & WINDSHIELD		

Item#	Part	Description	QTY	Notes
1	901574	ROLLER BLIND / DRIVER / MANUAL / 22"	1	
NS	901838	SUPPORT, SUN BLIND	2	
2	901671	ROLLER BLIND / WINDSHEILD / MANUAL / 45"	1	
2	900526	ROLLER BLIND / WINDSHEILD / ELECTRICAL / 45"	1	
3	901672	ROLLER BLIND / WINDSHEILD / MANUAL / 43"	1	
3	901450	ROLLER BLIND / WINDSHEILD / ELECTRICAL / 43"	1	
3	901697	ROLLER BLIND / WINDSHEILD / MANUAL / 43"	1	A
3	901450	ROLLER BLIND / WINDSHEILD / ELECTRICAL / 43"	1	A
3	901741	ROLLER BLIND / WINDSHEILD / MANUAL / 43"	1	GR
11	5002027	SCREW CAP HEXF AD M6-1.0x16 G10.9 N500	10	
12	5001344	NUT INS FL HEX M6-1.0 0.5-3.0 SS	2	
15	401349	PLEXIGLASS TINTED / "DRIVECAM"	1	GR
16	401322	SUPPORT / "DRIVECAM"	1	GR
17	500510	SCREW MA BDG PH #10-32x3/4 SS EMN	9	GR
18	500855	WASHER FL .188x.438x.049 N500	9	GR
19	500519	NUT WELL #10-32x.518	9	GR
		A) WITH DESTINATION SIGN		
		GR) GREYHOUND OPTION		

ROLLER BLIND - WINDSHIELD W/ELECTRICAL



ROLLER BLIND - WINDSHIELD W/ELECTRICAL



From 7-8754 To K-6492	Date:01/2024	PAGE:X3-1816-05
ROLLER BLIND - WINDSHIELD W/ELECTRICAL		

Item#	Part	Description	QTY	Notes
1	901121	ROLLER BLIND ASSY / ELECTRIC To C-5187	2	
1	408404	ROLLER BLIND / ELECTRIC / PRODUCT IMPROVMENT To C-5187	1	
NS	901532	ROLLER BLIND ASSY / ELECTRIC To C-5187	2	
1	901375	ROLLER BLIND ASSY / ELECTRIC From C-5188 To F-5789	2	
1	901532	ROLLER BLIND ASSY / ELECTRIC From F-5790 To G-6056	2	
1	900043	ROLLER BLIND ASSY / ELECTRIC From G-6057	2	
2	901048	KIT BRACKET L.H. & R.H. To C-5187	AR	
3	900597	GUIDING PLUG / EACH END OF BLIND To C-5187	1	
4	560854	SOCKET TERMINAL / 24-18 / AMP 60617-1	2	
5	900476	ROD HOLDER 90° / BLACK PLASTIC 30MM C/L To F-5789	2	
5	407650	ROD HOLDER / BLACK / PLASTIC "S" SHAPE From F-5790 To G-5943	2	
5	401060	ROD HOLDER / BLACK / PLASTIC "S" SHAPE / 2 HOLES From G-5944	2	
6	403570	ROD HOLDER / BLACK / STEEL "L" SHAPE To 8-9212	2	
6	901263	ROD HOLDER / BLACK / PLASTIC 50MM From 8-9213 To E-5589	2	
6	901445	ROD HOLDER / BLACK / PLASTIC From E-5590 To F-5789	2	
6	403570	ROD HOLDER / BLACK / STEEL "L" SHAPE From F-5790 To G-5943	2	
6	401059	ROD HOLDER / BLACK / STEEL "L" SHAPE / 2 HOLES From G-5944	2	
8	500409	SCREW TP PAN PH #8x1/2 BK To F-5789	4	
8	5001091	SCREW TC PAN PH #4-40x1/4 BK From F-5790	4	
10	402952	DECAL	1	
11	405373	ROD / STREET SIDE / 730MM X 70MM / 10 DEG BEND To B-9997	1	
11	406470	ROD / STREET SIDE / 820MM From B-9998 To F-5789	1	
11	407651	ROD / STREET SIDE / 820MM From F-5790	1	
11	405255	ROD / L.H. STREET SIDE / 882MM X 70MM To B-9998	1	A B
12	405374	ROD 737MM / 10 DEG BEND To B-9998	1	
12	406468	ROD 846MM From B-9998	1	
12	405256	ROD / L.H. CURBSIDE / 888MM To B-9997	1	A B
13	405374	ROD 737MM / 10 DEG BEND To B-9997	1	
13	406468	ROD 846MM From B-9998	1	
13	405253	ROD / L.H. CURBSIDE / 625MM To B-9997	1	B
13	405376	ROD / L.H. CURBSIDE / 467MM To B-9997	1	D
13	406472	ROD / L.H. CURBSIDE / 576MM From B-9998	1	D
13	408271	ROD / L.H. CURBSIDE / 576MM To B-9997	1	A
13	406975	ROD / L.H. CURBSIDE / 452MM From D-5300 To F-5814	1	GR
13	407690	ROD / L.H. CURBSIDE / 464MM From F-5815	1	GR
14	405375	ROD / CURBSIDE / 730MM X 70MM / 10 DEG BEND To B-9997	1	
14	406469	ROD / CURBSIDE / 820MM From B-9998 To F-5789	1	
14	407652	ROD / CURBSIDE / 820MM From F-5790	1	
14	405254	ROD / R.H. CURBSIDE / 625MM X 83MM To B-9997	1	B
14	408272	ROD / R.H. CURBSIDE / 583MM X 83MM To B-9997	1	A
14	405377	ROD / R.H. CURBSIDE / 460MM X 70MM / 10 DEG BEND To B-9997	1	D
14	406471	ROD / R.H. CURBSIDE / 556MM X 59MM From B-9998 To F-5789	1	D

From 7-8754 To K-6492	Date:01/2024	PAGE:X3-1816-05
ROLLER BLIND - WINDSHIELD W/ELECTRICAL		

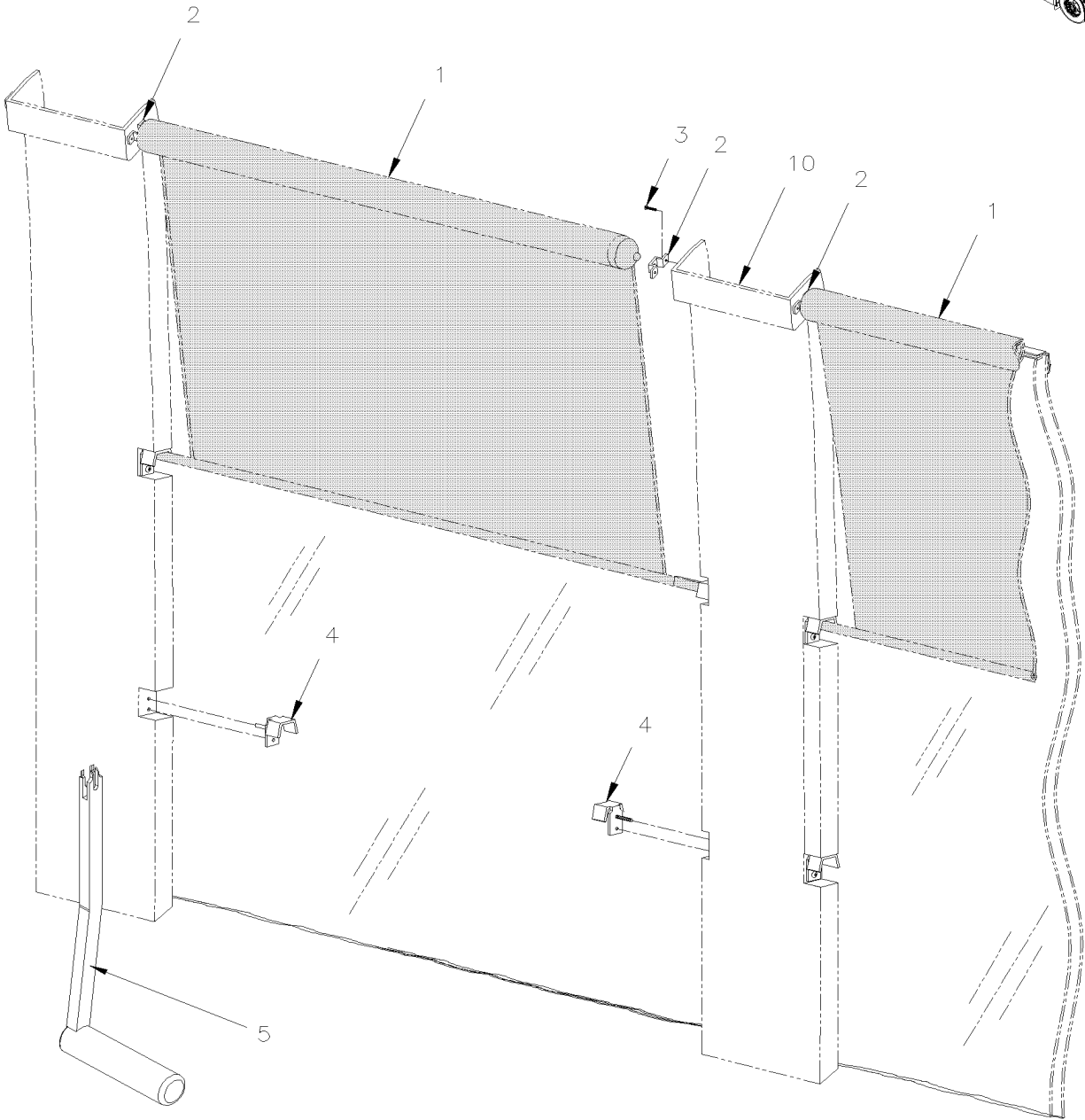
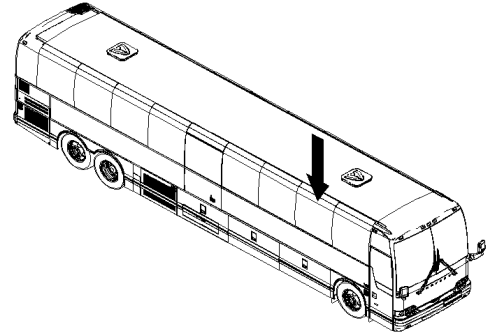
Item#	Part	Description	QTY	Notes
14	407653	ROD / R.H. CURBSIDE / 556MM X 59MM From F-5790	1	D
14	406974	ROD / R.H. CURBSIDE / 443MM X 59MM From D-5300 To F-5814	1	GR
14	407691	ROD / R.H. CURBSIDE / 457MM From F-5815	1	GR
21	500814	SCREW TP BDG PH #6x3/4 BK To F-5789	4	
21	5001155	SCREW TP PAN PH #8X3/4 N050 From F-5790	4	
22	500658	SCREW TC PAN PH #10-24x3/4 Z050	4	
23	500964	WASHER FL .203x.500x.047 Z050	4	
31	327564	PLEXIGLASS / TINTED L.H. STREET SIDE / 647MM To A-9997	1	
31	328369	PLEXIGLASS / TINTED L.H. STREET SIDE / 795MM To A-9997	1	
31	3200339	PLEXIGLASS / TINTED L.H. STREET SIDE / 795MM From A-9998	1	
31	3201220	PLEXIGLASS / TINTED L.H. STREET SIDE / 645MM	1	O
32	327565	PLEXIGLASS / TINTED L.H. CURBSIDE / 418MM To A-9997	1	
32	328370	PLEXIGLASS / TINTED L.H. CURBSIDE / 566MM To A-9997	1	
32	3200340	PLEXIGLASS / TINTED L.H. CURBSIDE / 540MM From A-9998	1	
33	5001298	SCREW TP BDG PH #6x1 1/2 BK To A-9997	AR	
33	500632	SCREW TP OV PH #8x1 1/2 Z050 From A-9998	AR	
34	500345	WASHER FN CKF .187x.500x.090 BR BK To A-9997	AR	
34	500463	WASHER FN CKF .187x.500x.090 BR Z050 From A-9998	AR	
35	500950	WASHER FL .187x.625x.094 RUB	AR	
36	500333	SCREW TP OV PH #6x3/4 BK To A-9997	AR	
36	500629	SCREW TP OV PH #8x1 Z050 From A-9998	AR	
NS	327623	SUPPORT / ROLLER BLIND / UNDER DESTINATION SIGN / 244MM	1	
50	X3-1816-00	ROLLER BLIND - DRIVER' S & WINDSHIELD		
		A) WITH DESTINATION SIGN "AESYS"		
		B) WITH DESTINATION SIGN "POCATEC"		
		D) BUS WITH DESTINATION SIGN		
		GR) GREYHOUND OPTION		
		O) OPTION		

From 7-8754 To K-6492

Date:01/2024

PAGE:X3-1816-10

SUN SHADE - PASSENGER'S WINDOW



From 7-8754 To K-6492	Date:01/2024	PAGE:X3-1816-10
-----------------------	--------------	-----------------

SUN SHADE - PASSENGER'S WINDOW

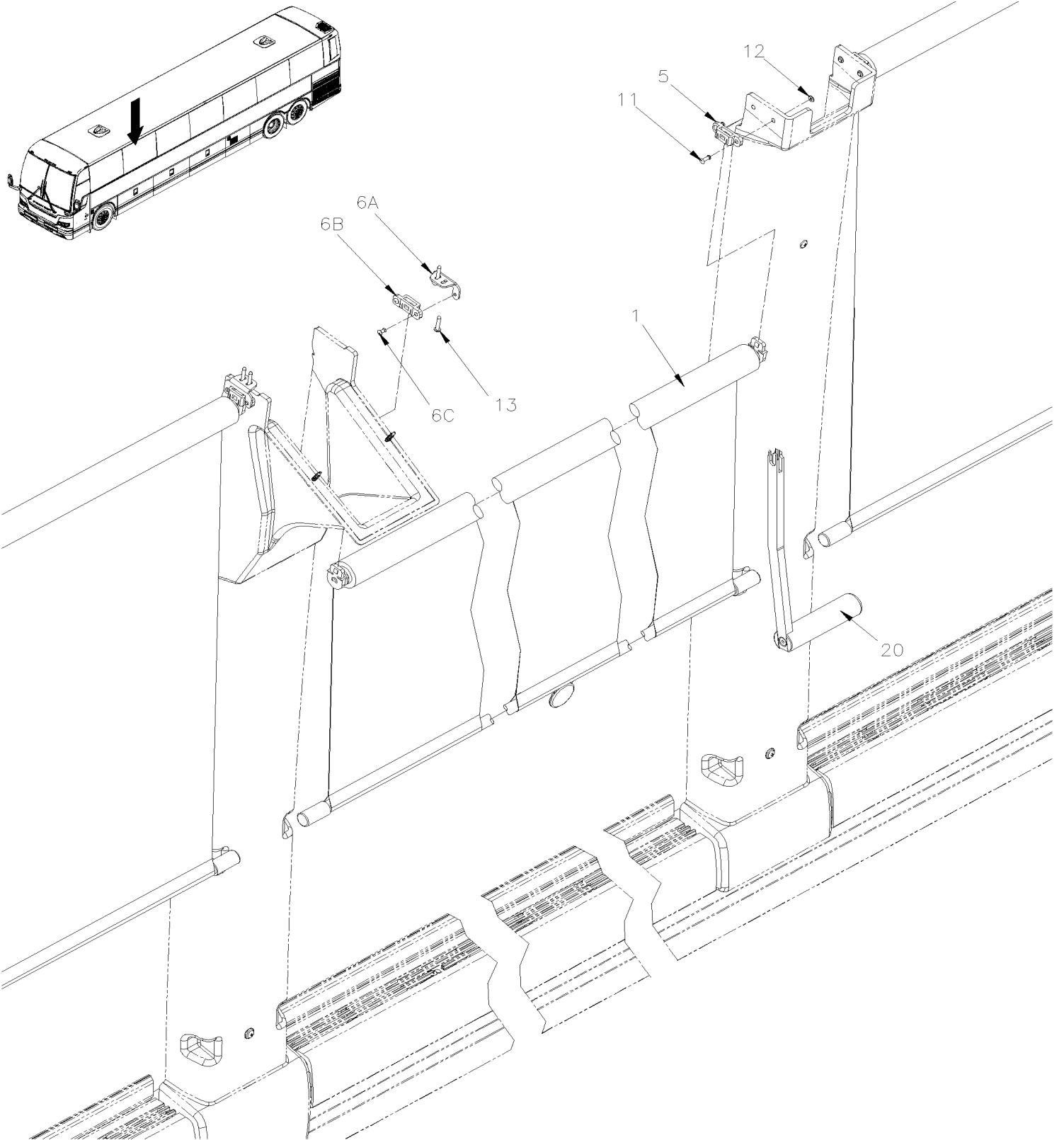
Item#	Part	Description	QTY	Notes
1	900977	SUN SHADE / 1140MM ROD WIDE To C-5274	17	
1	901363	SUN SHADE / 1140MM ROD WIDE From C-5275	17	
. NS	901530	. CLIP SUNVISOR From C-5275	1	
. NS	901531	. CLIP SUNVISOR W/PIN From C-5275	1	
. NS	900055	. RUBBER CAP From C-5275	2	
1	901004	SUN SHADE / W.C.L. / 1035MM ROD WIDE To B-5001	1	
1	901364	SUN SHADE / W.C.L. / 1035MM ROD WIDE To B-5001	1	
. NS	901530	. CLIP SUNVISOR To B-5001	1	
. NS	901531	. CLIP SUNVISOR W/PIN To B-5001	1	
1	901357	SUN SHADE / W.C.L. DOOR / SLIDING / 981MM WIDE From B-5002 To C-5274	1	
. NS	901530	. CLIP SUNVISOR From B-5002 To C-5274	1	
. NS	901531	. CLIP SUNVISOR W/PIN From B-5002 To C-5274	1	
. NS	900979	. ATTACHMENT CLIP-ON From B-5002 To C-5274	2	
. NS	900055	. RUBBER CAP From B-5002 To C-5274	2	
1	901423	SUN SHADE / W.C.L. DOOR / SLIDING / 941MM WIDE From C-5275	1	
1	901005	SUN SHADE / W.C.L. / 1071MM ROD WIDE To C-5274	1	
1	901365	SUN SHADE / W.C.L. / 1071MM ROD WIDE From C-5275	1	
. NS	901530	. CLIP SUNVISOR From C-5275	1	
. NS	901531	. CLIP SUNVISOR W/PIN From C-5275	1	
2	900979	ATTACHMENT CLIP-ON	34	
3	504107	RIVET POP DOME OE 1/8x5/16 AL	4	
3	502578	WASHER FL 3.2x7.0x0.5 Z050	4	
4	404609	HOOK SINGLE W/1 SCREW HOLE LIGHT GREY To D-5342	4	
4	903227	HOOK SINGLE W/1 SCREW HOLE LIGHT GREY From D-5343	4	
4	409091	BRACKET, R.H. "O"	AR	
4	409090	BRACKET, L.H. "D"	AR	
4	500814	SCREW TP BDG PH #6x3/4 BK	AR	
5	685594	TOOL / SUN SHADE INSTALLATION From C-5275	1	
10	X3-1833-00	WINDOW FINISHING CAP & WALL		
10	X3-1833-01	WINDOW FINISHING CAP & WALL		

From L-6493

Date:01/2024

PAGE:X3-1816-11

SUN SHADE - PASSENGER'S WINDOW



From L-6493	Date:01/2024	PAGE:X3-1816-11
-------------	--------------	-----------------

SUN SHADE - PASSENGER'S WINDOW

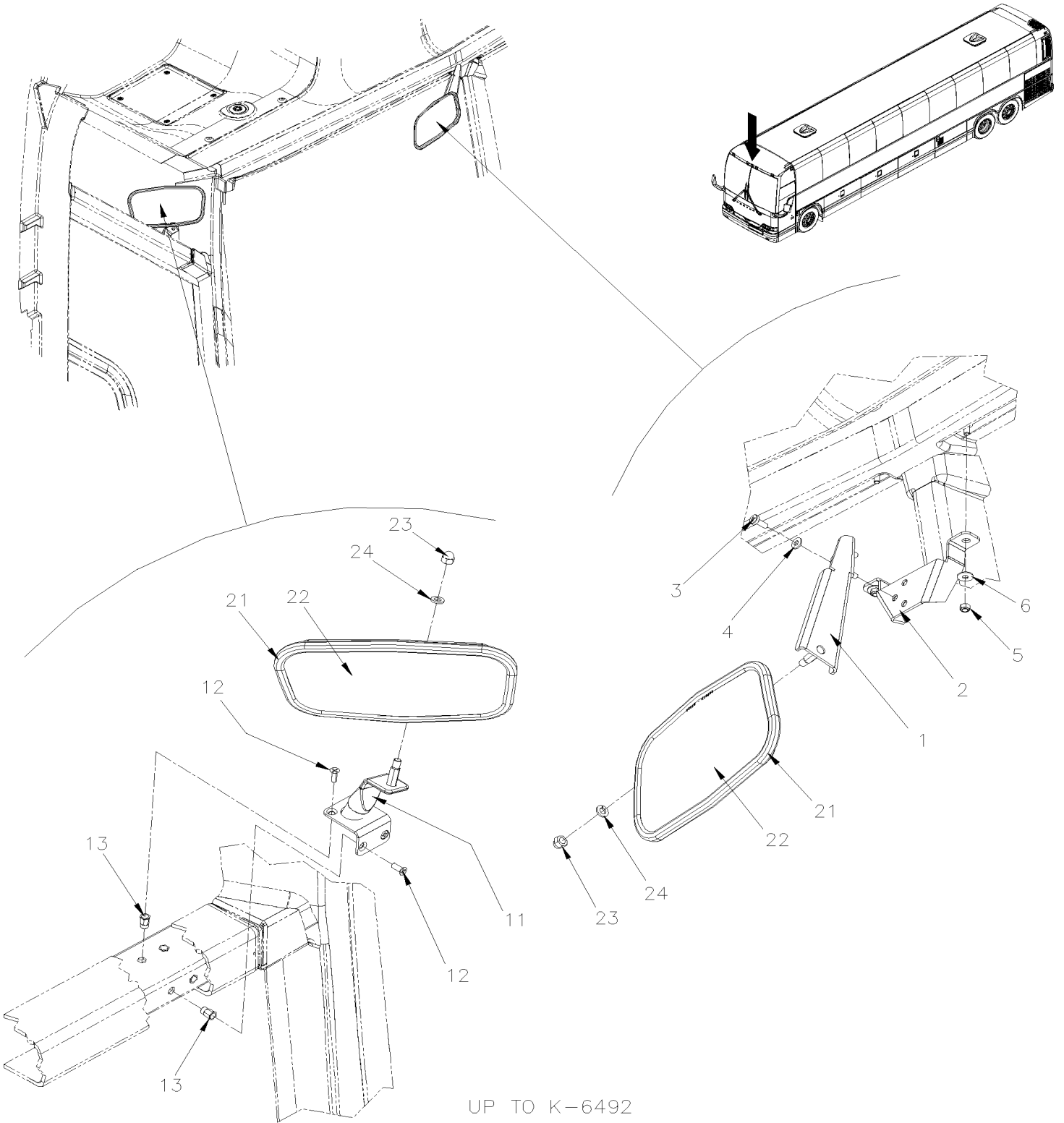
Item#	Part	Description	QTY	Notes
1	901346	SUN SHADE / 1563MM ROD WIDE	13	
. NS	901530	. CLIP SUNVISOR	1	
. NS	901531	. CLIP SUNVISOR W/PIN	1	
. NS	900055	. RUBBER CAP	2	
1	901346	SUN SHADE / 1563MM ROD WIDE	10	A
. NS	901530	. CLIP SUNVISOR	1	A
. NS	901531	. CLIP SUNVISOR W/PIN	1	A
. NS	900055	. RUBBER CAP	2	A
1	900369	SUN SHADE / W.C.L. / 1628MM ROD WIDE	2	A
. NS	901530	. CLIP SUNVISOR	1	A
. NS	901531	. CLIP SUNVISOR W/PIN	1	A
. NS	900055	. RUBBER CAP	2	A
1	900368	SUN SHADE / W.C.L. DOOR / SLIDING / 936MM ROD WIDE	1	A
. NS	901530	. CLIP SUNVISOR	1	A
. NS	901531	. CLIP SUNVISOR W/PIN	1	A
. NS	900055	. RUBBER CAP	2	A
1	901836	SUN SHADE / 971MM ROD WIDE	1	B
. NS	901530	. CLIP SUNVISOR	1	B
. NS	901531	. CLIP SUNVISOR W/PIN	1	B
. NS	900055	. RUBBER CAP	2	B
5	900979	ATTACHMENT CLIP-ON	AR	
6	400793	BRACKET, CLIP-ON ASSY	6	
. A	400779	. BRACKET	1	
. B	900979	. ATTACHMENT CLIP-ON	1	
. C	504105	. RIVET POP DOME OE 1/8x3/16 AL	2	
11	504107	RIVET POP DOME OE 1/8x5/16 AL	AR	
12	500437	WASHER FL .125x.375x.040 Z050	AR	
13	500235	SCREW TP BDG PH #6x3/4 N500	AR	
20	685594	TOOL / SUN SHADE INSTALLATION	1	
50	X3-1833-02	WINDOW FINISHING CAP & WALL		
		A) WITH WHEEL CHAIR LIFT		
		B) WITH FOUR WHEEL CHAIRS OPTION		

From 7-8754

Date:01/2024

PAGE:X3-1820-00

MIRROR - INTERIOR

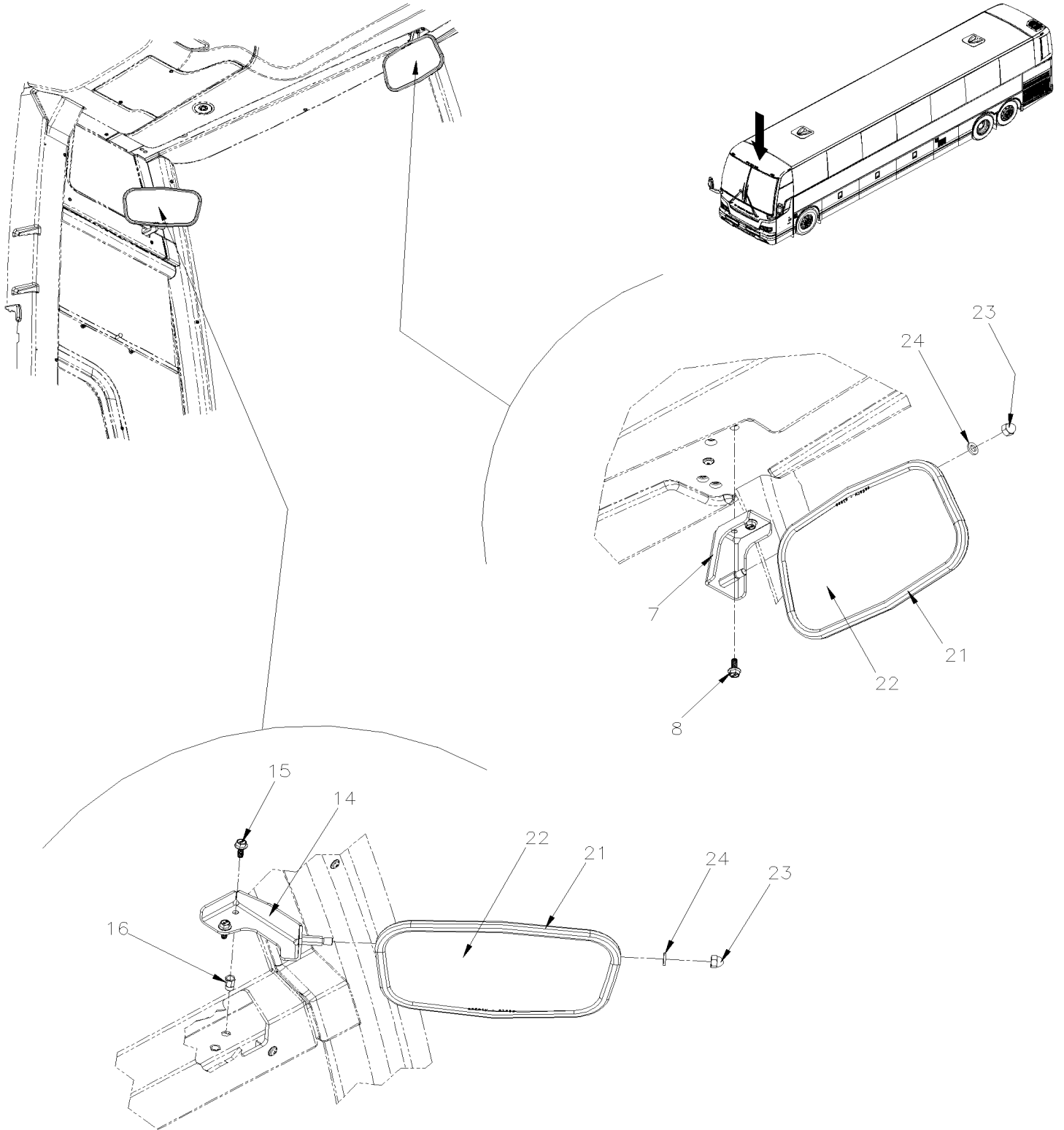


From 7-8754

Date:01/2024

PAGE:X3-1820-00

MIRROR - INTERIOR



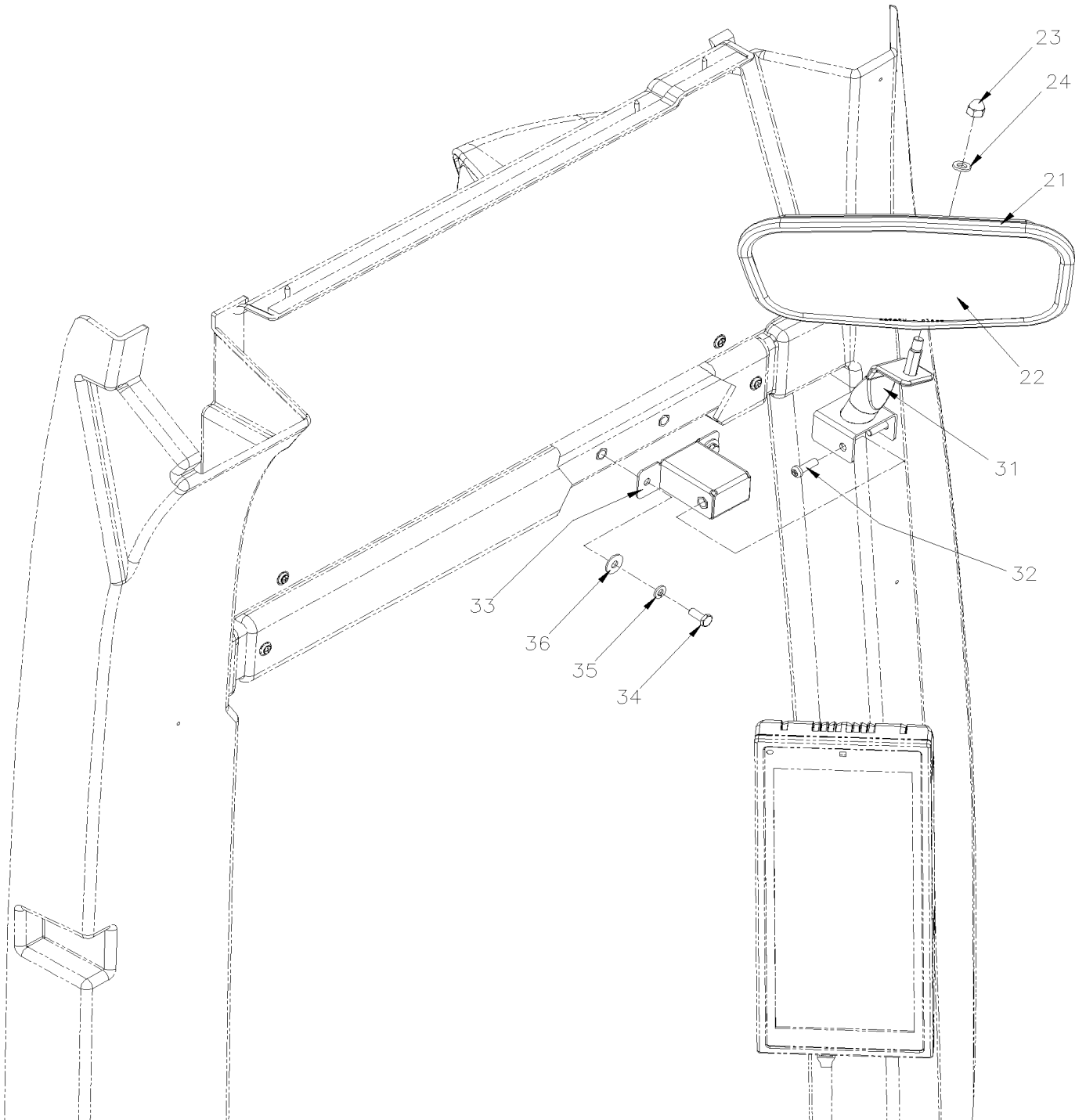
FROM ?-15142

From 7-8754

Date:01/2024

PAGE:X3-1820-00

MIRROR - INTERIOR



From 7-8754	Date:01/2024	PAGE:X3-1820-00
MIRROR - INTERIOR		

Item#	Part	Description	QTY	Notes
1	405136	SUPPORT CENTRAL ASSY, MIRROR To K-6492	1	
2	408099	MIRROR SUPPORT / CENTER WINDSHIELD To K-6492	1	
3	502569	SCREW MA PAN PH M6-1.0x16 BK To K-6492	3	
4	500877	WASHER FL .250x.562x.065 N500 To K-6492	3	
5	502681	NUT HEX NYRT M6-1.0 N500 G8 To K-6492	2	
6	500411	WASHER FL .260x.697x.050 SS To K-6492	2	
7	400694	SUPPORT CENTRAL ASSY, MIRROR From L-6493	1	
8	5002027	SCREW CAP HEXF AD M6-1.0x16 G10.9 N500 From L-6493	2	
11	405301	MIRROR SUPPORT / L.H. DRIVER'S WINDOW To K-6492	1	
12	5001198	SCREW MA FL PH M6-1.0x16 Z050 To K-6492	4	
13	5001344	NUT INS FL HEX M6-1.0 0.5-3.0 SS To K-6492	4	
14	400938	MIRROR SUPPORT / L.H. DRIVER'S WINDOW From L-6493	1	
15	5002027	SCREW CAP HEXF AD M6-1.0x16 G10.9 N500 From L-6493	2	
16	5001344	NUT INS FL HEX M6-1.0 0.5-3.0 SS From L-6493	2	
21	900438	MIRROR ASSY SAFETY	1	
22	900440	. GLASS / SAFETY	1	
23	500780	NUT HEX CAP 5/16-18 Z050	1	
24	500942	WASHER LO SPT 8.1x14.8x2.0 N500	1	
31	401347	MIRROR SUPPORT / L.H. DRIVER'S WINDOW From L-6520	1	A
32	5001507	SCREW MA PAN PH M6-1.0x20 SS From L-6520	3	A
33	3210848	SUPPORT, INSIDE MIRROR W/"E-MIRROR" From L-6520	1	A
34	5001530	SCREW CAP HEX M6-1.0x16 SS From L-6520	2	A
35	502853	WASHER LO SPT 6.1x11.8x1.6 N500 From L-6520	2	A
36	5001976	WASHER FL .266x.718x.060 SS From L-6520	2	A
		A) ONLY USE WITH "E-MIRROR"		

From 7-8754

Date:01/2024

PAGE:X3-1821-00

DRIVER'S SEAT - "NATIONAL SEATING" - MODEL NSIII B

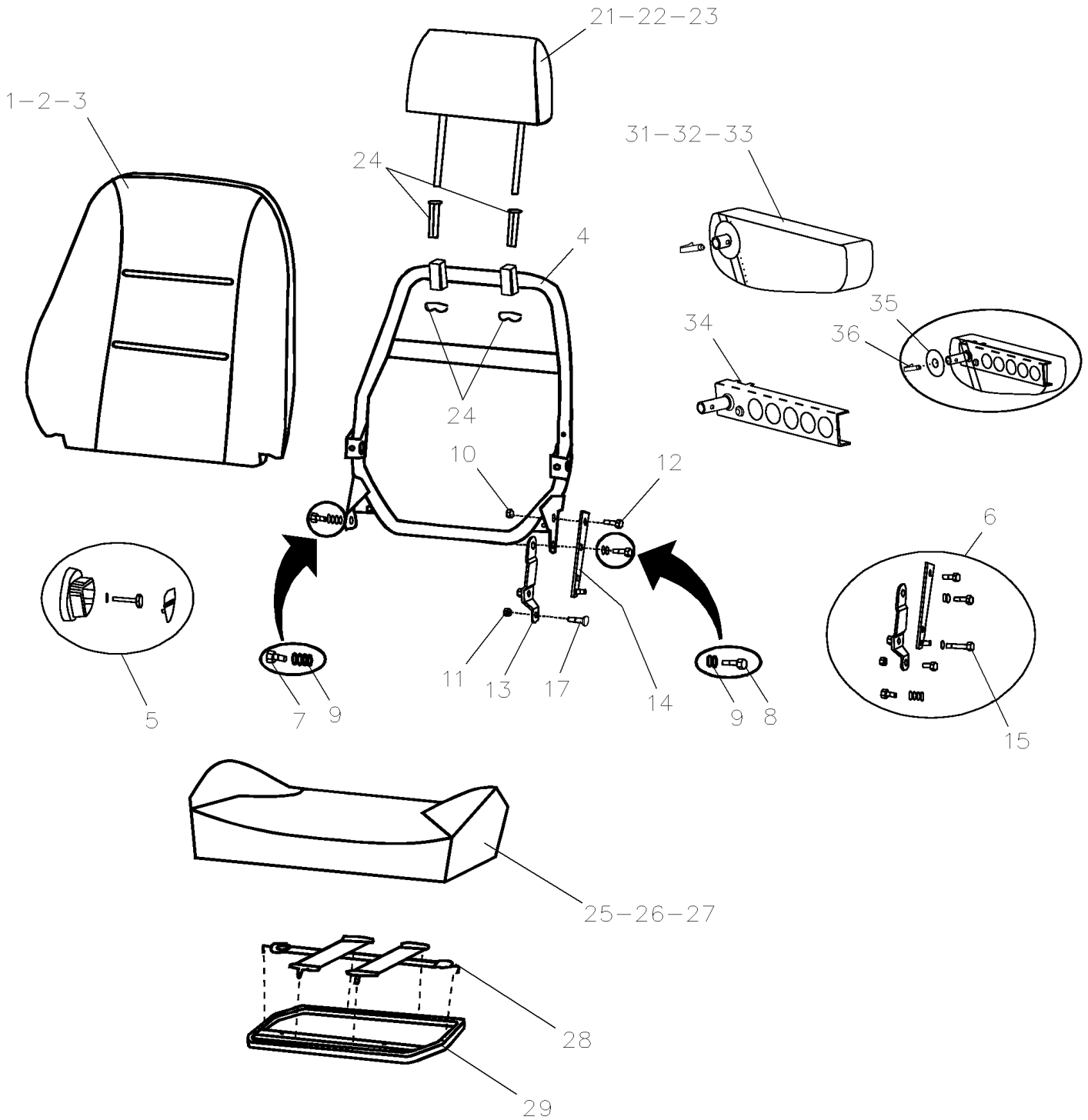


From 7-8754

Date:01/2024

PAGE:X3-1821-00

DRIVER'S SEAT - "NATIONAL SEATING" - MODEL NSIII B

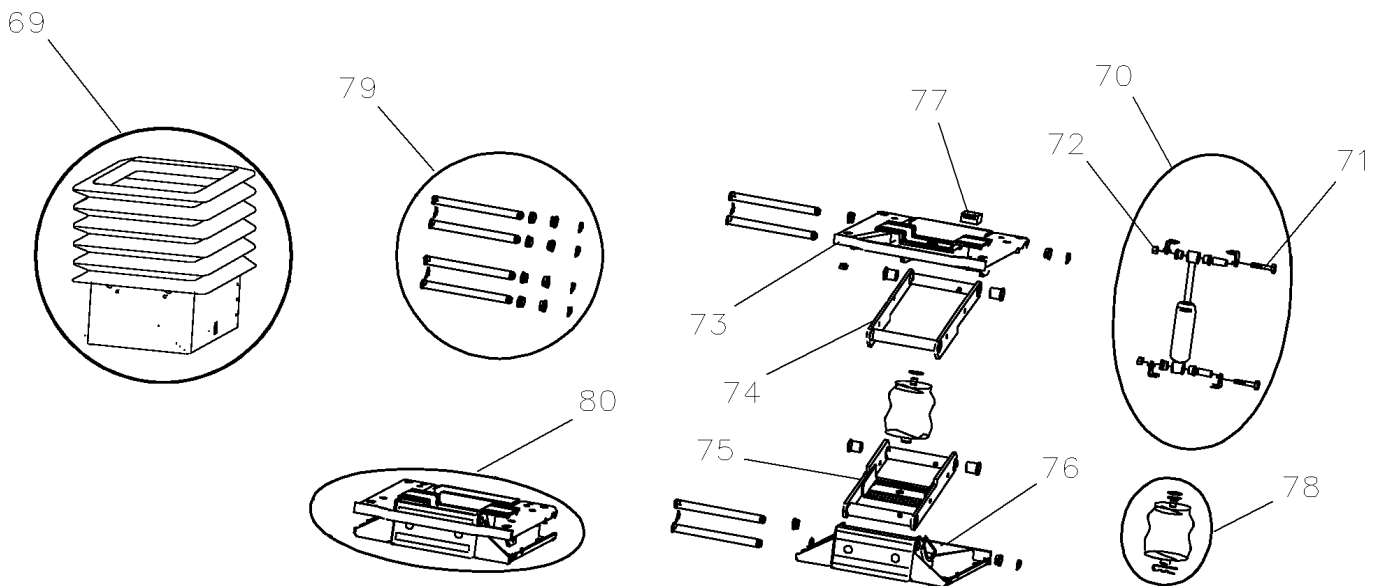
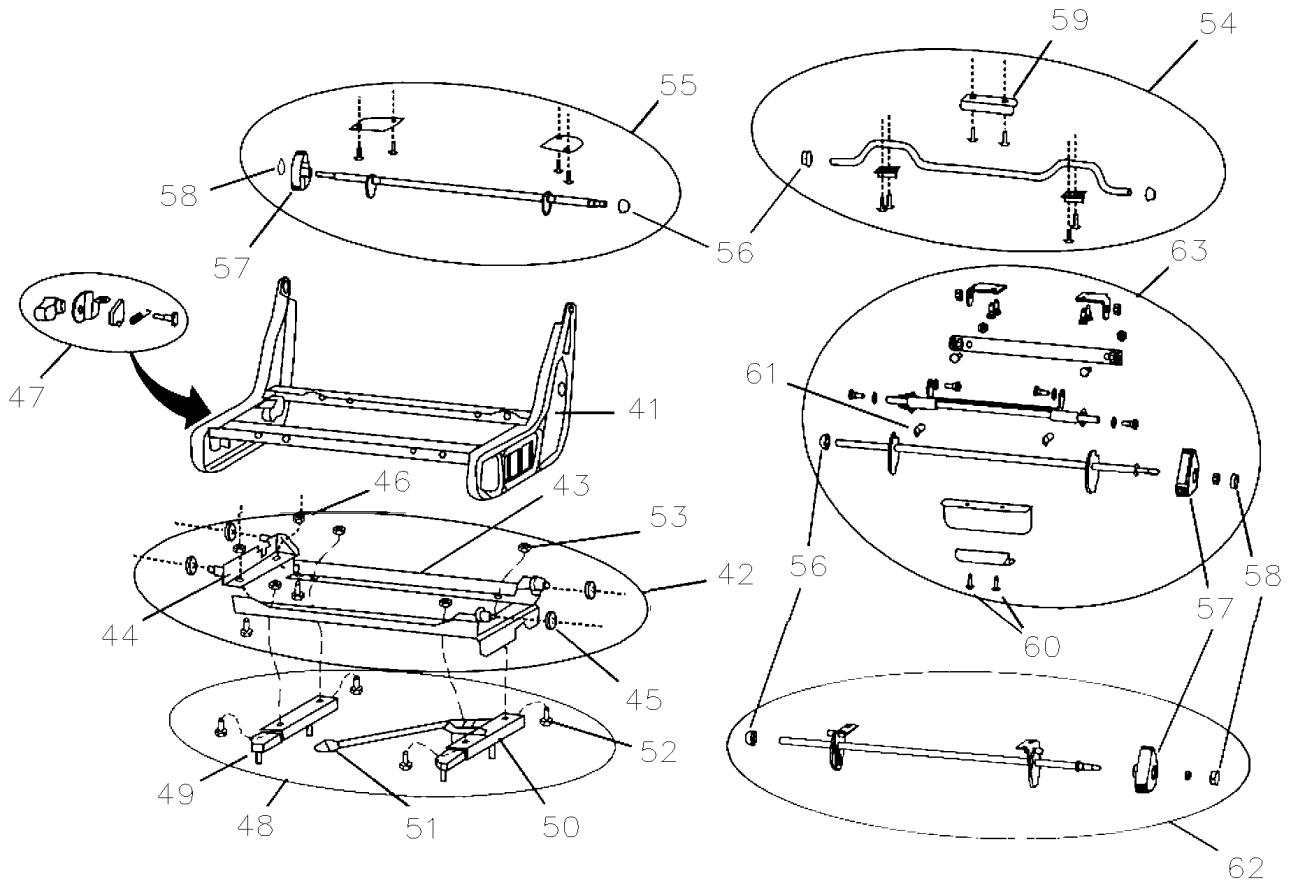


From 7-8754

Date:01/2024

PAGE:X3-1821-00

DRIVER'S SEAT - "NATIONAL SEATING" - MODEL NSIII B

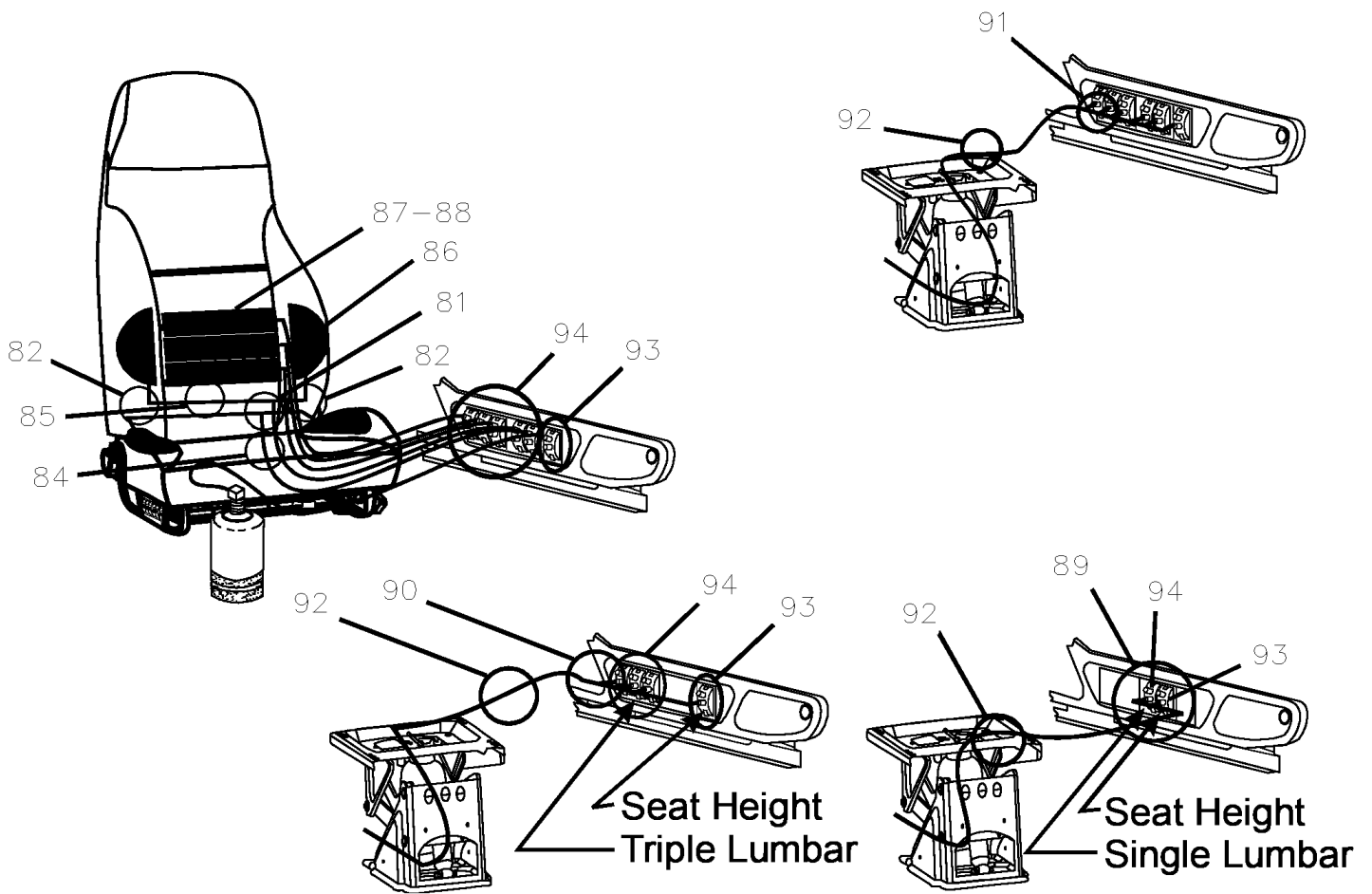


From 7-8754

Date:01/2024

PAGE:X3-1821-00

DRIVER'S SEAT - "NATIONAL SEATING" - MODEL NSIII B



From 7-8754		Date:01/2024	PAGE:X3-1821-00
-------------	--	--------------	-----------------

DRIVER'S SEAT - "NATIONAL SEATING" - MODEL NSIII B

Item#	Part	Description	QTY	Notes
	862976	DRIVER'S SEAT - "NATIONAL" - MODEL NSIII B	7	A
	862979	DRIVER'S SEAT - "NATIONAL" - MODEL NSIII B	5	A
	863584	DRIVER'S SEAT - "NATIONAL" - MODEL NSIII B	1	A
	863585	DRIVER'S SEAT - "NATIONAL" - MODEL NSIII B	1	A
1	Call order desk	. BACK ASSY	1	P C
2	Call order desk	. BACK COVER	1	P C
3	Call order desk	. INTERMEDIATE BACK POLY-20"	1	P C
4	Call order desk	. INT. BACK FRAME ASSY FOR HEADREST	1	P
5	863950	. KNOB KIT -BACK RECLINE	1	
6	Call order desk	. INSTALL BACK TO LOWER FRAME	1	P
7	Call order desk	. BOLT ,SHOULDER	1	P
8	Call order desk	. BOLT ,SHOULDER	1	P
9	Call order desk	. WASHER, WAVE	6	P
10	Call order desk	. NUT,TRACK ATTACHMENT	1	P
11	Call order desk	. LOCK NUT 5/16 -18	1	P
12	Call order desk	. BOLT ,SHOULDER 3/8-16X1"	1	P
13	Call order desk	. BACK PLATE ASSY	1	P
14	Call order desk	. RECLINE LIMITING BRACKET, 6 TO 23DEG	1	P
14	Call order desk	. RECLINE LIMITING BRACKET, 2 TO 15DEG	1	P
15	Call order desk	. BOLT	1	P
16	Call order desk	. LO-MID BACK CRASH PAD	1	P
17	Call order desk	. BOLT 5/16-18x11/16	1	P
21	Call order desk	. HEADREST ASSY	1	P C
22	Call order desk	. COVER, HEADREST	1	P C
23	Call order desk	. POLY AND FRAME ASSY	1	P
24	Call order desk	. BUSHING KIT	1	P
25	Call order desk	. UPHOLSTERED CUSHION ASSY	1	P C
26	Call order desk	. CUSHION COVER	1	P C
27	Call order desk	. POLY, CUSHION	1	P C
28	Call order desk	. WEBBING	3	P
29	Call order desk	. CUSHION FRAME	1	P
31	Call order desk	. ARMREST	1	P C
32	Call order desk	. ARMREST COVER	1	P C
33	Call order desk	. POLY, ARMREST, LEFT	1	P
33	Call order desk	. POLY, ARMREST, RIGHT	1	P
34	Call order desk	. ARMREST MECHANICAL ASSY LH - 20"	1	P
34	Call order desk	. ARMREST MECHANICAL ASSY RH - 20"	1	P
35	Call order desk	. DISK, NYLON, ARMREST PIVOT	1	P
36	Call order desk	. CLIP, SPRING, ARMREST	1	P
41	Call order desk	. LOWER FRAME ASSY	1	P C
42	Call order desk	. CHUGGER KIT	1	P
43	Call order desk	. CHUGGER SUPPORT	1	P

From 7-8754	Date:01/2024	PAGE:X3-1821-00
-------------	--------------	-----------------

DRIVER'S SEAT - "NATIONAL SEATING" - MODEL NSIII B

Item#	Part	Description	QTY	Notes
44	Call order desk	. CHUGGER SUPPORT FRAME	1	P
45	Call order desk	. ROLLER BEARING	4	P
46	Call order desk	. NUT & WASHER ASSY 5/16 -18	2	P
47	Call order desk	. CHUGGER LOCK OUT KIT	1	P
48	Call order desk	. TRACK KIT	1	P
49	Call order desk	. TRACK, SLAVE	1	P
50	867927	. TRACK, LOCKING	1	
51	Call order desk	. KNOB, TRACK	1	P
52	Call order desk	. BOLT, SQUARE NECK	4	P
53	Call order desk	. NUT,TRACK ATTACHMENT	4	P
54	Call order desk	. FRONT CUSHION ADJUSTER KIT, 2 POSITION	1	P
55	Call order desk	. REAR CUSHION ADJUSTER	1	P
56	Call order desk	. CAP,CUSHION ADJUSTER ROD	AR	P
57	865354	. KNOB, REAR / FRONT CUSHION ADJUSTER	AR	
58	Call order desk	. COVER, KNOB CUSHION ADJUSTER	AR	P
59	Call order desk	. HANDLE, FRONT CUSHION ADJUSTER	AR	P
60	865091	. SCREW #10 X 3/4	AR	
61	Call order desk	. SPRING	AR	P
62	Call order desk	. FRONT CUSHION ADJUSTER KIT,3POSITION LH	1	P
62	Call order desk	. FRONT CUSHION ADJUSTER KIT,3POSITION RH	1	P
63	Call order desk	. FRONT CUSHION ADJUSTER KIT, 6 POSITION LH	1	P
63	Call order desk	. FRONT CUSHION ADJUSTER KIT, 6 POSITION RH	1	P
69	Call order desk	. BELLOWS KIT	1	P
70	860289	. SHOCK ABSORBER	1	
71	Call order desk	. BOLT 3/8-24x1 3/4	1	P
72	Call order desk	. LOCKNUT THIN 3/8-24	1	P
73	860099	. UPPER BASE ASSY - 96 BASE MODEL	1	
73	Call order desk	. UPPER BASE ASSY - 97 BASE MODEL	1	P
74	860103	. UPPER ARM ASSY W/BUSHINGS - 96 BASE MODEL	1	
74	Call order desk	. UPPER ARM ASSY W/BUSHINGS - 97 BASE MODEL	1	P
75	860104	. LOWER ARM ASSY WITH BUSHINGS	1	
76	860105	. LOWER BASE ASSY - 96 MODEL	1	
76	Call order desk	. LOWER BASE ASSY - 97 MODEL	1	P
77	Call order desk	. BUMPER - DOWN STOP	1	P
78	860283	. BELLOW	1	
79	860652	. KIT REPAIR, SHAFT & BUSHING / W/AIR SUSPENSION	1	
80	Call order desk	. BASE ASSY - 96 BASE MODEL	1	P
80	Call order desk	. BASE ASSY - 97 BASE MODEL	1	P
81	Call order desk	. FITTING 1/8"	2	P
82	Call order desk	. ELBOW,PLASTICFITTING	3	P
83	Call order desk	. TIE STRAP	5	P
84	Call order desk	. TUBING, CLEAR, 2.83FEET	1	P

From 7-8754	Date:01/2024	PAGE:X3-1821-00
DRIVER'S SEAT - "NATIONAL SEATING" - MODEL NSIII B		

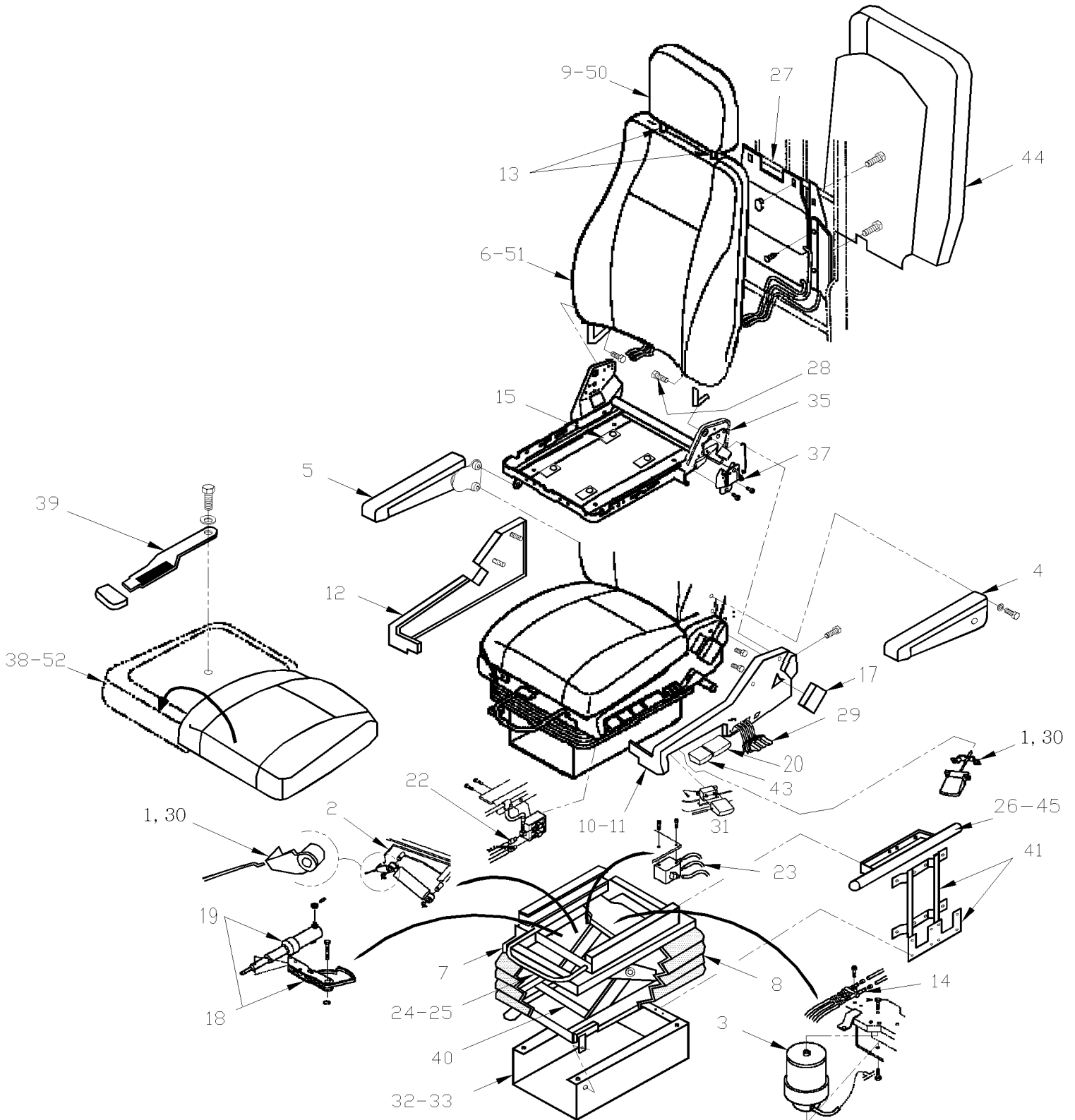
Item#	Part	Description	QTY	Notes
85	Call order desk	. TUBING, GREEN, 2.67FEET	1	P
86	Call order desk	. AIR BOLSTER	4	P
87	865265	. SINGLE CHAMBER LUMBAR BAG	1	
88	865266	. TRIPLE CHAMBER LUMBAR BAG	1	
89	867921	. MANIFOLD ASSY, 2 BUTTON	1	
90	Call order desk	. MANIFOLD ASSY, 4 BUTTON	1	P
91	Call order desk	. MANIFOLD ASSY, 6 BUTTON	1	P
92	Call order desk	. TUBING, BLACK, 1.5 FEET	1	P
93	19518194	. AIR VALVE, HIGH PRESSURE, RED HANDLE	1	
94	865355	. AIR VALVE, LOW PRESSURE, GREY HANDLE	5	
95	Call order desk	. SINGLE CHAMBER INSTALLATION INCLUDING ITEMS 7 & 12	1	P
96	Call order desk	. TRIPLE CHAMBER INSTALLATION INCLUDING ITEMS 8 & 12	1	P
97	Call order desk	. TRIPLE CHAMBER INSTALLATION W/BOLSTERS INCLUDING	1	P
		A) BASE 96 MODEL		
		C) SEAT SERIAL NUMBER NEED		
		P) CALL ORDER DESK FOR SPECIFIC APPLICATION (V.I.N.)		

From 7-8754

Date:01/2024

PAGE:X3-1822-00

DRIVER'S SEAT - "ISRI" - 6800/338



From 7-8754		Date:01/2024	PAGE:X3-1822-00
DRIVER'S SEAT - "ISRI" - 6800/338			

Item#	Part	Description	QTY	Notes
	364108	DRIVER'S SEAT ASSY W/COVERING / SPECYFIED COLOR CODE	1	F
	861373	DRIVER'S SEAT - "ISRI" - MODEL 6800/338 / W/R.H. CONTROL	1	A
NS	862420	. LEVER RETAINING CLIP	1	
NS	862421	. NUT PLASTIC WHITE	1	
NS	862422	. RETAINING CLIP	1	
NS	862423	. SCREW FOR RETAINING CLIP	1	
1	861638	. ADJUSTABLE SHOCK ABSORBER CABLE KIT	1	
2	861639	. ADJUSTABLE SHOCK ABSORBER KIT	1	
3	861640	. AIR SPRING KIT	1	
4	861377	. ARMREST KIT - LH / W/POLYURETHANE PAD	1	
5	861378	. ARMREST KIT - RH POLYURETHANE PAD	1	
6	861643	. BACKREST ASSY / NUDE	1	
NS	864557	. . FOAM / BACKREST	1	
7	861644	. BOOT ADAPTER PLATE	1	
8	861645	. BOOT KIT	1	
9	861646	. HEADREST ASSEMBLY - NUDE	1	
10	861648	. COVER KIT CONTROL - LH	1	
11	861649	. COVER KIT CONTROL - RH	1	
12	861650	. COVER KIT NON-CONTROL - LH	1	
13	861647	. HEADREST BOOT (2PCS)	1	
14	861651	. DISTRIBUTION VALVE KIT	1	
15	861652	. GLIDE - SEAT PAN	1	
16	861653	. HANDLE KIT - SEAT FRAME - LH	1	
17	861654	. HANDLE KIT - SEAT FRAME - RH	1	D
18	864140	. KIT, CYLINDER & CAM ADJUSTEMENT KIT	1	
18	861655	. . HEIGHT ADJUSTMENT CAM KIT	1	
19	861656	. . HEIGHT ADJUSTMENT CYLINDER KIT	1	
18	864245	. KIT, CAM ADJUSTEMENT KIT	1	
NS	863741	. KIT SLIDING TRACK PLASTIC OBLONG	1	
20	862203	. AIR HEIGHT ADJUST HANDLE KIT RH	1	
22	861657	. HEIGHT ADJUSTMENT VALVE KIT - RH	1	
23	861658	. HEIGHT ADJUSTMENT VALVE KIT - SUSPENSION	1	
24	861659	. HORIZONTAL ADJUSTMENT SLIDE HANDLE	1	
25	861660	. HORIZONTAL ADJUSTMENT SLIDE SET	1	
26	862205	. SEAT BELT KIT NOT ILLUSTRATED / PAS ILLUSTRÉ	1	
27	861661	. LUMBAR/BOLSTER KIT OLD STYLE	1	
27	864242	. LUMBAR/BOLSTER KIT NEW STYLE	1	
28	862204	. BACKREST BOLT	2	
29	861662	. LUMBAR/BOLSTER VALVE RH	1	
30	862424	. HANDLE FOR ADJUSTMENT SHOCK	1	
NS	862425	. SHORT PIN ADJUSTMENT HANDLE	1	
NS	862426	. LONG PIN ADJUSTMENT HANDLE	1	

From 7-8754		Date:01/2024	PAGE:X3-1822-00
DRIVER'S SEAT - "ISRI" - 6800/338			

Item#	Part	Description	QTY	Notes
NS	862956	. HANDLE SUPPORT / PLASTIC BLACK	1	
31	861663	. QUICK AIR RELEASE VALVE AND HANDLE KIT - RH	1	
33	861664	. RISER KIT 76MM	1	
35	861665	. SEAT FRAME - RH	1	
37	861666	. SEAT FRAME TOOTH PLATE KIT RH	1	
38	864243	. SEAT PAN ASSEMBLY - NUDE NEW STYLE	1	
. NS	864237	. . CUSHHION FOAM NEW PATERN	1	
39	861668	. SEAT PAN ASSEMBLY LEVER AND HANDLE KIT	1	
40	861669	. SUSPENSION	1	
40	864244	. . KIT , SUSPENSION HARDWARE REPAIR	1	
41	861670	. TETHER AND TETHER PLATE KIT	1	
43	861671	. TILT HANDLE KIT - RH	1	
44	861672	. BACKREST PANEL	1	
45	364128	DRIVER'S SAFETY BELT EXTENSION R.H.	1	E
45	364129	DRIVER'S SAFETY BELT EXTENSION L.H.	1	E
NS	500071	SCREW CAP HEX 7/16-20x1 1/2 G5 Z050	2	E
NS	500709	NUT HEX 7/16-20 Z050	2	E
NS	500747	WASHER LO SPT 12.2x21.1x2.5 N500	4	E
NS	500860	NUT HEX M12-1.75 Z050	2	E
NS	502731	SCREW CAP HEX M12-1.75x40 G8.8 Z050	2	E
50	363740P	COVERING HEADREST ASSY / S.C.C. / DRIVER'S "ISRI" / 6800	1	
51	363738P	COVERING BACKREST ASSY / S.C.C. / DRIVER'S "ISRI" / 6800 To 8-9397	1	
51	364168P	COVERING BACKREST ASSY / S.C.C. / DRIVER'S "ISRI" / 6800 From 8-9398	1	
52	364071P	COVERING SEATREST ASSY / S.C.C. NEW STYLE / DRIVER'S "ISRI" / 6800	1	
NS	864709	TUBE PLASTIC 6MM O.D. CHARCOAL W/RED LINE	AR	
NS	864710	TUBE PLASTIC 6MM O.D. CHARCOAL W/GREY LINE	AR	
NS	864711	TUBE PLASTIC 6MM O.D. CHARCOAL	AR	
NS	641507	UNION / PUSH-IN FITTING / #4 x 6MM NP	1	
NS	641092	UNION TEE / NTA FITTING / #4x#4x#4 BR	1	
NS	5001862	SCREW CAP HEX M12-1.75x70 G10.9 N500	4	B
NS	500958	WASHER FL .531x1.062x.095 SS	4	B G
NS	500747	WASHER LO SPT 12.2x21.1x2.5 N500	6	B G
NS	362549	SPACER / STRUCTURE & BASE / 27MM	4	B
NS	361677	JOINT / W/AIR SUSPENSION / W/2 HOLES .344 O / 3 1/8" x W/2" C/C To 7-9137	2	G
NS	364155	JOINT / W/AIR SUSPENSION / W/2 HOLES .344 O / 4 3/8" x W/3 1/4" C/C From 7-9138	1	G
NS	500860	NUT HEX M12-1.75 Z050	2	G
NS	5001365	SCREW CAP HEX M12-1.75x30 G10.9 DP	2	G
NS	867958	ADAPTOR	1	
NS	868125	UNION 4MM/4MM	1	
NS	868128	UNION 6MM/4MM	1	
NS	868833	AIR PIPE CONNECTOR SML	AR	

From 7-8754	Date:01/2024	PAGE:X3-1822-00
DRIVER'S SEAT - "ISRI" - 6800/338		

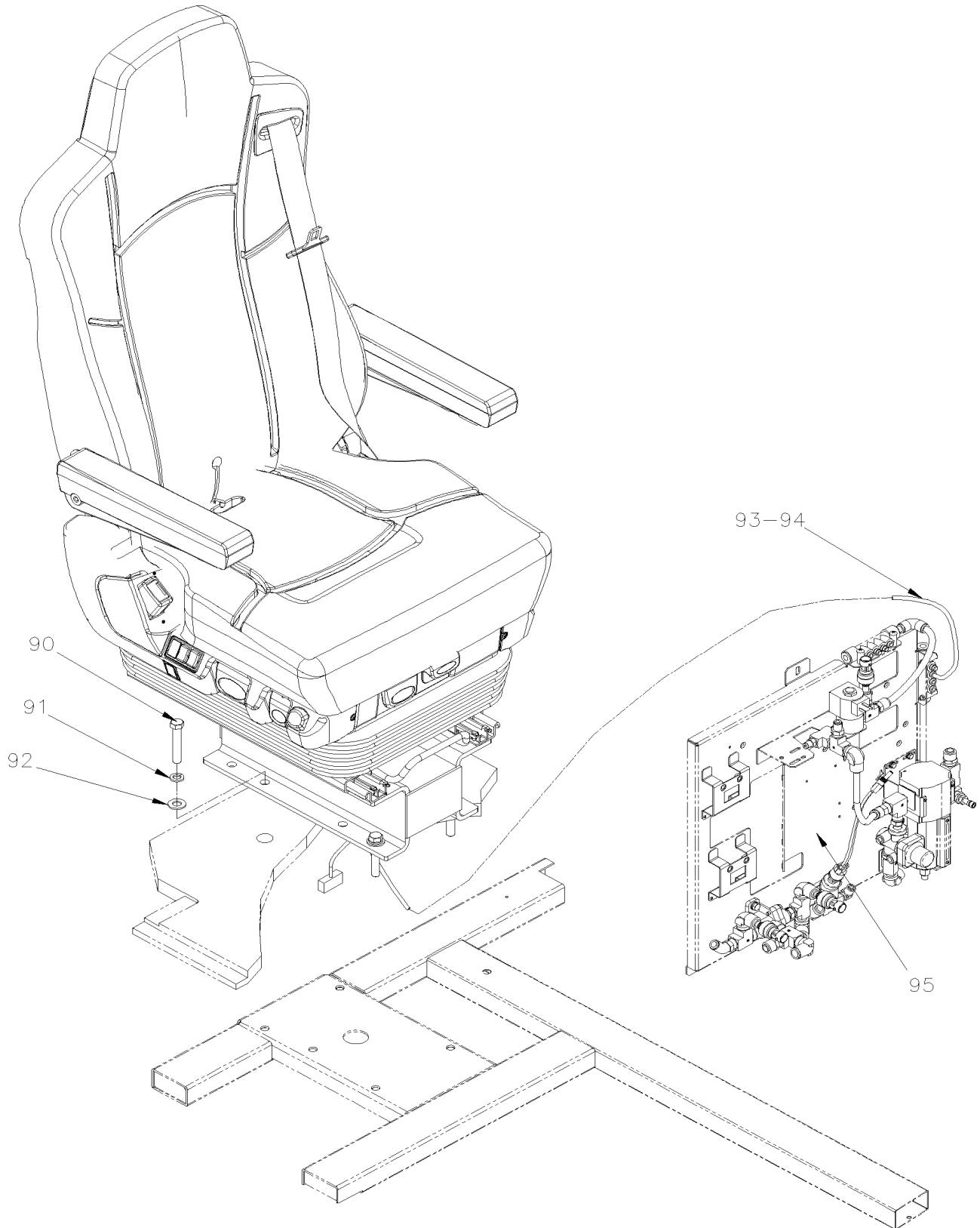
Item#	Part	Description	QTY	Notes
		NEXT ITEMS USE WITH From 9-9540		
		SEAT REAR DRIVER'S "HYDRO QUÉBEC" From 9-9540		
NS	321603	PROTECTOR AIR TUBE 160MM From 9-9540	1	
NS	500505	SCREW WO PAN PH #10x1 Z050 From 9-9540	4	
NS	503402	TUBE, NYLON 1/4 O.D. / BLACK S.L. From 9-9540	AR	
NS	362627	PLATE ANCHOR / 3/8-16 BOLT INSIDE TRACK / 1 1/4" X 1 1/4" From 9-9540	4	
NS	500305	SCREW CAP HEX 3/8-16x7/8 G5 Z050 From 9-9540	2	
NS	500191	SCREW CAP HEX 3/8-16x1 G5 Z050 From 9-9540	2	
NS	500270	WASHER FL .406x1.000x.063 SS From 9-9540	4	
NS	500478	WASHER LO SPT .380x.683x.094 Z050 From 9-9540	4	
		A) THIS SEAT IS WITHOUT COVERING & ARMREST		
		B) TO FIX SEAT AT FLOOR		
		D) INCLUDE ALL KNOB FOR ITEM # 17, 20, 29, & 39		
		E) YOU REQUIRE THOSE COMPONENTS TO EXTEND DRIVER'S SAFETY BELT		
		F) INCLUDE ITEMS # 50, 51 & 52		
		G) TO FIX SAFETY BELT TO STRUCTURE		
		U) UNDER CONSTRUCTION		

From 7-8754

Date:01/2024

PAGE:X3-1822-01

DRIVER'S SEAT - "ISRI" - 6832/872

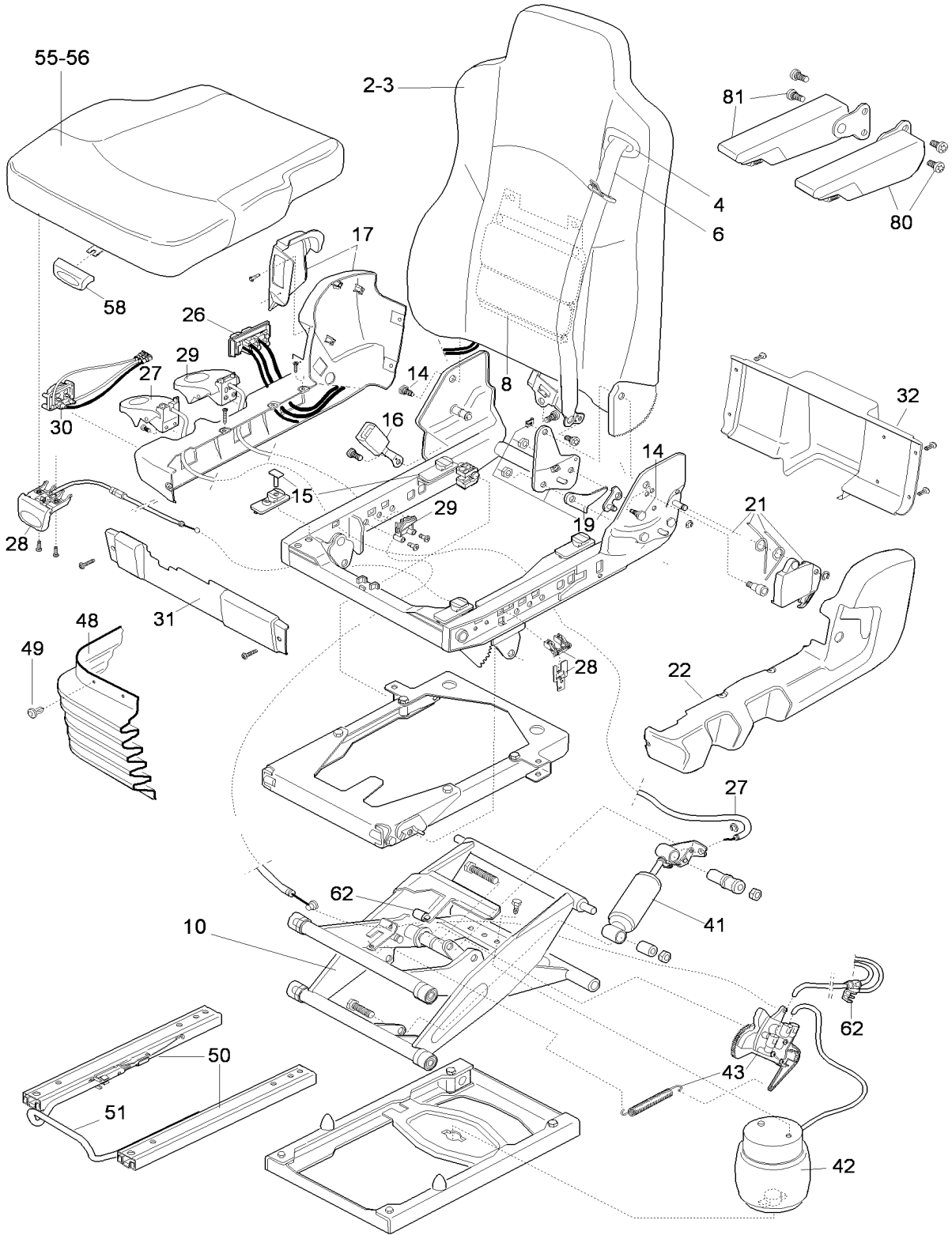


From 7-8754

Date:01/2024

PAGE:X3-1822-01

DRIVER'S SEAT - "ISRI" - 6832/872



From 7-8754		Date:01/2024	PAGE:X3-1822-01
-------------	--	--------------	-----------------

DRIVER'S SEAT - "ISRI" - 6832/872

Item#	Part	Description	QTY	Notes
	864371	DRIVER'S SEAT - "ISRI" - MODEL 6832/872 / W/ACTIVE CLIMATE CONTROL / W/O COVERING To N-6698	1	
	8601002	DRIVER'S SEAT - "ISRI" - MODEL 6832/872 / W/ACTIVE CLIMATE CONTROL / W/O COVERING From N-6699	1	
	360114	DRIVER'S SEAT - "ISRI" - MODEL 6832/872 / W/O ACTIVE CLIMATE CONTROL / W/COVERING WITH ORANGE SEAT BELT To K-6392	1	
	864372	. DRIVER'S SEAT - "ISRI" - MODEL 6832/872 / W/O ACTIVE CLIMATE CONTROL / W/O COVERING WITH ORANGE SEAT BELT To K-6392	1	
	360068	DRIVER'S SEAT - "ISRI" - MODEL 6832/872 / W/O ACTIVE CLIMATE CONTROL / W/COVERING WITH ORANGE SEAT BELT From K-6393 To P-6780	1	
	860101	. DRIVER'S SEAT - "ISRI" - MODEL 6832/872 / W/O ACTIVE CLIMATE CONTROL / W/O COVERING WITH ORANGE SEAT BELT From K-6393 To P-6780	1	
	8601001	DRIVER'S SEAT - "ISRI" - MODEL 6832/872 / W/O ACTIVE CLIMATE CONTROL / W/O COVERING WITH ORANGE SEAT BELT From P-6781	1	
	864374	DRIVER'S SEAT - "ISRI" - MODEL 6832/872 / W/O ACTIVE CLIMATE CONTROL / W/COVERING BLACK / NOIR To K-6392	1	
	860193	DRIVER'S SEAT - "ISRI" - MODEL 6832/872 / W/O ACTIVE CLIMATE CONTROL / W/COVERING BLACK / NOIR From K-6393 To N-6698	1	
	8601004	DRIVER'S SEAT - "ISRI" - MODEL 6832/872 / W/O ACTIVE CLIMATE CONTROL / W/COVERING BLACK / NOIR From N-6699	1	
	864413	DRIVER'S SEAT - "ISRI" - MODEL 6832/872 / WITH HEATING / W/O COVERING To K-6392	1	
	860102	DRIVER'S SEAT - "ISRI" - MODEL 6832/872 / WITH HEATING / W/O COVERING From K-6393 To £-21050	1	
	8601000	DRIVER'S SEAT - "ISRI" - MODEL 6832/872 / WITH HEATING / W/O COVERING From £-21050	1	
	864373	DRIVER'S SEAT - "ISRI" - MODEL 6832/872 / W/ACTIVE CLIMATE CONTROL / W/COVERING BLACK / NOIR To K-6392	1	
	860189	DRIVER'S SEAT - "ISRI" - MODEL 6832/872 / W/ACTIVE CLIMATE CONTROL / W/COVERING BLACK / NOIR From K-6393 To N-6698	1	
	8601003	DRIVER'S SEAT - "ISRI" - MODEL 6832/872 / W/ACTIVE CLIMATE CONTROL / W/COVERING BLACK / NOIR From N-6699	1	
1	865236	. RISER	1	
2	866273	. BACKREST ASSEMBLY LH	1	
3	364310	. COVERING BACKREST ASSY / S.C.C. / DRIVER'S "ISRI" / 6832/872	1	C
3	364311	. COVERING BACKREST ASSY / S.C.C. / DRIVER'S "ISRI" / 6832/872	1	
3	N8903263	. COVERING BACKREST ASSY / BLACK	1	
4	864418	. . BELT GUIDE LH/RH	1	
6	864419	. . 3 POINT SAFETY BELT, LH To K-6392	1	
6	860332	. SEAT BELT ASS / W/BUCKLE W/SENSOR From K-6393	1	
8	864420	. . LUMBAR AIR CHAMBERS	1	
10	Call order desk	. SUSPENSION / SEAT FRAME ASSEMBLY	1	P S
14	N8904018	. SCREWS FOR BACKREST PIVOT	1	
15	861652	. GLIDE - SEAT PAN	1	
16	864421	. BELT BUCKLE To K-6392	1	
16	860332	. SEAT BELT ASS / W/BUCKLE W/SENSOR From K-6393	1	
17	864845	. RH COVER (CONTROL SIDE)	1	
19	866274	. BACKREST RECLINE MECH.	1	
21	N8904020	. BACKREST HANDLE LH	1	
22	861708	. LH COVER - (NON CONTROL SIDE)	1	
26	864422	. LUMBAR CONTROL VALVE, RH 2 BUTTONS	1	
26	N8911085	. LUMBAR CONTROL VALVE 3 BUTTONS	1	
26	868936	SWITCH UNIT RH ACTIVE CLIMATE CONTROL	1	E
27	864423	. HANDLE/CABLE FOR SHOCK ABSORBER	1	
28	865718	. TILT GLIDER	1	
29	864424	. HANDLE/CABLE FOR HEIGHT ADJUSTMENT	1	
30	864425	. QUICK AIR RELEASE VALVE, RH	1	
31	Call order desk	. FRONT COVER	1	P

From 7-8754		Date:01/2024	PAGE:X3-1822-01
DRIVER'S SEAT - "ISRI" - 6832/872			

Item#	Part	Description	QTY	Notes
32	865389	. REAR COVER	1	
41	864426	. SHOCK ABSORBER	1	
42	864427	. AIR SPRING	1	
43	864428	. HEIGHT CONTROL VALVE	1	
48	Call order desk	. RUBBER BELLOW	1	P
49	Call order desk	. BELLOW FASTENERS	1	P
50	866109	. SLIDE SET	1	
51	866037	. . SLIDE HANDLE	1	
55	N8903231	. SEAT CUSHION ASSEMBLY / WITHOUT COVERING	1	
55	Call order desk	. SEAT CUSHION ASSEMBLY / WITH COVERING	1	P
56	364309	. COVERING SEATREST ASSY / S.C.C. / DRIVER'S "ISRI" / 6832/872	1	A
56	360105	. COVERING SEATREST ASSY / S.C.C. / DRIVER'S "ISRI" / 6832/872	1	B
56	N8903232	. COVERING SEATREST ASSY / BLACK	1	A
56	868156	. COVERING SEATREST ASSY / BLACK	1	B
58	864429	. CUSHION ADJUSTMENT HANDLE	1	A D E
58	868157	. CUSHION FOAM WITH W/ACTIVE CLIMATE CONTROL	1	B E
58	868158	. CUSHION FOAM WITHOUT W/ACTIVE CLIMATE CONTROL	1	B D
62	864430	. PLASTIC VALVE STOP	1	
80	864411	. ARMREST LH / S.C.C. 13"	1	
80	866245	. ARMREST LH / LONG 14"	1	
81	864412	. ARMREST RH / S.C.C. 13"	1	
81	866246	. ARMREST RH / LONG 14"	1	
NS	865350	. KIT PNEUMATIC COMPONENTS	1	
NS	867958	. ADAPTOR	1	
NS	7771643	. FITTING CONNECTOR "Y"	1	
NS	868125	. UNION 4MM/4MM	1	
NS	868128	. UNION 6MM/4MM	1	
NS	868460	. HOSE AIR KIT	1	
NS	868833	. AIR PIPE CONNECTOR SML	AR	
NS	068369	HARNESS DRIVER SEAT W/HEATING To P-6815	1	F
NS	0610165	HARNESS DRIVER SEAT W/HEATING To P-6816	1	F
90	5001862	SCREW CAP HEX M12-1.75x70 G10.9 N500	4	
NS	362549	SPACER / STRUCTURE & BASE / 27MM	4	
91	500747	WASHER LO SPT 12.2x21.1x2.5 N500	4	
92	500958	WASHER FL .531x1.062x.095 SS	4	
93	503402	TUBE, NYLON 1/4 O.D. / BLACK S.L.	AR	
NS	504016	CABLE TIE / 5/16" X 14"1/2	1	
93	504637	CABLE TIE / 3/16" x 13"	1	
94	641507	UNION / PUSH-IN FITTING / #4 x 6MM NP	1	
95	X3-1630-00	FRONT KNEELING - CONTROL PANEL To E-5589	1	

From 7-8754	Date:01/2024	PAGE:X3-1822-01
DRIVER'S SEAT - "ISRI" - 6832/872		

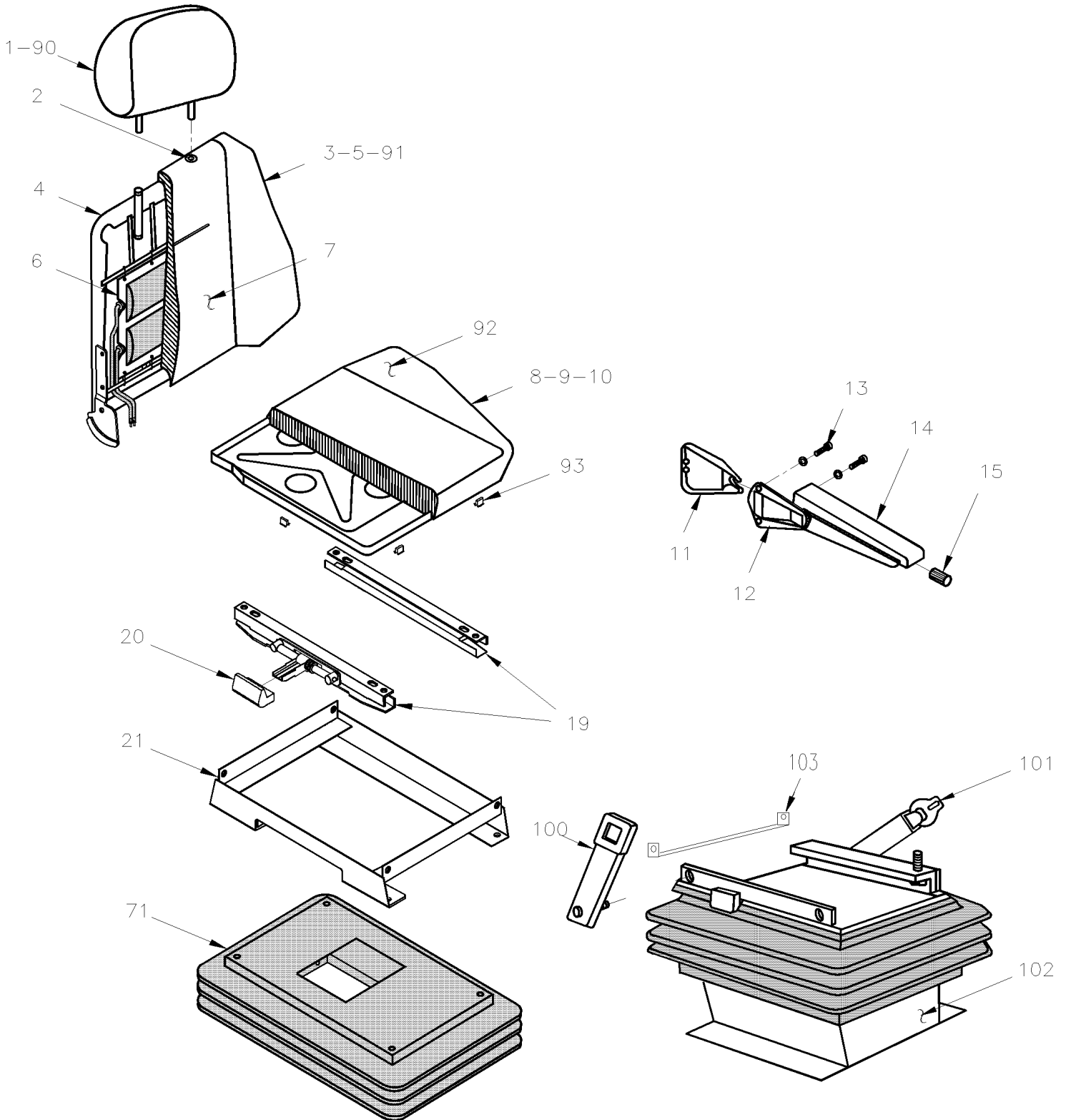
Item#	Part	Description	QTY	Notes
95	X3-1630-01	FRONT KNEELING - CONTROL PANEL From E-5590 To F-5871		
95	X3-1630-02	FRONT KNEELING - CONTROL PANEL From F-5872		
100	IS17039	ISRI SEAT BELT WITH SENSOR INSTALLATION From J-6277 To K-6397	1	
. NS	860332	. SEAT BELT ASS / W/BUCKLE W/SENSOR From J-6277 To K-6397	1	
. NS	IS-17039	. SEE INSTRUCTION SHEET From J-6277 To K-6397	1	
		A) USE WITH SEAT 864371, 864372, 360068, 860101, 864413, 860102, 864373, 860189, 864374, 860193, 864414, 860194		
		B) USE WITH SEAT 8601000, 8601001, 8601002, 8601003, 8601004, 8601005		
		C) WITH CHOICE BACKREST BACK COLOR		
		D) USE WITH SEAT WITHOUT ACTIVE CLIMATE CONTROL		
		E) USE WITH SEAT WITH ACTIVE CLIMATE CONTROL		
		F) USE WITH DRIVER SEAT HEATING		
		S) INCLUDES 15, 19, 21, 27, 28, 41, 42, 43, 48, 49, 50, 62		
		P) CALL ORDER DESK FOR SPECIFIC APPLICATION (V.I.N.)		

From 7-8754

Date:01/2024

PAGE:X3-1822-10

DRIVER'S SEAT - "ISRI" - 6000/515 & 6500/515

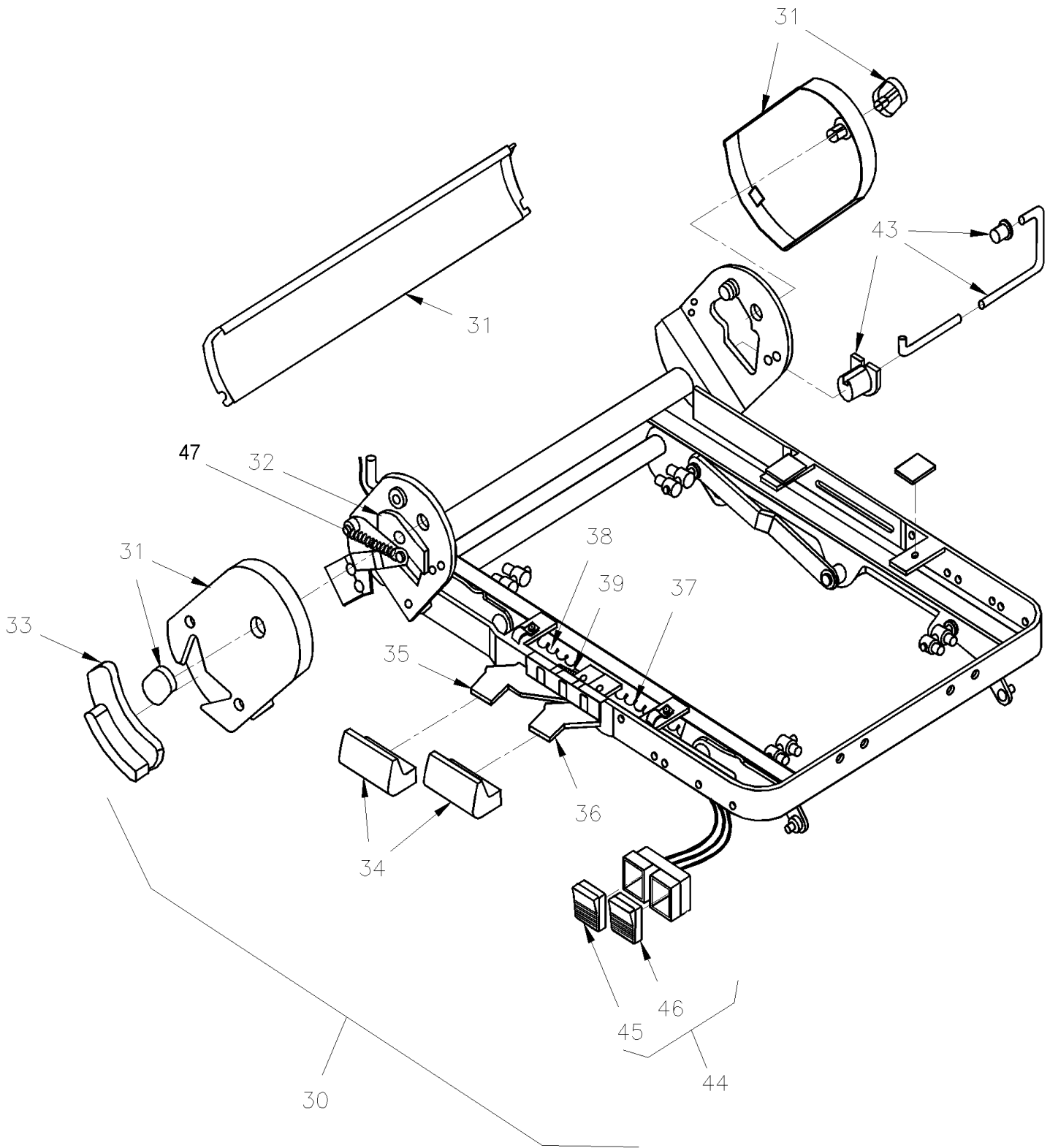


From 7-8754

Date:01/2024

PAGE:X3-1822-10

DRIVER'S SEAT - "ISRI" - 6000/515 & 6500/515

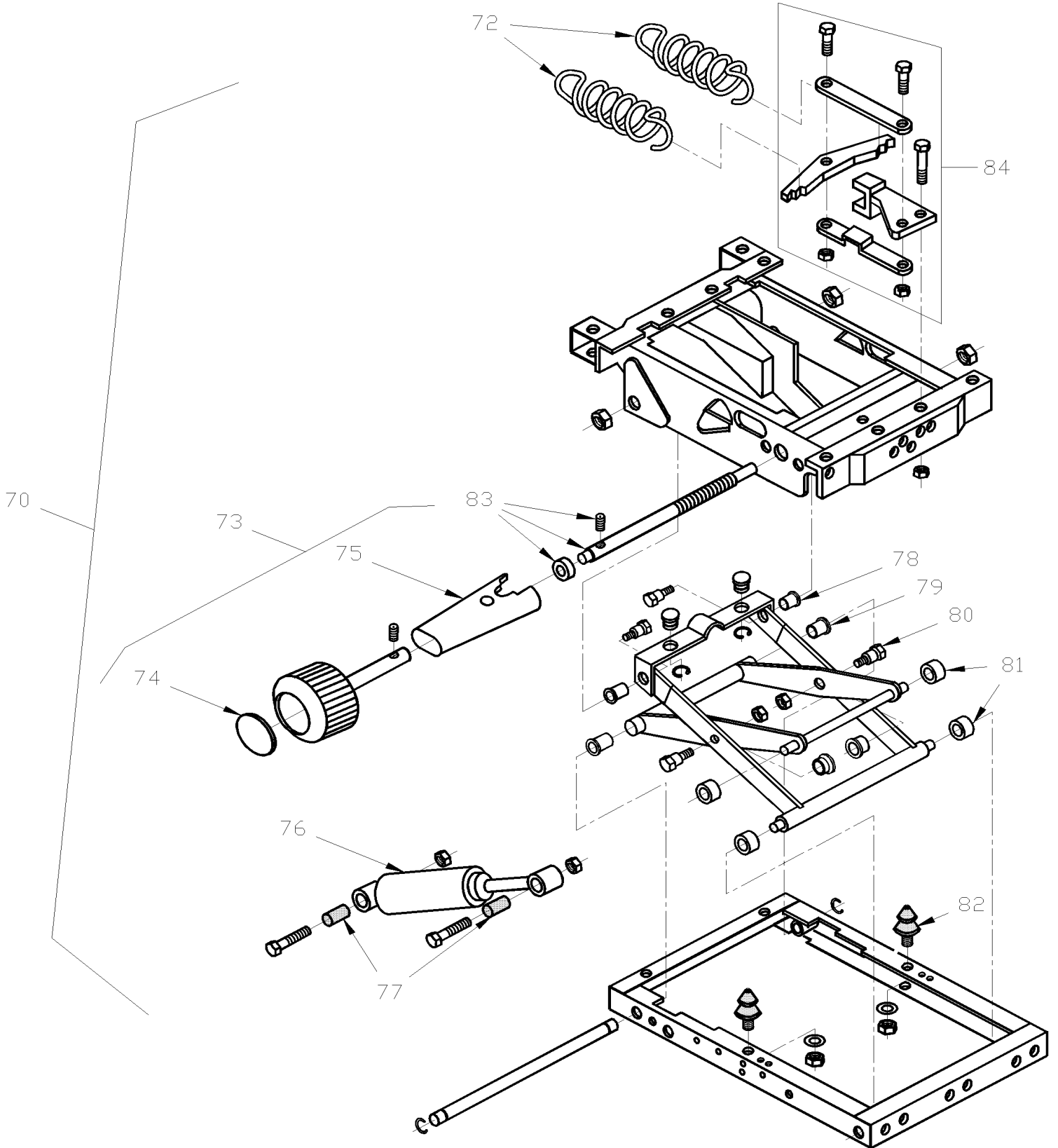


From 7-8754

Date:01/2024

PAGE:X3-1822-10

DRIVER'S SEAT - "ISRI" - 6000/515 & 6500/515



From 7-8754		Date:01/2024	PAGE:X3-1822-10
DRIVER'S SEAT - "ISRI" - 6000/515 & 6500/515			

Item#	Part	Description	QTY	Notes
	362833	SEAT ASSY MECHANIC / R.H. CONTROL W/COVERING	1	E
	860433	. DRIVER'S SEAT - "ISRI" - MODEL 6000/515 / MECHANIC / R.H. CONTROL	1	
1	860441	HEADREST	1	
2	860483	GROMMET	2	
3	860508	BACKREST ASSY / R.H. CONTROL	1	
4	860509	. FRAME / R.H. CONTROL	1	
5	860507	. FOAM	1	
6	860494	AIR BAG / LOMBAR	1	
7	860548	HEATING PAD / BACK	1	
8	860510	PAN SEAT SUBASSY	1	
9	860511	. FOAM / SEAT	1	
10	860547	HEATING PAD / SEAT	1	
11	860532	COVER	2	
12	N.S.S.	BRACKET / ARMREST	1	1
13	500544	SCREW CAP HEX M8-1.25x30 G8.8 Z050	2	
14	860440	ARMREST L.H. ADJUSTABLE	1	
NS	860442	ARMREST R.H. ADJUSTABLE	1	
15	860725	. KNOB	1	
19	861085	SLIDE MASTER / HANDLE & SLAVE / R.H. CONTROL	1	
20	861086	. HANDLE R.H.	1	
NS	861084	SLIDE SET "C" STYLE / HANDLE & SLAVE / W/SEAT #860852	1	
21	861100	SPACER STATIC /W/FOLLOWING SEAT NUMBER 860432 433,449,450,543,544,545 & 546	1	A
30	861083	FRAME ASSY SEAT / R.H. CONTROL (AS SHOWN)	1	
30	860605	FRAME ASSY SEAT / L.H. CONTROL	1	
31	861090	. SIDE PLATE ASSY / KIT FOR R.H. CONTROL (AS SHOWN)	1	
31	860590	. SIDE PLATE ASSY / KIT FOR L.H. CONTROL	1	
32	861790	. TOOTH LEVER / R.H. SIDE (AS SHOWN)	1	
32	861789	. TOOTH LEVER / L.H. SIDE	1	
33	861089	. HANDLE / R.H. CONTROL (AS SHOWN)	1	
33	860589	. HANDLE / L.H. CONTROL	1	
34	861087	. HANDLE HEIGHT TILT / FRONT	1	
NS	861088	. HANDLE HEIGHT TILT / REAR	1	
35	860587	. LEVER HEIGHT REAR	1	
36	860588	. LEVER HEIGHT FOWARD	1	
37	860690	. LEVER ADJUSTMENT KEY / R.H. FRONT & L.H. RE	1	
38	860689	. LEVER ADJUSTMENT KEY / R.H. REAR & L.H. FRO	1	
39	860513	. KIT SPRING (2 LARGES & 3 SMALL)	1	
43	861091	. TORSION BAR KIT	1	
44	861092	. KIT VALVE LOMBAR SUPPORTS	1	C
NS	860887	. . KIT VALVE LUMBAR SUPPORTS / W/SEAT W/R.H. CONTROL		D
45	861093	. . . BUTTON AIR LOMBAR UPPER SECTION	1	
46	861094	. . . BUTTON AIR LOMBAR LOWER SECTION	1	

From 7-8754	Date:01/2024	PAGE:X3-1822-10
DRIVER'S SEAT - "ISRI" - 6000/515 & 6500/515		

Item#	Part	Description	QTY	Notes
47	862217	. SPRING	1	
		CLAMP		
70	860685	SUSPENSION ASSY MECHANICAL / R.H. CONTROL	1	A
71	860526	. COVER	1	
72	862913	. SPRING EXTENSION / KIT OF 2 1.800 O.D. x 6.75 x .340	1	
73	860658	. HANDWHEEL / R.H. CONTROL (AS SHOWN)	1	
74	860549	. . CAP PLASTIC	1	
75	860594	. . CAP SHAFT COVER	1	
76	860521	. ABSORBER / 99LBS	1	
NS	860602	. ABSORBER / 120LBS	1	
77	860586	. . BUSHING / ABSORBER	2	
NS	860692	. KIT REPAIR / MECHANICAL SUSPENSION	AR	A
78	N.S.S.	. . BUSHING SPLIT FLANGE	2	1
79	N.S.S.	. . BUSHING FLANGE	2	1
80	N.S.S.	. . BOLT	2	1
81	N.S.S.	. . ROLLER	4	1
82	N.S.S.	. . BUMPER	2	1
83	860864	SPINDLE KIT	1	
84	861746	. KIT WEIGHT ADJUSTMENT	1	
NS	867958	ADAPTOR	1	
NS	868125	UNION 4MM/4MM	1	
NS	868128	UNION 6MM/4MM	1	
NS	868833	AIR PIPE CONNECTOR SML	AR	
90	362201P	COVERING HEADREST ASSY / S.C.C. / DRIVER'S "ISRI" 6000 & 6500	1	
90	360082	COVERING HEADREST ASSY / COLLECTION / S.C.C. / DRIVER'S "ISRI" 6000	1	H
91	362204P	COVERING BACKREST ASSY / S.C.C. / DRIVER'S "ISRI" 6000 & 6500 To 8-9397	1	
91	364238	COVERING BACKREST ASSY / S.C.C. / DRIVER'S "ISRI" 6000 & 6500 From 8-9398	1	
91	360080	COVERING BACKREST ASSY / COLLECTION / S.C.C. / DRIVER'S "ISRI" 6000	1	H
92	362203P	COVERING SEATREST ASSY / S.C.C. / DRIVER'S "ISRI" 6000 & 6500 To 8-9397	1	
92	364236	COVERING SEATREST ASSY / S.C.C. / DRIVER'S "ISRI" 6000 & 6500 From 8-9398	1	
92	360081	COVERING SEATREST ASSY / COLLECTION / S.C.C. / DRIVER'S "ISRI" 6000	1	H
93	860527	CLIP	8	
NS	860484	SEW STRIP NYLON 10MM	AR	
NS	860485	SEW STRIP NYLON 15MM	AR	
NS	864709	TUBE PLASTIC 6MM O.D. CHARCOAL W/RED LINE	AR	
NS	864710	TUBE PLASTIC 6MM O.D. CHARCOAL W/GREY LINE	AR	
NS	864711	TUBE PLASTIC 6MM O.D. CHARCOAL	AR	
NS	641507	UNION / PUSH-IN FITTING / #4 x 6MM NP	1	
NS	641092	UNION TEE / NTA FITTING / #4x#4x#4 BR	1	
100	362188	KIT BELT	1	
100	860607	. STIFF BUCKLE IN BOOT To K-6429	1	
101	860977	. BELT SEAT To K-6429	1	

From 7-8754	Date:01/2024	PAGE:X3-1822-10
DRIVER'S SEAT - "ISRI" - 6000/515 & 6500/515		

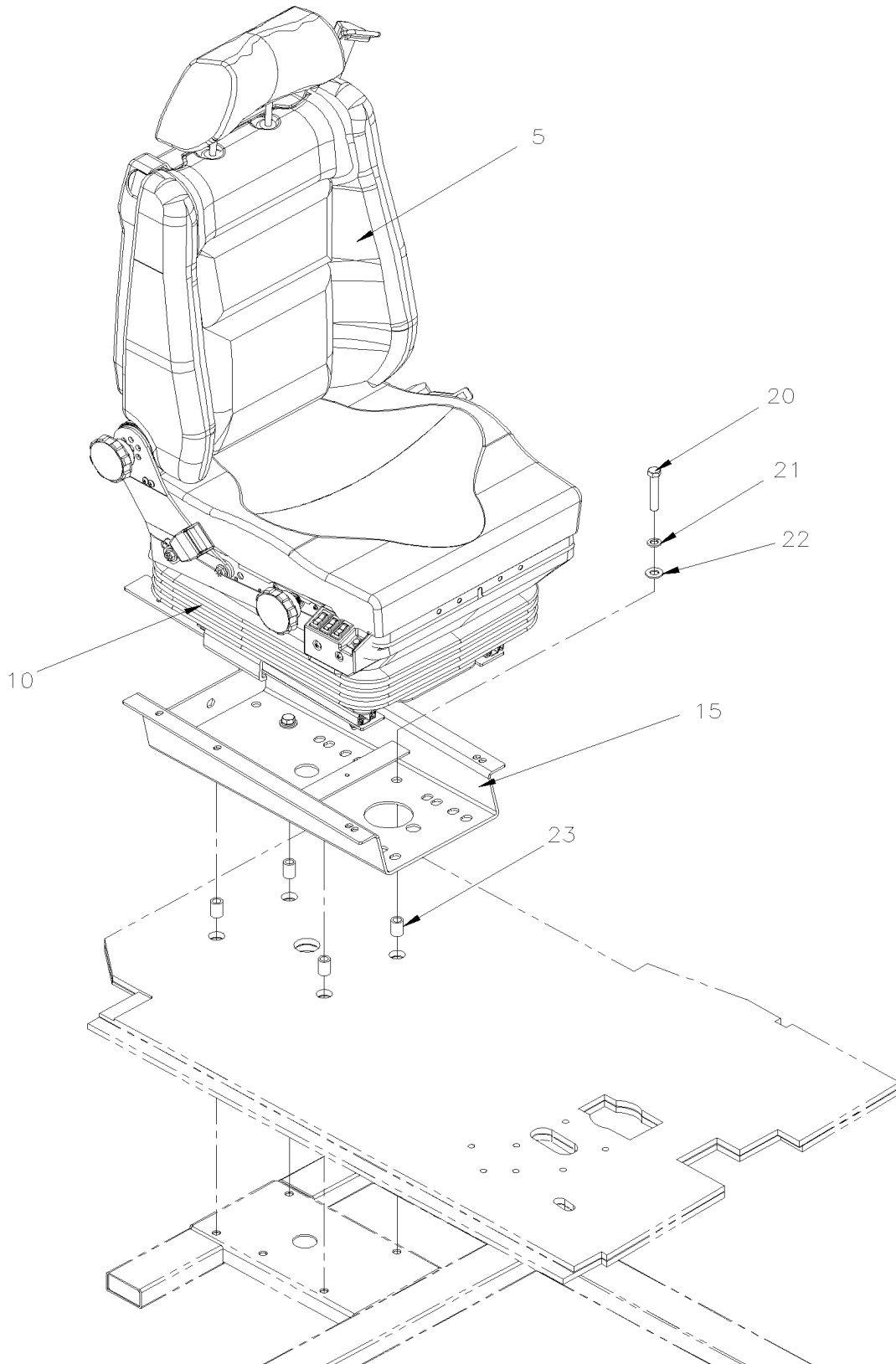
Item#	Part	Description	QTY	Notes
101	860136	. BELT SEAT From K-6430	1	
NS	860553	. BELT TETHER / BODY & SUSPENSION / (SET OF 2)	1	
102	361800	BASE DRIVER'S SEAT / W "ISRI" / 76.2MM HEIGHT / 3"	1	
102	5001117	SCREW CAP HEX M12-1.75x70 BK	4	B
102	500958	WASHER FL .531x1.062x.095 SS	4	B
102	500747	WASHER LO SPT 12.2x21.1x2.5 N500	4	B
102	362549	SPACER / STRUCTURE & BASE / 27MM	4	B
103	363945	BAR ICP / W/SEAT MODEL 6500	1	G
NS	500179	SCREW CAP HEX 5/16-18x3/4 G5 Z050	2	G
NS	500777	NUT HEX STO 5/16-18 Z050	2	G
NS	361677	JOINT / W/AIR SUSPENSION / W/2 HOLES .344 O / 3 1/8" x W/2" C/C To 7-9137	2	G
103	364155	JOINT / W/AIR SUSPENSION / W/2 HOLES .344 O / 4 3/8" x W/3 1/4" C/C From 7-9138	1	G
NS	500747	WASHER LO SPT 12.2x21.1x2.5 N500	2	G
NS	500480	WASHER LO SPT .443x.779x.109 Z050	2	G
NS	500445	WASHER FL .437x1.000x.083 Z050	4	G
NS	5001365	SCREW CAP HEX M12-1.75x30 G10.9 DP	2	G
		A) W/SEAT #860433		
		B) TO FIX BASE TO FLOOR		
		C) W/HOSE & HARDWARE		
		D) W/BUTTON		
		E) THIS SEAT IS COMPLETELY ASSY W/COVERING, ARMREST, HEATING PAD & SAFETY BELT (SPECIFY COLOR)		
		G) TO FIX SAFETY BELT TO SEAT		
		H) USE WITH SEAT OPTION COVERING COLLETION		
		I) NOT SOLD SEPARATELY		
		U) UNDER CONSTRUCTION		

From 7-8754

Date:01/2024

PAGE:X3-1823-50

DRIVER'S SEAT - "USSC" - 9100ALX3

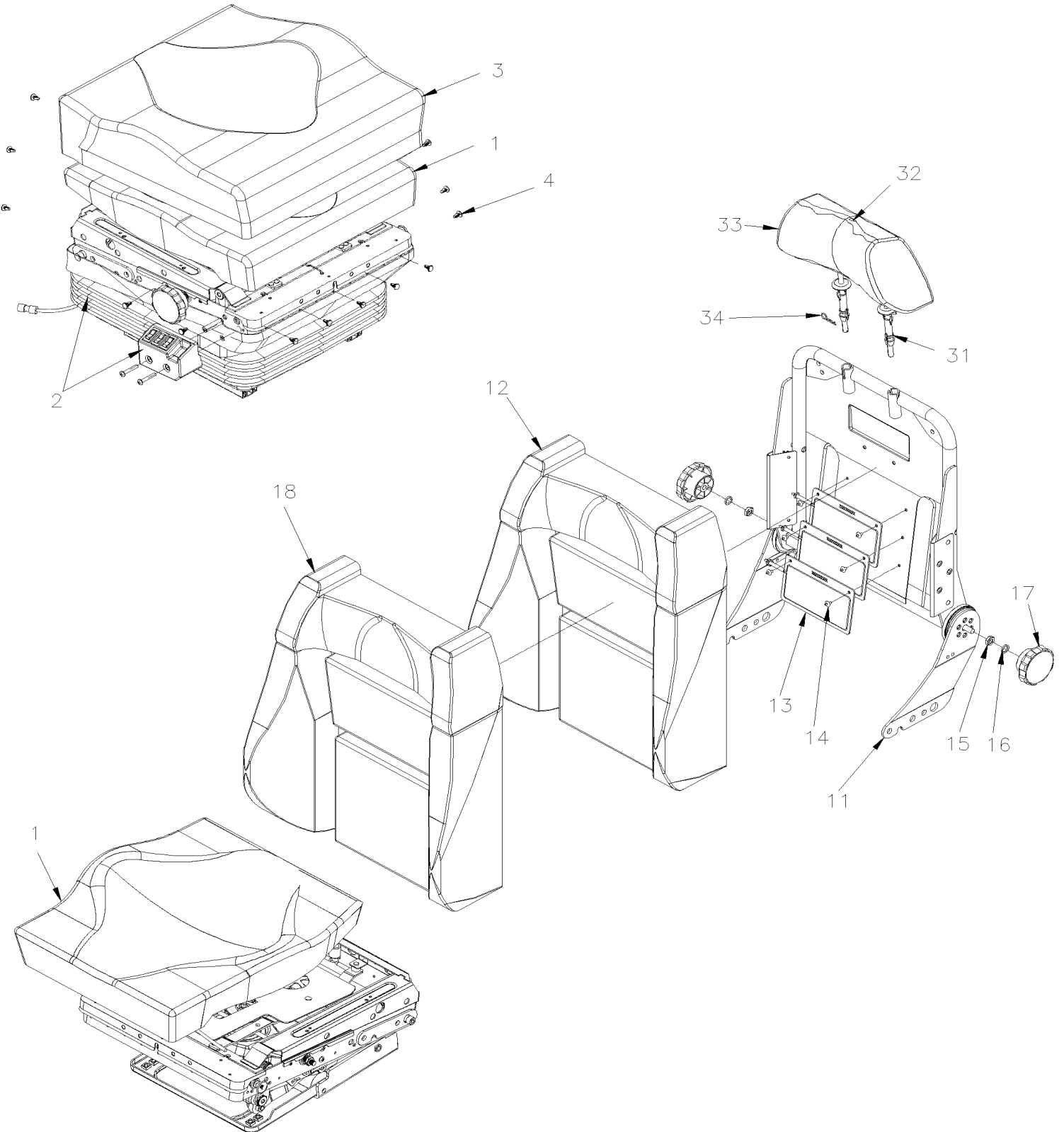


From 7-8754		Date:01/2024	PAGE:X3-1823-50
DRIVER'S SEAT - "USSC" - 9100ALX3			

Item#	Part	Description	QTY	Notes
	863275	DRIVER'S SEAT - "USSC" - MODEL 9100 ALX3		
	863644	DRIVER'S SEAT - "USSC" - MODEL 9100 ALX3		
	863724	DRIVER'S SEAT - "USSC" - MODEL 9100 ALX3 / "PWT"		
	863833	DRIVER'S SEAT - "USSC" - MODEL 9100 ALX3 / "GREYHOUND"		
. NS	860223	. BACKREST COVERING HOLDSWORTH BCU 320	1	
	863890	DRIVER'S SEAT - "USSC" - MODEL 9100 ALX3		
	863917	DRIVER'S SEAT - "USSC" - MODEL 9100 ALX3		
	863922	DRIVER'S SEAT - "USSC" - MODEL 9100 ALX3		
	863936	DRIVER'S SEAT - "USSC" - MODEL 9100 ALX3 / "GREYHOUND"		
	864180	DRIVER'S SEAT - "USSC" - MODEL 9100 ALX3		
	864199	DRIVER'S SEAT - "USSC" - MODEL 9100 ALX3		
	864329	DRIVER'S SEAT - "USSC" - MODEL 9100 ALX3		
	864416	DRIVER'S SEAT - "USSC" - MODEL 9100 ALX3		
	864464	DRIVER'S SEAT - "USSC" - MODEL 9100 ALX3		
	864699	DRIVER'S SEAT - "USSC" - MODEL 9100 ALX3		
	864721	DRIVER'S SEAT - "USSC" - MODEL 9100 ALX3		
	864769	DRIVER'S SEAT - "USSC" - MODEL 9100 ALX3		
	864947	DRIVER'S SEAT - "USSC" - MODEL 9100 ALX3		
. NS	868213	. CUSHION COVER	1	
. NS	868212	. BACKREST COVER	1	
. NS	868214	. HEADREST COVER	1	
. NS	860004	. ARMREST COVERING	1	
	865197	DRIVER'S SEAT - "USSC" - MODEL 9100 ALX3		
	865235	DRIVER'S SEAT - "USSC" - MODEL 9100 ALX3		
	865244	DRIVER'S SEAT - "USSC" - MODEL 9100 ALX3		
	865260	DRIVER'S SEAT - "USSC" - MODEL 9100 ALX3 WITH ORANGE SEAT BELT		
	865744	DRIVER'S SEAT - "USSC" - MODEL 9100 ALX3		
	866734	DRIVER'S SEAT - "USSC" - MODEL 9100 ALX3		
	867933	DRIVER'S SEAT - "USSC" - MODEL 9100 ALX3	1	
5	X3-1823-60	. SEAT ASSY - "USSC" - 9100ALX3		
10	X3-1823-70	. SUSPENSION ASSY - "USSC" - 9100ALX3		
15	X3-1823-80	. BASE ASSY - "USSC" - 9100ALX3		
20	5001862	SCREW CAP HEX M12-1.75x70 G10.9 N500	4	
21	500747	WASHER LO SPT 12.2x21.1x2.5 N500	4	
22	500958	WASHER FL .531x1.062x.095 SS	4	
23	362549	SPACER / STRUCTURE & BASE / 27MM	4	
NS	214519	PLATE REINFORCMENT UNDER SEAT 152MM x 101MM GA11	1	
NS	214520	CHANNEL "U" 510MM x 50MM x 38MM	1	
NS	069162	HARNESS DRIVER SEAT BELT STATUS	1	GR

From 7-8754		Date:01/2024	PAGE:X3-1823-50	
DRIVER'S SEAT - "USSC" - 9100ALX3				
Item#	Part	Description	QTY	Notes
		GR) WITH GREYHOUND OPTION		

SEAT ASSY - "USSC" - 9100ALX3



From 7-8754	Date:01/2024	PAGE:X3-1823-60
SEAT ASSY - "USSC" - 9100ALX3		

Item#	Part	Description	QTY	Notes
1	N8887209	CUSHION FOAM	1	
2	X3-1823-70	SUSPENSION ASSY - "USSC" - 9100ALX3		
3	Call order desk	COVER CUSHION	1	P
4	N8883021	RIVET	13	
6	N8887219	SCREW 1/4-20x3/4	2	
7	N8895439	BACKSHELL W/OUT LOGO	1	
11	N8897721	BACK BOLSTER	1	
12	N8882987	FOAM BACKREST	1	
13	N8895287	LUMBAR AIR BAG ASSY	3	
14	N8891961	RIVET	6	
15	N8882988	NUT JAM M10X1.5	2	
16	N8882967	WASHER, LOCK M10	2	
17	N8882989	KNOB SEAT ADJUSTMENT W/FORMER VALVE	2	
18	Call order desk	COVER BACKREST		P
21	Call order desk	ARMREST WITHOUT COVERING PAD RH	1	P
21	N8892788	ARMREST WITH BLACK COVERING PAD LH	1	
22	865417	ARMREST ADJUSTABLE WITHOUT COVERING PAD RH	1	
22	N8892789	ARMREST ADJUSTABLE WITH BLACK COVERING PAD RH	1	
23	N8893510	SCREW M8-1.25x35	6	
24	N8893511	ARMREST SHIM	2	
25	867787	ARMREST PAD	2	
31	N8893445	HEADREST PLUG	2	
32	N8892743	HEADREST ASSY	1	
33	Call order desk	COVER HEADREST	1	P
34	N8891948	PIN HAIR - HEADREST .0725 DIA	2	
38	19507825	BELT 3PT / LAP RETRACTOR ORANGE	1	
39	N8899238	BELT 3PT / SHOULDER RETRACTOR ORANGE	1	
40	N8891957	BELT 3PT ASS	1	
. NS	N8904553	. BUSHING	1	
40A	864096	. BELT 3PT / LAP RETRACTOR	1	
40B	864095	. BELT 3PT / SHOULDER RETRACTOR	1	
40C	864097	. BELT 3PT / BUCKLE RECEPTOR 4 3/4	1	
41	N8897724	SCREW CAP HEX 7/16-20X2 GR8 YZ	2	
42	N8897723	SEAT BELT ASSY	1	
42	864590	SEAT BELT ASSY WITH ALARM	1	
42A	864700	. BELT / LAP RETRACTOR	1	
42B	864701	. BELT / BUCKLE RECEPTOR 8 3/4	1	
42B	864702	. BELT / BUCKLE RECEPTOR WITH ALARM 8 3/4	1	
43	N8882962	SCREW CAP HEX 7/16-20X2.25	1	
44	N8897722	SEAT BELT PLATE /54 DEG	1	
45	N8887857	SPACER 1/2x1-1/8x5/8	1	
46	N8882992	WASHER FLAT 7/16	7	

From 7-8754	Date:01/2024	PAGE:X3-1823-60
SEAT ASSY - "USSC" - 9100ALX3		

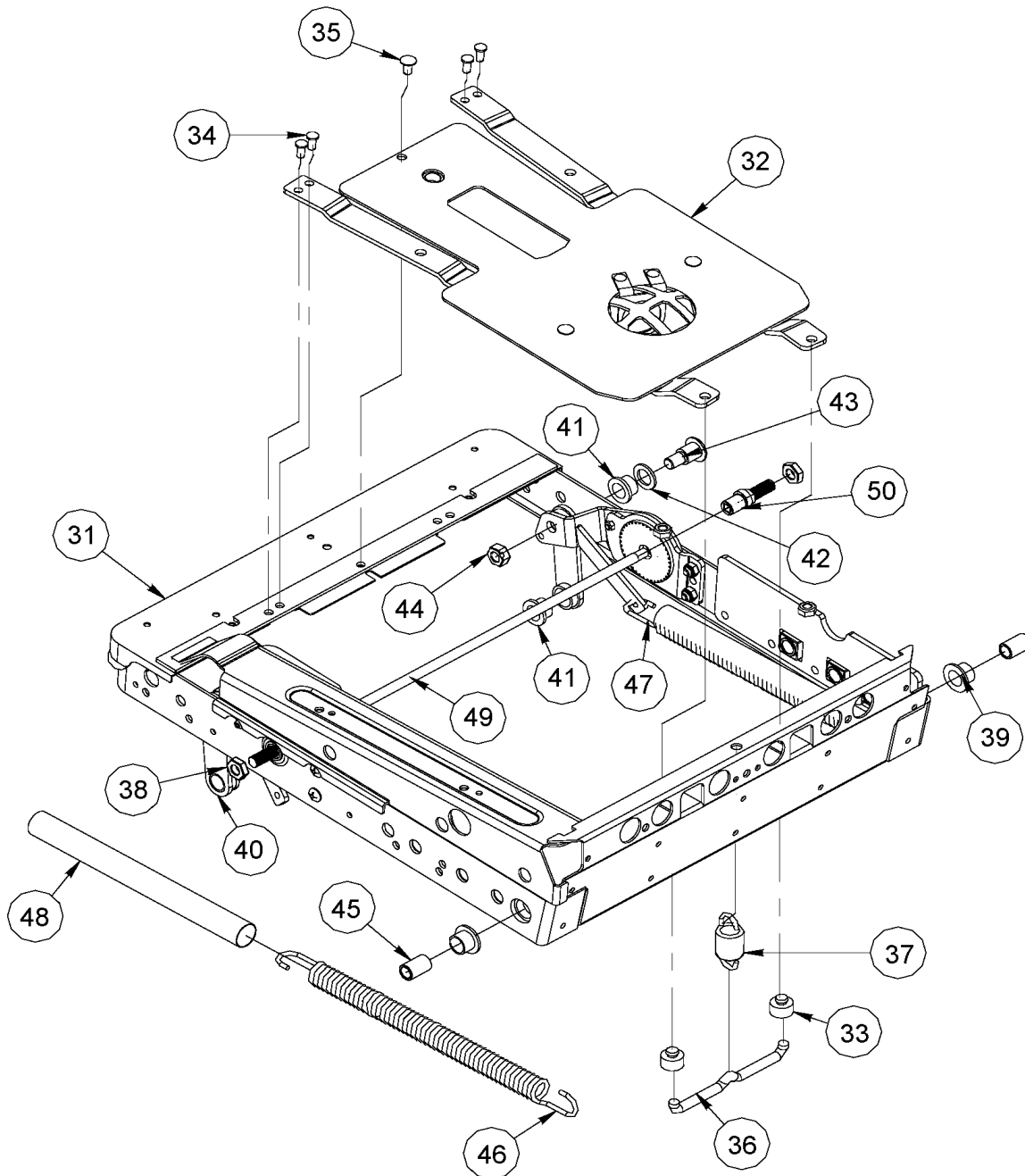
Item#	Part	Description	QTY	Notes
47	N8882960	SCREW CAP HEX /7/16-20X1.5"	1	
48	864095	BELT 3PT / SHOULDER RETRACTOR	1	
49	N8899242	SCREW CAP HEX 7/16-20X1 G8	1	
50	19505644	D-LOOP	1	
51	N8882993	WASHER FLAT 5/16	4	
52	N8902660	SCREW CAP HEX 5/16-18 X 1.0" GR8 YZ.	2	
53	N8893849	NUT LOCK 5/16-18 NYLON	2	
54	19515581	COVER, FOAM 1"" ID X 5"" SMOKESTACK"	1	
55	N8882961	SCREW 7/16-20x1 1/4	1	
56	N8891962	SCREW CAP HEX 7/16-20x.75	1	
		P) CALL ORDER DESK FOR SPECIFIC APPLICATION (V.I.N.)		

From 7-8754

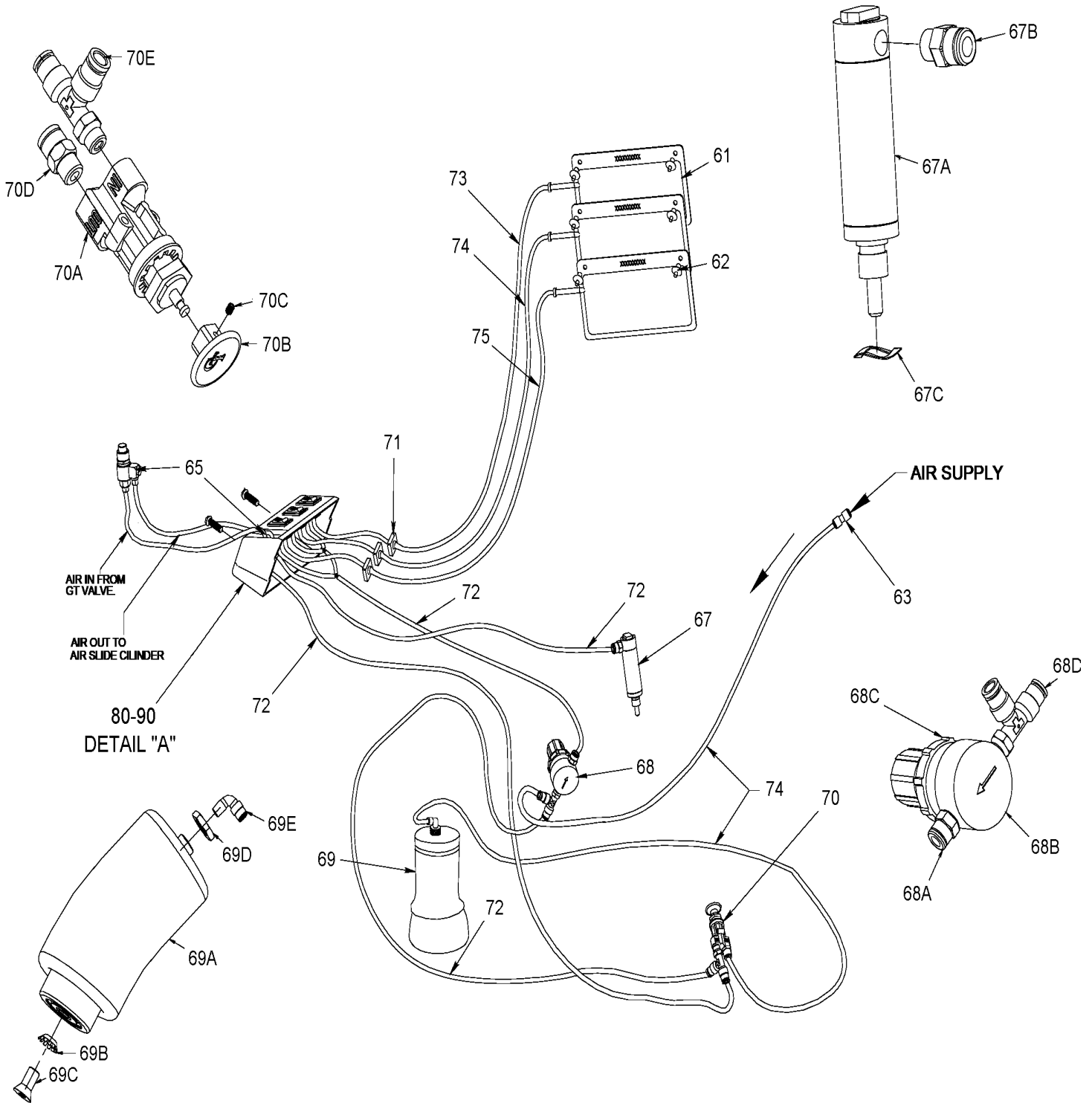
Date:01/2024

PAGE:X3-1823-70

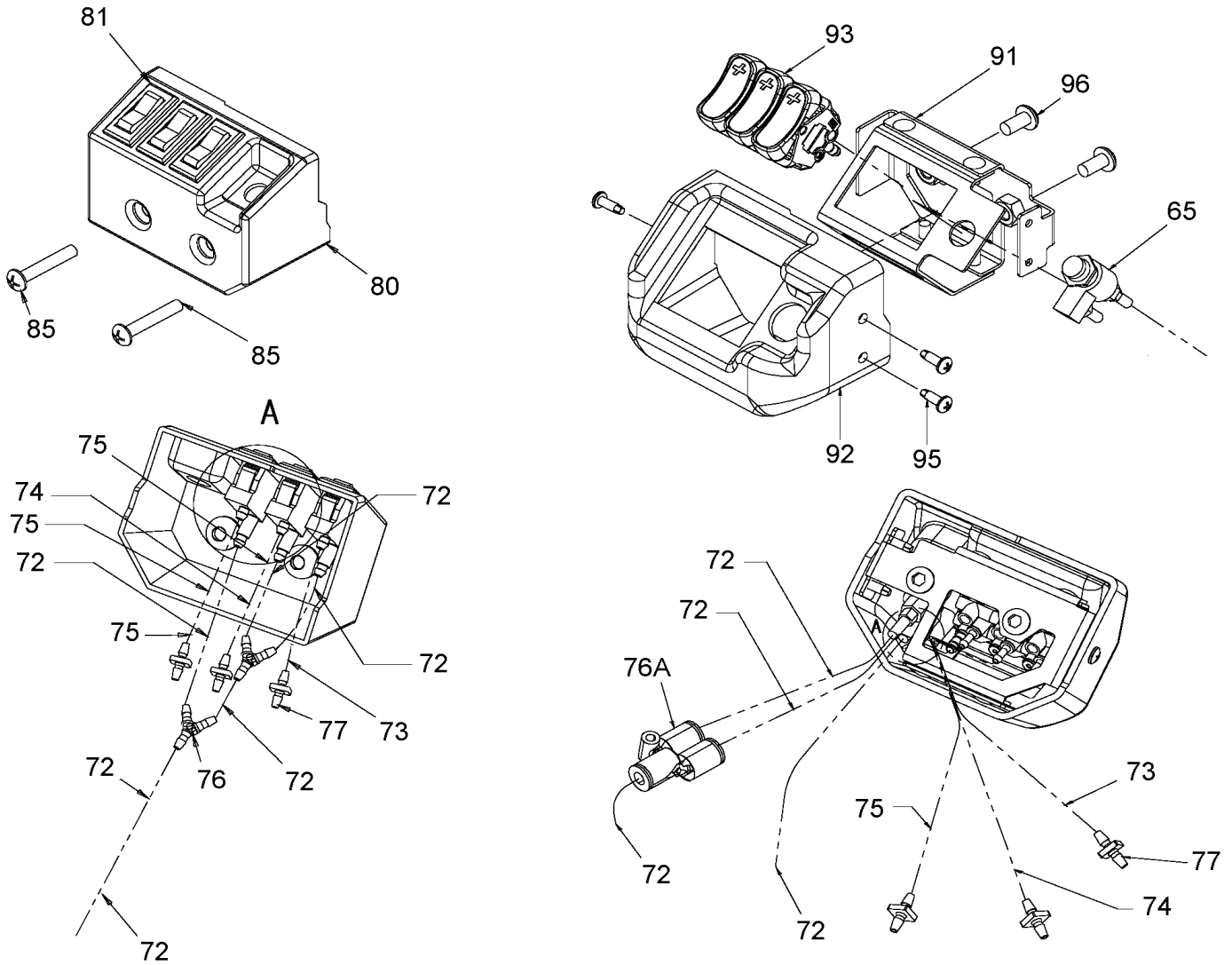
SUSPENSION ASSY - "USSC" - 9100ALX3



From 7-8754	Date:01/2024	PAGE:X3-1823-70
SUSPENSION ASSY - "USSC" - 9100ALX3		



DETAIL "A"



UP TO A-9962

FROM A-9963

From 7-8754		Date:01/2024	PAGE:X3-1823-70
-------------	--	--------------	-----------------

SUSPENSION ASSY - "USSC" - 9100ALX3

Item#	Part	Description	QTY	Notes
	N8894728	SUSPENSION ASSY	1	
1	N.S.S.	. SUSPENSION BOTTOM / WELDMENT	1	1
2	N.S.S.	. SUSPENSION SCISSOR / UPPER WELDMENT	1	1
3	N.S.S.	. SUSPENSION SCISSOR / LOWER WELDMENT	1	1
4	N8894295	. BRACKET	2	
5	N8895289	. BOLT SCISSOR	4	
6	N8899141	. BUSHING 14MM IDx17MM ODx12.6MM LG	6	
7	N8883024	. WASHER	10	
8	19518102	. NUT LOCK M10X1.5/ZP	6	
10	N8893636	. SHOCK ABSORBER, FIRM	2	
11	N8883018	. RUBBER BUMPER	2	
12	N8894297	. BOLT SCISSOR 2"	2	
13	N8894294	. SCREW CAP HEXS M10X1.5/35MMLG	2	
14	N8894301	. BOLT SCISSOR .60 LGTH	4	
15	N8883013	. BOLT, M8 X 40	2	
16	N8883015	. NUT LOCK M8-1.25/GRD10/CZ	4	
17	N8883011	. SCREW 8MMX40/UPPER SHOCK	2	
18	N8899140	. BUSHING .672x.552x.70	2	
19	N8893441	. BUSHING SHOCK ABSORBER	4	
22	N8883017	. STRAP 15"	2	
23	N8882966	. WASHER, LOCK 7/16	2	
24	N8882961	. SCREW 7/16-20x1 1/4	2	
25		. SCREW TRUSS HD NO 6 X .75 " LG	4	
26	N8893854	. TUBE, NYLON 1/4 O.D. / BLACK S.L.	3 FEET	
27		. CABLE TIE/BLK/4"LG X .095"WIDTH	1	
30	N8894298	. TOP PAN ASSEMBLY	1	
31	N.S.S.	. . FRAME	1	1
32	N.S.S.	. . TOP PAN ASSEMBLY	1	1
33	19505642	. . RUBBER BUMPER	2	
34	Call order desk	. . RIVET 1/4-3/8 GRIP 1/4" STL/HS	1	P
35	Call order desk	. . RIVET 3/8-1/2 GRIP 1/4" SS	1	P
36	19505641	. . BAR SUSPENSION PAN	1	
37	19505640	. . SPRING TENSION	1	
38	N8882988	. . NUT JAM M10X1.5	2	
39	N8899144	. . BUSHING .679ODx.556IDx.51	2	
40	19505643	. . BRACKET	2	
41	N8899141	. . BUSHING 14MM IDx17MM ODx12.6MM LG	4	
42	N8883024	. . WASHER	2	
43	N8894301	. . BOLT SCISSOR .60 LGTH	2	
44	19518102	. . NUT LOCK M10X1.5/ZP	1	
45	N8894290	. . BUSHING M10IDXM14ODX22MMLG	2	
46	N8894293	. . SPRING LH /51COIL/LH/EX	1	

From 7-8754	Date:01/2024	PAGE:X3-1823-70
SUSPENSION ASSY - "USSC" - 9100ALX3		

Item#	Part	Description	QTY	Notes
47	N8894292	. . SPRING RH /51COIL/RH/EX	1	
48	N8894291	. . SPRING COVER 20.5MM ID	2	
49	N.S.S.	. . SUSPENSION / GEAR SHAFT	1	1
50	N.S.S.	. . SUSPENSION / CAM	2	1
61	N8895287	LUMBAR AIR BAG ASSY	3	
62	N8891961	RIVET	6	
63	N8882997	CONNECTOR	1	
64	N8882986	SCREW 1/4-20x1 3/4	2	
65	N8887215	SLIDE BUTTON ASSY	1	
67	N8887216	SLIDE CYLINDER ASSY	1	
67A	19504884	. AIR CYLINDER1/2" STK\SIDE MNT	1	
67B	N8892738	. CONNECTOR 1/8 NPT	1	
67C	Call order desk	. WASHER 1/2" ID X 3/4" OD	1	P
68	N8887856	AIR LUMBAR REGULATOR ASSY W/FITTING	1	
68A	N8892738	CONNECTOR 1/8 NPT	1	
68B	N8883033	AIR REGULATOR	1	
68C	N8893452	NUT RETAINER REGULATOR	1	
68D	N8893451	MALE RUN TEE 1/8 NPT	1	
69	N8897573	AIR BAG ASSY 150 PSI	1	
69A	N8897622	. AIR BAG	1	
69B	N8897574	. WASHER EXT TOOTH	1	
69C	N8897575	. SCREW CAP FL HEXS 1/2-13 X 1	1	
69D	N8883031	. NUT	1	
69E	N8893449	. MALE ELBOW 90° / PUSH-IN FITTING / #4x1/8NPT-M BR	1	
70	N8892962	AIR VALVE ASSY	1	
70A	N8893450	AIR VALVE / HEIGHT CONTROL / CURRENT	1	
70B	19504019	BRIGHT ZINC PUSH/PULL KNOB	1	
70C	19516104	SET SCREW	1	
70D	N8892738	CONNECTOR 1/8 NPT	1	
70E	N8893451	MALE RUN TEE 1/8 NPT	1	
71	N8893454	UNION CONNECTOR 1/8"	3	
72	N8893852	TUBE, NYLON 1/4 O.D. / CLEAR S.L.	AR	
73	N8893853	TUBE, NYLON 1/4 O.D. / GREY S.L.	AR	
74	N8893854	TUBE, NYLON 1/4 O.D. / BLACK S.L.	AR	
75	N8893855	TUBE, NYLON 1/4 O.D. / WHITE S.L.	AR	
76	N8893453	Y CONNECTOR 1/8" To A-9962	2	
76A	N8897731	Y CONNECTOR 1/4" From A-9963	1	
77	N8893454	UNION CONNECTOR 1/8"	3	
80	N8892035	AIR BOX ASSY To A-9962	1	
81	N8883035	SWITCH BOX To A-9962	1	
82	N8892491	AIR SWITCH / LUMBAR To A-9962	3	
85	N8882986	SCREW 1/4-20x1 3/4 To A-9962	2	

From 7-8754	Date:01/2024	PAGE:X3-1823-70
SUSPENSION ASSY - "USSC" - 9100ALX3		

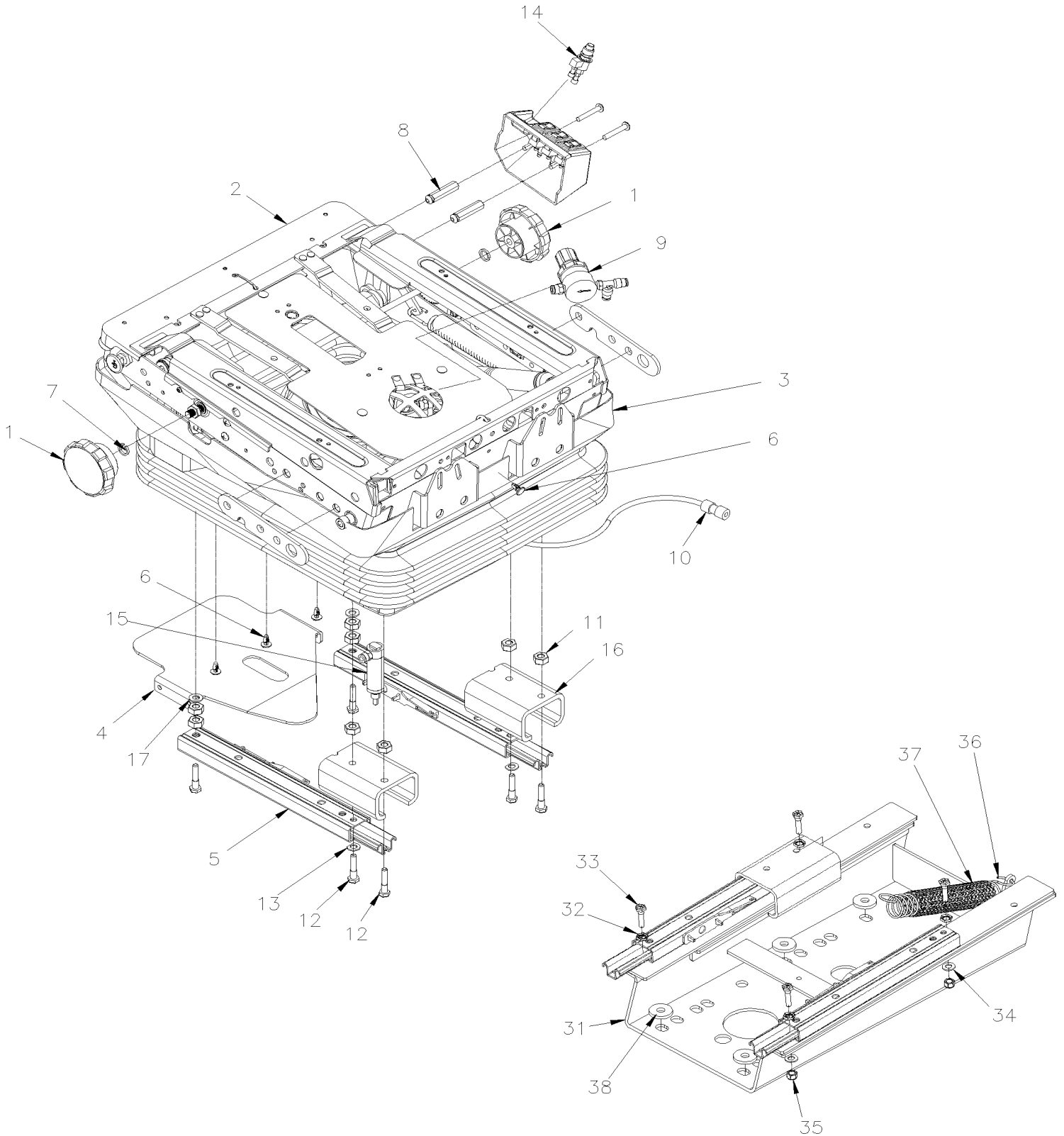
Item#	Part	Description	QTY	Notes
90	N8898415	AIR BOX ASSY 1 From A-9963	1	
91	N8897726	. BRACKET From A-9963	1	
92	N8897727	. SWITCH BOX From A-9963	1	
93	N8897732	. AIR SWITCH / LUMBAR From A-9963	1	
95	N8897728	. SCREW MA PAN PH 8-32X1/2 From A-9963	3	
96	N8897729	. SCREW MA BUT 1/4-20X1/2 From A-9963	2	
		1) NOT SOLD SEPARATELY		
		P) CALL ORDER DESK FOR SPECIFIC APPLICATION (V.I.N.)		

From 7-8754

Date:01/2024

PAGE:X3-1823-80

BASE ASSY - "USSC" - 9100ALX3



From 7-8754	Date:01/2024	PAGE:X3-1823-80
BASE ASSY - "USSC" - 9100ALX3		

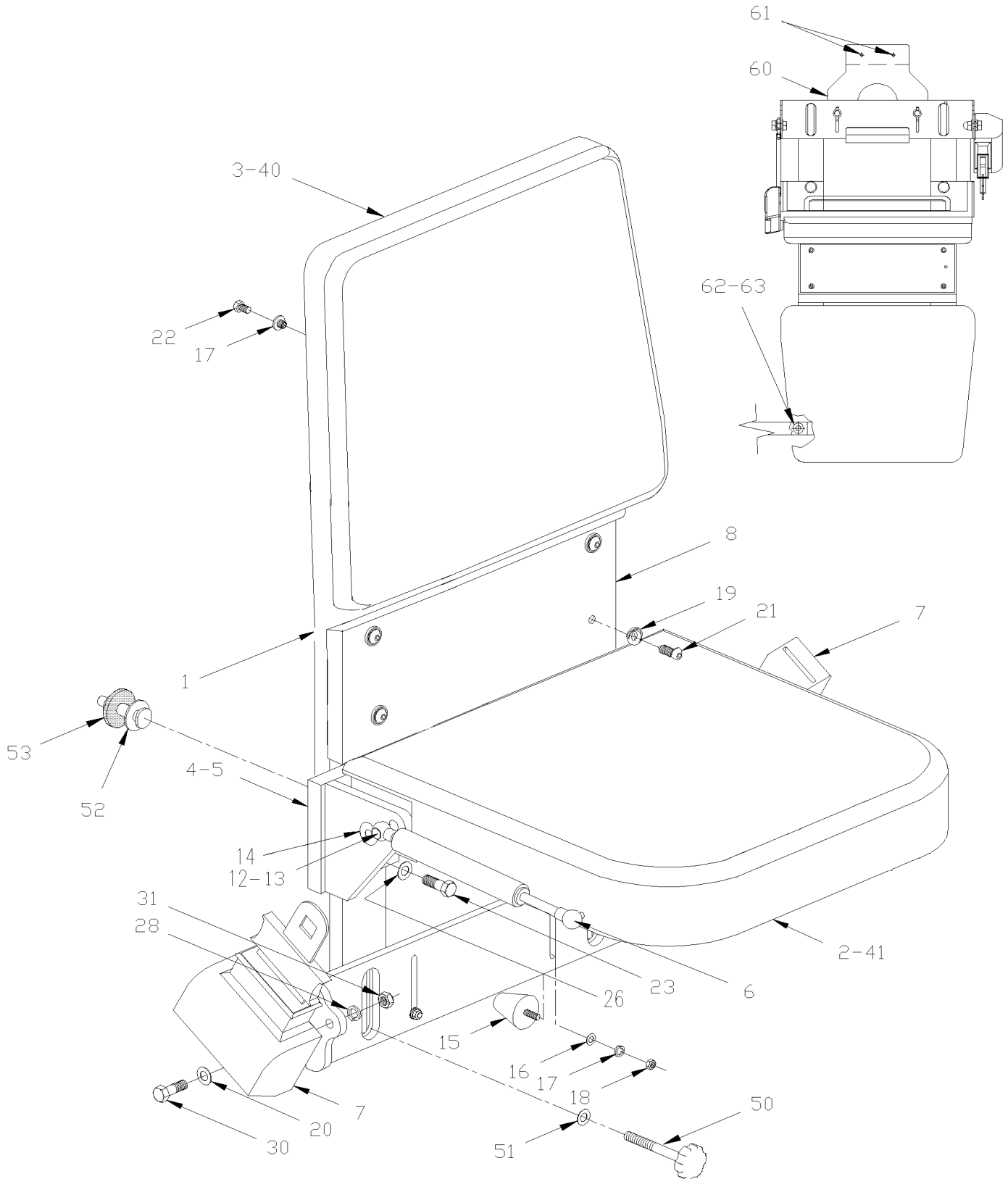
Item#	Part	Description	QTY	Notes
1	N8882989	KNOB SEAT ADJUSTMENT W/FORMER VALVE	2	
2	N8894280	SUSPENSION ASSY / AIR	1	
2	X3-1823-70	. SUSPENSION ASSY - "USSC" - 9100ALX3	1	
2	N8893705	. SPACER / BACK TO SUSPENSION	2	
3	N8883020	BELLOW	1	
4	N8891955	RELEASE HANDLE ASM	1	
5	N8883008	SLIDE SET 9.45"	1	
6	N8883021	RIVET	9	
7	N8882967	WASHER, LOCK M10	2	
8	N8887855	AIR BOX MOUNT ASM	2	
9	N8887856	AIR LUMBAR REGULATOR ASSY W/FITTING	1	
10	N8882997	CONNECTOR	1	
11	N8883004	SPACER SLIDE	8	
12	N8882965	SCREW 5/16-18x1 1/2	2	
13	N8891964	WASHER FLAT	2	
14	N8887215	SLIDE BUTTON ASSY	1	
15	N8887216	SLIDE CYLINDER ASSY	1	
16	N8894735	BRACKET SLD REIN/C/1/4"/NF/ASSY	2	
17	N8882993	WASHER FLAT 5/16	2	
31	N8891958	BASE ASSY 4"	4	
32	N8883007	NUT 3/8	4	
33	N8882964	SCREW 5/16-18x1 1/4	4	
34	N8882993	WASHER FLAT 5/16	4	
35	N8893849	NUT LOCK 5/16-18 NYLON	4	
36	N8890626	SPRING 10"	1	
37	N8894303	MESH SPRING COVER	1	
38	N8887858	WASHER 7/16	6	

From 7-8754 To E-5585

Date:01/2024

PAGE:X3-1824-00

HOSTESS SEAT ASSY



From 7-8754 To E-5585	Date:01/2024	PAGE:X3-1824-00
HOSTESS SEAT ASSY		

Item#	Part	Description	QTY	Notes
	364013P	HOSTESS SEAT ASSY	1	
1	364107	. FRAME ASSY	1	
2	364008	. SEAT BASE, ASSY	1	
NS	363040	. CUSHION FOAM	1	
3	Call order desk	. BACKREST PANEL ASSY W/FOAM & COVERING /S.C.	1	P
3	363014	. LOWER BACKREST PANEL	1	
NS	363041	. BACK REST FOAM	1	
NS	500453	. NUT TEE 1/4-20	1	
4	364002	. R.H. SUPPORT ASSY	1	
5	364004	. L.H. SUPPORT ASSY	1	
6	980020	. CYLINDER GAZ / 244/164MM C/C / 35LBS To G-6036	1	
6	980465	. CYLINDER GAZ / 225NEWTON (50LBS) From G-6037	1	
NS	980015	. BALL STUD / W/10 MM X M8-1.25 / 29.18 MM	1	
NS	5001063	. RIVET NUT FL OKS M8-1.25 11.0-1.5	1	
7	860695	. SEAT BELT / KIT	1	
8	Call order desk	. FINISHING FABRIC	AR	P
12	502744	. NUT HEX STO M8-1.25 Z050	1	
13	980015	. BALL STUD / W/10 MM X M8-1.25 / 29.18 MM	1	
14	507260	. BUSHING NYLINER W/SHOULDER .375x.437x.375x.594	2	
15	504600	. BUMPER RUBBER BOLT / .625 ODx1.0TH x 10-32X.5 STUD	2	
NS	502820	. WASHER FL .187x1.000x.125 RUB BK	2	
16	500440	. WASHER FL .250x.562x.065 Z050	2	
17	500473	. WASHER LO SPT .262x.489x.062 Z050	8	
18	500995	. NUT HEX CAP #10-32 Z050	2	
19	500345	. WASHER FN CKF .187x.500x.090 BR BK	5	
20	500444	. WASHER FL .406x.812x.065 Z050	8	
21	500686	. SCREW TP OV PH #6x1/2 BK	5	
22	500554	. SCREW MA RND SLT 1/4-20x1/2 SS	6	
23	500820	. SCREW CAP HEX M8-1.25x16 G10.9 N500	4	
25	500441	. WASHER FL .312x.734x.065 Z050	6	
26	500942	. WASHER LO SPT 8.1x14.8x2.0 N500	4	
27	500778	. NUT HEX 5/16-18 N500	4	
28	500478	. WASHER LO SPT .380x.683x.094 Z050	2	
30	500191	. SCREW CAP HEX 3/8-16x1 G5 Z050	2	
31	5001060	. NUT HEX CAP 3/8-16 NP	2	
40	363345P	. COVERING ASSY, BACKREST / S.C.C.	1	
41	363346P	. COVERING ASSY, SEATREST / S.C.C.	1	
50	363938	SPECIAL BOLT ASSY / TO FIX HOSTESS SEAT / 97MM	1	C
NS	363070	SPECIAL BOLT ASSY / TO FIX HOSTESS SEAT / 126MM	1	C
NS	504500	SNAP BUSHING / .766x1.125x.453	2	C
51	502644	WASHER FL 10.5x30.0x2.5 Z050	2	C

From 7-8754 To E-5585	Date:01/2024	PAGE:X3-1824-00
HOSTESS SEAT ASSY		

Item#	Part	Description	QTY	Notes
52	363939	FASTENER / UPPER / TO FIX HOSTESS SEAT 38MM X M12-1.75	2	C
53	363363	WASHER RUBBER 42MM O.D. X 13MM I.D. X 3/16"	2	C
60	363933	HOOK	1	D
61	504416	RIVET POP DOME OE 3/16x5/8 SS	3	D
62	363547	BELT 485MM	1	D
63	5001168	BUMPER RUBBER / .750 OD x .562 TH x .187 HOLE To J-6339	2	D
63	5002023	BUMPER NEOPRENE / .750 OD x .562 TH x .187 HOLE From J-6340	2	D
		C) THOSE ITEMS ARE USED TO FIX HOSTESS SEAT		
		D) THOSE ITEMS ARE USED TO FIX HOSTESS SEAT IN THE BAGGAGE CASES		
		P) CALL ORDER DESK FOR SPECIFIC APPLICATION (V.I.N.)		

From 7-8754

Date:01/2024

PAGE:X3-1824-30

PASSENGER'S SEAT - "AMAYA" IDENTIFICATION "MODEL"



GAUDI



BRAZIL



2 + 1



TORINO



TORINO VIP



SIGLIUM



PATRIOT



PATRIOT BRASIL



PATRIOT VIP

From 7-8754	Date:01/2024	PAGE:X3-1824-30
-------------	--------------	-----------------

PASSENGER'S SEAT - "AMAYA" IDENTIFICATION "MODEL"

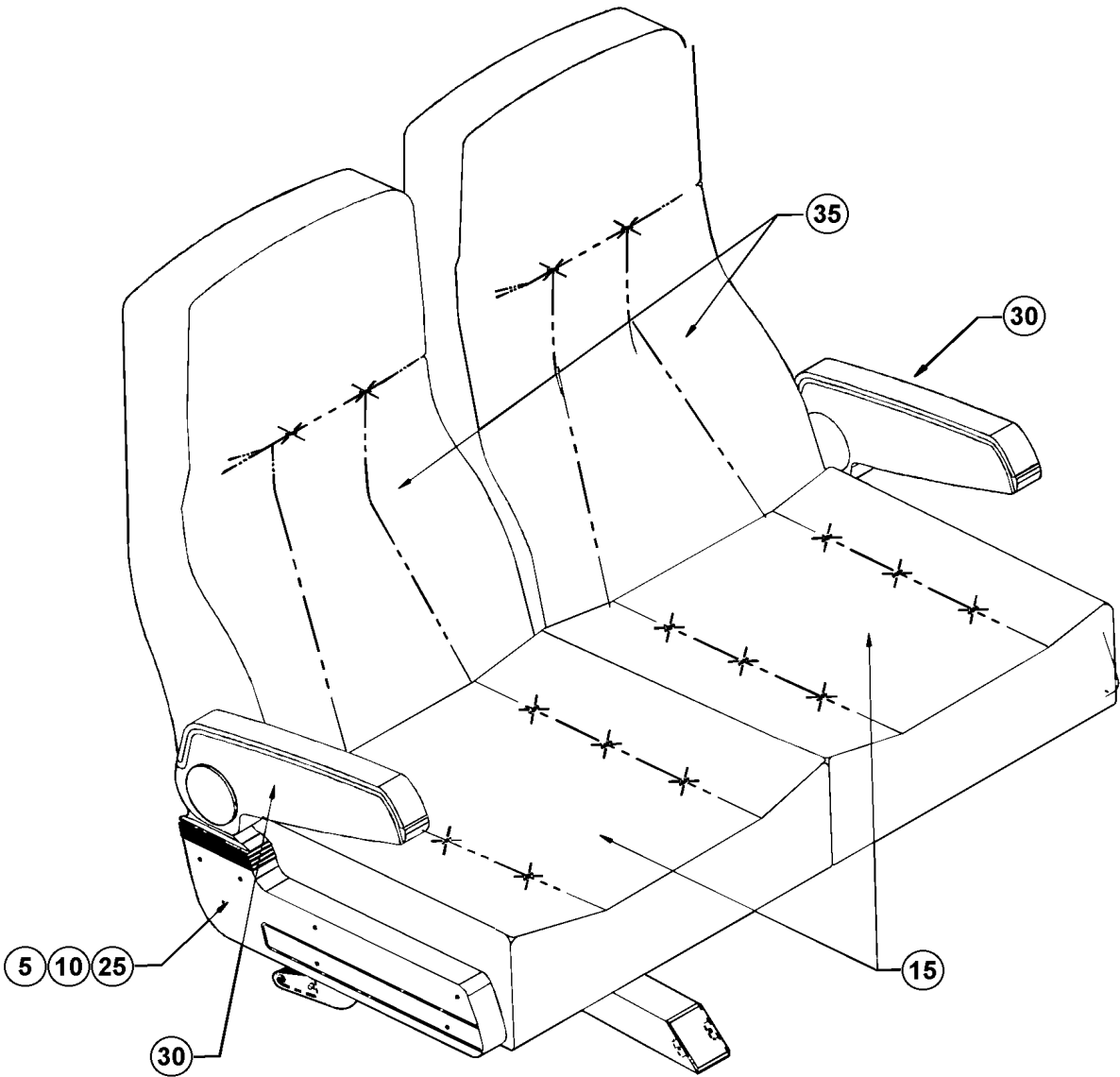
Item#	Part	Description	QTY	Notes
		PASSENGER'S SEAT - "GAUDI" MODEL		
6	X3-1826-08	PASSENGER'S SEAT - "AMAYA" "GAUDI"		
		PASSENGER'S SEAT - "BRASIL" MODEL		
11	X3-1826-06	PASSENGER'S SEAT - "AMAYA" "BRASIL"		
12	X3-1826-51	ARMREST PASSENGER'S SEAT - "AMAYA" WITH "BRASIL"		
		PASSENGER'S SEAT - "2 + 1" MODEL		
16	X3-1826-05	PASSENGER'S SEAT - "AMAYA" "EUROTECH"		
17	X3-1826-50	ARMREST PASSENGER'S SEAT - "AMAYA" WITH "EUROTECH"		
		PASSENGER'S SEAT - "TORINO" MODEL		
21	X3-1826-07	PASSENGER'S SEAT - "AMAYA" "SIGLIUM" TORO & TORINO		
		PASSENGER'S SEAT - "TORINO" VIP MODEL		
		PASSENGER'S SEAT - "SIGLIUM" MODEL		
		PASSENGER'S SEAT - "PATRIOT" MODEL		
36	X3-1826-80	PASSENGER'S SEAT - "AMAYA" 2 SEATS PARTIOT "GREYHOUND"		
36	X3-1826-82	PASSENGER'S SEAT - "AMAYA" 3 SEATS PARTIOT "GREYHOUND"		
36	X3-1826-84	PASSENGER'S SEAT - "AMAYA" 40" FLIP-UP PARTIOT "GREYHOUND"		
36	X3-1826-86	PASSENGER'S SEAT - "AMAYA" 38" FLIP-UP PARTIOT "GREYHOUND"		
		PASSENGER'S SEAT - "PATRIOT BRASIL" MODEL		
		PASSENGER'S SEAT - "PATRIOT VIP" MODEL		

From 7-8754

Date:01/2024

PAGE:X3-1825-02

PASSENGER'S SEAT - "AMERICAN" - W6695

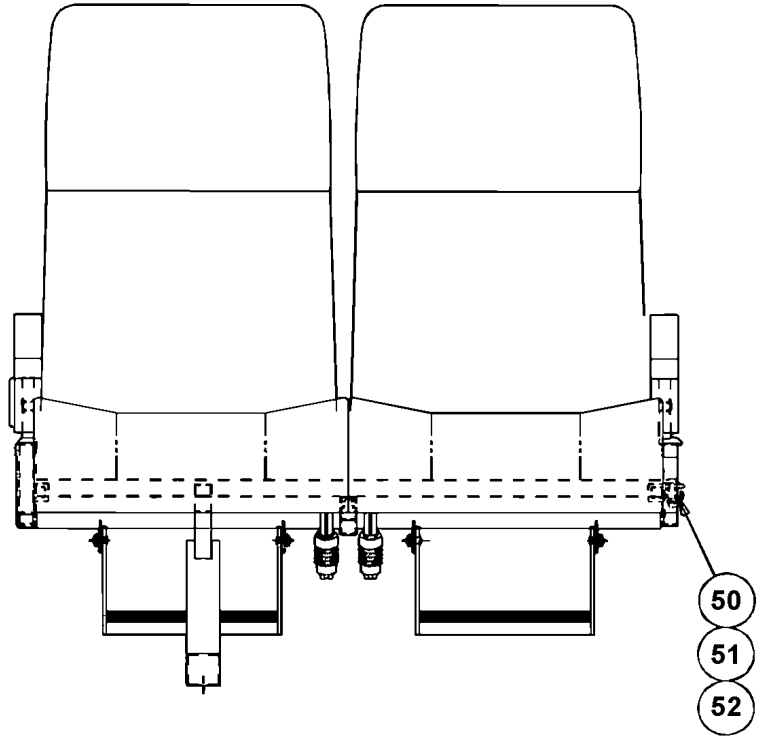
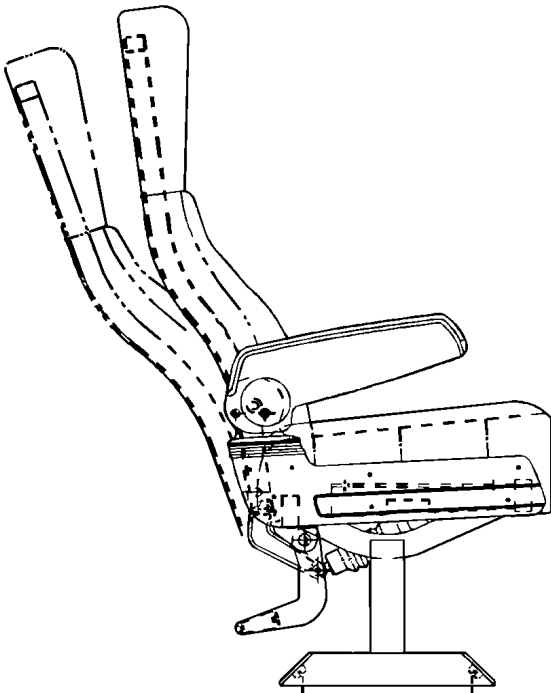


From 7-8754

Date:01/2024

PAGE:X3-1825-02

PASSENGER'S SEAT - "AMERICAN" - W6695



From 7-8754	Date:01/2024	PAGE:X3-1825-02
-------------	--------------	-----------------

PASSENGER'S SEAT - "AMERICAN" - W6695

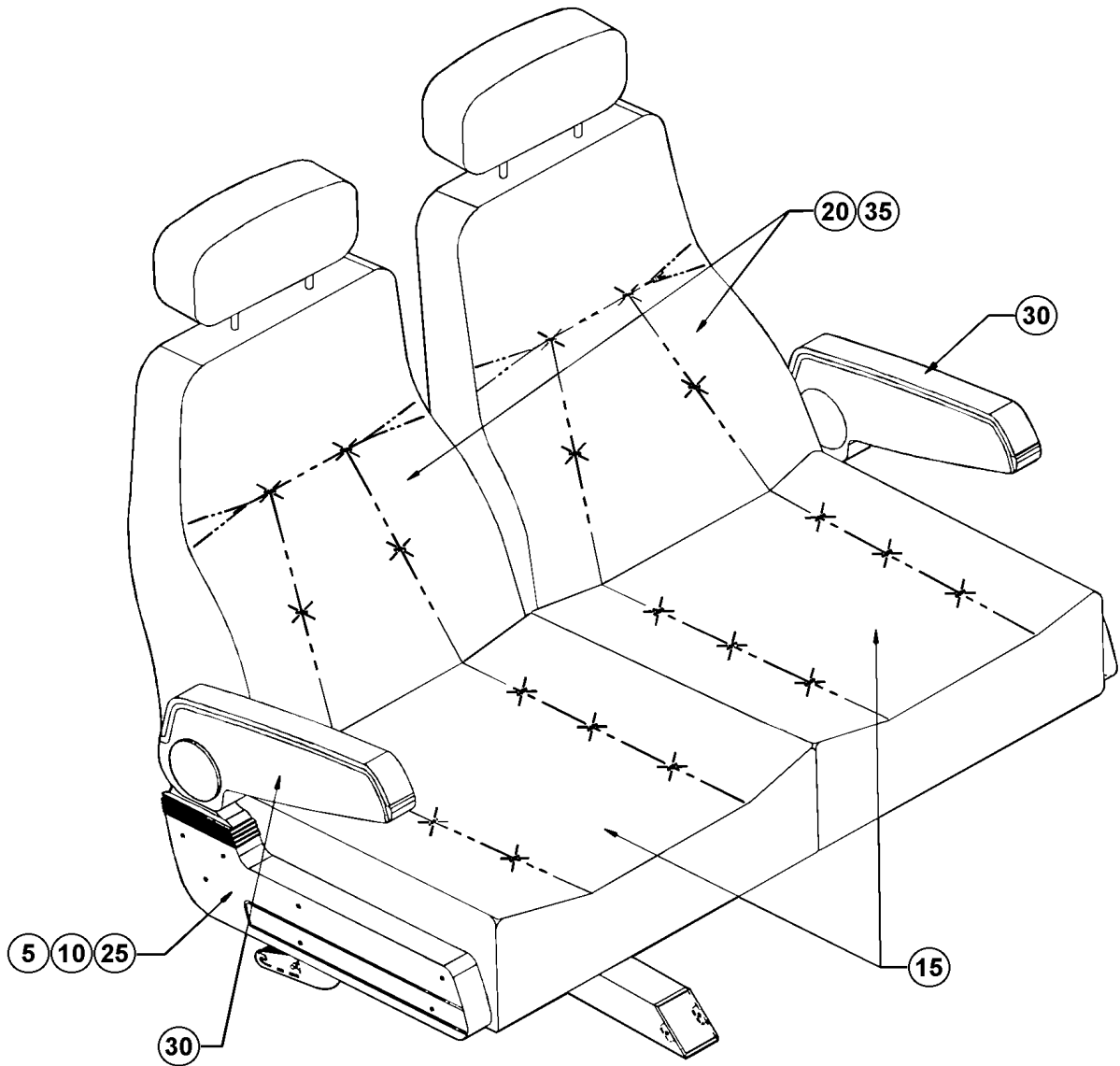
Item#	Part	Description	QTY	Notes
		IMPORTANT NOTE:		
		TO ORDER COMPLETE PASSENGER'S SEAT KIT #,		
		SEE THE FINAL VEHICLE RECORD.		
5	X3-1825-05	. PASSENGER'S SEAT - "AMERICAN" - FRAME		
10	X3-1825-10	. PASSENGER'S SEAT - "AMERICAN" - FRAME ROTATIN		
15	X3-1825-20	. PASSENGER'S SEAT - "AMERICAN" - CUSHION		
25	X3-1825-40	. PASSENGER'S SEAT - "AMERICAN" - FOOTREST		
30	X3-1825-50	. PASSENGER'S SEAT - "AMERICAN" - ARMREST		
35	X3-1825-60	. PASSENGER'S SEAT - "AMERICAN" - BACK & ACCESS		
50	Call order desk	SCREW - WALL ATTACHING	2	P
51	860094	CHANNEL WALL ATTACHING	2	
52	Call order desk	WASHER	2	P
		P) CALL ORDER DESK FOR SPECIFIC APPLICATION (V.I.N.)		

From 7-8754

Date:01/2024

PAGE:X3-1825-03

PASSENGER'S SEAT - "AMERICAN" - W6696 & W7696

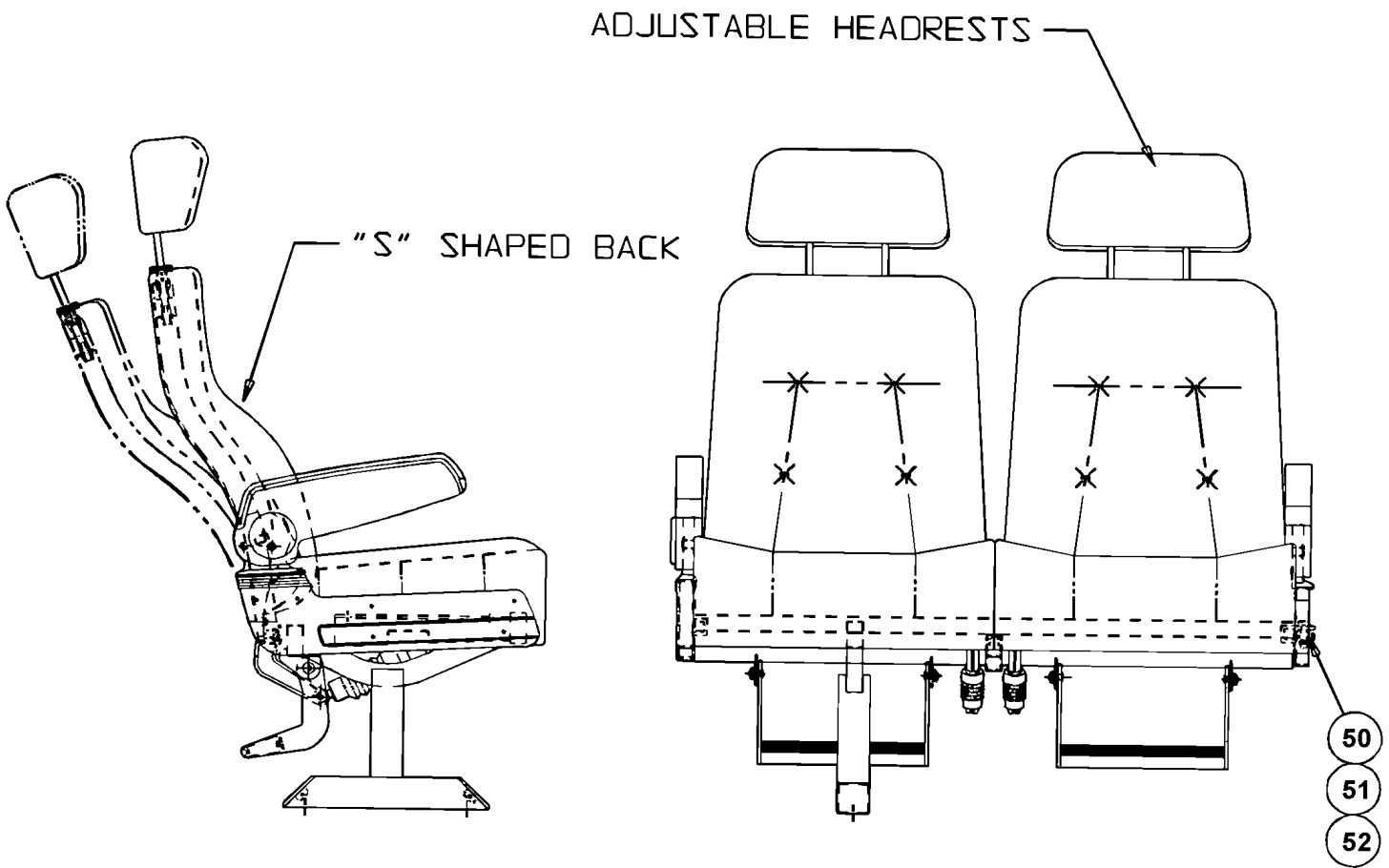


From 7-8754

Date:01/2024

PAGE:X3-1825-03

PASSENGER'S SEAT - "AMERICAN" - W6696 & W7696



From 7-8754	Date:01/2024	PAGE:X3-1825-03
-------------	--------------	-----------------

PASSENGER'S SEAT - "AMERICAN" - W6696 & W7696

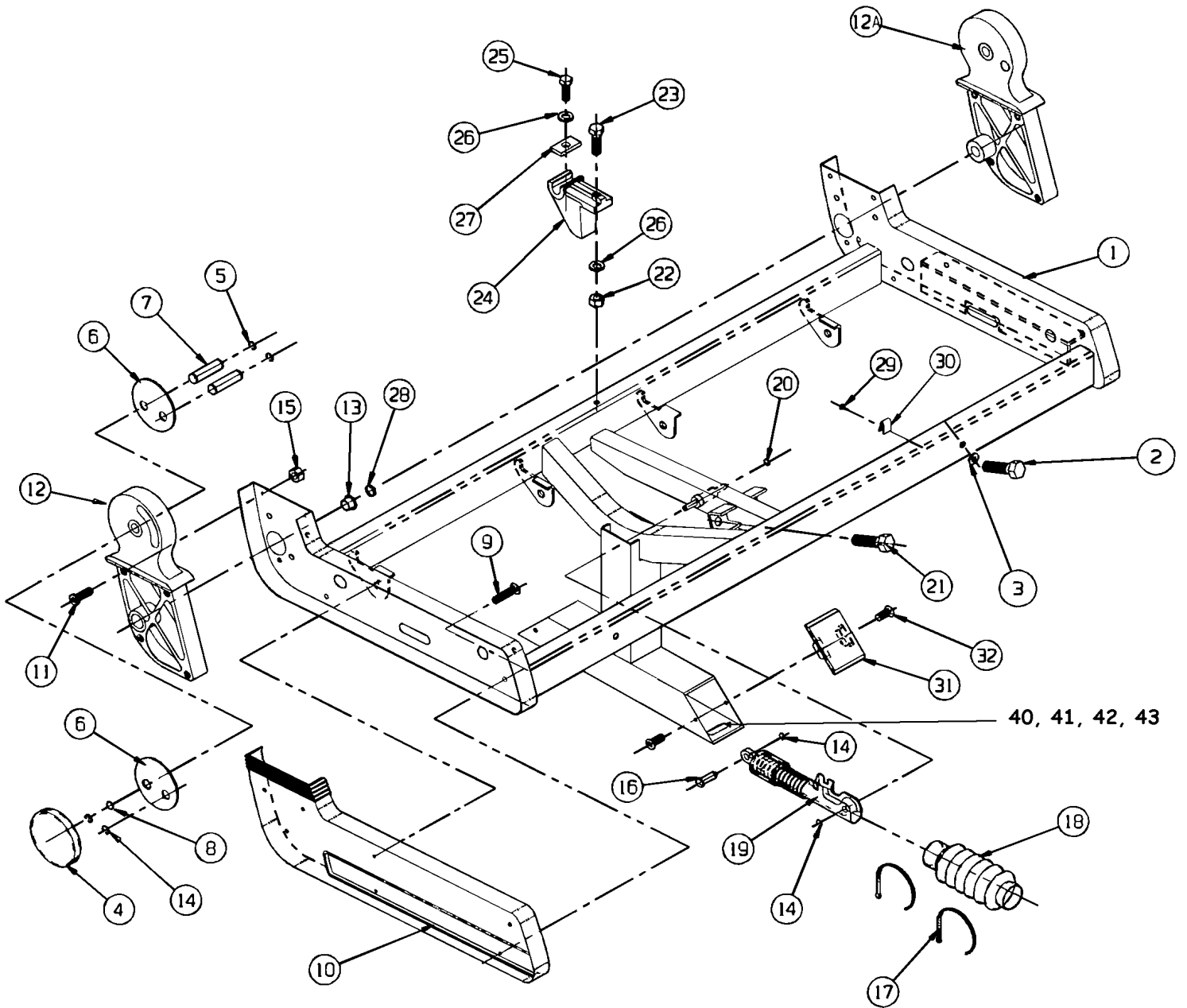
Item#	Part	Description	QTY	Notes
		IMPORTANT NOTE:		
		TO ORDER COMPLETE PASSENGER'S SEAT KIT #,		
		SEE THE FINAL VEHICLE RECORD.		
5	X3-1825-05	. PASSENGER'S SEAT - "AMERICAN" - FRAME		
10	X3-1825-10	. PASSENGER'S SEAT - "AMERICAN" - FRAME ROTATIN		
15	X3-1825-20	. PASSENGER'S SEAT - "AMERICAN" - CUSHION		
20	X3-1825-31	. PASSENGER'S SEAT - "AMERICAN" - BACKREST WX69		
25	X3-1825-40	. PASSENGER'S SEAT - "AMERICAN" - FOOTREST		
30	X3-1825-50	. PASSENGER'S SEAT - "AMERICAN" - ARMREST		
35	X3-1825-60	. PASSENGER'S SEAT - "AMERICAN" - BACK & ACCESS		
50	Call order desk	SCREW - WALL ATTACHING	2	P
51	860094	CHANNEL WALL ATTACHING	2	
52	Call order desk	WASHER	2	P
		P) CALL ORDER DESK FOR SPECIFIC APPLICATION (V.I.N.)		

From 7-8754

Date:01/2024

PAGE:X3-1825-05

PASSENGER'S SEAT - "AMERICAN" - FRAME



LH FRAME ASSEMBLY (SHOWN)
RH FRAME ASSEMBLY (OPPOSITE HAND)

From 7-8754	Date:01/2024	PAGE:X3-1825-05
PASSENGER'S SEAT - "AMERICAN" - FRAME		

Item#	Part	Description	QTY	Notes
1	Call order desk	FRAME ASSY RH W/FOOTREST	1	P
1	Call order desk	FRAME ASSY LH W/FOOTREST	1	P
1	Call order desk	FRAME ASSY RH W/O FOOTREST	1	P
NS	Call order desk	FRAME ASSY LH W/O FOOTREST	1	P
1	Call order desk	FRAME ASSY LH REAR CROSS	1	P
2	Call order desk	SCREW CAP HEX 5/16-18x2 3/4	2	P
3	500942	WASHER LO SPT 8.1x14.8x2.0 N500	2	
4	Call order desk	COVER DECORATIVE ASSY	1	P
5	Call order desk	RETAINER RING	8	P
6	Call order desk	PLATE REINFORCEMENT	4	P
7	Call order desk	PIN ARM PIVOT	4	P
8	865884	WASHER SPR WAVE	1	
9	Call order desk	SCREW SIDE TRIM #8 X 5/8"	7	P
10	862901	TRIM PANEL SIDE L.H.	1	
10	863776	TRIM PANEL SIDE R.H.	1	
11	Call order desk	SCREW MA PAN PH #10-32 X 5/8	8	P
12	Call order desk	CASTING PIVOT (AISLE SIDE)	1	P
NS	Call order desk	CASTING PIVOT (AISLE SIDE)	1	P
NS	Call order desk	CASTING PIVOT (WALL SIDE)	1	P
12	Call order desk	CASTING PIVOT (WALL SIDE)	1	P
13	860042	PIVOT BEARING	2	
14	Call order desk	SNAP RING	4	P
15	500423	NUT HEX NYRT #10-32 SS	8	
16	Call order desk	PIN CONNECTOR LINK	2	P
17	504273	CABLE TIE / 1/8" X 3"1/2	2	
18	Call order desk	COVER MECHLOK	2	P
19	864135	LOCK MECHANISM RH	1	
19	864268	LOCK MECHANISM LH	1	
NS	861486	CLIP / WIRE RETAINER	2	
20	502523	RIVET NUT FL OKS 5/16-18 .059-.119	1	
21	500052	SCREW CAP HEX 3/8-24x2 G5 ZP	2	
23	502694	SCREW CAP HEX 3/8-16x3 1/4 G5 ZP	1	
24	864857	CASTING - CENTER	1	
25	500192	SCREW CAP HEX 3/8-16x1 1/4 G5 Z050	1	
26	500480	WASHER LO SPT .443x.779x.109 Z050	2	
27	Call order desk	PLATE RETAINER	1	P
28	Call order desk	WASHER FL NYL	4	P
29	Call order desk	RIVET POP 1/8" SS L FLANGE	3	P
30	Call order desk	CLAMP	3	P
31	N8881678	CAP - END	2	
32	500952	SCREW TP BDG PH #8x1/2 SS	4	
40	500305	SCREW CAP HEX 3/8-16x7/8 G5 Z050 To 9-9642	2	

From 7-8754	Date:01/2024	PAGE:X3-1825-05
PASSENGER'S SEAT - "AMERICAN" - FRAME		

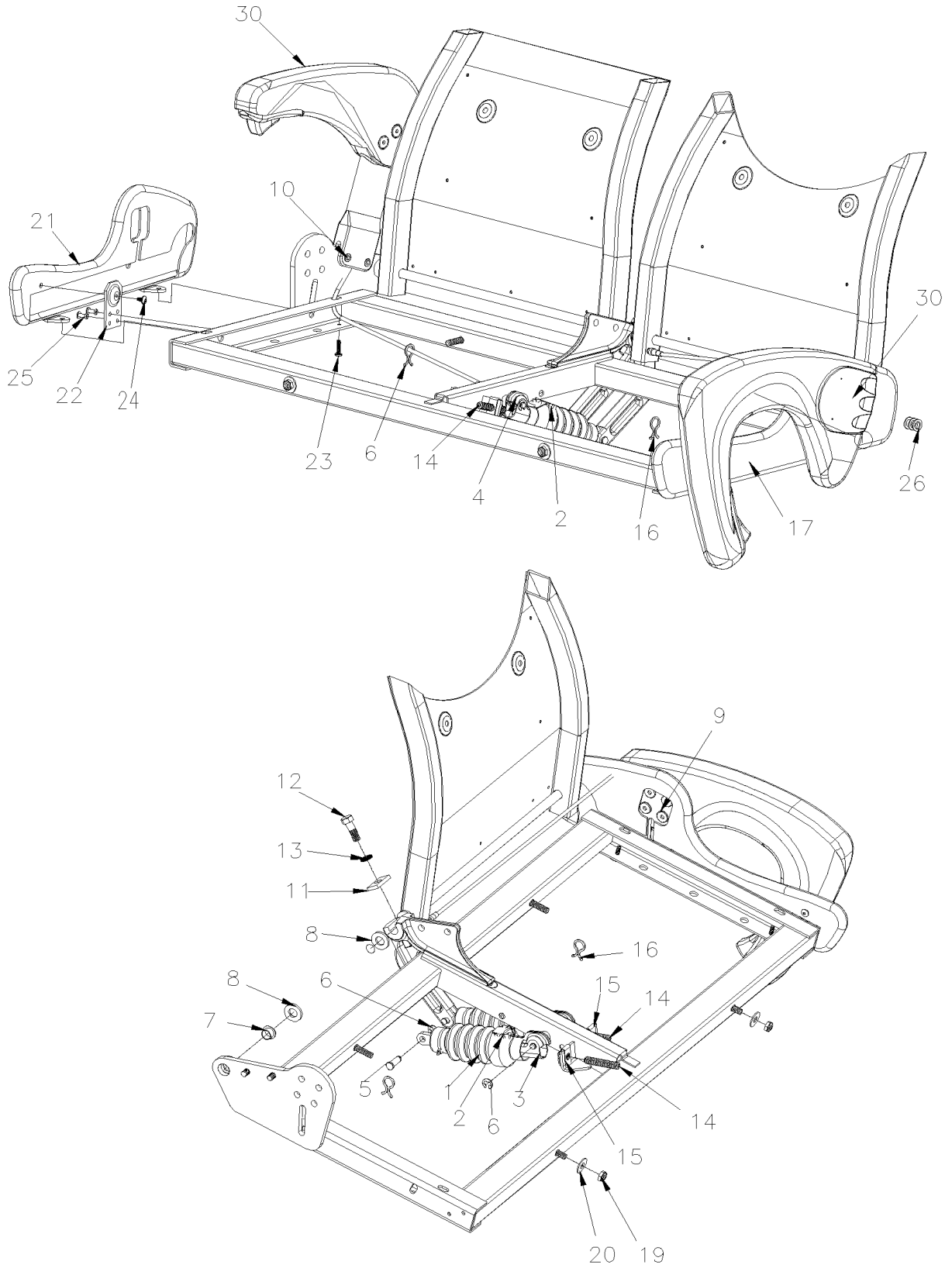
Item#	Part	Description	QTY	Notes
40	5001735	SCREW CAP HEX 7/16-20x1 3/4 G8 G500 From 9-9643	3	
41	500478	WASHER LO SPT .380x.683x.094 Z050 To 9-9642	2	
41	500897	WASHER FL .437x1.000x.083 N500 From 9-9643	3	
42	500270	WASHER FL .406x1.000x.063 SS To 9-9642	2	
42	5001734	NUT HEX 7/16-20 G8 N500 From 9-9643	3	
43	362627	PLATE ANCHOR / 3/8-16 BOLT INSIDE TRACK / 1 1/4" X 1 1/4" To 9-9642	2	
43	364272	BLOCK ANCHOR / 26.8MM INSIDE / 35MM x 50MM x 19MM Height From 9-9643	3	
		P) CALL ORDER DESK FOR SPECIFIC APPLICATION (V.I.N.)		

From 7-8754

Date:01/2024

PAGE:X3-1825-06

PASSENGER'S SEAT - "AMERICAN" SERIES 2000 & MORE



From 7-8754	Date:01/2024	PAGE:X3-1825-06
-------------	--------------	-----------------

PASSENGER'S SEAT - "AMERICAN" SERIES 2000 & MORE

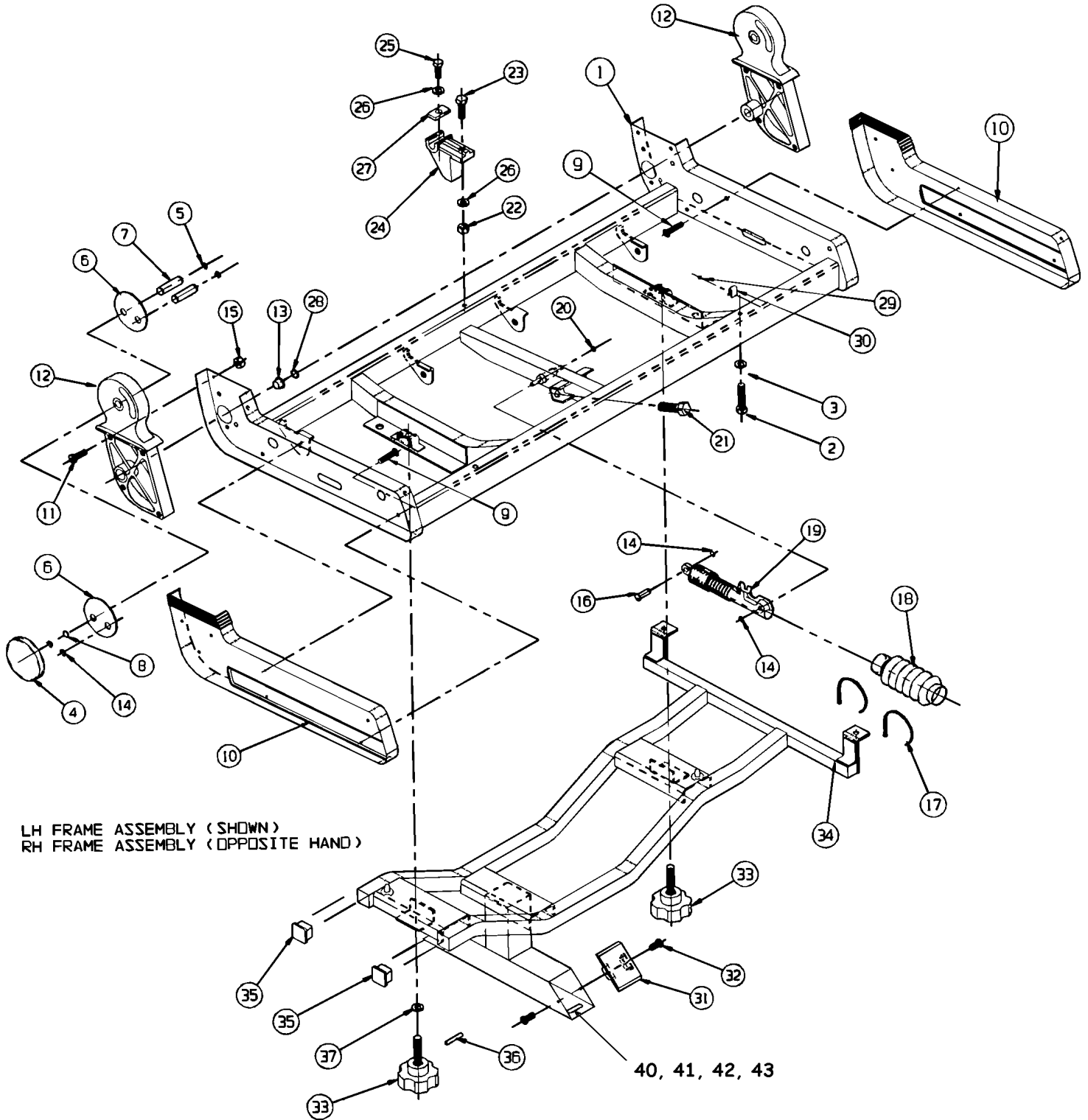
Item#	Part	Description	QTY	Notes
1	Call order desk	BOOT COVERING CYLINDER	2	P
2	865812	ATTACHMENT FITTING	2	
2	504012	CABLE TIE / 3/16" X 6"1/2	2	
3	864135	LOCK MECHANISM RH	1	
4	864268	LOCK MECHANISM LH	1	
5	865828	PIN CONNECTOR LINK	2	
6	865819	RETAINING RING	4	
7	865818	BEARING PIVOT	2	
8	Call order desk	WASHER PLAIN NYLON 1/2" x 1" x 1/8"	4	P
9	865886	NUT JCN-CAP 1/4-20	4	
10	865808	SCREW CAP HEXS 5/16-18x.672	2	
11	864857	CASTING - CENTER	1	
12	865815	SCREW CAP HEX 3/8-16x1 1/8	1	
13	865816	WASHER "NORD-LOCK" 3/8x21/32x.1046 ZN	1	
14	865811	SCREW SET HEXS FLAT	2	
15	Call order desk	U-NUT	2	P
16	Call order desk	BALL END PURSE LOCK	2	P
17	Call order desk	TRIM PANEL PKG L.H.	1	P
19	865806	NUT HEX JAM 1/4-20 ZP	2	
20	865807	WASHER FL 5/16x7/8x16GA SS	2	
21	Call order desk	PANEL AISLE TRIM	1	P
22	Call order desk	PANEL TRIM SUPPORT	1	P
23	Call order desk	SCREW SRB 40M #10-24x3/4"	2	P
24	865960	SCREW TP TR SQ #10-24x3/8	1	
25	Call order desk	RIVET DOME HEAD ST 3/16"x9/16"	2	P
26	Call order desk	WASHER FL 3/85/8x16GA	3	P
30	X3-1825-51	PASSENGER'S SEAT - "AMERICAN" SERIES 2000 & MORE		
		P) CALL ORDER DESK FOR SPECIFIC APPLICATION (V.I.N.)		

From 7-8754

Date:01/2024

PAGE:X3-1825-10

PASSENGER'S SEAT - "AMERICAN" - FRAME ROTATING



From 7-8754	Date:01/2024	PAGE:X3-1825-10
PASSENGER'S SEAT - "AMERICAN" - FRAME ROTATIN		

Item#	Part	Description	QTY	Notes
1	Call order desk	FRAME ASSY UPPER W/FOOTREST	1	P
2	Call order desk	SCREW CAP HEX 5/16-18x2 3/4	2	P
3	500942	WASHER LO SPT 8.1x14.8x2.0 N500	2	
4	Call order desk	COVER DECORATIVE ASSY	1	P
5	Call order desk	RETAINER RING	8	P
6	Call order desk	PLATE REINFORCEMENT	4	P
7	Call order desk	PIN ARM PIVOT	4	P
8	865884	WASHER SPR WAVE	1	
9	Call order desk	SCREW SIDE TRIM #8 X 5/8"	14	P
10	862901	TRIM PANEL SIDE L.H.	1	
10	863776	TRIM PANEL SIDE R.H.	1	
11	Call order desk	SCREW MA PAN PH #10-32 X 5/8	8	P
12	Call order desk	CASTING PIVOT (AISLE SIDE)	1	P
12	Call order desk	CASTING PIVOT (AISLE SIDE)	1	P
13	860042	PIVOT BEARING	2	
14	Call order desk	SNAP RING	4	P
15	500423	NUT HEX NYRT #10-32 SS	8	
16	Call order desk	PIN CONNECTOR LINK	2	P
17	504273	CABLE TIE / 1/8" X 3"1/2	2	
18	Call order desk	COVER MECHLOK	2	P
19	864135	LOCK MECHANISM RH	1	
19	864268	LOCK MECHANISM LH	1	
NS	861486	CLIP / WIRE RETAINER	2	
20	Call order desk	PIN PORTER RETAINER	1	P
21	500052	SCREW CAP HEX 3/8-24x2 G5 ZP	2	
23	502694	SCREW CAP HEX 3/8-16x3 1/4 G5 ZP	1	
	Call order desk		1	P
25	500192	SCREW CAP HEX 3/8-16x1 1/4 G5 Z050	1	
26	500480	WASHER LO SPT .443x.779x.109 Z050	2	
27	Call order desk	PLATE RETAINER	1	P
28	Call order desk	WASHER FL NYL	4	P
29	Call order desk	RIVET POP 1/8" SS L FLANGE	3	P
30	Call order desk	CLAMP	3	P
31	N8881678	CAP - END	1	
32	Call order desk	SCREW #8x1/2	4	P
33	864807	KNOB RETAINER	2	
34	Call order desk	FRAME ASSY - LOWER	1	P
35	Call order desk	CAP - PLUG	2	P
36	Call order desk	PIN ROLL	2	P
37	Call order desk	WASHER LO SPT	1	P
40	500305	SCREW CAP HEX 3/8-16x7/8 G5 Z050 To 9-9642	2	
40	5001735	SCREW CAP HEX 7/16-20x1 3/4 G8 G500 From 9-9643	3	

From 7-8754	Date:01/2024	PAGE:X3-1825-10
-------------	--------------	-----------------

PASSENGER'S SEAT - "AMERICAN" - FRAME ROTATIN

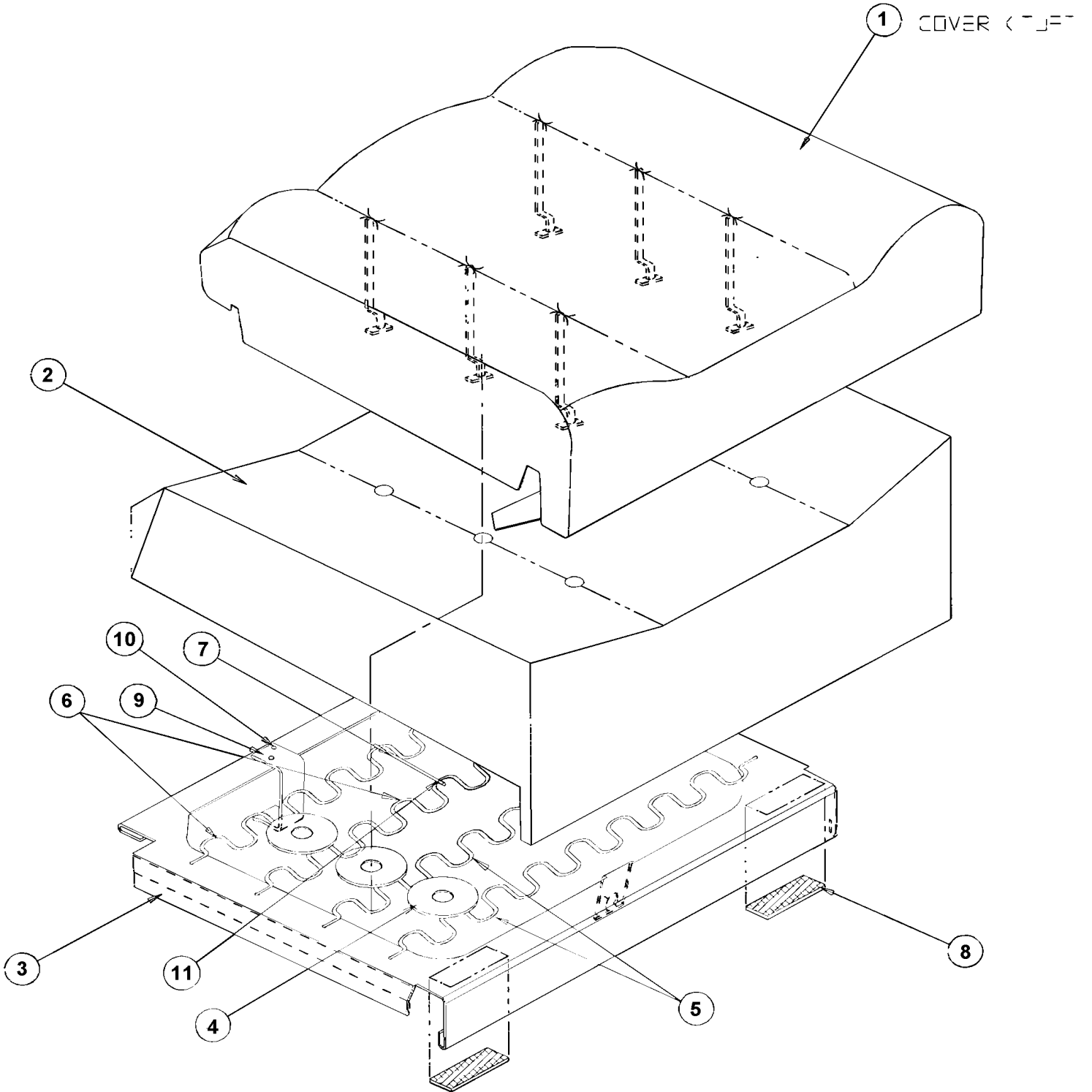
Item#	Part	Description	QTY	Notes
41	500478	WASHER LO SPT .380x.683x.094 Z050 To 9-9642	2	
41	500897	WASHER FL .437x1.000x.083 N500 From 9-9643	3	
42	500270	WASHER FL .406x1.000x.063 SS To 9-9642	2	
42	5001734	NUT HEX 7/16-20 G8 N500 From 9-9643	3	
43	362627	PLATE ANCHOR / 3/8-16 BOLT INSIDE TRACK / 1 1/4" X 1 1/4" To 9-9642	2	
43	364272	BLOCK ANCHOR / 26.8MM INSIDE / 35MM x 50MM x 19MM Height From 9-9643	3	
		P) CALL ORDER DESK FOR SPECIFIC APPLICATION (V.I.N.)		

From 7-8754

Date:01/2024

PAGE:X3-1825-20

PASSENGER'S SEAT - "AMERICAN" - CUSHION

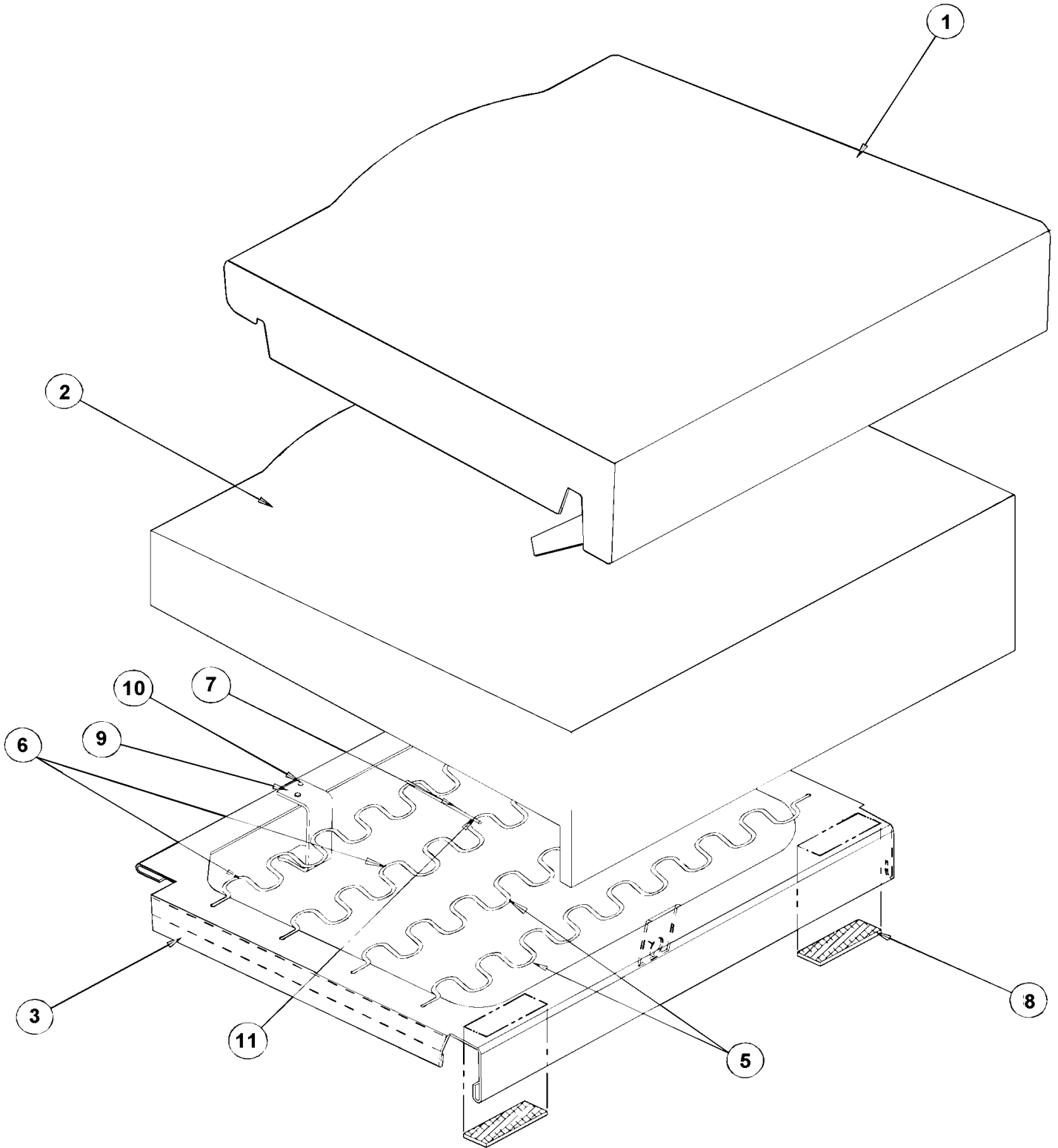


From 7-8754

Date:01/2024

PAGE:X3-1825-20

PASSENGER'S SEAT - "AMERICAN" - CUSHION



From 7-8754	Date:01/2024	PAGE:X3-1825-20
-------------	--------------	-----------------

PASSENGER'S SEAT - "AMERICAN" - CUSHION

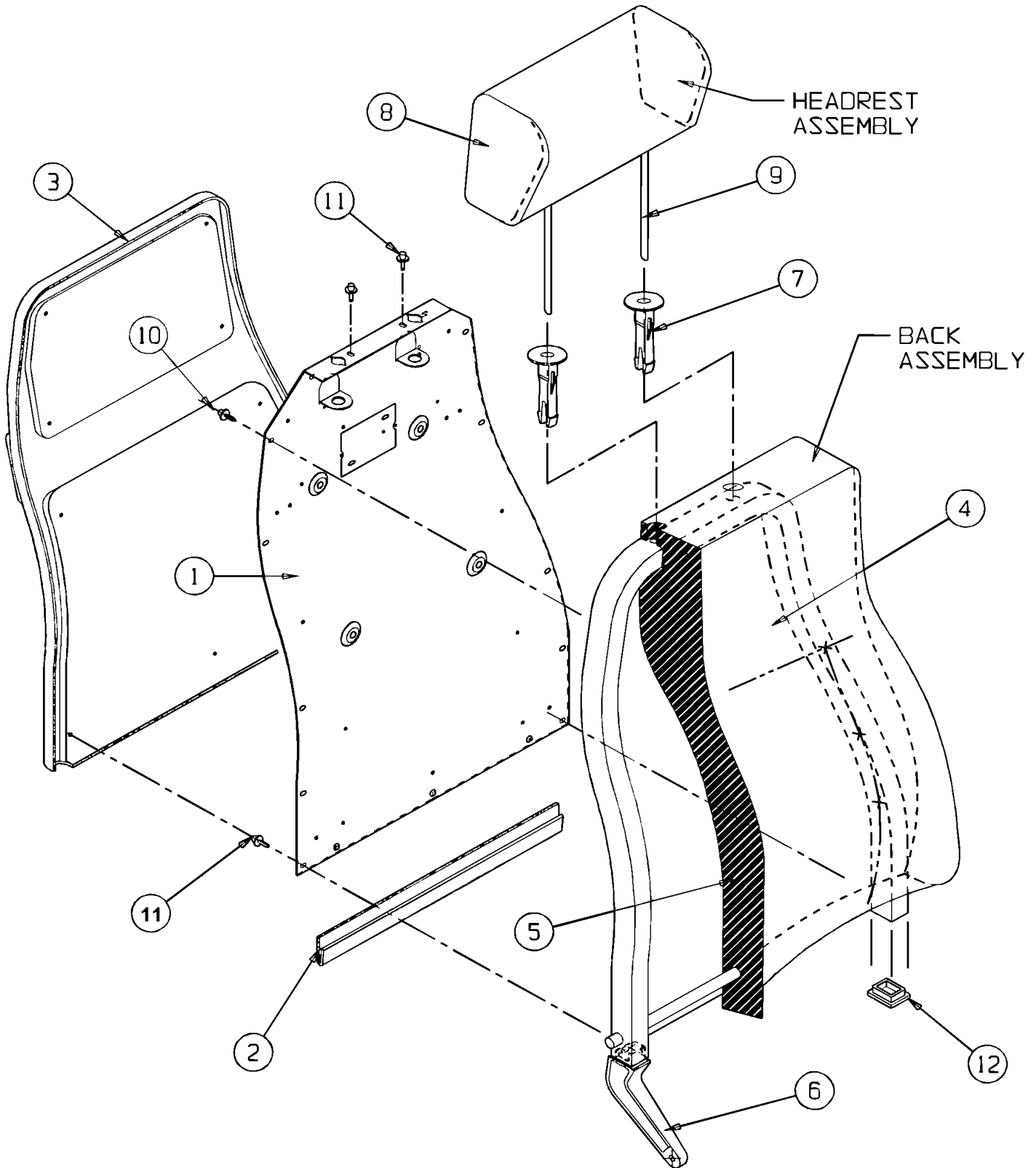
Item#	Part	Description	QTY	Notes
	N.P.N.	CUSHION ASSY - TUFTED	1	4 A
	N.P.N.	CUSHION ASSY - NON-TUFTED	1	4 B
1	N.P.N.	. COVER CUSHION	1	4
2	865801	. FOAM - CUSHION TUFTED - POLY	1	A
2	Call order desk	. FOAM - CUSHION TUFTED - LOW SMOKE FOAM	1	P A
2	Call order desk	. FOAM - CUSHION NON-TUFTED - POLY	1	P B
2	Call order desk	. FOAM - CUSHION NON-TUFTED - LOW SMOKE FOAM	1	P B
3	865802	. FRAME ASSY	1	
4	Call order desk	. WASHER (PULL TAB)	6	P A
5	Call order desk	. SPRING - NO SAG (FLAT)	2	P
6	Call order desk	. SPRING - NO SAG (CROWNED)	2	P
7	Call order desk	. WIRE 5"	1	P
8	Call order desk	. VELCRO	2	P
9	Call order desk	. RETAINER - REAR	1	P
10	Call order desk	. RIVET POP 3/16x7/16 ZP	1	P
11	Call order desk	. HARTCO-CLIP	1	P
		A) TUFTED CUSHION		
		B) NON-TUFTED CUSHION		
		4) NO PARTS NUMBER		
		P) CALL ORDER DESK FOR SPECIFIC APPLICATION (V.I.N.)		

From 7-8754

Date:01/2024

PAGE:X3-1825-31

PASSENGER'S SEAT - "AMERICAN" - BACKREST WX69

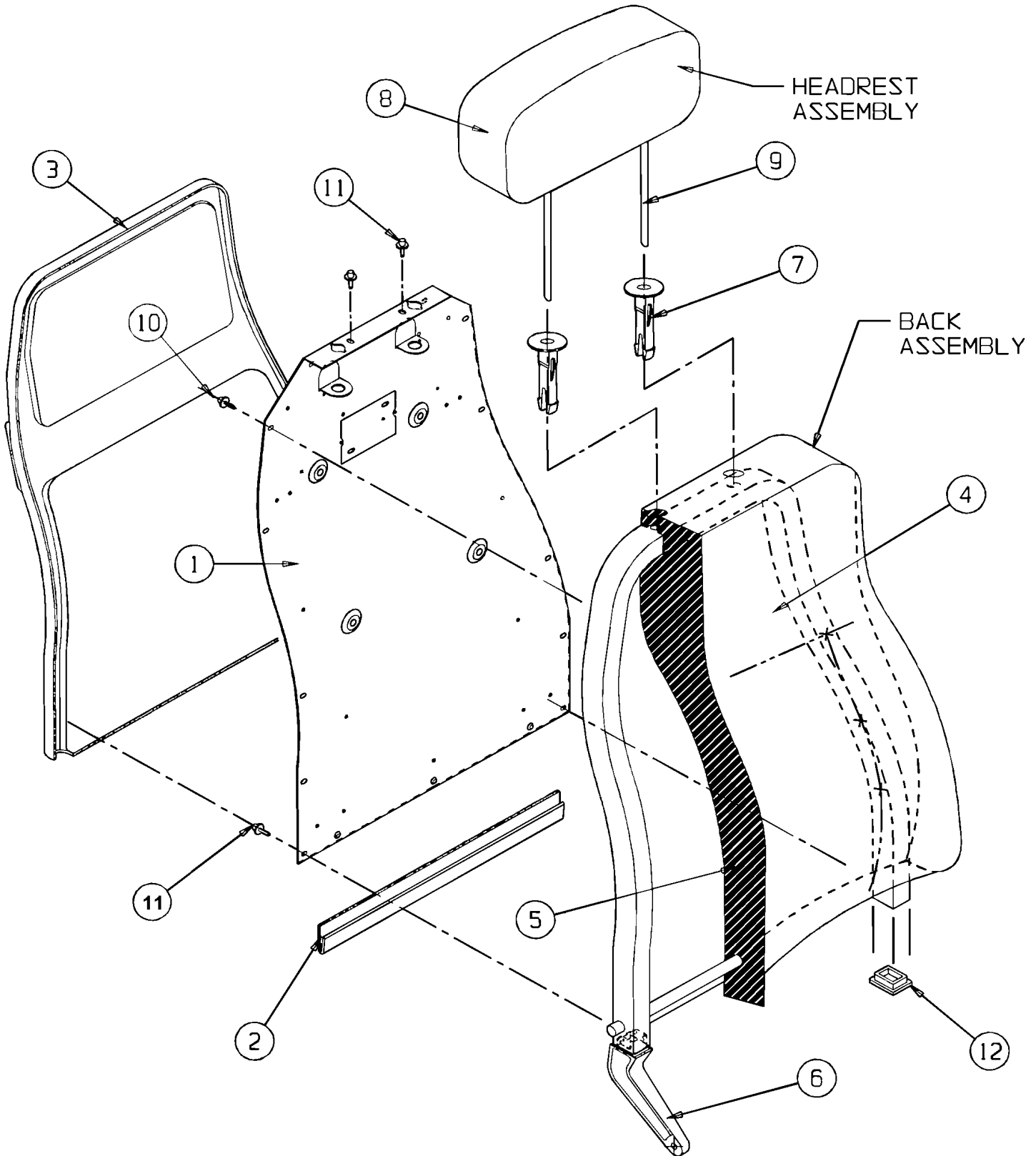


From 7-8754

Date:01/2024

PAGE:X3-1825-31

PASSENGER'S SEAT - "AMERICAN" - BACKREST WX69



From 7-8754	Date:01/2024	PAGE:X3-1825-31
-------------	--------------	-----------------

PASSENGER'S SEAT - "AMERICAN" - BACKREST WX69

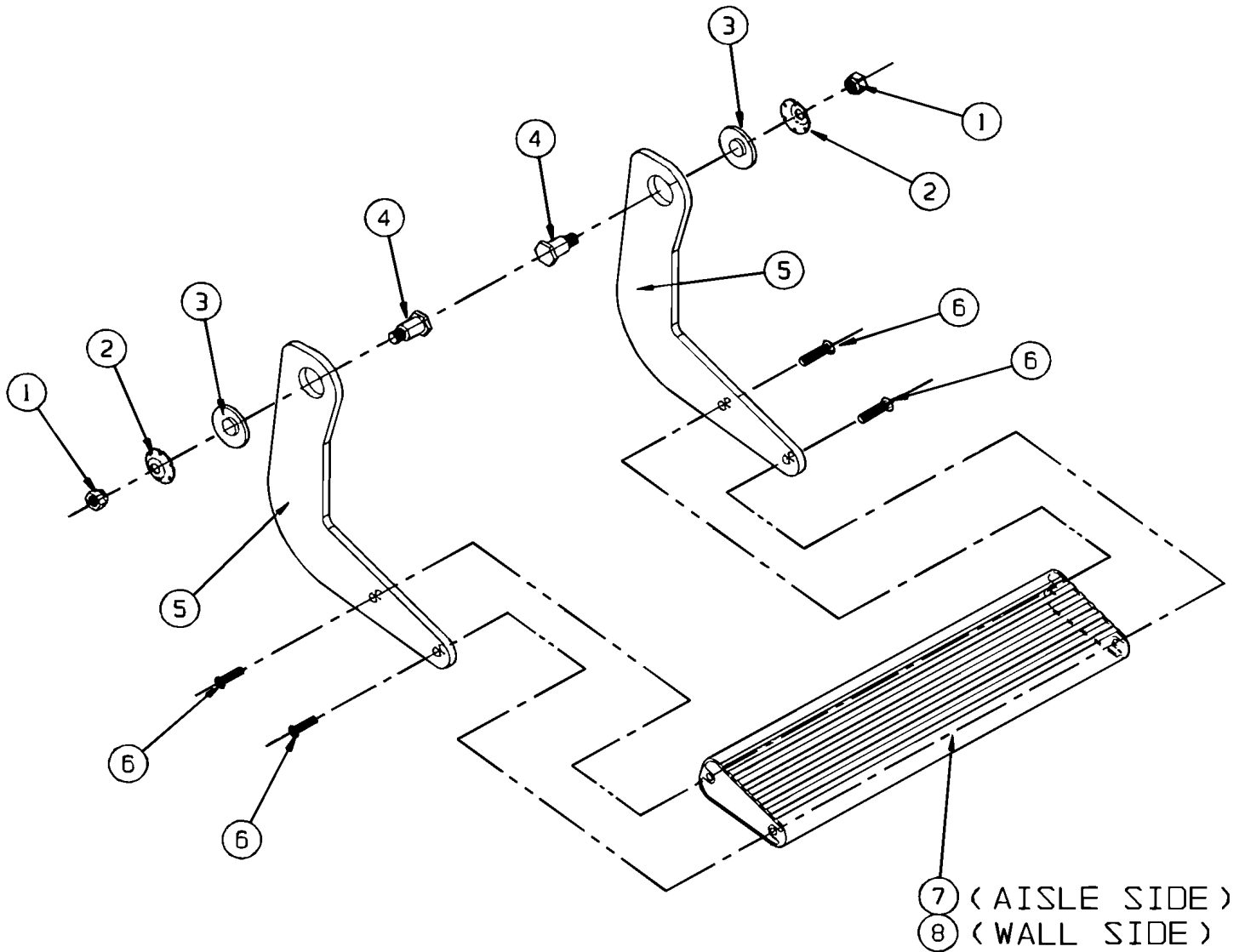
Item#	Part	Description	QTY	Notes
1	Call order desk	PANEL METAL INNER	1	P
2	Call order desk	EXTRUSION VINYL	1	P
3	X3-1825-60	PASSENGER'S SEAT - "AMERICAN" - BACK & ACCESS		
4	N.P.N.	COVER BACK UPHOLSTERY	1	4
5	Call order desk	FOAM BACK - POLY FOAM	1	P A
5	Call order desk	FOAM BACK - POLY FOAM	1	P B
5	Call order desk	FOAM BACK - LOW SMOKE FOAM	1	P B
5	Call order desk	FOAM BACK - POLY FOAM	1	P C
5	Call order desk	FOAM BACK - LOW SMOKE FOAM	1	P C
5	Call order desk	FOAM BACK - POLY FOAM	1	P D
5	Call order desk	FOAM BACK - LOW SMOKE FOAM	1	P D
6	Call order desk	BACK FRAME & FOAM RH	1	P
6	Call order desk	BACK FRAME & FOAM LH	1	P
7	863800	BUSHING GUIDE	2	
8	N.P.N.	COVER HEADREST UPHOLSTERY	1	4
9	Call order desk	HEADREST ASSY - POLY FOAM	1	P E
9	Call order desk	HEADREST ASSY - POLY FOAM	1	P F
9	Call order desk	HEADREST ASSY - LOW SMOKE FOAM	1	P E
9	Call order desk	HEADREST ASSY - LOW SMOKE FOAM	1	P F
10	Call order desk	RIVET POP	12	P
11	Call order desk	RIVET POP	2	P
12	865892	PLUG CAP 1x1 1/4 BLK POLY	1	
		A) WITH SEAT MODEL W6694		
		B) WITH SEAT MODEL W6696		
		C) WITH SEAT MODEL W7694		
		D) WITH SEAT MODEL W7696		
		E) WITH SEAT MODEL W6694 & W6696		
		F) WITH SEAT MODEL W7694 & W7696		
		4) NO PARTS NUMBER		
		P) CALL ORDER DESK FOR SPECIFIC APPLICATION (V.I.N.)		

From 7-8754

Date:01/2024

PAGE:X3-1825-40

PASSENGER'S SEAT - "AMERICAN" - FOOTREST

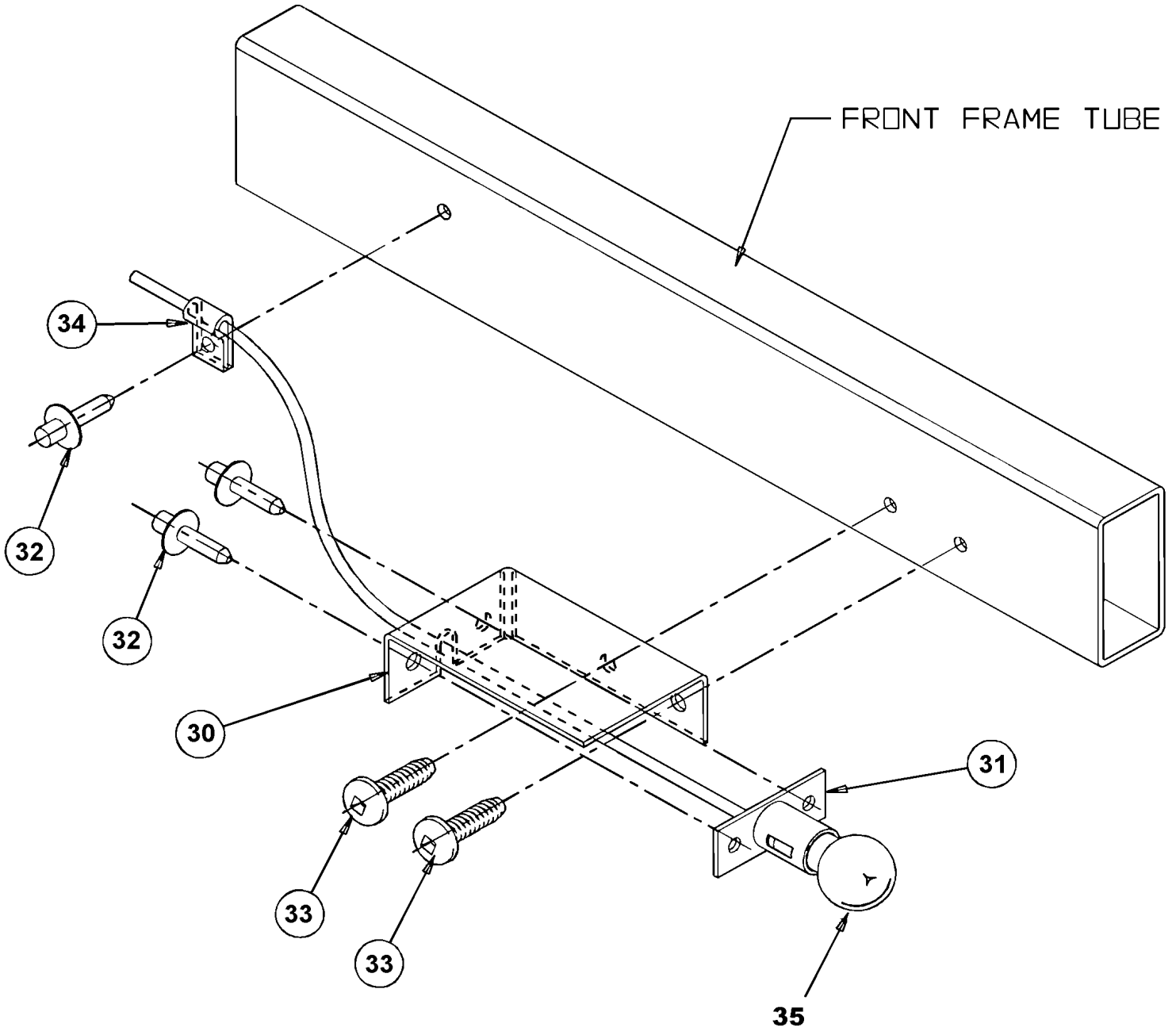


From 7-8754

Date:01/2024

PAGE:X3-1825-40

PASSENGER'S SEAT - "AMERICAN" - FOOTREST



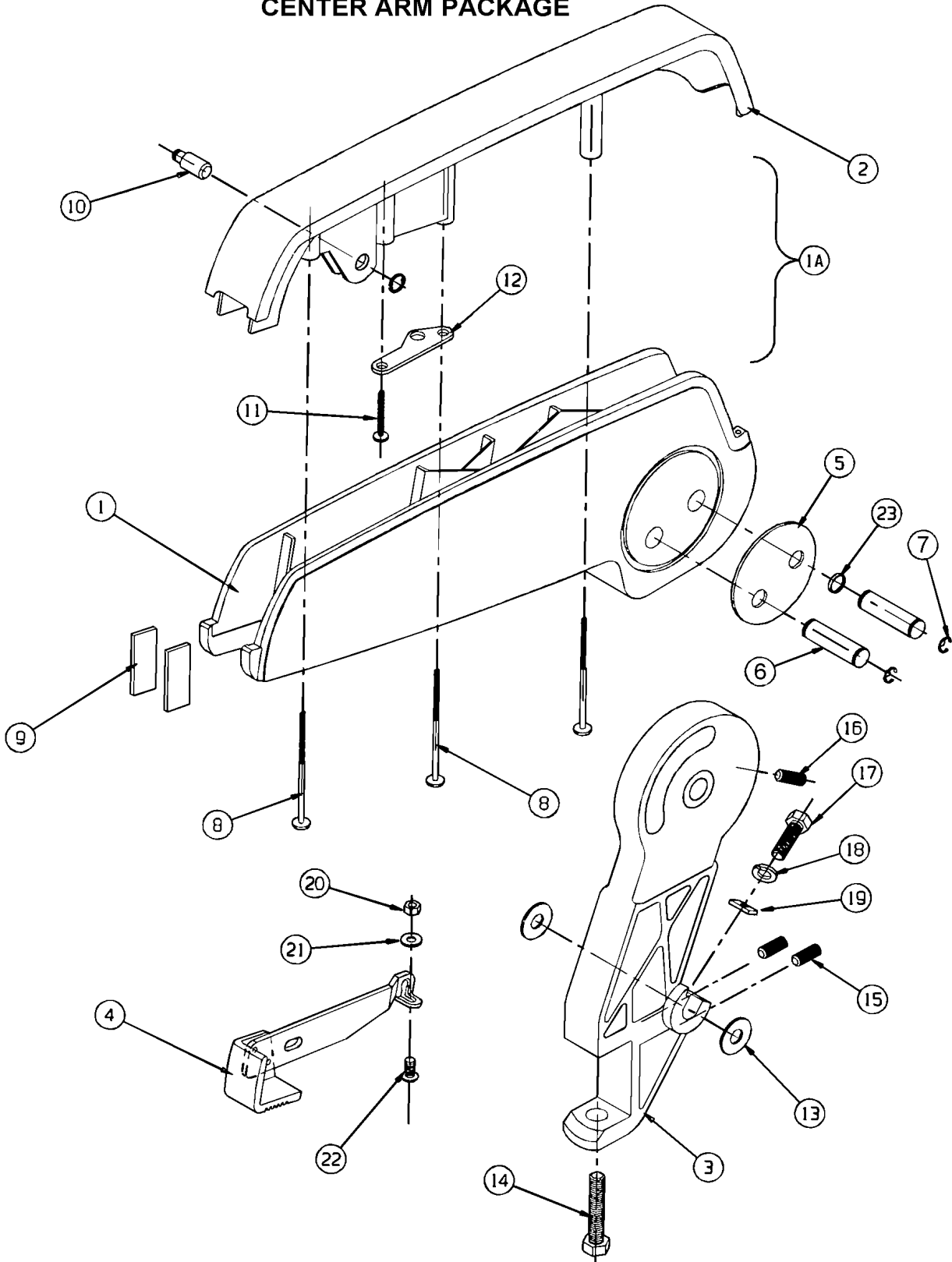
From 7-8754	Date:01/2024	PAGE:X3-1825-40
-------------	--------------	-----------------

PASSENGER'S SEAT - "AMERICAN" - FOOTREST

Item#	Part	Description	QTY	Notes
	864788	FOOTREST ASSY (AISLE SIDE)	1	
	Call order desk	FOOTREST ASSY (WALL SIDE)	1	P
1	Call order desk	. NUT HEX SLO 1/4-28	2	P
2	862724	. WASHER TENSIONER	2	
3	862723	. WASHER FL NYLON	2	
4	862722	. PIN PIVOT	2	
5	865126	. PLATE HANGER	2	
6	19509601	. SCREW MA PAN PH #10-24x3/4	4	
7	Call order desk	. EXTRUSION FOOTREST (AISLE SIDE)	1	P
8	Call order desk	. EXTRUSION FOOTREST (WALL SIDE)	1	P
30	Call order desk	ASILE LITE ASSEMBLY	1	P
30	Call order desk	ASILE LITE ASSEMBLY (REVERSIBLE)	1	P A
30	Call order desk	. HOUSING ASILE LITE	1	P
30	Call order desk	. HOUSING ASILE LITE (REVERSIBLE)	1	P A
31	Call order desk	. LAMP SOCKET ASSEMBLY	1	P
32	504105	. RIVET POP DOME OE 1/8x3/16 AL	7	
33	Call order desk	. SCREW MA BUT SQ #6-32x1/2	2	P
34	Call order desk	. CLAMP	5	P
35	560141	. BULB / 3WATT-24VOLTS / SAE# 1251	AR	
35	563546	BULB / 7 LEDS BLUE / UNDER SEAT / #B607-2PB-028W To 9-9594	AR	
35	564100	BULB / 7 LEDS BLUE / UNDER SEAT / #270015 From 9-9595	AR	
		A) WITH REVERSIBLE SEAT		
		P) CALL ORDER DESK FOR SPECIFIC APPLICATION (V.I.N.)		

PASSENGER'S SEAT - "AMERICAN" - ARMREST

CENTER ARM PACKAGE



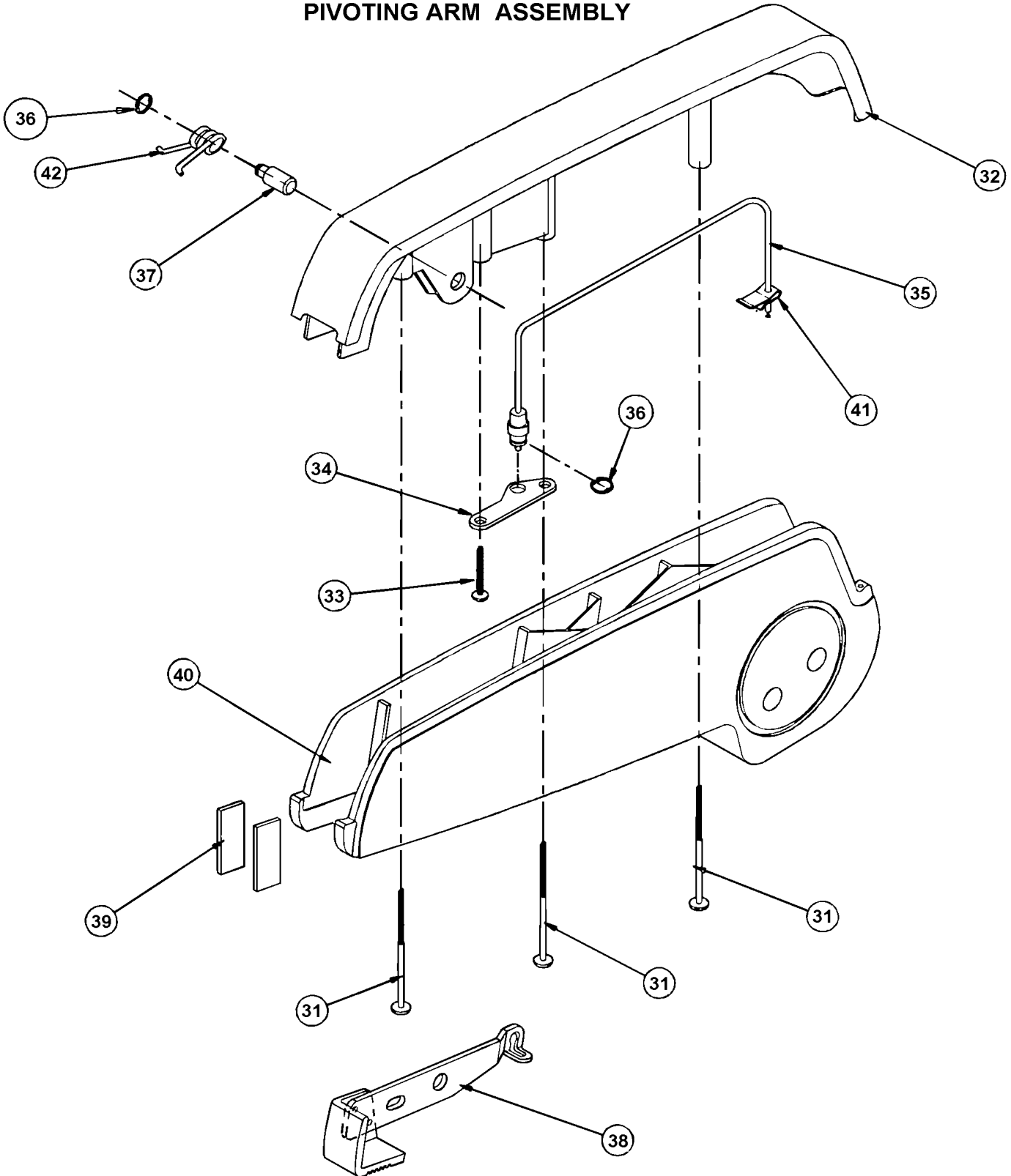
From 7-8754

Date:01/2024

PAGE:X3-1825-50

PASSENGER'S SEAT - "AMERICAN" - ARMREST

PIVOTING ARM ASSEMBLY



From 7-8754	Date:01/2024	PAGE:X3-1825-50
PASSENGER'S SEAT - "AMERICAN" - ARMREST		

Item#	Part	Description	QTY	Notes
	Call order desk	CENTER ARM PACKAGE	1	P
1	Call order desk	. ARM BASE	1	P
2	Call order desk	. CAP - ARM	1	P
3	Call order desk	. CASTING SUPPORT	1	P
4	Call order desk	. LEVER ASSY RECLINE	1	P
5	Call order desk	. PLATE REINFORCEMENT	2	P
6	Call order desk	. PIN - PIVOT	2	P
7	Call order desk	. RETAINER RING	4	P
8	Call order desk	. SCREW #10x2 1/4	3	P
9	Call order desk	. SOUND ABSORBER	2	P
10	Call order desk	. PIN - PIVOT RECLINE	1	P
11	Call order desk	. SCREW MA PAN PH #10-32	1	P
12	Call order desk	. PLATE - CABLE RETAINER	1	P
13	Call order desk	. WASHER FL NYL	2	P
14	Call order desk	. SCREW CAP HEX 3/8-16x2 1/2	1	P
15	Call order desk	. SCREW - SET 1/4-20	2	P
16	Call order desk	. SCREW - SET	1	P
17	865815	. SCREW CAP HEX 3/8-16x1 1/8	1	
18	Call order desk	. WASHER LO SPT	1	P
19	Call order desk	. PLATE RETAINER	1	P
20	Call order desk	. NUT HEX #6-32	1	P
21	Call order desk	. WASHER FL	1	P
22	Call order desk	. SCREW CAP HEX #6-32x1/2	1	P
23	865884	. WASHER SPR WAVE	1	
NS	Call order desk	ARM ASSY	1	P A
30	865803	PIVOTING ARM ASSY	1	
31	Call order desk	. SCREW #10x2 1/4	3	P
32	Call order desk	. CAP - ARM	1	P
33	Call order desk	. SCREW MA PAN PH #10-32	1	P
34	Call order desk	. PLATE - CABLE RETAINER	1	P
35	864192	. CABLE PORTER RELEASE	1	
36	Call order desk	. E-RING - BOWED	2	P
37	Call order desk	. PIN - PIVOT RECLINE	1	P
38	Call order desk	. LEVER ASSY RECLINE	1	P
39	Call order desk	. SOUND ABSORBER	2	P
40	Call order desk	. ARM BASE	1	P
41	861486	. CLIP / WIRE RETAINER	1	
42	Call order desk	. SPRING RETURN	1	P

From 7-8754		Date:01/2024	PAGE:X3-1825-50
-------------	--	--------------	-----------------

PASSENGER'S SEAT - "AMERICAN" - ARMREST

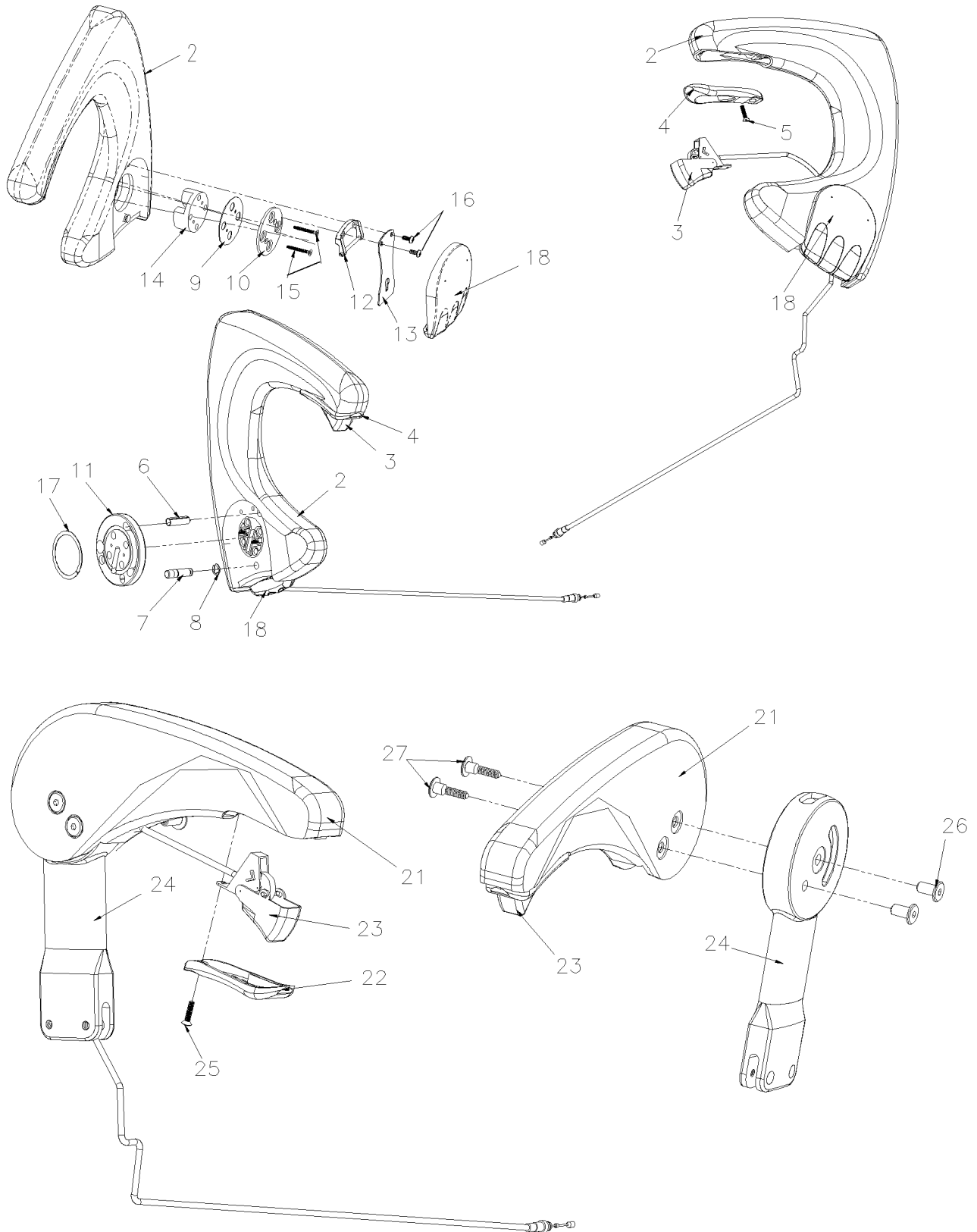
Item#	Part	Description	QTY	Notes
		A) INCLUDE ITEM 1 & 3		
		P) CALL ORDER DESK FOR SPECIFIC APPLICATION (V.I.N.)		

From 7-8754

Date:01/2024

PAGE:X3-1825-51

PASSENGER'S SEAT - "AMERICAN" SERIES 2000 & MORE



From 7-8754	Date:01/2024	PAGE:X3-1825-51
PASSENGER'S SEAT - "AMERICAN" SERIES 2000 & MORE		

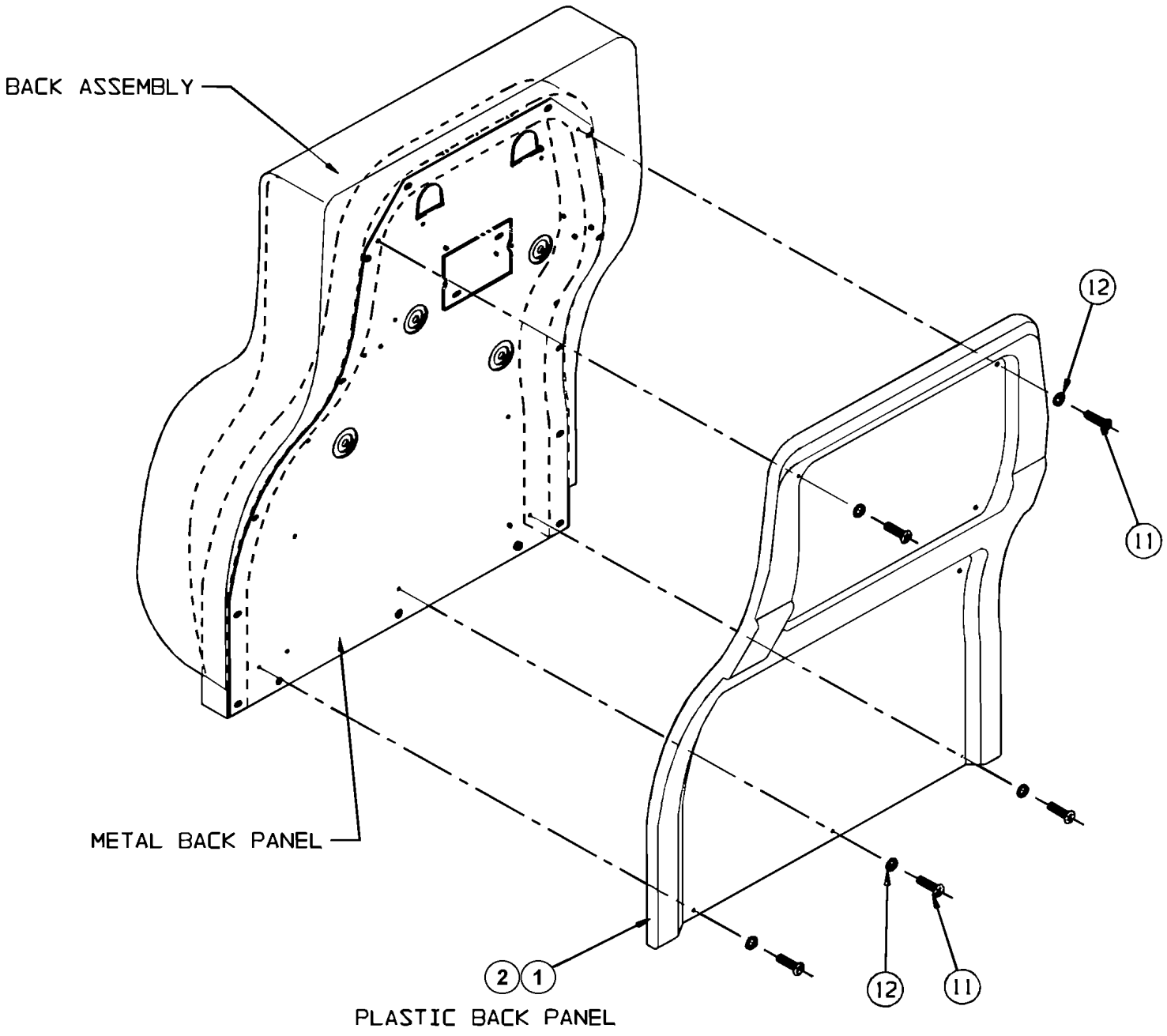
Item#	Part	Description	QTY	Notes
1	Call order desk	ARM ASSY L.H. (FOLD-DOWN)	1	P
1	Call order desk	. ARM WELDMENT AISLE	1	P
2	Call order desk	. ARM AISLE	1	P
3	196436	. CABLE ASSY RELEASE	1	
4	865349	. BEZEL	1	
5	865887	. SCREW MA FL PH #8-18x3/4	1	
6	Call order desk	. PIN SLOTTER 5/16"x1 1/4"	1	P
7	Call order desk	. LOCK PIN	1	P
8	Call order desk	. E-RING	1	P
9	Call order desk	. PLATE END WASHER	1	P
10	Call order desk	. PLATE END	1	P
11	Call order desk	. PLATE INDEX	1	P
12	Call order desk	. BRACKET ARMREST PIVOT	1	P
13	Call order desk	. SPRING HANDLE	1	P
14	Call order desk	. HUB	1	P
15	Call order desk	. SCREW #10-24x3/4 SR P	2	P
16	Call order desk	. SCREW BUT HEAD #8x7/8" CRO	2	P
17	Call order desk	. WASHER, WAVE	1	P
18	864092	. HANDLE PIVOT	1	
20	Call order desk	ARM ASSY STATIONARY WALL SIDE	1	P
21	Call order desk	. ARM AISLE	1	P
22	865349	. BEZEL	1	
23	196436	. CABLE ASSY RELEASE	1	
24	865888	. CASTING ARM EXTENSION RH	1	
25	865887	. SCREW MA FL PH #8-18x3/4	1	
26	865886	. NUT JCN-CAP 1/4-20	2	
27	865885	. BOLT LOW PROFILE 1/4-20	2	
		P) CALL ORDER DESK FOR SPECIFIC APPLICATION (V.I.N.)		

From 7-8754

Date:01/2024

PAGE:X3-1825-60

PASSENGER'S SEAT - "AMERICAN" - BACK & ACCESS

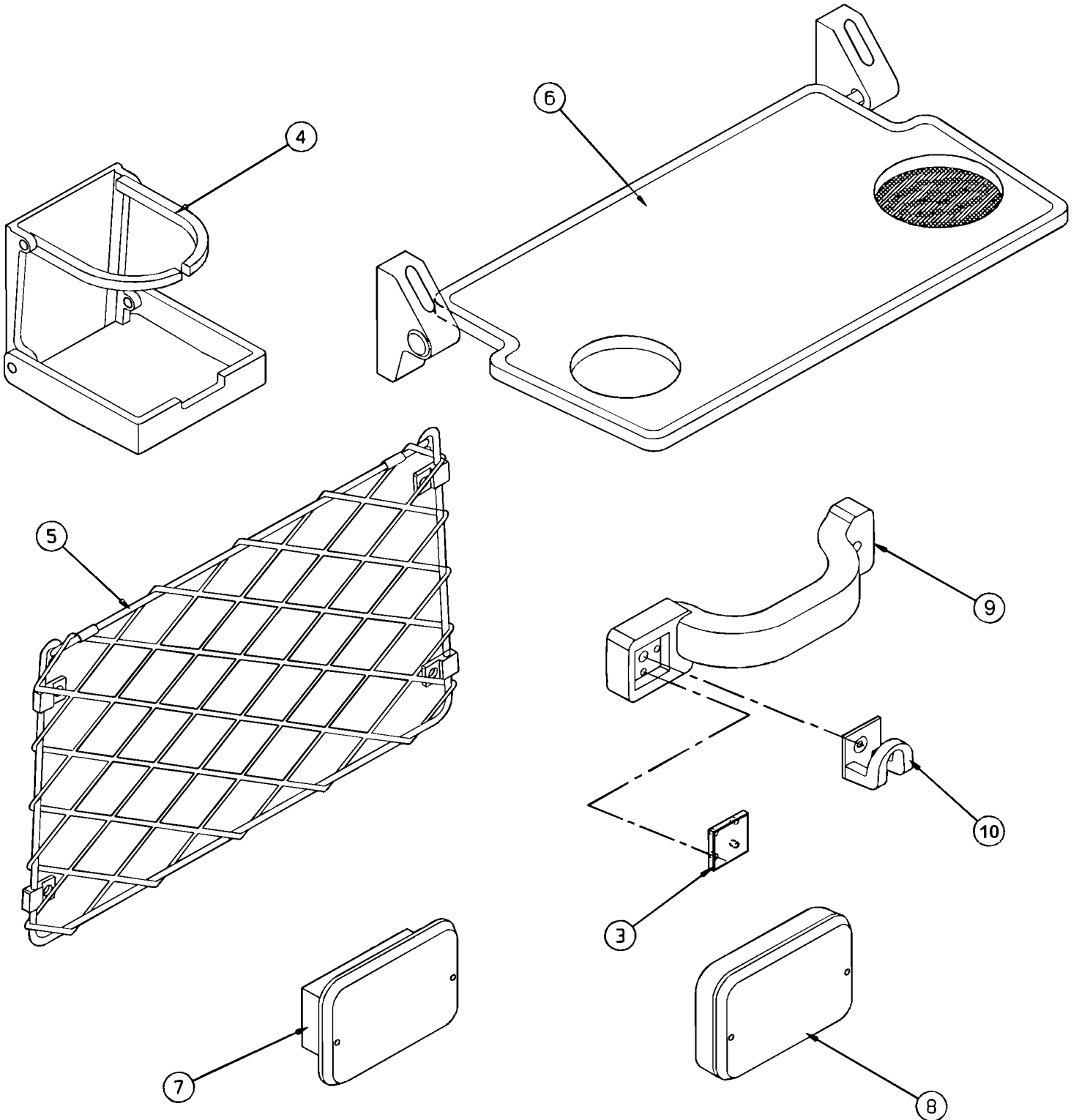


From 7-8754

Date:01/2024

PAGE:X3-1825-60

PASSENGER'S SEAT - "AMERICAN" - BACK & ACCESS



From 7-8754	Date:01/2024	PAGE:X3-1825-60
-------------	--------------	-----------------

PASSENGER'S SEAT - "AMERICAN" - BACK & ACCESS

Item#	Part	Description	QTY	Notes
1	Call order desk	PANEL W/O OPTIONS - CHARCOAL	1	PA
1	Call order desk	PANEL W/O OPTIONS - RED	1	PA
1	Call order desk	PANEL W/O OPTIONS - BLUE	1	PA
1	Call order desk	PANEL W/O OPTIONS - BROWN	1	PA
1	Call order desk	PANEL W/GRABHANDLE & COAT HOOK - CHARCOAL	1	PA
1	Call order desk	PANEL W/GRABHANDLE & COAT HOOK - RED	1	PA
1	Call order desk	PANEL W/GRABHANDLE & COAT HOOK - BLUE	1	PA
1	Call order desk	PANEL W/GRABHANDLE & COAT HOOK - BROWN	1	PA
1	Call order desk	PANEL W/MAGAZINE POCKET - CHARCOAL	1	PA
1	Call order desk	PANEL W/MAGAZINE POCKET - RED	1	PA
1	Call order desk	PANEL W/MAGAZINE POCKET - BLUE	1	PA
1	Call order desk	PANEL W/MAGAZINE POCKET - BROWN	1	PA
1	Call order desk	PANEL W/MAGAZINE POCKET & CUP HOLDER - CHARCOAL	1	PA
1	Call order desk	PANEL W/MAGAZINE POCKET & CUP HOLDER - RED	1	PA
1	Call order desk	PANEL W/MAGAZINE POCKET & CUP HOLDER - BLUE	1	PA
1	Call order desk	PANEL W/MAGAZINE POCKET & CUP HOLDER - BROWN	1	PA
1	Call order desk	PANEL W/MAGAZINE POCKET & GRABHANDLE - CHARCOAL	1	PA
1	Call order desk	PANEL W/MAGAZINE POCKET & GRABHANDLE - RED	1	PA
1	Call order desk	PANEL W/MAGAZINE POCKET & GRABHANDLE - BLUE	1	PA
1	Call order desk	PANEL W/MAGAZINE POCKET & GRABHANDLE - BROWN	1	PA
1	Call order desk	PANEL W/MAGAZINE POCKET & RECESSED ASHTRAY - CHARCOAL	1	PA
1	Call order desk	PANEL W/MAGAZINE POCKET & RECESSED ASHTRAY - RED	1	PA
1	Call order desk	PANEL W/MAGAZINE POCKET & RECESSED ASHTRAY - BLUE	1	PA
1	Call order desk	PANEL W/MAGAZINE POCKET & RECESSED ASHTRAY - BROWN	1	PA
1	Call order desk	PANEL W/MAGAZINE POCKET & SNACK TRAYS - CHARCOAL	1	PA
1	Call order desk	PANEL W/MAGAZINE POCKET & SNACK TRAYS - RED	1	PA
1	Call order desk	PANEL W/MAGAZINE POCKET & SNACK TRAYS - BLUE	1	PA
1	Call order desk	PANEL W/MAGAZINE POCKET & SNACK TRAYS - BROWN	1	PA
1	Call order desk	PANEL W/RECESSED ASHTRAY - CHARCOAL	1	PA
1	Call order desk	PANEL W/RECESSED ASHTRAY - RED	1	PA
1	Call order desk	PANEL W/RECESSED ASHTRAY - BLUE	1	PA
1	Call order desk	PANEL W/RECESSED ASHTRAY - BROWN	1	PA
1	Call order desk	PANEL W/SNACK TRAYS - CHARCOAL	1	PA
1	Call order desk	PANEL W/SNACK TRAYS - RED	1	PA
1	Call order desk	PANEL W/SNACK TRAYS - BLUE	1	PA
1	Call order desk	PANEL W/SNACK TRAYS - BROWN	1	PA
2	Call order desk	PANEL W/O OPTIONS - CHARCOAL	1	PB
2	Call order desk	PANEL W/O OPTIONS - RED	1	PB
2	Call order desk	PANEL W/O OPTIONS - BLUE	1	PB
2	Call order desk	PANEL W/O OPTIONS - BROWN	1	PB
2	Call order desk	PANEL W/COAT HOOK - CHARCOAL	1	PB

From 7-8754	Date:01/2024	PAGE:X3-1825-60
-------------	--------------	-----------------

PASSENGER'S SEAT - "AMERICAN" - BACK & ACCESS

Item#	Part	Description	QTY	Notes
2	Call order desk	PANEL W/COAT HOOK - RED	1	P B
2	Call order desk	PANEL W/COAT HOOK - BLUE	1	P B
2	Call order desk	PANEL W/COAT HOOK - BROWN	1	P B
2	Call order desk	PANEL W/CUP HOLDER - CHARCOAL	1	P B
2	Call order desk	PANEL W/CUP HOLDER - RED	1	P B
2	Call order desk	PANEL W/CUP HOLDER - BLUE	1	P B
2	Call order desk	PANEL W/CUP HOLDER - BROWN	1	P B
2	Call order desk	PANEL W/GRABHANDLE & COAT HOOK - CHARCOAL	1	P B
2	Call order desk	PANEL W/GRABHANDLE & COAT HOOK - RED	1	P B
2	Call order desk	PANEL W/GRABHANDLE & COAT HOOK - BLUE	1	P B
2	Call order desk	PANEL W/GRABHANDLE & COAT HOOK - BROWN	1	P B
2	Call order desk	PANEL W/GRABHANDLE & RECESSED ASHTRAY - CHARCOAL	1	P B
2	Call order desk	PANEL W/GRABHANDLE & RECESSED ASHTRAY - RED	1	P B
2	Call order desk	PANEL W/GRABHANDLE & RECESSED ASHTRAY - BLUE	1	P B
2	Call order desk	PANEL W/GRABHANDLE & RECESSED ASHTRAY - BROWN	1	P B
2	Call order desk	PANEL W/MAGAZINE POCKET - CHARCOAL	1	P B
2	Call order desk	PANEL W/MAGAZINE POCKET - RED	1	P B
2	Call order desk	PANEL W/MAGAZINE POCKET - BLUE	1	P B
2	Call order desk	PANEL W/MAGAZINE POCKET - BROWN	1	P B
2	Call order desk	PANEL W/MAGAZINE POCKET & GRABHANDLE - CHARCOAL	1	P B
2	Call order desk	PANEL W/MAGAZINE POCKET & GRABHANDLE - RED	1	P B
2	Call order desk	PANEL W/MAGAZINE POCKET & GRABHANDLE - BLUE	1	P B
2	Call order desk	PANEL W/MAGAZINE POCKET & GRABHANDLE - BROWN	1	P B
2	Call order desk	PANEL W/MAGAZINE POCKET & RECESSED ASHTRAY - CHARCOAL	1	P B
2	Call order desk	PANEL W/MAGAZINE POCKET & RECESSED ASHTRAY - RED	1	P B
2	Call order desk	PANEL W/MAGAZINE POCKET & RECESSED ASHTRAY - BLUE	1	P B
2	Call order desk	PANEL W/MAGAZINE POCKET & RECESSED ASHTRAY - BROWN	1	P B
2	Call order desk	PANEL W/RECESSED ASHTRAY - CHARCOAL	1	P B
2	Call order desk	PANEL W/RECESSED ASHTRAY - RED	1	P B
2	Call order desk	PANEL W/RECESSED ASHTRAY - BLUE	1	P B
2	Call order desk	PANEL W/RECESSED ASHTRAY - BROWN	1	P B
2	Call order desk	PANEL W/SNACK TRAYS - CHARCOAL	1	P B
2	Call order desk	PANEL W/SNACK TRAYS - RED	1	P B
2	Call order desk	PANEL W/SNACK TRAYS - BLUE	1	P B
2	Call order desk	PANEL W/SNACK TRAYS - BROWN	1	P B
3	284049	. PLUG / SQUARE / BLACK	1	
4	900527	. GLASS HOLDER	1	
5	866007	. MAGAZINE POCKET	1	
6	860657	. SHELF	1	
7	Call order desk	. ASHTRAY - RECESSED	1	P
8	Call order desk	. ASHTRAY - SURFACED MTD	1	P

From 7-8754	Date:01/2024	PAGE:X3-1825-60
PASSENGER'S SEAT - "AMERICAN" - BACK & ACCESS		

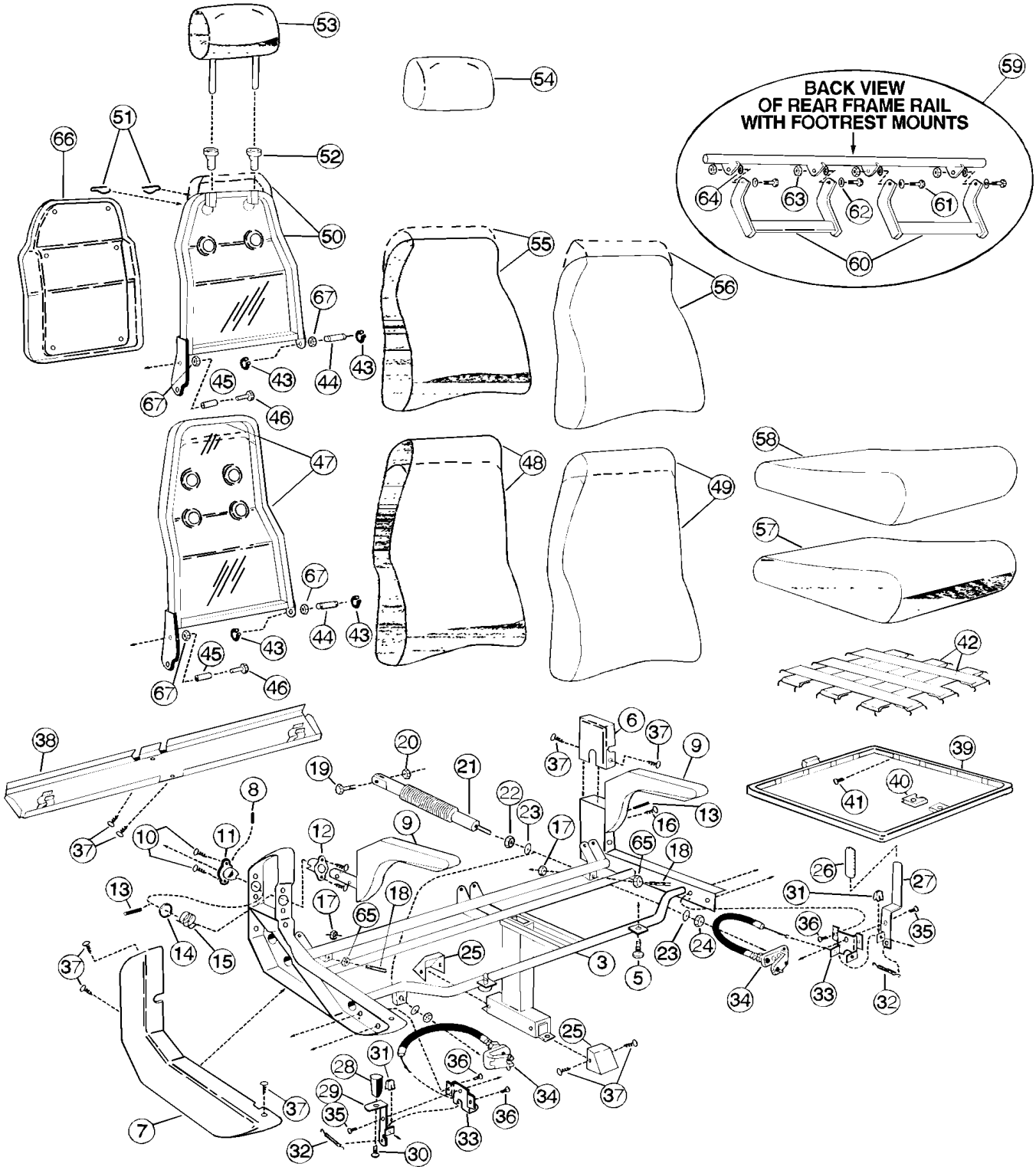
Item#	Part	Description	QTY	Notes
9	860422	. HANDLE	1	
NS	Call order desk	. SCREW #8 1" TYPE AB	AR	P
NS	Call order desk	. SCREW TC #8-32x1	AR	P
10	860421	. HOOK	1	
11	Call order desk	SCREW PLASTIC PANEL	9	P
12	Call order desk	WASHER NYL	9	P
		A) WITH SEAT MODEL W6693 & W7693		
		B) WITH SEAT MODEL W6694, W7694, W6696 & W7696		
		P) CALL ORDER DESK FOR SPECIFIC APPLICATION (V.I.N.)		

From 7-8754

Date:01/2024

PAGE:X3-1826-00

PASSENGER'S SEAT - "NATIONAL" - 4209 & 4210

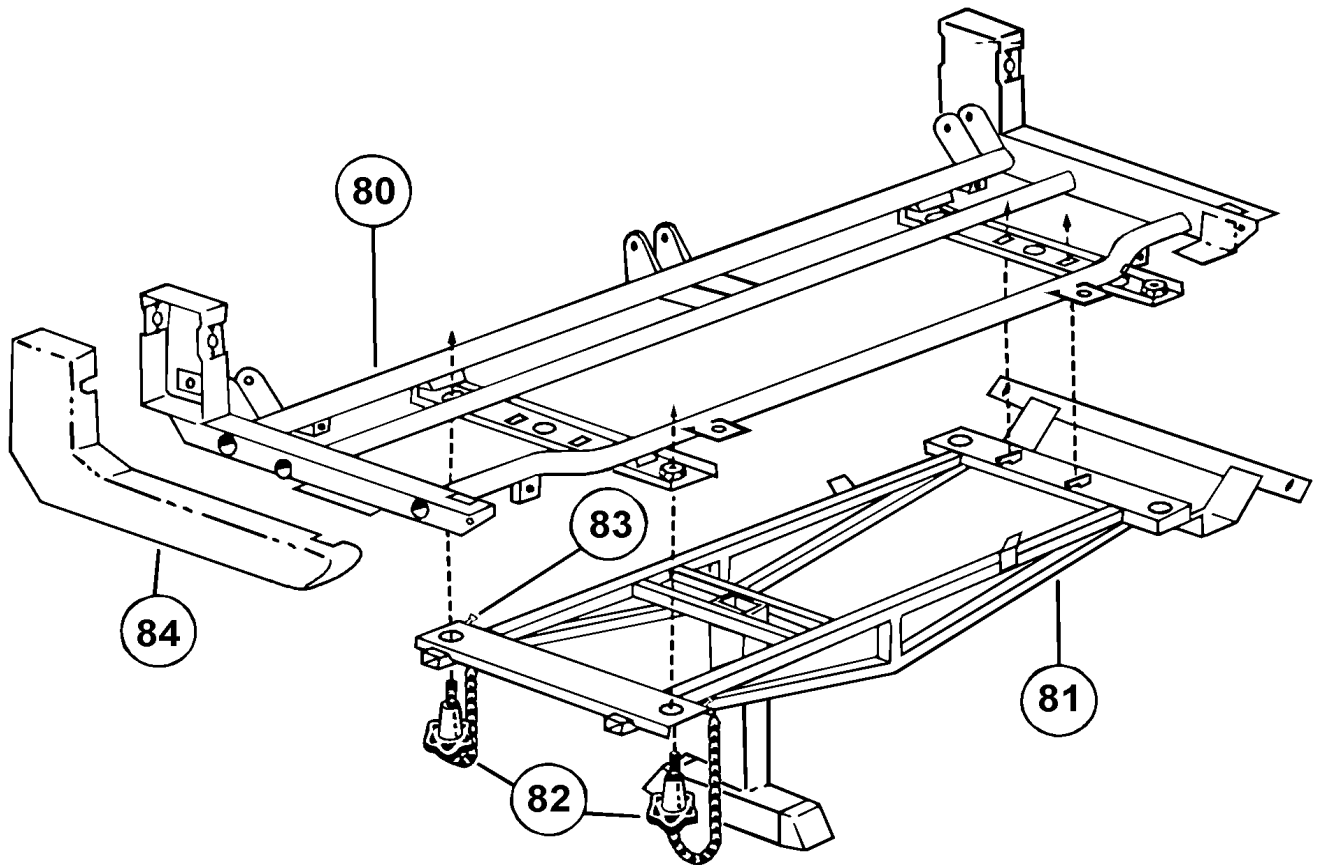


From 7-8754

Date:01/2024

PAGE:X3-1826-00

PASSENGER'S SEAT - "NATIONAL" - 4209 & 4210



From 7-8754	Date:01/2024	PAGE:X3-1826-00
PASSENGER'S SEAT - "NATIONAL" - 4209 & 4210		

Item#	Part	Description	QTY	Notes
		IMPORTANT NOTE:		
		TO ORDER COMPLETE PASSENGER'S SEAT KIT #,		
		SEE THE FINAL VEHICLE RECORD.		
3	863291	PAINTED FRAME ASSY W/FOOTREST BRACKET - L.H.	1	
3	864790	PAINTED FRAME ASSY W/FOOTREST BRACKET - R.H.	1	
3	Call order desk	PAINTED FRAME ASSY W/O FOOTREST BRACKET - L.H.	1	P
3	Call order desk	PAINTED FRAME ASSY W/O FOOTREST BRACKET - R.H.	1	P
5	865988	SCREW TP TR PH #8-32x1/2	2	
6	Call order desk	TRIM PANEL - WALL SIDE	2	P B
7	864090	TRIM PANEL - AISLE SIDE - CURBSIDE	1	
7	864091	TRIM PANEL - AISLE SIDE - STREET SIDE	1	
8	860054	ROLL PIN 3/16" X 1/2"	2	
9	865648	FOLD DOWN ARM	2	B
10	865988	SCREW TP TR PH #8-32x1/2	8	
11	192318	BUSHING - WELDED	1	
12	866239	BUSHING ARM - P/M	3	
13	860055	ROLL PIN 1/4" X 1 1/8"	2	
14	860056	WASHER	2	
15	860057	SPRING - ARM	2	
16	Call order desk	SCREW TC CAP HEX 1/4-20x3/4	1	P
17	502600	NUT HEX NYRT 5/16-18 Z050	2	
18	Call order desk	SCREW SET HEXS CUP 5/16-18x1 3/4	2	P
19	Call order desk	SCREW CAP HEX 5/16-18x1.00 HD	2	P
20	500181	SCREW CAP HEX 5/16-18x1 G5 Z050	2	
21	863598	ACTUATOR	2	
22	500705	NUT HEX 3/8-24 ZP	2	
23	Call order desk	WASHER SPHERICAL 3/8"	4	P
24	502592	NUT HEX THN 3/8-24x3/32 Z050	2	
25	195894	PEDESTRAL CAP	2	
NS	500305	SCREW CAP HEX 3/8-16x7/8 G5 Z050	2	
NS	500478	WASHER LO SPT .380x.683x.094 Z050	2	
NS	500270	WASHER FL .406x1.000x.063 SS	2	
NS	362627	PLATE ANCHOR / 3/8-16 BOLT INSIDE TRACK / 1 1/4" X 1 1/4"	2	
26	860205	HANDLE BOOT - WALL SIDE	1	
27	864618	HANDLE ACTUATOR - WALL SIDE	1	
28	195895	KNOB	1	
29	864862	HANDLE ACTUATOR - AISLE SIDE	1	C
30	Call order desk	SCREW MA TR PH 1/4-20x3/4	1	P
31	864394	CABLE ATTACHMENT SPRING CLIP	2	
32	Call order desk	SPRING LINK RETURN	2	P
33	864121	ACTUATOR CABLE BRACKET	2	

From 7-8754	Date:01/2024	PAGE:X3-1826-00
PASSENGER'S SEAT - "NATIONAL" - 4209 & 4210		

Item#	Part	Description	QTY	Notes
34	863290	OUTPUT & CABLE ASSY 12"	2	
34	863803	OUTPUT & CABLE ASSY 26"	2	
35	Call order desk	RIVET	2	P
36	Call order desk	RIVET	4	P
37	862355	SCREW TP TR PH #10x1/2	11	
38	Call order desk	TRIM PANEL ASSY	1	P B
39	Call order desk	CUSHION FRAME ASSY	2	P
39	Call order desk	CUSHION BOARD (3 PASS SEAT)	3	P
40	502935	NUT SPR U 5/16-18 .025-.150	2	
41	Call order desk	STUD D.O.T.	32	P
42	865214	LATEX WEBBING	12	
43	866244	TRUARC RETAINING RING	2	
44	868726	PIN - CENTER PIVOT - 4209 HIGH BACK / 4210	1	
44	Call order desk	PIN - CENTER PIVOT - 4209/10 W/CTR. FLDG. OR 4209 LOW BACK	1	P
44	Call order desk	PIN - CENTER PIVOT - 4209 LOW BACK	1	P
45	865989	PIN - PIVOT	2	
46	193005	SCREW CAP HEX 1/4-20x2.000	2	
47	Call order desk	BACK FRAME ASSY - L.H. - 4209 HIGH BACK	1	P
47	Call order desk	BACK FRAME ASSY - R.H. - 4209 HIGH BACK	1	P
47	Call order desk	BACK FRAME ASSY - L.H. - 4209 LOW BACK	1	P
47	Call order desk	BACK FRAME ASSY - R.H. - 4209 LOW BACK	1	P
47	Call order desk	BACK BOARD - INDIVIDUAL (3 PASS SEAT)	3	P
48	Call order desk	BACK POLY - 4209A HIGH BACK	2	P
48	Call order desk	BACK POLY - 4209A (3 PASS SEAT)	3	P
48	Call order desk	BACK POLY - 4209A LOW BACK	2	P
49	Call order desk	BACK COVER - 4209A HIGH BACK	2	P
49	Call order desk	BACK COVER - 4209A (3 PASS SEAT)	3	P
49	Call order desk	BACK COVER - 4209A LOW BACK	2	P
50	Call order desk	BACK FRAME ASSY - L.H. 4210 LOW BACK	1	P
50	Call order desk	BACK FRAME ASSY - R.H. 4210 LOW BACK	1	P
50	Call order desk	BACK FRAME ASSY - L.H. 4210 HIGH BACK	1	P
50	862738	BACK FRAME ASSY - R.H. 4210 HIGH BACK	1	
50	Call order desk	BACK BOARD - INDIVIDUAL (3 PASS SEAT)	3	P
51	860186	SPRING CLIP - HEADREST - 4210	4	
NS	860013	GRABHANDLE-BUS HEADREST		
52	860031	BUSHING - HEADREST - 4210	4	
53	863770	HEADREST POLY - FLAT - 4210 LOW BACK	1	
53	863728	HEADREST BOARD - 4210	3	
53	863729	HEADREST POLY ASSY - 4210 HIGH BACK	2	
54	Call order desk	HEADREST COVER - FLAT - 4210 LOW BACK	2	P
54	862739	HEADREST COVER - FLAT - 4210 HIGH BACK / S.C.C.	1	
54	863771	HEADREST COVER - FLAT - 4210 LOW BACK / S.C.C.	1	

From 7-8754	Date:01/2024	PAGE:X3-1826-00
PASSENGER'S SEAT - "NATIONAL" - 4209 & 4210		

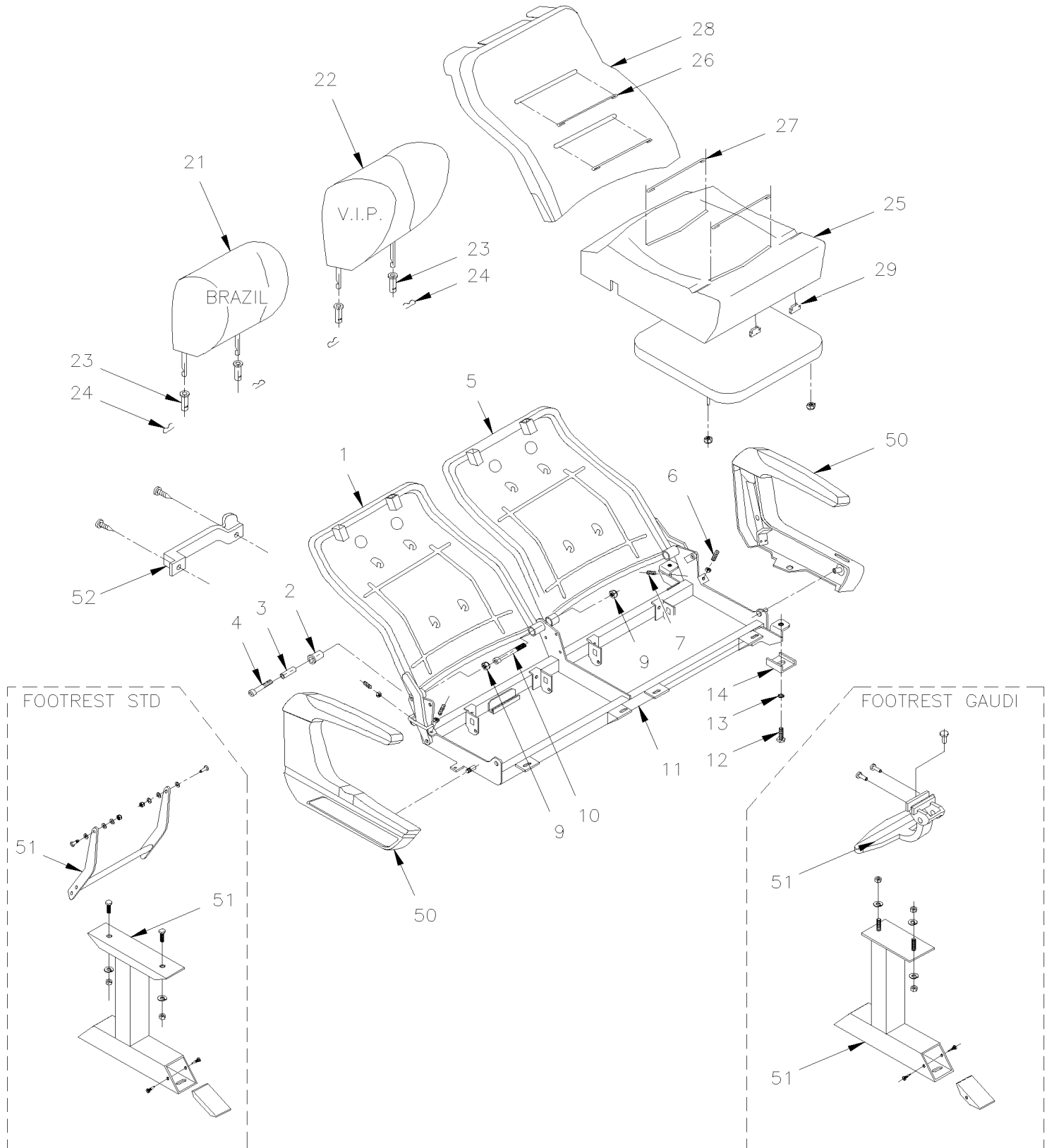
Item#	Part	Description	QTY	Notes
54	Call order desk	HEADREST COVER - FLAT - 4210 (3 PASS SEAT)	3	P
55	Call order desk	BACK POLY - 4210A LOW BACK	2	P
55	Call order desk	BACK POLY - 4210 (3 PASS SEAT)	3	P
55	Call order desk	BACK POLY - 4210A HIGH BACK	2	P
56	Call order desk	BACK COVER - 4210A LOW BACK	2	P
56	Call order desk	BACK COVER - 4210A (3 PASS SEAT)	3	P
56	Call order desk	BACK COVER - 4210A HIGH BACK	2	P
57	860037	CUSHION POLY - 4209A & 4210A	2	
57	Call order desk	CUSHION POLY	3	P
58	862740	CUSHION COVER - 4209A & 4210A S.C.C.	1	
58	Call order desk	CUSHION COVER	3	P
59	Call order desk	FOOTREST INSTALLATION	1	P
60	860444	FOOTREST CENTRAL SECTION	1	
60	864099	HANGER & TREADLE ASSY (RETROFIT KIT) FROM MARCH 2000	AR	
. NS	864037	. SPRING	AR	
. NS	865264	. BRACKET	AR	
. NS	865263	. BOLT	AR	
61	863625	FOOTREST PIVOT PIN	4	
62	500942	WASHER LO SPT 8.1x14.8x2.0 N500	4	
63	863626	NUT HEX 5/16-24	4	
64	863627	BEARING - FOOTREST	4	
65	500701	NUT HEX 5/16-18 ZP	2	
66	Call order desk	PANEL-BACK (OPTIONAL) 4210 BIG	2	P B
66	Call order desk	PANEL-BACK (OPTIONAL) 4210 SMALL	2	P
67	864147	BUSHING - BACK PIVOT	4	
80		PAINTED FRAME ASSY - UPPER W/FOOTREST BRACKET	1	
80		PAINTED FRAME ASSY - UPPER W/O FOOTREST BRACKET	1	
81	863757	PAINTED FRAME ASSY - LOWER	1	
82	196686	ATTACHMENT KNOB ASSY	2	
83	Call order desk	SOUTHCO DRIVE RIVET	2	P
84		TRIM PANEL - L.H. W/O ACCENT	1	
84		TRIM PANEL - R.H. W/O ACCENT	1	
NS	192360	GLASS HOLDER "NATIONAL"	AR	
NS	195960	NET MAGAZINE "NATIONAL"	AR	
NS	860018	CLAMP ASSY / TO FIX SEAT TO THE WALL	AR	
		B) A.R. = POSITION AND COLOR		
		C) RELEASE HANDLE WITH KNOB USED ON AISLE SIDE STANDARD SEAT AND BOTH SIDES OF REVERSIBLE SEAT		
		P) CALL ORDER DESK FOR SPECIFIC APPLICATION (V.I.N.)		

From 7-8754

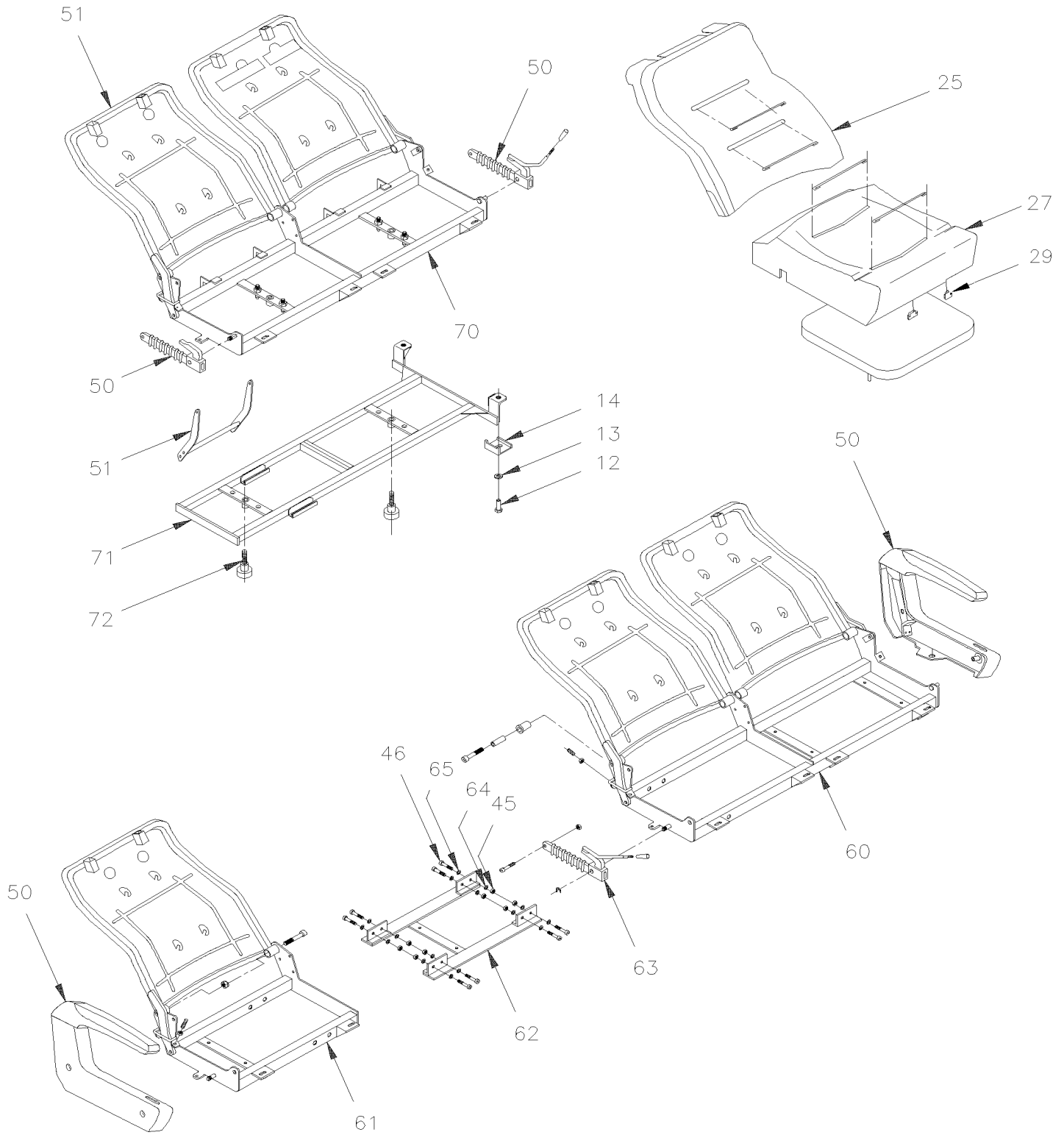
Date:01/2024

PAGE:X3-1826-05

PASSENGER'S SEAT - "AMAYA" "EUROTECH"



PASSENGER'S SEAT - "AMAYA" "EUROTECH"



From 7-8754	Date:01/2024	PAGE:X3-1826-05
PASSENGER'S SEAT - "AMAYA" "EUROTECH"		

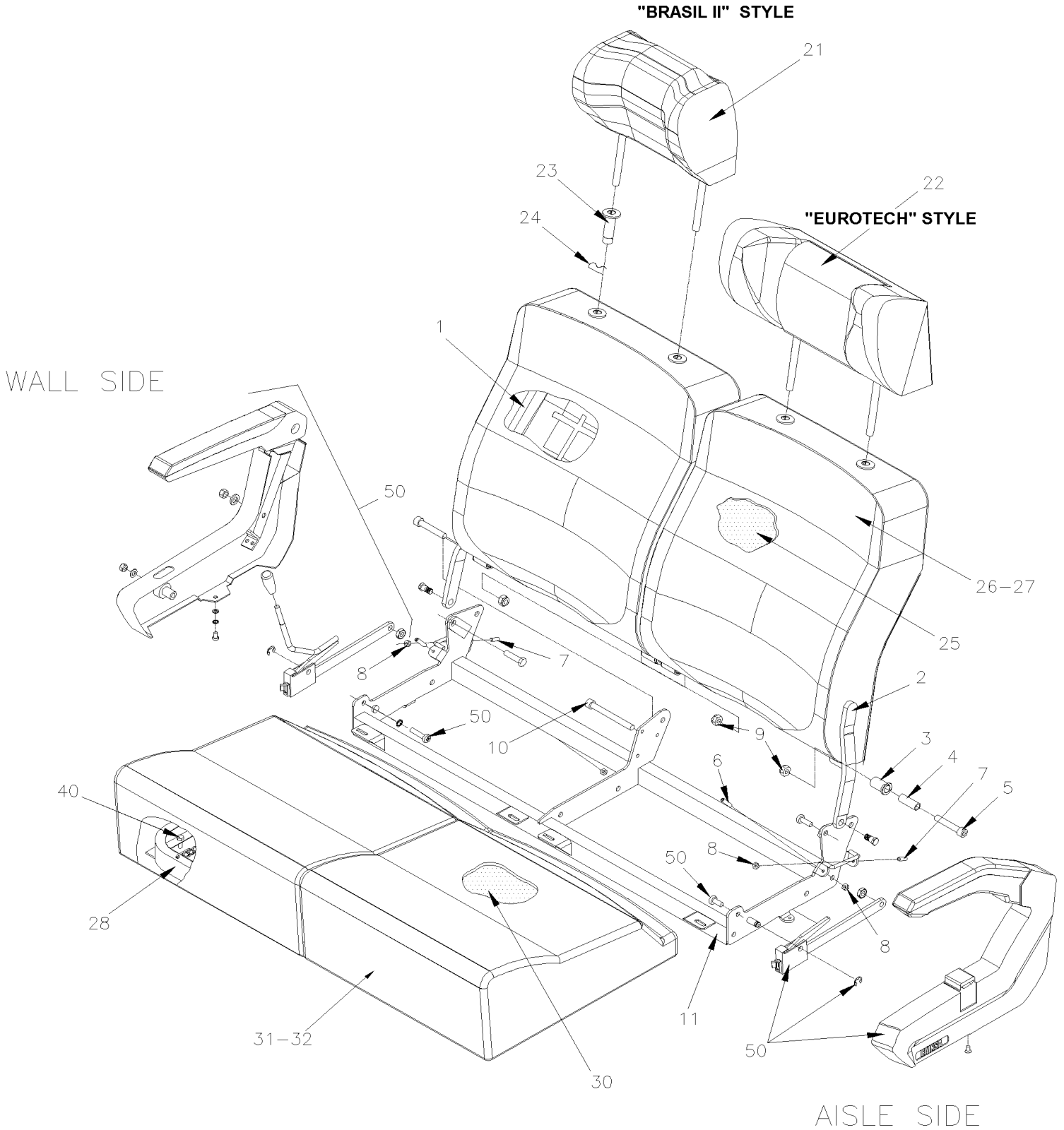
Item#	Part	Description	QTY	Notes
		IMPORTANT NOTE:		
		TO ORDER COMPLETE PASSENGER'S SEAT KIT #,		
		SEE THE FINAL VEHICLE RECORD.		
1	Call order desk	BACKREST STRUCTURE R.H.	1	P
1	Call order desk	BACKREST STRUCTURE R.H. / W/IND "REI"	1	P
2	865560	BUSHING HYTREL	1	
3	Call order desk	INSIDE METAL BUSHING	1	P
4	70314705	SCREW CAP HEXS M10-1.5x60 G8.8 ZP	1	
5	Call order desk	BACKREST STRUCTURE L.H.	1	P
5	Call order desk	BACKREST STRUCTURE L.H. / W/IND "REI"	1	P
6	Call order desk	LOCK BOLT M6-1x30	1	P
7	Call order desk	LOCK BOLT M6-1x20	1	P
9	500680	NUT HEX STO M10-1.5 Z050	1	
10	502765	SCREW CAP HEXS M10-1.5x100 G8.8 PT ZP	1	
11	Call order desk	STRUCTURE R.H. / W/STD FOOTREST	1	P
11	Call order desk	STRUCTURE R.H. / W/STD FOOTREST	1	P
11	Call order desk	STRUCTURE L.H. / W/STD FOOTREST	1	P
11	Call order desk	STRUCTURE L.H. / W/STD FOOTREST	1	P
11	Call order desk	STRUCTURE R.H. / W/GAUDI FOOTREST	1	P
11	Call order desk	STRUCTURE L.H. / W/GAUDI FOOTREST	1	P
11	Call order desk	STRUCTURE R.H. / W/GAUDI FOOTREST & AVION TABLE SEAT	1	P
11	Call order desk	STRUCTURE L.H. / W/GAUDI FOOTREST & AVION TABLE SEAT	1	P
12	500183	SCREW CAP HEX 5/16-18x1 1/2 G5 PT Z050	1	
13	500441	WASHER FL .312x.734x.065 Z050	1	
14	863541	BRACKET SUPPORT	1	
21	862558	HEADREST FOAM / TYPE "BRAZIL"	1	
21	Call order desk	COVERING ASSY S.C.C.	1	P
21	863315	HEADREST FOAM / TYPE "BRAZIL" & "EUROTECH"	1	
22	862933	HEADREST ASSY / TYPE WINGED "VIP"	1	
22	866011	HEADREST FOAM / TYPE WINGED "VIP"	1	
22	Call order desk	COVERING ASSY WING TYPE / S.C.C.	1	P
23	864810	GUIDE SLIDING	1	
24	866204	BACKREST CLIP	1	
25	865141	CUSHION FOAM	1	
26	Call order desk	BACKREST TUFTING WIRE "EUROTECH" & "BRASIL"	1	P
27	Call order desk	COVERING BACKREST ASSY S.C.C. "EUROTECH"	1	P
28	Call order desk	BACKREST FOAM	1	P
29	864187	FASTENER COVERING	1	
NS	Call order desk	CUSHION TUFTING WIRE "EUROTECH" & "BRASIL"	1	P
33	502716	NUT HEX NYRT 1/4-20	1	
45	Call order desk	BOLT	1	P

From 7-8754	Date:01/2024	PAGE:X3-1826-05
-------------	--------------	-----------------

PASSENGER'S SEAT - "AMAYA" "EUROTECH"

Item#	Part	Description	QTY	Notes
46	Call order desk	NUT	1	P
49	362627	PLATE ANCHOR / 3/8-16 BOLT INSIDE TRACK / 1 1/4" X 1 1/4"	1	
50	X3-1826-50	ARMREST PASSENGER'S SEAT - "AMAYA" WITH "EUROTECH"		
50	X3-1826-51	ARMREST PASSENGER'S SEAT - "AMAYA" WITH "BRASIL"		
51	X3-1826-40	PASSENGER'S SEAT - "AMAYA" - FOOTREST & PEDESTAL		
52	X3-1826-60	ACCESSORIES PASSENGER'S SEAT - "AMAYA"		
60	Call order desk	STRUCTURE DOUBLE / USED W/3 LOUNGE SEAT To 8-9276	1	P
61	Call order desk	STRUCTURE SINGLE / USED W/3 LOUNGE SEAT To 8-9276	1	P
62	Call order desk	STRUCTURE UNION SEAT / USED W/3 LOUNGE SEAT To 8-9276	1	P
63	866004	CENTER MECHANISM To 8-9276	1	
64	500446	WASHER FL .531x1.250x.125 Z050	1	
65	Call order desk	FLAT WASHER	1	P
66	866243	PRESSURE WASHER 7/16" 10MM	1	
70	Call order desk	STRUCTURE FRAME ROTATING SEAT	1	P
71	Call order desk	STRUCTURE FRAME INFERIOR R.H. / W/STD FOOTREST	1	P
71	Call order desk	STRUCTURE FRAME INFERIOR L.H. / W/STD FOOTREST	1	P
71	Call order desk	STRUCTURE FRAME INFERIOR R.H. / W/GAUDI FOOTREST	1	P
71	Call order desk	STRUCTURE FRAME INFERIOR L.H. / W/GAUDI FOOTREST	1	P
72	862156	KNOB / ROTATING SEAT	2	
		P) CALL ORDER DESK FOR SPECIFIC APPLICATION (V.I.N.)		

PASSENGER'S SEAT - "AMAYA" "BRASIL"

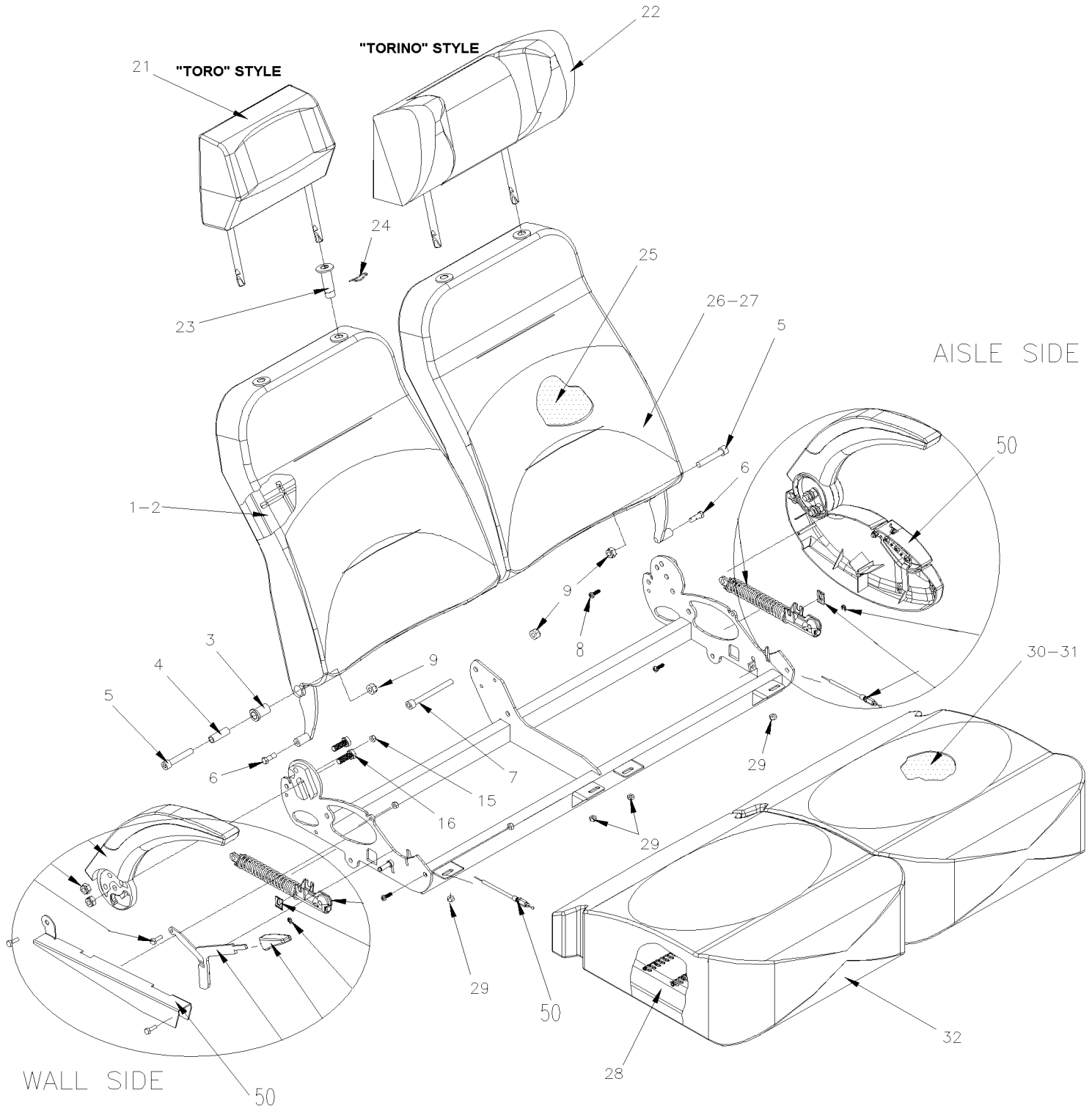


From 7-8754		Date:01/2024	PAGE:X3-1826-06
-------------	--	--------------	-----------------

PASSENGER'S SEAT - "AMAYA" "BRASIL"

Item#	Part	Description	QTY	Notes
		IMPORTANT NOTE:		
		TO ORDER COMPLETE PASSENGER'S SEAT KIT #,		
		SEE THE FINAL VEHICLE RECORD.		
1	868532	BACKREST ASSY R.H.	1	
1	865680	. BACKREST STRUCTURE R.H.	1	
2	864073	BACKREST ASSY L.H.	1	
2	865681	. BACKREST STRUCTURE L.H.	1	
3	Call order desk	INSIDE METAL BUSHING	1	P
4	865560	BUSHING HYTREL	1	
5	70314705	SCREW CAP HEXS M10-1.5x60 G8.8 ZP	2	
6	Call order desk	LOCK BOLT M6-1x30	1	P
7	Call order desk	LOCK BOLT M6-1x20	1	P
8	500609	NUT HEX M6-1.0 Z050	4	
9	500680	NUT HEX STO M10-1.5 Z050	1	
10	502765	SCREW CAP HEXS M10-1.5x100 G8.8 PT ZP	1	
11	Call order desk	STRUCTURE R.H.	1	P
11	Call order desk	STRUCTURE L.H.	1	P
21	Call order desk	HEADREST FOAM / TYPE "BRAZIL-II"	1	P
NS	Call order desk	COVERING HEADREST ASSY "BRAZIL-II" S.C.C.	1	P
22	863315	HEADREST FOAM / TYPE "BRAZIL" & "EUROTECH"	1	
NS	Call order desk	COVERING HEADREST ASSY "BRAZIL" & EURO S.C.C.	1	P
23	864810	GUIDE SLIDING	4	
24	866204	BACKREST CLIP	4	
25	Call order desk	BACKREST FOAM	2	P
26	867775	BACKREST TUFTING WIRE	4	
27	Call order desk	COVERING BACKREST ASSY S.C.C.	2	P
28	8611003	SEAT FRAME	2	
30	860039	CUSHION FOAM	2	
31	861716	CUSHION TUFTING WIRE	4	
32	Call order desk	COVERING CUSHION ASSY S.C.C.	2	P
40	502716	NUT HEX NYRT 1/4-20	4	
50	X3-1826-51	ARMREST PASSENGER'S SEAT - "AMAYA" WITH "BRASIL"		
51	X3-1826-60	ACCESSORIES PASSENGER'S SEAT - "AMAYA"		
52	864119	KNOB / ROTATING SEAT	1	B
		B) USE WITH SWIVEL SEAT		
		P) CALL ORDER DESK FOR SPECIFIC APPLICATION (V.I.N.)		

PASSENGER'S SEAT - "AMAYA" "SIGLIUM" TORO & TORINO



From 7-8754	Date:01/2024	PAGE:X3-1826-07
-------------	--------------	-----------------

PASSENGER'S SEAT - "AMAYA" "SIGLIUM" TORO & TORINO

Item#	Part	Description	QTY	Notes
		IMPORTANT NOTE:		
		TO ORDER COMPLETE PASSENGER'S SEAT KIT #,		
		SEE THE FINAL VEHICLE RECORD.		
1	Call order desk	BACKREST ASSY R.H. / WSIGLUM TORO	1	P
1	868500	. BACKREST STRUCTURE R.H. / WSIGLUM TORO	1	
1	Call order desk	BACKREST ASSY R.H. / WSIGLUM TORINO	1	P
1	Call order desk	. BACKREST STRUCTURE R.H. / WSIGLUM TORINO	1	P
2	Call order desk	BACKREST ASSY L.H. / WSIGLUM TORO	1	P
2	Call order desk	. BACKREST STRUCTURE L.H. / W/SIGLUM TORO	1	P
2	Call order desk	BACKREST ASSY L.H. / WSIGLUM TORINO	1	P
2	Call order desk	. BACKREST STRUCTURE L.H. / W/SIGLUM TORINO	1	P
3	Call order desk	. . INSIDE METAL BUSHING	1	P
4	865560	. . BUSHING HYTREL	1	
5	70314705	SCREW CAP HEXS M10-1.5x60 G8.8 ZP	2	
6	5001132	SCREW CAP HEX 5/16-18x7/8 G5 Z050	2	
7	502765	SCREW CAP HEXS M10-1.5x100 G8.8 PT ZP	1	
8	Call order desk	HY-LO BOLT M6-1.0x23	2	P
9	5001570	NUT HEX NYRT M10-1.5 Z050	5	
10	11500930	SCREW CAP HEX M10-1.5x30 G8.8 PHC	2	
11	500163	SCREW CAP HEX 1/4-20x3/4 G5 Z050	3	
12	500183	SCREW CAP HEX 5/16-18x1 1/2 G5 PT Z050	1	
13	500441	WASHER FL .312x.734x.065 Z050	1	
14	9415477	SCREW CAP HEX 1/4-20x3/4 ZP	1	A
15	500769	NUT HEX 1/4-20 Z050	3	A
16	11500930	SCREW CAP HEX M10-1.5x30 G8.8 PHC	2	
20	Call order desk	STRUCTURE R.H.	1	P
20	Call order desk	STRUCTURE L.H.	1	P
21	Call order desk	HEADREST FOAM / TYPE "TORO"	1	P
NS	Call order desk	COVERING HEADREST ASSY "TORO" S.C.C.	1	P
22	864858	HEADREST FOAM / TYPE "TORINO"	1	A
NS	864861	COVERING HEADREST ASSY "TORINO" S.C.C.	1	
23	864810	GUIDE SLIDING	2	
24	866204	BACKREST CLIP	2	
25	Call order desk	BACKREST FOAM / W/SIGLUM TORO S.C.C.	2	P
25	867774	BACKREST FOAM / W/SIGLUM TORINO S.C.C.	2	
26	867775	BACKREST TUFTING WIRE	4	
27	Call order desk	COVERING BACKREST ASSY "TORO" S.C.C.	2	P
27	Call order desk	COVERING BACKREST ASSY "TORINO" S.C.C.	2	P
28	860108	SEAT CUSHION FRAME	2	
29	502716	NUT HEX NYRT 1/4-20	4	
30	865360	CUSHION FOAM	2	

From 7-8754	Date:01/2024	PAGE:X3-1826-07
PASSENGER'S SEAT - "AMAYA" "SIGLIUM" TORO & TORINO		

Item#	Part	Description	QTY	Notes
31	861716	CUSHION TUFTING WIRE	2	
32	Call order desk	COVERING CUSHION ASSY S.C.C.	2	P
50	X3-1826-53	ARMREST PASSENGER'S SEAT - "AMAYA" WITH "SIGLIUM" TORO & TORINO		
NS	864072	ARMREST CENTRAL ASSY / LIGHT GREY		
. NS	865995	. BOLT	1	
. NS	865996	. BUSHING	1	
. NS	866240	. ARMREST COVERING LIGHT GREY	1	
		P) CALL ORDER DESK FOR SPECIFIC APPLICATION (V.I.N.)		

From 7-8754	Date:01/2024	PAGE:X3-1826-08
-------------	--------------	-----------------

PASSENGER'S SEAT - "AMAYA" "GAUDI"

Item#	Part	Description	QTY	Notes
		IMPORTANT NOTE: BEFORE TO		
		ORDER COMPLETE PASSENGER'S SEAT		
		OR COVERING ASSY, HEAD / BACK & CUSHION		
		SEE THE FINAL VEHICLE RECORD		
1	Call order desk	BACKREST R.H.	1	P
2	Call order desk	BACKREST L.H.	1	P
3	865560	. BUSHING HYTREL	1	
4	Call order desk	. INSIDE METAL BUSHING	1	P
5	864975	BOLT M10X25MM	2	
6	Call order desk	WASHER #9 DIN6799	2	P
7	Call order desk	BUSHING CENTER SEPARATOR	2	P
8	Call order desk	STRUCTURE L.H. / W/"GAUDI" HR	1	P
8	Call order desk	STRUCTURE R.H. / W/"GAUDI" HR	1	P
8	Call order desk	STRUCTURE L.H. / W/"GAUDI" SC	1	P
9	Call order desk	BACK COVER / W/"GAUDI" HR	1	P
9	Call order desk	BACK COVER / W/"GAUDI" SC	1	P
10	9415477	SCREW CAP HEX 1/4-20x3/4 ZP	6	
11	500769	NUT HEX 1/4-20 Z050	6	
12	Call order desk	STOPPER RECLINING 3"	2	P
15	Call order desk	STRUCTURE UPPER / REVERSIBLE SEAT / W/"GAUDI" HR	1	P
15	Call order desk	STRUCTURE UPPER / REVERSIBLE SEAT / W/"GAUDI" SC	1	P
16	Call order desk	STRUCTURE LOWER / REVERSIBLE SEAT	1	P
17	862156	KNOB / ROTATING SEAT	2	
18	5001570	NUT HEX NYRT M10-1.5 Z050	6	
19	866243	PRESSURE WASHER 7/16" 10MM	6	
20	Call order desk	GUIDE BOLT	6	P
21	Call order desk	HEADREST FOAM / TYPE "GAUDI HR"	1	P
22	Call order desk	COVERING HEADREST ASSY "GAUDI" S.C.C.	1	P
23	864810	GUIDE SLIDING	2	
24	866204	BACKREST CLIP	2	
25	Call order desk	BACKREST FOAM / W/"GAUDI"	1	P
26	Call order desk	BACKREST TUFTING WIRE / LARGE / W/"GAUDI" & "EUROTECH"	1	P
26	Call order desk	BACKREST TUFTING WIRE / SMALL / W/"GAUDI"	1	P
27	Call order desk	COVERING BACKREST ASSY / S.C.C. / W/"GAUDI"	1	P
28	Call order desk	SEAT SHELL / W/"GAUDI" HR	1	P
28	Call order desk	CUSHION FRAME / W/"GAUDI" SC	1	P
30	Call order desk	CUSHION FOAM	1	P
31	Call order desk	CUSHION TUFTING WIRE	2	P
32	Call order desk	COVERING CUSHION ASSY S.C.C.	1	P
33	Call order desk	BOLT 6.3x19	4	P

From 7-8754	Date:01/2024	PAGE:X3-1826-08
-------------	--------------	-----------------

PASSENGER'S SEAT - "AMAYA" "GAUDI"

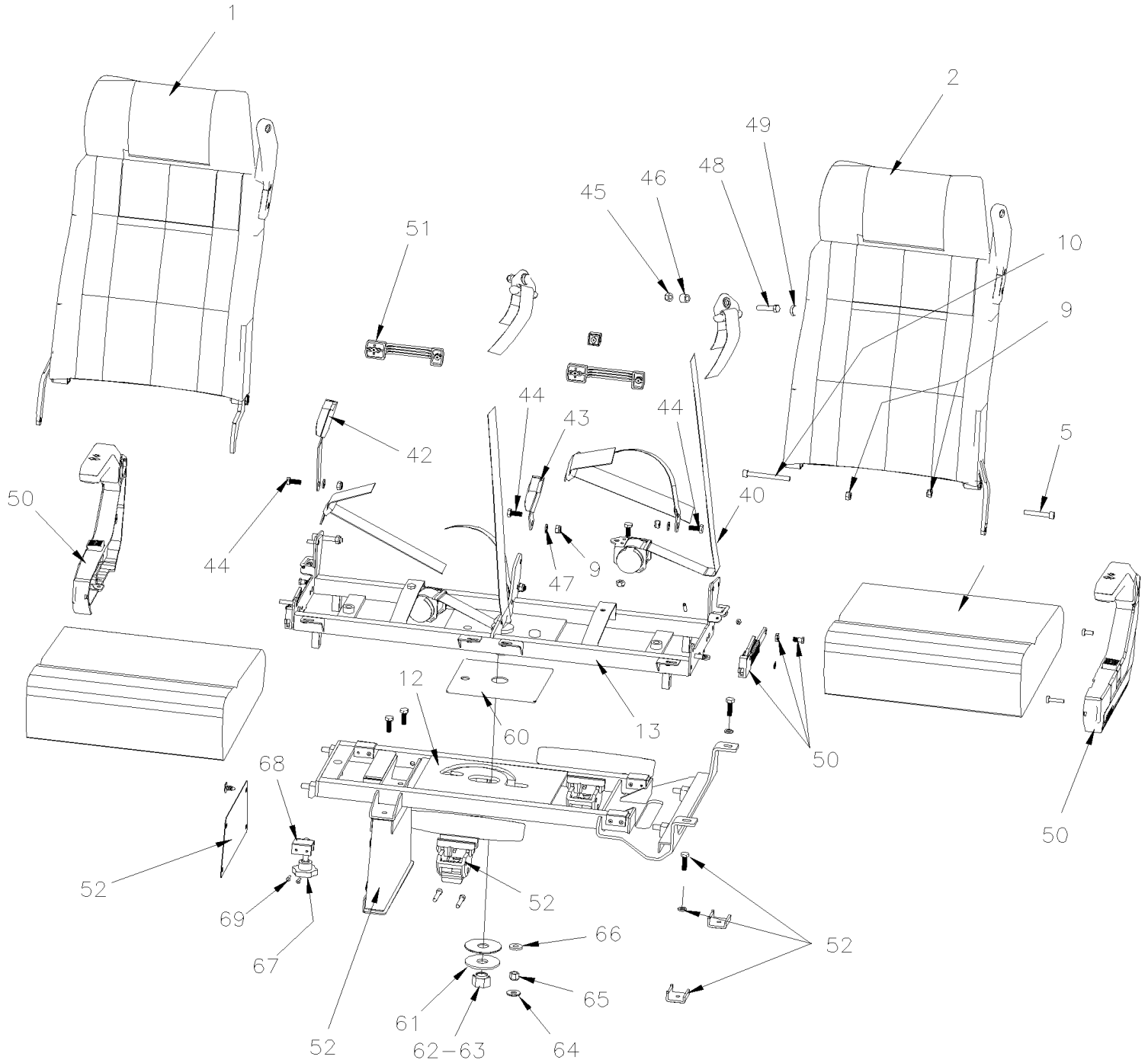
Item#	Part	Description	QTY	Notes
34	Call order desk	SEAT FIXING BRACKET	1	P
35	Call order desk	BOLT 3.9X13MM	1	P
50	X3-1826-60	ACCESSORIES PASSENGER'S SEAT - "AMAYA"		
51	X3-1826-40	PASSENGER'S SEAT - "AMAYA" - FOOTREST & PEDESTAL		
52	X3-1826-52	ARMREST PASSENGER'S SEAT - "AMAYA" WITH "GAUDI"		
		P) CALL ORDER DESK FOR SPECIFIC APPLICATION (V.I.N.)		

From 7-8754

Date:01/2024

PAGE:X3-1826-09

PASSENGER'S SEAT - "AMAYA" "BRASIL" WITH 3 POINTS



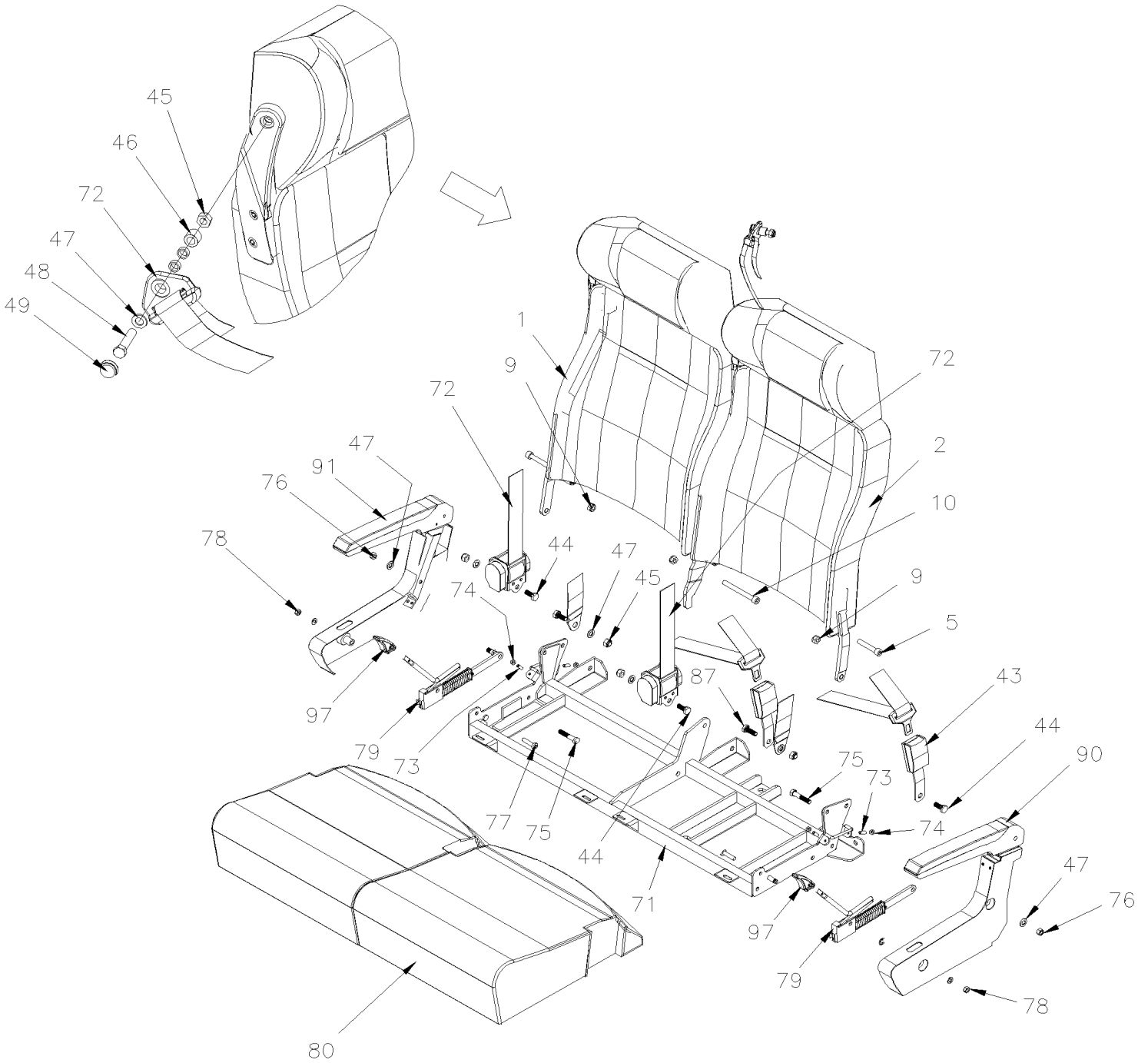
ROTATING SEAT

From 7-8754

Date:01/2024

PAGE:X3-1826-09

PASSENGER'S SEAT - "AMAYA" "BRASIL" WITH 3 POINTS



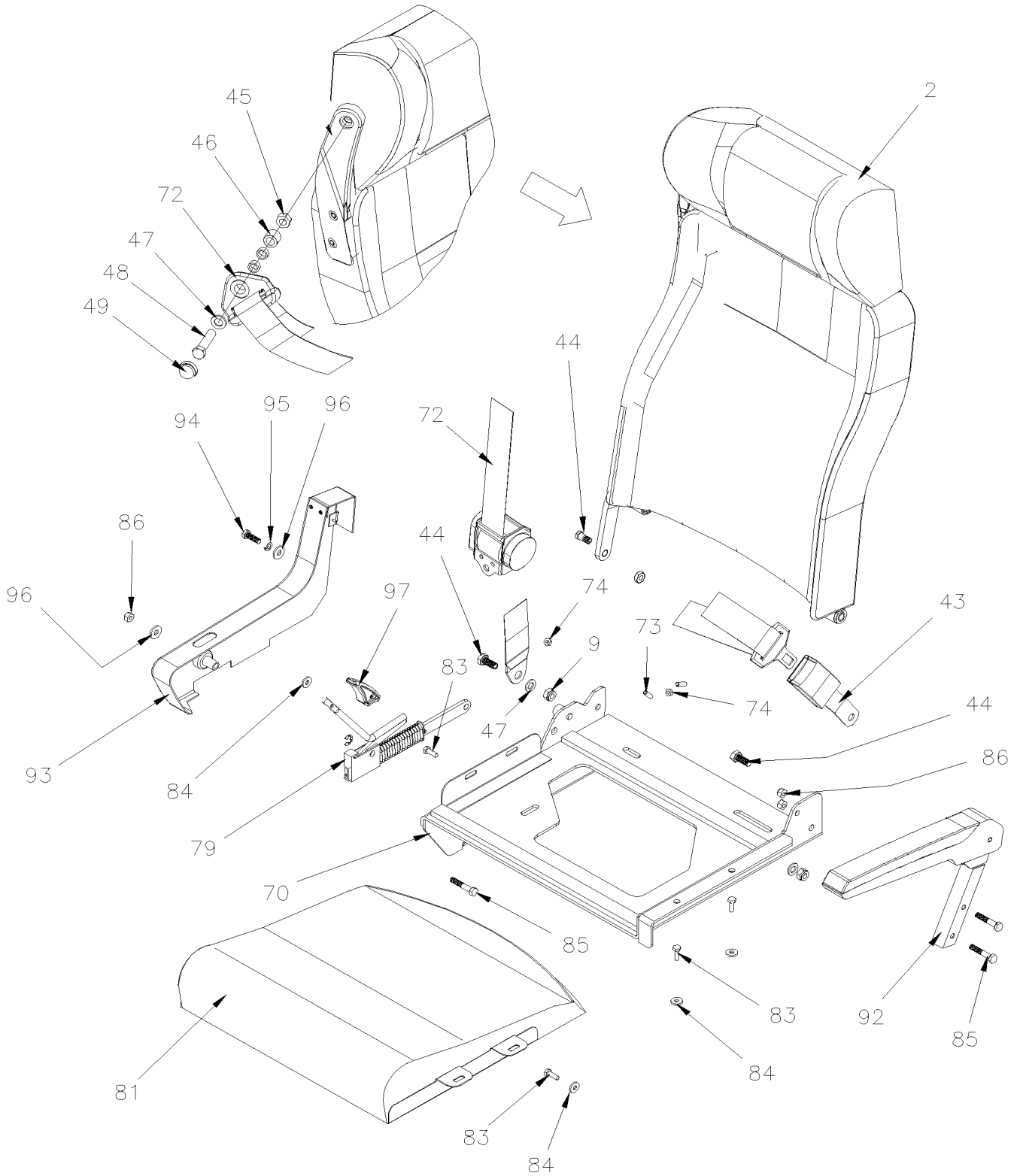
REAR CROSS SEAT CURB SIDE

From 7-8754

Date:01/2024

PAGE:X3-1826-09

PASSENGER'S SEAT - "AMAYA" "BRASIL" WITH 3 POINTS



REAR CROSS SEAT STREET SIDE

From 7-8754		Date:01/2024	PAGE:X3-1826-09
-------------	--	--------------	-----------------

PASSENGER'S SEAT - "AMAYA" "BRASIL" WITH 3 POINTS

Item#	Part	Description	QTY	Notes
		IMPORTANT NOTE:		
		TO ORDER COMPLETE PASSENGER'S SEAT KIT #,		
		SEE THE FINAL VEHICLE RECORD.		
1	Call order desk	BACKREST ASSY R.H.	1	P
1	865680	. BACKREST STRUCTURE R.H.	1	
1	Call order desk	BACKREST R.H. W/3 PASS REAR LOUNGE SEAT (1 SEAT)	1	P
1	Call order desk	BACKREST R.H. "BRASIL" W/REVERSIBLE SEAT	1	P
2	864073	BACKREST ASSY L.H. T85030530	1	
2	865681	. BACKREST STRUCTURE L.H.	1	
2	Call order desk	BACKREST L.H.	1	P
2	Call order desk	BACKREST L.H. "BRASIL" W/REVERSIBLE SEAT	1	P
2	Call order desk	BACKREST L.H. "BRASIL" W/3 PASS REAR LOUNGE SEAT	1	P
2	Call order desk	BACKREST R.H. W/3 PASS REAR LOUNGE SEAT (1 SEAT)	1	P
3	Call order desk	INSIDE METAL BUSHING	1	P
4	865560	BUSHING HYTREL	1	
5	70314705	SCREW CAP HEXS M10-1.5x60 G8.8 ZP	2	F
5	Call order desk	SCREW CAP HEXS M10-1.5x60 G8.8 ZP	2	P
6	Call order desk	LOCK BOLT M6-1x30	1	P
7	Call order desk	LOCK BOLT M6-1x20	1	P
8	500609	NUT HEX M6-1.0 Z050	4	
9	500680	NUT HEX STO M10-1.5 Z050	1	
9	860005	NUT HEX STO M10-1.5 ZP	1	
10	502765	SCREW CAP HEXS M10-1.5x100 G8.8 PT ZP	1	
11	Call order desk	STRUCTURE R.H.	1	P
11	Call order desk	STRUCTURE L.H.	1	P
11	Call order desk	SEAT STRUCTURE R.H.	1	P A
11	Call order desk	SEAT STRUCTURE R.H. W/2 PEDESTAL CURBSIDE NO SLIDING FOWARD WCL	1	P
12	Call order desk	SEAT STRUCTURE L.H. W/REVERSIBLE SEAT	1	P A
13	Call order desk	SEAT STRUCTURE SUPERIOR / "BRASIL W/REVERSIBLE SEAT	1	P
21	Call order desk	HEADREST FOAM / TYPE "BRAZIL-II"	1	P
21	Call order desk	COVERING HEADREST ASSY "BRAZIL-II" S.C.C.	1	P
22	863315	HEADREST FOAM / TYPE "BRAZIL" & "EUROTECH" 8503550	1	
22	Call order desk	COVERING HEADREST ASSY "BRAZIL" & EURO S.C.C.	1	P
23	864810	GUIDE SLIDING	4	
24	866204	BACKREST CLIP	4	
25	Call order desk	BACKREST FOAM	2	P
26	867775	BACKREST TUFTING WIRE	4	
27	Call order desk	COVERING BACKREST ASSY S.C.C.	2	P
28	8611003	SEAT FRAME	2	
28	Call order desk	CUSHION BRASIL & "EUROTECH"	1	P
30	860039	CUSHION FOAM	2	

From 7-8754		Date:01/2024	PAGE:X3-1826-09
-------------	--	--------------	-----------------

PASSENGER'S SEAT - "AMAYA" "BRASIL" WITH 3 POINTS

Item#	Part	Description	QTY	Notes
31	861716	CUSHION TUFTING WIRE	4	
32	Call order desk	COVERING CUSHION ASSY S.C.C.	2	P
33	502716	NUT HEX NYRT 1/4-20	4	
40	864114	SEAT BELT AISLE SIDE	1	F
NS	867885	BUSHING 16MM	1	F
40	865261	SEAT BELT AISLE SIDE WITH 2+1 SEAT	1	2+1
41	864115	SEAT BELT WINDOW SIDE	1	
41	865262	SEAT BELT WINDOW SIDE WITH 2+1 SEAT	1	2+1
NS	864622	EXTENSION SEAT BELT 30cm	AR	
NS	864623	EXTENSION SEAT BELT 50cm	AR	
42	864349	BUCKLE FEMALE	1	
43	864349	BUCKLE FEMALE	1	F
44	Call order desk	SCREW CAP HEX 10x25	6	P
44	865521	SCREW CAP HEX 7/16-20x1 G8 SCR À VOIR	1	F
45	865521	SCREW CAP HEX 7/16-20x1 G8	1	
46	Call order desk	BUSHING SAFETY BELT	1	P
47	860294	WASHER	1	
48	860280	SCREW BUT HEXS M10-1.5x50MM	1	
49	865220	TORINO 7/16 CAP	1	
50	X3-1826-51	ARMREST PASSENGER'S SEAT - "AMAYA" WITH "BRASIL"		
51	X3-1826-60	ACCESSORIES PASSENGER'S SEAT - "AMAYA"		
52	X3-1826-41	PASSENGER'S SEAT - "AMAYA" - FOOTREST & PEDESTAL		
	Call order desk			P
60	Call order desk	BASE NYLON RECTAGULAR	1	P
61	Call order desk	WASHER NYLON ROTATING	1	P
62	Call order desk	WASHER FLAT ST ROTATING	1	P
63	Call order desk	NUT SPECIAL CENTER ROTATING	1	P
64	Call order desk	WASHER NYLON INDEX LOCK	1	P
65	Call order desk	NUT ½	1	P
66	Call order desk	WASHER FLAT ST INDEX LOCK	1	P
67	864119	KNOB / ROTATING SEAT	4	
68	Call order desk	RETAINER BOLT	4	P
69	504127	RIVET POP DOME OE 3/16x3/4 AL	4	
69	Call order desk	NEXT ITEMS ARE RELATED WITH SEAT WITH X3-45		P
69	Call order desk	REAR 3 PASSENGER'S SEAT WITH X3-45		P
70	Call order desk	SEAT FRAME 1 PASSENGER W/LOUNGE SEAT X3	1	P
71	Call order desk	SEAT FRAME 2 PASSENGERS W/LOUNGE SEAT X3	1	P
72	864624	SEAT BELT PASSENGER'S W/LOUNGE SEAT X3	3	
NS	864622	EXTENSION SEAT BELT 30cm	AR	
NS	864623	EXTENSION SEAT BELT 50cm	AR	

From 7-8754	Date:01/2024	PAGE:X3-1826-09
-------------	--------------	-----------------

PASSENGER'S SEAT - "AMAYA" "BRASIL" WITH 3 POINTS

Item#	Part	Description	QTY	Notes
73	Call order desk	SCREW CAP HEXS FLAT M6-1.0x20	6	P
74	865487	NUT HEX JAM THN M16-1.5	6	
74	5001717	NUT HEX JAM THN M16-1.5x8 SS	6	
75	500831	SCREW CAP HEX 3/8-16x2 G5 ZP	2	
76	500783	NUT HEX 3/8-16 Z050	2	F
77	865486	SCREW MA OV PH M8-1.25x35	2	
78	502543	NUT HEX M8-1.25 Z050	2	
79	865697	RECLINING MECHANISM WINDOW	3	
80	Call order desk	SEAT CUSHION ASSY / 2 PASSENGER'S / REAR CROSS SEAT	2	P
81	Call order desk	CUSHION BRASIL W/LOUNGE SEAT X3	1	P
83	500163	SCREW CAP HEX 1/4-20x3/4 G5 Z050	4	F
84	500440	WASHER FL .250x.562x.065 Z050	4	
85	502775	SCREW CAP HEX 5/16-18x1 3/4 G5 ZP	3	
86	502600	NUT HEX NYRT 5/16-18 Z050	2	
87	Call order desk	SCREW CAP HEX M10-1.5 x30MM	1	P
90	Call order desk	ARMREST ASSY CENTER W/LOUNGE SEAT X3	1	P
91	Call order desk	ARMREST ASSY R.H. SIDE W/LOUNGE SEAT X3	1	P
92	865547	ARMREST ASSY L.H. WINDOW W/LOUNGE SEAT X3	1	
93	Call order desk	COVER ASSY R.H. W/LOUNGE SEAT X3	1	P
94	500181	SCREW CAP HEX 5/16-18x1 G5 Z050	1	
95	500942	WASHER LO SPT 8.1x14.8x2.0 N500	1	
96	500441	WASHER FL .312x.734x.065 Z050	2	
97	864117	KNOB W/SQUARE ROD INSERT MECHANISM (CURRENT)	3	
		2+1) WITH 2+1 SEAT		
		A) AS SHOWN		
		P) CALL ORDER DESK FOR SPECIFIC APPLICATION (V.I.N.)		

From 7-8754

Date:01/2024

PAGE:X3-1826-10

PASSENGER'S SEAT - "NATIONAL" - 4209 & 4210 - SLIDING & FLIP-UP

DRAWING NOT AVAILIABLE

From 7-8754	Date:01/2024	PAGE:X3-1826-10
PASSENGER'S SEAT - "NATIONAL" - 4209 & 4210 - SLIDING & FLIP-UP		

Item#	Part	Description	QTY	Notes
1	Call order desk	COVER AISLE END L.H.	1	P
2	Call order desk	RECLINE MECHANISM R.H.	1	P
3	Call order desk	BRACKET ASSY ARMREST SUPPORT R.H.	1	P
4	Call order desk	FRAME ASSY	1	P
5	864147	BUSHING - BACK PIVOT	4	
6	Call order desk	BRACKET ASM - CUSHION PIVOT R.H.	1	P
7	Call order desk	NUT LOCK #10-24	2	P
8	Call order desk	SCREW #10-24x1 1/4	2	P
9	Call order desk	RETAINER PROP ROD	1	P
10	Call order desk	PROP ROD	1	P
11	Call order desk	WASHER LOCK 5/16	8	P
12	865091	SCREW #10 X 3/4	38	
13	Call order desk	SCREW 5/16-18	8	P
14	Call order desk	FRONT COVER	2	P
15	Call order desk	PEDESTAL ASSY	2	P
16	Call order desk	. NUT JAM 3/8-24	4	P
17	Call order desk	. PAD PEDESTAL	4	P
18	Call order desk	. FOOT SEAT CLAMP	4	P
19	Call order desk	. NUT LOCK #10-24	4	P
20	Call order desk	. SCREW CAP FL HEXS 1/4-28x3/4	4	P
21	Call order desk	PIN	2	P
22	Call order desk	REAR COVER	2	P
23	Call order desk	BACK COVER - 4210A	2	P
24	Call order desk	BACK POLY SAFEGUARD	2	P
25	Call order desk	BACK FRAME ASSY- L.H. 4210 LOW BACK	1	P
26	Call order desk	BACK FRAME ASSY- R.H. 4210 LOW BACK	1	P
27	860031	BUSHING - HEADREST - 4210	4	
28	Call order desk	HEADREST COVER - FLAT - 4210 LOW BACK	2	P
29	Call order desk	SCREW CAP HEX 5/16-18x1	1	P
30	Call order desk	RETAINER CABLE RELEASE	2	P
31	Call order desk	CABLE RELEASE	2	P
32	Call order desk	RETAINER RING (RECLINER END)	2	P
33	Call order desk	COVER AISLE END R.H.	1	P
34	Call order desk	KICK PANEL	1	P
35	Call order desk	RECLINE MECHANISM L.H.	1	P
36	Call order desk	BRACKET ASSY ARMREST SUPPORT R.H.	1	P
37	Call order desk	BRACKET CUSHION PIVOT L.H.	1	P
38	Call order desk	COVER RECLINE STOP	4	P
39	Call order desk	SCREW MA OV PH #8x5/8	4	P
40	Call order desk	HANDLE	1	P
41	Call order desk	SCREW CAP HEX 5/16-18x1.00	2	P
42	Call order desk	NUT, TRACK ATTACHMENT	2	P

From 7-8754	Date:01/2024	PAGE:X3-1826-10
-------------	--------------	-----------------

PASSENGER'S SEAT - "NATIONAL" - 4209 & 4210 - SLIDING & FLIP-UP

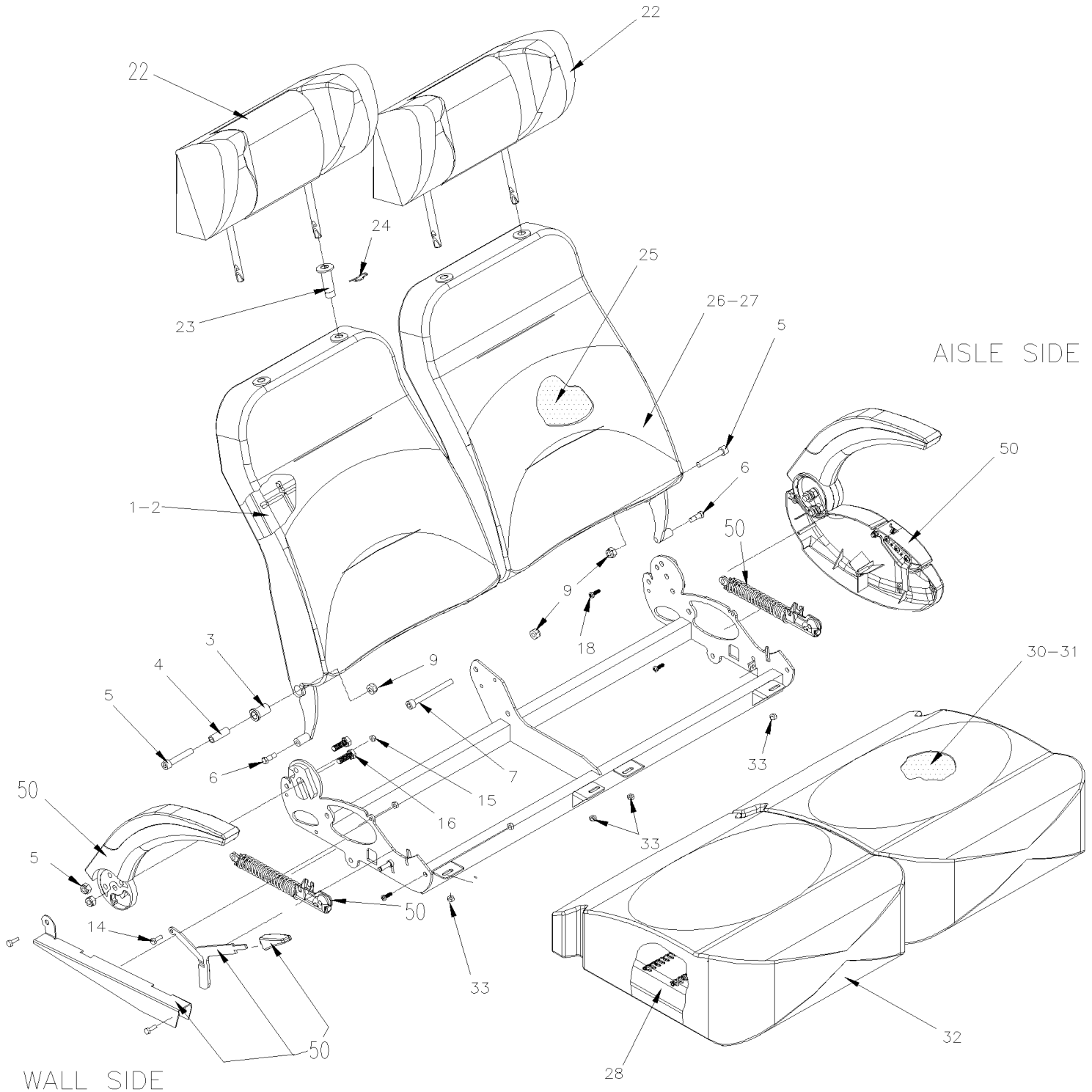
Item#	Part	Description	QTY	Notes
43	Call order desk	PLATE CUSHION COUPLING	1	P
44	Call order desk	GROMMET	1	P
45	Call order desk	CUSHION COVER 4210A L.H.	1	P
46	Call order desk	CUSHION COVER 4210A R.H.	1	P
47	Call order desk	CUSHION POLY - L.H. SAFEGUARD	1	P
48	Call order desk	CUSHION POLY - R.H. SAFEGUARD	1	P
49	Call order desk	CUSHION FRAME ASSY	2	P
50	Call order desk	PAN SEAT BOTTOM	2	P
51	Call order desk	SCREW 5/16-18x1 1/4	8	P
52	Call order desk	NUT LOCK 5/6-18	4	P
53	Call order desk	SCREW CAP HEX 3/8-16x1 1/4	4	P
54	863770	HEADREST POLY - FLAT - 4210 LOW BACK	2	
55	860186	SPRING CLIP - HEADREST - 4210	4	
		P) CALL ORDER DESK FOR SPECIFIC APPLICATION (V.I.N.)		

From 7-8754

Date:01/2024

PAGE:X3-1826-11

PASSENGER'S SEAT - "AMAYA" "TORINO" WITH 3 POINTS

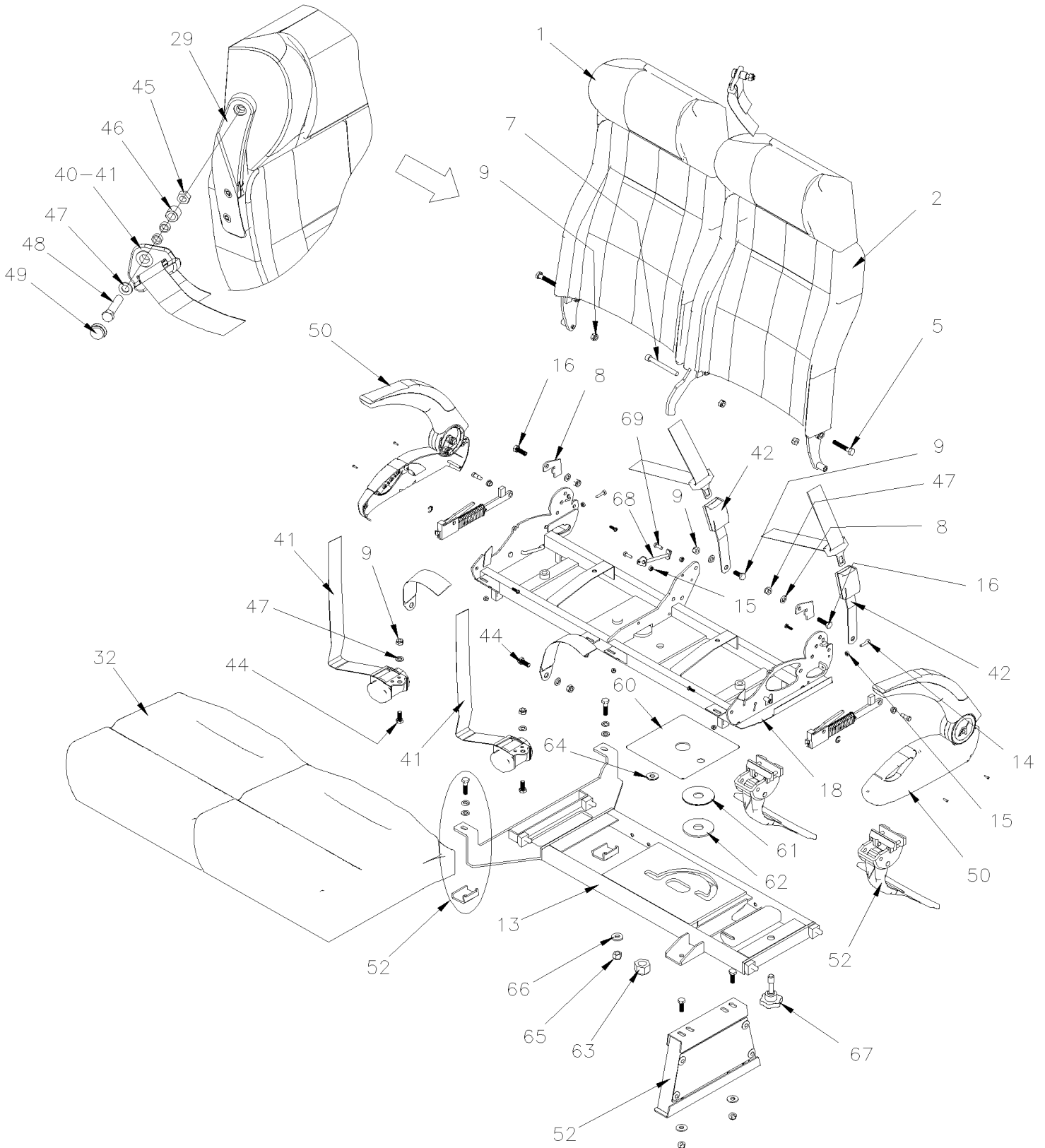


From 7-8754

Date:01/2024

PAGE:X3-1826-11

PASSENGER'S SEAT - "AMAYA" "TORINO" WITH 3 POINTS



From 7-8754	Date:01/2024	PAGE:X3-1826-11
-------------	--------------	-----------------

PASSENGER'S SEAT - "AMAYA" "TORINO" WITH 3 POINTS

Item#	Part	Description	QTY	Notes
		IMPORTANT NOTE:		
		TO ORDER COMPLETE PASSENGER'S SEAT KIT #,		
		SEE THE FINAL VEHICLE RECORD.		
1	Call order desk	BACKREST ASSY R.H. / WSIGLUM TORO	1	P
1	868500	. BACKREST STRUCTURE R.H. / WSIGLUM TORO	1	
1	Call order desk	BACKREST ASSY R.H. / WSIGLUM TORINO	1	P
1	Call order desk	. BACKREST STRUCTURE R.H. / WSIGLUM TORINO	1	P
1	Call order desk	BACKREST L.H. "TORINO VT" STD & rev		P
2	Call order desk	BACKREST ASSY L.H. / WSIGLUM TORO	1	P
2	Call order desk	. BACKREST STRUCTURE L.H. / W/SIGLUM TORO	1	P
2	Call order desk	BACKREST ASSY L.H. / WSIGLUM TORINO	1	P
2	Call order desk	. BACKREST STRUCTURE L.H. / W/SIGLUM TORINO	1	P
2	Call order desk	BACKREST R.H. "TORINO VT" STD & rev	1	P
3	Call order desk	. . INSIDE METAL BUSHING	1	P
4	865560	. . BUSHING HYTREL	1	
5	70314705	SCREW CAP HEXS M10-1.5x60 G8.8 ZP	2	
6	5001132	SCREW CAP HEX 5/16-18x7/8 G5 Z050	2	
7	502765	SCREW CAP HEXS M10-1.5x100 G8.8 PT ZP	1	
8	Call order desk	HY-LO BOLT M6-1.0x23	2	P
9	5001570	NUT HEX NYRT M10-1.5 Z050	5	
10	11500930	SCREW CAP HEX M10-1.5x30 G8.8 PHC	2	
11		STRUCTURE L.H.	1	
		STRUCTURE R.H.		
12	Call order desk	SEAT FRAME SUPERIOR / "TORINO" W/REVERSIBLE SEAT	1	P
13	Call order desk	SEAT FRAME INFERIOR BASE W/REVERSIBLE SEAT	1	P
14	9415477	SCREW CAP HEX 1/4-20x3/4 ZP	2	
14	500165	SCREW CAP HEX 1/4-20x1 G5 Z050	2	
15	500769	NUT HEX 1/4-20 Z050	3	
16	11500930	SCREW CAP HEX M10-1.5x30 G8.8 PHC	2	
16	502549	SCREW CAP HEX M10-1.5x35 G8.8 Z050	2	
17	500256	NUT HEX M10-1.5 Z050	4	
18	500829	SCREW CAP HEX M10-1.5x40 G8.8	2	
19	7770173	STOPPER 6" RECLINING (3 pos)	2	
19	7770172	RECLINING STOP 2 STEP w/reversible seat	2	
20	Call order desk	STRUCTURE R.H.	1	P
20	Call order desk	STRUCTURE L.H.	1	P
21	Call order desk	HEADREST FOAM / TYPE "TORO"	1	P
NS	Call order desk	COVERING HEADREST ASSY "TORO" S.C.C.	1	P
22	864858	HEADREST FOAM / TYPE "TORINO"	1	
NS	864861	COVERING HEADREST ASSY "TORINO" S.C.C.	1	
23	864810	GUIDE SLIDING	2	

From 7-8754		Date:01/2024	PAGE:X3-1826-11
PASSENGER'S SEAT - "AMAYA" "TORINO" WITH 3 POINTS			

Item#	Part	Description	QTY	Notes
24	866204	BACKREST CLIP	2	
25	Call order desk	BACKREST FOAM / W/SIGLUM TORO S.C.C.	2	P
25	867774	BACKREST FOAM / W/SIGLUM TORINO S.C.C.	2	
26	867775	BACKREST TUFTING WIRE	4	
27	Call order desk	COVERING BACKREST ASSY "TORO" S.C.C.	2	P
27	Call order desk	COVERING BACKREST ASSY "TORINO" S.C.C.	2	P
28	860108	SEAT CUSHION FRAME	2	
29	860011	SEAT BELT SUPPORT, CURB SIDE	1	
29	860012	SEAT BELT SUPPORT, STREET SIDE	1	
30	865360	CUSHION FOAM	2	
31	861716	CUSHION TUFTING WIRE	2	
32	Call order desk	COVERING CUSHION ASSY S.C.C.	2	P
33	502716	NUT HEX NYRT 1/4-20	4	
NS	864217	GUIDE SEAT BELT FOR RH DOUBLE SEAT / FIX TO SEAT BACKREST	1	
NS	864216	GUIDE SEAT BELT FOR LH DOUBLE SEAT / FIX TO SEAT BACKREST	1	
40	864114	SEAT BELT AISLE SIDE	1	
NS	867885	BUSHING 16MM	1	
40	865277	SEAT BELT REAR CROSS SEAT 3 PASSENGER	1	
41	864115	SEAT BELT WINDOW SIDE	1	
NS	864622	EXTENSION SEAT BELT 30cm	AR	
NS	864623	EXTENSION SEAT BELT 50cm	AR	
42	864349	BUCKLE FEMALE	1	
43	864349	BUCKLE FEMALE	1	
44	Call order desk	SCREW CAP HEX 10x25	2	P
45	865521	SCREW CAP HEX 7/16-20x1 G8	2	
46	Call order desk	BUSHING SAFETY BELT	2	P
47	860294	WASHER	2	
48	860280	SCREW BUT HEXS M10-1.5x50MM	2	
49	865220	TORINO 7/16 CAP	2	
50	X3-1826-54	ARMREST PASSENGER'S SEAT - "AMAYA" WITH "TORINO" & "TORINO V.I.P."		
51	X3-1826-60	ACCESSORIES PASSENGER'S SEAT - "AMAYA"		
52	X3-1826-41	PASSENGER'S SEAT - "AMAYA" - FOOTREST & PEDESTAL		
	Call order desk			P
60	Call order desk	BASE NYLON RECTAGULAR	1	P
61	Call order desk	WASHER NYLON ROTATING	1	P
62	Call order desk	WASHER FLAT ST ROTATING	1	P
63	Call order desk	NUT SPECIAL CENTER ROTATING	1	P
64	Call order desk	WASHER NYLON INDEX LOCK	1	P
65	Call order desk	NUT ½	1	P
66	Call order desk	WASHER FLAT ST INDEX LOCK	1	P
67	864119	KNOB / ROTATING SEAT	1	

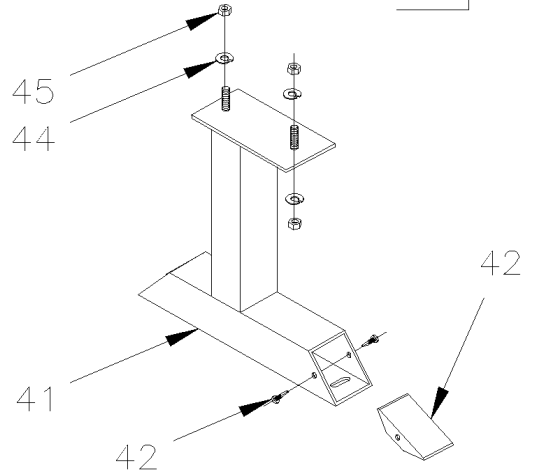
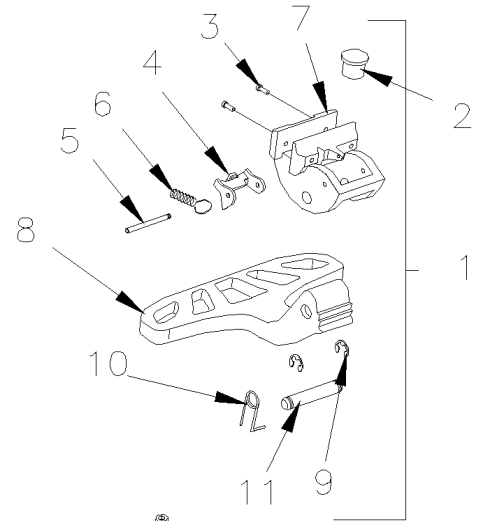
From 7-8754	Date:01/2024	PAGE:X3-1826-11
-------------	--------------	-----------------

PASSENGER'S SEAT - "AMAYA" "TORINO" WITH 3 POINTS

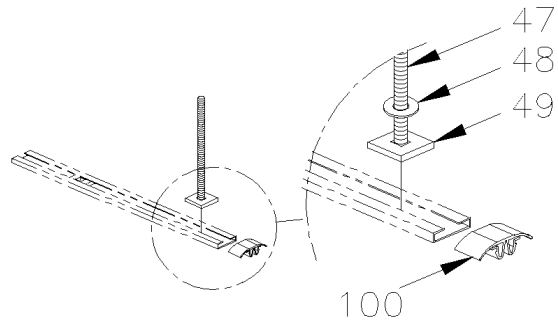
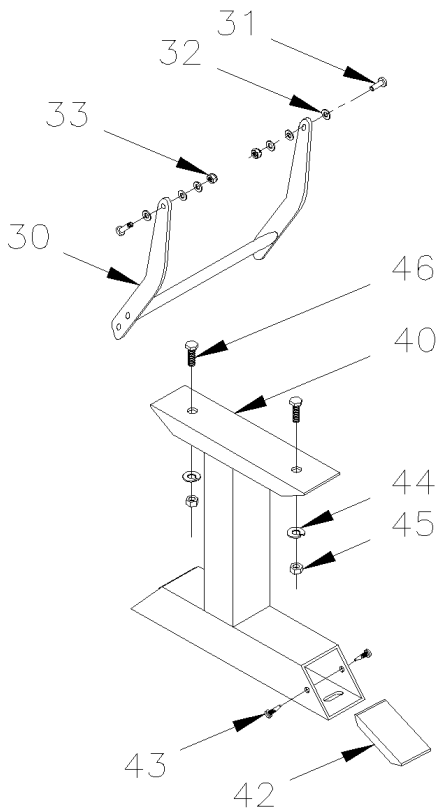
Item#	Part	Description	QTY	Notes
68	Call order desk	REVERSIBLE MOUNTING RETURN	1	P
69	5001515	SCREW CAP HEX 1/4-20x3/4 G8 Z050	2	
		P) CALL ORDER DESK FOR SPECIFIC APPLICATION (V.I.N.)		

PASSENGER'S SEAT - "AMAYA" - FOOTREST & PEDESTAL

FOOTREST GAUDI



FOOTREST STD



From 7-8754		Date:01/2024	PAGE:X3-1826-40
-------------	--	--------------	-----------------

PASSENGER'S SEAT - "AMAYA" - FOOTREST & PEDESTAL

Item#	Part	Description	QTY	Notes
1	862224	FOOTREST ASSY W/SPRING / "GAUDI" / ALUMINUM	1	
1	867725	FOOTREST ASSY W/AUTOMATIC RETURN / "STELAM" / PLASTIC	1	
1	862714	FOOTREST ASSY W/SPRING / "SIGLIUM" / PLASTIC	1	B
2	N.S.S.	. RUBBER BUMPER	1	1
3	N.S.S.	. SCREW CAP HEXS M8-1.25x50 SS	2	1
4	N.S.S.	. STOPPER	1	1
5	N.S.S.	. STOPPER AXLE	1	1
6	N.S.S.	. SPRING	1	1
7	N.S.S.	. FOOTREST SUPPORT	1	1
8	N.S.S.	. FOOTREST	1	1
9	N.S.S.	. RETAINING RING	2	1
10	N.S.S.	. SPRING	1	1
11	N.S.S.	. FOOTREST AXLE	1	1
30	863814	FOOTREST STANDARD 10" L x 9" U	1	
31	Call order desk	BOLT SPECIAL M8-1.25 x10	2	P
32	500441	WASHER FL .312x.734x.065 Z050	2	
33	500868	NUT HEX NYRT M8-1.25 Z050	2	
40	860116	PEDESTAL ASSY / W STD FOOTREST	1	
40	866199	PEDESTAL ASSY / W STD FOOTREST W/TORINO	1	
41	Call order desk	PEDESTAL ASSY / W GAUDI FOOTREST	1	P
41	Call order desk	PEDESTAL ASSY / W GAUDI FOOTREST	1	P
41	Call order desk	PEDESTAL ASSY / W GAUDI FOOTREST / W/REVERSIBLE "GAUDI" HR	1	P
41	Call order desk	PEDESTAL ASSY / W GAUDI FOOTREST / W/REVERSIBLE "GAUDI" SC	1	P
41	Call order desk	PEDESTAL ASSY / W GAUDI FLIP-UP SLIDE	1	P
42	862585	PEDESTAL CAP / BLACK	2	
. NS	864028	. CLIP CHRISTMAS TREE / BLACK 11MM O.D. x17MM HOLE 4MM	2	
42	863907	PEDESTAL CAP / GREY	2	
. NS	864029	. CLIP CHRISTMAS TREE / GREY 11MM O.D. x17MM HOLE 4MM	2	
42	865687	PEDESTAL CAP / TORINO	2	
43	864028	. CLIP CHRISTMAS TREE / BLACK 11MM O.D. x17MM HOLE 4MM	2	
44	866243	PRESSURE WASHER 7/16" 10MM	1	
45	500256	NUT HEX M10-1.5 Z050 To 9-9642	2	
46	5001526	SCREW CAP HEX M16-2.0x45 G10.9 DP To 9-9642	2	
47	500305	SCREW CAP HEX 3/8-16x7/8 G5 Z050 To 9-9642	2	
47	5001735	SCREW CAP HEX 7/16-20x1 3/4 G8 G500 From 9-9643	3	
48	500478	WASHER LO SPT .380x.683x.094 Z050 To 9-9642	2	
48	500897	WASHER FL .437x1.000x.083 N500 From 9-9643	3	
49	362627	PLATE ANCHOR / 3/8-16 BOLT INSIDE TRACK / 1 1/4" X 1 1/4" To 9-9642	AR	
49	364271	BLOCK ANCHOR / 29MM INSIDE / 35MM x 50MM x 25MM Height PROTO From 8-9614 To 8-9614	AR	
NS	364271	BLOCK ANCHOR / 29MM INSIDE / 35MM x 50MM x 25MM Height PROTO From 8-9626 To 8-9626	AR	
NS	364274	BLOCK ANCHOR / 26.8MM INSIDE / 35MM x 50MM x 19MM Height PROTO From 8-9614 To 8-9614	AR	
49	364274	BLOCK ANCHOR / 26.8MM INSIDE / 35MM x 50MM x 19MM Height PROTO From 8-9626 To 8-9626	AR	

From 7-8754	Date:01/2024	PAGE:X3-1826-40
-------------	--------------	-----------------

PASSENGER'S SEAT - "AMAYA" - FOOTREST & PEDESTAL

Item#	Part	Description	QTY	Notes
49	364272	BLOCK ANCHOR / 26.8MM INSIDE / 35MM x 50MM x 19MM Height From 9-9643	3	
NS	5001734	NUT HEX 7/16-20 G8 N500 From 9-9643	AR	
NS	866108	ATTACHMENT NUT / "U" SHAPE TO FIX SEAT TO WALL TRACK	1	
100	323654	SEAT TRACK COVER 12' / EACH SEAT / W/COVERING FLOOR To 9-9642	AR	
100	323963	SEAT TRACK COVER 8' / EACH SEAT / W/COVERING FLOOR To 9-9642	AR	
100	329689	SEAT TRACK COVER 12' / EACH SEAT / W/COVERING FLOOR From 9-9643	AR	
100	329896	SEAT TRACK COVER 12' / EACH SEAT / W/COVERING FLOOR PROTO From 9-9614 To 9-9614	AR	
100	329896	SEAT TRACK COVER 12' / EACH SEAT / W/COVERING FLOOR PROTO From 9-9626 To 9-9626	AR	
		B) THIS MODEL HAVE FOOTREST SUPPORT DIFFER THAN PICTURE		
		1) NOT SOLD SEPARATELY		
		P) CALL ORDER DESK FOR SPECIFIC APPLICATION (V.I.N.)		

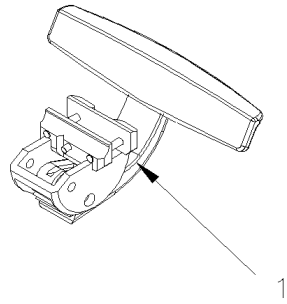
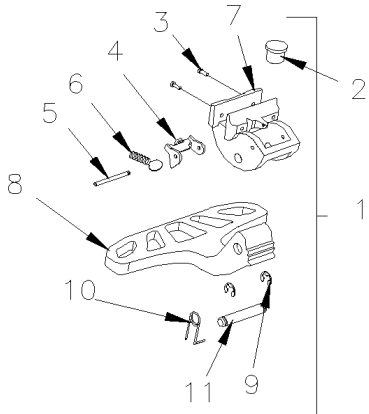
From 7-8754

Date:01/2024

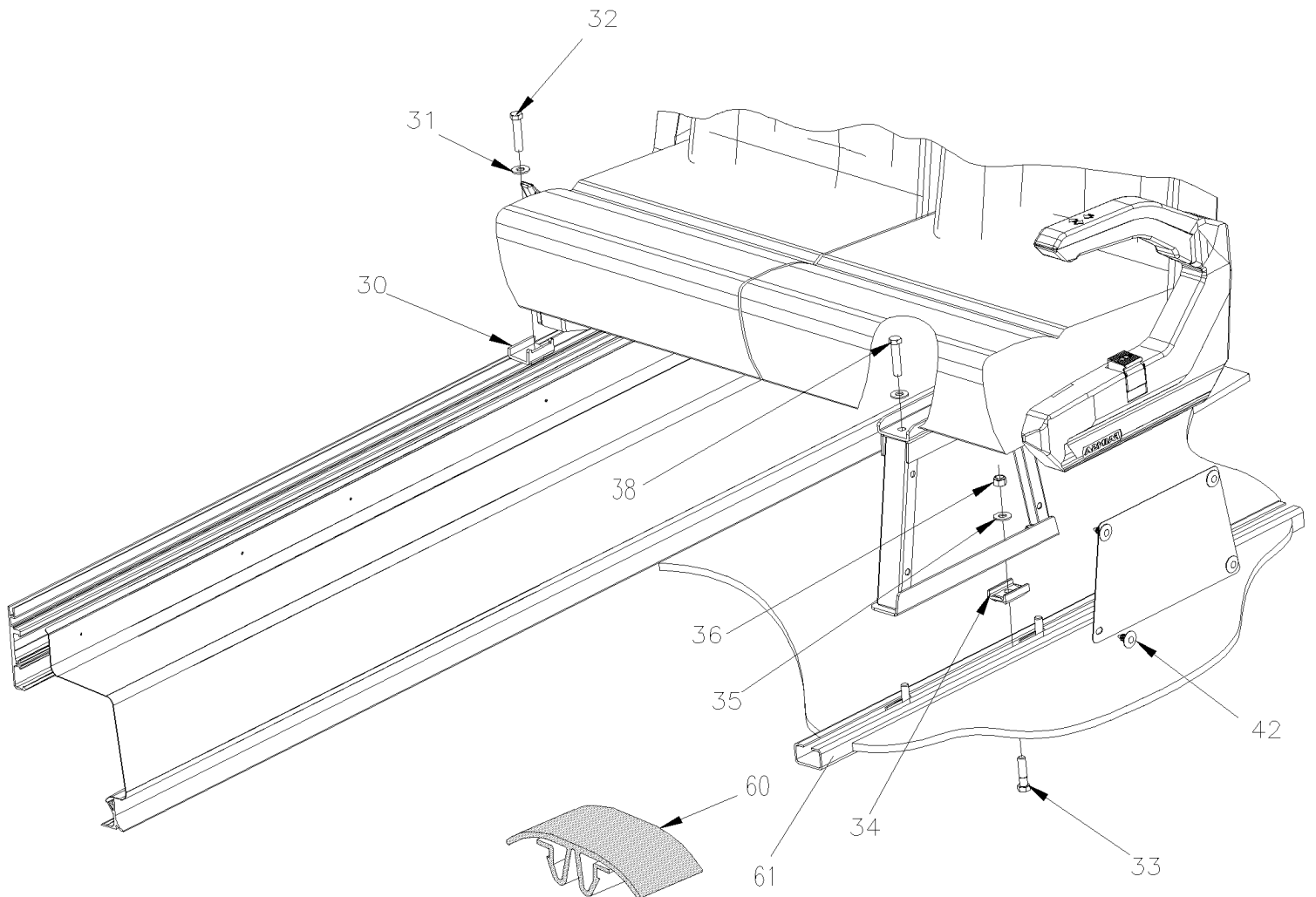
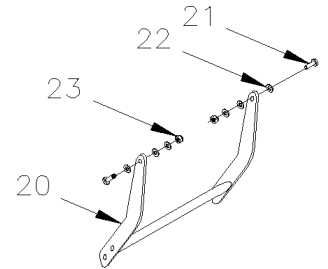
PAGE:X3-1826-41

PASSENGER'S SEAT - "AMAYA" - FOOTREST & PEDESTAL

FOOTREST WITH SPRING



FOOTREST STANDARD

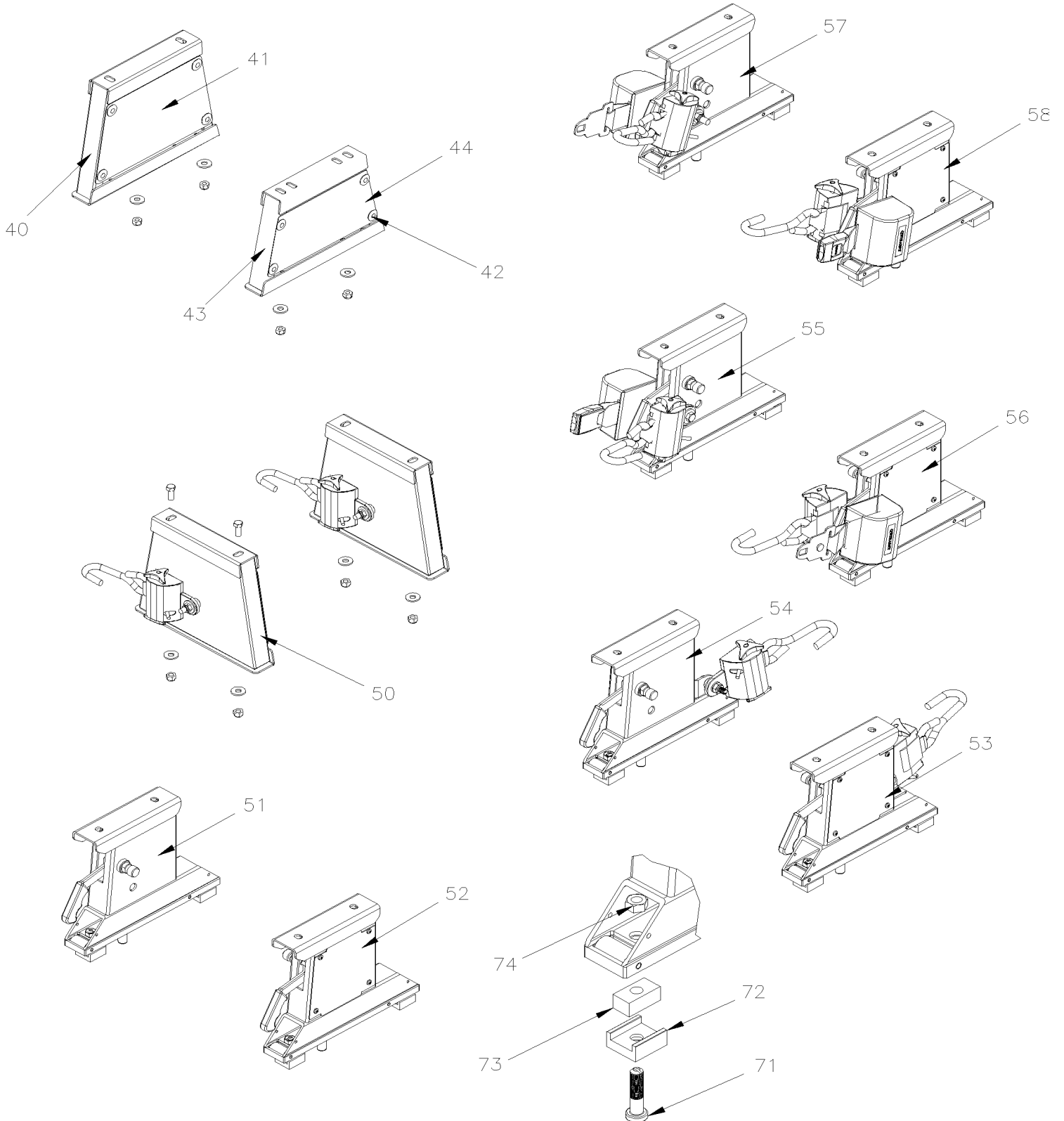


From 7-8754

Date:01/2024

PAGE:X3-1826-41

PASSENGER'S SEAT - "AMAYA" - FOOTREST & PEDESTAL



From 7-8754	Date:01/2024	PAGE:X3-1826-41
-------------	--------------	-----------------

PASSENGER'S SEAT - "AMAYA" - FOOTREST & PEDESTAL

Item#	Part	Description	QTY	Notes
1	862224	FOOTREST ASSY W/SPRING / "GAUDI" / ALUMINUM	1	
1	867725	FOOTREST ASSY W/AUTOMATIC RETURN / "STELAM" / PLASTIC	1	C
1	863995	FOOTREST ASSY W/SPRING / "GALA" / PLASTIC	1	
1	862714	FOOTREST ASSY W/SPRING / "SIGLIUM" / PLASTIC 608-624N	1	B
1	860157	FOOTREST W/O AUTOMATIC RETURN / "A-220"	1	
. NS	860097	. FOOTREST / "A-220" BOOMER TPYE	1	
1	860141	FOOTREST ASSY W/AUTOMATIC RETURN / "STELAM" STELAM TYPE		
2	N.S.S.	. RUBBER BUMPER	1	1
3	N.S.S.	. SCREW CAP HEXS M8-1.25x50 SS	2	1
4	N.S.S.	. STOPPER	1	1
5	N.S.S.	. STOPPER AXLE	1	1
6	N.S.S.	. SPRING	1	1
7	N.S.S.	. FOOTREST SUPPORT	1	1
8	N.S.S.	. FOOTREST	1	1
9	N.S.S.	. RETAINING RING	2	1
10	N.S.S.	. SPRING	1	1
11	N.S.S.	. FOOTREST AXLE	1	1
20	863814	FOOTREST STANDARD 10" L x 9" U N-1500	1	
20	863982	FOOTREST STANDARD X" L x Y" U H-1500	1	
21	Call order desk	BOLT SPECIAL M8-1.25 x10	2	P
22	500441	WASHER FL .312x.734x.065 Z050	2	
23	500868	NUT HEX NYRT M8-1.25 Z050	2	
30	865466	ATTACHMENT NUT / "L" SHAPE TO FIX SEAT TO WALL TRACK	2	
30	865336	ATTACHMENT NUT / "L" SHAPE TO FIX SEAT TO WALL TRACK TORINO	2	
30	861714	ATTACHMENT NUT / "U" SHAPE TO FIX SEAT TO WALL TRACK	2	
31	866243	PRESSURE WASHER 7/16" 10MM	2	
32	502549	SCREW CAP HEX M10-1.5x35 G8.8 Z050	2	
33	5001735	SCREW CAP HEX 7/16-20x1 3/4 G8 G500	3	
34	364272	BLOCK ANCHOR / 26.8MM INSIDE / 35MM x 50MM x 19MM Height	3	
35	500897	WASHER FL .437x1.000x.083 N500	3	
36	5001734	NUT HEX 7/16-20 G8 N500	3	
38	868271	SCREW CAP HEX 7/16-20x1 1/4 G8 GREYHOUND	2	
38	865465	WASHER FL / 7/16	2	
38	865521	SCREW CAP HEX 7/16-20x1 G8	2	
38	Call order desk	SCREW CAP HEX M10-1.5 x30MM torino rev	2	P
	Call order desk			P
40	Call order desk	PEDESTAL ASSY / W STD SEAT	1	P
40	Call order desk	PEDESTAL ASSY / W STD SEAT GREYHOUND	1	P
40	Call order desk	PEDESTAL ASSY / W STD SEAT W/ A-2TEN / A-220 / GTT	1	P
40	Call order desk	PEDESTAL ASSY / W FLIP-UP W/ A-2TEN	1	P

From 7-8754	Date:01/2024	PAGE:X3-1826-41
-------------	--------------	-----------------

PASSENGER'S SEAT - "AMAYA" - FOOTREST & PEDESTAL

Item#	Part	Description	QTY	Notes
40	866146	PEDESTAL ASSY / W STD SEAT W/ TORINO	1	
41	865297	COVER PEDESTAL W/"TORINO", A-2TEN, A-220, GTT	1	
41	861715	COVER PEDESTAL W/"BRASIL" TORINO	1	
42	864368	SCREW 3/8 PLASTIC	4	
43	Call order desk	PEDESTAL ASSY / W REVERSIBLE SEAT "TORINO"	1	P
43	Call order desk	PEDESTAL ASSY / W REVERSIBLE SEAT "BRASIL"	1	P
43	Call order desk	PEDESTAL ASSY / W REVERSIBLE SEAT "A-2TEN"	1	P
44	Call order desk	COVER PEDESTAL W/REVERSIBLE SEAT	1	P
44	865297	COVER PEDESTAL W/"TORINO", A-2TEN, A-220, GTT	1	
45	864119	KNOB / ROTATING SEAT	1	
50	Call order desk	PEDESTAL ASSY / STD W/1 SEAT BELT HOOK BACKWARD	2	P
51	865092	PEDESTAL ASSY R.H. TRACK	1	
. NS	865992	. COVER HANDLE RED	1	
51	865066	PEDESTAL ASSY R.H. TRACK W/BRASIL	1	
. NS	865992	. COVER HANDLE RED	1	
51	865069	PEDESTAL ASSY R.H. TRACK W/TORINO G & A-2TEN	1	
. NS	865992	. COVER HANDLE RED	1	
52	865121	PEDESTAL ASSY L.H. TRACK	1	
. NS	865992	. COVER HANDLE RED	1	
52	865067	PEDESTAL ASSY L.H. TRACK W/BRASIL	1	
. NS	865992	. COVER HANDLE RED	1	
52	865068	PEDESTAL ASSY L.H. TRACK W/TORINO G & A-2TEN	1	
. NS	865992	. COVER HANDLE RED	1	
53	864461	PEDESTAL ASSY L.H. TRACK 1 SEAT BELT HOOK BACKWARD	1	
. NS	865992	. COVER HANDLE RED	1	
54	864698	PEDESTAL ASSY R.H. TRACK 1 SEAT BELT HOOK BACKWARD	1	
. NS	865992	. COVER HANDLE RED	1	
55	864960	PEDESTAL ASSY R.H. TRACK 2 SEATS BELT FORWARD 38"	1	
. NS	865992	. COVER HANDLE RED	1	
56	864621	PEDESTAL ASSY L.H. TRACK 2 SEATS BELT FORWARD 38"	1	
. NS	865992	. COVER HANDLE RED	1	
57	860154	PEDESTAL ASSY R.H. TRACK 2 SEATS BELT FORWARD 40"	1	
. NS	865992	. COVER HANDLE RED	1	
58	860155	PEDESTAL ASSY L.H. TRACK 2 SEATS BELT FORWARD 40"	1	
. NS	865992	. COVER HANDLE RED	1	
NS	322246	SEAT STOPPER BLOCK 100MM x 31.75MM	AR	
NS	319994	SEAT STOPPER BLOCK 50MM x 31.75MM	AR	
NS	329177	SEAT STOPPER BLOCK 275MM x 31.75MM	AR	
60	329689	SEAT TRACK COVER 12' / EACH SEAT / W/COVERING FLOOR	AR	
61	X3-1838-01	FLOOR - BUS		

From 7-8754	Date:01/2024	PAGE:X3-1826-41
-------------	--------------	-----------------

PASSENGER'S SEAT - "AMAYA" - FOOTREST & PEDESTAL

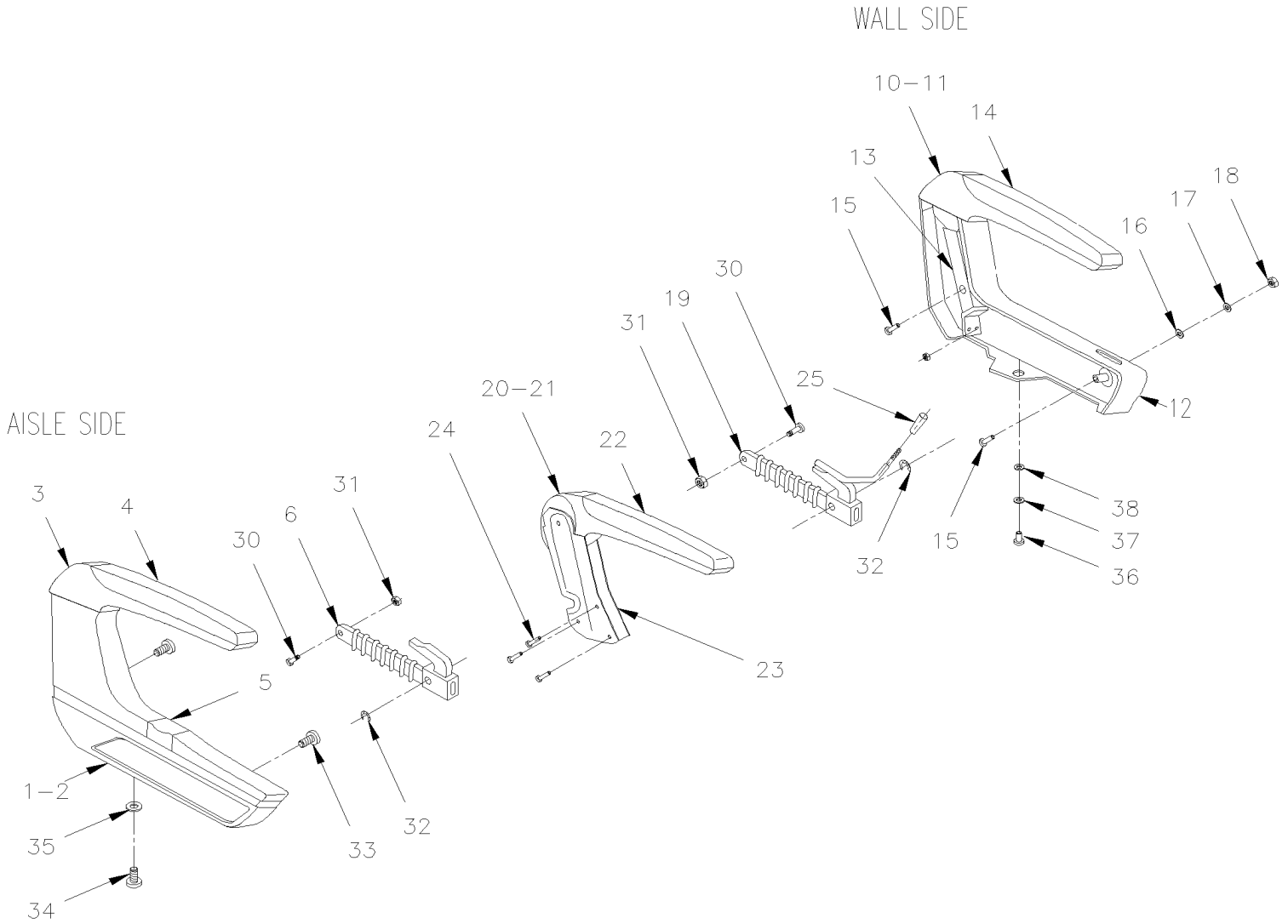
Item#	Part	Description	QTY	Notes
63	5001738	SCREW CAP HEX M8-1.25x30 G8.8 N500	2	
63	502549	SCREW CAP HEX M10-1.5x35 G8.8 Z050	AR	
64	323809	DECAL/ ARROW > SEAT POSITION 25MM x 35MM	1	
66	866243	PRESSURE WASHER 7/16" 10MM	1	
71	865064	PIN SUPPORT 7/16x54MM HEAD 19.5MM O.D	1	
71	860385	PIN SUPPORT 3/8X44MM HEAD 25.4MM O.D	1	
72	865063	INSIDE GUIDE	1	
73	865062	INSIDE SLIDE	1	
74	500709	NUT HEX 7/16-20 Z050	1	
		B) THIS MODEL HAS A DIFFERENT FOOTREST ATTACHMENT FROM THE PICTURE		
		C) ALSO USE WITH A2TEN SEAT		
		1) NOT SOLD SEPARATELY		
		P) CALL ORDER DESK FOR SPECIFIC APPLICATION (V.I.N.)		

From 7-8754

Date:01/2024

PAGE:X3-1826-50

ARMREST PASSENGER'S SEAT - "AMAYA" WITH "EUROTECH"



From 7-8754	Date:01/2024	PAGE:X3-1826-50
ARMREST PASSENGER'S SEAT - "AMAYA" WITH "EUROTECH"		

Item#	Part	Description	QTY	Notes
1	865740	ARMREST ASSY R.H.	1	
1	865741	ARMREST ASSY L.H.	1	
2	Call order desk	. ARMREST AISLE SUPPORT L.H.	1	P
2	867850	. ARMREST AISLE SUPPORT R.H.	1	
3	864847	. ARMREST AISLE FRAME L.H.	1	
3	864848	. ARMREST AISLE FRAME R.H.	1	
NS	865534	. AXLE BOLT (ARM PIVOT)	1	
NS	865533	. WASHER CON	1	
4	862939	. ARMREST COVER RUBBER	1	
NS	Call order desk	. BOLT 2.5X26	1	P
5	863361	. PUSH BUTTON	1	
5	863474	. TRACK BUTTON	1	
NS	863475	. SPRING BUTTON	1	
NS	863476	. STOPPER BUTTON	1	
6	862545	. RECLINING MECANISM AILSE SIDE	1	A
10	863645	ARMREST ASSY L.H. / WALL SIDE	1	
10	Call order desk	ARMREST ASSY R.H. / WALL SIDE	1	P
11	866006	. ARMREST WALL FRAME R.H.	1	
11	863381	. ARMREST WALL FRAME L.H.	1	
NS	Call order desk	. WASHER	1	P
NS	866005	. SCREW CAP HEXS M12x30	1	
12	862937	. ARMREST WALL SUPPORT R.H.	1	
12	867851	. ARMREST WALL SUPPORT L.H.	1	
13	863425	. ARMREST REINFORCEMENT	1	
14	862939	. ARMREST COVER RUBBER	1	
NS	Call order desk	. BOLT 2.5X26	1	P
15	Call order desk	. BOLT M8 X 50MM	1	P
15	Call order desk	. SCREW MA CHE PH M8-1.25x45	1	P
16	Call order desk	. WASHER FL 8.4	1	P
17	Call order desk	. WASHER LO INT 8.4	1	P
18	865483	. NUT HEX M8-1.25	1	
19	862218	RECLINING MECANISM WALL SIDE	1	B
20	862544	CENTER ARMREST ASSY / PAINTED ALUMINUM	1	
21	865357	. ARMREST CENTER	1	
NS	865533	. WASHER CON	2	
NS	860170	. BOLT MALE	1	
NS	Call order desk	. BOLT FEMALE	1	P
22	862939	. ARMREST COVER RUBBER	1	
23	Call order desk	. ARMREST CENTER SUPPORT	1	P
24	Call order desk	. SCREW MA CHE PH M6x15	1	P
25	862225	. KNOB W/ ROUND ROD INSERT MECHANISM (FORMER)	1	
25	864117	. KNOB W/SQUARE ROD INSERT MECHANISM (CURRENT)	1	

From 7-8754	Date:01/2024	PAGE:X3-1826-50
ARMREST PASSENGER'S SEAT - "AMAYA" WITH "EUROTECH"		

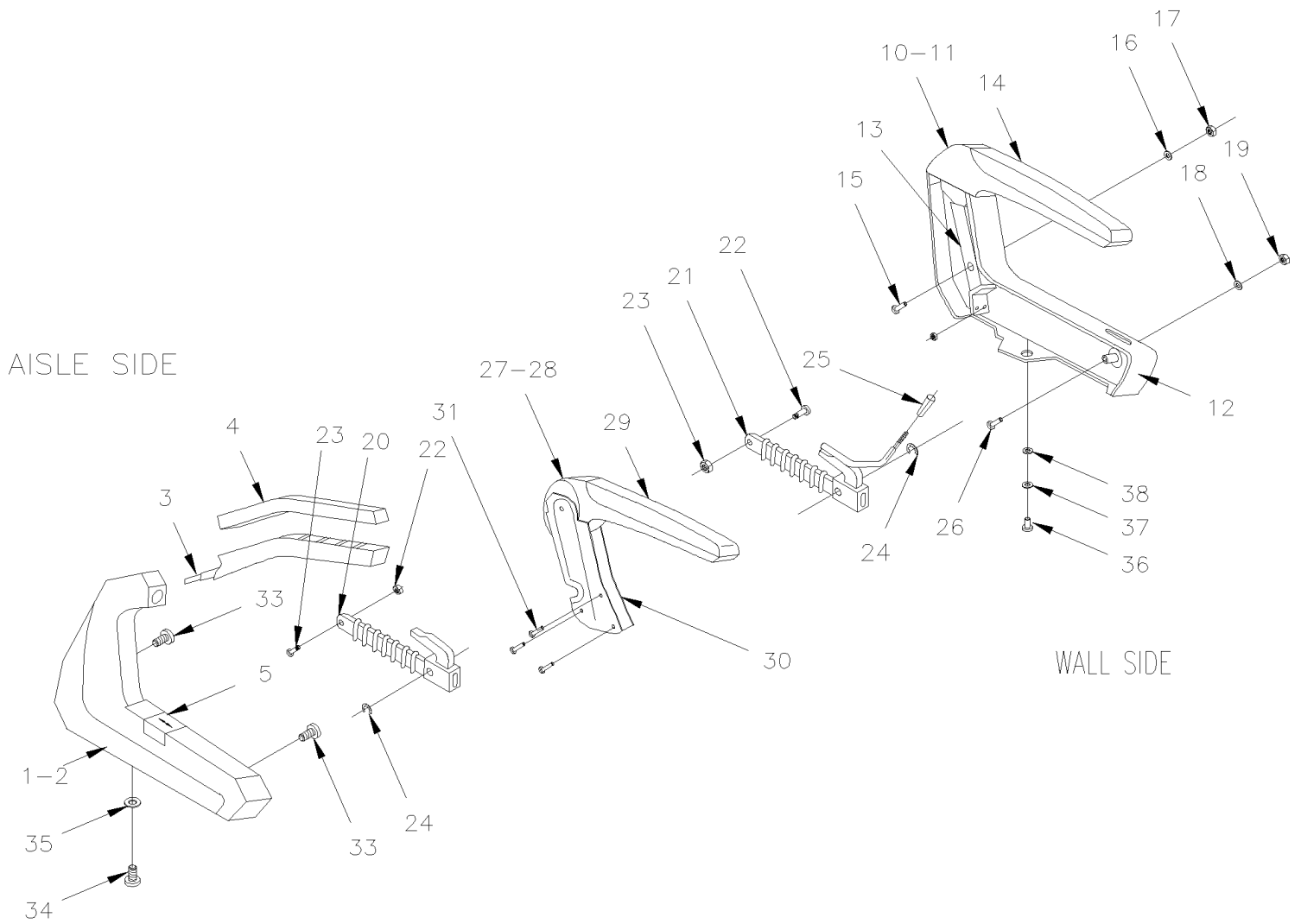
Item#	Part	Description	QTY	Notes
30	866248	BOLT SPECIAL FIXING	1	
31	500256	NUT HEX M10-1.5 Z050	1	
32	Call order desk	WASHER #9 DIN6799	1	P
33	Call order desk	SCREW OVAL HEAD M8-1.25x20	1	P
34	Call order desk	SCREW CAP HEXS M8x20	1	P
35	865515	WASHER FL 6.4	1	
36	Call order desk	SCREW BUT HEXS M6x10	1	P
37	Call order desk	PRESSURE WASHER	1	P
38	Call order desk	WASHER J6.4 DIN 125	1	P
		A) INCLUDE ITEMS # 30,31 & 32		
		B) INCLUDE ITEMS # 25, 30, 31 & 32		
		P) CALL ORDER DESK FOR SPECIFIC APPLICATION (V.I.N.)		

From 7-8754

Date:01/2024

PAGE:X3-1826-51

ARMREST PASSENGER'S SEAT - "AMAYA" WITH "BRASIL"



From 7-8754	Date:01/2024	PAGE:X3-1826-51
ARMREST PASSENGER'S SEAT - "AMAYA" WITH "BRASIL"		

Item#	Part	Description	QTY	Notes
1	863843	ARMREST ASSY R.H.	1	
1	863844	ARMREST ASSY L.H.	1	
1	862934	ARMREST ASSY L.H.	1	
2	867849	. ARMREST AISLE SUPPORT L.H.	1	
2	Call order desk	. ARMREST AISLE SUPPORT R.H.	1	P
3	860128	. ARMREST AISLE FRAME L.H.	1	
3	Call order desk	. ARMREST AISLE FRAME R.H.	1	P
NS	Call order desk	. ARMREST CLIP	1	P
NS	Call order desk	. FIBER ARMREST WASHER	1	P
4	863427	. ARMREST COVER AISLE	1	
5	863361	. PUSH BUTTON	1	
5	863474	. TRACK BUTTON	1	
NS	863475	. SPRING BUTTON	1	
NS	863476	. STOPPER BUTTON	1	
10	863645	ARMREST ASSY L.H. / WALL SIDE	1	
10	Call order desk	ARMREST ASSY R.H. / WALL SIDE	1	P
11	866006	. ARMREST WALL FRAME R.H.	1	
11	863381	. ARMREST WALL FRAME L.H.	1	
NS	Call order desk	. WASHER	1	P
NS	866005	. SCREW CAP HEXS M12x30	1	
12	862937	. ARMREST WALL SUPPORT R.H.	1	
12	867851	. ARMREST WALL SUPPORT L.H.	1	
13	863425	. ARMREST REINFORCEMENT	1	
14	862939	. ARMREST COVER RUBBER	1	
NS	Call order desk	. BOLT 2.5X26	1	P
15	500193	SCREW CAP HEX 3/8-16x1 1/2 G5 Z050	1	
16	500445	WASHER FL .437x1.000x.083 Z050	1	
17	500783	NUT HEX 3/8-16 Z050	1	
18	502507	WASHER LO SPT 8.1x14.8x2.0 Z050	1	
19	502543	NUT HEX M8-1.25 Z050	1	
20	862545	RECLINING MECANISM AILSE SIDE	1	
21	862218	RECLINING MECANISM WALL SIDE	1	
22	866248	. BOLT SPECIAL FIXING	1	
23	500256	. NUT HEX M10-1.5 Z050	1	
24	Call order desk	. SNAP RING	1	P
25	862225	. KNOB W/ ROUND ROD INSERT MECHANISM (FORMER)	1	
25	864117	. KNOB W/SQUARE ROD INSERT MECHANISM (CURRENT)	1	
26	865486	SCREW MA OV PH M8-1.25x35	1	
27	863743	CENTER ARMREST ASSY / PAINTED SILVER	1	
28	865357	. ARMREST CENTER	1	
NS	865533	. WASHER CON	2	
NS	860170	. BOLT MALE	1	

From 7-8754	Date:01/2024	PAGE:X3-1826-51
ARMREST PASSENGER'S SEAT - "AMAYA" WITH "BRASIL"		

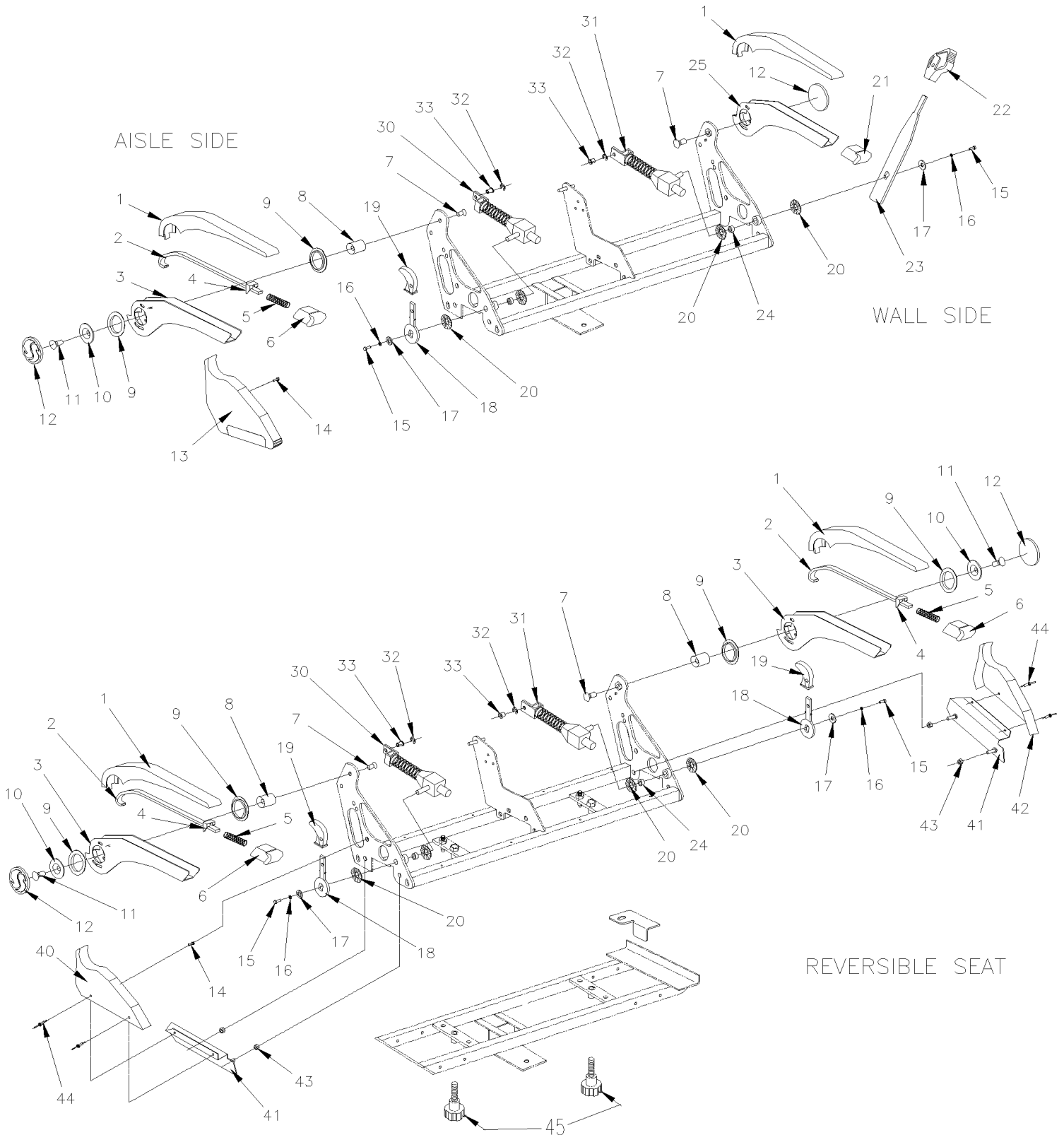
Item#	Part	Description	QTY	Notes
NS	Call order desk	. BOLT FEMALE	1	P
29	863539	. ARMREST COVER CENTER	1	
30	Call order desk	. ARMREST CENTER SUPPORT	1	P
31	Call order desk	SCREW MA CHE PH M6x15	1	P
33	Call order desk	SCREW OVAL HEAD M8-1.25x20	1	P
34	N32018	SCREW MA PAN PH M6-1.0x12 BKP	1	
35	865485	SCREW MA OV PH M8-1.25x25	1	
36	502806	SCREW MA FL PH M6-1.0x10 Z050	1	
37	Call order desk	PRESSURE WASHER	1	P
38	Call order desk	WASHER J6.4 DIN 125	1	P
		P) CALL ORDER DESK FOR SPECIFIC APPLICATION (V.I.N.)		

From 7-8754

Date:01/2024

PAGE:X3-1826-52

ARMREST PASSENGER'S SEAT - "AMAYA" WITH "GAUDI"



From 7-8754	Date:01/2024	PAGE:X3-1826-52
-------------	--------------	-----------------

ARMREST PASSENGER'S SEAT - "AMAYA" WITH "GAUDI"

Item#	Part	Description	QTY	Notes
	866091	ARMREST ASSY / AISLE SIDE / GAUDI	1	
1	864965	. ARMREST COVER	1	
2	Call order desk	. FOLD DOWN ARMREST LEVER	1	P
3	Call order desk	. AISLE ARMREST FRAME	1	P
4	Call order desk	. FOLD DOWN ARMREST STOPPER	1	P
5	Call order desk	. ARMREST SPRING	1	P
6	866078	. PUSH BUTTON	1	
7	864966	. BOLT M10x19MM	1	
8	Call order desk	. AXLE ARMREST	1	P
9	N.S.S.	. PLASTIC BUSHING	2	1
10	864974	. COVER	1	
11	864975	. BOLT M10X25MM	1	
12	864976	. ARMREST LOGO CAP R-7010	1	
13	864789	COVER AISLE SIDE W/L.H. SEAT	1	
13	864831	COVER AISLE SIDE W/R.H. SEAT	1	
14	Call order desk	BOLT 6.3x19	1	P
15	Call order desk	BOLT M6x15MM	1	P
16	Call order desk	WASHER B6.1 DIN 127	1	P
17	Call order desk	WASHER 6.4 DIN 9021	1	P
18	Call order desk	AISLE LEVER RECLINING	1	P
19	864093	KNOB RECLINING	1	
20	866260	UNSULATED WASHER	2	
21	Call order desk	BUTTON FIXED ARMREST	1	P
22	864094	KNOB WALL MECHANISM	1	
23	Call order desk	LEVER WALL MECHANISM	1	P
23	Call order desk	LEVER WALL MECHANISM (RIGHT SEAT ONLY) / W/"GAUDI" SC	1	P
24	Call order desk	BUSHING AXLE / W/"GAUDI" HR	1	P
24	865647	BUSHING AXLE / W/"GAUDI" SC	1	
25	Call order desk	WALL ARMREST FRAME	1	P
30	864045	RECLINING MECHANISM AISLE / W/"GAUDI" HR	1	
30	863881	RECLINING MECHANISM AISLE / W/"GAUDI" SC	1	
31	8611002	RECLINING MECHANISM WALL / W/"GAUDI" HR	1	
31	863882	RECLINING MECHANISM WALL / W/"GAUDI" SC	1	
32	Call order desk	WASHER #9 DIN6799	1	P
33	866260	UNSULATED WASHER	1	
40	Call order desk	COVER R.H. LATERAL W/REVERSIBLE SEAT	1	P
41	Call order desk	COVER LATERAL COMPLEMENT W/REVERSIBLE SEAT	2	P
42	864972	COVER L.H. LATERAL W/REVERSIBLE SEAT	1	
43	5001570	NUT HEX NYRT M10-1.5 Z050	4	
44	504108	RIVET POP DOME OE 1/8x1/2 AL	4	
45	862156	KNOB / ROTATING SEAT	2	

From 7-8754	Date:01/2024	PAGE:X3-1826-52
-------------	--------------	-----------------

ARMREST PASSENGER'S SEAT - "AMAYA" WITH "GAUDI"

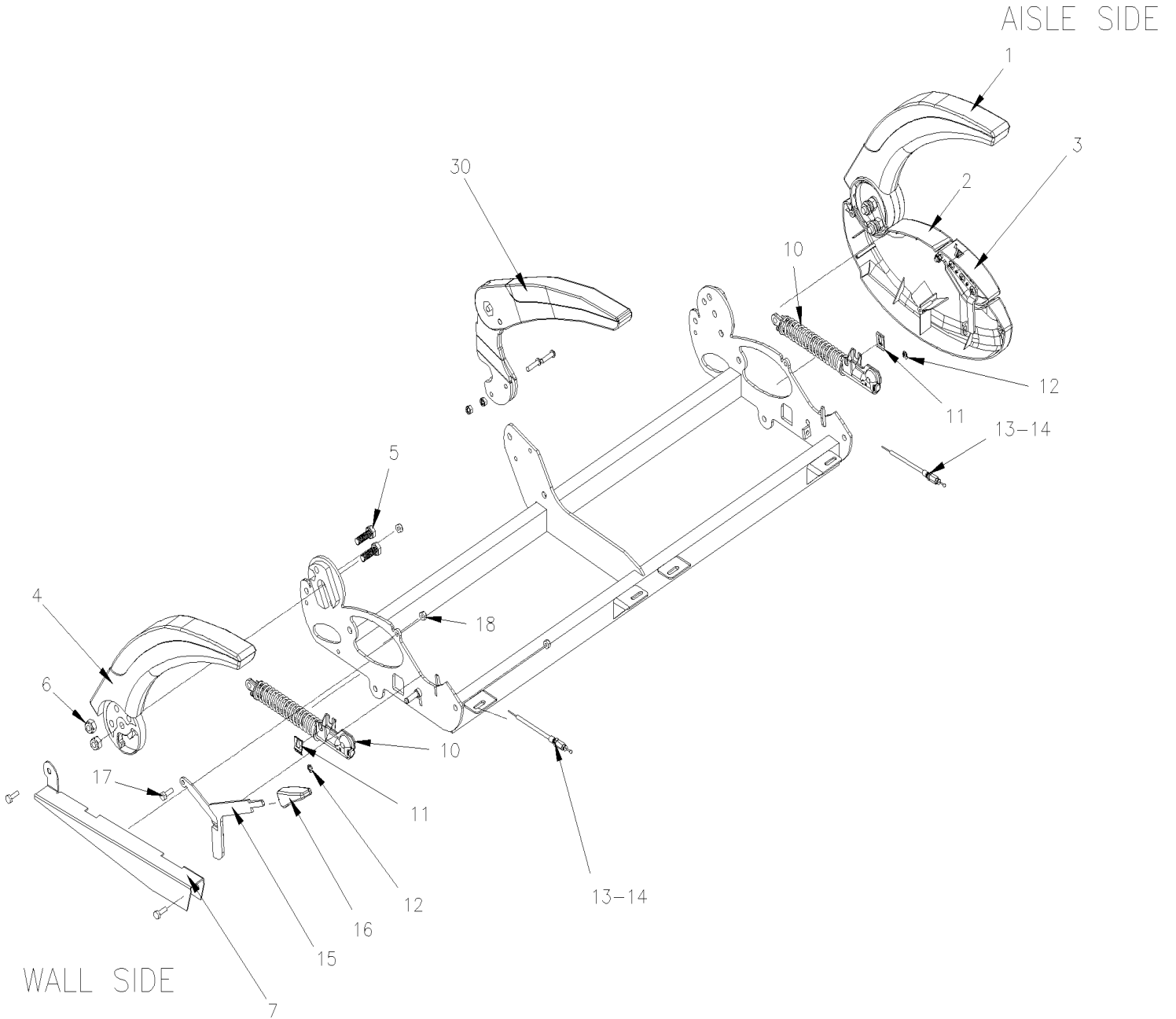
Item#	Part	Description	QTY	Notes
		1) NOT SOLD SEPARATELY		
		P) CALL ORDER DESK FOR SPECIFIC APPLICATION (V.I.N.)		

From 7-8754

Date:01/2024

PAGE:X3-1826-53

ARMREST PASSENGER'S SEAT - "AMAYA" WITH "SIGLIUM" TORO & TORINO



From 7-8754	Date:01/2024	PAGE:X3-1826-53
-------------	--------------	-----------------

ARMREST PASSENGER'S SEAT - "AMAYA" WITH "SIGLIUM" TORO & TORINO

Item#	Part	Description	QTY	Notes
		IMPORTANT NOTE:		
		TO ORDER COMPLETE PASSENGER'S SEAT KIT #,		
		SEE THE FINAL VEHICLE RECORD.		
	N.S.S.	ARMREST R.H. AISLE ASSY	1	1
. NS	863186	. ARMREST R.H.	1	
. . NS	Call order desk	. . ARMREST COVERING WOOD FINISHING	1	P
. . NS	866077	. . ARMREST COVERING DARK GREY	1	
. . NS	865378	. . ARMREST COVERING LIGHT GREY	1	
. . NS	860075	. . CAP WITH LOGO AMAYA	1	
. NS	864577	. COVER AISLE R.H.	1	
. NS	864588	. LEVER AISLE R.H.	1	
. NS	860075	. CAP WITH LOGO AMAYA	1	
	N.S.S.	ARMREST L.H. AISLE ASSY	1	1
. NS	864938	. ARMREST L.H.	1	
. . NS	Call order desk	. . ARMREST COVERING WOOD FINISHING	1	P
. . NS	866077	. . ARMREST COVERING DARK GREY	1	
. . NS	865378	. . ARMREST COVERING LIGHT GREY	1	
. . NS	860076	. . CAP WITH LOGO AMAYA	1	
. NS	864703	. COVER AISLE SIDE RH SEAT	1	
. NS	864589	. LEVER AISLE L.H.	1	
1	863186	. ARMREST R.H.	1	
. NS	Call order desk	. . ARMREST COVERING WOOD FINISHING	1	P
. NS	866077	. . ARMREST COVERING DARK GREY	1	
. NS	865378	. . ARMREST COVERING LIGHT GREY	1	
. NS	860075	. . CAP WITH LOGO AMAYA	1	
1	864938	. ARMREST L.H.	1	
. NS	Call order desk	. . ARMREST COVERING WOOD FINISHING	1	P
. NS	866077	. . ARMREST COVERING DARK GREY	1	
. NS	865378	. . ARMREST COVERING LIGHT GREY	1	
. NS	860076	. . CAP WITH LOGO AMAYA	1	
2	864577	. COVER AISLE R.H.	1	
2	864703	. COVER AISLE SIDE RH SEAT	1	
3	864588	. LEVER AISLE R.H.	1	
3	864589	. LEVER AISLE L.H.	1	
4	865070	ARMREST R.H. WINDOW SIDE	1	
5	11500930	SCREW CAP HEX M10-1.5x30 G8.8 PHC	2	
6	500256	NUT HEX M10-1.5 Z050	2	
7	Call order desk	COVER MECHANISC R.H.	1	P
7	Call order desk	COVER MECHANISC L.H.	1	P
10	863405	CYLINDER R.H.	1	

From 7-8754	Date:01/2024	PAGE:X3-1826-53
-------------	--------------	-----------------

ARMREST PASSENGER'S SEAT - "AMAYA" WITH "SIGLIUM" TORO & TORINO

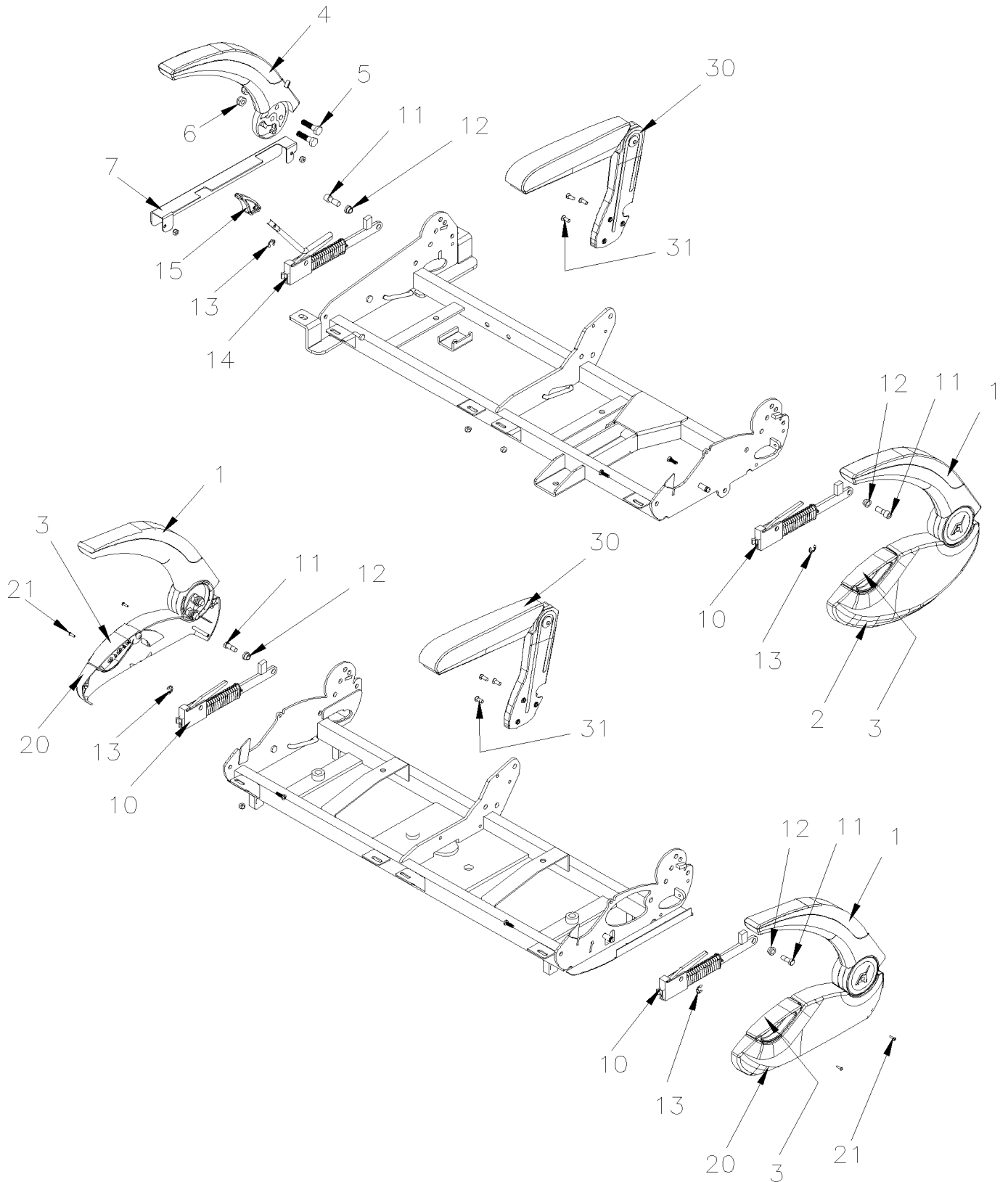
Item#	Part	Description	QTY	Notes
10	863406	CYLINDER L.H.	1	
11	861486	CLIP / WIRE RETAINER	2	
12	865696	CLIP	1	
13	863407	CABLE	2	
14	500690	NUT HEX NYRT 1/4-28 Z050	2	
15	863413	RECLINING LEVEL L.H. WINDOW	1	
15	863414	RECLINING LEVEL R.H. WINDOW	1	
16	863356	KNOB LEVER L.H. WINDOW	1	
16	863357	KNOB LEVER R.H. WINDOW	1	
17	9415477	SCREW CAP HEX 1/4-20x3/4 ZP	1	
18	500769	NUT HEX 1/4-20 Z050	1	
30	864072	ARMREST CENTRAL ASSY / LIGHT GREY	1	
. NS	865995	. BOLT	1	
. NS	865996	. BUSHING	1	
. NS	866240	. ARMREST COVERING LIGHT GREY	1	
30	865104	ARMREST CENTRAL ASSY	1	
. NS	866240	. ARMREST COVERING LIGHT GREY	1	
40	Call order desk	ARMREST WINDOW	1	P
		1) NOT SOLD SEPARATELY		
		P) CALL ORDER DESK FOR SPECIFIC APPLICATION (V.I.N.)		
		P) CALL ORDER DESK FOR SPECIFIC APPLICATION (V.I.N.)		

From 7-8754

Date:01/2024

PAGE:X3-1826-54

ARMREST PASSENGER'S SEAT - "AMAYA" WITH "TORINO" & "TORINO V.I.P."



From 7-8754	Date:01/2024	PAGE:X3-1826-54
-------------	--------------	-----------------

ARMREST PASSENGER'S SEAT - "AMAYA" WITH "TORINO" & "TORINO V.I.P."

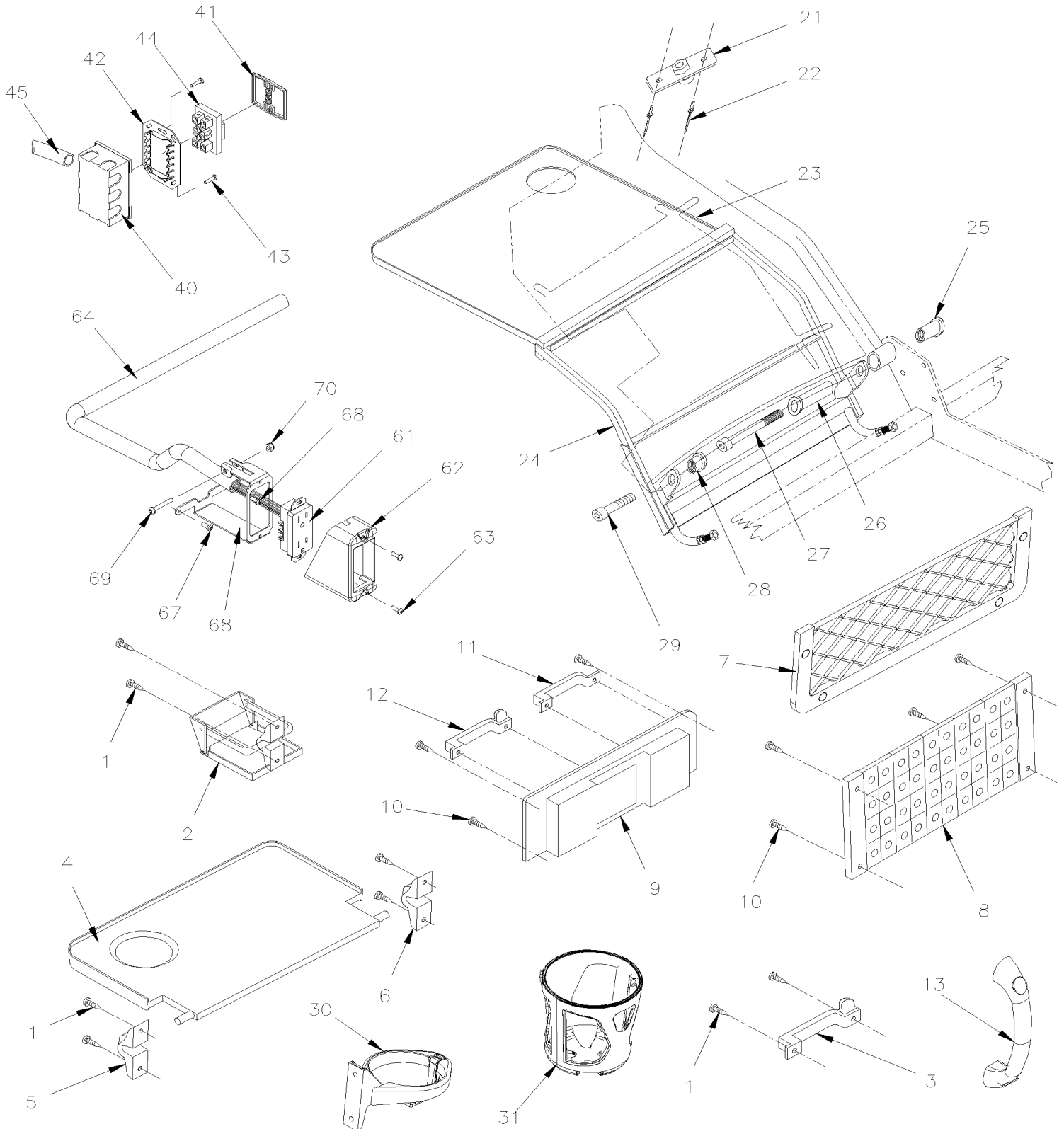
Item#	Part	Description	QTY	Notes
	N.S.A.	ARMREST R.H. AISLE ASSY	1	3
	N.S.A.	ARMREST L.H. AISLE ASSY	1	3
1	863186	. ARMREST R.H.	1	
. NS	Call order desk	. . ARMREST COVERING WOOD FINISHING	1	P
. NS	866077	. . ARMREST COVERING DARK GREY	1	
. NS	865378	. . ARMREST COVERING LIGHT GREY	1	
. NS	860075	. . CAP WITH LOGO AMAYA	1	
1	864938	. ARMREST L.H.	1	
. NS	Call order desk	. . ARMREST COVERING WOOD FINISHING	1	P
. NS	866077	. . ARMREST COVERING DARK GREY	1	
. NS	865378	. . ARMREST COVERING LIGHT GREY	1	
. NS	860076	. . CAP WITH LOGO AMAYA	1	
2	864577	. COVER AISLE R.H.	1	
2	864703	. COVER AISLE SIDE RH SEAT	1	
3	864815	. LEVER ASSY R.H.	1	
3	865298	. LEVER ASSY L.H.	1	
4	865070	ARMREST R.H. WINDOW SIDE	1	
5	500829	SCREW CAP HEX M10-1.5x40 G8.8	2	
6	500256	NUT HEX M10-1.5 Z050	2	
7	Call order desk	MECHANISM COVER L.H.	1	P
10	865086	RECLINING MECHANISM ASSY / "TORINO" AISLE	1	
11	500695	SCREW CAP HEXS 3/8-16x1 ZP	1	
NS	500728	NUT HEX JAM 3/8x16 CP	1	
12	865215	BUSHING NYLON	1	
13	Call order desk	SNAP RING 18.2MM	1	P
14	865061	RECLINING MECHANISM ASSY / "TORINO" WINDOW	1	
15	864117	KNOB W/SQUARE ROD INSERT MECHANISM (CURRENT)	1	
20	Call order desk	ARMREST COVER L.H. / "TORINO VT" W/REVERSIBLE SEAT	1	P
20	Call order desk	ARMREST COVER R.H. / "TORINO VT" W/REVERSIBLE SEAT	1	P
21	504108	RIVET POP DOME OE 1/8x1/2 AL	4	
	Call order desk			P
30	865221	ARMREST CENTRAL ASSY / PAINTED CHARCOAL 2 + 1	1	
. NS	865243	. PLASTIC COVER	1	
30	864072	ARMREST CENTRAL ASSY / LIGHT GREY	1	
. NS	865995	. BOLT	1	
. NS	865996	. BUSHING	1	
. NS	866240	. ARMREST COVERING LIGHT GREY	1	
30	865104	ARMREST CENTRAL ASSY	1	
. NS	866240	. ARMREST COVERING LIGHT GREY	1	
31	Call order desk	. SCREW MA CHE PH M6x15	3	P
33	Call order desk	ARMREST WINDOW	1	P

From 7-8754	Date:01/2024	PAGE:X3-1826-54
-------------	--------------	-----------------

ARMREST PASSENGER'S SEAT - "AMAYA" WITH "TORINO" & "TORINO V.I.P."

Item#	Part	Description	QTY	Notes
		3) NOT SOLD ASSEMBLY		
		P) CALL ORDER DESK FOR SPECIFIC APPLICATION (V.I.N.)		
		P) CALL ORDER DESK FOR SPECIFIC APPLICATION (V.I.N.)		

ACCESSORIES PASSENGER'S SEAT - "AMAYA"



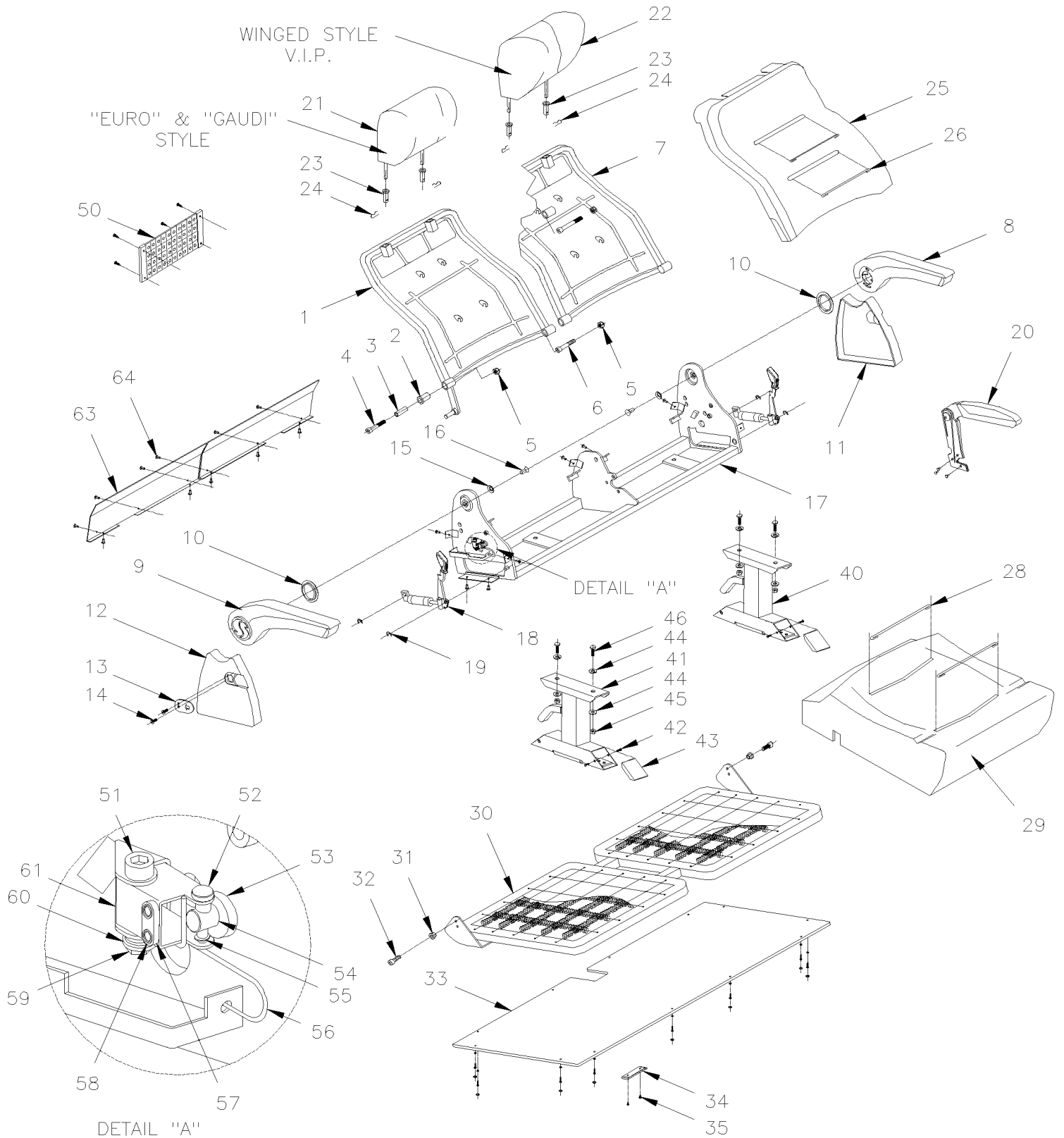
From 7-8754	Date:01/2024	PAGE:X3-1826-60
ACCESSORIES PASSENGER'S SEAT - "AMAYA"		

Item#	Part	Description	QTY	Notes
1	500936	SCREW TP OV PH #10x1 1/4 ZP	1	
2	861923	GLASS HOLDER / W/"AMAYA" / W/2 HOLES FOR SCREW	1	A
NS	862932	GLASS HOLDER / W/"AMAYA" / W/3 HOLES FOR SCREW	1	
3	860422	HANDLE	1	
NS	860421	HOOK	1	
4	863777	TABLE STD From FORMER	1	
4	860299	TABLE STD From CURRENT	1	
NS	867815	SUPPORT TABLE From CURRENT	2	
NS	867813	PHILLIPS PAN HEAD SCREW #12 X 2 1/2" From CURRENT	2	
NS	867814	PHILLIPS PAN HEAD SCREW #12 X 2" From CURRENT	2	
4	860144	TABLE STD A-220	1	
4	868528	TABLE WITH HOLE CUP HOLDER	1	
5	N.S.S.	SUPPORT R.H.	1	1
6	N.S.S.	SUPPORT L.H.	1	1
NS	860040	SPACER, TABLE	2	
7	861922	MAGAZINE NET 16" x 6 3/4"	1	
7	865369	SCREW #10 1 1/4	5	
7	865278	MAGAZINE NET 14.5" x 5"	1	
8	861924	MAGAZINE RACK / PLASTIC 310MM x 145MM = GREY 5 BARS	1	
8	863535	MAGAZINE RACK / PLASTIC 350MM x 145MM = GREY 6 BARS	1	
NS	19505538	MAGAZINE RACK / BANDASTICK	1	
10	865369	SCREW #10 1 1/4	1	
13	865276	HANDLE RED	1	
13	865358	HANDLE GREY	1	
21	863417	KNOB / BLACK	1	
21	863418	KNOB / GREY / FORMER	1	
21	866266	KNOB / GREY / CURRENT	1	
22	504126	RIVET POP DOME OE 3/16x5/8 AL	1	
23	861920	FOOD TRAY / GREY / W/AIRPLANE TYPE	1	
23	860156	FOOD TRAY / GREY / W/AIRPLANE TYPE W/A220	1	
24	864799	FRAME TABLE AIRPLANE TYPE	1	
25	864800	SCREW CENTER BUSHING	1	
26	864801	CENTER BUSHING	1	
27	502765	SCREW CAP HEXS M10-1.5x100 G8.8 PT ZP	1	
28	864802	SHORT BUSHING	1	
29	70314705	SCREW CAP HEXS M10-1.5x60 G8.8 ZP	1	
NS	405795	SUPPORT TABLE, AIRPLANE TYPE / ON GALLEY WALL	1	
30	862844	CUP HOLDER, RUSPA, BLACK	1	
30	863181	CUP HOLDER, RUSPA, BLACK	1	
31	864860	CUP HOLDER, FLEX, GREY	1	
40	Call order desk	WIRE HOSE 1/2" X 900MM	1	P
41	863780	COVER PLATE DOUBLE 110V OUTLET "AMAYA" SEAT	1	

From 7-8754	Date:01/2024	PAGE:X3-1826-60
ACCESSORIES PASSENGER'S SEAT - "AMAYA"		

Item#	Part	Description	QTY	Notes
42	Call order desk	INCREASE	1	P
43	Call order desk	SCREW #8 x 3/4"	2	P
44	Call order desk	ELECTRICAL OUTLET	1	P
45	Call order desk	HOSE 1/2 x 850MM	1	P
NS	860176	PLUG 110V W/USB FORMER MODEL WITH USB	1	
60	865280	KIT OUTLET 110 VAC	1	
60	863232	KIT OUTLET 110 VAC / USB	1	
NS	868513	HARNESS WITH OUTLET 110V & USB	1	
61	7770275	. PLUG DOUBLE 110 VAC	1	
61	860142	. PLUG DOUBLE 110 VAC MURAL W/2 USB PORT / WHITE To L-6602	1	
61	867863	. PLUG DOUBLE 110 VAC MURAL W/2 USB PORT / WHITE From L-6603	1	
62	866079	. COVER	1	
63	865603	. SCREW MA BUT PH M8x19	2	
64	Call order desk	. TUBE 3/4	1	P
NS	561781	. CONNECTOR / WEATHER PACK / PH 3C / BLACK / PED 12010717	1	
NS	561782	. CONNECTOR / WEATHER PACK / SH 3C / BLACK / PED 12015793	1	
67	Call order desk	. SCREW #10x1/2	2	P
68	7775135	. SUPPORT / OUTLET	1	
68	860501	. SUPPORT / OUTLET USB	1	
69	Call order desk	. SCREW CAP BUT HEXS 3/16x1 1/4	1	P
70	Call order desk	. NUT HEX JAM NYRT 3/16	1	P
		A) AS SHOWN		
		1) NOT SOLD SEPARATELY		
		P) CALL ORDER DESK FOR SPECIFIC APPLICATION (V.I.N.)		

PASSENGER'S SEAT - "AMAYA" - FLIP-UP HANDICAP



From 7-8754	Date:01/2024	PAGE:X3-1826-71
-------------	--------------	-----------------

PASSENGER'S SEAT - "AMAYA" - FLIP-UP HANDICAP

Item#	Part	Description	QTY	Notes
		IMPORTANT NOTE: BEFORE TO		
		TO ORDER COMPLETE PASSENGER'S SEAT		
		OR COVERING ASSY, HEAD / BACK & CUSHION		
		SEE THE FINAL VEHICLE RECORD.		
1	Call order desk	BACKREST R.H. / W/FLIPPER SEAT & AVION TABLE SEAT	1	P
1	Call order desk	BACKREST R.H. / W/FLIPPER SEAT / W/"GAUDI"	1	P
1	Call order desk	BACKREST R.H. ASSY / W/FLIPPER SEAT / W/"GAUDI" GI	1	P
1	Call order desk	BACKREST SHELL / W/"GAUDI" GI	1	P
2	865560	BUSHING HYTREL	1	
2	Call order desk	BUSHING PLASTIC / W/"GAUDI" SC	1	P
3	Call order desk	INSIDE METAL BUSHING	1	P
3	Call order desk	INSIDE METAL BUSHING / W/"GAUDI" SC	1	P
4	70314705	SCREW CAP HEXS M10-1.5x60 G8.8 ZP	1	
5	500256	NUT HEX M10-1.5 Z050	1	
6	502765	SCREW CAP HEXS M10-1.5x100 G8.8 PT ZP	1	
7	Call order desk	BACKREST L.H. / W/FLIPPER SEAT & AVION TABLE SEAT	1	P
7	Call order desk	BACKREST L.H. / W/FLIPPER SEAT / W/"GAUDI"	1	P
7	Call order desk	BACKREST L.H. ASSY / W/FLIPPER SEAT / W/"GAUDI" GI	1	P
7	Call order desk	BACKREST SHELL / W/"GAUDI" GI	1	P
8	864020	ARMREST ASSY L.H. / W/FLIPPER SEAT	1	
9	864019	ARMREST ASSY R.H. / W/FLIPPER SEAT	1	
10	N.S.S.	PLASTIC BUSHING	1	1
11	865351	CAP PLASTIC L.H. / W/"GAUDI" STATIONARY	1	
11	Call order desk	CAP PLASTIC L.H. / W/"GAUDI" SLIDE	1	P
12	865352	CAP PLASTIC R.H.	1	
13	Call order desk	BLOCK HANDLE	1	P
14	Call order desk	SCREW MA CHE PH M6x15	1	P
15	865543	WASHER #10.5MM DIN5797	1	
16	860111	SCREW CAP FL HEXS M10-1.5x16	1	
17	Call order desk	STRUCTURE R.H. / W/FLIPPER SEAT	1	P
17	Call order desk	STRUCTURE R.H. / W/FLIPPER SEAT	1	P
17	Call order desk	STRUCTURE L.H. / W/FLIPPER SEAT	1	P
17	Call order desk	STRUCTURE R.H. / W/FLIPPER SEAT & AVION TABLE SEAT	1	P
17	Call order desk	STRUCTURE L.H. / W/FLIPPER SEAT & AVION TABLE SEAT	1	P
17	Call order desk	STRUCTURE L.H. / W/FLIPPER SEAT / SLIDE	1	P
18	863540	RECLINING MECHANISM ASSY AISLE SIDE	1	
. NS	IS-136	. INSTRUCTION SHEET	1	
18	862546	RECLINING MECHANISM ASSY WALL SIDE	1	
. NS	IS-136	. INSTRUCTION SHEET	1	
19	Call order desk	WASHER #9 DIN6799	1	P
20	863352	CENTER ARMREST ASSY / PAINTED CHARCOAL	1	

From 7-8754	Date:01/2024	PAGE:X3-1826-71
-------------	--------------	-----------------

PASSENGER'S SEAT - "AMAYA" - FLIP-UP HANDICAP

Item#	Part	Description	QTY	Notes
20	Call order desk	SCREW MA CHE PH M6x15	1	P
21	863315	HEADREST FOAM / TYPE "BRAZIL" & "EUROTECH"	1	
21	Call order desk	HEADREST FOAM / TYPE "GAUDI HR"	1	P
NS	Call order desk	COVERING HEADREST ASSY "GAUDI" S.C.C.	1	P
22	862933	HEADREST ASSY / TYPE WINGED "VIP"	1	
23	864810	GUIDE SLIDING	1	
24	866204	BACKREST CLIP	1	
25	865141	CUSHION FOAM	1	
25	Call order desk	BACKREST FOAM / W/"GAUDI"	1	P
25	Call order desk	BACKREST FOAM AISLE / W/"GAUDI" GI	1	P
25	Call order desk	BACKREST FOAM WALL / W/"GAUDI" GI	1	P
26	Call order desk	BACKREST TUFTING WIRE "EUROTECH" & "BRASIL	1	P
26	Call order desk	BACKREST TUFTING WIRE / LARGE / W/"GAUDI" & "EUROTECH"	1	P
NS	Call order desk	COVERING BACKREST ASSY S.C.C. / W/"GAUDI"	1	P
27	Call order desk	COVERING BACKREST ASSY S.C.C. / W/"GAUDI" GI	1	P
28	Call order desk	CUSHION TUFTING WIRE "EUROTECH" & "BRASIL	1	P
29	Call order desk	CUSHION FOAM	1	P
NS	Call order desk	COVERING CUSHION ASSY S.C.C. / W/"GAUDI"	1	P
30	865599	CUSHION SET STRUCTURE / STREET SIDE	1	
30	Call order desk	SEAT FRAME ASSY /W/FLIPPER SEAT / STATIONARY / W/"GAUDI"	1	P
30	Call order desk	SEAT FRAME ASSY /W/FLIPPER SEAT / SLIDE / W/"GAUDI"	1	P
31	866191	SWIVEL BUSHING	1	
32	Call order desk	SCREW CAP HEXS M10x25	1	P
33	Call order desk	CAP CUSHION SEAT / W/FLIPPER SEAT	1	P
34	Call order desk	SEAT FIXING BRACKET	1	P
35	Call order desk	BOLT 3.9X13MM	1	P
40	862917	PEDESTAL ASSY R.H. / WFLIPPER SEAT / SLIDE	1	
41	865028	PEDESTAL ASSY L.H. / WFLIPPER SEAT / SLIDE	1	
42	504619	CLIP CHRISTMAS TREE / BLACK 7/32"O.D.x1/2" HOLE 3/16	4	
43	862585	PEDESTAL CAP / BLACK	2	
. NS	864028	. CLIP CHRISTMAS TREE / BLACK 11MM O.D. x17MM HOLE 4MM	2	
43	863907	PEDESTAL CAP / GREY	2	
. NS	864029	. CLIP CHRISTMAS TREE / GREY 11MM O.D. x17MM HOLE 4MM	2	
44	866243	PRESSURE WASHER 7/16" 10MM	1	
45	500256	NUT HEX M10-1.5 Z050	1	
46	5001526	SCREW CAP HEX M16-2.0x45 G10.9 DP	1	
50	X3-1826-60	ACCESSORIES PASSENGER'S SEAT - "AMAYA"	1	
51	860197	SCREW CAP HEXS M8-1.25x50	1	
52	Call order desk	BLOCKING PIN	1	P
53	865491	REFERENCE BUSHING FM810120J	1	
54	Call order desk	BLOCKING AXLE	1	P
55	Call order desk	WASHER DIN-6799 5MM	1	P

From 7-8754	Date:01/2024	PAGE:X3-1826-71
-------------	--------------	-----------------

PASSENGER'S SEAT - "AMAYA" - FLIP-UP HANDICAP

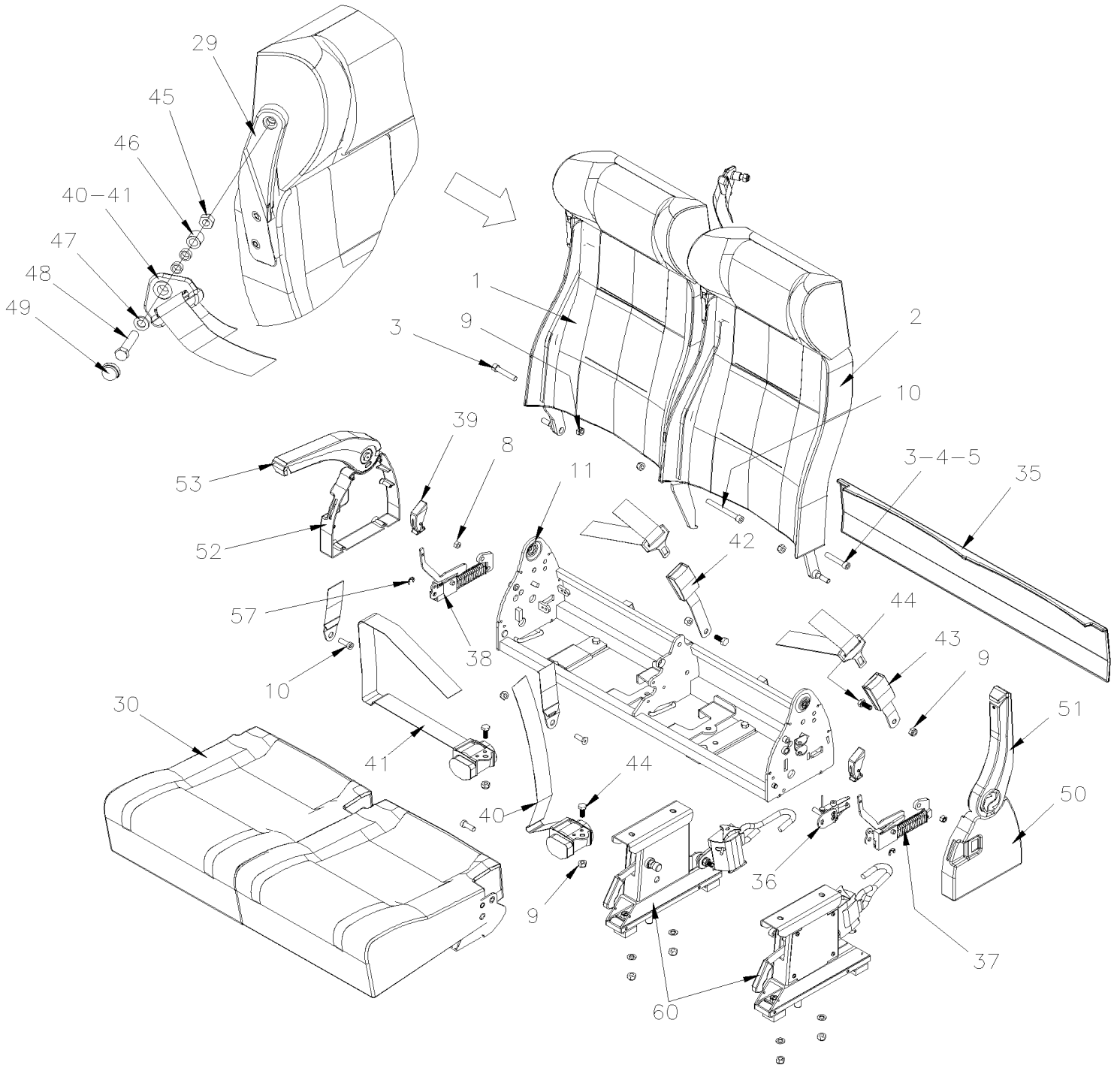
Item#	Part	Description	QTY	Notes
56	Call order desk	SPRING	1	P
57	Call order desk	INSERT	1	P
58	Call order desk	RIVET	1	P
59	Call order desk	NUT HEX NYRT M8-1.25	1	P
60	Call order desk	ACTION SPRING	1	P
61	Call order desk	POPPER	1	P
63	Call order desk	KICK PLATE BACKREST	1	P
64	504118	RIVET POP DOME OE 3/16x3/8 AL	1	
70	X3-1826-40	PASSENGER'S SEAT - "AMAYA" - FOOTREST & PEDESTAL		
100	323654	SEAT TRACK COVER 12' / EACH SEAT / W/COVERING FLOOR	AR	
100	323963	SEAT TRACK COVER 8' / EACH SEAT / W/COVERING FLOOR	AR	
		1) NOT SOLD SEPARATELY		
		P) CALL ORDER DESK FOR SPECIFIC APPLICATION (V.I.N.)		

From 7-8754

Date:01/2024

PAGE:X3-1826-72

PASSENGER'S SEAT - "AMAYA" - FLIP-UP HANDICAP WITH 3POINTS



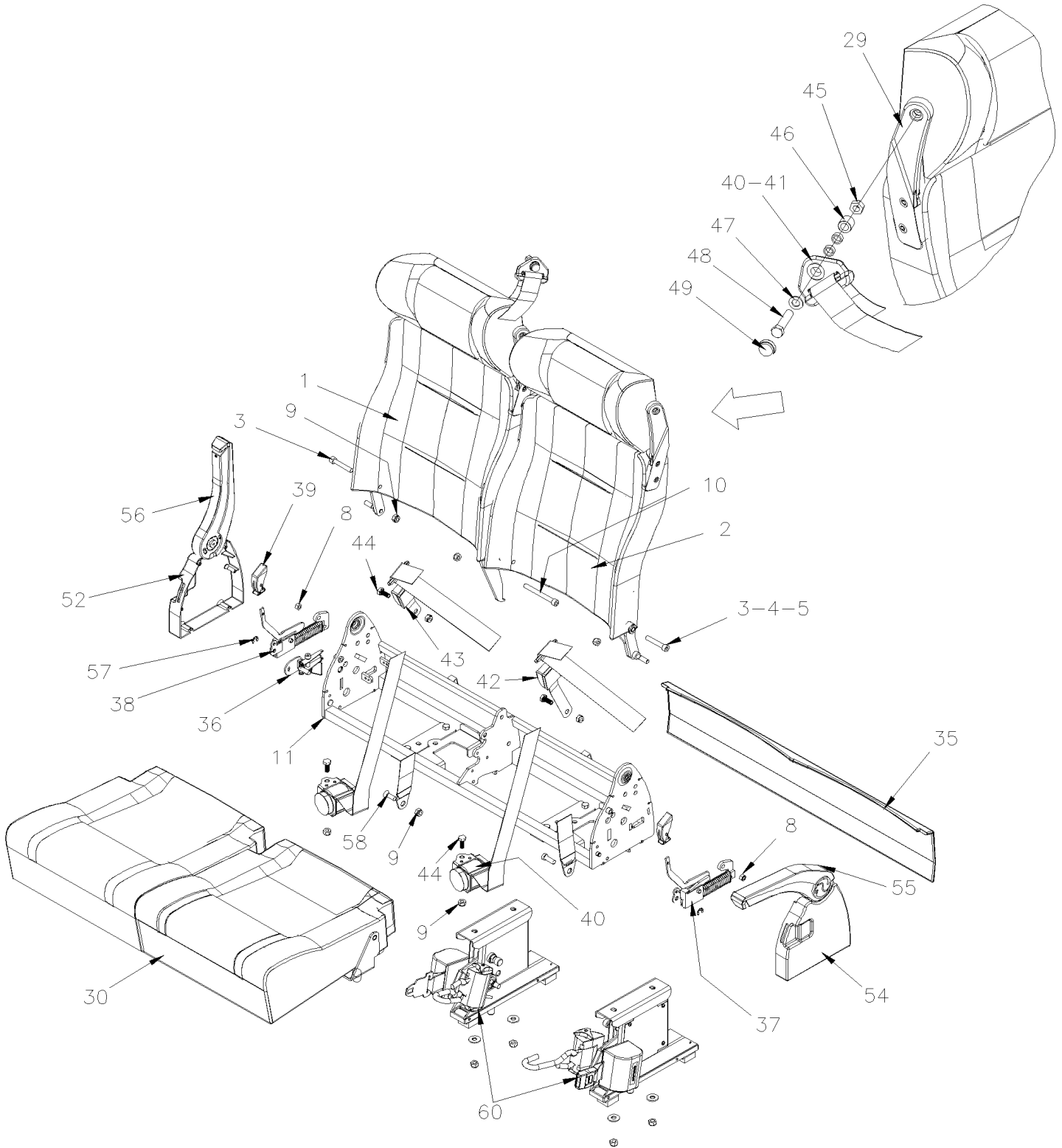
38" CURB SIDE

From 7-8754

Date:01/2024

PAGE:X3-1826-72

PASSENGER'S SEAT - "AMAYA" - FLIP-UP HANDICAP WITH 3POINTS



40" STREET SIDE

From 7-8754	Date:01/2024	PAGE:X3-1826-72
PASSENGER'S SEAT - "AMAYA" - FLIP-UP HANDICAP WITH 3POINTS		

Item#	Part	Description	QTY	Notes
1	Call order desk	BACKREST R.H. 38" WCL "BRASIL"	1	P
1	Call order desk	BACKREST R.H. 40" WCL "BRASIL"	1	P
2	Call order desk	BACKREST L.H. 38" WCL "BRASIL"	1	P
2	Call order desk	BACKREST L.H. 40" WCL "BRASIL"	1	P
3	Call order desk	INSIDE METAL BUSHING	1	P
4	865560	BUSHING HYTREL	1	
5	70314705	SCREW CAP HEXS M10-1.5x60 G8.8 ZP	2	
8	500901	NUT HEX NYRT 3/8-16 Z050	2	
9	500680	NUT HEX STO M10-1.5 Z050	4	
10	70314708	SCREW CAP HEXS M10-1.5X30 G8.8 ZP	1	
11	860183	SEAT FRAME W.C.L. FLIPPER W.C.L. 38"	1	
11	860185	SEAT FRAME W.C.L. FLIPPER W.C.L. 40"	1	
30	Call order desk	CUSHION BRASIL FLIPPER 38" / W.C.L. / STREETSIDE SEAT	1	P
30	Call order desk	CUSHION BRASIL FLIPPER 40" / W.C.L. / CURBSIDE SEAT	1	P
35	Call order desk	BACKREST LOWER COVER 38"	1	P
35	Call order desk	BACKREST LOWER COVER 40"	1	P
36	865499	MECHANISM HANDLE / LH	1	
37	862546	RECLINING MECHANISM ASSY WALL SIDE	1	
. NS	IS-136	. INSTRUCTION SHEET	1	
38	863540	RECLINING MECHANISM ASSY AISLE SIDE	1	
. NS	IS-136	. INSTRUCTION SHEET	1	
39	864116	KNOB HANDLE MECHANISM	1	
40	864114	SEAT BELT AISLE SIDE	1	
. NS	867885	. BUSHING 16MM	1	
41	864115	SEAT BELT WINDOW SIDE	1	
NS	864622	EXTENSION SEAT BELT 30cm	AR	
NS	864623	EXTENSION SEAT BELT 50cm	AR	
42	866019	BUCKLE FEMALE	1	
43	866019	BUCKLE FEMALE	1	
44	Call order desk	SCREW CAP HEX 10x25	4	P
45	865521	SCREW CAP HEX 7/16-20x1 G8	5	
46	Call order desk	BUSHING SAFETY BELT	2	P
47	860294	WASHER	1	
48	860280	SCREW BUT HEXS M10-1.5x50MM	1	
49	865220	TORINO 7/16 CAP	2	
50	866213	LATERAL COVER / AISLE SIDE / CURB SIDE SEAT	1	
51	865154	HINGED ARMREST LH	1	
52	860009	LATERAL COVER / WALL SIDE / CURB SIDE SEAT	1	
53	865155	ARMREST ASSY R.H. SIDE W.C.L.	1	
. NS	864965	. ARMREST COVER	1	
54	860010	LATERAL COVER / WALL SIDE / STREET SIDE SEAT	1	
55	865156	ARMREST ASSY L.H. SIDE W.C.L.	1	

From 7-8754	Date:01/2024	PAGE:X3-1826-72
PASSENGER'S SEAT - "AMAYA" - FLIP-UP HANDICAP WITH 3POINTS		

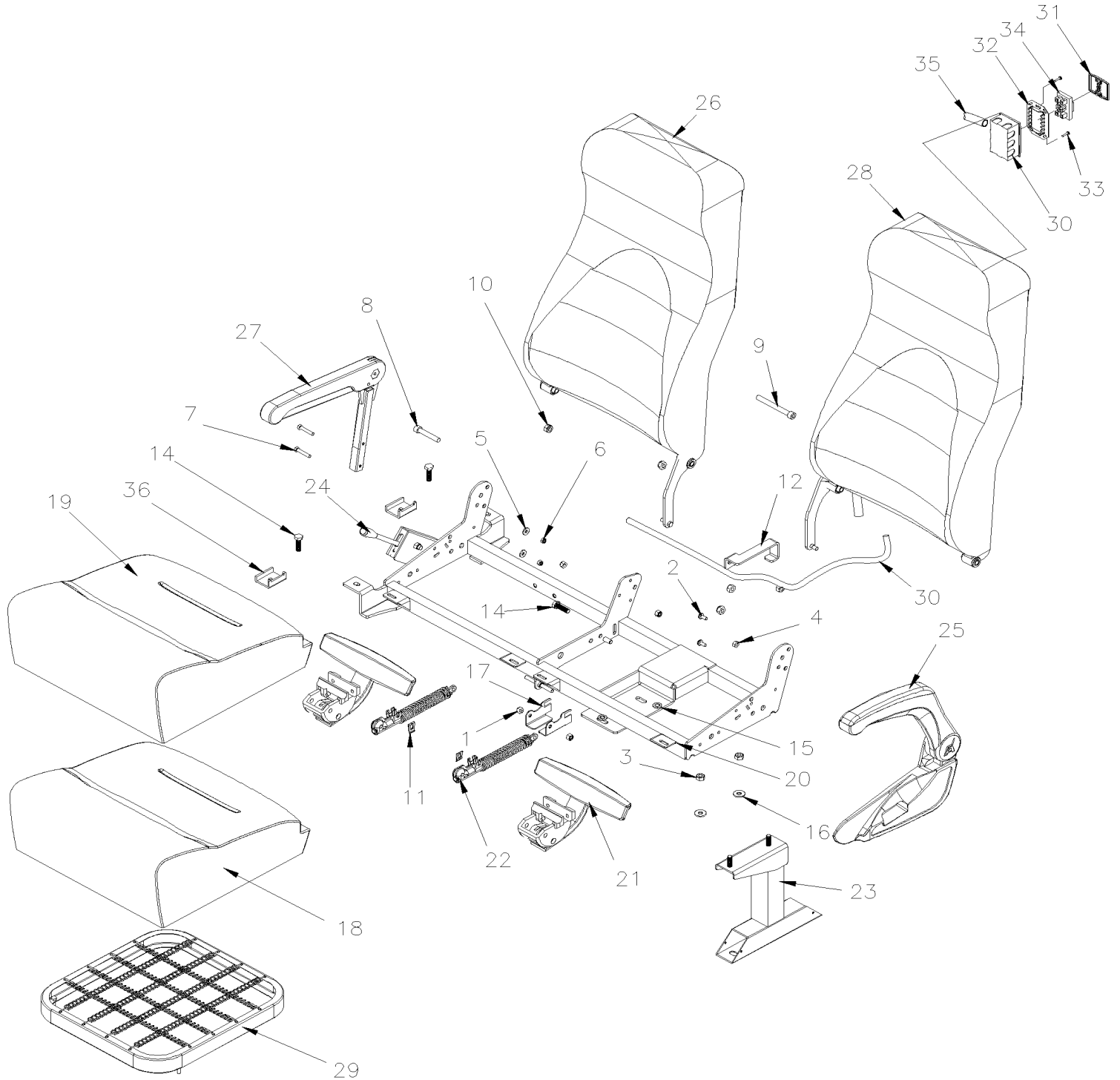
Item#	Part	Description	QTY	Notes
. NS	864965	. ARMREST COVER	1	
56	865157	HINGED ARMREST RH	1	
57	Call order desk	SNAP RING	2	P
58	Call order desk	SCREW CAP FL HEXS M10-1.5X30 G8.8 ZP	1	P
60	X3-1826-41	PASSENGER'S SEAT - "AMAYA" - FOOTREST & PEDESTAL		
		P) CALL ORDER DESK FOR SPECIFIC APPLICATION (V.I.N.)		

From 7-8754

Date:01/2024

PAGE:X3-1826-80

PASSENGER'S SEAT - "AMAYA" 2 SEATS PARTIOT "GREYHOUND"



From 7-8754		Date:01/2024	PAGE:X3-1826-80
-------------	--	--------------	-----------------

PASSENGER'S SEAT - "AMAYA" 2 SEATS PARTIOT "GREYHOUND"

Item#	Part	Description	QTY	Notes
	863661	PASSENGER'S SEAT AMAYA, KIT 51 PASS W/PATRIOT PT		
	863678	PASSENGER'S SEAT AMAYA, KIT 51 PASS W/PATRIOT PT		
1	502600	NUT HEX NYRT 5/16-18 Z050	1	
2	966802	SCREW CAP HEXS M6-1.0x16 G8.8 ZP	1	
3	502835	NUT HEX M10-1.5	1	
4	502543	NUT HEX M8-1.25 Z050	1	
5	500440	WASHER FL .250x.562x.065 Z050	1	
6	502716	NUT HEX NYRT 1/4-20	1	
6	500690	NUT HEX NYRT 1/4-28 Z050	1	
7	Call order desk	SCREW CAP HEX 1/4 X 1 1/2	1	P
8	70314705	SCREW CAP HEXS M10-1.5x60 G8.8 ZP	1	
9	502765	SCREW CAP HEXS M10-1.5x100 G8.8 PT ZP	1	
10	Call order desk	NUT HEX LOCK 10MM	1	P
11	861486	CLIP / WIRE RETAINER	1	
12	Call order desk	FLANGE GUIDE L.H.	1	P
14	502549	SCREW CAP HEX M10-1.5x35 G8.8 Z050	3	
15	500480	WASHER LO SPT .443x.779x.109 Z050	1	
16	500462	WASHER FL .343x1.500x.083 SS	1	
17	Call order desk	MECHANISN LOCK RH	1	P
18	860022	CUSHION FOAM	1	
19	Call order desk	COVERING SEAT REST / (UPHOLSTERY) S.C.C.	1	P
20	Call order desk	FIX FRAME DOUBLE SEAT CS	1	P
21	867725	FOOTREST ASSY W/AUTOMATIC RETURN / "STELAM" / PLASTIC	2	
22	863405	CYLINDER R.H.	1	
22	863407	CABLE	1	
23	865038	PEDESTAL LEG	1	
24	Call order desk	LEVEL RECLINING	1	P
25	Call order desk	ARMREST AISLE F.CS	1	P
26	Call order desk	BACKREST RH 40"	1	P
27	Call order desk	ARMREST WINDOW SIDE	1	P
28	Call order desk	BACKREST LH 40"	1	P
29	865587	SEAT CUSHION FRAME / STANDRAD	1	
30	Call order desk	WIRE HOSE 1/2" X 900MM	1	P
31	863780	COVER PLATE DOUBLE 110V OUTLET "AMAYA" SEAT	1	
32	Call order desk	INCREASE	2	P
33	Call order desk	SCREW #8 x 3/4"	1	P
34	Call order desk	ELECTRICAL OUTLET	1	P
35	Call order desk	HOSE 1/2 x 850MM	1	P
36	867664	LATERAL CLIP RETAINER	2	

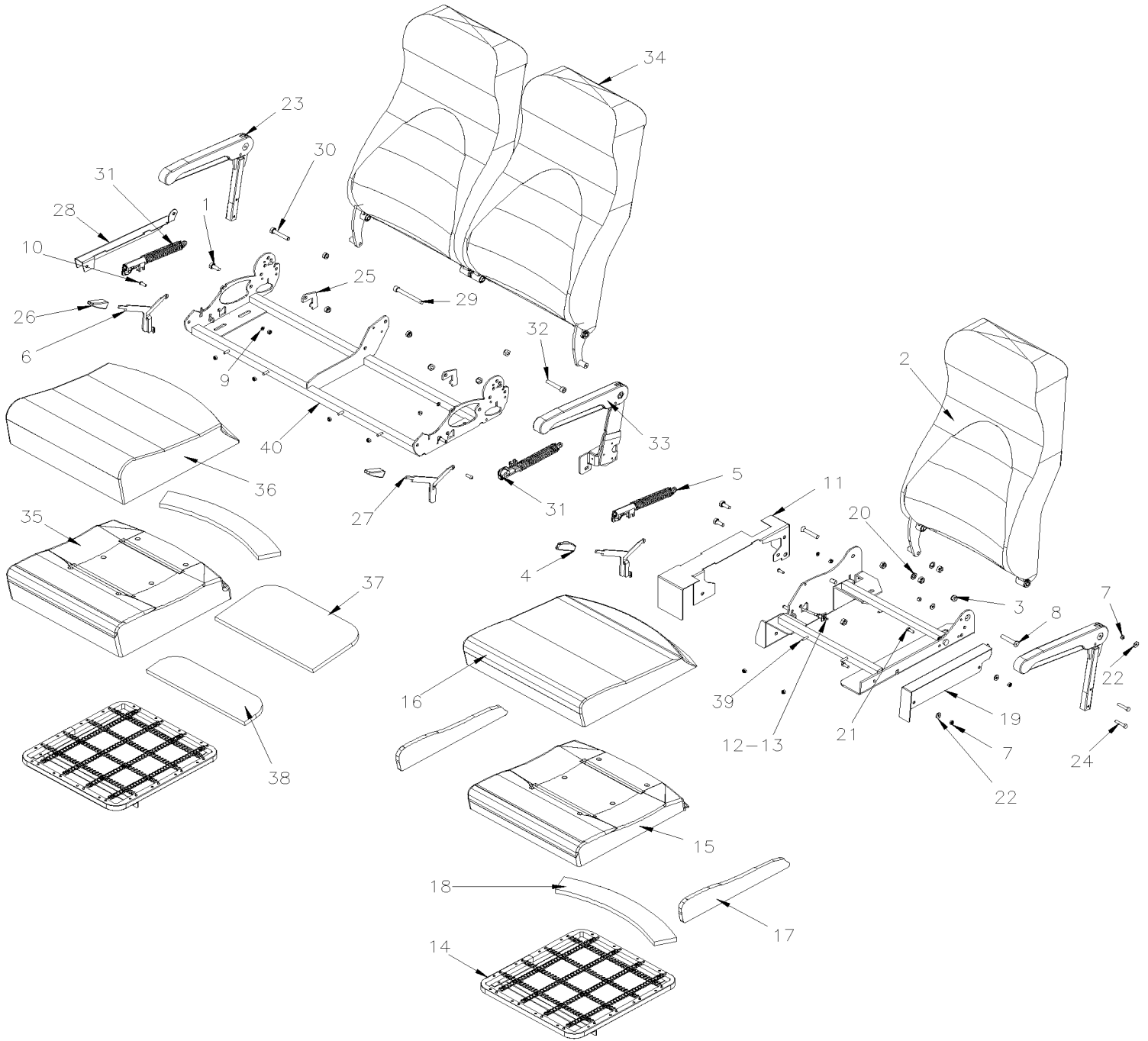
From 7-8754		Date:01/2024	PAGE:X3-1826-80	
PASSENGER'S SEAT - "AMAYA" 2 SEATS PARTIOT "GREYHOUND"				
Item#	Part	Description	QTY	Notes
		P) CALL ORDER DESK FOR SPECIFIC APPLICATION (V.I.N.)		

From 7-8754

Date:01/2024

PAGE:X3-1826-82

PASSENGER'S SEAT - "AMAYA" 3 SEATS PARTIOT "GREYHOUND"



From 7-8754	Date:01/2024	PAGE:X3-1826-82
-------------	--------------	-----------------

PASSENGER'S SEAT - "AMAYA" 3 SEATS PARTIOT "GREYHOUND"

Item#	Part	Description	QTY	Notes
	863661	PASSENGER'S SEAT AMAYA, KIT 51 PASS W/PATRIOT PT From 8-9426 To 9-9494		
	863678	PASSENGER'S SEAT AMAYA, KIT 51 PASS W/PATRIOT PT From 9-9496 To 9-9533		
1	5001231	SCREW CAP HEX M10-1.5x25 SS	3	
2	Call order desk	BACKREST R.H. 40"	2	P
3	Call order desk	NUT HEX LOCK 10MM	11	P
4	863357	KNOB LEVER R.H. WINDOW	1	
5	863406	CYLINDER L.H.	1	
6	863414	RECLINING LEVEL R.H. WINDOW	2	
7	865490	NUT HEX JAM NYRT 1/4	13	
8	Call order desk	SCREW CAP HEXS M10 X 60	2	P
9	865515	WASHER FL 6.4	3	
10	Call order desk	CAP BUT HEXS 1/4 X 3/4	3	P
11	Call order desk	UNION SUPPORT STRUCTURE	1	P
12	861486	CLIP / WIRE RETAINER	1	
13	863407	CABLE	1	
14	Call order desk	FRAME SEATREST CUSHION	3	P
15	Call order desk	CUSHION FOAM / W/SINGLE STREET SIDE / W/REAR LOUNGE SEAT	1	P
16	Call order desk	COVERING SEAT REST / (UPHOLSTERY) S.C.C.	1	P
17	Call order desk	SPACER 1/2"	2	P
18	Call order desk	CUSHION INSERT	3	P
19	Call order desk	COVER LH	1	P
20	865481	WASHER / 7/16	2	
21	Call order desk	SCREW CAP HEX 1/4 X 3/4	2	P
22	865508	WASHER FLAT 1/4	4	
23	Call order desk	ARMREST WINDOW SIDE	2	P
24	Call order desk	SCREW CAP HEX 1/4 X 1 1/2	2	P
25	Call order desk	STOPPER RECLINER 15 DEG (7")	2	P
26	863356	KNOB LEVER L.H. WINDOW	2	
27	863413	RECLINING LEVEL L.H. WINDOW	1	
27	863413	RECLINING LEVEL L.H. WINDOW	1	
28	Call order desk	COVER MECHANISC R.H.	1	P
29	502765	SCREW CAP HEXS M10-1.5x100 G8.8 PT ZP	1	
30	502913	SCREW CAP HEX M10-1.5x60 G8.8 N500	1	
31	863405	CYLINDER R.H.	2	
32	70314705	SCREW CAP HEXS M10-1.5x60 G8.8 ZP	1	
33	Call order desk	ARMREST CENTRAL	1	P
34	Call order desk	BACKREST L.H. 40"	1	P
35	Call order desk	CUSHION FOAM / W/SINGLE CURBSIDE / W/REAR LOUNGE SEAT	2	P
36	Call order desk	COVERING SEAT REST / (UPHOLSTERY) S.C.C.	2	P
37	Call order desk	CUSHION INSERT	2	P
38	Call order desk	CUSHION INSERT	2	P

From 7-8754	Date:01/2024	PAGE:X3-1826-82
-------------	--------------	-----------------

PASSENGER'S SEAT - "AMAYA" 3 SEATS PARTIOT "GREYHOUND"

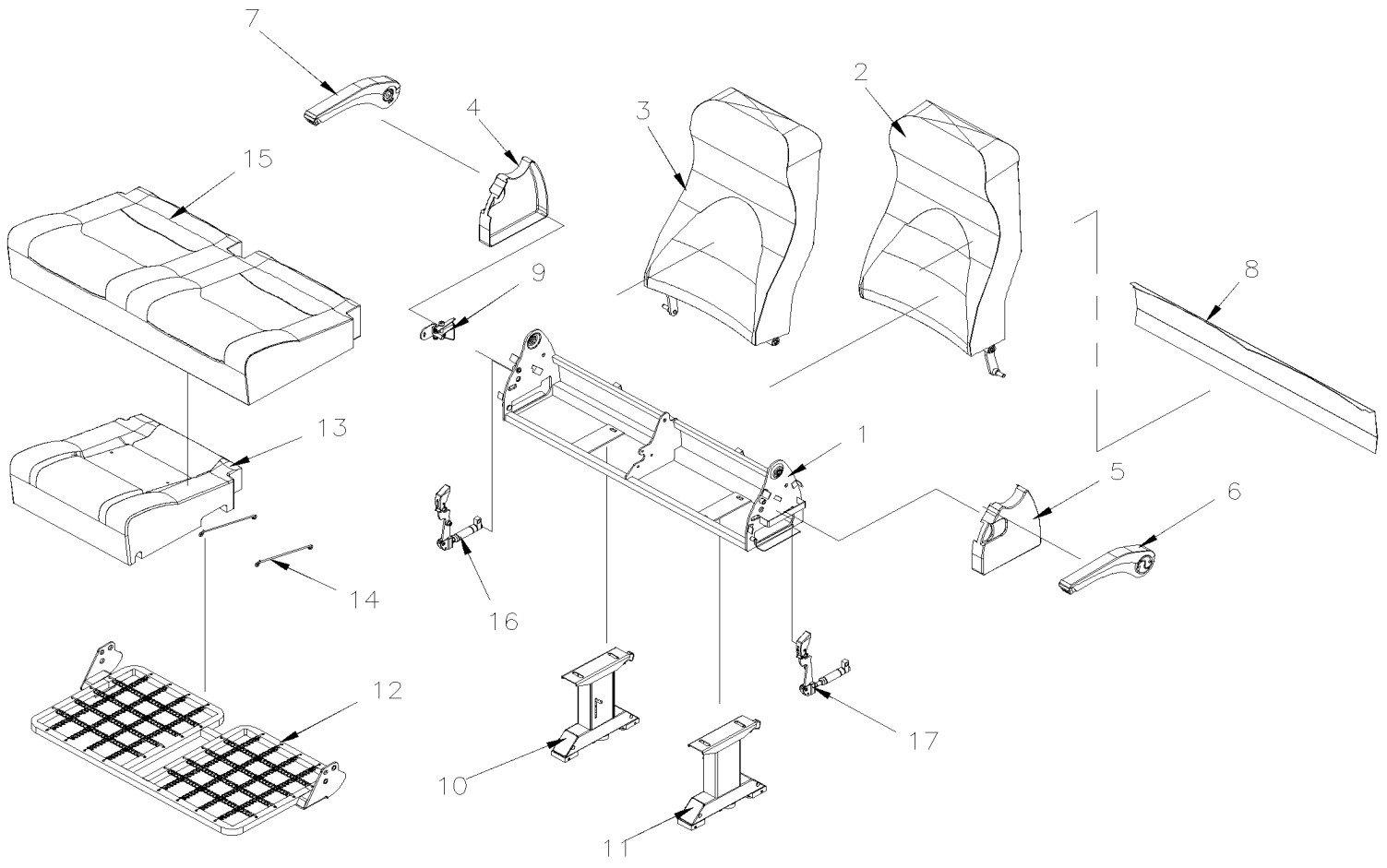
Item#	Part	Description	QTY	Notes
39	Call order desk	FIX FRAME SINGLE SEAT CS / W/3 PASSENGER SEAT	1	P
40	Call order desk	FIX FRAME DOUBLE SEAT CS / W/3 PASSENGER SEAT	1	P
		P) CALL ORDER DESK FOR SPECIFIC APPLICATION (V.I.N.)		

From 7-8754

Date:01/2024

PAGE:X3-1826-84

PASSENGER'S SEAT - "AMAYA" 40" FLIP-UP PARTIOT "GREYHOUND"



From 7-8754	Date:01/2024	PAGE:X3-1826-84
PASSENGER'S SEAT - "AMAYA" 40" FLIP-UP PARTIOT "GREYHOUND"		

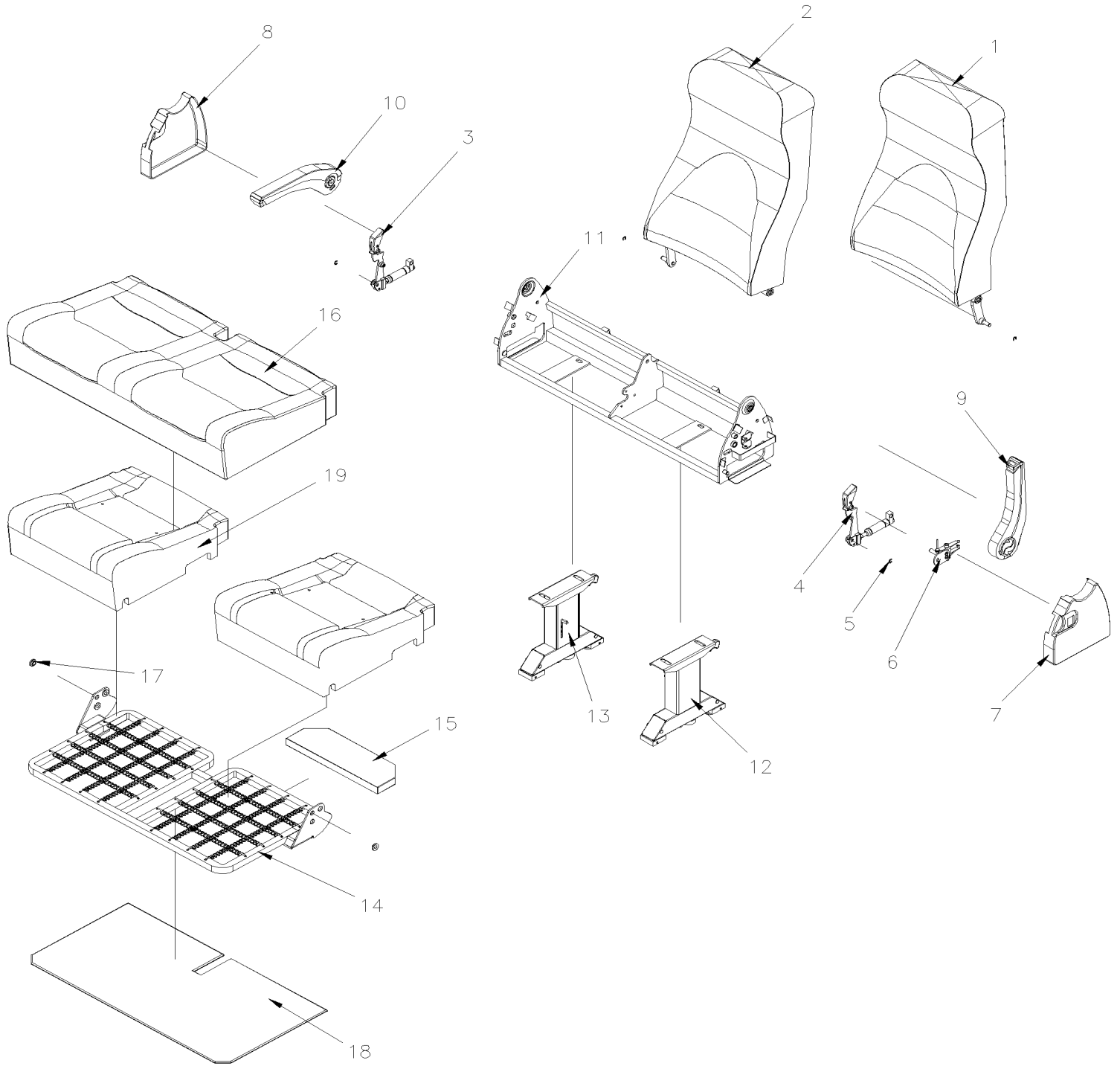
Item#	Part	Description	QTY	Notes
	863661	PASSENGER'S SEAT AMAYA, KIT 51 PASS W/PATRIOT PT From 8-9426 To 9-9494		
	863678	PASSENGER'S SEAT AMAYA, KIT 51 PASS W/PATRIOT PT From 9-9496 To 9-9533		
NS	329994	SEAT STOPPER 56MM x 31.75MM	AR	
NS	3200521	SEAT STOPPER 95MM x 31.75MM	AR	
1	Call order desk	STRUCTURE L.H. / W/FLIPPER SEAT	1	P
2	Call order desk	BACKREST L.H.	1	P
3	Call order desk	BACKREST RH	1	P
4	Call order desk	LATERAL COVER RH	1	P
5	Call order desk	LATERAL COVER LH	1	P
6	Call order desk	ARMREST FACING R.H.	1	P
7	Call order desk	ARMREST FACING R.H.	1	P
8	Call order desk	REAR COVER 40"	1	P
9	865499	MECHANISM HANDLE / LH	1	
10	865013	PEDESTAL / LEG R.H.	1	
11	864995	PEDESTAL / LEG L.H.	1	
12	Call order desk	CUSHION ASSY 40" CS	1	P
13	865597	CUSHION FOAM / STREET SIDE	1	
14	861716	CUSHION TUFTING WIRE	4	
15	Call order desk	CUSHION FABRIC COVER	1	P
16	862546	RECLINING MECHANISM ASSY WALL SIDE	1	
. NS	IS-136	. INSTRUCTION SHEET	1	
17	863540	RECLINING MECHANISM ASSY AISLE SIDE	1	
. NS	IS-136	. INSTRUCTION SHEET	1	
		P) CALL ORDER DESK FOR SPECIFIC APPLICATION (V.I.N.)		

From 7-8754

Date:01/2024

PAGE:X3-1826-86

PASSENGER'S SEAT - "AMAYA" 38" FLIP-UP PARTIOT "GREYHOUND"



From 7-8754	Date:01/2024	PAGE:X3-1826-86
-------------	--------------	-----------------

PASSENGER'S SEAT - "AMAYA" 38" FLIP-UP PARTIOT "GREYHOUND"

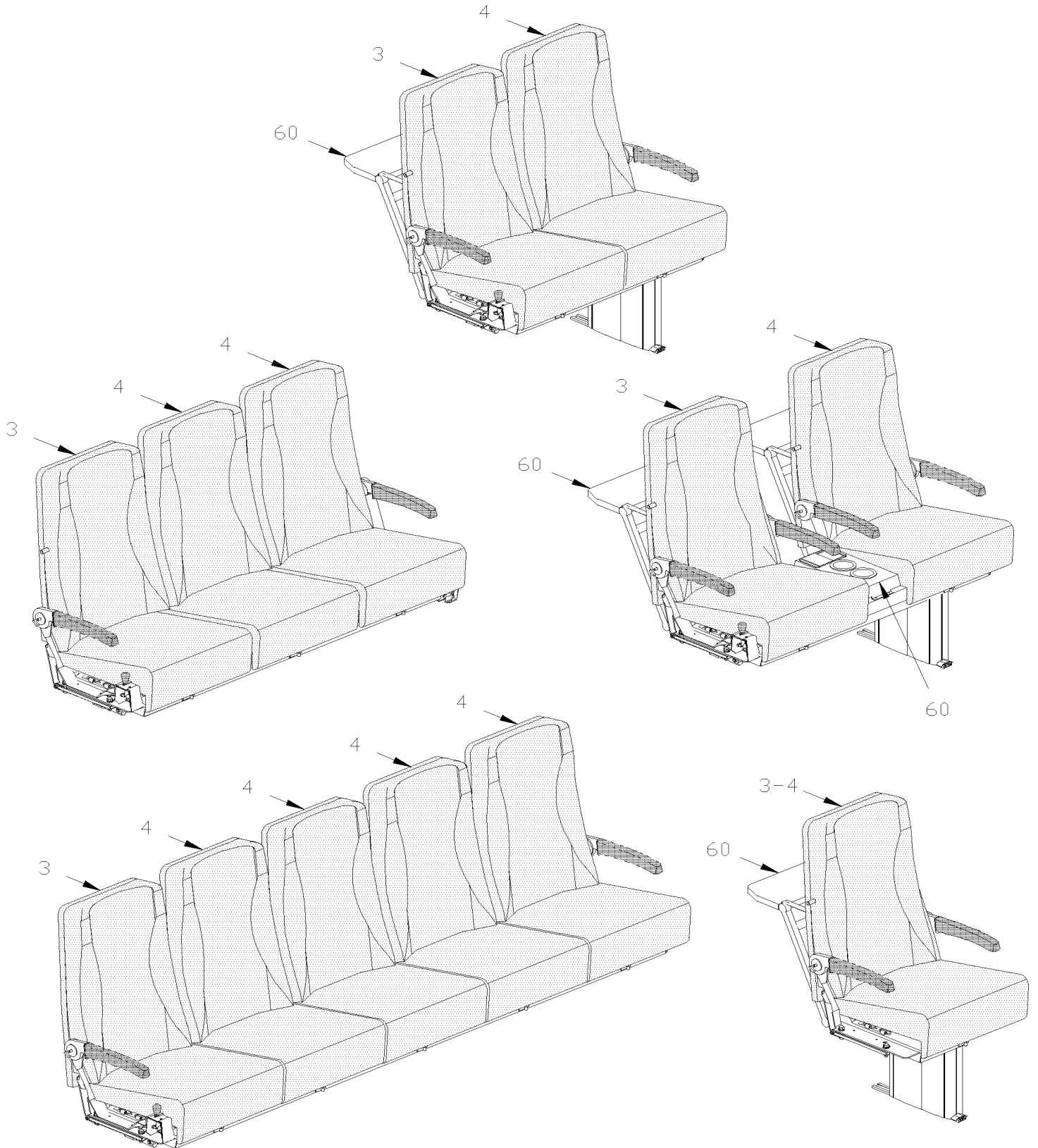
Item#	Part	Description	QTY	Notes
	863661	PASSENGER'S SEAT AMAYA, KIT 51 PASS W/PATRIOT PT From 8-9426 To 9-9494		
	863678	PASSENGER'S SEAT AMAYA, KIT 51 PASS W/PATRIOT PT From 9-9496 To 9-9533		
NS	329994	SEAT STOPPER 56MM x 31.75MM	AR	
NS	3200521	SEAT STOPPER 95MM x 31.75MM	AR	
1	Call order desk	BACKREST 38" LH	1	P
2	Call order desk	BACKREST 38" RH	1	P
3	Call order desk	MECHANISM LH	1	P
4	Call order desk	MECHANISM RH	1	P
5	Call order desk	SNAP RING	4	P
6	865499	MECHANISM HANDLE / LH	1	
7	Call order desk	LATERAL COVER LH	1	P
8	Call order desk	LATERAL COVER RH	1	P
9	Call order desk	ARMREST FACING R.H.	1	P
10	Call order desk	ARMREST CS	1	P
11	Call order desk	FIX FRAME DOUBLE SEAT CS	1	P
12	864995	PEDESTAL / LEG L.H.	1	
12	865049	PEDESTAL / LEG L.H.	1	
13	865013	PEDESTAL / LEG R.H.	1	
14	Call order desk	WELDING MOUNTING FRAME SS	1	P
15	Call order desk	SPACER	2	P
16	Call order desk	COVERING SEATREST / (UPHOLSTERY) 38"	1	P
17	867923	BUSHING	2	
18	865600	CUSHION SET COVER / CURBSIDE	1	
19	Call order desk	FOAM 38"	2	P
		P) CALL ORDER DESK FOR SPECIFIC APPLICATION (V.I.N.)		

From 7-8754

Date:01/2024

PAGE:X3-1827-00

PASSENGER'S SEAT - "ULTRA"

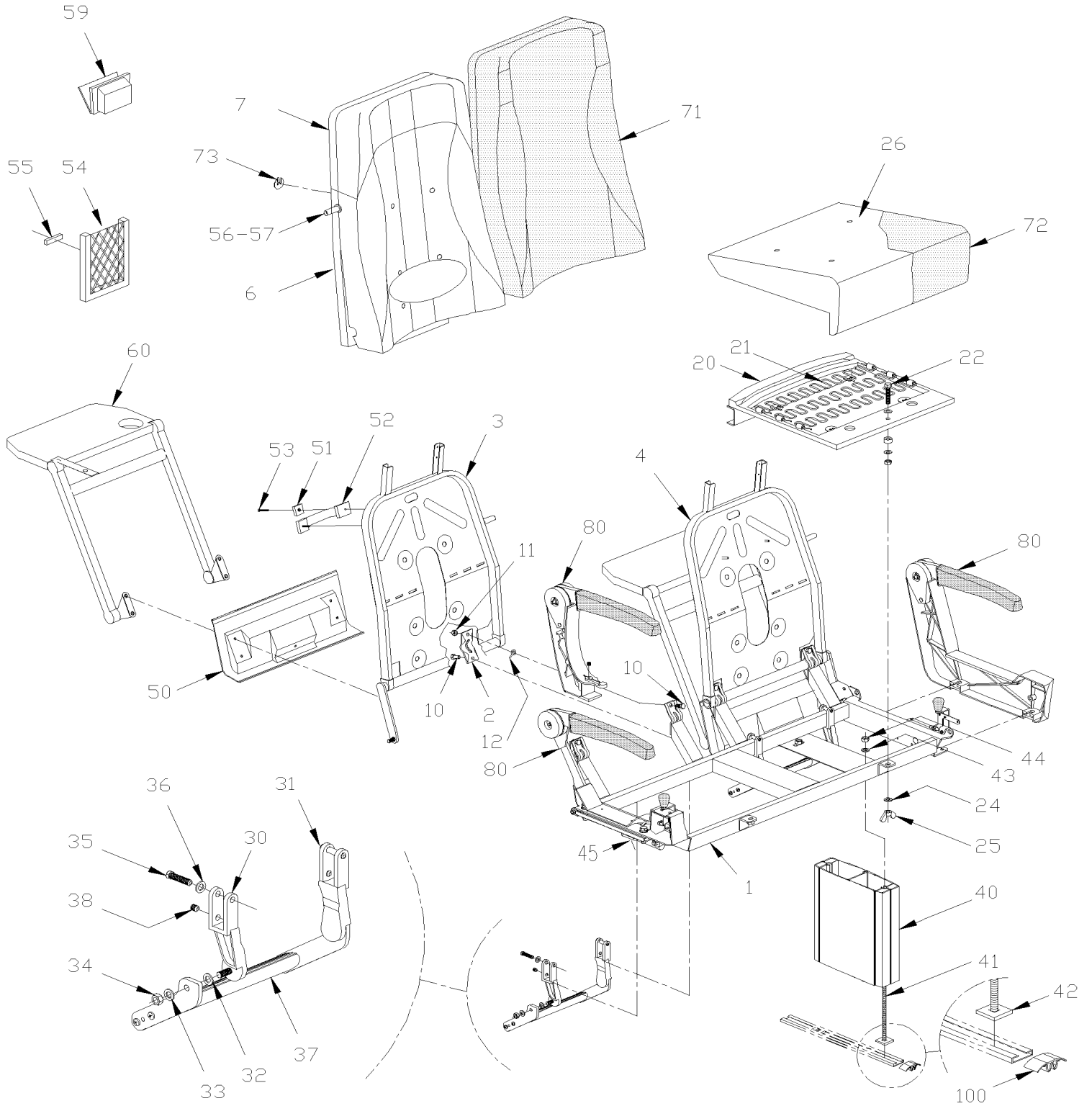


From 7-8754

Date:01/2024

PAGE:X3-1827-00

PASSENGER'S SEAT - "ULTRA"



From 7-8754		Date:01/2024	PAGE:X3-1827-00
-------------	--	--------------	-----------------

PASSENGER'S SEAT - "ULTRA"

Item#	Part	Description	QTY	Notes
	363927	SEAT ASSY L.H. / 2 PASSENGERS / 42" HIGH	AR	
	363928	SEAT ASSY R.H. / 2 PASSENGERS / 42" HIGH	AR	
	363929	SEAT ASSY ROTATING / "ULTRA"	AR	
	363931	SEAT ASSY REAR / 2 PASSENGERS / 42" HIGH To 8-9276	AR	
	Call order desk	SEAT ASSY REAR / 2 PASSENGERS / 42" HIGH From 8-9277	AR	P
	Call order desk	SEAT ASSY REAR / 3 PASSENGERS / 42" HIGH From 8-9277	AR	P
	363932	SEAT ASSY REAR / 5 PASSENGERS / 42" HIGH To 8-9276	AR	
	Call order desk	SEAT ASSY REAR / 5 PASSENGERS / 42" HIGH From 8-9277	AR	P
1	363842	. STRUCTURE ASSY L.H. / 2 PASSENGERS	1	
1	363841	. STRUCTURE ASSY R.H. / 2 PASSENGERS	1	
1	363836	. SEAT FRAME ASSY / "ROTATING" SEAT	1	
1	364130	. STRUCTURE ASSY REAR / 2 PASSENGERS From 8-9277	1	
1	363843	. STRUCTURE ASSY REAR / 3 PASSENGERS To 8-9276	1	
1	364094	. STRUCTURE ASSY REAR / 3 PASSENGERS From 8-9277	1	
1	363844	. STRUCTURE ASSY REAR / 5 PASSENGERS To 8-9276	1	
1	364148	. STRUCTURE ASSY REAR / 5 PASSENGERS STREETSIDE SECTION From 8-9277	1	
1	364146	. STRUCTURE ASSY REAR / 5 PASSENGERS CURBSIDE SECTION	1	
1	363837	. STRUCTURE ASSY R.H. V.I.P. / 1 PASSENGERS	1	
1	363840	. STRUCTURE ASSY L.H. V.I.P. / 1 PASSENGERS	1	
1	363839	. STRUCTURE ASSY R.H. V.I.P. / 2 PASSENGERS	1	
1	363838	. STRUCTURE ASSY R.H. / 2 PASSENGERS V.I.P.	1	
2	363246	. COLLAR	4	
3	363834	. BACKREST R.H.	1	
4	363835	. BACKREST L.H.	1	
4	364080	. BACKREST STREETSIDE From 8-9277	1	L
6	363186	. FOAM BACKREST THICK	1	
6	363252	. FOAM BACKREST THIN W/42"	1	
6	363350	. FOAM BACKREST THIN W/40"	1	
7	363348	. FOAM ASSY, HEADREST 40" HIGHT / "ULTRA"	1	
7	363251	. FOAM ASSY, HEADREST 42" HIGHT / "ULTRA"	1	
NS	500583	. SCREW TP PAN PH #6x1/2 Z050	4	
NS	500240	. WASHER LO EXT .195x.410x.025 Z050	4	
10	5001336	. SCREW CAP HEXF SERR 5/16-18x3/4 Z050	8	
11	5001113	. NUT HEX JAM NYRT 5/16-18	8	
12	363273	. SPRING EYE	4	
20	363646	. SEAT FRAME ASSY W/SPRING	1	
21	363650	. . SPRING	3	
22	362353	. . SCREW	1	
24	500441	. WASHER FL .312x.734x.065 Z050	2	
25	500782	. NUT WING 5/16-18 Z050	2	
26	363645	. FOAM	1	
26	Call order desk	. FOAM ASSY W/ PANEL	1	P L

From 7-8754		Date:01/2024	PAGE:X3-1827-00
PASSENGER'S SEAT - "ULTRA"			

Item#	Part	Description	QTY	Notes
26	364096	. . FOAM	1	L
26	364084	. . PANEL BASE	1	L
30	363437	. BRACKET L.H.	1	
31	363436	. BRACKET R.H.	1	
32	502723	. WASHER FL .386x.750x.050 NYL	2	
33	500441	. WASHER FL .312x.734x.065 Z050	2	
34	500777	. NUT HEX STO 5/16-18 Z050	2	
35	500183	. SCREW CAP HEX 5/16-18x1 1/2 G5 PT Z050	2	
36	500476	. WASHER LO SPT .317x.586x.078 Z050	2	
37	362928	. FOOTREST ASSY	1	
38	502781	. SCREW SET HEXS CUP 5/16-18x1/4	2	
40	364038	. PEDESTAL SQ END / ONE PIECE / 279MM / 10.98"	1	
NS	364076	. REINFORCEMENT PEDESTAL / ANGLE REAR OF PEDESTAL / 58MMx 20MM	2	
41	5001600	. SCREW CRG 3/8-16x12 G5 Z050	2	
42	360052	. PLATE ANCHOR / CARRIAGE BOLT INSIDE TRACK / 1 1/4" X 3 1/2" To 9-9642	2	
42	364263	. PLATE ANCHOR / CARRIAGE BOLT INSIDE TRACK / 1 5/8" x 3 15/16" ± From 9-9643	2	
43	500445	. WASHER FL .437x1.000x.083 Z050	2	
44	500265	. NUT HEX STO 3/8-16 Z050	2	
44	364133	. REINFORCMENT / FIXED BETWEEN SEAT & GUARD From 7-8976	1	
45	363821	. ATTACHMENT PLATE / "J" SHAPE TO FIX SEAT TO WALL TRACK WALL TRACK To 7-8975	1	
. NS	500183	. . SCREW CAP HEX 5/16-18x1 1/2 G5 PT Z050 To 7-8975	2	
. NS	500942	. . WASHER LO SPT 8.1x14.8x2.0 N500 To 7-8975	2	
45	364132	. ATTACHMENT PLATE / "J" SHAPE TO FIX SEAT TO WALL TRACK WALL TRACK From 7-8976	1	
. NS	500829	. . SCREW CAP HEX M10-1.5x40 G8.8 From 7-8976	2	
. NS	500257	. . WASHER LO SPT 10.2x18.1x2.2 Z050 From 7-8976	2	
50	363946	. FINISHING LOWER / L.H. / NORYL	1	
50	363947	. FINISHING LOWER / R.H. / NORYL	1	
51	860421	. HOOK	1	
52	860422	. HANDLE	1	
NS	505229	. SPACER 3/8 I.D. X 3/8 LG	2	
53	502521	. SCREW TC OV PH #8-32x1 BK	2	
54	362707	. MAGAZINE NET 13" x 6 1/2"	1	
54	860809	. MAGAZINE NET 14" x 7 1/4"	1	
55	500353	. SCREW TP FL PH #8x3/4 BK	4	
56	362943	. STOPPER LONG / WV.I.P. SEAT	1	
56	362942	. STOPPER SHORT / W/STANDARD SEAT	1	
57	5001019	. SCREW TP OV PH #10x2 EMN	1	
NS	5001116	. NUT SPR U #10A .025-.062	1	
59	861277	. ASHTRAY / PLASTIC	1	
60	X3-1829-00	. ACCESSORIES PASSENGER'S SEAT - "PREVOST"		
71	Call order desk	. COVERING BACKREST ASSY / S.C.C. W/40" HIGHT / "ULTRA"	1	P
71	363254P	. COVERING ASSY, BACKREST / S.C.C. W/42" HIGHT	1	

From 7-8754	Date:01/2024	PAGE:X3-1827-00
-------------	--------------	-----------------

PASSENGER'S SEAT - "ULTRA"

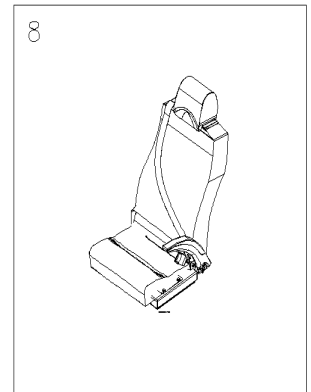
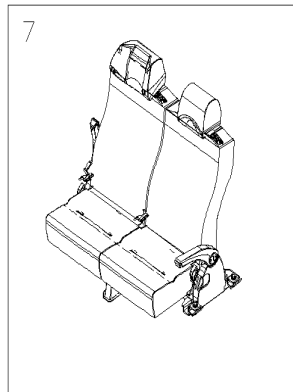
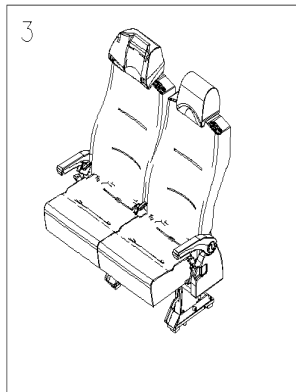
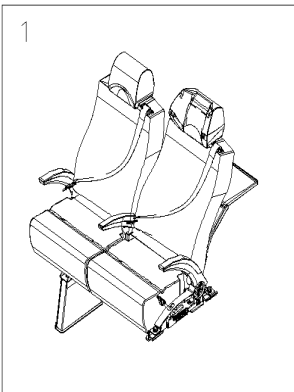
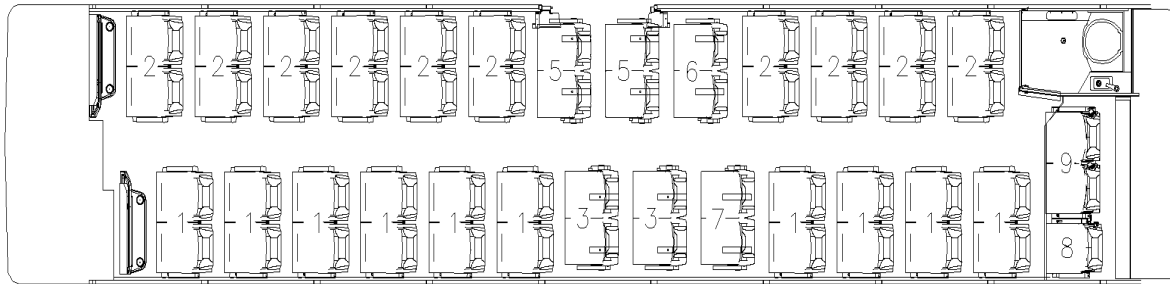
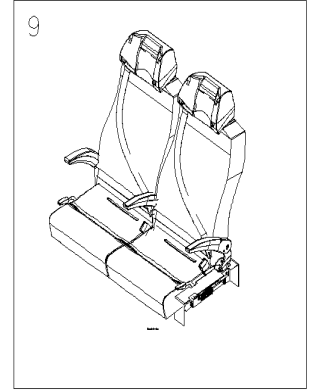
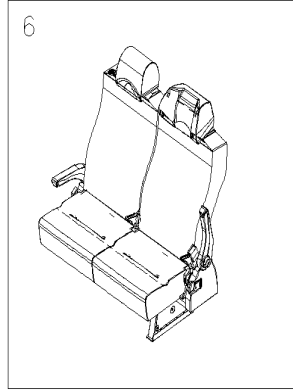
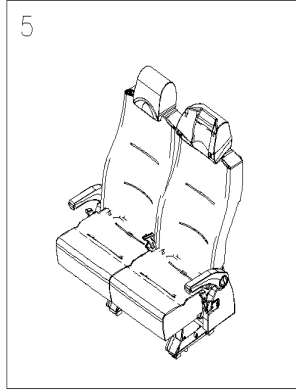
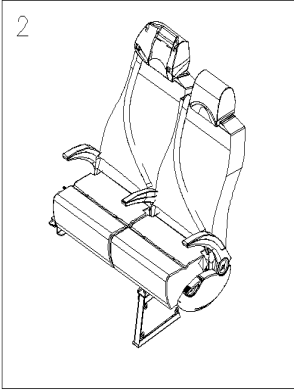
Item#	Part	Description	QTY	Notes
72	363676	. COVERING SEATREST ASSY / S.C.C. / ALL NEW W/SPRING	1	
73	362716	. ATTACHMENT / ROUND "W" SHAPE TO FIX COVER	8	
NS	682259	. SEALANT TAPE / CLEAR / 1/32"x1 1/2"x65' / 1795	AR	A
80	X3-1827-50	. ARMREST PASSENGER'S SEAT - "PREVOST"		
100	361338	SEAT TRACK COVER 12' / EACH SEAT / W/CARPET FLOOR To 9-9642	AR	
100	323654	SEAT TRACK COVER 12' / EACH SEAT / W/COVERING FLOOR To 9-9642	AR	
100	323963	SEAT TRACK COVER 8' / EACH SEAT / W/COVERING FLOOR To 9-9642	AR	
		A) REAR COVERING OF BACK SEAT		
		L) USE WITH REAR PASSENGER'S SEAT 2, 3 OR 5 SEATS		
		P) CALL ORDER DESK FOR SPECIFIC APPLICATION (V.I.N.)		

From 7-8754

Date:01/2024

PAGE:X3-1827-01

PASSENGER'S SEAT INSTALLATION AMAYA "A-2TEN"

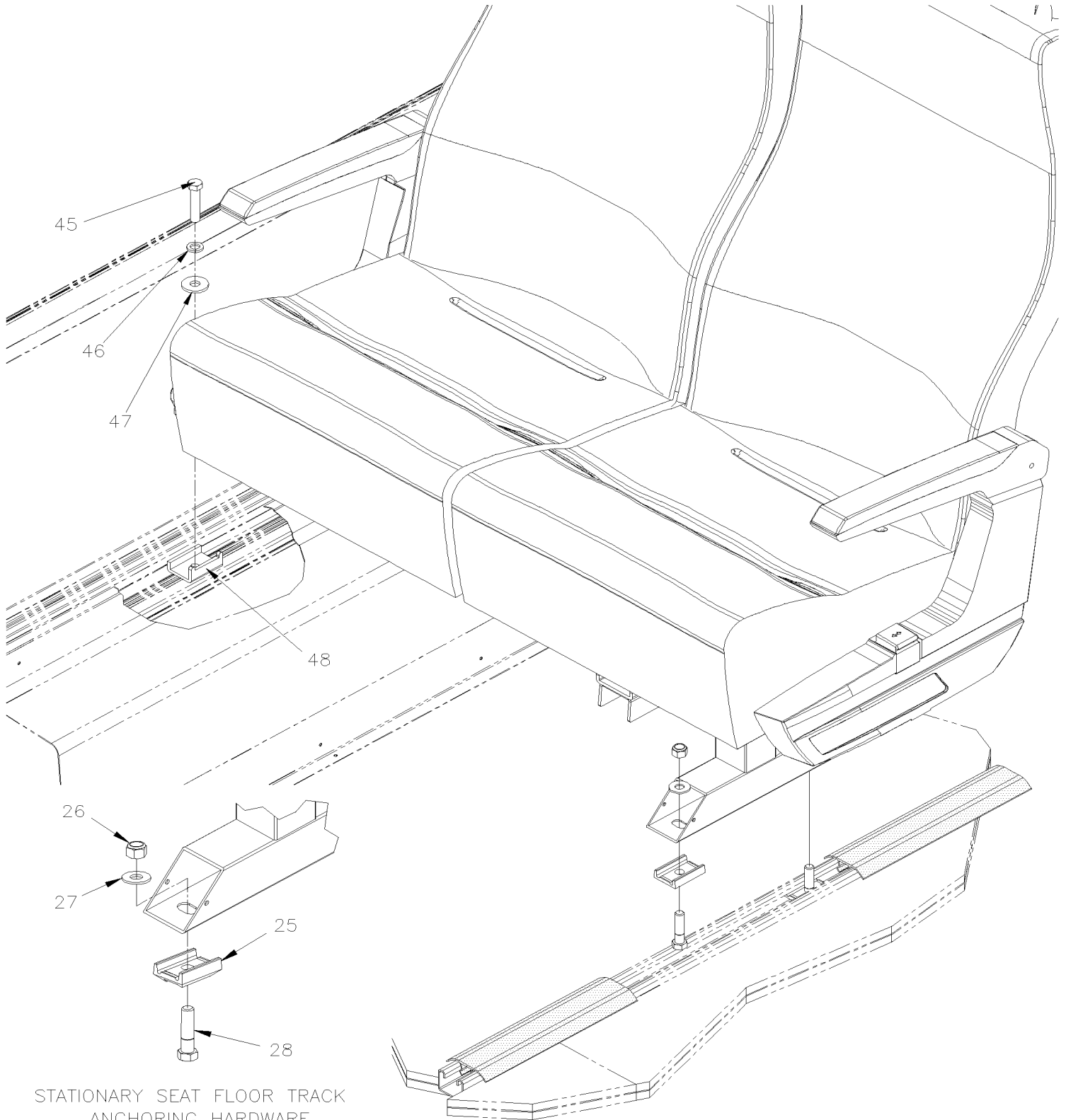


From 7-8754

Date:01/2024

PAGE:X3-1827-01

PASSENGER'S SEAT INSTALLATION AMAYA "A-2TEN"



STATIONARY SEAT FLOOR TRACK
ANCHORING HARDWARE

From 7-8754		Date:01/2024	PAGE:X3-1827-01
-------------	--	--------------	-----------------

PASSENGER'S SEAT INSTALLATION AMAYA "A-2TEN"

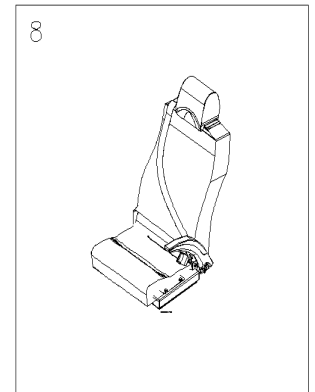
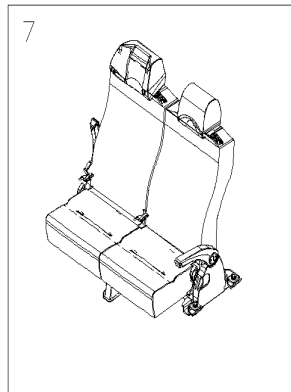
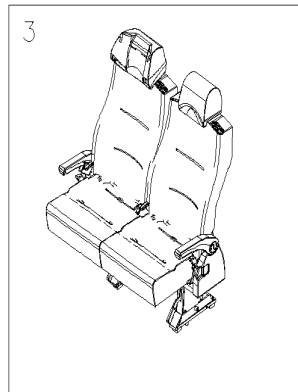
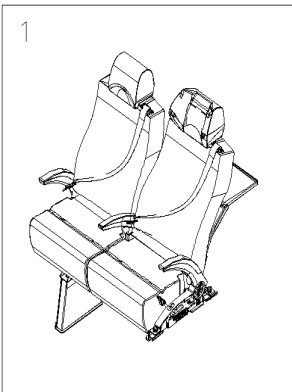
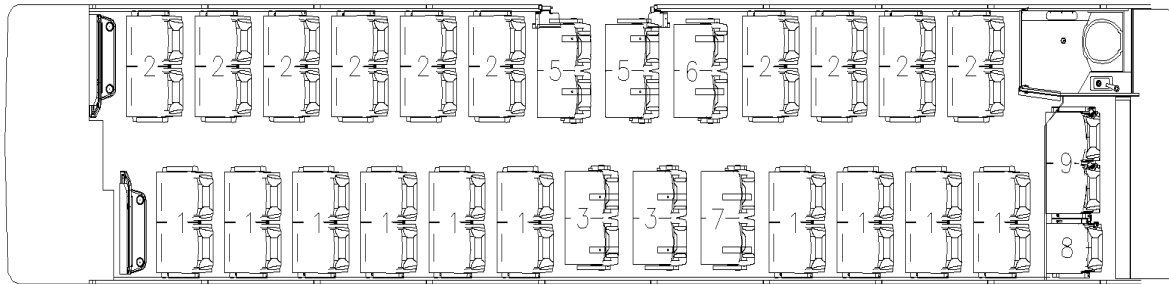
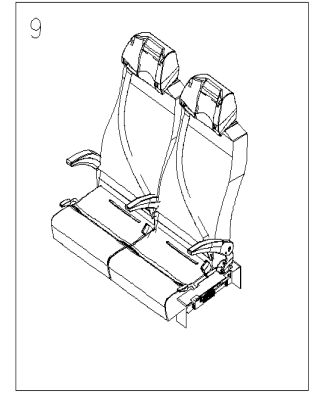
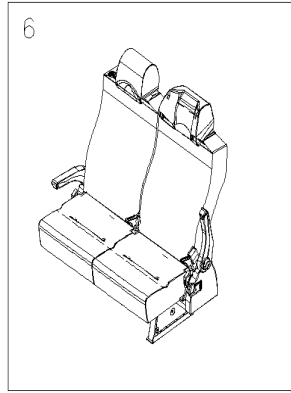
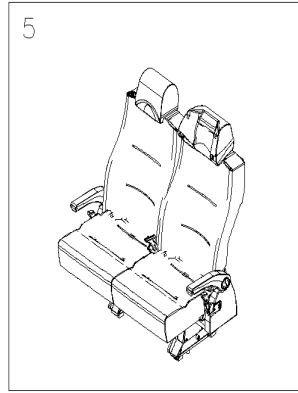
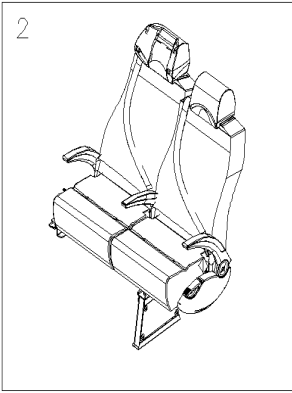
Item#	Part	Description	QTY	Notes
1	X3-1827-11	PASSENGER'S SEAT / STANDARD AMAYA "A-2TEN"	1	
1	Call order desk	. SEAT ASSEMBLY 2 PASSENGER'S STREET SIDE	1	P
1	X3-1827-81	PASSENGER'S SEAT / REVERSIBLE AMAYA "A-2TEN"	1	
1	Call order desk	. SEAT ASSEMBLY 2 PASSENGER'S / REVERSIBLE	1	P
2	X3-1827-11	PASSENGER'S SEAT / STANDARD AMAYA "A-2TEN"	1	
2	Call order desk	. SEAT ASSEMBLY 2 PASSENGER'S CURBSIDE	1	P
3	X3-1827-31	PASSENGER'S SEAT / FLIP-UP/SLIDER AMAYA "A-2TEN"	1	
3	Call order desk	. SEAT ASM 2 PASS CURBSIDE / SLIDER	1	P
5	X3-1827-31	PASSENGER'S SEAT / FLIP-UP/SLIDER AMAYA "A-2TEN"	1	
5	Call order desk	. SEAT ASM 2 PASS STREETSIDE / SLIDER	1	P
6	X3-1827-21	PASSENGER'S SEAT / FLIP-UP/FIXE AMAYA "A-2TEN"	1	
6	Call order desk	. SEAT ASM 2 PASS CURBSIDE / FLIP-UP	1	P
7	X3-1827-21	PASSENGER'S SEAT / FLIP-UP/FIXE AMAYA "A-2TEN"	1	
7	Call order desk	. SEAT ASM 2 PASS STREETSIDE / FLIP-UP	1	P
8	X3-1827-41	PASSENGER'S SEAT / REAR CROSS SEAT AMAYA "A-2TEN"	1	
8	Call order desk	. SEAT ASM 1 PASS	1	P
9	X3-1827-41	PASSENGER'S SEAT / REAR CROSS SEAT AMAYA "A-2TEN"	1	
9	Call order desk	. SEAT ASM 2 PASS	1	P
25	364272	BLOCK ANCHOR / 26.8MM INSIDE / 35MM x 50MM x 19MM Height	AR	
26	5001734	NUT HEX 7/16-20 G8 N500	AR	
27	500897	WASHER FL .437x1.000x.083 N500	AR	
28	5001735	SCREW CAP HEX 7/16-20x1 3/4 G8 G500	AR	
45	865458	SCREW CAP HEX 7/16-20x2 G8	AR	
46	865460	WASHER LO SPT 7/16	AR	
47	865465	WASHER FL / 7/16	AR	
48	861714	ATTACHMENT NUT / "U" SHAPE TO FIX SEAT TO WALL TRACK	AR	
		P) CALL ORDER DESK FOR SPECIFIC APPLICATION (V.I.N.)		

From 7-8754

Date:01/2024

PAGE:X3-1827-02

PASSENGER'S SEAT INSTALLATION AMAYA "A-220"

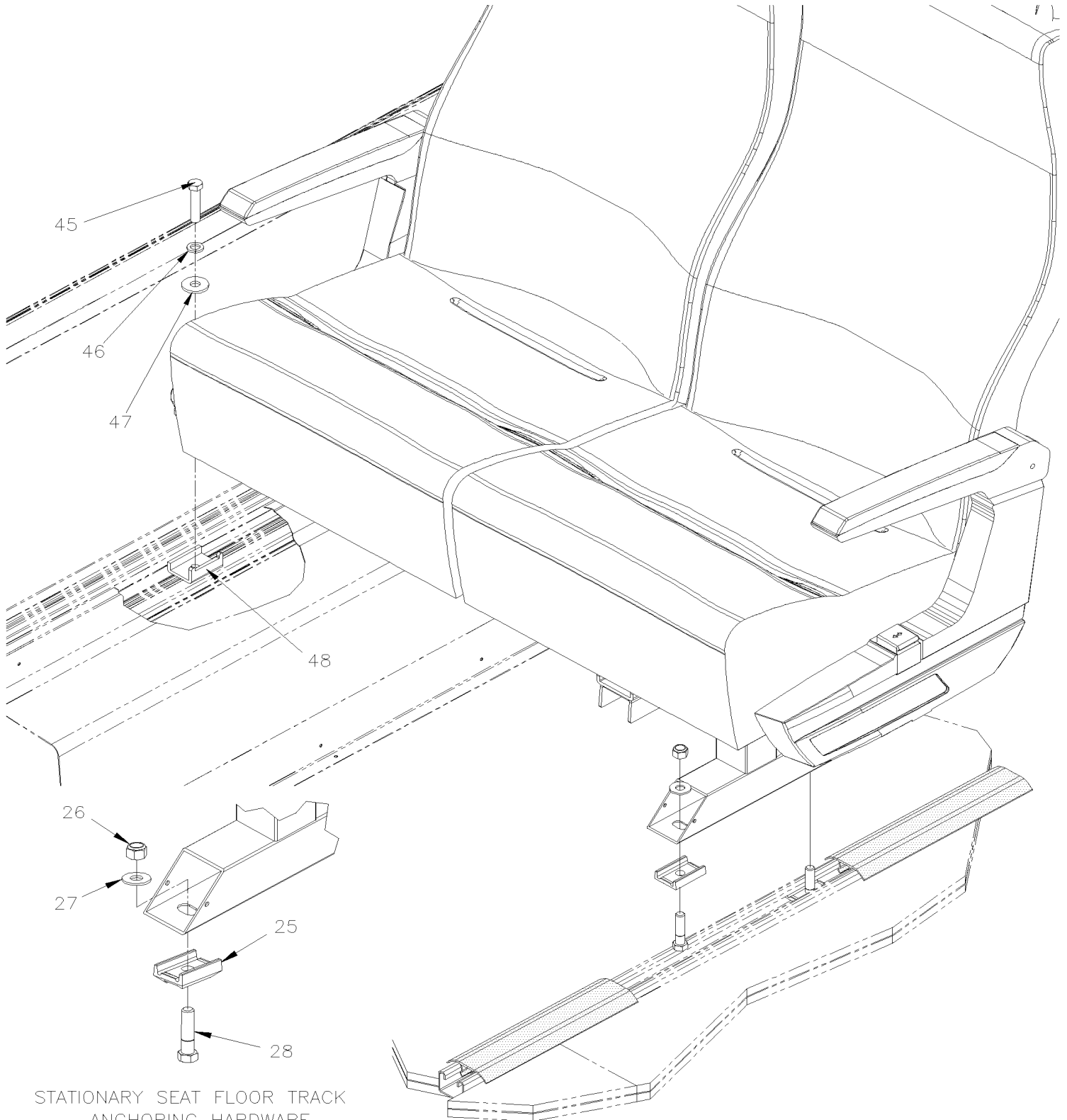


From 7-8754

Date:01/2024

PAGE:X3-1827-02

PASSENGER'S SEAT INSTALLATION AMAYA "A-220"



STATIONARY SEAT FLOOR TRACK ANCHORING HARDWARE

From 7-8754		Date:01/2024	PAGE:X3-1827-02
-------------	--	--------------	-----------------

PASSENGER'S SEAT INSTALLATION AMAYA "A-220"

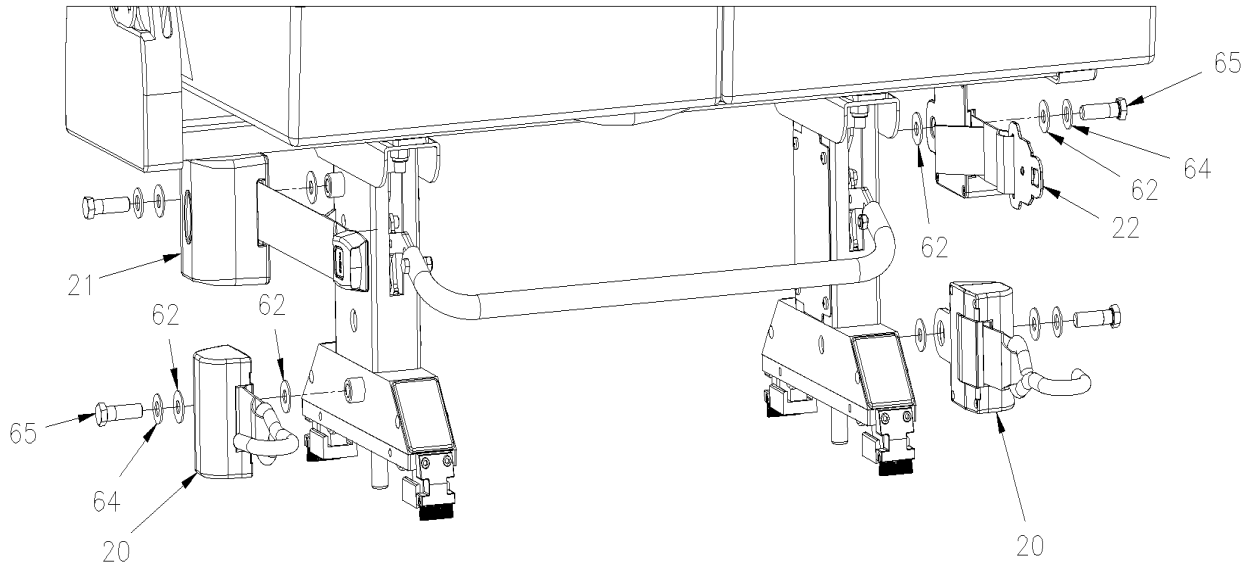
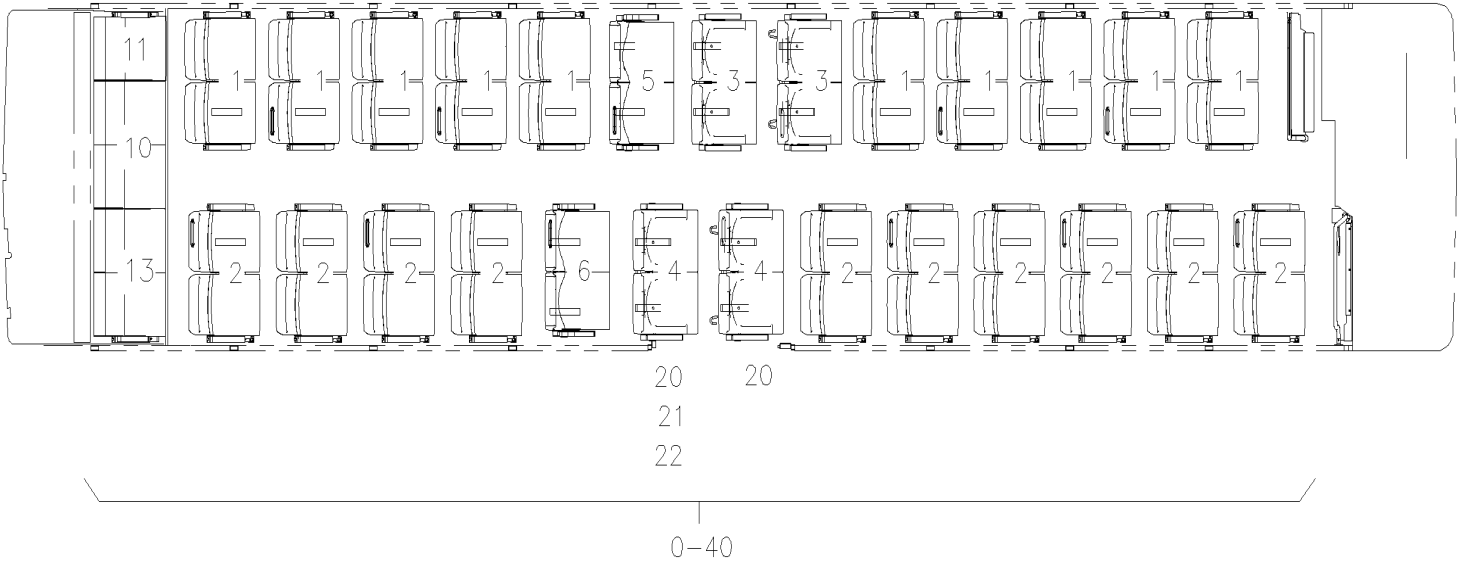
Item#	Part	Description	QTY	Notes
1	X3-1827-12	PASSENGER'S SEAT / STANDARD AMAYA "A-220"		
1	Call order desk	. SEAT ASSEMBLY 2 PASSENGER'S STREET SIDE	9	P
2	X3-1827-12	PASSENGER'S SEAT / STANDARD AMAYA "A-220"		
2	Call order desk	. SEAT ASSEMBLY 2 PASSENGER'S CURB SIDE	9	P
3	X3-1827-32	PASSENGER'S SEAT / FLIP-UP / SLIDER AMAYA "A-220"		
3	Call order desk	. SEAT ASM 2 PASS STREET SIDE / SLIDER	2	P
5	X3-1827-32	PASSENGER'S SEAT / FLIP-UP / SLIDER AMAYA "A-220"		
5	Call order desk	. SEAT ASM 2 PASS CURB SIDE / SLIDER	2	P
6	Call order desk	. PASSENGER'S SEAT / FLIP-UP/FIXE AMAYA "A-220"		P
6	Call order desk	. SEAT ASM 2 PASS CURB SIDE / FLIP-UP / FIXE / 1 PEDESTAL	1	P
7	X3-1827-22	PASSENGER'S SEAT / FLIP-UP/FIXE AMAYA "A-220"		
7	Call order desk	. SEAT ASM 2 PASS STREET SIDE / FLIP-UP / FIXE / 2 PEDESTAL	1	P
8	Call order desk	. PASSENGER'S SEAT / REAR CROSS SEAT AMAYA "A-220"	1	P
8	Call order desk	SEAT ASM 2 PASS A-220	1	P
9	Call order desk	. PASSENGER'S SEAT / REAR CROSS SEAT AMAYA "A-220"	1	P
9	Call order desk	SEAT ASM 1 PASS	1	P
25	364272	BLOCK ANCHOR / 26.8MM INSIDE / 35MM x 50MM x 19MM Height	AR	
26	5001734	NUT HEX 7/16-20 G8 N500	AR	
27	500897	WASHER FL .437x1.000x.083 N500	AR	
28	5001735	SCREW CAP HEX 7/16-20x1 3/4 G8 G500	AR	
45	865458	SCREW CAP HEX 7/16-20x2 G8	AR	
46	865460	WASHER LO SPT 7/16	AR	
47	865465	WASHER FL / 7/16	AR	
48	861714	ATTACHMENT NUT / "U" SHAPE TO FIX SEAT TO WALL TRACK	AR	
		P) CALL ORDER DESK FOR SPECIFIC APPLICATION (V.I.N.)		

From 7-8754

Date:01/2024

PAGE:X3-1827-03

PASSENGER'S SEAT INSTALLATION AMAYA "GT"



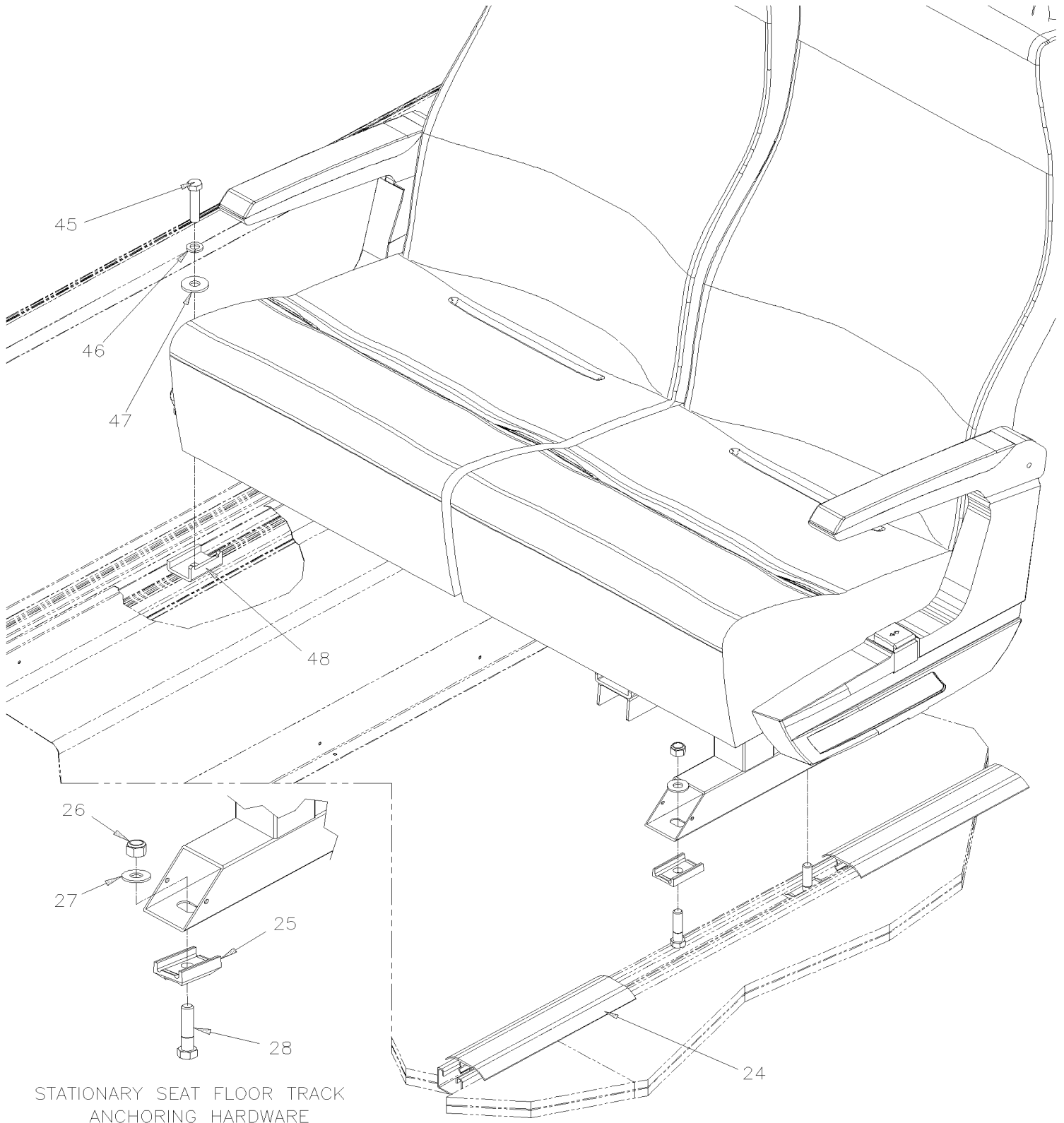
GENERIC BELT CONFIGURATION

From 7-8754

Date:01/2024

PAGE:X3-1827-03

PASSENGER'S SEAT INSTALLATION AMAYA "GT"



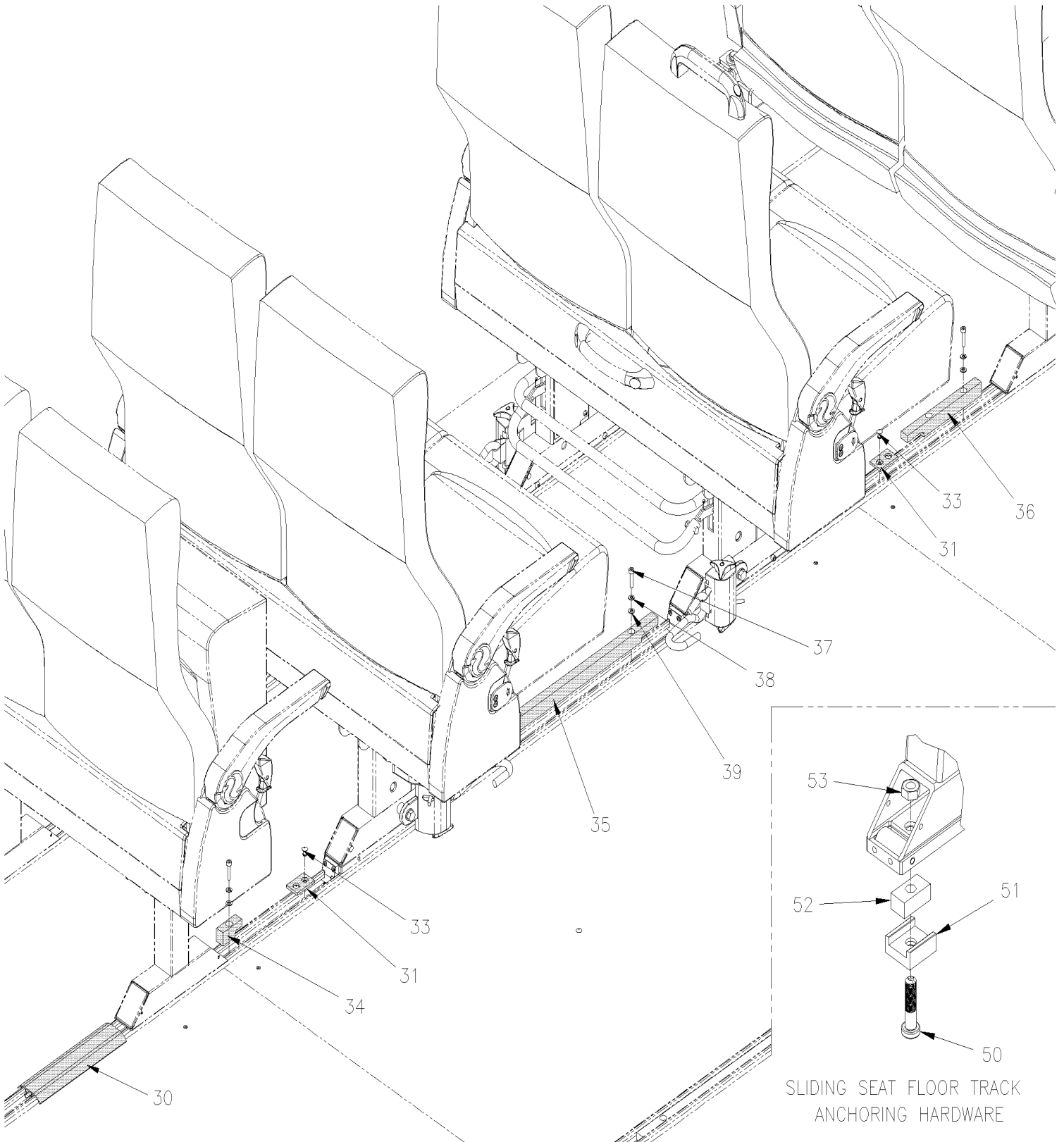
STATIONARY SEAT FLOOR TRACK
ANCHORING HARDWARE

From 7-8754

Date:01/2024

PAGE:X3-1827-03

PASSENGER'S SEAT INSTALLATION AMAYA "GT"



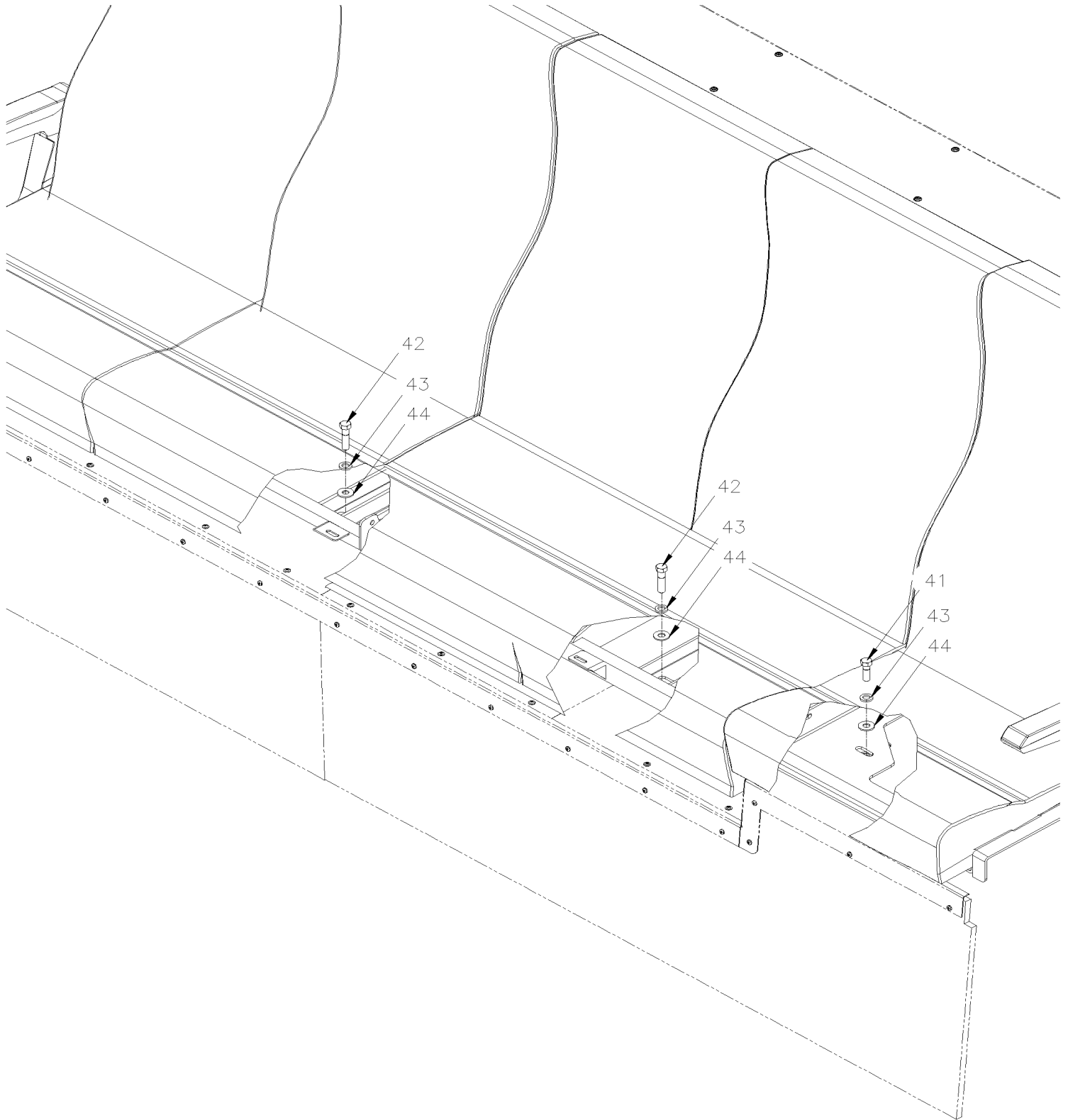
SLIDING SEAT FLOOR TRACK
ANCHORING HARDWARE

From 7-8754

Date:01/2024

PAGE:X3-1827-03

PASSENGER'S SEAT INSTALLATION AMAYA "GT"



From 7-8754		Date:01/2024	PAGE:X3-1827-03
-------------	--	--------------	-----------------

PASSENGER'S SEAT INSTALLATION AMAYA "GT"

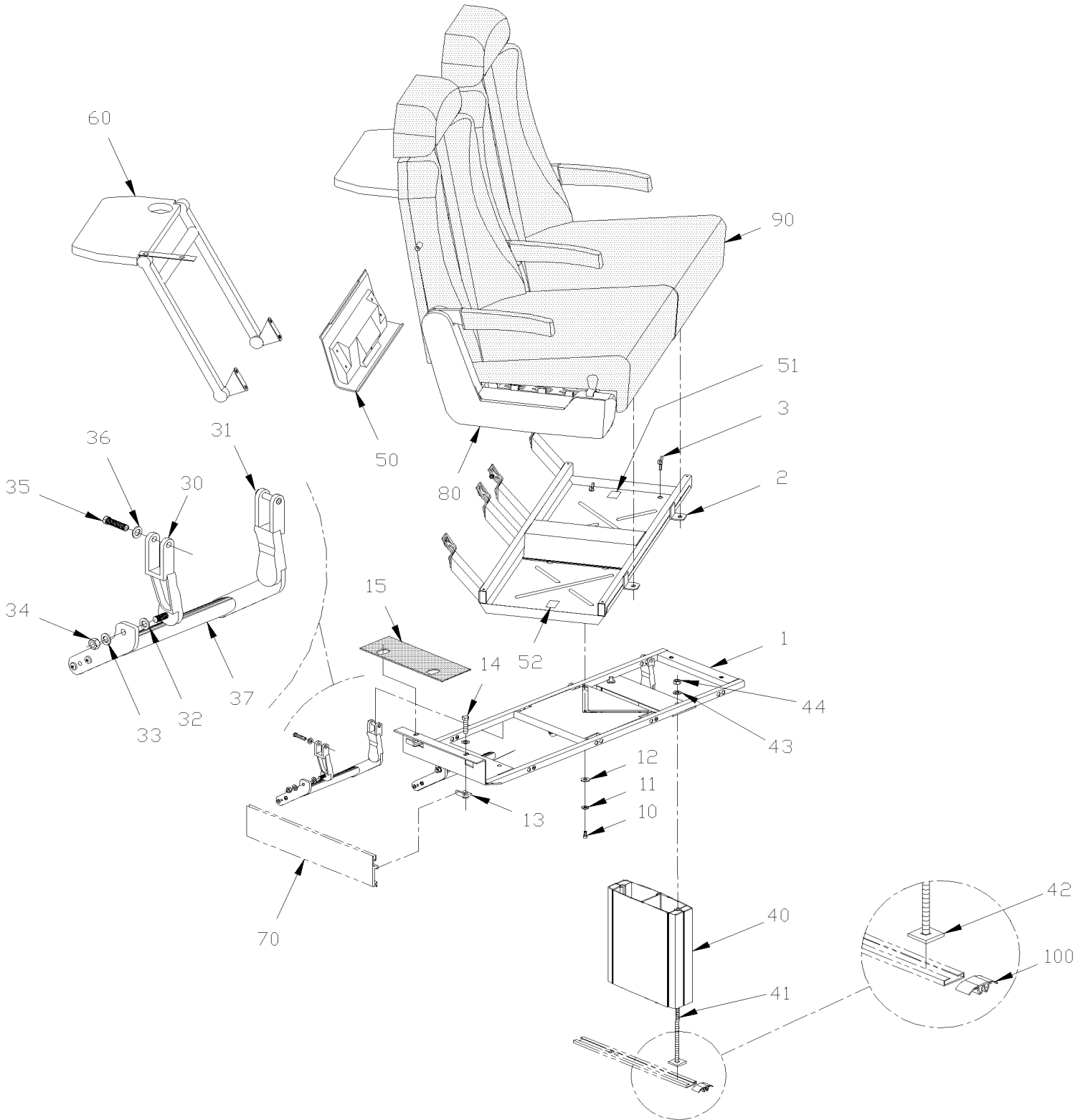
Item#	Part	Description	QTY	Notes
	X3-1827-13	PASSENGER'S SEAT AMAYA "GT"		
1	Call order desk	SEAT ASM 2 PASS STREETSIDE / 1 OUTLET AMAYA "GT"		P
2	Call order desk	SEAT ASM 2 PASS CURBSIDE / 1 OUTLET		P
3	Call order desk	SEAT ASM 2 PASS FLIP-UP W/SLIDE CURBSIDE		P
4	Call order desk	SEAT ASM 2 PASS FLIP-UP W/SLIDE STREETSIDE		P
5	Call order desk	SEAT ASM 2 PASS FLIP-UP CURBSIDE W/2 PEDESTAL		P
6	Call order desk	SEAT ASM 2 PASS FLIP-UP STREETSIDE W/2 PEDESTAL		P
7	Call order desk	SEAT ASM 2 PASS STREETSIDE / 2 OUTLET		P
8	Call order desk	SEAT ASM 2 PASS STREETSIDE / 2 OUTLET		P
10	Call order desk	SEAT ASM 3 PASS REAR RECLINING		P
11	Call order desk	SEAT ASM 1 PASS REAR RECLINING		P
13	Call order desk	SEAT ASM 5 PASS REAR RECLINING		P
20	19505511	HOOK SAFETY LOCK	8	
21	N8898811	BELT 2 POINT FEMALE	2	
22	N8898812	BELT 2 POINT MALE	2	
24	329689	SEAT TRACK COVER 12' / EACH SEAT / W/COVERING FLOOR	AR	
25	364272	BLOCK ANCHOR / 26.8MM INSIDE / 35MM x 50MM x 19MM Height	AR	
26	5001734	NUT HEX 7/16-20 G8 N500	AR	
27	500897	WASHER FL .437x1.000x.083 N500	AR	
28	5001735	SCREW CAP HEX 7/16-20x1 3/4 G8 G500	AR	
	Call order desk			P
30	329689	SEAT TRACK COVER 12' / EACH SEAT / W/COVERING FLOOR	AR	
31	329994	SEAT STOPPER 56MM x 31.75MM	14	
31	3200521	SEAT STOPPER 95MM x 31.75MM	2	
33	504459	RIVET MGLP PRDG 1/4x3/8 SS	32	
33	680532	SEALANT SIKA #221 / GREY / 310ml CARTRIDGE	AR	
34	3200626	STOPPER / SEAT POSITION / 55MM	4	
35	3200625	STOPPER / SEAT POSITION / 465MM	4	
36	3200624	STOPPER / SEAT POSITION / 215MM	4	
37	5001611	SCREW CAP HEXS M6-1.0x30 SS BK	20	
38	502570	WASHER LO SPT 6.1x11.8x1.6 SS	20	
39	502573	WASHER FL 6.4x12.5x1.6 SS	20	
40	Call order desk	PEDESTAL ASSY		P
41	500594	SCREW CAP HEX 7/16-20x1 1/4 G8 N500	4	
42	5002067	SCREW CAP HEX 7/16-20x2 1/4 G8 G500	AR	
43	500487	WASHER LO SPT .443x.779x.109 N500	18	
44	500897	WASHER FL .437x1.000x.083 N500	18	
45	865458	SCREW CAP HEX 7/16-20x2 G8	2	
46	865460	WASHER LO SPT 7/16	2	
47	865465	WASHER FL / 7/16	2	
48	865466	ATTACHMENT NUT / "L" SHAPE TO FIX SEAT TO WALL TRACK	2	

From 7-8754	Date:01/2024	PAGE:X3-1827-03
-------------	--------------	-----------------

PASSENGER'S SEAT INSTALLATION AMAYA "GT"

Item#	Part	Description	QTY	Notes
50	865064	PIN SUPPORT 7/16x54MM HEAD 19.5MM O.D	AR	
51	865063	INSIDE GUIDE	AR	
52	865062	INSIDE SLIDE	AR	
53	500709	NUT HEX 7/16-20 Z050	AR	
62	865467	WASHER FL NYL	24	
64	865468	WASHER FL 7/16 ZP	12	
65	865469	SCREW CAP HEX 7/16-20x1 1/2 G8	12	
		P) CALL ORDER DESK FOR SPECIFIC APPLICATION (V.I.N.)		

PASSENGER'S SEAT - ROTATING "PREVOST"



From 7-8754	Date:01/2024	PAGE:X3-1827-10
-------------	--------------	-----------------

PASSENGER'S SEAT - ROTATING "PREVOST"

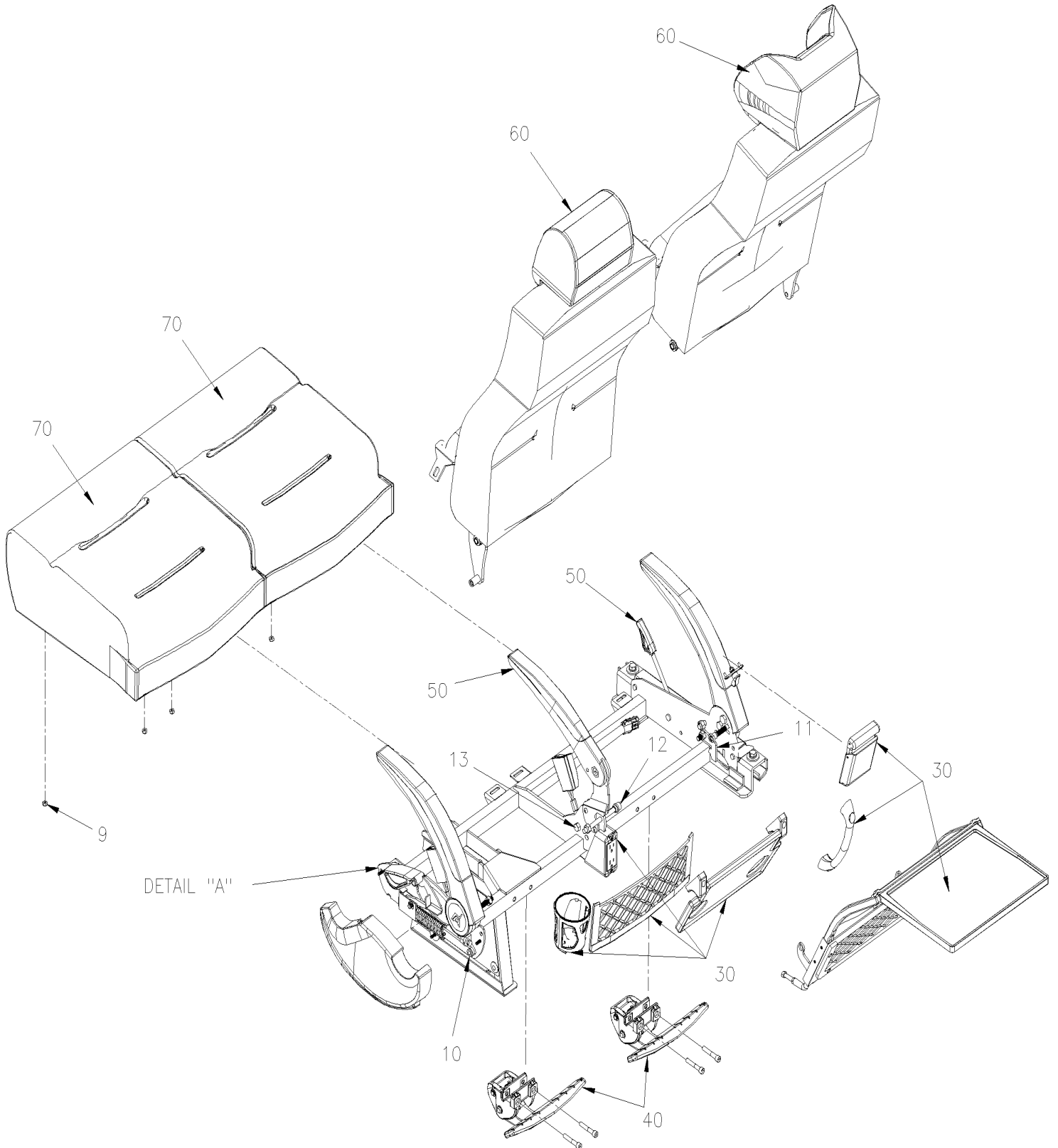
Item#	Part	Description	QTY	Notes
		THIS PAGE SHOWS ONLY PARTS RELATED		
		WITH ROTATING SEAT. ALLS		
		OTHERS PARTS ARE ILLUSTRATED IN PAGES		
	363923	SEAT ASSY ROTATING / "TOURISMO II" / 42" HIGH	AR	
	363929	SEAT ASSY ROTATING / "ULTRA"	AR	
1	362340	MOUNTING BASE ASSY / "ROTATING" SEAT	1	
2	363836	SEAT FRAME ASSY / "ROTATING" SEAT	1	
3	5001302	SCREW TH SHR 1/4-20x3/4 SS	4	
3	500468	WASHER FL .281x1.250x.065 Z050	4	
10	500162	SCREW CAP HEX 1/4-20x1/2 G5 Z050	1	
11	500473	WASHER LO SPT .262x.489x.062 Z050	1	
12	500462	WASHER FL .343x1.500x.083 SS	1	
13	362333	ATTACHMENT NUT / "L" SHAPE TO FIX SEAT TO WALL TRACK WALL TRACK	2	
14	500182	SCREW CAP HEX 5/16-18x1 1/4 G5 PT Z050	2	
15	362405	RUBBER PROTECTOR PAD	1	
30	363439	BRACKET L.H.	2	
31	363438	BRACKET R.H.	2	
32	502723	WASHER FL .386x.750x.050 NYL	2	
33	500441	WASHER FL .312x.734x.065 Z050	2	
34	500777	NUT HEX STO 5/16-18 Z050	2	
35	5001335	SCREW CAP HEXF SERR 5/16-18x1 1/2 Z050	2	
36	500942	WASHER LO SPT 8.1x14.8x2.0 N500	2	
37	362928	FOOTREST ASSY	2	
40	364039	PEDESTAL SQ END / 224MM 8.81" / W/ROTATING SEAT / ONE PIECE / 224MM 8.81"	1	
NS	364076	REINFORCEMENT PEDESTAL / ANGLE REAR OF PEDESTAL / 58MMx 20MM	2	
41	5001078	SCREW CRG 3/8-16x9 3/4 Z050	2	
42	360052	PLATE ANCHOR / CARRIAGE BOLT INSIDE TRACK / 1 1/4" X 3 1/2" To 9-9642	2	
42	364263	PLATE ANCHOR / CARRIAGE BOLT INSIDE TRACK / 1 5/8" x 3 15/16" ± From 9-9643	2	
43	362410	WASHER	2	
44	500265	NUT HEX STO 3/8-16 Z050	2	
46	362627	PLATE ANCHOR / 3/8-16 BOLT INSIDE TRACK / 1 1/4" X 1 1/4"	AR	
46	500270	WASHER FL .406x1.000x.063 SS	AR	
46	500305	SCREW CAP HEX 3/8-16x7/8 G5 Z050	AR	
46	500478	WASHER LO SPT .380x.683x.094 Z050	AR	
50	362702	FINISHING LOWER R.H.	1	
50	362701	FINISHING LOWER L.H.	1	
51	361752	DECAL "TO OPERATE.." / FIXED AT SEAT STRUCTURE / ENGLISH & FRANCAIS	1	
51	364056	DECAL "TO OPERATE.." / FIXED AT SEAT STRUCTURE / ENGLISH & SPANISH	1	
52	361751	DECAL "TO OPERATE.." / FIXED AT WINDOW To 7-9324	1	
52	403890	DECAL / TO OPERATE SWIVEL SEAT... / ENGLISH & FRANCAIS From 7-9325	1	

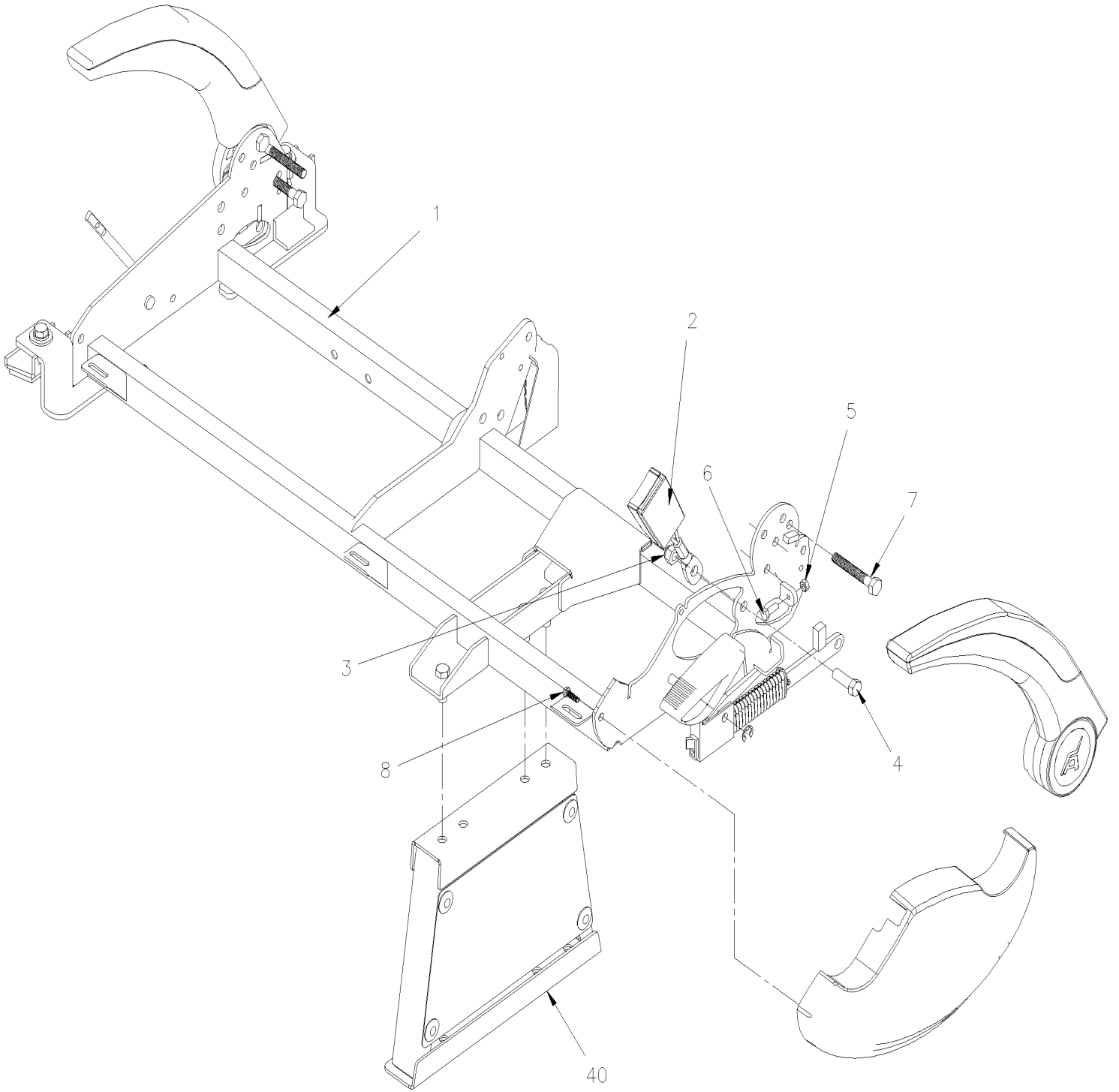
From 7-8754	Date:01/2024	PAGE:X3-1827-10
-------------	--------------	-----------------

PASSENGER'S SEAT - ROTATING "PREVOST"

Item#	Part	Description	QTY	Notes
52	405643	DECAL / TO OPERATE SWIVEL SEAT... / ENGLISH & SPANISH From 7-9325	1	
60	X3-1829-00	ACCESSORIES PASSENGER'S SEAT - "PREVOST"		
70	X3-2221-10	DUCTING HEATER & A/C - BUS FLOOR		
80	X3-1827-50	ARMREST PASSENGER'S SEAT - "PREVOST"		
90	X3-1827-00	PASSENGER'S SEAT - "ULTRA"		
90	X3-1828-00	PASSENGER'S SEAT - "TOURISMO II"		
100	323654	SEAT TRACK COVER 12' / EACH SEAT / W/COVERING FLOOR To 9-9642	AR	
100	323963	SEAT TRACK COVER 8' / EACH SEAT / W/COVERING FLOOR To 9-9642	AR	
100	329689	SEAT TRACK COVER 12' / EACH SEAT / W/COVERING FLOOR From 9-9643	AR	

PASSENGER'S SEAT / STANDARD AMAYA "A-2TEN"



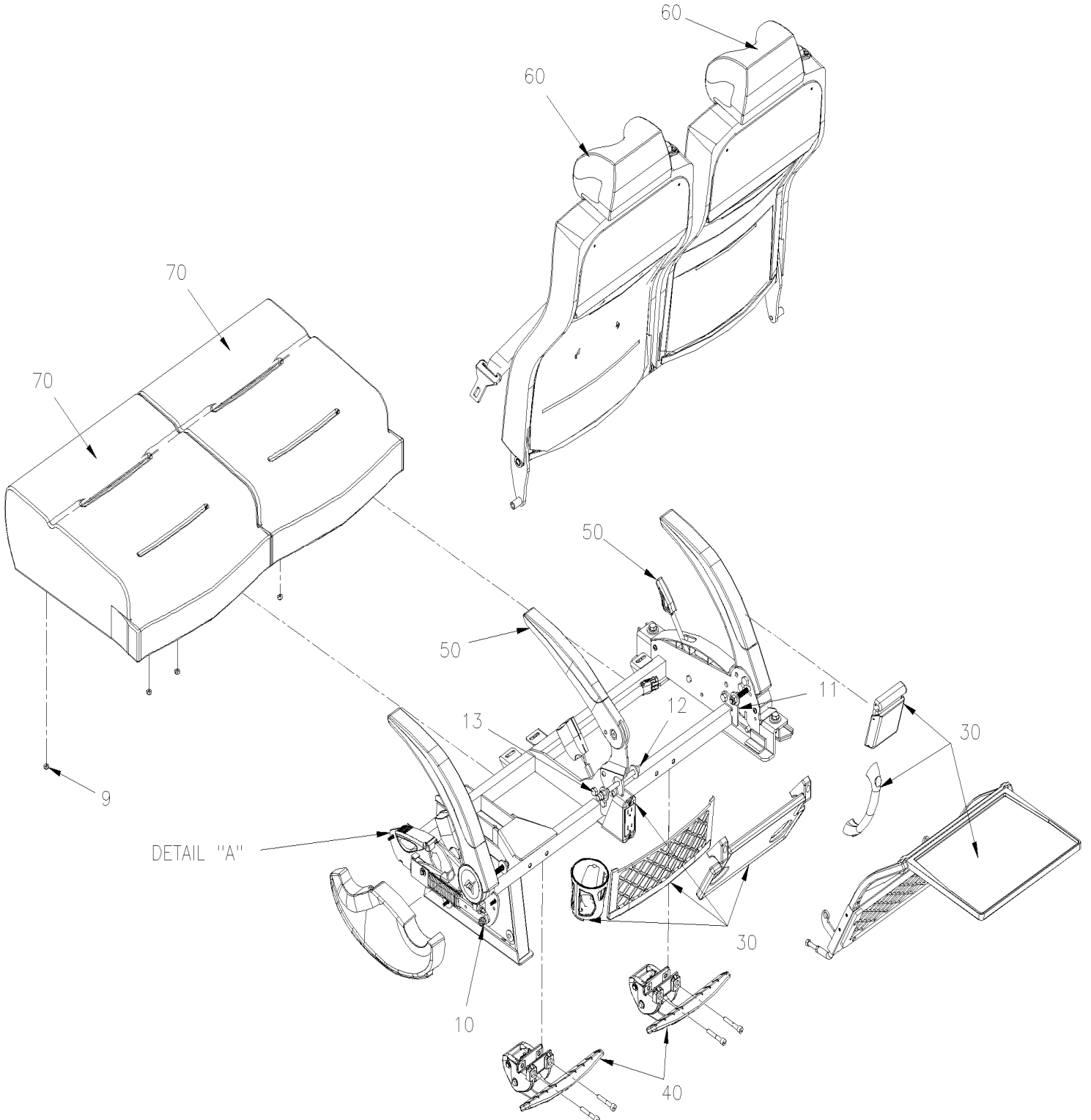


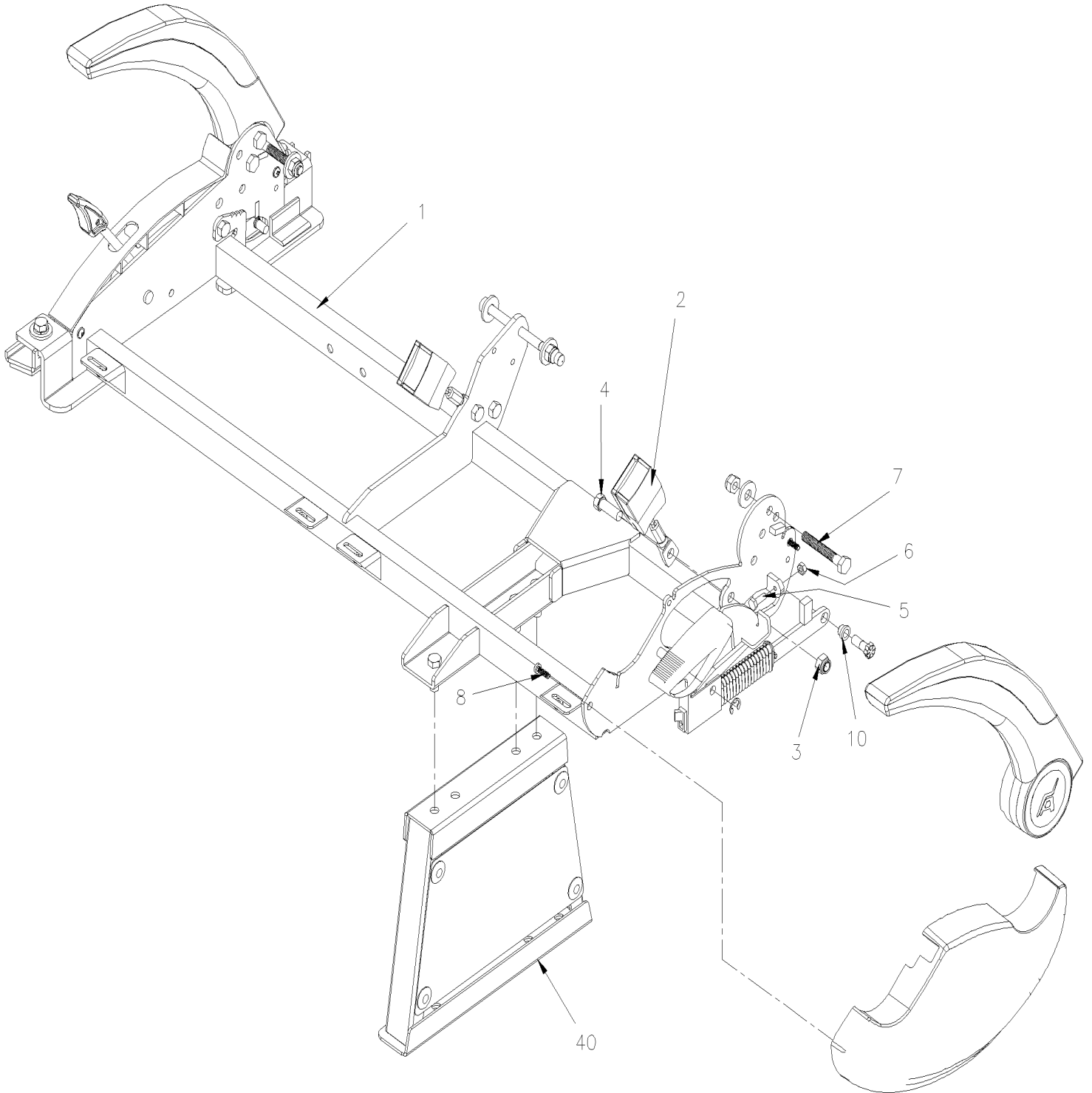
DETAIL "A"

From 7-8754		Date:01/2024	PAGE:X3-1827-11
-------------	--	--------------	-----------------

PASSENGER'S SEAT / STANDARD AMAYA "A-2TEN"

Item#	Part	Description	QTY	Notes
	Call order desk	SEAT ASSEMBLY 2 PASSENGER'S CURBSIDE	9	P
	Call order desk	SEAT ASSEMBLY 2 PASSENGER'S STREET SIDE	9	P
1	865442	. SEAT CHASSIS WELDED ASSY CURBSIDE	1	
1	865443	. SEAT CHASSIS WELDED ASSY STREET SIDE	1	
2	864349	. BUCKLE FEMALE	2	
3	865519	. NUT HEX NYRT 7/16-20	5	
4	868271	. SCREW CAP HEX 7/16-20x1 1/4 G8	1	
5	865497	. NUT HEX 1/4	2	
6	865498	. SCREW CAP HEX 1/4-20 x 3/4 LG	2	
7	868401	. SCREW CAP HEX M10-1.5x70MM	2	
8	Call order desk	. SCREW HI-LO M6x20	3	P
9	865490	. NUT HEX JAM NYRT 1/4	4	
10	865215	. BUSHING NYLON	2	
11	7770173	. STOPPER 6" RECLINING (3 pos)	2	
12	Call order desk	. SCREW CAP HEXS M10x120MM	1	P
12	Call order desk	. BUSHING	1	P
12	860005	. NUT HEX STO M10-1.5 ZP	2	
13	865521	. SCREW CAP HEX 7/16-20x1 G8	4	
30	X3-1826-60	. ACCESSORIES PASSENGER'S SEAT - "AMAYA"		
40	X3-1826-41	. PASSENGER'S SEAT - "AMAYA" - FOOTREST & PEDESTAL		
50	X3-1827-51	. ARMREST AMAYA "A-2TEN"		
60	X3-1827-61	. BACKREST AMAYA "A-2TEN"		
70	X3-1827-71	. SEAT CUSHION AMAYA "A-2TEN"		
		P) CALL ORDER DESK FOR SPECIFIC APPLICATION (V.I.N.)		



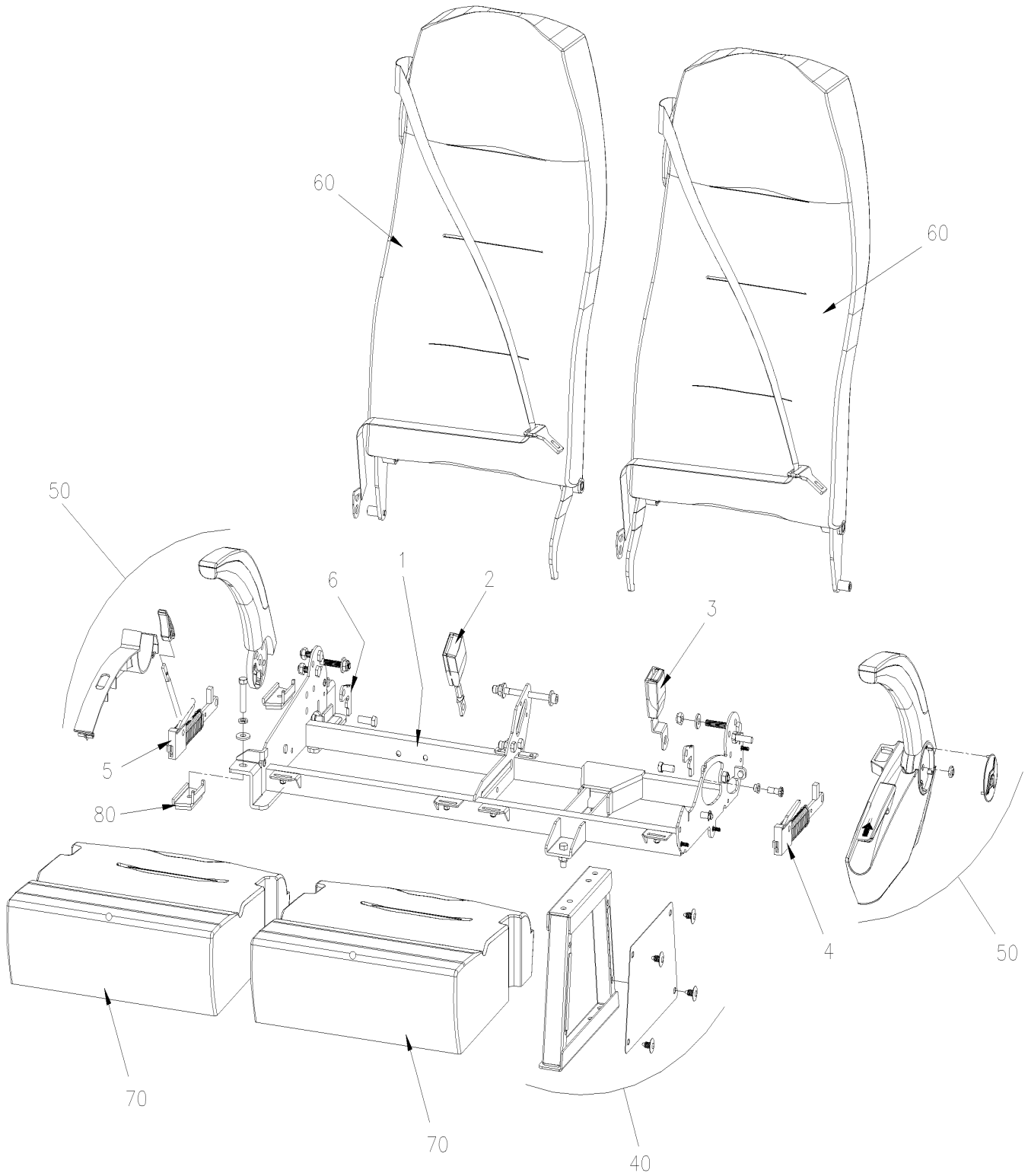


DETAIL "A"

From 7-8754		Date:01/2024	PAGE:X3-1827-12
PASSENGER'S SEAT / STANDARD AMAYA "A-220"			

Item#	Part	Description	QTY	Notes
	Call order desk	SEAT ASSEMBLY 2 PASSENGER'S CURB SIDE	9	P
	Call order desk	SEAT ASSEMBLY 2 PASSENGER'S CURB SIDE W/O ACCESSORIES	1	P
	Call order desk	SEAT ASSEMBLY 2 PASSENGER'S STREET SIDE	9	P
	Call order desk	SEAT ASSEMBLY 2 PASSENGER'S STREET SIDE W/O ACCESSORIES	1	P
1	Call order desk	. SEAT CHASSIS WELDED ASSY CURBSIDE	1	P
1	Call order desk	. SEAT CHASSIS WELDED ASSY STREET SIDE	1	P
1	T970095942	. SEAT CHASSIS WELDED ASSY / 2 PEDESTAL	1	
2	866019	. BUCKLE FEMALE	2	
3	865519	. NUT HEX NYRT 7/16-20	5	
NS	868403	. CAP	1	
4	868271	. SCREW CAP HEX 7/16-20x1 1/4 G8	1	
5	865498	. SCREW CAP HEX 1/4-20 x 3/4 LG	2	
6	865497	. NUT HEX 1/4	2	
7	868401	. SCREW CAP HEX M10-1.5x70MM	2	
7	860005	. NUT HEX STO M10-1.5 ZP	2	
8	Call order desk	. SCREW HI-LO M6x20	3	P
9	865490	. NUT HEX JAM NYRT 1/4	4	
10	865215	. BUSHING NYLON	2	
11	7770173	. STOPPER 6" RECLINING (3 pos)	2	
12	868277	. SCREW CAP HEXS M10-1.5x130MM	1	
12	868403	. CAP	1	
12	860005	. NUT HEX STO M10-1.5 ZP	2	
13	865521	. SCREW CAP HEX 7/16-20x1 G8	4	
30	X3-1826-60	. ACCESSORIES PASSENGER'S SEAT - "AMAYA"		
40	X3-1826-41	. PASSENGER'S SEAT - "AMAYA" - FOOTREST & PEDESTAL		
50	X3-1827-52	. ARMREST AMAYA "A-220"		
60	X3-1827-62	. BACKREST AMAYA "A-220"		
70	X3-1827-72	. SEAT CUSHION AMAYA "A-220"		
		P) CALL ORDER DESK FOR SPECIFIC APPLICATION (V.I.N.)		

PASSENGER'S SEAT AMAYA "GT"



From 7-8754	Date:01/2024	PAGE:X3-1827-13
-------------	--------------	-----------------

PASSENGER'S SEAT AMAYA "GT"

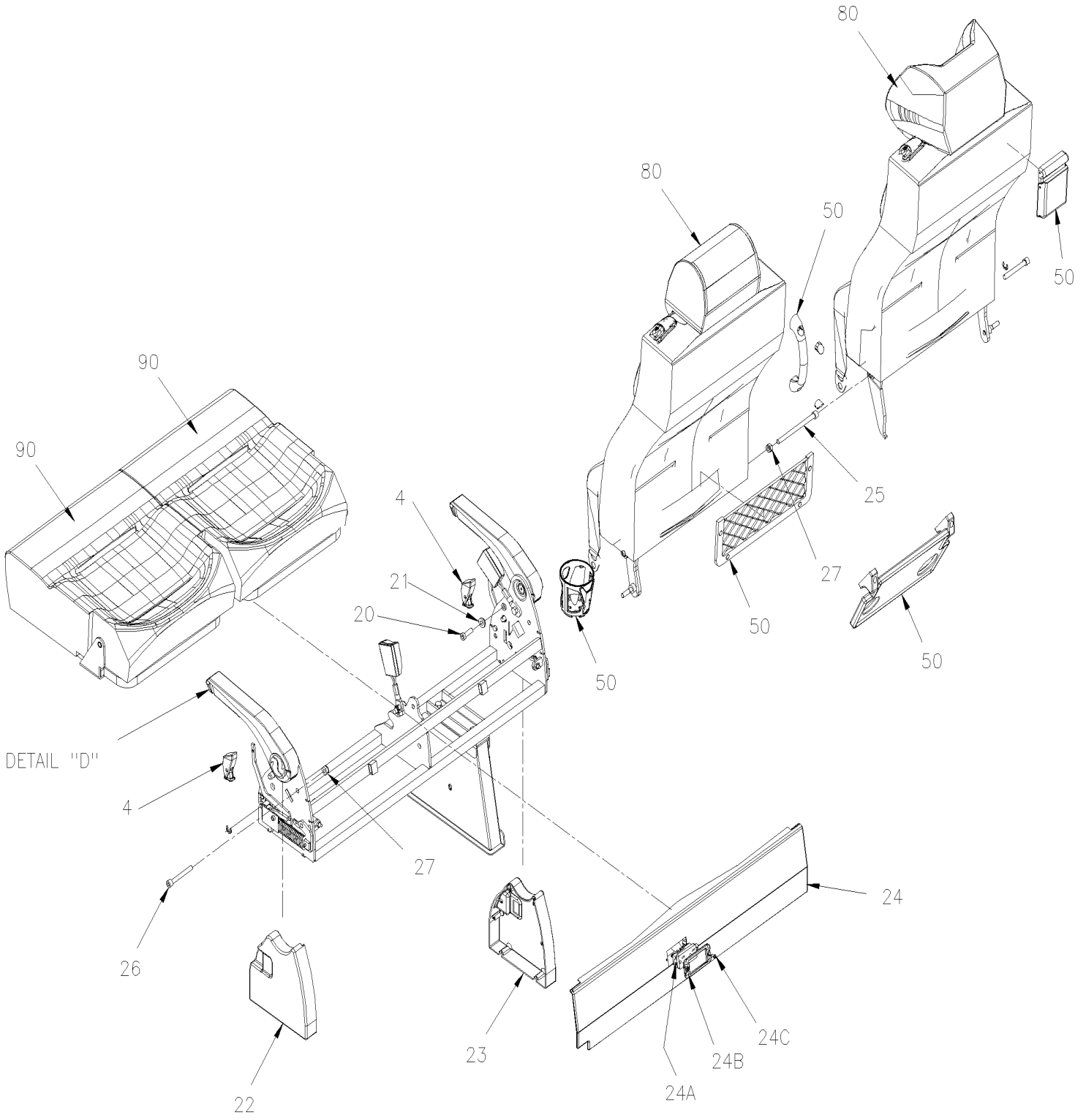
Item#	Part	Description	QTY	Notes
1	868332	SEAT CHASSIS SUB ASSY W/1 PEDESTAL CURBSIDE	1	
1	868333	SEAT CHASSIS SUB ASSY W/1 PEDESTAL STREET SIDE	1	
1	Call order desk	SEAT CHASSIS SUB ASSY W/2 PEDESTAL	1	P
2	866019	BUCKLE FEMALE	1	
3	868154	BUCKLE FEMALE	1	
4	865086	RECLINING MECHANISM ASSY / "TORINO" AILSE	1	
5	865061	RECLINING MECHANISM ASSY / "TORINO" WINDOW	1	
6	7770173	STOPPER 6" RECLINING (3 pos)	2	
40	X3-1827-49	PASSENGER'S SEAT - "AMAYA" - FOOTREST & PEDESTAL AMAYA "GT", "GT TRANSIT"	1	
50	X3-1827-54	ARMREST AMAYA "GT"	1	
60	X3-1827-63	BACKREST AMAYA "GT"	1	
70	X3-1827-73	SEAT CUSHIONS AMAYA TORINO, "GT" & "GTT"	1	
80	X3-1827-03	PASSENGER'S SEAT INSTALLATION AMAYA "GT"	1	
		P) CALL ORDER DESK FOR SPECIFIC APPLICATION (V.I.N.)		

From 7-8754

Date:01/2024

PAGE:X3-1827-21

PASSENGER'S SEAT / FLIP-UP/FIXE AMAYA "A-2TEN"

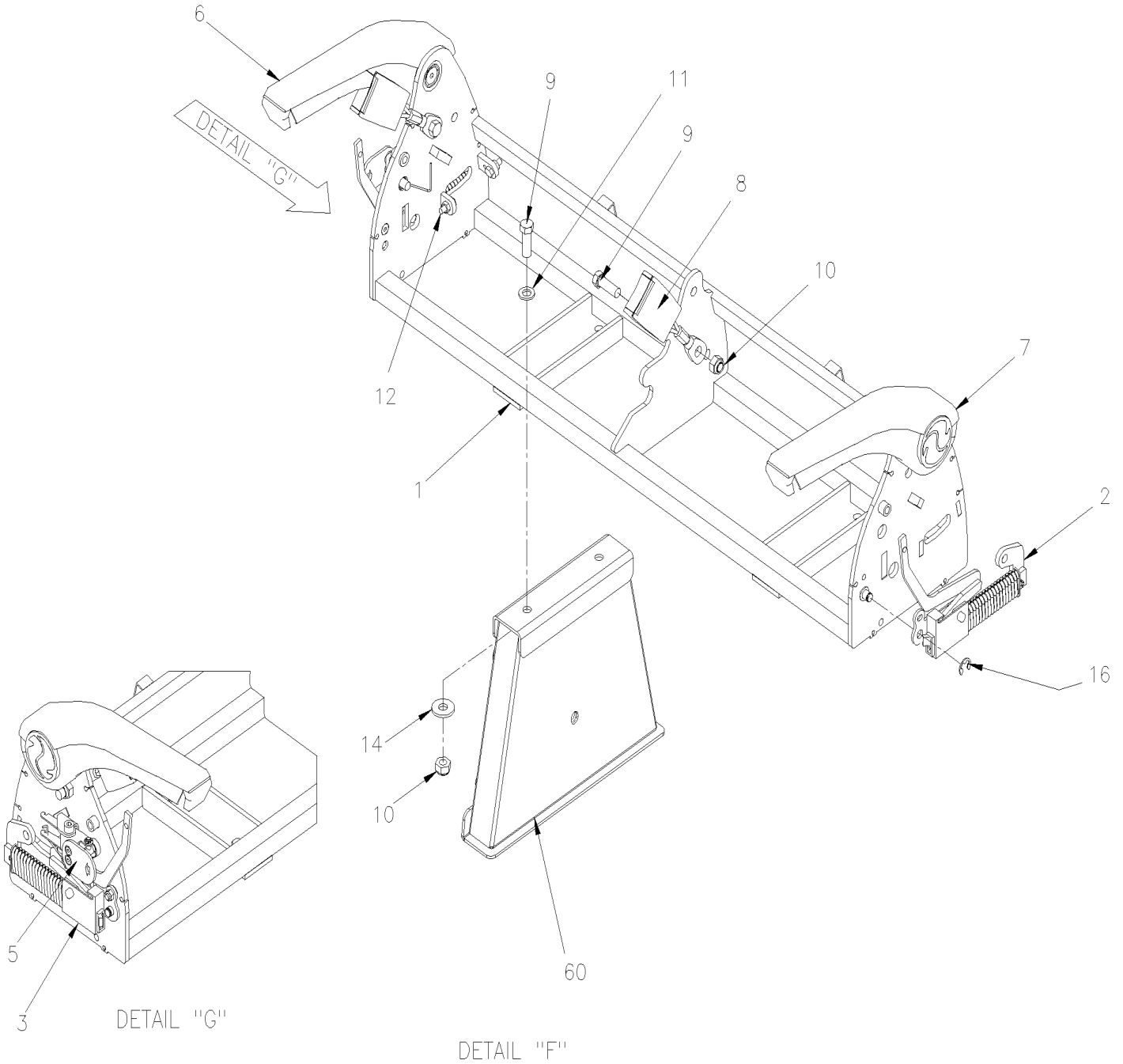


From 7-8754

Date:01/2024

PAGE:X3-1827-21

PASSENGER'S SEAT / FLIP-UP/FIXE AMAYA "A-2TEN"

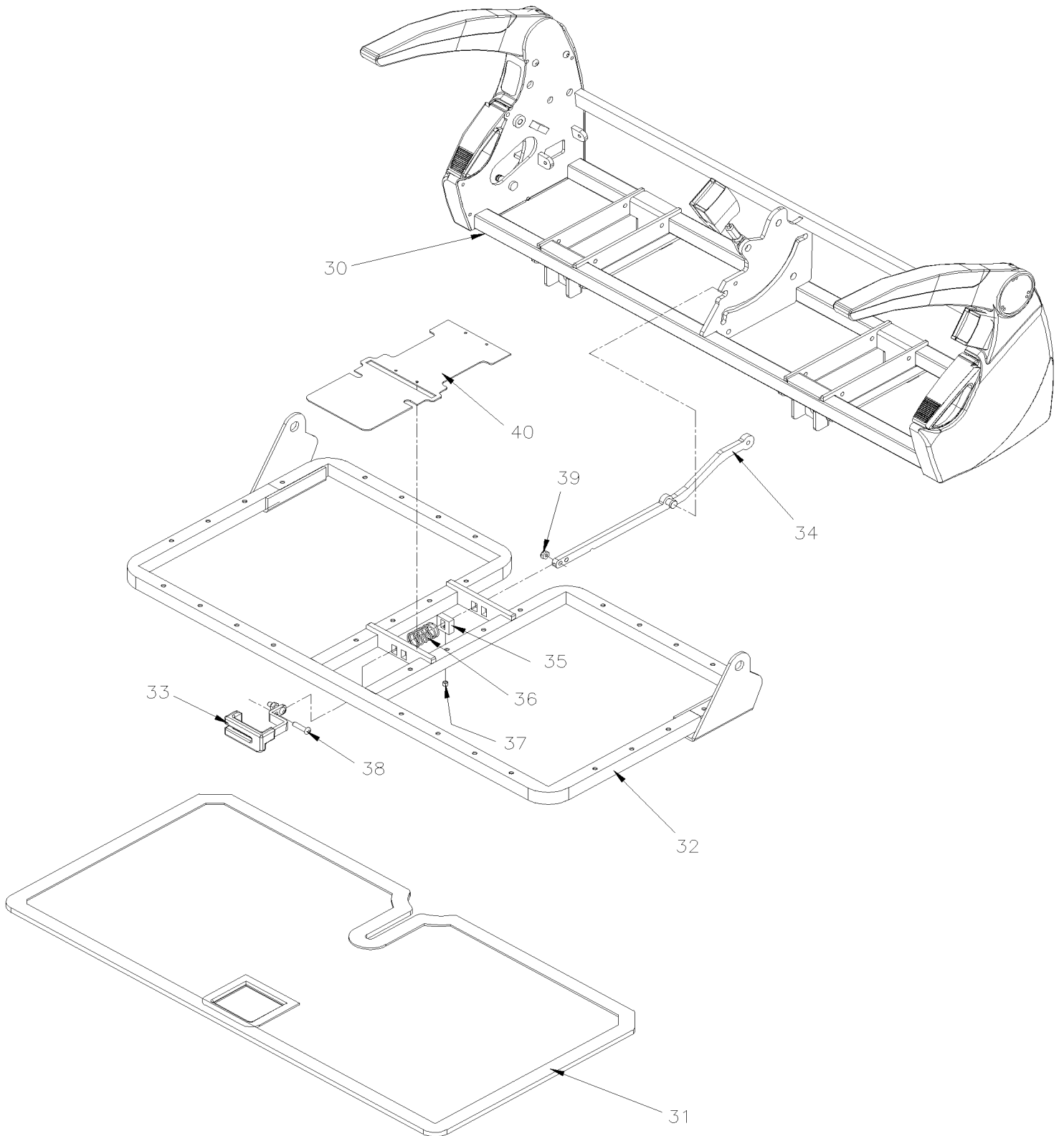


From 7-8754

Date:01/2024

PAGE:X3-1827-21

PASSENGER'S SEAT / FLIP-UP/FIXE AMAYA "A-2TEN"



From 7-8754		Date:01/2024	PAGE:X3-1827-21
PASSENGER'S SEAT / FLIP-UP/FIXE AMAYA "A-2TEN"			

Item#	Part	Description	QTY	Notes
	Call order desk	SEAT ASM 2 PASS STREETSIDE / FLIP-UP	1	P
	Call order desk	SEAT ASM 2 PASS CURBSIDE / FLIP-UP	1	P
1	868499	. SEAT CHASSIS WELDED / STREET SIDE	1	
1	Call order desk	. SEAT CHASSIS WELDED / CURBSIDE	1	P
2	862546	. RECLINING MECHANISM ASSY WALL SIDE	1	
. NS	IS-136	. . INSTRUCTION SHEET	1	
3	19509412	. RECLINING MECHANISM ASSY RH	1	
4	864093	. KNOB RECLINING	2	
5	865500	. MECHANISM HANDLE / RH	1	
6	865157	. HINGED ARMREST RH	1	
7	865154	. HINGED ARMREST LH	1	
8	864349	. BUCKLE FEMALE	2	
9	868271	. SCREW CAP HEX 7/16-20x1 1/4 G8	4	
10	865519	. NUT HEX NYRT 7/16-20	4	
11	865465	. WASHER FL / 7/16	2	
12	865498	. SCREW CAP HEX 1/4-20 x 3/4 LG	1	
14	865520	. WASHER FL 7/16	2	
16	Call order desk	. RETAINING RING	2	P
20	Call order desk	. SCREW CAP HEXS M10x30MM	2	P
21	867923	. BUSHING	2	
22	866279	. LATERAL COVER / AISLE SIDE / STREET SIDE SEAT	1	
22	866213	. LATERAL COVER / AISLE SIDE / CURB SIDE SEAT	1	
23	860010	. LATERAL COVER / WALL SIDE / STREET SIDE SEAT	1	
23	860009	. LATERAL COVER / WALL SIDE / CURB SIDE SEAT	1	
24	Call order desk	. COVER PLATE ASSY	1	P
24A	860124	. . PLUG DOUBLE 110 VAC MURAL / WHITE	1	
24A	860142	. . PLUG DOUBLE 110 VAC MURAL W/2 USB PORT / WHITE To L-6602	1	
24A	867863	. . PLUG DOUBLE 110 VAC MURAL W/2 USB PORT / WHITE From L-6603	1	
24B	860126	. . FACE PLATE PLUG 110V	1	
24C	Call order desk	. . SCREW #10x1/2	1	P
25	868265	. SCREW CAP HEXS M10x140MM	2	
26	Call order desk	. SCREW CAP HEXS M10x80MM	2	P
27	860005	. NUT HEX STO M10-1.5 ZP	3	
30	Call order desk	SEAT ASM 2 PASS CURBSIDE/ FLIP-UP / 1 PEDESTAL	1	P
30	Call order desk	SEAT ASM 2 PASS STREET SIDE/ FLIP-UP	1	P
31	Call order desk	. PANEL COVER SEAT BOTTOM	1	P
32	Call order desk	. SEAT CUSHION ASSY / 2 PASSENGER'S / FLIP-UP SEAT CURBSIDE SEAT	1	P
32	Call order desk	. SEAT CUSHION ASSY / 2 PASSENGER'S / FLIP-UP SEAT STREET SIDE SEAT	1	P
33	860367	. PULL HANDLE W/PLASTIC COVER ASSY RH	1	
33	860368	. PULL HANDLE W/PLASTIC COVER ASSY LH	1	
33	860369	. . HANDLE FLIPPING SEAT	1	
34	860195	. . MOVING ARM FLIPPING SEAT	1	

From 7-8754	Date:01/2024	PAGE:X3-1827-21
PASSENGER'S SEAT / FLIP-UP/FIXE AMAYA "A-2TEN"		

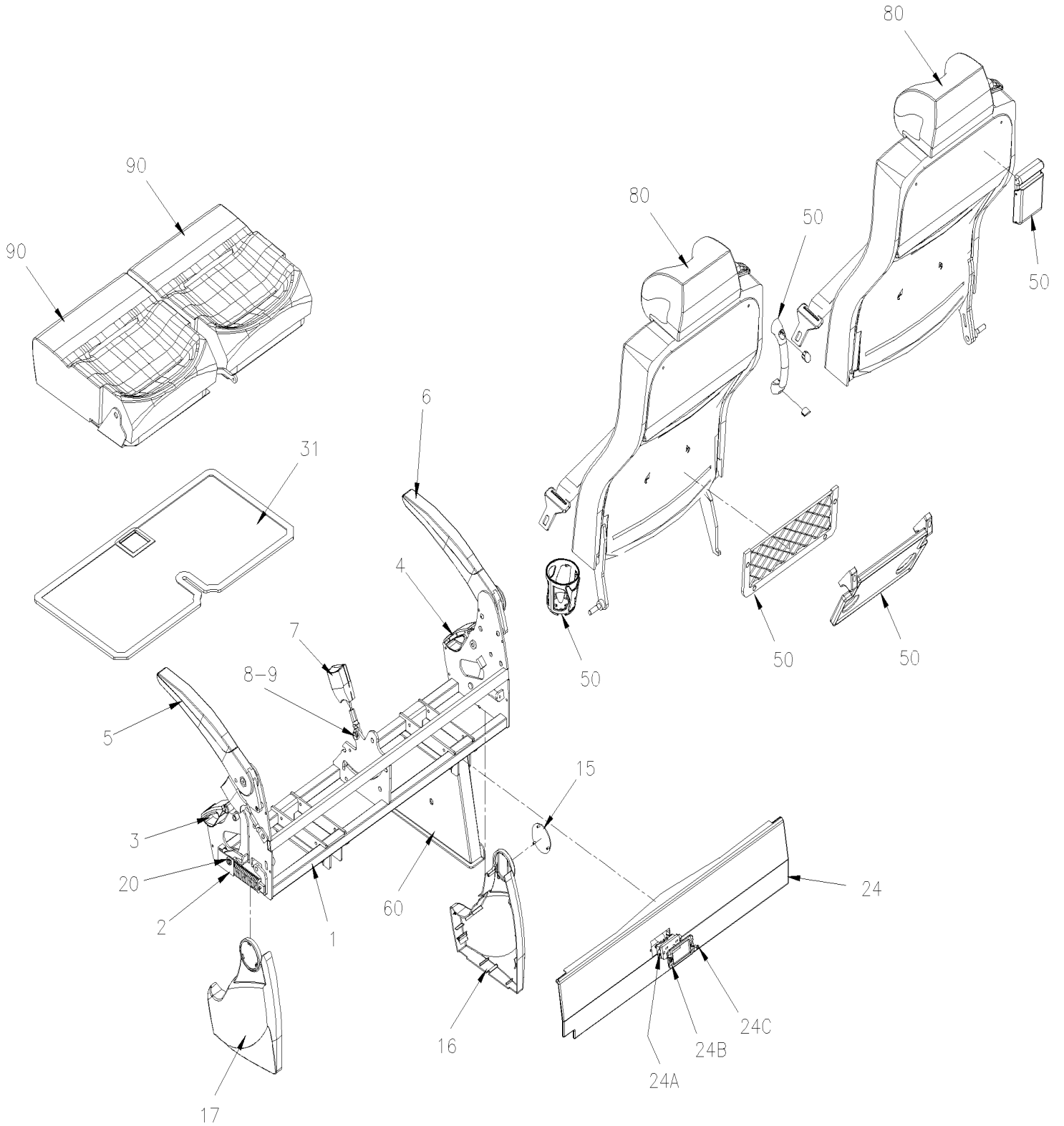
Item#	Part	Description	QTY	Notes
NS	867945	.. WASHER	1	
NS	867944	.. SCREW SHR HEXS 5/16-18	1	
NS	867946	.. CAP NUT 5/16-18	1	
35	868130	.. SPRING STOPPER	1	
36	868131	.. SPRING	1	
37	868132	.. SET SCREW 1/4x1/4	1	
38	868195	.. CAP SCREW 10-24 x3/4"	2	
39	868196	.. NUT HEX NYRT #10-24	2	
40	Call order desk	.. CLOSING PLATE	1	P
50	X3-1826-60	ACCESSORIES PASSENGER'S SEAT - "AMAYA"		
60	X3-1826-41	PASSENGER'S SEAT - "AMAYA" - FOOTREST & PEDESTAL		
80	X3-1827-61	BACKREST AMAYA "A-2TEN"		
90	X3-1827-71	SEAT CUSHION AMAYA "A-2TEN"		
		P) CALL ORDER DESK FOR SPECIFIC APPLICATION (V.I.N.)		

From 7-8754

Date:01/2024

PAGE:X3-1827-22

PASSENGER'S SEAT / FLIP-UP/FIXE AMAYA "A-220"

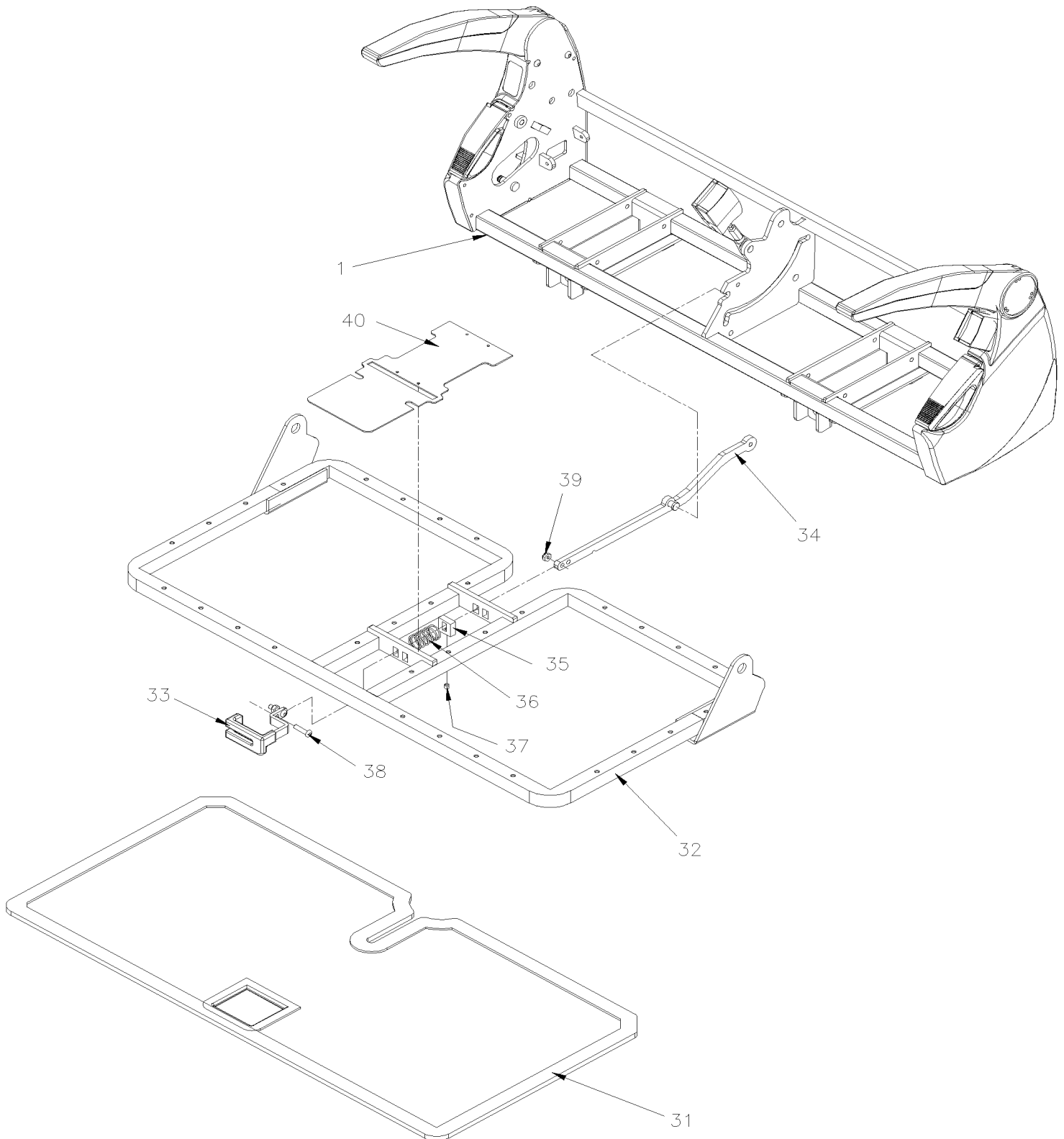


From 7-8754

Date:01/2024

PAGE:X3-1827-22

PASSENGER'S SEAT / FLIP-UP/FIXE AMAYA "A-220"



From 7-8754		Date:01/2024	PAGE:X3-1827-22
PASSENGER'S SEAT / FLIP-UP/FIXE AMAYA "A-220"			

Item#	Part	Description	QTY	Notes
	Call order desk	SEAT ASM 2 PASS CURBSIDE/ FLIP-UP / 1 PEDESTAL	1	P
	Call order desk	SEAT ASM 2 PASS STREET SIDE/ FLIP-UP	1	P
	Call order desk	SEAT ASM 2 PASS CURBSIDE/ FLIP-UP / 2 PEDESTAL	1	P
	Call order desk	SEAT ASM 2 PASS STREET SIDE/ FLIP-UP / 2 PEDESTAL	1	P
1	Call order desk	SEAT CHASSIS WELDED CURBSIDE / 1 DEPESTAL	1	P
1	Call order desk	SEAT CHASSIS WELDED / CURBSIDE / 2 PEDESTAL	1	P
1	Call order desk	SEAT CHASSIS WELDED / STREET SIDE / 2 PEDESTAL	1	P
2	868523	RECLINING MECHANISM ASSY / WALL SIDE	1	
NS	868522	RECLINING MECHANISM ASSY / AISLE SIDE	1	
3	868280	MECHANISM HANDLE ASSY / RH	1	
4	868281	MECHANISM HANDLE ASSY / LH	1	
5	867737	HINGED ARMREST / RH	1	
6	867738	HINGED ARMREST / LH	1	
7	866019	BUCKLE FEMALE	2	
8	868271	SCREW CAP HEX 7/16-20x1 1/4 G8	4	
9	865519	NUT HEX NYRT 7/16-20	4	
15	860075	CAP WITH LOGO AMAYA	1	
16	23210438	LATERAL COVER / AISLE SIDE // RH	1	
16	23210437	LATERAL COVER / AISLE SIDE // LH	1	
17	868283	LATERAL COVER / WALL SIDE // STREET SIDE SEAT	1	
17	868282	LATERAL COVER / WALL SIDE / CURB SIDE SEAT	1	
20	868523	RECLINING MECHANISM ASSY / WALL SIDE	2	
20	868522	RECLINING MECHANISM ASSY / AISLE SIDE	1	
24	Call order desk	COVER PLATE ASSY	1	P
24A	860124	PLUG DOUBLE 110 VAC MURAL / WHITE	1	
24A	860142	PLUG DOUBLE 110 VAC MURAL W/2 USB PORT / WHITE To L-6602	1	
24A	867863	PLUG DOUBLE 110 VAC MURAL W/2 USB PORT / WHITE From L-6603	1	
24B	860126	FACE PLATE PLUG 110V	1	
24C	Call order desk	SCREW #10x1/2	1	P
31	Call order desk	PANEL COVER SEAT BOTTOM	1	P
32	Call order desk	SEAT CUSHION ASSY / 2 PASSENGER'S / FLIP-UP SEAT CURBSIDE SEAT	1	P
32	Call order desk	SEAT CUSHION ASSY / 2 PASSENGER'S / FLIP-UP SEAT STREET SIDE SEAT	1	P
33	860367	PULL HANDLE W/PLASTIC COVER ASSY RH	1	
33	860368	PULL HANDLE W/PLASTIC COVER ASSY LH	1	
33	860369	HANDLE FLIPPING SEAT	1	
34	860195	MOVING ARM FLIPPING SEAT	1	
34	867945	WASHER	1	
34	867944	SCREW SHR HEXS 5/16-18	1	
34	867946	CAP NUT 5/16-18	1	
35	868130	SPRING STOPPER	1	
36	868131	SPRING	1	

From 7-8754	Date:01/2024	PAGE:X3-1827-22
PASSENGER'S SEAT / FLIP-UP/FIXE AMAYA "A-220"		

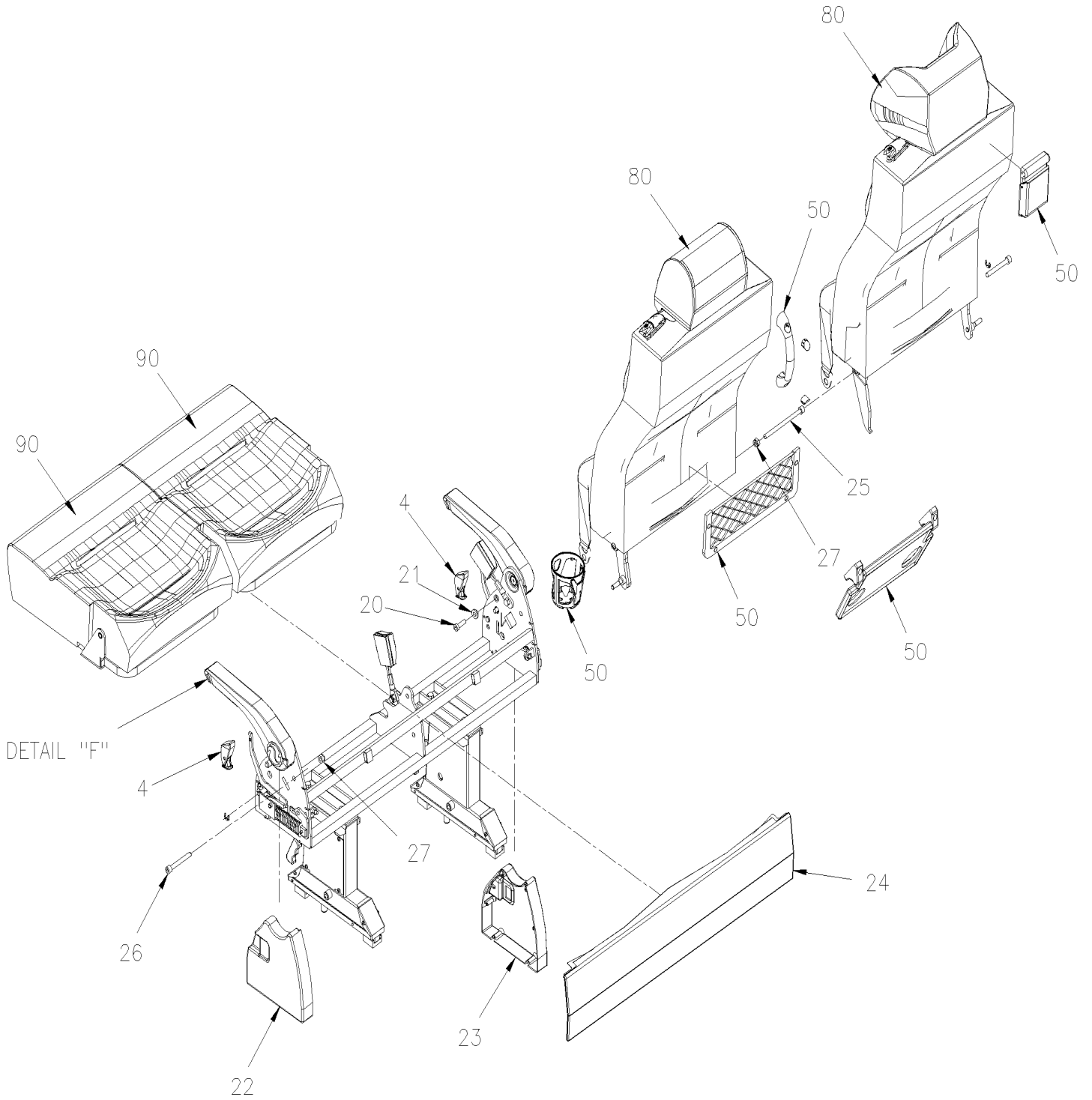
Item#	Part	Description	QTY	Notes
37	868132	. . SET SCREW 1/4x1/4	1	
38	868195	. . CAP SCREW 10-24 x3/4"	1	
39	868196	. . NUT HEX NYRT #10-24	1	
40	Call order desk	. CLOSING PLATE	1	P
50	X3-1826-60	. ACCESSORIES PASSENGER'S SEAT - "AMAYA"		
60	X3-1826-41	. PASSENGER'S SEAT - "AMAYA" - FOOTREST & PEDESTAL		
NS	868271	. . SCREW CAP HEX 7/16-20x1 1/4 G8	AR	
NS	865520	. . WASHER FL 7/16	AR	
NS	865519	. . NUT HEX NYRT 7/16-20	AR	
80	X3-1827-62	. BACKREST AMAYA "A-220"		
90	X3-1827-72	. SEAT CUSHION AMAYA "A-220"		
		P) CALL ORDER DESK FOR SPECIFIC APPLICATION (V.I.N.)		

From 7-8754

Date:01/2024

PAGE:X3-1827-31

PASSENGER'S SEAT / FLIP-UP/SLIDER AMAYA "A-2TEN"

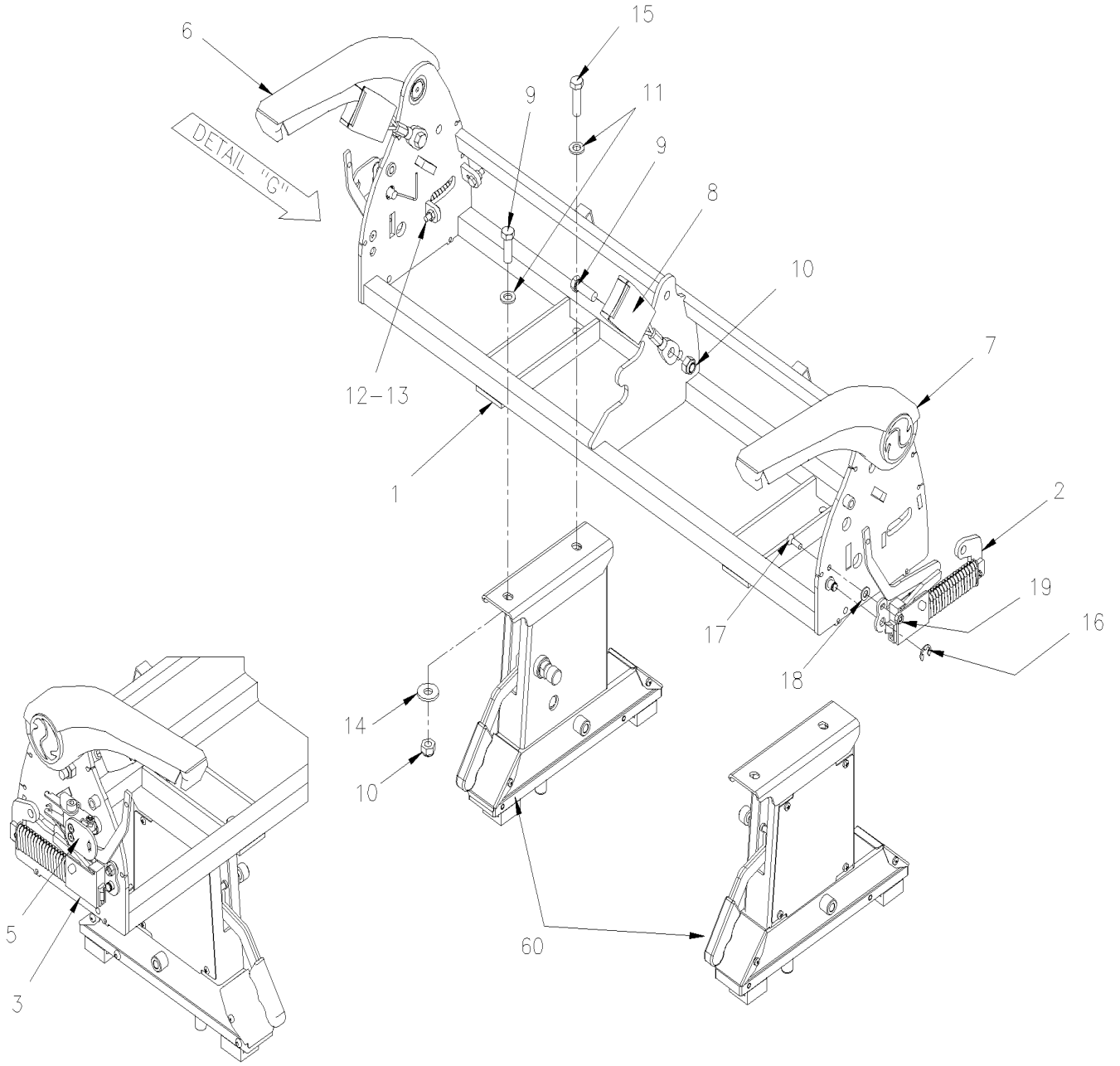


From 7-8754

Date:01/2024

PAGE:X3-1827-31

PASSENGER'S SEAT / FLIP-UP/SLIDER AMAYA "A-2TEN"



DETAIL "G"

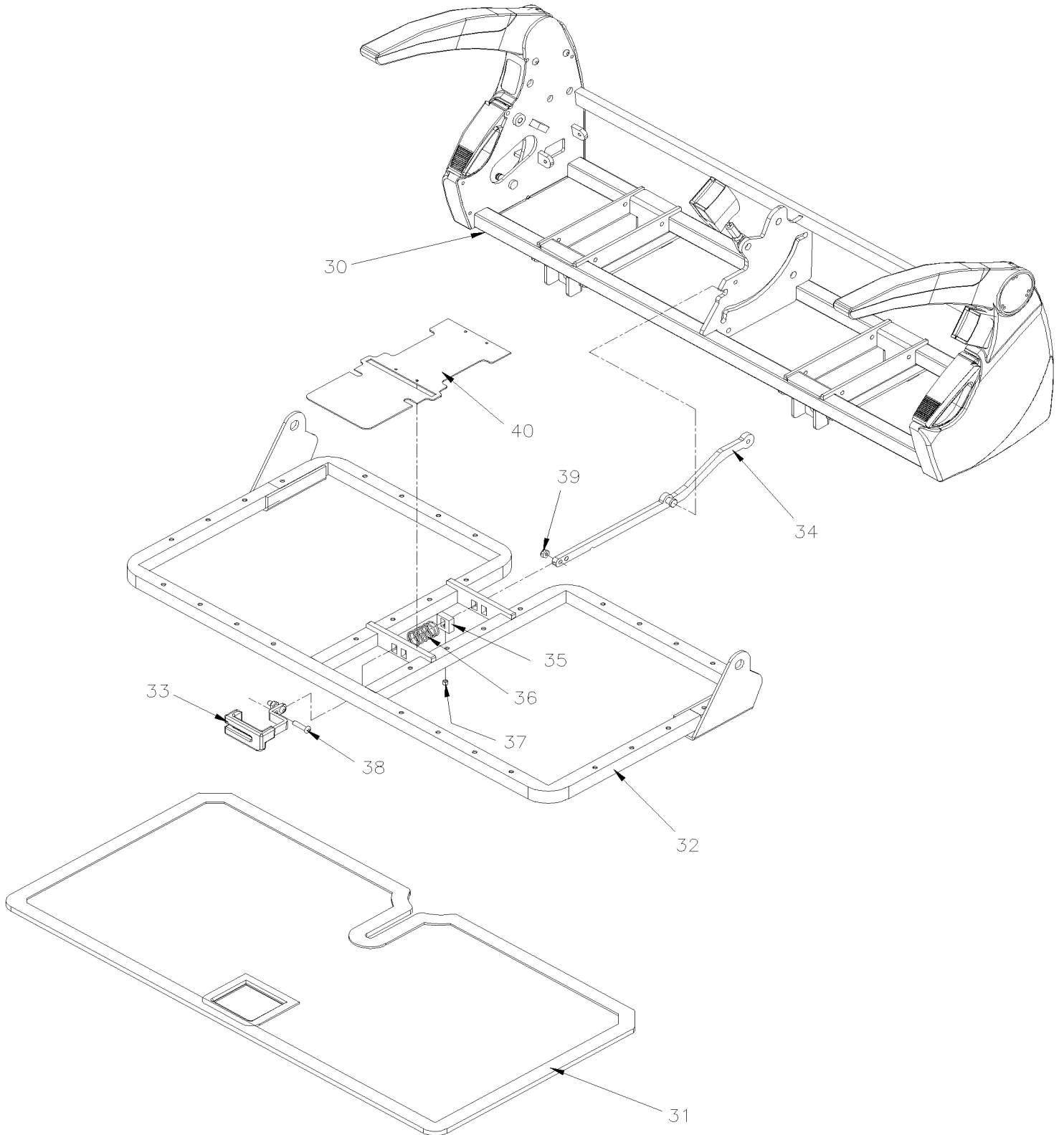
DETAIL "F"

From 7-8754

Date:01/2024

PAGE:X3-1827-31

PASSENGER'S SEAT / FLIP-UP/SLIDER AMAYA "A-2TEN"



From 7-8754		Date:01/2024	PAGE:X3-1827-31
-------------	--	--------------	-----------------

PASSENGER'S SEAT / FLIP-UP/SLIDER AMAYA "A-2TEN"

Item#	Part	Description	QTY	Notes
	Call order desk	SEAT ASM 2 PASS STREETSIDE / SLIDER	1	P
	Call order desk	SEAT ASM 2 PASS CURBSIDE / SLIDER	1	P
1	Call order desk	SEAT CHASSIS WELDED / STREET SIDE	1	P
1	Call order desk	SEAT CHASSIS WELDED / CURBSIDE	1	P
2	862546	RECLINING MECHANISM ASSY WALL SIDE	1	
NS	IS-136	INSTRUCTION SHEET	1	
3	19509412	RECLINING MECHANISM ASSY RH	1	
4	864093	KNOB RECLINING	2	
5	865500	MECHANISM HANDLE / RH	1	
6	865157	HINGED ARMREST RH	1	
7	865154	HINGED ARMREST LH	1	
8	864349	BUCKLE FEMALE	2	
9	868271	SCREW CAP HEX 7/16-20x1 1/4 G8	4	
10	865519	NUT HEX NYRT 7/16-20	6	
11	865465	WASHER FL / 7/16	4	
12	865498	SCREW CAP HEX 1/4-20 x 3/4 LG	4	
13	865497	NUT HEX 1/4	4	
14	865520	WASHER FL 7/16	4	
15	Call order desk	SCREW CAP HEX 7/16-20x1 1/2 G8	2	P
16	Call order desk	RETAINING RING	2	P
17	Call order desk	WASHER FL 8.4	2	P
18	865489	SCREW CAP FL HEXS 1/4x3/4	2	
19	865490	NUT HEX JAM NYRT 1/4	2	
20	Call order desk	SCREW CAP HEXS M10x30MM	2	P
21	867923	BUSHING	2	
22	866279	LATERAL COVER / AISLE SIDE / STREET SIDE SEAT	1	
22	866213	LATERAL COVER / AISLE SIDE / CURB SIDE SEAT	1	
23	860010	LATERAL COVER / WALL SIDE / STREET SIDE SEAT	1	
23	860009	LATERAL COVER / WALL SIDE / CURB SIDE SEAT	1	
24	Call order desk	UPHOLSTERED COVER 39in	1	P
25	868265	SCREW CAP HEXS M10x140MM	2	
26	Call order desk	SCREW CAP HEXS M10x80MM	2	P
27	860005	NUT HEX STO M10-1.5 ZP	3	
30	Call order desk	SEAT CHASSIS WELDED / CURBSIDE / 2 PEDESTAL	1	P
30	Call order desk	SEAT CHASSIS WELDED / STREET SIDE / 2 PEDESTAL	1	P
31	Call order desk	PANEL COVER SEAT BOTTOM	1	P
32	Call order desk	SEAT CUSHION ASSY / 2 PASSENGER'S / FLIP-UP SEAT CURBSIDE SEAT	1	P
32	Call order desk	SEAT CUSHION ASSY / 2 PASSENGER'S / FLIP-UP SEAT STREET SIDE SEAT	1	P
33	860367	PULL HANDLE W/PLASTIC COVER ASSY RH	1	
33	860368	PULL HANDLE W/PLASTIC COVER ASSY LH	1	
33	860369	HANDLE FLIPPING SEAT	1	
34	860195	MOVING ARM FLIPPING SEAT	1	

From 7-8754	Date:01/2024	PAGE:X3-1827-31
-------------	--------------	-----------------

PASSENGER'S SEAT / FLIP-UP/SLIDER AMAYA "A-2TEN"

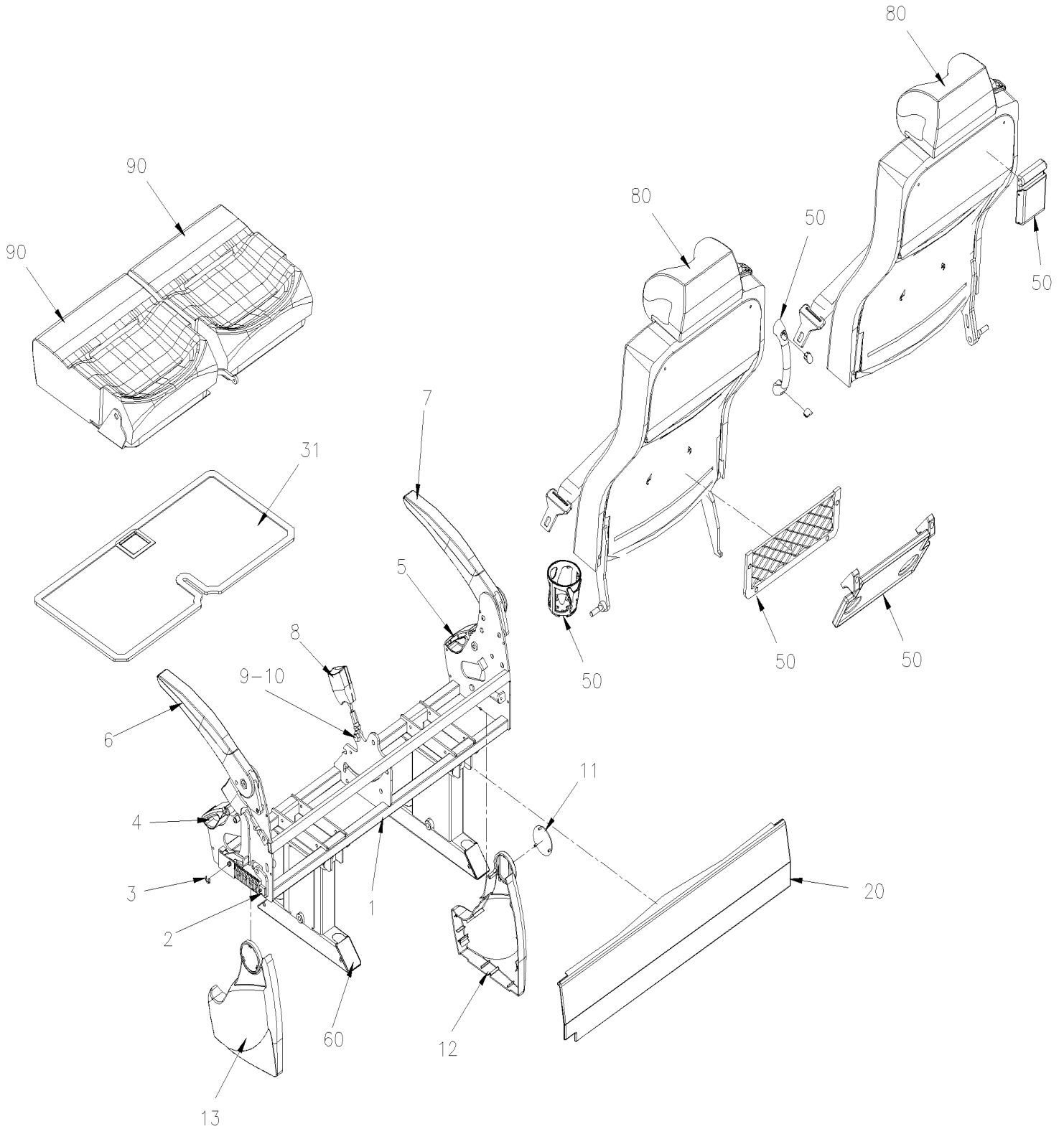
Item#	Part	Description	QTY	Notes
34	867945	. . WASHER	1	
34	867944	. . SCREW SHR HEXS 5/16-18	1	
34	867946	. . CAP NUT 5/16-18	1	
35	868130	. . SPRING STOPPER	1	
36	868131	. . SPRING	1	
37	868132	. . SET SCREW 1/4x1/4	1	
38	868195	. . CAP SCREW 10-24 x3/4"	2	
39	868196	. . NUT HEX NYRT #10-24	2	
40	Call order desk	. CLOSING PLATE	1	P
50	X3-1826-60	. ACCESSORIES PASSENGER'S SEAT - "AMAYA"		
60	X3-1826-41	. PASSENGER'S SEAT - "AMAYA" - FOOTREST & PEDESTAL		
80	X3-1827-61	. BACKREST AMAYA "A-2TEN"		
90	X3-1827-71	. SEAT CUSHION AMAYA "A-2TEN"		
		P) CALL ORDER DESK FOR SPECIFIC APPLICATION (V.I.N.)		

From 7-8754

Date:01/2024

PAGE:X3-1827-32

PASSENGER'S SEAT / FLIP-UP / SLIDER AMAYA "A-220"

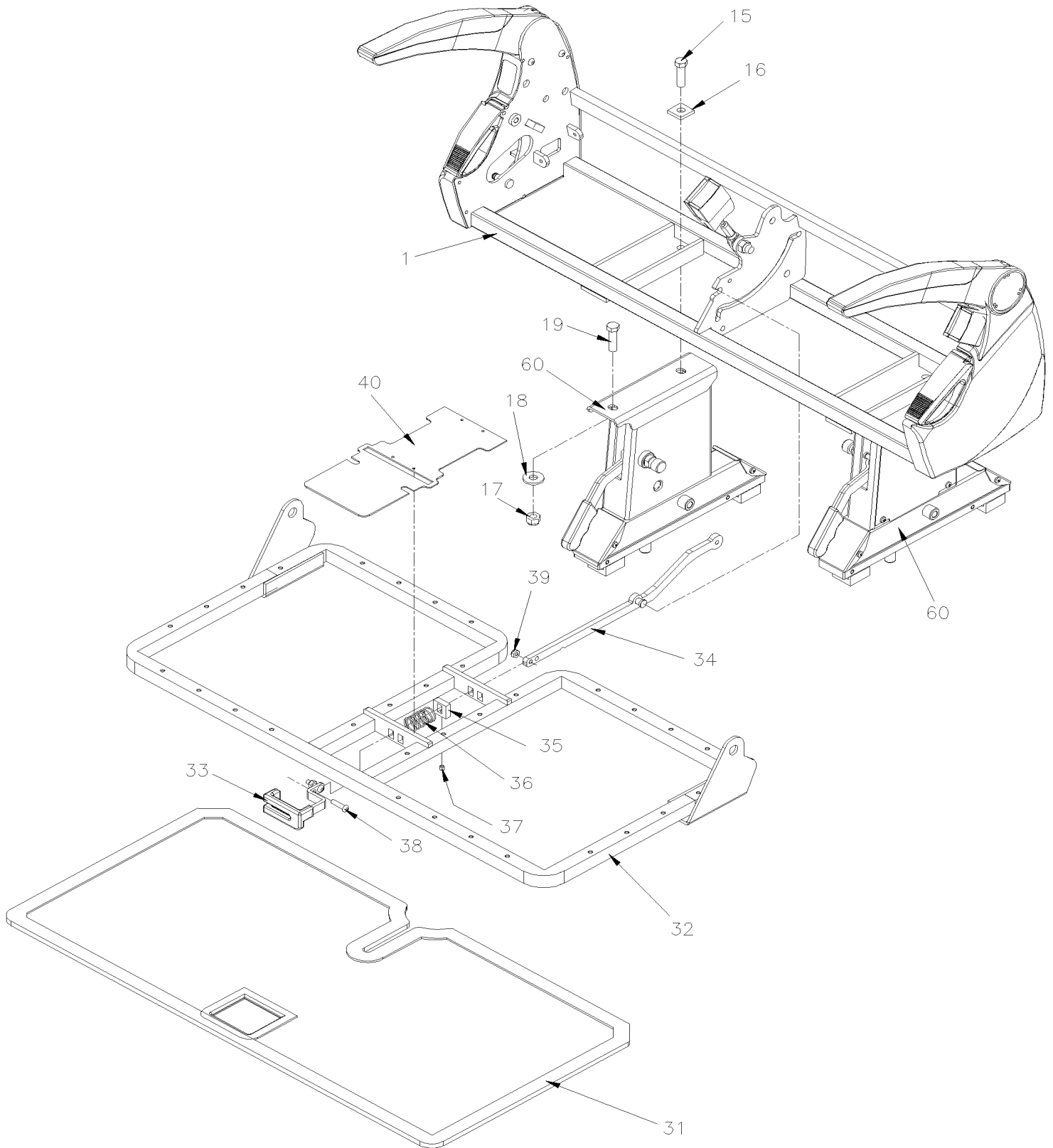


From 7-8754

Date:01/2024

PAGE:X3-1827-32

PASSENGER'S SEAT / FLIP-UP / SLIDER AMAYA "A-220"



From 7-8754		Date:01/2024	PAGE:X3-1827-32
-------------	--	--------------	-----------------

PASSENGER'S SEAT / FLIP-UP / SLIDER AMAYA "A-220"

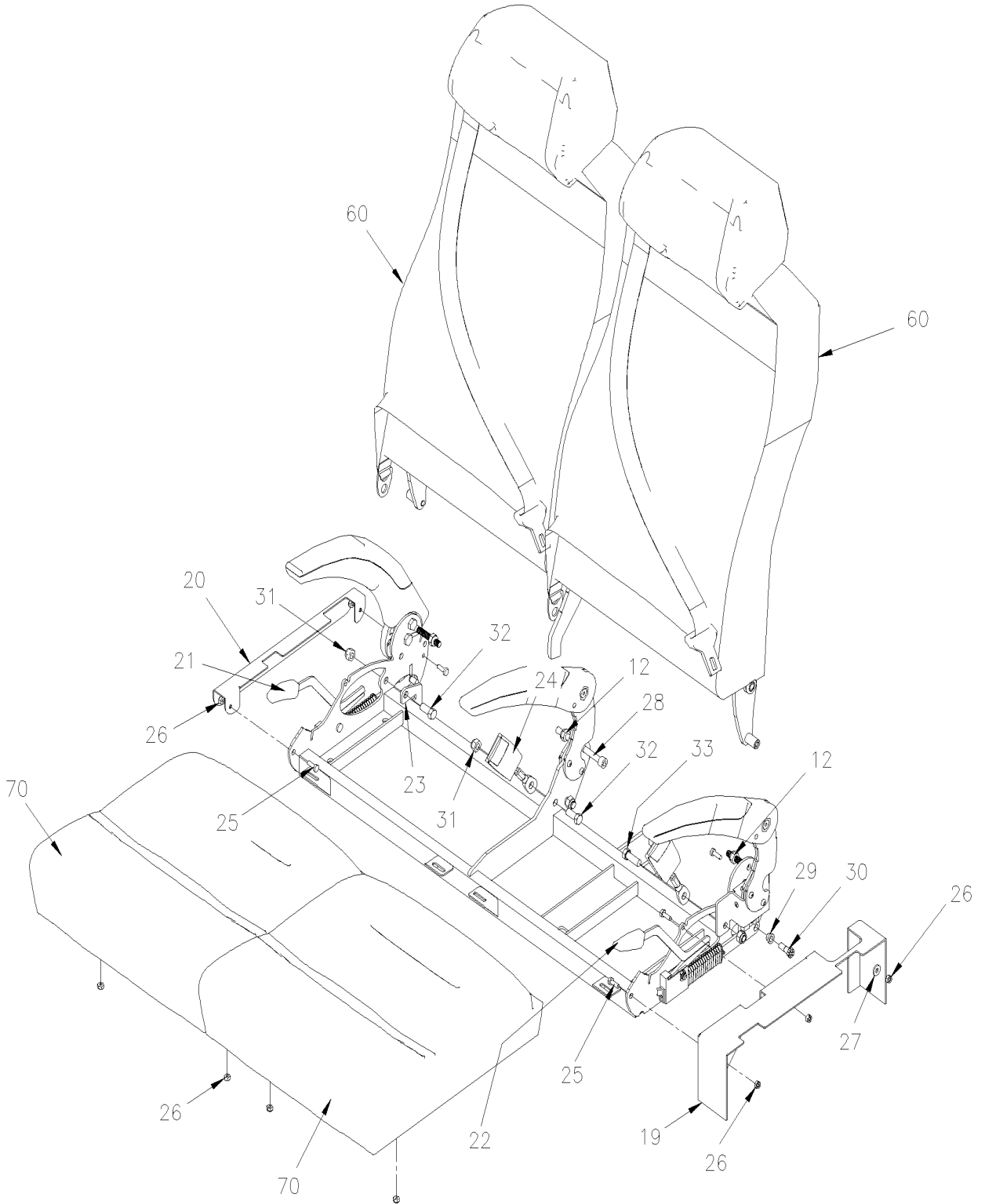
Item#	Part	Description	QTY	Notes
	Call order desk	SEAT ASM 2 PASS STREET SIDE / SLIDER	1	P
	860164	SEAT ASM 2 PASS CURBSIDE / SLIDER CURBSIDE SEAT	1	
1	Call order desk	SEAT CHASSIS WELDED / STREET SIDE / 2 PEDESTAL	1	P
1	Call order desk	SEAT CHASSIS WELDED / CURBSIDE / 2 PEDESTAL	1	P
2	868522	RECLINING MECHANISM ASSY / AISLE SIDE	1	
2	868523	RECLINING MECHANISM ASSY / WALL SIDE	1	
3	Call order desk	RETAINING RING	2	P
4	868280	MECHANISM HANDLE ASSY / RH	1	
5	868281	MECHANISM HANDLE ASSY / LH	1	
6	867737	HINGED ARMREST / RH	1	
7	867738	HINGED ARMREST / LH	1	
8	866019	BUCKLE FEMALE	2	
9	865519	NUT HEX NYRT 7/16-20	2	
10	865521	SCREW CAP HEX 7/16-20x1 G8	2	
11	860075	CAP WITH LOGO AMAYA	1	
12	23210437	LATERAL COVER / AISLE SIDE // LH	1	
13	868282	LATERAL COVER / WALL SIDE / CURB SIDE SEAT	1	
15	Call order desk	SCREW CAP HEX 7/16-20x1 1/2 G8	2	P
16	Call order desk	WASHER, SQUARE SHAPE 7/16	4	P
17	865519	NUT HEX NYRT 7/16-20	4	
18	865520	WASHER FL 7/16	4	
19	868271	SCREW CAP HEX 7/16-20x1 1/4 G8	2	
20	Call order desk	DUST COVER 39 IN	1	P
31	Call order desk	SEAT CUSHION ASSY / 2 PASSENGER'S / FLIP-UP SEAT A220	1	P
32	Call order desk	SEAT CUSHION ASSY / 2 PASSENGER'S / FLIP-UP SEAT CURBSIDE SEAT	1	P
32	Call order desk	SEAT CUSHION ASSY / 2 PASSENGER'S / FLIP-UP SEAT STREET SIDE SEAT	1	P
33	860367	PULL HANDLE W/PLASTIC COVER ASSY RH	1	
33	860368	PULL HANDLE W/PLASTIC COVER ASSY LH	1	
33	860369	HANDLE FLIPPING SEAT	1	
34	860195	MOVING ARM FLIPPING SEAT	1	
34	867945	WASHER	1	
34	867944	SCREW SHR HEXS 5/16-18	1	
34	867946	CAP NUT 5/16-18	1	
35	868130	SPRING STOPPER	1	
36	868131	SPRING	1	
37	868132	SET SCREW 1/4x1/4	1	
38	868195	CAP SCREW 10-24 x3/4"	1	
39	868196	NUT HEX NYRT #10-24	1	
40	Call order desk	CLOSING PLATE	1	P
50	X3-1826-60	ACCESSORIES PASSENGER'S SEAT - "AMAYA"		
60	X3-1826-41	PASSENGER'S SEAT - "AMAYA" - FOOTREST & PEDESTAL		
80	X3-1827-62	BACKREST AMAYA "A-220"		

From 7-8754	Date:01/2024	PAGE:X3-1827-32
-------------	--------------	-----------------

PASSENGER'S SEAT / FLIP-UP / SLIDER AMAYA "A-220"

Item#	Part	Description	QTY	Notes
90	X3-1827-72	. SEAT CUSHION AMAYA "A-220"		
		P) CALL ORDER DESK FOR SPECIFIC APPLICATION (V.I.N.)		

PASSENGER'S SEAT / REAR CROSS SEAT AMAYA "A-2TEN"

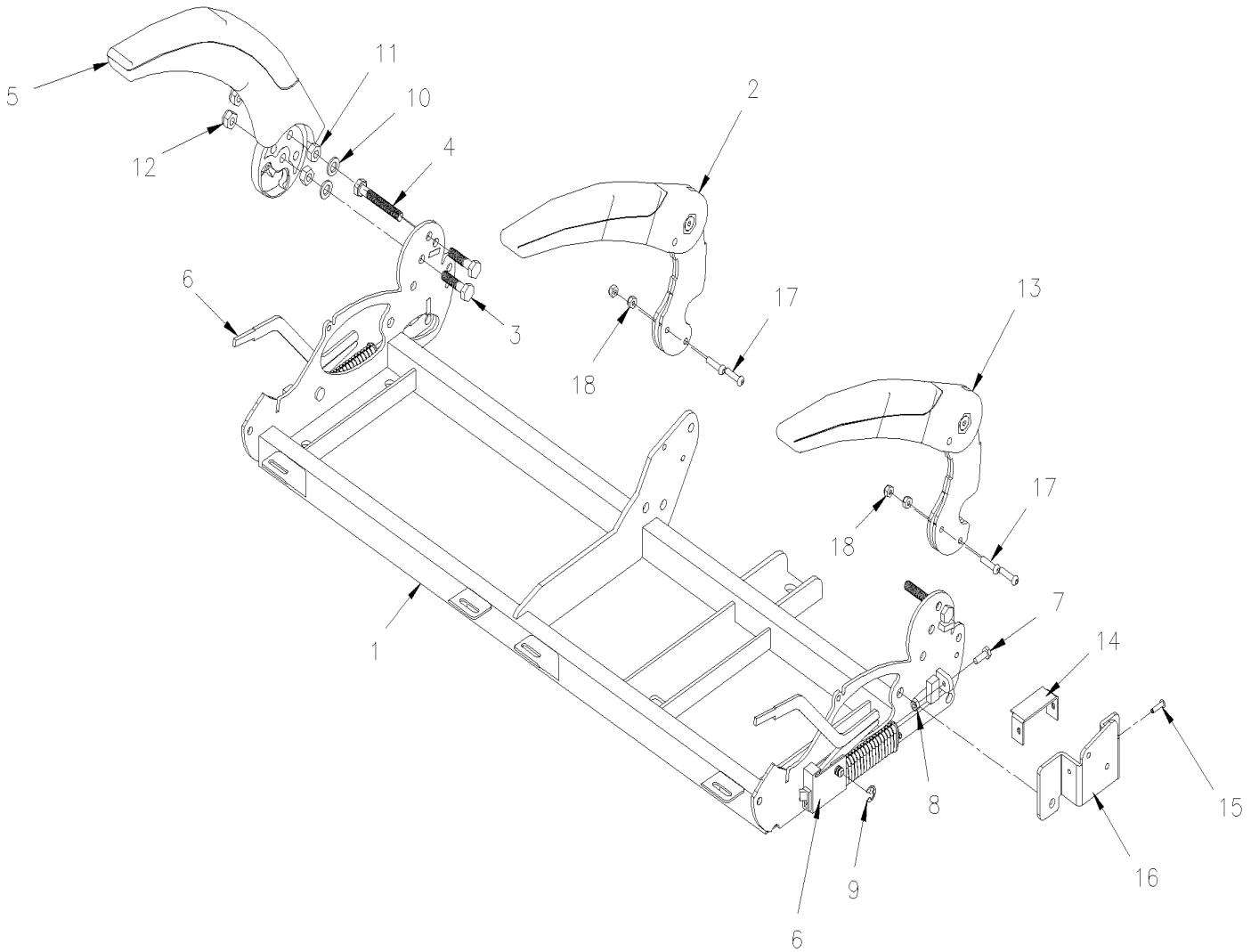


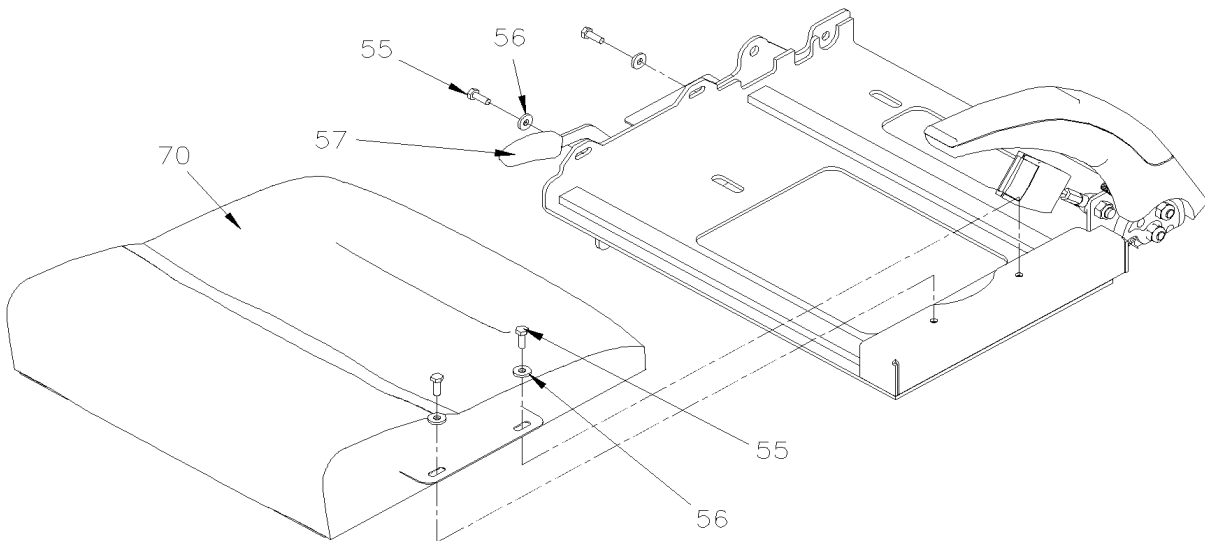
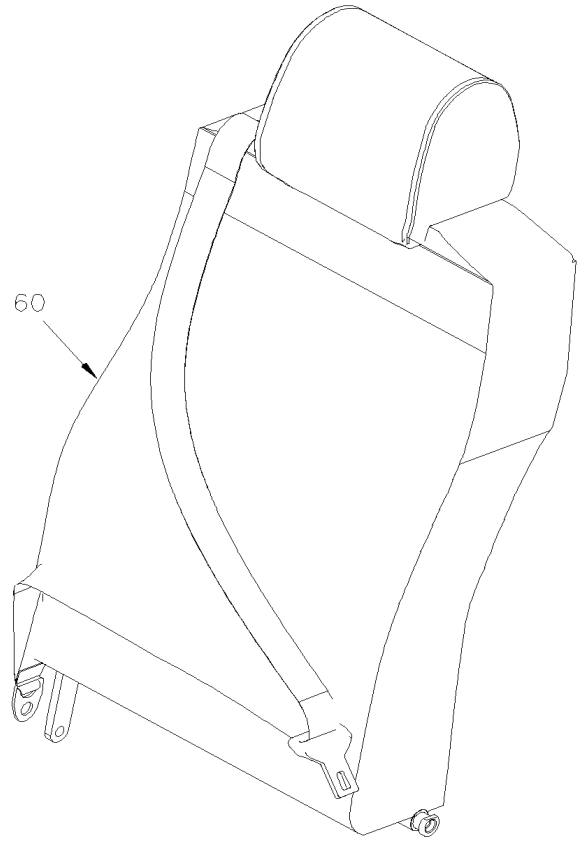
From 7-8754

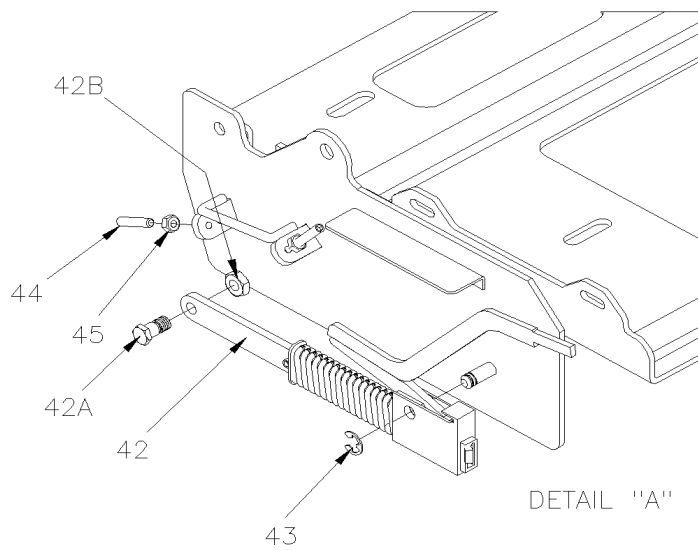
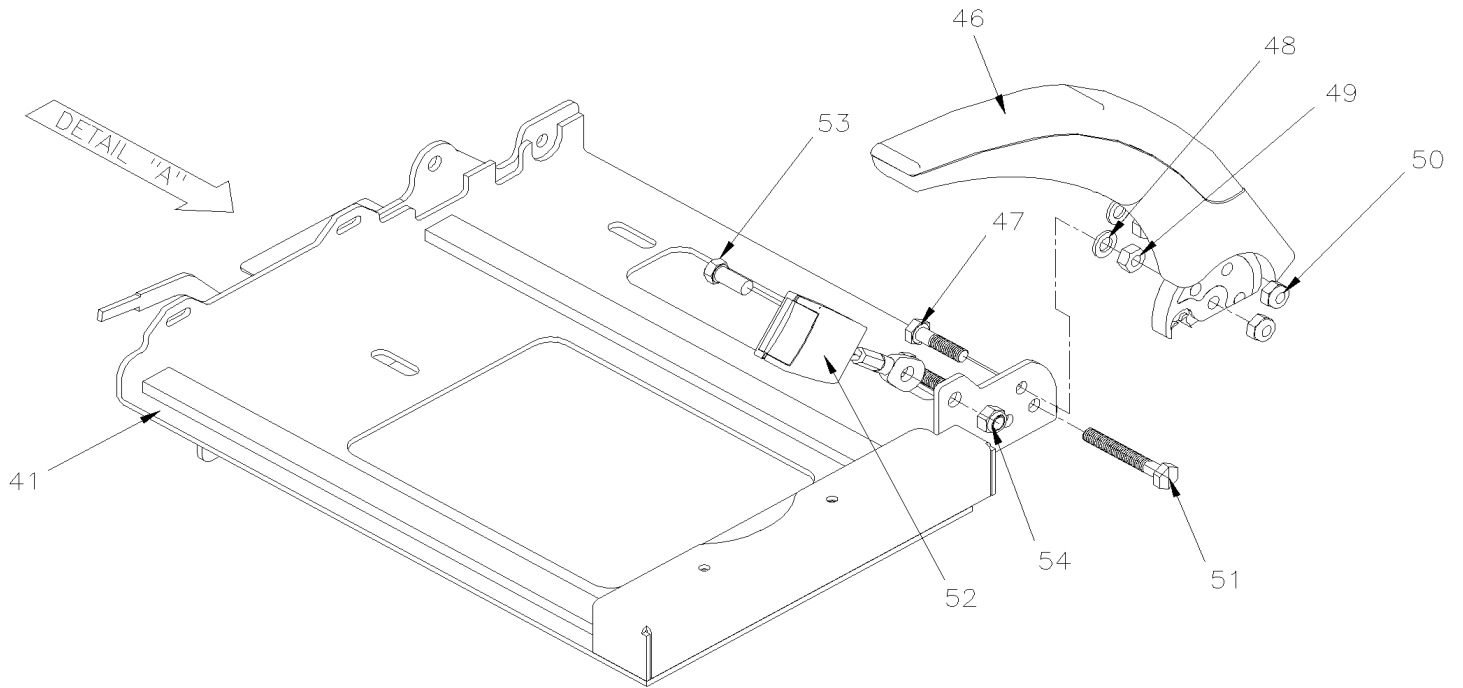
Date:01/2024

PAGE:X3-1827-41

PASSENGER'S SEAT / REAR CROSS SEAT AMAYA "A-2TEN"







From 7-8754	Date:01/2024	PAGE:X3-1827-41
PASSENGER'S SEAT / REAR CROSS SEAT AMAYA "A-2TEN"		

Item#	Part	Description	QTY	Notes
	Call order desk	SEAT ASM 2 PASS	1	P
1	Call order desk	. SEAT CHASSIS WELDED / CURBSIDE	1	P
2	865104	. ARMREST CENTRAL ASSY	1	
. NS	866240	. . ARMREST COVERING LIGHT GREY	1	
3	868270	. SCREW CAP HEX M10-1.5x40MM	2	
4	868401	. SCREW CAP HEX M10-1.5x70MM	2	
5	865070	. ARMREST R.H. WINDOW SIDE	1	
6	868407	. RECLINING MECHANISM ASSY	2	
7	865498	. SCREW CAP HEX 1/4-20 x 3/4 LG	2	
8	865497	. NUT HEX 1/4	2	
9	865488	. RETAINING RING	2	
10	865465	. WASHER FL / 7/16	2	
11	868266	. NUT HEX M10-1.5	2	
12	860005	. NUT HEX STO M10-1.5 ZP	5	
13	864072	. ARMREST CENTRAL ASSY / LIGHT GREY	1	
. NS	865995	. . BOLT	1	
. NS	865996	. . BUSHING	1	
. NS	866240	. . ARMREST COVERING LIGHT GREY	1	
14	868398	. COVER BASE ARMREST	1	
15	865496	. RIVET 3/16x3/4	2	
16	Call order desk	. BASE ARMREST	1	P
17	865524	. SCREW CAP BUT HEXS 1/4x1	4	
18	865490	. NUT HEX JAM NYRT 1/4	4	
19	Call order desk	. COVER LH	1	P
20	Call order desk	. COVER RH	1	P
21	863357	. KNOB LEVER R.H. WINDOW	1	
22	863356	. KNOB LEVER L.H. WINDOW	1	
23	7770173	. STOPPER 6" RECLINING (3 pos)	2	
24	864349	. BUCKLE FEMALE	2	
25	865498	. SCREW CAP HEX 1/4-20 x 3/4 LG	5	
26	865490	. NUT HEX JAM NYRT 1/4	9	
27	868261	. WASHER FL 1/4	1	
28	Call order desk	. SCREW CAP HEXS M10x120MM	1	P
29	865215	. BUSHING NYLON	2	
30	860092	. SCREW CAP HEX 3/8" x 1" G8	2	
31	865519	. NUT HEX NYRT 7/16-20	4	
32	865521	. SCREW CAP HEX 7/16-20x1 G8	3	
33	868271	. SCREW CAP HEX 7/16-20x1 1/4 G8	1	
40	Call order desk	SEAT ASM 1 PASS	1	P
41	Call order desk	. SEAT CHASSIS WELDED / STREET SIDE	1	P
42	Call order desk	. RECLINING MECHANISM ASSY	1	P
42A	860207	. SCREW CAP HEX M10x20	1	

From 7-8754	Date:01/2024	PAGE:X3-1827-41
-------------	--------------	-----------------

PASSENGER'S SEAT / REAR CROSS SEAT AMAYA "A-2TEN"

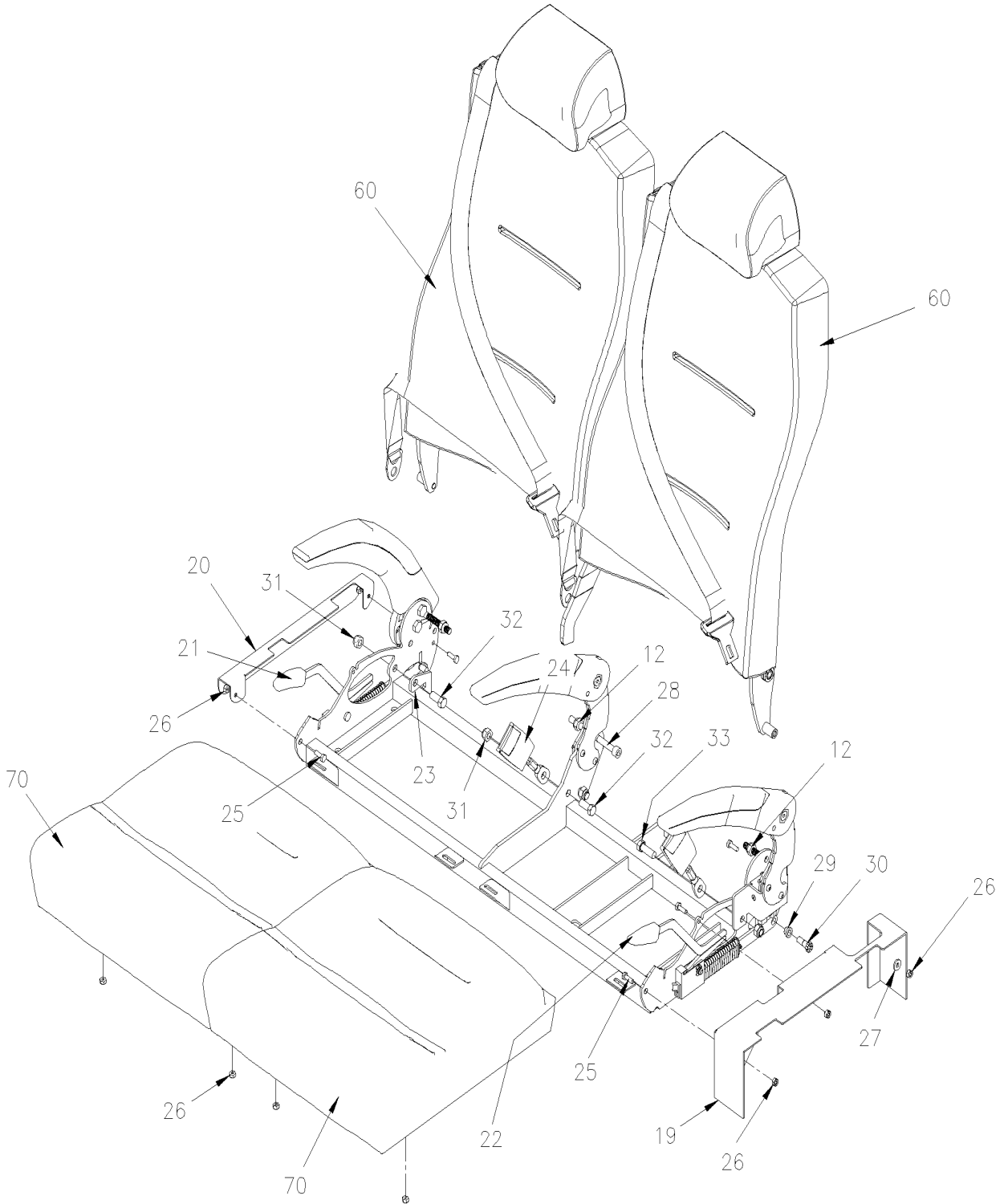
Item#	Part	Description	QTY	Notes
42B	Call order desk	. NUT HEX M10	1	P
43	865488	. RETAINING RING	1	
44	Call order desk	. SCREW SET HEXS FLAT 1/4x1 1/4	2	P
45	865497	. NUT HEX 1/4	2	
46	Call order desk	. ARMREST ASSY	1	P
47	868270	. SCREW CAP HEX M10-1.5x40MM	2	
48	865465	. WASHER FL / 7/16	2	
49	868266	. NUT HEX M10-1.5	2	
50	860005	. NUT HEX STO M10-1.5 ZP	2	
51	868401	. SCREW CAP HEX M10-1.5x70MM	1	
52	864349	. BUCKLE FEMALE	1	
53	865521	. SCREW CAP HEX 7/16-20x1 G8	1	
54	865519	. NUT HEX NYRT 7/16-20	1	
55	865498	. SCREW CAP HEX 1/4-20 x 3/4 LG	4	
56	868261	. WASHER FL 1/4	4	
57	863357	. KNOB LEVER R.H. WINDOW	1	
60	X3-1827-61	. BACKREST AMAYA "A-2TEN"	1	
70	X3-1827-71	. SEAT CUSHION AMAYA "A-2TEN"	1	
		P) CALL ORDER DESK FOR SPECIFIC APPLICATION (V.I.N.)		

From 7-8754

Date:01/2024

PAGE:X3-1827-42

PASSENGER'S SEAT / REAR CROSS SEAT AMAYA "A-220"

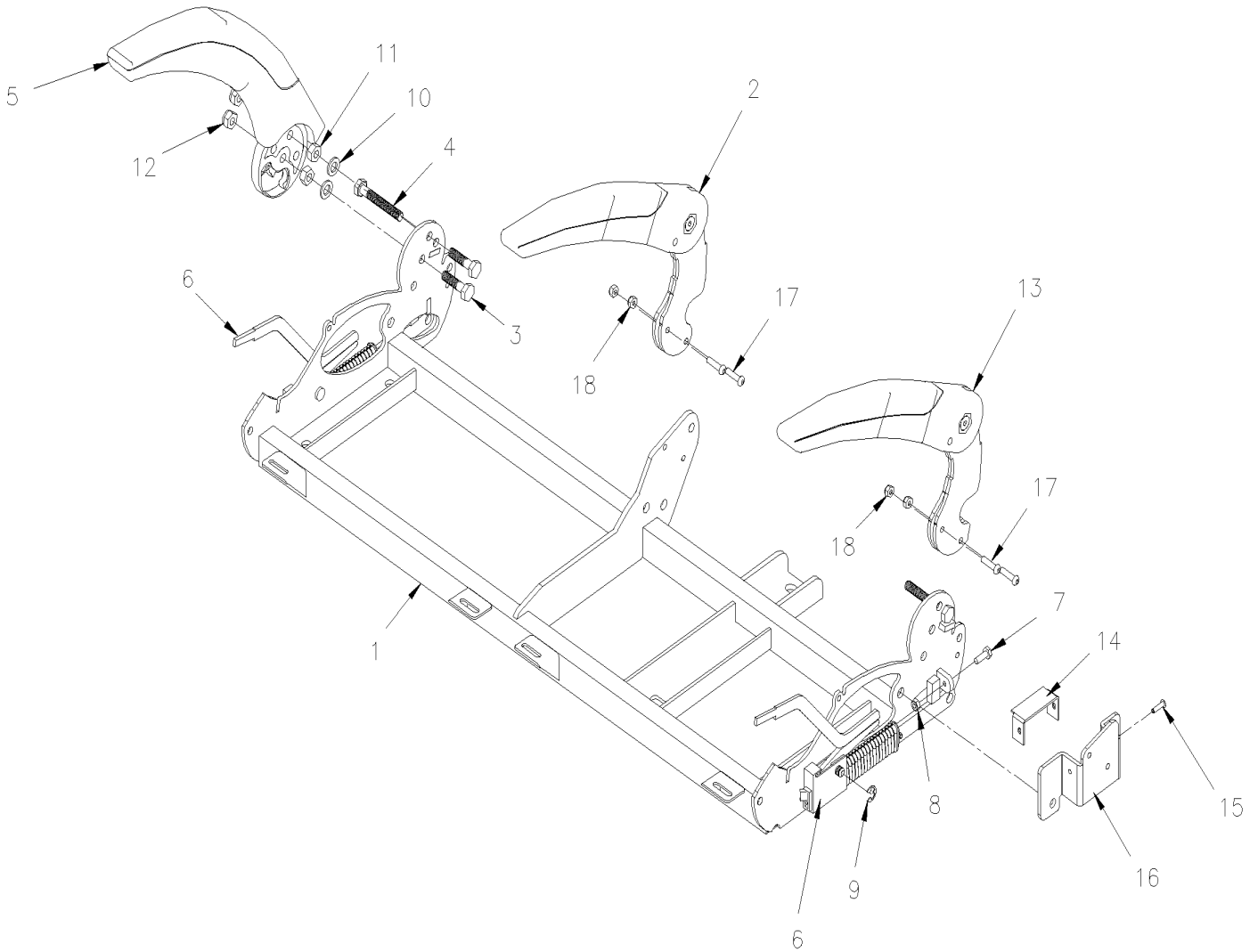


From 7-8754

Date:01/2024

PAGE:X3-1827-42

PASSENGER'S SEAT / REAR CROSS SEAT AMAYA "A-220"

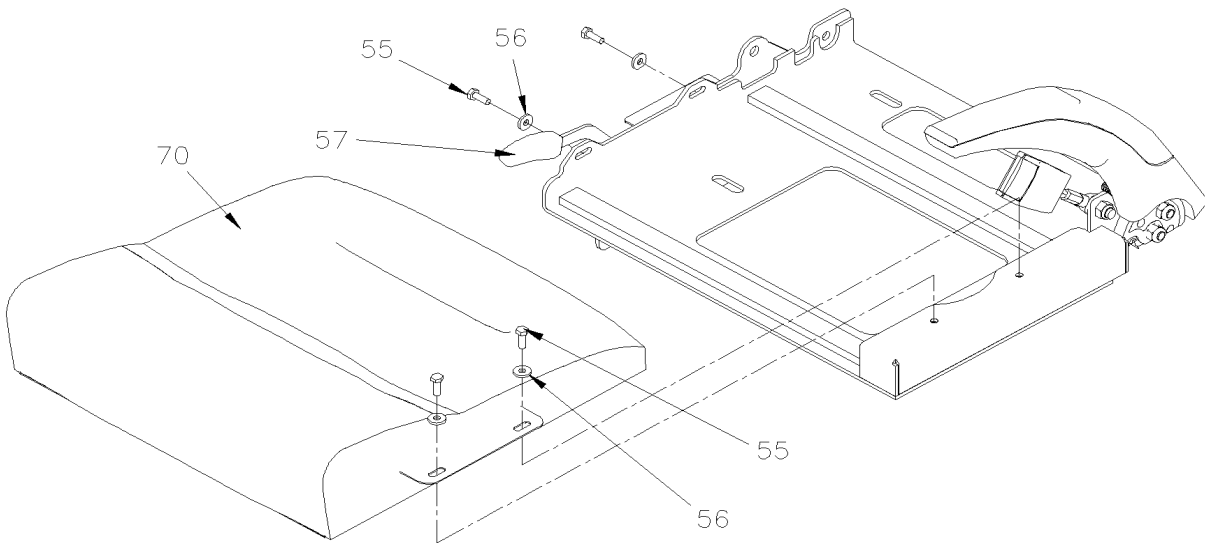
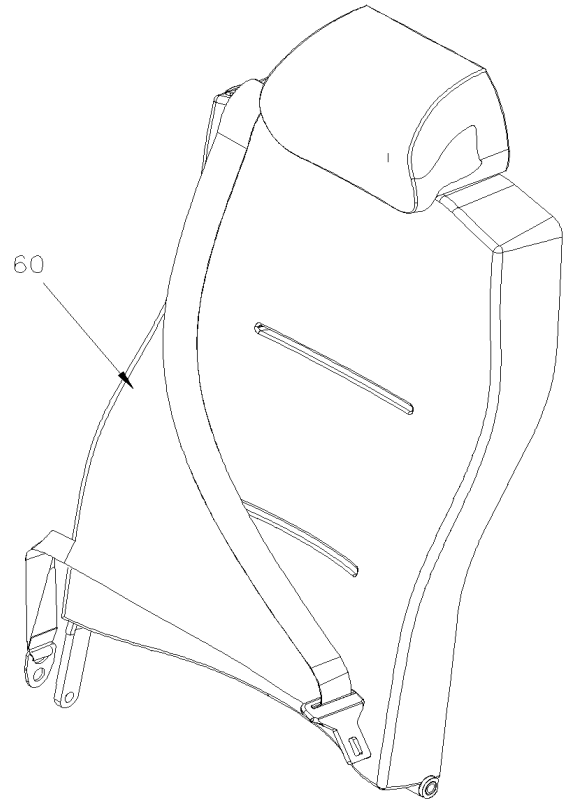


From 7-8754

Date:01/2024

PAGE:X3-1827-42

PASSENGER'S SEAT / REAR CROSS SEAT AMAYA "A-220"

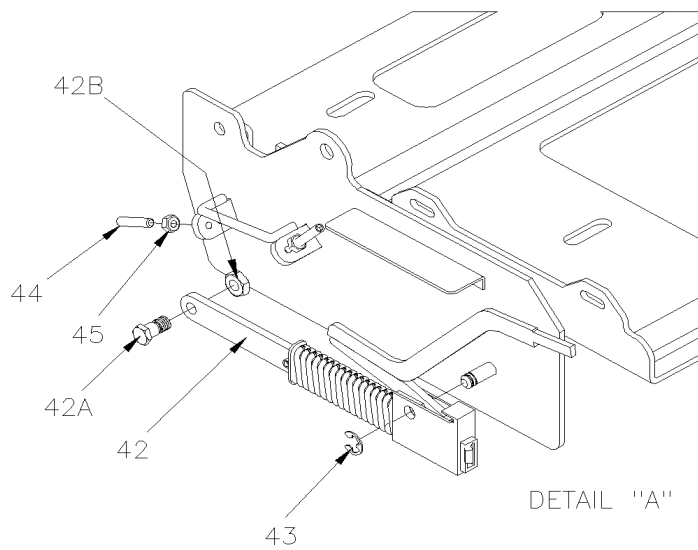
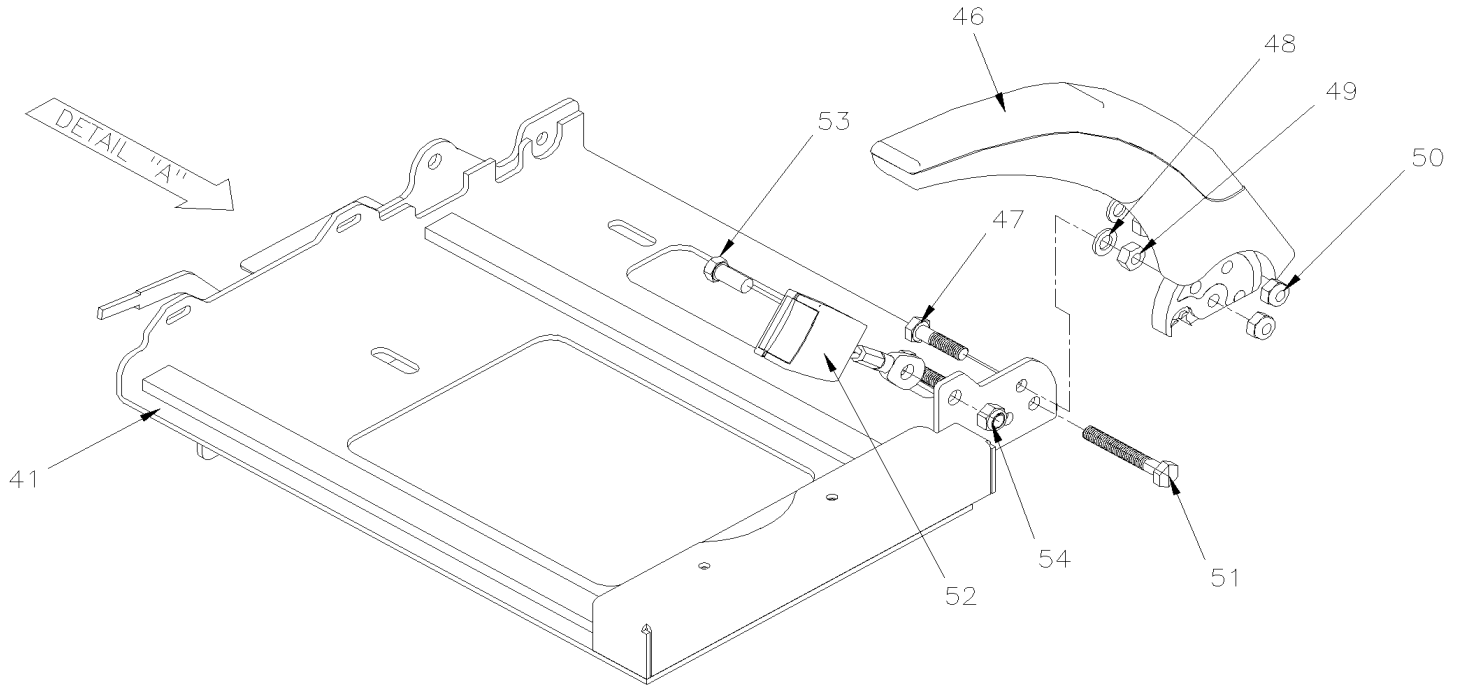


From 7-8754

Date:01/2024

PAGE:X3-1827-42

PASSENGER'S SEAT / REAR CROSS SEAT AMAYA "A-220"



From 7-8754	Date:01/2024	PAGE:X3-1827-42
PASSENGER'S SEAT / REAR CROSS SEAT AMAYA "A-220"		

Item#	Part	Description	QTY	Notes
	Call order desk	SEAT ASM 2 PASS A-220	1	P
1	Call order desk	. SEAT CHASSIS WELDED / CURBSIDE	1	P
2	865104	. ARMREST CENTRAL ASSY	1	
. NS	866240	. . ARMREST COVERING LIGHT GREY	1	
3	868270	. SCREW CAP HEX M10-1.5x40MM	2	
4	868401	. SCREW CAP HEX M10-1.5x70MM	2	
5	865070	. ARMREST R.H. WINDOW SIDE	1	
6	868407	. RECLINING MECHANISM ASSY	2	
7	865498	. SCREW CAP HEX 1/4-20 x 3/4 LG	2	
8	865497	. NUT HEX 1/4	2	
9	865488	. RETAINING RING	2	
10	865465	. WASHER FL / 7/16	2	
11	868266	. NUT HEX M10-1.5	2	
12	860005	. NUT HEX STO M10-1.5 ZP	5	
13	864072	. ARMREST CENTRAL ASSY / LIGHT GREY	1	
. NS	865995	. . BOLT	1	
. NS	865996	. . BUSHING	1	
. NS	866240	. . ARMREST COVERING LIGHT GREY	1	
14	868398	. COVER BASE ARMREST	1	
15	865496	. RIVET 3/16x3/4	2	
16	Call order desk	. BASE ARMREST	1	P
17	865524	. SCREW CAP BUT HEXS 1/4x1	4	
18	865490	. NUT HEX JAM NYRT 1/4	4	
19	Call order desk	. COVER LH	1	P
20	Call order desk	. COVER RH	1	P
21	863357	. KNOB LEVER R.H. WINDOW	1	
22	863356	. KNOB LEVER L.H. WINDOW	1	
23	7770173	. STOPPER 6" RECLINING (3 pos)	2	
24	866019	. BUCKLE FEMALE	2	
25	865498	. SCREW CAP HEX 1/4-20 x 3/4 LG	5	
26	865490	. NUT HEX JAM NYRT 1/4	9	
27	868261	. WASHER FL 1/4	1	
28	Call order desk	. SCREW CAP HEXS M10x120MM	1	P
29	865215	. BUSHING NYLON	2	
30	860092	. SCREW CAP HEX 3/8" x 1" G8	2	
31	865519	. NUT HEX NYRT 7/16-20	4	
32	865521	. SCREW CAP HEX 7/16-20x1 G8	3	
33	868271	. SCREW CAP HEX 7/16-20x1 1/4 G8	1	
40	Call order desk	SEAT ASM 1 PASS	1	P
41	Call order desk	. SEAT CUSHION ASSY / 1 PASSENGER'S / REAR CROSS SEAT	1	P
42	Call order desk	. RECLINING MECHANISM ASSY	1	P
42A	860207	. SCREW CAP HEX M10x20	1	

From 7-8754	Date:01/2024	PAGE:X3-1827-42
PASSENGER'S SEAT / REAR CROSS SEAT AMAYA "A-220"		

Item#	Part	Description	QTY	Notes
42B	Call order desk	. NUT HEX M10	1	P
43	865488	. RETAINING RING	1	
44	Call order desk	. SCREW SET HEXS FLAT 1/4x1 1/4	2	P
45	865497	. NUT HEX 1/4	2	
46	Call order desk	. ARMREST ASSY	1	P
47	868270	. SCREW CAP HEX M10-1.5x40MM	2	
48	865465	. WASHER FL / 7/16	2	
49	868266	. NUT HEX M10-1.5	2	
50	860005	. NUT HEX STO M10-1.5 ZP	2	
51	868401	. SCREW CAP HEX M10-1.5x70MM	1	
52	864349	. BUCKLE FEMALE	1	
53	865521	. SCREW CAP HEX 7/16-20x1 G8	1	
54	865519	. NUT HEX NYRT 7/16-20	1	
55	865498	. SCREW CAP HEX 1/4-20 x 3/4 LG	4	
56	868261	. WASHER FL 1/4	4	
57	863357	. KNOB LEVER R.H. WINDOW	1	
60	X3-1827-62	. BACKREST AMAYA "A-220"	1	
70	X3-1827-72	. SEAT CUSHION AMAYA "A-220"	1	
		P) CALL ORDER DESK FOR SPECIFIC APPLICATION (V.I.N.)		

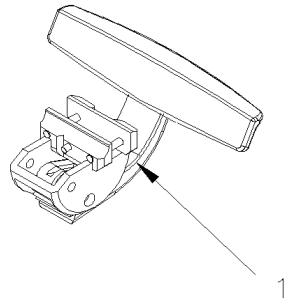
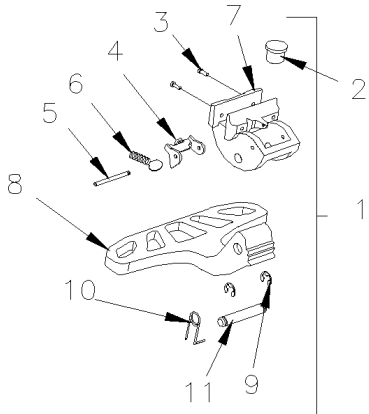
From 7-8754

Date:01/2024

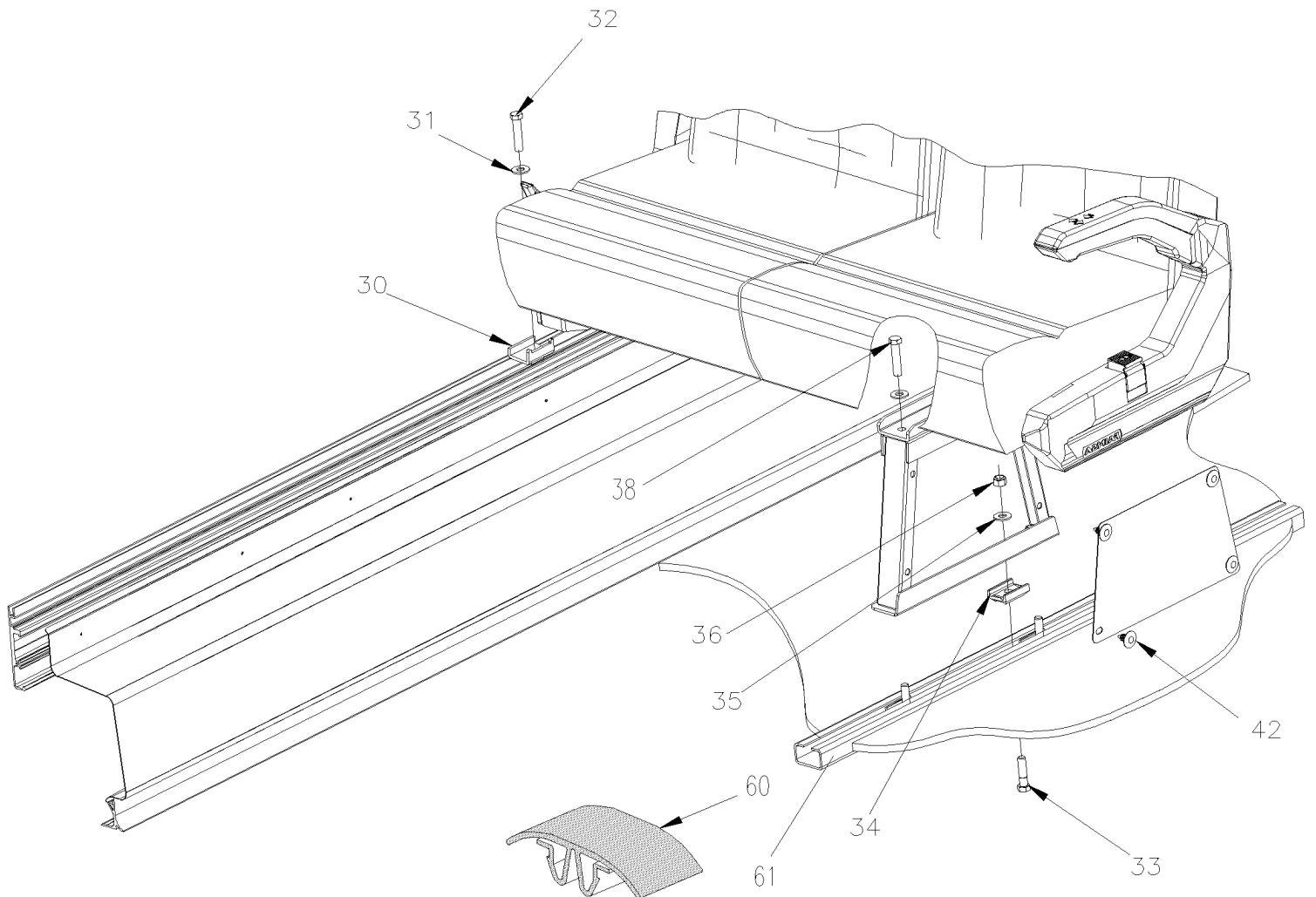
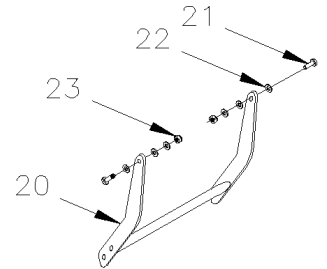
PAGE:X3-1827-49

PASSENGER'S SEAT - "AMAYA" - FOOTREST & PEDESTAL AMAYA "GT", "GT TRANSIT"

FOOTREST WITH SPRING



FOOTREST STANDARD

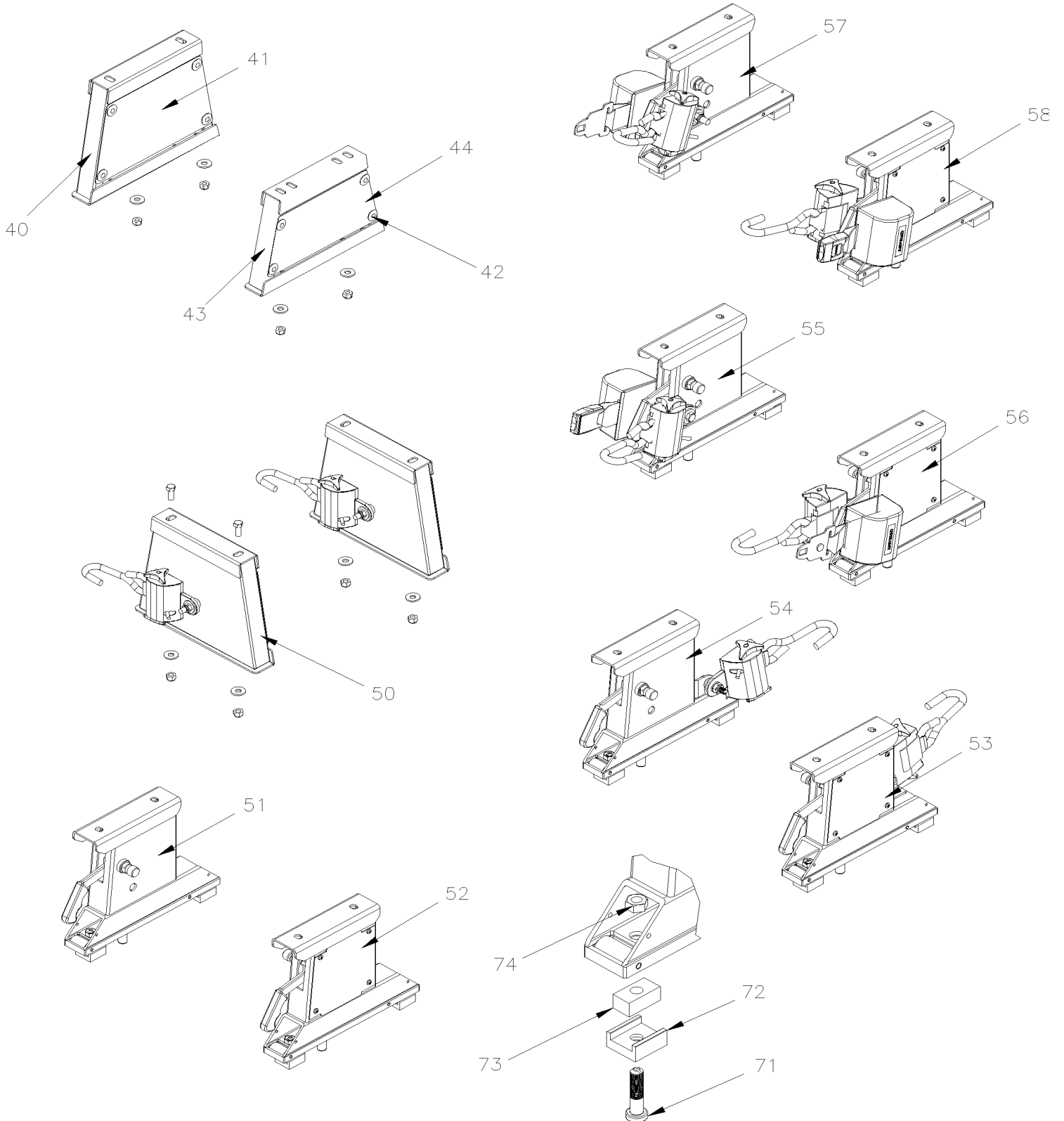


From 7-8754

Date:01/2024

PAGE:X3-1827-49

PASSENGER'S SEAT - "AMAYA" - FOOTREST & PEDESTAL AMAYA "GT", "GT TRANSIT"



From 7-8754	Date:01/2024	PAGE:X3-1827-49
-------------	--------------	-----------------

PASSENGER'S SEAT - "AMAYA" - FOOTREST & PEDESTAL AMAYA "GT", "GT TRANSIT"

Item#	Part	Description	QTY	Notes
1	862224	FOOTREST ASSY W/SPRING / "GAUDI" / ALUMINUM	1	
1	867725	FOOTREST ASSY W/AUTOMATIC RETURN / "STELAM" / PLASTIC	1	
1	863995	FOOTREST ASSY W/SPRING / "GALA" / PLASTIC	1	
1	862714	FOOTREST ASSY W/SPRING / "SIGLIUM" / PLASTIC 608-624N	1	B
1	860141	FOOTREST ASSY W/AUTOMATIC RETURN / "STELAM" STELAM TYPE	1	
2	N.S.S.	. RUBBER BUMPER	1	1
3	N.S.S.	. SCREW CAP HEXS M8-1.25x50 SS	2	1
4	N.S.S.	. STOPPER	1	1
5	N.S.S.	. STOPPER AXLE	1	1
6	N.S.S.	. SPRING	1	1
7	N.S.S.	. FOOTREST SUPPORT	1	1
8	N.S.S.	. FOOTREST	1	1
9	N.S.S.	. RETAINING RING	2	1
10	N.S.S.	. SPRING	1	1
11	N.S.S.	. FOOTREST AXLE	1	1
	Call order desk			P
20	863814	FOOTREST STANDARD 10" L x 9" U N-1500	1	
20	863982	FOOTREST STANDARD X" L x Y" U H-1500	1	
21	Call order desk	BOLT SPECIAL M8-1.25 x10	2	P
22	500441	WASHER FL .312x.734x.065 Z050	2	
23	500868	NUT HEX NYRT M8-1.25 Z050	2	
30	865466	ATTACHMENT NUT / "L" SHAPE TO FIX SEAT TO WALL TRACK	2	
30	865336	ATTACHMENT NUT / "L" SHAPE TO FIX SEAT TO WALL TRACK TORINO	2	
30	861714	ATTACHMENT NUT / "U" SHAPE TO FIX SEAT TO WALL TRACK	2	
31	866243	PRESSURE WASHER 7/16" 10MM	2	
32	502549	SCREW CAP HEX M10-1.5x35 G8.8 Z050	2	
33	5001735	SCREW CAP HEX 7/16-20x1 3/4 G8 G500	3	
34	364272	BLOCK ANCHOR / 26.8MM INSIDE / 35MM x 50MM x 19MM Height	3	
35	500897	WASHER FL .437x1.000x.083 N500	3	
36	5001734	NUT HEX 7/16-20 G8 N500	3	
38	868271	SCREW CAP HEX 7/16-20x1 1/4 G8 GREYHOUND	2	
38	865465	WASHER FL / 7/16	2	
38	865521	SCREW CAP HEX 7/16-20x1 G8	2	
38	Call order desk	SCREW CAP HEX M10-1.5 x30MM torino rev	2	P
	Call order desk			P
40	868725	PEDESTAL ASSY / W STD SEAT W/ A-2TEN / A-220 / GTT	1	
400	Call order desk	. PEDESTAL / 260MM	1	P
41	865297	COVER PEDESTAL W/"TORINO", A-2TEN, A-220, GTT	1	
42	864368	SCREW 3/8 PLASTIC	4	
43	Call order desk	PEDESTAL ASSY / W REVERSIBLE SEAT	1	P

From 7-8754		Date:01/2024	PAGE:X3-1827-49
-------------	--	--------------	-----------------

PASSENGER'S SEAT - "AMAYA" - FOOTREST & PEDESTAL AMAYA "GT", "GT TRANSIT"

Item#	Part	Description	QTY	Notes
44	865297	COVER PEDESTAL W/"TORINO", A-2TEN, A-220, GTT	1	
50	Call order desk	PEDESTAL ASSY / STD W/1 SEAT BELT HOOK BACKWARD	2	P
51	865092	PEDESTAL ASSY R.H. TRACK	1	
. NS	865992	. COVER HANDLE RED	1	
51	865066	PEDESTAL ASSY R.H. TRACK W/BRASIL	1	
. NS	865992	. COVER HANDLE RED	1	
51	865069	PEDESTAL ASSY R.H. TRACK W/TORINO G & A-2TEN	1	
. NS	865992	. COVER HANDLE RED	1	
52	865121	PEDESTAL ASSY L.H. TRACK	1	
. NS	865992	. COVER HANDLE RED	1	
52	865067	PEDESTAL ASSY L.H. TRACK W/BRASIL	1	
. NS	865992	. COVER HANDLE RED	1	
52	865068	PEDESTAL ASSY L.H. TRACK W/TORINO G & A-2TEN	1	
. NS	865992	. COVER HANDLE RED	1	
53	864461	PEDESTAL ASSY L.H. TRACK 1 SEAT BELT HOOK BACKWARD	1	
. NS	865992	. COVER HANDLE RED	1	
54	864698	PEDESTAL ASSY R.H. TRACK 1 SEAT BELT HOOK BACKWARD	1	
. NS	865992	. COVER HANDLE RED	1	
55	864960	PEDESTAL ASSY R.H. TRACK 2 SEATS BELT FORWARD 38"	1	
. NS	865992	. COVER HANDLE RED	1	
56	864621	PEDESTAL ASSY L.H. TRACK 2 SEATS BELT FORWARD 38"	1	
. NS	865992	. COVER HANDLE RED	1	
57	860154	PEDESTAL ASSY R.H. TRACK 2 SEATS BELT FORWARD 40"	1	
. NS	865992	. COVER HANDLE RED	1	
58	860155	PEDESTAL ASSY L.H. TRACK 2 SEATS BELT FORWARD 40"	1	
. NS	865992	. COVER HANDLE RED	1	
NS	322246	SEAT STOPPER BLOCK 100MM x 31.75MM	AR	
NS	319994	SEAT STOPPER BLOCK 50MM x 31.75MM	AR	
NS	329177	SEAT STOPPER BLOCK 275MM x 31.75MM	AR	
60	329689	SEAT TRACK COVER 12' / EACH SEAT / W/COVERING FLOOR	AR	
61	X3-1838-03	FLOOR - BUS	1	
63	5001738	SCREW CAP HEX M8-1.25x30 G8.8 N500	2	
63	502549	SCREW CAP HEX M10-1.5x35 G8.8 Z050	AR	
64	323809	DECAL/ ARROW > SEAT POSITION 25MM x 35MM	1	
66	866243	PRESSURE WASHER 7/16" 10MM	1	
71	865064	PIN SUPPORT 7/16x54MM HEAD 19.5MM O.D	1	
72	865063	INSIDE GUIDE	1	
73	865062	INSIDE SLIDE	1	
74	500709	NUT HEX 7/16-20 Z050	1	

From 7-8754	Date:01/2024	PAGE:X3-1827-49
-------------	--------------	-----------------

PASSENGER'S SEAT - "AMAYA" - FOOTREST & PEDESTAL AMAYA "GT", "GT TRANSIT"

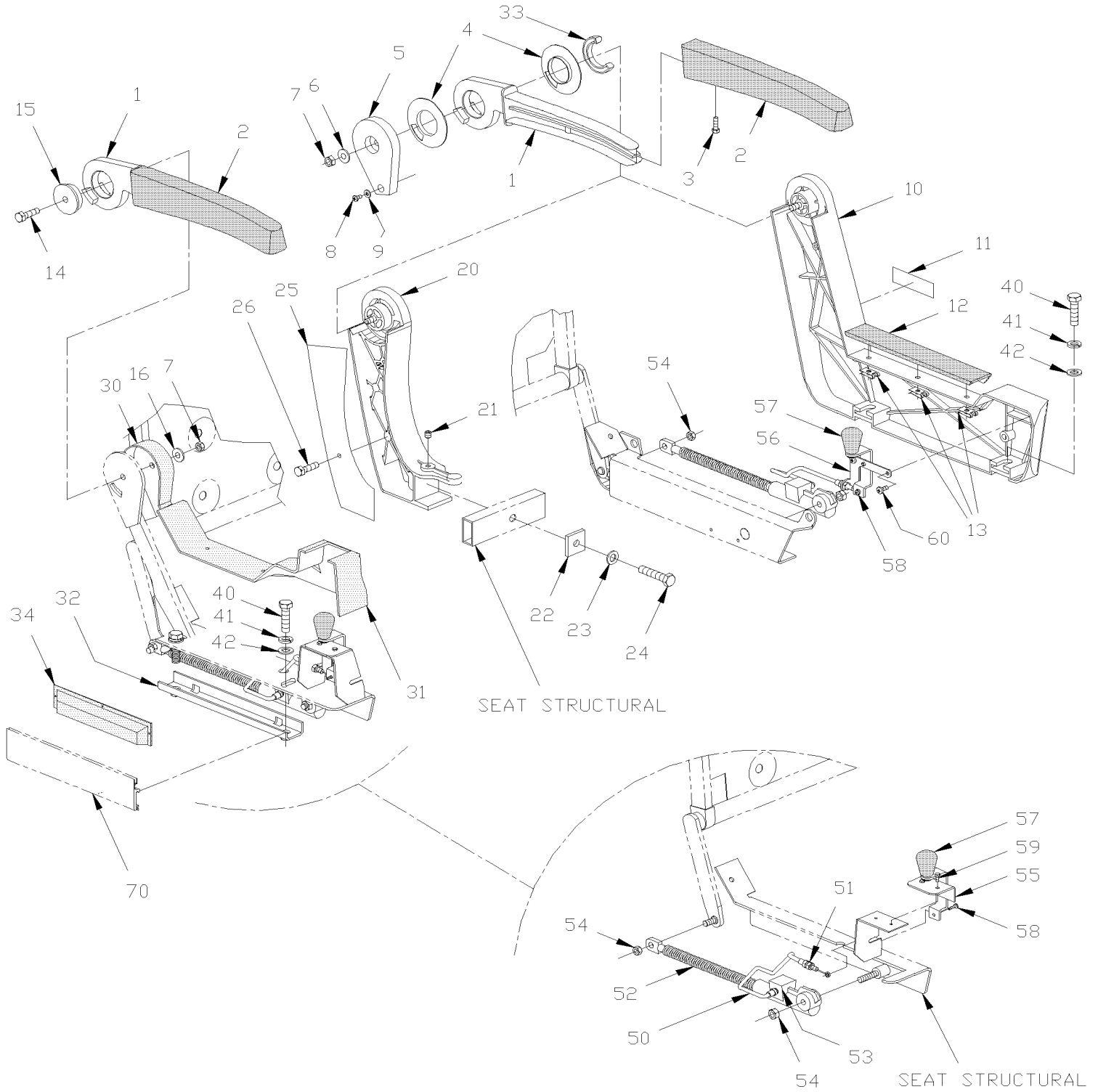
Item#	Part	Description	QTY	Notes
		B) THIS MODEL HAS A DIFFERENT FOOTREST ATTACHMENT FROM THE PICTURE		
		1) NOT SOLD SEPARATELY		
		P) CALL ORDER DESK FOR SPECIFIC APPLICATION (V.I.N.)		

From 7-8754

Date:01/2024

PAGE:X3-1827-50

ARMREST PASSENGER'S SEAT - "PREVOST"



From 7-8754	Date:01/2024	PAGE:X3-1827-50
ARMREST PASSENGER'S SEAT - "PREVOST"		

Item#	Part	Description	QTY	Notes
1	363597	ARMREST / SHORT	3	
1	362933	ARMREST L.H. / V.I.P.	2	
1	362934	ARMREST R.H. / V.I.P.	2	
2	363598	COVERING ARMREST / SHORT	1	
2	362541	COVERING ARMREST / V.I.P.	1	
NS	363425	FOAM COVERING ARMREST V.I.P.	AR	
3	500686	SCREW TP OV PH #6x1/2 BK	1	
NS	500345	WASHER FN CKF .187x.500x.090 BR BK	1	
4	363575	. SPACER PLASTIC / FRICTION DISK	2	
5	363565	CLOSING L.H. / GREY CHARCOAL	1	
5	362913	CLOSING / GREY CHARCOAL	2	V
5	363566	CLOSING R.H. / GREY CHARCOAL	1	
6	502510	WASHER FL .375x.875x.083	1	
7	5001113	NUT HEX JAM NYRT 5/16-18	2	
8	500658	SCREW TC PAN PH #10-24x3/4 Z050	1	
9	500470	WASHER LO SPT .193x.334x.047 Z050	1	
10	363833	. SIDE L.H. / CASTING PAINTED CHARCOAL	1	
10	363832	. SIDE R.H. / CASTING PAINTED CHARCOAL	1	
10	363858	. SIDE R.H. / CASTING PAINTED CHARCOAL / V.I.	1	V
10	363859	. SIDE L.H. / CASTING PAINTED CHARCOAL / V.I.	1	V
11	362907	. DECAL / "PREVOST"	1	
12	362871	. COVERING L.H.	1	
12	362971	. COVERING R.H.	1	
13	509814	. NUT PUSH RND ARC 3/16	3	
14	500182	SCREW CAP HEX 5/16-18x1 1/4 G5 PT Z050	1	
15	362315	WASHER RETAINING W/FLANGED 40.26MM O.D. X 44.5 MM O.D.	1	
15	364083	WASHER RETAINING PLASTIC TAPER 37.85 MM O.D. From 8-9277	1	A L
NS	364082	WASHER SPACER PLASTIC 16 O.D. x 5 I.D. x 5.4TH From 8-9277	1	A L
16	500441	WASHER FL .312x.734x.065 Z050	1	
20	363564	SUPPORT / CENTRAL ARMREST / PAINTED CHARCOAL	1	
20	362904	SUPPORT / CENTRAL ARMREST / PAINTED CHARCOAL	2	V
NS	364134	COVER PROTECTOR ARMREST COVERING PLASTIC From 8-9277	1	A L
21	502781	SCREW SET HEXS CUP 5/16-18x1/4	1	
22	362711	PLATE TIGHTENING / SEAT	1	
23	500942	WASHER LO SPT 8.1x14.8x2.0 N500	1	
24	500186	SCREW CAP HEX 5/16-18x2 1/2 G5 Z050	1	
25	362927	PLATE / W/V.I.P. CENTRAL SUPPORT / CHARCOAL	1	
26	500654	SCREW TC BDG PH #8-32x1/2 Z050	2	
30	362697	COVER R.H. / NORYL / WINDOW SIDE	1	
30	362712	COVER L.H. / NORYL / WINDOW SIDE	1	
30	364135	GUARD R.H. / LOUNGE SEAT ONLY From 8-9277	1	A
31	363780	GUARD L.H. / MECHANISM	1	

From 7-8754		Date:01/2024	PAGE:X3-1827-50
-------------	--	--------------	-----------------

ARMREST PASSENGER'S SEAT - "PREVOST"

Item#	Part	Description	QTY	Notes
31	363779	GUARD R.H. / MECHANISM	1	
31	363958	GUARD R.H. / MECHANISM LOUNGE SEAT ONLY To 8-9276	1	A
31	3664138	GUARD R.H. / MECHANISM LOUNGE SEAT ONLY From 8-9277	1	A
31	363857	GUARD R.H. / MECHANISM / W/VIP SEAT	1	
31	363856	GUARD L.H. / MECHANISM / W/VIP SEAT	1	
32	363821	ATTACHMENT PLATE / "J" SHAPE TO FIX SEAT TO WALL TRACK WALL TRACK To 7-8975	1	
. NS	500183	. SCREW CAP HEX 5/16-18x1 1/2 G5 PT Z050 To 7-8975	2	
. NS	500942	. WASHER LO SPT 8.1x14.8x2.0 N500 To 7-8975	2	
32	364132	ATTACHMENT PLATE / "J" SHAPE TO FIX SEAT TO WALL TRACK WALL TRACK From 7-8976	1	
. NS	500829	. SCREW CAP HEX M10-1.5x40 G8.8 From 7-8976	2	
. NS	500257	. WASHER LO SPT 10.2x18.1x2.2 Z050 From 7-8976	2	
32	364133	REINFORCMENT / FIXED BETWEEN SEAT & GUARD From 7-8976	1	
33	362941	SLIDE INSERT PLASTIC / LONG 150 DEG	4	V
34	362579	CAP FINISHING / WALL / V.I.P.	1	V
40	500183	SCREW CAP HEX 5/16-18x1 1/2 G5 PT Z050	2	
41	500942	WASHER LO SPT 8.1x14.8x2.0 N500	2	
42	502510	WASHER FL .375x.875x.083	2	
50	861444	CABLE ASSY	1	
51	500692	. NUT HEX 1/4-28 Z050	2	
52	861926	CYLINDER L.H.	1	
52	861927	CYLINDER R.H.	1	
53	861486	CLIP / WIRE RETAINER	2	
54	500690	NUT HEX NYRT 1/4-28 Z050	2	
55	363830	LEVER L.H. / WINDOW SIDE	1	
55	363829	LEVER R.H. / WINDOW SIDE	1	
55	364079	LEVER LOUNGE SEAT / WINDOW SIDE From 8-9277	1	A
56	363825	LEVER L.H. / CASTING	1	
56	363826	LEVER R.H. / CASTING	1	
57	861442	. KNOB	1	
NS	500394	. SCREW MA TR SLT 1/4-20x1/2 Z050	1	
58	500557	SCREW MA PAN PH #8-32x3/8 SS	2	
59	5001312	SCREW TP TR PH #8x5/8 Z050	1	
60	500657	SCREW TC TR PH #10-24x1/2 Z050	2	
70	X3-2221-10	DUCTING HEATER & A/C - BUS FLOOR		
		A) USE ONLY WITH LOUNGE SEAT BACK OF THE VEHICLE		
		L) USE WITH ITEM # 5 ON ARMREST CENTER SEAT OF LOUNGE SEAT		
		V) WITH V.I.P. SEAT ONLY		

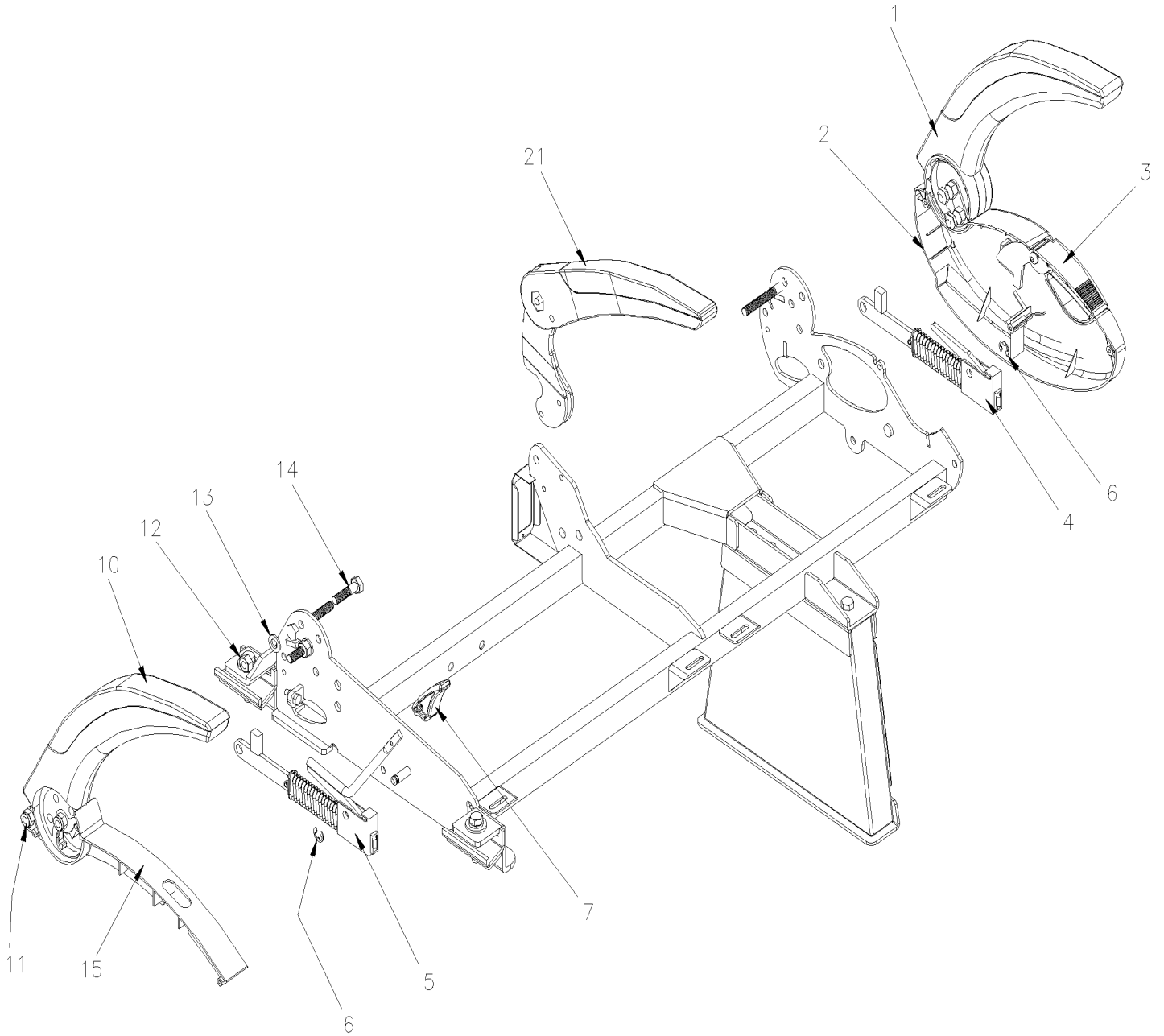
From 7-8754

Date:01/2024

PAGE:X3-1827-51

ARMREST AMAYA "A-2TEN"

AISLE SIDE



WALL SIDE

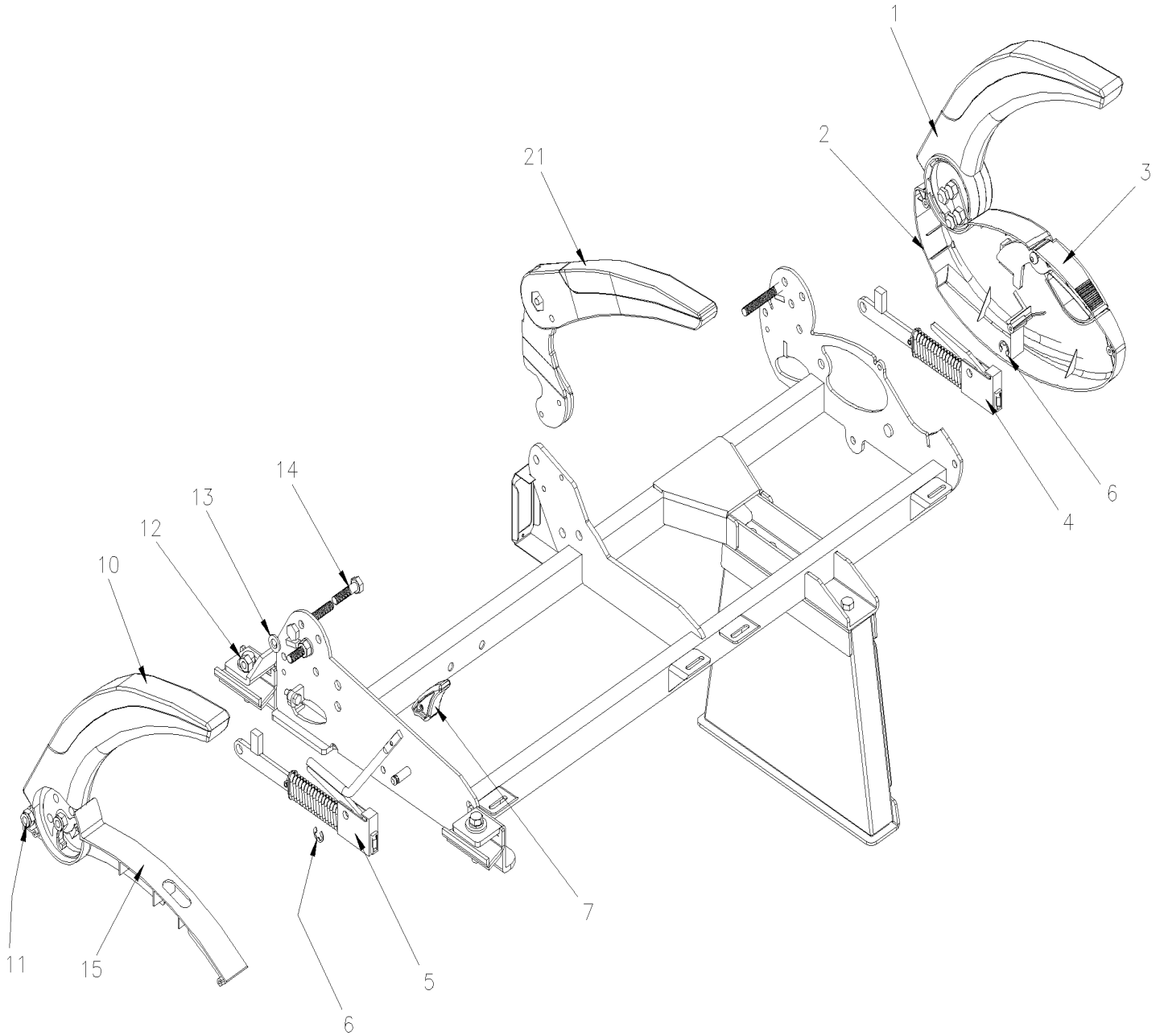
From 7-8754	Date:01/2024	PAGE:X3-1827-51
-------------	--------------	-----------------

ARMREST AMAYA "A-2TEN"

Item#	Part	Description	QTY	Notes
1	864938	ARMREST L.H.	1	
. NS	Call order desk	. ARMREST COVERING WOOD FINISHING	1	P
. NS	866077	. ARMREST COVERING DARK GREY	1	
. NS	865378	. ARMREST COVERING LIGHT GREY	1	
. NS	860076	. CAP WITH LOGO AMAYA	1	
1	863186	ARMREST R.H.	1	
. NS	Call order desk	. ARMREST COVERING WOOD FINISHING	1	P
. NS	866077	. ARMREST COVERING DARK GREY	1	
. NS	865378	. ARMREST COVERING LIGHT GREY	1	
. NS	860075	. CAP WITH LOGO AMAYA	1	
2	864577	. COVER AISLE R.H.	1	
2	864703	. COVER AISLE SIDE RH SEAT	1	
3	860199	LEVER ASSY R.H.	1	
4	865086	RECLINING MECHANISM ASSY / "TORINO" AILSE	1	
5	865061	RECLINING MECHANISM ASSY / "TORINO" WINDOW	1	
6	865488	RETAINING RING	2	
7	864117	KNOB W/SQUARE ROD INSERT MECHANISM (CURRENT)	1	
10	865070	ARMREST R.H. WINDOW SIDE	1	
11	860005	NUT HEX STO M10-1.5 ZP	2	
12	868266	NUT HEX M10-1.5	2	
13	865465	WASHER FL / 7/16	4	
14	868270	SCREW CAP HEX M10-1.5x40MM	2	
15	Call order desk	MECHANISM FINISHING COVER WALL SIDE	1	P
21	865104	ARMREST CENTRAL ASSY	1	
. NS	866240	. ARMREST COVERING LIGHT GREY	1	
		P) CALL ORDER DESK FOR SPECIFIC APPLICATION (V.I.N.)		
		P) CALL ORDER DESK FOR SPECIFIC APPLICATION (V.I.N.)		

ARMREST AMAYA "A-220"

AISLE SIDE



WALL SIDE

From 7-8754	Date:01/2024	PAGE:X3-1827-52
ARMREST AMAYA "A-220"		

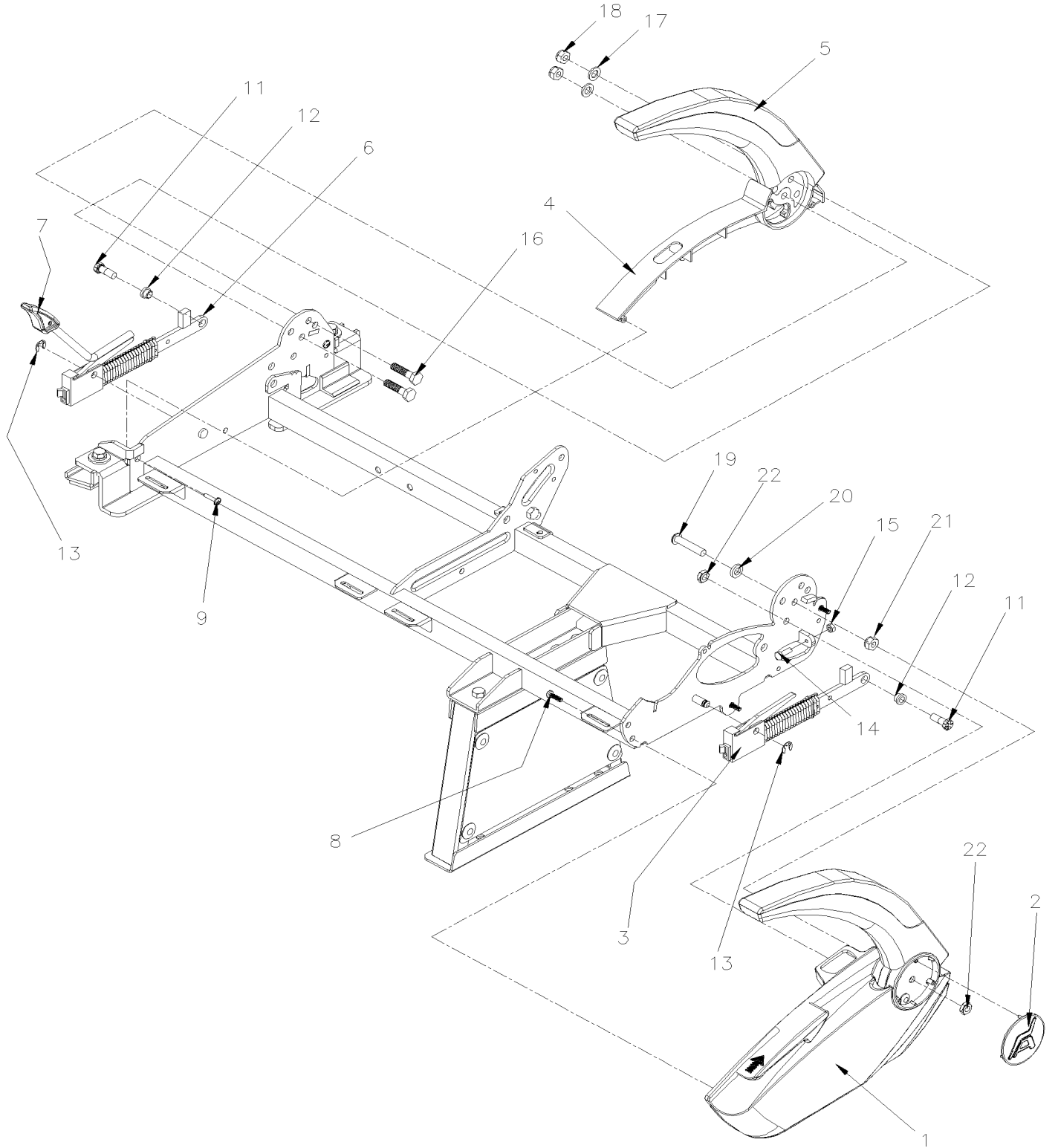
Item#	Part	Description	QTY	Notes
1	864938	ARMREST L.H.	1	
. NS	Call order desk	. ARMREST COVERING WOOD FINISHING	1	P
. NS	866077	. ARMREST COVERING DARK GREY	1	
. NS	865378	. ARMREST COVERING LIGHT GREY	1	
. NS	860076	. CAP WITH LOGO AMAYA	1	
1	863186	ARMREST R.H.	1	
. NS	Call order desk	. ARMREST COVERING WOOD FINISHING	1	P
. NS	866077	. ARMREST COVERING DARK GREY	1	
. NS	865378	. ARMREST COVERING LIGHT GREY	1	
. NS	860075	. CAP WITH LOGO AMAYA	1	
1A	867737	HINGED ARMREST / RH	1	
1A	867738	HINGED ARMREST / LH	1	
2	864703	. COVER AISLE SIDE RH SEAT	1	
2	860091	. COVER AISLE SIDE LH SEAT	1	
3	860199	LEVER ASSY R.H.	1	
4	865086	RECLINING MECHANISM ASSY / "TORINO" AISLE	1	
5	865061	RECLINING MECHANISM ASSY / "TORINO" WINDOW	1	
6	865488	RETAINING RING	2	
7	864117	KNOB W/SQUARE ROD INSERT MECHANISM (CURRENT)	1	
10	865070	ARMREST R.H. WINDOW SIDE	1	
11	860005	NUT HEX STO M10-1.5 ZP	2	
12	868266	NUT HEX M10-1.5	2	
13	865465	WASHER FL / 7/16	4	
14	868270	SCREW CAP HEX M10-1.5x40MM	2	
15	Call order desk	MECHANISM FINISHING COVER WALL SIDE	1	P
21	865104	ARMREST CENTRAL ASSY	1	
. NS	866240	. ARMREST COVERING LIGHT GREY	1	
		P) CALL ORDER DESK FOR SPECIFIC APPLICATION (V.I.N.)		
		P) CALL ORDER DESK FOR SPECIFIC APPLICATION (V.I.N.)		

From 7-8754

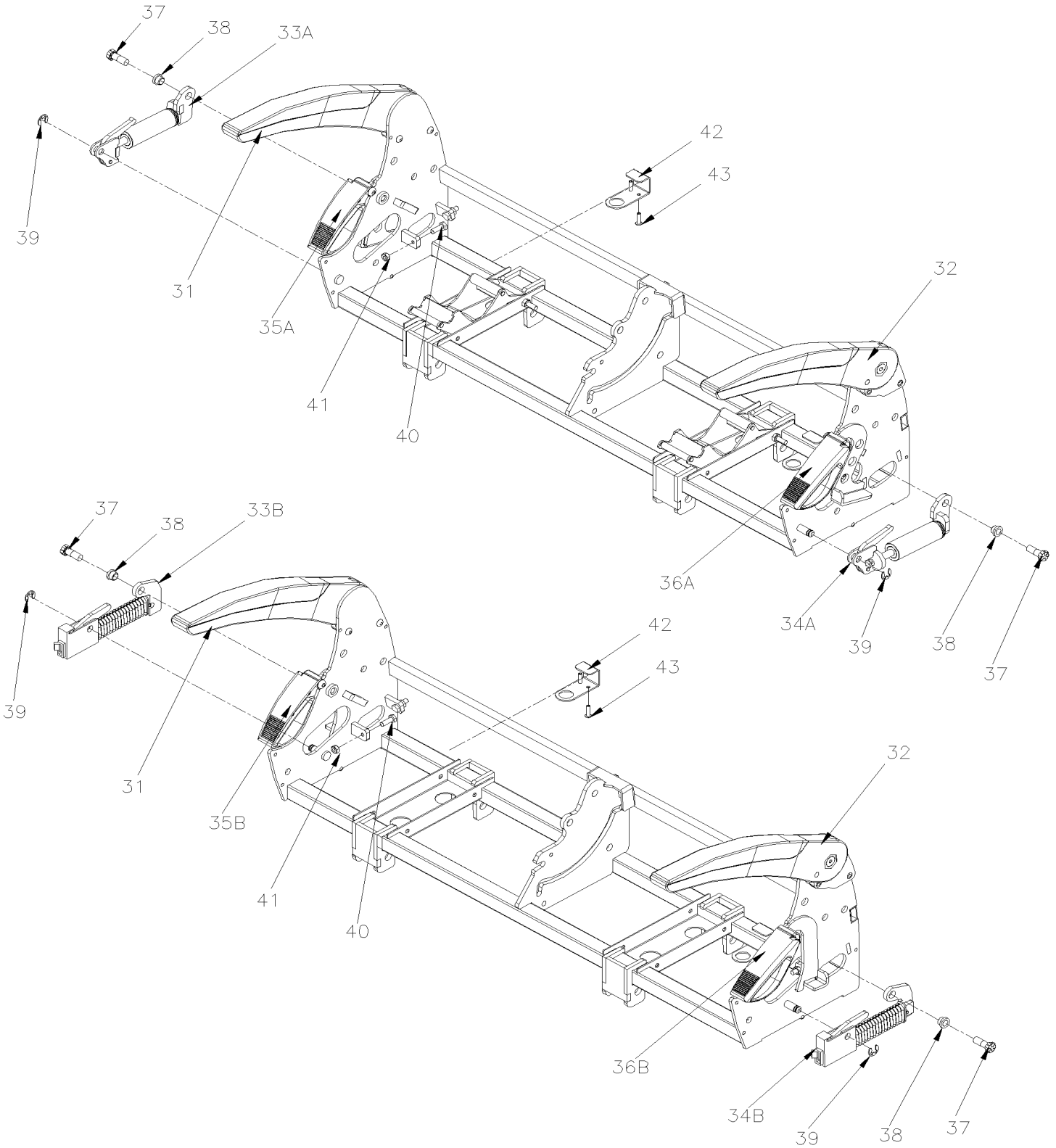
Date:01/2024

PAGE:X3-1827-54

ARMREST AMAYA "GT"



From 7-8754	Date:01/2024	PAGE:X3-1827-54
ARMREST AMAYA "GT"		



From 7-8754	Date:01/2024	PAGE:X3-1827-54
ARMREST AMAYA "GT"		

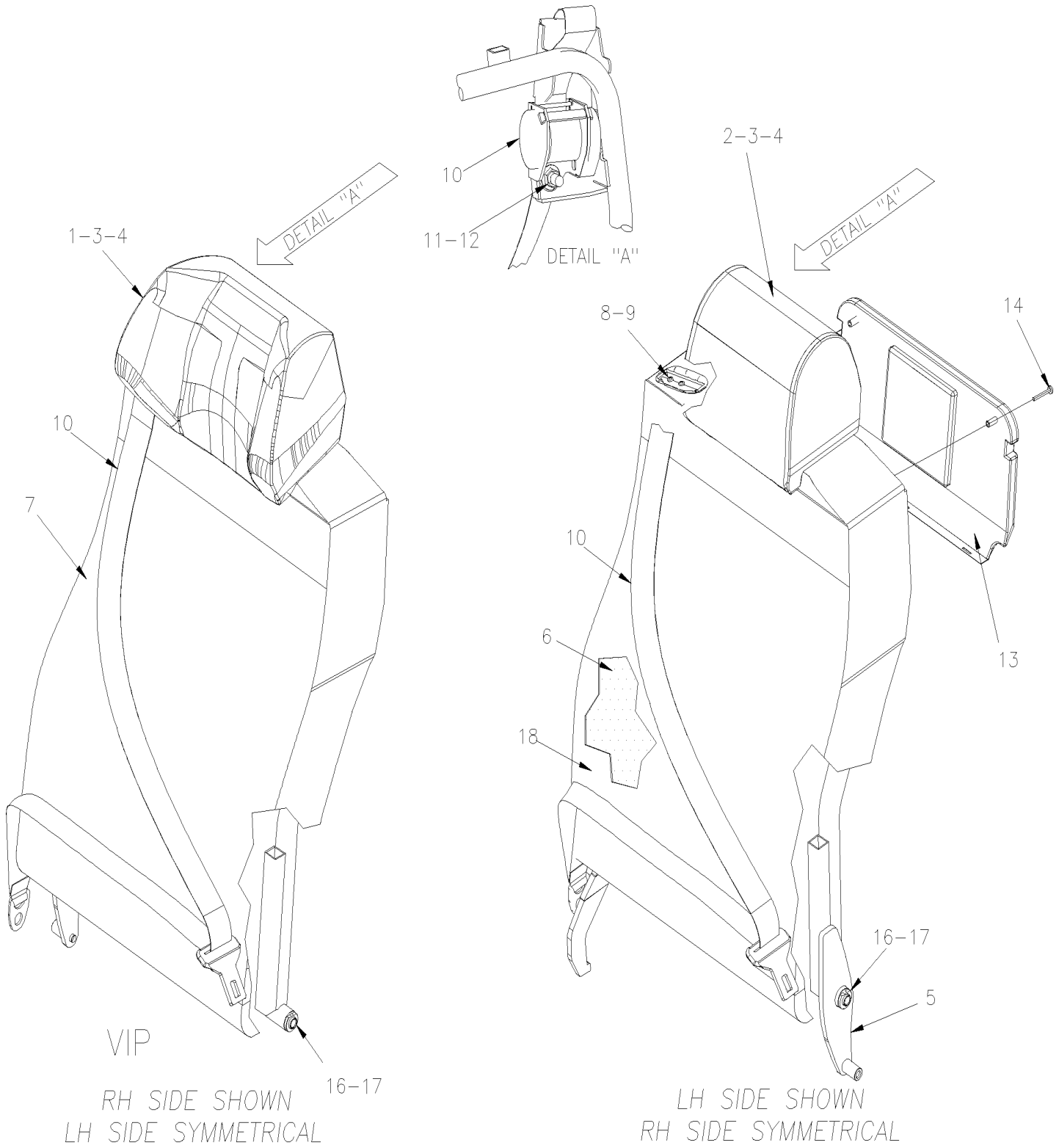
Item#	Part	Description	QTY	Notes
1	23210423	ARMREST / LH	1	
. NS	868206	. RECLINING LEVER, LH	1	
1	23210425	ARMREST / RH	1	
. NS	868205	. RECLINING LEVER, RH	1	
2	868274	CAP WITH LOGO	1	
3	865086	RECLINING MECHANISM ASSY / "TORINO" AILSE	1	
4	Call order desk	MECHANISM FINISHING COVER WALL SIDE	1	P
5	865070	ARMREST R.H. WINDOW SIDE	1	
6	865061	RECLINING MECHANISM ASSY / "TORINO" WINDOW	1	
7	864117	KNOB W/SQUARE ROD INSERT MECHANISM (CURRENT)	1	
8	868260	SCREW SELF TAPPING M6x20MM	3	
9	868264	SCREW SELF TAPPING #10 x 1"	2	
11	860092	SCREW CAP HEX 3/8" x 1" G8	2	
12	865215	BUSHING NYLON	2	
13	865488	RETAINING RING	2	
14	865498	SCREW CAP HEX 1/4-20 x 3/4 LG	2	
15	865497	NUT HEX 1/4	2	
16	868270	SCREW CAP HEX M10-1.5x40MM	2	
17	865465	WASHER FL / 7/16	2	
18	860005	NUT HEX STO M10-1.5 ZP	2	
19	860280	SCREW BUT HEXS M10-1.5x50MM	1	
20	868297	WASHER FL 7/16	1	
21	868266	NUT HEX M10-1.5	1	
22	868269	NUT HEX / GRIPCO M10-1.5	2	
31	867737	HINGED ARMREST / RH	1	
32	867738	HINGED ARMREST / LH	1	
33A	Call order desk	RECLINING GAS MECHANISM ASSY / RH	1	P A
33B	868318	RECLINING MECHANISM ASSY / RH	1	B
34A	Call order desk	RECLINING GAS MECHANISM ASSY / LH	1	P A
34B	868317	RECLINING MECHANISM ASSY / LH	1	B
35A	Call order desk	MECHANISM HANDLE ASSY / RH	1	P A
35B	868280	MECHANISM HANDLE ASSY / RH	1	B
36A	Call order desk	MECHANISM HANDLE ASSY / LH	1	P A
36B	868281	MECHANISM HANDLE ASSY / LH	1	B
37	860092	SCREW CAP HEX 3/8" x 1" G8	2	
38	865215	BUSHING NYLON	2	
39	865488	RETAINING RING	2	
40	865498	SCREW CAP HEX 1/4-20 x 3/4 LG	4	
41	865497	NUT HEX 1/4	4	
42	868330	BELT SUPPORT HOOK	2	
43	868120	RIVET 3/16 X 3/4 BLACK	4	

From 7-8754		Date:01/2024	PAGE:X3-1827-54
-------------	--	--------------	-----------------

ARMREST AMAYA "GT"

Item#	Part	Description	QTY	Notes
		A) USE WITH FLIP/SLIDING SEAT		
		B) USE WITH FLIP/STATIONNARY SEAT		
		P) CALL ORDER DESK FOR SPECIFIC APPLICATION (V.I.N.)		

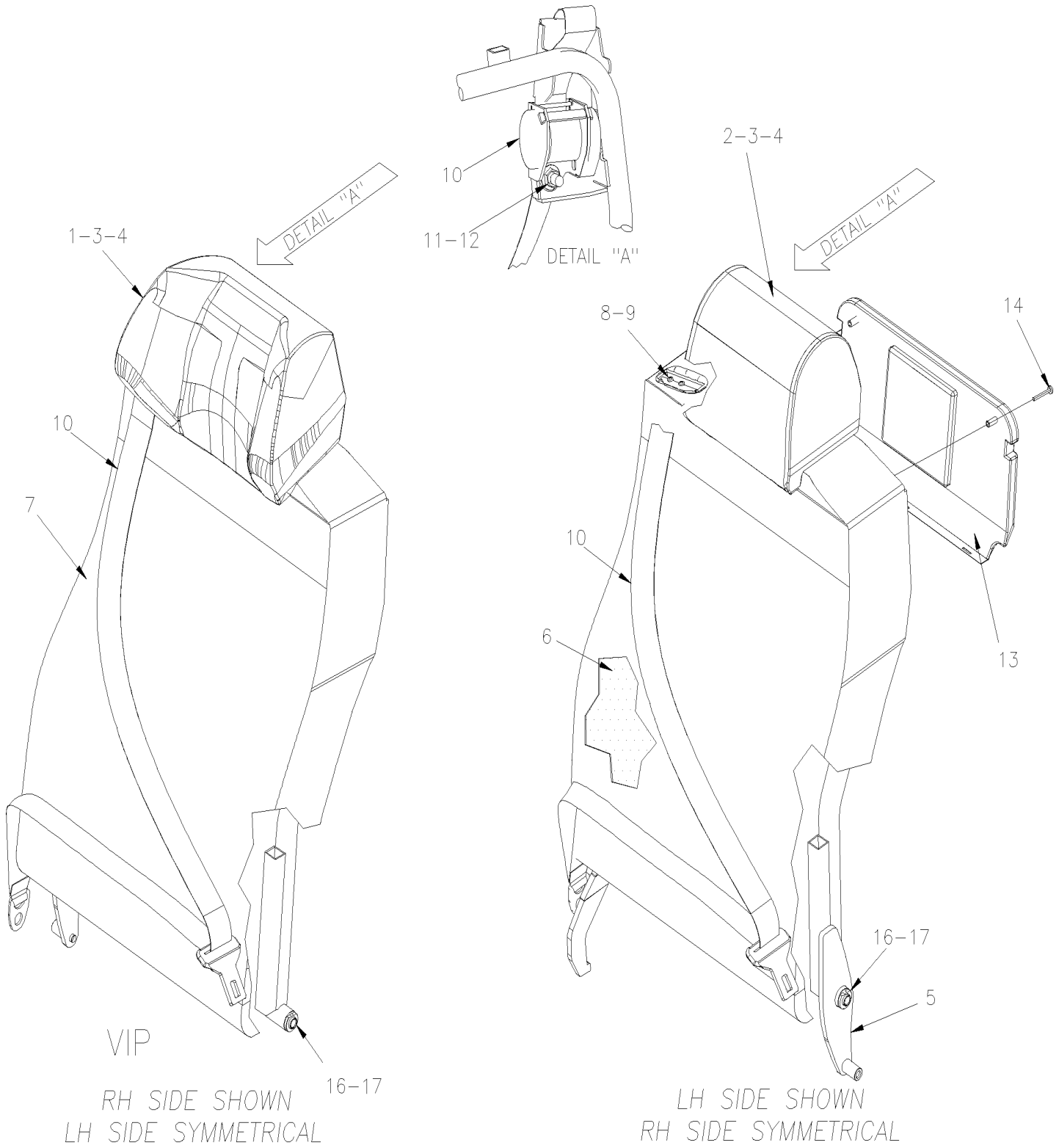
BACKREST AMAYA "A-2TEN"



From 7-8754		Date:01/2024	PAGE:X3-1827-61
BACKREST AMAYA "A-2TEN"			

Item#	Part	Description	QTY	Notes
	Call order desk	BACKREST ASSY	1	P
	Call order desk	BACKREST ASSY VIP	1	P
	Call order desk	BACKREST ASSY / FLIP-UP SEAT	1	P
	Call order desk	BACKREST ASSY VIP / FLIP-UP SEAT	1	P
	Call order desk	BACKREST ASSY LH VIP / 2 PASSENGER'S REAR CROSS SEAT	1	P
	Call order desk	BACKREST ASSY LH / 1 PASSENGER'S REAR CROSS SEAT	1	P
	Call order desk	BACKREST ASSY LH VIP / 1 PASSENGER'S REAR CROSS SEAT	1	P
	Call order desk	BACKREST ASSY / ROTATING SEAT	1	P
	Call order desk	BACKREST ASSY VIP / ROTATING SEAT	1	P
1	7775195	. HEADREST ASSY / VIP	1	
2	Call order desk	. HEADREST ASSY	1	P
3	866205	. BUSHING	2	
4	866204	. BACKREST CLIP	2	
5	Call order desk	. BACKREST FRAME ASSY	1	P
5	Call order desk	. BACKREST FRAME ASSY VIP	1	P
5	Call order desk	. BACKREST FRAME ASSY / FLIP-UP SEAT	1	P
5	Call order desk	. BACKREST FRAME ASSY VIP / FLIP-UP SEAT	1	P
5	Call order desk	. BACKREST FRAME LH ASSY / 2 PASSENGER'S REAR CROSS SEAT	1	P
5	Call order desk	. BACKREST FRAME ASSY LH VIP / 2 PASSENGER'S REAR CROSS SEAT	1	P
5	Call order desk	. BACKREST FRAME LH ASSY / 1 PASSENGER'S REAR CROSS SEAT	1	P
5	Call order desk	. BACKREST FRAME ASSY LH VIP / 1 PASSENGER'S REAR CROSS SEAT	1	P
5	Call order desk	. BACKREST FRAME ASSY / ROTATING SEAT	1	P
6	Call order desk	. BACKREST FOAM	1	P
6	Call order desk	. BACKREST FOAM / FLIP-UP SEAT	1	P
6	Call order desk	. BACKREST FOAM VIP / FLIP-UP SEAT	1	P
7	Call order desk	. UPHOLSTERY	1	P
8	860420	. BELT GUIDE	1	
9	Call order desk	. SCREW MA PAN PH	2	P
10	865217	. BELT MULTIPOSITION	1	
10	7775183	. SEAT BELT EXTENSION - PASSENGER SEAT NOT INCLUDE WITH SEAT	1	
11	867945	. WASHER	1	
12	865519	. NUT HEX NYRT 7/16-20	1	
13	Call order desk	. BACKREST COVER ASSY	1	P
14	Call order desk	. SCREW MA PAN PH	2	P
16	Call order desk	. BUSHING	2	P
16	Call order desk	. BUSHING WITH FLIP-UP	2	P
17	Call order desk	. CAP	2	P
		P) CALL ORDER DESK FOR SPECIFIC APPLICATION (V.I.N.)		

BACKREST AMAYA "A-220"



From 7-8754	Date:01/2024	PAGE:X3-1827-62
BACKREST AMAYA "A-220"		

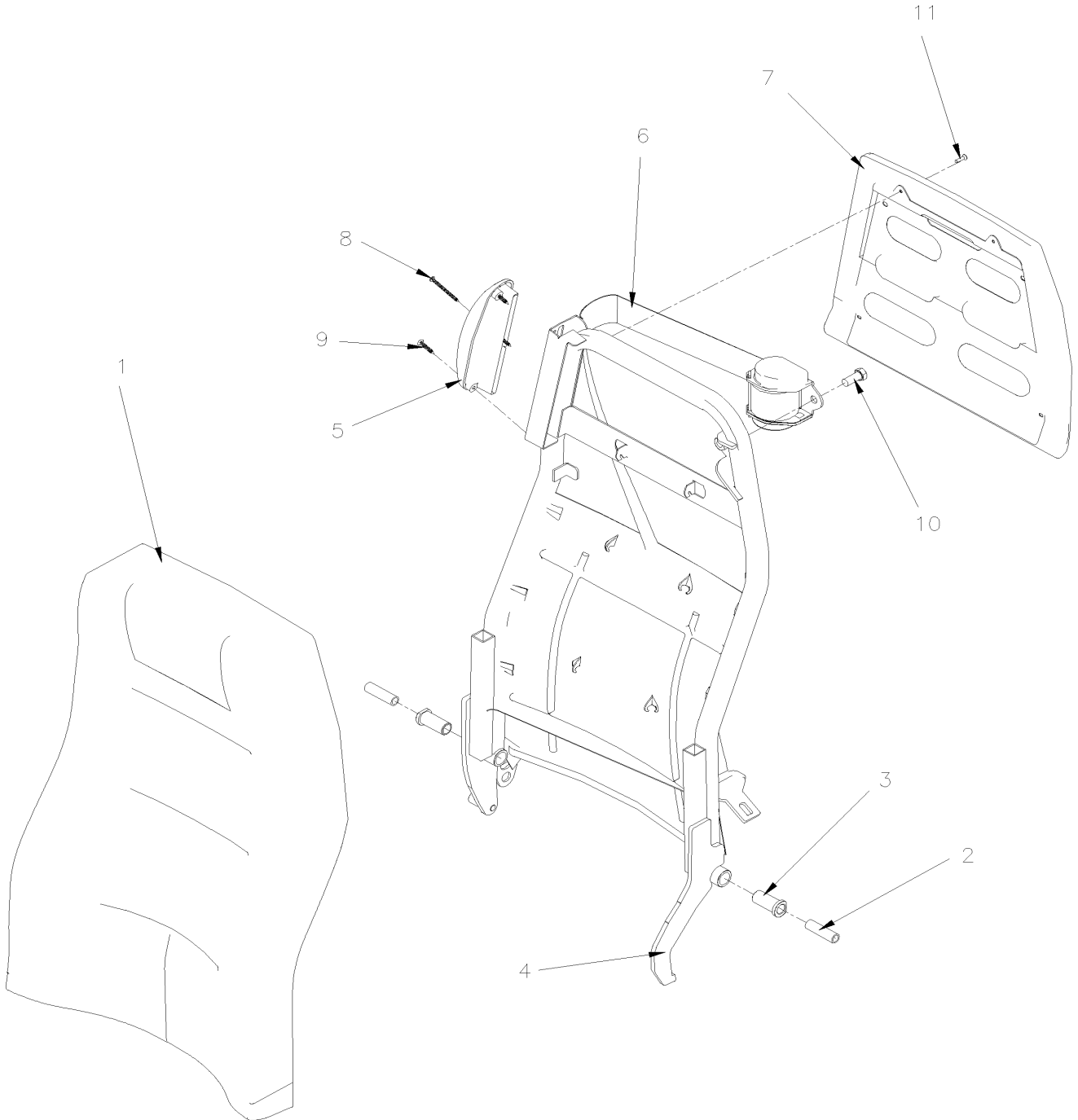
Item#	Part	Description	QTY	Notes
	Call order desk	BACKREST ASSY / LH A-220 STD	1	P
	Call order desk	BACKREST ASSY / RH A-220 STD	1	P
	Call order desk	BACKREST ASSY / LH A-220 /FLIP/ FIXED	1	P
	Call order desk	BACKREST ASSY / RH A-220 /FLIP/ FIXED	1	P
	Call order desk	BACKREST ASSY / LH A-220 SLINDING	1	P
	Call order desk	BACKREST ASSY / RH A-220 SLINDING	1	P
1	7775195	. HEADREST ASSY / VIP	1	
2	Call order desk	. HEADREST ASSY	1	P
3	866205	. BUSHING	2	
4	866204	. BACKREST CLIP	2	
5	Call order desk	. FRAME BACKREST	1	P
6	Call order desk	. BACKREST FOAM	1	P
7	Call order desk	. UPHOLSTERY	1	P
8	860420	. BELT GUIDE	1	
9	Call order desk	. SCREW MA PAN PH	2	P
10	865217	. BELT MULTIPOSITION	1	
10	7775183	. SEAT BELT EXTENSION - PASSENGER SEAT NOT INCLUDE WITH SEAT	1	
11	867945	. WASHER	1	
12	865519	. NUT HEX NYRT 7/16-20	1	
13	Call order desk	. BACKREST COVER ASSY	1	P
14	Call order desk	. SCREW MA PAN PH	2	P
16	868402	. BUSHING 45MM	4	
17	Call order desk	. CAP	2	P
		P) CALL ORDER DESK FOR SPECIFIC APPLICATION (V.I.N.)		

From 7-8754

Date:01/2024

PAGE:X3-1827-63

BACKREST AMAYA "GT"



From 7-8754	Date:01/2024	PAGE:X3-1827-63
BACKREST AMAYA "GT"		

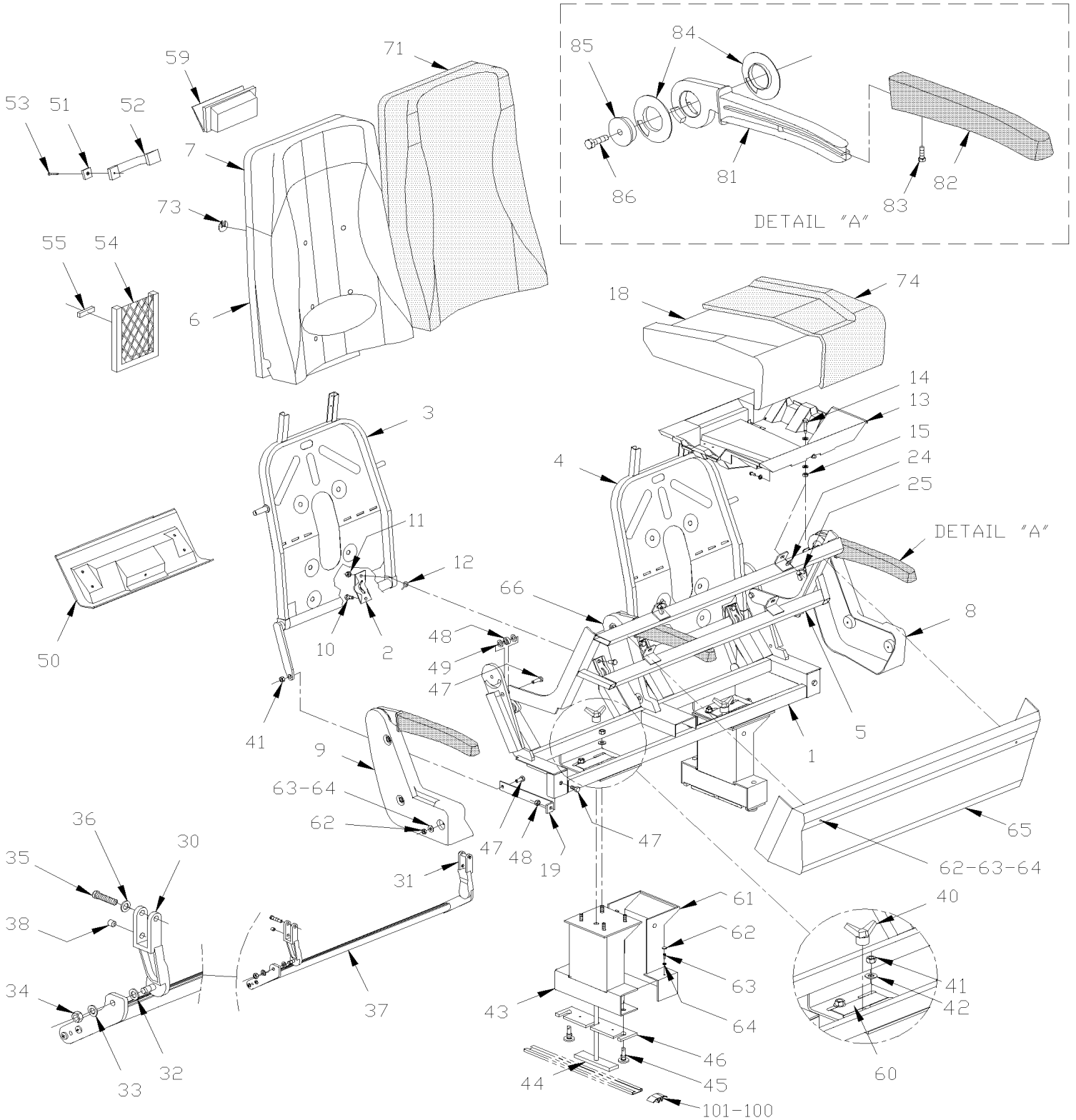
Item#	Part	Description	QTY	Notes
	868199	BACKREST ASSY LH CURBSIDE	1	
	868200	BACKREST ASSY RH CURBSIDE	1	
	Call order desk	BACKREST ASSY LH STREET SIDE	1	P
	Call order desk	BACKREST ASSY RH STREET SIDE	1	P
	Call order desk	BACKREST ASSY RH	1	P C
	Call order desk	BACKREST ASSY LH	1	P C
1	Call order desk	. BACKREST FOAM	1	P
1	Call order desk	. BACKREST FOAM RH CURB SIDE WINDOWS SIDE	1	P
1	Call order desk	. BACKREST FOAM	1	P
1	Call order desk	. BACKREST FOAM LH STREET SIDE WINDOWS SIDE	1	P
2	865561	. BUSHING 49MM	2	
3	868402	. BUSHING 45MM	2	
4	Call order desk	. BACKREST FRAME RH WINDOWS SIDE	1	P
4	Call order desk	. BACKREST FRAME LH WINDOWS SIDE	1	P
4	Call order desk	. BACKREST FRAME AISLE SIDE STREET SIDE	1	P C
4	Call order desk	. BACKREST FRAME AISLE SIDE CURB SIDE	1	P C
5	868172	. SEAT BELT GUIDE	1	
6	868185	. SEAT BELT /WO/ FEMALE BUCKLE	1	
7	Call order desk	. ENERGY ABSORBER	1	P
8	Call order desk	. VIS PHILLIPS #10 x 1"	2	P
9	Call order desk	. VIS PHILLIPS #8 x 2"	2	P
10	865521	. SCREW CAP HEX 7/16-20x1 G8	1	
11	865603	. SCREW MA BUT PH M8x19	4	
		C) WITH HOOK		
		P) CALL ORDER DESK FOR SPECIFIC APPLICATION (V.I.N.)		

From 7-8754

Date:01/2024

PAGE:X3-1827-70

PASSENGER'S SEAT - "TOURISMO II" - FLIP-UP W/W.C.L.



From 7-8754	Date:01/2024	PAGE:X3-1827-70
-------------	--------------	-----------------

PASSENGER'S SEAT - "TOURISMO II" - FLIP-UP W/W.C.L.

Item#	Part	Description	QTY	Notes
	363376P	SEAT ASSY "FLIP-UP" ULTRA	1	
1	363302	. MOUNTING BASE ASSY / "FLIP-UP" SEAT	1	
2	363246	. COLLAR	4	
3	363180	. BACKREST R.H.	1	
4	363181	. BACKREST L.H.	1	
5	363303	. SEAT FRAME ASSY / SEATREST "FLIP-UP" SEAT	1	
NS	363538	. ROD RETAINING SEATREST	1	
6	363178P	. FOAM ASSY, BACKREST / "TOURISMO II "	1	
6	363186	. . FOAM BACKREST THICK	1	
6	363252	. . FOAM BACKREST THIN W/42"	1	
6	363350	. . FOAM BACKREST THIN W/40"	1	
7	363251	. FOAM ASSY, HEADREST 42" HIGHT / "ULTRA"	1	
NS	500583	. SCREW TP PAN PH #6x1/2 Z050	4	
NS	500240	. WASHER LO EXT .195x.410x.025 Z050	4	
8	363226	. COVER R.H. / PLASTIC	1	
9	363227	. COVER L.H. / PLASTIC	1	
10	5001336	. SCREW CAP HEXF SERR 5/16-18x3/4 Z050	8	
11	5001113	. NUT HEX JAM NYRT 5/16-18	8	
12	363273	. SPRING EYE	4	
13	Call order desk	. STRUCTURE ASSY REAR / 5 PASSENGERS	1	P
14	362353	. SCREW	1	
15	500685	. NUT HEX NYRT 5/16-18 SS	1	
18	362666	. FOAM ASSY, SEATREST / "TOURISMO & ULTRA"	1	
19	363279	. FLAT BAR / ANGLE 198MM x 28MM	2	
24	500441	. WASHER FL .312x.734x.065 Z050	2	
25	500782	. NUT WING 5/16-18 Z050	2	
30	363437	. BRACKET L.H.	1	
31	363436	. BRACKET R.H.	1	
32	502723	. WASHER FL .386x.750x.050 NYL	2	
33	500441	. WASHER FL .312x.734x.065 Z050	2	
34	500777	. NUT HEX STO 5/16-18 Z050	2	
35	500183	. SCREW CAP HEX 5/16-18x1 1/2 G5 PT Z050	2	
36	500942	. WASHER LO SPT 8.1x14.8x2.0 N500	2	
37	363304	. FOOTREST ASSY / DOUBLE SEAT W/FLIP-UP SEAT	1	
38	502781	. SCREW SET HEXS CUP 5/16-18x1/4	2	
40	860874	. HANDLE NUT 3/8-16	2	
41	500777	. NUT HEX STO 5/16-18 Z050	7	
42	502510	. WASHER FL .375x.875x.083	1	
43	363292	. PEDESTAL	2	
44	363278	. "T" BOLT RETAINER 3/8-16 X 10 5/8"	2	
45	363280	. GUIDE 28MM O.D. / M10 - 1.5	4	
46	363281	. SLIDING TRACK / 60MM x 240MM PLASTIC	2	

From 7-8754	Date:01/2024	PAGE:X3-1827-70
-------------	--------------	-----------------

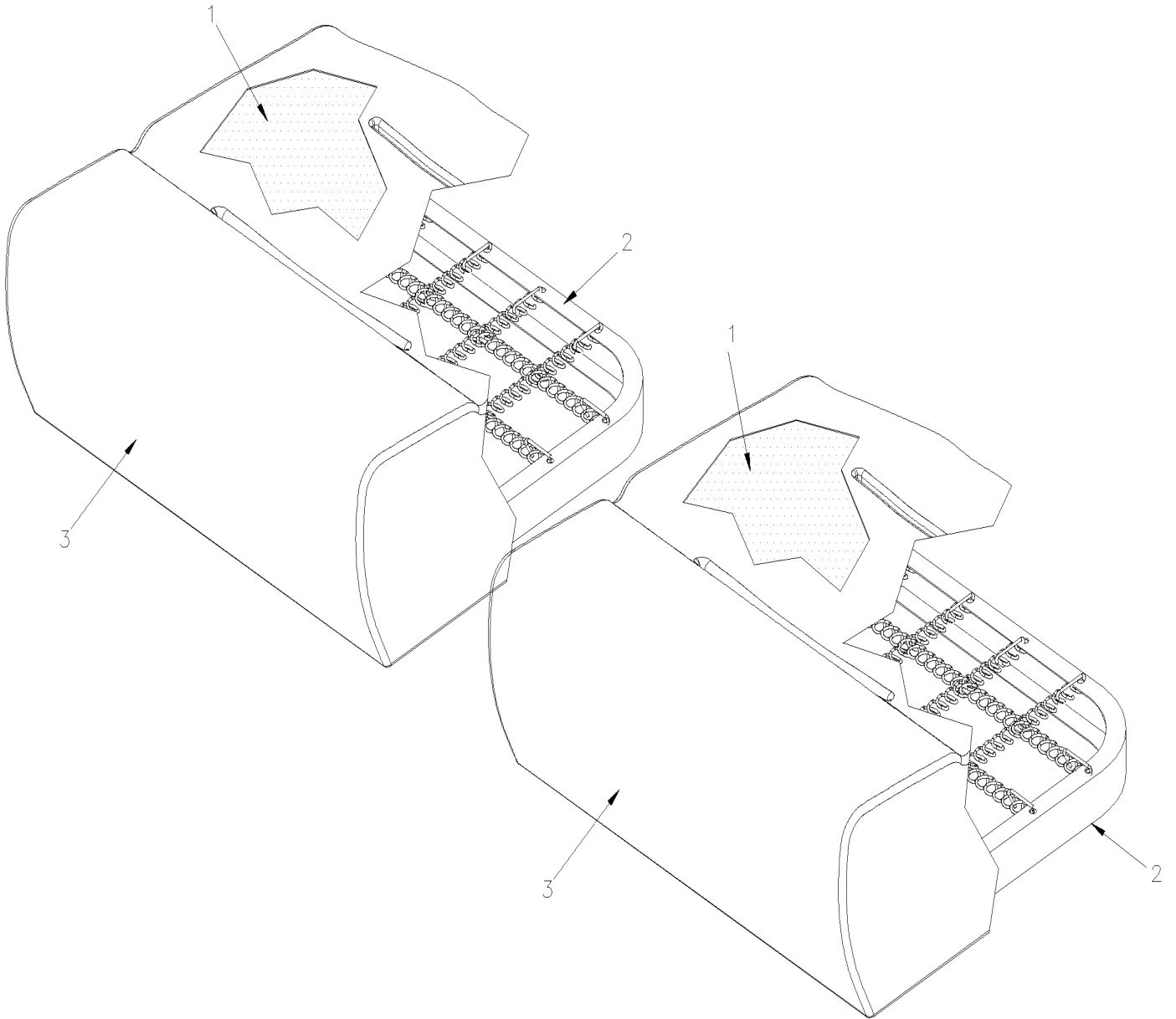
PASSENGER'S SEAT - "TOURISMO II" - FLIP-UP W/W.C.L.

Item#	Part	Description	QTY	Notes
47	500179	. SCREW CAP HEX 5/16-18x3/4 G5 Z050	AR	
48	363460	. SPACER 10MM I.D. x 19MM O.D. X 8.5MM	2	
49	502723	. WASHER FL .386x.750x.050 NYL	4	
50	363311	. FINISHING LOWER R.H.	1	
50	363310	. FINISHING LOWER L.H.	1	
51	860421	. HOOK	1	
52	860422	. HANDLE	1	
NS	505229	. SPACER 3/8 I.D. X 3/8 LG	2	
52	363424	. HANDLE REINFORCEMENT SUPPORT	1	
53	502521	. SCREW TC OV PH #8-32x1 BK	2	
54	860809	. MAGAZINE NET 14" x 7 1/4"	1	
55	500353	. SCREW TP FL PH #8x3/4 BK	4	
59	861277	. ASHTRAY / PLASTIC	1	
60	404094	. DECAL "DOIT ÊTRE VERROUIL...."	2	
60	404093	. DECAL "MUST BE LOCKED..." / ENGLISH	2	
60	405646	. DECAL "MUST BE LOCKED..." / ENGLISH & SPANISH	2	
61	363296	. COVER PEDESTAL / PLASTIC	2	
62	500686	. SCREW TP OV PH #6x1/2 BK	AR	
63	504412	. WASHER RETAINER SNAP CAP #8	AR	
64	504403	. SNAP CAP #8 FINISHING BLACK	AR	
65	323228	. CAP, INTERIOR REAR	1	
66	363229	. COVER CENTER ARMREST / PLASTIC	1	
71	363385P	. COVERING ASSY, BACKREST / S.C.C. W/42" HIGHT	1	
73	362716	. ATTACHMENT / ROUND "W" SHAPE TO FIX COVER	8	
NS	682259	. SEALANT TAPE / CLEAR / 1/32"x1 1/2"x65' / 1795	AR	
74	362736P	. COVERING SEATREST ASSY / S.C.C. / "SILHOUETTE"	1	
81	362939	. ARMREST / LONG	3	
82	363624	. COVERING ARMREST / LONG	3	
83	500686	. SCREW TP OV PH #6x1/2 BK	3	
84	363575	. SPACER PLASTIC / FRICTION DISK	6	
85	363282	. GUIDE ARMREST	1	
86	500182	. SCREW CAP HEX 5/16-18x1 1/4 G5 PT Z050	3	
100	323654	SEAT TRACK COVER 12' / EACH SEAT / W/COVERING FLOOR To 9-9643	AR	
100	361338	SEAT TRACK COVER 12' / EACH SEAT / W/CARPET FLOOR To 9-9643	AR	
100	323963	SEAT TRACK COVER 8' / EACH SEAT / W/COVERING FLOOR To 9-9643	AR	
101	820027	HANDLE	1	B
101	5001119	SCREW TP BDG PH #8x3/4 SS	1	B
101	502630	WASHER FL .156x.375x.049 Z050	1	B
NS	407548	DECAL "CAUTION MUST BE LOCKED..." / ENGLISH & FRANCAIS	1	

From 7-8754		Date:01/2024	PAGE:X3-1827-70	
PASSENGER'S SEAT - "TOURISMO II" - FLIP-UP W/W.C.L.				
Item#	Part	Description	QTY	Notes
		B) FIXED ON SEAT TRACK FOR EASIER REMOVABLE		
		P) CALL ORDER DESK FOR SPECIFIC APPLICATION (V.I.N.)		

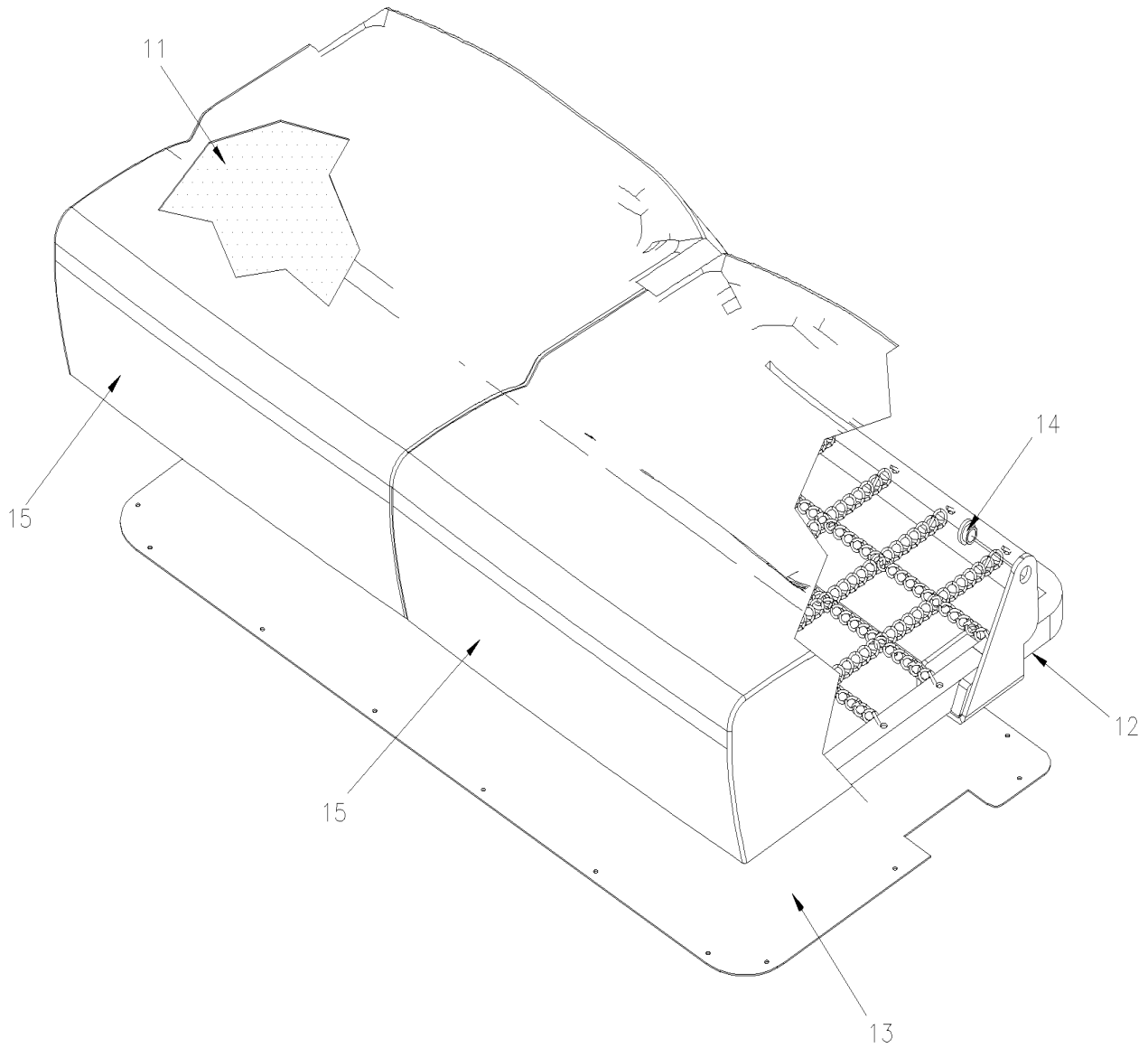
SEAT CUSHION AMAYA "A-2TEN"

REGULAR SEAT



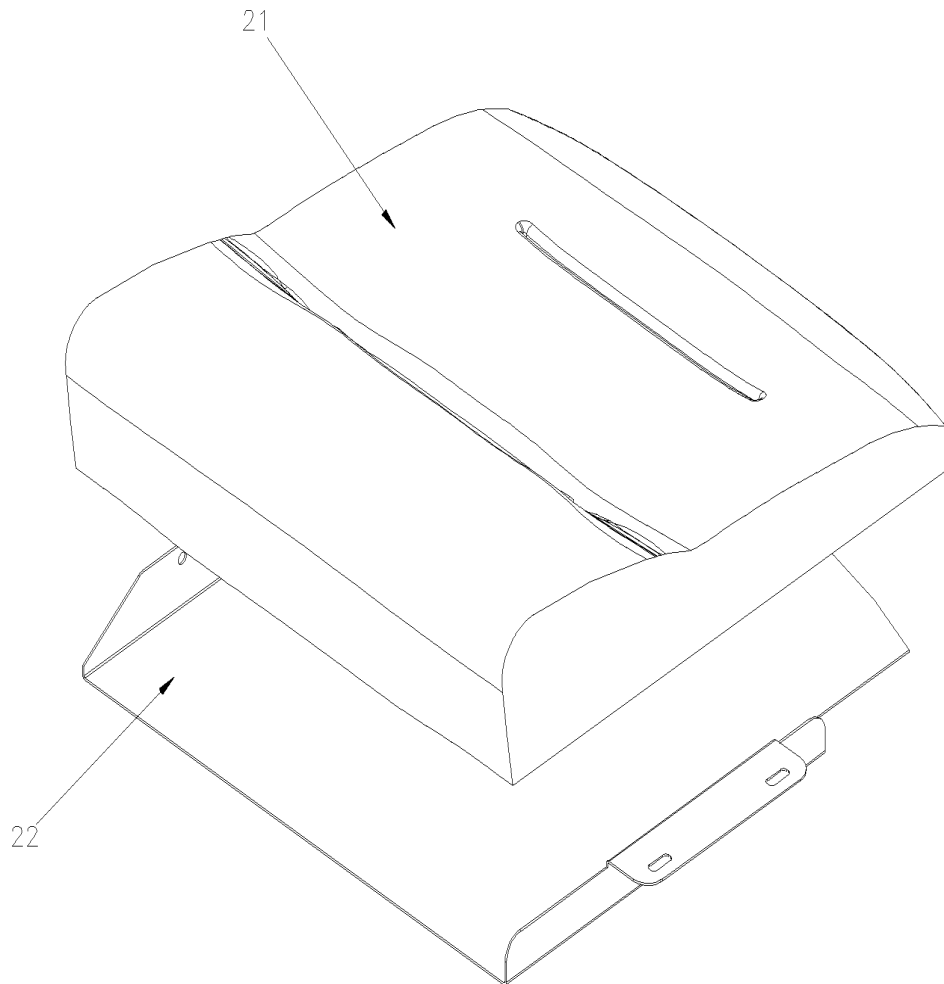
SEAT CUSHION AMAYA "A-2TEN"

FLIP-UP/SLIDER SEAT



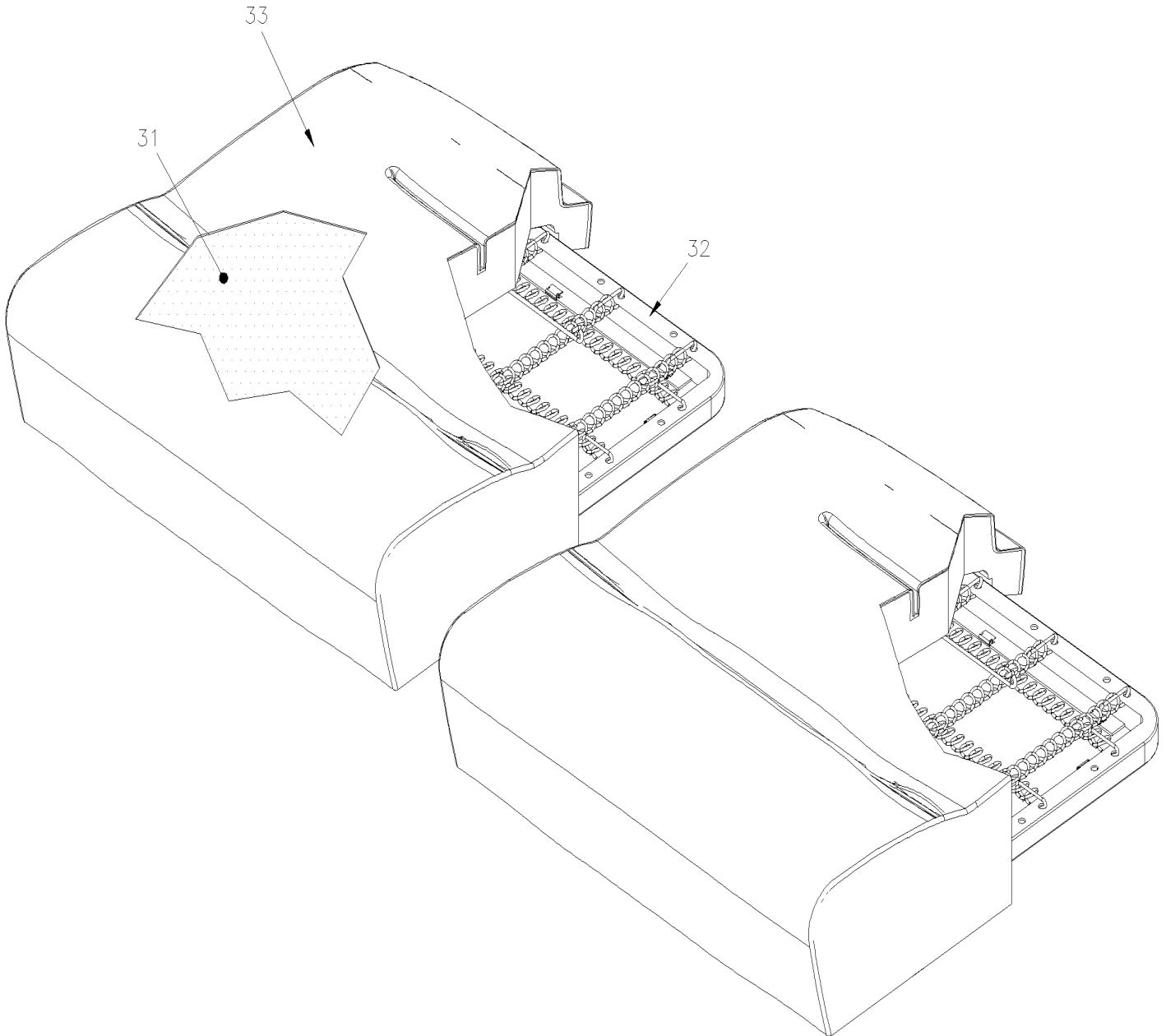
*LH SIDE SHOWN
RH SIDE SYMMETRICAL*

1 SEAT REAR CROSS SEAT



SEAT CUSHION AMAYA "A-2TEN"

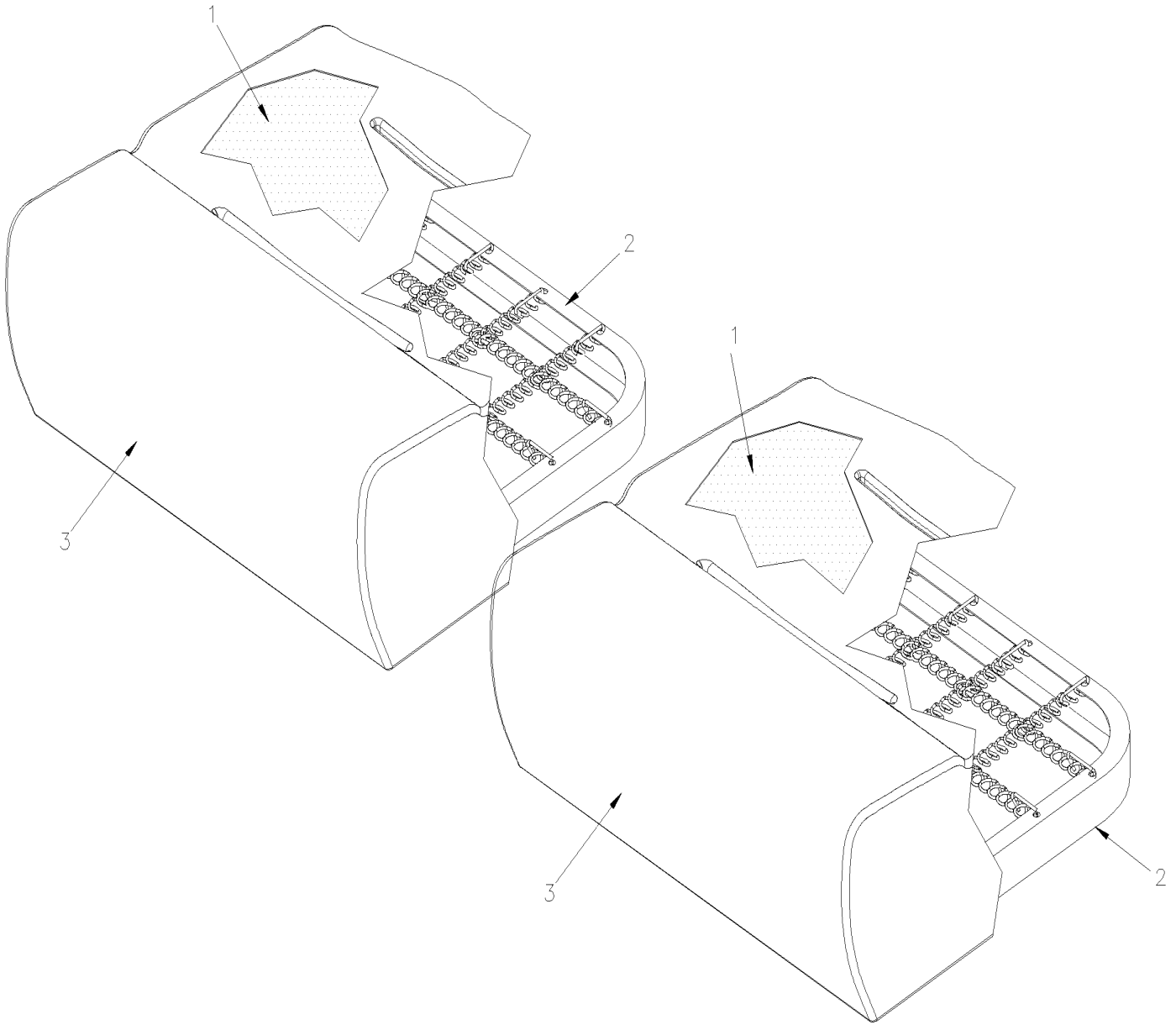
2 SEAT REAR CROSS SEAT



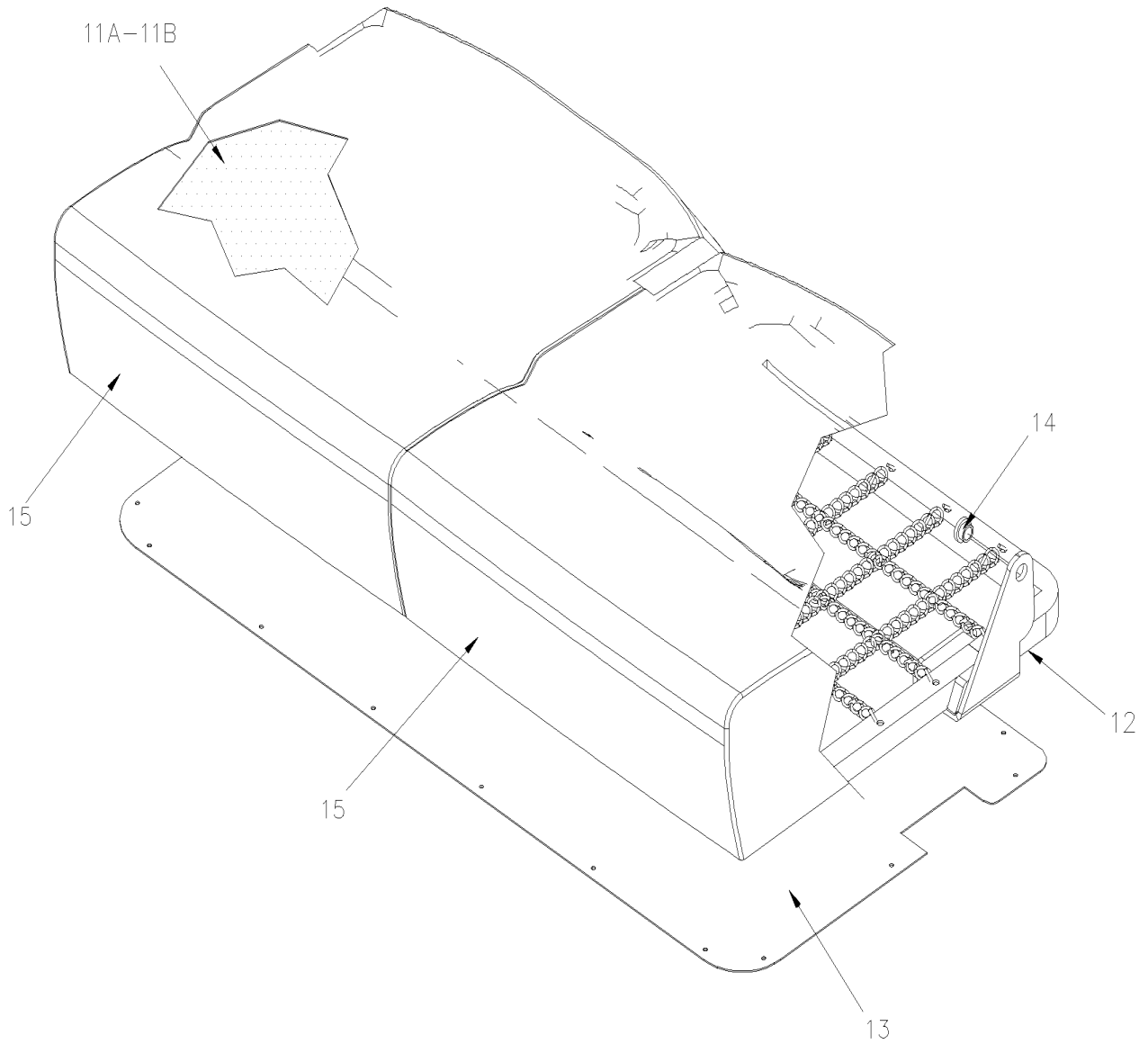
From 7-8754	Date:01/2024	PAGE:X3-1827-71
SEAT CUSHION AMAYA "A-2TEN"		

Item#	Part	Description	QTY	Notes
	866208	SEAT CUSHION ASSY / 2 PASSENGER'S	1	
1	860260	. SEAT CUSHION FOAM	2	
2	860108	. SEAT CUSHION FRAME	2	
3	Call order desk	. COVER DETAIL	2	P
10	Call order desk	SEAT CUSHION ASSY / 2 PASSENGER'S / FLIP-UP SEAT	1	P
11	Call order desk	. SEAT CUSHION FOAM	2	P
12	Call order desk	. SEAT CUSHION FRAME CURBSIDE	1	P
12	Call order desk	. SEAT CUSHION FRAME STREET SIDE	1	P
13	860178	. PANEL COVER SEAT BOTTOM	1	
14	Call order desk	. BUSHING	2	P
15	Call order desk	. UPHOLSTERY	2	P
20	Call order desk	SEAT CUSHION ASSY / 1 PASSENGER'S / REAR CROSS SEAT	1	P
21	Call order desk	. SEAT CUSHION FOAM	1	P
22	Call order desk	. SEAT CUSHION FRAME	1	P
30	Call order desk	SEAT CUSHION ASSY / 2 PASSENGER'S / REAR CROSS SEAT	2	P
31	Call order desk	. SEAT CUSHION FOAM	1	P
32	Call order desk	. SEAT CUSHION FRAME	1	P
33	Call order desk	. UPHOLSTERY	1	P
		P) CALL ORDER DESK FOR SPECIFIC APPLICATION (V.I.N.)		

REGULAR SEAT



FLIP-UP/SLIDER SEAT 10



*LH SIDE SHOWN
RH SIDE SYMMETRICAL*

From 7-8754	Date:01/2024	PAGE:X3-1827-72
-------------	--------------	-----------------

SEAT CUSHION AMAYA "A-220"

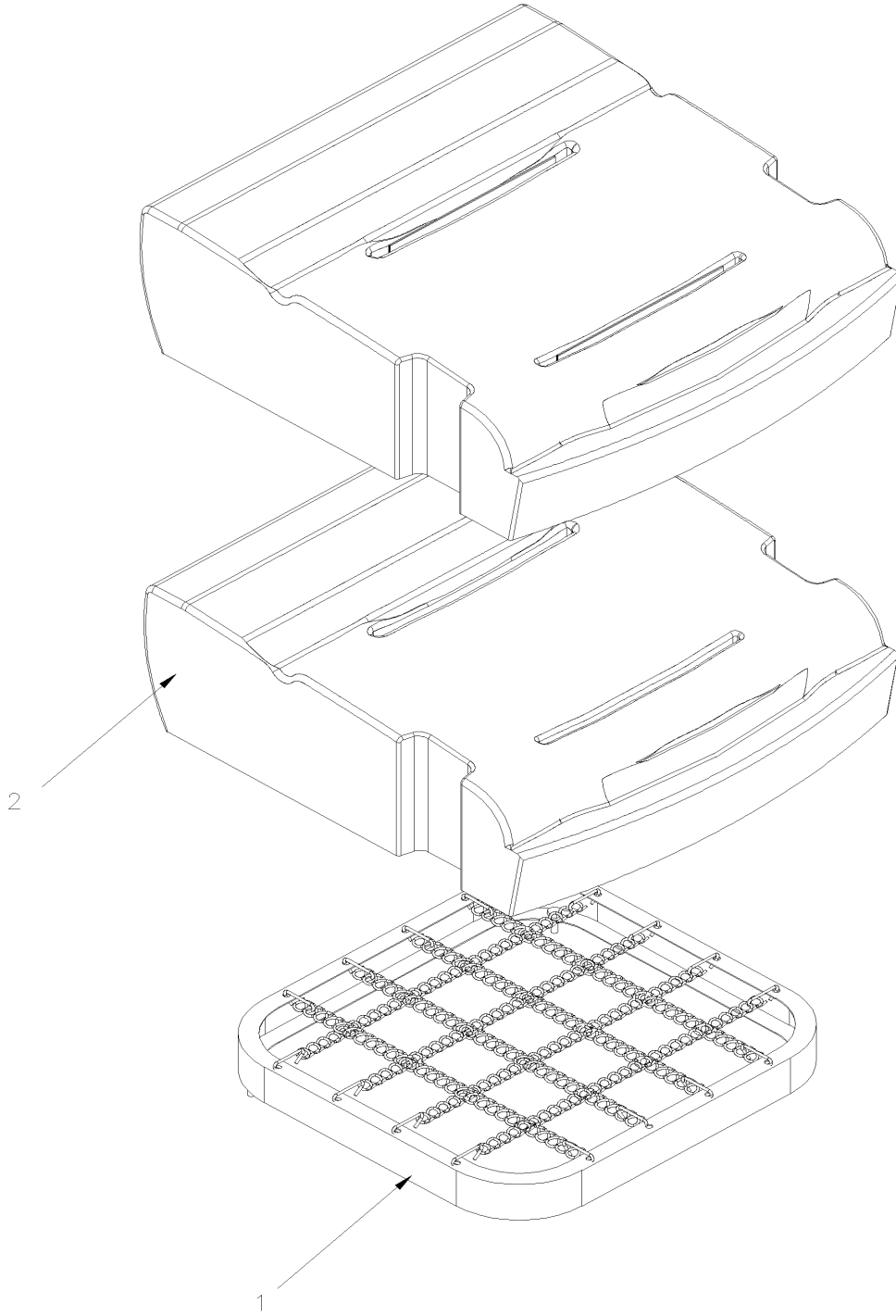
Item#	Part	Description	QTY	Notes
	866208	SEAT CUSHION ASSY / 2 PASSENGER'S	1	
1	860260	. SEAT CUSHION FOAM	2	
2	860108	. SEAT CUSHION FRAME	2	
3	Call order desk	. COVER DETAIL	2	P
10	Call order desk	. SEAT CUSHION ASSY / 2 PASSENGER'S / FLIP-UP SEAT CURBSIDE SEAT	1	P
11A	Call order desk	. SEAT CUSHION CURBSIDE A-220	1	P
11B	Call order desk	. SEAT CUSHION STREET SIDE A-220	1	P
12	Call order desk	. SEAT CUSHION FRAME CURBSIDE A-220	1	P
13	Call order desk	. PANEL COVER SEAT BOTTOM	1	P
14	Call order desk	. BUSHING	2	P
15	Call order desk	. UPHOLSTERY	2	P
20	Call order desk	SEAT CUSHION ASSY / 1 PASSENGER'S / REAR CROSS SEAT	1	P
21	Call order desk	. SEAT CUSHION FOAM	1	P
22	Call order desk	. SEAT CUSHION FRAME	1	P
30	Call order desk	SEAT CUSHION ASSY / 2 PASSENGER'S / REAR CROSS SEAT	1	P
31	Call order desk	. SEAT CUSHION FOAM	1	P
32	Call order desk	. SEAT CUSHION FRAME	1	P
33	Call order desk	. UPHOLSTERY	1	P
		P) CALL ORDER DESK FOR SPECIFIC APPLICATION (V.I.N.)		

From 7-8754

Date:01/2024

PAGE:X3-1827-73

SEAT CUSHIONS AMAYA TORINO, "GT" & "GTT"



From 7-8754	Date:01/2024	PAGE:X3-1827-73
-------------	--------------	-----------------

SEAT CUSHIONS AMAYA TORINO, "GT" & "GTT"

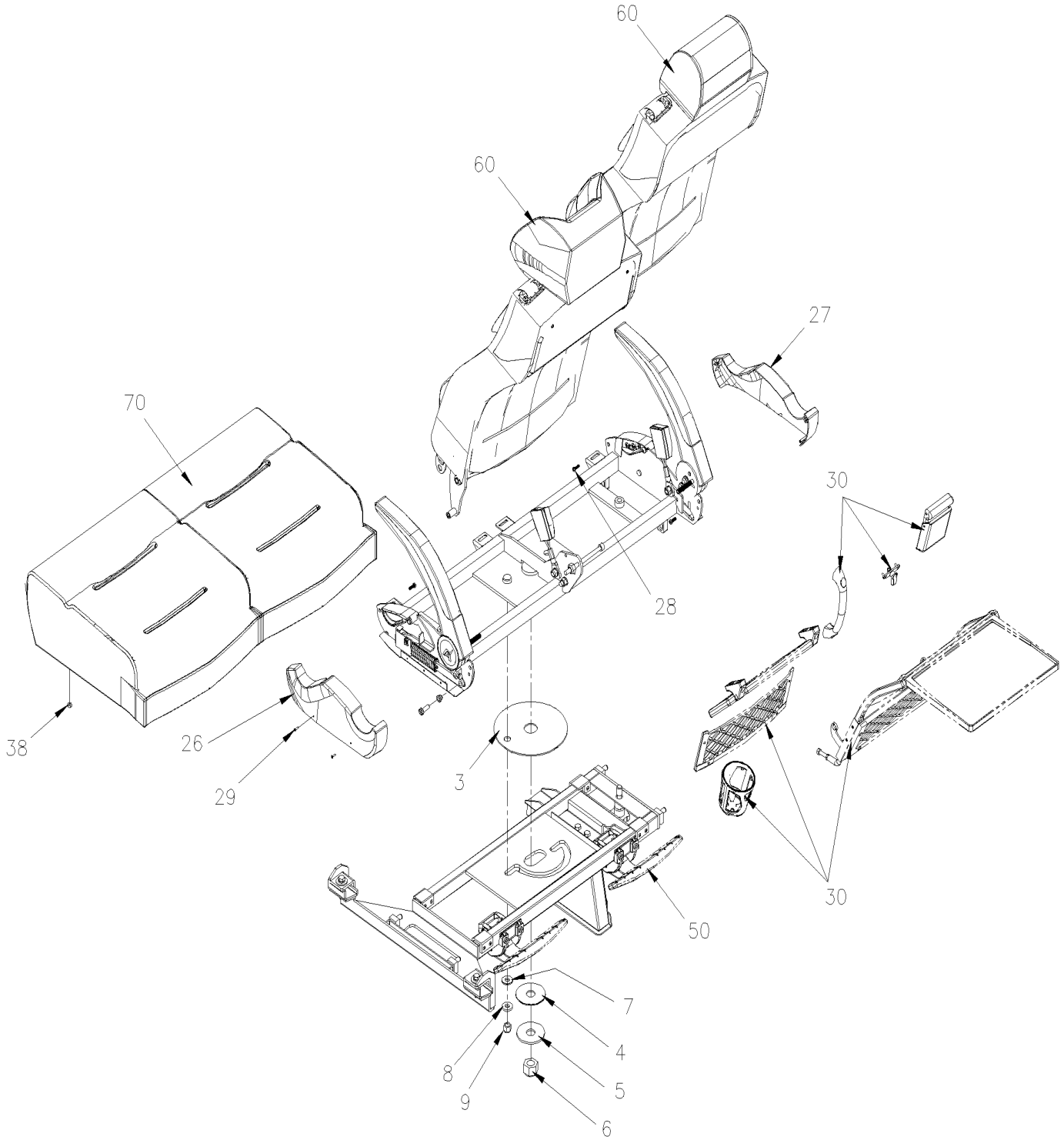
Item#	Part	Description	QTY	Notes
		**** PLEASE ORDER REGARDING YOUR FABRICS COLOR ****		
	860078	UPHOLSTERED CUSHION	1	
1	Call order desk	SEATING CUSHION	1	P
2	867826	CUSHION FOAM	1	
NS	867931	CLIP FOR CUSHION	1	
		P) CALL ORDER DESK FOR SPECIFIC APPLICATION (V.I.N.)		

From 7-8754

Date:01/2024

PAGE:X3-1827-81

PASSENGER'S SEAT / REVERSIBLE AMAYA "A-2TEN"



From 7-8754		Date:01/2024	PAGE:X3-1827-81
-------------	--	--------------	-----------------

PASSENGER'S SEAT / REVERSIBLE AMAYA "A-2TEN"

Item#	Part	Description	QTY	Notes
	Call order desk	SEAT ASSEMBLY 2 PASSENGER'S / REVERSIBLE	1	P
1	Call order desk	. SEAT CHASSIS WELDED / FIXED	1	P
2	Call order desk	. SEAT CHASSIS WELDED / ROTARY	1	P
3	Call order desk	. BASE NYLON RECTAGULAR	1	P
4	Call order desk	. WASHER NYLON ROTATING	1	P
5	Call order desk	. WASHER FLAT ST ROTATING	1	P
6	Call order desk	. NUT SPECIAL CENTER ROTATING	1	P
7	Call order desk	. WASHER NYLON INDEX LOCK	1	P
8	Call order desk	. WASHER FLAT ST INDEX LOCK	1	P
9	Call order desk	. NUT HEX 1/2	1	P
10	864119	. KNOB / ROTATING SEAT	1	
11	Call order desk	. SLIDER W/HARDWARE FRONT	2	P
12	Call order desk	. SLIDER W/HARDWARE BACK	1	P
13	Call order desk	. SLIDER W/HARDWARE BACK	1	P
15	864938	. ARMREST L.H.	1	
. NS	Call order desk	. . ARMREST COVERING WOOD FINISHING	1	P
. NS	866077	. . ARMREST COVERING DARK GREY	1	
. NS	865378	. . ARMREST COVERING LIGHT GREY	1	
. NS	860076	. . CAP WITH LOGO AMAYA	1	
16	863186	. ARMREST R.H.	1	
. NS	Call order desk	. . ARMREST COVERING WOOD FINISHING	1	P
. NS	866077	. . ARMREST COVERING DARK GREY	1	
. NS	865378	. . ARMREST COVERING LIGHT GREY	1	
. NS	860075	. . CAP WITH LOGO AMAYA	1	
17	865086	. RECLINING MECHANISM ASSY / "TORINO" AILSE	2	
18	865488	. RETAINING RING	2	
19	865298	. LEVER ASSY L.H.	1	
20	860199	. LEVER ASSY R.H.	1	
21	865498	. SCREW CAP HEX 1/4-20 x 3/4 LG	2	
22	865497	. NUT HEX 1/4	2	
23	Call order desk	. SCREW CAP HEX M10x65	2	P
24	865215	. BUSHING NYLON	2	
25	860092	. SCREW CAP HEX 3/8" x 1" G8	2	
26	Call order desk	. ARMREST COVER L.H. / "TORINO VT" W/REVERSIBLE SEAT	1	P
27	Call order desk	. ARMREST COVER R.H. / "TORINO VT" W/REVERSIBLE SEAT	1	P
28	Call order desk	. SCREW TC PAN PH M6-20	4	P
29	Call order desk	. RIVET 1/8	4	P
30	X3-1826-60	. ACCESSORIES PASSENGER'S SEAT - "AMAYA"	1	
31	864349	. BUCKLE FEMALE	2	
32	865521	. SCREW CAP HEX 7/16-20x1 G8	2	
33	865519	. NUT HEX NYRT 7/16-20	3	
34	868271	. SCREW CAP HEX 7/16-20x1 1/4 G8	1	

From 7-8754	Date:01/2024	PAGE:X3-1827-81
-------------	--------------	-----------------

PASSENGER'S SEAT / REVERSIBLE AMAYA "A-2TEN"

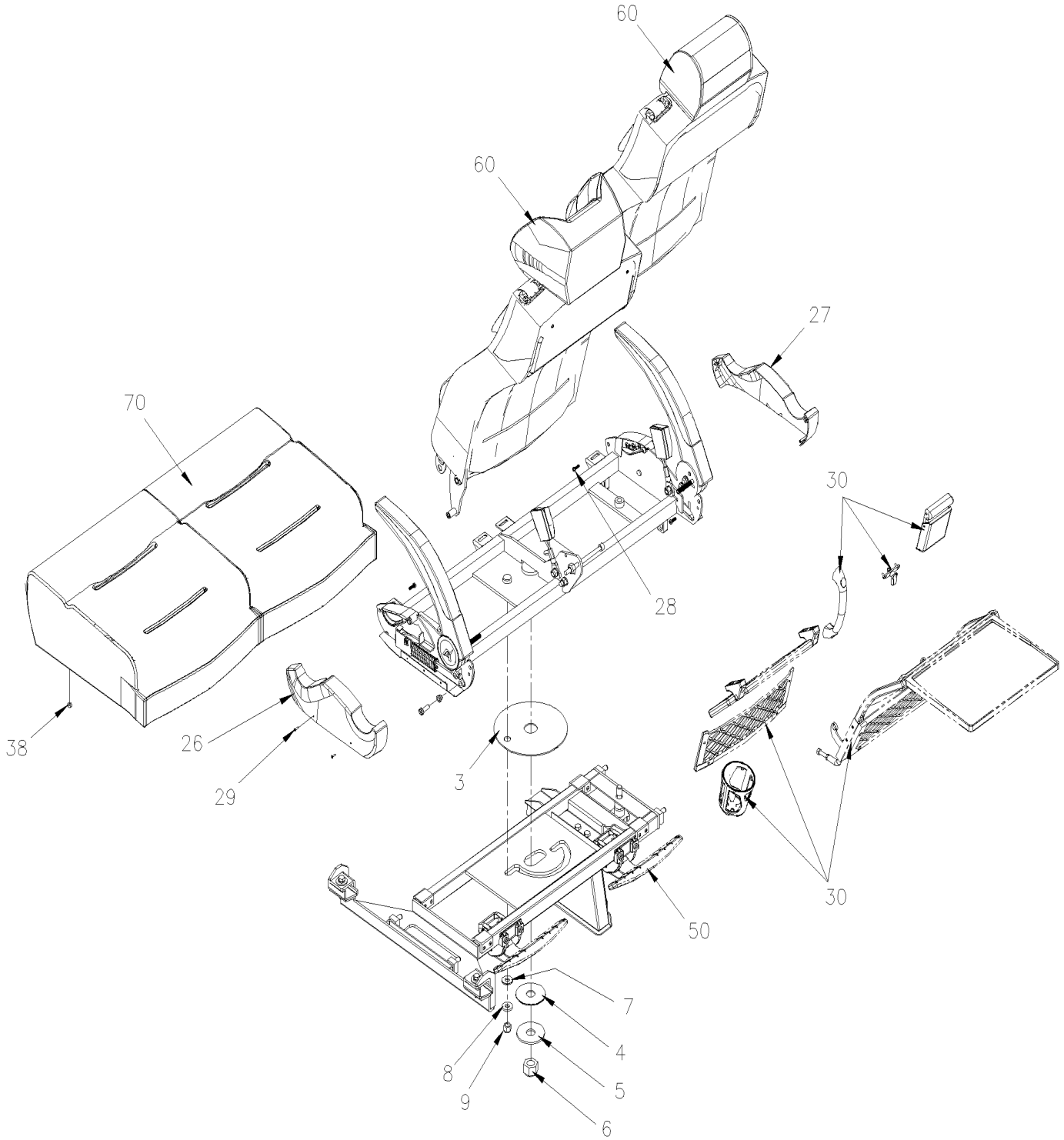
Item#	Part	Description	QTY	Notes
35	7770173	. STOPPER 6" RECLINING (3 pos)	1	
36	868265	. SCREW CAP HEXS M10x140MM	1	
37	868269	. NUT HEX / GRIPCO M10-1.5	3	
38	Call order desk	. NUT HEX / GRIPCO 1/4	4	P
39	865521	. SCREW CAP HEX 7/16-20x1 G8	3	
40	Call order desk	. WASHER FL 7/16	5	P
41	865519	. NUT HEX NYRT 7/16-20	3	
50	X3-1826-41	. PASSENGER'S SEAT - "AMAYA" - FOOTREST & PEDESTAL	1	
60	X3-1827-61	. BACKREST AMAYA "A-2TEN"	1	
70	X3-1827-71	. SEAT CUSHION AMAYA "A-2TEN"	1	
		P) CALL ORDER DESK FOR SPECIFIC APPLICATION (V.I.N.)		
		P) CALL ORDER DESK FOR SPECIFIC APPLICATION (V.I.N.)		

From 7-8754

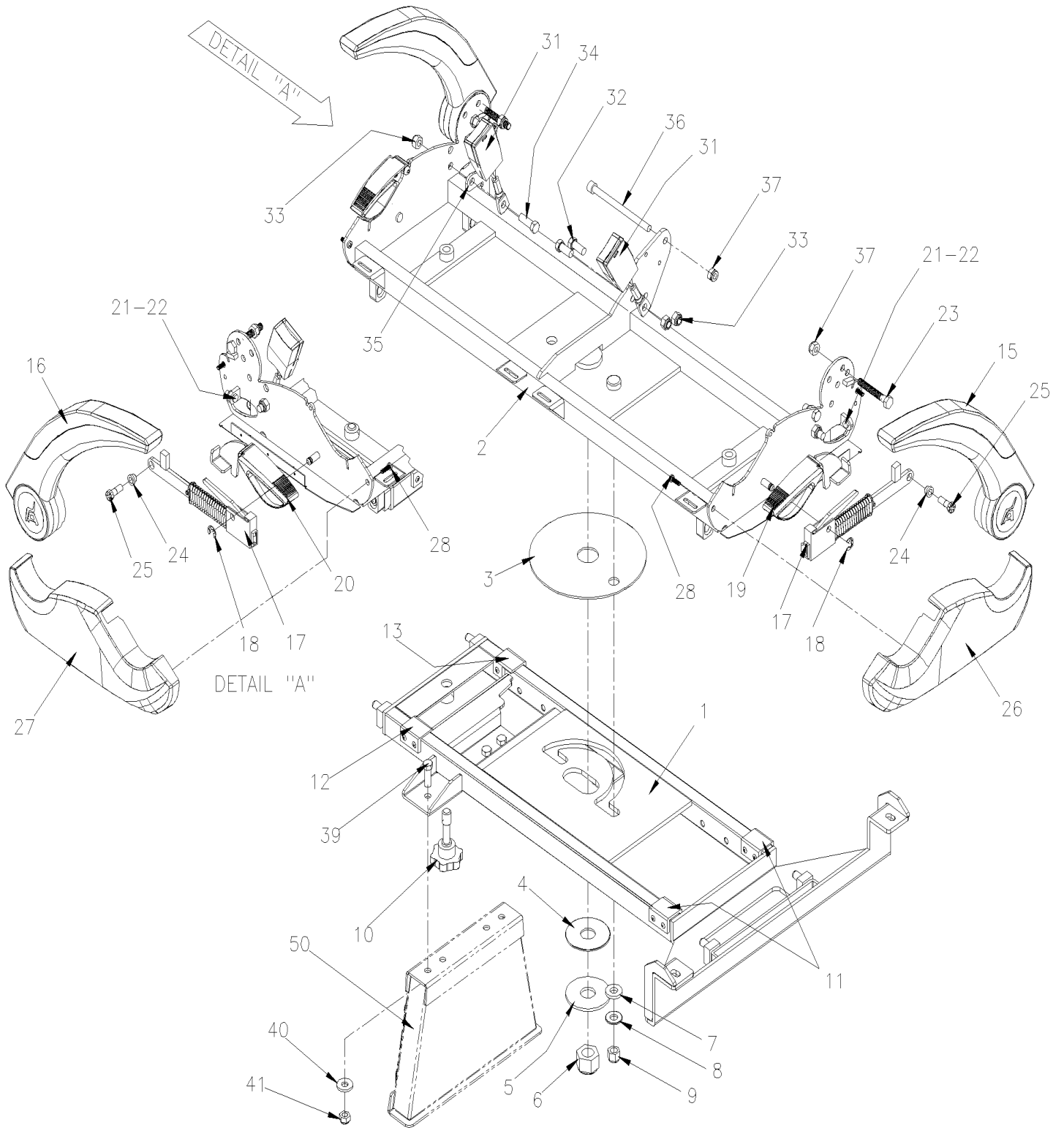
Date:01/2024

PAGE:X3-1827-82

PASSENGER'S SEAT / REVERSIBLE AMAYA "A-220"



PASSENGER'S SEAT / REVERSIBLE AMAYA "A-220"



From 7-8754	Date:01/2024	PAGE:X3-1827-82
-------------	--------------	-----------------

PASSENGER'S SEAT / REVERSIBLE AMAYA "A-220"

Item#	Part	Description	QTY	Notes
	Call order desk	SEAT ASSEMBLY 2 PASSENGER'S / REVERSIBLE	1	P
1	Call order desk	. SEAT CHASSIS WELDED / FIXED	1	P
2	Call order desk	. SEAT CHASSIS WELDED / ROTARY	1	P
3	Call order desk	. BASE NYLON RECTAGULAR	1	P
4	Call order desk	. WASHER NYLON ROTATING	1	P
5	Call order desk	. WASHER FLAT ST ROTATING	1	P
6	Call order desk	. NUT SPECIAL CENTER ROTATING	1	P
7	Call order desk	. WASHER NYLON INDEX LOCK	1	P
8	Call order desk	. WASHER FLAT ST INDEX LOCK	1	P
9	Call order desk	. NUT HEX 1/2	1	P
10	864119	. KNOB / ROTATING SEAT	1	
11	Call order desk	. SLIDER W/HARDWARE FRONT	2	P
12	Call order desk	. SLIDER W/HARDWARE BACK	1	P
13	Call order desk	. SLIDER W/HARDWARE BACK	1	P
15	864938	. ARMREST L.H.	1	
. NS	Call order desk	. . ARMREST COVERING WOOD FINISHING	1	P
. NS	866077	. . ARMREST COVERING DARK GREY	1	
. NS	865378	. . ARMREST COVERING LIGHT GREY	1	
. NS	860076	. . CAP WITH LOGO AMAYA	1	
16	863186	. ARMREST R.H.	1	
. NS	Call order desk	. . ARMREST COVERING WOOD FINISHING	1	P
. NS	866077	. . ARMREST COVERING DARK GREY	1	
. NS	865378	. . ARMREST COVERING LIGHT GREY	1	
. NS	860075	. . CAP WITH LOGO AMAYA	1	
17	865086	. RECLINING MECHANISM ASSY / "TORINO" AILSE	2	
18	865488	. RETAINING RING	2	
19	865298	. LEVER ASSY L.H.	1	
20	860199	. LEVER ASSY R.H.	1	
21	865498	. SCREW CAP HEX 1/4-20 x 3/4 LG	2	
22	865497	. NUT HEX 1/4	2	
23	Call order desk	. SCREW CAP HEX M10x65	2	P
24	865215	. BUSHING NYLON	2	
25	860092	. SCREW CAP HEX 3/8" x 1" G8	2	
26	Call order desk	. ARMREST COVER L.H. / "TORINO VT" W/REVERSIBLE SEAT	1	P
27	Call order desk	. ARMREST COVER R.H. / "TORINO VT" W/REVERSIBLE SEAT	1	P
28	Call order desk	. SCREW TC PAN PH M6-20	4	P
29	Call order desk	. RIVET 1/8	4	P
30	X3-1826-60	. ACCESSORIES PASSENGER'S SEAT - "AMAYA"	1	
31	864349	. BUCKLE FEMALE	2	
32	865521	. SCREW CAP HEX 7/16-20x1 G8	2	
33	865519	. NUT HEX NYRT 7/16-20	3	
34	868271	. SCREW CAP HEX 7/16-20x1 1/4 G8	1	

From 7-8754	Date:01/2024	PAGE:X3-1827-82
-------------	--------------	-----------------

PASSENGER'S SEAT / REVERSIBLE AMAYA "A-220"

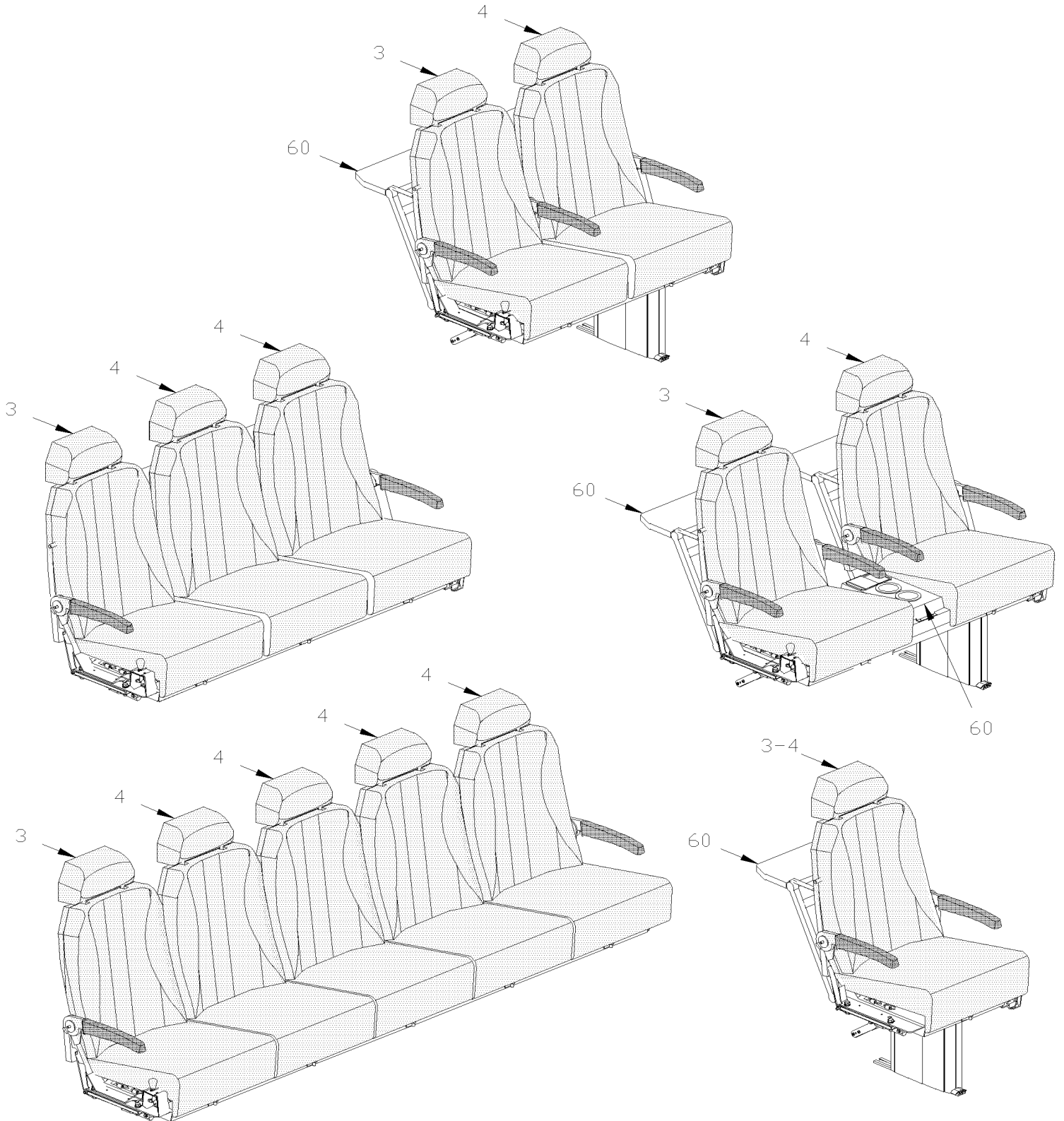
Item#	Part	Description	QTY	Notes
35	7770173	. STOPPER 6" RECLINING (3 pos)	1	
36	868265	. SCREW CAP HEXS M10x140MM	1	
37	868269	. NUT HEX / GRIPCO M10-1.5	3	
38	Call order desk	. NUT HEX / GRIPCO 1/4	4	P
39	865521	. SCREW CAP HEX 7/16-20x1 G8	3	
40	Call order desk	. WASHER FL 7/16	5	P
41	865519	. NUT HEX NYRT 7/16-20	3	
50	X3-1826-41	. PASSENGER'S SEAT - "AMAYA" - FOOTREST & PEDESTAL	1	
60	X3-1827-62	. BACKREST AMAYA "A-220"	1	
70	X3-1827-72	. SEAT CUSHION AMAYA "A-220"	1	
		P) CALL ORDER DESK FOR SPECIFIC APPLICATION (V.I.N.)		
		P) CALL ORDER DESK FOR SPECIFIC APPLICATION (V.I.N.)		

From 7-8754

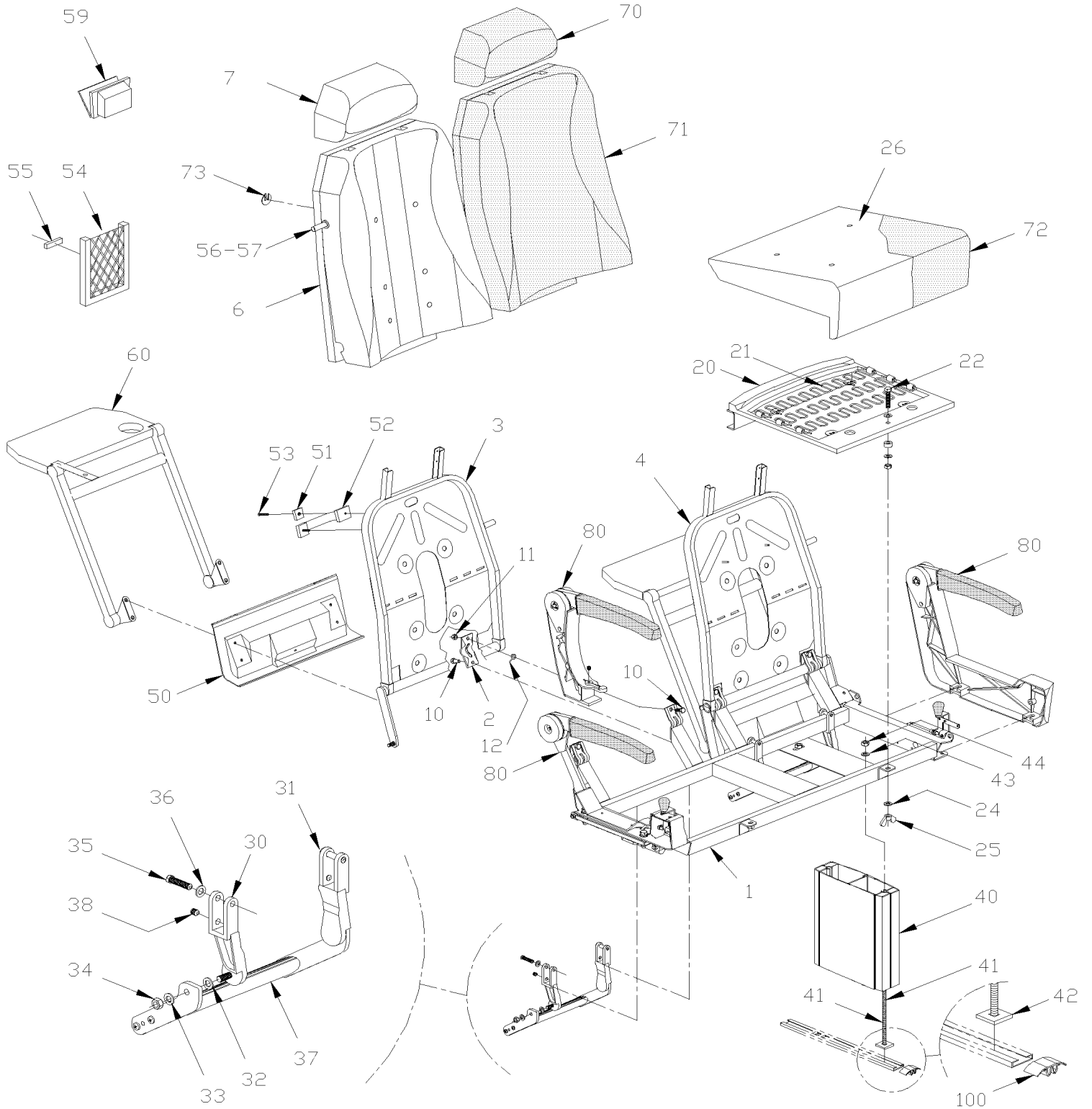
Date:01/2024

PAGE:X3-1828-00

PASSENGER'S SEAT - "TOURISMO II"



PASSENGER'S SEAT - "TOURISMO II"



From 7-8754		Date:01/2024	PAGE:X3-1828-00
PASSENGER'S SEAT - "TOURISMO II"			

Item#	Part	Description	QTY	Notes
	363922	SEAT ASSY R.H. / 2 PASSENGERS / 42" HIGH	AR	
	363921	SEAT ASSY L.H. / 2 PASSENGERS / 42" HIGH	AR	
	363925	SEAT ASSY REAR / 2 PASSENGERS / 42" HIGH To 8-9276	AR	
	Call order desk	SEAT ASSY REAR / 2 PASSENGERS / 42" HIGH From 8-9277	1	P
	363924	SEAT ASSY REAR / 3 PASSENGERS / 42" HIGH To 8-9276	AR	
	Call order desk	SEAT ASSY REAR / 3 PASSENGERS / 42" HIGH From 8-9277	1	P
	363926	SEAT ASSY REAR / 5 PASSENGERS / 42" HIGH To 8-9276	AR	
	Call order desk	SEAT ASSY REAR / 5 PASSENGERS / 42" HIGH From 8-9277	1	P
1	363841	. STRUCTURE ASSY R.H. / 2 PASSENGERS	1	
1	363842	. STRUCTURE ASSY L.H. / 2 PASSENGERS	1	
1	364130	. STRUCTURE ASSY REAR / 2 PASSENGERS From 8-9277	1	
1	363843	. STRUCTURE ASSY REAR / 3 PASSENGERS To 8-9276	1	
1	364094	. STRUCTURE ASSY REAR / 3 PASSENGERS From 8-9277	1	
1	363844	. STRUCTURE ASSY REAR / 5 PASSENGERS To 8-9276	1	
1	364148	. STRUCTURE ASSY REAR / 5 PASSENGERS STREETSIDE SECTION From 8-9277	1	
1	364146	. STRUCTURE ASSY REAR / 5 PASSENGERS CURBSIDE SECTION From 8-9277	1	
1	363838	. STRUCTURE ASSY R.H. / 2 PASSENGERS V.I.P.	1	
1	363839	. STRUCTURE ASSY R.H. V.I.P. / 2 PASSENGERS	1	
1	363837	. STRUCTURE ASSY R.H. V.I.P. / 1 PASSENGERS	1	
1	363840	. STRUCTURE ASSY L.H. V.I.P. / 1 PASSENGERS	1	
2	363246	. COLLAR	1	
3	363834	. BACKREST R.H.	1	
4	363835	. BACKREST L.H.	1	
4	364080	. BACKREST STREETSIDE From 8-9277	1	L
6	363178P	. FOAM ASSY, BACKREST / "TOURISMO II "	1	
6	363186	. . FOAM BACKREST THICK	1	
6	363177	. . FOAM BACKREST THIN	1	
6	363174	. . FOAM THIN, OBLONG 4" X 13" APPROX	1	
7	363156	. FOAM ASSY, HEADREST 42" HIGHT / "TOURISMO II "	1	
7	362753	. FOAM ASSY, HEADREST 40" HIGHT / "TOURISMO"	1	
NS	5001312	. SCREW TP TR PH #8x5/8 Z050	4	
10	5001336	. SCREW CAP HEXF SERR 5/16-18x3/4 Z050	4	
11	5001113	. NUT HEX JAM NYRT 5/16-18	4	
12	363273	. SPRING EYE	4	
20	363646	. SEAT FRAME ASSY W/SPRING	1	
21	363650	. . SPRING	3	
22	362353	. . SCREW	1	
23	500685	. NUT HEX NYRT 5/16-18 SS	1	
24	500826	. WASHER LO EXT .320x.610x.034 ZP	1	
25	500782	. NUT WING 5/16-18 Z050	2	
26	363645	. FOAM	2	
26	Call order desk	. FOAM ASSY W/ PANEL From 8-9277	1	P L

From 7-8754		Date:01/2024	PAGE:X3-1828-00
PASSENGER'S SEAT - "TOURISMO II"			

Item#	Part	Description	QTY	Notes
26	364096	. . FOAM From 8-9277	1	L
26	364084	. . PANEL BASE From 8-9277	1	L
30	363437	. BRACKET L.H.	1	
31	363436	. BRACKET R.H.	1	
32	502723	. WASHER FL .386x.750x.050 NYL	2	
33	500441	. WASHER FL .312x.734x.065 Z050	2	
34	500777	. NUT HEX STO 5/16-18 Z050	2	
35	5001375	. SCREW CAP HEX M10-1.5x18 SS	2	
36	500942	. WASHER LO SPT 8.1x14.8x2.0 N500	2	
37	362928	. FOOTREST ASSY	1	
38	502781	. SCREW SET HEXS CUP 5/16-18x1/4	2	
40	364038	. PEDESTAL SQ END / ONE PIECE / 279MM / 10.98"	1	
NS	364076	. REINFORCEMENT PEDESTAL / ANGLE REAR OF PEDESTAL / 58MMx 20MM	1	
41	5001600	. SCREW CRG 3/8-16x12 G5 Z050	2	
42	360052	. PLATE ANCHOR / CARRIAGE BOLT INSIDE TRACK / 1 1/4" X 3 1/2" To 9-9642	2	
42	364263	. PLATE ANCHOR / CARRIAGE BOLT INSIDE TRACK / 1 5/8" x 3 15/16" ± From 9-9643	2	
43	500445	. WASHER FL .437x1.000x.083 Z050	2	
44	500265	. NUT HEX STO 3/8-16 Z050	2	
50	363947	. FINISHING LOWER / R.H. / NORYL	1	
50	363946	. FINISHING LOWER / L.H. / NORYL	1	
51	860421	. HOOK	1	
52	860422	. HANDLE	1	
53	500871	. SCREW TP OV PH #8x1 BK	2	
54	860809	. MAGAZINE NET 14" x 7 1/4"	1	
55	500353	. SCREW TP FL PH #8x3/4 BK	4	
56	5001019	. SCREW TP OV PH #10x2 EMN	1	
56	5001016	. SCREW CAP HEX M10-1.5x90 G8.8 Z050	1	
57	362942	. STOPPER SHORT / W/STANDARD SEAT	1	
57	362943	. STOPPER LONG / WV.I.P. SEAT	1	
59	861277	. ASHTRAY / PLASTIC	1	
NS	502778	. SCREW TP FL PH #6x2 BK	2	
NS	860626	. SUPPORT ASHTRAY / PLASTIC	1	
60	X3-1829-00	ACCESSORIES PASSENGER'S SEAT - "PREVOST"		
70	363162P	. COVERING HEADREST 40" ASSY / S.C.C. / "TOURISMO II "	1	
70	363167P	. COVERING HEADREST 42" ASSY / S.C.C. / "TOURISMO II "	1	
71	363172P	. COVERING BACKREST ASSY / S.C.C. / "TOURISMO II "	1	
72	363676	. COVERING SEATREST ASSY / S.C.C. / ALL NEW W/SPRING	1	
73	362716	. ATTACHMENT / ROUND "W" SHAPE TO FIX COVER	8	
74	363644	HEADREST REINFORCEMENT	1	
80	X3-1827-50	ARMREST PASSENGER'S SEAT - "PREVOST"		
100	361338	SEAT TRACK COVER 12' / EACH SEAT / W/CARPET FLOOR To 9-9642	AR	

From 7-8754	Date:01/2024	PAGE:X3-1828-00
-------------	--------------	-----------------

PASSENGER'S SEAT - "TOURISMO II"

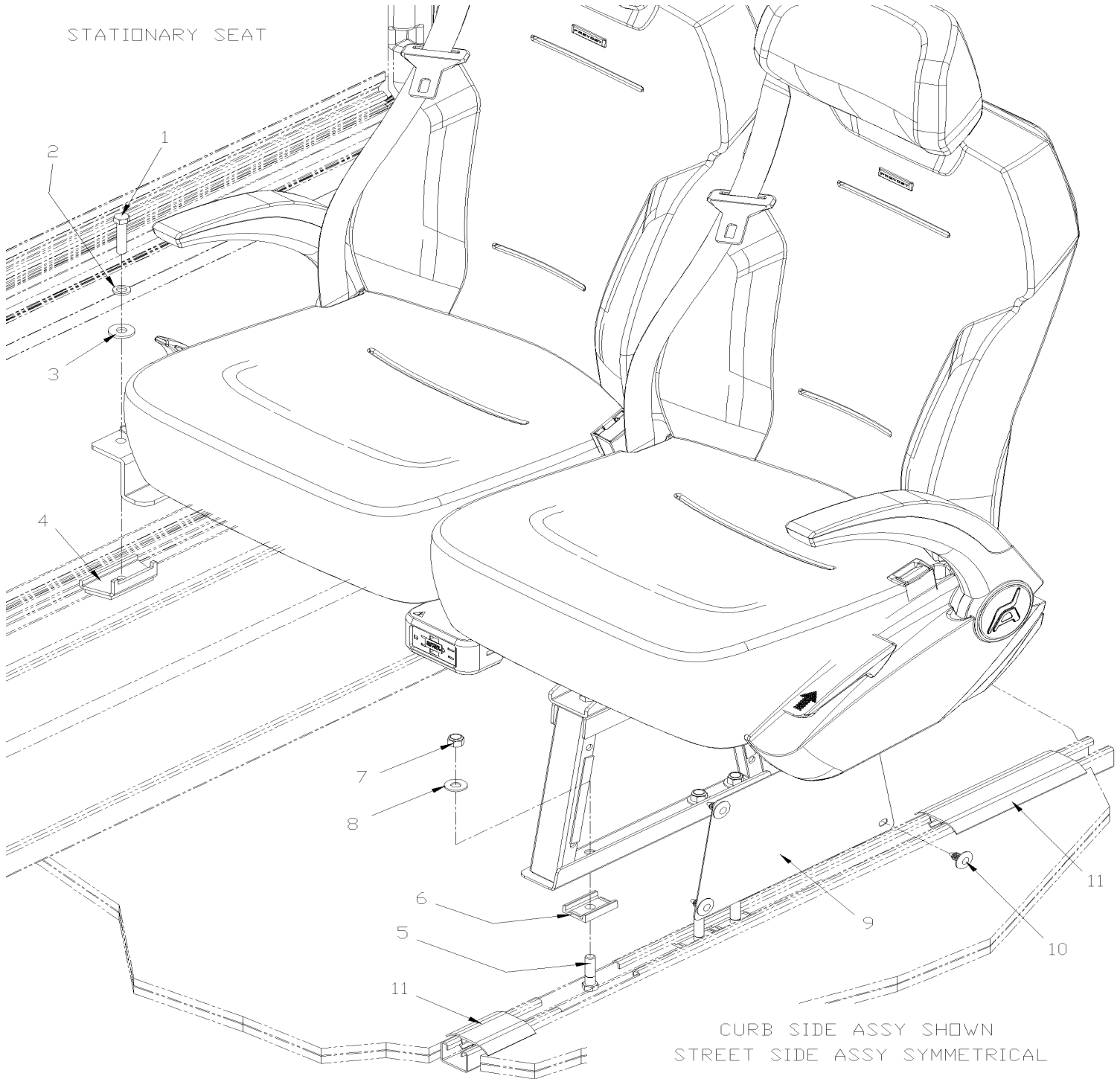
Item#	Part	Description	QTY	Notes
100	323654	SEAT TRACK COVER 12' / EACH SEAT / W/COVERING FLOOR To 9-9642	AR	
100	329689	SEAT TRACK COVER 12' / EACH SEAT / W/COVERING FLOOR From 9-9643	AR	
100	323963	SEAT TRACK COVER 8' / EACH SEAT / W/COVERING FLOOR To 9-9642	AR	
		L) USE WITH REAR PASSENGER'S SEAT 2, 3 OR 5 SEATS		
		P) CALL ORDER DESK FOR SPECIFIC APPLICATION (V.I.N.)		

From N-6686 To 9-9091

Date:01/2024

PAGE:X3-1828-01

PASSENGER'S SEAT INSTALLATION / CLOUDONE

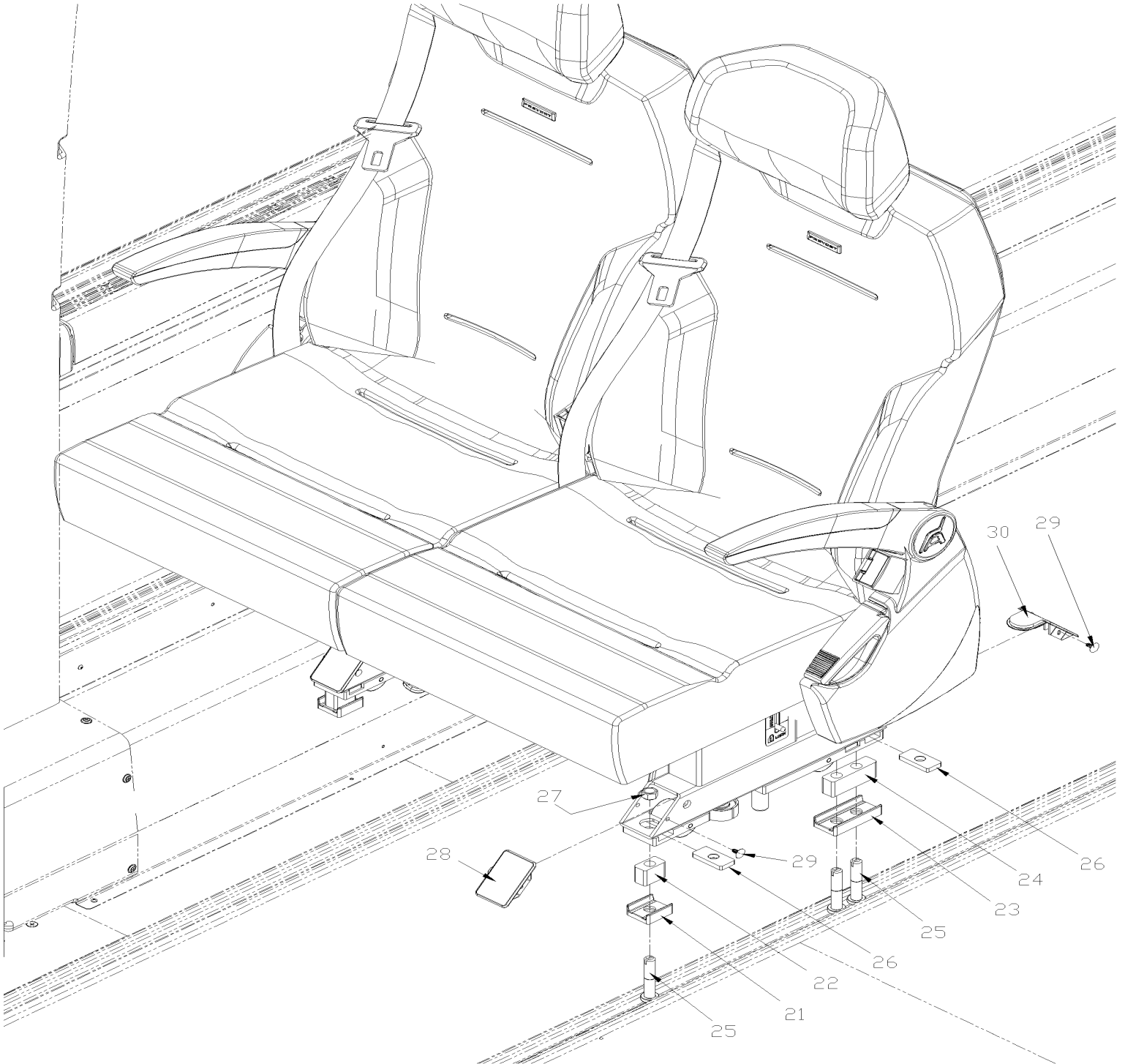


From N-6686 To 9-9091

Date:01/2024

PAGE:X3-1828-01

PASSENGER'S SEAT INSTALLATION / CLOUDONE



From N-6686 To 9-9091

Date:01/2024

PAGE:X3-1828-01

PASSENGER'S SEAT INSTALLATION / CLOUDONE

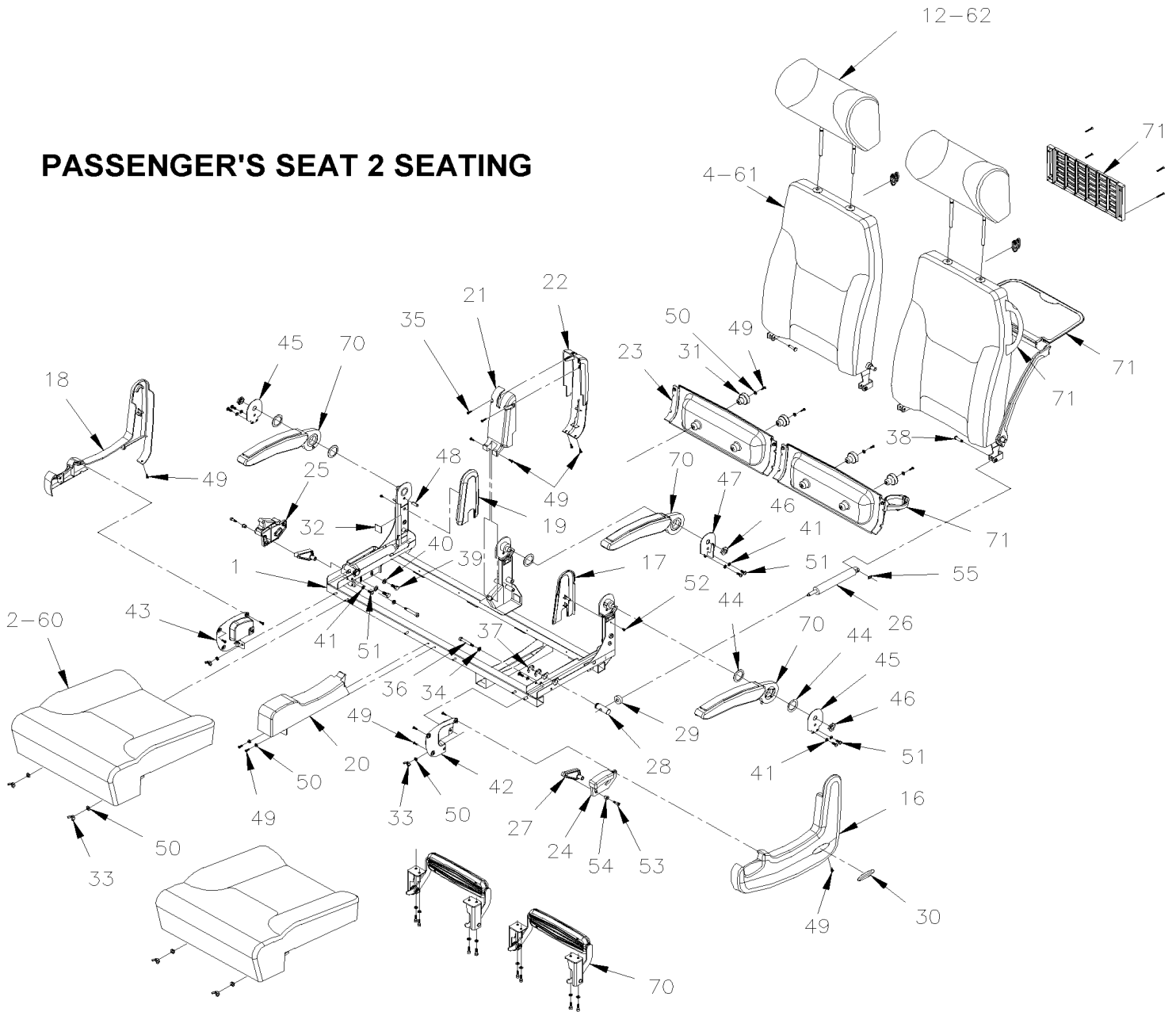


From N-6686 To 9-9091	Date:01/2024	PAGE:X3-1828-01
PASSENGER'S SEAT INSTALLATION / CLOUDONE		

Item#	Part	Description	QTY	Notes
1	865458	SCREW CAP HEX 7/16-20x2 G8	2	
2	865460	WASHER LO SPT 7/16	2	
3	865520	WASHER FL 7/16	2	
4	861714	ATTACHMENT NUT / "U" SHAPE TO FIX SEAT TO WALL TRACK	2	
5	5001735	SCREW CAP HEX 7/16-20x1 3/4 G8 G500	AR	
6	364272	BLOCK ANCHOR / 26.8MM INSIDE / 35MM x 50MM x 19MM Height	AR	
7	5001734	NUT HEX 7/16-20 G8 N500	AR	
8	500897	WASHER FL .437x1.000x.083 N500	AR	
9	865297	COVER PEDESTAL W/"TORINO", A-2TEN, A-220, GTT	1	
10	864368	SCREW 3/8 PLASTIC	AR	
11	329689	SEAT TRACK COVER 12' / EACH SEAT / W/COVERING FLOOR	AR	
21	868310	FRONT GUIDE BASE	2	
22	868311	REAR GUIDE BASE	2	
23	868306	SHORT INTERIOR SLIDER	2	
24	868307	DOUBLE SLIDER FOR GUIDE	2	
25	868305	GUIDE PIN	6	
26	868275	FLAT FLOATING	6	
27	868279	NUT HEX LOCK 1/2-20	6	
28	865687	PEDESTAL CAP / TORINO	2	
29	864029	CLIP CHRISTMAS TREE / GREY 11MM O.D. x17MM HOLE 4MM	8	
30	867783	REAR PEDESTAL PLUG	2	
51	5002067	SCREW CAP HEX 7/16-20x2 1/4 G8 G500	10	
52	500487	WASHER LO SPT .443x.779x.109 N500	10	
53	500897	WASHER FL .437x1.000x.083 N500	10	

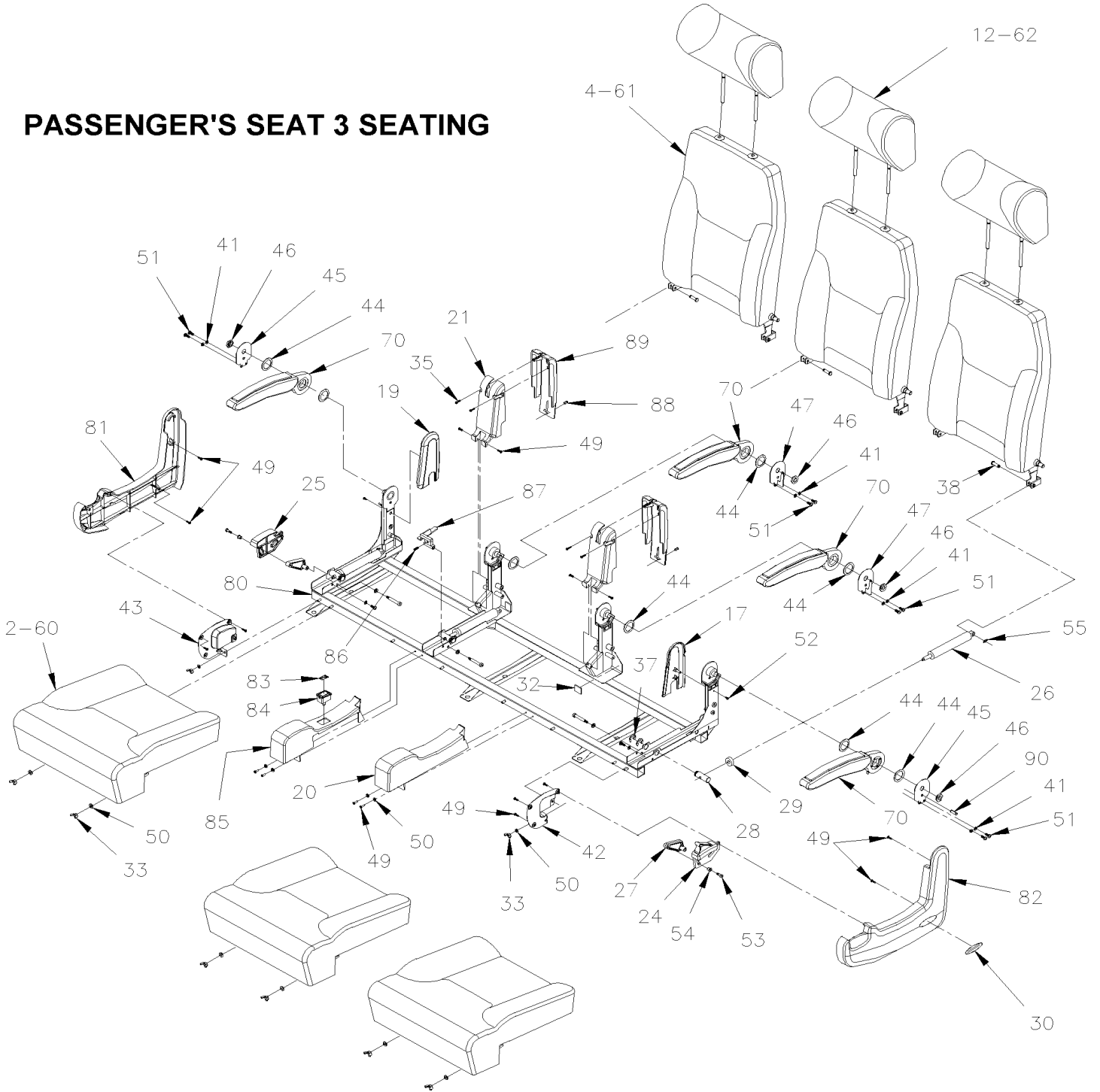
PASSENGER'S SEAT - "MULTINA"

PASSENGER'S SEAT 2 SEATING

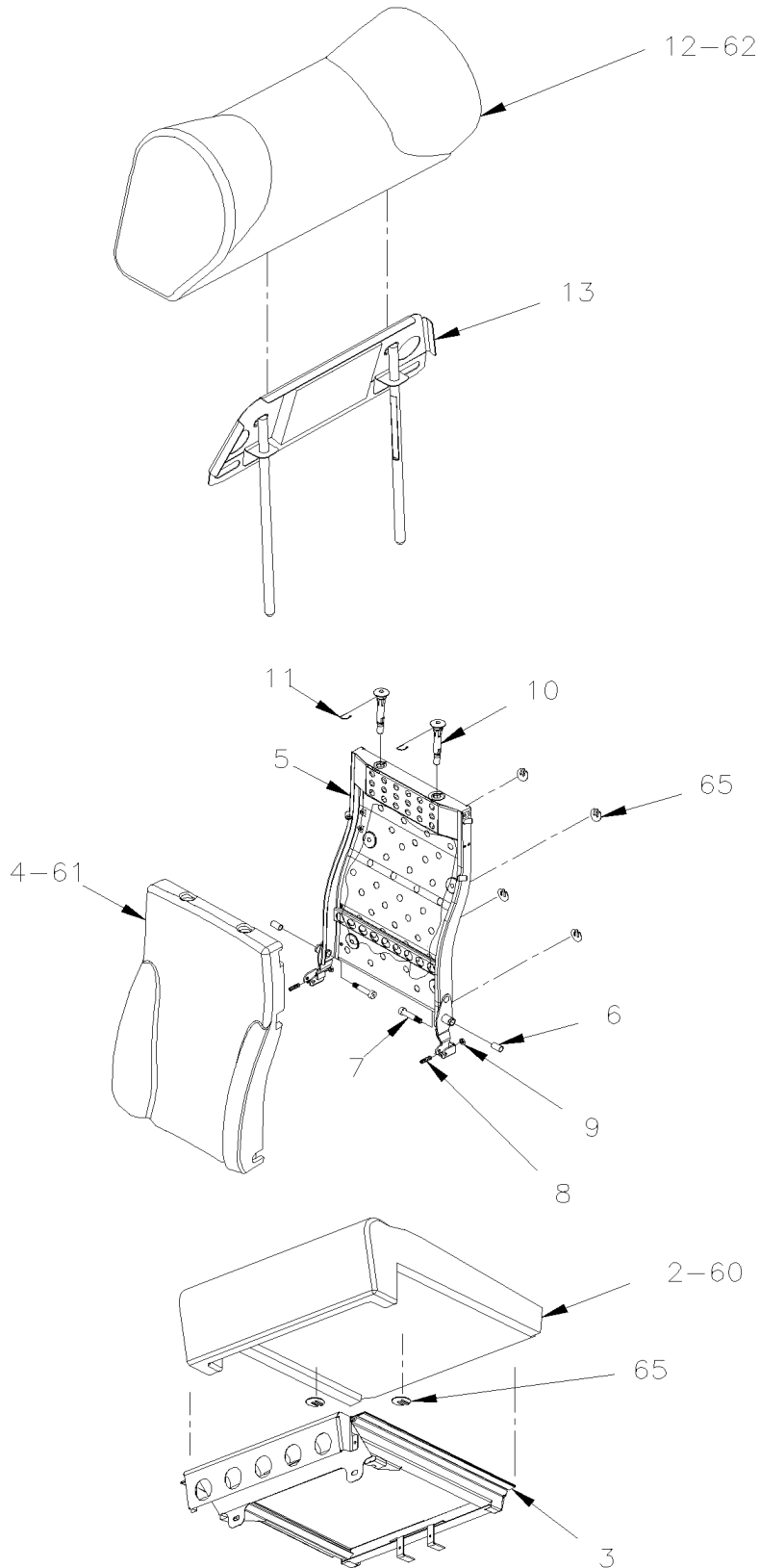


PASSENGER'S SEAT - "MULTINA"

PASSENGER'S SEAT 3 SEATING



PASSENGER'S SEAT - "MULTINA"



From 7-8754	Date:01/2024	PAGE:X3-1828-05
-------------	--------------	-----------------

PASSENGER'S SEAT - "MULTINA"

Item#	Part	Description	QTY	Notes
	Call order desk	TWO-PASSENGER,S RIGHT HAND / ALLEGRO SEAT	1	P
	Call order desk	TWO-PASSENGER,S LEFT HAND / ALLEGRO SEAT	1	P
	Call order desk	THREE PASSENGER'S SEAT ASSY / ALLEGRO SEAT	1	P
1	Call order desk	. SEAT FRAME, TWO-PASSENGER, RIGHT-HAND	1	P
1	Call order desk	. SEAT FRAME, TWO-PASSENGER, LEFT-HAND	1	P
2	Call order desk	. BOTTOM CUSHION	2	P
2	Call order desk	. . PAN, BOTTOM CUSHION	1	P
3		. . FOAM CUSHION	1	
4	Call order desk	. BACKREST CUSHION	2	P
4	Call order desk	. . FOAM, BACKREST	1	P
5	Call order desk	. . PAN, BACKREST	1	P
6	Call order desk	. . BEARING, PLSTC, 12" ID x 14" OD x 25"	2	P
7	Call order desk	. . SCREW SHR HEXS 12x40 {M10-1.5	2	P
8	Call order desk	. . SCREW SET HEXS FP M8-1.25x30 M8-1.25x30	2	P
9	Call order desk	. . NUT HEX THN M8-1.25x4.0 ZP	2	P
10	Call order desk	. . SLIDING GUIDE, HEADREST	2	P
11	Call order desk	. . HITCH PIN CLIP, SLIDING GUIDE	2	P
12	Call order desk	. HEADREST CUSHION, V.I.P.	1	P
12		. . CUSHION HEADREST	1	
13		. . SUPPORT HEADREST	1	
16	Call order desk	. SHROUD, AISLE SIDE, LEFT-HAND	1	P
16	Call order desk	. SHROUD, AISLE SIDE, RIGHT-HAND	1	P
17	Call order desk	. SHROUD, INSIDE, LEFT-HAND	1	P
18	Call order desk	. SHROUD, WALL SIDE, RIGHT-HAND	1	P
18	Call order desk	. SHROUD, WALL SIDE, LEFT-HAND	1	P
19	Call order desk	. SHROUD, INSIDE, RIGHT-HAND	1	P
20	Call order desk	. SHROUD, CENTER FRONT	1	P
21	Call order desk	. SHROUD, CENTER UPPER	1	P
22	Call order desk	. SHROUD, CENTER REAR	1	P
23	Call order desk	. SHROUD, FOOTREST	1	P
24	863901	. RECLINING HANDLE, AISLE SIDE, LEFT-HAND	1	
24	863273	. RECLINING HANDLE, AISLE SIDE, RIGHT-HAND	1	
25	Call order desk	. RECLINING HANDLE, WALL SIDE, RIGHT-HAND	1	P
25	Call order desk	. RECLINING HANDLE, WALL SIDE, LEFT-HAND	1	P
26	862843	. RECLINING GAZ CYLINDER	2	
27	863185	. RECLINING LEVER	1	
28	Call order desk	. PIVOT CYLINDER	2	P
29	Call order desk	. CYLINDER STOPPER	2	P
30	Call order desk	. MULTINA LABEL	1	P
31	863183	. FOOTREST BUMPER	1	
32	Call order desk	. BACKREST STOPPER	4	P
33	Call order desk	. NUT WING M6-1.0 ZP	6	P

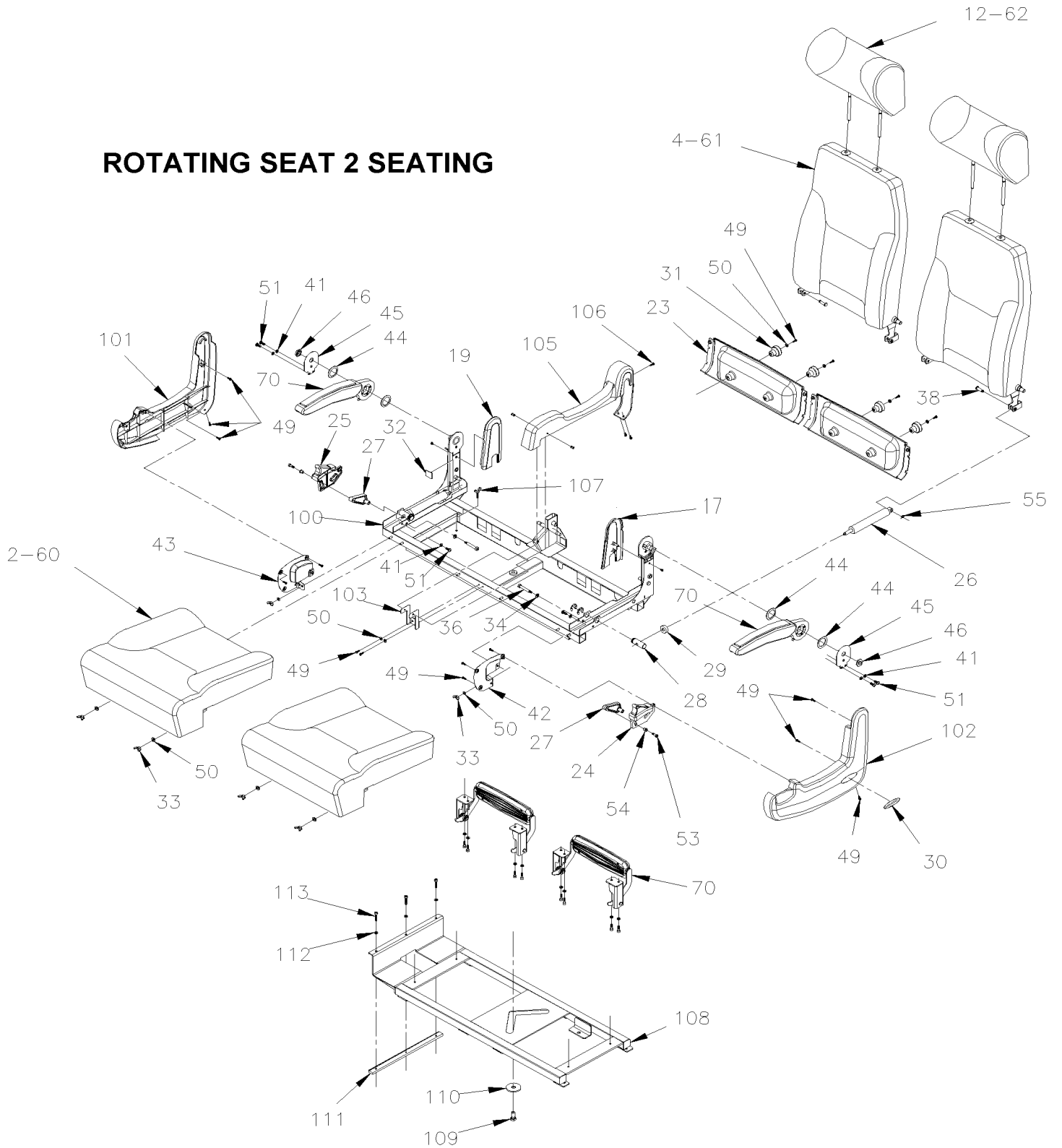
From 7-8754		Date:01/2024	PAGE:X3-1828-05
PASSENGER'S SEAT - "MULTINA"			

Item#	Part	Description	QTY	Notes
34	Call order desk	. WASHER LO SPT 8.1 ZP	2	P
35	Call order desk	. SCREW TA PAN PH #6x3/4 ZP	2	P
36	Call order desk	. SCREW SHR HEXS 8x45(M6-1.0x11	2	P
37	Call order desk	. RING, RTNG, EXTL, STL, ZN PLD, SHAFT DIA 3/	4	P
38	Call order desk	. PIN, CLEVIS, CUSTOM	2	P
39	Call order desk	. SCREW CAP HEX M8x20 G8.8	2	P
40	Call order desk	. WASHER LO SPT .385 ZP	2	P
41	Call order desk	. WASHER LO SPT 6.1 ZP	8	P
42	Call order desk	. SHROUD PLATE, LEFT-HAND	1	P
43	Call order desk	. SHROUD PLATE, RIGHT-HAND	1	P
44	Call order desk	. WASHER FL 33x45.9 NYL	6	P
45	Call order desk	. COVER PLATE	2	P
46	Call order desk	. NUT HEX M16-1.5 ZP	3	P
47	Call order desk	. CENTRAL COVER PLATE	1	P
48	Call order desk	. PIN, SPR TNSN, STL, ZN PLD, 5/16 " NOM DIA	1	P
49	Call order desk	. SCREW TA PAN PN #8x5/8 ZP	18	P
50	Call order desk	. WASHER FL 6.4x12x1.6 ZP	13	P
51	Call order desk	. SCREW MA PAN PH M6-1.0x16 ZP	8	P
52	Call order desk	. SCREW TA PAN PH #8x3/8 ZP	2	P
53	863208	. SCREW SHR HEXS 6x10(M5-0.8x9.5	2	
54	863209	. BEARING FLANGE 0.252" ID x 0.377" OD BR	2	
55	Call order desk	. CLIP, HAIR PIN, STL, ZN, 0.062" WR DIA x 11	2	P
60	862848	. COVERING ASSY, SEATREST / S.C.C.	1	
61	862849	. COVERING ASSY, BACKREST / S.C.C.	1	
62	862850	. COVERING ASSY, HEADREST / S.C.C.	1	
65	362716	. ATTACHMENT / ROUND "W" SHAPE TO FIX COVER	AR	
70	X3-1828-50	. ARMREST PASSENGER'S - "MULTINA"		
71	X3-1828-60	. ACCESSORIES PASSENGER'S SEAT - "MULTINA"		
80	Call order desk	. SEAT FRAME, THREE-PASSENGER	1	P
81	Call order desk	. SHROUD, AISLE SIDE, THREE-PASSENGER, RIGHT-	1	P
82	Call order desk	. SHROUD, AISLE SIDE, THREE-PASSENGER, LEFT-H	1	P
83	Call order desk	. RECLINING LABEL	1	P
84	864792	. RECLINING BUTTON KIT THREE PASSENGER KIT WITH DECAL ABOBE	1	
85	Call order desk	. SHROUD, CENTER FRONT, RECLINING BUTTON	1	P
86	Call order desk	. SCREW SET HEXS FP M6-1.0x16 M6-1.0x16	1	P
87	Call order desk	. RECLINING LEVER, THREE-PASSENGER	1	P
88	Call order desk	. RIVET, POP, DOME HD, OE, ALU, 5/32 IN DIA X 504109	2	P
89	Call order desk	. SHROUD, CENTER UPPER, REAR	2	P
90	Call order desk	. PIN, SPR TNSN, STL, ZN PLD, 5/16 " NOM DIA	1	P

From 7-8754		Date:01/2024	PAGE:X3-1828-05	
PASSENGER'S SEAT - "MULTINA"				
Item#	Part	Description	QTY	Notes
		P) CALL ORDER DESK FOR SPECIFIC APPLICATION (V.I.N.)		

PASSENGER'S SEAT - "MULTINA"

ROTATING SEAT 2 SEATING



From 7-8754	Date:01/2024	PAGE:X3-1828-10
-------------	--------------	-----------------

PASSENGER'S SEAT - "MULTINA"

Item#	Part	Description	QTY	Notes
		"NOTE" - "NOTE" - "NOTE" - "NOTE" - "NOTE"		
		FOR ALLS OTHERS PARTS SEE PAGE Y2-1828-05		
	X3-1828-05	PASSENGER'S SEAT - "MULTINA"		
	Call order desk	TWO-PASSENGER ALLEGRO SWIVEL SEAT	AR	P
49	Call order desk	. SCREW TA PAN PN #8x5/8 ZP	1	P
50	Call order desk	. WASHER FL 6.4x12x1.6 ZP	1	P
70	X3-1828-50	. ARMREST PASSENGER'S - "MULTINA"		
100	Call order desk	. SEAT FRAME, TWO-PASSENGER, SWIVEL	1	P
101	Call order desk	. SHROUD, AISLE SIDE, SWIVEL, RIGHT-HAND	1	P
102	Call order desk	. SHROUD, AISLE SIDE, SWIVEL, LEFT-HAND	1	P
103	Call order desk	. SUPPORT, SWIVEL CENTER SHROUD	1	P
104	Call order desk	. RIVET, POP, DOME HD, OE, ALU, 5/32 IN DIA X 504109	2	P
105	Call order desk	. SHROUD, SWIVEL CENTER	1	P
106	Call order desk	. SCREW TA PAN PH #8x1.00 ZP	1	P
107	Call order desk	. SCREW WI M6x16 ZP	4	P
108	Call order desk	. BASE FRAME, SWIVEL	1	P
109	Call order desk	. SCREW CAP HEXS M12x25 ZP	1	P
110	Call order desk	. WASHER FL .531x2.000x.150 ZP	1	P
111	Call order desk	. WALL BRACKET, BOTTOM	1	P
112	Call order desk	. WASHER LO SPT 6.1 ZP	15	P
113	Call order desk	. SCREW MA HEXS M6-1.0x30 ZP	3	P
		. CHAR(255)		
		P) CALL ORDER DESK FOR SPECIFIC APPLICATION (V.I.N.)		

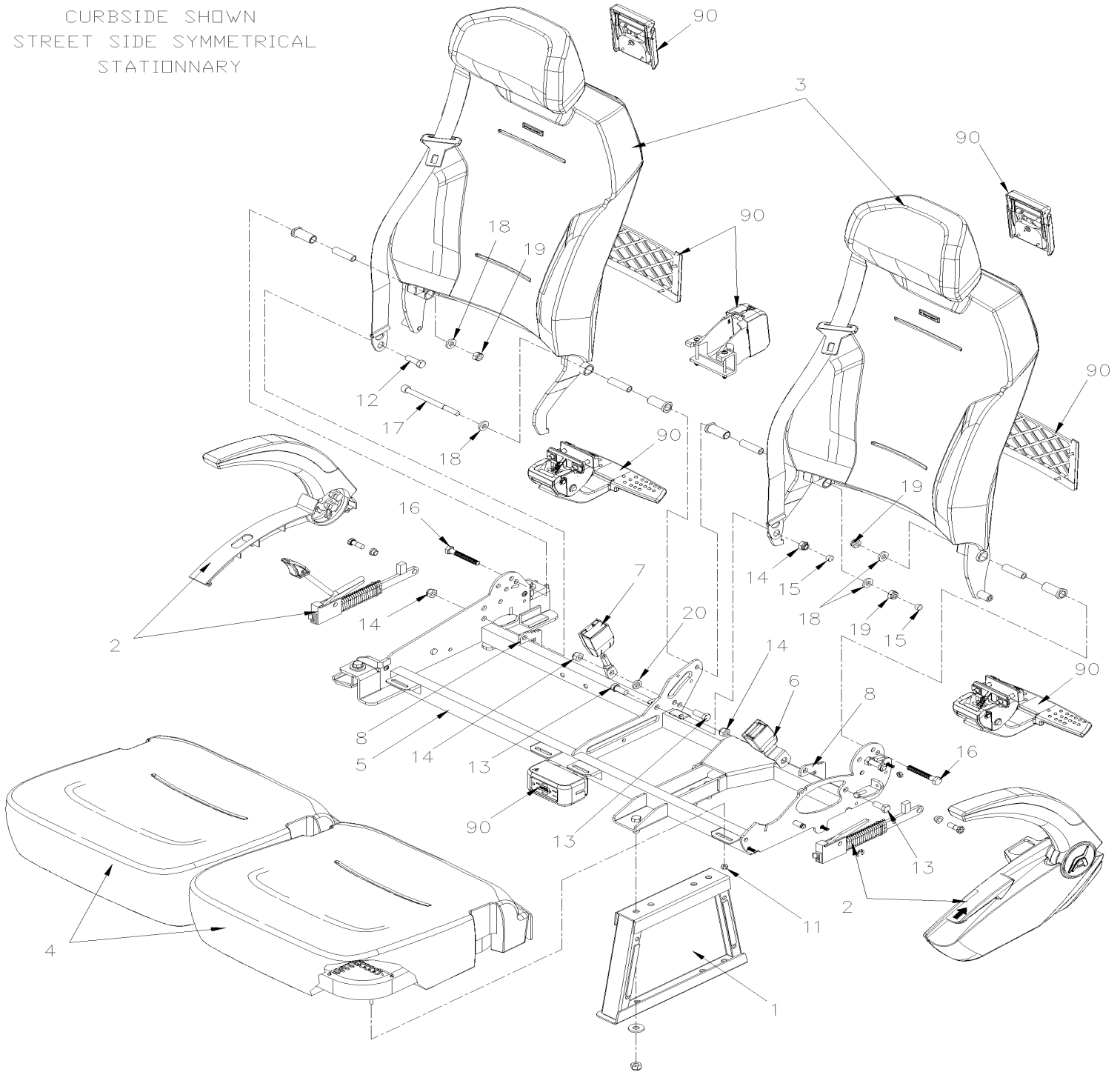
From N-6686

Date:01/2024

PAGE:X3-1828-11

PASSENGER'S SEAT / CLOUDONE

CURBSIDE SHOWN
STREET SIDE SYMMETRICAL
STATIONNARY



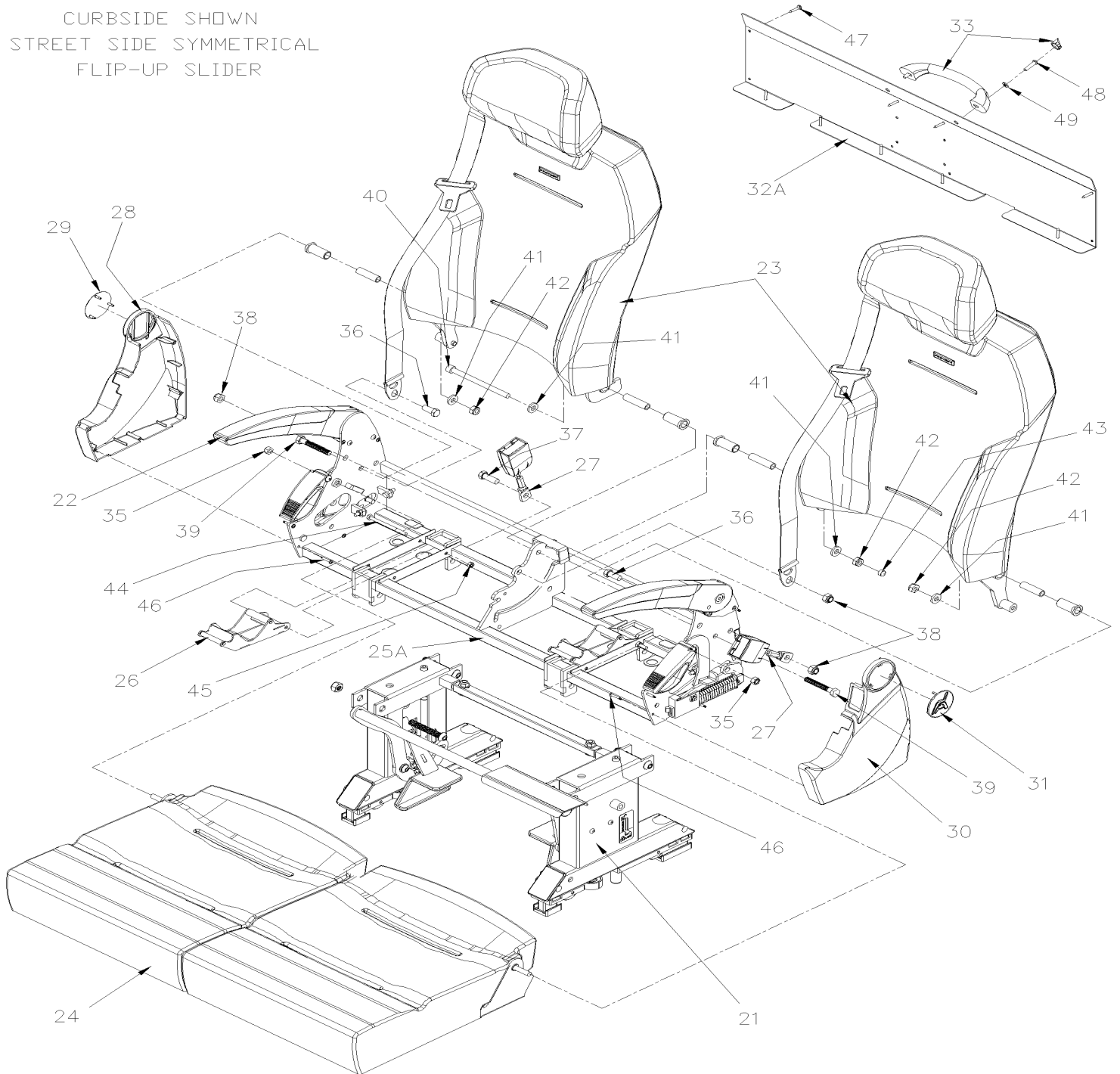
From N-6686

Date:01/2024

PAGE:X3-1828-11

PASSENGER'S SEAT / CLOUDONE

CURBSIDE SHOWN
STREET SIDE SYMMETRICAL
FLIP-UP SLIDER



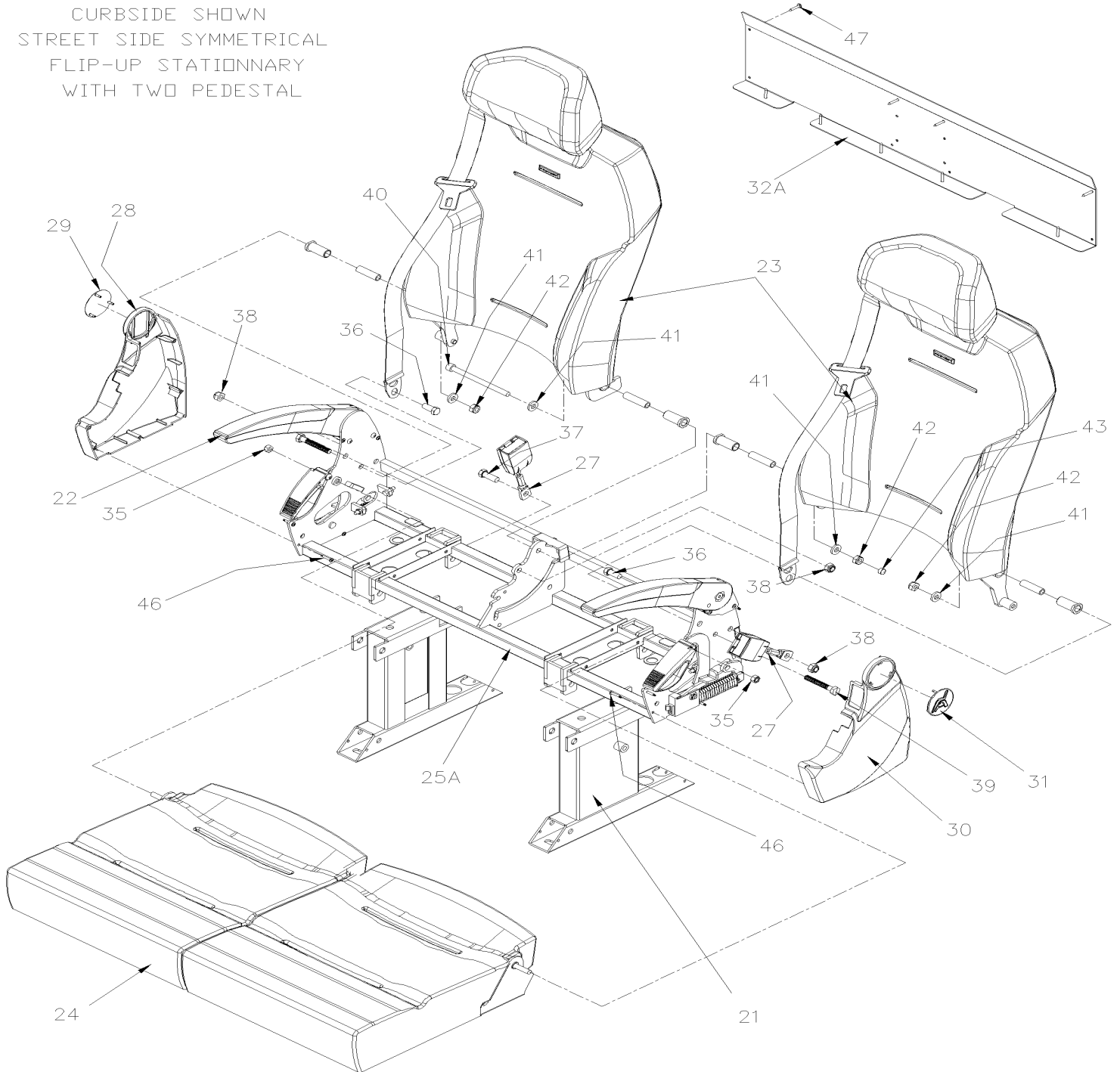
From N-6686

Date:01/2024

PAGE:X3-1828-11

PASSENGER'S SEAT / CLOUDONE

CURBSIDE SHOWN
STREET SIDE SYMMETRICAL
FLIP-UP STATIONNARY
WITH TWO PEDESTAL



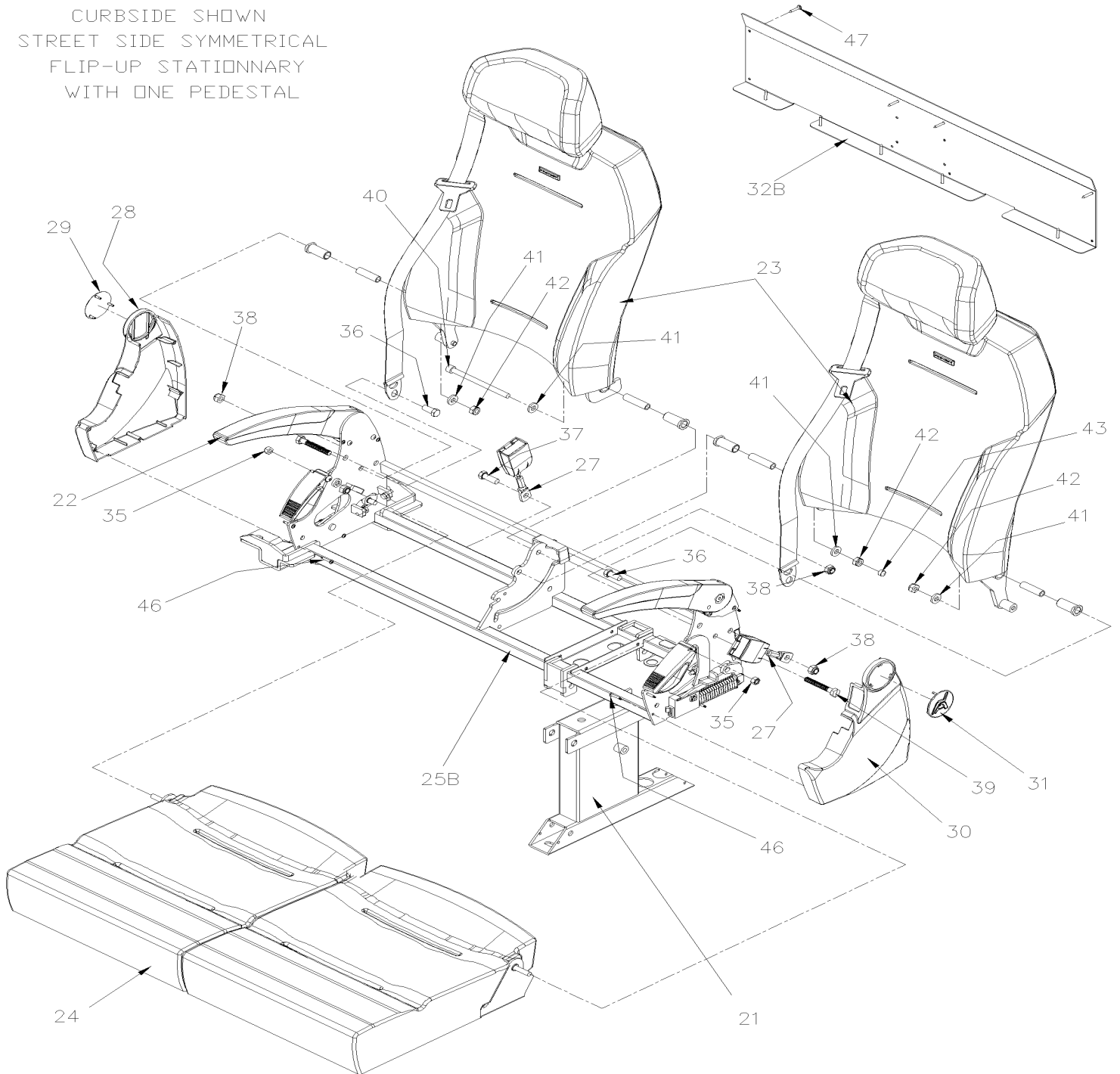
From N-6686

Date:01/2024

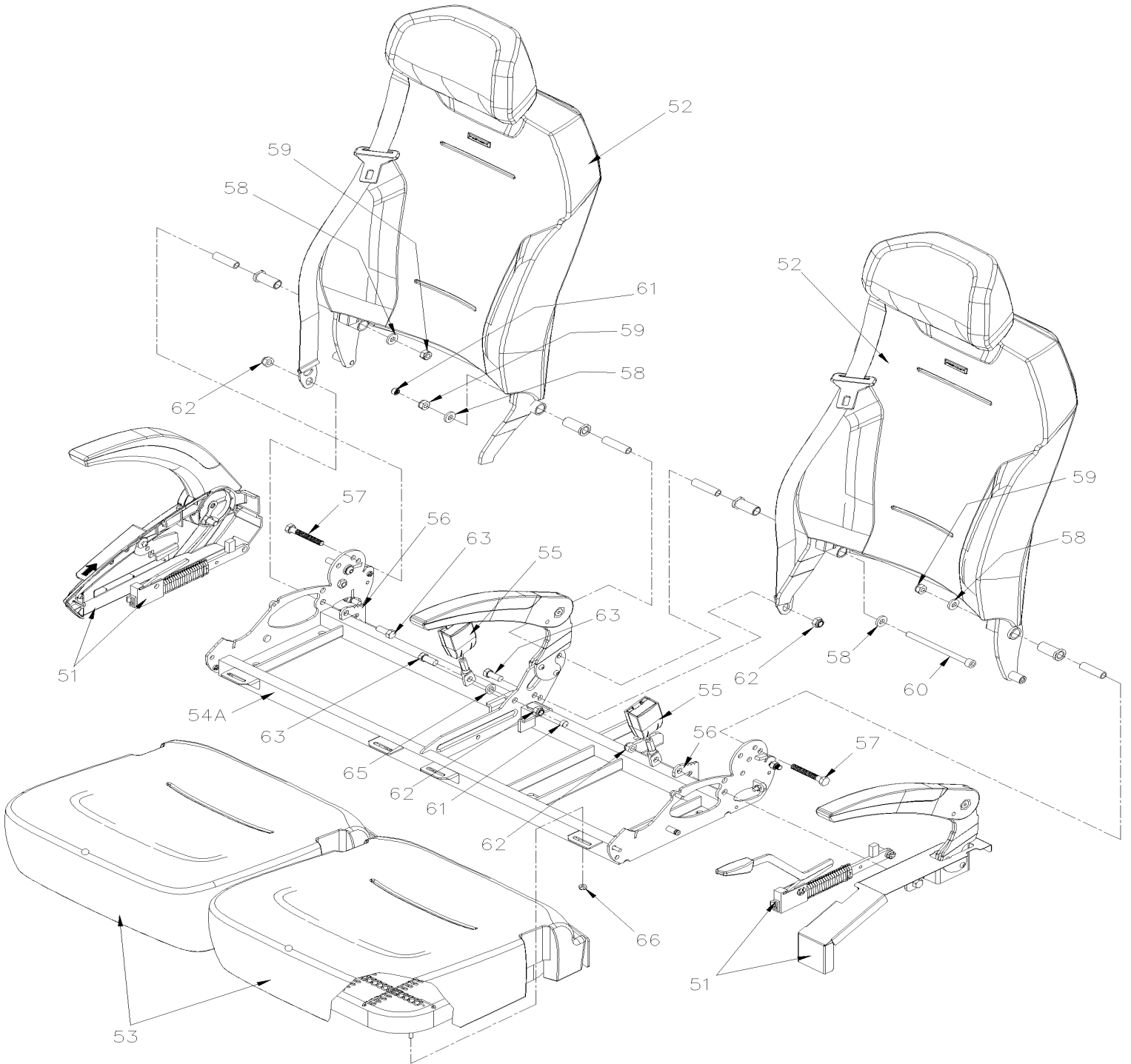
PAGE:X3-1828-11

PASSENGER'S SEAT / CLOUDONE

CURBSIDE SHOWN
STREET SIDE SYMMETRICAL
FLIP-UP STATIONNARY
WITH ONE PEDESTAL



PASSENGER'S SEAT / CLOUDONE

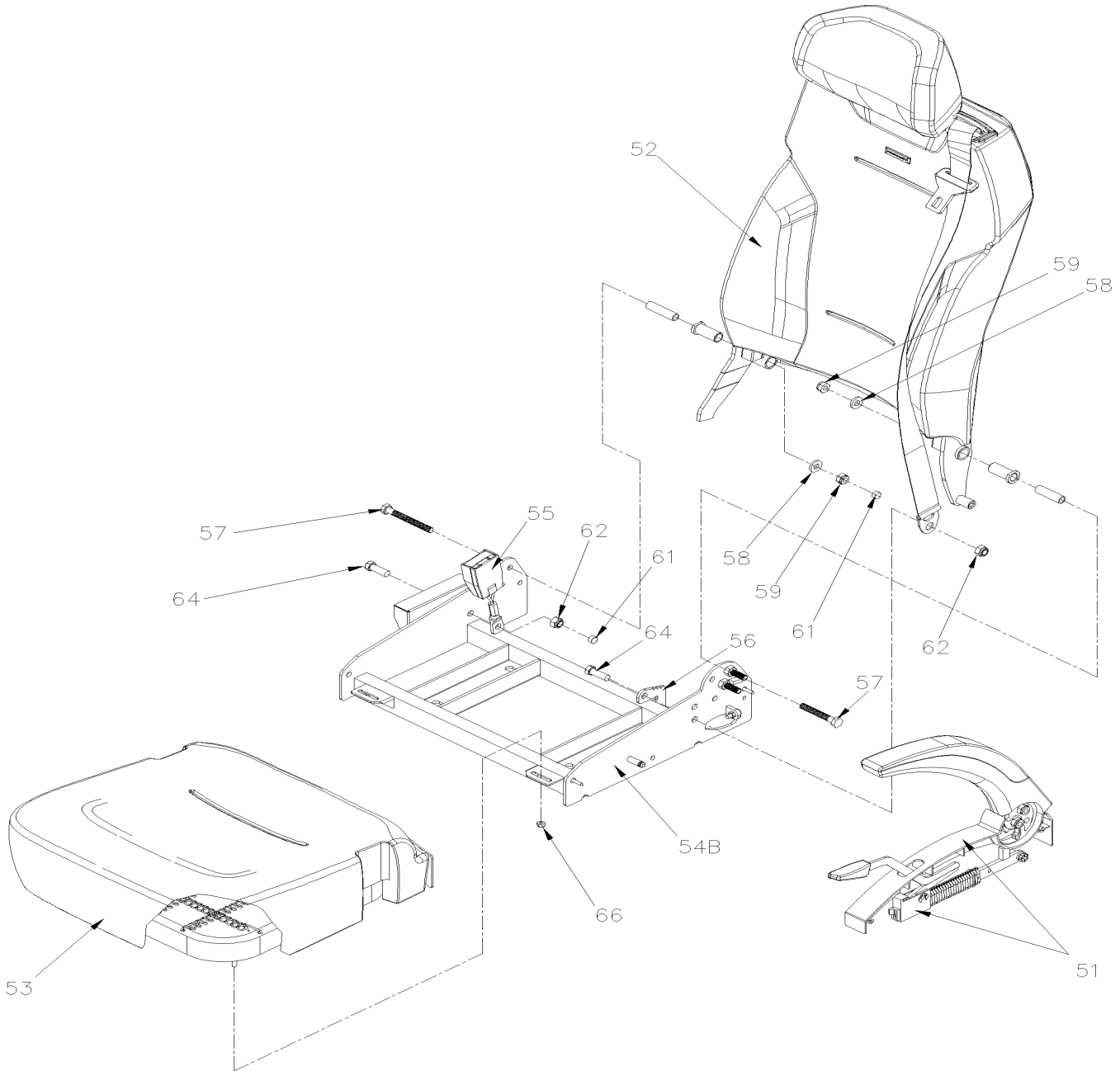


From N-6686

Date:01/2024

PAGE:X3-1828-11

PASSENGER'S SEAT / CLOUDONE



From N-6686		Date:01/2024	PAGE:X3-1828-11
PASSENGER'S SEAT / CLOUDONE			

Item#	Part	Description	QTY	Notes
1	X3-1828-41	PEDESTAL INSTALLATION / CLOUDONE	1	
2	X3-1828-51	ARMREST / CLOUDONE	1	
3	X3-1828-61	BACKREST / CLOUDONE	1	
4	X3-1828-71	SEAT CUSHIONS / CLOUDONE	1	
5	868333	SEAT CHASSIS SUB ASSY W/1 PEDESTAL STREET SIDE	1	
5	868332	SEAT CHASSIS SUB ASSY W/1 PEDESTAL CURBSIDE	1	
6	868154	BUCKLE FEMALE AISLE SIDE	1	
7	867842	BUCKLE FEMALE WALL SIDE	1	
8	7770172	RECLINING STOP 2 STEP	2	
11	865479	NUT HEX NYRT 1/4-20	4	
12	868271	SCREW CAP HEX 7/16-20x1 1/4 G8	1	
13	865521	SCREW CAP HEX 7/16-20x1 G8	3	
14	865519	NUT HEX NYRT 7/16-20	4	
15	868403	CAP	2	
16	868401	SCREW CAP HEX M10-1.5x70MM	2	
17	868265	SCREW CAP HEXS M10x140MM	1	
18	868331	WASHER 3/8	4	
19	860005	NUT HEX STO M10-1.5 ZP	3	
21	X3-1828-41	PEDESTAL INSTALLATION / CLOUDONE	1	
22	X3-1828-51	ARMREST / CLOUDONE	1	
23	X3-1828-61	BACKREST / CLOUDONE	1	
24	X3-1828-71	SEAT CUSHIONS / CLOUDONE	1	
25A	868361	CHASSIS RIGHT FLIP/FIX HANDICAP 39" "	1	A
25A	868360	CHASSIS LEFT FLIP/FIX HANDICAP 39" "	1	A
25B	868362	SEAT CHASSIS ASSY 2 PASS CURBSIDE / CLOUDONE	1	B
25B	868363	SEAT CHASSIS ASSY 2 PASS STREET SIDE / CLOUDONE	1	B
26	868359	LATCH	2	C
27	867842	BUCKLE FEMALE	2	
28	868283	LATERAL COVER / WALL SIDE // STREET SIDE SEAT	1	
28	868282	LATERAL COVER / WALL SIDE / CURB SIDE SEAT	1	
29	868299	CAP WITH LOGO / RH	1	
30	23210437	LATERAL COVER / AISLE SIDE // LH	1	
30	23210438	LATERAL COVER / AISLE SIDE // RH	1	
31	868300	CAP WITH LOGO / LH	1	
32A	868356	RIGHT DUST GUARD WITH NUT	1	
32A	868355	LEFT DUST GUARD WITH NUT	1	
32B	868358	LEFT DUST GUARD WITH NUT	1	
32B	868357	RIGHT DUST GUARD WITH NUT	1	
33	865358	HANDLE GREY	1	C

From N-6686		Date:01/2024	PAGE:X3-1828-11
PASSENGER'S SEAT / CLOUDONE			

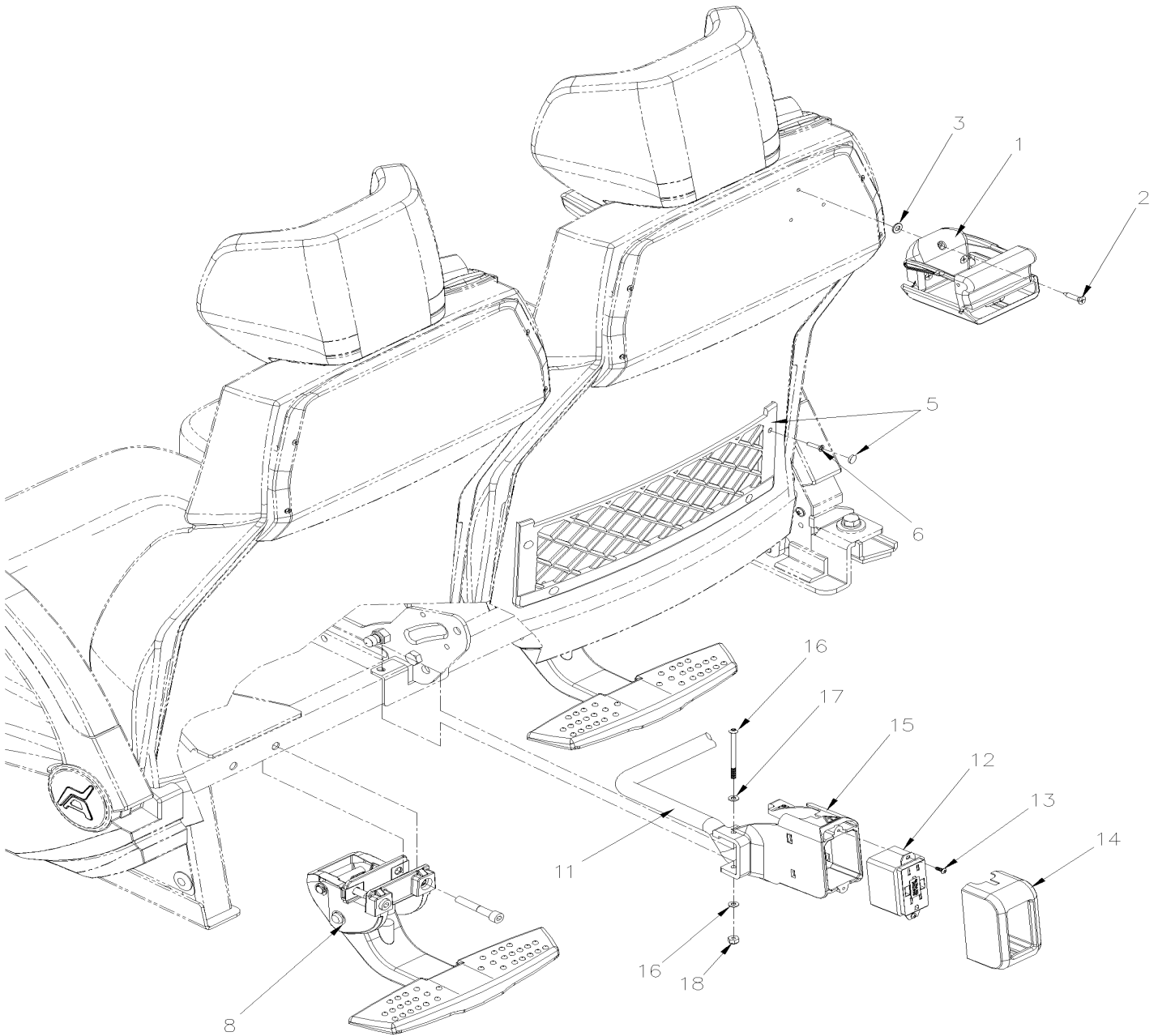
Item#	Part	Description	QTY	Notes
35	868267	NUT HEX NYRT 3/8"	2	
36	865521	SCREW CAP HEX 7/16-20x1 G8	2	
37	868271	SCREW CAP HEX 7/16-20x1 1/4 G8	1	
38	865519	NUT HEX NYRT 7/16-20	3	
39	868401	SCREW CAP HEX M10-1.5x70MM	2	
40	868277	SCREW CAP HEXS M10-1.5x130MM	1	
41	868331	WASHER 3/8	4	
42	860005	NUT HEX STO M10-1.5 ZP	3	
43	868403	CAP	2	
44	868284	SCREW CAP HEX 1/4"X3 1/2	2	C
45	865479	NUT HEX NYRT 1/4-20	2	C
46	868264	SCREW SELF TAPPING #10 x 1"	12	
47	868273	SCREW SELF TAPPING BLACK #10 x 1"	10	
48	865524	SCREW CAP BUT HEXS 1/4x1	2	C
49	868261	WASHER FL 1/4	2	C
51	X3-1828-51	ARMREST / CLOUDONE		
52	X3-1828-61	BACKREST / CLOUDONE		
53	X3-1828-71	SEAT CUSHIONS / CLOUDONE		
54A	868288	SEAT CHASSIS ASSY 2 PASS REAR CROSS	1	
54B	868287	SEAT CHASSIS ASSY 1 PASS	1	
55	867842	BUCKLE FEMALE	3	
56	7770173	STOPPER 6" RECLINING (3 pos)	3	
57	868401	SCREW CAP HEX M10-1.5x70MM	4	
58	868331	WASHER 3/8	6	
59	860005	NUT HEX STO M10-1.5 ZP	5	
60	868265	SCREW CAP HEXS M10x140MM	1	
61	868403	CAP	4	
62	865519	NUT HEX NYRT 7/16-20	6	
63	865521	SCREW CAP HEX 7/16-20x1 G8	3	
64	868271	SCREW CAP HEX 7/16-20x1 1/4 G8	2	
65	868297	WASHER FL 7/16	1	
66	865479	NUT HEX NYRT 1/4-20	6	
90	X3-1828-21	ACCESSORIES PASSENGER'S SEAT / CLOUDONE		
		A) WITH TWO LEGS SEAT ONLY		
		B) WITH FLIP-UP SEAT FIXE TO WALL		
		C) WITH SLIDING AND FLIP-UP SEAT		

From N-6686

Date:01/2024

PAGE:X3-1828-21

ACCESSORIES PASSENGER'S SEAT / CLOUDONE

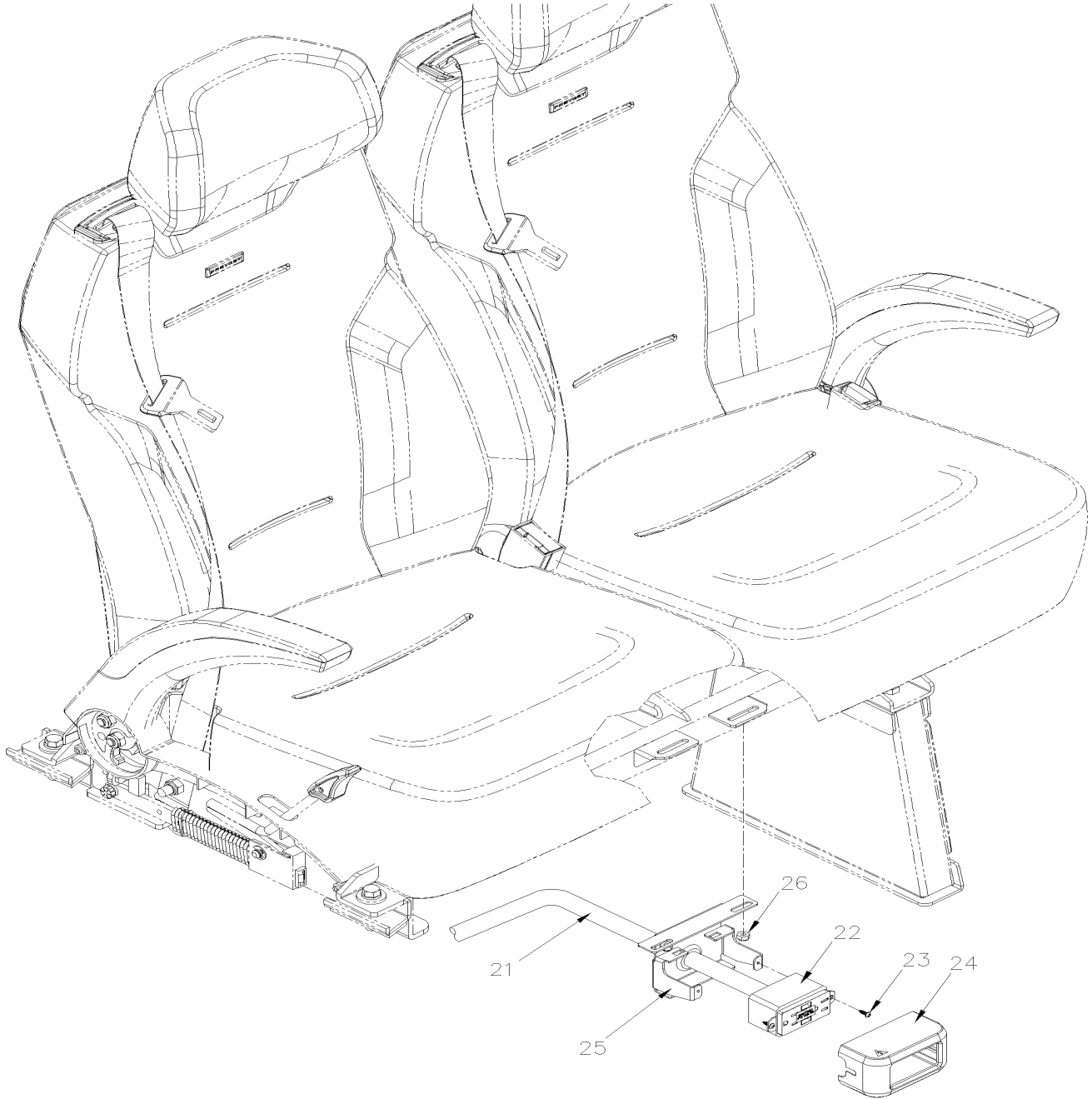


From N-6686

Date:01/2024

PAGE:X3-1828-21

ACCESSORIES PASSENGER'S SEAT / CLOUDONE



From N-6686	Date:01/2024	PAGE:X3-1828-21
ACCESSORIES PASSENGER'S SEAT / CLOUDONE		

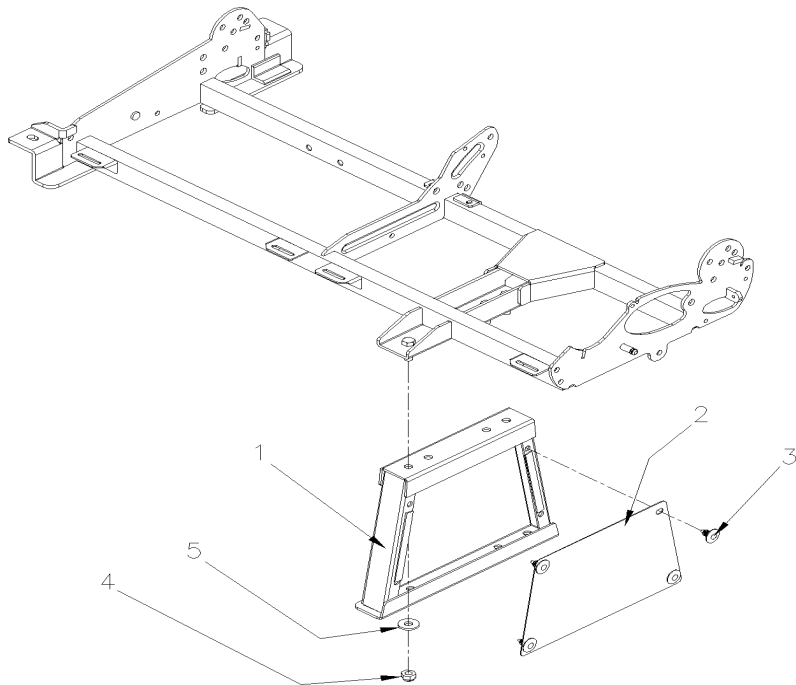
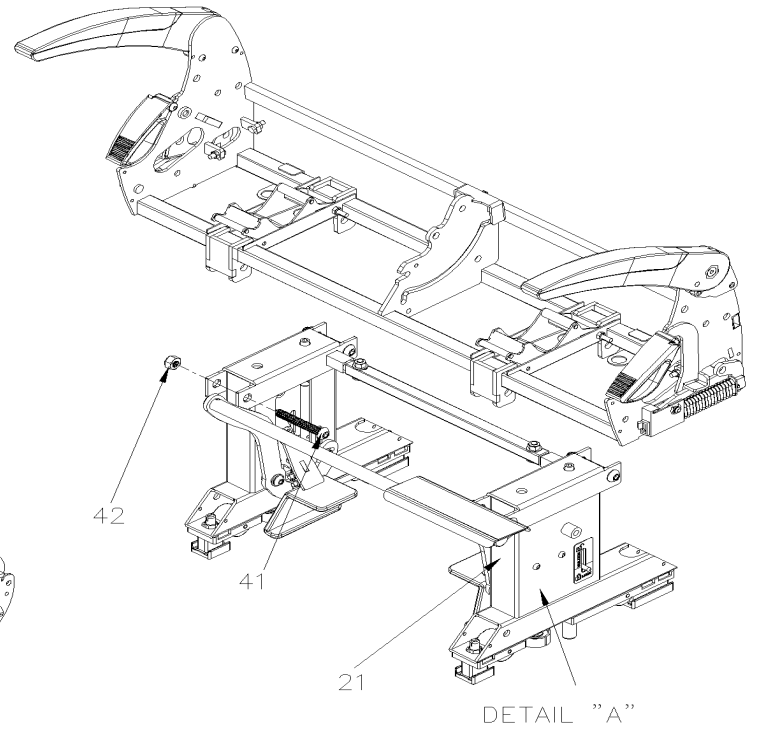
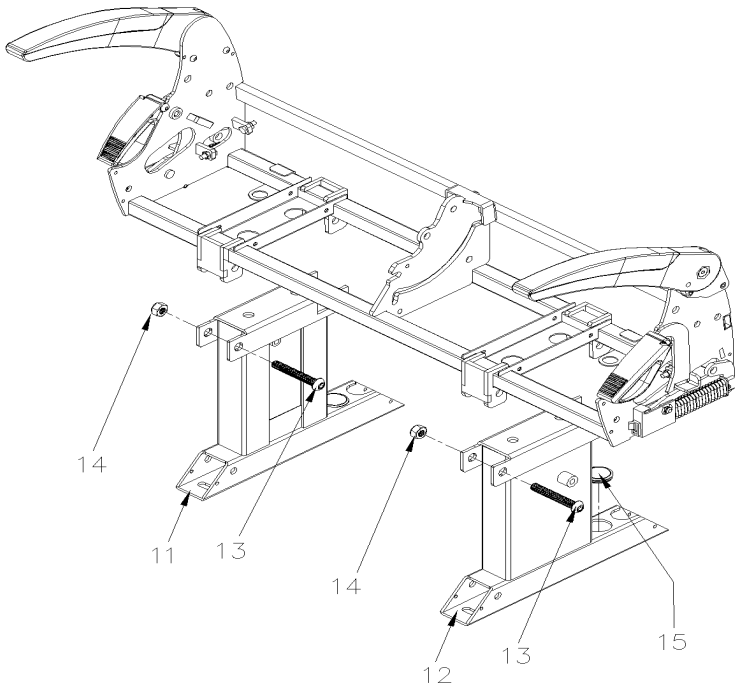
Item#	Part	Description	QTY	Notes
1	862932	GLASS HOLDER / W/"AMAYA" / W/3 HOLES FOR SCREW	2	
2	868285	SCREW TP RND PH W/WASHER #10 x 1"	6	
3	868261	WASHER FL 1/4	2	
5	865278	MAGAZINE NET 14.5" x 5"	2	
6	865603	SCREW MA BUT PH M8x19	8	
8	860141	FOOTREST ASSY W/AUTOMATIC RETURN / "STELAM" STELAM TYPE	2	
11	868293	OUTLET 110 V / USB ASSY	1	
12	867863	PLUG DOUBLE 110 VAC MURAL W/2 USB PORT / WHITE	1	
NS	868404	DECAL WARNING FOR 110V CONNECTOR	1	
13	868289	SCREW TP OV PH #6x1/2"	2	
14	868292	BLACK PLASTIC COVER FOR 110V & USB CURRENT SOCKET	1	
NS	868405	DECAL	1	
15	868291	PLASTIC BACK BRACKET FOR CONNECTOR 110V & USB	1	
16	868294	SCREW BUT HEXS 3/16-24x2 3/4"	2	
17	868304	WASHER FL 3/16	4	
18		NUT HEX NYRT 3/16	1	
21	868296	FRONT CONNECTOR 110V-USB	1	
22	868290	FRONT CONNECTOR 110V-USB	1	
22	868404	DECAL WARNING FOR 110V CONNECTOR	1	
23	868289	SCREW TP OV PH #6x1/2"	2	
24	868292	BLACK PLASTIC COVER FOR 110V & USB CURRENT SOCKET	1	
NS	868406	DECAL	1	
25	868295	BRACKET FOR FRONT CONNECTOR	1	
26	865479	NUT HEX NYRT 1/4-20	1	

From N-6686

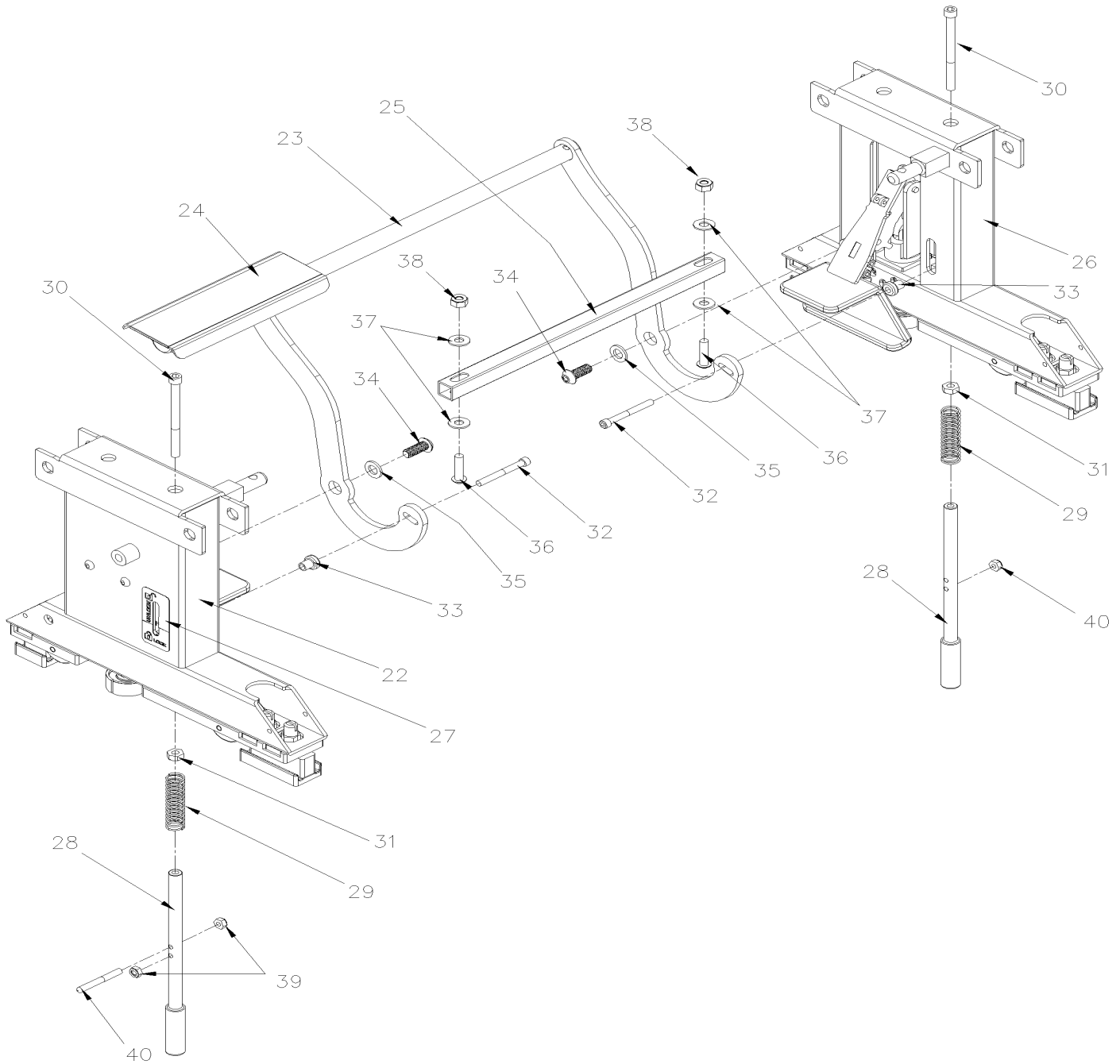
Date:01/2024

PAGE:X3-1828-41

PEDESTAL INSTALLATION / CLOUDONE



PEDESTAL INSTALLATION / CLOUDONE



DETAIL "A"

From N-6686	Date:01/2024	PAGE:X3-1828-41
PEDESTAL INSTALLATION / CLOUDONE		

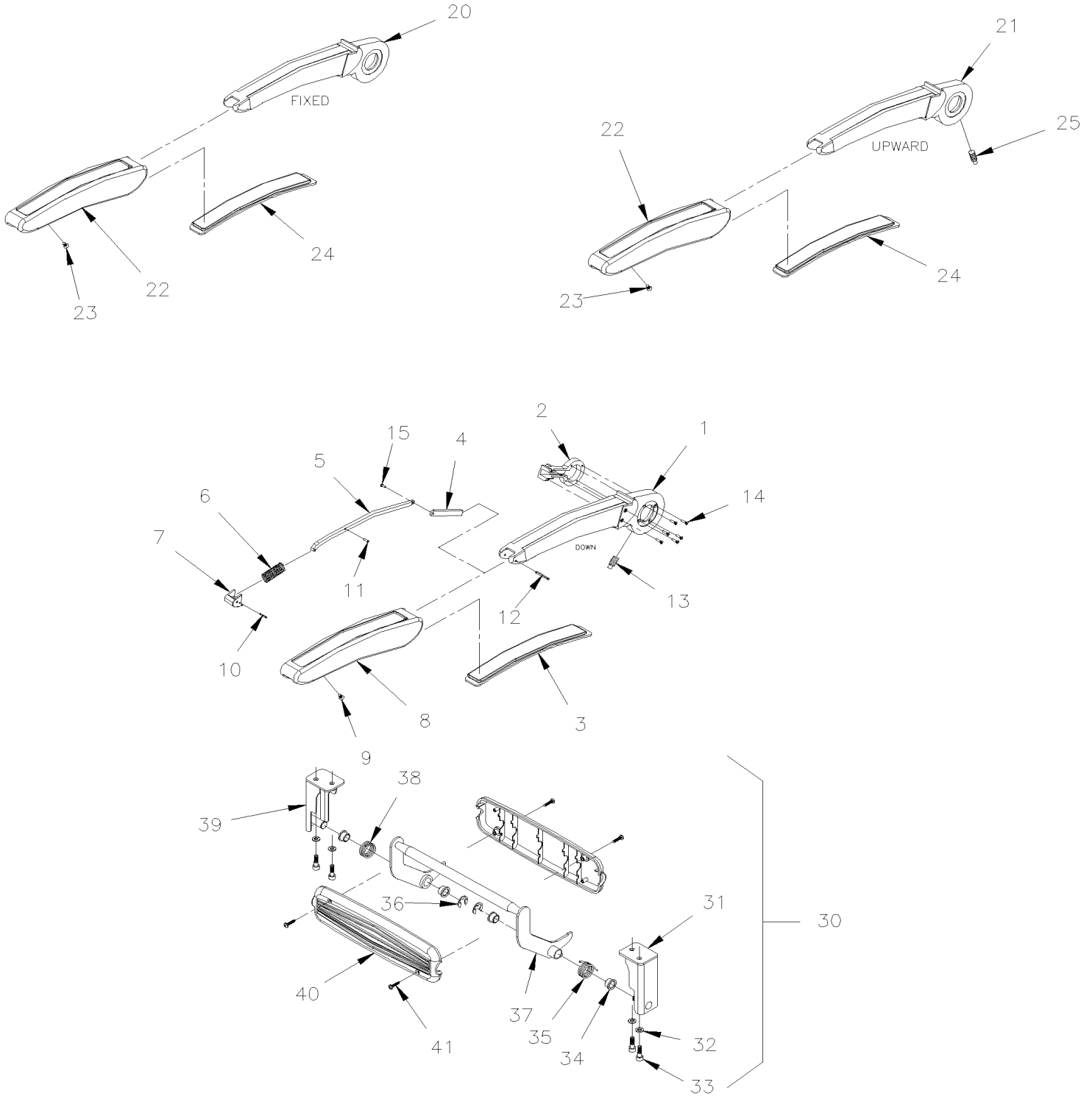
Item#	Part	Description	QTY	Notes
1	868276	PEDESTAL GREY / CLOUDONE	1	
2	868399	COVER PEDESTAL / CLOUDONE	1	
3	864368	SCREW 3/8 PLASTIC	1	
4	865519	NUT HEX NYRT 7/16-20	2	
5	865520	WASHER FL 7/16	2	
11	868347	PEDESTAL HANDICAP STATIONNARY / RH / CLOUDONE	1	
11	868349	PEDESTAL HANDICAP STATIONNARY FIXED TO WALL / RH / CLOUDONE	1	A
12	868346	PEDESTAL HANDICAP STATIONNARY / LH / CLOUDONE	1	
12	868348	PEDESTAL HANDICAP STATIONNARY FIXED TO WALL / LH / CLOUDONE	1	A
13	868353	SCREW BUT HEXS M12x80mm	4	
14	868354	NUT HEX NYRT M12	4	
15	868303	PLUG	1	
21	868341	PEDESTAL ASSEMBLY CURBSIDE / CLOUDONE	1	
21	868342	PEDESTAL ASSEMBLY STREET SIDE / CLOUDONE	1	
22	868344	. PEDESTAL / LH / CLOUDONE	1	
22	868312	. . SPRING	1	
23	868338	. PEDAL CURBSIDE	1	
23	868339	. PEDAL STREET SIDE	1	
24	868340	. ANTI-SLIP ADHESIVE TAPE	1	
25	868345	. SPACE BAR / CLOUDONE	1	
26	868343	. PEDESTAL / RH / CLOUDONE	1	
26	868312	. . SPRING	1	
27	868309	. DECAL / INDICATOR OF HANDICAP DRIVE	1	
28	868337	. LOCK ASSY	2	
28	Call order desk	. . PIN	1	P
29	868350	. . SPRING	1	
30		. . SCREW CAP HEXS	1	
31		. . NUT HEX	1	
32	868320	. SCREW CAP HEXS 1/4-20x2 1 / 4	2	
33	867904	. PEDAL STOPPER / NYLON	2	
34	868319	. SCREW BUT HEXS M10-1.5 x 25mm SS	2	
35	7770346	. WASHER FL 7/16	2	
36	868313	. SCREW BUT HEXS 5/16" x 1/4" SS	2	
37	868263	. WASHER FL 5/16"	4	
38	868268	. NUT HEX NYRT 5/16"	2	
39	868308	. CLOSE INDICATOR BOLT	1	
40	865479	. NUT HEX NYRT 1/4-20	3	
41	868353	SCREW BUT HEXS M12x80mm	4	
42	868354	NUT HEX NYRT M12	4	

From N-6686		Date:01/2024	PAGE:X3-1828-41
-------------	--	--------------	-----------------

PEDESTAL INSTALLATION / CLOUDONE

Item#	Part	Description	QTY	Notes
		A) USE ONLY WITH FLIP-UP SEAT FIXE TO THE WALL		
		P) CALL ORDER DESK FOR SPECIFIC APPLICATION (V.I.N.)		

ARMREST PASSENGER'S - "MULTINA"



From 7-8754	Date:01/2024	PAGE:X3-1828-50
-------------	--------------	-----------------

ARMREST PASSENGER'S - "MULTINA"

Item#	Part	Description	QTY	Notes
	862845	ARMREST ASSY, DOWNWARD	1	
1	Call order desk	. ARMREST FRAME, DOWNWARD	1	P
2	Call order desk	. ARMREST STOPPER	1	P
3	Call order desk	. ARMREST FOAM INSERT	1	P
4	Call order desk	. ARMREST LOCKING REAR PART	1	P
5	Call order desk	. RECLINING BUTTON LINK	1	P
6	Call order desk	. SPRING, COMP, .600 O.D. x 1.5 x .045	1	P
7	863211	. ARMREST BUTTON	1	
8	Call order desk	. COVER, OPEN ARMREST	1	P
9	Call order desk	. SCREW TP FL PH #8x1/2 ZP	1	P
10	Call order desk	. PIN, SPR TNSN, STL, ZN, 3/32" NOM DIA X 9/1	1	P
11	Call order desk	. PIN, SPR TNSN, CS, ZN, 1/8" NOM DIA X 7/8"	1	P
12	Call order desk	. PIN, SPR TNSN, STL, ZN, 1/8" NOM DIA X 1 1/	1	P
13	Call order desk	. ARMREST PIN STOPPER	1	P
14	Call order desk	. SCREW MA FL PH M3-0.5x12 ZP	6	P
15	Call order desk	. RIVET, SOLID,FLH,SST, 0.125" X 0.375" LG	1	P
20	862847	ARMREST ASSY, FIXED	1	
21	862846	ARMREST ASSY, UPWARD	1	
22	863182	. COVER, ARMREST	1	
23	Call order desk	. SCREW TP FL PH #8x1/2 ZP	1	P
24	Call order desk	. ARMREST FOAM INSERT	1	P
25	Call order desk	. ARMREST PIN STOPPER	1	P
30	Call order desk	FOOTREST ASSEMBLY	1	P
30	Call order desk	FOOTREST ASSEMBLY, W/ROTATING SEAT	1	P
31	Call order desk	. FOOTREST BRACKET, L.H.	1	P
31	Call order desk	. FOOTREST BRACKET, L.H. W/ROTATING SEAT	1	P
32	Call order desk	. WASHER LO SPT 6.1 ZP	4	P
33	Call order desk	. SCREW CAP HEXS SS M6x18 M6 SS	4	P
34	Call order desk	. BEARING, FL PLSTC, 7/16" ID x 9/16" OD x 3/	2	P
35	Call order desk	. TORSION SPRING, L.H.	1	P
36	Call order desk	. RING, RTNG, EXTL ""E" STYLE, STL ZN PLD, SH	2	P
37	Call order desk	. FOOTREST SHAFT ASSEMBLY	1	P
38	Call order desk	. TORSION SPRING, R.H.	1	P
39	Call order desk	. FOOTREST BRACKET, R.H.	1	P
39	Call order desk	. FOOTREST BRACKET, R.H. W/ROTATING SEAT	1	P
40	863391	. FOOTREST PLASTIC CAP	2	
41	Call order desk	. SCREW TA PAN PH #6x3/4 ZP	4	P

From 7-8754		Date:01/2024	PAGE:X3-1828-50
-------------	--	--------------	-----------------

ARMREST PASSENGER'S - "MULTINA"

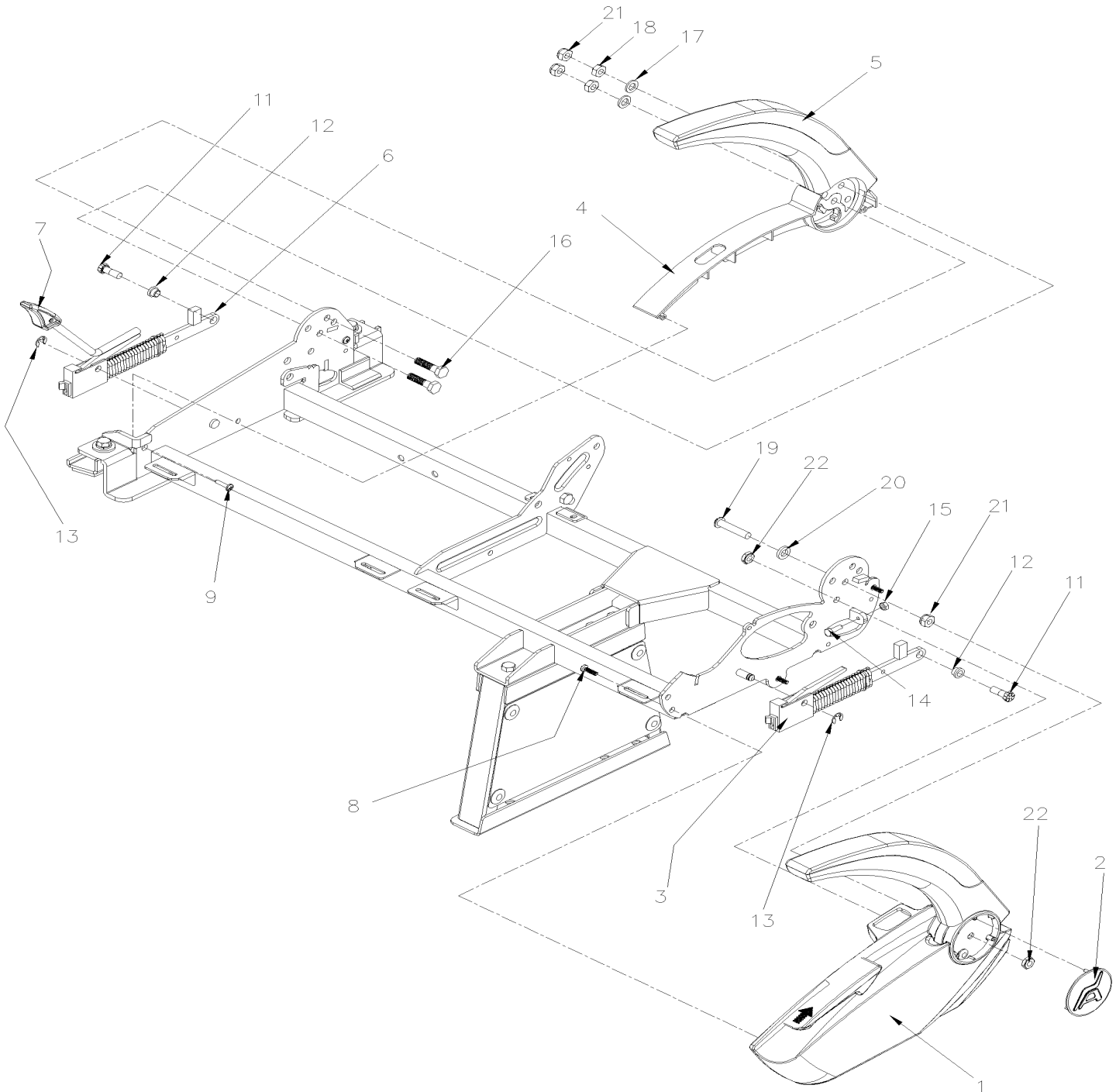
Item#	Part	Description	QTY	Notes
		P) CALL ORDER DESK FOR SPECIFIC APPLICATION (V.I.N.)		

From N-6686

Date:01/2024

PAGE:X3-1828-51

ARMREST / CLOUDONE

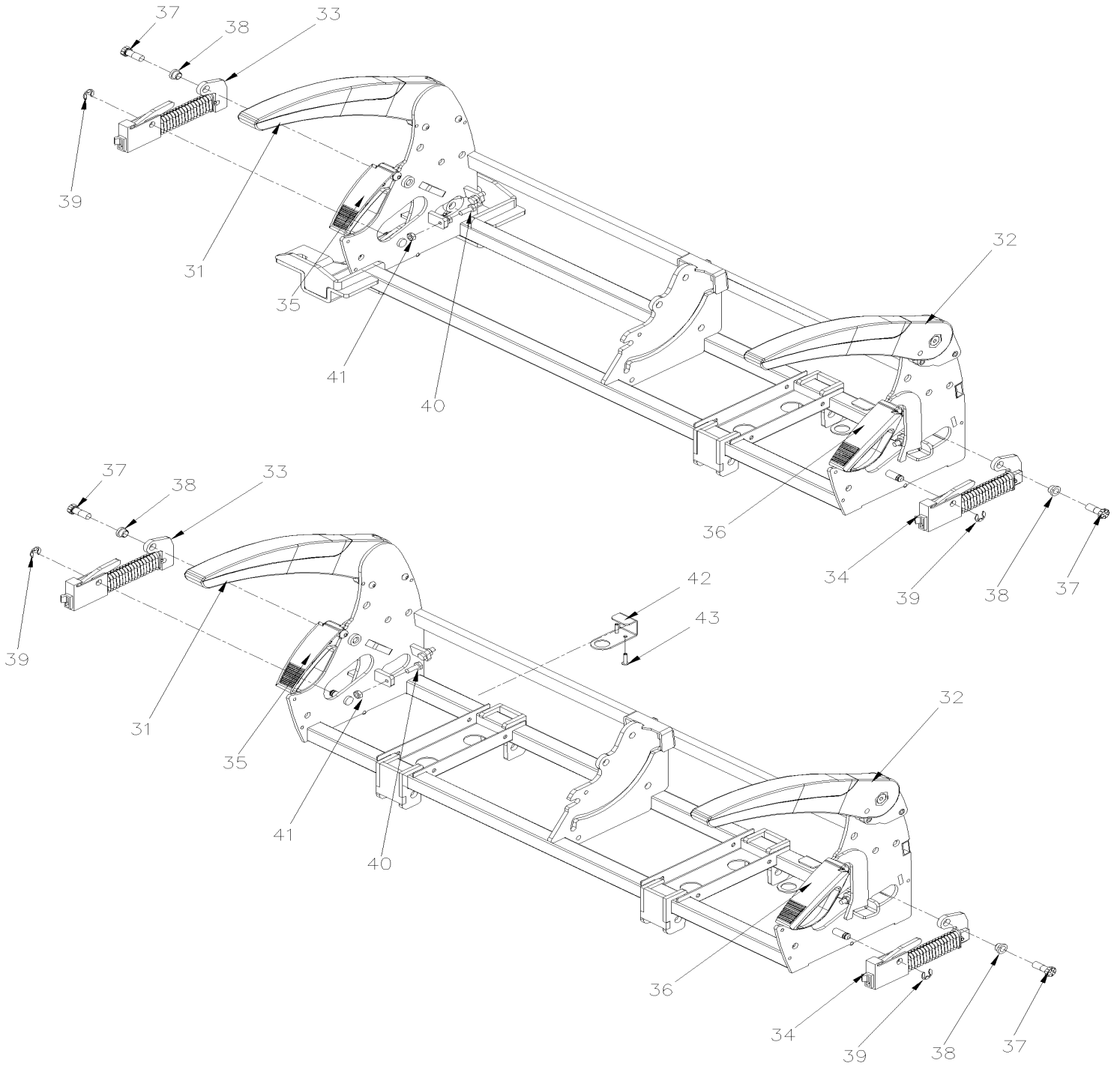


From N-6686

Date:01/2024

PAGE:X3-1828-51

ARMREST / CLOUDONE

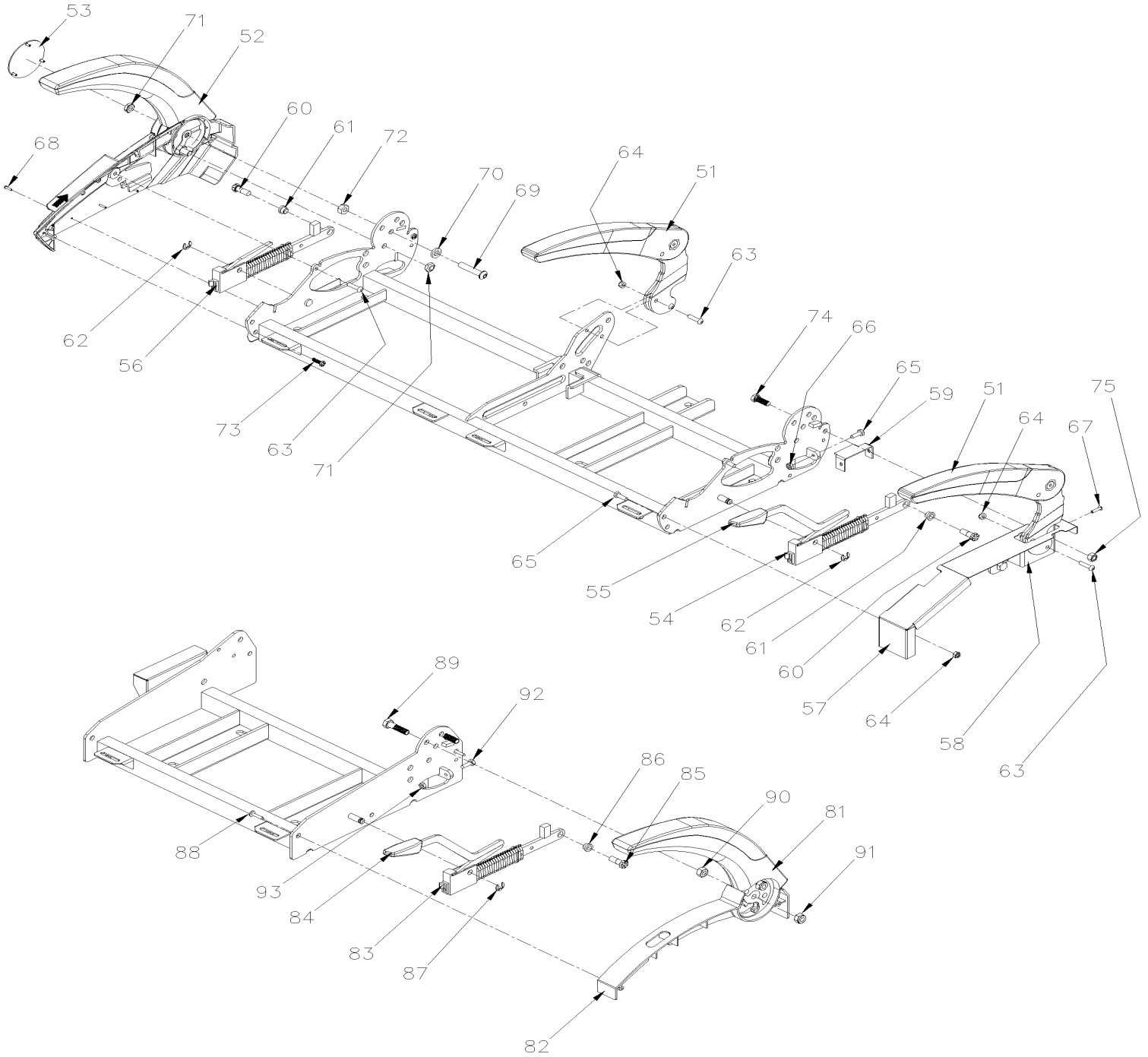


From N-6686

Date:01/2024

PAGE:X3-1828-51

ARMREST / CLOUDONE



From N-6686	Date:01/2024	PAGE:X3-1828-51
ARMREST / CLOUDONE		

Item#	Part	Description	QTY	Notes
1	23210423	ARMREST / LH	1	
. NS	868206	. RECLINING LEVER, LH	1	
1	23210425	ARMREST / RH	1	
. NS	868205	. RECLINING LEVER, RH	1	
2	868274	CAP WITH LOGO	1	
3	865086	RECLINING MECHANISM ASSY / "TORINO" AILSE	1	
4	868301	PLASTIC COVER / CLOUDONE	1	
5	865070	ARMREST R.H. WINDOW SIDE	1	
6	865061	RECLINING MECHANISM ASSY / "TORINO" WINDOW	1	
7	864117	KNOB W/SQUARE ROD INSERT MECHANISM (CURRENT)	1	
8	868260	SCREW SELF TAPPING M6x20MM	3	
9	868264	SCREW SELF TAPPING #10 x 1"	2	
11	860092	SCREW CAP HEX 3/8" x 1" G8	2	
12	865215	BUSHING NYLON	2	
13	865488	RETAINING RING	2	
14	865498	SCREW CAP HEX 1/4-20 x 3/4 LG	2	
15	865497	NUT HEX 1/4	2	
16	868270	SCREW CAP HEX M10-1.5x40MM	2	
17	865465	WASHER FL / 7/16	2	
18	860005	NUT HEX STO M10-1.5 ZP	2	
19	860280	SCREW BUT HEXS M10-1.5x50MM	1	
20	868302	WASHER FL 7/16x2.5MM	1	
21	868266	NUT HEX M10-1.5	3	
22	868269	NUT HEX / GRIPCO M10-1.5	2	
31	867737	HINGED ARMREST / RH	1	
32	867738	HINGED ARMREST / LH	1	
33	868318	RECLINING MECHANISM ASSY / RH	1	
34	868317	RECLINING MECHANISM ASSY / LH	1	
35	868280	MECHANISM HANDLE ASSY / RH	1	
36	868281	MECHANISM HANDLE ASSY / LH	1	
37	860092	SCREW CAP HEX 3/8" x 1" G8	2	
38	865215	BUSHING NYLON	2	
39	865488	RETAINING RING	2	
40	865498	SCREW CAP HEX 1/4-20 x 3/4 LG	4	
41	865497	NUT HEX 1/4	4	
42	868330	BELT SUPPORT HOOK	2	
43	868120	RIVET 3/16 X 3/4 BLACK	4	
51	864072	ARMREST CENTRAL ASSY / LIGHT GREY	2	
. NS	865995	. BOLT	1	
. NS	865996	. BUSHING	1	

From N-6686		Date:01/2024	PAGE:X3-1828-51
ARMREST / CLOUDONE			

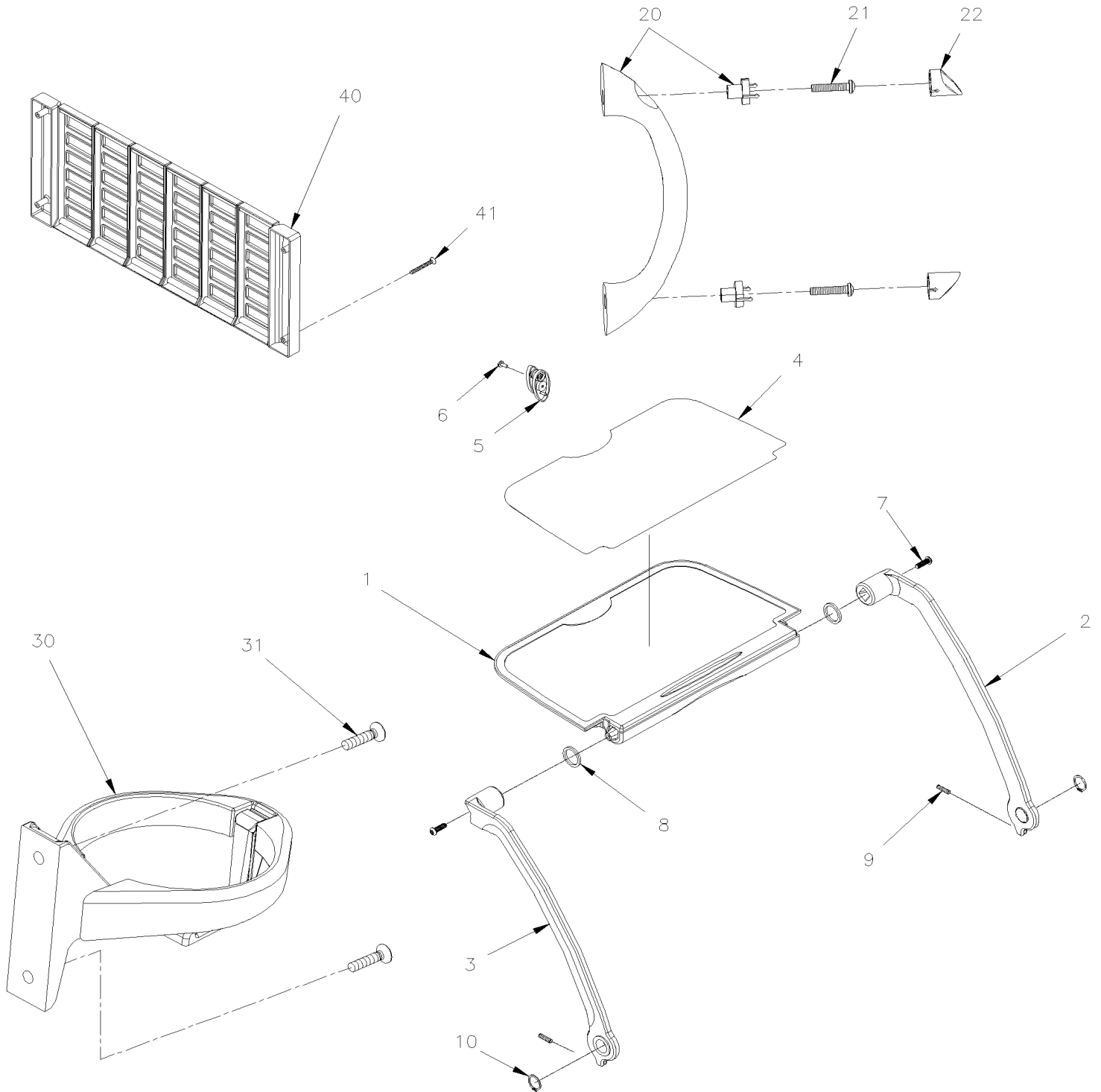
Item#	Part	Description	QTY	Notes
. NS	866240	. ARMREST COVERING LIGHT GREY	1	
52	868298	ARMREST RH	1	
53	868274	CAP WITH LOGO	1	
54	868407	RECLINING MECHANISM ASSY	1	
55	863356	KNOB LEVER L.H. WINDOW	1	
56	865086	RECLINING MECHANISM ASSY / "TORINO" AILSE	1	
57	868286	CENTRAL MECHANISM COVER	1	
58	868397	ARMREST CENTRAL BRACKET	1	
59	868398	COVER BASE ARMREST	1	
60	860092	SCREW CAP HEX 3/8" x 1" G8	2	
61	865215	BUSHING NYLON	2	
62	865488	RETAINING RING	2	
63	865524	SCREW CAP BUT HEXS 1/4x1	5	
64	865479	NUT HEX NYRT 1/4-20	6	
65	865498	SCREW CAP HEX 1/4-20 x 3/4 LG	4	
66	865497	NUT HEX 1/4	2	
67	865496	RIVET 3/16x3/4	2	
68	868262	RIVET 1/8	3	
69	860280	SCREW BUT HEXS M10-1.5x50MM	1	
70	868297	WASHER FL 7/16	1	
71	868269	NUT HEX / GRIPCO M10-1.5	2	
72	868266	NUT HEX M10-1.5	1	
73	868260	SCREW SELF TAPPING M6x20MM	2	
74	868259	SCREW CAP HEX 3/8" x 1"	1	
75	868267	NUT HEX NYRT 3/8"	1	
81	865070	ARMREST R.H. WINDOW SIDE	1	
82	868278	PLASTIC COVER	1	
83	868407	RECLINING MECHANISM ASSY	1	
84	863356	KNOB LEVER L.H. WINDOW	1	
85	860092	SCREW CAP HEX 3/8" x 1" G8	1	
86	865215	BUSHING NYLON	1	
87	865488	RETAINING RING	1	
88	868264	SCREW SELF TAPPING #10 x 1"	2	
89	868270	SCREW CAP HEX M10-1.5x40MM	2	
90	868266	NUT HEX M10-1.5	2	
91	860005	NUT HEX STO M10-1.5 ZP	2	
92	865498	SCREW CAP HEX 1/4-20 x 3/4 LG	1	
93	865497	NUT HEX 1/4	1	

From 7-8754

Date:01/2024

PAGE:X3-1828-60

ACCESSORIES PASSENGER'S SEAT - "MULTINA"



From 7-8754	Date:01/2024	PAGE:X3-1828-60
-------------	--------------	-----------------

ACCESSORIES PASSENGER'S SEAT - "MULTINA"

Item#	Part	Description	QTY	Notes
	862841	TRAY TABLE, AIRCRAFT STYLE	1	
1	Call order desk	. TRAY TABLE ASSY	1	P
2	Call order desk	. TRAY TABLE ARM, LEFT-HAND	1	P
3	Call order desk	. TRAY TABLE ARM, RIGHT-HAND	1	P
4	Call order desk	. NONE-SLIP BASE	1	P
5	863210	. LATCH, TRAY TABLE	1	
6	Call order desk	. SCREW MA PAN PH M3.5-0.6x10 ZP	1	P
7	Call order desk	. SCREW CAP BUT HEXS M6x20 SS	2	P
8	Call order desk	. VELCRO RING WITH ADHESIVE	2	P
9	Call order desk	. SCREW SET HEXS FP M5x0.8x20 M5x0.8x20	2	P
10	Call order desk	. RING, RTNG, EXTL, SPR CS, SHAFT DIA 3/4" x	2	P
20	Call order desk	GRAB HANDLE LATERAL KIT	1	P
20	Call order desk	. GRAB HANDLE , RUSPA TORINO SOFT TOUCH, BLAC	1	P
21	Call order desk	. SCREW MA PAN PH M5-0.8x25 ZP	2	P
22	Call order desk	. SCREW BUT BK	2	P
		. CHAR(255)		
30	862844	. CUP HOLDER, RUSPA, BLACK	1	
30	863181	. CUP HOLDER, RUSPA, BLACK	1	
31	863430	. SCREW MA PAN PH M3.5-0.6x10 ZP	2	
		. CHAR(255)		
40	862842	MAGAZINE RACK / PLASTIC 350MM x 145MM = BLACK 6 BARS	1	
40	Call order desk	. MAGAZINE NET, RUSPA, BLACK	1	P
41	863430	. SCREW MA PAN PH M3.5-0.6x10 ZP	2	
		P) CALL ORDER DESK FOR SPECIFIC APPLICATION (V.I.N.)		

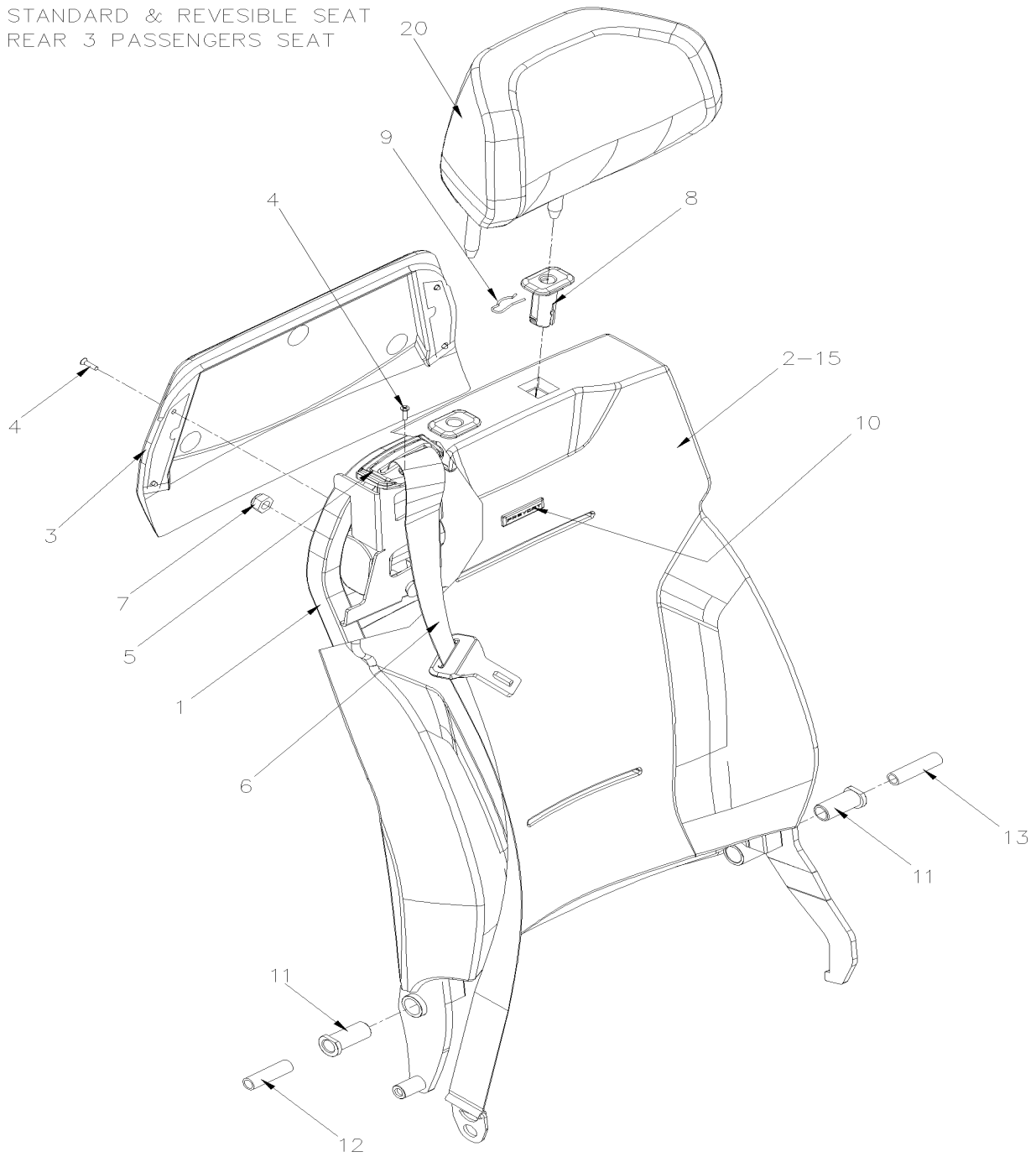
From N-6686

Date:01/2024

PAGE:X3-1828-61

BACKREST / CLOUDONE

WITH STANDARD & REVERSIBLE SEAT
WITH REAR 3 PASSENGERS SEAT



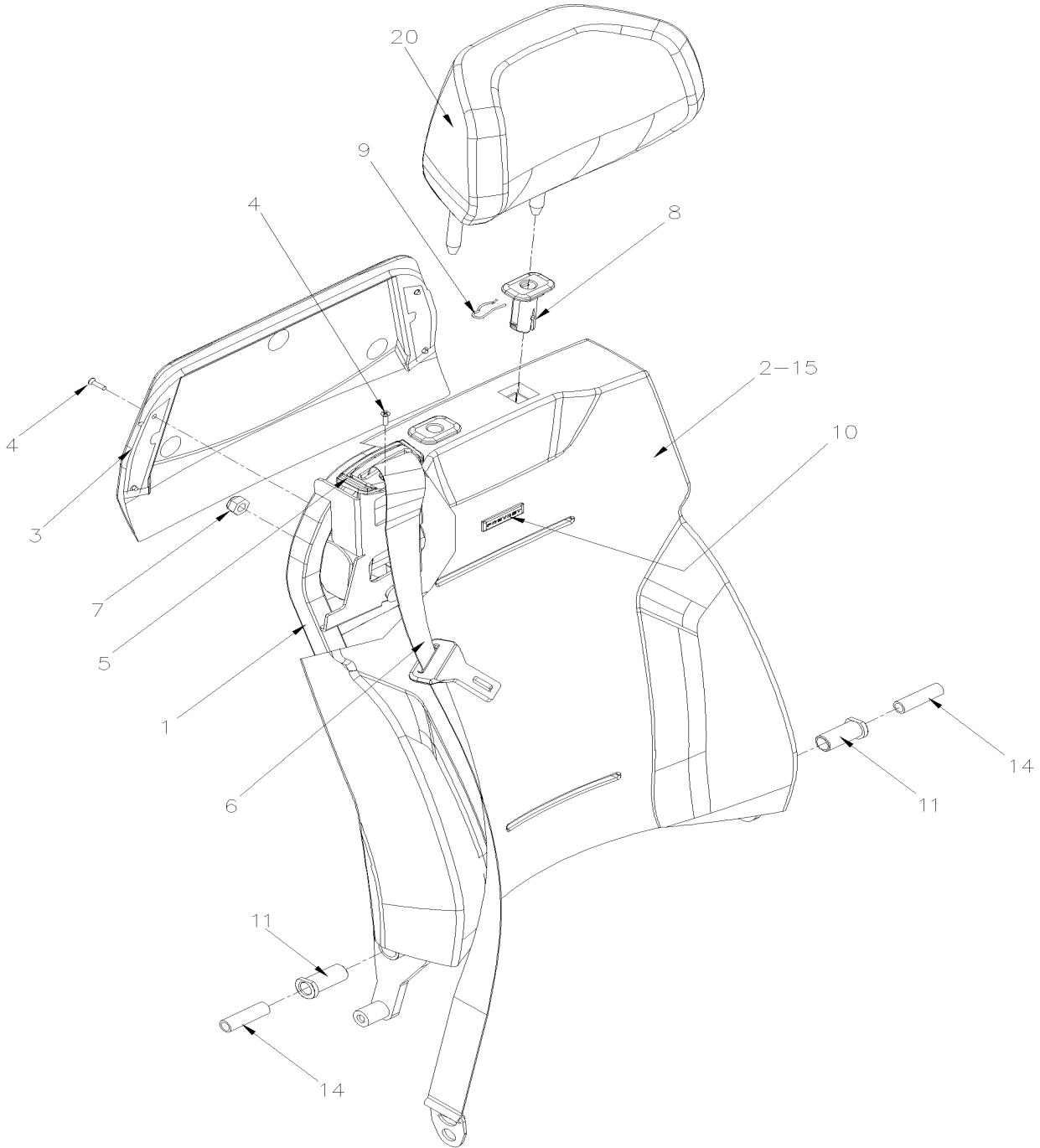
From N-6686

Date:01/2024

PAGE:X3-1828-61

BACKREST / CLOUDONE

WITH FLIP-UP SEAT



From N-6686		Date:01/2024	PAGE:X3-1828-61
BACKREST / CLOUDONE			

Item#	Part	Description	QTY	Notes
	868368	BACKREST ASSY WINDOW SIDE / CURBSIDE / STANDARD / CLOUDONE	1	
	868369	BACKREST ASSY WINDOW SIDE / STREET SIDE / STANDARD / CLOUDONE	1	
	868370	BACKREST ASSY AISLE SIDE / STREET SIDE / STANDARD / CLOUDONE	1	
	868371	BACKREST ASSY AISLE SIDE / CURBSIDE / STANDARD / CLOUDONE	1	
	868378	BACKREST ASSY WINDOW SIDE / CURBSIDE / FLIP-UP / CLOUDONE	1	
	868379	BACKREST ASSY WINDOW SIDE / STREET SIDE / FLIP-UP / CLOUDONE	1	
	868380	BACKREST ASSY AISLE SIDE / CURBSIDE / FLIP-UP / CLOUDONE	1	
	868381	BACKREST ASSY AISLE SIDE / STREET SIDE / FLIP-UP / CLOUDONE	1	
	868388	BACKREST ASSY WINDOW SIDE / CURBSIDE / REVERSIBLE / CLOUDONE	1	
	868389	BACKREST ASSY WINDOW SIDE / STREET SIDE / REVERSIBLE / CLOUDONE	1	
	868390	BACKREST ASSY AISLE SIDE / STREET SIDE / REVERSIBLE / CLOUDONE	1	
	868391	BACKREST ASSY AISLE SIDE / CURBSIDE / REVERSIBLE / CLOUDONE	1	
1	868372	BACKREST FRAME WINDOW SIDE / CURBSIDE / STANDARD / CLOUDONE	1	
1	868373	BACKREST FRAME WINDOW SIDE / STREET SIDE / STANDARD / CLOUDONE	1	
1	868374	BACKREST FRAME AISLE SIDE / STREET SIDE / STANDARD / CLOUDONE	1	
1	868375	BACKREST FRAME AISLE SIDE / CURBSIDE / STANDARD / CLOUDONE	1	
1	868384	BACKREST FRAME WINDOW SIDE / CURBSIDE / FLIP-UP / CLOUDONE	1	
1	868385	BACKREST FRAME WINDOW SIDE / STREET SIDE / FLIP-UP / CLOUDONE	1	
1	868386	BACKREST FRAME AISLE SIDE / CURBSIDE / FLIP-UP / CLOUDONE	1	
1	868387	BACKREST FRAME AISLE SIDE / STREET SIDE / FLIP-UP / CLOUDONE	1	
1	868392	BACKREST FRAME WINDOW SIDE / CURBSIDE / REVERSIBLE / CLOUDONE	1	
1	868393	BACKREST FRAME WINDOW SIDE / STREET SIDE / REVERSIBLE / CLOUDONE	1	
1	868394	BACKREST FRAME AISLE SIDE / STREET SIDE / REVERSIBLE / CLOUDONE	1	
1	868395	BACKREST FRAME AISLE SIDE / CURBSIDE / REVERSIBLE / CLOUDONE	1	
2	868376	BACKREST FOAM RH / STANDARD & REVESIBLE / CLOUDONE	1	
2	868377	BACKREST FOAM LH / STANDARD & REVESIBLE / CLOUDONE	1	
2	868382	BACKREST FOAM RH / FLIP-UP / CLOUDONE	1	
2	868383	BACKREST FOAM LH / FLIP-UP / CLOUDONE	1	
2	868364	VELCRO / STANDARD & REVESIBLE / FLIP-UP	1	
2	868365	VELCRO	1	
3	868335	ENERGY ABSORBER / CURBSIDE	1	
3	868336	ENERGY ABSORBER / STREET SIDE	1	
4	865603	SCREW MA BUT PH M8x19	6	
5	868334	PLASTIC BELT GUIDE	1	
6	867726	SAFETY BELT W/ ALR/ELR	1	
7	865519	NUT HEX NYRT 7/16-20	1	
8	866205	BUSHING	2	
9	866204	BACKREST CLIP	2	
10	868272	LOGO PREVOST	1	
11	868402	BUSHING 45MM	2	
12	868400	BUSHING 55MM	1	
13	865561	BUSHING 49MM	1	

From N-6686	Date:01/2024	PAGE:X3-1828-61
BACKREST / CLOUDONE		

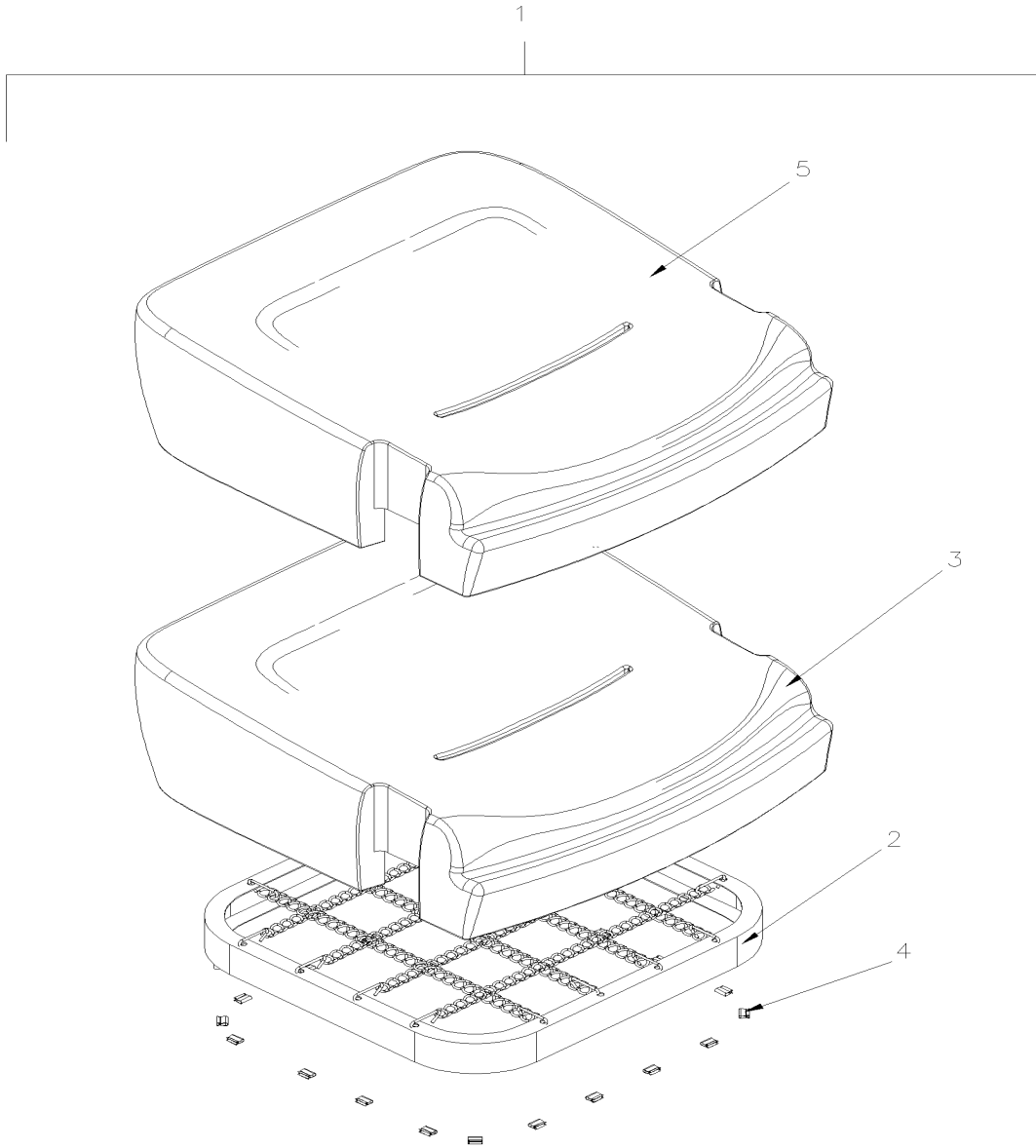
Item#	Part	Description	QTY	Notes
14	865561	BUSHING 49MM	2	
15	Call order desk	COVERING, BACKREST / CLOUDONE	1	P
20	Call order desk	HEADREST ASSY W/COVERING	1	P
20	Call order desk	. HEADREST VIP / CLOUDONE	1	P
20	Call order desk	. COVERING, HEADREST	1	P
		P) CALL ORDER DESK FOR SPECIFIC APPLICATION (V.I.N.)		

From N-6686

Date:01/2024

PAGE:X3-1828-71

SEAT CUSHIONS / CLOUDONE

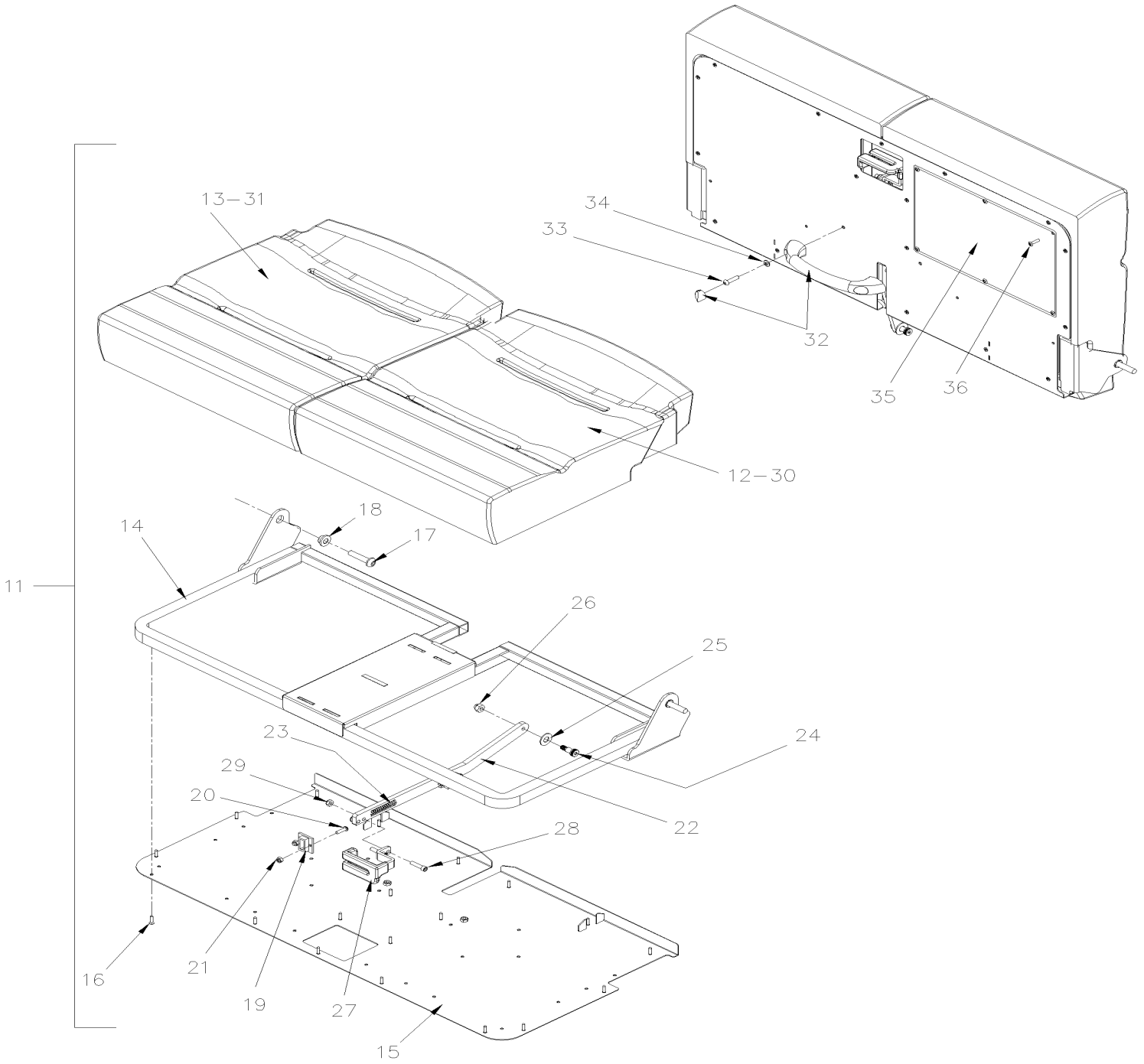


From N-6686

Date:01/2024

PAGE:X3-1828-71

SEAT CUSHIONS / CLOUDONE

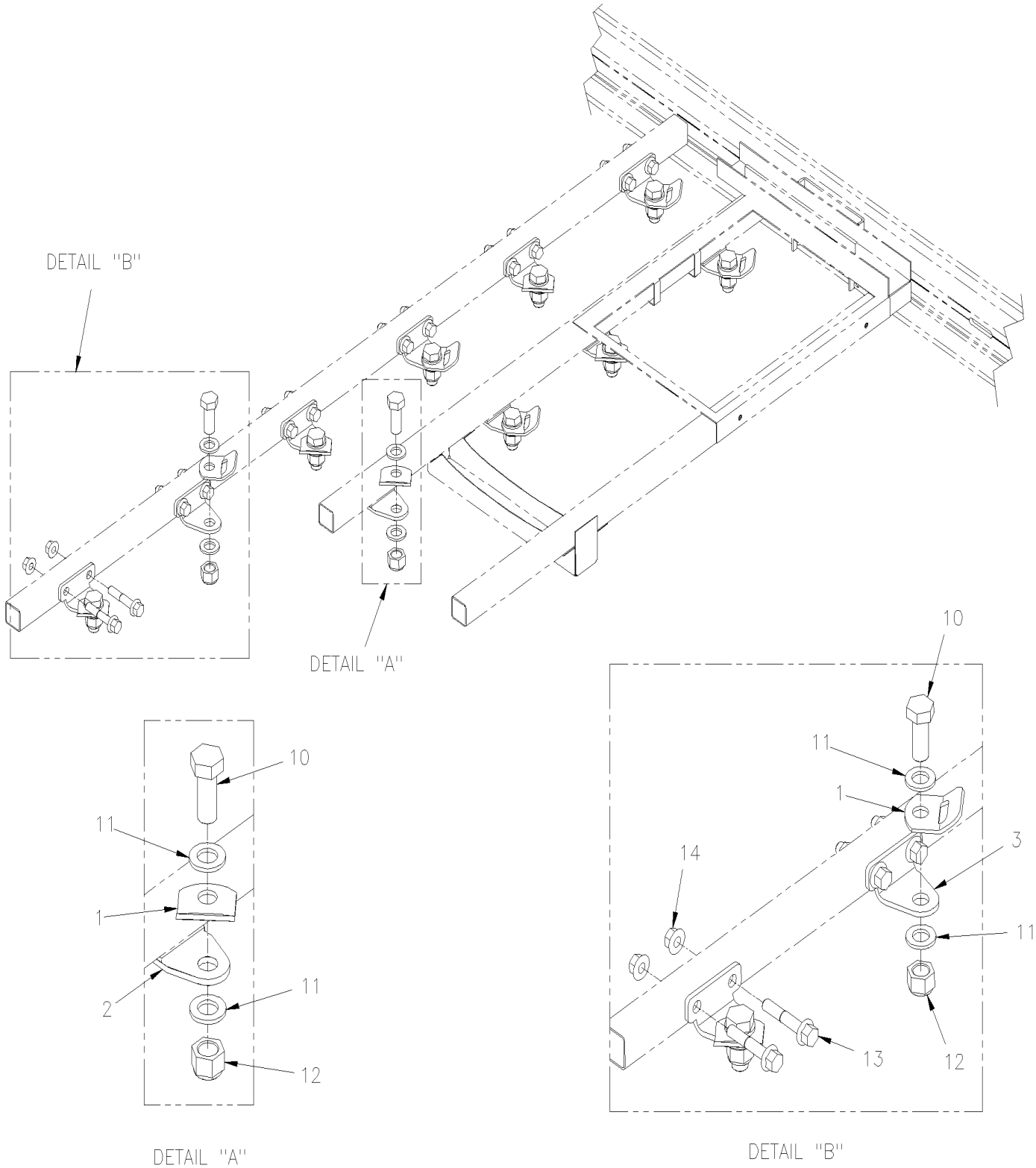


From N-6686		Date:01/2024	PAGE:X3-1828-71
-------------	--	--------------	-----------------

SEAT CUSHIONS / CLOUDONE

Item#	Part	Description	QTY	Notes
1		CUSHION ASSY WITH COVERING	1	
1	868366	. CUSHION ASSY / CLOUDONE	1	
2	868396	. . FRAME ASSY / CLOUDONE	1	
3	868367	. . FOAM - CUSHION / CLOUDONE	1	
4	867931	. . CLIP FOR CUSHION	15	
5		. COVERING CUSHION	1	
11		CUSHION ASSY WITH COVERING	1	
11	868351	. CUSHION ASSY / FLIP	1	
12	868324	. . FOAM - CUSHION	1	
13	868325	. . FOAM - CUSHION	1	
14	868321	. . FRAME ASSY	1	
15	868352	. . CUSHION COVER ASSEMBLY	1	
16	865603	. . SCREW MA BUT PH M8x19	19	
17	868326	. . SCREW BUT HEXS 3/8-16x1 3/4 SS	2	
18	868323	. . BUSHING	2	
19	868322	. . NYLON BUSHING FOR SLIDE CUSHION MECHANISM	2	
20	868328	. . SCREW BUT HEXS #10-32x3/4	4	
21	868196	. . NUT HEX NYRT #10-24	4	
22	868314	. . CUSHION MECHANISM	1	
22	868316	. . . MOVING ARM FLIPPING SEAT	1	
23	868131	. . . SPRING	1	
24	867944	. . . SCREW SHR HEXS 5/16-18	1	
25	867945	. . . WASHER	1	
26	867946	. . . CAP NUT 5/16-18	1	
27	868315	. . . HANDLE	1	
28	868327	. . . SCREW CAP HEXS 1/4-20x1	1	
29	865479	. . . NUT HEX NYRT 1/4-20	1	
30		. . COVERING CUSHION	1	
31		. . COVERING CUSHION	1	
32	865358	HANDLE GREY	1	
33	865524	SCREW CAP BUT HEXS 1/4x1	2	
33	865479	NUT HEX NYRT 1/4-20	2	
34	868261	WASHER FL 1/4	2	
35	868329	PLATE WITH INSTRUCTION LABEL	1	
36	868120	RIVET 3/16 X 3/4 BLACK	6	

PASSENGER'S SEAT - "MULTINA" BELT INSTL



From 7-8754	Date:01/2024	PAGE:X3-1828-75
-------------	--------------	-----------------

PASSENGER'S SEAT - "MULTINA" BELT INSTL

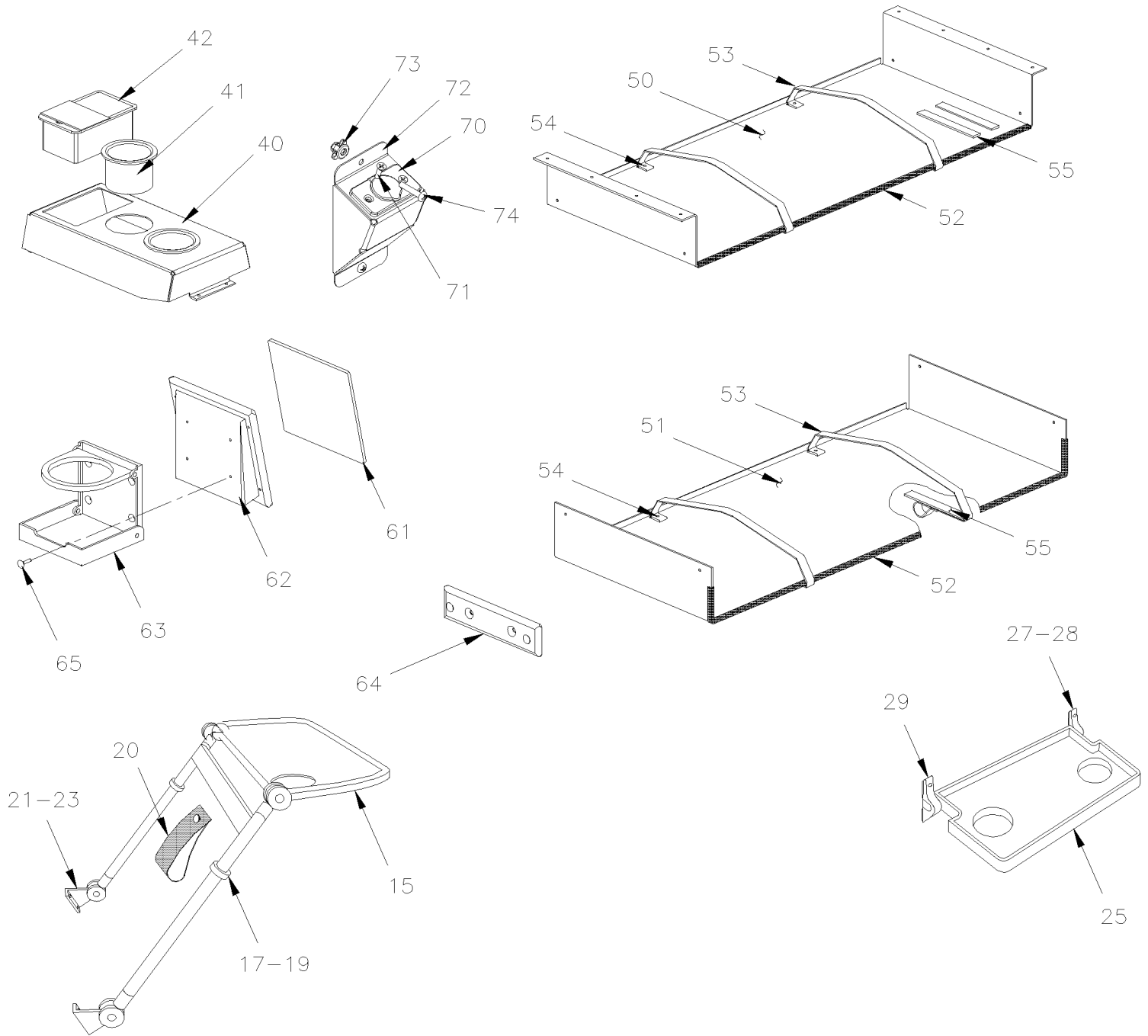
Item#	Part	Description	QTY	Notes
1	865275	LAP SEAT BELT, NON-RETRACTABLE	AR	
2	464783	BELT, FLAT SUPPORT	AR	
3	464784	BELT, BEND SUPPORT	AR	
10	5001590	SCREW CAP HEX M16-2.0x40 G10.9 N500	AR	
11	5001150	WASHER FL 17.0x30.0x3.0 N500	AR	
12	5001662	NUT HEX NYRT M16-2.0 G10 Z050	AR	
13	5001801	SCREW CAP HEXF M10-1.5x55 G10.9 N500	AR	
14	5001727	NUT HEXF NYRT M10-1.5 N500	AR	

From 7-8754

Date:01/2024

PAGE:X3-1829-00

ACCESSORIES PASSENGER'S SEAT - "PREVOST"

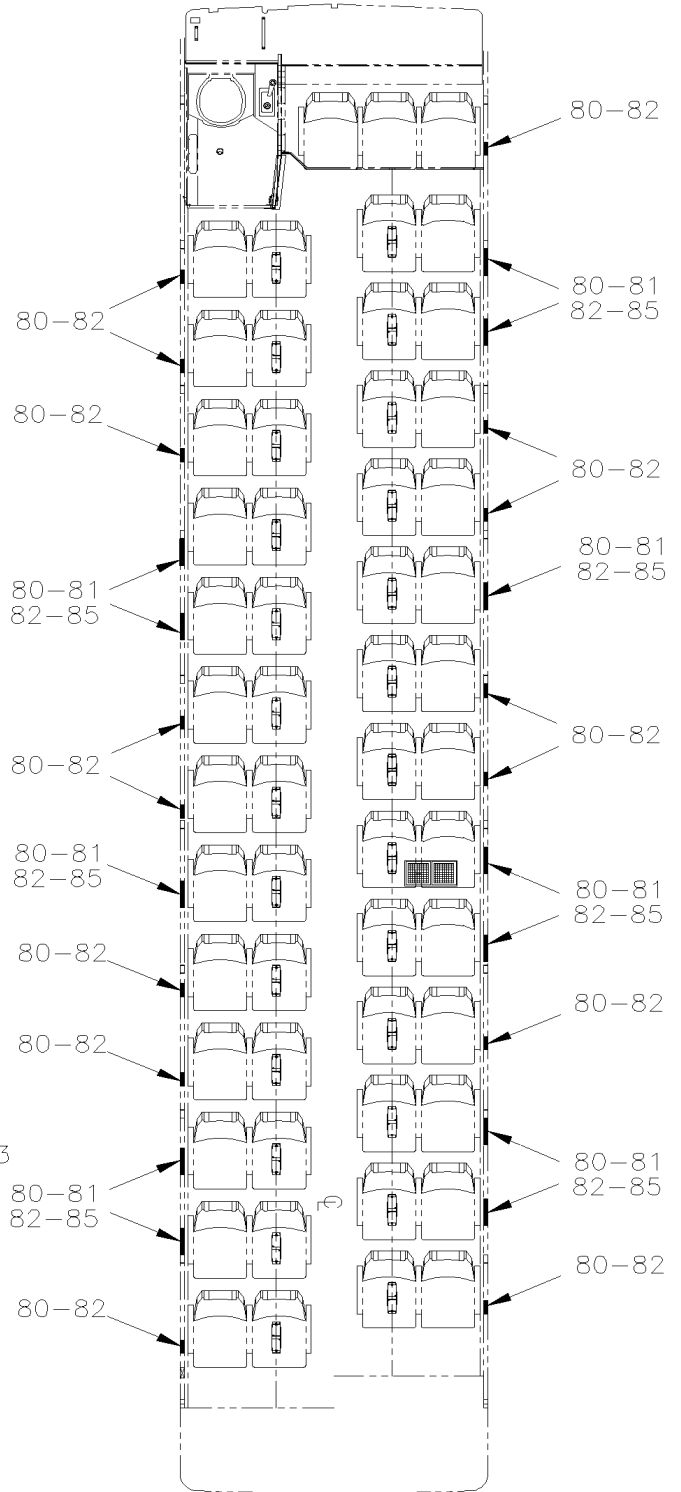
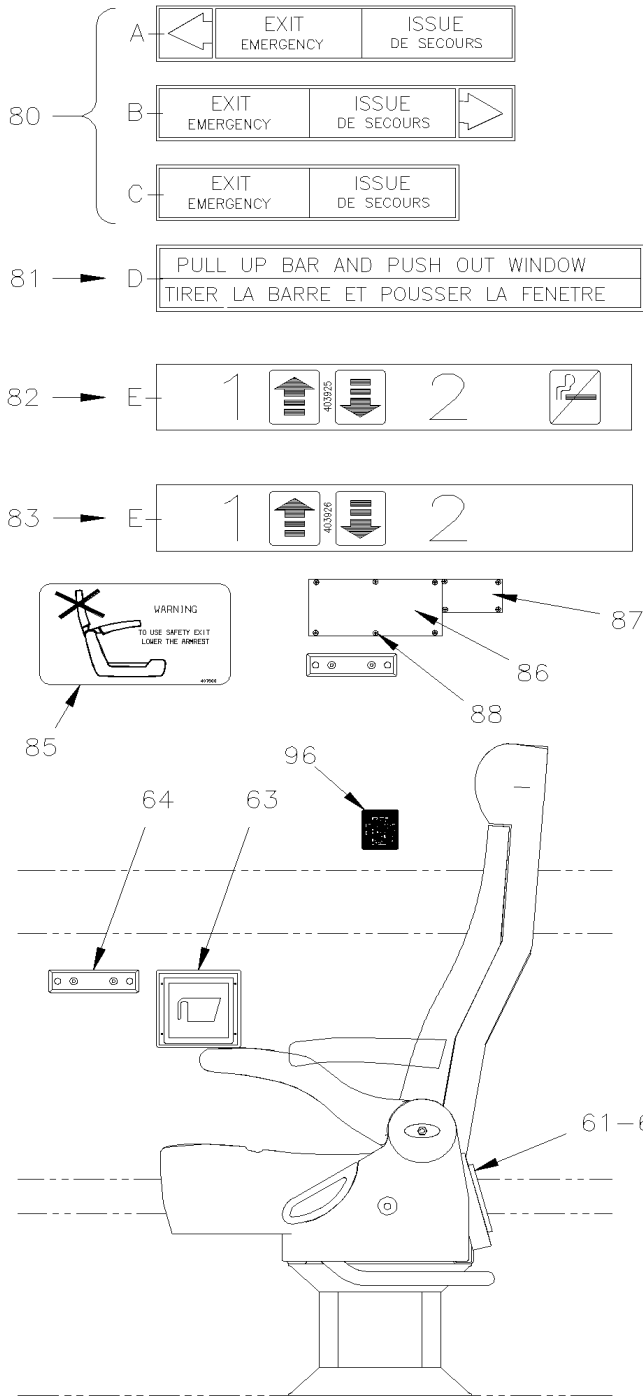


From 7-8754

Date:01/2024

PAGE:X3-1829-00

ACCESSORIES PASSENGER'S SEAT - "PREVOST"

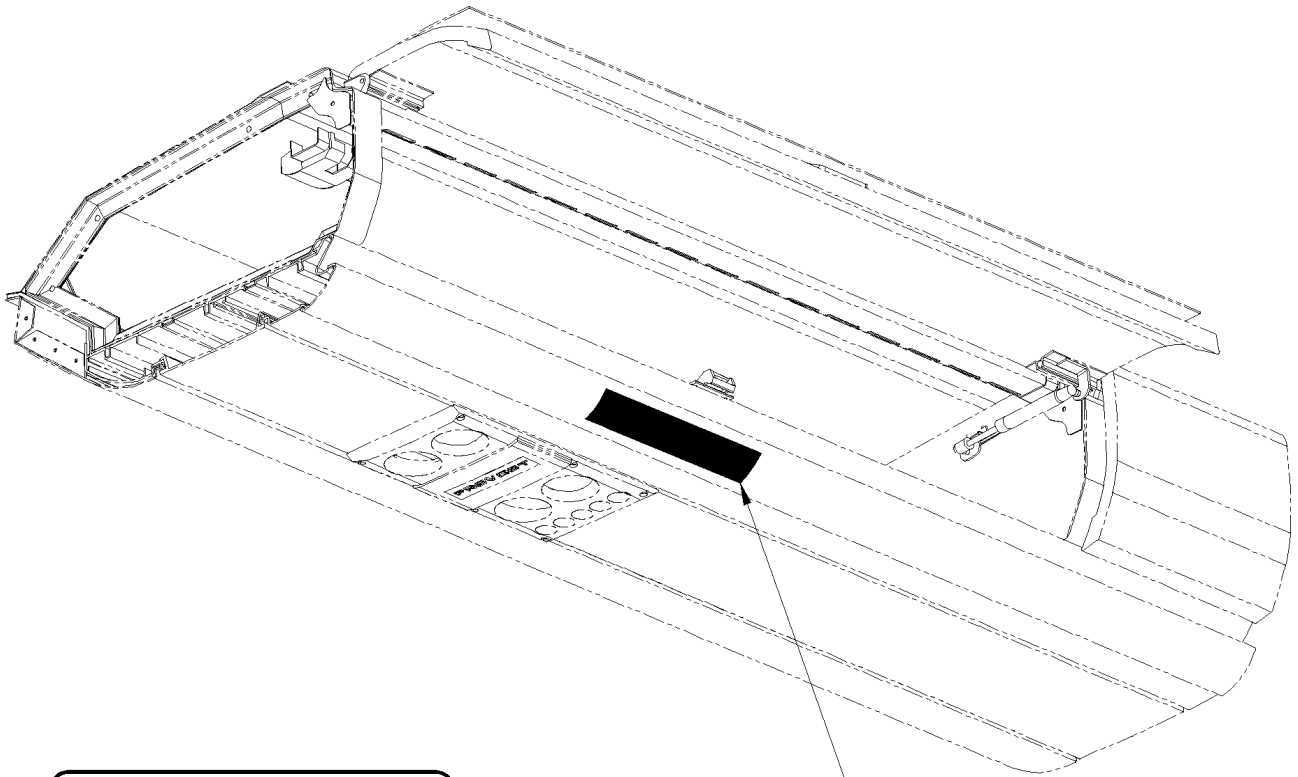


From 7-8754

Date:01/2024

PAGE:X3-1829-00

ACCESSORIES PASSENGER'S SEAT - "PREVOST"



1 ↑ ↓ 2

90

90-91-92-93-94-95

1 ↓ ↑ 2

91

3 ↑ ↓ 4

92

3 ↓ ↑ 4

93

1 ↑

2 ↑ ↓ 3

94

ROW 1

95



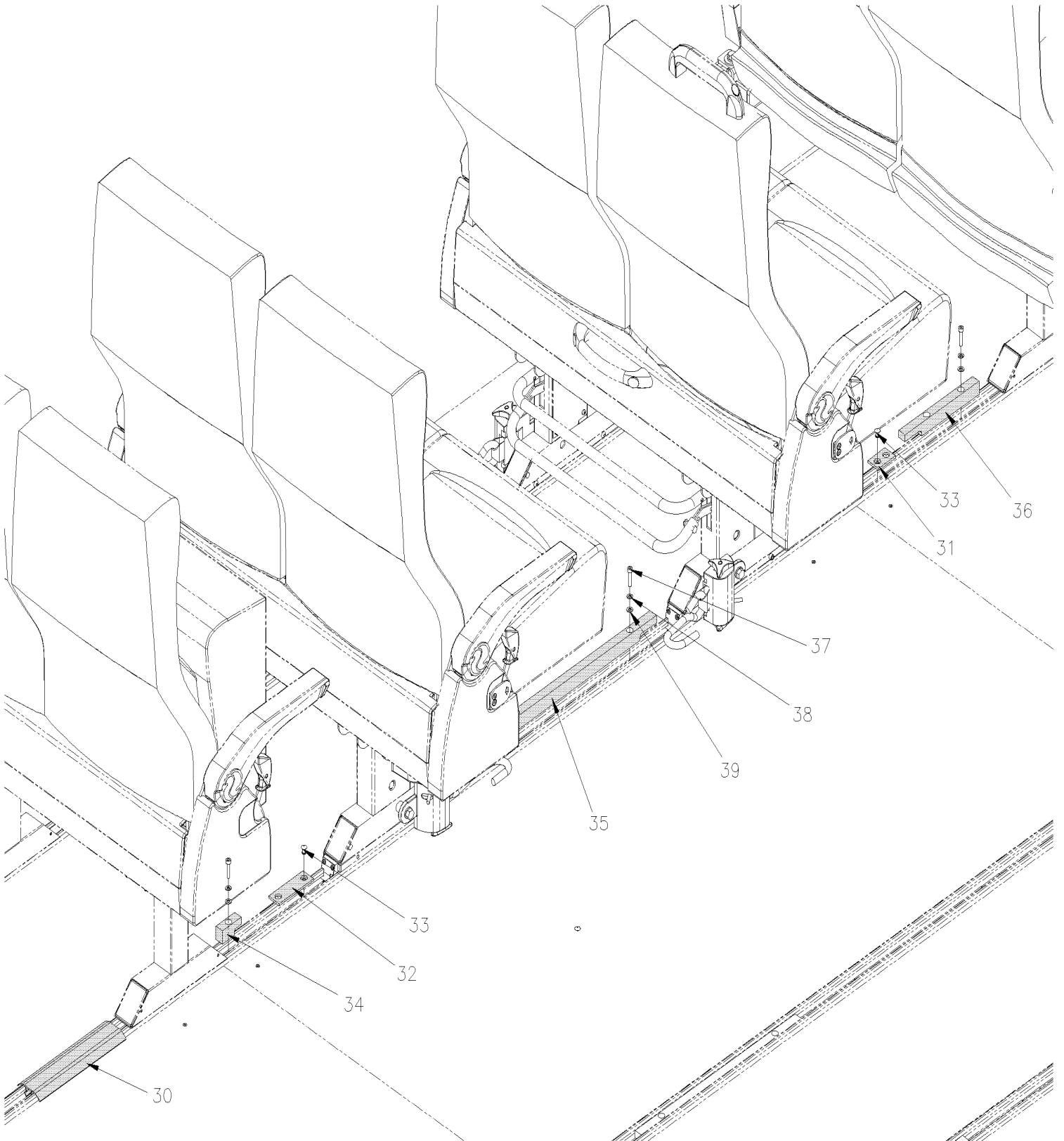
100

From 7-8754

Date:01/2024

PAGE:X3-1829-00

ACCESSORIES PASSENGER'S SEAT - "PREVOST"

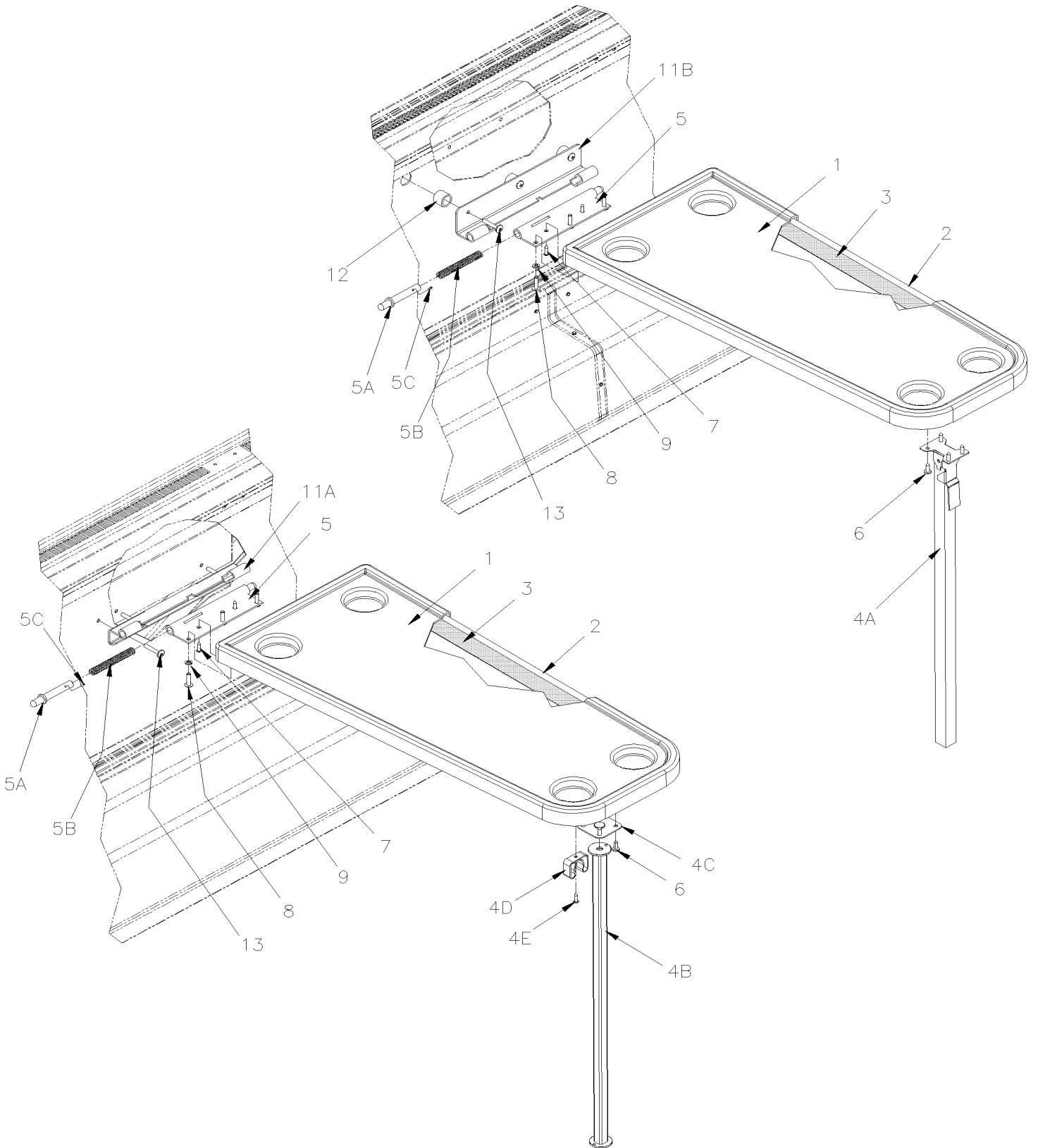


From 7-8754

Date:01/2024

PAGE:X3-1829-00

ACCESSORIES PASSENGER'S SEAT - "PREVOST"



From 7-8754		Date:01/2024	PAGE:X3-1829-00
-------------	--	--------------	-----------------

ACCESSORIES PASSENGER'S SEAT - "PREVOST"

Item#	Part	Description	QTY	Notes
	363796	TABLE ASSY / GREY ABS COVERING W/4 GLASS 857MM To 8-9276	1	
. NS	364187	. TABLE TOP ASSY W/OUT HARDWARE To 8-9276	1	
	364137	TABLE ASSY / GREY ABS COVERING W/4 GLASS 857MM From 8-9277 To A-9933	1	
	364305	TABLE ASSY / GREY ABS COVERING W/4 GLASS 857MM From A-9934 To E-5724	1	
	364350	TABLE ASSY / GREY ABS COVERING W/4 GLASS 857MM From E-5725	1	
	364171	TABLE ASSY / GREY ABS COVERING W/4 GLASS 1070MM To A-9933	1	
	364304	TABLE ASSY / GREY ABS COVERING W/4 GLASS 1070MM From A-9934 To E-5724	1	
	364306	TABLE ASSY / GREY ABS COVERING W/4 GLASS 1070MM From E-5725	1	
1	363795	. COVERING W/4 GLASS HOLDER / MEDIUM GREY 857MM To 8-9276	1	
1	364157	. COVERING W/4 GLASS HOLDER / MID CHARCOALD 857MM From 8-9277	1	
1	364169	. COVERING W/4 GLASS HOLDER / MEDIUM GREY 1070MM	1	
2	363209	. TABLE BOTTOM 844MM	1	
2	N.S.S.	. TABLE BOTTOM 1056MM	1	1
2	360325	. DECAL "INSTALLATION OF CARD TABLE...." "BILINGUAL" To A-9933	1	
2	364303	. DECAL "INSTALLATION OF CARD TABLE...." "BILINGUAL" From A-9934	1	
3	682259	. SEALANT TAPE / CLEAR / 1/32"x1 1/2"x65' / 1795	AR	
4A	860333	. LEG 25 1/8" / 639.8MM To 8-9276	1	
4A	862955	. LEG 26 1/2" / 673.1MM From 8-9277 To A-9933	1	
4A	860718	. . GLIDE SQUARE END 1 X 1 X TUBE 13 GA / P To A-9933	1	
4A	364301	. LEG 25 1/8" / 639.8MM To 8-9276	1	S
4A	364300	. LEG 26 1/2" / 673.1MM From 8-9277 To A-9933	1	S
4A	364300	. LEG 26 1/2" / 673.1MM From 8-9277 To A-9933	1	S
4A	364299	. SUPPORT TABLE LEG To A-9333	1	S
4A	364299	. SUPPORT TABLE LEG To A-9333	1	S
4A	865342	. LEG & HINGE ASSY, CARD TABLE / 26 1/2" - 673MM From E-5725	1	
4A	865343	. LEG & HINGE ASSY, CARD TABLE / 25" - 636MM From E-5725	1	
4B	364300	. LEG 26 1/2" / 673.1MM From A-9934 To E-5724	1	
4B	364300	. LEG 26 1/2" / 673.1MM From A-9934 To E-5724	1	
4C	364299	. SUPPORT TABLE LEG From A-9934 To E-5724	1	
4C	364299	. SUPPORT TABLE LEG From A-9934 To E-5724	1	
4D	504585	. SPRING CLIP 3/4" From A-9934 To E-5724	2	
4E	500642	. SCREW TP PAN PH #10x3/4 Z050 From A-9934 To E-5724	2	
5	360255	. HINGE / TABLE SECTION	1	
. A	360620	. . ROD LOCK	1	
. B	363604	. . SPRING COMPRESSION / .500 O.D. x 6.25 x .062	1	
. C	505221	. . SPRING, PIN 1/8 X 3/8	1	
6	500841	. SCREW TP PAN PH #14x3/4 Z050	4	
7	500642	. SCREW TP PAN PH #10x3/4 Z050	2	
8	500558	. SCREW MA TR PH 1/4-20x1 SS To G-5936	3	
8	500556	. SCREW MA TR PH 1/4-20x3/4 SS From G-5937	3	
9	500473	. WASHER LO SPT .262x.489x.062 Z050	3	
NS	360622	. ENVELOPE ASSY TABLE	1	

From 7-8754		Date:01/2024	PAGE:X3-1829-00
-------------	--	--------------	-----------------

ACCESSORIES PASSENGER'S SEAT - "PREVOST"

Item#	Part	Description	QTY	Notes
11A	361658	HINGE / WALL SECTION 1 1/8"x1 5/16" ANGLE To 8-9276	1	
11A	364115	HINGE / WALL SECTION 25x33x10 "J" From 8-9277	1	
11B	364140	HINGE / WALL SECTION	1	
12	363002	SPACER 25.4MM O.D x 20MM	3	
13	500559	SCREW MA TR PH 1/4-20x1 1/2 SS EMN	3	
		UTILITY TABLE		
15	363611	TABLE / W/"TOURISMO II" & "ULTRA" / BLACK To 8-9276	1	
15	363423	STRAP / 145MM To 8-9276	1	
15	363464	WASHER RETAINER To 8-9276	1	
15	500583	SCREW TP PAN PH #6x1/2 Z050 To 8-9276	1	
17	363036	SPACER To 8-9276	4	
NS	860859	NYLON BUSHING / LOWER HINGE To 8-9276	2	
19	500552	SCREW TP OV PH #6x3/4 Z050 To 8-9276	4	
20	363423	STRAP / 145MM To 8-9276	1	
20	363464	WASHER RETAINER To 8-9276	1	
20	500583	SCREW TP PAN PH #6x1/2 Z050 To 8-9276	1	
21	502526	SCREW TC BDG PH #12-24x3/4 Z050 To 8-9276	4	
23	502646	WASHER LO INT .129x.280x.021 ZP To 8-9276	4	
		UTILITY SHELF / W/"TOURISMO II" & "ULTRA"		
25	860657	SHELF To 8-9276	1	
27	860659	ATTACHMENT To 8-9276	2	
28	860892	PIVOT ASSY To 8-9276	2	
29	500871	SCREW TP OV PH #8x1 BK To 8-9276	4	
30	329689	SEAT TRACK COVER 12' / EACH SEAT / W/COVERING FLOOR	AR	
31	329994	SEAT STOPPER 56MM x 31.75MM	AR	
31	3200521	SEAT STOPPER 95MM x 31.75MM	AR	
32	322246	SEAT STOPPER BLOCK 100MM x 31.75MM	AR	
33	504459	RIVET MGLP PRDG 1/4x3/8 SS	AR	
33	680532	SEALANT SIKA #221 / GREY / 310ml CARTRIDGE	AR	
34	3200626	STOPPER / SEAT POSITION / 55MM	AR	
35	3200625	STOPPER / SEAT POSITION / 465MM	AR	
36	3200807	STOPPER / SEAT POSITION / 308MM	AR	
36	3200624	STOPPER / SEAT POSITION / 215MM	AR	
37	5001611	SCREW CAP HEXS M6-1.0x30 SS BK	AR	
38	502570	WASHER LO SPT 6.1x11.8x1.6 SS	AR	
39	502573	WASHER FL 6.4x12.5x1.6 SS	AR	
NS	323809	DECAL/ ARROW > SEAT POSITION 25MM x 35MM	AR	

From 7-8754	Date:01/2024	PAGE:X3-1829-00
-------------	--------------	-----------------

ACCESSORIES PASSENGER'S SEAT - "PREVOST"

Item#	Part	Description	QTY	Notes
		V.I.P PASSENGER'S SEAT CENTER CONSOLE		
40	363519	CENTER CONSOLE V.I.P./ PLAIN To 8-9276	1	
40	363557	CENTER CONSOLE V.I.P./ W/2 GLASS HOLDER To 8-9276	1	
40	363558	CENTER CONSOLE V.I.P./ W/2 GLASS HOLDER & ASHTRAY To 8-9276	1	
40	363608	CENTER CONSOLE V.I.P./ W/2 SELECTOR HEAD SET To 8-9276	1	
40	363983	CENTER CONSOLE V.I.P./ W/2 GLASS HOLDER & 2 SELECTOR HEAD SET To 8-9276	1	
41	900675	GLASS HOLDER, PLASTIC BLACK To 8-9276	1	
42	900518	ASHTRAY To 8-9276	1	
		SEAT PARTITION OPTION A210/220 AMAYA SEAT		
45	7771098	POLYCARBONATE, WINDOW SIDE LH A210/220 A210/220 AMAYA SEAT	AR	
45	7771099	POLYCARBONATE, AISLE SIDE LH A210/220	AR	
45	7771100	POLYCARBONATE, WINDOW SIDE RH A210/220	AR	
45	7771101	POLYCARBONATE, AISLE SIDE RH A210/220	AR	
45	7771102	DECAL "DO NOT PULL/PUSH.." ENGLISH / FRENCH / SPANISH	AR	
45	504637	CABLE TIE / 3/16" x 13"	AR	
NS	363079	KIT FOR RETROFIT TABLE / SPACER WALL AND STRUCTURE To 8-9276	AR	
. NS	IS-91077	. SEE INSTRUCTION SHEET To 8-9276	1	
49	364141	KIT FOR RETROFIT TABLE / SPACER WALL AND STRUCTURE From 8-9277	AR	
. NS	IS-91077	. SEE INSTRUCTION SHEET From 8-9277	1	
50	364021	SUPPORT ASSY CARD TABLE UPPER 900MM	1	
. NS	364020	. SUPPORT UPPER	1	
50	364182	SUPPORT UPPER 1133MM	1	
51	364024	SUPPORT ASSY CARD TABLE LOWER 900MM	1	
. NS	364023	. SUPPORT LOWER	1	
51	364023	SUPPORT LOWER	1	
52	506025	RUBBER CHANNEL / 1/18" x 5/16" INT "U" SHAPE / SQUARE C.T.L.	AR	
53	364022	STRAP RETAINER	2	
54	504113	RIVET POP DOME CLE 3/16x1/4 AL	2	
55	506756	VELCRO / LOOP ADHESIF 1" x 75'	AR	
61	363897	PLATE	AR	
62	363518	SUPPORT	AR	
63	900527	GLASS HOLDER	AR	
63	900788	GLASS HOLDER	AR	
NS	860642	GLASS HOLDER / W/"AMAYA" / W/2 HOLES FOR SCREW	1	
64	860875	TRASH BAG, SUPPORT / BLACK FIXED TO WALL	AR	

From 7-8754		Date:01/2024	PAGE:X3-1829-00
-------------	--	--------------	-----------------

ACCESSORIES PASSENGER'S SEAT - "PREVOST"

Item#	Part	Description	QTY	Notes
64	863976	TRASH BAG, SUPPORT / GREY FIXED TO WALL	AR	
NS	861107	TRASH BAG / BOX OF 5000	AR	
65	500353	SCREW TP FL PH #8x3/4 BK	4	
		12 VOLTS POWER OUTLET		
70	562796	12 VOLTS POWER OUTLET	1	
NS	067422	CABLE / 12 VOLTS POWER OUTLET	1	
71	500353	SCREW TP FL PH #8x3/4 BK	2	
72	406241	SUPPORT / 12 VOLTS POWER OUTLET	1	
73	500888	NUT AN JK #10-24	2	
74	500388	SCREW MA RND PH #10-24x1 Z050	2	
NS	406386	DECAL / "WATCH YOUR STEP" / "CUINDADO CON EL 13 x 368	1	
NS	406388	DECAL / "WATCH YOUR STEP" 13 x 368	1	
80	400543	DECAL, "EMERGENCY EXIT" W/RED ARROW / ENGLISH & FRANCAIS To 9-9524	AR	
80	405627	DECAL, "EMERGENCY EXIT" W/RED ARROW / ENGLISH & SPANISH To 9-9524	AR	
80	408205	DECAL / "EMERGENCY EXIT" : ISSUE DE SECOURS / ENGLISH & FRANCAIS From 8-9295 To R-6972	AR	
80	406941	DECAL / "EMERGENCY EXIT" / "1.PULL UP BAR 2. PUSH OUT WINDOW" / ENGLISH & FRANCAIS From R-6973	AR	
80	408206	DECAL / "EMERGENCY EXIT" / ENGLISH From 8-9295 To R-6972	AR	
80	406939	DECAL / "EMERGENCY EXIT" / "1.PULL UP BAR 2. PUSH OUT WINDOW" / ENGLISH From R-6973	AR	
80	408207	DECAL / "EMERGENCY EXIT" : SALIDA DE EMERGENCIA / ENGLISH & SPANISH From 8-9295 To R-6972	AR	
80	406940	DECAL / "EMERGENCY EXIT" / "1.PULL UP BAR 2. PUSH OUT WINDOW" / ENGLISH & SPANISH From R-6973	AR	
80	400873	DECAL / "EMERGENCY EXIT" : SALIDA DE EMERGENCIA / ENGLISH & FRANCAIS & ESPAÑOL From J-6309	AR	GL
80	403694	DECAL / BRAILLE / EMERGENCY EXIT TO YOUR RIGHT To P-6791	AR	
80	406844	DECAL / BRAILLE / EMERGENCY EXIT TO YOUR RIGHT From P-6792	AR	
80	403695	DECAL / BRAILLE / EMERGENCY EXIT TO YOUR LEFT To P-6791	AR	
80	406845	DECAL / BRAILLE / EMERGENCY EXIT TO YOUR LEFT From P-6792	AR	
80	405775	DECAL / BRAILLE / EMERGENCY EXIT ONLY / ENGLISH & FRANCAIS To P-6791	AR	
80	406847	DECAL / BRAILLE / EMERGENCY EXIT ONLY / ENGLISH & FRENCH From P-6792	AR	
81	400544	DECAL "PULL UP BAR & PUSH OUT WINDOW" / ENGLISH & FRANCAIS To 8-9294	AR	
81	408209	DECAL 1.PULL UP BAR 2. PUSH OUT WINDOW" / ENGLISH From 8-9295 To R-6972	AR	
81	406939	DECAL / "EMERGENCY EXIT" / "1.PULL UP BAR 2. PUSH OUT WINDOW" / ENGLISH From R-6973	AR	
81	408208	DECAL 1.PULL UP BAR 2. PUSH OUT WINDOW" / ENGLISH & FRANCAIS From 8-9295 To R-6972	AR	
81	406941	DECAL / "EMERGENCY EXIT" / "1.PULL UP BAR 2. PUSH OUT WINDOW" / ENGLISH & FRANCAIS From R-6973	AR	
81	408210	DECAL 1.PULL UP BAR 2. PUSH OUT WINDOW" / ENGLISH & SPANISH From 8-9295 To R-6972	AR	
81	406940	DECAL / "EMERGENCY EXIT" / "1.PULL UP BAR 2. PUSH OUT WINDOW" / ENGLISH & SPANISH From R-6973	AR	
81	400010	DECAL 1.PULL UP BAR 2. PUSH OUT WINDOW" / ENGLISH & FRANCAIS & SPANISH From 8-9295	AR	R
81	406098	DECAL 1.PULL UP BAR 2. PUSH OUT WINDOW" / ENGLISH & FRANCAIS w/hole From 8-9295	AR	R
81	403693	DECAL / BRAILLE / PULL UP BAR PUSH OUT WINDOW / ENGLISH To P-6791	AR	
81	406843	DECAL / BRAILLE / PULL UP BAR PUSH OUT WINDOW / ENGLISH From P-6792	AR	
81	403707	DECAL / BRAILLE / TIRER LA BARRE POUSSER LA FENETRE / FRENCH To P-6791	AR	

From 7-8754		Date:01/2024	PAGE:X3-1829-00
ACCESSORIES PASSENGER'S SEAT - "PREVOST"			

Item#	Part	Description	QTY	Notes
81	406846	DECAL / BRAILLE / TIRER LA BARRE POUSSER LA FENETRE / FRENCH From P-6792	1	
81	408203	DECAL EMERGENCY >>>> PICTOGRAPM RIGHT>>>> From 8-9295	AR	
81	400011	DECAL EMERGENCY >>>> PICTOGRAPM RIGHT>>>> ALUMINIUM From 8-9295	AR	R
81	504108	RIVET POP DOME OE 1/8x1/2 AL From 8-9295	AR	R
81	408204	DECAL EMERGENCY >>>> PICTOGRAPM LEFT>>>> From 8-9295	AR	
81	400018	DECAL EMERGENCY >>>> PICTOGRAPM LEFT>>>> ALUMINIUM From 8-9295	AR	R
81	400850	DECAL EMERGENCY >>>> OPENING WINDOW >>>> / ENGLISH & FRANCAIS & ESPAÑOL From J-6309	AR	GL R
81	504108	RIVET POP DOME OE 1/8x1/2 AL From 8-9295	AR	R
81	406387	DECAL / "ATTENTION À LA MARCHE" / BILINGUAL 13 x 368	1	
82	403925	DECAL SEAT EVEN-NUMBERED ON AISLE / 1-60 / NO SMOKING To 8-9294	AR	
82	403928	DECAL SEAT ODD & EVEN NUMBERED ON AISLE / 1-6 / NO SMOKING To 8-9294	AR	
83	403926	DECAL SEAT ODD-NUMBERED ON AISLE / 1-60 To 8-9294	AR	
83	403927	DECAL SEAT ODD & EVEN NUMBERED ON AISLE / 1-6 To 8-9294	AR	
NS	403890	DECAL / TO OPERATE SWIVEL SEAT... / ENGLISH & FRANCAIS To 8-9294	AR	
NS	405643	DECAL / TO OPERATE SWIVEL SEAT... / ENGLISH & SPANISH To 8-9294	AR	
85	405211	DECAL / "WARNING ...LOWER THE ARMREST / ENGLISH & FRANCAIS To H-6199	AR	
85	400464	DECAL / "WARNING ...LOWER THE ARMREST / ENGLISH & FRANCAIS From H-6200	AR	
85	405649	DECAL / "WARNING ...LOWER THE ARMREST / ENGLISH & SPANISH To H-6199	AR	
85	400467	DECAL / "WARNING ...LOWER THE ARMREST / ENGLISH & SPANISH From H-6200	AR	
85	407600	DECAL / "WARNING ...LOWER THE ARMREST / ENGLISH To H-6199	AR	
85	400466	DECAL / "WARNING ...LOWER THE ARMREST / ENGLISH From H-6200	AR	
86	409371	DECAL, PRIORITY SEATING / ENGLISH & FRANCAIS To G-5959	2	
NS	409372	DECAL, PRIORITY SEATING / ENGLISH & FRANCAIS To G-5959	1	
86	400265	DECAL, PRIORITY SEATING / ENGLISH & FRANCAIS From G-5960	2	
86	409370	DECAL, PRIORITY SEATING / ENGLISH & SPANISH To D-5299	2	
86	409409	DECAL, PRIORITY SEATING / ENGLISH & SPANISH From D-5300 To G-5959	2	
NS	409408	DECAL, PRIORITY SEATING / ENGLISH & SPANISH From D-5300 To G-5959	1	
86	400266	DECAL, PRIORITY SEATING / ENGLISH & SPANISH From G-5960	2	
86	400006	DECAL, PRIORITY SEATING / ENGLISH & SPANISH & FRANCAIS To G-5959	2	
86	400267	DECAL, PRIORITY SEATING / ENGLISH & SPANISH & FRANCAIS From G-5960	2	
86	400310	DECAL, PRIORITY SEATING / ENGLISH From G-5960	2	
87	409369	DECAL, PRIORITY SEATING PICTOGAMME To G-5959	2	
88	504108	RIVET POP DOME OE 1/8x1/2 AL To G-5959	20	
NS	500437	WASHER FL .125x.375x.040 Z050 To G-5959	4	
88	504263	RIVET POP DOME OE 1/8x3/8 AL From G-5960	12	
88	5001067	WASHER FL .128x.312x.032 SS From G-5960	4	
90	405957	DECAL SEAT NUMBER 1-2 UP TO 57-58 GREY From 8-9295 To D-5299	AR	
90	406603	DECAL SEAT NUMBER 1-2 UP TO 57-58-59 GREY From D-5300	AR	
91	408211	DECAL SEAT NUMBER 1-2 UP TO 57-58 GREY From 8-9295 To D-5299	AR	
91	406605	DECAL SEAT NUMBER 1-2 UP TO 57-58-59 GREY From D-5300	AR	
92	405959	DECAL SEAT NUMBER 3-4 UP TO 59-60 GREY From 8-9295 To D-5299	AR	
92	406604	DECAL SEAT NUMBER 3-4 UP TO 59-60-61 GREY From D-5300	AR	

From 7-8754		Date:01/2024	PAGE:X3-1829-00
-------------	--	--------------	-----------------

ACCESSORIES PASSENGER'S SEAT - "PREVOST"

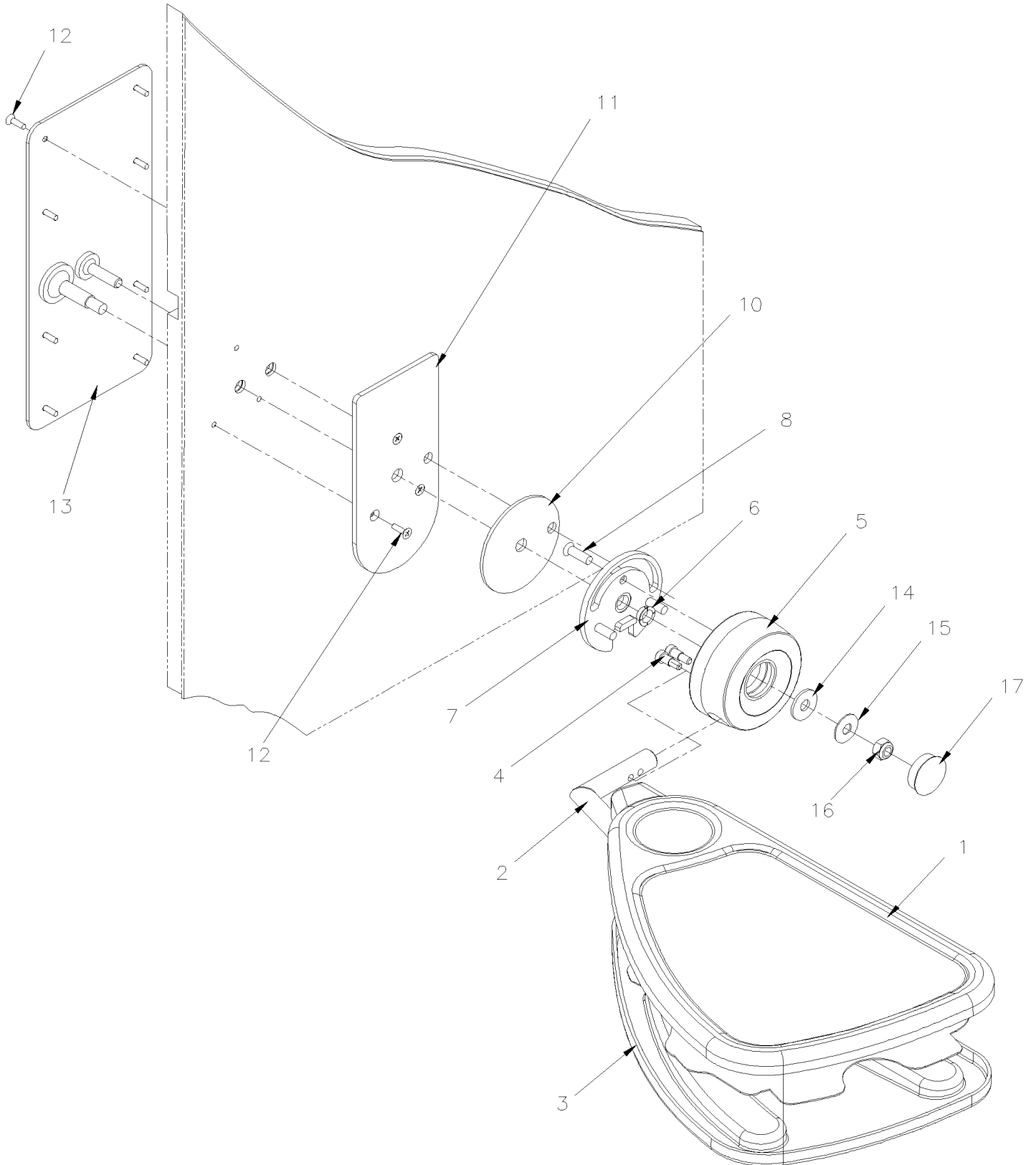
Item#	Part	Description	QTY	Notes
93	405960	DECAL SEAT NUMBER 3-4 UP TO 59-60 GREY From 8-9295 To D-5299	AR	
93	406606	DECAL SEAT NUMBER 3-4 UP TO 59-60-61 GREY From D-5300	AR	
94	405958	DECAL V.I.P. SEAT NUMBER GREY From 8-9295	AR	
95	405978	DECAL SEAT / W/ROW NUMBER GREY From 8-9295	AR	
96	406548	DECAL / QR CODE / PASSENGER SEAT From C-5270	1	
96	406549	DECAL / QR CODE / DRIVER SEAT From C-5270 To E-5619	1	
96	408358	DECAL / QR CODE / DRIVER SEAT From E-5620	1	
100	323811	DECAL / "SEAT BELT PICTOGRAMME" GREY	AR	
100	323557	DECAL / "SEAT BELT PICTOGRAMME" BLUE	AR	
701	363795	. COVERING W/4 GLASS HOLDER / MEDIUM GREY 857MM	1	
702	860333	. LEG 25 1/8" / 639.8MM To 8-9276	1	
702	862955	. LEG 26 1/2" / 673.1MM From 8-9277	1	
702	364300	. LEG 26 1/2" / 673.1MM From A-9934	1	
702	364299	. SUPPORT TABLE LEG From A-9934	1	
704	360255	. HINGE / TABLE SECTION	1	
. A	360620	. . ROD LOCK	1	
. B	363604	. . SPRING COMPRESSION / .500 O.D. x 6.25 x .062	1	
. C	505221	. . SPRING, PIN 1/8 X 3/8	1	
NS	500841	. SCREW TP PAN PH #14x3/4 Z050	9	
NS	506006	. TAPE RUB ADH1 CC POL 3/8" x 1 1/4" x 20' / GREY 2520	AR	
NS	360325	. DECAL "INSTALLATION OF CARD TABLE...." "BILINGUAL" To A-9933	1	
NS	364303	. DECAL "INSTALLATION OF CARD TABLE...." "BILINGUAL" From A-9934	1	
NS	360622	. ENVELOPE ASSY TABLE	1	
705	364115	HINGE / WALL SECTION 25x33x10 "J" From 8-9277	1	
NS	500136	SCREW MA OV PH 1/4-20x1 1/2 SS EMN	3	
		GL) GREYHOUND OPTION		
		R) FIX WITH RIVET		
		S) SERVICE		
		1) NOT SOLD SEPARATELY		

From 9-9582 To G-6063

Date:01/2024

PAGE:X3-1829-05

TABLE WALL INSTALLATION



From 9-9582 To G-6063	Date:01/2024	PAGE:X3-1829-05
-----------------------	--------------	-----------------

TABLE WALL INSTALLATION

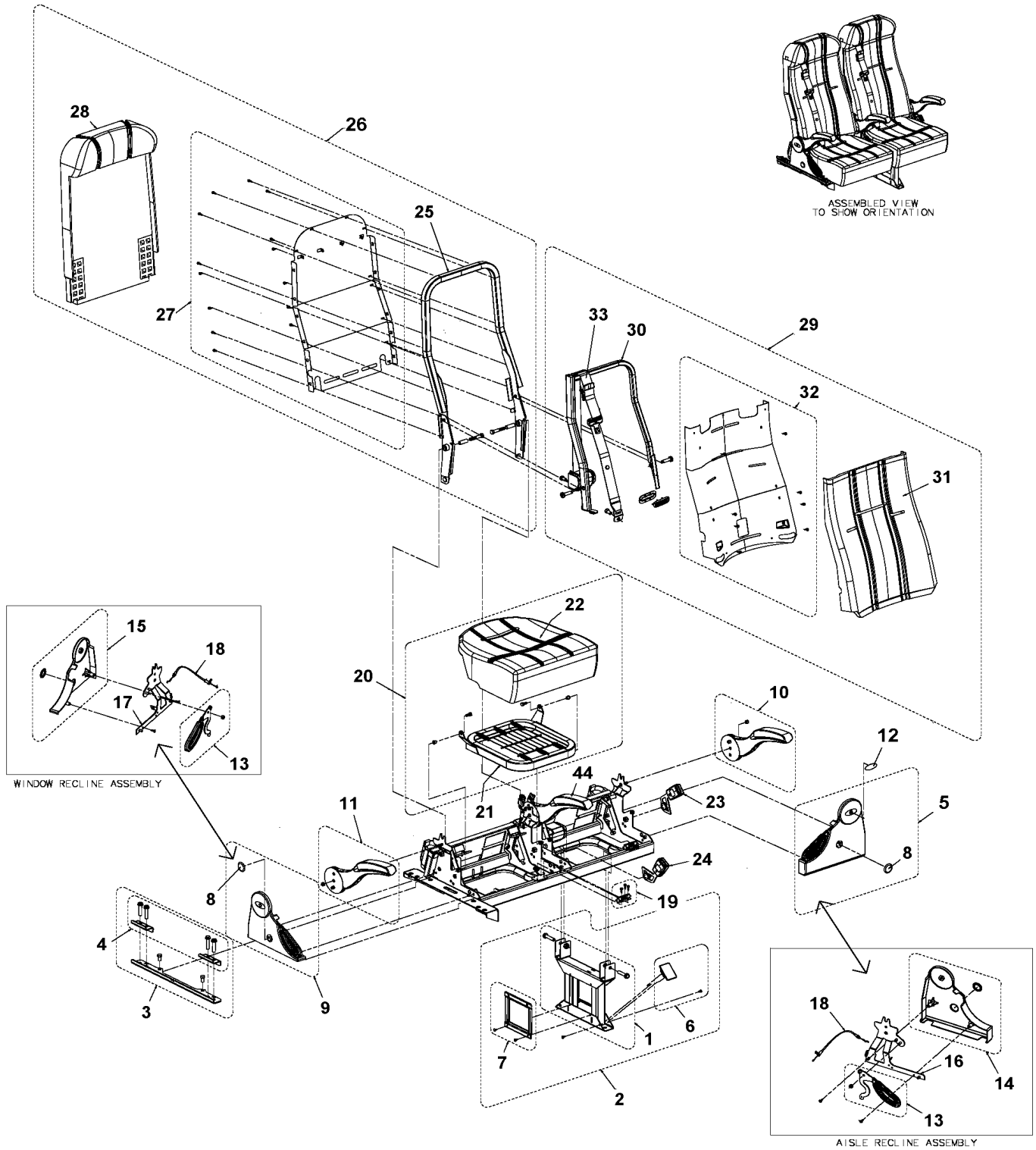
Item#	Part	Description	QTY	Notes
	Call order desk	TABLE ASSY W/PIVOT	1	P
1	364233	. COVERING TABLE TOP	1	
2	364178	. TABLE STRUCTURE ASSY	1	
3	364234	. COVERING TABLE UNDER	1	
4	5001560	. SCREW SHR HEXS 5/16x3/8 {1/4-20 SS	2	
5	364181	. PIVOT	1	
6	507289	. BUSHING NYLINER / AUXILIARY ARM & ATTACHMENT	1	
7	364515	. PIVOT PLATE STOPPER	1	
8	502576	. SCREW MA FL PH M8-1.25x25 Z050	3	
10	364185	PLATE FRICTION 95MM O.D.	1	
11	364228	PLATE SUPPORT WALL EXTERIOR	1	
12	500616	SCREW TP FL PH #10x3/4 Z050	11	
13	364186	SUPPORT ASSY / WALL SECTION INTERIOR	1	
14	502644	WASHER FL 10.5x30.0x2.5 Z050	1	
15	5001214	WASHER BEL SPR 10.2x28.0x1.3	1	
16	5001570	NUT HEX NYRT M10-1.5 Z050	1	
17	507295	HOLE PLUG BUTTON / 1.375 O.D. BLACK	1	
NS	409263	DECAL / TABLETTE TRASY / ENGLISH & FRANCAIS To D-5459	1	
NS	409264	DECAL / TRAY TABLETTA / ENGLISH & SPANISH To D-5459	1	
19	409410	DECAL / TABLETTE TRASY PICTOGRAM From D-5460	1	
		P) CALL ORDER DESK FOR SPECIFIC APPLICATION (V.I.N.)		

From 7-8754

Date:01/2024

PAGE:X3-1830-00

PASSENGER'S SEAT - "AMERICAN" & "IMMI" "PREMIER"&"SAFEGUARD PREMIER"

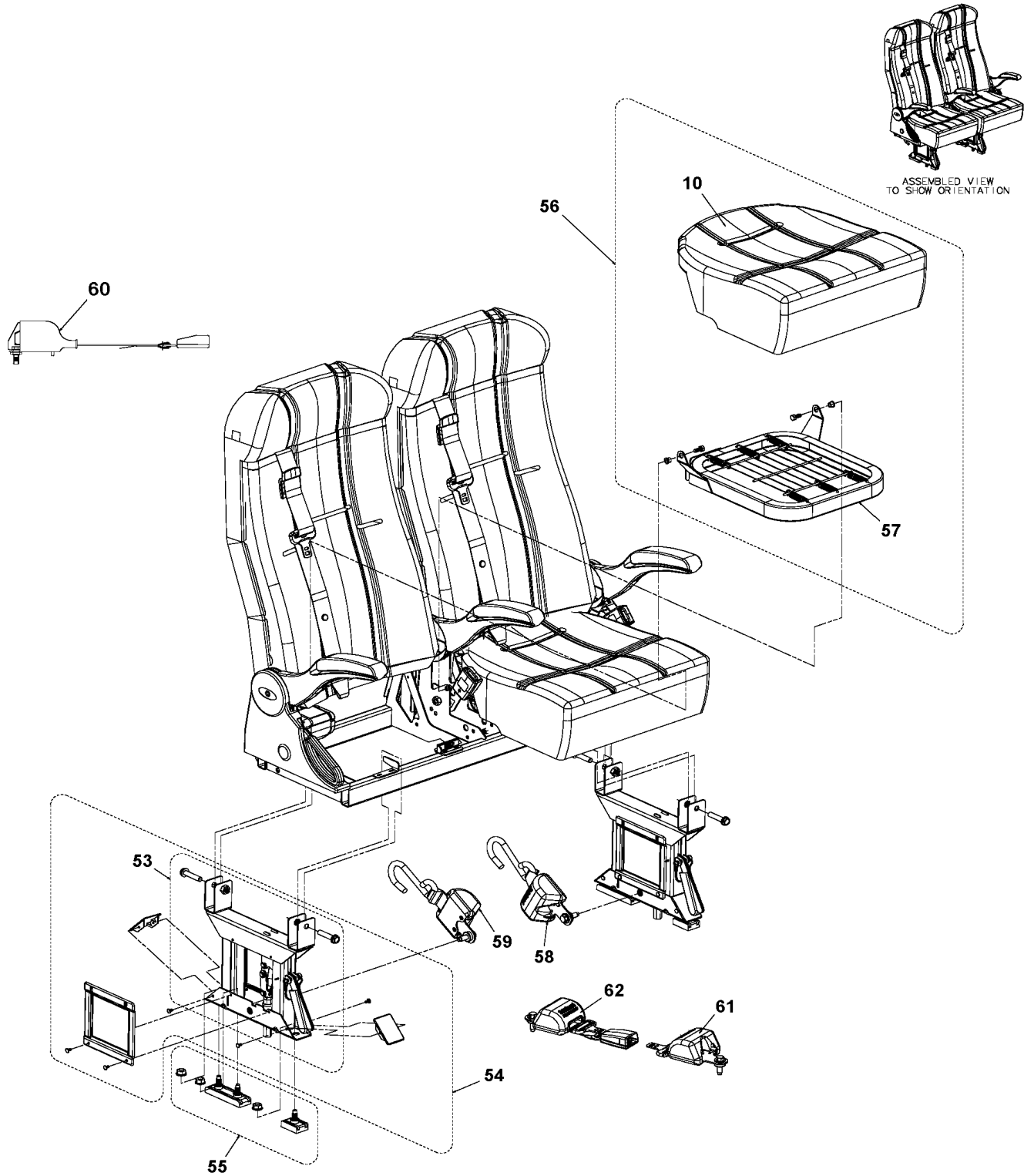


From 7-8754

Date:01/2024

PAGE:X3-1830-00

PASSENGER'S SEAT - "AMERICAN" & "IMMI" "PREMIER"&"SAFEGUARD PREMIER"

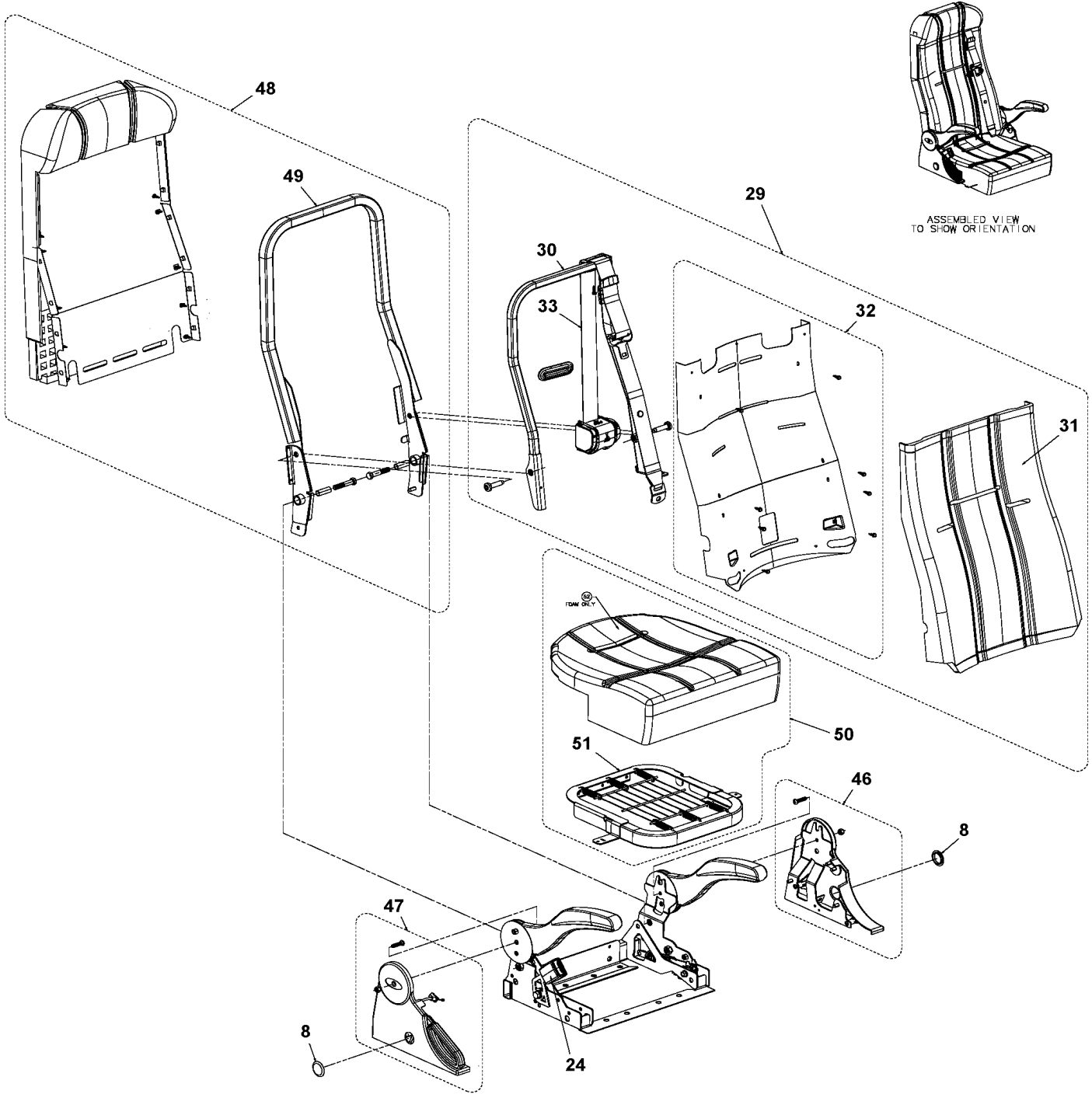


From 7-8754

Date:01/2024

PAGE:X3-1830-00

PASSENGER'S SEAT - "AMERICAN" & "IMMI" "PREMIER"&"SAFEGUARD PREMIER"

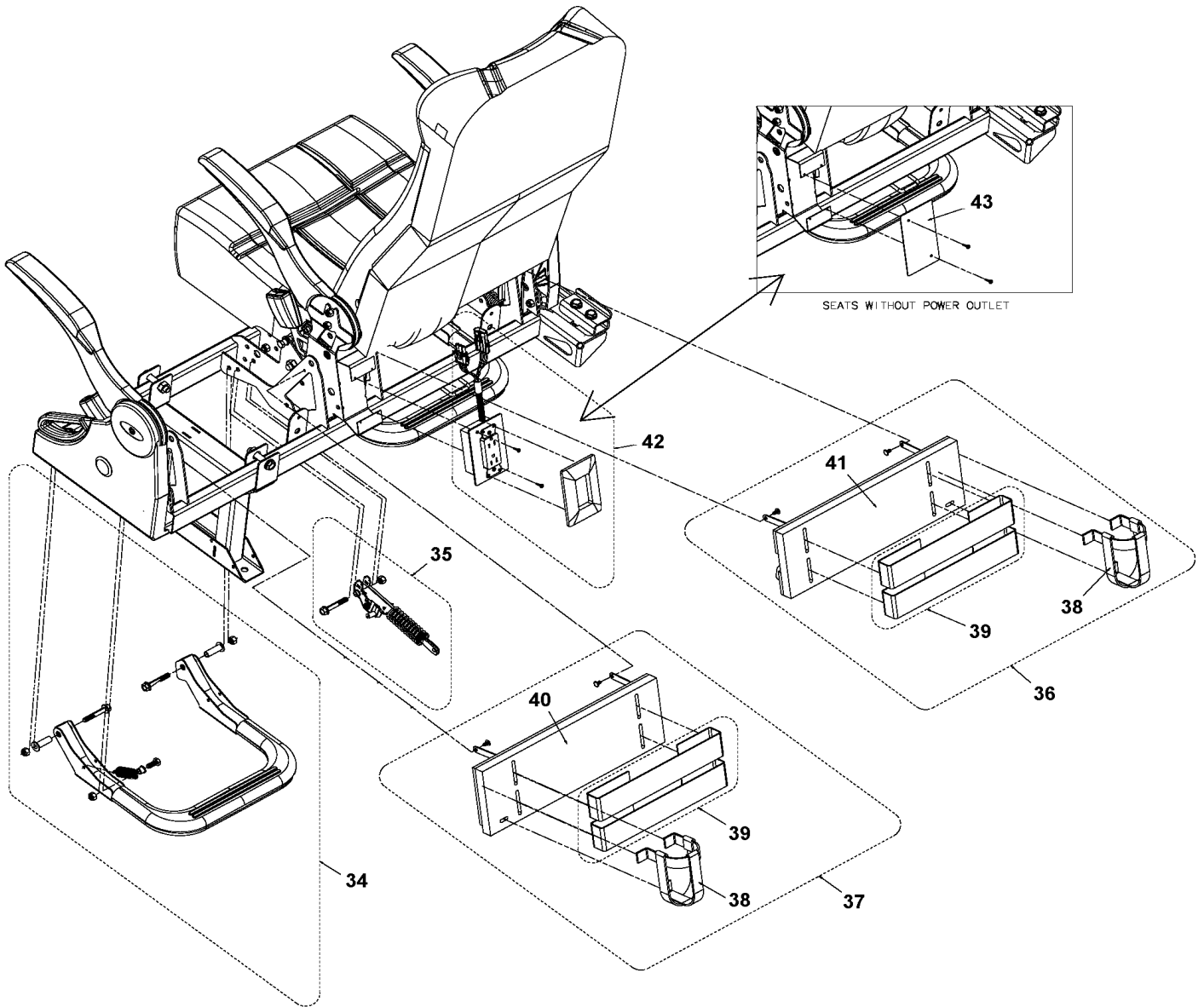
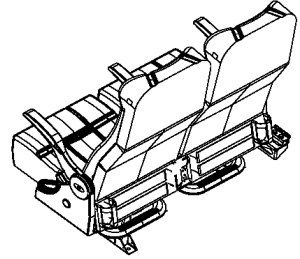


From 7-8754

Date:01/2024

PAGE:X3-1830-00

PASSENGER'S SEAT - "AMERICAN" & "IMMI" "PREMIER"&"SAFEGUARD PREMIER"

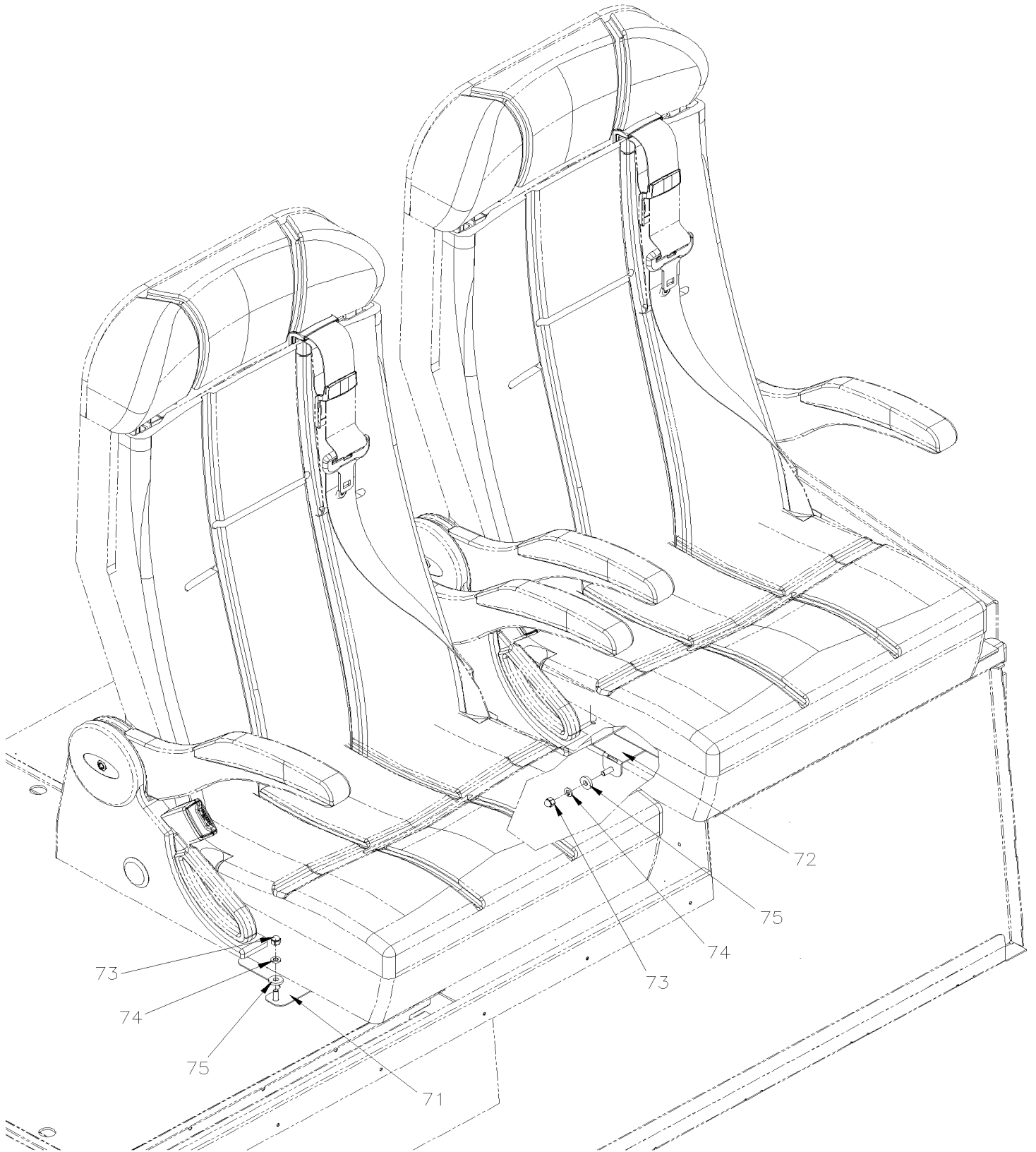


From 7-8754

Date:01/2024

PAGE:X3-1830-00

PASSENGER'S SEAT - "AMERICAN" & "IMMI" "PREMIER"&"SAFEGUARD PREMIER"



From 7-8754	Date:01/2024	PAGE:X3-1830-00
-------------	--------------	-----------------

PASSENGER'S SEAT - "AMERICAN" & "IMMI" "PREMIER"&"SAFEGUARD PREMIER"

Item#	Part	Description	QTY	Notes
	329177	SEAT STOPPER BLOCK 275MM x 31.75MM	AR	
	329994	SEAT STOPPER 56MM x 31.75MM	AR	
	3200521	SEAT STOPPER 95MM x 31.75MM	AR	
	504459	RIVET MGLP PRDG 1/4x3/8 SS	12	
	323809	DECAL/ ARROW > SEAT POSITION 25MM x 35MM	6	
1	Call order desk	PEDESTAL WELDMENT STANDARD / KIT	1	P
2	Call order desk	PEDESTAL, WELDMENT STANDARD / KIT	1	P
2	Call order desk	PEDESTAL, WELDMENT STANDARD (WTOR FIX) / KIT	1	P
3	Call order desk	CLAMP BRACKET WITH TOOTH / KIT	1	P
4	867800	CLAMP BRACKET	2	
4	867802	BOLT	4	
5	Call order desk	RECLINE ASSY / CURBE SIDE / KIT	1	P
5	Call order desk	RECLINE ASSY / STREET SIDE / KIT	1	P
6	864431	COVER, TUBE END / KIT	20	
7	866092	COVER, PLASTIC PED SIDE / KIT	20	
8	864432	PLUG, FLUSH MOUNT	8	
9	Call order desk	RECLINE ASSY / CURBE SIDE / KIT	1	P
9	Call order desk	RECLINE ASSY / STREET SIDE / KIT	1	P
10	864433	ROTATE ARMREST ASSY / CURBE SIDE / KIT	1	
10	864434	ROTATE ARMREST ASSY / STREET SIDE / KIT	1	
11	867626	STATIONARY ARMREST ASSY / CURBE SIDE / KIT	1	
11	867627	STATIONARY ARMREST ASSY / STREET SIDE / KIT	1	
12	Call order desk	STICKER, "PREMIER"	10	P
13	864435	RECLINE HANDLE / KIT	1	
14	864436	COVER, AISLE / CURBE SIDE / KIT	1	
14	864437	COVER, AISLE / STREET SIDE / KIT	1	
15	Call order desk	COVER, WINDOW / CURBE SIDE / KIT	1	P
15	Call order desk	COVER, WINDOW / STREET SIDE / KIT	1	P
16	Call order desk	COVER BRACKET ASSY RIGHT / KIT	1	P
17	Call order desk	COVER BRACKET ASSY LEFT / KIT	1	P
18	864438	CABLE	1	
19	861717	SLAM LATCH ASSY / KIT	4	
20	Call order desk	SEAT BUN ASSY / KIT	1	P
21	Call order desk	BUN WELDMENT W/ FLEX-O-LATOR ASSY	1	P
22	Call order desk	BUN FOAM	1	P
23	864439	K-12 NARROW BUCKLE #1 / CURBSIDE	1	
23	864441	K-12 NARROW BUCKLE #2 / STREET SIDE	1	
23	860132	NARROW BUCKLE ASS	1	
24	864440	K-12 NARROW BUCKLE #2 / CURBSIDE	1	
24	864442	K-12 NARROW BUCKLE #1 / STREET SIDE	1	
24	860132	NARROW BUCKLE ASS	1	
25	Call order desk	OUTER FRAME WELDMENT	1	P

From 7-8754		Date:01/2024	PAGE:X3-1830-00
-------------	--	--------------	-----------------

PASSENGER'S SEAT - "AMERICAN" & "IMMI" "PREMIER"&"SAFEGUARD PREMIER"

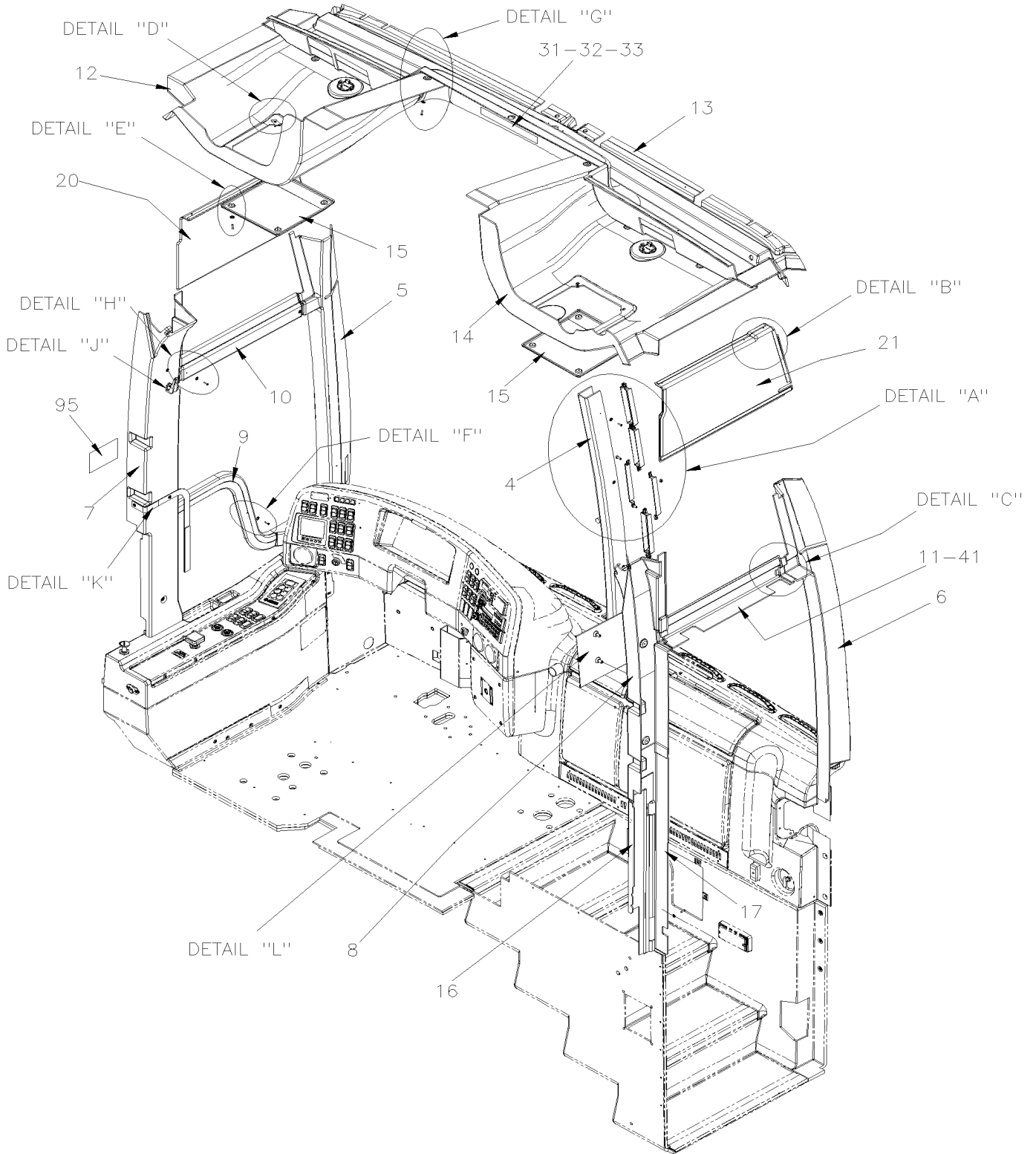
Item#	Part	Description	QTY	Notes
25	868141	. BUSHING ID 0.45xOD 0.8x0.86	2	
26	Call order desk	OUTER FRAME ASSY / KIT	1	P
27	Call order desk	SEAT BACK PAN / KIT	1	P
28	Call order desk	UPPER REAR SEAT FOAM / KIT	1	P
29	Call order desk	INNER MODULE ASSY / CURBE SIDE / KIT	1	P
29	Call order desk	INNER MODULE ASSY / STREET SIDE / KIT	1	P
30	Call order desk	INNER FRAME WELDMENT / CURBE SIDE	1	P
30	Call order desk	INNER FRAME WELDMENT / STREET SIDE	1	P
31	Call order desk	INNER FRAME FOAM	1	P
32	864443	BACK PLASTIC PANEL / KIT / LH	1	
32	864448	BACK PLASTIC PANEL / KIT / RH	1	
33	867837	SEAT BELT ASSY / KIT	1	
33	867679	BEZAL BACK BLACK	1	
33	867680	BEZAL FRONT BLACK	1	
34	Call order desk	FOOTREST WELDMENT / KIT	1	P
35	864444	CLAMPING LEVER ASSY / CURBE SIDE / KIT	1	
35	864445	CLAMPING LEVER ASSY / STREET SIDE / KIT	1	
36	N.S.S.	MAGAZINE W/CUP HOLDER ASSY LH / KIT	1	1
37	N.S.S.	MAGAZINE W/CUP HOLDER ASSY RH / KIT	1	1
38	864890	CUP HOLDER	10	
39	864891	ELASTIC STRAP / KIT	20	
40	N.S.S.	KICK PANEL ASSY REAR SEAT RH / KIT	1	1
41	N.S.S.	KICK PANEL ASSY REAR SEAT LH / KIT	1	1
42	Call order desk	OUTLET ASSY / KIT	1	P
42	866247	. FINISHING PLATE - OUTLET PLUG To FORMER	1	
42	868127	. FINISHING PLATE - OUTLET PLUG From CURRENT	1	
43	864449	BLANK COVER / KIT	10	
44	864450	ROTATE ARMREST ASSY / STREET SIDE / KIT	1	
44	864451	ROTATE ARMREST ASSY / CURBE SIDE / KIT	1	
46	Call order desk	RECLINE ASSY LEFT / KIT	1	P
47	Call order desk	RECLINE ASSY RIGHT / KIT	1	P
48	Call order desk	OUTER FRAME ASSY / KIT	1	P
49	Call order desk	OUTER FRAME WELDMENT	1	P
50	Call order desk	SEAT BUN ASSY	1	P
51	Call order desk	SEAT BUN WELDMENT	1	P
52	Call order desk	BUN FOAM	1	P
53	Call order desk	PEDESTAL WELDMENT ASSY - SLIDER / KIT	1	P
54	Call order desk	PEDESTAL WELDMENT ASSY - SLIDER / KIT	1	P
55	864452	BLOCK MOUNT ASSY / KIT / FOWARD	1	
55	864446	BLOCK MOUNT ASSY / KIT / REARWARD	1	
56	Call order desk	SEAT BUN ASSY - SLIDER / KIT	1	P
57	Call order desk	SEAT BUN FRAME ASSY	1	P

From 7-8754	Date:01/2024	PAGE:X3-1830-00
-------------	--------------	-----------------

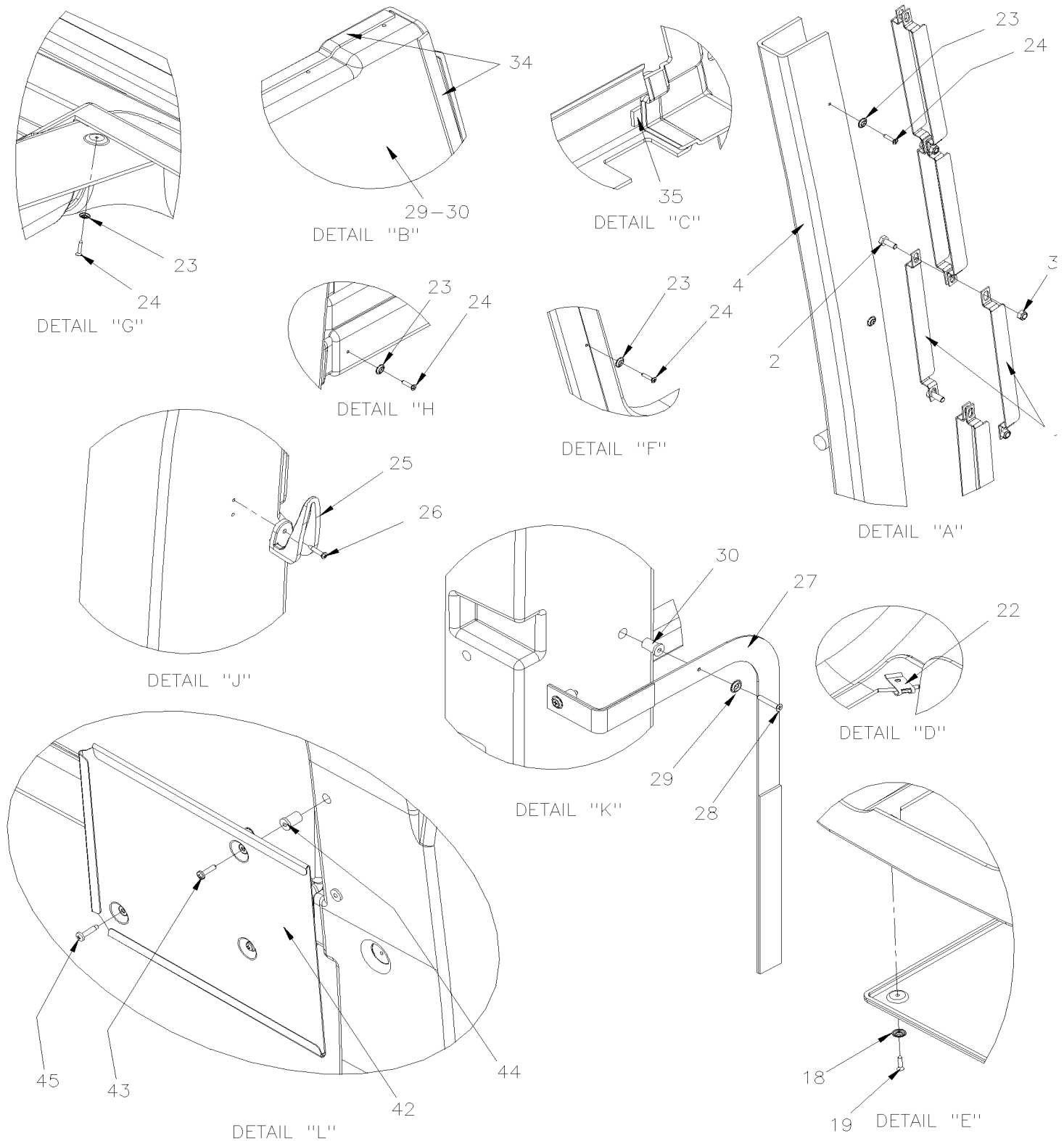
PASSENGER'S SEAT - "AMERICAN" & "IMMI" "PREMIER"&"SAFEGUARD PREMIER"

Item#	Part	Description	QTY	Notes
58	863736	TIEDOWN RIGHT	1	
59	863737	TIEDOWN LEFT	1	
60	864453	SHOULDER BELT RETRACTOR	1	
61	864454	PED SHOULDER BELT RETRACTOR	1	
62	864455	RETRACTOR, TONGUE, BUCKLE	1	
NS	Call order desk	CLIP, PUSH-IN	100	P
NS	Call order desk	U-TYPE FASTENER	100	P
NS	Call order desk	SCREW, #10 SELF DRILLING	100	P
71	364379	SUPPORT, REAR CROSS SEAT	1	
72	364382	SUPPORT, REAR CROSS SEAT	1	
73	5001684	NUT HEX CAP M6-1.0 SS	4	
74	502570	WASHER LO SPT 6.1x11.8x1.6 SS	4	
75	5001654	WASHER FL 6.4x17.0x3.0 SS	4	
		1) NOT SOLD SEPARATELY		
		P) CALL ORDER DESK FOR SPECIFIC APPLICATION (V.I.N.)		

FRONT FINISHING CAP



FRONT FINISHING CAP



From 7-8754 To K-6492	Date:01/2024	PAGE:X3-1832-00
FRONT FINISHING CAP		

Item#	Part	Description	QTY	Notes
1	326744	CENTRAL MOULDING SUPPORT	6	
2	502531	SCREW CAP HEX M6-1.0x16 G8.8 Z050	6	
3	502511	NUT HEX NYRT M6-1.0 Z050	6	
4	327370	CENTER MOULDING To H-6093	1	
4	3201218	CENTER MOULDING From H-6094	1	
5	327042	FINISHING MOULDING L.H. WINDSHIELD	1	
5	321767	FINISHING MOULDING L.H. WINDSHIELD / W/O UPPER WINDOWS From H-6104	1	W
6	327000	FINISHING MOULDING R.H. WINDSHIELD	1	
6	3202677	FINISHING MOULDING R.H. WINDSHIELD / W/O UPPER WINDOWS From H-6104	1	W
7	327187	L.H. MOULDING	1	
7	321880	L.H. MOULDING / W/O UPPER WINDOWS From H-6104	1	W
8	327186	R.H. MOULDING	1	
8	323154	R.H. MOULDING	1	A
8	321749	R.H. MOULDING / W/O UPPER WINDOWS From H-6104	1	W
8	3200522	R.H. MOULDING / W/O UPPER WINDOWS From H-6172	1	W N
8	321570	R.H. MOULDING W/HEARING LOOP From G-6084	1	IN
NS	500463	WASHER FN CKF .187x.500x.090 BR Z050	AR	
NS	500552	SCREW TP OV PH #6x3/4 Z050	AR	
9	326741	FINISHING MOULDING SERVICE DOOR	1	
10	327681	UPPER MOULDING SERVICE DOOR	1	
10	321127	UPPER MOULDING SERVICE DOOR / W/O UPPER WINDOWS From H-6104	1	W
11	327134	UPPER MOULDING ENTRANCE DOOR	1	
11	321751	UPPER MOULDING ENTRANCE DOOR / W/O UPPER WINDOWS From H-6104	1	W
12	341099	TRANSITION CEILING FRONT LEFT W/HALOGEN	1	
12	341491	TRANSITION CEILING FRONT LEFT W/LED LIGHT From H-6104	1	
13	341101	TRANSITION CEILING PANEL / W/FAN INSTALLATION	1	
13	341221	TRANSITION CEILING PANEL / W/DESTINATION SIGN	1	
14	341100	TRANSITION CEILING FRONT RIGHT W/HALOGEN	1	
14	343593	TRANSITION CEILING FRONT RIGHT W/HALOGEN W/SIGN	1	A
14	341490	TRANSITION CEILING FRONT RIGHT W/LED LIGHT From H-6104	1	
15	341070	ACCESS PANEL CEILING FRONT	2	
NS	500563	NUT SPR U #8-32 .094-.125	8	
16	327214	R.H. MOULDING	1	
16	321567	R.H. MOULDING W/HEARING LOOP From G-6084	1	IN
17	327213	R.H. MOULDING	1	
18	500463	WASHER FN CKF .187x.500x.090 BR Z050	8	
19	500626	SCREW TP OV PH #8x3/4 Z050	8	
20	321756	CLOSING CAP / STREET SIDE / W/O UPPER WINDOWS 1 From H-6104	1	W
21	3202676	CLOSING CAP / CURBSIDE / W/O UPPER WINDOWS From H-6104	1	W
22	500996	NUT SPR U #6-32 .135-.150	8	
23	500463	WASHER FN CKF .187x.500x.090 BR Z050	AR	
24	500552	SCREW TP OV PH #6x3/4 Z050	AR	

From 7-8754 To K-6492	Date:01/2024	PAGE:X3-1832-00
FRONT FINISHING CAP		

Item#	Part	Description	QTY	Notes
25	900297	HOOK / COAT To J-6232	1	
25	900065	HOOK / COAT From J-6233	1	
25	900066	CAP, COAT HOOK From J-6233	1	
NS	405052	SUPPORT / REINFORCEMENT REAR OF CAP	1	
NS	504340	RIVET POP DOME OE 1/8x3/16 SS	2	
26	500633	SCREW CAP HEX 5/16-24x7/8 G5 ZP To J-6232	2	
26	5001155	SCREW TP PAN PH #8X3/4 N050 From J-6233	2	
27	409105	STRAP ASSY	1	
28	5001414	SCREW MA FL PH M4-0.7x16 BK	2	
29	500345	WASHER FN CKF .187x.500x.090 BR BK To 9-9765	2	
30	5001055	NUT WELL M4-0.7x14.5 To H-6103	2	
30	500589	NUT WELL M4-0.7x13.5 From H-6104	2	
31	405707	DECAL MOUNTING PLATE / 250MM X 46MM To 9-9765	1	
32	409155	DECAL / "WATCH YOUR STEP" 35 x 235 To 7-8985	1	
32	405905	DECAL / "WATCH YOUR STEP" 16 x 200 From 7-8986 To A-1604	1	
32	406388	DECAL / "WATCH YOUR STEP" 13 x 368 From A-1605	1	
32	409156	DECAL / "ATTENTION À LA MARCHE" / BILINGUAL 35 x 235 To 7-8985	1	
32	405906	DECAL / "ATTENTION À LA MARCHE" / BILINGUAL 43 x241 From 7-8986 To A-1604	1	
32	406387	DECAL / "ATTENTION À LA MARCHE" / BILINGUAL 13 x 368 From A-1605	1	
32	409157	DECAL / "WATCH YOUR STEP" / "CUINDADO CON EL 35 x 235 To 7-8985	1	
32	405907	DECAL / "WATCH YOUR STEP" / "CUINDADO CON EL 43 x 241 From 7-8986 To A-1604	1	
32	406386	DECAL / "WATCH YOUR STEP" / "CUINDADO CON EL 13 x 368 From A-1605	1	
33	504108	RIVET POP DOME OE 1/8x1/2 AL To 9-9765	2	
NS	500437	WASHER FL .125x.375x.040 Z050 To 9-9765	2	
34	506643	TAPE RUB ADH1 CC NEO 1/8" x 1/2" x 60' / BLACK 2011 From H-6104	AR	W
35	790597	RUBBER BLOCK ADJUSTEMENT 20MM x 31.75MM x 4.7 60 DURO	AR	
NS	IS19921	BELT CUTTER INSTALLATION IN THE DRIVER AREA	1	
NS	860584	BELT CUTTER	1	
NS	7770495	3M DUAL LOCK VELCRO	1	
NS	IS-19921	SEE INSTRUCTION SHEET	1	
NS	FI-19921	VOIR FEUILLE D'INSTRUCTION	1	
		WITH "GREYHOUND" OPTION From B-5050		
41	3200621	UPPER MOULDING ENTRANCE DOOR From B-5050	1	GR
42	406515	SUPPORT, DRIVER SHEDULE HOLDER From B-5050	1	GR
43	502698	SCREW MA PAN PH M4-0.7x16 SS BK From B-5050	2	GR
44	500589	NUT WELL M4-0.7x13.5 From B-5050	2	GR
45	500854	SCREW TC BDG PH #8-32x3/4 N500 From B-5050	1	GR
95	0691001	DECAL EMISSION WARNING CALIFORNIA	1	C

From 7-8754 To K-6492	Date:01/2024	PAGE:X3-1832-00
-----------------------	--------------	-----------------

FRONT FINISHING CAP

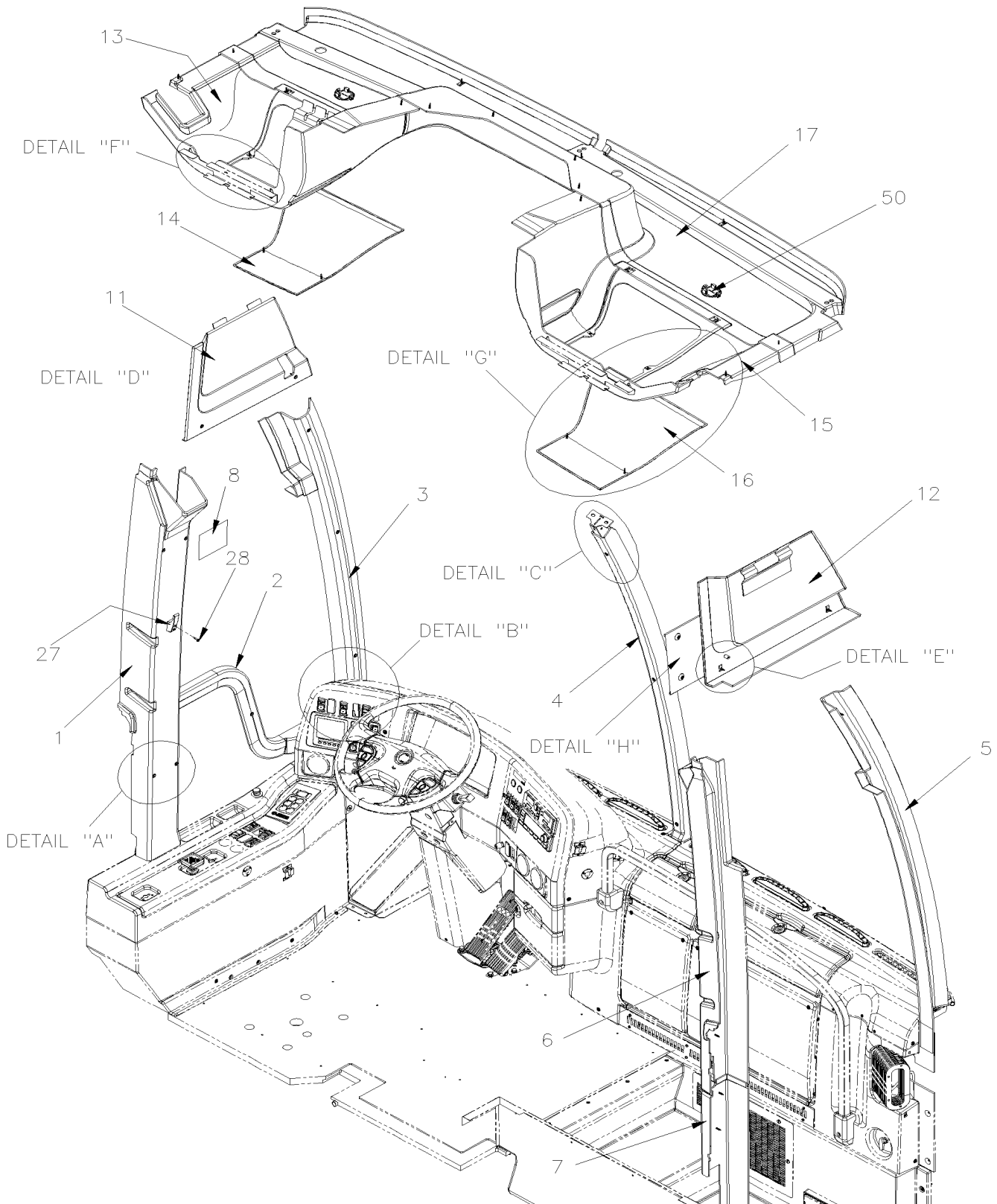
Item#	Part	Description	QTY	Notes
		A) USE WITH SIDE SIGN		
		C) REGULATIONS OF CALIFORNIA		
		GR) WITH "GREYHOUND" OPTION		
		IN) INDIAN TRAILS OPTION		
		N) OPTION NEW HAMPSHIRE TRANIST		
		W) WITH FRONT CAP WITHOUT UPPER WINDOWS		

From L-6493

Date:01/2024

PAGE:X3-1832-01

FRONT FINISHING CAP

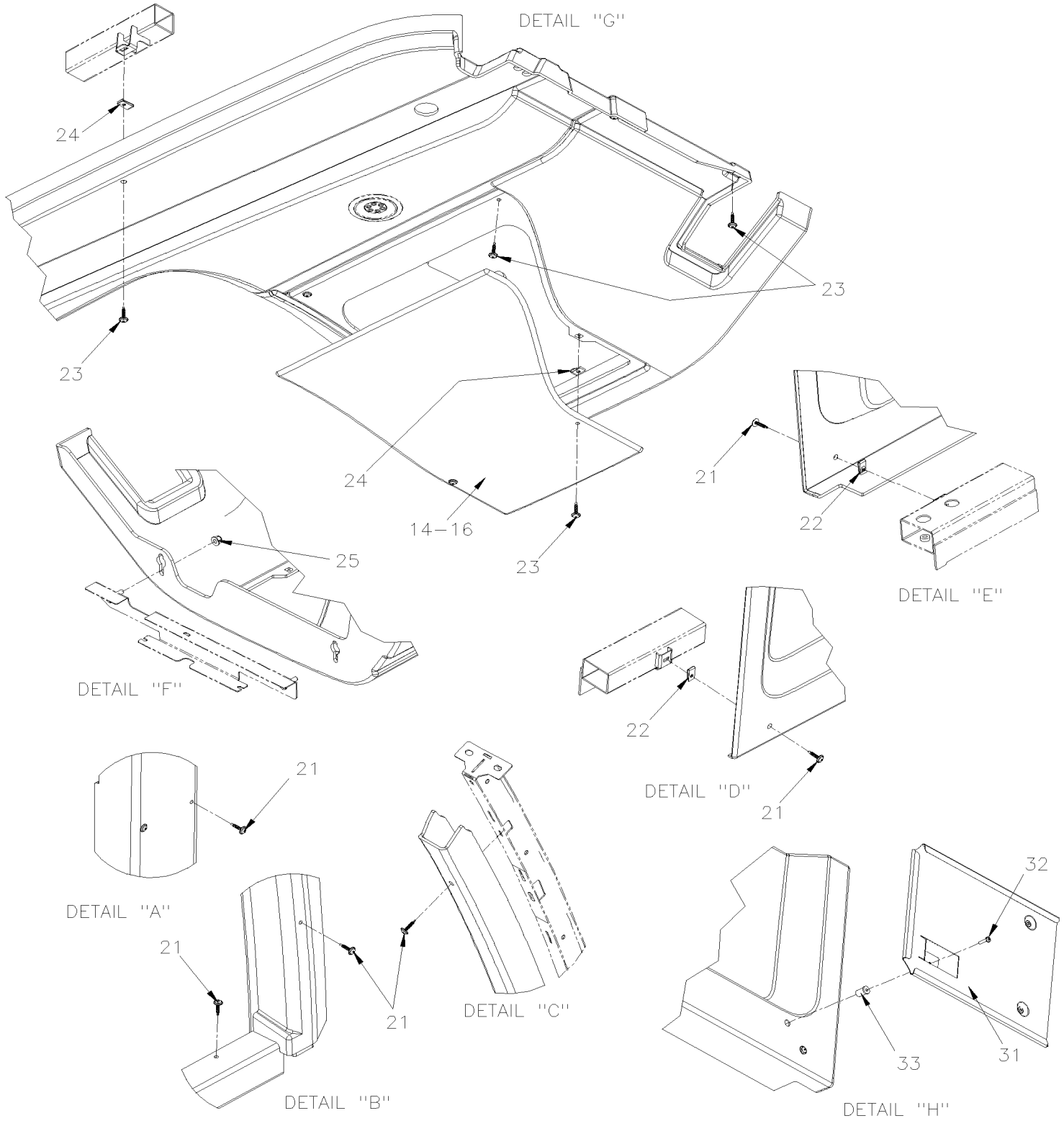


From L-6493

Date:01/2024

PAGE:X3-1832-01

FRONT FINISHING CAP



From L-6493	Date:01/2024	PAGE:X3-1832-01
FRONT FINISHING CAP		

Item#	Part	Description	QTY	Notes
1	3210441	MOULDING,"A"POST LEFT COACH	1	
2	3210320	MOULDING, SERVICE DOOR X3	1	
3	3210288	WINDSHIELD LEFT MOULDING X3	1	
3	341419	CEILING CENTRAL W/DEST SIGN & W/UPPER DEFROSTER From P-6753	1	
4	3210289	WINDSHIELD CENTRAL MOULDING W/O DEST SIGN	1	
4	3210607	WINDSHIELD CENTRAL MOULDING WITH DEST SIGN	1	
5	3210290	WINDSHIELD RIGHT MOULDING X3	1	
6	3210429	MOULDING "A" POST RIGHT WO/DEST. SIGN	1	
6	3210287	MOULDING "A" POST RIGHT W/DEST. SIGN	1	
7	3210442	MOULDING "A" POST RIGHT DOWN	1	
8	7770449	DECAL, "VEHICLE ANNUAL INSPECTION" DOT ENGLISH From M-6696	1	
11	Call order desk	PANEL CLOSING, FRONT LH ASSY.	1	P
12	Call order desk	PANEL CLOSING, FRONT RH ASSY.	1	P
13	340324	CEILING TRANSITION, FRONT LH	1	
13	341430	CEILING TRANSITION, FRONT LH W/CAMERA REI	1	A
14	Call order desk	PANEL, ACCESS LEFT FRONT ASS	1	P
15	340161	TRANSITION CEILING FRONT RH	1	
16	Call order desk	PANEL, ACCESS RIGHT FRONT ASS	1	P
17	340218	CEILING CENTRAL W/O DEST SIGN & W/O UPPER DEFROSTER To N-6752	1	
17	341414	CEILING CENTRAL W/O DEST SIGN & W/O UPPER DEFROSTER From P-6753	1	
17	340397	CEILING CENTRAL W/O DEST SIGN & W/UPPER DEFROSTER To N-6752	1	
17	341416	CEILING CENTRAL W/O DEST SIGN & W/UPPER DEFROSTER From P-6753	1	
17	340338	CEILING CENTRAL W/DEST SIGN & W/O UPPER DEFROSTER To N-6752	1	
17	341417	CEILING CENTRAL W/DEST SIGN & W/O UPPER DEFROSTER From P-6753	1	
17	340402	CEILING CENTRAL W/DEST SIGN & W/UPPER DEFROSTER To N-6752	1	
17	341419	CEILING CENTRAL W/DEST SIGN & W/UPPER DEFROSTER From P-6753	1	
NS	504534	GROMMET / .875x1.250x.187x.562x1.625	2	
21	5002083	SCREW DR SEMS FN OV PH #8X1 N050	25	
22	500684	NUT SPR U #8A .025-.064	6	
23	5002070	SCREW DR SEMS FN OV PH #8x1 Z050	21	
24	5002071	NUT SPR U #8 .110-.187 BK	8	
25	5001932	NUT HEXF NYRT M6-1.0 G8.8 N500	4	
NS	680108	TAPE RUB ADH2 VHB 1" x .045" x 108'	AR	
27	900065	HOOK / COAT	1	
28	5001155	SCREW TP PAN PH #8X3/4 N050	2	
NS	IS19921	BELT CUTTER INSTALLATION IN THE DRIVER AREA	1	
. NS	860584	. BELT CUTTER	1	
. NS	7770495	. 3M DUAL LOCK VELCRO	1	
. NS	IS-19921	. SEE INSTRUCTION SHEET	1	
. NS	FI-19921	. VOIR FEUILLE D'INSTRUCTION	1	

From L-6493	Date:01/2024	PAGE:X3-1832-01
-------------	--------------	-----------------

FRONT FINISHING CAP

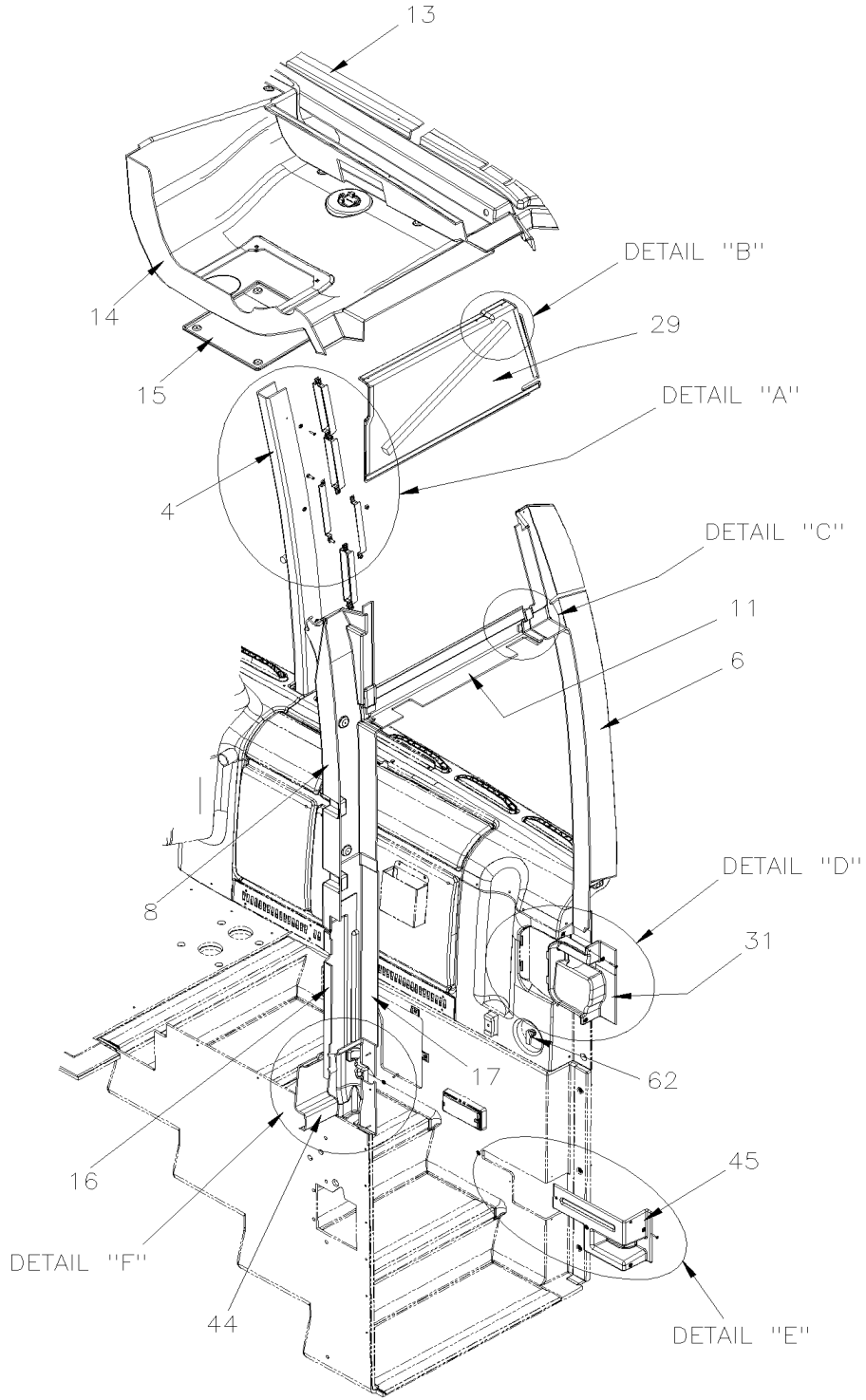
Item#	Part	Description	QTY	Notes
31	401335	SUPPORT, DRIVER SHEDULE HOLDER	1	GLI
32	502698	SCREW MA PAN PH M4-0.7x16 SS BK	1	GLI
33	500589	NUT WELL M4-0.7x13.5	1	GLI
50	X3-0655-01	INTERIOR LIGHTING / "LED"	2	
		A) WITH REI CAMERA SYSTEM		
		GLI) GREYHOUND OPTION		
		P) CALL ORDER DESK FOR SPECIFIC APPLICATION (V.I.N.)		

From G-5936 To K-6492

Date:01/2024

PAGE:X3-1832-10

FRONT FINISHING CAP - BUS WITH BY-FOLD DOOR

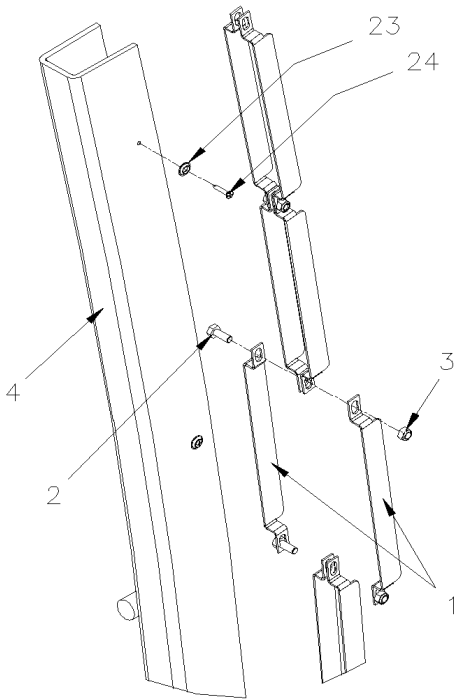


From G-5936 To K-6492

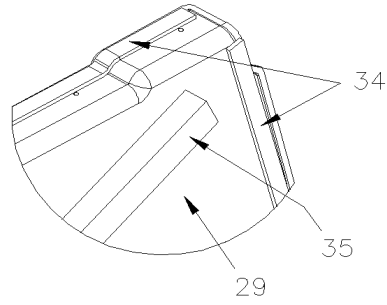
Date:01/2024

PAGE:X3-1832-10

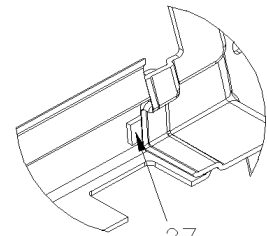
FRONT FINISHING CAP - BUS WITH BY-FOLD DOOR



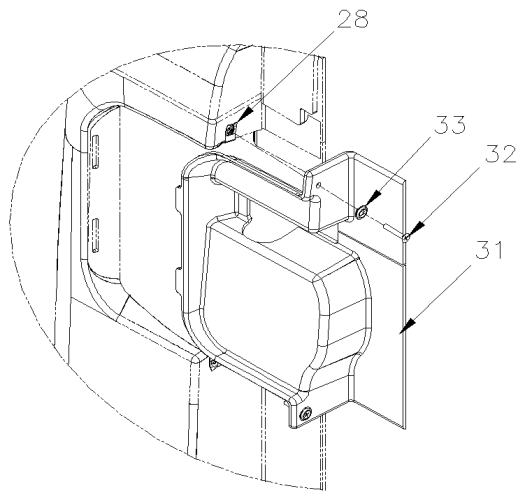
DETAIL "A"



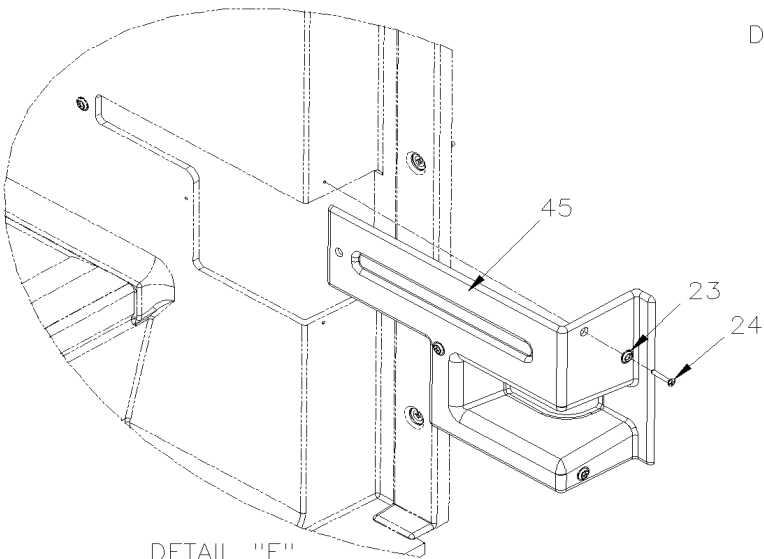
DETAIL "B"



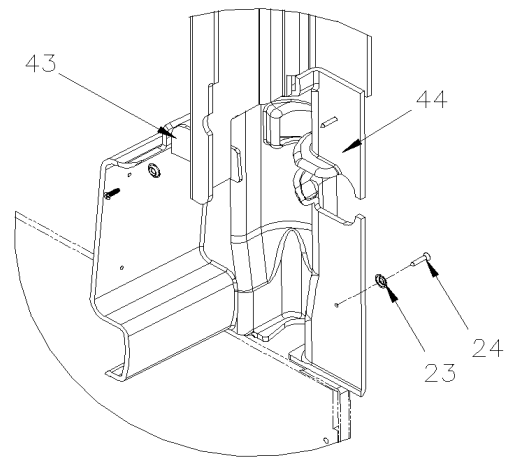
DETAIL "C"



DETAIL "D"



DETAIL "E"



DETAIL "F"

From G-5936 To K-6492	Date:01/2024	PAGE:X3-1832-10
-----------------------	--------------	-----------------

FRONT FINISHING CAP - BUS WITH BY-FOLD DOOR

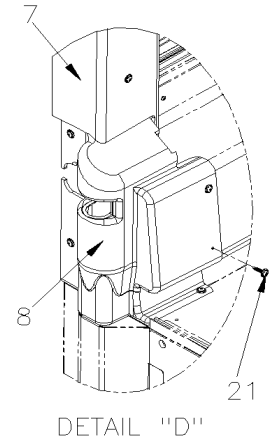
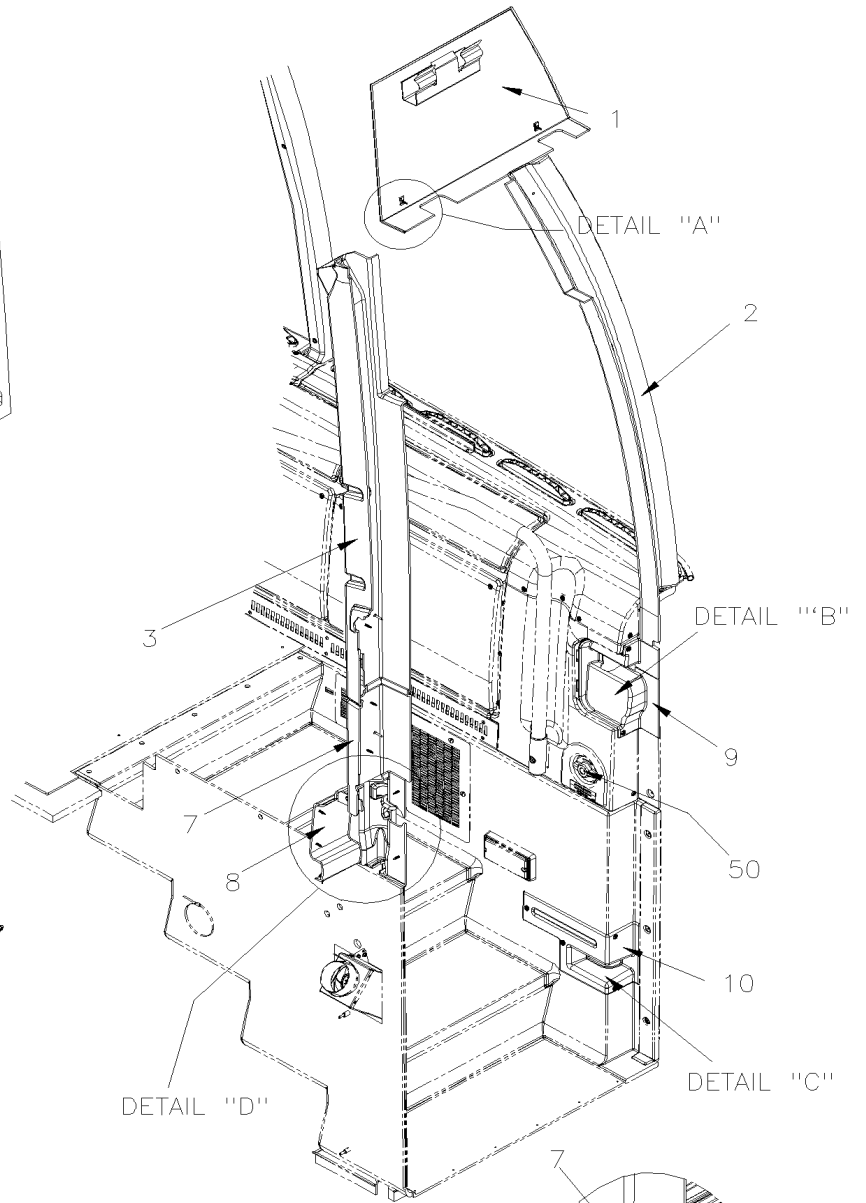
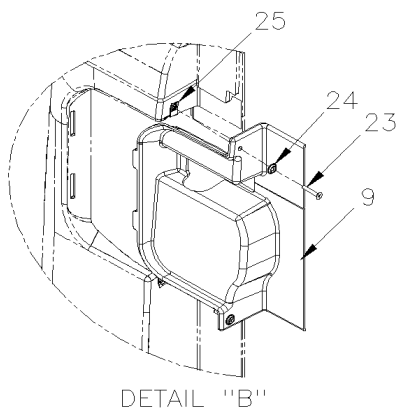
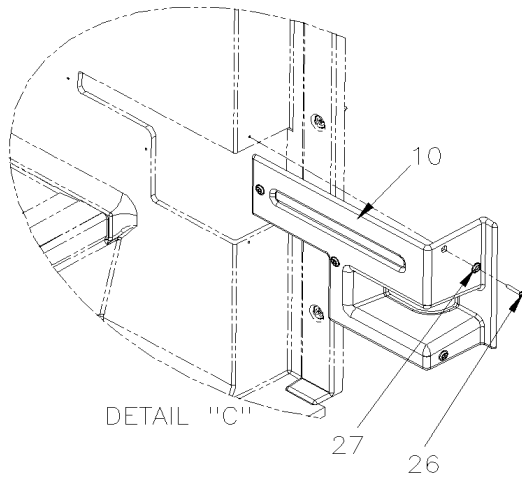
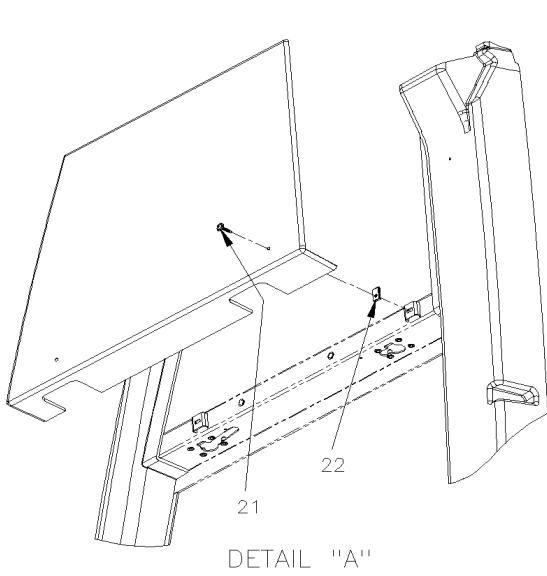
Item#	Part	Description	QTY	Notes
1	326744	CENTRAL MOULDING SUPPORT	8	
2	5001744	SCREW CAP HEX M6-1.0x16 G8.8 N500	5	
3	502681	NUT HEX NYRT M6-1.0 N500 G8	5	
4	321115	CENTER MOULDING To H-6093	1	
4	3201200	CENTER MOULDING From H-6094	1	
4	506210	TAPE RUB ADH1 URE 1/2" x 3/4" x 20' / GREY 1820	AR	
6	3202677	FINISHING MOULDING R.H. WINDSHIELD / W/O UPPER WINDOWS	1	
8	3200522	R.H. MOULDING / W/O UPPER WINDOWS	1	
11	321128	UPPER MOULDING ENTRANCE DOOR	1	
13	340111	TRANSITION CEILING PANEL	1	
14	341490	TRANSITION CEILING FRONT RIGHT W/LED LIGHT	1	
15	341070	ACCESS PANEL CEILING FRONT	2	
16	3202675	R.H. MOULDING	1	
17	329275	FINISHING MOULDING / R.H. FORWARD 646.8MM	1	
23	500463	WASHER FN CKF .187x.500x.090 BR Z050	AR	
24	500552	SCREW TP OV PH #6x3/4 Z050	AR	
24	500644	SCREW TP OV PH #6x1 ZP	AR	
27	790597	RUBBER BLOCK ADJUSTEMENT 20MM x 31.75MM x 4.7 60 DURO	AR	
28	5001405	NUT SPR U M4-0.7 0.8-4.0x9.5	2	
29	3202676	CLOSING CAP / CURBSIDE / W/O UPPER WINDOWS	1	
31	289595	COVER FOR BI-FOLD DOOR X3 FRONT DOOR	1	
32	5001429	SCREW MA FL PH M4-0.7x25 BK	2	
33	500345	WASHER FN CKF .187x.500x.090 BR BK	2	
34	506643	TAPE RUB ADH1 CC NEO 1/8" x 1/2" x 60' / BLACK 2011	AR	
35	506264	TAPE RUB ADH1 URE 3/4" x 1" x 12.5' / GREY 1820X	AR	
43	3202678	COVER FINISHING, POST	1	
44	287844	COVER, FINISHING	1	
44	506104	TAPE RUB ADH1 URE 1/8" x 1/2" x 75' / GREY 1820	AR	
45	320369	MOULDING FINISHING STEPWELL / ESCALIER To E-5585	1	
45	3201177	MOULDING FINISHING From E-5586	1	
62	X3-1802-10	ENTRANCE DOOR CONTROL WITH BI-FOLD DOOR		

From L-6493

Date:01/2024

PAGE:X3-1832-11

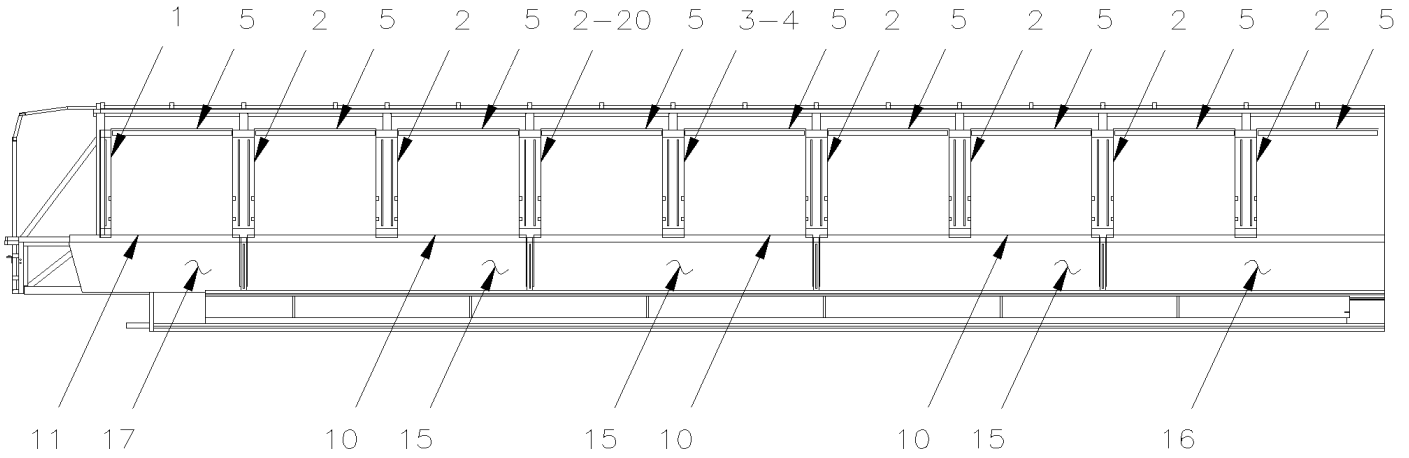
FRONT FINISHING CAP - BUS WITH BY-FOLD DOOR



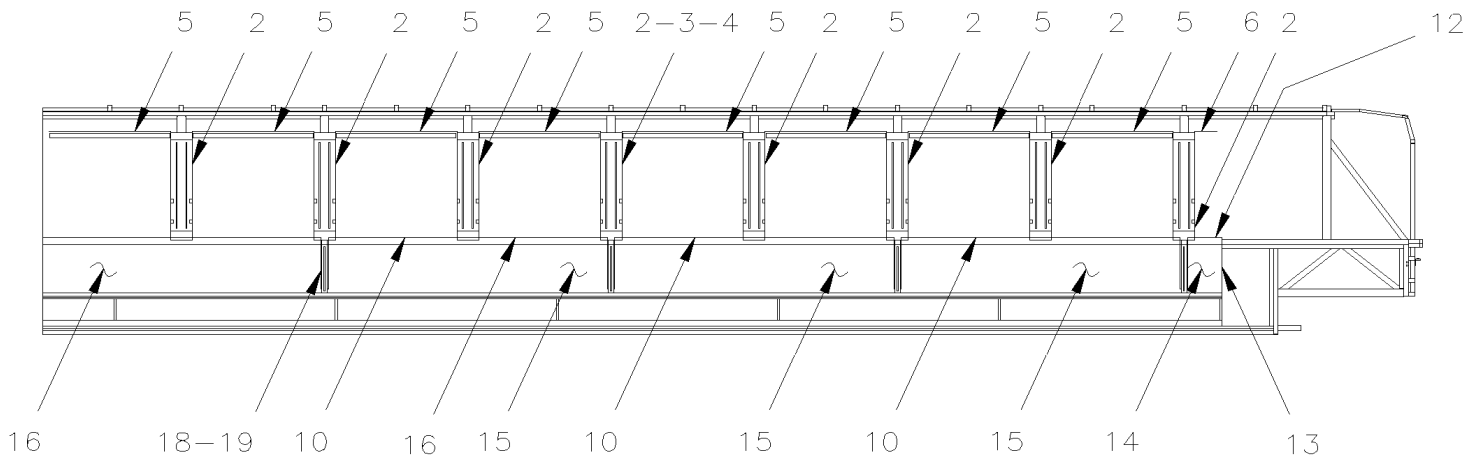
From L-6493	Date:01/2024	PAGE:X3-1832-11
FRONT FINISHING CAP - BUS WITH BY-FOLD DOOR		

Item#	Part	Description	QTY	Notes
1	3211024	PANEL CLOSING, FRONT RH ASSY.	1	
2	3210971	WINDSHIELD RIGHT MOULDING	1	
3	3210956	R.H. MOULDING / W/O UPPER WINDOWS	1	
7	3210244	MOULDING "A" POST RIGHT DOWN	1	
8	3210453	COVER, FINISHING	1	
9	289595	COVER FOR BI-FOLD DOOR X3 FRONT DOOR	1	
10	3201177	MOULDING FINISHING	1	
21	5002083	SCREW DR SEMS FN OV PH #8X1 N050	AR	
22	500684	NUT SPR U #8A .025-.064	AR	
23	5001429	SCREW MA FL PH M4-0.7x25 BK	2	
24	500345	WASHER FN CKF .187x.500x.090 BR BK	2	
25	5001405	NUT SPR U M4-0.7 0.8-4.0x9.5	2	
26	500644	SCREW TP OV PH #6x1 ZP	AR	
27	500463	WASHER FN CKF .187x.500x.090 BR Z050	AR	
50	X3-1802-10	ENTRANCE DOOR CONTROL WITH BI-FOLD DOOR		

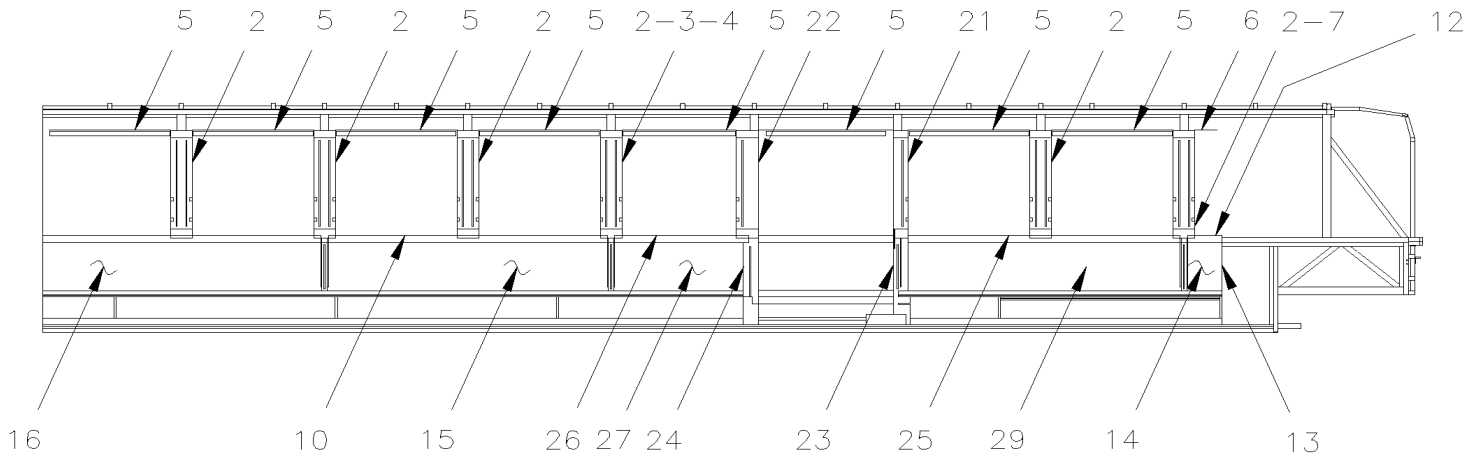
From 7-8754 To B-5001	Date:01/2024	PAGE:X3-1833-00
WINDOW FINISHING CAP & WALL		



UP TO B-5001
LEFT SIDE



RIGHT SIDE



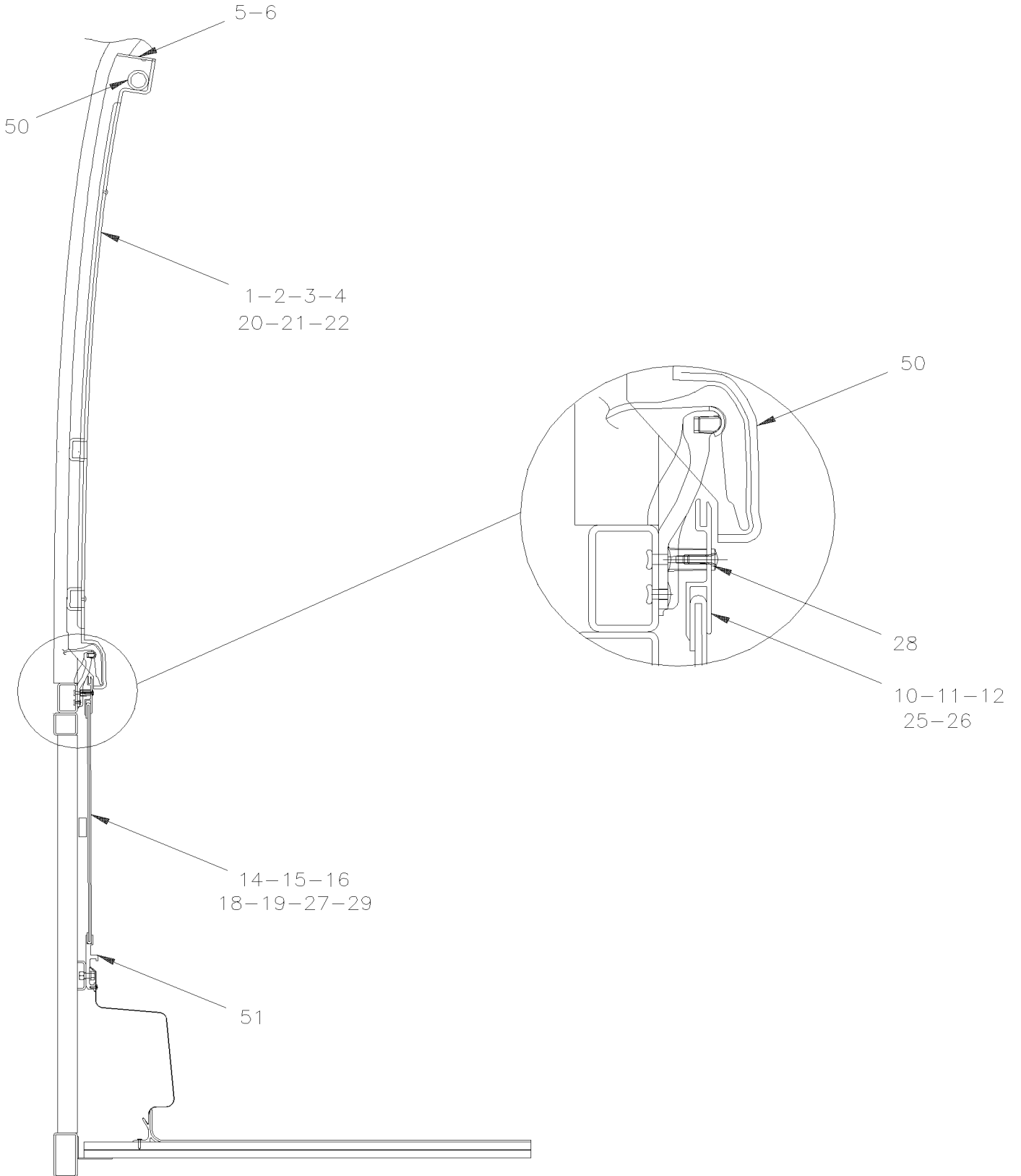
RIGHT SIDE WITH W.C.L.

From 7-8754 To B-5001

Date:01/2024

PAGE:X3-1833-00

WINDOW FINISHING CAP & WALL



From 7-8754 To B-5001	Date:01/2024	PAGE:X3-1833-00
WINDOW FINISHING CAP & WALL		

Item#	Part	Description	QTY	Notes
1	327109	CAP FINISHING / POST / W/S. GLASS & SUN SHADE	1	
1	327103	CAP FINISHING / POST / W/S. GLASS	1	
1	327108	CAP FINISHING / POST / W/T. GLASS & SUN SHADE	1	
1	327102	CAP FINISHING / POST / W/T. GLASS	1	
1	323153	CAP FINISHING / POST / W/T. GLASS	1	E
2	327107	CAP FINISHING / POST / W/S. GLASS & SUN SHADE	1	
2	327071	CAP FINISHING / POST / W/S. GLASS	1	
2	327106	CAP FINISHING / POST / W/T. GLASS & SUN SHADE	1	
2	327070	CAP FINISHING / POST / W/T. GLASS	12	
2	328361	CAP FINISHING / POST / W/T. GLASS & SUN SHADE From 7-8938	1	C
3	3201014	CAP FINISHING / POST / W/T. GLASS	1	A
3	327111	CAP FINISHING / POST / W/S. GLASS & SUN SHADE	1	A
3	327104	CAP FINISHING / POST / W/T. GLASS	1	A
3	327110	CAP FINISHING / POST / W/T. GLASS & SUN SHADE	1	A
4	327171	CAP FINISHING / UPPER POST	2	A
NS	405067	DECAL / BLACK STRIP 3 1/2" x 46"	1	A B
4	328363	CAP FINISHING / POST / W/T. GLASS & SUN SHADE From 7-8938	1	C
5	320139	FINISHING MOULDING / UPPER WINDOW / 40MM x 1108MM To A-9966	16	
6	320138	FINISHING MOULDING / UPPER WINDOW / 40MM x 230MM To A-9966	1	
7	Call order desk	CAP FINISHING / POST / W/T. GLASS & SUN SHADE	1	P C
10	293293	EXTRUSION, UPPER WALL 2548MM	6	
10	293338	EXTRUSION, UPPER WALL 2527MM	1	
11	293294	EXTRUSION, UPPER WALL 1526MM To 8-9276	1	
11	293901	EXTRUSION, UPPER WALL 1403MM From 8-9277	1	
12	293295	EXTRUSION, UPPER WALL 293MM	1	
13	506035	TAPE RUB ADH1 NEO 1/2" x 1" x 15' / BLACK 1220X	AR	
14	327079P	PANEL LOWER WALL / FABRIC	1	
14	Call order desk	PANEL LOWER WALL / FABRIC PWT	1	P
14	Call order desk	PANEL LOWER WALL / CARPET	1	P
14	Call order desk	PANEL ASSY / FORMICA	1	P
14	Call order desk	PANEL LOWER WALL / FORMICA	1	P O
15	327078P	PANEL LOWER WALL / FABRIC	6	
15	Call order desk	PANEL LOWER WALL / CARPET	6	P
15	Call order desk	PANEL LOWER WALL / FORMICA	6	P
16	327263P	PANEL LOWER WALL / FABRIC	2	
16	Call order desk	PANEL LOWER WALL / CARPET	2	P
16	Call order desk	PANEL LOWER WALL / FORMICA	2	P
17	Call order desk	PANEL ASSY / FABRIC To 8-9276	1	P
17	Call order desk	PANEL ASSY / FABRIC From 8-9277	1	P
17	Call order desk	PANEL ASSY / CARPET To 8-9276	1	P
17	Call order desk	PANEL ASSY / CARPET From 8-9312	1	P
17	Call order desk	PANEL ASSY / FORMICA	1	P

From 7-8754 To B-5001	Date:01/2024	PAGE:X3-1833-00
WINDOW FINISHING CAP & WALL		

Item#	Part	Description	QTY	Notes
18	327024	EXTRUSION, WALL SEPARATOR 427.5MM	8	
19	322871	WOOD SPACER 1/2" X 32MM X 32MM	90	
20	329325	CAP FINISHING / POST / W/S. GLASS From 6-8803	1	W
20	329324	CAP FINISHING / POST / W/S. GLASS & SUN SHADE From 6-8803	1	W
20	329327	CAP FINISHING / POST / W/T. GLASS From 6-8803	1	W
20	329326	CAP FINISHING / POST / W/T. GLASS & SUN SHADE From 6-8803	1	W
21	327409	CAP FINISHING / POST / W/S. GLASS	1	W
21	327407	CAP FINISHING / POST / W/S. GLASS & SUN SHADE	1	W
21	327408	CAP FINISHING / POST / W/T. GLASS	1	W
21	327406	CAP FINISHING / POST / W/T. GLASS & SUN SHADE	1	W
21	3200708	CAP FINISHING / POST / W/T. GLASS & SUN SHADE	1	C
22	327404	CAP FINISHING / POST / W/S. GLASS	1	W
22	327402	CAP FINISHING / POST / W/S. GLASS & SUN SHADE	1	W
22	327405	CAP FINISHING / POST / W/T. GLASS	1	W
22	327401	CAP FINISHING / POST / W/T. GLASS & SUN SHADE	1	W
22	405143	DECAL / BLACK STRIP W/DOTTED 1117MM x 118MM	1	
23	327433	MOLDING, FINISHING To 8-9281	1	
23	329538	MOLDING, FINISHING From 8-9282	1	
24	327432	MOLDING, FINISHING	1	
25	293506	EXTRUSION, UPPER WALL 2481MM	1	
26	293505	EXTRUSION, UPPER WALL 1214MM	1	
27	327424P	PANEL LOWER WALL / FABRIC	1	
27	Call order desk	PANEL LOWER WALL / CARPET	1	P
28	500611	SCREW TC PAN PH #10-24x1/2 Z050	AR	
29	327078P	PANEL LOWER WALL / FABRIC	1	
29	Call order desk	PANEL LOWER WALL / CARPET	1	P
29	Call order desk	PANEL ASSY / FORMICA	1	P
29	Call order desk	PANEL ASSY / FABRIC A VERIFIER	1	P
29	Call order desk	PANEL ASSY / FABRIC	1	P D
35	500552	SCREW TP OV PH #6x3/4 Z050	AR	
36	500463	WASHER FN CKF .187x.500x.090 BR Z050	AR	
50	X3-1884-00	SIDE WINDOW - BUS		
51	X3-2220-00	UNDER FLOOR AIR DUCTING		
		A) WITH A/C IN PARCEL RACK		
		B) UPPER WINDOW		
		C) WITH FOUR WHEEL CHAIRS OPTION		
		D) WITH WCL LAVATORY		

From 7-8754 To B-5001		Date:01/2024	PAGE:X3-1833-00
-----------------------	--	--------------	-----------------

WINDOW FINISHING CAP & WALL

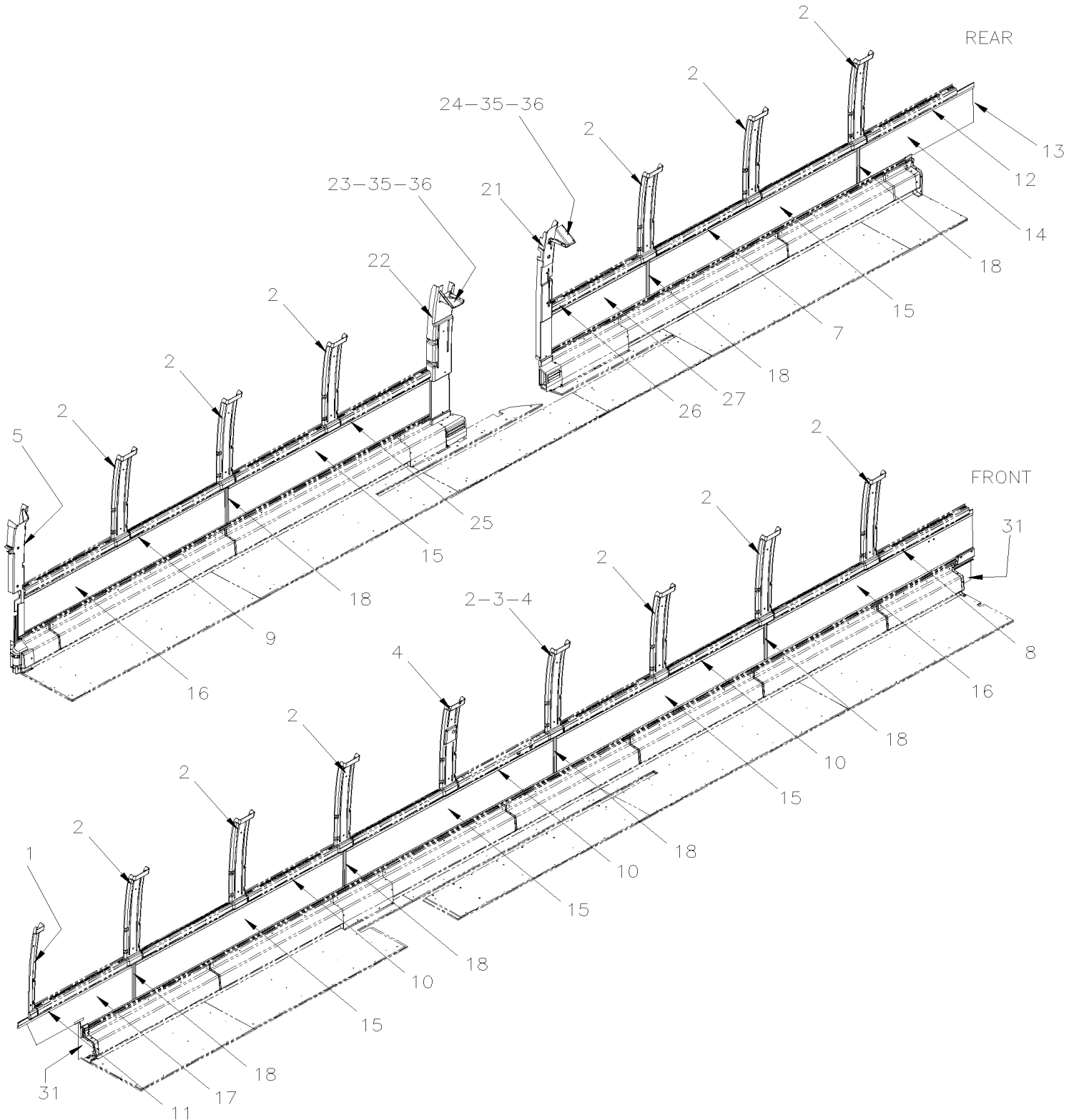
Item#	Part	Description	QTY	Notes
		E) USE WITH SIDE SIGN		
		O) WITHOUT LAVATORY		
		W) WITH W.C.L.		
		P) CALL ORDER DESK FOR SPECIFIC APPLICATION (V.I.N.)		

From B-5002 To K-6492

Date:01/2024

PAGE:X3-1833-01

WINDOW FINISHING CAP & WALL

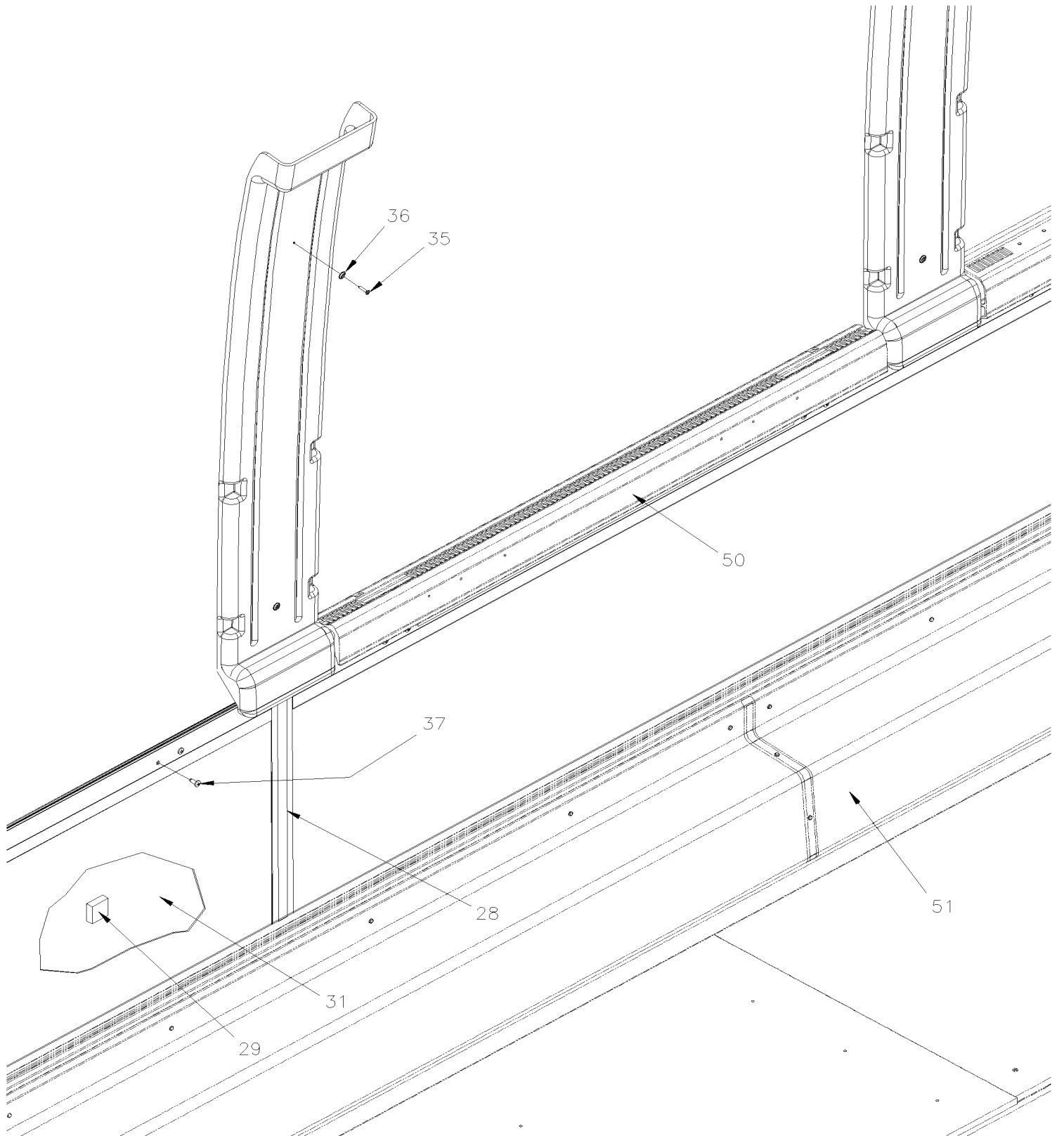


From B-5002 To K-6492

Date:01/2024

PAGE:X3-1833-01

WINDOW FINISHING CAP & WALL



From B-5002 To K-6492	Date:01/2024	PAGE:X3-1833-01
WINDOW FINISHING CAP & WALL		

Item#	Part	Description	QTY	Notes
1	3200300	CAP FINISHING / POST / W/S. GLASS & SUN SHADE	1	
1	3200236	CAP FINISHING / POST / W/S. GLASS	1	
1	3200299	CAP FINISHING / POST / W/T. GLASS & SUN SHADE	1	
1	3200237	CAP FINISHING / POST / W/T. GLASS	1	
1	3200558	CAP FINISHING / POST / W/T. GLASS 1097MM W/O LAVATORY	1	
1	323153	CAP FINISHING / POST / W/T. GLASS	1	E
2	327107	CAP FINISHING / POST / W/S. GLASS & SUN SHADE	1	
2	327071	CAP FINISHING / POST / W/S. GLASS	1	
2	327106	CAP FINISHING / POST / W/T. GLASS & SUN SHADE	1	
2	327070	CAP FINISHING / POST / W/T. GLASS	12	
2	328361	CAP FINISHING / POST / W/T. GLASS & SUN SHADE	1	C
3	327111	CAP FINISHING / POST / W/S. GLASS & SUN SHADE	1	A
3	327104	CAP FINISHING / POST / W/T. GLASS	1	A
3	327110	CAP FINISHING / POST / W/T. GLASS & SUN SHADE	1	A
4	327171	CAP FINISHING / UPPER POST To D-5458	2	A
NS	405067	DECAL / BLACK STRIP 3 1/2" x 46"	1	A B
4	328363	CAP FINISHING / POST / W/T. GLASS & SUN SHADE To F-5774	1	C
4	320020	CAP FINISHING / POST / W/T. GLASS & SUN SHADE From F-5775	1	C
4	327171	CAP FINISHING / UPPER POST From E-5459	1	A
4	454752	CAP FINISHING / UPPER POST From E-5459	1	A
4	3200945	CAP FINISHING / POST / W/S. GLASS From E-5459	1	A
4	3200947	CAP FINISHING / POST / W/T. GLASS From E-5459	1	A
4	3200941	CAP FINISHING / POST / W/S. GLASS From E-5459	1	A W
4	3200943	CAP FINISHING / POST / W/T. GLASS From E-5459	1	A W
4	320029	CAP FINISHING / POST / W/T. GLASS From G-6084	1	W
5	X3-1832-00	FRONT FINISHING CAP		
7	293293	EXTRUSION, UPPER WALL 2548MM To H-6107	1	
7	290077	EXTRUSION, UPPER WALL 2548MM From H-6108	1	
8	293337	EXTRUSION, UPPER WALL 2527MM	1	
9	293338	EXTRUSION, UPPER WALL 2527MM	1	
10	293293	EXTRUSION, UPPER WALL 2548MM	3	
11	293901	EXTRUSION, UPPER WALL 1403MM	1	
11	290079	EXTRUSION, UPPER WALL / WITH HEARING LOOP 1403MM From G-6084	1	IN
12	293295	EXTRUSION, UPPER WALL 293MM	1	
13	506035	TAPE RUB ADH1 NEO 1/2" x 1" x 15' / BLACK 1220X	AR	
14	327079P	PANEL LOWER WALL / FABRIC	1	
14	Call order desk	PANEL LOWER WALL / THIN CARPET From H-6186	1	P
14	Call order desk	PANEL LOWER WALL / CARPET	1	P
14	Call order desk	PANEL LOWER WALL / FABRIC PWT	1	P
14	Call order desk	PANEL LOWER WALL / FORMICA	1	P O
15	327078P	PANEL LOWER WALL / FABRIC	6	
15	Call order desk	PANEL LOWER WALL / THIN CARPET From H-6186	6	P

From B-5002 To K-6492	Date:01/2024	PAGE:X3-1833-01
WINDOW FINISHING CAP & WALL		

Item#	Part	Description	QTY	Notes
15	Call order desk	PANEL LOWER WALL / CARPET	6	P
15	Call order desk	PANEL LOWER WALL / FORMICA	6	P
16	327263P	PANEL LOWER WALL / FABRIC	2	
16	Call order desk	PANEL LOWER WALL / THIN CARPET From H-6186	2	P
16	Call order desk	PANEL LOWER WALL / CARPET	2	P
16	Call order desk	PANEL LOWER WALL / FORMICA	2	P
17	3200305P	PANEL LOWER WALL / FABRIC	1	
17	Call order desk	PANEL LOWER WALL / THIN CARPET From H-6186	1	P
17	Call order desk	PANEL LOWER WALL / CARPET	1	P
17	Call order desk	PANEL LOWER WALL / FORMICA	1	P
18	327024	EXTRUSION, WALL SEPARATOR 427.5MM	8	
19	3202947	WOOD SPACER 13 MM X 32 MM X 32 MM From G-6047	AR	
20	329325	CAP FINISHING / POST / W/S. GLASS	1	W
20	329324	CAP FINISHING / POST / W/S. GLASS & SUN SHADE	1	W
20	329327	CAP FINISHING / POST / W/T. GLASS	1	W
20	329326	CAP FINISHING / POST / W/T. GLASS & SUN SHADE	1	W
21	3200311	CAP FINISHING / POST / W/S. GLASS	1	W
21	321025	CAP FINISHING / POST / W/T. GLASS	1	W
21	3200708	CAP FINISHING / POST / W/T. GLASS & SUN SHADE	1	C
21	321600	CAP FINISHING / POST / W/T. GLASS & SUN SHADE / W/HEARING LOOP From G-6084	1	IN
22	3200310	CAP FINISHING / POST / W/S. GLASS To J-6295	1	W
22	3210005	CAP FINISHING / POST / W/S. GLASS From J-6296	1	W
22	321024	CAP FINISHING / POST / W/T. GLASS To J-6295	1	W
22	3210016	CAP FINISHING / POST / W/T. GLASS From J-6296	1	W
22	321599	CAP FINISHING / POST / W/T. GLASS & SUN SHADE / W/HEARING LOOP From G-6084	1	IN
22	405143	DECAL / BLACK STRIP W/DOTTED 1117MM x 118MM	1	
23	3200274	FINISHING POST UPPER FRONT/W/W.C.L. DOOR TRIANGULAR SHAPE To F-5822	1	
23	314470	FINISHING POST UPPER FRONT/W/W.C.L. DOOR TRIANGULAR SHAPE From F-5823	1	
23	321576	MOLDING CORNER W/HEARING LOOP From G-6084	1	IN
24	3200275	FINISHING POST UPPER REAR/W/W.C.L. DOOR TRIANGULAR SHAPE To F-5822	1	
24	314471	FINISHING POST UPPER REAR/W/W.C.L. DOOR TRIANGULAR SHAPE From F-5823	1	
24	321591	MOLDING CORNER /W HEARING LOOP From G-6084	1	IN
25	297293	EXTRUSION, UPPER WALL 2533MM	1	
26	290391	EXTRUSION, UPPER WALL 1235MM	1	
27	327424P	PANEL LOWER WALL / FABRIC	1	
27	Call order desk	PANEL LOWER WALL / THIN CARPET From H-6186	1	P
27	Call order desk	PANEL LOWER WALL / CARPET	1	P
28	500611	SCREW TC PAN PH #10-24x1/2 Z050 To G-6055	AR	
28	500657	SCREW TC TR PH #10-24x1/2 Z050 From G-6056	AR	
29	327078P	PANEL LOWER WALL / FABRIC	1	
29	Call order desk	PANEL LOWER WALL / CARPET	1	P
29	Call order desk	PANEL LOWER WALL / FORMICA	1	P

From B-5002 To K-6492	Date:01/2024	PAGE:X3-1833-01
WINDOW FINISHING CAP & WALL		

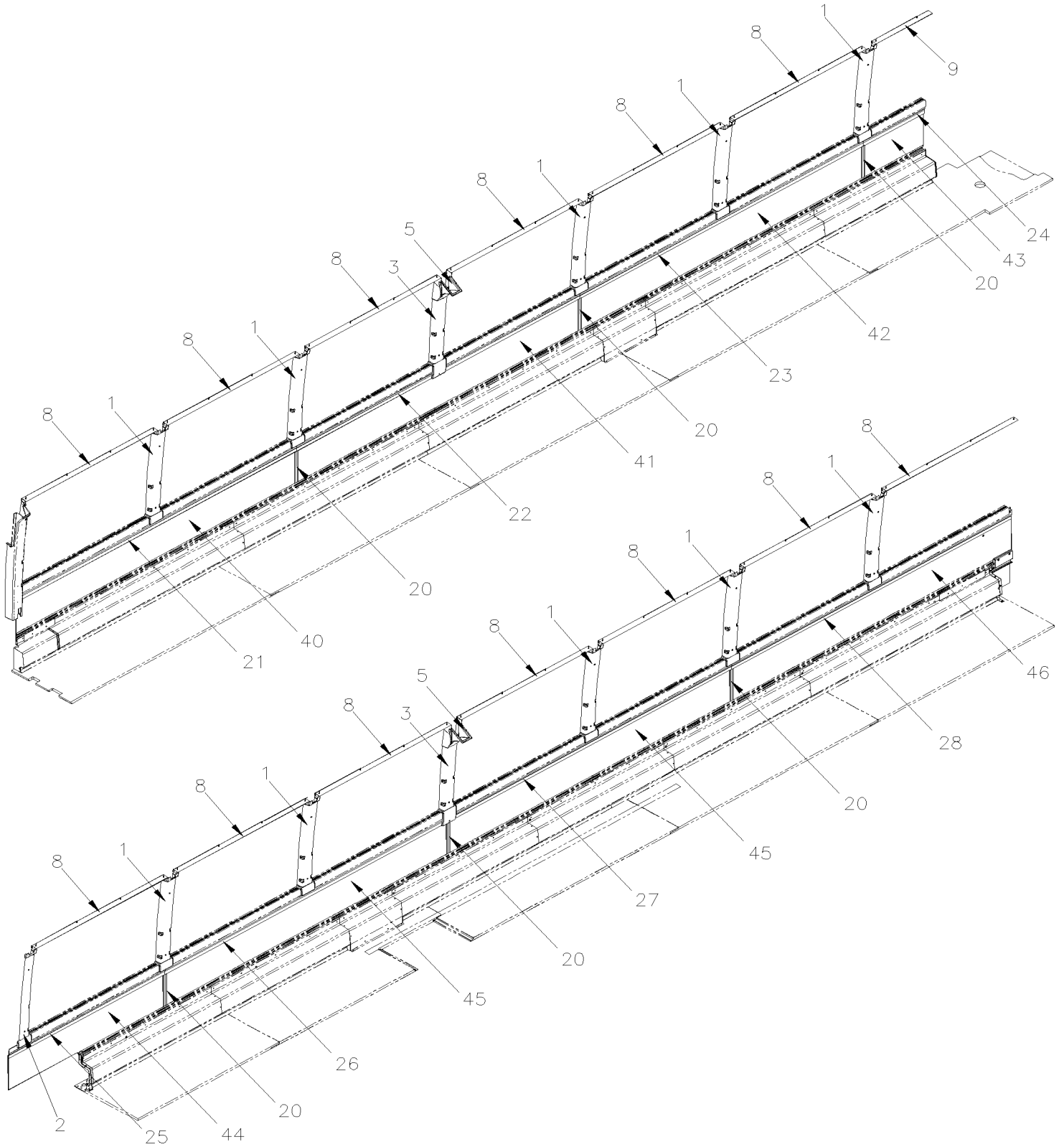
Item#	Part	Description	QTY	Notes
29	Call order desk	PANEL ASSY / FABRIC A VERIFIER	1	P
29	Call order desk	PANEL ASSY / FABRIC To C-5104	1	P D
29	Call order desk	PANEL LOWER WALL / FABRIC PWT From C-5105	1	P D
31	850094	WHITE WALL COVERING ADHESIVE / 28 1/2" X 448"	2	
31	684196	PRIMER ELASTOCOL # 593	AR	
31	320104	INSULATING PLATE / ALUMINUM 18GA / "E" SHAPE 90MM X 102MM	AR	
31	680415	TAPE ADHESIVE 3" WIDE BLUE	AR	
31	685089	TAPE ADHESIVE RED 60MMx60M	AR	
31	850104	WHITE WALL COVERING ADHESIVE 178 x 178 / 56 x 46	AR	
31	850103	WHITE WALL COVERING ADHESIVE 178 x 178 / 56 x 106	AR	
35	500552	SCREW TP OV PH #6x3/4 Z050	AR	
36	500463	WASHER FN CKF .187x.500x.090 BR Z050	AR	
37	500611	SCREW TC PAN PH #10-24x1/2 Z050	AR	
50	X3-1884-00	SIDE WINDOW - BUS		
51	X3-2220-00	UNDER FLOOR AIR DUCTING		
		A) WITH A/C IN PARCEL RACK		
		B) UPPER WINDOW		
		C) WITH FOUR WHEEL CHAIRS OPTION		
		D) WITH WCL LAVATORY		
		E) USE WITH SIDE SIGN		
		IN) INDIAN TRAILS OPTION		
		O) WITHOUT LAVATORY		
		W) WITH W.C.L.		
		P) CALL ORDER DESK FOR SPECIFIC APPLICATION (V.I.N.)		

From L-6493

Date:01/2024

PAGE:X3-1833-02

WINDOW FINISHING CAP & WALL

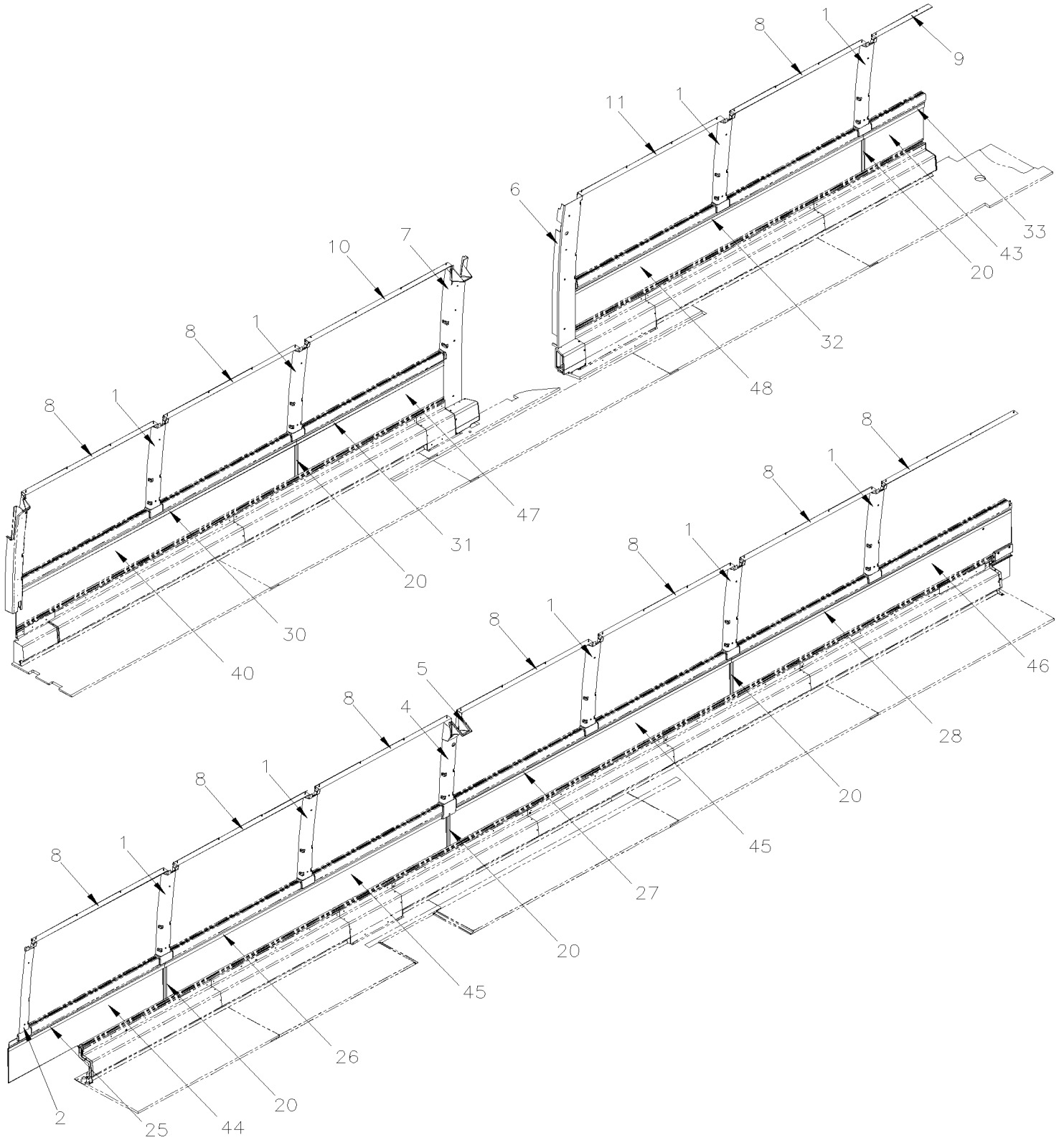


From L-6493

Date:01/2024

PAGE:X3-1833-02

WINDOW FINISHING CAP & WALL

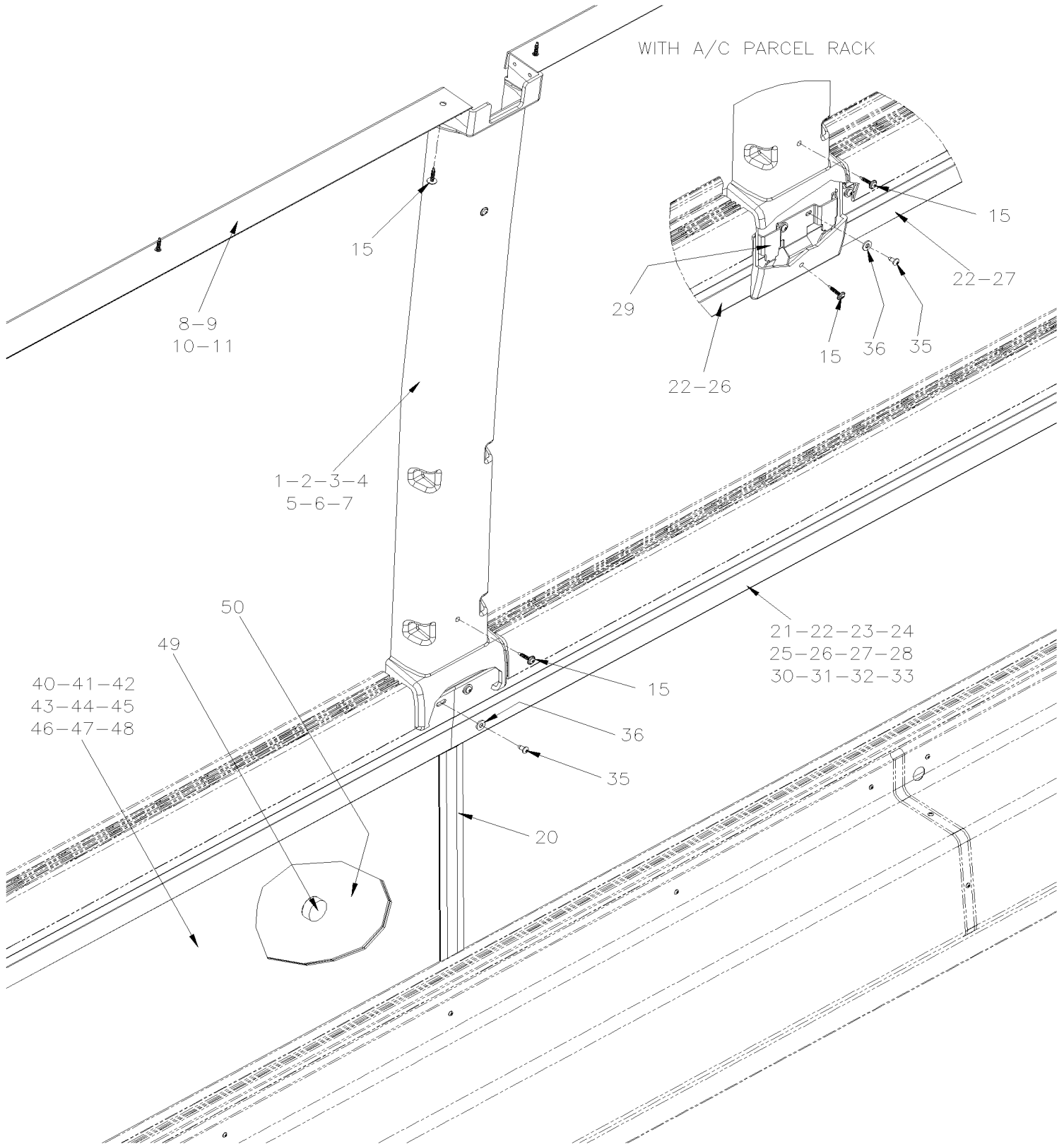


From L-6493

Date:01/2024

PAGE:X3-1833-02

WINDOW FINISHING CAP & WALL



From L-6493	Date:01/2024	PAGE:X3-1833-02
WINDOW FINISHING CAP & WALL		

Item#	Part	Description	QTY	Notes
1	3210291	CAP FINISHING / POST / W/O SUN SHADE	10	
1	Call order desk	CAP FINISHING / POST / W/SUN SHADE	10	P
1	3210291	CAP FINISHING / POST / W/O SUN SHADE	9	W
1	3211468	CAP FINISHING / POST / W/SUN SHADE USE WITHOUT BELT COVER	1	C
1	3211425	CAP FINISHING / POST / W/SUN SHADE USE WITH BELT COVER	2	C
1	3211144	CAP FINISHING / POST / W/SUN SHADE LAVATORY SIDE	1	C
1	3211464	CAP FINISHING / BELT COVER	3	C
1	Call order desk	CAP FINISHING / POST / W/SUN SHADE	9	P W
1	3210294	CAP FINISHING / POST / W/O SUN SHADE	1	O
NS	790597	RUBBER BLOCK ADJUSTEMENT 20MM x 31.75MM x 4.7 60 DURO	2	O
2	3210293	CAP FINISHING / POST / W/O SUN SHADE	1	
2	Call order desk	CAP FINISHING / POST / W/SUN SHADE	1	P
2	3201707	CAP FINISHING / POST / W/SUN SHADE W/GALLEY From P-6846	1	E
NS	790597	RUBBER BLOCK ADJUSTEMENT 20MM x 31.75MM x 4.7 60 DURO	2	
3	3210291	CAP FINISHING / POST / W/O SUN SHADE	2	
3	Call order desk	CAP FINISHING / POST / W/SUN SHADE	2	P
3	3210292	CAP FINISHING / POST / W/A/C PARCEL-RACK	2	A
4	3210312	CAP FINISHING / POST / W/A/C PARCEL-RACK	1	A W
4	3210323	CAP FINISHING / POST / W/O A/C PARCEL-RACK W/O SUN SHADE	1	A W
4	Call order desk	CAP FINISHING / POST / W/O A/C PARCEL-RACK W/SUN SHADE	1	P A W
4	Call order desk	CAP FINISHING / POST / W/O A/C PARCEL-RACK W/SUN SHADE	3	P A C
5	3210319	CAP FINISHING / UPPER POST	2	
5	3210319	CAP FINISHING / UPPER POST	1	W
6	3210395	CAP FINISHING / POST / W/ W.C.L	1	W
6	3211549	CAP FINISHING / POST / W/ W.C.L	1	C W
7	3210396	CAP FINISHING / POST / W/ W.C.L	1	W
8	3210427	MOULDING FINISHING / UPPER WINDOW	13	B
8	3210427	MOULDING FINISHING / UPPER WINDOW	10	B W
8	3210146	MOULDING FINISHING / UPPER WINDOW	1	D
9	3210428	MOULDING FINISHING / UPPER WINDOW	1	B
9	3210427	MOULDING FINISHING / UPPER WINDOW	1	B O
10	3210425	MOULDING FINISHING / UPPER WINDOW	1	B W
11	3210426	MOULDING FINISHING / UPPER WINDOW	1	B W
15	5002083	SCREW DR SEMS FN OV PH #8X1 N050	AR	
20	3210214	EXTRUSION, WALL SEPARATOR 339MM	6	
20	3210214	EXTRUSION, WALL SEPARATOR 339MM	5	W
NS	3210537	WALL STIFFENER	AR	
21	290182	EXTRUSION, UPPER WALL 3277.5MM	1	
22	290178	EXTRUSION, UPPER WALL 3320MM	1	
22	290201	EXTRUSION, UPPER WALL 1586MM	2	A

From L-6493	Date:01/2024	PAGE:X3-1833-02
WINDOW FINISHING CAP & WALL		

Item#	Part	Description	QTY	Notes
23	290178	EXTRUSION, UPPER WALL 3320MM	1	
24	290188	EXTRUSION, UPPER WALL 717.7MM	1	
25	290176	EXTRUSION, UPPER WALL 1828MM	1	
25	290575	EXTRUSION, UPPER WALL 1828MM	1	SP
26	290178	EXTRUSION, UPPER WALL 3320MM	1	
26	290199	EXTRUSION, UPPER WALL 3248MM	1	A
27	290178	EXTRUSION, UPPER WALL 3320MM	1	
27	290200	EXTRUSION, UPPER WALL 3248MM	1	A
28	290177	EXTRUSION, UPPER WALL 3277.5MM	1	
29	450553	SUPPORT, HOSE A/C	2	A
30	290182	EXTRUSION, UPPER WALL 3277.5MM	1	
31	290183	EXTRUSION, UPPER WALL 1748.6MM	1	
32	290186	EXTRUSION, UPPER WALL 3452.7MM	1	
32	290189	EXTRUSION, UPPER WALL 2952.6MM	1	C
33	290188	EXTRUSION, UPPER WALL 717.7MM	1	
33	290190	EXTRUSION, UPPER WALL 1828MM	1	O
35	500613	SCREW TP PAN PH #10x1/2 Z050	AR	
36	500877	WASHER FL .250x.562x.065 N500	AR	
40	Call order desk	PANEL LOWER WALL / THIN CARPET	1	P
40	Call order desk	PANEL LOWER WALL / CARPET	1	P
40	Call order desk	PANEL LOWER WALL / FABRIC	1	P
40	Call order desk	PANEL LOWER WALL / FORMICA	1	P
41	Call order desk	PANEL LOWER WALL / THIN CARPET	1	P
41	Call order desk	PANEL LOWER WALL / CARPET	1	P
41	Call order desk	PANEL LOWER WALL / FABRIC	1	P
41	Call order desk	PANEL LOWER WALL / FORMICA	1	P
42	Call order desk	PANEL LOWER WALL / THIN CARPET	1	P
42	Call order desk	PANEL LOWER WALL / CARPET	1	P
42	Call order desk	PANEL LOWER WALL / FABRIC	1	P
42	Call order desk	PANEL LOWER WALL / FORMICA	1	P
43	Call order desk	PANEL LOWER WALL / THIN CARPET	1	P
43	Call order desk	PANEL LOWER WALL / CARPET	1	P
43	Call order desk	PANEL LOWER WALL / FABRIC	1	P
43	Call order desk	PANEL LOWER WALL / FORMICA	1	P
43	Call order desk	PANEL LOWER WALL / FORMICA	1	P O
44	Call order desk	PANEL LOWER WALL / THIN CARPET	1	P
44	Call order desk	PANEL LOWER WALL / CARPET	1	P
44	Call order desk	PANEL LOWER WALL / FABRIC	1	P
44	Call order desk	PANEL LOWER WALL / FORMICA	1	P
45	Call order desk	PANEL LOWER WALL / THIN CARPET	2	P

From L-6493	Date:01/2024	PAGE:X3-1833-02
-------------	--------------	-----------------

WINDOW FINISHING CAP & WALL

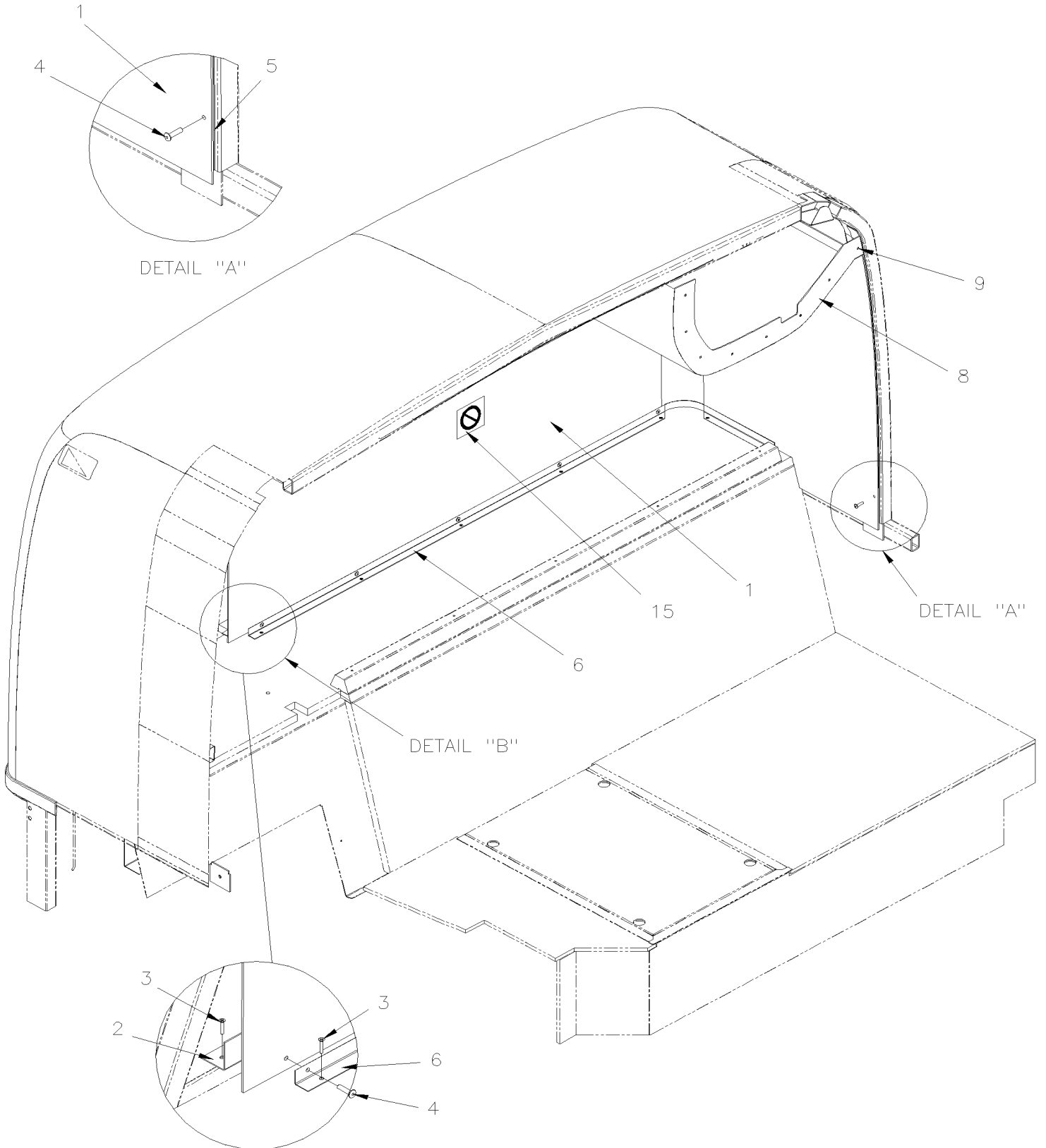
Item#	Part	Description	QTY	Notes
45	Call order desk	PANEL LOWER WALL / CARPET	2	P
45	Call order desk	PANEL LOWER WALL / FABRIC	2	P
45	Call order desk	PANEL LOWER WALL / FORMICA	2	P
46	Call order desk	PANEL LOWER WALL / THIN CARPET	1	P
46	Call order desk	PANEL LOWER WALL / CARPET	1	P
46	Call order desk	PANEL LOWER WALL / FABRIC	1	P
46	Call order desk	PANEL LOWER WALL / FORMICA	1	P
47	Call order desk	PANEL LOWER WALL / THIN CARPET	1	P
47	Call order desk	PANEL LOWER WALL / CARPET	1	P
47	Call order desk	PANEL LOWER WALL / FABRIC	1	P
47	Call order desk	PANEL LOWER WALL / FORMICA	1	P
48	Call order desk	PANEL LOWER WALL / THIN CARPET	1	P
48	Call order desk	PANEL LOWER WALL / CARPET	1	P
48	Call order desk	PANEL LOWER WALL / FABRIC	1	P
48	Call order desk	PANEL LOWER WALL / FORMICA	1	P
48	Call order desk	PANEL LOWER WALL / FABRIC	1	P C
49	370169	SPACER 31MM O.D x 12.7MM	AR	
50	850089	WHITE WALL COVERING ADHESIVE / 32 1/4" X 455"	AR	
50	684196	PRIMER ELASTOCOL # 593	AR	
50	680415	TAPE ADHESIVE 3" WIDE BLUE	AR	
60	X3-1884-01	SIDE WINDOW - BUS		
61	X3-2221-11	DUCTING HEATER & A/C - BUS FLOOR		
62	X3-1832-01	FRONT FINISHING CAP		
		A) WITH A/C IN PARCEL RACK		
		B) USED WITHOUT SUN SHADE		
		C) WITH FOUR WHEEL CHAIRS OPTION		
		D) USE WITH DESTINATION SIGN		
		E) WITH GALLEY		
		O) WITHOUT LAVATORY		
		SP) SPECIAL, WITH HEARING LOOP		
		W) WITH W.C.L.		
		P) CALL ORDER DESK FOR SPECIFIC APPLICATION (V.I.N.)		

From 7-8754

Date:01/2024

PAGE:X3-1834-00

REAR FINISHING CAP

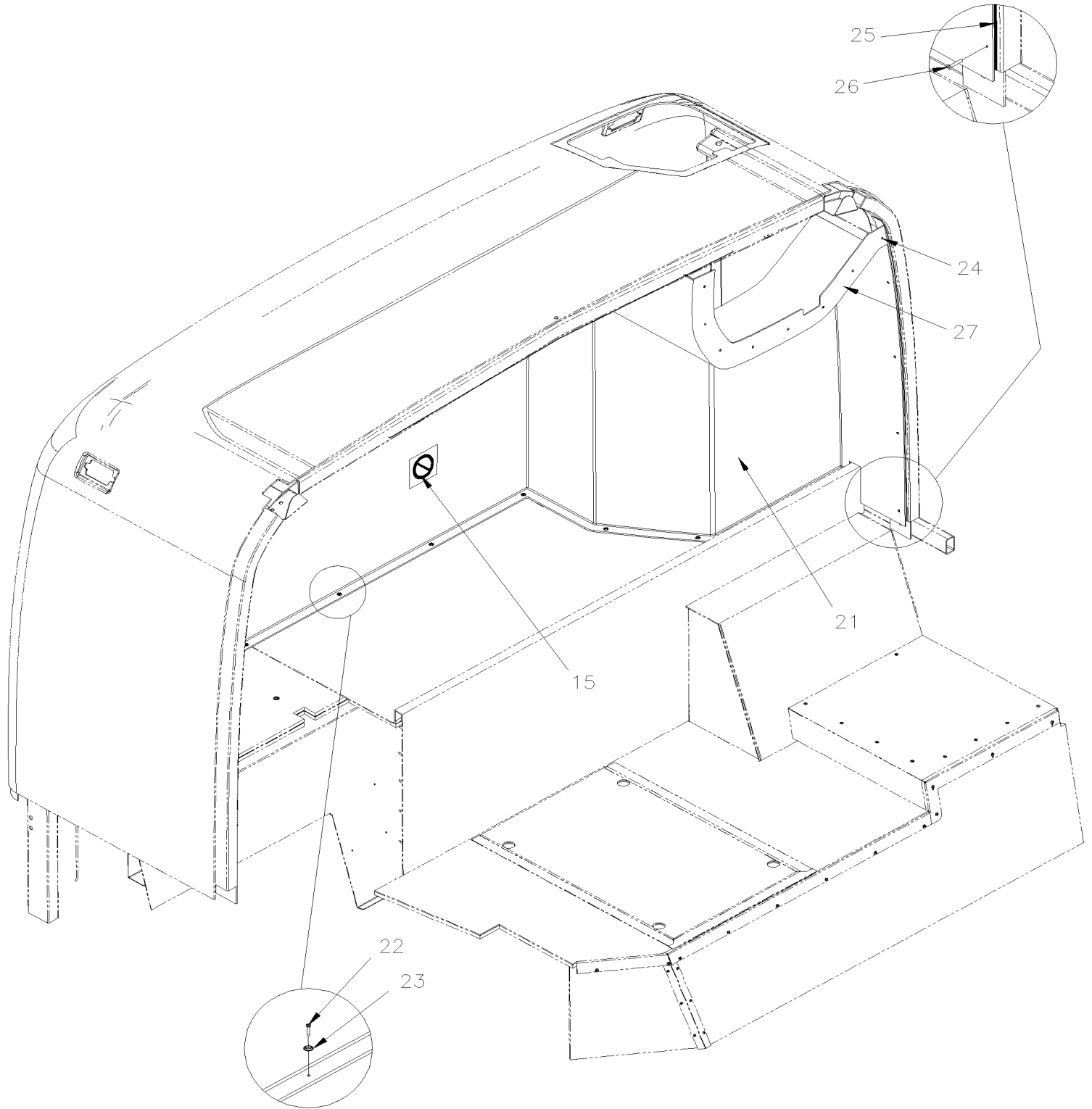


From 7-8754

Date:01/2024

PAGE:X3-1834-00

REAR FINISHING CAP

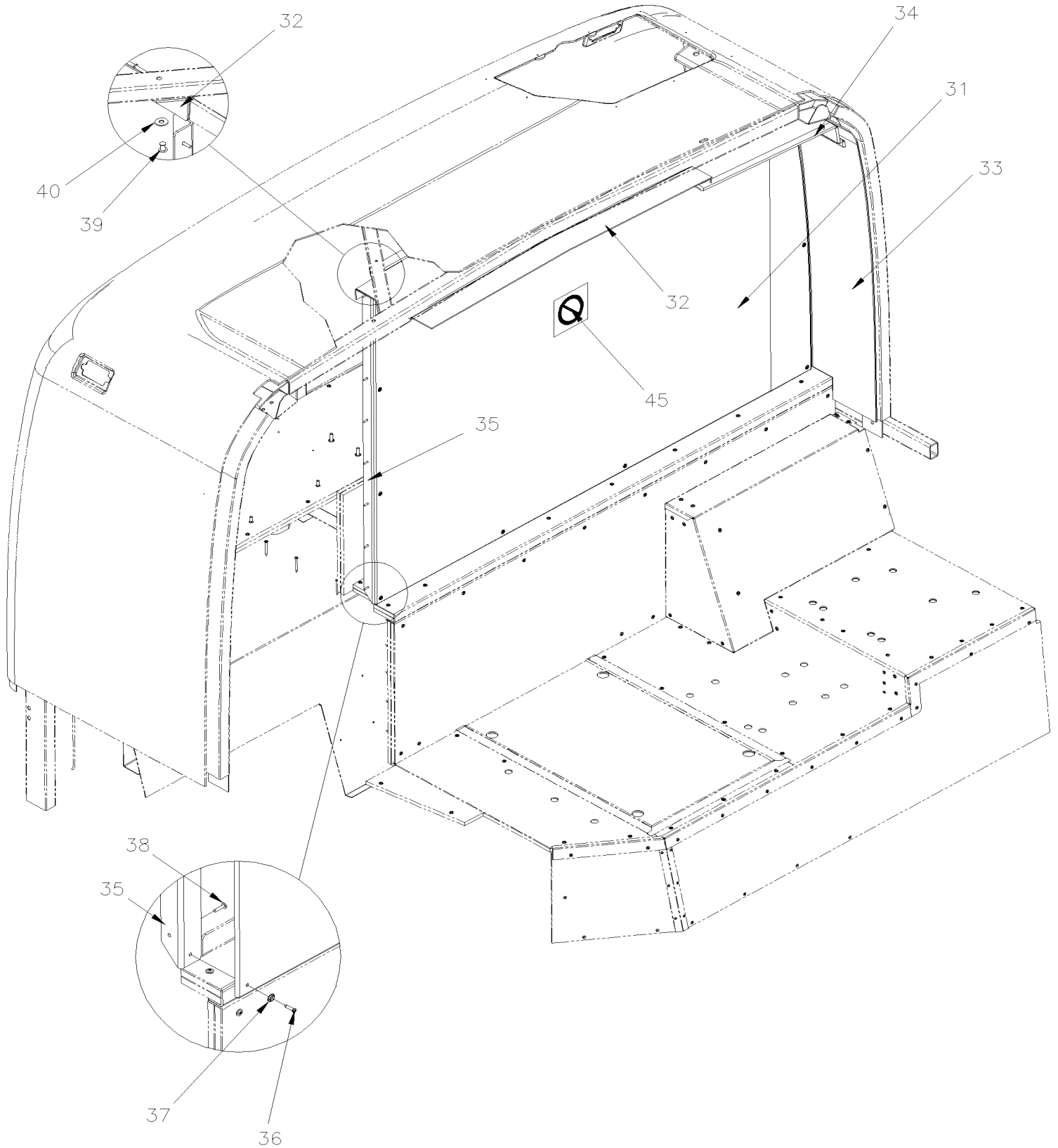


From 7-8754

Date:01/2024

PAGE:X3-1834-00

REAR FINISHING CAP



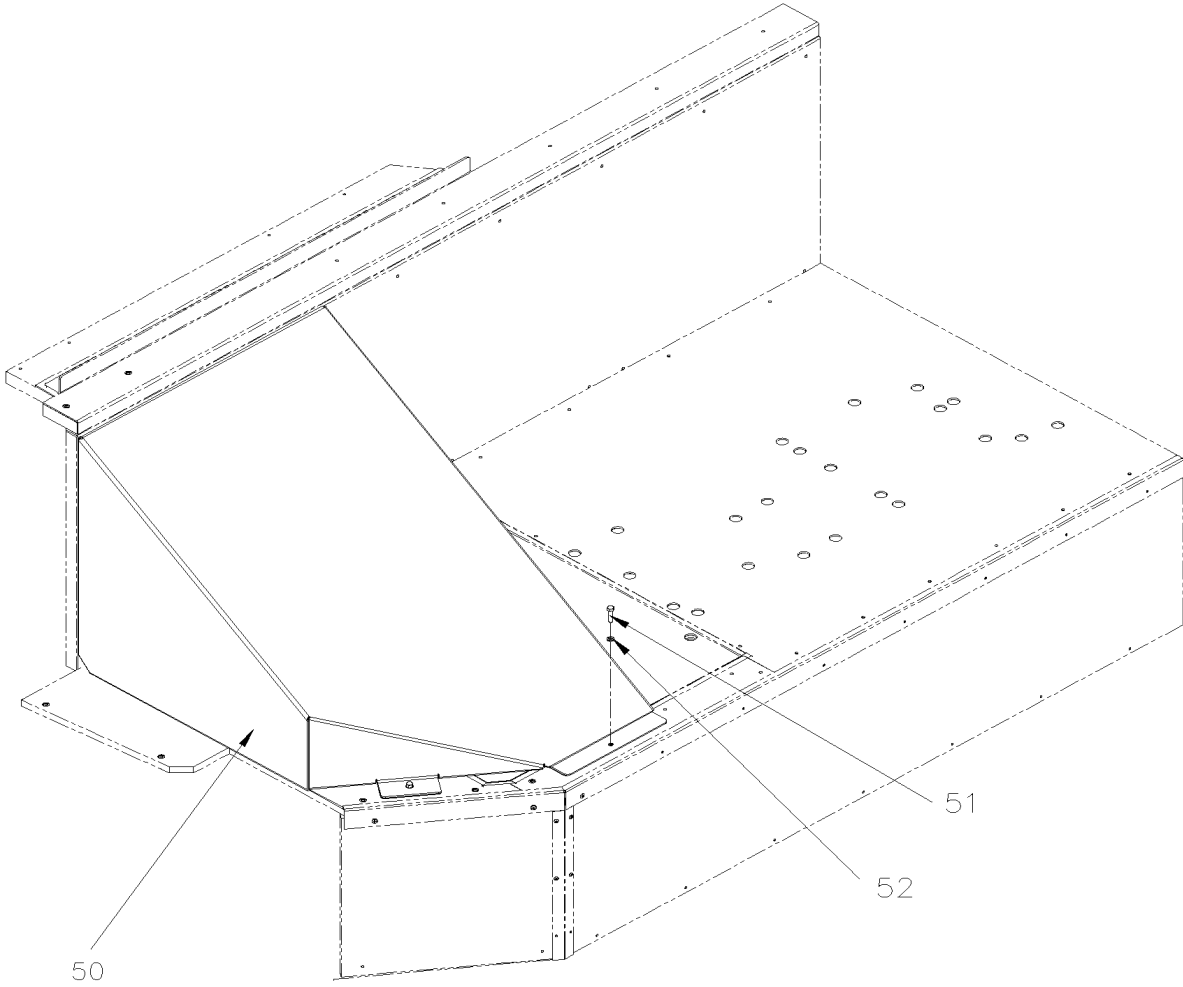
From 7-8754

Date:01/2024

PAGE:X3-1834-00

REAR FINISHING CAP

GLI OPTION FROM J-6245



From 7-8754	Date:01/2024	PAGE:X3-1834-00
REAR FINISHING CAP		

Item#	Part	Description	QTY	Notes
1	341027	CAP, REAR / FIBERGLAS LIGHT GREY To 8-9281	1	
1	341033	CAP, REAR / FIBERGLAS WITH TISSUS To 8-9281	1	
2	341043	ANGLE 45MM X 50MM X 1500MM To 8-9281	1	
2	341046	ANGLE 50MM X 50MM X 315MM To 8-9281	1	
3	500592	SCREW TP FL PH #8x1 ZP To 8-9281	AR	
4	504121	RIVET POP DOME OE 1/4x1/4 AL To 8-9281	AR	
4	504132	RIVET POP DOME OE 1/4x1/2 MNL To 8-9281	AR	
5	506466	TAPE RUB ADH1 CC POL 1/16" x 1 1/2" x 100 / GREY 2520 To 8-9281	AR	
6	341058	FINISHING ANGLE 344MM X 1660MM To 8-9281	1	
8	327032	FINISHING CAP / PLASTIC / PARCEL RACK CONTOUR To 8-9281	1	
9	504108	RIVET POP DOME OE 1/8x1/2 AL To 8-9281	6	
15	405177	DECAL "NO SMOKING" ASSY 8 1/4" O.D. / W MOUNTING PLATE To B-5001	1	
. NS	405178	. MOUNTING PLATE 228MM x 228MM SS To B-5001	1	
. NS	901027	. DECAL / "NO SMOKING" / 8 1/4" O.D. To B-5001	1	
NS	500286	NUT WELL #6-32 To B-5001	4	
NS	500339	SCREW MA RND PH #6-32x3/4 SS To B-5001	4	
15	901026	DECAL / "NO SMOKING" / 4" O.D. To E-5469	1	
15	406690	DECAL / "NO SMOKING" From E-5470	1	
21	341156	CAP, REAR / FIBERGLAS WITH TISSUS From 8-9282 To B-5001	1	
21	341121	CAP, REAR / FIBERGLAS LIGHT GREY From 8-9282 To B-5001	1	
22	500333	SCREW TP OV PH #6x3/4 BK From 8-9282 To B-5001	7	
23	500345	WASHER FN CKF .187x.500x.090 BR BK From 8-9282 To B-5001	7	
24	504108	RIVET POP DOME OE 1/8x1/2 AL From 8-9282 To B-5001	8	
25	506466	TAPE RUB ADH1 CC POL 1/16" x 1 1/2" x 100 / GREY 2520 From 8-9282 To B-5001	AR	
26	500435	SCREW TP FL PH #6x1 Z050 From 8-9282 To B-5001	4	
27	327032	FINISHING CAP / PLASTIC / PARCEL RACK CONTOUR From 8-9282 To B-5001	1	
31	Call order desk	CAP, REAR / FIBERGLAS WITH TISSUS From B-5002 To K-6492	1	P
31	Call order desk	CAP, REAR / FIBERGLAS WITH TISSUS From L-6493	1	P
31	Call order desk	CAP, REAR / FIBERGLAS WITH TISSUS WITH LOGO From B-5002 To K-6492	1	P
31	Call order desk	CAP, REAR / FIBERGLAS WITH TISSUS WITH GALLEY From L-6493	1	P A
31	Call order desk	CAP, REAR / ALUMINUM WITH TISSUS / WITH TRAP, ASSY From J-6245 To K-6492	1	P GR
31	Call order desk	CAP, REAR / ALUMINUM WITH TISSUS / WITH TRAP, ASSY From L-6493	1	P GR
31	Call order desk	. CAP, REAR, PANEL W/FRAME FOR TRAP From J-6245	1	P GR
31	Call order desk	. ACCES PANEL 600 x 500 MM, AL From J-6245	1	P GR
31	5002020	. SCREW CAP BUT HEXS TAMPER M6-1.0x25 NSS From J-6245	8	GR

From 7-8754		Date:01/2024	PAGE:X3-1834-00
REAR FINISHING CAP			

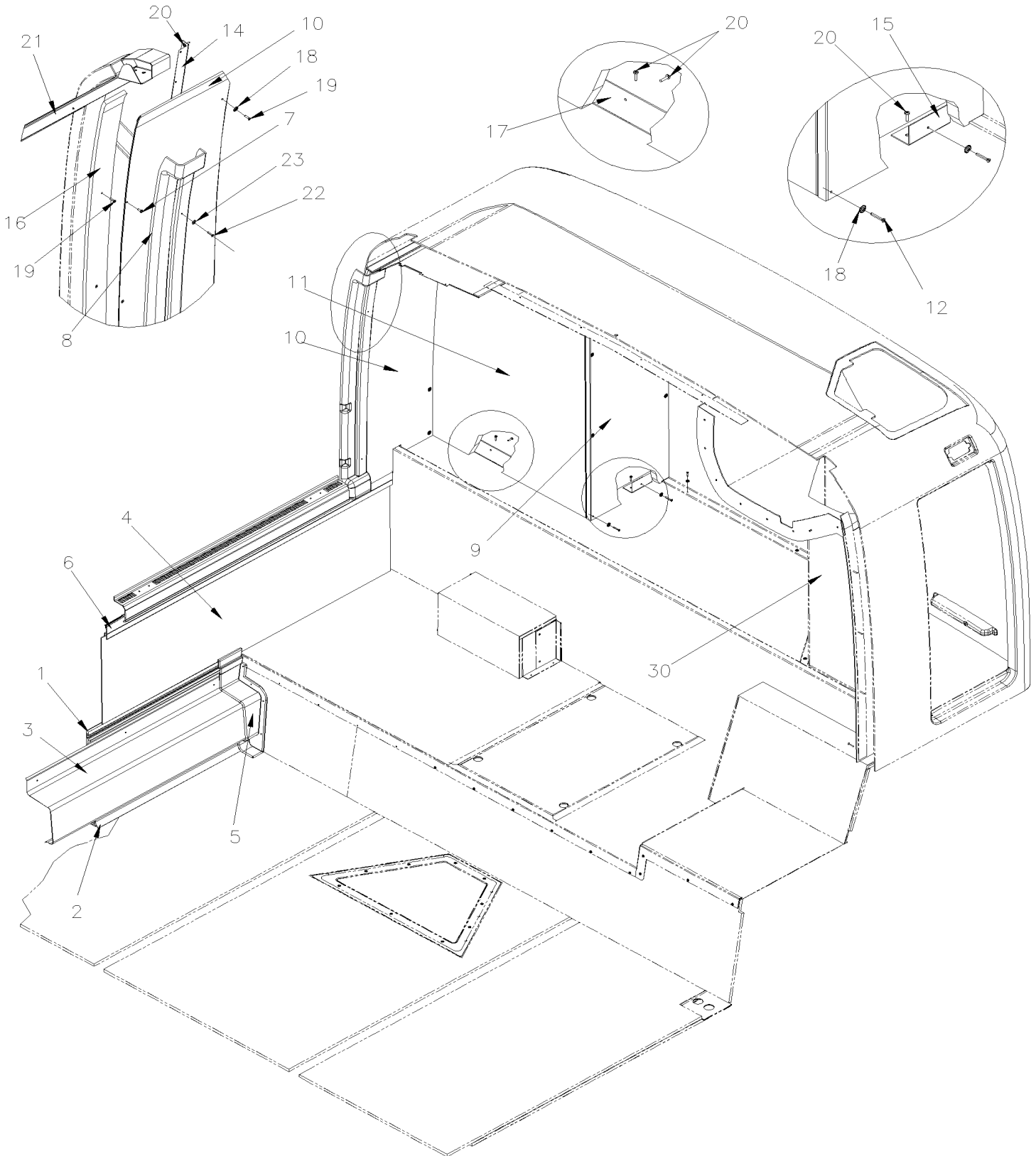
Item#	Part	Description	QTY	Notes
31	509910	. NUT PUSH RND M6 ZP From J-6245	8	GR
32	Call order desk	REAR ROOF ASSY WITH TISSUS From B-5002 To K-6492	1	P
32	Call order desk	REAR ROOF ASSY WITH TISSUS From L-6493	1	P
33	Call order desk	PANEL REAR FINISHING WITH TISSU ASSY / CURB SIDE From B-5002 To K-6492	1	P
33	Call order desk	PANEL REAR FINISHING WITH TISSU ASSY / STREET SIDE From L-6493	1	P
34	Call order desk	PANEL REAR FINISHING WITH TISSU ASSY / TOP STREET SIDE From B-5002 To K-6492	1	P
34	Call order desk	PANEL REAR FINISHING WITH TISSU ASSY WITH GALLEY From D-5391 To K-6492	1	P A
34	Call order desk	PANEL REAR FINISHING WITH TISSU ASSY WITH GALLEY From L-6493	1	P A
NS	505538	TAPE DUAL LOCK 1" x 50 YARD / BLACK SJ3551 From B-5002 To K-6492	AR	
35	3200234	SIDE WALL ATTACHMENT 1113MM From B-5002 To K-6492	1	
35	Call order desk	SIDE WALL ATTACHMENT W/TISSUS From L-6493	1	P
36	500333	SCREW TP OV PH #6x3/4 BK From B-5002 To K-6492	17	
36	5001839	SCREW DR TR WASHER PH #8x1 BK From L-6493	12	
37	500345	WASHER FN CKF .187x.500x.090 BR BK From B-5002 To K-6492	17	
38	500641	SCREW TP PAN PH #8x3/4 Z050 From B-5002	8	
39	504459	RIVET MGLP PRDG 1/4x3/8 SS From B-5002	2	
40	500411	WASHER FL .260x.697x.050 SS From B-5002	2	
NS	3210327	CLOSURE LEFT WALL BENCH / STREE SIDE From L-6493	1	
NS	850032	. INSULATION PAD NOISE 1" x 48" x 35' / ARMAFLEX POLYURETHANE FOAM From L-6493	1	
45	405177	DECAL "NO SMOKING" ASSY 8 1/4" O.D. / W MOUNTING PLATE From B-5002	1	
. NS	405178	. MOUNTING PLATE 228MM x 228MM SS From B-5002	1	
. NS	901027	. DECAL / "NO SMOKING" / 8 1/4" O.D. From B-5002	1	
45	500952	SCREW TP BDG PH #8x1/2 SS From B-5002	4	
45	901026	DECAL / "NO SMOKING" / 4" O.D. From B-5002 To E-5469	2	
46	406690	DECAL / "NO SMOKING" From E-5470	2	
50	3210168P	SEAT LOCKER ASS. From J-6245	1	GR
NS	3210140	SEAT LOCKER FIX From J-6245	1	GR
51	5001209	SCREW CAP HEX M6-1.0x25 G8.8 Z050 From J-6245	6	GR
51	5000328	NUT AN INS THREADED M6-1.0x20MM From J-6245	6	GR
52	502570	WASHER LO SPT 6.1x11.8x1.6 SS From J-6245	6	GR
52	500142	WASHER FL 6.6x22.0x2.0 SS From J-6245	6	GR
		A) USE WITH GALLEY STREET SIDE		
		GR) GREYHOUND OPTION, 3 INVERTER		
		P) CALL ORDER DESK FOR SPECIFIC APPLICATION (V.I.N.)		

From 8-9282 To B-5001

Date:01/2024

PAGE:X3-1834-05

REAR FINISHING CAP / WITHOUT LAVATORY EPA 2007



From 8-9282 To B-5001	Date:01/2024	PAGE:X3-1834-05
REAR FINISHING CAP / WITHOUT LAVATORY EPA 2007		

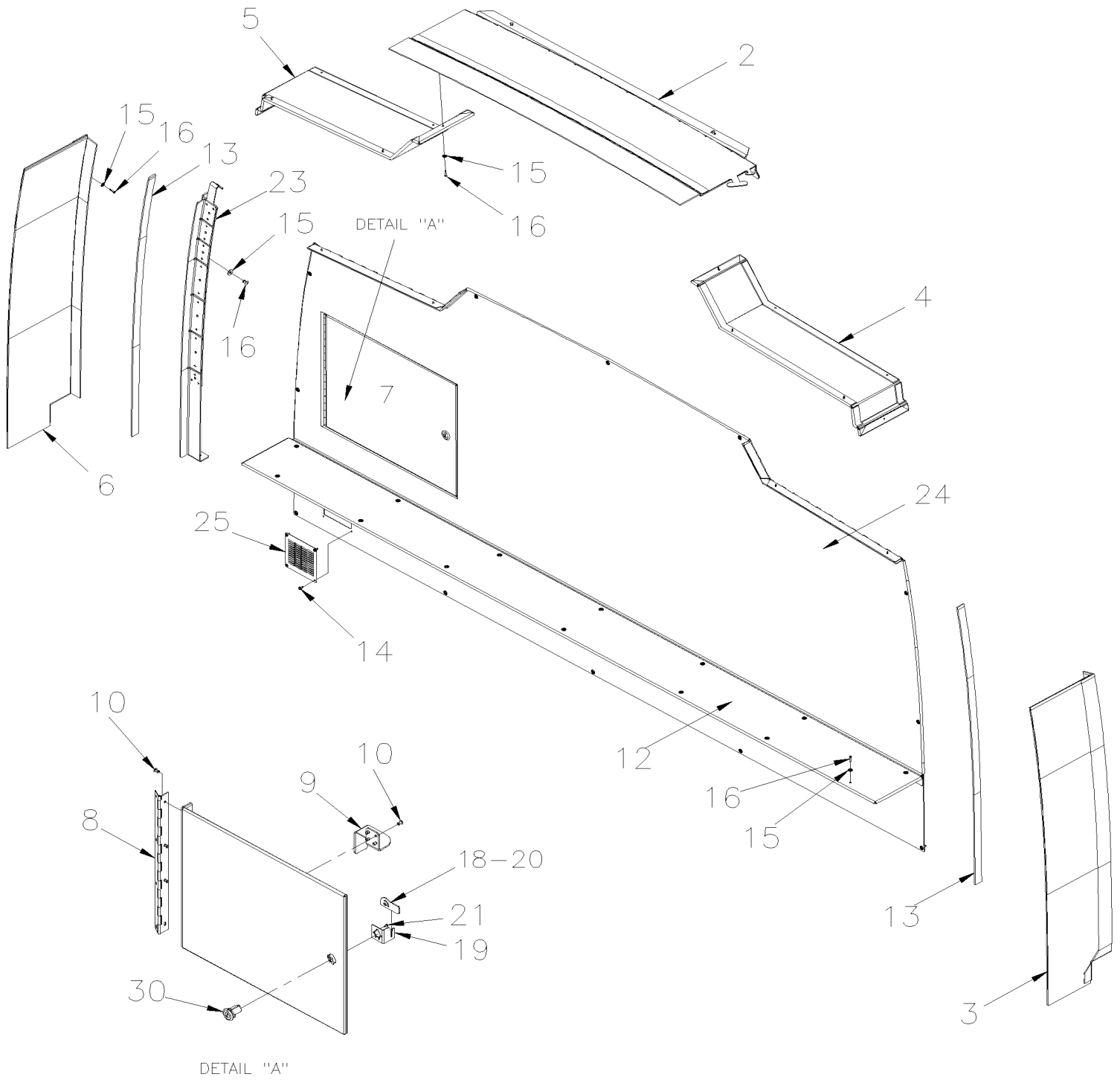
Item#	Part	Description	QTY	Notes
1	329569	EXTRUSION, LOWER WALL 5332MM	1	
2	329568	EXTRUSION, FLOOR 4867MM	1	
3	329571	DUCT, AIR 2281MM	1	
4	Call order desk	PANEL LOWER WALL / FABRIC	1	P
4	Call order desk	PANEL ASSY / FABRIC	1	P
5	329566	CLOSING DUCT / PLASTIC	1	
6	293944	EXTRUSION, UPPER WALL 1408MM	1	
7	500638	SCREW TP PAN PH #8x1/2 Z050	4	
8	329567	CAP FINISHING / POST / W/T. GLASS	1	
9	Call order desk	PANEL ASSY / WITHOUT LAVATORY	1	P
9	Call order desk	PANEL ASSY / WITHOUT LAVATORY	1	P
10	Call order desk	PANEL ASSY / WITHOUT LAVATORY	1	P
11	Call order desk	PANEL ASSY / WITHOUT LAVATORY	1	P
11	Call order desk	PANEL ASSY / WITHOUT LAVATORY	1	P
12	500645	SCREW TP OV PH #8x1 1/4 Z050	7	
14	408179	ANGLE 25MM X 38MM X 250MM	3	
15	404975	ANGLE / TO FIX REAR SIDE WALL 100MM	3	
16	406003	SPACER	1	
17	400719	ANGLE, RETAINING / BEHIND REAR WALL / 30"	1	
18	500464	WASHER FN CKF .210x.540 SS	10	
19	500626	SCREW TP OV PH #8x3/4 Z050	7	
20	500641	SCREW TP PAN PH #8x3/4 Z050	26	
21	320139	FINISHING MOULDING / UPPER WINDOW / 40MM x 1108MM	1	
22	500552	SCREW TP OV PH #6x3/4 Z050	2	
23	500463	WASHER FN CKF .187x.500x.090 BR Z050	2	
30	X3-1834-00	REAR FINISHING CAP		
		P) CALL ORDER DESK FOR SPECIFIC APPLICATION (V.I.N.)		

From B-5002

Date:01/2024

PAGE:X3-1834-06

REAR FINISHING CAP / WITHOUT LAVATORY EPA 2010



From B-5002	Date:01/2024	PAGE:X3-1834-06
REAR FINISHING CAP / WITHOUT LAVATORY EPA 2010		

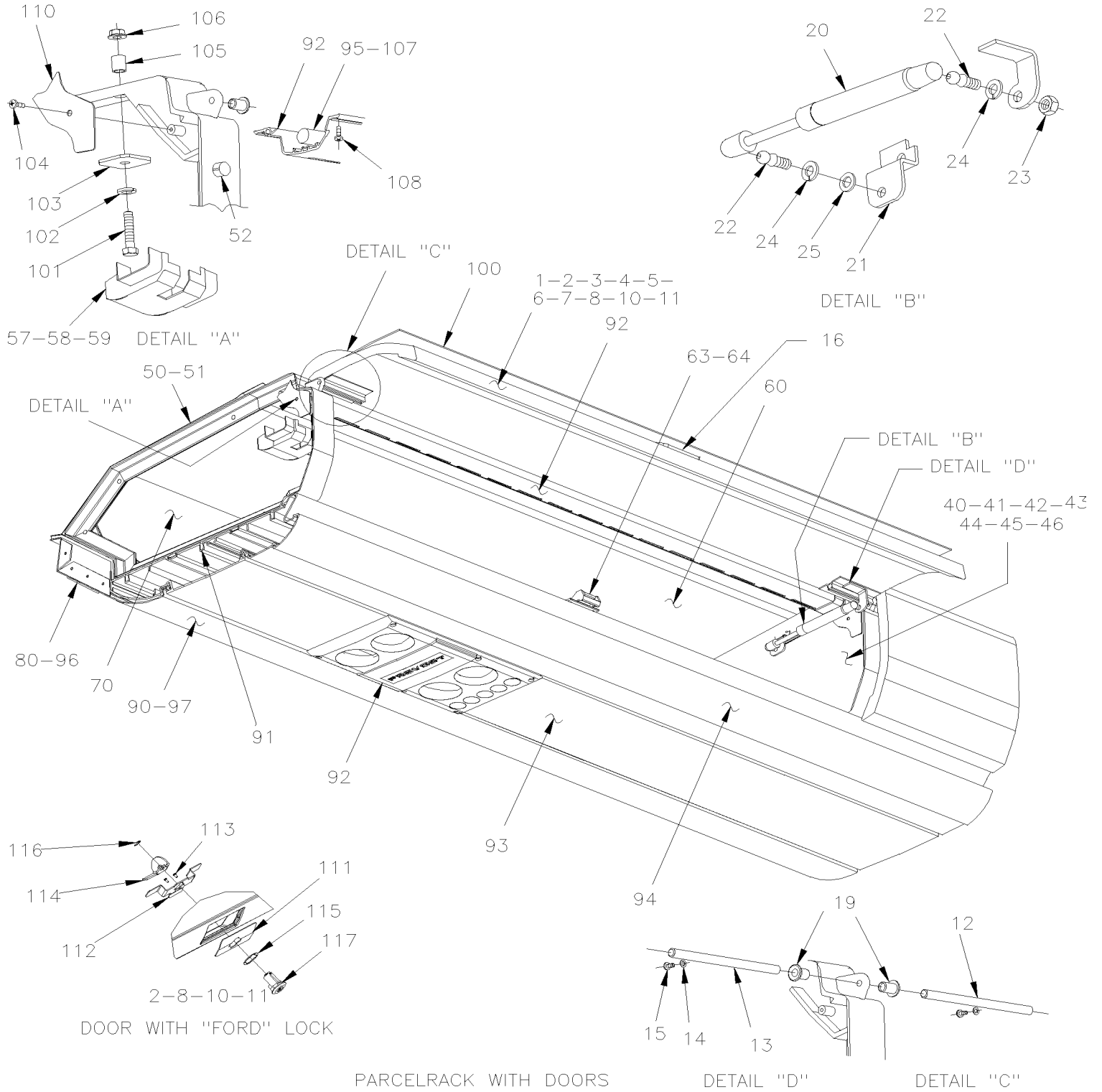
Item#	Part	Description	QTY	Notes
2	Call order desk	PANEL REAR FINISHING WITH TISSU ASSY TOP CENTER To K-6492	1	P
2	Call order desk	PANEL REAR FINISHING WITH TISSU ASSY / TOP CENTER From L-6493	1	P
3	Call order desk	PANEL REAR FINISHING WITH TISSU ASSY / CURB SIDE To K-6492	1	P
3	Call order desk	PANEL REAR FINISHING WITH TISSU ASSY / STREET SIDE From L-6493	1	P
4	Call order desk	PANEL REAR FINISHING WITH TISSU ASSY / TOP STREET SIDE To K-6492	1	P
5	Call order desk	PANEL REAR FINISHING WITH TISSU ASSY / TOP CURB SIDE To K-6492	1	P
5	Call order desk	PANEL REAR FINISHING WITH TISSU ASSY / TOP CURB SIDE From L-6493	1	P
5	3210326	CLOSURE RIGHT WALL BENCH / CURB SIDE From L-6493	1	
6	Call order desk	PANEL REAR FINISHING WITH TISSU ASSY / STREET SIDE To K-6492	1	P
6	3210283	PANEL REAR FINISHING WITH TISSU ASSY / CURB SIDE From L-6493	1	
7	Call order desk	FABRIC / CARPET	1	P
7	3200554	ACCES DOOR WELDED	1	
8	3200512	. HINGE ASSY	1	
9	3200671	. STOPPER, DOOR	1	
10	504118	. RIVET POP DOME OE 3/16x3/8 AL	8	
12	Call order desk	PANEL FINISHING, REAR SEAT ASSY	1	P
13	505538	TAPE DUAL LOCK 1" x 50 YARD / BLACK SJ3551	AR	
14	500592	SCREW TP FL PH #8x1 ZP	4	
15	500345	WASHER FN CKF .187x.500x.090 BR BK	AR	
16	500333	SCREW TP OV PH #6x3/4 BK	AR	
18	3200498	LOCK PLATE	1	
19	3200542	CLAMP FORD LOCK	1	
20	504402	RING RETAINER / EXT .250 x .210 x .025"	1	
21	5001053	SCREW MA PAN PH #4-40x1/4 ZP	1	
23	3200581	ATTACHMENT, REAR WALL ASSY WELDED To K-6492	1	
23	3210261	ATTACHMENT, REAR WALL ASSY WELDED / CURB SIDE From L-6493	1	
24	Call order desk	PANEL REAR FINISHING, ASSY To K-6492	1	P
24	Call order desk	PANEL REAR FINISHING, ASSY From L-6493	1	P
25	452344	. AIR DIFFUSOR	1	
30	X3-1867-00	KEY & CYLINDER CODE "FORD" & "NS"		
		P) CALL ORDER DESK FOR SPECIFIC APPLICATION (V.I.N.)		

From 7-8754 To D-5371

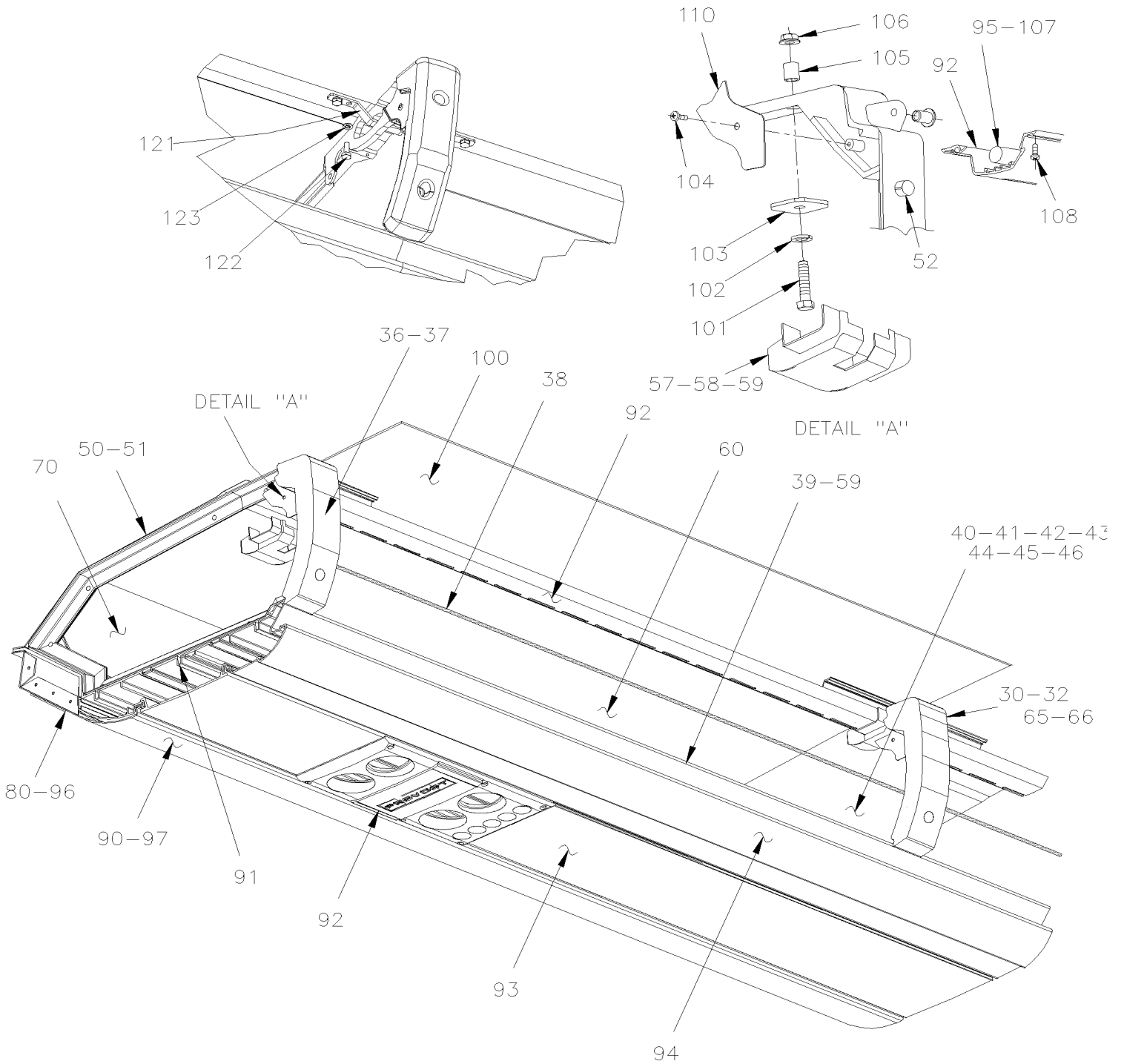
Date:01/2024

PAGE:X3-1836-00

PARCEL RACK

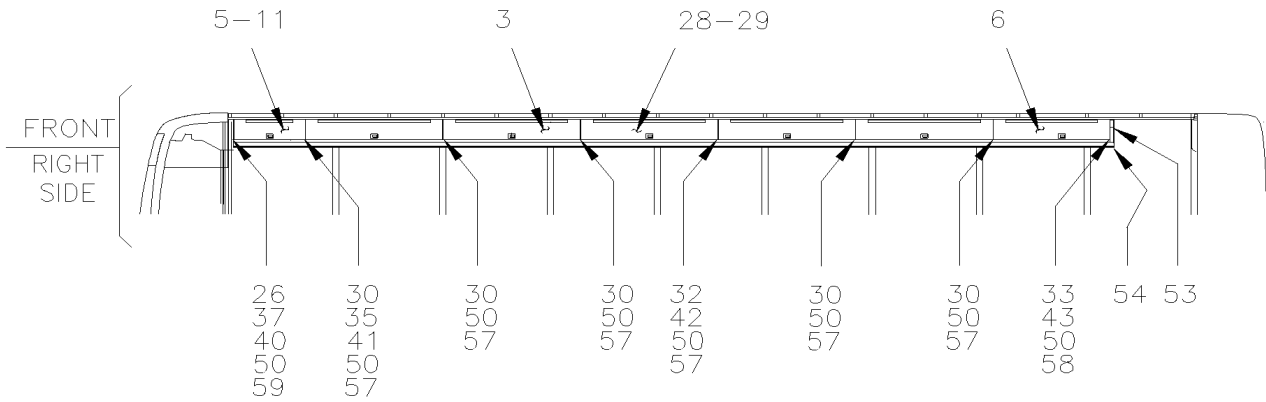
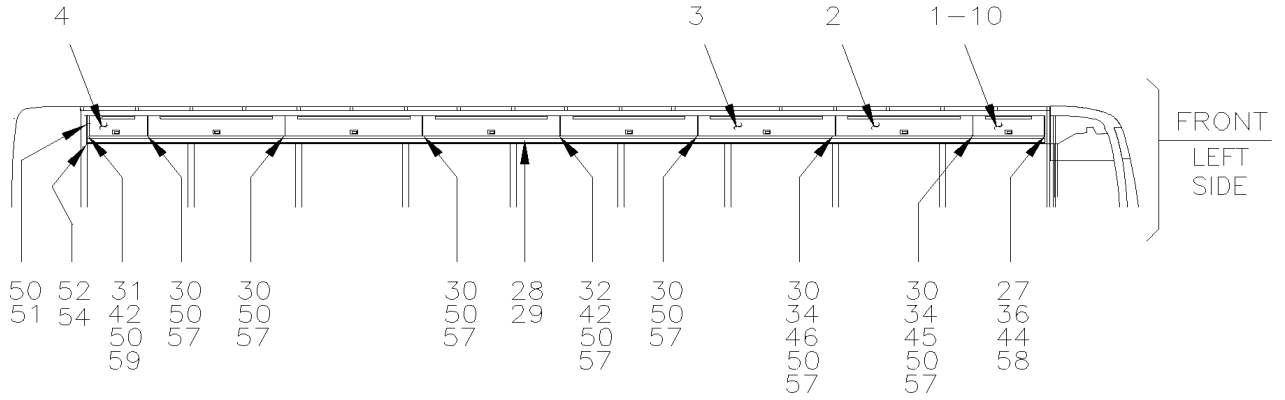


PARCEL RACK

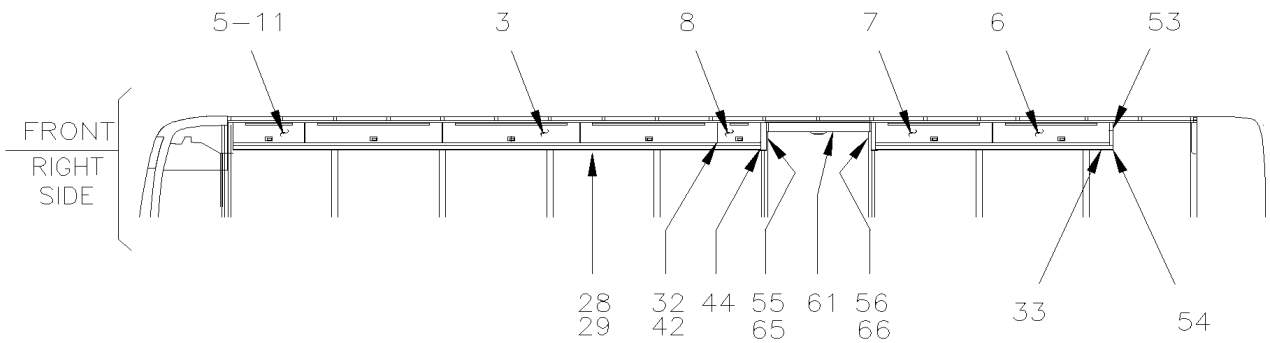


PARCEL RACK WITH CORD

From 7-8754 To D-5371	Date:01/2024	PAGE:X3-1836-00
PARCEL RACK		



X3-45



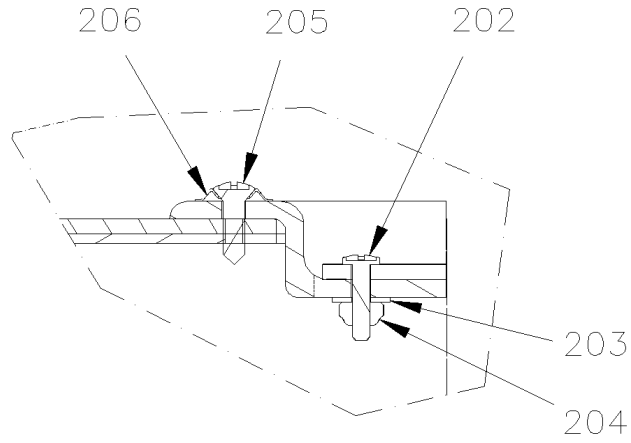
X3-45 WITH "RICON"

From 7-8754 To D-5371

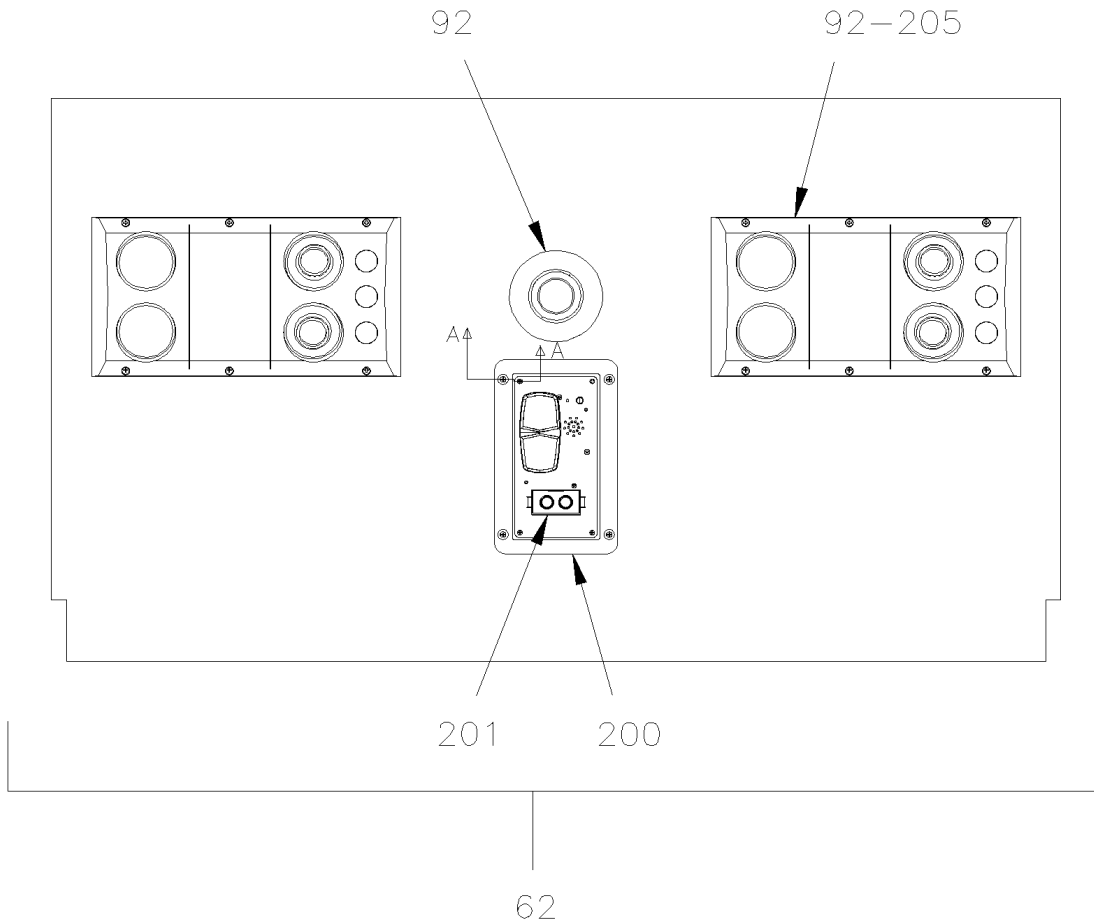
Date:01/2024

PAGE:X3-1836-00

PARCEL RACK



VIEW A-A



From 7-8754 To D-5371	Date:01/2024	PAGE:X3-1836-00
PARCEL RACK		

Item#	Part	Description	QTY	Notes
1	313508	DOOR, PARCEL RACK / L.H. / W/LOCK / GREY / 860MM	1	
1	310469	DOOR, PARCEL RACK / L.H. / W/LOCK / GREY / 860MM	1	F
2	313510	DOOR, PARCEL RACK / W/LOCK / GREY / 1654MM	1	
2	310471	DOOR, PARCEL RACK / W/LOCK / GREY / 1654MM	1	F
2	Call order desk	DOOR, PARCEL RACK / W/LOCK FORD / 1654MM	1	P F
. NS	316202	. DOOR, PARCEL RACK / L.H. TO USE W/"FORD" OR "GM" / GREY / 1654MM	1	F
. NS	310483	. DOOR, PARCEL RACK / L.H. TO USE W/"FORD" OR "GM" / GREY / 1654MM	1	F
3	313506	DOOR, PARCEL RACK / GREY / 1654MM	10	
3	310467	DOOR, PARCEL RACK / GREY / 1654MM	10	F
4	313503	DOOR, PARCEL RACK / GREY / 701MM	1	
4	310464	DOOR, PARCEL RACK / GREY / 701MM	1	F
5	313507	DOOR, PARCEL RACK / R.H. / GREY / 860MM	1	
5	310468	DOOR, PARCEL RACK / R.H. / GREY / 860MM	1	F
5	313505	DOOR, PARCEL RACK / R.H. W/LOCK / GREY / 860MM	1	
5	310466	DOOR, PARCEL RACK / R.H. W/LOCK / GREY / 860MM	1	F
6	313497	DOOR, PARCEL RACK / GREY / 1410MM	1	
6	310451	DOOR, PARCEL RACK / GREY / 1410MM	1	F
6	319093	DOOR, PARCEL RACK / W/LOCK / GREY / 1410MM From B-5002	1	
6	310486	DOOR, PARCEL RACK / W/LOCK / GREY / 1410MM	1	F
7	313668	DOOR, PARCEL RACK / 1410MM To B-5001	1	
7	310473	DOOR, PARCEL RACK / 1410MM	1	F
7	316399	DOOR, PARCEL RACK / GREY / 1410MM From B-5002	1	
7	310484	DOOR, PARCEL RACK / GREY / 1410MM	1	F
7	313498	DOOR, PARCEL RACK / GREY / 1151MM	1	W
7	310454	DOOR, PARCEL RACK / GREY / 1151MM	1	F W
8	313669	DOOR, PARCEL RACK / 516MM To B-5001	1	
8	310474	DOOR, PARCEL RACK / 516MM	1	F
8	316400	DOOR, PARCEL RACK / L.H. / GREY / 860MM From B-5002	1	
8	310485	DOOR, PARCEL RACK / L.H. / GREY / 860MM	1	F
8	Call order desk	DOOR, PARCEL RACK / TO USE W/"FORD" / 516MM To B-5001	1	P F
. NS	314346	. DOOR, PARCEL RACK / TO USE W/"FORD" / 516MM To B-5001	1	F
. NS	310476	. DOOR, PARCEL RACK / TO USE W/"FORD" / 516MM To B-5001	1	F
NS	313678	. RUBBER BUMPER	2	
NS	406049	DECAL / FOR DRIVER'S USE ONLY / ENGLISH & FRANCAIS	1	G
NS	406159	DECAL / FOR DRIVER'S USE ONLY / ENGLISH & SPANISH	1	G
NS	400021	DECAL / FOR DRIVER'S USE ONLY / ENGLISH & SPANISH & FRANCAIS	1	G
10	316186P	DOOR, PARCEL RACK / L.H. ASSY / W/LOCK FORD / 860MM	1	F
. NS	316183	. DOOR, PARCEL RACK / L.H. TO USE W/"FORD" OR "GM" / GREY / 860MM	1	F
. NS	310481	. DOOR, PARCEL RACK / L.H. TO USE W/"FORD" OR "GM" / GREY / 860MM	1	F
11	316185P	DOOR, PARCEL RACK / R.H. ASSY / W/LOCK FORD / 860MM	1	F
. NS	316184	. DOOR, PARCEL RACK / R.H. TO USE W/"FORD" OR "GM" / GREY / 860MM	1	F
. NS	310482	. DOOR, PARCEL RACK / R.H. TO USE W/"FORD" OR "GM" / GREY / 860MM	1	F

From 7-8754 To D-5371	Date:01/2024	PAGE:X3-1836-00
PARCEL RACK		

Item#	Part	Description	QTY	Notes
12	313677	PIVOT ROD 3"	1	
13	313676	PIVOT ROD 6"	1	
14	500240	WASHER LO EXT .195x.410x.025 Z050	1	
15	5001036	SCREW MA PAN PH M4-0.7x10 Z050	1	
16	810092	HANDLE	1	
16	810093	HANDLE W/LOCK	1	
. NS	810104	. KEY (7216)	1	
NS	313532	COVER DOOR HANDLE PARCEL RACK NSS	1	
NS	500557	SCREW MA PAN PH #8-32x3/8 SS	2	
NS	X3-1867-00	KEY & CYLINDER CODE "FORD" & "NS"		
19	313285	BUSHING NYLON FLANGE / 8.5 I.D. X 13.6 O.D. O	AR	
NS	5001481	SPACER NYLON .323 I.D. X .750 O.D. X .125	AR	
19	5001490	WASHER SHR .312 ID NYL	AR	
20	980020	CYLINDER GAZ / 244/164MM C/C / 35LBS	15	
21	312841	SUPPORT, CYLINDER DOOR	15	
22	980015	BALL STUD / W/10 MM X M8-1.25 / 29.18 MM	AR	
22	980027	BALL STUD / W/10 MM X M8-1.25 / 36.5MM	AR	F
23	980016	NUT, CYLINDER RETAINER	AR	
23	502638	WASHER FL .312x.734x.065 N500	1	F
24	502509	WASHER LO INT 8.4x15.0x0.8 Z050	1	
24	502847	NUT HEX NYRT M8-1.25 N500	1	F
25	500874	WASHER FL 8.4x17.0x1.6 Z050	1	
26	312904	SUPPORT FRONT R.H. / "C" FORM 390MM	1	
27	312902	SUPPORT FRONT R.H. / "C" FORM 390MM	1	
28	312930	COVER / L.H. SIDE OF VENTILATOR BOX	2	
29	312929	COVER / FRONT OF VENTILATOR BOX To B-5001	2	
29	312929	COVER / FRONT OF VENTILATOR BOX STREET SIDE From B-5002	1	S
29	314376	COVER / FRONT OF VENTILATOR BOX CURB SIDE From B-5002	1	R
30	312648	PILAR COVERING	10	
32	312964	PILAR COVERING GREY	2	
33	313536	PILAR COVERING	1	
34	312920	FINISHING CAP L.H. / FRONT OF P.R.	2	
35	312938	PILAR COVERING GREY	2	
36	312965	PILAR COVERING R.H.	1	
37	312966	PILAR COVERING L.H.	1	
38	312659	CORD, RUBBER 359"	11	
. NS	506066	. CORD, RUBBER EXTRUSION NEO 7/16" O.D. / C.T.L.	AR	
38	312658	CORD, RUBBER 434"	1	
. NS	506066	. CORD, RUBBER EXTRUSION NEO 7/16" O.D. / C.T.L.	AR	
38	312755	CORD, RUBBER 253"	1	
. NS	506066	. CORD, RUBBER EXTRUSION NEO 7/16" O.D. / C.T.L.	AR	
38	313448	CORD, RUBBER 111"	1	

From 7-8754 To D-5371	Date:01/2024	PAGE:X3-1836-00
PARCEL RACK		

Item#	Part	Description	QTY	Notes
. NS	506066	. CORD, RUBBER EXTRUSION NEO 7/16" O.D. / C.T.L.	AR	
NS	506066	. CORD, RUBBER EXTRUSION NEO 7/16" O.D. / C.T.L.	AR	
NS	504452	CLAMP "E-Z CLIP" / "TUBE-O" / 7/16" / HC9-7	AR	
39	312984	EDGE MOULDING GREY 1600MM To A-9797	11	
39	312985	EDGE MOULDING GREY 785MM To A-9797	2	
39	313193	EDGE MOULDING GREY 616MM To A-9797	1	
39	313195	EDGE MOULDING GREY 1324.5MM To A-9797	1	
39	313447	EDGE MOULDING GREY 431MM To A-9797	1	
40	312905	COVER / PLAIN / W/CORD	1	
40	312595	COVER L.H. ASSY / W/LIGHT	1	
. NS	312593	. COVER L.H. / W/LIGHT HOLE	1	
40	313882	COVER L.H. / W/VENT HOLE	1	
41	312594	COVER L.H. / PLAIN	1	
41	312905	COVER / PLAIN / W/CORD	1	
42	312905	COVER / PLAIN / W/CORD	3	
42	312595	COVER L.H. ASSY / W/LIGHT	3	
. NS	312593	. COVER L.H. / W/LIGHT HOLE	1	
43	312514	COVER R.H. / PLAIN OFFSET W/CORD GREY	1	
43	313542	COVER R.H. / PLAIN OFFSET / W/DOOR	1	
44	312906	COVER / PLAIN / W/CORD	1	
44	312516	COVER R.H. ASSY / W/LIGHT	1	
. NS	312515	. COVER R.H. / W/LIGHT HOLE	1	
45	312906	COVER / PLAIN / W/CORD	1	
46	312596	COVER R.H. / PLAIN	1	
46	312906	COVER / PLAIN / W/CORD	1	
47	313587	COVER R.H. / PLAIN / W/CORD To B-5001	1	
47	316296	COVER R.H. / PLAIN / W/CORD From B-5002	1	
47	316503	COVER R.H. / PLAIN / W/DOOR From B-5002	1	
NS	067055	DECAL / POWER VIDEO COMPONENTS To 9-9795	1	
NS	067781	DECAL / POWER VIDEO COMPONENTS From 9-9796 To A-9893	1	
NS	068005	DECAL / POWER VIDEO COMPONENTS From A-9894 To A-9894	1	
NS	068149	DECAL / POWER VIDEO COMPONENTS From A-9895	1	
NS	067378	DECAL / POWER VIDEO COMPONENTS	1	G
50	315887	SUPPORT, PARCEL RACK GREY	17	
51	313402	FINISHING CAP L.H. / FRONT OF P.R.	1	
52	313615	FINISHING CAP L.H. / UNDER OF P.R.	1	
53	313401	FINISHING CAP R.H. / FRONT OF P.R.	1	
53	313930	FINISHING CAP R.H. / FRONT OF P.R. 66MM "P.W.T."	1	
54	313468	FINISHING CAP R.H. / UNDER OF P.R.	1	
55	313537	COVER R.H. END CLOSING	1	
55	316289	COVER R.H. END CLOSING W/WCL From B-5002	1	

From 7-8754 To D-5371	Date:01/2024	PAGE:X3-1836-00
PARCEL RACK		

Item#	Part	Description	QTY	Notes
56	313538	COVER L.H. END CLOSING	1	
56	316291	COVER L.H. END CLOSING W/WCL From B-5002	1	
57	312509	COVER FINISHING PILAR LIGHTING MODULE	13	
57	316309	COVER FINISHING PILAR LIGHTING MODULE From B-5050	12	G
57	316446	COVER FINISHING PILAR LIGHTING MODULE From C-5249	22	D
58	312446	COVER FINISHING PILAR L.H. LIGHTING MODULE	2	
58	316310	COVER FINISHING PILAR L.H. LIGHTING MODULE From B-5050	3	G
58	316535	COVER FINISHING PILAR L.H. LIGHTING MODULE From C-5249	1	D
59	312508	COVER FINISHING PILAR R.H. LIGHTING MODULE	2	
59	316308	COVER FINISHING PILAR R.H. LIGHTING MODULE From B-5050	3	G
59	316505	COVER FINISHING PILAR R.H. LIGHTING MODULE From C-5249	1	
60	312477	CEILING PANEL #1 R.H.	1	
60	313207	CEILING PANEL #7 R.H. To B-5001	1	
60	319072	CEILING PANEL #7 R.H. From B-5002	1	
60	319042	CEILING PANEL #7 R.H. From A-9884 To A-9888	1	C
60	313226	CEILING PANEL #8 L.H.	1	
60	316477	CEILING, PARCEL RACK 839 MM From C-5249	2	D
60	316497	CEILING, PARCEL RACK 1654 MM From C-5249	9	D
60	316499	CEILING, PARCEL RACK 7041.3 MM From C-5249	1	D
60	316555	CEILING, PARCEL RACK 1410 MM From C-5249	1	D
60	316495	CEILING, PARCEL RACK 1410 MM From C-5249	3	D
60	316496	CEILING, PARCEL RACK W/WCL 1381 MM From D-5300	2	D
60	316689	CEILING, PARCEL RACK 701MM	1	
60	313343	CEILING PANEL #4 R.H. & #5 L.H. W/A/C PARCEL	1	C
60	313429	CEILING PANEL #5 R.H. / W/"RICON"	1	
60	313430	CEILING PANEL #6 R.H. / W/"RICON"	1	
NS	312243	INSULATING / TOP PANEL & STRUCTURE 1371.6MM	AR	
60	312460	CEILING PANEL #2,3,4,5 & 6 L.H. & R.H.	AR	
60	500964	WASHER FL .203x.500x.047 Z050	AR	
60	500654	SCREW TC BDG PH #8-32x1/2 Z050	AR	
62	Call order desk	CEILING PANEL ASSY W/READING LIGHT & SPEAKER COAXIAL	1	P B
62	Call order desk	CEILING PANEL ASSY W/READING LIGHT W/LED & SPEAKER COAXIAL	1	P B
62	Call order desk	CEILING PANEL ASSY W/READING LIGHT W/LED SILV & SPEAKER DUAL CONE	1	P
62	Call order desk	CEILING PANEL ASSY W/READING LIGHT & SPEAKER DUAL CONE	1	P B
62	Call order desk	CEILING PANEL ASSY W/READING LIGHT W/LED & SPEAKER DUAL CONE	1	P B
62	341125	. CEILING PANEL ALLUMINUM To 9-9687	1	
62	341152	. CEILING PANEL ALLUMINUM From 9-9688	1	
62	314337	KIT, RETROFIT NEW LAMP "FRILIGHT" SERIES "X" To 9-9687	1	
63	313667	CATCH GREY	15	
63	316188	CATCH / W/"FORD" CYLINDER KEY	1	
64	500638	SCREW TP PAN PH #8x1/2 Z050	2	
NS	500470	WASHER LO SPT .193x.334x.047 Z050	AR	

From 7-8754 To D-5371	Date:01/2024	PAGE:X3-1836-00
PARCEL RACK		

Item#	Part	Description	QTY	Notes
65	313625	PILAR COVERING / FRONT W.C.L. DOOR	1	
66	313626	PILAR COVERING / BACKWARD W.C.L. DOOR	1	
70	312553P	PANEL, INTERIOR ASSY 868 MM	1	
70	312456P	PANEL, INSIDE 1657MM	1	
70	Call order desk	PANEL, INSIDE 1657MM	1	P
70	Call order desk	PANEL, INSIDE #7 R.H. 1411MM	1	P
70	Call order desk	PANEL, INSIDE #7 R.H. 702MM From A-9884	1	P C
70	Call order desk	PANEL, INSIDE #8 L.H. To B-5001	1	P
70	Call order desk	PANEL, INSIDE #8 L.H. From B-5002	1	P
70	313437P	PANEL, INSIDE #5 R.H. / W/"RICON"	1	
70	313431P	PANEL, INSIDE #6 R.H. / W/"RICON"	1	
70	Call order desk	PANEL, INTERIOR ASSY 1657 MM From C-5249	1	P D
70	Call order desk	PANEL, INTERIOR ASSY 703 MM From C-5249	1	P D
70	Call order desk	PANEL, INTERIOR, ASSY From C-5249	1	P D
70	Call order desk	PANEL, INTERIOR ASSY 1411 MM From D-5300	3	P D
70	314369	PANEL, INSIDE / WITH CONDUIT, WIRE GUIDE STREET SIDE	1	G
70	314370	PANEL, INSIDE / WITH CONDUIT, WIRE GUIDE CURBSIDE	1	G
70	314371	CONDUIT, WIRE GUIDE	1	G
80	312428P	PANEL ASSY #1 W/SPEAKER HOLE To 7-8932	1	
80	312427P	PANEL ASSY / W/O SPEAKER	1	
80	Call order desk	PANEL ASSY / W/O SPEAKER W/ LEATHERETTE 874MM From A-9884	1	P L
80	312429P	PANEL ASSY #2,3,4,5 & 6 L.H. & R.H. To 7-8932	9	
80	Call order desk	PANEL ASSY #2,3,4,5 & 6 L.H. & R.H. From 7-8933	9	P
80	Call order desk	PANEL ASSY #2,3,4,5 & 6 L.H. & R.H. From A-9884	9	P L
80	Call order desk	PANEL ASSY #4 R.H. & #5 L.H. To 7-8932	1	P
80	Call order desk	PANEL ASSY #4 R.H. & #5 L.H. From 7-8933 To B-5001	1	P
80	Call order desk	PANEL ASSY #4 R.H. & #5 L.H. From B-5002	1	P
80	Call order desk	PANEL ASSY #4 R.H. & #5 L.H. From A-9884	1	P L
80	Call order desk	PANEL ASSY #7 R.H. To 7-8932	1	P
80	Call order desk	PANEL ASSY #7 R.H. From 7-8933	1	P
80	Call order desk	PANEL ASSY #7 R.H. From A-9974	1	P L
80	Call order desk	PANEL ASSY #7 R.H.	1	P C
80	Call order desk	PANEL ASSY #7 R.H. From A-9884 To A-9973	1	P C L
80	Call order desk	PANEL ASSY #8 L.H.	1	P
80	Call order desk	PANEL ASSY #8 L.H. From A-9884	1	P L
80	313434P	PANEL ASSY # 5 R.H./ W/"RICON" To 7-8932	1	
80	Call order desk	PANEL ASSY # 5 R.H./ W/"RICON" From 7-8933	1	P
80	313433P	PANEL ASSY # 6 R.H./ W/"RICON" To 7-8932	1	
80	Call order desk	PANEL ASSY # 6 R.H./ W/"RICON" From 7-8933	1	P
80	Call order desk	PANEL ASSY 1659MM	2	P D
80	316457P	PANEL ASSY 1659MM #2,3,4,6,7 L.H. & #2,3,5,6 R.H	1	D
80	316456P	PANEL ASSY 704MM #8 L.H.	1	D

From 7-8754 To D-5371	Date:01/2024	PAGE:X3-1836-00
PARCEL RACK		

Item#	Part	Description	QTY	Notes
80	Call order desk	PANEL ASSY 1414MM #2,3,6 R.H.	3	P D
80	Call order desk	PANEL ASSY 1413MM #7 R.H.	1	P D
80	Call order desk	PANEL ASSY 977MM #7 R.H.	1	P D
80	Call order desk	PANEL ASSY 704MM #8 R.H.	1	P C D R
80	Call order desk	PANEL ASSY #7 R.H. 1180MM	1	P W
90	312371	EXTRUSION, ALUMINIUM 6395MM / C.T.L.	1	
90	312528	EXTRUSION, REAR, ALUMINIUM 5850MM / S.C.C	1	
90	313228	EXTRUSION, REAR, ALUMINIUM 5685 MM	1	
90	313425	EXTRUSION, REAR, ALUMINIUM 2825 MM	1	
90	313427	EXTRUSION, REAR, ALUMINIUM 6370 MM	1	
90	313223	EXTRUSION, REAR, ALUMINIUM 4733 MM	1	
90	312528	EXTRUSION, REAR, ALUMINIUM 5850MM / S.C.C	1	
90	312530	EXTRUSION, REAR, ALUMINIUM 5773MM / S.C.C	1	
90	312532	EXTRUSION, ALUMINIUM 6395 MM	1	
90	312534	EXTRUSION, REAR, ALUMINIUM 4448 MM	1	
90	312535	EXTRUSION, REAR, ALUMINIUM 6450MM / S.C.C	1	
90	312536	EXTRUSION, REAR, ALUMINIUM 3913MM / S.C.C	1	
90	313228	EXTRUSION, REAR, ALUMINIUM 5685 MM	1	
90	313425	EXTRUSION, REAR, ALUMINIUM 2825 MM	1	
90	313427	EXTRUSION, REAR, ALUMINIUM 6370 MM	1	
90	313223	EXTRUSION, REAR, ALUMINIUM 4733 MM	1	
NS	312511	PLATE, JUNCTION / EXTRUSION RETAINER	2	
90	316271	EXTRUSION, REAR, ALUMINIUM 5115 MM	1	
90	316276	EXTRUSION, REAR, ALUMINIUM 4054 MM	1	
91	312372	EXTRUSION, ALUMINIUM 6395MM / C.T.L.	1	
91	312525	EXTRUSION, ALUMINIUM 5850MM / S.C.C	2	
91	313225	EXTRUSION, ALUMINIUM 4733 MM	1	
91	313227	EXTRUSION, ALUMINIUM 5685 MM	1	
91	313580	EXTRUSION, ALUMINIUM 6370 MM	1	
91	312525	EXTRUSION, ALUMINIUM 5850MM / S.C.C	1	
91	312526	EXTRUSION, ALUMINIUM 5773MM / S.C.C	1	
91	312527	EXTRUSION, ALUMINIUM 6395MM / S.C.C	1	
91	313582	EXTRUSION, ALUMINIUM 6450MM / S.C.C	1	
91	313583	EXTRUSION, ALUMINIUM 3913 MM	1	
91	312538	EXTRUSION, ALUMINIUM 5148MM / S.C.C	1	
91	313227	EXTRUSION, ALUMINIUM 5685 MM	1	
91	313579	EXTRUSION, ALUMINIUM 2825 MM	1	
91	313426	EXTRUSION, ALUMINIUM 6370 MM	1	
91	313225	EXTRUSION, ALUMINIUM 4733 MM	1	
91	316270	EXTRUSION, ALUMINIUM 4965 MM	1	
91	316275	EXTRUSION, ALUMINIUM 3805 MM	1	

From 7-8754 To D-5371	Date:01/2024	PAGE:X3-1836-00
PARCEL RACK		

Item#	Part	Description	QTY	Notes
92	X3-0655-00	INTERIOR LIGHTING / "FLUORESCENT" To D-5371		
92	X3-0655-01	INTERIOR LIGHTING / "LED" From C-5249		
93	312971P	PANEL 51MM	1	
93	Call order desk	PANEL 73MM	1	P
93	Call order desk	PANEL 80MM	1	P
93	313682P	PANEL 100MM	1	
93	Call order desk	PANEL 114MM	1	P
93	Call order desk	PANEL 149MM	1	P
93	Call order desk	PANEL 158MM	1	P
93	Call order desk	PANEL 166MM	1	P
93	Call order desk	PANEL 174MM	1	P
93	Call order desk	PANEL 181MM	1	P
93	315913P	PANEL 184MM	1	
93	313330P	PANEL 193MM	1	
93	Call order desk	PANEL 203MM	1	P
93	Call order desk	PANEL 213MM	1	P
93	313883P	PANEL 219MM	1	
93	315940P	PANEL 226MM	1	
93	Call order desk	PANEL 231MM	1	P
93	313334P	PANEL 235MM	1	
93	Call order desk	PANEL 243MM	1	P
93	312736P	PANEL 248MM	1	
93	313077P	PANEL 253MM	1	
93	Call order desk	PANEL 264MM	1	P
93	312760P	PANEL 269MM	1	
93	312721P	PANEL 279MM	1	
93	315923P	PANEL 289MM	1	
93	Call order desk	PANEL 292MM	1	P
93	312734P	PANEL 299 MM	1	
93	316018P	PANEL 304MM	1	
93	312762P	PANEL 310MM	1	
93	312761P	PANEL 315MM	1	
93	312764P	PANEL 325MM	1	
93	313075P	PANEL 335MM	1	
93	312724P	PANEL 343MM	1	
93	Call order desk	PANEL 352MM	1	P
93	312729P	PANEL 356MM	1	
93	Call order desk	PANEL 366MM	1	P
93	Call order desk	PANEL 370MM	1	P
93	312839P	PANEL 375MM	1	
93	313328P	PANEL 388MM	1	

From 7-8754 To D-5371	Date:01/2024	PAGE:X3-1836-00
PARCEL RACK		

Item#	Part	Description	QTY	Notes
93	Call order desk	PANEL 391MM	1	P
93	Call order desk	PANEL 396MM	1	P
93	312735P	PANEL 402MM	1	
93	312751P	PANEL 408MM	1	
93	313333P	PANEL 415MM	1	
93	312749P	PANEL 421MM	1	
93	312720P	PANEL 427MM	1	
93	312774P	PANEL 431MM	1	
93	312946P	PANEL 437MM	1	
93	310617P	PANEL 440MM	1	
93	312733P	PANEL 447MM	1	
93	312747P	PANEL 454MM	1	
93	312767P	PANEL 457MM	1	
93	312975P	PANEL 465MM	1	
93	312745P	PANEL 472MM	1	
93	312835P	PANEL 475MM	1	
93	312730P	PANEL 478MM	1	
93	312752P	PANEL 484MM	1	
93	313076P	PANEL 490MM	1	
93	312771P	PANEL 495MM	1	
93	312728P	PANEL 500MM	1	
93	312725P	PANEL 510MM	1	
93	Call order desk	PANEL 516MM	1	P
93	312723P	PANEL 525MM	1	
93	Call order desk	PANEL 529MM	1	P
93	312741P	PANEL 538MM	1	
93	312737P	PANEL 542MM	1	
93	312739P	PANEL 550MM	1	
93	Call order desk	PANEL 553MM	1	P
93	313335P	PANEL 559MM	1	
93	Call order desk	PANEL 560MM	1	P
93	313125P	PANEL 565MM	1	
93	315952P	PANEL 570MM	1	
93	312756P	PANEL 575MM	1	
93	315884P	PANEL 582MM	1	
93	312766P	PANEL 590MM	1	
93	312757P	PANEL 598MM	1	
93	315945P	PANEL 601MM	1	
93	312722P	PANEL 605MM	1	
93	313414P	PANEL 615MM	1	
93	Call order desk	PANEL 625MM	1	P
93	Call order desk	PANEL 631MM	1	P

From 7-8754 To D-5371	Date:01/2024	PAGE:X3-1836-00
PARCEL RACK		

Item#	Part	Description	QTY	Notes
93	Call order desk	PANEL 636MM	1	P
93	Call order desk	PANEL 646MM	1	P
93	315983P	PANEL 655MM	1	
93	Call order desk	PANEL 656MM	1	P
93	Call order desk	PANEL 660MM	1	P
93	Call order desk	PANEL 672MM	1	P
93	Call order desk	PANEL 674MM	1	P
93	Call order desk	PANEL 682MM	1	P
93	Call order desk	PANEL 686MM	1	P
93	Call order desk	PANEL 690MM	1	P
93	312748P	PANEL 700MM	1	
93	312746P	PANEL 705MM	1	
93	312759P	PANEL 711MM	1	
93	313079P	PANEL 716MM	1	
93	Call order desk	PANEL 722MM	1	P
93	Call order desk	PANEL 723MM	1	P
93	Call order desk	PANEL 725MM	1	P
93	312765P	PANEL 731MM	1	
93	Call order desk	PANEL 741MM	1	P
93	Call order desk	PANEL 747MM	1	P
93	312840P	PANEL 753MM	1	
93	312770P	PANEL 759MM	1	
93	312742P	PANEL 763MM	1	
93	312738P	PANEL 773MM	1	
93	Call order desk	PANEL 780MM	1	P
93	Call order desk	PANEL 788MM	1	P
93	Call order desk	PANEL 802MM	1	P
93	Call order desk	PANEL 811MM	1	P
93	Call order desk	PANEL 819MM	1	P
93	Call order desk	PANEL 836MM	1	P
93	Call order desk	PANEL 843MM	1	P
93	Call order desk	PANEL 850MM	1	P
93	313617P	PANEL 866MM	1	
93	315929P	PANEL 878MM	1	
93	Call order desk	PANEL 885MM	1	P
93	Call order desk	PANEL 905MM	1	P
93	Call order desk	PANEL 924MM	1	P
93	Call order desk	PANEL 936MM	1	P
93	315904P	PANEL 940MM	1	
93	Call order desk	PANEL 966MM	1	P
93	Call order desk	PANEL 990MM	1	P
93	316181	PANEL 1096MM	1	

From 7-8754 To D-5371	Date:01/2024	PAGE:X3-1836-00
PARCEL RACK		

Item#	Part	Description	QTY	Notes
93	Call order desk	PANEL 1123MM	1	P
93	Call order desk	PANEL 1212MM	1	P
93	Call order desk	PANEL 1296MM	1	P
93	Call order desk	PANEL 1360MM	1	P
93	Call order desk	PANEL 1379MM	1	P
93	Call order desk	PANEL 1424MM	1	P
93	Call order desk	PANEL 1481MM	1	P
93	Call order desk	PANEL 1549MM	1	P
93	Call order desk	PANEL 1724MM	1	P
93	316485P	PANEL 1571MM	1	
93	Call order desk	PANEL 475MM / 108MM POSITION FLAT MONITOR	1	P
93	Call order desk	PANEL 475MM / 108MM POSITION FLAT MONITOR	1	P
93	310654P	PANEL 655MM / 382MM POSITION SCREEN / R.H. W/ LCD SCREEN	1	
93	310653P	PANEL 655MM / 382MM POSITION SCREEN / L.H. W/10" LCD SCREEN	1	
93	316123P	PANEL 655MM / 383MM POSITION SCREEN / W/15" LCD SCREEN	1	
93	Call order desk	PANEL 760MM / 427MM POSITION SCREEN / L.H. W/10" LCD SCREEN	1	P
93	Call order desk	PANEL 800MM / 128MM & 177MM HOLE POSITION / W/12.1" RETRACTABLE SCREEN	1	P
93	Call order desk	PANEL 915MM / 465MM POSITION SCREEN / L.H. W/10" LCD SCREEN	1	P
93	Call order desk	PANEL 980MM / 465MM POSITION SCREEN	1	P
93	Call order desk	PANEL 1015MM / 108MM POSITION SCREEN / L.H. LCD SCREEN	1	P
94	312370	HAND RAIL / EXTRUSION 4190 MM	1	
94	312518	HAND RAIL / EXTRUSION 4190 MM	1	
94	313069	HAND RAIL / EXTRUSION 3075 MM	1	
94	313072	HAND RAIL / EXTRUSION 1660 MM	1	
94	313229	HAND RAIL / EXTRUSION 2365 MM	1	
94	313423	HAND RAIL / EXTRUSION 2825 MM	1	
94	312814	HAND RAIL / EXTRUSION W/HOLE 3320 MM	1	
94	313428	HAND RAIL / EXTRUSION W/HOLE 2180 MM	1	
94	312518	HAND RAIL / EXTRUSION 4190 MM	1	
94	312520	HAND RAIL / EXTRUSION 4113 MM	1	
94	312521	HAND RAIL / EXTRUSION 4735 MM	1	
94	313582	EXTRUSION, ALUMINIUM 6450MM / S.C.C	1	
94	312522	HAND RAIL / EXTRUSION 2808 MM	1	
94	312523	HAND RAIL / EXTRUSION W/HOLE 2260 MM	1	
94	312524	HAND RAIL / EXTRUSION 3913 MM	1	
94	312543	HAND RAIL / EXTRUSION 2867 MM	1	
94	312814	HAND RAIL / EXTRUSION W/HOLE 3320 MM	1	
94	312815	HAND RAIL / EXTRUSION W/HOLE 3320 MM	1	
94	312816	HAND RAIL / EXTRUSION W/HOLE 4190 MM	1	
94	313072	HAND RAIL / EXTRUSION 1660 MM	1	
94	313229	HAND RAIL / EXTRUSION 2365 MM	1	

From 7-8754 To D-5371	Date:01/2024	PAGE:X3-1836-00
PARCEL RACK		

Item#	Part	Description	QTY	Notes
94	313423	HAND RAIL / EXTRUSION 2825 MM	1	
94	313554	HAND RAIL / EXTRUSION ASSY W/TISSUS 3320 MM	1	
94	313553	HAND RAIL / EXTRUSION ASSY W/TISSUS 4190 MM	1	
94	313555	HAND RAIL / EXTRUSION ASSY W/TISSUS 1660 MM	1	
94	313569	HAND RAIL / EXTRUSION ASSY W/TISSUS 2365 MM	1	
94	316268	HAND RAIL / EXTRUSION ASSY W/TISSUS 2935 MM	1	
94	313556	HAND RAIL / EXTRUSION ASSY W/TISSUS 3075 MM	1	
NS	311250	ROD / TO JOINT HAND RAIL EXTRUSION From D-5375	AR	
94	316273	HAND RAIL / EXTRUSION ASSY W/TISSUS 4054 MM	1	
94	316285	HAND RAIL / EXTRUSION ASSY W/TISSUS 2180 MM	1	
95	064563	CABLE HARNESS / IND LIGHT R.H. / W/O DOOR	1	
95	064565	CABLE HARNESS / IND LIGHT L.H. / W/O DOOR	1	
95	064562	CABLE HARNESS / IND LIGHT R.H. / W/DOOR	1	
95	064564	CABLE HARNESS / IND LIGHT L.H. / W/DOOR	1	
95	066541	CABLE RH DIRECT LIGHT REAR / W/W.C.L. To B-5001	1	
95	068119	CABLE RH DIRECT LIGHT REAR / W/W.C.L. From B-5002	1	
95	066703	CABLE, DIRECT LIGHT FRONT RH / W/W.C.L. From 7-8933 To B-5001	1	
95	068120	CABLE RH DIRECT LIGHT FRONT / W/W.C.L. From B-5002	1	
95	064562	CABLE HARNESS / IND LIGHT R.H. / W/DOOR	1	
95	064713	CABLE ASSY IND LIGHT R.H. / W/DOOR & "RICON"	1	
96	066178	CABLE ASSY / DIRECT LIGHT & SPEAKER L.H. To 7-8932	1	
96	066712	CABLE ASSY / DIRECT LIGHT & SPEAKER L.H. From 7-8933	1	
96	066545	CABLE ASSY / DIRECT LIGHT & SPEAKER R.H.	1	
96	066545	CABLE ASSY / DIRECT LIGHT & SPEAKER R.H. To C-5287	1	C
96	068090	CABLE ASSY / DIRECT LIGHT & SPEAKER R.H. From C-5288	1	C
96	065496	CABLE ASSY SIDE LIGHT R.H. / FRONT W/"RICON"	1	
96	065351	CABLE ASSY SIDE LIGHT R.H. / REAR W/"RICON"	1	
97	066543	CABLE ASSY / READING LIGHT STREETSIDE To 7-8932	1	
97	066747	CABLE ASSY / READING LIGHT STREETSIDE From 7-8933 To B-5039	1	
97	068287	CABLE ASSY / READING LIGHT STREETSIDE From B-5040	1	
97	066546	CABLE ASSY / READING LIGHT CURBSIDE To 7-8932	1	
97	066244	CABLE HARNESS / READING LIGHT CURBSIDE FRONT / W/W.C.L. To 7-8932	1	
97	066749	CABLE HARNESS / READING LIGHT CURBSIDE FRONT / W/W.C.L. From 7-8933 To B-5001	1	
97	067678	CABLE HARNESS / READING LIGHT CURBSIDE FRONT / W/W.C.L. From B-5002	1	
97	066544	CABLE HARNESS / READING LIGHT CURBSIDE REAR / W/W.C.L. To 7-8932	1	
97	066750	CABLE HARNESS / READING LIGHT CURBSIDE REAR / W/W.C.L. From 7-8933 To B-5001	1	
97	067677	CABLE HARNESS / READING LIGHT CURBSIDE REAR / W/W.C.L. From B-5002	1	
100	X3-1837-00	CEILING PANELS & MOULDING - BUS		
101	502927	SCREW CAP HEX M8-1.25x50 G8.8 N500	AR	
102	500942	WASHER LO SPT 8.1x14.8x2.0 N500	AR	
103	312367	FIXING PLATE	18	

From 7-8754 To D-5371	Date:01/2024	PAGE:X3-1836-00
PARCEL RACK		

Item#	Part	Description	QTY	Notes
104	500638	SCREW TP PAN PH #8x1/2 Z050	18	
105	313003	SPACER	18	
106	5001337	NUT INS FL HEX M8-1.25 0.5-3.0 Z050	18	
107	830153	TUBE / 32WATT / F32T8SPX41 - 48"	AR	
108	500583	SCREW TP PAN PH #6x1/2 Z050	AR	
NS	315891	ANGLE SUPPORT / (FIXED TO LAVATORY WALL)	1	A
110	312454	COVER UPPER GRIS To A-9981	1	
110	810106	COVER UPPER GRIS PLASTIC From A-9982 To C-5124	AR	
110	316536	COVER UPPER GRIS From C-5125	AR	
111	316170	PLATE FRONT FINISHING 85MM x 61.3MM	1	
112	316173	CYLINDER LOCK RETAINER HAT FORM	1	
113	5001053	SCREW MA PAN PH #4-40x1/4 ZP	2	
114	316174	PIVOT LOCK	1	
115	780237	SEAL RUBBER 1/32" TH	1	
116	504402	RING RETAINER / EXT .250 x .210 x .025"	1	
117	X3-1867-00	KEY & CYLINDER CODE "FORD" & "NS"		
121	316312	ATTACHMENT / PARCEL RACK / 5 HOLES 259MM From B-5050 To D-5299	8	G
121	316313	ATTACHMENT / PARCEL RACK / 5 HOLES 206MM From B-5050 To D-5299	7	G
121	316314	ATTACHMENT / PARCEL RACK / 3 HOLES 126MM From B-5050 To D-5299	1	G
121	316317	ATTACHMENT / PARCEL RACK / 3 HOLES 153MM From B-5050 To D-5299	2	G
121	316561	ATTACHMENT / PARCEL RACK / 4 HOLES 144MM From D-5300	15	G
121	316562	ATTACHMENT / PARCEL RACK / 3 HOLES 154.5MM From D-5300	2	G
121	316563	ATTACHMENT / PARCEL RACK / 3 HOLES 127.5MM From D-5300	1	G
122	500923	SCREW TC CAP HEX 1/4-20x3/4 Z050 From B-5050 To D-5299	AR	G
122	500535	SCREW TP CAP HEX #14x3/4 Z050 From D-5300	AR	G
123	500473	WASHER LO SPT .262x.489x.062 Z050 From B-5050 To D-5299	AR	G
200	341120	SUPPORT DETECTOR MODULE TWU	1	
201	563592	MODULE ALARM DETECTOR W.C.L. TWU	1	
202	500518	SCREW MA BDG PH #4-40x1/2 Z050	4	
203	500157	WASHER FL .125x.375x.032 SS	4	
204	500425	NUT HEX NYRT #4-40 SS	4	
205	500333	SCREW TP OV PH #6x3/4 BK	4	
206	500345	WASHER FN CKF .187x.500x.090 BR BK	4	
207	563945	LIGHT TWS W.C.L.	1	
303	5001053	SCREW MA PAN PH #4-40x1/4 ZP	2	
304	780237	SEAL RUBBER 1/32" TH	1	
305	504402	RING RETAINER / EXT .250 x .210 x .025"	1	

From 7-8754 To D-5371	Date:01/2024	PAGE:X3-1836-00
-----------------------	--------------	-----------------

PARCEL RACK

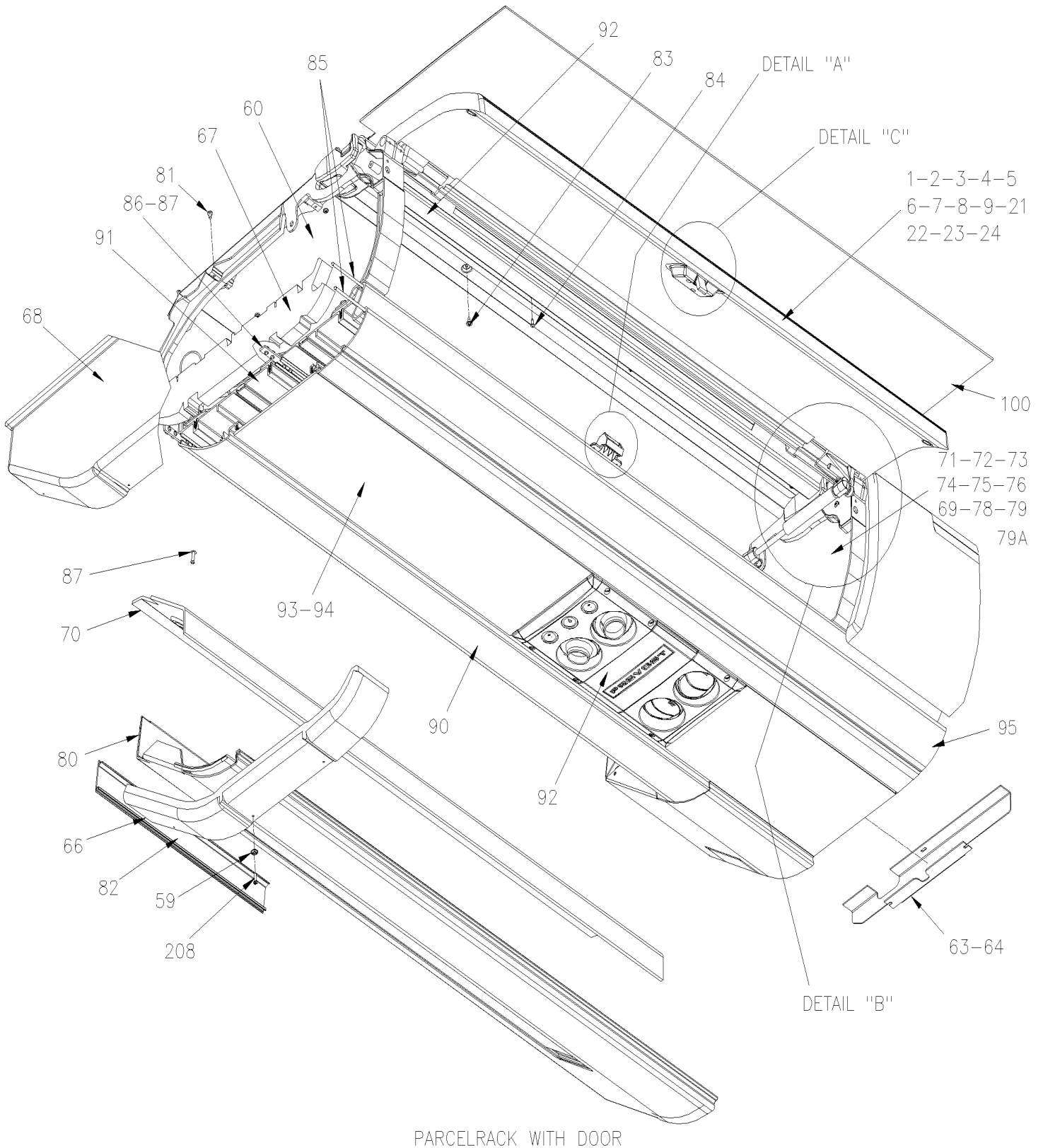
Item#	Part	Description	QTY	Notes
		A) FIXED TO LAVATORY WALL		
		B) INCLUDE ALLS ITEMS 200 TO 207		
		C) WITHOUT LAVATORY		
		D) WITH LED LIGHTING		
		F) FOR DOOR REPALCEMENT USE 1 EACH: 980027 (BALL STUD) ,502638 (FL WASHER) & 502847 (NUT)		
		G) GREYHOUND OPTION		
		L) COVERING WITH LEATHERETTE		
		R) CURBE SIDE		
		S) STREET SIDE		
		W) WITH WHEEL-CHAIR LAVATORY		
		P) CALL ORDER DESK FOR SPECIFIC APPLICATION (V.I.N.)		

From D-5372

Date:01/2024

PAGE:X3-1836-01

PARCEL RACK /WITH LEDS

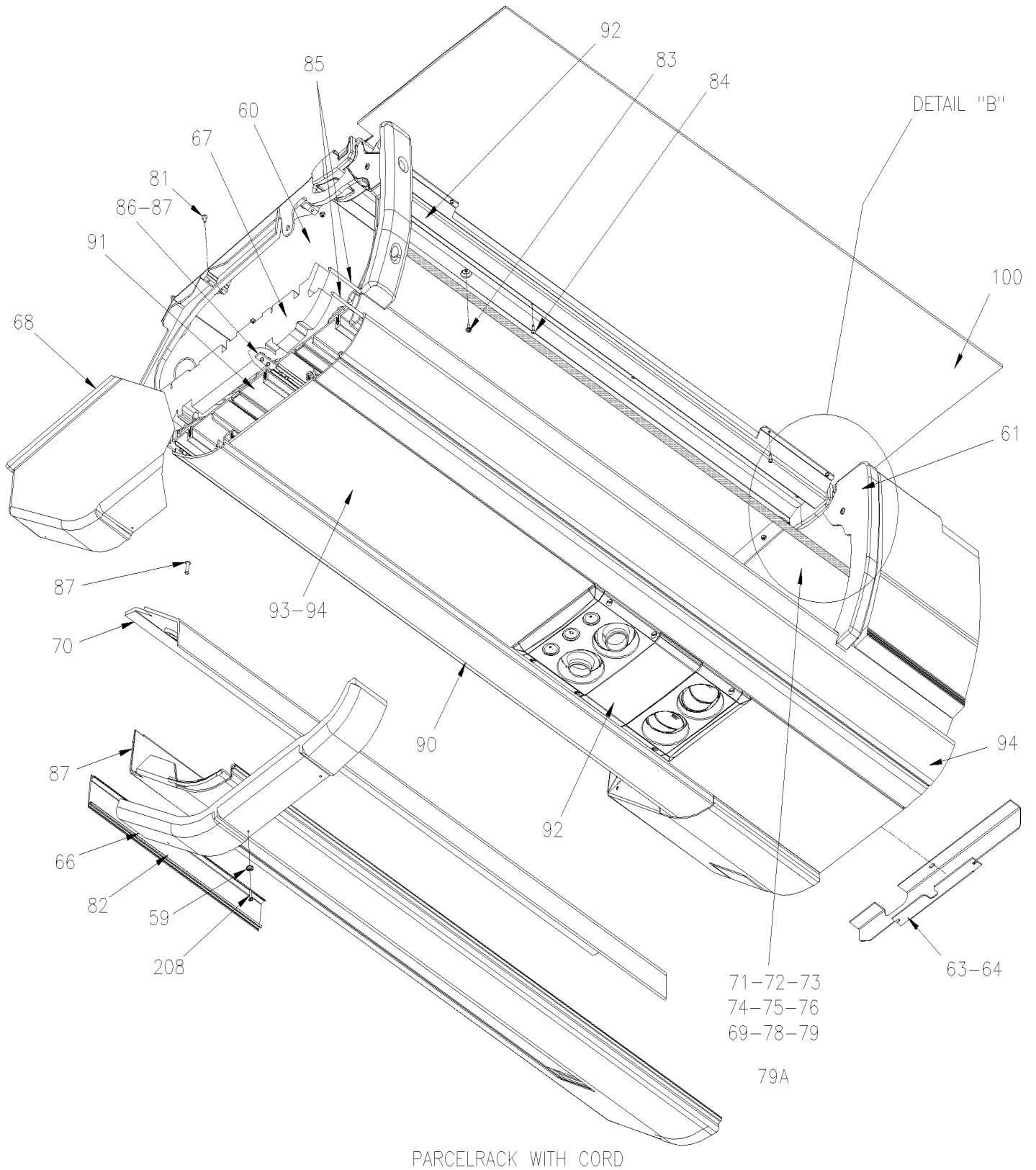


From D-5372

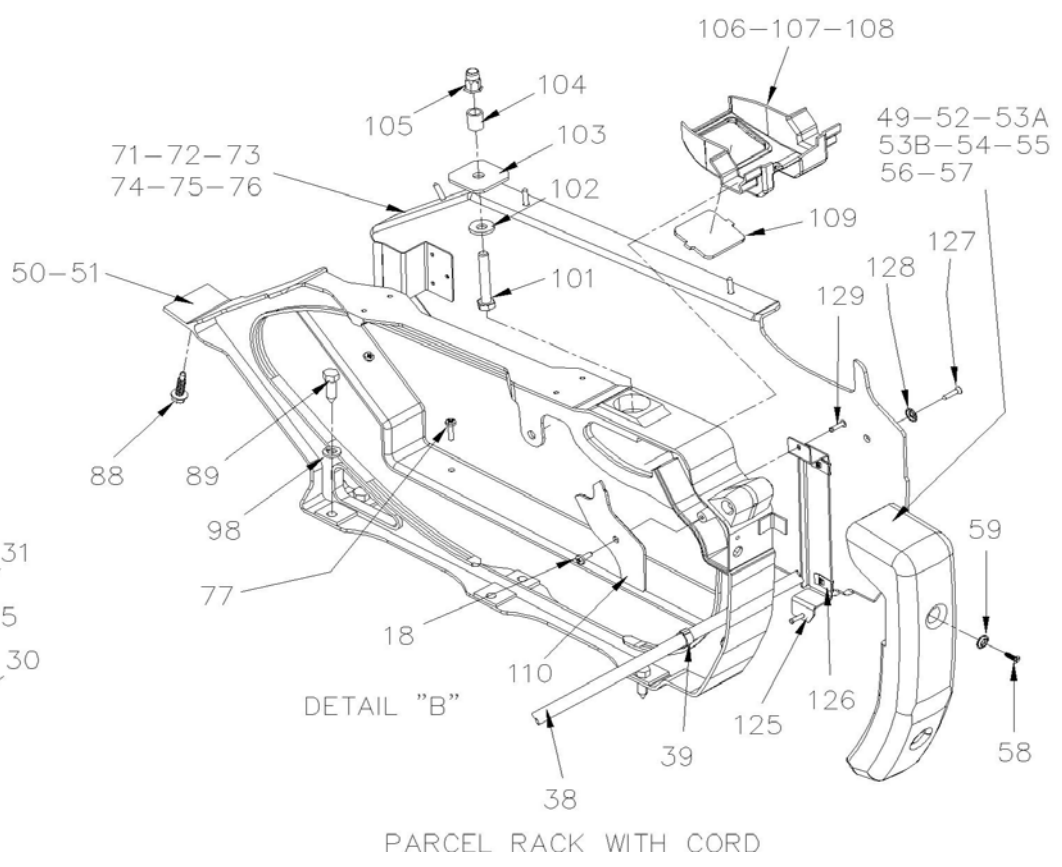
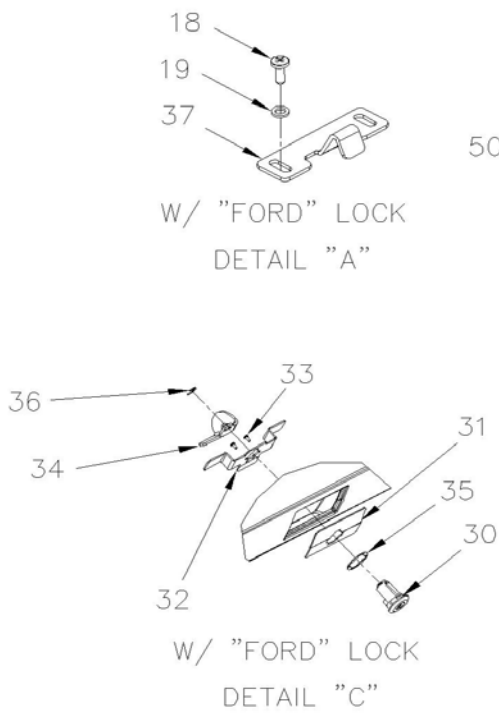
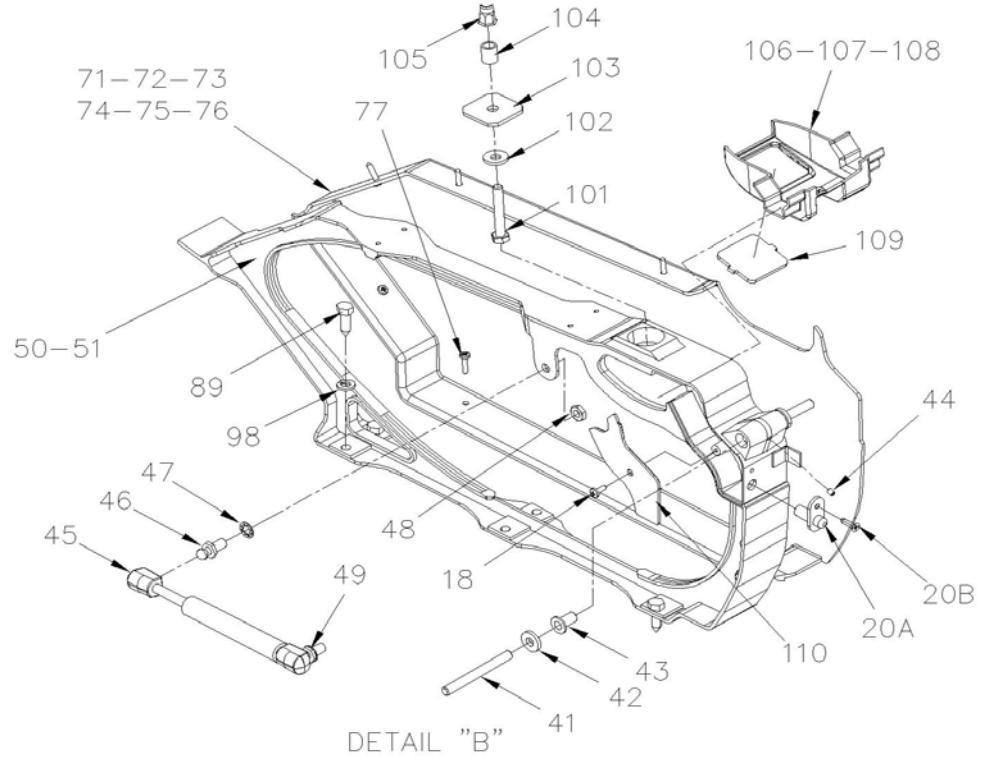
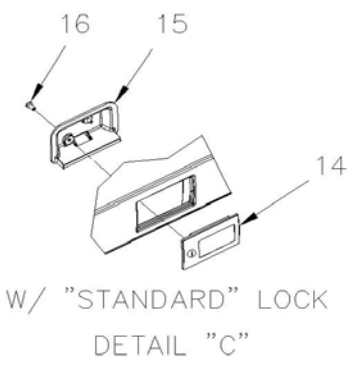
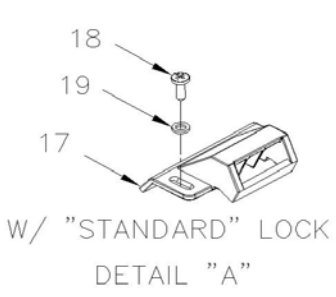
Date:01/2024

PAGE:X3-1836-01

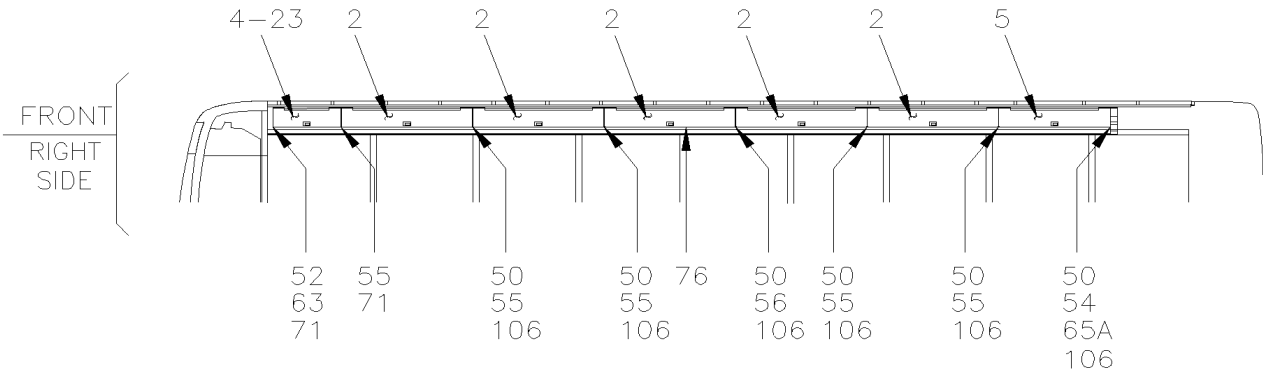
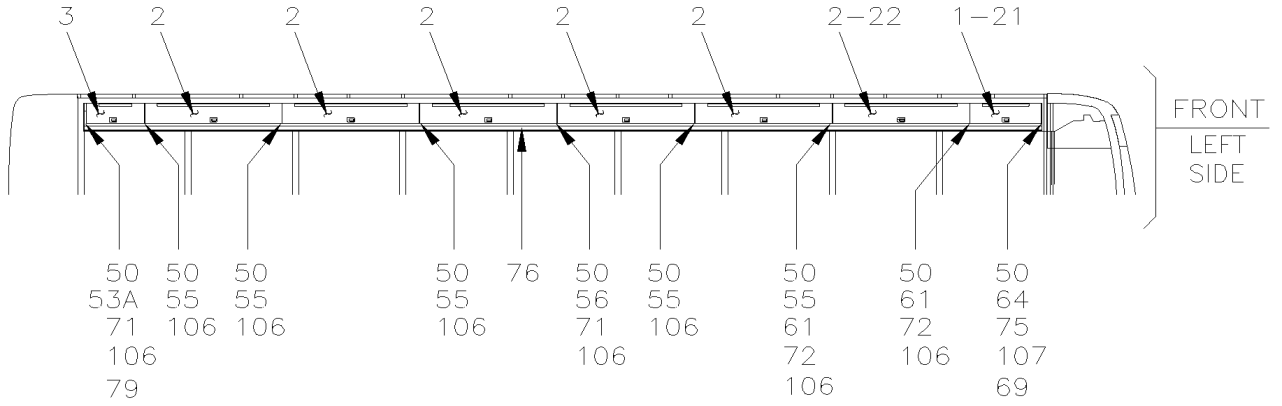
PARCEL RACK /WITH LEDS



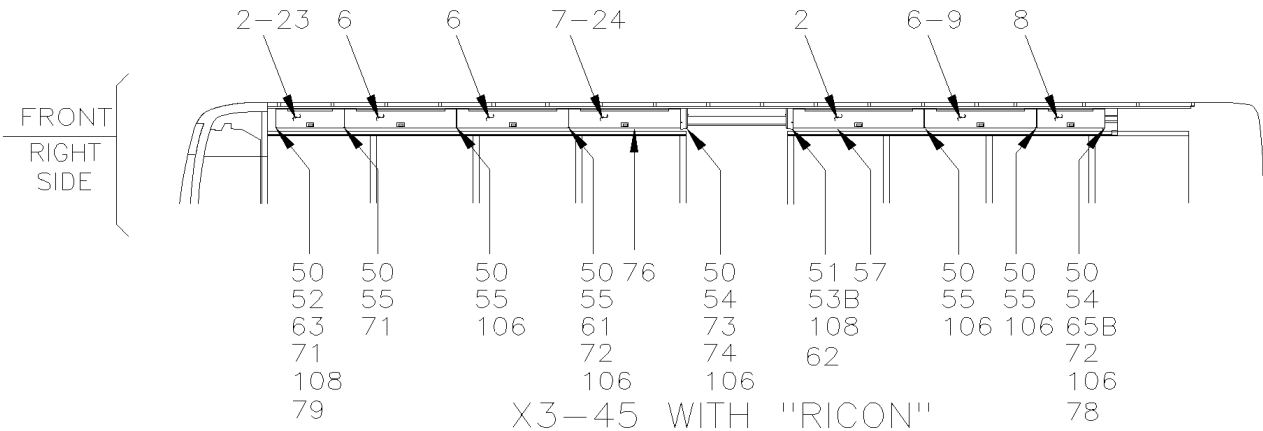
From D-5372	Date:01/2024	PAGE:X3-1836-01
PARCEL RACK /WITH LEDS		



From D-5372	Date:01/2024	PAGE:X3-1836-01
PARCEL RACK /WITH LEDS		



X3-45

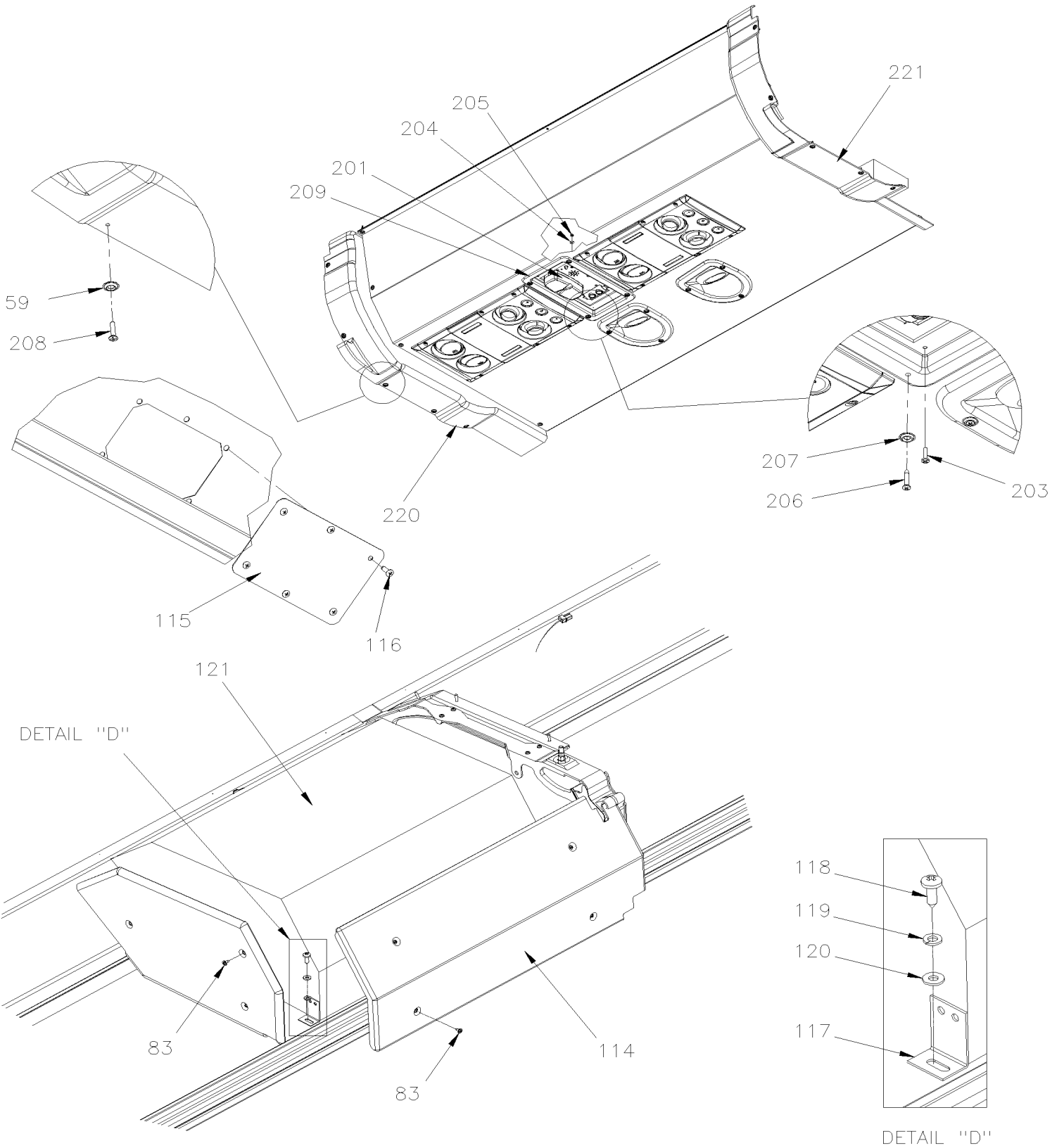


From D-5372

Date:01/2024

PAGE:X3-1836-01

PARCEL RACK /WITH LEDS

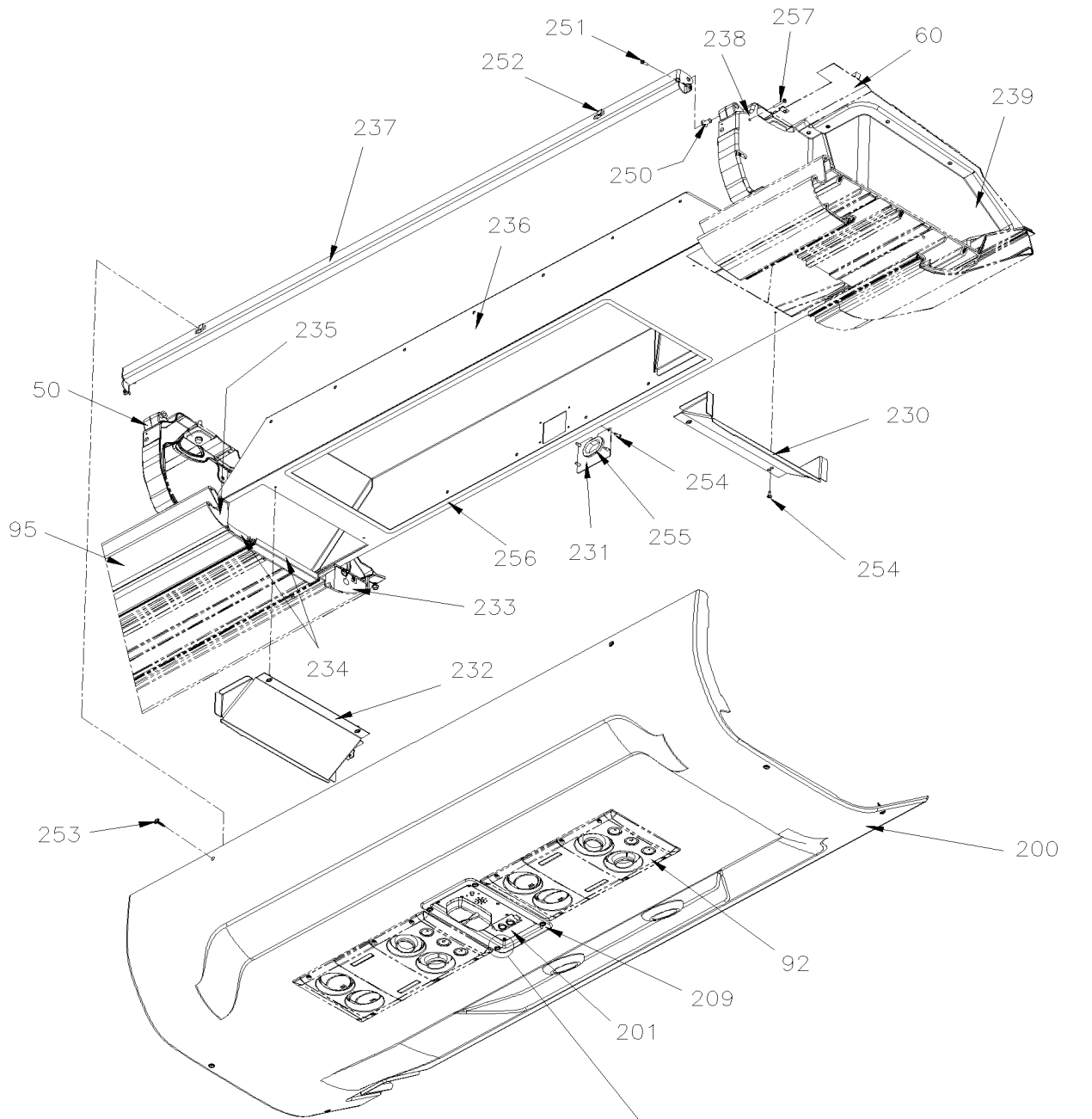


From D-5372

Date:01/2024

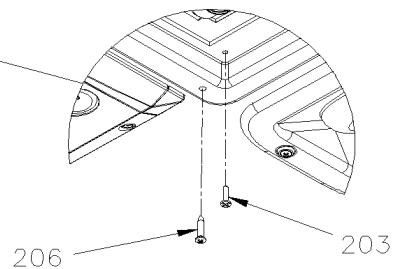
PAGE:X3-1836-01

PARCEL RACK /WITH LEDS



WITH WCL

FROM £-15142



From D-5372	Date:01/2024	PAGE:X3-1836-01
-------------	--------------	-----------------

PARCEL RACK /WITH LEDS

Item#	Part	Description	QTY	Notes
1	313508	DOOR, PARCEL RACK / L.H. / W/LOCK / GREY / 860MM To J-6239	AR	
1	310469	DOOR, PARCEL RACK / L.H. / W/LOCK / GREY / 860MM From J-6240 To K-6492	AR	F
1	313508-F01	DOOR, PARCEL RACK / L.H. / W/LOCK / WOODGRAIN / 860MM To J-6239	AR	
1	310469-F01	DOOR, PARCEL RACK / L.H. / W/LOCK / WOODGRAIN / 860MM From J-6240 To K-6492	AR	F
1	313508-F02	DOOR, PARCEL RACK / L.H. / W/LOCK / GLOSS SILVER / 860MM To J-6239	AR	
1	310469-F02	DOOR, PARCEL RACK / L.H. / W/LOCK / GLOSS SILVER / 860MM From J-6240 To K-6492	AR	F
1	313508-F03	DOOR, PARCEL RACK / L.H. / W/LOCK / MATTE SILVER / 860MM To J-6239	AR	
1	310469-F03	DOOR, PARCEL RACK / L.H. / W/LOCK / MATTE SILVER / 860MM From J-6240 To K-6492	AR	F
1	310469-F04	DOOR, PARCEL RACK / L.H. / W/LOCK / BIRDSEYE / 860MM From J-6240 To K-6492	AR	F
1	310581	DOOR, PARCEL RACK / L.H. / W/LOCK / GREY / 1541MM From L-6493	1	
1	Call order desk	DOOR, PARCEL RACK / L.H. ASSY / W/LOCK FORD / 1541MM From L-6493	1	P G
2	313506	DOOR, PARCEL RACK / GREY / 1654MM To J-6239	AR	
2	310467	DOOR, PARCEL RACK / GREY / 1654MM From J-6240	AR	F
2	313506-F01	DOOR, PARCEL RACK / WOODGRAIN / 1654MM To J-6239	AR	
2	310467-F01	DOOR, PARCEL RACK / WOODGRAIN / 1654MM From J-6240	AR	F
2	313506-F02	DOOR, PARCEL RACK / GLOSS SILVER / 1654MM To J-6239	AR	
2	310467-F02	DOOR, PARCEL RACK / GLOSS SILVER / 1654MM From J-6240	AR	F
2	313506-F03	DOOR, PARCEL RACK / MATTE SILVER / 1654MM To J-6239	AR	
2	310467-F03	DOOR, PARCEL RACK / MATTE SILVER / 1654MM From J-6240	AR	F
2	310467-F04	DOOR, PARCEL RACK / BIRDSEYE / 1654MM From J-6240	AR	F
2	313510	DOOR, PARCEL RACK / W/LOCK / GREY / 1654MM To J-6239	AR	
2	310471	DOOR, PARCEL RACK / W/LOCK / GREY / 1654MM From J-6240	AR	F
2	313510-F01	DOOR, PARCEL RACK / W/LOCK / WOODGRAIN / 1654MM To J-6239	AR	
2	310471-F01	DOOR, PARCEL RACK / W/LOCK / WOODGRAIN / 1654MM From J-6240	AR	F
2	313510-F02	DOOR, PARCEL RACK / W/LOCK / GLOSS SILVER / 1654MM To J-6239	AR	
2	310471-F02	DOOR, PARCEL RACK / W/LOCK / GLOSS SILVER / 1654MM From J-6240	AR	F
2	313510-F03	DOOR, PARCEL RACK / W/LOCK / MATTE SILVER / 1654MM To J-6239	AR	
2	310471-F03	DOOR, PARCEL RACK / W/LOCK / MATTE SILVER / 1654MM From J-6240	AR	F
2	310471-F04	DOOR, PARCEL RACK / W/LOCK / BIRDSEYE / 1654MM From J-6240	AR	F
3	313503	DOOR, PARCEL RACK / GREY / 701MM To J-6239	AR	
3	310464	DOOR, PARCEL RACK / GREY / 701MM From J-6240	AR	F
3	313503-F01	DOOR, PARCEL RACK / WOODGRAIN / 701MM To J-6239	AR	
3	310464-F01	DOOR, PARCEL RACK / WOODGRAIN / 701MM From J-6240	AR	F
3	313503-F02	DOOR, PARCEL RACK / GLOSS SILVER / 701MM To J-6239	AR	
3	310464-F02	DOOR, PARCEL RACK / GLOSS SILVER / 701MM From J-6240	AR	F
3	313503-F03	DOOR, PARCEL RACK / MATTE SILVER / 701MM To J-6239	AR	
3	310464-F03	DOOR, PARCEL RACK / MATTE SILVER / 701MM From J-6240	AR	F
4	313507	DOOR, PARCEL RACK / R.H. / GREY / 860MM To J-6239	AR	
4	310468	DOOR, PARCEL RACK / R.H. / GREY / 860MM From J-6240 To K-6492	AR	F
4	311089	DOOR, PARCEL RACK / R.H. / GREY / 1541MM From L-6493	AR	
4	313507-F01	DOOR, PARCEL RACK / R.H. / WOODGRAIN / 860MM To J-6239	AR	
4	310468-F01	DOOR, PARCEL RACK / R.H. / WOODGRAIN / 860MM From J-6240 To K-6492	AR	F

From D-5372	Date:01/2024	PAGE:X3-1836-01
PARCEL RACK /WITH LEDS		

Item#	Part	Description	QTY	Notes
4	313507-F02	DOOR, PARCEL RACK / R.H. / GLOSS SILVER / 860MM To J-6239	AR	
4	310468-F02	DOOR, PARCEL RACK / R.H. / GLOSS SILVER / 860MM From J-6240 To K-6492	AR	F
4	313507-F03	DOOR, PARCEL RACK / R.H. / MATTE SILVER / 860MM To J-6239	AR	
4	310468-F03	DOOR, PARCEL RACK / R.H. / MATTE SILVER / 860MM From J-6240 To K-6492	AR	F
4	310468-F04	DOOR, PARCEL RACK / R.H. / BIRDSEYE / 860MM From J-6240 To K-6492	AR	F
4	313505	DOOR, PARCEL RACK / R.H. W/LOCK / GREY / 860MM To J-6239	AR	
4	310466	DOOR, PARCEL RACK / R.H. W/LOCK / GREY / 860MM From J-6240 To K-6492	AR	F
4	310582	DOOR, PARCEL RACK / R.H. W/LOCK / GREY / 1541MM From L-6493	1	
4	313505-F01	DOOR, PARCEL RACK / R.H. W/LOCK / WOODGRAIN / 860MM To J-6239	AR	
4	310466-F01	DOOR, PARCEL RACK / R.H. W/LOCK / WOODGRAIN / 860MM From J-6240 To K-6492	AR	F
4	313505-F02	DOOR, PARCEL RACK / R.H. W/LOCK / GLOSS SILVER / 860MM To J-6239	AR	
4	310466-F02	DOOR, PARCEL RACK / R.H. W/LOCK / GLOSS SILVER / 860MM From J-6240 To K-6492	AR	F
4	313505-F03	DOOR, PARCEL RACK / R.H. W/LOCK / MATTE SILVER / 860MM To J-6239	AR	
5	313497	DOOR, PARCEL RACK / GREY / 1410MM To J-6239	AR	
5	310451	DOOR, PARCEL RACK / GREY / 1410MM From J-6240	AR	F
5	313497-F01	DOOR, PARCEL RACK / WOODGRAIN / 1410MM To J-6239	AR	
5	310451-F01	DOOR, PARCEL RACK / WOODGRAIN / 1410MM From J-6240	AR	F
5	310451-F02	DOOR, PARCEL RACK / GLOSS SILVER / 1410MM From J-6240	AR	F
6	316399	DOOR, PARCEL RACK / GREY / 1410MM To J-6239	AR	
6	310484	DOOR, PARCEL RACK / GREY / 1410MM From J-6240	AR	F
6	316399-F01	DOOR, PARCEL RACK / WOODGRAIN / 1410MM To J-6239	AR	
6	310484-F01	DOOR, PARCEL RACK / WOODGRAIN / 1410MM From J-6240	AR	F
6	316399-F02	DOOR, PARCEL RACK / GLOSS SILVER / 1410MM To J-6239	AR	
6	310484-F02	DOOR, PARCEL RACK / GLOSS SILVER / 1410MM From J-6240	AR	F
6	316399-F03	DOOR, PARCEL RACK / MATTE SILVER / 1410MM To J-6239	AR	
6	310484-F03	DOOR, PARCEL RACK / MATTE SILVER / 1410MM From J-6240	1	F
7	319093	DOOR, PARCEL RACK / W/LOCK / GREY / 1410MM To J-6239	AR	
7	310486	DOOR, PARCEL RACK / W/LOCK / GREY / 1410MM From J-6240	AR	F
7	319093-F01	DOOR, PARCEL RACK / W/LOCK / WOODGRAIN / 1410MM To J-6239	AR	
7	310486-F01	DOOR, PARCEL RACK / W/LOCK / WOODGRAIN / 1410MM From J-6240	AR	F
7	319093-F02	DOOR, PARCEL RACK / W/LOCK / GLOSS SILVER / 1410MM To J-6239	AR	
7	310486-F02	DOOR, PARCEL RACK / W/LOCK / GLOSS SILVER / 1410MM From J-6240	AR	F
7	319093-F03	DOOR, PARCEL RACK / W/LOCK / MATTE SILVER / 1410MM To J-6239	AR	
7	310486-F03	DOOR, PARCEL RACK / W/LOCK / MATTE SILVER / 1410MM From J-6240	AR	F
8	316400	DOOR, PARCEL RACK / L.H. / GREY / 860MM To J-6239	AR	
8	310485	DOOR, PARCEL RACK / L.H. / GREY / 860MM From J-6240 To K-6492	AR	F
8	310463	DOOR, PARCEL RACK / GREY / 568MM From L-6493	1	W
8	316400-F01	DOOR, PARCEL RACK / L.H. / WOODGRAIN / 860MM To J-6239	AR	
8	310485-F01	DOOR, PARCEL RACK / L.H. / WOODGRAIN / 860MM From J-6240 To K-6492	AR	F
8	316400-F02	DOOR, PARCEL RACK / L.H. / GLOSS SILVER / 860MM To J-6239	AR	
8	310485-F02	DOOR, PARCEL RACK / L.H. / GLOSS SILVER / 860MM From J-6240 To K-6492	AR	F
8	316400-F03	DOOR, PARCEL RACK / L.H. / MATTE SILVER / 860MM To J-6239	AR	

From D-5372	Date:01/2024	PAGE:X3-1836-01
PARCEL RACK /WITH LEDS		

Item#	Part	Description	QTY	Notes
8	310485-F03	DOOR, PARCEL RACK / L.H. / MATTE SILVER / 860MM From J-6240 To K-6492	AR	F
8	310463-F04	DOOR, PARCEL RACK / BIRDSEYE / 568MM From L-6493	1	W
9	313498	DOOR, PARCEL RACK / GREY / 1151MM To J-6239	AR	W
9	310454	DOOR, PARCEL RACK / GREY / 1151MM From J-6240 To K-6492	AR	F W
9	314845	DOOR, PARCEL RACK / GREY / 1151MM From L-6493	AR	W
9	310454-F01	DOOR, PARCEL RACK / WOODGRAIN / 1151MM From J-6240 To K-6492	AR	F W
9	310454-F02	DOOR, PARCEL RACK / GLOSS SILVER / 1151MM From J-6240 To K-6492	AR	F W
9	310454-F04	DOOR, PARCEL RACK / BIRDSEYE / 1151MM From J-6240 To K-6492	AR	F W
NS	406049	DECAL / FOR DRIVER'S USE ONLY / ENGLISH & FRANCAIS	1	G
NS	406159	DECAL / FOR DRIVER'S USE ONLY / ENGLISH & SPANISH From G-6084	1	G IN
NS	400021	DECAL / FOR DRIVER'S USE ONLY / ENGLISH & SPANISH & FRANCAIS	1	G
NS	313678	. RUBBER BUMPER	2	
14	810092	. HANDLE	AR	
14	810093	. HANDLE W/LOCK	AR	
. NS	810104	. . KEY (7216)	1	
15	313532	. COVER DOOR HANDLE PARCEL RACK NSS	AR	
16	500557	. SCREW MA PAN PH #8-32x3/8 SS	AR	
17	313667	CATCH GREY	AR	
18	500638	SCREW TP PAN PH #8x1/2 Z050 To J-6251	AR	
18	5001119	SCREW TP BDG PH #8x3/4 SS From J-6252	AR	
19	500855	WASHER FL .188x.438x.049 N500	AR	
20A	561563	SWITCH / S.P.S.T. / N.C.	AR	
20B	500896	SCREW TC FL PH #8-32x5/8 Z050	AR	
21	316186P	DOOR, PARCEL RACK / L.H. ASSY / WLOCK FORD / 860MM	AR	F
. NS	316183	. DOOR, PARCEL RACK / L.H. TO USE W/"FORD" OR "GM" / GREY / 860MM	1	F
. NS	310481	. DOOR, PARCEL RACK / L.H. TO USE W/"FORD" OR "GM" / GREY / 860MM	1	F
21	Call order desk	DOOR, PARCEL RACK / L.H. ASSY / WLOCK FORD / 860MM	AR	P F G
. NS	316183	. DOOR, PARCEL RACK / L.H. TO USE W/"FORD" OR "GM" / GREY / 860MM	1	F G
. NS	310481	. DOOR, PARCEL RACK / L.H. TO USE W/"FORD" OR "GM" / GREY / 860MM	1	F G
21	316183	. DOOR, PARCEL RACK / L.H. TO USE W/"FORD" OR "GM" / GREY / 860MM To J-6239	1	
21	310481	. DOOR, PARCEL RACK / L.H. TO USE W/"FORD" OR "GM" / GREY / 860MM From J-6240	1	
21	316183-F01	DOOR, PARCEL RACK / L.H. TO USE W/"FORD" OR "GM" / WOODGRAIN / 860MM To J-6239	1	
21	310481-F01	DOOR, PARCEL RACK / L.H. TO USE W/"FORD" OR "GM" / WOODGRAIN / 860MM From J-6240 To K-6492	1	F
21	310481-F02	DOOR, PARCEL RACK / L.H. TO USE W/"FORD" OR "GM" / GLOSS SILVER / 860MM From J-6240 To K-6492	1	F
21	310862	DOOR, PARCEL RACK / L.H. ASSY / W/LOCK FORD / 1541MM From L-6493	1	
21	316183-F02	DOOR, PARCEL RACK / L.H. TO USE W/"FORD" OR "GM" / GLOSS SILVER / 860MM To J-6239	1	
21	316183-F03	DOOR, PARCEL RACK / L.H. TO USE W/"FORD" OR "GM" / MATTE SILVER / 860MM To J-6239	1	
22	316202	DOOR, PARCEL RACK / L.H. TO USE W/"FORD" OR "GM" / GREY / 1654MM To J-6239	1	
22	310483	DOOR, PARCEL RACK / L.H. TO USE W/"FORD" OR "GM" / GREY / 1654MM From J-6240	1	F
22	316202-F01	DOOR, PARCEL RACK / L.H. TO USE W/"FORD" OR "GM" / WOODGRAIN / 1654MM To J-6239	1	
22	310483-F01	DOOR, PARCEL RACK / L.H. TO USE W/"FORD" OR "GM" / WOODGRAIN / 1654MM From J-6240	1	F
22	316202-F02	DOOR, PARCEL RACK / L.H. TO USE W/"FORD" OR "GM" / GLOSS SILVER / 1654MM To J-6239	1	

From D-5372	Date:01/2024	PAGE:X3-1836-01
PARCEL RACK /WITH LEDS		

Item#	Part	Description	QTY	Notes
22	310483-F02	DOOR, PARCEL RACK / L.H. TO USE W/"FORD" OR "GM" / GLOSS SILVER / 1654MM From J-6240	1	F
22	316202-F03	DOOR, PARCEL RACK / L.H. TO USE W/"FORD" OR "GM" / MATTE SILVER / 1654MM To J-6239	1	
23	316185P	DOOR, PARCEL RACK / R.H. ASSY / W/LOCK FORD / 860MM To K-6492	AR	F
NS	316184	DOOR, PARCEL RACK / R.H. TO USE W/"FORD" OR "GM" / GREY / 860MM To K-6492	1	F
NS	310482	DOOR, PARCEL RACK / R.H. TO USE W/"FORD" OR "GM" / GREY / 860MM To K-6492	1	F
23	316184	DOOR, PARCEL RACK / R.H. TO USE W/"FORD" OR "GM" / GREY / 860MM To J-6239	1	
23	310482	DOOR, PARCEL RACK / R.H. TO USE W/"FORD" OR "GM" / GREY / 860MM From J-6240 To K-6492	1	
23	Call order desk	DOOR, PARCEL RACK / R.H. ASSY / W/LOCK FORD / 1541MM From L-6493	1	P G
23	316184-F01	DOOR, PARCEL RACK / R.H. TO USE W/"FORD" OR "GM" / WOODGRAIN / 860MM To J-6239	1	
23	310482-F01	DOOR, PARCEL RACK / R.H. TO USE W/"FORD" OR "GM" / WOODGRAIN / 860MM From J-6240	1	F
23	316184-F02	DOOR, PARCEL RACK / R.H. TO USE W/"FORD" OR "GM" / GLOSS SILVER / 860MM To J-6239	1	
23	310482-F02	DOOR, PARCEL RACK / R.H. TO USE W/"FORD" OR "GM" / GLOSS SILVER / 860MM From J-6240	1	F
23	316184-F03	DOOR, PARCEL RACK / R.H. TO USE W/"FORD" OR "GM" / MATTE SILVER / 860MM To J-6239	AR	
24	Call order desk	DOOR, PARCEL RACK / R.H. ASSY / W/LOCK FORD / 1410MM	AR	P F
NS	319099	DOOR, PARCEL RACK / R.H. / TO USE W/"FORD" OR "GM" / GREY / 1410MM	1	F
NS	310487	DOOR, PARCEL RACK / R.H. / TO USE W/"FORD" OR "GM" / GREY / 1410MM	1	F
24	319099	DOOR, PARCEL RACK / R.H. / TO USE W/"FORD" OR "GM" / GREY / 1410MM To J-6239	1	
24	310487	DOOR, PARCEL RACK / R.H. / TO USE W/"FORD" OR "GM" / GREY / 1410MM From J-6240	1	F
24	319099-F01	DOOR, PARCEL RACK / R.H. / TO USE W/"FORD" OR "GM" / WOODGRAIN / 1410MM To J-6239	1	
24	310487-F01	DOOR, PARCEL RACK / R.H. / TO USE W/"FORD" OR "GM" / WOODGRAIN / 1410MM From J-6240	1	F
24	319099-F02	DOOR, PARCEL RACK / R.H. / TO USE W/"FORD" OR "GM" / GLOSS SILVER / 1410MM To J-6239	1	
24	310487-F02	DOOR, PARCEL RACK / R.H. / TO USE W/"FORD" OR "GM" / GLOSS SILVER / 1410MM From J-6240	1	F
24	319099-F03	DOOR, PARCEL RACK / R.H. / TO USE W/"FORD" OR "GM" / MATTE SILVER / 1410MM To J-6239	1	
30	X3-1867-00	KEY & CYLINDER CODE "FORD" & "NS"		
31	316170	PLATE FRONT FINISHING 85MM x 61.3MM	1	
32	316173	CYLINDER LOCK RETAINER HAT FORM	1	
33	5001053	SCREW MA PAN PH #4-40x1/4 ZP	2	
33	680038	THREAD LOCKER LOCTITE #243 / BLUE / 50ml	AR	
34	316174	PIVOT LOCK	1	
35	2800032	SEAL RUBBER 1/16" TH	1	
36	504402	RING RETAINER / EXT .250 x .210 x .025"	1	
37	316188	CATCH / W/"FORD" CYLINDER KEY	15	
38	506066	CORD, RUBBER EXTRUSION NEO 7/16" O.D. / C.T.L.	AR	
39	504452	CLAMP "E-Z CLIP" / "TUBE-O" / 7/16" / HC9-7	AR	
41	316591	SHAFT, PIVOT P/R	AR	
42	5001481	SPACER NYLON .323 I.D. X .750 O.D. X .125	AR	
43	5001490	WASHER SHR .312 ID NYL	AR	
44	500587	SCREW SET HEXS CUP M4-0.7x6	AR	
45	980020	CYLINDER GAZ / 244/164MM C/C / 35LBS To G-6036	AR	
45	980021	CYLINDER GAZ / 244/164MM C/C / 20LBS To G-6036	AR	
45	980465	CYLINDER GAZ / 225NEWTON (50LBS) From G-6037 To K-6377	AR	
45	980020	CYLINDER GAZ / 244/164MM C/C / 35LBS From K-6378	AR	

From D-5372		Date:01/2024	PAGE:X3-1836-01
PARCEL RACK /WITH LEDS			

Item#	Part	Description	QTY	Notes
45	980021	CYLINDER GAZ / 244/164MM C/C / 20LBS From K-6378	AR	
45	310056	BRACE From G-5910 To J-6239	1	
45	310058	BRACE From G-5910 To J-6239	1	
46	980015	BALL STUD / W/10 MM X M8-1.25 / 29.18 MM	AR	
46	980027	BALL STUD / W/10 MM X M8-1.25 / 36.5MM From J-6240	AR	F J
NS	980027	BALL STUD / W/10 MM X M8-1.25 / 36.5MM From P-6832	1	K
NS	5001699	WASHER BEL SPR 8.2x22x1.4 N500 From P-6832	1	K
NS	980016	NUT, CYLINDER RETAINER From P-6832	1	K
NS	507383	TIE MOUNT HOLE 3/8" From P-6832	1	K
NS	509491	CABLE TIE / 13MM x 383MM From P-6832	1	K
47	502509	WASHER LO INT 8.4x15.0x0.8 Z050	AR	
47	502638	WASHER FL .312x.734x.065 N500 From J-6240	AR	F J
48	980016	NUT, CYLINDER RETAINER	AR	
48	502847	NUT HEX NYRT M8-1.25 N500 From J-6240	AR	F J
48	502838	NUT HEX TWAY M8-1.25 N500 From L-6493	AR	
49	980016	NUT, CYLINDER RETAINER From L-6493	AR	
50	315887	SUPPORT, PARCEL RACK GREY	AR	
51	316402	SUPPORT, PARCEL RACK	1	
52	312966	PILAR COVERING L.H.	1	
53A	313626	PILAR COVERING / BACKWARD W.C.L. DOOR To D-5458	1	
53A	313626	PILAR COVERING / BACKWARD W.C.L. DOOR To D-5458	1	
53A	316637	PILAR COVERING From E-5459	1	
53B	313626	PILAR COVERING / BACKWARD W.C.L. DOOR To K-6492	AR	
53B	313626	PILAR COVERING / BACKWARD W.C.L. DOOR To K-6492	AR	
53B	316680	FINISHING CAP L.H. / FRONT OF P.R. / GREY From L-6493	1	
54	313625	PILAR COVERING / FRONT W.C.L. DOOR	1	
55	312648	PILAR COVERING	AR	
55	312938	PILAR COVERING GREY	1	G
56	312964	PILAR COVERING GREY	AR	
57	313536	PILAR COVERING To K-6492	AR	
57	312938	PILAR COVERING GREY From L-6493	1	
58	500661	SCREW TC FL PH #6-32x1/2 Z050 To K-6492	AR	
58	5002093	SCREW DR SEMS FN OV PH #8X3/4" Z050 From L-6493	AR	
59	500463	WASHER FN CKF .187x.500x.090 BR Z050 To K-6492	AR	
60	319146	CEILING, PARCEL RACK 701 MM To K-6492	AR	
60	319142	CEILING, PARCEL RACK 839 MM To K-6492	AR	
60	316733	CEILING, PARCEL RACK (WCL) 1151MM To K-6492	1	
60	314858	CEILING, PARCEL RACK 1076MM From L-6493	1	W
60	319145	CEILING, PARCEL RACK 1382 MM To K-6492	AR	
60	317034	CEILING, PARCEL RACK 1382MM To K-6492	AR	
60	319147	CEILING, PARCEL RACK 1410 MM To K-6492	AR	
60	319144	CEILING, PARCEL RACK 1654 MM To K-6492	AR	

From D-5372	Date:01/2024	PAGE:X3-1836-01
PARCEL RACK /WITH LEDS		

Item#	Part	Description	QTY	Notes
60	319143	CEILING, PARCEL RACK 1654MM To K-6492	AR	
60	317033	CEILING, PARCEL RACK 1654MM To K-6492	AR	
60	312243	INSULATING / TOP PANEL & STRUCTURE 1371.6MM	AR	
60	311046	INSULATING / TOP PANEL & STRUCTURE 528MM From L-6493	1	
60	314853	INSULATING / TOP PANEL & STRUCTURE 818MM From L-6493	1	W
60	319083	CEILING, PARCEL RACK (WCL) 1707MM To E-5589	1	
60	317062	CEILING, PARCEL RACK (WCL) 1707MM From E-5590 To F-5822	1	
60	314474	CEILING, PARCEL RACK (WCL) 1707MM From F-5823 To J-6295	1	
60	310343	CEILING, PARCEL RACK (WCL) 1707MM From J-6296 To K-6492	1	
60	314593	CEILING W/ ACCES CUTOUT, PARCEL RACK 1520MM From L-6493 To P-6862	1	
60	315040	CEILING W/ ACCES CUTOUT, PARCEL RACK From P-6863	1	
60	310342	CEILING, PARCEL RACK 1654MM / GREY From L-6493	AR	
60	310573	CEILING, PARCEL RACK 1654MM / GREY From L-6493	2	A
60	314590	CEILING, PARCEL RACK 1654MM / GREY W/ ACCES DOOR From L-6493	1	
60	310521	CEILING PANEL 568MM / GREY From L-6493	1	
60	314589	ACCESS HATCH 616MM From L-6493	2	
60	314592	CEILING PANEL 1495.5 MM / GREY From L-6493 To P-6862	1	
60	315037	CEILING PANEL 1495.5 MM / GREY From P-6863	1	
60	314610	CEILING W/ ACCES CUTOUT, PARCEL RACK 1654MM / GREY From L-6493	1	
60	314631	CEILING PANEL 1654MM / GREY From L-6493	1	
60	314467	SPACER From F-5823	2	
NS	315039	CAP LEFT ANTENNA From P-6863	1	
NS	315041	CAP RIGHT ANTENNA From P-6863	1	
NS	506227	TAPE RUB ADH1 CC POL 1/16" x 3/4" x 100' / GREY 2520	AR	
61	312920	FINISHING CAP L.H. / FRONT OF P.R. To E-5589	AR	
61	316680	FINISHING CAP L.H. / FRONT OF P.R. / GREY From E-5590	AR	
62	316408	PIVOT SHAFT HOLDER From G-6084	1	
NS	500587	SCREW SET HEXS CUP M4-0.7x6 From G-6084	1	
62	504347	RIVET POP DOME OE 3/16x1/4 AL From G-6084	AR	
63	312904	SUPPORT FRONT R.H. / "C" FORM 390MM To K-6492	1	
NS	506338	RUBBER CHANNEL / 1/16" x 1/4" INT "U" SHAPE / ROUND C.T.L.	AR	
63	310585	SUPPORT FRONT R.H. / "C" FORM 390MM From L-6493	1	
64	312902	SUPPORT FRONT R.H. / "C" FORM 390MM To K-6492	1	
64	310578	SUPPORT FRONT R.H. / "C" FORM 390MM From L-6493	1	
65A	313401	FINISHING CAP R.H. / FRONT OF P.R.	1	
65A	314854	FINISHING CAP R.H. / FRONT OF P.R. From L-6493	1	W
65B	319084	FINISHING CAP R.H. / FRONT OF P.R.	1	
65B	311263	FINISHING CAP R.H. / FRONT OF P.R. From L-6493	1	
66	313468	FINISHING CAP R.H. / UNDER OF P.R.	1	
67	313000	COVER END CLOSING To E-5595	2	
67	319161	COVER END CLOSING From E-5596	2	
NS	503707	HOSE / PVC REINFORCED 1/2" I.D. 100' / S.L.	AR	

From D-5372	Date:01/2024	PAGE:X3-1836-01
PARCEL RACK /WITH LEDS		

Item#	Part	Description	QTY	Notes
NS	564534	CABLE TIE / WITH EDGE CLIP / T50REC5A 10 MM x 200 MM	AR	
68	313538	COVER L.H. END CLOSING To G-5954	1	
68	317093	COVER L.H. END CLOSING From G-5955	1	
68	319165	COVER L.H. END CLOSING To G-5954	1	
68	317092	COVER L.H. END CLOSING From G-5955 To K-6492	1	
68	310066	COVER L.H. END CLOSING From L-6493	1	
68	317091	COVER R.H. END CLOSING	1	C
69	316623	COVER / PLAIN / W/DOOR GREY	1	
70	Call order desk	PANEL, INTERIOR ASSY 703 MM	1	P
70	312553P	PANEL, INTERIOR ASSY 868 MM To K-6492	3	
70	Call order desk	PANEL, INTERIOR ASSY 1129MM From L-6493	1	P W
70	Call order desk	PANEL, INTERIOR ASSY 1179MM To D-5458	1	P W
70	Call order desk	PANEL, INTERIOR ASSY 597.6MM	1	P
70	Call order desk	PANEL, INTERIOR ASSY 1657MM	1	P
70	Call order desk	PANEL, INTERIOR ASSY 1179MM	1	P
70	Call order desk	PANEL, INTERIOR ASSY 1411 MM	3	P
70	Call order desk	PANEL, INTERIOR ASSY 1411 MM	1	P
70	Call order desk	PANEL, INTERIOR ASSY 1657 MM From E-5459	AR	P
70	Call order desk	PANEL, INTERIOR ASSY 1657MM To D-5458	AR	P
70	Call order desk	PANEL, INTERIOR ASSY 1657 MM	AR	P
70	Call order desk	PANEL, INTERIOR ASSY 1549.5 MM From L-6493	AR	P
70	Call order desk	PANEL, INTERIOR ASSY / WITH CUT-OUT 1657 MM From H-6243 To K-6492	1	P
70	Call order desk	PANEL, INTERIOR ASSY / WITH CUT-OUT 1657 MM From L-6493	1	P
70	314417	PANEL, INTERIOR ASSY / WITH CONDUIT, WIRE GUIDE STREET SIDE From E-5459	1	G
70	314429	PANEL, INTERIOR ASSY / WITH CONDUIT, WIRE GUIDE CURBSIDE From E-5459	1	G
70	314371	CONDUIT, WIRE GUIDE From E-5459	1	G
70	314545	HOSE SILICONE 1 3/8" x 40MM From K-6378	1	G
71	312905	COVER / PLAIN / W/CORD To E-5589	AR	
71	312905	COVER / PLAIN / W/CORD To E-5589	AR	
71	316664	COVER / PLAIN / W/CORD From E-5590 To P-6862	AR	
71	316664	COVER / PLAIN / W/CORD From E-5590 To P-6862	AR	
71	315043	COVER / PLAIN / W/CORD From P-6863	1	
71	315043	COVER / PLAIN / W/CORD From P-6863	1	
71A	312905	COVER / PLAIN / W/CORD To D-5458	1	
71A	312905	COVER / PLAIN / W/CORD To D-5458	1	
71A	316664	COVER / PLAIN / W/CORD From E-5459 To P-6862	1	
71A	316664	COVER / PLAIN / W/CORD From E-5459 To P-6862	1	
71A	315043	COVER / PLAIN / W/CORD From P-6863	1	
71A	315043	COVER / PLAIN / W/CORD From P-6863	1	
71A	312905	COVER / PLAIN / W/CORD To D-5458	1	
71A	312905	COVER / PLAIN / W/CORD To D-5458	1	
71A	316677	COVER FOR IOB MODULE GREY From E-5459 To E-5589	1	

From D-5372		Date:01/2024	PAGE:X3-1836-01
PARCEL RACK /WITH LEDS			

Item#	Part	Description	QTY	Notes
. NS	068749	. DECAL "IOB" From E-5459 To E-5589	1	
71A	316694	COVER FOR IOB MODULE GREY From E-5590	1	
. NS	069194	. DECAL "IOB" From E-5590	1	
72	312906	COVER / PLAIN / W/CORD To E-5589	AR	
72	316667	COVER / PLAIN / W/CORD From E-5590	AR	
73	316296	COVER R.H. / PLAIN / W/CORD To E-5589	1	
73	311506	COVER R.H. / PLAIN / W/CORD From L-6493	1	
73	316668	COVER R.H. / PLAIN / W/DOOR From E-5590	1	
74	316503	COVER R.H. / PLAIN / W/DOOR To E-5589	1	
74	316668	COVER R.H. / PLAIN / W/DOOR From E-5590 To K-6492	1	
74	310001	COVER R.H. / PLAIN / W/DOOR / GREY From L-6493	1	
75	317011	COVER L.H. ASSY / W/LIGHT & VENT HOLE To E-5589	1	
. NS	317021	. COVER, PARCEL RACK, VENTILATED To E-5589	1	
. NS	565889	. LAMP LED To E-5589	1	
. NS	502752	. SCREW TP RND PH #4x3/4 ZP To E-5589	2	
. NS	067578	. WIRING HARNESS FRONT JUNCTION BOX / W/MUX To E-5589	1	
75	316671	COVER L.H. ASSY / W/LIGHT & VENT HOLE From E-5590 To P-6862	1	
. NS	316672	. COVER, PARCEL RACK, VENTILATED From E-5590 To P-6862	1	
. NS	565889	. LAMP LED From E-5590 To P-6862	1	
. NS	502752	. SCREW TP RND PH #4x3/4 ZP From E-5590 To P-6862	2	
. NS	067578	. WIRING HARNESS FRONT JUNCTION BOX / W/MUX From E-5590 To P-6862	1	
75	315027	COVER L.H. ASSY / W/LIGHT & VENT HOLE From P-6863	1	
. NS	315026	. COVER, PARCEL RACK, VENTILATED From P-6863	1	
. NS	565889	. LAMP LED From P-6863	1	
. NS	502752	. SCREW TP RND PH #4x3/4 ZP From P-6863	2	
. NS	067578	. WIRING HARNESS FRONT JUNCTION BOX / W/MUX From P-6863	1	
75	310367	COVER L.H. ASSY / W/LIGHT & VENT HOLE GREY	1	SP
. NS	310370	. COVER, PARCEL RACK, VENTILATED	1	SP
. NS	565889	. LAMP LED	1	SP
. NS	504448	. CABLE CLIP 1/4" / ADHESIVE	2	SP
. NS	502752	. SCREW TP RND PH #4x3/4 ZP	2	SP
. NS	506755	. VELCRO / HOOK ADHESIF 1" x 75'	AR	SP
. NS	506756	. VELCRO / LOOP ADHESIF 1" x 75'	AR	SP
75	060158	DECAL, O2 EL SOUND/VIDEO SYS P-RACK E To L-6642	1	SP
75	0610354	DECAL, O2 EL SOUND/VIDEO SYS P-RACK E From L-6643	1	SP
75	060157	DECAL, O2 EL MONITOR LAYOUT P-RACK E	1	SP
75	317012	COVER L.H. ASSY / W/LIGHT & VENT HOLE To E-5589	1	G
. NS	317021	. COVER, PARCEL RACK, VENTILATED To E-5589	1	G
. NS	565889	. LAMP LED To E-5589	1	G
. NS	502752	. SCREW TP RND PH #4x3/4 ZP To E-5589	2	G
. NS	067578	. WIRING HARNESS FRONT JUNCTION BOX / W/MUX To E-5589	1	G
75	317069	COVER L.H. ASSY / W/LIGHT & VENT HOLE From E-5590	1	G

From D-5372	Date:01/2024	PAGE:X3-1836-01
PARCEL RACK /WITH LEDS		

Item#	Part	Description	QTY	Notes
. NS	316672	. COVER, PARCEL RACK, VENTILATED From E-5590	1	G
. NS	565889	. LAMP LED From E-5590	1	G
. NS	502752	. SCREW TP RND PH #4x3/4 ZP From E-5590	2	G
. NS	067578	. WIRING HARNESS FRONT JUNCTION BOX / W/MUX From E-5590	1	G
NS	500641	SCREW TP PAN PH #8x3/4 Z050	AR	
NS	068149	DECAL / POWER VIDEO COMPONENTS To E-5589	1	
75	068757	DECAL / POWER VIDEO COMPONENTS From E-5590 To H-6179	1	
75	060936	DECAL / POWER VIDEO COMPONENTS From H-6180	1	
76	312930	COVER / L.H. SIDE OF VENTILATOR BOX To F-5835	AR	
76	317090	COVER / L.H. SIDE OF VENTILATOR BOX From F-5836	AR	
77	500461	WASHER SPR BOW .438x.750x.017	AR	
78	317003	COVER ASSY / W/LIGHT / PLAIN To E-5589	1	
. NS	317013	. COVER, PARCEL RACK To E-5589	1	
. NS	565889	. LAMP LED To E-5589	1	
. NS	504448	. CABLE CLIP 1/4" / ADHESIVE To E-5589	2	
. NS	502752	. SCREW TP RND PH #4x3/4 ZP To E-5589	2	
78	316669	COVER ASSY / W/LIGHT / PLAIN From E-5590	1	
. NS	316670	. COVER, PARCEL RACK From E-5590	1	
. NS	565889	. LAMP LED From E-5590	1	
. NS	504448	. CABLE CLIP 1/4" / ADHESIVE From E-5590	2	
. NS	502752	. SCREW TP RND PH #4x3/4 ZP From E-5590	2	
79	317004	COVER ASSY / W/LIGHT / PLAIN To E-5589	1	
79	317004	COVER ASSY / W/LIGHT / PLAIN To E-5589	1	
. NS	317014	. COVER, PARCEL RACK To E-5589	1	
. NS	565889	. LAMP LED To E-5589	1	
. NS	504448	. CABLE CLIP 1/4" / ADHESIVE To E-5589	2	
. NS	502752	. SCREW TP RND PH #4x3/4 ZP To E-5589	2	
79	316662	COVER ASSY / W/LIGHT / PLAIN From E-5590 To P-6862	1	
. NS	316663	. COVER, PARCEL RACK From E-5590 To P-6862	1	
. NS	565889	. LAMP LED From E-5590 To P-6862	1	
. NS	504448	. CABLE CLIP 1/4" / ADHESIVE From E-5590 To P-6862	2	
. NS	502752	. SCREW TP RND PH #4x3/4 ZP From E-5590 To P-6862	2	
79	315045	COVER, PARCEL RACK From P-6863	1	
. NS	315044	. COVER, PARCEL RACK From P-6863	1	
. NS	565889	. LAMP LED From P-6863	1	
. NS	504448	. CABLE CLIP 1/4" / ADHESIVE From P-6863	2	
. NS	502752	. SCREW TP RND PH #4x3/4 ZP From P-6863	2	
79	310161	COVER ASSY / W/LIGHT / PLAIN /W/HOLE FOR CABLE GREY From G-6084	1	
. NS	310160	. COVER, PARCEL RACK From G-6084	1	
. NS	565889	. LAMP LED From G-6084	1	
. NS	504448	. CABLE CLIP 1/4" / ADHESIVE From G-6084	2	
. NS	502752	. SCREW TP RND PH #4x3/4 ZP From G-6084	2	

From D-5372		Date:01/2024	PAGE:X3-1836-01
PARCEL RACK /WITH LEDS			

Item#	Part	Description	QTY	Notes
79A	317004	COVER ASSY / W/LIGHT / PLAIN To D-5458	1	
79A	317004	COVER ASSY / W/LIGHT / PLAIN To D-5458	1	
NS	317014	COVER, PARCEL RACK To D-5458	1	
NS	565889	LAMP LED To D-5458	1	
NS	504448	CABLE CLIP ¼" / ADHESIVE To D-5458	2	
NS	502752	SCREW TP RND PH #4x3/4 ZP To D-5458	2	
79A	316628	COVER ASSY / W/LIGHT / PLAIN From E-5459 To E-5591	1	
NS	316626	COVER, PARCEL RACK From E-5459 To E-5591	1	
NS	565889	LAMP LED From E-5459 To E-5591	1	
NS	504448	CABLE CLIP ¼" / ADHESIVE From E-5459 To E-5591	2	
NS	502752	SCREW TP RND PH #4x3/4 ZP From E-5459 To E-5591	2	
79A	316673	COVER ASSY / W/LIGHT / PLAIN From E-5590 To H-6179	1	
NS	316674	COVER, PARCEL RACK From E-5590 To H-6179	1	
NS	565889	LAMP LED From E-5590 To H-6179	1	
NS	504448	CABLE CLIP ¼" / ADHESIVE From E-5590 To H-6179	2	
NS	502752	SCREW TP RND PH #4x3/4 ZP From E-5590 To H-6179	2	
79A	310287	COVER ASSY / W/LIGHT / PLAIN From H-6180	1	
NS	316674	COVER, PARCEL RACK From H-6180	1	
NS	565889	LAMP LED From H-6180	1	
NS	069194	DECAL "IOB" From H-6180	1	
NS	502752	SCREW TP RND PH #4x3/4 ZP From H-6180	2	
80	312427P	PANEL ASSY / W/O SPEAKER #1 L.H & #1 R.H. To K-6492	2	
80	Call order desk	PANEL ASSY / W/O SPEAKER W/ LEATHERETTE 874MM #1 L.H & #1 R.H. To K-6492	2	P L
80	Call order desk	PANEL ASSY 1551MM #1 L.H. From L-6493	1	P
80	Call order desk	PANEL ASSY W/ LEATHERETTE 1551MM #1 L.H. From L-6493	1	P L
80	Call order desk	PANEL ASSY 1551MM #1 R.H. From L-6493	1	P
80	Call order desk	PANEL ASSY W/ LEATHERETTE 1551MM #1 R.H. From L-6493	1	P L
80	316457P	PANEL ASSY 1659MM #2,3,4,6,7 L.H. & #2,3,5,6 R.H To G-5977	9	
80	Call order desk	PANEL ASSY 1659MM #2,3,4,6,7 L.H. & #2,3,5,6 R.H From G-5978 To K-6492	9	P
80	Call order desk	PANEL ASSY W/ LEATHERETTE 1659MM #2,3,4,6,7 L.H. & #2,3,5,6 R.H To G-5977	9	P L
80	Call order desk	PANEL ASSY W/ LEATHERETTE 1659MM #2,3,4,6,7 L.H. & #2,3,5,6 R.H From G-5978 To K-6492	9	P L
80	316457P	PANEL ASSY 1659MM #2,3,4,6,7 L.H. & #5 R.H To G-5977	6	WCL
80	Call order desk	PANEL ASSY 1659MM #2,3,4,6,7 L.H. & #5 R.H From G-5978 To K-6492	6	P WCL
80	Call order desk	PANEL ASSY 1659MM #2,3,5,6 L.H. & #2,4,5,6 R.H From L-6493	8	P
80	Call order desk	PANEL ASSY W/ LEATHERETTE 1659MM #2,3,5,6 L.H. & #2,4,5,6 R.H From L-6493	8	P L
80	Call order desk	PANEL ASSY 1659MM #2,3,5,6 L.H. & #2,6 R.H From L-6493	6	P WCL
80	Call order desk	PANEL ASSY 1414MM #2,3,6 R.H. To G-5977	3	P WCL
80	Call order desk	PANEL ASSY 1414 MM #2,3,6 R.H. From G-5978 To K-6492	3	P WCL
80	Call order desk	PANEL ASSY 1414MM #4 R.H. To G-5977	1	P WCL
80	317118P	PANEL ASSY 1414MM #4 R.H. From G-5978 To K-6492	1	WCL
80	Call order desk	PANEL ASSY 1707MM #4 R.H From L-6493	1	P WCL
80	Call order desk	PANEL ASSY 1659MM #4 L.H & #5 R.H. To G-5977	2	P B

From D-5372		Date:01/2024	PAGE:X3-1836-01
PARCEL RACK /WITH LEDS			

Item#	Part	Description	QTY	Notes
80	Call order desk	PANEL ASSY 1659MM #4 L.H & #5 R.H. From G-5978 To K-6492	2	P B
80	Call order desk	PANEL ASSY W/ LEATHERETTE 1659MM #4 L.H & #5 R.H. To G-5935	2	P B L
80	Call order desk	PANEL ASSY W/ LEATHERETTE 1659MM #4 L.H & #5 R.H. From G-5936 To G-5977	2	P B L
80	Call order desk	PANEL ASSY W/ LEATHERETTE 1659MM #4 L.H & #5 R.H. From G-5978 To K-6492	2	P B L
80	Call order desk	PANEL ASSY 1660MM #4 L.H & #3 R.H. From L-6493	2	P B
80	Call order desk	PANEL ASSY W/ LEATHERETTE 1659MM #4 L.H & #3 R.H. From L-6493	2	P B
80	Call order desk	PANEL ASSY 1660MM #4 L.H From L-6493 To L-6655	1	P A
80	Call order desk	PANEL ASSY 1660MM #4 L.H From L-6656	1	P A
80	Call order desk	PANEL ASSY 1660MM #4 L.H From L-6493	1	P B WCL
80	Call order desk	PANEL ASSY 1657MM #3 R.H From L-6493	1	P A
80	Call order desk	PANEL ASSY 1707MM #3 R.H From L-6493	1	P B WCL
80	Call order desk	PANEL ASSY 1707MM #3 R.H From L-6493	1	P WCL A
80	311063P	ACCESS DOOR 161MM #4 L.H & #3 R.H. From L-6493	2	A
80	5002093	SCREW DR SEMS FN OV PH #8X3/4" Z050 #4 L.H & #3 R.H. From L-6493	AR	A
80	316457P	PANEL ASSY 1659MM #5 R.H. To G-5977	1	WCL
80	Call order desk	PANEL ASSY 1659MM #5 R.H. From G-5978 To K-6492	1	P WCL
80	Call order desk	PANEL ASSY 1659MM #4 L.H From G-5978 To K-6492	1	P A
80	Call order desk	PANEL ASSY 1659MM #5 R.H. To K-6492	1	P A
80	Call order desk	PANEL ASSY 1182MM #6 R.H. To G-5977	1	P W
80	Call order desk	PANEL ASSY 1182MM #6 R.H. From G-5978 To K-6492	1	P W
80	Call order desk	PANEL ASSY 1132MM #6 R.H. From L-6493	1	P W
80	Call order desk	PANEL ASSY 1684 MM #7 L.H From L-6493	1	P
80	Call order desk	PANEL ASSY W/ LEATHERETTE 1684MM #7 L.H From L-6493	1	P L
80	Call order desk	PANEL ASSY 824MM #7 L.H. To G-5977	1	P E
80	Call order desk	PANEL ASSY 824MM #7 L.H. From G-5978 To K-6492	1	P E
80	Call order desk	PANEL ASSY 1413MM #7 R.H. To G-5977	1	P
80	Call order desk	PANEL ASSY 1413MM #7 R.H. From G-5978 To K-6492	1	P
80	Call order desk	PANEL ASSY W/ LEATHERETTE 1413MM #7 R.H. To G-5977	1	P L
80	Call order desk	PANEL ASSY W/ LEATHERETTE 1413MM #7 R.H. From G-5978 To K-6492	1	P L
80	Call order desk	PANEL ASSY 683MM #7 R.H. From L-6493	1	P
80	Call order desk	PANEL ASSY 977MM #7 R.H. To G-5977	1	P WCL
80	Call order desk	PANEL ASSY 977MM #7 R.H. From G-5978 To K-6492	1	P WCL
80	Call order desk	PANEL ASSY 683MM #7 R.H. From L-6493	1	P WCL
80	316457P	PANEL ASSY 1659MM #7 R.H To G-5977	1	C
80	Call order desk	PANEL ASSY 1659MM #7 R.H From G-5978 To K-6492	1	P C
80	Call order desk	PANEL ASSY W/ LEATHERETTE 1659MM #7 R.H To G-5977	1	P C L
80	Call order desk	PANEL ASSY W/ LEATHERETTE 1659MM #7 R.H From G-5978 To K-6492	1	P C L
80	Call order desk	PANEL ASSY W/ LEATHERETTE 1684MM #7 R.H From L-6493	1	P C L
80	316456P	PANEL ASSY 704MM #8 L.H. To G-5977	1	
80	Call order desk	PANEL ASSY 704 MM #8 L.H. From G-5978 To K-6492	1	P
80	Call order desk	PANEL ASSY W/ LEATHERETTE 704MM #8 L.H. To G-5977	1	P L
80	Call order desk	PANEL ASSY W/ LEATHERETTE 704MM #8 L.H. From G-5978 To K-6492	1	P L

From D-5372	Date:01/2024	PAGE:X3-1836-01
PARCEL RACK /WITH LEDS		

Item#	Part	Description	QTY	Notes
80	Call order desk	PANEL ASSY 704MM #8 R.H. To G-5977	1	P C
80	Call order desk	PANEL ASSY 704MM #8 R.H. From G-5978 To K-6492	1	P C
80	Call order desk	PANEL ASSY W/ LEATHERETTE 704MM #8 R.H. To G-5977	1	P C L
80	Call order desk	PANEL ASSY W/ LEATHERETTE 704MM #8 R.H. From G-5978 To K-6492	1	P C L
80	8631155	CABLE TIE / 4.6MM x 200 / CHRISTMAS TREE	AR	
80	509815	TIE MOUNT / ATTACHMENT W/TREE MOUNT	1	
81	500582	SCREW TP PAN PH #8x3/8 Z050	AR	
NS	500552	SCREW TP OV PH #6x3/4 Z050	AR	
82	317129	SIDE ACCESS PANEL GREY From G-5978	AR	
83	5001440	SCREW TP RND PH WSHR HD #8x1/2	AR	
84	500583	SCREW TP PAN PH #6x1/2 Z050	AR	
85	311250	ROD / TO JOINT HAND RAIL EXTRUSION	AR	
86	312511	PLATE, JUNCTION / EXTRUSION RETAINER	AR	
87	504118	RIVET POP DOME OE 3/16x3/8 AL	AR	
88	5002074	SCREW DR HEXF ECOGUARD #12x14 To K-6492	AR	
88	502848	SCREW TC CAP HEXF 1/4-20x3/4 N500 From L-6493	AR	
89	502513	SCREW TP CAP HEX 5/16x1 Z050	AR	
90	316514	EXTRUSION, REAR, ALUMINIUM 2842.5MM To K-6492	1	
90	313228	EXTRUSION, REAR, ALUMINIUM 5685 MM To K-6492	1	
90	312528	EXTRUSION, REAR, ALUMINIUM 5850MM / S.C.C To K-6492	1	
90	310570	EXTRUSION, REAR, ALUMINIUM 4993 MM / S.C.C From L-6493	1	
90	310824	EXTRUSION, REAR, ALUMINIUM 4125MM From L-6493	1	
90	310083	EXTRUSION, REAR, ALUMINIUM 6531 MM / S.C.C From L-6493	1	
90	310084	EXTRUSION, REAR, ALUMINIUM 5005 MM / S.C.C From L-6493	1	
NS	504666	. GROMMET / 1.000x1.375x.250x.625x1.750 From L-6493	1	
90	316276	EXTRUSION, REAR, ALUMINIUM 4054 MM To K-6492	1	
90	311039	EXTRUSION, REAR, ALUMINIUM 4871 MM From L-6493	1	
90	311043	EXTRUSION, REAR, ALUMINIUM 5663 MM From L-6493	1	
90	314852	EXTRUSION, REAR, ALUMINIUM 2913MM From L-6493	1	W
90	315033	EXTRUSION, REAR, ALUMINIUM 3345MM From P-6846	1	D
91	316513	EXTRUSION, ALUMINIUM 2594MM To K-6492	1	
91	316275	EXTRUSION, ALUMINIUM 3805 MM To K-6492	1	
NS	810087	CARPET (OZITE) SELF ADHESIVE To K-0498	AR	
91	810009	CARPET (OZITE) SELF ADHESIVE From K-0499	AR	
91	312525	EXTRUSION, ALUMINIUM 5850MM / S.C.C To K-6492	2	
91	310080	EXTRUSION, ALUMINIUM 6531MM From L-6493	1	
91	310081	EXTRUSION, ALUMINIUM 5005MM From L-6493	1	
91	310568	EXTRUSION, ALUMINIUM 4916MM From L-6493	1	
91	310795	EXTRUSION, ALUMINIUM 4048MM From L-6493	1	
91	311034	EXTRUSION, ALUMINIUM 5663MM From L-6493	1	

From D-5372	Date:01/2024	PAGE:X3-1836-01
PARCEL RACK /WITH LEDS		

Item#	Part	Description	QTY	Notes
91	311038	EXTRUSION, ALUMINIUM 4871MM From L-6493	1	
91	314851	EXTRUSION, ALUMINIUM 2836MM From L-6493	1	W
91	315032	EXTRUSION, ALUMINIUM 3345MM From P-6846	1	D
92	X3-0655-01	INTERIOR LIGHTING / "LED"		
93	312971P	PANEL 51MM	1	
93	Call order desk	PANEL 73MM	1	P
93	Call order desk	PANEL 80MM	1	P
93	Call order desk	PANEL 92MM	1	P
93	313682P	PANEL 100MM	1	
93	Call order desk	PANEL 114MM	1	P
93	316197P	PANEL 124MM	1	
93	Call order desk	PANEL 126MM	1	P
93	Call order desk	PANEL 132MM	1	P
93	Call order desk	PANEL 137MM	1	P
93	Call order desk	PANEL 149MM	1	P
93	Call order desk	PANEL 158MM	1	P
93	Call order desk	PANEL 1629MM	1	P
93	315936P	PANEL 166MM	1	
93	Call order desk	PANEL 174MM	1	P
93	Call order desk	PANEL 181MM	1	P
93	315913P	PANEL 184MM	1	
93	Call order desk	PANEL 188MM	1	P
93	313330P	PANEL 193MM	1	
93	Call order desk	PANEL 203MM	1	P
93	Call order desk	PANEL W/EMERGENCY LAMP HOLE 203MM From M-6666	1	P H
93	Call order desk	PANEL 213MM	1	P
93	313883P	PANEL 219MM	1	
93	315940P	PANEL 226MM	1	
93	Call order desk	PANEL 231MM	1	P
93	313334P	PANEL 235MM	1	
93	Call order desk	PANEL 243MM	1	P
93	312736P	PANEL 248MM	1	
93	313077P	PANEL 253MM	1	
93	Call order desk	PANEL 256MM	1	P
93	Call order desk	PANEL 264MM	1	P
93	312760P	PANEL 269MM	1	
93	Call order desk	PANEL 275MM	1	P
93	312721P	PANEL 279MM	1	
93	315923P	PANEL 289MM	1	
93	Call order desk	PANEL 292MM	1	P
93	312734P	PANEL 299 MM	1	

From D-5372	Date:01/2024	PAGE:X3-1836-01
PARCEL RACK /WITH LEDS		

Item#	Part	Description	QTY	Notes
93	316018P	PANEL 304MM	1	
93	312762P	PANEL 310MM	1	
93	312761P	PANEL 315MM	1	
93	312764P	PANEL 325MM	1	
93	313075P	PANEL 335MM	1	
93	312724P	PANEL 343MM	1	
93	Call order desk	PANEL 352MM	1	P
93	Call order desk	PANEL 354MM	1	P
93	312729P	PANEL 356MM	1	
93	Call order desk	PANEL 366MM	1	P
93	Call order desk	PANEL 370MM	1	P
93	312839P	PANEL 375MM	1	
93	Call order desk	PANEL 378MM	1	P
93	313328P	PANEL 388MM	1	
93	Call order desk	PANEL 391MM	1	P
93	Call order desk	PANEL 396MM	1	P
93	312735P	PANEL 402MM	1	
93	Call order desk	PANEL 405MM	1	P
93	312751P	PANEL 408MM	1	
93	313333P	PANEL 415MM	1	
93	Call order desk	PANEL 418MM	1	P
93	312749P	PANEL 421MM	1	
93	Call order desk	PANEL W/EMERGENCY LAMP HOLE 421MM From M-6666	1	P H
93	Call order desk	PANEL 424MM	1	P
93	Call order desk	PANEL 426MM	1	P
93	312720P	PANEL 427MM	AR	
93	Call order desk	PANEL W/EMERGENCY LAMP HOLE 427MM From M-6666	1	P H
93	312774P	PANEL 431MM	1	
93	Call order desk	PANEL W/EMERGENCY LAMP HOLE 431MM From M-6666	1	P H
93	312946P	PANEL 437MM	1	
93	310617P	PANEL 440MM	1	
93	Call order desk	PANEL 443MM	1	P
93	312733P	PANEL 447MM	1	
93	Call order desk	PANEL W/EMERGENCY LAMP HOLE 447MM From M-6666	1	P H
93	Call order desk	PANEL 448MM	1	P
93	312747P	PANEL 454MM	1	
93	312767P	PANEL 457MM	1	
93	Call order desk	PANEL W/EMERGENCY LAMP HOLE 457MM From M-6666	1	P H
93	Call order desk	PANEL 462MM	1	P
93	312975P	PANEL 465MM	1	
93	Call order desk	PANEL W/EMERGENCY LAMP HOLE 465MM From M-6666	1	P H
93	Call order desk	PANEL 469MM	1	P

From D-5372	Date:01/2024	PAGE:X3-1836-01
PARCEL RACK /WITH LEDS		

Item#	Part	Description	QTY	Notes
93	312745P	PANEL 472MM	1	
93	312835P	PANEL 475MM	1	
93	312730P	PANEL 478MM	1	
93	312752P	PANEL 484MM	1	
93	313076P	PANEL 490MM	1	
93	312771P	PANEL 495MM	1	
93	312728P	PANEL 500MM	1	
93	Call order desk	PANEL 505MM	1	P
93	312725P	PANEL 510MM	1	
93	Call order desk	PANEL 516MM	1	P
93	312723P	PANEL 525MM	1	
93	Call order desk	PANEL 529MM	1	P
93	312741P	PANEL 538MM	1	
93	312737P	PANEL 542MM	1	
93	312739P	PANEL 550MM	1	
93	Call order desk	PANEL 553MM	1	P
93	313335P	PANEL 559MM	1	
93	Call order desk	PANEL 560MM	1	P
93	313125P	PANEL 565MM	1	
93	315952P	PANEL 570MM	1	
93	312756P	PANEL 575MM	1	
93	Call order desk	PANEL 580MM	1	P
93	315884P	PANEL 582MM	1	
93	Call order desk	PANEL 586MM	1	P
93	312766P	PANEL 590MM	1	
93	312757P	PANEL 598MM	1	
93	315945P	PANEL 601MM	1	
93	312722P	PANEL 605MM	1	
93	Call order desk	PANEL 612MM	1	P
93	313414P	PANEL 615MM	1	
93	Call order desk	PANEL 625MM	1	P
93	Call order desk	PANEL 631MM	1	P
93	Call order desk	PANEL 633MM	1	P
93	Call order desk	PANEL 636MM	1	P
93	Call order desk	PANEL 640MM	1	P
93	Call order desk	PANEL 646MM	1	P
93	315983P	PANEL 655MM	1	
93	Call order desk	PANEL 656MM	1	P
93	Call order desk	PANEL 660MM	1	P
93	Call order desk	PANEL 665MM	1	P
93	Call order desk	PANEL 677MM	1	P
93	Call order desk	PANEL 672MM	1	P

From D-5372	Date:01/2024	PAGE:X3-1836-01
PARCEL RACK /WITH LEDS		

Item#	Part	Description	QTY	Notes
93	Call order desk	PANEL 674MM	1	P
93	Call order desk	PANEL 682MM	1	P
93	Call order desk	PANEL 686MM	1	P
93	Call order desk	PANEL 690MM	1	P
93	312748P	PANEL 700MM	1	
93	312746P	PANEL 705MM	1	
93	312759P	PANEL 711MM	1	
93	313079P	PANEL 716MM	1	
93	Call order desk	PANEL 722MM	1	P
93	Call order desk	PANEL 723MM	1	P
93	Call order desk	PANEL 725MM	1	P
93	312765P	PANEL 731MM	1	
93	Call order desk	PANEL 741MM	1	P
93	Call order desk	PANEL 747MM	1	P
93	312840P	PANEL 753MM	1	
93	312770P	PANEL 759MM	1	
93	312742P	PANEL 763MM	1	
93	312738P	PANEL 773MM	1	
93	Call order desk	PANEL 780MM	1	P
93	Call order desk	PANEL 788MM	1	P
93	Call order desk	PANEL 791MM	1	P
93	Call order desk	PANEL 796MM	1	P
93	Call order desk	PANEL 802MM	1	P
93	Call order desk	PANEL 811MM	1	P
93	Call order desk	PANEL 819MM	1	P
93	Call order desk	PANEL 825MM	1	P
93	Call order desk	PANEL 830MM	1	P
93	Call order desk	PANEL 836MM	1	P
93	Call order desk	PANEL 843MM	1	P
93	Call order desk	PANEL 850MM	1	P
93	313617P	PANEL 866MM	1	
93	315929P	PANEL 878MM	1	
93	Call order desk	PANEL 885MM	1	P
93	Call order desk	PANEL 905MM	1	P
93	Call order desk	PANEL 913MM	1	P
93	Call order desk	PANEL 924MM	1	P
93	Call order desk	PANEL 936MM	1	P
93	315904P	PANEL 940MM	1	
93	Call order desk	PANEL 966MM	1	P
93	Call order desk	PANEL 990MM	1	P
93	Call order desk	PANEL 1044MM	1	P
93	Call order desk	PANEL 1096MM	1	P

From D-5372	Date:01/2024	PAGE:X3-1836-01
PARCEL RACK /WITH LEDS		

Item#	Part	Description	QTY	Notes
93	Call order desk	PANEL 1123MM	1	P
93	Call order desk	PANEL 1191MM	1	P
93	Call order desk	PANEL 1212MM	1	P
93	Call order desk	PANEL 1296MM	1	P
93	Call order desk	PANEL 1360MM	1	P
93	Call order desk	PANEL 1379MM	1	P
93	Call order desk	PANEL 1424MM	1	P
93	Call order desk	PANEL 1481MM	1	P
93	Call order desk	PANEL 1549MM	1	P
93	Call order desk	PANEL 1724MM	1	P
93	Call order desk	PANEL 1796MM	1	P
93	316485P	PANEL 1571MM	1	
93	Call order desk	PANEL 1921MM	1	P
93	Call order desk	PANEL FRONT R.H. 275MM / 76MM POSITION SCREEN / LCD SCREEN	1	P
93	Call order desk	PANEL 310MM / 112MM POSITION SCREEN	1	P
93	Call order desk	PANEL 354MM / 270MM POSITION SCREEN / LCD SCREEN	1	P
93	Call order desk	PANEL 375MM / 285MM POSITION SCREEN / LCD SCREEN	1	P
93	Call order desk	PANEL 376MM / 112MM POSITION SCREEN	1	P
93	Call order desk	PANEL 427MM / 315MM POSITION SCREEN	1	P
93	Call order desk	PANEL 430MM / 310MM POSITION SCREEN / LCD SCREEN	1	P
93	Call order desk	PANEL 457MM / 147MM POSITION SCREEN	1	P
93	Call order desk	PANEL 475MM / 108MM POSITION FLAT MONITOR	1	P
93	Call order desk	PANEL 475MM / 108MM POSITION FLAT MONITOR	1	P
93	Call order desk	PANEL 475MM / 310MM POSITION SCREEN	1	P
93	Call order desk	PANEL 495MM / 310MM POSITION SCREEN	1	P
93	Call order desk	PANEL 510MM / 310MM POSITION SCREEN	1	P
93	Call order desk	PANEL 575MM / 265MM POSITION SCREEN	1	P
93	Call order desk	PANEL FRONT L.H. 633MM / 300MM POSITION SCREEN / LCD SCREEN	1	P
93	Call order desk	PANEL 601MM / 311MM POSITION SCREEN	1	P
93	Call order desk	PANEL 640MM / 330MM POSITION SCREEN	1	P
93	Call order desk	PANEL 655MM / 300MM POSITION SCREEN	1	P
93	310654P	PANEL 655MM / 382MM POSITION SCREEN / R.H. W/ LCD SCREEN	1	
93	310653P	PANEL 655MM / 382MM POSITION SCREEN / L.H. W/10" LCD SCREEN	1	
93	316123P	PANEL 655MM / 383MM POSITION SCREEN / W/15" LCD SCREEN	1	
93	Call order desk	PANEL 655MM / 544MM POSITION SCREEN	1	P
93	Call order desk	PANEL 705MM / 544MM POSITION SCREEN	1	P
93	Call order desk	PANEL 760MM / 427MM POSITION SCREEN / L.H. W/10" LCD SCREEN	1	P
93	Call order desk	PANEL 796MM / 486MM POSITION SCREEN	1	P
93	Call order desk	PANEL 800MM / 128MM & 177MM HOLE POSITION / W/12.1" RETRACTABLE SCREEN	1	P
93	Call order desk	PANEL 915MM / 465MM POSITION SCREEN / L.H. W/10" LCD SCREEN	1	P
93	Call order desk	PANEL 980MM / 310MM POSITION SCREEN / LCD SCREEN	1	P
93	314357	PANEL 980MM / 310MM POSITION SCREEN / LCD SCREEN	1	

From D-5372		Date:01/2024	PAGE:X3-1836-01
PARCEL RACK /WITH LEDS			

Item#	Part	Description	QTY	Notes
93	Call order desk	PANEL 980MM / 465MM POSITION SCREEN	1	P
93	Call order desk	PANEL 1015MM / 108MM POSITION SCREEN / L.H. LCD SCREEN	1	P
93	Call order desk	PANEL 1015MM / 440MM POSITION SCREEN / LCD SCREEN From G-6046	1	P
93	Call order desk	PANEL 500MM / 108MM POSITION SCREEN / LCD SCREEN	1	P
93	500672	SCREW TP OV PH #6x1/2 N500 To F-5800	AR	
93	5001368	SCREW TC OV PH #8-32X1/2 BK From F-5801	AR	
93	500345	WASHER FN CKF .187x.500x.090 BR BK To F-5800	AR	
93	5001949	WASHER FN CKF .220x.615 BK From F-5801 To G-6083	AR	
94	314272-51	WOOD PANEL / COLOR TO BE SPECIFIED 51MM		
94	314272-124	WOOD PANEL / COLOR TO BE SPECIFIED 124MM		
94	314272-126	WOOD PANEL / COLOR TO BE SPECIFIED 126MM		
94	314272-219	WOOD PANEL / COLOR TO BE SPECIFIED 219MM		
94	314272-253	WOOD PANEL / COLOR TO BE SPECIFIED 253MM		
94	314272-264	WOOD PANEL / COLOR TO BE SPECIFIED 264MM		
94	314272-299	WOOD PANEL / COLOR TO BE SPECIFIED 299MM		
94	314272-304	WOOD PANEL / COLOR TO BE SPECIFIED 304MM		
94	314272-315	WOOD PANEL / COLOR TO BE SPECIFIED 315MM		
94	314272-325	WOOD PANEL / COLOR TO BE SPECIFIED 325MM		
94	314272-370	WOOD PANEL / COLOR TO BE SPECIFIED 370MM		
94	314272-375	WOOD PANEL / COLOR TO BE SPECIFIED 375MM		
94	314272-391	WOOD PANEL / COLOR & MONITOR PRESENCE TO BE SPECIFIED 391MM		
94	314272-408	WOOD PANEL / COLOR TO BE SPECIFIED 408MM		
94	314272-421	WOOD PANEL / COLOR & MONITOR PRESENCE TO BE SPECIFIED 421MM		
94	314272-427	WOOD PANEL / COLOR & MONITOR PRESENCE TO BE SPECIFIED 427MM		
94	314272-431	WOOD PANEL / COLOR & MONITOR PRESENCE TO BE SPECIFIED 431MM		
94	314272-447	WOOD PANEL / COLOR & MONITOR PRESENCE TO BE SPECIFIED 447MM		
94	314272-457	WOOD PANEL / COLOR & MONITOR PRESENCE TO BE SPECIFIED 457MM		
94	314272-484	WOOD PANEL / COLOR & MONITOR PRESENCE TO BE SPECIFIED 484MM		
94	314272-490	WOOD PANEL / COLOR & MONITOR PRESENCE TO BE SPECIFIED 490MM		
94	314272-500	WOOD PANEL / COLOR TO BE SPECIFIED 500MM		
94	314272-510	WOOD PANEL / COLOR & MONITOR PRESENCE TO BE SPECIFIED 510MM		
94	314272-646	WOOD PANEL / COLOR TO BE SPECIFIED 646MM		
94	314272-682	WOOD PANEL / COLOR TO BE SPECIFIED 682MM		
94	314272-700	WOOD PANEL / COLOR TO BE SPECIFIED 700MM		
94	314272-753	WOOD PANEL / COLOR TO BE SPECIFIED 753MM		
94	314272-759	WOOD PANEL / COLOR TO BE SPECIFIED 759MM		
94	500672	SCREW TP OV PH #6x1/2 N500 To F-5802	AR	
94	5001368	SCREW TC OV PH #8-32X1/2 BK From F-5801	AR	
94	500345	WASHER FN CKF .187x.500x.090 BR BK To F-5802	AR	
94	5001949	WASHER FN CKF .220x.615 BK From F-5801 To G-6083	AR	
95	313555	HAND RAIL / EXTRUSION ASSY W/TISSUS 1660 MM To K-6492	1	
95	316236	EXTRUSION, PARCEL RACK W/O FABRIC 1660 MM To K-6492	1	

From D-5372	Date:01/2024	PAGE:X3-1836-01
PARCEL RACK /WITH LEDS		

Item#	Part	Description	QTY	Notes
95	310955	HAND RAIL / EXTRUSION ASSY W/TISSUS 1660 MM From L-6493	1	
95	315034	HAND RAIL / EXTRUSION ASSY W/TISSUS 1685MM From P-6846	1	D
95	316285	HAND RAIL / EXTRUSION ASSY W/TISSUS 2180 MM To K-6492	1	
95	313569	HAND RAIL / EXTRUSION ASSY W/TISSUS 2365 MM To K-6492	1	
95	316237	EXTRUSION, PARCEL RACK W/O FABRIC 2365 MM To K-6492	1	
95	310954	HAND RAIL / EXTRUSION ASSY W/TISSUS 3211 MM From L-6493	1	
95	310953	HAND RAIL / EXTRUSION ASSY W/TISSUS 1782 MM From L-6493	1	WCL
95	310995	HAND RAIL / EXTRUSION ASSY W/TISSUS 3345 MM From L-6493	1	
95	316512	HAND RAIL / EXTRUSION 2842.5MM To K-6492	1	
95	316268	HAND RAIL / EXTRUSION ASSY W/TISSUS 2935 MM To K-6492	1	
95	316305	EXTRUSION, PARCEL RACK W/O FABRIC 3075 MM To K-6492	1	
95	313554	HAND RAIL / EXTRUSION ASSY W/TISSUS 3320 MM To K-6492	1	
95	316235	EXTRUSION, PARCEL RACK W/O FABRIC 3320 MM To K-6492	1	
95	310956	HAND RAIL / EXTRUSION ASSY W/TISSUS 3320 MM From L-6493	1	
95	310794	HAND RAIL / EXTRUSION ASSY W/TISSUS 4125MM From L-6493	1	
95	311033	HAND RAIL / EXTRUSION ASSY W/TISSUS 4003 MM From L-6493	1	
95	316273	HAND RAIL / EXTRUSION ASSY W/TISSUS 4054 MM To K-6492	1	
95	313553	HAND RAIL / EXTRUSION ASSY W/TISSUS 4190 MM To K-6492	1	
95	316234	EXTRUSION, PARCEL RACK W/O FABRIC 4190 MM To K-6492	1	
95	313069	HAND RAIL / EXTRUSION 3075 MM To K-6492	1	C
95	312518	HAND RAIL / EXTRUSION 4190 MM To K-6492	2	C
95	312814	HAND RAIL / EXTRUSION W/HOLE 3320 MM To K-6492	2	C
95	313072	HAND RAIL / EXTRUSION 1660 MM To K-6492	1	C
95	313229	HAND RAIL / EXTRUSION 2365 MM To K-6492	1	C
95	310550	EXTRUSION, PARCEL RACK W/O FABRIC 3211 MM From L-6493	2	C
95	310552	EXTRUSION, PARCEL RACK W/O FABRIC 3320 MM From L-6493	1	C
95	310553	EXTRUSION, PARCEL RACK W/O FABRIC 3345 MM From L-6493	2	C
95	310554	EXTRUSION, PARCEL RACK W/O FABRIC 1666 MM From L-6493	2	C
95	314850	HAND RAIL / EXTRUSION ASSY W/TISSUS 2913MM From L-6493	1	W
NS	068287	CABLE ASSY / READING LIGHT STREETSIDE To D-5458	1	
NS	067996	CABLE ASSY / READING LIGHT STREETSIDE From E-5459 To G-5977	1	
NS	069316	CABLE ASSY / READING LIGHT STREETSIDE From G-5978 To H-6179	1	
NS	069328	CABLE ASSY / READING LIGHT STREETSIDE From H-6180 To K-6492	1	
NS	069966	CABLE ASSY / READING LIGHT STREETSIDE From L-6493 To P-6883	1	
97	0600183	CABLE ASSY / READING LIGHT STREETSIDE From P-6884	1	
NS	067678	CABLE HARNESS / READING LIGHT CURBSIDE FRONT / W/W.C.L. To D-5458	1	
NS	068596	CABLE HARNESS / READING LIGHT CURBSIDE FRONT / W/W.C.L. From E-5459 To G-5977	1	
NS	067677	CABLE HARNESS / READING LIGHT CURBSIDE REAR / W/W.C.L. To D-5458	1	
NS	068597	CABLE HARNESS / READING LIGHT CURBSIDE REAR / W/W.C.L. From E-5459 To G-5977	1	
NS	069314	CABLE ASSY / READING LIGHT CURBSIDE From G-5978 To H-6179	1	
NS	069329	CABLE ASSY / READING LIGHT CURBSIDE From H-6180 To J-6295	1	
NS	062238	CABLE ASSY / READING LIGHT CURBSIDE From J-6296 To K-6492	1	

From D-5372	Date:01/2024	PAGE:X3-1836-01
PARCEL RACK /WITH LEDS		

Item#	Part	Description	QTY	Notes
NS	069965	CABLE ASSY / READING LIGHT CURBSIDE From L-6493 To P-6883	1	
97	0600182	CABLE ASSY / READING LIGHT CURBSIDE From P-6884	1	
NS	069790	HARNESS INTERIOR LIGHT ACCESSORIES / SPECIAL To K-6450	1	DO
NS	0611002	HARNESS INTERIOR LIGHT ACCESSORIES / SPECIAL From K-6451 To K-6492	1	DO
97	0610378	HARNESS INTERIOR LIGHT ACCESSORIES / SPECIAL From L-6493	1	DO
NS	068288	EXTENSION HARNESS, DIRECT LIGHT To G-5977	1	
NS	068308	CABLE, DIRECT LIGHT STD To G-5977	1	
NS	068309	CABLE, DIRECT LIGHT STD / W/W.C.L. To G-5977	1	
NS	068989	REAR DIRECT LED EXTENSION X3 HARNESS From E-5459 To G-5977	1	
97	565187	CLAMP / "C" SHAPE CHRISTMAS TREE	1	
98	500942	WASHER LO SPT 8.1x14.8x2.0 N500	AR	
100	X3-1837-00	CEILING PANELS & MOULDING - BUS		
101	502927	SCREW CAP HEX M8-1.25x50 G8.8 N500	AR	
102	500942	WASHER LO SPT 8.1x14.8x2.0 N500 To P-6862	AR	
102	500321	WASHER BEL SPR .331x.827x.098 N500 From P-6863	AR	
103	312367	FIXING PLATE	AR	
104	313003	SPACER	AR	
105	5001337	NUT INS FL HEX M8-1.25 0.5-3.0 Z050	AR	
106	316446	COVER FINISHING PILAR LIGHTING MODULE To E-5589	AR	
106	316595	COVER FINISHING PILAR LIGHTING MODULE GREY From E-5590 To K-6492	AR	
106	316595	COVER FINISHING PILAR LIGHTING MODULE GREY From L-6493	14	
106	317000	COVER FINISHING PILAR LIGHTING MODULE To E-5589	AR	G
106	316594	COVER FINISHING PILAR LIGHTING MODULE From E-5590	AR	G
107	316535	COVER FINISHING PILAR L.H. LIGHTING MODULE To E-5589	1	
107	317083	COVER FINISHING PILAR L.H. LIGHTING MODULE GREY From E-5590	1	M
107	317002	COVER FINISHING PILAR L.H. LIGHTING MODULE To E-5589	1	G
107	317084	COVER FINISHING PILAR L.H. LIGHTING MODULE From E-5590	1	G M
108	316505	COVER FINISHING PILAR R.H. LIGHTING MODULE To E-5589	1	
108	317086	COVER FINISHING PILAR R.H. LIGHTING MODULE GREY From E-5590	1	
108	317001	COVER FINISHING PILAR R.H. LIGHTING MODULE To E-5589	1	G
108	317087	COVER FINISHING PILAR R.H. LIGHTING MODULE From E-5590	1	G
109	316494	FINISHING CAP To E-5589	AR	
110	316536	COVER UPPER GRIS To E-5589	AR	
114	312929	COVER / FRONT OF VENTILATOR BOX STREET SIDE To E-5589	1	
114	316675	COVER / FRONT OF VENTILATOR BOX STREET SIDE From E-5590 To F-5835	1	
114	317089	COVER / FRONT OF VENTILATOR BOX GREY STREET SIDE From F-5836	1	
114	314376	COVER / FRONT OF VENTILATOR BOX CURBSIDE To F-5835	1	
114	317089	COVER / FRONT OF VENTILATOR BOX GREY CURBSIDE From F-5836 To J-6308	1	
114	310644	COVER / FRONT OF VENTILATOR BOX CURBSIDE From J-6309	1	
115	317035	PLATE, CLOSING From E-5459	1	
116	500957	SCREW TP BDG PH #10x3/4 N500 From E-5459	6	
117	373555	RETAINER, AIR BLOWER	6	

From D-5372		Date:01/2024	PAGE:X3-1836-01
PARCEL RACK /WITH LEDS			

Item#	Part	Description	QTY	Notes
118	500841	SCREW TP PAN PH #14x3/4 Z050	6	
119	500473	WASHER LO SPT .262x.489x.062 Z050	6	
120	500877	WASHER FL .250x.562x.065 N500	6	
121	X3-2240-20	BLOWER VENTILATION - PARCEL RACK To F-5774		
121	X3-2240-15	BLOWER VENTILATION - PARCEL RACK WITH A/C SYSTEM From F-5775	1	
121	X3-2240-21	BLOWER VENTILATION - PARCEL RACK WITHOUT A/C SYSTEM From F-5775	1	
NS	316561	ATTACHMENT / PARCEL RACK / 4 HOLES 144MM To K-6492	15	G
NS	316561	ATTACHMENT / PARCEL RACK / 4 HOLES 144MM From L-6493	13	G
NS	314650	ATTACHMENT / PARCEL RACK / FRONT/ 3 HOLES 146.3MM From L-6493	2	G
NS	316562	ATTACHMENT / PARCEL RACK / 3 HOLES 154.5MM To K-6492	2	G
NS	314651	ATTACHMENT / PARCEL RACK / REAR/ 3 HOLES 131.7MM From L-6493	1	G
NS	316563	ATTACHMENT / PARCEL RACK / 3 HOLES 127.5MM To K-6492	1	G
NS	314652	ATTACHMENT / PARCEL RACK / CEILING BEAM 136.5x97.2x46.8MM From L-6493	1	
NS	5001731	. SCREW CAP HEXF M8-1.25x90 G8.8 N500	1	
125	316625	BRACKET FOR DIVIDER From L-6493	1	
126	508423	NUT SPR U #6 .025 - .064 From L-6493	2	
127	5002093	SCREW DR SEMS FN OV PH #8X3/4" Z050 From L-6493	2	
128	500463	WASHER FN CKF .187x.500x.090 BR Z050 From L-6493	2	
129	504108	RIVET POP DOME OE 1/8x1/2 AL From L-6493 To P-6845	2	
129	504107	RIVET POP DOME OE 1/8x5/16 AL From P-6846	2	
200	Call order desk	CEILING PANEL ASSY W/READING LIGHT W/LED To F-5822	1	P
200	314477P	CEILING PANEL ASSY W/READING LIGHT W/LED From F-5823	1	
201	563592	. MODULE ALARM DETECTOR W.C.L. TWU	1	
203	500518	. SCREW MA BDG PH #4-40x1/2 Z050	4	
204	500157	. WASHER FL .125x.375x.032 SS	4	
205	500425	. NUT HEX NYRT #4-40 SS	4	
206	500333	. SCREW TP OV PH #6x3/4 BK To K-6492	4	
206	5002083	. SCREW DR SEMS FN OV PH #8X1 N050 From L-6493	4	
207	500345	. WASHER FN CKF .187x.500x.090 BR BK To K-6492	4	
208	500552	. SCREW TP OV PH #6x3/4 Z050	AR	
209	341120	. SUPPORT DETECTOR MODULE TWU	1	
210	314476	. REINFORCEMENT, CEILING WCL From F-5823 To K-6492	1	
210	683621	. TAPE RUB ADH2 ACRYLIC .045" x 1" x 108' / WHITE 4945 From F-5823 To K-6492	AR	
220	316289	COVER R.H. END CLOSING W/WCL To F-5822	1	
220	314480	COVER R.H. END CLOSING W/WCL From F-5823 To K-6492	1	
221	316291	COVER L.H. END CLOSING W/WCL To F-5822	1	
221	314479	COVER L.H. END CLOSING W/WCL From F-5823 To K-6492	1	
221	500614	SCREW TP FL PH #6x3/4 Z050 From F-5823 To K-6492	2	
NS	506264	TAPE RUB ADH1 URE 3/4" x 1" x 12.5' / GREY 1820X To K-6492	AR	
NS	316297	AIR DUCT To F-5822	1	
NS	316298	AIR DUCT From F-5823	1	

From D-5372		Date:01/2024	PAGE:X3-1836-01
PARCEL RACK /WITH LEDS			

Item#	Part	Description	QTY	Notes
NS	314473	AIR DUCT From F-5823	1	
NS	314472	REINFORCEMENT, PARCEL RACK From F-5823	1	
NS	316403	AIR DUCT To F-5822	1	
NS	314468	AIR DUCT From F-5823	1	
NS	682484	TAPE ALUMINUM ADH1 .005" x 3" x 300' ALUMINUM FSK3" From F-5823	AR	
NS	314475	AIR DUCT From F-5823	1	
230	450651	DEFLECTOR,REAR,DUCT WCL DOOR From L-6493	1	
231	450653	PLATE,CLOSING From L-6493	1	
232	450650	DEFLECTOR,FRONT,DUCT WCL DOOR From L-6493	1	
233	311012	CLOSING,PARCEL RACK From L-6493	2	
234	3210276	SIDE WALL AIR DEFLECTOR 178MM From L-6493	1	
234	3210276	SIDE WALL AIR DEFLECTOR 54.5MM From L-6493	1	
235	311013	CLOSING,PARCEL RACK From L-6493	2	
236	450629	DUCT AIR,WCL DOOR ASSY From L-6493	1	
237	311505	WCL ROOF HOLDER From L-6493 To M-6645	1	
237	314817	WCL ROOF HOLDER From M-6646	1	
238	310920	FINISHING CAP PARCEL RACK From L-6493	1	
239	311006	FINISHING CAP PARCEL RACK From L-6493	1	
250	5001490	WASHER SHR .312 ID NYL From L-6493	2	
251	500654	SCREW TC BDG PH #8-32x1/2 Z050 From L-6493 To M-6645	2	
251	5001957	SCREW DR TR PH #10x1 Z050 From M-6646	2	
252	500684	NUT SPR U #8A .025-.064 From L-6493	AR	
253	5002093	SCREW DR SEMS FN OV PH #8X3/4" Z050 From L-6493	6	
254	502868	SCREW TC TR PH #10-16x1/2 N500 From L-6493	8	
255	504622	GROMMET / 1.500x1.750x.062x.437x2.125 From L-6493	1	
256	506268	TAPE RUB ADH1 URE 3/8" x 1/2" x 25' / GREY 1820 From L-6493	AR	
257	500575	SCREW TP PAN PH #8x1 1/4 From L-6493	1	
		A) WITH PARCEL RACK A/C SYSTEME		
		B) WITHOUT PARCEL RACK A/C SYSTEME		
		C) WITHOUT LAVATORY		
		D) WITH JALBERT SPECIAL LH PARCEL RACK		
		DO) DARTMOUTH TRANSPORTATION OPTION		
		E) CONCORD OPTION		
		F) FOR DOOR REPALCEMENT USE 1 EACH: 980027 (BALL STUD) ,502638 (FL WASHER) & 502847 (NUT)		
		G) GREYHOUND OPTION		
		H) CALIFORNIA REGULATIONS		
		IN) INDIAN TRAILS OPTION		
		J) USE ON THE CYLINDER GAZ DOOR SIDE SUPPORT CYLINDER		

From D-5372		Date:01/2024	PAGE:X3-1836-01
-------------	--	--------------	-----------------

PARCEL RACK /WITH LEDS

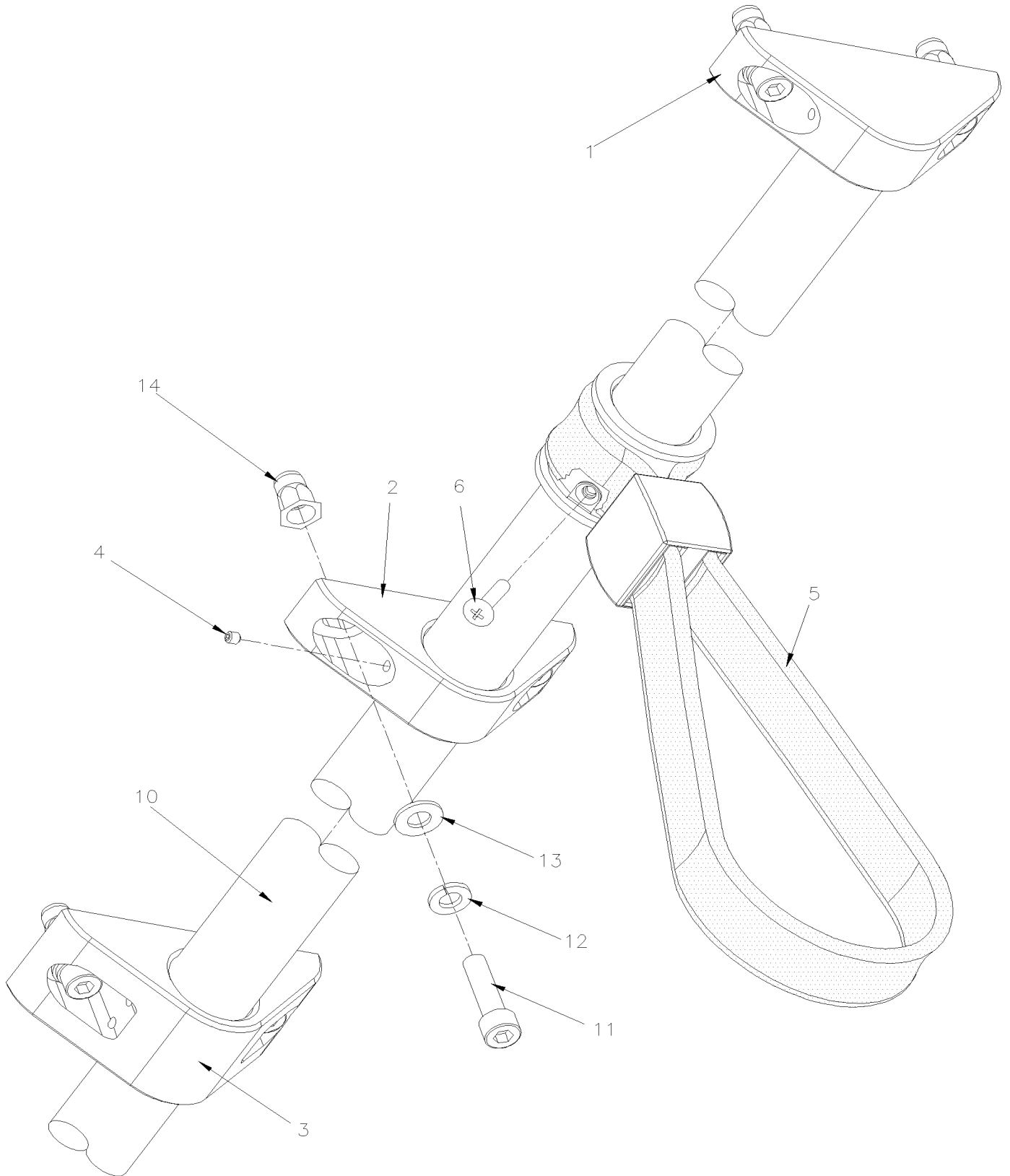
Item#	Part	Description	QTY	Notes
		K) USE ONLY WITH STREET SIDE PARCEL RACK A/C WITH DOOR		
		L) COVERING WITH LEATHERETTE		
		M) FIRST DOOR LH SIDE		
		SP) SPECIAL OPTION AUDIO-VIDEO PLATE SECOND PARCEL-RACK		
		W) WITH WHEEL-CHAIR LAVATORY		
		WCL) WITH WHEEL CHAIR LIFT		
		P) CALL ORDER DESK FOR SPECIFIC APPLICATION (V.I.N.)		

From 7-8754 To E-5613

Date:01/2024

PAGE:X3-1836-05

GRAB HANDLE RAIL



From 7-8754 To E-5613	Date:01/2024	PAGE:X3-1836-05
GRAB HANDLE RAIL		

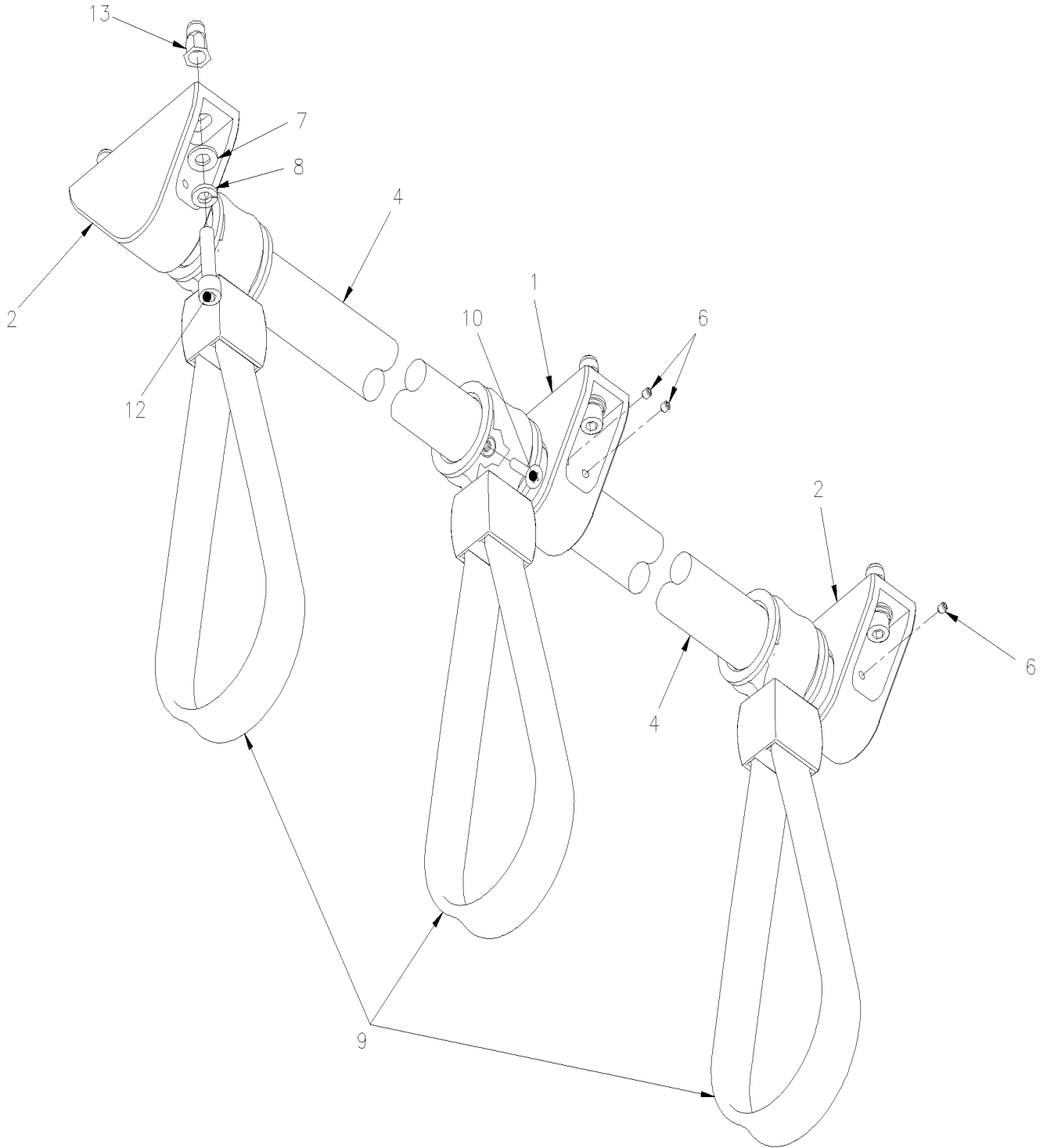
Item#	Part	Description	QTY	Notes
1	405792	SUPPORT END TUBE	2	
2	405788	SUPPORT TUBE	7	
3	405793	SUPPORT JUNCTION TUBE	1	
4	502682	SCREW SET HEXS CUP #8-32x3/16	10	
5	405794	GRAB STRAP HANDLE ASSY	16	
5	G5004436	GRAB STRAP HANDLE ASSY	16	
6	500392	SCREW TC OV PH #10-32x1/2 ZP	16	
10	405789	TUBE ROUND STANLESS 304 1 1/4" O.D. x 5834MM	1	
10	405791	TUBE ROUND STANLESS 304 1 1/4" O.D. x 4538MM	1	
11	5001598	SCREW CAP HEXS M8-1.25x30 SS	AR	
12	5001341	WASHER FL 8.4x17.0x1.6 SS	AR	
13	5001161	WASHER LO SPT 8.1x14.8x2.0 SS-304	AR	
14	5001337	NUT INS FL HEX M8-1.25 0.5-3.0 Z050	AR	
NS	491116	DECAL "16 STANDEES" / BILINGUAL FRENCH	1	
NS	404625	DECAL "POUR LA SECURITE... BLANCHE" / ASM FRANÇAIS	1	
. NS	404623	. DECAL "POUR LA SECURITE... BLANCHE" FRANÇAIS	1	
. NS	404624	. PLATE SUPPORT DECAL 232MM x 119MM	1	
NS	404626	DECAL "FOR PASSENGER SAFETY....WHITE" / ASSY / ENGLISH	1	
. NS	404622	. DECAL "FOR PASSENGER SAFETY....WHITE" / ENGLISH	1	
. NS	404624	. PLATE SUPPORT DECAL 232MM x 119MM	1	

From E-5614

Date:01/2024

PAGE:X3-1836-06

GRAB HANDLE RAIL



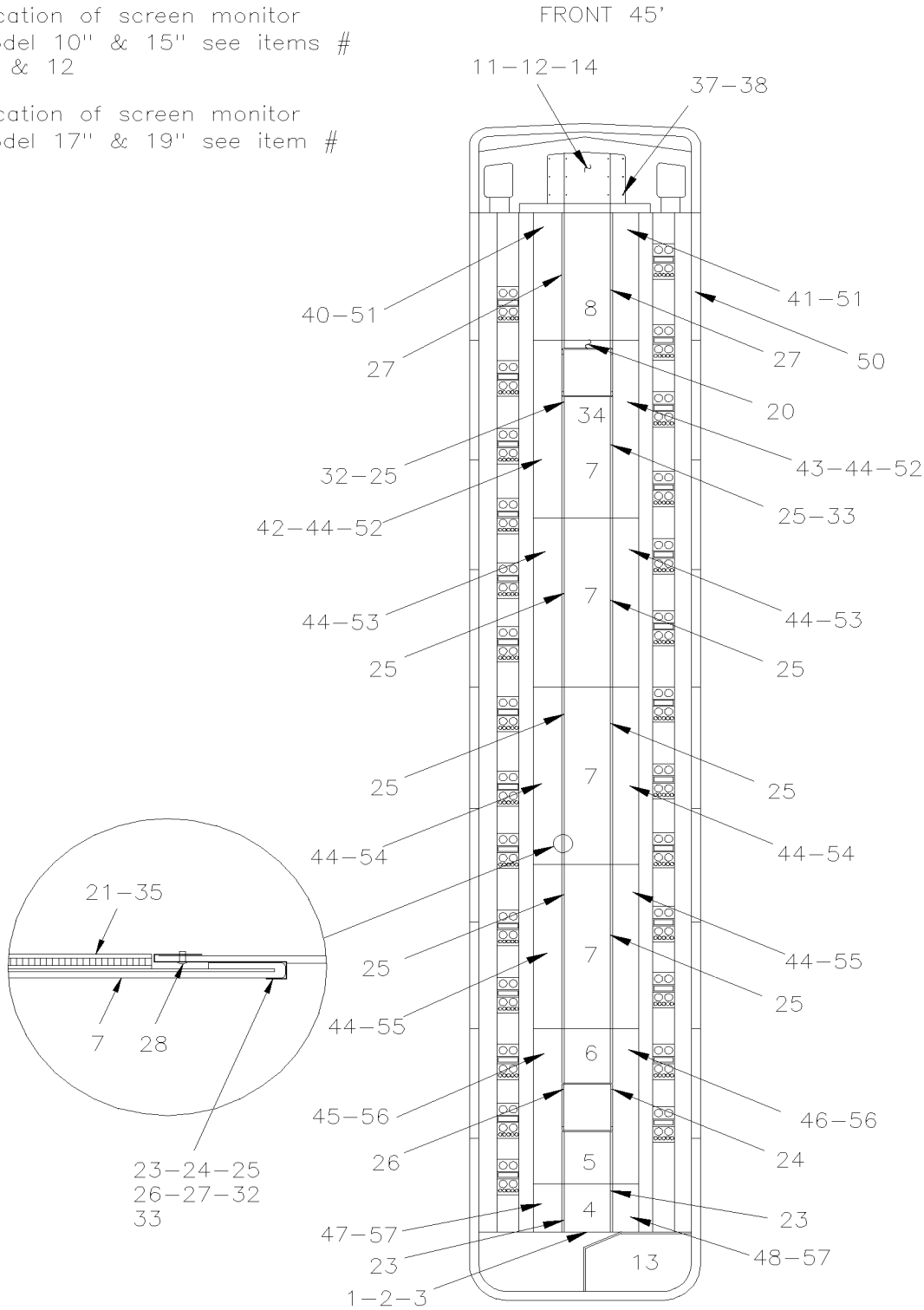
From E-5614		Date:01/2024	PAGE:X3-1836-06
GRAB HANDLE RAIL			

Item#	Part	Description	QTY	Notes
1	406712	TUBE HANGER	7	
2	406713	END TUBE HANGER	2	
4	405789	TUBE ROUND STANLESS 304 1 1/4" O.D. x 5834MM To K-6492	1	
4	405791	TUBE ROUND STANLESS 304 1 1/4" O.D. x 4538MM To K-6492	1	
4	400966	TUBE ROUND STANLESS 304 1 1/4" O.D. x 4984MM From L-6493	1	
6	502682	SCREW SET HEXS CUP #8-32x3/16	16	
7	5001341	WASHER FL 8.4x17.0x1.6 SS	18	
8	5001161	WASHER LO SPT 8.1x14.8x2.0 SS-304	18	
9	405794	GRAB STRAP HANDLE ASSY	16	
9	G5004436	GRAB STRAP HANDLE ASSY	16	
10	500630	SCREW TP OV PH #10x1 Z050	16	
12	5001598	SCREW CAP HEXS M8-1.25x30 SS	18	
NS	680038	THREAD LOCKER LOCTITE #243 / BLUE / 50ml	AR	
13	5001337	NUT INS FL HEX M8-1.25 0.5-3.0 Z050	18	
NS	491116	DECAL "16 STANDEES" / BILINGUAL FRENCH	1	
NS	404625	DECAL "POUR LA SECURITE... BLANCHE" / ASM FRANÇAIS	1	
. NS	404623	. DECAL "POUR LA SECURITE... BLANCHE" FRANÇAIS	1	
. NS	404624	. PLATE SUPPORT DECAL 232MM x 119MM	1	
NS	404626	DECAL "FOR PASSENGER SAFETY....WHITE" / ASSY / ENGLISH	1	
. NS	404622	. DECAL "FOR PASSENGER SAFETY....WHITE" / ENGLISH	1	
. NS	404624	. PLATE SUPPORT DECAL 232MM x 119MM	1	
NS	504107	RIVET POP DOME OE 1/8x5/16 AL	AR	

From 7-8754 To K-6492	Date:01/2024	PAGE:X3-1837-00
CEILING PANELS & MOULDING - BUS		

Location of screen monitor
model 10" & 15" see items #
11 & 12

Location of screen monitor
model 17" & 19" see item #
8



From 7-8754 To K-6492	Date:01/2024	PAGE:X3-1837-00
CEILING PANELS & MOULDING - BUS		

Item#	Part	Description	QTY	Notes
1	341058	FINISHING ANGLE 344MM X 1660MM	1	
1	341059	FINISHING MOULDING W/TISSUS	1	
2	504339	RIVET POP DOME OE 1/8x3/8 SS	4	
3	500157	WASHER FL .125x.375x.032 SS	4	
4	341004P	CEILING PANEL ASSY	1	
4	343589P	CEILING PANEL ASSY #7 WITH READING LIGHT FOR 3 SEAT From 9-9582	1	R
4	341198C	CEILING PANEL ASSY #7 ARBORITE To D-5316	1	
4	Call order desk	CEILING PANEL ASSY ARBORITE, #7 From D-5317	1	P B
5	341005P	CEILING PANEL ASSY / W/EMERGENCY EXIT	1	
5	341199C	CEILING PANEL ASSY / W/EMERGENCY EXIT ARBORITE To D-5316	1	
5	Call order desk	CEILING PANEL ASSY / W/EMERGENCY EXIT ARBORITE From D-5317	1	P
6	341006P	CEILING PANEL ASSY / W/EMERGENCY EXIT	1	
6	341200C	CEILING PANEL ASSY / W/EMERGENCY EXIT ARBORITE To D-5316	1	
6	Call order desk	CEILING PANEL ASSY / W/EMERGENCY EXIT ARBORITE From D-5317	1	P
7	341007P	CEILING PANEL ASSY #2,3,4 & 5	1	
7	Call order desk	CEILING PANEL ASSY #2,3,4 & 5 ARBORITE To D-5316	1	P
7	344235CP	CEILING PANEL ASSY ARBORITE, #2,3,4 & 5 From D-5317	1	
8	341008P	CEILING PANEL ASSY #1	1	
8	Call order desk	CEILING PANEL ASSY #1 / W/FLAT SCREEN 17" From 7-9134 To A-9894	1	P
8	341188P	CEILING PANEL ASSY #1 / W/FLAT SCREEN 19" From A-9895	1	
8	341202C	CEILING PANEL ASSY #1 ARBORITE To D-5316	1	
8	Call order desk	CEILING PANEL ASSY ARBORITE #1 From D-5317	1	P
11	Call order desk	CEILING PANEL ASSY / FRONT / 642MM WIDE From 5-8893 To 7-8985	1	P
11	Call order desk	CEILING PANEL ASSY / FRONT / 642MM WIDE From 7-8986	1	P
11	341203C	CEILING PANEL ASSY / FRONT / ARBORITE / 642MM WIDE From 7-8986 To D-5316	1	
11	Call order desk	CEILING PANEL ASSY / FRONT / ARBORITE / 642MM WIDE From D-5317	1	P
11	Call order desk	CEILING PANEL ASSY / FRONT / LEATHERETTE / 642MM WIDE From 7-8986	1	P
11	341115P	CEILING PANEL ASSY / FRONT / W/FLAT SCREEN 10" / 642MM WIDE (SLOT 40x190) From 7-8986	1	
11	341193P	CEILING PANEL ASSY / FRONT / W/FLAT SCREEN 15.4" / 642MM WIDE (SLOT 27x266) From A-9895	1	
11	341237C	CEILING PANEL ASSY / FRONT / W/FLAT SCREEN 15.4" / ARBORITE / 642MM WIDE From 7-8986 To D-5312	1	
11	Call order desk	CEILING PANEL ASSY / FRONT / W/FLAT SCREEN 15.4" / ARBORITE / 642MM WIDE From D-5313	1	P
11	Call order desk	CEILING PANEL ASSY / FRONT / W/FLAT SCREEN 15" / LEATHERETTE / 642MM WIDE From 7-8986	1	P
11	Call order desk	FINISHING MOULDING W/ARBOTITE	1	P
12	Call order desk	CEILING PANEL ASSY / FRONT / 870MM WIDE To 7-8985	1	P
12	Call order desk	CEILING PANEL ASSY / FRONT / 870MM WIDE From 7-8986	1	P
12	341116P	CEILING PANEL ASSY / FRONT / 870MM WIDE / W/FLAT SCREEN 10" (SLOT 40x100) From 7-8986	1	
12	341194P	CEILING PANEL ASSY / FRONT / 870MM WIDE / W/FLAT SCREEN 15.4" (SLOT 27x266) From A-9895	1	
12	Call order desk	CEILING PANEL ASSY / FRONT / 870MM WIDE / W/FLAT SCREEN 15.4" LEATHER (SLOT 27x266) From D-5313	1	P
13	341090P	CEILLING PANEL / LAVATORY To G-6063	1	
13	Call order desk	CEILLING PANEL / LAVATORY W/HALOGENE LAMP From G-6064 To H-6179	1	P
13	340062P	CEILLING PANEL / LAVATORY From H-6180	1	
13	Call order desk	CEILLING PANEL / LAVATORY "PWT" 2330MM	1	P

From 7-8754 To K-6492	Date:01/2024	PAGE:X3-1837-00
CEILING PANELS & MOULDING - BUS		

Item#	Part	Description	QTY	Notes
13	Call order desk	CEILING PANEL / LAVATORY W/LED LAMP From H-6100 To H-6179	1	P
14	504107	RIVET POP DOME OE 1/8x5/16 AL	14	
20	340983P	CEILING PANEL ASSY / SMALL W/EMERGENCY EXIT / (USED W/ITEM # 34 ONLY)	1	
NS	313018	CEILING PANEL 222MM x 640MM	1	
20	341204C	CEILING PANEL ASSY / SMALL W/EMERGENCY EXIT / ARBORITE To D-5316	1	
20	Call order desk	CEILING PANEL ASSY / SMALL W/EMERGENCY EXIT / ARBORITE From D-5317	1	P
21	341021	TAPE DUAL LOCK 2" x 530MM / BLACK SJ3541 To A-9835	AR	
21	340060	TAPE DUAL LOCK 2" x 530MM / BLACK SJ3551 From A-9836	AR	
23	313653	FINISHING MOULDING "J" GREY / 628MM	2	
24	313652	FINISHING MOULDING "J" W/EMERGENCY / 1943MM	1	
25	313656	FINISHING MOULDING "J" GREY / 1943MM	8	
26	313655	FINISHING MOULDING "J" W/EMERGENCY / 1943MM	1	
27	313648	FINISHING MOULDING "J" GREY / 1279MM	2	
28	504339	RIVET POP DOME OE 1/8x3/8 SS	AR	
28	504643	RIVET POP DOME OE 1/8x1/2 SS	AR	
29	506466	TAPE RUB ADH1 CC POL 1/16" x 1 1/2" x 100 / GREY 2520	AR	
32	313651	FINISHING MOULDING "J" W/EMERGENCY / 1943MM	1	
33	313650	FINISHING MOULDING "J" W/EMERGENCY / 1943MM	1	
34	341019P	CEILING PANEL ASSY	1	A
34	341205C	CEILING PANEL ASSY ARBORITE To D-5316	1	A
34	Call order desk	CEILING PANEL ASSY ARBORITE From D-5317	1	P A
35	340988	TAPE DUAL LOCK 2" x 178MM / BLACK SJ3541 To A-9835	22	
35	340059	TAPE DUAL LOCK 2" x 178MM / BLACK SJ3551 From A-9836	22	
35	506318	TAPE DUAL LOCK 1" x 150' / BLACK SJ3541	AR	
37	313657	FINISHING MOULDING "J" SHAPE	2	
38	504339	RIVET POP DOME OE 1/8x3/8 SS	AR	
38	500157	WASHER FL .125x.375x.032 SS	3	
40	313161P	CEILING PANEL ASSY #1 L.H. To D-5371	1	
40	Call order desk	CEILING PANEL ASSY #1 L.H. From A-9884 To D-5371	1	P L
40	Call order desk	CEILING PANEL ASSY #1 L.H. From A-9884 To D-5371	1	P L H
40	Call order desk	CEILING PANEL ASSY #1 L.H. To D-5371	1	P D
NS	316575	REINFORCEMENT	AR	
NS	682525	GLUE, CONTACT ADBOND 8399 (205 LI) 205 LITER	AR	
41	313160P	CEILING PANEL ASSY #1 R.H. To D-5371	1	
41	Call order desk	CEILING PANEL ASSY #1 R.H. From A-9884 To D-5371	1	P L
41	Call order desk	CEILING PANEL ASSY #1 R.H. From A-9974 To D-5371	1	P L H
41	Call order desk	CEILING PANEL ASSY #1 R.H. To D-5371	1	P D
41	316695	CEILING TRANSITION R.H. W/HANDLE STRAP	1	
42	Call order desk	CEILING PANEL ASSY / W/EMERGENCY EXIT / FRONT To D-5371	1	P
42	Call order desk	CEILING PANEL ASSY / W/EMERGENCY EXIT / FRONT From A-9884 To D-5371	1	P L
42	Call order desk	CEILING PANEL ASSY / W/EMERGENCY EXIT / FRONT To D-5371	1	P D

From 7-8754 To K-6492	Date:01/2024	PAGE:X3-1837-00
CEILING PANELS & MOULDING - BUS		

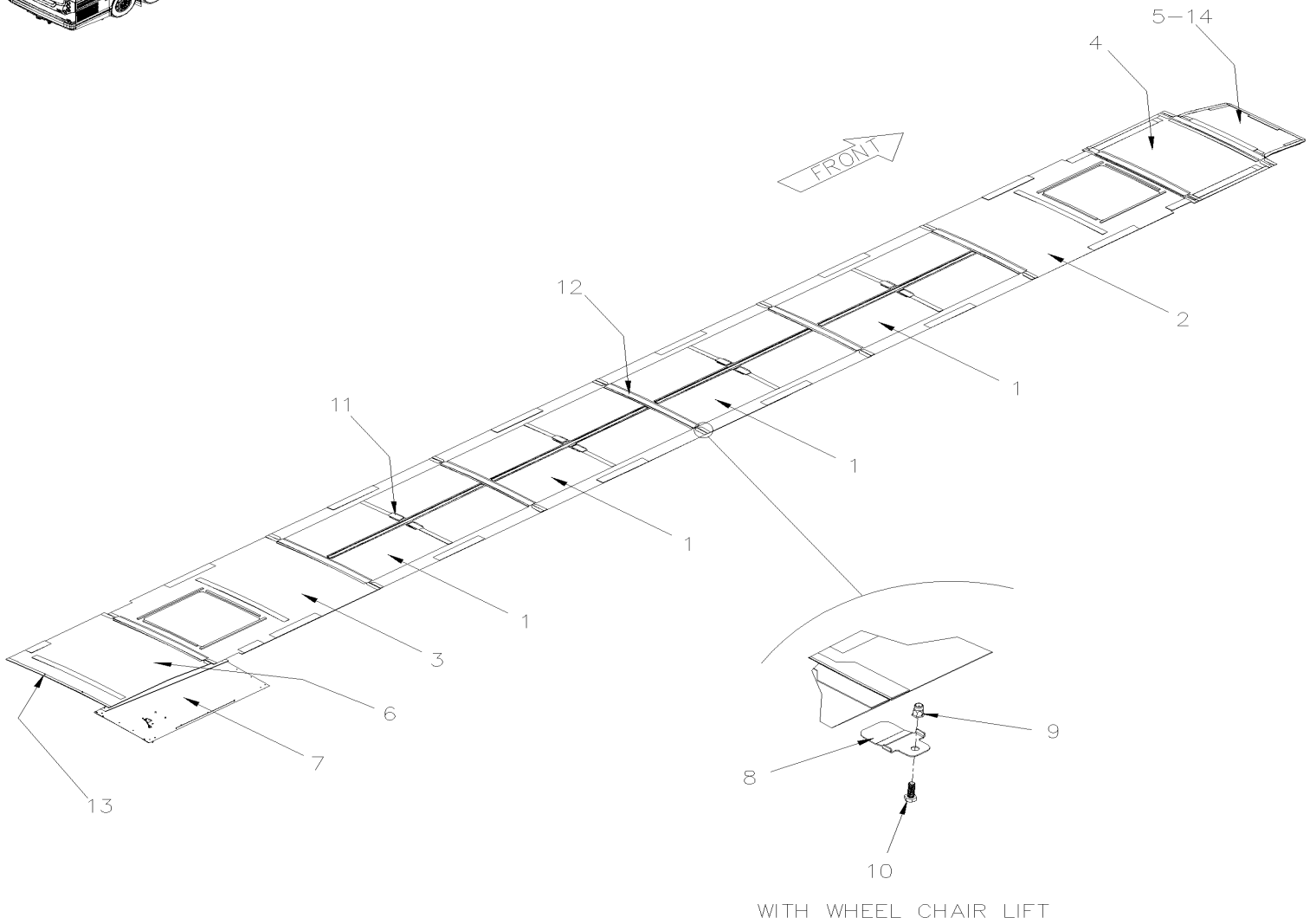
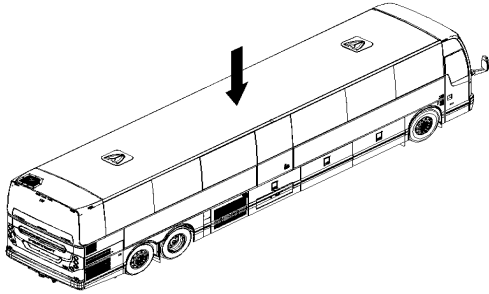
Item#	Part	Description	QTY	Notes
43	Call order desk	CEILING PANEL ASSY / W/EMERGENCY EXIT / FRONT To D-5371	1	P
43	Call order desk	CEILING PANEL ASSY / W/EMERGENCY EXIT / FRONT From A-9884 To D-5371	1	P L
43	Call order desk	CEILING PANEL ASSY / W/EMERGENCY EXIT / FRONT To D-5371	1	P D
43	316696	CEILING TRANSITION, W/HANDLE STRAP W/HANDLE STRAP	1	
44	Call order desk	CEILING PANEL ASSY #2-3-4 & 5 To D-5371	1	P
44	Call order desk	CEILING PANEL ASSY #2-3-4 & 5 From A-9884 To D-5371	1	P L
44	Call order desk	CEILING PANEL ASSY #2-3-4 & 5 From A-9884 To D-5371	1	P L H
44	Call order desk	CEILING PANEL ASSY #3-4 & 5 To D-5371	1	P D
44	Call order desk	CEILING PANEL ASSY #3-4 & 5 To D-5371	1	P D
44	Call order desk	CEILING PANEL ASSY / #5 RH To D-5371	1	P W
44	Call order desk	CEILING PANEL ASSY / #5 LH To D-5371	1	P W
44	Call order desk	CEILING PANEL ASSY	2	P
44	316697	CEILING TRANSITION W/HANDLE STRAP	1	
44	316698	CEILING TRANSITION W/HANDLE STRAP	1	
44	316699	CEILING TRANSITION W/HANDLE STRAP	1	
45	Call order desk	CEILING PANEL ASSY / W/EMERGENCY EXIT / REAR To D-5371	1	P W
45	Call order desk	CEILING PANEL ASSY / W/EMERGENCY EXIT / REAR From A-9884 To B-5001	1	P L
45	Call order desk	CEILING PANEL ASSY / W/EMERGENCY EXIT / REAR To B-5001	1	P D
46	313170P	CEILING PANEL ASSY / W/EMERGENCY EXIT / REAR To B-5001	1	
46	Call order desk	CEILING PANEL ASSY / W/EMERGENCY EXIT / REAR From B-5002 To D-5371	1	P
46	Call order desk	CEILING PANEL ASSY / W/EMERGENCY EXIT / REAR To D-5371	1	P
46	Call order desk	CEILING PANEL ASSY / W/EMERGENCY EXIT / REAR To D-5371	1	P G R
46	Call order desk	CEILING PANEL ASSY / W/EMERGENCY EXIT / REAR To D-5371	1	P L
46	Call order desk	CEILING PANEL ASSY / W/EMERGENCY EXIT / REAR From A-9884 To D-5371	1	P L H
46	Call order desk	CEILING PANEL ASSY / W/EMERGENCY EXIT / REAR To D-5371	1	P D
46	Call order desk	CEILING PANEL ASSY / W/EMERGENCY EXIT / REAR To D-5371	1	P W
46	316700	CEILING TRANSITION, W/HANDLE STRAP To D-5371	1	
47	Call order desk	CEILING PANEL ASSY #7 L.H. To 9-9581	1	P
47	Call order desk	CEILING PANEL ASSY #7 L.H. From 9-9582 To D-5371	1	P
47	Call order desk	CEILING PANEL ASSY #7 L.H. From A-9884 To D-5371	1	P L
47	Call order desk	CEILING PANEL ASSY #7 L.H. To D-5371	1	P D
48	Call order desk	CEILING PANEL ASSY #7 R.H. To D-5371	1	P
48	Call order desk	CEILING PANEL ASSY #7 R.H. From A-9974 To D-5371	1	P L
48	Call order desk	CEILING PANEL ASSY #7 R.H. To D-5371	1	P B
48	Call order desk	CEILING PANEL ASSY #7 R.H. From A-9884 To B-5032	1	P B L
48	Call order desk	CEILING PANEL ASSY #7 R.H. From B-5033	1	P B L
50	X3-1836-00	PARCEL RACK To D-5371		
NS	X3-1836-01	PARCEL RACK /WITH LEDS From D-5372		
51	319148P	CEILING PANEL ASSY From D-5372	2	
52	319149P	CEILING PANEL ASSY From D-5372	2	
53	319150P	CEILING PANEL ASSY From D-5372	2	
54	319151P	CEILING PANEL ASSY From D-5372	2	

From 7-8754 To K-6492	Date:01/2024	PAGE:X3-1837-00
-----------------------	--------------	-----------------

CEILING PANELS & MOULDING - BUS

Item#	Part	Description	QTY	Notes
55	319152P	CEILING PANEL ASSY From D-5372	2	
56	319153P	CEILING PANEL ASSY From D-5372	2	
56	319153P	CEILING PANEL ASSY From G-6084	1	IN
56	Call order desk	CEILING PANEL ASSY W/ BLUE LAMP LOCATION LAVATORY From G-6084	1	P IN
57	319154P	CEILING PANEL ASSY From D-5372	2	
NS	Call order desk	. LEATHER CLOTH 324 X 2000	AR	P LH
NS	Call order desk	. LEATHER CLOTH FRONT 324 X 2000	AR	P LH
NS	Call order desk	. LEATHER CLOTH REAR 324 X 2000	AR	P LH
90	X3-1833-00	WINDOW FINISHING CAP & WALL		
		A) WITH EMERGENCY EXIT		
		B) WITHOUT LAVATORY		
		D) WITH LED LIGHTING		
		GR) WITH "GREYHOUND" OPTION		
		IN) INDIAN TRAILS OPTION		
		L) WITH LEATHERETTE # 864104		
		LH) WITH LEATHERETTE # 864104 WITH GRAB HAND RAIL		
		R) ASSY WITH READING LIGHT FOR REAR LOUNGE SEAT 3 PASSENGER'S		
		W) WITH WHEEL-CHAIR LAVATORY		
		P) CALL ORDER DESK FOR SPECIFIC APPLICATION (V.I.N.)		

From L-6493	Date:01/2024	PAGE:X3-1837-01
CEILING PANELS		



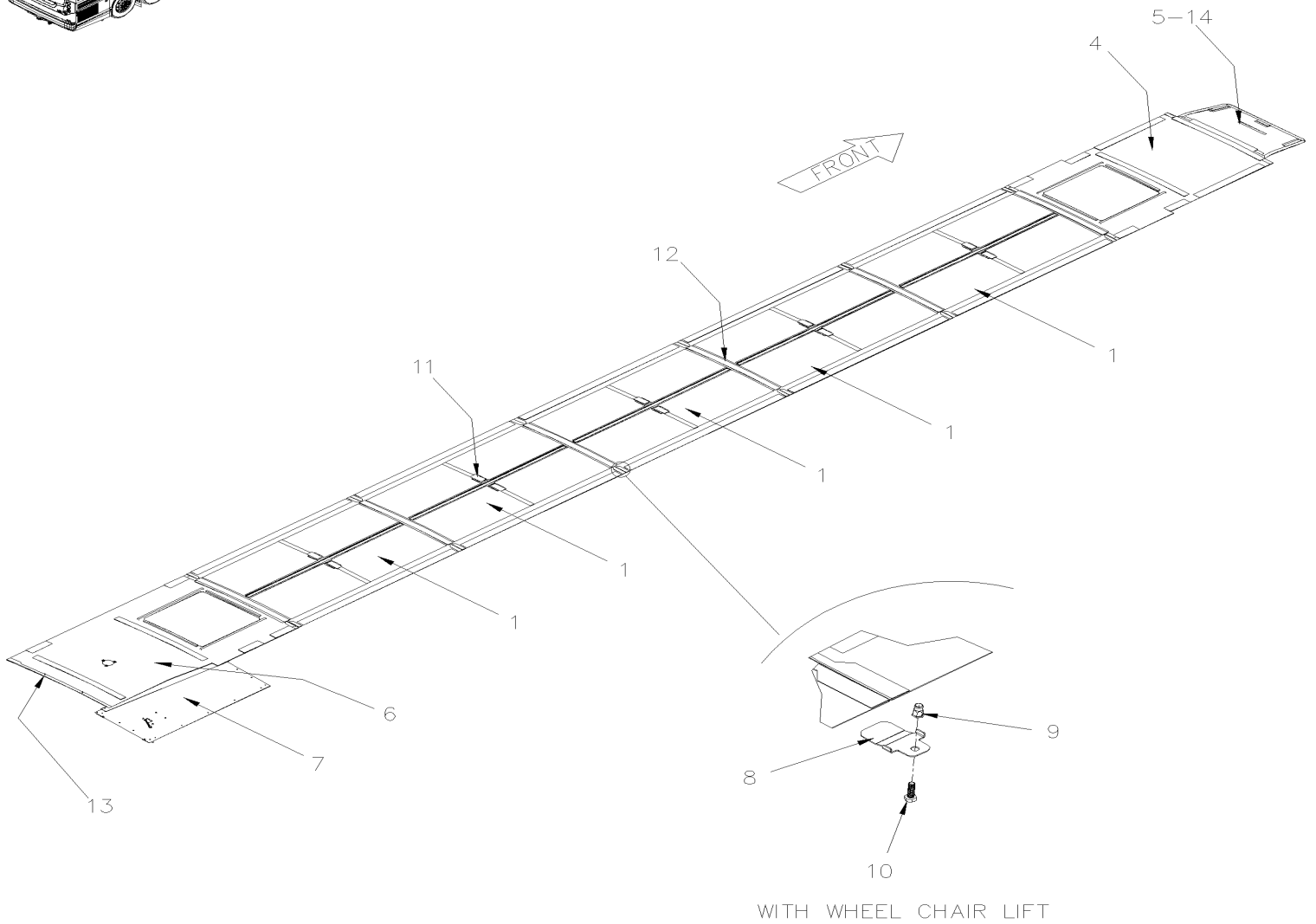
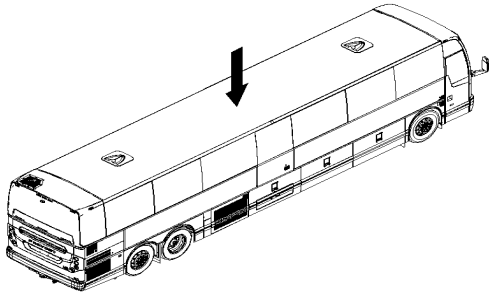
UP TO L-6622

From L-6493

Date:01/2024

PAGE:X3-1837-01

CEILING PANELS



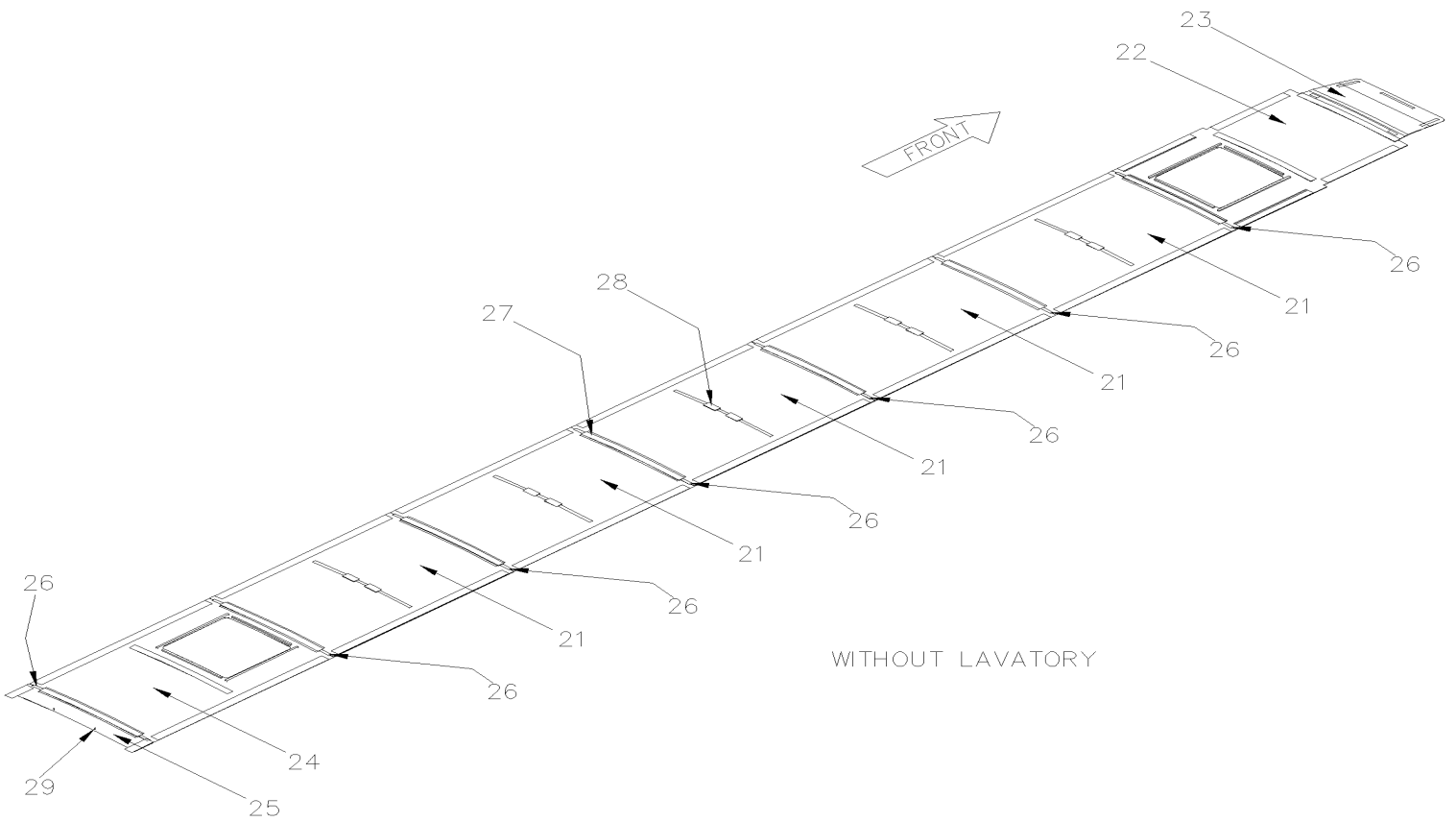
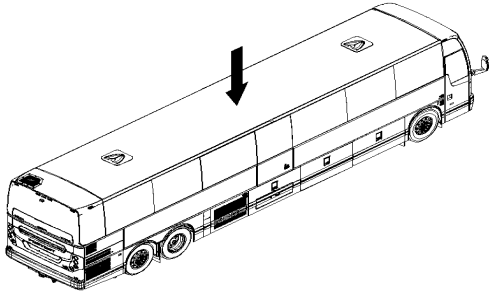
FROM L-6623

From L-6493

Date:01/2024

PAGE:X3-1837-01

CEILING PANELS



From L-6493	Date:01/2024	PAGE:X3-1837-01
CEILING PANELS		

Item#	Part	Description	QTY	Notes
1	Call order desk	CEILING PANEL ASSY / W/FABRIC To L-6622	4	P
1	Call order desk	CEILING PANEL ASSY / W/FABRIC From L-6623	5	P
1	Call order desk	CEILING PANEL ASSY / W/CARPET From L-6623	5	P
1	Call order desk	CEILING PANEL ASSY / W/FABRIC	1	P W
1	Call order desk	CEILING PANEL ASSY / W/FABRIC / REI CAMERA	1	P B
2	Call order desk	CEILING PANEL ASSY / W/EMERGENCY EXIT / W/FABRIC To L-6622	1	P
3	Call order desk	CEILING PANEL ASSY / W/EMERGENCY EXIT / W/FABRIC To L-6622	1	P
4	Call order desk	CEILING PANEL ASSY / W/FABRIC To L-6622	1	P
4	Call order desk	CEILING PANEL ASSY / W/FABRIC From L-6623	1	P
4	Call order desk	CEILING PANEL ASSY / W/FLIP FLAT SCREEN / W/FABRIC To L-6622	1	P
4	Call order desk	CEILING PANEL ASSY / W/FLIP FLAT SCREEN / W/FABRIC From L-6623	1	P
5	Call order desk	CEILING PANEL ASSY / W/FABRIC	1	P
5	Call order desk	CEILING PANEL ASSY / W/FLAT SCREEN / W/FABRIC	1	P
5	Call order desk	CEILING PANEL ASSY / W/LEATHER CLOTH	1	P SP
5	Call order desk	CEILING PANEL ASSY / W/FABRIC W/REI CAMERA	1	P B
NS	5001406	NUT SPR U M4-0.7 0.8-4.0x13.5 From P-6753	2	
NS	5001411	SCREW MA FL PH M4-0.7x20 BK From P-6753	2	
NS	500345	WASHER FN CKF .187x.500x.090 BR BK From P-6753	2	
6	Call order desk	CEILING PANEL ASSY / W/EMERGENCY EXIT / W/FABRIC To L-6622	1	P
6	Call order desk	CEILING PANEL ASSY / W/EMERGENCY EXIT / W/FABRIC From L-6623	1	P
6	Call order desk	CEILING PANEL ASSY / W/EMERGENCY EXIT / W/FABRIC	1	P W
6	Call order desk	CEILING PANEL ASSY / W/EMERGENCY EXIT / WITH LAMP / W/FABRIC To L-6622	1	P
6	Call order desk	CEILING PANEL ASSY / W/EMERGENCY EXIT / WITH LAMP / W/FABRIC From L-6623	1	P
6	Call order desk	CEILING PANEL ASSY / W/EMERGENCY EXIT / WITH LAMP / W/FABRIC W/REI CAMERA	1	P B
7	340062P	CEILING PANEL / LAVATORY To L-6622	1	
7	341425	CEILING PANEL / LAVATORY From L-6623	1	
8	340352	ROOF PANEL HOLDER	1	
9	5001337	NUT INS FL HEX M8-1.25 0.5-3.0 Z050	1	
10	5001745	SCREW CAP HEX M8-1.25x25 G8.8 N500	1	
11	340038	TAPE DUAL LOCK 2" x 110MM / BLACK SJ3551	8	
NS	505537	TAPE DUAL LOCK 2" X 50 YARD / BLACK SJ3551	AR	
12	340017	TAPE DUAL LOCK 2" x 900MM / BLACK SJ3551	12	
NS	505537	TAPE DUAL LOCK 2" X 50 YARD / BLACK SJ3551	AR	
13	5001846	SCREW DR TR WASHER PH #10x3/4 Z050	2	
14	505537	TAPE DUAL LOCK 2" X 50 YARD / BLACK SJ3551	AR	
21	Call order desk	CEILING PANEL ASSY / W/ARBORITE	5	P
22	Call order desk	CEILING PANEL ASSY / W/ARBORITE	1	P
23	Call order desk	CEILING PANEL ASSY / W/ARBORITE	1	P
24	Call order desk	CEILING PANEL ASSY / W/ARBORITE	1	P
25	Call order desk	CEILING PANEL ASSY / W/ARBORITE	1	P
26	341290	MOLDING CEILING	7	
26	341373	MOLDING CEILING SERVICE ONLY	AR	A

From L-6493	Date:01/2024	PAGE:X3-1837-01
CEILING PANELS		

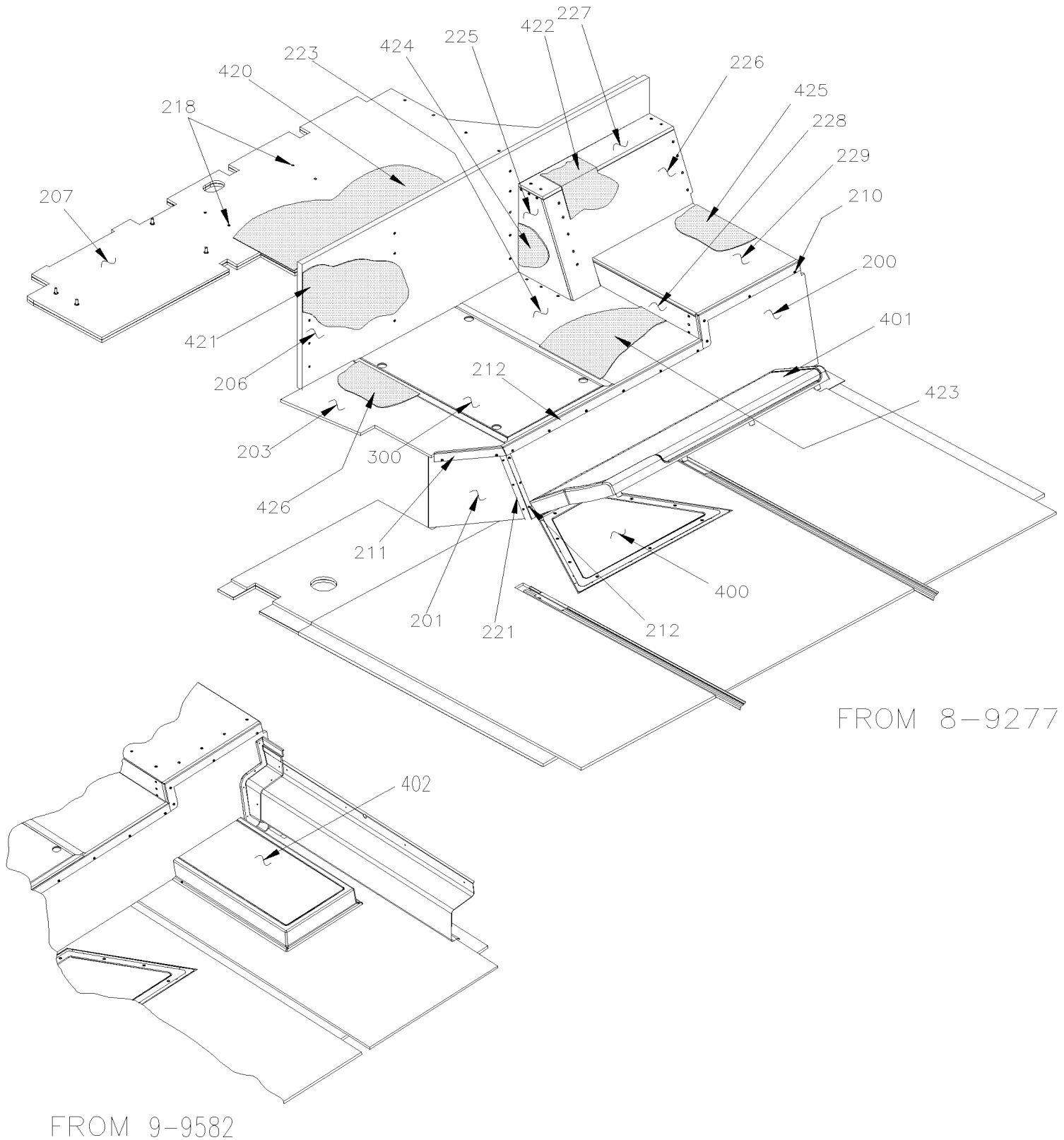
Item#	Part	Description	QTY	Notes
27	340017	TAPE DUAL LOCK 2" x 900MM / BLACK SJ3551	11	
. NS	505537	. TAPE DUAL LOCK 2" X 50 YARD / BLACK SJ3551	AR	
28	340038	TAPE DUAL LOCK 2" x 110MM / BLACK SJ3551	10	
. NS	505537	. TAPE DUAL LOCK 2" X 50 YARD / BLACK SJ3551	AR	
29	5001846	SCREW DR TR WASHER PH #10x3/4 Z050	2	
		A) ONLY USE WHEN YOU REPLACE A CEILING PANEL		
		B) WITH REI CAMERA SYSTEM		
		SP) SPECIAL OPTION		
		W) WITH WHEEL-CHAIR LAVATORY		
		P) CALL ORDER DESK FOR SPECIFIC APPLICATION (V.I.N.)		

From 7-8754 To 9-9642

Date:01/2024

PAGE:X3-1838-00

FLOOR - BUS



FROM 8-9277

FROM 9-9582

From 7-8754 To 9-9642	Date:01/2024	PAGE:X3-1838-00
FLOOR - BUS		

Item#	Part	Description	QTY	Notes
1	Call order desk	FLOOR / W/STD SEAT	1	P
1	Call order desk	FLOOR / W/1 V.I.P. PASSENGER CURBSIDE	1	P
2	Call order desk	FLOOR / W/STD SEAT	1	P
2	Call order desk	FLOOR / W/1 V.I.P. PASSENGER CURBSIDE	1	P
3	Call order desk	FLOOR / W/STD SEAT	1	P
3	Call order desk	FLOOR / W/1 V.I.P. PASSENGER CURBSIDE	1	P
3	Call order desk	FLOOR / W/STD SEAT	1	P A
4	Call order desk	FLOOR / W/STD SEAT	1	P
4	Call order desk	FLOOR / W/1 V.I.P. PASSENGER CURBSIDE	1	P
4	Call order desk	FLOOR / W/STD SEAT	1	P A
5	Call order desk	FLOOR / W/STD SEAT	1	P
5	Call order desk	FLOOR / W/1 V.I.P. PASSENGER CURBSIDE	1	P
5	Call order desk	FLOOR / W/STD SEAT	1	P A
6	Call order desk	FLOOR / W/STD SEAT	1	P
6	Call order desk	FLOOR / W/1 V.I.P. PASSENGER CURBSIDE	1	P
7	Call order desk	FLOOR / W/STD SEAT	1	P
7	Call order desk	FLOOR / W/1 V.I.P. PASSENGER CURBSIDE	1	P
7	Call order desk	FLOOR / W/STD SEAT	1	P A
8	Call order desk	FLOOR / W/STD SEAT	1	P
8	Call order desk	FLOOR / W/1 V.I.P. PASSENGER CURBSIDE	1	P
9	Call order desk	FLOOR / W/STD SEAT	1	P
9	Call order desk	FLOOR / W/1 V.I.P. PASSENGER CURBSIDE	1	P
10	Call order desk	FLOOR / W/STD SEAT To 8-9276	1	P
10	Call order desk	FLOOR / W/STD SEAT From 8-9277	1	P
10	Call order desk	FLOOR / W/1 V.I.P. PASSENGER CURBSIDE	1	P
10	Call order desk	FLOOR / W/STD SEAT W/OUT LAVATORY To 8-9276	1	P
10	Call order desk	FLOOR / W/STD SEAT W/OUT LAVATORY From 8-9277	1	P
11	Call order desk	FLOOR / W/STD SEAT To 8-9276	1	P
11	Call order desk	FLOOR / W/STD SEAT From 8-9277	1	P
12	327379	PANEL / FIRE WALL	1	
NS	508392	VENEER PLYWOOD / 7/16" THICK 4' X 8'	AR	
13	Call order desk	BOX ASSY / AIR RETURN	1	P
14	500640	SCREW TP PAN PH #6x3/4 Z050	8	
15	680065	TAPE COMPOUND / BLACK / 1/32" X 1" X 33' / L163-2400	AR	
16	5001533	SCREW TC FL PH #10-24x1 1/4 Z050 SS410	AR	
17	329149	SEAT TRACK 10695MM	1	
17	329147	SEAT TRACK 11696MM W/OUT LAVATORY	1	
18	328617	SEAT TRACK 10618MM	1	
19	680093	SEALANT TAPE BUTYL / GREY / 1/16"x1 1/2"x50' /71079B11760	AR	
20	5001535	SCREW DR WF RO #14x1 3/4 Z050	AR	
NS	5001349	SCREW WO TR PH #8x7/8	AR	
31	Call order desk	PANEL FLOOR	1	P

From 7-8754 To 9-9642	Date:01/2024	PAGE:X3-1838-00
FLOOR - BUS		

Item#	Part	Description	QTY	Notes
32	Call order desk	PANEL FLOOR	1	P
33	Call order desk	PANEL FLOOR To 9-9532	1	P
33	Call order desk	PANEL FLOOR From 9-9533	1	P
34	Call order desk	PANEL FLOOR	1	P
35	Call order desk	PANEL ACCESS	1	P
36	329150	SEAT TRACK 3651MM	2	
50	X3-1838-05	FLOOR & COVERING - "R.C.A."		
50	X3-1838-10	FLOOR COVERING - "TARAFLEX"		
51	850027	INSULATING PAD NOISE ADH2 1/16" x 39" x 48"	AR	
52	323654	SEAT TRACK COVER 12' / EACH SEAT / W/COVERING FLOOR	AR	
52	323963	SEAT TRACK COVER 8' / EACH SEAT / W/COVERING FLOOR	AR	
NS	324791	MOULDING CARPET PROTECTOR / W/CARPET ON FLOOR / 29MM X 2438MM SS	AR	
NS	820027	HANDLE	AR	W
NS	5001119	SCREW TP BDG PH #8x3/4 SS	AR	W
NS	502630	WASHER FL .156x.375x.049 Z050	AR	W
200	328258	PANEL FRONT SEAT To 8-9276	1	
200	329432	PANEL FRONT SEAT W/OUT LAVATORY To 8-9276	1	
200	329591	PANEL FRONT SEAT W/OUT LAVATORY From 8-9277	1	
200	328609	PANEL FRONT SEAT From 8-9277	1	
201	328799	PANEL FRONT SEAT To 8-9276	1	
201	328603	PANEL FRONT SEAT From 8-9277	1	
202	328800	PANEL FRONT SEAT To 8-9276	1	
202	329422	PANEL FRONT SEAT W/OUT LAVATORY To 8-9276	1	
202	329598	PANEL FRONT SEAT W/OUT LAVATORY From 8-9277	1	
203	328801	PANEL SEAT To 8-9276	1	
203	328620	PANEL SEAT From 8-9277	1	
203	329423	PANEL SEAT W/OUT LAVATORY To 8-9276	1	
203	329597	PANEL SEAT W/OUT LAVATORY From 8-9277	1	
203	Call order desk	BOX ASSY / RECIRCULATING (REAR OF SEAT) / W/OUT LAVATORY From 8-9277	1	P
NS	454562	PANEL REAR BOX From 8-9277	1	
NS	454563	SHIELD "U" SHAPE From 8-9277	2	
NS	454564	SHIELD "L" SHAPE From 8-9277	2	
NS	454565	PLATE END From 8-9277	2	
NS	Call order desk	WOOD PANEL From 8-9277	1	P
NS	850019	INSULATION PAD NOISE 1/4" x 15' x 54" / BLACK / BARYMAT (324183) From 8-9277	AR	
NS	810034	CARPET OZITE / S.L. 12 FT WIDE From 8-9277	AR	
205	328797	PANEL SEAT To 8-9276	1	
205	328608	PANEL SEAT From 8-9277 To 9-9581	1	
205	320108	PANEL SEAT From 9-9582	1	
206	328796	PANEL SEAT To 8-9276	1	
206	328601	PANEL SEAT From 8-9277	1	
206	329424	PANEL SEAT W/OUT LAVATORY To 8-9276	1	

From 7-8754 To 9-9642	Date:01/2024	PAGE:X3-1838-00
FLOOR - BUS		

Item#	Part	Description	QTY	Notes
206	329590	PANEL SEAT W/OUT LAVATORY To 8-9122	1	
207	328795	PANEL REAR SEAT To 8-9276	1	
207	328613	PANEL REAR SEAT From 8-9277	1	
207	329425	PANEL REAR SEAT W/OUT LAVATORY To 8-9276	1	
207	329592	PANEL REAR SEAT W/OUT LAVATORY From 8-9277	1	
208	324423	STOPPER, SEAT To 8-9276	1	
208	326140	STOPPER, SEAT W/OUT LAVATORY To 8-9276	1	
209	500436	SCREW TP OV PH #10x2 Z050 To 8-9276	5	
210	325190	ANGLE FINISHING To 8-9276	1	
210	329426	ANGLE FINISHING W/OUT LAVATORY To 8-9276	AF	
210	328631	ANGLE FINISHING From 8-9277 To 9-9581	1	
210	321078	ANGLE FINISHING From 9-9582	1	
211	325189	ANGLE FINISHING To 8-9276	1	
211	328618	ANGLE FINISHING From 8-9277	1	
212	5001085	SCREW TP PAN PH #6x1 1/4 Z050	12	
212	500583	SCREW TP PAN PH #6x1/2 Z050 From 8-9277	AR	
213	500186	SCREW CAP HEX 5/16-18x2 1/2 G5 Z050	4	
214	500985	WASHER FL .343x.875x.125 Z050	4	
215	471119	SEAL WASHER / RUB RAIL & PANEL	4	
216	680532	SEALANT SIKA #221 / GREY / 310ml CARTRIDGE	1	
217	500618	SCREW TP FL PH #10x1 Z050	40	
218	500940	SCREW TP FL PH #10x2 Z050	17	
219	326949	OZITE 1730MM X 1860MM To 8-9276	1	
219	329429	OZITE W/OUT LAVATORY 2550MM X 1860MM To 8-9276	1	
220	684655	GLUE CONTACT "SCOTCH-GRIP" / 3M #1357-NEUTRAL 3.8 LITERS	1	
221	401500	ANGLE FINISHING To 8-9276	2	
221	328629	ANGLE FINISHING From 8-9277	1	
222	500640	SCREW TP PAN PH #6x3/4 Z050 To 8-9276	12	
223	328604	PANEL SEAT From 8-9277	1	
225	328614	PANEL SEAT From 8-9277	1	
226	328607	PANEL SEAT From 8-9277 To 9-9581	1	
226	321077	PANEL SEAT From 9-9582	1	
227	328606	PANEL SEAT From 8-9277	1	
228	328605	PANEL SEAT From 8-9277	1	
229	328608	PANEL SEAT From 8-9277	1	
300	328772P	PANEL ASSY / ENGINE ACCESS	1	
. NS	320037	. WEATHERSTRIP RUBBER ASSY	1	
301	328752	. MOULDING SIDE WEATHERSTRIP RETAINER	2	
302	324889	. MOULDING	2	
303	328761	. WEATHERSTRIP RUBBER ASSY	1	
. NS	485610	. . WEATHERSTRIP RUBBER / ADH / RAW MATERIAL	AR	
. NS	483941	. . WEATHERSTRIP RUBBER / ADH / RAW MATERIAL	AR	

From 7-8754 To 9-9642		Date:01/2024	PAGE:X3-1838-00
FLOOR - BUS			

Item#	Part	Description	QTY	Notes
303	320037	. WEATHERSTRIP RUBBER ASSY	1	
304	324904	. MOULDING	1	
305	328776	. MOULDING	1	
306	328759	. MOULDING	1	
400	320670P	DOOR ASSY, ENGINE ACCESS W/O COVERING / TRIANGULAR	1	
. NS	320677	. PANEL SS / TOP	1	
. NS	320684	. WEATHERSTRIP RUBBER SEAL ASSY	1	
. . NS	485610	. . WEATHERSTRIP RUBBER / ADH / RAW MATERIAL	AR	
. NS	320693	. INSULATING RETAINER	1	
. NS	5001015	. SCREW TP BDG PH #6x1/2 SS BK	7	
. NS	357406	. INSULATION	1	
400	500168	SCREW TC FL PH #10-24x1 Z050 SS410	9	
401	Call order desk	FOOT REST ASSY WITH COVERING 3" HIGHT From 8-9277 To 9-9581	1	P
401	Call order desk	FOOT REST ASSY WITH COVERING 5" HIGHT From 8-9277 To 9-9581	1	P
. NS	328661	. FOOT REST BASE 5" FIBERGLASS From 8-9277 To 9-9581	1	
. NS	328202	. HINGE SS 1185M From 8-9277 To 9-9581	1	
. NS	504454	. BUMPER RUBBER BOLT / 20MM ODx20MM TH X M6X15MM STUD From 8-9277 To 9-9581	4	
. NS	502854	. NUT HEX M6-1.0 N500 From 8-9277 To 9-9581	4	
. NS	328559	. FOOTREST COVERING S.C.C. From 8-9277 To 9-9581	1	
401	500614	SCREW TP FL PH #6x3/4 Z050 To 9-9581	12	
402	Call order desk	FOOT REST ASSY WITH COVERING 3" HIGHT RECT, From 9-9582	1	P
402	321072	. FOOT REST BASE 3" FIBERGLASS RECTANGULAR To 9-9586	1	
402	329824	. FOOT REST BASE 3" FIBERGLASS RECTANGULAR From 9-9586	1	
402	Call order desk	. COVERING SEE VIN NUMBER	1	P
NS	5001119	SCREW TP BDG PH #8x3/4 SS From 9-9582	4	
420	328443	OZITE 590MM X 1060MM From 8-9277	1	
420	329593	OZITE W/OUT LAVATORY 590MM X 2000MM From 8-9277	1	
421	328444	OZITE 628MM X 1702MM From 8-9277	1	
421	329594	OZITE W/OUT LAVATORY 641MM X 2486MM From 8-9277	1	
422	328445	OZITE 508MM X 946MM From 8-9277	1	
423	328446	OZITE 292MM X 756MM From 8-9277	1	
424	328447	OZITE 267MM X 400M From 8-9277	1	
425	328448	OZITE 105MM X 508MM From 8-9277	1	
426	328449	OZITE 357MM X 750MM From 8-9277	1	
426	Call order desk	OZITE W/OUT LAVATORY 750MM X 1039MM From 8-9277	1	P
435	Call order desk	FLOOR / W/STD SEAT	1	P
		A) FLOOR WITH PRESSURISATION SYSTEM		
		W) USE WITH W.C.L. SEAT TRACK		
		P) CALL ORDER DESK FOR SPECIFIC APPLICATION (V.I.N.)		

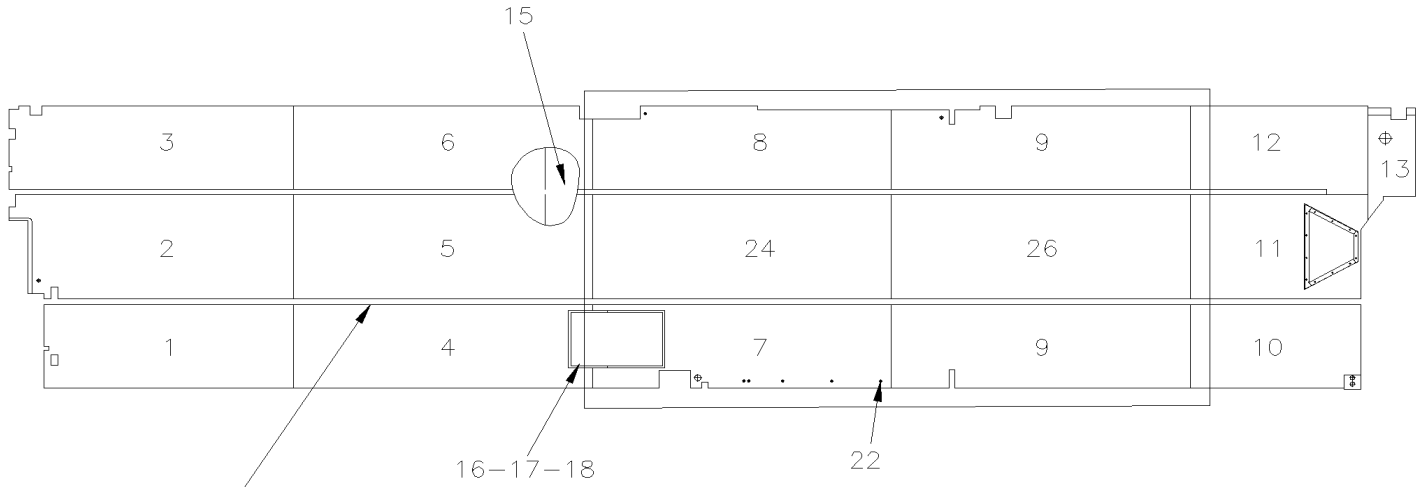
From 7-8754 To 9-9642		Date:01/2024	PAGE:X3-1838-00	
FLOOR - BUS				
Item#	Part	Description	QTY	Notes
		P) CALL ORDER DESK FOR SPECIFIC APPLICATION (V.I.N.)		

From 9-9643 To B-5001

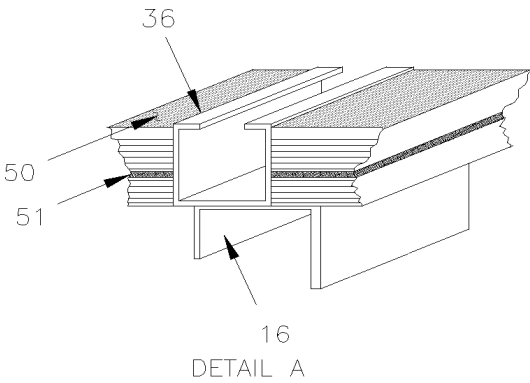
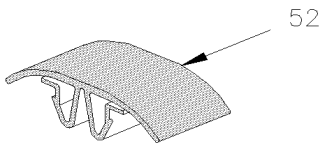
Date:01/2024

PAGE:X3-1838-01

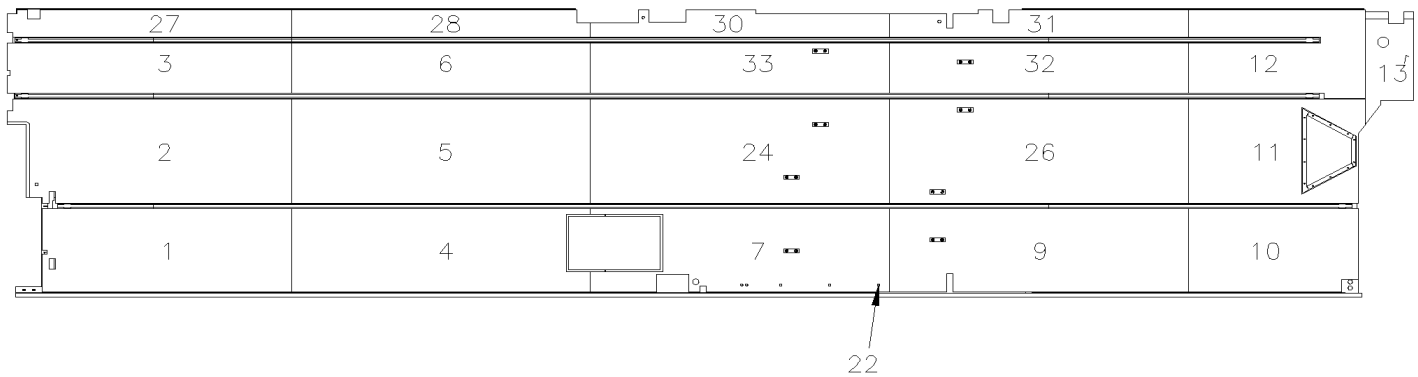
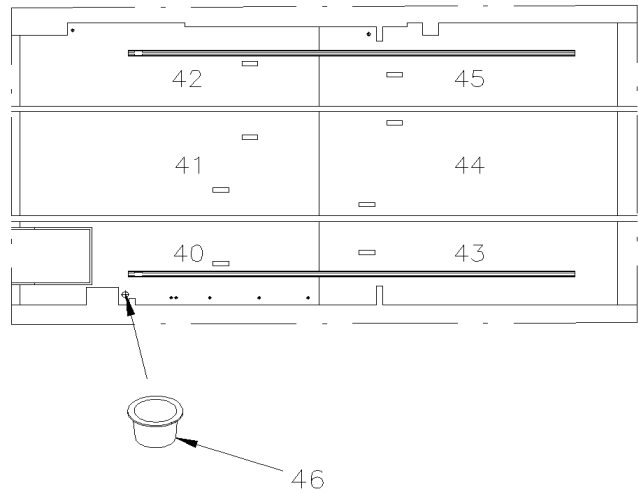
FLOOR - BUS



DETAIL A



DETAIL A

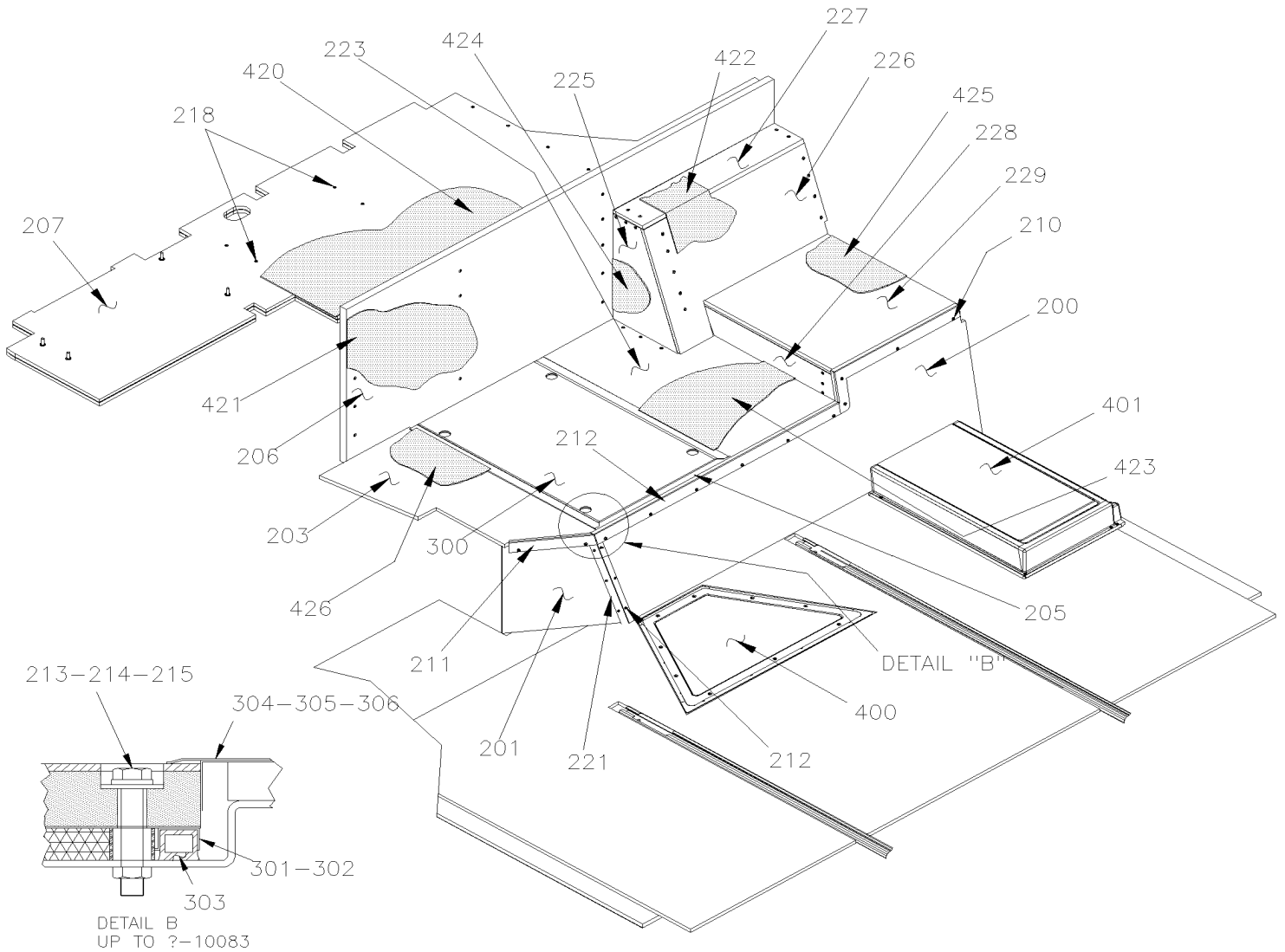


From 9-9643 To B-5001

Date:01/2024

PAGE:X3-1838-01

FLOOR - BUS

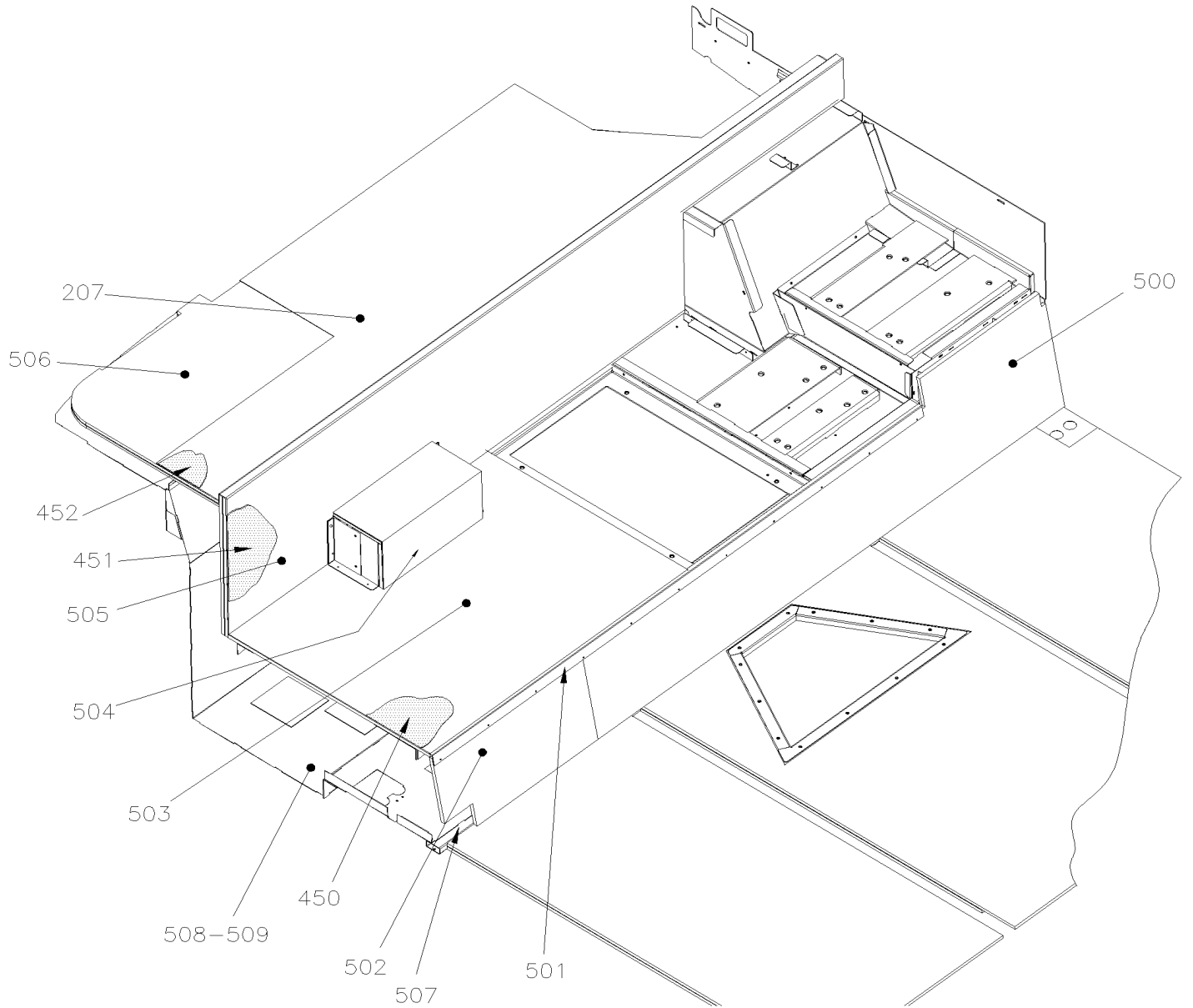


From 9-9643 To B-5001

Date:01/2024

PAGE:X3-1838-01

FLOOR - BUS



From 9-9643 To B-5001	Date:01/2024	PAGE:X3-1838-01
FLOOR - BUS		

Item#	Part	Description	QTY	Notes
1	329673	FLOOR / W/STD SEAT	1	
2	329674	FLOOR / W/STD SEAT	1	
2	3200566	FLOOR / W/STD SEAT	1	B
3	329675	FLOOR / W/STD SEAT	1	
4	Call order desk	FLOOR / W/STD SEAT	1	P
4	3200104	FLOOR / W/STD SEAT W/WHEEL CHAIR PROTO	1	
5	Call order desk	FLOOR / W/STD SEAT	1	P
6	Call order desk	FLOOR / W/STD SEAT	1	P
7	Call order desk	FLOOR / W/STD SEAT	1	P
8	Call order desk	FLOOR / W/STD SEAT	1	P
9	Call order desk	FLOOR / W/STD SEAT	2	P
10	Call order desk	FLOOR / W/STD SEAT	1	P
11	Call order desk	FLOOR / W/STD SEAT	1	P
12	329684P	FLOOR / W/STD SEAT	1	
13	Call order desk	FLOOR / W/STD SEAT	1	P
15	683084	SEALANT SIKA #221 / GREY / 600 ml SAUSAGE	AR	
16	Call order desk	BOX ASSY / AIR RETURN	1	P
19	680096	SEALANT BUTYL ALUM / GREY / 310ml CARTRIDGE	AR	
NS	5001535	SCREW DR WF RO #14x1 3/4 Z050	360	
NS	5001349	SCREW WO TR PH #8x7/8	60	
NS	507333	PROTECTOR CAP / BLACK / .172 I.D. x .500	AR	
22	503408	TUBE, NYLON 5/8 O.D. / GREEN S.L. 150MM	AR	
NS	680532	SEALANT SIKA #221 / GREY / 310ml CARTRIDGE	AR	
NS	684685	ADHESIVE SIMSON #SR 70-03 / 310ml CARTRIDGE	AR	
24	Call order desk	FLOOR / W/STD SEAT	1	P
26	Call order desk	FLOOR / W/STD SEAT	1	P W
26	Call order desk	FLOOR / W/STD SEAT & ANCHOR WCL HOLES	1	P
27	329827	FLOOR / W/2+1 SEAT	1	
28	Call order desk	FLOOR / W/2+1 SEAT	1	P
29	172526	TUBE SQ 1" x 785MM	1	
30	Call order desk	FLOOR / W/2+1 SEAT & WCL	1	P W
30	Call order desk	FLOOR / W/2+1 SEAT & ANCHOR WCL HOLES	1	P
31	329836	FLOOR / W/2+1 SEAT & WCL	1	W
31	Call order desk	FLOOR / W/2+1 SEAT & ANCHOR WCL HOLES	1	P
32	329835	FLOOR / W/2+1 SEAT & WCL	1	W
32	Call order desk	FLOOR / W/2+1 SEAT & ANCHOR WCL HOLES	1	P
33	Call order desk	FLOOR / W/2+1 SEAT & WCL	1	P W
33	Call order desk	FLOOR / W/2+1 SEAT & ANCHOR WCL HOLES	1	P
36	Call order desk	SEAT TRACK R.H. ASSY W/REINFORCMENT 7305MM	1	P
36	Call order desk	SEAT TRACK L.H. ASSY W/REINFORCMENT 7305MM	1	P
36	Call order desk	SEAT TRACK ASSY / 2+1 SEAT 7305MM	1	P
36	216455	. SEAT TRACK 7305MM / RM	1	

From 9-9643 To B-5001	Date:01/2024	PAGE:X3-1838-01
FLOOR - BUS		

Item#	Part	Description	QTY	Notes
36	Call order desk	SEAT TRACK R.H. ASSY W/REINFORCMENT 3640MM	1	P
36	Call order desk	SEAT TRACK L.H. ASSY W/REINFORCMENT 3640MM	1	P
36	216442	. SEAT TRACK 3640MM	1	
40	Call order desk	FLOOR / W/STD SEAT & ANCHOR WCL HOLES	1	P
40	Call order desk	FLOOR / W/STD SEAT & WCL	1	P W
41	Call order desk	FLOOR / W/STD SEAT & ANCHOR WCL HOLES	1	P
41	Call order desk	FLOOR / W/STD SEAT	1	P W
42	Call order desk	FLOOR / W/STD SEAT & ANCHOR WCL HOLES	1	P
42	Call order desk	FLOOR / W/STD SEAT & WCL	1	P W
43	Call order desk	FLOOR / W/STD SEAT & ANCHOR WCL HOLES	1	P
43	Call order desk	FLOOR / W/STD SEAT & WCL	1	P W
44	Call order desk	FLOOR / W/STD SEAT & ANCHOR WCL HOLES	1	P
44	Call order desk	FLOOR / W/STD SEAT	1	P W
45	Call order desk	FLOOR / W/STD SEAT & ANCHOR WCL HOLES	1	P
45	Call order desk	FLOOR / W/STD SEAT	1	P W
46	680468	CAP PLUG ID .708 OD .808	1	C
NS	3200521	SEAT STOPPER 95MM x 31.75MM	AR	A
NS	329994	SEAT STOPPER 56MM x 31.75MM	AR	A
50	X3-1838-05	FLOOR & COVERING - "R.C.A."		
50	X3-1838-10	FLOOR COVERING - "TARAFLEX"		
51	850027	INSULATING PAD NOISE ADH2 1/16" x 39" x 48"	AR	
52	329689	SEAT TRACK COVER 12' / EACH SEAT / W/COVERING FLOOR	AR	
200	328609	PANEL FRONT SEAT	1	
201	328603	PANEL FRONT SEAT	1	
203	320413	PANEL SEAT	1	
206	328601	PANEL SEAT	1	
207	328613	PANEL REAR SEAT	1	
210	321078	ANGLE FINISHING	1	
211	328618	ANGLE FINISHING	1	
212	5001085	SCREW TP PAN PH #6x1 1/4 Z050	12	
NS	500583	SCREW TP PAN PH #6x1/2 Z050	AR	
213	500186	SCREW CAP HEX 5/16-18x2 1/2 G5 Z050	4	
214	500985	WASHER FL .343x.875x.125 Z050	4	
215	471119	SEAL WASHER / RUB RAIL & PANEL	4	

From 9-9643 To B-5001	Date:01/2024	PAGE:X3-1838-01
FLOOR - BUS		

Item#	Part	Description	QTY	Notes
216	680532	SEALANT SIKA #221 / GREY / 310ml CARTRIDGE	AR	
217	500618	SCREW TP FL PH #10x1 Z050	40	
218	500940	SCREW TP FL PH #10x2 Z050	17	
221	328629	ANGLE FINISHING	1	
222	500640	SCREW TP PAN PH #6x3/4 Z050	12	
223	323555	PANEL SEAT	1	
225	328614	PANEL SEAT	1	
226	321077	PANEL SEAT	1	
227	328606	PANEL SEAT	1	
228	328605	PANEL SEAT	1	
229	323556	PANEL SEAT	1	
300	328772P	PANEL ASSY / ENGINE ACCESS	1	
. NS	320037	. WEATHERSTRIP RUBBER ASSY	1	
301	328752	. MOULDING SIDE WEATHERSTRIP RETAINER	2	
302	324889	. MOULDING	1	
303	328761	. WEATHERSTRIP RUBBER ASSY To A-9872	1	
. NS	485610	. . WEATHERSTRIP RUBBER / ADH / RAW MATERIAL To A-9872	AR	
. NS	483941	. . WEATHERSTRIP RUBBER / ADH / RAW MATERIAL To A-9872	AR	
303	320037	. WEATHERSTRIP RUBBER ASSY From A-9873	1	
304	324904	. MOULDING	1	
305	328776	. MOULDING	1	
306	328759	. MOULDING	1	
400	320670P	DOOR ASSY, ENGINE ACCESS W/O COVERING / TRIANGULAR	1	
. NS	320677	. PANEL SS / TOP	1	
. NS	320684	. WEATHERSTRIP RUBBER SEAL ASSY	1	
. . NS	485610	. . WEATHERSTRIP RUBBER / ADH / RAW MATERIAL	AR	
. NS	320693	. INSULATING RETAINER	1	
. NS	5001015	. SCREW TP BDG PH #6x1/2 SS BK	7	
. NS	357406	. INSULATION	1	
NS	500168	SCREW TC FL PH #10-24x1 Z050 SS410	9	
401	Call order desk	FOOT REST ASSY WITH COVERING 3" HIGHT RECT,	1	P
401	329824	. FOOT REST BASE 3" FIBERGLASS RECTANGULAR	1	
401	Call order desk	. COVERING SEE VIN NUMBER	1	P
NS	5001119	SCREW TP BDG PH #8x3/4 SS	4	
NS	3200337	REINFORCEMENT, FOOTREST	1	FWCL
NS	3200338	REINFORCEMENT, FOOTREST	1	FWCL
NS	500414	SCREW TP BDG PH #10x3/4 SS	8	FWCL
420	328443	OZITE 590MM X 1060MM	1	
421	328444	OZITE 628MM X 1702MM	1	
422	328445	OZITE 508MM X 946MM	1	
423	328446	OZITE 292MM X 756MM	1	
424	328447	OZITE 267MM X 400M	1	

From 9-9643 To B-5001	Date:01/2024	PAGE:X3-1838-01
FLOOR - BUS		

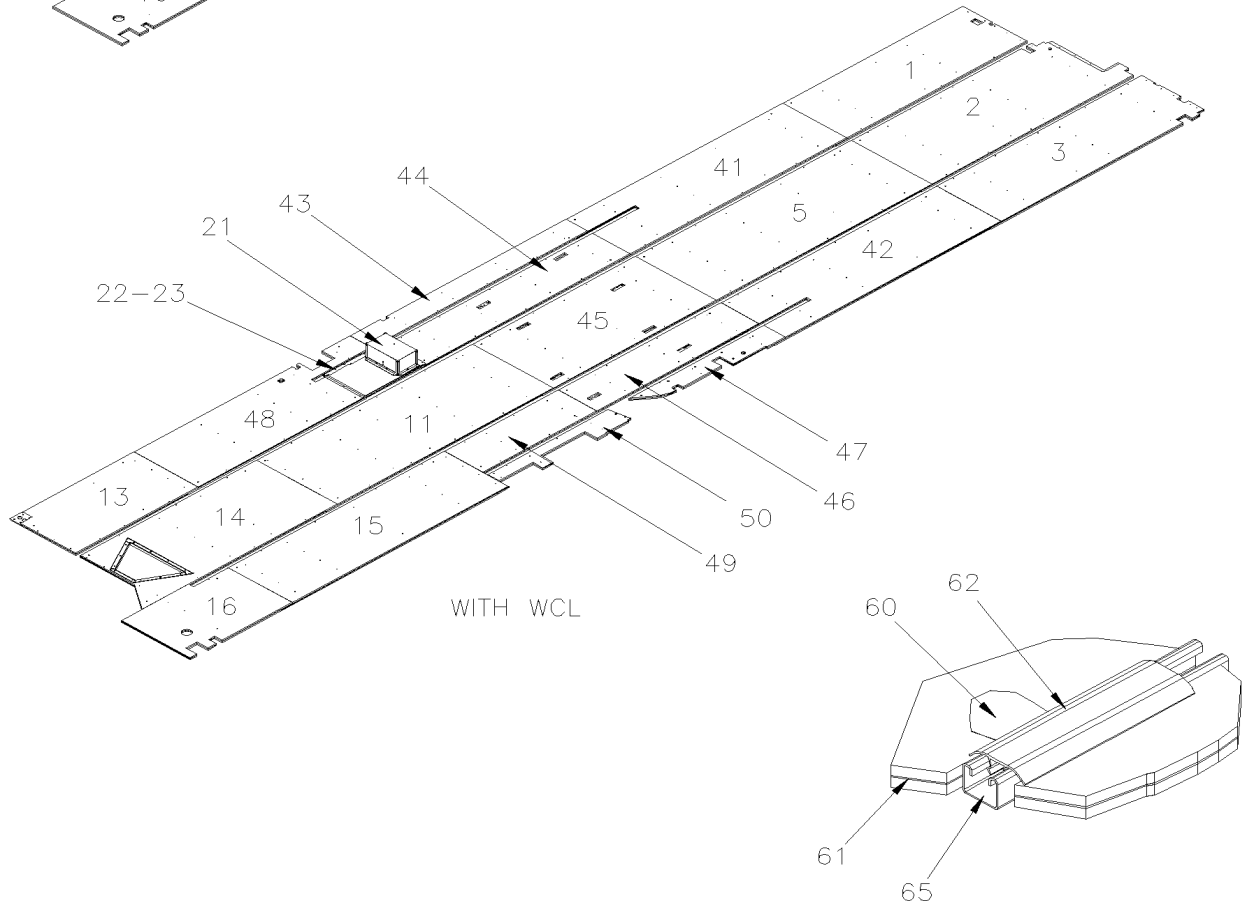
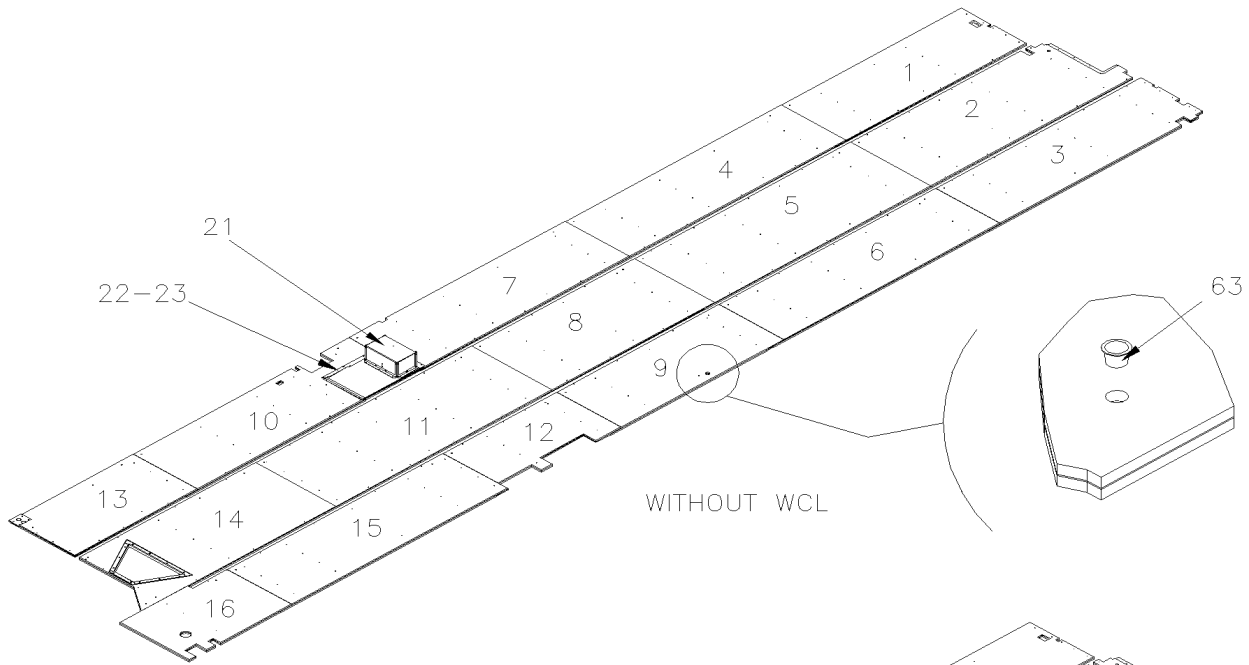
Item#	Part	Description	QTY	Notes
425	328448	OZITE 105MM X 508MM	1	
426	328449	OZITE 357MM X 750MM	1	
450	Call order desk	OZITE W/OUT LAVATORY 750MM X 1039MM	1	P
451	329594	OZITE W/OUT LAVATORY 641MM X 2486MM	1	
452	329593	OZITE W/OUT LAVATORY 590MM X 2000MM	1	
498	810034	. CARPET OZITE / S.L. 12 FT WIDE	AR	
		NEXT ITEMS ARE USE ONLY		
		WITHOUT LAVATORY		
500	329591	PANEL FRONT SEAT W/OUT LAVATORY	1	
501	329596	ANGLE FINISHING W/OUT LAVATORY	1	
502	329598	PANEL FRONT SEAT W/OUT LAVATORY	1	
503	329597	PANEL SEAT W/OUT LAVATORY	1	
NS	372344	HOSE 2 1/2" I.D. X 32"	1	
504	Call order desk	BOX ASSY / RECIRCULATING (REAR OF SEAT) / W/OUT LAVATORY	1	P
. NS	454562	. PANEL REAR BOX	1	
. NS	454563	. SHIELD "U" SHAPE	2	
. NS	454564	. SHIELD "L" SHAPE	2	
. NS	454565	. PLATE END	2	
. NS	Call order desk	. WOOD PANEL	1	P
. NS	850019	. INSULATION PAD NOISE 1/4" x 15' x 54" / BLACK / BARYMAT (324183)	AR	
. NS	810034	. CARPET OZITE / S.L. 12 FT WIDE	AR	
504	Call order desk	BOX ASSY / RECIRCULATING (REAR OF SEAT) /	1	P
505	329590	PANEL SEAT W/OUT LAVATORY	1	
506	329592	PANEL REAR SEAT W/OUT LAVATORY	1	
507	328490	INSULATING PAD 463MM x 610MM	1	
508	328492	INSULATING PAD 1025MM x 394MM	1	
509	328493	INSULATING PAD 463MM x 610MM	1	
		A) WITH WCL		
		B) WITHOUT LAVATORY		
		C) WITHOUT A/C PARCEL RACK		
		FWCL) FOUR WHEELCHAIRS		
		W) THOSE FLOOR ARE RELATED WITH SEATS MODEL WHO HAVE PEDESTAL WITH WCL RETAINER STRAP		
		P) CALL ORDER DESK FOR SPECIFIC APPLICATION (V.I.N.)		
		P) CALL ORDER DESK FOR SPECIFIC APPLICATION (V.I.N.)		

From B-5002 To G-6046

Date:01/2024

PAGE:X3-1838-02

FLOOR - BUS

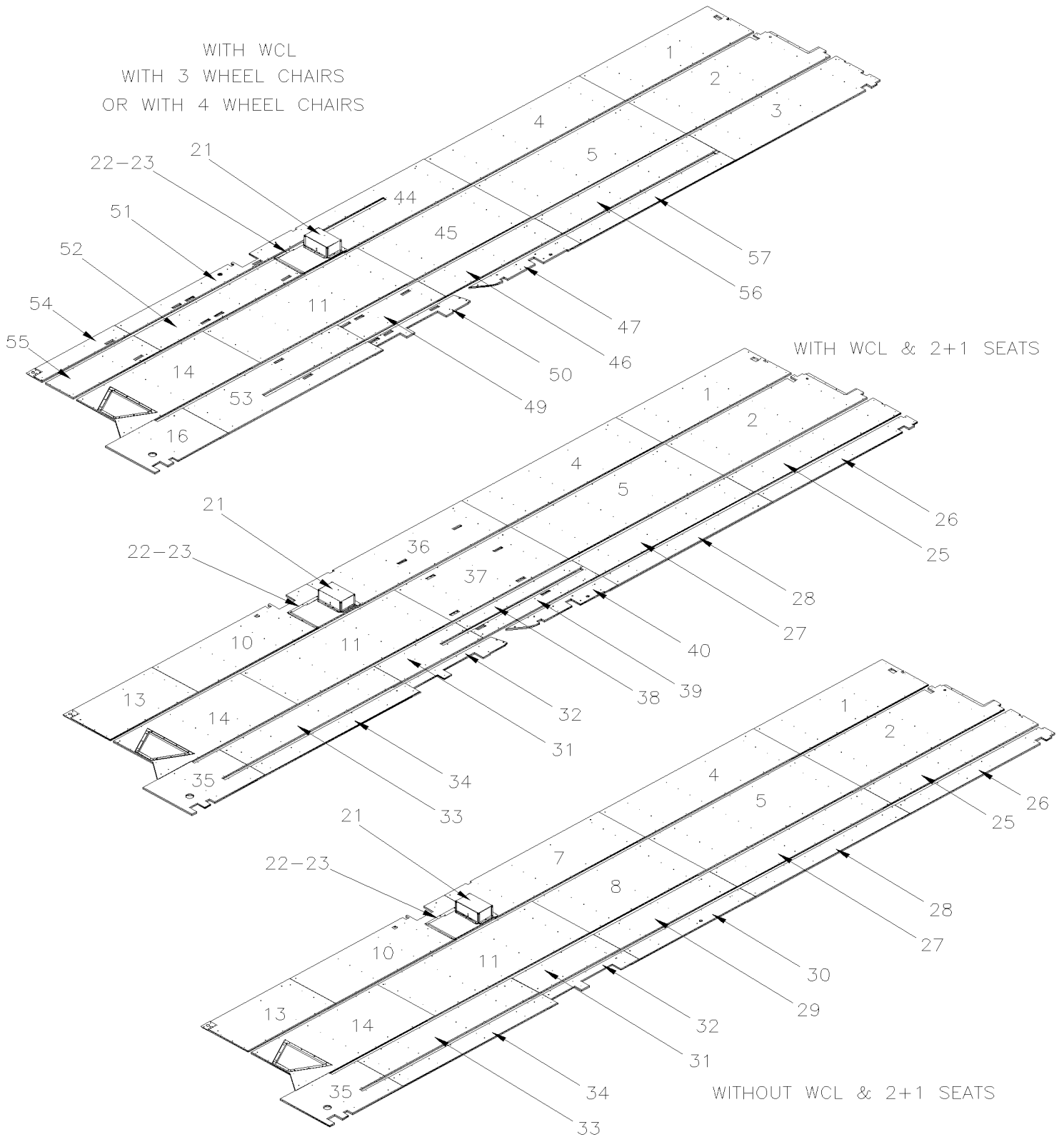


From B-5002 To G-6046

Date:01/2024

PAGE:X3-1838-02

FLOOR - BUS

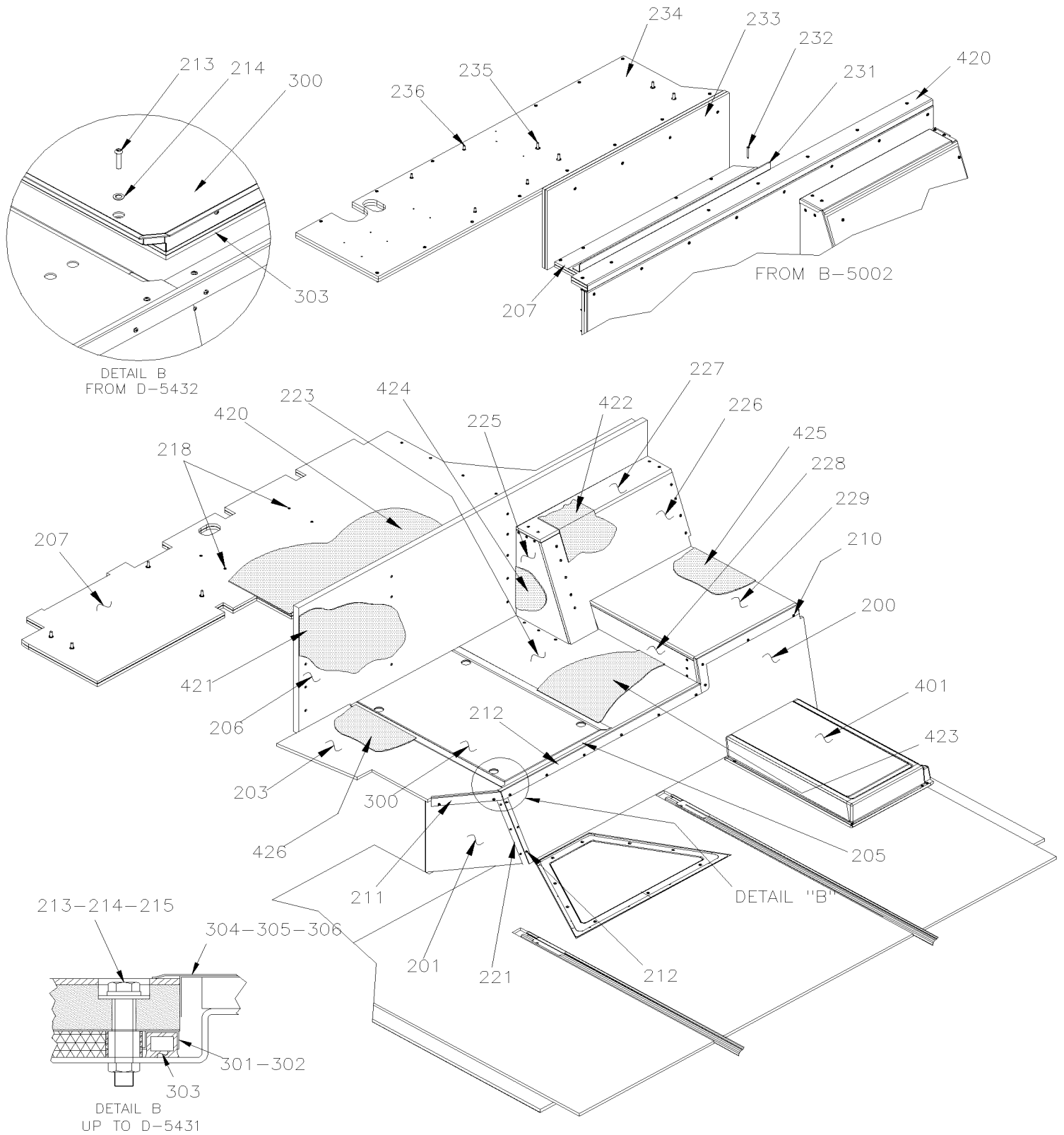


From B-5002 To G-6046

Date:01/2024

PAGE:X3-1838-02

FLOOR - BUS

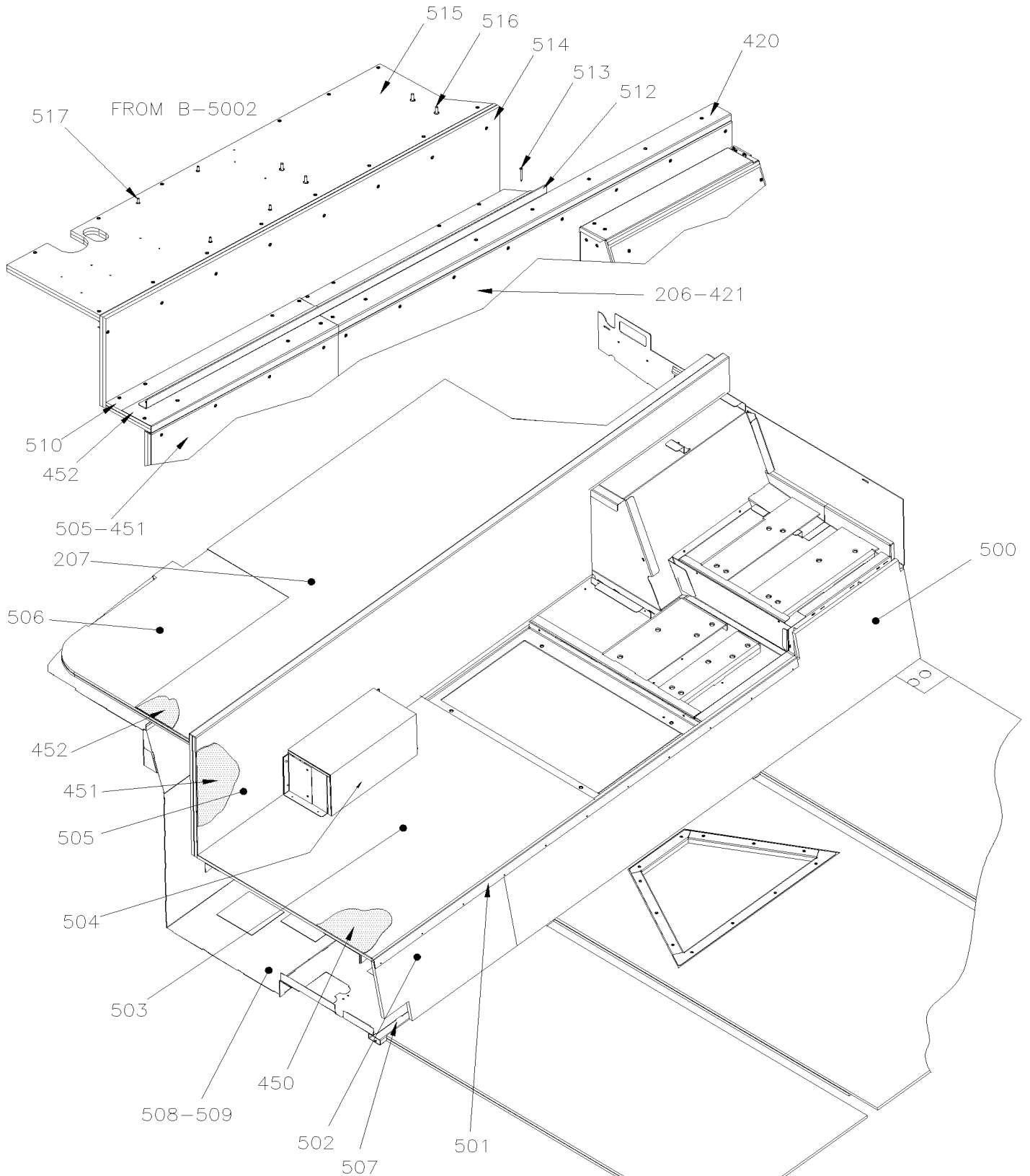


From B-5002 To G-6046

Date:01/2024

PAGE:X3-1838-02

FLOOR - BUS



From B-5002 To G-6046	Date:01/2024	PAGE:X3-1838-02
FLOOR - BUS		

Item#	Part	Description	QTY	Notes
1	329673	FLOOR / W/STD SEAT To F-5854	1	
1	3201242	FLOOR / W/STD SEAT From F-5855	1	
2	329674	FLOOR / W/STD SEAT	1	
3	329675	FLOOR / W/STD SEAT	1	
3	329675	FLOOR / W/STD SEAT To B-5049	1	GR
3	3200555	FLOOR / W/STD SEAT, EXTINGUISHER PANEL FLOOR, EXTINGUISHER From B-5050	1	GR
4	3200144	FLOOR / W/STD SEAT	1	
5	3200103	FLOOR / W/STD SEAT	1	
6	3200142	FLOOR / W/STD SEAT	1	
7	3200141	FLOOR / W/STD SEAT To D-5458	1	
7	3201112	FLOOR / W/STD SEAT From E-5459	1	
8	3200139	FLOOR / W/STD SEAT W/O ANCHOR HOLES	1	
9	3200138	FLOOR / W/STD SEAT To D-5458	1	
9	320013	FLOOR / W/STD SEAT From E-5459	1	
10	3200145	FLOOR / W/STD SEAT To B-5049	1	
10	3200519	FLOOR / W/STD SEAT From B-5050 To D-5299	1	
10	3200793	FLOOR / W/STD SEAT From D-5300	1	
11	3200098	FLOOR / W/STD SEAT	1	
12	3200143	FLOOR / W/STD SEAT To D-5458	1	
12	3201113	FLOOR / W/STD SEAT From E-5459	1	
13	3200201	FLOOR / W/STD SEAT	1	
14	3200202	FLOOR / W/STD SEAT	1	
14	3200566	FLOOR / W/STD SEAT To E-5569	1	B
14	3201178	FLOOR / W/STD SEAT From E-5570	1	B
15	3200132	FLOOR / W/STD SEAT To F-5818	1	
15	3201275	FLOOR / W/STD SEAT From F-5819	1	A
16	3200121	FLOOR / W/STD SEAT	1	
16	3200567	FLOOR / W/STD SEAT	1	B
21	Call order desk	BOX ASSY / AIR RETURN	1	P
22	3200402	MOLDING, AIR RETURN	1	
22	3200161	MOLDING, AIR RETURN W/2+1 SEAT	1	
23	5001119	SCREW TP BDG PH #8x3/4 SS	7	
25	329827	FLOOR / W/2+1 SEAT	1	
26	329828	FLOOR / W/2+1 SEAT	1	
27	3200386	FLOOR / W/STD SEAT W/WHEEL CHAIR OR W/2+1 SEAT	1	
28	3200381	FLOOR / W/STD SEAT W/WHEEL CHAIR OR W/2+1 SEAT	1	
29	3200137	FLOOR / W/STD SEAT W/O ANCHOR HOLES OR W/2+1 SEAT	1	
30	320010	FLOOR / W/2+1 SEAT	1	
31	Call order desk	FLOOR / W/2+1 SEAT	1	P
31	3200388	FLOOR / W/2+1 SEAT & W/WHEEL CHAIR	1	
32	3200397	FLOOR / W/2+1 SEAT To D-5458	1	
32	3201116	FLOOR / W/2+1 SEAT From E-5459	1	

From B-5002 To G-6046	Date:01/2024	PAGE:X3-1838-02
FLOOR - BUS		

Item#	Part	Description	QTY	Notes
32	3200391	FLOOR / W/2+1 SEAT & WCL To D-5458	1	
32	3201115	FLOOR / W/2+1 SEAT & WCL From E-5459	1	
33	329835	FLOOR / W/2+1 SEAT & WCL	1	
34	329836	FLOOR / W/2+1 SEAT & WCL To F-5818	1	
34	3201271	FLOOR / W/2+1 SEAT & WCL From F-5819	1	
35	3200383	FLOOR / W/2+1 SEAT	1	
36	3200382	FLOOR / W/2+1 SEAT W/ANCHOR HOLES To D-5458	1	
36	3201114	FLOOR / W/2+1 SEAT W/ANCHOR HOLES From E-5459	1	
37	3200101	FLOOR / W/STD SEAT W/ANCHOR HOLES	1	
38	3200384	FLOOR / W/2+1 SEAT & WCL	1	
39	3200385	FLOOR / W/2+1 SEAT & WCL	1	
40	320012	FLOOR / W/STD SEAT W/WHEEL CHAIR	1	
41	3200104	FLOOR / W/STD SEAT W/WHEEL CHAIR	1	
42	3200105	FLOOR / W/STD SEAT W/WHEEL CHAIR To D-5458	1	
43	3200112	FLOOR / W/STD SEAT W/WHEEL CHAIR From E-5459	1	
43	3201111	FLOOR / W/STD SEAT W/WHEEL CHAIR	1	
44	3200102	FLOOR / W/STD SEAT W/ANCHOR HOLES	1	
44	3200140	FLOOR / W/STD SEAT W/O ANCHOR HOLES	1	
44	3200679	FLOOR / W/STD SEAT W/ANCHOR HOLES To D-5458	1	F T
44	3201117	FLOOR / W/STD SEAT W/ANCHOR HOLES From E-5459	1	F T
45	3200101	FLOOR / W/STD SEAT W/ANCHOR HOLES	1	
45	3200139	FLOOR / W/STD SEAT W/O ANCHOR HOLES	1	
46	3200100	FLOOR / W/STD SEAT W/ANCHOR HOLES	1	
46	3200137	FLOOR / W/STD SEAT W/O ANCHOR HOLES OR W/2+1 SEAT	1	
47	320012	FLOOR / W/STD SEAT W/WHEEL CHAIR	1	
48	3200099	FLOOR / W/STD SEAT W/WHEEL CHAIR To B-5049	1	
48	3200518	FLOOR / W/STD SEAT W/WHEEL CHAIR From B-5050 To D-5299	1	
48	3200792	FLOOR / W/STD SEAT W/WHEEL CHAIR From D-5300	1	
49	3200097	FLOOR / W/STD SEAT W/WHEEL CHAIR	1	
49	3200685	FLOOR / W/STD SEAT W/ANCHOR HOLES	1	F
49	3201306	FLOOR / W/STD SEAT W/ANCHOR HOLES	1	T
50	3200147	FLOOR / W/STD SEAT W/WHEEL CHAIR To D-5458	1	
50	3201110	FLOOR / W/STD SEAT W/WHEEL CHAIR From E-5459	1	
50	3200686	FLOOR / W/STD SEAT W/ANCHOR HOLES To D-5458	1	F
50	3201118	FLOOR / W/STD SEAT W/ANCHOR HOLES From E-5459	1	F
50	3201307	FLOOR / W/STD SEAT W/ANCHOR HOLES	1	T
51	3200681	FLOOR / W/STD SEAT W/ANCHOR HOLES To D-5299	1	F T
51	3200794	FLOOR / W/STD SEAT W/ANCHOR HOLES From D-5300	1	F T
52	3200680	FLOOR / W/STD SEAT W/ANCHOR HOLES	1	F T
53	3200687	FLOOR / W/STD SEAT W/ANCHOR HOLES	1	F T
54	320511	FLOOR / W/STD SEAT W/ANCHOR HOLES	1	F T
55	320469	FLOOR / W/STD SEAT W/ANCHOR HOLES	1	F T

From B-5002 To G-6046	Date:01/2024	PAGE:X3-1838-02
FLOOR - BUS		

Item#	Part	Description	QTY	Notes
56	3200386	FLOOR / W/STD SEAT W/WHEEL CHAIR OR W/2+1 SEAT	1	
57	3200381	FLOOR / W/STD SEAT W/WHEEL CHAIR OR W/2+1 SEAT	1	
NS	5001535	SCREW DR WF RO #14x1 3/4 Z050	360	
NS	5001349	SCREW WO TR PH #8x7/8	60	
NS	507333	PROTECTOR CAP / BLACK / .172 I.D. x .500	AR	
NS	680532	SEALANT SIKA #221 / GREY / 310ml CARTRIDGE	AR	
NS	683084	SEALANT SIKA #221 / GREY / 600 ml SAUSAGE	AR	
NS	684685	ADHESIVE SIMSON #ISR 70-03 / 310ml CARTRIDGE	AR	
NS	680096	SEALANT BUTYL ALUM / GREY / 310ml CARTRIDGE	AR	
60	X3-1838-05	FLOOR & COVERING - "R.C.A."		
60	X3-1838-10	FLOOR COVERING - "TARAFLEX"		
61	850027	INSULATING PAD NOISE ADH2 1/16" x 39" x 48"	AR	
62	329689	SEAT TRACK COVER 12' / EACH SEAT / W/COVERING FLOOR	AR	
63	680468	CAP PLUG ID .708 OD .808	1	C
65	Call order desk	SEAT TRACK R.H. ASSY W/REINFORCMENT 7305MM	1	P
65	Call order desk	SEAT TRACK L.H. ASSY W/REINFORCMENT 7305MM	1	P
65	Call order desk	SEAT TRACK ASSY / 2+1 SEAT 7305MM	1	P
65	216455	. SEAT TRACK 7305MM / RM	1	
65	Call order desk	SEAT TRACK R.H. ASSY W/REINFORCMENT 3640MM	1	P
65	Call order desk	SEAT TRACK L.H. ASSY W/REINFORCMENT 3640MM	1	P
65	216442	. SEAT TRACK 3640MM	1	
200	329963	PANEL FRONT SEAT	1	
201	3200182	PANEL FRONT SEAT	1	
203	Call order desk	PANEL SEAT To D-5431	1	P
203	Call order desk	PANEL SEAT From D-5432	1	P
205	Call order desk	PANEL SEAT To D-5431	1	P
205	Call order desk	PANEL SEAT From D-5432	1	P
206	Call order desk	PANEL SEAT	1	P
207	Call order desk	PANEL REAR SEAT	1	P
207	3200539	PANEL REAR SEAT	1	O
210	3200189	ANGLE FINISHING To B-5089	1	
210	3200503	ANGLE FINISHING From C-5090	1	
211	3200183	ANGLE FINISHING To B-5089	1	
211	3200504	ANGLE FINISHING From C-5090	1	
212	5001085	SCREW TP PAN PH #6x1 1/4 Z050	12	
NS	500583	SCREW TP PAN PH #6x1/2 Z050	AR	
213	500186	SCREW CAP HEX 5/16-18x2 1/2 G5 Z050 To D-5431	4	
213	5001581	SCREW CAP BUT HEXS M8-1.25x40 SS From D-5432	4	

From B-5002 To G-6046	Date:01/2024	PAGE:X3-1838-02
FLOOR - BUS		

Item#	Part	Description	QTY	Notes
214	500985	WASHER FL .343x.875x.125 Z050 To D-5431	4	
214	500496	WASHER FL .437x.750x.054 Z050 From D-5432	4	
215	471119	SEAL WASHER / RUB RAIL & PANEL	4	
NS	680532	SEALANT SIKA #221 / GREY / 310ml CARTRIDGE	AR	
NS	500618	SCREW TP FL PH #10x1 Z050	40	
218	500940	SCREW TP FL PH #10x2 Z050	17	
221	328629	ANGLE FINISHING	1	
NS	500640	SCREW TP PAN PH #6x3/4 Z050	12	
223	Call order desk	PANEL SEAT To D-5431	1	P
223	Call order desk	PANEL SEAT From D-5432	1	P
225	Call order desk	PANEL SEAT To B-5089	1	P
225	3200490	PANEL SEAT From C-5090	1	
226	Call order desk	PANEL SEAT To B-5089	1	P
226	3200491	PANEL SEAT From C-5090	1	
227	Call order desk	PANEL SEAT To B-5089	1	P
227	3200502	PANEL SEAT From C-5090	1	
228	Call order desk	PANEL SEAT To C-5089	1	P
228	Call order desk	PANEL SEAT From C-5090	1	P
229	Call order desk	PANEL SEAT To B-5089	1	P
229	3200494	PANEL SEAT From C-5090	1	
231	3200233	ATTACHMENT / WALL LOWER	1	
232	500641	SCREW TP PAN PH #8x3/4 Z050	6	
233	3200190	PANEL SEAT	1	
234	3200255	PANEL SEAT	1	
235	321236	. ATTACHMENT PLATE	2	
235	500622	. NUT PUSH RND 5/16	4	
236	382251	. ATTACHMENT PLATE	2	
236	509814	. NUT PUSH RND ARC 3/16	4	
300	328772P	PANEL ASSY / ENGINE ACCESS To D-5431	1	
. NS	320037	. WEATHERSTRIP RUBBER ASSY To D-5431	1	
300	Call order desk	PANEL ASSY / ENGINE ACCESS From D-5432	1	P
. NS	485669	. WEATHERSTRIP RUBBER ASSY 480MMx723MM From D-5432	1	
301	328752	. MOULDING SIDE WEATHERSTRIP RETAINER To D-5431	2	
302	324889	. MOULDING To D-5431	1	
303	320037	. WEATHERSTRIP RUBBER ASSY To D-5431	1	
303	485669	. WEATHERSTRIP RUBBER ASSY 480MMx723MM From D-5432	1	
304	324904	. MOULDING To D-5431	1	
305	328776	. MOULDING To D-5431	1	
306	328759	. MOULDING To D-5431	1	
401	Call order desk	FOOT REST ASSY WITH COVERING 3" HIGHT RECT,	1	P
401	329824	. FOOT REST BASE 3" FIBERGLASS RECTANGULAR	1	
401	Call order desk	. COVERING SEE VIN NUMBER	1	P

From B-5002 To G-6046	Date:01/2024	PAGE:X3-1838-02
FLOOR - BUS		

Item#	Part	Description	QTY	Notes
NS	5001119	SCREW TP BDG PH #8x3/4 SS	4	
NS	3200337	REINFORCEMENT, FOOTREST	1	FWCL
NS	3200338	REINFORCEMENT, FOOTREST	1	FWCL
NS	500414	SCREW TP BDG PH #10x3/4 SS	8	FWCL
420	Call order desk	OZITE 172MM X 1671MM	1	P
421	328444	OZITE 628MM X 1702MM	1	
422	328445	OZITE 508MM X 946MM To B-5089	1	
422	Call order desk	OZITE 559MM X 911MM From C-5090	1	P
423	328446	OZITE 292MM X 756MM	1	
424	328447	OZITE 267MM X 400M To B-5089	1	
425	328448	OZITE 105MM X 508MM	1	
426	328449	OZITE 357MM X 750MM	1	
450	Call order desk	OZITE W/OUT LAVATORY 772MM X 1035MM	1	P
451	Call order desk	OZITE W/OUT LAVATORY 531MM X 795MM	1	P
452	Call order desk	OZITE W/OUT LAVATORY 171MM X 825MM	1	P
NS	810034	. CARPET OZITE / S.L. 12 FT WIDE	AR	
		NEXT ITEMS ARE USE ONLY		
		WITHOUT LAVATORY		
500	329591	PANEL FRONT SEAT W/OUT LAVATORY To B-5001	1	
500	329963	PANEL FRONT SEAT From B-5002	1	
501	329596	ANGLE FINISHING W/OUT LAVATORY To B-5001	1	
501	320490	ANGLE FINISHING W/OUT LAVATORY 1971.8MM From B-5002	1	
502	329598	PANEL FRONT SEAT W/OUT LAVATORY To B-5001	1	
502	320489	PANEL FRONT SEAT W/OUT LAVATORY From B-5002	1	
503	329597	PANEL SEAT W/OUT LAVATORY To B-5001	1	
503	Call order desk	PANEL SEAT W/OUT LAVATORY From B-5002	1	P
NS	372344	HOSE 2 1/2" I.D. X 32"	1	
504	Call order desk	BOX ASSY / RECIRCULATING (REAR OF SEAT) / W/OUT LAVATORY	1	P
. NS	454562	. PANEL REAR BOX	1	
. NS	454563	. SHIELD "U" SHAPE	2	
. NS	454564	. SHIELD "L" SHAPE	2	
. NS	454565	. PLATE END	2	
. NS	Call order desk	. WOOD PANEL	1	P
. NS	850019	. INSULATION PAD NOISE 1/4" x 15' x 54" / BLACK / BARYMAT (324183)	AR	
. NS	810034	. CARPET OZITE / S.L. 12 FT WIDE	AR	
504	Call order desk	BOX ASSY / RECIRCULATING (REAR OF SEAT) /	1	P
505	329590	PANEL SEAT W/OUT LAVATORY To B-5001	1	
505	Call order desk	PANEL SEAT W/OUT LAVATORY CURB SIDE From B-5002	1	P
506	329592	PANEL REAR SEAT W/OUT LAVATORY To B-5001	1	
507	328490	INSULATING PAD 463MM x 610MM	1	

From B-5002 To G-6046	Date:01/2024	PAGE:X3-1838-02
FLOOR - BUS		

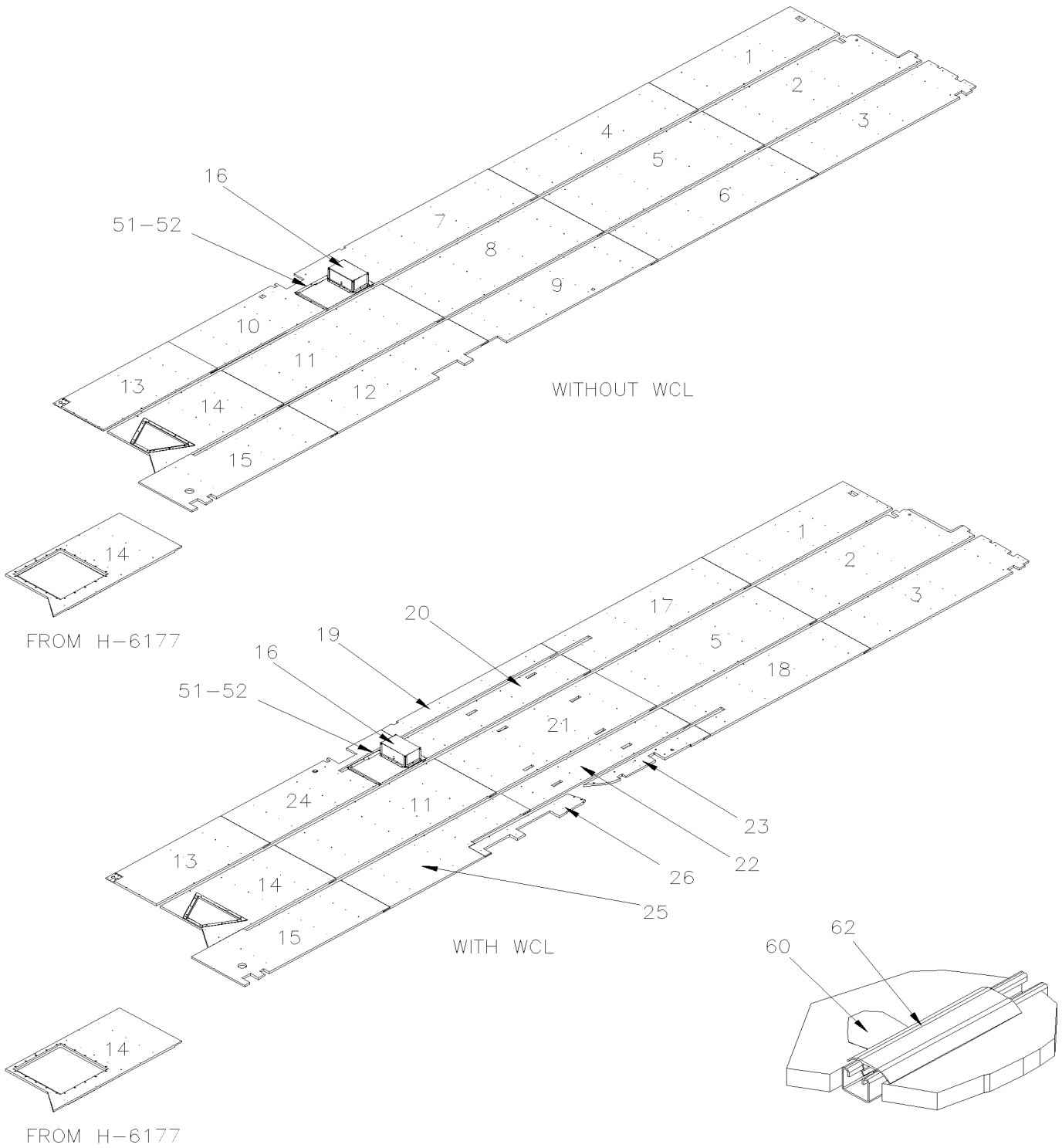
Item#	Part	Description	QTY	Notes
508	328492	INSULATING PAD 1025MM x 394MM	1	
509	328493	INSULATING PAD 463MM x 610MM	1	
510	Call order desk	PANEL SEAT W/OUT LAVATORY From B-5002	1	P
512	320743	ATTACHMENT / WALL LOWER From B-5002	1	
513	500638	SCREW TP PAN PH #8x1/2 Z050 From B-5002	AR	
514	320099	PANEL FRONT SEAT W/OUT LAVATORY From B-5002	1	
515	3200255	PANEL SEAT From B-5002	1	
515	3201257	PANEL SEAT WITH ROOF AIR INTAKE	1	D
516	321236	. ATTACHMENT PLATE From B-5002	2	
516	500622	. NUT PUSH RND 5/16 From B-5002	4	
517	382251	. ATTACHMENT PLATE From B-5002	2	
517	509814	. NUT PUSH RND ARC 3/16 From B-5002	4	
		A) WITH WCL		
		B) WITHOUT LAVATORY		
		C) WITHOUT A/C PARCEL RACK		
		D) USE WITH ROOF AIR INTAKE		
		F) WITH FOUR WHEEL CHAIRS		
		FWCL) FOUR WHEELCHAIRS		
		GR) WITH "GREYHOUND" OPTION		
		O) WITH "ORLEAN" OPTION		
		T) WITH THREE WHEEL CHAIRS		
		P) CALL ORDER DESK FOR SPECIFIC APPLICATION (V.I.N.)		
		P) CALL ORDER DESK FOR SPECIFIC APPLICATION (V.I.N.)		

From G-6047

Date:01/2024

PAGE:X3-1838-03

FLOOR - BUS

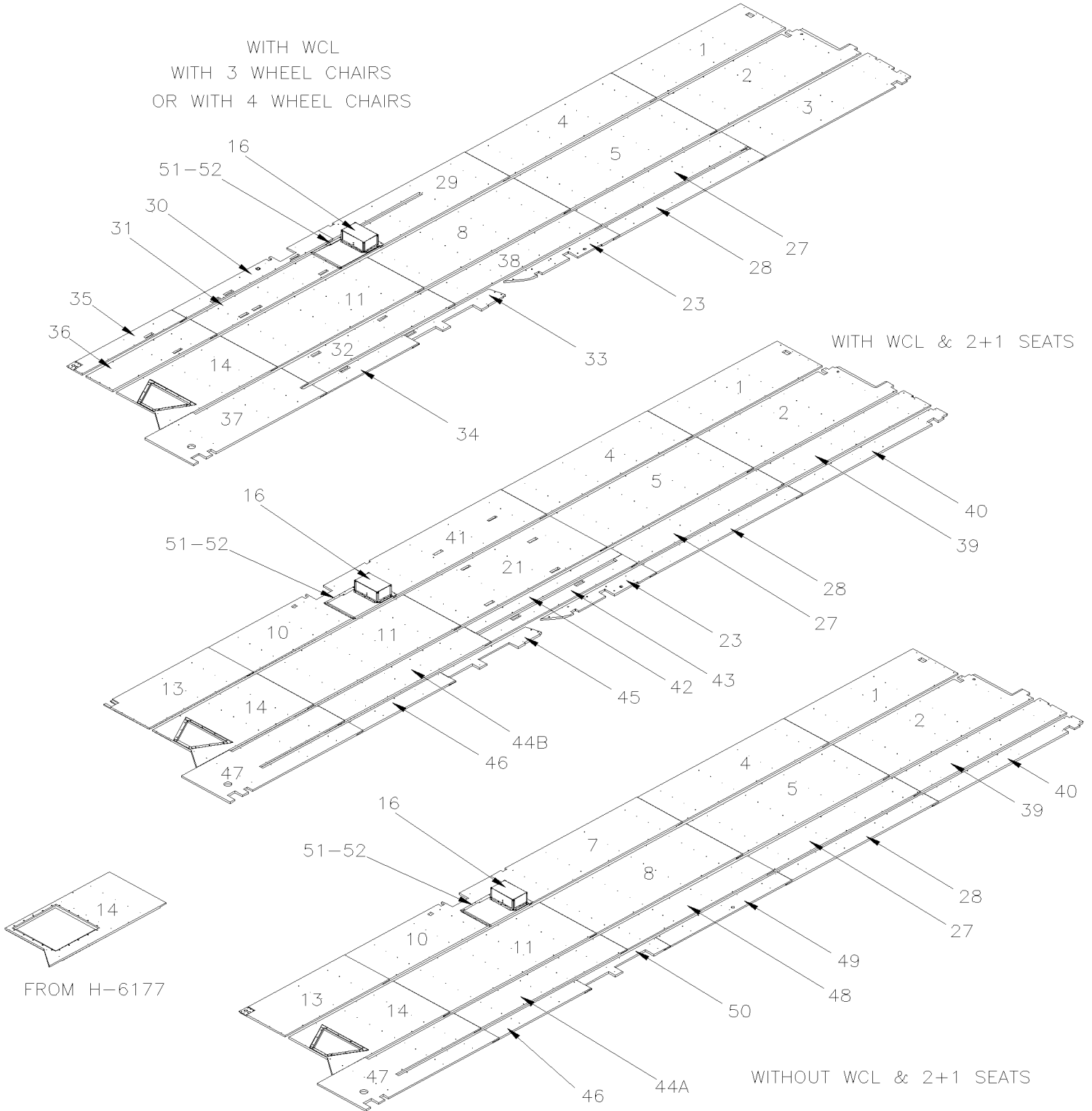


From G-6047

Date:01/2024

PAGE:X3-1838-03

FLOOR - BUS

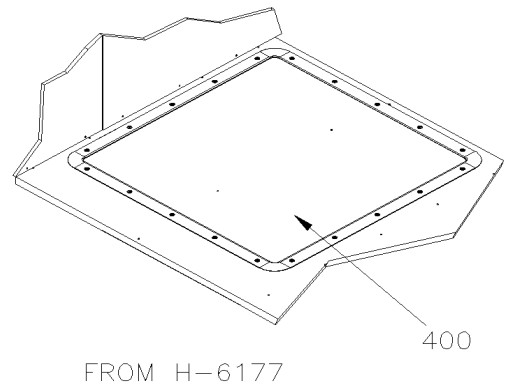
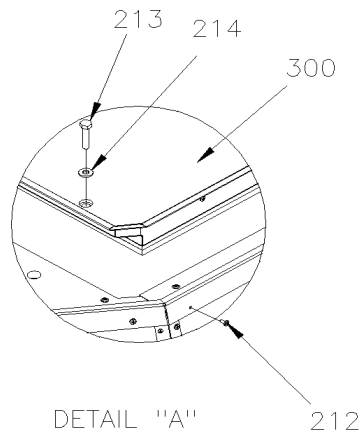
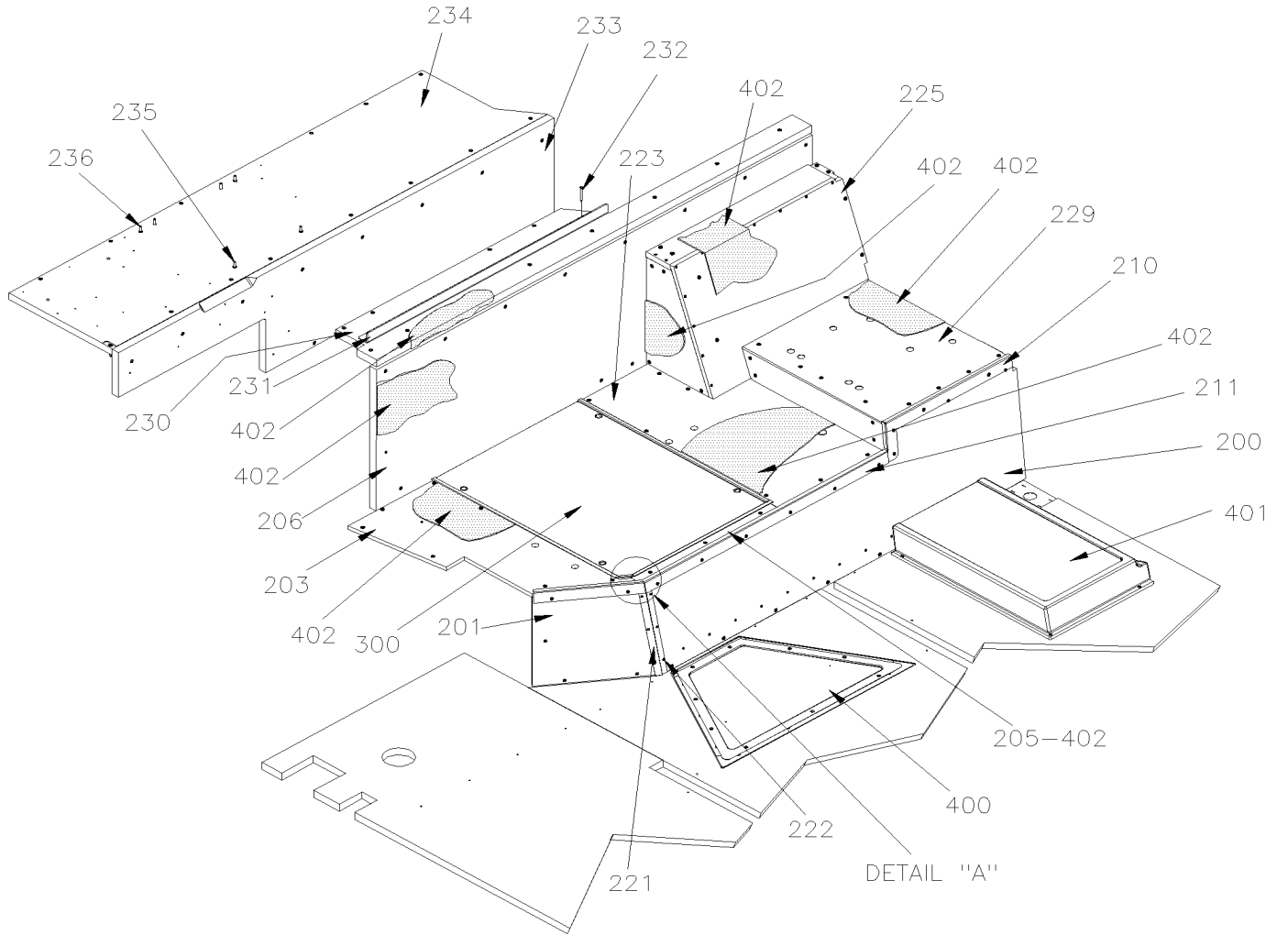


From G-6047

Date:01/2024

PAGE:X3-1838-03

FLOOR - BUS

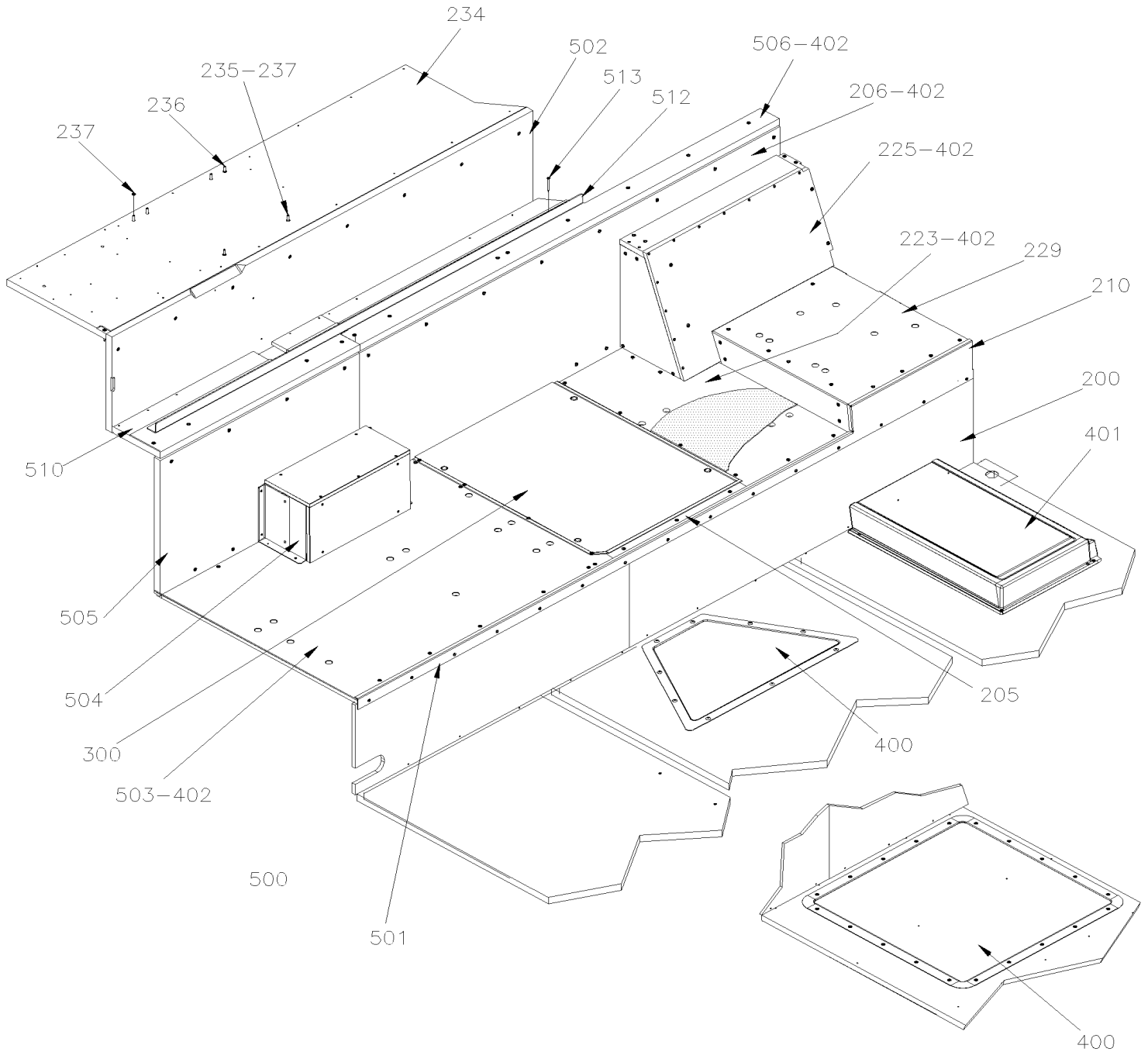


From G-6047

Date:01/2024

PAGE:X3-1838-03

FLOOR - BUS



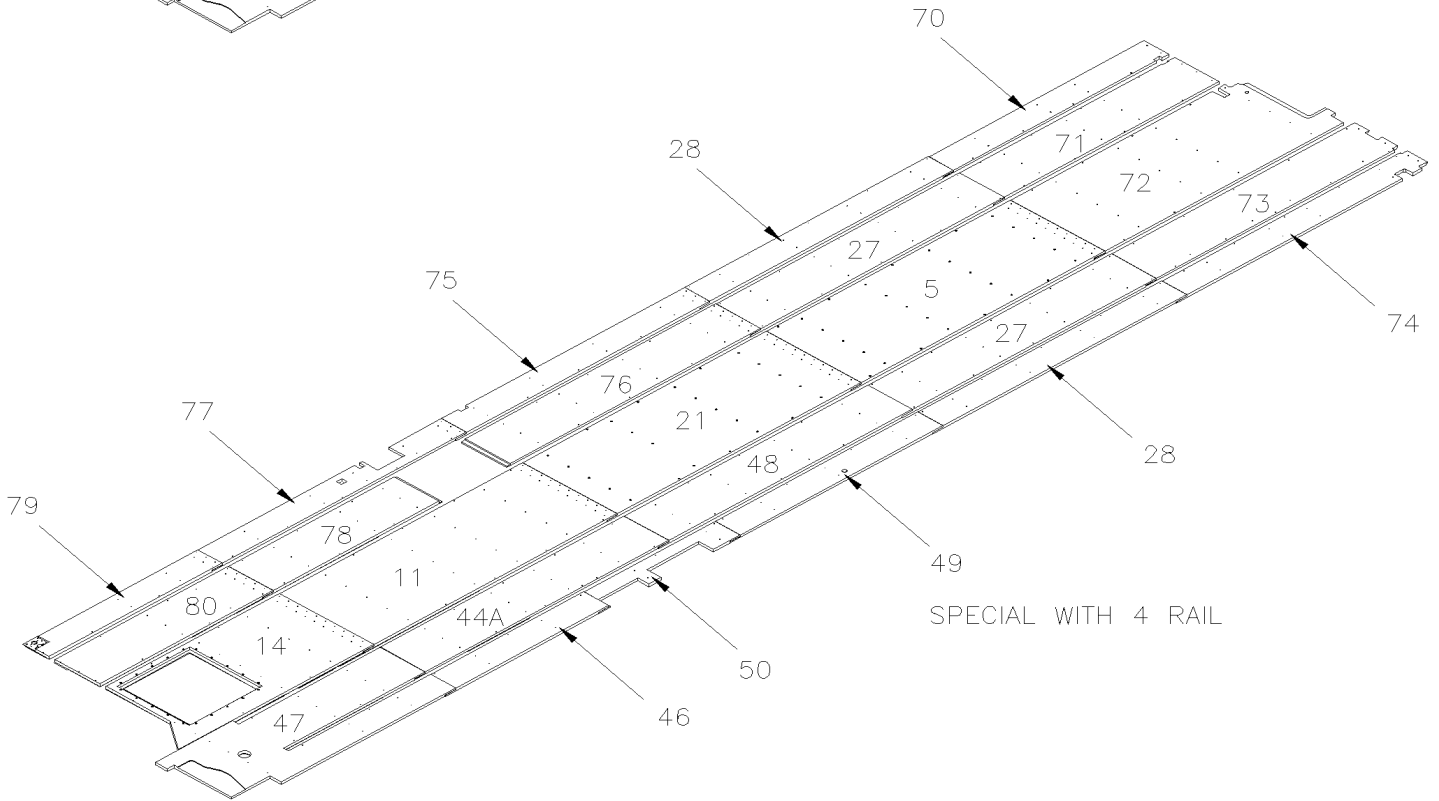
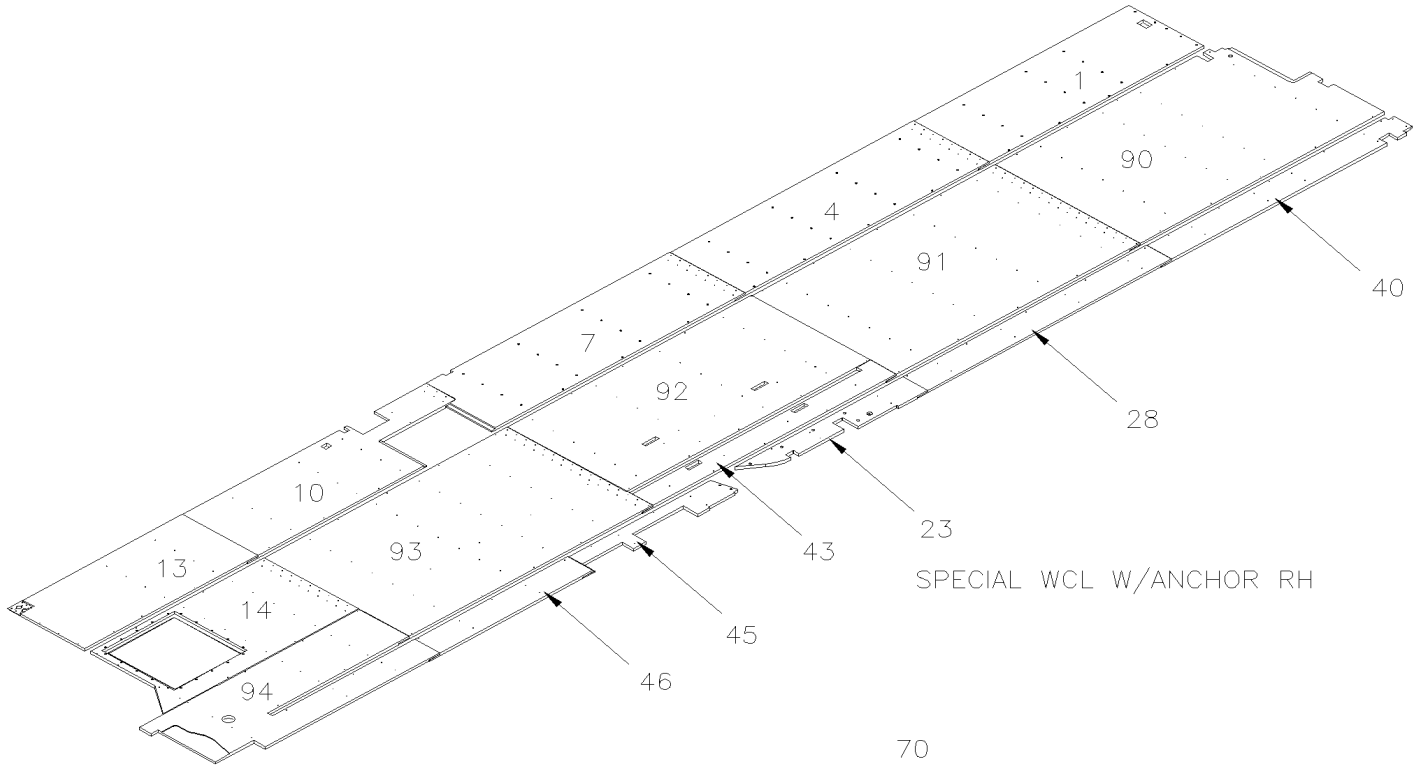
FROM H-6177

From G-6047

Date:01/2024

PAGE:X3-1838-03

FLOOR - BUS



From G-6047	Date:01/2024	PAGE:X3-1838-03
FLOOR - BUS		

Item#	Part	Description	QTY	Notes
1	3201396	FLOOR / W/STD/ SEAT To K-6492	1	
1	3210464	FLOOR / W/STD/ SEAT From L-6493	1	
1	3201396	FLOOR / W/STD/ SEAT From K-6451	1	SP1
2	3201397	FLOOR / W/STD/ SEAT To K-6492	1	
2	3210411	FLOOR / W/STD/ SEAT From L-6493	1	
3	3201398	FLOOR / W/STD/ SEAT To K-6492	1	
3	3210412	FLOOR / W/STD/ SEAT From L-6493	1	
3	3201482	FLOOR / W/STD/ SEAT W 3 WHEEL CHAIR To K-6492	1	T
3	3210547	FLOOR / W/STD/ SEAT W 3 WHEEL CHAIR From L-6493	1	T
3	3202939	FLOOR / W/STD SEAT, EXTINGUISHER PANEL FLOOR, EXTINGUISHER	1	GR
4	3201444	FLOOR / W/STD/ SEAT	1	
5	3201400	FLOOR / W/STD/ SEAT	1	
6	3201468	FLOOR / W/STD/ SEAT	1	
7	3201449	FLOOR / W/STD/ SEAT	1	
8	3201414	FLOOR / W/STD/ SEAT W/O ANCHOR HOLES	1	
9	3201469	FLOOR / W/STD/ SEAT To K-6492	1	
9	3210969	FLOOR / W/STD/ SEAT From L-6493	1	
10	3201448	FLOOR / W/STD/ SEAT	1	
11	3201405	FLOOR / W/STD/ SEAT	1	
12	3201470	FLOOR / W/STD/ SEAT	1	
13	3201412	FLOOR / W/STD/ SEAT	1	
14	3201409	FLOOR / W/STD/ SEAT	1	F T
14	3201409	FLOOR / W/STD/ SEAT To H-6179	1	
14	321316	FLOOR / W/STD/ SEAT From H-6180		
14	3201406	FLOOR / W/STD/ SEAT To H-6179	1	B
14	321743	FLOOR / W/STD/ SEAT From H-6180	1	B
14	321316	FLOOR / W/STD/ SEAT From K-6451	1	SP1
15	3201411	FLOOR / W/STD/ SEAT To H-6179	1	
15	320956	FLOOR / W/STD/ SEAT From H-6180	1	
15	3201431	FLOOR / W/STD/ SEAT	1	B
16	Call order desk	BOX ASSY / AIR RETURN	1	P
16	3201474P	BOX ASSY / AIR RETURN	1	B
17	3201434	FLOOR / W/STD/ SEAT	1	
18	3201401	FLOOR / W/STD/ SEAT W/WHEEL CHAIR	1	
19	3201402	FLOOR / W/STD/ SEAT W/WHEEL CHAIR	1	
20	3201435	FLOOR / W/STD/ SEAT W/WHEEL CHAIR	1	
20	3201438	FLOOR / W/STD/ SEAT WITH ANCHOR HOLES	1	
21	3201439	FLOOR / W/STD/ SEAT, WITH ANCHOR HOLES	1	
21	3201414	FLOOR / W/STD/ SEAT W/O ANCHOR HOLES	1	
22	3201440	FLOOR / W/STD/ SEAT WITH ANCHOR HOLES	1	
22	3202931	FLOOR / W/STD/ SEAT W 4 WHEEL CHAIR	1	F
23	3201403	FLOOR / W/STD/ SEAT W/WHEEL CHAIR To K-6492	1	

From G-6047		Date:01/2024	PAGE:X3-1838-03
FLOOR - BUS			

Item#	Part	Description	QTY	Notes
23	3210121	FLOOR / W/STD/ SEAT W/WHEEL CHAIR From L-6493	1	
23	3201403	FLOOR / W/STD/ SEAT W/WHEEL CHAIR From K-6451	1	SP1
24	3201404	FLOOR / W/STD/ SEAT W/WHEEL CHAIR	1	
25	3201410	FLOOR / W/STD/ SEAT W/WHEEL CHAIR To K-6492	1	
25	3210295	FLOOR / W/STD/ SEAT W/WHEEL CHAIR From L-6493	1	
26	3201407	FLOOR / W/STD/ SEAT W/WHEEL CHAIR To K-6492	1	
26	3210122	FLOOR / W/STD/ SEAT W/WHEEL CHAIR From L-6493	1	
27	3201447	FLOOR / W/STD/ SEAT W/WHEEL CHAIR OR W/2+1 SEAT	AR	
28	3201445	FLOOR / W/STD/ SEAT W/WHEEL CHAIR OR W/2+1 SEAT	AR	
29	3201484	FLOOR / W/STD/ SEAT W 3 OR 4 WHEEL CHAIR	1	F T
30	3201483	FLOOR / W/STD/ SEAT W 3 OR 4 WHEEL CHAIR	1	F T
31	3201481	FLOOR / W/STD/ SEAT W 3 OR 4 WHEEL CHAIR	1	F T
32	3201485	FLOOR / W/STD/ SEAT W 3 WHEEL CHAIR	1	T
33	3201487	FLOOR / W/STD/ SEAT W 3 WHEEL CHAIR To K-6492	1	T
33	3210297	FLOOR / W/STD/ SEAT W 3 WHEEL CHAIR From L-6493	1	T
33	3202934	FLOOR / W/STD/ SEAT W 4 WHEEL CHAIR To K-6492	1	F
33	3210296	FLOOR / W/STD/ SEAT W 4 WHEEL CHAIR From L-6493	1	F
34	3201486	FLOOR / W/STD/ SEAT W 3 OR 4 WHEEL CHAIR	1	F T
35	3201479	FLOOR / W/STD/ SEAT W 3 OR 4 WHEEL CHAIR	1	F T
36	3201478	FLOOR / W/STD/ SEAT W 3 OR 4 WHEEL CHAIR	1	F T
37	3201480	FLOOR / W/STD/ SEAT W 3 OR 4 WHEEL CHAIR To H-6179	1	F T
37	320958	FLOOR / W/STD/ SEAT W 3 OR 4 WHEEL CHAIR From H-6180	1	F T
38	3201440	FLOOR / W/STD/ SEAT WITH ANCHOR HOLES	1	
38	3202923	FLOOR / W/STD/ SEAT W 4 WHEEL CHAIR	1	F
39	3201452	FLOOR WITHOUT WHEEL CHAIR & W/2+1 SEAT To K-6492	1	
39	3210545	FLOOR WITHOUT WHEEL CHAIR & W/2+1 SEAT From L-6493	1	
40	3201453	FLOOR WITHOUT WHEEL CHAIR & W/2+1 SEAT To K-6492	1	
40	3210546	FLOOR WITHOUT WHEEL CHAIR & W/2+1 SEAT From L-6493	1	
40	3201453	FLOOR WITHOUT WHEEL CHAIR & W/2+1 SEAT From K-6451	1	SP1
41	3201459	FLOOR / W/STD/ SEAT W/WHEEL CHAIR & W/2+1 SEAT	1	
42	3201463	FLOOR / W/STD/ SEAT W/WHEEL CHAIR OR W/2+1 SEAT	1	
43	3201462	FLOOR / W/STD/ SEAT W/WHEEL CHAIR OR W/2+1 SEAT	1	
44A	3201454	FLOOR WITH WHEEL CHAIR & W/2+1 SEAT	1	
44B	321727	FLOOR WITHOUT WHEEL CHAIR & W/2+1 SEAT	1	
45	3201464	FLOOR / W/STD/ SEAT W/WHEEL CHAIR OR W/2+1 SEAT To K-6492	1	
45	3210122	FLOOR / W/STD/ SEAT W/WHEEL CHAIR From L-6493	1	
45	3201464	FLOOR / W/STD/ SEAT W/WHEEL CHAIR OR W/2+1 SEAT From K-6451	1	SP1
46	3201451	FLOOR W OR WITHOUT WHEEL CHAIR & W/2+1 SEAT	1	
47	3201446	FLOOR W OR WITHOUT WHEEL CHAIR & W/2+1 SEAT To H-6179	1	
47	320957	FLOOR W OR WITHOUT WHEEL CHAIR & W/2+1 SEAT From H-6180	1	
48	3201436	FLOOR WITHOUT WHEEL CHAIR & W/2+1 SEAT	1	
49	3201443	FLOOR WITHOUT WHEEL CHAIR & W/2+1 SEAT To K-6492	1	

From G-6047	Date:01/2024	PAGE:X3-1838-03
FLOOR - BUS		

Item#	Part	Description	QTY	Notes
49	3210962	FLOOR WITHOUT WHEEL CHAIR & W/2+1 SEAT From L-6493	1	
50	3201450	FLOOR WITHOUT WHEEL CHAIR & W/2+1 SEAT	1	
51	3200402	MOLDING, AIR RETURN	1	
51	3200161	MOLDING, AIR RETURN W/2+1 SEAT	1	
52	5001119	SCREW TP BDG PH #8x3/4 SS	AR	
NS	5001546	SCREW WO FL PH #8x7/8 Z050	AR	
NS	5001535	SCREW DR WF RO #14x1 3/4 Z050	AR	
NS	5001535	SCREW DR WF RO #14x1 3/4 Z050	AR	
NS	683084	SEALANT SIKA #221 / GREY / 600 ml SAUSAGE	AR	
NS	680123	SEALANT BUTYL ALUM / GREY / 50GI U.S.	AR	
NS	680128	PLASTIC WOOD	AR	
NS	683838	PUTTY	AR	
60	X3-1838-05	FLOOR & COVERING - "R.C.A."		
60	X3-1838-10	FLOOR COVERING - "TARAFLEX"		
62	329689	SEAT TRACK COVER 12' / EACH SEAT / W/COVERING FLOOR	AR	
70	3210611	FLOOR SPECIAL W/ 4 RAILS From K-6413	1	SP
71	3210610	FLOOR SPECIAL W/ 4 RAILS From K-6413	1	SP
72	3210411	FLOOR / W/STD/ SEAT From K-6413	1	SP
73	3210545	FLOOR WITHOUT WHEEL CHAIR & W/2+1 SEAT From K-6413	1	SP
74	3210546	FLOOR WITHOUT WHEEL CHAIR & W/2+1 SEAT From K-6413	1	SP
75	3210613	FLOOR SPECIAL W/ 4 RAILS From K-6413	1	SP
76	3210614	FLOOR SPECIAL W/ 4 RAILS From K-6413	1	SP
77	3210617	FLOOR SPECIAL W/ 4 RAILS From K-6413	1	SP
78	3210615	FLOOR SPECIAL W/ 4 RAILS From K-6413	1	SP
79	3210621	FLOOR SPECIAL W/ 4 RAILS From K-6413	1	SP
80	3210619	FLOOR SPECIAL W/ 4 RAILS From K-6413	1	SP
90	3210804	FLOOR SPECIAL W/ANCHOR RH From K-6451	1	SP1
91	3210805	FLOOR SPECIAL W/ANCHOR RH From K-6451	1	SP1
92	3210806	FLOOR SPECIAL W/ANCHOR RH From K-6451	1	SP1
93	3210808	FLOOR SPECIAL W/ANCHOR RH From K-6451	1	SP1
94	3210810	FLOOR SPECIAL W/ANCHOR RH From K-6451	1	SP1
200	3202805	PANEL FRONT SEAT To H-6179	1	
200	3201283	PANEL FRONT SEAT From H-6180	1	
201	3202920	PANEL FRONT SEAT To H-6179	1	
201	3201282	PANEL FRONT SEAT From H-6180 To K-6492	1	
201	3210400	PANEL FRONT SEAT From L-6493	1	
203	Call order desk	PANEL SEAT To H-6179	1	P
203	3201279	PANEL SEAT From H-6180	1	
205	Call order desk	PANEL SEAT To H-6179	1	P
205	3201280	PANEL SEAT From H-6180	1	
206	3202780P	PANEL SEAT To H-6179	1	

From G-6047	Date:01/2024	PAGE:X3-1838-03
FLOOR - BUS		

Item#	Part	Description	QTY	Notes
206	3201295	PANEL SEAT From H-6180 To K-6492	1	
206	3210338	PANEL SEAT From L-6493	1	
210	3200503	ANGLE FINISHING To H-6179	1	
211	3200504	ANGLE FINISHING To H-6179	1	
211	3201286	ANGLE FINISHING From H-6180 To K-6492	1	
211	3210401	ANGLE FINISHING From L-6493	1	
212	500638	SCREW TP PAN PH #8x1/2 Z050	AR	
212	5001840	SCREW DR TR WASHER PH #8x1 5/8 BK	AR	
212	5001839	SCREW DR TR WASHER PH #8x1 BK	AR	
212	500618	SCREW TP FL PH #10x1 Z050	AR	
213	502836	SCREW CAP HEX M8-1.25x35 G8.8 N500	1	
214	5001736	WASHER FL 8.4x18.0x2.0 N500	1	
221	3200181	ANGLE FINISHING To H-6179	1	
221	3201285	ANGLE FINISHING From H-6180	1	
222	500583	SCREW TP PAN PH #6x1/2 Z050	AR	
223	3202791P	PANEL SEAT To H-6179	1	
223	3201281	PANEL SEAT From H-6180	1	
225	Call order desk	PANEL SEAT	1	P B S
229	3200494	PANEL SEAT To H-6179	1	B S
230	3202903	PANEL REAR SEAT To K-6492	1	
230	3210340	PANEL REAR SEAT From L-6493	1	
231	3200233	ATTACHMENT / WALL LOWER To K-6492	1	
231	3210402	ATTACHMENT / WALL LOWER From L-6493	1	
232	500957	SCREW TP BDG PH #10x3/4 N500	AR	
233	3202901	PANEL SEAT To H-6179	1	
233	320994	PANEL FRONT SEAT W/OUT LAVATORY From H-6180 To K-6492	1	
233	3210344	PANEL FRONT SEAT W/OUT LAVATORY From L-6493	1	
NS	504013	TIE MOUNT / 1/4" X 1/4" I.D. From J-6309	AR	
NS	500957	SCREW TP BDG PH #10x3/4 N500 From J-6309	AR	
NS	504637	CABLE TIE / 3/16" x 13" From J-6309	AR	
234	Call order desk	PANEL SEAT To H-6179	1	P
234	Call order desk	PANEL SEAT From H-6180 To K-6492	1	P
234	3210462	PANEL SEAT From L-6493	1	
235	321236	. ATTACHMENT PLATE To H-6179	2	
235	500622	. NUT PUSH RND 5/16 To H-6179	4	
235	380074	. ATTACHMENT PLATE From H-6180	1	
236	382251	. ATTACHMENT PLATE To H-6179	2	
236	382251	. ATTACHMENT PLATE From H-6180	1	
237	509814	. NUT PUSH RND ARC 3/16	4	
300	Call order desk	PANEL ASSY / ENGINE ACCESS	1	P
. NS	485669	. WEATHERSTRIP RUBBER ASSY 480MMx723MM	1	
400	320670P	DOOR ASSY, ENGINE ACCESS W/O COVERING / TRIANGULAR	1	F T

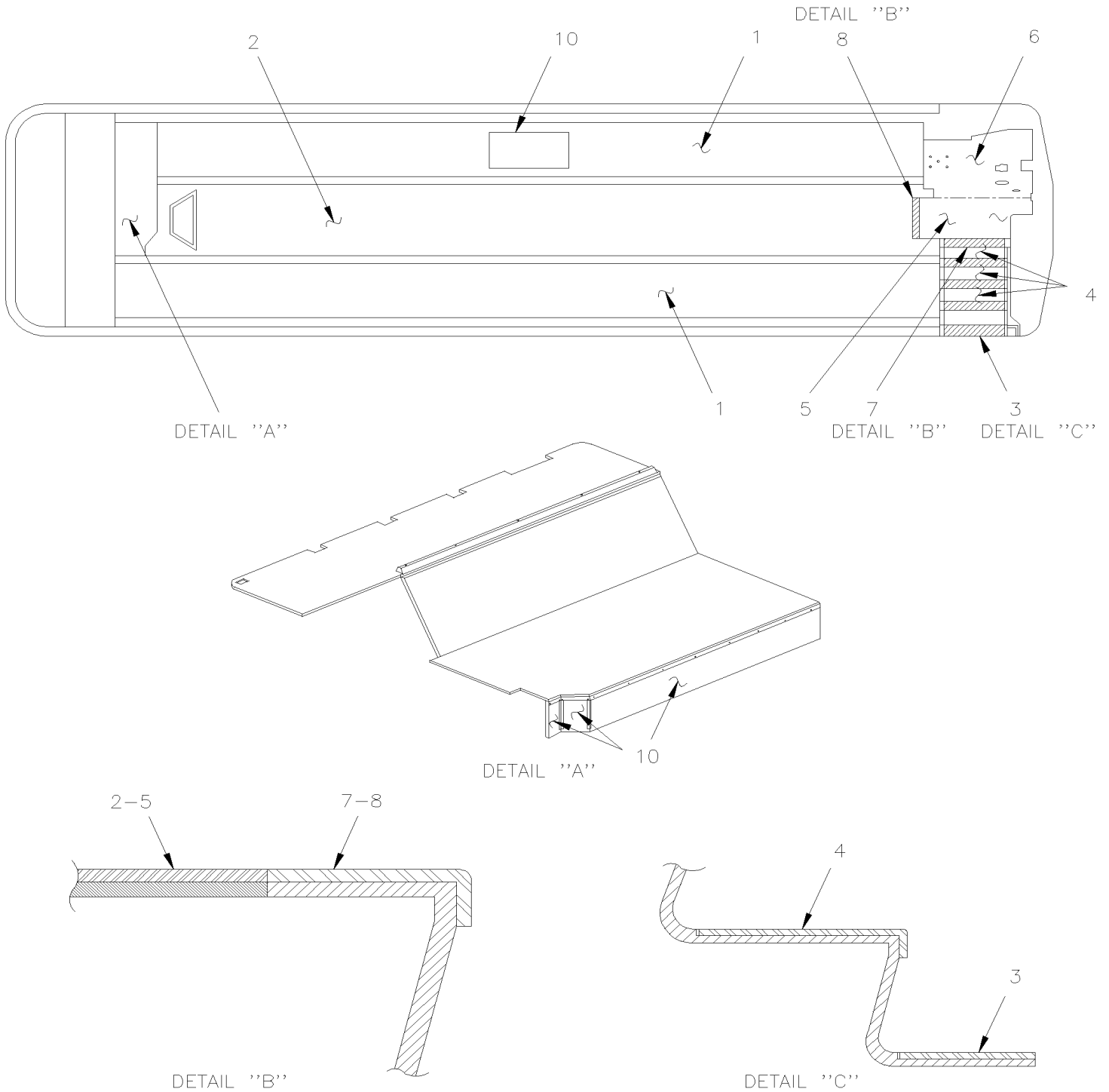
From G-6047	Date:01/2024	PAGE:X3-1838-03
FLOOR - BUS		

Item#	Part	Description	QTY	Notes
. NS	320677	. PANEL SS / TOP	1	F T
. NS	320684	. WEATHERSTRIP RUBBER SEAL ASSY	1	F T
. . NS	485610	. . WEATHERSTRIP RUBBER / ADH / RAW MATERIAL	AR	F T
. NS	320693	. INSULATING RETAINER	1	F T
. NS	5001015	. SCREW TP BDG PH #6x1/2 SS BK	7	F T
. NS	357406	. INSULATION	1	F T
400	320670P	DOOR ASSY, ENGINE ACCESS W/O COVERING / TRIANGULAR To H-6176	1	
. NS	320677	. PANEL SS / TOP To H-6176	1	
. NS	320684	. WEATHERSTRIP RUBBER SEAL ASSY To H-6176	1	
. . NS	485610	. . WEATHERSTRIP RUBBER / ADH / RAW MATERIAL To H-6176	AR	
. NS	320693	. INSULATING RETAINER To H-6176	1	
. NS	5001015	. SCREW TP BDG PH #6x1/2 SS BK To H-6176	7	
. NS	357406	. INSULATION To H-6176	1	
400	321321P	DOOR ASSY, ENGINE ACCESS W/O COVERING From H-6177	1	
400	3202839P	DOOR ASSY, ENGINE ACCESS W/O COVERING To H-6176	1	B
NS	5000324	SCREW MA FL PH #10-24x7/8 SS From H-6177	AR	
400	500043	NUT AN INS THREADED #10-24x25/32 ZP From H-6177	AR	
401	Call order desk	FOOT REST ASSY WITH COVERING 3" HIGHT RECT,	1	P
401	329824	. FOOT REST BASE 3" FIBERGLASS RECTANGULAR	1	
401	Call order desk	. COVERING SEE VIN NUMBER To G-6045	1	P
401	Call order desk	. COVERING SEE VIN NUMBER From G-6046	1	P
401	5001119	SCREW TP BDG PH #8x3/4 SS	4	
401	684517	ADHESIVE SIMSON #ISR 70-03 / GREY / 310ml CARTRIDGE	AR	
402	810034	CARPET OZITE / S.L. 12 FT WIDE	AR	
NS	680052	GLUE, CONTACT ADBOND 8399 4 LITER	AR	
500	3202806	PANEL FRONT SEAT W/OUT LAVATORY To H-6179	1	
500	3201087	PANEL FRONT SEAT W/OUT LAVATORY From H-6180	1	
501	320490	ANGLE FINISHING W/OUT LAVATORY 1971.8MM To H-6179	1	
501	3201100	ANGLE FINISHING W/OUT LAVATORY 2468 MM From H-6180	1	
502	3202776	PANEL FRONT SEAT W/OUT LAVATORY To H-6179	1	
502	320994	PANEL FRONT SEAT W/OUT LAVATORY From H-6180 To K-6492	1	
502	3210344	PANEL FRONT SEAT W/OUT LAVATORY From L-6493	1	
NS	504013	TIE MOUNT / 1/4" X 1/4" I.D. From J-6309	AR	
NS	500957	SCREW TP BDG PH #10x3/4 N500 From J-6309	AR	
NS	504637	CABLE TIE / 3/16" x 13" From J-6309	AR	
503	Call order desk	PANEL SEAT W/OUT LAVATORY To H-6179	1	P
503	Call order desk	PANEL SEAT W/OUT LAVATORY From H-6180 To K-6492	1	P
503	3210338	PANEL SEAT From L-6493	1	
504	Call order desk	BOX ASSY / RECIRCULATING (REAR OF SEAT) / To H-6179	1	P
504	Call order desk	BOX ASSY / RECIRCULATING (REAR OF SEAT) / From H-6180	1	P
505	Call order desk	PANEL SEAT W/OUT LAVATORY To H-6179	1	P
505	Call order desk	PANEL SEAT W/OUT LAVATORY From H-6180 To K-6492	1	P

From G-6047	Date:01/2024	PAGE:X3-1838-03
FLOOR - BUS		

Item#	Part	Description	QTY	Notes
505	3210339	PANEL SEAT W/OUT LAVATORY From L-6493	1	
506	Call order desk	PANEL SEAT W/OUT LAVATORY To H-6179	1	P
506	3202943	PANEL SEAT W/OUT LAVATORY To H-6179	1	
506	Call order desk	PANEL SEAT W/OUT LAVATORY From H-6180 To K-6492	1	P
506	3210340	PANEL REAR SEAT From L-6493	1	
510	Call order desk	PANEL SEAT W/OUT LAVATORY To H-6179	1	P
510	Call order desk	PANEL SEAT W/OUT LAVATORY From H-6180 To K-6431	1	P
510	Call order desk	PANEL SEAT W/OUT LAVATORY From K-6432 To K-6492	1	P
510	3210341	PANEL SEAT W/OUT LAVATORY From L-6493	1	
512	320743	ATTACHMENT / WALL LOWER To H-6179	1	
512	3201522	ATTACHMENT / WALL LOWER 1729.7MM From H-6180	1	
512	3210042	ATTACHMENT / WALL LOWER 2360 MM To K-6492	1	
512	3210322	ATTACHMENT / WALL LOWER 2360 MM From L-6493	1	
513	5001840	SCREW DR TR WASHER PH #8x1 5/8 BK	AR	
513	5001839	SCREW DR TR WASHER PH #8x1 BK	AR	
513	500638	SCREW TP PAN PH #8x1/2 Z050	AR	
513	500618	SCREW TP FL PH #10x1 Z050	AR	
		B) WITHOUT LAVATORY		
		F) WITH FOUR WHEEL CHAIRS		
		GR) GREYHOUND OPTION		
		S) SPECIAL OPTION		
		SP) SPECIAL OPTION W/ 4 RAILS		
		SP1) SPECIAL OPTION WCL W/ANCHOR RH		
		T) WITH THREE WHEEL CHAIR		
		P) CALL ORDER DESK FOR SPECIFIC APPLICATION (V.I.N.)		

UP TO H-6179



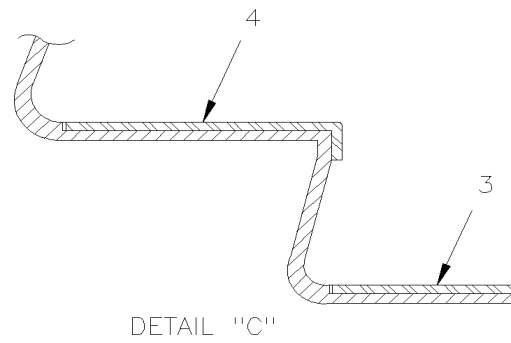
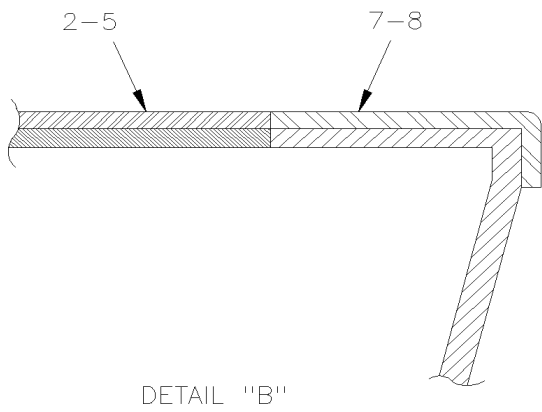
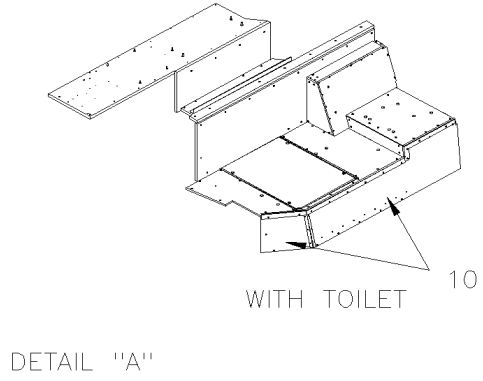
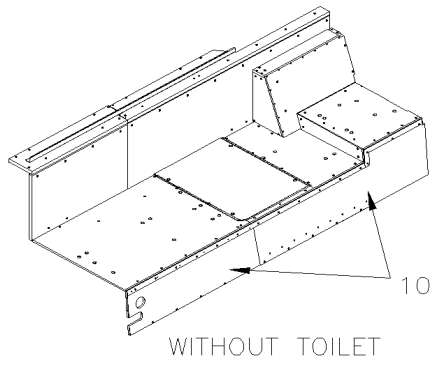
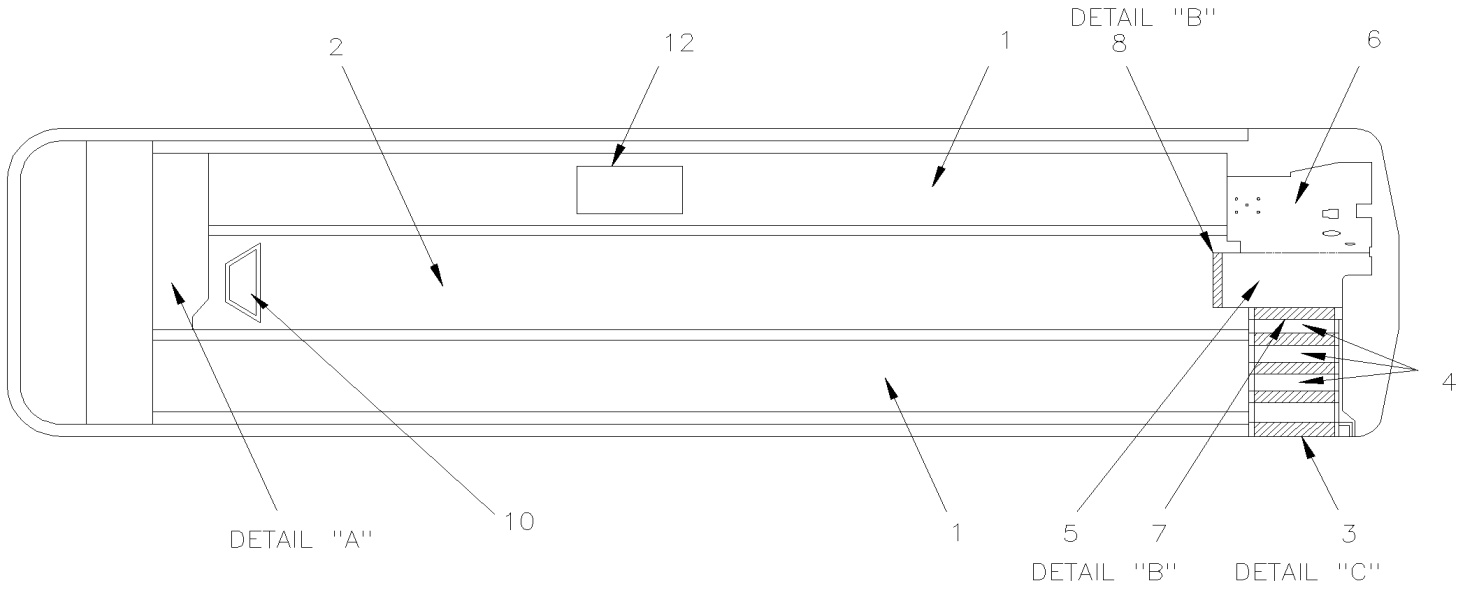
From 7-8754

Date:01/2024

PAGE:X3-1838-05

FLOOR & COVERING - "R.C.A."

FROM H-6180



From 7-8754	Date:01/2024	PAGE:X3-1838-05
FLOOR & COVERING - "R.C.A."		

Item#	Part	Description	QTY	Notes
		FLOOR COVERING SIDE SECTION / 26 1/8" X 38' To 9-9643		
		FLOOR COVERING SIDE SECTION / 25 7/8" X 38' From 9-9643		
1	506710	COVERING / CODE "A" = 702 To 9-9643	2	
1	820230	COVERING / CODE "A" = 702 From 9-9643	2	
1	506712	COVERING / CODE "B" = 777 To 9-9643	2	
1	820232	COVERING / CODE "B" = 777 From 9-9643	2	
1	506714	COVERING / CODE "C" = 653 To 9-9643	2	
1	820234	COVERING / CODE "C" = 653 From 9-9643	2	
1	506716	COVERING / CODE "D" = 747 To 9-9643	2	
1	820236	COVERING / CODE "D" = 747 From 9-9643	2	
1	506718	COVERING / CODE "E" = 766 To 9-9643	2	
1	820238	COVERING / CODE "E" = 766 From 9-9643	2	
1	506720	COVERING / CODE "F" = 604 To 9-9643	2	
1	820240	COVERING / CODE "F" = 604 From 9-9643	2	
1	506722	COVERING / CODE "G" = 758 To 9-9643	2	
1	820242	COVERING / CODE "G" = 758 From 9-9643	2	
1	5061026	COVERING / CODE "H" = 630 To 9-9643	2	
1	820244	COVERING / CODE "H" = 630 From 9-9643	2	
1	506724	COVERING / CODE "I" = 895 To 9-9643	2	
1	820246	COVERING / CODE "I" = 895 From 9-9643	2	
1	5061034	COVERING / CODE "J" = 466 To 9-9643	2	
1	820248	COVERING / CODE "J" = 466 From 9-9643	2	
1	5060014	COVERING / CODE "K" = 852 To 9-9643	2	
1	820250	COVERING / CODE "K" = 852 From 9-9643	2	
1	506726	COVERING / CODE "L" = 975 To 9-9643	2	
1	820252	COVERING / CODE "L" = 975 From 9-9643	2	
1	506730	COVERING / CODE "Q" = 788 To 9-9643	2	
1	820254	COVERING / CODE "Q" = 788 From 9-9643	2	
1	5060059	COVERING / CODE "R" = 411 To 9-9643	2	
1	820256	COVERING / CODE "R" = 411 From 9-9643	2	
		FLOOR COVERING AISLE SECTION / 36 3/8" X 38' To 9-9643		
		FLOOR COVERING AISLE SECTION / 35 3/4" X 38' From 9-9643 To H-6179		
		FLOOR COVERING AISLE SECTION / 916MMX12192 From H-6180		
2	506711	COVERING / CODE "A" = 702 To 9-9643	1	
2	820231	COVERING / CODE "A" = 702 From 9-9643 To H-6179	1	
2	820016A	COVERING / CODE "A" = 702 From H-6180	1	
2	506713	COVERING / CODE "B" = 777 To 9-9643	1	
2	820233	COVERING / CODE "B" = 777 From 9-9643 To H-6179	1	
2	820016B	COVERING / CODE "B" = 777 From H-6180	1	

From 7-8754	Date:01/2024	PAGE:X3-1838-05
FLOOR & COVERING - "R.C.A."		

Item#	Part	Description	QTY	Notes
2	506715	COVERING / CODE "C" = 653 To 9-9643	1	
2	820235	COVERING / CODE "C" = 653 From 9-9643 To H-6179	1	
2	820016C	COVERING / CODE "C" = 653 From H-6180	1	
2	506717	COVERING / CODE "D" = 747 To 9-9643	1	
2	820237	COVERING / CODE "D" = 747 From 9-9643 To H-6179	1	
2	820016D	COVERING / CODE "D" = 747 From H-6180	1	
2	506719	COVERING / CODE "E" = 766 To 9-9643	1	
2	820239	COVERING / CODE "E" = 766 From 9-9643 To H-6179	1	
2	820016E	COVERING / CODE "E" = 766 From H-6180	1	
2	506721	COVERING / CODE "F" = 604 To 9-9643	1	
2	820241	COVERING / CODE "F" = 604 From 9-9643 To H-6179	1	
2	820016F	COVERING / CODE "F" = 604 From H-6180	1	
2	506723	COVERING / CODE "G" = 758 To 9-9643	1	
2	820243	COVERING / CODE "G" = 758 From 9-9643 To H-6179	1	
2	820016G	COVERING / CODE "G" = 758 From H-6180	1	
2	5061027	COVERING / CODE "H" = 630 To 9-9643	1	
2	820245	COVERING / CODE "H" = 630 From 9-9643 To H-6179	1	
2	820016H	COVERING / CODE "H" = 630 From H-6180	1	
2	506725	COVERING / CODE "I" = 895 To 9-9643	1	
2	820247	COVERING / CODE "I" = 895 From 9-9643 To H-6179	1	
2	820016I	COVERING / CODE "I" = 895 From H-6180	1	
2	5061035	COVERING / CODE "J" = 466 To 9-9643	1	
2	820249	COVERING / CODE "J" = 466 From 9-9643 To H-6179	1	
2	820016J	COVERING / CODE "J" = 466 From H-6180	1	
2	5060015	COVERING / CODE "K" = 852 To 9-9643	1	
2	820251	COVERING / CODE "K" = 852 From 9-9643 To H-6179	1	
2	820016K	COVERING / CODE "K" = 852 From H-6180	1	
2	506727	COVERING / CODE "L" = 975 To 9-9643	1	
2	820253	COVERING / CODE "L" = 975 From 9-9643 To H-6179	1	
2	820016L	COVERING / CODE "L" = 975 From H-6180	1	
2	506729	COVERING / CODE "Q" = 788 To 9-9643	1	
2	820255	COVERING / CODE "Q" = 788 From 9-9643 To H-6179	1	
2	820016Q	COVERING / CODE "Q" = 788 From H-6180	1	
2	5060060	COVERING / CODE "R" = 411 To 9-9643	1	
2	820257	COVERING / CODE "R" = 411 From 9-9643 To H-6179	1	
2	820016R	COVERING / CODE "R" = 411 From H-6180	1	
		STEP TREAD COVERING 1STEP/ 10"X25"5/8 (UNCUT)		
		AT THE BEGENNING OF		
		PART NUMBER 326936 + SUFFIX CODE "?" LETTER		
3	506951	STEP TREAD COVERING / CODE "A" = 702 / 10" X 25 5/8" To E-5732	1	

From 7-8754	Date:01/2024	PAGE:X3-1838-05
FLOOR & COVERING - "R.C.A."		

Item#	Part	Description	QTY	Notes
3	820563A	STEP TREAD COVERING / CODE "A" = 702 / 10" X 25 1/2" From E-5733	1	
3	506952	STEP TREAD COVERING / CODE "B" = 777 / 10" X 25 5/8" To E-5732	1	
3	820563B	STEP TREAD COVERING / CODE "B" = 777 / 10" X 25 1/2" From E-5733	1	
3	506953	STEP TREAD COVERING / CODE "C" = 653 / 10" X 25 5/8" To E-5732	1	
3	820563C	STEP TREAD COVERING / CODE "C" = 653 / 10" X 25 1/2" From E-5733	1	
3	506954	STEP TREAD COVERING / CODE "D" = 747 / 10" X 25 5/8" To E-5732	1	
3	820563D	STEP TREAD COVERING / CODE "D" = 747 / 10" X 25 1/2" From E-5733	1	
3	506955	STEP TREAD COVERING / CODE "E" = 766 / 10" X 25 5/8" To E-5732	1	
3	820563E	STEP TREAD COVERING / CODE "E" = 766 / 10" X 25 1/2" From E-5733	1	
3	3200537	STEP TREAD COVERING / CODE "E" = 766 WITH YELLOW NOSING To E-5732	1	GR
3	820563EY	STEP TREAD COVERING / CODE "E" = 766 WITH YELLOW NOSING From E-5733	1	GR
3	506956	STEP TREAD COVERING / CODE "F" = 604 / 10" X 25 5/8" To E-5732	1	
3	820563F	STEP TREAD COVERING / CODE "F" = 604 / 10" X 25 1/2" From E-5733	1	
3	506957	STEP TREAD COVERING / CODE "G" = 758 / 10" X 25 5/8" To E-5732	1	
3	820563G	STEP TREAD COVERING / CODE "G" = 758 / 10" X 25 1/2" From E-5733	1	
3	5061031	STEP TREAD COVERING / CODE "H" = 630 / 10" X 25 5/8" To E-5732	1	
3	820563H	STEP TREAD COVERING / CODE "H" = 630 / 10" X 25 1/2" From E-5733	1	
3	506958	STEP TREAD COVERING / CODE "I" = 895 / 10" X 25 5/8" To E-5732	1	
3	820563I	STEP TREAD COVERING / CODE "I" = 895 / 10" X 25 1/2" From E-5733	1	
3	5061040	STEP TREAD COVERING / CODE "J" = 466 / 10" X 25 5/8" To E-5732	1	
3	820563J	STEP TREAD COVERING / CODE "J" = 466 / 10" X 25 1/2" From E-5733	1	
3	5060020	STEP TREAD COVERING / CODE "K" = 852 / 10" X 25 5/8" To E-5732	1	
3	820563K	STEP TREAD COVERING / CODE "K" = 852 / 10" X 25 1/2" From E-5733	1	
3	506959	STEP TREAD COVERING / CODE "L" = 975 / 10" X 25 5/8" To E-5732	1	
3	820563L	STEP TREAD COVERING / CODE "L" = 975 / 10" X 25 1/2" From E-5733	1	
3	506960	STEP TREAD COVERING / CODE "Q" = 788 / 10" X 25 5/8" To E-5732	1	
3	820563Q	STEP TREAD COVERING / CODE "Q" = 788 / 10" X 25 1/2" From E-5733	1	
3	5060069	STEP TREAD COVERING / CODE "R" = 411 / 10" X 25 5/8" To E-5732	1	
3	820563R	STEP TREAD COVERING / CODE "R" = 411 / 10" X 25 1/2" From E-5733	1	
		STEP TREAD COVERING 2,3,4 STEP / 9"7/8 X 25"5/8		
4	506888	STEP TREAD COVERING / CODE "A" = 702 / 10" X 25 5/8" To E-5732	3	
4	820562A	STEP TREAD COVERING / CODE "A" = 702 / 10" X 25 1/2" From E-5733	3	
4	506889	STEP TREAD COVERING / CODE "B" = 777 / 10" X 25 5/8" To E-5732	3	
4	820562B	STEP TREAD COVERING / CODE "B" = 777 / 10" X 25 1/2" From E-5733	3	
4	506890	STEP TREAD COVERING / CODE "C" = 653 / 10" X 25 5/8" To E-5732	3	
4	820562C	STEP TREAD COVERING / CODE "C" = 653 / 10" X 25 1/2" From E-5733	3	
4	506891	STEP TREAD COVERING / CODE "D" = 747 / 10" X 25 5/8" To E-5732	3	
4	820562D	STEP TREAD COVERING / CODE "D" = 747 / 10" X 25 1/2" From E-5733	3	
4	506892	STEP TREAD COVERING / CODE "E" = 766 / 10" X 25 5/8" To E-5732	3	
4	820562E	STEP TREAD COVERING / CODE "E" = 766 / 10" X 25 1/2" From E-5733	3	

From 7-8754	Date:01/2024	PAGE:X3-1838-05
FLOOR & COVERING - "R.C.A."		

Item#	Part	Description	QTY	Notes
4	820528	STEP TREAD COVERING / CODE "E" = 766 WITH YELLOW NOSING To E-5732	3	GR
4	820562EY	STEP TREAD COVERING / CODE "E" = 766 WITH YELLOW NOSING From E-5733	3	GR
4	506893	STEP TREAD COVERING / CODE "F" = 604 / 10" X 25 5/8" To E-5732	3	
4	820562F	STEP TREAD COVERING / CODE "F" = 604 / 10" X 25 1/2" From E-5733	3	
4	506894	STEP TREAD COVERING / CODE "G" = 758 / 10" X 25 5/8" To E-5732	3	
4	820562G	STEP TREAD COVERING / CODE "G" = 758 / 10" X 25 1/2" From E-5733	3	
4	5061028	STEP TREAD COVERING / CODE "H" = 630 / 10" X 25 5/8" To E-5732	3	
4	820562H	STEP TREAD COVERING / CODE "H" = 630 / 10" X 25 1/2" From E-5733	3	
4	506895	STEP TREAD COVERING / CODE "I" = 895 / 10" X 25 5/8" To E-5732	3	
4	820562I	STEP TREAD COVERING / CODE "I" = 895 / 10" X 25 1/2" From E-5733	3	
4	5061038	STEP TREAD COVERING / CODE "J" = 466 / 10" X 25 5/8" To E-5732	3	
4	820562J	STEP TREAD COVERING / CODE "J" = 466 / 10" X 25 1/2" From E-5733	3	
4	5060016	STEP TREAD COVERING / CODE "K" = 852 / 10" X 25 5/8" To E-5732	3	
4	820562K	STEP TREAD COVERING / CODE "K" = 852 / 10" X 25 1/2" From E-5733	3	
4	506896	STEP TREAD COVERING / CODE "L" = 975 / 10" X 25 5/8" To E-5732	3	
4	820562L	STEP TREAD COVERING / CODE "L" = 975 / 10" X 25 1/2" From E-5733	3	
4	506897	STEP TREAD COVERING / CODE "Q" = 788 / 10" X 25 5/8" To E-5732	3	
4	820562Q	STEP TREAD COVERING / CODE "Q" = 788 / 10" X 25 1/2" From E-5733	3	
4	5060061	STEP TREAD COVERING / CODE "R" = 411 / 10" X 25 5/8" To E-5732	3	
4	820562R	STEP TREAD COVERING / CODE "R" = 411 / 10" X 25 1/2" From E-5733	3	
NS	680502	TAPE ANTISKID ADH / BLACK / 2" X 60' / 5215	AR	A
		FLOOR COVERING UPPER STEPWELL SECTION / 22" X 46" To H-6179		
		FLOOR COVERING UPPER STEPWELL SECTION / 506MM x 1207MM From H-6180		
5	506926	COVERING / CODE "A" = 702 To H-6179	1	
5	820025A	COVERING / CODE "A" = 702 From H-6180	1	
5	506927	COVERING / CODE "B" = 777 To H-6179	1	
5	820025B	COVERING / CODE "B" = 777 From H-6180	1	
5	506928	COVERING / CODE "C" = 653 To H-6179	1	
5	820025C	COVERING / CODE "C" = 653 From H-6180	1	
5	506929	COVERING / CODE "D" = 747 To H-6179	1	
5	820025D	COVERING / CODE "D" = 747 From H-6180	1	
5	506930	COVERING / CODE "E" = 766 To H-6179	1	
5	820025E	COVERING / CODE "E" = 766 From H-6180	1	
5	506931	COVERING / CODE "F" = 604 To H-6179	1	
5	820025F	COVERING / CODE "F" = 604 From H-6180	1	
5	506932	COVERING / CODE "G" = 758 To H-6179	1	
5	820025G	COVERING / CODE "G" = 758 From H-6180	1	
5	5061029	COVERING / CODE "H" = 630 To H-6179	1	
5	820025H	COVERING / CODE "H" = 630 From H-6180	1	
5	506933	COVERING / CODE "I" = 895 To H-6179	1	

From 7-8754	Date:01/2024	PAGE:X3-1838-05
FLOOR & COVERING - "R.C.A."		

Item#	Part	Description	QTY	Notes
5	820025I	COVERING / CODE "I" = 895 From H-6180	1	
5	5061036	COVERING / CODE "J" = 466 To H-6179	1	
5	820025J	COVERING / CODE "J" = 466 From H-6180	1	
5	5060019	COVERING / CODE "K" = 852 To H-6179	1	
5	820025K	COVERING / CODE "K" = 852 From H-6180	1	
5	506934	COVERING / CODE "L" = 975 To H-6179	1	
5	820025L	COVERING / CODE "L" = 975 From H-6180	1	
5	506935	COVERING / CODE "Q" = 788 To H-6179	1	
5	820025Q	COVERING / CODE "Q" = 788 From H-6180	1	
5	5060062	COVERING / CODE "R" = 411 To H-6179	1	
5	820025R	COVERING / CODE "R" = 411 From H-6180	1	
		FLOOR COVERING DRIVER'S SECTION / 29" X 48 1/2" To H-6179		
		FLOOR COVERING DRIVER'S SECTION / 775MM x 1230MM From H-6180		
6	506898	COVERING / CODE "A" = 702 To H-6179	1	
6	820023A	COVERING / CODE "A" = 702 From H-6180	1	
6	506899	COVERING / CODE "B" = 777 To H-6179	1	
6	820023B	COVERING / CODE "B" = 777 From H-6180	1	
6	506900	COVERING / CODE "C" = 653 To H-6179	1	
6	820023C	COVERING / CODE "C" = 653 From H-6180	1	
6	506901	COVERING / CODE "D" = 747 To H-6179	1	
6	820023D	COVERING / CODE "D" = 747 From H-6180	1	
6	506902	COVERING / CODE "E" = 766 To H-6179	1	
6	820023E	COVERING / CODE "E" = 766 From H-6180	1	
6	506903	COVERING / CODE "F" = 604 To H-6179	1	
6	820023F	COVERING / CODE "F" = 604 From H-6180	1	
6	506904	COVERING / CODE "G" = 758 To H-6179	1	
6	820023G	COVERING / CODE "G" = 758 From H-6180	1	
6	5061029	COVERING / CODE "H" = 630 To H-6179	1	
6	820023H	COVERING / CODE "H" = 630 From H-6180	1	
6	506905	COVERING / CODE "I" = 895 To H-6179	1	
6	820023I	COVERING / CODE "I" = 895 From H-6180	1	
6	5061037	COVERING / CODE "J" = 466 To H-6179	1	
6	820023J	COVERING / CODE "J" = 466 From H-6180	1	
6	5060018	COVERING / CODE "K" = 852 To H-6179	1	
6	820023K	COVERING / CODE "K" = 852 From H-6180	1	
6	506906	COVERING / CODE "L" = 975 To H-6179	1	
6	820023L	COVERING / CODE "L" = 975 From H-6180	1	
6	506907	COVERING / CODE "Q" = 788 To H-6179	1	
6	820023Q	COVERING / CODE "Q" = 788 From H-6180	1	
6	5060063	COVERING / CODE "R" = 411 To H-6179	1	

From 7-8754	Date:01/2024	PAGE:X3-1838-05
FLOOR & COVERING - "R.C.A."		

Item#	Part	Description	QTY	Notes
6	820023R	COVERING / CODE "R" = 411 From H-6180	1	
7	506886	STEP NOSING WHITE / 3" X 27 1/2" To E-5732	1	
7	820564	STEP NOSING WHITE / 3" X 27 3/8" From E-5733	1	
7	506876	STEP NOSING YELLOW / 3" X 27 1/2" To E-5732	1	GR
7	820565	STEP NOSING YELLOW / 3" X 27 3/8" From E-5733	1	GR
8	506887	STEP NOSING WHITE / 3" X 22 1/2"	1	
8	820529	STEP NOSING YELLOW / 3" X 22 1/2"	1	GR
		FLOOR COVERING FOR ENGINE TRAP REAR / 30" X 60" To 8-9276		
		FLOOR COVERING FOR ENGINE TRAP REAR / 30" x 76" From 8-9279 To H-6179		
		FLOOR COVERING FOR ENGINE TRAP REAR / 30 1/2 x 47 1/4" From 8-9279 To H-6179		
		FLOOR COVERING FOR ENGINE TRAP REAR / 960MM X 737MM From H-6180		
10	506457	COVERING / CODE "A" = 702 To 8-9276	1	
10	5061107	COVERING / CODE "A" = 702 R.C.A. RUBBER From 8-9277 To H-6179	1	
10	820167	COVERING / CODE "A" = 702 From 8-9277 To H-6179	1	
10	820602A	COVERING / CODE "A" = 702 From H-6180	1	
10	506458	COVERING / CODE "B" = 777 To 8-9276	1	
10	5061108	COVERING / CODE "B" = 777 From 8-9277 To H-6179	1	
10	820168	COVERING / CODE "B" = 777 From 8-9277 To H-6179	1	
10	820602B	COVERING / CODE "B" = 777 From H-6180	1	
10	506459	COVERING / CODE "C" = 653 To 8-9276	1	
10	5061109	COVERING / CODE "C" = 653 From 8-9277 To H-6179	1	
10	820169	COVERING / CODE "C" = 653 From 8-9277 To H-6179	1	
10	820602C	COVERING / CODE "C" = 653 From H-6180	1	
10	506460	COVERING / CODE "D" = 747 To 8-9276	1	
10	5061110	COVERING / CODE "D" = 747 From 8-9277 To H-6179	1	
10	820170	COVERING / CODE "D" = 747 From 8-9277 To H-6179	1	
10	820602D	COVERING / CODE "D" = 747 From H-6180	1	
10	506461	COVERING / CODE "E" = 766 To 8-9276	1	
10	5061111	COVERING / CODE "E" = 766 From 8-9277 To H-6179	1	
10	820171	COVERING / CODE "E" = 766 From 8-9277 To H-6179	1	
10	820602E	COVERING / CODE "E" = 766 From H-6180	1	
10	506462	COVERING / CODE "F" = 604 To 8-9276	1	
10	5061112	COVERING / CODE "F" = 604 From 8-9277 To H-6179	1	
10	820172	COVERING / CODE "F" = 604 From 8-9277 To H-6179	1	
10	820602F	COVERING / CODE "F" = 604 From H-6180	1	
10	506583	COVERING / CODE "G" = 758 To 8-9276	1	
10	5061113	COVERING / CODE "G" = 758 From 8-9277 To H-6179	1	
10	820173	COVERING / CODE "G" = 758 From 8-9277 To H-6179	1	
10	820602G	COVERING / CODE "G" = 758 From H-6180	1	

From 7-8754		Date:01/2024	PAGE:X3-1838-05
FLOOR & COVERING - "R.C.A."			

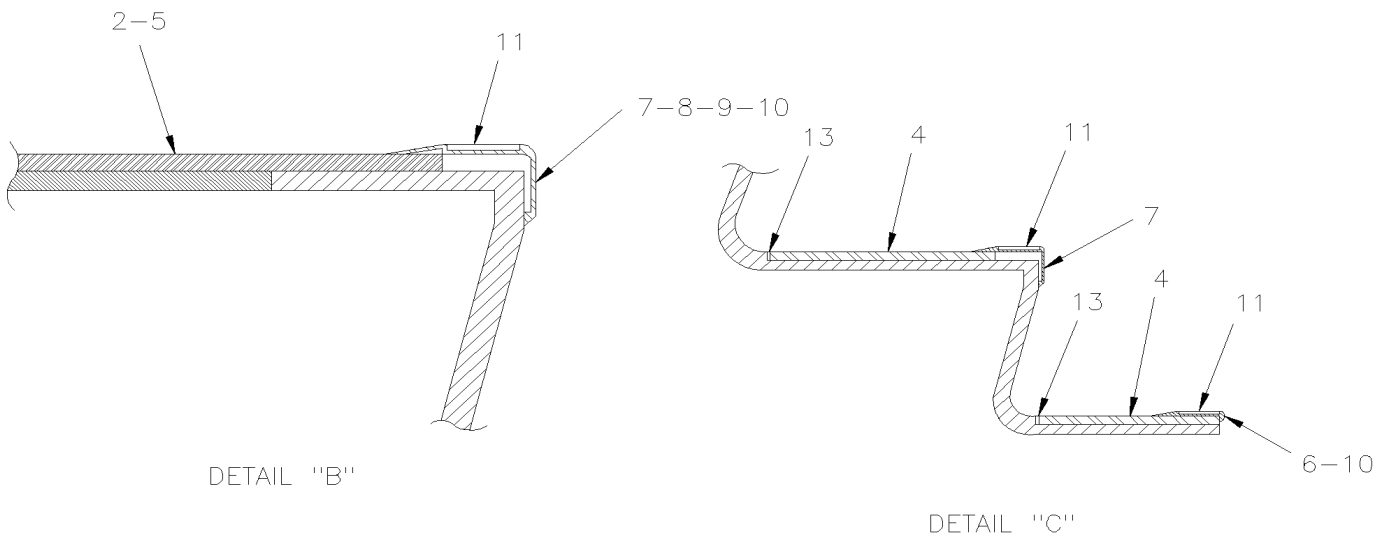
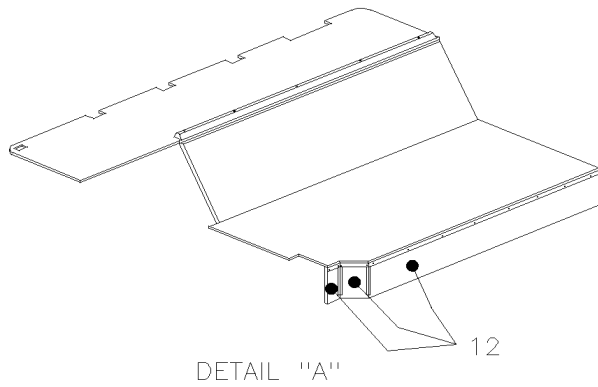
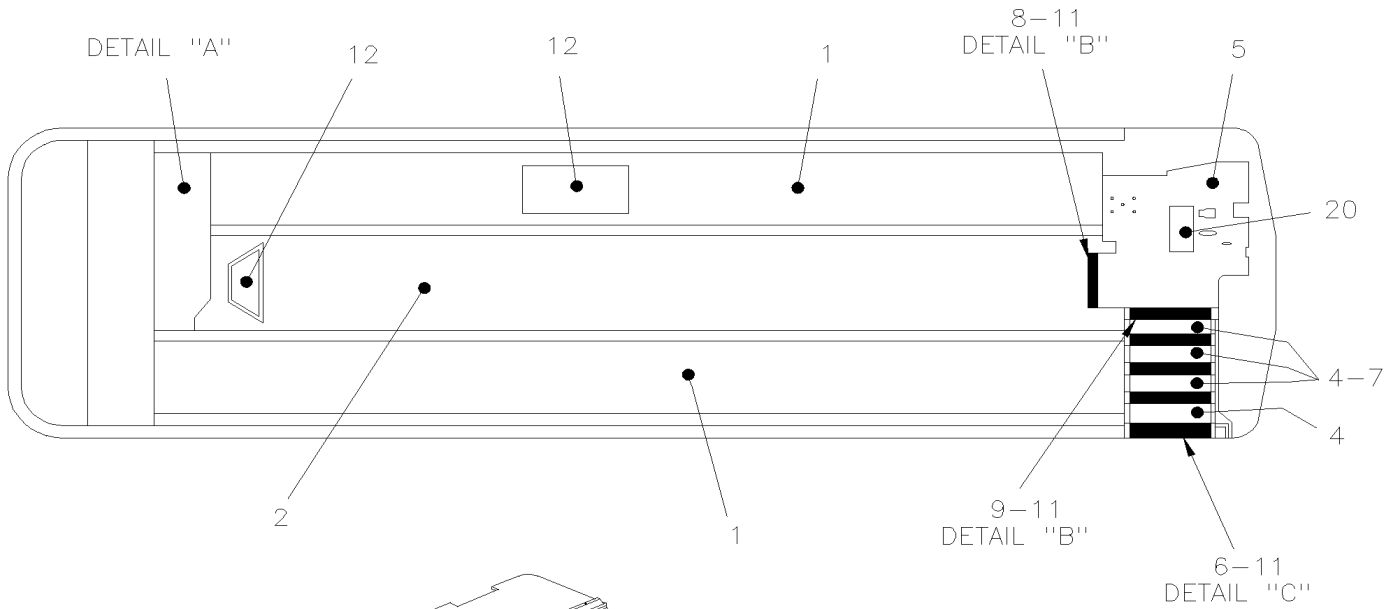
Item#	Part	Description	QTY	Notes
10	5061032	COVERING / CODE "H" = 630 To 8-9276	1	
10	5061114	COVERING / CODE "H" = 630 From 8-9277 To H-6179	1	
10	820174	COVERING / CODE "H" = 630 From 8-9277 To H-6179	1	
10	820602H	COVERING / CODE "H" = 630 From H-6180	1	
10	506495	COVERING / CODE "I" = 895 To 8-9276	1	
10	5061115	COVERING / CODE "I" = 895 From 8-9277 To H-6179	1	
10	820175	COVERING / CODE "I" = 895 From 8-9277 To H-6179	1	
10	820602I	COVERING / CODE "I" = 895 From H-6180	1	
10	5061039	COVERING / CODE "J" = 466 To 8-9276	1	
10	5061116	COVERING / CODE "J" = 466 From 8-9277 To H-6179	1	
10	820176	COVERING / CODE "J" = 466 From 8-9277 To H-6179	1	
10	820602J	COVERING / CODE "J" = 466 From H-6180	1	
10	5060019	COVERING / CODE "K" = 852 To 8-9276	1	
10	5061117	COVERING / CODE "K" = 852 From 8-9277 To H-6176	1	
10	820177	COVERING / CODE "K" = 852 From 8-9277 To H-6179	1	
10	820602K	COVERING / CODE "K" = 852 From H-6180	1	
10	506590	COVERING / CODE "L" = 975 To 8-9276	1	
10	5061118	COVERING / CODE "L" = 975 From 8-9277 To H-6179	1	
10	820178	COVERING / CODE "L" = 975 From 8-9277 To H-6179	1	
10	820602L	COVERING / CODE "L" = 975 From H-6180	1	
10	506661	COVERING / CODE "Q" = 788 To 8-9276	1	
10	5061119	COVERING / CODE "Q" = 788 From 8-9277 To H-6179	1	
10	820179	COVERING / CODE "Q" = 788 From 8-9277 To H-6179	1	
10	820602Q	COVERING / CODE "Q" = 788 From H-6180	1	
10	5061120	COVERING / CODE "R" = 411 From 8-9277 To H-6179	1	
10	820180	COVERING / CODE "R" = 411 From 8-9277 To H-6179	1	
10	820602R	COVERING / CODE "R" = 411 From H-6180	1	
		FLOOR COVERING AIR RETURN SECTION / 700MM X 465MM From H-6180		
12	820018A	COVERING / CODE "A" = 702 From H-6180	1	
12	820018B	COVERING / CODE "B" = 777 From H-6180	1	
12	820018C	COVERING / CODE "C" = 653 From H-6180	1	
12	820018D	COVERING / CODE "D" = 747 From H-6180	1	
12	820018E	COVERING / CODE "E" = 766 From H-6180	1	
12	820018F	COVERING / CODE "F" = 604 From H-6180	1	
12	820018G	COVERING / CODE "G" = 758 From H-6180	1	
12	820018H	COVERING / CODE "H" = 630 From H-6180	1	
12	820018I	COVERING / CODE "I" = 895 From H-6180	1	
12	820018J	COVERING / CODE "J" = 466 From H-6180	1	
12	820018K	COVERING / CODE "K" = 852 From H-6180	1	
12	820018L	COVERING / CODE "L" = 975 From H-6180	1	

From 7-8754	Date:01/2024	PAGE:X3-1838-05
-------------	--------------	-----------------

FLOOR & COVERING - "R.C.A."

Item#	Part	Description	QTY	Notes
12	820018Q	COVERING / CODE "Q" = 788 From H-6180	1	
12	820018R	COVERING / CODE "R" = 411 From H-6180	1	
NS	680028	GLUE / 15LITERS To D-5306	AR	W
NS	688019	GLUE / MAPEI ECO-360 15LITERS From D-5307	AR	W
NS	684654	GLUE CONTACT "SCOTCH-GRIP" / 3M #1357-NEUTRAL 18.9 LITERS	AR	F
NS	684655	GLUE CONTACT "SCOTCH-GRIP" / 3M #1357-NEUTRAL 3.8 LITERS	AR	F
NS	684685	ADHESIVE SIMSON #ISR 70-03 / 310ml CARTRIDGE	AR	F
14	683621	TAPE RUB ADH2 ACRYLIC .045" x 1" x 108' / WHITE 4945	AR	
15	CODE A	#702 R.C.A. LIGHT BLUE		
15	CODE B	#777 R.C.A. LIGHT CREAM		
15	CODE C	#653 R.C.A. LIGHT GREEN		
15	CODE D	#747 R.C.A. LIGHT BROWN		
15	CODE E	#766 R.C.A. DARK GREY		
15	CODE F	#604 R.C.A. BLACK		
15	CODE G	#758 R.C.A. CREAM		
15	CODE H	#630 R.C.A. BROWN		
15	CODE I	#895 R.C.A. RED		
15	CODE J	#602 R.C.A. ORANGE		
15	CODE K	#650 R.C.A. MAGENTA		
15	CODE L	#975 R.C.A. RED		
15	CODE Q	#788 R.C.A. LIGHT GREY		
15	CODE R	#411 R.C.A. LIGHT GREY		
20	329657	PLATE ALUMINUM / DIAMOND THREAD 600MM x 250MM	1	
NS	329660	PLATE ASSY W/NUT (UNDER FLOOR TO FIX DIAM..) 600MM x 250MM	1	
NS	5001626	SCREW MA FL PH 1/4-20x1 3/4 SS	6	
		A) VONLANE OPTION		
		F) TO FIX COVERING ON FIBERGLASS		
		GR) WITH GREYHOUND OPTION		
		W) TO FIX COVERING ON WOOD		

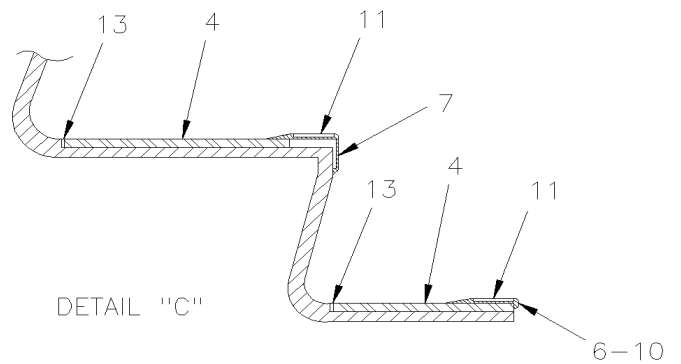
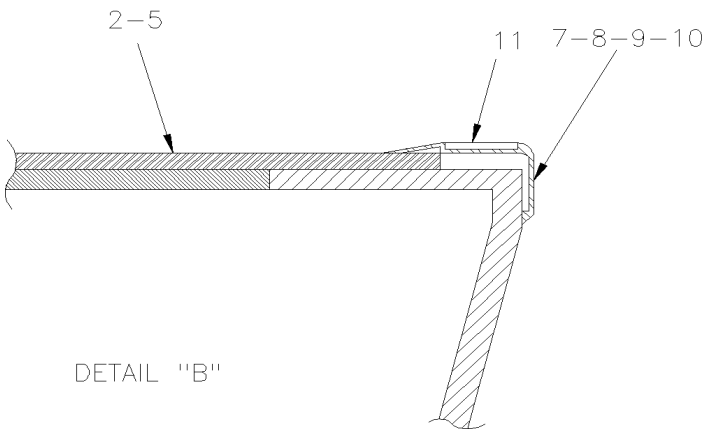
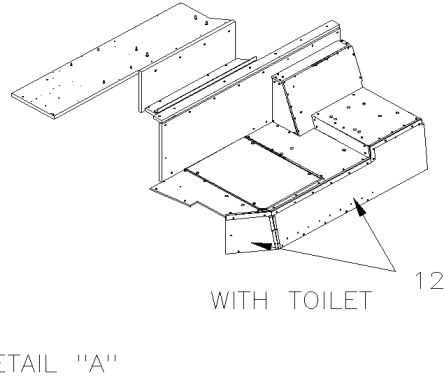
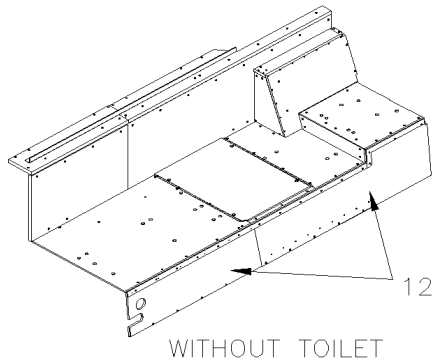
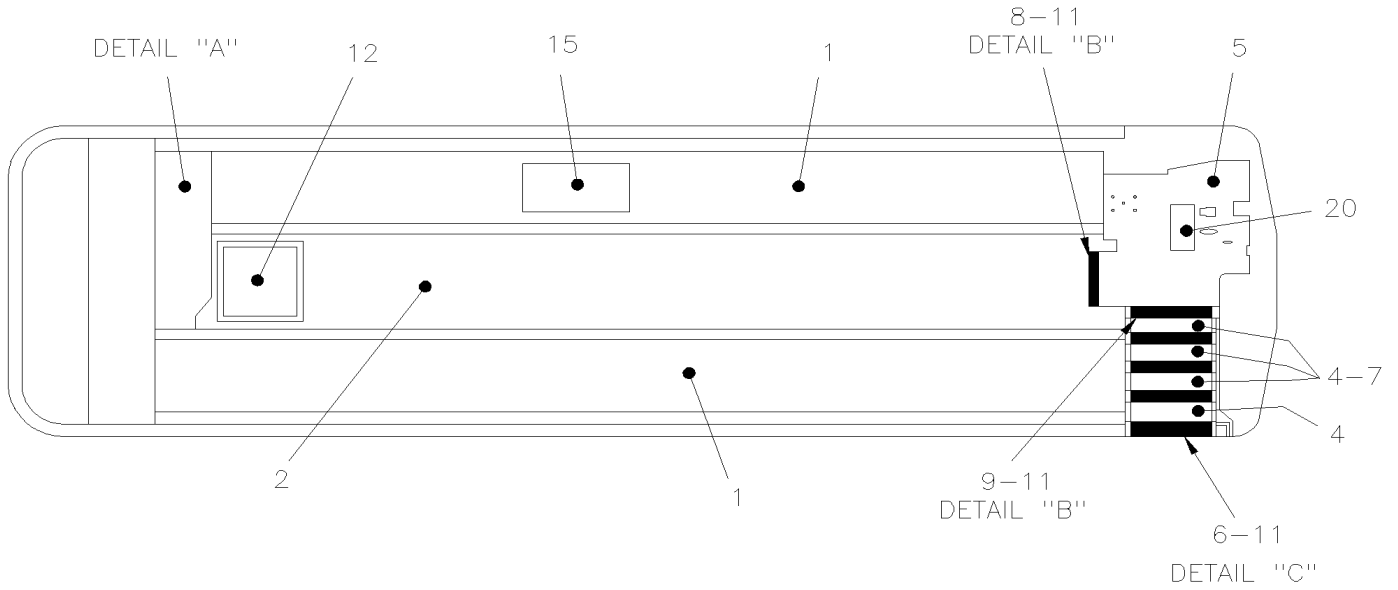
FLOOR COVERING - "TARAFLEX"



UP TO H-6179

FLOOR COVERING - "TARAFLEX"

FROM H-6180



From 7-8754	Date:01/2024	PAGE:X3-1838-10
-------------	--------------	-----------------

FLOOR COVERING - "TARAFLEX"

Item#	Part	Description	QTY	Notes
		FLOOR COVERING SIDE SECTION / 664MM X 11582MM To 9-9642		
		FLOOR COVERING SIDE SECTION / 664MM X 11582MM From 9-9643 To E-5624		
		FLOOR COVERING SIDE SECTION / 664MM X 11938MM From E-5625		
1	506800	COVERING DARK GREY #8780 PEGASUS E To 9-9642	2	
1	820206	COVERING DARK GREY #8780 PEGASUS E From 9-9643	2	
1	506856	COVERING RED #6132 RUBIS I To 9-9642	2	
1	820216	COVERING RED #6132 RUBIS I From 9-9643	2	
1	506841	COVERING LIGHT GREY #8779 CYGNUS Q To 9-9642	2	
1	820220	COVERING LIGHT GREY #8779 CYGNUS Q From 9-9643 To H-6179	2	
1	5061052	COVERING BROWN #8311 SWEDEN R To 9-9642	2	
1	820222	COVERING BROWN #8311 SWEDEN R From 9-9643 To H-6179	2	
1	5061059	COVERING GREY #8731 POLAND S To 9-9642	2	
1	820224	COVERING GREY #8731 POLAND S From 9-9643 To H-6179	2	
1	5061066	COVERING GREEN #8525 CHINA T To 9-9642	2	
1	5061073	COVERING BLUE #8414 EGYPT U To 9-9642	2	
1	820226	COVERING BLUE #8414 EGYPT U From 9-9643	2	
1	5061080	COVERING POUPRE #8720 RUSSIA W To 9-9642	2	
1	5060021	COVERING BLUE #8423 AQUILIA A To 9-9642	2	
1	820192	COVERING BLUE #8423 AQUILIA A From 9-9643 To H-6179	2	
1	328253	COVERING DARK GREY TARABUS #8750 TUCUNA B To 9-9642	2	
1	820196	COVERING DARK GREY TARABUS #8750 TUCUNA B From 9-9643	2	
1	5060007	COVERING LIGHT GREY #6768 GRIFFON C To 9-9642	2	
1	820200	COVERING LIGHT GREY #6768 GRIFFON C From 9-9643 To H-6179	2	
1	5060039	COVERING DARK GREY #6782 URANUS F To 9-9642	2	
1	820210	COVERING DARK GREY #6782 URANUS F From 9-9643 To H-6179	2	
1	5060049	COVERING DARK GREY #6782 SIRIUS G To 9-9642	2	
1	820214	COVERING DARK GREY #6782 SIRIUS G From 9-9643 To H-6179	2	
1	820073	COVERING DARK GREY #8816 SYCAMORE K To 9-9642	2	
1	820218	COVERING DARK GREY #8816 SYCAMORE K From 9-9643 To H-6179	2	
1	5061087	COVERING GREY #8729 NORWAY X To 9-9642	2	
1	820228	COVERING GREY #8729 NORWAY X From 9-9643 To H-6179	2	
1	820084	COVERING MED BLUE #9418 OLYMPE AA To 9-9642	2	
1	820194	COVERING MED BLUE #9418 OLYMPE AA From 9-9643 To H-6179	2	
1	820089	COVERING DARK GREY #9727 ZEPHIR BB To 9-9642	2	
1	820198	COVERING DARK GREY #9727 ZEPHIR BB From 9-9643 To H-6179	2	
1	820096	COVERING DARK GREY URANUS #6727 ANTHRACITE CC To 9-9642	2	
1	820202	COVERING DARK GREY URANUS #6727 ANTHRACITE CC From 9-9643 To H-6179	2	
1	820104	COVERING DARK GREY SIRIUS #6727 ANTHRACITE DD To 9-9642	2	
1	820204	COVERING DARK GREY SIRIUS #6727 ANTHRACITE DD From 9-9643 To H-6179	2	
1	820112	COVERING GREY HELIOS #8333 SCANDIUM EE To 9-9642	2	
1	820208	COVERING GREY HELIOS #8333 SCANDIUM EE From 9-9643 To H-6179	2	

From 7-8754		Date:01/2024	PAGE:X3-1838-10
FLOOR COVERING - "TARAFLEX"			

Item#	Part	Description	QTY	Notes
1	820120	COVERING BLACK JUPITER #8764 ELARA ROT FF To 9-9642	2	
1	820212	COVERING BLACK JUPITER #8764 ELARA ROT FF From 9-9643	2	
1	820503	COVERING BLUE #8813 CEDAR / 664MM X 11582MM JJ	2	
1	820181	COVERING DARK GREY #8820 KOREA HH To 9-9642	2	
1	820411	COVERING LIGHT GREY #1136 CEMENT NN To H-6128	2	
1	820412	COVERING BLUE #0321 CEMENT PP To H-6128	2	
1	820413	COVERING ANTICWOOD #0782 MARRON QQ To E-5624	2	
1	820544QQ	COVERING ANTICWOOD #0782 MARRON QQ From E-5625	2	
1	820414	COVERING ANTICWOOD #0658 SOFT BROWN RR To E-5624	2	
1	820390	COVERING ANTICWOOD #0658 SOFT BROWN RR From E-5625	2	
1	820415	COVERING SHIP #0764 NATURE SS To E-5624	2	
1	820544SS	COVERING SHIP #0764 NATURE SS From E-5625	2	
1	820416	COVERING SHIP #0765 EXOTIC TT To E-5624	2	
1	820544TT	COVERING SHIP #0765 EXOTIC TT From E-5625	2	
1	820513	COVERING HARMONIA #1455 TULIPWOOD From B-5019 To H-6179	2	
1	850522	COVERING HARMONIA #1456 ROSEWOOD From B-5019 To H-6179	1	
1	820546BF	COVERING GAYA MOSAIC #4482 BABEL NT To E-5624	2	
1	820544BF	COVERING GAYA MOSAIC #4482 BABEL NT From E-5625	2	
1	820544BG	COVERING HELIOS #8805 PALLADIUM From K-6439	1	SP
1	820546BD	COVERING TARABUS LUNA #8729 NORWAY NT To E-5624	2	
1	820544BD	COVERING TARABUS LUNA #8729 NORWAY NT / 664MM X 11938MM From E-5625	2	
1	820544BI	COVERING TARABUS APOLLO #4517 FUJI	2	
1	820544BK	COVERING TARABUS GAYA WOOD #4521 YELLOWSTONE	2	
1	820544BKSPECIAL	COVERING TARABUS GAYA WOOD #4521 YELLOWSTONE 298 x 11938 # TO ORDER 820544BK-SPECIAL From K-6451	1	SP
1	820544BP	COVERING TARABUS GAYA WOOD 6057 EVERGLADES	2	
1	820544BQ	COVERING TARABUS GAYA WOOD 8297 YOSEMITE NT	2	
		FLOOR COVERING AISLE SECTION / 924MMX11582MM To 9-9642		
		FLOOR COVERING AISLE SECTION / 916MMX11582MM From 9-9643 To H-6179		
		FLOOR COVERING AISLE SECTION / 916MMX12192MM From H-6180		
2	506801	COVERING DARK GREY #8780 PEGASUS E To 9-9642	1	
2	820207	COVERING DARK GREY #8780 PEGASUS E From 9-9643 To H-6179	1	
2	820015E	COVERING DARK GREY #8780 PEGASUS From H-6180	1	
2	506857	COVERING RED #6132 RUBIS I To 9-9642	1	
2	506848	COVERING RED #6132 RUBIS I To 9-9642	1	
2	820217	COVERING RED #6132 RUBIS I From 9-9643 To H-6179	1	
2	820015I	COVERING RED #6132 RUBIS From H-6180	1	
2	506840	COVERING LIGHT GREY #8779 CYGNUS Q To 9-9642	1	
2	820221	COVERING LIGHT GREY #8779 CYGNUS Q From 9-9643 To H-6179	1	
2	5061053	COVERING BROWN #8311 SWEDEN R To 9-9642	1	
2	820223	COVERING BROWN #8311 SWEDEN R From 9-9643 To H-6179	1	

From 7-8754		Date:01/2024	PAGE:X3-1838-10
FLOOR COVERING - "TARAFLEX"			

Item#	Part	Description	QTY	Notes
2	5061060	COVERING GREY #8731 POLAND S To 9-9642	1	
2	820225	COVERING GREY #8731 POLAND S From 9-9643 To H-6179	1	
2	5061067	COVERING GREEN #8525 CHINA T To 9-9642	1	
2	5061074	COVERING BLUE #8414 EGYPT U To 9-9642	1	
2	820227	COVERING BLUE #8414 EGYPT U From 9-9643 To H-6179	1	
2	820015U	COVERING BLUE #8414 EGYPT From H-6180	1	
2	5061081	COVERING POUPRE #8720 RUSSIA W To 9-9642	1	
2	5060022	COVERING BLUE #8423 AQUILIA A To 9-9642	1	
2	820193	COVERING BLUE #8423 AQUILIA A From 9-9643 To H-6179	1	
2	328254	COVERING DARK GREY TARABUS #8750 TUCUNA B To 9-9642	1	
2	820197	COVERING DARK GREY TARABUS #8750 TUCUNA B From 9-9643 To H-6179	1	
2	820015B	COVERING DARK GREY TARABUS #8750 TUCUNA From H-6180	1	
2	820015BG	COVERING HELIOS #8805 PALLADIUM From K-6439	1	
2	5060008	COVERING LIGHT GREY #6768 GRIFFON C To 9-9642	1	
2	820201	COVERING LIGHT GREY #6768 GRIFFON C From 9-9643 To H-6179	1	
2	5060040	COVERING DARK GREY #6782 URANUS F To 9-9642	1	
2	820211	COVERING DARK GREY #6782 URANUS F From 9-9643 To H-6179	1	
2	5060050	COVERING DARK GREY #6782 SIRIUS G To 9-9642	1	
2	820215	COVERING DARK GREY #6782 SIRIUS G From 9-9643 To H-6179	1	
2	820074	COVERING DARK GREY #8816 SYCAMORE K To 9-9642	1	
2	820219	COVERING DARK GREY #8816 SYCAMORE K From 9-9643 To H-6179	1	
2	5061088	COVERING GREY #8729 NORWAY Q To 9-9642	1	
2	820229	COVERING GREY #8729 NORWAY Q From 9-9643 To H-6179	1	
2	820085	COVERING MED BLUE #9418 OLYMPE AA To 9-9642	1	
2	820195	COVERING MED BLUE #9418 OLYMPE AA From 9-9643 To H-6179	1	
2	820090	COVERING DARK GREY #9727 ZEPHIR BB To 9-9642	1	
2	820199	COVERING DARK GREY #9727 ZEPHIR BB From 9-9643 To H-6179	1	
2	820097	COVERING DARK GREY URANUS #6727 ANTHRACITE CC To 9-9642	1	
2	820203	COVERING DARK GREY URANUS #6727 ANTHRACITE CC From 9-9643 To H-6179	1	
2	820105	COVERING DARK GREY SIRIUS #6727 ANTHRACITE DD To 9-9642	1	
2	820205	COVERING DARK GREY SIRIUS #6727 ANTHRACITE DD From 9-9643 To H-6179	1	
2	820015DD	COVERING DARK GREY SIRIUS #6727 ANTHRACITE DD From H-6180	1	
2	820113	COVERING GREY HELIOS #8333 SCANDIUM EE To 9-9642	1	
2	820209	COVERING GREY HELIOS #8333 SCANDIUM EE From 9-9643 To H-6179	1	
2	820121	COVERING BLACK JUPITER #8764 ELARA ROT FF To 9-9642	1	
2	820213	COVERING BLACK JUPITER #8764 ELARA ROT FF From 9-9643 To H-6179	1	
2	820015FF	COVERING BLACK JUPITER #8764 ELARA ROT From H-6180	1	
2	820504	COVERING BLUE #8813 CEDAR / 916MM X 11582MM JJ To H-6179	1	
2	820015JJ	COVERING BLUE #8813 CEDAR / 916MM X 12192MM From H-6180	1	
2	820182	COVERING DARK GREY #8820 KOREA To 9-9642	1	
2	820417	COVERING LIGHT GREY #1136 CEMENT NN To H-6128	1	
2	820422	COVERING SHIP #0765 EXOTIC TT To A-9897	1	

From 7-8754		Date:01/2024	PAGE:X3-1838-10
FLOOR COVERING - "TARAFLEX"			

Item#	Part	Description	QTY	Notes
2	820502	COVERING SHIP #0765 EXOTIC TT From A-9873 To H-6179	1	
2	820015TT	COVERING SHIP #0765 EXOTIC From H-6180	1	
2	820418	COVERING BLUE #0321 CEMENT PP To H-6179	1	
2	820419	COVERING ANTICWOOD #0782 MARRON QQ To A-9897	1	
2	820499	COVERING ANTICWOOD #0782 MARRON QQ To H-6179	1	
2	820015QQ	COVERING ANTICWOOD #0782 MARRON From H-6180	1	
2	820420	COVERING ANTICWOOD #0658 SOFT BROWN RR From A-9873 To H-6179	1	
2	820500	COVERING ANTICWOOD #0658 SOFT BROWN RR To H-6179	1	
2	820015RR	COVERING ANTICWOOD #0658 SOFT BROWN From H-6180	1	
2	820421	COVERING SHIP #0764 NATURE SS To A-9897	1	
2	820501	COVERING SHIP #0764 NATURE SS From A-9873 To H-6179	1	
2	820015SS	COVERING SHIP #0764 NATURE From H-6180	1	
2	820431	COVERING ANTICWOOD #0782 MARRON QQ To H-6179	1	
2	820514	COVERING HARMONIA #1455 TULIPWOOD From B-5019 To H-6179	1	
2	820523	COVERING HARMONIA #1456 ROSEWOOD From B-5019 To H-6179	1	
2	820547BD	COVERING TARABUS LUNA #8729 NORWAY NT To H-6179	1	
2	820015BD	COVERING TARABUS LUNA #8729 NORWAY NT / 916MM X 12192MM From H-6180	1	
2	820547BF	COVERING GAYA MOSAIC #4482 BABEL NT To H-6179	1	
2	820015BF	COVERING GAYA MOSAIC #4482 BABEL NT From H-6180	1	
2	820547BK	COVERING TARABUS GAYA WOOD #4521 YELLOWSTONE To H-6179	1	
2	820015BK	COVERING TARABUS GAYA WOOD #4521 YELLOWSTONE From H-6180	1	
2	820015BKSPECIAL	COVERING TARABUS GAYA WOOD #4521 YELLOWSTONE 1400MM x 12192MM # TO ORDER 820015BK-SPECIAL From K-6451	1	SP
2	820015BI	COVERING TARABUS APOLLO #4517 FUJI From H-6180	1	
2	820015BP	COVERING TARABUS GAYA WOOD 6057 EVERGLADES From H-6180	1	
2	820015BQ	COVERING GAYA WOOD #8297 YOSEMITE NT From H-6180	1	
		FLOOR COVERING STEP / 246MM X 654MM		
4	506939	COVERING DARK GREY #8780 PEGASUS	4	
4	506943	COVERING RED #6132 RUBIS	4	
4	506947	COVERING LIGHT GREY #8779 CYGNUS	4	
4	506940	COVERING DARK GREY #8780 PEGASUS / 246MM X 651MM To E-5732	4	
4	820561E	COVERING DARK GREY #8780 PEGASUS / 246MM X 649MM From E-5733	4	
4	506944	COVERING RED #6132 RUBIS / 246MM X 651MM To E-5732	4	
4	820561I	COVERING RED #6132 RUBIS / 246MM X 649MM From E-5733	4	
4	506948	COVERING LIGHT GREY #8779 CYGNUS To H-6179	4	
4	5061054	COVERING BROWN #8311 SWEDEN To H-6179	4	
4	5061061	COVERING GREY #8731 POLAND To H-6179	4	
4	5061068	COVERING GREEN #8525 CHINA To 9-9642	4	
4	5061075	COVERING BLUE #8414 EGYPT / 246MM X 651MM To E-5732	4	
4	820561U	COVERING BLUE #8414 EGYPT / 246MM X 649MM From E-5733	1	

From 7-8754	Date:01/2024	PAGE:X3-1838-10
FLOOR COVERING - "TARAFLEX"		

Item#	Part	Description	QTY	Notes
4	5061082	COVERING POUPRE #8720 RUSSIA To 9-9642	4	
4	5060023	COVERING BLUE #8423 AQUILIA To H-6179	4	
4	328255	COVERING DARK GREY TARABUS #8750 TUCUNA / 246MM X 651MM To E-5732	4	
4	820561B	COVERING DARK GREY TARABUS #8750 TUCUNA / 246MM X 649MM From E-5733	4	
4	5060009	COVERING LIGHT GREY #6768 GRIFFON To H-6179	4	
4	5060041	COVERING DARK GREY #6782 URANUS To H-6179	4	
4	5060051	COVERING DARK GREY #6782 SIRIUS To H-6179	4	
4	820075	COVERING DARK GREY #8816 SYCAMORE To H-6179	4	
4	5061089	COVERING GREY #8729 NORWAY To H-6179	4	
4	820086	COVERING MED BLUE #9418 OLYMPE To H-6179	4	
4	820091	COVERING DARK GREY #9727 ZEPHIR To H-6179	4	
4	820098	COVERING DARK GREY URANUS #6727 ANTHRACITE To H-6179	4	
4	820106	COVERING DARK GREY SIRIUS #6727 ANTHRACITE To H-6179	4	
4	820114	COVERING GREY HELIOS #8333 SCANDIUM To H-6179	4	
4	820122	COVERING BLACK JUPITER #8764 ELARA ROT / 246MM X 651MM To E-5732	4	
4	820561FF	COVERING BLACK JUPITER #8764 ELARA ROT / 246MM X 649MM From E-5733	1	
4	820183	COVERING DARK GREY #8820 KOREA	4	
4	820423	COVERING LIGHT GREY #1136 CEMENT / 246MM X 651MM To E-5732	4	
4	820561NN	COVERING LIGHT GREY #1136 CEMENT / 246MM X 649MM From E-5733 To H-6128	1	
4	820424	COVERING BLUE #0321 CEMENT / 246MM X 651MM To E-5732	4	
4	820561PP	COVERING BLUE #0321 CEMENT / 246MM X 649MM From E-5733 To H-6128	1	
4	820425	COVERING ANTICWOOD #0782 MARRON / 246MM X 651MM To E-5732	4	
4	820561QQ	COVERING ANTICWOOD #0782 MARRON / 246MM X 649MM From E-5733	4	
4	820426	COVERING ANTICWOOD #0658 SOFT BROWN / 246MM X 651MM To E-5732	4	
4	820561RR	COVERING ANTICWOOD #0658 SOFT BROWN / 246MM X 649MM From E-5733	4	
4	820427	COVERING SHIP #0764 NATURE / 246MM X 651MM To E-5732	4	
4	820561SS	COVERING SHIP #0764 NATURE / 246MM X 649MM From E-5733	4	
4	820428	COVERING SHIP #0765 EXOTIC / 246MM X 651MM To E-5732	4	
4	820561TT	COVERING SHIP #0765 EXOTIC / 246MM X 649MM From E-5733	4	
4	820505	COVERING BLUE #8813 CEDAR / 246MM X 654MM To E-5732	4	
4	820561JJ	COVERING BLUE #8813 CEDAR / 246MM X 649MM From E-5733	4	
4	820515	COVERING HARMONIA #1455 TULIPWOOD From B-5019	4	
4	820524	COVERING HARMONIA #1456 ROSEWOOD From B-5019	4	
4	820548BD	COVERING #8729 / 246MM X 651MM To E-5732	4	
4	820561BD	COVERING TARABUS LUNA #8729 NORWAY NT / 246MM X 649MM From E-5733	4	
4	820548BF	COVERING GAYA MOSAIC #4482 BABEL NT / 246MM X 651MM To E-5732	4	
4	820561BF	COVERING GAYA MOSAIC #4482 BABEL NT / 246MM X 649MM From E-5733	4	
4	820561BG	COVERING HELIOS #8805 PALLADIUM / 246MM X 649MM From K-6439	1	SP
4	820561BK	COVERING TARABUS GAYA WOOD #4521 YELLOWSTONE / 246MM X 649MM	4	
4	820561BI	COVERING TARABUS APOLLO #4517 FUJI / 246MM X 649MM From H-6180	1	
4	820561BP	COVERING TARABUS GAYA WOOD 6057 EVERGLADES / 246MM X 649MM From H-6180	1	
4	820561BQ	COVERING GAYA WOOD #8297 YOSEMITE NT / 246MM X 649MM From H-6180	1	

From 7-8754		Date:01/2024	PAGE:X3-1838-10
-------------	--	--------------	-----------------

FLOOR COVERING - "TARAFLEX"

Item#	Part	Description	QTY	Notes
4	820534	COVERING BLUE #8813 CEDAR / 210MM X 651MM	4	A
4	820354BD	COVERING GREY #8729 NORWAY / 210MM X 651MM	4	A
		FLOOR COVERING UPPER STEPWELL / 1230MM X 1345MM		
5	506942	COVERING DARK GREY #8780 PEGASUS To H-6179	1	
5	820599E	COVERING DARK GREY #8780 PEGASUS From H-6180	1	
5	506946	COVERING RED #6132 RUBIS To H-6179	1	
5	820599I	COVERING RED #6132 RUBIS From H-6180	1	
5	506950	COVERING LIGHT GREY #8779 CYGNUS To H-6179	1	
5	5061055	COVERING BROWN #8311 SWEDEN To H-6179	1	
5	5061062	COVERING GREY #8731 POLAND To H-6179	1	
5	5061069	COVERING GREEN #8525 CHINA To 9-9642	1	
5	5061076	COVERING BLUE #8414 EGYPT To H-6179	1	
5	820599U	COVERING BLUE #8414 EGYPT From H-6180	1	
5	5061083	COVERING POUPRE #8720 RUSSIA To 9-9642	1	
5	5060024	COVERING BLUE #8423 AQUILIA To H-6179	1	
5	328256	COVERING DARK GREY TARABUS #8750 TUCUNA To H-6179	1	
5	820599B	COVERING DARK GREY TARABUS #8750 TUCUNA From H-6180	1	
5	5060010	COVERING LIGHT GREY #6768 GRIFFON To H-6179	1	
5	5060042	COVERING DARK GREY #6782 URANUS To H-6179	1	
5	5060052	COVERING DARK GREY #6782 SIRIUS To H-6179	1	
5	5061090	COVERING GREY #8729 NORWAY To H-6179	1	
5	820087	COVERING MED BLUE #9418 OLYMPE To H-6179	1	
5	820092	COVERING DARK GREY #9727 ZEPHIR To H-6179	1	
5	820099	COVERING DARK GREY URANUS #6727 ANTHRACITE To H-6179	1	
5	820107	COVERING DARK GREY SIRIUS #6727 ANTHRACITE To H-6179	1	
5	820115	COVERING GREY HELIOS #8333 SCANDIUM To H-6179	1	
5	820123	COVERING BLACK JUPITER #8764 ELARA ROT To H-6179	1	
5	820599FF	COVERING BLACK JUPITER #8764 ELARA ROT From H-6180	1	
5	820184	COVERING DARK GREY #8820 KOREA To H-6179	1	
5	820429	COVERING LIGHT GREY #1136 CEMENT To H-6128	1	
5	820430	COVERING BLUE #0321 CEMENT To H-6128	1	
5	820431	COVERING ANTICWOOD #0782 MARRON To H-6179	1	
5	820599QQ	COVERING ANTICWOOD #0782 MARRON From H-6180	1	
5	820432	COVERING ANTICWOOD #0658 SOFT BROWN To H-6179	1	
5	820599RR	COVERING ANTICWOOD #0658 SOFT BROWN From H-6180	1	
5	820433	COVERING SHIP #0764 NATURE To H-6179	1	
5	820599SS	COVERING SHIP #0764 NATURE From H-6180	1	
5	820434	COVERING SHIP #0765 EXOTIC To H-6179	1	
5	820599TT	COVERING SHIP #0765 EXOTIC From H-6180	1	
5	820506	COVERING BLUE #8813 CEDAR / 1230MM X 1355MM To H-6179	1	

From 7-8754	Date:01/2024	PAGE:X3-1838-10
FLOOR COVERING - "TARAFLEX"		

Item#	Part	Description	QTY	Notes
5	820599JJ	COVERING BLUE #8813 CEDAR From H-6180	1	
5	820516	COVERING HARMONIA #1455 TULIPWOOD From B-5019 To H-6179	1	
5	820525	COVERING HARMONIA #1456 ROSEWOOD From B-5019 To H-6179	1	
5	820549BD	COVERING TARABUS LUNA #8729 NORWAY NT To H-6179	1	
5	820599BD	COVERING TARABUS LUNA #8729 NORWAY NT From H-6180	1	
5	820549BF	COVERING GAYA MOSAIC #4482 BABEL NT To H-6179	1	
5	323095BG	COVERING HELIOS #8805 PALLADIUM / 1168MM X 1345MM From K-6439	1	SP
5	820599BF	COVERING GAYA MOSAIC #4482 BABEL NT From H-6180	1	
5	820549BK	COVERING TARABUS GAYA WOOD #4521 YELLOWSTONE To H-6179	1	
5	820599BK	COVERING TARABUS GAYA WOOD #4521 YELLOWSTONE From H-6180	1	
5	820599BI	COVERING TARABUS APOLLO #4517 FUJI From H-6180	1	
5	820506BD	COVERING TARABUS LUNA #8729 NORWAY NT / 1230MM X 1355MM To H-6179	1	
5	820600BD	COVERING TARABUS LUNA #8729 NORWAY NT From H-6180	1	
5	820599BG	COVERING TARABUS HELIOS #8805 PALLADIUM NT	1	
5	820599BP	COVERING TARABUS GAYA WOOD 6057 EVERGLADES From H-6180	1	
5	820599BQ	COVERING GAYA WOOD #8297 YOSEMITE NT From H-6180	1	
5	820599BS	COVERING TARABUS HARMONIA SHIP #0766 TROPICAL	1	
6	506936	EXTRUSION "STEPBUS" 652MM To E-5732	1	
6	3201190	EXTRUSION "STEPBUS" 650MM From E-5733	1	
7	506937	EXTRUSION "STEPBUS" 654MM To E-5732	3	
7	3201188	EXTRUSION "STEPBUS" 650MM From E-5733	3	
8	506938	EXTRUSION "STEPBUS" 565MM	1	
9	5061023	EXTRUSION "STEPBUS" 700MM To E-5732	1	
9	3201189	EXTRUSION "STEPBUS" 694MM From E-5733	1	
10	500614	SCREW TP FL PH #6x3/4 Z050	AR	
11	506808	WHITE STRIP "STEPBUS" 34MM x 1490MM / BOX OF 20	1	
11	5061033	WHITE STRIP "STEPBUS" 34MM x 1490MM / BOX OF 20	1	
11	5061280	WHITE STRIP "STEPBUS" 34MM x 1490MM / EACH	1	
11	820530	YELLOW STRIP "STEPBUS" 34MM x 1490MM	1	
NS	680502	TAPE ANTISKID ADH / BLACK / 2" X 60' / 5215	AR	B
		FLOOR COVERING / 762MM X 1924MM To H-6179		
		FLOOR COVERING / 960MM X 737MM From H-6180		
		FLOOR COVERING W/OUT LAVATORY / 860MM X 1116MM		
12	5061100	COVERING LIGHT GREY #8779 CYGNUS To H-6179	1	
12	5061096	COVERING DARK GREY #8780 PEGASUS To H-6179	1	
12	820139E	COVERING DARK GREY #8780 PEGASUS From H-6180	1	
12	5061099	COVERING RED #6132 RUBIS To H-6179	1	
12	820139I	COVERING RED #6132 RUBIS From H-6180	1	
12	5061101	COVERING BROWN #8311 SWEDEN To H-6179	1	

From 7-8754	Date:01/2024	PAGE:X3-1838-10
FLOOR COVERING - "TARAFLEX"		

Item#	Part	Description	QTY	Notes
12	5061102	COVERING GREY #8731 POLAND To H-6179	1	
12	5061103	COVERING GREEN #8525 CHINA To 9-9642	1	
12	5061104	COVERING BLUE #8414 EGYPT To H-6179	1	
12	820139U	COVERING BLUE #8414 EGYPT From H-6180	1	
12	5061105	COVERING POUPRE #8720 RUSSIA To H-6179	1	
12	5061094	COVERING BLUE #8423 AQUILIA To H-6179	1	
12	820052	COVERING DARK GREY TARABUS #8750 TUCUNA To H-6179	1	
12	820139B	COVERING DARK GREY TARABUS #8750 TUCUNA From H-6180	1	
12	5061095	COVERING LIGHT GREY #6768 GRIFFON To H-6179	1	
12	5061097	COVERING DARK GREY #6782 URANUS To H-6179	1	
12	5061098	COVERING DARK GREY #6782 SIRIUS To H-6179	1	
12	5061106	COVERING GREY #8729 NORWAY To H-6179	1	
12	820088	COVERING MED BLUE #9418 OLYMPE To H-6179	1	
12	820093	COVERING DARK GREY #9727 ZEPHIR To H-6179	1	
12	820100	COVERING DARK GREY URANUS #6727 ANTHRACITE To H-6179	1	
12	820108	COVERING DARK GREY SIRIUS #6727 ANTHRACITE To H-6179	1	
12	820139DD	COVERING DARK GREY SIRIUS #6727 ANTHRACITE From H-6180	1	
12	820116	COVERING GREY HELIOS #8333 SCANDIUM To H-6179	1	
12	820124	COVERING BLACK JUPITER #8764 ELARA ROT To H-6179	1	
12	820139FF	COVERING BLACK JUPITER #8764 ELARA ROT From H-6180	1	
12	820185	COVERING DARK GREY #8820 KOREA To H-6179	1	
12	820435	COVERING LIGHT GREY #1136 CEMENT To H-6128	1	
12	820436	COVERING BLUE #0321 CEMENT To H-6128	1	
12	820437	COVERING ANTICWOOD #0782 MARRON To H-6179	1	
12	820139QQ	COVERING ANTICWOOD #0782 MARRON From H-6180	1	
12	820438	COVERING ANTICWOOD #0658 SOFT BROWN To H-6179	1	
12	820139RR	COVERING ANTICWOOD #0658 SOFT BROWN From H-6180	1	
12	820439	COVERING SHIP #0764 NATURE To H-6179	1	
12	820139SS	COVERING SHIP #0764 NATURE From H-6180	1	
12	820440	COVERING SHIP #0765 EXOTIC To H-6179	1	
12	820139TT	COVERING SHIP #0765 EXOTIC From H-6180	1	
12	820507	COVERING BLUE #8813 CEDAR To H-6179	1	
12	820139JJ	COVERING BLUE #8813 CEDAR From H-6180	1	
12	820517	COVERING HARMONIA #1455 TULIPWOOD From B-5019 To H-6179	1	
12	820526	COVERING HARMONIA #1456 ROSEWOOD From B-5019 To H-6179	1	
12	820552	COVERING TARABUS LUNA #8729 NORWAY NT To H-6179	1	
12	820550BD	COVERING TARABUS LUNA #8729 NORWAY NT To H-6179	1	
12	820139BD	COVERING TARABUS LUNA #8729 NORWAY NT From H-6180	1	
12	Call order desk	COVERING GAYA MOSAIC #4482 BABEL NT To H-6179	1	P
12	820139BF	COVERING GAYA MOSAIC #4482 BABEL NT From H-6180	1	
12	820139BG	COVERING TARABUS HELIOS #8805 PALLADIUM NT	1	
12	3201329BG	COVERING HELIOS #8805 PALLADIUM From K-6439	1	SP

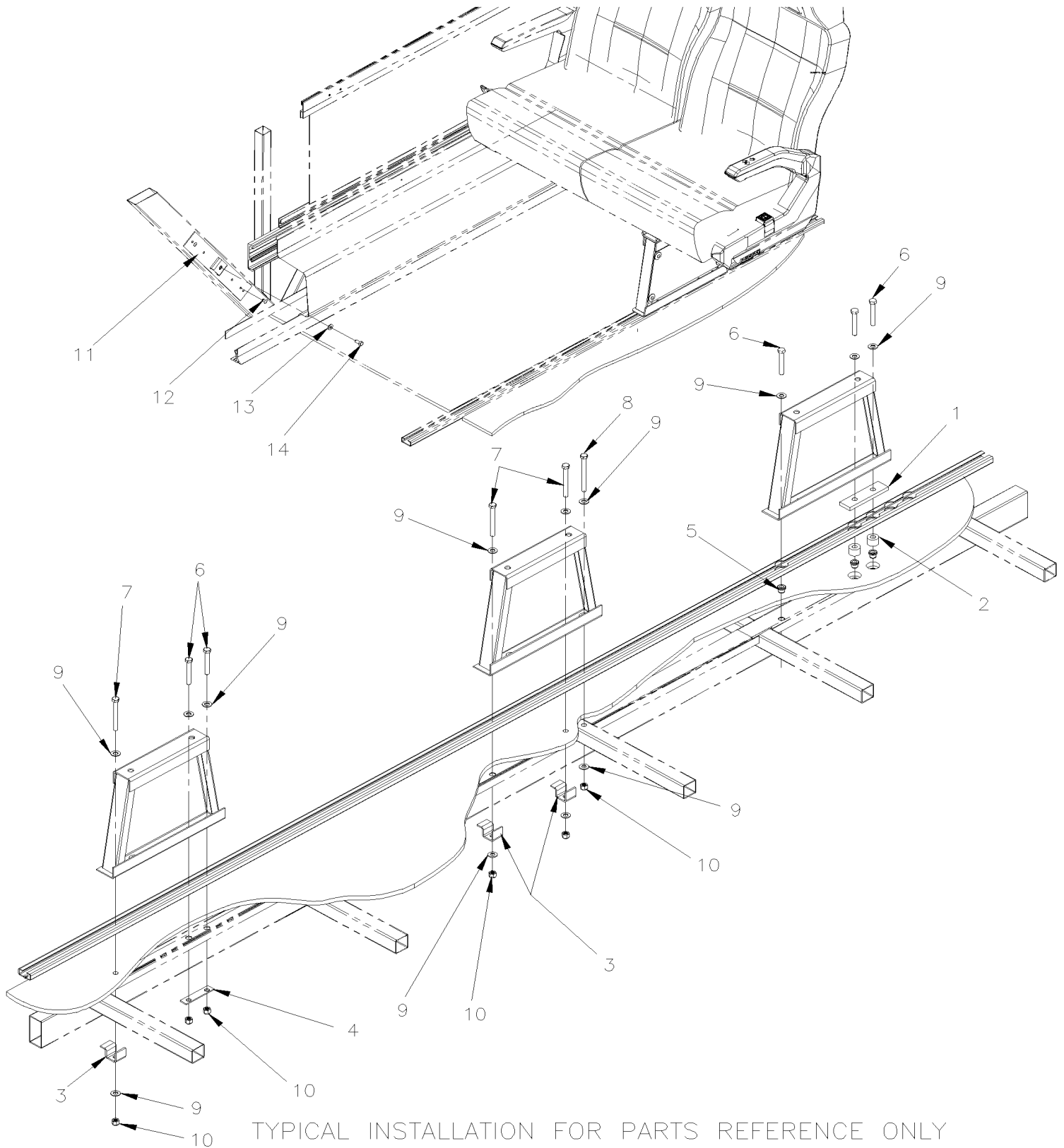
From 7-8754		Date:01/2024	PAGE:X3-1838-10
FLOOR COVERING - "TARAFLEX"			

Item#	Part	Description	QTY	Notes
12	820139BI	COVERING TARABUS APOLLO #4517 FUJI From H-6180	1	
12	820139BK	COVERING TARABUS GAYA WOOD #4521 YELLOWSTONE From H-6180	1	
12	820139BP	COVERING TARABUS GAYA WOOD 6057 EVERGLADES From H-6180	1	
12	820139BQ	COVERING GAYA WOOD #8297 YOSEMITE NT From H-6180	1	
12	820139BS	COVERING TARABUS HARMONIA SHIP #0766 TROPICAL	1	
12	820601BD	COVERING TARABUS LUNA #8729 NORWAY NT / 860MM X 1116MM From H-6180	1	C
13	684685	ADHESIVE SIMSON #ISR 70-03 / 310ml CARTRIDGE To E-5585	AR	
13	684517	ADHESIVE SIMSON #ISR 70-03 / GREY / 310ml CARTRIDGE From E-5586	AR	
		FLOOR COVERING AIR RETURN SECTION / 700 X 465 MM From H-6180		
15	820017B	COVERING DARK GREY TARABUS #8750 TUCUNA From H-6180	1	
15	820017E	COVERING DARK GREY #8780 PEGASUS From H-6180	1	
15	820017I	COVERING RED #6132 RUBIS From H-6180	1	
15	820017U	COVERING BLUE #8414 EGYPT From H-6180	1	
15	820017BD	COVERING TARABUS LUNA #8729 NORWAY NT / 700MM X 465MM From H-6180	1	
15	820017BG	COVERING TARABUS HELIOS #8805 PALLADIUM NT From H-6180	1	
15	323214BG	COVERING HELIOS #8805 PALLADIUM From K-6439	1	SP
15	820017BI	COVERING TARABUS APOLLO #4517 FUJI From H-6180	1	
15	820017BK	COVERING TARABUS GAYA WOOD #4521 YELLOWSTONE From H-6180	1	
15	820017BP	COVERING TARABUS GAYA WOOD 6057 EVERGLADES From H-6180	1	
15	820017BQ	COVERING GAYA WOOD #8297 YOSEMITE NT From H-6180	1	
15	820017BS	COVERING TARABUS HARMONIA SHIP #0766 TROPICAL From H-6180	1	
15	820017DD	COVERING DARK GREY SIRIUS #6727 ANTHRACITE From H-6180	1	
15	820017FF	COVERING BLACK JUPITER #8764 ELARA ROT From H-6180	1	
15	820017JJ	COVERING BLUE #8813 CEDAR / 700MM X 465MM From H-6180	1	
15	820017QQ	COVERING ANTICWOOD #0782 MARRON From H-6180	1	
15	820017RR	COVERING ANTICWOOD #0658 SOFT BROWN From H-6180	1	
15	820017SS	COVERING SHIP #0764 NATURE From H-6180	1	
15	820017TT	COVERING SHIP #0765 EXOTIC From H-6180	1	
NS	680031	GLUE / 1LITER	1	W
NS	680028	GLUE / 15LITERS To D-5306	1	W
18	688019	GLUE / MAPEI ECO-360 15LITERS From D-5307	1	W
NS	684654	GLUE CONTACT "SCOTCH-GRIP" / 3M #1357-NEUTRAL 18.9 LITERS	AR	F
NS	684655	GLUE CONTACT "SCOTCH-GRIP" / 3M #1357-NEUTRAL 3.8 LITERS	AR	F
NS	684685	ADHESIVE SIMSON #ISR 70-03 / 310ml CARTRIDGE	AR	F
NS	684517	ADHESIVE SIMSON #ISR 70-03 / GREY / 310ml CARTRIDGE	4	

From 7-8754	Date:01/2024	PAGE:X3-1838-10
FLOOR COVERING - "TARAFLEX"		

Item#	Part	Description	QTY	Notes
NS	680096	SEALANT BUTYL ALUM / GREY / 310ml CARTRIDGE To R-4035	AR	
NS	685440	GLUE ADBOND 1502 WHITE, SAUSAGE 600ML From R-4036	AR	
20	329657	PLATE ALUMINUM / DIAMOND THREAD 600MM x 250MM	1	
NS	329660	PLATE ASSY W/NUT (UNDER FLOOR TO FIX DIAM..) 600MM x 250MM	1	
NS	5001626	SCREW MA FL PH 1/4-20x1 3/4 SS	6	
		A) USE WITH BI-FOLD DOOR		
		B) VONLANE OPTION		
		C) WITHOUT LAVATORY		
		F) TO FIX COVERING ON FIBERGLASS		
		SP) SPECIAL OPTION		
		W) TO FIX COVERING ON WOOD		
		P) CALL ORDER DESK FOR SPECIFIC APPLICATION (V.I.N.)		

RETROFIT ANCHOR SEAT 3/POINTS SAFETY BELT



TYPICAL INSTALLATION FOR PARTS REFERENCE ONLY

From 7-8754 To 9-9642	Date:01/2024	PAGE:X3-1838-99R
-----------------------	--------------	------------------

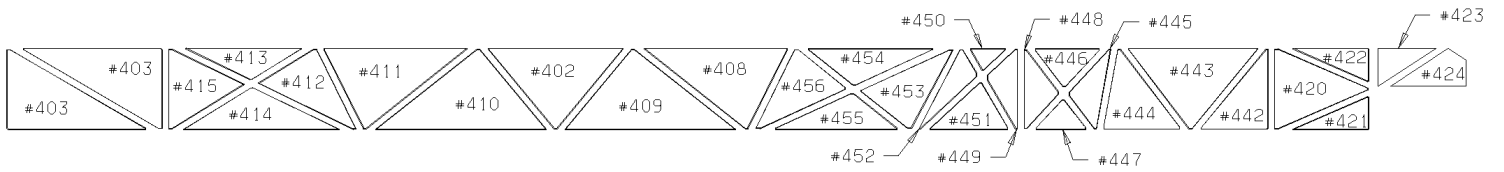
RETROFIT ANCHOR SEAT 3/POINTS SAFETY BELT

Item#	Part	Description	QTY	Notes
	 "WARNING" - "WARNING" - "WARNING"		
		BEFORE TO DO THIS YOU REQUIRE TO CHANGE		
		ALLS PASSENGER'S SEAT WITH 3/POINTS BELT		
		AND THEY ARE NOT INCLUD IN KIT		
		PLEASE CALL SERVICE		
	364290	KIT, RETROFIT 3/POINTS SAFETY BELT		
	364291	KIT, RETROFIT 3/POINTS SAFETY BELT / W/ W.C.L.		
	364292	KIT, RETROFIT 3/POINTS SAFETY BELT REAR SEAT To 8-9276		
	364293	KIT, RETROFIT 3/POINTS SAFETY BELT REAR SEAT From 8-9277	1	
1	323157	. RETAINING PLATE / W2 HOLES ST 150MMx31.8MMx3/8"	30	
NS	323030	. RETAINING PLATE / W2 HOLES ST 118MMx31.8MMx1/8"	4	
2	323193	. SPACER RAIL / 17.5MM x 25.4 ODx 11.1MM ID	60	
5	5001819	. RIVET NUT FL OKS 3/8-16 .047-.150 ZP	32	
6	5001821	. SCREW CAP HEX 3/8-16x2 1/2 G8 N500	90	
7	5001822	. SCREW CAP HEX 3/8-16x3 1/4 G8 N500	10	
9	500832	. WASHER FL .406x.812x.065 N500	152	
10	5001823	. NUT HEX NYRT 3/8-16 G8 Z050	42	
11	232092	. SUPPORT SINGLE ASSY 400MM x57MM	7	
12	504459	. RIVET MGLP PRDG 1/4x3/8 SS	36	
13	500441	. WASHER FL .312x.734x.065 Z050	9	
14	5001473	. SCREW CAP HEXS 5/16-18x3/4 NYRT	9	
15	680532	. SEALANT SIKA #221 / GREY / 310ml CARTRIDGE	2	
15	684517	. ADHESIVE SIMSON #ISR 70-03 / GREY / 310ml CARTRIDGE	2	
16	D210228	. DIAGRAM INSTALLATION	1	
NS	218469	ANGLE FLOOR REINFORCMENT W/W.C.L.	1	
NS	218470	ANGLE FLOOR REINFORCMENT W/W.C.L.	2	
NS	218473	ANGLE FLOOR REINFORCMENT W/W.C.L.	1	
NS	218474	ANGLE FLOOR REINFORCMENT W/W.C.L.	3	
NS	218475	ANGLE FLOOR REINFORCMENT W/W.C.L.	1	
26	218476	ANGLE FLOOR REINFORCMENT W/W.C.L.	1	
NS	216442	SEAT TRACK 3640MM	4	
NS	322246	SEAT STOPPER BLOCK 100MM x 31.75MM	AR	
NS	329177	SEAT STOPPER BLOCK 275MM x 31.75MM	AR	
31	3200521	SEAT STOPPER 95MM x 31.75MM	AR	
NS	329689	SEAT TRACK COVER 12' / EACH SEAT / W/COVERING FLOOR	AR	
NS	329994	SEAT STOPPER 56MM x 31.75MM	AR	
NS	218471	SCREW CAP HEX / WITH THIN HEAD 3/8-16x1 3/4 G8 N500	16	
NS	5001824	. SCREW CAP HEX 3/8-16x1 3/4 G8 N500	1	
NS	218472	SCREW CAP HEX / WITH THIN HEAD 3/8-16x1 G8 N500	18	

From 7-8754 To 9-9642	Date:01/2024	PAGE:X3-1838-99R
RETROFIT ANCHOR SEAT 3/POINTS SAFETY BELT		

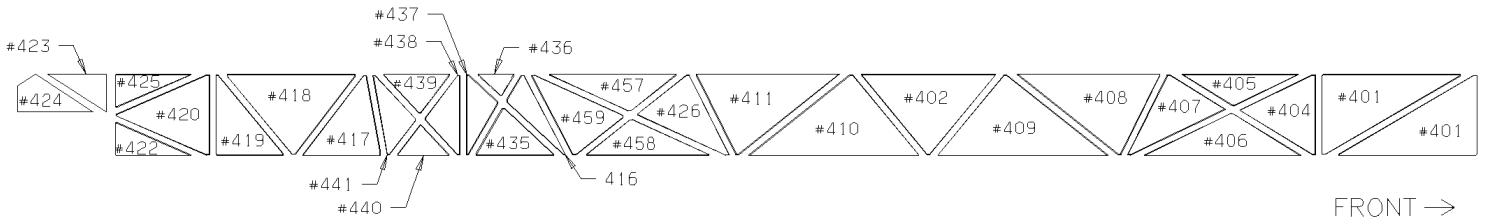
Item#	Part	Description	QTY	Notes
. NS	5001825	. SCREW CAP HEX 3/8-16x1 G8 N500	1	
NS	5001821	SCREW CAP HEX 3/8-16x2 1/2 G8 N500	87	
NS	5001820	RIVET NUT FL OKS 3/8-16 .043-.312 ZP	40	
NS	323137	KIT PANEL REAR SEAT To 8-9276	1	
NS	323138	KIT PANEL REAR SEAT From 8-9277	1	
NS	364281	SPACER PLATE W/NUTS 455MM x 325MM x 96MM To 8-9276	1	
NS	364282	SUPPORT SEAT W/NUTS 881MM x 339MM x 31MM To 8-9276	1	
NS	364283	SUPPORT SEAT R.H. W/NUTS 355MM x 233MM To 8-9276	1	
NS	364284	ATTACHMENT W/1 NUT 76.2MM x 50.8MM To 8-9276	1	
NS	364285	ATTACHMENT W/2 NUTS 200MM x 25.4MM To 8-9276	1	
NS	364285	ATTACHMENT W/2 NUTS 200MM x 25.4MM From 8-9277	3	
NS	364286	ATTACHMENT W/3 NUTS 316MM x 25.4MM To 8-9276	2	
NS	364286	ATTACHMENT W/3 NUTS 316MM x 25.4MM From 8-9277	1	
NS	364296	SUPPORT SEAT L.H. W/NUTS 266MM x 169MM From 8-9277	1	
NS	364294	SUPPORT SEAT W/NUTS 390MM x 355MM From 8-9277	1	
NS	364295	SUPPORT SEAT L.H. W/NUTS	1	
50	5001734	NUT HEX 7/16-20 G8 N500	3	
51	5001735	SCREW CAP HEX 7/16-20x1 3/4 G8 G500	10	
51	5001735	SCREW CAP HEX 7/16-20x1 3/4 G8 G500	12	
52	500445	WASHER FL .437x1.000x.083 Z050	3	
53	500487	WASHER LO SPT .443x.779x.109 N500	26	
53	500487	WASHER LO SPT .443x.779x.109 N500	24	
54	500594	SCREW CAP HEX 7/16-20x1 1/4 G8 N500	16	
54	500594	SCREW CAP HEX 7/16-20x1 1/4 G8 N500	12	
55	500897	WASHER FL .437x1.000x.083 N500	14	
55	500897	WASHER FL .437x1.000x.083 N500	12	
56	364297	JIG FOR DRILLING POSITION 720MM x 350MM ALUMINUM	1	

From 7-8754 To B-5001	Date:01/2024	PAGE:X3-1839-00
INSULATING SIDE WALL - LOWER PANEL		



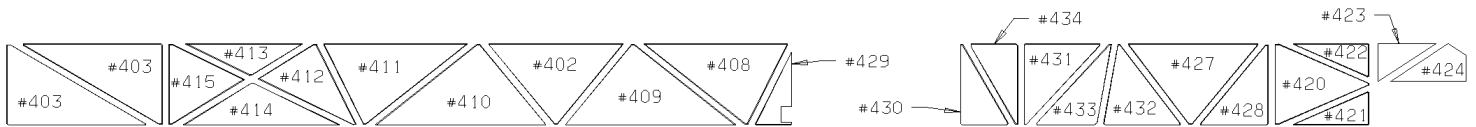
← FRONT

BUS RIGHT SIDE



FRONT →

BUS LEFT SIDE



← FRONT

BUS RIGHT SIDE W.C

From 7-8754 To B-5001	Date:01/2024	PAGE:X3-1839-00
-----------------------	--------------	-----------------

INSULATING SIDE WALL - LOWER PANEL

Item#	Part	Description	QTY	Notes
	351598	KIT INSULATING PANEL L.H. WALL To 8-9276	1	
	351753	KIT INSULATING PANEL L.H. WALL From 8-9277	1	
	351615	KIT INSULATING PANEL R.H. WALL	1	
	351589	KIT INSULATING PANEL R.H. WALL / W/W.C.L.	1	
401	351107	SIDE INSULATION PANEL	2	
402	351108	SIDE INSULATION PANEL	2	
403	351503	SIDE INSULATION PANEL	2	
404	351110	SIDE INSULATION PANEL	1	
405	351111	SIDE INSULATION PANEL	1	
406	351112	SIDE INSULATION PANEL	1	
407	351113	SIDE INSULATION PANEL	1	
408	351114	SIDE INSULATION PANEL	2	
409	351115	SIDE INSULATION PANEL	2	
410	351116	SIDE INSULATION PANEL	2	
411	351117	SIDE INSULATION PANEL	2	
412	351118	SIDE INSULATION PANEL	1	
413	351119	SIDE INSULATION PANEL	1	
414	351120	SIDE INSULATION PANEL	1	
415	351121	SIDE INSULATION PANEL	1	
416	351603	SIDE INSULATION PANEL	1	
417	351611	SIDE INSULATION PANEL	1	
418	351612	SIDE INSULATION PANEL	1	
419	351613	SIDE INSULATION PANEL	1	
420	351126	SIDE INSULATION PANEL	2	
421	351127	SIDE INSULATION PANEL	1	
422	351128	SIDE INSULATION PANEL	2	
423	350949	SIDE INSULATION PANEL	2	
424	350950	SIDE INSULATION PANEL	2	
425	351124	SIDE INSULATION PANEL	1	
426	351599	SIDE INSULATION PANEL	1	
427	351591	SIDE INSULATION PANEL	2	
428	351590	SIDE INSULATION PANEL	1	
429	351136	SIDE INSULATION PANEL	1	
430	351596	SIDE INSULATION PANEL	1	
431	351594	SIDE INSULATION PANEL	1	
432	351592	SIDE INSULATION PANEL	1	
433	351593	SIDE INSULATION PANEL	1	
434	351595	SIDE INSULATION PANEL	1	
435	351604	SIDE INSULATION PANEL	1	
436	351605	SIDE INSULATION PANEL	1	
437	351606	SIDE INSULATION PANEL	1	

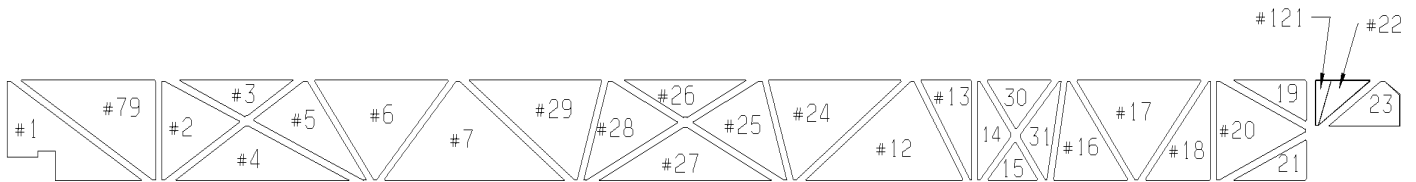
From 7-8754 To B-5001	Date:01/2024	PAGE:X3-1839-00
INSULATING SIDE WALL - LOWER PANEL		

Item#	Part	Description	QTY	Notes
438	351607	SIDE INSULATION PANEL	1	
439	351608	SIDE INSULATION PANEL	1	
440	351609	SIDE INSULATION PANEL	1	
441	351610	SIDE INSULATION PANEL	1	
442	351616	SIDE INSULATION PANEL	1	
443	351617	SIDE INSULATION PANEL	1	
444	351618	SIDE INSULATION PANEL	1	
445	351619	SIDE INSULATION PANEL	1	
446	351620	SIDE INSULATION PANEL	1	
447	351621	SIDE INSULATION PANEL	1	
448	351622	SIDE INSULATION PANEL	1	
449	351623	SIDE INSULATION PANEL	1	
450	351624	SIDE INSULATION PANEL	1	
451	351625	SIDE INSULATION PANEL	1	
452	351626	SIDE INSULATION PANEL	1	
453	351527	SIDE INSULATION PANEL	1	
454	351528	SIDE INSULATION PANEL	1	
455	351629	SIDE INSULATION PANEL	1	
456	351530	SIDE INSULATION PANEL	1	
457	351600	SIDE INSULATION PANEL	1	
458	351601	SIDE INSULATION PANEL	1	
459	351602	SIDE INSULATION PANEL	1	
NS	850073	ALUMINUM WALL COVERING ADHESIVE / 28 1/2" X 448"	2	
NS	684196	PRIMER ELASTOCOL # 593	AR	
NS	320104	INSULATING PLATE / ALUMINUM 18GA / "E" SHAPE 90MM X 102MM	AR	

From B-5002 To H-6179	Date:01/2024	PAGE:X3-1839-01
INSULATING SIDE WALL - LOWER PANEL		



CURB SIDE
WITH W.C.L



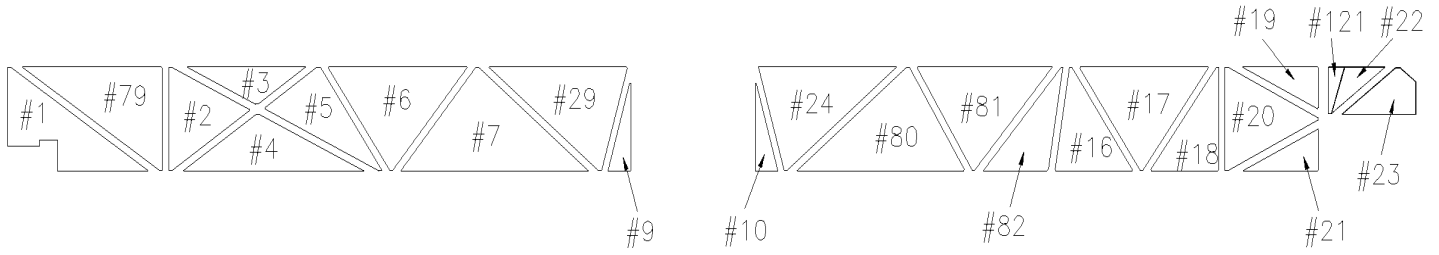
CURB SIDE



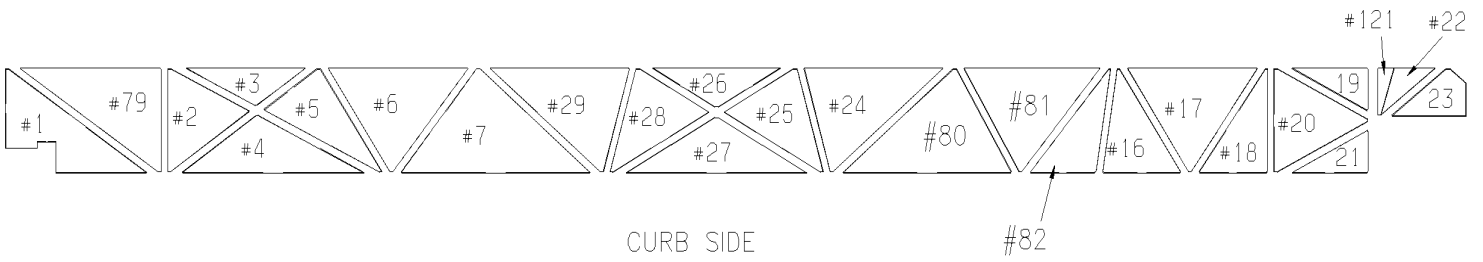
STREET SIDE

UP TO E-5596

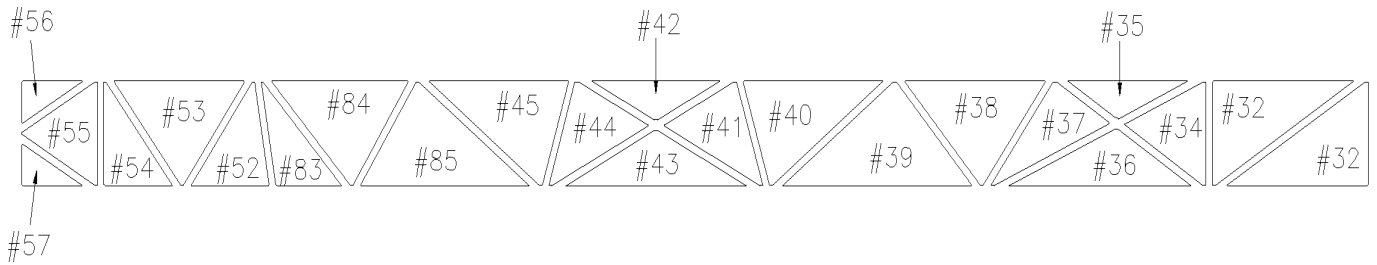
From B-5002 To H-6179	Date:01/2024	PAGE:X3-1839-01
INSULATING SIDE WALL - LOWER PANEL		



CURB SIDE
WITH W.C.L



CURB SIDE



STREET SIDE

FROM E-5597

From B-5002 To H-6179	Date:01/2024	PAGE:X3-1839-01
INSULATING SIDE WALL - LOWER PANEL		

Item#	Part	Description	QTY	Notes
	352215	KIT INSULATING PANEL L.H. WALL From B-5002	1	
	352182	KIT INSULATING PANEL R.H. WALL / W/W.C.L. From B-5002	1	
	352206	KIT INSULATING PANEL R.H. WALL From B-5002		
1	352183	SIDE INSULATION PANEL To E-5741	2	
1	352183	SIDE INSULATION PANEL From E-5742	1	
2	352184	SIDE INSULATION PANEL	1	
3	352185	SIDE INSULATION PANEL	1	
4	352186	SIDE INSULATION PANEL	1	
5	352187	SIDE INSULATION PANEL	1	
6	352188	SIDE INSULATION PANEL	1	
7	352189	SIDE INSULATION PANEL	1	
9	352191	SIDE INSULATION PANEL	1	
10	352192	SIDE INSULATION PANEL	1	
12	352194	SIDE INSULATION PANEL To E-5596	1	
13	352195	SIDE INSULATION PANEL To E-5596	1	
14	352196	SIDE INSULATION PANEL To E-5596	1	
15	352197	SIDE INSULATION PANEL To E-5596	1	
16	352198	SIDE INSULATION PANEL	1	
17	352199	SIDE INSULATION PANEL	1	
18	352200	SIDE INSULATION PANEL	1	
19	352201	SIDE INSULATION PANEL	1	
20	352202	SIDE INSULATION PANEL	1	
21	352203	SIDE INSULATION PANEL	1	
22	352204	SIDE INSULATION PANEL	1	
23	352205	SIDE INSULATION PANEL	1	
24	352207	SIDE INSULATION PANEL	1	
25	352208	SIDE INSULATION PANEL	1	
26	352209	SIDE INSULATION PANEL	1	
27	352210	SIDE INSULATION PANEL	1	
28	352211	SIDE INSULATION PANEL	1	
29	352212	SIDE INSULATION PANEL	1	
30	352213	SIDE INSULATION PANEL To E-5596	1	
31	352214	SIDE INSULATION PANEL To E-5596	1	
32	352216	SIDE INSULATION PANEL	2	
34	352218	SIDE INSULATION PANEL	1	
35	352219	SIDE INSULATION PANEL	1	
36	352220	SIDE INSULATION PANEL	1	
37	352221	SIDE INSULATION PANEL	1	
38	352222	SIDE INSULATION PANEL	1	
39	352223	SIDE INSULATION PANEL	1	
40	352224	SIDE INSULATION PANEL	1	
41	352225	SIDE INSULATION PANEL	1	

From B-5002 To H-6179	Date:01/2024	PAGE:X3-1839-01
INSULATING SIDE WALL - LOWER PANEL		

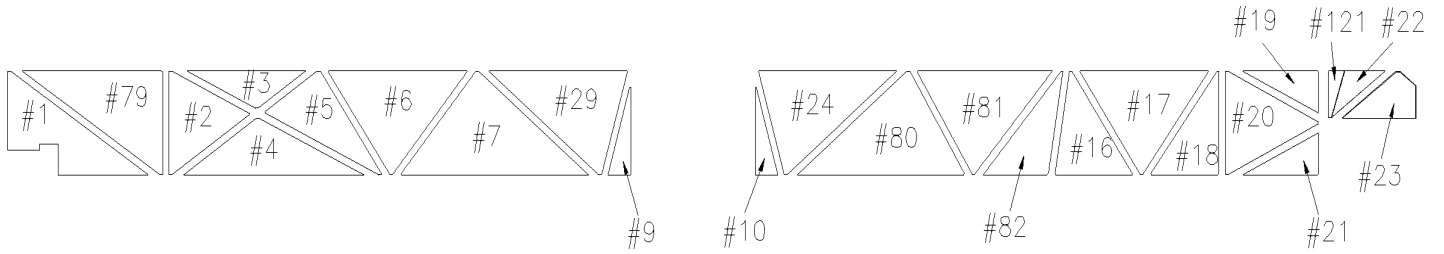
Item#	Part	Description	QTY	Notes
42	352226	SIDE INSULATION PANEL	1	
43	352227	SIDE INSULATION PANEL	1	
44	352228	SIDE INSULATION PANEL	1	
45	352229	SIDE INSULATION PANEL	1	
46	352230	SIDE INSULATION PANEL To E-5596	1	
47	352231	SIDE INSULATION PANEL To E-5596	1	
48	352232	SIDE INSULATION PANEL To E-5596	1	
49	352233	SIDE INSULATION PANEL To E-5596	1	
50	352234	SIDE INSULATION PANEL To E-5596	1	
51	352235	SIDE INSULATION PANEL To E-5596	1	
52	352236	SIDE INSULATION PANEL	1	
53	352237	SIDE INSULATION PANEL	1	
54	352238	SIDE INSULATION PANEL	1	
55	352239	SIDE INSULATION PANEL	1	
56	352240	SIDE INSULATION PANEL	1	
57	352241	SIDE INSULATION PANEL	1	
79	352285	SIDE INSULATION PANEL To E-5741	1	
80	352773	SIDE INSULATION PANEL From E-5597	1	
81	352774	SIDE INSULATION PANEL From E-5597	1	
82	352775	SIDE INSULATION PANEL From E-5597	1	
83	352772	SIDE INSULATION PANEL From E-5597	1	
84	352771	SIDE INSULATION PANEL From E-5597	1	
85	352770	SIDE INSULATION PANEL From E-5597	1	
121	352326	SIDE INSULATION PANEL To E-5741	1	
NS	850094	WHITE WALL COVERING ADHESIVE / 28 1/2" X 448"	2	
NS	684196	PRIMER ELASTOCOL # 593	AR	
NS	320104	INSULATING PLATE / ALUMINUM 18GA / "E" SHAPE 90MM X 102MM	AR	

From H-6180

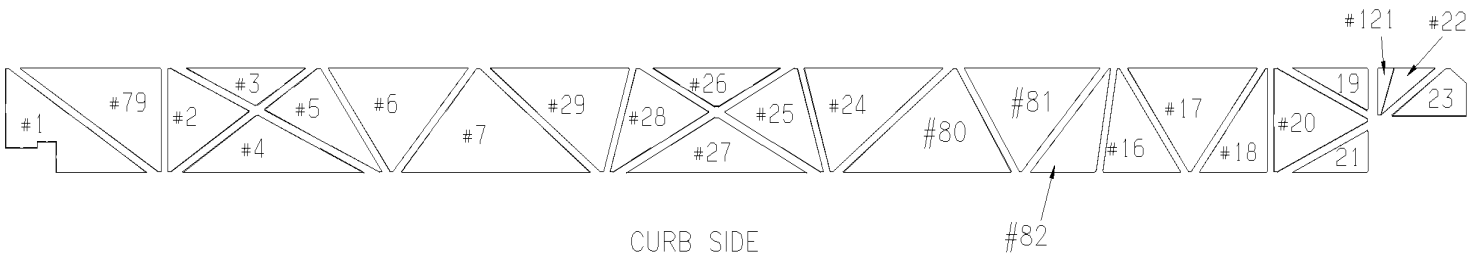
Date:01/2024

PAGE:X3-1839-02

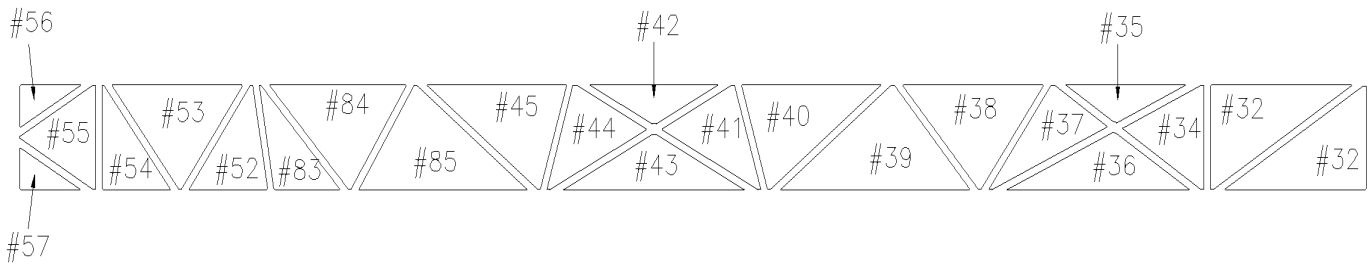
INSULATING SIDE WALL - LOWER PANEL GHG17



CURB SIDE
WITH W.C.L



CURB SIDE



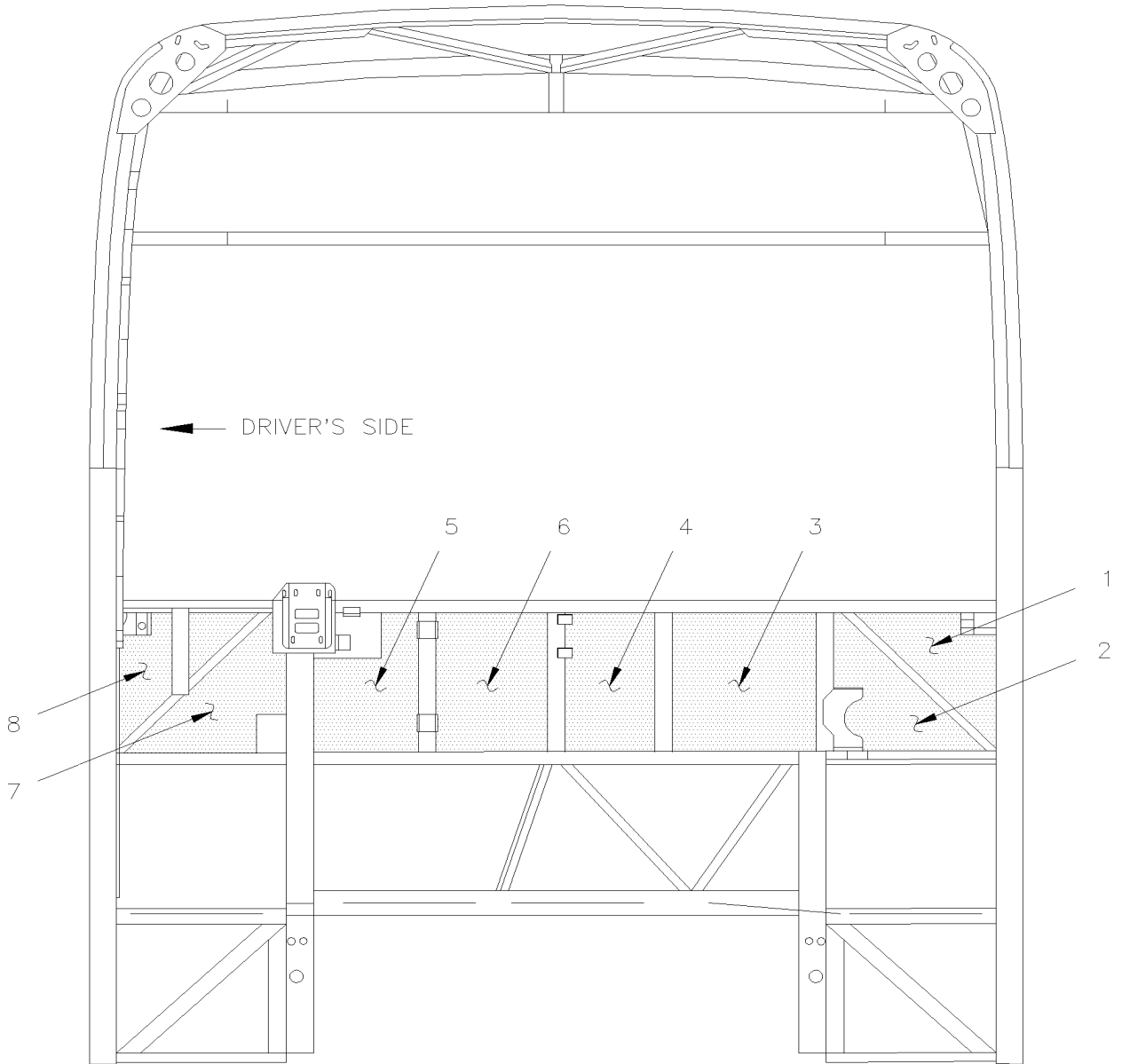
STREET SIDE

From H-6180	Date:01/2024	PAGE:X3-1839-02
-------------	--------------	-----------------

INSULATING SIDE WALL - LOWER PANEL GHG17

Item#	Part	Description	QTY	Notes
	352878	KIT INSULATING PANEL R.H. WALL / W/W.C.L. To K-6492	1	
	353194	KIT INSULATING PANEL R.H. WALL / W/W.C.L. From L-6493	1	
	352877	KIT INSULATING PANEL R.H. WALL To K-6492	1	
	353193	KIT INSULATING PANEL R.H. WALL From L-6493	1	
	353512	KIT INSULATING PANEL R.H. REAR From L-6493	1	
	352830	KIT INSULATING PANEL L.H. WALL To K-6492	1	
	353192	KIT INSULATING PANEL L.H. WALL From L-6493	1	
	353461	KIT INSULATING PANEL L.H. REAR From L-6493	1	

INSULATING FRONT - BUS

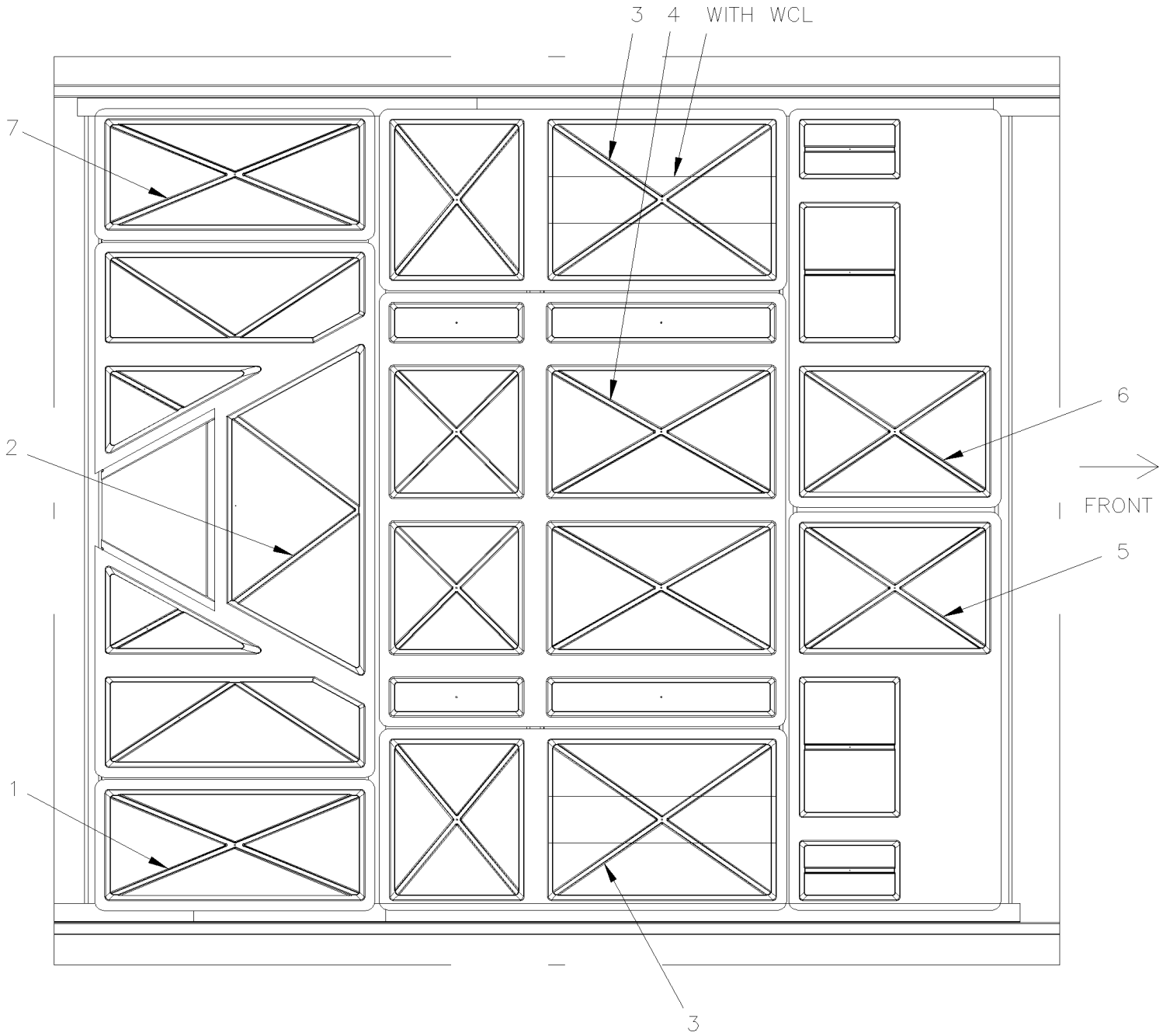


VIEW FROM INSIDE

From 7-8754	Date:01/2024	PAGE:X3-1839-05
INSULATING FRONT - BUS		

Item#	Part	Description	QTY	Notes
1	350929	INSULATING PANEL To H-6131	1	
1	351689	INSULATING PANEL From H-6132	1	
1	352826	INSULATING PANEL From H-6132	1	
1	850032	. INSULATION PAD NOISE 1" x 48" x 35' / ARMAFLEX POLYURETHANE FOAM	AR	
2	350930	INSULATING PANEL	1	
2	850032	. INSULATION PAD NOISE 1" x 48" x 35' / ARMAFLEX POLYURETHANE FOAM	AR	
3	350931	INSULATING PANEL	1	
3	850032	. INSULATION PAD NOISE 1" x 48" x 35' / ARMAFLEX POLYURETHANE FOAM	AR	
4	350932	INSULATING PANEL	1	
4	850032	. INSULATION PAD NOISE 1" x 48" x 35' / ARMAFLEX POLYURETHANE FOAM	AR	
5	350933	INSULATING PANEL	1	
5	850032	. INSULATION PAD NOISE 1" x 48" x 35' / ARMAFLEX POLYURETHANE FOAM	AR	
6	350934	INSULATING PANEL	1	
6	850032	. INSULATION PAD NOISE 1" x 48" x 35' / ARMAFLEX POLYURETHANE FOAM	AR	
7	350935	INSULATING PANEL	1	
7	850032	. INSULATION PAD NOISE 1" x 48" x 35' / ARMAFLEX POLYURETHANE FOAM	AR	
8	350936	INSULATING PANEL To G-5952	1	
8	357412	INSULATING PANEL From G-5953	1	
8	357413	INSULATING PANEL From G-5953	1	
8	850032	. INSULATION PAD NOISE 1" x 48" x 35' / ARMAFLEX POLYURETHANE FOAM	AR	
NS	680397	CONTACT GLUE / AEROSOL 17oz	AR	

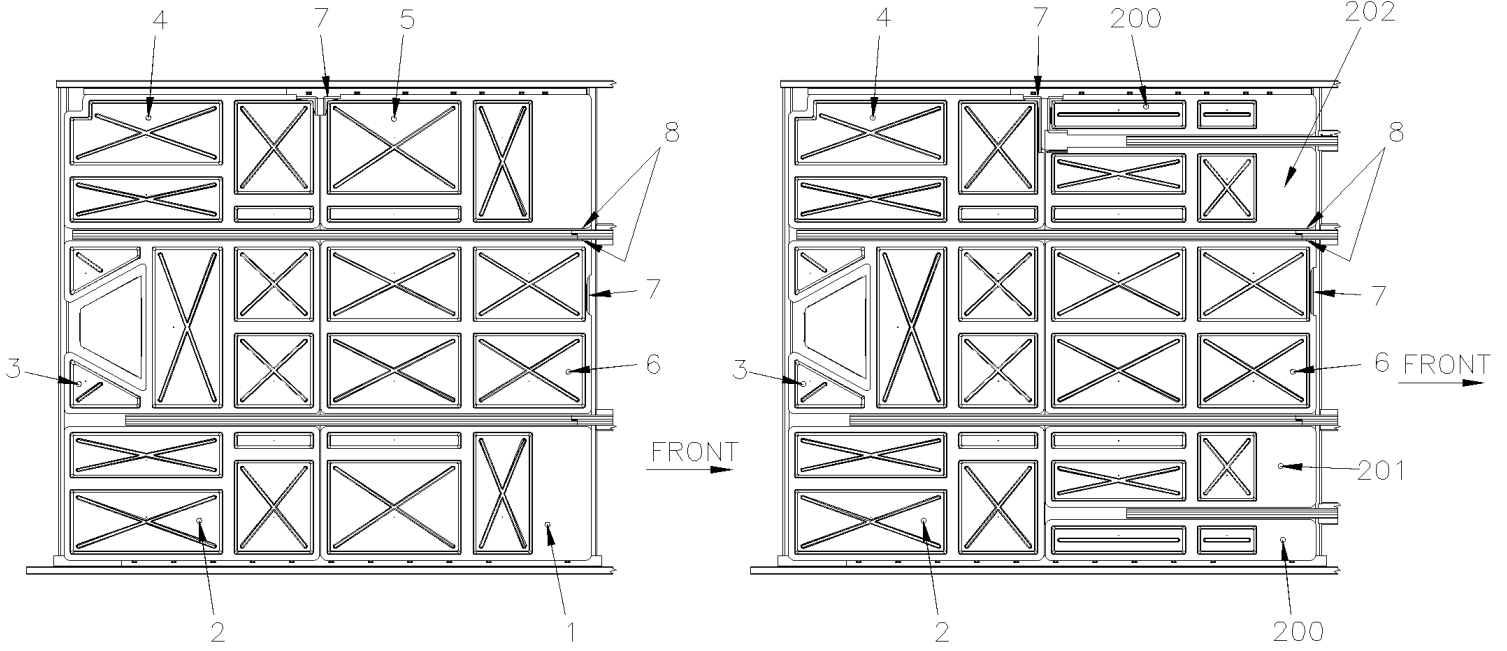
INSULATING FLOOR REAR AXLE



From 7-8754 To 9-9642	Date:01/2024	PAGE:X3-1839-10
INSULATING FLOOR REAR AXLE		

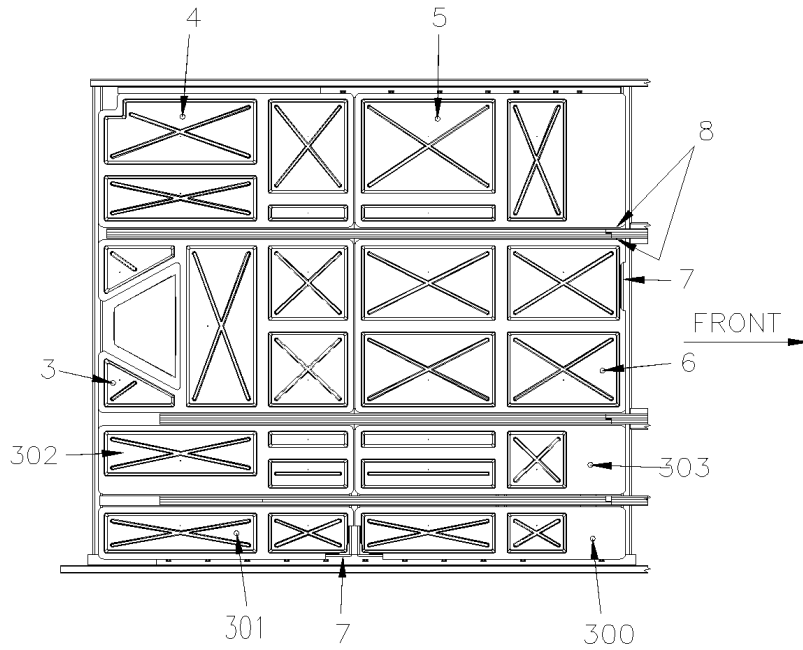
Item#	Part	Description	QTY	Notes
		IN SERVICE FOR REPLACEMNT OF INSULATING PAD		
		WE DO NOT HAVE A SEPARATE PARTS NUMBER		
		FOR INSULATED PAD PLEASE ASK # 329069		
NS	329069	INSULATING PAD 48" X 48" / CUT TO FIT	AR	
1	324561	INSULATING HOLDER To 8-9276	2	
1	324561	INSULATING HOLDER From 8-9277	1	
2	320932	INSULATING HOLDER # 2	1	
2	328645	INSULATING HOLDER # 2 From 8-9277	1	
3	324563	INSULATING HOLDER	2	
3	329313	INSULATING HOLDER # 3 / W/W.C.L.	2	
4	324564	INSULATING HOLDER	1	
5	329314	INSULATING HOLDER # 5	1	
6	329315	INSULATING HOLDER # 6	1	
7	328644	INSULATING HOLDER # 1 STREETSIDE From 8-9277	1	
NS	320696	INSULATING KIT	1	
10	328642	INSULATING KIT From 8-9277	1	
NS	329312	INSULATING KIT / W/W.C.L.	1	
10	328643	INSULATING KIT / W/W.C.L. From 8-9277	1	

INSULATING FLOOR REAR AXLE



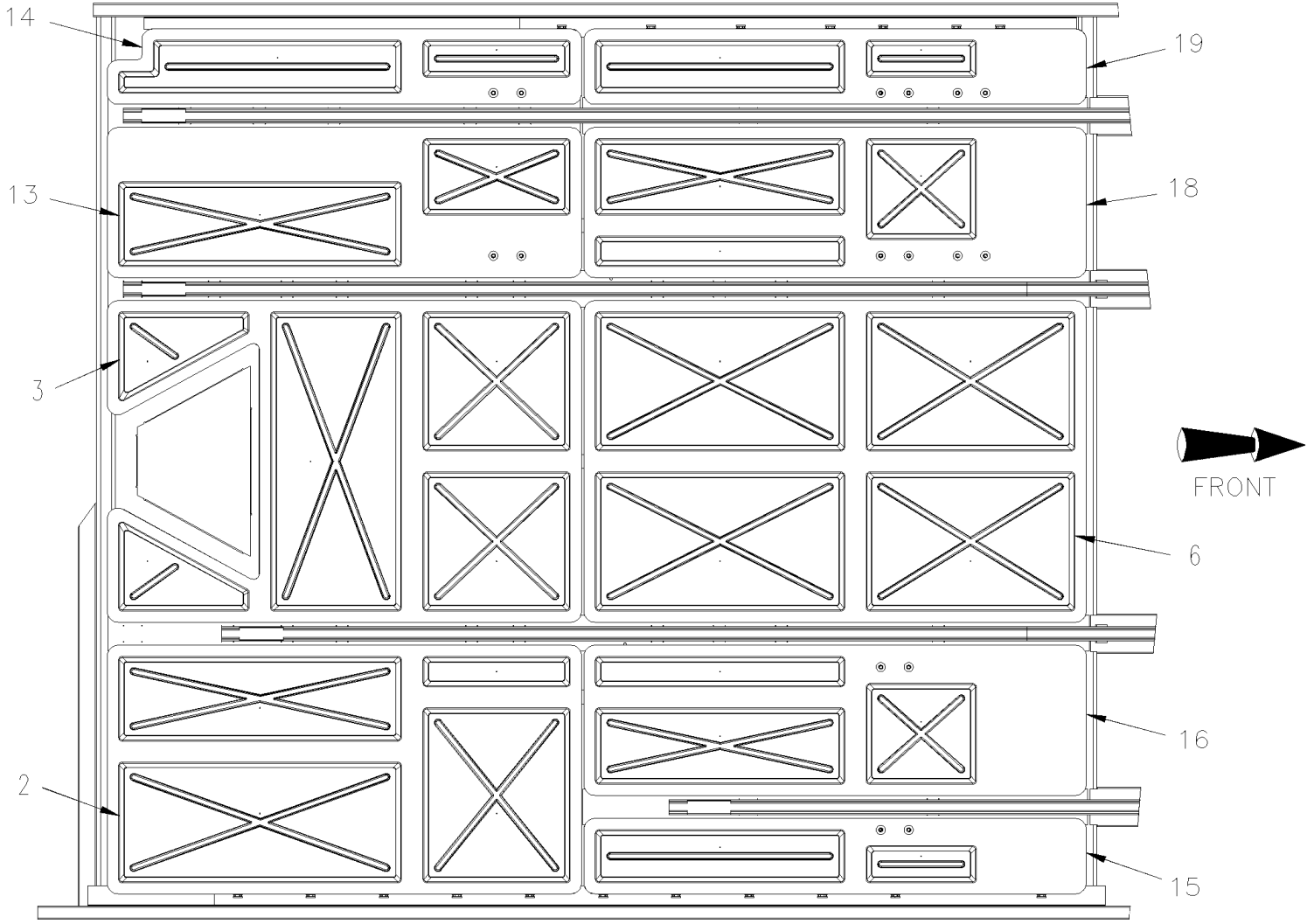
WITHOUT W.C.L.

WITH W.C.L.



WITH 2+1 SEAT SET

INSULATING FLOOR REAR AXLE



WITH "WCL" "PWT"

From 9-9643 To H-6179	Date:01/2024	PAGE:X3-1839-11
-----------------------	--------------	-----------------

INSULATING FLOOR REAR AXLE

Item#	Part	Description	QTY	Notes
		IN SERVICE FOR REPLACEMNT OF INSULATING PAD		
		WE DO NOT HAVE A SEPARATE PARTS NUMBER		
		FOR INSULATED PAD PLEASE ASK # 329069		
1	329032	INSULATING HOLDER # 1 To D-5458	1	
1	3200853	INSULATING HOLDER From E-5459	1	
2	329033	INSULATING HOLDER # 2 To D-5458	1	
2	3200855	INSULATING HOLDER # 2 From E-5459	1	
3	329036	INSULATING HOLDER # 3 To D-5458	1	
3	3200856	INSULATING HOLDER # 3 From E-5459	1	
4	329034	INSULATING HOLDER # 4 To D-5458	1	
4	3200857	INSULATING HOLDER From E-5459	1	
5	329035	INSULATING HOLDER # 5 To D-5458	1	
5	3200852	INSULATING HOLDER From E-5459	1	
6	329037	INSULATING HOLDER # 6 To D-5458	1	
6	3200854	INSULATING HOLDER From E-5459	1	
7	680092	SEALANT TAPE BUTYL / GREY / 1/16"x3/4x50' / 71011V1760	AR	
13	320458	INSULATING HOLDER # 13 "PWT" From 9-9796 To D-5458	1	
13	3200932	INSULATING HOLDER # 13 From E-5459	1	
14	320459	INSULATING HOLDER # 14 "PWT" From 9-9796 To D-5458	1	
14	3200934	INSULATING HOLDER # 14 From E-5459	1	
15	320453	INSULATING HOLDER # 15 "PWT" From 9-9796 To D-5458	1	
15	3200873	INSULATING HOLDER # 15 From E-5459	1	
16	320454	INSULATING HOLDER # 16 "PWT" From 9-9796 To D-5458	1	
16	3200872	INSULATING HOLDER # 16 From E-5459	1	
18	Call order desk	INSULATING HOLDER # 18 "PWT" From 9-9796 To D-5458	1	P
18	3200874	INSULATING HOLDER # 18 From E-5459	1	
19	320455	INSULATING HOLDER # 19 "PWT" From 9-9796 To D-5458	1	
19	3200933	INSULATING HOLDER # 19 From E-5459	1	
40	3200407	KIT, INSULATION OLDER SUPPORT		A
200	320262	INSULATING HOLDER # 200 To B-5001	1	
201	320276	INSULATING HOLDER # 201 To B-5001	1	
202	320288	INSULATING HOLDER # 202 To B-5001	1	
203	323812	INSULATING HOLDER # 203 To B-5001	1	
300	329040	INSULATING HOLDER # 300 To D-5458	1	
300	3200869	INSULATING HOLDER From E-5459	1	
301	329038	INSULATING HOLDER # 301 To D-5458	1	
301	3200867	INSULATING HOLDER From E-5459	1	
302	329039	INSULATING HOLDER # 302 To D-5458	1	
302	3200866	INSULATING HOLDER # 302 From E-5459	1	
303	329041	INSULATING HOLDER # 303 To D-5458	1	
303	Call order desk	INSULATING HOLDER # 303 From E-5459	1	P

From 9-9643 To H-6179	Date:01/2024	PAGE:X3-1839-11
-----------------------	--------------	-----------------

INSULATING FLOOR REAR AXLE

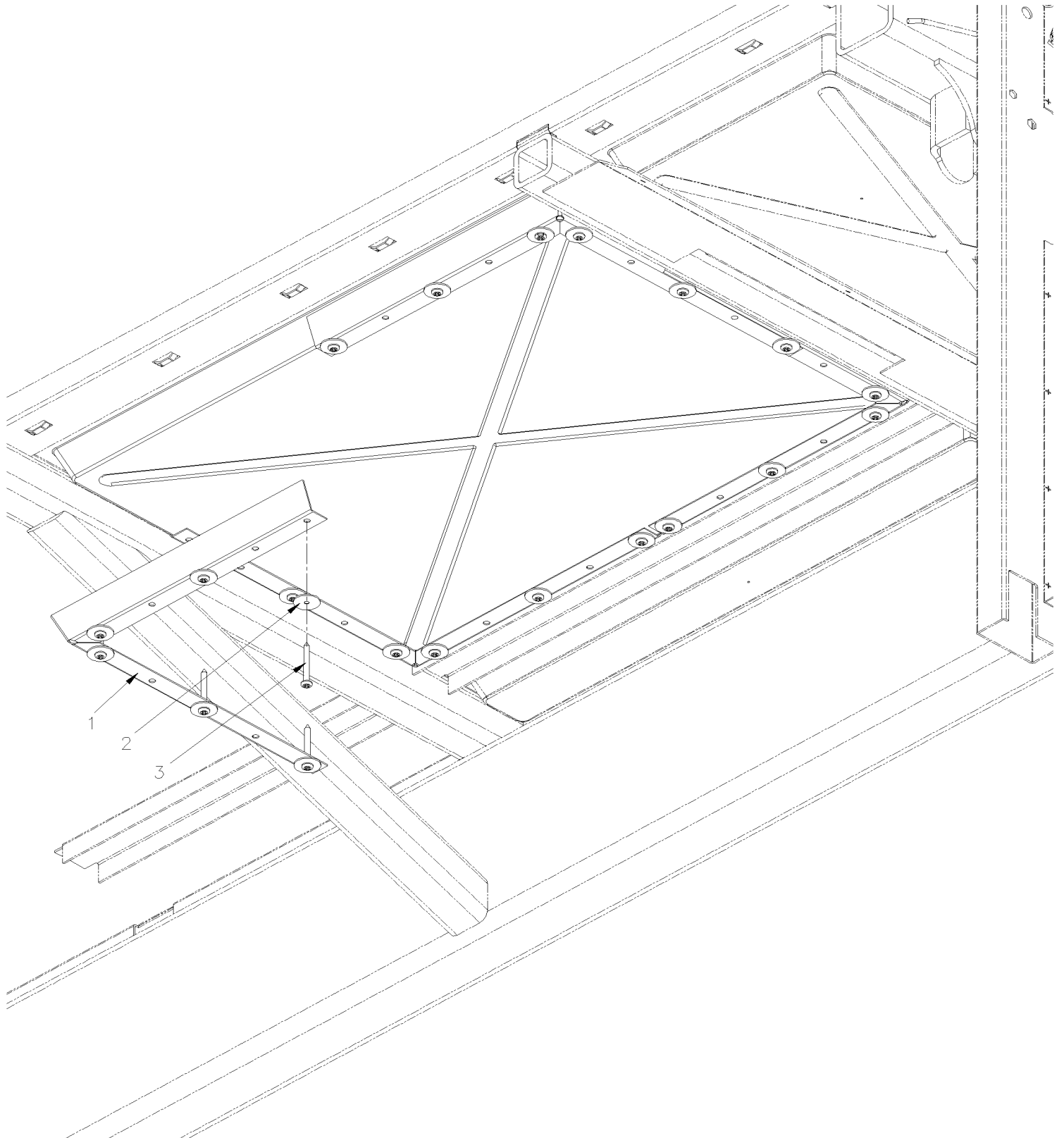
Item#	Part	Description	QTY	Notes
NS	329101	REAR FRAME INSULATION PANELS KIT To D-5458	1	
400	356185	REAR FRAME INSULATION PANELS KIT From E-5459	1	
NS	329102	INSULATING KIT / W/W.C.L. To B-5001	1	
NS	329103	REAR FRAME INSULATION PANELS KIT / W/SEAT 2 + 1 To D-5458	1	
400	356205	REAR FRAME INSULATION PANELS KIT / W/SEAT 2 + 1 From E-5459	1	
NS	329069	. INSULATING PAD 48" X 48" / CUT TO FIT	AR	
		A) ONLY USE IF YOU HAVE A PROBLEM WITH INSULATING HOLDER FALLING DURING EXTREMELY COLD TEMPERATURE		
		P) CALL ORDER DESK FOR SPECIFIC APPLICATION (V.I.N.)		

From 9-9643 To H-6179

Date:01/2024

PAGE:3200407

KIT, INSULATION OLDER SUPPORT



From 9-9643 To H-6179		Date:01/2024	PAGE:3200407
------------------------------	--	---------------------	---------------------

KIT, INSULATION OLDER SUPPORT

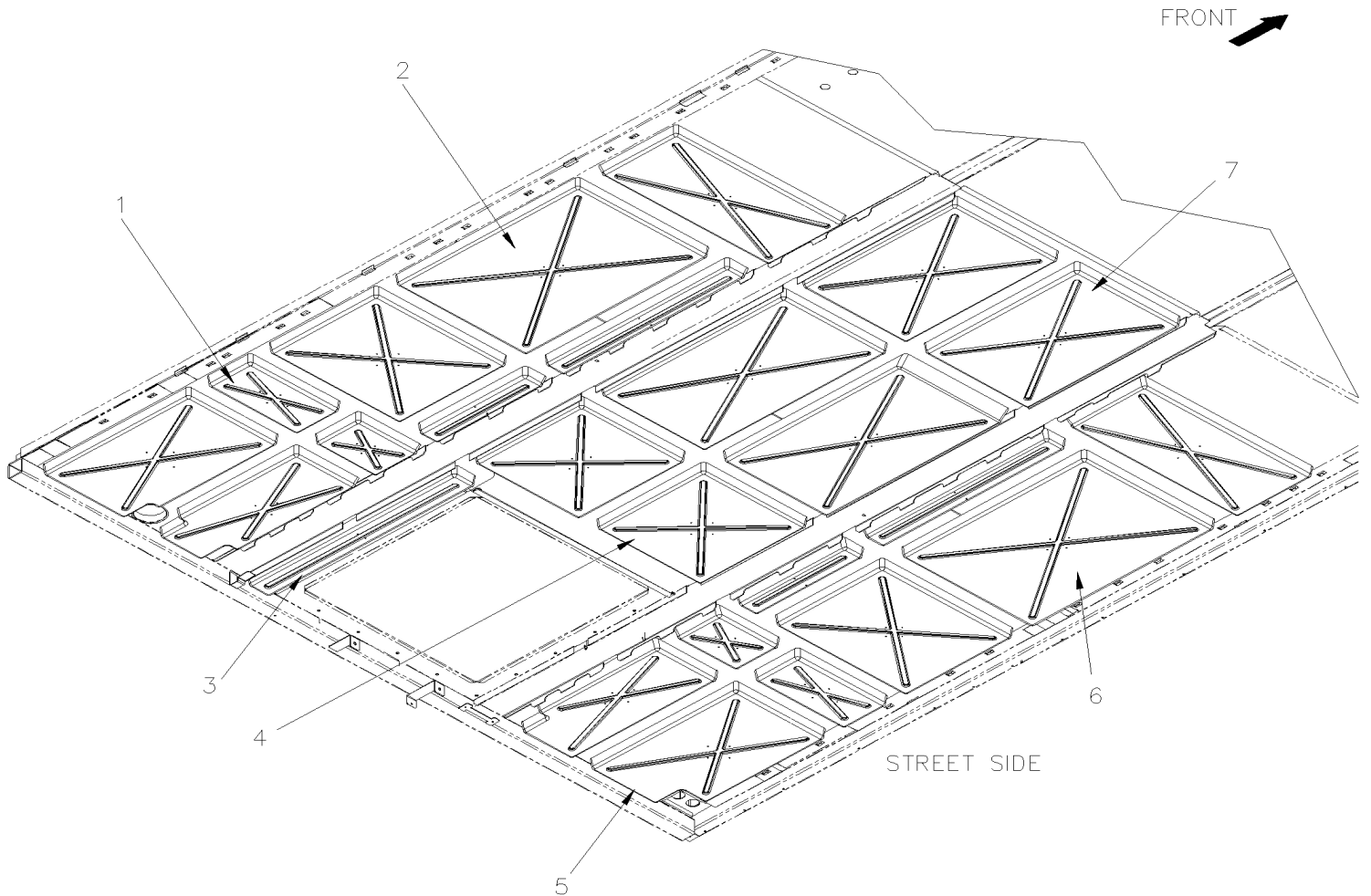
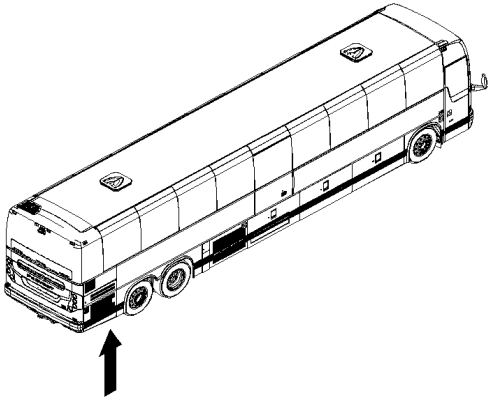
Item#	Part	Description	QTY	Notes
1	3200439	SUPPORT / INSULATION SUPPORT	1	
2	5001228	WASHER FL .189x1.000x.064 NYL	34	
3	500596	SCREW TP BDG PH #12x2 ZP	34	

From H-6180

Date:01/2024

PAGE:X3-1839-12

INSULATING FLOOR REAR AXLE GHG17



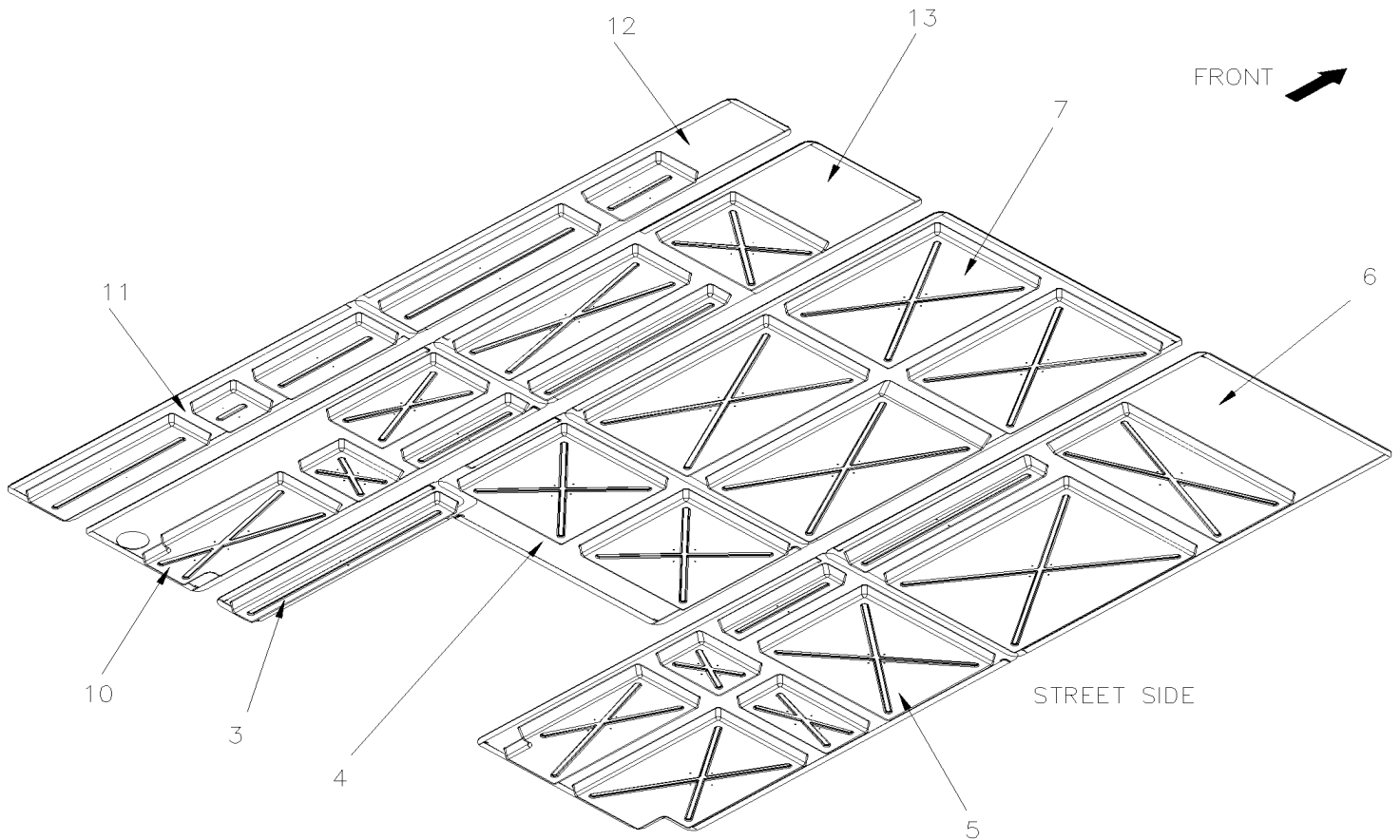
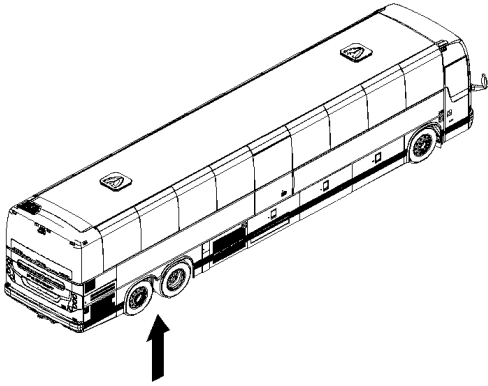
FOR SERVICE: ISOLATION KIT NOT SOLD SEPARATELY, ASK PART NUMBER 352976

From H-6180

Date:01/2024

PAGE:X3-1839-12

INSULATING FLOOR REAR AXLE GHG17



FOR SERVICE: ISOLATION KIT NOT SOLD SEPARATELY, ASK PART NUMBER 352977

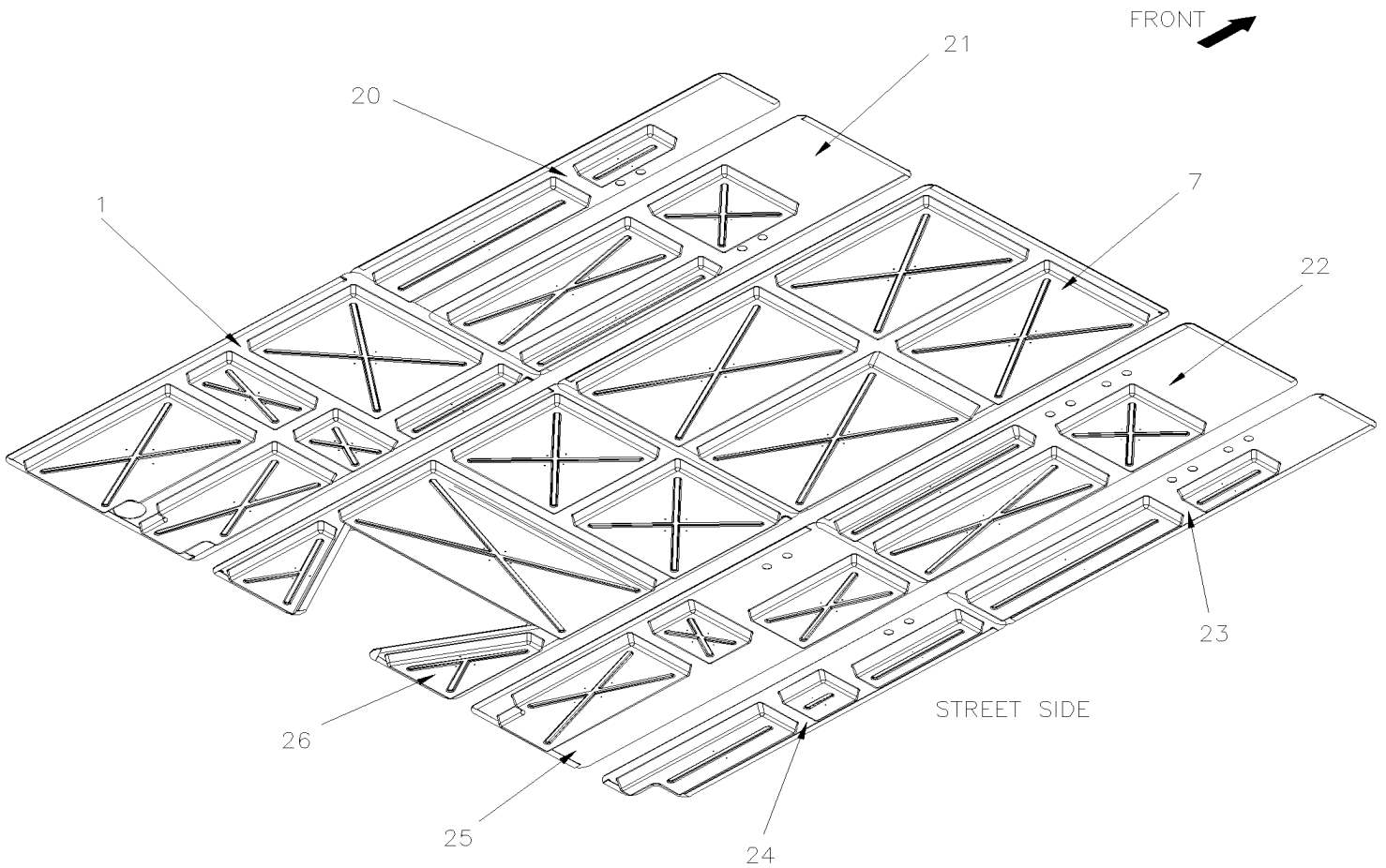
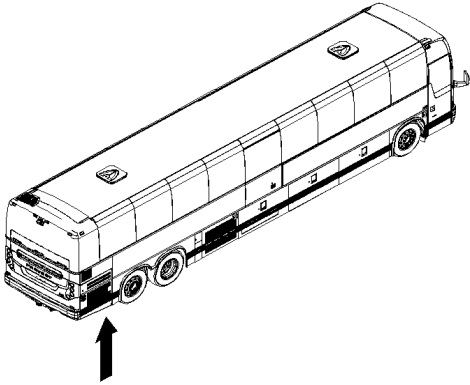
W/OUT WLC SEAT 2+1 RH (3 RAILS)

From H-6180

Date:01/2024

PAGE:X3-1839-12

INSULATING FLOOR REAR AXLE GHG17



WITH "WCL" "PWT"

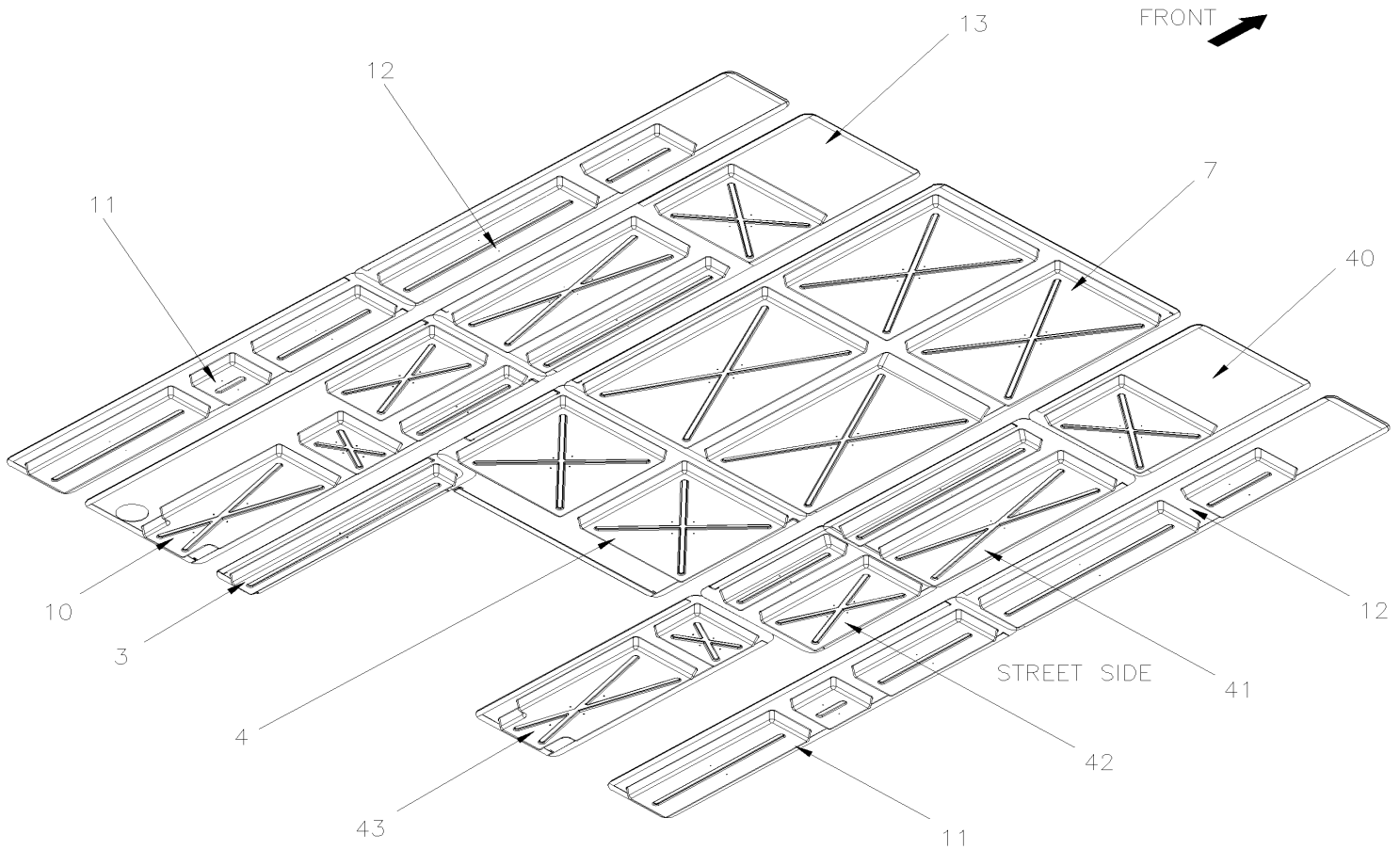
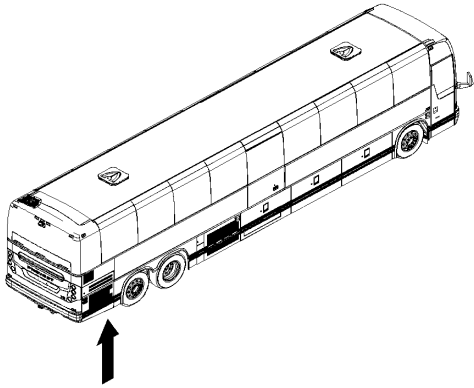
FOR SERVICE: ISOLATION KIT NOT SOLD SEPARATELY, ASK PART NUMBER 352885

From H-6180

Date:01/2024

PAGE:X3-1839-12

INSULATING FLOOR REAR AXLE GHG17



FOR SERVICE: ISOLATION KIT NOT SOLD SEPARATELY, ASK PART NUMBER 353733

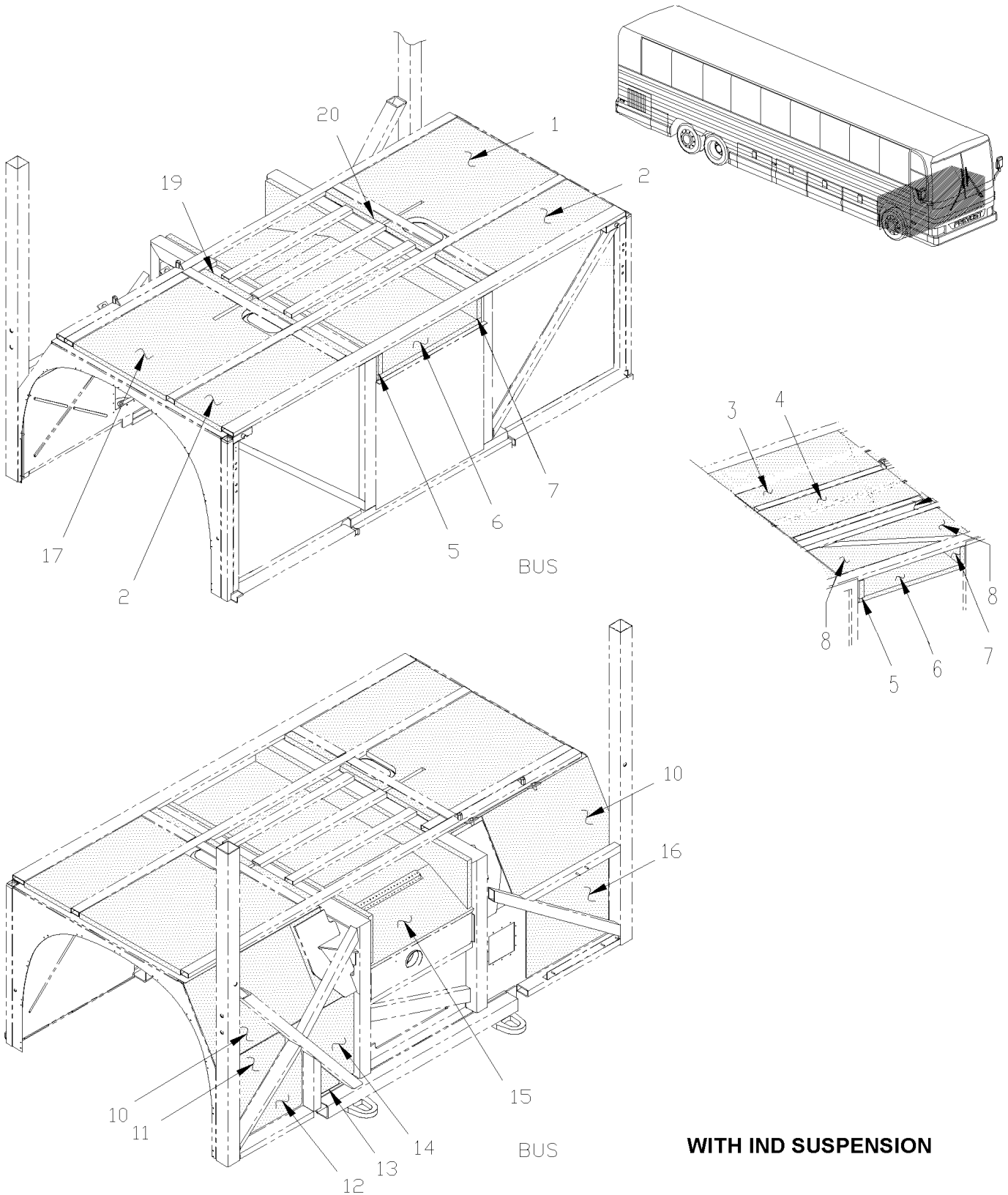
SPECIAL OPTION WITH 4 RAIL

From H-6180	Date:01/2024	PAGE:X3-1839-12
-------------	--------------	-----------------

INSULATING FLOOR REAR AXLE GHG17

Item#	Part	Description	QTY	Notes
		FOR REPLACEMENT INSULATING PAD KIT PLEASE ASK FOR PART NUMBER		
	352976	REAR FRAME INSULATION PANELS KIT	1	
1	320984	INSULATING HOLDER	1	
2	3200854	INSULATING HOLDER	1	
3	321352	INSULATING HOLDER	1	
4	321351	INSULATING HOLDER	1	
5	3200853	INSULATING HOLDER	1	
6	3200855	INSULATING HOLDER # 2	1	
7	3200857	INSULATING HOLDER	1	
10	320985	INSULATING HOLDER	1	
11	3200867	INSULATING HOLDER	AR	
12	3200869	INSULATING HOLDER	AR	
13	3200868	INSULATING HOLDER	1	
NS	352977	REAR FRAME INSULATION PANELS KIT	1	A
20	3200873	INSULATING HOLDER # 15	1	B
21	3200872	INSULATING HOLDER # 16	1	B
22	3200874	INSULATING HOLDER # 18	1	B
23	3200933	INSULATING HOLDER # 19	1	B
24	3200934	INSULATING HOLDER # 14	1	B
25	3200932	INSULATING HOLDER # 13	1	B
26	3200856	INSULATING HOLDER # 3	1	B
NS	352885	REAR FRAME INSULATION PANELS KIT	1	B
40	3210626	INSULATING HOLDER From K-6413	1	SP
41	3210624	INSULATING HOLDER From K-6413	1	SP
42	3210633	INSULATING HOLDER From K-6413	1	SP
43	3210628	INSULATING HOLDER From K-6413	1	SP
NS	353733	REAR FRAME INSULATION PANELS KIT From K-6413	1	SP
101	680092	SEALANT TAPE BUTYL / GREY / 1/16"x3/4x50' / 71011V1760	AR	
		A) WITHOUT WCL, 2+1 SEAT , RH		
		B) OPTION 3 OR 4 WCL, PWT,		
		SP) SPECIAL OPTION WITH 4 RAIL		

INSULATING FRONT - SUBFRAME



WITH IND SUSPENSION

From 7-8754 To C-5242	Date:01/2024	PAGE:X3-1839-15
-----------------------	--------------	-----------------

INSULATING FRONT - SUBFRAME

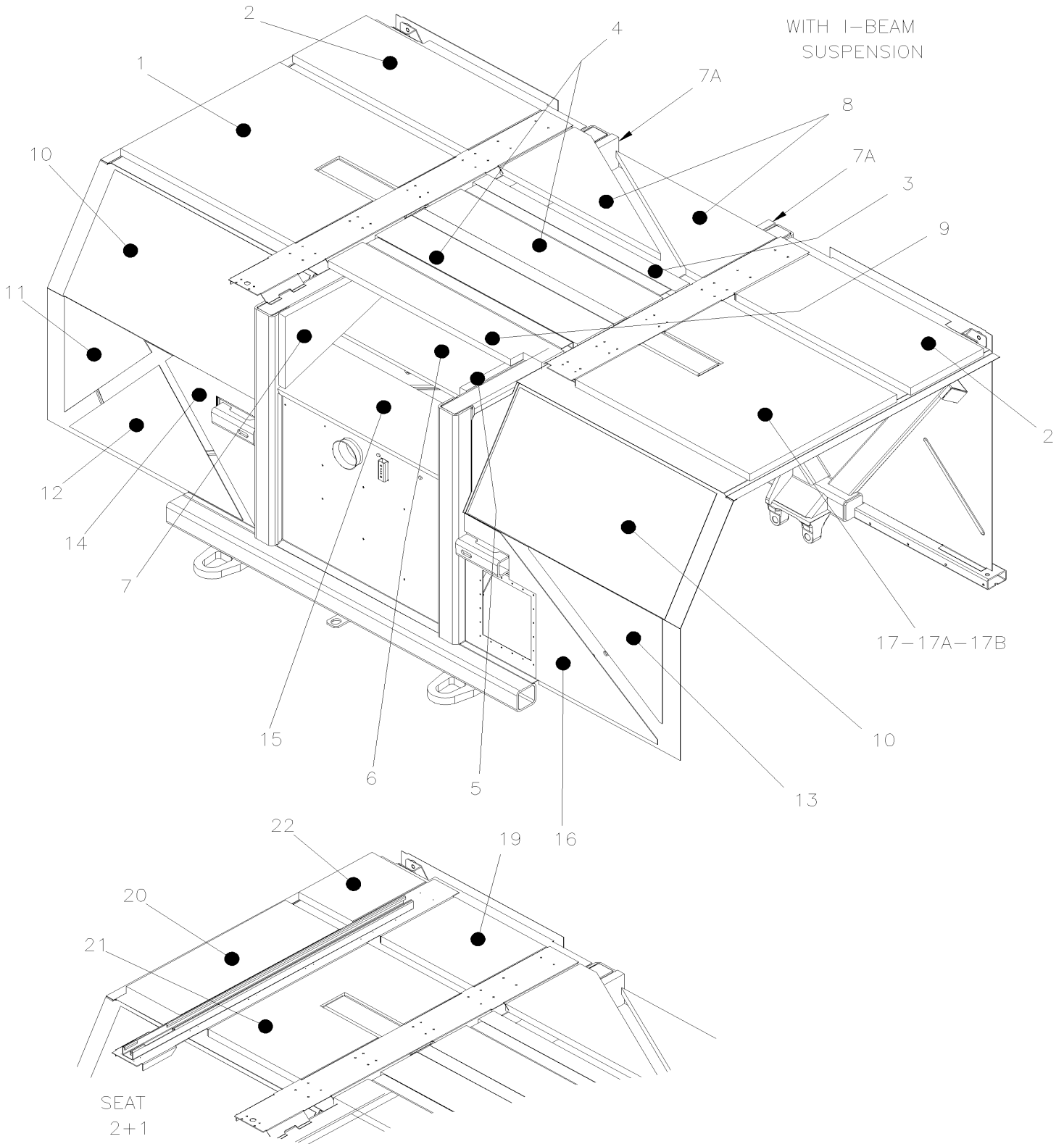
Item#	Part	Description	QTY	Notes
1	327222	INSULATING	1	
2	326511	INSULATING PAD 1" 1/16	2	
3	351509	INSULATING	1	
4	351489	INSULATING	1	
5	328748	INSULATING PAD NOISE 1"	1	
6	326521	INSULATING PAD 1"1/16	1	
7	325357	INSULATING PAD NOISE 1"	1	
8	325023	INSULATING PAD NOISE 1"	2	
10	327223	INSULATING PAD NOISE 1/16"	2	
11	327727	INSULATING	1	
12	327728	INSULATING	1	
13	327729	INSULATING	1	
14	327730	INSULATING	1	
15	326520	INSULATING PAD 1"1/16	1	
16	326980	INSULATING	1	
17	327219	INSULATING	1	
19	327220	INSULATING	1	
20	327221	INSULATING	1	

From C-5243

Date:01/2024

PAGE:X3-1839-16

INSULATING FRONT - SUBFRAME



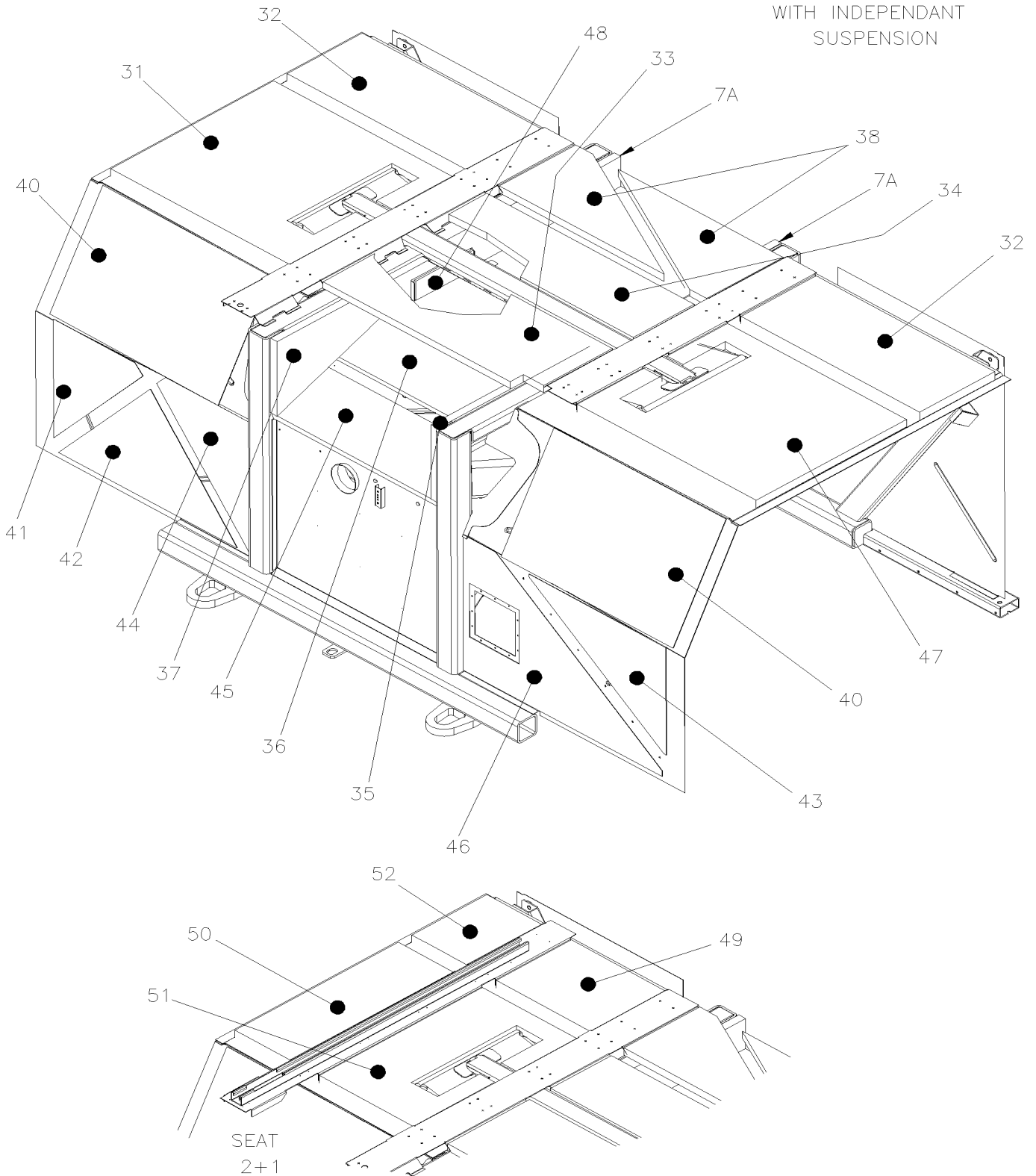
From C-5243

Date:01/2024

PAGE:X3-1839-16

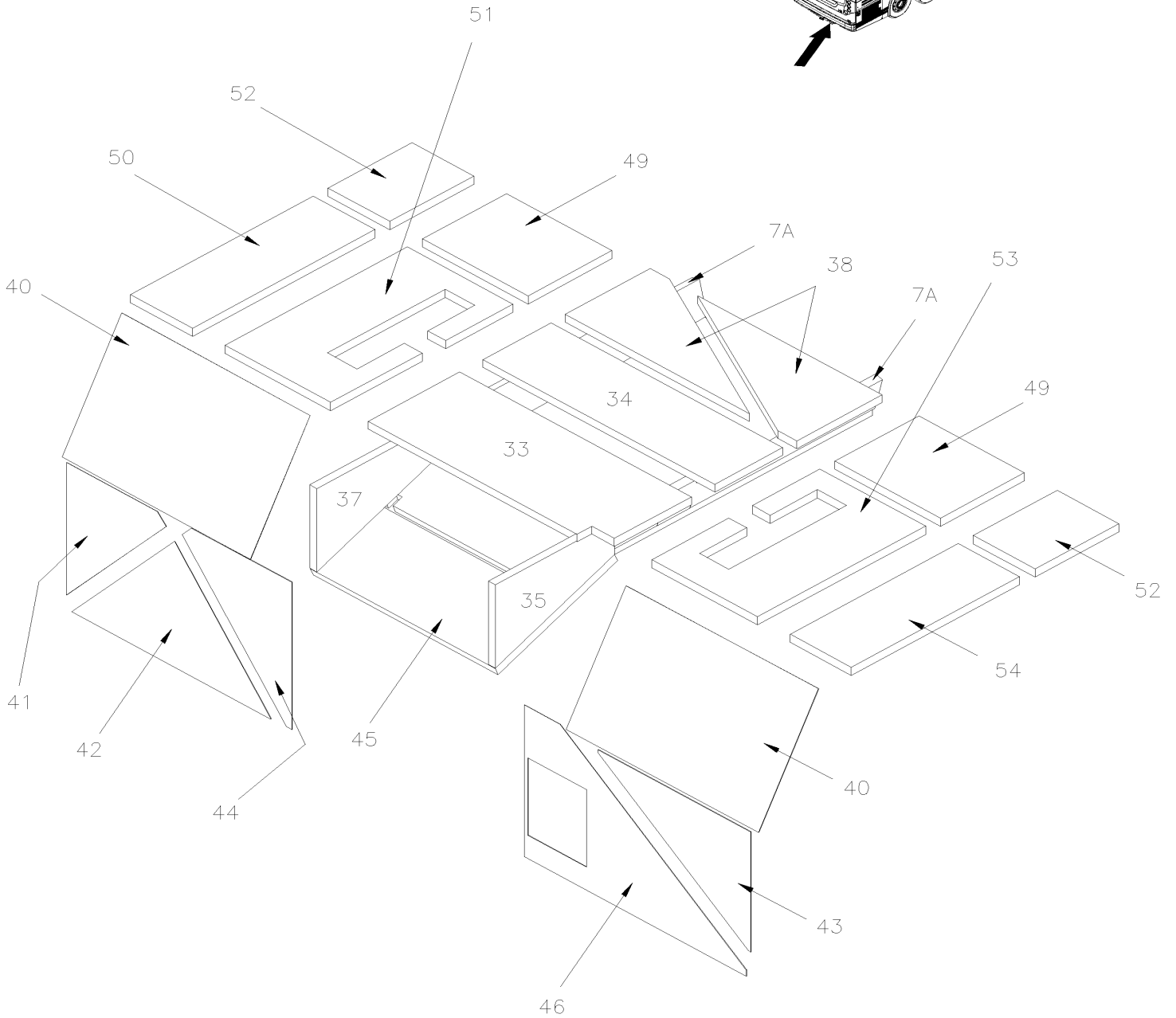
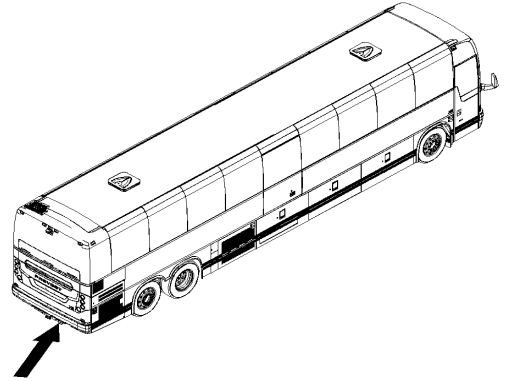
INSULATING FRONT - SUBFRAME

WITH INDEPENDANT SUSPENSION



INSULATING FRONT - SUBFRAME

SPECIAL OPTION WITH 4 RAIL



From C-5243	Date:01/2024	PAGE:X3-1839-16
-------------	--------------	-----------------

INSULATING FRONT - SUBFRAME

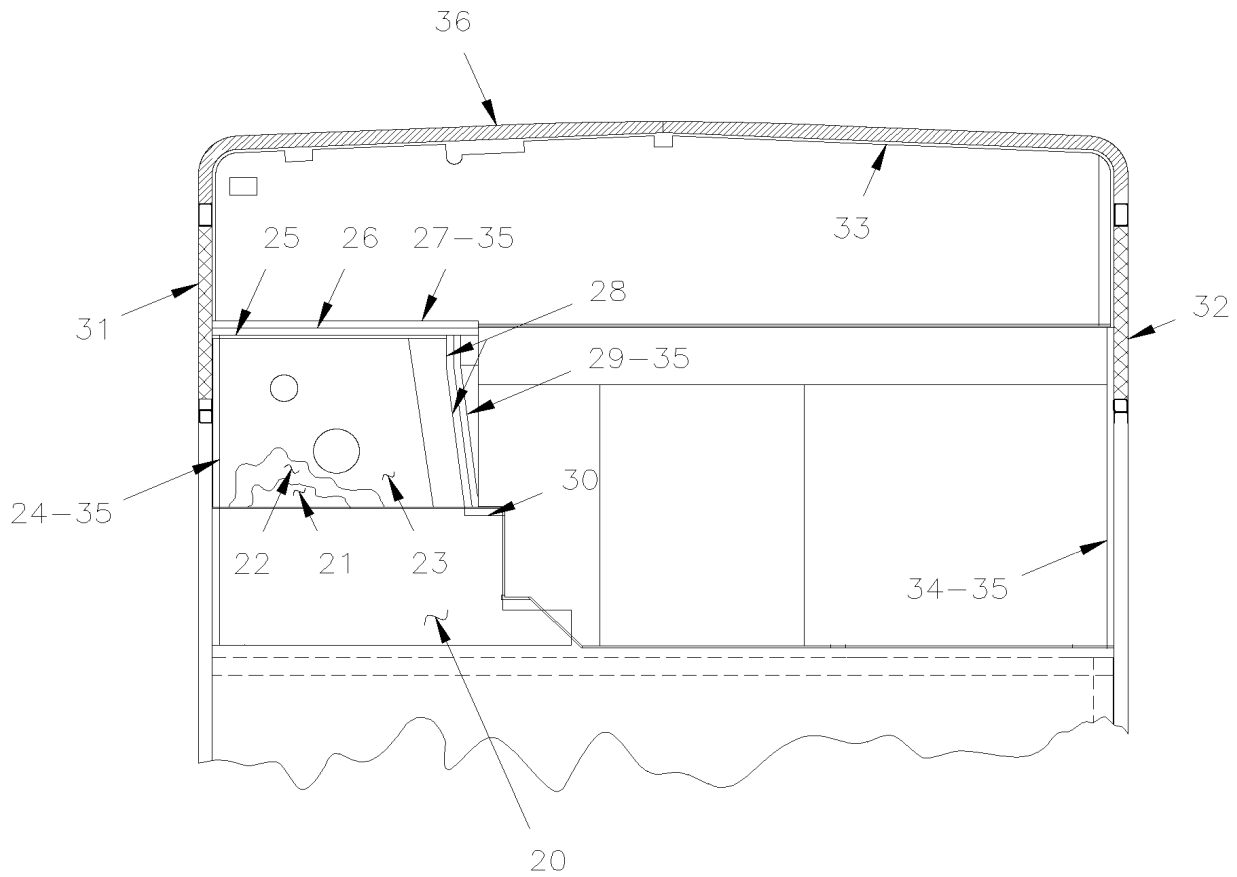
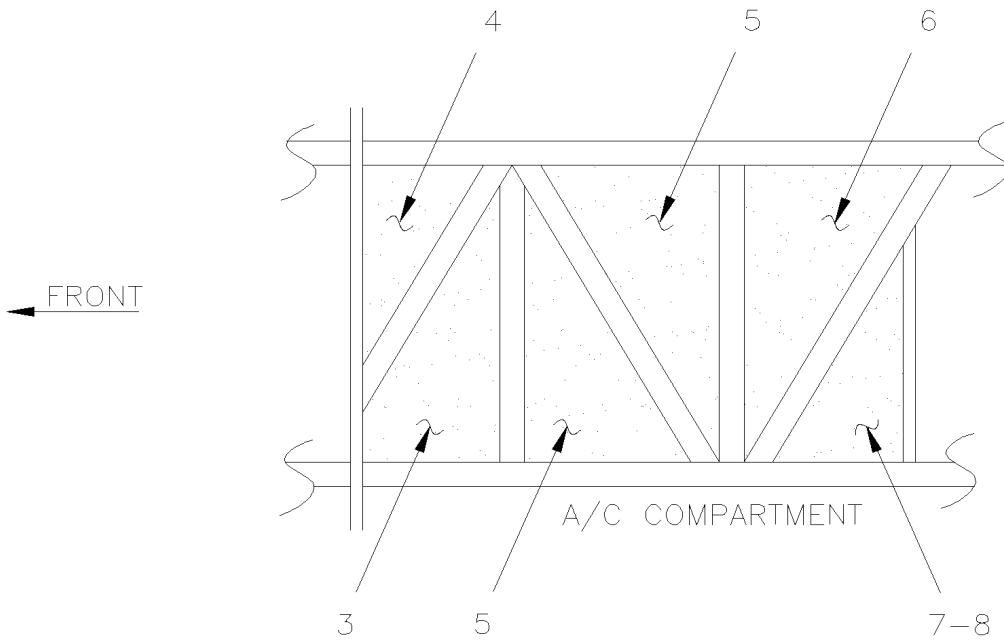
Item#	Part	Description	QTY	Notes
1	352030	INSULATING To E-5585	1	
1	352619	INSULATING PAD 1"1/16 From E-5586	1	
2	352027	INSULATING PAD 1"1/16	2	
3	328777	INSULATING PAD NOISE 1"	1	
4	325323	INSULATING PAD NOISE 1"	2	
5	328748	INSULATING PAD NOISE 1" To F-5759	1	
5	3201197	INSULATING PAD NOISE 1" From F-5760	1	
6	326521	INSULATING PAD 1"1/16 To F-5759	1	
6	3201195	INSULATING PAD 1"1/16 From F-5760	1	
7	325357	INSULATING PAD NOISE 1" To F-5759	1	
7	3201199	INSULATING PAD NOISE 1" From F-5760	1	
7A	3201196	INSULATING PAD From F-5760	2	
8	325023	INSULATING PAD NOISE 1"	2	
9	328749	INSULATING PAD NOISE 1"	1	
10	326981	INSULATING PAD NOISE 1/16"	2	
11	327727	INSULATING To E-5585	1	
11	352622	INSULATING PAD NOISE 1/16" From E-5586	1	
12	327728	INSULATING To E-5585	1	
12	352623	INSULATING PAD NOISE 1/16" From E-5586	1	
13	352625	INSULATING PAD NOISE 1/16"	1	
14	327731	INSULATING To E-5585	1	
14	352624	INSULATING PAD NOISE 1/16" From E-5586	1	
15	326520	INSULATING PAD 1"1/16	1	
16	326980	INSULATING To E-5585	1	
16	356282	INSULATING PAD NOISE 1/16" From E-5586	1	
17	352031	INSULATING PANEL To E-5585	1	
17	352621	INSULATING PAD 1"1/16 From E-5586	1	
17A	353729	INSULATING PAD 1"1/16 From K-6413	1	B
17B	353730	INSULATING PAD 1"1/16 From K-6413	1	B
19	352116	INSULATING PAD 1"1/16	1	A
20	352117	INSULATING PAD 1"1/16	1	A
21	352620	INSULATING PAD 1"1/16	1	A
22	352115	INSULATING PAD 1"1/16	1	A
31	3200773	INSULATING PAD 1"1/16	1	
32	352027	INSULATING PAD 1"1/16	2	
33	3200771	INSULATING PAD 1"1/16	1	
34	3200663	INSULATING PAD NOISE 1"	1	
35	3200657	INSULATING PAD NOISE 1" To F-5759	1	
35	3201198	INSULATING PAD NOISE 1" From F-5760	1	
36	3200655	INSULATING PAD 1"1/16 To F-5759	1	
36	3201195	INSULATING PAD 1"1/16 From F-5760	1	
37	3200656	INSULATING PAD NOISE 1" To F-5759	1	

From C-5243	Date:01/2024	PAGE:X3-1839-16
-------------	--------------	-----------------

INSULATING FRONT - SUBFRAME

Item#	Part	Description	QTY	Notes
37	3201199	INSULATING PAD NOISE 1" From F-5760	1	
38	325023	INSULATING PAD NOISE 1"	2	
40	327223	INSULATING PAD NOISE 1/16"	2	
41	327727	INSULATING To E-5585	1	
41	352622	INSULATING PAD NOISE 1/16" From E-5586	1	
42	327728	INSULATING To E-5585	1	
42	352623	INSULATING PAD NOISE 1/16" From E-5586	1	
43	352625	INSULATING PAD NOISE 1/16"	1	
44	327730	INSULATING To E-5585	1	
44	356280	INSULATING PAD From E-5586	1	
45	326520	INSULATING PAD 1"1/16	1	
46	356281	INSULATING PAD 1"1/16 (27MM) To H-6120	1	
46	353091	INSULATING PAD From H-6121	1	
46	356281	INSULATING PAD 1"1/16 (27MM) From K-6413	1	B
47	3200772	INSULATING PAD 1"1/16	1	
48	3200661	INSULATING PAD 5/16" To F-5759	2	
49	352116	INSULATING PAD 1"1/16	1	A
50	352117	INSULATING PAD 1"1/16	1	A
51	3200774	INSULATING PAD 1"1/16	1	A
52	352115	INSULATING PAD 1"1/16	1	A
53	3210653	INSULATING PAD 1"1/16 (27MM) From K-6413	1	B
54	3210654	INSULATING PAD 1"1/16 (27MM) From K-6413	1	B
NS	850061	SOUND INSULATION 1"1/16X36X54	AR	
NS	850026	INSULATING PAD NOISE ADH1 1" x 54" x 50"	AR	
NS	850030	INSULATING PAD NOISE ADH1 1" x 54" x 72"	AR	
NS	850024	INSULATING PAD NOISE ADH1 1/16" x 40" x 54"	AR	
NS	850059	INSULATING PAD NOISE ADH1 5/16" X 40" X 54"	AR	
		A) WITH PASSENGER SEAT 2+1		
		B) SPECIAL OPTION WITH 4 SEATING RAILS		

INSULATING FLOOR & REAR - BUS



From 7-8754 To B-5001	Date:01/2024	PAGE:X3-1839-20
INSULATING FLOOR & REAR - BUS		

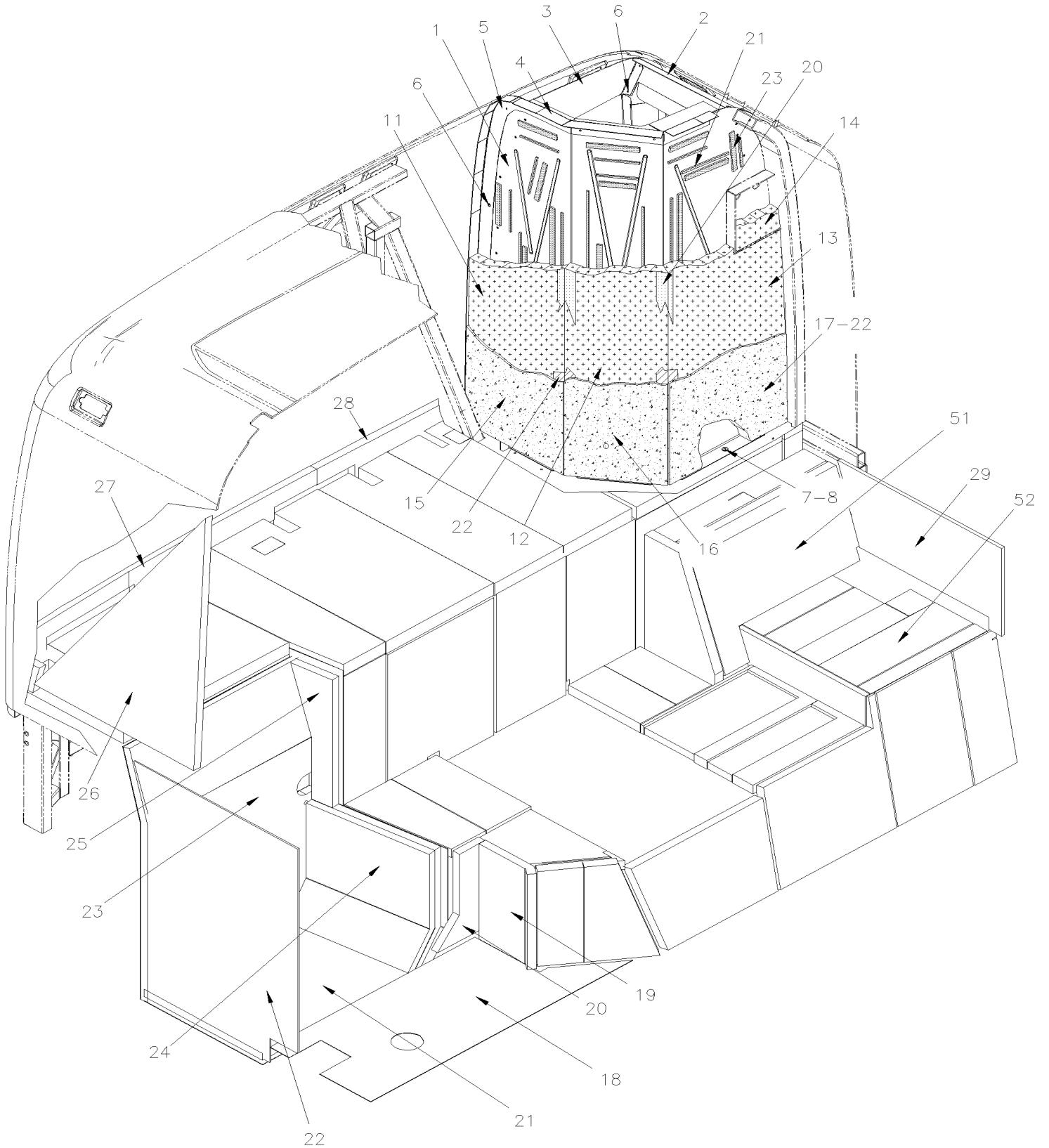
Item#	Part	Description	QTY	Notes
3	329210	INSULATING PANEL	1	
4	329211	INSULATING PANEL	1	
5	329209	INSULATING PANEL	2	
6	329208	INSULATING PANEL	1	
7	329207	INSULATING PANEL	1	
8	680397	CONTACT GLUE / AEROSOL 17oz	AR	
20	329140	INSULATING PANEL To 8-9276	1	
20	328624	INSULATING PANEL From 8-9277	1	
21	324788	INSULATING PANEL	1	
22	325145	INSULATING PANEL	1	
23	325140	INSULATING PANEL	1	
24	326993	INSULATING PANEL	1	
25	325151	INSULATING PANEL	1	
26	326994	INSULATING PANEL	1	
27	326995	INSULATING PANEL	1	
28	325146	INSULATING PANEL To 8-9276	2	
28	328612	INSULATING PANEL From 8-9277	2	
28	328625	INSULATING PANEL From 8-9277	1	
28	328638	INSULATING PANEL From 8-9277	1	
29	324786	INSULATING PANEL To 8-9276	1	
29	328611	INSULATING PANEL From 8-9277	1	
30	325150	INSULATING PANEL To 8-9276	1	
30	328600	INSULATING PANEL From 8-9277	1	
30	328637	INSULATING PANEL From 8-9277	1	
31	326667	INSULATING	1	
32	326668	INSULATING	1	
33	326821	INSULATING PANEL To 8-9276	1	
33	328626	INSULATING PANEL From 8-9277	1	
34	326996	INSULATING PANEL To 8-9276	1	
34	328639	INSULATING PANEL INTERIOR STREETSIDE From 8-9277	1	
35	680397	CONTACT GLUE / AEROSOL 17oz	AR	
36	326820	INSULATING	1	

From 8-9277 To H-6179

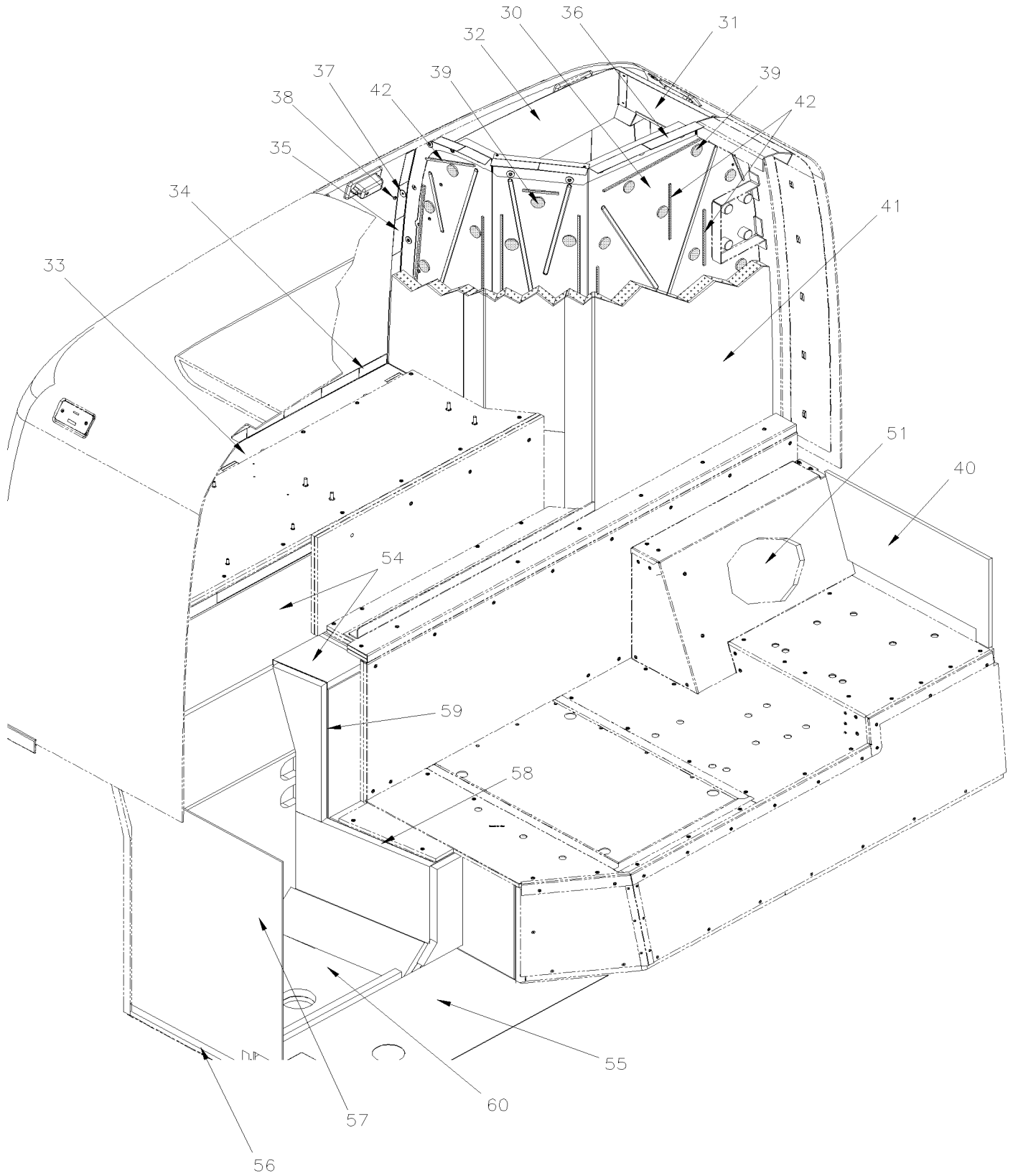
Date:01/2024

PAGE:X3-1839-25

INSULATING - REAR FILTER



INSULATING - REAR FILTER



From 8-9277 To H-6179	Date:01/2024	PAGE:X3-1839-25
INSULATING - REAR FILTER		

Item#	Part	Description	QTY	Notes
1	355957	WALL SHEET PANEL To B-5001	1	
2	351828	PANEL FIRE WALL To B-5001	1	
3	355958	PANEL FIRE WALL To B-5001	1	
4	351823	ANGLE RETAINER To B-5001	1	
5	351821	ANGLE RETAINER To B-5001	1	
6	504488	RIVET MGLP PRDG 3/16x17/64 SS To B-5001	AR	
7	504459	RIVET MGLP PRDG 1/4x3/8 SS To B-5001	AR	
8	500411	WASHER FL .260x.697x.050 SS To B-5001	AR	
NS	352024	KIT INSULATING PANEL / FLOOR To B-5001	1	
10	351830	KIT INSULATING PANEL To B-5001	1	
11	351815	. INSULATING PANEL INTERIOR CURBSIDE To B-5001	1	
12	351816	. INSULATING PANEL INTERIOR CENTER To B-5001	1	
13	351814	. INSULATING PANEL INTERIOR STREETSIDE To B-5001	1	
14	351818	. INSULATING PANEL INTERIOR SUPPORT To B-5001	1	
15	351819	INSULATING PANEL EXTERIOR CURBSIDE To B-5001	1	
16	351820	INSULATING PANEL EXTERIOR CENTER To B-5001	1	
17	351817	INSULATING PANEL EXTERIOR STREETSIDE To B-5001	1	
18	328624	INSULATING PANEL To B-5001	1	
19	328637	INSULATING PANEL To B-5001	1	
20	328600	INSULATING PANEL To B-5001	1	
21	324788	INSULATING PANEL To B-5001	1	
21	325145	INSULATING PANEL To B-5001	1	
21	325140	INSULATING PANEL To B-5001	1	
22	326993	INSULATING PANEL To B-5001	1	
23	326994	INSULATING PANEL To B-5001	1	
23	326995	INSULATING PANEL To B-5001	1	
24	328612	INSULATING PANEL To B-5001	2	
24	328611	INSULATING PANEL To B-5001	1	
25	328625	INSULATING PANEL To B-5001	1	
25	328638	INSULATING PANEL To B-5001	1	
26	326667	INSULATING To B-5001	1	
27	326820	INSULATING To B-5001	1	
28	328626	INSULATING PANEL To B-5001	1	
29	328639	INSULATING PANEL INTERIOR STREETSIDE To B-5001	1	
30	261208	WALL SHEET PANEL From B-5002	1	
31	352034	PANEL, REAR FIRE WALL From B-5002	1	
32	352035	PANEL, REAR FIRE WALL From B-5002	1	
33	356117	ANGLE RETAINER From B-5002	1	
34	356118	ANGLE RETAINER From B-5002	1	
35	356119	ANGLE RETAINER From B-5002	1	
36	356120	ANGLE RETAINER From B-5002	1	
NS	790392	RUBBER BLOCK ADJUSTEMENT 1" x 5/16" x 1/8" 80DURO From B-5002	8	

From 8-9277 To H-6179	Date:01/2024	PAGE:X3-1839-25
INSULATING - REAR FILTER		

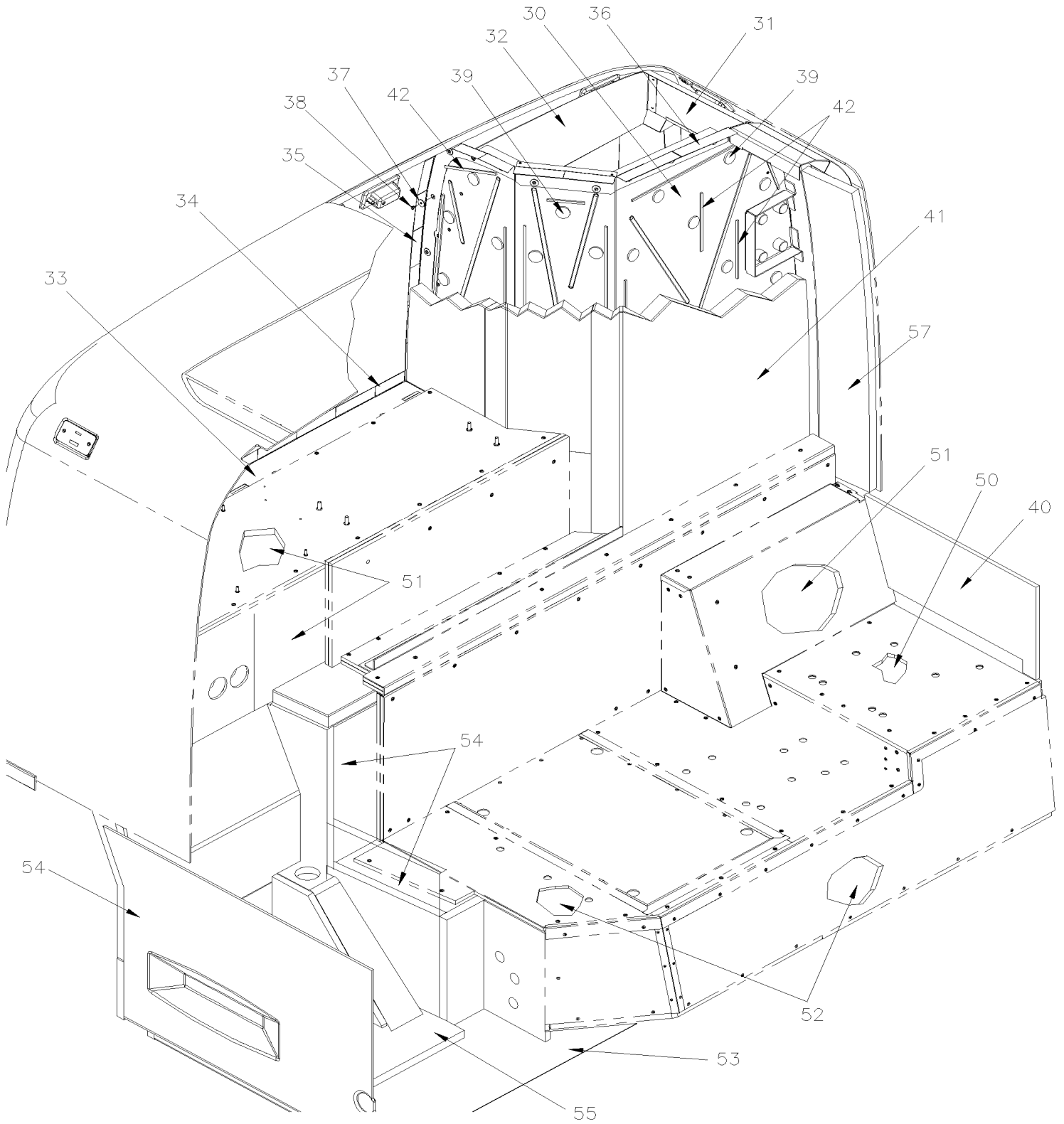
Item#	Part	Description	QTY	Notes
37	500989	WASHER FL .219x.875x.062 Z050 From B-5002	AR	
38	504488	RIVET MGLP PRDG 3/16x17/64 SS From B-5002	AR	
39	684517	ADHESIVE SIMSON #ISR 70-03 / GREY / 310ml CARTRIDGE From B-5002	AR	
40	328639	INSULATING PANEL INTERIOR STREETSIDE From B-5002	1	
41	352032	KIT INSULATING PANEL From B-5002	1	
42	507000	TAPE RUB ADH2 POL 3/16" x 1/4" x 50' / BLACK V2206 From B-5002	AR	
51	352038	KIT INSULATING PANEL To B-5001	1	
. NS	850061	. SOUND INSULATION 1"1/16X36X54 To B-5001	AR	
51	356090	KIT INSULATING PANEL From B-5002 To D-5431	1	
. NS	850079	. INSULATING PAD NOISE ADH1 1 5/8" x 36" x 48" From B-5002 To D-5431	1	
51	352602	KIT INSULATING PANEL From D-5432	1	
. NS	850030	. INSULATING PAD NOISE ADH1 1" x 54" x 72" From D-5432	AR	
. NS	850055	. INSULATING AC AD1 URE FOAM 3/4"x36"x54 From D-5432	AR	
. NS	850061	. SOUND INSULATION 1"1/16X36X54 From D-5432	AR	
. NS	850079	. INSULATING PAD NOISE ADH1 1 5/8" x 36" x 48" From D-5432	AR	
52	352046	KIT INSULATING PANEL From B-5002 To D-5431	1	
. NS	850041	. INSULATING RIGID / 1" x 24" x 48" / YELLOW & BLACK From B-5002 To D-5431	AR	
54	356091	KIT INSULATING PANEL From B-5002	1	
55	320687	INSULATING PANEL From B-5002	1	
55	3201350	INSULATING PANEL From B-5002	1	S
55	3201351	INSULATING PANEL From B-5002	1	S
56	324788	INSULATING PANEL From B-5002	1	
57	326993	INSULATING PANEL From B-5002	1	
58	328611	INSULATING PANEL From B-5002	1	
59	328638	INSULATING PANEL From B-5002	1	
60	356115	KIT INSULATING PANEL / LAVATORY From B-5002	1	
71	682484	TAPE ALUMINUM ADH1 .005" x 3" x 300' ALUMINUM FSK3" To B-5001	AR	
72	507000	TAPE RUB ADH2 POL 3/16" x 1/4" x 50' / BLACK V2206 To B-5001	AR	
73	680052	GLUE, CONTACT ADBOND 8399 4 LITER To B-5001	1	
74	684517	ADHESIVE SIMSON #ISR 70-03 / GREY / 310ml CARTRIDGE To B-5001	AR	
		S) WITH DUST ABATEMENT SYSTEM		

From H-6180

Date:01/2024

PAGE:X3-1839-26

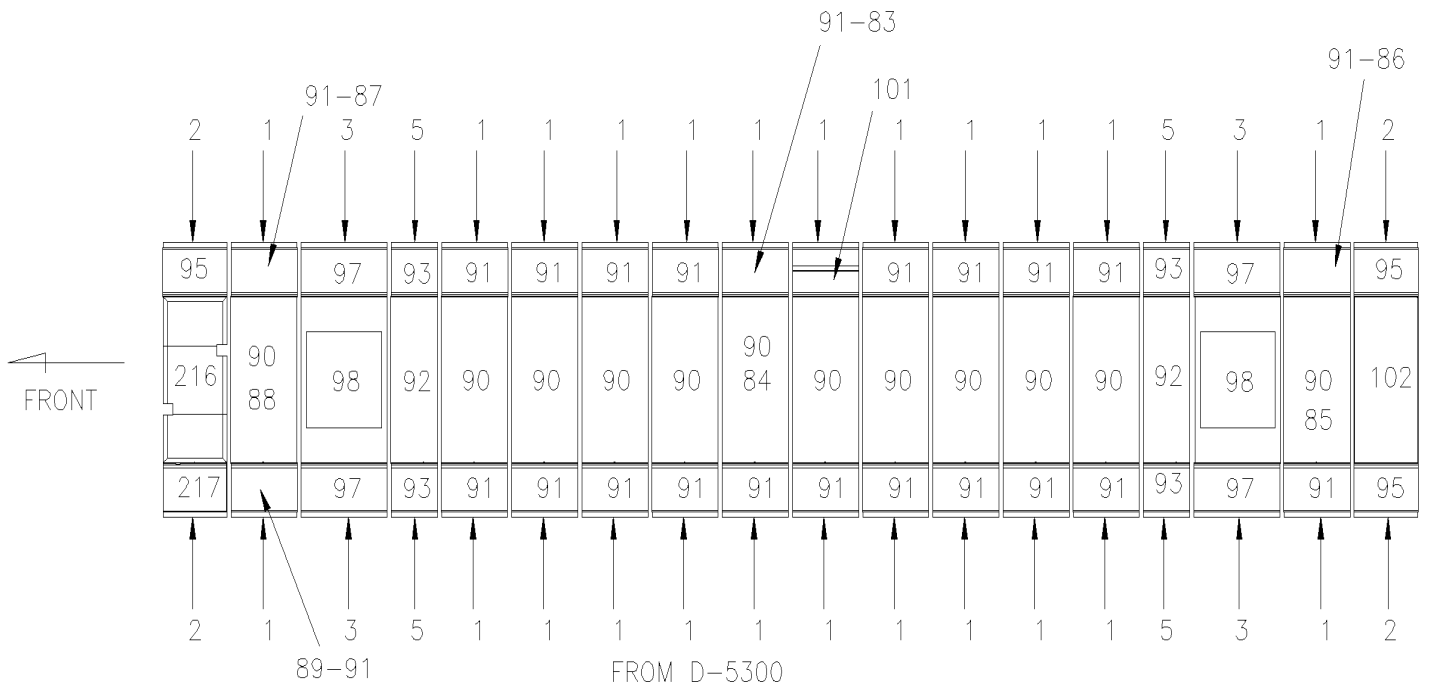
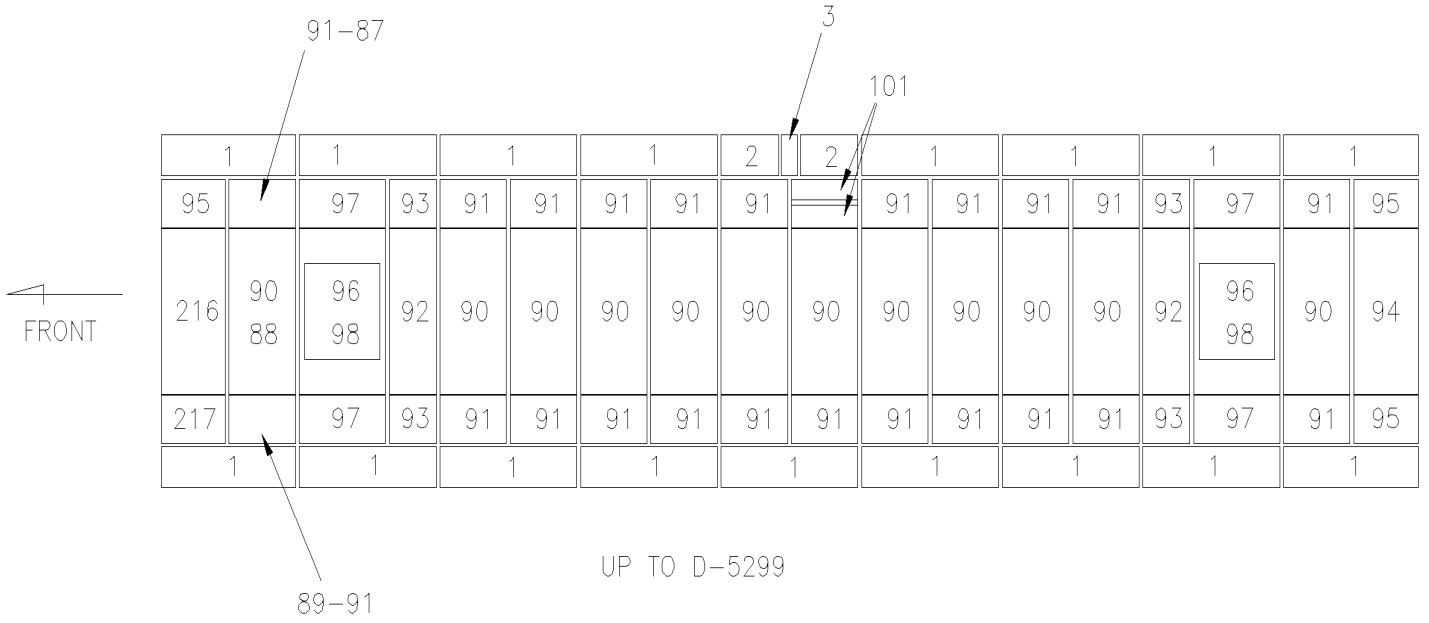
INSULATING - REAR SCR FILTER GHG17



From H-6180	Date:01/2024	PAGE:X3-1839-26
INSULATING - REAR SCR FILTER GHG17		

Item#	Part	Description	QTY	Notes
30	261208	WALL SHEET PANEL To K-6492	1	
30	260121	WALL SHEET PANEL From L-6493	1	
31	352034	PANEL, REAR FIRE WALL	1	
32	352035	PANEL, REAR FIRE WALL	1	
33	356117	ANGLE RETAINER To K-6492	1	
33	353142	ANGLE, SEALING From L-6493	1	
33	353381	ANGLE, SEALING From L-6493	1	
33	353921	INSULATING PANEL From L-6493	1	
34	356118	ANGLE RETAINER To K-6492	1	
34	353385	ANGLE, SEALING From L-6493	1	
34	353141	ANGLE, SEALING From L-6493	1	
34	353922	INSULATING PANEL From L-6493	1	
35	356119	ANGLE RETAINER To K-6492	1	
35	353386	ANGLE, SEALING From L-6493	1	
35	353143	ANGLE, SEALING From L-6493	1	
35	353334	PLATE, SEALING From L-6493	2	
36	356169	ANGLE RETAINER To K-6492	1	
36	353144	ANGLE, SEALING From L-6493	1	
NS	790392	RUBBER BLOCK ADJUSTEMENT 1" x 5/16" x 1/8" 80DURO To K-6492	8	
37	500805	WASHER FL .218x.875x.062 N500	AR	
38	504488	RIVET MGLP PRDG 3/16x17/64 SS	AR	
39	684517	ADHESIVE SIMSON #ISR 70-03 / GREY / 310ml CARTRIDGE	AR	
40	328639	INSULATING PANEL INTERIOR STREETSIDE	1	
41	352032	KIT INSULATING PANEL To K-6492	1	
41	353400	KIT INSULATING PANEL From L-6493	1	
42	507000	TAPE RUB ADH2 POL 3/16" x 1/4" x 50' / BLACK V2206	AR	
50	352790	KIT INSULATING PANEL	1	
. NS	850079	. INSULATING PAD NOISE ADH1 1 5/8" x 36" x 48"	1	
51	352800	KIT INSULATING PANEL To K-6492	1	
. NS	850019	. INSULATION PAD NOISE 1/4" x 15' x 54" / BLACK / BARYMAT (324183) To K-6492	AR	
51	353446	KIT INSULATING PANEL From L-6493	1	
52	352890	KIT INSULATING PANEL	1	
. NS	850061	. SOUND INSULATION 1"1/16X36X54	1	
53	321180	INSULATING PANEL	1	
53	3210720	INSULATING PANEL From K-6477	1	
54	352820	KIT INSULATING PANEL To K-6492	1	
54	353449	KIT INSULATING PANEL From L-6493	1	
55	321194	INSULATING PANEL	1	
55	3210719	INSULATING PANEL From K-6477	1	
57	353725	INSULATING PANEL From L-6493	1	

From 7-8754 To K-6492	Date:01/2024	PAGE:X3-1839-30
INSULATING ROOF PANELS		



From 7-8754 To K-6492	Date:01/2024	PAGE:X3-1839-30
-----------------------	--------------	-----------------

INSULATING ROOF PANELS

Item#	Part	Description	QTY	Notes
	350841	KIT INSULATING ROOF PANEL To 7-9133	1	
	351874	KIT INSULATING ROOF PANEL From 7-9134 To 9-9581	1	
	356072	KIT ROOF INSULATING PANEL From 9-9582 To D-5299	1	
	356177	KIT INSULATING ROOF PANEL From D-5300	1	
	354331	KIT INSULATING ROOF PANEL From D-5300	1	
	352979	KIT INSULATING ROOF PANEL / W/CAMERA From H-6110	1	C
	352893	KIT INSULATING ROOF PANEL / W/LOCATION TOILET LIGHT From G-6084	1	L
	352397	KIT INSULATING ROOF PANEL / W/HOSE THREAD PASS From B-5050	1	GR
	351321	KIT ROOF SIDE INSULATING PANEL To D-5299	1	
	356175	KIT ROOF SIDE INSULATING PANEL From D-5300 To D-5404	1	
	352601	KIT ROOF SIDE INSULATING PANEL From D-5405	1	
1	351316	. INSULATING PANEL To D-5299	17	
1	356172	. INSULATING PANEL From D-5300	24	
2	351317	. INSULATING PANEL To D-5299	2	
2	356171	. INSULATING PANEL From D-5300	4	
3	351319	. INSULATING PANEL To D-5299	1	
3	356173	. INSULATING PANEL From D-5300	4	
5	356174	. INSULATING PANEL From D-5300	4	
83	356289	. INSULATING PANEL / W/CAMERA From H-6110	1	C
84	356288	. INSULATING PANEL / W/CAMERA From H-6110	1	C
85	352891	. INSULATING PANEL W/LOCATION TOILET LIGHT From G-6084	1	L
86	352892	. INSULATING PANEL W/LOCATION TOILET LIGHT From G-6084	1	L
87	352482	. INSULATING PANEL / W/HOSE THREAD PASS From B-5050	1	GR
88	352480	. INSULATING PANEL / W/HOSE THREAD PASS From B-5050	1	GR
89	352481	. INSULATING PANEL / W/HOSE THREAD PASS From B-5050	1	GR
90	350713	. INSULATING PANEL	12	
91	350714	. INSULATING PANEL To D-5299	24	
91	350714	. INSULATING PANEL From D-5300	23	
92	350715	. INSULATING PANEL	2	
93	350716	. INSULATING PANEL To D-5299	4	
94	350717	. INSULATING PANEL To D-5299	2	
94	356073	. INSULATING PANEL To D-5299	1	
95	350719	. INSULATING PANEL To D-5299	4	
95	350719	. INSULATING PANEL From D-5300	3	
96	350725	. INSULATING PANEL To D-5299	1	
97	350734	. INSULATING PANEL	4	
98	350738	. INSULATING PANEL/ W/EMERGENCY EXIT To D-5299	1	
98	350738	. INSULATING PANEL/ W/EMERGENCY EXIT From D-5300	2	
101	356150	. INSULATING PANEL	1	
102	356073	. INSULATING PANEL	1	
216	351810	. INSULATING PANEL To B-5039	1	
216	352477	. INSULATING PANEL From B-5040	1	

From 7-8754 To K-6492	Date:01/2024	PAGE:X3-1839-30
-----------------------	--------------	-----------------

INSULATING ROOF PANELS

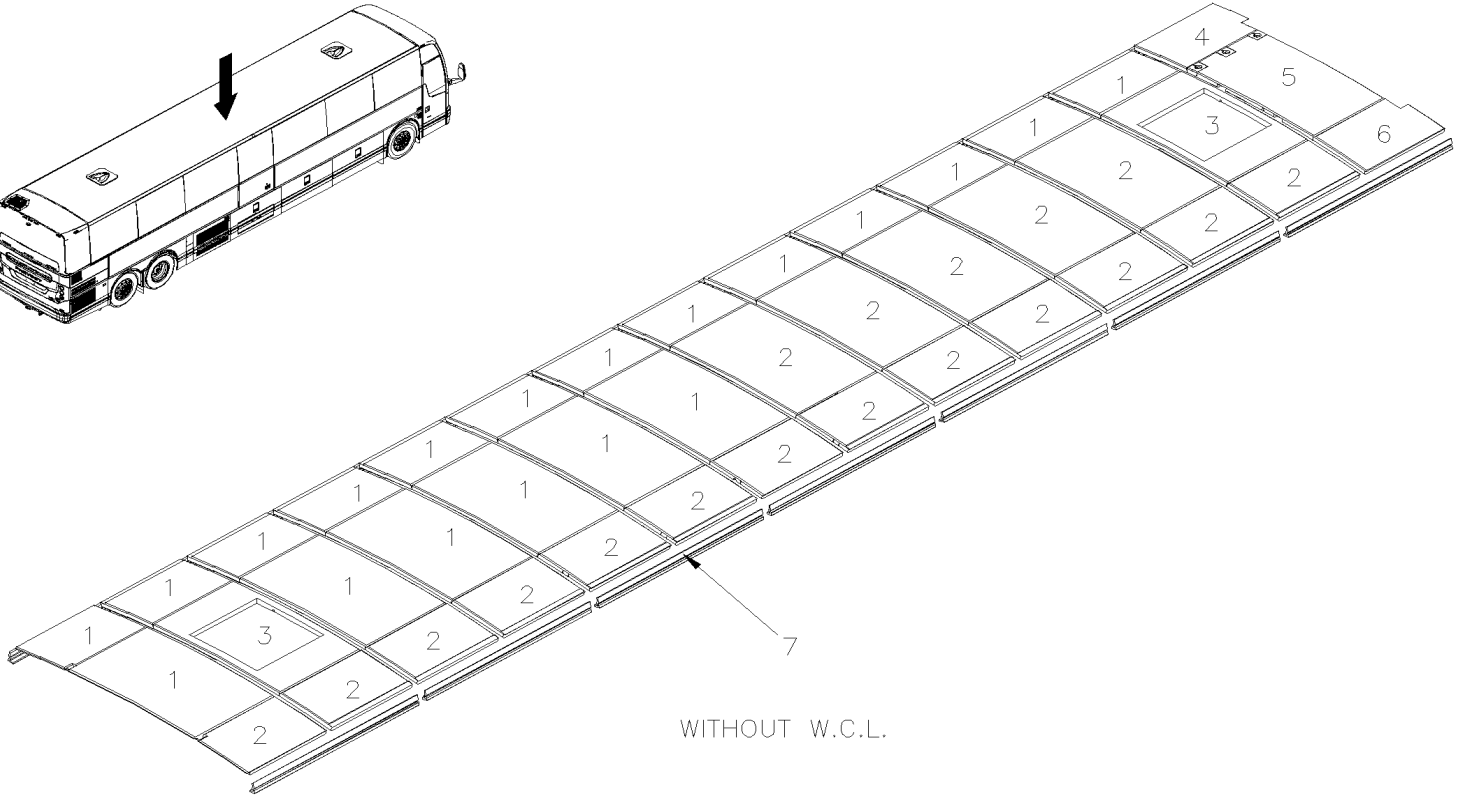
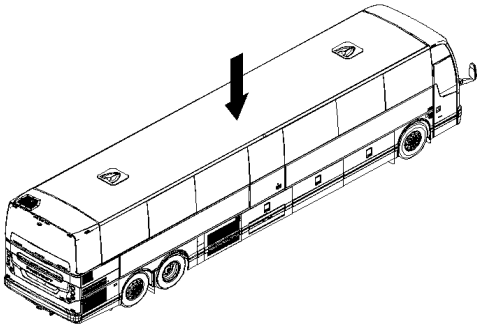
Item#	Part	Description	QTY	Notes
217	351811	. INSULATING PANEL	1	
		C) WITH CAMERA		
		GR) GREYHOUND OPTION		
		L) WITH LOCATION TOILET LIGHT		

From L-6493

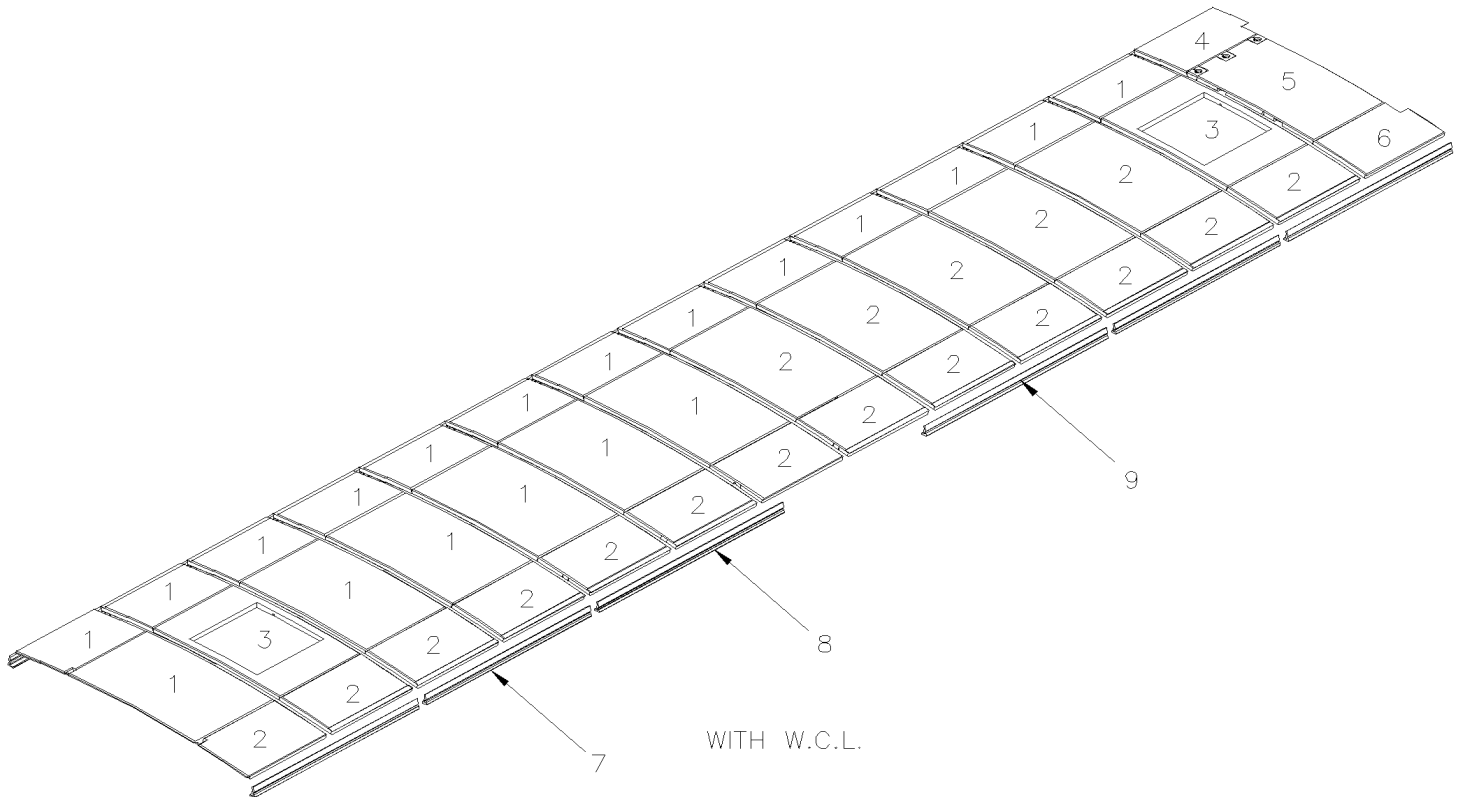
Date:01/2024

PAGE:X3-1839-31

INSULATING ROOF PANELS



WITHOUT W.C.L.



WITH W.C.L.

From L-6493	Date:01/2024	PAGE:X3-1839-31
-------------	--------------	-----------------

INSULATING ROOF PANELS

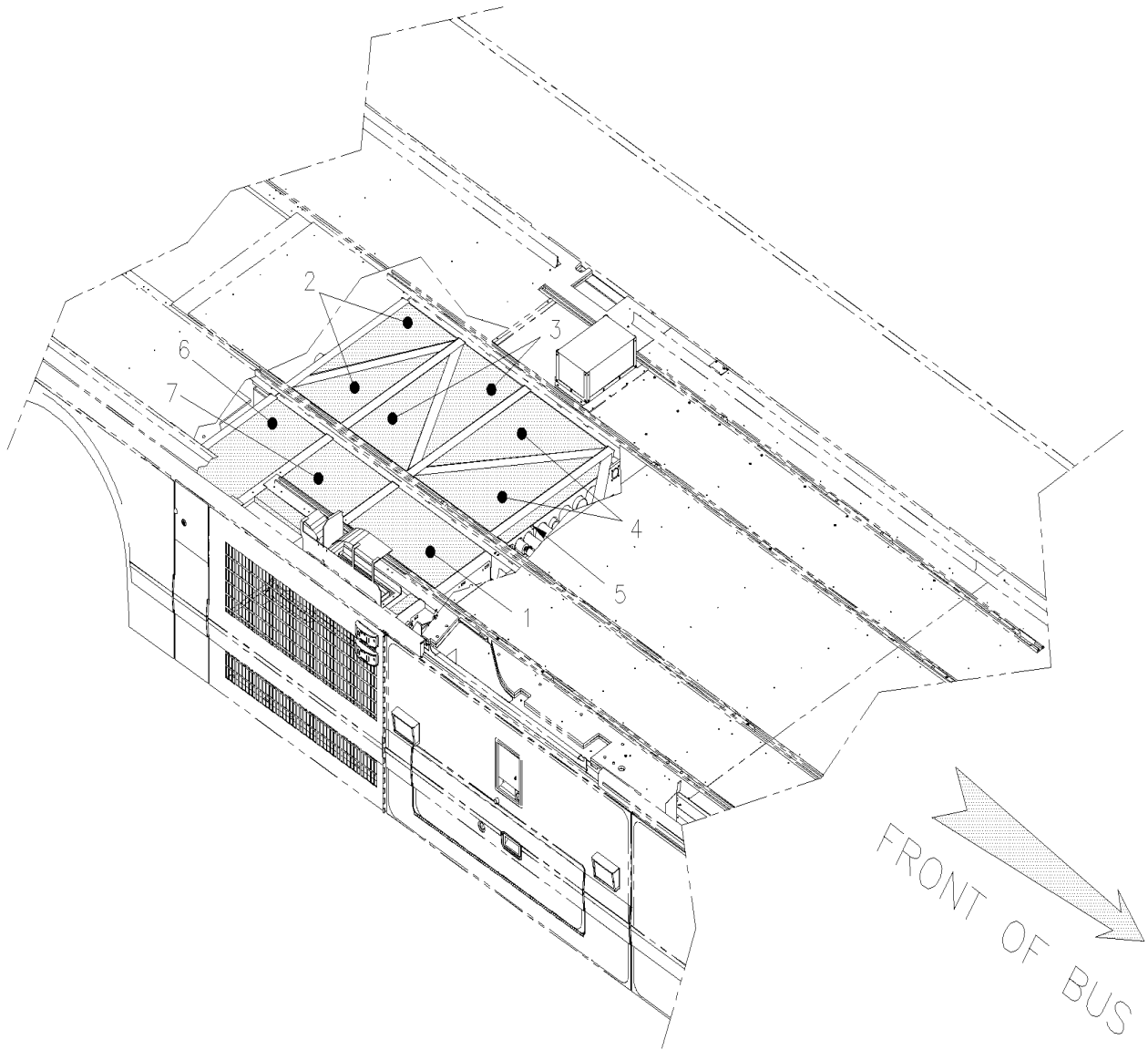
Item#	Part	Description	QTY	Notes
1	353223	KIT INSULATING ROOF PANEL To N-6694	1	
1	354048	KIT INSULATING ROOF PANEL From N-6695 To N-6708	1	
1	354260	KIT INSULATING ROOF PANEL From N-6709	1	
1	354134	KIT INSULATING ROOF PANEL To N-6708	1	A
1	354306	KIT INSULATING ROOF PANEL From N-6709	1	A
2	353384	KIT INSULATING ROOF PANEL To N-6708	1	
2	354259	KIT INSULATING ROOF PANEL From N-6709	1	
2	354135	KIT INSULATING ROOF PANEL To N-6708	1	A
2	354307	KIT INSULATING ROOF PANEL From N-6709	1	A
3	353231	INSULATING PANEL/ W/EMERGENCY EXIT To N-6708	2	
3	354254	INSULATING PANEL/ W/EMERGENCY EXIT From N-6709 To R-6936	2	
3	354363	INSULATING PANEL/ W/EMERGENCY EXIT From R-6937	1	
4	353254	INSULATING PANEL To N-6708	1	
4	354261	INSULATING PANEL From N-6709 To P-6862	1	
4	354433	INSULATING PANEL From P-6863	1	
5	353239	INSULATING PANEL To N-6708	1	
5	354264	INSULATING PANEL From N-6709	1	
6	353238	INSULATING PANEL To N-6708	1	
6	354263	INSULATING PANEL From N-6709	1	
7	353772	INSULATING PANEL	14	
7	353772	INSULATING PANEL	11	WCL
8	353774	INSULATING PANEL	1	WCL
9	353776	INSULATING PANEL	1	WCL
NS	683084	SEALANT SIKA #221 / GREY / 600 ml SAUSAGE	AR	
		A) WITH 4 WHEEL CHAIRS		
		WCL) WITH WHEEL CHAIR LIFT		

From B-5002

Date:01/2024

PAGE:X3-1839-40

INSULATING FLOOR PANELS



From B-5002	Date:01/2024	PAGE:X3-1839-40
-------------	--------------	-----------------

INSULATING FLOOR PANELS

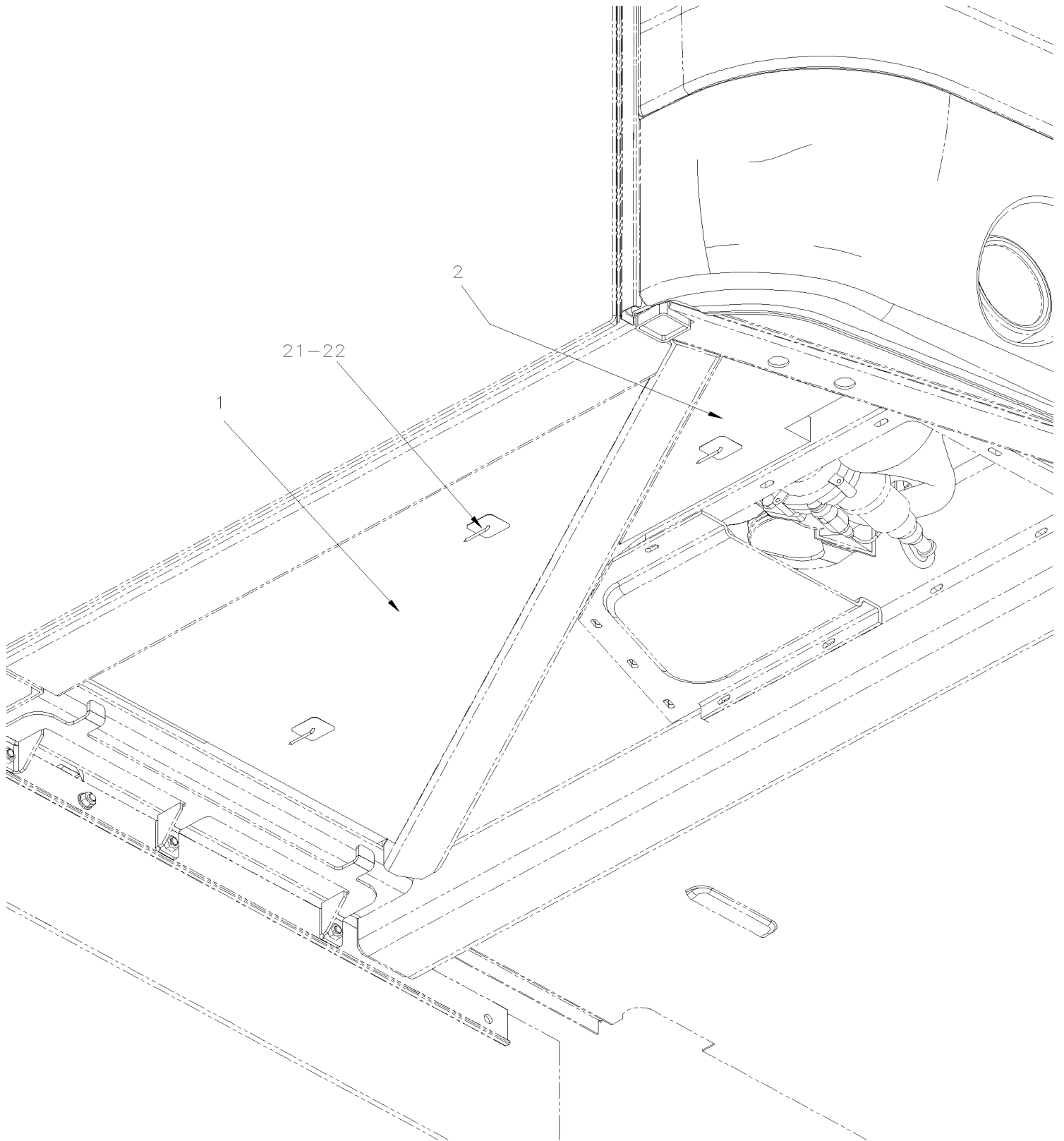
Item#	Part	Description	QTY	Notes
	352284	KIT INSULATION, FLOOR W/2 WHEEL CHAIR To D-5458	1	
	352616	KIT INSULATION, FLOOR W/2 WHEEL CHAIR From E-5459	1	
	352282	KIT INSULATION, FLOOR W/2+1 SEAT	1	
	352276	KIT INSULATION, FLOOR W/2+1 SEAT W/2 WHEEL CHAIR To D-5458	1	
	352615	KIT INSULATION, FLOOR W/2+1 SEAT W/2 WHEEL CHAIR From E-5459	1	
	352267	KIT INSULATION, FLOOR W/O WHEEL CHAIR To D-5458	1	
	352614	KIT INSULATION, FLOOR W/O WHEEL CHAIR From E-5459	1	
	352838	KIT INSULATION, FLOOR W/3 WHEEL CHAIR	1	TWCL
	352780	KIT INSULATION, FLOOR W/4 WHEEL CHAIR	1	FWCL
1	351541	. INSULATING PANEL W/O WHEEL CHAIR	1	
1	351543	. INSULATING PANEL W/2 WHEEL CHAIR	1	
1	351542	. INSULATING PANEL W/2+1 SEAT W/2 WHEEL CHAIR	1	
1	352782	. INSULATING PANEL W/4 WHEEL CHAIR	1	FWCL
1	351543	. INSULATING PANEL W/2 WHEEL CHAIR	1	TWCL
2	352268	. INSULATING PANEL	2	
3	352269	. INSULATING PANEL	2	
4	352270	. INSULATING PANEL	2	
5	352271	. INSULATING PANEL	1	
6	352272	. INSULATING PANEL	1	
6	352370	. INSULATING PANEL W/2+1 SEAT	1	
6	352370	. INSULATING PANEL W/2+1 SEAT	1	TWCL
6	352370	. INSULATING PANEL W/2+1 SEAT	1	FWCL
7	352618	. INSULATING PANEL W/2 WHEEL CHAIR	1	
7	352781	. INSULATING PANEL W/4 WHEEL CHAIR	1	FWCL
7	352781	. INSULATING PANEL W/4 WHEEL CHAIR	1	TWCL
7	352280	. INSULATING PANEL W/2+1 SEAT	1	
7	352617	. INSULATING PANEL W/O WHEEL CHAIR	1	
NS	352479	INSULATING PANEL, SUPPORT	14	
NS	680532	SEALANT SIKA #221 / GREY / 310ml CARTRIDGE	AR	
NS	680257	TAPE ALUMINUM ADH1 .005" x 2" x 300' TRM425-2	AR	
		FWCL) FOUR WHEELCHAIRS		
		TWCL) THREE WHEELCHAIR		

From 7-8754

Date:01/2024

PAGE:X3-1839-60

INSULATING STAIRWELL



From 7-8754	Date:01/2024	PAGE:X3-1839-60
-------------	--------------	-----------------

INSULATING STAIRWELL

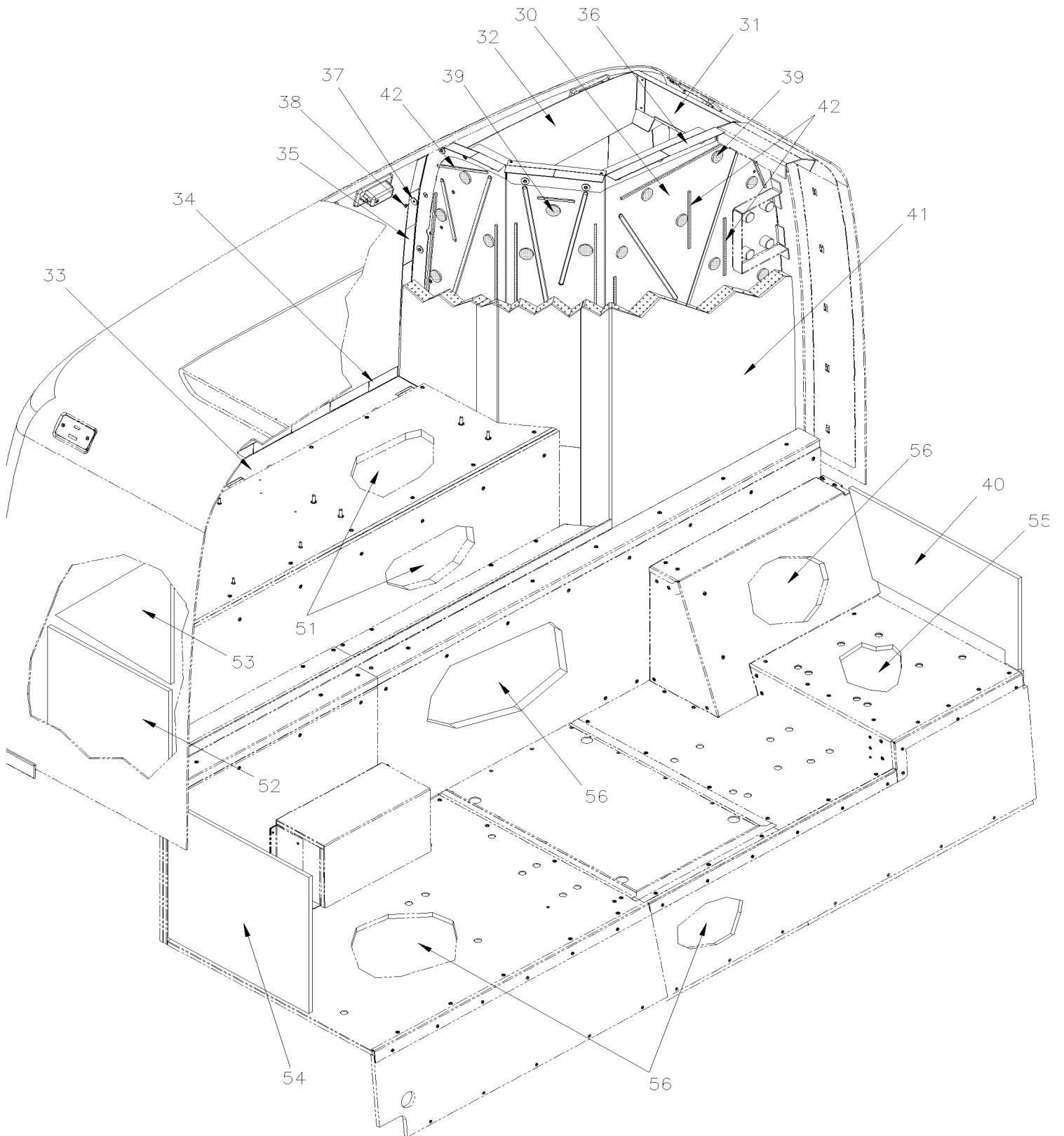
Item#	Part	Description	QTY	Notes
1	351262	. INSULATING PANEL / BACKWARD / UNDER STEPWELL To E-5759	1	
1	356304	. INSULATING PANEL / BACKWARD / UNDER STEPWELL From E-5760	1	
1	356297	. INSULATION PANEL / BACKWARD / UNDER STEPWELL WITH BY-FOLD DOOR	1	
2	351263	. INSULATING PANEL / FORWARD / UNDER STEPWELL To E-5759	1	
2	356305	. INSULATING PANEL / FORWARD / UNDER STEPWELL From E-5760	1	
2	356286	. INSULATION PANEL / FORWARD / UNDER STEPWELL WITH BY-FOLD DOOR	1	
21	500748	WASHER INSU G.10x1.125x1.250 Z050	3	
22	505319	ANCHOR SELF-STICK 2 1/2" GAL To J-6359	3	
NS	683084	SEALANT SIKA #221 / GREY / 600 ml SAUSAGE	AR	

From E-5571 To H-6179

Date:01/2024

PAGE:X3-1839-65

INSULATING - REAR SCR FILTER - WITHOUT LAVATORY



From E-5571 To H-6179	Date:01/2024	PAGE:X3-1839-65
INSULATING - REAR SCR FILTER - WITHOUT LAVATORY		

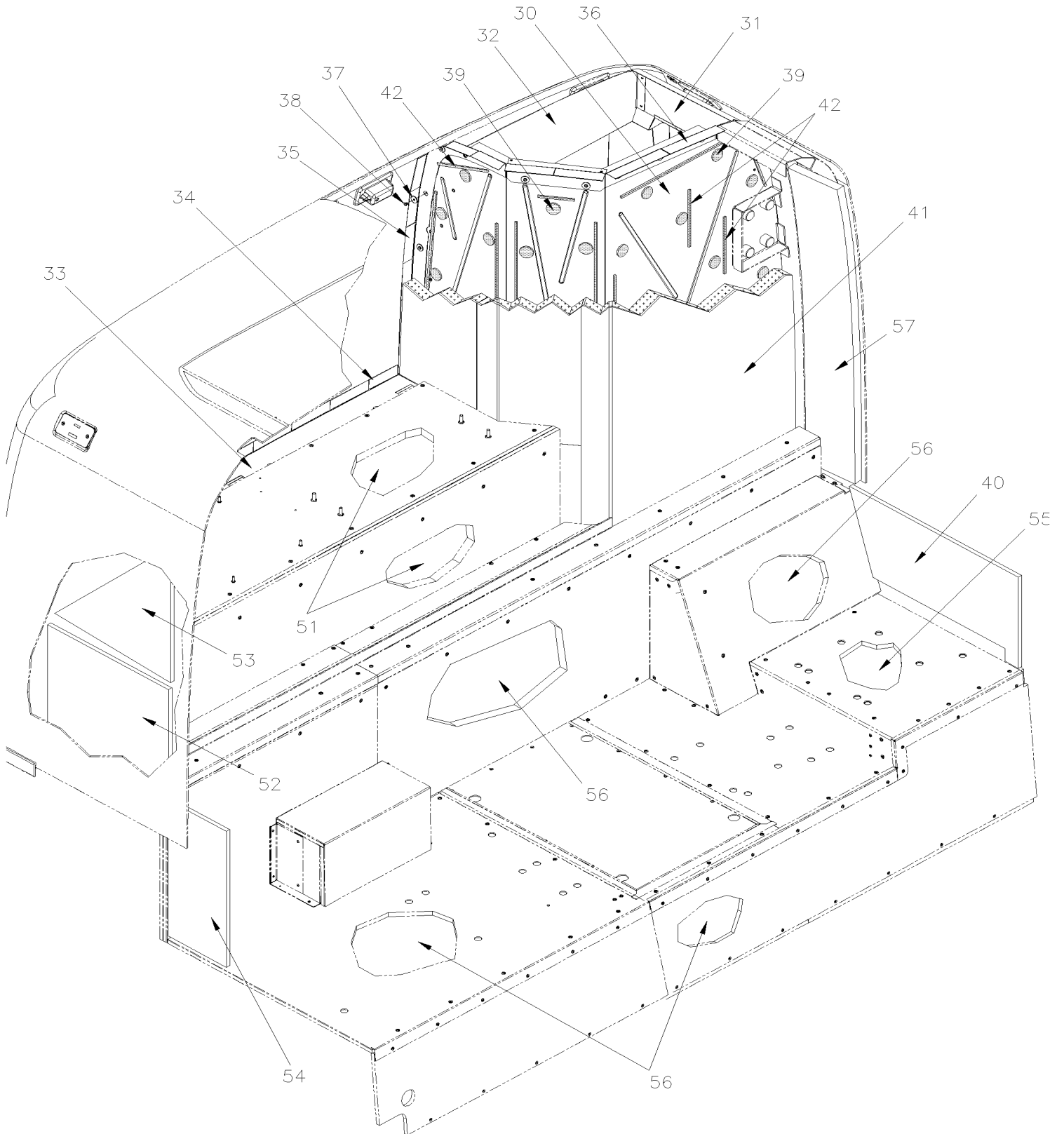
Item#	Part	Description	QTY	Notes
30	261208	WALL SHEET PANEL	1	
31	352034	PANEL, REAR FIRE WALL	1	
32	352035	PANEL, REAR FIRE WALL	1	
33	356117	ANGLE RETAINER	1	
34	356118	ANGLE RETAINER	1	
35	356119	ANGLE RETAINER	1	
36	356120	ANGLE RETAINER To E-5570	1	
36	356169	ANGLE RETAINER From E-5571	1	
NS	790392	RUBBER BLOCK ADJUSTEMENT 1" x 5/16" x 1/8" 80DURO	8	
37	500989	WASHER FL .219x.875x.062 Z050 To E-5570	AR	
37	500805	WASHER FL .218x.875x.062 N500 From E-5571	AR	
38	504488	RIVET MGLP PRDG 3/16x17/64 SS	AR	
39	684517	ADHESIVE SIMSON #ISR 70-03 / GREY / 310ml CARTRIDGE	AR	
40	328639	INSULATING PANEL INTERIOR STREETSIDE	1	
41	352032	KIT INSULATING PANEL	1	
42	507000	TAPE RUB ADH2 POL 3/16" x 1/4" x 50' / BLACK V2206	AR	
51	352178	KIT INSULATING PANEL	1	
52	352408	INSULATING PANEL	1	
NS	504793	RIVET MNB OE LARGE HEAD 3/16x7/16 SS	AR	
NS	504013	TIE MOUNT / 1/4" X 1/4" I.D.	AR	
53	352407	INSULATING PANEL	1	
54	352181	INSULATING PANEL	1	
55	352180	KIT INSULATING PANEL To D-5431	1	
NS	850041	INSULATING RIGID / 1" x 24" x 48" / YELLOW & BLACK To D-5431	AR	
56	352179	KIT INSULATING PANEL To D-5431	1	
NS	850079	INSULATING PAD NOISE ADH1 1 5/8" x 36" x 48" To D-5431	1	
56	352604	KIT INSULATING PANEL From D-5432 To E-5570	1	
NS	850030	INSULATING PAD NOISE ADH1 1" x 54" x 72" From D-5432 To E-5570	AR	
NS	850055	INSULATING AC AD1 URE FOAM 3/4"x36"x54 From D-5432 To E-5570	AR	
NS	850079	INSULATING PAD NOISE ADH1 1 5/8" x 36" x 48" From D-5432 To E-5570	AR	
NS	850061	SOUND INSULATION 1"1/16X36X54 From D-5432 To E-5570	AR	
56	352778	KIT INSULATING PANEL From E-5571 To F-5781	1	
NS	850030	INSULATING PAD NOISE ADH1 1" x 54" x 72" From E-5571 To F-5781	AR	
NS	850055	INSULATING AC AD1 URE FOAM 3/4"x36"x54 From E-5571 To F-5781	AR	
NS	850079	INSULATING PAD NOISE ADH1 1 5/8" x 36" x 48" From E-5571 To F-5781	AR	
NS	850061	SOUND INSULATION 1"1/16X36X54 From E-5571 To F-5781	AR	
56	352757	KIT INSULATING PANEL From F-5782	1	
NS	850030	INSULATING PAD NOISE ADH1 1" x 54" x 72" From F-5782	AR	
NS	850055	INSULATING AC AD1 URE FOAM 3/4"x36"x54 From F-5782	AR	
NS	850079	INSULATING PAD NOISE ADH1 1 5/8" x 36" x 48" From F-5782	AR	
NS	850061	SOUND INSULATION 1"1/16X36X54 From F-5782	AR	

From H-6180

Date:01/2024

PAGE:X3-1839-66

INSULATING - REAR SCR FILTER - WITHOUT LAVATORY GHG17



From H-6180	Date:01/2024	PAGE:X3-1839-66
INSULATING - REAR SCR FILTER - WITHOUT LAVATORY GHG17		

Item#	Part	Description	QTY	Notes
30	261208	WALL SHEET PANEL To K-6492	1	
30	260121	WALL SHEET PANEL From L-6493	1	
31	352034	PANEL, REAR FIRE WALL	1	
32	352035	PANEL, REAR FIRE WALL	1	
33	356117	ANGLE RETAINER To K-6492	1	
33	353142	ANGLE, SEALING From L-6493	1	
33	353381	ANGLE, SEALING From L-6493	1	
33	353921	INSULATING PANEL From L-6493	1	
34	356118	ANGLE RETAINER To K-6492	1	
34	353385	ANGLE, SEALING From L-6493	1	
34	353141	ANGLE, SEALING From L-6493	1	
34	353922	INSULATING PANEL From L-6493	1	
35	356119	ANGLE RETAINER To K-6492	1	
35	353386	ANGLE, SEALING From L-6493	1	
35	353143	ANGLE, SEALING From L-6493	1	
35	353334	PLATE, SEALING From L-6493	2	
36	356169	ANGLE RETAINER To K-6492	1	
36	353144	ANGLE, SEALING From L-6493	1	
NS	790392	RUBBER BLOCK ADJUSTEMENT 1" x 5/16" x 1/8" 80DURO To K-6492	8	
37	500805	WASHER FL .218x.875x.062 N500	AR	
38	504488	RIVET MGLP PRDG 3/16x17/64 SS	AR	
39	684517	ADHESIVE SIMSON #ISR 70-03 / GREY / 310ml CARTRIDGE	AR	
40	328639	INSULATING PANEL INTERIOR STREETSIDE	1	
41	352032	KIT INSULATING PANEL To K-6492	1	
41	353400	KIT INSULATING PANEL From L-6493	1	
42	507000	TAPE RUB ADH2 POL 3/16" x 1/4" x 50' / BLACK V2206	AR	
51	352844	KIT INSULATING PANEL To K-6492	1	
51	353390	KIT INSULATING PANEL From L-6493	1	
52	352408	INSULATING PANEL To K-6492	1	
52	353413	INSULATING PANEL From L-6493	1	
53	352407	INSULATING PANEL To K-6492	1	
53	353412	INSULATING PANEL From L-6493	1	
54	352879	INSULATING PANEL	1	
55	352843	KIT INSULATING PANEL	1	
NS	850079	INSULATING PAD NOISE ADH1 1 5/8" x 36" x 48"	AR	
56	352889	KIT INSULATING PANEL	1	
57	353725	INSULATING PANEL From L-6493	1	

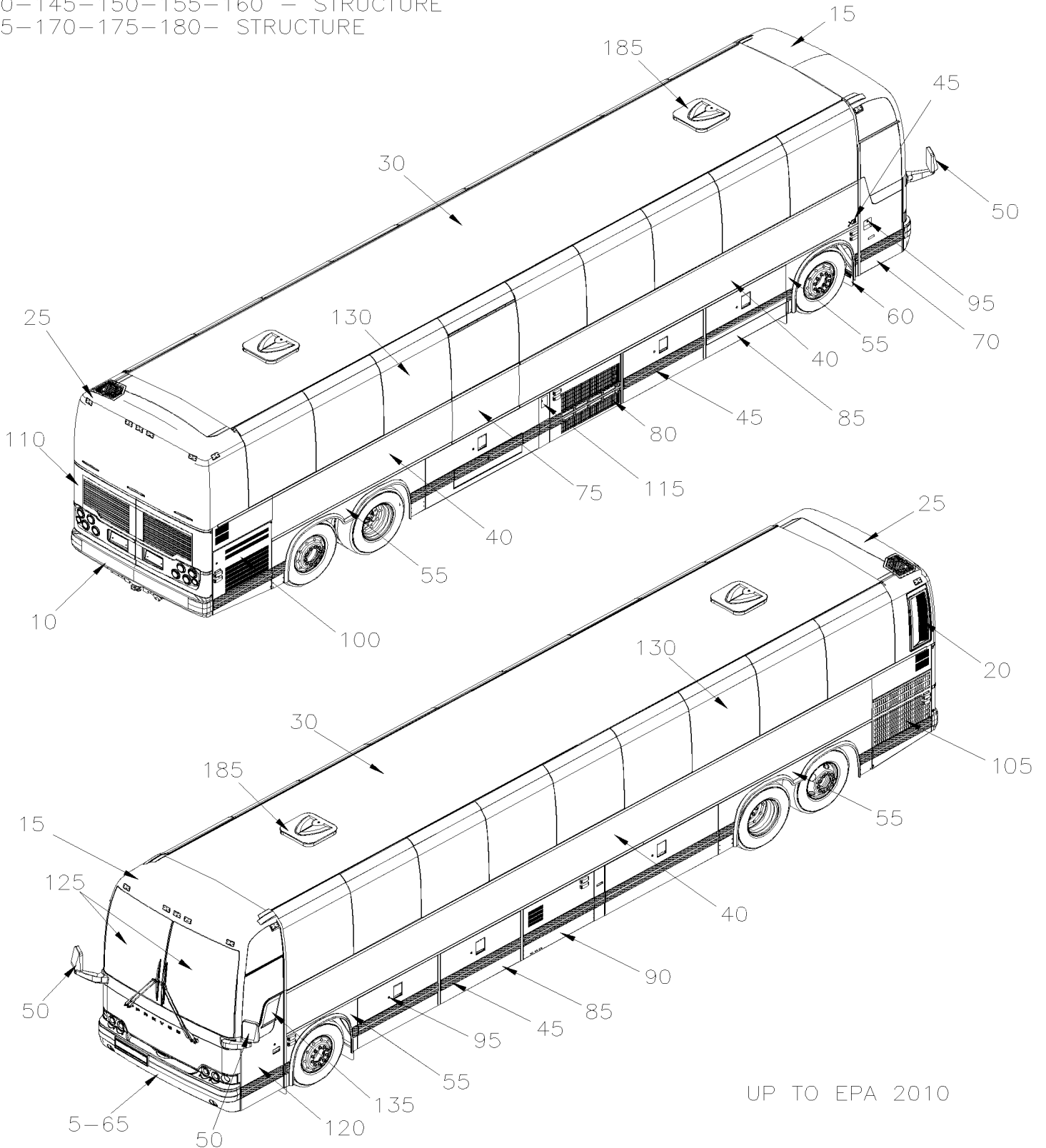
From 7-8754

Date:01/2024

PAGE:X3-18-EXT

BODY EXTERIOR

140-145-150-155-160 — STRUCTURE
165-170-175-180— STRUCTURE



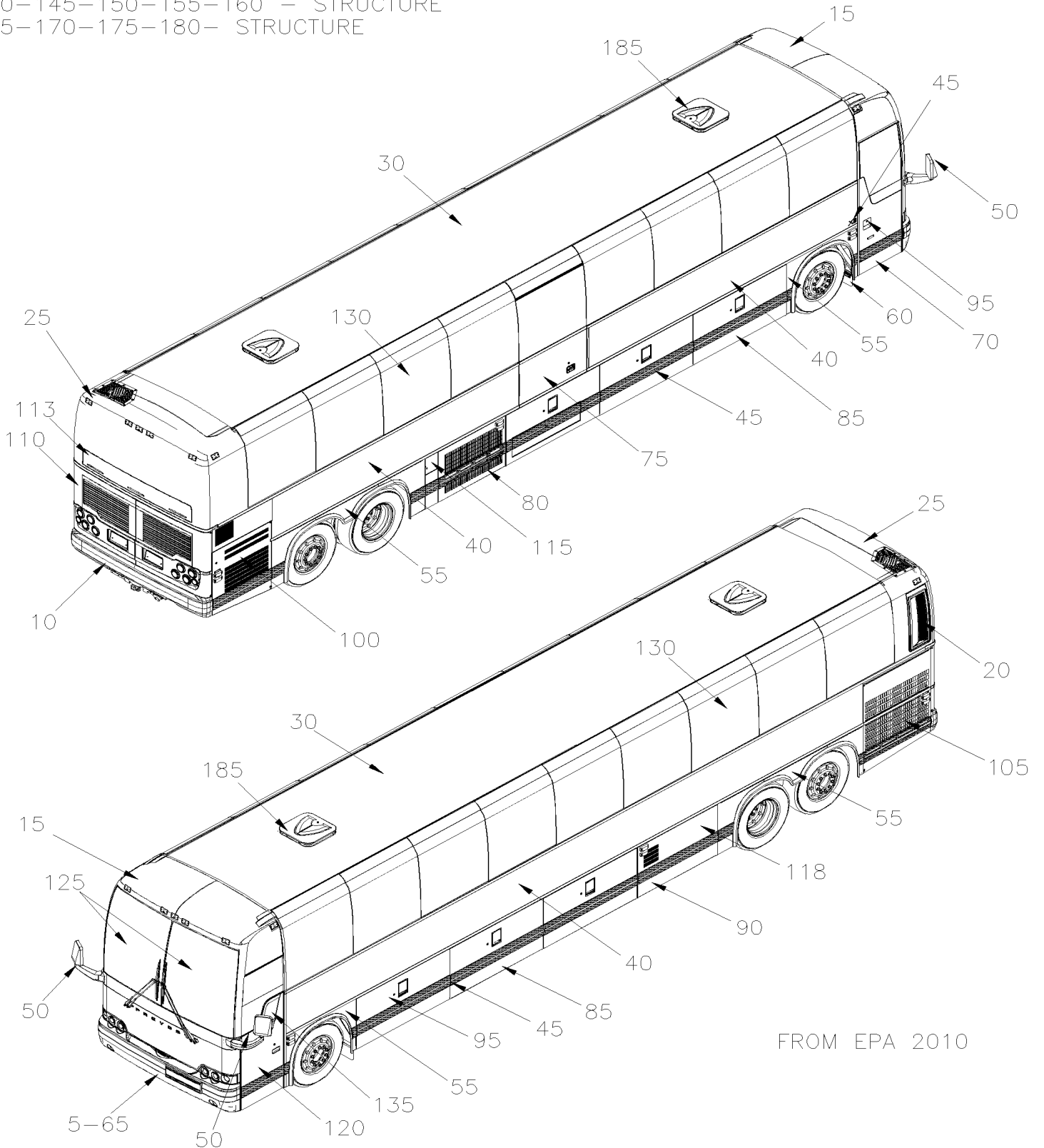
From 7-8754

Date:01/2024

PAGE:X3-18-EXT

BODY EXTERIOR

140-145-150-155-160 - STRUCTURE
165-170-175-180- STRUCTURE



FROM EPA 2010

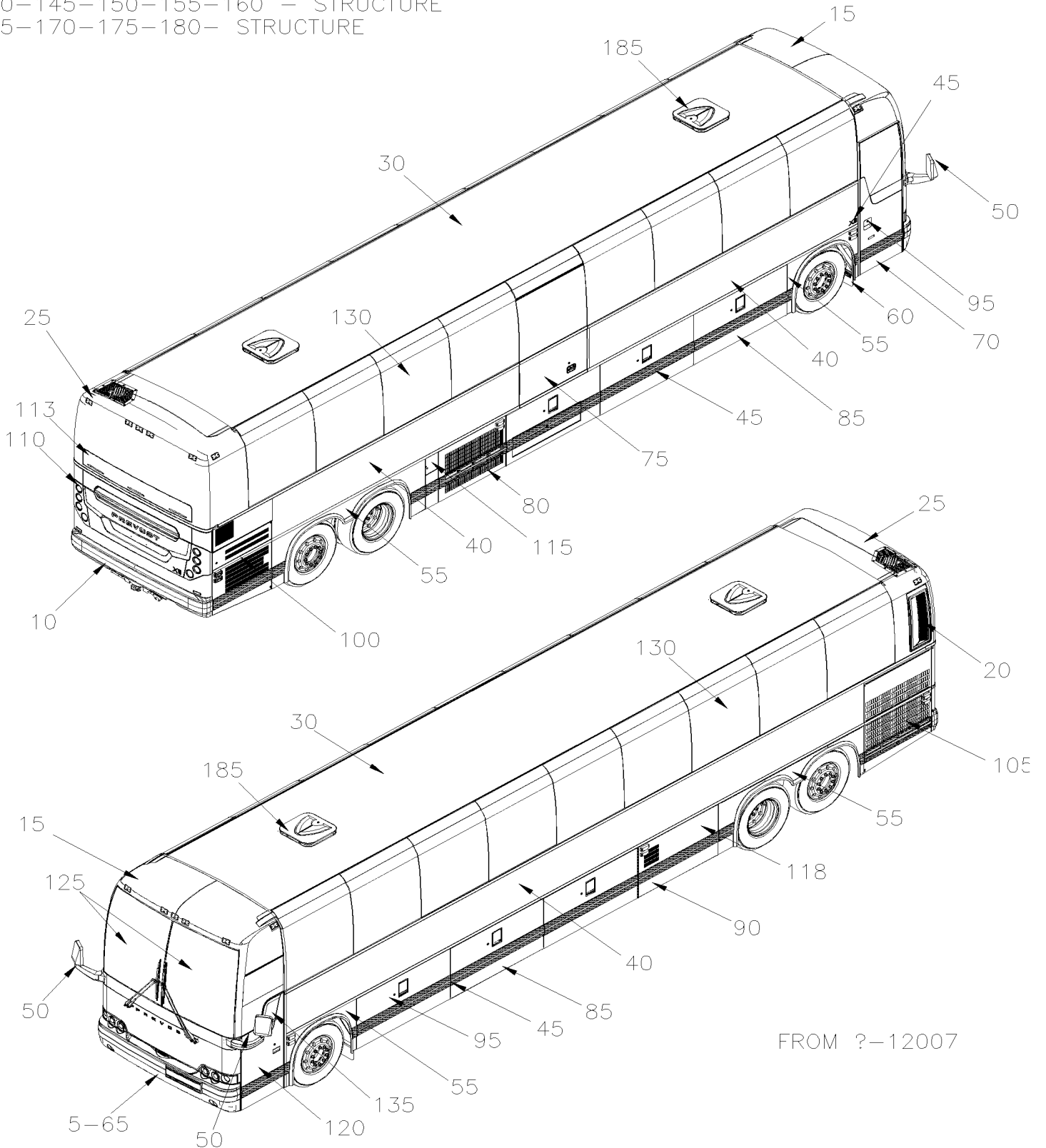
From 7-8754

Date:01/2024

PAGE:X3-18-EXT

BODY EXTERIOR

140-145-150-155-160 — STRUCTURE
165-170-175-180— STRUCTURE



FROM ?-12007

From 7-8754		Date:01/2024	PAGE:X3-18-EXT
BODY EXTERIOR			

Item#	Part	Description	QTY	Notes
5	X3-1850-00	BUMPER FRONT From 7-8754 To K-6492		
5	X3-1850-01	BUMPER FRONT From L-6493		
10	X3-1850-10	BUMPER REAR From 7-8754		
10	X3-1850-15	BUMPER REAR - BUS "OPTION" / "ROMEO RIM" From 7-8754 To D-5458		
10	X3-1850-16	BUMPER REAR - BUS "OPTION" / "ROMEO RIM" From E-5459		
15	X3-1851-00	FRONT CAP - INSTALLATION From 7-8754 To K-6492		
15	X3-1851-01	FRONT CAP - INSTALLATION From L-6493		
20	X3-1851-05	REAR CAP - DOOR DPF & SCR From 8-9277 To K-6492		
20	X3-1851-06	REAR CAP - DOOR DPF & SCR From L-6493		
25	X3-1851-20	REAR CAP - INSTALLATION From 7-8754 To 8-9276		
25	X3-1851-21	REAR CAP - INSTALLATION WITH EPA 2007 & 2010 From 8-9277 To K-6492		
25	X3-1851-22	REAR CAP - INSTALLATION From L-6493		
30	X3-1852-00	ROOF PANEL From 7-8754 To K-6492		
30	X3-1852-01	ROOF PANEL From L-6493		
40	X3-1854-00	SIDE FLAT PANEL From 7-8754 To B-5001		
40	X3-1854-01	SIDE FLAT PANEL From B-5002 To H-6179		
40	X3-1854-02	SIDE FLAT PANEL From H-6180 To K-6492		
40	X3-1854-03	SIDE FLAT PANEL From L-6493		
40	X3-1854-10	WEATHERSTRIP & DRIP MOULDING From 7-8754 To B-5001		
45	X3-1855-00	RUB RAIL - EXTERIOR CREST & TRIMS From 7-8754 To B-5001		
45	X3-1855-01	RUB RAIL - EXTERIOR CREST & TRIMS From B-5002 To G-6083		
45	X3-1855-02	RUB RAIL - EXTERIOR CREST & TRIMS From G-6084		
50	X3-1856-10	"E-MIRROR" INSTALLATION From L-6520 To L-6520		
50	X3-1856-11	"E-MIRROR" INSTALLATION From M-6658		
50	X3-1856-15	MIRROR "RAMCO" FLAT GLASS / BLACK PAINTED GLI From D-5300		
50	X3-1856-21	MIRROR "RAMCO" FLAT GLASS / SILVER PAINTED From 7-8754		
50	X3-1856-23	MIRROR "RAMCO" FLAT GLASS / BLACK PAINTED From 7-8754		
50	X3-1856-24	MIRROR "RAMCO" FLAT GLASS / BLACK PAINTED WITH DIRECTIONAL From 8-9277		
50	X3-1856-31	MIRROR "RAMCO" 2 GLASSES / SILVER PAINTED From 7-8754 To K-6492		
50	X3-1856-33	MIRROR "RAMCO" 2 GLASSES / BLACK PAINTED From 7-8754		
50	X3-1856-51	MIRROR "RAMCO" FLAT GLASS / CHROME From 7-8754		
50	X3-1856-52	MIRROR "RAMCO" FLAT GLASS / CHROME WITH DIRECTIONAL From 8-9277		
50	X3-1856-61	MIRROR "RAMCO" 2 GLASSES / CHROME From 7-8754 To 8-9312		
50	X3-1856-71	MIRROR - EXTERIOR - INSTALLATION / HEATED - WITH BY-FOLD DOOR From G-5936 To K-6492		
50	X3-1856-72	MIRROR - EXTERIOR - INSTALLATION / HEATED - WITH BY-FOLD DOOR From L-6493		
55	X3-1857-00	FENDERS L.H. - BUS W/FLAT PANELING From 7-8754 To D-5458		
55	X3-1857-01	FENDERS L.H. - BUS W/FLAT PANELING From E-5459 To H-6179		
55	X3-1857-02	FENDERS L.H. - BUS W/FLAT PANELING / GHG17 From H-6180		
55	X3-1857-05	FENDERS R.H. - BUS W/FLAT PANELING From 7-8754 To D-5458		
55	X3-1857-06	FENDERS R.H. - BUS W/FLAT PANELING From E-5459 To H-6179		
55	X3-1857-07	FENDERS R.H. - BUS W/FLAT PANELING / GHG17 From H-6180		
60	X3-1859-00	SPLASH GUARD - FRONT & REAR From 7-8754 To H-6179		

From 7-8754		Date:01/2024	PAGE:X3-18-EXT
BODY EXTERIOR			

Item#	Part	Description	QTY	Notes
60	X3-1859-01	SPLASH GUARD - FRONT & REAR / GHG17 From H-6180		
65	X3-1860-10	SPARE WHEEL DOOR ASSY From 7-8754		
70	X3-1862-00	ENTRANCE DOOR ASSY - BUS From 7-8754 To K-6492		
70	X3-1862-01	ENTRANCE DOOR ASSY - BUS From L-6493		
70	X3-1862-60	ENTRANCE DOOR FRAME - INSTALLATION From 7-8754		
70	X3-1862-65	ENTRANCE DOOR INSTALLATION BY-FOLD DOOR From G-5936		
70	X3-1862-70	ENTRANCE DOOR ASSY - FRONT SECTION BY-FOLD DOOR From G-5936 To K-6492		
70	X3-1862-71	ENTRANCE DOOR ASSY - FRONT SECTION BY-FOLD DOOR From L-6493		
70	X3-1862-75	ENTRANCE DOOR ASSY - REAR SECTION BY-FOLD DOOR From G-5936 To K-6492		
70	X3-1862-76	ENTRANCE DOOR ASSY - REAR SECTION BY-FOLD DOOR From L-6493		
75	X3-1862-80	ENTRANCE DOOR ASSY - W.C.L. From 7-8754 To B-5001		
75	X3-1862-81	ENTRANCE DOOR SLIDING - WCL From B-5002 To J-6295		
75	X3-1862-82	ENTRANCE DOOR SLIDING - WCL From J-6296 To K-6492		
75	X3-1862-83	ENTRANCE DOOR SLIDING - WCL From L-6493		
75	X3-1862-85	ENTRANCE DOOR - INSTALLATION - W.C.L. From 7-8754 To B-5001		
75	X3-1862-86	ENTRANCE DOOR SLIDING - INSTALLATION - W.C.L. From B-5002 To J-6295		
75	X3-1862-87	ENTRANCE DOOR SLIDING - INSTALLATION - W.C.L. From J-6296 To K-6492		
75	X3-1862-88	ENTRANCE DOOR SLIDING - INSTALLATION - W.C.L. From L-6493		
80	X3-1863-00	CONDENSOR DOOR ASSY - BUS From 7-8754 To B-5001		
80	X3-1863-01	CONDENSOR DOOR ASSY - BUS From B-5002		
85	X3-1864-00	BAGGAGE DOOR ASSY From 7-8754 To B-5001		
85	X3-1864-01	BAGGAGE DOOR ASSY From B-5002 To D-5458		
85	X3-1864-02	BAGGAGE DOOR ASSY From E-5459		
85	X3-1864-10	BAGGAGE DOOR ASSY - INSTALLATION From 7-8754 To B-5001		
85	X3-1864-70	BAGGAGE DOOR ASSY / W.C.L. From E-5459 To K-6492		
85	X3-1864-71	BAGGAGE DOOR ASSY / W.C.L. From L-6493		
85	X3-1864-80	W.C.L. DOOR - BAGGAGE DOOR From 7-8754 To D-5458		
85	X3-1864-81	W.C.L. DOOR - BAGGAGE DOOR From E-5459		
85	X3-1864-85	W.C.L. DOOR - BAGGAGE DOOR MANUAL LOCK WITHOUT KEY From E-5459 To K-6492		
86	X3-1865-00	FLOOR BAGGAGE COMPARTMENT - BUS From 7-8754 To B-5001		
86	X3-1865-01	FLOOR BAGGAGE COMPARTMENT - BUS From B-5002		
87	X3-1865-10	SEPARATOR PANEL - BAGGAGE COMPARTMENT - BUS From 7-8754 To B-5001		
87	X3-1865-11	SEPARATOR PANEL - BAGGAGE COMPARTMENT - BUS From B-5002		
87	X3-1865-20	EVAPORATOR & CONDENSOR WALL INSTALLATION From 7-8754 To B-5001		
87	X3-1865-21	EVAPORATOR & CONDENSOR WALL INSTALLATION A-9907 & A-9926 From A-9907 To A-9907		
87	X3-1865-21	EVAPORATOR & CONDENSOR WALL INSTALLATION A-9907 & A-9926 From A-9926 To A-9926		
87	X3-1865-22	EVAPORATOR & CONDENSOR WALL INSTALLATION From B-5002 To H-6179		
87	X3-1865-23	EVAPORATOR & CONDENSOR WALL INSTALLATION GHG17 From H-6180		
90	X3-1866-00	EVAPORATOR DOOR ASSY From 7-8754 To B-5001		
90	X3-1866-01	EVAPORATOR DOOR ASSY From B-5002 To D-5458		
90	X3-1866-02	EVAPORATOR DOOR ASSY From E-5459 To H-6128		
90	X3-1866-03	EVAPORATOR DOOR ASSY From H-6129		

From 7-8754		Date:01/2024	PAGE:X3-18-EXT
BODY EXTERIOR			

Item#	Part	Description	QTY	Notes
95	X3-1867-00	KEY & CYLINDER CODE "FORD" & "NS" From 7-8754 To K-6492		
95	X3-1867-01	KEY & CYLINDER CODE "FORD" From L-6493		
100	X3-1868-00	A/C COMPRESSOR DOOR ASSY From 7-8754 To E-5759		
100	X3-1868-01	A/C COMPRESSOR DOOR ASSY From F-5760 To H-6179		
100	X3-1868-02	A/C COMPRESSOR DOOR ASSY GHG17 From H-6180 To L-6534		
100	X3-1868-03	A/C COMPRESSOR DOOR ASSY From L-6535		
105	X3-1869-00	RADIATOR DOOR ASSY From 7-8754 To E-5759		
105	X3-1869-01	RADIATOR DOOR ASSY From F-5760 To H-6179		
105	X3-1869-02	RADIATOR DOOR ASSY VOLVO D13 - GHG17 From H-6180		
110	X3-1870-00	ENGINE DOOR ASSY L.H. From 7-8754 To E-5759		
110	X3-1870-01	ENGINE DOOR ASSY From F-5760		
110	X3-1870-05	ENGINE DOOR ASSY R.H. From 7-8754 To E-5759		
110	X3-1870-10	ENGINE DOOR ASSY - INSTALLATION From 7-8754 To E-5759		
110	X3-1870-11	ENGINE DOOR ASSY - INSTALLATION From F-5760		
113	X3-1870-20	REAR ENGINE UPPER DOOR WITH "EPA 2010" From B-5002 To K-6492		
113	X3-1870-21	REAR ENGINE UPPER DOOR From L-6493		
115	X3-1875-00	FUEL TANK FILLING DOOR From 7-8754 To B-5001		
115	X3-1875-01	FUEL TANK & UREA FILLING DOOR From A-9907 To A-9907		
115	X3-1875-01	FUEL TANK & UREA FILLING DOOR From A-9926 To A-9926		
115	X3-1875-02	FUEL TANK & UREA FILLING DOOR From B-5002		
117	X3-1876-00	WATER PUMP & WATER HEATER DOOR From A-9907 To A-9907		
117	X3-1876-00	WATER PUMP & WATER HEATER DOOR From A-9926 To A-9926		
118	X3-1876-01	WATER PUMP & WATER HEATER DOOR From B-5002 To D-5451		
120	X3-1879-00	FRONT SERVICE DOOR ASSY From 7-8754		
120	X3-1879-10	FRONT SERVICE DOOR - INSTALLATION From 7-8754		
125	X3-1880-00	WINDSHIELD & CHANNEL From 7-8754 To K-6492		
125	X3-1880-01	WINDSHIELD & CHANNEL From L-6493		
130	X3-1884-00	SIDE WINDOW - BUS From 7-8754 To K-6492		
130	X3-1884-01	SIDE WINDOW - BUS From L-6493		
135	X3-1886-00	POWER WINDOW - ELECTRICAL INSTALLATION From 7-8754		
140	X3-1890-00	ROOF STRUCTURE From 7-8754 To D-5458		
140	X3-189X-XX	STRUCTURE / CALL ORDER DESK From E-5459		
145	X3-1890-10	STRUCTURE WALL - UPPER From 7-8754 To D-5458		
150	X3-1891-00	LOWER WALL STRUCTURE From 7-8754 To D-5458		
155	X3-1893-00	BAGGAGE COMPARTMENT STRUCTURE From 7-8754 To B-5001		
155	X3-1893-01	BAGGAGE COMPARTMENT STRUCTURE From B-5002 To D-5458		
160	X3-1894-00	REAR CAP - STRUCTURE From 7-8754 To B-5001		
160	X3-1894-01	REAR CAP - STRUCTURE From B-5002 To D-5458		
160	X3-1894-05	REAR LH - STRUCTURE From 7-8754 To 8-9276		
160	X3-1894-06	REAR LH - STRUCTURE From 8-9277 To D-5458		
160	X3-1894-10	REAR RH - STRUCTURE From 7-8754 To B-5001		
160	X3-1894-11	REAR RH - STRUCTURE From B-5002 To D-5458		

From 7-8754	Date:01/2024	PAGE:X3-18-EXT
-------------	--------------	----------------

BODY EXTERIOR

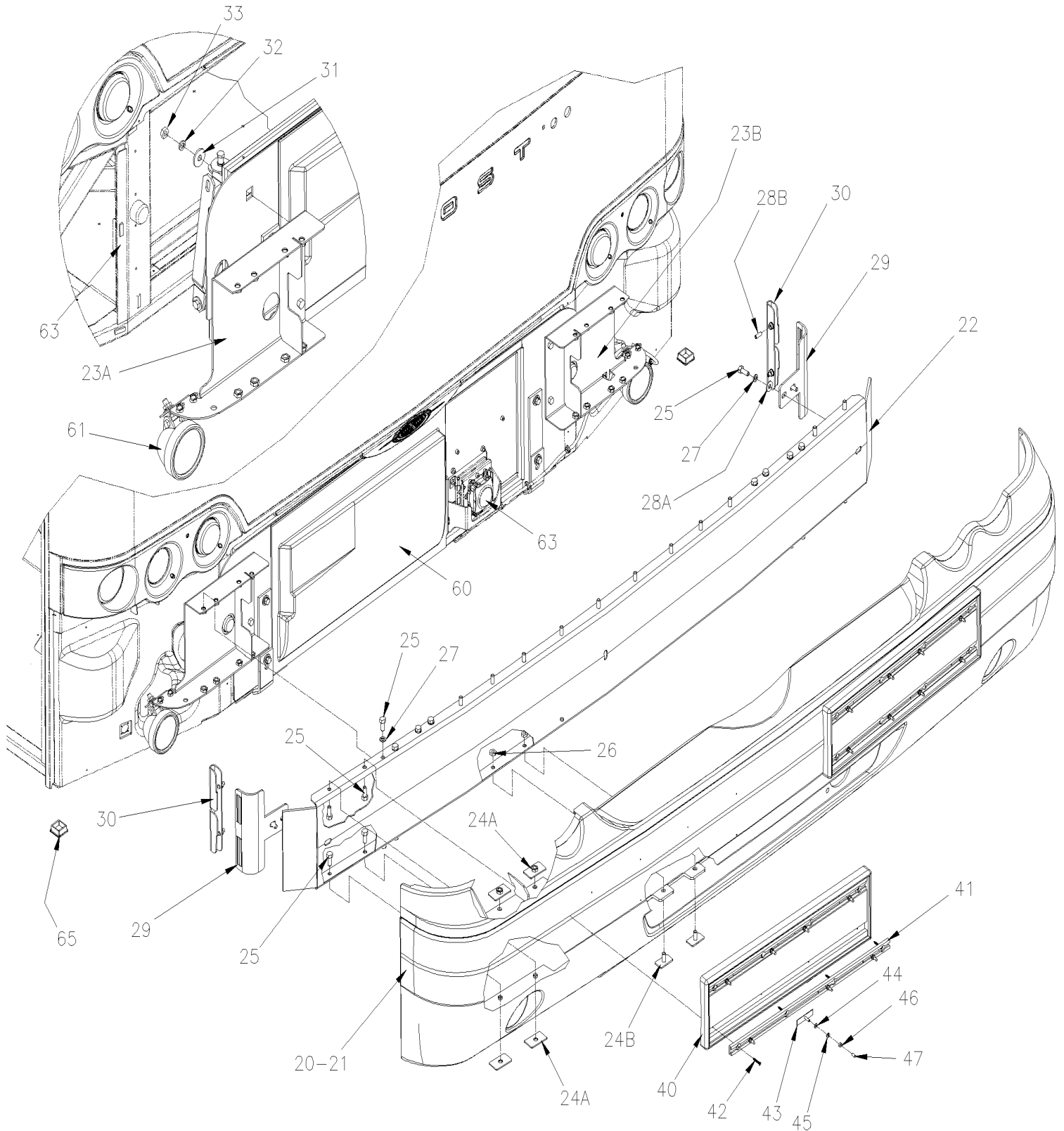
Item#	Part	Description	QTY	Notes
165	X3-1895-00	FRONT STRUCTURE From 7-8754 To D-5458		
165	X3-1895-10	FRONT LOWER FLOOR STRUCTURE - BUS From 7-8754 To D-5458		
170	X3-1896-00	FRONT SHEATING - BUS From 7-8754 To D-5458		
175	X3-1897-00	FRONT SUB-FRAME / W/INDEPENDENT SUSPENSION - 18000 LBS From 7-8754 To C-5241		
175	X3-1897-05	FRONT SUB-FRAME / W/I BEAM RIGID SUSPENSION / "OPTION" From 7-8754 To D-5458		
180	X3-1897-10	REAR SUB-FRAME From 7-8754 To D-5458		
185	X3-1898-00	ESCAPE HATCH - INSTALLATION From 7-8754		
185	X3-1898-10	ESCAPE HATCH - INSTALLATION - VENTILATION "OPTION" From 7-8754		
185	X3-1898-20	ESCAPE HATCH - INSTALLATION - GLASS HATCH From L-6493		

From 7-8754 To K-6492

Date:01/2024

PAGE:X3-1850-00

BUMPER FRONT



From 7-8754 To K-6492		Date:01/2024	PAGE:X3-1850-00
BUMPER FRONT			

Item#	Part	Description	QTY	Notes
20	411089	BUMPER ASSY / FRONT To K-6442	1	
20	411474	BUMPER ASSY / FRONT From K-6443	1	
20	411382	BUMPER ASSY / FRONT ADAPTIVE CRUISE CONTROL From C-5087 To E-5693	1	
20	416903	BUMPER ASSY / FRONT ADAPTIVE CRUISE CONTROL From E-5694 To K-6442	1	
20	411475	BUMPER ASSY / FRONT ADAPTIVE CRUISE CONTROL From K-6443	1	
21	411010	. BUMPER SKIN, FRONT BUS & MTH ENT To C-5086	1	
21	411238	. BUMPER SKIN, FRONT BUS & MTH ENT From C-5087	1	
21	411220	. BUMPER SKIN, FRONT BUS & MTH ENT ADAPTIVE CRUISE CONTROL From C-5087 To E-5693	1	
21	411365	. BUMPER SKIN, FRONT BUS & MTH ENT ADAPTIVE CRUISE CONTROL From E-5694	1	
22	411014	. BUMPER REINFORCEMENT To A-9871	1	
22	411209	. BUMPER REINFORCEMENT From A-9872	1	
23A	411025	. SUPPORT CUBRE SIDE To K-6442	1	
23A	410101	. SUPPORT CUBRE SIDE From K-6443	1	
23B	411026	. SUPPORT STREET SIDE To K-6442	1	
23B	410105	. SUPPORT STREET SIDE From K-6443	1	
24A	410878	. ANCHOR NUT / M10-1.5	AR	
24B	411232	. ANCHOR BOLT / M10-1.5 From C-5087	8	
25	502655	. SCREW CAP HEX M10-1.5x25 SS BK	AR	
26	502567	. NUT HEX M10-1.5 SS	8	
27	502616	WASHER LO SPT 10.2x18.1x2.2 SS	20	
28A	5001443	WASHER FL 10.3x38.0x3.0 SS	4	
28B	5001675	SCREW SET HEXS CONE M8-1.25x16 SS To C-5086	1	
28B	5001883	SCREW SET HEXS CONE M8-1.25x25 SS From C-5087 To D-5381	4	
28B	5001900	SCREW SET HEXS CONE M8-1.25x20 SS From D-5382	4	
29	411056	BRACKET To A-9871	2	
29	411211	BRACKET From A-9872	2	
30	411055	ATTACHMENT "U" SHAPE W/NUT	2	
31	5001417	WASHER FL 11.0x34.0x3.0 SS	4	
32	502616	WASHER LO SPT 10.2x18.1x2.2 SS	4	
33	502567	NUT HEX M10-1.5 SS	4	
40	410817	MOULDING / PLATE HOLDER	1	
41	410818	TRACK / LICENCE PLATE HOLDER 630MM	2	
42	502742	SCREW TP FL PH #8x1 1/4 SS410	8	
43	504286	T SCREW 10-24 X 3/4" / SS / PLATE HOLDER	8	
44	502637	WASHER FL .200x.437x.037 SS To E-5573	8	
44	5001137	WASHER FL .203x.438x.050 SS From E-5574	8	
45	502570	WASHER LO SPT 6.1x11.8x1.6 SS	8	
46	500787	NUT HEX #10-24 SS	8	
47	507333	PROTECTOR CAP / BLACK / .172 I.D. x .500	8	
60	X3-1860-10	SPARE WHEEL DOOR ASSY		
61	X3-0661-00	FOG LAMP To K-6442		
61	X3-0661-01	FOG LAMP / LED From K-6443		

From 7-8754 To K-6492	Date:01/2024	PAGE:X3-1850-00
-----------------------	--------------	-----------------

BUMPER FRONT

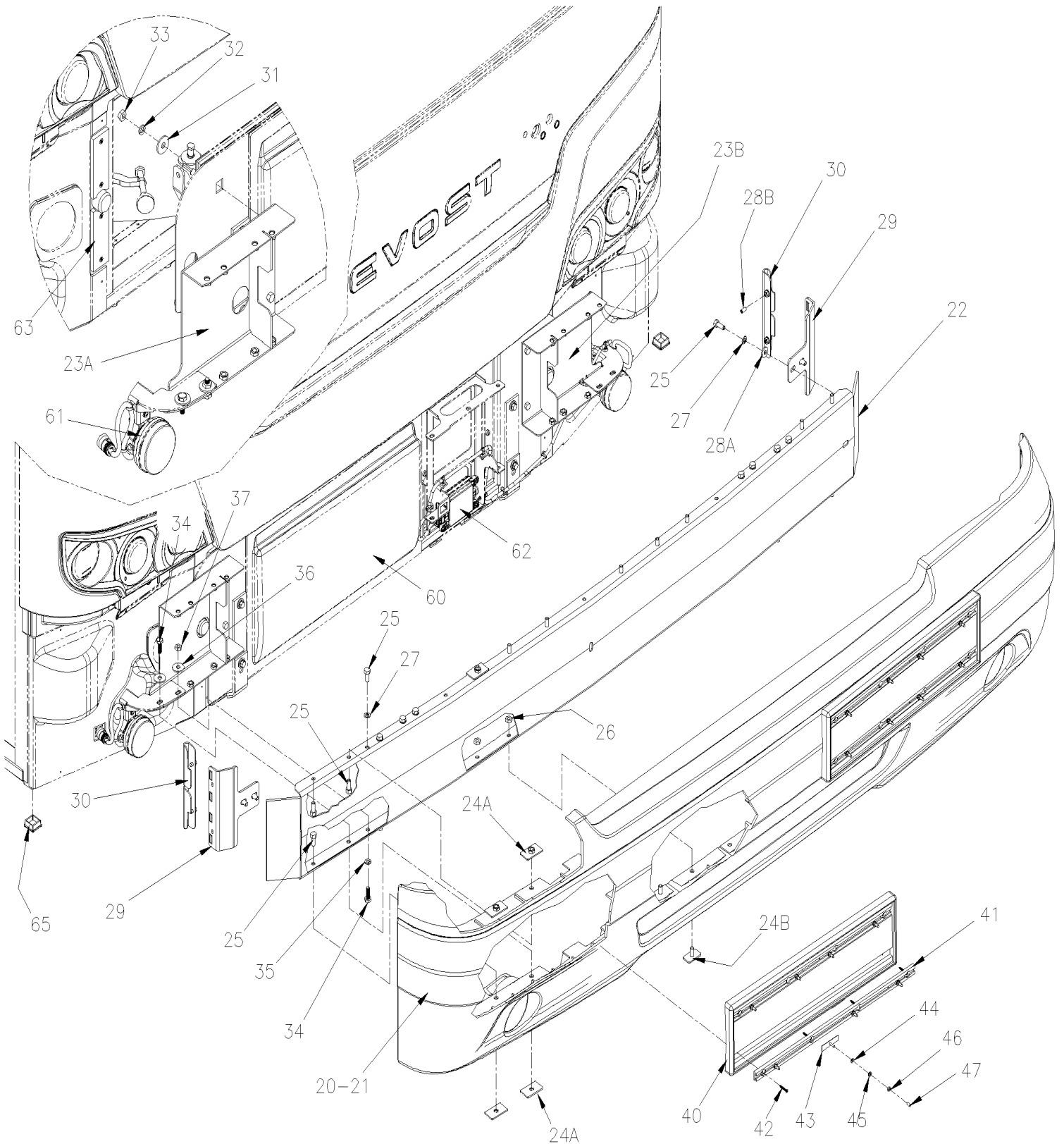
Item#	Part	Description	QTY	Notes
62	X3-0675-05	SYSTEM - ADAPTIVE CRUISE CONTROL ACB - "BENDIX" FLR10 To E-5693		
62	X3-0675-06	SYSTEM - ADAPTIVE CRUISE CONTROL ACB - "BENDIX FLR20 & FLR21 From E-5694		
63	X3-1895-00	FRONT STRUCTURE To D-5458		
63	X3-189X-XX	STRUCTURE / CALL ORDER DESK From E-5459		
65	508394	GLIDE SQUARE END 1.5 X 1.5 TUBE 14GA / P From E-5600	2	
65	684685	ADHESIVE SIMSON #ISR 70-03 / 310ml CARTRIDGE From E-5600	AR	

From L-6493

Date:01/2024

PAGE:X3-1850-01

BUMPER FRONT



From L-6493	Date:01/2024	PAGE:X3-1850-01
BUMPER FRONT		

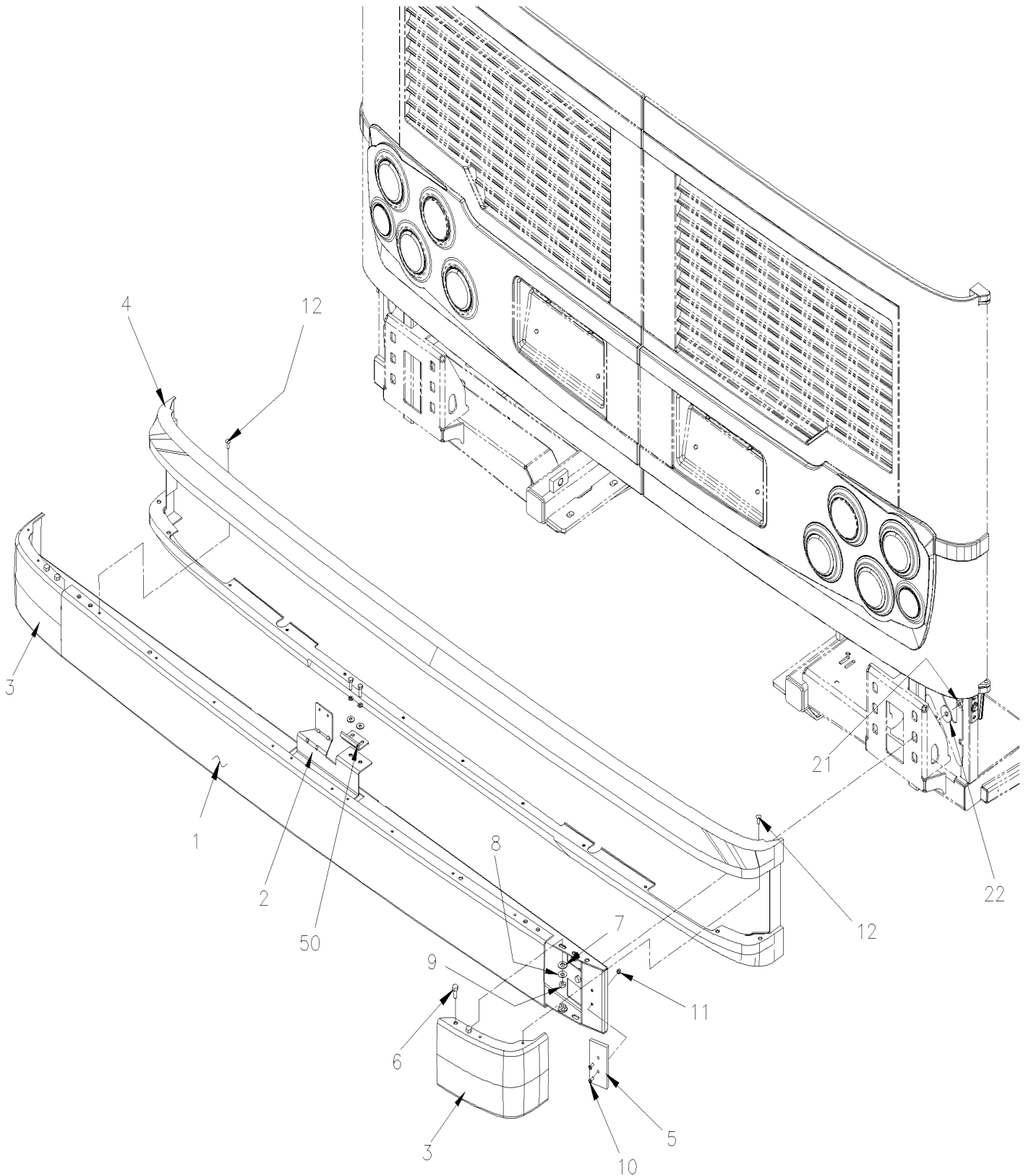
Item#	Part	Description	QTY	Notes
20	410006	BUMPER ASSY / FRONT	1	
20	410005	BUMPER ASSY / FRONT ADAPTIVE CRUISE CONTROL	1	
21	410048	. BUMPER SKIN, FRONT To R-4040	1	
21	411530	. FRONT BUMPER WITHOUT FUSION From R-4041	1	
21	410046	. BUMPER SKIN, FRONT ADAPTIVE CRUISE CONTROL To R-6970	1	
21	411528	. FRONT BUMPER WITH FUSION From R-6971	1	
22	411209	. BUMPER REINFORCEMENT	1	
23A	410101	. SUPPORT CUBRE SIDE	1	
23B	410105	. SUPPORT STREET SIDE	1	
24A	410878	. ANCHOR NUT / M10-1.5	AR	
24B	411232	. ANCHOR BOLT / M10-1.5	8	
25	502655	. SCREW CAP HEX M10-1.5x25 SS BK	AR	
26	502567	. NUT HEX M10-1.5 SS	8	
27	502616	WASHER LO SPT 10.2x18.1x2.2 SS	20	
28A	5001443	WASHER FL 10.3x38.0x3.0 SS	4	
28B	5001900	SCREW SET HEXS CONE M8-1.25x20 SS	4	
29	410099	BRACKET	2	
30	410050	CLIPPING BRACKET	2	
31	5001417	WASHER FL 11.0x34.0x3.0 SS	4	
32	502616	WASHER LO SPT 10.2x18.1x2.2 SS	4	
33	502567	NUT HEX M10-1.5 SS	4	
34	509856	SCREW CAP HEX M10-1.5x30 SS XLN BK	4	
35	502616	WASHER LO SPT 10.2x18.1x2.2 SS	2	
36	5001417	WASHER FL 11.0x34.0x3.0 SS	4	
37	502567	NUT HEX M10-1.5 SS	2	
40	410817	MOULDING / PLATE HOLDER	1	
41	410818	TRACK / LICENCE PLATE HOLDER 630MM	2	
42	502742	SCREW TP FL PH #8x1 1/4 SS410	8	
43	504286	T SCREW 10-24 X 3/4" / SS / PLATE HOLDER	8	
44	5001137	WASHER FL .203x.438x.050 SS	8	
45	502570	WASHER LO SPT 6.1x11.8x1.6 SS	8	
46	500787	NUT HEX #10-24 SS	8	
47	507333	PROTECTOR CAP / BLACK / .172 I.D. x .500	8	
60	X3-1860-10	SPARE WHEEL DOOR ASSY		
61	X3-0661-01	FOG LAMP / LED		
62	X3-0675-06	SYSTEM - ADAPTIVE CRUISE CONTROL ACB - "BENDIX FLR20 & FLR21		
63	X3-189X-XX	STRUCTURE / CALL ORDER DESK		
65	508394	GLIDE SQUARE END 1.5 X 1.5 TUBE 14GA / P	2	
65	684685	ADHESIVE SIMSON #SR 70-03 / 310ml CARTRIDGE	AR	

From 7-8754

Date:01/2024

PAGE:X3-1850-10

BUMPER REAR

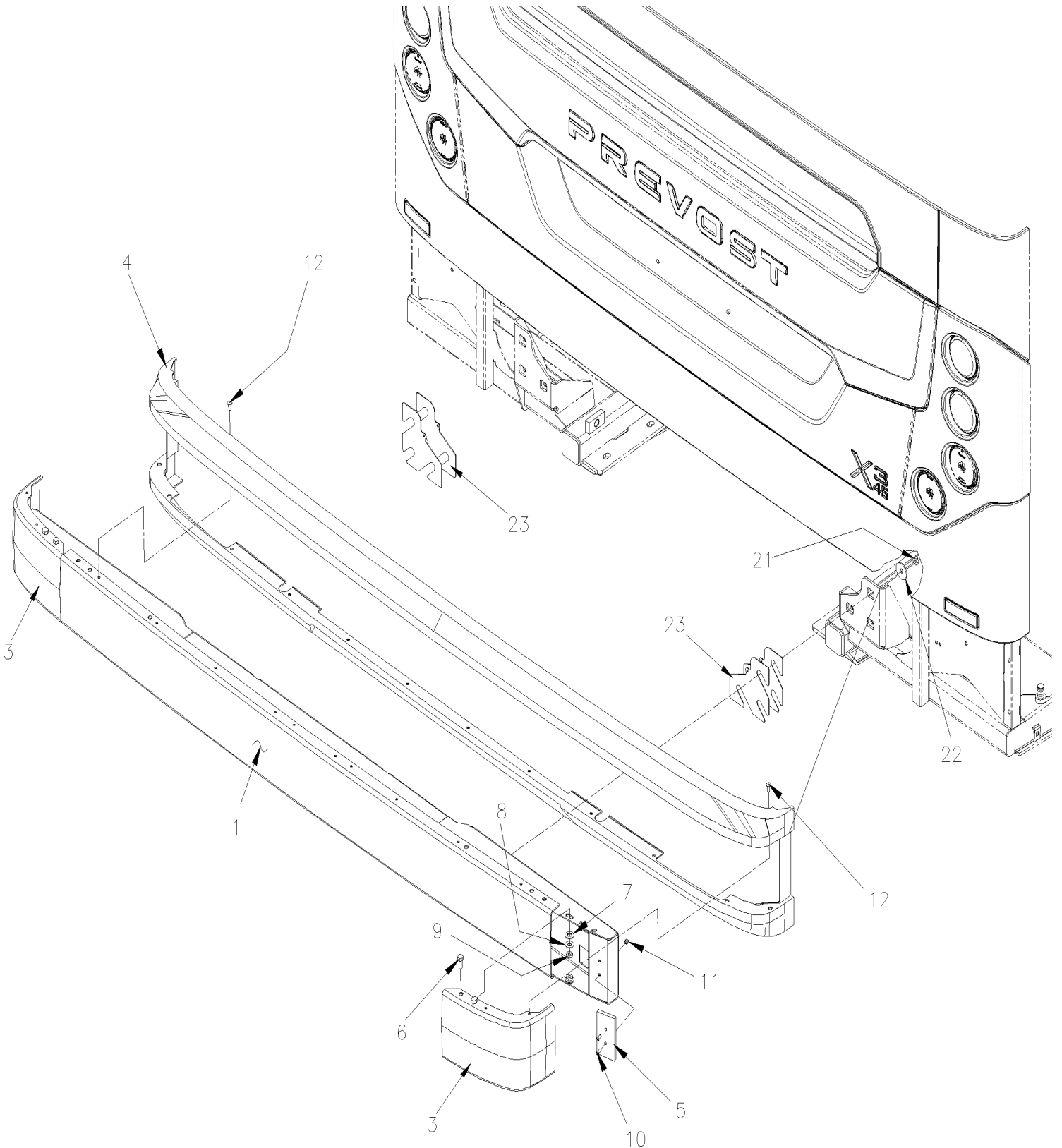


From 7-8754

Date:01/2024

PAGE:X3-1850-10

BUMPER REAR



From 7-8754		Date:01/2024	PAGE:X3-1850-10
BUMPER REAR			

Item#	Part	Description	QTY	Notes
	410740P	BUMPER ASSY REAR BLACK To E-5759	1	
	411314P	BUMPER ASSY REAR BLACK From F-5760	1	
NS	410741P	BUMPER ASSY REAR BLACK / W/TRAILER HITCH To E-5759	1	A
	411317P	BUMPER ASSY REAR BLACK / W/TRAILER HITCH From F-5760	1	A
	Call order desk	BUMPER ASSY REAR BLACK To E-5759	1	P B
1	410563	. BUMPER REAR CENTER / BLACK To 9-9967	1	
1	411214	. BUMPER REAR CENTER / BLACK From 9-9968 To E-5759	1	
1	411315	. BUMPER REAR CENTER / BLACK From F-5760 To J-6239	1	
1	410031	. BUMPER REAR CENTER / BLACK From J-6240	1	
2	287231	. . ATTACHMENT & STOPPER LH ENGINE DOOR / (WELDED TO BUMPER) To E-5759	1	
3	410748	. BUMPER / CORNER / BLACK	2	
4	473770	. TRIM REAR BUMPER / W/O TRAILER HITCH To E-5759	1	
4	478975	. TRIM REAR BUMPER / W/O TRAILER HITCH From F-5760	1	
4	474170	. TRIM REAR BUMPER / W/TRAILER HITCH To 8-9413	1	A
4	473858	. TRIM REAR BUMPER / W/TRAILER HITCH From 8-9414 To E-5759	1	A
4	478976	. TRIM REAR BUMPER / W/TRAILER HITCH From F-5760	1	A
4	477570	. TRIM REAR BUMPER / W/TRAILER GLANDHAND To E-5759	1	B
4	478977	. TRIM REAR BUMPER / W/TRAILER GLANDHAND From F-5760	1	B
5	410737	. STOPPER	2	
6	502655	. SCREW CAP HEX M10-1.5x25 SS BK	8	
7	5001751	. WASHER FL 10.5x26.0x2.0 N500 To E-5759	8	
7	500958	. WASHER FL .531x1.062x.095 SS From F-5760 To G-6078	8	
7	5001443	. WASHER FL 10.3x38.0x3.0 SS From G-6079	8	
8	5001737	. WASHER LO SPT 10.2x18.1x2.2 N500 To E-5759	8	
8	5001718	. WASHER BEL SPR 10.2x27x1.6 MAGNI 565 From F-5760 To G-6078	8	
8	502616	. WASHER LO SPT 10.2x18.1x2.2 SS From G-6079	8	
9	502567	. NUT HEX M10-1.5 SS From F-5760	8	
10	5001198	. SCREW MA FL PH M6-1.0x16 Z050 To J-6316	4	
10	5001961	. SCREW MA FL PH M6-1.0x20 Z050 From J-6317	4	
11	5001182	. NUT HEX NYRT M6-1.0 SS	4	
12	5001438	. RIVET DRV TR 1/4x3/4 NYL	24	
21	502567	NUT HEX M10-1.5 SS	6	
22	284447	WASHERS BELLEVILLE	6	
23	411399	SHIM / REAR BUMPER From F-5760	4	
23	483730	SHIM 14GA 73.2MM x 38.1MM SS From F-5760	AR	
50	X3-1870-10	ENGINE DOOR ASSY - INSTALLATION To E-5759		
50	X3-1870-11	ENGINE DOOR ASSY - INSTALLATION From F-5760		
		A) THIS BUMPER ARE ASSY WITH TRIM FOR TRAILER HITCH RECESS		
		B) THIS BUMPER ASSY ARE ASSY WITH TRIM FOR TRAILER CONNECTION RECESS		

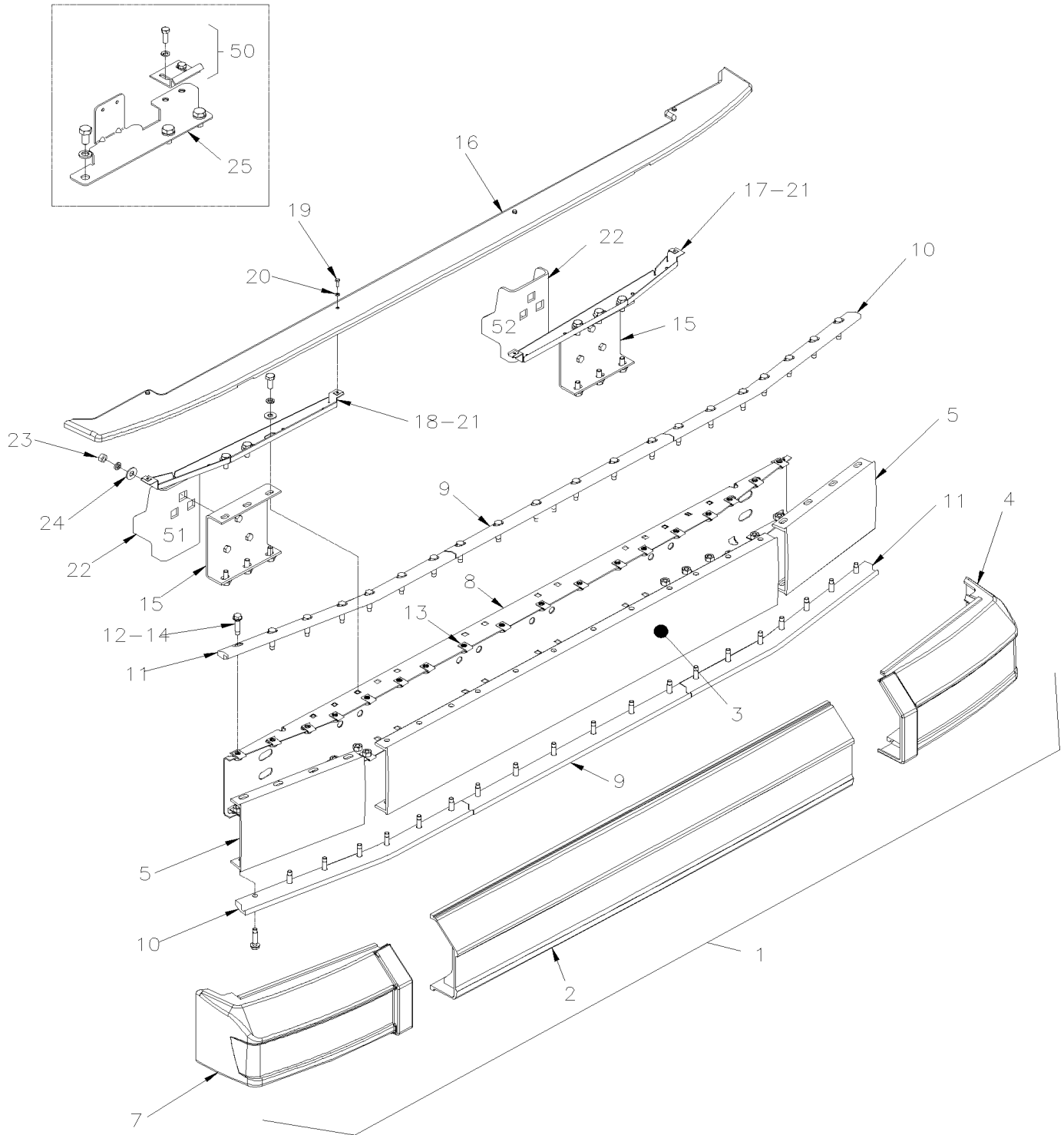
From 7-8754		Date:01/2024	PAGE:X3-1850-10	
BUMPER REAR				
Item#	Part	Description	QTY	Notes
		P) CALL ORDER DESK FOR SPECIFIC APPLICATION (V.I.N.)		

From 7-8754 To D-5458

Date:01/2024

PAGE:X3-1850-15

BUMPER REAR - BUS "OPTION" / "ROMEO RIM"



From 7-8754 To D-5458	Date:01/2024	PAGE:X3-1850-15
BUMPER REAR - BUS "OPTION" / "ROMEO RIM"		

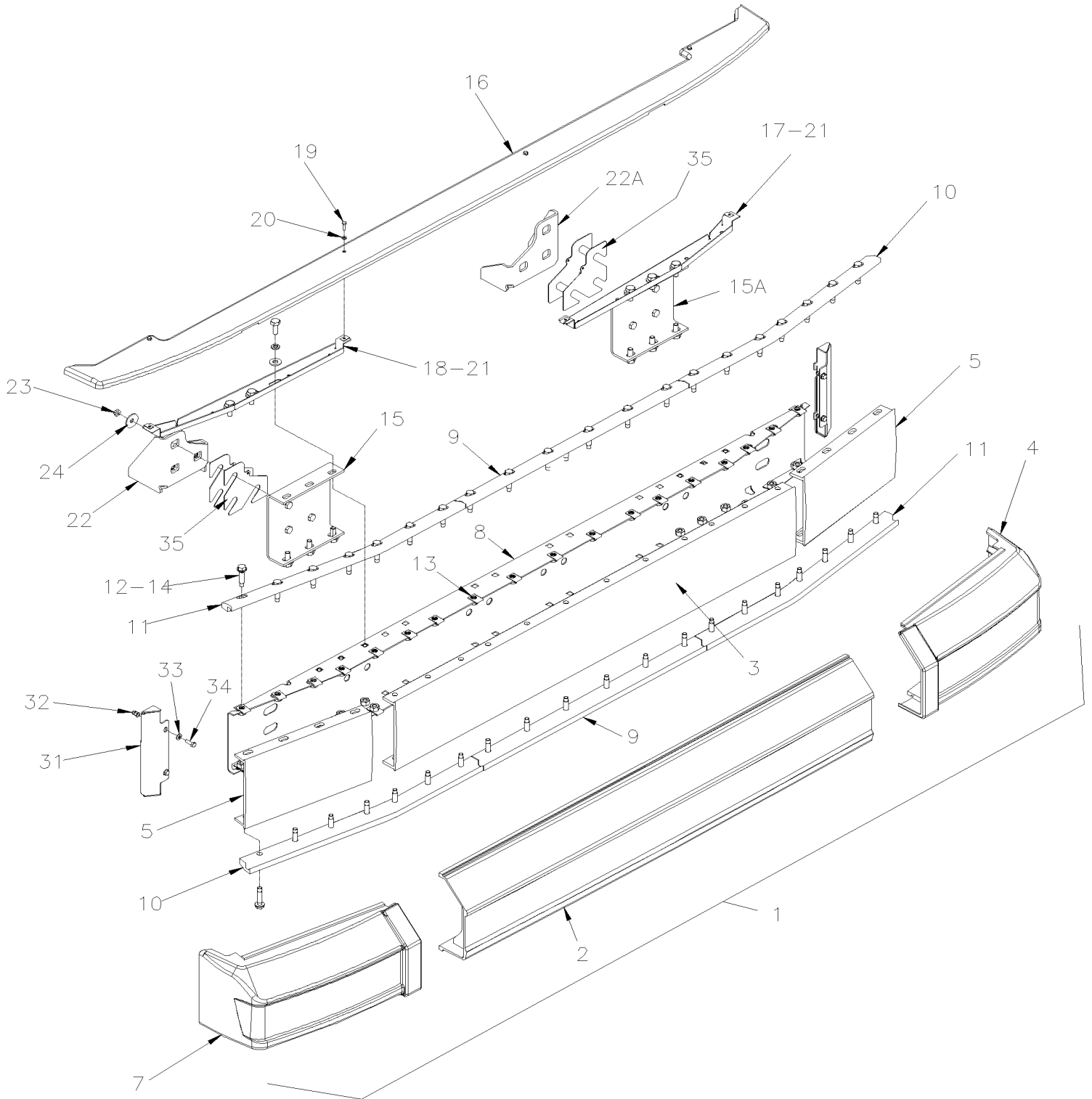
Item#	Part	Description	QTY	Notes
1	410624	BUMPER ASSY	1	
2	910010	. MODULE CENTER	1	
3	910013	. PLATE BACK / CENTER	1	
4	410592	. MODULE END / R.H.	1	
5	910016	. PLATE BACK / L.H. & R.H.	2	
6	910015	. SPACER PLASTIC	1	
7	410591	. MODULE END / L.H.	1	
8	910007	. STRUCTURE BACK-UP	1	
9	910014	. CLAMP CENTER	2	
10	910029	. CLAMP END / L.H. TOP & R.H. BOTTOM	2	
11	910028	. CLAMP END / R.H. TOP & L.H. BOTTOM	2	
12	910023	. SCREW CAP HEXF 1/2-13x2 1/4 BKC	38	
13	910024	. NUT RETAINER SPRING	34	
13	910025	. NUT HEXF 1/2-13 BK / 2 EACH CORNER	4	
14	500547	. WASHER FL .484x.750x.031 ZP	42	
15	910031	. SUPPORT W/3 BOLTS	2	
16	411107	PANEL / BLACK PAINT	1	
16	411106	. PANEL / UNPAINT	1	
17	410473	ATTACHMENT R.H. MOUNTING / REAR BUMPER	1	
18	410472	ATTACHMENT L.H. MOUNTING / REAR BUMPER	1	
19	502686	SCREW CAP HEX M6-1.0x30 SS BK	4	
20	502573	WASHER FL 6.4x12.5x1.6 SS	4	
21	502738	NUT SPR U M6-1.0 0.6-4.0	4	
22	216083	BRACKET BUMPER L.H. & R.H. / (WELDED AT STRUCTURE) To 8-9276	2	
22	216172	BRACKET BUMPER L.H. & R.H. / (WELDED AT STRUCTURE) From 8-9277	2	
23	500789	NUT HEX 1/2-13 Z050	6	
24	502901	WASHER FL .625x1.469x.109 N500	6	
NS	500482	WASHER LO SPT .506x.873x.125 Z050	6	
25	289372	ATTACHMENT & STOPPER LH ENGINE DOOR / BOLTED TO BUMPER	1	
NS	5001330	SCREW CAP HEX 1/2-13x1 SS	3	
NS	5001534	WASHER LO SPT .509x.873x.125 SS	3	
50	X3-1870-10	ENGINE DOOR ASSY - INSTALLATION		
51	X3-1894-05	REAR LH - STRUCTURE To 8-9276		
51	X3-1894-06	REAR LH - STRUCTURE From 8-9277 To D-5458		
51	X3-189X-XX	STRUCTURE / CALL ORDER DESK From E-5459		
52	X3-1894-10	REAR RH - STRUCTURE To B-5001		
52	X3-1894-11	REAR RH - STRUCTURE From B-5002 To D-5458		
52	X3-189X-XX	STRUCTURE / CALL ORDER DESK From E-5459		

From E-5459

Date:01/2024

PAGE:X3-1850-16

BUMPER REAR - BUS "OPTION" / "ROMEO RIM"

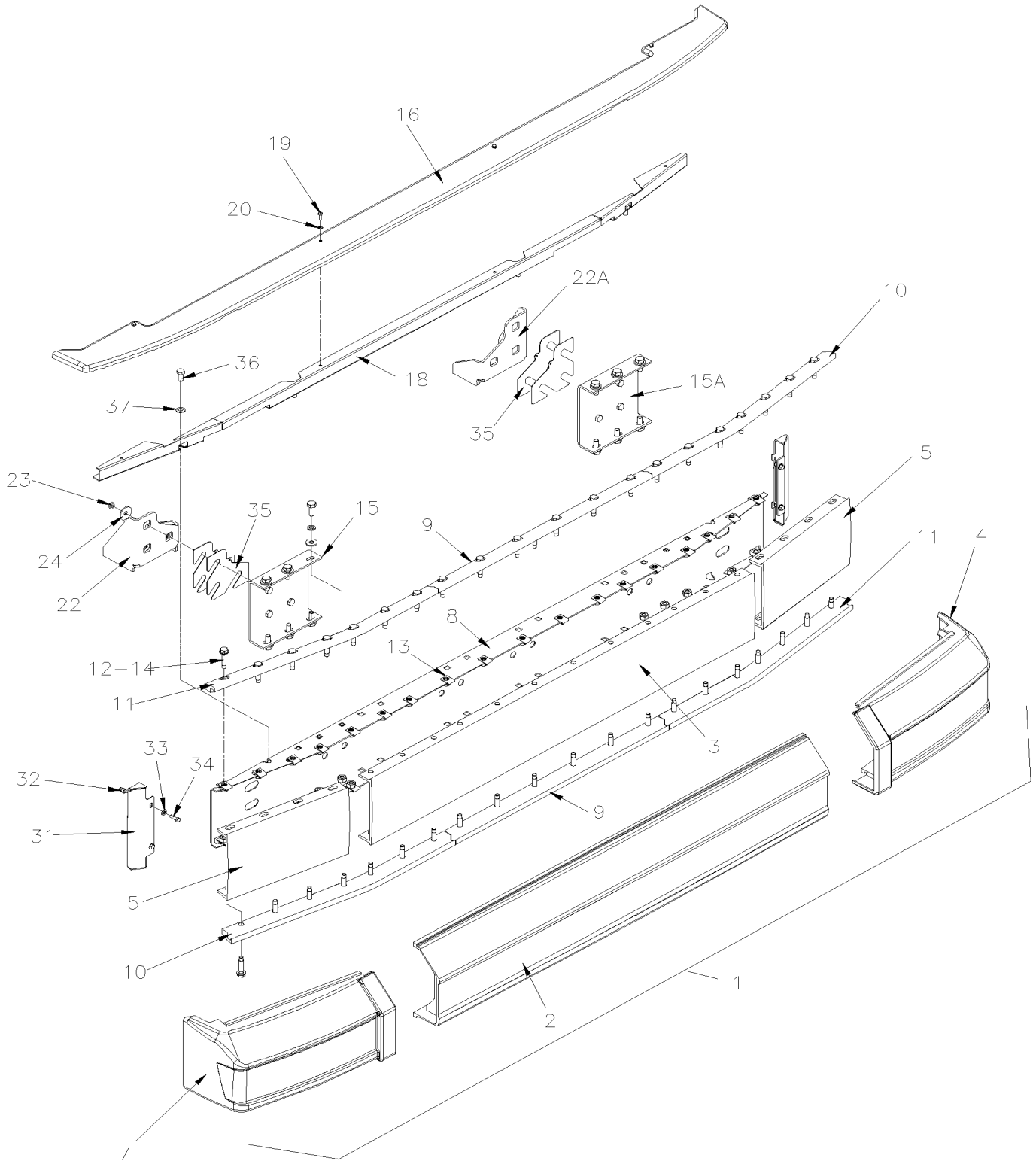


From E-5459

Date:01/2024

PAGE:X3-1850-16

BUMPER REAR - BUS "OPTION" / "ROMEO RIM"



From E-5459		Date:01/2024	PAGE:X3-1850-16
BUMPER REAR - BUS "OPTION" / "ROMEO RIM"			

Item#	Part	Description	QTY	Notes
1	411327	BUMPER ASSY To G-6055	1	
1	411429	BUMPER ASSY From G-6056	1	
2	910010	. MODULE CENTER	1	
3	910013	. PLATE BACK / CENTER	1	
4	910044	. MODULE END / R.H.	1	
5	910016	. PLATE BACK / L.H. & R.H.	2	
NS	910015	. SPACER PLASTIC	1	
7	910043	. MODULE END / L.H.	1	
8	910007	. STRUCTURE BACK-UP	1	
9	910014	. CLAMP CENTER	2	
10	910029	. CLAMP END / L.H. TOP & R.H. BOTTOM	2	
11	910028	. CLAMP END / R.H. TOP & L.H. BOTTOM	2	
12	910023	. SCREW CAP HEXF 1/2-13x2 1/4 BKC	38	
13	910024	. NUT RETAINER SPRING	34	
13	910025	. NUT HEXF 1/2-13 BK / 2 EACH CORNER	4	
14	502525	. WASHER FL .484x.750x.031 Z050	42	
15	910041	. LH SUPPORT W/3 BOLTS To G-6055	1	
15	910045	. LH SUPPORT W/3 BOLTS From G-6056	1	
15A	910042	. RH SUPPORT W/3 BOLTS To G-6055	1	
15A	910046	. RH SUPPORT W/3 BOLTS From G-6056	1	
16	411333	PANEL / BLACK PAINT To G-6055	1	A
16	411426	PANEL / BLACK PAINT From G-6056	1	
17	411329	ATTACHMENT R.H. MOUNTING / REAR BUMPER To G-6055	1	
18	411328	ATTACHMENT L.H. MOUNTING / REAR BUMPER To G-6055	1	
18	411428	HOLDER REAR BUMPER From G-6056	1	
19	502622	SCREW CAP HEX M6-1.0x20 SS BK	4	
20	502573	WASHER FL 6.4x12.5x1.6 SS	4	
20	500877	WASHER FL .250x.562x.065 N500 From G-6056	AR	
21	502738	NUT SPR U M6-1.0 0.6-4.0 To G-5931	4	
21	5001965	NUT SPR U M6-1.0 0.6-4.0 N500 From G-5932 To G-6055	4	
22	261451	BRACKET BUMPER L.H. WELD ON STRUCTURE To H-6179	1	
22	261632	BRACKET BUMPER L.H. WELD ON STRUCTURE From H-6180	1	
22A	261431	BRACKET BUMPER R.H. WELD ON STRUCTURE To H-6179	1	
22A	261702	BRACKET BUMPER R.H. WELD ON STRUCTURE From H-6180	1	
23	502567	NUT HEX M10-1.5 SS To G-6055	6	
23	5002001	NUT HEX NYRT 1/2-13 SS BK From G-6056	AR	
24	284447	WASHERS BELLEVILLE To G-6055	6	
24	5002006	WASHER FL .531x2.000x.150 N500 From G-6056	AR	
25	289372	ATTACHMENT & STOPPER LH ENGINE DOOR / BOLTED TO BUMPER	1	
31	411306	BUMPER, REAR DEFLECTOR	2	
32	5001692	NUT INS FL HEX M8-1.25 0.5-3.0 SS	4	
33	5001868	WASHER BEL SPR 8.4x18x2 SS	4	

From E-5459	Date:01/2024	PAGE:X3-1850-16
BUMPER REAR - BUS "OPTION" / "ROMEO RIM"		

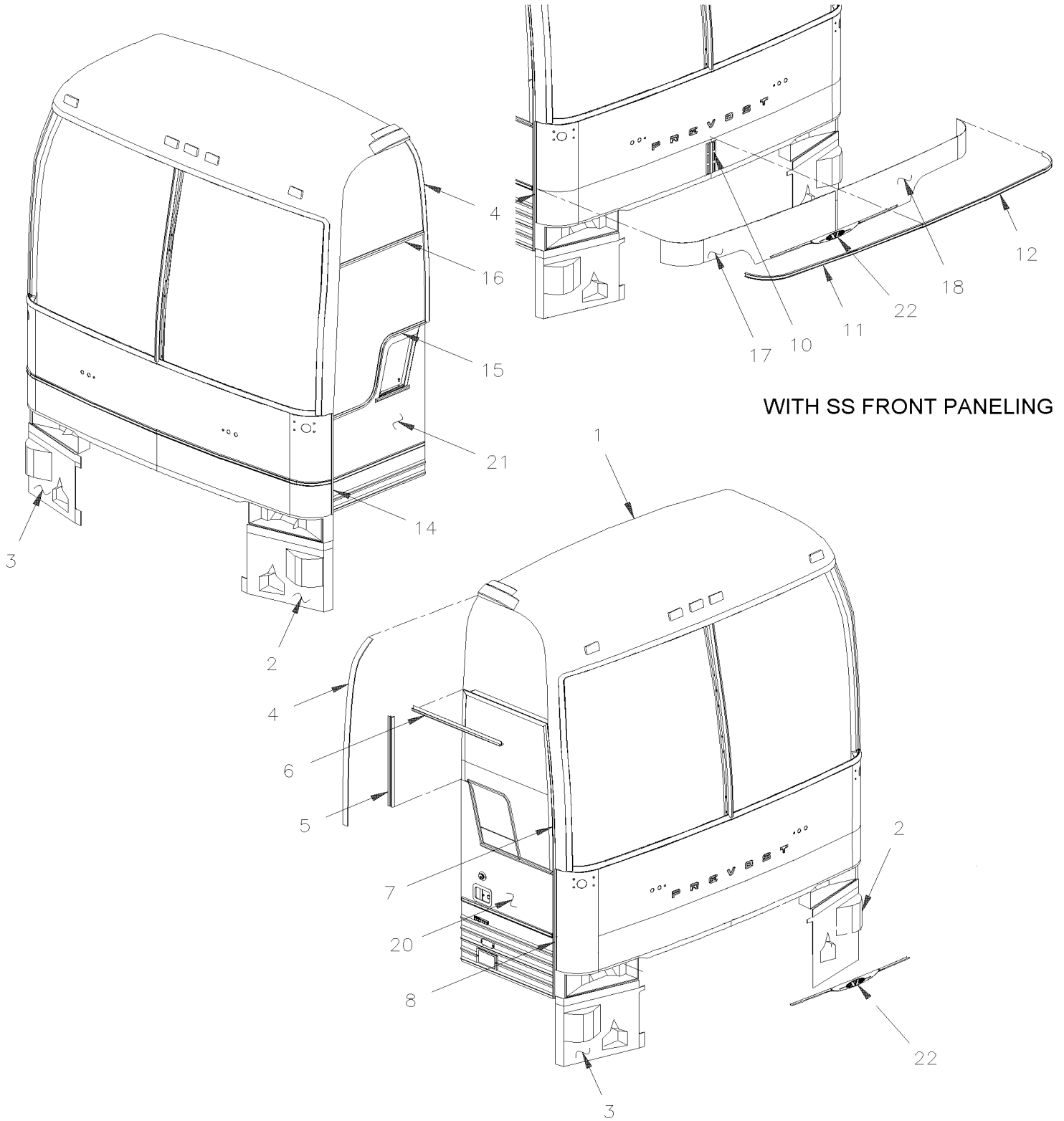
Item#	Part	Description	QTY	Notes
34	502780	SCREW CAP HEX M8-1.25x25 SS BK	4	
35	411399	SHIM / REAR BUMPER	4	
36	5001565	SCREW CAP HEX 1/2-13x1 G5 N500 From G-6056	AR	
37	5001877	WASHER BEL SPR .512x1.000x.073 SS From G-6056	AR	
		A) WHEN YOU REPLACE 411333 YOU HAVE TO ORDER SUPPORT 411428 (1), 5001565 SCREW (4), 5001877 WASHER (4) & 500877 WASHER (4)		

From 7-8754 To K-6492

Date:01/2024

PAGE:X3-1851-00

FRONT CAP - INSTALLATION



From 7-8754 To K-6492	Date:01/2024	PAGE:X3-1851-00
FRONT CAP - INSTALLATION		

Item#	Part	Description	QTY	Notes
1	477445	FRONT CAP BUS 80" / WLARGE WINDSHIELD To G-5948	1	
. NS	477411	. HALF FRONT CAP BUS / LOWER SECTION ONLY To G-5948	1	
1	478632	FRONT CAP BUS 80" From G-5949 To H-6179	1	
. NS	477411	. HALF FRONT CAP BUS / LOWER SECTION ONLY From G-5949 To H-6179	1	
1	478428	FRONT CAP BUS 80" From H-6180	1	
. NS	477411	. HALF FRONT CAP BUS / LOWER SECTION ONLY From H-6180	1	
1	478637	FRONT CAP BUS 80" / W/BY-FOLD DOOR From G-5949 To H-6179	1	
1	470633	FRONT CAP BUS 80" / W/BY-FOLD DOOR From H-6180	1	
1	470497	FRONT CAP BUS 80" / W/O UPPER WINDOWS From H-6104 To H-6179	1	
1	478427	FRONT CAP BUS 80" / W/O UPPER WINDOWS From H-6180	1	
. NS	477411	. HALF FRONT CAP BUS / LOWER SECTION ONLY From H-6180	1	
2	476709	. PANEL LOWER L.H. To C-5086	1	
2	478535	. PANEL LOWER L.H. From C-5087	1	
2	476585	. PANEL LOWER L.H. / WITHOUT HEAD LAMP WASHER To C-5086	1	
2	478534	. PANEL LOWER L.H. / WITHOUT HEAD LAMP WASHER From C-5087	1	
3	476710	. PANEL LOWER R.H. To C-5086	1	
3	478532	. PANEL LOWER R.H. From C-5087	1	
3	477475	. PANEL LOWER R.H. / WITHOUT HEAD LAMP WASHER To C-5086	1	
3	478533	. PANEL LOWER R.H. / WITHOUT HEAD LAMP WASHER From C-5087	1	
NS	504546	RIVET CHY MONOLOK PRDG 1/4x5/8 ZP To E-5499	36	
NS	504787	RIVET CHY MONOLOK PRDG 1/4x5/8 ZP From E-5500	36	
NS	500426	SCREW TP PAN PH #8x1 SS	6	
NS	506769	TAPE RUB ADH2 CC POL 1/8" x 1/4" x 60' / BLACK H1CC-N#14	AR	
NS	506785	TAPE RUB ADH2 CC POL 1/16" X 1/4" X 200' / BLACK I1C-N-A	AR	
NS	475704	KIT STONE PROTECTOR / VINYL FILM 2x25"x120 + 1x8"x120"	1	
4	474952	FINISHING MOULDING 1219.5MM	2	
NS	506769	TAPE RUB ADH2 CC POL 1/8" x 1/4" x 60' / BLACK H1CC-N#14	AR	
NS	687957	GLUE MS POLYMER TEROSON MS 9399 / 400ml CARTRIDGE	AR	
5	474137	MOULDING SUPPORT 645MM / MTH 83" & BUS / S.B.	1	
6	474082	DRIP MOULDING OVER ENTRANCE DOOR / S.B.	1	
7	477517	FINISHING MOULDING ENTRANCE DOOR / 1131MM / B.A. To E-5546	1	
7	478596	FINISHING MOULDING ENTRANCE DOOR / 1031MM / B.A. From E-5547 To F-5871	1	
7	478625	FINISHING MOULDING ENTRANCE DOOR / 1031MM / B.A. From F-5872	1	
8	477481	FINISHING MOULDING ENTRANCE DOOR / 1304MM / S.B. To E-5546	1	
8	478595	FINISHING MOULDING ENTRANCE DOOR / 1304MM / S.B. From E-5547 To F-5871	1	
8	478626	FINISHING MOULDING ENTRANCE DOOR / 1304MM / S.B. From F-5872	1	
NS	504339	RIVET POP DOME OE 1/8x3/8 SS	AR	
10	477473	FINISHING CENTER SS / S.B.	1	
11	473611	MOULDING SS R.H. / S.B.	1	
12	473752	MOULDING SS L.H. / S.B.	1	
14	477480	FINISHING MOULDING SERVIR DOOR / 1296MM / S.B.	1	
15	286448	DRIP MOULDING "S" BUS & MTH83"	1	

From 7-8754 To K-6492	Date:01/2024	PAGE:X3-1851-00
-----------------------	--------------	-----------------

FRONT CAP - INSTALLATION

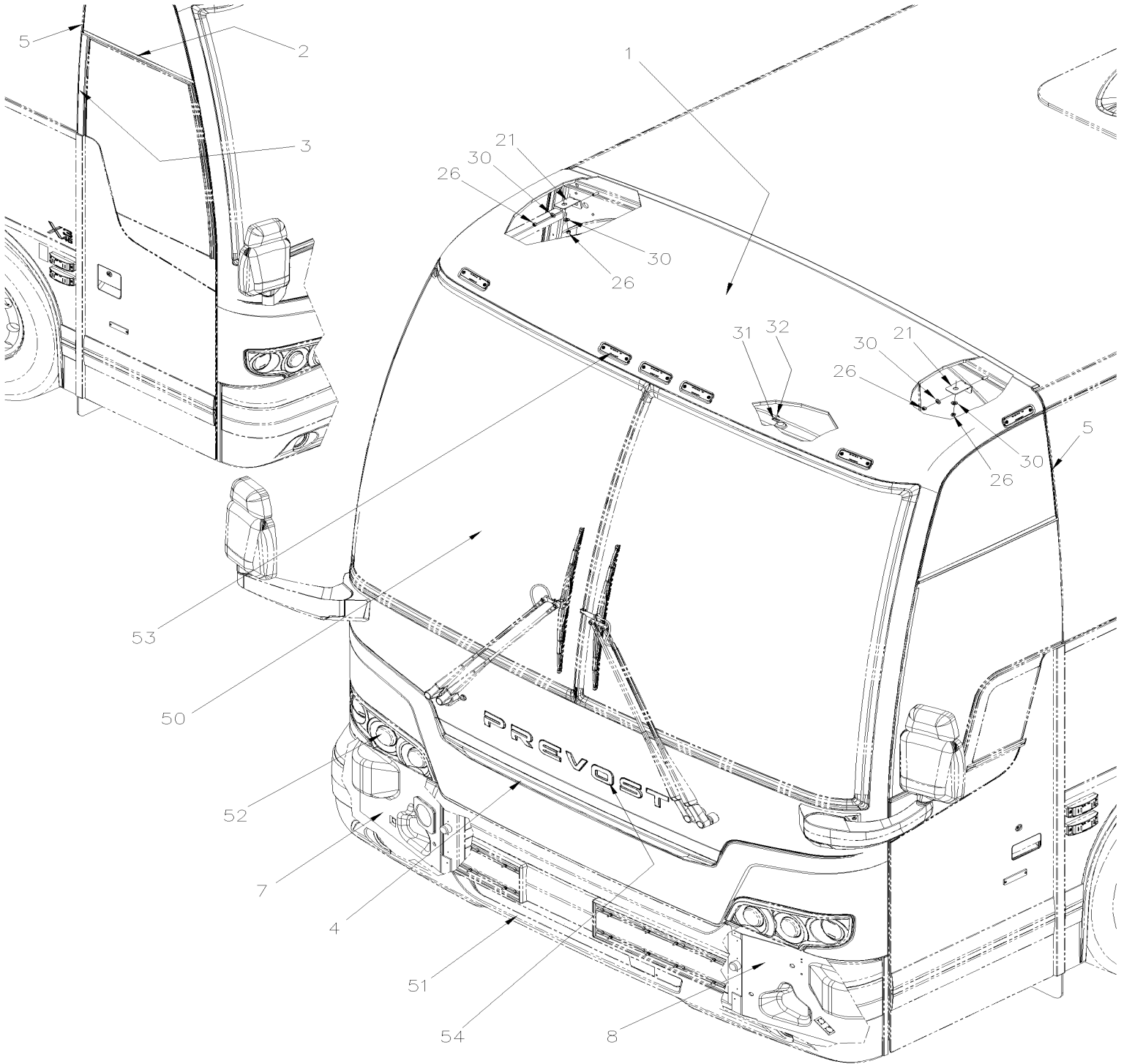
Item#	Part	Description	QTY	Notes
NS	790392	RUBBER BLOCK ADJUSTEMENT 1" x 5/16" x 1/8" 80DURO	AR	
16	286454	DRIP MOULDING OVER DRIVER'S WINDOW	1	
17	477470	PANEL SS / CURBSIDE / S.B.	1	
18	477469	PANEL SS / STREETSIDE / S.B.	1	
20	X3-1862-00	ENTRANCE DOOR ASSY - BUS		
21	X3-1879-00	FRONT SERVICE DOOR ASSY		
22	X3-1855-00	RUB RAIL - EXTERIOR CREST & TRIMS From 7-8754 To B-5001		
22	X3-1855-01	RUB RAIL - EXTERIOR CREST & TRIMS From B-5002 To G-6083		
22	X3-1855-02	RUB RAIL - EXTERIOR CREST & TRIMS From G-6084		
25	681092	ADHESIVE SIKA #255FC / BLACK / 310ml CARTRIDGE	AR	
NS	683083	ADHESIVE SIKA #252 / BLACK / 600 ml SAUSAGE	AR	
NS	687957	GLUE MS POLYMER TEROSON MS 9399 / 400ml CARTRIDGE	AR	
NS	687961	GLUE MS POLYMER TEROSON MS 9399 / "A" 21 Liters	AR	
NS	687962	GLUE MS POLYMER TEROSON MS 9399 / "B" 21 Liters	AR	
NS	684685	ADHESIVE SIMSON #ISR 70-03 / 310ml CARTRIDGE	AR	
NS	685124	ADHESIVE SIMSON #ISR 70-03 / BLACK / 600ml SAUSAGE	AR	
NS	684517	ADHESIVE SIMSON #ISR 70-03 / GREY / 310ml CARTRIDGE	AR	

From L-6493

Date:01/2024

PAGE:X3-1851-01

FRONT CAP - INSTALLATION

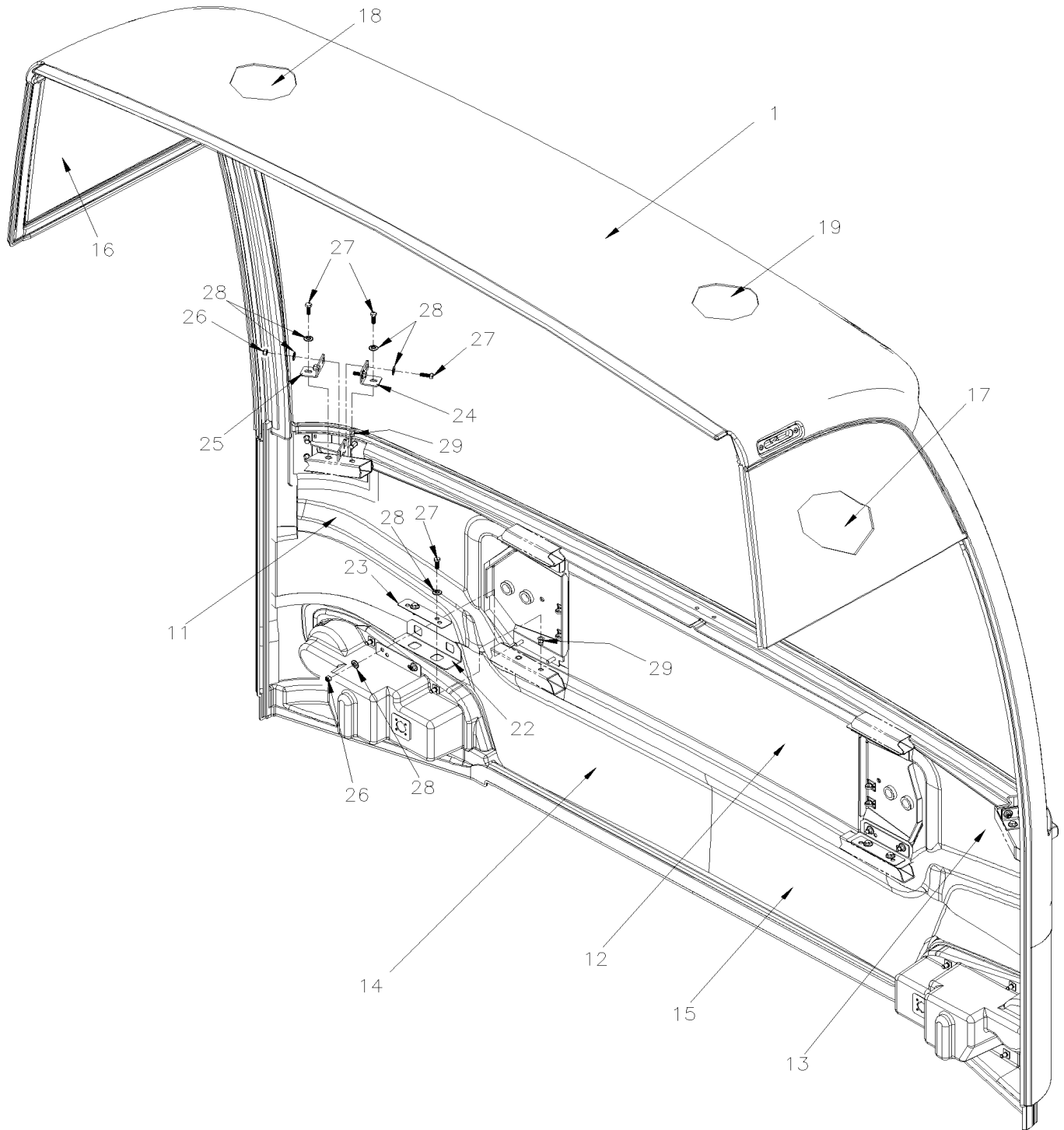


From L-6493

Date:01/2024

PAGE:X3-1851-01

FRONT CAP - INSTALLATION



From L-6493		Date:01/2024	PAGE:X3-1851-01
-------------	--	--------------	-----------------

FRONT CAP - INSTALLATION

Item#	Part	Description	QTY	Notes
1	471003	FRONT CAP	1	
1	479825	FRONT CAP W/ BI-FOLD DOOR	1	A
NS	687961	GLUE MS POLYMER TEROSON MS 9399 / "A" 21 Liters To M-6660	AR	
NS	685385	GLUE MS POLYMER TEROSON MS 9399 / "A" 14.8 Liters From M-6661	AR	
NS	687962	GLUE MS POLYMER TEROSON MS 9399 / "B" 21 Liters To M-6660	AR	
NS	685386	GLUE MS POLYMER TEROSON MS 9399 / "B" 14.8 Liters From M-6661	AR	
NS	687957	GLUE MS POLYMER TEROSON MS 9399 / 400ml CARTRIDGE To M-6660	AR	
NS	685387	GLUE MS POLYMER TEROSON MS 9399 / 400ml CARTRIDGE From M-6661	AR	
NS	684517	ADHESIVE SIMSON #ISR 70-03 / GREY / 310ml CARTRIDGE	AR	
NS	685124	ADHESIVE SIMSON #ISR 70-03 / BLACK / 600ml SAUSAGE	AR	
2	280656	HORIZONTAL GUTTER	AR	
NS	680796	TAPE RUB ADH2 ACRYLIQUE 3/4x.045x36YARD	AR	
3	470697	MOLDING, FINISHING	1	
NS	506769	TAPE RUB ADH2 CC POL 1/8" x 1/4" x 60' / BLACK H1CC-N#14	AR	
NS	683083	ADHESIVE SIKA #252 / BLACK / 600 ml SAUSAGE	AR	
NS	506785	TAPE RUB ADH2 CC POL 1/16" X 1/4" X 200' / BLACK I1C-N-A	AR	
4	478747	MOULDING "U" SS CHOME FINISH / HEADLAMP 1332MM	1	
NS	506790	TAPE RUB ADH2 CC POL 1/16" x 1/2" x 200' / BLACK I1C-N-A	AR	
NS	684685	ADHESIVE SIMSON #ISR 70-03 / 310ml CARTRIDGE	AR	
5	290394	SEAL, VERTICAL WINDOW 1103MM To M-6657	2	
5	290644	SEAL VERTICAL WINDOW 1103MM From M-6658	2	
7	471607	PANEL LOWER R.H.	1	
7	471608	PANEL LOWER R.H. / WITHOUT HEAD LAMP WASHER	1	
NS	790392	RUBBER BLOCK ADJUSTEMENT 1" x 5/16" x 1/8" 80DURO	AR	
NS	685124	ADHESIVE SIMSON #ISR 70-03 / BLACK / 600ml SAUSAGE	AR	
8	471600	PANEL LOWER L.H. To M-6646	1	
8	479971	PANEL LOWER L.H. From M-6647	1	
8	471606	PANEL LOWER L.H. / WITHOUT HEAD LAMP WASHER To M-6646	1	
8	479968	PANEL LOWER L.H. / WITHOUT HEAD LAMP WASHER From M-6647	1	
NS	790392	RUBBER BLOCK ADJUSTEMENT 1" x 5/16" x 1/8" 80DURO	AR	
NS	685124	ADHESIVE SIMSON #ISR 70-03 / BLACK / 600ml SAUSAGE	AR	
9	471602	MOULDING LEFT	1	
NS	684685	ADHESIVE SIMSON #ISR 70-03 / 310ml CARTRIDGE	AR	
9	506769	TAPE RUB ADH2 CC POL 1/8" x 1/4" x 60' / BLACK H1CC-N#14	AR	
10	471603	MOULDING RIGHT	1	
NS	684685	ADHESIVE SIMSON #ISR 70-03 / 310ml CARTRIDGE	AR	
NS	506769	TAPE RUB ADH2 CC POL 1/8" x 1/4" x 60' / BLACK H1CC-N#14	AR	
11	353701	INSULATION FRONT CAP	1	
12	353702	INSULATION FRONT CAP	1	
13	353704	INSULATION FRONT CAP	1	
14	353720	INSULATION FRONT CAP	1	
15	353721	INSULATION FRONT CAP	1	

From L-6493	Date:01/2024	PAGE:X3-1851-01
-------------	--------------	-----------------

FRONT CAP - INSTALLATION

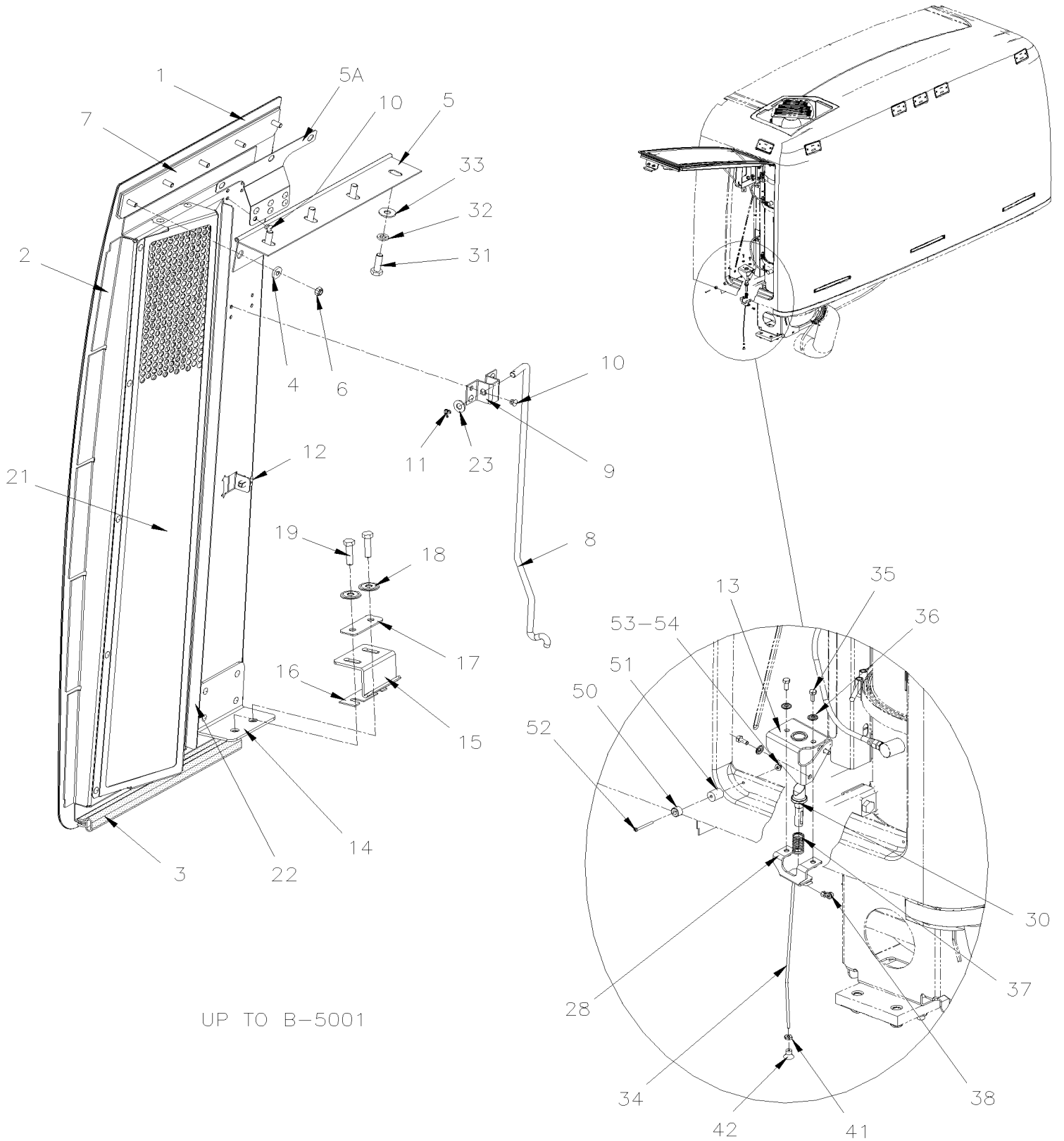
Item#	Part	Description	QTY	Notes
16	353289	INSULATION FRONT CAP	1	
17	353580	INSULATION FRONT CAP	1	
17	353291	INSULATION FRONT CAP	1	A
18	353290	INSULATION FRONT CAP	1	
19	353287	INSULATION FRONT CAP	1	
21	471034	BONDING BRACKET To N-6732	2	
21	4710284	BONDING BRACKET From N-6733	2	
22	300178	WIPER ANCHOR PLATE	4	
23	300188	WIPER PLATE	8	
24	300055	ANCHOR PLATE MIRROR	2	
25	300051	ANCHOR PLATE MIRROR	2	
26	5001983	NUT HEX NYRT M8-1.25 SS SS BK	16	
27	5001745	SCREW CAP HEX M8-1.25x25 G8.8 N500	16	
28	5001699	WASHER BEL SPR 8.2x22x1.4 N500	28	
29	5001692	NUT INS FL HEX M8-1.25 0.5-3.0 SS	AR	
30	5001699	WASHER BEL SPR 8.2x22x1.4 N500 To N-6732	4	
30	5001849	WASHER FL 8.4x24.0x2.0 SS From N-6733	4	
31	562679	4 WAY ADH. BACKED MOUNTS 1.000 x 1.000 x .160	6	
NS	509815	TIE MOUNT / ATTACHMENT W/TREE MOUNT	2	
32	504637	CABLE TIE / 3/16" x 13"	AR	
50	X3-1880-01	WINDSHIELD & CHANNEL		
51	X3-1850-01	BUMPER FRONT		
52	X3-0660-01	HEADLAMP & FRONT DIRECTIONAL LAMPS		
53	X3-0662-01	CLEARANCE & MARKER LIGHT		
54	X3-1855-02	RUB RAIL - EXTERIOR CREST & TRIMS		
		A) WITH BY-FOLD DOOR		

From 8-9277 To K-6492

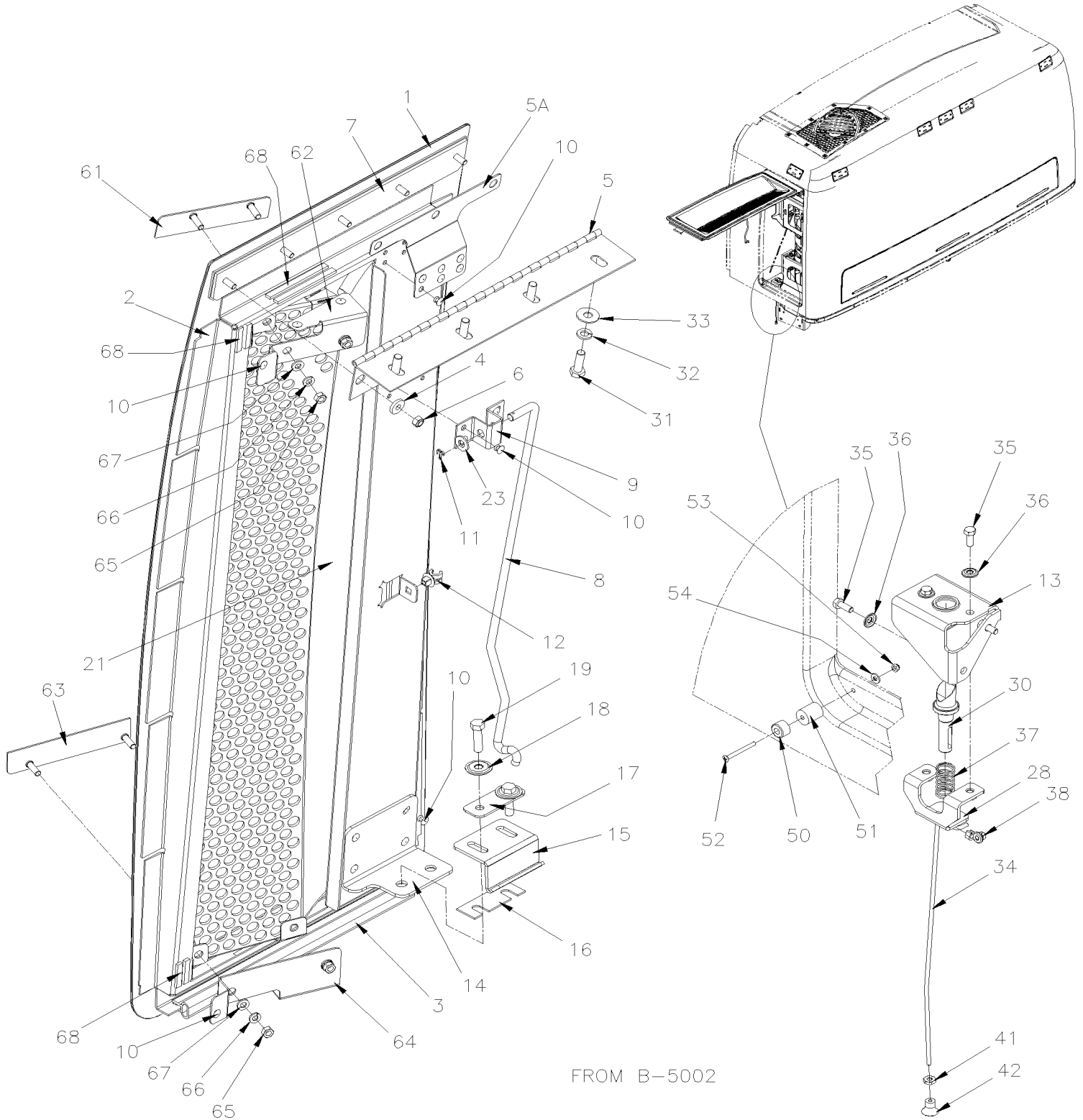
Date:01/2024

PAGE:X3-1851-05

REAR CAP - DOOR DPF & SCR



REAR CAP - DOOR DPF & SCR



From 8-9277 To K-6492	Date:01/2024	PAGE:X3-1851-05
REAR CAP - DOOR DPF & SCR		

Item#	Part	Description	QTY	Notes
	478567	DOOR PANEL ASSY WITH HINGE	1	
1	479169	DOOR PANEL	1	
2	479195	FRAME DOOR To E-5599	1	
2	478967	FRAME DOOR From E-5600	1	
3	506303	RUBBER SEAL EXTRUSION	8	
4	5001654	WASHER FL 6.4x17.0x3.0 SS	4	
5	479170	HINGE 338MM	1	
5A	479244	ATTACHMENT PLATE "T" SHAPE	1	
NS	506191	TAPE RUB ADH1 CC POL 1/8" x 1/4" x 50' / GREY 2520X	AR	
6	502681	NUT HEX NYRT M6-1.0 N500 G8	4	
7	478258	ATTACHMENT PLATE ASSY W/STUD 5	1	
8	478269	ROD 442MM	1	
9	478218	ATTACHMENT ROD LOCK	1	
NS	506191	TAPE RUB ADH1 CC POL 1/8" x 1/4" x 50' / GREY 2520X	AR	
10	504379	RIVET POP DOME OE 3/16x1/4 SS	AR	
11	502094	PIN, COTTER 1/16 x 1/2 SS	1	
12	504734	ATTACHMENT ROD	1	
NS	680066	ADHESIVE / ADBOND #5014 / 23.6ML BOTTLE	AR	
13	478268	STOPPER CATCH PIN To B-5001	1	W
13	479274	STOPPER CATCH PIN From B-5002	1	
14	478176	ATTACHMENT LOCK To B-5001	1	
14	479273	ATTACHMENT LOCK From B-5002	1	
NS	506191	TAPE RUB ADH1 CC POL 1/8" x 1/4" x 50' / GREY 2520X	AR	
15	288087	CATCH PIN / RETAINER 49.8MMx36.5MM 90°	1	
16	287452	SHIM SPACER 70MM X 25 X 14GA	AR	
17	288088	PLATE RETAINER 66MM X 25.4MM	1	
18	5001699	WASHER BEL SPR 8.2x22x1.4 N500	2	
19	5001738	SCREW CAP HEX M8-1.25x30 G8.8 N500 To E-5740	2	
19	5001912	SCREW CAP HEX M8-1.25x30 SS BK From E-5741 To G-6042	2	
19	502780	SCREW CAP HEX M8-1.25x25 SS BK From G-6043	2	
NS	684743	GLUE METHACRYLATE PLEXUS MA832GB 380 ml	AR	
21	478294	GRILLE ASSY ALL / AIR INLET / PAINTED To B-5001	1	
. NS	478285	. GRILLE ALL To B-5001	1	
22	478289	GRILLE FIBERGLASS / AIR INLET / PAINTED	1	
. NS	478278	. GRILLE FIBERGLASS / AIR INLET	1	
23	5001341	WASHER FL 8.4x17.0x1.6 SS	1	
NS	506236	TAPE RUB ADH1 CC POL 1/16" x 1/2" x 100' / GREY 2520	AR	
28	288061	SUPPORT CATCH PIN	1	
30	288118	CATCH PIN ACETAL / 82MM To F-5786	1	
30	2800888	CATCH PIN BLACK ACETAL From F-5787 To G-5982	1	
30	2801056	CATCH PIN BLACK ACETAL From G-5983	1	
31	502780	SCREW CAP HEX M8-1.25x25 SS BK	7	

From 8-9277 To K-6492	Date:01/2024	PAGE:X3-1851-05
REAR CAP - DOOR DPF & SCR		

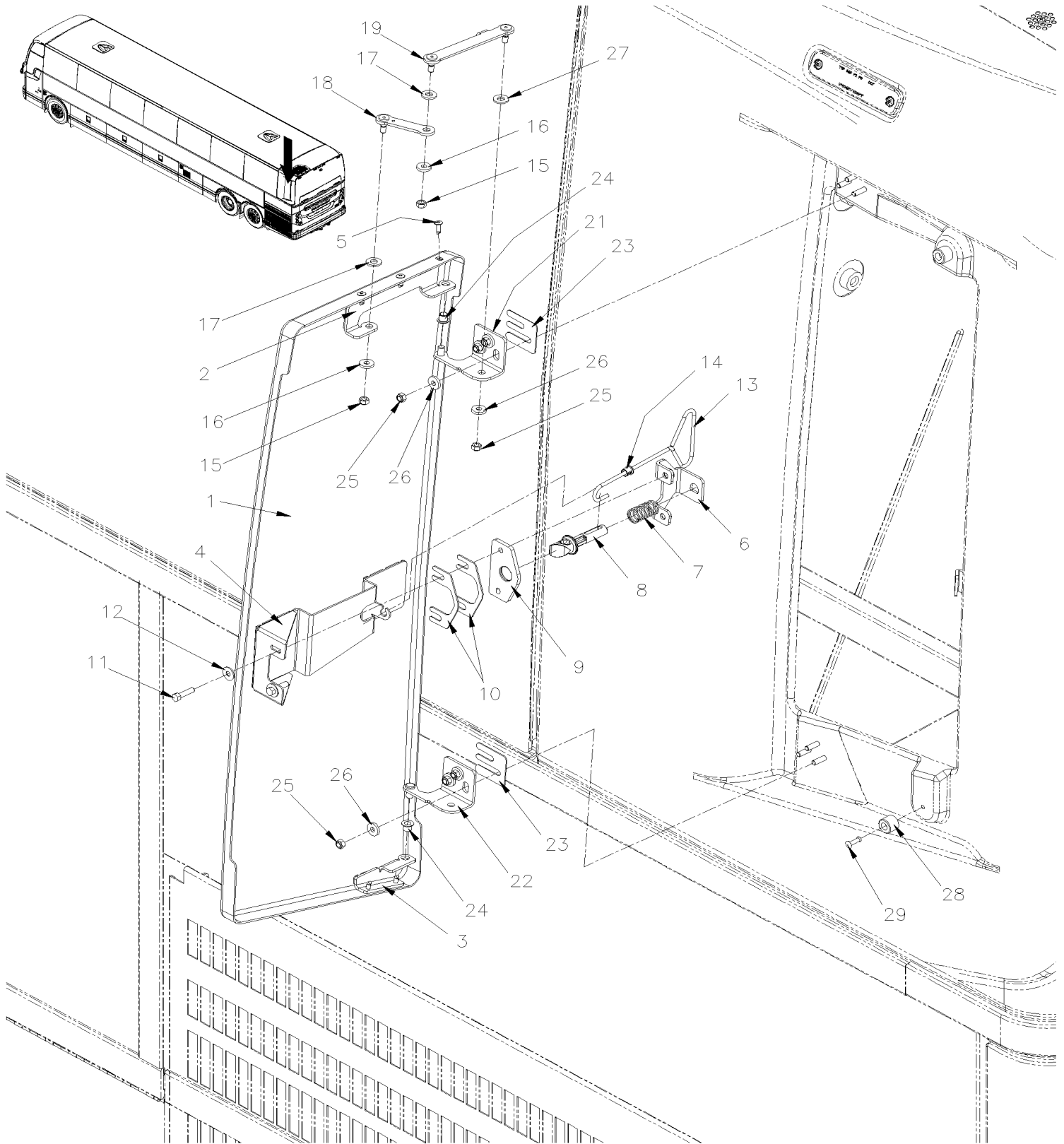
Item#	Part	Description	QTY	Notes
32	5001161	WASHER LO SPT 8.1x14.8x2.0 SS-304	7	
33	5001448	WASHER FL .343x.875x.062 SS18-8	7	
34	478274	ROD OPENING 311.5MM To J-6312	1	
34	471165	ROD OPENING 190MM From J-6313	1	
34	504069	GROMMET / .281x.375x.062x.250x.562 From J-6313	1	
35	5001744	SCREW CAP HEX M6-1.0x16 G8.8 N500	4	
36	500356	WASHER LO SERR 6.1x16.0x0.9 N500	4	
37	502910	SPRING COMPRESSION / .720 O.D. 1.75 x .055	1	
38	780340	CLIP, RETAINER ROD To J-6312	1	
41	500986	NUT HEX #8-32 N500	1	
42	505504	KNOB, PULL / 8-32	1	
50	504334	BUMPER RUBBER / .625 OD x .406 TH x .156 HOLE To J-6339	AR	
50	5002025	BUMPER NEOPRENE / .625 OD x .406 TH x .156 HOLE From J-6340	AR	
51	479222	SPACER ACETAL BLACK 4.37 I.D.x 17 O.D. x 20MM	AR	
52	502530	SCREW MA OV PH M4-0.7x40 SS	AR	
53	502557	NUT HEX NYRT M4-0.7 SS	AR	
54	504357	WASHER FL .187x.437x.050 SS	AR	
61	478968	UPPER PLATE From D-5485	1	
62	478965	SUPPORT UPPER, GRILLE From D-5485 To E-5599	1	
63	478969	LOWER PLATE From D-5485	1	
64	478966	SUPPORT LOWER, GRILLE From D-5485 To E-5599	1	
65	502681	NUT HEX NYRT M6-1.0 N500 G8 From D-5485	4	
66	502570	WASHER LO SPT 6.1x11.8x1.6 SS From D-5485	4	
67	500877	WASHER FL .250x.562x.065 N500 From D-5485	4	
68	506191	TAPE RUB ADH1 CC POL 1/8" x 1/4" x 50' / GREY 2520X From D-5485	AR	
		W) WELD TO STRUCTURE		

From L-6493

Date:01/2024

PAGE:X3-1851-06

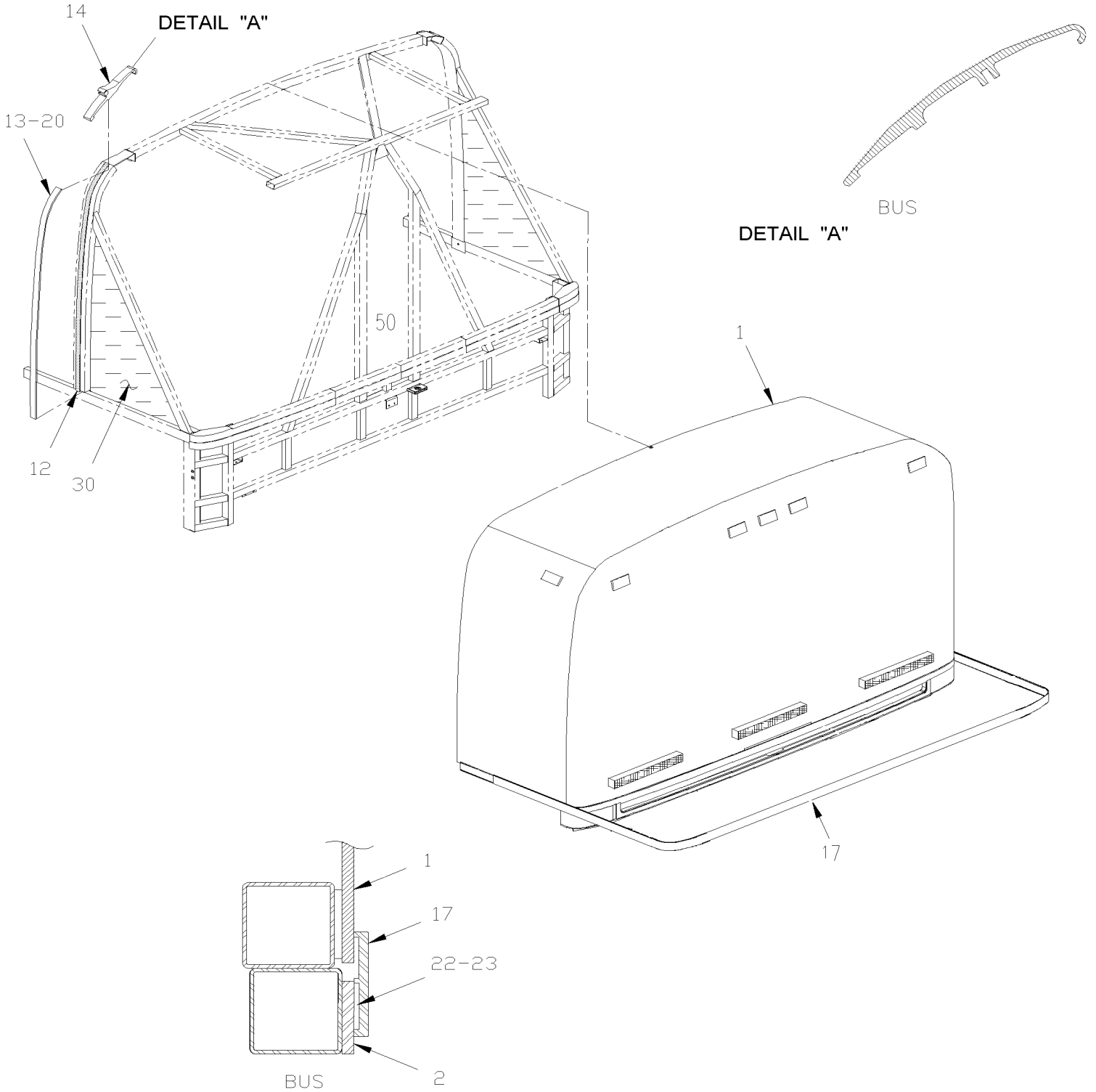
REAR CAP - DOOR DPF & SCR



From L-6493		Date:01/2024	PAGE:X3-1851-06
REAR CAP - DOOR DPF & SCR			

Item#	Part	Description	QTY	Notes
1	2810261	DOOR ACCESS, ASS	1	
2	283341	SUPPORT, TOP HINGE	1	
NS	687957	GLUE MS POLYMER TEROSON MS 9399 / 400ml CARTRIDGE To M-6660	AR	
NS	685387	GLUE MS POLYMER TEROSON MS 9399 / 400ml CARTRIDGE From M-6661	AR	
NS	506785	TAPE RUB ADH2 CC POL 1/16" X 1/4" X 200' / BLACK I1C-N-A	AR	
3	283288	SUPPORT, BOTTOM HINGE	1	
NS	687957	GLUE MS POLYMER TEROSON MS 9399 / 400ml CARTRIDGE To M-6660	AR	
NS	685387	GLUE MS POLYMER TEROSON MS 9399 / 400ml CARTRIDGE From M-6661	AR	
NS	506785	TAPE RUB ADH2 CC POL 1/16" X 1/4" X 200' / BLACK I1C-N-A	AR	
4	283078	SUPPORT, DOOR LATCH	1	
NS	687957	GLUE MS POLYMER TEROSON MS 9399 / 400ml CARTRIDGE To M-6660	AR	
NS	685387	GLUE MS POLYMER TEROSON MS 9399 / 400ml CARTRIDGE From M-6661	AR	
NS	506785	TAPE RUB ADH2 CC POL 1/16" X 1/4" X 200' / BLACK I1C-N-A	AR	
5	504379	RIVET POP DOME OE 3/16x1/4 SS	5	
6	283223	SUPPORT, LATCH	1	
7	502910	SPRING COMPRESSION / .720 O.D. 1.75 x .055	1	
8	2801056	CATCH PIN BLACK ACETAL	1	
9	283126	GUIDE, LATCH	1	
10	287878	SHIM	2	
11	502737	SCREW CAP HEX M6-1.0x25 SS BK	2	
12	5001833	WASHER BEL SPR 6.1x18x1.27 SS	2	
13	283287	ROD, DOOR OPENING	1	
14	504083	SNAP BUSHING / .250x.468.406	1	
15	5001182	NUT HEX NYRT M6-1.0 SS	2	
16	5001654	WASHER FL 6.4x17.0x3.0 SS	2	
17	5001850	WASHER FL 8.4 x 18 x 2 NYL	2	
18	283401	ARM, LOCKING (SHORT) ASSY.	1	
19	283399	ARM, LOCKING (LONG) ASSY.	1	
21	283352	HINGE, TOP	1	
22	283353	HINGE, BOTTOM	1	
23	283396	SHIM	2	
24	507378	BUSHING W/SHOULDER	2	
25	5001182	NUT HEX NYRT M6-1.0 SS	7	
26	5001654	WASHER FL 6.4x17.0x3.0 SS	7	
27	5001850	WASHER FL 8.4 x 18 x 2 NYL	1	
28	5002023	BUMPER NEOPRENE / .750 OD x .562 TH x .187 HOLE	2	
29	504416	RIVET POP DOME OE 3/16x5/8 SS	2	
31	471140	LATCH, DOOR 1	1	
31	687957	GLUE MS POLYMER TEROSON MS 9399 / 400ml CARTRIDGE To M-6660	AR	
31	685387	GLUE MS POLYMER TEROSON MS 9399 / 400ml CARTRIDGE From M-6661	AR	
31	506785	TAPE RUB ADH2 CC POL 1/16" X 1/4" X 200' / BLACK I1C-N-A	AR	

From 7-8754 To 8-9276	Date:01/2024	PAGE:X3-1851-20
REAR CAP - INSTALLATION		



From 7-8754 To 8-9276	Date:01/2024	PAGE:X3-1851-20
REAR CAP - INSTALLATION		

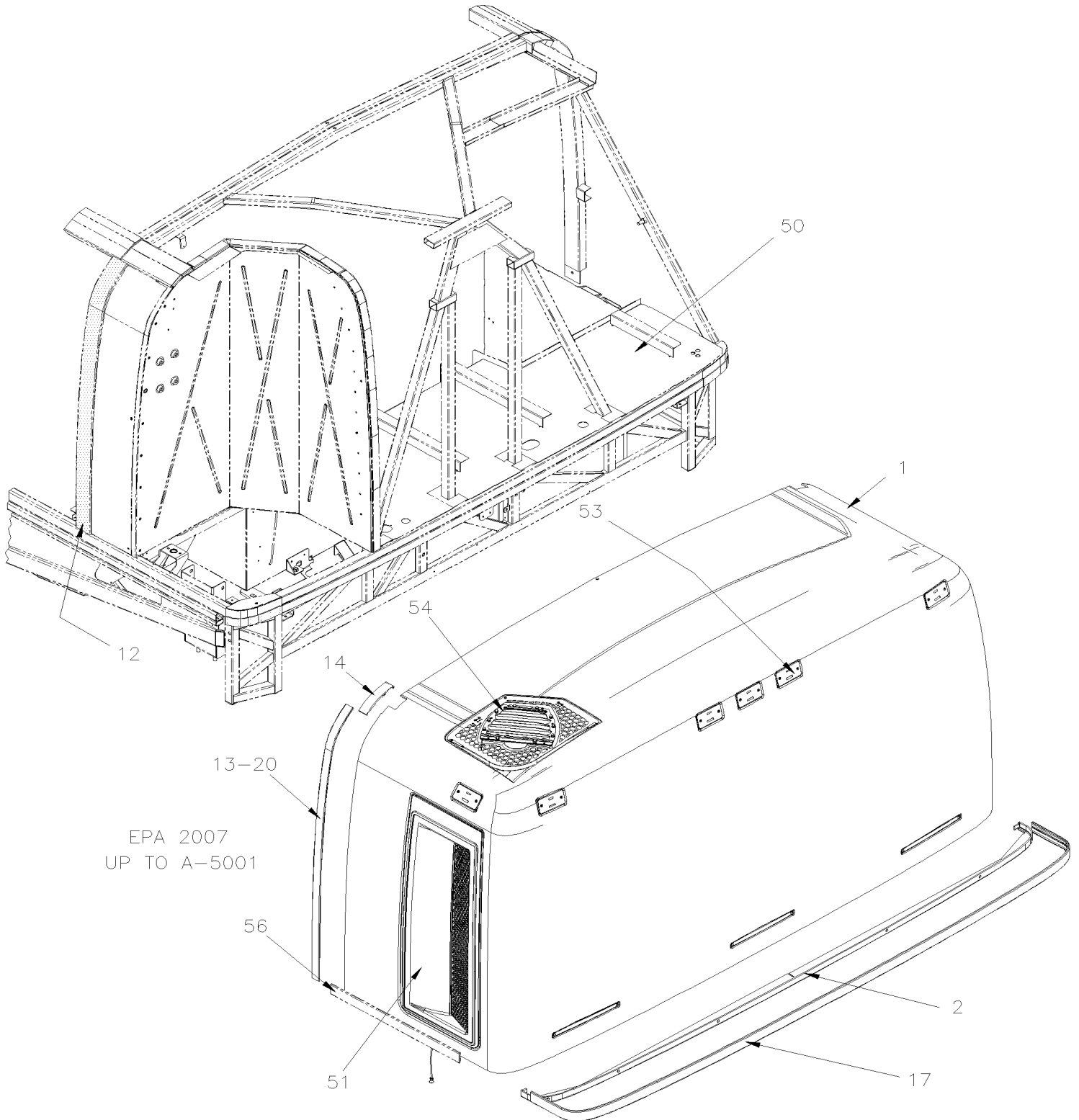
Item#	Part	Description	QTY	Notes
1	473626	REAR CAP ASSY / BUS & MTH 83"	1	
2	473822	MOULDING FIBER GLASS "Z SHAPE"	1	
8	500353	SCREW TP FL PH #8x3/4 BK	6	
12	293135	RUBBER SEAL 1315MM / W/83"	2	
13	474067	FINISHING MOULDING BUS & MTH 83" 1264MM	2	
14	293712	UPPER EXTRUSION 38MM	2	
17	474359	FINISHING MOULDING PLASTIC 2800MM	1	
. NS	506785	. TAPE RUB ADH2 CC POL 1/16" X 1/4" X 200' / BLACK I1C-N-A	AR	
. NS	506769	. TAPE RUB ADH2 CC POL 1/8" x 1/4" x 60' / BLACK H1CC-N-#14	AR	
20	506759	TAPE RUB ADH2 CC POL 1/8" x 1/2" x 100' / BLACK I1C-N-A	AR	
22	683446	PRIMER SIKA #206 / BLACK / 1000ml To 9-9628	AR	
22	683448	ACCELERATOR SIKA / 600ml SAUSAGE To 9-9628	AR	
22	683084	SEALANT SIKA #221 / GREY / 600 ml SAUSAGE To 9-9628	AR	
23	683447	ADHESIVE SIKATACK PLUS / BLACK / 23 Liters To 9-9628	AR	
23	683083	ADHESIVE SIKA #252 / BLACK / 600 ml SAUSAGE To 9-9628	AR	
23	683916	PRIMER SIKA #215 / CLEAR / 1000ml To 9-9628	AR	
23	683097	CLEANER SIKA #205 / CLEAR / 1000ml To 9-9628	AR	
23	687955	PRIMER PLEXUS #PC-120 / 944ml From 9-9629	1	
23	687957	GLUE MS POLYMER TEROSON MS 9399 / 400ml CARTRIDGE From 9-9629	1	
23	687958	MIXER QUADRO 10.7MM W/"V" ADAPTOR / "B" From 9-9629	1	
23	687959	PRIMER TEROSTAT 450 1000ml From 9-9629	1	
23	687960	MIXER INTEGRATOR / MS13-24 From 9-9629	1	
23	687961	GLUE MS POLYMER TEROSON MS 9399 / "A" 21 Liters From 9-9629	1	
23	687962	GLUE MS POLYMER TEROSON MS 9399 / "B" 21 Liters From 9-9629	1	
50	X3-1894-00	REAR CAP - STRUCTURE		

From 8-9277 To K-6492

Date:01/2024

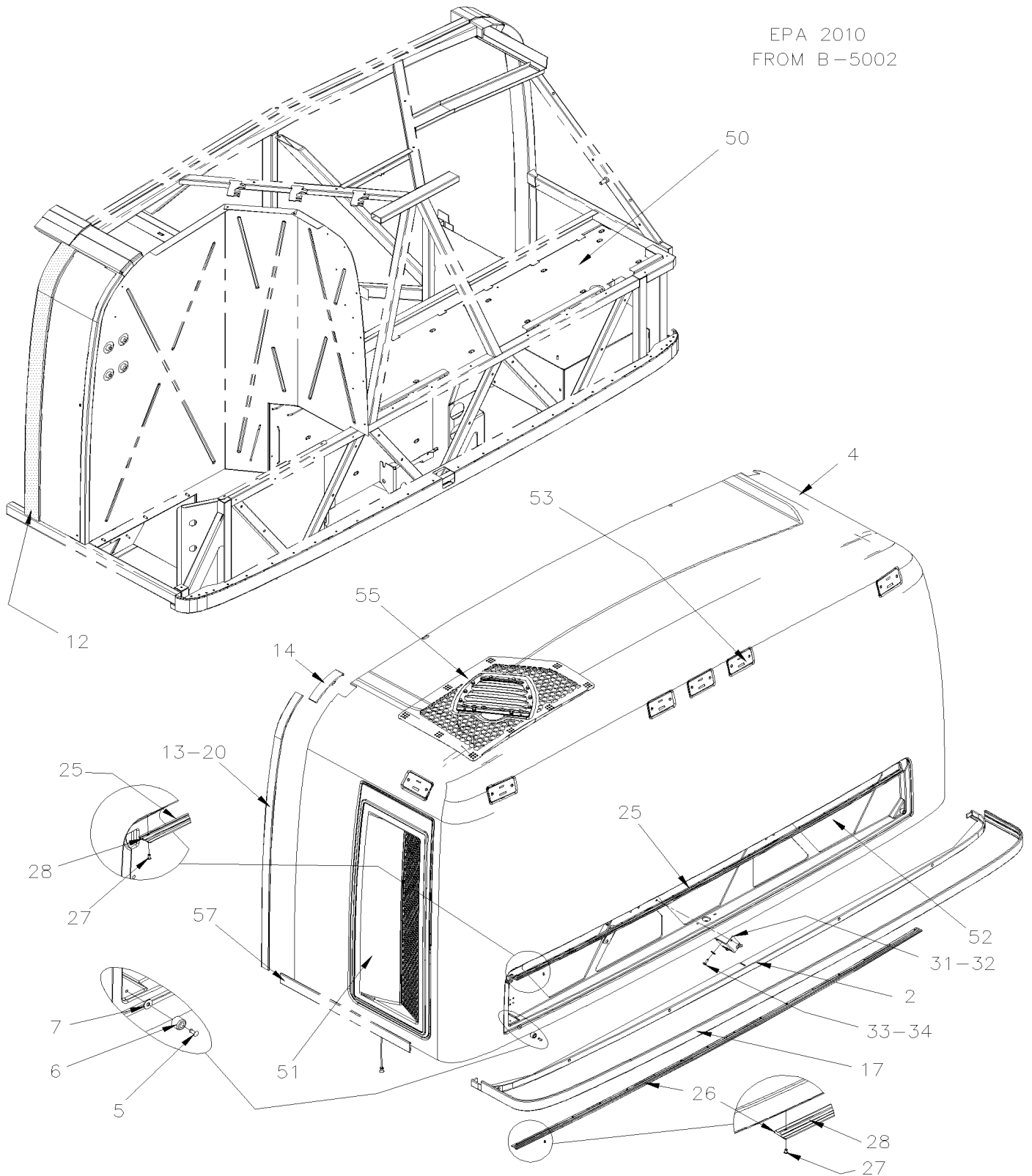
PAGE:X3-1851-21

REAR CAP - INSTALLATION WITH EPA 2007 & 2010



REAR CAP - INSTALLATION WITH EPA 2007 & 2010

EPA 2010
FROM B-5002



From 8-9277 To K-6492	Date:01/2024	PAGE:X3-1851-21
REAR CAP - INSTALLATION WITH EPA 2007 & 2010		

Item#	Part	Description	QTY	Notes
1	478238	REAR CAP ASSY / BUS To B-5001	1	
2	473822	MOULDING FIBER GLASS "Z SHAPE" To 9-9630	1	
2	479255	MOULDING FIBER GLASS From 9-9631 To B-5001	1	
2	479308	MOULDING FIBER GLASS From B-5002 To H-6101	1	
2	470231	MOULDING FIBER GLASS From H-6102	1	
3	500353	SCREW TP FL PH #8x3/4 BK	6	
4	479260	REAR CAP ASSY / BUS From B-5002 To C-5157	1	
. NS	479298	. ATTACHMENT PLATE W/2 NUTS/ REAR LOWER DOOR 116MMx 38MM From B-5002 To C-5157	2	
4	479496	REAR CAP ASSY / BUS From C-5158 To C-5240	1	
4	479260	REAR CAP ASSY / BUS From C-5241 To H-6101	1	
. NS	479298	. ATTACHMENT PLATE W/2 NUTS/ REAR LOWER DOOR 116MMx 38MM From C-5241 To H-6101	2	
4	470247	REAR CAP ASSY / BUS From H-6102 To H-6179	1	
4	470517	REAR CAP ASSY / BUS From H-6180	1	
4	478415	REAR CAP ASSY / WITH REAR SIGN To C-5157	1	A
4	479497	REAR CAP ASSY / WITH REAR SIGN From C-5158 To C-5240	1	A
4	478415	REAR CAP ASSY / WITH REAR SIGN From C-5241 To H-6101	1	A
4	470272	REAR CAP ASSY / WITH REAR SIGN From H-6102 To H-6179		A
4	470642	REAR CAP ASSY / WITH REAR SIGN From H-6180	1	A
5	500414	SCREW TP BDG PH #10x3/4 SS From B-5002	2	
6	5001168	BUMPER RUBBER / .750 OD x .562 TH x .187 HOLE From B-5002 To J-6339	2	
6	5002023	BUMPER NEOPRENE / .750 OD x .562 TH x .187 HOLE From J-6340	2	
7	500411	WASHER FL .260x.697x.050 SS From B-5002	2	
12	293135	RUBBER SEAL 1315MM / W/83"	2	
13	474067	FINISHING MOULDING BUS & MTH 83" 1264MM	2	
14	293712	UPPER EXTRUSION 38MM	2	
17	474359	FINISHING MOULDING PLASTIC 2800MM	1	
. NS	506785	. TAPE RUB ADH2 CC POL 1/16" X 1/4" X 200' / BLACK I1C-N-A	AR	
. NS	506769	. TAPE RUB ADH2 CC POL 1/8" x 1/4" x 60' / BLACK H1CC-N-#14	AR	
20	506759	TAPE RUB ADH2 CC POL 1/8" x 1/2" x 100' / BLACK I1C-N-A	AR	
NS	687955	PRIMER PLEXUS #PC-120 / 944ml	AR	
NS	687957	GLUE MS POLYMER TEROSON MS 9399 / 400ml CARTRIDGE To M-6660	AR	
NS	685387	GLUE MS POLYMER TEROSON MS 9399 / 400ml CARTRIDGE From M-6661	AR	
NS	687958	MIXER QUADRO 10.7MM W/"V" ADAPTOR / "B"	AR	
NS	687959	PRIMER TEROSTAT 450 1000ml	AR	
NS	687960	MIXER INTEGRATOR / MS13-24	AR	
NS	687961	GLUE MS POLYMER TEROSON MS 9399 / "A" 21 Liters To M-6660	AR	
NS	685385	GLUE MS POLYMER TEROSON MS 9399 / "A" 14.8 Liters From M-6661	AR	
NS	687962	GLUE MS POLYMER TEROSON MS 9399 / "B" 21 Liters To M-6660	AR	
NS	685386	GLUE MS POLYMER TEROSON MS 9399 / "B" 14.8 Liters From M-6661	AR	
25	470151	DRIP EDGE UPPER 1982MM From H-6102	1	

From 8-9277 To K-6492	Date:01/2024	PAGE:X3-1851-21
REAR CAP - INSTALLATION WITH EPA 2007 & 2010		

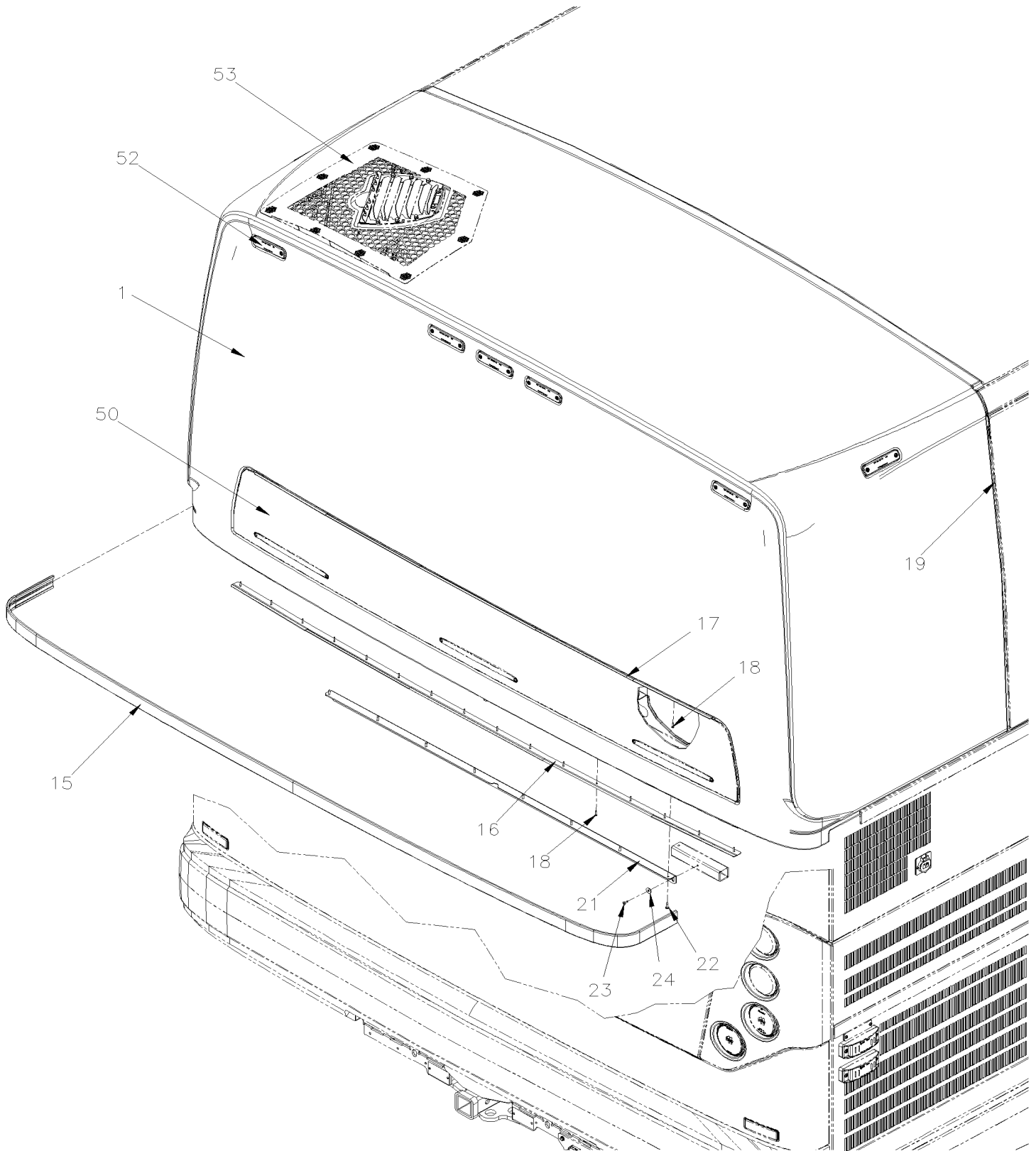
Item#	Part	Description	QTY	Notes
26	470152	DRIP EDGE LOWER 2082MM From H-6102	1	
27	504643	RIVET POP DOME OE 1/8x1/2 SS From H-6102	AR	
28	506869	TAPE RUB ADH2 POL .031" X 1/4" X 300' / BLACK From H-6102	AR	
NS	7770178	DRIP EDGE KIT From F-5762 To G-6077	1	B
. NS	470278	. DRIP EDGE UPPER 1982MM From F-5762 To G-6077	1	B
. NS	470152	. DRIP EDGE LOWER 2082MM From F-5762 To G-6077	1	B
. NS	504339	. RIVET POP DOME OE 1/8x3/8 SS From F-5762 To G-6077	33	B
. NS	504610	. RIVET MGLP PRDG 1/4x5/8 SS From F-5762 To G-6077	4	B
31	478765	FIXING PLATE	2	
32	504459	RIVET MGLP PRDG 1/4x3/8 SS	4	
33	502848	SCREW TC CAP HEXF 1/4-20x3/4 N500	4	
34	5001833	WASHER BEL SPR 6.1x18x1.27 SS	4	
50	X3-1894-00	REAR CAP - STRUCTURE To B-5001		
50	X3-1894-01	REAR CAP - STRUCTURE From B-5002 To D-5458		
50	X3-189X-XX	STRUCTURE / CALL ORDER DESK From E-5459		
51	X3-1851-05	REAR CAP - DOOR DPF & SCR		
52	X3-1870-20	REAR ENGINE UPPER DOOR WITH "EPA 2010" From B-5002		
53	X3-0662-00	CLEARANCE & MARKER LIGHT		
54	X3-0405-01	MUFFLER - INSTALLATION WITH DPF FILTER WITH DETROIT S-60 To B-5001		
54	X3-0405-02	MUFFLER - INSTALLATION WITH DPF FILTER WITH VOLVO D13 From 8-9457 To B-5001		
55	X3-0405-03	MUFFLER - INSTALLATION WITH DPF & SCR WITH VOLVO D13 From B-5002		
56	X3-1854-00	SIDE FLAT PANEL To B-5001		
57	X3-1854-01	SIDE FLAT PANEL From B-5002 To H-6179		
57	X3-1854-02	SIDE FLAT PANEL From H-6180		
		A) USE WITH REAR SIGN		
		B) SEE WARRANTY BULLETIN WB16-02		

From L-6493

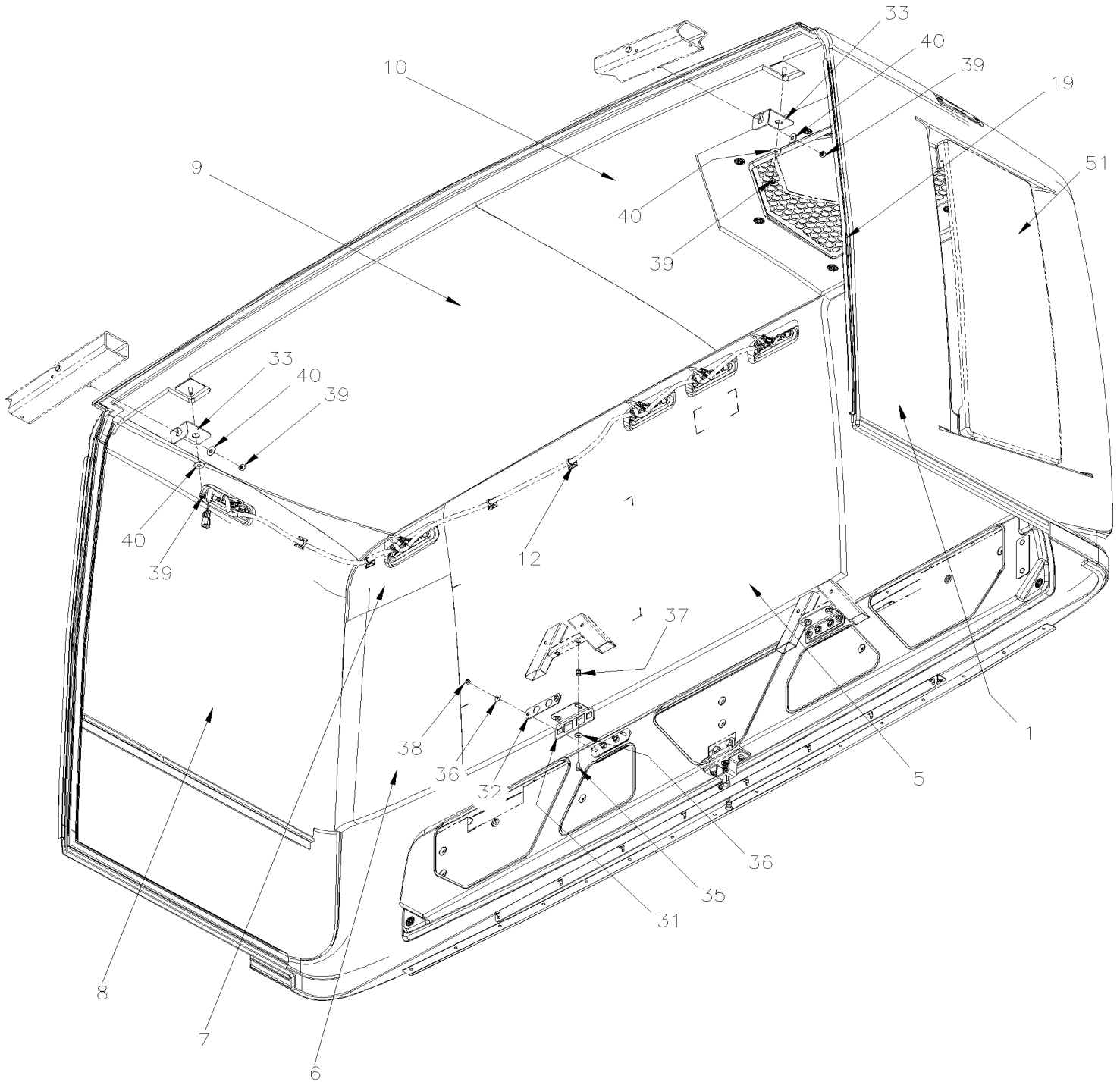
Date:01/2024

PAGE:X3-1851-22

REAR CAP - INSTALLATION



REAR CAP - INSTALLATION



From L-6493		Date:01/2024	PAGE:X3-1851-22
-------------	--	--------------	-----------------

REAR CAP - INSTALLATION

Item#	Part	Description	QTY	Notes
1	471346	REAR CAP ASSY / BUS	1	
1	471037	REAR CAP ASSY / WITH REAR SIGN	1	
NS	687961	GLUE MS POLYMER TEROSON MS 9399 / "A" 21 Liters To M-6660	AR	
NS	685385	GLUE MS POLYMER TEROSON MS 9399 / "A" 14.8 Liters From M-6661	AR	
NS	687962	GLUE MS POLYMER TEROSON MS 9399 / "B" 21 Liters To M-6660	AR	
NS	685386	GLUE MS POLYMER TEROSON MS 9399 / "B" 14.8 Liters From M-6661	AR	
NS	687957	GLUE MS POLYMER TEROSON MS 9399 / 400ml CARTRIDGE To M-6660	AR	
NS	685387	GLUE MS POLYMER TEROSON MS 9399 / 400ml CARTRIDGE From M-6661	AR	
NS	685124	ADHESIVE SIMSON #ISR 70-03 / BLACK / 600ml SAUSAGE	AR	
5	353692	INSULATION, REAR CAP	1	
6	353693	INSULATION, REAR CAP	1	
7	353705	INSULATION, REAR CAP	1	
8	353694	INSULATION, REAR CAP	1	
9	353695	INSULATION, REAR CAP	1	
10	353696	INSULATION, REAR CAP	1	
NS	684978	SPRAY URETHANE HILTI CAN	AR	
12	562679	4 WAY ADH. BACKED MOUNTS 1.000 x 1.000 x .160	4	
15	474359	FINISHING MOULDING PLASTIC 2800MM	1	
NS	506785	TAPE RUB ADH2 CC POL 1/16" X 1/4" X 200' / BLACK I1C-N-A	AR	
NS	506769	TAPE RUB ADH2 CC POL 1/8" x 1/4" x 60' / BLACK H1CC-N-#14	AR	
15	683083	ADHESIVE SIKA #252 / BLACK / 600 ml SAUSAGE	AR	
16	420031	DRIP, ENGINE DOOR	1	
16	506869	TAPE RUB ADH2 POL .031" X 1/4" X 300' / BLACK	AR	
17	420026	DRIP, REAR ACCESS DOOR	1	
17	506869	TAPE RUB ADH2 POL .031" X 1/4" X 300' / BLACK	AR	
18	504643	RIVET POP DOME OE 1/8x1/2 SS	30	
19	290394	SEAL, VERTICAL WINDOW 1103MM To M-6657	2	
19	290644	SEAL VERTICAL WINDOW 1103MM From M-6658	2	
21	471163	ANGULAR, FIXING	1	
22	500414	SCREW TP BDG PH #10x3/4 SS	8	
23	504379	RIVET POP DOME OE 3/16x1/4 SS	8	
24	508401	WASHER FL .218x.875x.062 SS XL BK	8	
31	471336	REINFORCEMENT	2	
32	471340	PLATE, MOUNTING	2	
33	471034	BONDING BRACKET To N-6732	2	
33	4710284	BONDING BRACKET From N-6733	2	
35	5001697	SCREW CAP HEX M6-1.0x16 SS BK	4	
36	5001833	WASHER BEL SPR 6.1x18x1.27 SS	8	
37	5001344	NUT INS FL HEX M6-1.0 0.5-3.0 SS	4	

From L-6493	Date:01/2024	PAGE:X3-1851-22
-------------	--------------	-----------------

REAR CAP - INSTALLATION

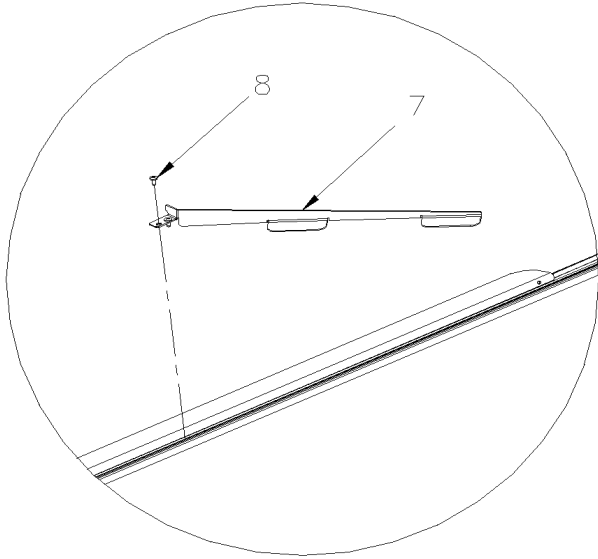
Item#	Part	Description	QTY	Notes
38	5001851	NUT HEX M6-1.0 SS BK	4	
39	5001983	NUT HEX NYRT M8-1.25 SS SS BK	4	
40	5001849	WASHER FL 8.4x24.0x2.0 SS	4	
50	X3-1870-21	REAR ENGINE UPPER DOOR	1	
51	X3-1851-06	REAR CAP - DOOR DPF & SCR	1	
52	X3-0662-01	CLEARANCE & MARKER LIGHT	1	
53	X3-0405-03	MUFFLER - INSTALLATION WITH DPF & SCR WITH VOLVO D13	1	

From 7-8754 To K-6492

Date:01/2024

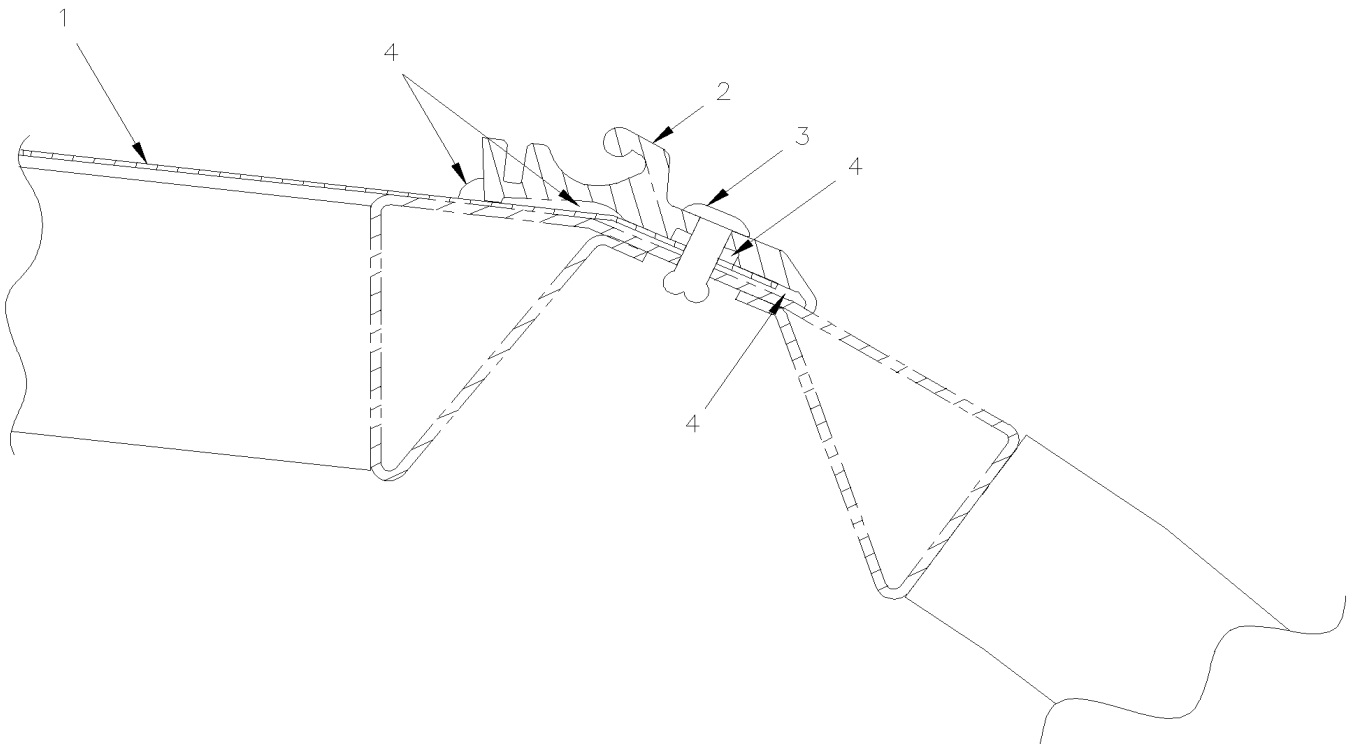
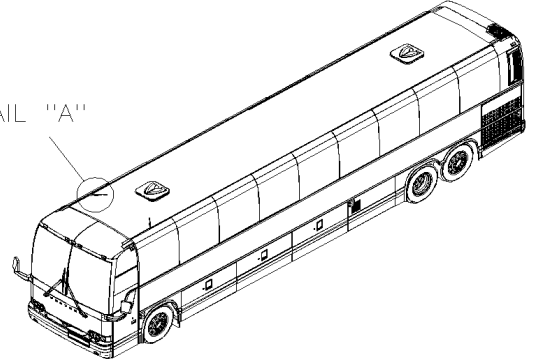
PAGE:X3-1852-00

ROOF PANEL



DETAIL "A"

DETAIL "A"



From 7-8754 To K-6492	Date:01/2024	PAGE:X3-1852-00
-----------------------	--------------	-----------------

ROOF PANEL

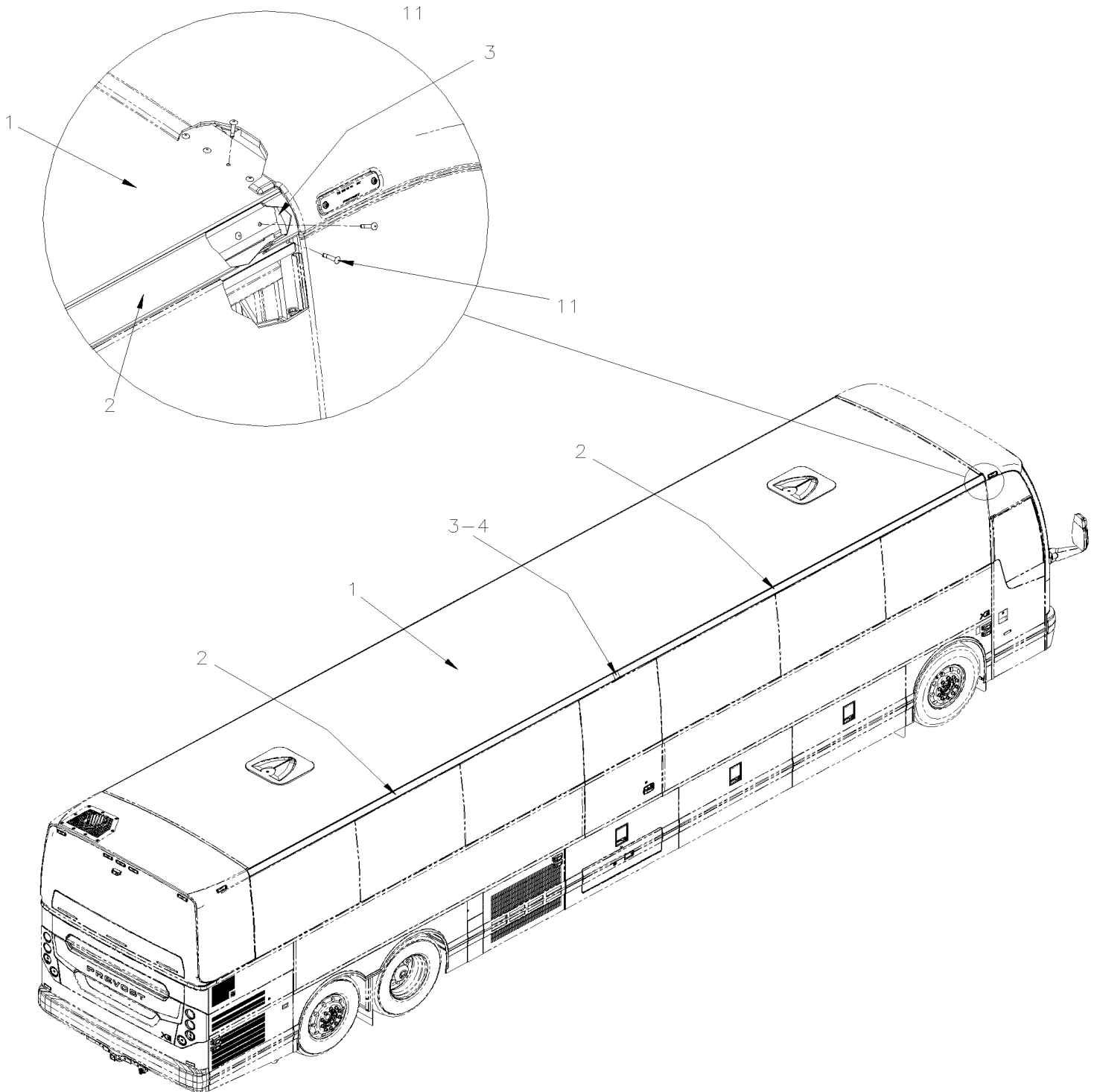
Item#	Part	Description	QTY	Notes
1	970274	ALUMINUM SHEET 3003 WHITE 18GAX82 1/4" To D-5299	165	
1	478980	ALUMINUM SHEET 5052 WHITE 18GAX82 1/4" To D-5299	1	
1	970324	ALUMINUM SHEET 5052 WHITE 18GAX82 1/4" From D-5300	1	
2	293181	EXTRUSION, ALUMINUM 5870MM (231.1") To D-5299	4	
2	294092	EXTRUSION, ALUMINUM 5870MM (231.1") From D-5300 To E-5549	4	
2	294124	EXTRUSION, ALUMINUM 5870MM (231.1") From E-5550	4	
3	504546	RIVET CHY MONOLOK PRDG 1/4x5/8 ZP To E-5499	AR	
3	504545	RIVET CHY MONOLOK PRDG 1/4x3/8 ZP To E-5499	50	A
3	504787	RIVET CHY MONOLOK PRDG 1/4x5/8 ZP From E-5500	AR	
4	684517	ADHESIVE SIMSON #ISR 70-03 / GREY / 310ml CARTRIDGE	AR	
NS	506790	TAPE RUB ADH2 CC POL 1/16" x 1/2" x 200' / BLACK I1C-N-A	AR	
5	474057P	KIT, ROOF PANELING XL SERIES	1	
6	Call order desk	DEFLECTOR, ROOF		P
. NS	IS-12024	. SEE INSTRUCTION SHEET	1	
7	294115	. DEFLECTOR R.H.	1	
NS	294116	. DEFLECTOR L.H.	1	
8	500393	. SCREW TC PAN PH #10-24x3/8 Z050	4	
NS	5001076	. WASHER FL RET 4.6x15.4x1.37 NYL BK	4	
		A) EACH END		
		P) CALL ORDER DESK FOR SPECIFIC APPLICATION (V.I.N.)		

From L-6493

Date:01/2024

PAGE:X3-1852-01

ROOF PANEL



From L-6493	Date:01/2024	PAGE:X3-1852-01
ROOF PANEL		

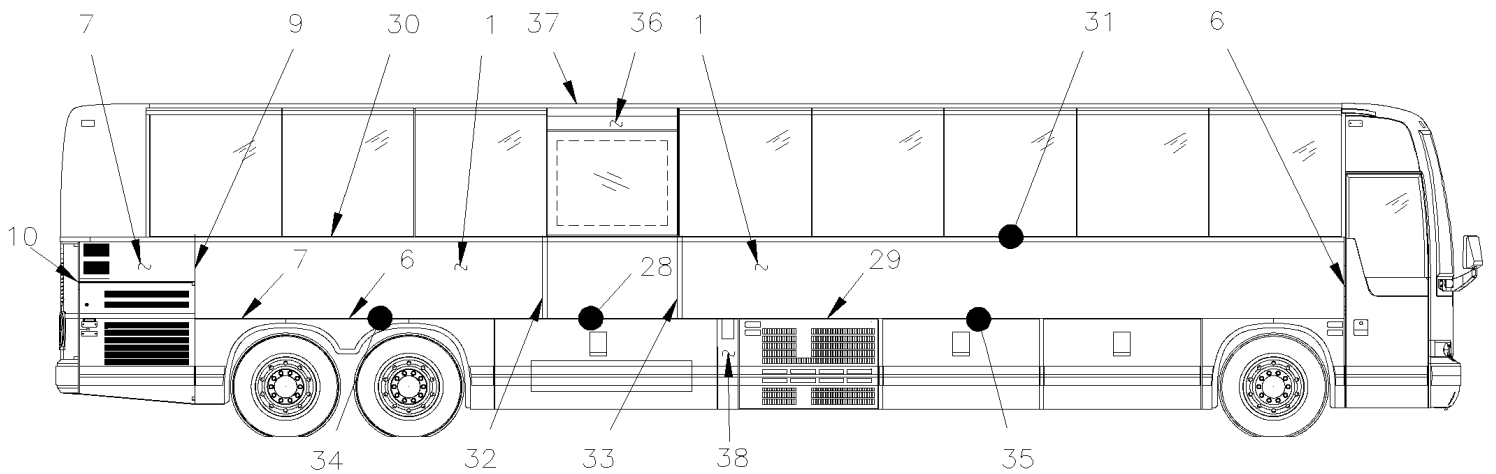
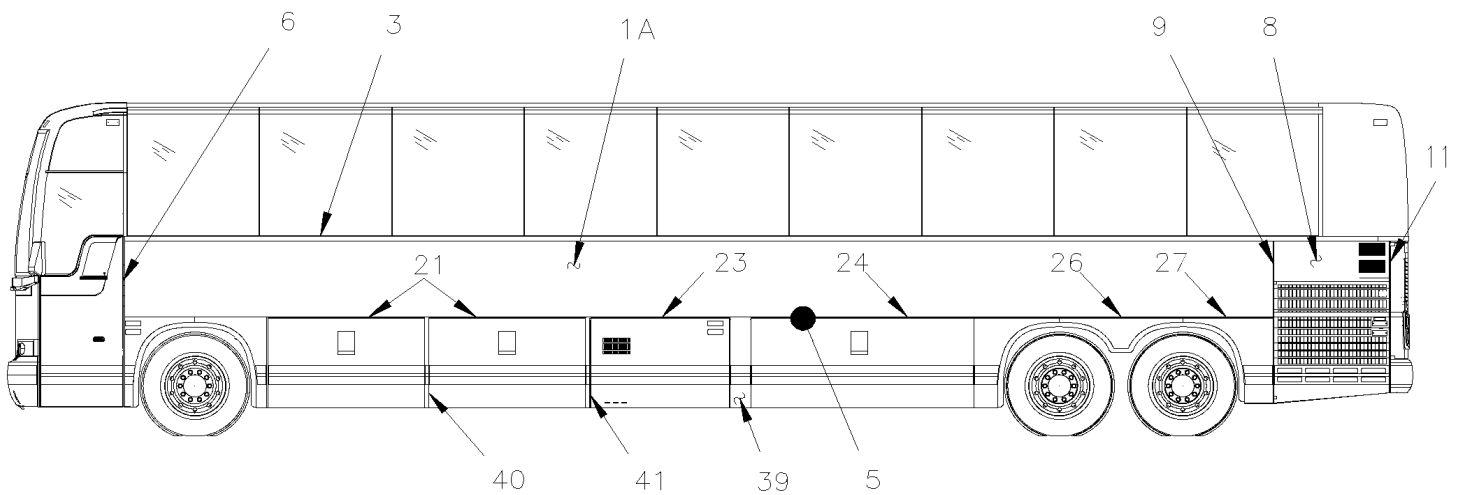
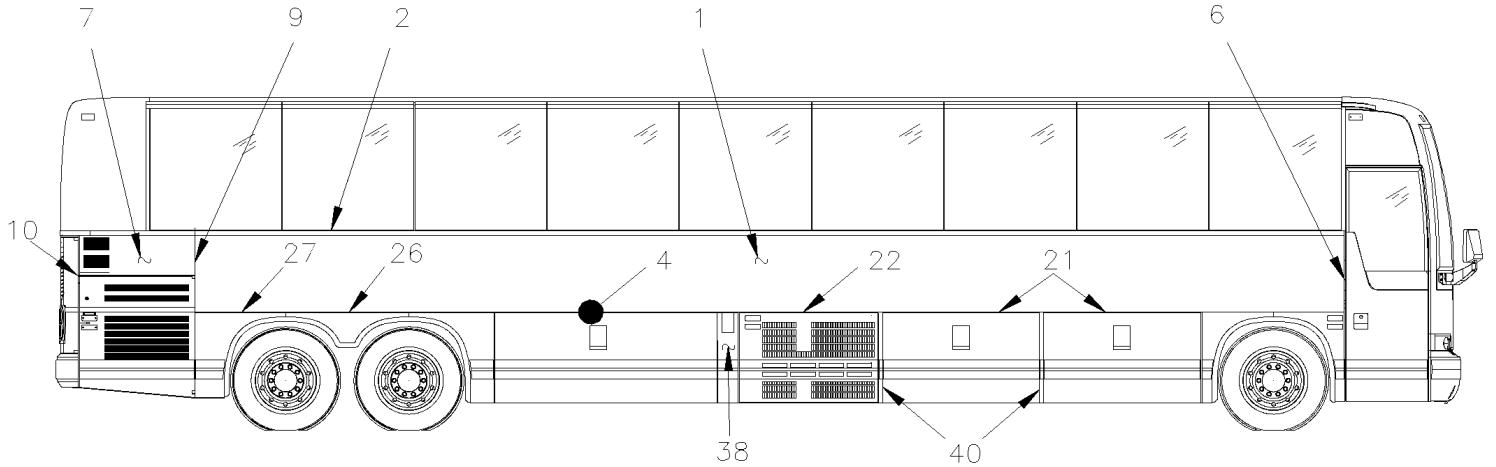
Item#	Part	Description	QTY	Notes
1	970003	ALUMINUM SHEET 5052 WHITE 18GA X 94 X 1/2"	AR	
2	290114	EXTRUSTION ROOF To M-6657	4	
2	290779	EXTRUSTION ROOF From M-6658	4	
3	290255	PLUG	8	
4	479765	ROOF EXTRUSION SEAL MOLDING To M-6657	2	
. NS	290256	. ROOF EXTRUSION SEAL MOLDING To M-6657	1	
. NS	506869	. TAPE RUB ADH2 POL .031" X 1/4" X 300' / BLACK To M-6657	AR	
4	4710185	ROOF EXTRUSION SEAL MOLDING From M-6658	2	
. NS	290786	. ROOF EXTRUSION SEAL MOLDING From M-6658	1	
. NS	506869	. TAPE RUB ADH2 POL .031" X 1/4" X 300' / BLACK From M-6658	AR	
NS	506869	TAPE RUB ADH2 POL .031" X 1/4" X 300' / BLACK	AR	
11	504787	RIVET CHY MONOLOK PRDG 1/4x5/8 ZP	AR	
NS	687961	GLUE MS POLYMER TEROSON MS 9399 / "A" 21 Liters To M-6660	AR	
NS	685385	GLUE MS POLYMER TEROSON MS 9399 / "A" 14.8 Liters From M-6661	AR	
NS	687962	GLUE MS POLYMER TEROSON MS 9399 / "B" 21 Liters To M-6660	AR	
NS	685386	GLUE MS POLYMER TEROSON MS 9399 / "B" 14.8 Liters From M-6661	AR	
NS	687957	GLUE MS POLYMER TEROSON MS 9399 / 400ml CARTRIDGE To M-6660	AR	
NS	685387	GLUE MS POLYMER TEROSON MS 9399 / 400ml CARTRIDGE From M-6661	AR	
NS	685124	ADHESIVE SIMSON #ISR 70-03 / BLACK / 600ml SAUSAGE	AR	
NS	680066	ADHESIVE / ADBOND #5014 / 23.6ML BOTTLE	AR	
NS	683084	SEALANT SIKA #221 / GREY / 600 ml SAUSAGE	AR	

From 7-8754 To B-5001

Date:01/2024

PAGE:X3-1854-00

SIDE FLAT PANEL



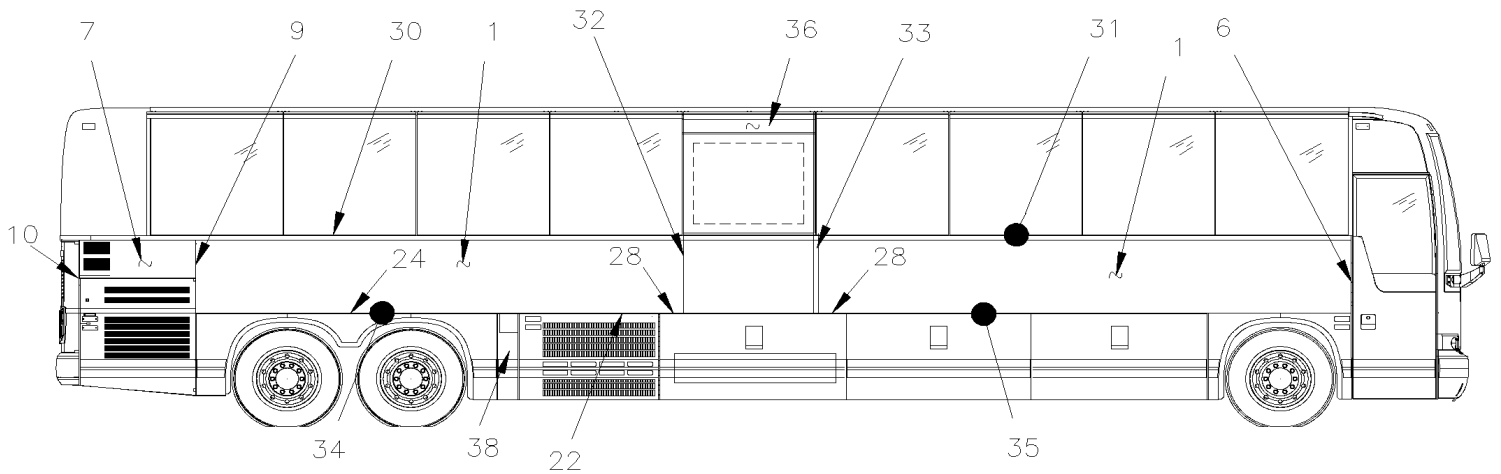
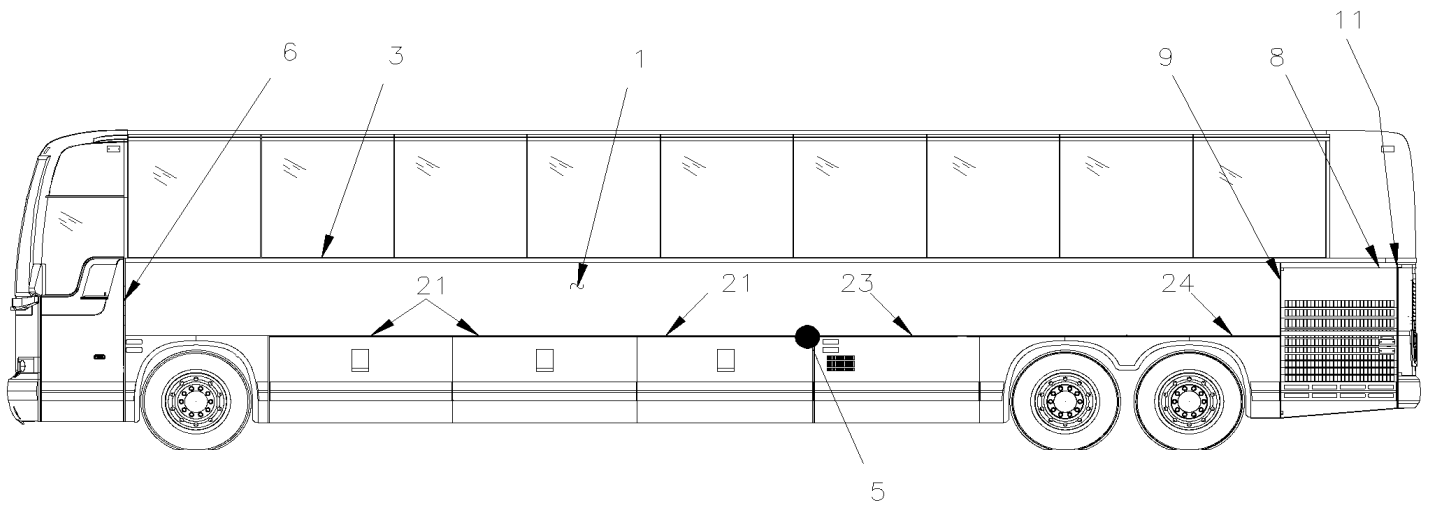
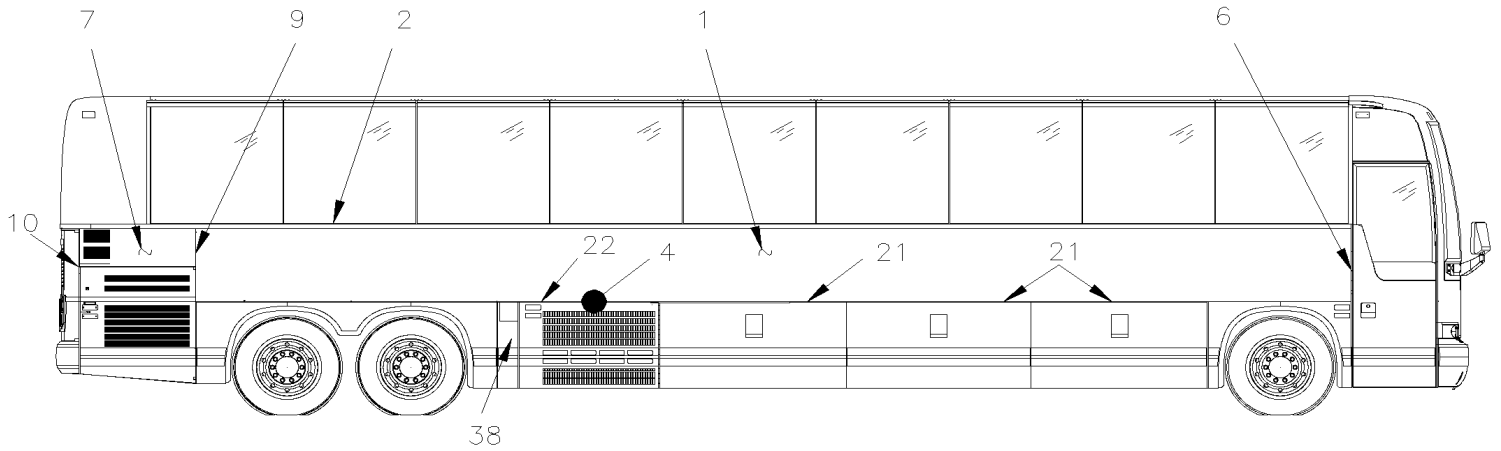
From 7-8754 To B-5001	Date:01/2024	PAGE:X3-1854-00
SIDE FLAT PANEL		

Item#	Part	Description	QTY	Notes
1	970271	STAINLESS STEEL SHEET 759MM X 11392MM From 8-9277	1	
1	970271	STAINLESS STEEL SHEET 759MM X 11392MM From 8-9277	1	
1A	970271	STAINLESS STEEL SHEET 759MM X 11392MM To 8-9276	1	
1A	970271	STAINLESS STEEL SHEET 759MM X 11392MM To 8-9276	1	
1A	970315	STAINLESS STEEL SHEET 759MM X 11240MM From 8-9277	1	
2	474514	FINISHING MOULDING UPPER R.H. 12253MM	1	
NS	506785	TAPE RUB ADH2 CC POL 1/16" X 1/4" X 200' / BLACK I1C-N-A	AR	
NS	506790	TAPE RUB ADH2 CC POL 1/16" x 1/2" x 200' / BLACK I1C-N-A	AR	
3	474515	FINISHING MOULDING UPPER L.H. 12253MM	1	
NS	506785	TAPE RUB ADH2 CC POL 1/16" X 1/4" X 200' / BLACK I1C-N-A	AR	
NS	506790	TAPE RUB ADH2 CC POL 1/16" x 1/2" x 200' / BLACK I1C-N-A	AR	
4	474512	FINISHING MOULDING LOWER R.H. 9846MM	1	
NS	506785	TAPE RUB ADH2 CC POL 1/16" X 1/4" X 200' / BLACK I1C-N-A	AR	
NS	506769	TAPE RUB ADH2 CC POL 1/8" x 1/4" x 60' / BLACK H1CC-N-#14	AR	
5	474513	FINISHING MOULDING LOWER L.H. 9846MM To 8-9276	1	
NS	506785	TAPE RUB ADH2 CC POL 1/16" X 1/4" X 200' / BLACK I1C-N-A To 8-9276	AR	
NS	506769	TAPE RUB ADH2 CC POL 1/8" x 1/4" x 60' / BLACK H1CC-N-#14 To 8-9276	AR	
5	479199	FINISHING MOULDING LOWER L.H. 11086MM From 8-9277	1	
NS	506785	TAPE RUB ADH2 CC POL 1/16" X 1/4" X 200' / BLACK I1C-N-A From 8-9277	AR	
NS	506769	TAPE RUB ADH2 CC POL 1/8" x 1/4" x 60' / BLACK H1CC-N-#14 From 8-9277	AR	
6	474388	FINISHING MOULDING S.S.	2	
NS	504473	RIVET POP DOME OE 1/8x1/4 SS	12	
7	474347	PANEL SUB ASSY AIR INTAKE R.H.	1	
7	474244	PANEL AIR INTAKE R.H.	1	
8	474346	PANEL SUB ASSY AIR INTAKE L.H. To 8-9276	1	
8	474243	PANEL AIR INTAKE L.H. SERVICE To 8-9276	1	
8	479162	PANEL 58MM X 1292MM / UPPER / RADIATOR DOOR From 8-9277	1	
9	474409	FINISHING MOULDING ALUMINUM 713MM	2	
10	474387	FINISHING MOULDING SS 400MM	1	
11	474387	FINISHING MOULDING SS 400MM To 8-9276	1	
11	479165	FINISHING MOULDING 31MM SS From 8-9277	1	
21	478016	DRIP MOULDING ASSY / 1535MM	4	
22	478014	DRIP MOULDING ASSY / 1560MM	1	
23	475414	DRIP MOULDING / 1560MM	1	
24	478017	DRIP MOULDING ASSY / 2170MM	1	
26	474060	DRIP MOULDING / 1765MM / S.B.	2	
27	478041	DRIP MOULDING 1146.5MM To 8-9276	2	
27	478041	DRIP MOULDING 1146.5MM From 8-9277	1	
27	476795	DRIP MOULDING 994.1MM L.H. SIDE From 8-9277	1	
28	478025	DRIP MOULDING ASSY / 496MM	1	
29	478024	DRIP MOULDING ASSY / 367MM	1	
30	475061	FINISHING MOULDING UPPER R.H. 4479MM	1	

From 7-8754 To B-5001	Date:01/2024	PAGE:X3-1854-00
SIDE FLAT PANEL		

Item#	Part	Description	QTY	Notes
. NS	506785	. TAPE RUB ADH2 CC POL 1/16" X 1/4" X 200' / BLACK I1C-N-A	AR	
. NS	506769	. TAPE RUB ADH2 CC POL 1/8" x 1/4" x 60' / BLACK H1CC-N-#14	AR	
31	475062	FINISHING MOULDING UPPER R.H. 6472MM	1	
. NS	506790	. TAPE RUB ADH2 CC POL 1/16" x 1/2" x 200' / BLACK I1C-N-A	AR	
32	474946	FINISHING MOULDING / SS / BACKWARD W.C.L. DOOR	1	
33	474945	FINISHING MOULDING / SS / FORWARD W.C.L. DOOR	1	
34	475063	FINISHING MOULDING LOWER R.H. 3462MM	1	
. NS	506785	. TAPE RUB ADH2 CC POL 1/16" X 1/4" X 200' / BLACK I1C-N-A	AR	
. NS	506769	. TAPE RUB ADH2 CC POL 1/8" x 1/4" x 60' / BLACK H1CC-N-#14	AR	
35	475060	FINISHING MOULDING LOWER R.H. 6496MM	1	
. NS	506785	. TAPE RUB ADH2 CC POL 1/16" X 1/4" X 200' / BLACK I1C-N-A	AR	
. NS	506769	. TAPE RUB ADH2 CC POL 1/8" x 1/4" x 60' / BLACK H1CC-N-#14	AR	
36	475065	PANEL ASSY / UPPER W.C.L. DOOR	1	
. NS	474822	. PANEL / UPPER W.C.L. DOOR	1	
. NS	474897	. DRIP MOULDING SS	1	
. NS	5001015	. SCREW TP BDG PH #6x1/2 SS BK	8	
37	293699	EXTRUSION ALUMINUM 1287MM	1	
38	478124	PANEL CURBSIDE 199MM	1	
38	478410	PANEL CURBSIDE / FUEL DOOR LOWER / 306MM From A-9907 To A-9907	1	W
38	478410	PANEL CURBSIDE / FUEL DOOR LOWER / 306MM From A-9926 To A-9926	1	W
39	478125	PANEL STREET SIDE 199MM	1	
40	478008	FINISHING POST / "U" SHAPE 39MM X 912MM	3	
41	478009	FINISHING POST / "J" SHAPE / 39MM X 912MM	1	
NS	506790	TAPE RUB ADH2 CC POL 1/16" x 1/2" x 200' / BLACK I1C-N-A	AR	
NS	506769	TAPE RUB ADH2 CC POL 1/8" x 1/4" x 60' / BLACK H1CC-N-#14	AR	
NS	506785	TAPE RUB ADH2 CC POL 1/16" X 1/4" X 200' / BLACK I1C-N-A	AR	
NS	506759	TAPE RUB ADH2 CC POL 1/8" x 1/2" x 100' / BLACK I1C-N-A	AR	
NS	506648	TAPE RUB ADH1 CC POL 1/8" x 1/2"x 50' / GREY 2542	AR	
NS	683097	CLEANER SIKA #205 / CLEAR / 1000ml	AR	
NS	683916	PRIMER SIKA #215 / CLEAR / 1000ml	AR	
NS	683083	ADHESIVE SIKA #252 / BLACK / 600 ml SAUSAGE	AR	
		W) WITH EPA 2010		

From B-5002 To H-6179	Date:01/2024	PAGE:X3-1854-01
SIDE FLAT PANEL		



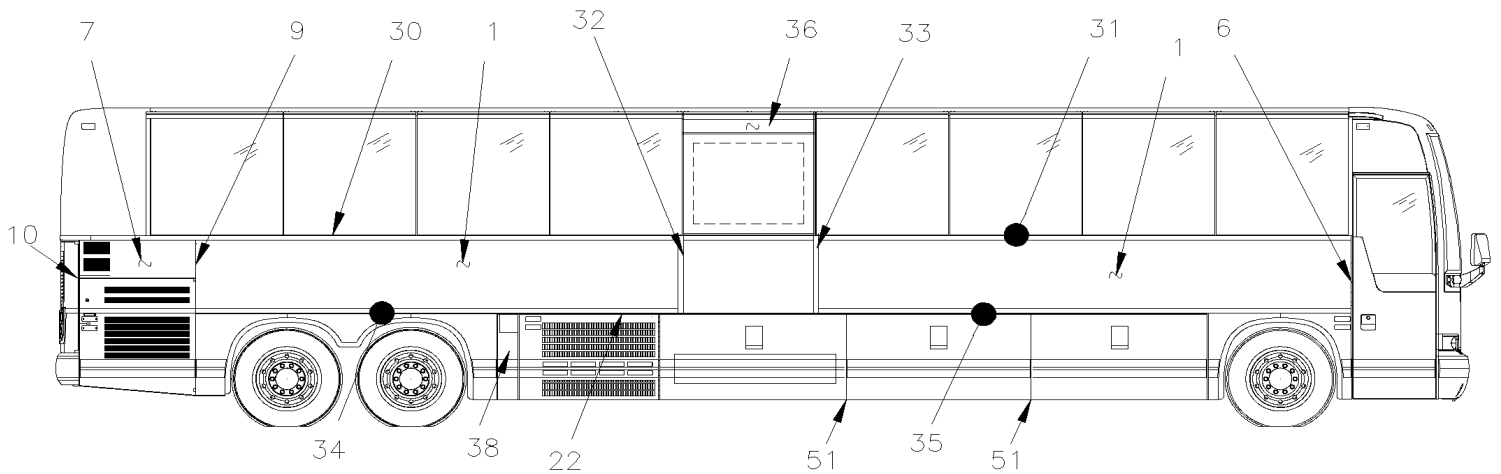
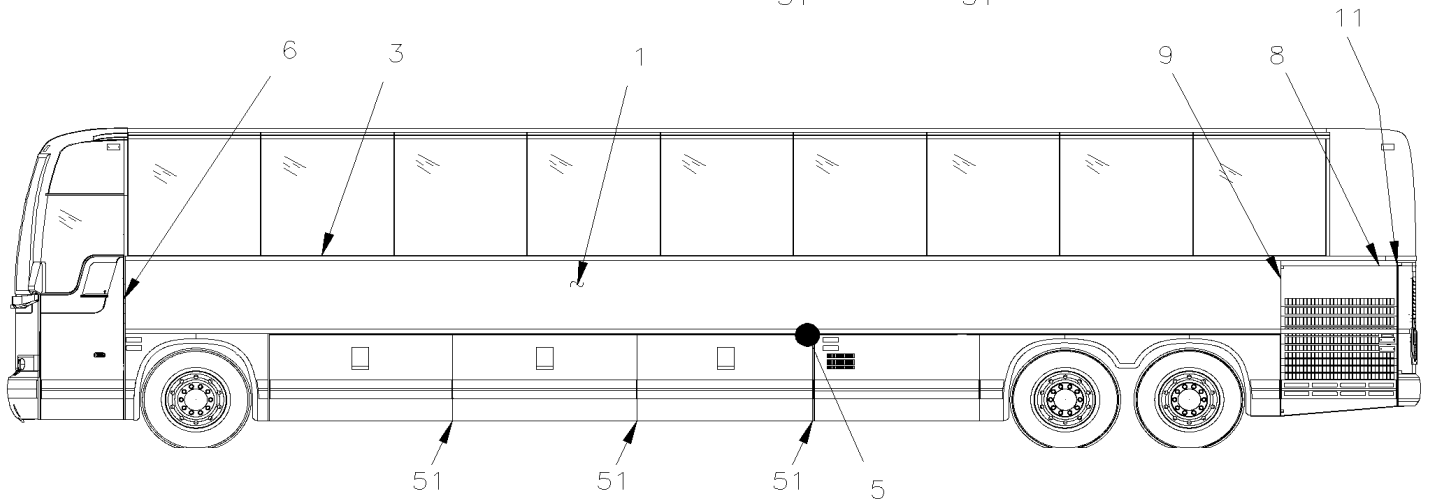
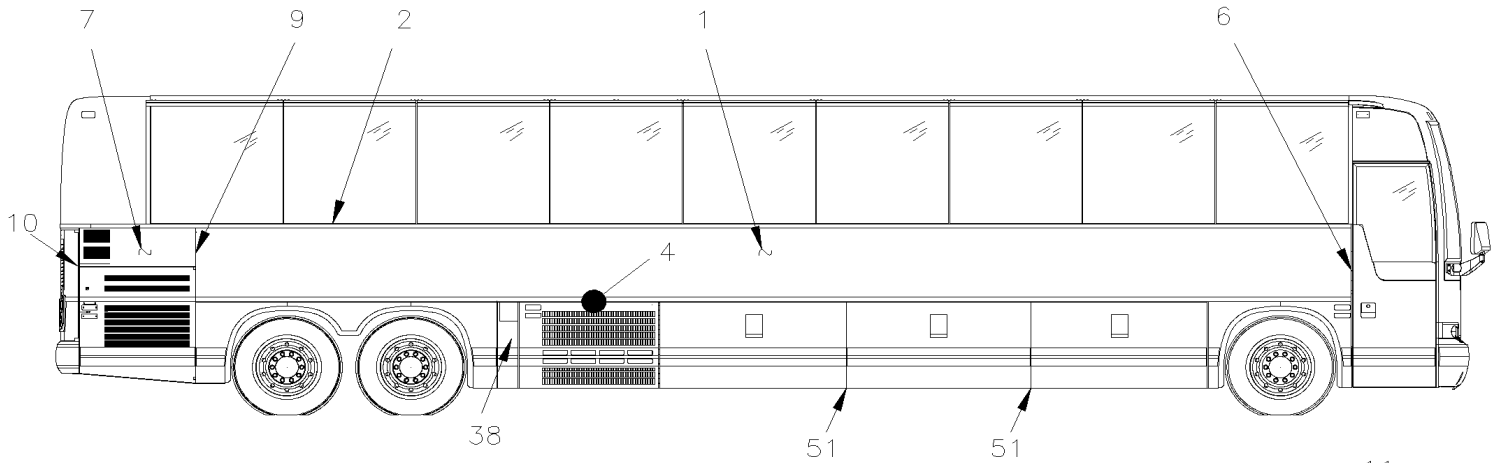
UP TO D-5458

From B-5002 To H-6179

Date:01/2024

PAGE:X3-1854-01

SIDE FLAT PANEL



FROM E-5459

From B-5002 To H-6179	Date:01/2024	PAGE:X3-1854-01
SIDE FLAT PANEL		

Item#	Part	Description	QTY	Notes
1	970271	STAINLESS STEEL SHEET 759MM X 11392MM	1	
1	970315	STAINLESS STEEL SHEET 759MM X 11240MM	1	
2	474514	FINISHING MOULDING UPPER R.H. 12253MM	1	
. NS	506785	. TAPE RUB ADH2 CC POL 1/16" X 1/4" X 200' / BLACK I1C-N-A	AR	
. NS	506790	. TAPE RUB ADH2 CC POL 1/16" x 1/2" x 200' / BLACK I1C-N-A	AR	
3	474515	FINISHING MOULDING UPPER L.H. 12253MM	1	
. NS	506785	. TAPE RUB ADH2 CC POL 1/16" X 1/4" X 200' / BLACK I1C-N-A	AR	
. NS	506790	. TAPE RUB ADH2 CC POL 1/16" x 1/2" x 200' / BLACK I1C-N-A	AR	
4	474512	FINISHING MOULDING LOWER R.H. 9846MM To D-5458	1	
. NS	506785	. TAPE RUB ADH2 CC POL 1/16" X 1/4" X 200' / BLACK I1C-N-A To D-5458	AR	
. NS	506769	. TAPE RUB ADH2 CC POL 1/8" x 1/4" x 60' / BLACK H1CC-N-#14 To D-5458	AR	
4	478582	FINISHING MOULDING LOWER R.H. 11239MM From E-5459	1	
. NS	506785	. TAPE RUB ADH2 CC POL 1/16" X 1/4" X 200' / BLACK I1C-N-A From E-5459	AR	
. NS	506869	. TAPE RUB ADH2 POL .031" X 1/4" X 300' / BLACK From E-5459	AR	
5	479199	FINISHING MOULDING LOWER L.H. 11086MM To D-5458	1	
. NS	506785	. TAPE RUB ADH2 CC POL 1/16" X 1/4" X 200' / BLACK I1C-N-A To D-5458	AR	
. NS	506769	. TAPE RUB ADH2 CC POL 1/8" x 1/4" x 60' / BLACK H1CC-N-#14 To D-5458	AR	
5	478581	FINISHING MOULDING LOWER L.H. 11086MM From E-5459	1	
. NS	506785	. TAPE RUB ADH2 CC POL 1/16" X 1/4" X 200' / BLACK I1C-N-A From E-5459	AR	
. NS	506869	. TAPE RUB ADH2 POL .031" X 1/4" X 300' / BLACK From E-5459	AR	
6	474388	FINISHING MOULDING S.S.	2	
NS	504473	RIVET POP DOME OE 1/8x1/4 SS	12	
7	478417	PANEL SUB ASSY AIR INTAKE R.H. To B-5049	1	
7	478418	PANEL SUB ASSY AIR INTAKE R.H. From B-5050	1	
7	478984	PANEL SUB ASSY W/O AIR INTAKE R.H.	1	A
8	479162	PANEL 58MM X 1292MM / UPPER / RADIATOR DOOR	1	
9	474409	FINISHING MOULDING ALUMINUM 713MM	2	
10	474387	FINISHING MOULDING SS 400MM	1	
11	479165	FINISHING MOULDING 31MM SS	1	
21	476263	DRIP MOULDING / 1786MM To D-5458	5	
22	478551	DRIP MOULDING / 1541.4MM To D-5458	1	
23	478555	DRIP MOULDING / 1541.4MM To D-5458	1	
24	477536	DRIP MOULDING / 1468MM / B.A. To D-5458	3	
28	476119	DRIP MOULDING / 243MM To D-5458	2	
30	477287	FINISHING MOULDING UPPER R.H. 5771.1MM	1	
. NS	506785	. TAPE RUB ADH2 CC POL 1/16" X 1/4" X 200' / BLACK I1C-N-A	AR	
. NS	506790	. TAPE RUB ADH2 CC POL 1/16" x 1/2" x 200' / BLACK I1C-N-A	AR	
31	477288	FINISHING MOULDING UPPER R.H. 5176.9MM	1	
. NS	506790	. TAPE RUB ADH2 CC POL 1/16" x 1/2" x 200' / BLACK I1C-N-A	AR	
32	474946	FINISHING MOULDING / SS / BACKWARD W.C.L. DOOR To D-5458	1	
32	477380	FINISHING MOULDING / SS / BACKWARD W.C.L. DOOR From E-5459	1	
33	477228	FINISHING MOULDING / SS / FORWARD W.C.L. DOOR To D-5458	1	

From B-5002 To H-6179	Date:01/2024	PAGE:X3-1854-01
SIDE FLAT PANEL		

Item#	Part	Description	QTY	Notes
33	477381	FINISHING MOULDING / SS / FORWARD W.C.L. DOOR From E-5459	1	
34	477290	FINISHING MOULDING LOWER R.H. 4757.5MM To D-5458	1	
. NS	506785	. TAPE RUB ADH2 CC POL 1/16" X 1/4" X 200' / BLACK I1C-N-A To D-5458	AR	
. NS	506769	. TAPE RUB ADH2 CC POL 1/8" x 1/4" x 60' / BLACK H1CC-N-#14 To D-5458	AR	
34	478586	FINISHING MOULDING LOWER R.H. 4782MM From E-5459	1	
. NS	506785	. TAPE RUB ADH2 CC POL 1/16" X 1/4" X 200' / BLACK I1C-N-A From E-5459	AR	
35	477289	FINISHING MOULDING LOWER R.H. 5176.9MM To D-5458	1	
. NS	506785	. TAPE RUB ADH2 CC POL 1/16" X 1/4" X 200' / BLACK I1C-N-A To D-5458	AR	
. NS	506769	. TAPE RUB ADH2 CC POL 1/8" x 1/4" x 60' / BLACK H1CC-N-#14 To D-5458	AR	
35	478585	FINISHING MOULDING LOWER R.H. 5202MM From E-5459	1	
. NS	506869	. TAPE RUB ADH2 POL .031" X 1/4" X 300' / BLACK From E-5459	AR	
. NS	506785	. TAPE RUB ADH2 CC POL 1/16" X 1/4" X 200' / BLACK I1C-N-A From E-5459	AR	
36	X3-1862-86	ENTRANCE DOOR SLIDING - INSTALLATION - W.C.L.		
38	477293	PANEL CURBSIDE 246.4MM	1	
NS	506869	TAPE RUB ADH2 POL .031" X 1/4" X 300' / BLACK	AR	
NS	506790	TAPE RUB ADH2 CC POL 1/16" x 1/2" x 200' / BLACK I1C-N-A	AR	
NS	506769	TAPE RUB ADH2 CC POL 1/8" x 1/4" x 60' / BLACK H1CC-N-#14	AR	
NS	506785	TAPE RUB ADH2 CC POL 1/16" X 1/4" X 200' / BLACK I1C-N-A	AR	
NS	506759	TAPE RUB ADH2 CC POL 1/8" x 1/2" x 100' / BLACK I1C-N-A	AR	
NS	506648	TAPE RUB ADH1 CC POL 1/8" x 1/2"x 50' / GREY 2542	AR	
NS	683097	CLEANER SIKA #205 / CLEAR / 1000ml	AR	
NS	683916	PRIMER SIKA #215 / CLEAR / 1000ml	AR	
NS	683083	ADHESIVE SIKA #252 / BLACK / 600 ml SAUSAGE	AR	
NS	684517	ADHESIVE SIMSON #ISR 70-03 / GREY / 310ml CARTRIDGE	AR	
NS	685126	ADHESIVE SIMSON #ISR 70-03 / GREY / 600ml SAUSAGE	AR	
51	221777	ANTI-SPLASH From E-5459	5	
51	507030	RIVET POP DOME LARGE HEAD 3/16x1.2" SS From E-5459	AR	
		A) USE WITH ROOF AIR INTAKE		

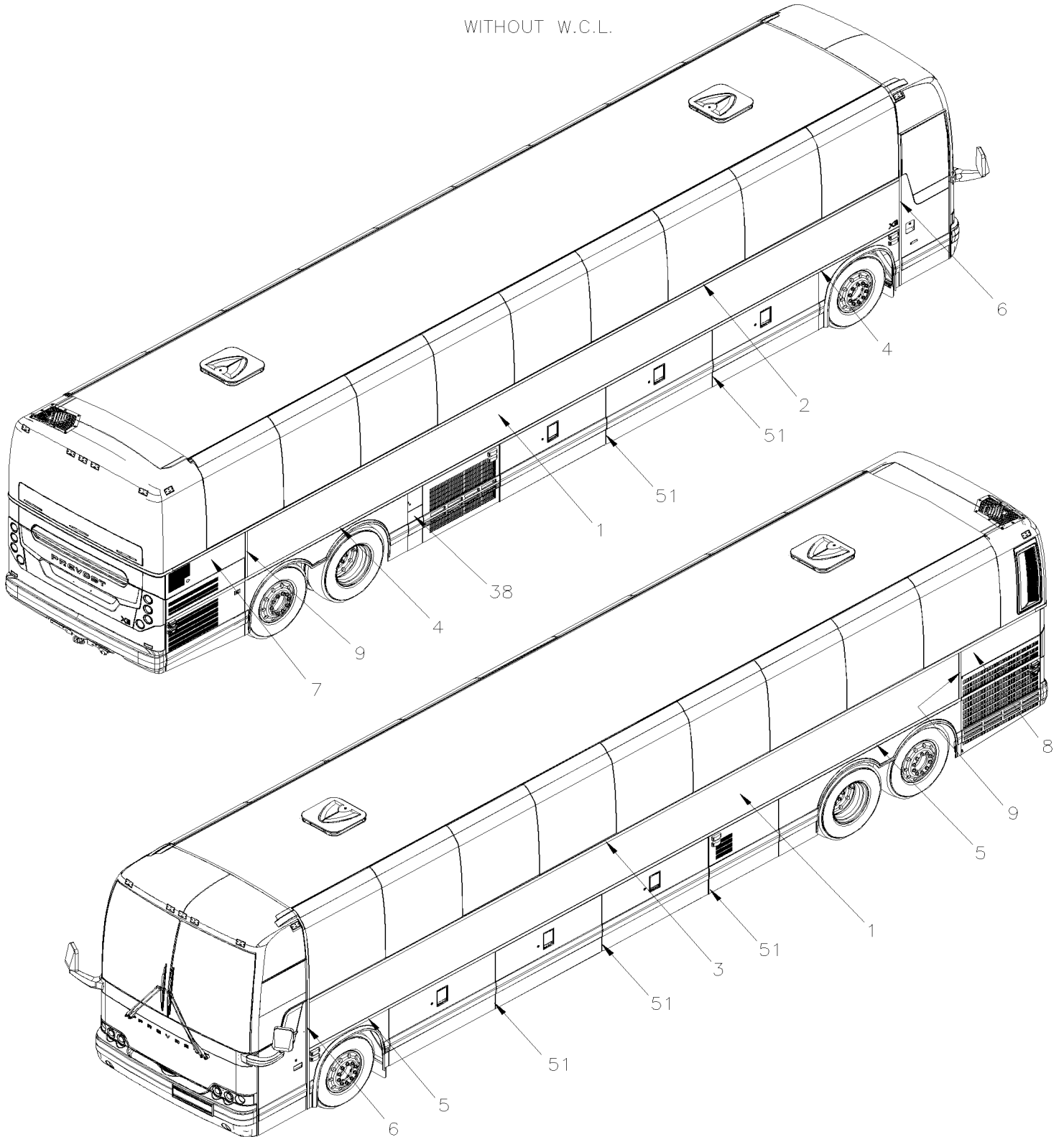
From H-6180 To K-6492

Date:01/2024

PAGE:X3-1854-02

SIDE FLAT PANEL

WITHOUT W.C.L.



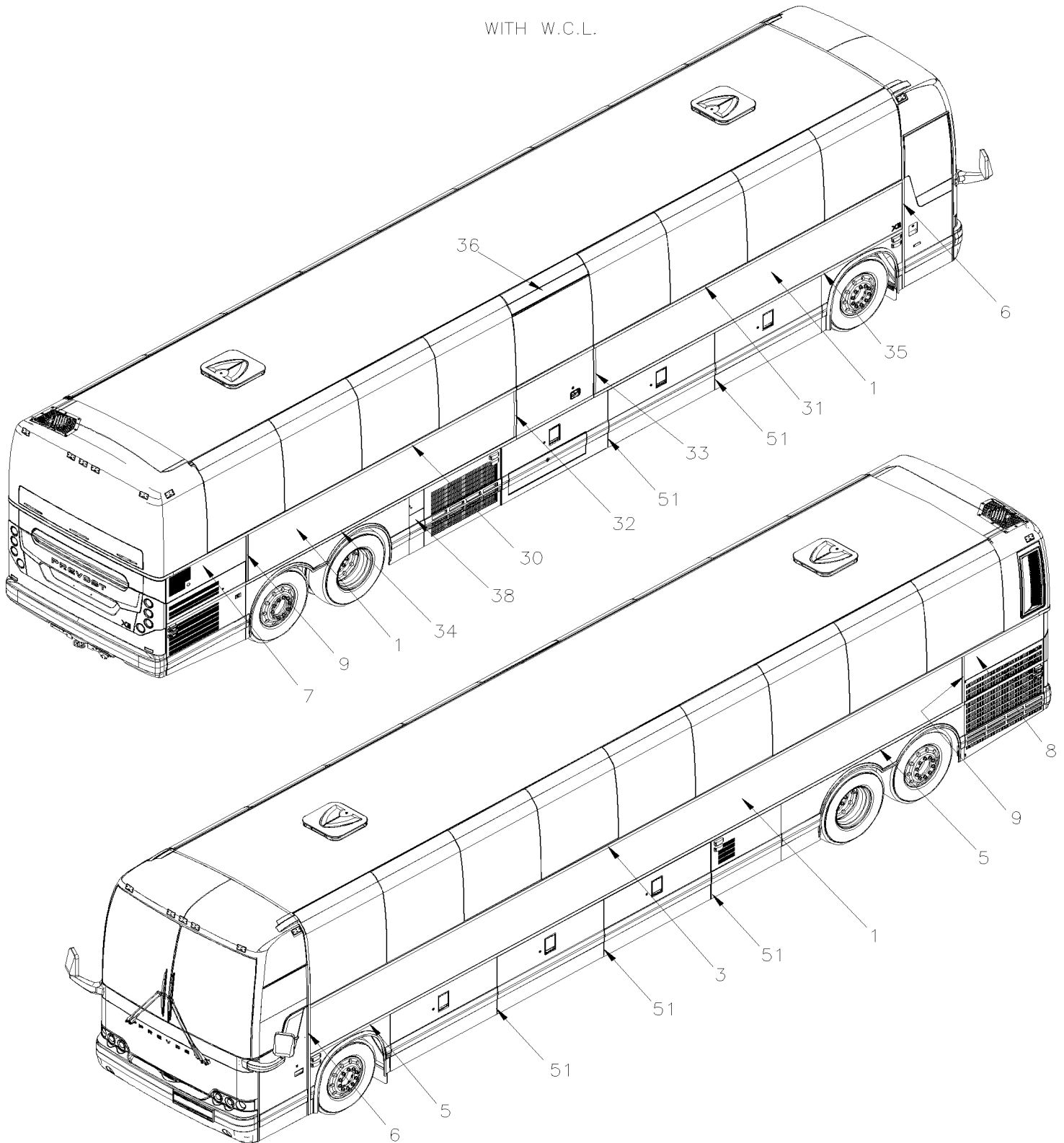
From H-6180 To K-6492

Date:01/2024

PAGE:X3-1854-02

SIDE FLAT PANEL

WITH W.C.L.



From H-6180 To K-6492	Date:01/2024	PAGE:X3-1854-02
SIDE FLAT PANEL		

Item#	Part	Description	QTY	Notes
1	970330	STAINLESS STEEL SHEET 759MM X 11195MM	2	
2	474514	FINISHING MOULDING UPPER R.H. 12253MM	1	
. NS	506785	. TAPE RUB ADH2 CC POL 1/16" X 1/4" X 200' / BLACK I1C-N-A	AR	
. NS	506790	. TAPE RUB ADH2 CC POL 1/16" x 1/2" x 200' / BLACK I1C-N-A	AR	
3	474515	FINISHING MOULDING UPPER L.H. 12253MM	1	
. NS	506785	. TAPE RUB ADH2 CC POL 1/16" X 1/4" X 200' / BLACK I1C-N-A	AR	
. NS	506790	. TAPE RUB ADH2 CC POL 1/16" x 1/2" x 200' / BLACK I1C-N-A	AR	
4	478582	FINISHING MOULDING LOWER R.H. 11239MM	1	
. NS	506785	. TAPE RUB ADH2 CC POL 1/16" X 1/4" X 200' / BLACK I1C-N-A	AR	
. NS	506869	. TAPE RUB ADH2 POL .031" X 1/4" X 300' / BLACK	AR	
5	479616	FINISHING MOULDING LOWER L.H. 11045MM	1	
. NS	506785	. TAPE RUB ADH2 CC POL 1/16" X 1/4" X 200' / BLACK I1C-N-A	AR	
. NS	506869	. TAPE RUB ADH2 POL .031" X 1/4" X 300' / BLACK	AR	
. NS	5060124	. TAPE RUB ADH2 CC POL 3/16" x 1/4" x 50'	AR	
6	474388	FINISHING MOULDING S.S.	2	
NS	504473	RIVET POP DOME OE 1/8x1/4 SS	12	
7	478984	PANEL SUB ASSY W/O AIR INTAKE R.H.	1	A
7	479628	PANEL SUB ASSY AIR INTAKE R.H. WITH PLUG BATTERY CHARGER	1	CH
7	470477	PANEL SUB ASSY AIR INTAKE R.H. W/O PLUG BATTERY CHARGER	1	NCH
8	479612	PANEL 418MM X 1338MM / UPPER / RADIATOR DOOR	1	
9	474409	FINISHING MOULDING ALUMINUM 713MM	2	
30	477287	FINISHING MOULDING UPPER R.H. 5771.1MM	1	
. NS	506785	. TAPE RUB ADH2 CC POL 1/16" X 1/4" X 200' / BLACK I1C-N-A	AR	
. NS	506790	. TAPE RUB ADH2 CC POL 1/16" x 1/2" x 200' / BLACK I1C-N-A	AR	
31	477288	FINISHING MOULDING UPPER R.H. 5176.9MM	1	
. NS	506790	. TAPE RUB ADH2 CC POL 1/16" x 1/2" x 200' / BLACK I1C-N-A	AR	
32	477380	FINISHING MOULDING / SS / BACKWARD W.C.L. DOOR	1	
33	477381	FINISHING MOULDING / SS / FORWARD W.C.L. DOOR	1	
34	479650	FINISHING MOULDING LOWER R.H. 4538MM	1	
35	478585	FINISHING MOULDING LOWER R.H. 5202MM	1	
. NS	506869	. TAPE RUB ADH2 POL .031" X 1/4" X 300' / BLACK	AR	
. NS	506785	. TAPE RUB ADH2 CC POL 1/16" X 1/4" X 200' / BLACK I1C-N-A	AR	
36	X3-1862-86	ENTRANCE DOOR SLIDING - INSTALLATION - W.C.L. To J-6295		
36	X3-1862-87	ENTRANCE DOOR SLIDING - INSTALLATION - W.C.L. From J-6296		
38	477293	PANEL CURBSIDE 246.4MM	1	
NS	506869	TAPE RUB ADH2 POL .031" X 1/4" X 300' / BLACK	AR	
NS	506785	TAPE RUB ADH2 CC POL 1/16" X 1/4" X 200' / BLACK I1C-N-A	AR	
NS	506790	TAPE RUB ADH2 CC POL 1/16" x 1/2" x 200' / BLACK I1C-N-A	AR	
NS	506227	TAPE RUB ADH1 CC POL 1/16" x 3/4" x 100' / GREY 2520	AR	
NS	506769	TAPE RUB ADH2 CC POL 1/8" x 1/4" x 60' / BLACK H1CC-N#14	AR	
NS	506759	TAPE RUB ADH2 CC POL 1/8" x 1/2" x 100' / BLACK I1C-N-A	AR	
NS	506648	TAPE RUB ADH1 CC POL 1/8" x 1/2"x 50' / GREY 2542	AR	

From H-6180 To K-6492	Date:01/2024	PAGE:X3-1854-02
-----------------------	--------------	-----------------

SIDE FLAT PANEL

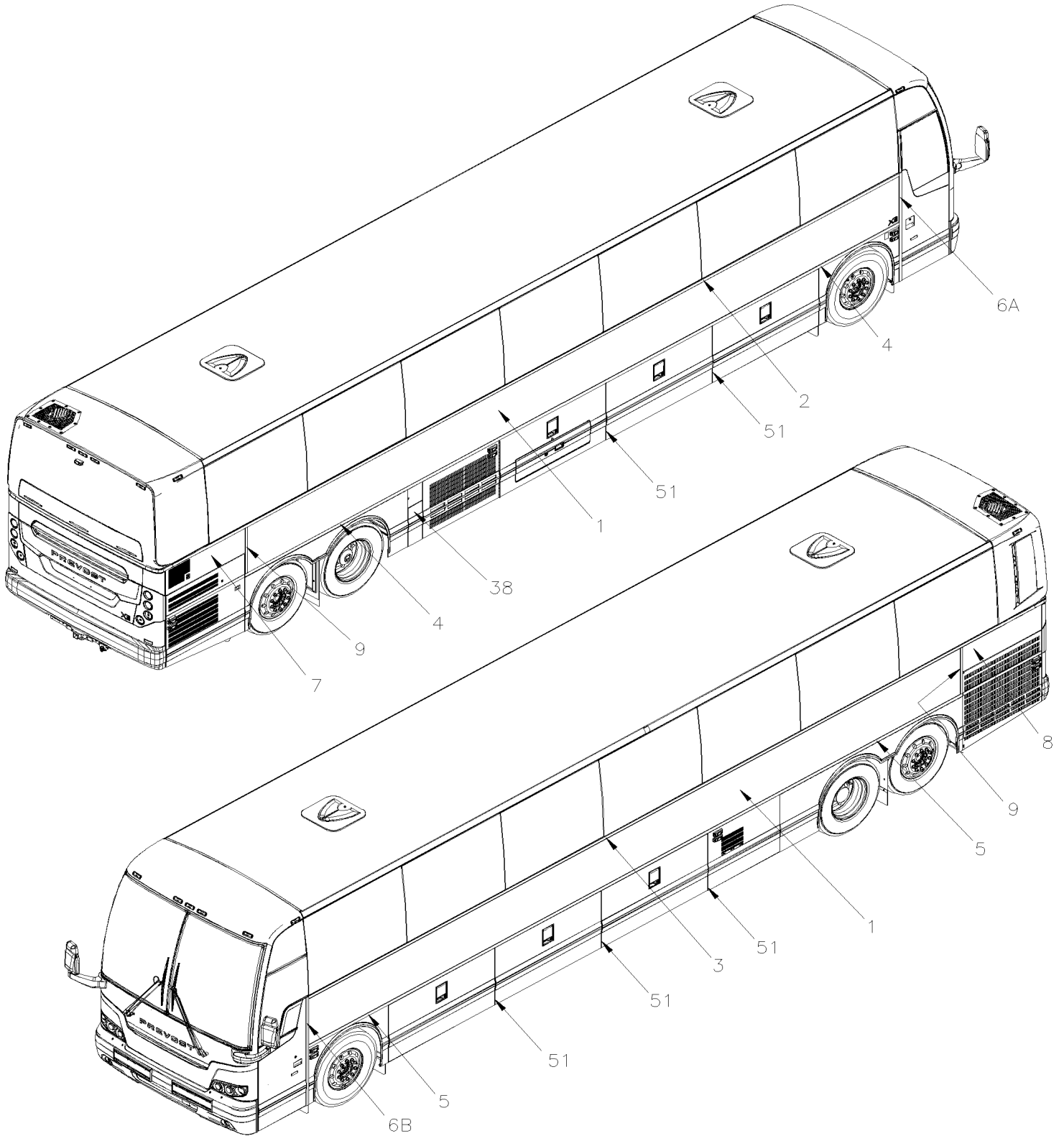
Item#	Part	Description	QTY	Notes
NS	5060038	TAPE RUB ADH1 CC POL 1/4" x 1" x 35' / BLACK H1C	AR	
NS	684517	ADHESIVE SIMSON #ISR 70-03 / GREY / 310ml CARTRIDGE	AR	
NS	685126	ADHESIVE SIMSON #ISR 70-03 / GREY / 600ml SAUSAGE	AR	
NS	683083	ADHESIVE SIKA #252 / BLACK / 600 ml SAUSAGE	AR	
NS	683097	CLEANER SIKA #205 / CLEAR / 1000ml	AR	
NS	683916	PRIMER SIKA #215 / CLEAR / 1000ml	AR	
51	221777	ANTI-SPLASH	5	
51	507030	RIVET POP DOME LARGE HEAD 3/16x1.2" SS	AR	
		A) USE WITH ROOF AIR INTAKE		
		CH) WITH BATTERY CHARGER PLUG		
		NCH) NO BATTERY CHARGER PLUG		

From L-6493

Date:01/2024

PAGE:X3-1854-03

SIDE FLAT PANEL



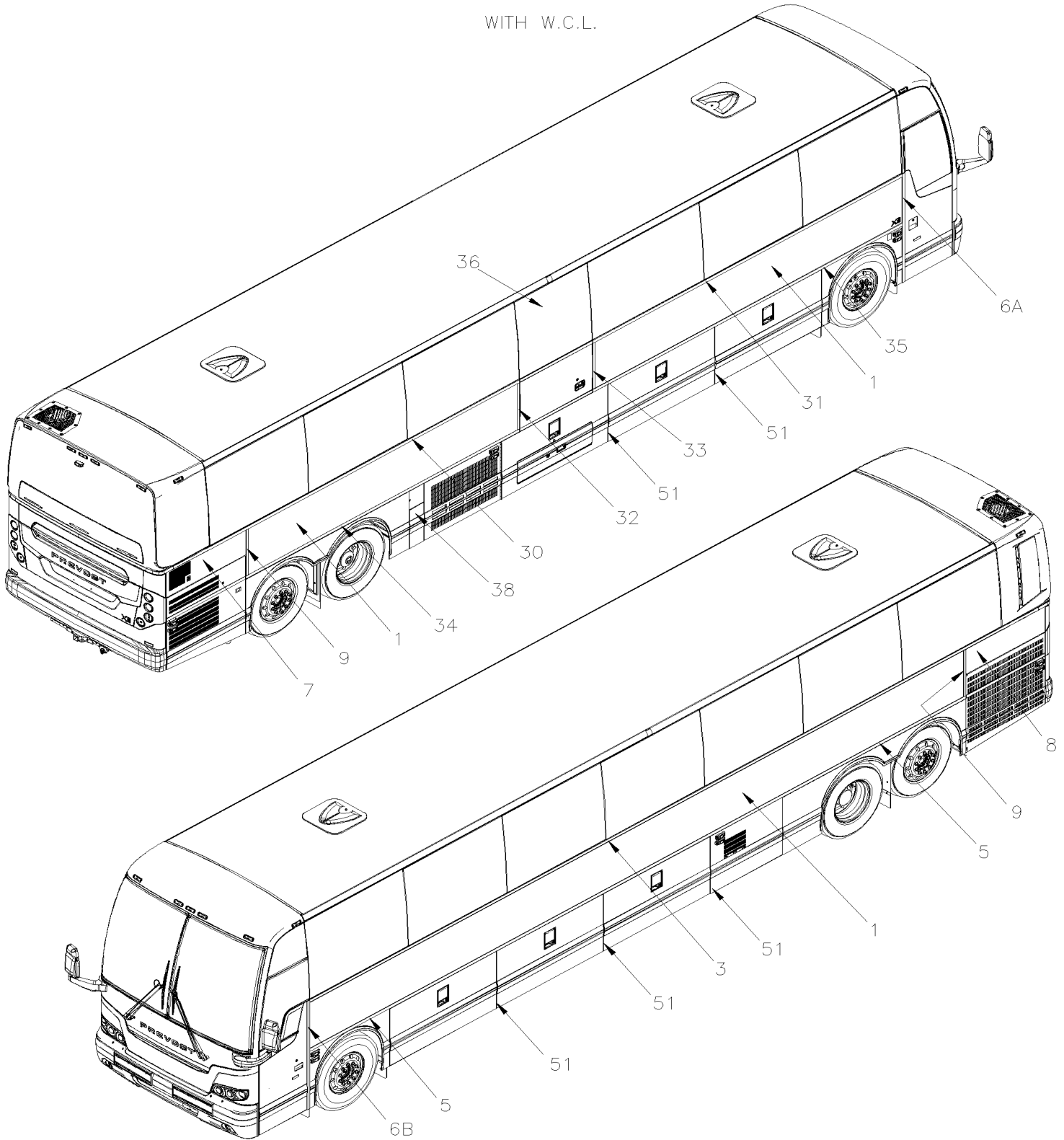
From L-6493

Date:01/2024

PAGE:X3-1854-03

SIDE FLAT PANEL

WITH W.C.L.



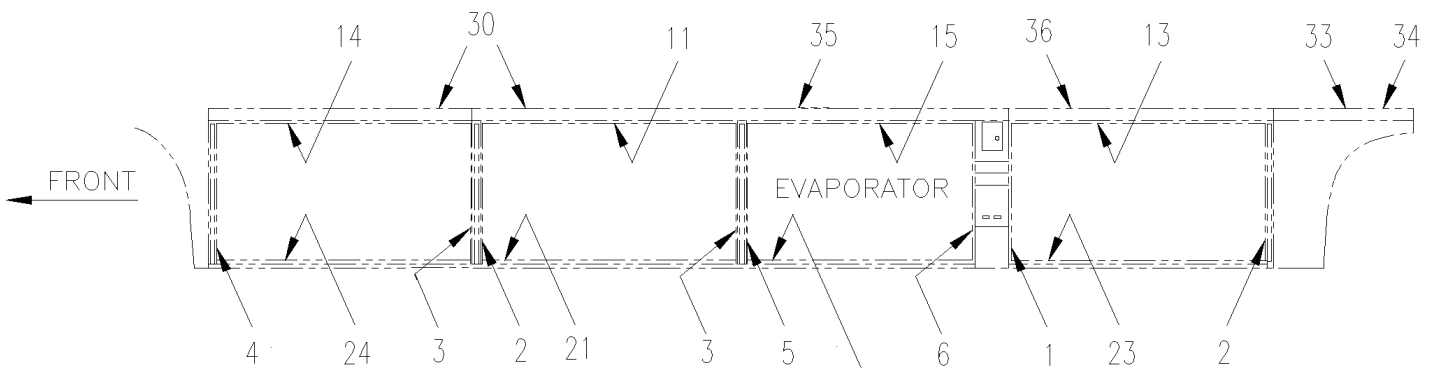
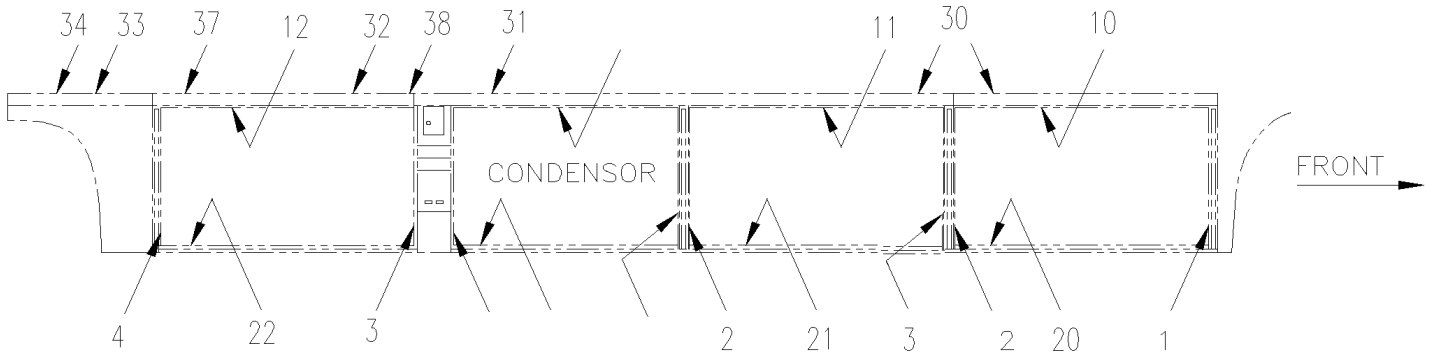
From L-6493	Date:01/2024	PAGE:X3-1854-03
SIDE FLAT PANEL		

Item#	Part	Description	QTY	Notes
1	970330	STAINLESS STEEL SHEET 759MM X 11195MM To L-6616	2	
1	4710006	STAINLESS STEEL SHEET 759MM X 11195MM From L-6617	2	
2	470644	FINISHING MOULDING UPPER 12250MM	1	
. NS	506785	. TAPE RUB ADH2 CC POL 1/16" X 1/4" X 200' / BLACK I1C-N-A	AR	
3	470644	FINISHING MOULDING UPPER 12250MM	1	
. NS	506785	. TAPE RUB ADH2 CC POL 1/16" X 1/4" X 200' / BLACK I1C-N-A	AR	
4	479629	FINISHING MOULDING LOWER R.H. 11045MM	1	
. NS	506785	. TAPE RUB ADH2 CC POL 1/16" X 1/4" X 200' / BLACK I1C-N-A	AR	
. NS	506869	. TAPE RUB ADH2 POL .031" X 1/4" X 300' / BLACK	AR	
. NS	5060124	. TAPE RUB ADH2 CC POL 3/16" x 1/4" x 50'	AR	
5	479616	FINISHING MOULDING LOWER L.H. 11045MM	1	
. NS	506785	. TAPE RUB ADH2 CC POL 1/16" X 1/4" X 200' / BLACK I1C-N-A	AR	
. NS	506869	. TAPE RUB ADH2 POL .031" X 1/4" X 300' / BLACK	AR	
. NS	5060124	. TAPE RUB ADH2 CC POL 3/16" x 1/4" x 50'	AR	
6A	471590	FINISHING MOULDING	1	
6A	471590	FINISHING MOULDING	1	
6A	4710134	FINISHING MOULDING	1	B
NS	504104	RIVET POP DOME OE 1/8x1/8 SS	3	
NS	504104	RIVET POP DOME OE 1/8x1/8 SS	3	
6B	471590	FINISHING MOULDING	1	
6B	471590	FINISHING MOULDING	1	
NS	504104	RIVET POP DOME OE 1/8x1/8 SS	3	
NS	504104	RIVET POP DOME OE 1/8x1/8 SS	3	
7	479628	PANEL SUB ASSY AIR INTAKE R.H. WITH PLUG BATTERY CHARGER	1	CH
7	470477	PANEL SUB ASSY AIR INTAKE R.H. W/O PLUG BATTERY CHARGER	1	NCH
7	478984	PANEL SUB ASSY W/O AIR INTAKE R.H.	1	A
8	479612	PANEL 418MM X 1338MM / UPPER / RADIATOR DOOR	1	
9	474409	FINISHING MOULDING ALUMINUM 713MM	2	
30	4780001	FINISHING MOULDING UPPER R.H. 5825MM	1	
. NS	506785	. TAPE RUB ADH2 CC POL 1/16" X 1/4" X 200' / BLACK I1C-N-A	AR	
31	4780002	FINISHING MOULDING UPPER R.H. 5205MM	1	
. NS	506785	. TAPE RUB ADH2 CC POL 1/16" X 1/4" X 200' / BLACK I1C-N-A	AR	
32	471343	FINISHING MOULDING / SS / BACKWARD W.C.L. DOOR	1	
33	471342	FINISHING MOULDING / SS / FORWARD W.C.L. DOOR	1	
34	471345	FINISHING MOULDING LOWER R.H. 4605MM	1	
. NS	506785	. TAPE RUB ADH2 CC POL 1/16" X 1/4" X 200' / BLACK I1C-N-A	AR	
. NS	5060124	. TAPE RUB ADH2 CC POL 3/16" x 1/4" x 50'	AR	
35	471344	FINISHING MOULDING LOWER R.H. 5205MM	1	
. NS	506785	. TAPE RUB ADH2 CC POL 1/16" X 1/4" X 200' / BLACK I1C-N-A	AR	
. NS	5060124	. TAPE RUB ADH2 CC POL 3/16" x 1/4" x 50'	AR	
. NS	506869	. TAPE RUB ADH2 POL .031" X 1/4" X 300' / BLACK	AR	
36	X3-1862-88	ENTRANCE DOOR SLIDING - INSTALLATION - W.C.L.		

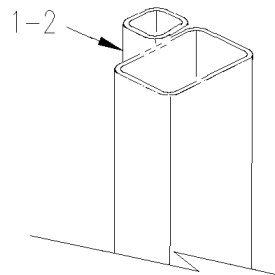
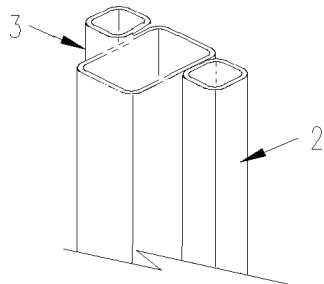
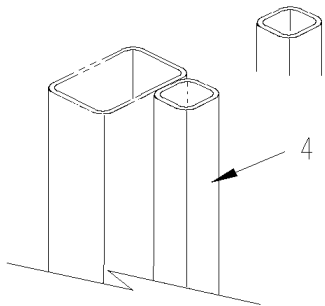
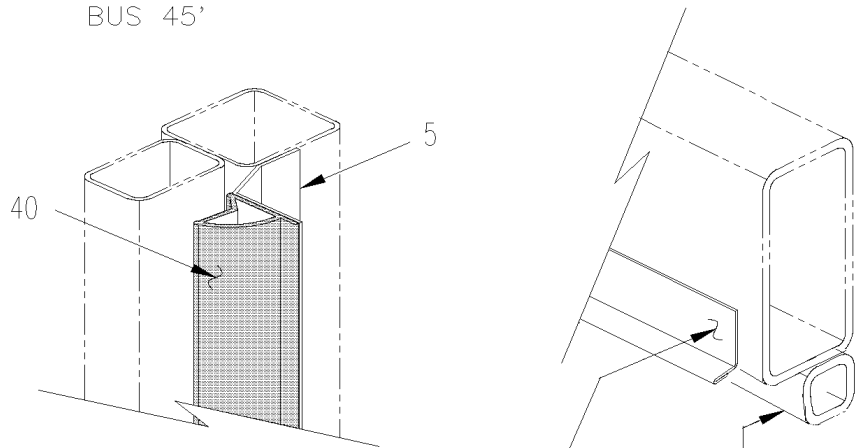
From L-6493	Date:01/2024	PAGE:X3-1854-03
SIDE FLAT PANEL		

Item#	Part	Description	QTY	Notes
38	477293	PANEL CURBSIDE 246.4MM	1	
NS	506227	TAPE RUB ADH1 CC POL 1/16" x 3/4" x 100' / GREY 2520	AR	
NS	506071	TAPE RUB ADH1 CC POL 1/8" x 1/2" x 50' / GREY 2520X	AR	
NS	5060038	TAPE RUB ADH1 CC POL 1/4" x 1" x 35' / BLACK H1C	AR	
NS	506869	TAPE RUB ADH2 POL .031" X 1/4" X 300' / BLACK	AR	
NS	506785	TAPE RUB ADH2 CC POL 1/16" X 1/4" X 200' / BLACK I1C-N-A	AR	
NS	506769	TAPE RUB ADH2 CC POL 1/8" x 1/4" x 60' / BLACK H1CC-N#14	AR	
NS	5061289	TAPE RUB ADH2 CC POL 1/8" x 3/8" x 100' / BLACK I1C-NGL-1	AR	
NS	506759	TAPE RUB ADH2 CC POL 1/8" x 1/2" x 100' / BLACK I1C-N-A	AR	
NS	684517	ADHESIVE SIMSON #ISR 70-03 / GREY / 310ml CARTRIDGE	AR	
NS	685126	ADHESIVE SIMSON #ISR 70-03 / GREY / 600ml SAUSAGE	AR	
NS	683083	ADHESIVE SIKA #252 / BLACK / 600 ml SAUSAGE	AR	
NS	683084	SEALANT SIKA #221 / GREY / 600 ml SAUSAGE	AR	
NS	683097	CLEANER SIKA #205 / CLEAR / 1000ml	AR	
NS	683916	PRIMER SIKA #215 / CLEAR / 1000ml	AR	
NS	687961	GLUE MS POLYMER TEROSON MS 9399 / "A" 21 Liters To M-6660	AR	
NS	685385	GLUE MS POLYMER TEROSON MS 9399 / "A" 14.8 Liters From M-6661	AR	
NS	687962	GLUE MS POLYMER TEROSON MS 9399 / "B" 21 Liters To M-6660	AR	
NS	685386	GLUE MS POLYMER TEROSON MS 9399 / "B" 14.8 Liters From M-6661	AR	
NS	687957	GLUE MS POLYMER TEROSON MS 9399 / 400ml CARTRIDGE To M-6660	AR	
NS	685387	GLUE MS POLYMER TEROSON MS 9399 / 400ml CARTRIDGE From M-6661	AR	
51	221777	ANTI-SPLASH	5	
51	507030	RIVET POP DOME LARGE HEAD 3/16x1.2" SS	AR	
		A) USE WITH ROOF AIR INTAKE		
		B) WITH BI-FOLD DOOR		
		CH) WITH BATTERY CHARGER PLUG		
		NCH) NO BATTERY CHARGER PLUG		

From 7-8754 To B-5001	Date:01/2024	PAGE:X3-1854-10
WEATHERSTRIP & DRIP MOULDING		



BUS 45'



10-11-12-13-14

From 7-8754 To B-5001	Date:01/2024	PAGE:X3-1854-10
WEATHERSTRIP & DRIP MOULDING		

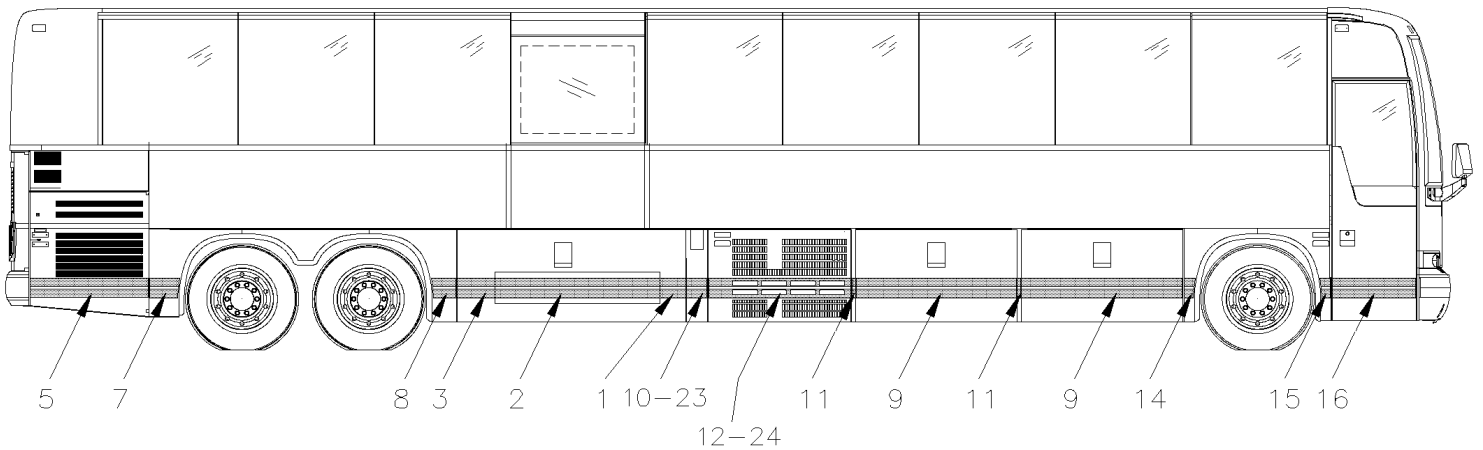
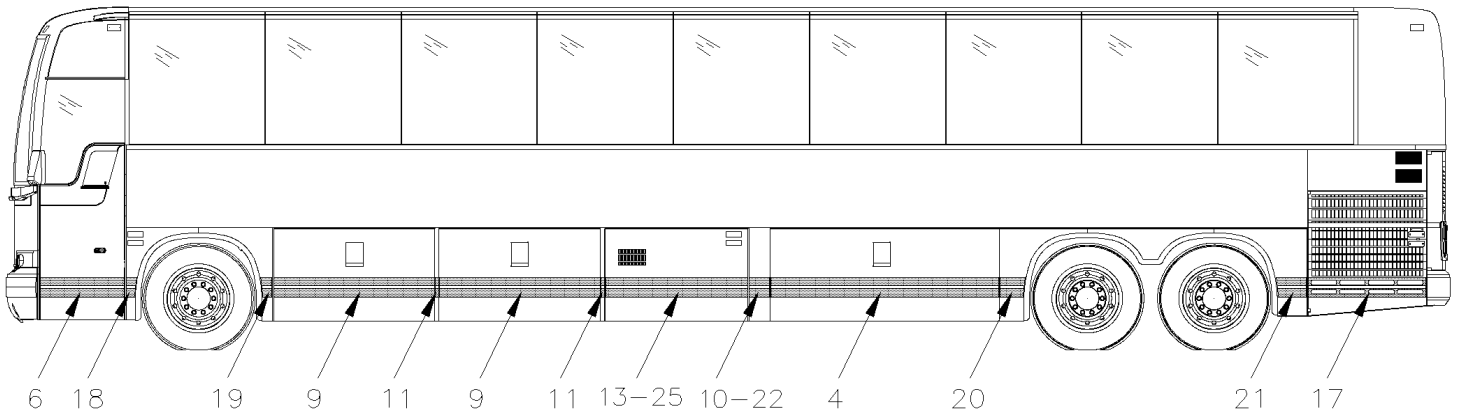
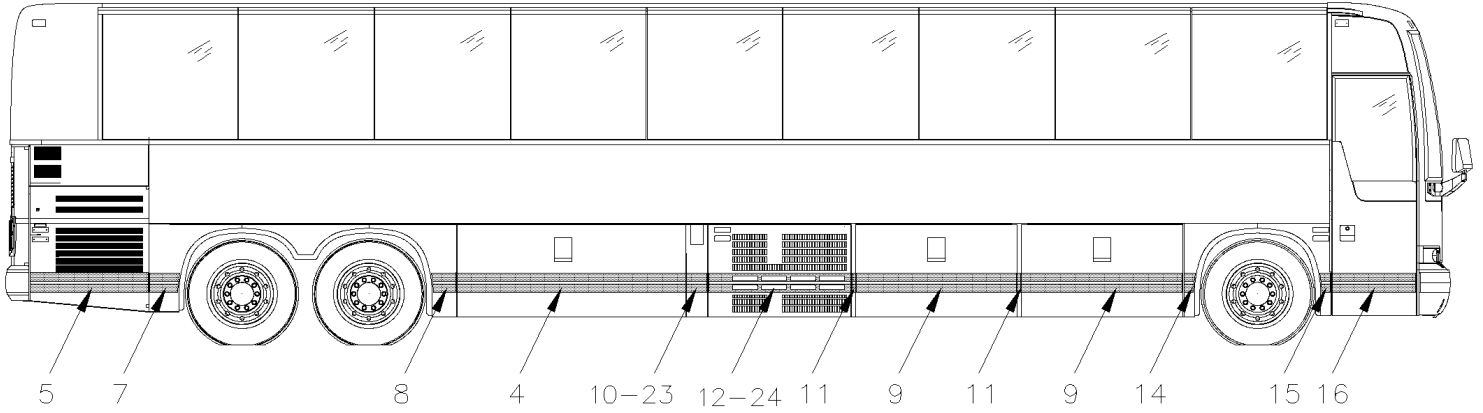
Item#	Part	Description	QTY	Notes
1	483961	TUBE SIDE SEAL 1" X 3/4" X 867MM	1	
2	483952	TUBE SIDE SEAL 1" X 1" x 867MM	1	
3	483951	TUBE SIDE SEAL 1" X 1" x 867MM	1	
4	483960	TUBE SIDE SEAL 1" X 3/4" X 867MM	1	
5	215748	MOULDING SIDE SEAL 862MM SS	1	
6	215746	MOULDING "L" SIDE SEAL 822MM SS	1	
10	484039	TUBE UPPER SEAL 1" X 1" X 1545MM	1	
11	483950	TUBE UPPER SEAL 1" X 1" X 1541MM	2	
12	483962	TUBE UPPER SEAL 1" X 1" X 2171MM	1	
13	484040	TUBE UPPER SEAL 1" X 1" X 2180MM	1	
14	483966	TUBE UPPER SEAL 1" X 1" X 1536MM	1	
15	215749	MOULDING "L" UPPER SEAL 1332MM SS	1	
20	484038	TUBE LOWER SEAL 1" X 1/2" X 1545MM	1	
21	483949	TUBE LOWER SEAL 1" X 1/2" X 1552MM	1	
22	483963	TUBE LOWER SEAL 1" X 1/2" X 2180MM	1	
23	484041	TUBE LOWER SEAL 1" X 1/2" X 2180MM	1	
24	483965	TUBE LOWER SEAL 1" X 1/2" X 1545MM	1	
30	478016	DRIP MOULDING ASSY / 1535MM	4	
31	478014	DRIP MOULDING ASSY / 1560MM To B-5001	2	
31	478014	DRIP MOULDING ASSY / 1560MM From B-5002	1	
31	478411	DRIP MOULDING ASSY / 1541MM From B-5002	1	
32	478017	DRIP MOULDING ASSY / 2170MM	1	
33	474060	DRIP MOULDING / 1765MM / S.B.	2	
34	478041	DRIP MOULDING 1146.5MM	2	
35	475414	DRIP MOULDING / 1560MM	1	
36	478017	DRIP MOULDING ASSY / 2170MM	1	
37	478025	DRIP MOULDING ASSY / 496MM	1	W
38	478024	DRIP MOULDING ASSY / 367MM	1	W
40	483555	WEATHERSTRIP / EVAPORATOR DOOR To B-5009	1	
40	484125	WEATHERSTRIP / EVAPORATOR DOOR From B-5010	1	
		W) WITH W.C.L.		

From 7-8754 To B-5001

Date:01/2024

PAGE:X3-1855-00

RUB RAIL - EXTERIOR CREST & TRIMS

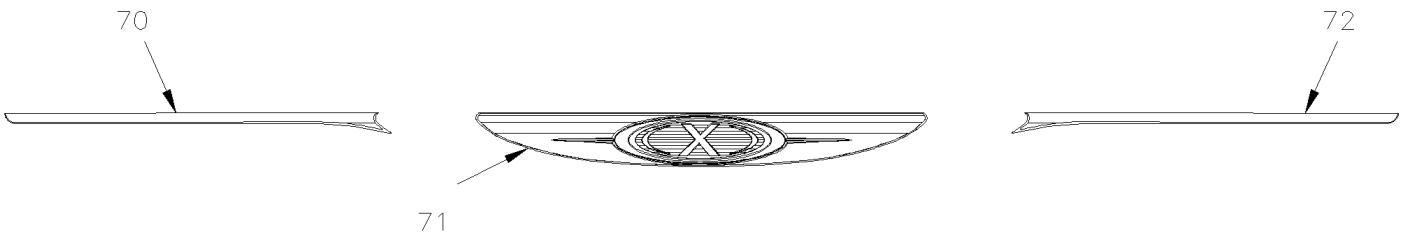
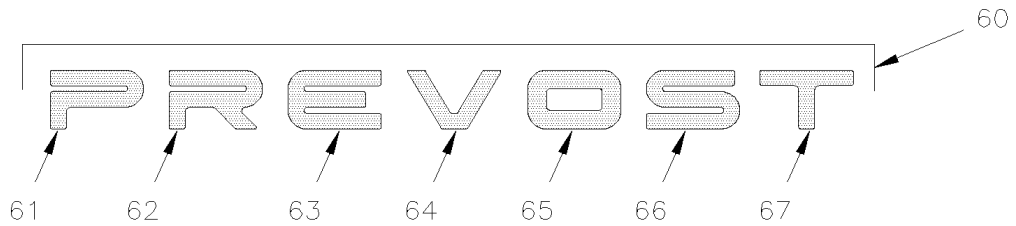
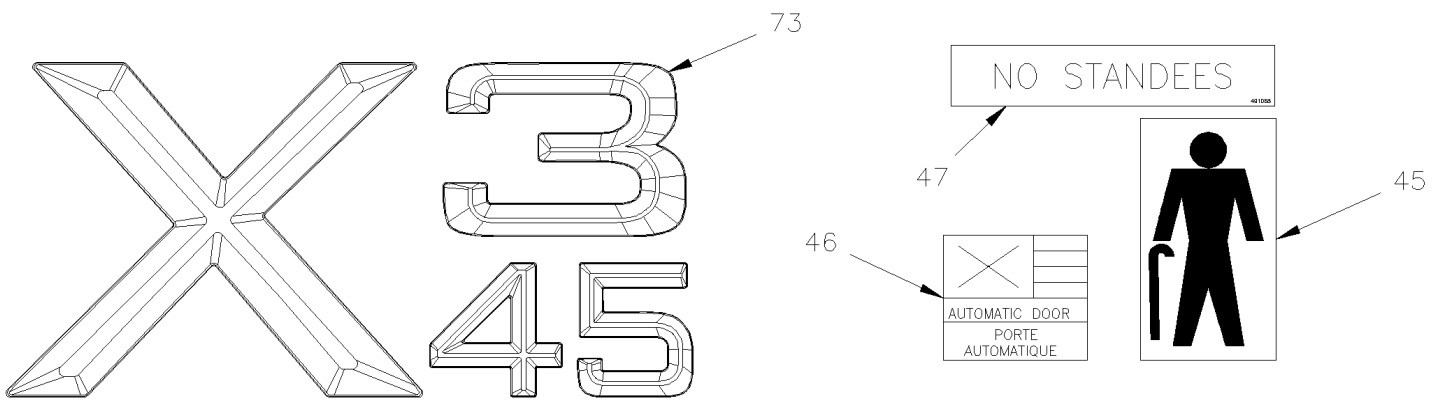
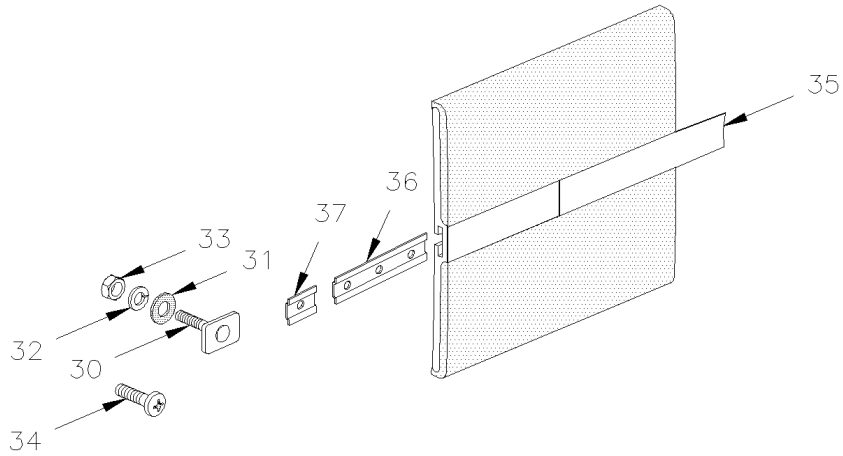


From 7-8754 To B-5001

Date:01/2024

PAGE:X3-1855-00

RUB RAIL - EXTERIOR CREST & TRIMS



From 7-8754 To B-5001	Date:01/2024	PAGE:X3-1855-00
RUB RAIL - EXTERIOR CREST & TRIMS		

Item#	Part	Description	QTY	Notes
1	476524	RUB RAIL ASSY / 315MM	1	
2	476503	RUB RAIL ASSY / 1296MM	1	
3	476523	RUB RAIL ASSY / 533MM	1	
4	476525	RUB RAIL ASSY / 2162MM	2	
5	286639	RUB RAIL ASSY / 1115MM	1	
6	474766	RUB RAIL ASSY / 794MM / W/1" SCREW	1	
7	476584	RUB RAIL ASSY / 249MM	1	
8	476583	RUB RAIL ASSY / 294MM	1	
9	474293	RUB RAIL ASSY / 1527MM	4	
10	474296	RUB RAIL ASSY / 194MM To B-5001	2	
11	474294	RUB RAIL ASSY / 33MM	4	
12	476520	RUB RAIL ASSY / 1352MM PERFORATED To B-5001	1	
13	474295	RUB RAIL ASSY / 1351MM To B-5001	1	
14	474300	RUB RAIL ASSY / 108MM	1	
15	474299	RUB RAIL ASSY / 68MM	1	
16	474290	RUB RAIL ASSY / 794MM / W/1 1/2" SCREW	1	
NS	474304	. SPECIAL SCREW ASSY SQ SS 1/4-20 X 1 1/2"	1	
17	286638	RUB RAIL ASSY / 1115MM PERFORATED To 8-9276	1	
17	289417	RUB RAIL ASSY / 1267.4MM PERFORATED From 8-9277	1	
18	474291	RUB RAIL ASSY / 66MM	1	
19	474292	RUB RAIL ASSY / 108MM	1	
20	476581	RUB RAIL ASSY / 294MM	1	
21	476582	RUB RAIL ASSY / 249MM To 8-9276	1	
21	476793	RUB RAIL ASSY / 99MM From 8-9277	1	
22	477227	RUB RAIL ASSY / 360MM From A-9907 To A-9907	1	A
22	477227	RUB RAIL ASSY / 360MM From A-9926 To A-9926	1	A
23	478409	RUB RAIL ASSY / 249MM From A-9907 To A-9907	1	A
23	478409	RUB RAIL ASSY / 249MM From A-9926 To A-9926	1	A
24	478408	RUB RAIL ASSY / 1252MM PERFORATED From A-9907 To A-9907	1	A
24	478408	RUB RAIL ASSY / 1252MM PERFORATED From A-9926 To A-9926	1	A
25	474614	RUB RAIL ASSY / 1135MM From A-9907 To A-9907	1	A
25	474614	RUB RAIL ASSY / 1135MM From A-9926 To A-9926	1	A
30	474304	SPECIAL SCREW ASSY SQ SS 1/4-20 X 1 1/2"	AR	
31	473378	SEAL WASHER / RUB RAIL & PANEL	AR	
32	500270	WASHER FL .406x1.000x.063 SS	AR	
33	5001123	NUT HEXF 1/4-20 SS	AR	
NS	504433	SNAP-IN PLUG / 1.090 O.D.	AR	
34	500310	SCREW TC FL PH #10-24x1 1/4 SS410	AR	
35	920010	STRIPE, REFLECTIVE BLACK / 22MM X 150'	AR	
35	287287	. STRIPE, REFLECTIVE BLACK / 22MM X 15'	AR	
36	474777	ATTACHMENT SUPPORT THIN 5.6MM X 100MM 3 HOLES	AR	
36	474783	ATTACHMENT SUPPORT THICK 5.6MM X 30MM	AR	

From 7-8754 To B-5001	Date:01/2024	PAGE:X3-1855-00
RUB RAIL - EXTERIOR CREST & TRIMS		

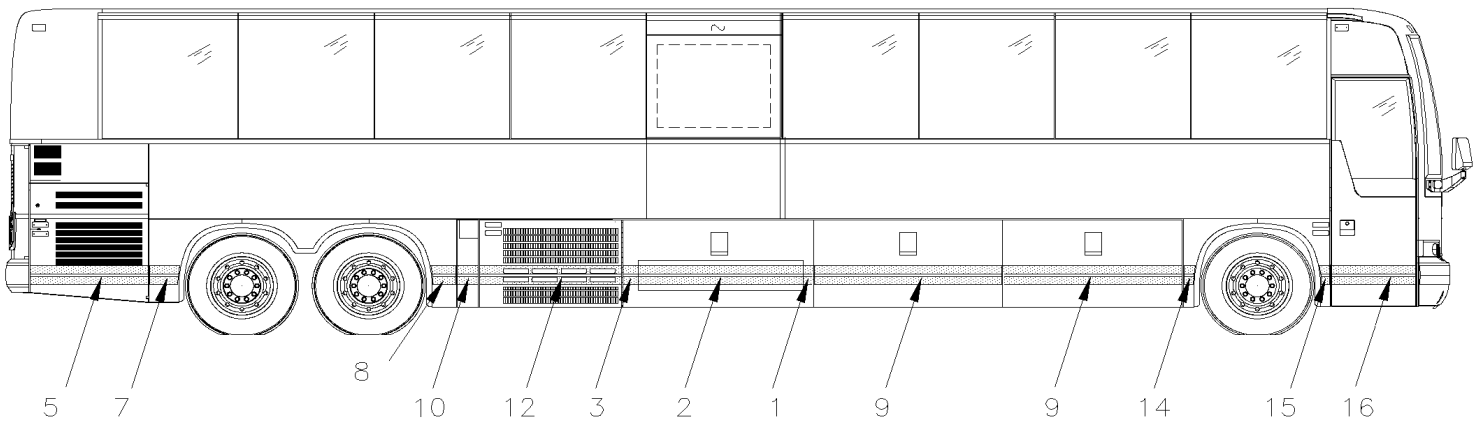
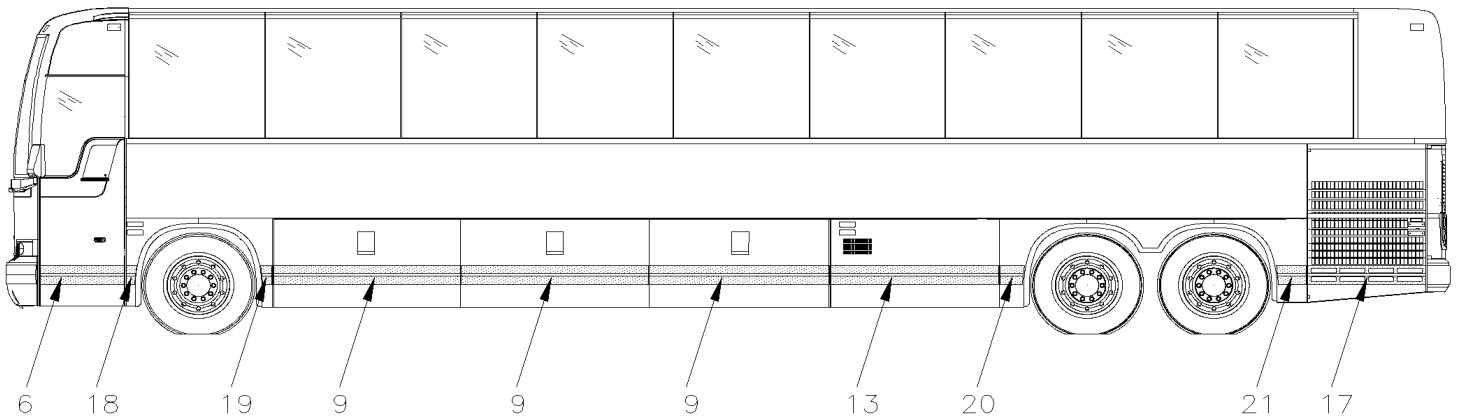
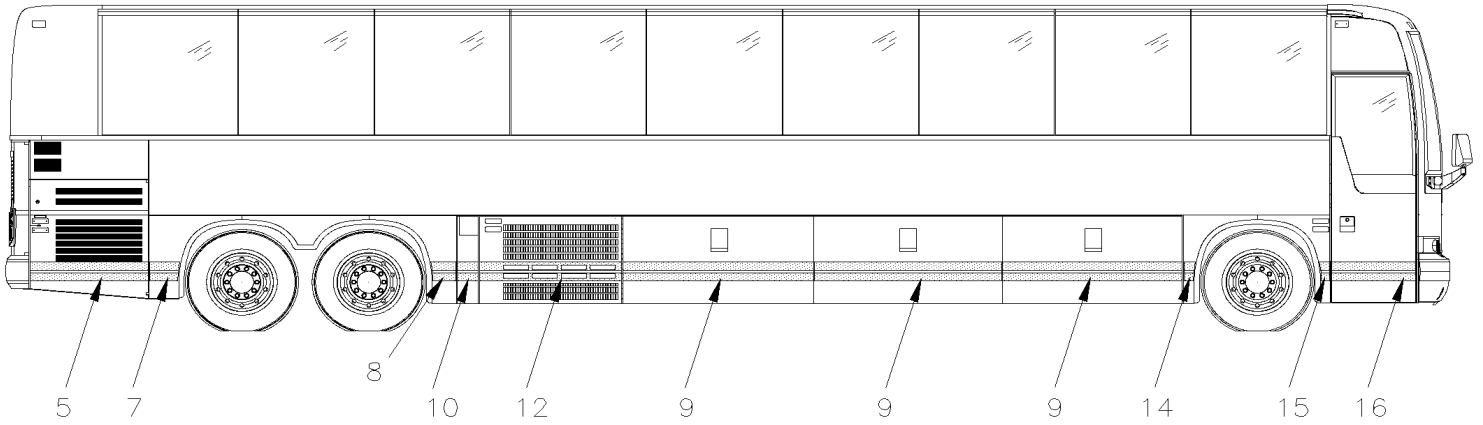
Item#	Part	Description	QTY	Notes
37	474953	ATTACHMENT SUPPORT THIN 4MM X 30MM 1 HOLE	AR	
37	476796	ATTACHMENT SUPPORT THIN 4MM X 59MM 2 HOLES	AR	
37	474944	ATTACHMENT SUPPORT THIN 4MM X 100MM 3 HOLES	AR	
45	131490	DECAL "FRONT KNEELING" / BLACK ON ALUMINIUM	1	
45	Call order desk	DECAL "FRONT KNEELING" / BLACK ON ALUMINIUM	1	P
46	285813	DECAL / "AUTOMATIC DOOR" / HAND OFF / ALU / ENGLISH & FRANCAIS	1	
46	288198	DECAL / "AUTOMATIC DOOR" / HAND OFF / WHITE / ENGLISH & SPANISH	1	
47	491068	DECAL "NO STANDEES" / W/"NEW-JERSEY"	1	
47	406160	DECAL / SEATING CAPACITY 51 / ENGLISH & SPANISH	1	
47	406235	DECAL / SEATING CAPACITY 55 / ENGLISH & SPANISH	1	
47	406284	DECAL / SEATING CAPACITY 50 / ENGLISH & SPANISH	1	
47	406328	DECAL / SEATING CAPACITY 50 / ENGLISH & FRANCAIS	1	
60	490921	CREST "PREVOST" SILVER REAR	1	
61	490924	. LETTER "P" SILVER	1	
62	490925	. LETTER "R" SILVER	1	
63	490926	. LETTER "E" SILVER	1	
64	490927	. LETTER "V" SILVER	1	
65	490928	. LETTER "O" SILVER	1	
66	490929	. LETTER "S" SILVER	1	
67	490930	. LETTER "T" SILVER	1	
70	491015	CREST "XL-II" & X3-45 / CURBSIDE WING PART	1	
71	491069	CREST "X3" / CENTER PART	1	
72	491016	CREST "XL-II" & X3-45 / STREETSIDE WING PART	1	
73	491070	CREST "X3-45"	1	
		A) WITH EPA 2010		
		P) CALL ORDER DESK FOR SPECIFIC APPLICATION (V.I.N.)		

From B-5002 To G-6083

Date:01/2024

PAGE:X3-1855-01

RUB RAIL - EXTERIOR CREST & TRIMS

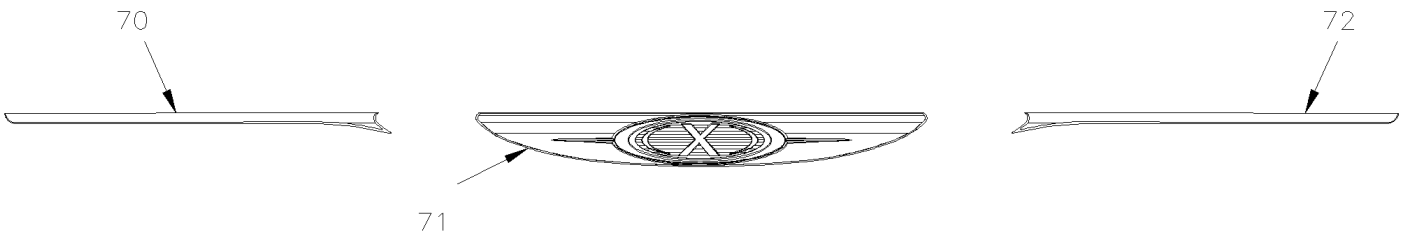
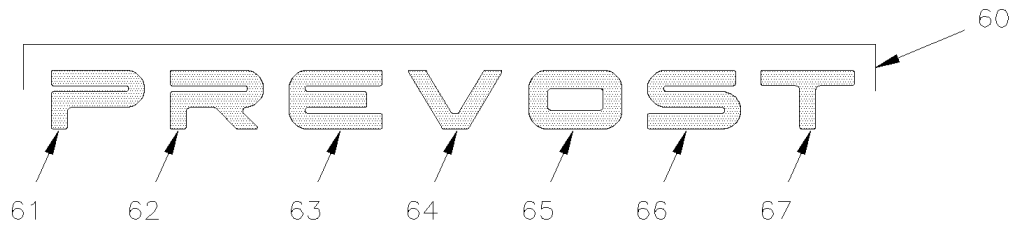
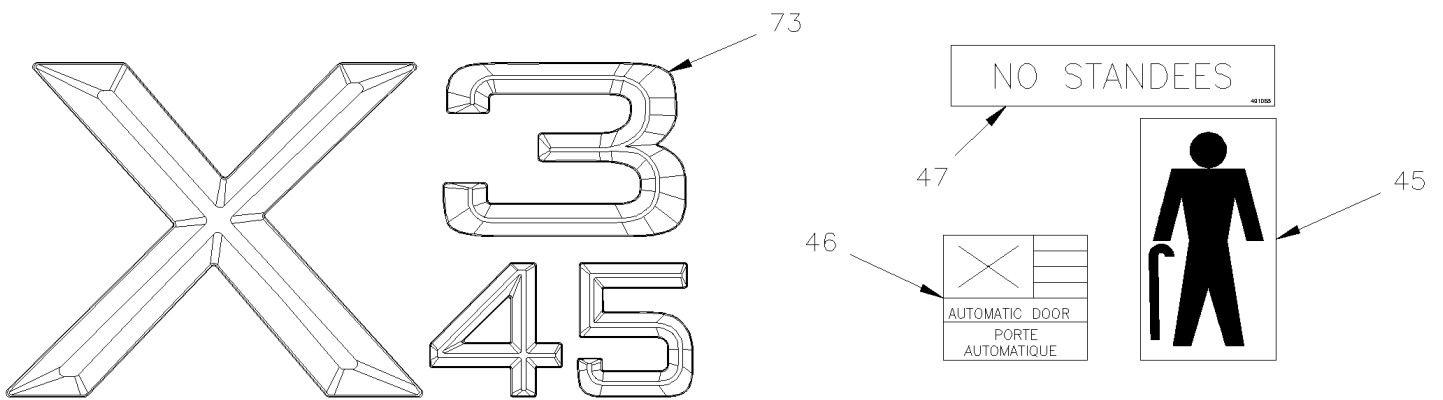
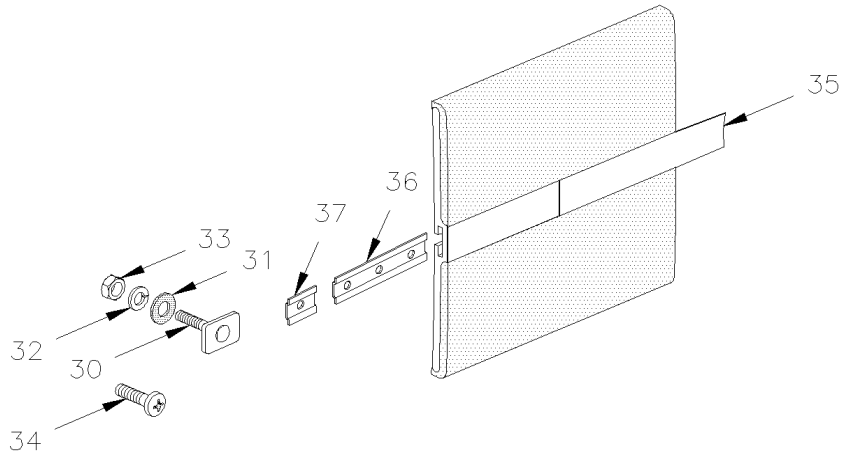


From B-5002 To G-6083

Date:01/2024

PAGE:X3-1855-01

RUB RAIL - EXTERIOR CREST & TRIMS



From B-5002 To G-6083	Date:01/2024	PAGE:X3-1855-01
RUB RAIL - EXTERIOR CREST & TRIMS		

Item#	Part	Description	QTY	Notes
1	472205	RUB RAIL ASSY / 363MM F/WCL To E-5458	1	
1	479405	RUB RAIL ASSY / 328MM F/WCL From E-5459	1	
2	476503	RUB RAIL ASSY / 1296MM To E-5458	1	
2	479406	RUB RAIL ASSY / 1247MM From E-5459	1	
2	478899	RUB RAIL ASSY / 1296MM / WITH HANDLE HOLE	1	O
3	475604	RUB RAIL ASSY / 105MM R/WCL To E-5458	1	
3	479404	RUB RAIL ASSY / 185MM R/WCL From E-5459	1	
NS	683621	TAPE RUB ADH2 ACRYLIC .045" x 1" x 108' / WHITE 4945 To E-5458	AR	
NS	685124	ADHESIVE SIMSON #ISR 70-03 / BLACK / 600ml SAUSAGE To E-5458	AR	
NS	506790	TAPE RUB ADH2 CC POL 1/16" x 1/2" x 200' / BLACK I1C-N-A	AR	
5	286639	RUB RAIL ASSY / 1115MM	1	
6	474766	RUB RAIL ASSY / 794MM / W/1" SCREW	1	
7	476584	RUB RAIL ASSY / 249MM To E-5458	1	
7	479395	RUB RAIL ASSY / 279MM From E-5459	1	
8	476583	RUB RAIL ASSY / 294MM To E-5458	1	
8	479396	RUB RAIL ASSY / 318MM From E-5459	1	
9	471529	RUB RAIL ASSY / 1782.3MM	6	
10	477294	RUB RAIL ASSY / 245.4MM FUEL	1	
12	477291	RUB RAIL ASSY / 1279.3MM PERFORATED COND	1	
13	477292	RUB RAIL ASSY / 1532.5MM To E-5458	1	
13	479399	RUB RAIL ASSY / 1205MM From E-5459	1	
14	476641	RUB RAIL ASSY / 87MM To E-5458	1	
14	479402	RUB RAIL ASSY / 115MM From E-5459	1	
15	474299	RUB RAIL ASSY / 68MM To E-5458	1	
15	479403	RUB RAIL ASSY / 96MM From E-5459	1	
16	474290	RUB RAIL ASSY / 794MM / W/1 1/2" SCREW	1	
NS	474304	SPECIAL SCREW ASSY SQ SS 1/4-20 X 1 1/2"	1	
17	289417	RUB RAIL ASSY / 1267.4MM PERFORATED	1	
18	474291	RUB RAIL ASSY / 66MM To E-5458	1	
18	479401	RUB RAIL ASSY / 96MM From E-5459	1	
19	476640	RUB RAIL ASSY / 87MM To E-5458	1	
19	479400	RUB RAIL ASSY / 115MM From E-5459	1	
20	476581	RUB RAIL ASSY / 294MM To E-5458	1	
20	479397	RUB RAIL ASSY / 652MM From E-5459	1	
21	476793	RUB RAIL ASSY / 99MM To E-5458	1	
21	479398	RUB RAIL ASSY / 126MM From E-5459	1	
30	474304	SPECIAL SCREW ASSY SQ SS 1/4-20 X 1 1/2"	AR	
31	473378	SEAL WASHER / RUB RAIL & PANEL	AR	
32	500270	WASHER FL .406x1.000x.063 SS To E-5458	AR	
32	5001850	WASHER FL 8.4 x 18 x 2 NYL From E-5459	AR	
33	5001123	NUT HEXF 1/4-20 SS	AR	
NS	504433	SNAP-IN PLUG / 1.090 O.D.	AR	

From B-5002 To G-6083	Date:01/2024	PAGE:X3-1855-01
RUB RAIL - EXTERIOR CREST & TRIMS		

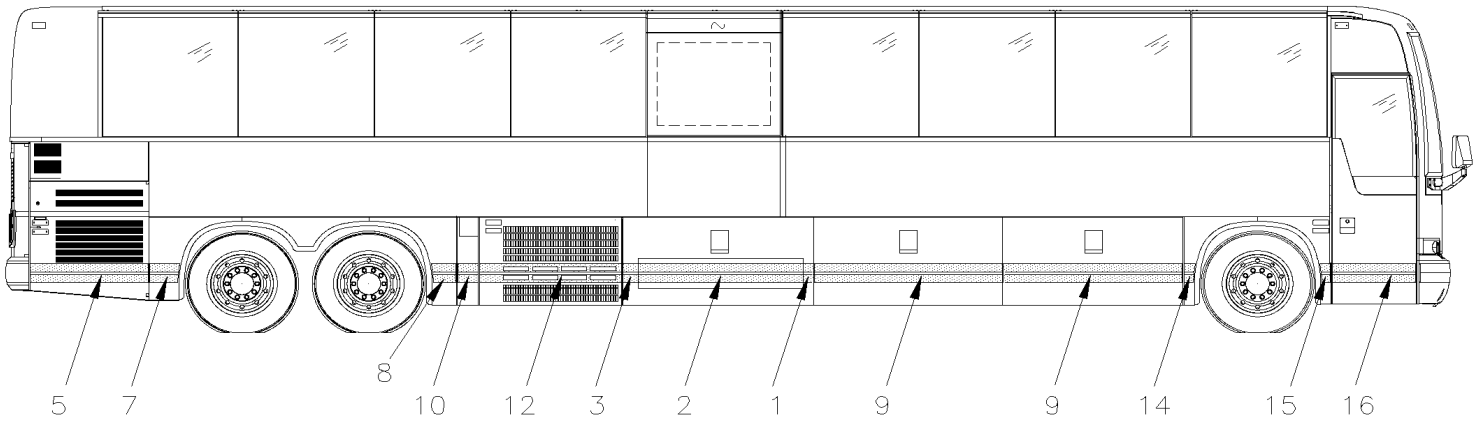
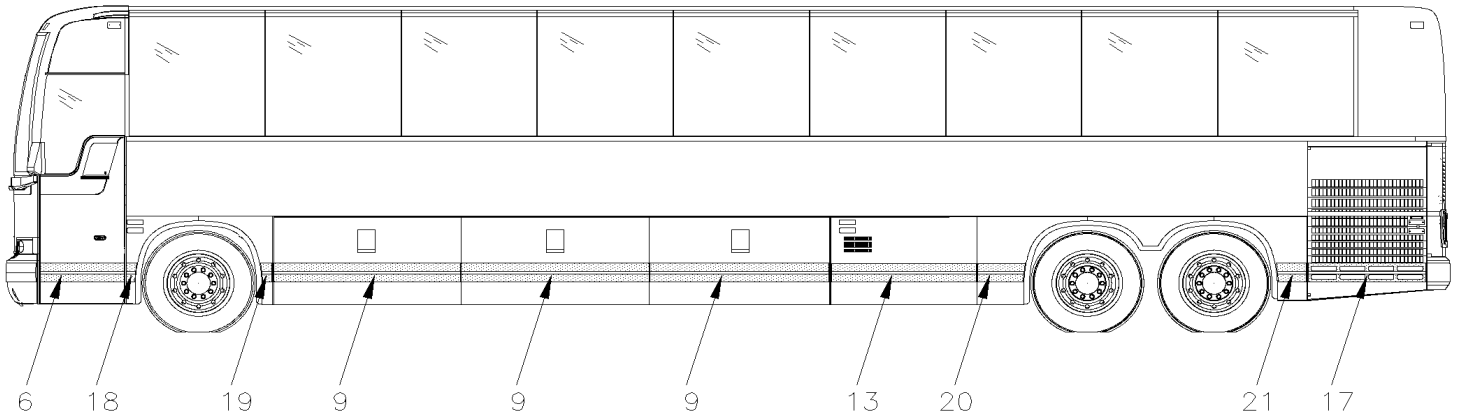
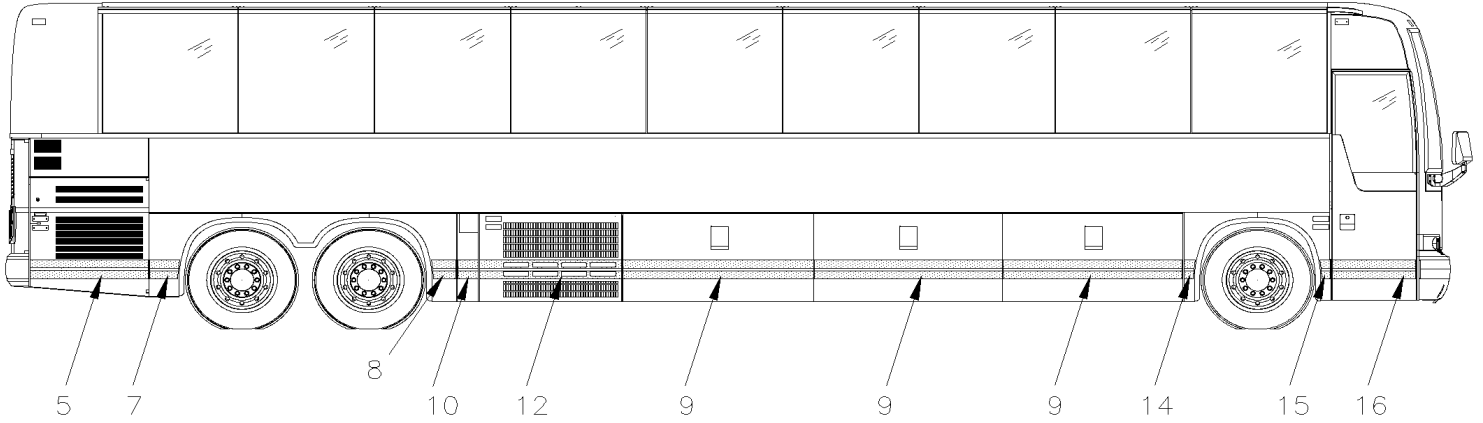
Item#	Part	Description	QTY	Notes
34	500310	SCREW TC FL PH #10-24x1 1/4 SS410	AR	
35	920010	STRIPE, REFLECTIVE BLACK / 22MM X 150'	AR	
35	287287	. STRIPE, REFLECTIVE BLACK / 22MM X 15'	AR	
36	474777	ATTACHMENT SUPPORT THIN 5.6MM X 100MM 3 HOLES	AR	
36	474783	ATTACHMENT SUPPORT THICK 5.6MM X 30MM	AR	
37	474953	ATTACHMENT SUPPORT THIN 4MM X 30MM 1 HOLE	AR	
37	476796	ATTACHMENT SUPPORT THIN 4MM X 59MM 2 HOLES	AR	
37	474944	ATTACHMENT SUPPORT THIN 4MM X 100MM 3 HOLES	AR	
45	131490	DECAL "FRONT KNEELING" / BLACK ON ALUMINIUM	1	
46	285813	DECAL / "AUTOMATIC DOOR" / HAND OFF / ALU / ENGLISH & FRANCAIS	1	
46	288198	DECAL / "AUTOMATIC DOOR" / HAND OFF / WHITE / ENGLISH & SPANISH	1	
47	491068	DECAL "NO STANDEES" / W/"NEW-JERSEY"	1	
47	406160	DECAL / SEATING CAPACITY 51 / ENGLISH & SPANISH	1	
47	406235	DECAL / SEATING CAPACITY 55 / ENGLISH & SPANISH	1	
47	406284	DECAL / SEATING CAPACITY 50 / ENGLISH & SPANISH	1	
47	406328	DECAL / SEATING CAPACITY 50 / ENGLISH & FRANCAIS	1	
47	406380	DECAL / SEATING CAPACITY 46 / ENGLISH & FRANCAIS	1	
60	490921	CREST "PREVOST" SILVER REAR To E-5759	1	
60	491484	CREST "PREVOST" BLACK From F-5760	1	
61	490924	. LETTER "P" SILVER To E-5759	1	
62	490925	. LETTER "R" SILVER To E-5759	1	
63	490926	. LETTER "E" SILVER To E-5759	1	
64	490927	. LETTER "V" SILVER To E-5759	1	
65	490928	. LETTER "O" SILVER To E-5759	1	
66	490929	. LETTER "S" SILVER To E-5759	1	
67	490930	. LETTER "T" SILVER To E-5759	1	
70	491015	CREST "XL-II" & X3-45 / CURBSIDE WING PART	1	
71	491069	CREST "X3" / CENTER PART	1	
72	491016	CREST "XL-II" & X3-45 / STREETSIDE WING PART	1	
73	491070	CREST "X3-45"	1	
		O) WITH "ORLEAN" OPTION		

From G-6084

Date:01/2024

PAGE:X3-1855-02

RUB RAIL - EXTERIOR CREST & TRIMS

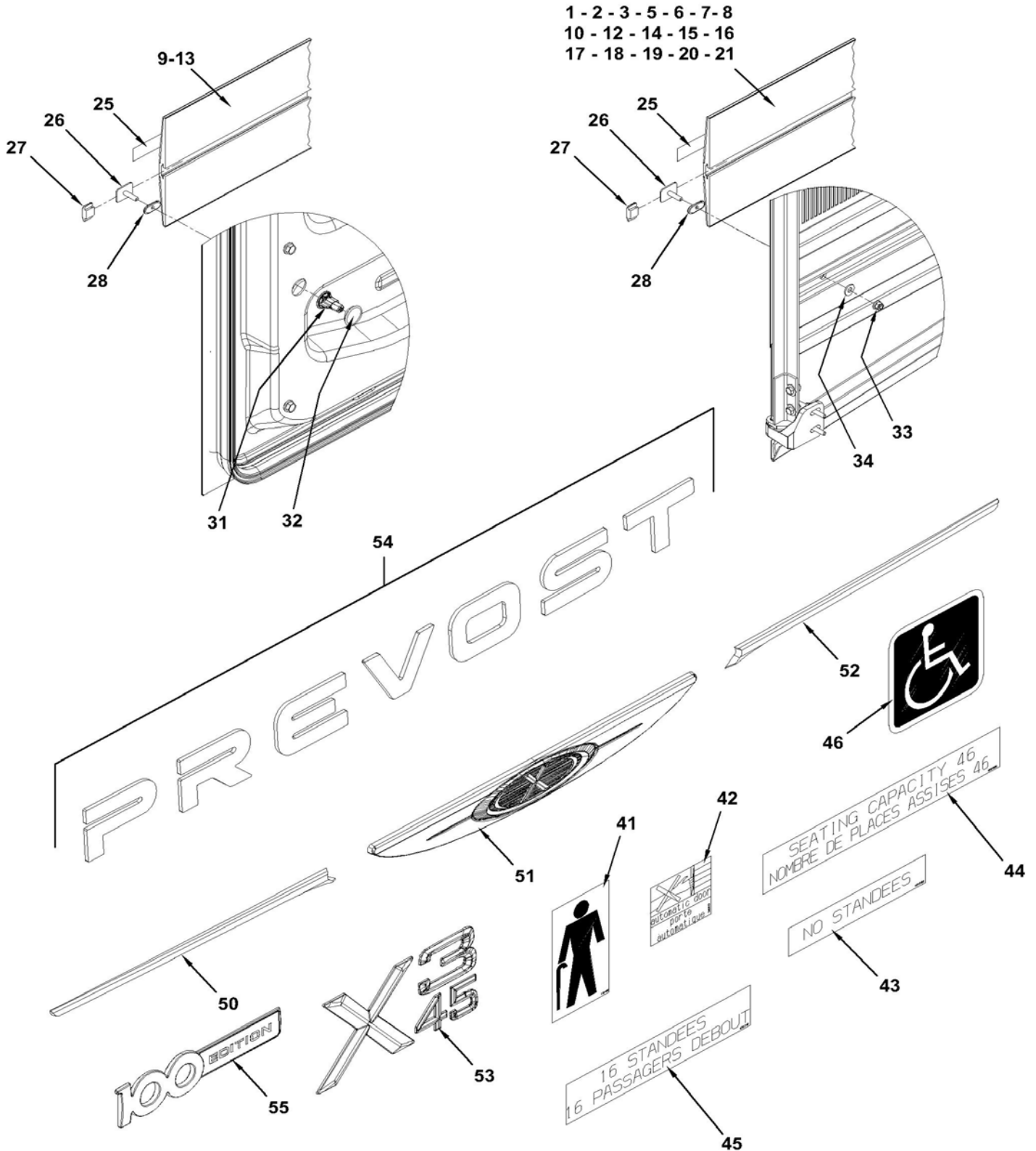


From G-6084

Date:01/2024

PAGE:X3-1855-02

RUB RAIL - EXTERIOR CREST & TRIMS



From G-6084		Date:01/2024	PAGE:X3-1855-02
RUB RAIL - EXTERIOR CREST & TRIMS			

Item#	Part	Description	QTY	Notes
1	479392	RUB RAIL ASSY / 328MM F/WCL To K-6492	1	W
1	471385	RUB RAIL ASSY / 256MM From L-6493	1	W
2	479393	RUB RAIL ASSY / 1247MM C/WCL	1	W
3	479394	RUB RAIL ASSY / 185MM R/WCL To K-6492	1	W
3	471385	RUB RAIL ASSY / 256MM From L-6493	1	W
5	479378	RUB RAIL ASSY / 1115MM To H-6179	1	
5	479648	RUB RAIL ASSY / 1310MM From H-6180	1	
6	479391	RUB RAIL ASSY / 794MM	1	
7	479379	RUB RAIL ASSY / 279MM To H-6179	1	
7	479649	RUB RAIL ASSY / 84MM From H-6180	1	
8	479380	RUB RAIL ASSY / 318MM	1	
9	479377	RUB RAIL ASSY / 1780MM	6	
10	479381	RUB RAIL ASSY / 240MM	1	
12	479382	RUB RAIL ASSY / 1277.3MM PERFORATED	1	
13	479383	RUB RAIL ASSY / 1204.5MM	1	
14	479388	RUB RAIL ASSY / 115MM	1	
15	479385	RUB RAIL ASSY / 96MM	1	
16	479376	RUB RAIL ASSY / 794MM	1	
17	479386	RUB RAIL ASSY / 1267.4MM PERFORATED To H-6179	1	
17	479614	RUB RAIL ASSY / 1310.8MM PERFORATED From H-6180	1	
18	479387	RUB RAIL ASSY / 96MM	1	
19	479384	RUB RAIL ASSY / 115MM	1	
20	479389	RUB RAIL ASSY / 652MM	1	
21	479390	RUB RAIL ASSY / 126MM To H-6179	1	
21	479615	RUB RAIL ASSY / 84MM From H-6180	1	
25	920010	. STRIPE, REFLECTIVE BLACK / 22MM X 150'	AR	
26	5001903	. CLIP / RUB RAIL M6-1.0	AR	
27	479375	. END CAP / RUB RAIL	AR	
28	479374	. SPACER / RUB RAIL	AR	
NS	506790	. TAPE RUB ADH2 CC POL 1/16" x 1/2" x 200' / BLACK I1C-N-A	AR	
31	491237	NUT WING / PLASTIC M6-1.0 x 23	AR	
32	504433	SNAP-IN PLUG / 1.090 O.D.	AR	
33	5001932	NUT HEXF NYRT M6-1.0 G8.8 N500	AR	
34	5001850	WASHER FL 8.4 x 18 x 2 NYL	AR	
41	131490	DECAL "FRONT KNEELING" / BLACK ON ALUMINIUM	1	
42	285813	DECAL / "AUTOMATIC DOOR" / HAND OFF / ALU / ENGLISH & FRANCAIS	1	
42	288198	DECAL / "AUTOMATIC DOOR" / HAND OFF / WHITE / ENGLISH & SPANISH	1	
43	491068	DECAL "NO STANDEES" / W/"NEW-JERSEY"	1	
44	406284	DECAL / SEATING CAPACITY 50 / ENGLISH & SPANISH	1	
44	406328	DECAL / SEATING CAPACITY 50 / ENGLISH & FRANCAIS	1	

From G-6084	Date:01/2024	PAGE:X3-1855-02
RUB RAIL - EXTERIOR CREST & TRIMS		

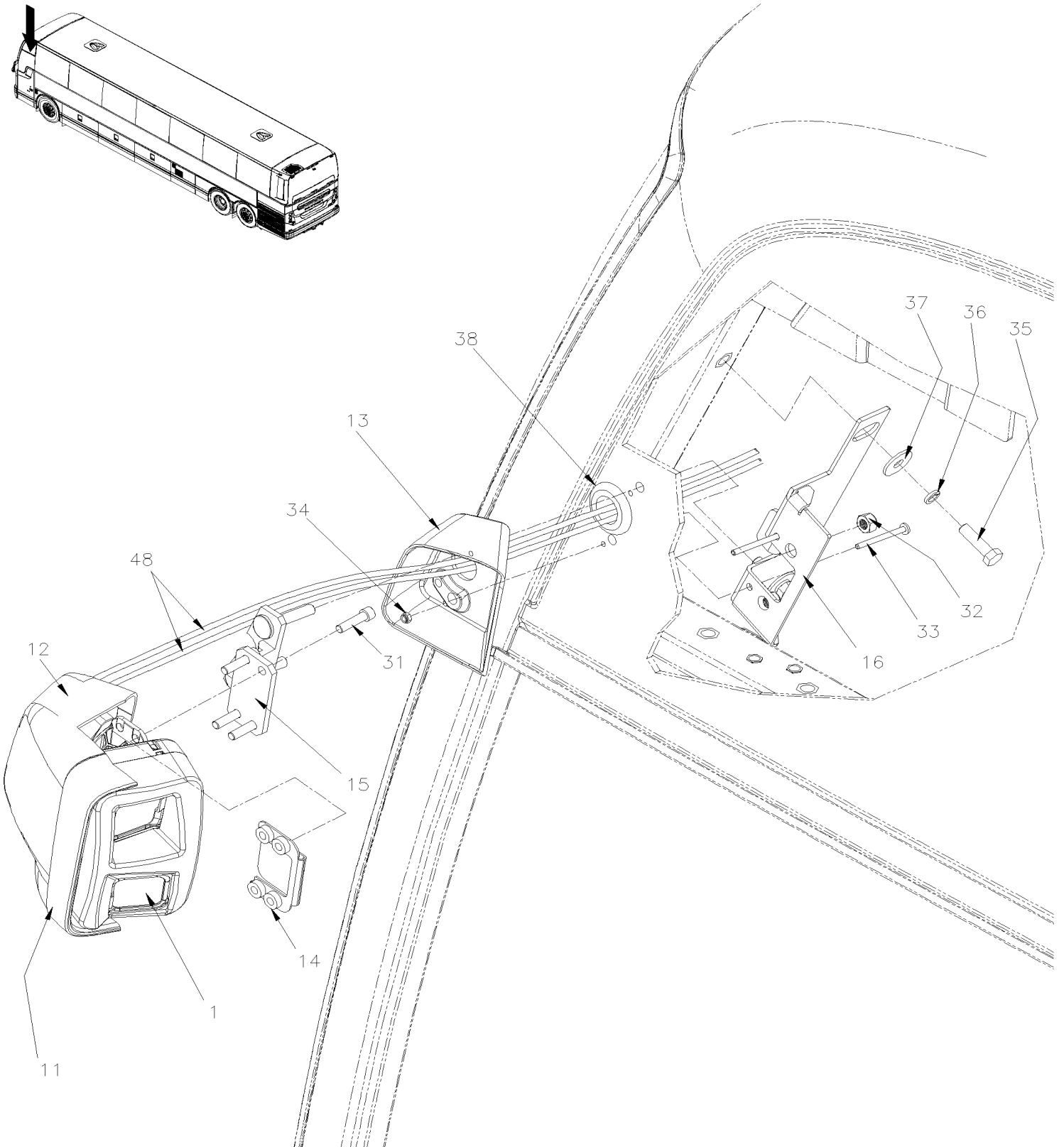
Item#	Part	Description	QTY	Notes
44	406380	DECAL / SEATING CAPACITY 46 / ENGLISH & FRANCAIS	1	
45	491116	DECAL "16 STANDEES" / BILINGUAL FRENCH	1	
46	400003	DECAL / BLUE W/CHAIR / 150MM x 150MM	1	
50	491015	CREST "XL-II" & X3-45 / CURBSIDE WING PART To K-6492	1	
51	491069	CREST "X3" / CENTER PART To K-6492	1	
52	491016	CREST "XL-II" & X3-45 / STREETSIDE WING PART To K-6492	1	
53	491070	CREST "X3-45"	1	
54	491484	CREST "PREVOST" BLACK From F-5760	1	
54	491167	CREST "PREVOST" CHROME From L-6493	1	
55	492176	LOGO 100E EDITION From R-6907	2	L
		L) FOR VEHICLE 2024 ONLY		
		W) WITH W.C.L. BAGGAGE DOOR		

From L-6520 To L-6520

Date:01/2024

PAGE:X3-1856-10

"E-MIRROR" INSTALLATION

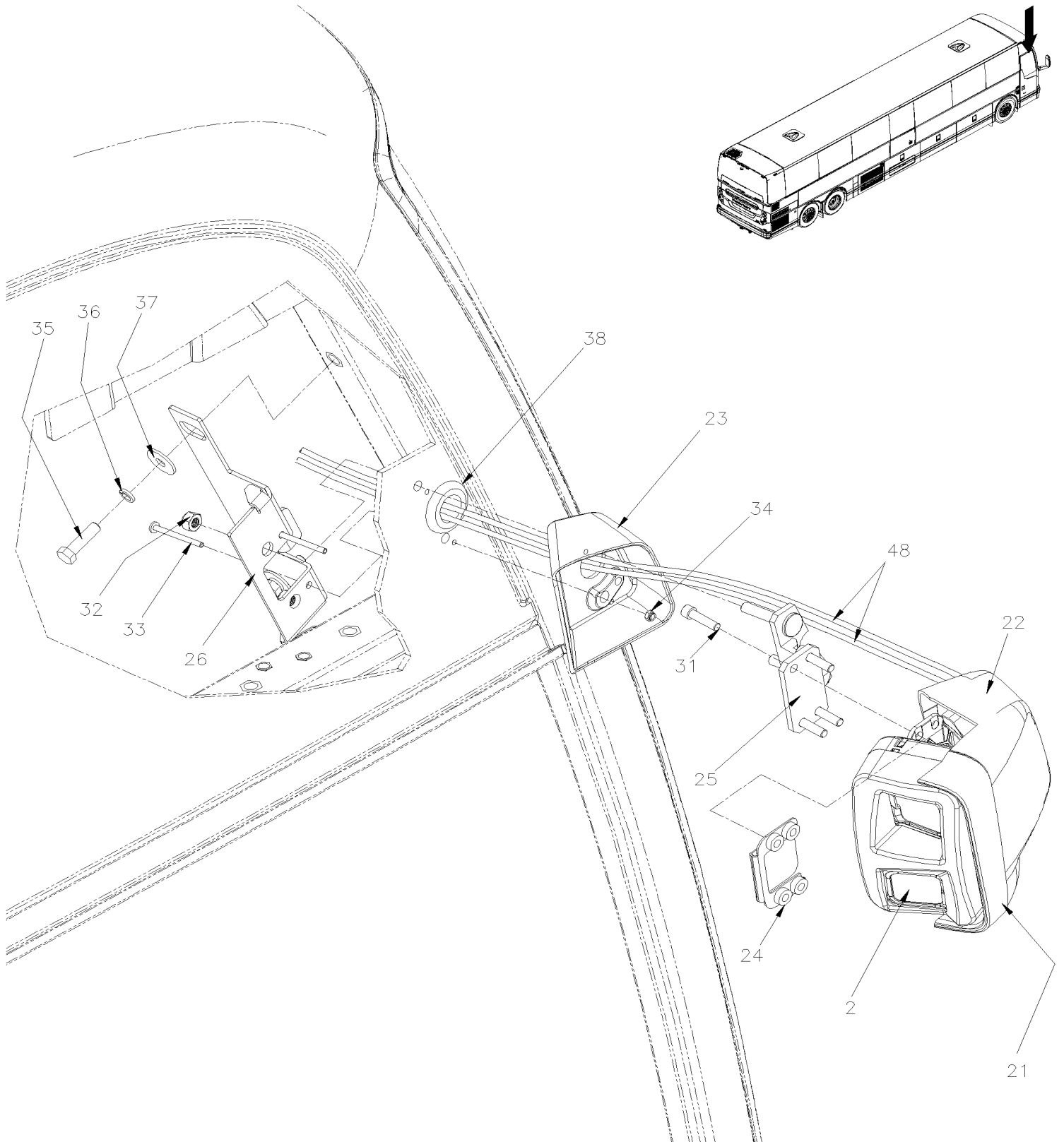


From L-6520 To L-6520

Date:01/2024

PAGE:X3-1856-10

"E-MIRROR" INSTALLATION

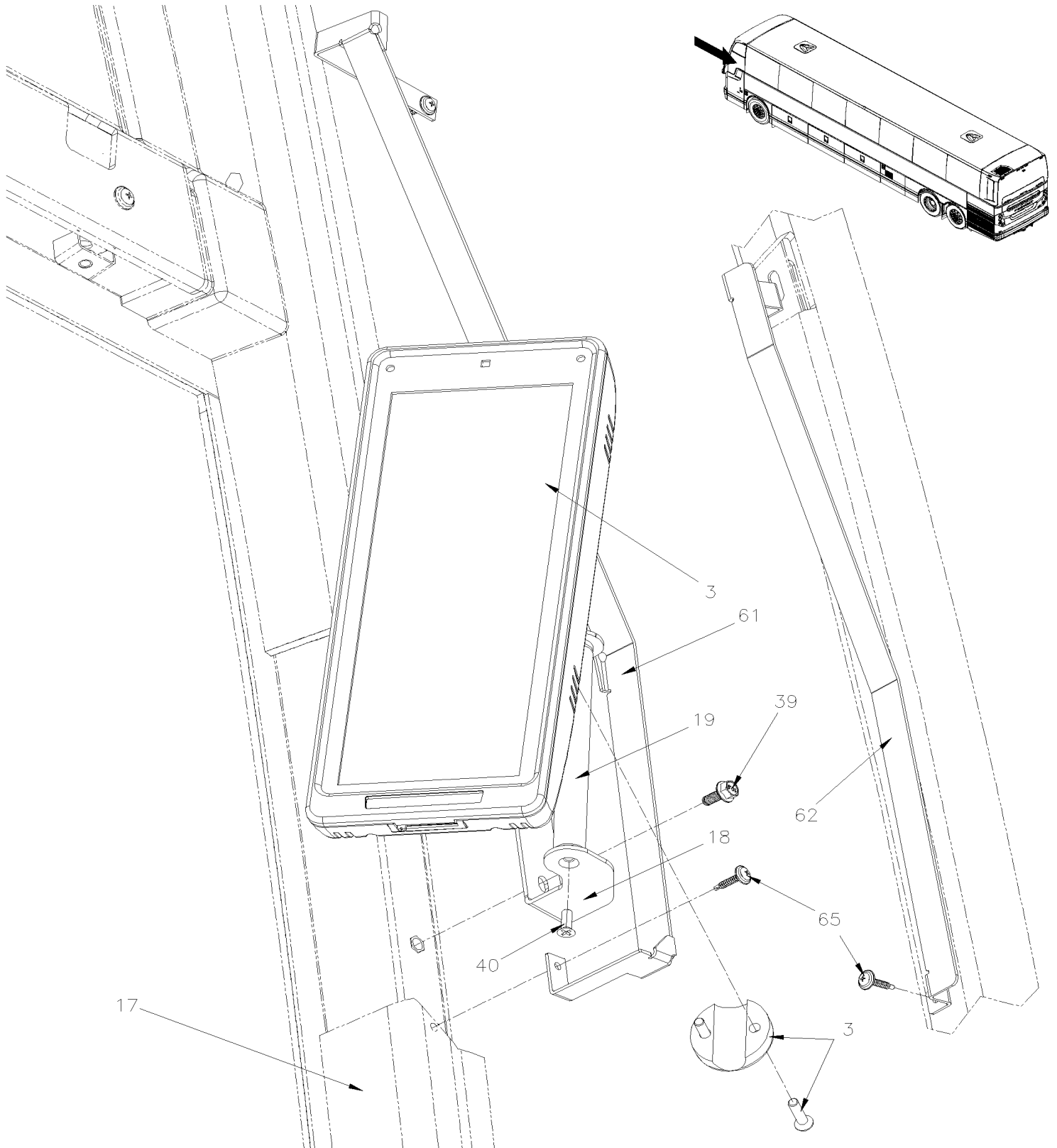


From L-6520 To L-6520

Date:01/2024

PAGE:X3-1856-10

"E-MIRROR" INSTALLATION

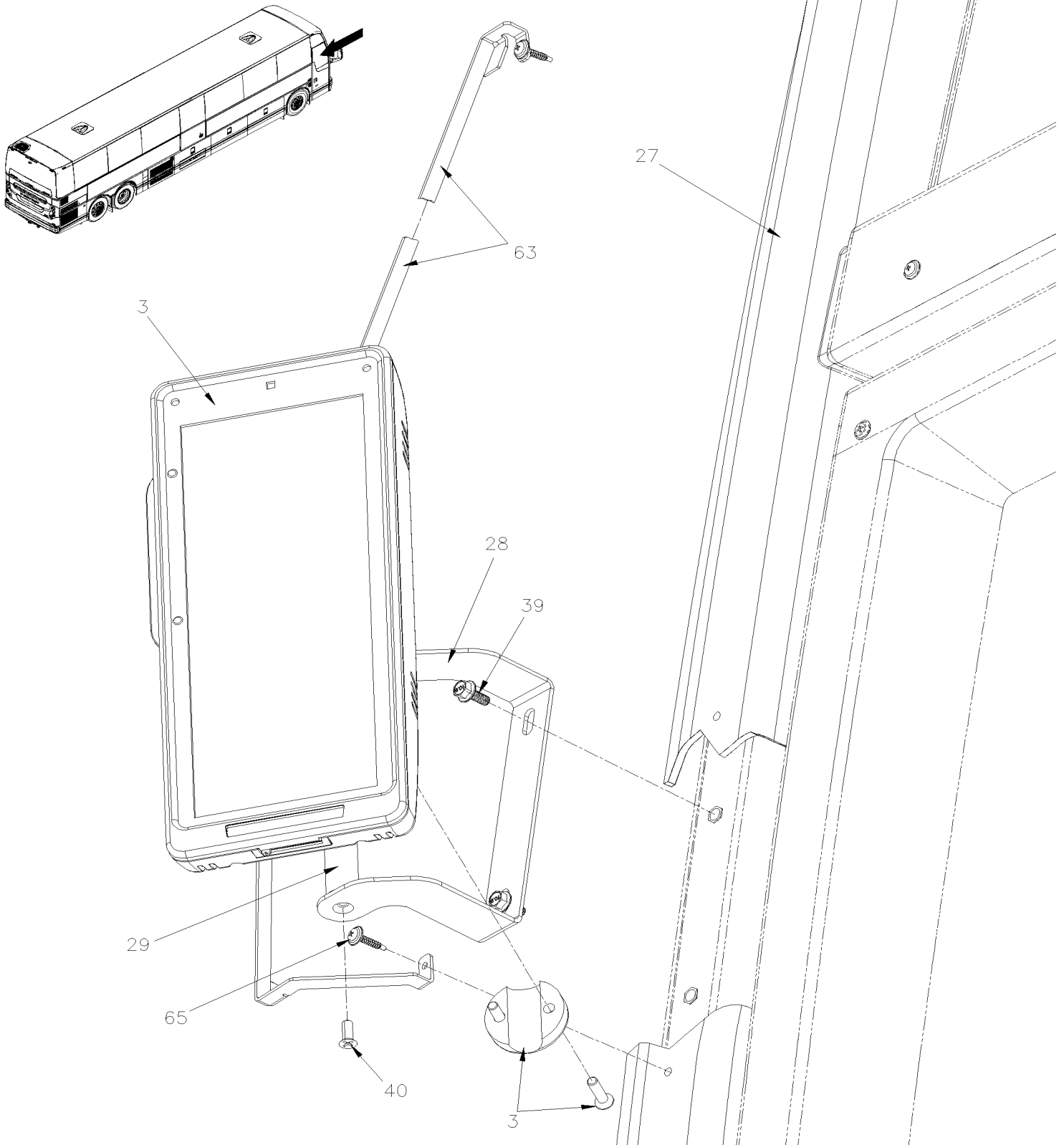


From L-6520 To L-6520

Date:01/2024

PAGE:X3-1856-10

"E-MIRROR" INSTALLATION

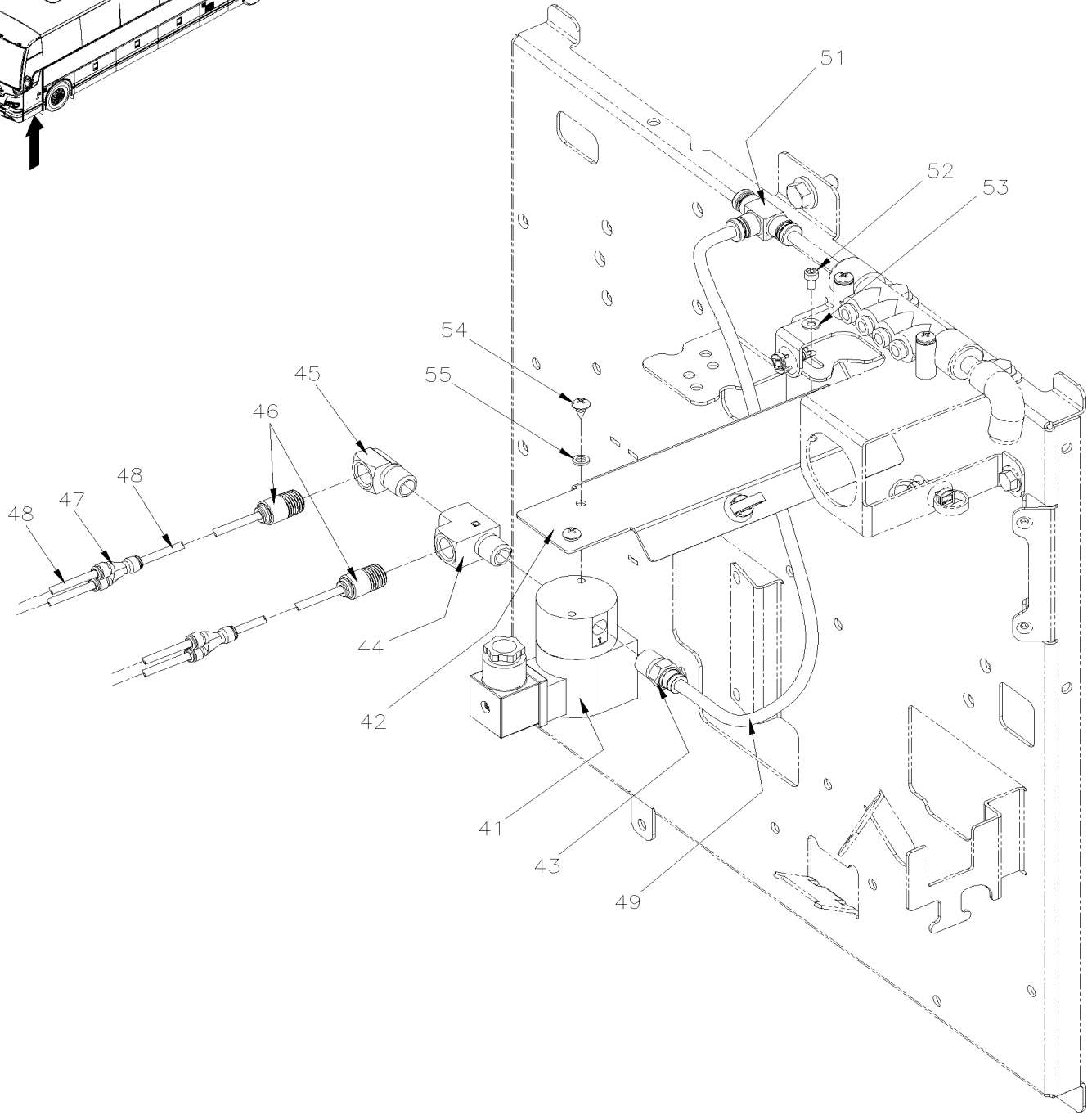
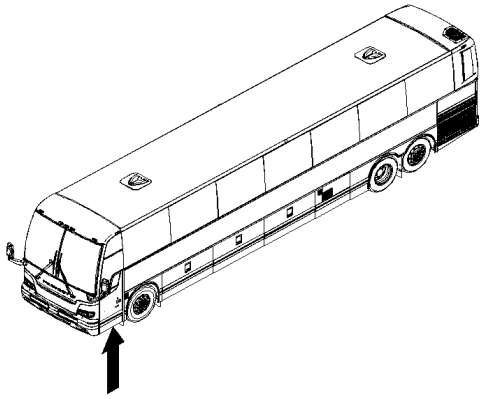


From L-6520 To L-6520

Date:01/2024

PAGE:X3-1856-10

"E-MIRROR" INSTALLATION



From L-6520 To L-6520	Date:01/2024	PAGE:X3-1856-10
-----------------------	--------------	-----------------

"E-MIRROR" INSTALLATION

Item#	Part	Description	QTY	Notes
	901722	KIT "E-MIRROR"	1	
1	901812	. CAMERA LEFT "E-MIRROR"	1	
2	901814	. CAMERA RIGHT "E-MIRROR"	1	
3	901815	. MONITOR 12" "E-MIRROR"	1	
NS	901816	. CABLE BLACK "E-MIRROR"	1	
NS	901817	. CABLE WHITE "E-MIRROR"	1	
NS	0611001	WIRING HARNESS SPECIAL E-MIRRORS ON X3 To N-6723	1	
6	0610559	ELECTRONIC MIRROR HARNESS VISION SYSTEM From N-6724	1	
NS	563337	RELAY 12V S.P.D.T. W/RESISTOR /	1	
11	420005_UMA	CASING "E-MIRROR" LH	1	
12	420003_UMA	CASING "E-MIRROR" LH	1	
13	420009_UMA	CASING "E-MIRROR" LH	1	
14	Call order desk	ATTACHMENT PLATE LH	1	P
15	420012	BRACKET, OUTSIDE CAMERA LH	1	
16	401539	BRACKET, INSIDE CAMERA LH	1	
17	3210288_UMA	WINDSHIELD LEFT MOULDING X3	1	
18	401495	BRACKET, INSIDE LEFT MONITOR "E-MIRROR"	1	
19	401485	TUBE, INSIDE RIGHT MONITOR "E-MIRROR"	1	
21	420006_UMA	CASING "E-MIRROR" RH	1	
22	420004_UMA	CASING "E-MIRROR" RH	1	
23	420010_UMA	CASING "E-MIRROR" RH	1	
24	Call order desk	ATTACHMENT PLATE RH	1	P
25	420011	BRACKET, OUTSIDE CAMERA RH	1	
26	401494	BRACKET, INSIDE CAMERA RH	1	
27	3210290_UMA	WINDSHIELD RIGHT MOULDING X3	1	
28	401484	BRACKET, INSIDE RIGHT MONITOR "E-MIRROR"	1	
29	401485	TUBE, INSIDE RIGHT MONITOR "E-MIRROR"	1	
31	500239	SCREW CAP HEXS 1/4-20x1 ZP	8	
32	5001983	NUT HEX NYRT M8-1.25 SS SS BK	4	
33	502921	SCREW MA PAN PH M4-0.7x45 Z050	4	
34	500539	NUT HEX NYRT M4-0.7 N500	4	
35	5001738	SCREW CAP HEX M8-1.25x30 G8.8 N500	4	
36	500942	WASHER LO SPT 8.1x14.8x2.0 N500	4	
37	500381	WASHER FL 8.4x25.0x2.0 N500	4	
38	Call order desk	GROMMET 9307K73	2	P
39	5002027	SCREW CAP HEXF AD M6-1.0x16 G10.9 N500	4	
40	5001198	SCREW MA FL PH M6-1.0x16 Z050	4	
41	562804	VALVE, 2 WAYS N.C.	1	
. NS	562848	. CONNECTOR / SOCKET HOUSING ASSY 3C / PNEUMAC 54933-05	1	
42	Call order desk	SUPPORT VALVE	1	P

From L-6520 To L-6520	Date:01/2024	PAGE:X3-1856-10
-----------------------	--------------	-----------------

"E-MIRROR" INSTALLATION

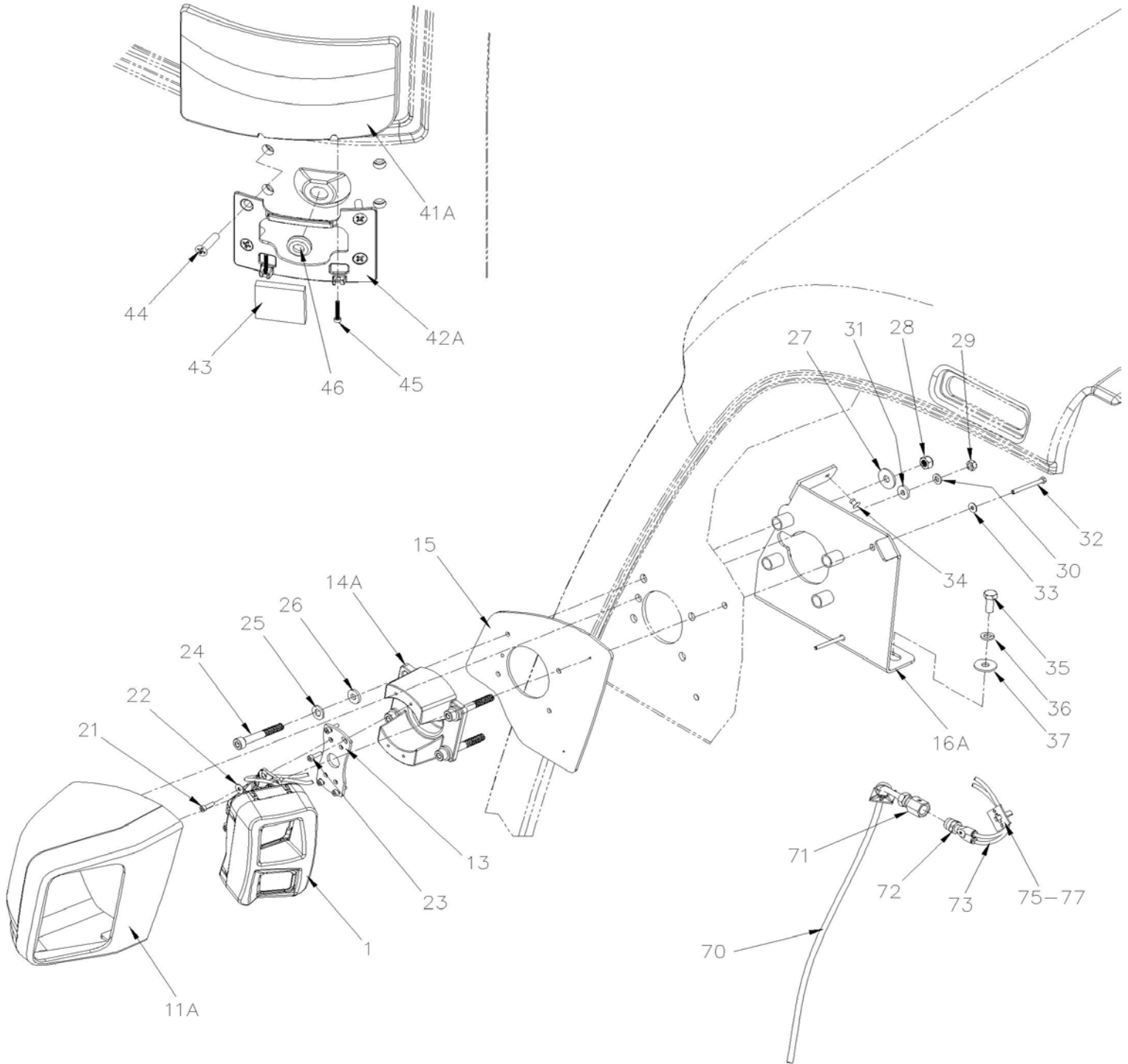
Item#	Part	Description	QTY	Notes
43	641332	MALE CONNECTOR / PUSH-IN FITTING / #4x1/4NPT-M BR	1	
44	501338	MALE RUN TEE / PIPE FITTING / 1/4NPT-Mx1/4NPT-Fx1/4NPT-F BR	1	
45	501332	STREET ELBOW 90° / PIPE FITTING / 1/4NPT-Mx1/4NPT-F BR	1	
46	Call order desk	MALE CONNECTOR / PUSH-IN FITTING / 4MMx1/4NPT-M	2	P
47	Call order desk	UNION "Y" / PUSH-IN FITTING / 4MMx4MMx4MM	2	P
48	Call order desk	TUBE, NYLON 4MM O.D. / BLACK S.L.	AR	P
50	503402	TUBE, NYLON 1/4 O.D. / BLACK S.L.	AR	
51	641955	UNION TEE / PUSH-IN FITTING / #4x#4x#4 BR	1	
52	5001670	SCREW CAP HEXS M4-0.7x8 G8.8 Z050	2	
53	5001310	WASHER FL RET .173x.375x.031 NYL BK	2	
54	500393	SCREW TC PAN PH #10-24x3/8 Z050	2	
55	500470	WASHER LO SPT .193x.334x.047 Z050	2	
NS	509815	TIE MOUNT / ATTACHMENT W/TREE MOUNT	1	
NS	504637	CABLE TIE / 3/16" x 13"	1	
61	Call order desk	GUIDE LH	1	P
62	Call order desk	GUIDE CENTRAL	1	P
63	Call order desk	GUIDE RH	1	P
65	5002083	SCREW DR SEMS FN OV PH #8X1 N050	6	
		P) CALL ORDER DESK FOR SPECIFIC APPLICATION (V.I.N.)		

From M-6658

Date:01/2024

PAGE:X3-1856-11

"E-MIRROR" INSTALLATION

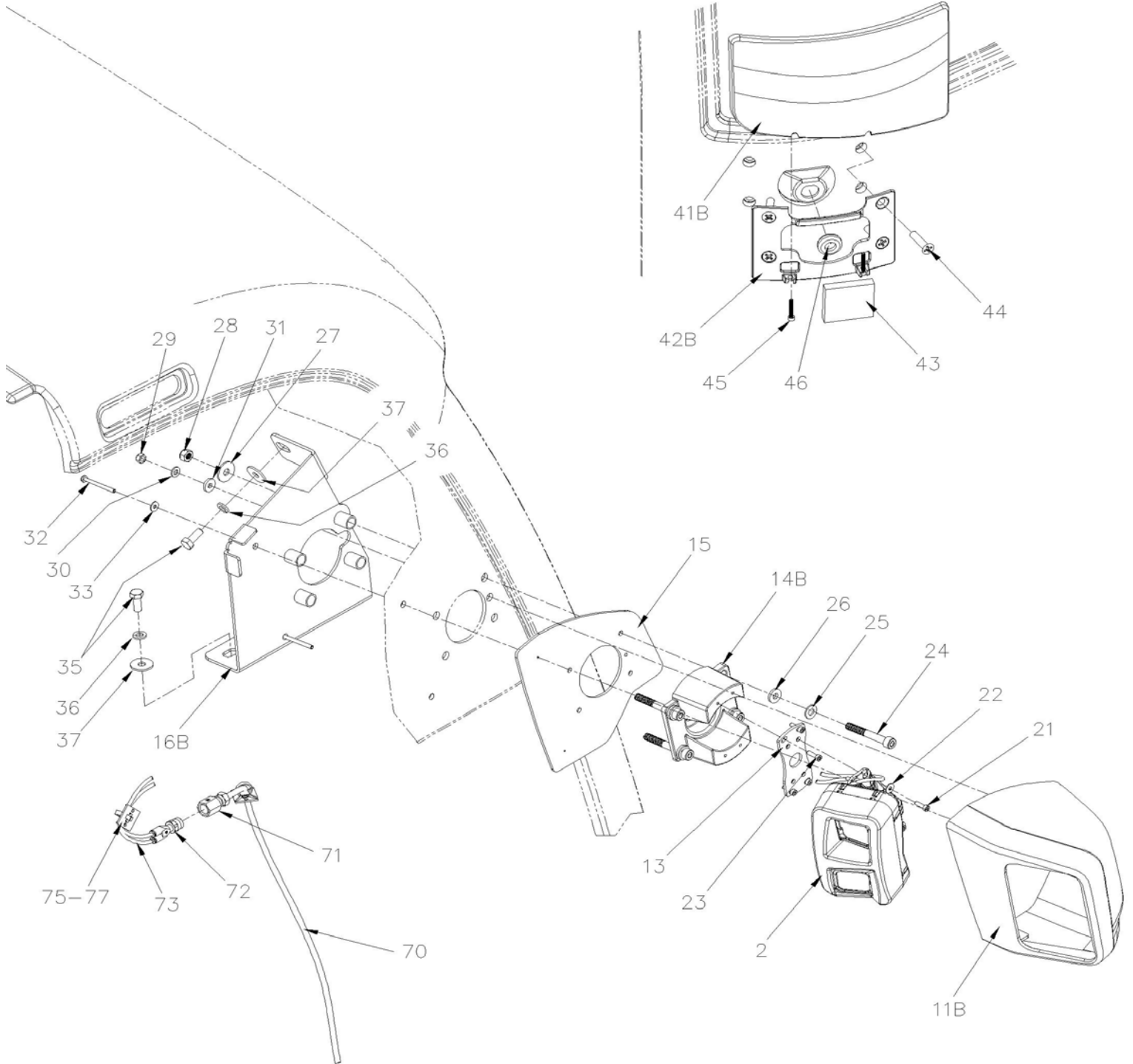


From M-6658

Date:01/2024

PAGE:X3-1856-11

"E-MIRROR" INSTALLATION

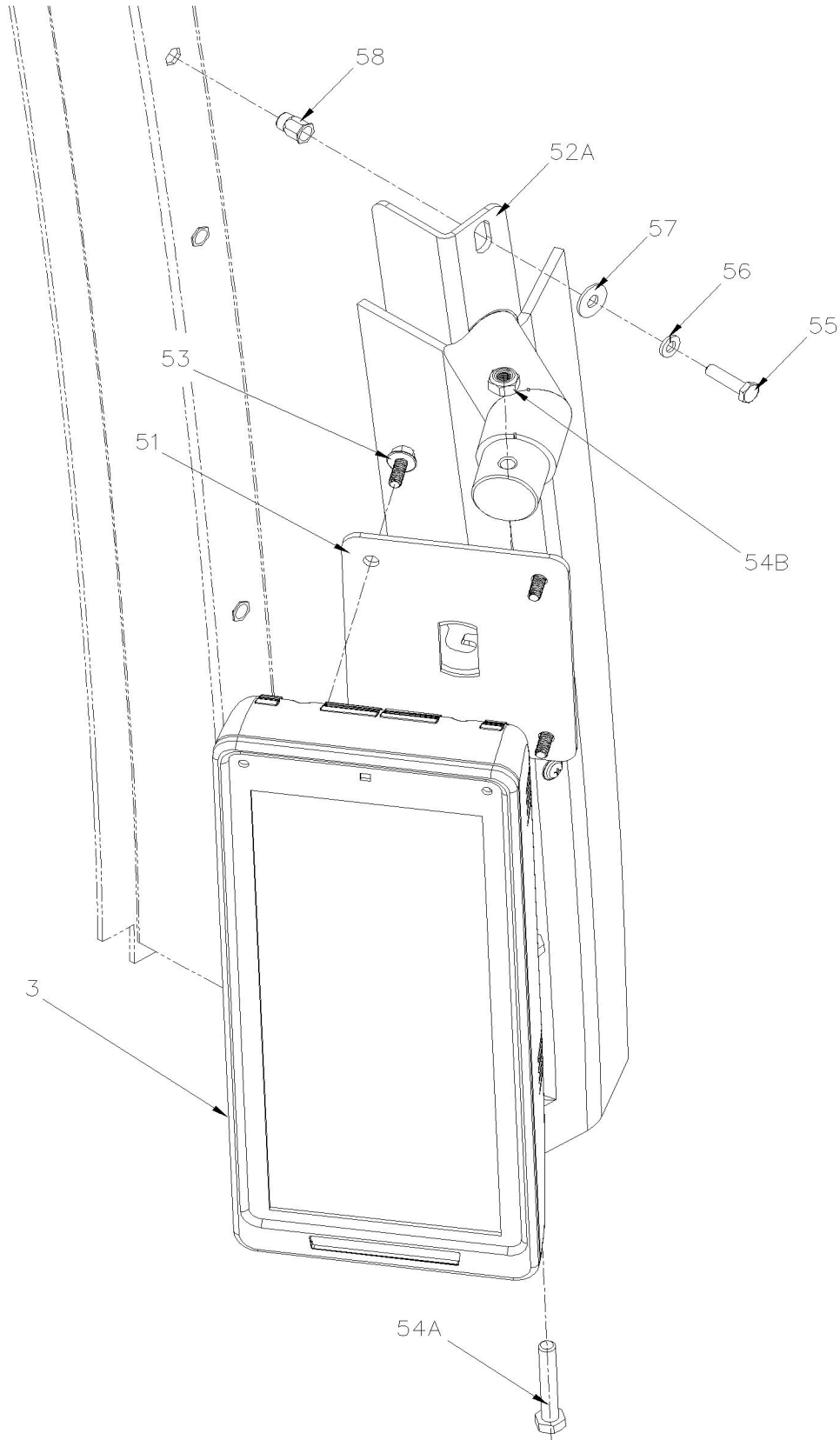


From M-6658

Date:01/2024

PAGE:X3-1856-11

"E-MIRROR" INSTALLATION

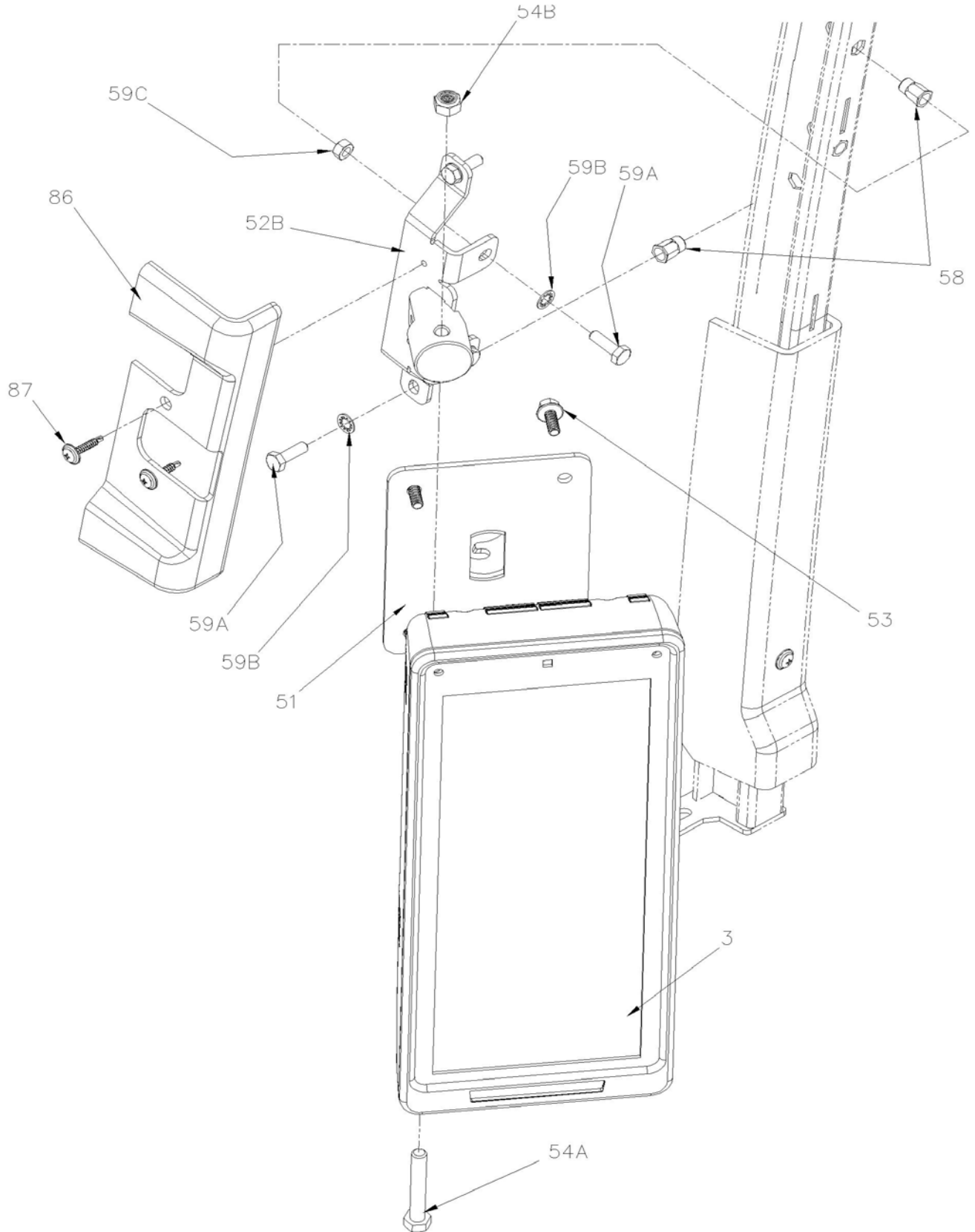


From M-6658

Date:01/2024

PAGE:X3-1856-11

"E-MIRROR" INSTALLATION

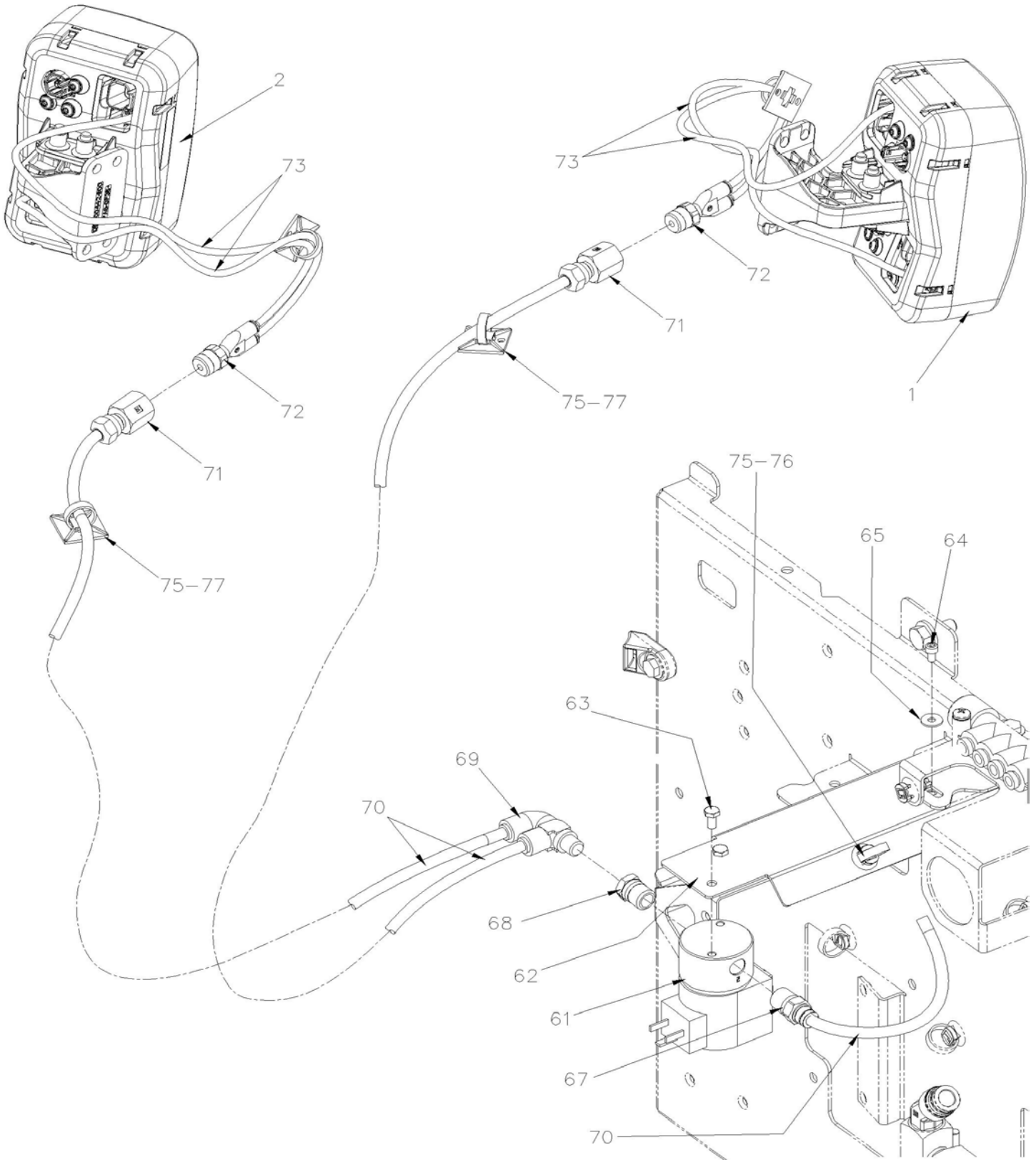


From M-6658

Date:01/2024

PAGE:X3-1856-11

"E-MIRROR" INSTALLATION



From M-6658		Date:01/2024	PAGE:X3-1856-11
-------------	--	--------------	-----------------

"E-MIRROR" INSTALLATION

Item#	Part	Description	QTY	Notes
1	901812	CAMERA LEFT "E-MIRROR"	1	
2	901814	CAMERA RIGHT "E-MIRROR"	1	
3	901898	MONITOR 12.3" "E-MIRROR"	2	
NS	901816	CABLE BLACK "E-MIRROR"	1	
NS	901817	CABLE WHITE "E-MIRROR"	1	
NS	901895	CABLE VIDEO EMIRROR WHITE 4M	1	
NS	901896	CABLE VIDEO EMIRROR BLACK 4M	1	
NS	901897	POWER CABLE EMIRRORS 2M	2	
NS	901901	CABLE Y HEATER EMIRROR	1	
NS	0610480	ELECTRONIC MIRROR HARNESS VISION SYSTEM	1	
11A	420003	COVER LF EMIRROR X345 OPP2	1	
11B	420004	COVER RH EMIRROR X345 OPP2	1	
13	491971	PLATE, EMIRROR ANGULAR ADJUSTMENT	2	
14A	491986	BRACKET, OUT. CAMERA LF EMIRROR X OPP2	1	
14B	491981	BRACKET, OUT. CAMERA RH EMIRROR X OPP2	1	
15	420110	SEAL EMIRROR COVER X345 OPP2	2	
16A	402297	BRACKET INS LH EMIRROR CAMERA X345 WE/WM	1	
16B	402355	BRACKET INS RH EMIRROR CAMERA X345 WE/WM	1	
21	5002174	SCREW CAP HEXS M4-0.7x14MM Z050	8	
22	5002031	WASHER FL 4.3X12X1 SS	8	
23	5002174	SCREW CAP HEXS M4-0.7x14MM Z050	8	
24	5002173	SCREW CAP HEXS M8-1.25x60 PT SS	8	
25	5001341	WASHER FL 8.4x17.0x1.6 SS	8	
26	5002205	WASHER FL RUB .290x.688x.090	8	
27	500381	WASHER FL 8.4x25.0x2.0 N500	8	
28	5001983	NUT HEX NYRT M8-1.25 SS SS BK	8	
29	5001182	NUT HEX NYRT M6-1.0 SS	2	
30	502573	WASHER FL 6.4x12.5x1.6 SS	2	
31	5002214	WASHER FL .230x.625x.093 RUB	2	
32	70314700	SCREW CAP HEX M4-0.7X45 SS	4	
33	5002031	WASHER FL 4.3X12X1 SS	4	
34	504379	RIVET POP DOME OE 3/16x1/4 SS	1	
35	5001594	SCREW CAP HEX M8-1.25x20 SS	5	
36	5001161	WASHER LO SPT 8.1x14.8x2.0 SS-304	5	
37	500381	WASHER FL 8.4x25.0x2.0 N500	5	
41A	420009	MIRROR COVER LF X345 OPP2	1	
41B	420010	MIRROR COVER RH X345 OPP2	1	
42A	420076	BASE, MIRROR COVER LEFT X345 OPP2	1	
42B	420075	BASE MIRROR COVER RIGHT X345 OPP2	1	

From M-6658	Date:01/2024	PAGE:X3-1856-11
-------------	--------------	-----------------

"E-MIRROR" INSTALLATION

Item#	Part	Description	QTY	Notes
43	420112	SEAL MIRROR COVER	2	
44	5000361	SCREW MA FL PH M8-1.25x35 SS	8	
45	5002211	SCREW CAP HEXS M4-0.7x25MM G12.9	4	
46	504555	GROMMET / .500x.812x.125x.344x1.062x.031	2	
51	403848	SCREEN SUPPORT ASSY	2	
52A	406813	BRACKET, LH EMIRROR SCREEN	1	
52B	406811	BRACKET, RH EMIRROR SCREEN	1	
53	5002027	SCREW CAP HEXF AD M6-1.0x16 G10.9 N500	8	
54A	502927	SCREW CAP HEX M8-1.25x50 G8.8 N500	2	
54B	5001983	NUT HEX NYRT M8-1.25 SS SS BK	2	
55	5001433	SCREW CAP HEX M6-1.0x25 SS	2	
56	502853	WASHER LO SPT 6.1x11.8x1.6 N500	2	
57	5001976	WASHER FL .266x.718x.060 SS	2	
58	5001344	NUT INS FL HEX M6-1.0 0.5-3.0 SS	6	
59A	502622	SCREW CAP HEX M6-1.0x20 SS BK	4	
59B	5001432	WASHER LO INT .256x.478x.028 SS 410	4	
59C	502565	NUT HEX M6-1.0 SS	1	
61	562804	VALVE, 2 WAYS N.C.	1	
. NS	562848	. CONNECTOR / SOCKET HOUSING ASSY 3C / PNEUMAC 54933-05	1	
62	140374	SUPPORT SOLENOID EMIRROR	1	
63	502751	SCREW CAP HEX #10-32x3/8 Z050	2	
64	5001670	SCREW CAP HEXS M4-0.7x8 G8.8 Z050	2	
65	5002031	WASHER FL 4.3X12X1 SS	2	
67	641332	MALE CONNECTOR / PUSH-IN FITTING / #4x1/4NPT-M BR	1	
68	501312	BUSHING REDUCER / PIPE FITTING / 1/4NTP-Mx1/8NPT-F BR	1	
69	642127	MALE ELBOW 90° SWIVEL DUAL PORT / PUSH-IN / #4x#4x1/8NPT-M BR	1	
70	503402	TUBE, NYLON 1/4 O.D. / BLACK S.L.	AR	
71	641028	FEMALE CONNECTOR / NTA FITTING / #4x1/4NPT-F BR	2	
72	640058	MALE BRANCH "Y" / PUSH-IN FITTING / 4MMx4MMx1/4NPT-M	2	
73	503420	TUBE, NYLON 4MM O.D. / BLACK S.L.	AR	
75	504637	CABLE TIE / 3/16" x 13"	AR	
76	509815	TIE MOUNT / ATTACHMENT W/TREE MOUNT	1	
77	562679	4 WAY ADH. BACKED MOUNTS 1.000 x 1.000 x .160	AR	
86	3211684	CENTRAL PILLAR E-MIRROR	1	
87	5002083	SCREW DR SEMS FN OV PH #8X1 N050	2	
NS	680038	THREAD LOCKER LOCTITE #243 / BLUE / 50ml	AR	
NS	680110	SEALANT TAPE / TEFLON / 1/2"	AR	

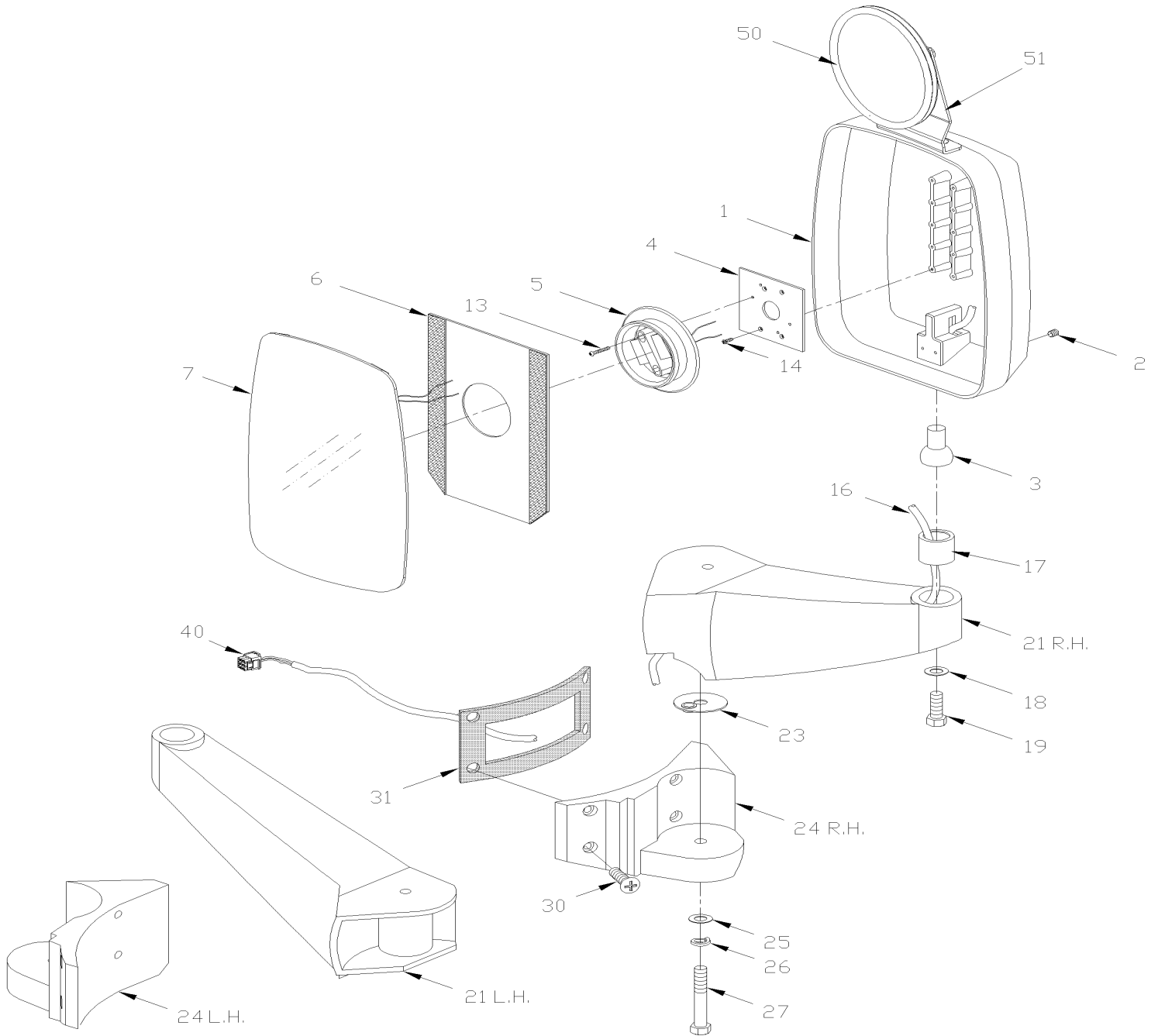
From M-6658			Date:01/2024	PAGE:X3-1856-11		
"E-MIRROR" INSTALLATION						
Item#	Part	Description			QTY	Notes
NS	680323	LUBRICANT DOOR EASE 47.6 GR.			AR	
NS	684685	ADHESIVE SIMSON #SR 70-03 / 310ml CARTRIDGE			AR	

From 7-8754

Date:01/2024

PAGE:X3-1856-15

MIRROR "RAMCO" FLAT GLASS / BLACK PAINTED GLI

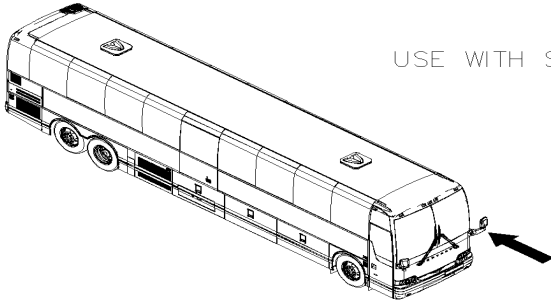


From 7-8754

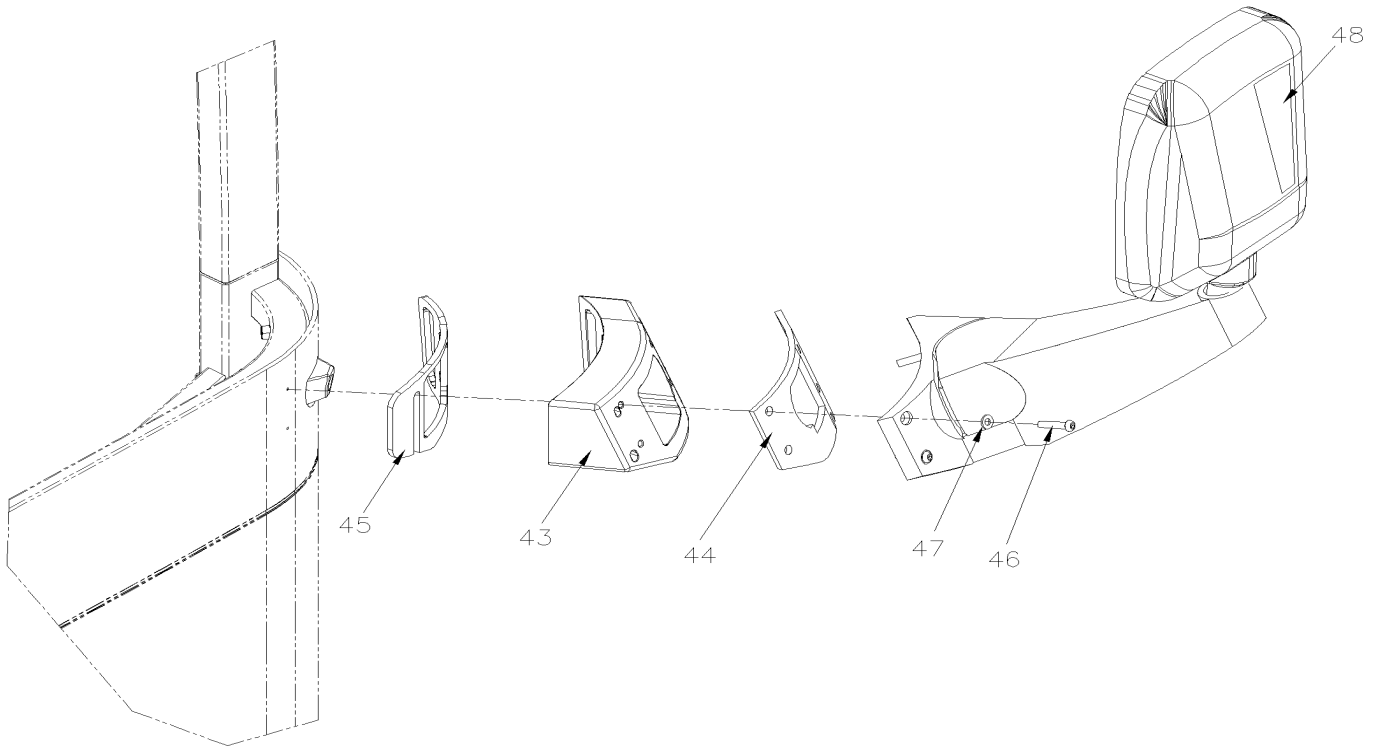
Date:01/2024

PAGE:X3-1856-15

MIRROR "RAMCO" FLAT GLASS / BLACK PAINTED GLI



STREET SIDE INSTALLATION
USE WITH SPECIAL MEXICO "GREYHOUND" OPTION



From 7-8754	Date:01/2024	PAGE:X3-1856-15
-------------	--------------	-----------------

MIRROR "RAMCO" FLAT GLASS / BLACK PAINTED GLI

Item#	Part	Description	QTY	Notes
	990496	MIRROR ASSY, R.H. / MANUAL / W/9 PINS CONNECTOR To J-6240	1	
	990525	MIRROR ASSY, R.H. / MANUAL / W/9 PINS CONNECTOR From J-6241 To L-6492	1	
	990553	MIRROR ASSY, R.H. / MANUAL / W/9 PINS CONNECTOR From L-6493	1	
	990497	MIRROR ASSY, L.H. / MANUAL / W/9 PINS CONNECTOR To J-6240	1	
	990526	MIRROR ASSY, L.H. / MANUAL / W/9 PINS CONNECTOR From J-6241 To L-6492	1	
	990554	MIRROR ASSY, L.H. / MANUAL / W/9 PINS CONNECTOR From L-6493	1	
	990496	MIRROR ASSY, R.H. / MANUAL / W/9 PINS CONNECTOR INSTALL ON CURBSIDE From E-5734 To J-6240	1	M
	990525	MIRROR ASSY, R.H. / MANUAL / W/9 PINS CONNECTOR INSTALL ON CURBSIDE From J-6241 To L-6492	1	M
	990496	MIRROR ASSY, R.H. / MANUAL / W/9 PINS CONNECTOR INSTALL ON STREET SIDE From E-5734 To J-6240	1	M
	990525	MIRROR ASSY, R.H. / MANUAL / W/9 PINS CONNECTOR INSTALL ON STREET SIDE From J-6241 To L-6492	1	M
1	19507782	. HEAD ASSY / MANUAL R.H. / W/9 PINS CONNECTOR To L-6492	1	
1	990557	. HEAD ASSY / MANUAL / W/9 PINS CONNECTOR From L-6493	1	
1	19507783	. HEAD ASSY / MANUAL L.H. / W/9 PINS CONNECTOR To L-6492	1	
1	990557	. HEAD ASSY / MANUAL / W/9 PINS CONNECTOR From L-6493	1	
1	19507782	. HEAD ASSY / MANUAL R.H. / W/9 PINS CONNECTOR INSTALL ON CURBSIDE From E-5734 To L-6492	1	M
1	19507782	. HEAD ASSY / MANUAL R.H. / W/9 PINS CONNECTOR INSTALL ON STREET SIDE From E-5734 To L-6492	1	M
2	502812	. . SCREW SET HEXS CUP 3/8-16X3/8 SS	1	
3	990478	. . STUD, BALL From A-9873	1	
4	990502	. . PLATE, ADAPTOR	1	
5	990501	. . MANUAL MECHANISM, MEDIUM	1	
6	990268	. . VELCRO PLATE / 8" X 8" OLD STYLE MOUNTING To N-6774	1	
6	990630	. . SNAP RING / NEW STYLE MOUNTING NEW STYLE MOUNTING From N-6775	1	
7	990199	. . GLASS ASSY W/HEATER 12V OLD STYLE MOUNTING To N-6774	1	
7	990635	. . FLAT GLASS ASSY W/HEATER 12V / NEW STYLE MOUNTING NEW STYLE MOUNTING From N-6775	1	
13	N.P.N.	. . SCREW TC FL PAN PH ZP 6-32 X 1 1/8"	1	4
16	0610607	. . CABLE ASSY, W/CONNECTOR 8PIN To L-6492	1	
16	060776	. . CABLE ASSY / W/CONNECTOR 9PIN 54" From L-6493	1	
17	990379	. . CUP, BALL STUD RETAINER / ONE PIECE	1	
18	500270	. . WASHER FL .406x1.000x.063 SS	1	
19	N.P.N.	. . SCREW CAP HEX SS 3/8-24 X 1.250	1	4
21	990308	. ARM, R.H.	1	
21	990392	. ARM, L.H. / DIRTY FREE	1	
21	990308	. ARM, R.H. INSTALL ON CURBSIDE From E-5734 To L-6492	1	M
21	990308	. ARM, R.H. INSTALL ON STREET SIDE From E-5734 To L-6492	1	M
23	990265	. WASHER ALUMINUM / 2 " O.D.	1	
NS	504082	. . SNAP BUSHING / .125x.312x.312	1	
24	990305	. BRACKET, MOUNTING R.H. To K-6492	1	
24	990537	. BRACKET, MOUNTING R.H. From L-6493	1	
24	990306	. BRACKET, MOUNTING L.H. To K-6492	1	
24	990540	. BRACKET, MOUNTING L.H. From L-6493	1	
25	500958	. WASHER FL .531x1.062x.095 SS	1	

From 7-8754	Date:01/2024	PAGE:X3-1856-15
MIRROR "RAMCO" FLAT GLASS / BLACK PAINTED GLI		

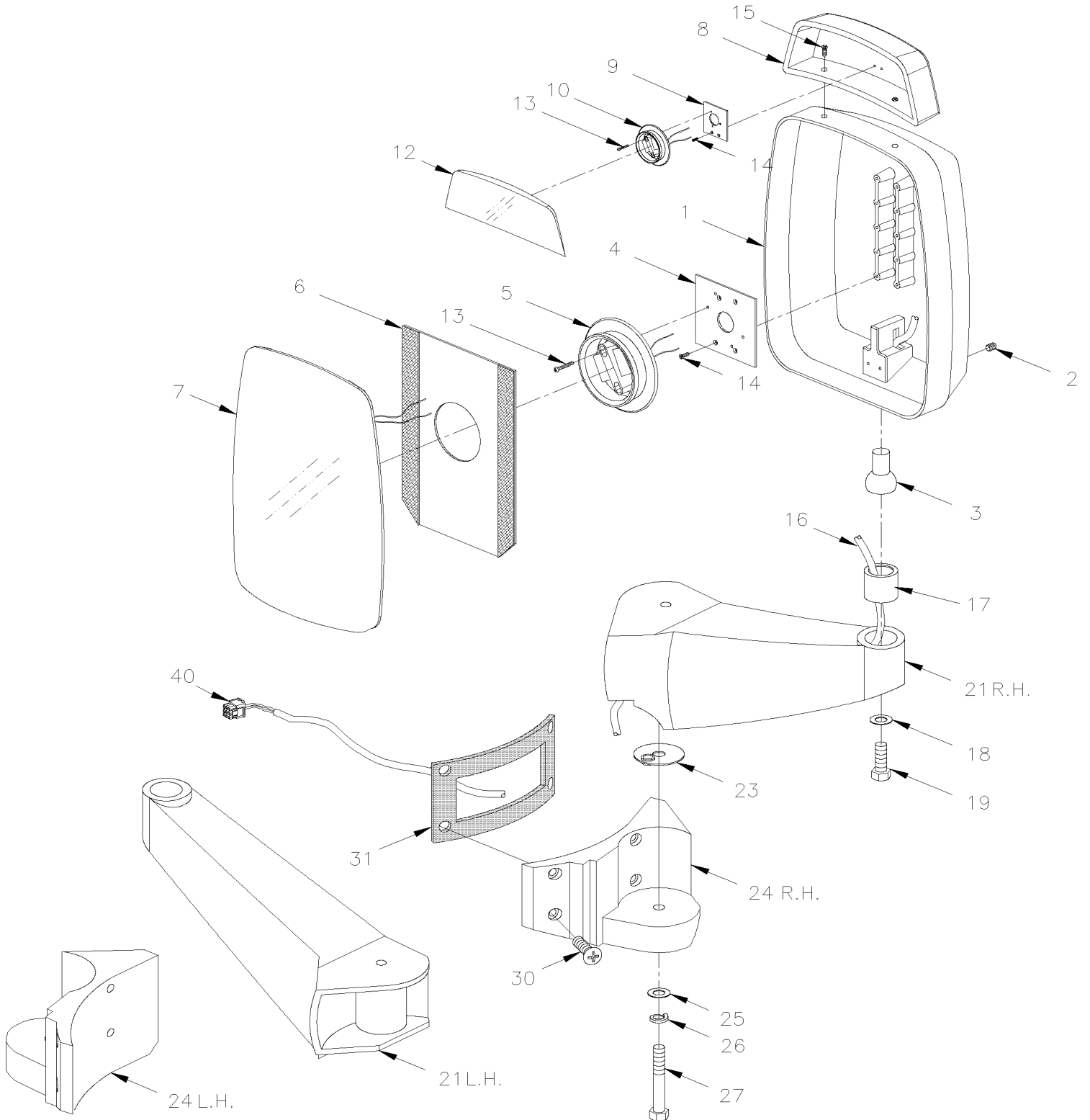
Item#	Part	Description	QTY	Notes
26	500035	. WASHER LO SPT .317x.586x.078 SS	1	
27	990500	. SCREW 1/2-13x2 HHCS SS	1	
30	5001461	SCREW MA FL PH M8-1.25x40 SS To K-6492	2	
30	5002124	SCREW MA FL PH M8-1.25x45 SS From L-6493	2	
30	5001581	SCREW CAP BUT HEXS M8-1.25x40 SS	2	
NS	5001341	WASHER FL 8.4x17.0x1.6 SS	2	
31	490873	GASKET, RH	1	
31	490894	GASKET, LH	1	
31	490873	GASKET, RH INSTALL ON CURBSIDE From E-5734 To L-6492	1	M
31	490873	GASKET, RH INSTALL ON STREET SIDE From E-5734 To L-6492	1	M
40	563802	CONNECTOR / W 45" CABLE ASSY / PH 9C From A-9873	2	
41	563801	CONNECTOR / MULTI CON X / SH 9C / CONXALL 4280-9SG-300 From A-9873	2	B
NS	562511	SOCKET TERMINAL / 20 / CONXALL 586SG	AR	B
43	491490	MIRROR BRACKET INSTALL ON STREET SIDE From E-5734 To L-6492	1	M
44	491490	MIRROR BRACKET INSTALL ON STREET SIDE From E-5734 To L-6492	1	M
45	490873	GASKET, RH INSTALL ON STREET SIDE From E-5734 To L-6492	1	M
46	5001581	SCREW CAP BUT HEXS M8-1.25x40 SS INSTALL ON STREET SIDE From E-5734 To L-6492	4	M
46	680098	THREAD SEALANT LOCTITE #567 / WHITE / 250ml INSTALL ON STREET SIDE From E-5734 To L-6492	AR	M
47	5001341	WASHER FL 8.4x17.0x1.6 SS INSTALL ON STREET SIDE From E-5734 To L-6492	4	M
48	491422	DECAL / MIRROR REFLECTING INSTALL ON CURBSIDE From E-5734 To L-6492	AR	M
48	491422	DECAL / MIRROR REFLECTING INSTALL ON STREET SIDE From E-5734 To L-6492	AR	M
50	990715	MIRROR CONVEX 8" O.D.	1	
50	990968	MIRROR, ROUND CONVEX 6" BLACK	1	
51	990716	BRACKET TO FIX MIRROR OVER HEAD USE WITH 8" MIRROR	1	
51	990969	BRACKET & HARDWARE KIT, MIRROR USE WITH 6" MIRROR	1	
		B) THIS CONNECTOR IT USED ON CABLE HARNESS FROM INSIDE OF VEHICULE		
		M) USE WITH SPECIAL MEXICO "GREYHOUND" OPTION		
		4) NO PARTS NUMBER		

From 7-8754

Date:01/2024

PAGE:X3-1856-21

MIRROR "RAMCO" FLAT GLASS / SILVER PAINTED



From 7-8754	Date:01/2024	PAGE:X3-1856-21
-------------	--------------	-----------------

MIRROR "RAMCO" FLAT GLASS / SILVER PAINTED

Item#	Part	Description	QTY	Notes
	990408	MIRROR ASSY, L.H. / W/CONVEX ELECTRIC / W/8 PINS CONNECTOR To A-9872	1	
	990453	MIRROR ASSY, L.H. / W/CONVEX ELECTRIC / W/9 PINS CONNECTOR From A-9873 To J-6240	1	
	990465	MIRROR ASSY, L.H. / W/CONVEX ELECTRIC / W/9 PINS CONNECTOR From J-6241 To K-6492	1	
	990550	MIRROR ASSY, L.H. / W/CONVEX ELECTRIC / W/9 PINS CONNECTOR From L-6493	1	
	990365	MIRROR ASSY, R.H. / W/CONVEX ELECTRIC / W/8 PINS CONNECTOR To A-9872	1	
	990451	MIRROR ASSY, R.H. / W/CONVEX ELECTRIC / W/9 PINS CONNECTOR From A-9873 To J-6240	1	
	990025	MIRROR ASSY, R.H. / W/CONVEX ELECTRIC / W/9 PINS CONNECTOR From J-6241 To K-6492	1	
	990545	MIRROR ASSY, R.H. / W/CONVEX ELECTRIC / W/9 PINS CONNECTOR From L-6493	1	
1	990375	. HEAD ASSY / W/CONVEX ELECTRIC / W/8 PINS CONNECTOR To A-9872	1	
1	990450	. HEAD ASSY / W/CONVEX ELECTRIC / W/9 PINS CONNECTOR From A-9873 To J-6240	1	
1	990517	. HEAD ASSY / W/CONVEX ELECTRIC / W/9 PINS CONNECTOR From J-6241	1	
. NS	060776	. . CABLE ASSY / W/CONNECTOR 9PIN 54" From J-6241	1	
2	502812	. . SCREW SET HEXS CUP 3/8-16X3/8 SS	1	
3	990186	. . STUD, BALL To A-9872	1	
3	990478	. . STUD, BALL From A-9873	1	
4	990272	. . NOTCHED BACK MOUNTING PLATE (2" X 3")	1	
5	990631	. . MOTOR 12V / NEW STYLE MOUNTING NEW STYLE MOUNTING From N-6775	1	
5	990349	. . MOTOR 12V / MEDIUM / BLACK / 108MM / 4 1/4" O.D. OLD STYLE MOUNTING To N-6774	1	
. NS	564494	. . . TAB TERMINAL / 20-16 / AMP 63138-1 To N-6774	4	
6	990630	. . SNAP RING / NEW STYLE MOUNTING NEW STYLE MOUNTING From N-6775	1	
6	990268	. . VELCRO PLATE / 8" X 8" OLD STYLE MOUNTING To N-6774	1	
7	990632	. . GLASS ASSY W/HEATER 12V / NEW STYLE MOUNTING NEW STYLE MOUNTING From N-6775	1	
7	990199	. . GLASS ASSY W/HEATER 12V OLD STYLE MOUNTING To N-6774	1	
8	990346	. . HEAD ASSY / W/CONVEX ELECTRIC / W/8 PINS CONNECTOR	1	
9	990295	. . . PLATE, TOP MOTOR MOUNTING	1	
10	990300	. . . MOTOR 12V / SMALL / BLACK / 85MM / 3 5/16" O.D.	1	
. NS	564494	. . . TAB TERMINAL / 20-16 / AMP 63138-1	4	
12	990339	. . . GLASS CONVEX ASSY W/HEATER 12V	1	
13	N.P.N.	. . SCREW TC PAN PH ZP 6-32 X 1 1/8"	3	4
14	500660	. . SCREW TC FL PH #6-32x3/8 Z050	3	
15	990530	. . SCREW CAP HEX #10-24x1" SS	2	
NS	500787	. . NUT HEX #10-24 SS	2	
16	N.P.N.	. . CABLE ASSY / W/CONNECTOR 8PIN / SEE ITEM # 40 To A-9872	1	4
16	060776	. . CABLE ASSY / W/CONNECTOR 9PIN 54" From A-9873	1	
17	990379	. . CUP, BALL STUD RETAINER / ONE PIECE	1	
18	500270	. . WASHER FL .406x1.000x.063 SS	1	
19		. . SCREW CAP HEX SS 3/8-24 X 1.250	1	
21	990315	. ARM, R.H.	1	
21	990393	. ARM, L.H. / DIRTY FREE	1	
23	990265	. WASHER ALUMINUM / 2 " O.D.	1	
23	504082	. . SNAP BUSHING / .125x.312x.312	1	
24	990309	. BRACKET, MOUNTING R.H. To K-6492	1	

From 7-8754	Date:01/2024	PAGE:X3-1856-21
MIRROR "RAMCO" FLAT GLASS / SILVER PAINTED		

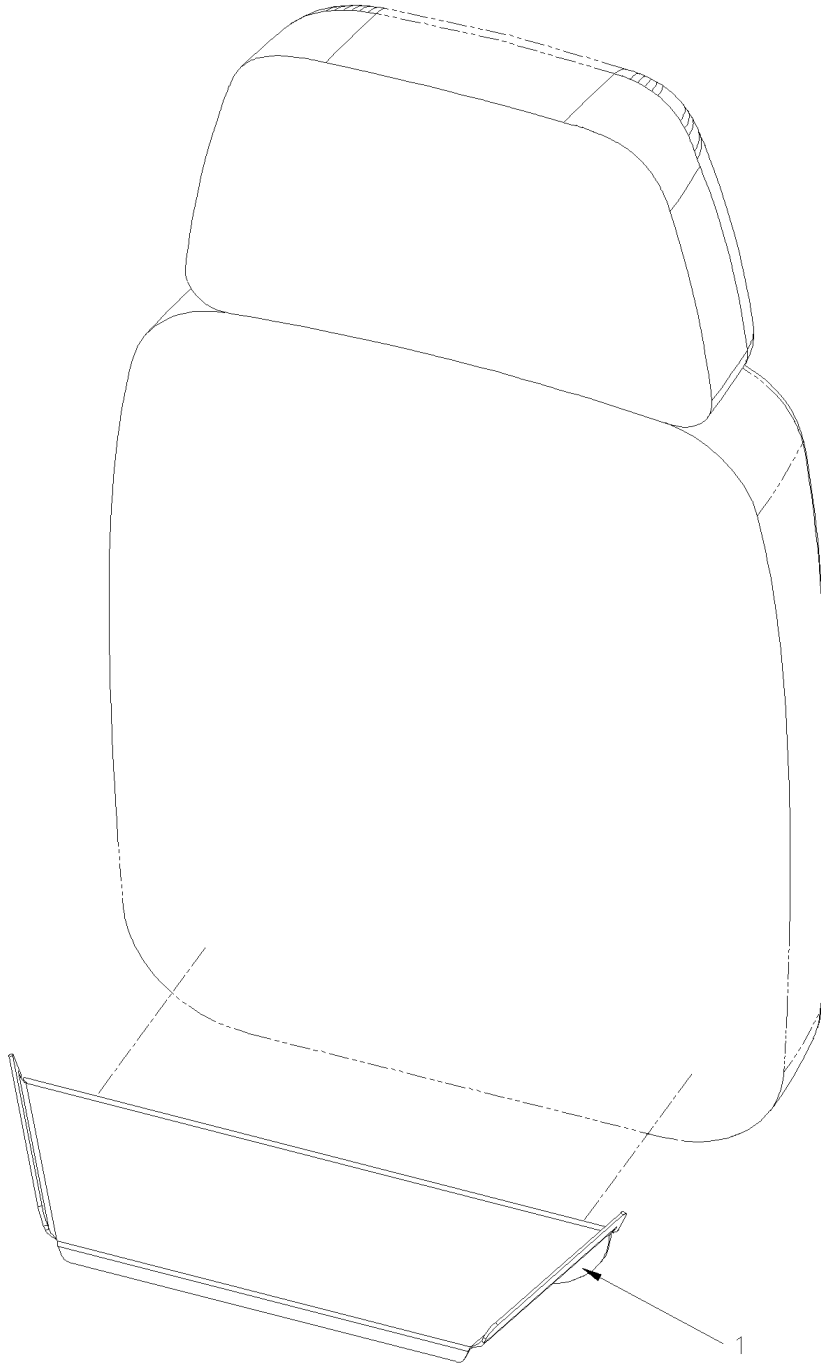
Item#	Part	Description	QTY	Notes
24	990538	. BRACKET, MOUNTING R.H. From L-6493	1	
24	990311	. BRACKET, MOUNTING L.H. To K-6492	1	
24	990541	. BRACKET, MOUNTING L.H. From L-6493	1	
25	500958	. WASHER FL .531x1.062x.095 SS	1	
26	500035	. WASHER LO SPT .317x.586x.078 SS	1	
27	990500	. SCREW 1/2-13x2 HHCS SS	1	
30	5001461	SCREW MA FL PH M8-1.25x40 SS To K-6492	2	
30	5002124	SCREW MA FL PH M8-1.25x45 SS From L-6493	2	
30	5001581	SCREW CAP BUT HEXS M8-1.25x40 SS	2	
NS	5001341	WASHER FL 8.4x17.0x1.6 SS	2	
31	490873	GASKET, RH	2	
31	490894	GASKET, LH	1	
40	563163	CONNECTOR / W 45" CABLE ASSY / PH 8C / CONXALL 3280-8PG-324 To A-9872	2	
40	563802	CONNECTOR / W 45" CABLE ASSY / PH 9C From A-9873	2	
NS	563088	CONNECTOR / MULTI CON X / SH 8C / CONXALL 4280-8SG-300 To A-9872	2	B
41	563801	CONNECTOR / MULTI CON X / SH 9C / CONXALL 4280-9SG-300 From A-9873	2	B
NS	562511	SOCKET TERMINAL / 20 / CONXALL 586SG	AR	B
NS	MI16-28	DRIP EDGE ADDITION ON FRONT MIRRORS / PRODUCT IMPROVMENT		
		B) THIS CONNECTOR IT USED ON CABLE HARNESS FROM INSIDE OF VEHICULE		
		4) NO PARTS NUMBER		

From 7-8754

Date:01/2024

PAGE:MI16-28

DRIP EDGE ADDITION ON FRONT MIRRORS / PRODUCT IMPROVMENT



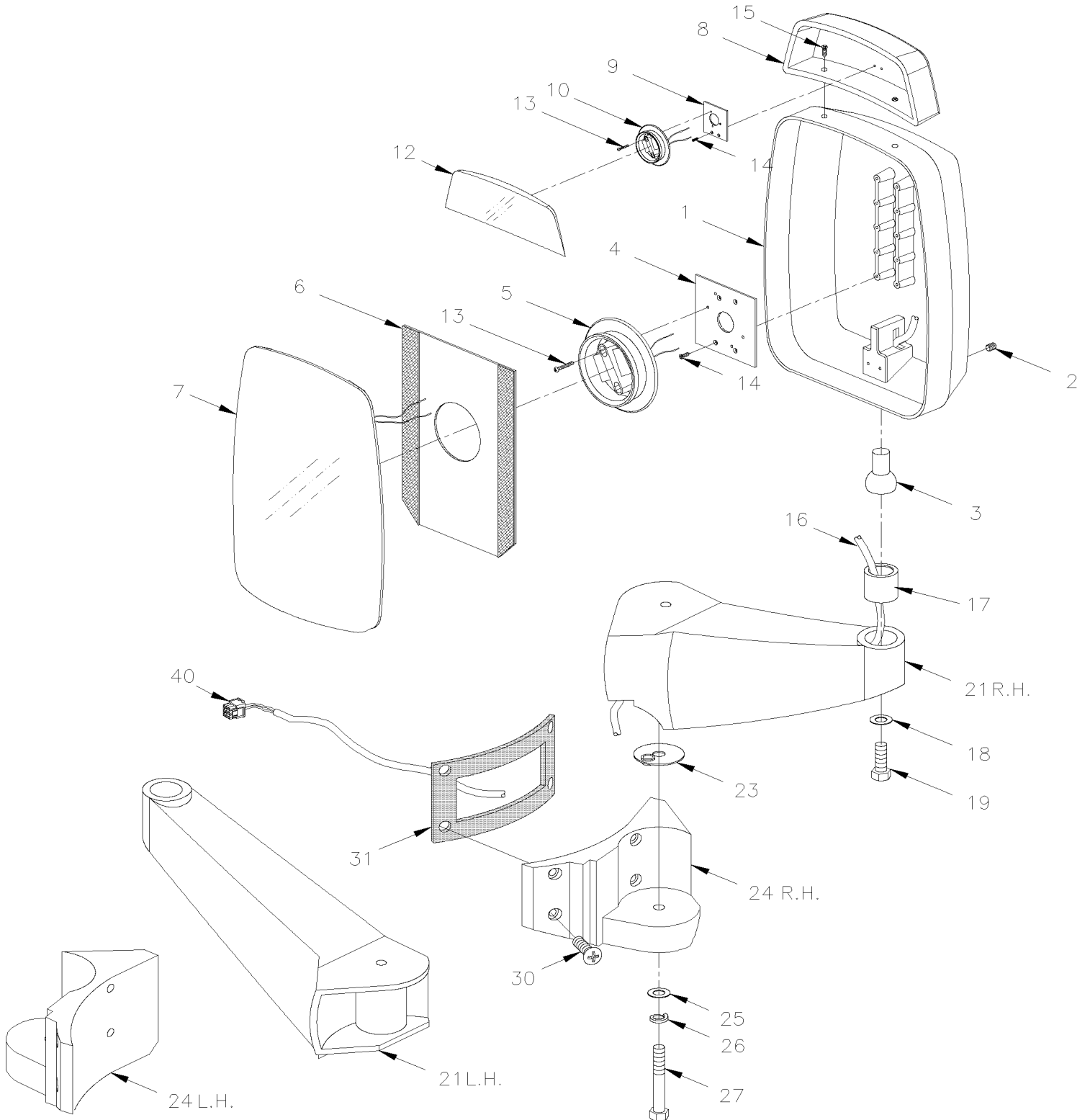
From 7-8754			Date:01/2024	PAGE:MI16-28		
DRIP EDGE ADDITION ON FRONT MIRRORS / PRODUCT IMPROVMENT						
Item#	Part	Description			QTY	Notes
1	491507	MIRROR EXT. DRIP MOLDING ASSY			2	
2		MAINTENANCE INFORMATION			1	

From 7-8754

Date:01/2024

PAGE:X3-1856-23

MIRROR "RAMCO" FLAT GLASS / BLACK PAINTED



From 7-8754	Date:01/2024	PAGE:X3-1856-23
-------------	--------------	-----------------

MIRROR "RAMCO" FLAT GLASS / BLACK PAINTED

Item#	Part	Description	QTY	Notes
	990363	MIRROR ASSY, R.H. / W/CONVEX ELECTRIC / W/8 PINS CONNECTOR To A-9872	1	
	990431	MIRROR ASSY, R.H. / W/CONVEX ELECTRIC / W/9 PINS CONNECTOR From A-9873 To J-6240	1	
	990021	MIRROR ASSY, R.H. / W/CONVEX ELECTRIC / W/9 PINS CONNECTOR From J-6241 To K-6492	1	
	990543	MIRROR ASSY, R.H. / W/CONVEX ELECTRIC / W/9 PINS CONNECTOR From L-6493	1	
	990407	MIRROR ASSY, L.H. / W/CONVEX ELECTRIC / W/8 PINS CONNECTOR To A-9872	1	
	990452	MIRROR ASSY, L.H. / W/CONVEX ELECTRIC / W/9 PINS CONNECTOR From A-9873 To J-6240	1	
	990462	MIRROR ASSY, L.H. / W/CONVEX ELECTRIC / W/9 PINS CONNECTOR From J-6241 To K-6492	1	
	990548	MIRROR ASSY, L.H. / W/CONVEX ELECTRIC / W/9 PINS CONNECTOR From L-6493	1	
	990384	MIRROR ASSY, R.H. / W/CONVEX ELECTRIC / W/9 PINS CONNECTOR / ORLEAN To A-9872	1	A
	990415	MIRROR ASSY, L.H. / W/CONVEX ELECTRIC / W/9 PINS CONNECTOR / ORLEAN To A-9872	1	A
1	990374	. HEAD ASSY / W/CONVEX ELECTRIC / W/8 PINS CONNECTOR To A-9872	1	
1	990443	. HEAD ASSY / W/CONVEX ELECTRIC / W/9 PINS CONNECTOR From A-9873 To J-6240	1	
1	990515	. HEAD ASSY / W/CONVEX ELECTRIC / W/9 PINS CONNECTOR From J-6241	1	
. NS	060776	. . CABLE ASSY / W/CONNECTOR 9PIN 54" From J-6241	1	
1	990383	. HEAD ASSY / W/CONVEX ELECTRIC / W/9 PINS CONNECTOR / ORLEAN To A-9872	1	A
2	502812	. . SCREW SET HEXS CUP 3/8-16X3/8 SS	1	
3	990186	. . STUD, BALL To A-9872	1	
3	990478	. . STUD, BALL From A-9873	1	
4	990272	. . NOTCHED BACK MOUNTING PLATE (2" X 3")	1	
5	990631	. . MOTOR 12V / NEW STYLE MOUNTING NEW STYLE MOUNTING From N-6775	1	
5	990349	. . MOTOR 12V / MEDIUM / BLACK / 108MM / 4 1/4" O.D. OLD STYLE MOUNTING To N-6774	1	
. NS	564494	. . . TAB TERMINAL / 20-16 / AMP 63138-1 To N-6774	4	
6	990630	. . SNAP RING / NEW STYLE MOUNTING NEW STYLE MOUNTING From N-6775	1	
6	990268	. . VELCRO PLATE / 8" X 8" OLD STYLE MOUNTING To N-6774	1	
7	990632	. . GLASS ASSY W/HEATER 12V / NEW STYLE MOUNTING NEW STYLE MOUNTING From N-6775	1	
7	990199	. . GLASS ASSY W/HEATER 12V OLD STYLE MOUNTING To N-6774	1	
8	990297	. MIRROR ASSY / CONVEX ELECTRIC	1	
9	990295	. . PLATE, TOP MOTOR MOUNTING	1	
10	990219	. . MOTOR 12V / SMALL / BLACK / 85MM / 3 5/16" O.D.	1	
. NS	564494	. . . TAB TERMINAL / 20-16 / AMP 63138-1	4	
12	990339	. . GLASS CONVEX ASSY W/HEATER 12V	1	
13	N.P.N.	. . SCREW TC FL PH ZP 6-32 X 1 1/8"	3	4
14	500660	. . SCREW TC FL PH #6-32x3/8 Z050	2	
15	990530	. . SCREW CAP HEX #10-24x1" SS	2	
NS	500787	. . NUT HEX #10-24 SS	2	
16	060776	. . CABLE ASSY / W/CONNECTOR 9PIN 54"	1	
17	990379	. . CUP, BALL STUD RETAINER / ONE PIECE	1	
18	500270	. . WASHER FL .406x1.000x.063 SS	1	
19	N.P.N.	. . SCREW CAP HEX SS 3/8-24 X 1.250	1	4
21	990308	. ARM, R.H.	1	
21	990392	. ARM, L.H. / DIRTY FREE	1	
23	990265	. WASHER ALUMINUM / 2 " O.D.	1	

From 7-8754	Date:01/2024	PAGE:X3-1856-23
-------------	--------------	-----------------

MIRROR "RAMCO" FLAT GLASS / BLACK PAINTED

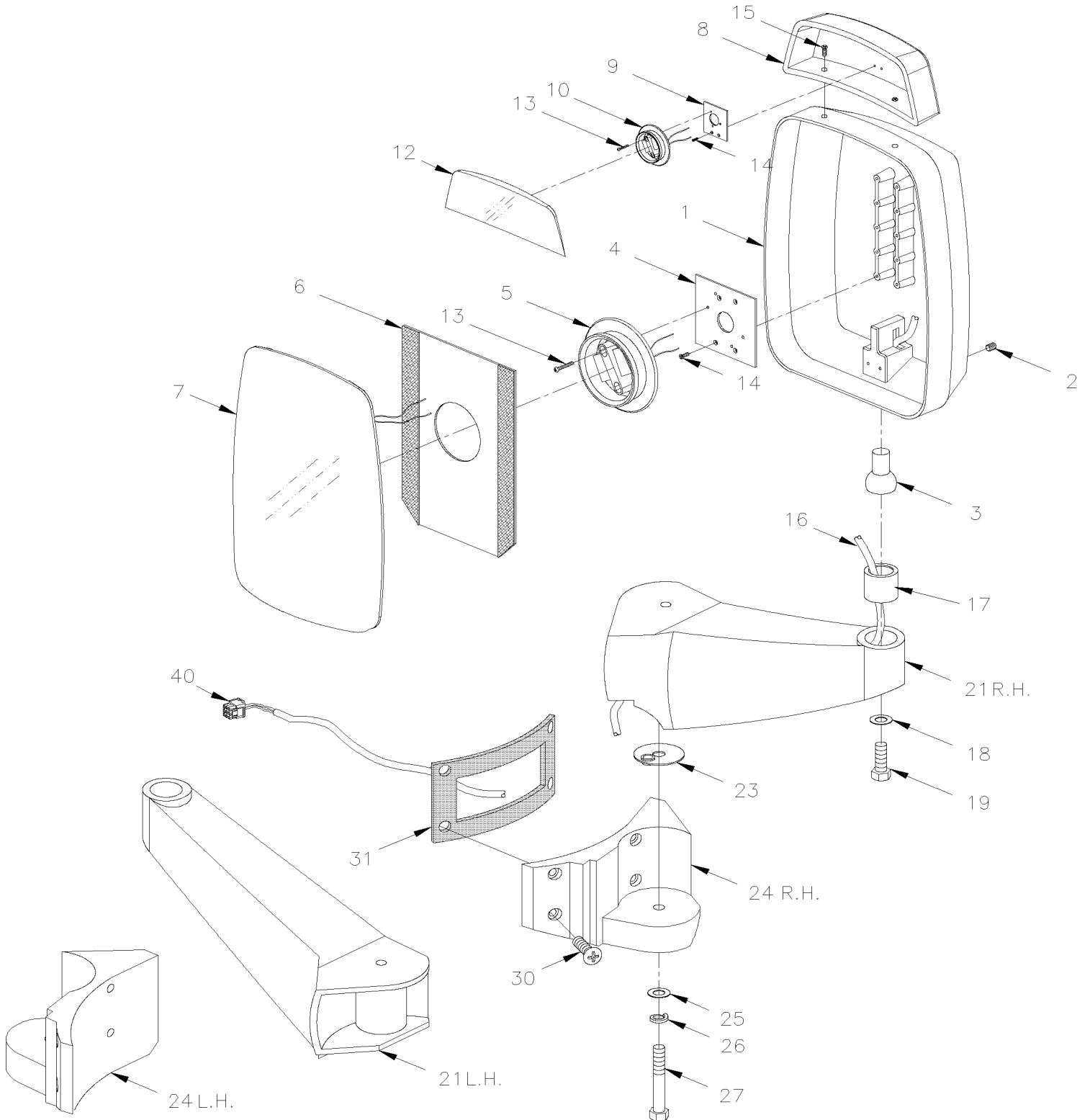
Item#	Part	Description	QTY	Notes
NS	504082	. . SNAP BUSHING / .125x.312x.312	1	
24	990305	. BRACKET, MOUNTING R.H. To K-6492	1	
24	990537	. BRACKET, MOUNTING R.H. From L-6493	1	
24	990306	. BRACKET, MOUNTING L.H. To K-6492	1	
24	990540	. BRACKET, MOUNTING L.H. From L-6493	1	
25	500958	. WASHER FL .531x1.062x.095 SS	1	
26	500035	. WASHER LO SPT .317x.586x.078 SS	1	
27	990500	. SCREW 1/2-13x2 HHCS SS	1	
30	5001461	SCREW MA FL PH M8-1.25x40 SS To K-6492	2	
30	5002124	SCREW MA FL PH M8-1.25x45 SS From L-6493	2	
30	5001581	SCREW CAP BUT HEXS M8-1.25x40 SS	2	
NS	5001341	WASHER FL 8.4x17.0x1.6 SS	2	
31	490873	GASKET, RH	1	
31	490894	GASKET, LH	1	
40	563163	CONNECTOR / W 45" CABLE ASSY / PH 8C / CONXALL 3280-8PG-324 To A-9872	2	
40	563802	CONNECTOR / W 45" CABLE ASSY / PH 9C From A-9873	2	
NS	563088	CONNECTOR / MULTI CON X / SH 8C / CONXALL 4280-8SG-300 To A-9872	2	B
41	563801	CONNECTOR / MULTI CON X / SH 9C / CONXALL 4280-9SG-300 From A-9873	2	B
NS	562511	SOCKET TERMINAL / 20 / CONXALL 586SG	AR	B
NS	MI16-28	DRIP EDGE ADDITION ON FRONT MIRRORS / PRODUCT IMPROVMENT	1	
		A) "OPTION ORLEAN"		
		B) THIS CONNECTOR IT USED ON CABLE HARNESS FROM INSIDE OF VEHICULE		
		4) NO PARTS NUMBER		

From 7-8754

Date:01/2024

PAGE:X3-1856-24

MIRROR "RAMCO" FLAT GLASS / BLACK PAINTED WITH DIRECTIONAL



From 7-8754	Date:01/2024	PAGE:X3-1856-24
-------------	--------------	-----------------

MIRROR "RAMCO" FLAT GLASS / BLACK PAINTED WITH DIRECTIONAL

Item#	Part	Description	QTY	Notes
	990425	MIRROR ASSY, L.H. / DIRECTIONAL / W/CONVEX / W/8 PINS CONNECTOR To A-9872	1	
	990455	MIRROR ASSY, L.H. / DIRECTIONAL / W/CONVEX / W/9 PINS CONNECTOR From A-9873 To J-6240	1	
	990472	MIRROR ASSY, L.H. / DIRECTIONAL / W/CONVEX / W/9 PINS CONNECTOR From J-6241 To K-6492	1	
	990549	MIRROR ASSY, L.H. / DIRECTIONAL / W/CONVEX / W/9 PINS CONNECTOR From L-6493	1	
	990424	MIRROR ASSY, R.H. / DIRECTIONAL / W/CONVEX / W/8 PINS CONNECTOR To A-9872	1	
	990438	MIRROR ASSY, R.H. / DIRECTIONAL / W/CONVEX / W/9 PINS CONNECTOR From A-9873 To H-6233	1	
	990469	MIRROR ASSY, R.H. / DIRECTIONAL / W/CONVEX / W/9 PINS CONNECTOR From J-6241 To K-6492	1	
	990544	MIRROR ASSY, R.H. / DIRECTIONAL / W/CONVEX / W/9 PINS CONNECTOR From L-6493	1	
1	990441	. HEAD ASSY / ELECTRIC L.H. / W/8 PINS CONNECTOR To A-9872	1	
1	990717	. HEAD ASSY / ELECTRIC L.H. / W/9 PINS CONNECTOR From A-9873 To H-6233	1	
1	990521	. HEAD ASSY / ELECTRIC L.H. / W/9 PINS CONNECTOR From J-6241	1	
. NS	060776	. . CABLE ASSY / W/CONNECTOR 9PIN 54" From J-6241	1	
1	990442	. HEAD ASSY / ELECTRIC R.H. / W/8 PINS CONNECTOR To A-9872	1	
1	990718	. HEAD ASSY / ELECTRIC R.H. / W/9 PINS CONNECTOR From A-9873 To H-6233	1	
1	990519	. HEAD ASSY / ELECTRIC R.H. / W/9 PINS CONNECTOR From J-6241	1	
. NS	060776	. . CABLE ASSY / W/CONNECTOR 9PIN 54" From J-6241	1	
2	502812	. . SCREW SET HEXS CUP 3/8-16X3/8 SS	1	
3	990186	. . STUD, BALL To A-9872	1	
3	990478	. . STUD, BALL From A-9873	1	
4	990272	. . NOTCHED BACK MOUNTING PLATE (2" X 3")	1	
5	990631	. . MOTOR 12V / NEW STYLE MOUNTING NEW STYLE MOUNTING From N-6775	1	
5	990349	. . MOTOR 12V / MEDIUM / BLACK / 108MM / 4 1/4" O.D. OLD STYLE MOUNTING To N-6774	1	
. NS	564494	. . . TAB TERMINAL / 20-16 / AMP 63138-1 To N-6774	4	
6	990630	. . SNAP RING / NEW STYLE MOUNTING NEW STYLE MOUNTING From N-6775	1	
6	990474	. . VELCRO PLATE / 8" X 8" / W/RECESS FOR FLASHER OLD STYLE MOUNTING To N-6774	1	
7	990633	. . GLASS ASSY W/DIRECTIONAL ARROW L.H. / NEW STYLE MOUNTING NEW STYLE MOUNTING From N-6775	1	
7	990634	. . GLASS ASSY W/DIRECTIONAL ARROW R.H. / NEW STYLE MOUNTING NEW STYLE MOUNTING From N-6775	1	
7	990427	. . GLASS ASSY W/DIRECTIONAL ARROW L.H. OLD STYLE MOUNTING To N-6774	1	
7	990428	. . GLASS ASSY W/DIRECTIONAL ARROW R.H. OLD STYLE MOUNTING To N-6774	1	
8	990297	. MIRROR ASSY / CONVEX ELECTRIC	1	
9	990295	. . PLATE, TOP MOTOR MOUNTING	1	
10	990219	. . MOTOR 12V / SMALL / BLACK / 85MM / 3 5/16" O.D.	1	
. NS	564494	. . . TAB TERMINAL / 20-16 / AMP 63138-1	4	
12	990339	. . GLASS CONVEX ASSY W/HEATER 12V	1	
13	N.P.N.	. . SCREW TC FL PH ZP 6-32 X 1 1/8"	3	4
14	500660	. . SCREW TC FL PH #6-32x3/8 Z050	2	
15	990530	. . SCREW CAP HEX #10-24x1" SS	2	
NS	500787	. . NUT HEX #10-24 SS	2	
16	N.P.N.	. . CABLE ASSY / W/CONNECTOR 8PIN / SEE ITEM # 40 To A-9872	1	4
16	060776	. . CABLE ASSY / W/CONNECTOR 9PIN 54" From A-9873	1	
17	990379	. . CUP, BALL STUD RETAINER / ONE PIECE	1	
18	500270	. . WASHER FL .406x1.000x.063 SS	1	

From 7-8754		Date:01/2024	PAGE:X3-1856-24
-------------	--	--------------	-----------------

MIRROR "RAMCO" FLAT GLASS / BLACK PAINTED WITH DIRECTIONAL

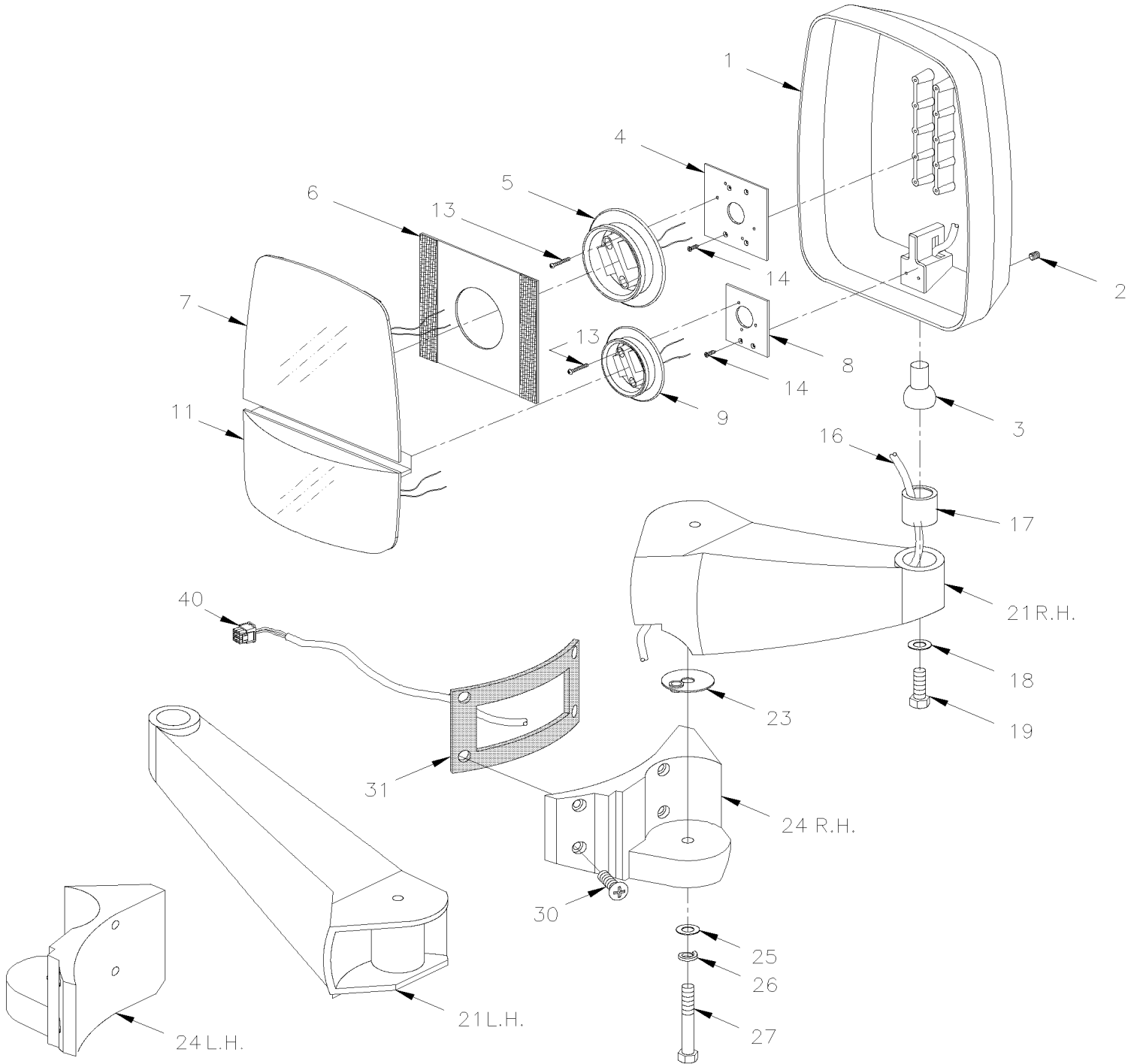
Item#	Part	Description	QTY	Notes
19	N.P.N.	. . SCREW CAP HEX SS 3/8-24 X 1.250	1	4
21	990308	. ARM, R.H.	1	
21	990392	. ARM, L.H. / DIRTY FREE	1	
23	990265	. WASHER ALUMINUM / 2 " O.D.	1	
NS	504082	. . SNAP BUSHING / .125x.312x.312	1	
24	990305	. BRACKET, MOUNTING R.H. To K-6492	1	
24	990537	. BRACKET, MOUNTING R.H. From L-6493	1	
24	990306	. BRACKET, MOUNTING L.H. To K-6492	1	
24	990540	. BRACKET, MOUNTING L.H. From L-6493	1	
25	500958	. WASHER FL .531x1.062x.095 SS	1	
26	500035	. WASHER LO SPT .317x.586x.078 SS	1	
27	990500	. SCREW 1/2-13x2 HHCS SS	1	
30	5001461	SCREW MA FL PH M8-1.25x40 SS To K-6492	2	
30	5002124	SCREW MA FL PH M8-1.25x45 SS From L-6493	2	
30	5001581	SCREW CAP BUT HEXS M8-1.25x40 SS	2	
NS	5001341	WASHER FL 8.4x17.0x1.6 SS	2	
31	490873	GASKET, RH	1	
31	490894	GASKET, LH	1	
40	563163	CONNECTOR / W 45" CABLE ASSY / PH 8C / CONXALL 3280-8PG-324 To A-9872	2	
40	563802	CONNECTOR / W 45" CABLE ASSY / PH 9C From A-9873	2	
NS	563088	CONNECTOR / MULTI CON X / SH 8C / CONXALL 4280-8SG-300 To A-9872	2	B
41	563801	CONNECTOR / MULTI CON X / SH 9C / CONXALL 4280-9SG-300 From A-9873	2	B
NS	562511	SOCKET TERMINAL / 20 / CONXALL 586SG	AR	B
NS	MI16-28	DRIP EDGE ADDITION ON FRONT MIRRORS / PRODUCT IMPROVMENT	1	
		B) THIS CONNECTOR IT USED ON CABLE HARNESS FROM INSIDE OF VEHICLE		
		4) NO PARTS NUMBER		

From 7-8754 To K-6492

Date:01/2024

PAGE:X3-1856-31

MIRROR "RAMCO" 2 GLASSES / SILVER PAINTED



From 7-8754 To K-6492	Date:01/2024	PAGE:X3-1856-31
MIRROR "RAMCO" 2 GLASSES / SILVER PAINTED		

Item#	Part	Description	QTY	Notes
	990357	MIRROR ASSY, R.H. / ELECTRIC / W/8 PINS CONNECTOR To A-9872	1	
	990447	MIRROR ASSY, R.H. / ELECTRIC / W/9 PINS CONNECTOR From A-9873 To J-6240	1	
	990509	MIRROR ASSY, R.H. / ELECTRIC / W/9 PINS CONNECTOR From J-6241	1	
	990404	MIRROR ASSY, L.H. / ELECTRIC / W/8 PINS CONNECTOR To A-9872	1	
	990449	MIRROR ASSY, L.H. / ELECTRIC / W/9 PINS CONNECTOR From A-9873 To J-6240	1	
	990514	MIRROR ASSY, L.H. / ELECTRIC / W/9 PINS CONNECTOR From J-6241	1	
1	990371	. HEAD ASSY / ELECTRIC / W/8 PINS CONNECTOR To A-9872	1	
1	990491	. HEAD ASSY / ELECTRIC / W/9 PINS CONNECTOR From A-9873 To J-6240	1	
1	990523	. HEAD ASSY / ELECTRIC / W/9 PINS CONNECTOR From J-6241	1	
. NS	060776	. . CABLE ASSY / W/CONNECTOR 9PIN 54" From J-6241	1	
2	502812	. . SCREW SET HEXS CUP 3/8-16X3/8 SS	1	
3	990186	. . STUD, BALL To A-9872	1	
3	990478	. . STUD, BALL From A-9873	1	
4	990272	. . NOTCHED BACK MOUNTING PLATE (2" X 3")	1	
5	990349	. . MOTOR 12V / MEDIUM / BLACK / 108MM / 4 1/4" O.D.	1	
. NS	564494	. . . TAB TERMINAL / 20-16 / AMP 63138-1	4	
6	990266	. . VELCRO PLATE / 6" X 7"	1	
7	990182	. . FLAT GLASS ASSY W/HEATER 12V	1	
8	990273	. . POWER CONVEX MOTOR BASE PLATE	1	
9	990219	. . MOTOR 12V / SMALL / BLACK / 85MM / 3 5/16" O.D.	1	
. NS	564494	. . . TAB TERMINAL / 20-16 / AMP 63138-1	4	
11	990338	. . CONVEX GLASS ASSY W/HEATER 12V	1	
13	N.P.N.	. . SCREW TC FL PH ZP 6-32 X 1 1/8"	3	4
14	500660	. . SCREW TC FL PH #6-32x3/8 Z050	2	
16	N.P.N.	. . CABLE ASSY / W/CONNECTOR 8 PIN / SEE ITEM # 40	1	4
16	N.P.N.	. . CABLE ASSY / W/CONNECTOR 5 PIN / SEE ITEM # 40	1	4
17	990379	. . CUP, BALL STUD RETAINER / ONE PIECE	1	
18	500270	. . WASHER FL .406x1.000x.063 SS	1	
19	N.P.N.	. . SCREW CAP HEX SS 3/8-24 X 1.250	1	4
21	990393	. ARM, L.H. / DIRTY FREE	1	
21	990315	. ARM, R.H.	1	
23	990265	. WASHER ALUMINUM / 2 " O.D.	1	
NS	504082	. . SNAP BUSHING / .125x.312x.312	1	
24	990309	. BRACKET, MOUNTING R.H.	1	
24	990311	. BRACKET, MOUNTING L.H.	1	
25	500958	. WASHER FL .531x1.062x.095 SS	1	
26	500035	. WASHER LO SPT .317x.586x.078 SS	1	
27	990500	. SCREW 1/2-13x2 HHCS SS	1	
30	5001461	SCREW MA FL PH M8-1.25x40 SS	2	
30	5001581	SCREW CAP BUT HEXS M8-1.25x40 SS	2	
NS	5001341	WASHER FL 8.4x17.0x1.6 SS	2	
31	490873	GASKET, RH	1	

From 7-8754 To K-6492	Date:01/2024	PAGE:X3-1856-31
MIRROR "RAMCO" 2 GLASSES / SILVER PAINTED		

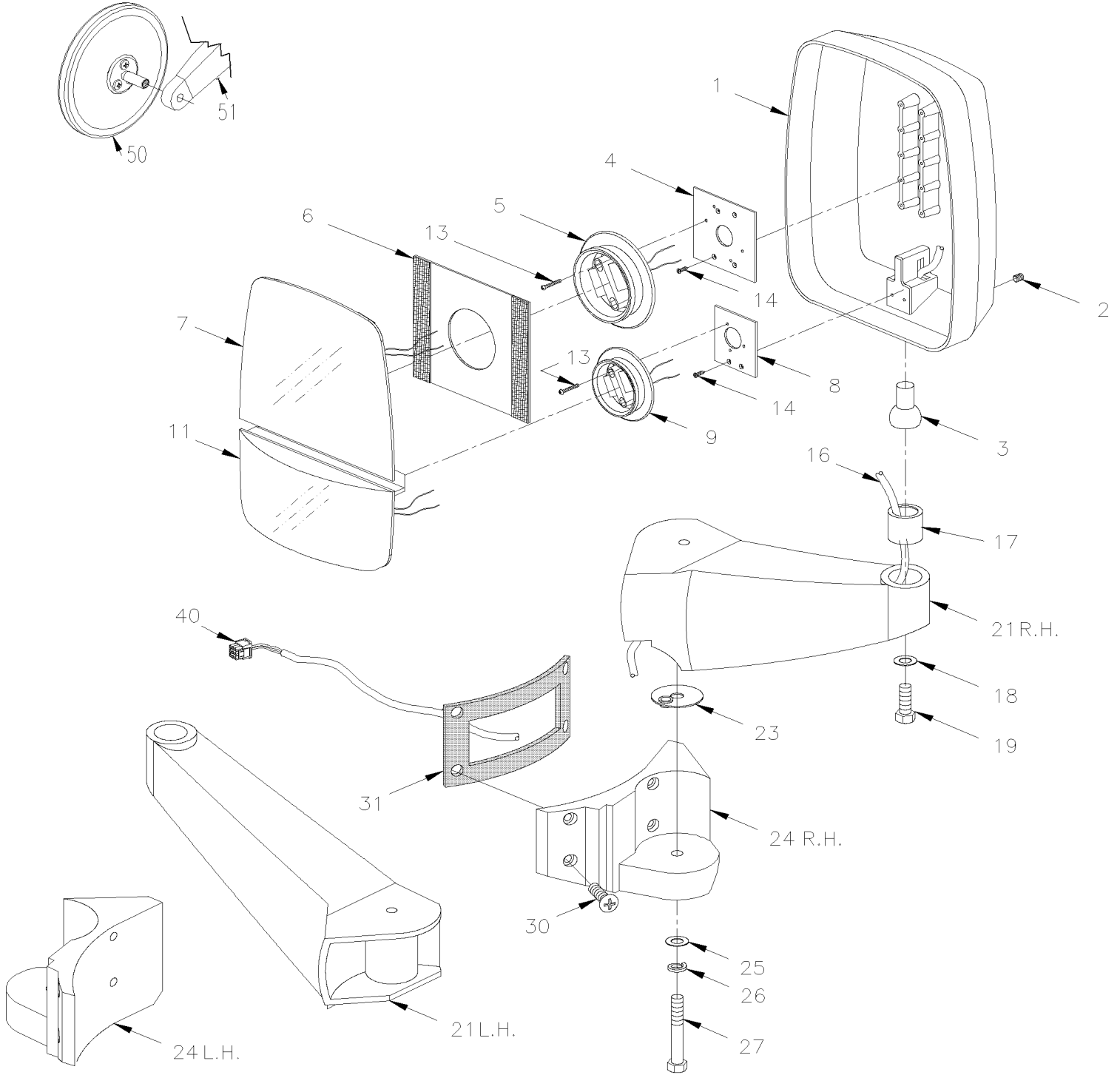
Item#	Part	Description	QTY	Notes
31	490894	GASKET, LH	1	
40	563163	CONNECTOR / W 45" CABLE ASSY / PH 8C / CONXALL 3280-8PG-324 To A-9872	2	
40	563802	CONNECTOR / W 45" CABLE ASSY / PH 9C From A-9873	2	
NS	563088	CONNECTOR / MULTI CON X / SH 8C / CONXALL 4280-8SG-300 To A-9872	2	B
41	563801	CONNECTOR / MULTI CON X / SH 9C / CONXALL 4280-9SG-300 From A-9873	2	B
NS	562511	SOCKET TERMINAL / 20 / CONXALL 586SG	AR	B
		B) THIS CONNECTOR IT USED ON CABLE HARNESS FROM INSIDE OF VEHICULE		
		4) NO PARTS NUMBER		

From 7-8754

Date:01/2024

PAGE:X3-1856-33

MIRROR "RAMCO" 2 GLASSES / BLACK PAINTED



From 7-8754		Date:01/2024	PAGE:X3-1856-33
-------------	--	--------------	-----------------

MIRROR "RAMCO" 2 GLASSES / BLACK PAINTED

Item#	Part	Description	QTY	Notes
	990355	MIRROR ASSY, R.H. / ELECTRIC / W/8 PINS CONNECTOR To A-9872	1	
	990429	MIRROR ASSY, R.H. / ELECTRIC / W/9 PINS CONNECTOR From A-9873 To F-5814	1	
	990508	MIRROR ASSY, R.H. / ELECTRIC / W/9 PINS CONNECTOR From A-9873 To F-5814	1	
	990403	MIRROR ASSY, L.H. / ELECTRIC / W/8 PINS CONNECTOR To A-9872	1	
	990448	MIRROR ASSY, L.H. / ELECTRIC / W/9 PINS CONNECTOR From A-9873 To F-5814	1	
	990513	MIRROR ASSY, L.H. / ELECTRIC / W/9 PINS CONNECTOR From A-9873 To F-5814	1	
1	990370	. HEAD ASSY / ELECTRIC / W/8 PINS CONNECTOR To A-9872	1	
1	990493	. HEAD ASSY / ELECTRIC / W/9 PINS CONNECTOR From A-9873 To F-5814	1	
1	990522	. HEAD ASSY / ELECTRIC / W/9 PINS CONNECTOR From A-9873 To F-5814	1	
. NS	060776	. . CABLE ASSY / W/CONNECTOR 9PIN 54" From A-9873 To F-5814	1	
2	502812	. . SCREW SET HEXS CUP 3/8-16X3/8 SS	1	
3	990186	. . STUD, BALL To A-9872	1	
3	990478	. . STUD, BALL From A-9873	1	
4	990272	. . NOTCHED BACK MOUNTING PLATE (2" X 3")	1	
5	990631	. . MOTOR 12V / NEW STYLE MOUNTING NEW STYLE MOUNTING From N-6775	1	
5	990349	. . MOTOR 12V / MEDIUM / BLACK / 108MM / 4 1/4" O.D. OLD STYLE MOUNTING To N-6774	1	
. NS	564494	. . . TAB TERMINAL / 20-16 / AMP 63138-1 To N-6774	4	
6	990630	. . SNAP RING / NEW STYLE MOUNTING NEW STYLE MOUNTING From N-6775	1	
6	990266	. . . VELCRO PLATE / 6" X 7" OLD STYLE MOUNTING To N-6774	1	
7	990632	. . GLASS ASSY W/HEATER 12V / NEW STYLE MOUNTING NEW STYLE MOUNTING From N-6775	1	
7	990182	. . FLAT GLASS ASSY W/HEATER 12V OLD STYLE MOUNTING To N-6774	1	
8	990273	. . POWER CONVEX MOTOR BASE PLATE	1	
9	990219	. . MOTOR 12V / SMALL / BLACK / 85MM / 3 5/16" O.D.	1	
. NS	564494	. . . TAB TERMINAL / 20-16 / AMP 63138-1	4	
11	990338	. . CONVEX GLASS ASSY W/HEATER 12V	1	
12	990282	. . CABLE ASSY W/2 WIRES HEATER ELEMENT	1	
13	N.P.N.	. . SCREW TC FL PAN PH ZP 6-32 X 1 1/8"	7	4
14	500660	. . SCREW TC FL PH #6-32x3/8 Z050	2	
16	N.P.N.	. . CABLE ASSY / W/CONNECTOR 8PIN / SEE ITEM # 40 To A-9872	1	4
16	060776	. . CABLE ASSY / W/CONNECTOR 9PIN 54" From A-9873	1	
17	990379	. . CUP, BALL STUD RETAINER / ONE PIECE	1	
18	500270	. . WASHER FL .406x1.000x.063 SS	1	
19	N.P.N.	. . SCREW CAP HEX SS 3/8-24 X 1.250	1	4
21	990392	. ARM, L.H. / DIRTY FREE	1	
NS	990308	. ARM, R.H.	1	
23	990265	. WASHER ALUMINUM / 2 " O.D.	1	
NS	504082	. . SNAP BUSHING / .125x.312x.312	1	
24	990305	. BRACKET, MOUNTING R.H. To K-6492	1	
24	990537	. BRACKET, MOUNTING R.H. From L-6493	1	
24	990306	. BRACKET, MOUNTING L.H. To K-6492	1	
24	990540	. BRACKET, MOUNTING L.H. From L-6493	1	
25	500958	. WASHER FL .531x1.062x.095 SS	1	

From 7-8754	Date:01/2024	PAGE:X3-1856-33
-------------	--------------	-----------------

MIRROR "RAMCO" 2 GLASSES / BLACK PAINTED

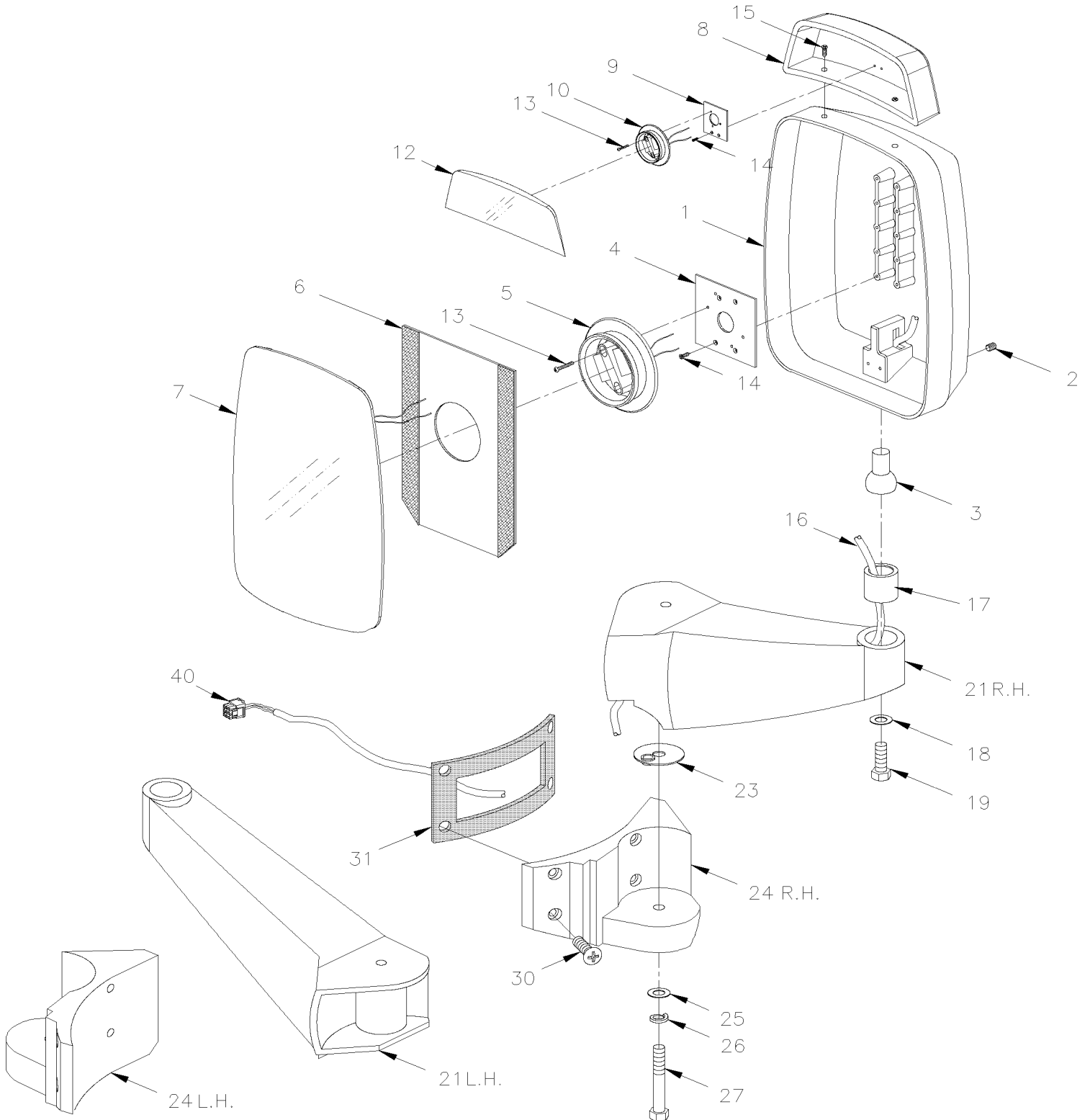
Item#	Part	Description	QTY	Notes
26	500035	. WASHER LO SPT .317x.586x.078 SS	1	
27	990500	. SCREW 1/2-13x2 HHCS SS	1	
30	5001461	SCREW MA FL PH M8-1.25x40 SS To K-6492	2	
30	5002124	SCREW MA FL PH M8-1.25x45 SS From L-6493	2	
30	5001581	SCREW CAP BUT HEXS M8-1.25x40 SS	2	
NS	5001341	WASHER FL 8.4x17.0x1.6 SS	2	
31	490873	GASKET, RH	1	
31	490894	GASKET, LH	1	
NS	506646	PAD RUB ADH1 CC POL 1/4" x 16" x 24" / BLACK 2542	AR	
40	563163	CONNECTOR / W 45" CABLE ASSY / PH 8C / CONXALL 3280-8PG-324 To A-9872	2	
40	563802	CONNECTOR / W 45" CABLE ASSY / PH 9C From A-9873	2	
NS	563088	CONNECTOR / MULTI CON X / SH 8C / CONXALL 4280-8SG-300 To A-9872	2	B
NS	563801	CONNECTOR / MULTI CON X / SH 9C / CONXALL 4280-9SG-300 From A-9873	2	B
NS	562511	SOCKET TERMINAL / 20 / CONXALL 586SG	AR	B
		NEXT "OPTION" USE WITH "GREYHOUNG		
50	990715	MIRROR CONVEX 8" O.D.	1	GR
50	990968	MIRROR, ROUND CONVEX 6" BLACK	1	GR
51	990716	BRACKET TO FIX MIRROR OVER HEAD USE WITH 8" MIRROR	1	GR
51	990969	BRACKET & HARDWARE KIT, MIRROR USE WITH 6" MIRROR	1	GR
		B) THIS CONNECTOR IT USED ON CABLE HARNESS FROM INSIDE OF VEHICULE		
		GR) "GREYHOUND" OPTION		
		4) NO PARTS NUMBER		

From 7-8754

Date:01/2024

PAGE:X3-1856-51

MIRROR "RAMCO" FLAT GLASS / CHROME



From 7-8754		Date:01/2024	PAGE:X3-1856-51
MIRROR "RAMCO" FLAT GLASS / CHROME			

Item#	Part	Description	QTY	Notes
	990409	MIRROR ASSY, L.H. / W/CONVEX ELECTRIC / W/8 PINS CONNECTOR To A-9872	1	
	990454	MIRROR ASSY, L.H. / W/CONVEX ELECTRIC / W/9 PINS CONNECTOR From A-9873 To J-6240	1	
	990466	MIRROR ASSY, L.H. / W/CONVEX ELECTRIC / W/9 PINS CONNECTOR From J-6241 To K-6492	1	
	990551	MIRROR ASSY, L.H. / W/CONVEX ELECTRIC / W/9 PINS CONNECTOR From L-6493	1	
	990367	MIRROR ASSY, R.H. / W/CONVEX ELECTRIC / W/8 PINS CONNECTOR To A-9872	1	
	990433	MIRROR ASSY, R.H. / W/CONVEX ELECTRIC / W/9 PINS CONNECTOR From A-9873 To J-6240	1	
	990022	MIRROR ASSY, R.H. / W/CONVEX ELECTRIC / W/9 PINS CONNECTOR From J-6241 To K-6492	1	
	990546	MIRROR ASSY, R.H. / W/CONVEX ELECTRIC / W/9 PINS CONNECTOR From L-6493	1	
1	990376	. HEAD ASSY / W/CONVEX ELECTRIC / W/8 PINS CONNECTOR To A-9872	1	
1	990444	. HEAD ASSY / W/CONVEX ELECTRIC / W/9 PINS CONNECTOR From A-9873 To J-6240	1	
1	990516	. HEAD ASSY / W/CONVEX ELECTRIC / W/9 PINS CONNECTOR From J-6241	1	
. NS	060776	. . CABLE ASSY / W/CONNECTOR 9PIN 54" From J-6241	1	
2	502812	. . SCREW SET HEXS CUP 3/8-16X3/8 SS	1	
3	990186	. . STUD, BALL To A-9872	1	
3	990478	. . STUD, BALL From A-9873	1	
4	990272	. . NOTCHED BACK MOUNTING PLATE (2" X 3")	1	
5	990631	. . MOTOR 12V / NEW STYLE MOUNTING NEW STYLE MOUNTING From N-6775	1	
5	990349	. . MOTOR 12V / MEDIUM / BLACK / 108MM / 4 1/4" O.D. OLD STYLE MOUNTING To N-6774	1	
. NS	564494	. . . TAB TERMINAL / 20-16 / AMP 63138-1 To N-6774	4	
6	990630	. . SNAP RING / NEW STYLE MOUNTING NEW STYLE MOUNTING From N-6775	1	
6	990268	. . VELCRO PLATE / 8" X 8" OLD STYLE MOUNTING To N-6774	1	
7	990632	. . GLASS ASSY W/HEATER 12V / NEW STYLE MOUNTING NEW STYLE MOUNTING From N-6775	1	
7	990199	. . GLASS ASSY W/HEATER 12V OLD STYLE MOUNTING To N-6774	1	
8	990302	. MIRROR ASSY / CONVEX ELECTRIC	1	
9	990295	. . PLATE, TOP MOTOR MOUNTING	1	
10	990219	. . MOTOR 12V / SMALL / BLACK / 85MM / 3 5/16" O.D.	1	
. NS	564494	. . . TAB TERMINAL / 20-16 / AMP 63138-1	4	
12	990339	. . GLASS CONVEX ASSY W/HEATER 12V	1	
13	N.P.N.	. . SCREW TC FL PH ZP 6-32 X 1 1/8"	3	4
14	500660	. . SCREW TC FL PH #6-32x3/8 Z050	2	
15	990530	. . SCREW CAP HEX #10-24x1" SS	2	
NS	500787	. . NUT HEX #10-24 SS	2	
16	N.P.N.	. . CABLE ASSY / W/CONNECTOR 8PIN / SEE ITEM # 40 To A-9872	1	4
16	060776	. . CABLE ASSY / W/CONNECTOR 9PIN 54" From A-9873	1	
17	990379	. . CUP, BALL STUD RETAINER / ONE PIECE	1	
18	500270	. . WASHER FL .406x1.000x.063 SS	1	
19	N.P.N.	. . SCREW CAP HEX SS 3/8-24 X 1.250	1	4
21	990316	. ARM, R.H.	1	
21	990394	. ARM, L.H. / DIRTY FREE	1	
23	990265	. WASHER ALUMINUM / 2 " O.D.	1	
NS	504082	. . SNAP BUSHING / .125x.312x.312	1	
24	990310	. BRACKET, MOUNTING R.H. To K-6492	1	

From 7-8754	Date:01/2024	PAGE:X3-1856-51
MIRROR "RAMCO" FLAT GLASS / CHROME		

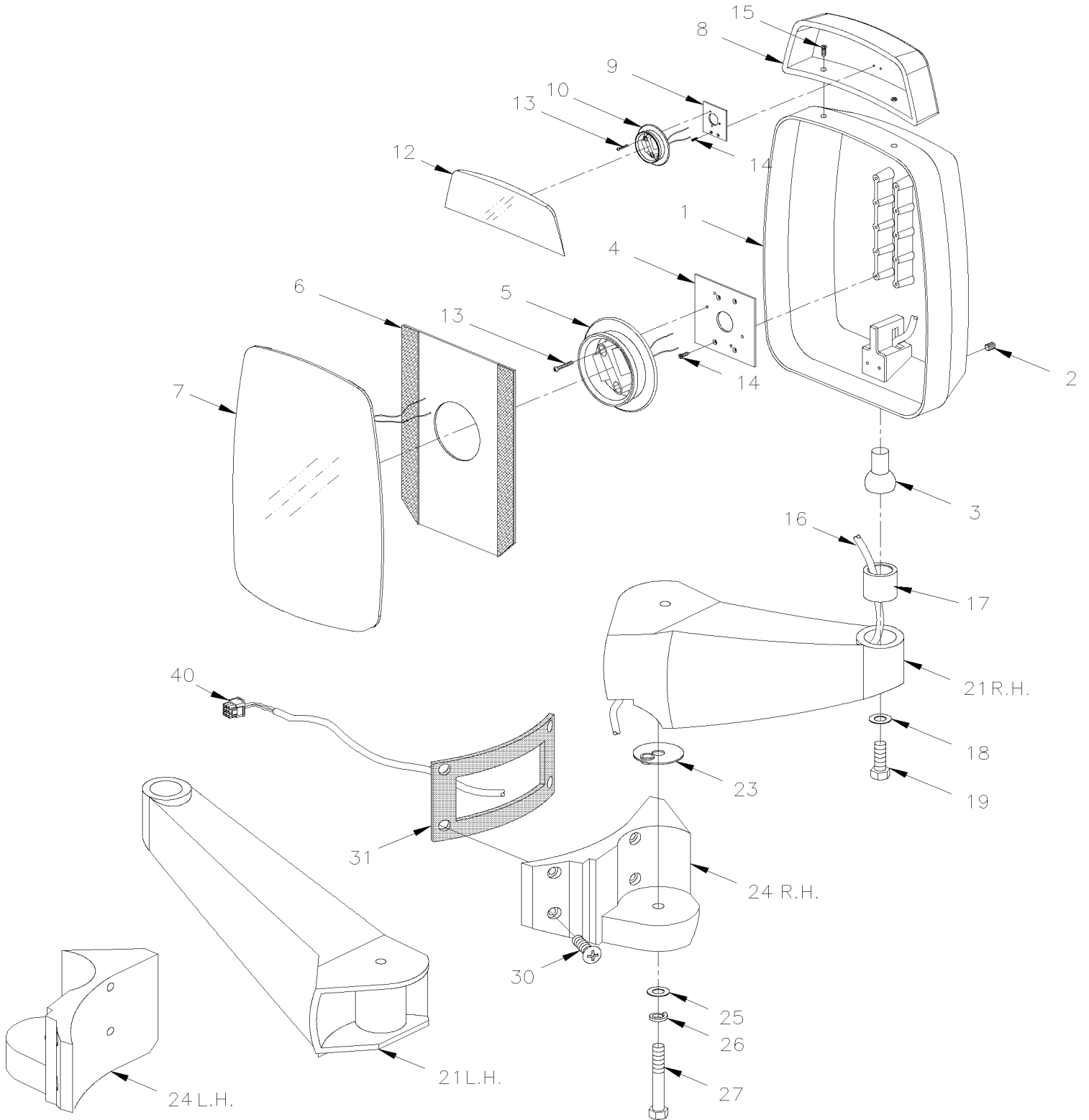
Item#	Part	Description	QTY	Notes
24	990539	. BRACKET, MOUNTING R.H. From L-6493	1	
24	990312	. BRACKET, MOUNTING L.H. To K-6492	1	
24	990542	. BRACKET, MOUNTING L.H. From L-6493	1	
25	500958	. WASHER FL .531x1.062x.095 SS	1	
26	500035	. WASHER LO SPT .317x.586x.078 SS	1	
27	990500	. SCREW 1/2-13x2 HHCS SS	1	
30	5001461	SCREW MA FL PH M8-1.25x40 SS To K-6492	2	
30	5002124	SCREW MA FL PH M8-1.25x45 SS From L-6493	2	
30	5001581	SCREW CAP BUT HEXS M8-1.25x40 SS	2	
NS	5001341	WASHER FL 8.4x17.0x1.6 SS	2	
31	490873	GASKET, RH	1	
31	490894	GASKET, LH	1	
40	563163	CONNECTOR / W 45" CABLE ASSY / PH 8C / CONXALL 3280-8PG-324 To A-9872	2	
40	563802	CONNECTOR / W 45" CABLE ASSY / PH 9C From A-9873	2	
NS	563088	CONNECTOR / MULTI CON X / SH 8C / CONXALL 4280-8SG-300 To A-9872	2	B
NS	563801	CONNECTOR / MULTI CON X / SH 9C / CONXALL 4280-9SG-300 From A-9873	2	B
NS	562511	SOCKET TERMINAL / 20 / CONXALL 586SG	AR	B
NS	MI16-28	DRIP EDGE ADDITION ON FRONT MIRRORS / PRODUCT IMPROVMENT		
		B) THIS CONNECTOR IT USED ON CABLE HARNESS FROM INSIDE OF VEHICULE		
		4) NO PARTS NUMBER		

From 7-8754

Date:01/2024

PAGE:X3-1856-52

MIRROR "RAMCO" FLAT GLASS / CHROME WITH DIRECTIONAL



From 7-8754	Date:01/2024	PAGE:X3-1856-52
-------------	--------------	-----------------

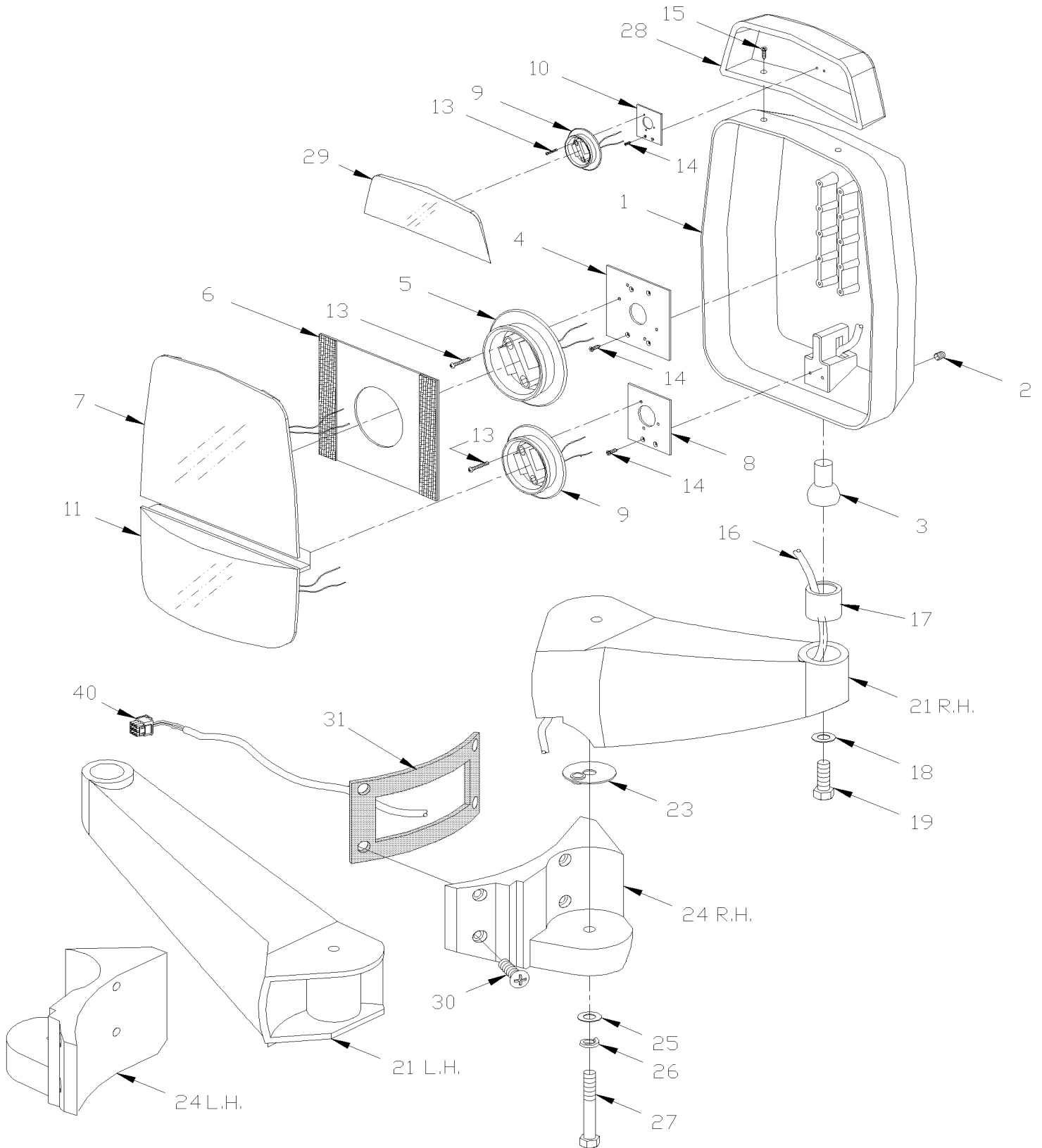
MIRROR "RAMCO" FLAT GLASS / CHROME WITH DIRECTIONAL

Item#	Part	Description	QTY	Notes
	990426	MIRROR ASSY, L.H. / DIRECTIONAL / W/CONVEX / W/8 PINS CONNECTOR To A-9872	1	
	990456	MIRROR ASSY, L.H. / DIRECTIONAL / W/CONVEX / W/9 PINS CONNECTOR From A-9873 To J-6240	1	
	990507	MIRROR ASSY, L.H. / DIRECTIONAL / W/CONVEX / W/9 PINS CONNECTOR From J-6241 To K-6492	1	
	990552	MIRROR ASSY, L.H. / DIRECTIONAL / W/CONVEX / W/9 PINS CONNECTOR From L-6493	1	
	990422	MIRROR ASSY, R.H. / DIRECTIONAL / W/CONVEX / W/8 PINS CONNECTOR To A-9872	1	
	990436	MIRROR ASSY, R.H. / DIRECTIONAL / W/CONVEX / W/9 PINS CONNECTOR From A-9873 To J-6240	1	
	990467	MIRROR ASSY, R.H. / DIRECTIONAL / W/CONVEX / W/9 PINS CONNECTOR From J-6241 To K-6492	1	
	990547	MIRROR ASSY, R.H. / DIRECTIONAL / W/CONVEX / W/9 PINS CONNECTOR From L-6493	1	
1	990440	. HEAD ASSY / ELECTRIC L.H. / W/8 PINS CONNECTOR To A-9872	1	
1	990495	. HEAD ASSY / ELECTRIC L.H. / W/9 PINS CONNECTOR From A-9873 To J-6240	1	
1	990520	. HEAD ASSY / ELECTRIC L.H. / W/9 PINS CONNECTOR From J-6241	1	
. NS	060776	. . CABLE ASSY / W/CONNECTOR 9PIN 54" From J-6241	1	
1	990439	. HEAD ASSY / ELECTRIC R.H. / W/8 PINS CONNECTOR To A-9872	1	
1	990494	. HEAD ASSY / ELECTRIC R.H. / W/9 PINS CONNECTOR From A-9873 To J-6240	1	
1	990518	. HEAD ASSY / ELECTRIC R.H. / W/9 PINS CONNECTOR From J-6241	1	
. NS	060776	. . CABLE ASSY / W/CONNECTOR 9PIN 54" From J-6241	1	
2	502812	. . SCREW SET HEXS CUP 3/8-16X3/8 SS	1	
3	990186	. . STUD, BALL To A-9872	1	
3	990478	. . STUD, BALL From A-9873	1	
4	990272	. . NOTCHED BACK MOUNTING PLATE (2" X 3")	1	
5	990631	. . MOTOR 12V / NEW STYLE MOUNTING NEW STYLE MOUNTING From N-6775	1	
5	990349	. . MOTOR 12V / MEDIUM / BLACK / 108MM / 4 1/4" O.D. OLD STYLE MOUNTING To N-6774	1	
. NS	564494	. . . TAB TERMINAL / 20-16 / AMP 63138-1 To N-6774	4	
6	990630	. . SNAP RING / NEW STYLE MOUNTING NEW STYLE MOUNTING From N-6775	1	
6	990474	. . VELCRO PLATE / 8" X 8" / W/RECESS FOR FLASHER OLD STYLE MOUNTING To N-6774	1	
7	990633	. . GLASS ASSY W/DIRECTIONAL ARROW L.H. / NEW STYLE MOUNTING NEW STYLE MOUNTING From N-6775	1	
7	990634	. . GLASS ASSY W/DIRECTIONAL ARROW R.H. / NEW STYLE MOUNTING NEW STYLE MOUNTING From N-6775	1	
7	990427	. . GLASS ASSY W/DIRECTIONAL ARROW L.H. OLD STYLE MOUNTING To N-6774	1	
7	990428	. . GLASS ASSY W/DIRECTIONAL ARROW R.H. OLD STYLE MOUNTING To N-6774	1	
8	990302	. MIRROR ASSY / CONVEX ELECTRIC	1	
9	990295	. . PLATE, TOP MOTOR MOUNTING	1	
10	990219	. . MOTOR 12V / SMALL / BLACK / 85MM / 3 5/16" O.D.	1	
. NS	564494	. . . TAB TERMINAL / 20-16 / AMP 63138-1	4	
12	990339	. . GLASS CONVEX ASSY W/HEATER 12V	1	
13	N.P.N.	. . SCREW TC FL PH ZP 6-32 X 1 1/8"	3	4
14	500660	. . SCREW TC FL PH #6-32x3/8 Z050	2	
15	990530	. . SCREW CAP HEX #10-24x1" SS	2	
NS	500787	. . NUT HEX #10-24 SS	2	
16	N.P.N.	. . CABLE ASSY / W/CONNECTOR 8PIN To A-9872	1	4
16	060776	. . CABLE ASSY / W/CONNECTOR 9PIN 54" From A-9873	1	
17	990379	. . CUP, BALL STUD RETAINER / ONE PIECE	1	
18	500270	. . WASHER FL .406x1.000x.063 SS	1	

From 7-8754	Date:01/2024	PAGE:X3-1856-52
MIRROR "RAMCO" FLAT GLASS / CHROME WITH DIRECTIONAL		

Item#	Part	Description	QTY	Notes
19	N.P.N.	. . SCREW CAP HEX SS 3/8-24 X 1.250	1	4
21	990316	. ARM, R.H.	1	
21	990394	. ARM, L.H. / DIRTY FREE	1	
23	990265	. WASHER ALUMINUM / 2 " O.D.	1	
NS	504082	. . SNAP BUSHING / .125x.312x.312	1	
24	990310	. BRACKET, MOUNTING R.H. To K-6492	1	
24	990539	. BRACKET, MOUNTING R.H. From L-6493	1	
24	990312	. BRACKET, MOUNTING L.H. To K-6492	1	
24	990542	. BRACKET, MOUNTING L.H. From L-6493	1	
25	500958	. WASHER FL .531x1.062x.095 SS	1	
26	500035	. WASHER LO SPT .317x.586x.078 SS	1	
27	990500	. SCREW 1/2-13x2 HHCS SS	1	
30	5001461	SCREW MA FL PH M8-1.25x40 SS To K-6492	2	
30	5002124	SCREW MA FL PH M8-1.25x45 SS From L-6493	2	
30	5001581	SCREW CAP BUT HEXS M8-1.25x40 SS	2	
NS	5001341	WASHER FL 8.4x17.0x1.6 SS	2	
31	490873	GASKET, RH	1	
31	490894	GASKET, LH	1	
40	563163	CONNECTOR / W 45" CABLE ASSY / PH 8C / CONXALL 3280-8PG-324 To A-9872	2	
40	563802	CONNECTOR / W 45" CABLE ASSY / PH 9C From A-9873	2	
NS	563088	CONNECTOR / MULTI CON X / SH 8C / CONXALL 4280-8SG-300 To A-9872	2	B
NS	563801	CONNECTOR / MULTI CON X / SH 9C / CONXALL 4280-9SG-300 From A-9873	2	B
NS	562511	SOCKET TERMINAL / 20 / CONXALL 586SG	AR	B
42	MI16-28	DRIP EDGE ADDITION ON FRONT MIRRORS / PRODUCT IMPROVMENT	1	
		B) THIS CONNECTOR IT USED ON CABLE HARNESS FROM INSIDE OF VEHICLE		
		4) NO PARTS NUMBER		

MIRROR "RAMCO" 2 GLASSES / CHROME



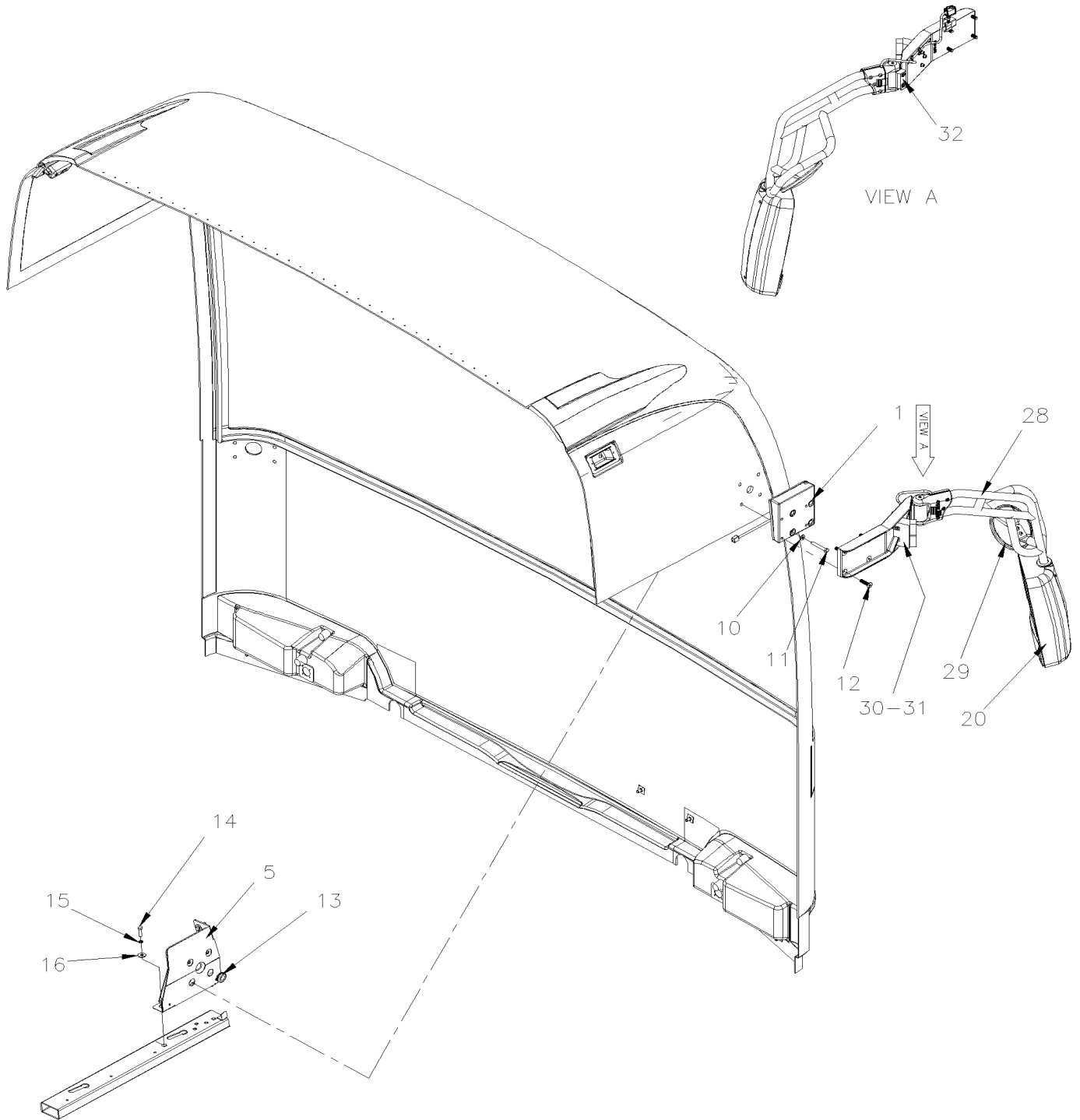
From 7-8754 To 8-9312	Date:01/2024	PAGE:X3-1856-61
-----------------------	--------------	-----------------

MIRROR "RAMCO" 2 GLASSES / CHROME

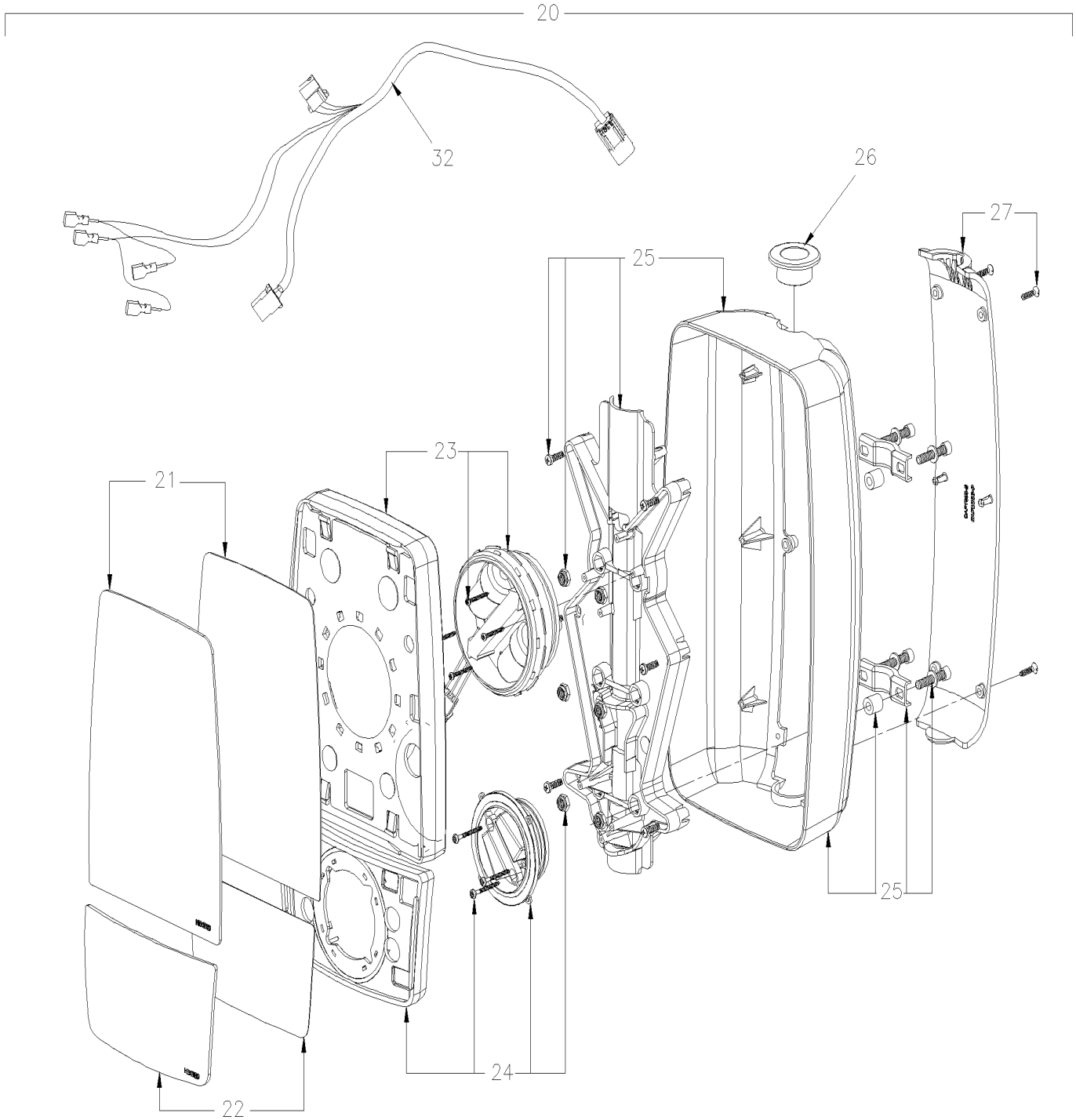
Item#	Part	Description	QTY	Notes
	990359	MIRROR ASSY, R.H. / ELECTRIC / W/8 PINS CONNECTOR	1	
	990405	MIRROR ASSY, L.H. / ELECTRIC / W/8 PINS CONNECTOR	1	
1	990372	. HEAD ASSY / ELECTRIC / W/8 PINS CONNECTOR	1	
2	502812	. . SCREW SET HEXS CUP 3/8-16X3/8 SS	1	
3	990186	. . STUD, BALL	1	
4	990272	. . NOTCHED BACK MOUNTING PLATE (2" X 3")	1	
5	990349	. . MOTOR 12V / MEDIUM / BLACK / 108MM / 4 1/4" O.D.	1	
. NS	564494	. . . TAB TERMINAL / 20-16 / AMP 63138-1	4	
6	990266	. . VELCRO PLATE / 6" X 7"	1	
7	990182	. . FLAT GLASS ASSY W/HEATER 12V	1	
8	990273	. . POWER CONVEX MOTOR BASE PLATE	1	
9	990219	. . MOTOR 12V / SMALL / BLACK / 85MM / 3 5/16" O.D.	1	
. NS	564494	. . . TAB TERMINAL / 20-16 / AMP 63138-1	4	
11	990338	. . CONVEX GLASS ASSY W/HEATER 12V	1	
13	N.P.N.	. . SCREW TC FL PH ZP 6-32 X 1 1/8"	6	4
14	500660	. . SCREW TC FL PH #6-32x3/8 Z050	8	
16	N.P.N.	. . CABLE ASSY / W/CONNECTOR 8PIN / SEE ITEM # 40	1	4
17	990379	. . CUP, BALL STUD RETAINER / ONE PIECE	1	
18	500270	. . WASHER FL .406x1.000x.063 SS	1	
19	N.P.N.	. . SCREW CAP HEX SS 3/8-24 X 1.250	1	4
21	990316	. ARM, R.H.	1	
21	990394	. ARM, L.H. / DIRTY FREE	1	
23	990265	. WASHER ALUMINUM / 2 " O.D.	1	
NS	504082	. . SNAP BUSHING / .125x.312x.312	1	F
24	990310	. BRACKET, MOUNTING R.H.	1	
24	990312	. BRACKET, MOUNTING L.H.	1	
25	500958	. WASHER FL .531x1.062x.095 SS	1	
26	500035	. WASHER LO SPT .317x.586x.078 SS	1	
27	990500	. SCREW 1/2-13x2 HHCS SS	1	
30	5001461	SCREW MA FL PH M8-1.25x40 SS	2	
30	5001581	SCREW CAP BUT HEXS M8-1.25x40 SS	2	
NS	5001341	WASHER FL 8.4x17.0x1.6 SS	2	
31	490873	GASKET, RH	1	
31	490894	GASKET, LH	1	
40	563163	CONNECTOR / W 45" CABLE ASSY / PH 8C / CONXALL 3280-8PG-324	2	
NS	563088	CONNECTOR / MULTI CON X / SH 8C / CONXALL 4280-8SG-300	2	B
NS	562511	SOCKET TERMINAL / 20 / CONXALL 586SG	AR	B
		B) THIS CONNECTOR IT USED ON CABLE HARNESS FROM INSIDE OF VEHICLE		

From 7-8754 To 8-9312		Date:01/2024	PAGE:X3-1856-61	
MIRROR "RAMCO" 2 GLASSES / CHROME				
Item#	Part	Description	QTY	Notes
		4) NO PARTS NUMBER		

From G-5936 To K-6492	Date:01/2024	PAGE:X3-1856-71
MIRROR - EXTERIOR - INSTALLATION / HEATED - WITH BY-FOLD DOOR		



From G-5936 To K-6492	Date:01/2024	PAGE:X3-1856-71
MIRROR - EXTERIOR - INSTALLATION / HEATED - WITH BY-FOLD DOOR		



From G-5936 To K-6492	Date:01/2024	PAGE:X3-1856-71
MIRROR - EXTERIOR - INSTALLATION / HEATED - WITH BY-FOLD DOOR		

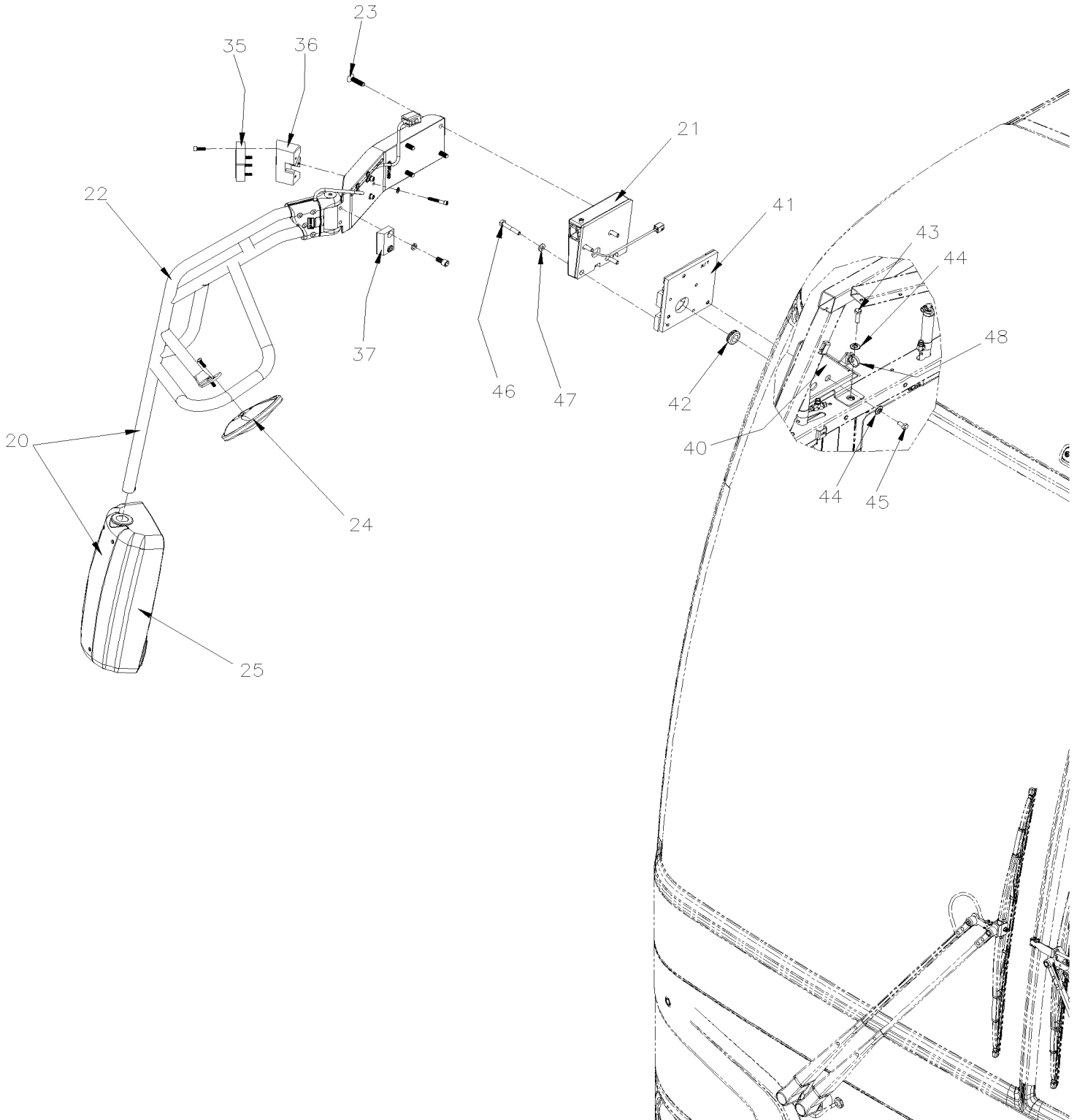
Item#	Part	Description	QTY	Notes
1	990477	BASE, RIGHT MIRROR	1	
5	251245	PLATE SUPPORT MIRROR ASSY	1	
NS	790392	RUBBER BLOCK ADJUSTEMENT 1" x 5/16" x 1/8" 80DURO	4	
NS	504013	TIE MOUNT / 1/4" X 1/4" I.D.	1	
NS	500209	SCREW TC BDG PH #10-24x3/8 N500	1	
NS	504637	CABLE TIE / 3/16" x 13"	1	
NS	687957	GLUE MS POLYMER TEROSON MS 9399 / 400ml CARTRIDGE	AR	
NS	680038	THREAD LOCKER LOCTITE #243 / BLUE / 50ml	AR	
10	5001736	WASHER FL 8.4x18.0x2.0 N500	4	
11	5001178	SCREW CAP HEX M8-1.25x60 SS BK	3	
11	502927	SCREW CAP HEX M8-1.25x50 G8.8 N500	1	
12	5001880	SCREW CAP FL HEXS 3/8-16x1 1/2 BK	4	
13	504671	GROMMET / .687x1.000x.125x.437x1.312	1	
14	5001738	SCREW CAP HEX M8-1.25x30 G8.8 N500	3	
15	500942	WASHER LO SPT 8.1x14.8x2.0 N500	3	
16	500381	WASHER FL 8.4x25.0x2.0 N500	3	
20	990503	MIROR HEATED, RH W/ PROTECTION	1	
20	990981	. MIRROR HEAD ASSY HEATED	1	
21	990973	. . FLAT MIRROR GLASS, HEATED / 7" X 9.5"	1	
22	990975	. . CONVEX MIRROR GLASS, HEATED / 7" X 4"	1	
23	990974	. . FLAT MIRROR CARRIER AND MOTOR ASSY / 7" X 9.5"	1	
24	990976	. . CONVEX MIRROR CARRIER AND MOTOR ASSY / 7" X 4"	1	
25	990977	. . 815 OVERHANG HOUSING (w/ INTERNAL SPINE/CLAMPS)	1	
26	990979	. . GROMMET	1	
27	990978	. . REAR ACCESS COVER FOR 815 MIRROR HEAD, OVERHANG OR UPRIGHT MOUNT	1	
28	990980	. MIRROR ARM	1	
29	990489	. MIRROR, FIX MOUNT CONVEX ROUND	1	
30	990504	BUMPER / MIRROR ARM	1	
31	990506	SUPPORT	1	
32	990505	BUMPER / MIRROR ARM	1	
NS	069381	HARNES MIRROR	1	

From L-6493

Date:01/2024

PAGE:X3-1856-72

MIRROR - EXTERIOR - INSTALLATION / HEATED - WITH BY-FOLD DOOR

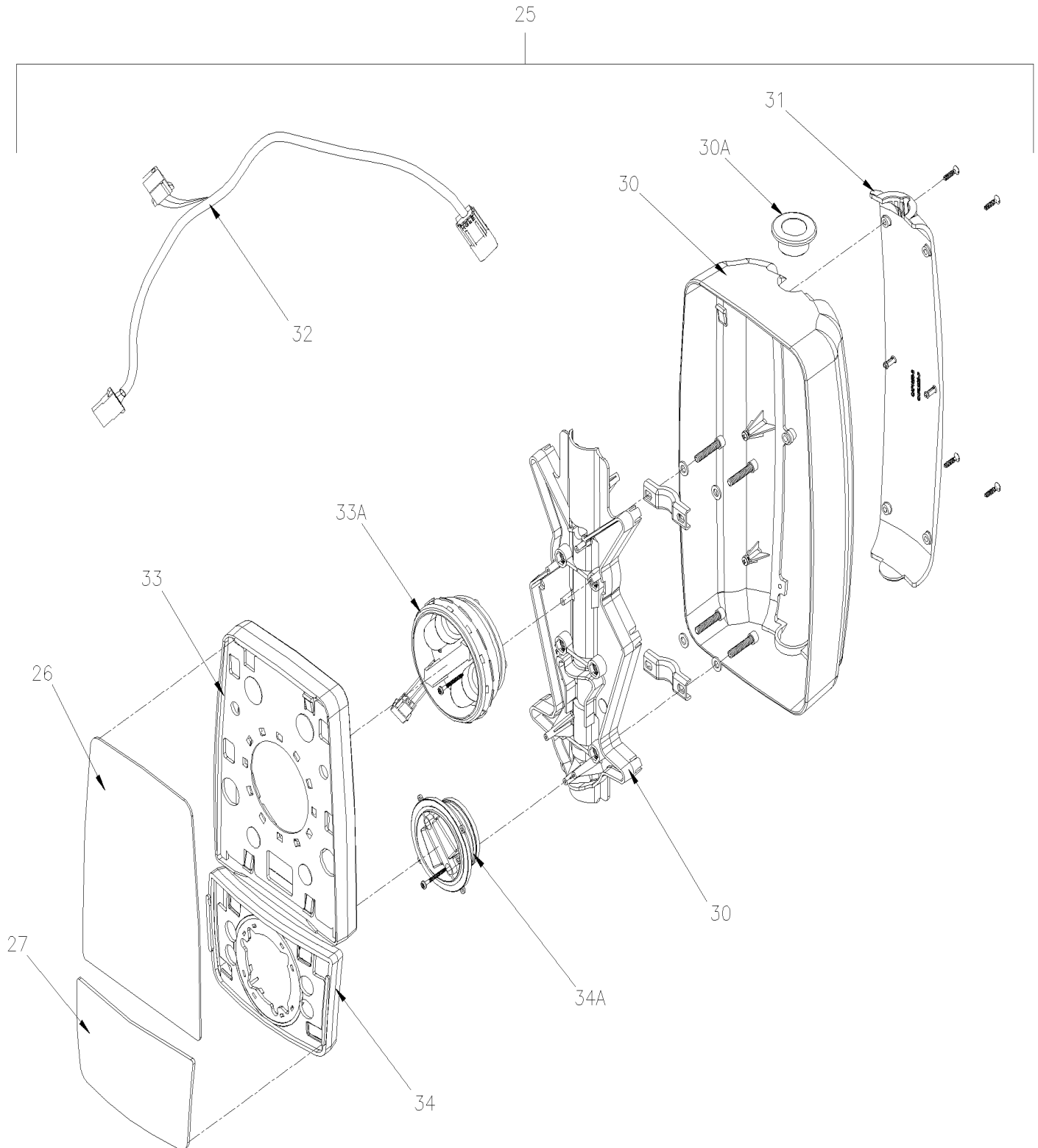


From L-6493

Date:01/2024

PAGE:X3-1856-72

MIRROR - EXTERIOR - INSTALLATION / HEATED - WITH BY-FOLD DOOR



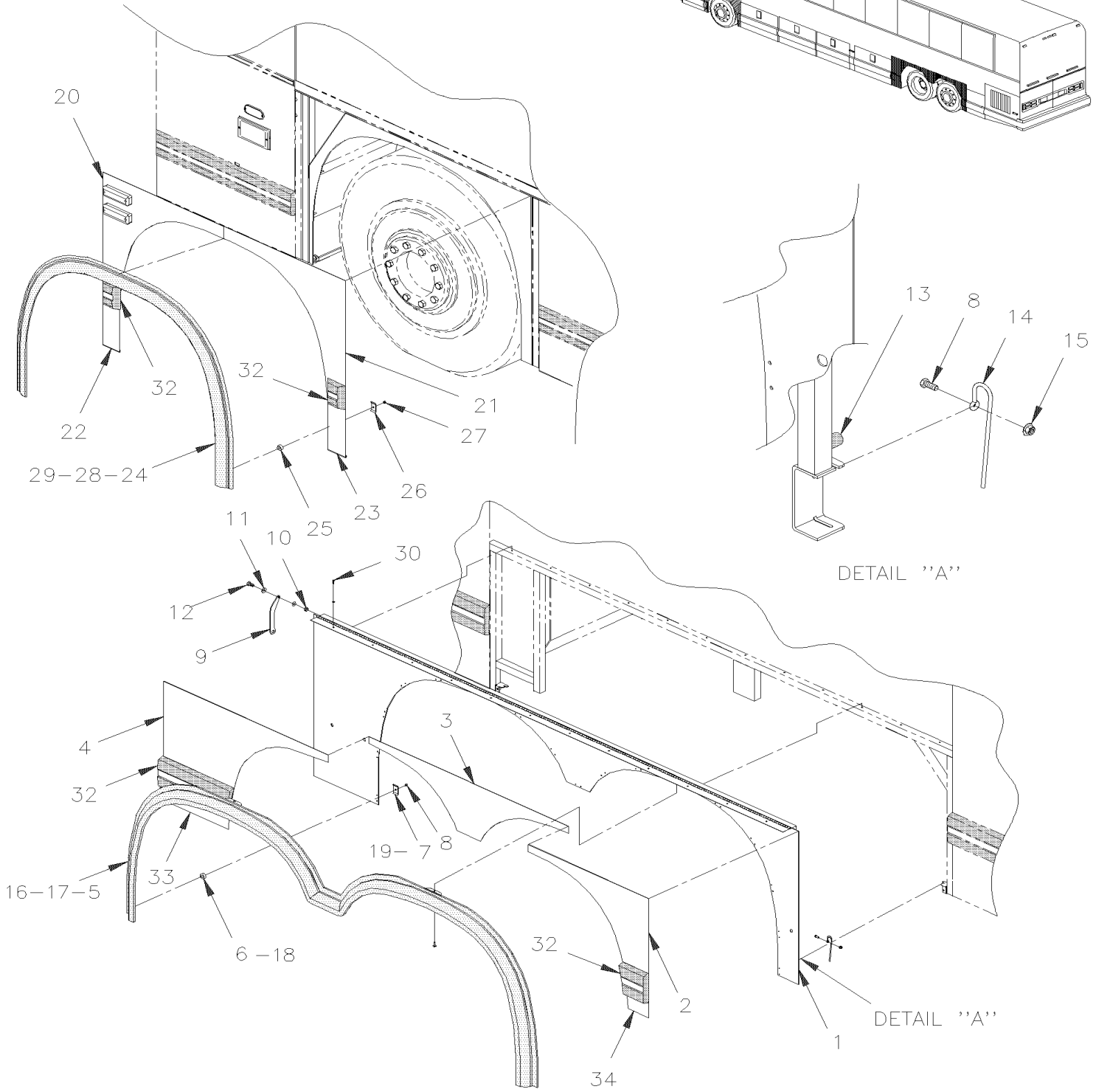
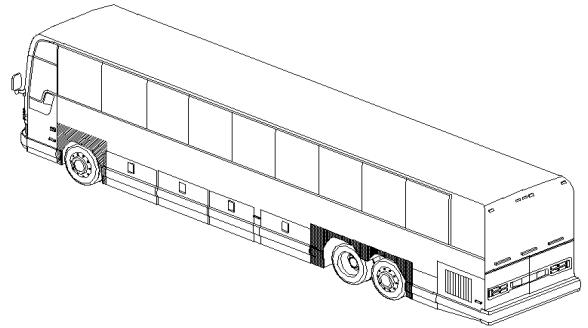
From L-6493	Date:01/2024	PAGE:X3-1856-72
-------------	--------------	-----------------

MIRROR - EXTERIOR - INSTALLATION / HEATED - WITH BY-FOLD DOOR

Item#	Part	Description	QTY	Notes
19	492153	SPACER, FOR MIRROR From P-6847	1	
20	990503	MIROR HEATED, RH W/ PROTECTION	1	
20	990571	MIRROR, EXTERIOR RIGHT / HEATED HEATED	1	
21	990477	. BASE, RIGHT MIRROR	1	
21	990484	. . GASKET BASE MIRROR	1	
22	990629	ARM MIRROR RH	1	
23	5001880	. SCREW CAP FL HEXS 3/8-16x1 1/2 BK To P-6846	4	
23	5001880	. SCREW CAP FL HEXS 3/8-16x1 1/2 BK From P-6847	2	
23	5000010	. SCREW CAP FL HEXS 3/8-16 X 1-3/4 SS From P-6847	2	
24	990489	. MIRROR, FIX MOUNT CONVEX ROUND	1	
25	990981	. MIRROR HEAD ASSY HEATED	1	
26	990973	. . FLAT MIRROR GLASS, HEATED / 7" X 9.5"	1	
27	990975	. . CONVEX MIRROR GLASS, HEATED / 7" X 4"	1	
30	990490	. . SHELL W/ CLAMPS, SCREWS	1	
30A	990979	. . . GROMMET	1	
31	990485	. . BACKPLATE COVER	1	
32	990486	. . HARNESS	1	
33	990983	. . SUPPORT MIRROR W/MOTOR 7"X9.5" UPPER	1	
33A	N.S.S.	. . . ACTUATOR UPPER	1	1
34	990982	. . SUPPORT MIRROR W/MOTOR 7"X4" LOWER	1	
34A	N.S.S.	. . . ACTUATOR LOWER	1	1
35	990504	. BUMPER / MIRROR ARM	1	
36	990506	. SUPPORT	1	
37	990505	. BUMPER / MIRROR ARM	1	
40	251303	SUPPORT, MIRROR	1	
NS	509558	WEATHERSEAL SNAP-ON 1/8" / SINGLE LIP / WH / C.T.L.	AR	
41	251304	PLATE SUPPORT MIRROR	1	
NS	790392	RUBBER BLOCK ADJUSTEMENT 1" x 5/16" x 1/8" 80DURO	4	
NS	687957	GLUE MS POLYMER TEROSON MS 9399 / 400ml CARTRIDGE To M-6660	AR	
NS	685387	GLUE MS POLYMER TEROSON MS 9399 / 400ml CARTRIDGE From M-6661	AR	
NS	506210	TAPE RUB ADH1 URE 1/2" x 3/4" x 20' / GREY 1820	AR	
42	504671	GROMMET / .687x1.000x.125x.437x1.312	1	
43	502780	SCREW CAP HEX M8-1.25x25 SS BK	3	
44	5001699	WASHER BEL SPR 8.2x22x1.4 N500	6	
45	5001527	SCREW CAP HEX M8-1.25x16 SS BK	3	
46	502927	SCREW CAP HEX M8-1.25x50 G8.8 N500	4	
NS	680038	THREAD LOCKER LOCTITE #243 / BLUE / 50ml	AR	
47	5001736	WASHER FL 8.4x18.0x2.0 N500	4	
48	504013	TIE MOUNT / 1/4" X 1/4" I.D.	1	
48	504379	RIVET POP DOME OE 3/16x1/4 SS	1	
48	504637	CABLE TIE / 3/16" x 13"	1	

From L-6493		Date:01/2024	PAGE:X3-1856-72	
MIRROR - EXTERIOR - INSTALLATION / HEATED - WITH BY-FOLD DOOR				
Item#	Part	Description	QTY	Notes
		1) NOT SOLD SEPARATELY		

FENDERS L.H. - BUS W/FLAT PANELING



From 7-8754 To D-5458	Date:01/2024	PAGE:X3-1857-00
FENDERS L.H. - BUS W/FLAT PANELING		

Item#	Part	Description	QTY	Notes
	477978	REAR FENDER ASSY L.H. W/EDGE To 8-9276	1	
	460521	REAR FENDER ASSY L.H. WITHOUT EDGE From 8-9277	1	
1	217952	. FRAME REAR FENDER L.H. To 8-9276	1	
1	460520	. FRAME REAR FENDER L.H. From 8-9277	1	
. NS	240424	. . HINGE ASSY 1015 MM From 8-9277	1	
. NS	460527	. . HINGE ASSY 1676 MM From 8-9277	1	
2	478053	. PANEL L.H. & R.H. BACKWARD To 8-9276	1	
2	476737	. PANEL L.H. BACKWARD From 8-9277	1	
3	474221	. PANEL CENTER	1	
4	478054	. PANEL L.H. & R.H. FORWARD	1	
5	240494	. EDGE MOULDING LH W/FLAT PANEL To 8-9276	1	
NS	500658	. SCREW TC PAN PH #10-24x3/4 Z050 To 8-9276	2	
6	571755	. SPACERS BUTTITE STAINLESS To 8-9276	1	
7	240436	. MOUNTING PLATE EDGE 43.2MM x 25MM To 8-9276	1	
8	502622	. SCREW CAP HEX M6-1.0x20 SS BK	2	
9	240412	. LEVER / FOR LOCK	1	
NS	502803	. PIN HITCH CLIP 3/32 x 2 1/2 SS	1	
10	500868	. NUT HEX NYRT M8-1.25 Z050	1	
NS	502543	. NUT HEX M8-1.25 Z050	1	
11	471119	. SEAL WASHER / RUB RAIL & PANEL	1	
11	500874	. WASHER FL 8.4x17.0x1.6 Z050	1	
12	502589	. SCREW CAP HEX M8-1.25x25 G8.8 Z050	1	
13	504527	. BUMPER PLUG / .625ODx.312THx.250HOLEx.125	4	
14	472830	. SPRING GUIDE HOLDER	2	
15	5001182	. NUT HEX NYRT M6-1.0 SS	2	
NS	681092	. ADHESIVE SIKA #255FC / BLACK / 310ml CARTRIDGE	AR	
NS	683097	. CLEANER SIKA #205 / CLEAR / 1000ml	AR	
NS	683446	. PRIMER SIKA #206 / BLACK / 1000ml	AR	
NS	506790	. TAPE RUB ADH2 CC POL 1/16" x 1/2" x 200' / BLACK I1C-N-A	AR	
16	240494	EDGE MOULDING LH W/FLAT PANEL From 8-9277	1	
17	500658	SCREW TC PAN PH #10-24x3/4 Z050 From 8-9277	2	
18	571755	SPACERS BUTTITE STAINLESS From 8-9277	1	
19	240436	MOUNTING PLATE EDGE 43.2MM x 25MM From 8-9277	1	
20	476360	PANEL FRONT L.H. FORWARD	1	
21	473718	PANEL UPPER LH & RH BACKWARD To A-9872	1	
21	478468	PANEL UPPER LH BACKWARD From A-9873 To B-5001	1	
21	476113	PANEL UPPER LH BACKWARD From B-5002	1	
22	474004	PANEL LOWER / 95MM X 243MM / S.B. To A-9872	1	
22	478454	PANEL LOWER / 95MM X 243MM / S.B. From A-9873	1	R
23	474006	PANEL LOWER / 103MM X 255MM / S.B. To A-9872	1	
23	478455	PANEL LOWER / 95MM X 243MM / S.B. From A-9873 To B-5001	1	R
23	475771	PANEL LOWER / 82MM X 255MM / S.B. From B-5002	1	

From 7-8754 To D-5458	Date:01/2024	PAGE:X3-1857-00
-----------------------	--------------	-----------------

FENDERS L.H. - BUS W/FLAT PANELING

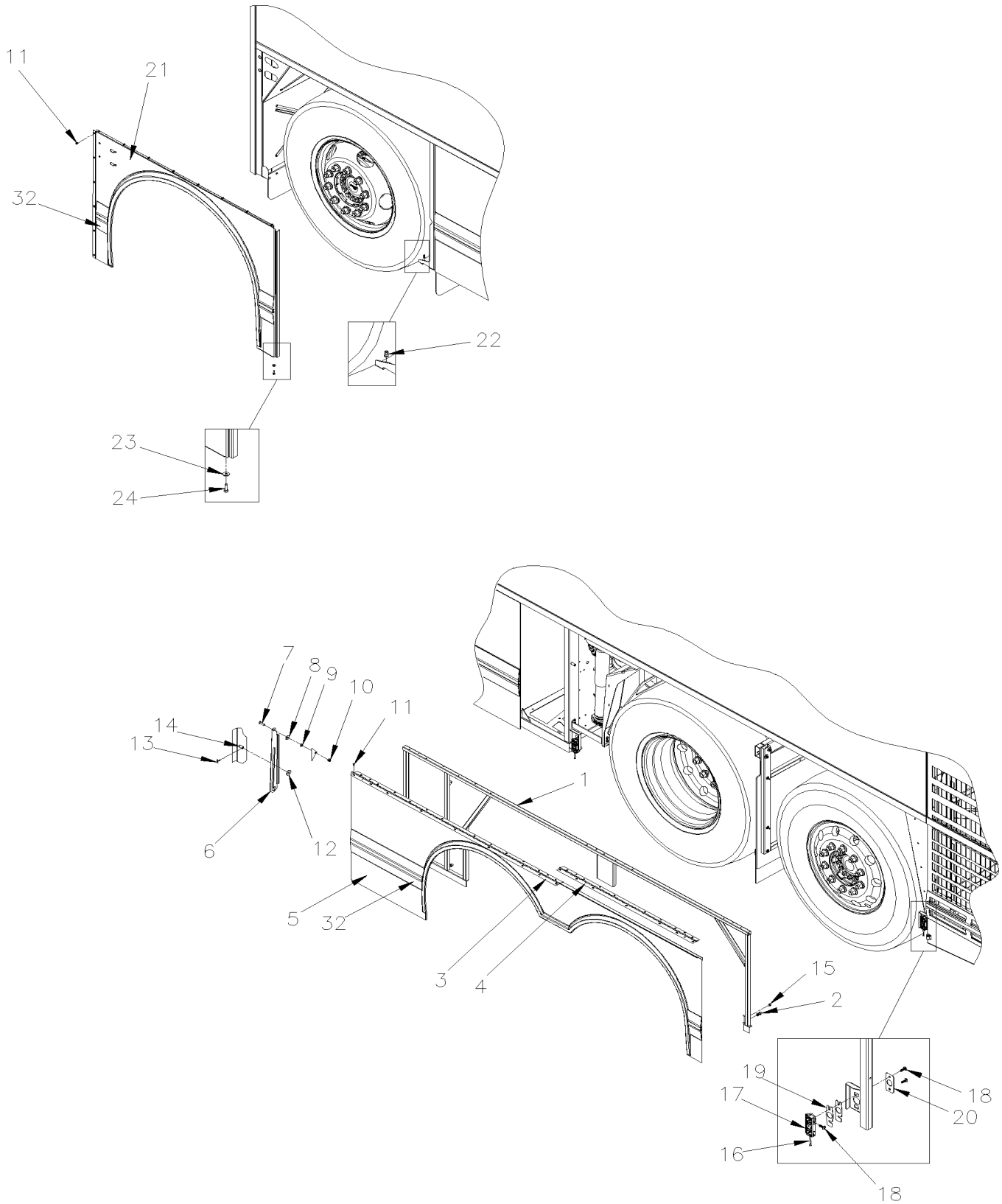
Item#	Part	Description	QTY	Notes
24	240623	EDGE MOULDING W/FLAT PANEL	1	
25	571755	SPACERS BUTTITE STAINLESS	22	
26	240436	MOUNTING PLATE EDGE 43.2MM x 25MM	27	
27	5001182	NUT HEX NYRT M6-1.0 SS	22	
28	460430	MOULDING RUBBER / 2540MM	1	A
29	460431	FENDER RUBBER FRONT / L.H. & R.H. / (ORLEAN OPTION)	1	A
NS	5001182	NUT HEX NYRT M6-1.0 SS	22	A
NS	240436	MOUNTING PLATE EDGE 43.2MM x 25MM	22	A
30	504488	RIVET MGLP PRDG 3/16x17/64 SS	14	
32	X3-1855-00	RUB RAIL - EXTERIOR CREST & TRIMS From 7-8754 To B-5001		
32	X3-1855-01	RUB RAIL - EXTERIOR CREST & TRIMS From B-5002		
33	478057	PANEL LOWER / 286MM X 255MM / S.B. To A-9872	1	
33	478452	PANEL LOWER / 286MM X 255MM / S.B. From A-9873	1	R
34	478056	PANEL LOWER / 240MM X 205MM / S.B. To 8-9276	1	
34	478451	PANEL LOWER / 240MM X 205MM / S.B. To 8-9276	1	R
34	476794	PANEL LOWER / 88MM X 205MM / S.B. From 8-9277 To A-9872	1	
34	478453	PANEL LOWER / 88MM X 205MM / S.B. From A-9873	1	R
NS	504746	RIVET HKL MMS 3/16x1/4 SS To A-9872	16	
		A) "OPTION" WITH XL 102" RUBBER FENDER		
		R) THIS PANEL ARE FIXED WITHOUT RIVET		

From E-5459 To H-6179

Date:01/2024

PAGE:X3-1857-01

FENDERS L.H. - BUS W/FLAT PANELING



From E-5459 To H-6179	Date:01/2024	PAGE:X3-1857-01
FENDERS L.H. - BUS W/FLAT PANELING		

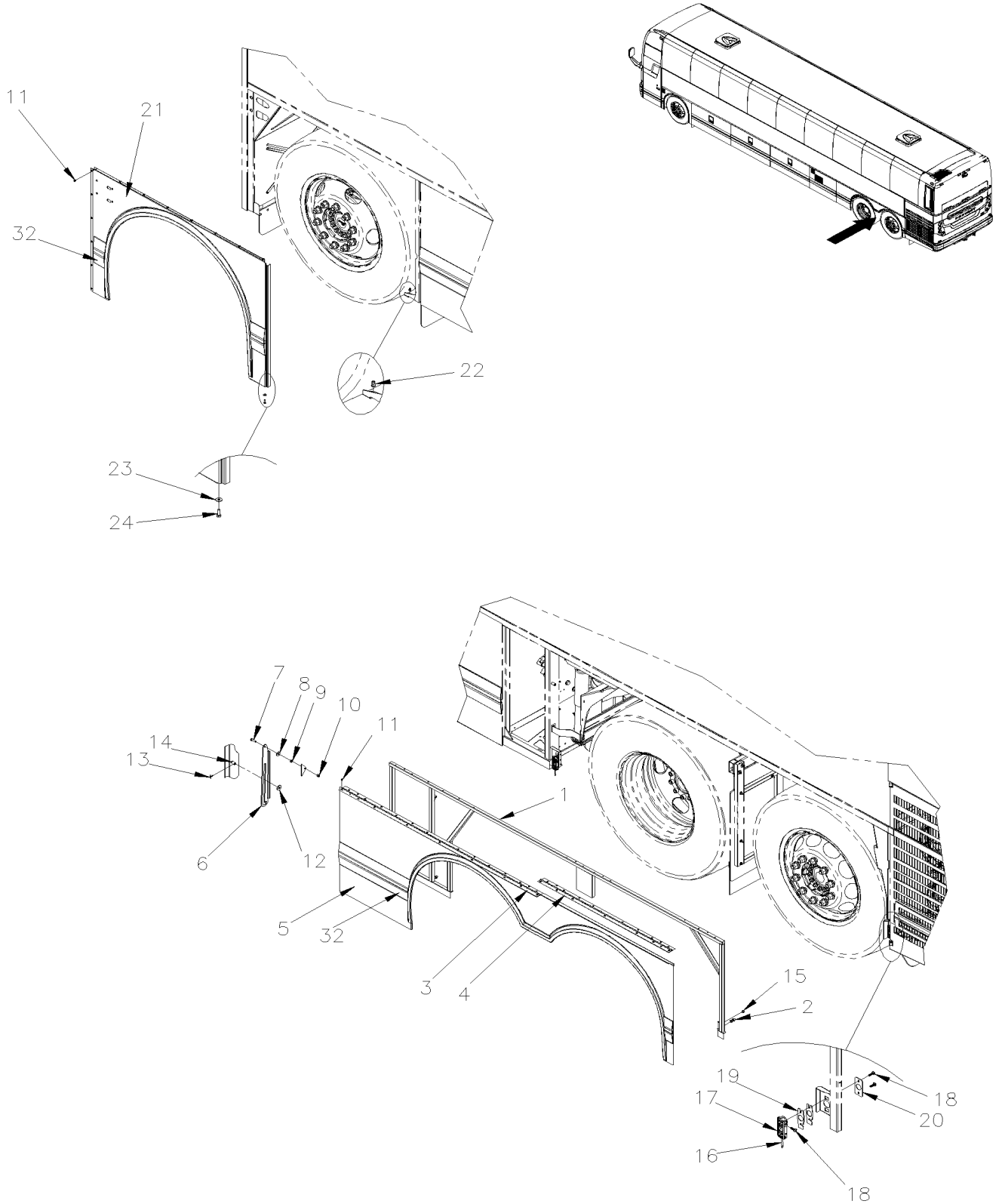
Item#	Part	Description	QTY	Notes
	464761	REAR FENDER ASSY L.H.	1	
1	460690	. FRAME REAR FENDER L.H.	1	
2	460694	. . STOPPER	1	
3	464757	. HINGE ASSY 1829MM	1	
4	464759	. HINGE ASSY 1213MM	1	
5	476766	. REAR FENDER L.H.	1	
NS	506785	. TAPE RUB ADH2 CC POL 1/16" X 1/4" X 200' / BLACK I1C-N-A	AR	
NS	687957	. GLUE MS POLYMER TEROSON MS 9399 / 400ml CARTRIDGE	AR	
NS	685124	. ADHESIVE SIMSON #ISR 70-03 / BLACK / 600ml SAUSAGE	AR	
6	460695	LEVER / FOR LOCK	1	
7	5001912	SCREW CAP HEX M8-1.25x30 SS BK	1	
8	471119	SEAL WASHER / RUB RAIL & PANEL	1	
9	5001852	NUT HEX M8-1.25 SS BK	1	
10	5001787	NUT HEX NYRT M8-1.25 SS	1	
11	504488	. RIVET MGLP PRDG 3/16x17/64 SS	AR	
12	5001233	WASHER FL .500x1.250x.062 NYL	1	
13	502111	PIN, COTTER 1/8 x 1 1/2 SS	1	
14	218654	SHAFT	1	
15	504527	BUMPER PLUG / .625ODx.312THx.250HOLEx.125	2	
16	472830	SPRING GUIDE HOLDER	2	
17	477399	RECEPTACLE	2	
18	5001630	SCREW TP BUTF TORX M6x20 SS	6	
19	464765	ADJUSTMENT PLATE	4	
20	460708	ADJUSTMENT PLATE	2	
21	476768	FRONT FENDER LH	1	
21	685126	ADHESIVE SIMSON #ISR 70-03 / GREY / 600ml SAUSAGE	AR	
22	5001344	NUT INS FL HEX M6-1.0 0.5-3.0 SS	2	
23	5001833	WASHER BEL SPR 6.1x18x1.27 SS	2	
24	502622	SCREW CAP HEX M6-1.0x20 SS BK	2	
32	X3-1855-01	RUB RAIL - EXTERIOR CREST & TRIMS From B-5002 To G-6083		
32	X3-1855-02	RUB RAIL - EXTERIOR CREST & TRIMS From G-6084		

From H-6180

Date:01/2024

PAGE:X3-1857-02

FENDERS L.H. - BUS W/FLAT PANELING / GHG17



From H-6180		Date:01/2024	PAGE:X3-1857-02
FENDERS L.H. - BUS W/FLAT PANELING / GHG17			

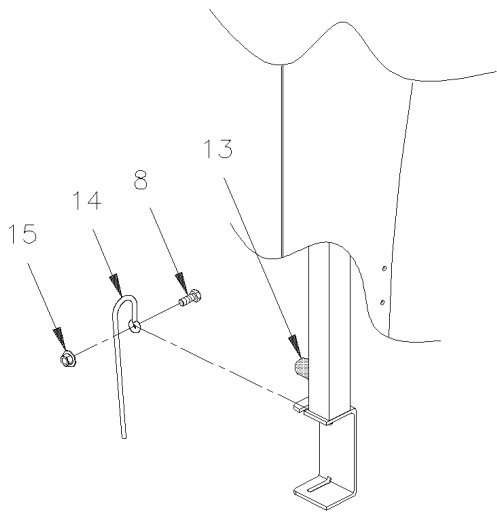
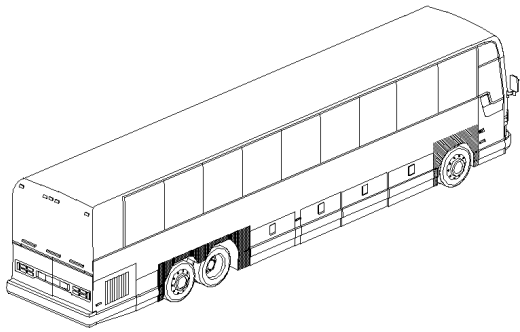
Item#	Part	Description	QTY	Notes
	464791	REAR FENDER ASSY L.H.	1	
1	464792	. FRAME REAR FENDER L.H.	1	
2	460694	. . STOPPER	2	
3	464757	. HINGE ASSY 1829MM	1	
4	464793	. HINGE ASSY 1168 MM	1	
5	479611	. REAR FENDER L.H.	1	
NS	506785	. TAPE RUB ADH2 CC POL 1/16" X 1/4" X 200' / BLACK I1C-N-A	AR	
NS	687957	. GLUE MS POLYMER TEROSON MS 9399 / 400ml CARTRIDGE To M-6660	AR	
NS	685387	. GLUE MS POLYMER TEROSON MS 9399 / 400ml CARTRIDGE From M-6661	AR	
NS	685124	. ADHESIVE SIMSON #ISR 70-03 / BLACK / 600ml SAUSAGE	AR	
6	460695	LEVER / FOR LOCK	1	
7	5001912	SCREW CAP HEX M8-1.25x30 SS BK	1	
8	471119	SEAL WASHER / RUB RAIL & PANEL	1	
9	5001852	NUT HEX M8-1.25 SS BK	1	
10	5001787	NUT HEX NYRT M8-1.25 SS	1	
11	504488	. RIVET MGLP PRDG 3/16x17/64 SS	AR	
12	5001233	WASHER FL .500x1.250x.062 NYL	1	
13	502111	PIN, COTTER 1/8 x 1 1/2 SS	1	
14	218654	SHAFT	1	
15	504527	BUMPER PLUG / .625ODx.312THx.250HOLEx.125	3	
16	472830	SPRING GUIDE HOLDER	2	
17	477399	RECEPTACLE	2	
18	5001630	SCREW TP BUTF TORX M6x20 SS	6	
19	464765	ADJUSTMENT PLATE	4	
20	460708	ADJUSTMENT PLATE	2	
21	476768	FRONT FENDER LH To K-6492	1	
21	471609	FRONT FENDER LH From L-6493	1	
21	685126	ADHESIVE SIMSON #ISR 70-03 / GREY / 600ml SAUSAGE	AR	
22	5001344	NUT INS FL HEX M6-1.0 0.5-3.0 SS	2	
23	5001833	WASHER BEL SPR 6.1x18x1.27 SS	2	
24	502622	SCREW CAP HEX M6-1.0x20 SS BK	2	
32	X3-1855-02	RUB RAIL - EXTERIOR CREST & TRIMS		

From 7-8754 To D-5458

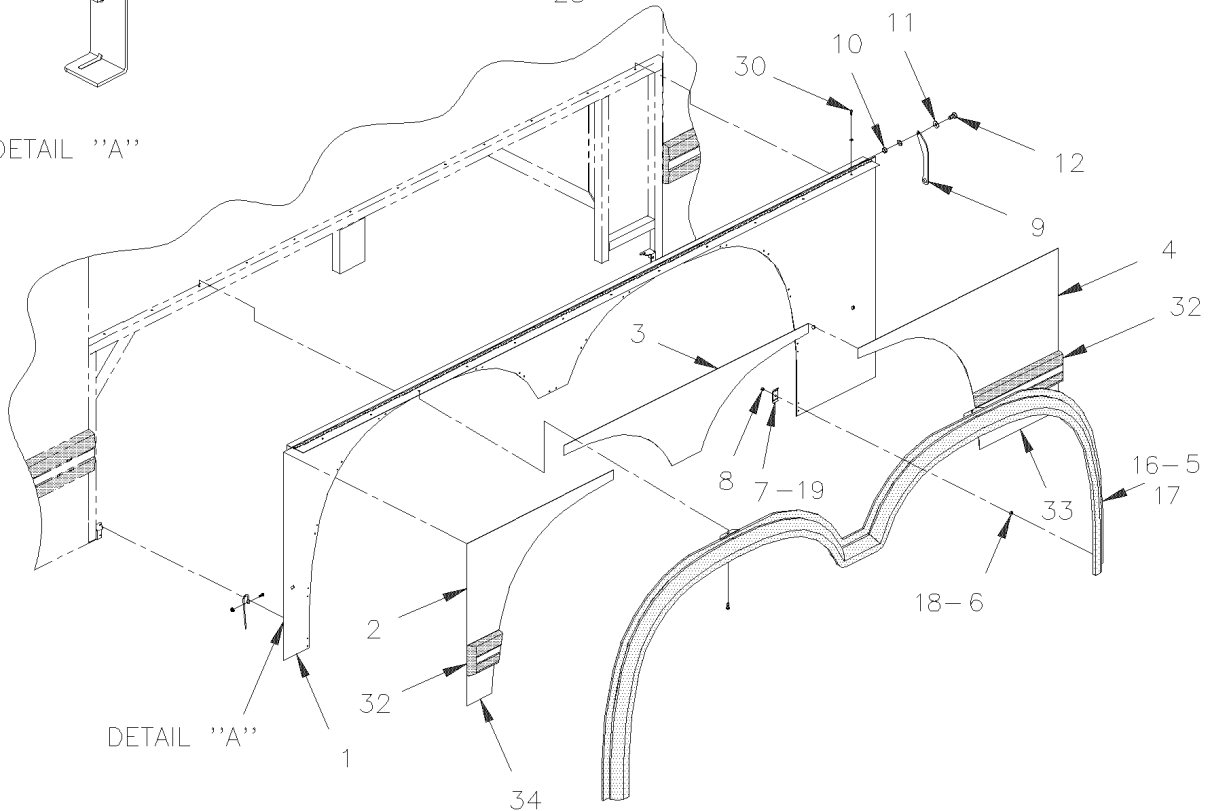
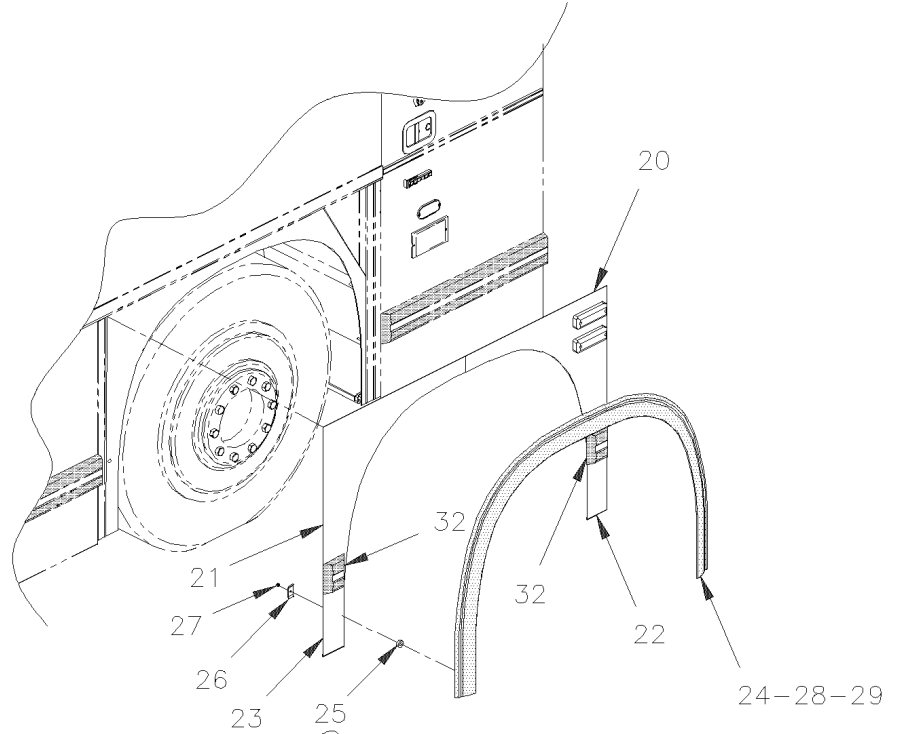
Date:01/2024

PAGE:X3-1857-05

FENDERS R.H. - BUS W/FLAT PANELING



DETAIL "A"



DETAIL "A"

From 7-8754 To D-5458	Date:01/2024	PAGE:X3-1857-05
FENDERS R.H. - BUS W/FLAT PANELING		

Item#	Part	Description	QTY	Notes
	477979	REAR FENDER ASSY R.H. W/EDGE To 8-9276	1	
	460529	REAR FENDER ASSY R.H. WITHOUT EDGE EPA 2007 From 8-9277	1	
1	217953	. FRAME REAR FENDER R.H. To 8-9276	1	
1	460528	. FRAME REAR FENDER R.H. From 8-9277	1	
. NS	240424	. . HINGE ASSY 1015 MM From 8-9277	1	
. NS	240420	. . HINGE ASSY 1829 MM From 8-9277	1	
2	478053	. PANEL L.H. & R.H. BACKWARD	1	
3	474221	. PANEL CENTER	1	
4	478054	. PANEL L.H. & R.H. FORWARD	1	
5	240495	. EDGE MOULDING RH W/FLAT PANEL To 8-9276	1	
NS	500658	. SCREW TC PAN PH #10-24x3/4 Z050 To 8-9276	2	
6	571755	. SPACERS BUTTITE STAINLESS To 8-9276	1	
7	240436	. MOUNTING PLATE EDGE 43.2MM x 25MM To 8-9276	1	
8	502622	. SCREW CAP HEX M6-1.0x20 SS BK	2	
9	240412	. LEVER / FOR LOCK	1	
NS	502803	. PIN HITCH CLIP 3/32 x 2 1/2 SS	1	
10	500868	. NUT HEX NYRT M8-1.25 Z050	1	
NS	502543	. NUT HEX M8-1.25 Z050	1	
11	471119	. SEAL WASHER / RUB RAIL & PANEL	1	
NS	500874	. WASHER FL 8.4x17.0x1.6 Z050	1	
12	502589	. SCREW CAP HEX M8-1.25x25 G8.8 Z050	1	
13	504527	. BUMPER PLUG / .625ODx.312THx.250HOLEx.125	4	
14	472830	. SPRING GUIDE HOLDER	2	
15	5001182	. NUT HEX NYRT M6-1.0 SS	2	
NS	681092	. ADHESIVE SIKA #255FC / BLACK / 310ml CARTRIDGE	AR	
NS	683097	. CLEANER SIKA #205 / CLEAR / 1000ml	AR	
NS	683446	. PRIMER SIKA #206 / BLACK / 1000ml	AR	
NS	506790	. TAPE RUB ADH2 CC POL 1/16" x 1/2" x 200' / BLACK I1C-N-A	AR	
16	240495	EDGE MOULDING RH W/FLAT PANEL From 8-9277	1	
17	500658	SCREW TC PAN PH #10-24x3/4 Z050 From 8-9277	2	
18	571755	SPACERS BUTTITE STAINLESS From 8-9277	1	
19	240436	MOUNTING PLATE EDGE 43.2MM x 25MM From 8-9277	1	
20	476359	PANEL FRONT R.H. FORWARD	1	
21	473718	PANEL UPPER LH & RH BACKWARD To B-5001	1	
21	475772	PANEL UPPER RH BACKWARD From B-5002	1	
22	474004	PANEL LOWER / 95MM X 243MM / S.B. To A-9872	1	
22	478454	PANEL LOWER / 95MM X 243MM / S.B. From A-9873	1	R
23	474006	PANEL LOWER / 103MM X 255MM / S.B. To A-9872	1	
23	478455	PANEL LOWER / 95MM X 243MM / S.B. From A-9873 To B-5001	1	R
23	475771	PANEL LOWER / 82MM X 255MM / S.B. From B-5002	1	
24	240623	EDGE MOULDING W/FLAT PANEL	1	
25	571755	SPACERS BUTTITE STAINLESS	22	

From 7-8754 To D-5458	Date:01/2024	PAGE:X3-1857-05
FENDERS R.H. - BUS W/FLAT PANELING		

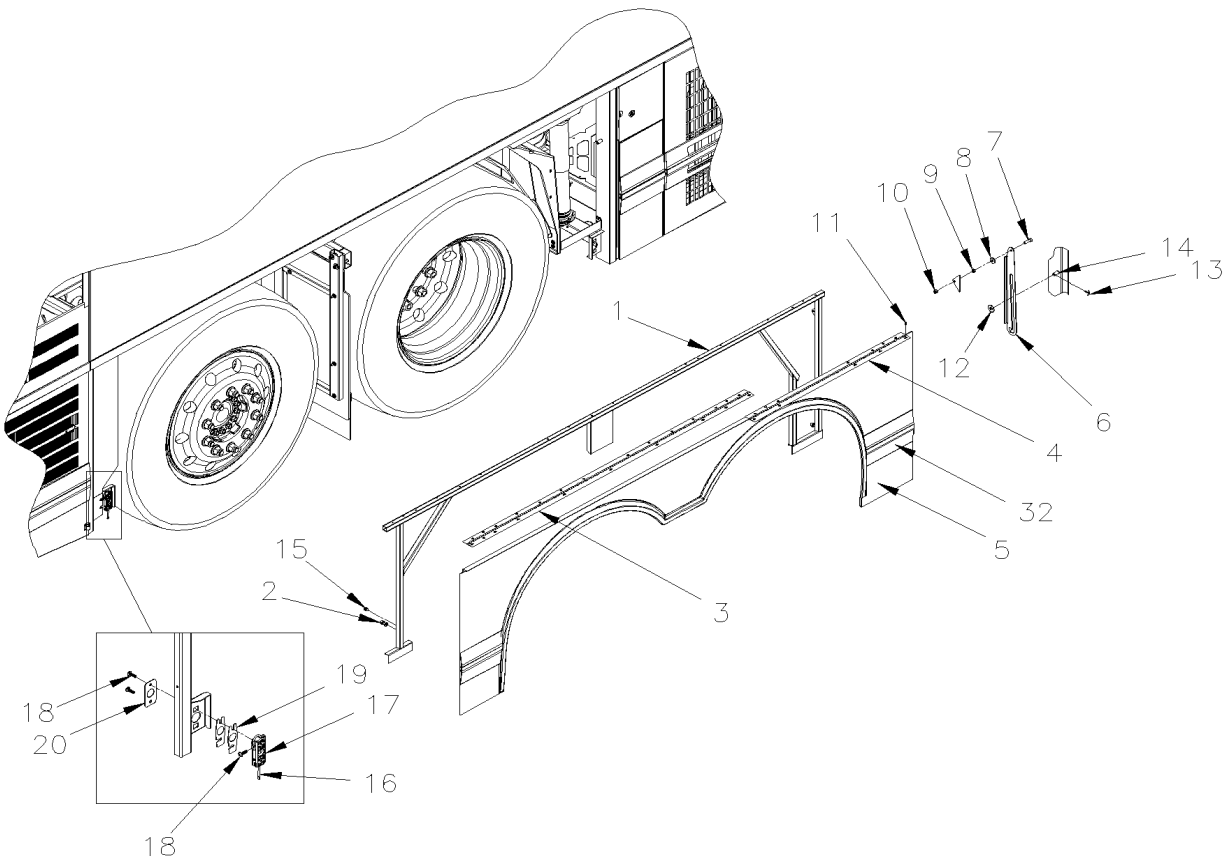
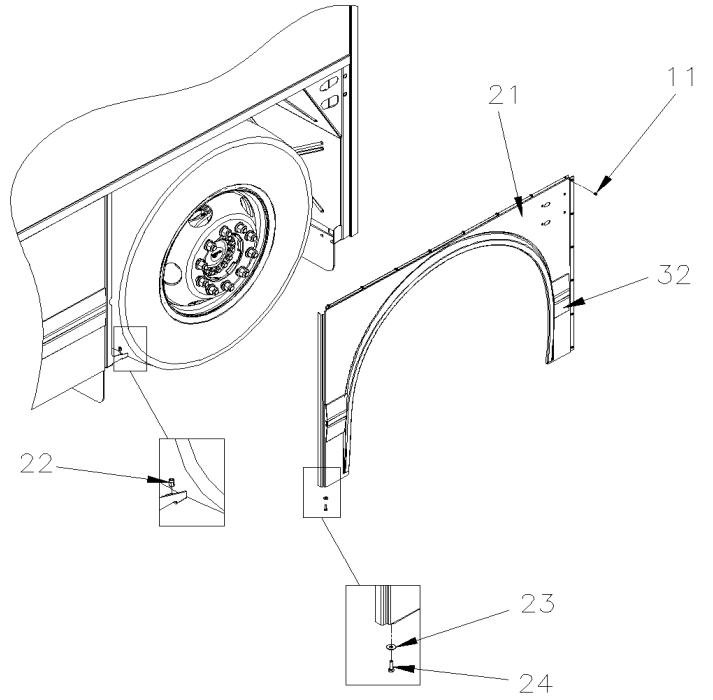
Item#	Part	Description	QTY	Notes
26	240436	MOUNTING PLATE EDGE 43.2MM x 25MM	22	
27	5001182	NUT HEX NYRT M6-1.0 SS	22	
28	460430	MOULDING RUBBER / 2540MM	1	A
29	460431	FENDER RUBBER FRONT / L.H. & R.H. / (ORLEAN OPTION)	1	A
29	5001182	NUT HEX NYRT M6-1.0 SS	22	A
29	240436	MOUNTING PLATE EDGE 43.2MM x 25MM	22	A
30	504488	RIVET MGLP PRDG 3/16x17/64 SS	14	
32	X3-1855-00	RUB RAIL - EXTERIOR CREST & TRIMS From 7-8754 To B-5001		
32	X3-1855-01	RUB RAIL - EXTERIOR CREST & TRIMS From B-5002		
33	478057	PANEL LOWER / 286MM X 255MM / S.B. To A-9872	1	
33	478452	PANEL LOWER / 286MM X 255MM / S.B. From A-9873	1	R
34	478056	PANEL LOWER / 240MM X 205MM / S.B. To 8-9276	1	
34	478451	PANEL LOWER / 240MM X 205MM / S.B. To 8-9276	1	R
34	476794	PANEL LOWER / 88MM X 205MM / S.B. From 8-9277 To A-9872	1	
34	478453	PANEL LOWER / 88MM X 205MM / S.B. From A-9873	1	R
NS	504746	RIVET HKL MMS 3/16x1/4 SS To A-9872	16	
		A) "OPTION" WITH XL 102" RUBBER FENDER		
		R) THIS PANEL ARE FIXED WITHOUT RIVET		

From E-5459 To H-6179

Date:01/2024

PAGE:X3-1857-06

FENDERS R.H. - BUS W/FLAT PANELING



From E-5459 To H-6179	Date:01/2024	PAGE:X3-1857-06
FENDERS R.H. - BUS W/FLAT PANELING		

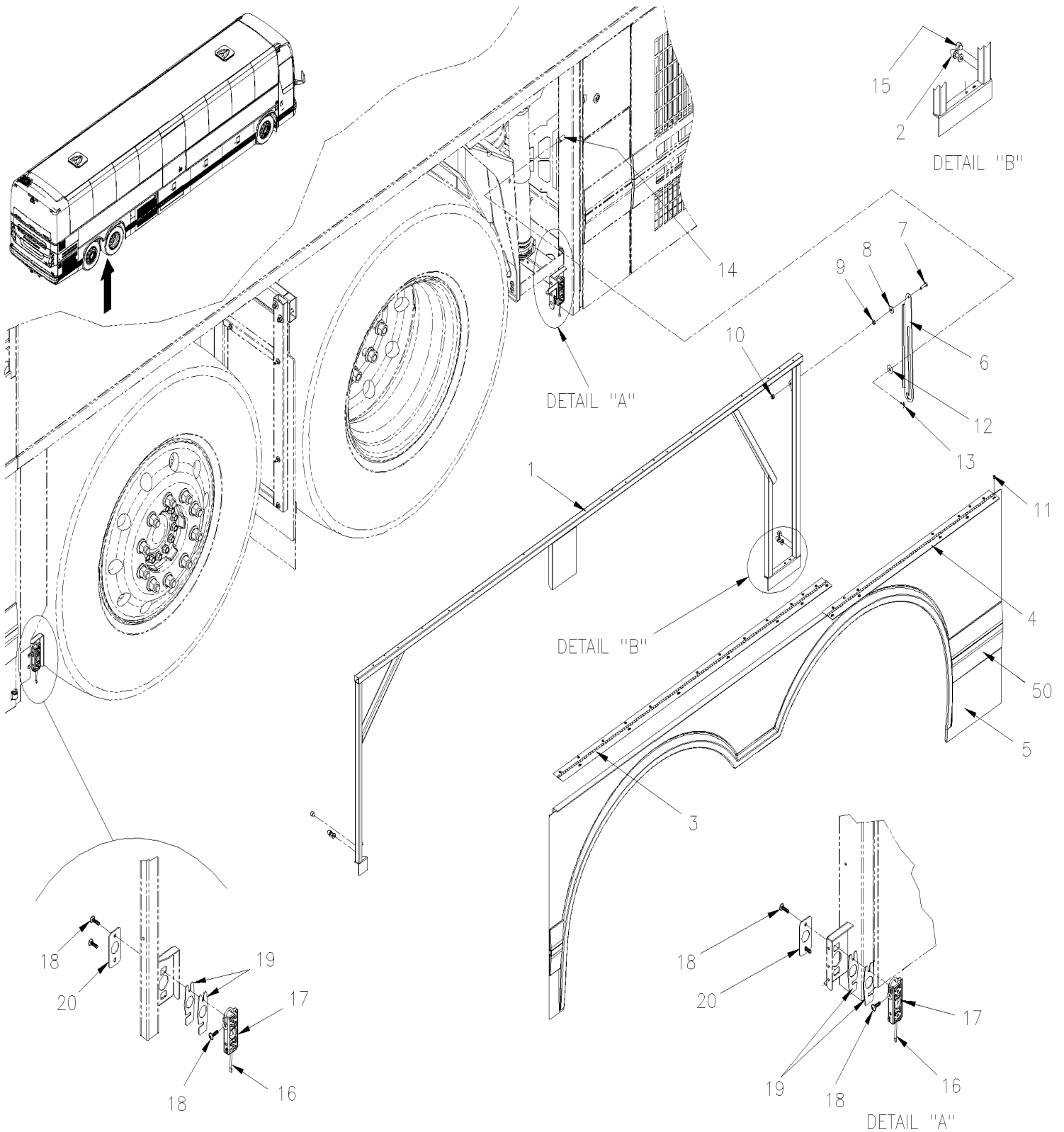
Item#	Part	Description	QTY	Notes
	464762	REAR FENDER ASSY R.H.	1	
	464779	REAR FENDER ASSY R.H. WITH LIGHT From E-5580	1	A
1	460689	. FRAME REAR FENDER R.H.	1	
1	464780	. FRAME REAR FENDER R.H. WITH LIGHT From E-5580	1	A
2	460694	. . STOPPER	1	
3	464757	. HINGE ASSY 1829MM	1	
4	464758	. HINGE ASSY 1013MM	1	
5	476767	. REAR FENDER R.H.	1	
5	479552	. REAR FENDER R.H. WITH LIGHT From E-5580	1	A
5	X3-0663-00	. DOCK & CORNERING LIGHT		A
NS	506785	. TAPE RUB ADH2 CC POL 1/16" X 1/4" X 200' / BLACK I1C-N-A	AR	
NS	687957	. GLUE MS POLYMER TEROSON MS 9399 / 400ml CARTRIDGE	AR	
NS	685124	. ADHESIVE SIMSON #ISR 70-03 / BLACK / 600ml SAUSAGE	AR	
6	460707	LEVER / FOR LOCK	1	
7	5001912	SCREW CAP HEX M8-1.25x30 SS BK	1	
8	471119	SEAL WASHER / RUB RAIL & PANEL	1	
9	5001852	NUT HEX M8-1.25 SS BK	1	
10	5001787	NUT HEX NYRT M8-1.25 SS	1	
11	504488	RIVET MGLP PRDG 3/16x17/64 SS	AR	
12	5001233	WASHER FL .500x1.250x.062 NYL	1	
13	502111	PIN, COTTER 1/8 x 1 1/2 SS	1	
14	218654	SHAFT	1	
15	504527	BUMPER PLUG / .625ODx.312THx.250HOLEx.125	2	
16	472830	SPRING GUIDE HOLDER	2	
17	477399	RECEPTACLE	2	
18	5001630	SCREW TP BUTF TORX M6x20 SS	6	
19	464765	ADJUSTMENT PLATE	4	
20	460708	ADJUSTMENT PLATE	2	
21	476769	FRONT FENDER RH	1	
21	685126	ADHESIVE SIMSON #ISR 70-03 / GREY / 600ml SAUSAGE	AR	
22	5001344	NUT INS FL HEX M6-1.0 0.5-3.0 SS	2	
23	5001833	WASHER BEL SPR 6.1x18x1.27 SS	2	
24	502622	SCREW CAP HEX M6-1.0x20 SS BK	2	
32	X3-1855-01	RUB RAIL - EXTERIOR CREST & TRIMS From B-5002 To G-6083		
32	X3-1855-02	RUB RAIL - EXTERIOR CREST & TRIMS From G-6084		
		A) ONLY W/ FENDER LIGHTING		

From H-6180

Date:01/2024

PAGE:X3-1857-07

FENDERS R.H. - BUS W/FLAT PANELING / GHG17

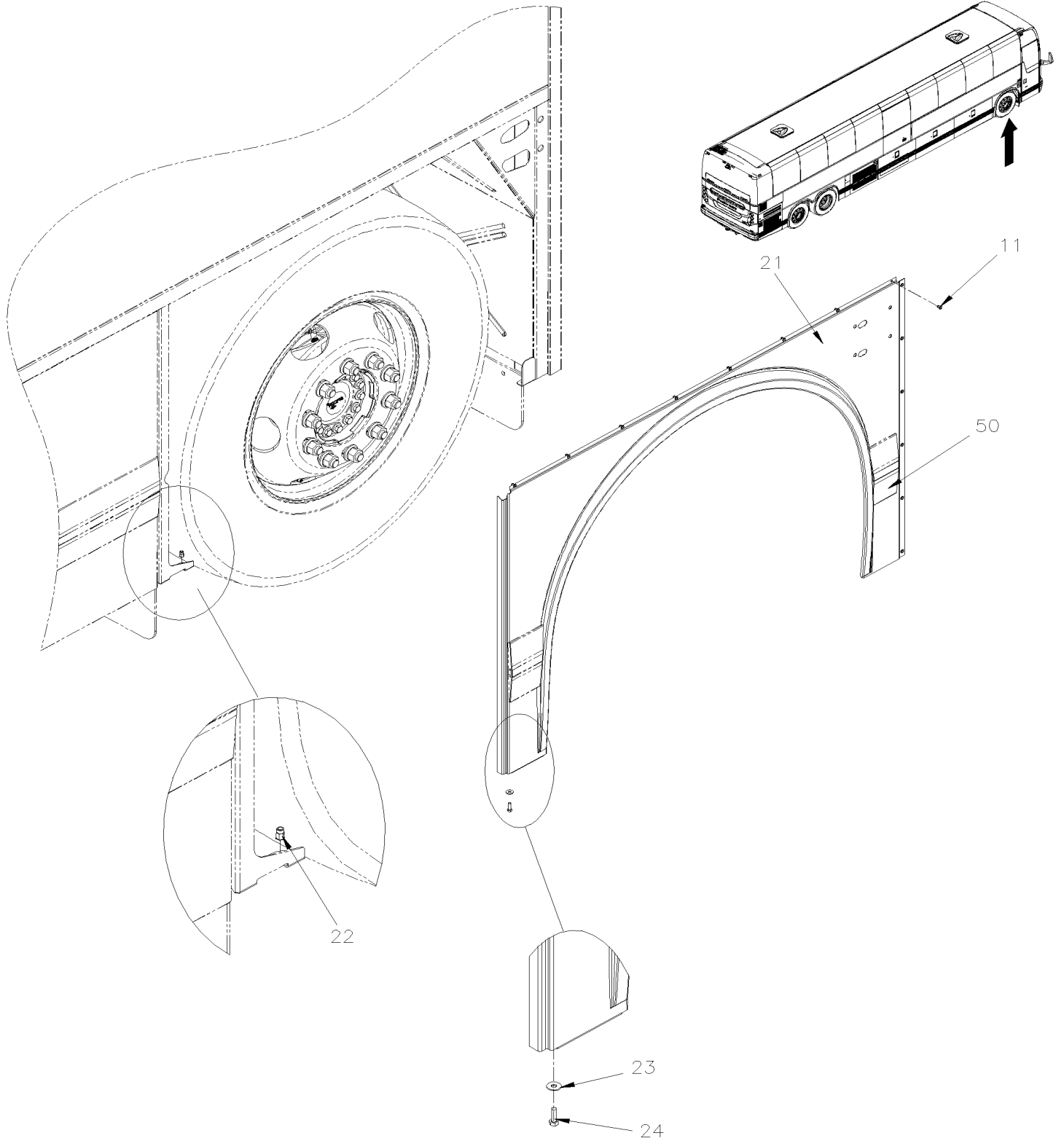


From H-6180

Date:01/2024

PAGE:X3-1857-07

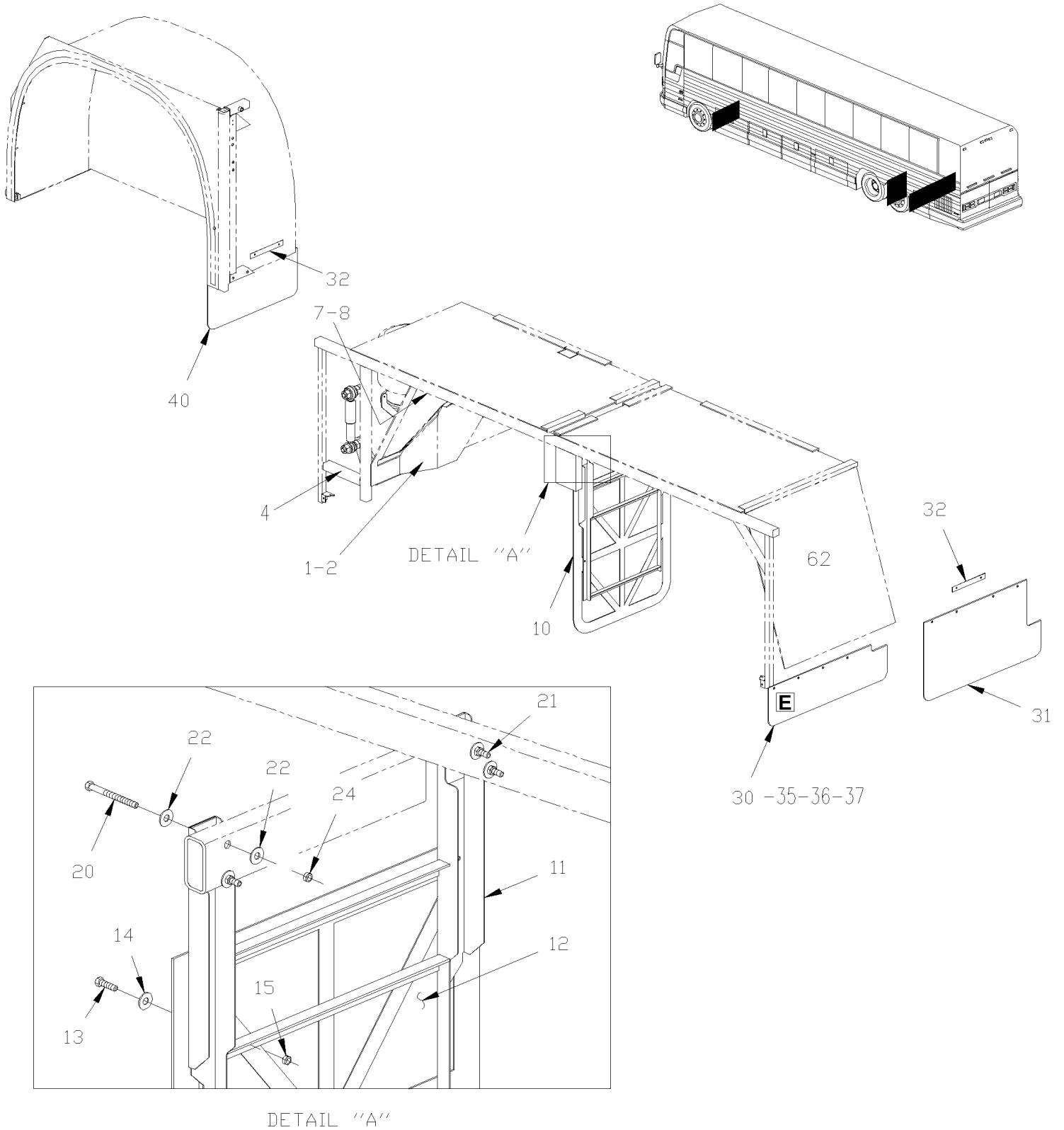
FENDERS R.H. - BUS W/FLAT PANELING / GHG17



From H-6180		Date:01/2024	PAGE:X3-1857-07
FENDERS R.H. - BUS W/FLAT PANELING / GHG17			

Item#	Part	Description	QTY	Notes
	464800	REAR FENDER ASSY R.H.	1	
1	464801	. FRAME REAR FENDER R.H.	1	
2	460694	. . STOPPER	1	
3	464802	. HINGE ASSY 1632MM	1	
4	464758	. HINGE ASSY 1013MM	1	
5	479627	. REAR FENDER R.H.	1	
NS	506785	. TAPE RUB ADH2 CC POL 1/16" X 1/4" X 200' / BLACK I1C-N-A	AR	
NS	687957	. GLUE MS POLYMER TEROSON MS 9399 / 400ml CARTRIDGE To M-6661	AR	
NS	685387	. GLUE MS POLYMER TEROSON MS 9399 / 400ml CARTRIDGE From M-6661	AR	
NS	685124	. ADHESIVE SIMSON #ISR 70-03 / BLACK / 600ml SAUSAGE	AR	
6	460707	LEVER / FOR LOCK	1	
7	5001912	SCREW CAP HEX M8-1.25x30 SS BK	1	
8	471119	SEAL WASHER / RUB RAIL & PANEL	1	
9	5001852	NUT HEX M8-1.25 SS BK	1	
10	5001787	NUT HEX NYRT M8-1.25 SS	1	
11	504488	RIVET MGLP PRDG 3/16x17/64 SS	AR	
12	5001233	WASHER FL .500x1.250x.062 NYL	1	
13	502111	PIN, COTTER 1/8 x 1 1/2 SS	1	
14	218654	SHAFT	1	
15	504527	BUMPER PLUG / .625ODx.312THx.250HOLEx.125	2	
16	472830	SPRING GUIDE HOLDER	2	
17	477399	RECEPTACLE	2	
18	5001630	SCREW TP BUTF TORX M6x20 SS	6	
19	464765	ADJUSTMENT PLATE	4	
20	460708	ADJUSTMENT PLATE	2	
21	476769	FRONT FENDER RH To K-6492	1	
21	471610	FRONT FENDER RH From L-6493	1	
21	685126	ADHESIVE SIMSON #ISR 70-03 / GREY / 600ml SAUSAGE	AR	
22	5001344	NUT INS FL HEX M6-1.0 0.5-3.0 SS	2	
23	5001833	WASHER BEL SPR 6.1x18x1.27 SS	2	
24	502622	SCREW CAP HEX M6-1.0x20 SS BK	2	
50	X3-1855-02	RUB RAIL - EXTERIOR CREST & TRIMS		

From 7-8754 To H-6179	Date:01/2024	PAGE:X3-1859-00
SPLASH GUARD - FRONT & REAR		

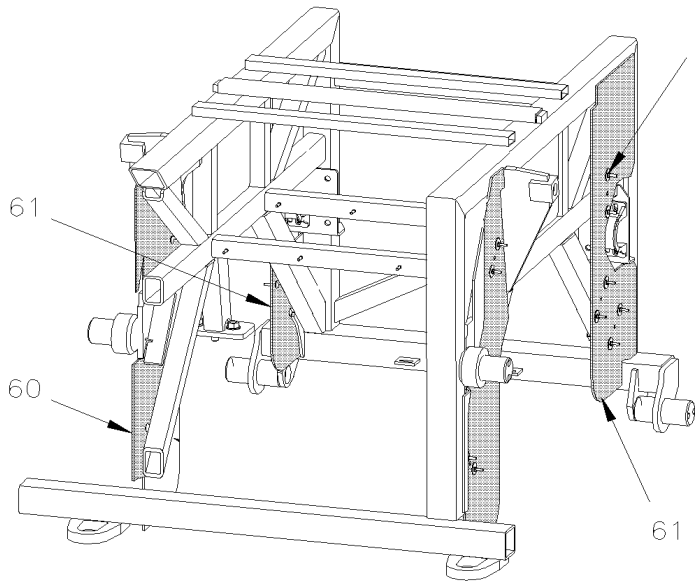
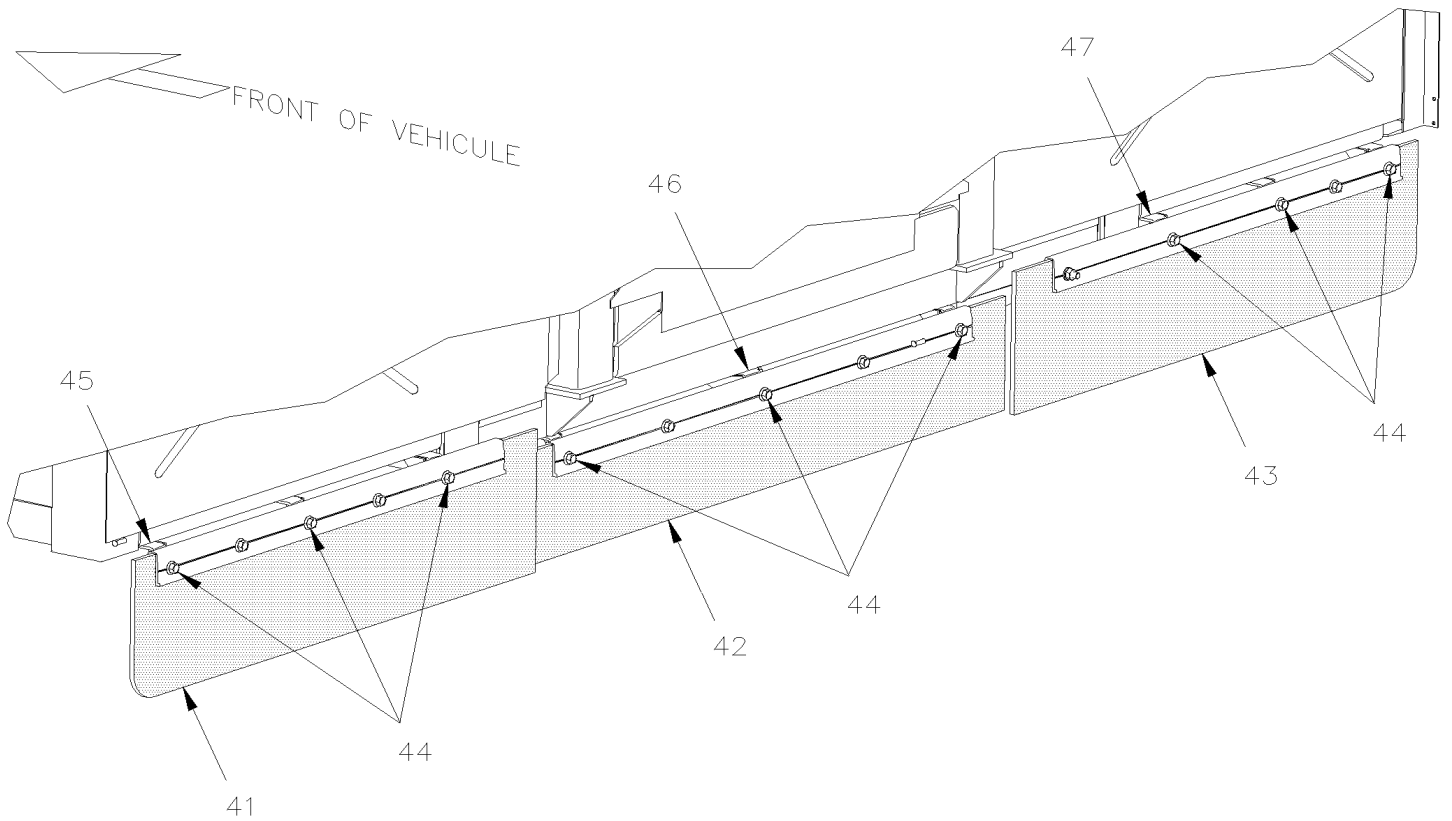


From 7-8754 To H-6179

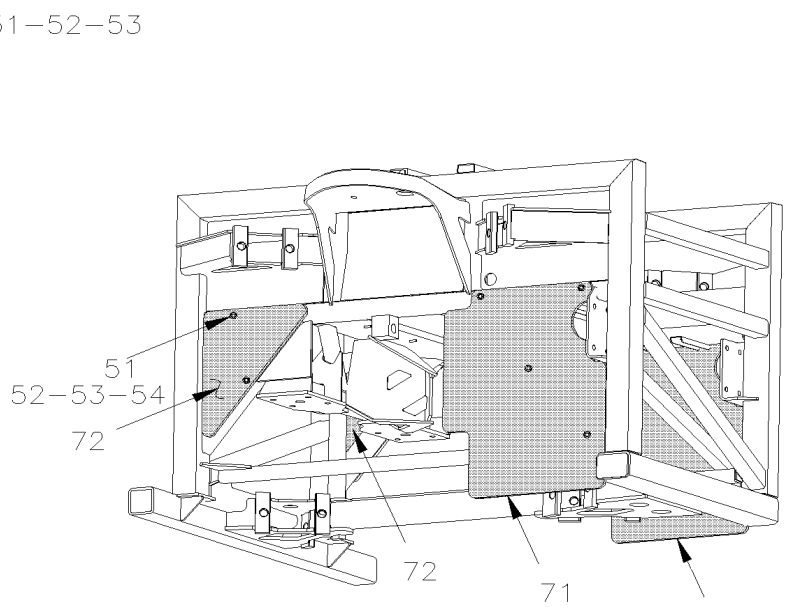
Date:01/2024

PAGE:X3-1859-00

SPLASH GUARD - FRONT & REAR

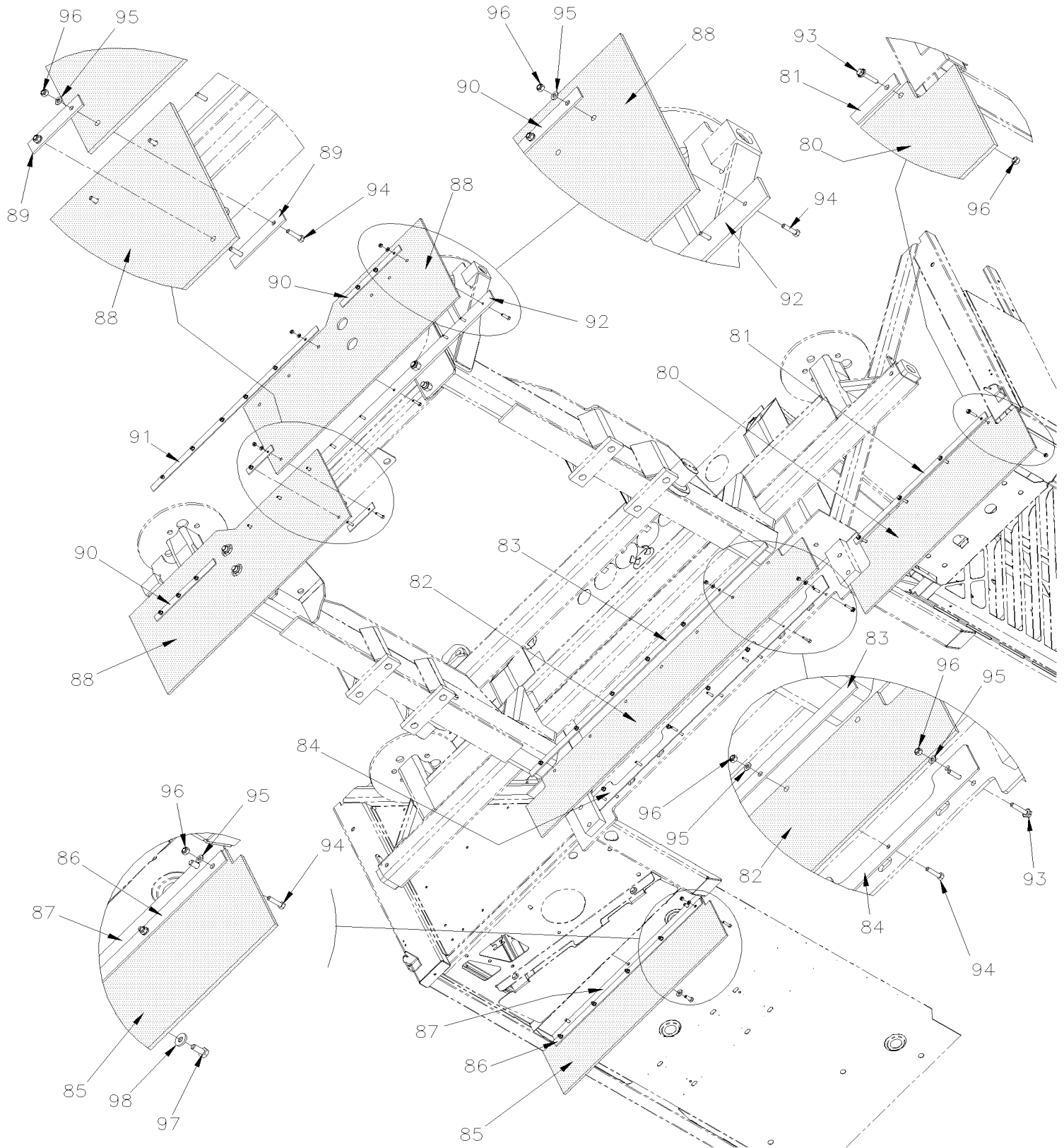


RIGID SUSP.



IND. SUSP. FROM

From 7-8754 To H-6179	Date:01/2024	PAGE:X3-1859-00
SPLASH GUARD - FRONT & REAR		

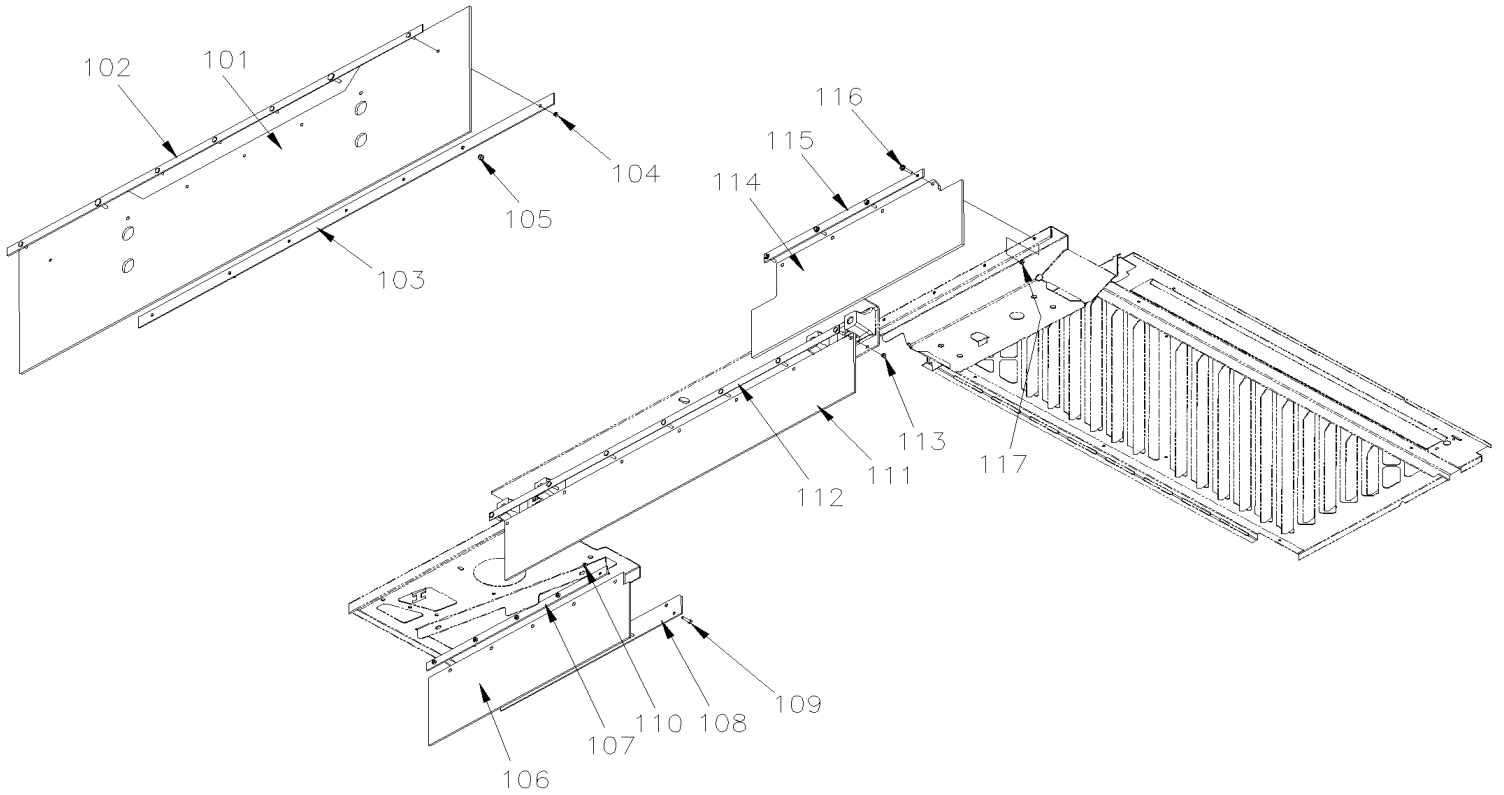


From 7-8754 To H-6179

Date:01/2024

PAGE:X3-1859-00

SPLASH GUARD - FRONT & REAR



From 7-8754 To H-6179	Date:01/2024	PAGE:X3-1859-00
------------------------------	---------------------	------------------------

SPLASH GUARD - FRONT & REAR

Item#	Part	Description	QTY	Notes
1	460645	SPLASH GUARD LH To D-5458	1	
1	464764	SPLASH GUARD From E-5459 To E-5525	2	
1	464755	SPLASH GUARD / DRIVE From E-5526	2	
2	460644	SPLASH GUARD RH To D-5458	1	
4	460646	SUPPORT To D-5458	2	
4	460698	SUPPORT From E-5459 To E-5525	2	
4	460716	SUPPORT STREET SIDE From E-5526	1	
4	460710	SUPPORT CURBSIDE From E-5526	1	
7	5001169	SCREW TP CAP HEXW #12x3/4 SS410	7	
8	500441	WASHER FL .312x.734x.065 Z050	7	
10	460637	SPLASH GUARD / L.H. DRIVE & TAG To 9-9605	1	
10	464700	SPLASH GUARD / L.H. DRIVE & TAG From 9-9606 To D-5458	1	
10	460565P	SPLASH GUARD / L.H. DRIVE & TAG From E-5459	1	
10	460643	SPLASH GUARD / R.H. DRIVE & TAG To 9-9605	1	
10	464701	SPLASH GUARD / R.H. DRIVE & TAG From 9-9606 To D-5458	1	
10	460566P	SPLASH GUARD / R.H. DRIVE & TAG From E-5459	1	
11	460638	. SUPPORT L.H. & R.H.	1	
11	460561	. SUPPORT L.H. & R.H.	1	
12	460641	. RUBBER PAD L.H. To 9-9605	1	
. NS	960015	. . RUBBER PAD To 9-9605	1	
12	460642	. RUBBER PAD R.H. To 9-9605	1	
. NS	960015	. . RUBBER PAD To 9-9605	1	
12	464702	. PAD L.H. & R.H. 749MM x 762MM From 9-9606 To D-5458	1	
12	460562	. PAD L.H. & R.H. 749MM x 762MM From E-5459	1	
NS	464703	. PAD LOWER 749MM x 237MM From 9-9606 To D-5458	1	
NS	460563	. PAD LOWER 749MM x 237MM From E-5459	1	
NS	464704	. REINFORCMENT STRIP SS 749MM x 63MM To D-5458	1	
NS	460564	. REINFORCMENT STRIP SS 749MM x 38MM From E-5459	1	
13	5001636	. SCREW CAP HEX M6-1.0x50 SS BK	8	
13	502686	. SCREW CAP HEX M6-1.0x30 SS BK From 9-9606	3	
14	500411	. WASHER FL .260x.697x.050 SS	16	
15	5001182	. NUT HEX NYRT M6-1.0 SS	8	
16	502565	. NUT HEX M6-1.0 SS	8	
20	5001185	SCREW CAP HEX M8-1.25x80 SS BK	4	
21	5001186	SCREW CAP HEX M8-1.25x90 SS BK	4	
22	500270	WASHER FL .406x1.000x.063 SS	8	
24	966171	NUT HEX NYRT M8x1.25 SS	4	
30	460397	SPLASH GUARD / BEHIND TAG AXLE STREETSIDE 730MM x 273MM	1	
30	460458	SPLASH GUARD / BEHIND TAG AXLE STREETSIDE 730MM x 400MM To 8-9276	1	
30	460533	SPLASH GUARD / BEHIND TAG AXLE STREETSIDE 740MM x 200MM From 8-9277	1	
31	460396	SPLASH GUARD / BEHIND TAG AXLE CURBSIDE 730MM x 740MM To 8-9276	1	
31	460534	SPLASH GUARD / BEHIND TAG AXLE CURBSIDE 725MM x 390MM From 8-9277 To B-5001	1	

From 7-8754 To H-6179	Date:01/2024	PAGE:X3-1859-00
SPLASH GUARD - FRONT & REAR		

Item#	Part	Description	QTY	Notes
31	460671	SPLASH GUARD / BEHIND TAG AXLE CURBSIDE 725MM x 295MM From B-5002	1	
31	460495	SPLASH GUARD / BEHIND TAG AXLE CURBSIDE 740MM x 400MM To 8-9276	1	W
31	460535	SPLASH GUARD / BEHIND TAG AXLE CURBSIDE 725MM x 390MM From 8-9277	1	W
32	460189	STRIP, FIXATION / SS 203MM W/2 HOLES	4	
32	460672	STRIP, FIXATION / SS 380MM W/3 HOLES From B-5002	1	
32	460673	STRIP, FIXATION / SS 188MM W/2 HOLES / OFFSET From B-5002	1	
NS	504610	RIVET MGLP PRDG 1/4x5/8 SS	AR	
NS	955920	WASHER LO SPT 6.5x11.5x1.6 ZP	AR	
35	071509	PLATE ASSY W/DECAL "EDGE" From 8-9364	2	WW
NS	071507	PLATE SS 200MM x 133MM From 8-9364	1	WW
NS	071508	DECAL / "EDGE" - TRANS ALLISON From 8-9364	1	WW
36	504339	RIVET POP DOME OE 1/8x3/8 SS From 8-9364	4	
37	5001067	WASHER FL .128x.312x.032 SS From 8-9364	4	
40	490081	SPLASH GUARD / BEHIND FRONT AXLE 9" X 22"	2	
NS	500165	SCREW CAP HEX 1/4-20x1 G5 Z050	8	
NS	500473	WASHER LO SPT .262x.489x.062 Z050	8	
NS	500769	NUT HEX 1/4-20 Z050	8	
NS	507335	PROTECTOR CAP / BLACK / .234 I.D. x .500	8	
41	460449	AIR SHIELD DEFLECTOR ASSY / STREETSIDE To D-5374	1	
NS	460443	AIR SHIELD DEFLECTOR To D-5374	1	
NS	460433	EXTRUSION ALUMINUM / STREETSIDE To D-5374	1	
41	460443	AIR SHIELD DEFLECTOR From D-5375	1	
41	464731	STRIP DEFELECTOR 645MM From D-5375	1	
42	460450	AIR SHIELD DEFLECTOR ASSY / CENTER To D-5374	1	
NS	460444	AIR SHIELD DEFLECTOR / CENTER To D-5374	1	
NS	460434	EXTRUSION ALUMINUM / CENTER To D-5374	1	
42	460444	AIR SHIELD DEFLECTOR / CENTER From D-5375	1	
42	464732	STRIP DEFELECTOR 804MM From D-5375	1	
43	460451	AIR SHIELD DEFLECTOR ASSY / CURBSIDE To D-5374	1	
NS	460445	AIR SHIELD DEFLECTOR / CURBSIDE To D-5374	1	
NS	460435	EXTRUSION ALUMINUM / CURBSIDE To D-5374	1	
43	460443	AIR SHIELD DEFLECTOR From D-5375	1	
43	464731	STRIP DEFELECTOR 645MM From D-5375	1	
44	502912	SCREW CAP HEXF M8-1.25x25 SS BK	AR	
44	502911	NUT HEXF M8-1.25 SS	AR	
45	460440	SUPPORT / AIR SHIELD / STREETSIDE To D-5374	1	
45	460682	SUPPORT / AIR SHIELD From D-5375	1	
46	460441	SUPPORT / AIR SHIELD / CENTER To D-5374	1	
46	460681	SUPPORT / AIR SHIELD / CENTER From D-5375	1	
47	460442	SUPPORT / AIR SHIELD / CURBSIDE To D-5374	1	
47	460682	SUPPORT / AIR SHIELD From D-5375	1	
51	502565	NUT HEX M6-1.0 SS	AR	

From 7-8754 To H-6179	Date:01/2024	PAGE:X3-1859-00
SPLASH GUARD - FRONT & REAR		

Item#	Part	Description	QTY	Notes
52	502570	WASHER LO SPT 6.1x11.8x1.6 SS	AR	
53	5001467	WASHER FL .343x1.250x.062 SS18-8	AR	
54	502810	SCREW TP CAP HEXW FL M6.3-1.81x30 PHC	8	
60	460439	AIR SHIELD DEFLECTOR / FORWARD / W/RIGID SUSPENSION To E-5585	2	
60	464767	PANEL, DEFLECT. FRONT From E-5586	2	
61	460446	AIR SHIELD DEFLECTOR / BACKWARD / W/RIGID SUSPENSION To E-5585	2	
61	464766	PANEL, DEFLECT. REAR From E-5586	2	
62	X3-1894-05	REAR LH - STRUCTURE To 8-9276	1	
62	X3-0518-01	RADIATOR SEALING FRAME - BUS From 8-9277 To H-6179		
70	X3-1894-05	REAR LH - STRUCTURE To 8-9276		
70	X3-1894-06	REAR LH - STRUCTURE From 8-9277 To D-5458		
70	X3-1894-10	REAR RH - STRUCTURE To B-5001		
70	X3-1894-11	REAR RH - STRUCTURE From B-5002 To D-5458		
70	X3-189X-XX	STRUCTURE / CALL ORDER DESK From E-5459		
71	460492	AIR SHIELD DEFLECTOR / FORWARD / W/IND SUSPENSION To C-5241	2	
71	460679	AIR SHIELD DEFLECTOR / FORWARD / W/IND SUSPENSION From C-5243 To G-6047	2	
71	460001	DEFLECTOR, INDEPENDENT FRONT SUSPENSION From G-6048	2	
72	460456	DEFLECTOR, FRONT	2	
80	464741	SPLASH GUARD To D-5458	1	A
81	464743	STRIP, FIXATION / SS 564MM W/4 HOLES To D-5458	1	A
82	464740	SPLASH GUARD / UNDER FUEL TANK To D-5458	1	A
83	464745	STRIP, FIXATION / SS 1015MM W/7 HOLES To D-5458	1	A
84	464739	STRIP, FIXATION / SS To D-5458	1	A
85	464744	SPLASH GUARD / UNDER HEATER & EVAPORATOR COMP To D-5458	1	A
86	464742	STRIP, FIXATION / SS 630MM W/5 HOLES To D-5458	1	A
87	464738	STRIP, FIXATION / SS To D-5458	1	A
88	464737	SPLASH GUARD / BETWEEN DRIVE AXLE & TAG AXLE To D-5458	2	A
89	464736	STRIP, FIXATION / SS 108MM W/2 HOLES To D-5458	2	A
90	464735	STRIP, FIXATION / SS 254MM W/3 HOLES To D-5458	2	A
91	464734	STRIP, FIXATION / SS 711MM W/6 HOLES To D-5458	1	A
92	464733	STRIP, FIXATION / SS 1448MM W/12 HOLES To D-5458	1	A
93	5001815	SCREW CAP HEXF M6-1.0x30 G 8.8 N500 To D-5458	9	A
94	502737	SCREW CAP HEX M6-1.0x25 SS BK To D-5458	26	A
95	502573	WASHER FL 6.4x12.5x1.6 SS To D-5458	31	A
96	5001182	NUT HEX NYRT M6-1.0 SS To D-5458	35	A
97	502862	SCREW CAP HEX M8-1.25x20 G8.8 N500 To D-5458	3	A
98	500321	WASHER BEL SPR .331x.827x.098 N500 To D-5458	3	A
101	460228	SPLASH GUARD / BETWEEN DRIVE AXLE & TAG AXLE From E-5459	1	A
102	460227	STRIP, FIXATION / SS From E-5459	1	A
103	460226	STRIP, FIXATION / SS From E-5459	1	A
104	502681	NUT HEX NYRT M6-1.0 N500 G8 From E-5459	5	A
105	502847	NUT HEX NYRT M8-1.25 N500 From E-5459	2	A

From 7-8754 To H-6179	Date:01/2024	PAGE:X3-1859-00
-----------------------	--------------	-----------------

SPLASH GUARD - FRONT & REAR

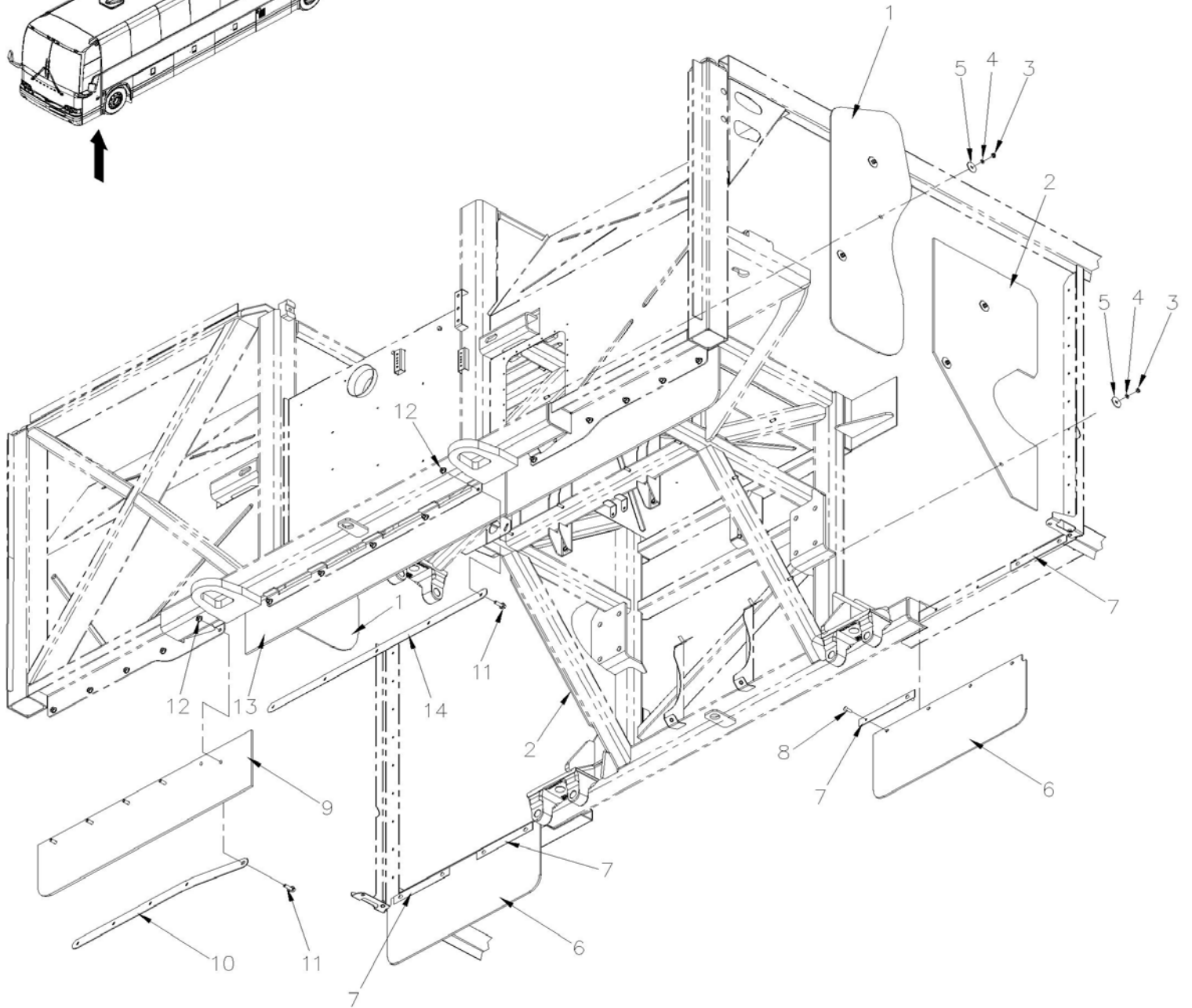
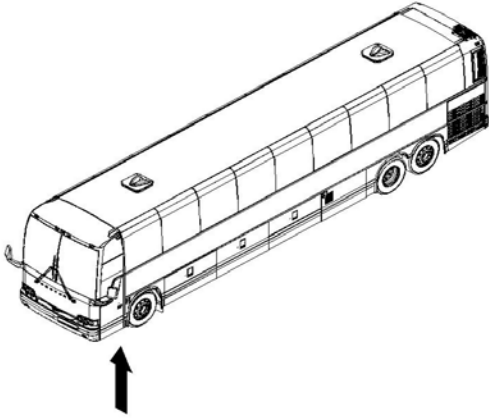
Item#	Part	Description	QTY	Notes
106	464744	SPLASH GUARD / UNDER HEATER & EVAPORATOR COMP From E-5459	1	A
107	464742	STRIP, FIXATION / SS 630MM W/5 HOLES From E-5459	1	A
108	464738	STRIP, FIXATION / SS From E-5459	1	A
109	502737	SCREW CAP HEX M6-1.0x25 SS BK From E-5459	5	A
110	5001182	NUT HEX NYRT M6-1.0 SS From E-5459	5	A
111	Call order desk	SPLASH GUARD / UNDER FUEL TANK From E-5459 To E-5525	1	P A
111	460222	SPLASH GUARD / UNDER FUEL TANK From E-5526	1	A
112	460223	STRIP, FIXATION / SS From E-5459	1	A
113	502681	NUT HEX NYRT M6-1.0 N500 G8 From E-5459	7	A
114	464741	SPLASH GUARD From E-5459	1	A
115	464743	STRIP, FIXATION / SS 564MM W/4 HOLES From E-5459	1	A
116	5001815	SCREW CAP HEXF M6-1.0x30 G 8.8 N500 From E-5459	4	A
117	5001182	NUT HEX NYRT M6-1.0 SS From E-5459	4	A
		A) PACIFIC WESTERN OPTION		
		W) WITH WATER HEATER EXHAUST		
		WW) WITH "WORLD" TRANS ONLY		
		P) CALL ORDER DESK FOR SPECIFIC APPLICATION (V.I.N.)		

From H-6180

Date:01/2024

PAGE:X3-1859-01

SPLASH GUARD - FRONT & REAR / GHG17



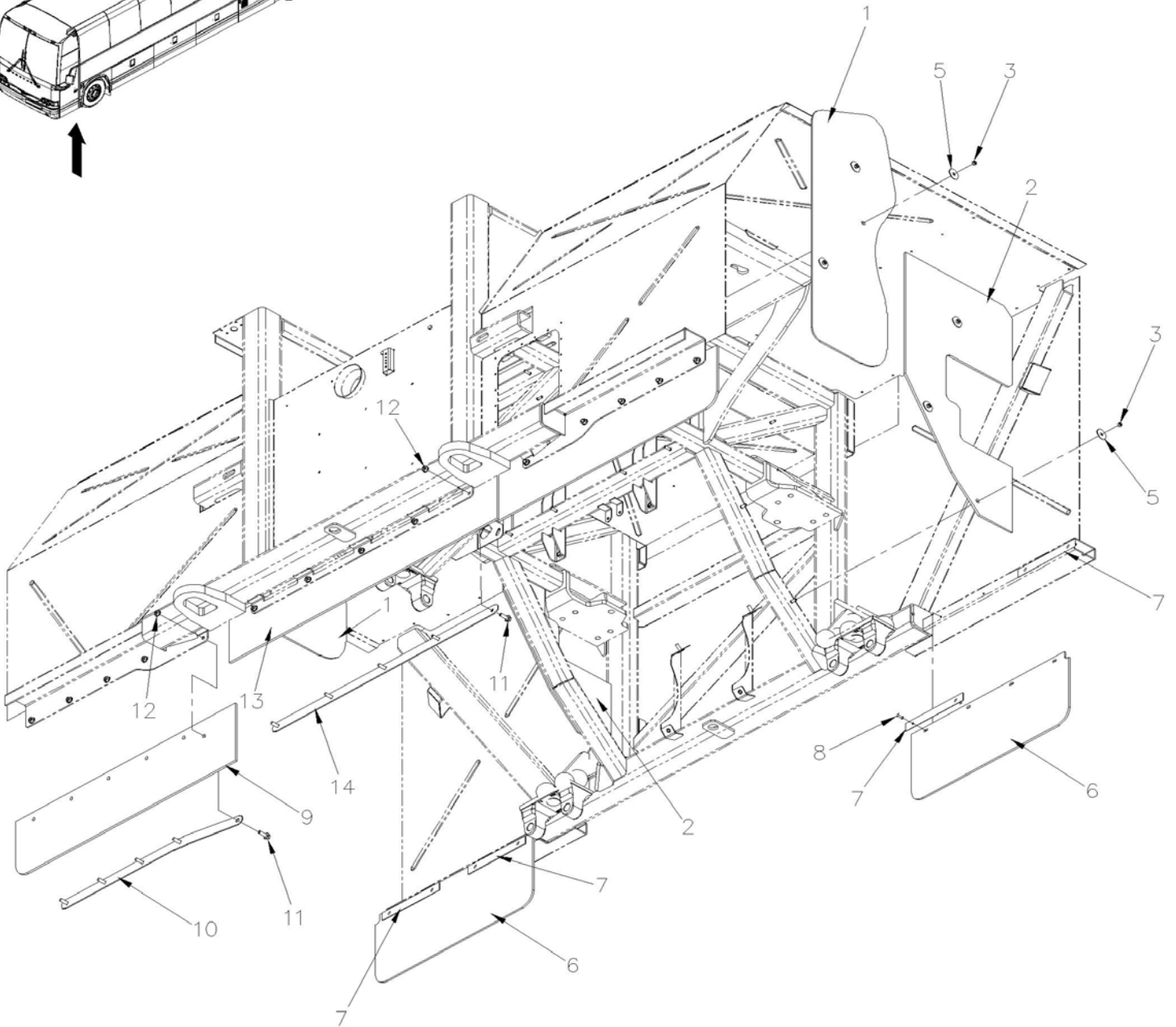
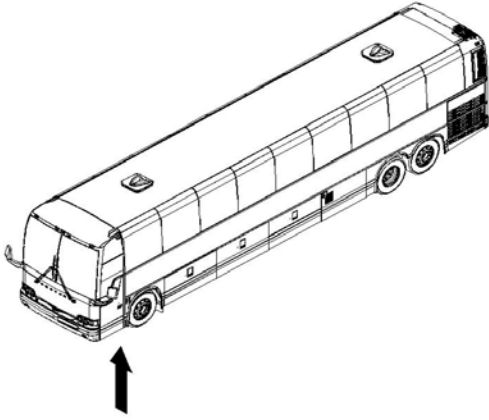
UP TO

From H-6180

Date:01/2024

PAGE:X3-1859-01

SPLASH GUARD - FRONT & REAR / GHG17



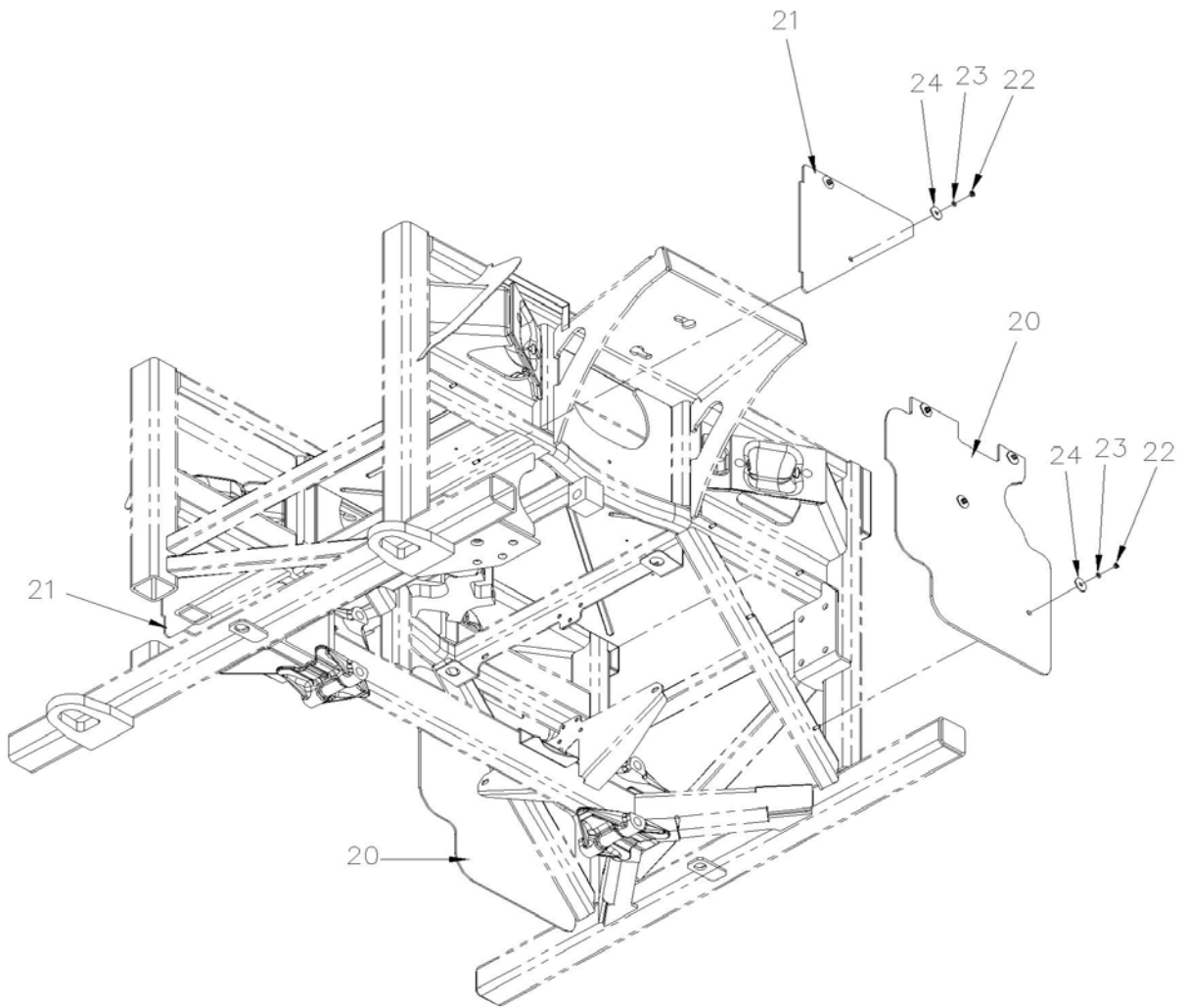
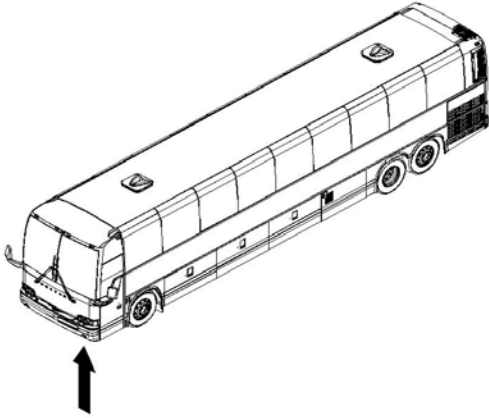
FROM

From H-6180

Date:01/2024

PAGE:X3-1859-01

SPLASH GUARD - FRONT & REAR / GHG17



INDEPENDENT SUSPENSION

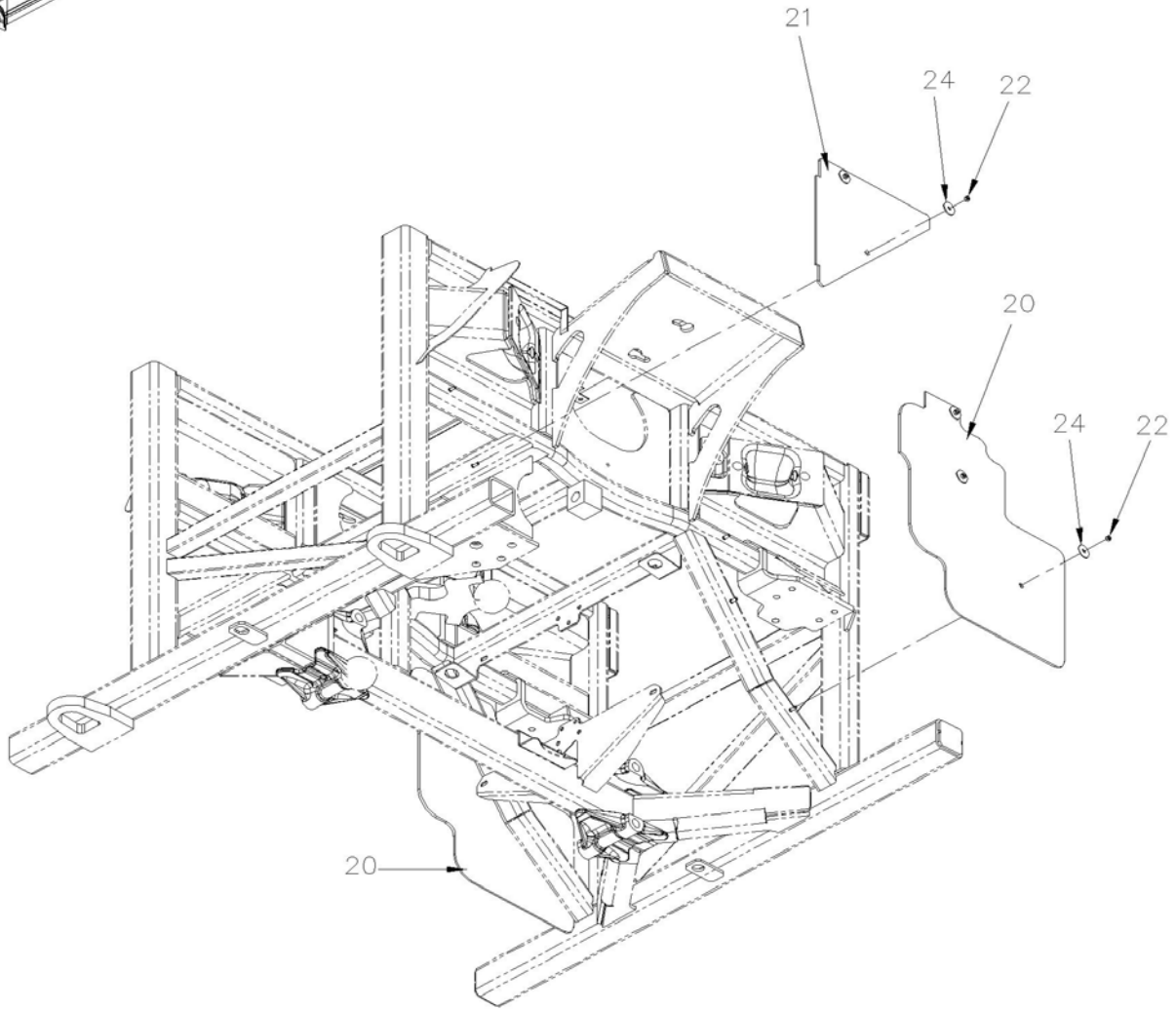
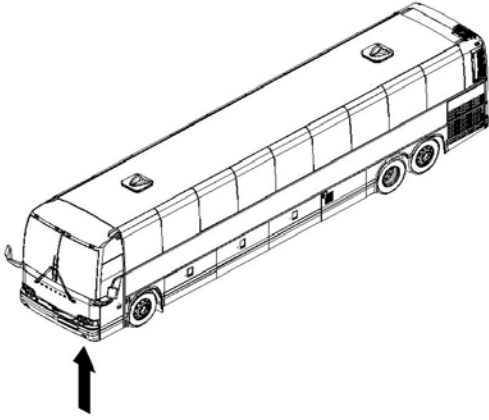
UP TO

From H-6180

Date:01/2024

PAGE:X3-1859-01

SPLASH GUARD - FRONT & REAR / GHG17



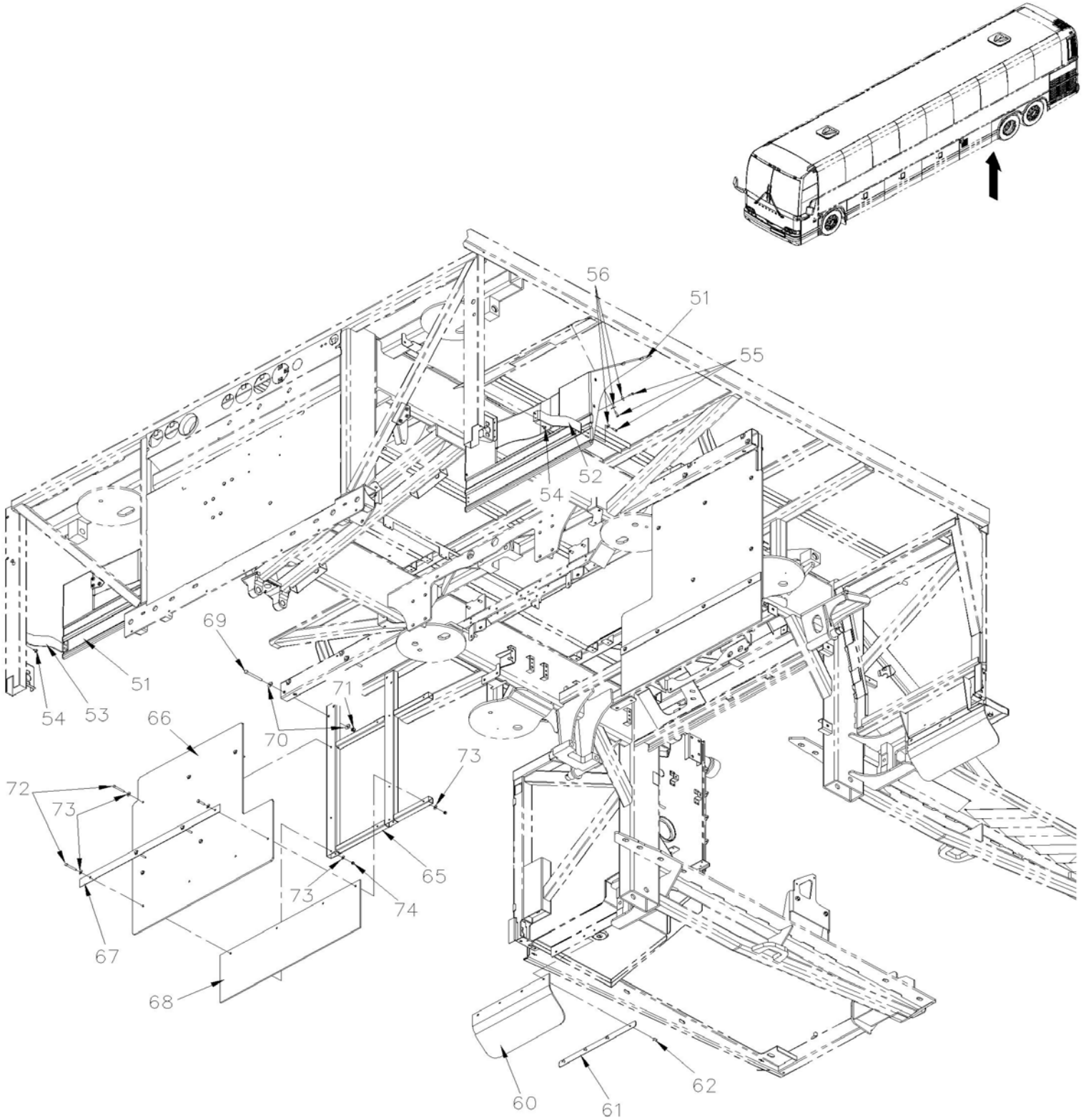
INDEPENDENT SUSPENSION
FROM

From H-6180

Date:01/2024

PAGE:X3-1859-01

SPLASH GUARD - FRONT & REAR / GHG17

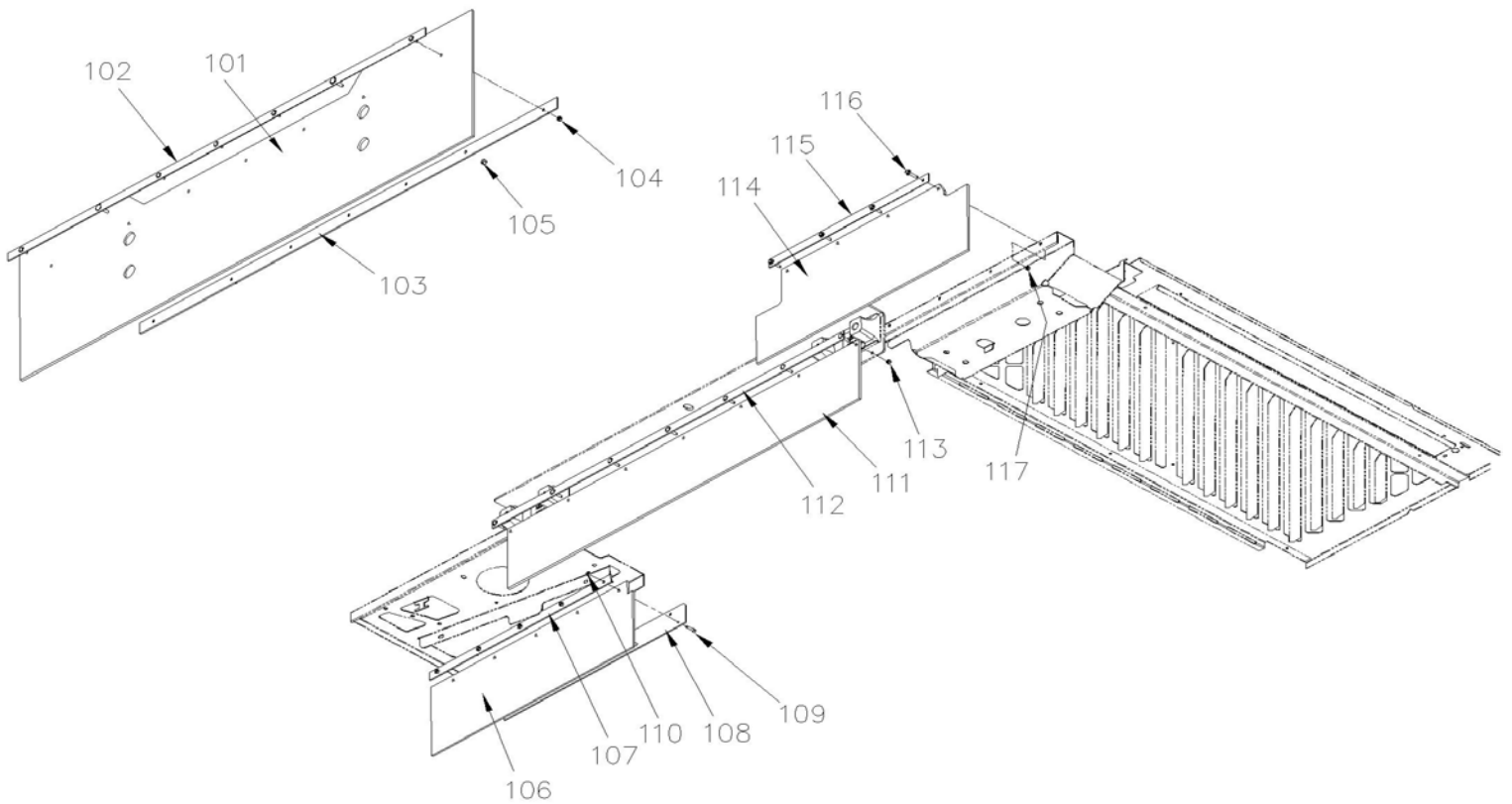
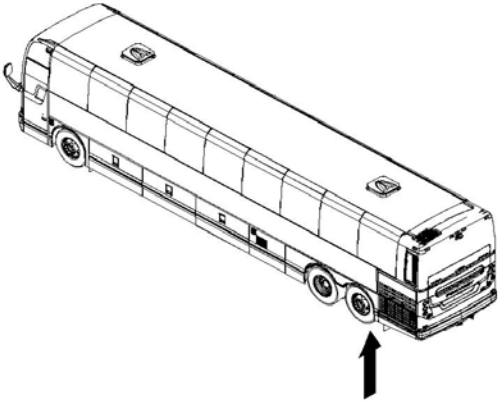


From H-6180

Date:01/2024

PAGE:X3-1859-01

SPLASH GUARD - FRONT & REAR / GHG17



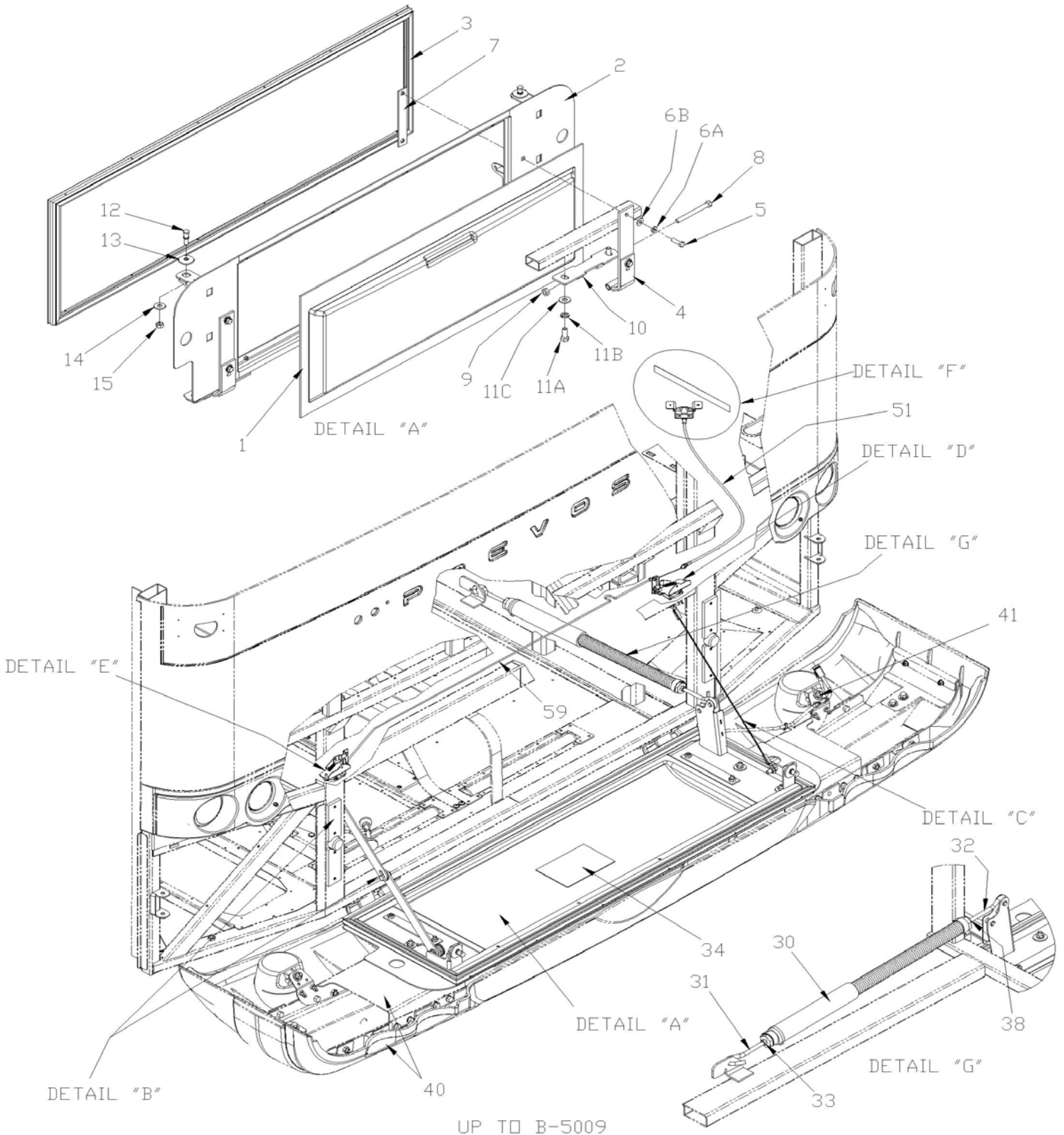
From H-6180		Date:01/2024	PAGE:X3-1859-01
SPLASH GUARD - FRONT & REAR / GHG17			

Item#	Part	Description	QTY	Notes
		UP TO £-22037 To £-22037	1	
		FROM £-22037 From £-22037	1	
1	464767	PANEL, DEFLECT. FRONT	2	
2	464766	PANEL, DEFLECT. REAR To £-22037	2	
2	460198	PANEL, DEFLECT. REAR From £-22037	2	
3	502565	NUT HEX M6-1.0 SS To L-6579	12	
3	5001182	NUT HEX NYRT M6-1.0 SS From L-6580	12	
4	502570	WASHER LO SPT 6.1x11.8x1.6 SS To L-6579	12	
5	5001467	WASHER FL .343x1.250x.062 SS18-8	12	
6	490081	SPLASH GUARD / BEHIND FRONT AXLE 9" X 22" To M-6657	2	
6	460112	SPLASH GUARD / BEHIND FRONT AXLE 9" X 22" From M-6658	2	
7	460189	STRIP, FIXATION / SS 203MM W/2 HOLES To M-6657	4	
7	460114	STRIP, FIXATION / SS 203MM W/2 HOLES From M-6658	4	
8	504610	RIVET MGLP PRDG 1/4x5/8 SS To M-6657	8	
8	504416	RIVET POP DOME OE 3/16x5/8 SS From M-6658	8	
9	460443	AIR SHIELD DEFLECTOR	2	
10	464731	STRIP DEFELECTOR 645MM	2	
11	502912	SCREW CAP HEXF M8-1.25x25 SS BK	15	
12	502911	NUT HEXF M8-1.25 SS	15	
13	460444	AIR SHIELD DEFLECTOR / CENTER	1	
14	464732	STRIP DEFELECTOR 804MM	1	
20	460001	DEFLECTOR, INDEPENDENT FRONT SUSPENSION To £-22037	2	
20	460196	DEFLECTOR, INDEPENDENT FRONT SUSPENSION From £-22037	2	
21	460456	DEFLECTOR, FRONT	2	
22	502565	NUT HEX M6-1.0 SS To £-22037	12	
22	5001182	NUT HEX NYRT M6-1.0 SS From £-22037	10	
23	502570	WASHER LO SPT 6.1x11.8x1.6 SS To £-22037	12	
24	5001467	WASHER FL .343x1.250x.062 SS18-8 To £-22037	12	
24	5001467	WASHER FL .343x1.250x.062 SS18-8 From £-22037	10	
51	464755	SPLASH GUARD / DRIVE	2	
52	460716	SUPPORT STREET SIDE	1	
53	460710	SUPPORT CURBSIDE	1	
54	504793	RIVET MNB OE LARGE HEAD 3/16x7/16 SS	4	
55	5001169	SCREW TP CAP HEXW #12x3/4 SS410	14	
56	500411	WASHER FL .260x.697x.050 SS	14	
60	466964	SPLASH GUARD TAG To M-6657	2	
60	460109	SPLASH GUARD TAG From M-6658	2	
61	460030	PLATE REINFORCEMENT 380MM W/4 HOLES To M-6657	2	
61	460118	PLATE REINFORCEMENT 380MM W/4 HOLES From M-6658	2	
62	504459	RIVET MGLP PRDG 1/4x3/8 SS To M-6657	8	
62	504416	RIVET POP DOME OE 3/16x5/8 SS From M-6658	8	
65	460561	SUPPORT L.H. & R.H.	2	

From H-6180		Date:01/2024	PAGE:X3-1859-01
SPLASH GUARD - FRONT & REAR / GHG17			

Item#	Part	Description	QTY	Notes
66	460562	PAD L.H. & R.H. 749MM x 762MM	1	
67	460564	REINFORCMENT STRIP SS 749MM x 38MM	2	
68	460563	PAD LOWER 749MM x 237MM	1	
69	5001185	SCREW CAP HEX M8-1.25x80 SS BK	8	
70	500270	WASHER FL .406x1.000x.063 SS	16	
71	5001787	NUT HEX NYRT M8-1.25 SS	8	
72	5001636	SCREW CAP HEX M6-1.0x50 SS BK	8	
73	500411	WASHER FL .260x.697x.050 SS	18	
74	5001182	NUT HEX NYRT M6-1.0 SS	18	
101	460228	SPLASH GUARD / BETWEEN DRIVE AXLE & TAG AXLE	1	
102	460227	STRIP, FIXATION / SS	1	
103	460226	STRIP, FIXATION / SS	1	
104	502681	NUT HEX NYRT M6-1.0 N500 G8	5	
105	502847	NUT HEX NYRT M8-1.25 N500	2	
106	464744	SPLASH GUARD / UNDER HEATER & EVAPORATOR COMP	1	
107	464742	STRIP, FIXATION / SS 630MM W/5 HOLES	1	
108	464738	STRIP, FIXATION / SS	1	
109	502737	SCREW CAP HEX M6-1.0x25 SS BK	5	
110	5001182	NUT HEX NYRT M6-1.0 SS	5	
111	460222	SPLASH GUARD / UNDER FUEL TANK To L-6492	1	
111	460106	SPLASH GUARD / UNDER FUEL TANK From L-6493 To M-6657	1	
111	460119	SPLASH GUARD / UNDER FUEL TANK From M-6658	1	
111	460107	SUPPORT, CENTER PROTECTOR From L-6493 To M-6657	2	
111	464742	STRIP, FIXATION / SS 630MM W/5 HOLES From M-6658	2	
NS	502737	SCREW CAP HEX M6-1.0x25 SS BK From M-6658	12	
NS	5001182	NUT HEX NYRT M6-1.0 SS From M-6658	12	
NS	500142	WASHER FL 6.6x22.0x2.0 SS From M-6658	2	
112	460223	STRIP, FIXATION / SS To L-6493	1	
112	460105	STRIP, FIXATION / SS From L-6493 To M-6657	1	
112	470123	STRIP, FIXATION / SS From M-6658	1	
113	502681	NUT HEX NYRT M6-1.0 N500 G8 To M-6657	14	
113	502681	NUT HEX NYRT M6-1.0 N500 G8 From M-6658	6	
114	464741	SPLASH GUARD To M-6657	1	
114	460125	SPLASH GUARD From M-6658	1	
115	464743	STRIP, FIXATION / SS 564MM W/4 HOLES	1	
116	5001815	SCREW CAP HEXF M6-1.0x30 G 8.8 N500	4	
117	5001182	NUT HEX NYRT M6-1.0 SS	4	

SPARE WHEEL DOOR ASSY

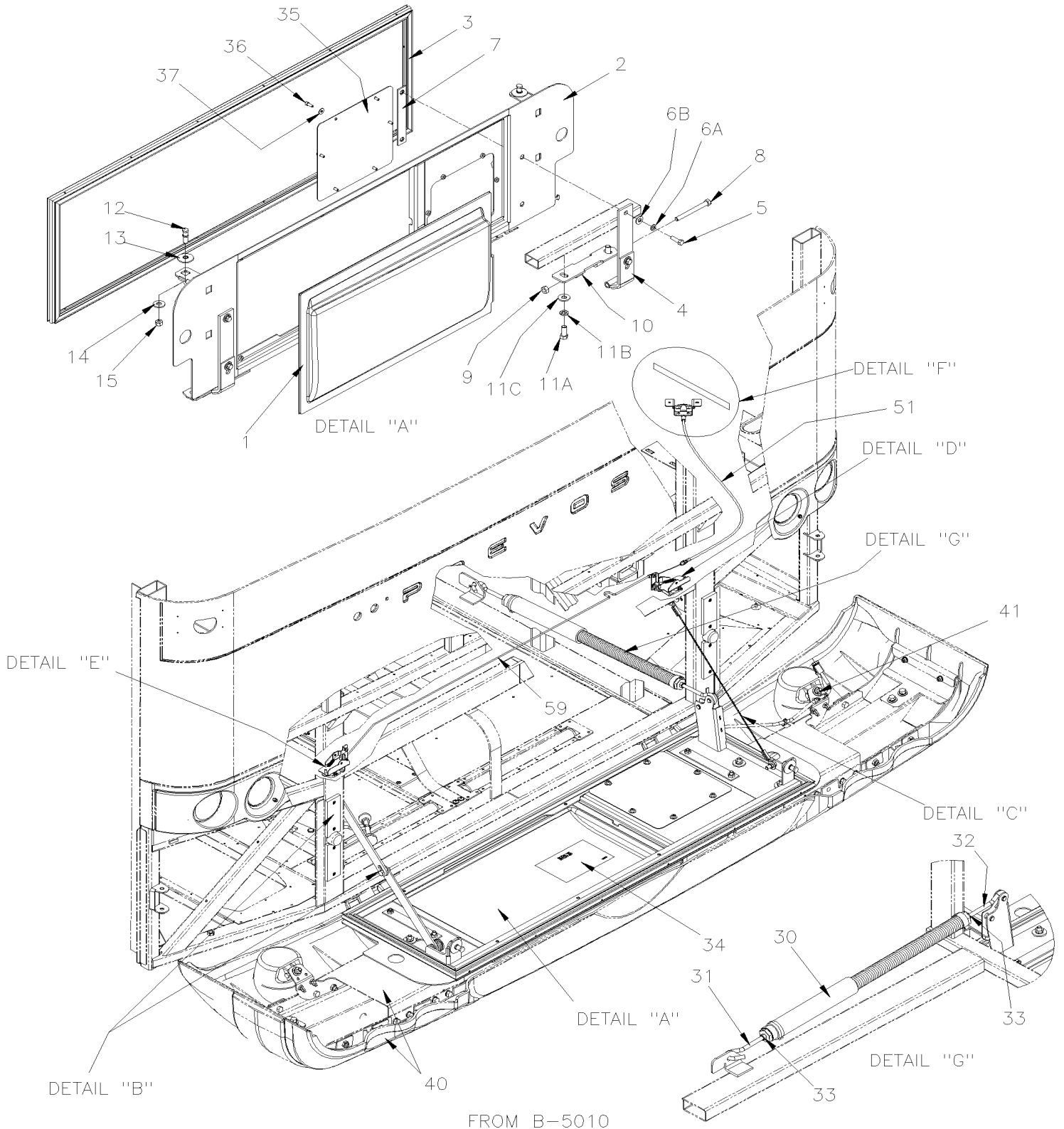


From 7-8754

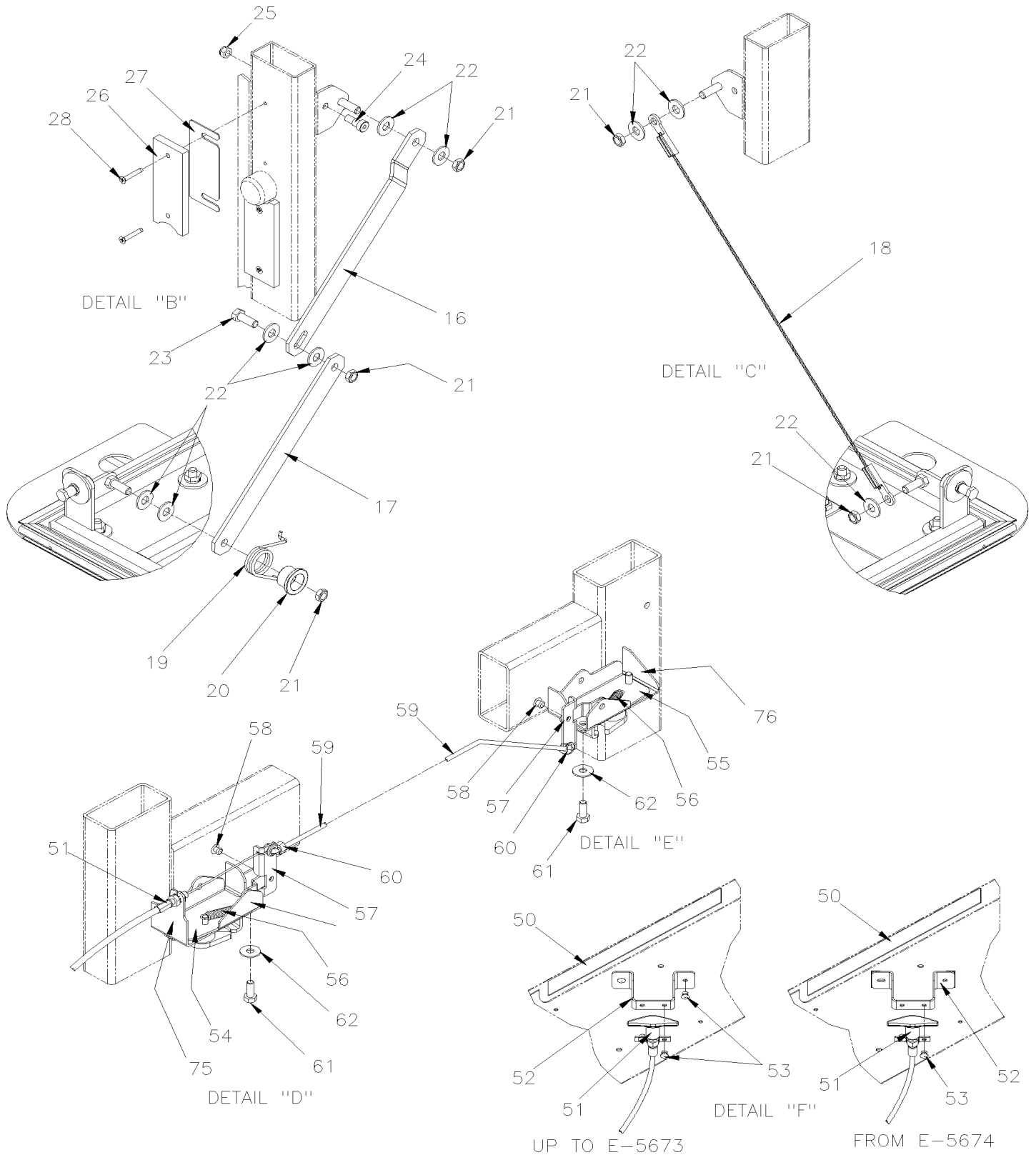
Date:01/2024

PAGE:X3-1860-10

SPARE WHEEL DOOR ASSY



SPARE WHEEL DOOR ASSY



From 7-8754		Date:01/2024	PAGE:X3-1860-10
SPARE WHEEL DOOR ASSY			

Item#	Part	Description	QTY	Notes
	287252P	SPARE WHEEL DOOR ASSY / W/HINGE To C-5086	1	
	289273P	SPARE WHEEL DOOR ASSY / W/HINGE From C-5087 To E-5585	1	
	287371	SPARE WHEEL DOOR ASSY / W/HINGE / W/ACB From D-5300 To E-5585	1	A
	287372	SPARE WHEEL DOOR ASSY / W/HINGE From E-5586 To E-5693	1	
	287373	SPARE WHEEL DOOR ASSY / W/HINGE / W/ACB From E-5586 To E-5693	1	A
	287331	SPARE WHEEL DOOR ASSY / W/HINGE From E-5694	1	
1	287289	. PANEL, PLASTIC To B-5009	1	
1	411230	. PANEL, PLASTIC / WITH SPARE WHEEL CENTRAL From B-5010 To E-5585	1	
1	411330	. PANEL, PLASTIC / WITH SPARE WHEEL CENTRAL From E-5586	1	
1	506785	. TAPE RUB ADH2 CC POL 1/16" X 1/4" X 200' / BLACK I1C-N-A	AR	
1	684685	. ADHESIVE SIMSON #ISR 70-03 / 310ml CARTRIDGE	AR	
2	287385	. FRAME ASSY To C-5086	1	
2	280243	. FRAME ASSY From C-5087 To D-5299	1	
2	289152	. FRAME ASSY From D-5300 To E-5585	1	
2	2800871	. FRAME ASSY From E-5586 To E-5693	1	
2	2800039	. FRAME ASSY From B-5010 To D-5299	1	A
2	289151	. FRAME ASSY From D-5300 To E-5585	1	A
2	2800872	. FRAME ASSY From E-5586 To E-5693	1	A
2	2800890	. FRAME ASSY From E-5694	1	
3	289935	. RUBBER SEAL EXTRUSION / SPARE WHEEL DOOR To A-9872	1	
3	288907	. RUBBER SEAL EXTRUSION / SPARE WHEEL DOOR From A-9873 To C-5244	1	
3	2800124	. RUBBER SEAL EXTRUSION / SPARE WHEEL DOOR From C-5245	1	
4	288564	. HINGE UPPER SECTION	2	
5	5001748	. SCREW CAP HEX 3/8-16x1 1/4 G5 N500	4	
6A	502616	. WASHER LO SPT 10.2x18.1x2.2 SS	4	
6B	500897	. WASHER FL .437x1.000x.083 N500	4	
7	287383	. RETAINING PLATE W/NUT / 195MM X 30MM	2	
8	500696	. SCREW CAP HEX 7/16-20x4 1/2 G5 N500	2	
9	502661	. NUT HEX STO 7/16-20 N500	2	
10	288563	. HINGE LOWER SECTION	2	
11A	502594	. SCREW CAP HEX M12-1.75x30 G8.8 Z050 To F-5778	4	
11A	5001866	. SCREW CAP HEX M12-1.75x30 G10.9 N500 From F-5779	4	
11B	500944	. WASHER LO SPT .506x.873x.125 N500	4	
11C	500211	. WASHER FL .531x1.250x.125 N500	4	
12	284438	. PIN STRIKER	2	
13	500494	. WASHER BEL SPR .470x1.680x.125 N500	2	
14	500211	. WASHER FL .531x1.250x.125 N500	2	
15	502883	. NUT HEX 7/16-14 N500	2	
16	281348	ARM, TIRE DOOR SUPPORT SUPERIOR To G-5984	1	
16	2800999	ARM, TIRE DOOR SUPPORT SUPERIOR From G-5985	1	
17	281347	ARM, TIRE DOOR SUPPORT INFERIOR To G-5984	1	
17	2801002	ARM, TIRE DOOR SUPPORT INFERIOR From G-5985	1	

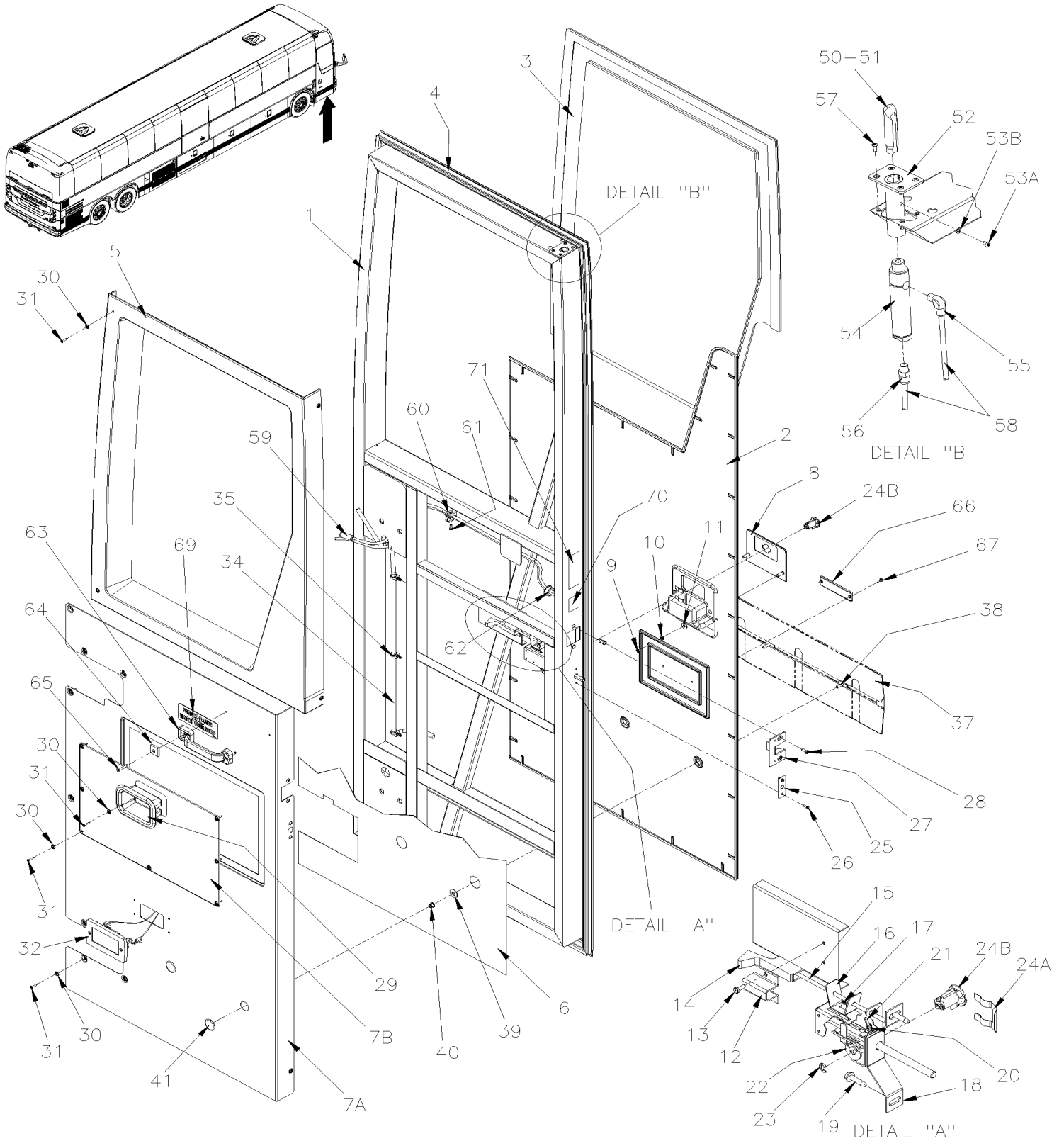
From 7-8754		Date:01/2024	PAGE:X3-1860-10
SPARE WHEEL DOOR ASSY			

Item#	Part	Description	QTY	Notes
18	287284	CABLE DOOR ASSY 550MM	1	
19	2800945	SPRING TORSION From G-5878	1	
20	2800536	BUSHING, BUMPER SPRING From G-5878	1	
21	500208	NUT HEX STO 3/8-16 N500	5	
22	500897	WASHER FL .437x1.000x.083 N500 To G-5984	9	
22	500897	WASHER FL .437x1.000x.083 N500 From G-5985	8	
23	500197	SCREW CAP HEX 3/8-16x1 G5 N500	1	
24	5001285	SCREW SHR HEXS 3/8x3/8 {5/16-18	1	
25	500685	NUT HEX NYRT 5/16-18 SS	1	
26	287258	RUBBER BUMPER 126MM X 48MM	4	
26	684655	GLUE CONTACT "SCOTCH-GRIP" / 3M #1357-NEUTRAL 3.8 LITERS	AR	
27	411084	SHIM SPACER	AR	
28	502903	SCREW TC FL PH #10-24x1 1/4 N500	8	
30	410836	SPRING ASSY To C-5240	1	
30	411267P	SPRING ASSY From C-5241	1	
31	5001238	SCREW HOOK 3/8-16x5 ZP	1	
32	5001239	SCREW HOOK 3/8-16x5 LH ZP	1	
33	500102	NUT HEX 3/8-16 SS	1	
34	150795	DECAL "WARNING SPARE TIRE...." BILINGUAL / ENGLISH & SPANISH	1	
34	150796	DECAL "WARNING SPARE TIRE...." BILINGUAL / ENGLISH & FRANCAIS	1	
35	280251	PLATE CLOSING W/"ACB" From B-5010 To E-5585	1	A
35	280256	PLATE CLOSING W/OUT "ACB" From B-5010 To E-5585	1	
35	2800893	PLATE CLOSING W/"ACB" OR W/OUT "ACB" From E-5586	1	
36	5001648	SCREW CAP HEXS M6-1.0x18 SS BK From B-5010 To E-5585	4	
36	5001648	SCREW CAP HEXS M6-1.0x18 SS BK From E-5586	6	
37	5001833	WASHER BEL SPR 6.1x18x1.27 SS From B-5010 To E-5585	4	
37	5001833	WASHER BEL SPR 6.1x18x1.27 SS From E-5586	6	
38	5061019	NUT HEX LH 3/8-16 SS	1	
40	X3-1850-00	BUMPER FRONT To K-6492		
40	X3-1850-01	BUMPER FRONT From L-6493		
41	X3-0661-00	FOG LAMP To K-6442		
41	X3-0661-01	FOG LAMP / LED From K-6443		
42	X3-1895-00	FRONT STRUCTURE To D-5458		
42	X3-189X-XX	STRUCTURE / CALL ORDER DESK From E-5459		
50	287290	DECAL / "UNLATCH FRONT BUMPER" / ENGLISH & FRANCAIS	1	
50	288199	DECAL / "UNLATCH FRONT BUMPER" / ENGLISH & SPANISH	1	
51	287285	CABLE HANDLE ASSY To 8-9292	1	
51	289495	CABLE HANDLE ASSY From 8-9293	1	
52	287288	SUPPORT / HANDLE To 8-9292	1	
52	289981	SUPPORT / HANDLE From 8-9293 To E-5673	1	
52	411347	SUPPORT / HANDLE / WELDED From E-5674	1	
53	504379	RIVET POP DOME OE 3/16x1/4 SS To E-5673	4	

From 7-8754	Date:01/2024	PAGE:X3-1860-10
SPARE WHEEL DOOR ASSY		

Item#	Part	Description	QTY	Notes
53	504379	RIVET POP DOME OE 3/16x1/4 SS From E-5674	2	
54	780653	LOCK SPAGNOLET R.H. / W/G-FITTING	1	
. NS	780340	. CLIP, RETAINER ROD	1	
. NS	507607	. GREASE FITTING / M6-1.00	1	
54	680739	GREASE SYNTHETIC / RED 20KG	AR	
55	780652	LOCK SPAGNOLET L.H. / W/G-FITTING	1	
. NS	780340	. CLIP, RETAINER ROD	1	
. NS	507607	. GREASE FITTING / M6-1.00	1	
55	680739	GREASE SYNTHETIC / RED 20KG	AR	
56	284914	SPRING EXTENSION / .305 O.D. x 1.562 x .051	2	
57	287256	LEVER PIVOT To 8-9292	2	
57	289496	LEVER PIVOT From 8-9293	2	
58	504379	RIVET POP DOME OE 3/16x1/4 SS	2	
59	287424	ROD	1	
60	780340	CLIP, RETAINER ROD	2	
61	5001744	SCREW CAP HEX M6-1.0x16 G8.8 N500	4	
62	5001833	WASHER BEL SPR 6.1x18x1.27 SS To J-6219	4	
62	5002015	WASHER BEL SPR 6.65x17.4x0.9 SS From J-6220	4	
NS	680739	GREASE SYNTHETIC / RED 20KG	AR	
75	287255	SUPPORT SPAGNOLET To 8-9292	1	
75	289497	SUPPORT SPAGNOLET From 8-9293	1	
76	287255	SUPPORT SPAGNOLET To 8-9292	1	
76	287423	SUPPORT SPAGNOLET From 8-9293	1	
NS	161192	DECAL "WARNING SPARE TIRE...." BILINGUAL 315/80/R22.5 Tag & Dr125 To E-5585	1	
86	161301	DECAL "WARNING SPARE TIRE...." BILINGUAL 315/80/R22.5 Tag & Dr125 From E-5586	1	
		A) WITH ADAPTIVE CRUISE CONTROL SYSTEM		

ENTRANCE DOOR ASSY - BUS



From 7-8754 To K-6492	Date:01/2024	PAGE:X3-1862-00
-----------------------	--------------	-----------------

ENTRANCE DOOR ASSY - BUS

Item#	Part	Description	QTY	Notes
		ALL DOORS ASSY DO NOT INCLUDE		
		RUB-RAIL PLEASE ORDER SEPARATELY		
	289208	ENTRANCE DOOR ASSY To B-5001	1	
	289209	ENTRANCE DOOR ASSY From B-5002	1	
1	287108P	ENTRANCE DOOR FRAME	1	
2	286516	PANEL FIBERGLASS	1	
2	288626	PANEL FIBERGLASS WITH LIGHT From E-5580	1	
2	X3-0663-00	DOCK & CORNERING LIGHT		
NS	687957	GLUE MS POLYMER TEROSON MS 9399 / 400ml CARTRIDGE	AR	
NS	506769	TAPE RUB ADH2 CC POL 1/8" x 1/4" x 60' / BLACK H1CC-N#14	AR	
NS	506790	TAPE RUB ADH2 CC POL 1/16" x 1/2" x 200' / BLACK I1C-N-A	AR	
3	286463	ENTRANCE DOOR WINDOW	1	
NS	506769	TAPE RUB ADH2 CC POL 1/8" x 1/4" x 60' / BLACK H1CC-N#14	AR	
NS	687957	GLUE MS POLYMER TEROSON MS 9399 / 400ml CARTRIDGE	AR	
NS	684685	ADHESIVE SIMSON #ISR 70-03 / 310ml CARTRIDGE	AR	
4	287494	RUBBER SEAL EXTRUSION / ENTRANCE DOOR To A-9872	1	
4	288911	RUBBER SEAL EXTRUSION / ENTRANCE DOOR From A-9873 To C-5244	1	
4	2800126	RUBBER SEAL EXTRUSION // ENTRANCE DOOR From C-5245	1	
5	287122	INTERIOR WINDOW MOULDING To C-5240	1	
5	289204	INTERIOR WINDOW MOULDING From C-5241	1	
6	286660	ENTRANCE DOOR INSULATING	1	
NS	506790	TAPE RUB ADH2 CC POL 1/16" x 1/2" x 200' / BLACK I1C-N-A	AR	
7A	289289	INTERIOR PANEL To B-5001	1	
7A	289695	INTERIOR PANEL From B-5002 To C-5240	1	
7A	289203	INTERIOR PANEL From C-5241 To F-5871	1	
7A	2800911	INTERIOR PANEL From F-5872 To K-6426	1	
7A	2810122	INTERIOR PANEL From K-6427	1	
7B	289290	ACCESS PANEL 489MM X 295MM To F-5871	1	
7B	2800910	ACCESS PANEL From F-5872 To K-6426	1	
7B	2810121	ACCESS PANEL From K-6427	1	
8	286531	ENTRANCE DOOR HANDLE	1	
9	500609	NUT HEX M6-1.0 Z050 To C-5283	2	
9	5001182	NUT HEX NYRT M6-1.0 SS From C-5284	2	
10	502564	WASHER LO SPT 6.1x11.8x1.6 Z050 To C-5283	2	
11	500411	WASHER FL .260x.697x.050 SS	2	
12	780483	CLAMP	1	
13	500654	SCREW TC BDG PH #8-32x1/2 Z050	2	
14	284127	BUTTON	1	
15	286753	ROD ASSY ENTRANCE DOOR	1	
16	286661	LOCK	1	

From 7-8754 To K-6492	Date:01/2024	PAGE:X3-1862-00
ENTRANCE DOOR ASSY - BUS		

Item#	Part	Description	QTY	Notes
17	507331	PROTECTOR CAP / BLACK / .137 I.D. x .500	1	
18	286555	LOCK SUPPORT ASSY	1	
19	500948	SCREW TC CAP HEX 1/4-20x1 Z050	2	
NS	502582	WASHER LO SERR 6.1x16.2x0.9 Z050	2	
20	502151	SPRING COMPRESSION / .300 O.D. x 1 x .032	2	
21	481564	ROD GUIDE	2	
22	286553	PIVOT LOCK 18.7MM OFFSET	1	
23	504402	RING RETAINER / EXT .250 x .210 x .025"	1	
24A	780236	RETAINER CLIP To F-5779	1	
24A	780887	RETAINER CLIP, GM DOOR LOCK CYLINDER "U SHAPE" From F-5780	1	
24B	X3-1867-00	KEY & CYLINDER CODE "FORD" & "NS"		
25	286552	FINISHING PLATE To C-5240	1	
25	289202	FINISHING PLATE From C-5241	1	
26	500654	SCREW TC BDG PH #8-32x1/2 Z050	2	
27	287950	STRIKING PLATE ASSY To C-5240	1	
27	289200	STRIKING PLATE ASSY From C-5241	1	
28	5001198	SCREW MA FL PH M6-1.0x16 Z050	2	
29	286674	LOCK HOUSING To E-5585	1	
29	2800863	LOCK HOUSING From E-5586	1	
NS	506785	TAPE RUB ADH2 CC POL 1/16" X 1/4" X 200' / BLACK I1C-N-A	AR	
NS	283769	DECAL / "LOCK"	1	
30	500345	WASHER FN CKF .187x.500x.090 BR BK	AR	
30	500463	WASHER FN CKF .187x.500x.090 BR Z050	4	
31	5001097	SCREW TC OV PH #6-32x3/4 SS410 BK	AR	
31	500289	SCREW TC OV PH #6-32x3/4 SS410	4	
32	330279	LAMP ASSY 24V W/BULB To B-5001	1	
NS	830142	LAMP To B-5001	1	
NS	562278	BULB / 10WATT-24VOLTS / SAE# 6429 To B-5001	1	
32	830197	LAMP ASSY 24V LEDS From B-5002	1	
NS	068140	CABLE INTERFACE 330279 TO 830197 To B-5001	1	
34	066518	CABLE ENTRANCE DOOR To B-5001	1	
34	068141	CABLE ENTRANCE DOOR From B-5002 To H-6179	1	
34	060038	CABLE ENTRANCE DOOR From H-6180	1	
35	509815	TIE MOUNT / ATTACHMENT W/TREE MOUNT	3	
35	504637	CABLE TIE / 3/16" x 13"	3	
37	X3-1855-00	RUB RAIL - EXTERIOR CREST & TRIMS From 7-8754 To B-5001		
37	X3-1855-01	RUB RAIL - EXTERIOR CREST & TRIMS From B-5002 To G-6083		
37	X3-1855-02	RUB RAIL - EXTERIOR CREST & TRIMS From G-6084		
38	474304	SPECIAL SCREW ASSY SQ SS 1/4-20 X 1"½ To G-6083	3	
38	5001903	CLIP / RUB RAIL M6-1.0 From G-6084	3	
38	479374	SPACER / RUB RAIL From G-6084	3	
39	473378	SEAL WASHER / RUB RAIL & PANEL To G-6083	3	

From 7-8754 To K-6492	Date:01/2024	PAGE:X3-1862-00
ENTRANCE DOOR ASSY - BUS		

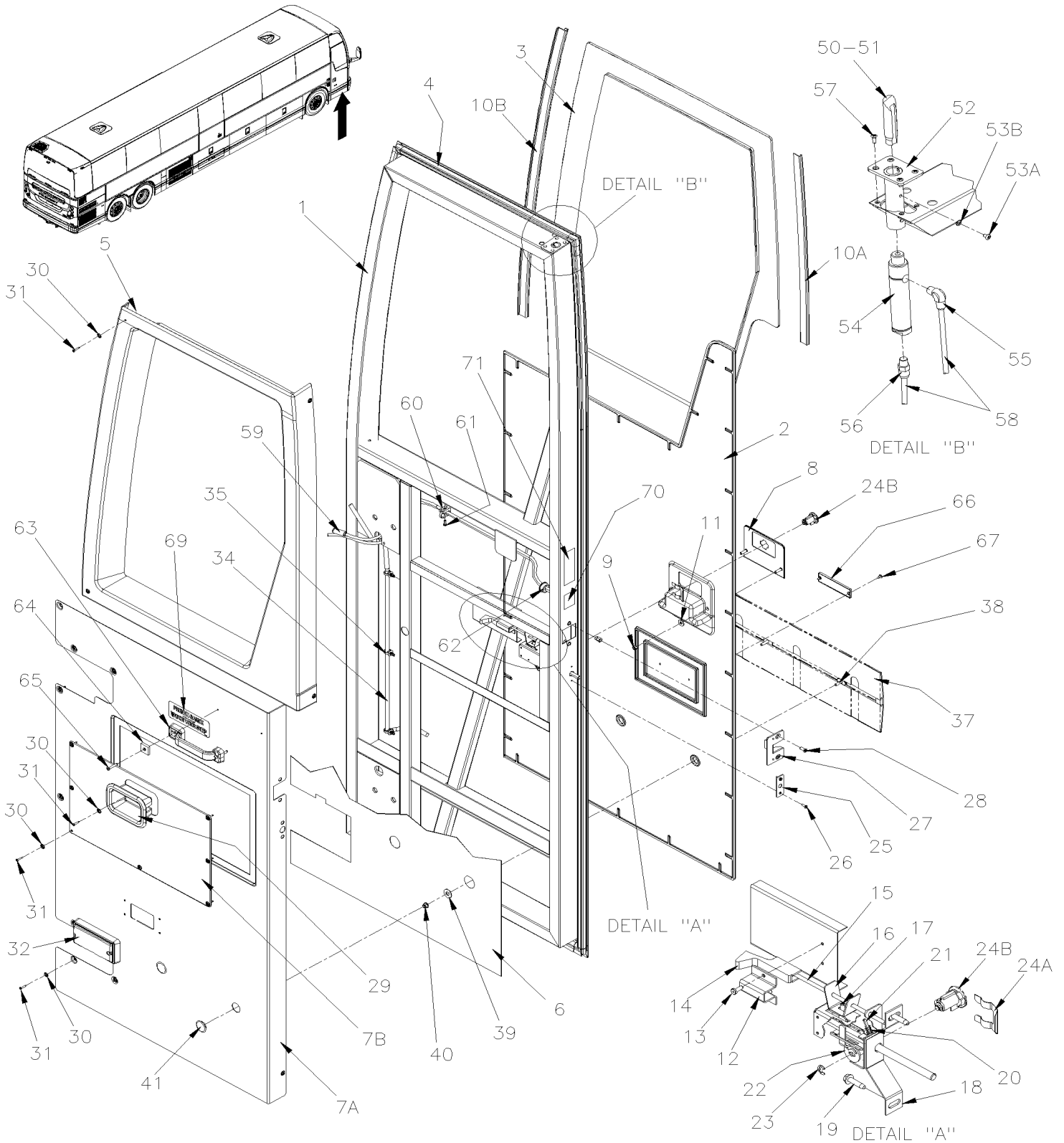
Item#	Part	Description	QTY	Notes
39	500444	WASHER FL .406x.812x.065 Z050 To G-6083	3	
39	5001850	WASHER FL 8.4 x 18 x 2 NYL From G-6084	3	
40	5001123	NUT HEXF 1/4-20 SS To G-6083	3	
40	5001932	NUT HEXF NYRT M6-1.0 G8.8 N500 From G-6084	3	
41	504433	SNAP-IN PLUG / 1.090 O.D.	3	
50	287012	UPPER LOCK ASSY	1	
51	285271	. CATCH To C-5124	1	
51	282383	. CATCH From C-5125	1	
52	287011	. PLATE MOUNTING	1	
NS	683276	. GREASE LOW TEMPERATURE 450GR To G-5950	AR	
NS	685371	. GREASE / GREY BLACK MOBIL XHP 222 SPECIAL 400 g From G-5951	AR	
53A	500560	. SCREW MA PAN PH M4-0.7x6 Z050	1	
53B	502636	. WASHER LO SPT 4.1x7.6x0.9 Z050	1	
54	641983	. CYLINDER 7/8" X 1" STROKE / DOUBLE ACTION	1	
55	641369	. MALE ELBOW 90° NON-SWIVEL / PUSH-IN FITTING / #4x1/8NPT-M BR	1	
56	641242	. MALE CONNECTOR / PUSH-IN FITTING / #4x1/8NPT-M BR	1	
57	502725	SCREW MA OV PH M4-0.7x10 SS EMN	4	
NS	680038	THREAD LOCKER LOCTITE #243 / BLUE / 50ml	AR	
58	503402	TUBE, NYLON 1/4 O.D. / BLACK S.L.	AR	
59	641907	UNION / PUSH-IN FITTING / #4x#4 BR	1	
60	504013	TIE MOUNT / 1/4" X 1/4" I.D.	3	
60	504637	CABLE TIE / 3/16" x 13"	3	
61	500654	SCREW TC BDG PH #8-32x1/2 Z050	3	
62	504500	SNAP BUSHING / .766x1.125x.453	1	
63	860422	HANDLE	1	
64	284049	PLUG / SQUARE / BLACK	1	
65	500360	SCREW TP FL PH #8x1 1/4 BK	2	
66	930212	REFLECTOR AMBER 1 1/8" x 4 3/8"	1	
67	500124	SCREW TP TR PH #8x1/2 SS	2	
69	400095	DECAL / "WATCH YOUR STEP" / ENGLISH & FRANCAIS	1	
69	408278	DECAL / "WATCH YOUR STEP" / ENGLISH & FRANCAIS	1	
69	408279	DECAL / "WATCH YOUR STEP" / "CUINDADO CON EL / ENGLISH & SPANISH	1	
69	400009	DECAL / "WATCH YOUR STEP" / "CUINDADO CON EL / ENGLISH & SPANISH & FRANCAIS	1	
69	400297	DECAL / "WATCH YOUR STEP" / ENGLISH	1	
70	406050	DECAL / "C.W.A." & "T.C.A."	1	
71	157729	DECAL / WALL TO WALL TURNING DIAM 90' 3" WITH VIN #	1	
NS	157730	. DECAL / WALL TO WALL TURNING DIAM 90' 3" W/OUT VIN RAW MATERIAL	1	
NS	506769	TAPE RUB ADH2 CC POL 1/8" x 1/4" x 60' / BLACK H1CC-N-#14	AR	
NS	506790	TAPE RUB ADH2 CC POL 1/16" x 1/2" x 200' / BLACK I1C-N-A	AR	
77	683097	CLEANER SIKA #205 / CLEAR / 1000ml To 9-9628	AR	
77	683446	PRIMER SIKA #206 / BLACK / 1000ml To 9-9628	AR	
77	681092	ADHESIVE SIKA #255FC / BLACK / 310ml CARTRIDGE To 9-9628	AR	

From 7-8754 To K-6492	Date:01/2024	PAGE:X3-1862-00
-----------------------	--------------	-----------------

ENTRANCE DOOR ASSY - BUS

Item#	Part	Description	QTY	Notes
77	683885	ADHESIVE SIKA TACK ULTRA FAST 2 / BLACK / 325ml To 9-9628	AR	
NS	684517	ADHESIVE SIMSON #SR 70-03 / GREY / 310ml CARTRIDGE From 9-9629	AR	
NS	687957	GLUE MS POLYMER TEROSON MS 9399 / 400ml CARTRIDGE From 9-9629	AR	
NS	687958	MIXER QUADRO 10.7MM W/"V" ADAPTOR / "B"	1	

ENTRANCE DOOR ASSY - BUS

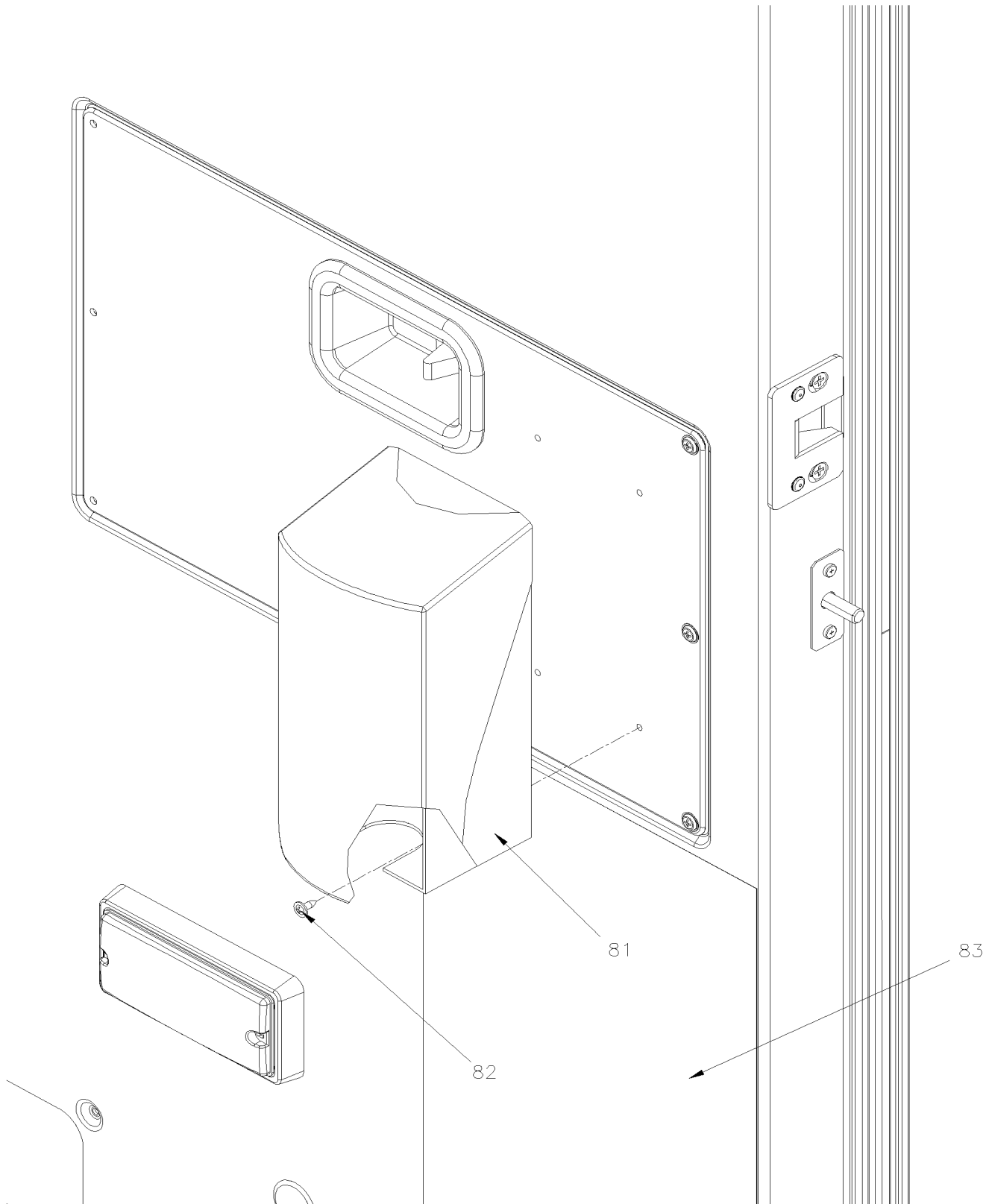


From L-6493

Date:01/2024

PAGE:X3-1862-01

ENTRANCE DOOR ASSY - BUS



From L-6493	Date:01/2024	PAGE:X3-1862-01
ENTRANCE DOOR ASSY - BUS		

Item#	Part	Description	QTY	Notes
		ALL DOORS ASSY DO NOT INCLUDE		
		RUB-RAIL PLEASE ORDER SEPARATELY		
	2810253	ENTRANCE DOOR ASSY	1	
1	280693	ENTRANCE DOOR FRAME	1	
2	280691	PANEL FIBERGLASS	1	
NS	687957	GLUE MS POLYMER TEROSON MS 9399 / 400ml CARTRIDGE To M-6660	AR	
NS	685387	GLUE MS POLYMER TEROSON MS 9399 / 400ml CARTRIDGE From M-6661	AR	
NS	506769	TAPE RUB ADH2 CC POL 1/8" x 1/4" x 60' / BLACK H1CC-N#14	AR	
NS	506790	TAPE RUB ADH2 CC POL 1/16" x 1/2" x 200' / BLACK I1C-N-A	AR	
3	280692	ENTRANCE DOOR WINDOW	1	
NS	506769	TAPE RUB ADH2 CC POL 1/8" x 1/4" x 60' / BLACK H1CC-N#14	AR	
NS	687957	GLUE MS POLYMER TEROSON MS 9399 / 400ml CARTRIDGE To M-6660	AR	
NS	685387	GLUE MS POLYMER TEROSON MS 9399 / 400ml CARTRIDGE From M-6661	AR	
NS	684685	ADHESIVE SIMSON #ISR 70-03 / 310ml CARTRIDGE	AR	
4	280710	RUBBER SEAL EXTRUSION	1	
5	280712	INTERIOR WINDOW MOULDING	1	
6	286660	ENTRANCE DOOR INSULATING	1	
NS	506790	TAPE RUB ADH2 CC POL 1/16" x 1/2" x 200' / BLACK I1C-N-A	AR	
7A	2810122	INTERIOR PANEL	1	
7B	2810121	ACCESS PANEL	1	
8	286531	ENTRANCE DOOR HANDLE	1	
9	5001182	NUT HEX NYRT M6-1.0 SS	2	
10A	2810095	ENTRANCE DOOR WINDOW GUTTER	1	
10A	680914	TAPE RUB ADH2 ACRYLIQUE 1/2x.045x36YARD	AR	
10A	680914	TAPE RUB ADH2 ACRYLIQUE 1/2x.045x36YARD	AR	
10B	2910093	ENTRANCE DOOR WINDOW GUTTER	1	
10B	680914	TAPE RUB ADH2 ACRYLIQUE 1/2x.045x36YARD	AR	
10B	680914	TAPE RUB ADH2 ACRYLIQUE 1/2x.045x36YARD	AR	
11	500411	WASHER FL .260x.697x.050 SS	2	
12	780483	CLAMP	1	
13	500654	SCREW TC BDG PH #8-32x1/2 Z050	2	
14	284127	BUTTON	1	
15	286753	ROD ASSY ENTRANCE DOOR	1	
16	286661	LOCK	1	
17	507331	PROTECTOR CAP / BLACK / .137 I.D. x .500	1	
18	286555	LOCK SUPPORT ASSY	1	
19	500948	SCREW TC CAP HEX 1/4-20x1 Z050	2	
NS	502582	WASHER LO SERR 6.1x16.2x0.9 Z050	2	
20	502151	SPRING COMPRESSION / .300 O.D. x 1 x .032	2	
21	481564	ROD GUIDE	2	

From L-6493		Date:01/2024	PAGE:X3-1862-01
ENTRANCE DOOR ASSY - BUS			

Item#	Part	Description	QTY	Notes
22	286553	PIVOT LOCK 18.7MM OFFSET	1	
23	504402	RING RETAINER / EXT .250 x .210 x .025"	1	
24A	780887	RETAINER CLIP, GM DOOR LOCK CYLINDER "U SHAPE"	1	
24B	X3-1867-01	KEY & CYLINDER CODE "FORD"		
25	289202	FINISHING PLATE	1	
26	500654	SCREW TC BDG PH #8-32x1/2 Z050	2	
27	289200	STRIKING PLATE ASSY	1	
28	5001198	SCREW MA FL PH M6-1.0x16 Z050	2	
29	2800863	LOCK HOUSING	1	
NS	506785	TAPE RUB ADH2 CC POL 1/16" X 1/4" X 200' / BLACK I1C-N-A	AR	
NS	283769	DECAL / "LOCK"	1	
30	500345	WASHER FN CKF .187x.500x.090 BR BK	AR	
31	5001097	SCREW TC OV PH #6-32x3/4 SS410 BK	AR	
32	830197	LAMP ASSY 24V LEDS	1	
NS	502903	SCREW TC FL PH #10-24x1 1/4 N500	4	
34	060038	CABLE ENTRANCE DOOR	1	
35	509815	TIE MOUNT / ATTACHMENT W/TREE MOUNT	3	
35	504637	CABLE TIE / 3/16" x 13"	3	
37	X3-1855-02	RUB RAIL - EXTERIOR CREST & TRIMS		
38	5001903	CLIP / RUB RAIL M6-1.0	3	
38	479374	SPACER / RUB RAIL	3	
39	5001850	WASHER FL 8.4 x 18 x 2 NYL	3	
40	5001932	NUT HEXF NYRT M6-1.0 G8.8 N500	3	
41	504433	SNAP-IN PLUG / 1.090 O.D.	3	
50	287012	UPPER LOCK ASSY To L-6572	1	
50	2810371	UPPER LOCK ASSY From L-6573	1	
51	282383	. CATCH To L-6572	1	
51	2810361	. CATCH From L-6573	1	
52	287011	. PLATE MOUNTING	1	
NS	685371	. GREASE / GREY BLACK MOBIL XHP 222 SPECIAL 400 g	AR	
53A	500560	. SCREW MA PAN PH M4-0.7x6 Z050	1	
53B	502636	. WASHER LO SPT 4.1x7.6x0.9 Z050	1	
54	641983	. CYLINDER 7/8" X 1" STROKE / DOUBLE ACTION	1	
55	641369	. MALE ELBOW 90° NON-SWIVEL / PUSH-IN FITTING / #4x1/8NPT-M BR	1	
56	641242	. MALE CONNECTOR / PUSH-IN FITTING / #4x1/8NPT-M BR	1	
57	502725	SCREW MA OV PH M4-0.7x10 SS EMN	4	
NS	680038	THREAD LOCKER LOCTITE #243 / BLUE / 50ml	AR	
58	503402	TUBE, NYLON 1/4 O.D. / BLACK S.L.	AR	
59	641907	UNION / PUSH-IN FITTING / #4x#4 BR	1	
60	504013	TIE MOUNT / 1/4" X 1/4" I.D.	3	
60	504637	CABLE TIE / 3/16" x 13"	3	
61	500654	SCREW TC BDG PH #8-32x1/2 Z050	3	

From L-6493		Date:01/2024	PAGE:X3-1862-01
ENTRANCE DOOR ASSY - BUS			

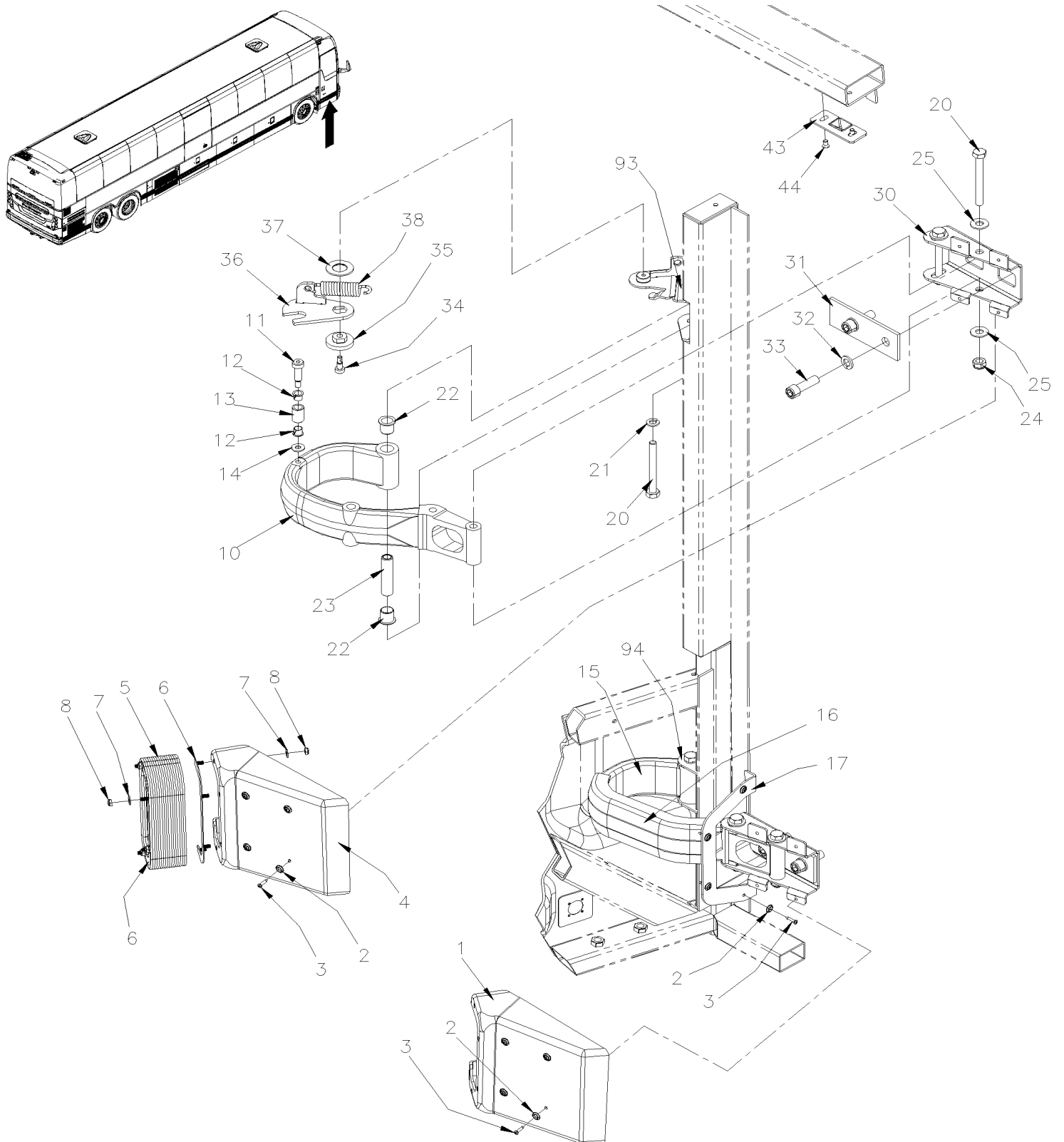
Item#	Part	Description	QTY	Notes
62	504500	SNAP BUSHING / .766x1.125x.453	1	
63	860422	HANDLE	1	
64	284049	PLUG / SQUARE / BLACK	1	
65	500360	SCREW TP FL PH #8x1 1/4 BK	2	
66	930212	REFLECTOR AMBER 1 1/8" x 4 3/8"	1	
67	500124	SCREW TP TR PH #8x1/2 SS	2	
69	408278	DECAL / "WATCH YOUR STEP" / ENGLISH & FRANCAIS To P-6899	1	
69	406916	DECAL / "WATCH YOUR STEP" / ENGLISH & FRANCAIS From P-6900	1	
69	408279	DECAL / "WATCH YOUR STEP" / "CUINDADO CON EL / ENGLISH & SPANISH To P-6899	1	
69	406917	DECAL / "WATCH YOUR STEP" / ENGLISH & SPANISH From P-6900	1	
69	400009	DECAL / "WATCH YOUR STEP" / "CUINDADO CON EL / ENGLISH & SPANISH & FRANCAIS	1	
69	400297	DECAL / "WATCH YOUR STEP" / ENGLISH To P-6899	1	
69	406918	DECAL / "WATCH YOUR STEP" / ENGLISH From P-6900	1	
70	406050	DECAL / "C.W.A." & "T.C.A."	1	
71	157729	DECAL / WALL TO WALL TURNING DIAM 90' 3" WITH VIN #	1	
NS	157730	DECAL / WALL TO WALL TURNING DIAM 90' 3" W/OUT VIN RAW MATERIAL	1	
NS	506769	TAPE RUB ADH2 CC POL 1/8" x 1/4" x 60' / BLACK H1CC-N-#14	AR	
NS	506790	TAPE RUB ADH2 CC POL 1/16" x 1/2" x 200' / BLACK I1C-N-A	AR	
NS	684517	ADHESIVE SIMSON #ISR 70-03 / GREY / 310ml CARTRIDGE	AR	
NS	687957	GLUE MS POLYMER TEROSON MS 9399 / 400ml CARTRIDGE To M-6660	AR	
NS	685387	GLUE MS POLYMER TEROSON MS 9399 / 400ml CARTRIDGE From M-6661	AR	
NS	687958	MIXER QUADRO 10.7MM W/"V" ADAPTOR / "B"	1	
81	900088	DISPENSER / SOAP	1	
82	5001440	SCREW TP RND PH WSHR HD #8x1/2	4	
83	402168	INTERIOR DOOR PROTECTION FILM	1	
102	OC2020069	REFERENCE ONLY M-7793	1	

From 7-8754

Date:01/2024

PAGE:X3-1862-60

ENTRANCE DOOR FRAME - INSTALLATION



From 7-8754		Date:01/2024	PAGE:X3-1862-60
ENTRANCE DOOR FRAME - INSTALLATION			

Item#	Part	Description	QTY	Notes
1	326604	CAP COVER LOWER	1	
2	500345	WASHER FN CKF .187x.500x.090 BR BK	12	
3	500333	SCREW TP OV PH #6x3/4 BK	12	
4	326727	CAP COVER UPPER	1	
5	285492	BELLOWS / RUBBER To N-6736	1	
5	2810577	BELLOWS / RUBBER From N-6737	1	
6	285491	PLATE BELLOW RETAINER	2	
7	500964	WASHER FL .203x.500x.047 Z050	8	
8	502841	NUT HEX NYRT M5-0.8 N500	8	
10	287471	HINGE UPPER To H-6131	1	
10	2800608	HINGE UPPER From H-6132	1	
11	5002009	SCREW SHR HEXS 10x25 {M8-1.25 SS From H-6132	1	
12	507693	BUSHING 10x11.6x10x15 NYL From H-6132	2	
13	280303	SLEEVE From H-6132	1	
14	502638	WASHER FL .312x.734x.065 N500 From H-6132	1	
15	287341	HINGE	1	
16	326228	COVER HINGE LOWER / PLASTIC	1	
16	506790	TAPE RUB ADH2 CC POL 1/16" x 1/2" x 200' / BLACK I1C-N-A	AR	
16	684685	ADHESIVE SIMSON #ISR 70-03 / 310ml CARTRIDGE	AR	
17	326227	PANEL FINISHING LOWER	1	
20	502890	SCREW CAP HEX M10-1.5x90 G8.8 N500 To R-4047	6	
20	5000017	SCREW CAP HEX M10-1.5X90 G10.9 N500 From R-4048	6	
21	5001737	WASHER LO SPT 10.2x18.1x2.2 N500	2	
22	507326	BEARING FLANGE	4	
23	287337	SPACER / BEARING FLANGE	2	
23	680739	GREASE SYNTHETIC / RED 20KG	AR	
24	502859	NUT HEX NYRT M10-1.5 N500	4	
25	500897	WASHER FL .437x1.000x.083 N500	8	
30	284040	ATTACHMENT	2	
31	286998	SUPPORT PLATE 134MM X 48MM	2	
32	500747	WASHER LO SPT 12.2x21.1x2.5 N500	4	
33	5001589	SCREW CAP HEXS M12-1.75x40 G8.8 Z050	4	
34	5002010	SCREW SHR HEXS 8x10 {M6-1.0 STL From H-6132	1	
35	281304	PIVOT SLEEVE From H-6132	1	
36	280022	PIVOT ASSY From H-6132 To J-6282	1	
36	282509	PIVOT ASSY From J-6283	1	
37	281303	SPACER From H-6132	1	
38	502255	SPRING EXTENSION / .814 O.D. x 3.14 x .148 From H-6132	1	
43	287008	DOOR STOPPER ASSY	1	
44	502806	SCREW MA FL PH M6-1.0x10 Z050	2	
50	X3-1895-00	FRONT STRUCTURE To D-5458		
50	X3-189X-XX	STRUCTURE / CALL ORDER DESK From E-5459		

From 7-8754		Date:01/2024	PAGE:X3-1862-60
-------------	--	--------------	-----------------

ENTRANCE DOOR FRAME - INSTALLATION

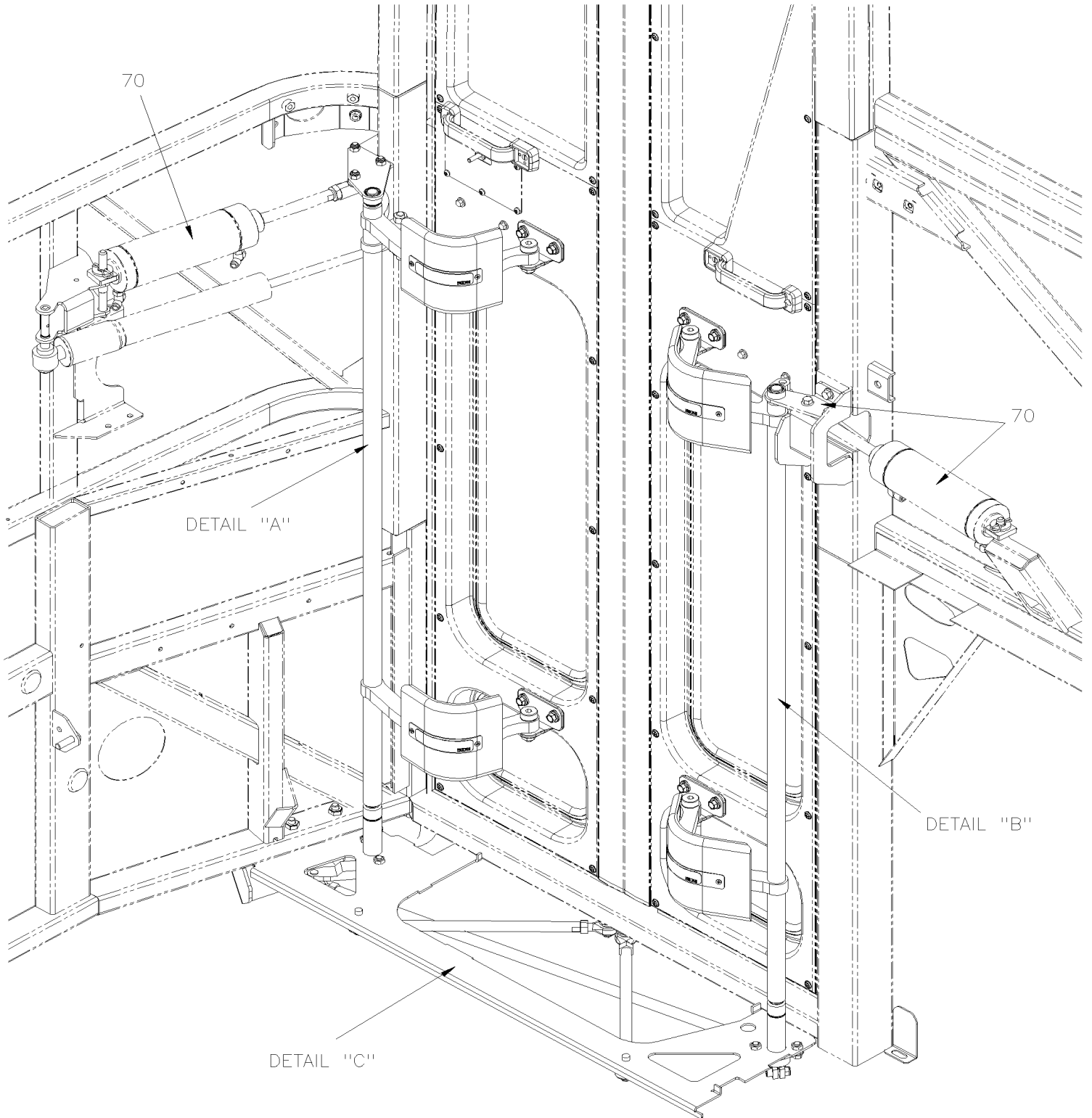
Item#	Part	Description	QTY	Notes
93	251083	HINGE SUPPORT / UPPER To H-6131	1	
93	250051	HINGE SUPPORT / UPPER From H-6132	1	
94	251001	HINGE SUPPORT / LOWER To E-5585	1	
94	251613	HINGE SUPPORT / LOWER From E-5586	1	

From G-5936

Date:01/2024

PAGE:X3-1862-65

ENTRANCE DOOR INSTALLATION BY-FOLD DOOR

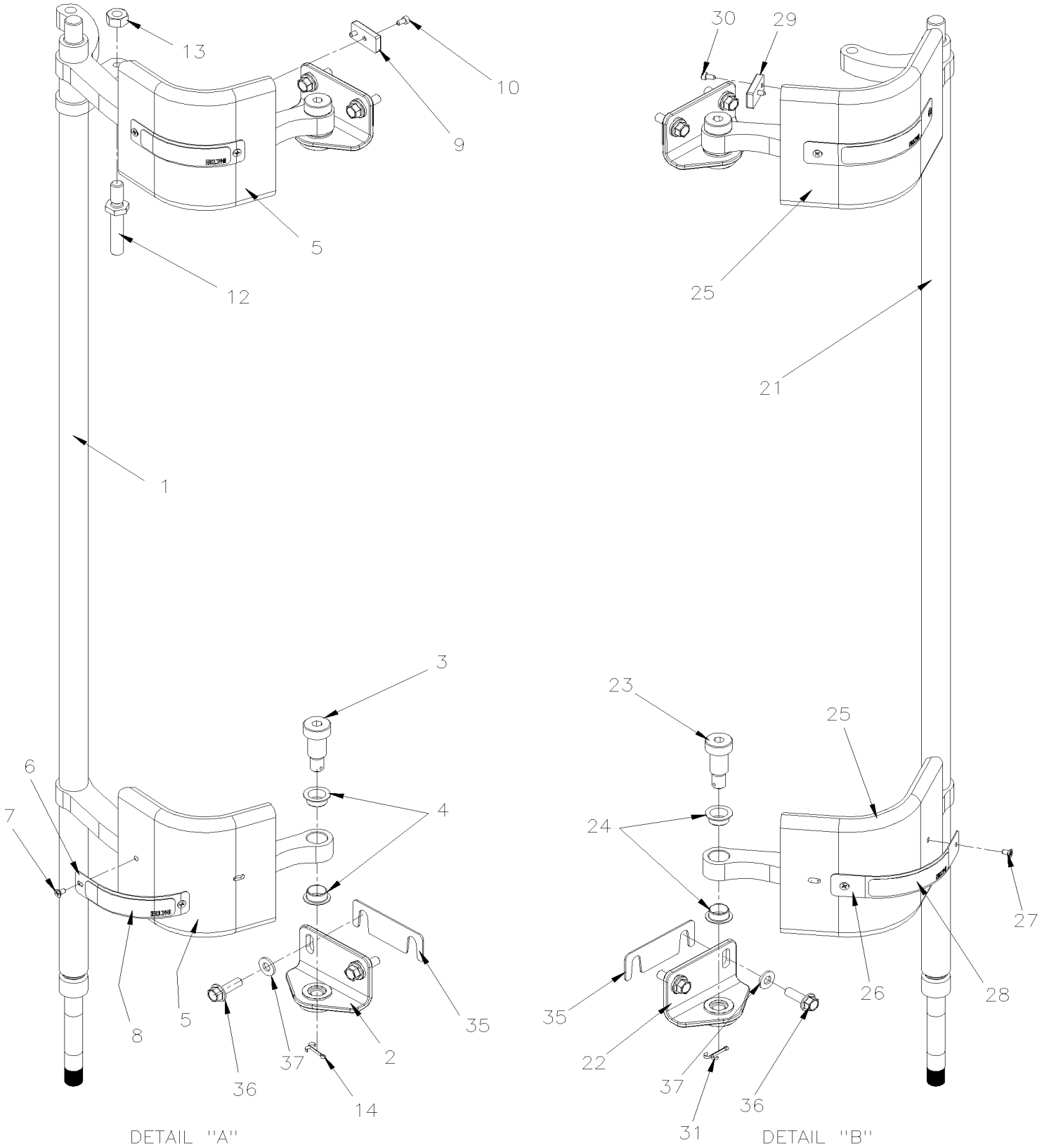


From G-5936

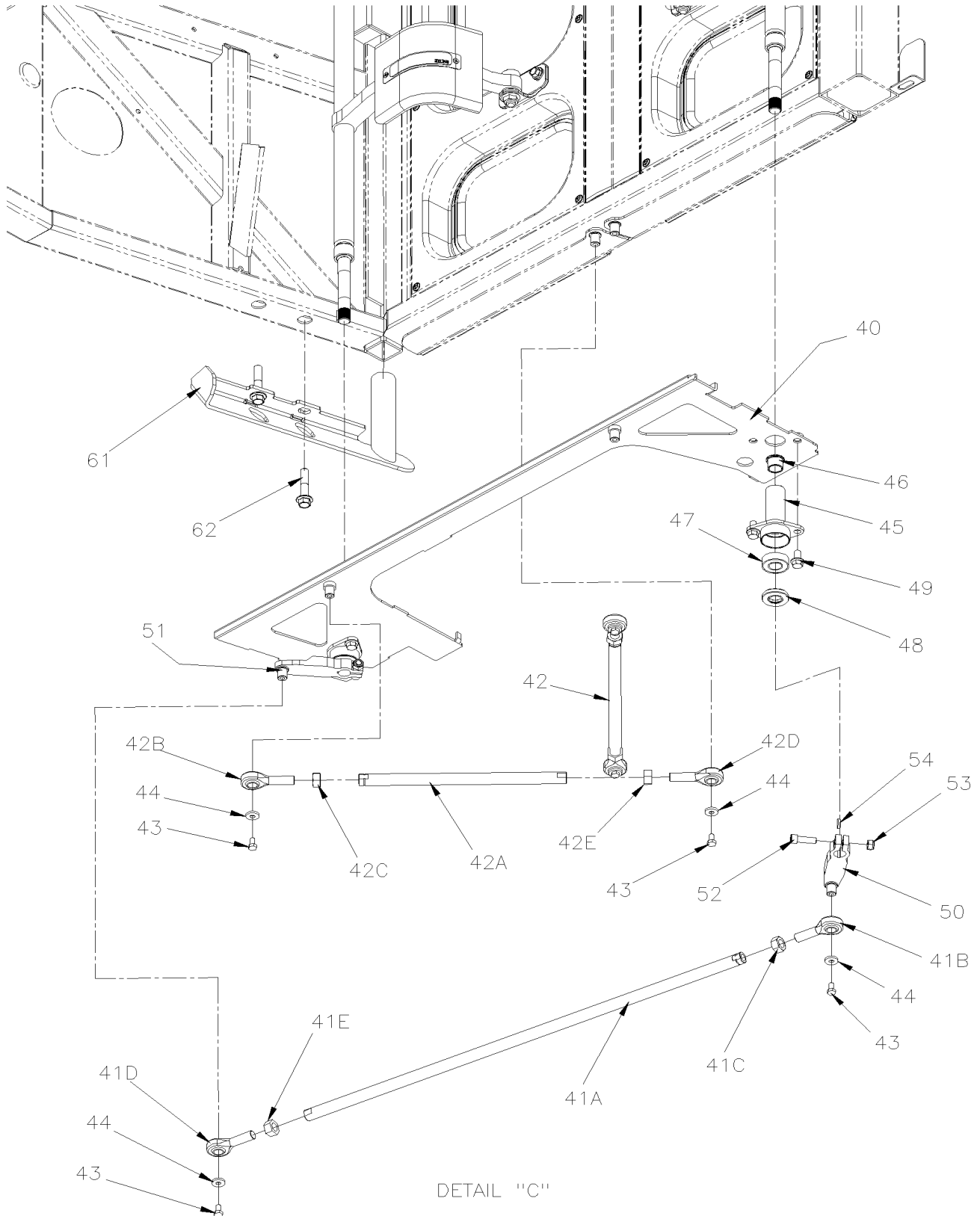
Date:01/2024

PAGE:X3-1862-65

ENTRANCE DOOR INSTALLATION BY-FOLD DOOR



ENTRANCE DOOR INSTALLATION BY-FOLD DOOR



From G-5936		Date:01/2024	PAGE:X3-1862-65
-------------	--	--------------	-----------------

ENTRANCE DOOR INSTALLATION BY-FOLD DOOR

Item#	Part	Description	QTY	Notes
1	280966P	SHAFT DOOR ASSY W/END & BEARING FRONT DOOR	1	
1	280968	. SHAFT FRONT DOOR	1	
2	2800898	. ANGLE ATTACHMENT ARM	2	
3	2800984	. SCREW SHR HEXS 16x25 {M12-1.75	2	
3	683652	. GREASE SYNTHETIC / RED BOX 50 TUBE	AR	
4	507386	. BUSHING 16MM x 18MM x 9MM	4	
5	288687	. COVER PROTECTOR FRONT DOOR	2	
6	281338	. PLATE WARNING, FRONT DOOR	2	
7	5001996	. SCREW MA PAN PH M4-0.7x12 N500	4	
7	680038	. THREAD LOCKER LOCTITE #243 / BLUE / 50ml	AR	
8	281340	. DECAL "KEEP HANDS OFF"	AR	
8	281341	. DECAL "ATTENTION A VOS MAINS"	AR	
9	281296	. STOPPER / DOOR To K-6492	1	
9	2810571	. STOPPER / DOOR From L-6493	1	
10	5001670	. SCREW CAP HEXS M4-0.7x8 G8.8 Z050	2	
12	285433	. PIVOT STUD 7/16-14 X 80MM LG	1	
13	502883	. NUT HEX 7/16-14 N500	1	
14	5001958	. PIN, COTTER 2.5MM x 25MM SS	1	
21	280967P	SHAFT DOOR ASSY W/END & BEARING REAR DOOR	1	
21	280969	. SHAFT REAR DOOR	1	
22	2800898	. ANGLE ATTACHMENT ARM	1	
23	2800984	. SCREW SHR HEXS 16x25 {M12-1.75	1	
23	683652	. GREASE SYNTHETIC / RED BOX 50 TUBE	AR	
24	507386	. BUSHING 16MM x 18MM x 9MM	4	
25	288686	. COVER PROTECTOR REAR DOOR	2	
26	281339	. PALTE WARNING, REAR DOOR	2	
27	5001996	. SCREW MA PAN PH M4-0.7x12 N500	4	
27	680038	. THREAD LOCKER LOCTITE #243 / BLUE / 50ml	AR	
28	281340	. DECAL "KEEP HANDS OFF"	AR	
28	281341	DECAL "ATTENTION A VOS MAINS"	AR	
29	281296	. STOPPER / DOOR To K-6492	1	
29	2810571	. STOPPER / DOOR From L-6493	1	
30	5001670	. SCREW CAP HEXS M4-0.7x8 G8.8 Z050	2	
31	5001958	. PIN, COTTER 2.5MM x 25MM SS	1	
35	280931	SPACER	4	
36	5001643	SCREW CAP HEXF M8-1.25x25 G8.8 G500	8	
37	5001736	WASHER FL 8.4x18.0x2.0 N500	8	
40	2800887	PLATE, BI-FOLD DOOR PIVOT	1	
41	281131P	ROD ASSEMBLY	1	
. A	281134	. ROD 679.2MM / WFEMALE THREAD M12-1.75 R.H.x M12.1.75 L.H.	1	
. B	502252	. ROD END MALE M12-1.75 / 12MM I.D.	1	
. C	5001757	. NUT HEX M12-1.75 N500	1	

From G-5936	Date:01/2024	PAGE:X3-1862-65
ENTRANCE DOOR INSTALLATION BY-FOLD DOOR		

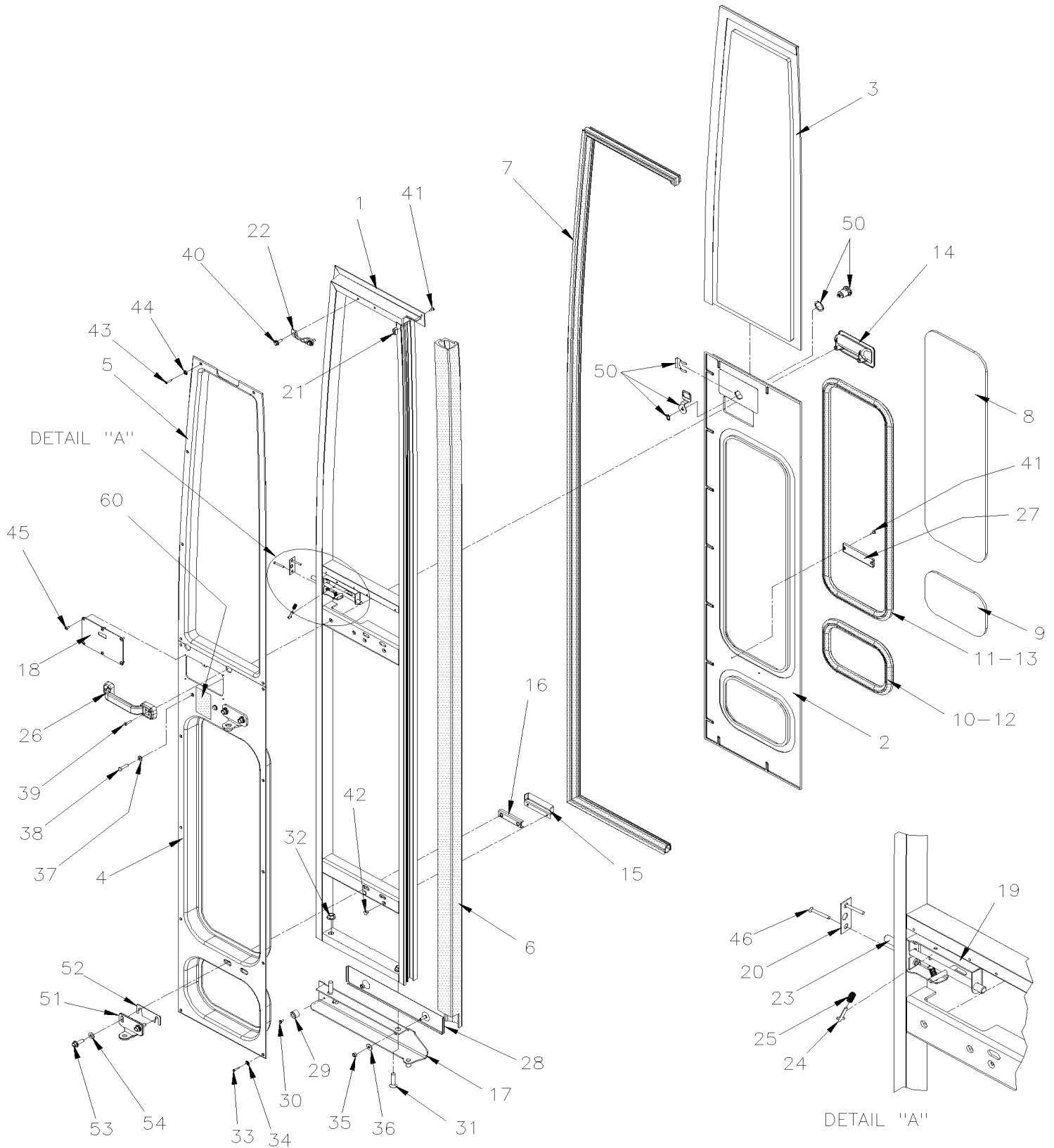
Item#	Part	Description	QTY	Notes
. D	502253	. ROD END MALE L.H. M12-1.75-L.HH / 12MM I.D.	1	
. E	5001466	. NUT HEX LH M12-1.75 N500	1	
42	281146P	ROD ASSEMBLY	2	
. A	281155	. ROD 268.6MM / WFEMALE THREAD M12-1.75 R.H.x M12.1.75 L.H.	1	
. B	502252	. ROD END MALE M12-1.75 / 12MM I.D.	1	
. C	5001757	. NUT HEX M12-1.75 N500	1	
. D	502253	. ROD END MALE L.H. M12-1.75-L.HH / 12MM I.D.	1	
. E	5001466	. NUT HEX LH M12-1.75 N500	1	
43	5001181	SCREW CAP HEX M6-1.0x12 SS	6	
43	680038	THREAD LOCKER LOCTITE #243 / BLUE / 50ml	AR	
43	680335	ANTIGRIP MIXTURE	AR	
44	5001654	WASHER FL 6.4x17.0x3.0 SS	6	
45	281250	INFERIOR PIVOT, BI-FOLD DOOR	2	
46	507382	BUSHING FLANGE 16I.D.x200.D.x16MM BRASS	2	
47	507668	BALL BEARING .625x 1.375x.437	2	
48	507669	OIL SEAL .625x 1.375x.250"	2	
49	5001780	SCREW CAP HEXF M8-1.25x16 G8.8 N500	4	
50	281043	LEVER LOWER REAR DOOR 107MMx 75MM C/C	2	
51	281032	LEVER LOWER FRONT DOOR 113MMx 81MM C/C	1	
52	5001775	SCREW CAP HEXS M8-1.25x25 G8.8 G500	2	
53	502847	NUT HEX NYRT M8-1.25 N500	2	
54	505077	KEY, WOODRUFF #405 / 1/8" X 5/8"	2	
61	251601	PROTECTOR LOWER DOOR MECHANISM	1	
62	5001752	SCREW CAP HEXF M10-1.5x50 G8.8 N500	2	
70	X3-1802-10	ENTRANCE DOOR CONTROL WITH BI-FOLD DOOR	1	

From G-5936 To K-6492

Date:01/2024

PAGE:X3-1862-70

ENTRANCE DOOR ASSY - FRONT SECTION BY-FOLD DOOR



From G-5936 To K-6492	Date:01/2024	PAGE:X3-1862-70
-----------------------	--------------	-----------------

ENTRANCE DOOR ASSY - FRONT SECTION BY-FOLD DOOR

Item#	Part	Description	QTY	Notes
	281262P	BI-FOLD DOOR ASSY FRONT DOOR / WITH FORD LOCK FRONT	1	
1	281080	. STRUCTURE DOOR FRONT DOOR	1	
2	288682	. PANEL FIBERGLASS EXTERIOR FRONT DOOR	1	
2	684685	. ADHESIVE SIMSON #ISR 70-03 / 310ml CARTRIDGE	AR	
2	687957	. GLUE MS POLYMER TEROSON MS 9399 / 400ml CARTRIDGE	AR	
2	506769	. TAPE RUB ADH2 CC POL 1/8" x 1/4" x 60' / BLACK H1CC-N-#14	AR	
3	288685	. ENTRANCE DOOR WINDOW FRONT DOOR	1	
4	281206	. INTERIOR WINDOW MOULDING / LOWER FRONT DOOR	1	
5	281207	. INTERIOR WINDOW MOULDING / UPPER FRONT DOOR	1	
6	289581	. RUBBER SEAL CENTER / FRONT DOOR 2252MM	1	
6	288949	. RUBBER SEAL PLUG	1	
7	2800133	. RUBBER SEAL EXTRUSION / FRONT DOOR / 2256MMx373MM	1	
8	281209	. GLASS CENTER DOOR WINDOW 220MM x 700MM	2	
9	281211	. GLASS LOWER DOOR WINDOW 219MM x 141MM	2	
10	281259P	. RUBBER GLASS CHANNEL ASSY W/LOCKING STRIP LOWER DOOR WINDOW 670	2	
10	5061259	. . RUBBER GLASS CHANNEL	AR	
10	680042	. . GLUE LOCTITE 430 BOTTLE 1OZ	AR	
11	281260P	. RUBBER GLASS CHANNEL ASSY W/LOCKING STRIP CENTER DOOR WINDOW 1780	2	
11	5061259	. . RUBBER GLASS CHANNEL	AR	
11	680042	. . GLUE LOCTITE 430 BOTTLE 1OZ	AR	
12	281292P	. STRIP, LOCKING 670MM	1	
12	5061260	. . STRIP, LOCKING / S.L. RAW MATERIAL ONLY	AR	
13	281293P	. STRIP, LOCKING 1780MM	1	
13	5061260	. . STRIP, LOCKING / S.L. RAW MATERIAL ONLY	AR	
14	780812	. ENTRANCE DOOR HANDLE BLACK	1	
15	281041	. SUPPORT DOUBLE DOOR	1	
16	281047	. ATTACHMENT PLATE W/2 NUTS "U" SHAPE 2xM8-1.25x 60MM C/C	2	
17	281052	. SUPPORT LOWER FRONT DOOR	1	
18	281216	. CLOSING PLATE CHARCOALD 91MM x148MM	1	
19	281222	. SUPPORT ROD LOCK	1	
20	281223	. SUPPORT GUIDE PIN	1	
21	281227	. STOPPER	1	
22	281240	. CATCH PENE DOOR	1	
23	281258	. ROD LOCK ASSY (CROSS) 180MM	1	
24	481564	. ROD GUIDE	2	
25	502934	. SPRING COMPRESSION / .300 O.D. x 1 x .026	2	
26	860422	. HANDLE	1	
NS	284049	. PLUG / SQUARE / BLACK	1	
27	930212	. REFLECTOR AMBER 1 1/8" x 4 3/8"	1	
28	280912	. GUARD, DOOR	1	
29	5001168	. BUMPER RUBBER / .750 OD x .562 TH x .187 HOLE To J-6339	1	
29	5002023	. BUMPER NEOPRENE / .750 OD x .562 TH x .187 HOLE From J-6340	1	

From G-5936 To K-6492	Date:01/2024	PAGE:X3-1862-70
-----------------------	--------------	-----------------

ENTRANCE DOOR ASSY - FRONT SECTION BY-FOLD DOOR

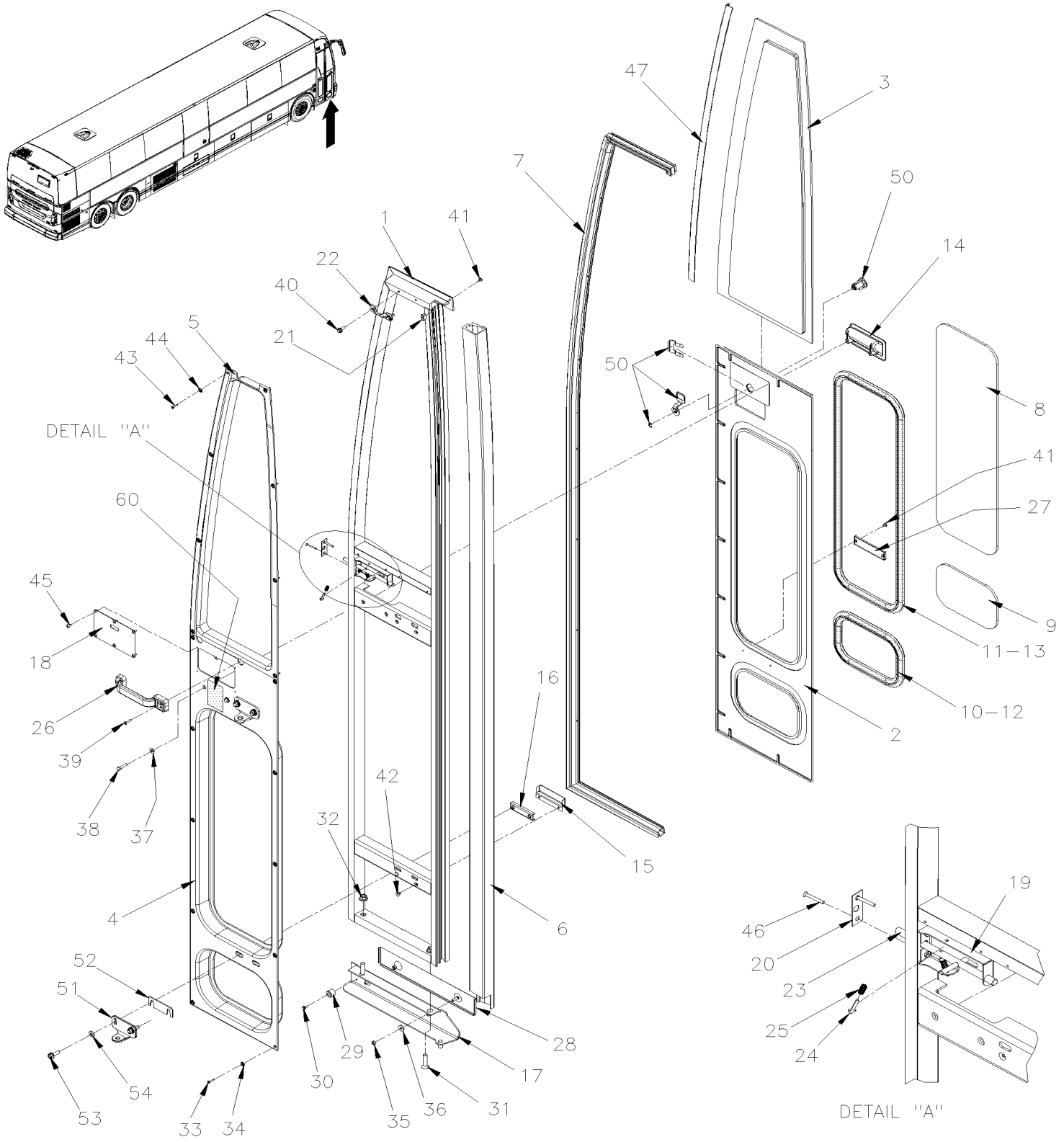
Item#	Part	Description	QTY	Notes
30	500557	. SCREW MA PAN PH #8-32x3/8 SS	1	
31	5001796	. SCREW CAP FL HEXS M10-1.5x40 GR10.9 N500	2	
32	5001084	. NUT HEXF M10-1.5 G500	2	
33	5001097	. SCREW TC OV PH #6-32x3/4 SS410 BK	10	
34	500345	. WASHER FN CKF .187x.500x.090 BR BK	10	
35	5001851	. NUT HEX M6-1.0 SS BK	2	
36	5001833	. WASHER BEL SPR 6.1x18x1.27 SS	2	
37	502737	. SCREW CAP HEX M6-1.0x25 SS BK	2	
38	500877	. WASHER FL .250x.562x.065 N500	2	
39	5001411	. SCREW MA FL PH M4-0.7x20 BK	2	
40	5001730	. SCREW CAP HEXF M6-1.0x16 G10.9 N500	2	
41	500124	. SCREW TP TR PH #8x1/2 SS	3	
42	504256	. RIVET POP CK OE 3/16x1/4 AL	4	
43	500289	. SCREW TC OV PH #6-32x3/4 SS410	8	
44	500463	. WASHER FN CKF .187x.500x.090 BR Z050	8	
45	500799	. SCREW TC PAN PH #8-32x3/8 N500	6	
46	5001712	. SCREW MA FL PH M4-0.7x30 SS	2	
50	X3-1867-00	KEY & CYLINDER CODE "FORD" & "NS"		
51	2800898	ANGLE ATTACHMENT ARM	4	
52	280931	SPACER	2	
53	5001643	SCREW CAP HEXF M8-1.25x25 G8.8 G500	4	
54	5001736	WASHER FL 8.4x18.0x2.0 N500	4	
60	406050	DECAL / "C.W.A." & "T.C.A."	1	

From L-6493

Date:01/2024

PAGE:X3-1862-71

ENTRANCE DOOR ASSY - FRONT SECTION BY-FOLD DOOR



From L-6493		Date:01/2024	PAGE:X3-1862-71
ENTRANCE DOOR ASSY - FRONT SECTION BY-FOLD DOOR			

Item#	Part	Description	QTY	Notes
	2810255	BI-FOLD DOOR ASSY FRONT DOOR / WITH FORD LOCK	1	
1	281018	. STRUCTURE DOOR FRONT DOOR	1	
2	288682	. PANEL FIBERGLASS EXTERIOR FRONT DOOR	1	
NS	684685	. ADHESIVE SIMSON #ISR 70-03 / 310ml CARTRIDGE	AR	
NS	687957	. GLUE MS POLYMER TEROSON MS 9399 / 400ml CARTRIDGE To M-6660	AR	
NS	685387	. GLUE MS POLYMER TEROSON MS 9399 / 400ml CARTRIDGE From M-6661	AR	
NS	506769	. TAPE RUB ADH2 CC POL 1/8" x 1/4" x 60' / BLACK H1CC-N-#14	AR	
3	280604	. ENTRANCE DOOR WINDOW FRONT DOOR	1	
4	281206	. INTERIOR WINDOW MOULDING / LOWER FRONT DOOR	1	
5	281284	. INTERIOR WINDOW MOULDING / UPPER FRONT DOOR	1	
6	288949	. RUBBER SEAL PLUG	1	
7	280849	. RUBBER SEAL EXTRUSION / FRONT DOOR	1	
8	281209	. GLASS CENTER DOOR WINDOW 220MM x 700MM	2	
9	281211	. GLASS LOWER DOOR WINDOW 219MM x 141MM	2	
10	281259P	. RUBBER GLASS CHANNEL ASSY W/LOCKING STRIP LOWER DOOR WINDOW 670	2	
10	5061259	. . RUBBER GLASS CHANNEL	AR	
10	680042	. . GLUE LOCTITE 430 BOTTLE 1OZ	AR	
11	281260P	. RUBBER GLASS CHANNEL ASSY W/LOCKING STRIP CENTER DOOR WINDOW 1780	2	
11	5061259	. . RUBBER GLASS CHANNEL	AR	
11	680042	. . GLUE LOCTITE 430 BOTTLE 1OZ	AR	
12	281292P	. STRIP, LOCKING 670MM	1	
12	5061260	. . STRIP, LOCKING / S.L. RAW MATERIAL ONLY	AR	
13	281293P	. STRIP, LOCKING 1780MM	1	
13	5061260	. . STRIP, LOCKING / S.L. RAW MATERIAL ONLY	AR	
14	780812	. ENTRANCE DOOR HANDLE BLACK	1	
15	281041	. SUPPORT DOUBLE DOOR	1	
16	281047	. ATTACHMENT PLATE W/2 NUTS "U" SHAPE 2xM8-1.25x 60MM C/C	2	
17	281052	. SUPPORT LOWER FRONT DOOR	1	
18	281216	. CLOSING PLATE CHARCOALD 91MM x148MM	1	
19	281222	. SUPPORT ROD LOCK	1	
20	281223	. SUPPORT GUIDE PIN	1	
21	281227	. STOPPER	1	
22	281240	. CATCH PENE DOOR	1	
23	281258	. ROD LOCK ASSY (CROSS) 180MM	1	
24	481564	. ROD GUIDE	2	
25	502934	. SPRING COMPRESSION / .300 O.D. x 1 x .026	2	
26	860422	. HANDLE	1	
NS	284049	. PLUG / SQUARE / BLACK	1	
27	930212	. REFLECTOR AMBER 1 1/8" x 4 3/8"	1	
28	280912	. GUARD, DOOR	1	
29	5001168	. BUMPER RUBBER / .750 OD x .562 TH x .187 HOLE	1	
30	500557	. SCREW MA PAN PH #8-32x3/8 SS	1	

From L-6493	Date:01/2024	PAGE:X3-1862-71
ENTRANCE DOOR ASSY - FRONT SECTION BY-FOLD DOOR		

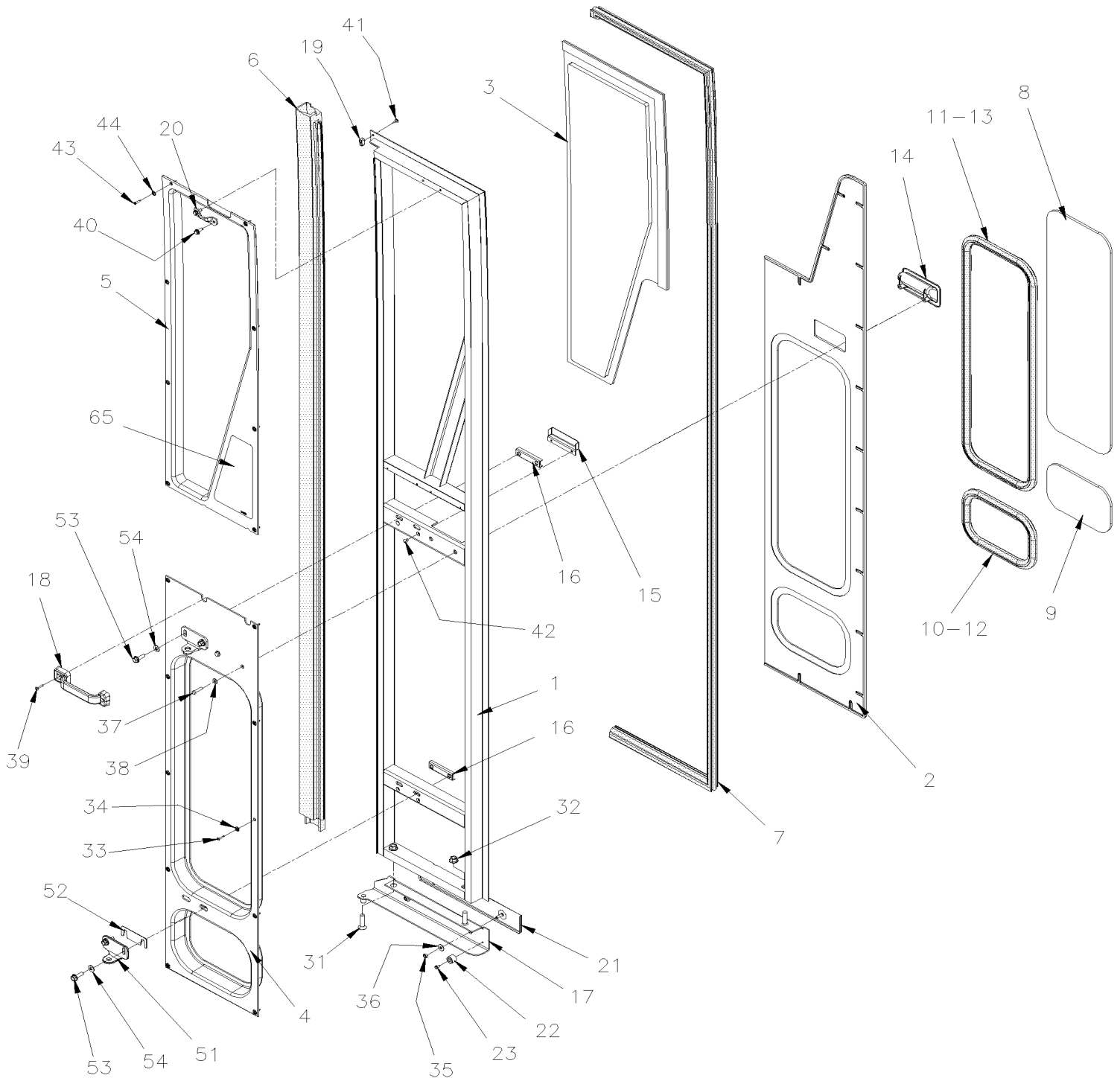
Item#	Part	Description	QTY	Notes
31	5001796	. SCREW CAP FL HEXS M10-1.5x40 GR10.9 N500	2	
32	5001084	. NUT HEXF M10-1.5 G500	2	
33	5001097	. SCREW TC OV PH #6-32x3/4 SS410 BK	10	
34	500345	. WASHER FN CKF .187x.500x.090 BR BK	10	
35	5001851	. NUT HEX M6-1.0 SS BK To N-6771	2	
35	5001182	. NUT HEX NYRT M6-1.0 SS From N-6772	2	
36	5001833	. WASHER BEL SPR 6.1x18x1.27 SS To N-6771	2	
36	500142	. WASHER FL 6.6x22.0x2.0 SS From N-6772	2	
37	502737	. SCREW CAP HEX M6-1.0x25 SS BK	2	
38	500877	. WASHER FL .250x.562x.065 N500	2	
39	5001411	. SCREW MA FL PH M4-0.7x20 BK	2	
40	5001730	. SCREW CAP HEXF M6-1.0x16 G10.9 N500	2	
41	500124	. SCREW TP TR PH #8x1/2 SS	3	
42	504256	. RIVET POP CK OE 3/16x1/4 AL	4	
43	5001097	. SCREW TC OV PH #6-32x3/4 SS410 BK	8	
44	500345	. WASHER FN CKF .187x.500x.090 BR BK	8	
45	500799	. SCREW TC PAN PH #8-32x3/8 N500	6	
46	5001712	. SCREW MA FL PH M4-0.7x30 SS	2	
47	2810096	. MOLDING ENTRANCE DOOR FRONT	1	
47	680914	. TAPE RUB ADH2 ACRYLIQUE 1/2x.045x36YARD	1	
50	X3-1867-01	KEY & CYLINDER CODE "FORD"		
51	2800898	ANGLE ATTACHMENT ARM	4	
52	280931	SPACER	2	
53	5001643	SCREW CAP HEXF M8-1.25x25 G8.8 G500	4	
54	5001736	WASHER FL 8.4x18.0x2.0 N500	4	
60	406050	DECAL / "C.W.A." & "T.C.A."	1	

From G-5936 To K-6492

Date:01/2024

PAGE:X3-1862-75

ENTRANCE DOOR ASSY - REAR SECTION BY-FOLD DOOR



From G-5936 To K-6492	Date:01/2024	PAGE:X3-1862-75
------------------------------	---------------------	------------------------

ENTRANCE DOOR ASSY - REAR SECTION BY-FOLD DOOR

Item#	Part	Description	QTY	Notes
	281263P	BI-FOLD DOOR ASSY REAR	1	
1	281081	. STRUCTURE DOOR REAR DOOR	1	
2	288683	. PANEL FIBERGLASS EXTERIOR REAR DOOR	1	
2	684685	. ADHESIVE SIMSON #ISR 70-03 / 310ml CARTRIDGE	AR	
2	506769	. TAPE RUB ADH2 CC POL 1/8" x 1/4" x 60' / BLACK H1CC-N-#14	AR	
2	687957	. GLUE MS POLYMER TEROSON MS 9399 / 400ml CARTRIDGE	AR	
3	288684	. ENTRANCE DOOR WINDOW REAR DOOR	1	
4	281202	. INTERIOR WINDOW MOULDING / LOWER REAR DOOR	1	
5	281205	. INTERIOR WINDOW MOULDING / UPPER REAR DOOR	1	
6	289584	. RUBBER SEAL CENTER / REAR DOOR 2252MM	1	
6	288949	. RUBBER SEAL PLUG	1	
7	2800132	. RUBBER SEAL EXTRUSION / REAR DOOR / 2252MMx374MM	1	
8	281209	. GLASS CENTER DOOR WINDOW 220MM x 700MM	1	
9	281211	. GLASS LOWER DOOR WINDOW 219MM x 141MM	1	
10	281259P	. RUBBER GLASS CHANNEL ASSY W/LOCKING STRIP LOWER DOOR WINDOW 670	1	
10	5061259	. . RUBBER GLASS CHANNEL	AR	
10	680042	. . GLUE LOCTITE 430 BOTTLE 1OZ	AR	
11	281260P	. RUBBER GLASS CHANNEL ASSY W/LOCKING STRIP CENTER DOOR WINDOW 1780	1	
11	5061259	. . RUBBER GLASS CHANNEL	AR	
11	680042	. . GLUE LOCTITE 430 BOTTLE 1OZ	AR	
12	281292P	. STRIP, LOCKING 670MM	1	
12	5061260	. . STRIP, LOCKING / S.L. RAW MATERIAL ONLY	AR	
13	281293P	. STRIP, LOCKING 1780MM	1	
13	5061260	. . STRIP, LOCKING / S.L. RAW MATERIAL ONLY	AR	
14	780812	. ENTRANCE DOOR HANDLE BLACK	1	
15	281041	. SUPPORT DOUBLE DOOR	2	
16	281047	. ATTACHMENT PLATE W/2 NUTS "U" SHAPE 2xM8-1.25x 60MM C/C	2	
17	281063	. SUPPORT LOWER REAR DOOR	1	
18	860422	. HANDLE	1	
NS	284049	. PLUG / SQUARE / BLACK	1	
19	281227	. STOPPER	1	
20	281240	. CATCH PENE DOOR	1	
21	280912	. GUARD, DOOR	1	
22	5001168	. BUMPER RUBBER / .750 OD x .562 TH x .187 HOLE To J-6339	1	
22	5002023	. BUMPER NEOPRENE / .750 OD x .562 TH x .187 HOLE From J-6340	1	
23	500557	. SCREW MA PAN PH #8-32x3/8 SS	1	
31	5001796	. SCREW CAP FL HEXS M10-1.5x40 GR10.9 N500	2	
32	5001084	. NUT HEXF M10-1.5 G500	2	
33	5001097	. SCREW TC OV PH #6-32x3/4 SS410 BK	10	
34	500345	. WASHER FN CKF .187x.500x.090 BR BK	10	
35	5001851	. NUT HEX M6-1.0 SS BK	2	
36	5001833	. WASHER BEL SPR 6.1x18x1.27 SS	2	

From G-5936 To K-6492	Date:01/2024	PAGE:X3-1862-75
-----------------------	--------------	-----------------

ENTRANCE DOOR ASSY - REAR SECTION BY-FOLD DOOR

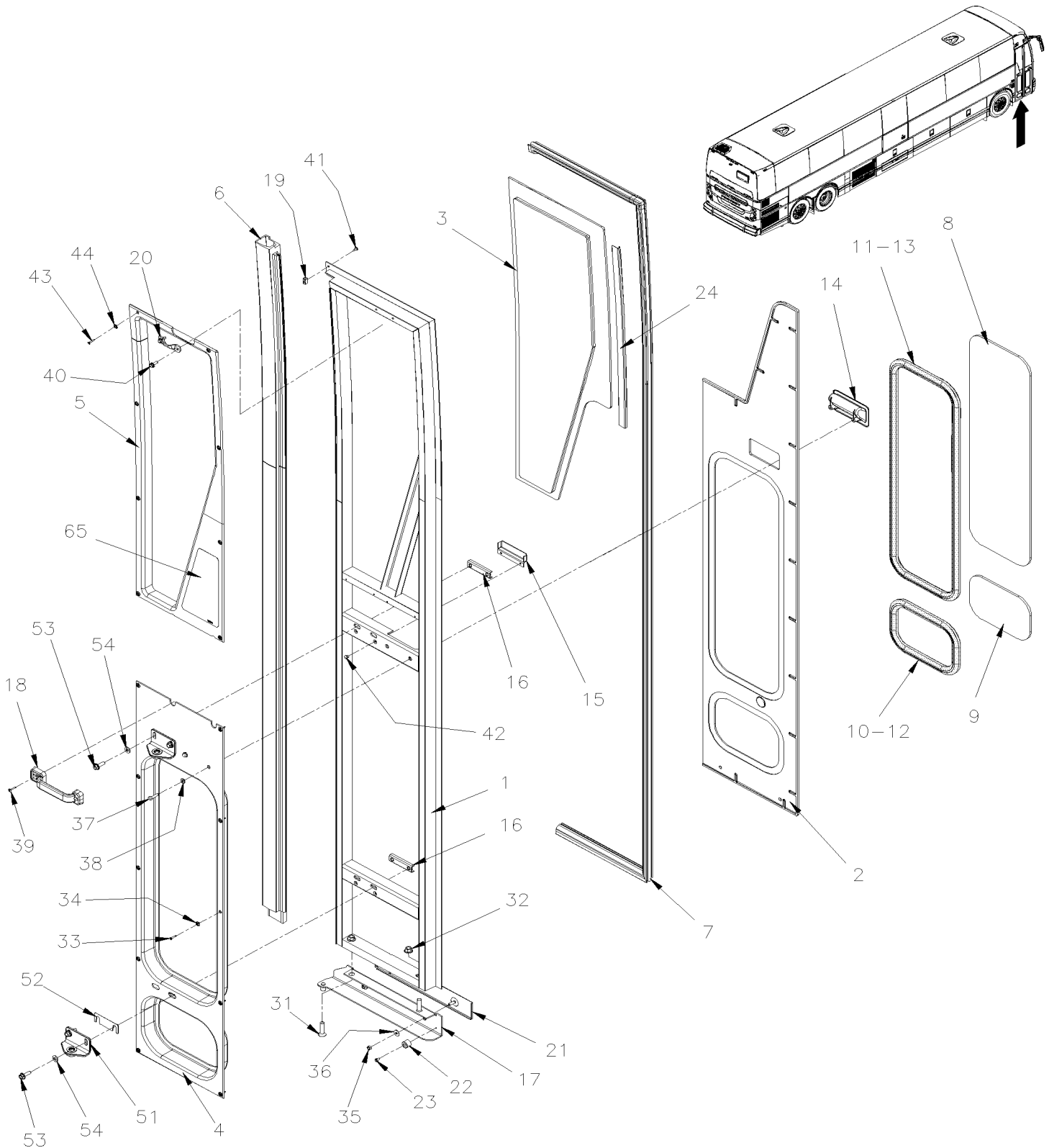
Item#	Part	Description	QTY	Notes
37	502737	. SCREW CAP HEX M6-1.0x25 SS BK	2	
38	500877	. WASHER FL .250x.562x.065 N500	2	
39	5001411	. SCREW MA FL PH M4-0.7x20 BK	2	
40	5001730	. SCREW CAP HEXF M6-1.0x16 G10.9 N500	2	
41	500124	. SCREW TP TR PH #8x1/2 SS	1	
42	504256	. RIVET POP CK OE 3/16x1/4 AL	4	
43	500289	. SCREW TC OV PH #6-32x3/4 SS410	8	
44	500463	. WASHER FN CKF .187x.500x.090 BR Z050	8	
51	2800898	ANGLE ATTACHMENT ARM	4	
52	280931	SPACER	1	
53	5001643	SCREW CAP HEXF M8-1.25x25 G8.8 G500	4	
54	5001736	WASHER FL 8.4x18.0x2.0 N500	4	
65	289102	DECAL "EMERGENCY EXIT PROCEDURE"	1	

From L-6493

Date:01/2024

PAGE:X3-1862-76

ENTRANCE DOOR ASSY - REAR SECTION BY-FOLD DOOR



From L-6493		Date:01/2024	PAGE:X3-1862-76
-------------	--	--------------	-----------------

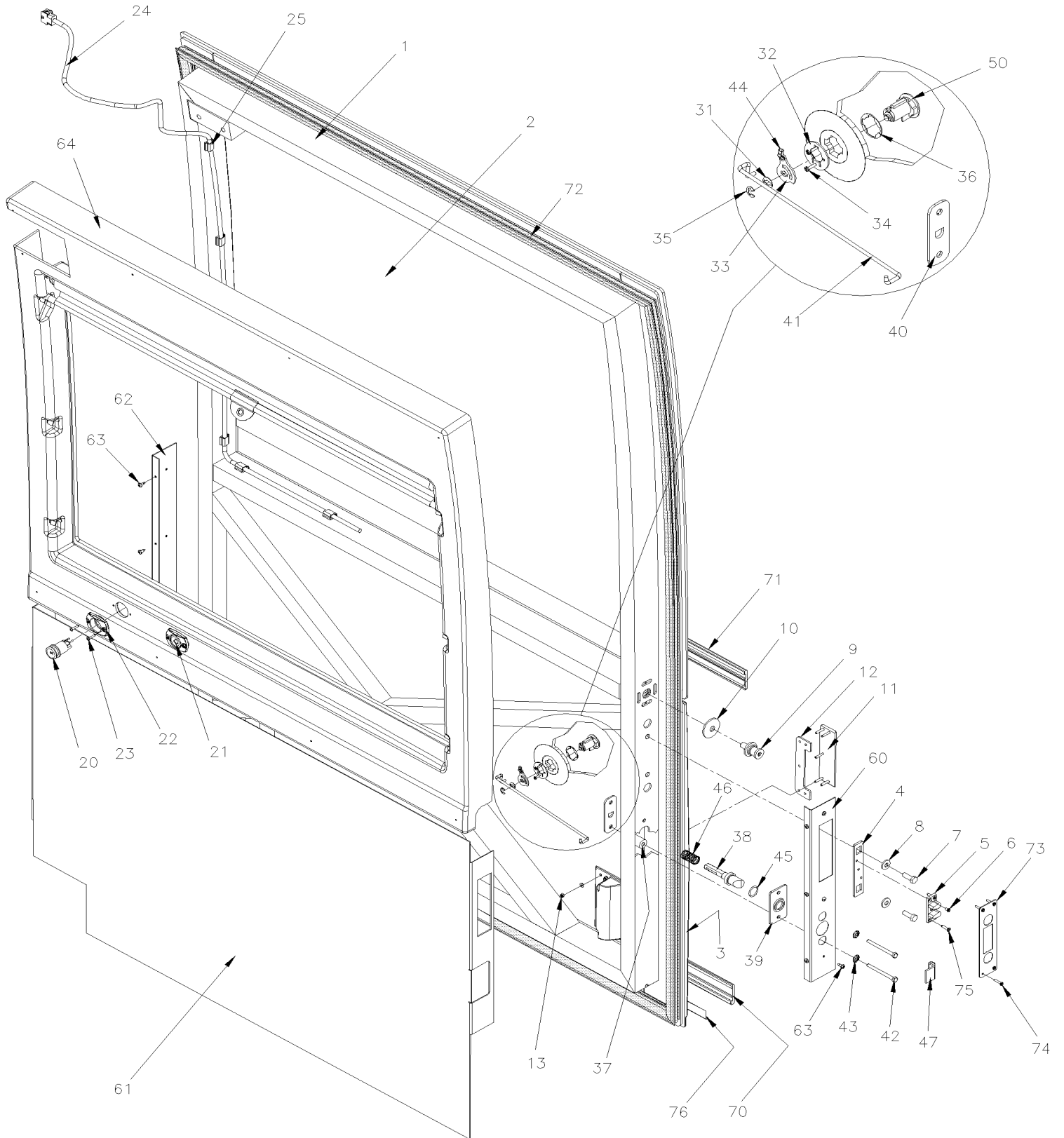
ENTRANCE DOOR ASSY - REAR SECTION BY-FOLD DOOR

Item#	Part	Description	QTY	Notes
	2810254	BI-FOLD DOOR ASSY REAR	1	
1	281198	. STRUCTURE DOOR REAR DOOR	1	
2	288683	. PANEL FIBERGLASS EXTERIOR REAR DOOR	1	
NS	684685	. ADHESIVE SIMSON #ISR 70-03 / 310ml CARTRIDGE	AR	
NS	506769	. TAPE RUB ADH2 CC POL 1/8" x 1/4" x 60' / BLACK H1CC-N-#14	AR	
NS	687957	. GLUE MS POLYMER TEROSON MS 9399 / 400ml CARTRIDGE To M-6660	AR	
NS	685387	. GLUE MS POLYMER TEROSON MS 9399 / 400ml CARTRIDGE From M-6661	AR	
3	280384	. ENTRANCE DOOR WINDOW REAR DOOR	1	
4	281202	. INTERIOR WINDOW MOULDING / LOWER REAR DOOR	1	
5	281253	INTERIOR WINDOW MOULDING / UPPER REAR DOOR	1	
6	289584	. RUBBER SEAL CENTER / REAR DOOR 2252MM	1	
6	288949	. RUBBER SEAL PLUG	1	
7	2800132	. RUBBER SEAL EXTRUSION / REAR DOOR / 2252MMx374MM	1	
8	281209	. GLASS CENTER DOOR WINDOW 220MM x 700MM	1	
9	281211	. GLASS LOWER DOOR WINDOW 219MM x 141MM	1	
10	281259P	. RUBBER GLASS CHANNEL ASSY W/LOCKING STRIP LOWER DOOR WINDOW 670	1	
10	5061259	. . RUBBER GLASS CHANNEL	AR	
10	680042	. . GLUE LOCTITE 430 BOTTLE 1OZ	AR	
11	281260P	. RUBBER GLASS CHANNEL ASSY W/LOCKING STRIP CENTER DOOR WINDOW 1780	1	
11	5061259	. . RUBBER GLASS CHANNEL	AR	
11	680042	. . GLUE LOCTITE 430 BOTTLE 1OZ	AR	
12	281292P	. STRIP, LOCKING 670MM	1	
12	5061260	. . STRIP, LOCKING / S.L. RAW MATERIAL ONLY	AR	
13	281293P	. STRIP, LOCKING 1780MM	1	
13	5061260	. . STRIP, LOCKING / S.L. RAW MATERIAL ONLY	AR	
14	780812	. ENTRANCE DOOR HANDLE BLACK	1	
15	281041	. SUPPORT DOUBLE DOOR	2	
16	281047	. ATTACHMENT PLATE W/2 NUTS "U" SHAPE 2xM8-1.25x 60MM C/C	2	
17	281063	. SUPPORT LOWER REAR DOOR	1	
18	860422	. HANDLE	1	
19	281227	. STOPPER	1	
NS	284049	. PLUG / SQUARE / BLACK	1	
20	281240	. CATCH PENE DOOR	1	
21	280912	. GUARD, DOOR	1	
22	5002023	. BUMPER NEOPRENE / .750 OD x .562 TH x .187 HOLE	1	
23	500557	. SCREW MA PAN PH #8-32x3/8 SS	1	
24	2810093	. MOLDING ENTRANCE DOOR REAR	1	
24	680914	. TAPE RUB ADH2 ACRYLIQUE 1/2x.045x36YARD	AR	
31	5001796	. SCREW CAP FL HEXS M10-1.5x40 GR10.9 N500	2	
32	5001084	. NUT HEXF M10-1.5 G500	2	
33	5001097	. SCREW TC OV PH #6-32x3/4 SS410 BK	10	
34	500345	. WASHER FN CKF .187x.500x.090 BR BK	10	

From L-6493	Date:01/2024	PAGE:X3-1862-76
ENTRANCE DOOR ASSY - REAR SECTION BY-FOLD DOOR		

Item#	Part	Description	QTY	Notes
35	5001851	. NUT HEX M6-1.0 SS BK To N-6771	2	
35	5001182	. NUT HEX NYRT M6-1.0 SS From N-6772	2	
36	5001833	. WASHER BEL SPR 6.1x18x1.27 SS To N-6771	2	
36	500142	. WASHER FL 6.6x22.0x2.0 SS From N-6772	2	
37	502737	. SCREW CAP HEX M6-1.0x25 SS BK	2	
38	500877	. WASHER FL .250x.562x.065 N500	2	
39	5001411	. SCREW MA FL PH M4-0.7x20 BK	2	
40	5001730	. SCREW CAP HEXF M6-1.0x16 G10.9 N500	2	
41	500124	. SCREW TP TR PH #8x1/2 SS	1	
42	504256	. RIVET POP CK OE 3/16x1/4 AL	4	
43	5001097	. SCREW TC OV PH #6-32x3/4 SS410 BK	8	
44	500345	. WASHER FN CKF .187x.500x.090 BR BK	8	
51	2800898	ANGLE ATTACHMENT ARM	2	
52	280931	SPACER	2	
53	5001643	SCREW CAP HEXF M8-1.25x25 G8.8 G500	4	
54	5001736	WASHER FL 8.4x18.0x2.0 N500	4	
65	289102	DECAL "EMERGENCY EXIT PROCEDURE"	1	
65	2810048	DECAL "EMERGENCY EXIT PROCEDURE" ENG / SP	1	

ENTRANCE DOOR ASSY - W.C.L.



From 7-8754 To B-5001	Date:01/2024	PAGE:X3-1862-80
ENTRANCE DOOR ASSY - W.C.L.		

Item#	Part	Description	QTY	Notes
	287003P	DOOR ASSY	1	
1	286743	. FRAME ASSY To 8-9281	1	
NS	287184	. INSULATOR PANEL UPPER To 9-9584	1	
NS	283334	. INSULATOR PANEL UPPER From 9-9585	1	
NS	287185	. INSULATOR PANEL FOWARD To 9-9584	1	
NS	283335	. INSULATOR PANEL FOWARD From 9-9585	1	
NS	287186	. INSULATOR PANEL BACKWARD To 9-9584	1	
NS	283333	. INSULATOR PANEL BACKWARD From 9-9585	1	
NS	287187	. INSULATOR PANEL LOWER To 9-9584	1	
NS	282985	. INSULATOR PANEL LOWER From 9-9585	1	
NS	287188	. INSULATOR PANEL LOWER HINGE	1	
NS	680397	. CONTACT GLUE / AEROSOL 17oz	AR	
2	286988	. GLASS THERMOS 13%	1	
NS	507000	. TAPE RUB ADH2 POL 3/16" x 1/4" x 50' / BLACK V2206	AR	
NS	687957	. GLUE MS POLYMER TEROSON MS 9399 / 400ml CARTRIDGE	AR	
3	286989	. PANEL FIBERGLASS To 8-9281	1	
3	288887	. PANEL FIBERGLASS From 8-9282 To 9-9584	1	
3	282617	. PANEL FIBERGLASS From 9-9585	1	
NS	506236	. TAPE RUB ADH1 CC POL 1/16" x 1/2" x 100' / GREY 2520	AR	
NS	506648	. TAPE RUB ADH1 CC POL 1/8" x 1/2"x 50' / GREY 2542	AR	
NS	683480	. ADHESIVE SIKA #264 / BLACK / 310ml CARTRIDGE	AR	
NS	683481	. ACCELERATOR SIKA / 310ml CARTRIDGE	AR	
4	283929	. PLATE / TO FIX DOVETAIL	1	
5	780496	. DOVETAIL, MALE	1	
6	500371	. SCREW MA FL PH M4-0.7x8 N500	3	
7	502589	. SCREW CAP HEX M8-1.25x25 G8.8 Z050	2	
8	500321	. WASHER BEL SPR .331x.827x.098 N500	2	
9	780189	. STRIKER & SHIM	1	
10	284447	. WASHERS BELLEVILLE	11	
11	283956	. HANDLE ASSY / W/5 STUDS From 9-9585	1	
12	283954	. GASKET / HANDLE & BODY From 9-9585	1	
13	502557	. NUT HEX NYRT M4-0.7 SS From 9-9585	5	
13	502556	. WASHER FL 4.3x9.0x0.8 SS From 9-9585	5	
20	830158	. SWITCH / OFF-ON / S.P.S.T. / READING LIGHT	1	
21	830159	. SWITCH / OFF-M/ON / S.P.S.T. / CHIME	1	
22	409259	. PROTECTOR SWITCH / CAP From 9-9643	2	
NS	288728	. REINFORCMENT FOR SCREW PROTECTOR CAP From 9-9643	1	
23	500814	. SCREW TP BDG PH #6x3/4 BK From 9-9643	4	
24	065369	. CABLE HARNESS / READING LIGHT CURBSIDE DOOR / W/W.C.L.	1	
25	504536	. CABLE CLIP 1/2" / ADHESIVE	6	
31	283853	. SPACER / WASHER 9/16" O.D. X 1/4" I.D. From 8-9282	1	
32	285811	. WASHER / CYLINDER LOCK RETAINER From 8-9282	1	

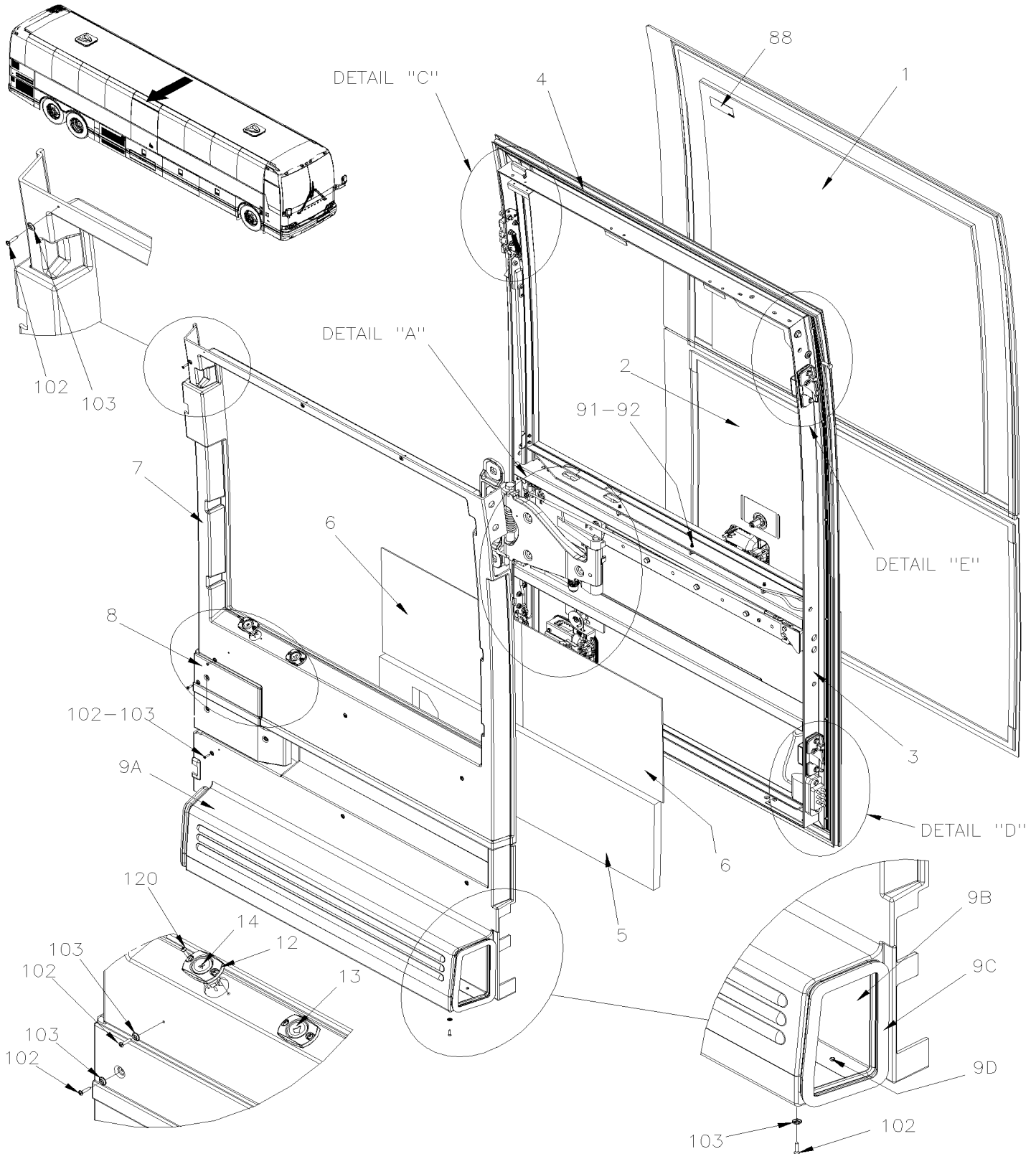
From 7-8754 To B-5001	Date:01/2024	PAGE:X3-1862-80
ENTRANCE DOOR ASSY - W.C.L.		

Item#	Part	Description	QTY	Notes
33	288839	. PIVOT LOCK ROD / W/W.C.L. DOOR From 8-9282	1	
34	500518	. SCREW MA BDG PH #4-40x1/2 Z050 From 8-9282	2	
35	504402	. RING RETAINER / EXT .250 x .210 x .025" From 8-9282	1	
36	780237	. SEAL RUBBER 1/32" TH From 8-9282 To B-5026	1	
36	2800032	. SEAL RUBBER 1/16" TH From B-5027	1	
37	288833	. SLEEVE 19MM O.D. x 7.5MM I.D. x 36MM From 8-9282	2	
38	288832	. CATCH PIN SS / 91MM From 8-9282 To 9-9882	1	
38	289586	. CATCH PIN ACETAL / 91MM From 9-9883	1	
39	288831	. GUIDE PIN FRONT W/19MM I.D. From 8-9282	1	
40	288834	. GUIDE PIN INSIDE / W/D HOLE From 8-9282	1	
41	288837	. ROD OPENING 252.4MM From 8-9282	1	
42	5001667	. SCREW CAP HEX M6-1.0x70 BK From 8-9282	2	
43	500356	. WASHER LO SERR 6.1x16.0x0.9 N500 From 8-9282	2	
44	502724	. SCREW CAP HEX #10-32x1/4 BZC From 8-9282	1	
45	507212	. O-RING From 8-9282	1	
46	502910	. SPRING COMPRESSION / .720 O.D. 1.75 x .055 From 8-9282	1	
47	288890	. CATCH PIN RETAINER / (WELDED AT STRUCTURE) From 8-9282	1	
		FOR CYLINDER KEY CODE SEE ITEM #13 AT PAGE / X3-1867-00		
50	X3-1867-00	KEY & CYLINDER CODE "FORD" & "NS"		
60	285990	FINISHING MOULDING FORWARD To 8-9281	1	F
60	288888	FINISHING MOULDING FORWARD From 8-9282	1	F
60	287197	FINISHING MOULDING To 8-9281	1	T
60	289003	FINISHING MOULDING From 8-9282	1	T
61	287191P	FINISHING PANEL / TISSUS	1	
61	Call order desk	FINISHING PANEL / FORMICA	1	P
61	287182	PANEL ALUMINUM To 8-9281	1	
61	288889	PANEL ALUMINUM From 8-9282	1	
61	Call order desk	PANEL FORMICA	1	P
62	287946	FINISHING MOULDING BACKWARD	1	F
62	287197	FINISHING MOULDING To 8-9281	1	T
62	289003	FINISHING MOULDING From 8-9282	1	T
63	500952	SCREW TP BDG PH #8x1/2 SS	12	
64	287155	INTERIOR WINDOW MOULDING To 9-9642	1	
64	288726	INTERIOR WINDOW MOULDING From 9-9643	1	
. NS	288728	. REINFORCMENT FOR SCREW PROTECTOR CAP From 9-9643	2	
64	287154	INTERIOR WINDOW MOULDING To 9-9642	1	S
64	288725	INTERIOR WINDOW MOULDING From 9-9643	1	S
NS	500552	SCREW TP OV PH #6x3/4 Z050	9	
NS	500463	WASHER FN CKF .187x.500x.090 BR Z050	9	
NS	506191	TAPE RUB ADH1 CC POL 1/8" x 1/4" x 50' / GREY 2520X	AR	F

From 7-8754 To B-5001	Date:01/2024	PAGE:X3-1862-80
ENTRANCE DOOR ASSY - W.C.L.		

Item#	Part	Description	QTY	Notes
NS	405142	DECAL / BLACK STRIP W/DOTTED 1063MM x 149MM	1	S
70	474666	FINISHING MOULDING LOWER W.C.L. DOOR 1285MM	1	
NS	506785	TAPE RUB ADH2 CC POL 1/16" X 1/4" X 200' / BLACK I1C-N-A	AR	
NS	506769	TAPE RUB ADH2 CC POL 1/8" x 1/4" x 60' / BLACK H1CC-N-#14	AR	
71	474794	FINISHING MOULDING UPPER W.C.L. DOOR 1285MM	1	
NS	506785	TAPE RUB ADH2 CC POL 1/16" X 1/4" X 200' / BLACK I1C-N-A	AR	
NS	506790	TAPE RUB ADH2 CC POL 1/16" x 1/2" x 200' / BLACK I1C-N-A	AR	
NS	682462	ADHESIVE SIKA #252 / BLACK / 310ml CARTRIDGE	1	
72	289937	RUBBER SEAL EXTRUSION / W.C.L. ENTRANCE DOOR To A-9872	1	
72	288909	RUBBER SEAL EXTRUSION / W.C.L. ENTRANCE DOOR From A-9873	1	
72	2800160	RUBBER SEAL EXTRUSION / W.C.L. ENTRANCE DOOR	1	
72	289461	RUBBER SEAL EXTRUSION SPECIAL VIN 9-9624 / W.C.L. ENTRANCE DOOR From 9-9624 To 9-9624	1	
73	287208	FINISHING PLATE SS	1	
74	5001040	SCREW TC PAN PH #6-32x3/4 SS	4	
75	500260	SCREW TC FL PH #8-32x3/4 BK	2	
76	478019	DRIP MOULDING 1283MM	1	
99	289004	KIT RETROFIT, DOOR CYLINDER LOCK W/CATCH PIN To 8-9281	1	
		C) WITH TRANSIT BUS ONLY		
		F) WITH FORMICA		
		S) WITH SUNSHINE ROLLER		
		T) WITH TISSUS		
		P) CALL ORDER DESK FOR SPECIFIC APPLICATION (V.I.N.)		

ENTRANCE DOOR SLIDING - WCL



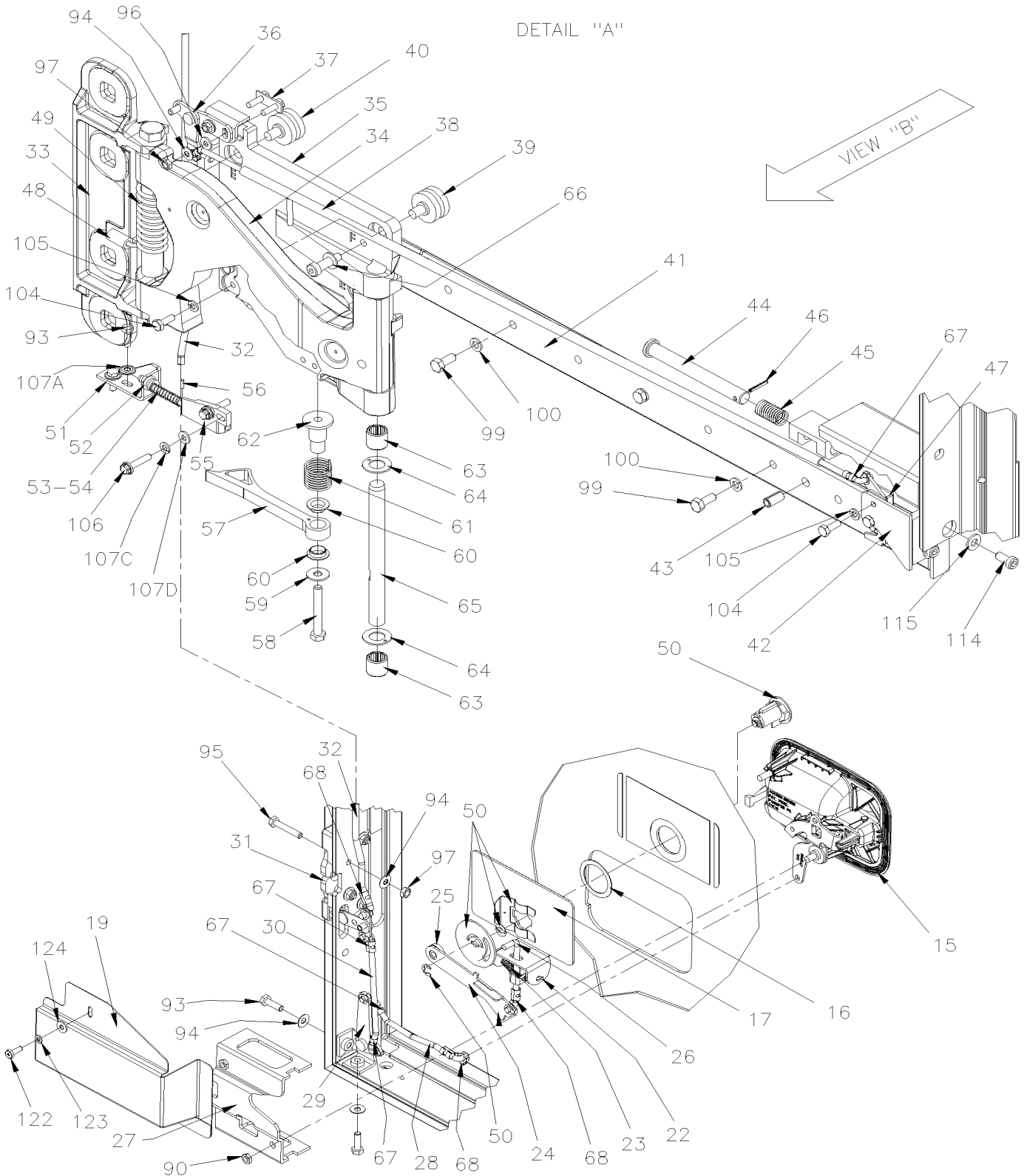
From B-5002 To J-6295

Date:01/2024

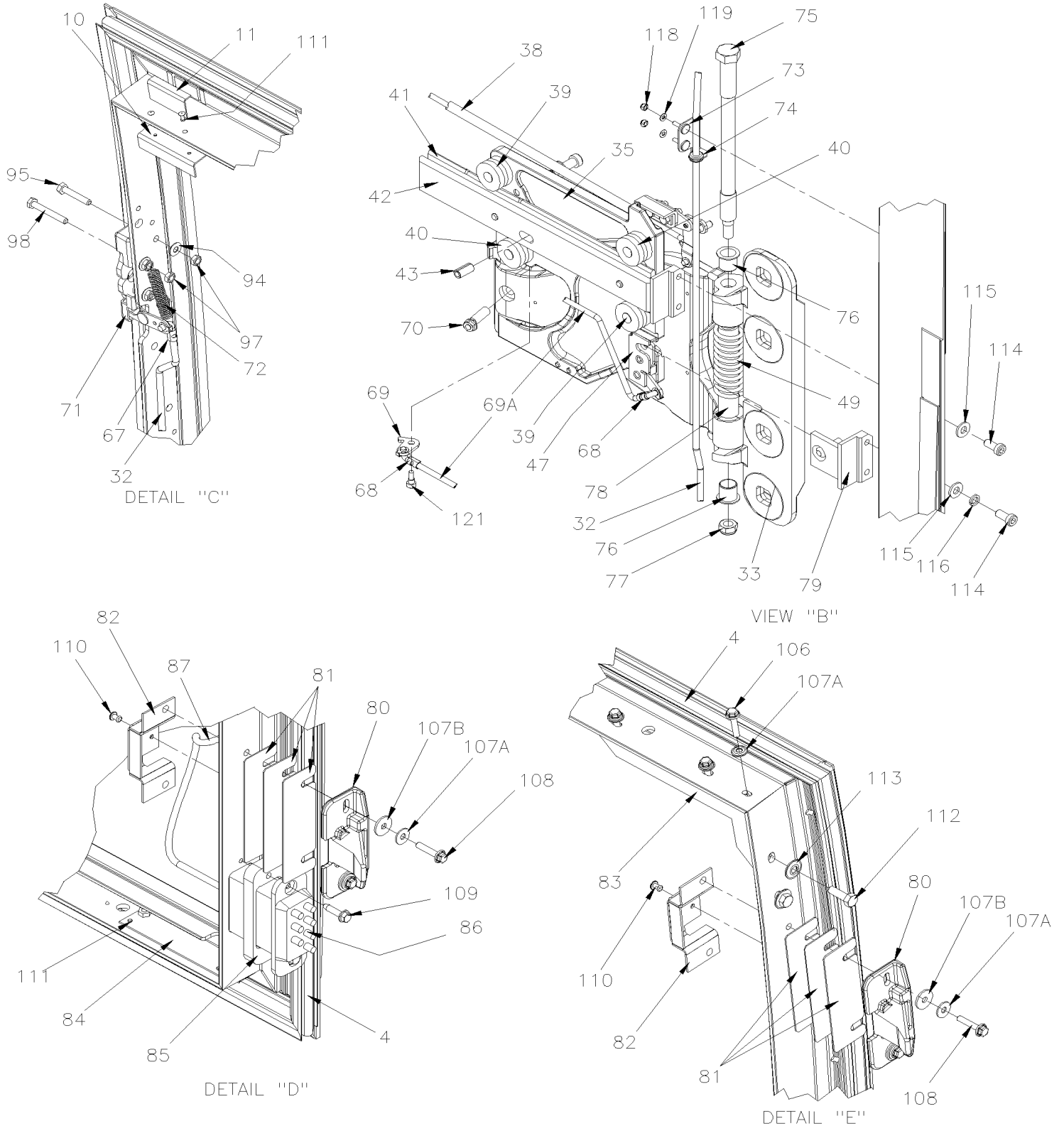
PAGE:X3-1862-81

ENTRANCE DOOR SLIDING - WCL

DETAIL "A"



ENTRANCE DOOR SLIDING - WCL



From B-5002 To J-6295	Date:01/2024	PAGE:X3-1862-81
ENTRANCE DOOR SLIDING - WCL		

Item#	Part	Description	QTY	Notes
	289178	DOOR S ASSY W.C.L. DOOR SLIDING To G-5977	1	
	289095	DOOR S ASSY W.C.L. DOOR SLIDING From G-5978 To H-6179	1	
	289096	DOOR S ASSY W.C.L. DOOR SLIDING From H-6180	1	
1	287595	GLASS, THERMOS 13% W.C.L. DOOR SLIDING 1286.4MM x 1048.57MM To C-5133	1	
1	2800041	GLASS, THERMOS 13% W.C.L. DOOR SLIDING 1286.4MM x 1068.52MM From C-5134	1	
1	506769	TAPE RUB ADH2 CC POL 1/8" x 1/4" x 60' / BLACK H1CC-N#14	AR	
1	687957	GLUE MS POLYMER TEROSON MS 9399 / 400ml CARTRIDGE	AR	
1	684685	ADHESIVE SIMSON #ISR 70-03 / 310ml CARTRIDGE	AR	
2	280198	PANEL LOWER 1286.4MM x 804.2MM To C-5133	1	
2	2800042	PANEL LOWER 1286.4MM x 784MM From C-5134 To D-5458	1	
2	2800266	PANEL LOWER 1286.4MM x 786.2MM From E-5459	1	
2	506769	TAPE RUB ADH2 CC POL 1/8" x 1/4" x 60' / BLACK H1CC-N#14	AR	
2	687957	GLUE MS POLYMER TEROSON MS 9399 / 400ml CARTRIDGE	AR	
3	280158	STRUCTURE DOOR To C-5133	1	
3	2800044	STRUCTURE DOOR From C-5134 To E-5589	1	
3	2800482	STRUCTURE DOOR From E-5590	1	
4	280189	RUBBER SEAL EXTRUSION / 1777MM X 1127MM To C-5244	1	
4	2800159	RUBBER SEAL EXTRUSION / 1777MM X 1127MM From C-5245	1	
5	280895	INSULATING LOWER	1	
6	280896	INSULATING UPPER	2	
7	280629	CAP FINISHING To D-5410	1	
. NS	288728	. REINFORCMENT FOR SCREW PROTECTOR CAP To D-5410	2	
7	2800220	CAP FINISHING From D-5411	1	
7	287792	CAP FINISHING	1	A
7	506466	TAPE RUB ADH1 CC POL 1/16" x 1 1/2" x 100 / GREY 2520 From H-6179	AR	
8	288590	CAP FINISHING To C-5153	1	
8	280002	CAP FINISHING WITH ONE PIECE CASTING From C-5154 To D-5299	1	
8	3200786	CAP FINISHING From D-5300	1	
9	X3-2221-81	AIR DUCT W.C.L. DOOR "RICON" WITH SLIDING DOOR		
9A	321015	DUCT DOOR / PLASTIC To D-5299	1	
9A	3200784	DUCT DOOR / PLASTIC From D-5300	1	
NS	506869	TAPE RUB ADH2 POL .031" X 1/4" X 300' / BLACK	AR	
NS	289555	PLATE REINFORCMENT SS LOZANGE 136MM x 130MM To D-5299	1	
9A	2800261	PLATE REINFORCMENT SS LOZANGE 148MM x 114MM From D-5300	1	
NS	684743	GLUE METHACRYLATE PLEXUS MA832GB 380 ml	AR	
9B	280242	PANEL ANGLE / ALUMINUM 1055MM x 350MM x 4000	1	
9C	329615	SEAL DUCT 600MM	1	
. NS	5061011	. RUBBER EXTRUSION TRIM SEAL / GRIP .090/.120 / 5/8" HOLLOW BULB C.T.L.	AR	
NS	680066	ADHESIVE / ADBOND #5014 / 23.6ML BOTTLE	AR	
9D	504113	RIVET POP DOME CLE 3/16x1/4 AL	3	
10	288648	ANGLE 18MM x 18MM x 76MM	3	

From B-5002 To J-6295	Date:01/2024	PAGE:X3-1862-81
ENTRANCE DOOR SLIDING - WCL		

Item#	Part	Description	QTY	Notes
11	068192	PLATE ANGLE 50MM x 25MM	1	
11	506785	TAPE RUB ADH2 CC POL 1/16" X 1/4" X 200' / BLACK I1C-N-A	AR	
11	684685	ADHESIVE SIMSON #ISR 70-03 / 310ml CARTRIDGE	AR	
12	409259	PROTECTOR SWITCH / CAP	2	
NS	288728	REINFORCMENT FOR SCREW PROTECTOR CAP	1	
13	563826	SWITCH / MOM-ON / STOP REQUEST	1	
14	830158	SWITCH / OFF-ON / S.P.S.T. / READING LIGHT	1	
15	280169	HANDLE ASSY	1	
15A	2800060	PLATE, SEALING HANDLE From C-5134	1	
16	280174	GASKET ADH2 33.5 I.D x 43.5 O.D. x 1/32"	1	
17	280199	PLATE RETAINING / LOCK CYLINDER KEY	1	
17	506869	TAPE RUB ADH2 POL .031" X 1/4" X 300' / BLACK	AR	
17	684743	GLUE METHACRYLATE PLEXUS MA832GB 380 ml	AR	
19	2800060	PLATE, SEALING HANDLE From C-5134	1	
22	481564	ROD GUIDE	2	
23	502934	SPRING COMPRESSION / .300 O.D. x 1 x .026	2	
24	280126	ACTUATOR LEVER	1	
25	289322	SPACER W/SHOULDER FOR BE	1	
26	280206	ROD ASSY W/ACTUATOR 83MM C/C	1	
27	780787	SUPPORT HANDLE	1	
28	289314	ROD LOWER 123MM	1	
29	289910	PIVOT ASSY	1	
30	289922	ROD LOWER 152MM	1	
31	289916	LOCK LOWER / FORWARD	1	
32	280171	ROD UPPER 1228.8MM	1	
33	289982	HINGE / POST SECTION / MACHINED To C-5133	1	
33	289997	HINGE / POST SECTION / MACHINED ONE PIECE CASTING From C-5134 To D-5299	1	
33	2800194	HINGE / POST SECTION / MACHINED ONE PIECE CASTING From D-5300	1	
34	286056	HINGE / MOVABLE SECTION To C-5133	1	
34	289995	HINGE / MOVABLE SECTION ONE PIECE CASTING From C-5134 To D-5299	1	
34	2800193	HINGE / MOVABLE SECTION ONE PIECE CASTING From D-5300	1	
35	288702	HINGE / RAIL SECTION To C-5133	1	
35	289996	HINGE / RAIL SECTION ONE PIECE CASTING From C-5134	1	
36	289913	PIVOT ASSY	1	
37	289924	ATTACHMENT PLATE	1	
38	289920	ROD UPPER 937MM	1	
NS	560785	SHRINK TUBING / .375" - .187" / BLACK / ALPHA FIT-300-3/8-4B From H-6179	AR	
39	780782	WHEEL "V"	2	
40	780783	WHEEL "V" W/ECCENTRIC	2	
41	285614	RAIL TRACK	1	
42	288558	SUPPORT RAIL SLIDING / FIXED AT DOOR FRAME To C-5124	1	
42	280213	SUPPORT RAIL SLIDING / FIXED AT DOOR FRAME From C-5125	1	

From B-5002 To J-6295	Date:01/2024	PAGE:X3-1862-81
ENTRANCE DOOR SLIDING - WCL		

Item#	Part	Description	QTY	Notes
43	504719	SPRING, PIN M10 X 20	2	
44	289901	BUMPER PIN	1	
45	502181	SPRING COMPRESSION / .720 O.D. x 3 x .067	1	
46	505513	SPRING, PIN M3 x 24 SS	1	
47	780778	LOCK L.H.	2	
48	285576	BUSHING 12.7 O.D. x 6.6 I.D. x 24MM	1	
49	285970	SPRING, TORSION / 1" I.D. x 3.23 x .187 To E-5500	1	
49	2800348	SPRING, TORSION / 1.061" I.D. x 3.23 x .162 From E-5501	1	
50	X3-1867-00	KEY & CYLINDER CODE "FORD" & "NS"		
51	289325	BUMPER ANGLE	1	
52	504718	RIVET DRV BDG 1/4X1/2 NYL	1	
53	289324	PLUNGER	1	
54	289326	SPRING , COMPRESSION	1	
55	289323	PLATE SLIDING DOOR	1	
56	505221	SPRING, PIN 1/8 X 3/8	1	
57	288499	STOPPER BUMPER	1	
58	5001178	SCREW CAP HEX M8-1.25x60 SS BK	1	
59	500332	WASHER FL .328x.875x.062 N500	1	
60	507379	BUSHING FLANGE 14MM I.D. x 16MM O.D. x 6MM L x SHOULDER 22MM O.D.	2	
61	286237	SPRING, TORSION / 25MM I.D. x 25.2 x .068	1	
62	288498	BUSHING 8MM ID x 14MM OD x 20MM OD	1	
63	507374	NEEDLES BEARING 5/8 I.D. x 13/16 O.D. x 3/4	2	
64	507377	WASHER 5/8x1 1/8x.0585	2	
65	286524	AXE 178MM	1	
66	780779	BOLT, STRIKER ASSY.	1	
67	504243	CLIP ROD 1/4" L.H.	6	
68	504541	CLIP ROD 1/4" R.H.	5	
69	289923	PIVOT	1	
69A	289917	ROD CARRIER 188MM	1	
70	286065	KEY DRAW W/NUT To G-6046	1	
70	280028	KEY DRAW From G-6047	1	
70	5001835	NUT HEXF M6-1.0 SS From G-6047	1	
71	780776	LOCK UPPER / FORWARD	1	
72	502156	SPRING EXTENSION / .437 O.D. x 2 x .041	1	
73	289316	GUIDE To C-5132	1	
73	2800056	GUIDE From C-5133	1	
74	504069	GROMMET / .281x.375x.062x.250x.562	1	
75	286151	AXE BOLT SPECIAL 250MM	1	
76	507376	BUSHING FLANGE	2	
77	502859	NUT HEX NYRT M10-1.5 N500	1	
78	287520	BUSHING 16MM I.D. x 21MM O.D. x 122MM	1	
79	289926	ATTACHMENT	1	

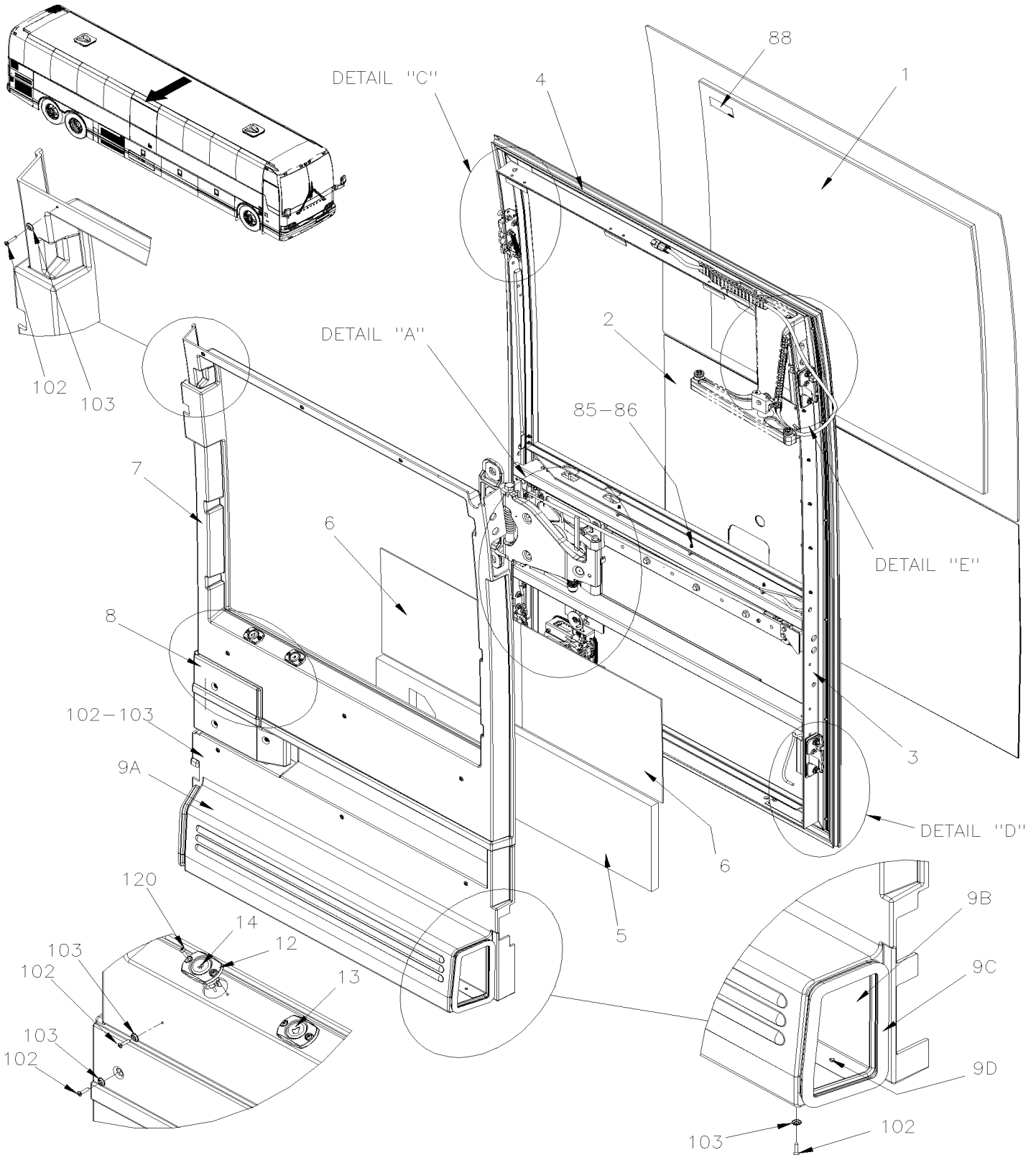
From B-5002 To J-6295	Date:01/2024	PAGE:X3-1862-81
ENTRANCE DOOR SLIDING - WCL		

Item#	Part	Description	QTY	Notes
80	288586	CATCH SLIDING DOOR To D-5343	2	
80	289825	CATCH SLIDING DOOR From D-5344	2	
81	288588	SPACER 44MM x 132MM x 18GA To D-5432	AR	
81	2800296	SPACER 44MM x 132MM x 24GA From D-5433	AR	
82	477732	REINFORCMENT	2	
83	288467	PLATE UPPER SLIDING DOOR To D-5410	1	
83	2800215	PLATE UPPER SLIDING DOOR From D-5411	1	
84	288470	PLATE ATTACHMENT 136MM x 35MM	1	
85	288610	SPACER ALUMINUM	1	
86	563433	DOOR PLUNGER SWITCH 8C / PED 15409888	1	
87	066306	CABLE ASSY / W/WCL To G-5977	1	
87	069305	CABLE ASSY / W/WCL From G-5978 To H-6179	1	
87	060569	CABLE ASSY / W/WCL From H-6180	1	
90	502565	NUT HEX M6-1.0 SS	2	
91	509815	TIE MOUNT / ATTACHMENT W/TREE MOUNT	3	
92	504637	CABLE TIE / 3/16" x 13"	3	
93	502830	SCREW CAP HEX M6-1.0x20 G8.8 N500	4	
94	5001608	WASHER BEL SPR 6.2x15.0x0.7 G500 To G-6046	12	
94	5001833	WASHER BEL SPR 6.1x18x1.27 SS From G-6047	12	
95	502888	SCREW CAP HEX M6-1.0x35 G8.8 N500	7	
96	500877	WASHER FL .250x.562x.065 N500	11	
97	502854	NUT HEX M6-1.0 N500	11	
98	502843	SCREW CAP HEX M6-1.0x45 G8.8 N500	1	
99	502862	SCREW CAP HEX M8-1.25x20 G8.8 N500	6	
100	5001161	WASHER LO SPT 8.1x14.8x2.0 SS-304 To G-6046	6	
100	5001848	WASHER BEL SPR .827 x .331 x .098 th SS From G-6047 To H-6104	6	
100	5001161	WASHER LO SPT 8.1x14.8x2.0 SS-304 From H-6105	6	
101	500896	SCREW TC FL PH #8-32x5/8 Z050	3	
102	500552	SCREW TP OV PH #6x3/4 Z050	12	
103	500463	WASHER FN CKF .187x.500x.090 BR Z050	15	
104	5001746	SCREW CAP HEX 1/4-20x3/4 G5 N500	4	
105	5001749	WASHER LO SPT 6.5x11.5x1.6 N500	4	
106	5001815	SCREW CAP HEXF M6-1.0x30 G 8.8 N500	5	
107A	500356	WASHER LO SERR 6.1x16.0x0.9 N500 To G-6046	9	
107A	500356	WASHER LO SERR 6.1x16.0x0.9 N500 To G-6046	9	
107A	5001833	WASHER BEL SPR 6.1x18x1.27 SS From G-6047	9	
107B	500142	WASHER FL 6.6x22.0x2.0 SS From G-6047	4	
107C	500356	WASHER LO SERR 6.1x16.0x0.9 N500 To G-6046	2	
107C	500356	WASHER LO SERR 6.1x16.0x0.9 N500 To G-6046	2	
107C	5001749	WASHER LO SPT 6.5x11.5x1.6 N500 From G-6047	2	
107D	500877	WASHER FL .250x.562x.065 N500 From G-6047	2	

From B-5002 To J-6295	Date:01/2024	PAGE:X3-1862-81
ENTRANCE DOOR SLIDING - WCL		

Item#	Part	Description	QTY	Notes
108	502686	SCREW CAP HEX M6-1.0x30 SS BK To G-6046	4	
108	5001815	SCREW CAP HEXF M6-1.0x30 G 8.8 N500 From G-6047	4	
109	500266	SCREW TC CAP HEX 1/4-20x1 N500	2	
110	504581	RIVET MGLP PRDG 3/16x7/16 SS BK	2	
111	504339	RIVET POP DOME OE 1/8x3/8 SS	8	
112	5001745	SCREW CAP HEX M8-1.25x25 G8.8 N500	2	
113	5001699	WASHER BEL SPR 8.2x22x1.4 N500 To G-6046	2	
113	5001848	WASHER BEL SPR .827 x .331 x .098 th SS From G-6047	2	
114	5001573	SCREW CAP HEXS M8-1.25x18 G8.8	6	
115	5001736	WASHER FL 8.4x18.0x2.0 N500	6	
116	502889	WASHER LO SPT 8.1x12.7x2.0 N500	2	
117	502799	SCREW CAP HEX M4-0.7X16 G8.8 N500 To C-5132	2	
117	500539	NUT HEX NYRT M4-0.7 N500 From C-5133	2	
118	502834	WASHER LO SPT 4.1x7.6x0.9 N500	2	
119	502556	WASHER FL 4.3x9.0x0.8 SS	2	
120	500814	SCREW TP BDG PH #6x3/4 BK	4	
121	5001606	SCREW SHR HEXS 1/4x3/16 {#10-24 SS	1	
122	500965	SCREW TC BDG PH #8-32x1/2 N500 From C-5134	1	
123	502834	WASHER LO SPT 4.1x7.6x0.9 N500 From C-5134	1	
124	504357	WASHER FL .187x.437x.050 SS From C-5134	1	
NS	680038	THREAD LOCKER LOCTITE #243 / BLUE / 50ml	AR	
NS	680122	TUBE, LUBRIPLATE 10 OZ.	AR	
NS	680397	CONTACT GLUE / AEROSOL 17oz	AR	
NS	680739	GREASE SYNTHETIC / RED 20KG	AR	
		A) WITH FOUR WHEEL CHAIRS OPTION		

From J-6296 To K-6492	Date:01/2024	PAGE:X3-1862-82
ENTRANCE DOOR SLIDING - WCL		



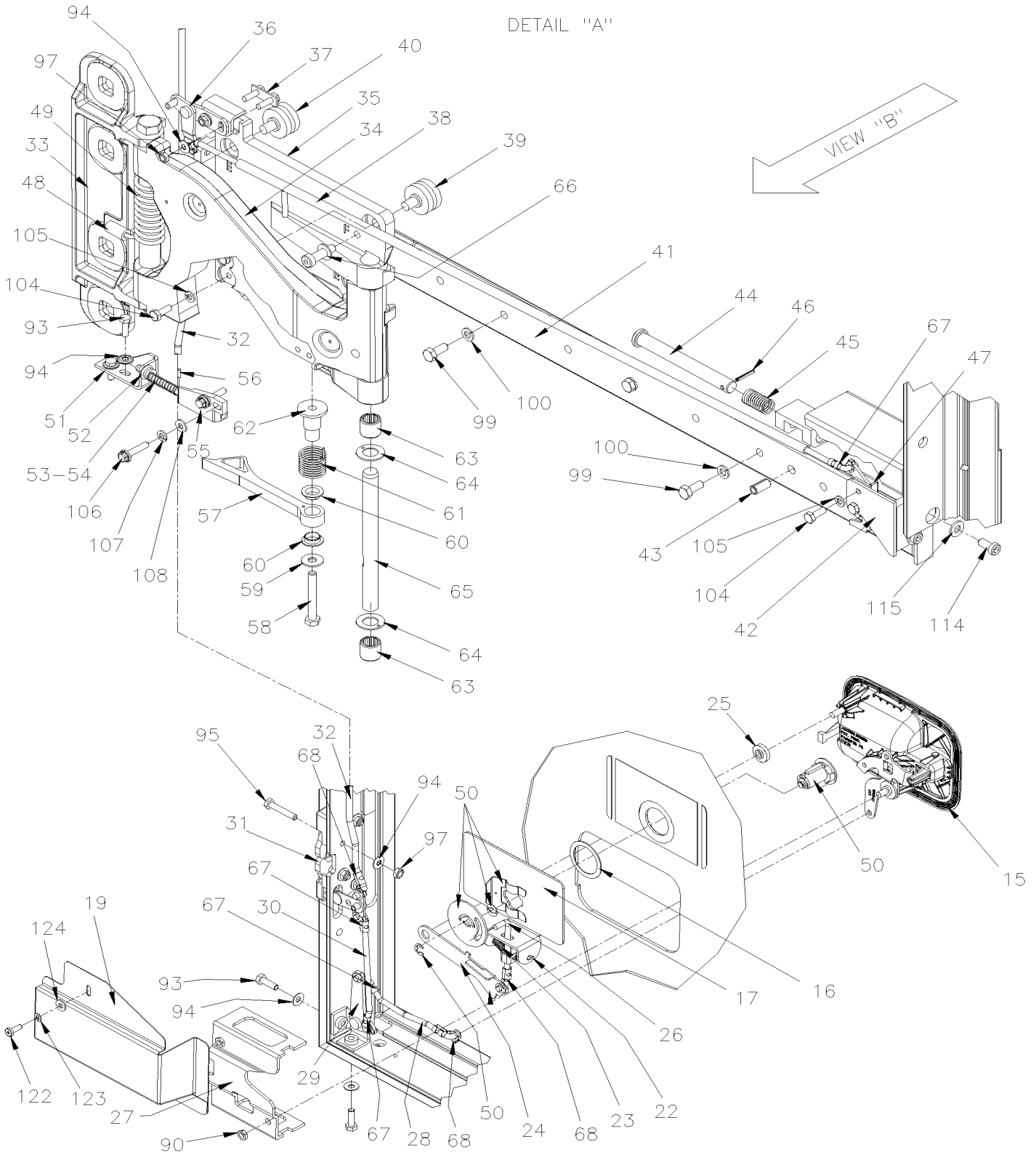
From J-6296 To K-6492

Date:01/2024

PAGE:X3-1862-82

ENTRANCE DOOR SLIDING - WCL

DETAIL "A"

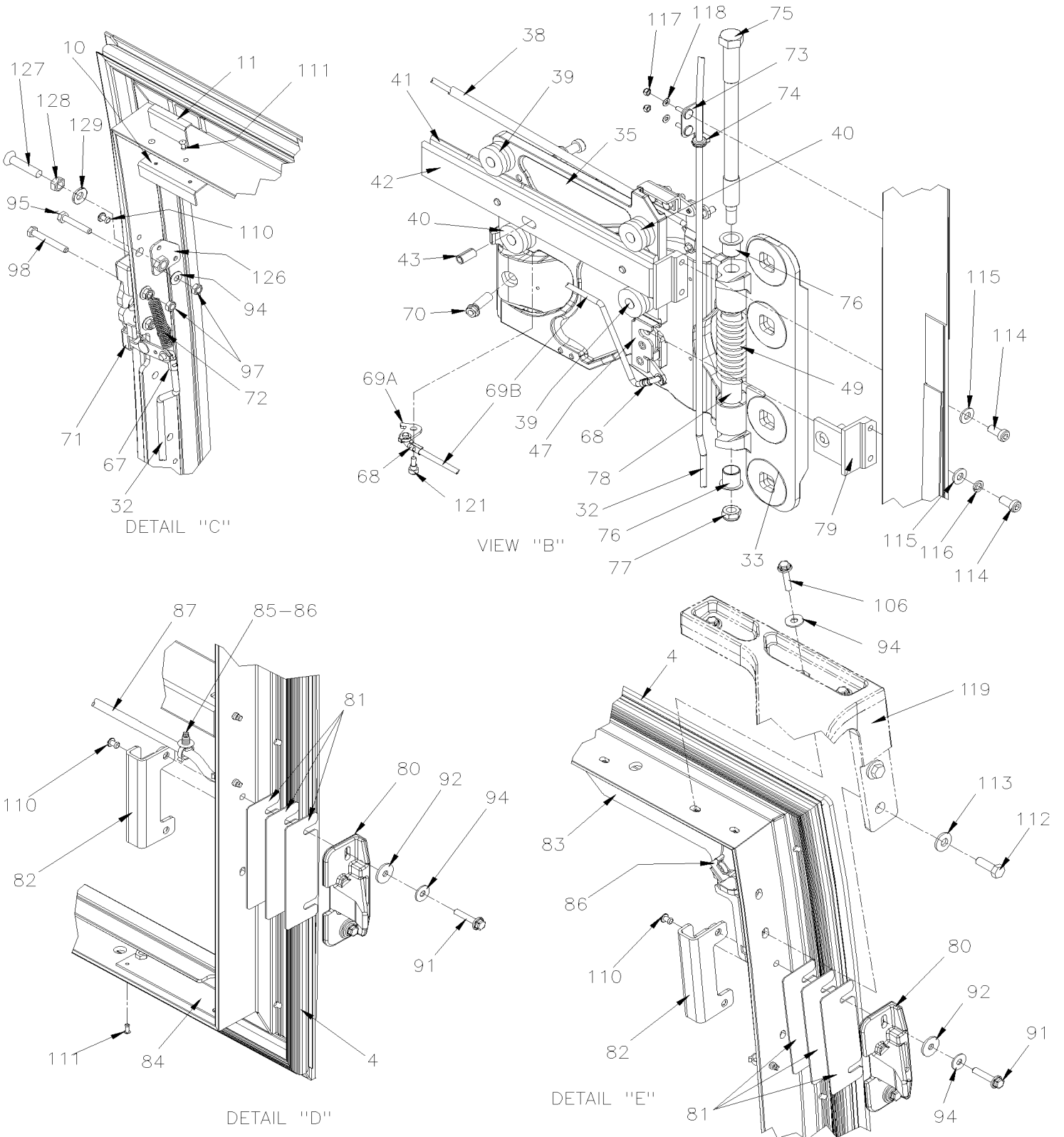


From J-6296 To K-6492

Date:01/2024

PAGE:X3-1862-82

ENTRANCE DOOR SLIDING - WCL



From J-6296 To K-6492	Date:01/2024	PAGE:X3-1862-82
ENTRANCE DOOR SLIDING - WCL		

Item#	Part	Description	QTY	Notes
	2810534	DOOR S ASSY W.C.L. DOOR SLIDING		
1	2800041	GLASS, THERMOS 13% W.C.L. DOOR SLIDING 1286.4MM x 1068.52MM	1	
1	506769	TAPE RUB ADH2 CC POL 1/8" x 1/4" x 60' / BLACK H1CC-N#14	AR	
1	687957	GLUE MS POLYMER TEROSON MS 9399 / 400ml CARTRIDGE	AR	
1	684685	ADHESIVE SIMSON #ISR 70-03 / 310ml CARTRIDGE	AR	
2	2800266	PANEL LOWER 1286.4MM x 786.2MM	1	
2	506769	TAPE RUB ADH2 CC POL 1/8" x 1/4" x 60' / BLACK H1CC-N#14	AR	
2	687957	GLUE MS POLYMER TEROSON MS 9399 / 400ml CARTRIDGE	AR	
3	280093	STRUCTURE DOOR	1	
4	2800159	RUBBER SEAL EXTRUSION / 1777MM X 1127MM	1	
5	280895	INSULATING LOWER	1	
6	280896	INSULATING UPPER	2	
7	3201587	CAP FINISHING	1	
7	3210023	CAP FINISHING	1	A
NS	506466	TAPE RUB ADH1 CC POL 1/16" x 1 1/2" x 100 / GREY 2520	1	
8	3200786	CAP FINISHING	1	
9	Call order desk	DUCT DOOR / PLASTIC ASSY		P
9A	3201589	. DUCT DOOR / PLASTIC	1	
NS	506869	. TAPE RUB ADH2 POL .031" X 1/4" X 300' / BLACK	AR	
NS	2800261	. PLATE REINFORCMENT SS LOZANGE 148MM x 114MM	1	
NS	684743	. GLUE METHACRYLATE PLEXUS MA832GB 380 ml	AR	
9B	280242	. PANEL ANGLE / ALUMINUM 1055MM x 350MM x 4000	1	
9C	329615	. SEAL DUCT 600MM	1	
. NS	5061011	. . RUBBER EXTRUSION TRIM SEAL / GRIP .090/.120 / 5/8" HOLLOW BULB C.T.L.	AR	
NS	680066	. ADHESIVE / ADBOND #5014 / 23.6ML BOTTLE	AR	
9D	504113	. RIVET POP DOME CLE 3/16x1/4 AL	3	
10	288648	ANGLE 18MM x 18MM x 76MM	3	
11	068192	PLATE ANGLE 50MM x 25MM	1	
11	506785	TAPE RUB ADH2 CC POL 1/16" X 1/4" X 200' / BLACK I1C-N-A	AR	
11	684685	ADHESIVE SIMSON #ISR 70-03 / 310ml CARTRIDGE	AR	
12	409259	PROTECTOR SWITCH / CAP	2	
. NS	288728	. REINFORCMENT FOR SCREW PROTECTOR CAP	1	
13	830159	SWITCH / OFF-M/ON / S.P.S.T. / CHIME	1	
14	830158	SWITCH / OFF-ON / S.P.S.T. / READING LIGHT	1	
15	280169	HANDLE ASSY	1	
16	280174	GASKET ADH2 33.5 I.D x 43.5 O.D. x 1/32"	1	
17	280199	PLATE RETAINING / LOCK CYLINDER KEY	1	
17	506869	TAPE RUB ADH2 POL .031" X 1/4" X 300' / BLACK	AR	
17	684743	GLUE METHACRYLATE PLEXUS MA832GB 380 ml	AR	
19	2800060	PLATE, SEALING HANDLE	1	
19	684685	ADHESIVE SIMSON #ISR 70-03 / 310ml CARTRIDGE	AR	
19	506004	TAPE RUB ADH1 CC POL 3/8" x 1/2" x 20' / GREY 2520X	AR	

From J-6296 To K-6492	Date:01/2024	PAGE:X3-1862-82
ENTRANCE DOOR SLIDING - WCL		

Item#	Part	Description	QTY	Notes
19	506001	TAPE RUB ADH1 CC POL 1/8" x 3/4" x 50' / GREY 2520X	AR	
22	481564	ROD GUIDE	2	
23	502934	SPRING COMPRESSION / .300 O.D. x 1 x .026	2	
24	280126	ACTUATOR LEVER	1	
25	289322	SPACER W/SHOULDER FOR BE	1	
26	280206	ROD ASSY W/ACTUATOR 83MM C/C	1	
27	780787	SUPPORT HANDLE	1	
28	289314	ROD LOWER 123MM	1	
29	289910	PIVOT ASSY	1	
30	289922	ROD LOWER 152MM	1	
31	289916	LOCK LOWER / FORWARD	1	
32	280171	ROD UPPER 1228.8MM	1	
33	2800194	HINGE / POST SECTION / MACHINED ONE PIECE CASTING	1	
34	2800193	HINGE / MOVABLE SECTION ONE PIECE CASTING	1	
35	289996	HINGE / RAIL SECTION ONE PIECE CASTING	1	
36	289913	PIVOT ASSY	1	
37	289924	ATTACHMENT PLATE	1	
38	289920	ROD UPPER 937MM	1	
NS	560785	SHRINK TUBING / .375" - .187" / BLACK / ALPHA FIT-300-3/8-4B	AR	
39	780782	WHEEL "V"	2	
40	780783	WHEEL "V" W/ECCENTRIC	2	
41	285614	RAIL TRACK	1	
42	280213	SUPPORT RAIL SLIDING / FIXED AT DOOR FRAME	1	
43	504719	SPRING, PIN M10 X 20	2	
44	289901	BUMPER PIN	1	
45	502181	SPRING COMPRESSION / .720 O.D. x 3 x .067	1	
46	505513	SPRING, PIN M3 x 24 SS	1	
47	780778	LOCK L.H.	2	
48	285576	BUSHING 12.7 O.D. x 6.6 I.D. x 24MM	1	
49	2800348	SPRING, TORSION / 1.061" I.D. x 3.23 x .162	1	
50	X3-1867-00	KEY & CYLINDER CODE "FORD" & "NS"		
51	289325	BUMPER ANGLE	1	
52	504718	RIVET DRV BDG 1/4X1/2 NYL	1	
53	289324	PLUNGER	1	
54	289326	SPRING , COMPRESSION	1	
55	289323	PLATE SLIDING DOOR	1	
56	505221	SPRING, PIN 1/8 X 3/8	1	
57	288499	STOPPER BUMPER	1	
58	5001178	SCREW CAP HEX M8-1.25x60 SS BK	1	
59	500332	WASHER FL .328x.875x.062 N500	1	
60	507379	BUSHING FLANGE 14MM I.D. x 16MM O.D. x 6MM L x SHOULDER 22MM O.D.	2	
61	286237	SPRING, TORSION / 25MM I.D. x 25.2 x .068	1	

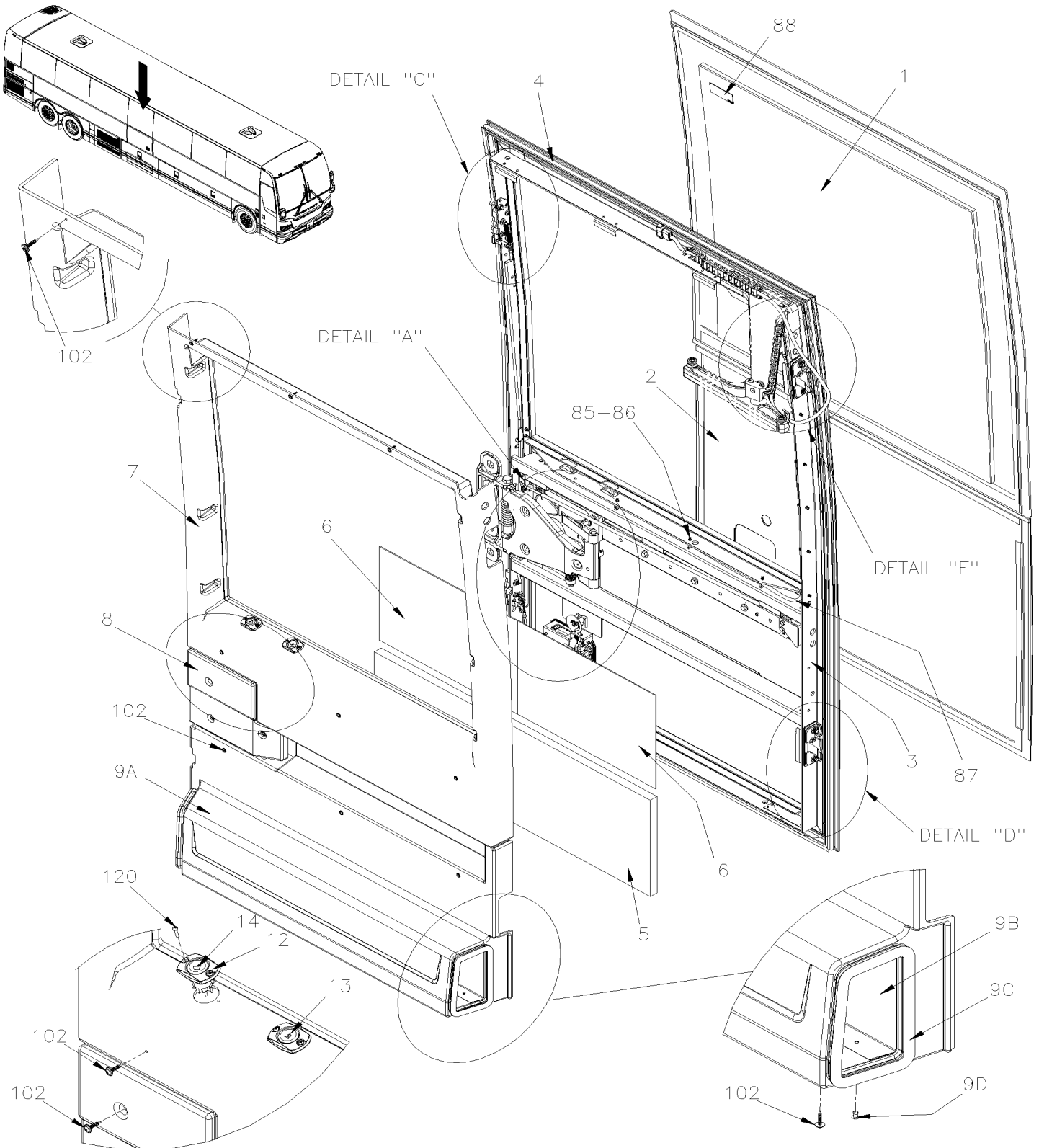
From J-6296 To K-6492	Date:01/2024	PAGE:X3-1862-82
ENTRANCE DOOR SLIDING - WCL		

Item#	Part	Description	QTY	Notes
62	288498	BUSHING 8MM ID x 14MM OD x 20MM OD	1	
63	507374	NEEDLES BEARING 5/8 I.D. x 13/16 O.D. x 3/4	2	
64	507377	WASHER 5/8x1 1/8x.0585	2	
65	286524	AXE 178MM	1	
66	780779	BOLT, STRIKER ASSY.	1	
67	504243	CLIP ROD 1/4" L.H.	6	
68	504541	CLIP ROD 1/4" R.H.	5	
69A	289923	PIVOT	1	
69B	289917	ROD CARRIER 188MM	1	
70	280028	KEY DRAW	1	
70	5001835	NUT HEXF M6-1.0 SS	1	
71	780776	LOCK UPPER / FORWARD	1	
72	502156	SPRING EXTENSION / .437 O.D. x 2 x .041	1	
73	2800056	GUIDE	1	
74	504069	GROMMET / .281x.375x.062x.250x.562	1	
75	286151	AXE BOLT SPECIAL 250MM	1	
76	507376	BUSHING FLANGE	2	
77	502859	NUT HEX NYRT M10-1.5 N500	1	
78	287520	BUSHING 16MM I.D. x 21MM O.D. x 122MM	1	
79	289926	ATTACHMENT	1	
80	289825	CATCH SLIDING DOOR	2	
81	2800296	SPACER 44MM x 132MM x 24GA	AR	
81	288588	SPACER 44MM x 132MM x 18GA	AR	
82	470568	REINFORCMENT	2	
83	280481	PLATE UPPER SLIDING DOOR	1	
83	504013	TIE MOUNT / 1/4" X 1/4" I.D.	1	
83	5001377	SCREW MA PAN PH M5-0.8x8 SS	1	
83	5001587	NUT HEX NYRT M5-0.8 SS	1	
84	288470	PLATE ATTACHMENT 136MM x 35MM	1	
85	509815	TIE MOUNT / ATTACHMENT W/TREE MOUNT	AR	
86	504637	CABLE TIE / 3/16" x 13"	AR	
87	060569	CABLE ASSY / W/WCL To J-6295	1	
87	069818	CABLE ASSY / W/WCL From J-6296 To K-6431	1	
87	069997	WCL RICON SLIDING DOOR HARNESS / W/WCL From K-6432	1	
. NS	560768	. CHAIN SYSTEM MICRO From K-6432	AR	
88	408203	DECAL EMERGENCY >>>> PICTOGRAPM RIGHT>>>>	1	
90	502565	NUT HEX M6-1.0 SS	2	
91	5001815	SCREW CAP HEXF M6-1.0x30 G 8.8 N500	4	
92	500142	WASHER FL 6.6x22.0x2.0 SS	4	
93	502830	SCREW CAP HEX M6-1.0x20 G8.8 N500	4	
94	5001833	WASHER BEL SPR 6.1x18x1.27 SS	21	
95	502888	SCREW CAP HEX M6-1.0x35 G8.8 N500	7	

From J-6296 To K-6492	Date:01/2024	PAGE:X3-1862-82
ENTRANCE DOOR SLIDING - WCL		

Item#	Part	Description	QTY	Notes
97	502854	NUT HEX M6-1.0 N500	11	
98	502843	SCREW CAP HEX M6-1.0x45 G8.8 N500	1	
99	502862	SCREW CAP HEX M8-1.25x20 G8.8 N500	6	
100	5001848	WASHER BEL SPR .827 x .331 x .098 th SS	6	
102	500552	SCREW TP OV PH #6x3/4 Z050	15	
103	500463	WASHER FN CKF .187x.500x.090 BR Z050	15	
104	5001746	SCREW CAP HEX 1/4-20x3/4 G5 N500	4	
105	5001749	WASHER LO SPT 6.5x11.5x1.6 N500	4	
106	5001815	SCREW CAP HEXF M6-1.0x30 G 8.8 N500	5	
107	5001749	WASHER LO SPT 6.5x11.5x1.6 N500	2	
107	506004	TAPE RUB ADH1 CC POL 3/8" x 1/2" x 20' / GREY 2520X	AR	
108	500877	WASHER FL .250x.562x.065 N500	2	
110	504581	RIVET MGLP PRDG 3/16x7/16 SS BK	8	
111	504339	RIVET POP DOME OE 1/8x3/8 SS	8	
112	5001745	SCREW CAP HEX M8-1.25x25 G8.8 N500	2	
113	5001848	WASHER BEL SPR .827 x .331 x .098 th SS	2	
114	5001573	SCREW CAP HEXS M8-1.25x18 G8.8	6	
115	5001736	WASHER FL 8.4x18.0x2.0 N500	6	
116	500942	WASHER LO SPT 8.1x14.8x2.0 N500	2	
117	500539	NUT HEX NYRT M4-0.7 N500	2	
118	502556	WASHER FL 4.3x9.0x0.8 SS	2	
119	X3-1862-87	ENTRANCE DOOR SLIDING - INSTALLATION - W.C.L.		
120	500814	SCREW TP BDG PH #6x3/4 BK	4	
121	5001606	SCREW SHR HEXS 1/4x3/16 (#10-24 SS	1	
122	500965	SCREW TC BDG PH #8-32x1/2 N500	1	
123	502834	WASHER LO SPT 4.1x7.6x0.9 N500	1	
124	504357	WASHER FL .187x.437x.050 SS	1	
126	479570	WELD PLATE NUT ASSY	1	
127	500117	SCREW CAP FL HEXS M8-1.25x40 GR10.9 BK	1	
128	5001188	NUT HEX M8-1.25 SS	1	
129	5001868	WASHER BEL SPR 8.4x18x2 SS	1	
NS	680038	THREAD LOCKER LOCTITE #243 / BLUE / 50ml	AR	
NS	680122	TUBE, LUBRIPLATE 10 OZ.	AR	
NS	680397	CONTACT GLUE / AEROSOL 17oz	AR	
NS	680739	GREASE SYNTHETIC / RED 20KG	AR	
		A) WITH FOUR WHEEL CHAIRS OPTION		
		P) CALL ORDER DESK FOR SPECIFIC APPLICATION (V.I.N.)		

ENTRANCE DOOR SLIDING - WCL



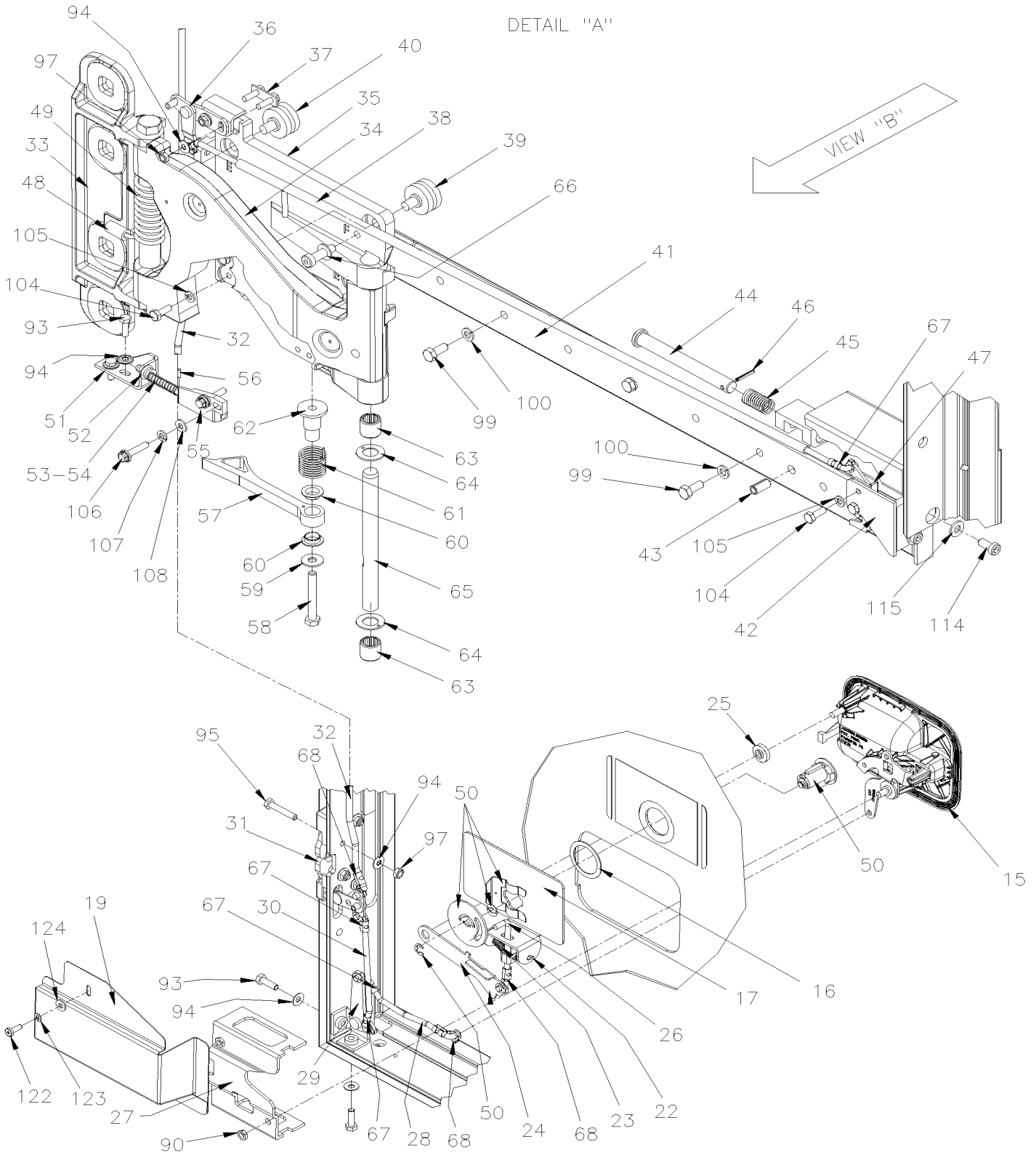
From L-6493

Date:01/2024

PAGE:X3-1862-83

ENTRANCE DOOR SLIDING - WCL

DETAIL "A"

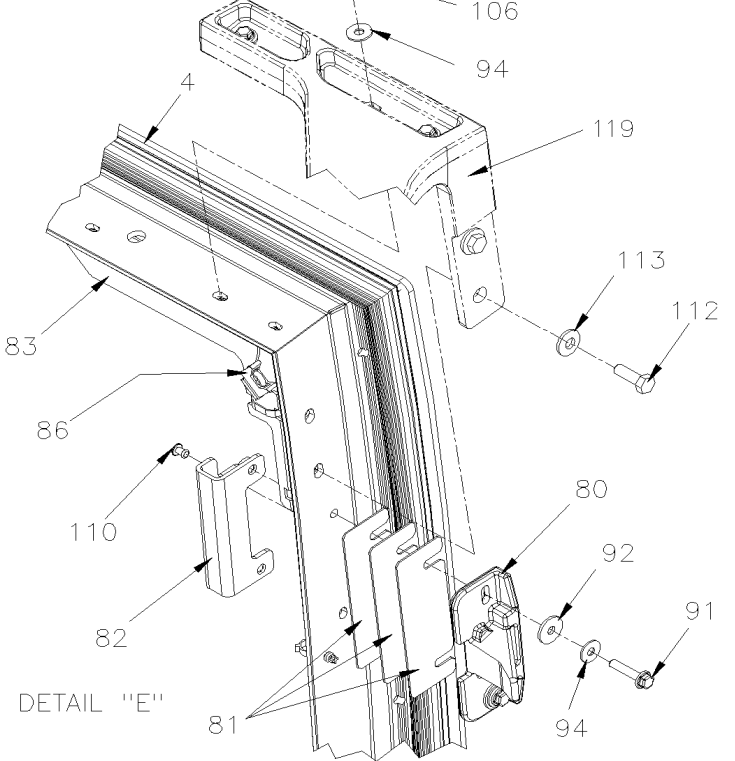
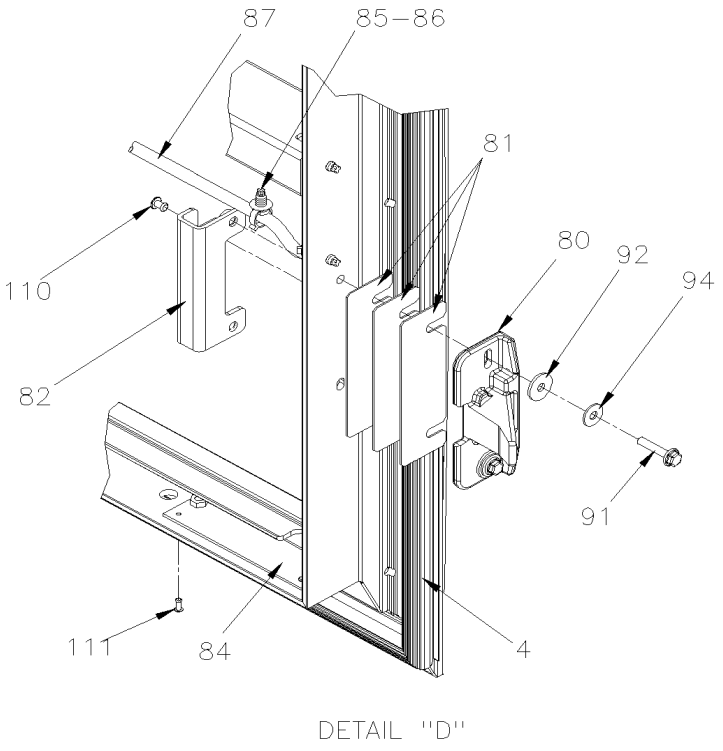
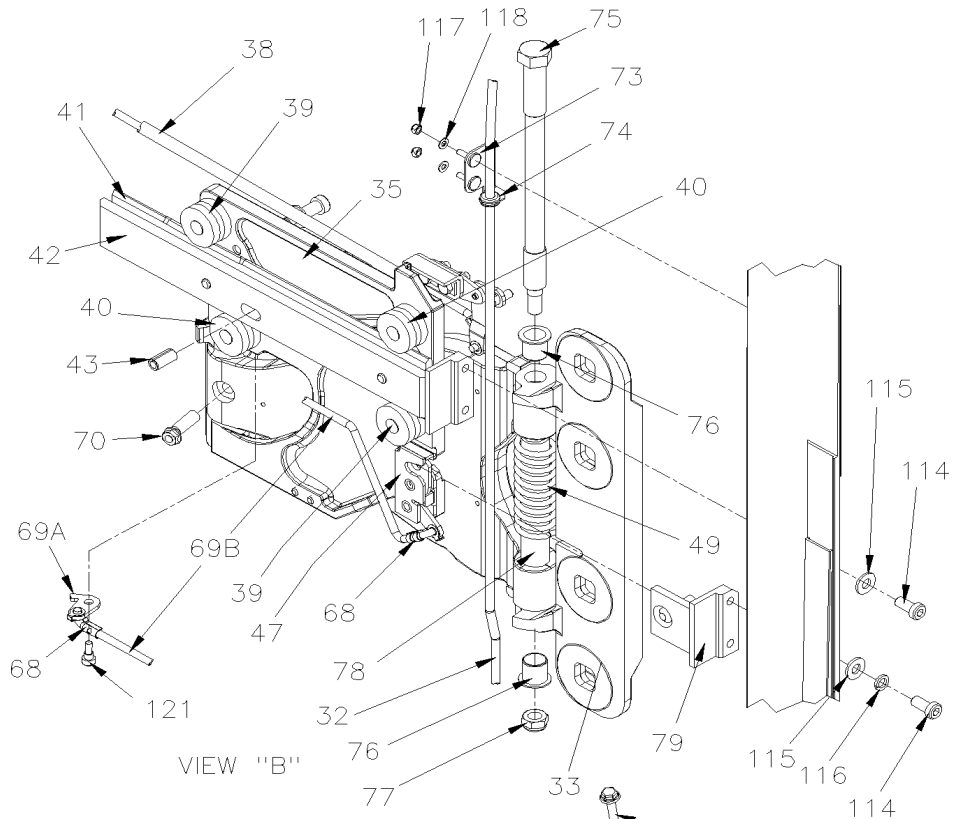
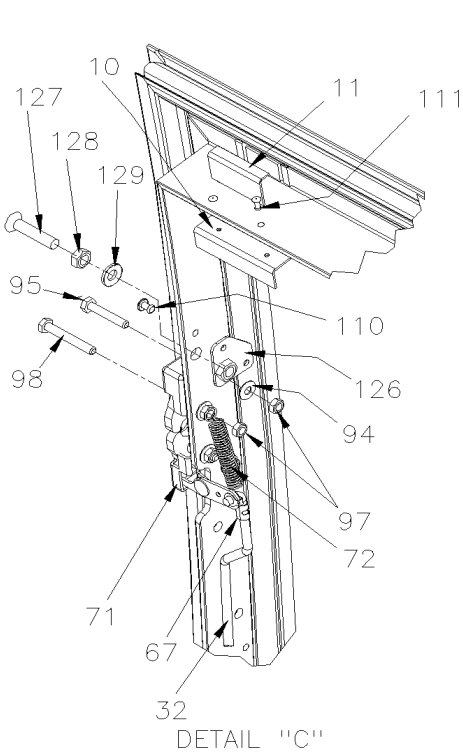


From L-6493

Date:01/2024

PAGE:X3-1862-83

ENTRANCE DOOR SLIDING - WCL



From L-6493	Date:01/2024	PAGE:X3-1862-83
ENTRANCE DOOR SLIDING - WCL		

Item#	Part	Description	QTY	Notes
	2810283	DOOR S ASSY W.C.L. DOOR SLIDING	1	
1	281576	GLASS, THERMOS 13% W.C.L. DOOR SLIDING 1214.4MM x 1100MM	1	
NS	506769	TAPE RUB ADH2 CC POL 1/8" x 1/4" x 60' / BLACK H1CC-N#14	AR	
NS	687957	GLUE MS POLYMER TEROSON MS 9399 / 400ml CARTRIDGE To M-6660	AR	
NS	685387	GLUE MS POLYMER TEROSON MS 9399 / 400ml CARTRIDGE From M-6661	AR	
NS	684685	ADHESIVE SIMSON #ISR 70-03 / 310ml CARTRIDGE	AR	
2	289456	PANEL LOWER 1212.3MM x 807.5MM	1	
2	506769	TAPE RUB ADH2 CC POL 1/8" x 1/4" x 60' / BLACK H1CC-N#14	AR	
2	687957	GLUE MS POLYMER TEROSON MS 9399 / 400ml CARTRIDGE	AR	
2	506785	TAPE RUB ADH2 CC POL 1/16" X 1/4" X 200' / BLACK I1C-N-A	AR	
3	280776	STRUCTURE DOOR To L-6635	1	
3	2810399	STRUCTURE DOOR From L-6636	1	
4	289127	RUBBER SEAL EXTRUSION / 1844MM x 1123MM	1	
5	280847	INSULATING LOWER	1	
6	280896	INSULATING UPPER	2	
7	280826	CAP FINISHING	1	
7	3210311	CAP FINISHING	1	A
NS	506466	TAPE RUB ADH1 CC POL 1/16" x 1 1/2" x 100 / GREY 2520	1	
8	3210359	CAP FINISHING	1	
9	Call order desk	DUCT DOOR / PLASTIC ASSY		P
9A	3210120	. DUCT DOOR / PLASTIC	1	
NS	506869	. TAPE RUB ADH2 POL .031" X 1/4" X 300' / BLACK	AR	
NS	2800261	. PLATE REINFORCMENT SS LOZANGE 148MM x 114MM	1	
NS	684743	. GLUE METHACRYLATE PLEXUS MA832GB 380 ml	AR	
9B	280848	. PANEL ANGLE / ALUMINUM 1047MM x 381.9MM	1	
9C	329615	. SEAL DUCT 600MM	1	
. NS	5061011	. . RUBBER EXTRUSION TRIM SEAL / GRIP .090/.120 / 5/8" HOLLOW BULB C.T.L.	AR	
NS	680066	. ADHESIVE / ADBOND #5014 / 23.6ML BOTTLE	AR	
9D	504113	. RIVET POP DOME CLE 3/16x1/4 AL	3	
10	289166	ANGLE	6	
11	068192	PLATE ANGLE 50MM x 25MM To N-6765	1	
11	0610619	SERVICE KIT WCL DOOR SENSOR To N-6765	1	
. NS	0610617	. PLATE ANGLE 50MM x 31MM To N-6765	1	
. NS	5002025	. BUMPER NEOPRENE / .625 OD x .406 TH x .156 HOLE To N-6765	1	
. NS	500142	. WASHER FL 6.6x22.0x2.0 SS To N-6765	1	
11	0610618	SWITCH ROD From N-6766	1	
NS	506785	TAPE RUB ADH2 CC POL 1/16" X 1/4" X 200' / BLACK I1C-N-A	AR	
NS	684685	ADHESIVE SIMSON #ISR 70-03 / 310ml CARTRIDGE	AR	
12	409259	PROTECTOR SWITCH / CAP	2	
. NS	288728	. REINFORCMENT FOR SCREW PROTECTOR CAP	1	
13	830159	SWITCH / OFF-M/ON / S.P.S.T. / CHIME	1	

From L-6493		Date:01/2024	PAGE:X3-1862-83
-------------	--	--------------	-----------------

ENTRANCE DOOR SLIDING - WCL

Item#	Part	Description	QTY	Notes
14	830158	SWITCH / OFF-ON / S.P.S.T. / READING LIGHT	1	
15	280169	HANDLE ASSY	1	
16	280174	GASKET ADH2 33.5 I.D x 43.5 O.D. x 1/32"	1	
17	280199	PLATE RETAINING / LOCK CYLINDER KEY	1	
17	506869	TAPE RUB ADH2 POL .031" X 1/4" X 300' / BLACK	AR	
17	684743	GLUE METHACRYLATE PLEXUS MA832GB 380 ml	AR	
19	2800060	PLATE, SEALING HANDLE	1	
19	684685	ADHESIVE SIMSON #ISR 70-03 / 310ml CARTRIDGE	AR	
19	506004	TAPE RUB ADH1 CC POL 3/8" x 1/2" x 20' / GREY 2520X	AR	
19	506001	TAPE RUB ADH1 CC POL 1/8" x 3/4" x 50' / GREY 2520X	AR	
22	481564	ROD GUIDE	2	
23	502934	SPRING COMPRESSION / .300 O.D. x 1 x .026	2	
24	280126	ACTUATOR LEVER	1	
25	289322	SPACER W/SHOULDER FOR BE	1	
26	280206	ROD ASSY W/ACTUATOR 83MM C/C	1	
27	780787	SUPPORT HANDLE	1	
28	289314	ROD LOWER 123MM	1	
29	289910	PIVOT ASSY	1	
30	289165	ROD LOWER 199MM	1	
31	289916	LOCK LOWER / FORWARD	1	
32	289919	ROD UPPER 1229MM	1	
33	2800194	HINGE / POST SECTION / MACHINED ONE PIECE CASTING	1	
34	289852	HINGE / MOVABLE SECTION ONE PIECE CASTING	1	
35	289996	HINGE / RAIL SECTION ONE PIECE CASTING	1	
36	289913	PIVOT ASSY	1	
37	289924	ATTACHMENT PLATE	1	
38	289920	ROD UPPER 937MM	1	
NS	560785	SHRINK TUBING / .375" - .187" / BLACK / ALPHA FIT-300-3/8-4B	AR	
39	780782	WHEEL "V"	2	
40	780783	WHEEL "V" W/ECCENTRIC	2	
41	285614	RAIL TRACK	1	
42	280213	SUPPORT RAIL SLIDING / FIXED AT DOOR FRAME	1	
43	504719	SPRING, PIN M10 X 20	2	
44	289901	BUMPER PIN	1	
45	502181	SPRING COMPRESSION / .720 O.D. x 3 x .067	1	
46	505513	SPRING, PIN M3 x 24 SS	1	
47	780778	LOCK L.H.	2	
48	285576	BUSHING 12.7 O.D. x 6.6 I.D. x 24MM	1	
49	2800348	SPRING, TORSION / 1.061" I.D. x 3.23 x .162	1	
50	X3-1867-01	KEY & CYLINDER CODE "FORD"		
51	289325	BUMPER ANGLE	1	
52	504718	RIVET DRV BDG 1/4X1/2 NYL	1	

From L-6493		Date:01/2024	PAGE:X3-1862-83
ENTRANCE DOOR SLIDING - WCL			

Item#	Part	Description	QTY	Notes
53	289324	PLUNGER	1	
54	289326	SPRING , COMPRESSION	1	
55	289323	PLATE SLIDING DOOR	1	
56	505221	SPRING, PIN 1/8 X 3/8	1	
57	288499	STOPPER BUMPER	1	
58	5001178	SCREW CAP HEX M8-1.25x60 SS BK	1	
59	500332	WASHER FL .328x.875x.062 N500	1	
60	507379	BUSHING FLANGE 14MM I.D. x 16MM O.D. x 6MM L x SHOULDER 22MM O.D.	2	
61	286237	SPRING, TORSION / 25MM I.D. x 25.2 x .068	1	
62	288498	BUSHING 8MM ID x 14MM OD x 20MM OD	1	
63	507374	NEEDLES BEARING 5/8 I.D. x 13/16 O.D. x 3/4	2	
64	507377	WASHER 5/8x1 1/8x.0585	2	
65	286524	AXE 178MM	1	
66	780779	BOLT, STRIKER ASSY.	1	
67	504243	CLIP ROD 1/4" L.H.	6	
68	504541	CLIP ROD 1/4" R.H.	5	
69A	289923	PIVOT	1	
69B	289917	ROD CARRIER 188MM	1	
70	280028	KEY DRAW	1	
70	5001835	NUT HEXF M6-1.0 SS	1	
71	780776	LOCK UPPER / FORWARD	1	
72	502156	SPRING EXTENSION / .437 O.D. x 2 x .041	1	
73	2800056	GUIDE	1	
74	504069	GROMMET / .281x.375x.062x.250x.562	1	
75	286151	AXE BOLT SPECIAL 250MM	1	
76	507376	BUSHING FLANGE	2	
77	502859	NUT HEX NYRT M10-1.5 N500	1	
78	287520	BUSHING 16MM I.D. x 21MM O.D. x 122MM	1	
79	289926	ATTACHMENT	1	
80	289825	CATCH SLIDING DOOR	2	
81	2800296	SPACER 44MM x 132MM x 24GA	AR	
81	288588	SPACER 44MM x 132MM x 18GA	AR	
82	471210	REINFORCMENT	2	
83	280481	PLATE UPPER SLIDING DOOR	1	
83	504013	TIE MOUNT / 1/4" X 1/4" I.D.	1	
83	5001377	SCREW MA PAN PH M5-0.8x8 SS	1	
83	5001587	NUT HEX NYRT M5-0.8 SS	1	
84	288470	PLATE ATTACHMENT 136MM x 35MM	1	
85	509815	TIE MOUNT / ATTACHMENT W/TREE MOUNT	AR	
86	504637	CABLE TIE / 3/16" x 13"	AR	
87	069997	WCL RICON SLIDING DOOR HARNESS / W/WCL From K-6432	1	
. NS	560768	. CHAIN SYSTEM MICRO From K-6432	AR	

From L-6493		Date:01/2024	PAGE:X3-1862-83
ENTRANCE DOOR SLIDING - WCL			

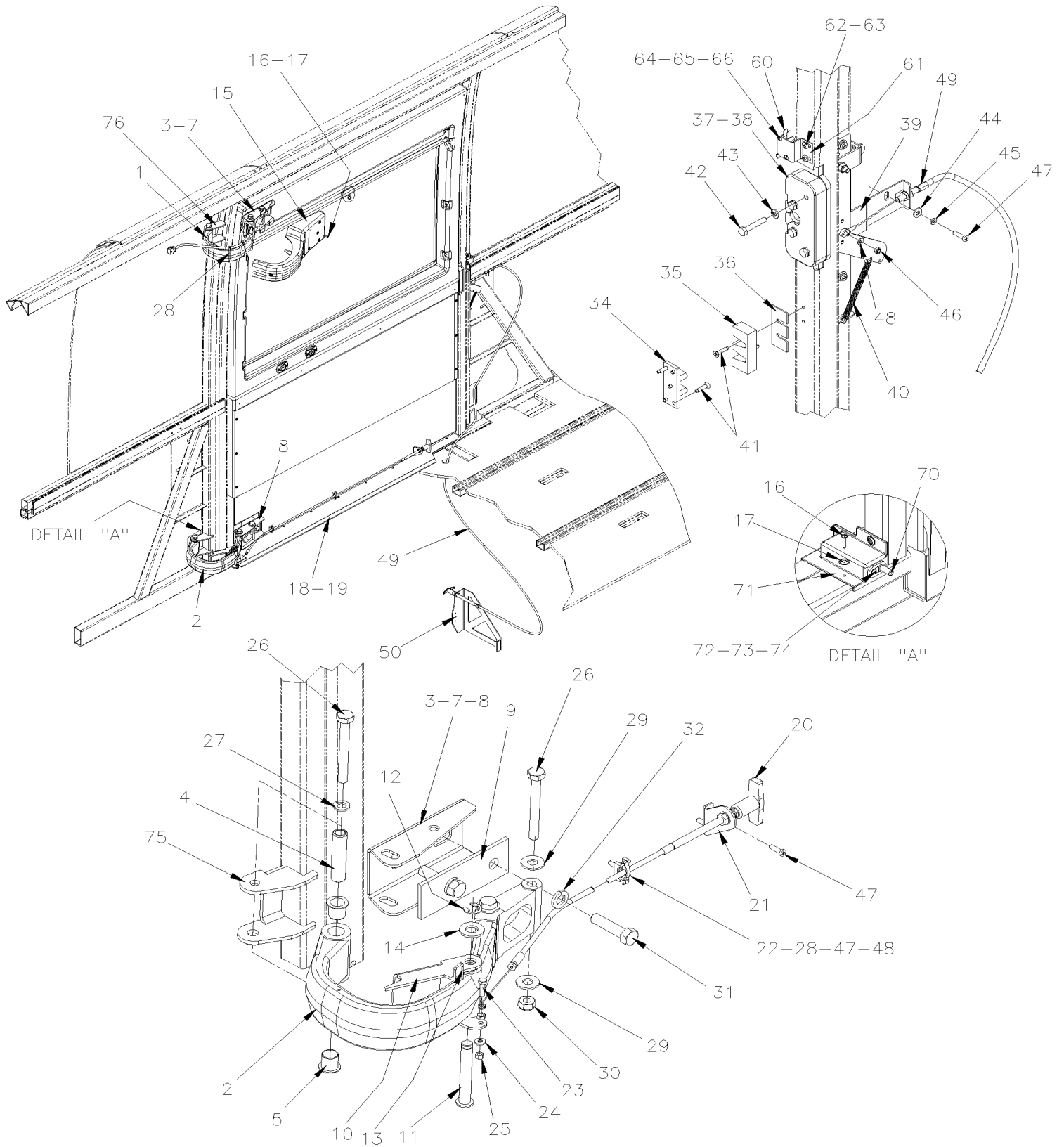
Item#	Part	Description	QTY	Notes
88	408203	DECAL EMERGENCY >>>> PICTOGRAPM RIGHT>>>>	1	
90	502565	NUT HEX M6-1.0 SS	2	
91	5001815	SCREW CAP HEXF M6-1.0x30 G 8.8 N500	4	
92	500142	WASHER FL 6.6x22.0x2.0 SS	4	
93	502830	SCREW CAP HEX M6-1.0x20 G8.8 N500	4	
94	5001833	WASHER BEL SPR 6.1x18x1.27 SS	21	
95	502888	SCREW CAP HEX M6-1.0x35 G8.8 N500	7	
97	502854	NUT HEX M6-1.0 N500	11	
98	502843	SCREW CAP HEX M6-1.0x45 G8.8 N500	1	
99	502862	SCREW CAP HEX M8-1.25x20 G8.8 N500	6	
100	5001848	WASHER BEL SPR .827 x .331 x .098 th SS	6	
102	5002083	SCREW DR SEMS FN OV PH #8X1 N050	15	
104	5001746	SCREW CAP HEX 1/4-20x3/4 G5 N500	4	
105	5001749	WASHER LO SPT 6.5x11.5x1.6 N500	4	
106	5001815	SCREW CAP HEXF M6-1.0x30 G 8.8 N500	5	
107	5001749	WASHER LO SPT 6.5x11.5x1.6 N500	2	
107	506004	TAPE RUB ADH1 CC POL 3/8" x 1/2" x 20' / GREY 2520X	AR	
108	500877	WASHER FL .250x.562x.065 N500	2	
110	504581	RIVET MGLP PRDG 3/16x7/16 SS BK	8	
111	504339	RIVET POP DOME OE 1/8x3/8 SS	8	
112	5001745	SCREW CAP HEX M8-1.25x25 G8.8 N500	2	
113	5001848	WASHER BEL SPR .827 x .331 x .098 th SS	2	
114	5001573	SCREW CAP HEXS M8-1.25x18 G8.8	6	
115	5001736	WASHER FL 8.4x18.0x2.0 N500	6	
116	500942	WASHER LO SPT 8.1x14.8x2.0 N500	2	
117	500539	NUT HEX NYRT M4-0.7 N500	2	
118	502556	WASHER FL 4.3x9.0x0.8 SS	2	
119	X3-1862-88	ENTRANCE DOOR SLIDING - INSTALLATION - W.C.L.		
120	500814	SCREW TP BDG PH #6x3/4 BK	4	
121	5001606	SCREW SHR HEXS 1/4x3/16 {#10-24 SS	1	
122	500965	SCREW TC BDG PH #8-32x1/2 N500	1	
123	502834	WASHER LO SPT 4.1x7.6x0.9 N500	1	
124	504357	WASHER FL .187x.437x.050 SS	1	
126	479570	WELD PLATE NUT ASSY	1	
127	500117	SCREW CAP FL HEXS M8-1.25x40 GR10.9 BK	1	
128	5001188	NUT HEX M8-1.25 SS	1	
129	5001868	WASHER BEL SPR 8.4x18x2 SS	1	
NS	680038	THREAD LOCKER LOCTITE #243 / BLUE / 50ml	AR	
NS	680122	TUBE, LUBRIPLATE 10 OZ.	AR	
NS	680397	CONTACT GLUE / AEROSOL 17oz	AR	
NS	680739	GREASE SYNTHETIC / RED 20KG	AR	

From L-6493		Date:01/2024	PAGE:X3-1862-83
-------------	--	--------------	-----------------

ENTRANCE DOOR SLIDING - WCL

Item#	Part	Description	QTY	Notes
		A) WITH FOUR WHEEL CHAIRS OPTION		
		P) CALL ORDER DESK FOR SPECIFIC APPLICATION (V.I.N.)		

ENTRANCE DOOR - INSTALLATION - W.C.L.



From 7-8754 To B-5001	Date:01/2024	PAGE:X3-1862-85
-----------------------	--------------	-----------------

ENTRANCE DOOR - INSTALLATION - W.C.L.

Item#	Part	Description	QTY	Notes
1	287472	HINGE UPPER	1	
2	287338	HINGE LOWER	1	
3	287948	RUBBER PAD 110MM X 75MM	1	
4	287337	SPACER / BEARING FLANGE	2	
5	507326	BEARING FLANGE	4	
NS	680739	GREASE SYNTHETIC / RED 20KG	AR	
7	287151	ATTACHMENT UPPER HINGE	1	
8	287152	ATTACHMENT LOWER HINGE	1	
9	286998	SUPPORT PLATE 134MM X 48MM	2	
10	287179	LEVER LOCK	1	
11	287180	PIVOT	1	
12	507110	RING RETAINER / EXT .500 x .392 x .042" / SS	1	
13	371135	SPRING, TORSION / .562 I.D. x .061	1	
14	500958	WASHER FL .531x1.062x.095 SS	1	
15	287160	CAP COVER UPPER	1	
16	500552	SCREW TP OV PH #6x3/4 Z050	5	
17	500463	WASHER FN CKF .187x.500x.090 BR Z050	5	
18	288623	DOORSTEP W.C.L.	1	
19	504340	RIVET POP DOME OE 1/8x3/16 SS	9	
20	287470	CABLE DOOR SAFETY UNLATCH	1	
21	287196	SUPPORT CABLE	1	
22	504013	TIE MOUNT / 1/4" X 1/4" I.D.	2	
23	5001146	SCREW CAP HEX M5-0.8x20 SS BK	1	
24	5001449	NUT HEX M5-0.8 SS	2	
25	502570	WASHER LO SPT 6.1x11.8x1.6 SS	1	
NS	680038	THREAD LOCKER LOCTITE #243 / BLUE / 50ml	1	
26	5001016	SCREW CAP HEX M10-1.5x90 G8.8 Z050	6	
27	500257	WASHER LO SPT 10.2x18.1x2.2 Z050	2	
28	504637	CABLE TIE / 3/16" x 13"	AR	
29	500445	WASHER FL .437x1.000x.083 Z050	8	
30	502617	NUT HEX NYRT M10-1.5 Z050	4	
31	5001519	SCREW CAP HEX M12-1.75x50 G8.8 FT ZP	4	
32	500482	WASHER LO SPT .506x.873x.125 Z050	4	
34	780496	DOVETAIL, MALE	1	
35	780497	DOVETAIL, FEMALE / FIXED ON STRUCTURE	1	
36	287209	SHIM 16GA	2	
37	287173	LATCH ASSY	1	
38	287645	SHIM LATCH SS 16 GA	2	
39	289242	TRANSFER LEVER	1	
40	502092	. SPRING EXTENSION / .240 O.D. x 2.5 x .034	1	
41	500260	SCREW TC FL PH #8-32x3/4 BK	2	
42	502818	SCREW CAP HEX M6-1.0x35 G8.8 Z050	4	

From 7-8754 To B-5001	Date:01/2024	PAGE:X3-1862-85
ENTRANCE DOOR - INSTALLATION - W.C.L.		

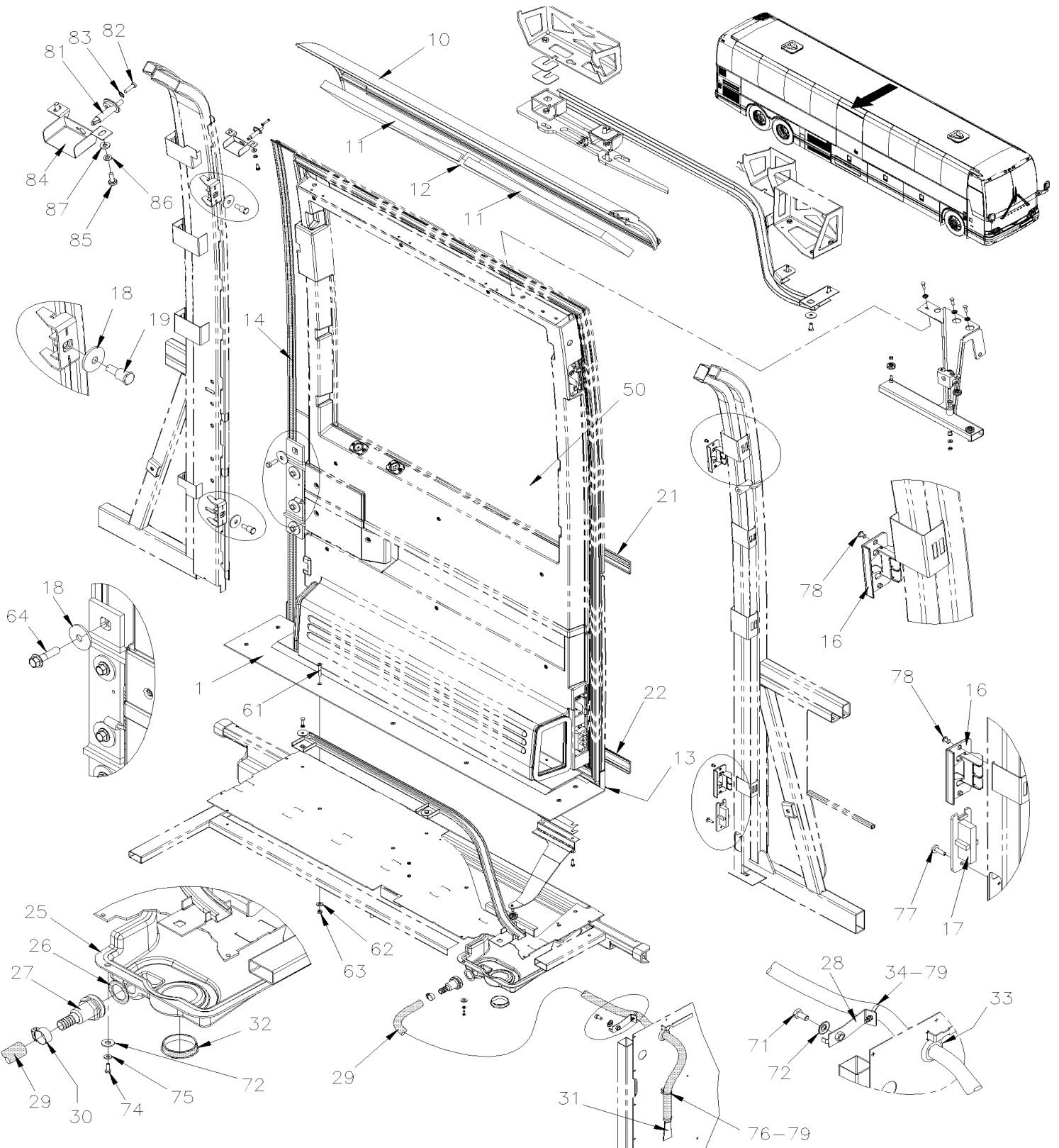
Item#	Part	Description	QTY	Notes
43	502570	WASHER LO SPT 6.1x11.8x1.6 SS	4	
44	500964	WASHER FL .203x.500x.047 Z050	3	
45	500470	WASHER LO SPT .193x.334x.047 Z050	3	
46	500590	NUT HEX NYRT M4-0.7 Z050	1	
47	500658	SCREW TC PAN PH #10-24x3/4 Z050	7	
48	500591	WASHER FL 4.3x9.0x0.8 Z050	3	
49	289465	CABLE DOOR LATCH	1	
50	216294	SUPPORT CABLE	1	
60	562096	MICRO SWITCH	1	
61	065388	SUPPORT / SWITCH	1	
62	5001491	SCREW TC PAN PH #8-32x3/4 SS	2	
63	500581	WASHER LO SPT .141x.250x.031 SS	2	
64	502519	SCREW MA FL SLT #4-40x5/8 Z050	2	
65	5001407	WASHER LO EXT 3.2x6.0x0.4 SS	2	
66	502520	NUT HEX #4-40 Z050	2	
70	562303	SWITCH / S.P.S.T. / N.C.	1	
71	065444	SWITCH SUPPORT / ENTRANCE DOOR W.C.L.	1	
72	500148	SCREW MA RND PH #6-32x1/2 SS	1	
73	502649	WASHER LO EXT .141x.320x.022 Z050	1	
74	500553	NUT HEX #6-32 SS	1	
75	287897	HINGE SUPPORT / LOWER	1	
76	287898	HINGE SUPPORT / UPPER	1	

From B-5002 To J-6295

Date:01/2024

PAGE:X3-1862-86

ENTRANCE DOOR SLIDING - INSTALLATION - W.C.L.

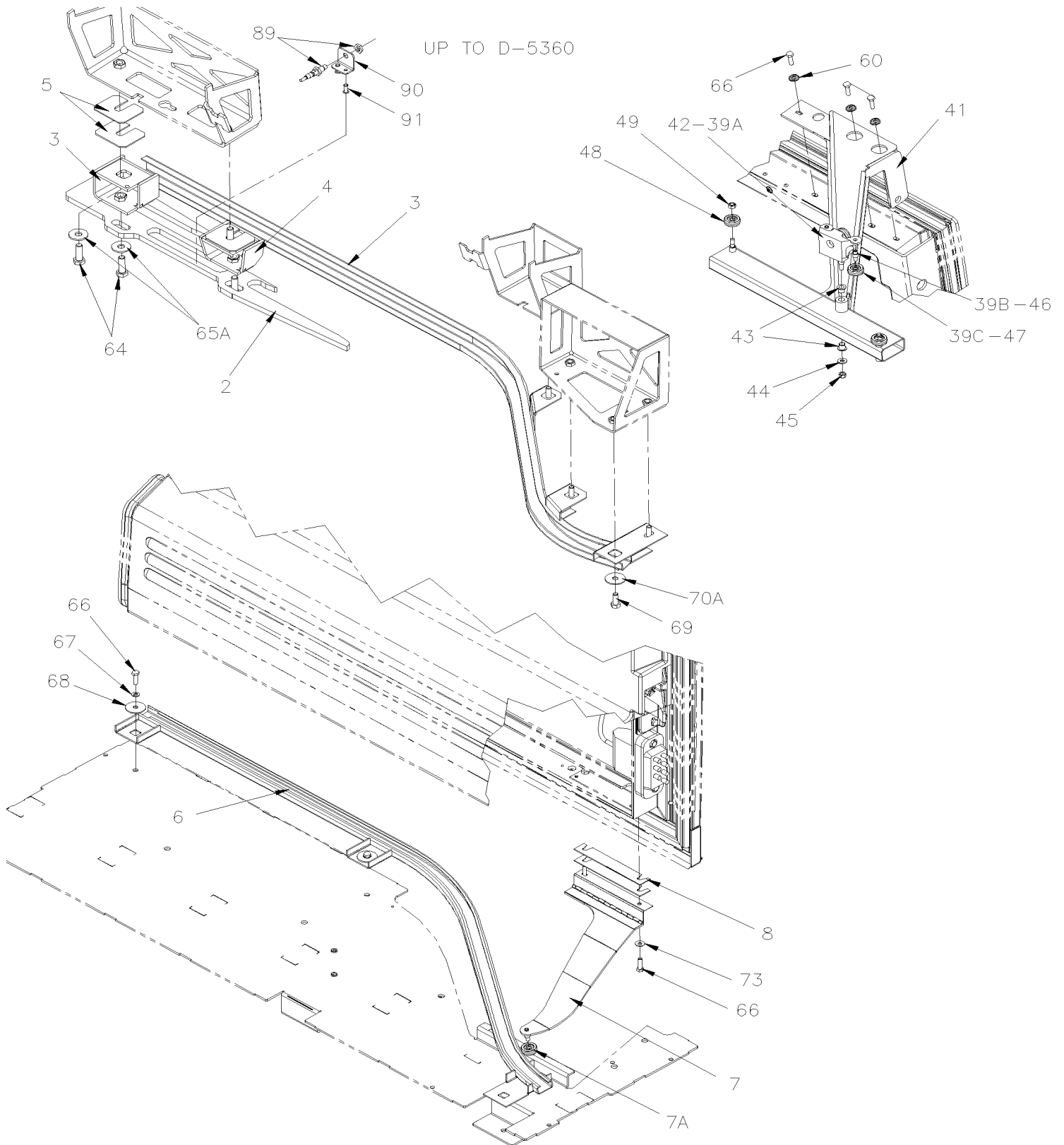


From B-5002 To J-6295

Date:01/2024

PAGE:X3-1862-86

ENTRANCE DOOR SLIDING - INSTALLATION - W.C.L.

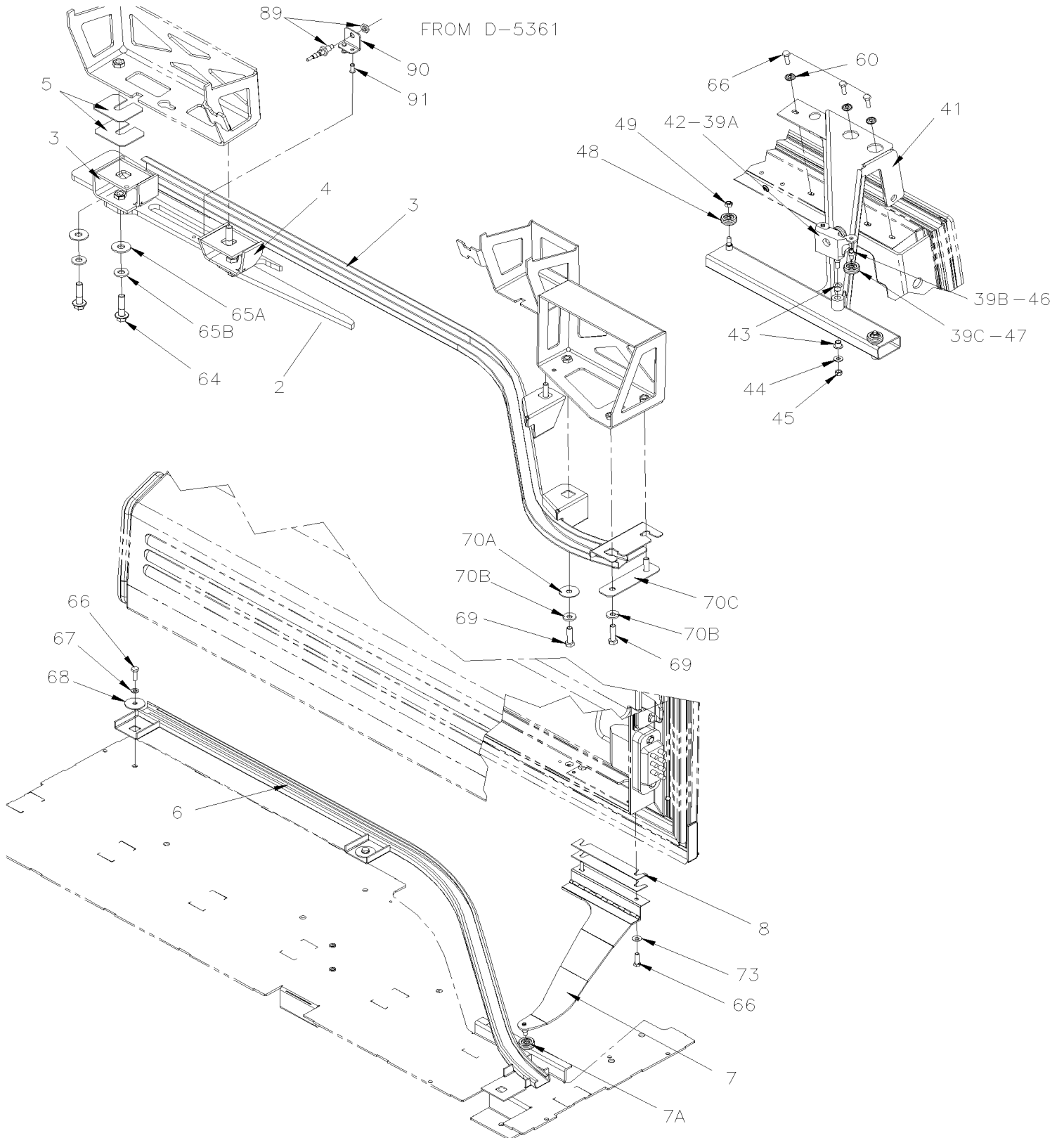


From B-5002 To J-6295

Date:01/2024

PAGE:X3-1862-86

ENTRANCE DOOR SLIDING - INSTALLATION - W.C.L.



From B-5002 To J-6295	Date:01/2024	PAGE:X3-1862-86
ENTRANCE DOOR SLIDING - INSTALLATION - W.C.L.		

Item#	Part	Description	QTY	Notes
1	2800015	STEP PROTECTOR	1	
2	2800016	TRACK UPPER ASSY To D-5299	1	
2	2800088	DOOR SUPPORT From D-5300	1	
3	288480	TRACK UPPER ASSY To D-5360	1	
3	2800235	TRACK UPPER ASSY From D-5361	1	
4	288489	SUPPORT	1	
5	286421	SPACER "U" 54MM X 66MM X 14GA	AR	
6	288482	TRACK LOWER ASSY	1	
7	288472	LOWER ARM ASSY To C-5270	1	
7	2800197	LOWER ARM ASSY From C-5271	1	
7A	288460	WHEEL ASSY W/BEARING	1	
7A	288468	RIVET	1	
8	288471	SPACER 22MM x 146MM x 16GA	AR	
10	479359P	PANEL ASSY / UPPER W.C.L. DOOR	1	
. NS	479358	. PANEL / UPPER W.C.L. DOOR	1	
. NS	2800012	. DRIP MOULDING ALUM	1	
. NS	506785	. TAPE RUB ADH2 CC POL 1/16" X 1/4" X 200' / BLACK I1C-N-A	AR	
. NS	684685	. ADHESIVE SIMSON #ISR 70-03 / 310ml CARTRIDGE	AR	
NS	685124	ADHESIVE SIMSON #ISR 70-03 / BLACK / 600ml SAUSAGE	AR	
NS	687957	GLUE MS POLYMER TEROSON MS 9399 / 400ml CARTRIDGE	AR	
11	289047	INSULATION To C-5114	2	
12	289048	INSULATION To C-5114	1	
12	287793	INSULATION From C-5115	1	
13	280897	DRIP MOULDIND 1286.4MM SS To D-5458	1	
NS	506785	TAPE RUB ADH2 CC POL 1/16" X 1/4" X 200' / BLACK I1C-N-A To D-5458	AR	
NS	684685	ADHESIVE SIMSON #ISR 70-03 / 310ml CARTRIDGE To D-5458	AR	
14	293281	RUBBER SEAL EXTRUSION / ADHESIVE / LOWER WINDOW	AR	
16	288585	CATCH To B-5039	2	
16	280080	CATCH From B-5040	2	
17	563432	DOOR PLATE SWITCH 8C / PED 15355305	1	
18	284447	WASHERS BELLEVILLE To C-5270	6	
18	500494	WASHER BEL SPR .470x1.680x.125 N500 From C-5271	6	
19	780809	STRIKER PIN .675 O.D. x 1.715 -7/16-14	2	
19	500496	WASHER FL .437x.750x.054 Z050	2	A
21	479360	FINISHING MOULDING UPPER W.C.L. DOOR 1286MM	1	
. NS	506785	. TAPE RUB ADH2 CC POL 1/16" X 1/4" X 200' / BLACK I1C-N-A	AR	
. NS	506769	. TAPE RUB ADH2 CC POL 1/8" x 1/4" x 60' / BLACK H1CC-N-#14	AR	
NS	683083	ADHESIVE SIKA #252 / BLACK / 600 ml SAUSAGE	AR	
22	479361	FINISHING MOULDING LOWER W.C.L. DOOR 1286MM To D-5458	1	
. NS	506785	. TAPE RUB ADH2 CC POL 1/16" X 1/4" X 200' / BLACK I1C-N-A To D-5458	AR	
. NS	506790	. TAPE RUB ADH2 CC POL 1/16" x 1/2" x 200' / BLACK I1C-N-A To D-5458	AR	
22	478587	FINISHING MOULDING LOWER W.C.L. DOOR 1286MM From E-5459	1	

From B-5002 To J-6295	Date:01/2024	PAGE:X3-1862-86
ENTRANCE DOOR SLIDING - INSTALLATION - W.C.L.		

Item#	Part	Description	QTY	Notes
NS	683083	ADHESIVE SIKA #252 / BLACK / 600 ml SAUSAGE	AR	
25	289699	TRAY, SLIDING DOOR	1	
NS	680532	SEALANT SIKA #221 / GREY / 310ml CARTRIDGE	AR	
26	409038	GASKET	1	
27	900280	THRU HULL, CONNECTOR / PLASTIC	1	
28	2800030	HOSE SUPPORT To C-5132	1	
29	900220	TUBE PVC / 5/8" I.D. / S.L.	AR	
NS	455982	SUPPORT / HOSE From E-5459	1	
NS	504637	CABLE TIE / 3/16" x 13" From E-5459	1	
30	504018	HOSE CLAMP / 7/16"-1" SS / HS-8	1	
31	590286	DRAIN BOOT 1 1/4" I.D. X 4" / FLAT	1	
32	504774	HOLE PLUG BUTTON / 2.000 O.D. BLACK	1	
33	504776	GROMMET / .875x1.250x.062x.437x1.625	2	
34	509815	TIE MOUNT / ATTACHMENT W/TREE MOUNT	1	
39	2800282	UP CARRIAGE DOOR ASSY	1	
. A	288479	. CARRIER ASSY	1	
. B	288469	. RIVET W/DOUBLE SHOULDER	3	
. C	288460	. WHEEL ASSY W/BEARING	3	
41	288463	ARM ASSY WELDED To C-5133	1	
41	2800027	ARM ASSY (CASTING) From C-5134 To C-5274	1	
41	2800210	ARM ASSY (CASTING) From C-5275 To D-5410	1	
41	2800202	ARM ASSY (CASTING) From D-5411	1	
41	2800018	. ARM ONE PIECE CASTING From C-5134 To D-5410	1	
41	2800201	. ARM ONE PIECE CASTING From D-5411	1	C
41	2800025	. AXLE PIN RIVET W/SHOULDER 55.6MM x 7.4 O.D. & M6-1.0 From C-5134	2	
41	2800211	. REINFORCEMENT / UPPER From C-5275 To D-5410	1	
41	2800212	. REINFORCEMENT / LOWER From C-5275 To D-5410	1	
42	287053	CARRIER ASSY W/3 BEARINGS	1	
. NS	288460	. WHEEL ASSY W/BEARING	3	
. NS	281410	. CARRIER ASSY	1	
. NS	288469	. RIVET W/DOUBLE SHOULDER	3	
. NS	500877	. WASHER FL .250x.562x.065 N500	1	
. NS	507378	. BUSHING W/SHOULDER	2	
. NS	502681	. NUT HEX NYRT M6-1.0 N500 G8	1	
42	288479	. CARRIER ASSY	1	
43	507378	. BUSHING W/SHOULDER	2	
44	500877	. WASHER FL .250x.562x.065 N500	1	
45	502681	. NUT HEX NYRT M6-1.0 N500 G8	1	
46	288469	. RIVET W/DOUBLE SHOULDER	3	
47	288460	. WHEEL ASSY W/BEARING	3	
48	288460	WHEEL ASSY W/BEARING	2	
49	502681	NUT HEX NYRT M6-1.0 N500 G8	2	

From B-5002 To J-6295	Date:01/2024	PAGE:X3-1862-86
ENTRANCE DOOR SLIDING - INSTALLATION - W.C.L.		

Item#	Part	Description	QTY	Notes
50	X3-1862-81	ENTRANCE DOOR SLIDING - WCL		
60	500356	WASHER LO SERR 6.1x16.0x0.9 N500 To G-6046	3	
60	5001833	WASHER BEL SPR 6.1x18x1.27 SS From G-6047	3	
61	5001626	SCREW MA FL PH 1/4-20x1 3/4 SS	7	
62	502638	WASHER FL .312x.734x.065 N500	10	
63	502874	NUT HEX NYRT 1/4-20 N500	7	
64	500065	SCREW CAP HEX M10-1.5x30 G10.9 DP To F-5759	8	
64	5001741	SCREW CAP HEXF M10-1.5x30 G8.8 N500 From F-5760 To G-6046	8	
64	5001308	SCREW CAP HEXF M10-1.5x40 G10.9 N500 From G-6047	8	
65A	502644	WASHER FL 10.5x30.0x2.5 Z050	4	
65B	5001834	WASHER BEL SPR 10.5X23X2.5 N500 From G-6047	4	
66	502830	SCREW CAP HEX M6-1.0x20 G8.8 N500	8	
67	502853	WASHER LO SPT 6.1x11.8x1.6 N500	3	
68	500468	WASHER FL .281x1.250x.065 Z050	3	
69	502862	SCREW CAP HEX M8-1.25x20 G8.8 N500 To D-5360	4	
69	5001738	SCREW CAP HEX M8-1.25x30 G8.8 N500 From D-5361	4	
70A	5001467	WASHER FL .343x1.250x.062 SS18-8 To D-5360	4	
70A	5001467	WASHER FL .343x1.250x.062 SS18-8 From D-5361	2	
70B	5001868	WASHER BEL SPR 8.4x18x2 SS From D-5361 To G-6046	4	
70B	5001848	WASHER BEL SPR .827 x .331 x .098 th SS From G-6047	4	
70C	2800242	REINFORCEMENT PLATE From D-5361	1	
71	500820	SCREW CAP HEX M8-1.25x16 G10.9 N500 To C-5132	1	
72	5001699	WASHER BEL SPR 8.2x22x1.4 N500 To C-5132	1	
73	5001608	WASHER BEL SPR 6.2x15.0x0.7 G500 To G-5936	2	
73	5001833	WASHER BEL SPR 6.1x18x1.27 SS From G-5937	2	
74	500965	SCREW TC BDG PH #8-32x1/2 N500	3	
75	500855	WASHER FL .188x.438x.049 N500	3	
76	504013	TIE MOUNT / 1/4" X 1/4" I.D.	1	
76	500545	SCREW TP PAN PH #10x1/2 N500	1	
76	500804	WASHER FL .203x.500x.047 N500	1	
77	502896	SCREW TC BDG PH #12-24x3/4 N500	1	
78	504581	RIVET MGLP PRDG 3/16x7/16 SS BK	4	
79	504637	CABLE TIE / 3/16" x 13"	3	
NS	685126	ADHESIVE SIMSON #ISR 70-03 / GREY / 600ml SAUSAGE	AR	
81	563464	SWITCH / S.P.S.T. / N.C. / W/RUBBER BOOT	1	
82	500623	SCREW TC PAN PH #10-24x3/4 N500	1	
83	500240	WASHER LO EXT .195x.410x.025 Z050	1	
84	068180	SUPPORT SWITCH / SWITCH To C-5222	1	
84	0689942	SUPPORT SWITCH / SWITCH From C-5223	1	
85	502817	SCREW MA PAN PH M6-1.0x16 N500	2	
86	502853	WASHER LO SPT 6.1x11.8x1.6 N500	2	
87	500877	WASHER FL .250x.562x.065 N500	2	

From B-5002 To J-6295	Date:01/2024	PAGE:X3-1862-86
ENTRANCE DOOR SLIDING - INSTALLATION - W.C.L.		

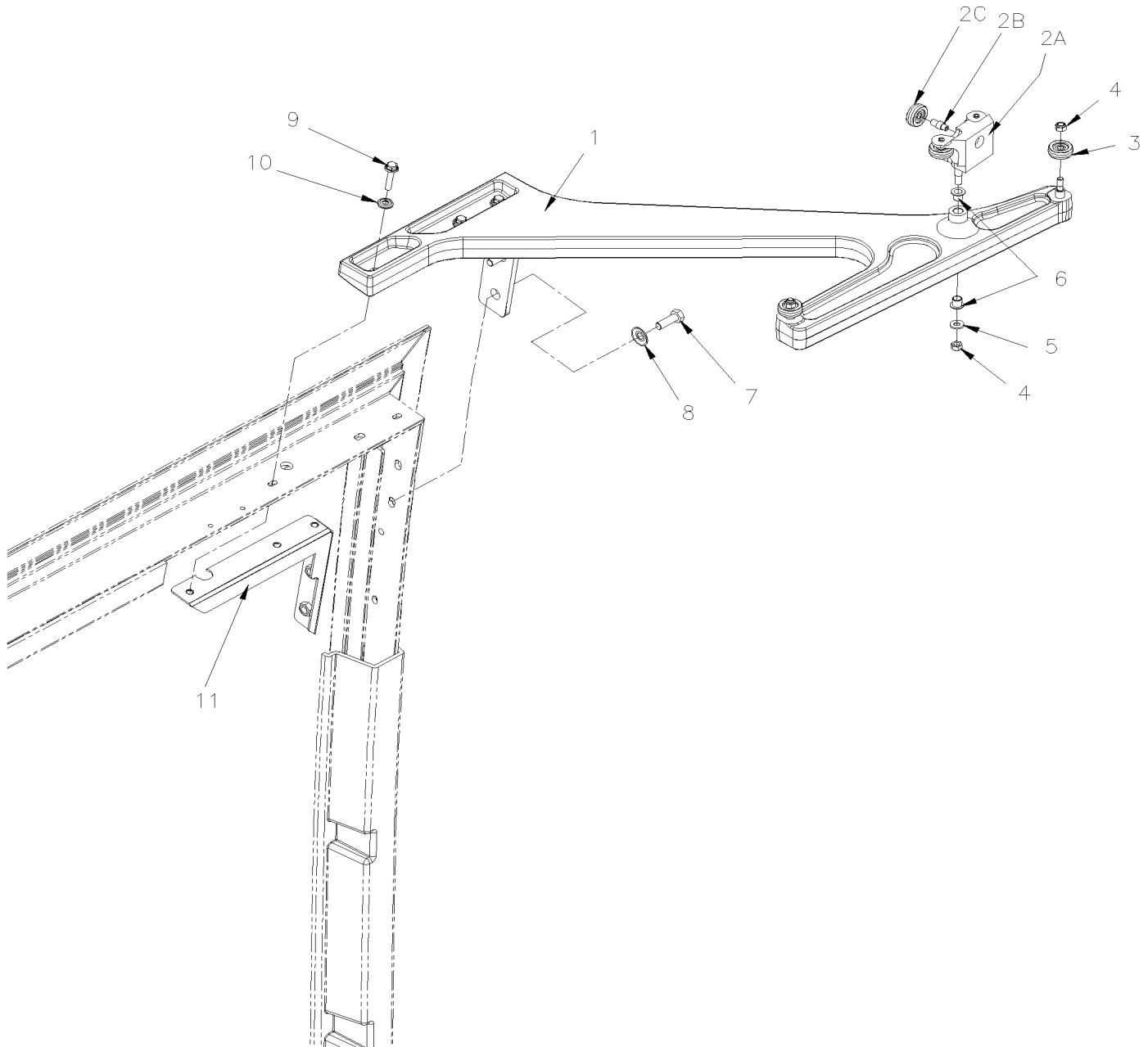
Item#	Part	Description	QTY	Notes
89	068358	PROXIMITY SENSOR, NO ENTRANCE DOOR ASS. From C-5053	1	
. NS	564163	. SWITCH PROXIMITY / S.P.D.T. / W/3 WIRES From C-5053	1	
. NS	564099	. TAPE ADHESIF ELECTRICAL TISSUS / BLACK 838MM From C-5053	1	
. NS	562387	. CONVOLUTED TUBING / SLIT / BLACK / .250" From C-5053	1	
. NS	562477	. CONNECTOR / DT SERIES / SH 4C / GRAY / DEUTSCH DT06-4S From C-5053	1	
. NS	562478	. SECONDARY LOCK / DT SERIES / SH 4C / DEUTSCH W4S From C-5053	1	
. NS	561608	. SOCKET TERMINAL / 18-16 / DEUTSCH 0462-201-16141 From C-5053	3	
. NS	563606	. SEALING PLUG TYPE 20 / DEUTSCH 0413-204-2005 From C-5053	1	
89	067617	HARNESS, UPPER WCL DOOR From E-5459	1	
90	068417	BRACKET, PROXIMITY SENSOR From C-5053	1	
91	504748	RIVET HKL MMS 3/16x1/2 SS From C-5053 To E-5603	2	
91	504793	RIVET MNB OE LARGE HEAD 3/16x7/16 SS From E-5604	2	
95	2800281	ARM REPLACEMENT KIT From D-5410	1	
. NS	D280303	. DIAGRAM RETROFIT ARM UP DOOR From D-5410	1	
		A) USE TO SHIM THE STRIKER PIN IF NECESSAIRY		
		C) FOR PRODUCT IMPROVEMENT ASK FOR KIT #2800281		

From B-5002 To J-6295

Date:01/2024

PAGE:2800281

ARM REPLACEMENT KIT



From B-5002 To J-6295	Date:01/2024	PAGE:2800281
ARM REPLACEMENT KIT		

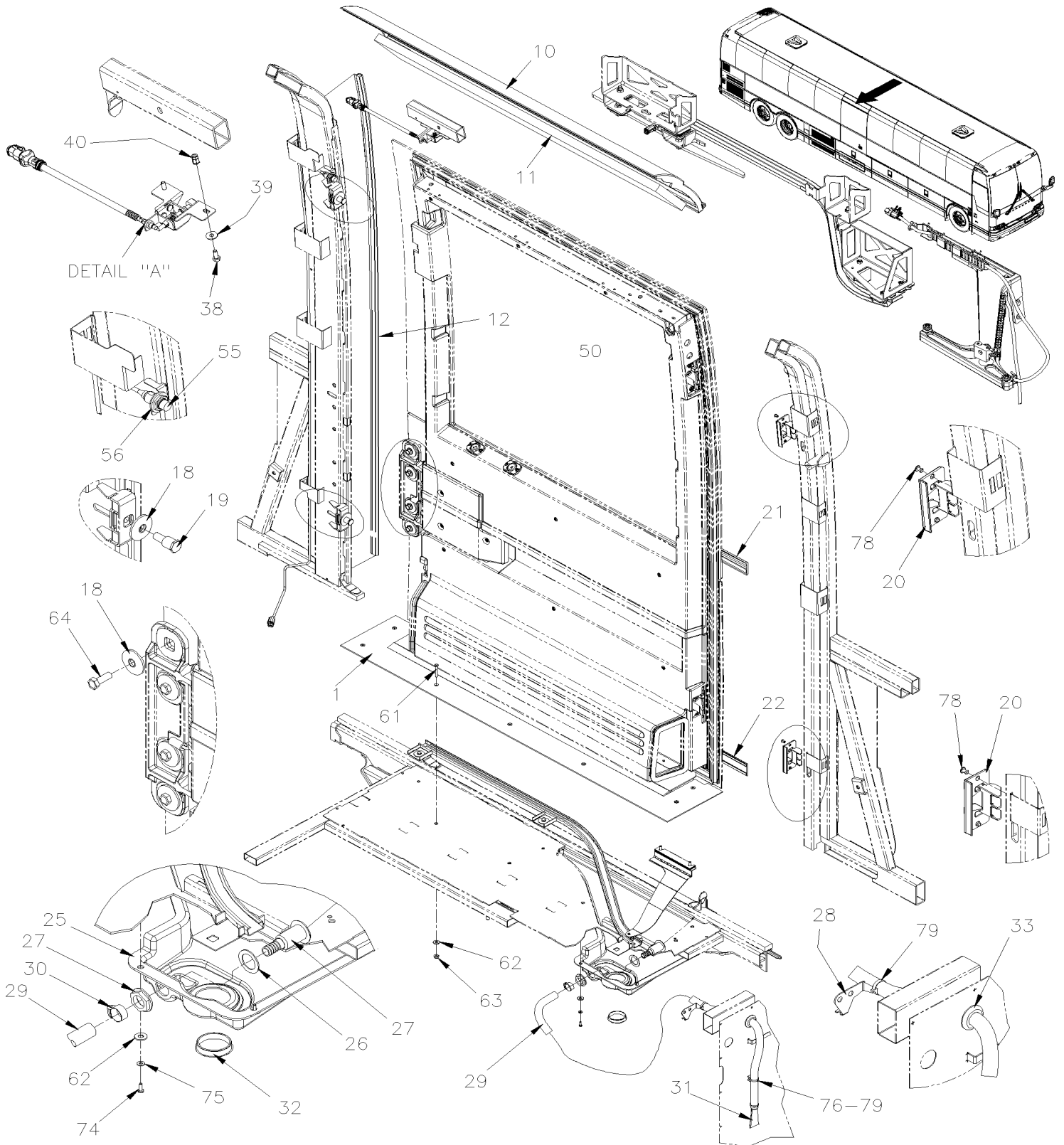
Item#	Part	Description	QTY	Notes
1	2800202	ARM ASSY (CASTING)	1	
2	2800282	UP CARRIAGE DOOR ASSY To J-6827	1	
. A	288479	. CARRIER ASSY To J-6827	1	
. B	288469	. RIVET W/DOUBLE SHOULDER To J-6827	3	
. C	288460	. WHEEL ASSY W/BEARING To J-6827	3	
2	281454	UP CARRIAGE DOOR ASSY From J-6828	1	
. A	281410	. CARRIER ASSY From J-6828	1	
. B	288469	. RIVET W/DOUBLE SHOULDER From J-6828	3	
. C	288460	. WHEEL ASSY W/BEARING From J-6828	3	
3	288460	WHEEL ASSY W/BEARING	2	
4	502681	NUT HEX NYRT M6-1.0 N500 G8	3	
5	500877	WASHER FL .250x.562x.065 N500	1	
6	507378	BUSHING W/SHOULDER	2	
7	502780	SCREW CAP HEX M8-1.25x25 SS BK	2	
8	5001699	WASHER BEL SPR 8.2x22x1.4 N500	2	
9	5001815	SCREW CAP HEXF M6-1.0x30 G 8.8 N500	3	
10	500356	WASHER LO SERR 6.1x16.0x0.9 N500	3	
11	2800215	PLATE UPPER SLIDING DOOR	1	

From J-6296 To K-6492

Date:01/2024

PAGE:X3-1862-87

ENTRANCE DOOR SLIDING - INSTALLATION - W.C.L.

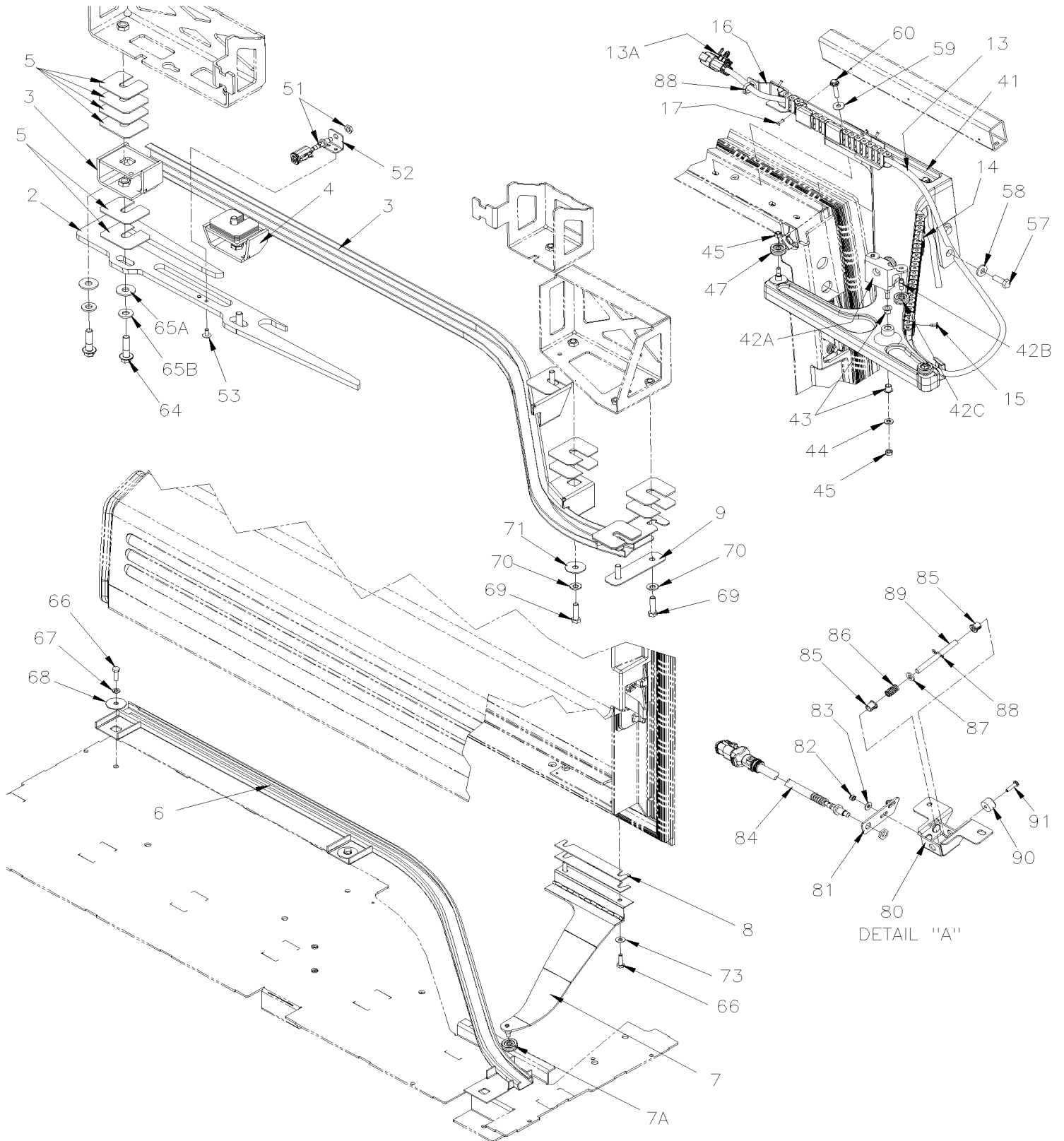


From J-6296 To K-6492

Date:01/2024

PAGE:X3-1862-87

ENTRANCE DOOR SLIDING - INSTALLATION - W.C.L.



From J-6296 To K-6492	Date:01/2024	PAGE:X3-1862-87
ENTRANCE DOOR SLIDING - INSTALLATION - W.C.L.		

Item#	Part	Description	QTY	Notes
1	2800015	STEP PROTECTOR	1	
2	2800088	DOOR SUPPORT	1	
3	2800235	TRACK UPPER ASSY	1	
4	288489	SUPPORT	1	
5	286421	SPACER "U" 54MM X 66MM X 14GA	AR	
6	288482	TRACK LOWER ASSY	1	
7	2800197	LOWER ARM ASSY	1	
7A	288460	WHEEL ASSY W/BEARING	1	
7A	288468	RIVET	1	
8	288471	SPACER 22MM x 146MM x 16GA	AR	
9	2800242	REINFORCEMENT PLATE	1	
10	479359P	PANEL ASSY / UPPER W.C.L. DOOR	1	
. NS	479358	. PANEL / UPPER W.C.L. DOOR	1	
. NS	2800012	. DRIP MOULDING ALUM	1	
. NS	506785	. TAPE RUB ADH2 CC POL 1/16" X 1/4" X 200' / BLACK I1C-N-A	AR	
. NS	684685	. ADHESIVE SIMSON #ISR 70-03 / 310ml CARTRIDGE	AR	
NS	685124	ADHESIVE SIMSON #ISR 70-03 / BLACK / 600ml SAUSAGE	AR	
11	287793	INSULATION	1	
12	5060103	RUBBER SEAL 6.56FT LONG	AR	
13	060569	CABLE ASSY / W/WCL To J-6295	1	
13	069818	CABLE ASSY / W/WCL From J-6296 To K-6431	1	
13	069997	WCL RICON SLIDING DOOR HARNESS / W/WCL From K-6432	1	
. NS	560768	. CHAIN SYSTEM MICRO From K-6432	AR	
13A	564108	SELF MOUNTING STUD // DEUTSCH 1011-310-0205	1	
14	280461	RAIL SUPPORT ON ARM To K-6431	3	
14	2810007	RAIL SUPPORT ON ARM From K-6432	3	
15	5001440	SCREW TP RND PH WSHR HD #8x1/2 To K-6396	5	
15	500654	SCREW TC BDG PH #8-32x1/2 Z050 From K-6397	4	
16	280460	CABLE PAST BRACKET To K-6431	1	
16	2810011	CABLE PAST BRACKET From K-6432	1	
17	504339	RIVET POP DOME OE 1/8x3/8 SS	4	
18	500494	WASHER BEL SPR .470x1.680x.125 N500	6	
19	780809	STRIKER PIN .675 O.D. x 1.715 -7/16-14	2	
19	500496	WASHER FL .437x.750x.054 Z050	2	A
20	280080	CATCH	2	
21	479360	FINISHING MOULDING UPPER W.C.L. DOOR 1286MM	1	
. NS	506785	. TAPE RUB ADH2 CC POL 1/16" X 1/4" X 200' / BLACK I1C-N-A	AR	
. NS	506769	. TAPE RUB ADH2 CC POL 1/8" x 1/4" x 60' / BLACK H1CC-N-#14	AR	
NS	683083	ADHESIVE SIKA #252 / BLACK / 600 ml SAUSAGE	AR	
22	478587	FINISHING MOULDING LOWER W.C.L. DOOR 1286MM	1	
22	683083	ADHESIVE SIKA #252 / BLACK / 600 ml SAUSAGE	AR	
25	289699	TRAY, SLIDING DOOR	1	

From J-6296 To K-6492	Date:01/2024	PAGE:X3-1862-87
-----------------------	--------------	-----------------

ENTRANCE DOOR SLIDING - INSTALLATION - W.C.L.

Item#	Part	Description	QTY	Notes
25	680532	SEALANT SIKA #221 / GREY / 310ml CARTRIDGE	AR	
26	409038	GASKET	1	
27	900280	THRU HULL, CONNECTOR / PLASTIC	1	
28	455982	SUPPORT / HOSE	1	
29	900220	TUBE PVC / 5/8" I.D. / S.L.	AR	
30	504018	HOSE CLAMP / 7/16"-1" SS / HS-8	1	
31	590286	DRAIN BOOT 1 1/4" I.D. X 4" / FLAT	1	
31	504637	CABLE TIE / 3/16" x 13"	1	
32	504774	HOLE PLUG BUTTON / 2.000 O.D. BLACK	1	
33	504776	GROMMET / .875x1.250x.062x.437x1.625	2	
NS	685124	ADHESIVE SIMSON #ISR 70-03 / BLACK / 600ml SAUSAGE	AR	
NS	680397	CONTACT GLUE / AEROSOL 17oz	AR	
NS	506785	TAPE RUB ADH2 CC POL 1/16" X 1/4" X 200' / BLACK I1C-N-A	AR	
38	5001697	SCREW CAP HEX M6-1.0x16 SS BK	2	
39	5001833	WASHER BEL SPR 6.1x18x1.27 SS	2	
40	5001344	NUT INS FL HEX M6-1.0 0.5-3.0 SS	2	
41	280491	ARM ASSY (CASTING)	1	
41	280498	. ARM ONE PIECE CASTING	1	C
41	2800025	. AXLE PIN RIVET W/SHOULDER 55.6MM x 7.4 O.D. & M6-1.0	2	
42	2800282	UP CARRIAGE DOOR ASSY To J-6267	1	
. A	288479	. CARRIER ASSY To J-6267	1	
. B	288469	. RIVET W/DOUBLE SHOULDER To J-6267	3	
. C	288460	. WHEEL ASSY W/BEARING To J-6267	3	
42	281454	UP CARRIAGE DOOR ASSY From J-6268	1	
. A	281410	. CARRIER ASSY From J-6268	1	
. B	288469	. RIVET W/DOUBLE SHOULDER From J-6268	3	
. C	288460	. WHEEL ASSY W/BEARING From J-6268	3	
43	507378	BUSHING W/SHOULDER	2	
44	500877	WASHER FL .250x.562x.065 N500	1	
45	502681	NUT HEX NYRT M6-1.0 N500 G8	3	
47	288460	WHEEL ASSY W/BEARING	2	
50	X3-1862-82	ENTRANCE DOOR SLIDING - WCL		
51	068358	PROXIMITY SENSOR, NO ENTRANCE DOOR ASS.	1	
. NS	564163	. SWITCH PROXIMITY / S.P.D.T. / W/3 WIRES	1	
. NS	564099	. TAPE ADHESIF ELECTRICAL TISSUS / BLACK 838MM	1	
. NS	562387	. CONVOLUTED TUBING / SLIT / BLACK / .250"	1	
. NS	562477	. CONNECTOR / DT SERIES / SH 4C / GRAY / DEUTSCH DT06-4S	1	
. NS	562478	. SECONDARY LOCK / DT SERIES / SH 4C / DEUTSCH W4S	1	
. NS	561608	. SOCKET TERMINAL / 18-16 / DEUTSCH 0462-201-16141	3	
. NS	563606	. SEALING PLUG TYPE 20 / DEUTSCH 0413-204-2005	1	

From J-6296 To K-6492	Date:01/2024	PAGE:X3-1862-87
ENTRANCE DOOR SLIDING - INSTALLATION - W.C.L.		

Item#	Part	Description	QTY	Notes
51	069347	HARNESS, UPPER WCL DOOR To J-6295	1	
51	062240	HARNESS, UPPER WCL DOOR From J-6296	1	
52	068417	BRACKET, PROXIMITY SENSOR	1	
53	504793	RIVET MNB OE LARGE HEAD 3/16x7/16 SS	2	
55	068991	PROXIMITY SWITCH ASSY	1	
56	500126	WASHER FL 19.0x34.0x3.0 SS	1	
57	5001745	SCREW CAP HEX M8-1.25x25 G8.8 N500	2	
58	5001848	WASHER BEL SPR .827 x .331 x .098 th SS	2	
59	5001833	WASHER BEL SPR 6.1x18x1.27 SS	3	
60	5001815	SCREW CAP HEXF M6-1.0x30 G 8.8 N500	2	
61	5001626	SCREW MA FL PH 1/4-20x1 3/4 SS	7	
62	502638	WASHER FL .312x.734x.065 N500	11	
63	502874	NUT HEX NYRT 1/4-20 N500	7	
64	5001308	SCREW CAP HEXF M10-1.5x40 G10.9 N500	8	
65A	502644	WASHER FL 10.5x30.0x2.5 Z050	4	
65B	5001834	WASHER BEL SPR 10.5X23X2.5 N500	4	
66	502830	SCREW CAP HEX M6-1.0x20 G8.8 N500	5	
67	502853	WASHER LO SPT 6.1x11.8x1.6 N500	3	
68	500913	WASHER FL .281x1.250x.065 N500	3	
69	5001738	SCREW CAP HEX M8-1.25x30 G8.8 N500	4	
70	5001848	WASHER BEL SPR .827 x .331 x .098 th SS	4	
71	5001467	WASHER FL .343x1.250x.062 SS18-8	2	
73	5001833	WASHER BEL SPR 6.1x18x1.27 SS	2	
74	500965	SCREW TC BDG PH #8-32x1/2 N500	4	
75	500855	WASHER FL .188x.438x.049 N500	4	
76	504013	TIE MOUNT / 1/4" X 1/4" I.D.	1	
76	500545	SCREW TP PAN PH #10x1/2 N500	1	
76	500804	WASHER FL .203x.500x.047 N500	1	
78	504581	RIVET MGLP PRDG 3/16x7/16 SS BK	4	
79	504637	CABLE TIE / 3/16" x 13"	3	
80	Call order desk	DETECTOR WCL DOOR ASSEMBLY		P
80	060599	. SUPPORT SWITCH	1	
81	060928	. SUPPORT PLATE SWITCH	1	
82	500539	. NUT HEX NYRT M4-0.7 N500	2	
83	500855	. WASHER FL .188x.438x.049 N500	2	
84	068076	. SWITCH PROXIMITY WITH LED ASSY	1	
. NS	564176	. . SWITCH PROXIMITY / S.P.D.T. / W/3 WIRES W/LED	1	
85	504083	. SNAP BUSHING / .250x.468.406	2	
86	5021001	. SPRING COMPRESSION / .360 O.D. x 1.5 x .038	1	
87	502573	. WASHER FL 6.4x12.5x1.6 SS	1	
88	5001860	. PIN HITCH CLIP .054 x 3/4 SS	1	

From J-6296 To K-6492	Date:01/2024	PAGE:X3-1862-87
-----------------------	--------------	-----------------

ENTRANCE DOOR SLIDING - INSTALLATION - W.C.L.

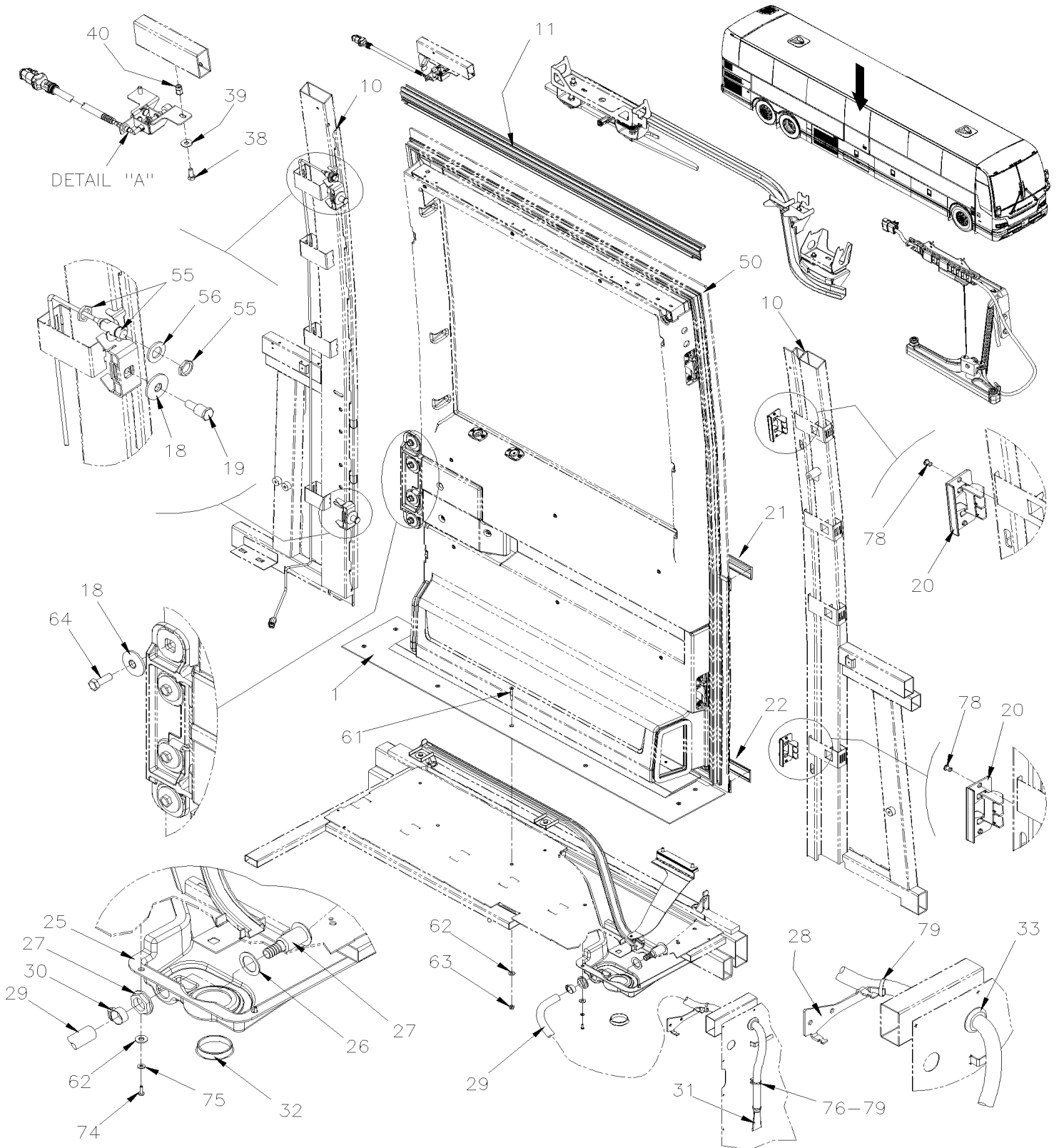
Item#	Part	Description	QTY	Notes
89	060600	. SWITCH ROD	1	
90	504334	. BUMPER RUBBER / .625 OD x .406 TH x .156 HOLE To J-6339	1	
90	5002025	. BUMPER NEOPRENE / .625 OD x .406 TH x .156 HOLE From J-6340	1	
91	502698	. SCREW MA PAN PH M4-0.7x16 SS BK	2	
95	X3-0621-80	MODULE WCL ASSY / GHG17	1	
		A) USE TO SHIM THE STRIKER PIN IF NECESSAIRY		
		C) FOR PRODUCT IMPROVEMENT ASK FOR KIT #2800281		
		P) CALL ORDER DESK FOR SPECIFIC APPLICATION (V.I.N.)		

From L-6493

Date:01/2024

PAGE:X3-1862-88

ENTRANCE DOOR SLIDING - INSTALLATION - W.C.L.

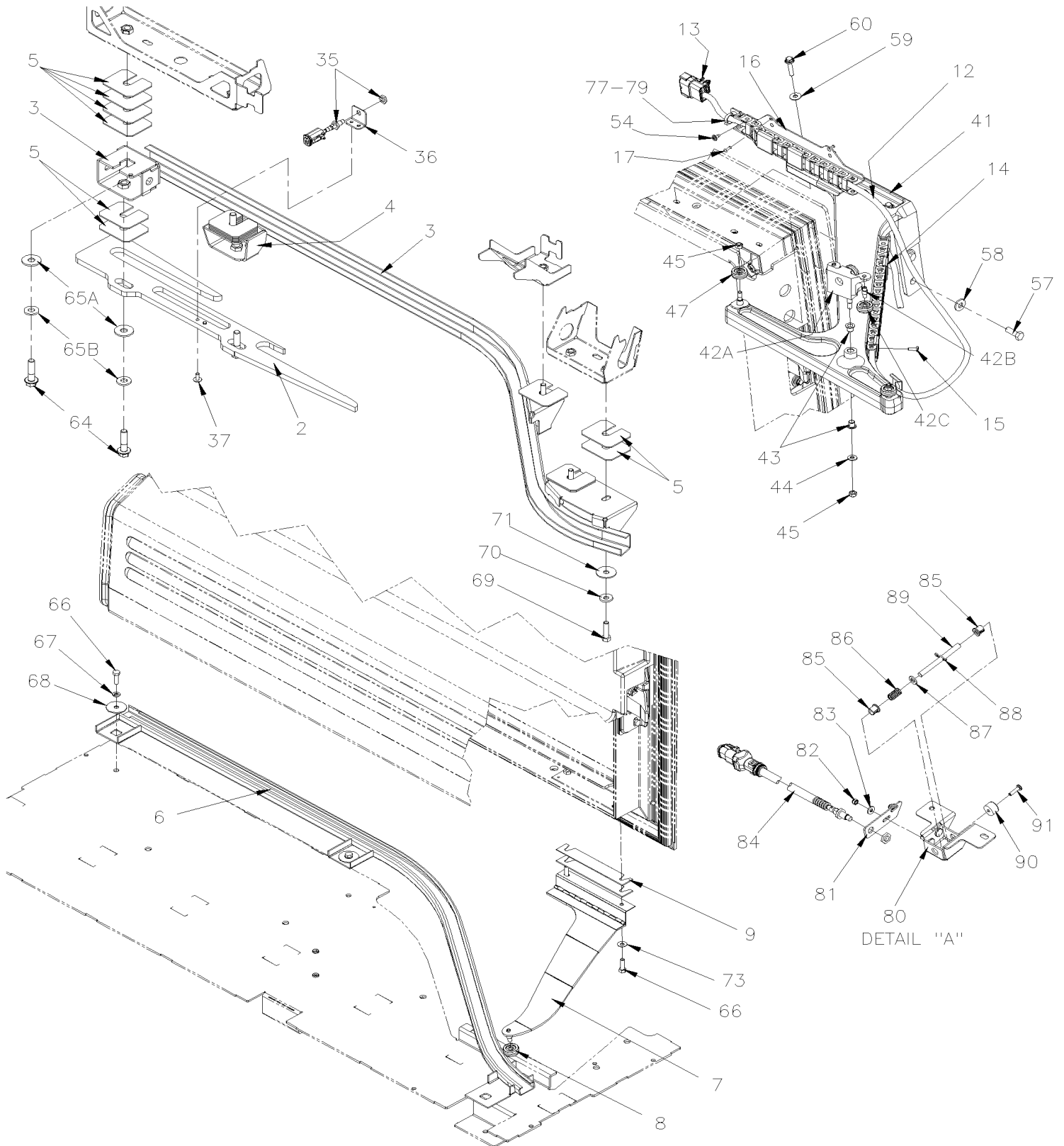


From L-6493

Date:01/2024

PAGE:X3-1862-88

ENTRANCE DOOR SLIDING - INSTALLATION - W.C.L.



From L-6493	Date:01/2024	PAGE:X3-1862-88
ENTRANCE DOOR SLIDING - INSTALLATION - W.C.L.		

Item#	Part	Description	QTY	Notes
1	281462	STEP PROTECTOR	1	
2	2800088	DOOR SUPPORT	1	
3	280811	TRACK UPPER ASSY	1	
4	282997	SUPPORT	1	
5	286421	SPACER "U" 54MM X 66MM X 14GA	AR	
6	288482	TRACK LOWER ASSY	1	
7	280782	LOWER ARM ASSY	1	
8	288460	. WHEEL ASSY W/BEARING	1	
8	288468	. RIVET	1	
9	288471	SPACER 22MM x 146MM x 16GA	AR	
10	685124	ADHESIVE SIMSON #ISR 70-03 / BLACK / 600ml SAUSAGE	AR	
11	420039	GUTTER, DOOR WCL	1	
11	684685	ADHESIVE SIMSON #ISR 70-03 / 310ml CARTRIDGE	AR	
11	506785	TAPE RUB ADH2 CC POL 1/16" X 1/4" X 200' / BLACK I1C-N-A	AR	
12	069997	WCL RICON SLIDING DOOR HARNESS / W/WCL	1	
. NS	560768	. CHAIN SYSTEM MICRO	AR	
13	564108	SELF MOUNTING STUD // DEUTSCH 1011-310-0205	1	
14	2810007	RAIL SUPPORT ON ARM	3	
15	500654	SCREW TC BDG PH #8-32x1/2 Z050	4	
16	281355	CABLE PAST BRACKET	1	
17	504339	RIVET POP DOME OE 1/8x3/8 SS	4	
18	500494	WASHER BEL SPR .470x1.680x.125 N500	6	
19	780809	STRIKER PIN .675 O.D. x 1.715 -7/16-14	2	
19	500496	WASHER FL .437x.750x.054 Z050 To L-6561	2	A
NS	5000106	WASHER FL .454X.913X.106 ECOGUARD From L-6562	2	A
20	280080	CATCH	2	
21	471351	FINISHING MOULDING UPPER W.C.L. DOOR 1214MM	1	
. NS	506785	. TAPE RUB ADH2 CC POL 1/16" X 1/4" X 200' / BLACK I1C-N-A	AR	
. NS	506790	. TAPE RUB ADH2 CC POL 1/16" x 1/2" x 200' / BLACK I1C-N-A	AR	
NS	683083	ADHESIVE SIKA #252 / BLACK / 600 ml SAUSAGE	AR	
22	471352	FINISHING MOULDING LOWER W.C.L. DOOR 1214MM	1	
. NS	506785	. TAPE RUB ADH2 CC POL 1/16" X 1/4" X 200' / BLACK I1C-N-A	AR	
22	683083	ADHESIVE SIKA #252 / BLACK / 600 ml SAUSAGE	AR	
25	289699	TRAY, SLIDING DOOR	1	
25	680532	SEALANT SIKA #221 / GREY / 310ml CARTRIDGE	AR	
26	409038	GASKET	1	
27	900280	THRU HULL, CONNECTOR / PLASTIC	1	
28	287873	ATTACH CYLINDER ARM WCL	1	
29	900220	TUBE PVC / 5/8" I.D. / S.L.	AR	
30	504018	HOSE CLAMP / 7/16"-1" SS / HS-8	1	
31	590286	DRAIN BOOT 1 1/4" I.D. X 4" / FLAT	1	
31	504637	CABLE TIE / 3/16" x 13"	1	

From L-6493		Date:01/2024	PAGE:X3-1862-88
ENTRANCE DOOR SLIDING - INSTALLATION - W.C.L.			

Item#	Part	Description	QTY	Notes
32	504774	HOLE PLUG BUTTON / 2.000 O.D. BLACK	1	
33	504776	GROMMET / .875x1.250x.062x.437x1.625	2	
35	068358	PROXIMITY SENSOR, NO ENTRANCE DOOR ASS.	1	
. NS	564163	. SWITCH PROXIMITY / S.P.D.T. / W/3 WIRES	1	
. NS	564099	. TAPE ADHESIF ELECTRICAL TISSUS / BLACK 838MM	1	
. NS	562387	. CONVOLUTED TUBING / SLIT / BLACK / .250"	1	
. NS	562477	. CONNECTOR / DT SERIES / SH 4C / GRAY / DEUTSCH DT06-4S	1	
. NS	562478	. SECONDARY LOCK / DT SERIES / SH 4C / DEUTSCH W4S	1	
. NS	561608	. SOCKET TERMINAL / 18-16 / DEUTSCH 0462-201-16141	3	
. NS	563606	. SEALING PLUG TYPE 20 / DEUTSCH 0413-204-2005	1	
35	069773	HARNESS, UPPER WCL DOOR	1	
36	068417	BRACKET, PROXIMITY SENSOR	1	
37	504793	RIVET MNB OE LARGE HEAD 3/16x7/16 SS	2	
38	5001697	SCREW CAP HEX M6-1.0x16 SS BK To M-6657	2	
38	500526	SCREW TP CAP HEXW #12x3/4 N500 From M-6658	2	
39	5001833	WASHER BEL SPR 6.1x18x1.27 SS	2	
40	5001344	NUT INS FL HEX M6-1.0 0.5-3.0 SS	2	
41	280491	ARM ASSY (CASTING)	1	
41	2800025	. AXLE PIN RIVET W/SHOULDER 55.6MM x 7.4 O.D. & M6-1.0	2	
42	281454	UP CARRIAGE DOOR ASSY From J-6268	1	
. A	281410	. CARRIER ASSY From J-6268	1	
. B	288469	. RIVET W/DOUBLE SHOULDER From J-6268	3	
. C	288460	. WHEEL ASSY W/BEARING From J-6268	3	
43	507378	BUSHING W/SHOULDER	2	
44	500877	WASHER FL .250x.562x.065 N500	1	
45	502681	NUT HEX NYRT M6-1.0 N500 G8	3	
47	288460	WHEEL ASSY W/BEARING	2	
50	X3-1862-83	ENTRANCE DOOR SLIDING - WCL		
54	5001440	SCREW TP RND PH WSHR HD #8x1/2 To M-6654	1	
54	500654	SCREW TC BDG PH #8-32x1/2 Z050 From M-6655	1	
55	068991	PROXIMITY SWITCH ASSY To £-22046	1	
55	0600169	PROXIMITY SWITCH ASSY From £-22046	1	
56	500126	WASHER FL 19.0x34.0x3.0 SS	1	
57	5001745	SCREW CAP HEX M8-1.25x25 G8.8 N500	2	
58	5001848	WASHER BEL SPR .827 x .331 x .098 th SS	2	
59	5001833	WASHER BEL SPR 6.1x18x1.27 SS	3	
60	5001815	SCREW CAP HEXF M6-1.0x30 G 8.8 N500	3	
61	5001626	SCREW MA FL PH 1/4-20x1 3/4 SS To M-6654	7	
61	5002159	SCREW MA FL TORX TAMPER 1/4-20x1 3/4 SS From M-6655	7	
62	502638	WASHER FL .312x.734x.065 N500	11	

From L-6493		Date:01/2024	PAGE:X3-1862-88
-------------	--	--------------	-----------------

ENTRANCE DOOR SLIDING - INSTALLATION - W.C.L.

Item#	Part	Description	QTY	Notes
63	502874	NUT HEX NYRT 1/4-20 N500	7	
64	5001308	SCREW CAP HEXF M10-1.5x40 G10.9 N500	8	
65A	502644	WASHER FL 10.5x30.0x2.5 Z050	4	
65B	5001834	WASHER BEL SPR 10.5X23X2.5 N500	4	
66	502830	SCREW CAP HEX M6-1.0x20 G8.8 N500	5	
67	502853	WASHER LO SPT 6.1x11.8x1.6 N500	3	
68	500913	WASHER FL .281x1.250x.065 N500	3	
69	5001738	SCREW CAP HEX M8-1.25x30 G8.8 N500	3	
70	5001848	WASHER BEL SPR .827 x .331 x .098 th SS	3	
71	5001467	WASHER FL .343x1.250x.062 SS18-8	3	
73	5001833	WASHER BEL SPR 6.1x18x1.27 SS	2	
74	500965	SCREW TC BDG PH #8-32x1/2 N500	4	
75	500855	WASHER FL .188x.438x.049 N500	4	
76	504013	TIE MOUNT / 1/4" X 1/4" I.D.	1	
76	500545	SCREW TP PAN PH #10x1/2 N500	1	
76	500804	WASHER FL .203x.500x.047 N500	1	
77	509815	TIE MOUNT / ATTACHMENT W/TREE MOUNT	1	
78	504581	RIVET MGLP PRDG 3/16x7/16 SS BK	4	
79	504637	CABLE TIE / 3/16" x 13"	AR	
80	Call order desk	DETECTOR WCL DOOR ASSEMBLY To M-6657		P
80	Call order desk	DETECTOR WCL DOOR ASSEMBLY From M-6658	1	P
80	060599	. SUPPORT SWITCH To M-6657	1	
80	0610396	. SUPPORT SWITCH From M-6658	1	
81	060928	. SUPPORT PLATE SWITCH	1	
82	500539	. NUT HEX NYRT M4-0.7 N500	2	
83	500855	. WASHER FL .188x.438x.049 N500	2	
84	068076	. SWITCH PROXIMITY WITH LED ASSY	1	
. NS	564176	. . SWITCH PROXIMITY / S.P.D.T. / W/3 WIRES W/LED	1	
85	504083	. SNAP BUSHING / .250x.468.406	2	
86	5021001	. SPRING COMPRESSION / .360 O.D. x 1.5 x .038	1	
87	502573	. WASHER FL 6.4x12.5x1.6 SS	1	
88	5001860	. PIN HITCH CLIP .054 x 3/4 SS	1	
89	060600	. SWITCH ROD To N-6765	1	
89	0610619	SERVICE KIT WCL DOOR SENSOR To N-6765	1	
. NS	0610617	. PLATE ANGLE 50MM x 31MM To N-6765	1	
. NS	5002025	. BUMPER NEOPRENE / .625 OD x .406 TH x .156 HOLE To N-6765	1	
. NS	500142	. WASHER FL 6.6x22.0x2.0 SS To N-6765	1	
89	0610618	. SWITCH ROD From N-6766	1	
90	5002025	. BUMPER NEOPRENE / .625 OD x .406 TH x .156 HOLE	1	
91	502698	. SCREW MA PAN PH M4-0.7x16 SS BK	2	
NS	509815	. TIE MOUNT / ATTACHMENT W/TREE MOUNT From M-6658	1	

From L-6493	Date:01/2024	PAGE:X3-1862-88
ENTRANCE DOOR SLIDING - INSTALLATION - W.C.L.		

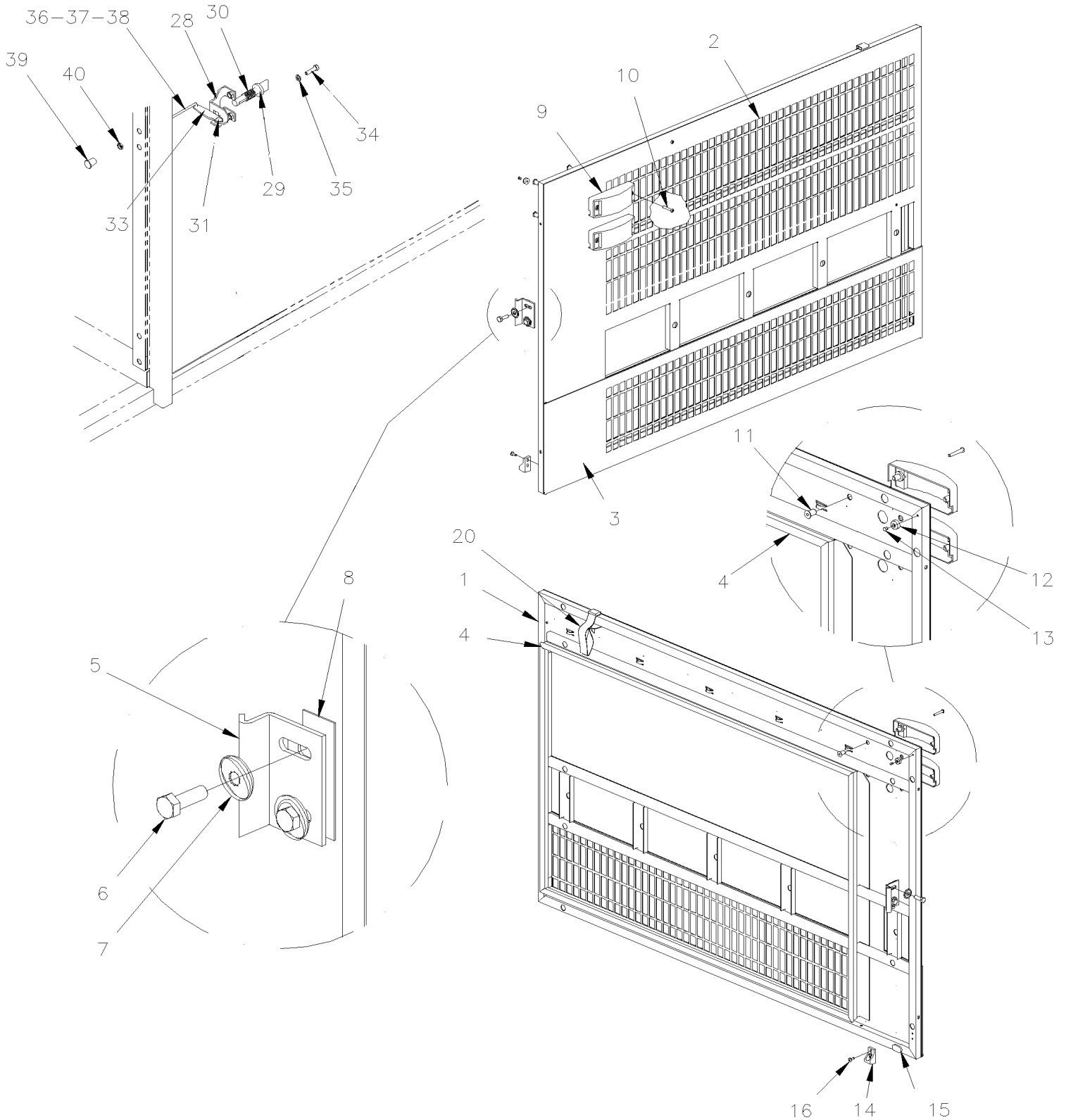
Item#	Part	Description	QTY	Notes
95	X3-0621-80	MODULE WCL ASSY / GHG17	1	
		A) USE TO SHIM THE STRIKER PIN IF NECESSAIRY		
		P) CALL ORDER DESK FOR SPECIFIC APPLICATION (V.I.N.)		

From 7-8754 To B-5001

Date:01/2024

PAGE:X3-1863-00

CONDENSOR DOOR ASSY - BUS



From 7-8754 To B-5001	Date:01/2024	PAGE:X3-1863-00
CONDENSOR DOOR ASSY - BUS		

Item#	Part	Description	QTY	Notes
		THIS DOOR ASSY DO NOT INCLUDE RUB-RAIL		
		PLEASE ORDER SEPARATELY		
	484092	CONDENSOR DOOR ASSY / W/FLAT PANEL	1	
	Call order desk	CONDENSOR DOOR ASSY / W/FLAT PANEL	1	P
	Call order desk	CONDENSOR DOOR ASSY / W/FLAT PANEL From A-9907 To A-9907	1	P W
	Call order desk	CONDENSOR DOOR ASSY / W/FLAT PANEL From A-9926 To A-9926	1	P W
1	483993	. FRAME ASSY / 1357MM	1	
1	485614	. FRAME ASSY / 1258MM From A-9907 To A-9907	1	W
1	485614	. FRAME ASSY / 1258MM From A-9926 To A-9926	1	W
2	484028	. PANEL, UPPER / FLAT	1	
2	485615	. PANEL, UPPER / FLAT From A-9907 To A-9907	1	W
2	485615	. PANEL, UPPER / FLAT From A-9926 To A-9926	1	W
3	484027	. PANEL, LOWER	1	
3	485616	. PANEL, LOWER From A-9907 To A-9907	1	W
3	485616	. PANEL, LOWER From A-9926 To A-9926	1	W
4	506302	. RUBBER EXTRUSION TRIM SEAL / GRIP .024 / 7/16" HOLLOW BULB C.T.L.	12	
5	287286	. CATCH PIN / RETAINER 45MMx21MM 90°	1	
6	502780	. SCREW CAP HEX M8-1.25x25 SS BK	2	
7	502857	. WASHER LO SERR 8.2x26.3x1.8 N500	2	
8	287452	. SHIM SPACER 70MM X 25 X 14GA	AR	
9	X3-0662-00	CLEARANCE & MARKER LIGHT		
10	5001042	. SCREW MA RND PH #10-32x1 1/4 SS	2	
11	502774	. NUT WELL #10-32x.625	2	
12	5001393	. BUMPER RUBBER / .625 OD x .281 TH x .125 HOLE	1	
13	504340	. RIVET POP DOME OE 1/8x3/16 SS	1	
14	286659	. GUIDE LOWER COND DOOR PLASTIC 40MM	1	
15	286658	. STOPPER BUMPER	1	
16	500945	. SCREW TC BDG PH #10-24x1/2 G500	2	
16	680042	. GLUE LOCTITE 430 BOTTLE 1OZ	AR	
20	505507	. STRAP NYLON 1" WIDE / S.L.	AR	
NS	285476	SUPPORT STRAP RETAINER W/2 SLOTS & 1 HOLE (WELDED AT DOOR STRUCTURE)		
NS	452813	SUPPORT STRAP RETAINER W/2 SLOTS & 2 HOLES	1	
NS	284439	PLATE, STRAP RETAINING / OBLONG 16.5MM x 25.4MM W/2 HOLES	1	
28	286423	GUIDE PIN HOLDER	1	
28	507212	O-RING	1	
29	284313	CATCH PIN SS / 90MM To A-9892	1	
29	289585	CATCH PIN ACETAL / 90MM From A-9893	1	
30	502910	SPRING COMPRESSION / .720 O.D. 1.75 x .055	1	
31	287271	RIVET SHR FL 9.95x3.6(4.8x4.8 SS	1	
33	289329	LEVER	1	
34	502622	SCREW CAP HEX M6-1.0x20 SS BK	2	

From 7-8754 To B-5001	Date:01/2024	PAGE:X3-1863-00
CONDENSOR DOOR ASSY - BUS		

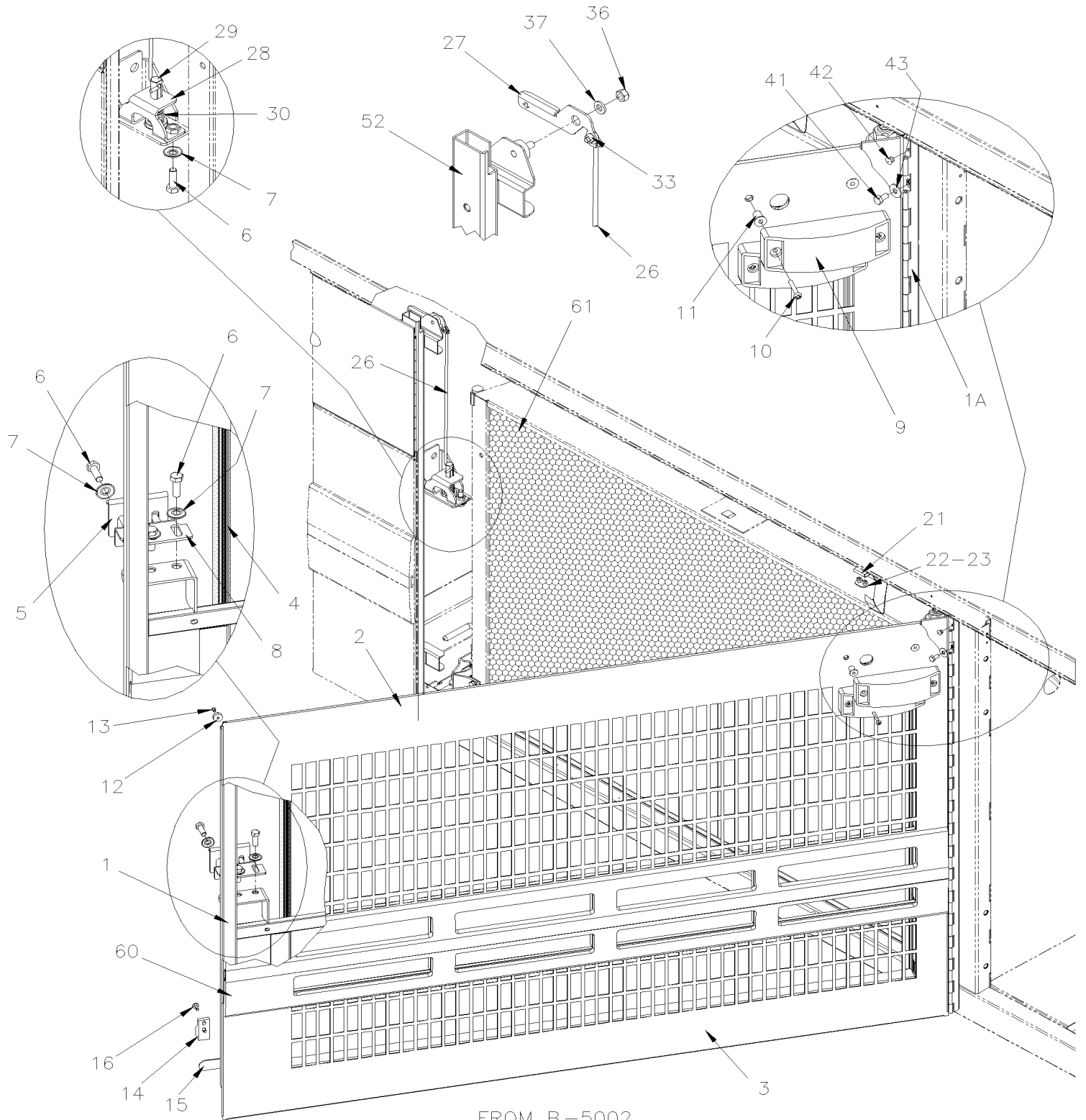
Item#	Part	Description	QTY	Notes
35	502570	WASHER LO SPT 6.1x11.8x1.6 SS	2	
36	504724	CLIP ROD 5/32" L.H.	1	
37	289327	ROD OPENING 122MM	1	
37	485619	ROD OPENING 263.6MM From A-9907 To A-9907	1	W
37	485619	ROD OPENING 263.6MM From A-9926 To A-9926	1	W
38	504083	SNAP BUSHING / .250x.468.406	1	
39	505504	KNOB, PULL / 8-32	1	
40	500764	NUT HEX #8-32 Z050	1	
50	X3-1855-00	RUB RAIL - EXTERIOR CREST & TRIMS		
51	X3-2255-00	CONDENSOR - INSTALLATION		
		W) WITH EPA 2010		
		P) CALL ORDER DESK FOR SPECIFIC APPLICATION (V.I.N.)		

From B-5002

Date:01/2024

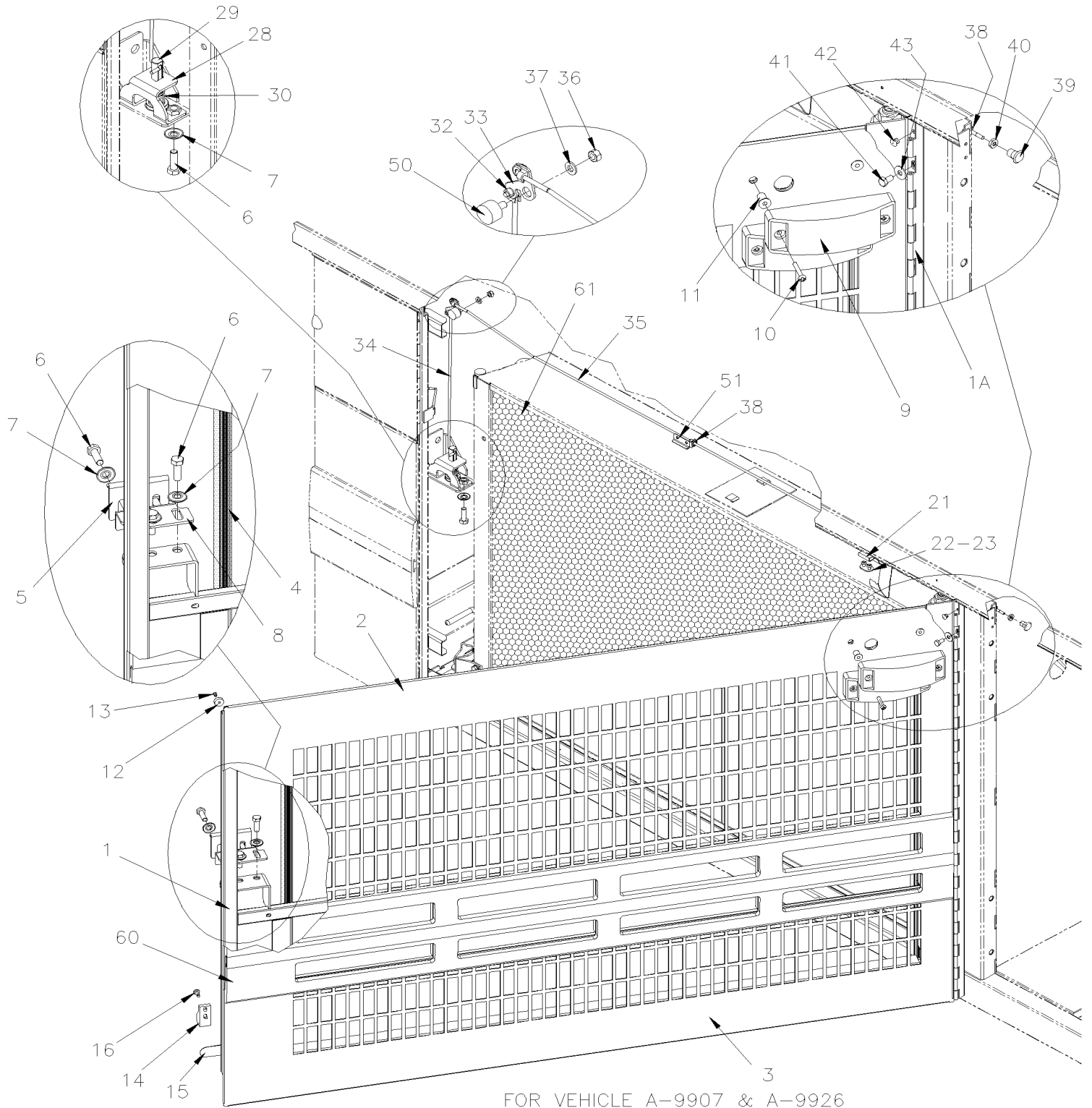
PAGE:X3-1863-01

CONDENSOR DOOR ASSY - BUS



FROM B-5002

CONDENSOR DOOR ASSY - BUS



From B-5002		Date:01/2024	PAGE:X3-1863-01
CONDENSOR DOOR ASSY - BUS			

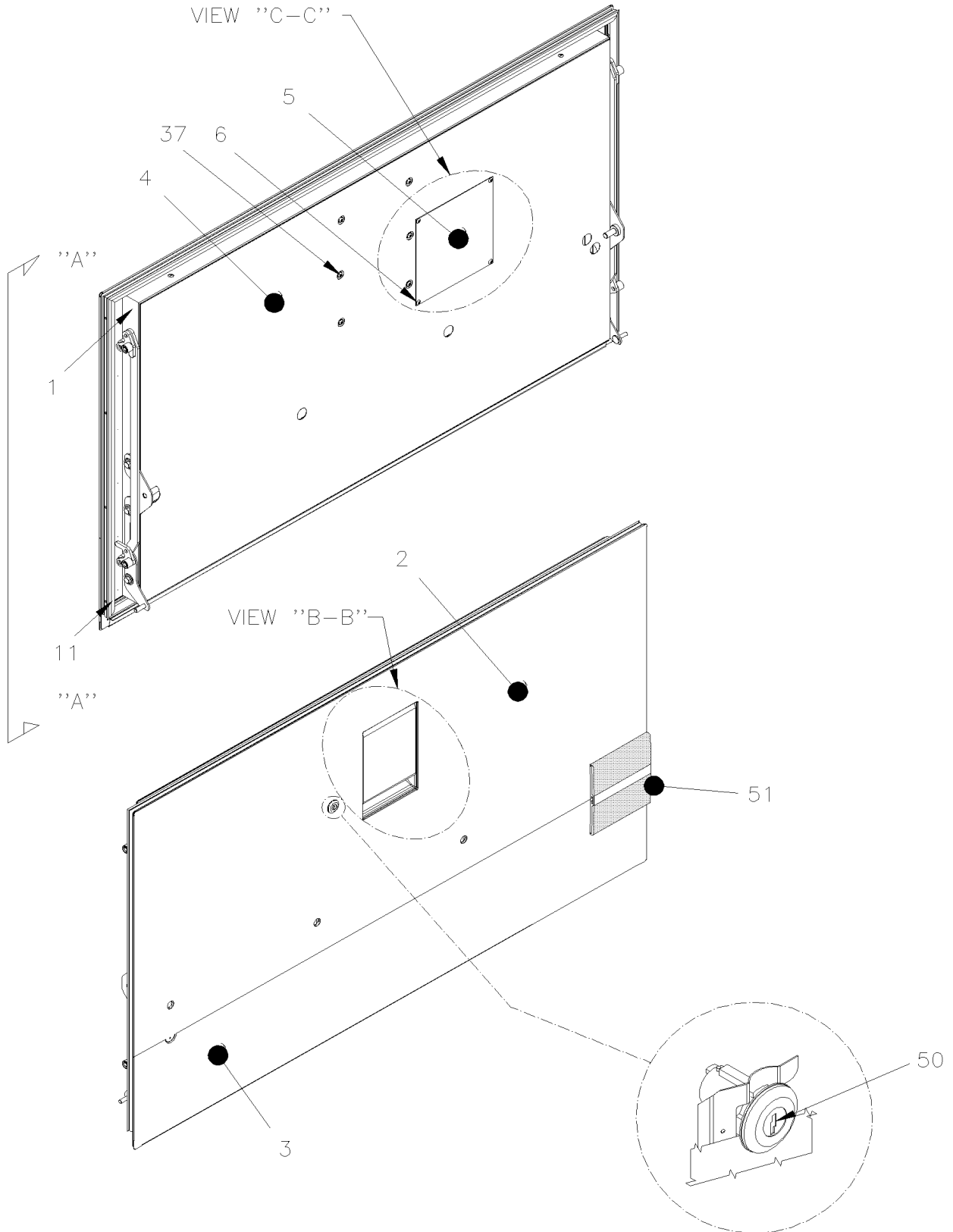
Item#	Part	Description	QTY	Notes
		THIS DOOR ASSY DO NOT INCLUDE RUB-RAIL		
		PLEASE ORDER SEPARATELY		
	484296	CONDENSOR DOOR ASSY / W/FLAT PANEL To D-5458	1	
	485717	CONDENSOR DOOR ASSY / W/FLAT PANEL From E-5459	1	
1	484154	. FRAME ASSY / 1285MM To D-5458	1	
1	484334	. FRAME ASSY / 1285MM From E-5459	1	
1A	484163	. . HINGE	1	
2	488530	. ONE PIECE PANEL CONDENSOR / FLAT "OEM" UPPER & LOWER To D-5458	1	
2	484330	. ONE PIECE PANEL CONDENSOR / FLAT "OEM" UPPER & LOWER From E-5459	1	
2	484165	. . PANEL, UPPER / FLAT To D-5458	1	
3	484166	. . PANEL, LOWER	1	
4	506303	. RUBBER SEAL EXTRUSION	12	
5	287051	. CATCH PIN / RETAINER 52MM x 70MM	1	
6	502780	. SCREW CAP HEX M8-1.25x25 SS BK	4	
7	5001699	. WASHER BEL SPR 8.2x22x1.4 N500 To G-5931	AR	
7	5001868	. WASHER BEL SPR 8.4x18x2 SS From G-5932	AR	
8	484167	DOOR LATCH ADJUSTABLE To P-6820	1	
8	2800689	DOOR LATCH ADJUSTABLE From P-6821	1	
9	X3-0662-00	CLEARANCE & MARKER LIGHT To K-6492		
9	X3-0662-01	CLEARANCE & MARKER LIGHT From L-6493	1	
10	5001042	. . SCREW MA RND PH #10-32x1 1/4 SS To J-6243	2	
10	5002021	. . SCREW MA TR PH #10-32x1 1/4 SS From J-6244	2	
11	502774	. . NUT WELL #10-32x.625	2	
12	5001393	. BUMPER RUBBER / .625 OD x .281 TH x .125 HOLE To J-6339	2	
12	5002024	. BUMPER NEOPRENE / .625 OD x .281 TH x .125 HOLE From J-6340	2	
13	504340	. RIVET POP DOME OE 1/8x3/16 SS	2	
14	289708	. GUIDE LOWER COND DOOR PLASTIC To E-5485	1	
14	2800374	. GUIDE LOWER COND DOOR PLASTIC From E-5486	1	
15	286658	. STOPPER BUMPER	1	
15	680042	. GLUE LOCTITE 430 BOTTLE 1OZ	AR	
16	5001966	. SCREW TC BDG PH #10-24x1/2 SS410 ZINC To E-5485	2	
16	500623	. SCREW TC PAN PH #10-24x3/4 N500 From E-5486 To G-5931	2	
16	5001966	. SCREW TC BDG PH #10-24x1/2 SS410 ZINC From G-5932	2	
21	505507	STRAP NYLON 1" WIDE / S.L.	AR	
NS	452813	SUPPORT STRAP RETAINER W/2 SLOTS & 2 HOLES	1	
NS	285476	SUPPORT STRAP RETAINER W/2 SLOTS & 1 HOLE (WELDED AT DOOR STRUCTURE)	1	
22	284439	PLATE, STRAP RETAINING / OBLONG 16.5MM x 25.4MM W/2 HOLES	1	
23	504747	RIVET HKL MMS 3/16x3/8 SS To E-5603	2	
23	504793	RIVET MNB OE LARGE HEAD 3/16x7/16 SS From E-5604	2	
26	484169	ROD OPENING 309MM From B-5002 To F-5811	1	

From B-5002		Date:01/2024	PAGE:X3-1863-01
CONDENSOR DOOR ASSY - BUS			

Item#	Part	Description	QTY	Notes
26	485721	ROD OPENING From F-5812 To H-6140	1	
26	480015	ROD OPENING From H-6141	1	
27	484216	HANDLE From B-5002	1	
28	289674	SUPPORT CATCH PIN W/OUT PIVOT	1	
29	289636	CATCH PIN ACETAL / 90.5MM To F-5786	1	
29	2800884	CATCH PIN BLACK ACETAL From F-5787 To G-5982	1	
29	2801055	CATCH PIN BLACK ACETAL From G-5983	1	
30	502910	SPRING COMPRESSION / .720 O.D. 1.75 x .055	1	
32	484168	PIVOT ROD OPENING	1	
33	780340	CLIP, RETAINER ROD	2	
34	484169	ROD OPENING 309MM To B-5001	1	
35	484170	ROD OPENING 1310MM To B-5001	1	
36	5001182	NUT HEX NYRT M6-1.0 SS	1	
37	502573	WASHER FL 6.4x12.5x1.6 SS	1	
38	504083	SNAP BUSHING / .250x.468.406	4	
39	505504	KNOB, PULL / 8-32	1	
40	500764	NUT HEX #8-32 Z050	1	
41	5001743	SCREW CAP HEX M6-1.0x12 G8.8 N500 To G-5931	6	
41	5001697	SCREW CAP HEX M6-1.0x16 SS BK From G-5932	6	
42	504379	RIVET POP DOME OE 3/16x1/4 SS	2	
43	500411	WASHER FL .260x.697x.050 SS To L-6526	6	
43	500411	WASHER FL .260x.697x.050 SS From L-6527	2	
43	504206	WASHER FL .312X.750X.050 ss From L-6527	4	
50	223938	SUPPORT PIVOT / DOOR GUIDE M-1.0 W/SHOULDER 10MM (WELD)	1	
51	223939	SUPPORT ROD UPPER (WELDED AT STRUCTURE)	1	
51	223956	SUPPORT ROD UPPER FIXED W/SCREWS	1	
52	223954	POST ASSY FORWARD FUEL DOOR ASSY W/REINFORCMENT PANEL From B-5002 To F-5811	1	
. NS	216798	. PANEL REINFORCMENT LOWER FUEL DOOR 249MM x 600MM From B-5002 To F-5811	1	
. NS	223940	. POST ASSY FORWARD FUEL DOOR ASSY From B-5002 To F-5811	1	
. . NS	216797	. . STOPPER CONDENSOR DOOR From B-5002 To F-5811	2	
. . NS	223937	. . BRACKET LATCH COND DOOR From B-5002 To F-5811	1	
. . NS	477296	. . ATTACHMENT SPRING DOOR From B-5002 To F-5811	1	
. . NS	502659	. . NUT WD RND M6-1.0 SS From B-5002 To F-5811	2	
52	221916	POST ASSY FORWARD FUEL DOOR ASSY W/REINFORCMENT PANEL From F-5812	1	
. NS	221921	. PANEL REINFORCMENT LOWER FUEL DOOR 244.4MM x 508.6MM From F-5812	1	
. NS	221896	. ATTACH PIVOT LATCH From F-5812	1	
. NS	221917	. TUBE, FUEL DOOR / 895MM LG. From F-5812	1	
. NS	221918	. STOPPER, CONDENSOR DOOR, UPPER From F-5812	1	
. NS	221919	. SUPPORT, CONDENSOR DOOR, LATCH From F-5812	1	
. NS	221920	. STOPPER, CONDENSOR DOOR From F-5812	1	
60	X3-1855-01	RUB RAIL - EXTERIOR CREST & TRIMS From B-5002 To G-6083		
60	X3-1855-02	RUB RAIL - EXTERIOR CREST & TRIMS From G-6084		

From B-5002		Date:01/2024	PAGE:X3-1863-01	
CONDENSOR DOOR ASSY - BUS				
Item#	Part	Description	QTY	Notes
61	X3-2255-00	CONDENSOR - INSTALLATION To H-6179		
61	X3-2255-01	CONDENSOR - INSTALLATION - "GHG17" From H-6180		

BAGGAGE DOOR ASSY

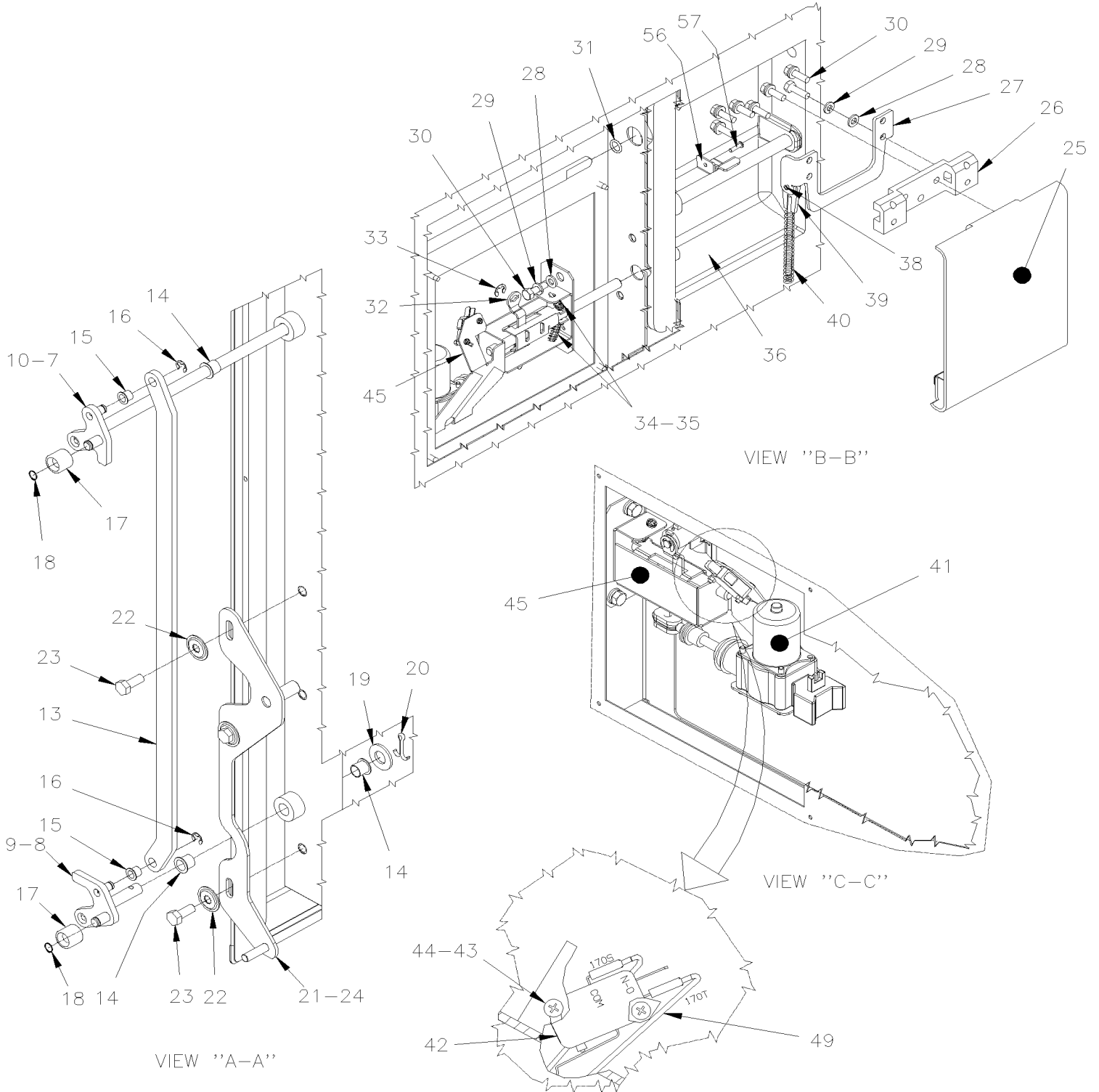


From 7-8754 To B-5001

Date:01/2024

PAGE:X3-1864-00

BAGGAGE DOOR ASSY



From 7-8754 To B-5001	Date:01/2024	PAGE:X3-1864-00
BAGGAGE DOOR ASSY		

Item#	Part	Description	QTY	Notes
	485576	DOOR ASSY 60" / W/FLAT PANEL	1	
	485577	DOOR ASSY 60" / W/FLAT PANEL / ELECTRICAL LOCK	1	
	485578	DOOR ASSY 85" / W/FLAT PANEL	1	
	485579	DOOR ASSY 85" / W/FLAT PANEL / ELECTRICAL LOCK	1	
	485580	DOOR ASSY 85" / W/FLAT PANEL - W/ W.C.L.	1	A
	485581	DOOR ASSY 85" / W/FLAT PANEL - W/ W.C.L. / ELECTRICAL LOCK	1	A
1	288795P	. FRAME 60"	1	
1	288805P	. FRAME 85"	1	
1	287568P	. FRAME 85" - W/ W.C.L.	1	
2	288632	. UPPER PANEL / FLAT / 60"	1	
2	288510	. UPPER PANEL / FLAT / 85"	1	
2	288656	. UPPER PANEL / FLAT - W/ W.C.L. / 85"	1	
3	288770	. LOWER PANEL / FLAT 60"	1	
3	288646	. LOWER PANEL / FLAT 85"	1	
3	288657	. LOWER PANEL / FLAT - W/ W.C.L. 85"	1	
4	288769	. PANEL INTERIOR 60"	1	
4	288647	. PANEL INTERIOR 85"	1	
4	288655	. PANEL INTERIOR 85" - W/ W.C.L.	1	
NS	506785	. TAPE RUB ADH2 CC POL 1/16" X 1/4" X 200' / BLACK I1C-N-A	AR	
NS	685126	. ADHESIVE SIMSON #ISR 70-03 / GREY / 600ml SAUSAGE	AR	
NS	504433	. SNAP-IN PLUG / 1.090 O.D.	AR	
5	481787	. PANEL ACCESS 9" X 9"	1	
6	502868	. SCREW TC TR PH #10-16x1/2 N500	4	
7	288661	. LOCKING ROD UPPER L.H. / W/60" DOOR	1	
7	288595	. LOCKING ROD UPPER L.H. / W/85" DOOR	1	
8	288788	. LOCKING ROD LOWER L.H. CUBRSIDE	1	
9	288787	. LOCKING ROD LOWER R.H. STREET SIDE	1	
10	288512	. LOCKING ROD UPPER R.H. / W/60" DOOR	1	
10	288596	. LOCKING ROD UPPER R.H. / W/85" DOOR	1	
11	288757	. RUBBER SEAL EXTRUSION / W/60" DOOR To A-9872	1	
11	288904	. RUBBER SEAL EXTRUSION / W/60" DOOR From A-9873	1	
11	2800146	. RUBBER SEAL EXTRUSION / W/60" DOOR	1	
11	288756	. RUBBER SEAL EXTRUSION / W/85" DOOR To A-9872	1	
11	289462	. RUBBER SEAL EXTRUSION / W/85" DOOR From A-9873	1	
11	2800131	. RUBBER SEAL EXTRUSION / W/85" DOOR	1	
13	288516	. LINKAGE	2	
14	507141	. BUSHING, NYLINER W/SHOULDER (7-L-7-F)	6	
15	507301	. BUSHING NYLINER	4	
16	504689	. RING RETAINER / EXT .312 x .243 x .025 / SS	4	
17	288607	. ROLLER CATCH	4	
18	504318	. RING RETAINER / EXT .375 x .352 x .025	4	

From 7-8754 To B-5001	Date:01/2024	PAGE:X3-1864-00
BAGGAGE DOOR ASSY		

Item#	Part	Description	QTY	Notes
19	500958	. WASHER FL .531x1.062x.095 SS	2	
20	502102	. PIN, COTTER 1/8 x 1	2	
21	289979	. CENTRAL SUPPORT R.H. To 7-8932	1	B
21	288804	. CENTRAL SUPPORT R.H. From 7-8933	1	
22	502857	. WASHER LO SERR 8.2x26.3x1.8 N500	8	
23	502862	. SCREW CAP HEX M8-1.25x20 G8.8 N500	8	
24	289978	. CENTRAL SUPPORT L.H. To 7-8932	1	B
24	288803	. CENTRAL SUPPORT L.H. From 7-8933	1	
25	288633	. HANDLE ASSY / S.B.	1	
NS	287621	. FINISHING FRAME PLASTIC / AROUND HANDLE BLACK From 8-9324	1	
26	288606	. HINGE	1	
27	288634	. GRIP HANDLE	1	
28	502573	. WASHER FL 6.4x12.5x1.6 SS	9	
29	502570	. WASHER LO SPT 6.1x11.8x1.6 SS	9	
30	502622	. SCREW CAP HEX M6-1.0x20 SS BK	9	
31	507644	. O-RING 10MM I.D. X 2MM	2	
32	287406	. PIVOT LOCK 9.5MM OFFSET	1	
33	504402	. RING RETAINER / EXT .250 x .210 x .025"	1	
34	481564	. ROD GUIDE	2	
35	502934	. SPRING COMPRESSION / .300 O.D. x 1 x .026	2	
36	288611	. SEALING BOX	1	F
37	5001630	. SCREW TP BUTF TORX M6x20 SS	6	
38	287271	. RIVET SHR FL 9.95x3.6{4.8x4.8 SS	1	
39	288639	. PIN HANDLE RELEASE	1	
40	480394	. SPRING COMPRESSION / .355 O.D. 3.375 x .063	1	
41	780428	. LOCK ACTUATOR / 12V To A-9965	1	C
. NS	562076	. . CONNECTOR / PACK-CON I / FEMALE HOUSING / 2C / PED 8911772 To A-9965	1	C
41	2810382	. ACTUATOR SERVICE KIT To A-9965	1	C
41	780814	. LOCK ACTUATOR / 12V From A-9966	1	C D
. NS	562076	. . CONNECTOR / PACK-CON I / FEMALE HOUSING / 2C / PED 8911772 From A-9966	1	C D
NS	504273	. CABLE TIE / 1/8" X 3"1/2	AR	C
NS	562679	. 4 WAY ADH. BACKED MOUNTS 1.000 x 1.000 x .160	AR	C
NS	504637	. CABLE TIE / 3/16" x 13"	AR	C
42	562096	. MICRO SWITCH	1	C
43	502577	. SCREW MA PAN PH M3-0.5x16 ZP	2	C
43	5001100	. SCREW CAP HEX M3-0.5x30 G8.8 ZP	1	C D
44	502579	. NUT HEX M3-0.5 NP	2	C
44	5001408	. NUT HEX STO M3-0.5 ZP	2	C D
NS	500437	. WASHER FL .125x.375x.040 Z050	2	D
45	288643	. SUPPORT LOCK ACTUATOR To A-9965	1	C
45	289000	. SUPPORT LOCK ACTUATOR ASSY W/ ROD From A-9966	1	D
49	066503	. CABLE ASSY / DOOR LOCK / W/60" & COMPRESSOR To A-9965	1	C

From 7-8754 To B-5001	Date:01/2024	PAGE:X3-1864-00
BAGGAGE DOOR ASSY		

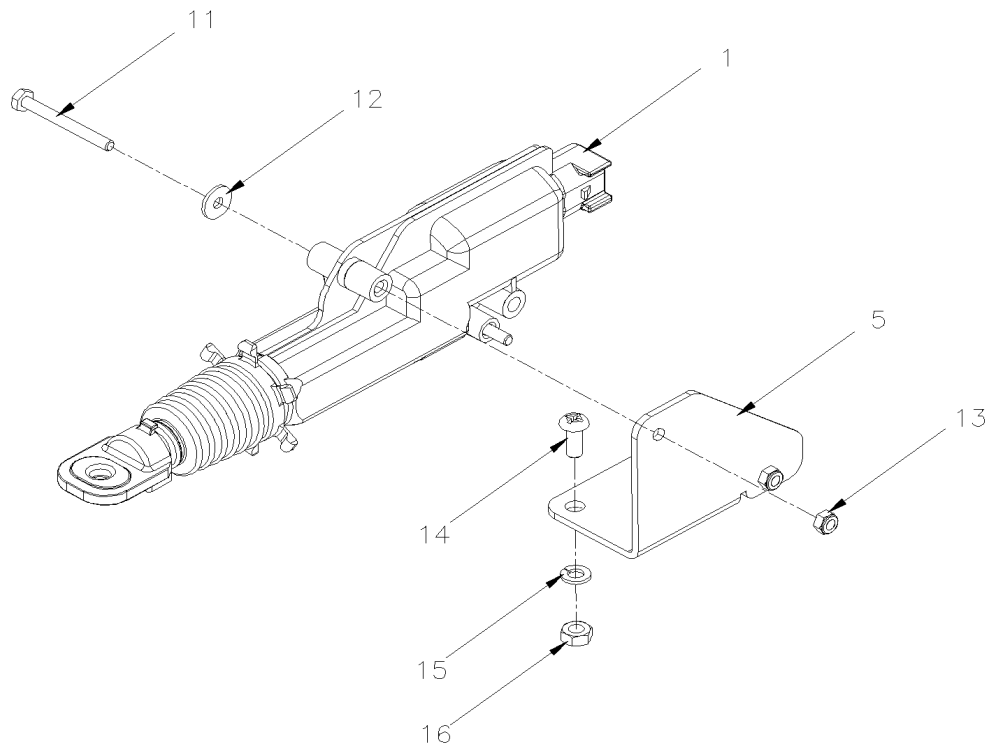
Item#	Part	Description	QTY	Notes
49	068080	. CABLE ASSY / DOOR LOCK From A-9966	1	
49	066755	. CABLE ASSY / W/85" BAGGAGE DOORS / W/W.C.L. To A-9965	1	C
49	068081	. CABLE ASSY / DOOR LOCK / W/W.C.L. From A-9966	1	
NS	683447	ADHESIVE SIKATAK PLUS / BLACK / 23 Liters	AR	
NS	680343	GREASE CLEAR SPRAY BOTTLE 283GR	AR	
NS	506268	TAPE RUB ADH1 URE 3/8" x 1/2" x 25' / GREY 1820	AR	
NS	683448	ACCELERATOR SIKA / 600ml SAUSAGE	AR	
50	X3-1867-00	KEY & CYLINDER CODE "FORD" & "NS"		
51	X3-1855-00	RUB RAIL - EXTERIOR CREST & TRIMS		
56	2800645	HANDLE REINFORCEMENT	1	F
57	502673	SCREW TC PAN PH #6-32x1/2 SS	1	F
		A) THIS DOOR ASSY INCLUDE ALLS ITEMS AS SEE AT PAGE 1864-80		
		B) THE FIRST 3 VEHICULES HAVE THIS CENTRAL SUPPORT INSTALLATION WITH 2 PIÈCES 288593 UPPER AND 288594 LOWER IT COULD BE REPLACE BY 289978 & 289979		
		C) REQUIRE ALLS THOSE ITEMS TO RETROFIT ELECTRICAL DOOR LOCK		
		D) REQUIRE ALLS THOSE ITEMS TO CHANGE FOR NEW ACTUATOR #780814 ELECTRICAL DOOR LOCK		
		F) USE TO REPAIR 288611 / TO INSTALL IT YOU HAVE TO DRILL A HOLE 7/64		

From 7-8754 To B-5001

Date:01/2024

PAGE:2810382

ACTUATOR SERVICE KIT



From 7-8754 To B-5001	Date:01/2024	PAGE:2810382
-----------------------	--------------	--------------

ACTUATOR SERVICE KIT

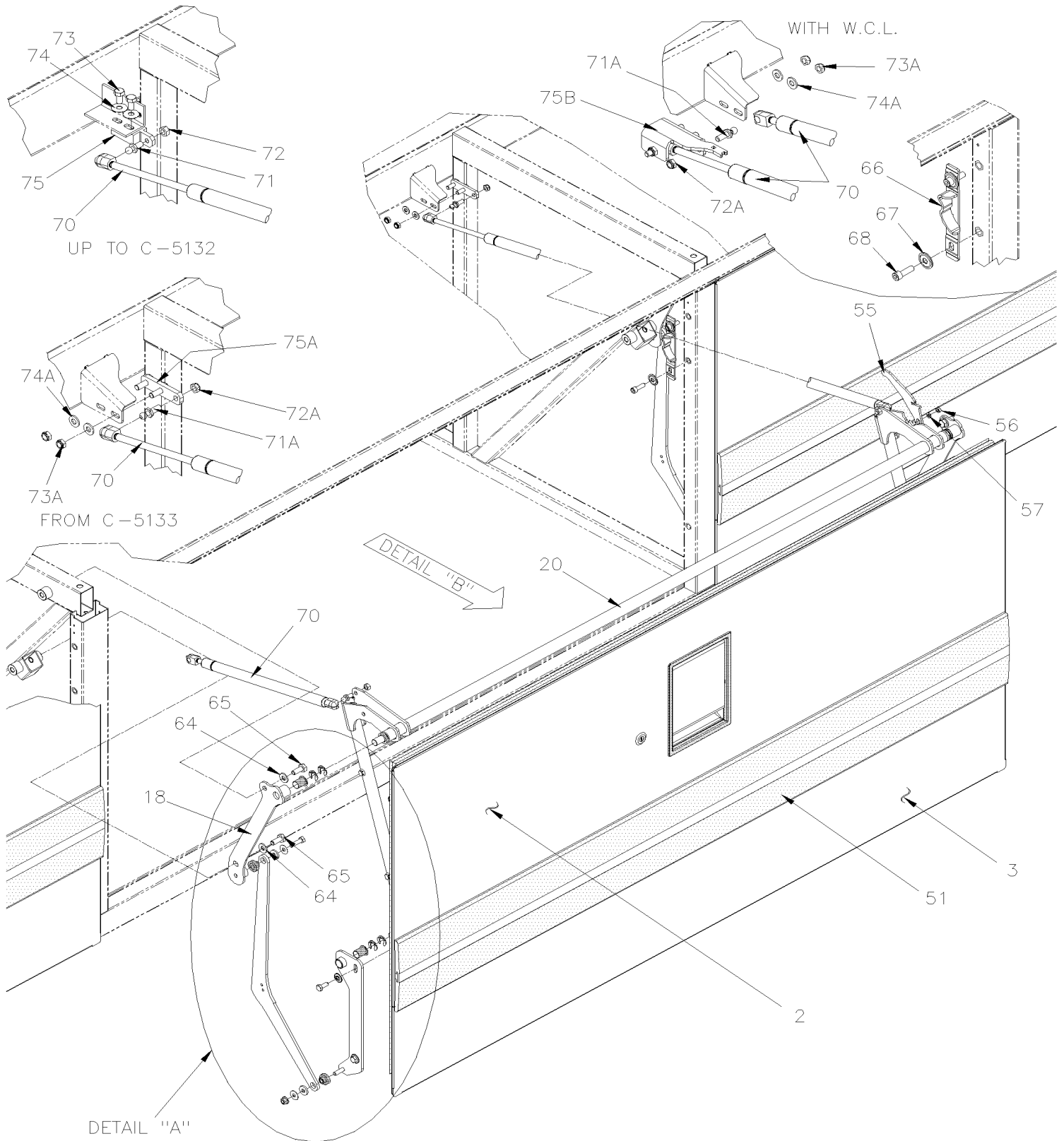
Item#	Part	Description	QTY	Notes
1	2800049	LOCK ACTUATOR / 12V	1	
1	068011	CABLE INTERFACE DOOR LOCK ACTUATOR (780428 vs 2800049)	1	
5	2810380	SUPPORT	1	
11	5001100	SCREW CAP HEX M3-0.5x30 G8.8 ZP	2	
12	500437	WASHER FL .125x.375x.040 Z050	2	
13	5001408	NUT HEX STO M3-0.5 ZP	2	
14	5001036	SCREW MA PAN PH M4-0.7x10 Z050	2	
15	502524	NUT HEX M4-0.7 Z050	2	
16	502636	WASHER LO SPT 4.1x7.6x0.9 Z050	2	
NS	IS-19092	SEE INSTRUCTION SHEET	1	
NS	FI-19092	VOIR FEUILLE D'INSTRUCTION	1	

From B-5002 To D-5458

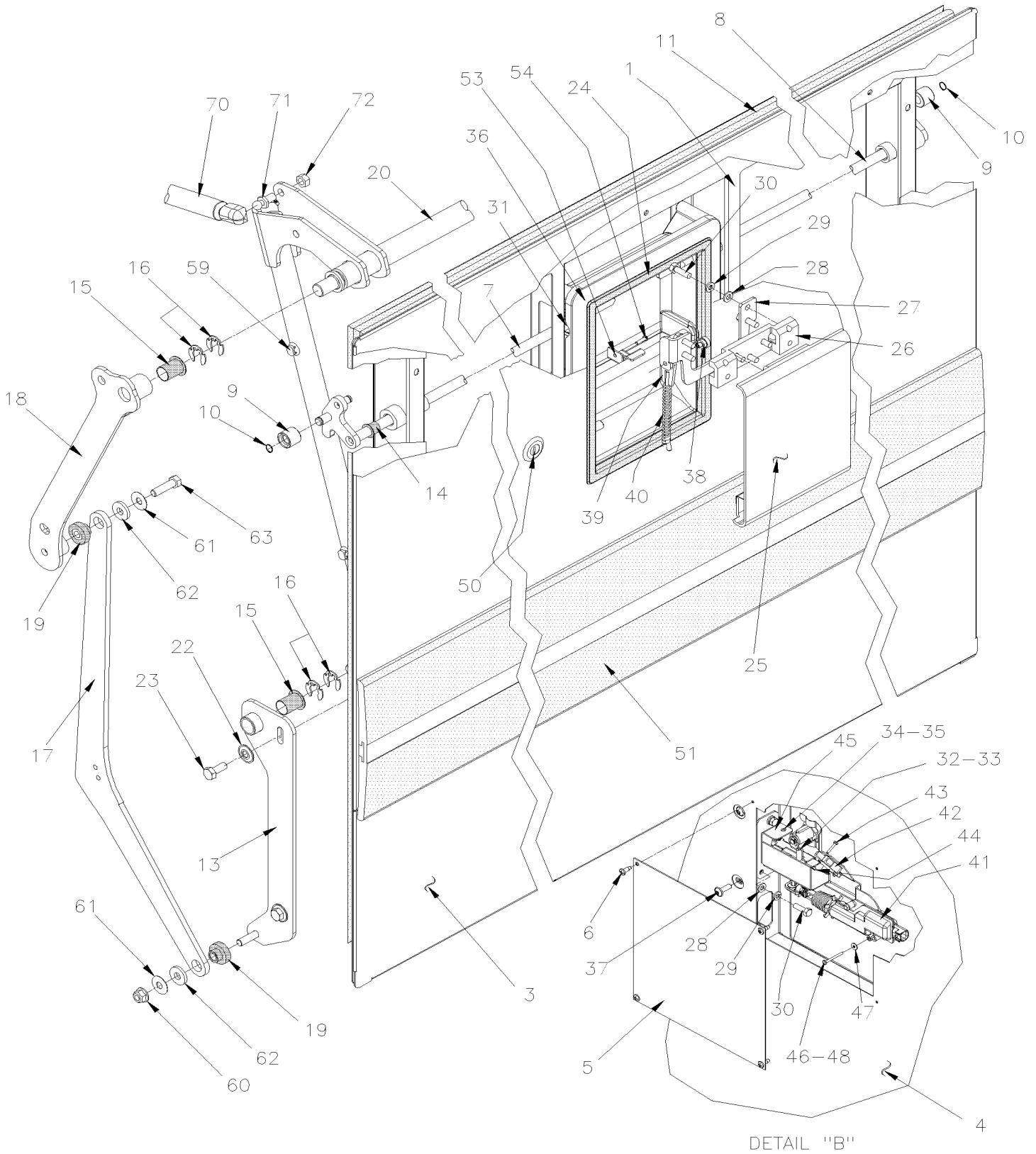
Date:01/2024

PAGE:X3-1864-01

BAGGAGE DOOR ASSY



BAGGAGE DOOR ASSY



From B-5002 To D-5458	Date:01/2024	PAGE:X3-1864-01
BAGGAGE DOOR ASSY		

Item#	Part	Description	QTY	Notes
	484290	DOOR ASSY 70" / W/FLAT PANEL	1	
	484294	DOOR ASSY 70" / W/FLAT PANEL / ELECTRICAL LOCK	1	
	484293	DOOR ASSY 70" / W/FLAT PANEL - W/W.C.L.	1	A
	484292	DOOR ASSY 70" / W/FLAT PANEL - W/W.C.L. / ELECTRICAL LOCK	1	A
1	287057P	. FRAME 70" To D-5299	1	
1	289830P	. FRAME 70" From D-5300	1	
1	287066P	. FRAME 70" - W/ W.C.L. To D-5299	1	
1	289828P	. FRAME 70" - W/ W.C.L. From D-5300	1	
2	287491	. ONE PIECE PANEL / FLAT 70" / UPPER & LOWER	1	
2	287492	. ONE PIECE PANEL / FLAT - W/W.C.L. 70" / UPPER & LOWER	1	
3	2801017	. . LOWER PANEL / FLAT 70"	1	
3	2801018	. . LOWER PANEL / FLAT - W/ W.C.L. 70"	1	
4	287055	. PANEL INTERIOR 70"	1	
4	287686	. PANEL INTERIOR 70" - W/ W.C.L.	1	
NS	506785	. TAPE RUB ADH2 CC POL 1/16" X 1/4" X 200' / BLACK I1C-N-A	AR	
NS	504433	. SNAP-IN PLUG / 1.090 O.D.	AR	
5	481787	. PANEL ACCESS 9" X 9"	1	
6	502868	. SCREW TC TR PH #10-16x1/2 N500	4	
7	288100	. LOCKING ROD L.H. 793MM	1	
8	280247	. LOCKING ROD R.H. 793MM	1	
9	288607	. ROLLER CATCH	2	
10	504318	. RING RETAINER / EXT .375 x .352 x .025	2	
11	287060	. RUBBER SEAL EXTRUSION / W/70" DOOR 1698MM x 800MM To C-5244	1	
11	2800140	. RUBBER SEAL EXTRUSION / W/70" DOOR 1698MM x 800MM From C-5245	1	
13	287415	SUPPORT LOWER L.H.	1	
13	285724	SUPPORT LOWER R.H.	1	
14	507141	BUSHING, NYLINER W/SHOULDER (7-L-7-F)	2	
15	507299	BUSHING NYLINER	4	
16	508398	RING RETAINER / EXT .625 x .500 x .050" / SS	AR	
17	287690	ARM LOWER L.H.	1	
17	287713	ARM LOWER R.H.	1	
18	287414	ARM UPPER L.H.	1	
18	286707	ARM UPPER R.H.	1	
19	286716	SPACER BUSHING FLANGE / AUX. ARM & SUPPORT ACETAL 8.3MM I.D.	4	
20	287691	ARM PANTOGRAPH	1	
20	283876	ARM PANTOGRAPH W/ W.C.L. To B-5039	1	
20	287730	ARM PANTOGRAPH W/ W.C.L. From B-5040	1	
22	5001699	WASHER BEL SPR 8.2x22x1.4 N500	4	
23	502862	SCREW CAP HEX M8-1.25x20 G8.8 N500	4	
24	287621	FINISHING FRAME PLASTIC / AROUND HANDLE BLACK	1	
25	288633	HANDLE ASSY / S.B.	1	

From B-5002 To D-5458	Date:01/2024	PAGE:X3-1864-01
BAGGAGE DOOR ASSY		

Item#	Part	Description	QTY	Notes
26	288606	HINGE	1	
27	288634	GRIP HANDLE	1	
28	502573	WASHER FL 6.4x12.5x1.6 SS	9	
29	502570	WASHER LO SPT 6.1x11.8x1.6 SS	9	
30	502622	SCREW CAP HEX M6-1.0x20 SS BK	9	
31	507644	O-RING 10MM I.D. X 2MM	2	
32	287406	PIVOT LOCK 9.5MM OFFSET	1	
33	504402	RING RETAINER / EXT .250 x .210 x .025"	1	
34	481564	ROD GUIDE	2	
35	502934	SPRING COMPRESSION / .300 O.D. x 1 x .026	2	
36	288611	SEALING BOX	1	F
37	5001630	SCREW TP BUTF TORX M6x20 SS	6	
38	287271	RIVET SHR FL 9.95x3.6(4.8x4.8 SS	1	
39	288639	PIN HANDLE RELEASE	1	
40	480394	SPRING COMPRESSION / .355 O.D. 3.375 x .063	1	
41	780814	LOCK ACTUATOR / 12V To C-5169	1	
NS	562076	. CONNECTOR / PACK-CON I / FEMALE HOUSING / 2C / PED 8911772 To C-5169	1	
41	2800049	LOCK ACTUATOR / 12V From C-5170	1	
NS	780883	END EFFECTOR PADDLE	1	
NS	504273	CABLE TIE / 1/8" X 3"1/2	AR	C
NS	562679	4 WAY ADH. BACKED MOUNTS 1.000 x 1.000 x .160	AR	C
NS	504637	CABLE TIE / 3/16" x 13"	AR	C
42	562096	MICRO SWITCH	1	C
43	502577	SCREW MA PAN PH M3-0.5x16 ZP	2	C
43	502826	NUT HEX M3-0.5 N500	2	C
44	502579	NUT HEX M3-0.5 NP	2	C
45	289000	SUPPORT LOCK ACTUATOR ASSY W/ ROD	1	
NS	068011	CABLE INTERFACE DOOR LOCK ACTUATOR (780428 vs 2800049) From A-9965 To A-9965	1	
46	5001100	SCREW CAP HEX M3-0.5x30 G8.8 ZP	2	
47	500437	WASHER FL .125x.375x.040 Z050	2	
48	5001408	NUT HEX STO M3-0.5 ZP	2	
49	066503	. CABLE ASSY / DOOR LOCK / W/60" & COMPRESSOR To A-9965	1	C
49	068080	. CABLE ASSY / DOOR LOCK From A-9966	1	C
49	068081	. CABLE ASSY / DOOR LOCK / W/W.C.L. From A-9966	1	C
NS	685126	ADHESIVE SIMSON #ISR 70-03 / GREY / 600ml SAUSAGE O	AR	
NS	684517	ADHESIVE SIMSON #ISR 70-03 / GREY / 310ml CARTRIDGE O	AR	
NS	680343	GREASE CLEAR SPRAY BOTTLE 283GR O	AR	
NS	506268	TAPE RUB ADH1 URE 3/8" x 1/2" x 25' / GREY 1820 O	AR	
NS	687961	GLUE MS POLYMER TEROSON MS 9399 / "A" 21 Liters O	AR	
49	687962	GLUE MS POLYMER TEROSON MS 9399 / "B" 21 Liters O	AR	
49	685252	GLUE MS POLYMER LOCTITE 5570 (CLEAR) 300ml CARTRIDGE O	AR	
49	506785	TAPE RUB ADH2 CC POL 1/16" X 1/4" X 200' / BLACK I1C-N-A P	AR	

From B-5002 To D-5458	Date:01/2024	PAGE:X3-1864-01
BAGGAGE DOOR ASSY		

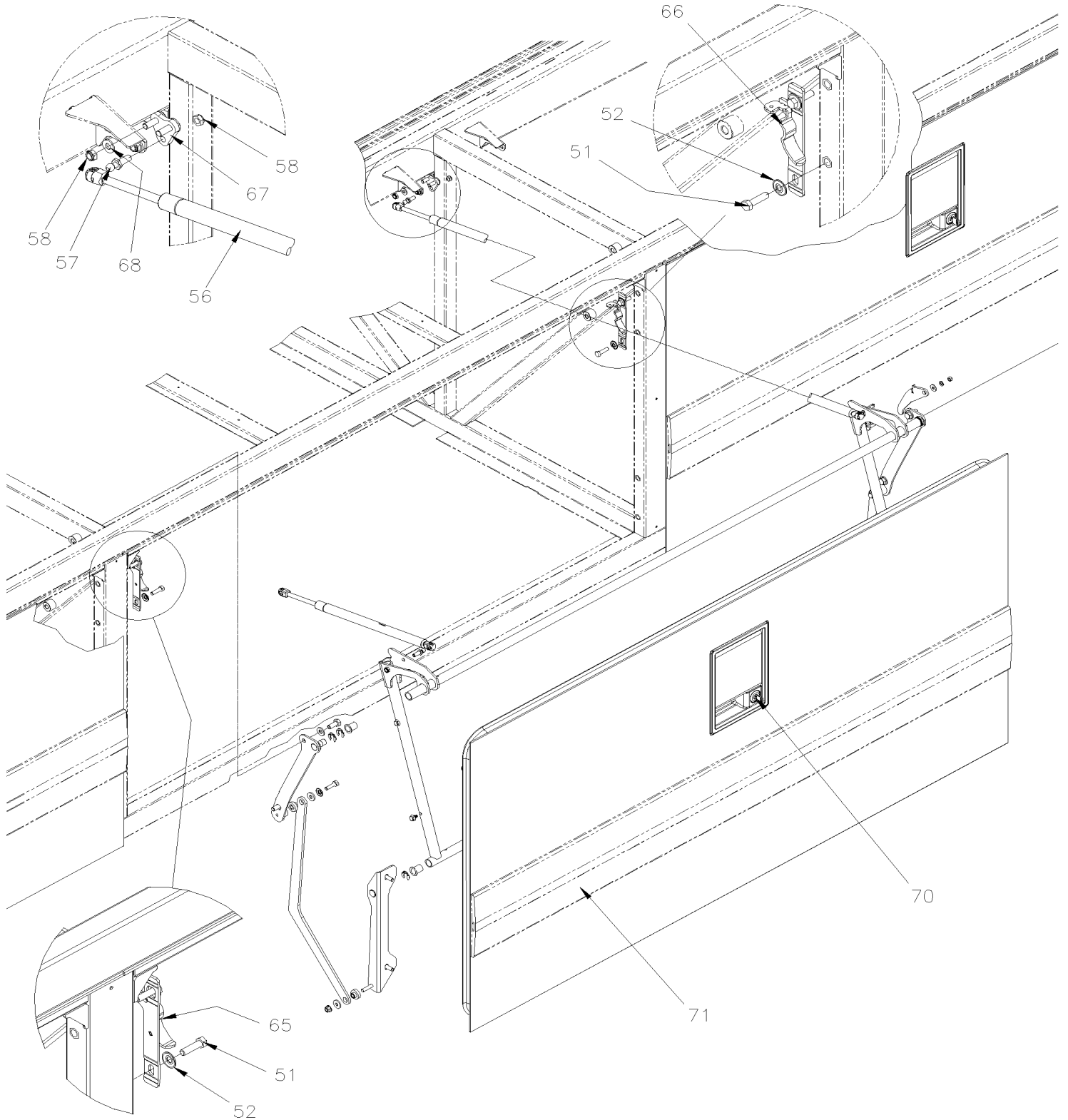
Item#	Part	Description	QTY	Notes
49	506268	TAPE RUB ADH1 URE 3/8" x 1/2" x 25' / GREY 1820	AR	
50	X3-1867-00	KEY & CYLINDER CODE "FORD" & "NS"		
51	X3-1855-01	RUB RAIL - EXTERIOR CREST & TRIMS		
53	2800645	HANDLE REINFORCEMENT	1	F
54	502673	SCREW TC PAN PH #6-32x1/2 SS	1	F
55	287712	HOOK, BAGGAGE DOOR	1	
56	5001182	NUT HEX NYRT M6-1.0 SS	1	
57	502573	WASHER FL 6.4x12.5x1.6 SS	1	
59	509815	TIE MOUNT / ATTACHMENT W/TREE MOUNT	4	
60	502837	NUT HEXF STO M8-1.25 N500	2	
61	502856	WASHER LO SERR 8.15x22.3x1.0 DP320	4	
62	500401	WASHER FL .343x.875x.125 N500	4	
63	5001738	SCREW CAP HEX M8-1.25x30 G8.8 N500	2	
64	5001834	WASHER BEL SPR 10.5X23X2.5 N500	4	
65	502804	SCREW CAP HEX M10-1.5x25 G8.8 N500	4	
66	288526	LOCKING GUIDE L.H. ASSY	1	
66	287150	LOCKING GUIDE R.H. ASSY	1	
67	502857	WASHER LO SERR 8.2x26.3x1.8 N500	4	
68	5001775	SCREW CAP HEXS M8-1.25x25 G8.8 G500	4	
70	980030	CYLINDER GAZ / 669/409MM C/C / 210LBS	2	
71	980015	BALL STUD / W/10 MM X M8-1.25 / 29.18 MM To C-5132	4	
71A	980027	BALL STUD / W/10 MM X M8-1.25 / 36.5MM From C-5133	4	
72	980016	NUT, CYLINDER RETAINER To C-5132	4	
72A	500868	NUT HEX NYRT M8-1.25 Z050 From C-5133	4	
73	500820	SCREW CAP HEX M8-1.25x16 G10.9 N500 To C-5132	4	
73A	500868	NUT HEX NYRT M8-1.25 Z050 From C-5133	4	
74	502856	WASHER LO SERR 8.15x22.3x1.0 DP320 To C-5132	4	
74A	5001736	WASHER FL 8.4x18.0x2.0 N500 From C-5133	4	
75	288781	BLOCK W/1 THREADED HOLE M8-1.25 To C-5132	2	
75	287718	BLOCK / W/W.C.L. DOOR To C-5132	1	
75A	287727	ATTACHMENT / DOOR CYLINDER From C-5133	2	
75B	287728	ATTACHMENT / DOOR CYLINDER / W/W.C.L. DOOR From C-5133	1	
		A) THIS DOOR ASSY INCLUDE ALLS ITEMS AS SEE AT PAGE 1864-80		
		C) REQUIRE ALLS THOSE ITEMS TO RETROFIT ELECTRICAL DOOR LOCK		
		F) USE TO REPAIR 288611 / TO INSTALL IT YOU HAVE TO DRILL A HOLE 7/64		

From E-5459

Date:01/2024

PAGE:X3-1864-02

BAGGAGE DOOR ASSY

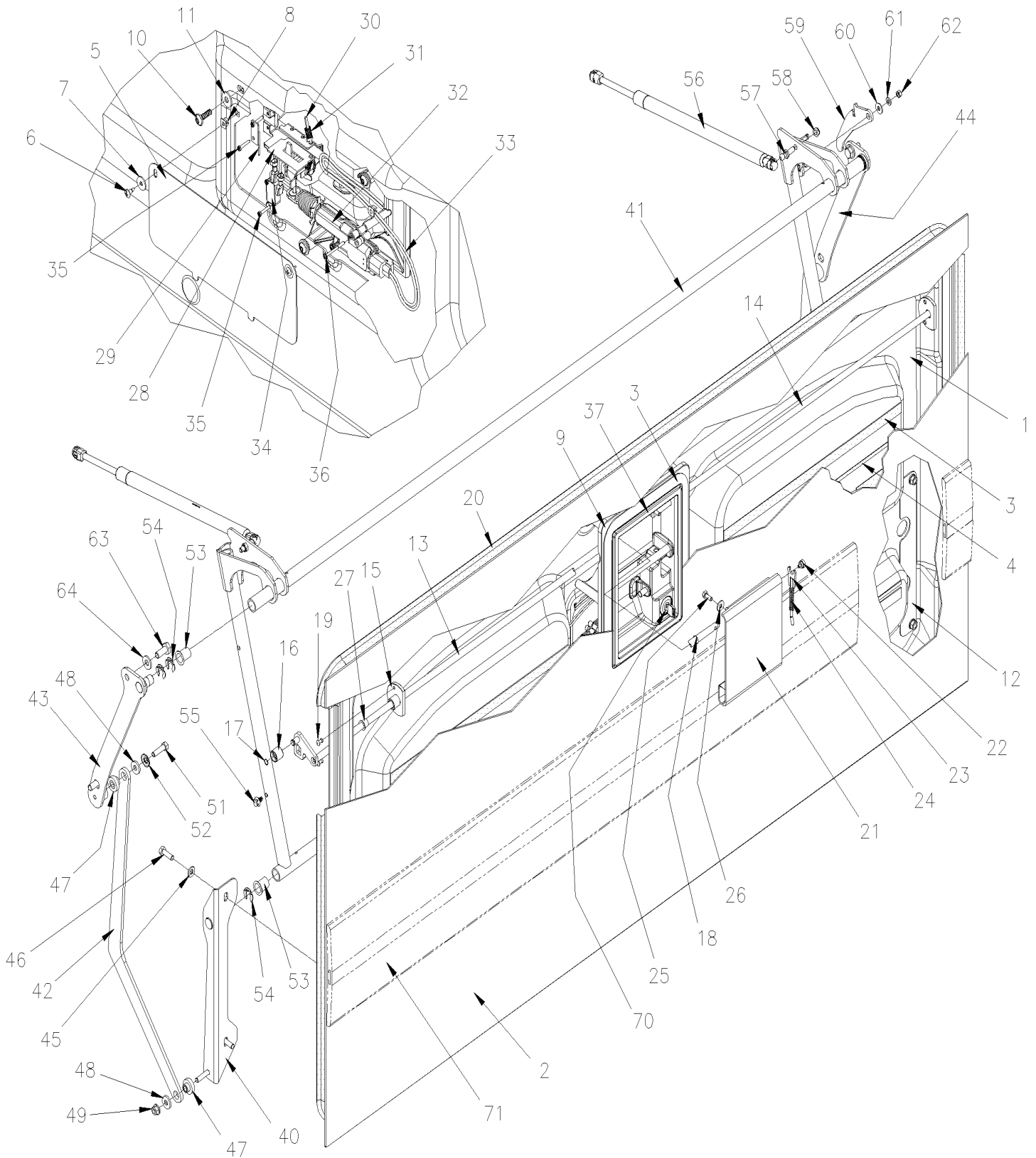


From E-5459

Date:01/2024

PAGE:X3-1864-02

BAGGAGE DOOR ASSY



From E-5459		Date:01/2024	PAGE:X3-1864-02
BAGGAGE DOOR ASSY			

Item#	Part	Description	QTY	Notes
	2800366	DOOR ASSY 70" / W/FLAT PANEL / ALUMINIUM	1	
	2800365	DOOR ASSY 70" / W/FLAT PANEL / ELECTRICAL LOCK / ALUMINIUM	1	
	2800591	DOOR ASSY 70" / W/FLAT PANEL / 3RD CURBSIDE ONLY / ELECTRICAL LOCK / ALUMINIUM	1	
	2810420	DOOR ASSY 70" / W/FLAT PANEL W/LAMP / ELECTRICAL LOCK / ALUMINIUM	1	L
1	287941	. FRAME 70" / ALUMINIUM To F-5864	1	
1	2800597	. FRAME 70" / ALUMINIUM From F-5865	1	
1	280041	. FRAME 70"- W/ LAMP / ALUMINIUM From G-6084	1	L
NS	504433	. SNAP-IN PLUG / 1.090 O.D. To E-5506	4	
2	288733	. ONE PIECE PANEL / FLAT 70" / ALUMINIUM	1	
2	2800295	. . LOWER PANEL / FLAT - W/O W.C.L. / 70" / ALUMINIUM	1	
2	280040	. ONE PIECE PANEL / FLAT W/ LAMP 70" / ALUMINIUM From G-6084	1	L
NS	X3-0663-00	. DOCK & CORNERING LIGHT		L
3	687961	. GLUE MS POLYMER TEROSON MS 9399 / "A" 21 Liters To M-6660	AR	
3	685385	. GLUE MS POLYMER TEROSON MS 9399 / "A" 14.8 Liters From M-6661	AR	
3	687962	. GLUE MS POLYMER TEROSON MS 9399 / "B" 21 Liters To M-6660	AR	
3	685386	. GLUE MS POLYMER TEROSON MS 9399 / "B" 14.8 Liters From M-6661	AR	
3	687957	. GLUE MS POLYMER TEROSON MS 9399 / 400ml CARTRIDGE To M-6660	AR	
3	685387	. GLUE MS POLYMER TEROSON MS 9399 / 400ml CARTRIDGE From M-6661	AR	
3	684517	. ADHESIVE SIMSON #ISR 70-03 / GREY / 310ml CARTRIDGE	AR	
4	506785	. TAPE RUB ADH2 CC POL 1/16" X 1/4" X 200' / BLACK I1C-N-A	AR	
5	2800265	. PANEL ACCESS 10 3/4" x 4 3/8"	1	
6	500124	. SCREW TP TR PH #8x1/2 SS	2	
7	5001076	. WASHER FL RET 4.6x15.4x1.37 NYL BK	2	
8	502741	. NUT AN #8 NYL	2	
9	289062	. SEALING BOX / W/FORD LOCK	1	
10	5001630	. SCREW TP BUTF TORX M6x20 SS	5	
11	5001114	. WASHER FL .260x.687x.060 NYL	5	
12	2800053	. ATTACH, HINGE	2	
13	2800237	. LOCKING ROD L.H. 793MM	1	
14	2800238	. LOCKING ROD R.H. 793MM	1	
15	2800269	. LOCKING ROD GUIDE	2	
16	2800270	. ROLLER CATCH	2	
17	504318	. RING RETAINER / EXT .375 x .352 x .025	2	
18	507644	. O-RING 10MM I.D. X 2MM	2	
19	504120	. RIVET POP DOME CLE 3/16x1/2 AL	4	
20	2800358	. RUBBER SEAL EXTRUSION / W/70" DOOR To E-5596	1	
20	2800423	. RUBBER SEAL EXTRUSION / W/70" DOOR From E-5597	1	
21	2800297	. HANDLE ASSY / BAGAGE DOOR To N-6727	1	
21	2800675	. HANDLE ASSY / BAGAGE DOOR From N-6728	1	
22	287271	. . RIVET SHR FL 9.95x3.6(4.8x4.8 SS	1	
23	289068	. PIN HANDLE RELEASE	1	
24	289070	. SPRING COMPRESSION / .355 O.D. 2.755 x .063	1	

From E-5459		Date:01/2024	PAGE:X3-1864-02
BAGGAGE DOOR ASSY			

Item#	Part	Description	QTY	Notes
25	5001697	. SCREW CAP HEX M6-1.0x16 SS BK	2	
26	5001833	. WASHER BEL SPR 6.1x18x1.27 SS	2	
27	507141	. BUSHING, NYLINER W/SHOULDER (7-L-7-F)	2	
28	289065	. PIN LATCH To K-6392	1	B
28	289862	. PIN LATCH From K-6393	1	
29	289064	. STOP PLATE LATCH	1	
30	481564	. ROD GUIDE	2	
31	502934	. SPRING COMPRESSION / .300 O.D. x 1 x .026	2	
32	2800049	. LOCK ACTUATOR / 12V To K-6392	1	
32	289877	. LOCK ACTUATOR / 12V From K-6393	1	
33	068617	. CABLE ASSY / DOOR LOCK To H-6179	1	
33	069551	. CABLE ASSY / DOOR LOCK From H-6180	1	
NS	504637	. CABLE TIE / 3/16" x 13"	AR	
33	509815	. TIE MOUNT / ATTACHMENT W/TREE MOUNT	2	N
33	504273	. CABLE TIE / 1/8" X 3"1/2	2	N
34	562096	. MICRO SWITCH	1	
35	5001888	. SCREW TP CAP TORX M3X18 SS	4	
36	5001887	. SCREW TP PAN WSHR TORX M3X35 SS	2	
37	289063	. FINISHING FRAME PLASTIC / AROUND HANDLE BLACK	1	
NS	684685	. ADHESIVE SIMSON #ISR 70-03 / 310ml CARTRIDGE	AR	
40	288735	BRACKET LOWER LH	1	
40	288734	BRACKET LOWER RH	1	
41	2800107	ARM PANTOGRAPH	1	
42	2800307	ARM LOWER L.H.	1	
42	2800104	ARM LOWER R.H.	1	
43	288737	ARM UPPER L.H.	1	
44	288736	ARM UPPER R.H.	1	
45	5001868	WASHER BEL SPR 8.4x18x2 SS	4	
46	502780	SCREW CAP HEX M8-1.25x25 SS BK	4	
47	286716	SPACER BUSHING FLANGE / AUX. ARM & SUPPORT ACETAL 8.3MM I.D.	4	
48	500401	WASHER FL .343x.875x.125 N500	4	
49	502837	NUT HEXF STO M8-1.25 N500	2	
51	5001738	SCREW CAP HEX M8-1.25x30 G8.8 N500	6	
52	5001699	WASHER BEL SPR 8.2x22x1.4 N500	6	
53	507299	BUSHING NYLINER	4	
54	508398	RING RETAINER / EXT .625 x .500 x .050" / SS	6	
55	509815	TIE MOUNT / ATTACHMENT W/TREE MOUNT	2	
56	980030	CYLINDER GAZ / 669/409MM C/C / 210LBS	2	
57	980027	BALL STUD / W/10 MM X M8-1.25 / 36.5MM	4	
58	502847	NUT HEX NYRT M8-1.25 N500	8	
59	2800310	HOOK, BAGGAGE DOOR	1	
NS	2800309	SPRING TENSION	1	

From E-5459		Date:01/2024	PAGE:X3-1864-02
BAGGAGE DOOR ASSY			

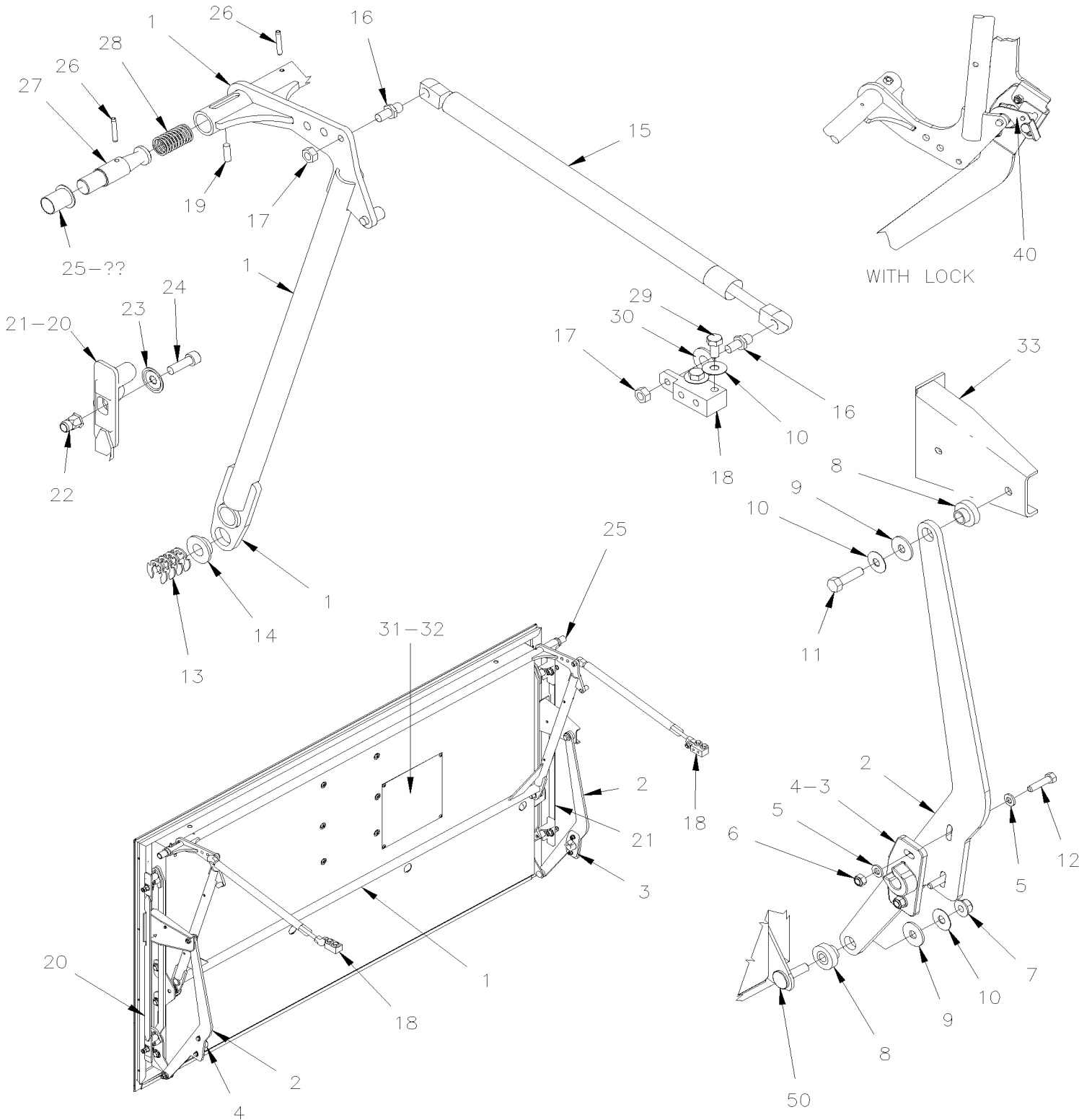
Item#	Part	Description	QTY	Notes
60	5001833	WASHER BEL SPR 6.1x18x1.27 SS To J-6207	1	
60	5001976	WASHER FL .266x.718x.060 SS From J-6208	1	
61	502573	WASHER FL 6.4x12.5x1.6 SS To J-6207	1	
62	5001182	NUT HEX NYRT M6-1.0 SS	1	
63	502804	SCREW CAP HEX M10-1.5x25 G8.8 N500	4	
64	5001834	WASHER BEL SPR 10.5X23X2.5 N500	4	
65	2800260	LOCKING GUIDE L.H. ASSY To E-5759	1	
65	2800528	LOCKING GUIDE L.H. ASSY From F-5760 To K-6439	1	
65	2800321	LOCKING GUIDE L.H. ASSY From K-6440	1	
66	2800259	LOCKING GUIDE R.H. ASSY To E-5759	1	
66	2800531	LOCKING GUIDE R.H. ASSY From F-5760 To K-6439	1	
66	2800667	LOCKING GUIDE R.H. ASSY From K-6440	1	
67	2800306	ATTACHMENT / DOOR CYLINDER	2	
68	5001736	WASHER FL 8.4x18.0x2.0 N500	4	
70	X3-1867-00	KEY & CYLINDER CODE "FORD" & "NS" To K-6492		
70	X3-1867-01	KEY & CYLINDER CODE "FORD" From L-6493		
71	X3-1855-01	RUB RAIL - EXTERIOR CREST & TRIMS From B-5002 To G-6083		
71	X3-1855-02	RUB RAIL - EXTERIOR CREST & TRIMS From G-6084		
		B) ONLY USE WITH ELECTRICAL LOCK, WHEN YOU REPLACE THE PIN LATCH 289065 BY THE NEW 289862 YOU HAVE TO REPLACE THE ACTUATOR 2800049 BY NEW 289877		
		L) WITH DOOR CURB LIGHT		
		N) W/O ELECTRIC LOCK		

From 7-8754 To B-5001

Date:01/2024

PAGE:X3-1864-10

BAGGAGE DOOR ASSY - INSTALLATION



From 7-8754 To B-5001	Date:01/2024	PAGE:X3-1864-10
BAGGAGE DOOR ASSY - INSTALLATION		

Item#	Part	Description	QTY	Notes
1	288784	ARM PANTOGRAPH W/60" DOORS	1	
1	288783	ARM PANTOGRAPH W/85" DOORS	1	
NS	8631155	CABLE TIE / 4.6MM x 200 / CHRISTMAS TREE	2	
2	288515	ARM LOWER	2	
3	288012	DOOR STOPPER L.H.	1	
4	288011	DOOR STOPPER R.H.	1	
NS	288794	SPACER SS DOOR STOPER	AR	
5	502573	WASHER FL 6.4x12.5x1.6 SS	8	
6	5001182	NUT HEX NYRT M6-1.0 SS	4	
7	502837	NUT HEXF STO M8-1.25 N500	2	
8	286716	SPACER BUSHING FLANGE / AUX. ARM & SUPPORT ACETAL 8.3MM I.D.	4	
9	500401	WASHER FL .343x.875x.125 N500	4	
10	502856	WASHER LO SERR 8.15x22.3x1.0 DP320	8	
11	940142	SCREW CAP HEX M8-1.25x30 G8.8 ZG603	4	
12	502737	SCREW CAP HEX M6-1.0x25 SS BK	4	
13	508398	RING RETAINER / EXT .625 x .500 x .050" / SS	8	
14	507257	BUSHING NYLINER W/SHOULDER	2	
15	980024	CYLINDER GAZ / 669/409MM C/C / 200LBS	AR	
15	980030	CYLINDER GAZ / 669/409MM C/C / 210LBS	AR	
16	980015	BALL STUD / W/10 MM X M8-1.25 / 29.18 MM	AR	
17	502838	NUT HEX TWAY M8-1.25 N500	AR	
18	288781	BLOCK W/1 THREADED HOLE M8-1.25	AR	
18	289812	BLOCK W/2 THREADED HOLE M8-1.25	AR	
19	5001640	SCREW SET HEXS CONE M6-1.0x20 SS	1	
NS	680038	THREAD LOCKER LOCTITE #243 / BLUE / 50ml	AR	
20	288521	LOCKING GUIDE L.H. ASSY	1	C
21	288520	LOCKING GUIDE R.H. ASSY	1	C
22	504725	NUT INS FL HEX M8-1.25 0.7-3.8 DP320	4	C
23	502857	WASHER LO SERR 8.2x26.3x1.8 N500	4	
24	984065	SCREW CAP HEXS M8-1.25x25 G8.8 DP	4	
25	507299	BUSHING NYLINER	2	
NS	680343	GREASE CLEAR SPRAY BOTTLE 283GR	AR	
26	505184	SPRING, PIN 5/32 X 1	2	
27	288778	AXLE	1	
28	502144	SPRING COMPRESSION / .720 O.D. x 2 x .062	1	
29	500820	SCREW CAP HEX M8-1.25x16 G10.9 N500	4	
30	5001003	WASHER LO SPT 8.1x12.7x2.0 Z050	3	E
31	780799	PROTECTOR	1	B
32	504339	RIVET POP DOME OE 1/8x3/8 SS	2	B
33	288513	FIXING PLATE	AR	
40	287666	KIT SECONDARY "SAFETY" HOOK	1	
NS	287671	SECONDARY "SAFETY" HOOK ASSY	1	

From 7-8754 To B-5001	Date:01/2024	PAGE:X3-1864-10
-----------------------	--------------	-----------------

BAGGAGE DOOR ASSY - INSTALLATION

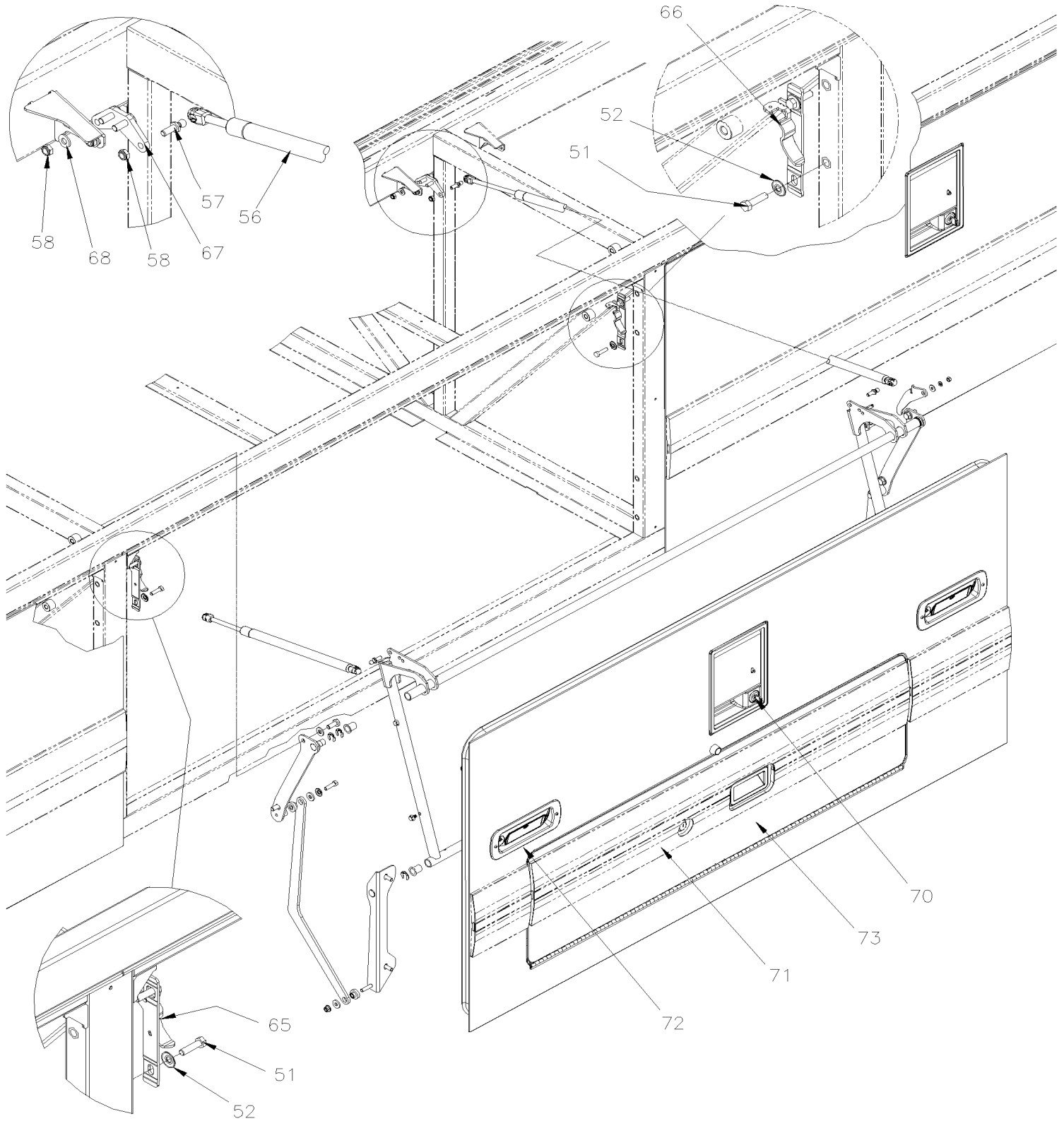
Item#	Part	Description	QTY	Notes
. NS	IS-09900	. SEE INSTRUCTION SHEET	1	
50	X3-1864-00	BAGGAGE DOOR ASSY		
		B) WITH W.C.L.		
		C) FIXED ON STRUTURE		
		E) USE WITH 2 CYLINDER GAZ INSTALLATION WITH BAGGAGE DOOR 85"		

From E-5459 To K-6492

Date:01/2024

PAGE:X3-1864-70

BAGGAGE DOOR ASSY / W.C.L.

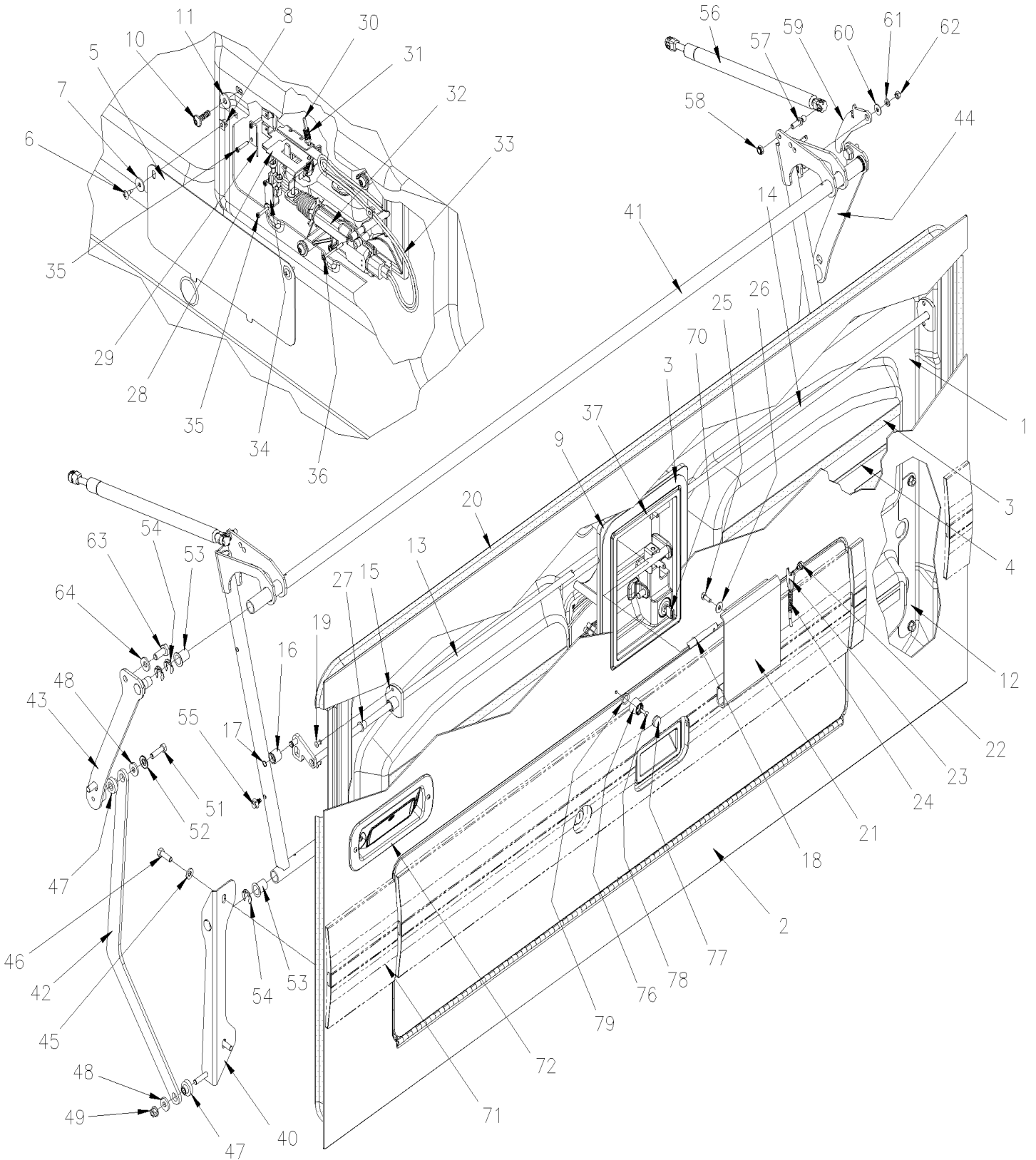


From E-5459 To K-6492

Date:01/2024

PAGE:X3-1864-70

BAGGAGE DOOR ASSY / W.C.L.



From E-5459 To K-6492	Date:01/2024	PAGE:X3-1864-70
-----------------------	--------------	-----------------

BAGGAGE DOOR ASSY / W.C.L.

Item#	Part	Description	QTY	Notes
	2800862	DOOR ASSY 70" / W/FLAT PANEL - W/W.C.L. / ALUMINIUM To E-5506	1	
	289553	DOOR ASSY 70" / W/FLAT PANEL - W/W.C.L. From E-5507	1	
	2800861	DOOR ASSY 70" / W/FLAT PANEL - W/W.C.L. / ELECTRICAL LOCK / ALUMINIUM To E-5506	1	
	289554	DOOR ASSY 70" / W/FLAT PANEL - W/W.C.L. / ELECTRICAL LOCK / ALUMINIUM From E-5507	1	
	480132	DOOR ASSY 70" / W/FLAT PANEL - W/W.C.L. / W/LAMPS	1	L
	480131	DOOR ASSY 70" / W/FLAT PANEL - W/W.C.L. / W/LAMPS / ELECTRICAL LOCK / ALUMINIUM	1	L
	Call order desk	DOOR ASSY 70" / W/FLAT PANEL - W/W.C.L. W/MANUAL LOCK WITHOUT KEY	1	P M
	Call order desk	DOOR ASSY 70" / W/FLAT PANEL - W/W.C.L. W/MANUAL LOCK WITHOUT KEY / ELECTRICAL LOCK / ALUMINIUM	1	P M
	Call order desk	DOOR ASSY 70" / W/FLAT PANEL - W/W.C.L. / W/LAMPS W/MANUAL LOCK WITHOUT KEY	1	P
	Call order desk	DOOR ASSY 70" / W/FLAT PANEL - W/W.C.L. / W/LAMPS W/MANUAL LOCK WITHOUT KEY / ELECTRICAL LOCK / ALUMINIUM	1	P
1	2800102	. FRAME 70" - W/ W.C.L. / ALUMINIUM To G-5915	1	
1	2800598	. FRAME 70" - W/ W.C.L. / ALUMINIUM From G-5916	1	
NS	504433	. SNAP-IN PLUG / 1.090 O.D. To E-5506	4	
2	2800103	. ONE PIECE PANEL / FLAT - W/W.C.L. 70" / ALUMINIUM	1	
2	2800896	. ONE PIECE PANEL / FLAT - W/W.C.L. W/LAMP 70" / ALUMINIUM From G-6084	1	L
3	687961	. GLUE MS POLYMER TEROSON MS 9399 / "A" 21 Liters	AR	
3	687962	. GLUE MS POLYMER TEROSON MS 9399 / "B" 21 Liters	AR	
3	684517	. ADHESIVE SIMSON #ISR 70-03 / GREY / 310ml CARTRIDGE	AR	
4	506785	. TAPE RUB ADH2 CC POL 1/16" X 1/4" X 200' / BLACK I1C-N-A	AR	
5	2800265	. PANEL ACCESS 10 3/4" x 4 3/8"	1	
6	500124	. SCREW TP TR PH #8x1/2 SS	2	
7	5001076	. WASHER FL RET 4.6x15.4x1.37 NYL BK	2	
8	502741	. NUT AN #8 NYL	2	
9	289062	. SEALING BOX / W/FORD LOCK	1	
10	5001630	. SCREW TP BUTF TORX M6x20 SS	5	
11	5001114	. WASHER FL .260x.687x.060 NYL	5	
12	2800053	. ATTACH, HINGE	2	
13	2800237	. LOCKING ROD L.H. 793MM	1	
14	2800238	. LOCKING ROD R.H. 793MM	1	
15	2800269	. LOCKING ROD GUIDE	2	
16	2800270	. ROLLER CATCH	2	
17	504318	. RING RETAINER / EXT .375 x .352 x .025	2	
18	507644	. O-RING 10MM I.D. X 2MM	2	
19	504120	. RIVET POP DOME CLE 3/16x1/2 AL	4	
20	2800358	. RUBBER SEAL EXTRUSION / W/70" DOOR To E-5596	1	
20	2800423	. RUBBER SEAL EXTRUSION / W/70" DOOR From E-5597	1	
21	2800297	. HANDLE ASSY / BAGAGE DOOR	1	
22	287271	. RIVET SHR FL 9.95x3.6(4.8x4.8 SS	1	
23	289068	. PIN HANDLE RELEASE	1	
24	289070	. SPRING COMPRESSION / .355 O.D. 2.755 x .063	1	
25	5001697	. SCREW CAP HEX M6-1.0x16 SS BK	2	
26	5001833	. WASHER BEL SPR 6.1x18x1.27 SS	2	

From E-5459 To K-6492	Date:01/2024	PAGE:X3-1864-70
BAGGAGE DOOR ASSY / W.C.L.		

Item#	Part	Description	QTY	Notes
27	507141	. BUSHING, NYLINER W/SHOULDER (7-L-7-F)	2	
28	289065	. PIN LATCH To K-6392	1	B
28	289862	. PIN LATCH From K-6393	1	
29	289064	. STOP PLATE LATCH	1	
30	481564	. ROD GUIDE	2	
31	502934	. SPRING COMPRESSION / .300 O.D. x 1 x .026	2	
32	2800049	. LOCK ACTUATOR / 12V To K-6392	1	
32	289877	. LOCK ACTUATOR / 12V From K-6393	1	
33	068726	. CABLE ASSY / DOOR LOCK / W/W.C.L. To H-6179	1	
33	068726	. CABLE ASSY / DOOR LOCK / W/W.C.L. To H-6179	1	A
33	069339	. CABLE ASSY / DOOR LOCK / W/W.C.L. From H-6180	1	
NS	504637	. CABLE TIE / 3/16" x 13"	AR	
33	509815	. TIE MOUNT / ATTACHMENT W/TREE MOUNT	2	N
33	504273	. CABLE TIE / 1/8" X 3"1/2	2	N
34	562096	. MICRO SWITCH	1	
35	5001888	. SCREW TP CAP TORX M3X18 SS	4	
36	5001887	. SCREW TP PAN WSHR TORX M3X35 SS	2	
37	289063	. FINISHING FRAME PLASTIC / AROUND HANDLE BLACK	1	
NS	684685	. ADHESIVE SIMSON #ISR 70-03 / 310ml CARTRIDGE	AR	
40	288735	BRACKET LOWER LH	1	
40	288734	BRACKET LOWER RH	1	
41	2800283	ARM PANTOGRAPH / W/W.C.L.	1	
42	2800307	ARM LOWER L.H.	1	
42	2800104	ARM LOWER R.H.	1	
43	288737	ARM UPPER L.H.	1	
44	288736	ARM UPPER R.H.	1	
45	5001868	WASHER BEL SPR 8.4x18x2 SS	4	
46	502780	SCREW CAP HEX M8-1.25x25 SS BK	4	
47	286716	SPACER BUSHING FLANGE / AUX. ARM & SUPPORT ACETAL 8.3MM I.D.	4	
48	500401	WASHER FL .343x.875x.125 N500	4	
49	502837	NUT HEXF STO M8-1.25 N500	2	
51	5001738	SCREW CAP HEX M8-1.25x30 G8.8 N500	6	
52	5001699	WASHER BEL SPR 8.2x22x1.4 N500	6	
53	507299	BUSHING NYLINER	4	
54	508398	RING RETAINER / EXT .625 x .500 x .050" / SS	6	
55	509815	TIE MOUNT / ATTACHMENT W/TREE MOUNT	2	
56	980030	CYLINDER GAZ / 669/409MM C/C / 210LBS	2	
57	980027	BALL STUD / W/10 MM X M8-1.25 / 36.5MM	4	
58	502847	NUT HEX NYRT M8-1.25 N500	8	
59	2800310	HOOK, BAGGAGE DOOR	1	
NS	2800309	SPRING TENSION	1	
60	5001833	WASHER BEL SPR 6.1x18x1.27 SS To J-6207	1	

From E-5459 To K-6492	Date:01/2024	PAGE:X3-1864-70
BAGGAGE DOOR ASSY / W.C.L.		

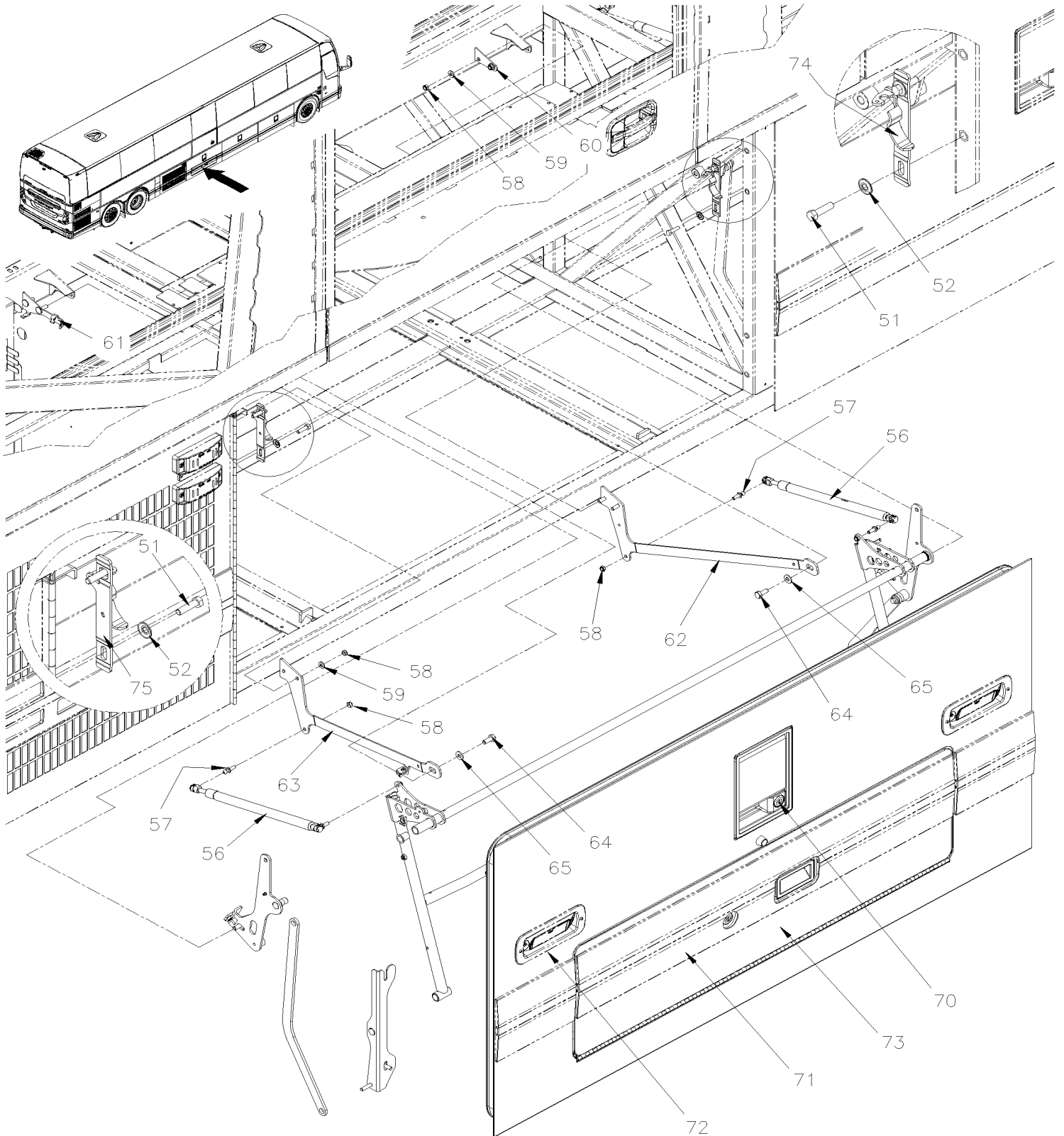
Item#	Part	Description	QTY	Notes
60	5001976	WASHER FL .266x.718x.060 SS From J-6208	1	
61	502573	WASHER FL 6.4x12.5x1.6 SS To J-6207	1	
62	5001182	NUT HEX NYRT M6-1.0 SS	1	
63	502804	SCREW CAP HEX M10-1.5x25 G8.8 N500	4	
64	5001834	WASHER BEL SPR 10.5X23X2.5 N500	4	
65	2800260	LOCKING GUIDE L.H. ASSY To E-5759	1	
65	2800528	LOCKING GUIDE L.H. ASSY From F-5760 To K-6439	1	
65	2800321	LOCKING GUIDE L.H. ASSY From K-6440	1	
66	2800259	LOCKING GUIDE R.H. ASSY To E-5759	1	
66	2800531	LOCKING GUIDE R.H. ASSY From F-5760 To K-6439	1	
66	2800667	LOCKING GUIDE R.H. ASSY From K-6440	1	
67	2800319	ATTACHMENT / DOOR CYLINDER / W/W.C.L.	2	
68	5001736	WASHER FL 8.4x18.0x2.0 N500	4	
70	X3-1867-00	KEY & CYLINDER CODE "FORD" & "NS"		
71	X3-1855-01	RUB RAIL - EXTERIOR CREST & TRIMS From B-5002 To G-6083		
71	X3-1855-02	RUB RAIL - EXTERIOR CREST & TRIMS From G-6084		
72	X3-0663-80	LIGHT / W.C.L. BAGGAGE DOOR		L
73	X3-1864-81	W.C.L. DOOR - BAGGAGE DOOR		
73	X3-1864-85	W.C.L. DOOR - BAGGAGE DOOR MANUAL LOCK WITHOUT KEY		
76	2800369	STOPPER / W.C.L. DOOR	1	
77	2800377	CAP / W.C.L. DOOR	1	
77	684685	ADHESIVE SIMSON #ISR 70-03 / 310ml CARTRIDGE	AR	
78	504127	RIVET POP DOME OE 3/16x3/4 AL	1	
79	507214	O-RING	1	
		A) ALSO USE WITH 3RD DOOR CURBSIDE		
		B) ONLY USE WITH ELECTRICAL LOCK, WHEN YOU REPLACE THE PIN LATCH 289065 BY THE NEW 289862 YOU HAVE TO REPLACE THE ACTUATOR 2800049 BY NEW 289877		
		L) WITH DOOR CURB LIGHT		
		M) WITH MANUAL LOCK WITHOUT KEY		
		N) W/O ELECTRIC LOCK		
		P) CALL ORDER DESK FOR SPECIFIC APPLICATION (V.I.N.)		

From L-6493

Date:01/2024

PAGE:X3-1864-71

BAGGAGE DOOR ASSY / W.C.L.

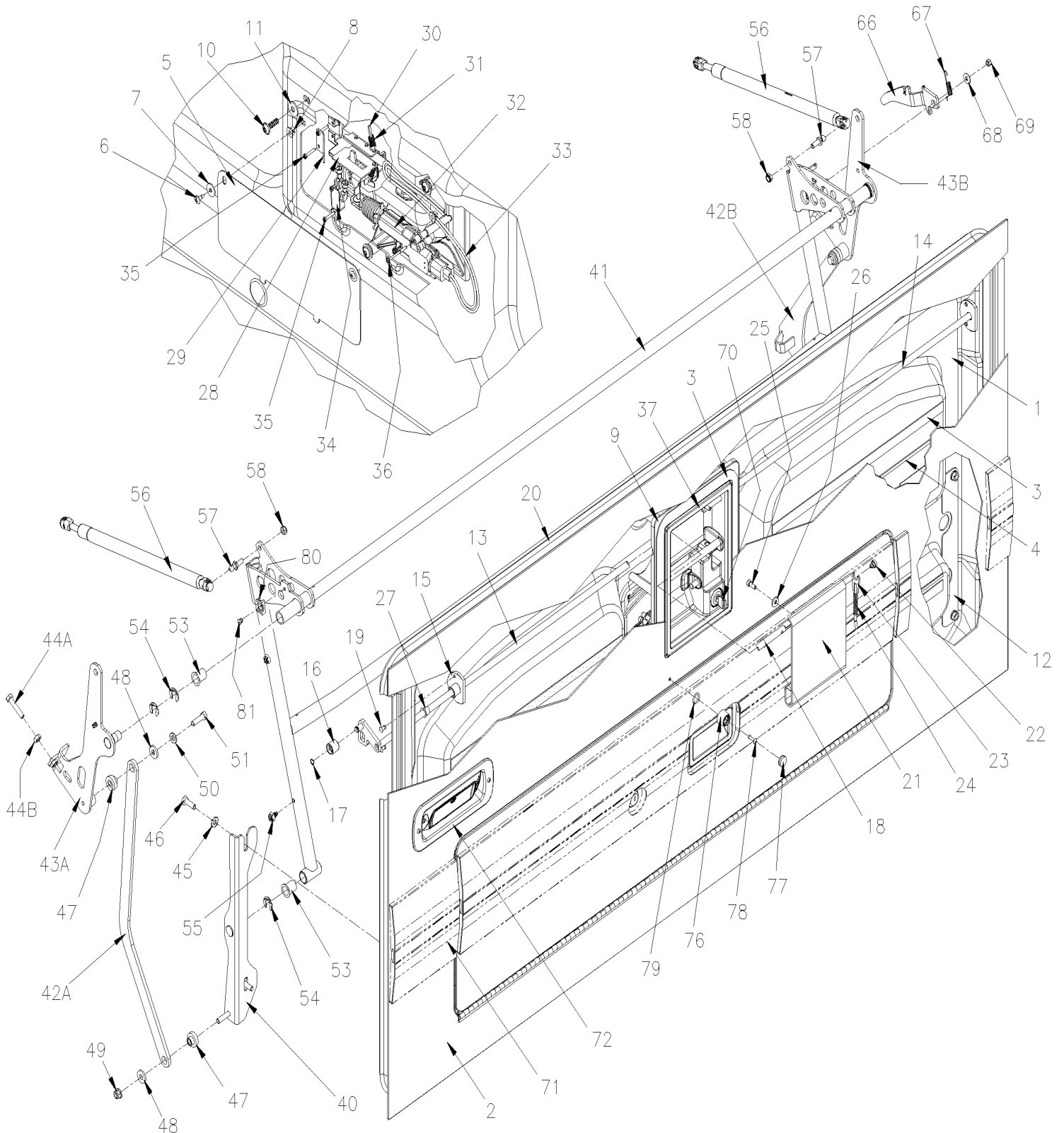


From L-6493

Date:01/2024

PAGE:X3-1864-71

BAGGAGE DOOR ASSY / W.C.L.



From L-6493	Date:01/2024	PAGE:X3-1864-71
-------------	--------------	-----------------

BAGGAGE DOOR ASSY / W.C.L.

Item#	Part	Description	QTY	Notes
	2810277	DOOR ASSY 70" / W/FLAT PANEL - W/W.C.L.	1	
	2810276	DOOR ASSY 70" / W/FLAT PANEL - W/W.C.L. / ELECTRICAL LOCK / ALUMINIUM	1	
	2810274	DOOR ASSY 70" / W/FLAT PANEL - W/W.C.L. / W/LAMP	1	L
	2810275	DOOR ASSY 70" / W/FLAT PANEL - W/W.C.L. / W/LAMP / ELECTRICAL LOCK / ALUMINIUM	1	L
1	280850	. FRAME 70" - W/ W.C.L. 70" / ALUMINIUM	1	
2	280905	. ONE PIECE PANEL / FLAT - W/W.C.L. 70" / ALUMINIUM	1	
2	280851	. ONE PIECE PANEL / FLAT - W/W.C.L. W/LAMP 70" / ALUMINIUM	1	L
3	687961	. GLUE MS POLYMER TEROSON MS 9399 / "A" 21 Liters To M-6660	AR	
3	685385	. GLUE MS POLYMER TEROSON MS 9399 / "A" 14.8 Liters From M-6661	AR	
3	687962	. GLUE MS POLYMER TEROSON MS 9399 / "B" 21 Liters To M-6660	AR	
3	685386	. GLUE MS POLYMER TEROSON MS 9399 / "B" 14.8 Liters From M-6661	AR	
3	687957	. GLUE MS POLYMER TEROSON MS 9399 / 400ml CARTRIDGE To M-6660	AR	
3	685387	. GLUE MS POLYMER TEROSON MS 9399 / 400ml CARTRIDGE From M-6661	AR	
3	684517	. ADHESIVE SIMSON #ISR 70-03 / GREY / 310ml CARTRIDGE	AR	
4	506785	. TAPE RUB ADH2 CC POL 1/16" X 1/4" X 200' / BLACK I1C-N-A	AR	
5	2800265	. PANEL ACCESS 10 3/4" x 4 3/8"	1	
6	500124	. SCREW TP TR PH #8x1/2 SS	2	
7	5001076	. WASHER FL RET 4.6x15.4x1.37 NYL BK	2	
8	502741	. NUT AN #8 NYL	2	
9	289062	. SEALING BOX / W/FORD LOCK	1	
10	5001630	. SCREW TP BUTF TORX M6x20 SS	5	
11	5001114	. WASHER FL .260x.687x.060 NYL	5	
12	2800053	. ATTACH, HINGE	2	
13	2800237	. LOCKING ROD L.H. 793MM	1	
14	2800238	. LOCKING ROD R.H. 793MM	1	
15	2800269	. LOCKING ROD GUIDE	2	
16	2800270	. ROLLER CATCH	2	
17	504318	. RING RETAINER / EXT .375 x .352 x .025	2	
18	507644	. O-RING 10MM I.D. X 2MM	2	
19	504120	. RIVET POP DOME CLE 3/16x1/2 AL	4	
20	2800423	. RUBBER SEAL EXTRUSION / W/70" DOOR	1	
21	2800297	. HANDLE ASSY / BAGAGE DOOR To N-6727	1	
21	2800675	. HANDLE ASSY / BAGAGE DOOR From N-6728	1	
22	287271	. . RIVET SHR FL 9.95x3.6(4.8x4.8 SS	1	
23	289068	. PIN HANDLE RELEASE	1	
24	289070	. SPRING COMPRESSION / .355 O.D. 2.755 x .063	1	
25	5001697	. SCREW CAP HEX M6-1.0x16 SS BK	2	
26	5001833	. WASHER BEL SPR 6.1x18x1.27 SS	2	
27	507141	. BUSHING, NYLINER W/SHOULDER (7-L-7-F)	2	
28	289862	. PIN LATCH	1	
29	289064	. STOP PLATE LATCH	1	
30	481564	. ROD GUIDE	2	

From L-6493		Date:01/2024	PAGE:X3-1864-71
BAGGAGE DOOR ASSY / W.C.L.			

Item#	Part	Description	QTY	Notes
31	502934	. SPRING COMPRESSION / .300 O.D. x 1 x .026	2	
32	289877	. LOCK ACTUATOR / 12V	1	
33	069339	. CABLE ASSY / DOOR LOCK / W/W.C.L.	1	
33	504273	. CABLE TIE / 1/8" X 3"1/2	2	N
34	562096	. MICRO SWITCH	1	
35	5001888	. SCREW TP CAP TORX M3X18 SS	4	
36	5001887	. SCREW TP PAN WSHR TORX M3X35 SS	2	
37	289063	. FINISHING FRAME PLASTIC / AROUND HANDLE BLACK	1	
NS	684685	. ADHESIVE SIMSON #ISR 70-03 / 310ml CARTRIDGE	AR	
40	280880	BRACKET LOWER LH	1	
40	280869	BRACKET LOWER RH	1	
41	281326	ARM PANTOGRAPH / W/W.C.L.	1	
42A	280883	ARM LOWER L.H.	1	
42B	280882	ARM LOWER R.H.	1	
43A	280868	ARM UPPER L.H.	1	
43B	280862	ARM UPPER R.H.	1	
44A	502927	SCREW CAP HEX M8-1.25x50 G8.8 N500	2	
44B	5001852	NUT HEX M8-1.25 SS BK	2	
45	5001868	WASHER BEL SPR 8.4x18x2 SS	4	
46	502780	SCREW CAP HEX M8-1.25x25 SS BK	4	
47	286716	SPACER BUSHING FLANGE / AUX. ARM & SUPPORT ACETAL 8.3MM I.D.	4	
48	500401	WASHER FL .343x.875x.125 N500	4	
49	502837	NUT HEXF STO M8-1.25 N500	2	
50	5001868	WASHER BEL SPR 8.4x18x2 SS	2	
51	5001738	SCREW CAP HEX M8-1.25x30 G8.8 N500	6	
52	5001699	WASHER BEL SPR 8.2x22x1.4 N500	4	
53	507299	BUSHING NYLINER	4	
54	508398	RING RETAINER / EXT .625 x .500 x .050" / SS	6	
55	509815	TIE MOUNT / ATTACHMENT W/TREE MOUNT	3	
NS	504637	CABLE TIE / 3/16" x 13"	3	
56	980030	CYLINDER GAZ / 669/409MM C/C / 210LBS	2	
57	980027	BALL STUD / W/10 MM X M8-1.25 / 36.5MM	4	
58	502847	NUT HEX NYRT M8-1.25 N500	8	
59	5001736	WASHER FL 8.4x18.0x2.0 N500	4	
60	287874	PLATE REINFORCEMENT	1	
61	287873	ATTACH CYLINDER ARM WCL	1	
62	287868	ANCHOR PLATE R.H. LUGGAGE DOOR / WCL	1	
63	281328	ANCHOR PLATE L.H. LUGGAGE DOOR / WCL	1	
64	502804	SCREW CAP HEX M10-1.5x25 G8.8 N500	4	
65	5001834	WASHER BEL SPR 10.5X23X2.5 N500	4	
66	282547	HOOK, BAGGAGE DOOR	1	
67	2800309	SPRING TENSION	1	

From L-6493	Date:01/2024	PAGE:X3-1864-71
BAGGAGE DOOR ASSY / W.C.L.		

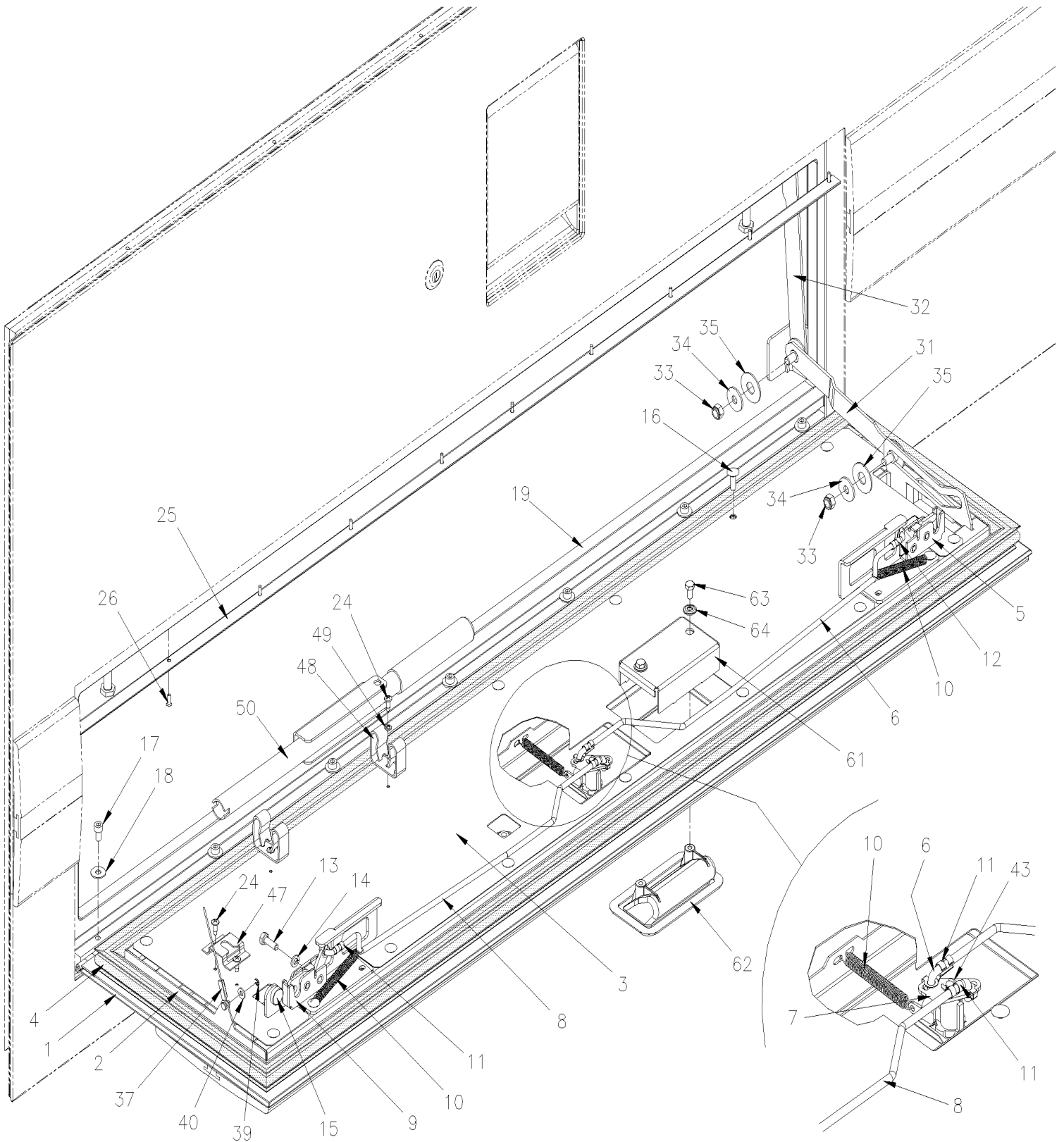
Item#	Part	Description	QTY	Notes
68	5001976	WASHER FL .266x.718x.060 SS	1	
69	5001182	NUT HEX NYRT M6-1.0 SS	1	
70	X3-1867-01	KEY & CYLINDER CODE "FORD"		
71	X3-1855-02	RUB RAIL - EXTERIOR CREST & TRIMS		
72	X3-0663-80	LIGHT / W.C.L. BAGGAGE DOOR		L
73	X3-1864-81	W.C.L. DOOR - BAGGAGE DOOR		
74	281604	LOCKING GUIDE R.H. ASSY	1	
75	281609	LOCKING GUIDE L.H. ASSY	1	
76	2800369	STOPPER / W.C.L. DOOR	1	
77	2800377	CAP / W.C.L. DOOR	1	
77	684685	ADHESIVE SIMSON #ISR 70-03 / 310ml CARTRIDGE	AR	
78	504127	RIVET POP DOME OE 3/16x3/4 AL	1	
79	507214	O-RING	1	
80	504013	TIE MOUNT / 1/4" X 1/4" I.D.	2	
80	504637	CABLE TIE / 3/16" x 13"	2	
81	504379	RIVET POP DOME OE 3/16x1/4 SS	2	
		L) WITH DOOR CURB LIGHT		
		N) W/O ELECTRIC LOCK		

From 7-8754 To D-5458

Date:01/2024

PAGE:X3-1864-80

W.C.L. DOOR - BAGGAGE DOOR

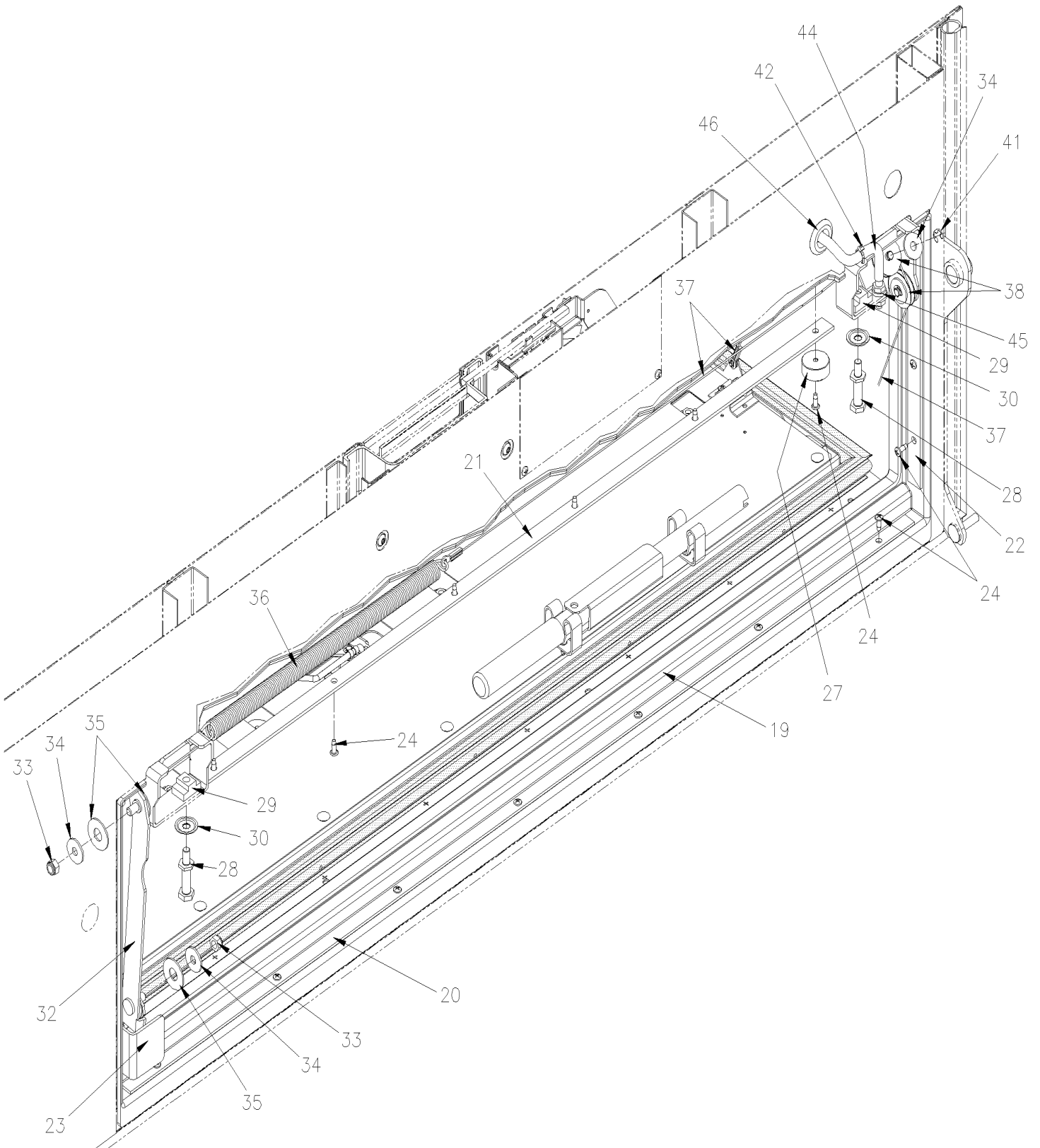


From 7-8754 To D-5458

Date:01/2024

PAGE:X3-1864-80

W.C.L. DOOR - BAGGAGE DOOR



From 7-8754 To D-5458	Date:01/2024	PAGE:X3-1864-80
W.C.L. DOOR - BAGGAGE DOOR		

Item#	Part	Description	QTY	Notes
		NOTE FOR OTHERS COMPONENT SEE PAGE X3-1864-00		
		ALLS ITEMS IN THIS PAGE ARE INCLUSE		
		WITH DOOR 485580 OR 485581		
		AS SHOWN AT PAGE X3-1864-00		
	288723	DOOR ASSY / SMALL W/STRICKER BOLTS	1	
1	288616	PANEL - W.C.L. DOOR	1	
1	281485	PANEL - W.C.L. DOOR / WITH DOOR HANDLE	1	B
NS	506785	TAPE RUB ADH2 CC POL 1/16" X 1/4" X 200' / BLACK I1C-N-A	AR	
NS	506769	TAPE RUB ADH2 CC POL 1/8" x 1/4" x 60' / BLACK H1CC-N#14	AR	
2	287569	FRAME - W.C.L. DOOR	1	
2	281487	FRAME - W.C.L. DOOR / WITH DOOR HANDLE	1	B
3	287550	PANEL INTERIOR - W.C.L. DOOR To B-5001	1	
3	287583	PANEL INTERIOR - W.C.L. DOOR From B-5002	1	
3	281488	PANEL INTERIOR - W.C.L. DOOR / WITH DOOR HANDLE	1	B
4	287514	RUBBER SEAL EXTRUSION - W.C.L. DOOR To A-9872	1	
4	288946	RUBBER SEAL EXTRUSION - W.C.L. DOOR From A-9873 To C-5244	1	
4	2800130	RUBBER SEAL EXTRUSION / W.C.L. DOOR From C-5245	1	
5	780793	LOCK R.H.	1	
6	287534	ROD L.H.	1	
7	287533	LEVER To D-5331	1	
7	280227	LEVER From D-5332	1	
8	287535	ROD R.H.	1	
9	780778	LOCK L.H.	1	
10	502189	SPRING EXTENSION / .375 O.D. x 2.5 x .031	3	
11	504243	CLIP ROD 1/4" L.H.	1	
12	504541	CLIP ROD 1/4" R.H.	3	
13	5001190	SCREW CAP HEX 1/4-20x3/4 SS BK	4	
14	5001749	WASHER LO SPT 6.5x11.5x1.6 N500	4	
15	562949	MAGNET ROUND .200x.700 DIA	1	
16	5001438	RIVET DRV TR 1/4x3/4 NYL	14	
17	5001783	SCREW CAP HEXS M6-1.0x12 SS	7	
18	500356	WASHER LO SERR 6.1x16.0x0.9 N500 To B-5001	7	
18	5001833	WASHER BEL SPR 6.1x18x1.27 SS From B-5002	7	
19	287510	SEALING FRAME - W.C.L. DOOR	1	
NS	684685	ADHESIVE SIMSON #ISR 70-03 / 310ml CARTRIDGE	AR	
20	287549	REINFORCEMENT SEALING FRAME 1270MM	1	
21	287547	REINFORCEMENT SEALING FRAME 1015MM	1	
22	287548	REINFORCEMENT SEALING FRAME 270MM	1	
23	287560	REINFORCEMENT SEALING FRAME 270MM	1	
24	502868	SCREW TC TR PH #10-16x1/2 N500	AR	

From 7-8754 To D-5458	Date:01/2024	PAGE:X3-1864-80
W.C.L. DOOR - BAGGAGE DOOR		

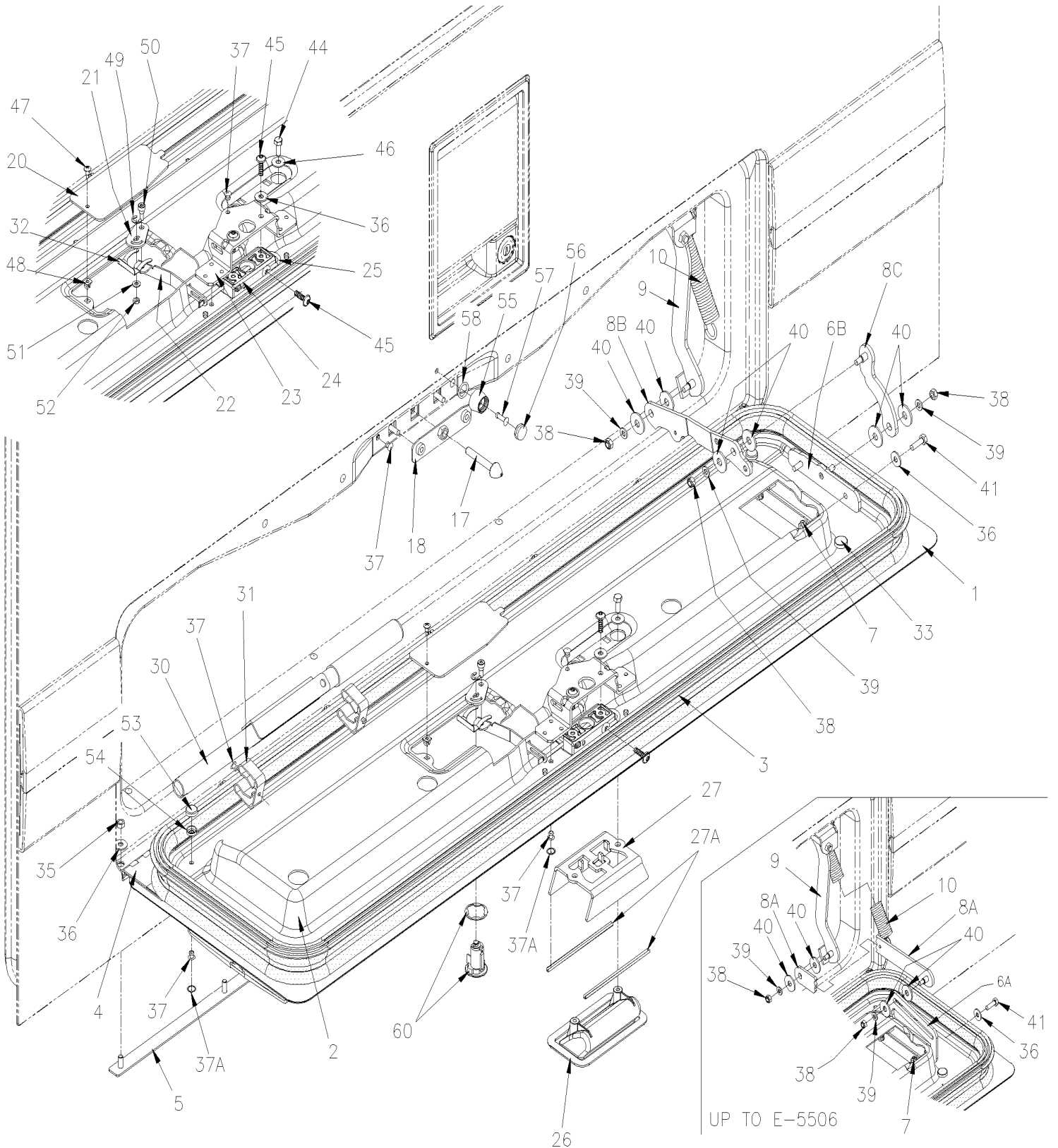
Item#	Part	Description	QTY	Notes
25	476551	MOLDING "L" SHAPE	1	
26	504668	RIVET POP DOME CLE 1/8x7/16 SS	10	
27	287573	SPACER O.D. 31MM x I.D. 13MM x 13MM	1	
28	287546	STRIKER BOLT - W.C.L. DOOR	2	
29	287531	PLATE NUT	2	
30	5001699	WASHER BEL SPR 8.2x22x1.4 N500	2	
31	287523	SUPPORT	1	
32	287557	SUPPORT	1	
33	502847	NUT HEX NYRT M8-1.25 N500	3	
34	500381	WASHER FL 8.4x25.0x2.0 N500	5	
35	5001233	WASHER FL .500x1.250x.062 NYL	6	
36	287541	SPRING, EXT. / .75 O.D x 15.25 X .0915	1	
37	287539	CABLE ASSY W/END STAINLESS 825MM	1	
38	287540	PULLEY CABLE 36MM O.D.	2	
38	680343	GREASE CLEAR SPRAY BOTTLE 283GR	AR	
39	504714	RING RETAINER / EXT .156 x .114 x .025"	1	
40	504357	WASHER FL .187x.437x.050 SS	1	
41	504689	RING RETAINER / EXT .312 x .243 x .025 / SS	2	
42	504273	CABLE TIE / 1/8" X 3"1/2	1	
43	504402	RING RETAINER / EXT .250 x .210 x .025"	1	
44	065011	SWITCH PROXIMITY ASSY	1	
. NS	562950	. SWITCH PROXIMITY / S.P.D.T. / W/3 WIRES	1	
. NS	561566	. CONNECTOR / WEATHER PACK / PH 2C / BLACK / PED 12010973	1	
45	502768	WASHER FL RUB .312x.625x.125 NEO	2	
46	504397	GROMMET / .750x1.062x.062x.375x1.375	1	
47	900859	BRACKET, MOUNTING / MICROPHONE	1	
48	504585	SPRING CLIP 3/4"	2	A
49	500914	WASHER LO SPT .193x.334x.047 N500	2	A
50	464678	HANDLE-MANUAL BACKUP PUMP	1	A
61	281489	SUPPORT, HANDLE	1	B
62	780812	ENTRANCE DOOR HANDLE BLACK	1	B
63	5001743	SCREW CAP HEX M6-1.0x12 G8.8 N500	2	B
64	500356	WASHER LO SERR 6.1x16.0x0.9 N500	2	B
		A) THOSE PARTS ARE NOT INCLUDE WITH DOOR ASSY		
		B) WITH HANDLE (ORLEAN OPTION)		

From E-5459

Date:01/2024

PAGE:X3-1864-81

W.C.L. DOOR - BAGGAGE DOOR

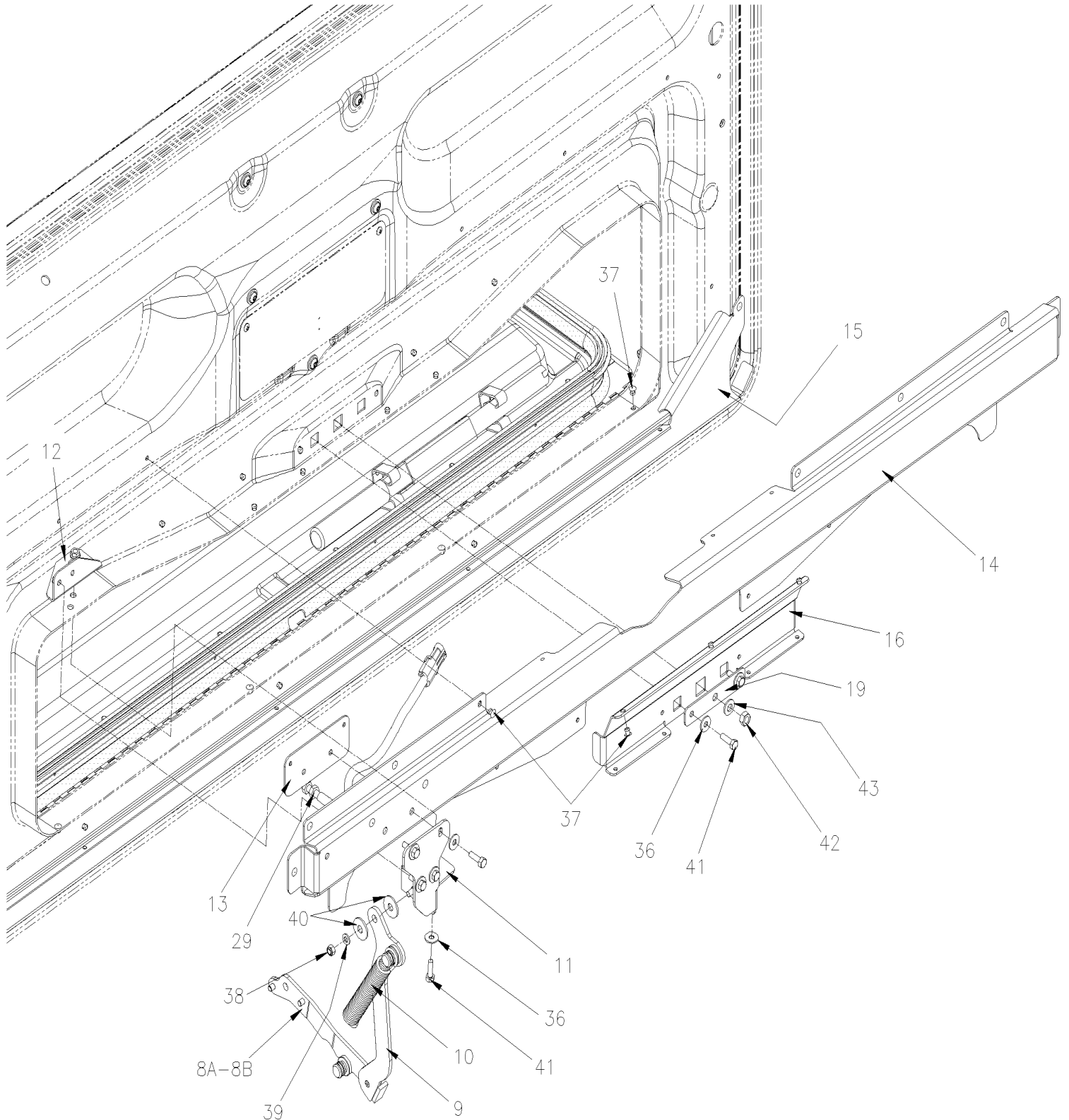


From E-5459

Date:01/2024

PAGE:X3-1864-81

W.C.L. DOOR - BAGGAGE DOOR



From E-5459	Date:01/2024	PAGE:X3-1864-81
W.C.L. DOOR - BAGGAGE DOOR		

Item#	Part	Description	QTY	Notes
		NOTE FOR OTHERS COMPONENT SEE PAGE X3-1864-02		
		ALLS ITEMS IN THIS PAGE ARE INCLUSE		
		WITH DOOR		
		AS SHOWN AT PAGE X3-1864-02		
	281776	DOOR ASSY / SMALL	1	
1	2800183	PANEL - W.C.L. DOOR W/FORD LOCK	1	
NS	684517	ADHESIVE SIMSON #ISR 70-03 / GREY / 310ml CARTRIDGE	AR	
NS	684743	GLUE METHACRYLATE PLEXUS MA832GB 380 ml	AR	
NS	687961	GLUE MS POLYMER TEROSON MS 9399 / "A" 21 Liters To M-6660	AR	
NS	685385	GLUE MS POLYMER TEROSON MS 9399 / "A" 14.8 Liters From M-6661	AR	
NS	687962	GLUE MS POLYMER TEROSON MS 9399 / "B" 21 Liters To M-6660	AR	
NS	685386	GLUE MS POLYMER TEROSON MS 9399 / "B" 14.8 Liters From M-6661	AR	
NS	687957	GLUE MS POLYMER TEROSON MS 9399 / 400ml CARTRIDGE To M-6660	AR	
NS	685387	GLUE MS POLYMER TEROSON MS 9399 / 400ml CARTRIDGE From M-6661	AR	
2	2800182	FRAME - W.C.L. DOOR To G-6055	1	
2	2800599	FRAME - W.C.L. DOOR From G-6056	1	
NS	990527	DECAL "MAX LOAD" WCL /FRENCH , ENGLISH ,SPANISH From J-6245	1	G
3	2800359	RUBBER SEAL EXTRUSION - W.C.L. DOOR To E-5596	1	
3	2800424	RUBBER SEAL EXTRUSION - W.C.L. DOOR From E-5597	1	
4	2800312	HINGE 1231.7MM	1	
4	5001910	TAPE RUB ADH1 CC POL 1/32" X 3/4" X48.5"	AR	
4	506785	TAPE RUB ADH2 CC POL 1/16" X 1/4" X 200' / BLACK I1C-N-A	AR	
NS	5001076	WASHER FL RET 4.6x15.4x1.37 NYL BK	9	C
5	2800314	SUPPORT HINGE	1	
6A	2800326	SUPPORT - W.C.L. DOOR To E-5506	1	
6B	2800859	SUPPORT - W.C.L. DOOR From E-5507	1	
7	2800320	ANCHOR PLATE	1	
8A	2800335	ARM - W.C.L. DOOR To E-5506	1	
8B	2800854	ARM - W.C.L. DOOR From E-5507	1	
8C	2800857	ARM - W.C.L. DOOR From E-5507	1	
9	2800334	ARM - W.C.L. DOOR	1	
10	2800308	SPRING EXTENSION / W.C.L. DOOR	1	
11	2800336	SUPPORT / ARM - W.C.L. DOOR	1	
12	2800328	REINFORCEMENT / W.C.L. DOOR	1	
13	2800329	INSERT FOR SUPPORT / W.C.L. DOOR	1	
14	2800331	REINFORCEMENT UPPER / W.C.L. DOOR To K-6492	1	
14	280859	REINFORCEMENT UPPER / W.C.L. DOOR From L-6493	1	
15	2800332	REINFORCEMENT LOWER / W.C.L. DOOR To K-6492	1	
15	280861	REINFORCEMENT LOWER / W.C.L. DOOR From L-6493	1	
16	2800333	REINFORCEMENT STOPPER / W.C.L. DOOR	1	

From E-5459		Date:01/2024	PAGE:X3-1864-81
W.C.L. DOOR - BAGGAGE DOOR			

Item#	Part	Description	QTY	Notes
17	2800846	STOPPING ROD M8X67MM	1	
18	2800845	ADJUSTMENT PLATE	1	
19	2800847	ADJUSTMENT PLATE	1	
20	2800843	COVER / MECANISME	1	
21	2800850	PIVOT LOCK	1	
22	2800849	LEVER	1	
23	2800844	COVER / RECEPTACLE	1	
24	477399	RECEPTACLE	1	
25	472830	SPRING GUIDE HOLDER	1	
26	780812	ENTRANCE DOOR HANDLE BLACK	1	
27	2800848	SUPPORT HANDLE	1	
27A	564099	TAPE ADHESIF ELECTRICAL TISSUS / BLACK 838MM From J-6245	AR	
29	065011	SWITCH PROXIMITY ASSY	1	
. NS	562950	. SWITCH PROXIMITY / S.P.D.T. / W/3 WIRES	1	
. NS	561566	. CONNECTOR / WEATHER PACK / PH 2C / BLACK / PED 12010973	1	
29	502768	WASHER FL RUB .312x.625x.125 NEO	2	
30	464678	HANDLE-MANUAL BACKUP PUMP	1	
NS	506339	TAPE RUB ADH1 NIT 1/4" x 1" x 35' / BLACK 1220 From L-6520 To M-6654	AR	
NS	506035	TAPE RUB ADH1 NEO 1/2" x 1" x 15' / BLACK 1220X From M-6655	AR	
31	504585	SPRING CLIP 3/4" To L-6519	2	D
31	504201	LOC CLAMP WITH FIR TREE From L-6520	2	
31	500950	WASHER FL .187x.625x.094 RUB To L-6519	2	D
31	502768	WASHER FL RUB .312x.625x.125 NEO From L-6520	2	
31	IS19071	WHEELCHAIR LIFT (WCL) HANDLE CLAMPS REPLACEMENT KIT To L-6519	1	
. NS	504201	. LOC CLAMP WITH FIR TREE To L-6519	2	
. NS	502768	. WASHER FL RUB .312x.625x.125 NEO To L-6519	2	
. NS	IS-19071	. SEE INSTRUCTION SHEET To L-6519	1	
. NS	FI-19071	. VOIR FEUILLE D'INSTRUCTION To L-6519	1	
32	780887	RETAINER CLIP, GM DOOR LOCK CYLINDER "U SHAPE"	1	
33	562949	MAGNET ROUND .200x.700 DIA	1	
34	5001137	WASHER FL .203x.438x.050 SS	2	
35	5001851	NUT HEX M6-1.0 SS BK	7	
36	5001833	WASHER BEL SPR 6.1x18x1.27 SS	17	
37	504788	RIVET POP DOME OE 3/16x1/4 AL	AR	
37	504379	RIVET POP DOME OE 3/16x1/4 SS	AR	
37A	505016	ISOLATION RING From J-6245	AR	
38	5001182	NUT HEX NYRT M6-1.0 SS	3	
39	502573	WASHER FL 6.4x12.5x1.6 SS	3	
40	5001911	WASHER FL .341x1.000x.080 NYL	6	
41	502622	SCREW CAP HEX M6-1.0x20 SS BK	10	
42	5001868	WASHER BEL SPR 8.4x18x2 SS	1	
43	5001852	NUT HEX M8-1.25 SS BK	1	

From E-5459	Date:01/2024	PAGE:X3-1864-81
W.C.L. DOOR - BAGGAGE DOOR		

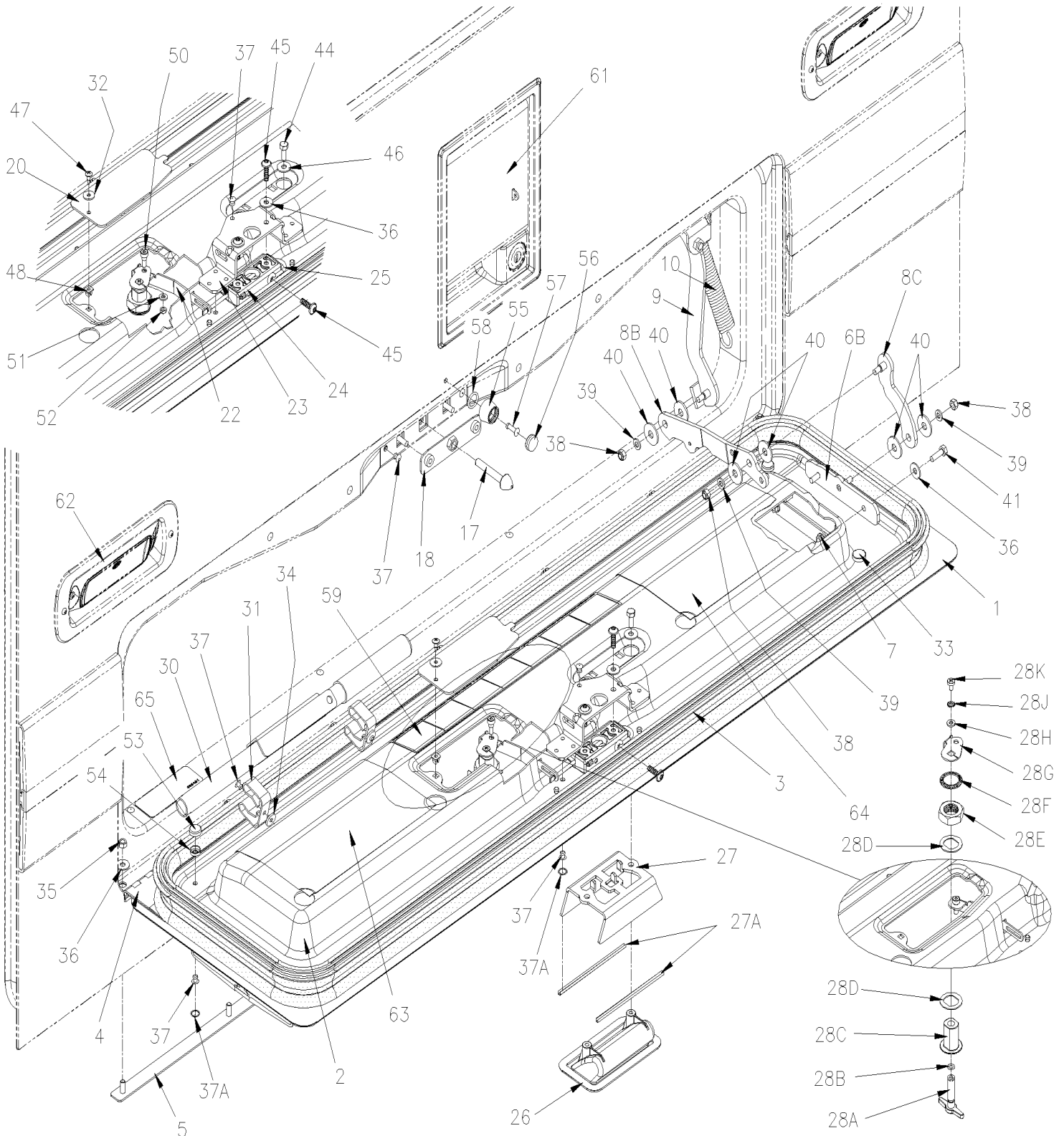
Item#	Part	Description	QTY	Notes
44	5001697	SCREW CAP HEX M6-1.0x16 SS BK	2	
45	5001630	SCREW TP BUTF TORX M6x20 SS	3	
46	5001114	WASHER FL .260x.687x.060 NYL	2	
47	500124	SCREW TP TR PH #8x1/2 SS	1	
48	502741	NUT AN #8 NYL	1	
49	504402	RING RETAINER / EXT .250 x .210 x .025"	1	
50	5001606	SCREW SHR HEXS 1/4x3/16 {#10-24 SS	1	
51	502637	WASHER FL .200x.437x.037 SS To E-5573	1	
51	5001137	WASHER FL .203x.438x.050 SS From E-5574	1	
52	5001180	NUT HEX NYRT #10-24 SS	1	
53	504400	SNAP CAP #10 FINISHING BLACK	6	
54	504399	WASHER RETAINER SNAP CAP #10	6	
55	2800369	STOPPER / W.C.L. DOOR	1	
56	2800377	CAP / W.C.L. DOOR	1	
56	684685	ADHESIVE SIMSON #ISR 70-03 / 310ml CARTRIDGE	AR	
57	504127	RIVET POP DOME OE 3/16x3/4 AL To H-7425	1	
58	507214	O-RING	1	
59	504119	RIVET POP DOME OE 3/16x1/2 AL	1	
60	X3-1867-00	KEY & CYLINDER CODE "FORD" & "NS" To K-6492		
60	X3-1867-01	KEY & CYLINDER CODE "FORD" From L-6493		
61	X3-1864-70	BAGGAGE DOOR ASSY / W.C.L. To K-6492		
61	X3-1864-71	BAGGAGE DOOR ASSY / W.C.L. From L-6493		
NS	409452	DECAL / MANUAL OPERATING INSTRUCTION... / ENGLISH & FRANCAIS & SPANISH	1	
NS	990528	DECAL MAX LOAD WCL 800 LBS. / ENGLISH & FRANCAIS From J-6245	1	
		C) IF NEED IT		
		D) SI NECESSAIRE		
		G) GREYHOUND OPTION		

From E-5459 To K-6492

Date:01/2024

PAGE:X3-1864-85

W.C.L. DOOR - BAGGAGE DOOR MANUAL LOCK WITHOUT KEY

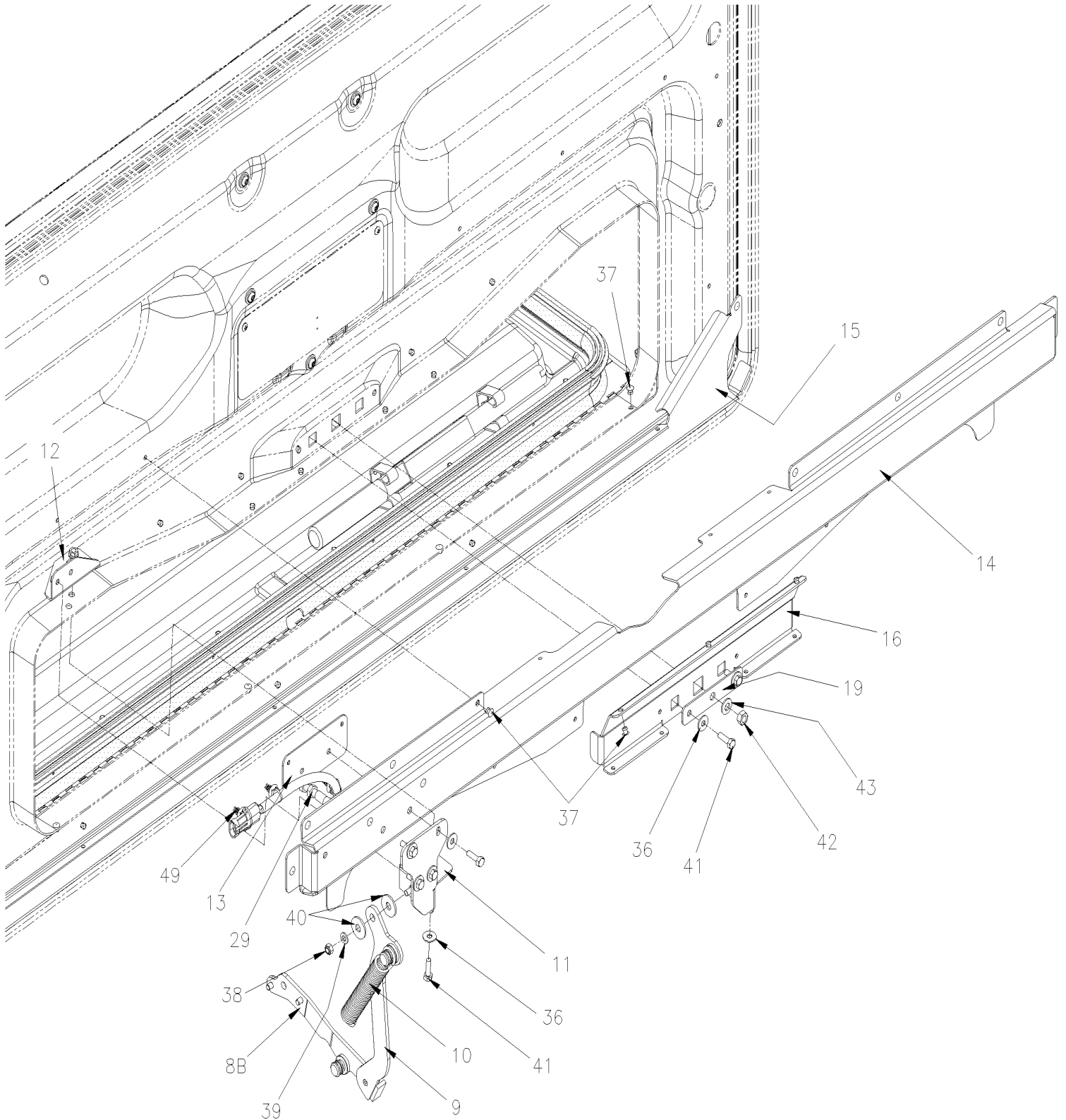


From E-5459 To K-6492

Date:01/2024

PAGE:X3-1864-85

W.C.L. DOOR - BAGGAGE DOOR MANUAL LOCK WITHOUT KEY



From E-5459 To K-6492	Date:01/2024	PAGE:X3-1864-85
W.C.L. DOOR - BAGGAGE DOOR MANUAL LOCK WITHOUT KEY		

Item#	Part	Description	QTY	Notes
	Call order desk	DOOR ASSY / SMALL	1	P
1	280476	. PANEL - W.C.L. DOOR / W/MANUEL LOCK W/O KEY	1	
1	684517	. ADHESIVE SIMSON #ISR 70-03 / GREY / 310ml CARTRIDGE	AR	
1	684743	. GLUE METHACRYLATE PLEXUS MA832GB 380 ml	AR	
1	687961	. GLUE MS POLYMER TEROSON MS 9399 / "A" 21 Liters	AR	
1	687962	. GLUE MS POLYMER TEROSON MS 9399 / "B" 21 Liters	AR	
2	2800599	. FRAME - W.C.L. DOOR	1	
3	2800424	. RUBBER SEAL EXTRUSION - W.C.L. DOOR	1	
4	2800312	. HINGE 1231.7MM	1	
4	5001910	. TAPE RUB ADH1 CC POL 1/32" X 3/4" X48.5"	AR	
4	506785	. TAPE RUB ADH2 CC POL 1/16" X 1/4" X 200' / BLACK I1C-N-A	AR	
NS	5001076	. WASHER FL RET 4.6x15.4x1.37 NYL BK	9	C
5	2800314	. SUPPORT HINGE	1	
6B	2800859	. SUPPORT - W.C.L. DOOR	1	
7	2800320	. ANCHOR PLATE	1	
8B	2800854	. ARM - W.C.L. DOOR	1	
8C	2800857	. ARM - W.C.L. DOOR	1	
9	2800334	. ARM - W.C.L. DOOR	1	
10	2800308	. SPRING EXTENSION / W.C.L. DOOR	1	
11	2800336	. SUPPORT / ARM - W.C.L. DOOR	1	
12	2800328	. REINFORCEMENT / W.C.L. DOOR	1	
13	2800329	. INSERT FOR SUPPORT / W.C.L. DOOR	1	
14	2800331	. REINFORCEMENT UPPER / W.C.L. DOOR	1	
15	2800332	. REINFORCEMENT LOWER / W.C.L. DOOR	1	
16	2800333	. REINFORCEMENT STOPPER / W.C.L. DOOR	1	
17	2800846	. STOPPING ROD M8X67MM	1	
18	2800845	. ADJUSTMENT PLATE	1	
19	2800847	. ADJUSTMENT PLATE	1	
20	2800843	. COVER / MECANISME	1	
22	2800849	. LEVER	1	
23	2800844	. COVER / RECEPTACLE	1	
24	477399	. RECEPTACLE	1	
25	472830	. SPRING GUIDE HOLDER	1	
26	780812	. ENTRANCE DOOR HANDLE BLACK	1	
27	2800848	. SUPPORT HANDLE	1	
27A	564099	. TAPE ADHESIF ELECTRICAL TISSUS / BLACK 838MM	AR	
28A	280473	. HANDLE, MANUEL LOCK	1	
28B	507016	. O-RING 1/4 I.D. X 3/8 O.D. #2-010 BUNA	1	
28C	280474	. GUIDE, MANUEL LOCK	1	
28D	280477	. SEAL, MANUAL LOCK	2	
28E	5000351	. NUT HEX JAM THN M20-1.5x10 SS	1	
28F	5000350	. WASHER BEL CONT 21x30x2.5 SS	1	

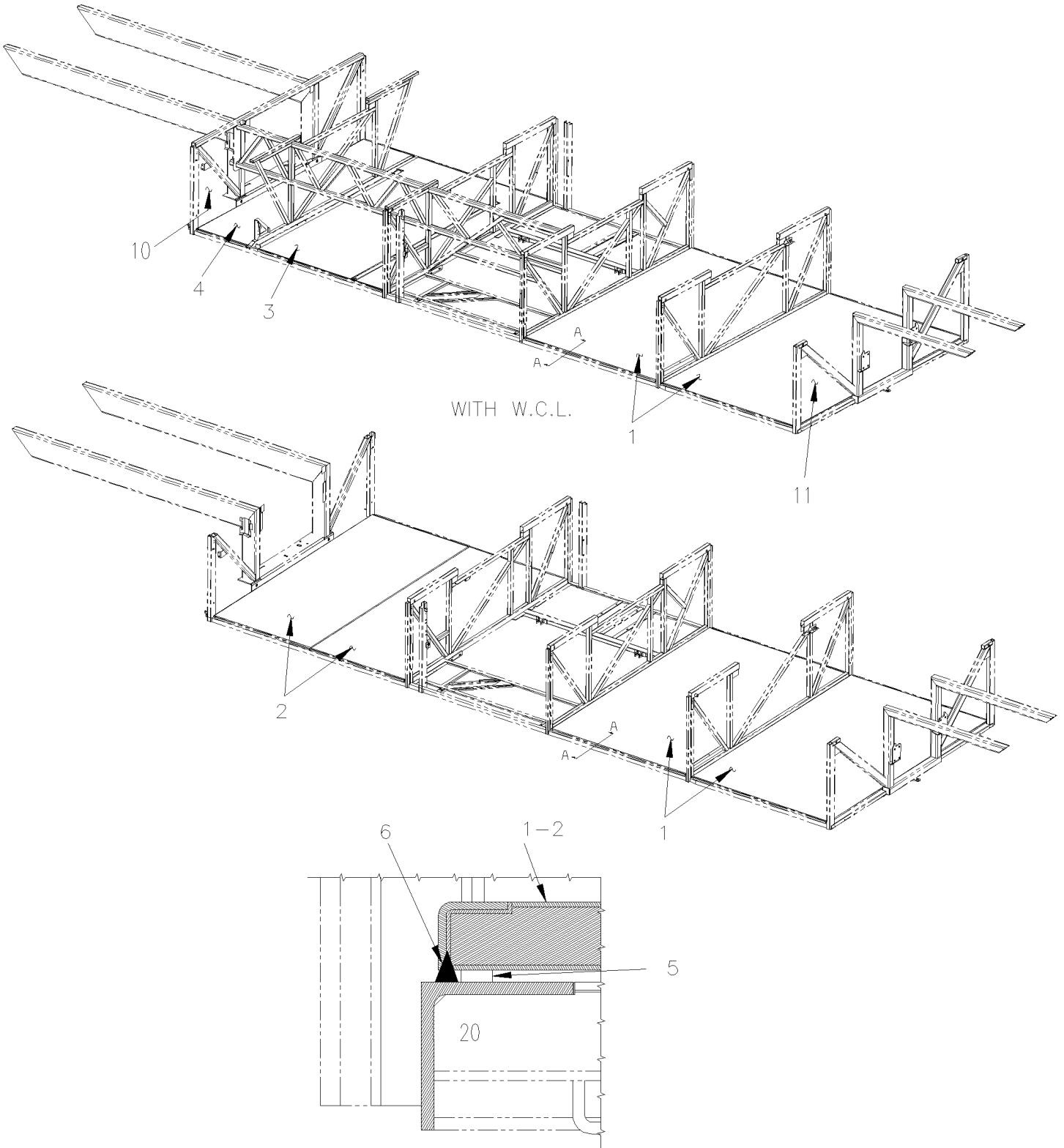
From E-5459 To K-6492	Date:01/2024	PAGE:X3-1864-85
W.C.L. DOOR - BAGGAGE DOOR MANUAL LOCK WITHOUT KEY		

Item#	Part	Description	QTY	Notes
28G	280475	. LEVER, MANUAL LOCK	1	
28H	5001137	. WASHER FL .203x.438x.050 SS	1	
28J	5001544	. WASHER LO EXT .195x.410x.025 SS	1	
28K	5001377	. SCREW MA PAN PH M5-0.8x8 SS	1	
29	065011	SWITCH PROXIMITY ASSY	1	
. NS	562950	. SWITCH PROXIMITY / S.P.D.T. / W/3 WIRES	1	
. NS	561566	. CONNECTOR / WEATHER PACK / PH 2C / BLACK / PED 12010973	1	
29	502768	WASHER FL RUB .312x.625x.125 NEO	2	
30	464678	HANDLE-MANUAL BACKUP PUMP	1	
NS	506339	TAPE RUB ADH1 NIT 1/4" x 1" x 35' / BLACK 1220 To M-6654	AR	
NS	506035	TAPE RUB ADH1 NEO 1/2" x 1" x 15' / BLACK 1220X From M-6655	AR	
31	504585	SPRING CLIP 3/4"	2	
32	5001076	WASHER FL RET 4.6x15.4x1.37 NYL BK	1	
33	562949	MAGNET ROUND .200x.700 DIA	1	
34	500950	WASHER FL .187x.625x.094 RUB	2	
35	5001851	NUT HEX M6-1.0 SS BK	7	
36	5001833	WASHER BEL SPR 6.1x18x1.27 SS	17	
37	504788	RIVET POP DOME OE 3/16x1/4 AL	AR	
37	504379	RIVET POP DOME OE 3/16x1/4 SS	AR	
37A	505016	ISOLATION RING	1	
38	5001182	NUT HEX NYRT M6-1.0 SS	3	
39	502573	WASHER FL 6.4x12.5x1.6 SS	3	
40	5001911	WASHER FL .341x1.000x.080 NYL	6	
41	502622	SCREW CAP HEX M6-1.0x20 SS BK	10	
42	5001868	WASHER BEL SPR 8.4x18x2 SS	1	
43	5001852	NUT HEX M8-1.25 SS BK	1	
44	5001697	SCREW CAP HEX M6-1.0x16 SS BK	2	
45	5001630	SCREW TP BUTF TORX M6x20 SS	3	
46	5001114	WASHER FL .260x.687x.060 NYL	2	
47	500124	SCREW TP TR PH #8x1/2 SS	1	
48	502741	NUT AN #8 NYL	1	
49	509815	TIE MOUNT / ATTACHMENT W/TREE MOUNT	AR	
49	504273	CABLE TIE / 1/8" X 3"1/2	AR	
50	5001606	SCREW SHR HEXS 1/4x3/16 {#10-24 SS	1	
51	5001137	WASHER FL .203x.438x.050 SS	1	
52	5001180	NUT HEX NYRT #10-24 SS	1	
53	504400	SNAP CAP #10 FINISHING BLACK	6	
54	504399	WASHER RETAINER SNAP CAP #10	6	
55	2800369	STOPPER / W.C.L. DOOR	1	
56	2800377	CAP / W.C.L. DOOR	1	
56	684685	ADHESIVE SIMSON #ISR 70-03 / 310ml CARTRIDGE	AR	
57	504119	RIVET POP DOME OE 3/16x1/2 AL	1	

From E-5459 To K-6492	Date:01/2024	PAGE:X3-1864-85
W.C.L. DOOR - BAGGAGE DOOR MANUAL LOCK WITHOUT KEY		

Item#	Part	Description	QTY	Notes
58	507214	O-RING	1	
59	409452	DECAL / MANUAL OPERATING INSTRUCTION... / ENGLISH & FRANCAIS & SPANISH	1	
60	X3-1867-00	KEY & CYLINDER CODE "FORD" & "NS"		
61	X3-1864-70	BAGGAGE DOOR ASSY / W.C.L.		
62	X3-0663-80	LIGHT / W.C.L. BAGGAGE DOOR		
63	405747	DECAL / RICON W.C.L. OPERATING INSTRUCTION ENTER / ENGLISH	1	
64	405749	DECAL / RICON W.C.L. OPERATING INSTRUCTION EXIT / ENGLISH	1	
65	409451	DECAL / W.C.L. REMOTE LOCATION	1	
		C) IF NEED IT		
		P) CALL ORDER DESK FOR SPECIFIC APPLICATION (V.I.N.)		

FLOOR BAGGAGE COMPARTMENT - BUS



VIEW A-A

From 7-8754 To B-5001	Date:01/2024	PAGE:X3-1865-00
FLOOR BAGGAGE COMPARTMENT - BUS		

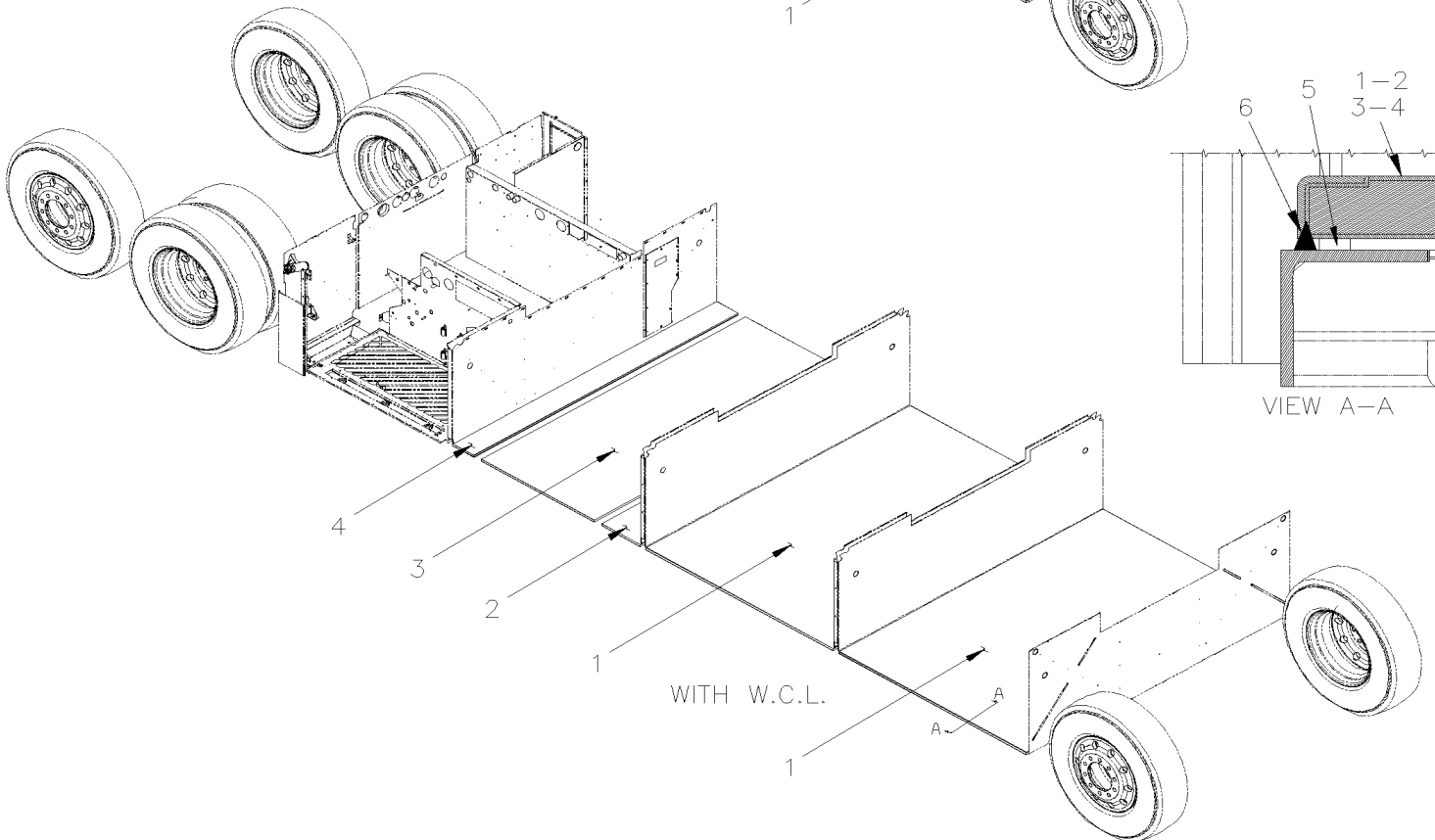
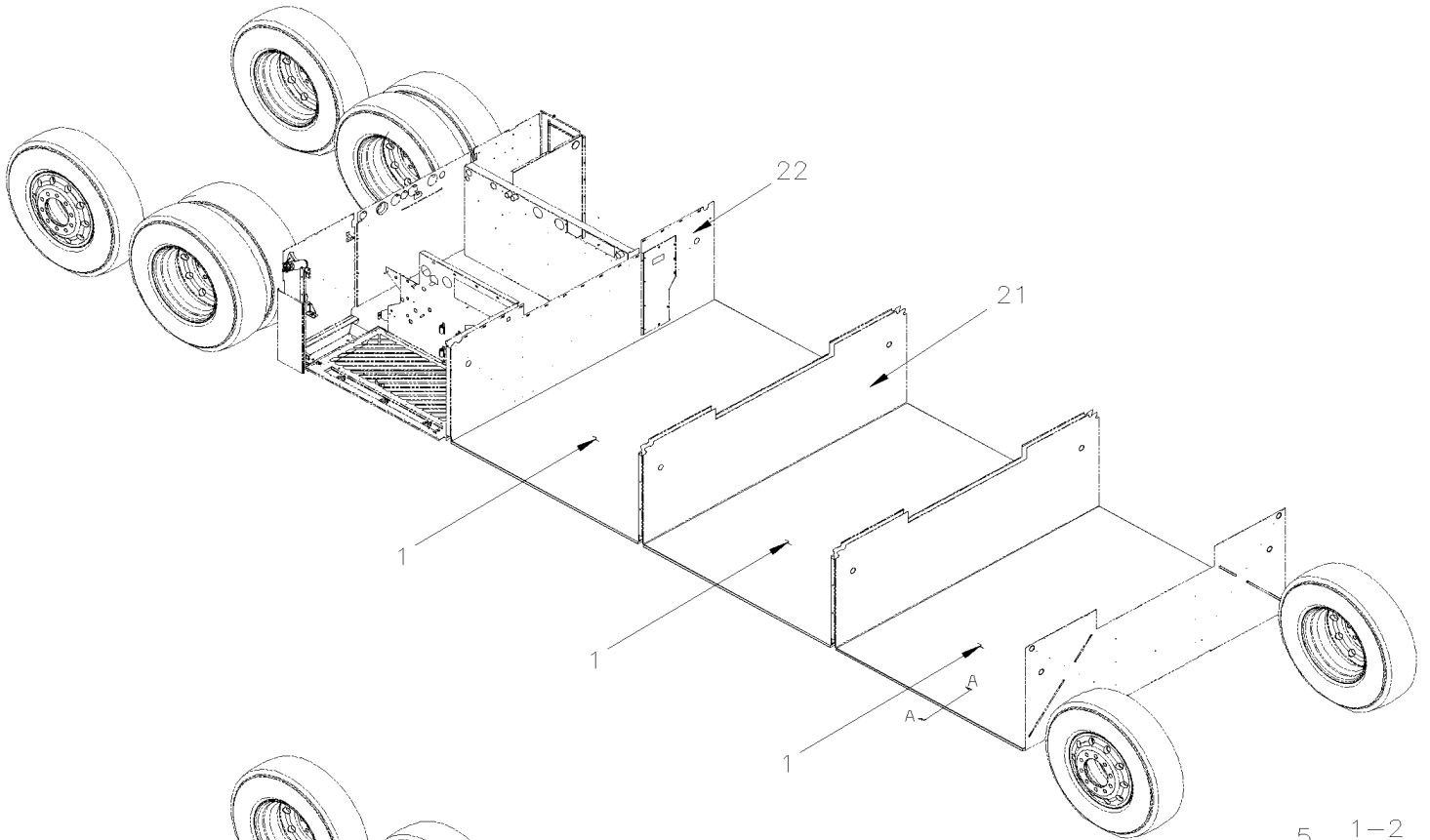
Item#	Part	Description	QTY	Notes
1	483984	BAGGAGE FLOOR PANEL 1531MM To A-9868	2	
1	484132	BAGGAGE FLOOR PANEL 1531MM From A-9869 To A-9909	2	
1	484142	BAGGAGE FLOOR PANEL 1531MM From A-9910	2	
2	483983	BAGGAGE FLOOR PANEL 1081MM To A-9868	2	
2	484131	BAGGAGE FLOOR PANEL 1081MM From A-9869 To A-9909	2	
2	484146	BAGGAGE FLOOR PANEL 1081MM From A-9910	2	
3	483985	BAGGAGE FLOOR PANEL / FORWARD 1531MM / W/W.C.L. To A-9868	1	
3	484133	BAGGAGE FLOOR PANEL / FORWARD 1531MM / W/W.C.L. From A-9869 To A-9909	1	
3	484143	BAGGAGE FLOOR PANEL / FORWARD 1531MM / W/W.C.L. From A-9910	1	
4	483981	BAGGAGE FLOOR PANEL / BACKWARD 584MM / W/W.C.L. To A-9868	1	
4	484130	BAGGAGE FLOOR PANEL / BACKWARD 584MM / W/W.C.L. From A-9869 To A-9909	1	
4	484145	BAGGAGE FLOOR PANEL / BACKWARD 584MM / W/W.C.L. From A-9910	1	
5	790392	RUBBER BLOCK ADJUSTEMENT 1" x 5/16" x 1/8" 80DURO	36	
6	685126	ADHESIVE SIMSON #ISR 70-03 / GREY / 600ml SAUSAGE	AR	
6	680532	SEALANT SIKA #221 / GREY / 310ml CARTRIDGE	AR	
10	221418	PANEL FORWARD REAR AXLE / ONE PIECE	1	
11	214670	PANEL BACKWARD FRONT FENDER / ONE PIECE	1	
NS	684459	PAINT GREY FOR BAGGAGE FLOOR	AR	
20	X3-1893-00	BAGGAGE COMPARTMENT STRUCTURE		

From B-5002

Date:01/2024

PAGE:X3-1865-01

FLOOR BAGGAGE COMPARTMENT - BUS



From B-5002	Date:01/2024	PAGE:X3-1865-01
-------------	--------------	-----------------

FLOOR BAGGAGE COMPARTMENT - BUS

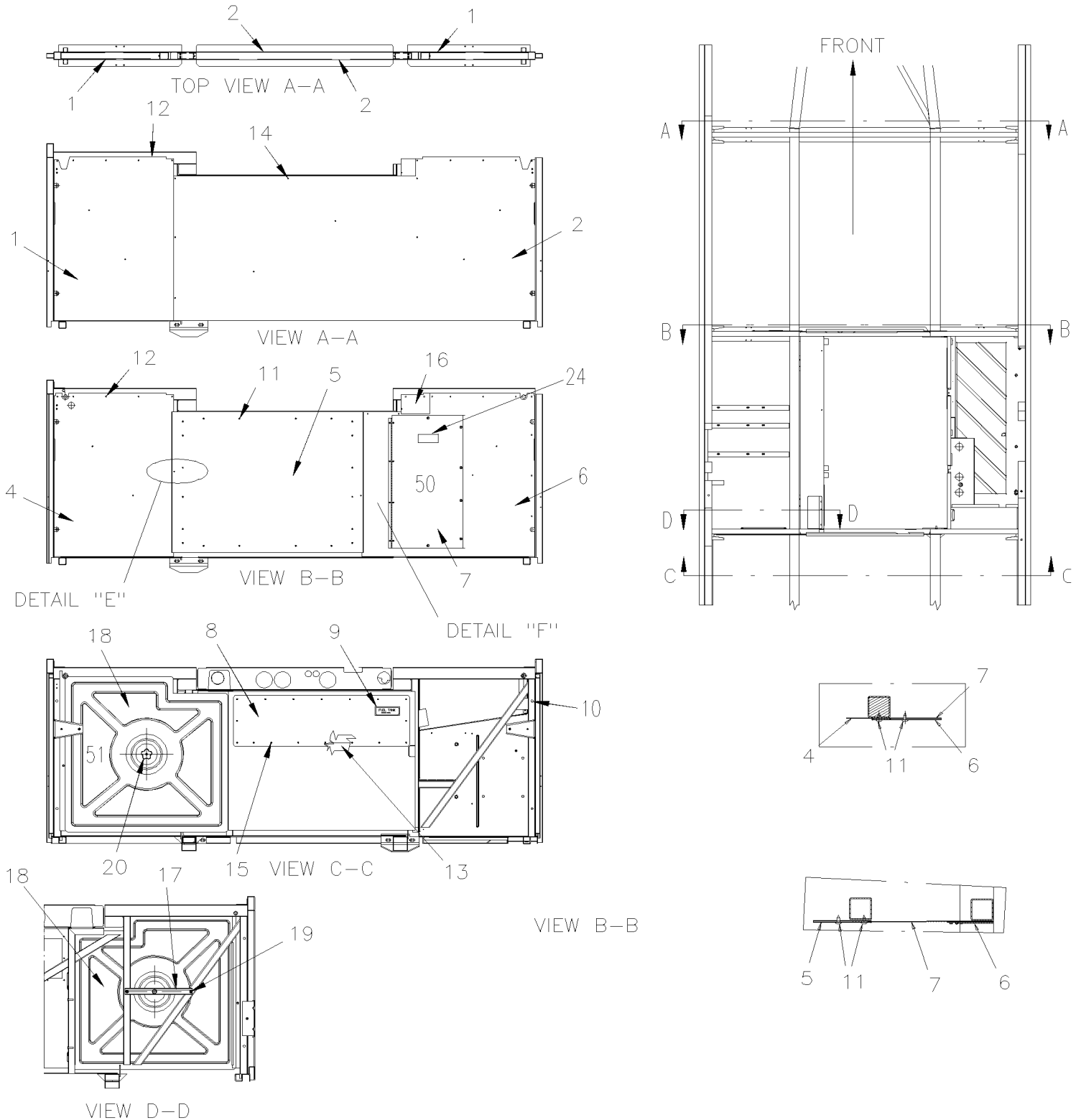
Item#	Part	Description	QTY	Notes
1	484151	BAGGAGE FLOOR PANEL 1742.6MM To D-5458	3	
1	485691	BAGGAGE FLOOR PANEL 1742.6MM From E-5459	3	
2	485404	BAGGAGE FLOOR PANEL 360.9MM / W/ W.C.L. To D-5458	1	W
2	485698	BAGGAGE FLOOR PANEL 360.9MM / W/ W.C.L. From E-5459 To K-6492	1	W
2	480109	BAGGAGE FLOOR PANEL 286.5MM / W/ W.C.L. From L-6493	1	W
3	485406	BAGGAGE FLOOR PANEL 1048.9MM / W/W.C.L. To D-5458	1	W
3	485699	BAGGAGE FLOOR PANEL 1048.9MM / W/W.C.L. From E-5459	1	W
4	485408	BAGGAGE FLOOR PANEL 195MM / W/W.C.L. To D-5458	1	W
4	485700	BAGGAGE FLOOR PANEL 195MM / W/W.C.L. From E-5459 To K-6492	1	W
4	480097	BAGGAGE FLOOR PANEL 269.4MM / W/W.C.L. From L-6493	1	
5	790392	RUBBER BLOCK ADJUSTEMENT 1" x 5/16" x 1/8" 80DURO	AR	
6	685126	ADHESIVE SIMSON #ISR 70-03 / GREY / 600ml SAUSAGE	AR	
6	680532	SEALANT SIKA #221 / GREY / 310ml CARTRIDGE	AR	
NS	684459	PAINT GREY FOR BAGGAGE FLOOR	AR	
20	X3-1893-00	BAGGAGE COMPARTMENT STRUCTURE To D-5458		
20	X3-189X-XX	STRUCTURE / CALL ORDER DESK From E-5459		
21	X3-1865-11	SEPARATOR PANEL - BAGGAGE COMPARTMENT - BUS		
22	X3-1865-22	EVAPORATOR & CONDENSOR WALL INSTALLATION To H-6179		
23	X3-1865-23	EVAPORATOR & CONDENSOR WALL INSTALLATION GHG17 From H-6180		
		W) WITH W.C.L. ONLY		

From 7-8754 To B-5001

Date:01/2024

PAGE:X3-1865-10

SEPARATOR PANEL - BAGGAGE COMPARTMENT - BUS



From 7-8754 To B-5001	Date:01/2024	PAGE:X3-1865-10
SEPARATOR PANEL - BAGGAGE COMPARTMENT - BUS		

Item#	Part	Description	QTY	Notes
1	484016	PANEL SIDE SEPARATOR	2	
2	484033	PANEL SIDE SEPARATOR	2	
4	484032	PANEL SIDE SEPARATOR	1	
5	485517	PANEL FUEL TANK CLOSING 990MM x 746MM	1	
6	Call order desk	ACCESS PANEL LARGE W/HINGE DOOR To 8-9355	1	P
6	Call order desk	ACCESS PANEL LARGE W/HINGE DOOR To 8-9355	1	P
6	Call order desk	ACCESS PANEL LARGE W/HINGE DOOR From 8-9356 To A-9872	1	P
6	Call order desk	ACCESS PANEL LARGE W/HINGE DOOR From 8-9356 To A-9872	1	P
6	Call order desk	ACCESS PANEL LARGE W/HINGE DOOR From A-9873	1	P
6	Call order desk	ACCESS PANEL LARGE W/HINGE DOOR From A-9873	1	P
6	485506	. PANEL SIDE SEPARATOR / CURBSIDE To 8-9355	1	
6	485607	. PANEL SIDE SEPARATOR / CURBSIDE From 8-9356 To A-9872	1	
6	485640	. PANEL SIDE SEPARATOR / CURBSIDE From A-9873	1	
NS	480928	. HINGE / DOOR PANEL 27 1/8" (689MM) To A-9872	1	
6	484140	. HINGE / DOOR PANEL 27 1/8" (689MM) From A-9873	1	
7	485507	. PANEL DOOR To 8-9355	1	
7	485606	. PANEL DOOR From 8-9356	1	
NS	506753	. TAPE RUB ADH1 URE 1/4" x 3/4" x 37.5' / GREY 1820	AR	
NS	506225	. TAPE RUB ADH1 CC POL 1/16" x 1/4" x 100' / GREY 2520	AR	
NS	504104	. RIVET POP DOME OE 1/8x1/8 SS	8	
NS	504681	. STUD 6MM (DZUS)	3	
NS	504604	. FASTENER	3	
NS	504605	. RECEPTACLE 6 MM	3	
8	483344	PANEL FUEL TANK ACCESS / RIVETED 270MM x 913MM	1	
9	031163	DECAL / "FUEL TANK ACCESS" / ENGLISH	1	
9	032561	DECAL / "FUEL TANK ACCESS" / ENGLISH & SPANISH	1	
10	504528	HOLE PLUG BUTTON / .437 O.D. BLACK	1	
11	500657	SCREW TC TR PH #10-24x1/2 Z050	AR	
12	504347	RIVET POP DOME OE 3/16x1/4 AL	AR	
13	506268	TAPE RUB ADH1 URE 3/8" x 1/2" x 25' / GREY 1820	AR	
14	506001	TAPE RUB ADH1 CC POL 1/8" x 3/4" x 50' / GREY 2520X	AR	
15	502526	SCREW TC BDG PH #12-24x3/4 Z050	17	
16	484021	PANEL SIDE SEPARATOR L.H. To A-9872	1	
17	240770	SUPPORT ELECTRICAL PANEL	1	
18	485542	COVER ASSY ELECTRICAL PANEL	1	
18	485532	. COVER ELECTRICAL PANEL	1	
18	506002	. TAPE RUB ADH1 CC POL 3/16" x 1/2" x 40' / GREY 2520	AR	
18	066756	. DECAL REAR JUNCTION BOX / COMPONENTS To 8-9456	1	
18	067511	. DECAL REAR JUNCTION BOX / COMPONENTS From 8-9457	1	
NS	066610	DECAL REAR COMPT BATTERIES PANEL	1	
19	5001110	NUT HEXF M6-1.0 Z050	2	
20	505534	HANDLE 3/8-16	1	

From 7-8754 To B-5001	Date:01/2024	PAGE:X3-1865-10
-----------------------	--------------	-----------------

SEPARATOR PANEL - BAGGAGE COMPARTMENT - BUS

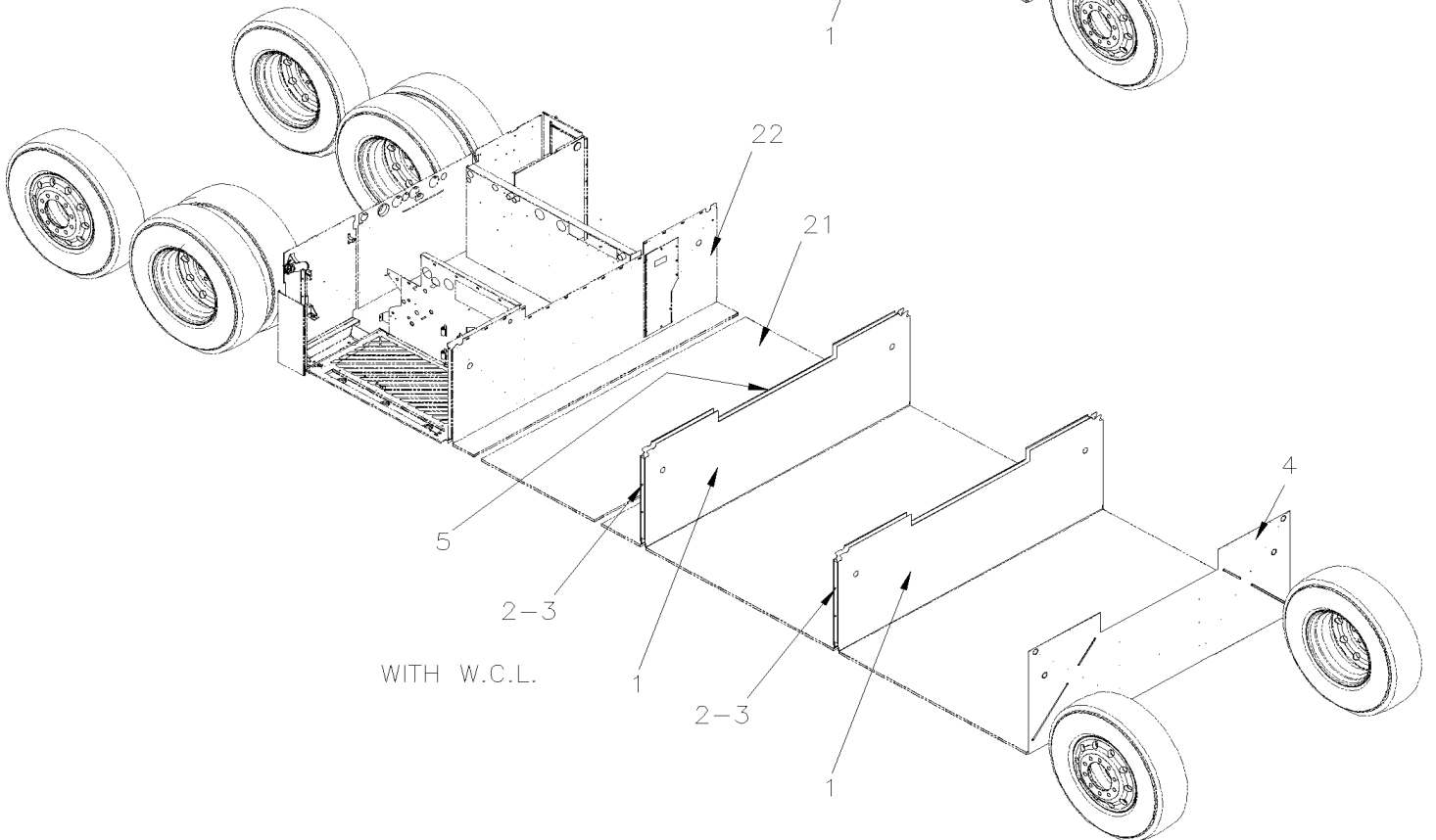
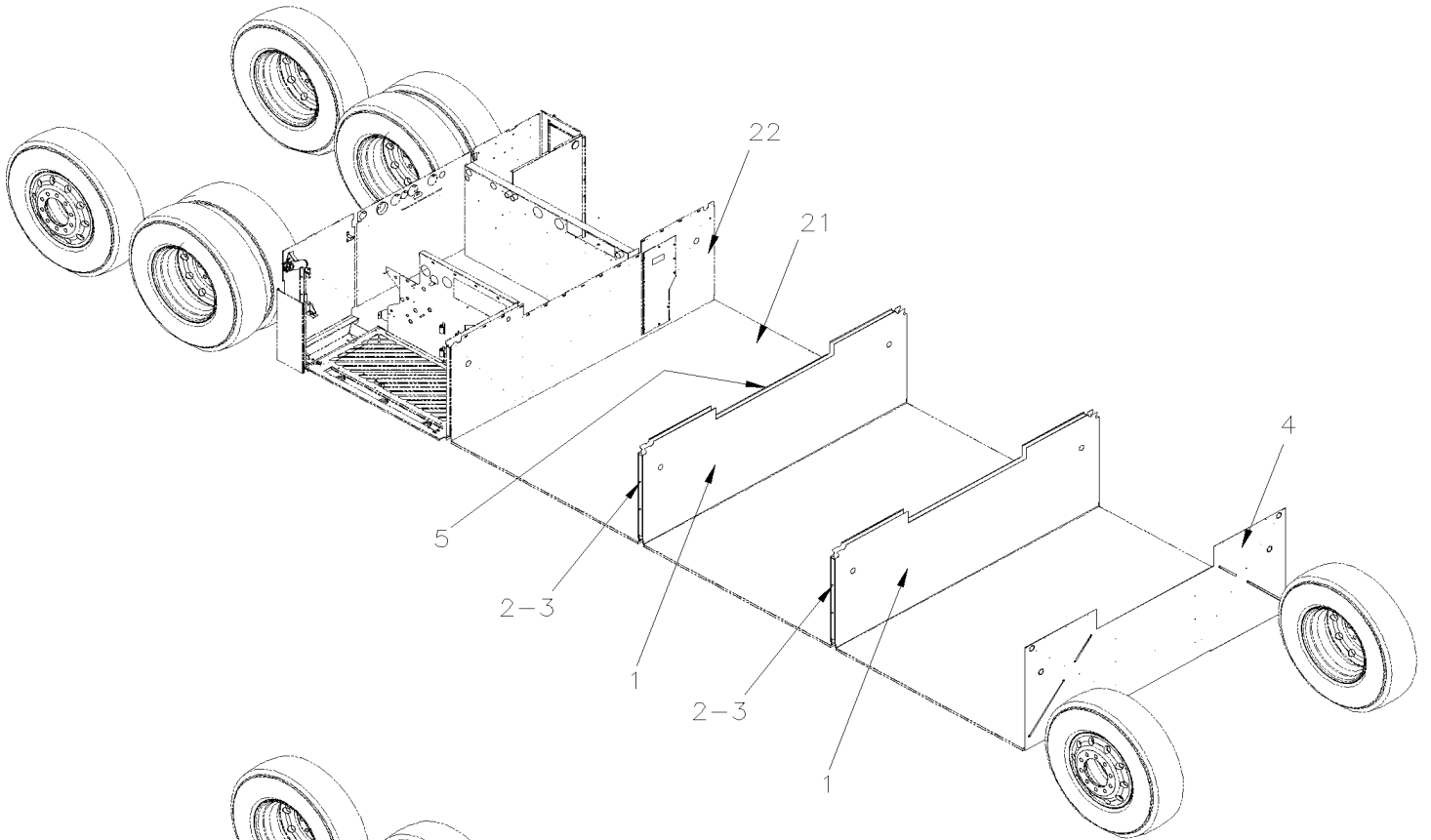
Item#	Part	Description	QTY	Notes
23	506071	TAPE RUB ADH1 CC POL 1/8" x 1/2" x 50' / GREY 2520X	AR	
24	370354	DECAL / AIR FILTER / ENGLISH & FRANCAIS	1	
24	374207	DECAL / AIR FILTER / ENGLISH & SPANISH	1	
50	X3-2205-00	HEATER & EVAPORATOR COIL - INSTALLATION		
51	X3-0620-00	REAR JUNCTION BOX ASSY		
		P) CALL ORDER DESK FOR SPECIFIC APPLICATION (V.I.N.)		

From B-5002

Date:01/2024

PAGE:X3-1865-11

SEPARATOR PANEL - BAGGAGE COMPARTMENT - BUS



From B-5002	Date:01/2024	PAGE:X3-1865-11
-------------	--------------	-----------------

SEPARATOR PANEL - BAGGAGE COMPARTMENT - BUS

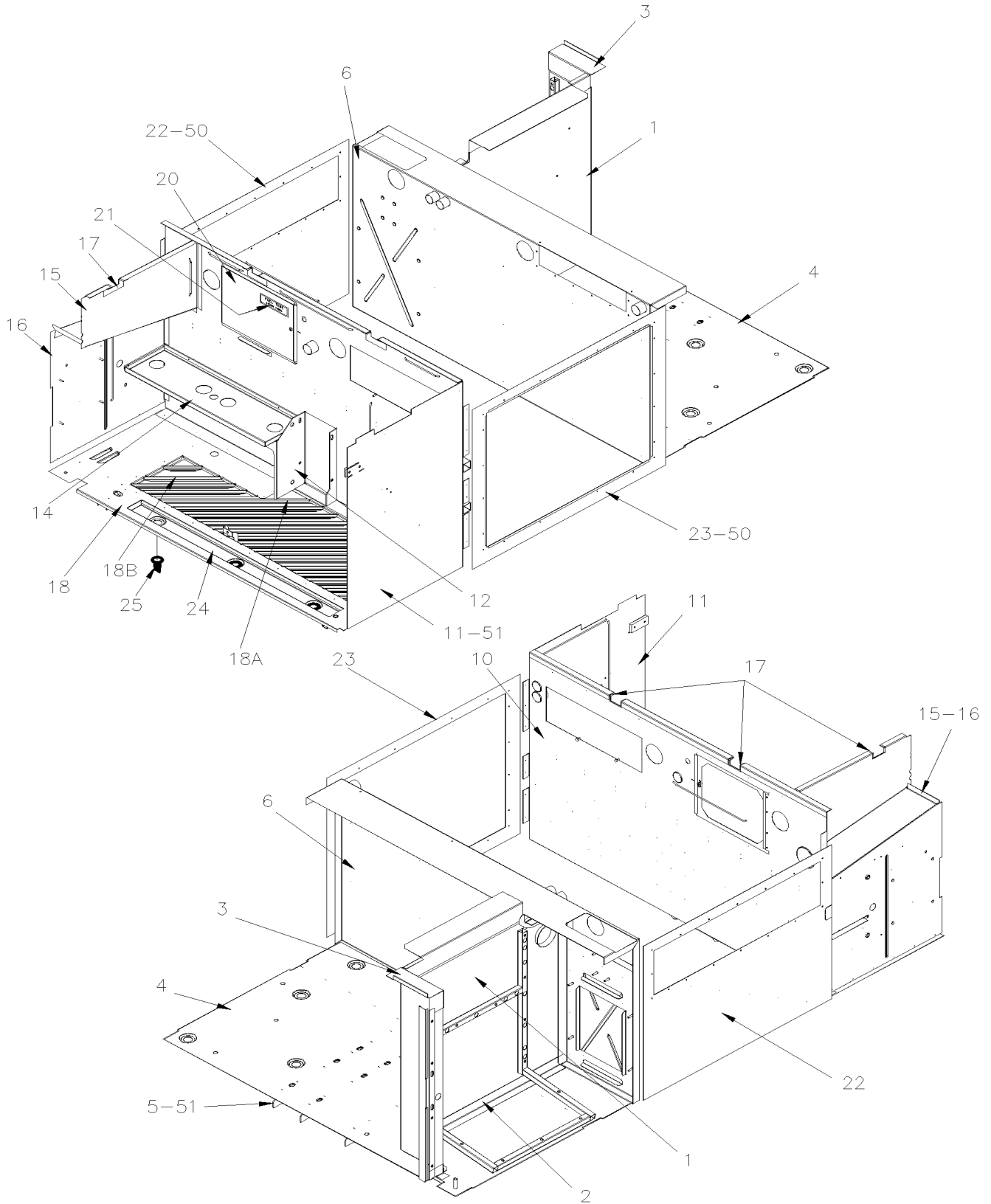
Item#	Part	Description	QTY	Notes
1	485657	PANEL SIDE WALL COVERING To D-5458	3	
1	485680	PANEL SIDE WALL COVERING From E-5459	3	
2	485658	PANEL HOLDER 700MM x 38MM x 30MM To D-5458	4	
2	485681	PANEL HOLDER 635MM x 38MM x 30MM From E-5459	4	
3	504379	RIVET POP DOME OE 3/16x1/4 SS	1	
4	216664	PANEL BACKWARD FRONT FENDER / ONE PIECE To D-5458	1	R
4	217095	PANEL BACKWARD FRONT FENDER / ONE PIECE From E-5459	1	R
4	216687	PANEL BACKWARD FRONT FENDER / ONE PIECE	1	I
5	485657	PANEL SIDE WALL COVERING To D-5458	1	
5	485680	PANEL SIDE WALL COVERING From E-5459 To K-6492	1	
5	480117	PANEL SIDE WALL COVERING From L-6493	1	
NS	506785	TAPE RUB ADH2 CC POL 1/16" X 1/4" X 200' / BLACK I1C-N-A	AR	
NS	685126	ADHESIVE SIMSON #ISR 70-03 / GREY / 600ml SAUSAGE	AR	
21	X3-1865-01	FLOOR BAGGAGE COMPARTMENT - BUS		
22	X3-1865-22	EVAPORATOR & CONDENSOR WALL INSTALLATION To H-6179		
22	X3-1865-23	EVAPORATOR & CONDENSOR WALL INSTALLATION GHG17 From H-6180		
		I) WITH INDENDANTE SUSPENSION		
		R) WITH "I-BEAM" SUSPENSION		

From 7-8754 To B-5001

Date:01/2024

PAGE:X3-1865-20

EVAPORATOR & CONDENSOR WALL INSTALLATION



From 7-8754 To B-5001	Date:01/2024	PAGE:X3-1865-20
EVAPORATOR & CONDENSOR WALL INSTALLATION		

Item#	Part	Description	QTY	Notes
1	223860	WALL PANEL BOX SUPPORT ASSY REAR To 9-9642	1	
1	223901	WALL PANEL BOX SUPPORT ASSY REAR From 9-9643	1	
2	223857	ANGLE LOWER RETAINER	1	
3	223856	ANGLE TOP CLOSING To 9-9642	1	
3	216426	ANGLE TOP CLOSING From 9-9643	1	
4	485505	PANEL EVAPORATOR FLOOR	1	
5	223870	ANGLE SUPPORT	3	
6	215785	REAR VERTICAL PANEL EVAPORATOR	1	
NS	374178	INSULATED BOARD	1	
NS	503550	ANCHOR SELF-STICK 2" SS	AR	
NS	500748	WASHER INSU G.10x1.125x1.250 Z050	AR	
10	215767	REAR VERTICAL PANEL CONDENSOR	1	
10	216436	REAR VERTICAL PANEL CONDENSOR	1	
NS	221493	TUBE REINFORCMENT BATTERIES SUPPORT	2	
11	215782	PANEL CONDENSOR FORWARD To 9-9867	1	
11	218412	PANEL CONDENSOR FORWARD From 9-9868	1	
12	454274	SUPPORT RECEIVER TANK / WELDED TO STRUCTURE	1	
13	221417	ATTACMENT BATTERIES	1	
14	382147	SUPPORT BATTERIES UPPER	1	
15	221433	PANEL CONDENSOR BACKWARD ONE PIECE To 9-9642	1	
15	221430	PANEL CONDENSOR BACKWARD W/W.C.L. ONE PIECE To 9-9600	1	
15	223877	PANEL CONDENSOR BACKWARD W/W.C.L. ONE PIECE From 9-9601 To 9-9642	1	
15	223920	PANEL CONDENSOR BACKWARD UPPER From 9-9643	1	
15	223918	PANEL CONDENSOR BACKWARD UPPER W/W.C.L. From 9-9643	1	
16	223917	PANEL CONDENSOR BACKWARD LOWER From 9-9643	1	
17	214469	ANGLE CLOSING PLATE 102MM	3	
18	483131	PANEL CONDENSOR FLOOR ASSY W LOUVER To 8-9258	1	
18	484103	PANEL CONDENSOR FLOOR ASSY W LOUVER From 9-9259 To 9-9831	1	
18	480003	PANEL CONDENSOR FLOOR ASSY W LOUVER From 9-9832	1	
18A	484011	DEFLECTOR W/TRIANGLE 633MM	1	
18B	484008	DEFLECTOR 502MM	1	
20	Call order desk	DOOR ACCESS PANEL / FUEL COMPONENT	1	P
20	Call order desk	DOOR ACCESS PANEL / FUEL COMPONENT	1	P
20	032668	. DOOR ACCESS PANEL / FUEL COMPONENT 294MM x 380MM	1	
20	504363	. STUD 5/16 O.D. X 7/16 (DZUS)	1	
20	504353	. RETAINER, 5/16"DIA. (DZUS) STUD	1	
20	506228	. TAPE RUB ADH1 CC POL 1/4" x 1/2" x 37.5' / GREY 2520X	AR	
21	031163	DECAL / "FUEL TANK ACCESS" / ENGLISH	1	
21	032561	DECAL / "FUEL TANK ACCESS" / ENGLISH & SPANISH	1	
22	485514	PANEL FRAME / BACKWARD FUEL TANK	1	

From 7-8754 To B-5001	Date:01/2024	PAGE:X3-1865-20
-----------------------	--------------	-----------------

EVAPORATOR & CONDENSOR WALL INSTALLATION

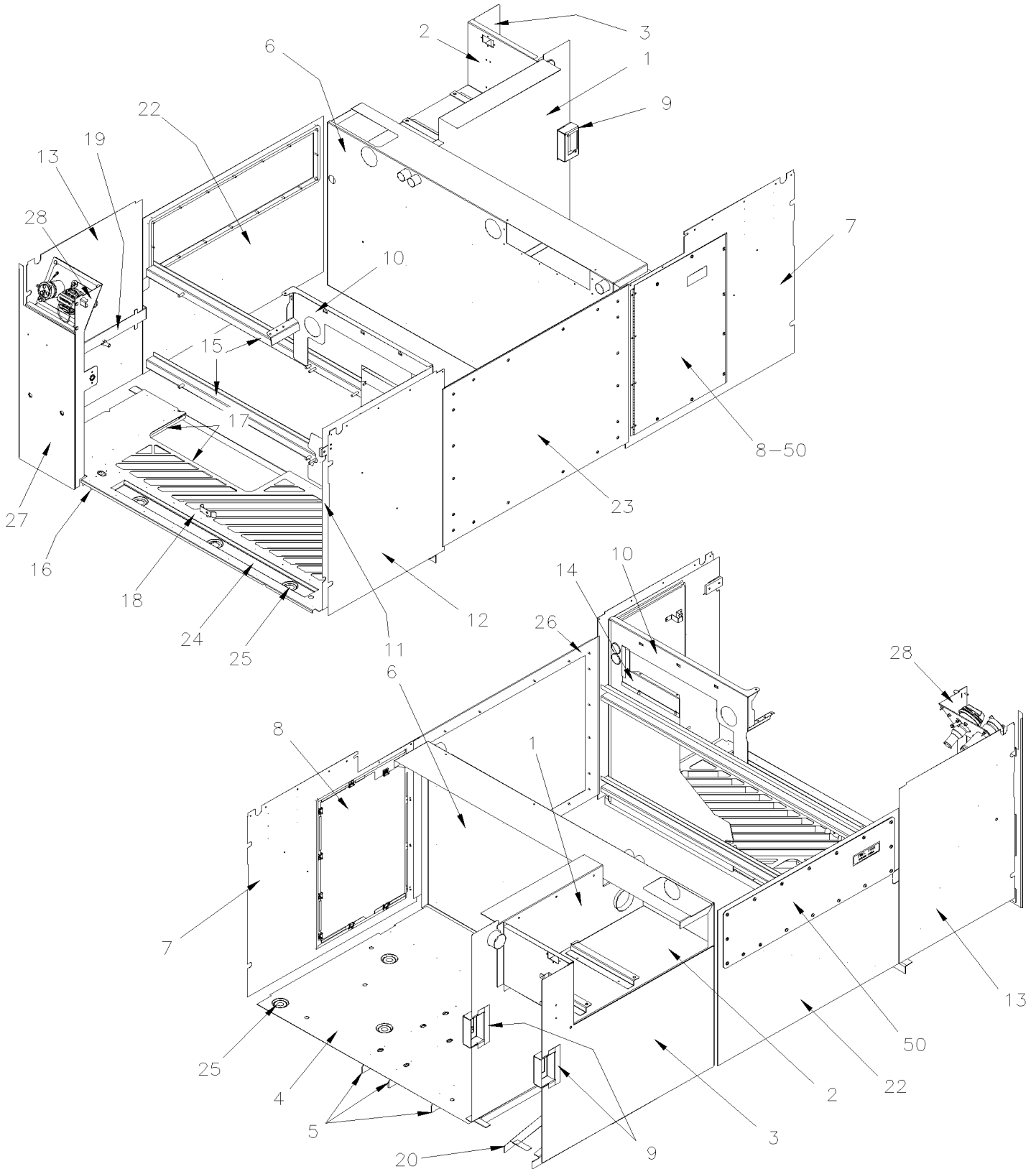
Item#	Part	Description	QTY	Notes
23	485381	PANEL FRAME / FORWARD FUEL TANK 990MM x 766MM To 8-9276	1	
23	217961	PANEL FRAME / FORWARD FUEL TANK 990MM x 754MM From 8-9279	1	
24	480004	DRAIN RECEPTACLE From 9-9832	1	
25	453981	DRAIN BOOT 1" I.D. W/GROOVE 1.5 x 35MM I.D. x 62MM From 9-9832	3	
50	X3-1865-10	SEPARATOR PANEL - BAGGAGE COMPARTMENT - BUS	1	
51	X3-1893-00	BAGGAGE COMPARTMENT STRUCTURE		
		P) CALL ORDER DESK FOR SPECIFIC APPLICATION (V.I.N.)		

From A-9907 To A-9907

Date:01/2024

PAGE:X3-1865-21

EVAPORATOR & CONDENSOR WALL INSTALLATION A-9907 & A-9926



From A-9907 To A-9907	Date:01/2024	PAGE:X3-1865-21
-----------------------	--------------	-----------------

EVAPORATOR & CONDENSOR WALL INSTALLATION A-9907 & A-9926

Item#	Part	Description	QTY	Notes
	 "WARNING" - "WARNING" - "WARNING"		
		ONLY 2 VEHICULES HAVE THIS INSTALLATION A-9907 & A-9926		
1	218422	PANEL BACKWARD EVAPORATOR COMPARTMENT	1	
2	218423	FLOOR ASSY W/CHARGER SUPPORT	1	
3	218421	PANEL L.H. FINISHING 4 COMPT BAGGAGE	1	
4	218415	PANEL EVAPORATOR FLOOR	1	
5	223870	ANGLE SUPPORT	1	
6	218420	REAR VERTICAL PANEL EVAPORATOR	1	
NS	374178	INSULATED BOARD	1	
NS	503550	ANCHOR SELF-STICK 2" SS	AR	
NS	500748	WASHER INSU G.10x1.125x1.250 Z050	AR	
7	Call order desk	ACCESS PANEL LARGE W/HINGE DOOR	1	P
7	485607	. PANEL SIDE SEPARATOR / CURBSIDE	1	
8	485606	. PANEL DOOR	1	
9	484147	LOCK SUPPORT / (WELDED TO STRUCTURE)	2	
10	216727	REAR VERTICAL PANEL CONDENSOR	1	
11	216719	PANEL CONDENSOR FORWARD	1	
12	484032	PANEL SIDE SEPARATOR	1	
13	216774	PANEL CONDENSOR BACKWARD	1	
14	455351	CLOSING PLATE CONDENSOR	1	
15	216773	HAT CHANNEL SUPPORT UREA 1530MM	2	
16	484029	CHANNEL "C" SHAPE CATCH "D" CONDENSOR DOOR 149MM	1	
17	221456	ANGLE SUPPORT 434MM	1	
NS	221559	ANGLE SUPPORT 523MM	1	
NS	221558	ANGLE SUPPORT 608MM	1	
NS	216729	ANGLE SUPPORT 1601MM	1	
18	216728	PANEL CONDENSOR FLOOR ASSY W/LOUVER	1	
. NS	216724	. STOPPER CONDENSOR DOOR	1	
19	216725	SUPPORT RECEIVER TANK / WELDED TO STRUCTURE	1	
20	218414	SUPPORT WEBASTO	1	
22	485514	PANEL FRAME / BACKWARD FUEL TANK	1	
23	485517	PANEL FUEL TANK CLOSING 990MM x 746MM	1	
24	480004	DRAIN RECEPTACLE	1	
25	453981	DRAIN BOOT 1" I.D. W/GROOVE 1.5 x 35MM I.D. x 62MM	3	
26	217961	PANEL FRAME / FORWARD FUEL TANK 990MM x 754MM	1	
27	478410	PANEL CURBSIDE / FUEL DOOR LOWER / 306MM	1	
28	216726	RECEPTACLE FILLING CAP PLATE	1	
50	X3-1865-10	SEPARATOR PANEL - BAGGAGE COMPARTMENT - BUS		

From A-9907 To A-9907	Date:01/2024	PAGE:X3-1865-21
-----------------------	--------------	-----------------

EVAPORATOR & CONDENSOR WALL INSTALLATION A-9907 & A-9926

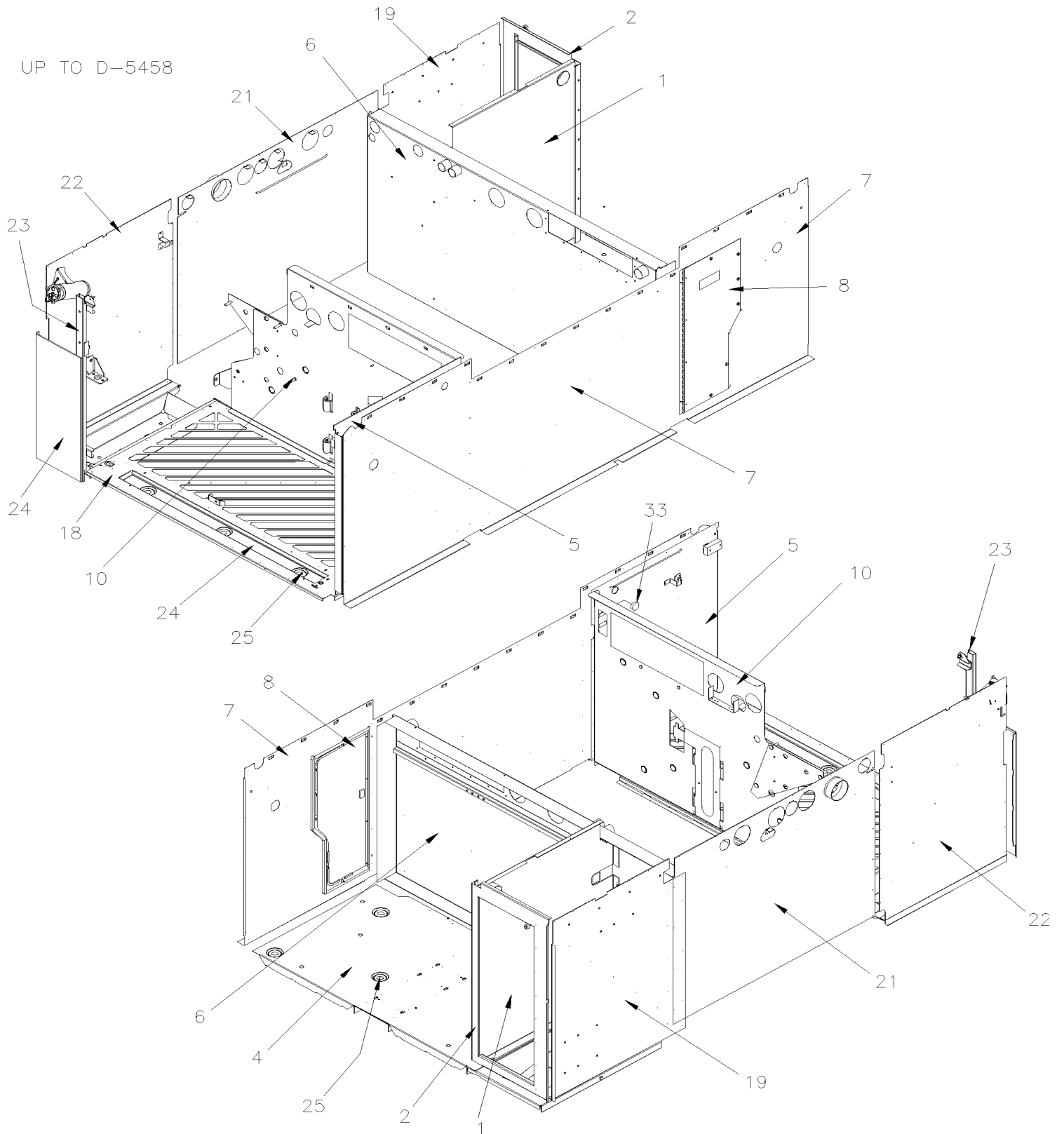
Item#	Part	Description	QTY	Notes
		P) CALL ORDER DESK FOR SPECIFIC APPLICATION (V.I.N.)		

From B-5002 To H-6179

Date:01/2024

PAGE:X3-1865-22

EVAPORATOR & CONDENSOR WALL INSTALLATION

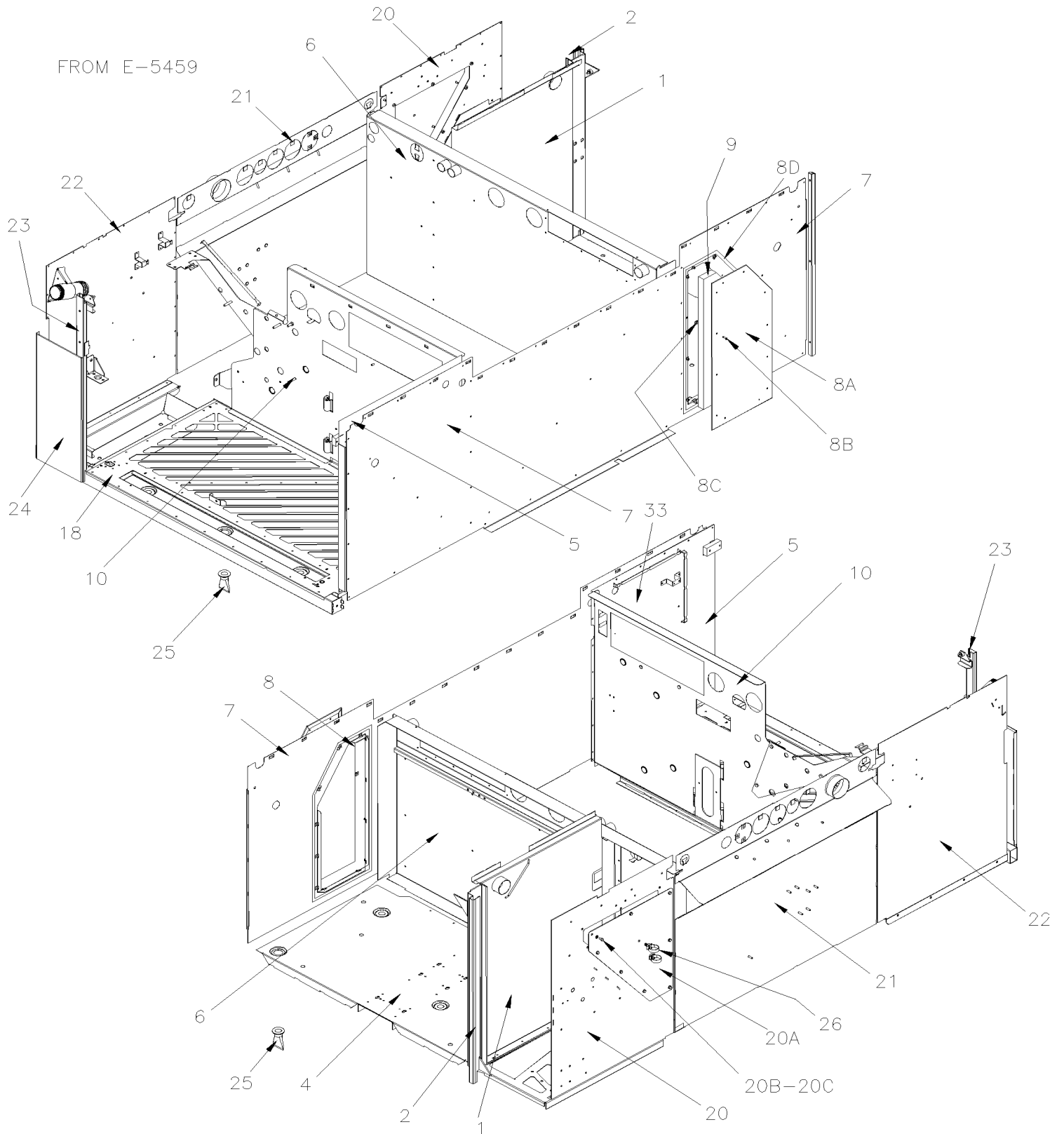


From B-5002 To H-6179

Date:01/2024

PAGE:X3-1865-22

EVAPORATOR & CONDENSOR WALL INSTALLATION

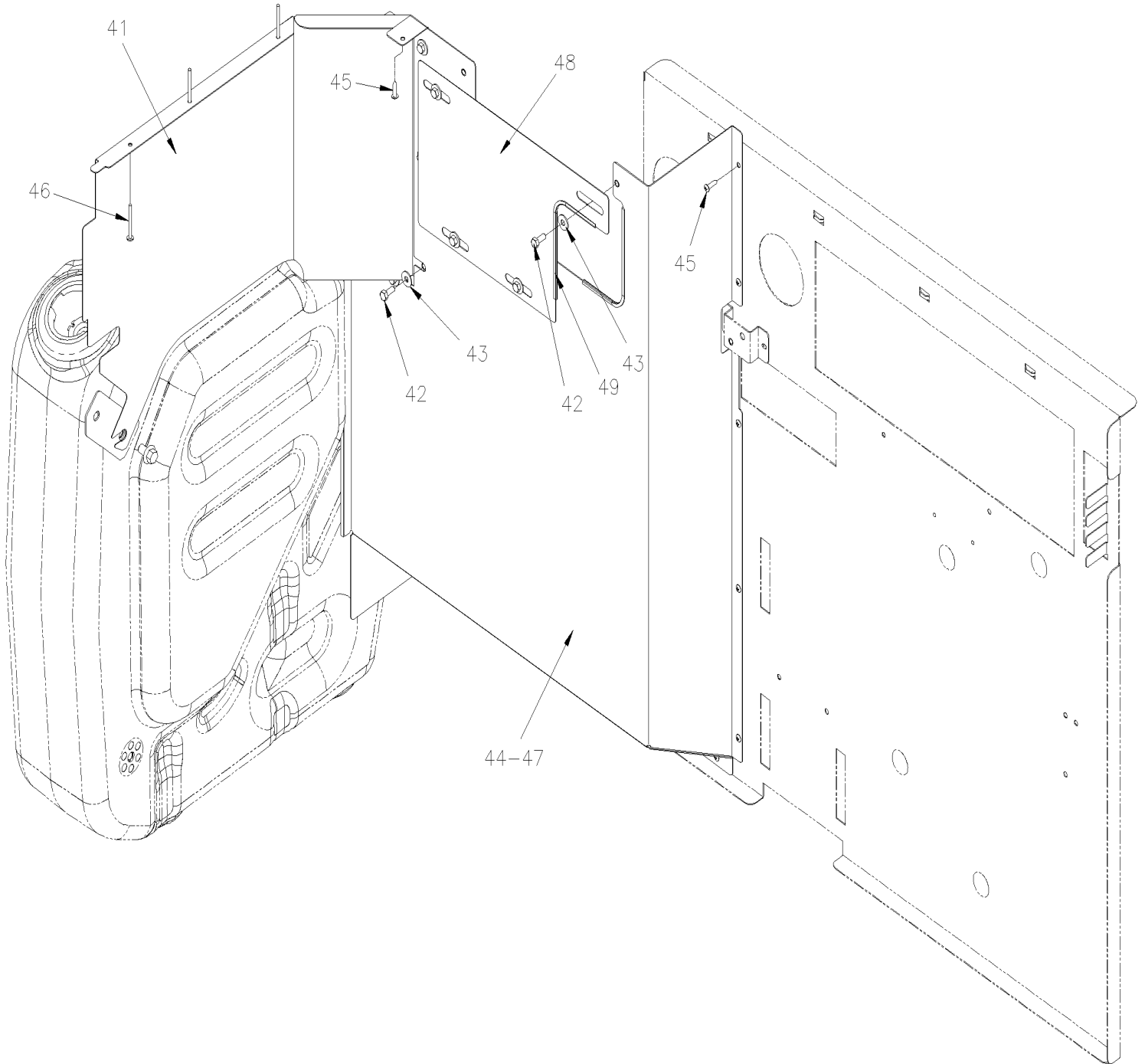


From B-5002 To H-6179

Date:01/2024

PAGE:X3-1865-22

EVAPORATOR & CONDENSOR WALL INSTALLATION



From B-5002 To H-6179	Date:01/2024	PAGE:X3-1865-22
EVAPORATOR & CONDENSOR WALL INSTALLATION		

Item#	Part	Description	QTY	Notes
1	216844	PANEL BACKWARD EVAPORATOR COMPARTMENT To B-5049	1	
1	216974	PANEL BACKWARD EVAPORATOR COMPARTMENT From B-5050 To C-5111	1	
1	217004	PANEL BACKWARD EVAPORATOR COMPARTMENT From C-5112 To D-5458	1	
1	217125	PANEL BACKWARD EVAPORATOR COMPARTMENT From E-5459	1	
2	216710	STRUCTURAL FRAME / WEBASTO DOOR To C-5111	1	
2	216946	STRUCTURAL FRAME / WEBASTO DOOR From C-5112 To D-5299	1	
2	218565	STRUCTURAL FRAME / WEBASTO DOOR From D-5300 To D-5458	1	
2	217134	POST / EVAPORATOR DOOR From E-5459	1	
3	216698	CLOSING PLATE To C-5111	1	
3	216945	CLOSING PLATE From C-5112	1	
4	216854	PANEL ASSY / EVAPORATOR FLOOR To B-5049	1	
4	219083	PANEL ASSY / EVAPORATOR FLOOR From B-5050 To D-5458	1	
4	217121	PANEL ASSY / EVAPORATOR FLOOR From E-5459	1	
5	216852	PANEL ASSY / INTERIOR EVAPORATOR	1	
6	216841	REAR VERTICAL PANEL EVAPORATOR To C-5180	1	
6	218563	REAR VERTICAL PANEL EVAPORATOR From C-5181 To D-5458	1	
6	217173	REAR VERTICAL PANEL EVAPORATOR From E-5459 To E-5541	1	
6	218715	REAR VERTICAL PANEL EVAPORATOR From E-5542	1	
NS	374178	INSULATED BOARD	1	
NS	503550	ANCHOR SELF-STICK 2" SS	AR	
NS	500748	WASHER INSU G.10x1.125x1.250 Z050	AR	
7	216927	PANEL FRONT ONE PIECE To C-5133	1	
7	217024	PANEL FRONT ONE PIECE From C-5134	1	
8	374491	PANEL DOOR To C-5133	1	
8	374623	PANEL DOOR From C-5134 To D-5458	1	
NS	504681	STUD 6MM (DZUS) To D-5458	6	
NS	504604	FASTENER To D-5458	6	
NS	506228	TAPE RUB ADH1 CC POL 1/4" x 1/2" x 37.5' / GREY 2520X To D-5458	AR	
NS	370354	DECAL / AIR FILTER / ENGLISH & FRANCAIS To D-5458	1	
NS	374207	DECAL / AIR FILTER / ENGLISH & SPANISH To D-5458	1	
8A	374682	PANEL DOOR From E-5459	1	
8B	500957	SCREW TP BDG PH #10x3/4 N500 From E-5459	12	
8C	502904	NUT SPR J #10A .035-.050 N500 From E-5459	12	
8D	506268	TAPE RUB ADH1 URE 3/8" x 1/2" x 25' / GREY 1820 From E-5459	AR	
9	374701	INSULATION From E-5459	1	
10	216850	REAR VERTICAL PANEL CONDENSOR To D-5374	1	
10	217141	REAR VERTICAL PANEL CONDENSOR From D-5375 To D-5458	1	
10	217132	REAR VERTICAL PANEL CONDENSOR From E-5459 To F-5759	1	
10	218731	REAR VERTICAL PANEL CONDENSOR From F-5760 To G-5923	1	
10	219094	REAR VERTICAL PANEL CONDENSOR From G-5924	1	
18	216686	PANEL CONDENSOR FLOOR ASSY W/LOUVER To C-5242	1	

From B-5002 To H-6179	Date:01/2024	PAGE:X3-1865-22
EVAPORATOR & CONDENSOR WALL INSTALLATION		

Item#	Part	Description	QTY	Notes
. NS	216677	. GRILL FLOOR To C-5242	1	
. NS	221576	. SUPPORT UREA To C-5242	1	
. NS	216678	. ANGLE REINFORCMENT FLOOR 1290MM To C-5242	1	
. NS	216679	. ANGLE "Z" REINFORCMENT FLOOR 1287MM To C-5242	1	
. NS	223941	. ANGLE REINFORCMENT FLOOR 748MM To C-5242	1	
. NS	216671	. TUBE ASSY COND PIVOT 127MM To C-5242	1	
. NS	480081	. DRAIN RECEPTACLE To C-5242	1	
. NS	216724	. STOPPER CONDENSOR DOOR To C-5242	1	
18	217072	PANEL CONDENSOR FLOOR ASSY W/LOUVER From C-5243 To H-6103	1	
. NS	216677	. GRILL FLOOR From C-5243 To H-6103	1	
. NS	221709	. SUPPORT UREA From C-5243 To H-6103	1	
. NS	216678	. ANGLE REINFORCMENT FLOOR 1290MM From C-5243 To H-6103	1	
. NS	216679	. ANGLE "Z" REINFORCMENT FLOOR 1287MM From C-5243 To H-6103	1	
. NS	223941	. ANGLE REINFORCMENT FLOOR 748MM From C-5243 To H-6103	1	
. NS	216671	. TUBE ASSY COND PIVOT 127MM From C-5243 To H-6103	1	
. NS	480081	. DRAIN RECEPTACLE From C-5243 To H-6103	1	
. NS	216724	. STOPPER CONDENSOR DOOR From C-5243 To H-6103	1	
18	210006	PANEL CONDENSOR FLOOR ASSY W/LOUVER From H-6104	1	
. NS	216677	. GRILL FLOOR From H-6104	1	
. NS	210007	. SUPPORT UREA From H-6104	1	
. NS	216678	. ANGLE REINFORCMENT FLOOR 1290MM From H-6104	1	
. NS	216679	. ANGLE "Z" REINFORCMENT FLOOR 1287MM From H-6104	1	
. NS	223941	. ANGLE REINFORCMENT FLOOR 748MM From H-6104	1	
. NS	216671	. TUBE ASSY COND PIVOT 127MM From H-6104	1	
. NS	480081	. DRAIN RECEPTACLE From H-6104	1	
. NS	216724	. STOPPER CONDENSOR DOOR From H-6104	1	
19	216437	PANEL REAR STREET SIDE To B-5049	1	
19	216985	PANEL REAR STREET SIDE From B-5050 To D-5458	1	
20	217181	PANEL REAR STREET SIDE From E-5459	1	
. A	217185	. ACCESS PANEL From E-5459	1	
. B	5001833	. WASHER BEL SPR 6.1x18x1.27 SS From E-5459	8	
. C	5001982	. SCREW CAP HEX M6-1.0x12 SS BK From E-5459	8	
20	219939	PANEL REAR STREET SIDE W/ PROHEAT	1	
. A	217185	. ACCESS PANEL	1	
. B	5001749	. WASHER LO SPT 6.5x11.5x1.6 N500	12	
. C	5001743	. SCREW CAP HEX M6-1.0x12 G8.8 N500	12	
. NS	219941	. TRAP DOOR, REAR LEFT	1	
21	216667	PANEL REAR CENTER To C-5133	1	
21	217011	PANEL REAR CENTER From C-5134 To C-5232	1	
21	173738	PANEL REAR CENTER From C-5233 To D-5458	1	
21	173790	PANEL REAR CENTER From E-5459 To G-5896	1	
21	175277	PANEL REAR CENTER From G-5897	1	

From B-5002 To H-6179	Date:01/2024	PAGE:X3-1865-22
EVAPORATOR & CONDENSOR WALL INSTALLATION		

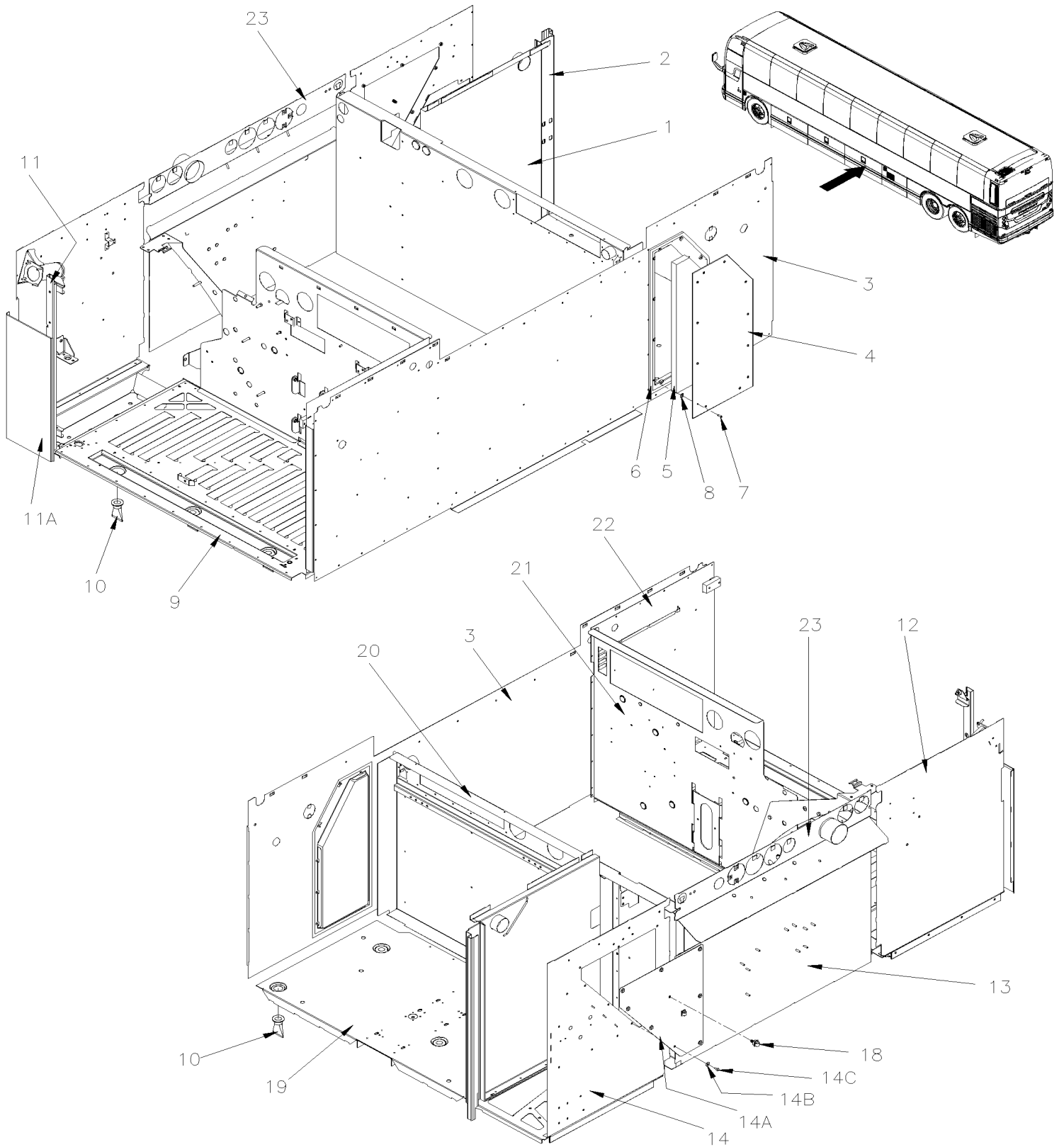
Item#	Part	Description	QTY	Notes
. NS	5001678	. SCREW WD M6-1.0X20 SS From G-5897	AR	
22	223925	PANEL REAR CURBSIDE To B-5052	1	
22	223962	PANEL REAR CURBSIDE From C-5053 To C-5276	1	
22	223929	PANEL REAR CURBSIDE From C-5277 To D-5458	1	
22	221825	PANEL REAR CURBSIDE From E-5459	1	
23	223954	POST ASSY FORWARD FUEL DOOR ASSY W/REINFORCMENT PANEL To F-5811	1	
. NS	216798	. PANEL REINFORCMENT LOWER FUEL DOOR 249MM x 600MM To F-5811	1	
. NS	223940	. POST ASSY FORWARD FUEL DOOR ASSY To F-5811	1	
. . NS	216797	. . STOPPER CONDENSOR DOOR To F-5811	2	
. . NS	223937	. . BRACKET LATCH COND DOOR To F-5811	1	
. . NS	477296	. . ATTACHMENT SPRING DOOR To F-5811	1	
. . NS	502659	. . NUT WD RND M6-1.0 SS To F-5811	2	
23	221916	POST ASSY FORWARD FUEL DOOR ASSY W/REINFORCMENT PANEL From F-5812	1	
. NS	221921	. PANEL REINFORCMENT LOWER FUEL DOOR 244.4MM x 508.6MM From F-5812	1	
. NS	221896	. ATTACH PIVOT LATCH From F-5812	1	
. NS	221917	. TUBE, FUEL DOOR / 895MM LG. From F-5812	1	
. NS	221918	. STOPPER, CONDENSOR DOOR, UPPER From F-5812	1	
. NS	221919	. SUPPORT, CONDENSOR DOOR, LATCH From F-5812	1	
. NS	221920	. STOPPER, CONDENSOR DOOR From F-5812	1	
24	216798	. PANEL REINFORCMENT LOWER FUEL DOOR 249MM x 600MM To F-5811	1	
24	221921	PANEL REINFORCMENT LOWER FUEL DOOR 244.4MM x 508.6MM From F-5812	1	
25	453981	DRAIN BOOT 1" I.D. W/GROOVE 1.5 x 35MM I.D. x 62MM	3	
26	504750	CABLE TIE / 1/2" x 15" / CHRISTMAS TREE From E-5459	2	
33	689948	HOLE PLUG / 1.25OD X .125 NYL BK	1	
41	033981	PROTECTIVE SHEET, UREA TANK To F-5838	1	O
41	033988	PROTECTIVE SHEET, UREA TANK From F-5839	1	O
42	5001697	SCREW CAP HEX M6-1.0x16 SS BK To F-5838	4	O
42	5001697	SCREW CAP HEX M6-1.0x16 SS BK From F-5839	8	O
43	5001833	WASHER BEL SPR 6.1x18x1.27 SS To F-5838	4	O
43	5001833	WASHER BEL SPR 6.1x18x1.27 SS From F-5839	8	O
44	033982	PROTECTIVE SHEET, UREA TANK To F-5838	1	O
44	033989	PROTECTIVE SHEET, UREA TANK From F-5839	1	O
45	500957	SCREW TP BDG PH #10x3/4 N500	AR	O
46	5001890	SCREW TP PAN PH #8x1 3/4" SS	3	O
47	506002	TAPE RUB ADH1 CC POL 3/16" x 1/2" x 40' / GREY 2520	AR	O
48	033990	CLOSING PLATE From F-5839	1	O
49	5060120	GROMMET EDGING ADHESIVE .036-.062 From F-5839	AR	O
		O) SPECIAL OPTION		

From H-6180

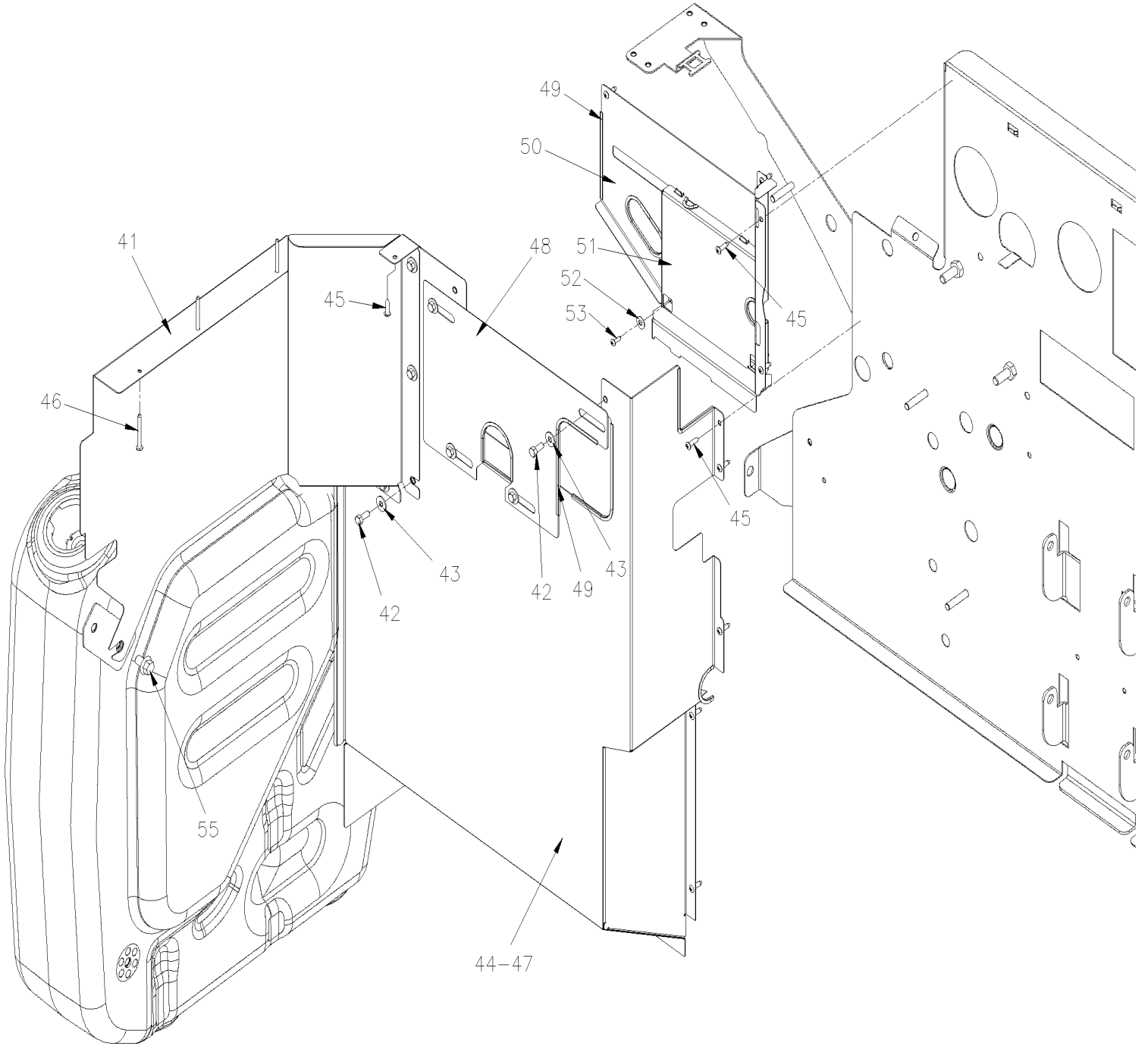
Date:01/2024

PAGE:X3-1865-23

EVAPORATOR & CONDENSOR WALL INSTALLATION GHG17



EVAPORATOR & CONDENSOR WALL INSTALLATION GHG17



From H-6180	Date:01/2024	PAGE:X3-1865-23
EVAPORATOR & CONDENSOR WALL INSTALLATION GHG17		

Item#	Part	Description	QTY	Notes
1	217125	PANEL BACKWARD EVAPORATOR COMPARTMENT	1	
NS	216945	CLOSING PLATE	1	
2	217134	POST / EVAPORATOR DOOR	1	
3	224001	PANEL, REAR LUGGAGE COMPT.	1	
4	374682	PANEL DOOR	1	
5	374701	INSULATION	1	
NS	374697	INSULATION	1	
NS	374698	INSULATION	1	
NS	374699	INSULATION	1	
NS	370063	INSULATION	1	
6	506268	TAPE RUB ADH1 URE 3/8" x 1/2" x 25' / GREY 1820	1	
7	500957	SCREW TP BDG PH #10x3/4 N500	AR	
8	502904	NUT SPR J #10A .035-.050 N500	AR	
9	210019	FLOOR CONDENSOR, WELDED	1	
NS	210007	SUPPORT UREA	1	
NS	210020	PANEL, CONDENSOR FLOOR	1	
NS	216671	TUBE ASSY COND PIVOT 127MM	1	
NS	216678	ANGLE REINFORCMENT FLOOR 1290MM	1	
NS	216679	ANGLE "Z" REINFORCMENT FLOOR 1287MM	1	
NS	216724	STOPPER CONDENSOR DOOR	1	
NS	223941	ANGLE REINFORCMENT FLOOR 748MM	1	
NS	480081	DRAIN RECEPTACLE	1	
10	414654	DRAIN BOOT 1" I.D. W/GROOVE 1.5 x 35MM I.D. x 85MM	AR	
11	221916	POST ASSY FORWARD FUEL DOOR ASSY W/REINFORCMENT PANEL	1	
NS	221921	PANEL REINFORCMENT LOWER FUEL DOOR 244.4MM x 508.6MM	1	
NS	221896	ATTACH PIVOT LATCH	1	
NS	221917	TUBE, FUEL DOOR / 895MM LG.	1	
NS	221918	STOPPER, CONDENSOR DOOR, UPPER	1	
NS	221919	SUPPORT, CONDENSOR DOOR, LATCH	1	
NS	221920	STOPPER, CONDENSOR DOOR	1	
11A	221921	PANEL REINFORCMENT LOWER FUEL DOOR 244.4MM x 508.6MM	1	
12	221825	PANEL REAR CURBSIDE	1	
13	175277	PANEL REAR CENTER	1	
NS	5001678	SCREW WD M6-1.0X20 SS	AR	
14	217181	PANEL REAR STREET SIDE To J-6295	1	
A	217185	ACCESS PANEL To J-6295	1	
B	5001833	WASHER BEL SPR 6.1x18x1.27 SS To J-6295	8	
C	5001982	SCREW CAP HEX M6-1.0x12 SS BK To J-6295	8	
14	210797	PANEL REAR STREET SIDE From J-6296	1	
NS	217183	SUPPORT From J-6296	1	
14	219939	PANEL REAR STREET SIDE W/ PROHEAT	1	PH
A	217185	ACCESS PANEL	1	PH

From H-6180	Date:01/2024	PAGE:X3-1865-23
EVAPORATOR & CONDENSOR WALL INSTALLATION GHG17		

Item#	Part	Description	QTY	Notes
. B	5001749	. WASHER LO SPT 6.5x11.5x1.6 N500	12	PH
. C	5001743	. SCREW CAP HEX M6-1.0x12 G8.8 N500	12	PH
. NS	219941	. TRAP DOOR, REAR LEFT	1	PH
18	504750	CABLE TIE / 1/2" x 15" / CHRISTMAS TREE	2	
19	210104	FLOR EVAPAPORATOR, WELDED To J-7495	1	
. NS	210105	. PANEL, FLOOR EVAPORATOR To J-7495	1	
. NS	210106	. SUPPORT, EVAPORATOR MODULE SUPPORT, MODULE EVAPORATEUR To J-7495	1	
. NS	217123	. SUPPORT, WATER-HEATER SUPPORT, CHAUFFE-EAU To J-7495	1	
19	211014	FLOR EVAPAPORATOR, WELDED From J-6296	1	
. NS	210105	. PANEL, FLOOR EVAPORATOR From J-6296	1	
. NS	210106	. SUPPORT, EVAPORATOR MODULE SUPPORT, MODULE EVAPORATEUR From J-6296	1	
. NS	211015	. SUPPORT, WATER HEATER From J-6296	1	
20	218715	REAR VERTICAL PANEL EVAPORATOR To J-6230		
20	210533	REAR VERTICAL PANEL EVAPORATOR From J-6231 To L-6512	1	
20	218034	REAR VERTICAL PANEL EVAPORATOR From L-6513 To M-6657	1	
20	218310	REAR VERTICAL PANEL EVAPORATOR From M-6658	1	
NS	505319	ANCHOR SELF-STICK 2 1/2" GAL To K-6359	AR	
NS	505307	ANCHOR SELF-STICK From K-6360	AR	
21	210042	VERTICAL PANEL CONDENSOR To L-6491	1	
21	217585	VERTICAL PANEL CONDENSOR From L-6492 To N-6738	1	
21	218945	VERTICAL PANEL CONDENSOR From N-6739	1	
22	221754	PANEL ASSY / INTERIOR EVAPORATOR	1	
23	178875	CLOSING PANEL, ASSY	1	
. NS	170064	. TUBE	1	
. NS	178874	. CLOSING PANEL	1	
41	033988	PROTECTIVE SHEET, UREA TANK	1	O
NS	504264	GROMMET / .750x1.250x.062x.250x1.625 From P-6815	1	O
42	5001697	SCREW CAP HEX M6-1.0x16 SS BK	8	O
43	5001833	WASHER BEL SPR 6.1x18x1.27 SS	8	O
44	033989	PROTECTIVE SHEET, UREA TANK	1	O
45	502868	SCREW TC TR PH #10-16x1/2 N500	AR	O
46	5001890	SCREW TP PAN PH #8x1 3/4" SS	3	O
47	506002	TAPE RUB ADH1 CC POL 3/16" x 1/2" x 40' / GREY 2520	AR	O
48	033990	CLOSING PLATE	1	O
49	5060120	GROMMET EDGING ADHESIVE .036-.062	AR	O
50	030137	PROTECTION PLATE	1	O
51	030148	CLOSING PLATE	1	O
52	5001608	WASHER BEL SPR 6.2x15.0x0.7 G500	2	O
53	500344	SCREW MA RND PH M4-0.7x12 Z050	2	O
55	5001780	SCREW CAP HEXF M8-1.25x16 G8.8 N500	1	

From H-6180		Date:01/2024	PAGE:X3-1865-23
-------------	--	--------------	-----------------

EVAPORATOR & CONDENSOR WALL INSTALLATION GHG17

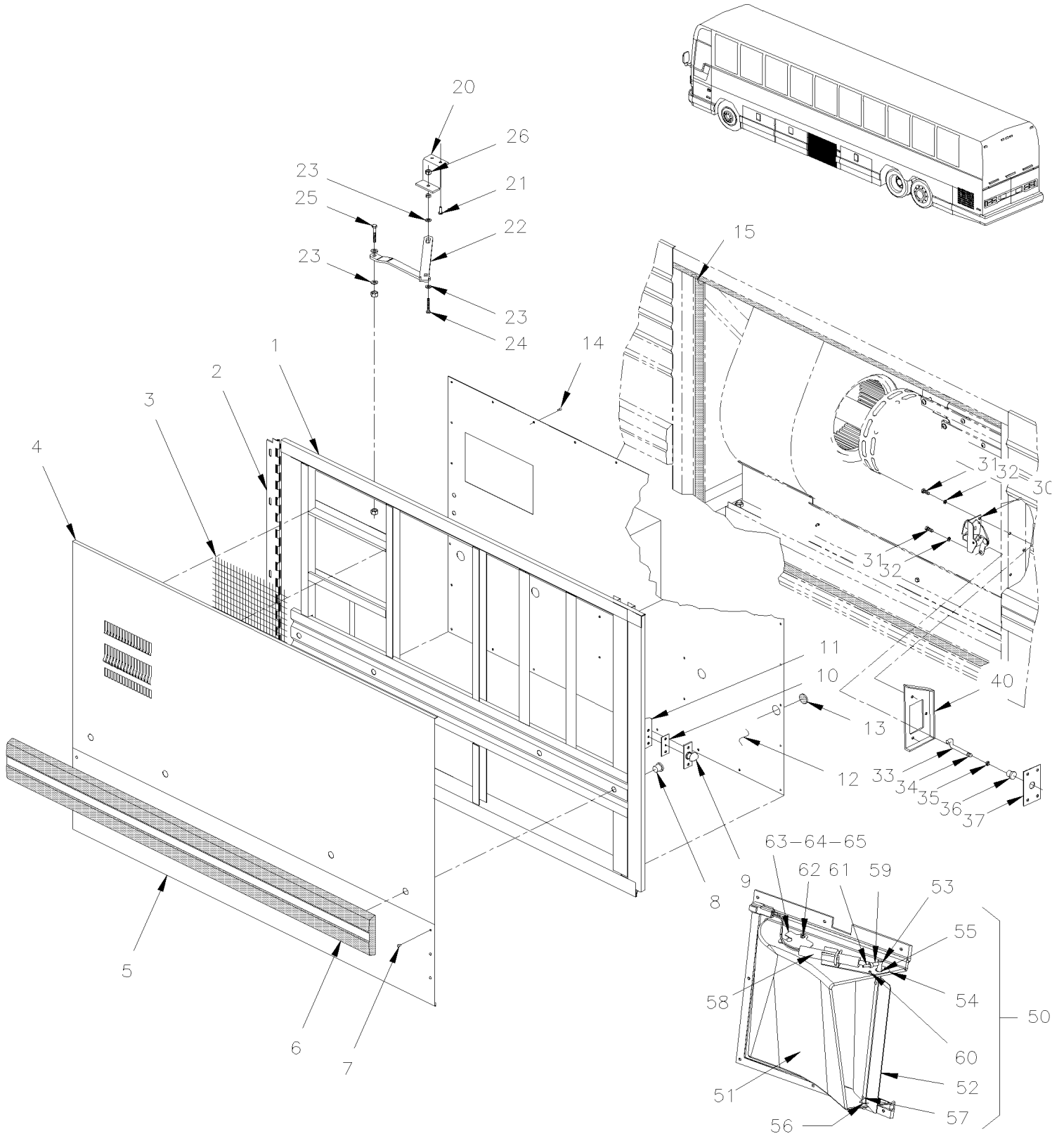
Item#	Part	Description	QTY	Notes
		O) SPECIAL OPTION		
		PH) USED WITH PROHEAT M80		

From 7-8754 To B-5001

Date:01/2024

PAGE:X3-1866-00

EVAPORATOR DOOR ASSY



From 7-8754 To B-5001	Date:01/2024	PAGE:X3-1866-00
EVAPORATOR DOOR ASSY		

Item#	Part	Description	QTY	Notes
		ALL EVAPORATOR DOORS ASSY DO NOT INCLUDE		
		RUB-RAIL PLEASE ORDER SEPARATELY		
	485609	EVAPORATOR DOOR ASSY To B-5002	1	
	Call order desk	EVAPORATOR DOOR ASSY From A-9907 To A-9907	1	P W
	Call order desk	EVAPORATOR DOOR ASSY From A-9926 To A-9926	1	P W
1	483995	. DOOR FRAME (WELDED) To B-5002	1	
. NS	483552	. . HINGE To B-5002	1	
1	485645	. DOOR FRAME (WELDED) From A-9907 To A-9907	1	W
1	485645	. DOOR FRAME (WELDED) From A-9926 To A-9926	1	W
NS	Call order desk	. KIT INSULATING PANEL To B-5002	1	P
NS	Call order desk	. KIT INSULATING PANEL From A-9907 To A-9907	1	P W
1	Call order desk	. KIT INSULATING PANEL From A-9926 To A-9926	1	P W
2	481840	. REINFORCEMENT OF HINGE / 31 7/8" X GA11 STRUCTURE SIDE To B-5002	1	
NS	481131	. SHIM 2" X 1"1/8 / HINGE SUPPORT To B-5002	9	
NS	500124	. SCREW TP TR PH #8x1/2 SS To B-5002	7	
NS	500316	. SCREW MA FL PH 1/4-28x3/4 SS To B-5002	5	
3	483997	. GRILL To B-5002	1	
NS	871382	. FILTER SCREEN 12" x 12"	1	
NS	680532	. SEALANT SIKA #221 / GREY / 310ml CARTRIDGE	1	
4	485503	. PANEL, UPPER To A-9868	1	
4	485639	. PANEL, UPPER From A-9869 To B-5002	1	R
4	485643	. PANEL, UPPER From A-9907 To A-9907	1	W
4	485643	. PANEL, UPPER From A-9926 To A-9926	1	W
5	485504	. PANEL, LOWER To A-9868	1	
5	485638	. PANEL, LOWER From A-9869 To B-5002	1	R
5	485644	. PANEL, LOWER From A-9907 To A-9907	1	W
5	485644	. PANEL, LOWER From A-9926 To A-9926	1	W
NS	680065	. TAPE COMPOUND / BLACK / 1/32" X 1" X 33' / L163-2400	AR	
6	X3-1855-00	RUB RAIL - EXTERIOR CREST & TRIMS		
7	504272	. RIVET CHY Q BRAZ 3/16x1/8 SS To A-9868	18	
8	500301	. NUT HEXF STO 3/8-16 Z050	4	
NS	473378	. SEAL WASHER / RUB RAIL & PANEL	4	
9	780278	. PIN, STRIKER STUD	1	
NS	500316	. SCREW MA FL PH 1/4-28x3/4 SS	2	
NS	502582	. WASHER LO SERR 6.1x16.2x0.9 Z050	2	
NS	500692	. NUT HEX 1/4-28 Z050	2	
10	283326	. STRIKER PLATE, MOUNTING / 60MM X 25MM	1	
11	284556	. STRIKER SUPPORT 86 x 25 x 60	1	
NS	500163	. SCREW CAP HEX 1/4-20x3/4 G5 Z050	2	
NS	502583	. WASHER LO SERR 8.15x22.3x1.0 Z050	2	

From 7-8754 To B-5001	Date:01/2024	PAGE:X3-1866-00
EVAPORATOR DOOR ASSY		

Item#	Part	Description	QTY	Notes
12	485536	. INTERIOR PANEL To B-5002	1	
12	485562	. INTERIOR PANEL From A-9907 To A-9907	1	W
120	485562	. INTERIOR PANEL From A-9926 To A-9926	1	W
13	504433	. SNAP-IN PLUG / 1.090 O.D.	4	
14	504347	. RIVET POP DOME OE 3/16x1/4 AL	AR	
NS	504397	. GROMMET / .750x1.062x.062x.375x1.375	2	
15	483555	WEATHERSTRIP / EVAPORATOR DOOR To B-5002	1	
15	484125	WEATHERSTRIP / EVAPORATOR DOOR To B-5002	1	
15	2800191	WEATHERSTRIP / EVAPORATOR DOOR To B-5002	1	
15	485637	WEATHERSTRIP / EVAPORATOR DOOR From A-9907 To A-9907	1	W
15	485637	WEATHERSTRIP / EVAPORATOR DOOR From A-9926 To A-9926	1	W
15	2800192	RUBBER SEAL EXTRUSION // EVAPORATOR DOOR From A-9907 To A-9907	1	W
15	2800192	RUBBER SEAL EXTRUSION // EVAPORATOR DOOR From A-9926 To A-9926	1	W
16	X3-1854-10	WEATHERSTRIP & DRIP MOULDING		
20	481839	SUPPORT ASSY / DOOR GUIDE	1	
21	500535	SCREW TP CAP HEX #14x3/4 Z050	2	
22	288031	GUIDE ASSY / R.H. DOOR	1	
23	502638	WASHER FL .312x.734x.065 N500	3	
24	500165	SCREW CAP HEX 1/4-20x1 G5 Z050	1	
25	500171	SCREW CAP HEX 1/4-20x1 G5 N500	1	
26	500247	NUT HEX 1/4-20 N500	2	
30	780282	LOCK SPAGNOLET L.H.	1	
31	955271	SCREW CAP HEX M6-1.0x16 G8.8 ZG603	2	
32	500356	WASHER LO SERR 6.1x16.0x0.9 N500	2	
33	289390	ROD OPENING 258MM	1	
33	485646	ROD OPENING "L" SHAPE 227MMx374MM From A-9907 To A-9907	1	W
33	485646	ROD OPENING "L" SHAPE 227MMx374MM From A-9926 To A-9926	1	W
NS	485647	SUPPORT ROD "J" FORM From A-9907 To A-9907	1	W
NS	485647	SUPPORT ROD "J" FORM From A-9926 To A-9926	1	W
NS	504488	RIVET MGLP PRDG 3/16x17/64 SS From A-9907 To A-9907	2	W
NS	504488	RIVET MGLP PRDG 3/16x17/64 SS From A-9926 To A-9926	2	W
34	504083	SNAP BUSHING / .250x.468.406	1	
35	500986	NUT HEX #8-32 N500	1	
36	505504	KNOB, PULL / 8-32	1	
37	482657	CLOSING PLATE 58MM X 58MM / SS	1	
NS	504473	RIVET POP DOME OE 1/8x1/4 SS	1	
37	504083	SNAP BUSHING / .250x.468.406	1	
40	284555	LOCK SUPPORT / (WELDED TO STRUCTURE)	1	
40	482453	SUPPORT	1	
40	484157	LOCK SUPPORT / (WELDED TO STRUCTURE) From A-9907 To A-9907	1	W
40	484157	LOCK SUPPORT / (WELDED TO STRUCTURE) From A-9926 To A-9926	1	W
50	374183P	DAMPER TRAP ASSY	1	

From 7-8754 To B-5001	Date:01/2024	PAGE:X3-1866-00
-----------------------	--------------	-----------------

EVAPORATOR DOOR ASSY

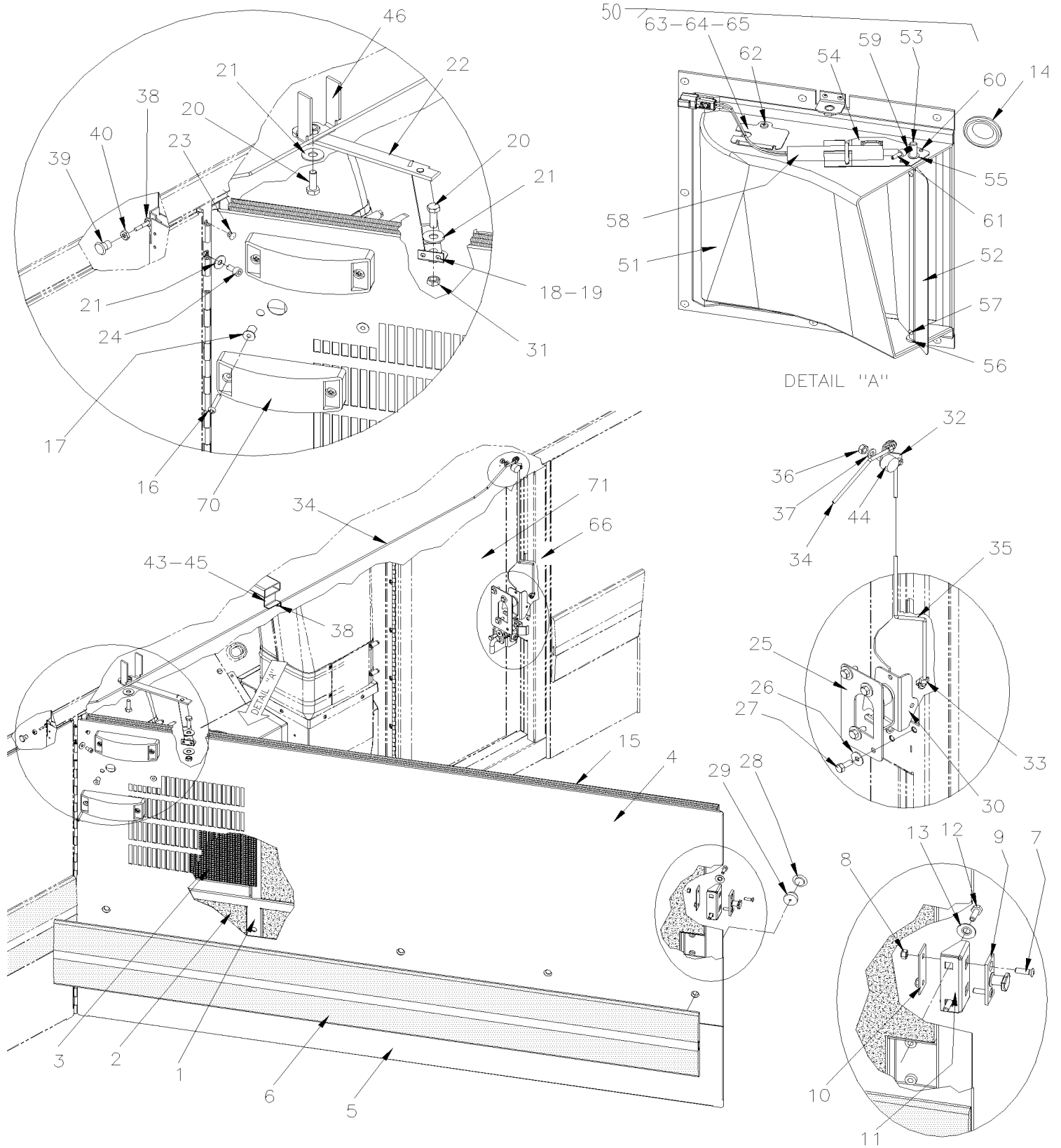
Item#	Part	Description	QTY	Notes
51	374184	. DEFLECTOR PANEL	1	
52	374171	. DAMPER	1	
53	374172	. ROD	1	
54	374173	. PLATE FIXTURE	1	
55	507309	. BUSHING NYLINED .312x.375x.078x.500	1	
56	500975	. WASHER FL .378x.620x.094 NYL	1	
57	504339	. RIVET POP DOME OE 1/8x3/8 SS	1	
58	373415	. ACTUATOR ASSY	1	
59	374021	. TUBE NYLON #4 12MM	1	
60	504340	. RIVET POP DOME OE 1/8x3/16 SS	5	
61	502243	. SPRING PIN	1	
62	500952	SCREW TP BDG PH #8x1/2 SS	1	
63	374185	SUPPORT SENSOR	1	
64	563335	SENSOR THERMISTOR ASSY / OUTSIDE // PED 15416387	1	
NS	067399	CABLE EXTENSION SENSOR REAR OF HEADLAMP BEZEL	1	O
NS	067573	DECAL RELAY IDENTIFICATION EVAPORATOR CONTROL	1	
65	500996	NUT SPR U #6-32 .135-.150	1	
		O) OPTION WITH SENSOR REAR OF CURBSIDE HEADLAMP - "HYDRO QUEBEC"		
		R) THIS PANEL ARE FIXED WITHOUT RIVETS		
		W) WITH EPA 2010		
		P) CALL ORDER DESK FOR SPECIFIC APPLICATION (V.I.N.)		

From B-5002 To D-5458

Date:01/2024

PAGE:X3-1866-01

EVAPORATOR DOOR ASSY



From B-5002 To D-5458	Date:01/2024	PAGE:X3-1866-01
EVAPORATOR DOOR ASSY		

Item#	Part	Description	QTY	Notes
		ALL EVAPORATOR DOORS ASSY DO NOT INCLUDE		
		RUB-RAIL PLEASE ORDER SEPARATELY		
	484295	EVAPORATOR DOOR ASSY	1	
	488533	EVAPORATOR DOOR ASSY / WITHOUT AIR INTAKE	1	
1	484175	. DOOR FRAME (WELDED)	1	
. NS	484229	. . HINGE, L.H. ASSY	1	
2	484187	. KIT INSULATING PANEL	1	
3	484185	. GRILL	1	
NS	871382	. FILTER SCREEN 12" x 12"	1	
3	871432	. FILTER SCREEN 12" x 12" / W2 STRIP GAL	1	
4	488531	. ONE PIECE PANEL EVAPORATOR / FLAT "OEM" UPPER & LOWER	1	
4	484171	. . PANEL, UPPER	1	
4	488532	. ONE PIECE PANEL EVAPORATOR / FLAT WITHOUT FRESH AIR HOLES	1	PWT
4	374647	. CLOSING PLATE WITHOUT FRESH AIR HOLES	1	PWT
4	484303	. INSULATION WITHOUT FRESH AIR HOLES	1	PWT
5	484172	. . PANEL, LOWER	1	
NS	680065	. TAPE COMPOUND / BLACK / 1/32" X 1" X 33' / L163-2400	AR	
6	X3-1855-01	. RUB RAIL - EXTERIOR CREST & TRIMS		
7	5001497	. SCREW MA OV PH M6-1.0x20 SS	2	
8	5001182	. NUT HEX NYRT M6-1.0 SS	2	
9	780278	. PIN, STRIKER STUD	1	
10	283326	. STRIKER PLATE, MOUNTING / 60MM X 25MM	1	
11	289709	. STRIKER SUPPORT 86 x 25 x 36	1	
12	500163	. SCREW CAP HEX 1/4-20x3/4 G5 Z050	2	
13	5001699	. WASHER BEL SPR 8.2x22x1.4 N500	2	
14	504398	. GROMMET / 1.000x1.375x.062x.437x1.750	1	
15	484176	. WEATHERSTRIP / EVAPORATOR DOOR	1	
16	5001042	SCREW MA RND PH #10-32x1 1/4 SS	4	
17	502774	NUT WELL #10-32x.625	4	
18	483562	SUPPORT ASSY / DOOR GUIDE M8-1.25	1	
19	504379	RIVET POP DOME OE 3/16x1/4 SS	2	
20	502780	SCREW CAP HEX M8-1.25x25 SS BK	2	
21	500411	WASHER FL .260x.697x.050 SS	AR	
22	288031	GUIDE ASSY / R.H. DOOR	1	
23	504379	RIVET POP DOME OE 3/16x1/4 SS	2	
24	5001743	SCREW CAP HEX M6-1.0x12 G8.8 N500	6	
25	485648	LOCK SUPPORT	1	
26	5001833	WASHER BEL SPR 6.1x18x1.27 SS	4	
27	5001697	SCREW CAP HEX M6-1.0x16 SS BK	4	
28	504433	SNAP-IN PLUG / 1.090 O.D.	4	
29	473378	SEAL WASHER / RUB RAIL & PANEL	4	

From B-5002 To D-5458	Date:01/2024	PAGE:X3-1866-01
EVAPORATOR DOOR ASSY		

Item#	Part	Description	QTY	Notes
NS	500692	NUT HEX 1/4-28 Z050	2	
NS	502582	WASHER LO SERR 6.1x16.2x0.9 Z050	2	
30	289257	LOCK SPAGNOLET To B-5002	1	
. NS	780340	. CLIP, RETAINER ROD To B-5002	1	
30	289807	LOCK SPAGNOLET W/GREASE FITTING From B-5002	1	
. NS	780340	. CLIP, RETAINER ROD From B-5002	1	
NS	504528	HOLE PLUG BUTTON / .437 O.D. BLACK	1	
31	5001188	NUT HEX M8-1.25 SS	1	
32	484168	PIVOT ROD OPENNG	2	
33	780340	CLIP, RETAINER ROD	2	
34	484184	ROD OPENING 1536MM	1	
35	484183	ROD OPENING 438MM	1	
36	5001182	NUT HEX NYRT M6-1.0 SS	1	
37	502573	WASHER FL 6.4x12.5x1.6 SS	1	
38	504083	SNAP BUSHING / .250x.468.406	2	
39	505504	KNOB, PULL / 8-32	1	
40	500764	NUT HEX #8-32 Z050	1	
43	500657	SCREW TC TR PH #10-24x1/2 Z050	2	
44	223938	SUPPORT PIVOT / DOOR GUIDE M-1.0 W/SHOULDER 10MM (WELD)	1	
45	223939	SUPPORT ROD UPPER (WELDED AT STRUCTURE)	1	
46	216796	SUPPORT PIVOT / DOOR GUIDE M8-1.25 / (WELDED AT STRUCTURE	1	
50	374183P	DAMPER TRAP ASSY	1	
51	374184	. DEFLECTOR PANEL	1	
52	374171	. DAMPER	1	
53	374172	. ROD	1	
54	374173	. PLATE FIXTURE	1	
55	507309	. BUSHING NYLINED .312x.375x.078x.500	1	
56	500975	. WASHER FL .378x.620x.094 NYL	1	
57	504339	. RIVET POP DOME OE 1/8x3/8 SS	1	
58	373415	. ACTUATOR ASSY	1	
59	374021	. TUBE NYLON #4 12MM	1	
60	504340	. RIVET POP DOME OE 1/8x3/16 SS	5	
61	502243	. SPRING PIN	1	
62	500952	. SCREW TP BDG PH #8x1/2 SS	1	
63	374185	. SUPPORT SENSOR	1	
64	563335	. SENSOR THERMISTOR ASSY / OUTSIDE // PED 15416387	1	
NS	067399	CABLE EXTENSION SENSOR REAR OF HEADLAMP BEZEL	1	O
NS	067573	DECAL RELAY IDENTIFICATION EVAPORATOR CONTROL	1	
65	500996	NUT SPR U #6-32 .135-.150	1	
66	223924	POST ASSY / 888MM	1	
70	X3-0662-00	CLEARANCE & MARKER LIGHT		

From B-5002 To D-5458		Date:01/2024	PAGE:X3-1866-01
-----------------------	--	--------------	-----------------

EVAPORATOR DOOR ASSY

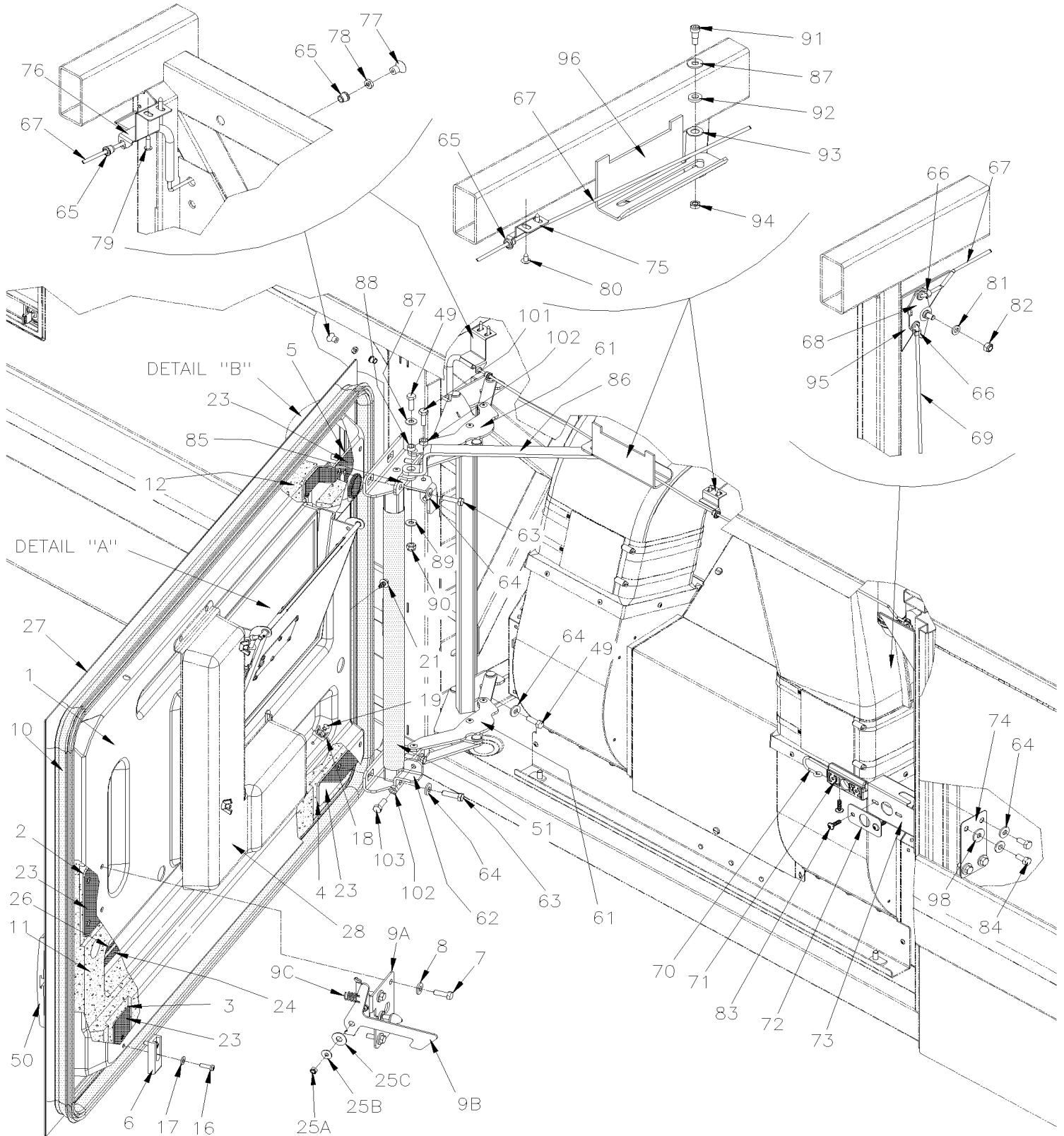
Item#	Part	Description	QTY	Notes
71	X3-1876-01	WATER PUMP & WATER HEATER DOOR		
		O) OPTION WITH SENSOR REAR OF CURBSIDE HEADLAMP - "HYDRO QUEBEC"		
		PWT) WITH PACIFIC WESTERN OPTION WITHOUT AIR INTAKE		

From E-5459 To H-6128

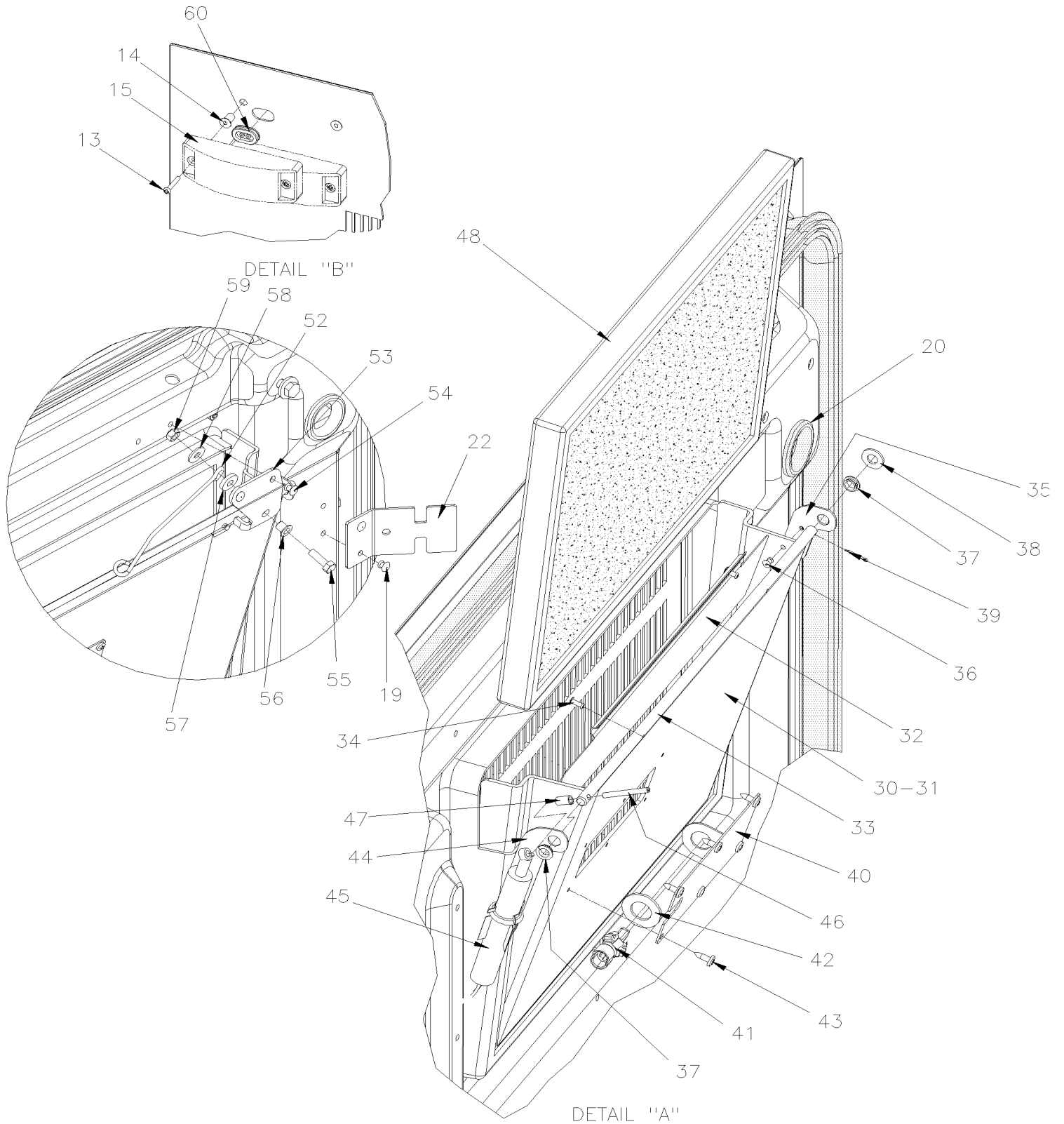
Date:01/2024

PAGE:X3-1866-02

EVAPORATOR DOOR ASSY



From E-5459 To H-6128	Date:01/2024	PAGE:X3-1866-02
EVAPORATOR DOOR ASSY		



From E-5459 To H-6128	Date:01/2024	PAGE:X3-1866-02
EVAPORATOR DOOR ASSY		

Item#	Part	Description	QTY	Notes
	485719	EVAPORATOR DOOR ASSY / WITH AIR INTAKE	1	
	485718	EVAPORATOR DOOR ASSY / WITHOUT AIR INTAKE	1	PWT
1	2800204	. DOOR FRAME To F-5759	1	
1	2800555	. DOOR FRAME From F-5760 To G-5901	1	
1	2800600	. DOOR FRAME From G-5902	1	
2	2800250	. ATTACH, PENE	1	
3	2800251	. ATTACH, SKID	1	
4	2800252	. ATTACH, DOWN HINGE	1	
5	2800253	. ATTACH, UPPER HINGE	1	
6	2800234	. GUIDE, HINGE DOOR	1	
7	502780	. SCREW CAP HEX M8-1.25x25 SS BK To F-5871	4	
7	5001912	. SCREW CAP HEX M8-1.25x30 SS BK From F-5872	4	
8	500321	. WASHER BEL SPR .331x.827x.098 N500	4	
9A	2800389	. PENE ASSY	1	
9B	2800388	. LATCH	1	
9C	502245	. SPRING COMPRESSION / .600 O.D. x 1.25 x .059	1	
10	2800357	. WEATHERSTRIP / EVAPORATOR DOOR To E-5596	1	
10	2800422	. WEATHERSTRIP / EVAPORATOR DOOR From E-5597	1	
11	352595	. INSULATION, EVAPORATOR DOOR	1	
11	352606	. INSULATION WITHOUT FRESH AIR HOLES	1	PWT
12	352596	. INSULATION, EVAPORATOR DOOR	1	
13	5001042	. SCREW MA RND PH #10-32x1 1/4 SS	4	
14	502774	. NUT WELL #10-32x.625	4	
15	X3-0662-00	. CLEARANCE & MARKER LIGHT		
16	502626	. SCREW MA PAN PH M6-1.0x20 N500	2	
17	500877	. WASHER FL .250x.562x.065 N500	2	
18	504013	. TIE MOUNT / 1/4" X 1/4" I.D.	4	
19	504788	. RIVET POP DOME OE 3/16x1/4 AL	AR	
20	504398	. GROMMET / 1.000x1.375x.062x.437x1.750	1	
21	509815	. TIE MOUNT / ATTACHMENT W/TREE MOUNT	AR	
21	504637	. CABLE TIE / 3/16" x 13"	AR	
21	504273	. CABLE TIE / 1/8" X 3"1/2	AR	
22	060998	. SUPPORT CABLAGE A/C To E-5759	1	
22	069008	. SUPPORT CABLE From F-5760	1	
23	684743	. GLUE METHACRYLATE PLEXUS MA832GB 380 ml	AR	
24	687961	. GLUE MS POLYMER TEROSON MS 9399 / "A" 21 Liters	AR	
24	687962	. GLUE MS POLYMER TEROSON MS 9399 / "B" 21 Liters	AR	
25A	5001182	. NUT HEX NYRT M6-1.0 SS	1	
25B	5001833	. WASHER BEL SPR 6.1x18x1.27 SS	1	
25C	500270	. WASHER FL .406x1.000x.063 SS	1	
26	685126	. ADHESIVE SIMSON #ISR 70-03 / GREY / 600ml SAUSAGE	AR	
27	484322	. ONE PIECE PANEL EVAPORATOR / FLAT / ALUMINIUM	1	

From E-5459 To H-6128	Date:01/2024	PAGE:X3-1866-02
EVAPORATOR DOOR ASSY		

Item#	Part	Description	QTY	Notes
27	484328	. ONE PIECE PANEL EVAPORATOR / FLAT WITHOUT FRESH AIR HOLES	1	PWT
27	484326	. . LOWER PANEL / FLAT / ALUMINIUM	1	
28	X3-0621-12	. A/C ELECTRICAL PANEL ASSY / EVAPORATOR DOOR To F-5759		
30	374707P	. INTAKE FRESH AIR ASSY	1	
30	684685	. ADHESIVE SIMSON #ISR 70-03 / 310ml CARTRIDGE	AR	
31	374706	. AIR DEFLECTOR	1	
32	374713	. FLAP	1	
33	374714	. PIVOT , FLAP	1	
34	504339	. RIVET POP DOME OE 1/8x3/8 SS	2	
35	374708	. SUPPORT, FRESH AIR FLAP	1	
36	504340	. RIVET POP DOME OE 1/8x3/16 SS	5	
37	507309	. BUSHING NYLINED .312x.375x.078x.500	2	
38	5001341	. WASHER FL 8.4x17.0x1.6 SS	1	
39	502094	. PIN, COTTER 1/16 x 1/2 SS	1	
40	374710	. SENSOR SUPPORT ASSY	1	
41	563335	. SENSOR THERMISTOR ASSY / OUTSIDE // PED 15416387	1	
42	5001460	. WASHER FL .640x1.188x0.073 SS	1	
43	500952	. SCREW TP BDG PH #8x1/2 SS	6	
44	374709	. SUPPORT, ACTUATOR	1	
45	871180	. ACTUATOR W/BOOT	1	G
. NS	871452	. . CLIP MOUTING ACTUATOR	1	G
. NS	N.S.S.	. . ACTUATOR	1	1 G
. NS	N.S.S.	. . BOOT	1	1 G
45	870135	. ACTUATOR W/BOOT W/E-COAT PROTECTION	1	
. NS	871452	. . CLIP MOUTING ACTUATOR	1	
46	502243	. SPRING PIN	1	
47	503402	. TUBE, NYLON 1/4 O.D. / BLACK S.L.	1	
48	871448	AIR FILTER 1" x 10 7/8" x 15 1/2"	1	
49	502780	SCREW CAP HEX M8-1.25x25 SS BK	5	
50	X3-1855-01	RUB RAIL - EXTERIOR CREST & TRIMS From B-5002 To G-6083		
50	X3-1855-02	RUB RAIL - EXTERIOR CREST & TRIMS From G-6084		
51	505110	COIL PROTECTOR / PLASTIC / #12 To E-5759	AR	
51	505182	COIL PROTECTOR / PLASTIC / #16 To E-5759	AR	
51	680319	TAPE ADHESIF ELECTRIC / BLACK 3/4" To E-5759	AR	
52	374777	SPRING RETAINER	1	
53	374778	SUPPORT, SPRING	1	
54	504113	RIVET POP DOME CLE 3/16x1/4 AL	2	
55	502622	SCREW CAP HEX M6-1.0x20 SS BK	1	
56	507381	BUSHING W/SHOULDER 1/4" I.D,	1	
57	5001481	SPACER NYLON .323 I.D. X .750 O.D. X .125	1	
58	5001114	WASHER FL .260x.687x.060 NYL	1	
59	5001182	NUT HEX NYRT M6-1.0 SS	1	

From E-5459 To H-6128	Date:01/2024	PAGE:X3-1866-02
EVAPORATOR DOOR ASSY		

Item#	Part	Description	QTY	Notes
60	478900	GROMMET, MARKER LIGHT	1	
61	2800218	HINGE ASSY To E-5759	1	
61	2800494	HINGE ASSY From E-5760	1	
62	2800267	SPACER To F-5871	1	
62	2800588	PLATE ADJUSTMENT BOTTOM From F-5872	1	
63	502780	SCREW CAP HEX M8-1.25x25 SS BK To F-5871	4	
63	5001912	SCREW CAP HEX M8-1.25x30 SS BK From F-5872	4	
64	500321	WASHER BEL SPR .331x.827x.098 N500	12	
65	504083	SNAP BUSHING / .250x.468.406	3	
66	780340	CLIP, RETAINER ROD	2	
67	484313	ROD OPENING 1200MM	1	
68	484309	PIVOT LATCH	1	
69	484310	ROD OPENING 381MM	1	
70	478577	SPRING HOLDER	1	
71	477399	RECEPTACLE	1	
72	460708	ADJUSTMENT PLATE	1	
73	2800228	SUPPORT, RECEPTACLE ASSY	1	
74	484319	FIXATION PLATE	1	
75	484321	ROD SUPPOPRT	1	
76	484320	ROD SUPPOPRT	1	
77	505504	KNOB, PULL / 8-32	1	
78	500986	NUT HEX #8-32 N500	1	
79	500957	SCREW TP BDG PH #10x3/4 N500	2	
80	500657	SCREW TC TR PH #10-24x1/2 Z050	2	
81	502573	WASHER FL 6.4x12.5x1.6 SS	1	
82	5001182	NUT HEX NYRT M6-1.0 SS	1	
83	5001630	SCREW TP BUTF TORX M6x20 SS	3	
84	502862	SCREW CAP HEX M8-1.25x20 G8.8 N500	4	
85	2800225	ATTACH, ARM STOPPER To F-5871	1	
85	2800590	PLATE ADJUSTMENT UPPER From F-5872	1	
86	2800223	ARM STOPPER	1	
87	502638	WASHER FL .312x.734x.065 N500	2	
88	283770	SPACER / TO FIX RETAINING ARM	1	
89	5001699	WASHER BEL SPR 8.2x22x1.4 N500 To F-5871	1	
89	502638	WASHER FL .312x.734x.065 N500 From F-5872	1	
90	5001787	NUT HEX NYRT M8-1.25 SS	1	
91	5001560	SCREW SHR HEXS 5/16x3/8 {1/4-20 SS	1	
92	502768	WASHER FL RUB .312x.625x.125 NEO	1	
93	502723	WASHER FL .386x.750x.050 NYL	1	
94	500384	NUT HEX JAM 1/4-20 G500	1	
95	221810	SUPPORT PIVOT / DOOR GUIDE M6-1.0 W/SHOULDER 10M To E-5586	1	
95	221894	SUPPORT PIVOT / DOOR GUIDE M6-1.0 W/SHOULDER 10M From E-5587	1	

From E-5459 To H-6128	Date:01/2024	PAGE:X3-1866-02
EVAPORATOR DOOR ASSY		

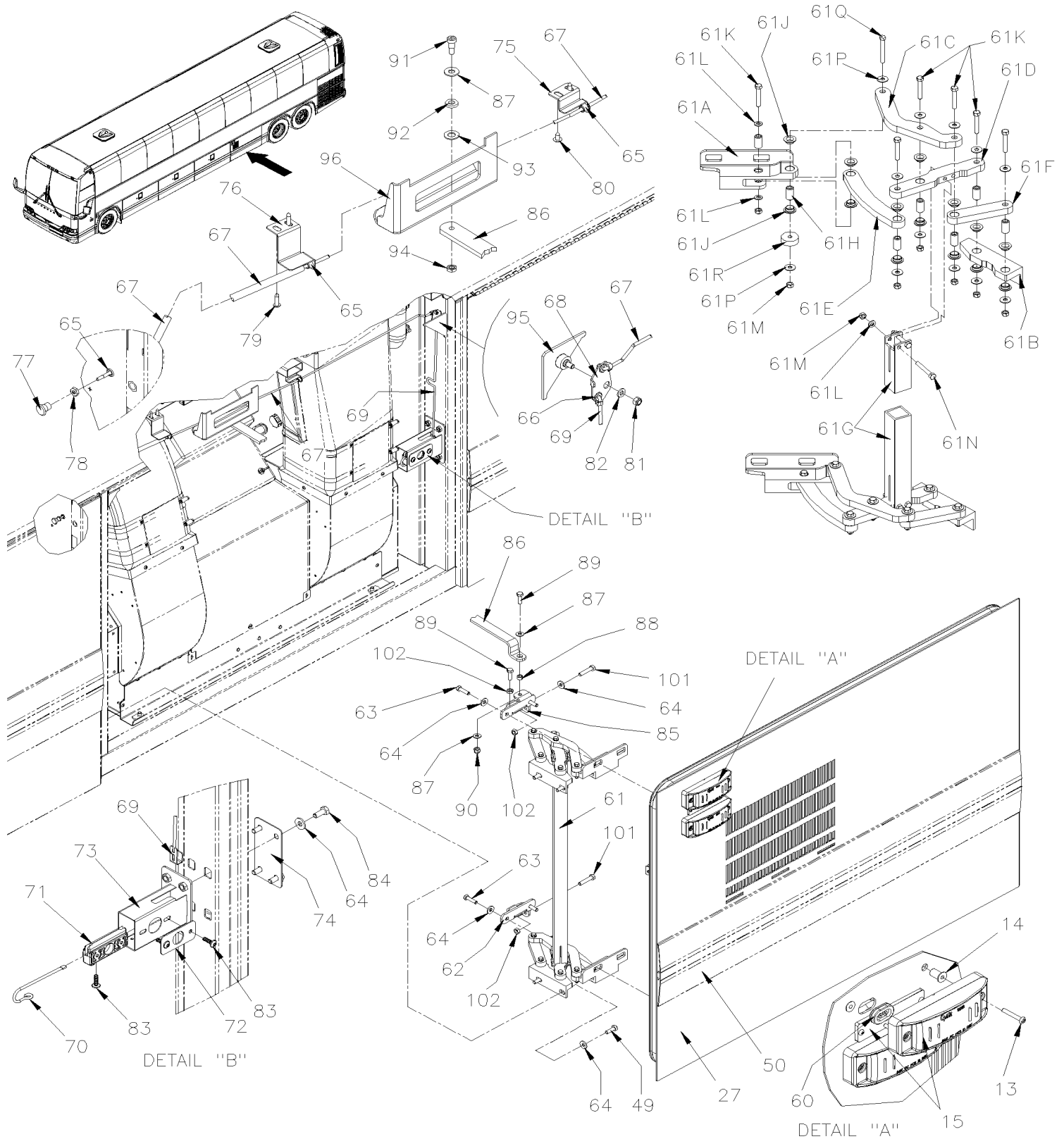
Item#	Part	Description	QTY	Notes
96	2800231	GUIDE, ARM STOPPER	1	
97	068966	EVAPORATOR HARNESS From F-5760	1	
. NS	504398	. GROMMET / 1.000x1.375x.062x.437x1.750 From F-5760	1	
. NS	478900	. GROMMET, MARKER LIGHT From F-5760	AR	
98	500381	WASHER FL 8.4x25.0x2.0 N500	1	
NS	680038	THREAD LOCKER LOCTITE #243 / BLUE / 50ml	AR	
101	502780	SCREW CAP HEX M8-1.25x25 SS BK From F-5872	1	
102	5001852	NUT HEX M8-1.25 SS BK From F-5872	3	
103	5001912	SCREW CAP HEX M8-1.25x30 SS BK	2	
NS	684472	GREASE CLEAR SPRAY BOTTLE 350GR	AR	
		G) FOR PRODUCT IMPROVEMENT ASK FOR 870135		
		PWT) WITH PACIFIC WESTERN OPTION WITHOUT AIR INTAKE		
		1) NOT SOLD SEPARATELY		

From H-6129

Date:01/2024

PAGE:X3-1866-03

EVAPORATOR DOOR ASSY

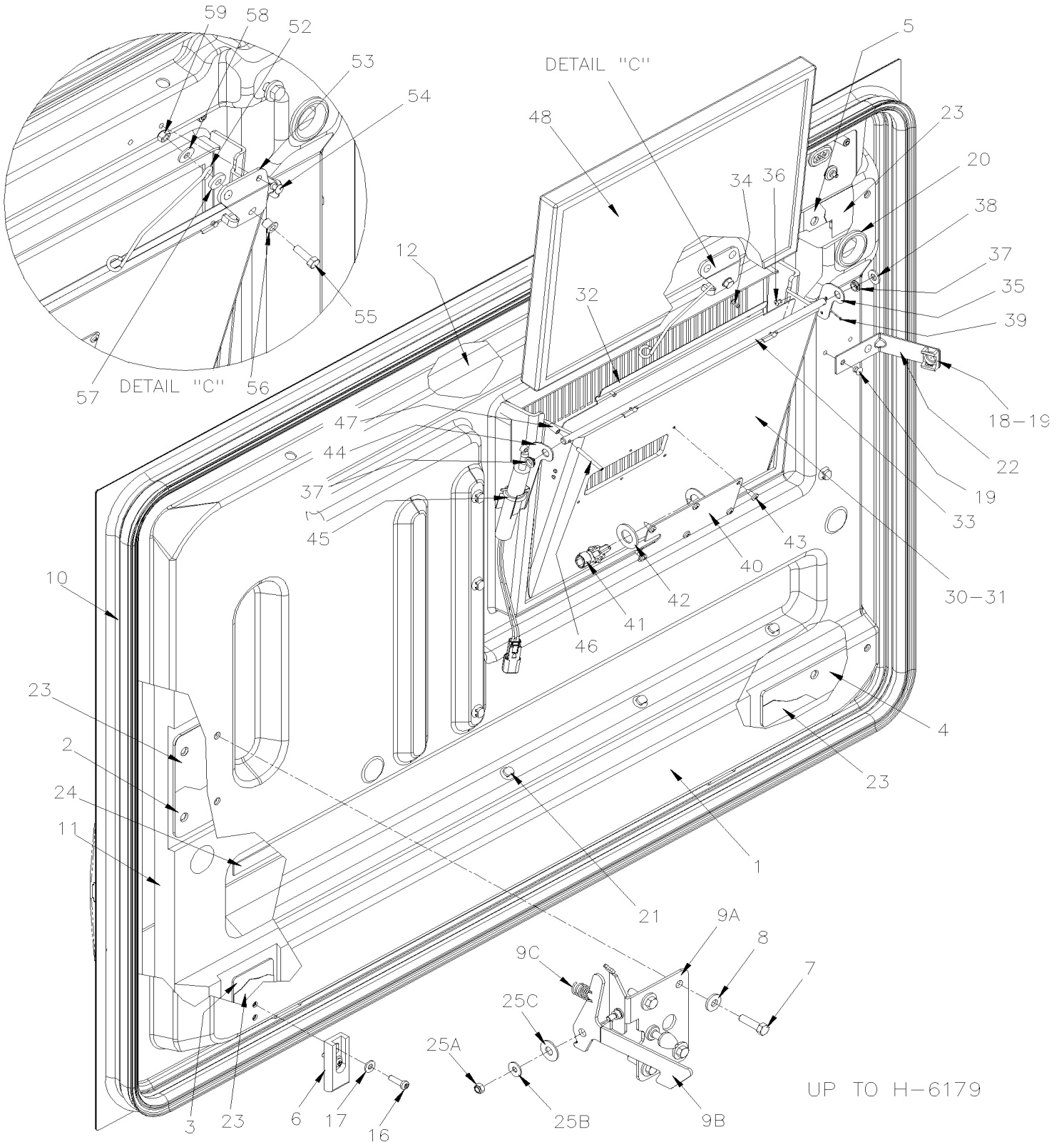


From H-6129

Date:01/2024

PAGE:X3-1866-03

EVAPORATOR DOOR ASSY



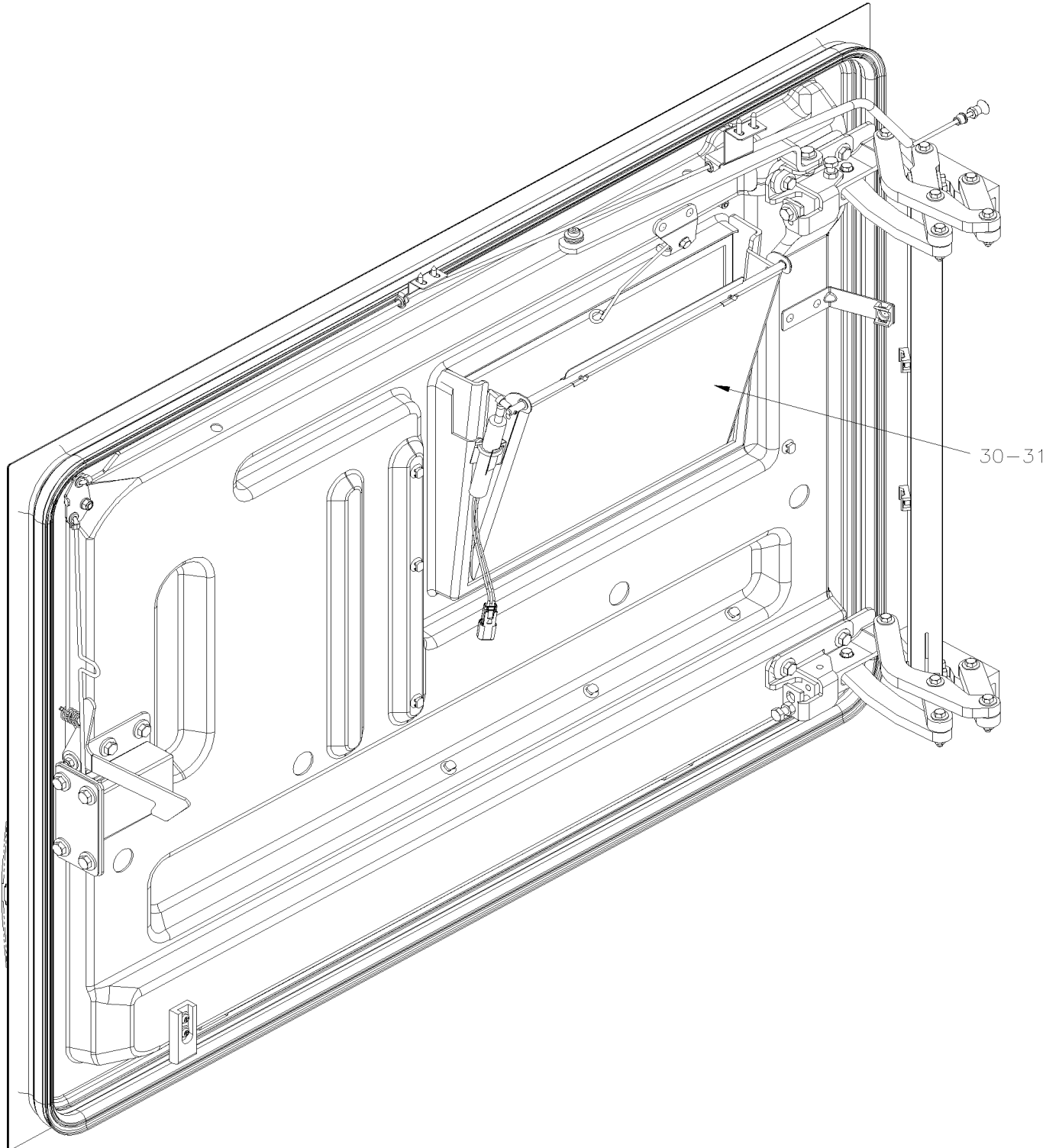
From H-6129

Date:01/2024

PAGE:X3-1866-03

EVAPORATOR DOOR ASSY

FROM H-6180



From H-6129		Date:01/2024	PAGE:X3-1866-03
-------------	--	--------------	-----------------

EVAPORATOR DOOR ASSY

Item#	Part	Description	QTY	Notes
	485719	EVAPORATOR DOOR ASSY / WITH AIR INTAKE	1	
	485718	EVAPORATOR DOOR ASSY / WITHOUT AIR INTAKE	1	PWT
1	2800600	. DOOR FRAME	1	
2	2800250	. ATTACH, PENE	1	
3	2800251	. ATTACH, SKID	1	
4	2800252	. ATTACH, DOWN HINGE	1	
5	2800253	. ATTACH, UPPER HINGE	1	
6	2800234	. GUIDE, HINGE DOOR	1	
7	5001912	. SCREW CAP HEX M8-1.25x30 SS BK	4	
8	500321	. WASHER BEL SPR .331x.827x.098 N500 To H-6204	4	
8	5001848	WASHER BEL SPR .827 x .331 x .098 th SS From H-6205	AR	
9A	2800389	. PENE ASSY	1	
9B	2800388	. LATCH	1	
9C	502245	. SPRING COMPRESSION / .600 O.D. x 1.25 x .059	1	
10	2800422	. WEATHERSTRIP / EVAPORATOR DOOR	1	
11	352595	. INSULATION, EVAPORATOR DOOR	1	
11	352606	. INSULATION WITHOUT FRESH AIR HOLES	1	PWT
12	352596	. INSULATION, EVAPORATOR DOOR	1	
13	X3-0662-00	. CLEARANCE & MARKER LIGHT To K-6492		
13	X3-0662-01	. CLEARANCE & MARKER LIGHT From L-6493	1	
14	5001042	. . SCREW MA RND PH #10-32x1 1/4 SS To J-6243	4	
14	5002021	. . SCREW MA TR PH #10-32x1 1/4 SS From J-6244	4	
15	502774	. . NUT WELL #10-32x.625	4	
16	502626	. SCREW MA PAN PH M6-1.0x20 N500	2	
17	500877	. WASHER FL .250x.562x.065 N500	2	
18	504013	. TIE MOUNT / 1/4" X 1/4" I.D.	1	
19	504788	. RIVET POP DOME OE 3/16x1/4 AL	AR	
20	504398	. GROMMET / 1.000x1.375x.062x.437x1.750	1	
21	509815	. TIE MOUNT / ATTACHMENT W/TREE MOUNT	AR	
21	504637	. CABLE TIE / 3/16" x 13"	AR	
21	504273	. CABLE TIE / 1/8" X 3"1/2	AR	
22	069008	. SUPPORT CABLE	1	
23	684743	. GLUE METHACRYLATE PLEXUS MA832GB 380 ml	AR	
24	687957	. GLUE MS POLYMER TEROSON MS 9399 / 400ml CARTRIDGE To M-6660	AR	
24	685387	. GLUE MS POLYMER TEROSON MS 9399 / 400ml CARTRIDGE From M-6661	AR	
24	506785	. TAPE RUB ADH2 CC POL 1/16" X 1/4" X 200' / BLACK I1C-N-A	AR	
24	685126	. ADHESIVE SIMSON #ISR 70-03 / GREY / 600ml SAUSAGE	AR	
25A	5001182	. NUT HEX NYRT M6-1.0 SS	1	
25B	5001833	. WASHER BEL SPR 6.1x18x1.27 SS	1	
25C	500270	. WASHER FL .406x1.000x.063 SS	1	
27	484322	. ONE PIECE PANEL EVAPORATOR / FLAT / ALUMINIUM	1	
27	484328	. ONE PIECE PANEL EVAPORATOR / FLAT WITHOUT FRESH AIR HOLES	1	PWT

From H-6129		Date:01/2024	PAGE:X3-1866-03
EVAPORATOR DOOR ASSY			

Item#	Part	Description	QTY	Notes
27	484326	. . LOWER PANEL / FLAT / ALUMINIUM	1	
30	374707P	. INTAKE FRESH AIR ASSY To H-6179	1	
30	370108P	. INTAKE FRESH AIR ASSY From H-6180	1	
30	684685	. ADHESIVE SIMSON #ISR 70-03 / 310ml CARTRIDGE	AR	
31	374706	. AIR DEFLECTOR To H-6179	1	
31	370107	. AIR DEFLECTOR From H-6180	1	
32	374713	. FLAP	1	
33	374714	. PIVOT , FLAP	1	
34	504339	. RIVET POP DOME OE 1/8x3/8 SS	2	
35	374708	. SUPPORT, FRESH AIR FLAP	1	
36	504340	. RIVET POP DOME OE 1/8x3/16 SS	5	
37	507309	. BUSHING NYLINED .312x.375x.078x.500	2	
38	5001341	. WASHER FL 8.4x17.0x1.6 SS	1	
39	502094	. PIN, COTTER 1/16 x 1/2 SS	1	
40	374710	. SENSOR SUPPORT ASSY To H-6179	1	
41	563335	. SENSOR THERMISTOR ASSY / OUTSIDE // PED 15416387 To H-6179	1	
42	5001460	. WASHER FL .640x1.188x0.073 SS To H-6179	1	
43	500952	. SCREW TP BDG PH #8x1/2 SS To H-6179	6	
44	374709	. SUPPORT, ACTUATOR	1	
45	871180	. ACTUATOR W/BOOT	1	G
. NS	871452	. . CLIP MOUTING ACTUATOR	1	G
. NS	N.S.S.	. . ACTUATOR	1	1 G
. NS	N.S.S.	. . BOOT	1	1 G
45	870135	. ACTUATOR W/BOOT W/E-COAT PROTECTION	1	
. NS	871452	. . CLIP MOUTING ACTUATOR	1	
NS	562486	. CONNECTOR / DT SERIES / PH 2C / GRAY / DEUTSCH DT04-2P	1	
NS	562286	. PIN TERMINAL / 18-16 / DEUTSCH 0460-202-16141	2	
NS	562487	. SECONDARY LOCK / DT SERIES / PH 2C / DEUTSCH W2P	1	
46	502243	. SPRING PIN	1	
47	503402	. TUBE, NYLON 1/4 O.D. / BLACK S.L.	1	
48	871448	AIR FILTER 1" x 10 7/8" x 15 1/2"	1	
49	502780	SCREW CAP HEX M8-1.25x25 SS BK	4	
50	X3-1855-02	RUB RAIL - EXTERIOR CREST & TRIMS		
52	374777	SPRING RETAINER	1	
53	374778	SUPPORT, SPRING	1	
54	504113	RIVET POP DOME CLE 3/16x1/4 AL	2	
55	502622	SCREW CAP HEX M6-1.0x20 SS BK	1	
56	507381	BUSHING W/SHOULDER 1/4" I.D,	1	
57	5001481	SPACER NYLON .323 I.D. X .750 O.D. X .125	1	
58	5001114	WASHER FL .260x.687x.060 NYL	1	
59	5001182	NUT HEX NYRT M6-1.0 SS	1	
60	478900	GROMMET, MARKER LIGHT	1	

From H-6129		Date:01/2024	PAGE:X3-1866-03
EVAPORATOR DOOR ASSY			

Item#	Part	Description	QTY	Notes
61	280272P	HINGE ASSY	1	
61	504013	. TIE MOUNT / 1/4" X 1/4" I.D.	2	
61	504114	. RIVET POP DOME OE 3/16x1/4 AL	2	
61A	280102	. BRACKET DOOR, HINGE	1	
61B	280097	. BRACKET STRUCTURE, HINGE	1	
61C	280100	. PIVOT, HINGE To J-6292	1	
61C	281683	. PIVOT, HINGE From J-6293	1	
61D	280099	. PIVOT, HINGE To J-6292	1	
61D	281686	. PIVOT, HINGE From J-6293	1	
61E	280101	. PIVOT, HINGE To J-6292	1	
61E	281690	. PIVOT, HINGE From J-6293	1	
61F	280098	. PIVOT, HINGE	1	
61G	280106	. TUBE	1	
61H	280105	. SLEEVE, HINGE 7 PIVOTS	14	
61J	507013	. BEARING FLANGE 12MM I.D. X 14MM O.D. X 6MM	28	
61K	5000310	. SCREW CAP HEX M6-1.0x40 BK	12	
61L	502573	. WASHER FL 6.4x12.5x1.6 SS	8	
61M	5001182	. NUT HEX NYRT M6-1.0 SS	18	
61N	5001923	. SCREW CAP HEX M6-1.0x45 SS BK To J-6227	4	
61N	5000310	. SCREW CAP HEX M6-1.0x40 BK From J-6228	1	
61P	500411	. WASHER FL .260x.697x.050 SS	24	
61Q	5001636	. SCREW CAP HEX M6-1.0x50 SS BK	2	
61R	281874	. STOPPER, HINGE	2	
62	280103	PLATE ADJUSTMENT	1	
63	5001912	SCREW CAP HEX M8-1.25x30 SS BK	4	
64	500321	WASHER BEL SPR .331x.827x.098 N500 To H-6204	13	
64	5001848	WASHER BEL SPR .827 x .331 x .098 th SS From H-6205	AR	
65	504083	SNAP BUSHING / .250x.468.406	3	
66	780340	CLIP, RETAINER ROD	2	
67	480032	ROD OPENING 1200MM	1	
68	484309	PIVOT LATCH	1	
69	484310	ROD OPENING 381MM	1	
70	478577	SPRING HOLDER	1	
71	477399	RECEPTACLE	1	
72	460708	ADJUSTMENT PLATE	1	
73	2800228	SUPPORT, RECEPTACLE ASSY	1	
74	484319	FIXATION PLATE	1	
75	484321	ROD SUPPOPRT	1	
76	484320	ROD SUPPOPRT	1	
77	505504	KNOB, PULL / 8-32	1	
78	500986	NUT HEX #8-32 N500	1	
79	502868	SCREW TC TR PH #10-16x1/2 N500	2	

From H-6129	Date:01/2024	PAGE:X3-1866-03
EVAPORATOR DOOR ASSY		

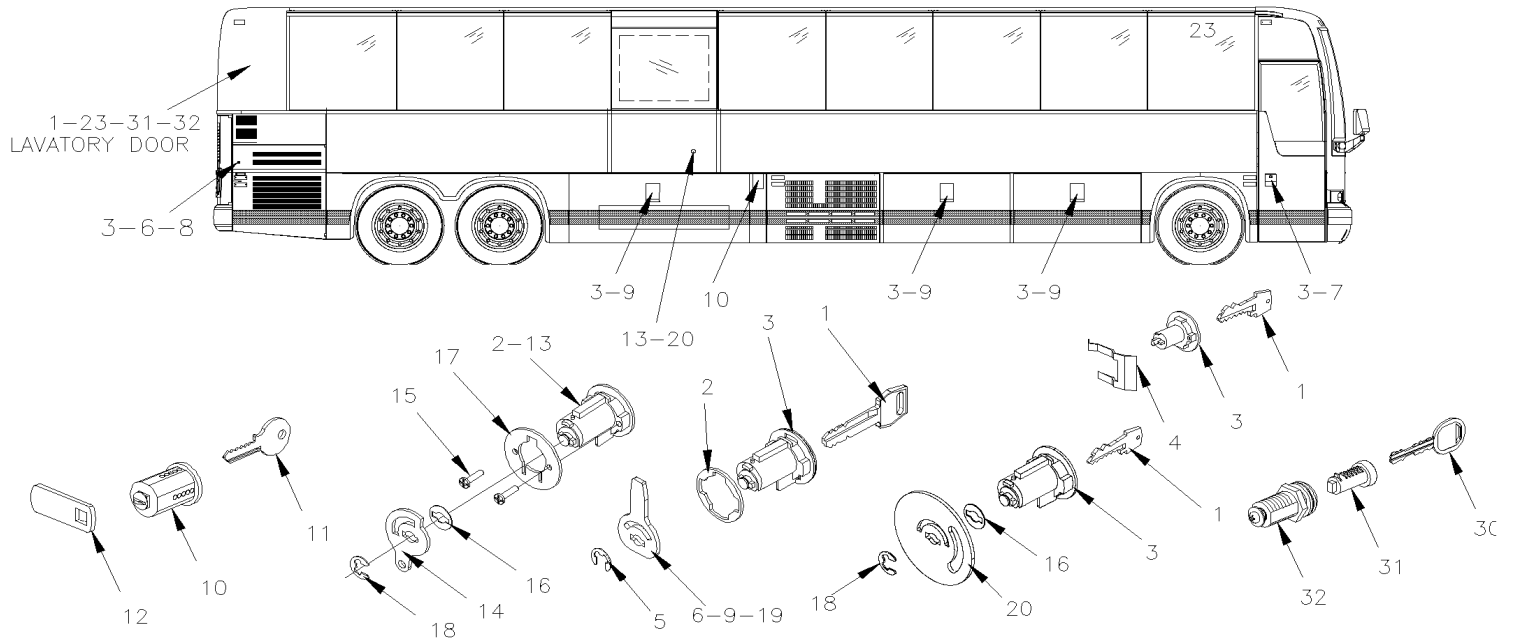
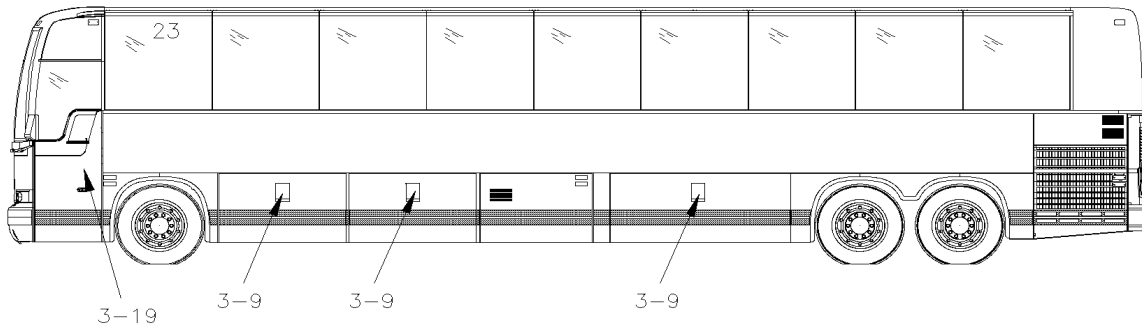
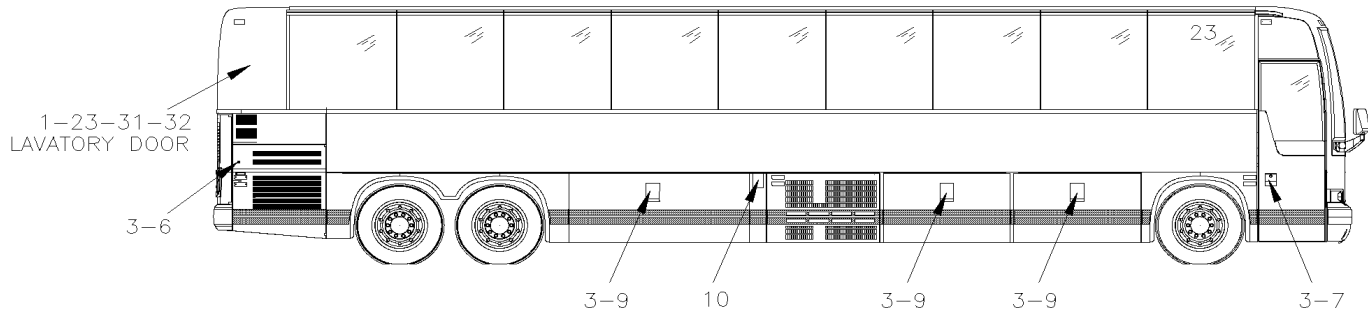
Item#	Part	Description	QTY	Notes
80	500657	SCREW TC TR PH #10-24x1/2 Z050 To H-6204	2	
80	5001966	SCREW TC BDG PH #10-24x1/2 SS410 ZINC From H-6205	2	
81	502573	WASHER FL 6.4x12.5x1.6 SS	1	
82	5001182	NUT HEX NYRT M6-1.0 SS	1	
83	5001630	SCREW TP BUTF TORX M6x20 SS	3	
84	502862	SCREW CAP HEX M8-1.25x20 G8.8 N500	4	
85	280273	PLATE ADJUSTMENT UPPER	1	
86	280551	ARM STOPPER To J-6292	1	
86	2800223	ARM STOPPER From J-6293 To J-6315	1	
86	280551	ARM STOPPER From J-6316	1	
87	502638	WASHER FL .312x.734x.065 N500 To H-6204	3	
87	5001341	WASHER FL 8.4x17.0x1.6 SS From H-6205	3	
88	283770	SPACER / TO FIX RETAINING ARM	1	
89	502780	SCREW CAP HEX M8-1.25x25 SS BK	2	
90	5001787	NUT HEX NYRT M8-1.25 SS	1	
91	5001560	SCREW SHR HEXS 5/16x3/8 {1/4-20 SS	1	
92	502768	WASHER FL RUB .312x.625x.125 NEO	1	
93	502723	WASHER FL .386x.750x.050 NYL	1	
94	500384	NUT HEX JAM 1/4-20 G500	1	
95	221894	SUPPORT PIVOT / DOOR GUIDE M6-1.0 W/SHOULDER 10M	1	
96	2800231	GUIDE, ARM STOPPER	1	
NS	068966	EVAPORATOR HARNESS To H-6179	1	
. NS	504398	. GROMMET / 1.000x1.375x.062x.437x1.750 To H-6179	1	
. NS	478900	. GROMMET, MARKER LIGHT To H-6179	AR	
NS	060556	EVAPORATOR HARNESS From H-6180	1	
. NS	504398	. GROMMET / 1.000x1.375x.062x.437x1.750 From H-6180	1	
. NS	478900	. GROMMET, MARKER LIGHT From H-6180	1	
NS	680038	THREAD LOCKER LOCTITE #243 / BLUE / 50ml	AR	
101	5001989	SCREW CAP HEX M8-1.25x40 BK	1	
102	5001852	NUT HEX M8-1.25 SS BK	3	
NS	684472	GREASE CLEAR SPRAY BOTTLE 350GR	AR	
		G) FOR PRODUCT IMPROVEMENT ASK FOR 870135		
		PWT) WITH PACIFIC WESTERN OPTION WITHOUT AIR INTAKE		
		1) NOT SOLD SEPARATELY		

From 7-8754 To K-6492

Date:01/2024

PAGE:X3-1867-00

KEY & CYLINDER CODE "FORD" & "NS"

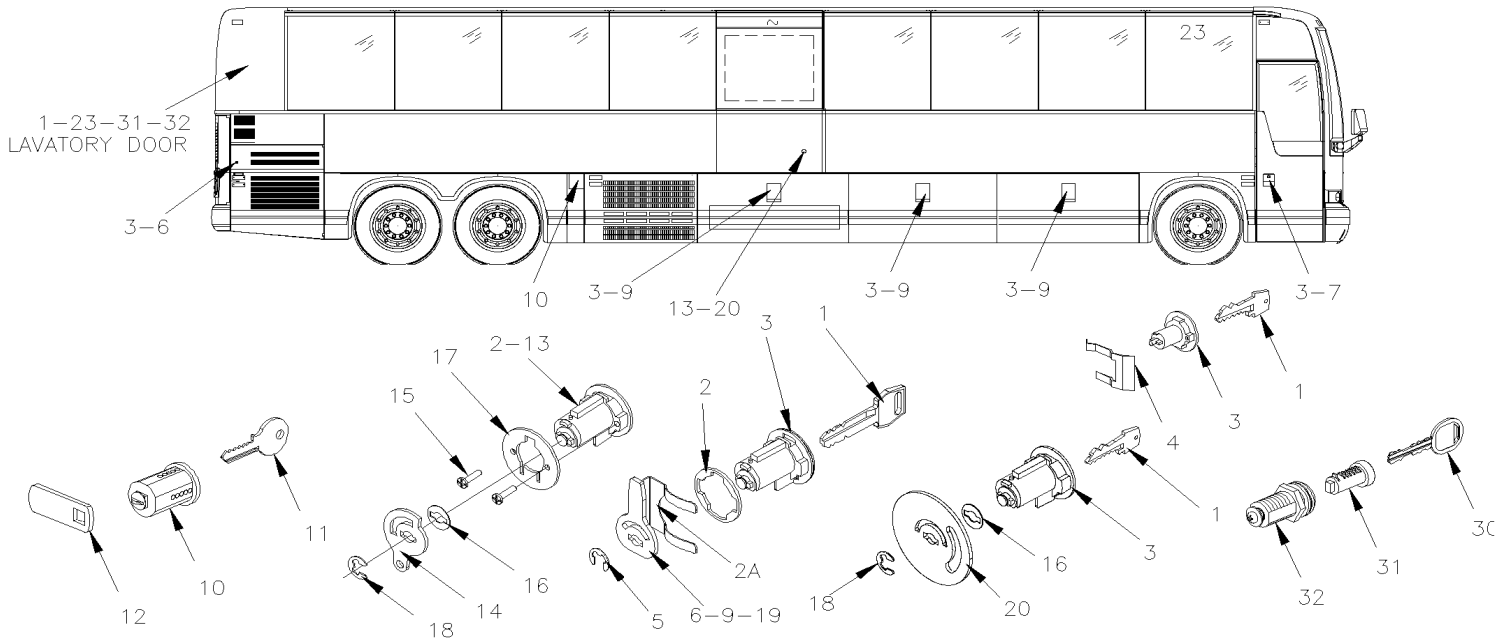
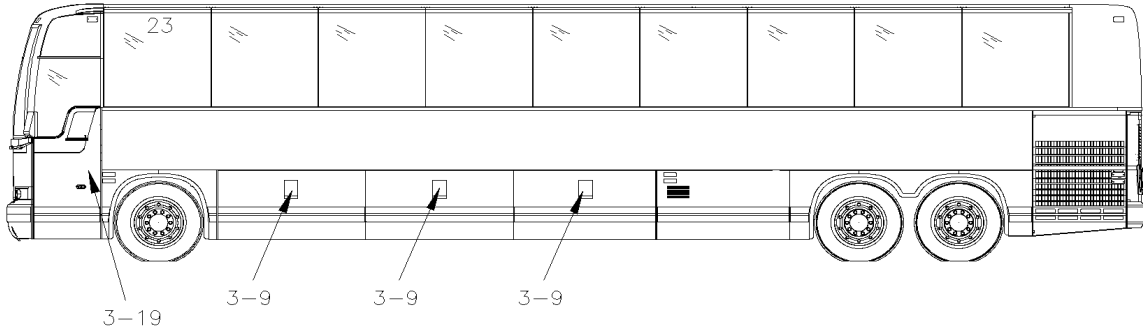
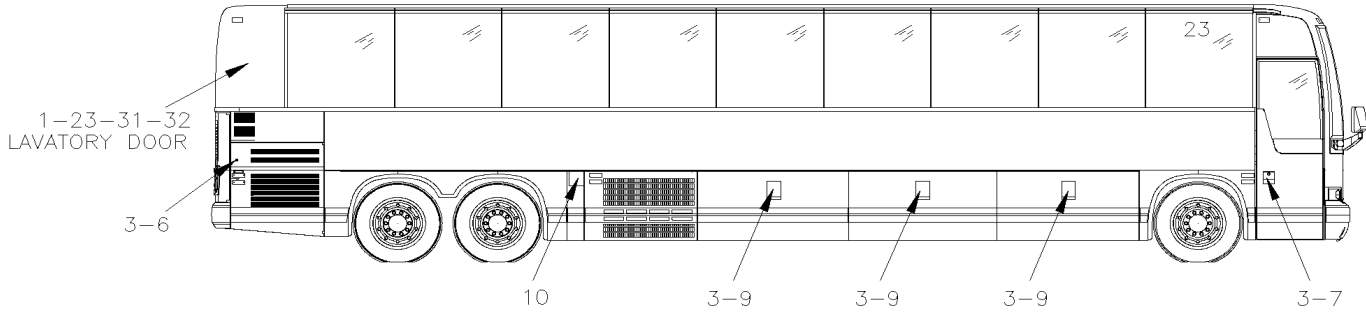


From 7-8754 To K-6492

Date:01/2024

PAGE:X3-1867-00

KEY & CYLINDER CODE "FORD" & "NS"



From 7-8754 To K-6492	Date:01/2024	PAGE:X3-1867-00
KEY & CYLINDER CODE "FORD" & "NS"		

Item#	Part	Description	QTY	Notes
	780238	KEY BLANK UNCUT	AR	
1	282179	KEY CODE / 00	1	
1	282180	KEY CODE / 01	1	
1	282181	KEY CODE / 02	1	
1	282182	KEY CODE / 03	1	
1	282183	KEY CODE / 04	1	
1	282184	KEY CODE / 05	1	
1	282185	KEY CODE / 06	1	
1	282186	KEY CODE / 07	1	
1	282187	KEY CODE / 08	1	
1	282188	KEY CODE / 09	1	
1	282189	KEY CODE / 10	1	
1	282190	KEY CODE / 11	1	
1	282191	KEY CODE / 12	1	
1	282192	KEY CODE / 13	1	
1	282193	KEY CODE / 14	1	
1	282194	KEY CODE / 15	1	
1	282195	KEY CODE / 16	1	
1	282196	KEY CODE / 17	1	
1	282197	KEY CODE / 18	1	
1	282198	KEY CODE / 19	1	
1	282199	KEY CODE / 20	1	
1	282200	KEY CODE / 21	1	
1	282201	KEY CODE / 22	1	
1	282202	KEY CODE / 23	1	
1	282203	KEY CODE / 24	1	
1	282204	KEY CODE / 25	1	
1	282205	KEY CODE / 26	1	
1	282206	KEY CODE / 27	1	
1	282207	KEY CODE / 28	1	
1	282208	KEY CODE / 29	1	
1	282209	KEY CODE / 30	1	
1	282210	KEY CODE / 31	1	
1	282211	KEY CODE / 32	1	
1	282212	KEY CODE / 33	1	
1	282213	KEY CODE / 34	1	
1	282214	KEY CODE / 35	1	
1	282215	KEY CODE / 36	1	
1	282216	KEY CODE / 37	1	
1	282217	KEY CODE / 38	1	

From 7-8754 To K-6492	Date:01/2024	PAGE:X3-1867-00
KEY & CYLINDER CODE "FORD" & "NS"		

Item#	Part	Description	QTY	Notes
1	282218	KEY CODE / 39	1	
1	282219	KEY CODE / 40	1	
1	282220	KEY CODE / 41	1	
1	282221	KEY CODE / 42	1	
1	282222	KEY CODE / 43	1	
1	282223	KEY CODE / 44	1	
1	282224	KEY CODE / 45	1	
1	282225	KEY CODE / 46	1	
1	282226	KEY CODE / 47	1	
1	282227	KEY CODE / 48	1	
1	282228	KEY CODE / 49	1	
1	282229	KEY CODE / 50	1	
1	282230	KEY CODE / 51	1	
1	282231	KEY CODE / 52	1	
1	282232	KEY CODE / 53	1	
1	282233	KEY CODE / 54	1	
1	282234	KEY CODE / 55	1	
1	282235	KEY CODE / 56	1	
1	282236	KEY CODE / 57	1	
1	282237	KEY CODE / 58	1	
1	282238	KEY CODE / 59	1	
1	282239	KEY CODE / 60	1	
1	282240	KEY CODE / 61	1	
1	282241	KEY CODE / 62	1	
1	282242	KEY CODE / 63	1	
1	282243	KEY CODE / 64	1	
1	282244	KEY CODE / 65	1	
1	282245	KEY CODE / 66	1	
1	282246	KEY CODE / 67	1	
1	282247	KEY CODE / 68	1	
1	282248	KEY CODE / 69	1	
1	282249	KEY CODE / 70	1	
1	282250	KEY CODE / 71	1	
1	282251	KEY CODE / 72	1	
1	282252	KEY CODE / 73	1	
1	282253	KEY CODE / 74	1	
1	282254	KEY CODE / 75	1	
1	282255	KEY CODE / 76	1	
1	282256	KEY CODE / 77	1	
1	282257	KEY CODE / 78	1	
1	282258	KEY CODE / 79	1	
1	282259	KEY CODE / 80	1	

From 7-8754 To K-6492	Date:01/2024	PAGE:X3-1867-00
KEY & CYLINDER CODE "FORD" & "NS"		

Item#	Part	Description	QTY	Notes
1	282260	KEY CODE / 81	1	
1	282261	KEY CODE / 82	1	
1	282262	KEY CODE / 83	1	
1	282263	KEY CODE / 84	1	
1	282264	KEY CODE / 85	1	
1	282265	KEY CODE / 86	1	
1	282266	KEY CODE / 87	1	
1	282267	KEY CODE / 88	1	
1	282268	KEY CODE / 89	1	
1	282269	KEY CODE / 90	1	
1	282270	KEY CODE / 91	1	
1	282271	KEY CODE / 92	1	
1	282272	KEY CODE / 93	1	
1	282273	KEY CODE / 94	1	
1	282274	KEY CODE / 95	1	
1	282275	KEY CODE / 96	1	
1	282276	KEY CODE / 97	1	
1	282277	KEY CODE / 98	1	
1	282278	KEY CODE / 99	1	
1	282295	KEY CODE / CODE A / FA 0000	1	
1	282296	KEY CODE / CODE B / FA 0050	1	
1	282297	KEY CODE / CODE C / FA 0100	1	
1	282298	KEY CODE / CODE D / FA 0221	1	
1	282299	KEY CODE / CODE E / FA 0225	1	
1	282300	KEY CODE / CODE F / FA 0300	1	
1	282301	KEY CODE / CODE G / FA 0400	1	
1	282302	KEY CODE / CODE H / FA 0500	1	
1	282303	KEY CODE / CODE I / FA 0600	1	
1	282304	KEY CODE / CODE J / FA 0800	1	
1	287663	KEY CODE / CODE K / FA 1212	1	
1	287630	KEY CODE / CODE L / FA 0329 "GREYHOUND"	1	GR
1	287402	KEY CODE / CODE M / FA 0013	1	
1	2800164	KEY CODE / CODE N / FA 0020	1	
1	287319	KEY CODE / CODE O / FA 0028	1	
1	287336	KEY CODE / CODE P / FA 0055	1	
1	2800165	KEY CODE / CODE Q / FA 0107	1	
1	287461	KEY CODE / CODE R / FA 0109	1	
1	287101	KEY CODE / CODE S / FA 0113	1	
1	285726	KEY CODE / CODE T / FA 0261	1	
1	285022	KEY CODE / CODE U / FA 0169	1	
1	285947	KEY CODE / CODE V / FA 0190	1	
1	284514	KEY CODE / CODE W / FA 0199	1	

From 7-8754 To K-6492	Date:01/2024	PAGE:X3-1867-00
KEY & CYLINDER CODE "FORD" & "NS"		

Item#	Part	Description	QTY	Notes
1	2800166	KEY CODE / CODE X / FA 0206	1	
1	288155	KEY CODE / CODE Y / FA 0208	1	
1	287206	KEY CODE / CODE Z / FA 0268	1	
1	285585	KEY CODE / CODE AA / FA 0368	1	
1	2800167	KEY CODE / CODE AB / FA 0443	1	
1	286461	KEY CODE / CODE AC / FA 0506	1	
1	286984	KEY CODE / CODE AD / FA 0528	1	
1	285671	KEY CODE / CODE AE / FA 0532	1	
1	2800168	KEY CODE / CODE AF / FA 0563	1	
1	2800169	KEY CODE / CODE AG / FA 0625	1	
1	2800170	KEY CODE / CODE AH / FA 0648	1	
1	2800171	KEY CODE / CODE AI / FA 0668	1	
1	287921	KEY CODE / CODE AJ / FA 0692	1	
1	287248	KEY CODE / CODE AK / FA 0704	1	
1	287343	KEY CODE / CODE AL / FA 0714	1	
1	2800172	KEY CODE / CODE AM / FA 0721	1	
1	289393	KEY CODE / CODE AN / FA 0726	1	
1	2800173	KEY CODE / CODE AO / FA 1116	1	
1	286050	KEY CODE / CODE AP / FA 1252	1	
1	2800174	KEY CODE / CODE AQ / FA 1316	1	
1	287658	KEY CODE / CODE AR / FA 1320	1	
1	287251	KEY CODE / CODE AS / FA 1343	1	
1	2800175	KEY CODE / CODE AT / FA 1486	1	
1	287660	KEY CODE / CODE AU / FA 1549	1	
1	287642	KEY CODE / CODE AV / FA 0890	1	
1	287650	KEY CODE / CODE AW / FA 1465	1	
1	287700	KEY CODE / CODE AX / FA 0899	1	
1	287737	KEY CODE / CODE AY / FA 0150	1	
1	287745	KEY CODE / CODE AZ / FA 1509	1	
1	2800163	KEY CODE / CODE BA / FA 0001	1	
1	287797	KEY CODE / CODE BB / FA 0144	1	
1	2800273	KEY CODE / CODE BC / FA 1513	1	
1	2800503	KEY CODE / CODE BD / FA 1363	1	
1	287820	KEY CODE / CODE BE / FA 1093	1	
1	280448	KEY CODE / CODE BF / FA 1864	1	
1	280823	KEY CODE / CODE BG / FA 0231	1	
1	281575	KEY CODE / CODE BH / FA 0325 & FA 0329 "GREYHOUND"	1	
2	780237	SEAL RUBBER 1/32" TH To B-5026	AR	
2	2800032	SEAL RUBBER 1/16" TH From B-5027	AR	
2A	780887	RETAINER CLIP, GM DOOR LOCK CYLINDER "U SHAPE" From E-5459	1	
3	282079	CYLINDER LOCK / CODE 00	1	
3	282080	CYLINDER LOCK / CODE 01	1	

From 7-8754 To K-6492	Date:01/2024	PAGE:X3-1867-00
KEY & CYLINDER CODE "FORD" & "NS"		

Item#	Part	Description	QTY	Notes
3	282081	CYLINDER LOCK / CODE 02	1	
3	282082	CYLINDER LOCK / CODE 03	1	
3	282083	CYLINDER LOCK / CODE 04	1	
3	282084	CYLINDER LOCK / CODE 05	1	
3	282085	CYLINDER LOCK / CODE 06	1	
3	282086	CYLINDER LOCK / CODE 07	1	
3	282087	CYLINDER LOCK / CODE 08	1	
3	282088	CYLINDER LOCK / CODE 09	1	
3	282089	CYLINDER LOCK / CODE 10	1	
3	282090	CYLINDER LOCK / CODE 11	1	
3	282091	CYLINDER LOCK / CODE 12	1	
3	282092	CYLINDER LOCK / CODE 13	1	
3	282093	CYLINDER LOCK / CODE 14	1	
3	282094	CYLINDER LOCK / CODE 15	1	
3	282095	CYLINDER LOCK / CODE 16	1	
3	282096	CYLINDER LOCK / CODE 17	1	
3	282097	CYLINDER LOCK / CODE 18	1	
3	282098	CYLINDER LOCK / CODE 19	1	
3	282099	CYLINDER LOCK / CODE 20	1	
3	282100	CYLINDER LOCK / CODE 21	1	
3	282101	CYLINDER LOCK / CODE 22	1	
3	282102	CYLINDER LOCK / CODE 23	1	
3	282103	CYLINDER LOCK / CODE 24	1	
3	282104	CYLINDER LOCK / CODE 25	1	
3	282105	CYLINDER LOCK / CODE 26	1	
3	282106	CYLINDER LOCK / CODE 27	1	
3	282107	CYLINDER LOCK / CODE 28	1	
3	282108	CYLINDER LOCK / CODE 29	1	
3	282109	CYLINDER LOCK / CODE 30	1	
3	282110	CYLINDER LOCK / CODE 31	1	
3	282111	CYLINDER LOCK / CODE 32	1	
3	282112	CYLINDER LOCK / CODE 33	1	
3	282113	CYLINDER LOCK / CODE 34	1	
3	282114	CYLINDER LOCK / CODE 35	1	
3	282115	CYLINDER LOCK / CODE 36	1	
3	282116	CYLINDER LOCK / CODE 37	1	
3	282117	CYLINDER LOCK / CODE 38	1	
3	282118	CYLINDER LOCK / CODE 39	1	
3	282119	CYLINDER LOCK / CODE 40	1	
3	282120	CYLINDER LOCK / CODE 41	1	
3	282121	CYLINDER LOCK / CODE 42	1	
3	282122	CYLINDER LOCK / CODE 43	1	

From 7-8754 To K-6492	Date:01/2024	PAGE:X3-1867-00
KEY & CYLINDER CODE "FORD" & "NS"		

Item#	Part	Description	QTY	Notes
3	282123	CYLINDER LOCK / CODE 44	1	
3	282124	CYLINDER LOCK / CODE 45	1	
3	282125	CYLINDER LOCK / CODE 46	1	
3	282126	CYLINDER LOCK / CODE 47	1	
3	282127	CYLINDER LOCK / CODE 48	1	
3	282128	CYLINDER LOCK / CODE 49	1	
3	282129	CYLINDER LOCK / CODE 50	1	
3	282130	CYLINDER LOCK / CODE 51	1	
3	282131	CYLINDER LOCK / CODE 52	1	
3	282132	CYLINDER LOCK / CODE 53	1	
3	282133	CYLINDER LOCK / CODE 54	1	
3	282134	CYLINDER LOCK / CODE 55	1	
3	282135	CYLINDER LOCK / CODE 56	1	
3	282136	CYLINDER LOCK / CODE 57	1	
3	282137	CYLINDER LOCK / CODE 58	1	
3	282138	CYLINDER LOCK / CODE 59	1	
3	282139	CYLINDER LOCK / CODE 60	1	
3	282140	CYLINDER LOCK / CODE 61	1	
3	282141	CYLINDER LOCK / CODE 62	1	
3	282142	CYLINDER LOCK / CODE 63	1	
3	282143	CYLINDER LOCK / CODE 64	1	
3	282144	CYLINDER LOCK / CODE 65	1	
3	282145	CYLINDER LOCK / CODE 66	1	
3	282146	CYLINDER LOCK / CODE 67	1	
3	282147	CYLINDER LOCK / CODE 68	1	
3	282148	CYLINDER LOCK / CODE 69	1	
3	282149	CYLINDER LOCK / CODE 70	1	
3	282150	CYLINDER LOCK / CODE 71	1	
3	282151	CYLINDER LOCK / CODE 72	1	
3	282152	CYLINDER LOCK / CODE 73	1	
3	282153	CYLINDER LOCK / CODE 74	1	
3	282154	CYLINDER LOCK / CODE 75	1	
3	282155	CYLINDER LOCK / CODE 76	1	
3	282156	CYLINDER LOCK / CODE 77	1	
3	282157	CYLINDER LOCK / CODE 78	1	
3	282158	CYLINDER LOCK / CODE 79	1	
3	282159	CYLINDER LOCK / CODE 80	1	
3	282160	CYLINDER LOCK / CODE 81	1	
3	282161	CYLINDER LOCK / CODE 82	1	
3	282162	CYLINDER LOCK / CODE 83	1	
3	282163	CYLINDER LOCK / CODE 84	1	
3	282164	CYLINDER LOCK / CODE 85	1	

From 7-8754 To K-6492	Date:01/2024	PAGE:X3-1867-00
KEY & CYLINDER CODE "FORD" & "NS"		

Item#	Part	Description	QTY	Notes
3	282165	CYLINDER LOCK / CODE 86	1	
3	282166	CYLINDER LOCK / CODE 87	1	
3	282167	CYLINDER LOCK / CODE 88	1	
3	282168	CYLINDER LOCK / CODE 89	1	
3	282169	CYLINDER LOCK / CODE 90	1	
3	282170	CYLINDER LOCK / CODE 91	1	
3	282171	CYLINDER LOCK / CODE 92	1	
3	282172	CYLINDER LOCK / CODE 93	1	
3	282173	CYLINDER LOCK / CODE 94	1	
3	282174	CYLINDER LOCK / CODE 95	1	
3	282175	CYLINDER LOCK / CODE 96	1	
3	282176	CYLINDER LOCK / CODE 97	1	
3	282177	CYLINDER LOCK / CODE 98	1	
3	282178	CYLINDER LOCK / CODE 99	1	
3	282285	CYLINDER LOCK / CODE A / FA 0000	1	
3	282286	CYLINDER LOCK / CODE B / FA 0050	1	
3	282287	CYLINDER LOCK / CODE C / FA 0100	1	
3	282288	CYLINDER LOCK / CODE D / FA 0221	1	
3	282289	CYLINDER LOCK / CODE E / FA 0225	1	
3	282290	CYLINDER LOCK / CODE F / FA 0300	1	
3	282291	CYLINDER LOCK / CODE G / FA 0400	1	
3	282292	CYLINDER LOCK / CODE H / FA 0500	1	
3	282293	CYLINDER LOCK / CODE I / FA 0600	1	
3	282294	CYLINDER LOCK / CODE J / FA 0800	1	
3	287662	CYLINDER LOCK / CODE K / FA 1212	1	
3	287629	CYLINDER LOCK / CODE L & CODE BH CODE FA 0329 FA 0325 "GREYHOUND"	1	GR
3	286156	CYLINDER LOCK / CODE M / FA 0013	1	
3	287125	CYLINDER LOCK / CODE N / FA 0020	1	
3	287079	CYLINDER LOCK / CODE O / FA 0028	1	
3	287335	CYLINDER LOCK / CODE P / FA 0055	1	
3	287926	CYLINDER LOCK / CODE Q / FA 0107	1	
3	287460	CYLINDER LOCK / CODE R / FA 0109	1	
3	287100	CYLINDER LOCK / CODE S / FA 0113	1	
3	285604	CYLINDER LOCK / CODE T / FA 0261	1	
3	285021	CYLINDER LOCK / CODE U / FA 0169	1	
3	285946	CYLINDER LOCK / CODE V / FA 0190	1	
3	284513	CYLINDER LOCK / CODE W / FA 0199	1	
3	287138	CYLINDER LOCK / CODE X / FA 0206	1	
3	288154	CYLINDER LOCK / CODE Y / FA 0208	1	
3	285496	CYLINDER LOCK / CODE Z / FA 0268	1	
3	285584	CYLINDER LOCK / CODE AA / FA 0368	1	
3	285264	CYLINDER LOCK / CODE AB / FA 0443	1	

From 7-8754 To K-6492	Date:01/2024	PAGE:X3-1867-00
KEY & CYLINDER CODE "FORD" & "NS"		

Item#	Part	Description	QTY	Notes
3	286459	CYLINDER LOCK / CODE AC / FA 0506	1	
3	286983	CYLINDER LOCK / CODE AD / FA 0528	1	
3	285670	CYLINDER LOCK / CODE AE / FA 0532	1	
3	288640	CYLINDER LOCK / CODE AF / FA 0563	1	
3	285545	CYLINDER LOCK / CODE AG / FA 0625	1	
3	284373	CYLINDER LOCK / CODE AH / FA 0648	1	
3	285276	CYLINDER LOCK / CODE AI / FA 0668	1	
3	287920	CYLINDER LOCK / CODE AJ / FA 0692	1	
3	287247	CYLINDER LOCK / CODE AK / FA 0704	1	
3	286418	CYLINDER LOCK / CODE AL / FA 0714	1	
3	285861	CYLINDER LOCK / CODE AM / FA 0721	1	
3	289392	CYLINDER LOCK / CODE AN / FA 0726	1	
3	284935	CYLINDER LOCK / CODE AO / FA 1116	1	
3	286049	CYLINDER LOCK / CODE AP / FA 1252	1	
3	285572	CYLINDER LOCK / CODE AQ / FA 1316	1	
3	287657	CYLINDER LOCK / CODE AR / FA 1320	1	
3	287250	CYLINDER LOCK / CODE AS / FA 1343	1	
3	285066	CYLINDER LOCK / CODE AT / FA 1486	1	
3	287659	CYLINDER LOCK / CODE AU / FA 1549	1	
3	287641	CYLINDER LOCK / CODE AV / FA 0890	1	
3	287649	CYLINDER LOCK / CODE AW / FA 1465	1	
3	287699	CYLINDER LOCK / CODE AX / FA 0899	1	
3	287736	CYLINDER LOCK / CODE AY / FA 0150	1	
3	287744	CYLINDER LOCK / CODE AZ / FA 1509	1	
3	287379	CYLINDER LOCK / CODE BA / FA 0001	1	
3	287795	CYLINDER LOCK / CODE BB / FA 0144	1	
3	2800272	CYLINDER LOCK / CODE BC / FA 1513	1	
3	2800502	CYLINDER LOCK / CODE BD / FA 1363	1	
3	287819	CYLINDER LOCK / CODE BE / FA 1093	1	
3	280445	CYLINDER LOCK / CODE BF / FA 1864	1	
3	280822	CYLINDER LOCK / CODE BG / FA 0231	1	
4	780236	. RETAINER CLIP To F-5779	1	
4	780887	. RETAINER CLIP, GM DOOR LOCK CYLINDER "U SHAPE" From F-5780	1	
5	504477	. RING RETAINER / EXT 14.0 X 13.4 X 1.0MM	1	
6	287406	PIVOT LOCK 9.5MM OFFSET	1	
7	286553	PIVOT LOCK 18.7MM OFFSET	1	
7	281090	PIVOT LOCK 20.1MM OFFSET "FORD"	1	A
7	2800032	SEAL RUBBER 1/16" TH	1	A
7	780887	RETAINER CLIP, GM DOOR LOCK CYLINDER "U SHAPE"	1	A
7	504402	RING RETAINER / EXT .250 x .210 x .025"	1	A
8	280368	PIVOT LOCK From H-6180	1	
9	287406	PIVOT LOCK 9.5MM OFFSET To D-5458	AR	

From 7-8754 To K-6492	Date:01/2024	PAGE:X3-1867-00
KEY & CYLINDER CODE "FORD" & "NS"		

Item#	Part	Description	QTY	Notes
9	289071	PIVOT LOCK From E-5459	1	
10	780180	LOCK CYLINDER W/KEY / "VIRO" To D-5437	AR	
. NS	780501	. KEY To D-5437	1	
10	780806	LOCK CYLINDER W/KEY / "VIRO" From D-5438	AR	
. NS	780501	. KEY From D-5438	1	
11	780501	. KEY	AR	
12		. LEVER INCLUDE WITH KIT #780180	AR	
12	289549	PIVOT LOCK ACTUATOR 42.4MM / W/11MM OFFSET	AR	S
12	408291	PIVOT LOCK ACTUATOR 44MM / W/21MM OFFSET From B-5002	1	
		NEXT CYLINDER LOCK ARE		
		USE ON "W.C.L." PASSENGER'S SIDE DOOR		
		SEE PAGE X3-1862-80		
13	289467	CYLINDER LOCK MODIFIED / WITH 2 HOLES #4-40 / CODE A / FA 0000 To B-5001		
13	282285	CYLINDER LOCK / CODE A / FA 0000 From B-5002		
13	289468	CYLINDER LOCK MODIFIED / WITH 2 HOLES #4-40 / CODE B / FA 0050 To B-5001		
13	282286	CYLINDER LOCK / CODE B / FA 0050 From B-5002		
13	289469	CYLINDER LOCK MODIFIED / WITH 2 HOLES #4-40 / CODE C / FA 0100 To B-5001		
13	282287	CYLINDER LOCK / CODE C / FA 0100 From B-5002		
13	289470	CYLINDER LOCK MODIFIED / WITH 2 HOLES #4-40 / CODE D / FA 0221 To B-5001		
13	282288	CYLINDER LOCK / CODE D / FA 0221 From B-5002		
13	289471	CYLINDER LOCK MODIFIED / WITH 2 HOLES #4-40 / CODE E / FA 0225 To B-5001		
13	282289	CYLINDER LOCK / CODE E / FA 0225 From B-5002		
13	289472	CYLINDER LOCK MODIFIED / WITH 2 HOLES #4-40 / CODE F / FA 0300 To B-5001		
13	282290	CYLINDER LOCK / CODE F / FA 0300 From B-5002		
13	289473	CYLINDER LOCK MODIFIED / WITH 2 HOLES #4-40 / CODE G / FA 0400 To B-5001		
13	282291	CYLINDER LOCK / CODE G / FA 0400 From B-5002		
13	289474	CYLINDER LOCK MODIFIED / WITH 2 HOLES #4-40 / CODE H / FA 0500 To B-5001		
13	282292	CYLINDER LOCK / CODE H / FA 0500 From B-5002		
13	289475	CYLINDER LOCK MODIFIED / WITH 2 HOLES #4-40 / CODE I / FA 0600 To B-5001		
13	282293	CYLINDER LOCK / CODE I / FA 0600 From B-5002		
13	289476	CYLINDER LOCK MODIFIED / WITH 2 HOLES #4-40 / CODE J / FA 0800 To B-5001		
13	282294	CYLINDER LOCK / CODE J / FA 0800 From B-5002		
13	289477	CYLINDER LOCK MODIFIED / WITH 2 HOLES #4-40 / CODE K / FA 1212 To B-5001		
13	287662	CYLINDER LOCK / CODE K / FA 1212 From B-5002		
13	287633	CYLINDER LOCK MODIFIED / WITH 2 HOLES #4-40 / CODE L / FA 0329 "GREYHOUND" To B-5001		GR
13	287629	CYLINDER LOCK / CODE L & CODE BH CODE FA 0329 FA 0325 "GREYHOUND" From B-5002		GR
13	2800006	CYLINDER LOCK MODIFIED / WITH 2 HOLES #4-40 / CODE M / FA 0013 To B-5001		
13	286156	CYLINDER LOCK / CODE M / FA 0013 From B-5002		
13	2800004	CYLINDER LOCK MODIFIED / WITH 2 HOLES #4-40 / CODE O / FA 0028 To B-5001		
13	287079	CYLINDER LOCK / CODE O / FA 0028 From B-5002		

From 7-8754 To K-6492	Date:01/2024	PAGE:X3-1867-00
KEY & CYLINDER CODE "FORD" & "NS"		

Item#	Part	Description	QTY	Notes
13	289492	CYLINDER LOCK MODIFIED / WITH 2 HOLES #4-40 / CODE P / FA 0055 To B-5001		
13	287335	CYLINDER LOCK / CODE P / FA 0055 From B-5002		
13	2800007	CYLINDER LOCK MODIFIED / WITH 2 HOLES #4-40 / CODE R / FA 0109 To B-5001		
13	287460	CYLINDER LOCK / CODE R / FA 0109 From B-5002		
13	289489	CYLINDER LOCK MODIFIED / WITH 2 HOLES #4-40 / CODE S / FA 0113 To B-5001		
13	287100	CYLINDER LOCK / CODE S / FA 0113 From B-5002		
13	289466	CYLINDER LOCK MODIFIED / WITH 2 HOLES #4-40 / CODE T / FA 0261 To B-5001		
13	285604	CYLINDER LOCK / CODE T / FA 0261 From B-5002		
13	289478	CYLINDER LOCK MODIFIED / WITH 2 HOLES #4-40 / CODE U / FA 0169 To B-5001		
13	285021	CYLINDER LOCK / CODE U / FA 0169 From B-5002		
13	289485	CYLINDER LOCK MODIFIED / WITH 2 HOLES #4-40 / CODE V / FA 0190 To B-5001		
13	285946	CYLINDER LOCK / CODE V / FA 0190 From B-5002		
13	289479	CYLINDER LOCK MODIFIED / WITH 2 HOLES #4-40 / CODE W / FA 0199 To B-5001		
13	284513	CYLINDER LOCK / CODE W / FA 0199 From B-5002		
13	2800008	CYLINDER LOCK MODIFIED / WITH 2 HOLES #4-40 / CODE Y / FA 0208 To B-5001		
13	288154	CYLINDER LOCK / CODE Y / FA 0208 From B-5002		
13	2800002	CYLINDER LOCK MODIFIED / WITH 2 HOLES #4-40 / CODE Z / FA 0268 To B-5001		
13	285496	CYLINDER LOCK / CODE Z / FA 0268 From B-5002		
13	289482	CYLINDER LOCK MODIFIED / WITH 2 HOLES #4-40 / CODE AA / FA 0368 To B-5001		
13	285584	CYLINDER LOCK / CODE AA / FA 0368 From B-5002		
13	289487	CYLINDER LOCK MODIFIED / WITH 2 HOLES #4-40 / CODE AC / FA 0506 To B-5001		
13	286459	CYLINDER LOCK / CODE AC / FA 0506 From B-5002		
13	289488	CYLINDER LOCK MODIFIED / WITH 2 HOLES #4-40 / CODE AD / FA 0528 To B-5001		
13	286983	CYLINDER LOCK / CODE AD / FA 0528 From B-5002		
13	289483	CYLINDER LOCK MODIFIED / WITH 2 HOLES #4-40 / CODE AE / FA 0532 To B-5001		
13	285670	CYLINDER LOCK / CODE AE / FA 0532 From B-5002		
13	289493	CYLINDER LOCK MODIFIED / WITH 2 HOLES #4-40 / CODE AJ / FA 0692 To B-5001		
13	287920	CYLINDER LOCK / CODE AJ / FA 0692 From B-5002		
13	289490	CYLINDER LOCK MODIFIED / WITH 2 HOLES #4-40 / CODE AK / FA 0704 To B-5001		
13	287247	CYLINDER LOCK / CODE AK / FA 0704 From B-5002		
13	2800005	CYLINDER LOCK MODIFIED / WITH 2 HOLES #4-40 / CODE AL / FA 0714 To B-5001		
13	286418	CYLINDER LOCK / CODE AL / FA 0714 From B-5002		
13	287654	CYLINDER LOCK MODIFIED / WITH 2 HOLES #4-40 / CODE AN / FA 0726 To B-5001		
13	289392	CYLINDER LOCK / CODE AN / FA 0726 From B-5002		
13	2800003	CYLINDER LOCK MODIFIED / WITH 2 HOLES #4-40 / CODE AO / FA 1116 To B-5001		
13	284935	CYLINDER LOCK / CODE AO / FA 1116 From B-5002		
13	289486	CYLINDER LOCK MODIFIED / WITH 2 HOLES #4-40 / CODE AP / FA 1252 To B-5001		
13	286049	CYLINDER LOCK / CODE AP / FA 1252 From B-5002		
13	289481	CYLINDER LOCK MODIFIED / WITH 2 HOLES #4-40 / CODE AR / FA 1320 To B-5001		
13	287657	CYLINDER LOCK / CODE AR / FA 1320 From B-5002		
13	289491	CYLINDER LOCK MODIFIED / WITH 2 HOLES #4-40 / CODE AS / FA 1343 To B-5001		
13	287250	CYLINDER LOCK / CODE AS / FA 1343 From B-5002		

From 7-8754 To K-6492	Date:01/2024	PAGE:X3-1867-00
KEY & CYLINDER CODE "FORD" & "NS"		

Item#	Part	Description	QTY	Notes
13	289480	CYLINDER LOCK MODIFIED / WITH 2 HOLES #4-40 / CODE AU / FA 1549 To B-5001		
13	287659	CYLINDER LOCK / CODE AU / FA 1549 From B-5002		
13	287653	CYLINDER LOCK MODIFIED / WITH 2 HOLES #4-40 / CODE AW / FA 1465 To B-5001		
13	287649	CYLINDER LOCK / CODE AW / FA 1465 From B-5002		
13	287701	CYLINDER LOCK MODIFIED / WITH 2 HOLES #4-40 / CODE AX / FA 0899 To B-5001		
13	287699	CYLINDER LOCK / CODE AX / FA 0899 From B-5002		
13	287738	CYLINDER LOCK MODIFIED / WITH 2 HOLES #4-40 / CODE AY / FA 0150 To B-5001		
13	287736	CYLINDER LOCK / CODE AY / FA 0150 From B-5002		
13	287746	CYLINDER LOCK MODIFIED / WITH 2 HOLES #4-40 / CODE AZ / FA 1509 To B-5001		
13	287744	CYLINDER LOCK / CODE AZ / FA 1509 From B-5002		
13	287796	CYLINDER LOCK MODIFIED / WITH 2 HOLES #4-40 / CODE BB / FA 0144 To B-5001		
13	287795	CYLINDER LOCK / CODE BB / FA 0144 From B-5002		
13	2800274	CYLINDER LOCK MODIFIED / WITH 2 HOLES #4-40 / CODE BC / FA 1513 To B-5001		
13	2800272	CYLINDER LOCK / CODE BC / FA 1513 From B-5002		
13	287821	CYLINDER LOCK MODIFIED / WITH 2 HOLES #4-40 / CODE BE / FA 1093 To B-5001		
13	287819	CYLINDER LOCK / CODE BE / FA 1093 From B-5002		
13	280444	CYLINDER LOCK MODIFIED / WITH 2 HOLES #4-40 / CODE BF / FA 1864 To B-5001		
13	280445	CYLINDER LOCK / CODE BF / FA 1864 From B-5002		
13	280824	CYLINDER LOCK MODIFIED / WITH 2 HOLES #4-40 / CODE BG / FA 0231 To B-5001		
13	280822	CYLINDER LOCK / CODE BG / FA 0231 From B-5002		
14	288839	PIVOT LOCK ROD / W/W.C.L. DOOR From 8-9181 To B-5001	1	
15	500518	SCREW MA BDG PH #4-40x1/2 Z050 From 8-9181	2	
16	283853	SPACER / WASHER 9/16" O.D. X 1/4" I.D. From 8-9181	1	
17	285811	WASHER / CYLINDER LOCK RETAINER From 8-9181	1	
18	504402	RING RETAINER / EXT .250 x .210 x .025" From 8-9181	1	
19	287087	PIVOT	1	
20	280128	PIVOT LOCK ROD / W/W.C.L. DOOR 54MM O.D. From B-5002	1	
		NEXT CYLINDER LOCK ARE MODIFIED		
		WITH 2 THREADED HOLES SCREW 4-40		
		USE ON LAVATORY DOOR & PARCEL RACK DOOR WITH FORD		
23	289467	CYLINDER LOCK MODIFIED / WITH 2 HOLES #4-40 / CODE A / FA 0000		
23	289468	CYLINDER LOCK MODIFIED / WITH 2 HOLES #4-40 / CODE B / FA 0050		
23	289469	CYLINDER LOCK MODIFIED / WITH 2 HOLES #4-40 / CODE C / FA 0100		
23	289470	CYLINDER LOCK MODIFIED / WITH 2 HOLES #4-40 / CODE D / FA 0221		
23	289471	CYLINDER LOCK MODIFIED / WITH 2 HOLES #4-40 / CODE E / FA 0225		
23	289472	CYLINDER LOCK MODIFIED / WITH 2 HOLES #4-40 / CODE F / FA 0300		
23	289473	CYLINDER LOCK MODIFIED / WITH 2 HOLES #4-40 / CODE G / FA 0400		
23	289474	CYLINDER LOCK MODIFIED / WITH 2 HOLES #4-40 / CODE H / FA 0500		
23	289475	CYLINDER LOCK MODIFIED / WITH 2 HOLES #4-40 / CODE I / FA 0600		
23	289476	CYLINDER LOCK MODIFIED / WITH 2 HOLES #4-40 / CODE J / FA 0800		

From 7-8754 To K-6492	Date:01/2024	PAGE:X3-1867-00
KEY & CYLINDER CODE "FORD" & "NS"		

Item#	Part	Description	QTY	Notes
23	289477	CYLINDER LOCK MODIFIED / WITH 2 HOLES #4-40 / CODE K / FA 1212		
23	287633	CYLINDER LOCK MODIFIED / WITH 2 HOLES #4-40 / CODE L / FA 0329		
23	2800006	CYLINDER LOCK MODIFIED / WITH 2 HOLES #4-40 / CODE M / FA 0013		
23	2800004	CYLINDER LOCK MODIFIED / WITH 2 HOLES #4-40 / CODE O / FA 0028		
23	289492	CYLINDER LOCK MODIFIED / WITH 2 HOLES #4-40 / CODE P / FA 0055		
23	2800007	CYLINDER LOCK MODIFIED / WITH 2 HOLES #4-40 / CODE R / FA 0109		
23	289489	CYLINDER LOCK MODIFIED / WITH 2 HOLES #4-40 / CODE S / FA 0113		
23	289466	CYLINDER LOCK MODIFIED / WITH 2 HOLES #4-40 / CODE T / FA 0261		
23	289478	CYLINDER LOCK MODIFIED / WITH 2 HOLES #4-40 / CODE U / FA 0169		
23	289485	CYLINDER LOCK MODIFIED / WITH 2 HOLES #4-40 / CODE V / FA 0190		
23	289479	CYLINDER LOCK MODIFIED / WITH 2 HOLES #4-40 / CODE W / FA 0199		
23	2800008	CYLINDER LOCK MODIFIED / WITH 2 HOLES #4-40 / CODE Y / FA 0208		
23	2800002	CYLINDER LOCK MODIFIED / WITH 2 HOLES #4-40 / CODE Z / FA 0268		
23	289482	CYLINDER LOCK MODIFIED / WITH 2 HOLES #4-40 / CODE AA / FA 0368		
23	289487	CYLINDER LOCK MODIFIED / WITH 2 HOLES #4-40 / CODE AC / FA 0506		
23	289488	CYLINDER LOCK MODIFIED / WITH 2 HOLES #4-40 / CODE AD / FA 0528		
23	289483	CYLINDER LOCK MODIFIED / WITH 2 HOLES #4-40 / CODE AE / FA 0532		
23	289493	CYLINDER LOCK MODIFIED / WITH 2 HOLES #4-40 / CODE AJ / FA 0692		
23	289490	CYLINDER LOCK MODIFIED / WITH 2 HOLES #4-40 / CODE AK / FA 0704		
23	2800005	CYLINDER LOCK MODIFIED / WITH 2 HOLES #4-40 / CODE AL / FA 0714		
23	287654	CYLINDER LOCK MODIFIED / WITH 2 HOLES #4-40 / CODE AN / FA 0726		
23	2800003	CYLINDER LOCK MODIFIED / WITH 2 HOLES #4-40 / CODE AO / FA 1116		
23	289486	CYLINDER LOCK MODIFIED / WITH 2 HOLES #4-40 / CODE AP / FA 1252		
23	289481	CYLINDER LOCK MODIFIED / WITH 2 HOLES #4-40 / CODE AR / FA 1320		
23	289491	CYLINDER LOCK MODIFIED / WITH 2 HOLES #4-40 / CODE AS / FA 1343		
23	289480	CYLINDER LOCK MODIFIED / WITH 2 HOLES #4-40 / CODE AU / FA 1549		
23	287653	CYLINDER LOCK MODIFIED / WITH 2 HOLES #4-40 / CODE AW / FA 1465		
23	287701	CYLINDER LOCK MODIFIED / WITH 2 HOLES #4-40 / CODE AX / FA 0899		
23	287738	CYLINDER LOCK MODIFIED / WITH 2 HOLES #4-40 / CODE AY / FA 0150		
23	287746	CYLINDER LOCK MODIFIED / WITH 2 HOLES #4-40 / CODE AZ / FA 1509		
23	287796	CYLINDER LOCK MODIFIED / WITH 2 HOLES #4-40 / CODE BB / FA 0144		
23	2800274	CYLINDER LOCK MODIFIED / WITH 2 HOLES #4-40 / CODE BC / FA 1513		
23	2800506	CYLINDER LOCK MODIFIED / WITH 2 HOLES #4-40 / CODE BD / FA 1363		
23	287821	CYLINDER LOCK MODIFIED / WITH 2 HOLES #4-40 / CODE BE / FA 1093		
23	280444	CYLINDER LOCK MODIFIED / WITH 2 HOLES #4-40 / CODE BF / FA 1864		
23	280824	CYLINDER LOCK MODIFIED / WITH 2 HOLES #4-40 / CODE BG / FA 0231		
30	780660	KEY / NS 8888	AR	
30	780780	KEY, UNCUT / NS SERIE NS SERIES	AR	
31	780691	CYLINDER LOCK / NS 8888 To 7-9131	AR	
. NS	780660	. KEY / NS 8888 To 7-9131	1	

From 7-8754 To K-6492	Date:01/2024	PAGE:X3-1867-00
KEY & CYLINDER CODE "FORD" & "NS"		

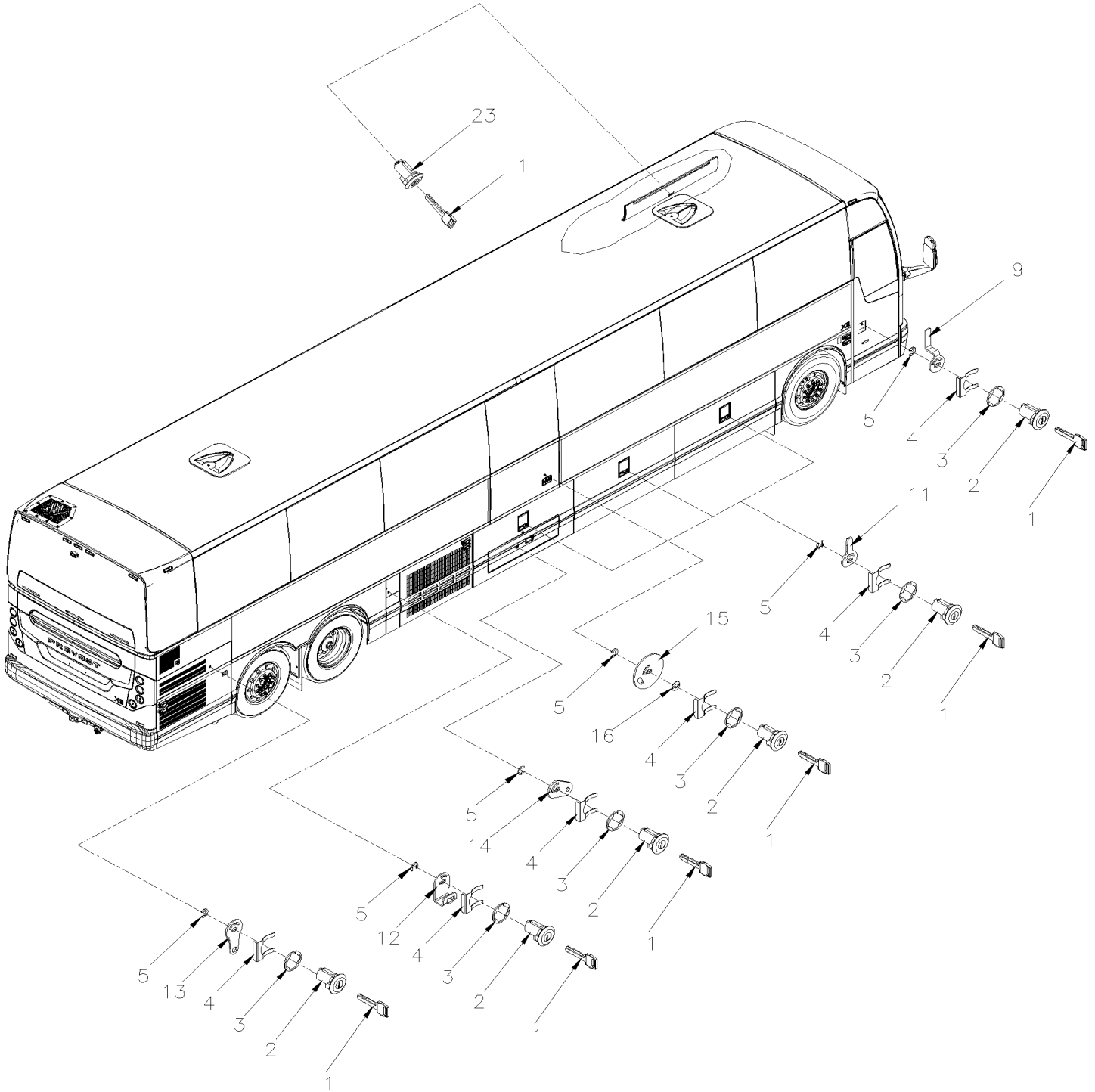
Item#	Part	Description	QTY	Notes
31	780801	CYLINDER LOCK / NS 8888 From 7-9132	AR	
. NS	780660	. KEY / NS 8888 From 7-9132	2	
32	780745	CYLINDER LOCK BODY	AR	
		A) ONLY USE WITH BY-FOLD DOOR		
		GR) WITH OPTION "GREYHOUND"		
		S) REQUIERED ONLY IN SERVICE IF YOU NEED TO CHANGE YOUR OLD CYLINDER LOCK # 780180 BEFORE VIN # 9-XXXX		

From L-6493

Date:01/2024

PAGE:X3-1867-01

KEY & CYLINDER CODE "FORD"

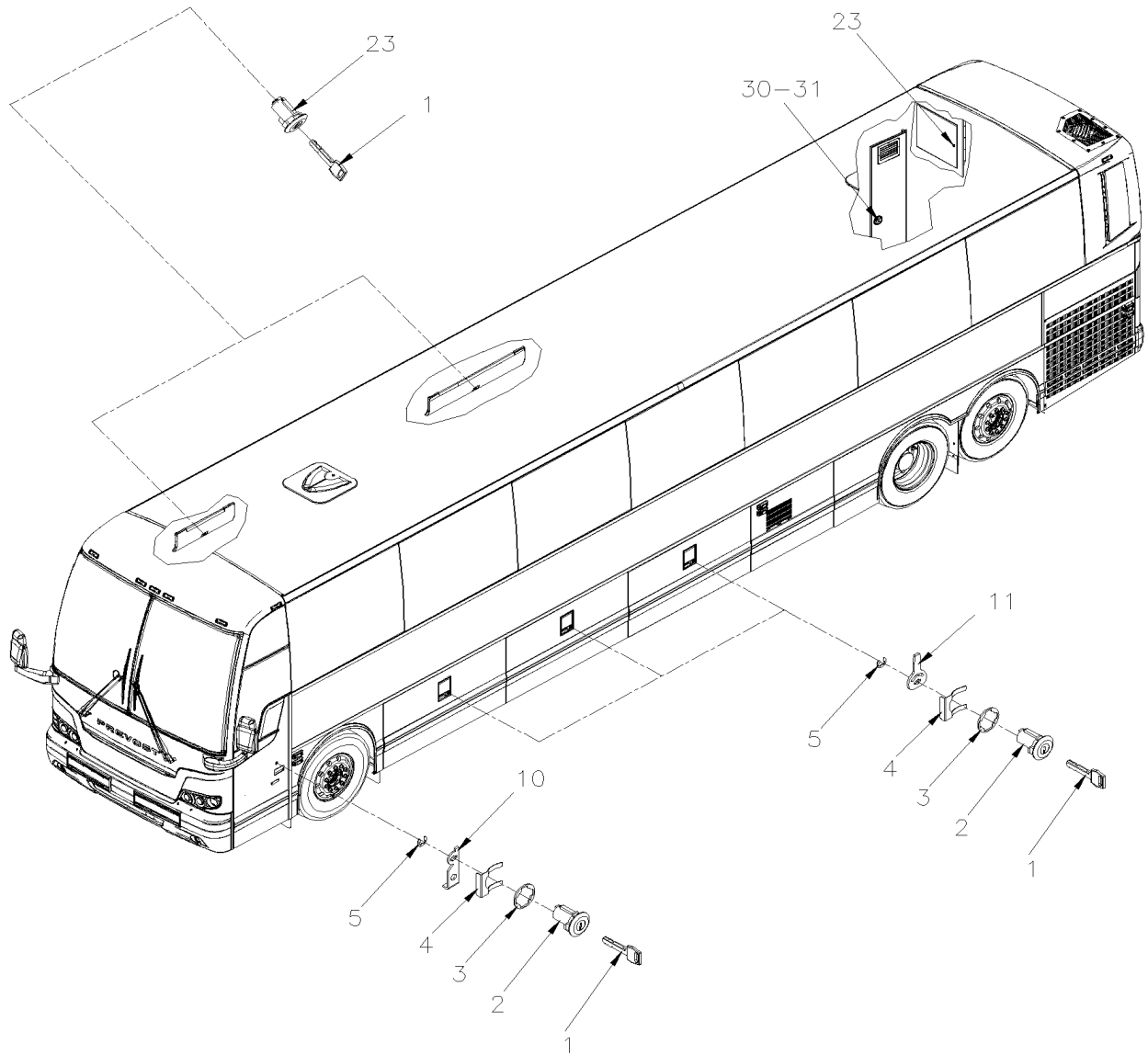


From L-6493

Date:01/2024

PAGE:X3-1867-01

KEY & CYLINDER CODE "FORD"



From L-6493	Date:01/2024	PAGE:X3-1867-01
KEY & CYLINDER CODE "FORD"		

Item#	Part	Description	QTY	Notes
	780238	KEY BLANK UNCUT	AR	
1	282295	KEY CODE / CODE A / FA 0000	1	
1	282296	KEY CODE / CODE B / FA 0050	1	
1	282297	KEY CODE / CODE C / FA 0100	1	
1	282298	KEY CODE / CODE D / FA 0221	1	
1	282299	KEY CODE / CODE E / FA 0225	1	
1	282300	KEY CODE / CODE F / FA 0300	1	
1	282301	KEY CODE / CODE G / FA 0400	1	
1	282302	KEY CODE / CODE H / FA 0500	1	
1	282303	KEY CODE / CODE I / FA 0600	1	
1	282304	KEY CODE / CODE J / FA 0800	1	
1	287663	KEY CODE / CODE K / FA 1212	1	
1	287630	KEY CODE / CODE L / FA 0329 "GREYHOUND"	1	GR
1	287402	KEY CODE / CODE M / FA 0013	1	
1	2800164	KEY CODE / CODE N / FA 0020	1	
1	287319	KEY CODE / CODE O / FA 0028	1	
1	287336	KEY CODE / CODE P / FA 0055	1	
1	2800165	KEY CODE / CODE Q / FA 0107	1	
1	287461	KEY CODE / CODE R / FA 0109	1	
1	287101	KEY CODE / CODE S / FA 0113	1	
1	285726	KEY CODE / CODE T / FA 0261	1	
1	285022	KEY CODE / CODE U / FA 0169	1	
1	285947	KEY CODE / CODE V / FA 0190	1	
1	284514	KEY CODE / CODE W / FA 0199	1	
1	2800166	KEY CODE / CODE X / FA 0206	1	
1	288155	KEY CODE / CODE Y / FA 0208	1	
1	287206	KEY CODE / CODE Z / FA 0268	1	
1	285585	KEY CODE / CODE AA / FA 0368	1	
1	2800167	KEY CODE / CODE AB / FA 0443	1	
1	286461	KEY CODE / CODE AC / FA 0506	1	
1	286984	KEY CODE / CODE AD / FA 0528	1	
1	285671	KEY CODE / CODE AE / FA 0532	1	
1	2800168	KEY CODE / CODE AF / FA 0563	1	
1	2800169	KEY CODE / CODE AG / FA 0625	1	
1	2800170	KEY CODE / CODE AH / FA 0648	1	
1	2800171	KEY CODE / CODE AI / FA 0668	1	
1	287921	KEY CODE / CODE AJ / FA 0692	1	
1	287248	KEY CODE / CODE AK / FA 0704	1	
1	287343	KEY CODE / CODE AL / FA 0714	1	
1	2800172	KEY CODE / CODE AM / FA 0721	1	

From L-6493	Date:01/2024	PAGE:X3-1867-01
KEY & CYLINDER CODE "FORD"		

Item#	Part	Description	QTY	Notes
1	289393	KEY CODE / CODE AN / FA 0726	1	
1	2800173	KEY CODE / CODE AO / FA 1116	1	
1	286050	KEY CODE / CODE AP / FA 1252	1	
1	2800174	KEY CODE / CODE AQ / FA 1316	1	
1	287658	KEY CODE / CODE AR / FA 1320	1	
1	287251	KEY CODE / CODE AS / FA 1343	1	
1	2800175	KEY CODE / CODE AT / FA 1486	1	
1	287660	KEY CODE / CODE AU / FA 1549	1	
1	287642	KEY CODE / CODE AV / FA 0890	1	
1	287650	KEY CODE / CODE AW / FA 1465	1	
1	287700	KEY CODE / CODE AX / FA 0899	1	
1	287737	KEY CODE / CODE AY / FA 0150	1	
1	287745	KEY CODE / CODE AZ / FA 1509	1	
1	2800163	KEY CODE / CODE BA / FA 0001	1	
1	287797	KEY CODE / CODE BB / FA 0144	1	
1	2800273	KEY CODE / CODE BC / FA 1513	1	
1	2800503	KEY CODE / CODE BD / FA 1363	1	
1	287820	KEY CODE / CODE BE / FA 1093	1	
1	280448	KEY CODE / CODE BF / FA 1864	1	
1	280823	KEY CODE / CODE BG / FA 0231	1	
1	281575	KEY CODE / CODE BH / FA 0325 & FA 0329 "GREYHOUND"	1	
1	2810309	KEY CODE / CODE BJ / FA 1315	1	
2	282285	CYLINDER LOCK / CODE A / FA 0000	1	
2	282286	CYLINDER LOCK / CODE B / FA 0050	1	
2	282287	CYLINDER LOCK / CODE C / FA 0100	1	
2	282288	CYLINDER LOCK / CODE D / FA 0221	1	
2	282289	CYLINDER LOCK / CODE E / FA 0225	1	
2	282290	CYLINDER LOCK / CODE F / FA 0300	1	
2	282291	CYLINDER LOCK / CODE G / FA 0400	1	
2	282292	CYLINDER LOCK / CODE H / FA 0500	1	
2	282293	CYLINDER LOCK / CODE I / FA 0600	1	
2	282294	CYLINDER LOCK / CODE J / FA 0800	1	
2	287662	CYLINDER LOCK / CODE K / FA 1212	1	
2	287629	CYLINDER LOCK / CODE L & CODE BH CODE FA 0329 FA 0325 "GREYHOUND"	1	GR
2	286156	CYLINDER LOCK / CODE M / FA 0013	1	
2	287125	CYLINDER LOCK / CODE N / FA 0020	1	
2	287079	CYLINDER LOCK / CODE O / FA 0028	1	
2	287335	CYLINDER LOCK / CODE P / FA 0055	1	
2	287926	CYLINDER LOCK / CODE Q / FA 0107	1	
2	287460	CYLINDER LOCK / CODE R / FA 0109	1	
2	287100	CYLINDER LOCK / CODE S / FA 0113	1	

From L-6493	Date:01/2024	PAGE:X3-1867-01
KEY & CYLINDER CODE "FORD"		

Item#	Part	Description	QTY	Notes
2	285604	CYLINDER LOCK / CODE T / FA 0261	1	
2	285021	CYLINDER LOCK / CODE U / FA 0169	1	
2	285946	CYLINDER LOCK / CODE V / FA 0190	1	
2	284513	CYLINDER LOCK / CODE W / FA 0199	1	
2	287138	CYLINDER LOCK / CODE X / FA 0206	1	
2	288154	CYLINDER LOCK / CODE Y / FA 0208	1	
2	285496	CYLINDER LOCK / CODE Z / FA 0268	1	
2	285584	CYLINDER LOCK / CODE AA / FA 0368	1	
2	285264	CYLINDER LOCK / CODE AB / FA 0443	1	
2	286459	CYLINDER LOCK / CODE AC / FA 0506	1	
2	286983	CYLINDER LOCK / CODE AD / FA 0528	1	
2	285670	CYLINDER LOCK / CODE AE / FA 0532	1	
2	288640	CYLINDER LOCK / CODE AF / FA 0563	1	
2	285545	CYLINDER LOCK / CODE AG / FA 0625	1	
2	284373	CYLINDER LOCK / CODE AH / FA 0648	1	
2	285276	CYLINDER LOCK / CODE AI / FA 0668	1	
2	287920	CYLINDER LOCK / CODE AJ / FA 0692	1	
2	287247	CYLINDER LOCK / CODE AK / FA 0704	1	
2	286418	CYLINDER LOCK / CODE AL / FA 0714	1	
2	285861	CYLINDER LOCK / CODE AM / FA 0721	1	
2	289392	CYLINDER LOCK / CODE AN / FA 0726	1	
2	284935	CYLINDER LOCK / CODE AO / FA 1116	1	
2	286049	CYLINDER LOCK / CODE AP / FA 1252	1	
2	285572	CYLINDER LOCK / CODE AQ / FA 1316	1	
2	287657	CYLINDER LOCK / CODE AR / FA 1320	1	
2	287250	CYLINDER LOCK / CODE AS / FA 1343	1	
2	285066	CYLINDER LOCK / CODE AT / FA 1486	1	
2	287659	CYLINDER LOCK / CODE AU / FA 1549	1	
2	287641	CYLINDER LOCK / CODE AV / FA 0890	1	
2	287649	CYLINDER LOCK / CODE AW / FA 1465	1	
2	287699	CYLINDER LOCK / CODE AX / FA 0899	1	
2	287736	CYLINDER LOCK / CODE AY / FA 0150	1	
2	287744	CYLINDER LOCK / CODE AZ / FA 1509	1	
2	287379	CYLINDER LOCK / CODE BA / FA 0001	1	
2	287795	CYLINDER LOCK / CODE BB / FA 0144	1	
2	2800272	CYLINDER LOCK / CODE BC / FA 1513	1	
2	2800502	CYLINDER LOCK / CODE BD / FA 1363	1	
2	287819	CYLINDER LOCK / CODE BE / FA 1093	1	
2	280445	CYLINDER LOCK / CODE BF / FA 1864	1	
2	280822	CYLINDER LOCK / CODE BG / FA 0231	1	
2	2810311	CYLINDER LOCK / CODE BJ / FA 1315		
3	2800032	SEAL RUBBER 1/16" TH	AR	

From L-6493		Date:01/2024	PAGE:X3-1867-01
-------------	--	--------------	-----------------

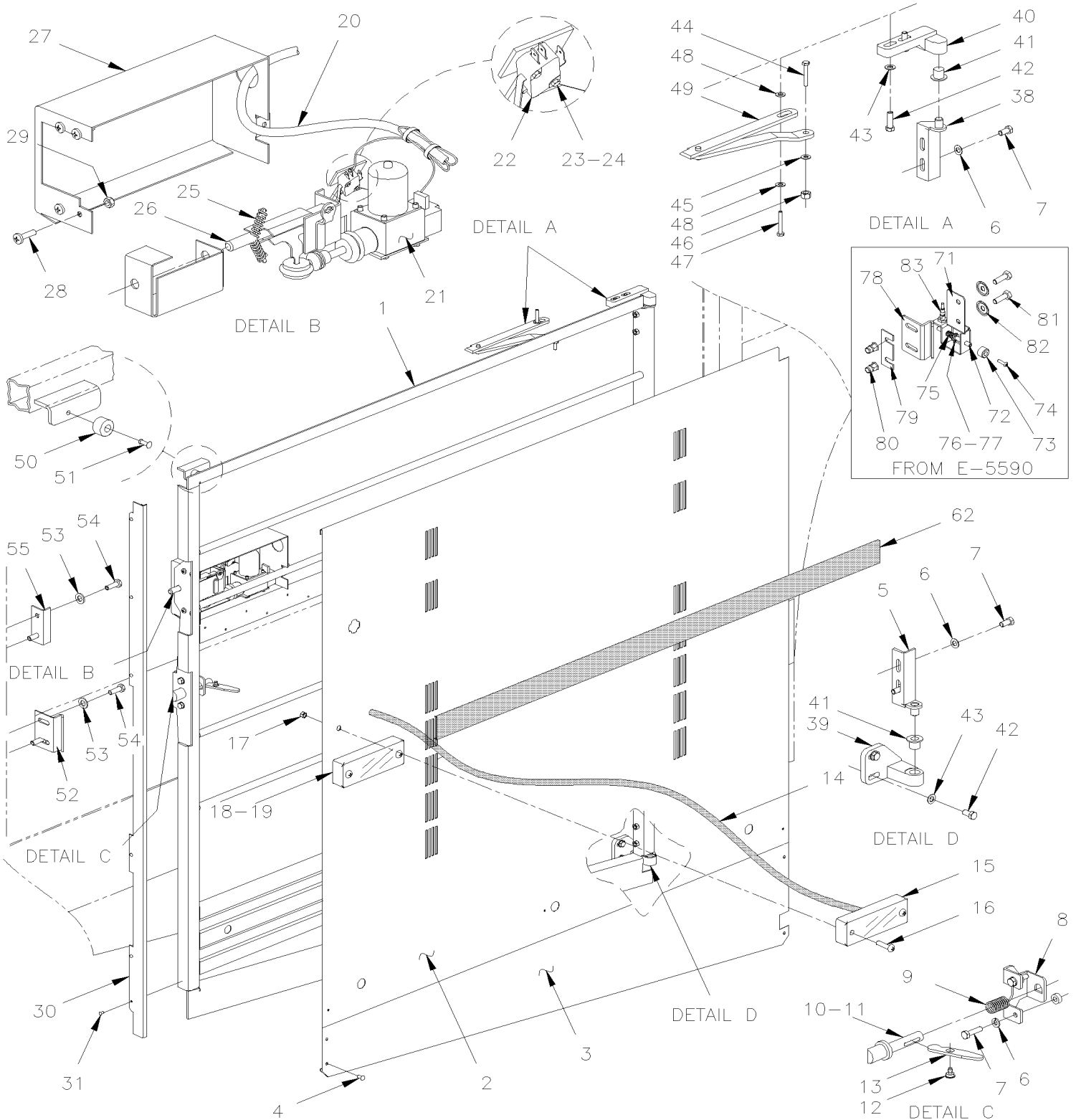
KEY & CYLINDER CODE "FORD"

Item#	Part	Description	QTY	Notes
4	780887	RETAINER CLIP, GM DOOR LOCK CYLINDER "U SHAPE"	1	
5	504402	RING RETAINER / EXT .250 x .210 x .025"	1	
6	287406	PIVOT LOCK 9.5MM OFFSET	1	
9	286553	PIVOT LOCK 18.7MM OFFSET	1	
9	281090	PIVOT LOCK 20.1MM OFFSET "FORD"	1	A
9	2800032	SEAL RUBBER 1/16" TH	1	A
9	780887	RETAINER CLIP, GM DOOR LOCK CYLINDER "U SHAPE"	1	A
9	504402	RING RETAINER / EXT .250 x .210 x .025"	1	A
10	287087	PIVOT	1	
11	289071	PIVOT LOCK	1	
12	484218	PIVOT LOCK / CURBSIDE	1	
13	280368	PIVOT LOCK	1	
14	2800850	PIVOT LOCK	1	
15	280128	PIVOT LOCK ROD / W/W.C.L. DOOR 54MM O.D.	1	
16	283853	SPACER / WASHER 9/16" O.D. X 1/4" I.D.	1	
		NEXT CYLINDER LOCK ARE MODIFIED		
		WITH 2 THREADED HOLES SCREW 4-40		
		USE ON LAVATORY DOOR & PARCEL RACK DOOR WITH FORD		
23	289467	CYLINDER LOCK MODIFIED / WITH 2 HOLES #4-40 / CODE A / FA 0000		
23	289468	CYLINDER LOCK MODIFIED / WITH 2 HOLES #4-40 / CODE B / FA 0050		
23	289469	CYLINDER LOCK MODIFIED / WITH 2 HOLES #4-40 / CODE C / FA 0100		
23	289470	CYLINDER LOCK MODIFIED / WITH 2 HOLES #4-40 / CODE D / FA 0221		
23	289471	CYLINDER LOCK MODIFIED / WITH 2 HOLES #4-40 / CODE E / FA 0225		
23	289472	CYLINDER LOCK MODIFIED / WITH 2 HOLES #4-40 / CODE F / FA 0300		
23	289473	CYLINDER LOCK MODIFIED / WITH 2 HOLES #4-40 / CODE G / FA 0400		
23	289474	CYLINDER LOCK MODIFIED / WITH 2 HOLES #4-40 / CODE H / FA 0500		
23	289475	CYLINDER LOCK MODIFIED / WITH 2 HOLES #4-40 / CODE I / FA 0600		
23	289476	CYLINDER LOCK MODIFIED / WITH 2 HOLES #4-40 / CODE J / FA 0800		
23	289477	CYLINDER LOCK MODIFIED / WITH 2 HOLES #4-40 / CODE K / FA 1212		
23	287633	CYLINDER LOCK MODIFIED / WITH 2 HOLES #4-40 / CODE L / FA 0329		
23	2800006	CYLINDER LOCK MODIFIED / WITH 2 HOLES #4-40 / CODE M / FA 0013		
23	2800004	CYLINDER LOCK MODIFIED / WITH 2 HOLES #4-40 / CODE O / FA 0028		
23	289492	CYLINDER LOCK MODIFIED / WITH 2 HOLES #4-40 / CODE P / FA 0055		
23	2800007	CYLINDER LOCK MODIFIED / WITH 2 HOLES #4-40 / CODE R / FA 0109		
23	289489	CYLINDER LOCK MODIFIED / WITH 2 HOLES #4-40 / CODE S / FA 0113		
23	289466	CYLINDER LOCK MODIFIED / WITH 2 HOLES #4-40 / CODE T / FA 0261		
23	289478	CYLINDER LOCK MODIFIED / WITH 2 HOLES #4-40 / CODE U / FA 0169		
23	289485	CYLINDER LOCK MODIFIED / WITH 2 HOLES #4-40 / CODE V / FA 0190		
23	289479	CYLINDER LOCK MODIFIED / WITH 2 HOLES #4-40 / CODE W / FA 0199		
23	2800008	CYLINDER LOCK MODIFIED / WITH 2 HOLES #4-40 / CODE Y / FA 0208		

From L-6493		Date:01/2024	PAGE:X3-1867-01
KEY & CYLINDER CODE "FORD"			

Item#	Part	Description	QTY	Notes
23	2800002	CYLINDER LOCK MODIFIED / WITH 2 HOLES #4-40 / CODE Z / FA 0268		
23	289482	CYLINDER LOCK MODIFIED / WITH 2 HOLES #4-40 / CODE AA / FA 0368		
23	289487	CYLINDER LOCK MODIFIED / WITH 2 HOLES #4-40 / CODE AC / FA 0506		
23	289488	CYLINDER LOCK MODIFIED / WITH 2 HOLES #4-40 / CODE AD / FA 0528		
23	289483	CYLINDER LOCK MODIFIED / WITH 2 HOLES #4-40 / CODE AE / FA 0532		
23	289493	CYLINDER LOCK MODIFIED / WITH 2 HOLES #4-40 / CODE AJ / FA 0692		
23	289490	CYLINDER LOCK MODIFIED / WITH 2 HOLES #4-40 / CODE AK / FA 0704		
23	2800005	CYLINDER LOCK MODIFIED / WITH 2 HOLES #4-40 / CODE AL / FA 0714		
23	287654	CYLINDER LOCK MODIFIED / WITH 2 HOLES #4-40 / CODE AN / FA 0726		
23	2800003	CYLINDER LOCK MODIFIED / WITH 2 HOLES #4-40 / CODE AO / FA 1116		
23	289486	CYLINDER LOCK MODIFIED / WITH 2 HOLES #4-40 / CODE AP / FA 1252		
23	289481	CYLINDER LOCK MODIFIED / WITH 2 HOLES #4-40 / CODE AR / FA 1320		
23	289491	CYLINDER LOCK MODIFIED / WITH 2 HOLES #4-40 / CODE AS / FA 1343		
23	289480	CYLINDER LOCK MODIFIED / WITH 2 HOLES #4-40 / CODE AU / FA 1549		
23	287653	CYLINDER LOCK MODIFIED / WITH 2 HOLES #4-40 / CODE AW / FA 1465		
23	287701	CYLINDER LOCK MODIFIED / WITH 2 HOLES #4-40 / CODE AX / FA 0899		
23	287738	CYLINDER LOCK MODIFIED / WITH 2 HOLES #4-40 / CODE AY / FA 0150		
23	287746	CYLINDER LOCK MODIFIED / WITH 2 HOLES #4-40 / CODE AZ / FA 1509		
23	287796	CYLINDER LOCK MODIFIED / WITH 2 HOLES #4-40 / CODE BB / FA 0144		
23	2800274	CYLINDER LOCK MODIFIED / WITH 2 HOLES #4-40 / CODE BC / FA 1513		
23	2800506	CYLINDER LOCK MODIFIED / WITH 2 HOLES #4-40 / CODE BD / FA 1363		
23	287821	CYLINDER LOCK MODIFIED / WITH 2 HOLES #4-40 / CODE BE / FA 1093		
23	280444	CYLINDER LOCK MODIFIED / WITH 2 HOLES #4-40 / CODE BF / FA 1864		
23	280824	CYLINDER LOCK MODIFIED / WITH 2 HOLES #4-40 / CODE BG / FA 0231		
23	2810310	CYLINDER LOCK MODIFIED / WITH 2 HOLES #4-40 / CODE BJ / FA 1315		
30	780660	KEY / NS 8888	AR	
30	780780	KEY, UNCUT / NS SERIE NS SERIES	AR	
31	780801	CYLINDER LOCK / NS 8888	1	
. NS	780660	. KEY / NS 8888	2	
		A) ONLY USE WITH BY-FOLD DOOR		
		GR) WITH OPTION "GREYHOUND"		

A/C COMPRESSOR DOOR ASSY



From 7-8754 To E-5759	Date:01/2024	PAGE:X3-1868-00
A/C COMPRESSOR DOOR ASSY		

Item#	Part	Description	QTY	Notes
		ALL COMPRESSOR DOORS ASSY DO NOT INCLUDE		
		RUB-RAIL PLEASE ORDER SEPARATELY		
	288334	COMPRESSOR DOOR ASSY / W/FLAT PANEL	1	
	288335	COMPRESSOR DOOR ASSY / W/FLAT PANEL / AND ELECTRICAL LOCK	1	
	288938	COMPRESSOR DOOR ASSY / W/FLAT PANEL / AND ELECTRICAL LOCK	1	A
1	286474	FRAME ASSY / COMPRESSOR DOOR To 8-9276	1	
NS	483749	SUPPORT ACTUATOR / WELDED AT FRAME FORMER ACTUATOR 780428 To 8-9276	1	
NS	288989	SUPPORT ACTUATOR / WELDED AT FRAME CURRENT ACTUATOR 780814 To 8-9276	1	
1	287576	FRAME ASSY / COMPRESSOR DOOR From 8-9277 To A-9965	1	
NS	483749	SUPPORT ACTUATOR / WELDED AT FRAME FORMER ACTUATOR 780428 From 8-9277 To A-9965	1	
1	288950	FRAME ASSY / COMPRESSOR DOOR From A-9966	1	
NS	288989	SUPPORT ACTUATOR / WELDED AT FRAME CURRENT ACTUATOR 780814 From A-9966	1	
2	477484	PANEL, UPPER / FLAT	1	
2	478077	PANEL, UPPER / FLAT / W/HOLE 110V OUTLET	1	A
3	475370	PANEL, LOWER To A-9868	1	
3	478456	PANEL, LOWER From A-9869	1	R
4	504272	RIVET CHY Q BRAZ 3/16x1/8 SS To A-9868	5	
5	286102	ARM ASSY To C-5287	1	
5	289150	ARM ASSY From C-5288	1	
6	500356	WASHER LO SERR 6.1x16.0x0.9 N500	4	
7	502737	SCREW CAP HEX M6-1.0x25 SS BK	4	
8	288006	GUIDE PIN HOLDER To D-5299	1	B
8	288125	GUIDE PIN HOLDER From D-5300	1	
9	502910	SPRING COMPRESSION / .720 O.D. 1.75 x .055	1	
10	284313	CATCH PIN SS / 90MM To A-9892	1	
10	289585	CATCH PIN ACETAL / 90MM From A-9893	1	
11	507212	O-RING	1	
12	287271	RIVET SHR FL 9.95x3.6{4.8x4.8 SS	1	
13	286612	PIVOT	1	
14	504273	CABLE TIE / 1/8" X 3"1/2	2	
15	X3-0662-00	CLEARANCE & MARKER LIGHT		
NS	064990	CABLE ASSY / SIDE MARKER LAMP FOR DOORS	1	
NS	473832	GROMMET 2 HOLESx1.6x11.0MMx2.0MMx8.0MMx16MM	1	
NS	067207	CABLE ASSY / SIDE MARKER LAMP FOR DOORS	1	
NS	473832	GROMMET 2 HOLESx1.6x11.0MMx2.0MMx8.0MMx16MM	1	
16	5001042	SCREW MA RND PH #10-32x1 1/4 SS	4	
17	502774	NUT WELL #10-32x.625	4	
18	930320	REFLECTOR RED 1 3/16" x 4 7/16"	1	
19	500510	SCREW MA BDG PH #10-32x3/4 SS EMN	2	
19	500423	NUT HEX NYRT #10-32 SS	2	

From 7-8754 To E-5759	Date:01/2024	PAGE:X3-1868-00
A/C COMPRESSOR DOOR ASSY		

Item#	Part	Description	QTY	Notes
19	500787	. NUT HEX #10-24 SS	2	
20	067119	. CABLE ASSY / COMPRESSOR DOOR LOCK To A-9965	1	
20	068084	. CABLE ASSY / COMPRESSOR DOOR LOCK From A-9966	1	
21	780428	. LOCK ACTUATOR / 12V To A-9965	1	
. NS	562076	. . CONNECTOR / PACK-CON I / FEMALE HOUSING / 2C / PED 8911772 To A-9965	1	
21	2810382	. ACTUATOR SERVICE KIT To A-9965	1	
21	780814	. LOCK ACTUATOR / 12V From A-9966 To C-5169	1	
. NS	562076	. . CONNECTOR / PACK-CON I / FEMALE HOUSING / 2C / PED 8911772 From A-9966 To C-5169	1	
21	2800049	. LOCK ACTUATOR / 12V From C-5170	1	
22	562096	. MICRO SWITCH	1	
23	502577	. SCREW MA PAN PH M3-0.5x16 ZP	2	
24	502579	. NUT HEX M3-0.5 NP	2	
NS	502691	. WASHER LO SPT 3.6x6.7x0.8 Z050	2	
25	502151	. SPRING COMPRESSION / .300 O.D. x 1 x .032	2	
26	481564	. ROD GUIDE	1	
27	287400	. COVER / ACTUATOR PROTECTOR To A-9965	1	
27	288990	. COVER / ACTUATOR PROTECTOR From A-9966	1	
28	502698	. SCREW MA PAN PH M4-0.7x16 SS BK	2	
29	5001544	. WASHER LO EXT .195x.410x.025 SS	2	
30	286225	. FINISHING MOULDING 1110MM	1	
31	504339	. RIVET POP DOME OE 1/8x3/8 SS	4	
38	286098	. ARM ASSY To C-5287	1	
38	289149	. ARM ASSY From C-5288	1	
39	286103	LOWER HINGE To E-5489	1	C
39	288945	LOWER HINGE From E-5490	1	C
40	286085	HINGE / UPPER	1	C
NS	SP17-12	COMPRESSOR DOOR HINGE IMPROVEMENT	1	
41	284607	BUSHING, NYLON / (NOT INCLUDE W/HINGE)	1	
NS	502723	WASHER FL .386x.750x.050 NYL	1	
42	502737	SCREW CAP HEX M6-1.0x25 SS BK	4	
43	430406	WASHER FLAT	8	
44	502568	SCREW MA PAN PH M6-1.0x20 EMN	1	
45	502573	WASHER FL 6.4x12.5x1.6 SS	1	
46	502511	NUT HEX NYRT M6-1.0 Z050	1	
47	502686	SCREW CAP HEX M6-1.0x30 SS BK	1	
48	5001448	WASHER FL .343x.875x.062 SS18-8	2	
49	288031	GUIDE ASSY / R.H. DOOR	1	
50	504334	BUMPER RUBBER / .625 OD x .406 TH x .156 HOLE	1	
51	504339	RIVET POP DOME OE 1/8x3/8 SS	1	
52	287286	CATCH PIN / RETAINER 45MMx21MM 90° To D-5299	1	B
52	288124	CATCH PIN / RETAINER / SWITCH SUPPORT From D-5300 To E-5589	1	
NS	287452	SHIM SPACER 70MM X 25 X 14GA To E-5589	AR	

From 7-8754 To E-5759	Date:01/2024	PAGE:X3-1868-00
A/C COMPRESSOR DOOR ASSY		

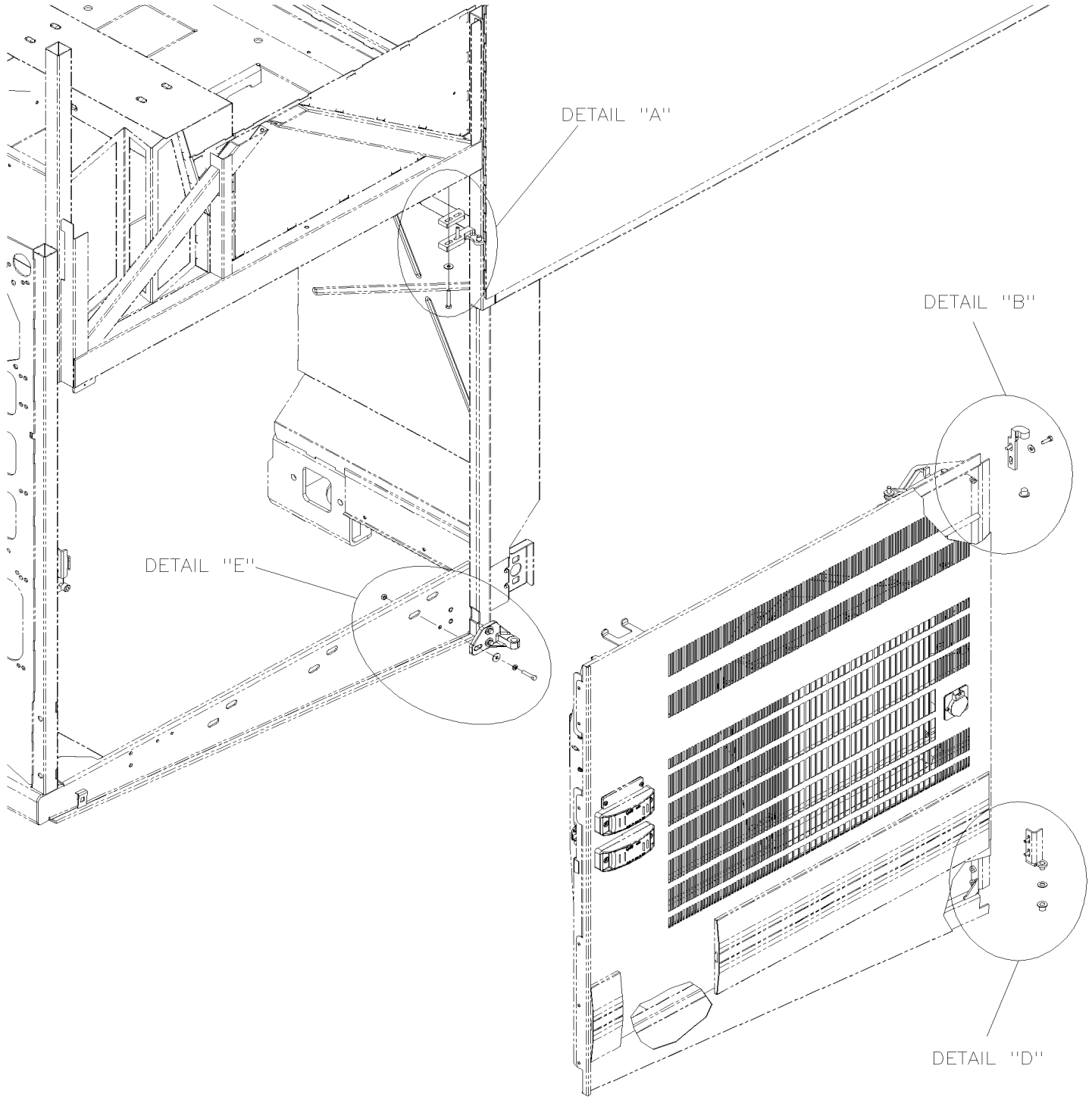
Item#	Part	Description	QTY	Notes
53	5001699	WASHER BEL SPR 8.2x22x1.4 N500	4	
54	502780	SCREW CAP HEX M8-1.25x25 SS BK	4	
55	286161	STRICKING PLATE To 8-9276	1	
55	287578	STRICKING PLATE From 8-9277	1	
62	474389	FINISHING MOULDING PLASTIC 1123MM To D-5458	1	
. NS	506769	. TAPE RUB ADH2 CC POL 1/8" x 1/4" x 60' / BLACK H1CC-N-#14 To D-5458	AR	
62	478584	FINISHING MOULDING PLASTIC 1123MM From E-5459	1	
70	X3-1867-00	KEY & CYLINDER CODE "FORD" & "NS"		
71	2800874	SUPPORT SWITCH From E-5590	1	
72	2800875	ROD / SWITCH From E-5590	1	
73	504334	BUMPER RUBBER / .625 OD x .406 TH x .156 HOLE From E-5590	1	
74	502698	SCREW MA PAN PH M4-0.7x16 SS BK From E-5590	1	
75	5021001	SPRING COMPRESSION / .360 O.D. x 1.5 x .038 From E-5590	1	
76	502573	WASHER FL 6.4x12.5x1.6 SS From E-5590	1	
77	5001860	PIN HITCH CLIP .054 x 3/4 SS From E-5590	1	
78	287286	CATCH PIN / RETAINER 45MMx21MM 90° From E-5590	1	
79	287452	SHIM SPACER 70MM X 25 X 14GA From E-5590	1	
80	5001337	NUT INS FL HEX M8-1.25 0.5-3.0 Z050 From E-5590	2	
81	502780	SCREW CAP HEX M8-1.25x25 SS BK From E-5590	2	
82	5001699	WASHER BEL SPR 8.2x22x1.4 N500 From E-5590	2	
83	X3-0665-10	SWITCHES, LIGHTS, AJAR - UNDER FLOOR		
NS	061325	DECAL "CAUTION" ALWAYS FIRST.... / ENGLISH & FRANCAIS	1	
NS	289005	SERVICE KIT SWITCH RELOCATION To D-5299	1	B
. NS	288124	. CATCH PIN / RETAINER / SWITCH SUPPORT To D-5299	1	B
. NS	288125	. GUIDE PIN HOLDER To D-5299	1	B
. NS	287271	. RIVET SHR FL 9.95x3.6(4.8x4.8 SS To D-5299	1	B
. NS	286688	. DECAL DOOR OPEN To D-5299	1	B
. NS	IS12026	. SEE INSTRUCTION SHEET To D-5299	1	B
		A) BUS WITH "OPTION" 110 VOLT OUTLET RECEPTACLE		
		B) FOR THE SWITCH RELOCATION ASK KIT #289005		
		C) COMPRESSOR DOOR HINGES IMPROVMENT SEE SP17-12		
		R) THIS PANEL ARE FIXED WITHOUT RIVETS		

From 7-8754 To E-5759

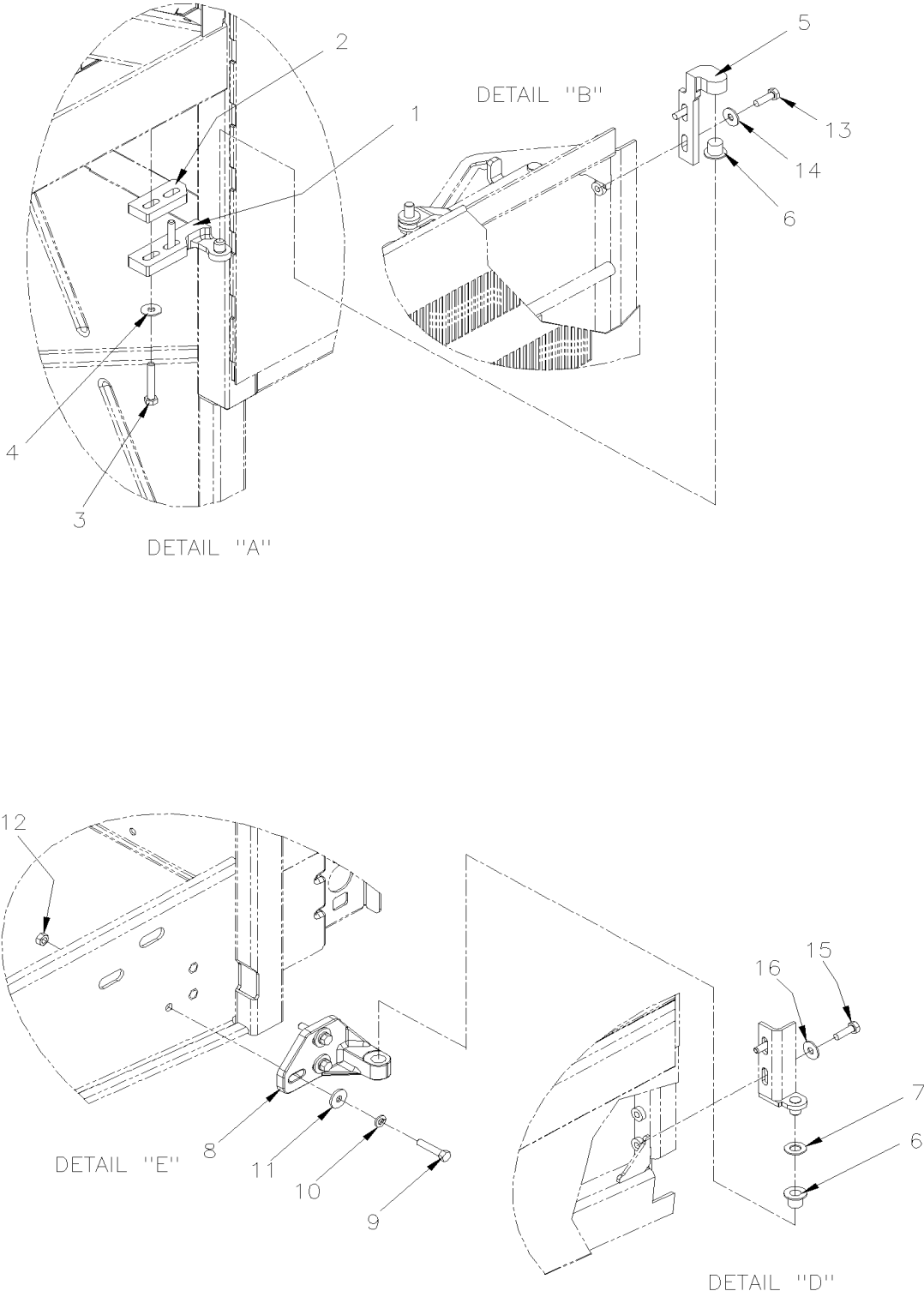
Date:01/2024

PAGE:SP17-12

COMPRESSOR DOOR HINGE IMPROVEMENT



COMPRESSOR DOOR HINGE IMPROVEMENT



From 7-8754 To E-5759	Date:01/2024	PAGE:SP17-12
COMPRESSOR DOOR HINGE IMPROVEMENT		

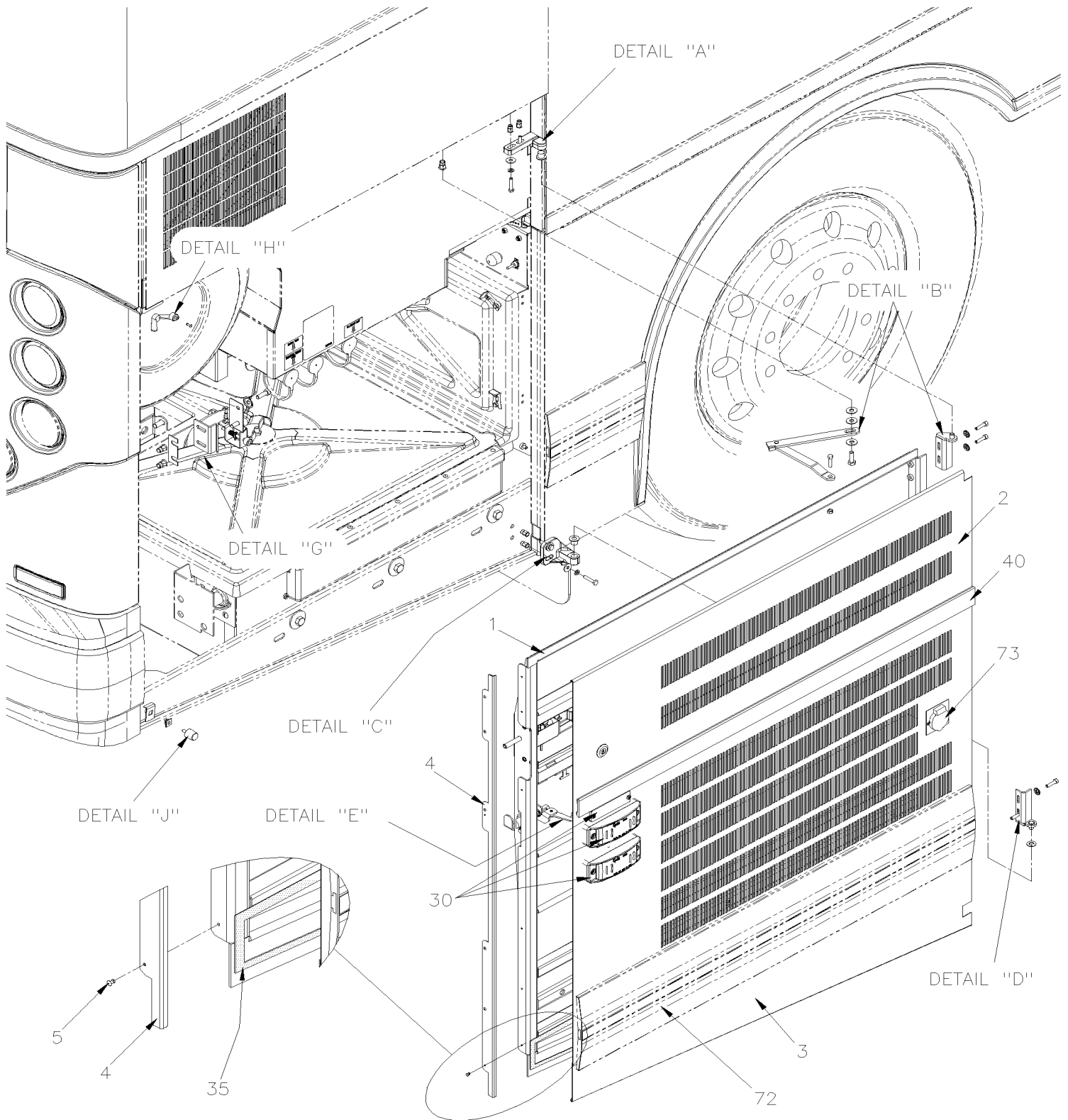
Item#	Part	Description	QTY	Notes
1	280549	HNGE / UPPER	1	
2	280610	SHIM 9.5MM	1	
3	5000310	SCREW CAP HEX M6-1.0x40 BK	2	
4	5001833	WASHER BEL SPR 6.1x18x1.27 SS	2	
5	280504	ARM ASSY	1	
6	284607	BUSHING, NYLON / (NOT INCLUDE W/HINGE)	2	
7	502723	WASHER FL .386x.750x.050 NYL	1	
8	281409	LOWER HINGE	1	
9	502686	SCREW CAP HEX M6-1.0x30 SS BK	3	
10	502570	WASHER LO SPT 6.1x11.8x1.6 SS	3	
11	430406	WASHER FLAT	3	
12	5001851	NUT HEX M6-1.0 SS BK	1	
13	502622	SCREW CAP HEX M6-1.0x20 SS BK	2	
14	5001833	WASHER BEL SPR 6.1x18x1.27 SS	2	
15	5001697	SCREW CAP HEX M6-1.0x16 SS BK	2	
16	5001833	WASHER BEL SPR 6.1x18x1.27 SS	2	

From F-5760 To H-6179

Date:01/2024

PAGE:X3-1868-01

A/C COMPRESSOR DOOR ASSY

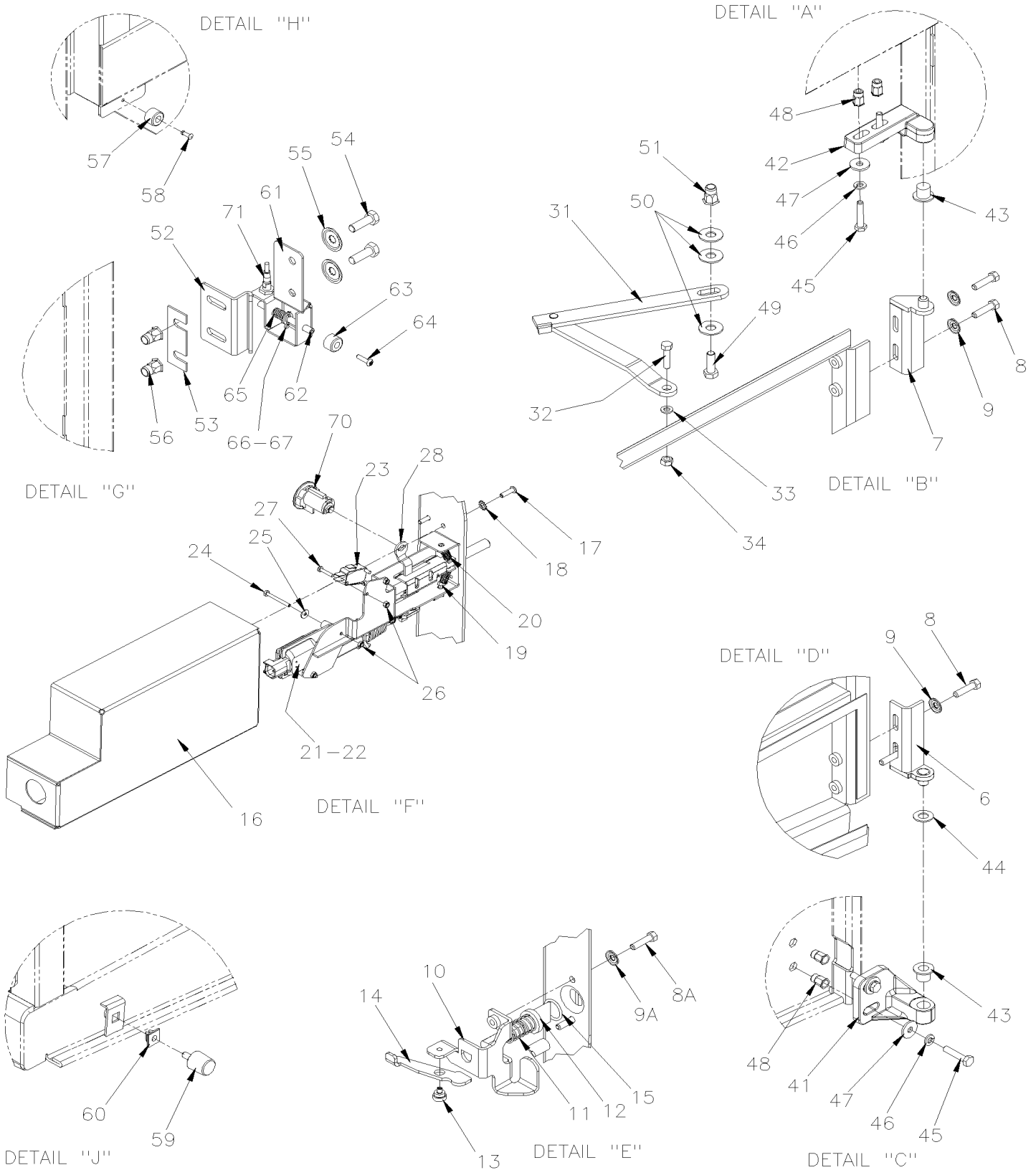


From F-5760 To H-6179

Date:01/2024

PAGE:X3-1868-01

A/C COMPRESSOR DOOR ASSY



From F-5760 To H-6179	Date:01/2024	PAGE:X3-1868-01
A/C COMPRESSOR DOOR ASSY		

Item#	Part	Description	QTY	Notes
		ALL COMPRESSOR DOORS ASSY DO NOT INCLUDE		
		RUB-RAIL PLEASE ORDER SEPARATELY		
	282941	COMPRESSOR DOOR ASSY / W/FLAT PANEL	1	
	283171	COMPRESSOR DOOR ASSY / W/FLAT PANEL	1	A
	283231	COMPRESSOR DOOR ASSY / W/FLAT PANEL/ AND ELECTRICAL LOCK	1	
	283285	COMPRESSOR DOOR ASSY / W/FLAT PANEL/ AND ELECTRICAL LOCK	1	A
1	287811	. FRAME ASSY / COMPRESSOR DOOR	1	
. NS	287812	. . SUPPORT ACTUATOR / WELDED AT FRAME CURRENT ACTUATOR 780814	1	
2	477375	. PANEL, UPPER / FLAT	1	
2	477383	. PANEL, UPPER / FLAT / W/HOLE 110V OUTLET	1	A
3	478456	. PANEL, LOWER	1	
NS	687962	. GLUE MS POLYMER TEROSON MS 9399 / "B" 21 Liters	AR	
NS	687961	. GLUE MS POLYMER TEROSON MS 9399 / "A" 21 Liters	AR	
NS	506071	. TAPE RUB ADH1 CC POL 1/8" x 1/2" x 50' / GREY 2520X	AR	
4	286225	. FINISHING MOULDING 1110MM	1	
5	504340	. RIVET POP DOME OE 1/8x3/16 SS	6	
6	289150	. ARM ASSY	1	
7	289149	. ARM ASSY	1	
8	5001697	. SCREW CAP HEX M6-1.0x16 SS BK	4	
8	5001697	. SCREW CAP HEX M6-1.0x16 SS BK	4	
8A	5001697	. SCREW CAP HEX M6-1.0x16 SS BK	2	
8A	5001697	. SCREW CAP HEX M6-1.0x16 SS BK	2	
9	5001833	. WASHER BEL SPR 6.1x18x1.27 SS	4	
9	5001833	. WASHER BEL SPR 6.1x18x1.27 SS	4	
9A	5001833	. WASHER BEL SPR 6.1x18x1.27 SS	2	
9A	5001833	. WASHER BEL SPR 6.1x18x1.27 SS	2	
10	288125	. GUIDE PIN HOLDER To E-5663	1	
10	288006	. GUIDE PIN HOLDER From E-5664	1	
11	502910	. SPRING COMPRESSION / .720 O.D. 1.75 x .055	1	
12	289585	. CATCH PIN ACETAL / 90MM	1	
13	287271	. RIVET SHR FL 9.95x3.6{4.8x4.8 SS	1	
14	286612	. PIVOT	1	
15	507212	. O-RING	1	
15	680739	. GREASE SYNTHETIC / RED 20KG	AR	
16	288990	. COVER / ACTUATOR PROTECTOR	1	
17	502698	. SCREW MA PAN PH M4-0.7x16 SS BK	4	
18	5001544	. WASHER LO EXT .195x.410x.025 SS	4	
19	481564	. ROD GUIDE	2	
20	502934	. SPRING COMPRESSION / .300 O.D. x 1 x .026	2	
21	2800049	. LOCK ACTUATOR / 12V	1	

From F-5760 To H-6179	Date:01/2024	PAGE:X3-1868-01
A/C COMPRESSOR DOOR ASSY		

Item#	Part	Description	QTY	Notes
22	068080	. CABLE ASSY / DOOR LOCK	1	
NS	504637	. CABLE TIE / 3/16" x 13"	4	
NS	504273	. CABLE TIE / 1/8" X 3"1/2	2	
23	562096	. MICRO SWITCH	1	
24	5001100	. SCREW CAP HEX M3-0.5x30 G8.8 ZP	2	
25	500437	. WASHER FL .125x.375x.040 Z050	2	
26	5001408	. NUT HEX STO M3-0.5 ZP	4	
27	502577	. SCREW MA PAN PH M3-0.5x16 ZP	2	
28	287406	. PIVOT LOCK 9.5MM OFFSET	1	
30	X3-0662-00	. CLEARANCE & MARKER LIGHT		
31	288031	. GUIDE ASSY / R.H. DOOR To H-6121	1	
31	2801083	. GUIDE ASSY / R.H. DOOR From H-6122	1	
32	502737	. SCREW CAP HEX M6-1.0x25 SS BK	1	
33	502573	. WASHER FL 6.4x12.5x1.6 SS	1	
34	5001182	. NUT HEX NYRT M6-1.0 SS	1	
35	680065	TAPE COMPOUND / BLACK / 1/32" X 1" X 33' / L163-2400	AR	
35	684517	ADHESIVE SIMSON #ISR 70-03 / GREY / 310ml CARTRIDGE	AR	
40	478584	FINISHING MOULDING PLASTIC 1123MM	1	
40	683083	ADHESIVE SIKA #252 / BLACK / 600 ml SAUSAGE	AR	
41	288945	LOWER HINGE To H-6201	1	C
41	280552	LOWER HINGE From H-6202	1	C
42	286085	HINGE / UPPER	1	C
NS	SP17-12	COMPRESSOR DOOR HINGE IMPROVEMENT	1	
43	284607	BUSHING, NYLON / (NOT INCLUDE W/HINGE)	2	
44	502723	WASHER FL .386x.750x.050 NYL	1	
45	502686	SCREW CAP HEX M6-1.0x30 SS BK	4	
46	502570	WASHER LO SPT 6.1x11.8x1.6 SS	4	
47	430406	WASHER FLAT	4	
48	5001344	NUT INS FL HEX M6-1.0 0.5-3.0 SS	4	
49	502780	SCREW CAP HEX M8-1.25x25 SS BK	1	
49	680038	THREAD LOCKER LOCTITE #243 / BLUE / 50ml	AR	
50	5001448	WASHER FL .343x.875x.062 SS18-8	3	
51	5001337	NUT INS FL HEX M8-1.25 0.5-3.0 Z050	1	
52	287286	CATCH PIN / RETAINER 45MMx21MM 90°	1	
53	287452	SHIM SPACER 70MM X 25 X 14GA	AR	
54	502780	SCREW CAP HEX M8-1.25x25 SS BK	2	
55	5001868	WASHER BEL SPR 8.4x18x2 SS	2	
56	5001337	NUT INS FL HEX M8-1.25 0.5-3.0 Z050	2	
57	504334	BUMPER RUBBER / .625 OD x .406 TH x .156 HOLE	1	
58	504339	RIVET POP DOME OE 1/8x3/8 SS	1	
59	504454	BUMPER RUBBER BOLT / 20MM ODx20MM TH X M6X15MM STUD	1	
60	502939	NUT AN 1/4 NYL	1	

From F-5760 To H-6179	Date:01/2024	PAGE:X3-1868-01
A/C COMPRESSOR DOOR ASSY		

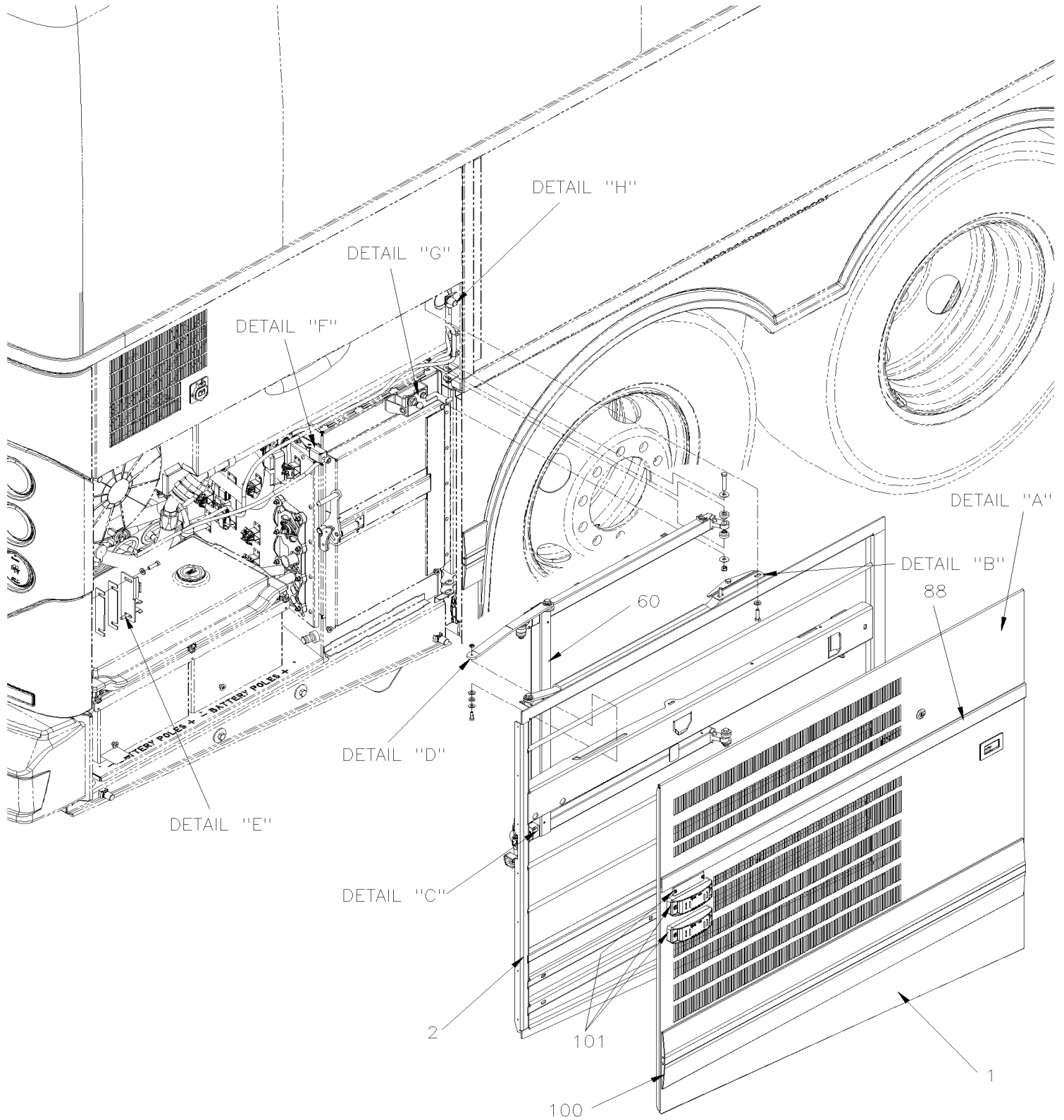
Item#	Part	Description	QTY	Notes
61	2800874	SUPPORT SWITCH	1	
62	2800875	ROD / SWITCH	1	
63	504334	BUMPER RUBBER / .625 OD x .406 TH x .156 HOLE	1	
64	502698	SCREW MA PAN PH M4-0.7x16 SS BK	1	
65	5021001	SPRING COMPRESSION / .360 O.D. x 1.5 x .038	1	
66	502573	WASHER FL 6.4x12.5x1.6 SS	1	
67	5001860	PIN HITCH CLIP .054 x 3/4 SS	1	
70	X3-1867-00	KEY & CYLINDER CODE "FORD" & "NS"		
71	X3-0665-11	SWITCHES, LIGHTS, AJAR - UNDER FLOOR		
72	X3-1855-01	RUB RAIL - EXTERIOR CREST & TRIMS From B-5002 To G-6083		
72	X3-1855-02	RUB RAIL - EXTERIOR CREST & TRIMS From G-6084		
73	X3-0670-10	BATTERIES CHARGER - INSTALLATION		
		A) BUS WITH "OPTION" 110 VOLT OUTLET RECEPTACLE		
		C) COMPRESSOR DOOR HINGES IMPROVMENT SEE SP17-12		

From H-6180 To L-6534

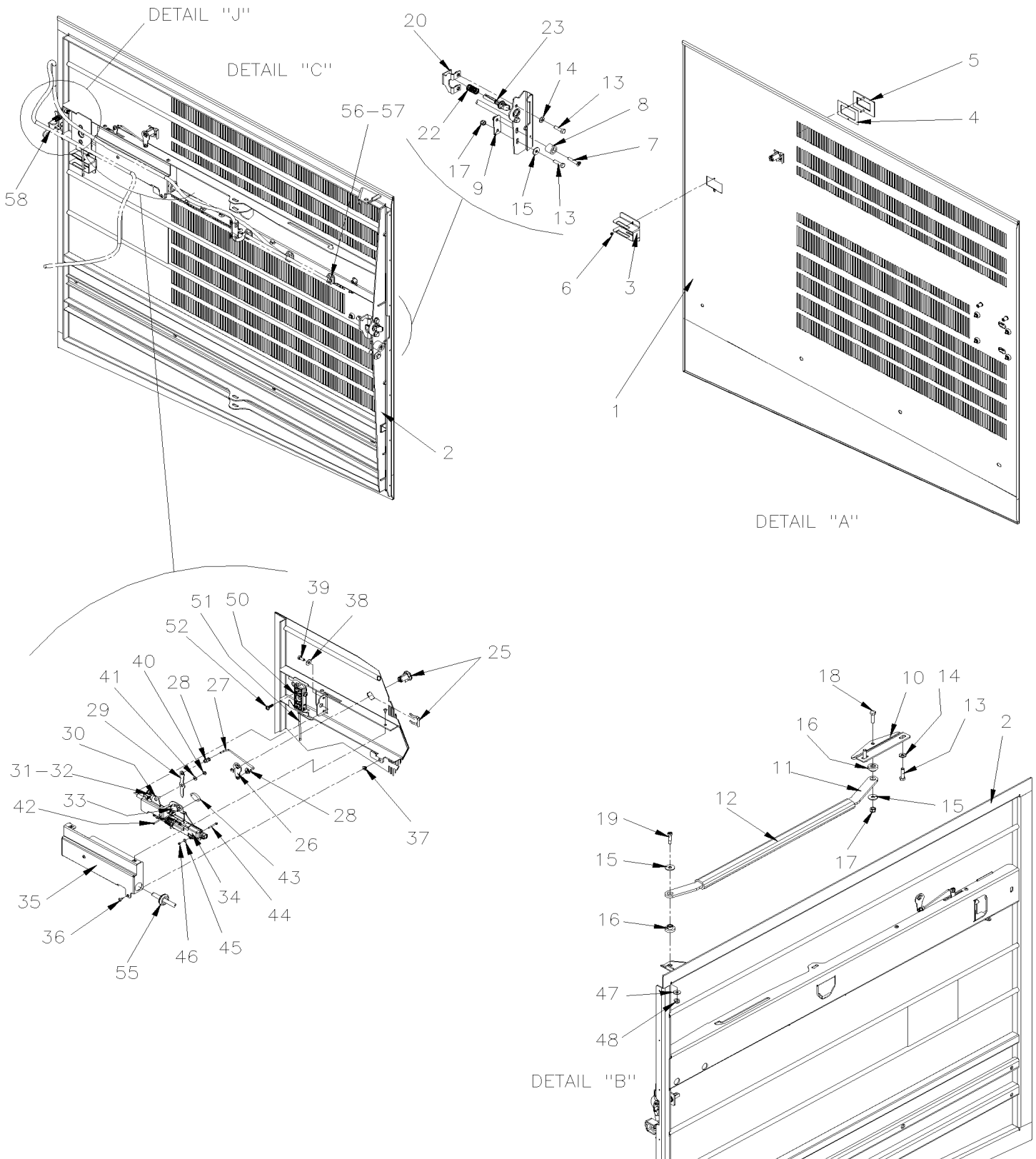
Date:01/2024

PAGE:X3-1868-02

A/C COMPRESSOR DOOR ASSY GHG17



A/C COMPRESSOR DOOR ASSY GHG17

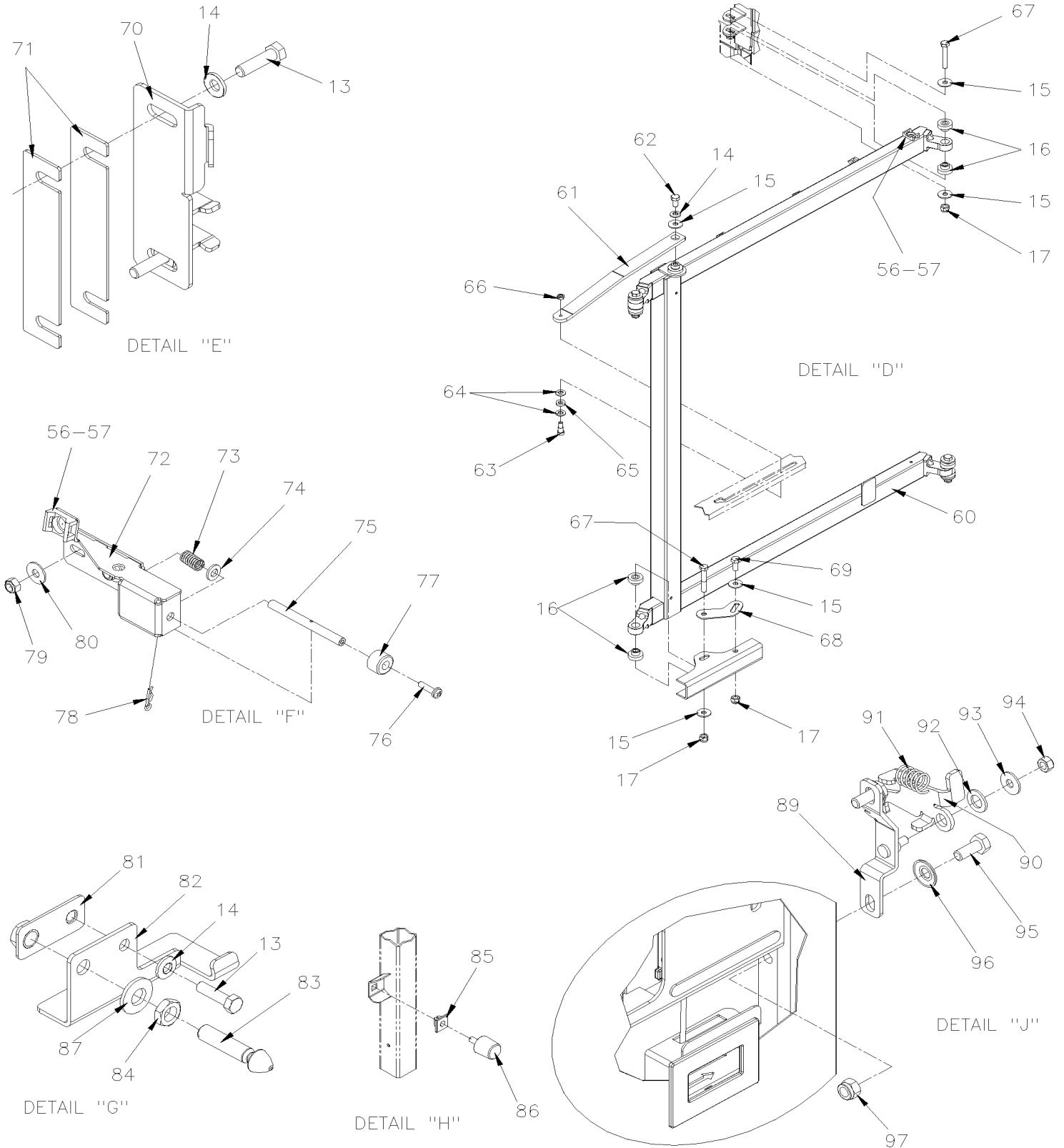


From H-6180 To L-6534

Date:01/2024

PAGE:X3-1868-02

A/C COMPRESSOR DOOR ASSY GHG17



From H-6180 To L-6534	Date:01/2024	PAGE:X3-1868-02
A/C COMPRESSOR DOOR ASSY GHG17		

Item#	Part	Description	QTY	Notes
		ALL COMPRESSOR DOORS ASSY DO NOT INCLUDE	1	
		RUB-RAIL PLEASE ORDER SEPARATELY	1	
	287882	COMPRESSOR DOOR ASSY	1	
	287883	COMPRESSOR DOOR ASSY / WELECTRICAL LOCK	1	
1	479690	. PANEL, / FLAT	1	
. NS	4710301	. . BOTTOM PANEL, COMPRESSOR DOOR	1	
NS	506071	. TAPE RUB ADH1 CC POL 1/8" x 1/2" x 50' / GREY 2520X	AR	
NS	684517	. ADHESIVE SIMSON #ISR 70-03 / GREY / 310ml CARTRIDGE	AR	
NS	687961	. GLUE MS POLYMER TEROSON MS 9399 / "A" 21 Liters	AR	
NS	687962	. GLUE MS POLYMER TEROSON MS 9399 / "B" 21 Liters	AR	
2	2801023	. WELDED FRAME, COMPRESSOR DOOR To K-6409	1	
2	2810064	. WELDED FRAME, COMPRESSOR DOOR From K-6410	1	
3	280271	. GUIDE FOR SPRING	1	
4	280454	. SPACER	1	
5	280378	. FINISHING PLATE ASSY	1	
6	500539	. NUT HEX NYRT M4-0.7 N500	2	
7	5001461	. SCREW MA FL PH M8-1.25x40 SS	1	
8	280589	. ROLLER	1	
9	280588	. RETAINING PLATE	1	
10	280270	. PIVOT BRACKET	1	
11	280086	. HORIZONTAL LINK	1	
12	503523	. HOSE SILICONE 1PLY 3/4" I.D. x 100' / S.L.	AR	
13	5001912	. SCREW CAP HEX M8-1.25x30 SS BK	AR	
14	5001868	. WASHER BEL SPR 8.4x18x2 SS	AR	
15	5001849	. WASHER FL 8.4x24.0x2.0 SS	AR	
16	286716	. SPACER BUSHING FLANGE / AUX. ARM & SUPPORT ACETAL 8.3MM I.D.	AR	
17	5001787	. NUT HEX NYRT M8-1.25 SS	AR	
18	5001499	. SCREW CAP HEX M8-1.25x30 SS	1	
19	500631	. SCREW SHR HEXS 5/16x3/4 {1/4-20 SS	1	
20	287856	. LATCH GUIDE	1	
22	502910	. SPRING COMPRESSION / .720 O.D. 1.75 x .055	1	
23	2801055	. CATCH PIN BLACK ACETAL	1	
25	X3-1867-00	. KEY & CYLINDER CODE "FORD" & "NS" To K-6492		
25	X3-1867-01	. KEY & CYLINDER CODE "FORD" From L-6493		
26	280368	. PIVOT LOCK	1	
27	280382	. LOCK ROD COMPRESSOR DOOR / 124MM	1	
28	780340	. CLIP, RETAINER ROD	2	
29	280383	. LOCK LEVER 94MM	1	
30	2801036	. SUPPORT DOOR LOCK ASSY WELDED 232x90x37MM	1	
31	481564	. ROD GUIDE	2	

From H-6180 To L-6534	Date:01/2024	PAGE:X3-1868-02
A/C COMPRESSOR DOOR ASSY GHG17		

Item#	Part	Description	QTY	Notes
32	502934	. SPRING COMPRESSION / .300 O.D. x 1 x .026	2	
33	562096	. MICRO SWITCH	1	E
34	2800049	. LOCK ACTUATOR / 12V	1	E
35	280411	. CLOSING COVER	1	
36	500124	. SCREW TP TR PH #8x1/2 SS	4	
37	502741	. NUT AN #8 NYL	4	
38	5001833	. WASHER BEL SPR 6.1x18x1.27 SS	2	
39	5001697	. SCREW CAP HEX M6-1.0x16 SS BK	2	
40	5001587	. NUT HEX NYRT M5-0.8 SS	1	
41	500804	. WASHER FL .203x.500x.047 N500	1	
42	5001888	. SCREW TP CAP TORX M3X18 SS	2	E
43	2801045	. RETAINING BLOCK	1	E
44	5001100	. SCREW CAP HEX M3-0.5x30 G8.8 ZP	2	E
45	500437	. WASHER FL .125x.375x.040 Z050	2	E
46	5001408	. NUT HEX STO M3-0.5 ZP	2	E
47	5001976	. WASHER FL .266x.718x.060 SS	1	
48	5001251	. NUT HEX NYRT 1/4-20 SS	1	
50	477399	. RECEPTACLE	1	
51	470481	. SPRING 191MM	1	
52	5001630	. SCREW TP BUTF TORX M6x20 SS	3	
55	504397	. GROMMET / .750x1.062x.062x.375x1.375	1	E
NS	504433	. SNAP-IN PLUG / 1.090 O.D.	1	N
56	504013	. TIE MOUNT / 1/4" X 1/4" I.D.	AR	
57	504379	. RIVET POP DOME OE 3/16x1/4 SS	AR	
58	060778	CABLE ASSY / DOOR LOCK	1	
60	2801041	PANTOGRAPH FRAME WELDED	1	
61	2801062	RETAINING ARM	1	
62	5001527	SCREW CAP HEX M8-1.25x16 SS BK	1	
63	5001560	SCREW SHR HEXS 5/16x3/8 {1/4-20 SS	1	
64	5001341	WASHER FL 8.4x17.0x1.6 SS	2	
65	502768	WASHER FL RUB .312x.625x.125 NEO	1	
66	5001980	NUT HEX JAM 1/4-20 SS BK	1	
67	5001981	SCREW CAP HEX M8-1.25x50 SS BK	4	
68	2810051	PLATE From K-6410	2	
69	5001594	SCREW CAP HEX M8-1.25x20 SS From K-6410	2	
70	280567	CATCH PIN / RETAINER	1	
71	280599	SHIM SPACER / 150MM X 32 X 14GA	2	
72	280274	SWITCH HOLDER	1	
73	5021001	SPRING COMPRESSION / .360 O.D. x 1.5 x .038	1	
74	502573	WASHER FL 6.4x12.5x1.6 SS	1	
75	2800875	ROD / SWITCH	1	
76	502698	SCREW MA PAN PH M4-0.7x16 SS BK	1	

From H-6180 To L-6534	Date:01/2024	PAGE:X3-1868-02
A/C COMPRESSOR DOOR ASSY GHG17		

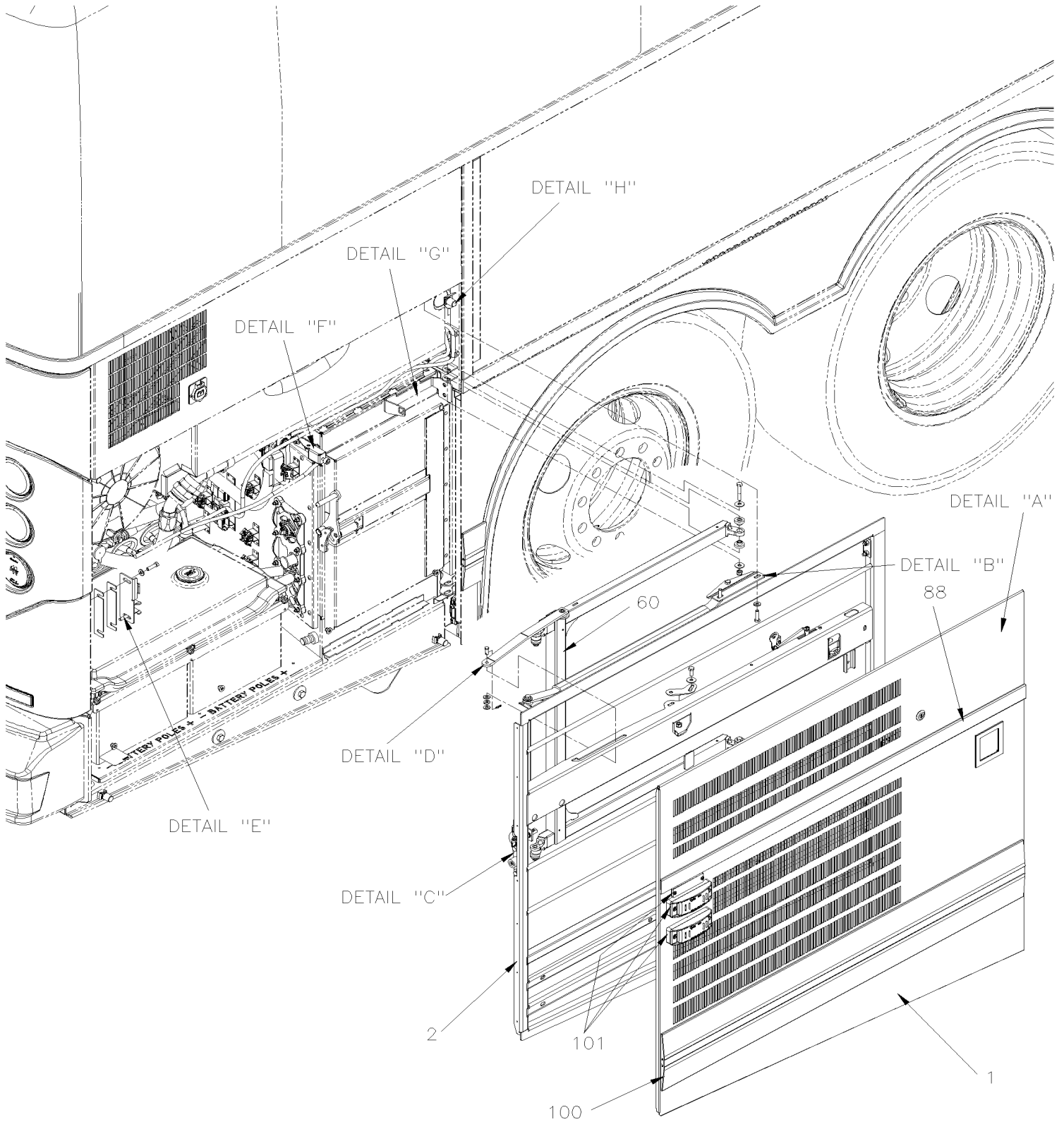
Item#	Part	Description	QTY	Notes
77	504334	BUMPER RUBBER / .625 OD x .406 TH x .156 HOLE To J-6339	1	
77	5002025	BUMPER NEOPRENE / .625 OD x .406 TH x .156 HOLE From J-6340	1	
78	5001860	PIN HITCH CLIP .054 x 3/4 SS	1	
79	502681	NUT HEX NYRT M6-1.0 N500 G8	2	
80	500411	WASHER FL .260x.697x.050 SS	2	
81	2801030	RETAINING PLATE ASSY 65X25MM To K-6409	1	
82	2801031	PLATE 65X25MM From K-6410	1	
82	2810057	RETAINING PLATE	1	
83	280590	STOPPING ROD M12 X 52	1	
84	5001623	NUT HEX JAM M12x1.75 SS	1	
85	5001009	NUT AN 1/4 NYL	4	
86	504454	BUMPER RUBBER BOLT / 20MM ODx20MM TH X M6X15MM STUD	4	
87	5000358	WASHER BEL SPR 13.0x29x3 SS	1	
88	479617	MOULDING, FINISHING 1323MM	1	
89	2810059	STOPPER ASSY From K-6410	1	
90	2810056	LATCH From K-6410	1	
91	502245	SPRING COMPRESSION / .600 O.D. x 1.25 x .059 From K-6410	1	
92	5001935	WASHER FL 10.5x18.0x1.6 SS From K-6410	1	
93	5001833	WASHER BEL SPR 6.1x18x1.27 SS From K-6410	1	
94	5001182	NUT HEX NYRT M6-1.0 SS From K-6410	1	
95	5001594	SCREW CAP HEX M8-1.25x20 SS From K-6410	2	
96	5001699	WASHER BEL SPR 8.2x22x1.4 N500 From K-6410	2	
96	5001849	WASHER FL 8.4x24.0x2.0 SS From K-6410	2	
97	5001787	NUT HEX NYRT M8-1.25 SS From K-6410	2	
100	X3-1855-02	RUB RAIL - EXTERIOR CREST & TRIMS	1	
101	X3-0662-00	CLEARANCE & MARKER LIGHT To K-6492	1	
		E) WITH ELECTRICAL DOOR LOCK		
		N) NO ELECTRICAL DOOR LOCK		

From L-6535

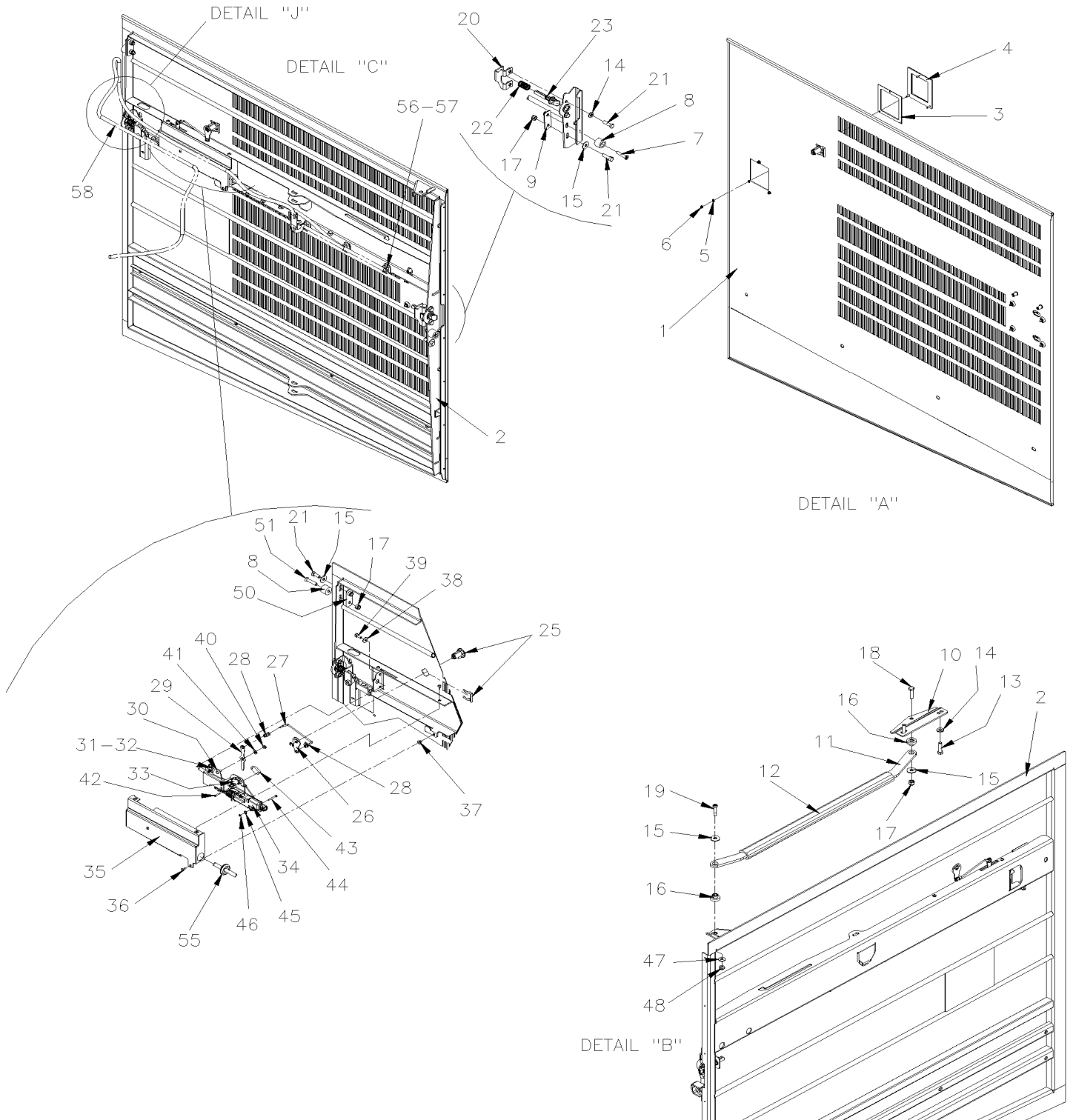
Date:01/2024

PAGE:X3-1868-03

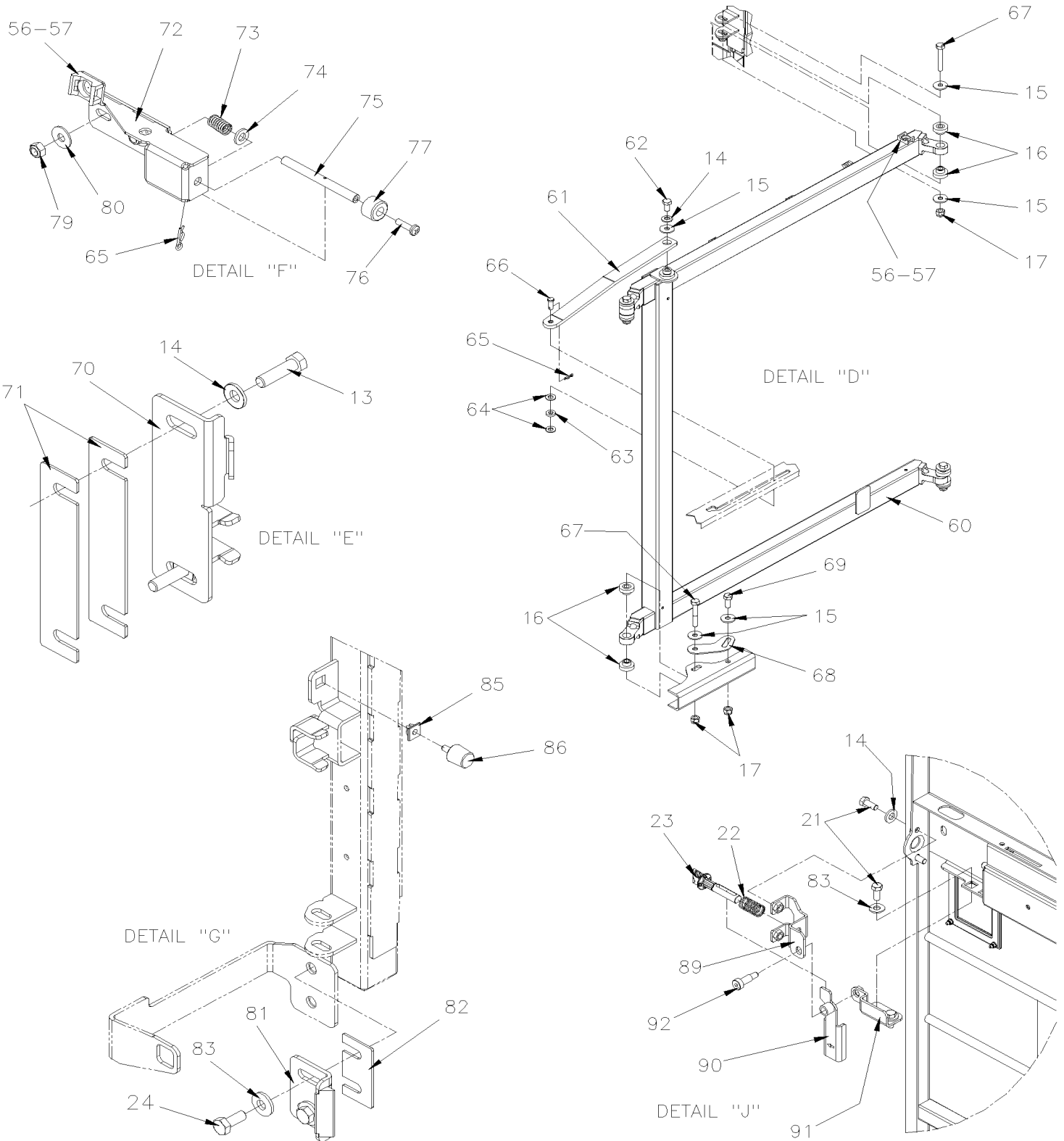
A/C COMPRESSOR DOOR ASSY



A/C COMPRESSOR DOOR ASSY



A/C COMPRESSOR DOOR ASSY



From L-6535	Date:01/2024	PAGE:X3-1868-03
A/C COMPRESSOR DOOR ASSY		

Item#	Part	Description	QTY	Notes
		ALL COMPRESSOR DOORS ASSY DO NOT INCLUDE	1	
		RUB-RAIL PLEASE ORDER SEPARATELY	1	
	2810438	COMPRESSOR DOOR ASSY	1	
	2810439	COMPRESSOR DOOR ASSY / W/ELECTRICAL LOCK	1	
1	478998	. PANEL, / FLAT	1	
. NS	4710301	. . BOTTOM PANEL, COMPRESSOR DOOR	1	
NS	506071	. TAPE RUB ADH1 CC POL 1/8" x 1/2" x 50' / GREY 2520X	AR	
NS	684517	. ADHESIVE SIMSON #ISR 70-03 / GREY / 310ml CARTRIDGE	AR	
NS	687961	. GLUE MS POLYMER TEROSON MS 9399 / "A" 21 Liters To M-6660	AR	
NS	685385	GLUE MS POLYMER TEROSON MS 9399 / "A" 14.8 Liters From M-6661	AR	
NS	687962	. GLUE MS POLYMER TEROSON MS 9399 / "B" 21 Liters To M-6660	AR	
NS	685386	GLUE MS POLYMER TEROSON MS 9399 / "B" 14.8 Liters From M-6661	AR	
NS	687957	GLUE MS POLYMER TEROSON MS 9399 / 400ml CARTRIDGE To M-6660	AR	
NS	685387	GLUE MS POLYMER TEROSON MS 9399 / 400ml CARTRIDGE From M-6661	AR	
2	2810230	. WELDED FRAME, COMPRESSOR DOOR To M-6661	1	
2	2810576	. WELDED FRAME, COMPRESSOR DOOR From M-6662	1	
3	2810159	. SPACER	1	
4	2810162	. FINISHING PLATE	1	
NS	2810288	. HOLDING PLATE From M-6647	1	
5	502556	. WASHER FL 4.3x9.0x0.8 SS	3	
6	500539	. NUT HEX NYRT M4-0.7 N500	3	
7	5001461	. SCREW MA FL PH M8-1.25x40 SS	2	
8	280589	. ROLLER	2	
9	280588	. RETAINING PLATE To M-6661	1	
9	2810149	. RETAINING PLATE From M-6662	1	
10	280270	. PIVOT BRACKET	1	
11	280086	. HORIZONTAL LINK	1	
12	503523	. HOSE SILICONE 1PLY 3/4" I.D. x 100' / S.L.	AR	
13	5001912	. SCREW CAP HEX M8-1.25x30 SS BK	AR	
14	5001868	. WASHER BEL SPR 8.4x18x2 SS	AR	
15	5001849	. WASHER FL 8.4x24.0x2.0 SS	AR	
16	286716	. SPACER BUSHING FLANGE / AUX. ARM & SUPPORT ACETAL 8.3MM I.D.	AR	
17	5001787	. NUT HEX NYRT M8-1.25 SS	AR	
18	5001499	. SCREW CAP HEX M8-1.25x30 SS	1	
19	500631	. SCREW SHR HEXS 5/16x3/4 {1/4-20 SS	1	
20	287856	. LATCH GUIDE	1	
21	500119	. SCREW CAP HEX M8X1.25X20 BK	AR	
22	502910	. SPRING COMPRESSION / .720 O.D. 1.75 x .055	1	
23	2801055	. CATCH PIN BLACK ACETAL	1	
24	502780	. SCREW CAP HEX M8-1.25x25 SS BK From M-6647	2	

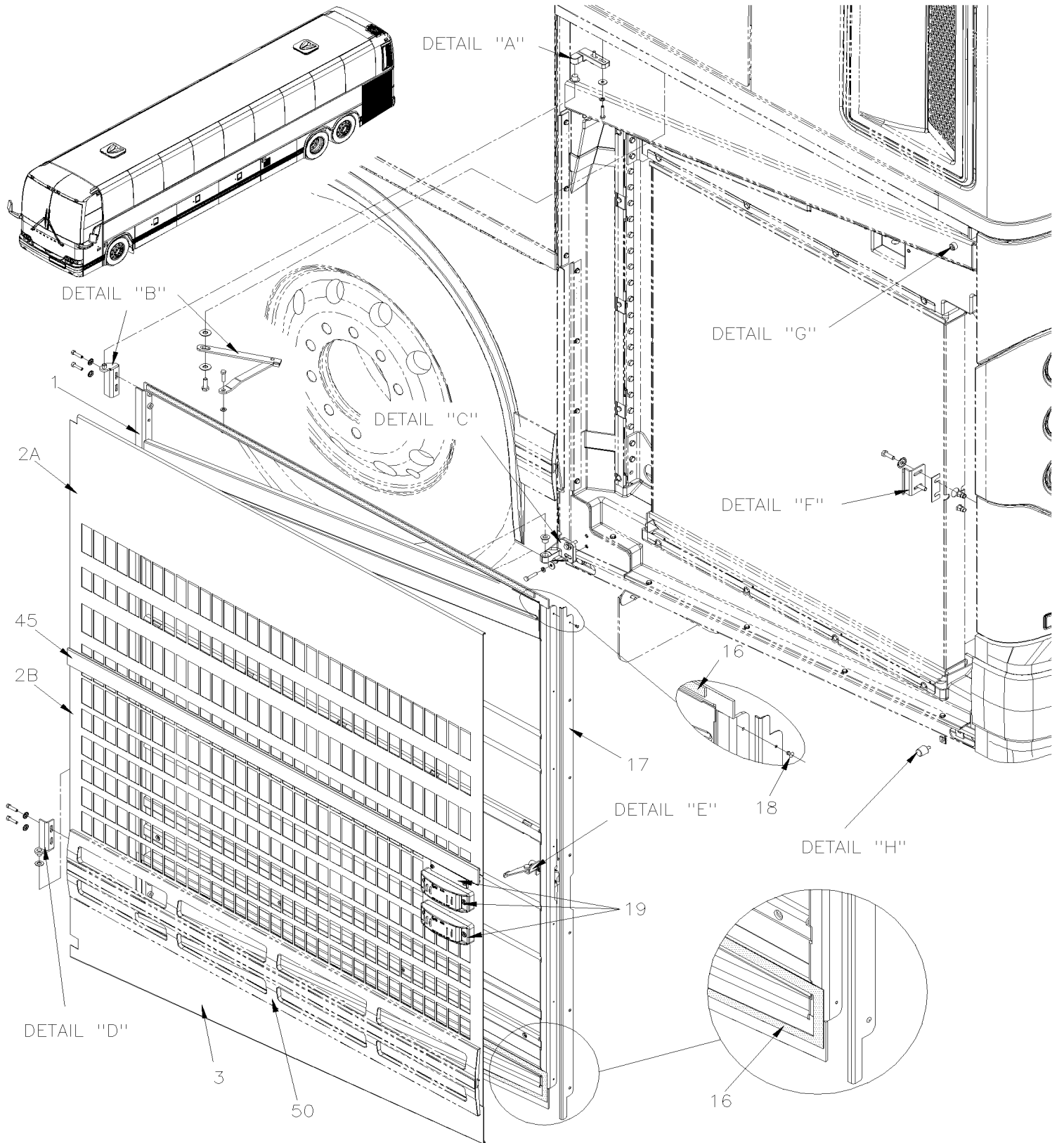
From L-6535		Date:01/2024	PAGE:X3-1868-03
A/C COMPRESSOR DOOR ASSY			

Item#	Part	Description	QTY	Notes
25	X3-1867-01	. KEY & CYLINDER CODE "FORD"		
26	280368	. PIVOT LOCK	1	
27	280382	. LOCK ROD COMPRESSOR DOOR / 124MM	1	
28	780340	. CLIP, RETAINER ROD	2	
29	280383	. LOCK LEVER 94MM	1	
30	2801036	. SUPPORT DOOR LOCK ASSY WELDED 232x90x37MM	1	
31	481564	. ROD GUIDE	2	
32	502934	. SPRING COMPRESSION / .300 O.D. x 1 x .026	2	
33	562096	. MICRO SWITCH	1	E
34	2800049	. LOCK ACTUATOR / 12V	1	E
35	280411	. CLOSING COVER	1	
36	500124	. SCREW TP TR PH #8x1/2 SS	4	
37	502741	. NUT AN #8 NYL	4	
38	5001833	. WASHER BEL SPR 6.1x18x1.27 SS	2	
39	5001697	. SCREW CAP HEX M6-1.0x16 SS BK	2	
40	5001587	. NUT HEX NYRT M5-0.8 SS	1	
41	500804	. WASHER FL .203x.500x.047 N500	1	
42	5001888	. SCREW TP CAP TORX M3X18 SS	2	E
43	2801045	. RETAINING BLOCK	1	E
44	5001100	. SCREW CAP HEX M3-0.5x30 G8.8 ZP	2	E
45	500437	. WASHER FL .125x.375x.040 Z050	2	E
46	5001408	. NUT HEX STO M3-0.5 ZP	2	E
47	5001976	. WASHER FL .266x.718x.060 SS	1	
48	5001251	. NUT HEX NYRT 1/4-20 SS	1	
50	2810149	. RETAINING PLATE	1	
51	5001416	. BUMPER RUBBER / 11/16x1/2x3/32	1	
55	504397	. GROMMET / .750x1.062x.062x.375x1.375	1	E
NS	504433	. SNAP-IN PLUG / 1.090 O.D.	1	N
56	504013	. TIE MOUNT / 1/4" X 1/4" I.D.	AR	
57	504379	. RIVET POP DOME OE 3/16x1/4 SS	AR	
58	060778	CABLE ASSY / DOOR LOCK	1	
60	2810320	PANTOGRAPH FRAME WELDED	1	
61	2810346	RETAINING ARM	1	
62	5001527	SCREW CAP HEX M8-1.25x16 SS BK	1	
63	502768	WASHER FL RUB .312x.625x.125 NEO	1	
64	5001341	WASHER FL 8.4x17.0x1.6 SS	2	
65	5001860	PIN HITCH CLIP .054 x 3/4 SS	2	
66	5002122	PIN, CLEVIS 5/16 x 19/32 x 3/4 SS	1	
67	5001981	SCREW CAP HEX M8-1.25x50 SS BK	4	
68	2810051	PLATE	2	
69	5001594	SCREW CAP HEX M8-1.25x20 SS To M-6646	2	
69	500119	SCREW CAP HEX M8X1.25X20 BK From M-6647	2	

From L-6535		Date:01/2024	PAGE:X3-1868-03
A/C COMPRESSOR DOOR ASSY			

Item#	Part	Description	QTY	Notes
70	280567	CATCH PIN / RETAINER	1	
71	280599	SHIM SPACER / 150MM X 32 X 14GA	2	
72	280274	SWITCH HOLDER	1	
73	5021001	SPRING COMPRESSION / .360 O.D. x 1.5 x .038	1	
74	502573	WASHER FL 6.4x12.5x1.6 SS	1	
75	2800875	ROD / SWITCH	1	
76	502698	SCREW MA PAN PH M4-0.7x16 SS BK	1	
77	5002025	BUMPER NEOPRENE / .625 OD x .406 TH x .156 HOLE	1	
79	502681	NUT HEX NYRT M6-1.0 N500 G8	2	
80	500411	WASHER FL .260x.697x.050 SS	2	
81	2810232	STRIKE, COMPRESSOR DOOR	1	
82	2810233	BACK PLATE	1	
83	5001848	WASHER BEL SPR .827 x .331 x .098 th SS	3	
85	5001009	NUT AN 1/4 NYL	4	
86	504454	BUMPER RUBBER BOLT / 20MM ODx20MM TH X M6X15MM STUD	4	
88	479617	MOULDING, FINISHING 1323MM	1	
89	2810156	LATCH ASSY COMPRESSOR DOOR	1	
90	2810302	LEVER, LATCH DOOR RAD	1	
91	2810342	SUPPORT, HANDLE	1	
92	5002148	SCREW SHR HEXS 10x20 (M8-1.25 SS	1	
100	X3-1855-02	RUB RAIL - EXTERIOR CREST & TRIMS	1	
101	X3-0662-01	CLEARANCE & MARKER LIGHT	1	
		E) WITH ELECTRICAL DOOR LOCK		
		N) NO ELECTRICAL DOOR LOCK		

RADIATOR DOOR ASSY

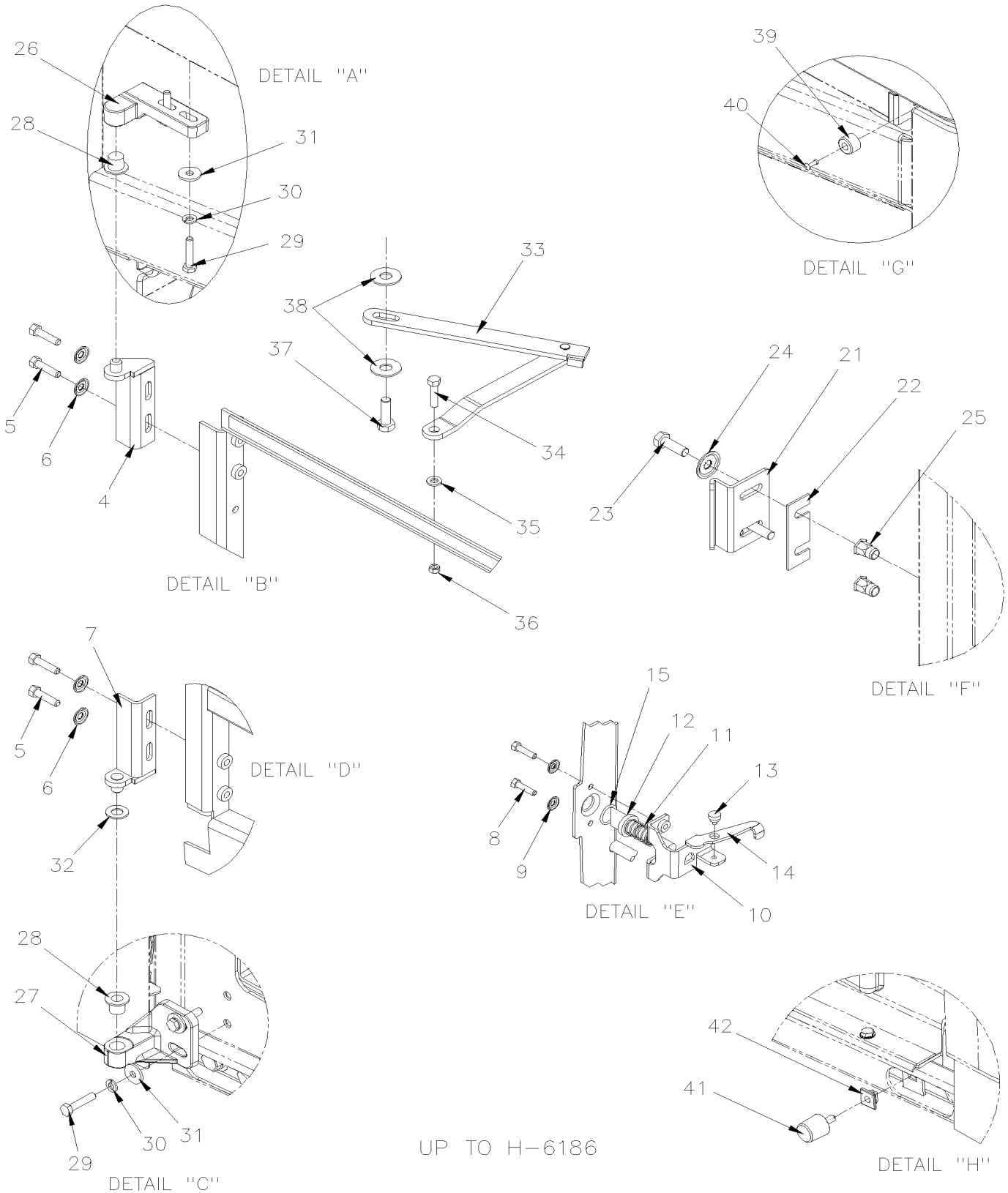


From F-5760 To H-6179

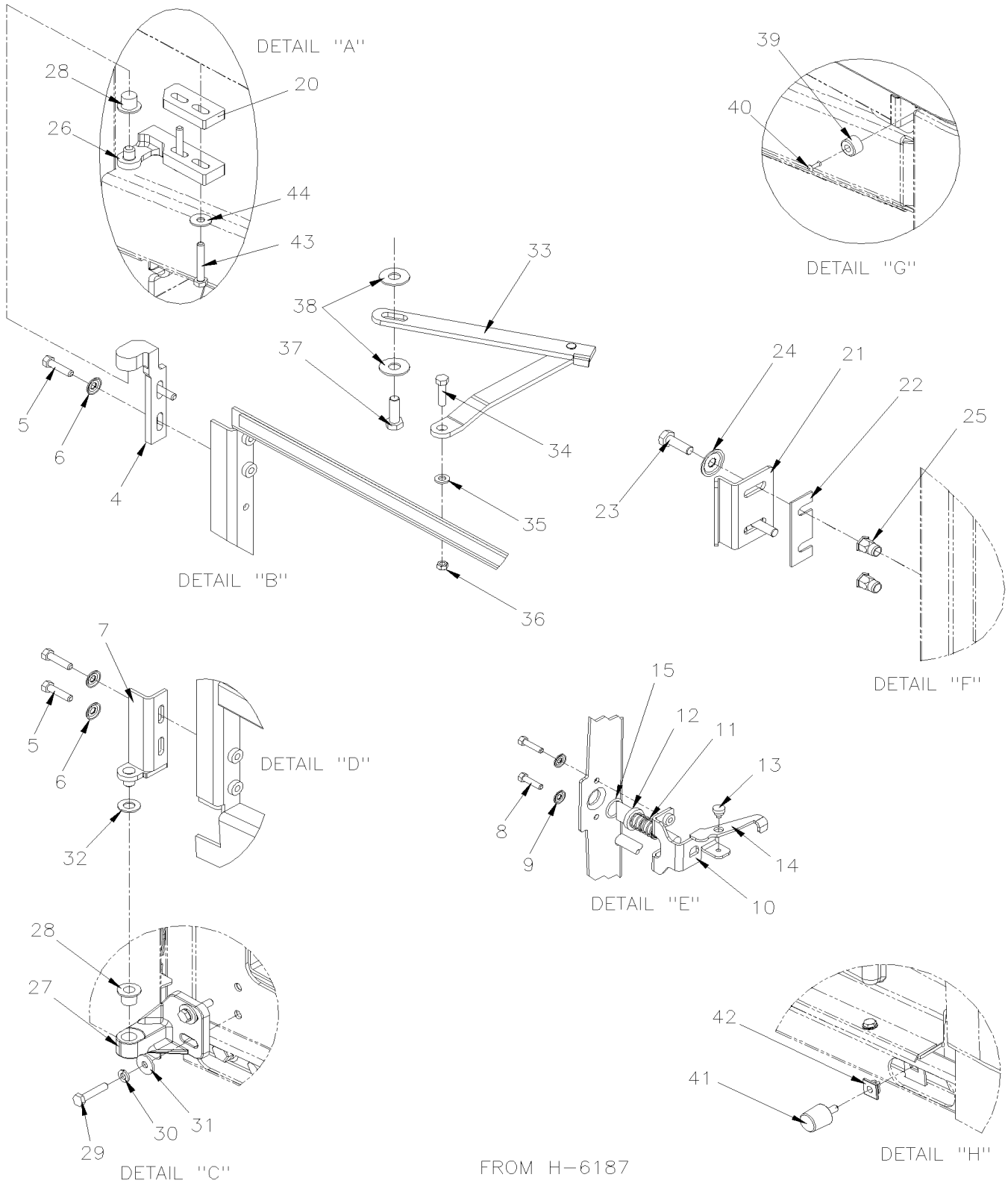
Date:01/2024

PAGE:X3-1869-01

RADIATOR DOOR ASSY



RADIATOR DOOR ASSY



FROM H-6187

From F-5760 To H-6179	Date:01/2024	PAGE:X3-1869-01
RADIATOR DOOR ASSY		

Item#	Part	Description	QTY	Notes
		ALL RADIATOR DOORS ASSY DO NOT INCLUDE		
		RUB-RAIL PLEASE ORDER SEPARATELY		
	281196	RADIATOR DOOR ASSY / W/FLAT PANEL To H-6186	1	
	Call order desk	RADIATOR DOOR ASSY / W/FLAT PANEL From H-6187	1	P
1	281294	. FRAME ASSY / RADIATOR DOOR	1	
2A	470346	. PANEL, UPPER / W/FLAT UPPER MOULDING	1	
2B	477376	. PANEL, CENTER / W/FLAT LOWER MOULDING	1	
3	478457	. PANEL, LOWER	1	R
NS	687961	. GLUE MS POLYMER TEROSON MS 9399 / "A" 21 Liters	1	
NS	687962	. GLUE MS POLYMER TEROSON MS 9399 / "B" 21 Liters	1	
NS	684517	. ADHESIVE SIMSON #ISR 70-03 / GREY / 310ml CARTRIDGE	1	
4	289150	. ARM ASSY To H-6186	1	
4	280602	. ARM ASSY From H-6187	1	
5	5001697	. SCREW CAP HEX M6-1.0x16 SS BK To H-6186	4	
5	502737	. SCREW CAP HEX M6-1.0x25 SS BK From H-6187	4	
6	5001833	. WASHER BEL SPR 6.1x18x1.27 SS	4	
7	289149	. ARM ASSY	1	
8	5001697	. SCREW CAP HEX M6-1.0x16 SS BK	4	
9	5001833	. WASHER BEL SPR 6.1x18x1.27 SS	4	
10	288006	. GUIDE PIN HOLDER	1	
11	502910	. SPRING COMPRESSION / .720 O.D. 1.75 x .055	1	
12	289585	. CATCH PIN ACETAL / 90MM	1	
13	287271	. RIVET SHR FL 9.95x3.6{4.8x4.8 SS	1	
14	286612	. PIVOT	1	
15	507212	. O-RING	1	
15	680739	. GREASE SYNTHETIC / RED 20KG	AR	
16	506071	. TAPE RUB ADH1 CC POL 1/8" x 1/2" x 50' / GREY 2520X	1	
17	289412	. FINISHING MOULDING 1476MM PRIMER	1	
18	504340	. RIVET POP DOME OE 1/8x3/16 SS	7	
19	X3-0662-00	. CLEARANCE & MARKER LIGHT		
20	280610	SHIM 9.5MM From H-6187	1	
21	287286	CATCH PIN / RETAINER 45MMx21MM 90°	1	
22	287452	SHIM SPACER 70MM X 25 X 14GA	AR	
23	502780	SCREW CAP HEX M8-1.25x25 SS BK	2	
24	5001868	WASHER BEL SPR 8.4x18x2 SS	2	
25	5001337	NUT INS FL HEX M8-1.25 0.5-3.0 Z050	2	
26	286129	HINGE / UPPER To H-6186	1	C
26	SP17-13	RADIATOR DOOR UPPER HINGE REPLACEMENT To H-6186	1	
26	280609	UPPER HINGE From H-6187	1	
27	288827	LOWER HINGE	1	

From F-5760 To H-6179	Date:01/2024	PAGE:X3-1869-01
RADIATOR DOOR ASSY		

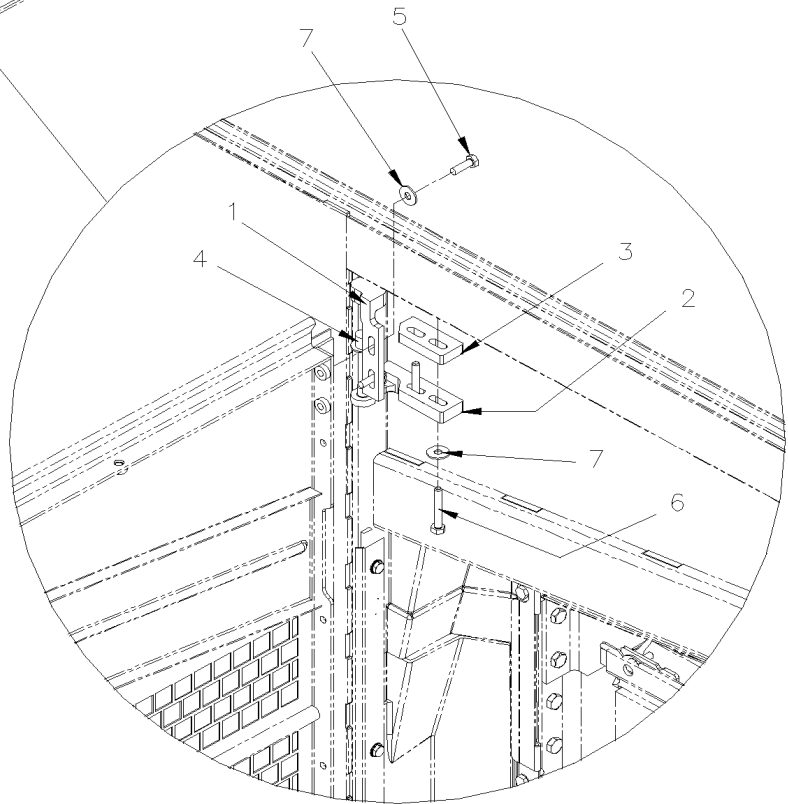
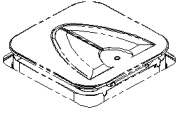
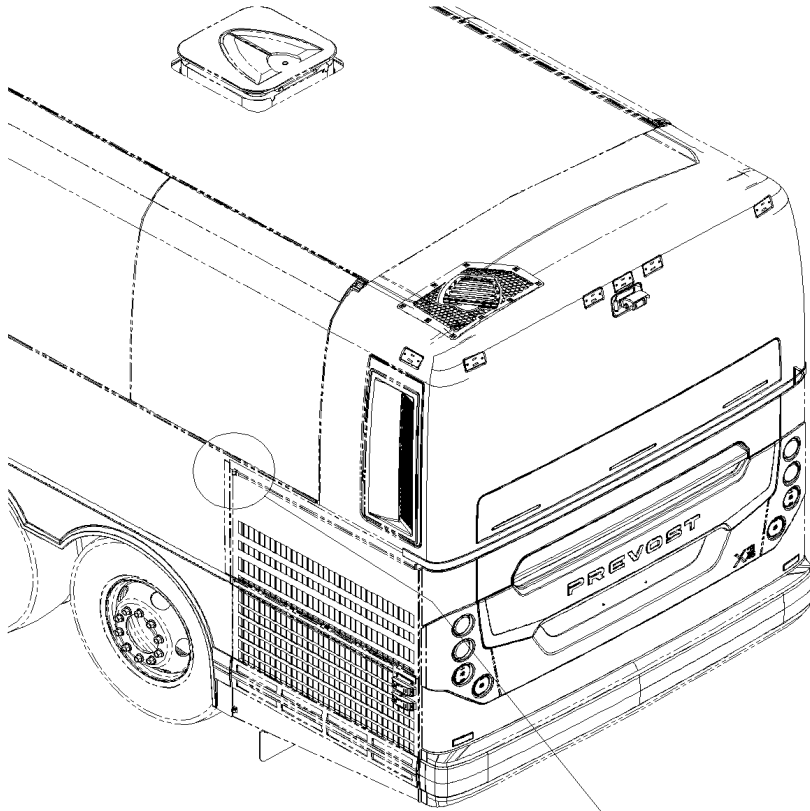
Item#	Part	Description	QTY	Notes
28	284607	BUSHING, NYLON / (NOT INCLUDE W/HINGE)	2	
29	502686	SCREW CAP HEX M6-1.0x30 SS BK To H-6186	4	
29	502686	SCREW CAP HEX M6-1.0x30 SS BK From H-6187	2	
30	502570	WASHER LO SPT 6.1x11.8x1.6 SS To H-6186	4	
30	502570	WASHER LO SPT 6.1x11.8x1.6 SS From H-6187	2	
31	430406	WASHER FLAT To H-6186	4	
31	430406	WASHER FLAT From H-6187	2	
32	502723	WASHER FL .386x.750x.050 NYL	1	
33	281912	GUIDE ASSY / L.H. DOOR To H-6121	1	
33	2801079	GUIDE ASSY / L.H. DOOR From H-6122	1	
34	502737	SCREW CAP HEX M6-1.0x25 SS BK	1	
34	5001610	SCREW CAP HEXS M6-1.0x25 SS EMN	1	GR
35	502573	WASHER FL 6.4x12.5x1.6 SS	1	
36	5001182	NUT HEX NYRT M6-1.0 SS	1	
37	502780	SCREW CAP HEX M8-1.25x25 SS BK	1	
37	680038	THREAD LOCKER LOCTITE #243 / BLUE / 50ml	AR	
38	500270	WASHER FL .406x1.000x.063 SS	2	
39	504334	BUMPER RUBBER / .625 OD x .406 TH x .156 HOLE	1	
40	504339	RIVET POP DOME OE 1/8x3/8 SS	1	
41	504454	BUMPER RUBBER BOLT / 20MM ODx20MM TH X M6X15MM STUD	1	
42	502939	NUT AN 1/4 NYL	1	
43	5000310	SCREW CAP HEX M6-1.0x40 BK From H-6187	2	
44	5001833	WASHER BEL SPR 6.1x18x1.27 SS From H-6187	2	
45	478583	FINISHING MOULDING PLASTIC 1276MM	1	
.A	506769	. TAPE RUB ADH2 CC POL 1/8" x 1/4" x 60' / BLACK H1CC-N-#14	AR	
NS	683083	ADHESIVE SIKA #252 / BLACK / 600 ml SAUSAGE	AR	
50	X3-1855-01	RUB RAIL - EXTERIOR CREST & TRIMS From B-5002 To G-6083		
51	X3-1855-02	RUB RAIL - EXTERIOR CREST & TRIMS From G-6084		
		C) RADIATOR DOOR HINGES IMPROVMENT SEE SP17-13		
		GR) WITH GREYHOUND OPTION		
		R) THIS PANEL ARE FIXED WITHOUT RIVET		
		P) CALL ORDER DESK FOR SPECIFIC APPLICATION (V.I.N.)		

From F-5760 To H-6179

Date:01/2024

PAGE:SP17-13

RADIATOR DOOR UPPER HINGE REPLACEMENT



From F-5760 To H-6179		Date:01/2024	PAGE:SP17-13
-----------------------	--	--------------	--------------

RADIATOR DOOR UPPER HINGE REPLACEMENT

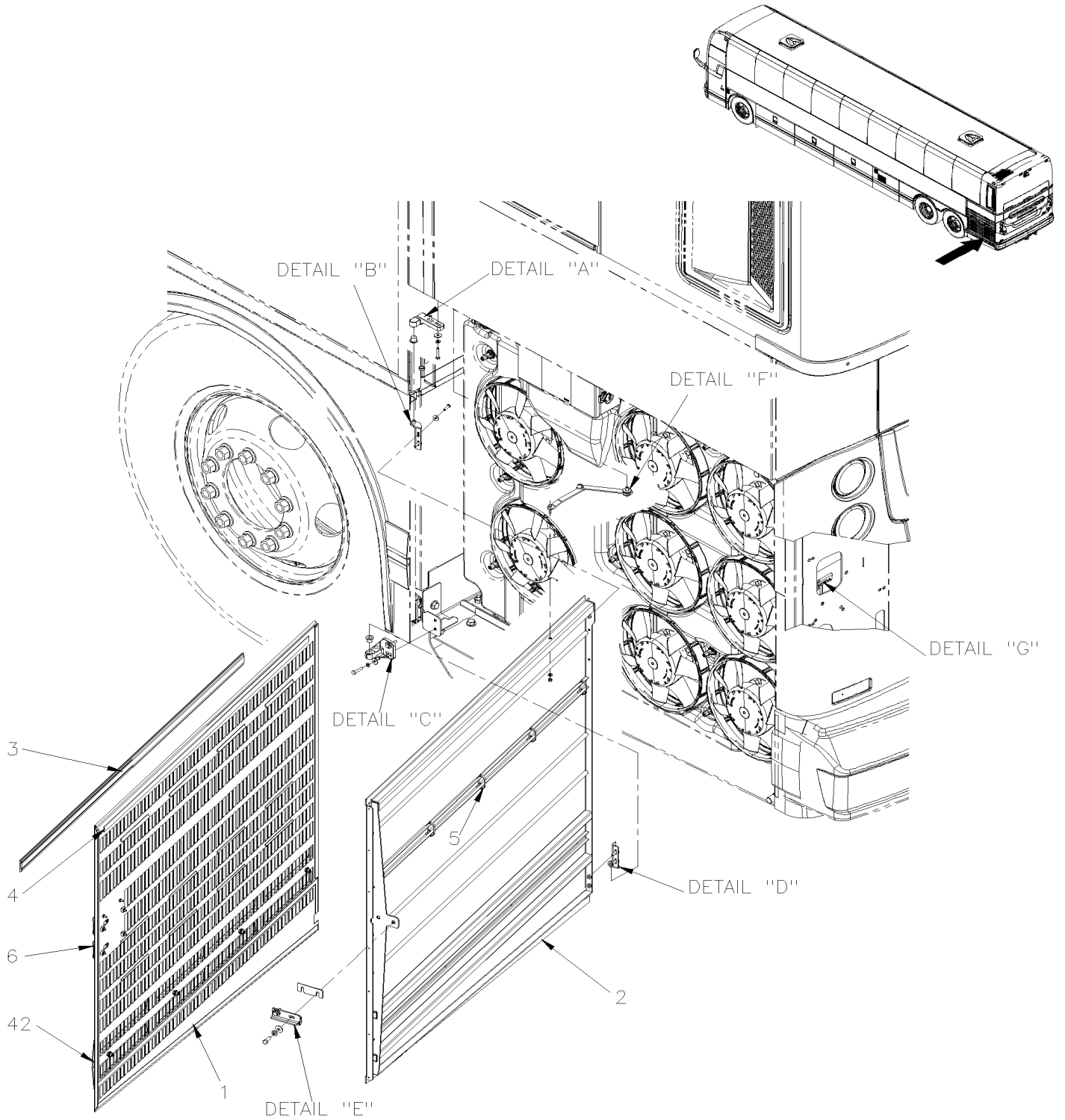
Item#	Part	Description	QTY	Notes
1	280602	ARM ASSY	1	
2	280609	UPPER HINGE	1	
3	280610	SHIM 9.5MM	1	
4	284607	BUSHING, NYLON / (NOT INCLUDE W/HINGE)	1	
5	502622	SCREW CAP HEX M6-1.0x20 SS BK	2	
6	5000310	SCREW CAP HEX M6-1.0x40 BK	2	
7	5001833	WASHER BEL SPR 6.1x18x1.27 SS	4	

From H-6180

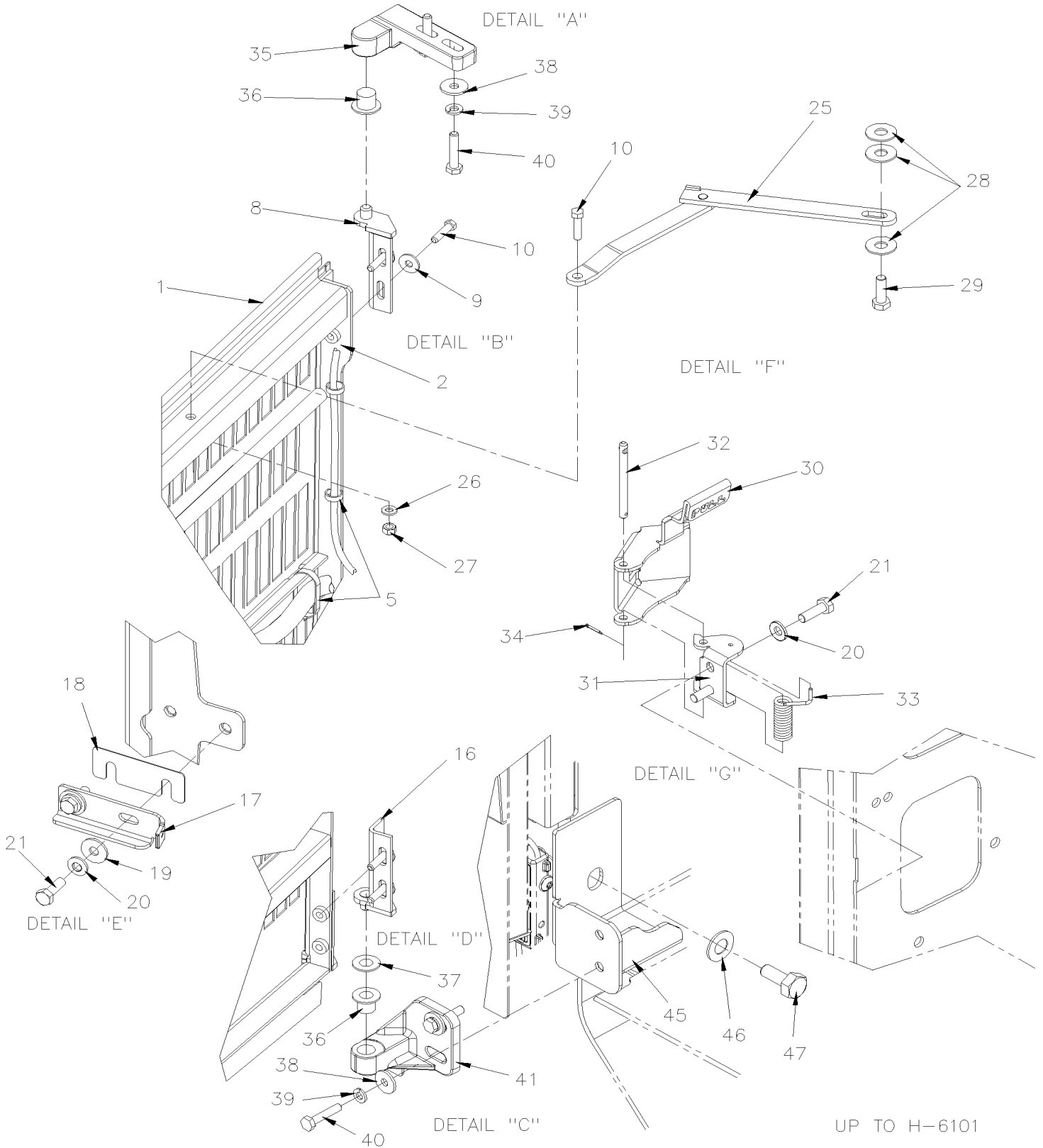
Date:01/2024

PAGE:X3-1869-02

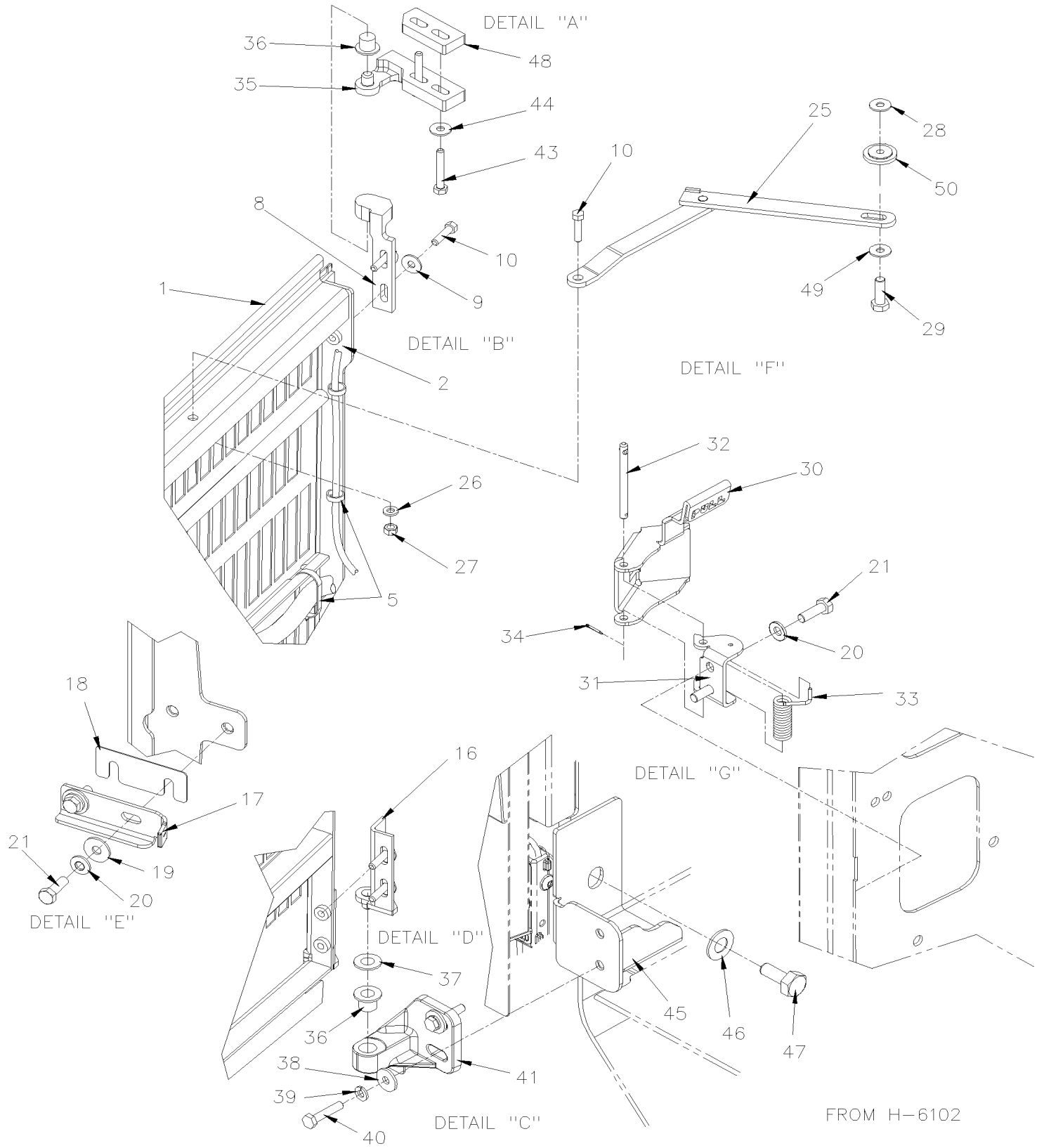
RADIATOR DOOR ASSY VOLVO D13 - GHG17



RADIATOR DOOR ASSY VOLVO D13 - GHG17



RADIATOR DOOR ASSY VOLVO D13 - GHG17



FROM H-6102

From H-6180	Date:01/2024	PAGE:X3-1869-02
RADIATOR DOOR ASSY VOLVO D13 - GHG17		

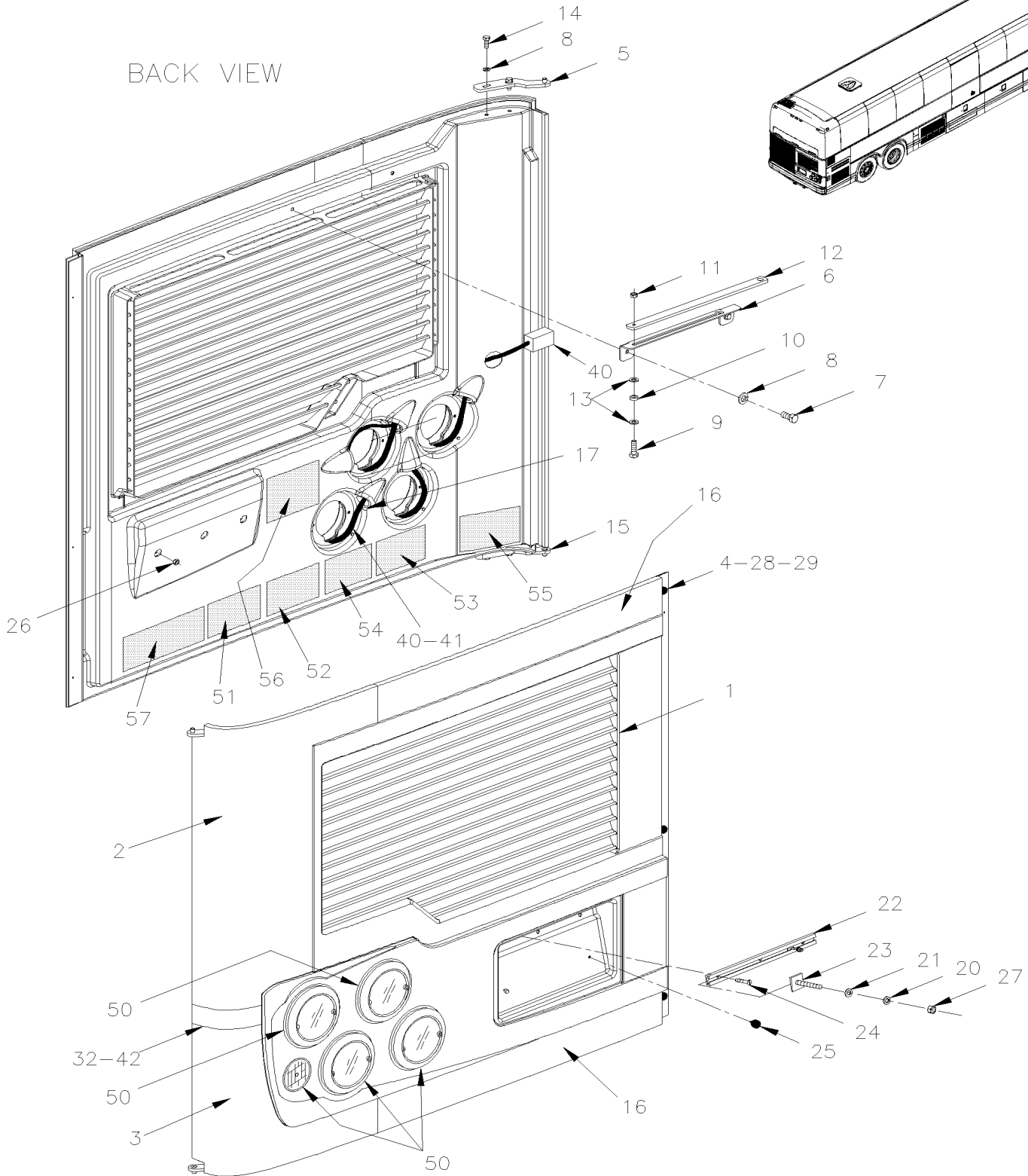
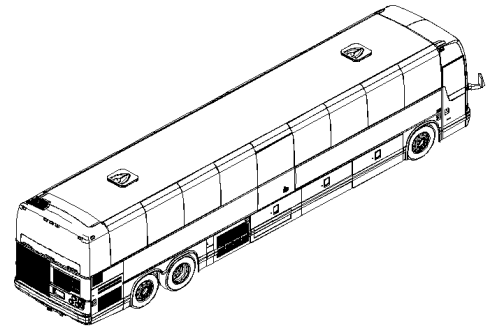
Item#	Part	Description	QTY	Notes
		ALL RADIATOR DOORS ASSY DO NOT INCLUDE	1	
		RUB-RAIL PLEASE ORDER SEPARATELY	1	
	Call order desk	RADIATOR DOOR ASSY To H-6201	1	P
	287881	RADIATOR DOOR ASSY From H-6202	1	
1	479618	. FLAT PANEL / RADIATOR DOOR	1	
. NS	4710300	. . BOTTOM PANEL, RADIATOR DOOR	1	
2	2800974	. FRAME ASSY / RADIATOR'S DOOR	1	
NS	687961	. GLUE MS POLYMER TEROSON MS 9399 / "A" 21 Liters To M-6660	1	
NS	685385	. GLUE MS POLYMER TEROSON MS 9399 / "A" 14.8 Liters From M-6661	1	
NS	687962	. GLUE MS POLYMER TEROSON MS 9399 / "B" 21 Liters To M-6660	1	
NS	685386	. GLUE MS POLYMER TEROSON MS 9399 / "B" 14.8 Liters From M-6661	1	
NS	687957	. GLUE MS POLYMER TEROSON MS 9399 / 400ml CARTRIDGE To M-6660	1	
NS	685387	. GLUE MS POLYMER TEROSON MS 9399 / 400ml CARTRIDGE From M-6661	1	
NS	684517	. ADHESIVE SIMSON #ISR 70-03 / GREY / 310ml CARTRIDGE	1	
3	479617	. MOULDING, FINISHING 1323MM	1	
4	506071	. TAPE RUB ADH1 CC POL 1/8" x 1/2" x 50' / GREY 2520X	1	
5	504637	. CABLE TIE / 3/16" x 13"	AR	
6	X3-0662-00	. CLEARANCE & MARKER LIGHT To K-6492	1	
6	X3-0662-01	. CLEARANCE & MARKER LIGHT From L-6493	1	
8	289150	. ARM ASSY To H-6202	1	
8	280602	. ARM ASSY From H-6202	1	
9	5001833	. WASHER BEL SPR 6.1x18x1.27 SS	4	
10	502737	. SCREW CAP HEX M6-1.0x25 SS BK	6	
16	289149	. ARM ASSY	1	
17	2800961	. DOOR'S LATCH	1	
18	2800985	. SPACER PLATE	1	
19	5001849	. WASHER FL 8.4x24.0x2.0 SS	2	
20	5001868	. WASHER BEL SPR 8.4x18x2 SS	4	
21	502780	. SCREW CAP HEX M8-1.25x25 SS BK	4	
25	281912	. GUIDE ASSY / L.H. DOOR To H-6121	1	
25	2801079	. GUIDE ASSY / L.H. DOOR From H-6122 To H-6201	1	
25	280682	. GUIDE ASSY / L.H. DOOR From H-6202	1	
26	502573	. WASHER FL 6.4x12.5x1.6 SS	1	
27	5001182	. NUT HEX NYRT M6-1.0 SS	1	
28	500270	WASHER FL .406x1.000x.063 SS To H-6201	3	
28	5001833	WASHER BEL SPR 6.1x18x1.27 SS From H-6202	1	
29	502780	SCREW CAP HEX M8-1.25x25 SS BK To H-6201	1	
29	5000310	SCREW CAP HEX M6-1.0x40 BK From H-6202	1	
NS	680038	THREAD LOCKER LOCTITE #243 / BLUE / 50ml	1	
30	2800962	LOCK LEVER	1	

From H-6180	Date:01/2024	PAGE:X3-1869-02
RADIATOR DOOR ASSY VOLVO D13 - GHG17		

Item#	Part	Description	QTY	Notes
31	2800960	LOCK HOLDER	1	
32	2800963	PIN	1	
33	780815	SPRING, TORSION	1	
34	502094	PIN, COTTER 1/16 x 1/2 SS	1	
35	286129	HINGE / To H-6201	1	
35	280609	UPPER HINGE From H-6202	1	
36	284607	BUSHING, NYLON / (NOT INCLUDE W/HINGE)	2	
37	502723	WASHER FL .386x.750x.050 NYL	1	
38	430406	WASHER FLAT To H-6201	4	
38	430406	WASHER FLAT From H-6202	2	
39	502570	WASHER LO SPT 6.1x11.8x1.6 SS To H-6201	4	
39	502570	WASHER LO SPT 6.1x11.8x1.6 SS From H-6202	2	
40	502686	SCREW CAP HEX M6-1.0x30 SS BK To H-6201	4	
40	502686	SCREW CAP HEX M6-1.0x30 SS BK From H-6202	2	
41	288827	LOWER HINGE To J-6277	1	
41	280548	LOWER HINGE From J-6278	1	
42	X3-1855-02	RUB RAIL - EXTERIOR CREST & TRIMS	1	
43	5000310	SCREW CAP HEX M6-1.0x40 BK From H-6202	2	
44	5001833	WASHER BEL SPR 6.1x18x1.27 SS From H-6202	2	
45	2800950	PENTURE HOLDER	1	
46	5001868	WASHER BEL SPR 8.4x18x2 SS	2	
47	5001912	SCREW CAP HEX M8-1.25x30 SS BK	2	
NS	680098	THREAD SEALANT LOCTITE #567 / WHITE / 250ml	AR	
48	280610	SHIM 9.5MM From H-6202	1	
49	5001976	WASHER FL .266x.718x.060 SS From H-6202	1	
50	280680	BUSHING WITH FLANGE From H-6202	1	
		P) CALL ORDER DESK FOR SPECIFIC APPLICATION (V.I.N.)		

ENGINE DOOR ASSY L.H.

BACK VIEW



From 7-8754 To E-5759	Date:01/2024	PAGE:X3-1870-00
ENGINE DOOR ASSY L.H.		

Item#	Part	Description	QTY	Notes
	288341	ENGINE DOOR LH ASSY	1	A
1	289308	. ENGINE DOOR LH MOULDED VENTED To 8-9426	1	
1	289433	. ENGINE DOOR LH MOULDED VENTED From 8-9427	1	
2	285375	UPPER PANEL / S.B.	1	
3	286046	LOWER PANEL / S.B.	1	
4	509828	. BUMPER RUBBER / .750 OD x .312 TH x .125 HOLE	6	
5	287430	. ARM ASSY To A-9883	1	
5	289620	. ARM ASSY From A-9884	1	
6	283776	. GUIDE RETAINING ARM	1	
7	955295	. SCREW CAP HEX M8-1.25x20 G8.8 ZG603	2	
8	502857	. WASHER LO SERR 8.2x26.3x1.8 N500	6	
9	5001560	. SCREW SHR HEXS 5/16x3/8 {1/4-20 SS	1	
10	502768	. WASHER FL RUB .312x.625x.125 NEO	1	
11	500384	. NUT HEX JAM 1/4-20 G500	1	
12	283772	. ARM RETAINING	1	
13	502638	. WASHER FL .312x.734x.065 N500	2	
14	955297	. SCREW CAP HEX M8-1.25x25 G8.8 ZG603	4	
15	287429	. ARM ASSY To A-9883	1	
15	289617	. ARM ASSY From A-9884	1	
16	285378	PANEL UPPER & LOWER DOOR / S.B.	2	
17	504530	. GROMMET / .750x1.250x.125x.312x1.625	5	
20	502570	. WASHER LO SPT 6.1x11.8x1.6 SS	2	
21	502637	. WASHER FL .200x.437x.037 SS To E-5573	2	
21	5001137	. WASHER FL .203x.438x.050 SS From E-5574	2	
22	286053	. TRACK / LICENCE PLATE HOLDER 326MM	1	
22	491572	. TRACK / LICENCE PLATE HOLDER 321 MM	1	
23	504286	. T SCREW 10-24 X 3/4" / SS / PLATE HOLDER	2	
24	502666	. SCREW MA FL PH #6-32x3/4 SS BK	3	
25	504498	. BUMPER PLUG / .406ODx.218THx.250HOLEx.125	2	
26	500286	. NUT WELL #6-32	3	
27	500787	. NUT HEX #10-24 SS	2	
28	509827	. SCREW MA RND PH M4-0.7x20 SS	3	
29	502557	. NUT HEX NYRT M4-0.7 SS	3	
31	683097	. CLEANER SIKA #205 / CLEAR / 1000ml	AR	
32	285365	. FINISHING MOULDING / PLASTIC	1	
NS	506769	. TAPE RUB ADH2 CC POL 1/8" x 1/4" x 60' / BLACK H1CC-N-#14	AR	
40	066491	CABLE / ENGINE DOOR REAR LAMP W/LEDS	1	
41	504637	CABLE TIE / 3/16" x 13"	7	
41	509815	TIE MOUNT / ATTACHMENT W/TREE MOUNT	7	
42	285377	FINISHING MOULDING SS / S.B.	1	
50	X3-0664-00	REAR EXTERIOR LIGHTS & PLATE HOLDER		
51	405730	DECAL THIS VEHICULE EQUIPED ... FIRE SUPPRES / ENGLISH & FRANCAIS	1	

From 7-8754 To E-5759		Date:01/2024	PAGE:X3-1870-00
ENGINE DOOR ASSY L.H.			

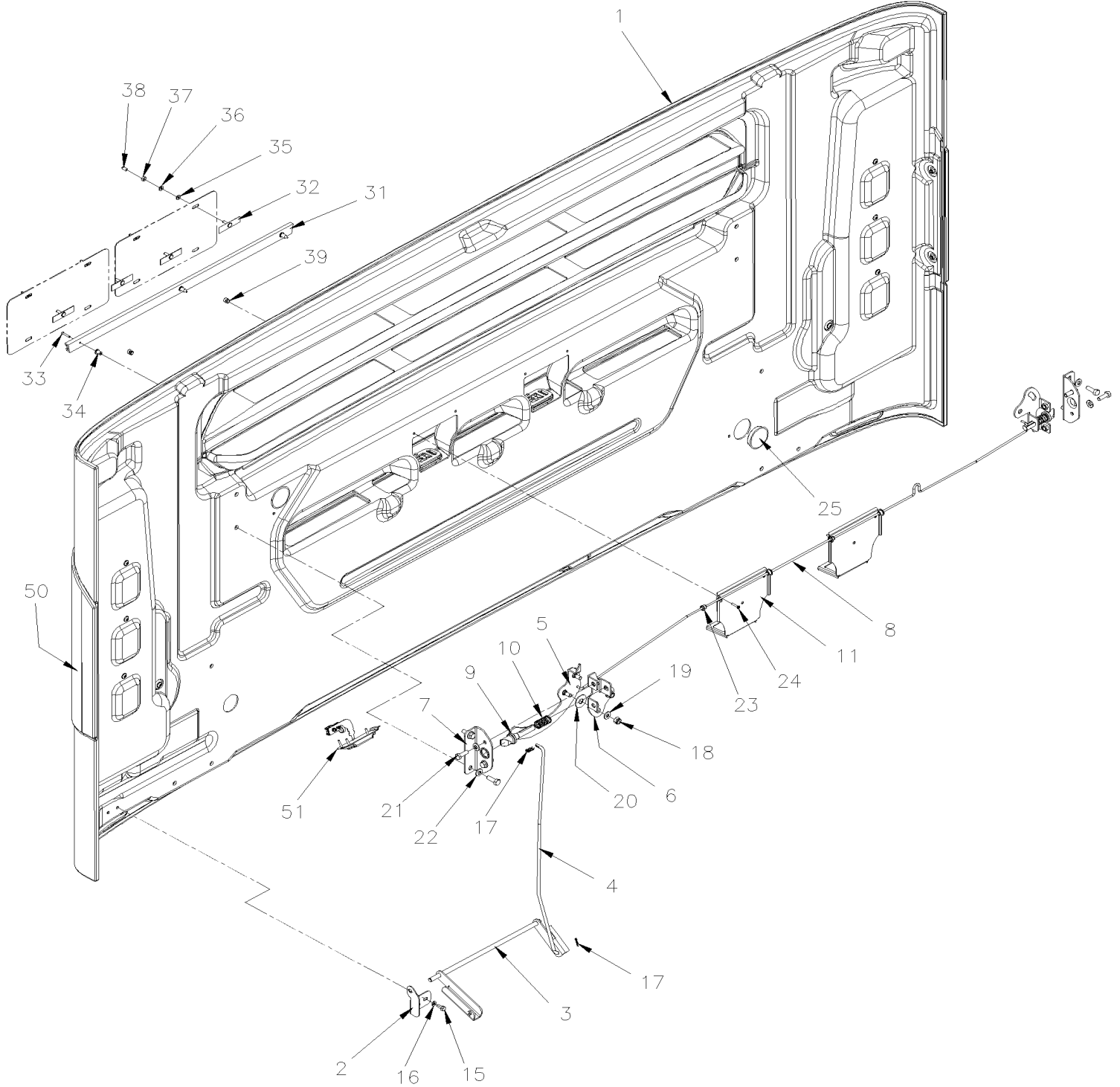
Item#	Part	Description	QTY	Notes
51	405729	DECAL THIS VEHICULE EQUIPED ... FIRE SUPPRES / ENGLISH	1	
NS	405731	DECAL THIS VEHICULE EQUIPED ... FIRE SUPPRES / ENGLISH & SPANISH	1	
52	071249	DECAL "TranSynd OIL ONLY" / ENGLISH & FRANCAIS	1	
52	071364	DECAL "TranSynd OIL ONLY" / ENGLISH & SPANISH	1	
53	454100	DECAL "R-134A NOMINAL CHARGE...." / ENGLISH & FRANCAIS To D-5458	1	
54	141064	DECAL / COLOR CODE / PNEUMATIC SYSTEM / ENGLISH & FRANCAIS	1	
54	142370	DECAL / COLOR CODE / PNEUMATIC SYSTEM / ENGLISH & SPANISH	1	
55	052375	DECAL / "WARNING WARANTY....." / ENGLISH & FRANCAIS To B-5001	1	
55	052576	DECAL / "WARNING WARANTY....." / ENGLISH & SPANISH To B-5001	1	
56	066596	DECAL / "CAUTION" BEFORE WELDING...." // ENGLISH & FRANCAIS	1	
NS	066436	DECAL / "CAUTION" BEFORE WELDING...." // ENGLISH	1	
56	067072	DECAL / "CAUTION" BEFORE WELDING...." // ENGLISH	1	
56	067067	DECAL / "CAUTION" BEFORE WELDING...." // ENGLISH & SPANISH	1	
57	019095	DECAL / "BELT ROUTING" SHORT END COOL 2007 To B-5001	1	D13
57	012698	DECAL / "BELT ROUTING" SHORT END COOL 2010 From B-5002 To D-5458	1	D13
57	012811	DECAL / "BELT ROUTING" From E-5459 To E-5599	1	D13
57	012865	DECAL / "BELT ROUTING" From E-5600 To F-5743	1	D13
57	012880	DECAL / "BELT ROUTING" From F-5744	1	D13
60	X3-1870-10	ENGINE DOOR ASSY - INSTALLATION		
		A) USE TOOL #683121		
		D13) WITH "VOLVO" ENGINE D13		

From F-5760

Date:01/2024

PAGE:X3-1870-01

ENGINE DOOR ASSY

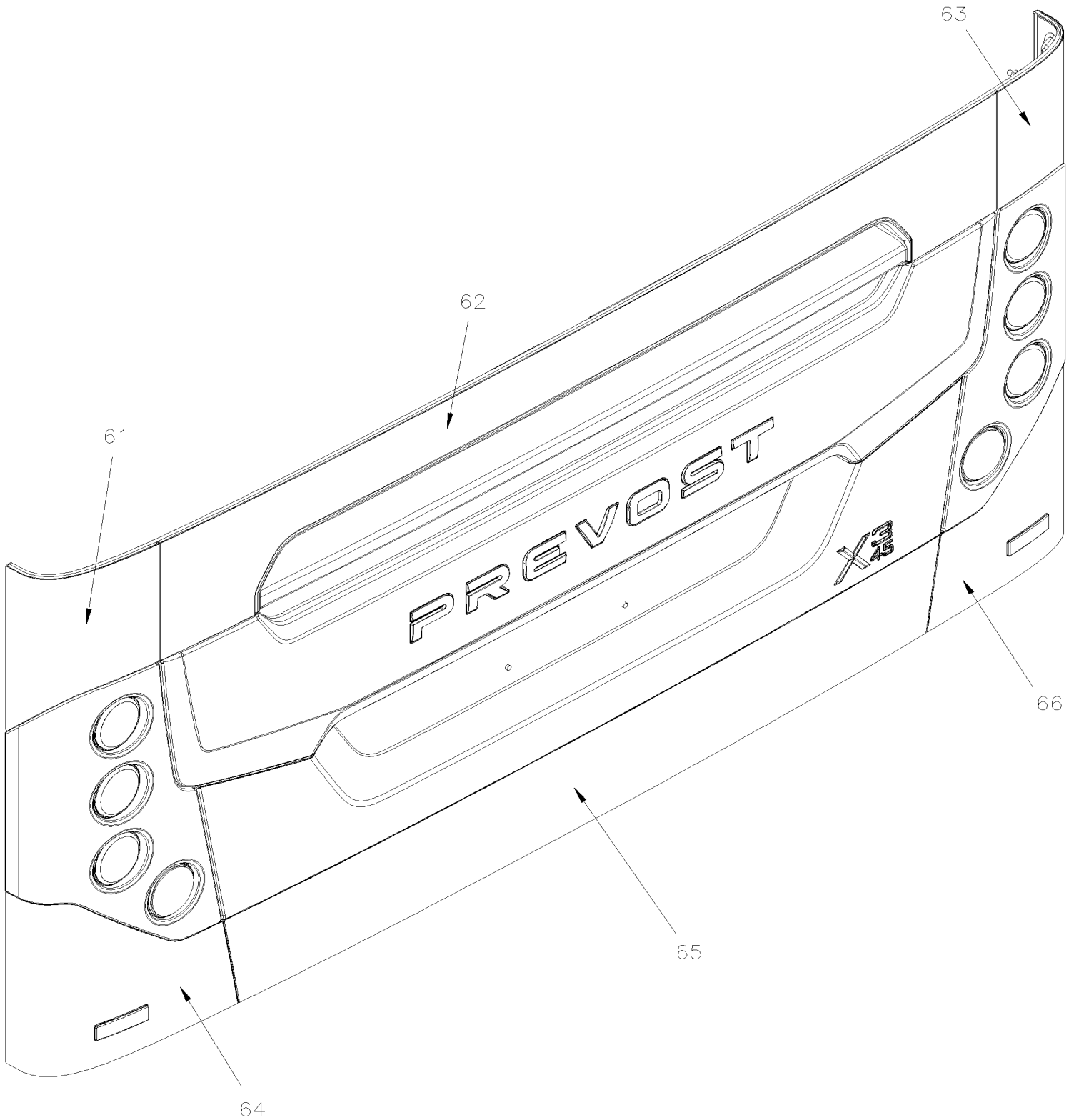


From F-5760

Date:01/2024

PAGE:X3-1870-01

ENGINE DOOR ASSY



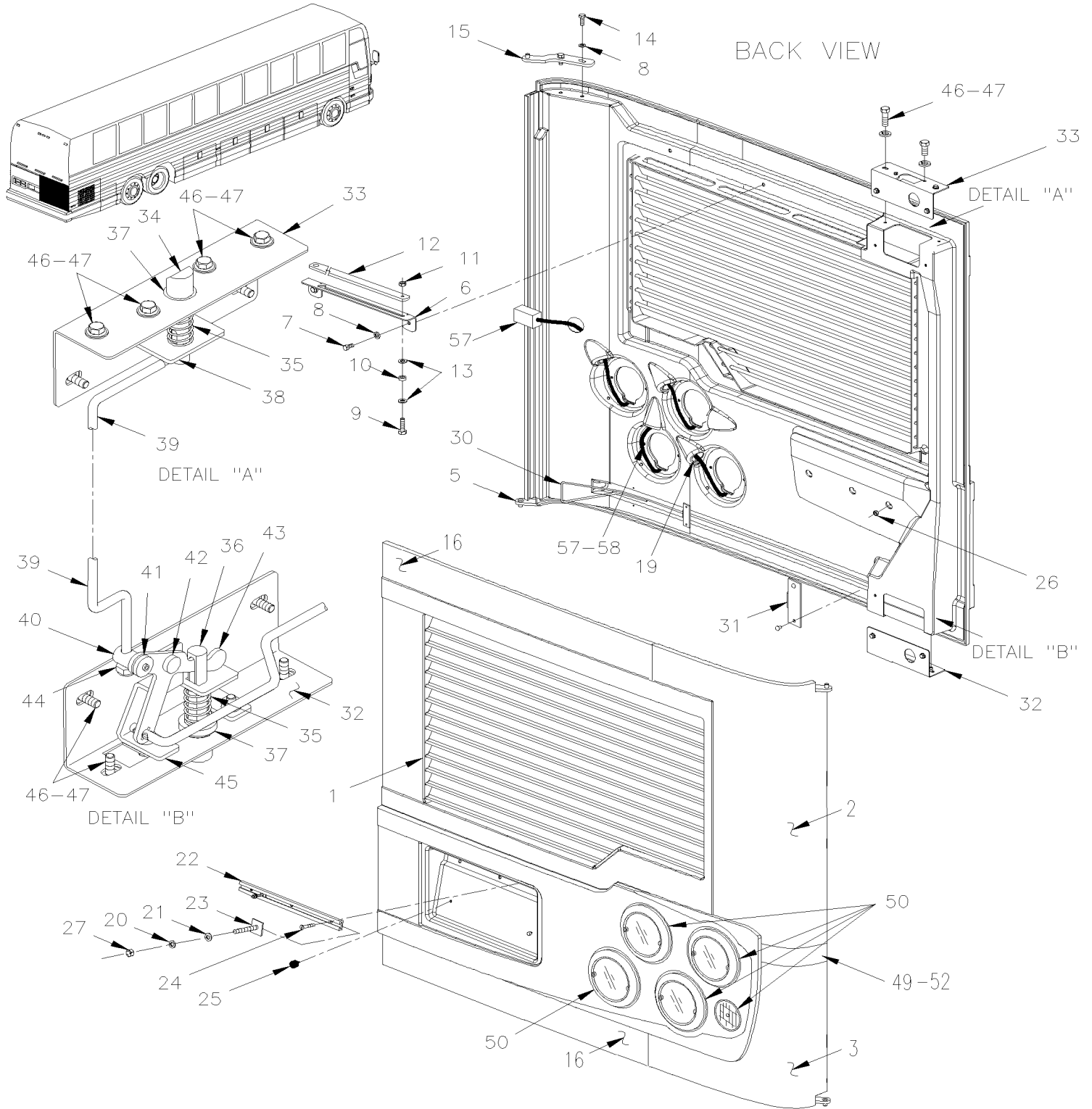
From F-5760		Date:01/2024	PAGE:X3-1870-01
ENGINE DOOR ASSY			

Item#	Part	Description	QTY	Notes
	2800452P	REAR ENGINE DOOR ASSY W/LIGHTS	1	
1	2800304	. DOOR MOULDED / FIBERGLASS	1	
2	2800440	. SUPPORT, HANDLE	1	
3	2800441	. LEVER ASSY	1	
4	2800436	. ROD	1	
5	2800448	. HANDLE ASSY / ENGINE DOOR	1	
6	2800408	. SUPPORT	2	
7	2800409	. BRACKET FOR LATCH	2	
8	2800419	. ROD FOR LATCH	1	
9	289636	. CATCH PIN ACETAL / 90.5MM To F-5786	2	
9	2800884	. CATCH PIN BLACK ACETAL From F-5787 To G-5982	2	
9	2801055	. CATCH PIN BLACK ACETAL From G-5983	2	
10	502910	. SPRING COMPRESSION / .720 O.D. 1.75 x .055	2	
11	2800462	. LICENSE PLATE LAMP HOLDER	2	
NS	509815	. TIE MOUNT / ATTACHMENT W/TREE MOUNT	2	
NS	504637	. CABLE TIE / 3/16" x 13"	2	
15	502622	. SCREW CAP HEX M6-1.0x20 SS BK	2	
16	5001833	. WASHER BEL SPR 6.1x18x1.27 SS	2	
17	5001860	. PIN HITCH CLIP .054 x 3/4 SS	3	
18	5001787	. NUT HEX NYRT M8-1.25 SS	2	
19	5001850	. WASHER FL 8.4 x 18 x 2 NYL	3	
20	5001233	. WASHER FL .500x1.250x.062 NYL	2	
21	502780	. SCREW CAP HEX M8-1.25x25 SS BK	8	
22	5001868	. WASHER BEL SPR 8.4x18x2 SS	8	
23	504083	. SNAP BUSHING / .250x.468.406	4	
24	5001040	. SCREW TC PAN PH #6-32x3/4 SS	4	
25	504774	. HOLE PLUG BUTTON / 2.000 O.D. BLACK	2	
31	289655	. TRACK / LICENCE PLATE HOLDER 678.1 MM To J-6252	1	A
31	491388	TRACK / LICENCE PLATE HOLDER 678.1 MM From J-6253	1	
32	504286	. T SCREW 10-24 X 3/4" / SS / PLATE HOLDER	4	
33	502666	. SCREW MA FL PH #6-32x3/4 SS BK	3	
34	500286	. NUT WELL #6-32	3	
35	5001137	WASHER FL .203x.438x.050 SS	4	
36	502570	WASHER LO SPT 6.1x11.8x1.6 SS	4	
37	500787	NUT HEX #10-24 SS	4	
38	507333	PROTECTOR CAP / BLACK / .172 I.D. x .500	4	
39	504498	BUMPER PLUG / .406ODx.218THx.250HOLEx.125	2	
NS	280722	KIT LICENSE HOLDER - IMPROVMENT	1	
. NS	280616	. LICENCE SUPPORT ALUMINIUM	1	
. NS	5001955	. SCREW MA RND PH #6-32x1/2 SS	3	
. NS	502556	. WASHER FL 4.3x9.0x0.8 SS	3	

From F-5760	Date:01/2024	PAGE:X3-1870-01
ENGINE DOOR ASSY		

Item#	Part	Description	QTY	Notes
50	X3-0664-01	. REAR EXTERIOR LIGHTS & PLATE HOLDER	1	
51	X3-0665-11	. SWITCHES, LIGHTS, AJAR - UNDER FLOOR	1	
61	2800459	UPPER PANEL / STREET SIDE / B.A.	1	PWT
62	2800545	UPPER PANEL / CENTER / B.A.	1	PWT
63	2800458	UPPER PANEL / CURBSIDE / B.A.	1	PWT
64	2800457	LOWER PANEL / STREET SIDE / B.A.	1	PWT
65	2800546	LOWER PANEL / CENTER / B.A.	1	PWT
66	2800456	LOWER PANEL / CURBSIDE / B.A.	1	PWT
67	685126	ADHESIVE SIMSON #ISR 70-03 / GREY / 600ml SAUSAGE	AR	PWT
68	506790	TAPE RUB ADH2 CC POL 1/16" x 1/2" x 200' / BLACK I1C-N-A	AR	PWT
		A) FOR PRODUCT IMPROVMENT ASK KIT#280722		
		PWT) PACIFIC WESTERN OPTION		

ENGINE DOOR ASSY R.H.



From 7-8754 To E-5759	Date:01/2024	PAGE:X3-1870-05
ENGINE DOOR ASSY R.H.		

Item#	Part	Description	QTY	Notes
	288343	ENGINE DOOR RH ASSY	1	A
1	289307	. ENGINE DOOR RH MOULDED VENTED To 8-9426	1	
1	289432	. ENGINE DOOR RH MOULDED VENTED From 8-9427	1	
2	285376	UPPER PANEL / S.B.	1	
3	286047	LOWER PANEL / S.B.	1	
5	287430	. ARM ASSY To A-9883	1	
5	289620	. ARM ASSY From A-9884	1	
6	283771	. GUIDE RETAINING ARM	1	
7	955295	. SCREW CAP HEX M8-1.25x20 G8.8 ZG603	2	
8	502857	. WASHER LO SERR 8.2x26.3x1.8 N500	6	
9	5001560	. SCREW SHR HEXS 5/16x3/8 {1/4-20 SS	1	
10	502768	. WASHER FL RUB .312x.625x.125 NEO	1	
11	500384	. NUT HEX JAM 1/4-20 G500	1	
12	283772	. ARM RETAINING	1	
13	502638	. WASHER FL .312x.734x.065 N500	2	
14	955297	. SCREW CAP HEX M8-1.25x25 G8.8 ZG603	4	
15	287429	. ARM ASSY To A-9883	1	
15	289617	. ARM ASSY From A-9884	1	
16	285378	. PANEL UPPER & LOWER DOOR / S.B.	2	
19	504530	. GROMMET / .750x1.250x.125x.312x1.625	5	
20	502570	. WASHER LO SPT 6.1x11.8x1.6 SS	2	
21	502637	. WASHER FL .200x.437x.037 SS To E-5573	2	
21	5001137	. WASHER FL .203x.438x.050 SS From E-5574	2	
22	286053	. TRACK / LICENCE PLATE HOLDER 326MM	1	
22	491572	TRACK / LICENCE PLATE HOLDER 321 MM	1	
23	504286	. T SCREW 10-24 X 3/4" / SS / PLATE HOLDER	2	
24	502666	. SCREW MA FL PH #6-32x3/4 SS BK	3	
25	504498	. BUMPER PLUG / .406ODx.218THx.250HOLEx.125	2	
26	500286	. NUT WELL #6-32	3	
27	500787	. NUT HEX #10-24 SS	2	
30	287314	. CONTROL ROD To 8-9276	1	
30	287325	. CONTROL ROD From 8-9277	1	
NS	506018	. HANDLE PLASTIC / 1/4" I.D. X 4"	1	
31	280143	. FIXTURE / W/HOLE FOR ROD	2	
31	287369	. FIXTURE	1	
NS	504339	. RIVET POP DOME OE 1/8x3/8 SS	4	
32	285018	. SUPPORT LOCK / LOWER	1	
33	286581	. SUPPORT LOCK / UPPER To B-5001	1	
33	289702	. SUPPORT LOCK / UPPER W/SWITCH DETECTOR From B-5002	1	B
34	287381	. CATCH PIN SS / 80.5MM	1	
NS	506225	. TAPE RUB ADH1 CC POL 1/16" x 1/4" x 100' / GREY 2520	AR	
35	502910	. SPRING COMPRESSION / .720 O.D. 1.75 x .055	2	

From 7-8754 To E-5759	Date:01/2024	PAGE:X3-1870-05
ENGINE DOOR ASSY R.H.		

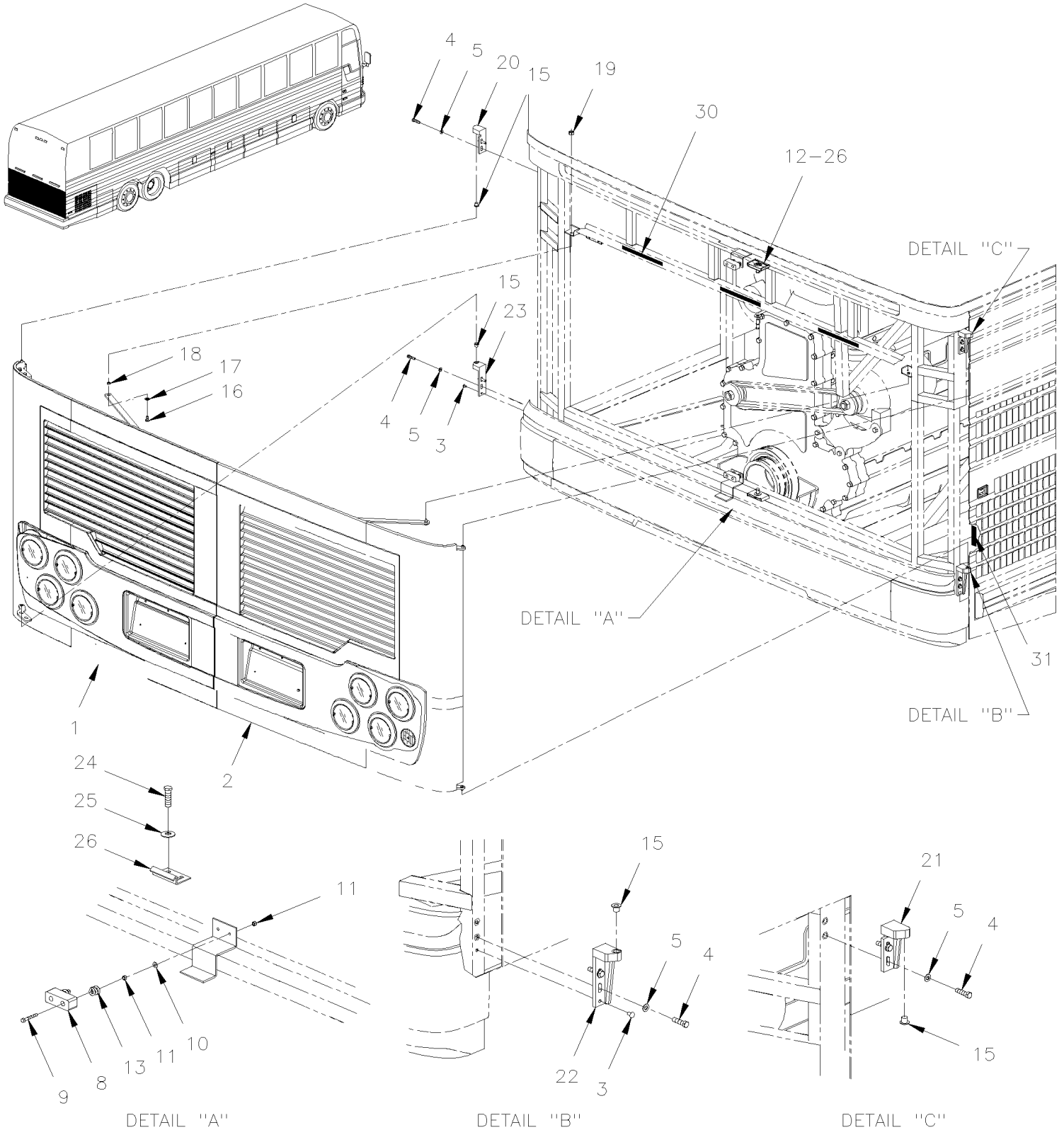
Item#	Part	Description	QTY	Notes
36	287391	. CATCH PIN SS / 90.5MM	1	
37	507212	. O-RING	2	
38	287382	. GUIDE PIN HOLDER UPPER	1	
39	287276	. ROD / JUNCTION	1	
40	280142	. ROD HOLDER	1	
41	280140	. RETAINING WASHER	1	
42	287271	. RIVET SHR FL 9.95x3.6{4.8x4.8 SS	1	
43	287277	. PIVOT	1	
44	5001251	. NUT HEX NYRT 1/4-20 SS	1	
45	287291	. GUIDE PIN HOLDER LOWER	1	
46	955271	. SCREW CAP HEX M6-1.0x16 G8.8 ZG603	12	
47	500356	. WASHER LO SERR 6.1x16.0x0.9 N500	12	
49	285365	. FINISHING MOULDING / PLASTIC	1	
NS	506769	. TAPE RUB ADH2 CC POL 1/8" x 1/4" x 60' / BLACK H1CC-N-#14	AR	
50	X3-0664-00	REAR EXTERIOR LIGHTS & PLATE HOLDER		
52	285377	FINISHING MOULDING SS / S.B.	1	
57	066491	CABLE / ENGINE DOOR REAR LAMP W/LEDS	1	
58	504637	CABLE TIE / 3/16" x 13"	AR	
58	509815	TIE MOUNT / ATTACHMENT W/TREE MOUNT	7	
60	X3-1870-10	ENGINE DOOR ASSY - INSTALLATION		
		A) THIS DOOR ASSEMBLY DO NOT INCLUDE ITEM #57		
		B) INCLUDED WITH KIT # 068125		

From 7-8754 To E-5759

Date:01/2024

PAGE:X3-1870-10

ENGINE DOOR ASSY - INSTALLATION



From 7-8754 To E-5759	Date:01/2024	PAGE:X3-1870-10
-----------------------	--------------	-----------------

ENGINE DOOR ASSY - INSTALLATION

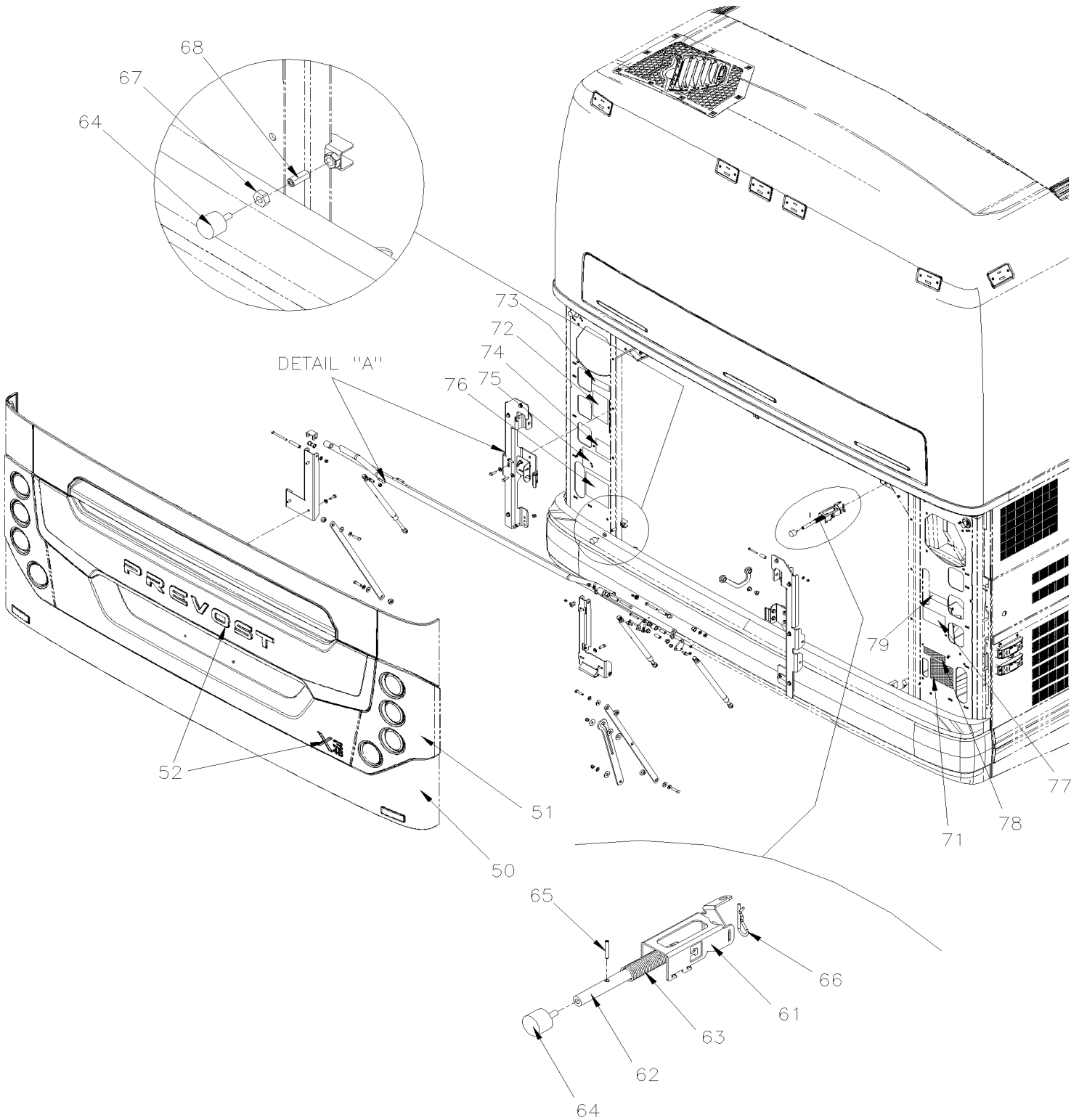
Item#	Part	Description	QTY	Notes
1	X3-1870-00	ENGINE DOOR ASSY L.H.		
2	X3-1870-05	ENGINE DOOR ASSY R.H.		
3	504122	RIVET POP DOME OE 1/4x3/8 AL	2	
4	502780	SCREW CAP HEX M8-1.25x25 SS BK	5	
5	502584	WASHER LO SERR 8.2x26.3x1.8 Z050	8	
8	506250	RUBBER BUMPER	1	
9	502708	SCREW CAP HEX M5-0.8x35 SS	2	
10	500411	WASHER FL .260x.697x.050 SS	2	
11	5001449	NUT HEX M5-0.8 SS	4	
12	287452	SHIM SPACER 70MM X 25 X 14GA	AR	
13	502205	SPRING COMPRESSION / .850 O.D. x .750 x .072	2	
15	284607	BUSHING, NYLON / (NOT INCLUDE W/HINGE)	4	
16	502780	SCREW CAP HEX M8-1.25x25 SS BK	10	
17	502583	WASHER LO SERR 8.15x22.3x1.0 Z050	2	
18	283770	SPACER / TO FIX RETAINING ARM	2	
19	966171	NUT HEX NYRT M8x1.25 SS	2	
20	285930	HINGE UPPER L.H.	1	
21	285854	HINGE UPPER R.H.	1	
22	285855	HINGE LOWER R.H.	1	
23	285931	HINGE LOWER L.H.	1	
24	502780	SCREW CAP HEX M8-1.25x25 SS BK	4	
25	5001161	WASHER LO SPT 8.1x14.8x2.0 SS-304	4	
26	287286	CATCH PIN / RETAINER 45MMx21MM 90° To B-5001	2	A
26	287286	CATCH PIN / RETAINER 45MMx21MM 90° From B-5002	1	B
26	289701	CATCH PIN / RETAINER / W/SWITCH SUPPORT 45MMx21MM 90° From B-5002	1	C
26	288825	CATCH PIN / RETAINER / W/"ROMEO RIM" BUMPER 53MMx21.8MM 90° "OPTION"	1	B
30	920009	REFLECTOR STRIP RED	AR	
31	286688	DECAL DOOR OPEN	1	
NS	012818	DECAL "VEHICLE EMISSION..." CANADA From E-5459 To E-5604	1	
NS	012820P	DECAL "VEHICLE EMISSION..." CANADA From E-5605	1	
NS	012821	DECAL "VEHICLE EMISSION..." US From E-5459 To E-5604	1	
NS	012823P	DECAL "VEHICLE EMISSION..." USA From E-5605	1	
		A) USE UPPER & LOWER		
		B) USE LOWER ONLY		
		C) INCLUDED WITH KIT # 068125		

From F-5760

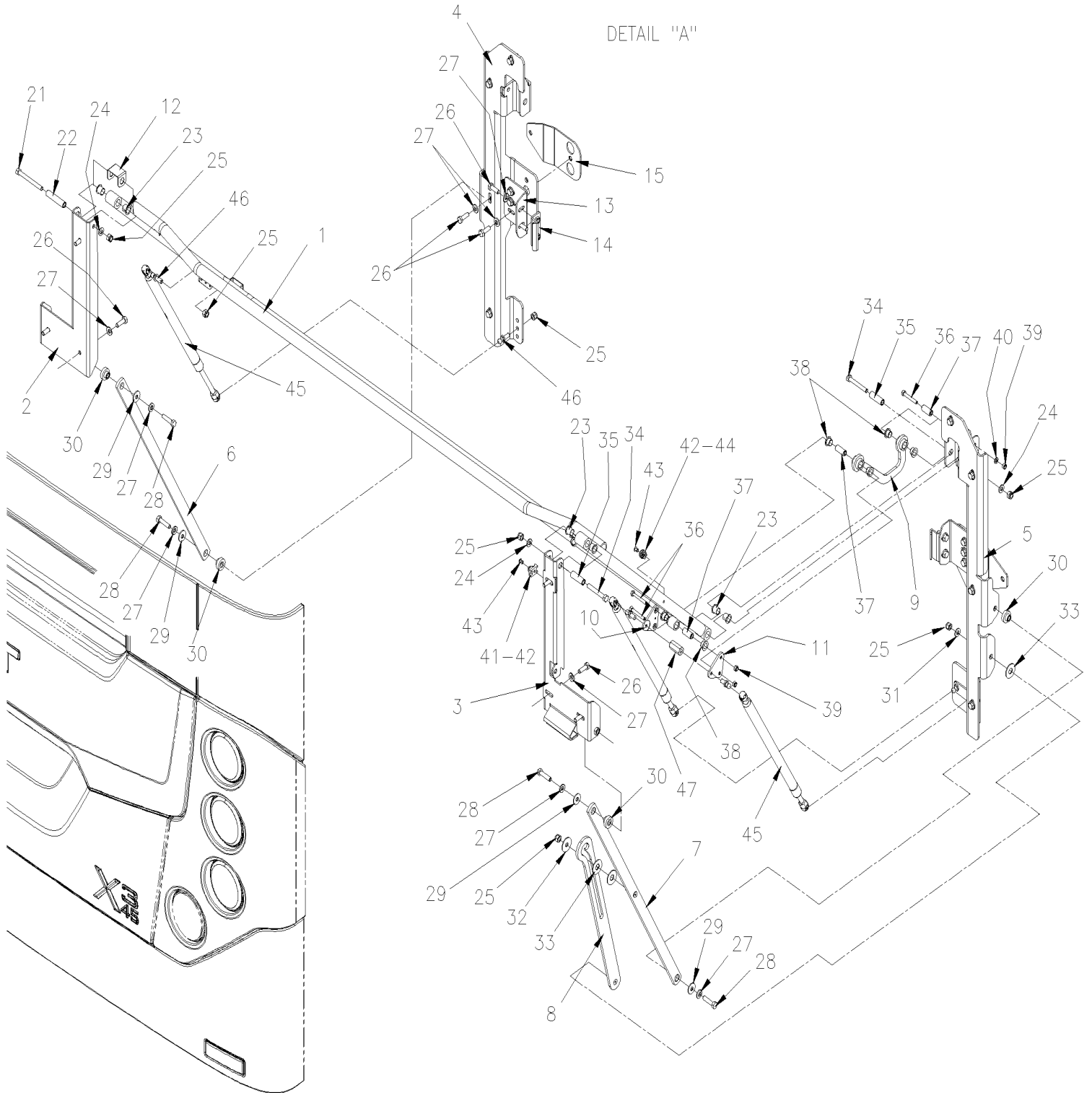
Date:01/2024

PAGE:X3-1870-11

ENGINE DOOR ASSY - INSTALLATION



ENGINE DOOR ASSY - INSTALLATION



From F-5760		Date:01/2024	PAGE:X3-1870-11
ENGINE DOOR ASSY - INSTALLATION			

Item#	Part	Description	QTY	Notes
1	2800434	PANTOGRAPH ARM ASSY	1	
2	2800522	SUPPORT STREET SIDE	1	
3	2800521	SUPPORT CURBSIDE	1	
4	2800412	BACKING PLATE STREET SIDE To H-6179	1	
4	280503	BACKING PLATE STREET SIDE From H-6180	1	
5	2800410	BACKING PLATE CURBSIDE	1	
6	2800523	ARM STABILIZER 610MM C/C	1	
7	2800525	ARM STABILIZER 610MM C/C	1	
8	2800532	SECURITY ARM ASSY	1	
9	2800442	ARM ASSY	1	
10	2800444	LEVER	1	
11	2800445	LEVER	1	
12	2800435	GUIDE	2	
13	2800425	CARRIER LOCK	2	
14	2800407	LATCH BRACKET	2	
15	2800519	REINFORCEMENT PLATE	2	
21	5001185	SCREW CAP HEX M8-1.25x80 SS BK	2	
22	2800417	SPACER 12.7MM O.D.x59.5MM	2	
23	507142	BUSHING, NYLINER W/SHOULDER (8-L-8-F)	8	
24	5001341	WASHER FL 8.4x17.0x1.6 SS	4	
25	5001787	NUT HEX NYRT M8-1.25 SS	10	
26	502780	SCREW CAP HEX M8-1.25x25 SS BK	22	
27	5001868	WASHER BEL SPR 8.4x18x2 SS	26	
28	5001559	SCREW CAP HEX M8-1.25x35 SS BK	4	
29	5001849	WASHER FL 8.4x24.0x2.0 SS	4	
30	286716	SPACER BUSHING FLANGE / AUX. ARM & SUPPORT ACETAL 8.3MM I.D.	4	
31	5001850	WASHER FL 8.4 x 18 x 2 NYL	1	
32	5001467	WASHER FL .343x1.250x.062 SS18-8	1	
33	5001233	WASHER FL .500x1.250x.062 NYL	3	
34	5001178	SCREW CAP HEX M8-1.25x60 SS BK	2	
35	2800416	SPACER 12.7MM O.D.x40MM	2	
36	5001923	SCREW CAP HEX M6-1.0x45 SS BK	3	
37	2800446	BUSHING 12.4MM O.D.x29MM	3	
38	507217	FLANGE BEARING 12MM I.D. 20MM O.D. X 10MM	6	
39	5001182	NUT HEX NYRT M6-1.0 SS	3	
40	502573	WASHER FL 6.4x12.5x1.6 SS	1	
41	504013	TIE MOUNT / 1/4" X 1/4" I.D.	3	
42	504637	CABLE TIE / 3/16" x 13"	5	
43	504379	RIVET POP DOME OE 3/16x1/4 SS	5	
44	504428	TIE MOUNT / 3/16" #10 SCREW / TA1S10-C	2	
45	980030	CYLINDER GAZ / 669/409MM C/C / 210LBS	3	
45	980006	CYLINDER GAZ / 670/410MM C/C / 225LBS	1	S

From F-5760		Date:01/2024	PAGE:X3-1870-11
ENGINE DOOR ASSY - INSTALLATION			

Item#	Part	Description	QTY	Notes
46	980027	BALL STUD / W/10 MM X M8-1.25 / 36.5MM	4	
46	980015	BALL STUD / W/10 MM X M8-1.25 / 29.18 MM	2	
46	980008	BALL STUD / M8	2	T
46	680038	THREAD LOCKER LOCTITE #243 / BLUE / 50ml	AR	
47	2800463	NUT M8-1.25x27.3MM	1	
47	680038	THREAD LOCKER LOCTITE #243 / BLUE / 50ml	AR	
50	X3-1870-01	ENGINE DOOR ASSY		
51	X3-0664-01	REAR EXTERIOR LIGHTS & PLATE HOLDER		
52	X3-1855-01	RUB RAIL - EXTERIOR CREST & TRIMS From B-5002 To G-6083		
52	X3-1855-02	RUB RAIL - EXTERIOR CREST & TRIMS From G-6084		
61	287709	GUIDE PIN REMOVABLE To L-6680	1	
61	2810510	GUIDE PIN REMOVABLE From L-6681	1	
NS	507034	CLIP BEARING 1/2" DIA From L-6681	2	
62	289662	STOPPER 155MM	1	
63	502940	SPRING COMPRESSION / .720 O.D. x 6 x .067 SS	1	
64	504790	BUMPER RUBBER BOLT / 25.5MM ODx20MM TH M6X18MM STUD	5	
64	688910	THREAD LOCKER LOCTITE #262 / RED / 250ml	AR	
65	505513	SPRING, PIN M3 x 24 SS	1	
66	502180	PIN HITCH CLIP 3/32 x 1/2 Z050	1	
67	502567	NUT HEX M10-1.5 SS	4	
68	287803	ROD, ADJUSTMENT ENGINE DOOR STOPPER	4	
71	405730	DECAL THIS VEHICULE EQUIPED ... FIRE SUPPRES / ENGLISH & FRANCAIS	1	
71	405729	DECAL THIS VEHICULE EQUIPED ... FIRE SUPPRES / ENGLISH	1	
71	405731	DECAL THIS VEHICULE EQUIPED ... FIRE SUPPRES / ENGLISH & SPANISH	1	
72	071687	DECAL "TranSynd OIL ONLY" / ENGLISH & FRANCAIS	1	
72	071688	DECAL "TranSynd OIL ONLY" / ENGLISH & SPANISH	1	
73	050332	DECAL "COOLANT" / ENGLISH & SPANISH From L-6560	1	
73	050335	DECAL COOLANT" / ENGLISH From L-6560	1	
74	141064	DECAL / COLOR CODE / PNEUMATIC SYSTEM / ENGLISH & FRANCAIS To F-5871	1	
74	142370	DECAL / COLOR CODE / PNEUMATIC SYSTEM / ENGLISH & SPANISH To F-5871	1	
75	012811	DECAL / "BELT ROUTING" To E-5599	1	
75	012865	DECAL / "BELT ROUTING" From E-5600 To F-5743	1	
75	012880	DECAL / "BELT ROUTING" From F-5744 To H-6179	1	
75	010060	DECAL / "BELT ROUTING" From H-6180	1	
75	010111	DECAL / "BELT ROUTING" W/REMY From K-6404	1	R
75	010049	DECAL / "BELT ROUTING" W/LARGE AC 2 ALT RH From K-6413	1	A
76	066596	DECAL / "CAUTION" BEFORE WELDING...." // ENGLISH & FRANCAIS To H-6179	1	
76	060261	DECAL / "CAUTION" BEFORE WELDING...." // ENGLISH & FRANCAIS From H-6180 To J-6239	1	
76	066436	DECAL / "CAUTION" BEFORE WELDING...." // ENGLISH To H-6179	1	

From F-5760	Date:01/2024	PAGE:X3-1870-11
-------------	--------------	-----------------

ENGINE DOOR ASSY - INSTALLATION

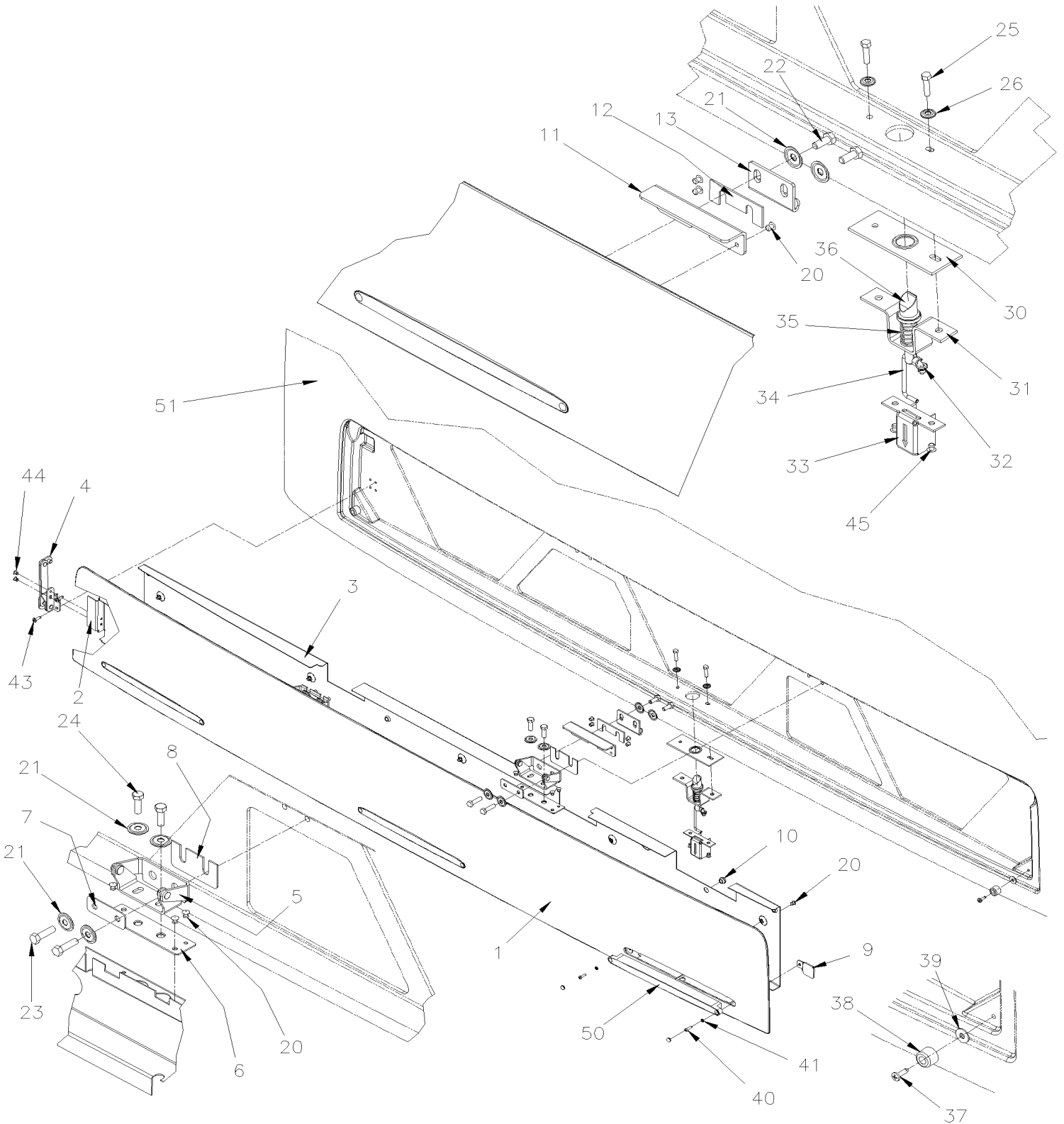
Item#	Part	Description	QTY	Notes
76	067067	DECAL / "CAUTION" BEFORE WELDING...." // ENGLISH & SPANISH To H-6179	1	
77	453066	DECAL R134A / NOMINAL CHARGE 24 LBS // ENGLISH & FRANCAIS	1	
77	453244	DECAL R134A / NOMINAL CHARGE 26 LBS // ENGLISH & FRANCAIS	1	
77	450028	DECAL R134A / NOMINAL CHARGE 26 LBS // ENGLISH & SPANISH From G-6084	1	
78	011229P	DECAL "VEHICLE EMISSION INFORMATION" / CANADA / ENGLISH From G-6084 To L-6527	1	
78	Call order desk	DECAL "VEHICLE EMISSION INFORMATION" / CANADA / ENGLISH From L-6528 To P-6869	1	P
78	Call order desk	DECAL "VEHICLE EMISSION INFORMATION" / CANADA / ENGLISH From P-6870 To P-6878	1	P
78	Call order desk	DECAL "VEHICLE EMISSION INFORMATION" / CANADA / ENGLISH From P-6879	1	P
79	040011	DECAL "CLEAN IDLE EXEMPTION" From H-6094	1	
		A) WITH 2 ALTERNATOR STREET SIDE, W/LARGE A/C		
		R) WITH REMY ALTERNATOR		
		S) LEFT SIDE ONLY / HEAVY DUTY CYLINDER / USE WITH PART: 980008		
		T) USE ONLY WITH HEAVY DUTY CYLINDER: 980006		
		P) CALL ORDER DESK FOR SPECIFIC APPLICATION (V.I.N.)		

From B-5002 To K-6492

Date:01/2024

PAGE:X3-1870-20

REAR ENGINE UPPER DOOR WITH "EPA 2010"



From B-5002 To K-6492	Date:01/2024	PAGE:X3-1870-20
REAR ENGINE UPPER DOOR WITH "EPA 2010"		

Item#	Part	Description	QTY	Notes
	2800074	REAR ENGINE UPPER DOOR ASSY	1	
1	479267	DOOR PANEL ALUMINUM To H-6101	1	
1	470270	DOOR PANEL ALUMINUM From H-6102	1	
NS	684743	GLUE METHACRYLATE PLEXUS MA832GB 380 ml	AR	
NS	506869	TAPE RUB ADH2 POL .031" X 1/4" X 300' / BLACK	AR	
2	479271	FRAME DOOR	1	
3	479314	PANEL INSULATING ALUMINUM	1	
4	479323	ARM ASSY To H-6115	1	
4	470458	ARM ASSY From H-6116	1	
5	479268	HINGE ASSY	2	
6	479275	ATTACHMENT PLATE W/2 NUTS 131MMx35MM / 40MM C/C	2	
7	288088	PLATE RETAINER 66MM X 25.4MM	2	
NS	506869	TAPE RUB ADH2 POL .031" X 1/4" X 300' / BLACK	AR	
8	479299	SHIM SPACER 40MM x 80MM x 14GA	1	
9	479300	ATTACHMENT LAMPS 32MMx32MM	6	
10	504559	GROMMET / .469X.078X.375X.594	8	
11	479283	ATTACHMENT ANGLE W/2 NUTS 131MMx35MM / 40MM C/C	1	
12	479301	SHIM SPACER 28MM x 78MM x 14GA	1	
13	479288	CATCH PIN / RETAINER 125X45	1	
20	504379	RIVET POP DOME OE 3/16x1/4 SS	24	
21	5001699	WASHER BEL SPR 8.2x22x1.4 N500	10	
22	502862	SCREW CAP HEX M8-1.25x20 G8.8 N500	2	
23	5001738	SCREW CAP HEX M8-1.25x30 G8.8 N500	4	
24	502780	SCREW CAP HEX M8-1.25x25 SS BK	4	
25	502737	SCREW CAP HEX M6-1.0x25 SS BK	2	
26	500356	WASHER LO SERR 6.1x16.0x0.9 N500	2	
28	780340	CLIP, RETAINER ROD	1	
30	479280	GUIDE PIN PLATE 125MMx 45MM	1	
31	479282	SUPPORT CATCH PIN	1	
32	780340	CLIP, RETAINER ROD	1	
33	479482	COVER, MECANISME	1	
34	479307	ROD "J" FORM 61MMx31MMx15MM	1	
35	502910	SPRING COMPRESSION / .720 O.D. 1.75 x .055	1	
36	289636	CATCH PIN ACETAL / 90.5MM To F-5786	1	
36	2800884	CATCH PIN BLACK ACETAL From F-5787 To G-5982	1	
36	2801055	CATCH PIN BLACK ACETAL From G-5983	1	
37	504416	RIVET POP DOME OE 3/16x5/8 SS	2	
38	5001168	BUMPER RUBBER / .750 OD x .562 TH x .187 HOLE To J-6339	2	
38	5002023	BUMPER NEOPRENE / .750 OD x .562 TH x .187 HOLE From J-6340	2	
39	500411	WASHER FL .260x.697x.050 SS	2	
40	5001332	SCREW MA PAN PH M4-0.7x16 SS	6	

From B-5002 To K-6492	Date:01/2024	PAGE:X3-1870-20
REAR ENGINE UPPER DOOR WITH "EPA 2010"		

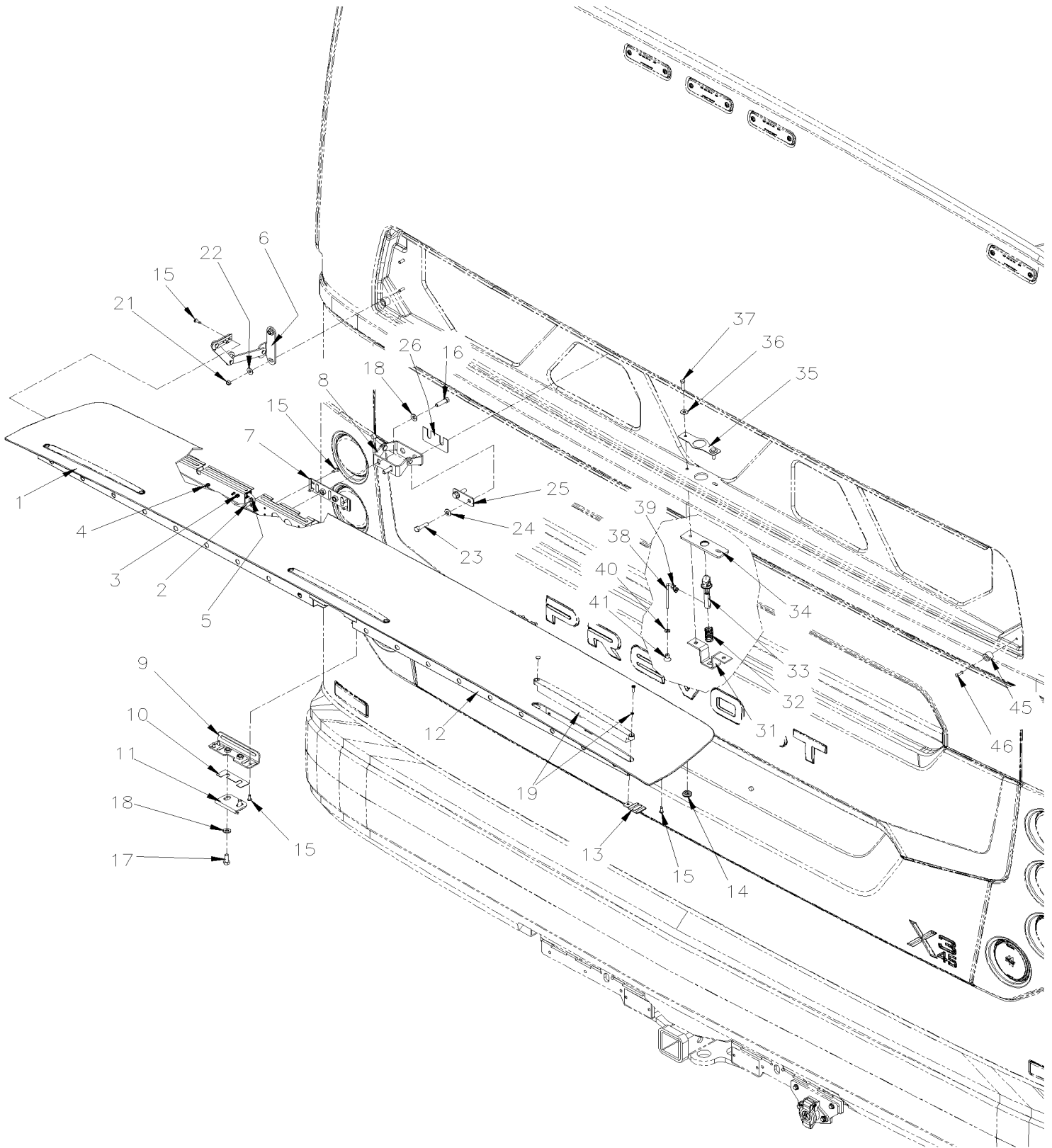
Item#	Part	Description	QTY	Notes
41	502834	WASHER LO SPT 4.1x7.6x0.9 N500	6	
NS	504637	CABLE TIE / 3/16" x 13"	8	
NS	067665	CABLE ASSY DPF DOOR 3 LIGHTS To H-6179	1	
NS	060037	CABLE ASSY DPF DOOR 3 LIGHTS From H-6180	1	
NS	504591	BUMPER PLUG / .937 ODx.031THx.625HOLE To D-5440	9	
NS	5001719	SNAP-IN PLUG / .6875 O.D From D-5441	9	
NS	504448	CABLE CLIP 1/4" / ADHESIVE	1	
43	504610	RIVET MGLP PRDG 1/4x5/8 SS	4	
44	504793	RIVET MNB OE LARGE HEAD 3/16x7/16 SS	2	
45	504487	RIVET MGLP PRDG 3/16x7/16 SS	2	
50	X3-0662-00	CLEARANCE & MARKER LIGHT To E-5759		
51	X3-1851-21	REAR CAP - INSTALLATION WITH EPA 2007 & 2010		

From L-6493

Date:01/2024

PAGE:X3-1870-21

REAR ENGINE UPPER DOOR



From L-6493		Date:01/2024	PAGE:X3-1870-21
-------------	--	--------------	-----------------

REAR ENGINE UPPER DOOR

Item#	Part	Description	QTY	Notes
1	2810260	REAR ENGINE UPPER DOOR WITH LAMPS ASSY	1	
2	060037	. CABLE ASSY DPF DOOR 3 LIGHTS	1	
3	564108	. SELF MOUNTING STUD // DEUTSCH 1011-310-0205	1	
4	509815	. TIE MOUNT / ATTACHMENT W/TREE MOUNT	1	
5	504637	. CABLE TIE / 3/16" x 13"	AR	
6	471157	. ARM, RETAINING ASSY	1	
6	506869	. TAPE RUB ADH2 POL .031" X 1/4" X 300' / BLACK	AR	
7	479275	. ATTACHMENT PLATE W/2 NUTS 131MMx35MM / 40MM C/C	2	
7	506869	. TAPE RUB ADH2 POL .031" X 1/4" X 300' / BLACK	AR	
7	684743	. GLUE METHACRYLATE PLEXUS MA832GB 380 ml	AR	
8	479268	. HINGE ASSY	2	
9	479283	. ATTACHMENT ANGLE W/2 NUTS 131MMx35MM / 40MM C/C	1	
9	506869	. TAPE RUB ADH2 POL .031" X 1/4" X 300' / BLACK	AR	
9	684743	. GLUE METHACRYLATE PLEXUS MA832GB 380 ml	AR	
10	479301	. SHIM SPACER 28MM x 78MM x 14GA	1	
11	479288	. CATCH PIN / RETAINER 125X45	1	
12	479314	. PANEL INSULATING ALUMINUM	1	
13	479300	. ATTACHMENT LAMPS 32MMx32MM To R-6969	6	
13	506869	. TAPE RUB ADH2 POL .031" X 1/4" X 300' / BLACK To R-6969	AR	
13	684743	. GLUE METHACRYLATE PLEXUS MA832GB 380 ml To R-6969	1	
13	4705229	. ATTACHMENT LAMPS 51MMx63.7MM From R-6970	6	
14	504496	. GROMMET 2 HOLESx.062x.625x.062x.312x.875x.031 x.375	10	
15	504379	. RIVET POP DOME OE 3/16x1/4 SS	23	
16	5001912	. SCREW CAP HEX M8-1.25x30 SS BK	4	
17	5001868	. WASHER BEL SPR 8.4x18x2 SS	6	
18	500119	. SCREW CAP HEX M8X1.25X20 BK	2	
19	X3-0662-01	. CLEARANCE & MARKER LIGHT		
21	5001851	NUT HEX M6-1.0 SS BK	2	
22	5001833	WASHER BEL SPR 6.1x18x1.27 SS	2	
23	5001912	SCREW CAP HEX M8-1.25x30 SS BK	4	
24	5001868	WASHER BEL SPR 8.4x18x2 SS	4	
25	288088	PLATE RETAINER 66MM X 25.4MM	2	
26	479299	SHIM SPACER 40MM x 80MM x 14GA	2	
31	479282	SUPPORT CATCH PIN	1	
32	502910	SPRING COMPRESSION / .720 O.D. 1.75 x .055	1	
33	2801055	CATCH PIN BLACK ACETAL	1	
34	479280	GUIDE PIN PLATE 125MMx 45MM	1	
35	471155	PLATE	1	
36	5001833	WASHER BEL SPR 6.1x18x1.27 SS	2	
37	502737	SCREW CAP HEX M6-1.0x25 SS BK	2	

From L-6493	Date:01/2024	PAGE:X3-1870-21
-------------	--------------	-----------------

REAR ENGINE UPPER DOOR

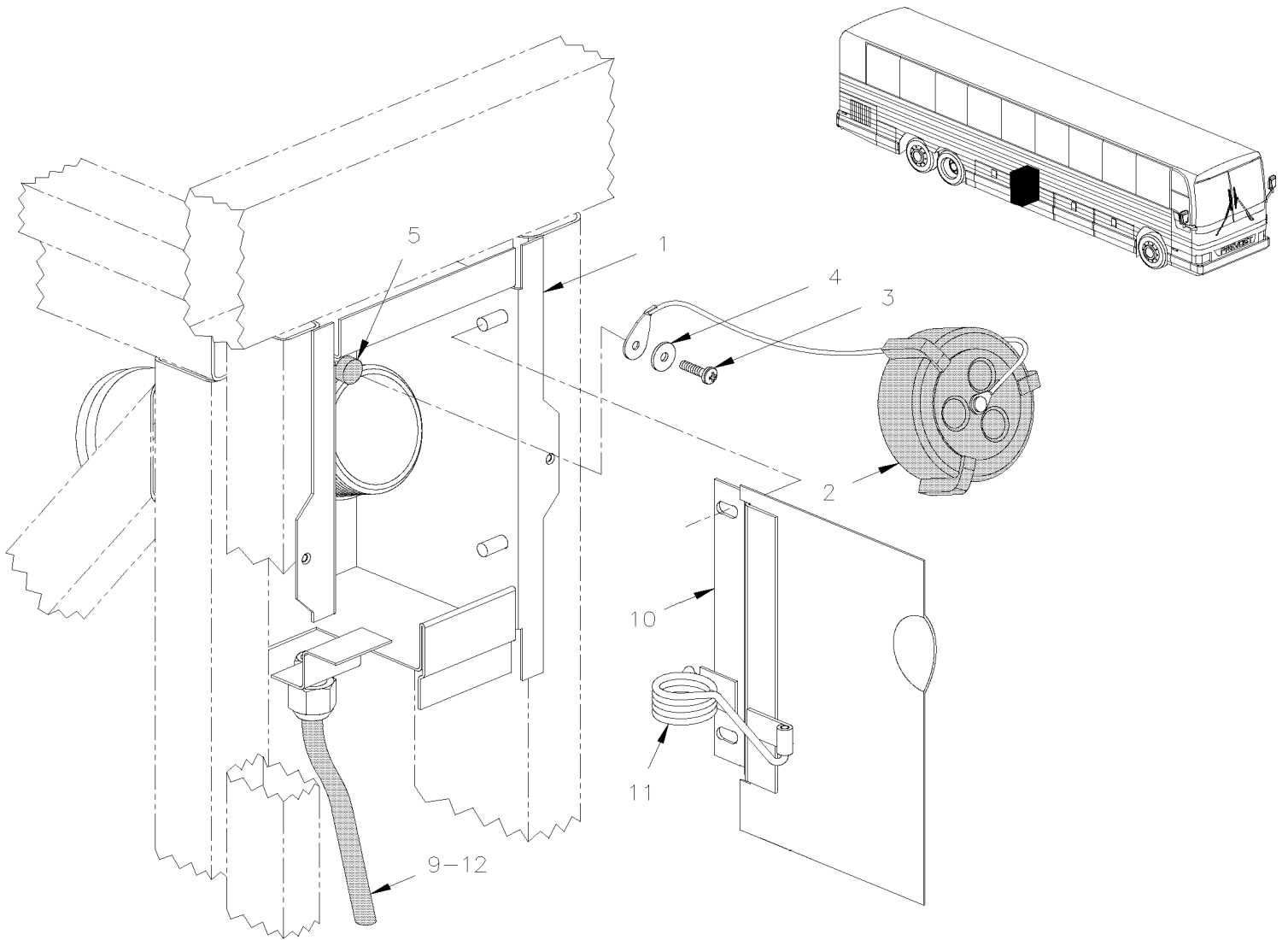
Item#	Part	Description	QTY	Notes
38	471156	ROD, REAR ACCESS DOOR	1	
39	780340	CLIP, RETAINER ROD	1	
40	500986	NUT HEX #8-32 N500	1	
41	505504	KNOB, PULL / 8-32	1	
45	5002023	BUMPER NEOPRENE / .750 OD x .562 TH x .187 HOLE	2	
46	504416	RIVET POP DOME OE 3/16x5/8 SS To L-6494	2	
46	504200	RIVET POP DOME OE 3/16x3/4 SS From L-6495	2	

From 7-8754 To B-5001

Date:01/2024

PAGE:X3-1875-00

FUEL TANK FILLING DOOR



From 7-8754 To B-5001	Date:01/2024	PAGE:X3-1875-00
FUEL TANK FILLING DOOR		

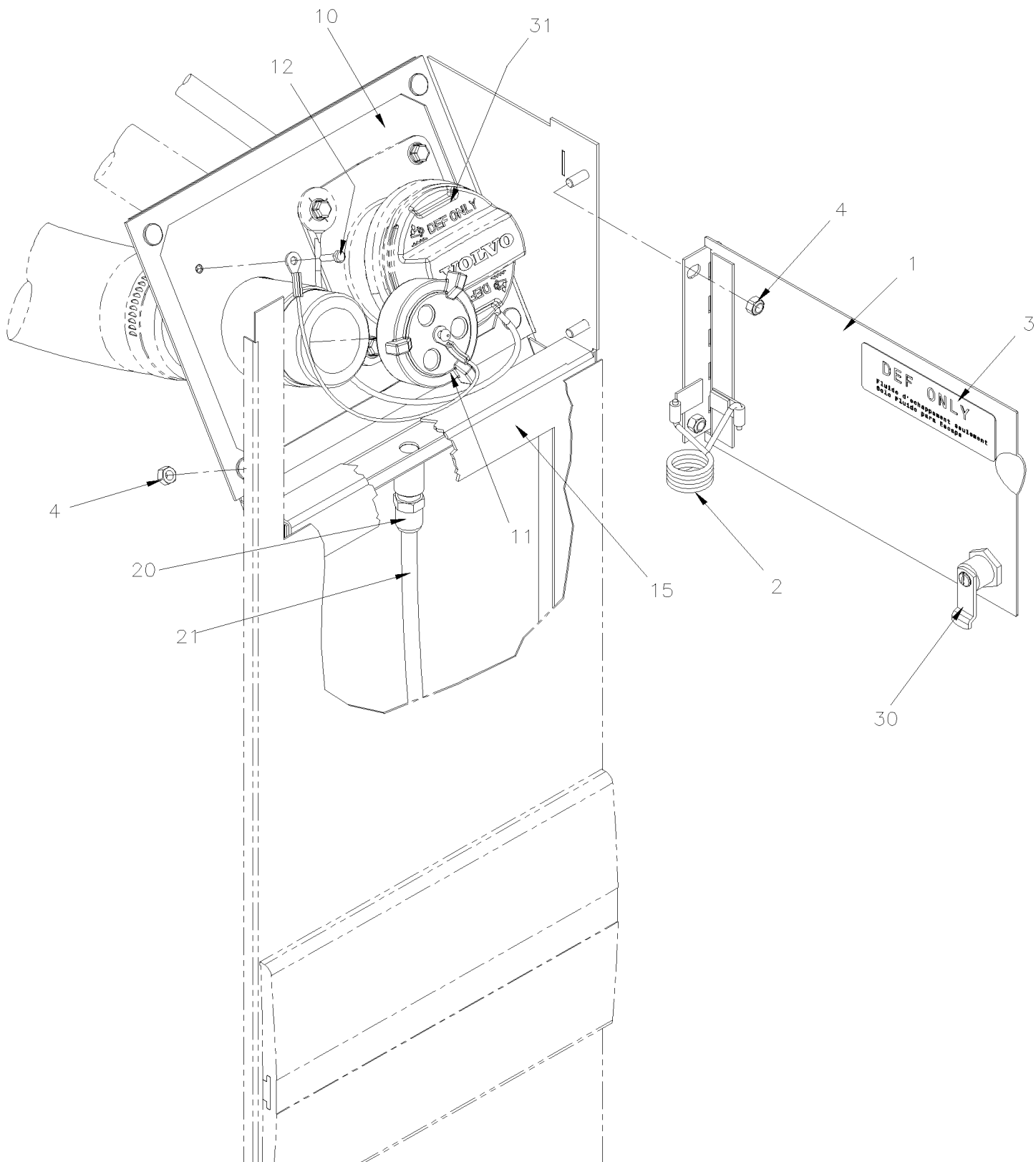
Item#	Part	Description	QTY	Notes
1	032416	BOX ASSY, R.H. To D-5437	1	
1	032853	BOX ASSY, R.H. From D-5438	1	
2	531424	FUEL FILLING CAP / SCREW TYPE CAP	1	
3	500572	SCREW MA TR PH #10-24x1/2 SS BK	1	
4	500470	WASHER LO SPT .193x.334x.047 Z050	1	
5	470949	SPACER RUBBER 3/4" O.D. / S.Q.	1	
9	641331	MALE CONNECTOR / PUSH-IN FITTING / #6x1/4NPT-M BR	1	
10	474981	DOOR ASSY, R.H. / W/LOCK	1	
10	474980	DOOR ASSY, R.H.	1	
11	031175	SPRING, TORSION / 1 O.D. x .634 x .125	1	
12	503472	TUBE, NYLON 3/8 O.D. / GREY S.L.	AR	
NS	400137	DECAL / DIESEL FUEL BLACK	1	
NS	031162	DECAL / FUEL RECOMMENDATIONS / ENGLISH To 8-9276	1	
NS	032637	DECAL / FUEL RECOMMENDED # 1 OR # 2 AC.. / ENGLISH & FRANCAIS To 8-9276	1	
NS	032824	DECAL / ULTRA LOW SULFURE DIESEL / ENGLISH From 8-9277	1	
NS	032823	DECAL / ULTRA LOW SULFURE DIESEL (ULSD) / ENGLISH & SPANISH From 8-9277 To 9-9595	1	
NS	21298228	DECAL / ULTRA LOW SULFURE DIESEL (ULSD) / ENGLISH & SPANISH From 9-9596	1	
NS	032822	DECAL / ULTRA LOW SULFURE DIESEL / ENGLISH & FRANCAIS From 8-9277 To 9-9595	1	
NS	21298562	DECAL / ULTRA LOW SULFURE DIESEL / ENGLISH & FRANCAIS From 9-9596	1	
NS	031164	DECAL / CERTIFICATION	1	
NS	403747	DECAL / INSTRUCTION FOR FILLING TANK /208 GAL BLACK	1	

From A-9907 To A-9907

Date:01/2024

PAGE:X3-1875-01

FUEL TANK & UREA FILLING DOOR

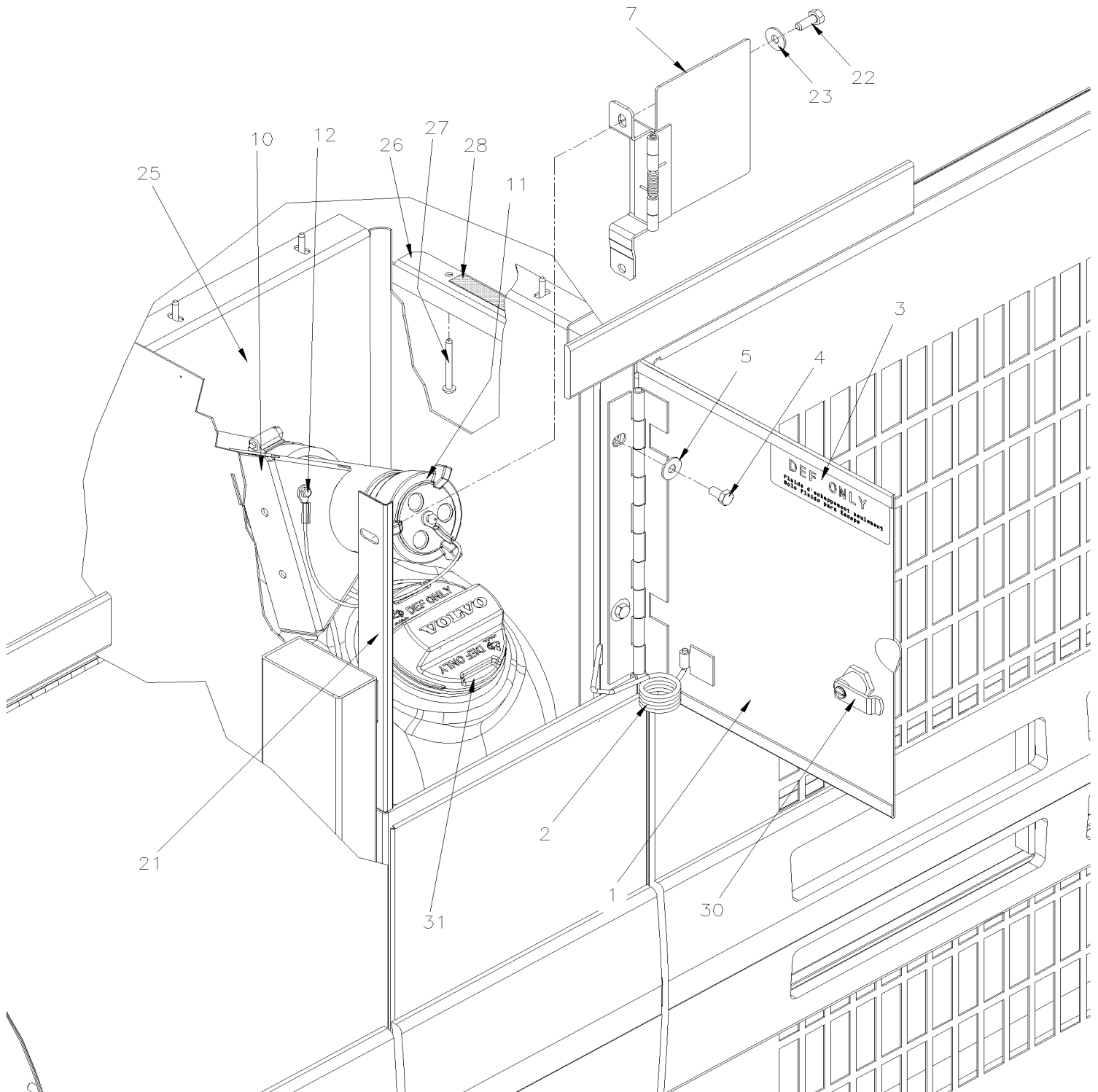


From A-9907 To A-9907	Date:01/2024	PAGE:X3-1875-01
FUEL TANK & UREA FILLING DOOR		

Item#	Part	Description	QTY	Notes
1	032888	DOOR ASSY, R.H. / W/LOCK	1	
1	032890	DOOR ASSY, R.H.	1	
2	031175	SPRING, TORSION / 1 O.D. x .634 x .125	1	
3	21467930	DECAL, UREA FILLING	1	
3	032824	DECAL / ULTRA LOW SULFURE DIESEL / ENGLISH	1	
NS	400137	DECAL / DIESEL FUEL BLACK	1	
NS	031164	DECAL / CERTIFICATION	1	
NS	403747	DECAL / INSTRUCTION FOR FILLING TANK /208 GAL BLACK	1	
4	502681	NUT HEX NYRT M6-1.0 N500 G8	6	
10	032856	FILLING CAP ASSY R.H.	1	
11	531424	. FUEL FILLING CAP / SCREW TYPE CAP	1	
12	502799	. SCREW CAP HEX M4-0.7X16 G8.8 N500	1	
15	216726	RECEPTACLE FILLING CAP PLATE	1	
20	641331	MALE CONNECTOR / PUSH-IN FITTING / #6x1/4NPT-M BR	1	
21	503404	TUBE, NYLON 3/8 O.D. / BLACK S.L.	AR	
NS	21298562	DECAL / ULTRA LOW SULFURE DIESEL / ENGLISH & FRANCAIS	1	
NS	21298228	DECAL / ULTRA LOW SULFURE DIESEL (ULSD) / ENGLISH & SPANISH	1	
30	X3-1867-00	KEY & CYLINDER CODE "FORD" & "NS"		
31	X3-0410-00	UREA RESERVOIR ASSY		

FUEL TANK & UREA FILLING DOOR

UP TO F-5811



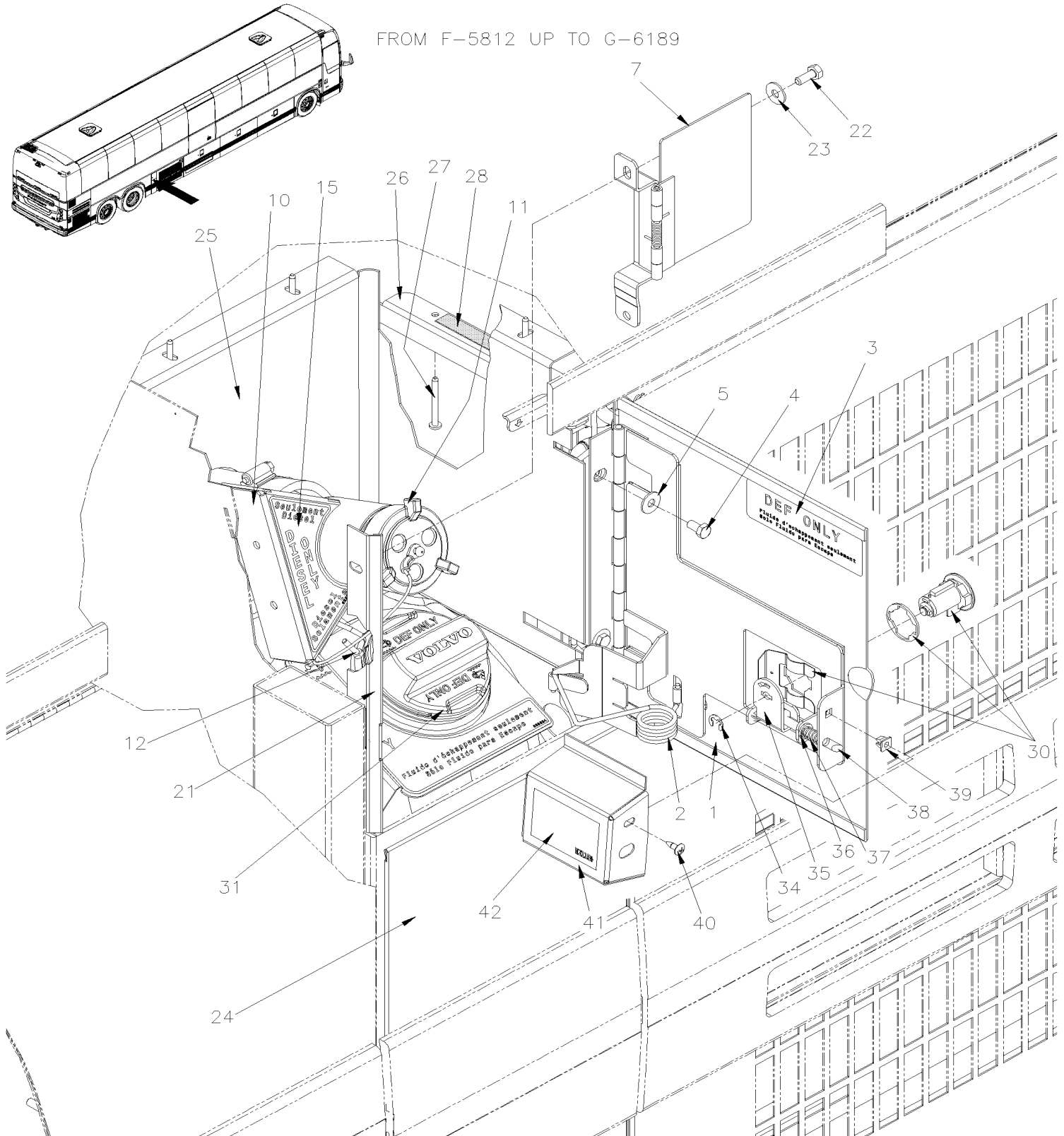
From B-5002

Date:01/2024

PAGE:X3-1875-02

FUEL TANK & UREA FILLING DOOR

FROM F-5812 UP TO G-6189

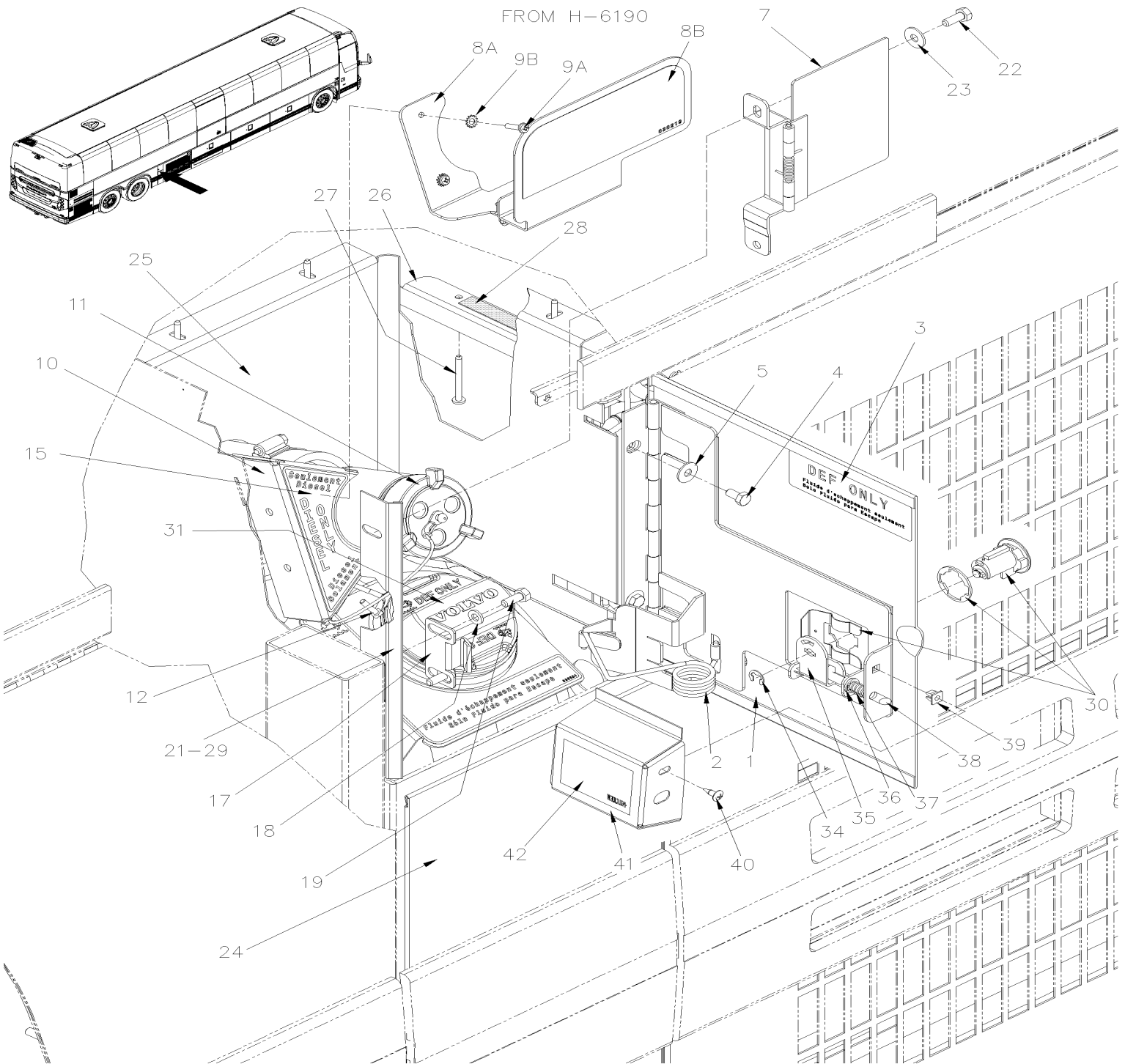


From B-5002

Date:01/2024

PAGE:X3-1875-02

FUEL TANK & UREA FILLING DOOR



From B-5002		Date:01/2024	PAGE:X3-1875-02
FUEL TANK & UREA FILLING DOOR			

Item#	Part	Description	QTY	Notes
1	484197	DOOR ASSY, R.H. / W/LOCK To F-5811	1	
1	2800581P	DOOR ASSY, R.H. / W/LOCK From F-5812	1	
1	484198	DOOR ASSY, R.H. To F-5811	1	
1	2800582P	DOOR ASSY, R.H. From F-5812	1	
2	032910	SPRING, TORSION / To F-5811	1	
2	2800538	SPRING, TORSION / From F-5812	1	
3	21467930	DECAL, UREA FILLING To H-6117	1	
NS	400001	DECAL / DIESEL FUEL WHITE	1	
NS	400050	DECAL / INSTRUCTION FOR FILLING TANK /203 GAL WHITE	1	
NS	400051	DECAL / INSTRUCTION FOR FILLING TANK /203 GAL BLACK	1	
NS	032824	DECAL / ULTRA LOW SULFURE DIESEL / ENGLISH	1	
NS	21298228	DECAL / ULTRA LOW SULFURE DIESEL (ULSD) / ENGLISH & SPANISH	1	
NS	21298562	DECAL / ULTRA LOW SULFURE DIESEL / ENGLISH & FRANCAIS	1	
4	5001743	SCREW CAP HEX M6-1.0x12 G8.8 N500 To F-5811	2	
4	5001697	SCREW CAP HEX M6-1.0x16 SS BK From F-5812	2	
5	500411	WASHER FL .260x.697x.050 SS To F-5811	2	
5	5001833	WASHER BEL SPR 6.1x18x1.27 SS From F-5812	4	
NS	484214	SHIM SS / DOOR HINGE 28MM x 220MM x 24GA To C-5248	AR	
NS	484278	SHIM SS / DOOR HINGE 20MM x 220MM x 24GA From C-5249	AR	
7	033215	SPRING FLAP X3 W/O LOCK ASSY From B-5002 To L-6634	1	O
7	030183	SPRING FLAP X3 W/O LOCK ASSY From L-6635 To N-6721	1	O
7	IS18910-3	FLAP, TANK FEELING PROTECTION To N-6721	1	
7	033219	SPRING FLAP X3 OR WE W/ LOCK ASSY From B-5002 To L-6634	1	O
7	030182	SPRING FLAP WITH LOCK ASSY From L-6635 To N-6721	1	O
7	IS18910-2	FLAP, TANK FEELING PROTECTION To N-6721	1	
8A	030098	DIESEL FILLING FLAP From N-6722	1	
8B	030217	DECAL "DIESEL ONLY..." From N-6722	1	
8B	030219	DECAL "DEF ONLY..." From N-6722	1	
9A	502698	SCREW MA PAN PH M4-0.7x16 SS BK From N-6722	2	
9B	5001544	WASHER LO EXT .195x.410x.025 SS From N-6722	2	
10	032903	FILLING CAP ASSY / CURB-SIDE To C-5276	1	
10	032932	FILLING CAP ASSY / CURB-SIDE From C-5277	1	
11	531424	FUEL FILLING CAP / SCREW TYPE CAP	1	
12	502799	SCREW CAP HEX M4-0.7X16 G8.8 N500	1	
15	030035	DECAL "DIESEL ONLY" From H-6118	1	
17	460031	STOPPER DOOR From H-6202	1	
18	5001697	SCREW CAP HEX M6-1.0x16 SS BK From H-6202	2	
19	502573	WASHER FL 6.4x12.5x1.6 SS From H-6202	2	
21	477295	CATCH PLATE / CURBSIDE To B-5093	1	

From B-5002	Date:01/2024	PAGE:X3-1875-02
FUEL TANK & UREA FILLING DOOR		

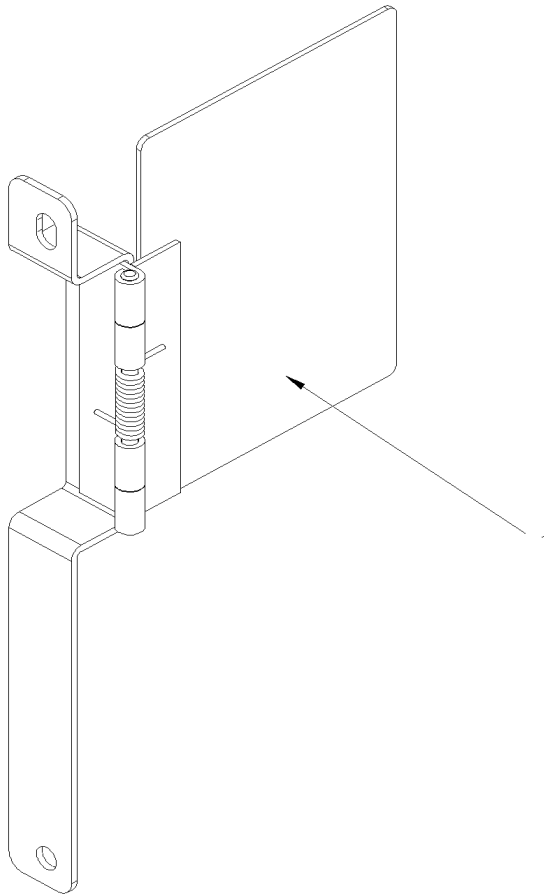
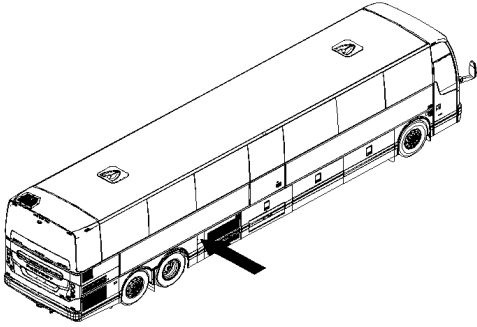
Item#	Part	Description	QTY	Notes
21	477240	CATCH PLATE From B-5094 To H-6201	1	
21	477240	CATCH PLATE From H-6202	1	A
21	470549	CATCH PLATE From H-6202	1	
22	5001730	SCREW CAP HEXF M6-1.0x16 G10.9 N500 From B-5094 To F-5811	2	
22	5001697	SCREW CAP HEX M6-1.0x16 SS BK From F-5812 To N-6721	2	
23	5001833	WASHER BEL SPR 6.1x18x1.27 SS To N-6721	2	
24	477293	PANEL CURBSIDE 246.4MM	1	O
25	032963	MUD FLAP / UREA TANK To F-5818	1	O
25	033979	MUD FLAP / UREA TANK, PROTECTOR, FILLING From F-5819 To H-6140	1	
25	033030	MUD FLAP / UREA TANK, PROTECTOR, FILLING From H-6141	1	
26	032962	SUPPORT / MUD FLAP / UREA TANK	1	O
27	5001890	SCREW TP PAN PH #8x1 3/4" SS	4	O
28	680453	SEALANT TAPE / CLEAR / 1/32"x1/2"x65' / 1795	AR	O
29	4705100	SPACER FRAME From J-6348	1	
30	X3-1867-00	KEY & CYLINDER CODE "FORD" & "NS" To K-6492		
30	X3-1867-01	KEY & CYLINDER CODE "FORD" From L-6493		
31	X3-0410-01	UREA RESERVOIR ASSY		
34	504402	RING RETAINER / EXT .250 x .210 x .025"	1	
35	484218	PIVOT LOCK / CURBSIDE From F-5812	1	
36	502573	WASHER FL 6.4x12.5x1.6 SS From F-5812	1	
37	474008	SPRING COMPRESSION / .360 O.D. x .625 x .035 From F-5812 To K-6428	1	
37	471755	SPRING COMPRESSION / .360 O.D. x .750 x .035 From K-6429	1	
38	289800	ROD From F-5812	1	
NS	5001860	PIN HITCH CLIP .054 x 3/4 SS From F-5812	1	
39	502741	NUT AN #8 NYL From F-5812	2	
40	500124	SCREW TP TR PH #8x1/2 SS From F-5812	2	
41	2800579	PROTECTOR BOX / CURBSIDE From F-5812	1	
NS	506225	TAPE RUB ADH1 CC POL 1/16" x 1/4" x 100' / GREY 2520 From F-5812	AR	
42	031164	DECAL / CERTIFICATION From F-5812	1	
		A) WITHOUT DOOR LOCK		
		O) OPTION		

From B-5002

Date:01/2024

PAGE:IS18910-3

FLAP, TANK FEELING PROTECTION



From B-5002		Date:01/2024	PAGE:IS18910-3
-------------	--	--------------	----------------

FLAP, TANK FEELING PROTECTION

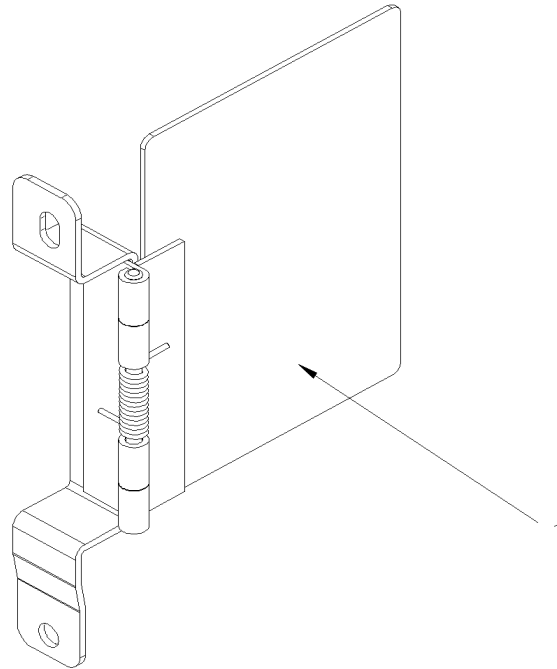
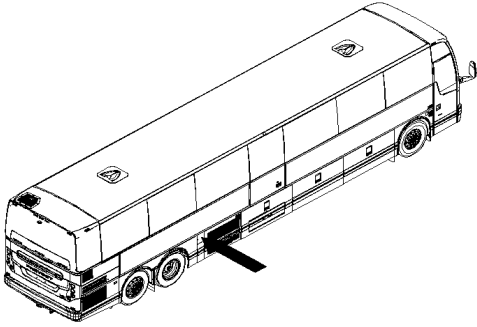
Item#	Part	Description	QTY	Notes
1	033215	SPRING FLAP X3 W/O LOCK ASSY FORMER	1	
1	030183	SPRING FLAP X3 W/O LOCK ASSY CURRENT	1	
100	IS-18910	SEE INSTRUCTION SHEET	1	

From B-5002

Date:01/2024

PAGE:IS18910-2

FLAP, TANK FEELING PROTECTION



From B-5002		Date:01/2024	PAGE:IS18910-2
-------------	--	--------------	----------------

FLAP, TANK FEELING PROTECTION

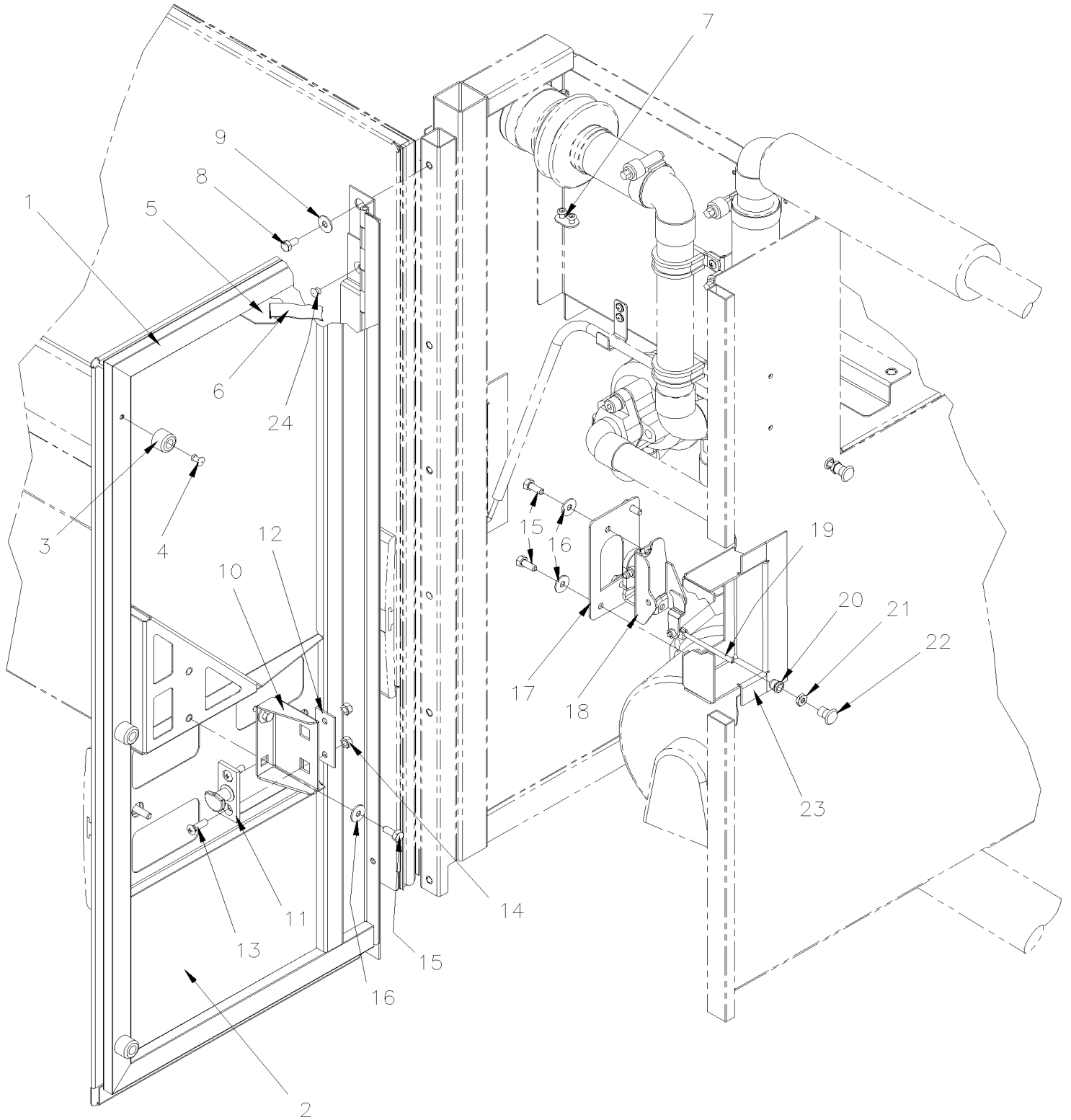
Item#	Part	Description	QTY	Notes
1	033219	SPRING FLAP X3 OR WE W/ LOCK ASSY FORMER	1	
1	030182	SPRING FLAP WITH LOCK ASSY CURRENT	1	
100	IS-18910	SEE INSTRUCTION SHEET	1	

From A-9907 To A-9907

Date:01/2024

PAGE:X3-1876-00

WATER PUMP & WATER HEATER DOOR



From A-9907 To A-9907	Date:01/2024	PAGE:X3-1876-00
-----------------------	--------------	-----------------

WATER PUMP & WATER HEATER DOOR

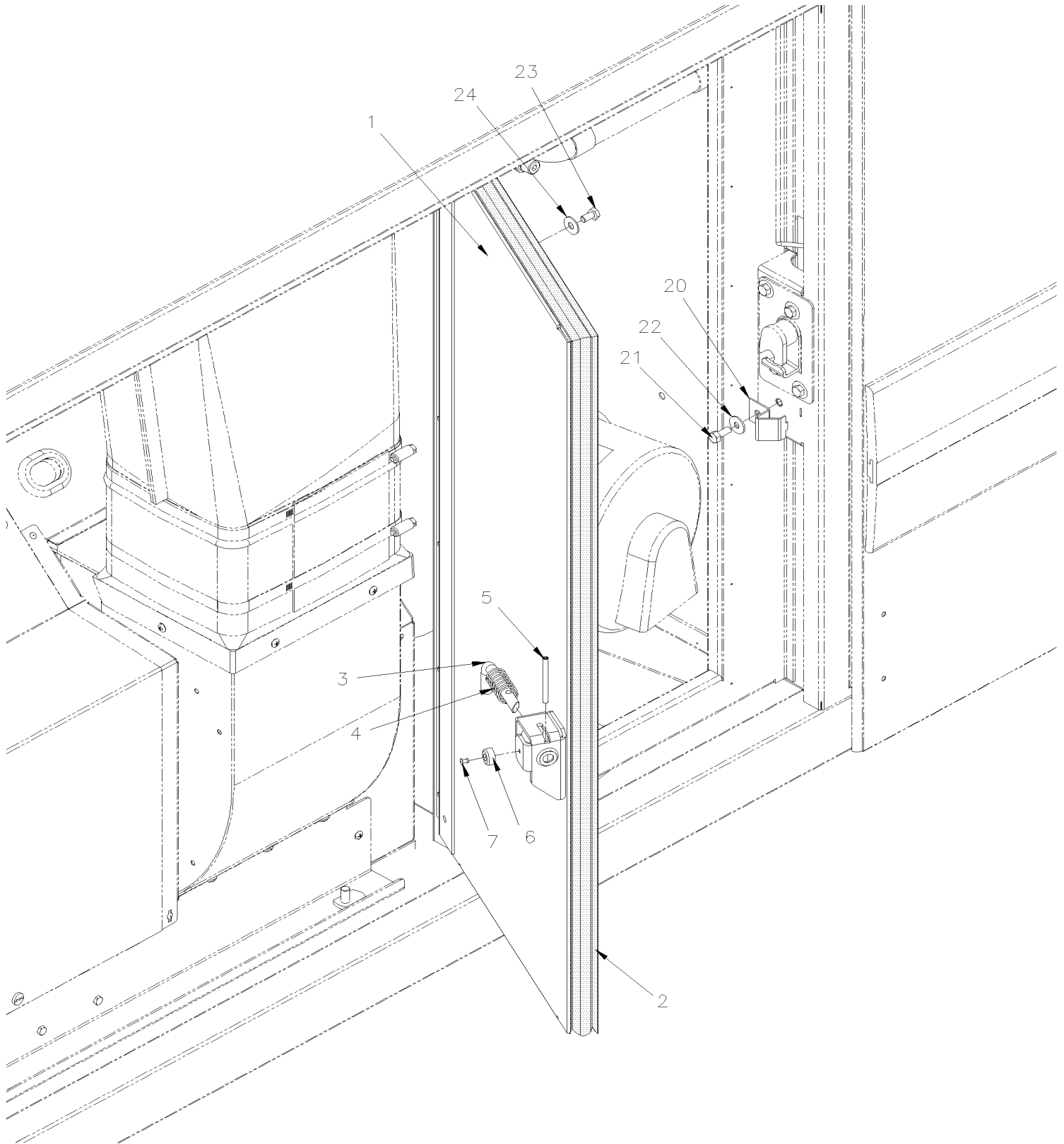
Item#	Part	Description	QTY	Notes
	 "WARNING" - "WARNING" - "WARNING"		
		ONLY 2VIN WITH THIS DOOR MODEL		
	 A-9907 & A-9926		
	Call order desk	WATER HEATER DOOR ASSY	1	P
	Call order desk	WATER HEATER DOOR ASSY	1	P
1	287585	. FRAME ASSY	1	
2	287586	. PANEL	1	
3	5001168	. BUMPER RUBBER / .750 OD x .562 TH x .187 HOLE	3	
4	504416	. RIVET POP DOME OE 3/16x5/8 SS	3	
5	285476	. SUPPORT STRAP RETAINER W/2 SLOTS & 1 HOLE (WELDED AT DOOR STRUCTURE)	1	
6	505507	STRAP NYLON 1" WIDE / S.L.	AR	
7	284439	PLATE, STRAP RETAINING / OBLONG 16.5MM x 25.4MM W/2 HOLES	1	
NS	504747	RIVET HKL MMS 3/16x3/8 SS	2	
8	5001743	SCREW CAP HEX M6-1.0x12 G8.8 N500	6	
9	500411	WASHER FL .260x.697x.050 SS	6	
10	284556	STRIKER SUPPORT 86 x 25 x 60	1	
11	780278	PIN, STRIKER STUD	1	
12	283326	STRIKER PLATE, MOUNTING / 60MM X 25MM	1	
13	5001497	SCREW MA OV PH M6-1.0x20 SS	2	
14	5001182	NUT HEX NYRT M6-1.0 SS	2	
15	5001697	SCREW CAP HEX M6-1.0x16 SS BK	6	
16	5001833	WASHER BEL SPR 6.1x18x1.27 SS	6	
17	485648	LOCK SUPPORT	1	
18	780652	LOCK SPAGNOLET L.H. / W/G-FITTING	1	
. NS	780340	. CLIP, RETAINER ROD	1	
. NS	507607	. GREASE FITTING / M6-1.00	1	
19	287593	ROD OPENING 77MM		
20	504083	SNAP BUSHING / .250x.468.406	1	
21	500986	NUT HEX #8-32 N500	1	
22	505504	KNOB, PULL / 8-32	1	
23	484147	LOCK SUPPORT / (WELDED TO STRUCTURE)	1	
24	504379	RIVET POP DOME OE 3/16x1/4 SS	2	
		P) CALL ORDER DESK FOR SPECIFIC APPLICATION (V.I.N.)		

From B-5002 To D-5451

Date:01/2024

PAGE:X3-1876-01

WATER PUMP & WATER HEATER DOOR



From B-5002 To D-5451	Date:01/2024	PAGE:X3-1876-01
-----------------------	--------------	-----------------

WATER PUMP & WATER HEATER DOOR

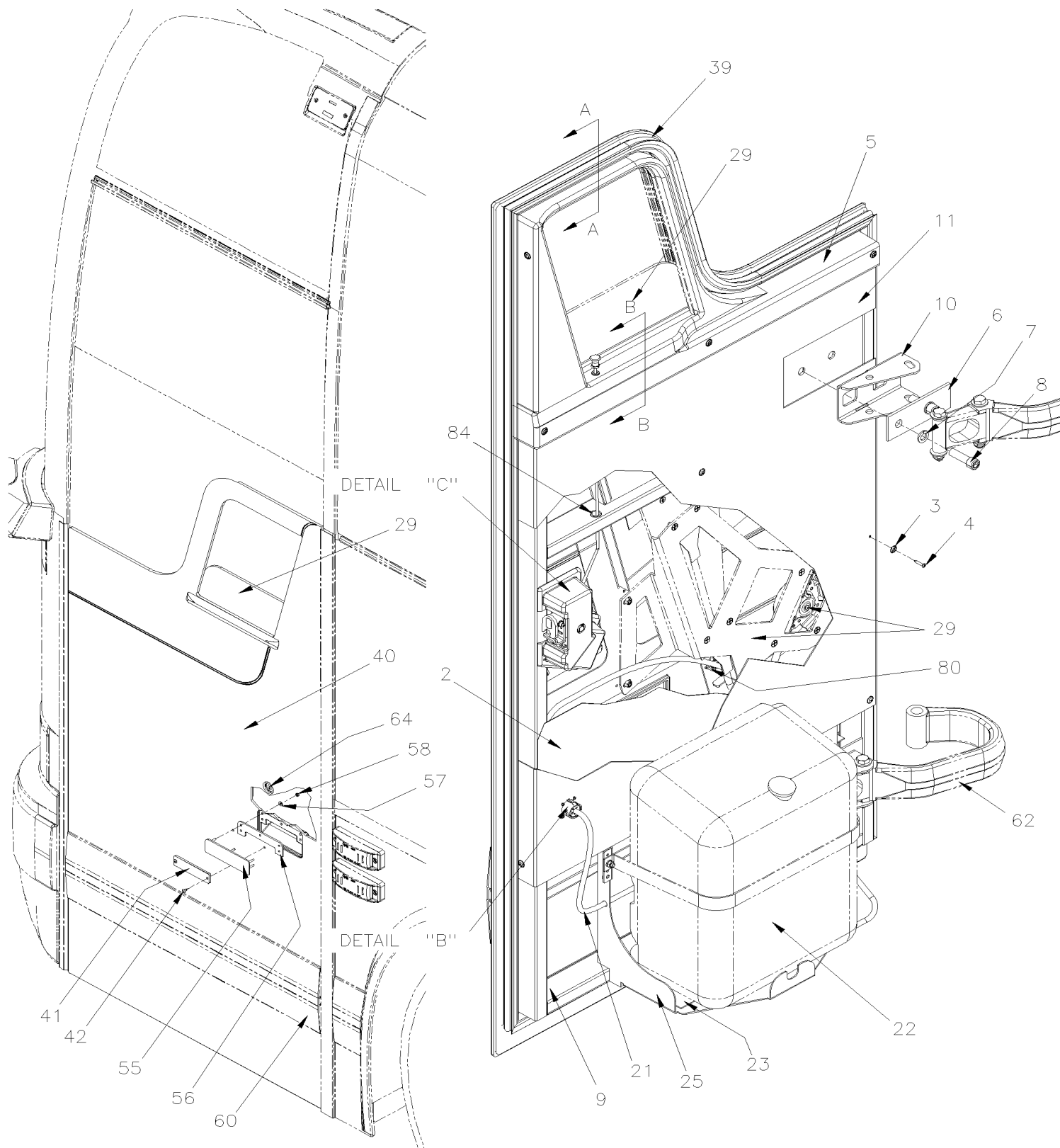
Item#	Part	Description	QTY	Notes
	287597P	WATER HEATER DOOR ASSY	1	
1	287707	. WATER HEATER DOOR	1	
2	484196	. WEATHERSTRIP / WATER HEATER DOOR	1	
2	2800134	. . RUBBER SEAL EXTRUSION / ADHESIVE / RAW MATERIAL / DOOR SEAL	AR	
3	287600	. HANDLE CATCH PIN	1	
4	502910	. SPRING COMPRESSION / .720 O.D. 1.75 x .055	1	
5	5001811	. SPRING PIN 3/16" x 2" SS	1	
6	5001393	. BUMPER RUBBER / .625 OD x .281 TH x .125 HOLE	1	
7	504340	. RIVET POP DOME OE 1/8x3/16 SS	1	
20	287598	STOPPER CATCH PIN	1	
21	5001697	SCREW CAP HEX M6-1.0x16 SS BK	1	
22	5001833	WASHER BEL SPR 6.1x18x1.27 SS	1	
23	5001743	SCREW CAP HEX M6-1.0x12 G8.8 N500	6	
24	500411	WASHER FL .260x.697x.050 SS	845	

From 7-8754

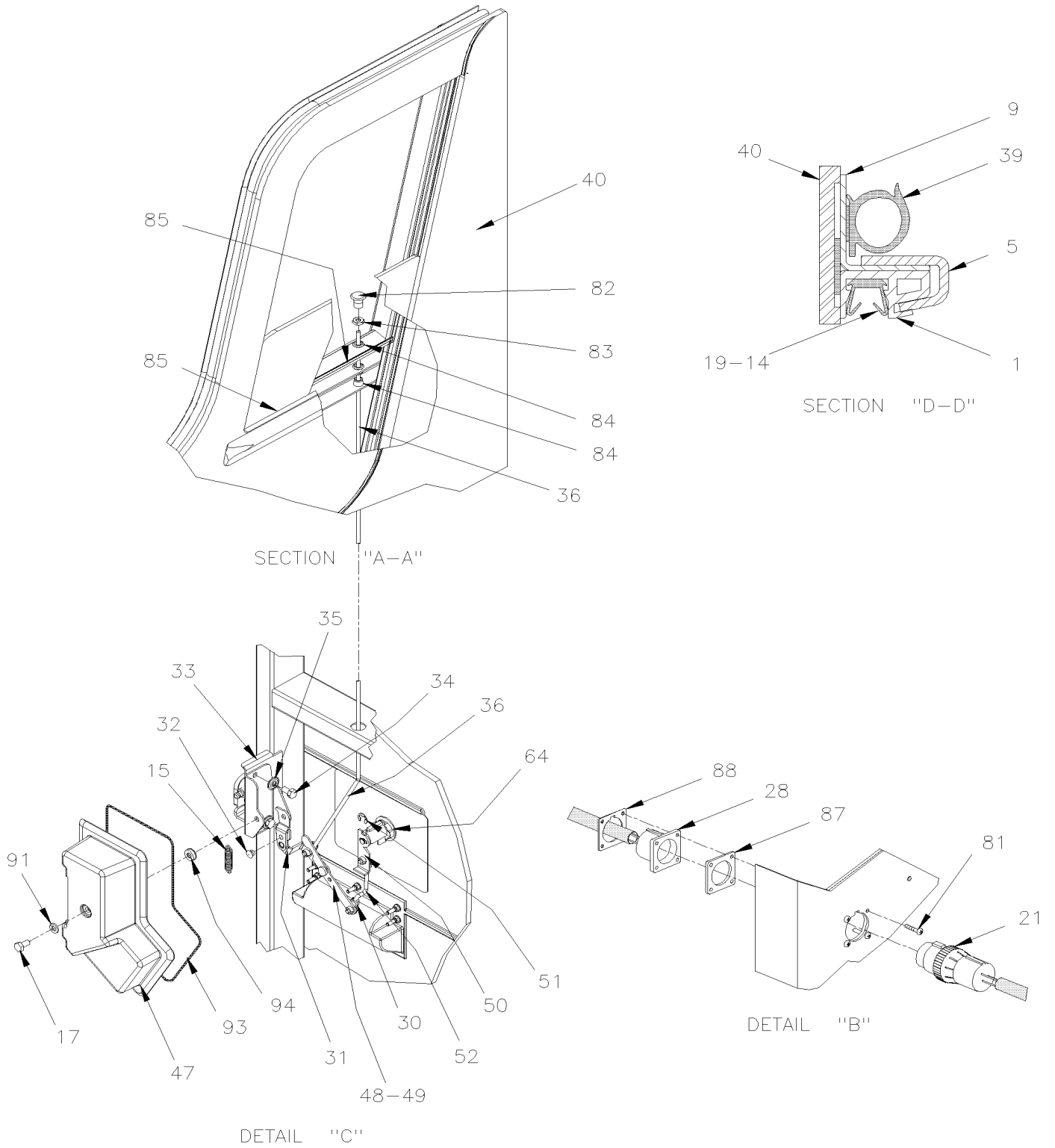
Date:01/2024

PAGE:X3-1879-00

FRONT SERVICE DOOR ASSY



FRONT SERVICE DOOR ASSY

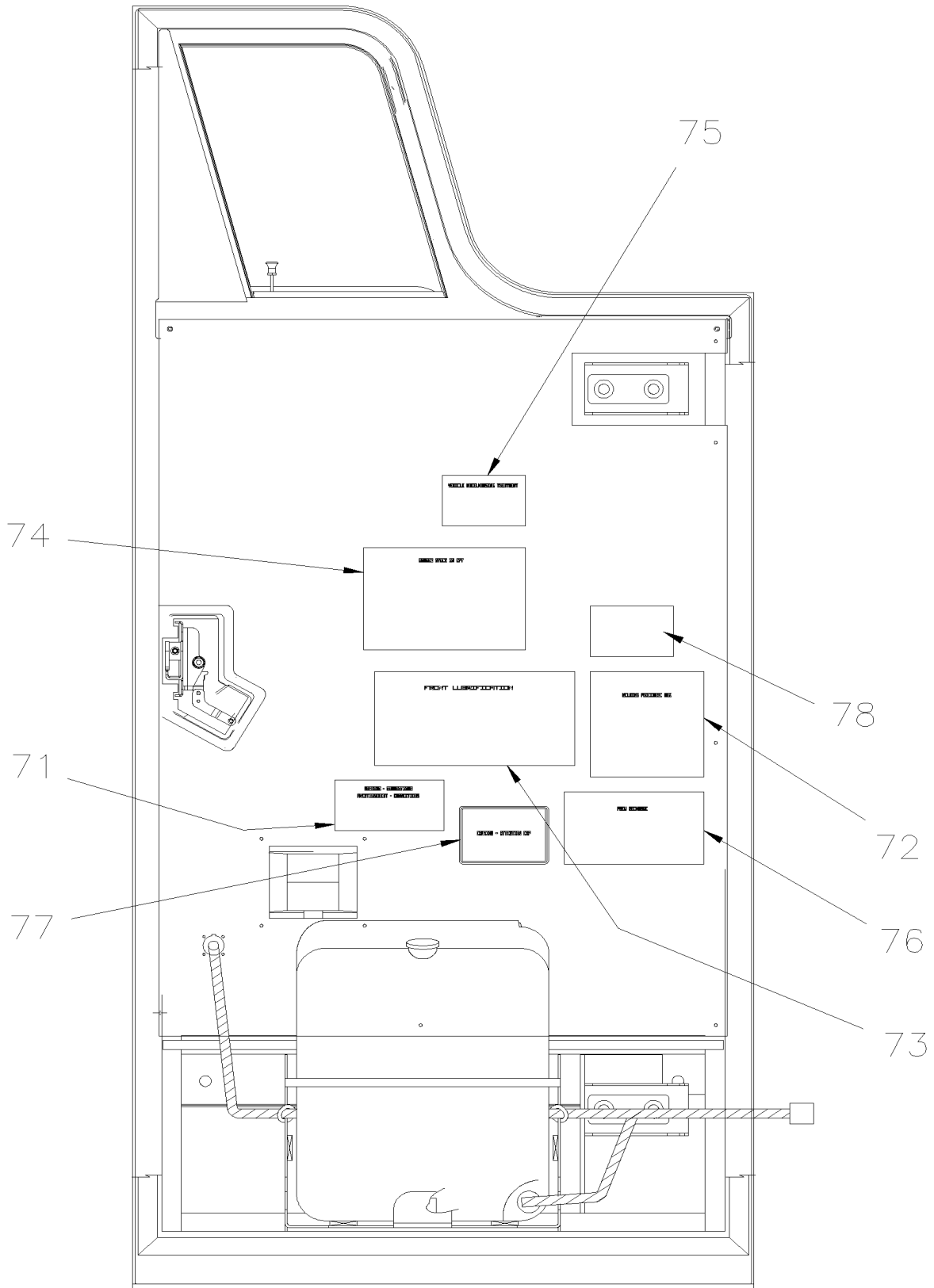


From 7-8754

Date:01/2024

PAGE:X3-1879-00

FRONT SERVICE DOOR ASSY



From 7-8754	Date:01/2024	PAGE:X3-1879-00
FRONT SERVICE DOOR ASSY		

Item#	Part	Description	QTY	Notes
		ALL FRONT SERVICE DOORS DO NOT INCLUDE		
		RUB-RAIL PLEASE ORDER SEPARATELY		
	286614P	FRONT SERVICE DOOR ASSY To K-6492	1	
	2810257	FRONT SERVICE DOOR ASSY From L-6493	1	
1	285983	WINDOW TRACK	1	
2	286606	INSULATING / COACH	1	
2	2801010	INSULATING / W/FRONT BLOCK HEATER PLUG From G-5935	1	T
2	2810040	INSULATING / W/FRONT BLOCK HEATER PLUG & BATTERY CHARGER PLUG From L-6493	1	S
3	500345	WASHER FN CKF .187x.500x.090 BR BK	AR	
4	5001097	SCREW TC OV PH #6-32x3/4 SS410 BK	AR	
5	286451	INTERIOR FINISHING / 83" To K-6492	1	
5	289092	INTERIOR FINISHING / From L-6493	1	
6	283402	SUPPORT PLATE To E-5622	2	
6	286998	SUPPORT PLATE 134MM X 48MM From E-5623	2	
7	5001589	SCREW CAP HEXS M12-1.75x40 G8.8 Z050	4	
8	500747	WASHER LO SPT 12.2x21.1x2.5 N500	4	
9	286605P	DOOR FRAME ASSY / COACH	1	
10	286014	HINGE SUPPORT	2	
11	286607	INTERIOR PANEL / COACH	1	
11	2801009	INTERIOR PANEL / W/FRONT BLOCK HEATER PLUG From G-5935	1	T
11	2810041	INTERIOR PANEL / W/FRONT BLOCK HEATER PLUG & BATTERY CHARGER PLUG From L-6493	1	S
NS	506790	TAPE RUB ADH2 CC POL 1/16" x 1/2" x 200' / BLACK I1C-N-A	4	
14	286440	FELT SLIDING 677MM	1	
15	284914	SPRING EXTENSION / .305 O.D. x 1.562 x .051	1	
17	5001433	SCREW CAP HEX M6-1.0x25 SS	1	
19	286439	FELT SLIDING 930MM	1	
21	066516	CABLE ASSY / WINDSHIELD WASHER PUMP To C-5113	1	
21	067947	CABLE ASSY / WINDSHIELD WASHER PUMP From C-5114 To H-6179	1	
21	069554	CABLE ASSY / WINDSHIELD WASHER PUMP From H-6180	1	
21	067948	CABLE ASSY / ADAPTOR / NEW LEVEL (SERVICE ONLY) To C-5113	1	
22	X3-2305-20	WINDSHIELD WASHER - INSTALLATION		
23	506339	TAPE RUB ADH1 NIT 1/4" x 1" x 35' / BLACK 1220	1	
25	286422	SUPPORT / WINDSHIELD WASHER TANK / WELDED TO STRUCTURE	1	
28	066517	WIRING HARNESS SERVICE DOOR To 7-9263	1	
28	067181	WIRING HARNESS SERVICE DOOR From 7-9264 To H-6179	1	
28	060068	WIRING HARNESS SERVICE DOOR From H-6180	1	
29	X3-1886-00	POWER WINDOW - ELECTRICAL INSTALLATION		
30	780340	CLIP, RETAINER ROD	3	
31	288008	PIVOT	1	
32	504379	RIVET POP DOME OE 3/16x1/4 SS	1	

From 7-8754		Date:01/2024	PAGE:X3-1879-00
FRONT SERVICE DOOR ASSY			

Item#	Part	Description	QTY	Notes
33	780652	LOCK SPAGNOLET L.H. / W/G-FITTING	1	
. NS	780340	. CLIP, RETAINER ROD	1	
. NS	507607	. GREASE FITTING / M6-1.00	1	
34	502563	SCREW CAP HEX M6-1.0x12 G8.8 Z050	2	
35	502582	WASHER LO SERR 6.1x16.2x0.9 Z050	2	
36	287084	OPENING ROD / COACH	1	
39	287493	RUBBER SEAL EXTRUSION / SERVICE DOOR To A-9872	1	
39	288910	RUBBER SEAL EXTRUSION / SERVICE DOOR From A-9873 To C-5244	1	
39	2800125	RUBBER SEAL EXTRUSION / SERVICE DOOR From C-5245	1	
40	281020	PANEL FIBERGLASS / COACH To K-6492	1	
40	280620	PANEL FIBERGLASS / COACH From L-6493	1	
40	2801008	PANEL FIBERGLASS / W/FRONT BLOCK HEATER PLUG From G-5935 To K-6492	1	T
40	280647	PANEL FIBERGLASS / W/FRONT BLOCK HEATER PLUG From L-6493	1	T
40	2810039	PANEL FIBERGLASS / W/FRONT BLOCK HEATER PLUG & BATTERY CHARGER PLUG From L-6493	1	S
41	930212	REFLECTOR AMBER 1 1/8" x 4 3/8"	1	
42	500124	SCREW TP TR PH #8x1/2 SS	2	
47	286456	LOCK CAP	1	
48	504542	RIVET SHR FL 9/32x3/32 STL	1	
49	287073	ROD	1	
50	287087	PIVOT	1	
51	504402	RING RETAINER / EXT .250 x .210 x .025"	1	
52	286709	ROD	1	
55	283956	HANDLE ASSY / W/5 STUDS	1	
56	283954	GASKET / HANDLE & BODY	1	
57	500855	WASHER FL .188x.438x.049 N500	5	
58	500539	NUT HEX NYRT M4-0.7 N500	5	
60	X3-1855-00	RUB RAIL - EXTERIOR CREST & TRIMS From 7-8754 To B-5001		
60	X3-1855-01	RUB RAIL - EXTERIOR CREST & TRIMS From B-5002 To G-6083		
60	X3-1855-02	RUB RAIL - EXTERIOR CREST & TRIMS From G-6084		
62	X3-1879-10	FRONT SERVICE DOOR - INSTALLATION		
64	X3-1867-00	KEY & CYLINDER CODE "FORD" & "NS" To K-6492		
64	X3-1867-01	KEY & CYLINDER CODE "FORD" From L-6493		
71	063160	DECAL / WARNING DONOT USE THIS CONNECTION / ENGLISH & FRANCAIS	1	
71	066061	DECAL / WARNING DONOT USE THIS CONNECTION / ENGLISH & SPANISH	1	
72	067072	DECAL / "CAUTION" BEFORE WELDING..." // ENGLISH To H-6179	1	
72	066436	DECAL / "CAUTION" BEFORE WELDING..." // ENGLISH To H-6179	1	
NS	066596	DECAL / "CAUTION" BEFORE WELDING..." // ENGLISH & FRANCAIS To H-6179	1	
NS	060261	DECAL / "CAUTION" BEFORE WELDING..." // ENGLISH & FRANCAIS From H-6180 To J-6239	1	
72	067067	DECAL / "CAUTION" BEFORE WELDING..." // ENGLISH & SPANISH To H-6179	1	
73	180232	DECAL "FRONT LUBRICATION..." / BILINGUAL / W/INDEPENDANTE SUSPENSION / ENGLISH & FRANCAIS	1	
73	180231	DECAL "FRONT LUBRICATION..." / BILINGUAL / W/RIGIDE SUSPENSION / ENGLISH & FRANCAIS	1	
73	180261	DECAL "FRONT LUBRICATION..." / BILINGUAL / W/RIGIDE SUSPENSION / ENGLISH & SPANISH	1	

From 7-8754		Date:01/2024	PAGE:X3-1879-00
FRONT SERVICE DOOR ASSY			

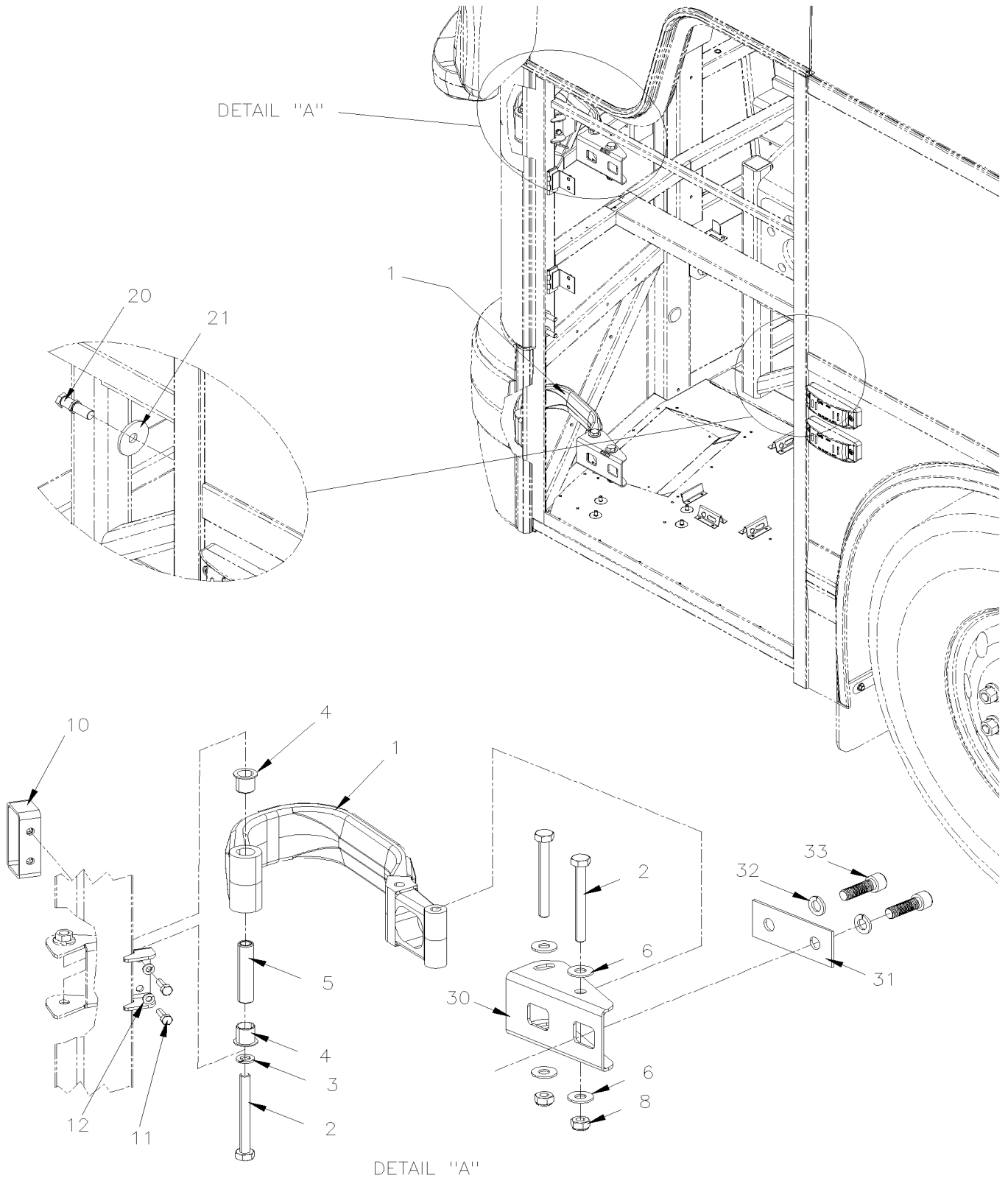
Item#	Part	Description	QTY	Notes
73	180005	DECAL "FRONT LUBRICATION..." / BILINGUAL / W/INDEPENDANTE SUSPENSION / ENGLISH & SPANISH From G-6084	1	
74	160295	DECAL / "IT FORBIDDEN TO STOCK ANYTING IN TH. / ENGLISH & FRANCAIS	1	
74	161191	DECAL / "IT FORBIDDEN TO STOCK ANYTING IN TH. / ENGLISH & SPANISH	1	
75	180246	DECAL / VEHICULE WHEELHOUSING....TREATED / ENGLISH & FRANCAIS	1	
75	180252	DECAL / VEHICULE WHEELHOUSING....TREATED / ENGLISH & SPANISH	1	
76	161182	DECAL "WARNING SPARE TIRE...." BILINGUAL 315/80/R22.5 Tag & Frt	1	
76	150786	DECAL "WARNING SPARE TIRE...." BILINGUAL 315/80/R22.5 STEEL WHEEL To C-5122	1	
76	150791	DECAL "WARNING SPARE TIRE...." BILINGUAL From C-5123 To D-5431	1	
76	150795	DECAL "WARNING SPARE TIRE...." BILINGUAL / ENGLISH & SPANISH	1	
76	150796	DECAL "WARNING SPARE TIRE...." BILINGUAL / ENGLISH & FRANCAIS	1	
77	142617	DECAL "CAUTION... THIS VEHICLE EQUIPPED...ELECTRONIC STABILITY...." / ENGLISH & FRANCAIS	1	
77	142639	DECAL "CAUTION... THIS VEHICLE EQUIPPED...ELECTRONIC STABILITY...." / ENGLISH	1	
78	145209	DECAL / COLOR CODE / PNEUMATIC SYSTEM / ENGLISH & FRANCAIS From F-5872 To J-6255	1	
78	140095	DECAL / COLOR CODE / PNEUMATIC SYSTEM / ENGLISH & FRANCAIS From J-6256	1	
78	145268	DECAL / COLOR CODE / PNEUMATIC SYSTEM / ENGLISH & SPANISH From F-5872 To J-6255	1	
78	140096	DECAL / COLOR CODE / PNEUMATIC SYSTEM / ENGLISH & SPANISH From J-6256	1	
80	562679	4 WAY ADH. BACKED MOUNTS 1.000 x 1.000 x .160	2	
80	504637	CABLE TIE / 3/16" x 13"	2	
81	5001454	SCREW MA BDG PH #4-40x1/2 SS	4	
82	505504	KNOB, PULL / 8-32	1	
83	500764	NUT HEX #8-32 Z050	1	
84	504083	SNAP BUSHING / .250x.468.406	3	
NS	509808	HOLE PLUG BUTTON / .375 O.D. BLACK To D-5451	1	C
NS	901243	PLUG CAP / GREY OVER SCREW 9.31MM O.D. From D-5452	1	C
85	286419	FLAP SEAL / 25MM x 260MM	2	
87	562946	GASKET MOUNTING / HD10 SERIES / 5C / DEUTSCH HD10-5-GKT	1	
88	561820	NUT, RING #13 / 1.125" I.D. W/4 4-40	1	
91	502570	WASHER LO SPT 6.1x11.8x1.6 SS	1	
93	506002	TAPE RUB ADH1 CC POL 3/16" x 1/2" x 40' / GREY 2520	AR	
94	504399	WASHER RETAINER SNAP CAP #10	1	
NS	684517	ADHESIVE SIMSON #ISR 70-03 / GREY / 310ml CARTRIDGE	AR	
NS	687957	GLUE MS POLYMER TEROSON MS 9399 / 400ml CARTRIDGE To M-6660	AR	
NS	685387	GLUE MS POLYMER TEROSON MS 9399 / 400ml CARTRIDGE From M-6661	AR	
NS	287290	DECAL / "UNLATCH FRONT BUMPER" / ENGLISH & FRANCAIS	1	
96	288199	DECAL / "UNLATCH FRONT BUMPER" / ENGLISH & SPANISH	1	
		C) COACH W/OUT ROD OPENING SYSTEM		
		S) TRANSDEV OPTION WITH FRONT BLOCK HEATER PLUG & BATTERY CHARGER PLUG		
		T) TRANSDEV OPTION WITH FRONT BLOCK HEATER PLUG		

From 7-8754

Date:01/2024

PAGE:X3-1879-10

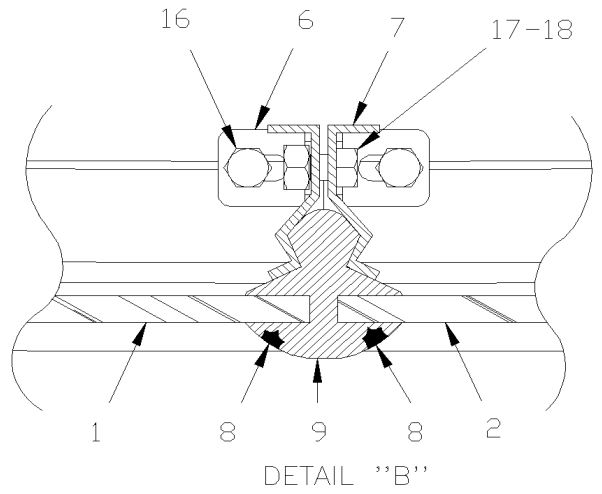
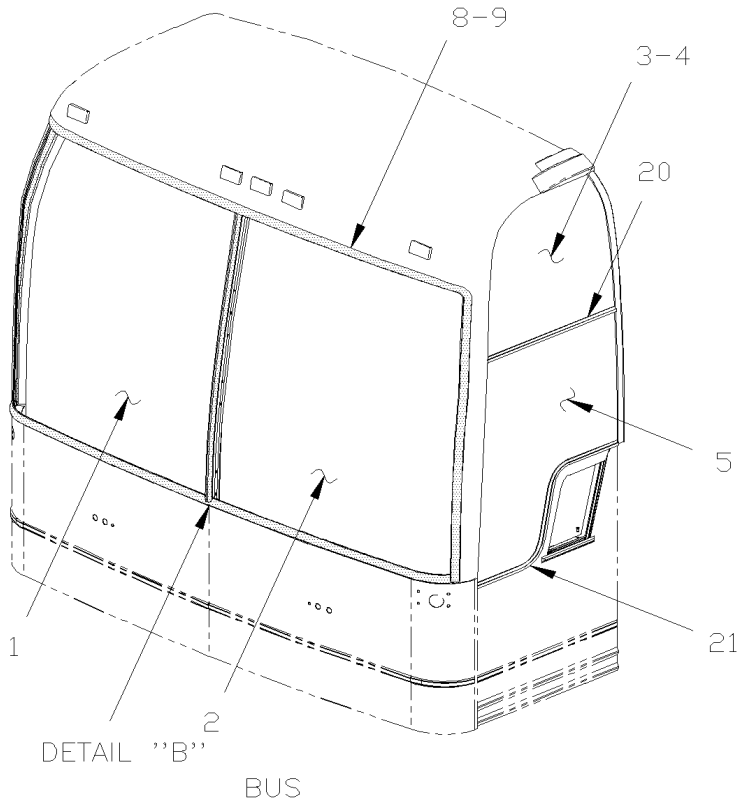
FRONT SERVICE DOOR - INSTALLATION



From 7-8754	Date:01/2024	PAGE:X3-1879-10
FRONT SERVICE DOOR - INSTALLATION		

Item#	Part	Description	QTY	Notes
1	287341	HINGE	2	
2	5001016	SCREW CAP HEX M10-1.5x90 G8.8 Z050 To E-5570	6	
2	502890	SCREW CAP HEX M10-1.5x90 G8.8 N500 From E-5571 To R-4047	6	
2	5000017	SCREW CAP HEX M10-1.5X90 G10.9 N500 From R-4048	6	
3	5001737	WASHER LO SPT 10.2x18.1x2.2 N500	2	
4	507326	BEARING FLANGE	2	
5	287337	SPACER / BEARING FLANGE	1	
NS	680739	GREASE SYNTHETIC / RED 20KG	AR	
6	500445	WASHER FL .437x1.000x.083 Z050 To E-5570	8	
6	500897	WASHER FL .437x1.000x.083 N500 From E-5571	8	
8	502617	NUT HEX NYRT M10-1.5 Z050 To E-5570	4	
8	502859	NUT HEX NYRT M10-1.5 N500 From E-5571	1	
10	251186	STOPPER SERVICE DOOR	1	
11	502622	SCREW CAP HEX M6-1.0x20 SS BK	2	
12	502570	WASHER LO SPT 6.1x11.8x1.6 SS	2	
20	284438	PIN STRIKER	1	
21	284447	WASHERS BELLEVILLE	1	
30	286014	HINGE SUPPORT	2	
31	283402	SUPPORT PLATE To E-5570	2	
31	286998	SUPPORT PLATE 134MM X 48MM From E-5571	2	
32	500747	WASHER LO SPT 12.2x21.1x2.5 N500	4	
33	5001589	SCREW CAP HEXS M12-1.75x40 G8.8 Z050	4	

From 7-8754 To K-6492	Date:01/2024	PAGE:X3-1880-00
WINDSHIELD & CHANNEL		



From 7-8754 To K-6492	Date:01/2024	PAGE:X3-1880-00
WINDSHIELD & CHANNEL		

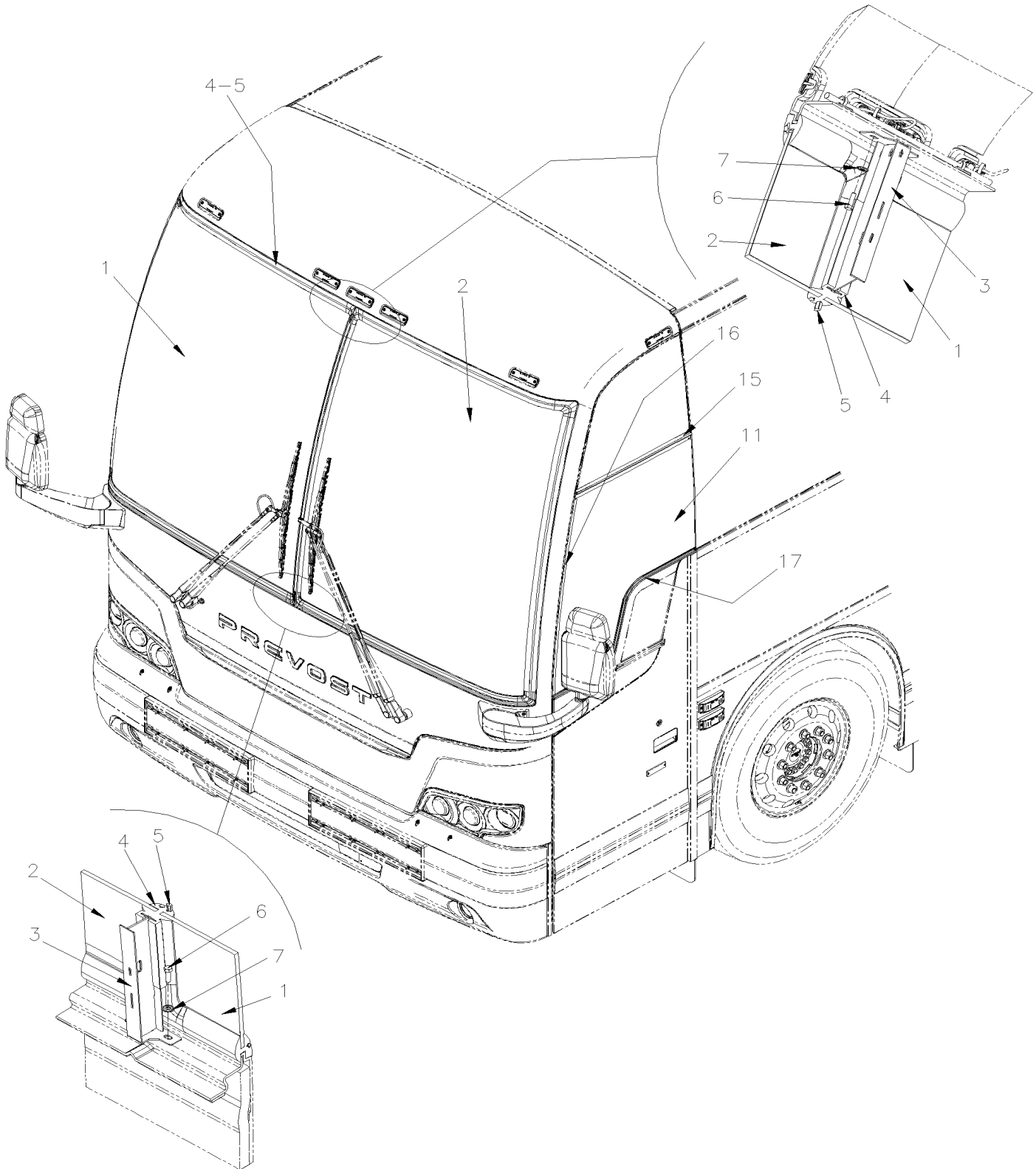
Item#	Part	Description	QTY	Notes
1	300476	WINDSHIELD R.H.	1	
2	300475	WINDSHIELD L.H.	1	
3	293241	GLASS UPPER L.H. THERMOS	1	
3	293242	GLASS UPPER L.H. SINGLE	1	
4	293240	GLASS UPPER R.H. THERMOS	1	
4	293239	GLASS UPPER R.H. SINGLE	1	
5	293076	GLASS DRIVER'S WINDOW	1	
5	506962	RUB POL 1/4 X 7/16 X 1 LG	AR	
6	293070	POST R.H. WINDSHIELD / WITH LARGE	1	
7	293689	POST L.H. WINDSHIELD / WITH LARGE	1	
8	293059	STRIP, LOCKING / S.L.	70FT	
9	293393	WINDSHIELD RUBBER SEAL / WITH LARGE / DOUBLE LOCK	1	
. NS	MI03-22	. SEE MAINTENANCE INFORMATION	1	
16	500948	SCREW TC CAP HEX 1/4-20x1 Z050	4	
17	5001106	SCREW CAP HEX M6-1.0x10 G8.8 Z050	8	
18	502570	WASHER LO SPT 6.1x11.8x1.6 SS	8	
20	286454	DRIP MOULDING OVER DRIVER'S WINDOW	1	
21	286448	DRIP MOULDING "S" BUS & MTH83"	1	
NS	293842	HANDLE ASSY (TO FIX FRONT GLASS CHANNEL)	1	
. NS	293843	. END TIP "PRÉVOST"	AR	
NS	684685	ADHESIVE SIMSON #ISR 70-03 / 310ml CARTRIDGE	AR	
NS	800355	LUBRICANT CLEAR LUBE 32A / 20 LITER	AR	
NS	689819	LUBRICANT CLEAR LUBE 32A / 2 LBS	AR	
NS	800356	LUBRICANT CLEAR LUBE 32A / 430 Gr	AR	
NS	687957	GLUE MS POLYMER TEROSON MS 9399 / 400ml CARTRIDGE	AR	

From L-6493

Date:01/2024

PAGE:X3-1880-01

WINDSHIELD & CHANNEL



From L-6493	Date:01/2024	PAGE:X3-1880-01
-------------	--------------	-----------------

WINDSHIELD & CHANNEL

Item#	Part	Description	QTY	Notes
1	300043	WINDSHIELD R.H. To M-6646	1	
1	300723	WINDSHIELD R.H. From M-6647	1	
1	G37276	TEMPLATE, CAMERA POSITION MARKINGS X3	1	A
2	300041	WINDSHIELD L.H.	1	
3	290222	CENTRAL POST	1	
3	290985	CENTRAL POST WITH "E-MIRROR"	1	B
4	300040	WINDSHIELD RUBBER SEAL	1	
5	296264	STRIP, LOCKING / S.L.	36FT	
6	502830	SCREW CAP HEX M6-1.0x20 G8.8 N500	4	
7	502582	WASHER LO SERR 6.1x16.2x0.9 Z050	4	
11	290102	GLASS DRIVER'S WINDOW	1	
11	5060044	TAPE RUB ADH2 CC POL 1/4" X 1/4" X 50' / BLACK I1C-N-A	AR	
15	2810083	HORIZONTAL GUTTER DRIVER'S WINDOW	1	
15	280656	HORIZONTAL GUTTER ENTRANCE DOOR	1	
15	680796	TAPE RUB ADH2 ACRYLIQUE 3/4x.045x36YARD	AR	
16	2810084	VERTICAL GUTTER DRIVER'S WINDOW	1	
16	680914	TAPE RUB ADH2 ACRYLIQUE 1/2x.045x36YARD	AR	
17	280661	GUTTER "S" SHAPE	1	
NS	506769	TAPE RUB ADH2 CC POL 1/8" x 1/4" x 60' / BLACK H1CC-N#14	AR	
NS	687957	GLUE MS POLYMER TEROSON MS 9399 / 400ml CARTRIDGE To M-6660	AR	
NS	685387	GLUE MS POLYMER TEROSON MS 9399 / 400ml CARTRIDGE From M-6661	AR	
NS	293842	HANDLE ASSY (TO FIX FRONT GLASS CHANNEL)	1	
NS	293843	END TIP "PRÉVOST"	AR	
NS	684685	ADHESIVE SIMSON #ISR 70-03 / 310ml CARTRIDGE	AR	
NS	800355	LUBRICANT CLEAR LUBE 32A / 20 LITER	AR	
NS	689819	LUBRICANT CLEAR LUBE 32A / 2 LBS	AR	
NS	800356	LUBRICANT CLEAR LUBE 32A / 430 Gr	AR	
NS	687957	GLUE MS POLYMER TEROSON MS 9399 / 400ml CARTRIDGE To M-6660	AR	
NS	685387	GLUE MS POLYMER TEROSON MS 9399 / 400ml CARTRIDGE From M-6661	AR	
		A) USE IF WINDSHIELD DOESN'T ALREADY HAVE POSITION MARKINGS		
		B) WITH "E-MIRROR"		

From 7-8754 To K-6492

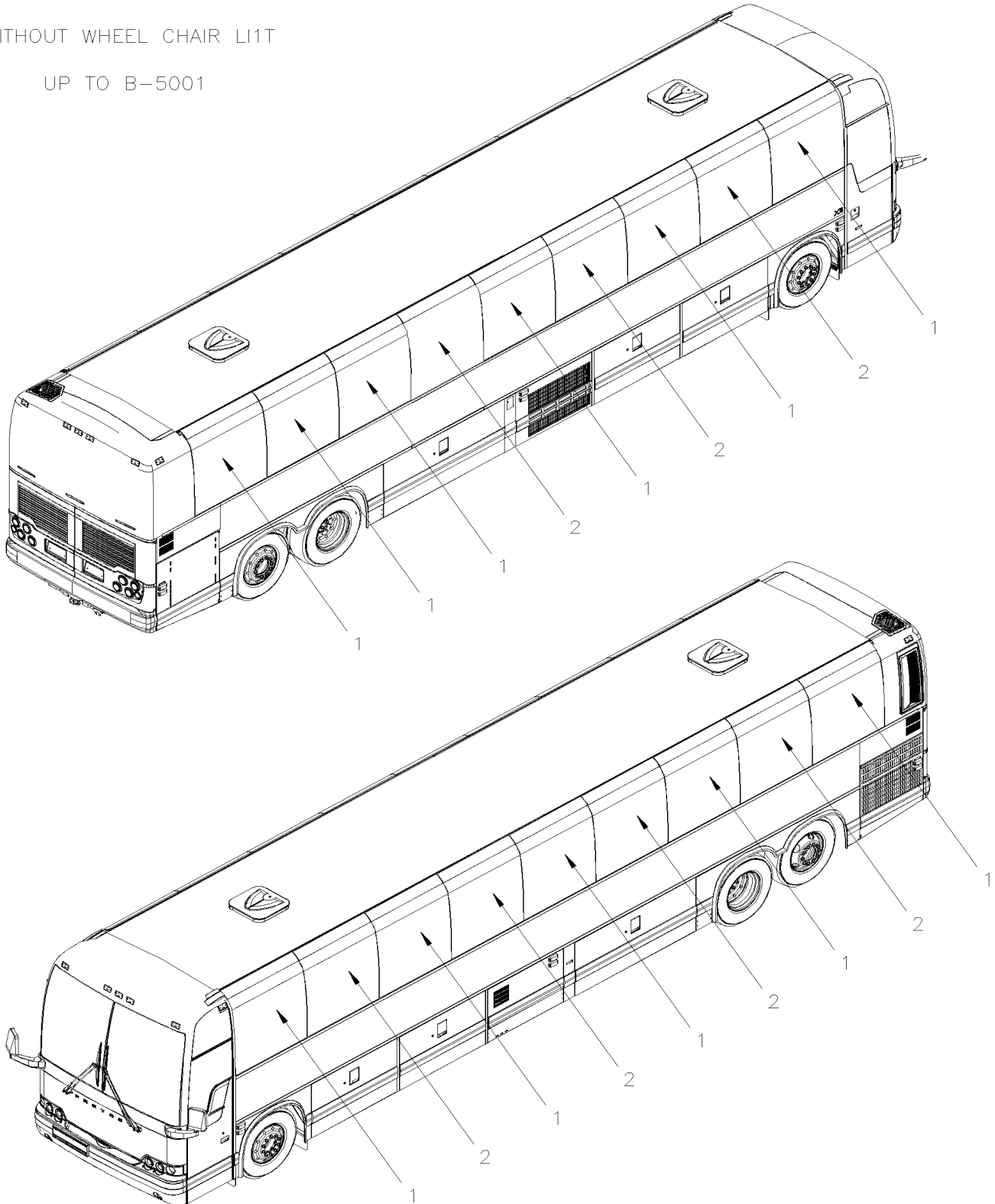
Date:01/2024

PAGE:X3-1884-00

SIDE WINDOW - BUS

WITHOUT WHEEL CHAIR LI1T

UP TO B-5001



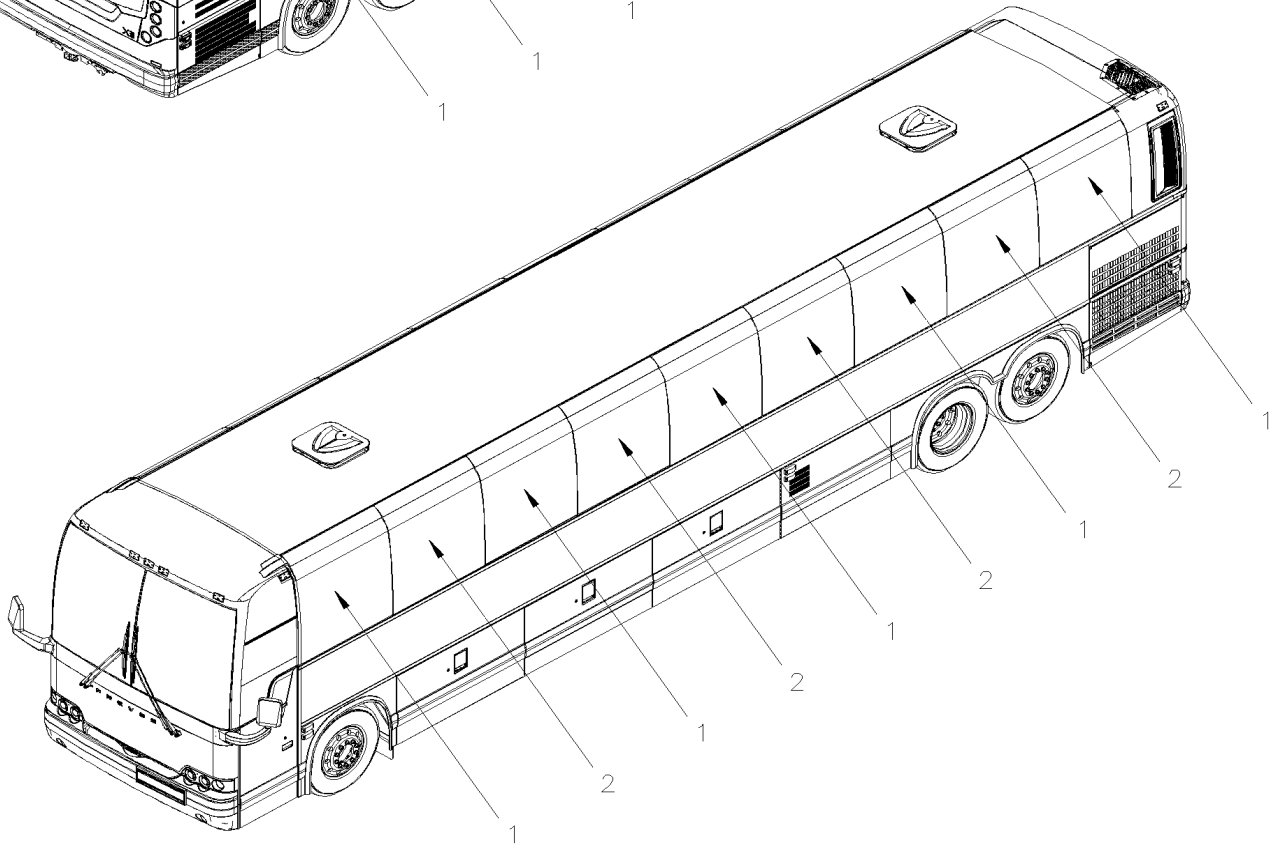
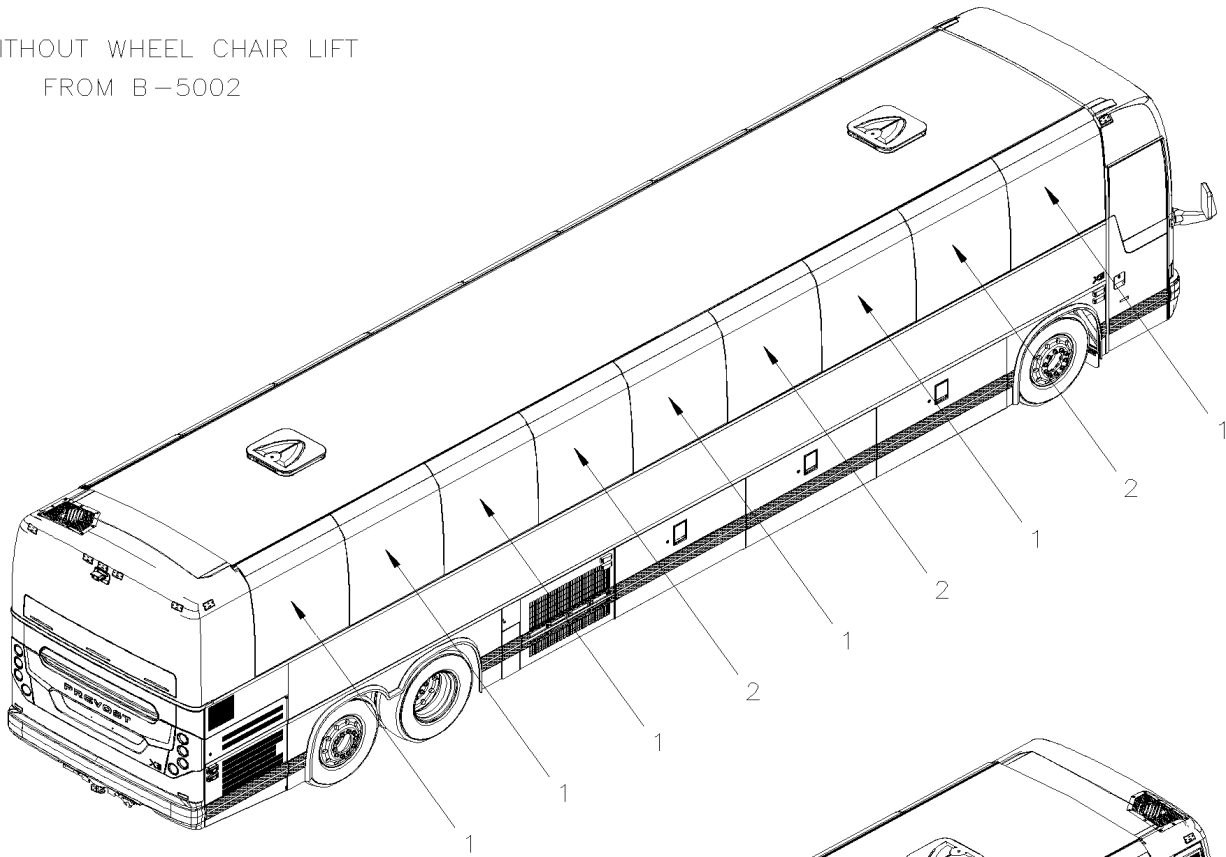
From 7-8754 To K-6492

Date:01/2024

PAGE:X3-1884-00

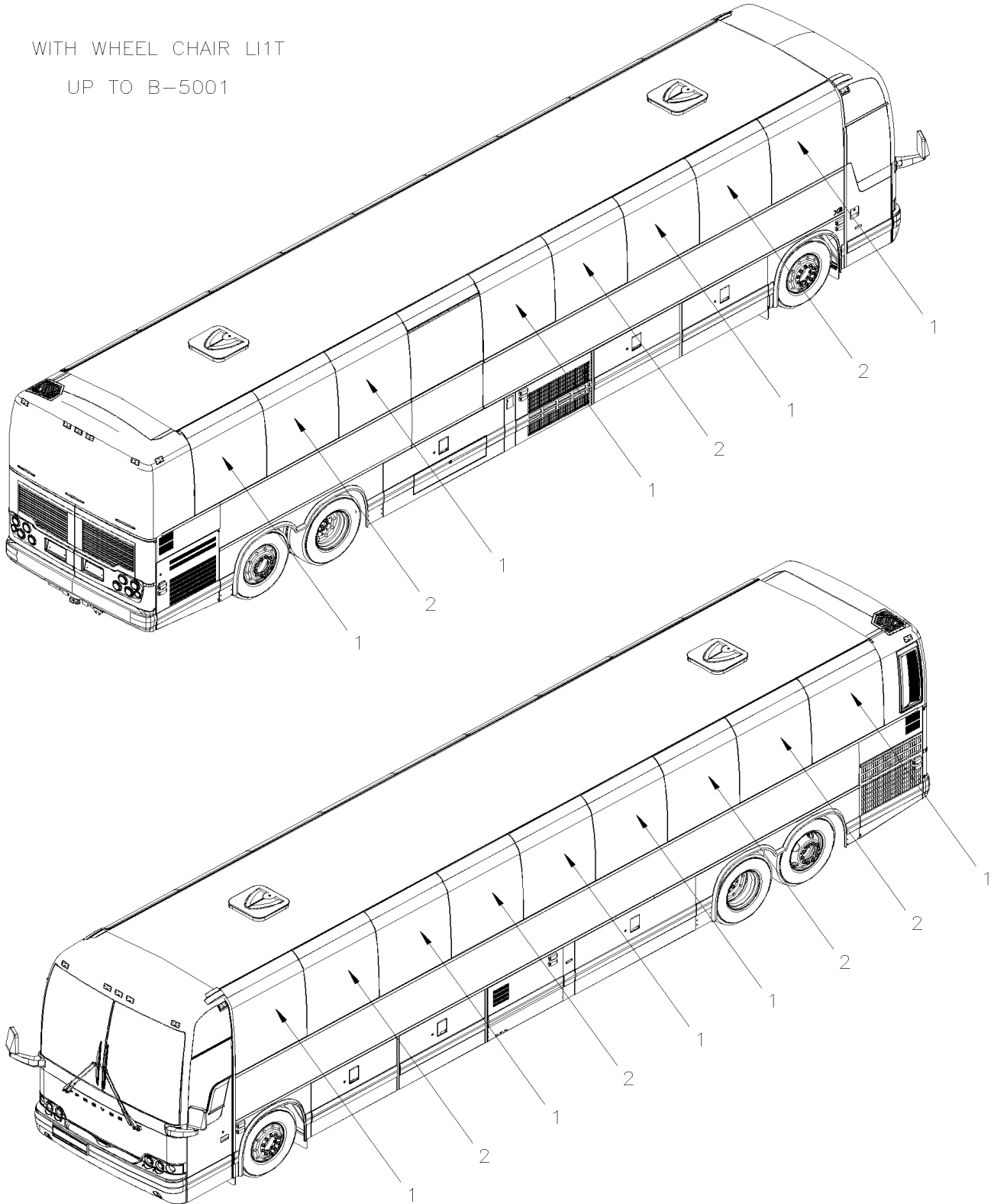
SIDE WINDOW - BUS

WITHOUT WHEEL CHAIR LIFT
FROM B-5002



From 7-8754 To K-6492	Date:01/2024	PAGE:X3-1884-00
SIDE WINDOW - BUS		

WITH WHEEL CHAIR LI1T
UP TO B-5001



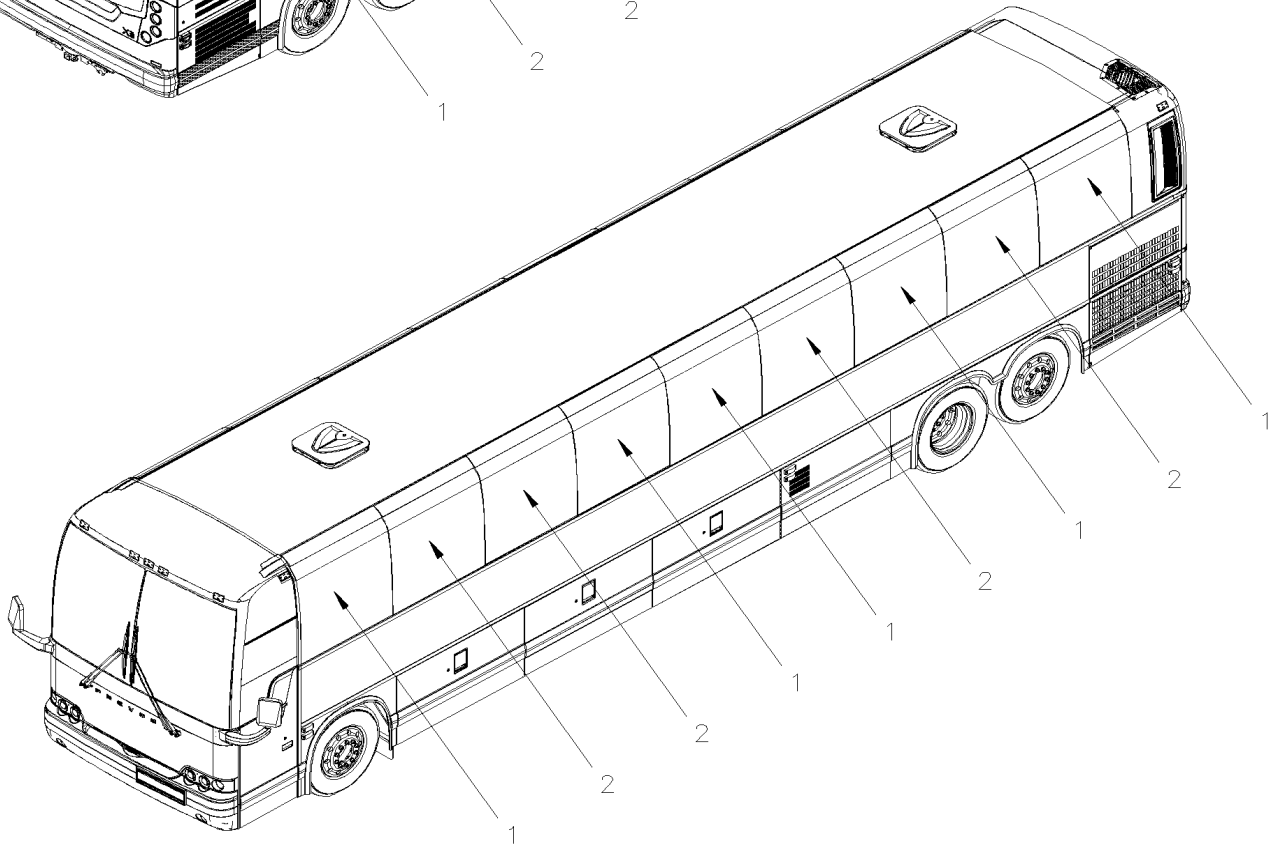
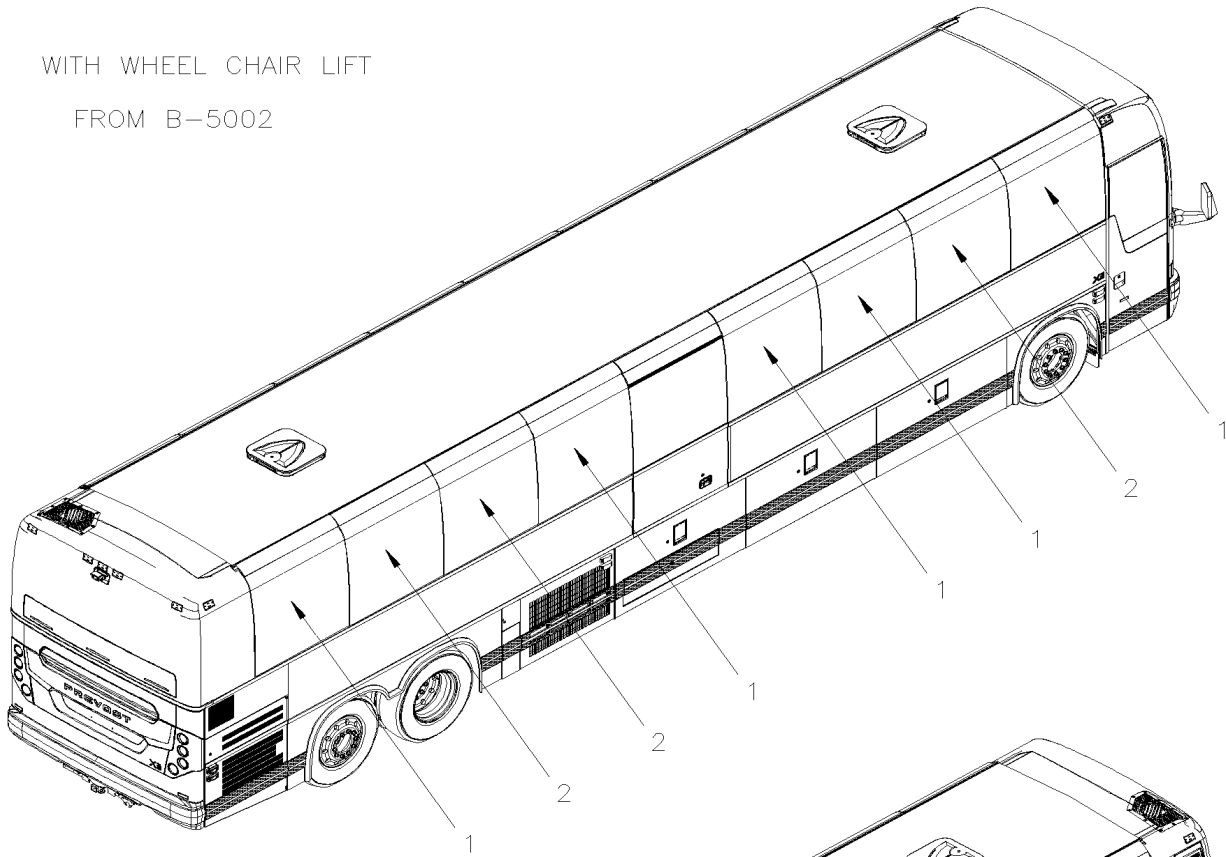
From 7-8754 To K-6492

Date:01/2024

PAGE:X3-1884-00

SIDE WINDOW - BUS

WITH WHEEL CHAIR LIFT
FROM B-5002



From 7-8754 To K-6492

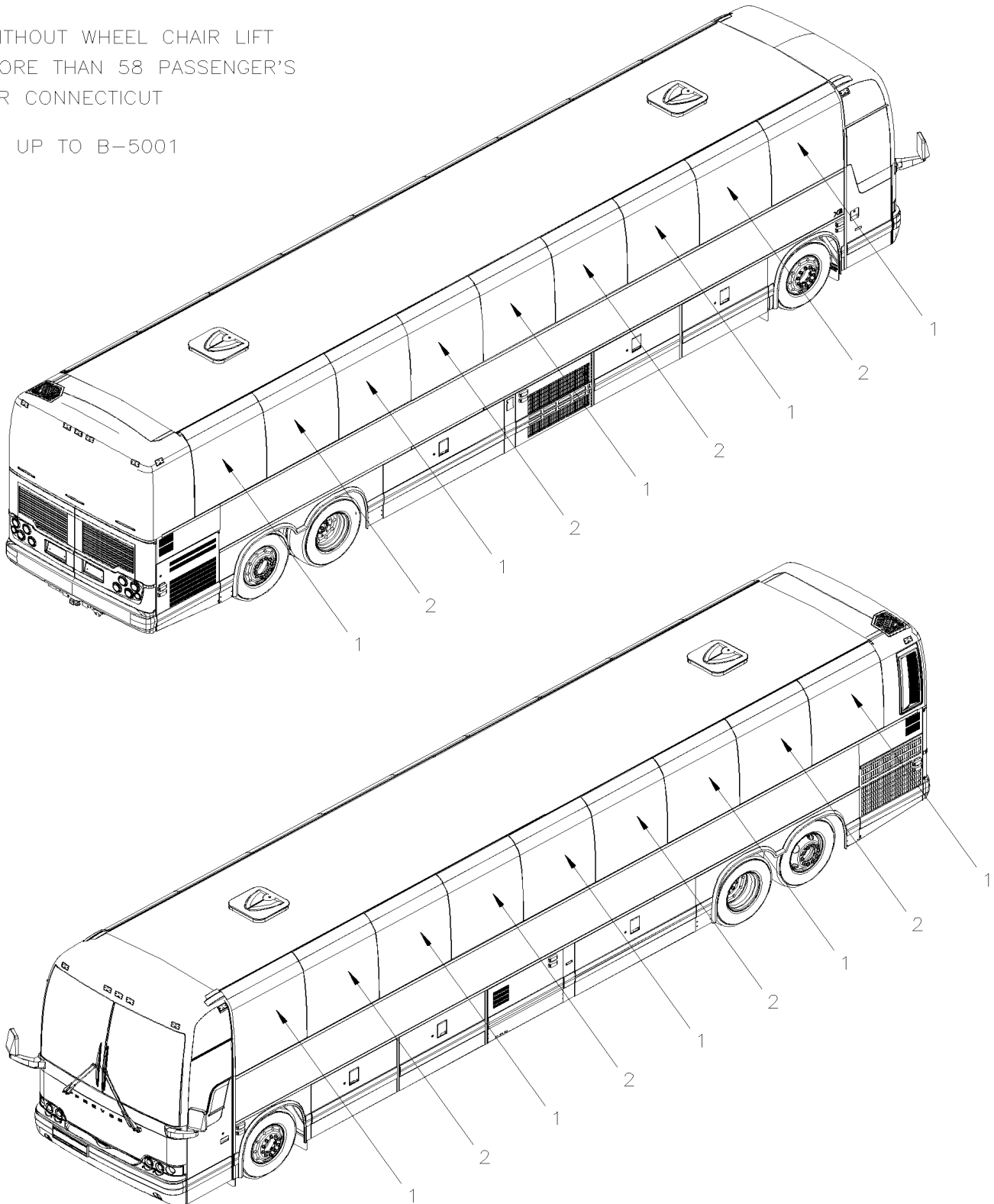
Date:01/2024

PAGE:X3-1884-00

SIDE WINDOW - BUS

WITHOUT WHEEL CHAIR LIFT
MORE THAN 58 PASSENGER'S
OR CONNECTICUT

UP TO B-5001



From 7-8754 To K-6492

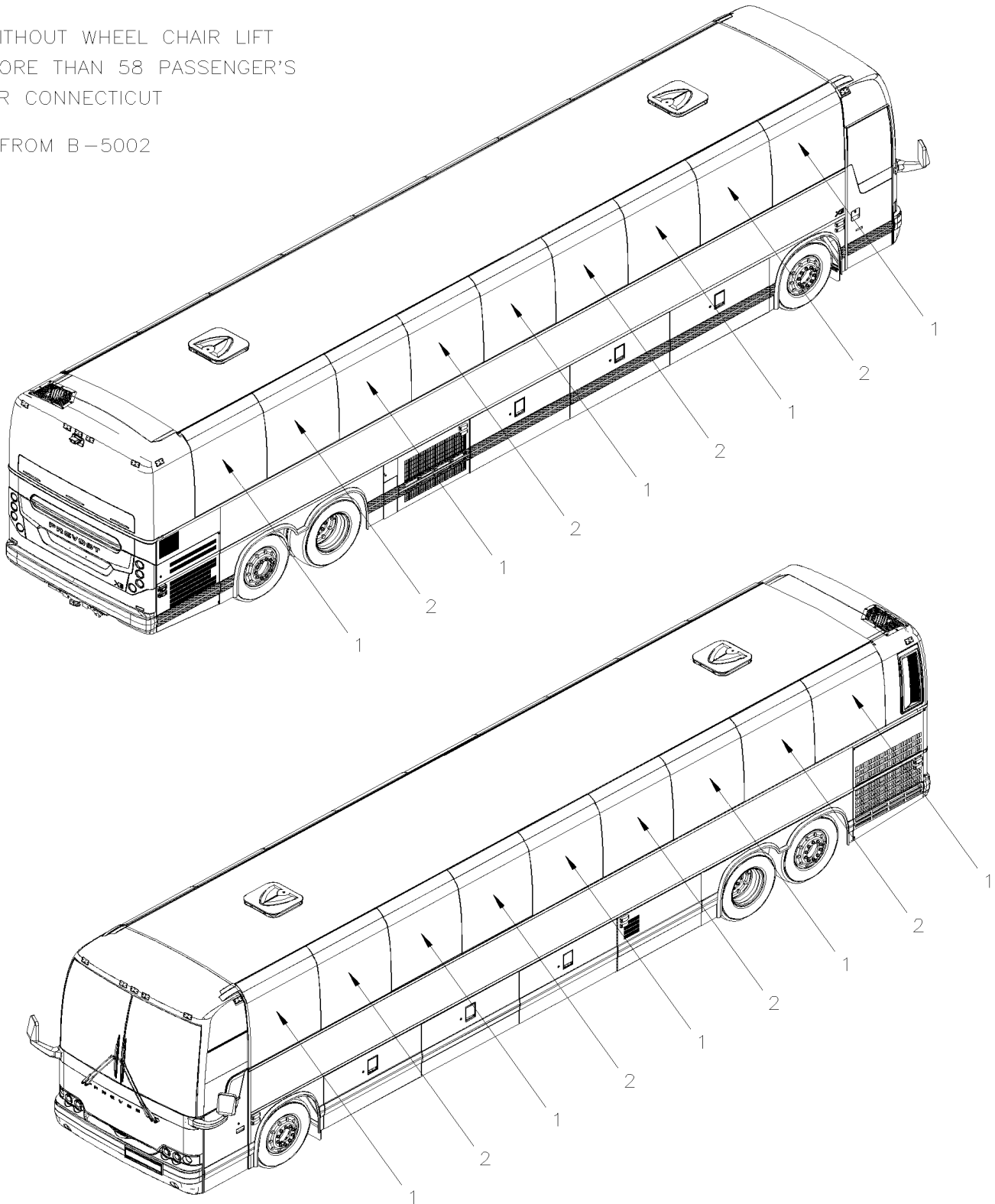
Date:01/2024

PAGE:X3-1884-00

SIDE WINDOW - BUS

WITHOUT WHEEL CHAIR LIFT
MORE THAN 58 PASSENGER'S
OR CONNECTICUT

FROM B-5002



From 7-8754 To K-6492

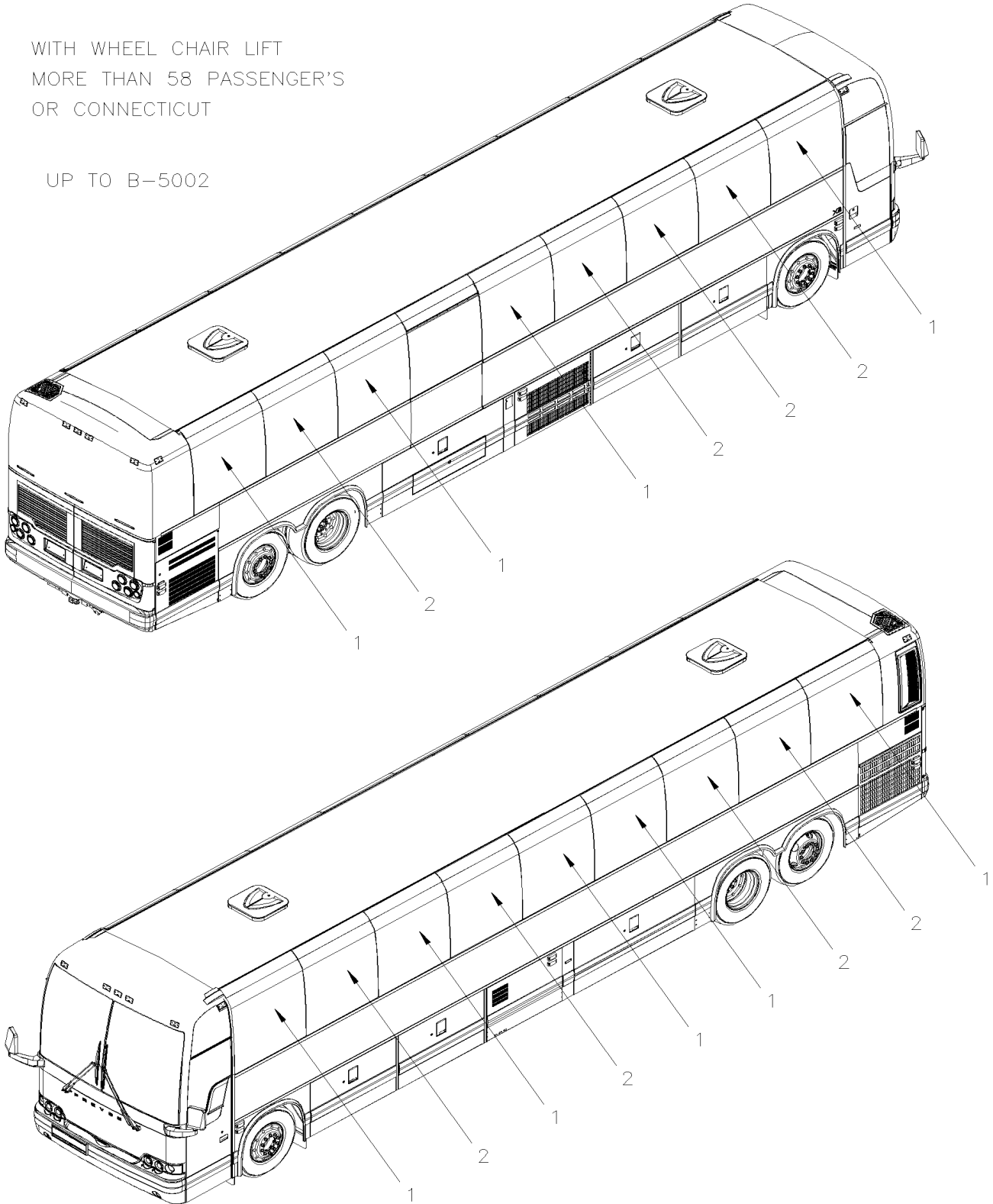
Date:01/2024

PAGE:X3-1884-00

SIDE WINDOW - BUS

WITH WHEEL CHAIR LIFT
MORE THAN 58 PASSENGER'S
OR CONNECTICUT

UP TO B-5002



From 7-8754 To K-6492

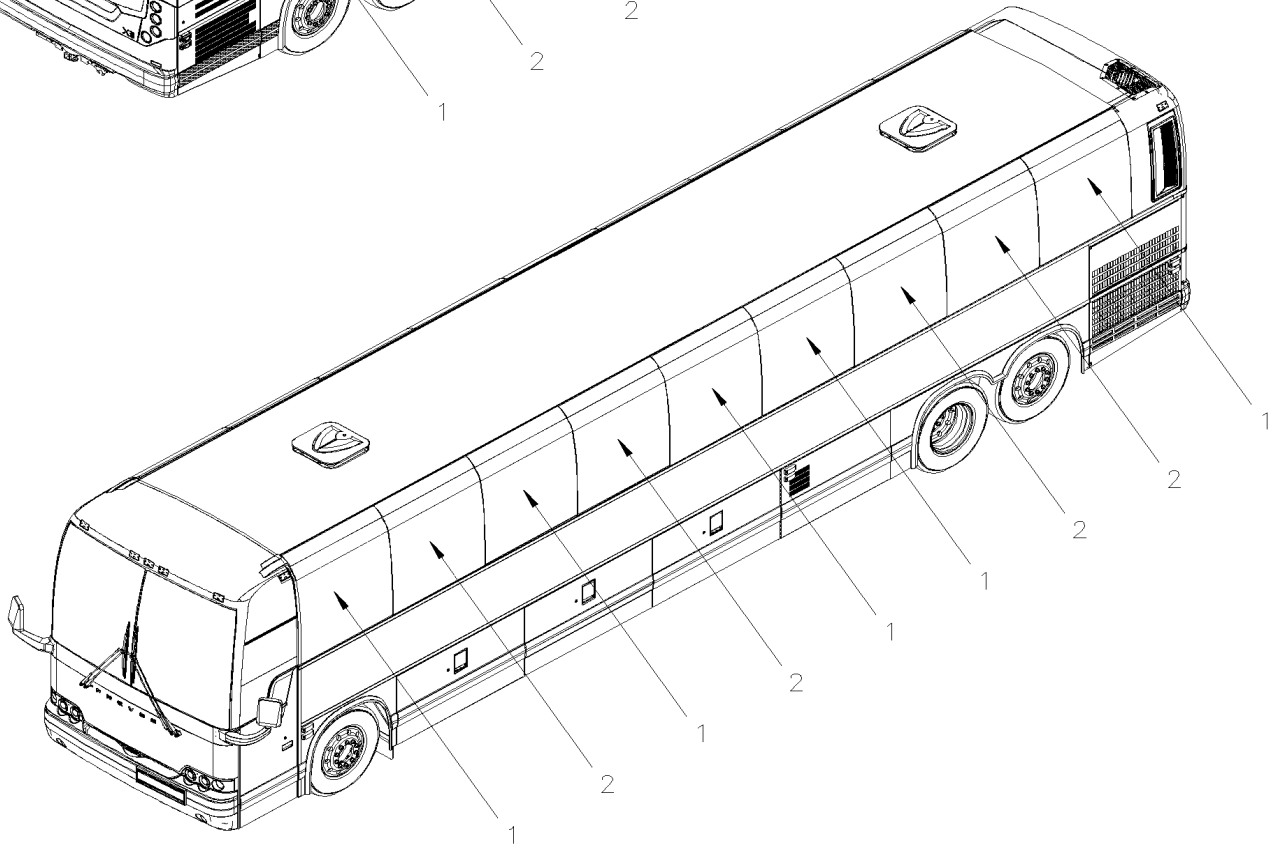
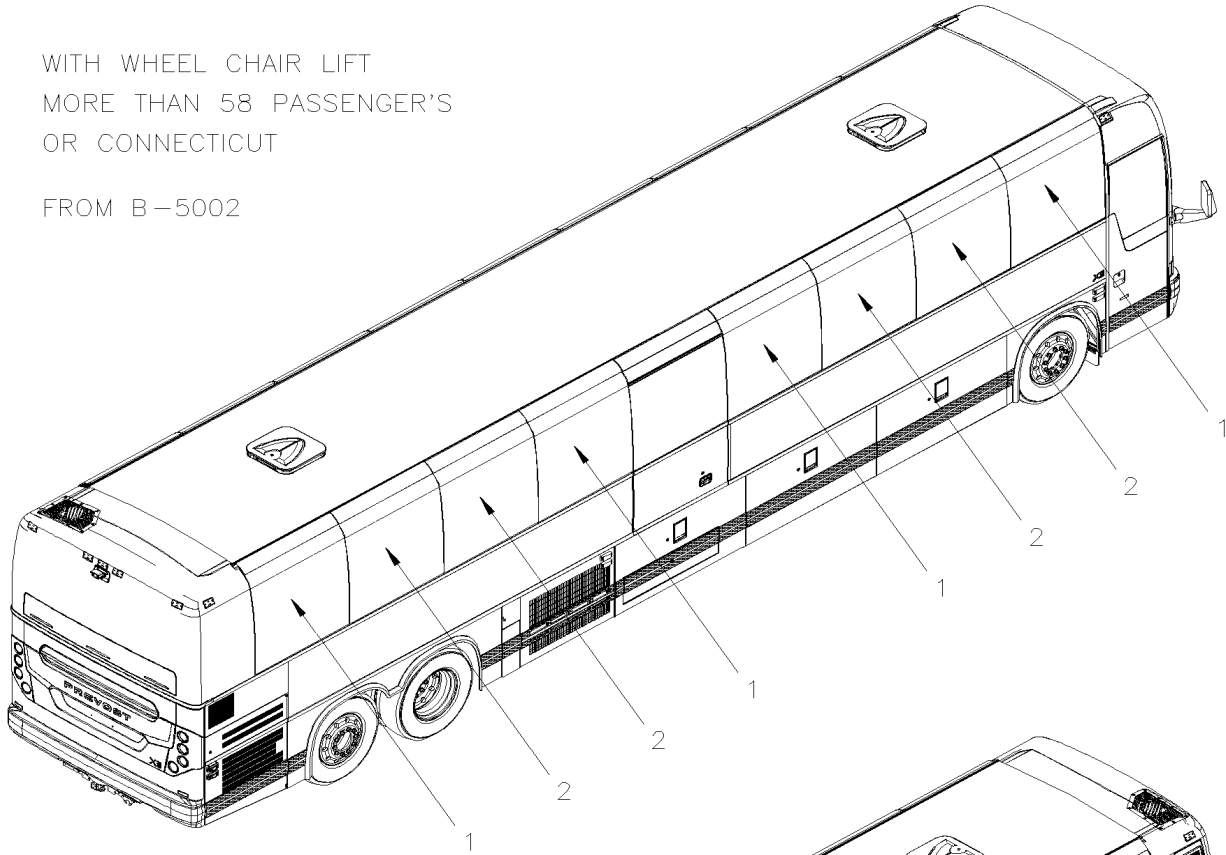
Date:01/2024

PAGE:X3-1884-00

SIDE WINDOW - BUS

WITH WHEEL CHAIR LIFT
MORE THAN 58 PASSENGER'S
OR CONNECTICUT

FROM B-5002

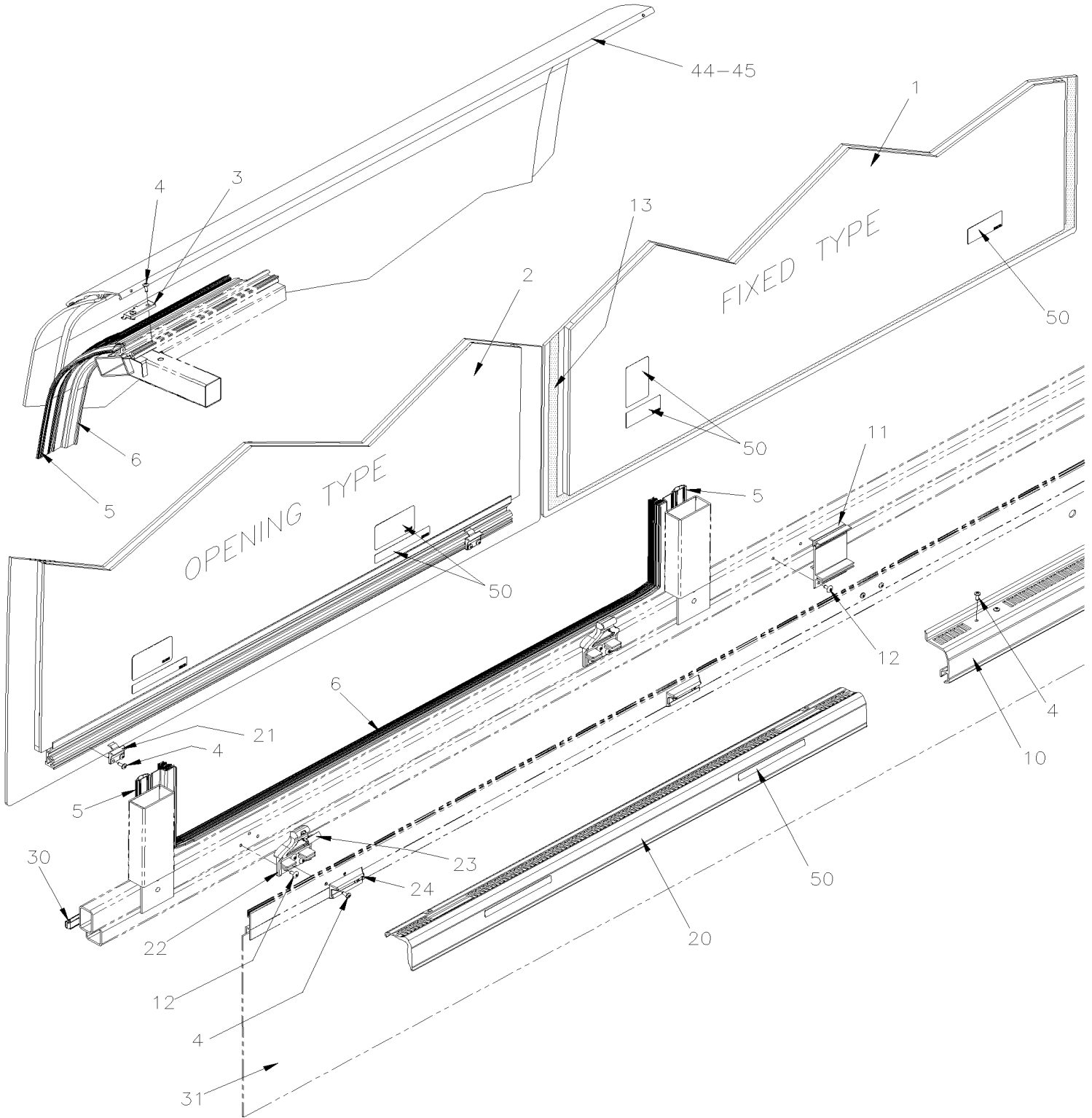


From 7-8754 To K-6492

Date:01/2024

PAGE:X3-1884-00

SIDE WINDOW - BUS



From 7-8754 To K-6492	Date:01/2024	PAGE:X3-1884-00
SIDE WINDOW - BUS		

Item#	Part	Description	QTY	Notes
		"WARNING" - "WARNING" -"WARNING" - "WARNING"		
		MORE THAN 58 PASSENGER'S WE INSTALL		
		8 OPENING WINDOW STYLE TYPE		
		OR CONNECTICUT		
1	293711	GLASS ASSY, SINGLE 13% / FIX TYPE / PRODUCTION ONLY / 1287.4MM	11	
1	293829	GLASS ASSY, SINGLE 13% / FIX TYPE / SERVICE ONLY / 1287.4MM	11	
1	293706	GLASS ASSY, THERMOS 13% / FIX TYPE / PRODUCTION ONLY / 1287.4MM	11	
1	297082	GLASS ASSY, THERMOS 13% / FIX TYPE / SERVICE ONLY / 1287.4MM	11	
NS	329290	INSULATING PAD ADHESIVE 905MM x 1280MM	1	F
NS	850026	INSULATING PAD NOISE ADH1 1" x 54" x 50"	3	F
2	293827	GLASS ASSY, SINGLE 13% / OPEN TYPE / 1287.4MM	7	
2	293708	GLASS ASSY, THERMOS 13% / OPEN TYPE / 1287.4MM To D-5299	7	
2	293828	GLASS ASSY, THERMOS 13% / OPEN TYPE / 1287.4MM To D-5299	7	
2	294072	GLASS ASSY, THERMOS 13% / OPEN TYPE / 1287.4MM From D-5300	7	
NS	293290	STRAP NYLON 108MM	2	C
NS	5001889	SCREW TC FL PH #12-24x1/2 ZP	2	C
NS	502573	WASHER FL 6.4x12.5x1.6 SS	2	C
NS	405143	DECAL / BLACK STRIP W/DOTTED 1117MM x 118MM	1	B
NS	405067	DECAL / BLACK STRIP 3 1/2" x 46"	1	B
3	293124	STOPPER BLOCK	4	
3	293125	STOPPER BLOCK SEPARATOR / 2 GLASS	16	
4	500611	SCREW TC PAN PH #10-24x1/2 Z050 To G-6055	AR	
4	500657	SCREW TC TR PH #10-24x1/2 Z050 From G-6056	AR	
5	293250	RUBBER SEAL 1292MM / EACH WINDOW	16	
5	293135	RUBBER SEAL 1315MM / W/83"	2	
NS	507000	TAPE RUB ADH2 POL 3/16" x 1/4" x 50' / BLACK V2206	AR	
NS	507087	TAPE RUB ADH1 NEO BLACK 1/4"X3/8"X1/2"LG	AR	
6	293488	WINDOW SEAL / WITH OPEN TYPE ONLY / 1249MM X 1219MM To 8-9416	7	
6	294048	KIT, WINDOW RETAINER SEAL INSTALLATION / WITH OPEN TYPE ONLY To 8-9416	AR	
NS	IS-07028	SEE INSTRUCTION SHEET To 8-9416	1	
6	297200P	FRAME W/WINDOW SEAL ASSY / WITH OPEN TYPE ONLY From 8-9417 To E-5469	7	
NS	293941	FRAME FIBERGLASS SEAL SUPPORT From 8-9417 To E-5469	1	
NS	293927	WINDOW SEAL / WITH OPEN TYPE ONLY 1249MM X 1219MM From 8-9417 To E-5469	1	
NS	290060	WINDOW SEAL / WITH OPEN TYPE ONLY 1249MM X 1219MM From 8-9417 To E-5469	1	
NS	297267	WINDOW SEAL / WITH OPEN TYPE ONLY 1249MM X 1219MM From 8-9417 To E-5469	1	
NS	506643	TAPE RUB ADH1 CC NEO 1/8" x 1/2" x 60' / BLACK 2011 From 8-9417 To E-5469	AR	
6	299091P	FRAME W/WINDOW SEAL ASSY / WITH OPEN TYPE ONLY From E-5470	7	
NS	299090	FRAME FIBERGLASS SEAL SUPPORT From E-5470	1	
NS	297267	WINDOW SEAL / WITH OPEN TYPE ONLY 1249MM X 1219MM From E-5470	1	
NS	506643	TAPE RUB ADH1 CC NEO 1/8" x 1/2" x 60' / BLACK 2011 From E-5470	AR	
NS	684743	GLUE METHACRYLATE PLEXUS MA832GB 380 ml From 8-9417	AR	

From 7-8754 To K-6492	Date:01/2024	PAGE:X3-1884-00
SIDE WINDOW - BUS		

Item#	Part	Description	QTY	Notes
NS	685124	ADHESIVE SIMSON #ISR 70-03 / BLACK / 600ml SAUSAGE From 8-9417	AR	
NS	684517	ADHESIVE SIMSON #ISR 70-03 / GREY / 310ml CARTRIDGE	AR	
NS	680459	ADHESIVE CYANOACRYLATE LOCTITE 404 Quick Set(TM)	AR	
10	293286	HANDLES FIXE WINDOW W/SINGLE GLASS / 1098MM	10	
10	293285	HANDLES FIXE WINDOW W/THERMOS GLASS / 1098MM	10	
10	293314	HANDLES FIXE WINDOW W/SINGLE GLASS / 227MM	1	
10	293313	HANDLES FIXE WINDOW W/THERMOS GLASS / 227MM	1	
10	293512	HANDLES FIXE WINDOW W/THERMOS GLASS / 292.8MM / P.W.T.	1	A D
10	293388	HANDLES FIXE WINDOW W/SINGLE GLASS / W.C.L. SEAT LOCATION / 1098MM To 9-9642	1	
10	299086	HANDLES FIXE WINDOW W/SINGLE GLASS / W.C.L. SEAT LOCATION / 1098MM From 9-9643	1	
10	293387	HANDLES FIXE WINDOW W/THERMOS GLASS / 1098MM / P.W.T. To 9-9642	1	A
10	299085	HANDLES FIXE WINDOW W/THERMOS GLASS / W.C.L. SEAT LOCATION / 1098MM From 9-9643	1	A D
10	297294	HANDLES FIXE WINDOW W/THERMOS GLASS / 1098MM / P.W.T. To C-5104	1	A
10	293387	HANDLES FIXE WINDOW W/THERMOS GLASS / 1098MM / P.W.T. From C-5105	1	A
NS	409259	PROTECTOR SWITCH / CAP From 9-9643	AR	
NS	288728	REINFORCMENT FOR SCREW PROTECTOR CAP From 9-9643	1	
NS	500814	SCREW TP BDG PH #6x3/4 BK From 9-9643	AR	
11	293276	SUPPORT MOULDING	21	
12	504249	RIVET CHY Q PRDG 3/16x3/8 SS	84	
13	683447	ADHESIVE SIKATAACK PLUS / BLACK / 23 Liters To 9-9628	AR	
13	683448	ACCELERATOR SIKA / 600ml SAUSAGE To 9-9628	AR	
13	683097	CLEANER SIKA #205 / CLEAR / 1000ml	AR	
13	683446	PRIMER SIKA #206 / BLACK / 1000ml	AR	
13	684685	ADHESIVE SIMSON #ISR 70-03 / 310ml CARTRIDGE	AR	
13	683083	ADHESIVE SIKA #252 / BLACK / 600 ml SAUSAGE	AR	
13	687957	GLUE MS POLYMER TEROSON MS 9399 / 400ml CARTRIDGE From 9-9629	AR	
13	687958	MIXER QUADRO 10.7MM W/"V" ADAPTOR / "B" From 9-9629	AR	
20	293284	HANDLE WINDOW OPENING 1098MM	7	
21	293353	SUPPORT "J" FORM / ALLUMINUM To 9-9592	14	
21	791007	SUPPORT W/STOPPER (ONE PIECE) From 9-9593	14	
22	293235	SUPPORT To H-6165	14	
22	290080	SUPPORT From H-6166	14	
22	504454	BUMPER RUBBER BOLT / 20MM ODx20MM TH X M6X15MM STUD	AR	E
23	292837	CUSHION 2.0MM TH / BLACK PLASTIC	14	S
23	298215	CUSHION / BLACK PLASTIC / 1.5MM TH	AR	L
23	298225	CUSHION / BLACK PLASTIC / 2.5MM TH	AR	M
NS	680066	ADHESIVE / ADBOND #5014 / 23.6ML BOTTLE	AR	
24	293299	PROTECTOR	14	
25	293124	STOPPER BLOCK To 9-9592	14	
30	293281	RUBBER SEAL EXTRUSION / ADHESIVE / LOWER WINDOW	AR	
NS	680459	ADHESIVE CYANOACRYLATE LOCTITE 404 Quick Set(TM)	AR	

From 7-8754 To K-6492	Date:01/2024	PAGE:X3-1884-00
SIDE WINDOW - BUS		

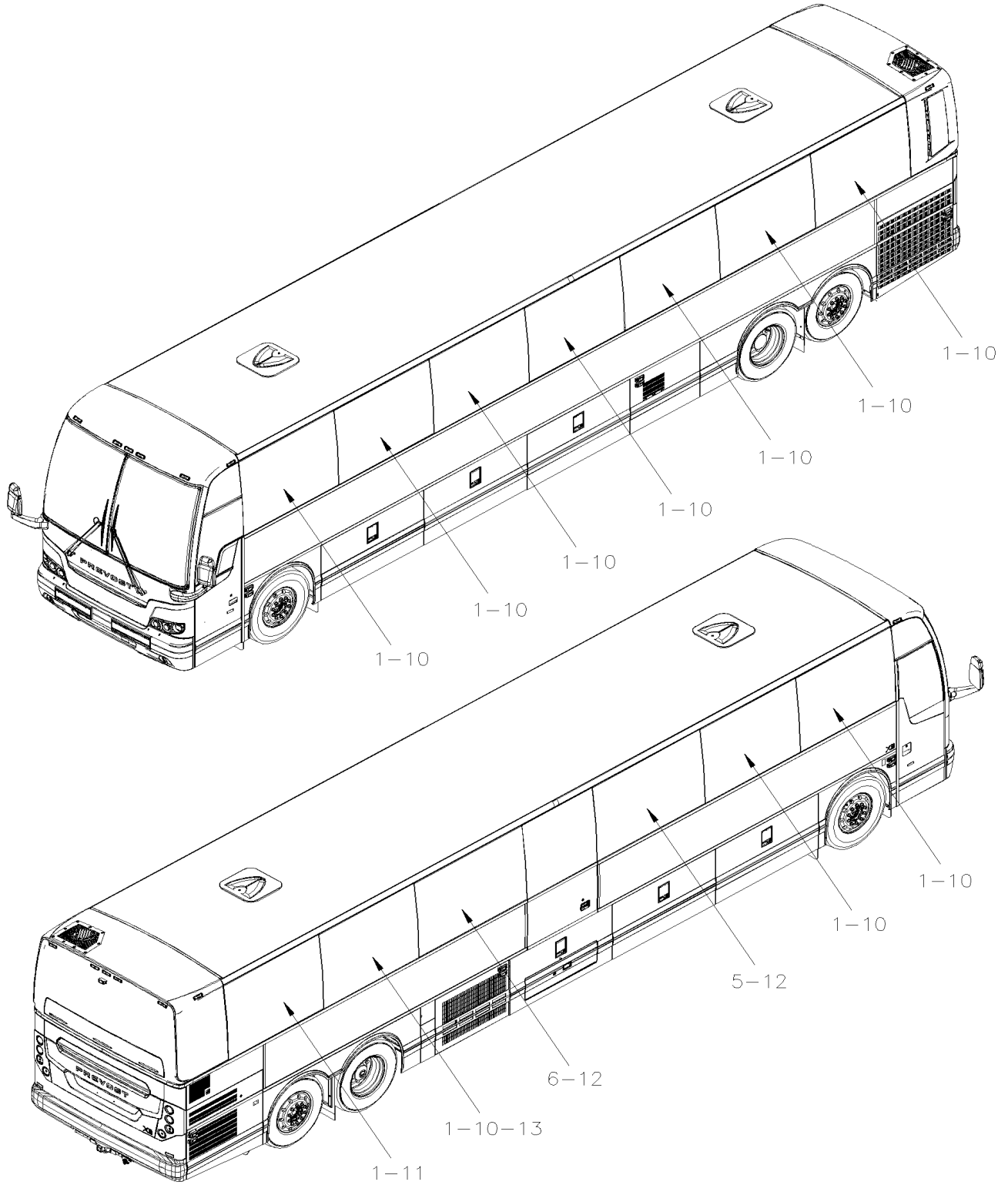
Item#	Part	Description	QTY	Notes
31	X3-1833-00	WINDOW FINISHING CAP & WALL To B-5001		
31	X3-1833-01	WINDOW FINISHING CAP & WALL From B-5002		
41	064679	MAGNET SENSOR ASSY W/TAPE DUAL LOCK	7	
42	064678	SWITCH MAGNETIC ASSY W/TAPE DUAL LOCK	7	
NS	293345	SUPPORT / SWITCH MAGNETIC	7	
NS	504793	RIVET MNB OE LARGE HEAD 3/16x7/16 SS	14	
NS	504273	CABLE TIE / 1/8" X 3"1/2	14	
NS	293647	INSILATING STRIP ASSY / ALUMINUM "OPTION"	7	O
NS	5060037	TAPE RUB ADH1 CC POL 1/4" x 1/2" x 35' / BLACK H1C	AR	O
50	X3-1829-00	ACCESSORIES PASSENGER'S SEAT - "PREVOST"		
		A) USE WITH WCL LAVATORY		
		B) THIS ITEM IS LOCATED ON SIDE WINDOW FORWARD W.C.L. DOOR		
		C) OPEN TYPE ONLY		
		D) USE WITH 3 OR 4 WHEEL CHAIR		
		E) USE IF NEED IT		
		F) FIXED ON LAVATORY WINDOW		
		L) LESS TENSION		
		M) MORE TENSION		
		O) OPTION UPPER WINDOW		
		S) STANDARD TENSION		

From L-6493

Date:01/2024

PAGE:X3-1884-01

SIDE WINDOW - BUS

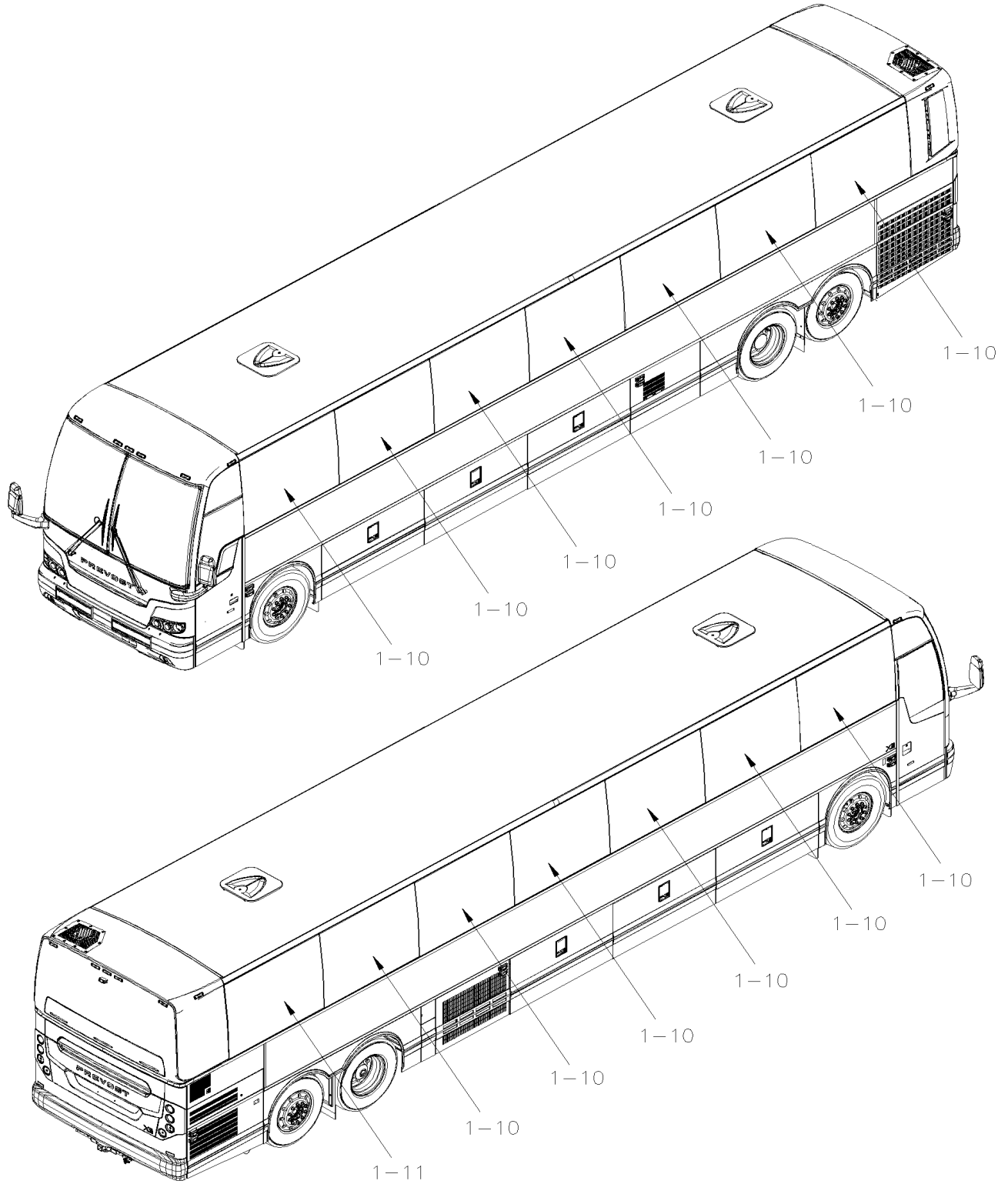


From L-6493

Date:01/2024

PAGE:X3-1884-01

SIDE WINDOW - BUS

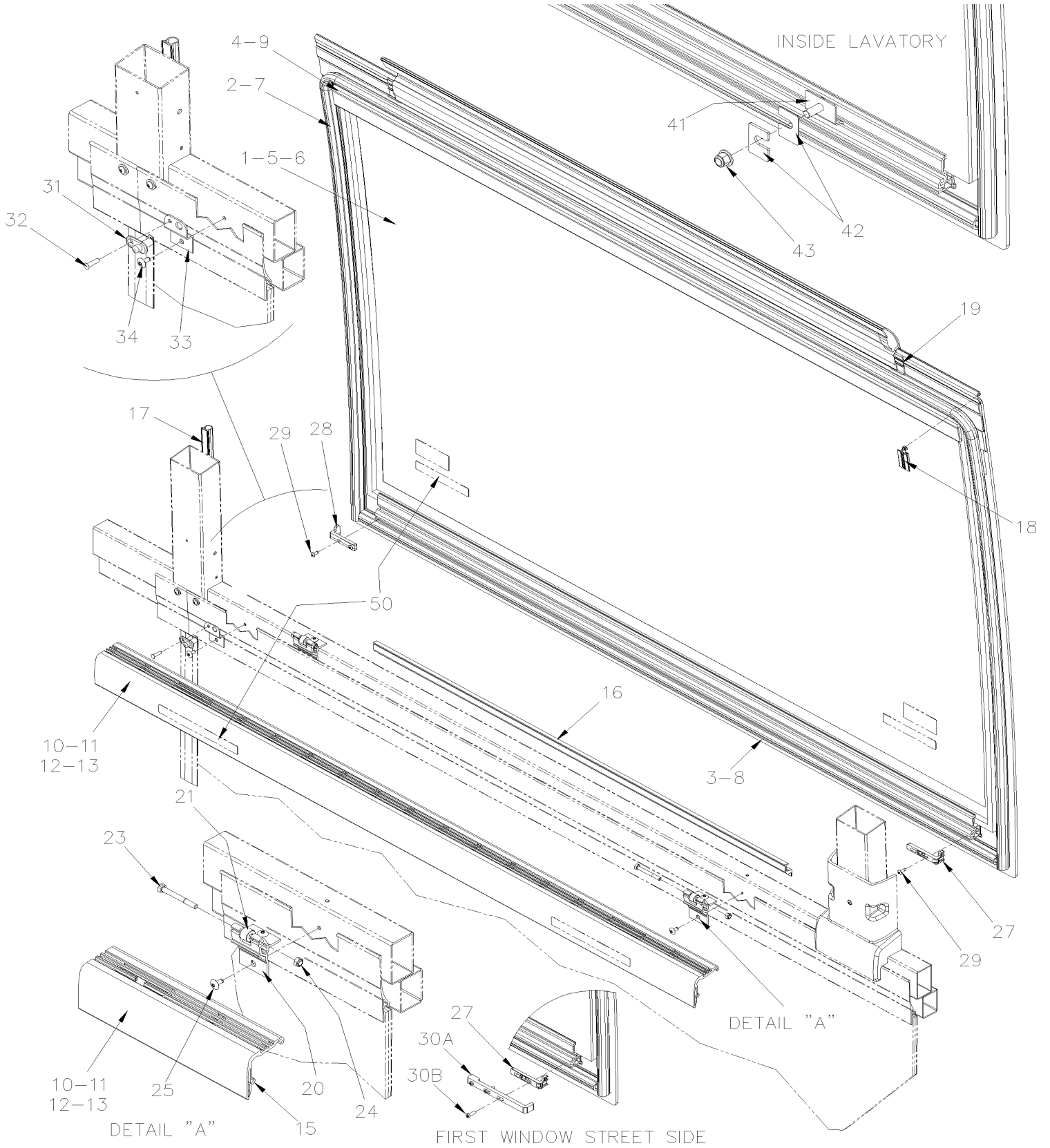


From L-6493

Date:01/2024

PAGE:X3-1884-01

SIDE WINDOW - BUS



From L-6493		Date:01/2024	PAGE:X3-1884-01
SIDE WINDOW - BUS			

Item#	Part	Description	QTY	Notes
1	290125	WINDOW, THERMOS 13% ASSY. 1651MM	11	WCL
1	290125	WINDOW, THERMOS 13% ASSY. 1651MM	14	
2	290258	. SEAL, RUBBER 3775MM	1	
3	290259	. SEAL, RUBBER 1584MM	1	
4	506040	. TAPE RUB ADH1 CC EPDM 5/16" x 3/4" x 25' / BLACK OR GREY 144X	AR	
5	290087	WINDOW, THERMOS 13% ASSY. 1869MM	1	WCL
6	290131	WINDOW, THERMOS 13% ASSY. 1869MM	1	WCL
7	290260	. SEAL, RUBBER 3920MM	1	WCL
8	290262	. SEAL, RUBBER 1784MM	1	WCL
9	506040	. TAPE RUB ADH1 CC EPDM 5/16" x 3/4" x 25' / BLACK OR GREY 144X	AR	WCL
10	290167	HANDLE 1494MM	10	WCL
10	290167	HANDLE 1494MM	13	
11	290243	HANDLE, W/LAVATORY 635MM	1	
11	290167	HANDLE 1494MM	1	L
NS	290558	STOPPER, RIGHT, LAVATORY WALL	1	
NS	500611	SCREW TC PAN PH #10-24x1/2 Z050	2	
12	290240	HANDLE W/WCL 1620MM	2	WCL
13	290718	HANDLE, W/LAVATORY 957MM	1	PWT
15	506191	TAPE RUB ADH1 CC POL 1/8" x 1/4" x 50' / GREY 2520X	AR	
16	290535	SEAL, LOW WINDOW To L-6641	AR	
16	290592	SEAL, LOW WINDOW 3048MM From L-6642 To N-6738	8	
16	290849	SEAL, LOW WINDOW 3048MM From N-6739	8	
17	290465	SEAL, RUBBER 1105MM	12	
17	290283	SEAL, RUBBER 1106MM	2	A
18	290180	WINDOW STOPPER	AR	
19	290254	WINDOW LOCK	AR	
20	290156	HOLDER WITH LOCK	AR	
21	504091	NYLON ROUND SPACER 1/4 X 5/8OD X 7/16	AR	
23	5001710	SCREW CAP HEX M6-1.0x55 SS	AR	
24	502681	NUT HEX NYRT M6-1.0 N500 G8	AR	
25	504793	RIVET MNB OE LARGE HEAD 3/16x7/16 SS	AR	
27	290494	STOPPER, R.H.	13	
28	290495	STOPPER, L.H.	13	
29	500611	SCREW TC PAN PH #10-24x1/2 Z050	AR	
30A	290984	STOPPER, L.H. FRONT WINDOW From N-6766	1	B
30B	502526	SCREW TC BDG PH #12-24x3/4 Z050 From N-6766 To P-6864	3	B
30B	5000008	SCREW TC PAN PH #12-24X1-1/4 Z050 From P-6865	3	B
31	561563	SWITCH / S.P.S.T. / N.C.	7	

From L-6493	Date:01/2024	PAGE:X3-1884-01
SIDE WINDOW - BUS		

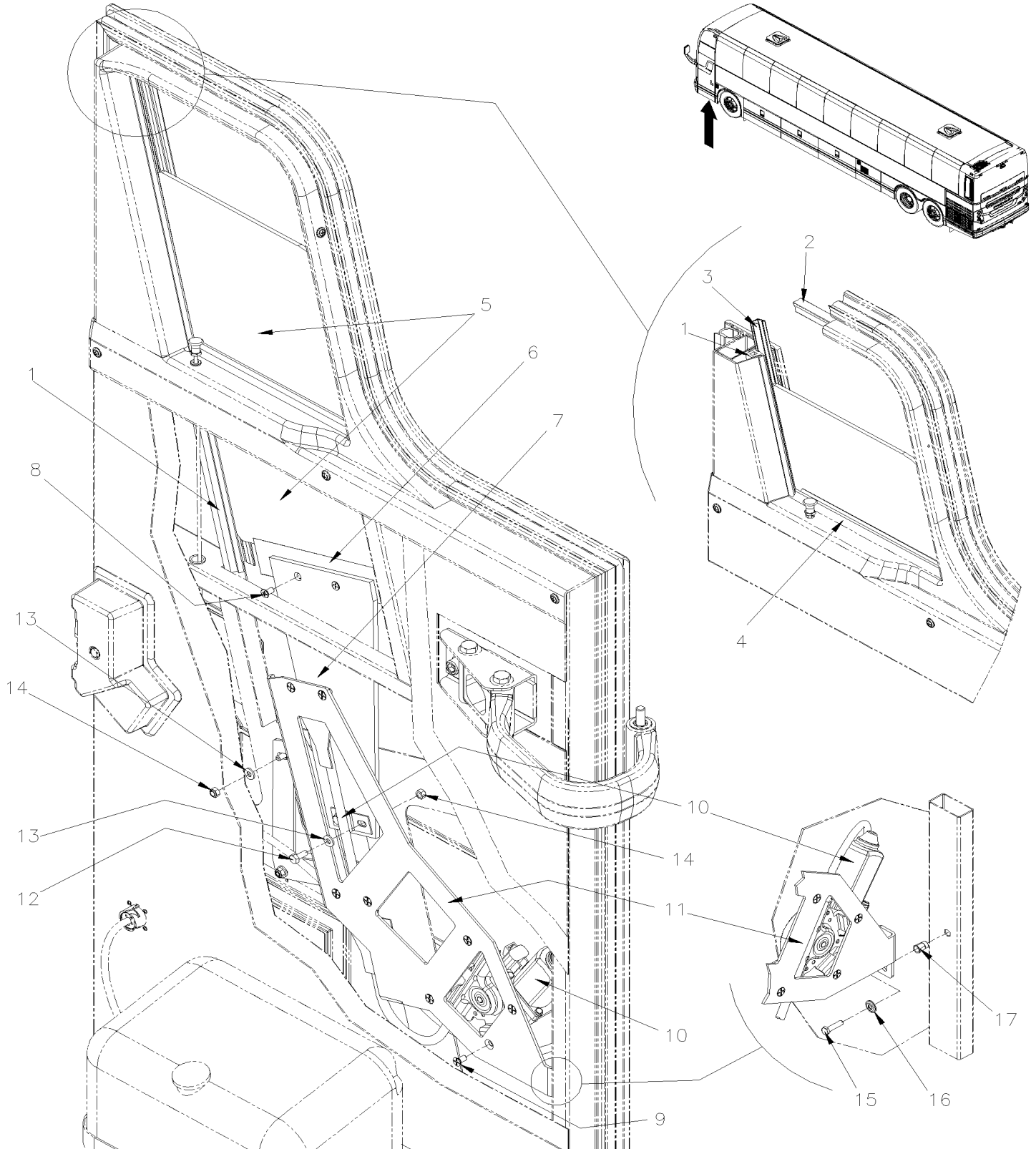
Item#	Part	Description	QTY	Notes
32	5001360	RIVET POP CK OE 3/16x1/2 AL	7	
33	290496	HOLDER WINDOW SENSOR	7	
34	504793	RIVET MNB OE LARGE HEAD 3/16x7/16 SS	7	
NS	069968	CABLE / EMERGENCY LIGHT AND WINDOW AJAR LH	1	
NS	069967	CABLE / EMERGENCY LIGHT AND WINDOW AJAR RH	1	
NS	504273	CABLE TIE / 1/8" X 3"1/2	AR	
35	509815	TIE MOUNT / ATTACHMENT W/TREE MOUNT	AR	
41	290208	FIX BRACE	1	
42	505193	SHIM 1/8" THICK	1	
42	505213	SHIM 1/16" THICK	1	
43	5001930	NUT HEXF NYRT M10-1.5 N500 G10.9	1	
50	X3-1829-00	ACCESSORIES PASSENGER'S SEAT - "PREVOST"		
		A) SIDE OF WHEEL CHAIR DOOR		
		B) ONLY USE ON FIRST STREET SIDE WINDOWS		
		L) WIHTOUT LAVATORY		
		PWT) WITH WCL LAVATORY		
		WCL) WITH WHEEL CHAIR LIFT		

From 7-8754

Date:01/2024

PAGE:X3-1886-00

POWER WINDOW - ELECTRICAL INSTALLATION



From 7-8754	Date:01/2024	PAGE:X3-1886-00
POWER WINDOW - ELECTRICAL INSTALLATION		

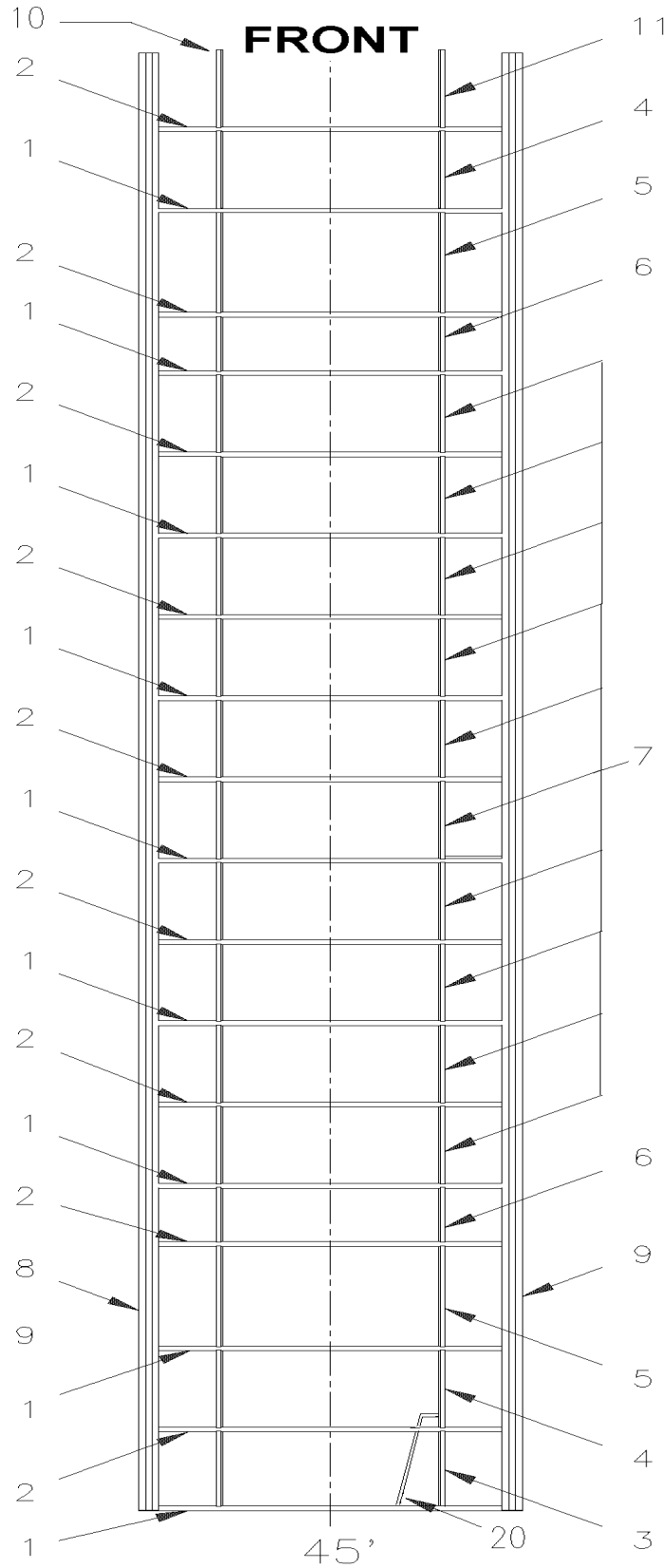
Item#	Part	Description	QTY	Notes
1	285983	WINDOW TRACK	1	
2	286440	FELT SLIDING 677MM	1	
3	286439	FELT SLIDING 930MM	1	
4	286419	FLAP SEAL / 25MM x 260MM	2	
5	286212	GLASS ASSY W/SUPPORT	1	
6	293194	. SUPPORT ASSY	1	
7	293852	SUPPORT TRANSITION PLASTIC	1	
8	5001633	SCREW MA FL PH M6-1.0x12 Z050	2	
9	500541	SCREW MA FL PH 1/4-20x1/2 SS BK	8	
10	790500	MOTOR & REGULATOR ASSY / SERIES "XL-II"	1	
11	293856	SUPPORT MOTOR SERVICE DOOR / BUS	1	
12	5001744	SCREW CAP HEX M6-1.0x16 G8.8 N500	2	
13	500877	WASHER FL .250x.562x.065 N500	4	
14	5001182	NUT HEX NYRT M6-1.0 SS	4	
15	5001433	SCREW CAP HEX M6-1.0x25 SS	1	
16	502582	WASHER LO SERR 6.1x16.2x0.9 Z050	1	
17	5001344	NUT INS FL HEX M6-1.0 0.5-3.0 SS	1	
NS	680066	ADHESIVE / ADBOND #5014 / 23.6ML BOTTLE	AR	
NS	685072	THREAD LOCKER LOCTITE #243 / BLUE / 5ml	AR	
NS	563664	CONNECTOR "MUNCY"	1	
NS	563623	BUTT SPLICE / 16-14 / BLUE / W/THERMORETRAC / PANDUIT BSH14-Q	2	

From 7-8754 To D-5458

Date:01/2024

PAGE:X3-1890-00

ROOF STRUCTURE



From 7-8754 To D-5458	Date:01/2024	PAGE:X3-1890-00
ROOF STRUCTURE		

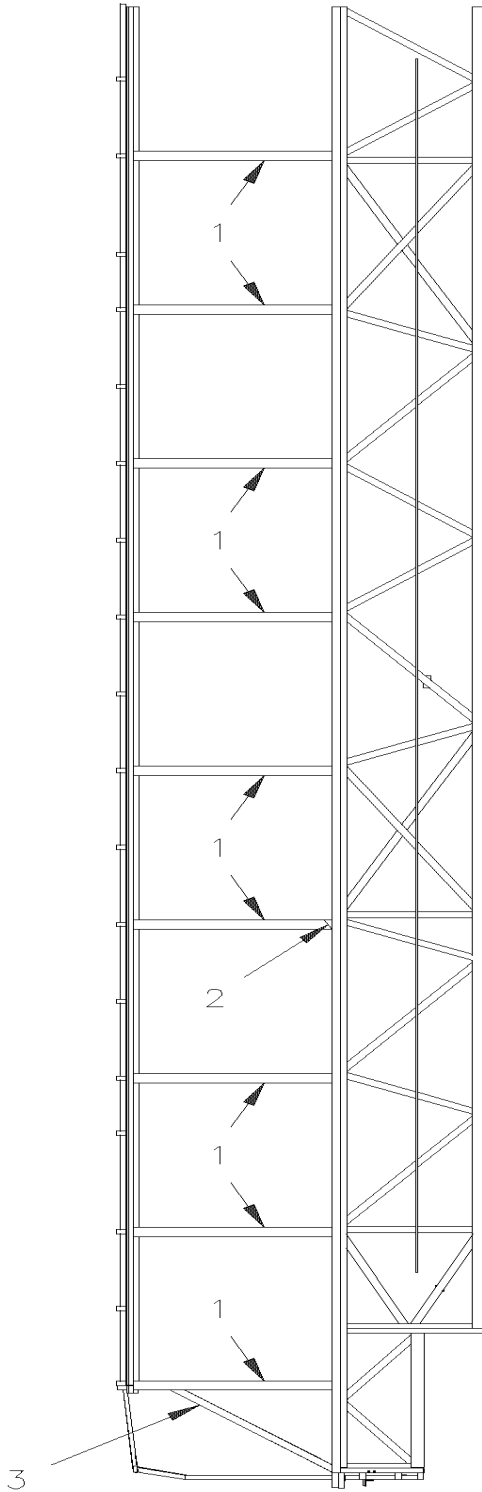
Item#	Part	Description	QTY	Notes
1	271634	ARCH / ROOF 1932.7MM (76") To D-5299	9	
1	272589	ARCH / ROOF 1998.4MM From D-5300	9	
1	272825	ARCH / ROOF 1998.4MM SPECIAL OPTION CARGO	1	
2	271635	ARCH / ROOF 1932.7MM (76") To D-5299	8	
2	272589	ARCH / ROOF 1998.4MM From D-5300	8	
3	271613	FORM / BETWEEN ARCH 600.6MM (23.64")	2	
4	271612	FORM / BETWEEN ARCH 619.6MM (24.39")	4	
5	271615	FORM / BETWEEN ARCH 802.0MM (31.57")	4	
6	271614	FORM / BETWEEN ARCH 437.3MM (17.21")	4	
7	271616	FORM / BETWEEN ARCH 619.6MM (24.39")	16	
7	271616	FORM / BETWEEN ARCH 619.6MM (24.39")	20	
8	275177	ROOF L.H. CORNER ASSY To D-5299	1	
8	272742	ROOF CORNER ASSY From D-5300	1	
9	271169	ROOF R.H. CORNER ASSY To D-5299	1	
9	272742	ROOF CORNER ASSY From D-5300	1	
10	271611	FORM / BETWEEN ARCH / L.H. 595.5MM (23.42")	1	
11	271610	FORM / BETWEEN ARCH / R.H. 595.5MM (23.42")	1	
11	Call order desk	FORM / BETWEEN ARCH / R.H. To D-5299	1	P
11	Call order desk	FORM / BETWEEN ARCH / R.H. From D-5300	1	P
11	Call order desk	POST ATTACHMENT, UPPER, SCR VOLVO From 8-9277 To D-5299	1	P
11	Call order desk	POST ATTACHMENT, UPPER, SCR VOLVO From D-5300	1	P
20	271300	SUPPORT CEILLINP PANEL OVER LAVATORY DOOR	1	
NS	271302	SUPPORT CEILLING PANEL OVER LAVATORY MIRROR	1	
NS	271301	SUPPORT CEILLING PANEL OVER LAVATORY CURBSIDE	1	
		P) CALL ORDER DESK FOR SPECIFIC APPLICATION (V.I.N.)		

From 7-8754 To D-5458

Date:01/2024

PAGE:X3-1890-10

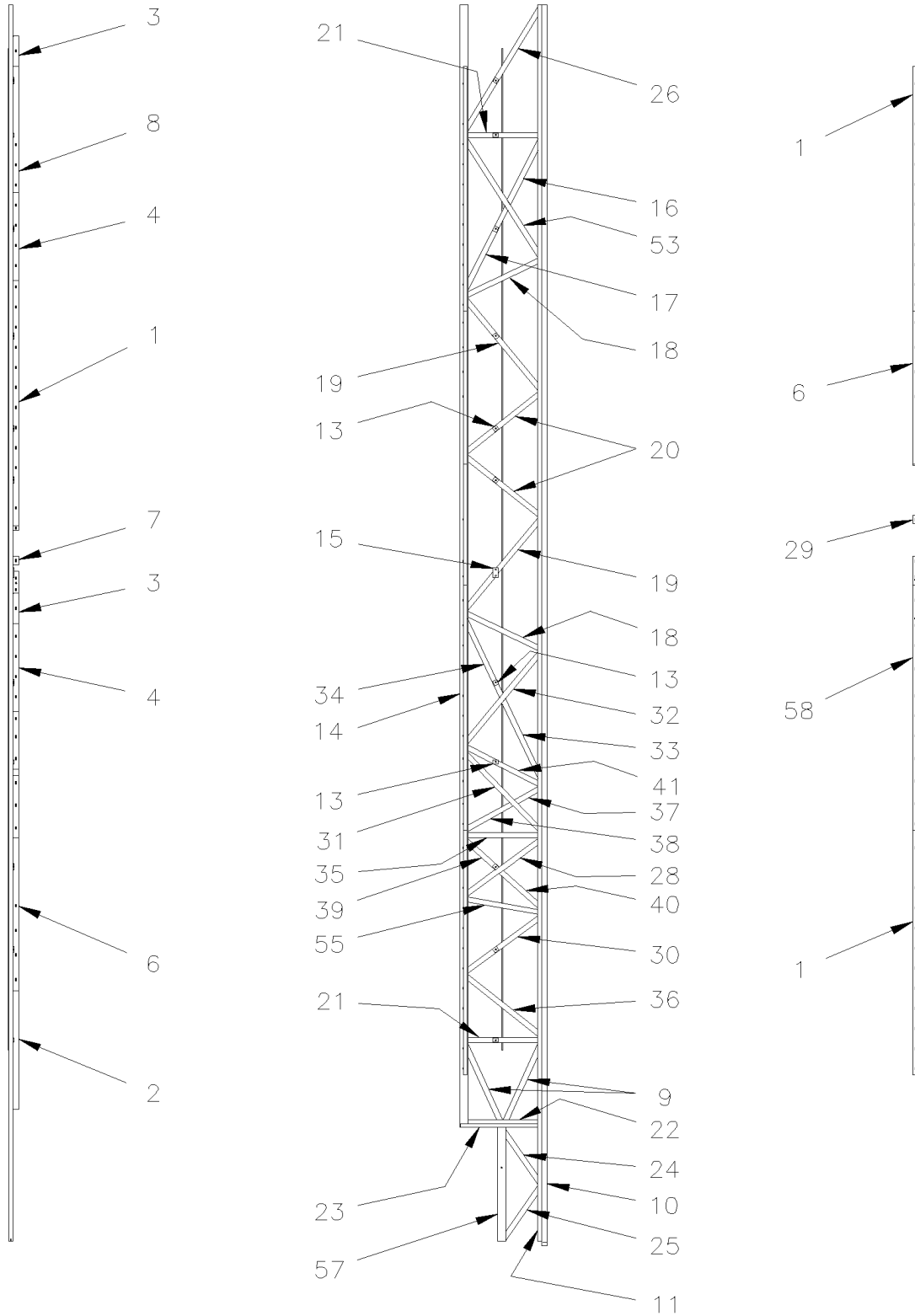
STRUCTURE WALL - UPPER



From 7-8754 To D-5458	Date:01/2024	PAGE:X3-1890-10
STRUCTURE WALL - UPPER		

Item#	Part	Description	QTY	Notes
1	271264	POST BUS & MTH 83" To D-5299	18	
1	272731	POST From D-5300	18	
NS	276461	SPACER 25.4MM O.D. X 18MM TH	AR	W
2	271130	REINFORCEMENT	18	
3	260772	REINFORCEMENT L.H.	1	
3	260773	REINFORCEMENT R.H.	1	
		W) WELDED ON POST W/W.C.L.		

LOWER WALL STRUCTURE

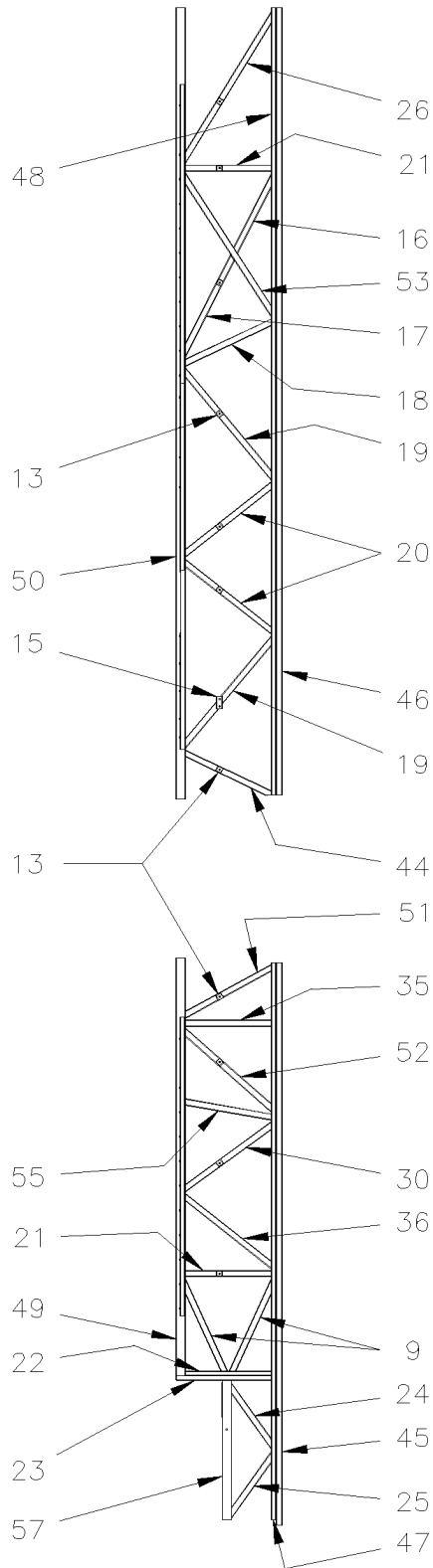


TOP VIEW RIGHT

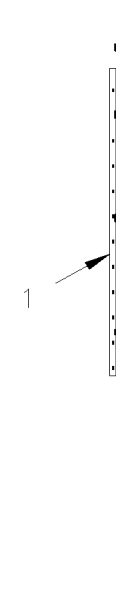
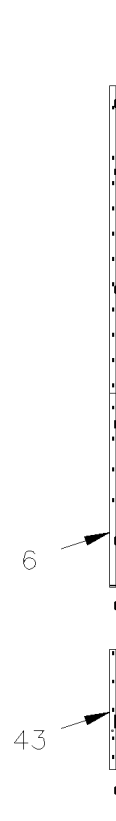
RH FROM INSIDE

TOP VIEW LEFT

LOWER WALL STRUCTURE

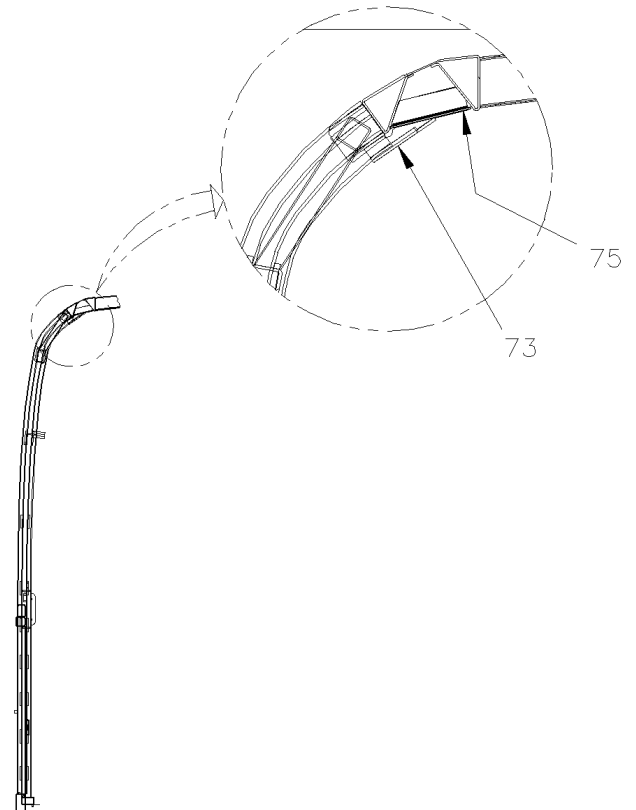
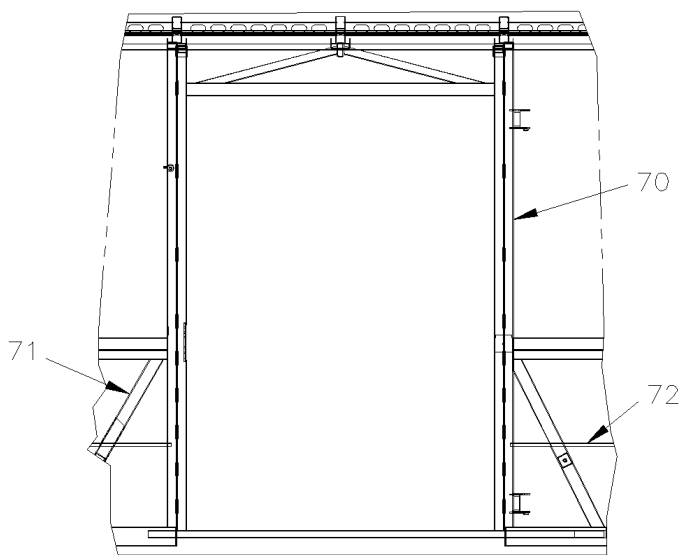
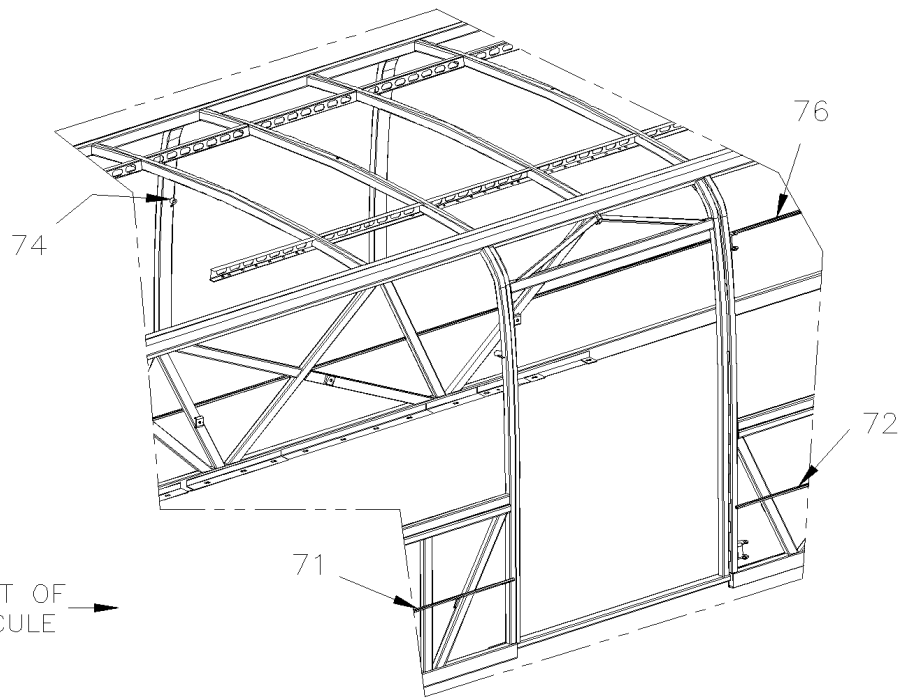
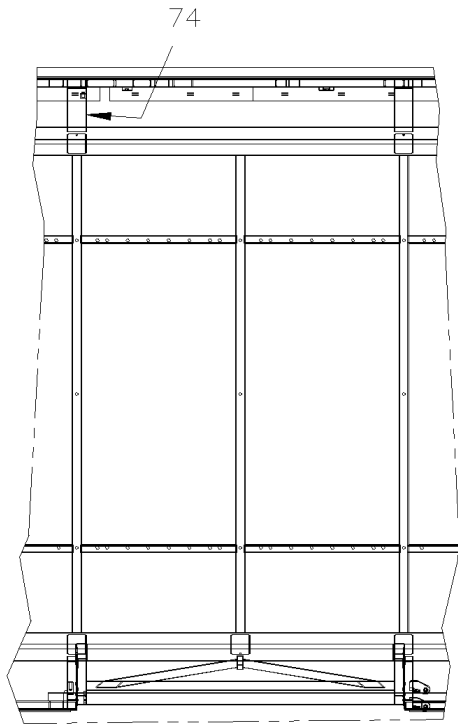


RH FROM INSIDE



TOP VIEW RIGHT

LOWER WALL STRUCTURE



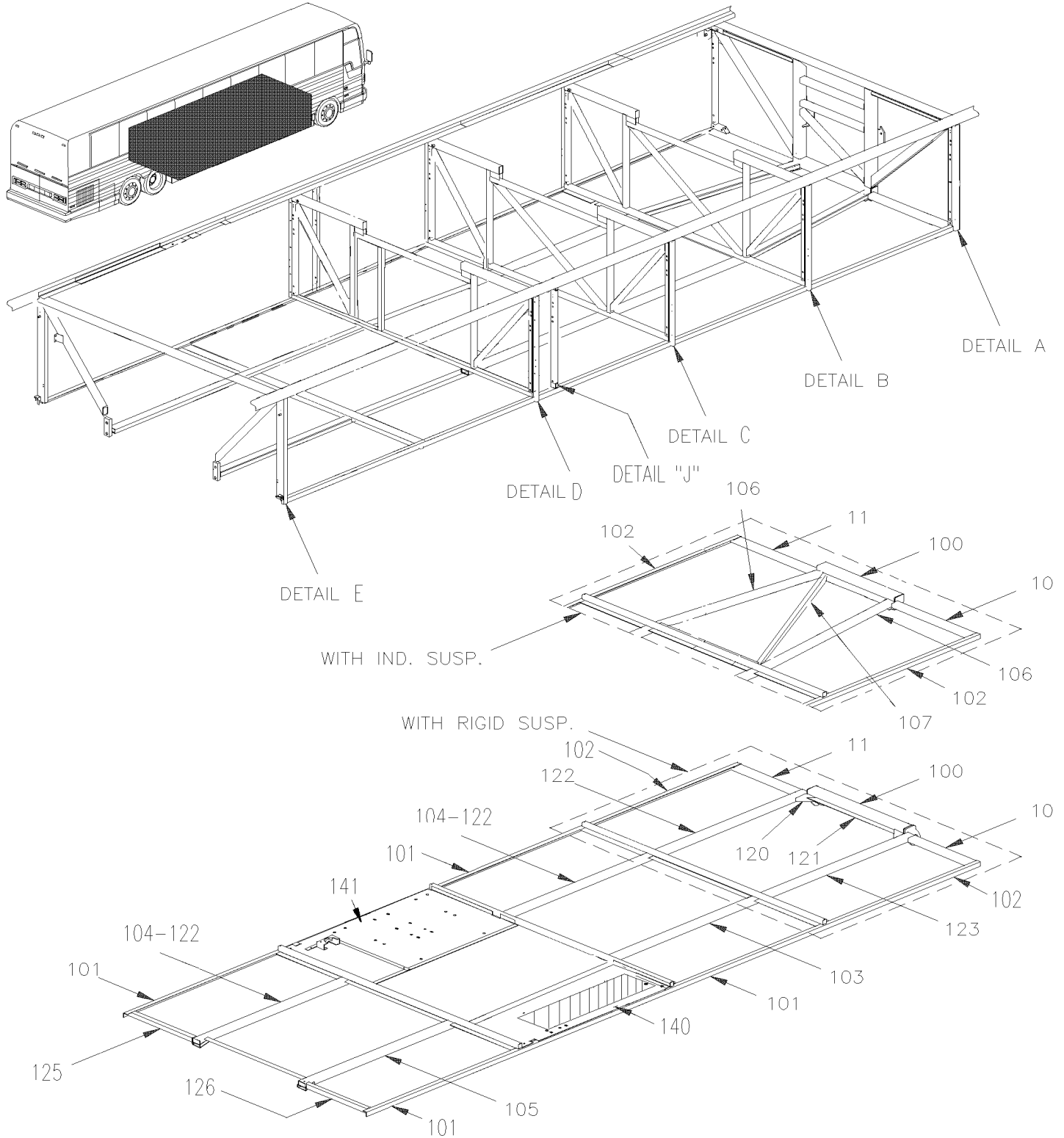
From 7-8754 To D-5458	Date:01/2024	PAGE:X3-1891-00
LOWER WALL STRUCTURE		

Item#	Part	Description	QTY	Notes
1	231979	ANGLE	1	
2	231956	ANGLE	1	
3	231248	ANGLE	1	
4	231978	ANGLE	1	
6	231980	ANGLE	2	
7	231353	ANGLE	2	
8	231354	ANGLE	1	
9	231374	TUBE	2	
10	231458	TUBE	1	
11	231459	TUBE	1	
13	231469	SUPPORT SINGLE	11	
14	231460	TUBE	1	
15	231470	DOUBLE SUPPORT	1	
16	231559	TUBE	1	
17	231560	TUBE	1	
18	231562	TUBE	8	
19	231563	TUBE	2	
20	231566	TUBE	2	
21	231567	TUBE	2	
22	231577	TUBE	1	
23	231949	TUBE	1	
23	231692	TUBE ASSY	1	
24	231815	TUBE	1	
25	231816	TUBE	1	
26	231819	TUBE	1	
28	231891	TUBE	1	
29	237950	ANGLE	1	
30	231893	TUBE	1	
31	231894	TUBE	1	
32	231899	TUBE	1	
33	231900	TUBE	1	
34	231901	TUBE	1	
35	231910	TUBE	1	
36	231911	TUBE	1	
37	231912	TUBE	1	
38	231914	TUBE	1	
39	231914	TUBE	1	
40	231915	TUBE	1	
41	231919	TUBE	1	
42	230695	PLATE, CLOSING	1	
43	238928	ANGLW W/W.C.L.	1	
44	231702	TUBE	1	

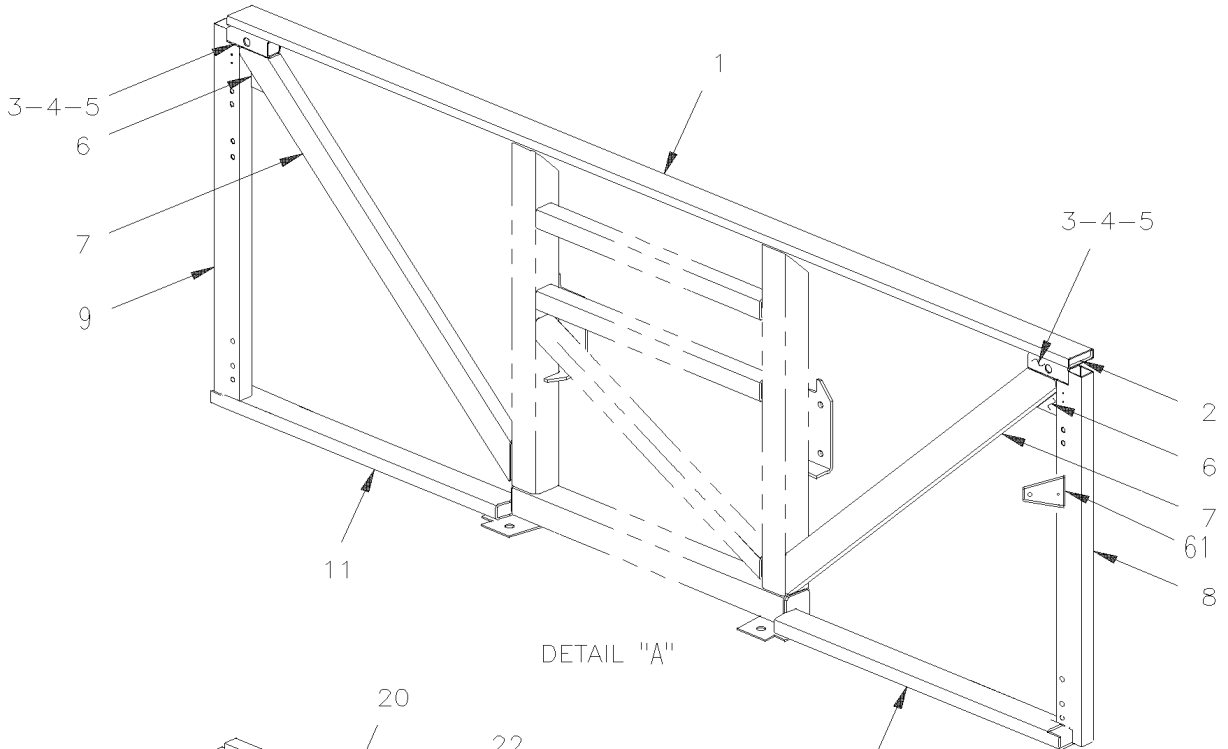
From 7-8754 To D-5458	Date:01/2024	PAGE:X3-1891-00
LOWER WALL STRUCTURE		

Item#	Part	Description	QTY	Notes
45	231743	TUBE	1	
46	231744	TUBE	1	
47	231745	TUBE	1	
48	231746	TUBE	1	
49	231747	TUBE	1	
50	231748	TUBE	1	
51	231890	TUBE	1	
52	231918	TUBE	1	
53	231561	TUBE	1	
54	231951	ANGLE	1	
55	231892	TUBE	1	
56	231950	ANGLE	1	
57	231822	TUBE ASSY	1	
58	231246	ANGLE	1	
70	276464	POST FORWARD To 9-9642	1	
70	Call order desk	POST FORWARD From 9-9643	1	P
71	231576	TUBE	1	
72	231575	TUBE	1	
73	271502	CORNER	1	
74	276458	POST BACKWARD	1	
75	271164	REINFORCMENT To D-5299	1	
76	231298	TUBE	2	
		P) CALL ORDER DESK FOR SPECIFIC APPLICATION (V.I.N.)		

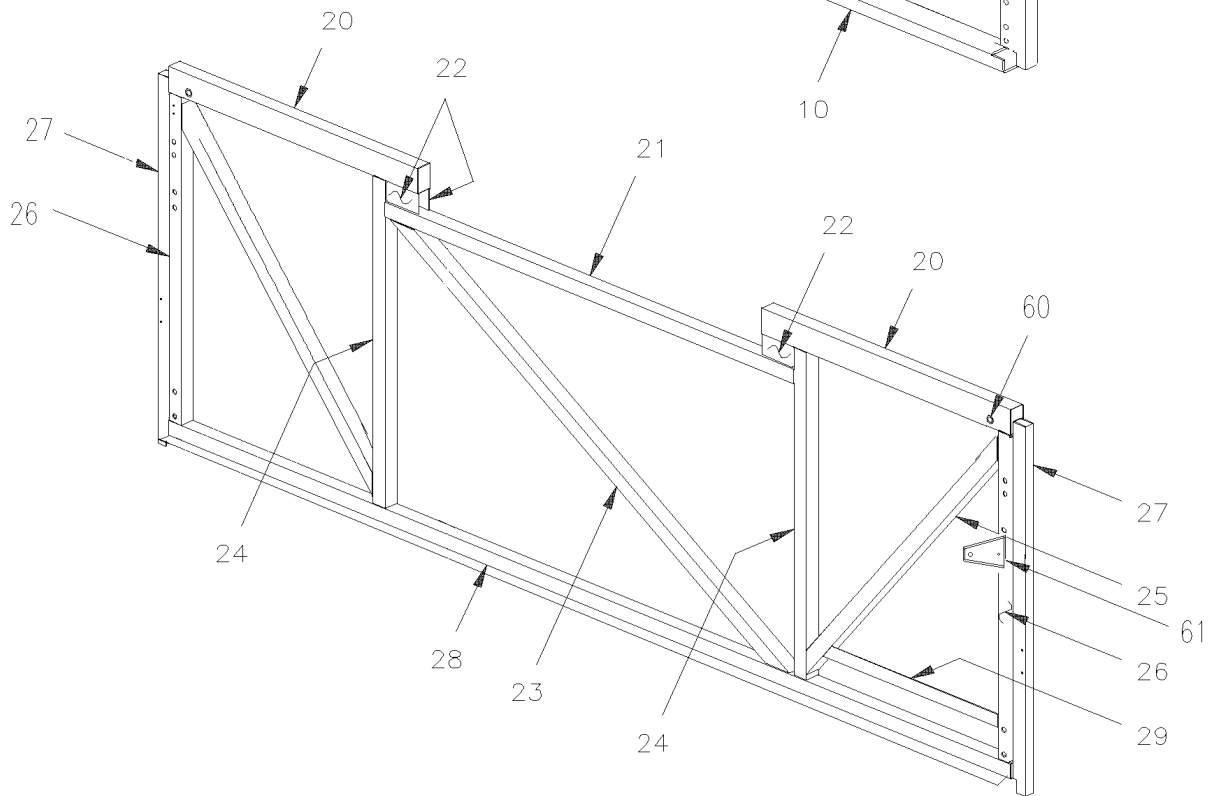
BAGGAGE COMPARTMENT STRUCTURE



BAGGAGE COMPARTMENT STRUCTURE

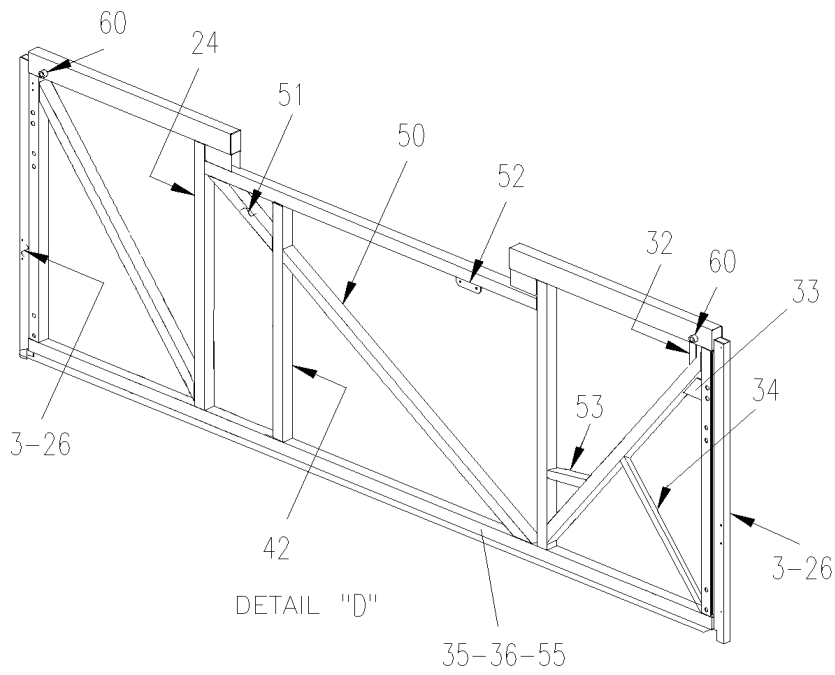
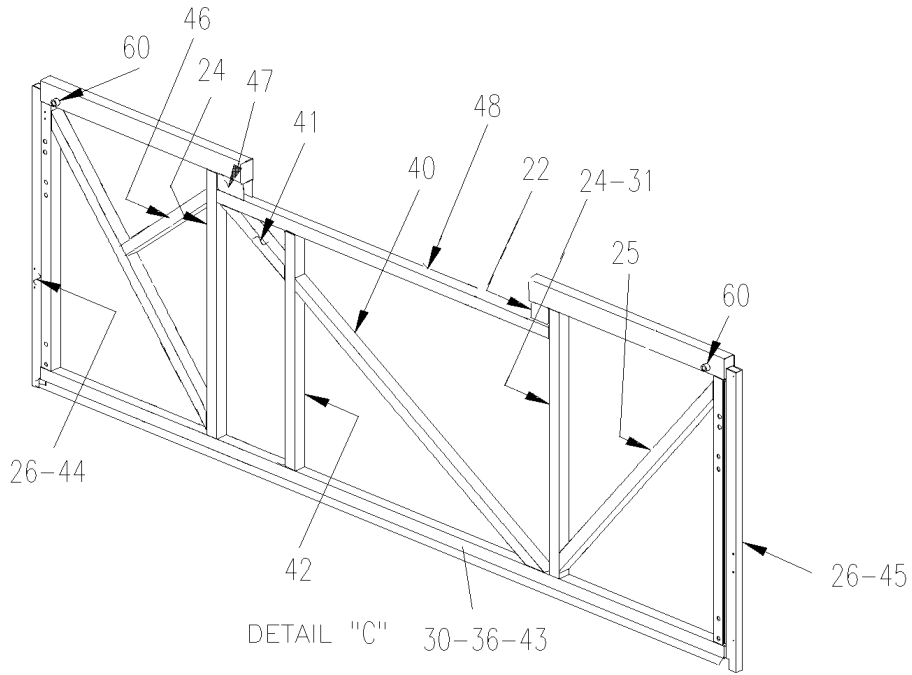


DETAIL "A"

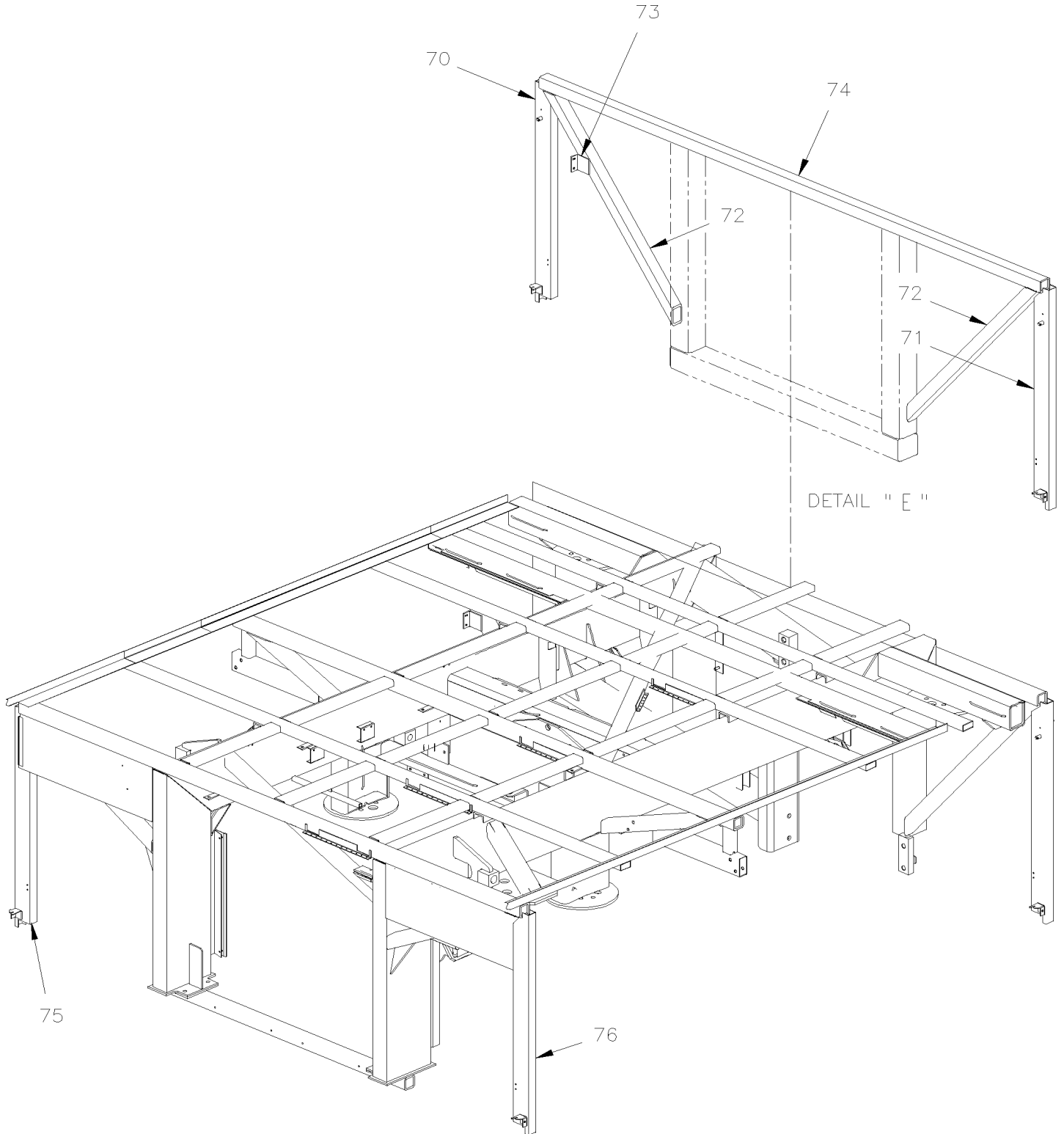


DETAIL "B"

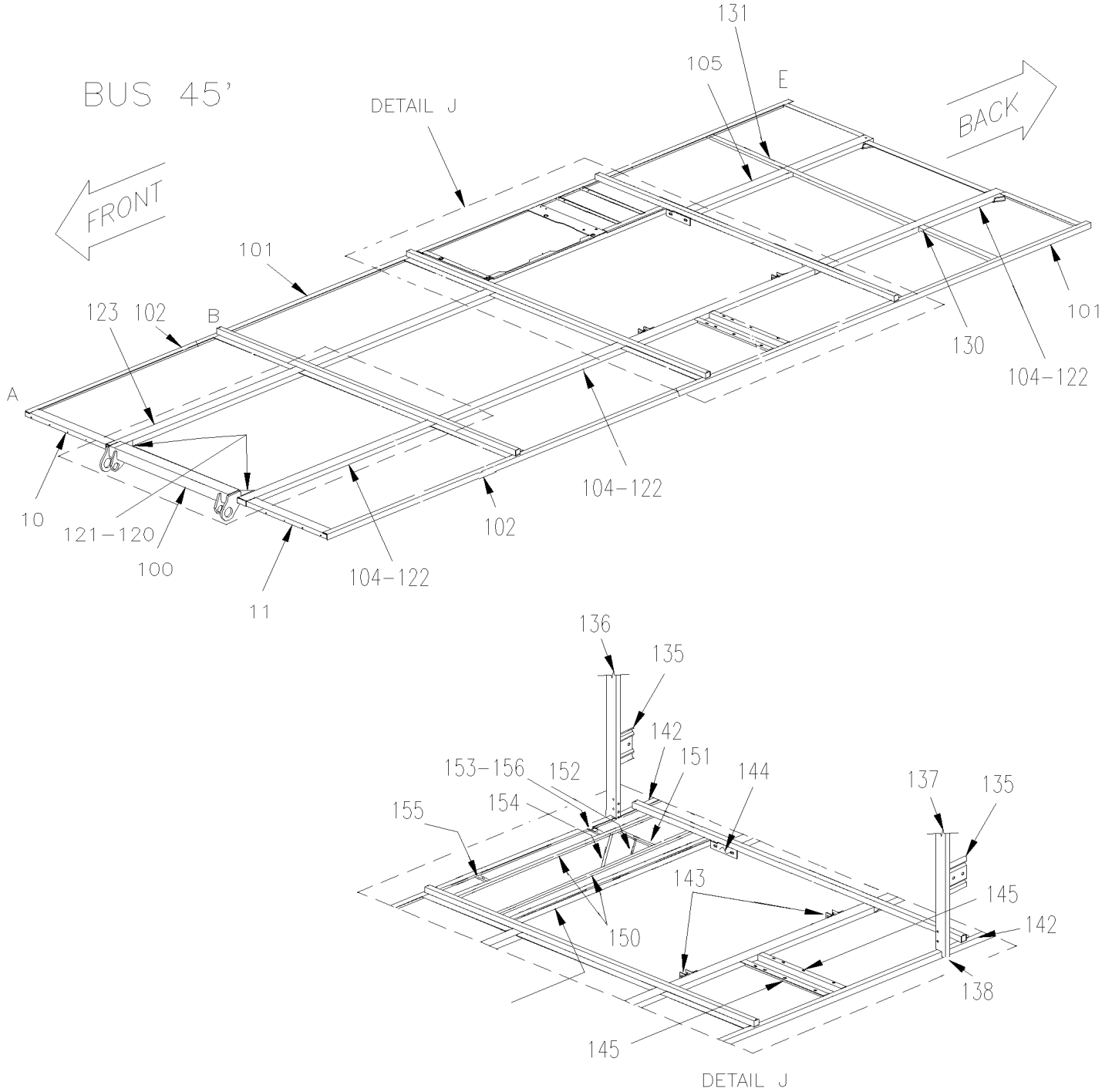
BAGGAGE COMPARTMENT STRUCTURE



BAGGAGE COMPARTMENT STRUCTURE



BAGGAGE COMPARTMENT STRUCTURE



From 7-8754 To B-5001	Date:01/2024	PAGE:X3-1893-00
BAGGAGE COMPARTMENT STRUCTURE		

Item#	Part	Description	QTY	Notes
1	213082	TUBE 2489MM A VOIR	1	
2	214466	PLATE, CLOSING / TUBE 18MM x 69MM	2	
3	213149	TUBE 120MM	2	
4	260126	TUBE, VERTICAL FRAME / REAR ENGINE DOOR / 1524MM A VOIR	2	
5	213891	INSERT 50MM LG	2	
NS	260120	PLATE, CLOSING / TUBE 33MM x 33MM	2	
6	214671	REINFORCEMENT 79MM x 90MM	2	
7	214650	TUBE 1126MM	2	
8	240638	POST R.H. 895MM	1	
9	240637	POST L.H. 895MM	1	
10	215254	TUBE	1	R
10	215167	TUBE	1	I
11	215273	TUBE	1	R
11	213701	TUBING	1	I
20	240634	TUBE 738MM x 1 1/2" 2 1/2"	2	
21	240113	TUBE 1209MM	1	
22	240641	PLATE 95.25MM X 57.1MM	4	
23	240689	TUBE 1370MM	1	
24	240658	TUBE 784MM	2	
25	240650	TUBE 952MM	2	
26	221466	POST INTERIOR 794MM A VOIR	2	
27	240386	POST EXTERIOR 895MM	1	
28	221404	HAT CHANNEL FLOOR SUPPORT	1	
29	215690	TUBE / HOSTESS SEAT SUPPORT / 515MM A VOIR	1	
30	221427	REINFORCEMENT STRIP / W/W.C.L. / 33MM X 1382MM	1	
31	221408	TUBE / W/W.C.L.	1	
32	249961	PLATE SUPPORT / W/W.C.L.	1	
33	249960	SUPPORT / W/W.C.L.	1	
34	221362	TUBE / W/W.C.L.	1	
35	221406	HAT CHANNEL FLOOR SUPPORT / W/W.C.L. To 9-9615	1	
35	221529	HAT CHANNEL FLOOR SUPPORT / W/W.C.L. From 9-9616	1	
36	221464	REINFORCMENT "U" SHAPE / W/W.C.L.	1	
40	221434	TUBE	1	
41	221437	TUBE	1	
42	221412	TUBE	3	
43	221474	HAT CHANNEL FLOOR SUPPORT To 9-9615	1	
43	221530	HAT CHANNEL FLOOR SUPPORT From 9-9616	1	
NS	221416	REINFORCEMENT STRIP 34MM X 1148MM	1	
44	240390	POST EXTERIOR L.H. ASSY / WRETAINER STRIP / 895MM	2	
45	240714	POST EXTERIOR DESSIN	1	
46	221498	TUBE	2	
47	221438	REINFORCMENT PLATE	2	

From 7-8754 To B-5001	Date:01/2024	PAGE:X3-1893-00
BAGGAGE COMPARTMENT STRUCTURE		

Item#	Part	Description	QTY	Notes
48	240655	TUBE 1130MM	1	
49	221497	TUBE	1	
50	221410	TUBE	1	
51	221411	TUBE	1	
52	240314	ANCHOR PLATE 25MM x 90MM	1	
53	221457	TUBE	1	
54	485531	SUPPORT PANEL 845MM X 48MM	1	
55	221346	HAT CHANNEL FLOOR SUPPORT To 9-9615	1	
55	221528	HAT CHANNEL FLOOR SUPPORT From 9-9616	1	
NS	221416	REINFORCEMENT STRIP 34MM X 1148MM	1	
60	288662	PIVOT ARM	8	
61	288513	FIXING PLATE	12	
70	221470	POST ASSY FORWARD FENDER / STREETSIDE	1	
71	221426	POST ASSY FORWARD FENDER / CURBSIDE	1	
72	170262	TUBE 986MM	2	
73	173146	SUPPORT VALVE HEIGHT CONTROL	2	
74	170487	TUBE 98"	1	
75	214626	POST ASSY BACKWARD FENDER / STREETSIDE	1	
. NS	213939	. CATCH FENDER LOWER	1	
. NS	5001337	. NUT INS FL HEX M8-1.25 0.5-3.0 Z050	2	
. NS	5001344	. NUT INS FL HEX M6-1.0 0.5-3.0 SS	2	
76	214627	POST ASSY BACKWARD FENDER / CURBSIDE	1	
. NS	213942	. CATCH FENDER LOWER	1	
100	X3-1897-05	FRONT SUB-FRAME / W/I BEAM RIGID SUSPENSION / "OPTION"		
100	X3-1897-00	FRONT SUB-FRAME / W/INDEPENDENT SUSPENSION - 18000 LBS		
101	221135	ANGLE 1/8"x1 1/2"X5464MM (215") / SS	2	
102	220872	ANGLE 1/8"x1 1/2"X1524MM (60") / SS	2	
103	221468	TUBE	1	
104	221380	TUBE	1	
104	221385	TUBE REINFORCMENT	1	
105	221383	TUBE	1	
105	221348	TUBE / W/W.C.L.	1	
106	221183	TUBE 1526MM	2	
107	221091	TUBE	2	
120	213629	REINFORCEMENT "TRIANGULAR SHAPE"	2	R
121	213630	TUBE 900MM	1	R
122	221502	TUBE	1	R
123	221185	TUBE 3197MM	1	R
125	220418	SUPPORT, L.H. / FLOOR	1	
126	220419	SUPPORT, R.H. / FLOOR	1	
130	221475	TUBE	1	
131	221476	TUBE	1	

From 7-8754 To B-5001	Date:01/2024	PAGE:X3-1893-00
-----------------------	--------------	-----------------

BAGGAGE COMPARTMENT STRUCTURE

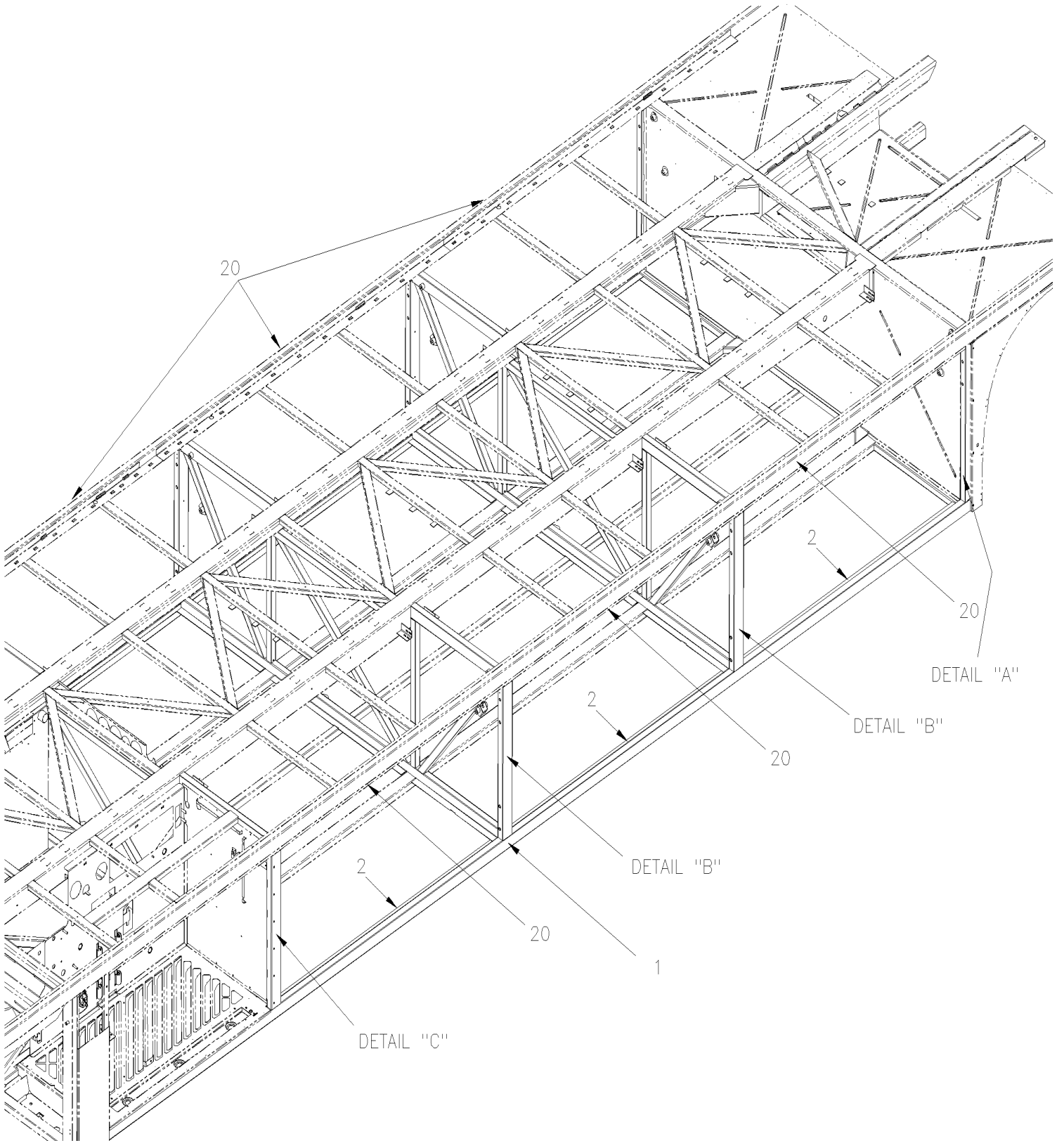
Item#	Part	Description	QTY	Notes
135	240457	REINFORCEMENT ASSY 125MM	2	
136	215790	POST CONDENSOR DOOR	1	
137	217984	POST EVAPORATOR DOOR	1	
138	221480	PLATE SUPPORT POST	1	
140	483131	PANEL CONDENSOR FLOOR ASSY W LOUVER To 8-9258	1	
140	484103	PANEL CONDENSOR FLOOR ASSY W LOUVER From 8-9259 To 9-9846	1	
140	480003	PANEL CONDENSOR FLOOR ASSY W LOUVER From 9-9847	1	
141	485505	PANEL EVAPORATOR FLOOR	1	
142	214534	SUPPORT "U" 125MM	2	
143	221440	ANGLE 2" X 1 1/2" SS	2	
144	220834	PLATE UNION 7 3/4" X 2" A VOIR	2	
145	223870	ANGLE SUPPORT	3	
150	215759	ANGLE FLOOR SUPPORT	2	
151	221456	ANGLE SUPPORT 434MM	1	
152	484008	DEFLECTOR 502MM	1	
153	484011	DEFLECTOR W/TRIANGLE 633MM	1	
154	484029	CHANNEL "C" SHAPE CATCH "D" CONDENSOR DOOR 149MM	1	
155	215770	TUBE PIVOT	2	
NS	215971	STOPPER CONDENSOR To 8-9258	1	
156	216290	STOPPER CONDENSOR From 8-9259	1	
		I) WITH INDEPENDANT SUSPENSION		
		R) WITH I BEAM RIGID SUSPENSION		

From B-5002 To D-5458

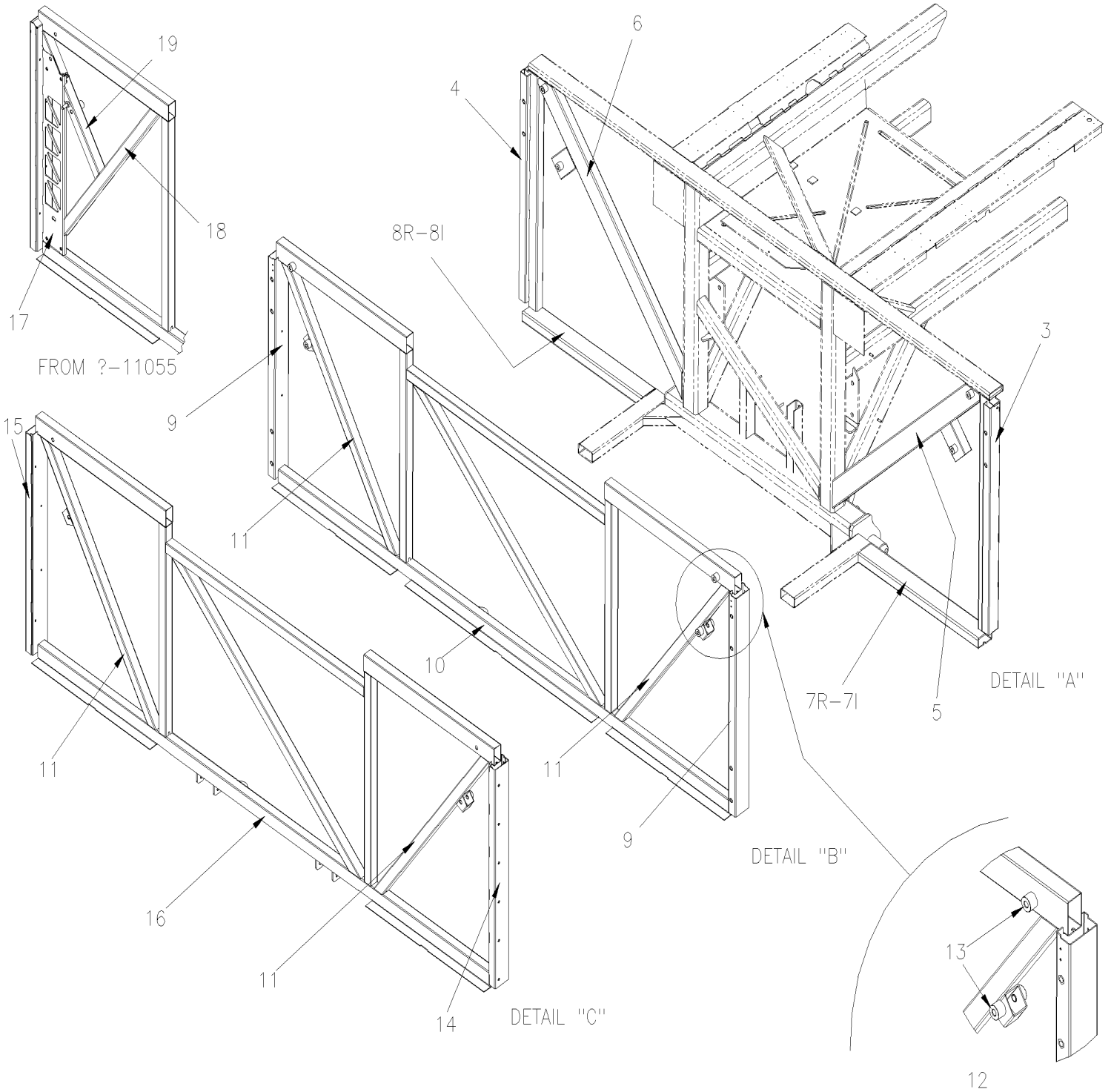
Date:01/2024

PAGE:X3-1893-01

BAGGAGE COMPARTMENT STRUCTURE



BAGGAGE COMPARTMENT STRUCTURE

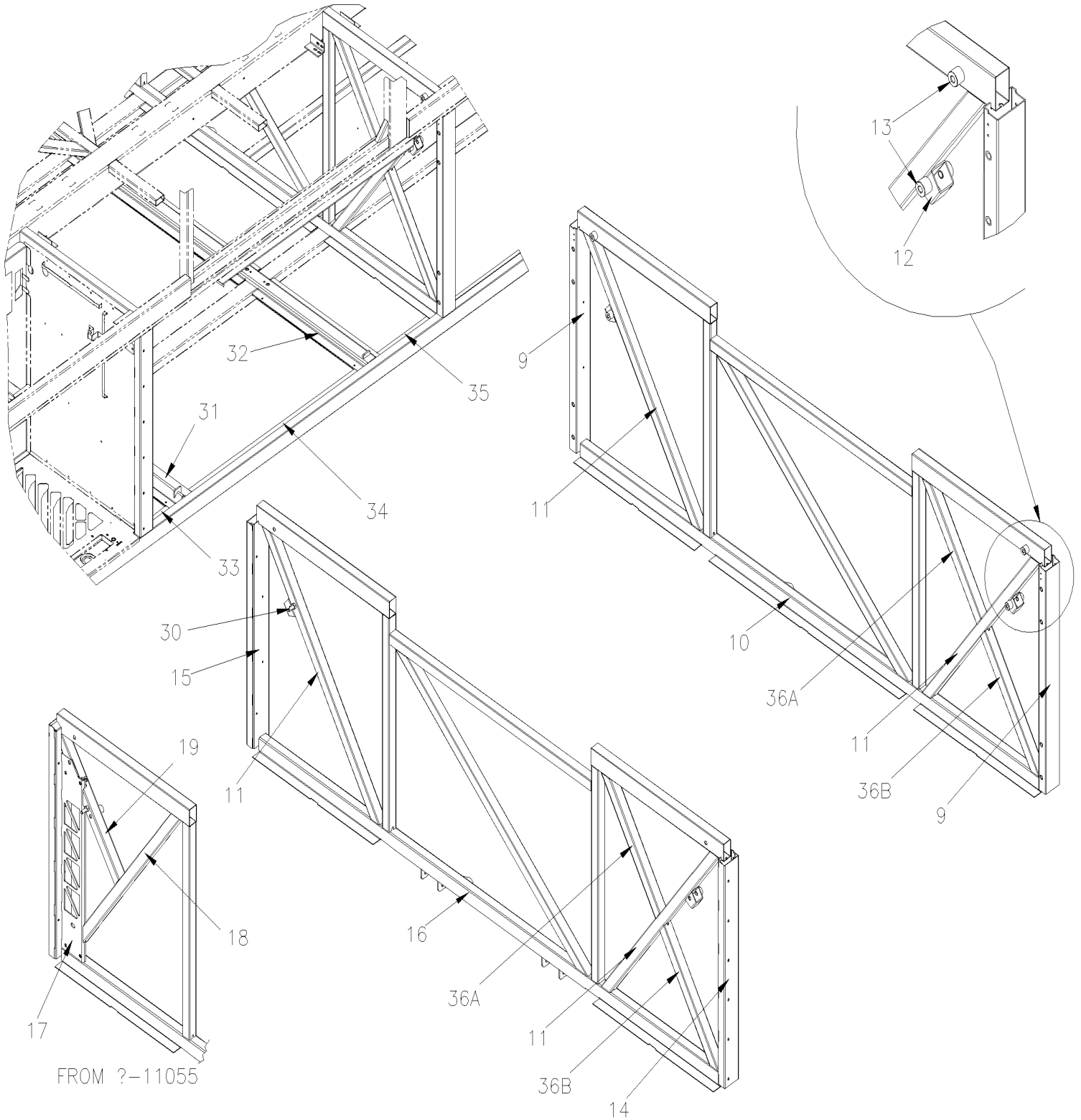


From B-5002 To D-5458

Date:01/2024

PAGE:X3-1893-01

BAGGAGE COMPARTMENT STRUCTURE



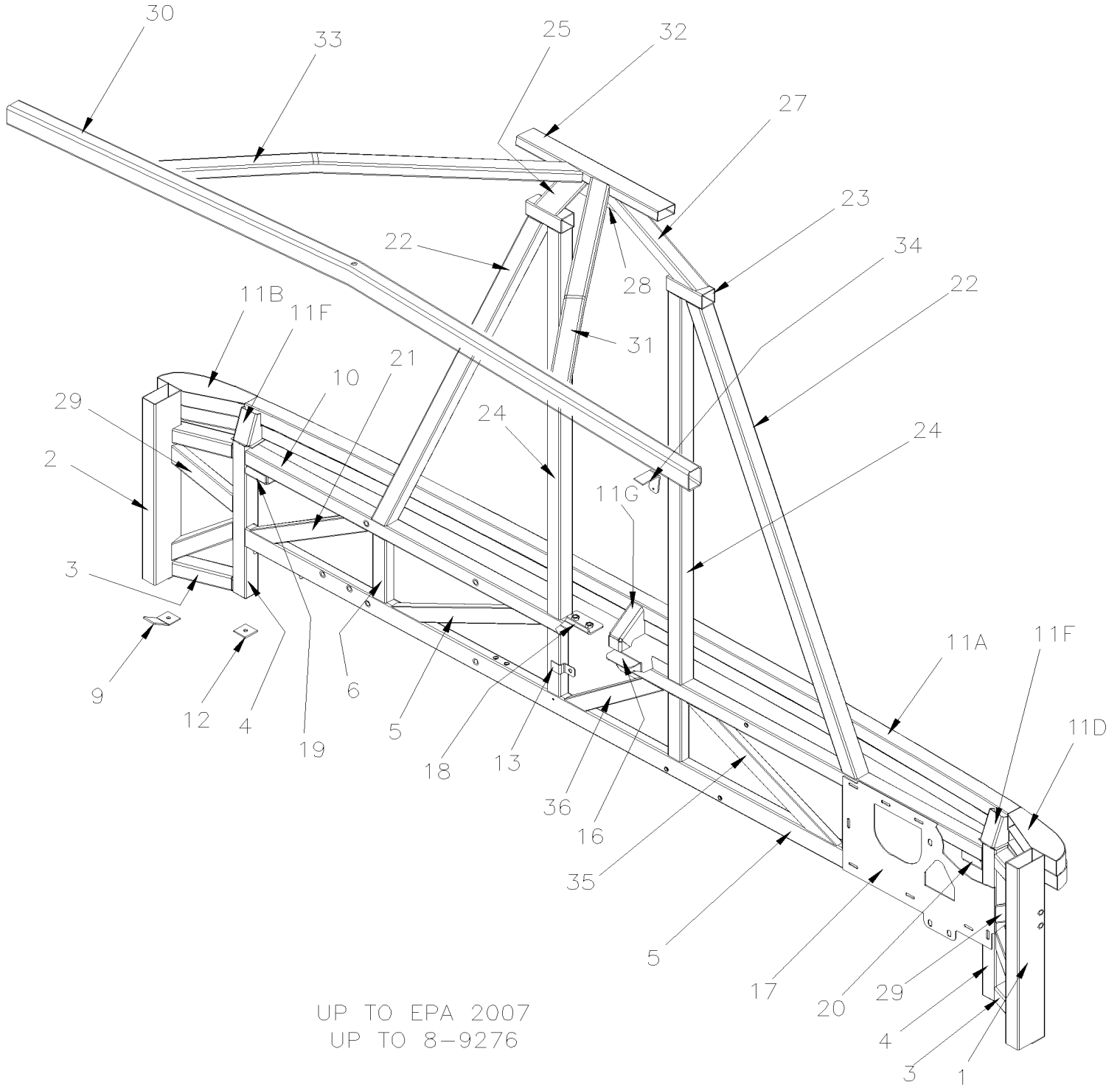
From B-5002 To D-5458	Date:01/2024	PAGE:X3-1893-01
BAGGAGE COMPARTMENT STRUCTURE		

Item#	Part	Description	QTY	Notes
1	221561	TUBE 6957MM To D-5458	2	
1	221804	TUBE 6990MM From E-5459	2	
1	232172	TUBE 3048MM	AR	
2	221564	ANGLE / FLOOR SUPPORT 1787MM	6	
3	216703	POST ASSY / 869MM To D-5458	1	
. NS	5001337	. NUT INS FL HEX M8-1.25 0.5-3.0 Z050 To D-5458	2	
3	217082	POST ASSY / 869MM From E-5459	1	
. NS	5001337	. NUT INS FL HEX M8-1.25 0.5-3.0 Z050 From E-5459	2	
4	216704	POST ASSY / 869MM To D-5458	1	
. NS	5001337	. NUT INS FL HEX M8-1.25 0.5-3.0 Z050 To D-5458	2	
4	217085	POST ASSY / 869MM From E-5459 To E-5594	1	
. NS	5001337	. NUT INS FL HEX M8-1.25 0.5-3.0 Z050 From E-5459 To E-5594	2	
4	217688	POST ASSY / 842MM From E-5595	1	
. NS	5001337	. NUT INS FL HEX M8-1.25 0.5-3.0 Z050 From E-5595	2	
5	216674	TUBE ASSY / 1122MM To D-5458	1	
5	217091	TUBE ASSY / 1114MM From E-5459	1	
6	216676	TUBE ASSY / 1122MM To D-5458	1	
6	217093	TUBE ASSY / 1114MM From E-5459	1	
7I	216688	TUBE 823MM To D-5458	1	I
7I	217098	TUBE 813MM From E-5459	1	I
7R	216662	TUBE 646MM To D-5458	1	R
7R	217096	TUBE 636MM From E-5459	1	R
8I	216689	TUBE 823MM To D-5458	1	I
8I	217099	TUBE 813MM From E-5459	1	I
8R	216663	TUBE 646MM To D-5458	1	R
8R	217097	TUBE 636MM From E-5459	1	R
9	240915	POST 823MM To D-5458	2	
. NS	5001337	. NUT INS FL HEX M8-1.25 0.5-3.0 Z050 To D-5458	8	
9	221870	POST 842.5MM From E-5459	2	
. NS	5001337	. NUT INS FL HEX M8-1.25 0.5-3.0 Z050 From E-5459	8	
10	221595	SUPPORT / BOTTOM 2464MM To D-5458	1	
10	221741	SUPPORT / BOTTOM 2440MM From E-5459	1	
11	221590	TUBE 1002MM To D-5458	2	
11	221740	TUBE 1020MM From E-5459	2	
12	221597	SUPPORT To D-5458	2	
13	221598	SUPPORT / DOOR	8	
14	221515	POST 823MM To D-5347	1	
. NS	502609	. NUT WD HEX M8-1.25 SS To D-5347	4	
. NS	502659	. NUT WD RND M6-1.0 SS To D-5347	6	
14	221813	POST 823MM From D-5348 To D-5458	1	
. NS	502609	. NUT WD HEX M8-1.25 SS From D-5348 To D-5458	4	
. NS	502659	. NUT WD RND M6-1.0 SS From D-5348 To D-5458	6	

From B-5002 To D-5458	Date:01/2024	PAGE:X3-1893-01
BAGGAGE COMPARTMENT STRUCTURE		

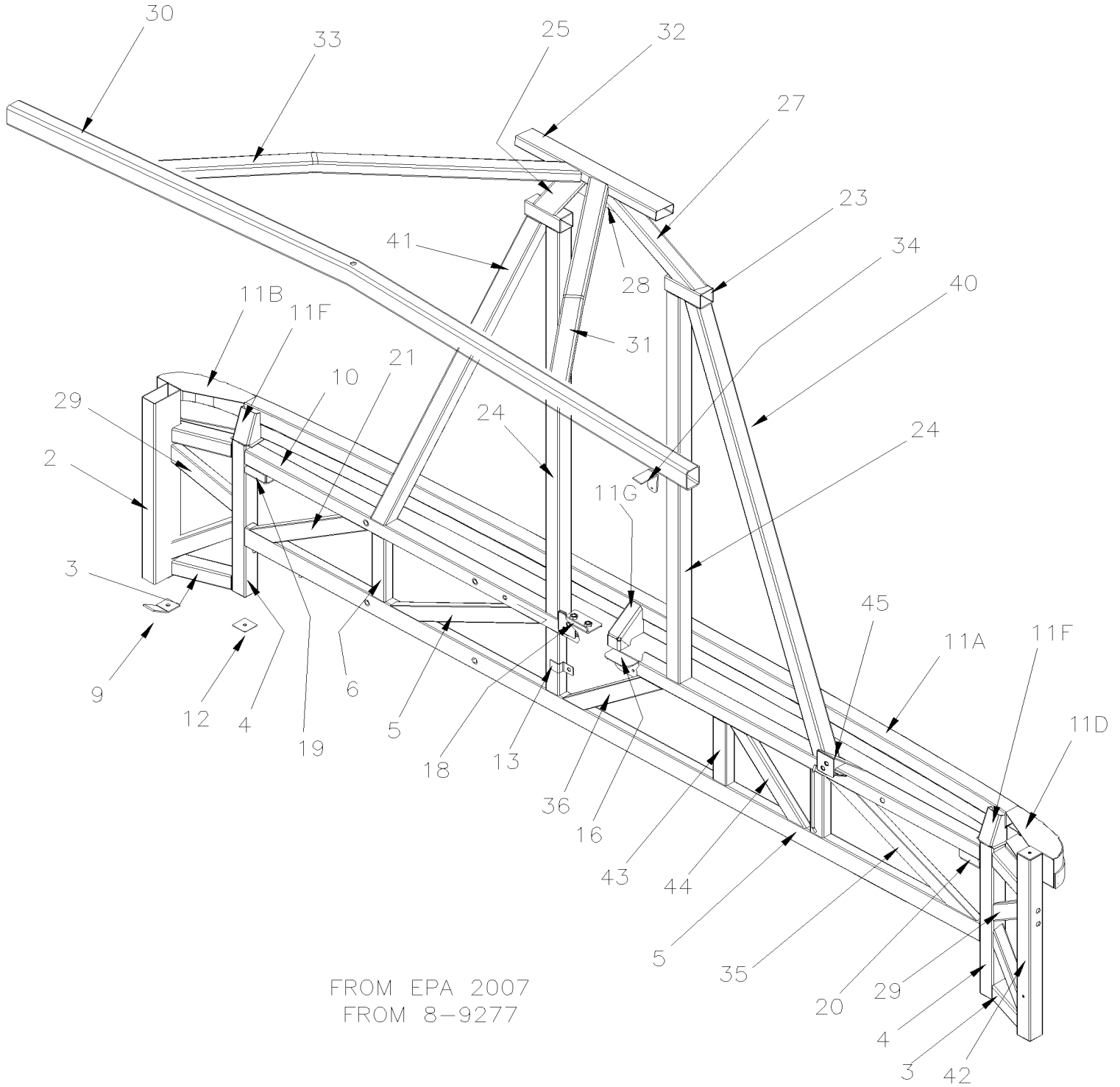
Item#	Part	Description	QTY	Notes
14	221744	POST 843MM From E-5459	1	
. NS	502609	. NUT WD HEX M8-1.25 SS From E-5459	4	
. NS	502659	. NUT WD RND M6-1.0 SS From E-5459	6	
15	221511	POST 823MM To D-5347	1	
. NS	502609	. NUT WD HEX M8-1.25 SS To D-5347	4	
. NS	502659	. NUT WD RND M6-1.0 SS To D-5347	6	
15	221814	POST 823MM From D-5348 To D-5458	1	
. NS	502609	. NUT WD HEX M8-1.25 SS From D-5348 To D-5458	4	
. NS	502659	. NUT WD RND M6-1.0 SS From D-5348 To D-5458	6	
15	221832	POST 842.5MM From E-5459	1	
. NS	5001337	. NUT INS FL HEX M8-1.25 0.5-3.0 Z050 From E-5459	4	
16	221592	SUPPORT / BOTTOM 2464MM To D-5458	1	
16	221747	SUPPORT / BOTTOM 2451MM From E-5459	1	
17	221795	HINGE BRACKET From E-5459	1	
18	221748	TUBE 900MM From E-5459	1	
19	221749	TUBE 514MM From E-5459	1	
20	221867	BUMPER / BAGGAE DOOR SEAL From E-5459	6	
30	5001231	SCREW CAP HEX M10-1.5x25 SS	1	
31	221609	RAIL ASS / W.C.L BACKWARD To D-5458	1	
. NS	221612	. ATTCHMENT PLATE To D-5458	2	
. NS	5001527	. SCREW CAP HEX M8-1.25x16 SS BK To D-5458	1	
31	221713	RAIL ASS / W.C.L BACKWARD From E-5459	1	
32	221614	RAIL ASS / W.C.L FORWARD To D-5458	1	
. NS	221612	. ATTCHMENT PLATE To D-5458	2	
. NS	5001527	. SCREW CAP HEX M8-1.25x16 SS BK To D-5458	1	
32	221710	RAIL ASS / W.C.L FORWARD From E-5459	1	
33	221510	FLOOR SUPPORT 230MM	2	
34	221575	ANGLE / FLOOR SUPPORT 985MM	2	
35	221577	ANGLE / FLOOR SUPPORT 308MM	2	
36A	221594	TUBE 487MM To D-5458	2	
36A	221594	TUBE 487MM To D-5458	2	
36A	221742	TUBE 508MM From E-5459	2	
36B	221594	TUBE 487MM To D-5458	2	
36B	221594	TUBE 487MM To D-5458	2	
36B	221794	TUBE 457MM From E-5459	2	
		I) INDEPENDANTE SUSPENSION		
		R) "I" BEAM SUSPENISON		

REAR CAP - STRUCTURE



UP TO EPA 2007
UP TO 8-9276

From 7-8754 To B-5001	Date:01/2024	PAGE:X3-1894-00
REAR CAP - STRUCTURE		



FROM EPA 2007
FROM 8-9277

From 7-8754 To B-5001	Date:01/2024	PAGE:X3-1894-00
REAR CAP - STRUCTURE		

Item#	Part	Description	QTY	Notes
1	260809	LEFT CORNER TUBE / BUS	1	
2	260810	RIGHT CORNER TUBE / BUS	1	
3	260740	TUBE 172MM	6	
4	260804	TUBE / BUS	2	
5	261017	TUBE ASSY To 8-9276	1	
5	261023	TUBE ASSY From 8-9277	1	
6	260921	TUBE VERTICAL To 8-9276	4	
6	260921	TUBE VERTICAL From 8-9277	3	
9	260759	BUTT PLATE	2	
10	260920	TUBE To 8-9276	1	
10	261022	TUBE From 8-9277	1	
11	260781P	REAR FORMING TUBE ASSY	1	
. A	260852	. TUBE	1	
. B	261185	. CORNER ASSY	2	
. D	261186	. CORNER ASSY	2	
. F	260757	. SUPPORT SIDE POST	2	
. G	260813	. SUPPORT CENTER POST	1	
12	260760	BUTT PLATE To 8-9276	2	
12	231211	BUTT PLATE 35MMx35MM From 8-9277	4	
13	288791	SWITCH SUPPORT ENGINE DOOR AJAR	1	
16	287229	ANGLE STOPPER LH ENGINE DOOR	1	
17	214908	SUPPORT / SURGE TANK To 8-9276	1	
18	287230	SUPPORT ASSY W/NUT	1	
19	285916	FIXATION PLATE	1	
20	285991	FIXATION PLATE	1	
21	260944	TUBE	1	
22	271226	TUBE	2	
23	271227	TUBE	2	
24	271225	TUBE	2	
25	271236	TUBE / BUS	1	
27	271235	TUBE / BUS	1	
28	271253	REINFORCEMENT / BUS	1	
29	260960	TUBE 202MM	4	
30	271634	ARCH / ROOF 1932.7MM (76")	1	
31	260789	REAR TUBE	1	
32	260749	TUBE 400MM	1	
33	260751	REAR RIGHT TUBE	1	
34	214341	PIPE SUPPORT	1	
35	260962	TUBE	2	
36	260963	TUBE	1	
40	261137	TUBE From 8-9277	1	
41	271226	TUBE From 8-9277	1	

From 7-8754 To B-5001		Date:01/2024	PAGE:X3-1894-00
-----------------------	--	--------------	-----------------

REAR CAP - STRUCTURE

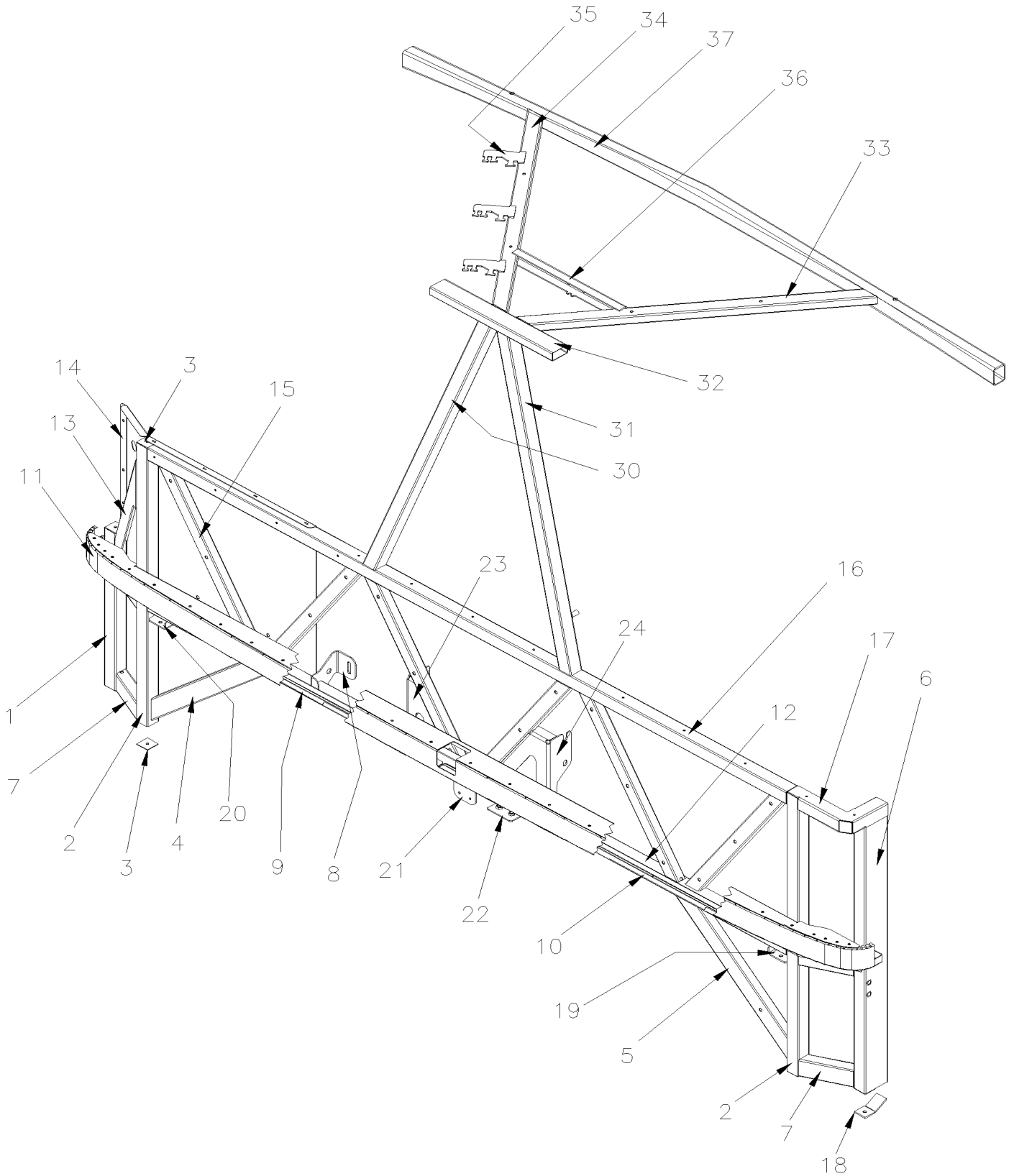
Item#	Part	Description	QTY	Notes
42	261101	LEFT CORNER TUBE / OUTSIDE From 8-9277	1	
43	261162	TUBE VERTICAL ASSY From 8-9277	1	
. NS	5001337	. NUT INS FL HEX M8-1.25 0.5-3.0 Z050 From 8-9277	1	
44	261083	TUBE From 8-9277	1	
45	261174	SUPPORT / TUBE CHARGE AIR COOLER From 8-9277	2	
50	X3-1890-10	STRUCTURE WALL - UPPER		

From B-5002 To D-5458

Date:01/2024

PAGE:X3-1894-01

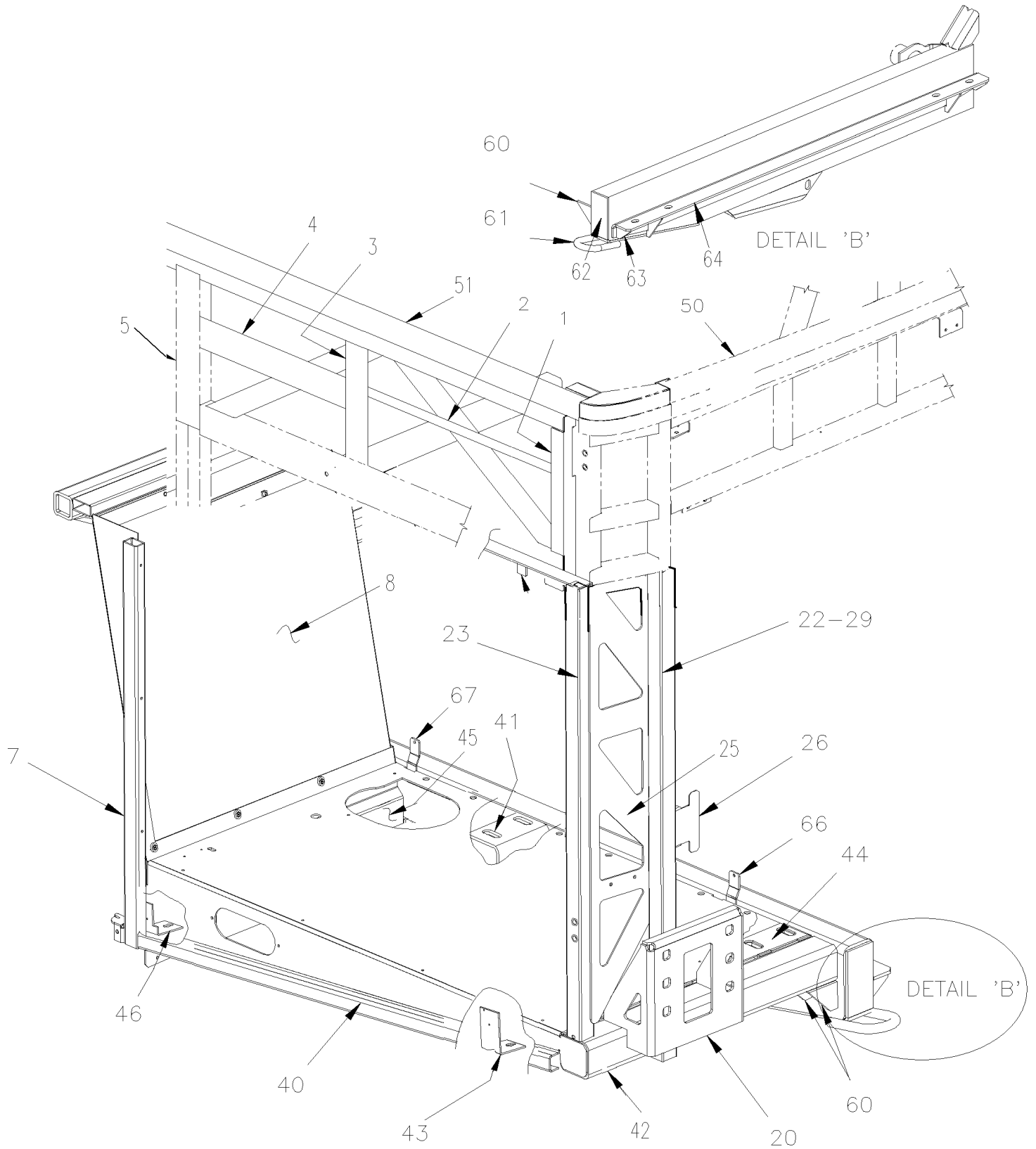
REAR CAP - STRUCTURE



From B-5002 To D-5458	Date:01/2024	PAGE:X3-1894-01
REAR CAP - STRUCTURE		

Item#	Part	Description	QTY	Notes
1	261101	LEFT CORNER TUBE / OUTSIDE	1	
2	261196	CORNER TUBE / INSIDE 846MM	2	
3	231211	BUTT PLATE 35MMx35MM	6	
4	261262	TUBE 515MM	1	
5	261198	TUBE 515MM	1	
6	261212	RIGHT CORNER TUBE / OUTSIDE	1	
7	261264	TUBE 150MM	4	
8	040820	SUPPORT TANK	1	
9	261297	ANGLE ASSY / STREET SIDE 1241MM	1	
10	261298	ANGLE ASSY / CURBE SIDE 1241MM	1	
11	261200	REAR FORMING TUBE	1	
12	261286	TUBE ASSY 2089MM	1	
13	261201	REAR CORNER PANEL / STREET SIDE	1	
14	261304	PANEL / STREET SIDE	1	
15	261197	TUBE 534MM	1	
16	261195	TUBE 2089MM	1	
17	261217	REAR CORNER / CURBSIDE	1	
18	260759	BUTT PLATE	1	
19	285916	FIXATION PLATE	1	
20	285991	FIXATION PLATE	1	
21	287229	ANGLE STOPPER LH ENGINE DOOR	1	
22	287230	SUPPORT ASSY W/NUT	1	
23	216752	ATTACHMENT, DPF VOLVO / STREET SIDE	1	
24	216753	ATTACHMENT, DPF VOLVO / CURBSIDE	1	
30	272384	TUBE 917MM	1	
31	272540	TUBE 917MM	1	
32	260749	TUBE 400MM	1	
33	272386	TUBE 840MM	1	
34	272516	TUBE ASSY / ROOF	1	
35	272515	SUPPORT / WIRING HARNESS	3	
36	272514	TUBE 352MM	1	
37	276577	ARCH / ROOF 1932.7MM (76") To D-5299	1	
37	272590	ARCH / ROOF 1998.4MM From D-5300	1	

REAR LH - STRUCTURE



From 7-8754 To 8-9276	Date:01/2024	PAGE:X3-1894-05
REAR LH - STRUCTURE		

Item#	Part	Description	QTY	Notes
1	260811	ANGLE CURB-SIDE	1	
2	231280	SHAPED BAR LH	1	
3	231493	ANGLE LH	1	
4	231601	SHAPED BAR	1	
5	231604	SHAPED BAR LH VERTICAL	1	
7	214626	POST ASSY BACKWARD FENDER / STREETSIDE	1	
. NS	213939	. CATCH FENDER LOWER	1	
. NS	5001337	. NUT INS FL HEX M8-1.25 0.5-3.0 Z050	2	
. NS	5001344	. NUT INS FL HEX M6-1.0 0.5-3.0 SS	2	
8	215348	FENDER PANEL ASSY / STREETSIDE	1	
. NS	260376	. FENDER ACCESS PANEL	1	
. NS	955269	. SCREW CAP HEX M6-1.0x12 G8.8 ZG603	12	
. NS	955920	. WASHER LO SPT 6.5x11.5x1.6 ZP	12	
. NS	506002	. TAPE RUB ADH1 CC POL 3/16" x 1/2" x 40' / GREY 2520	1	
20	214637	BRACKET BUMPER L.H. & R.H. / (WELDED AT STRUCTURE) To 8-9276	1	
20	216083	BRACKET BUMPER L.H. & R.H. / (WELDED AT STRUCTURE) To 8-9276	1	R
20	216033	BRACKET BUMPER L.H. & R.H. / (WELDED AT STRUCTURE) From 8-9277	1	
20	216172	BRACKET BUMPER L.H. & R.H. / (WELDED AT STRUCTURE) From 8-9277	1	R
22	260956	TUBE INTERIOR / 1118MM	1	
. NS	5001344	. NUT INS FL HEX M6-1.0 0.5-3.0 SS	2	
23	260894	TUBE / STREETSIDE CORNER / 1043MM	1	
25	260959	REINFORCEMENT / POST	2	
26	215431	SUPPORT A/C DRYER	1	
28	286161	STRICKING PLATE	1	
29	212655	ATTACHMENT ROD / WELDED (TO FIX ANYTHING) / 373MM x 11MM DEEP	AR	
40	260964	SIDE MEMBER RADIATOR FLOOR PANEL	1	
41	172732	SUPPORT FAN RADIATOR / FORWARD	1	
42	260160	TUBE 656MM To 8-9276	1	
43	260936	SUPPORT, ANGLE / MUFFLER (WELDED)	1	
44	260931	SUPPORT FAN RADIATOR / BACKWARD	1	
45	260999	FENDER PANEL LOWER	1	
46	260934	SUPPORT, ANGLE / MUFFLER (WELDED)	1	
46	260931	SUPPORT FAN RADIATOR / BACKWARD	1	
50	X3-1894-00	REAR CAP - STRUCTURE		
51	X3-1891-00	LOWER WALL STRUCTURE		
60	260259	REINFORCEMENT	2	
61	410293	EYE, TOW	1	
62	Call order desk	BEAM LOWER ASSY W/CLOSING END	1	P
63	172539	REINFORCEMENT	2	
63	172536	REINFORCEMENT	1	
64	172844	SUPPORT ENGINE CRADLE	1	
65	217912	SUPPORT, ANGLE / MUFFLER (WELDED)	2	

From 7-8754 To 8-9276		Date:01/2024	PAGE:X3-1894-05
-----------------------	--	--------------	-----------------

REAR LH - STRUCTURE

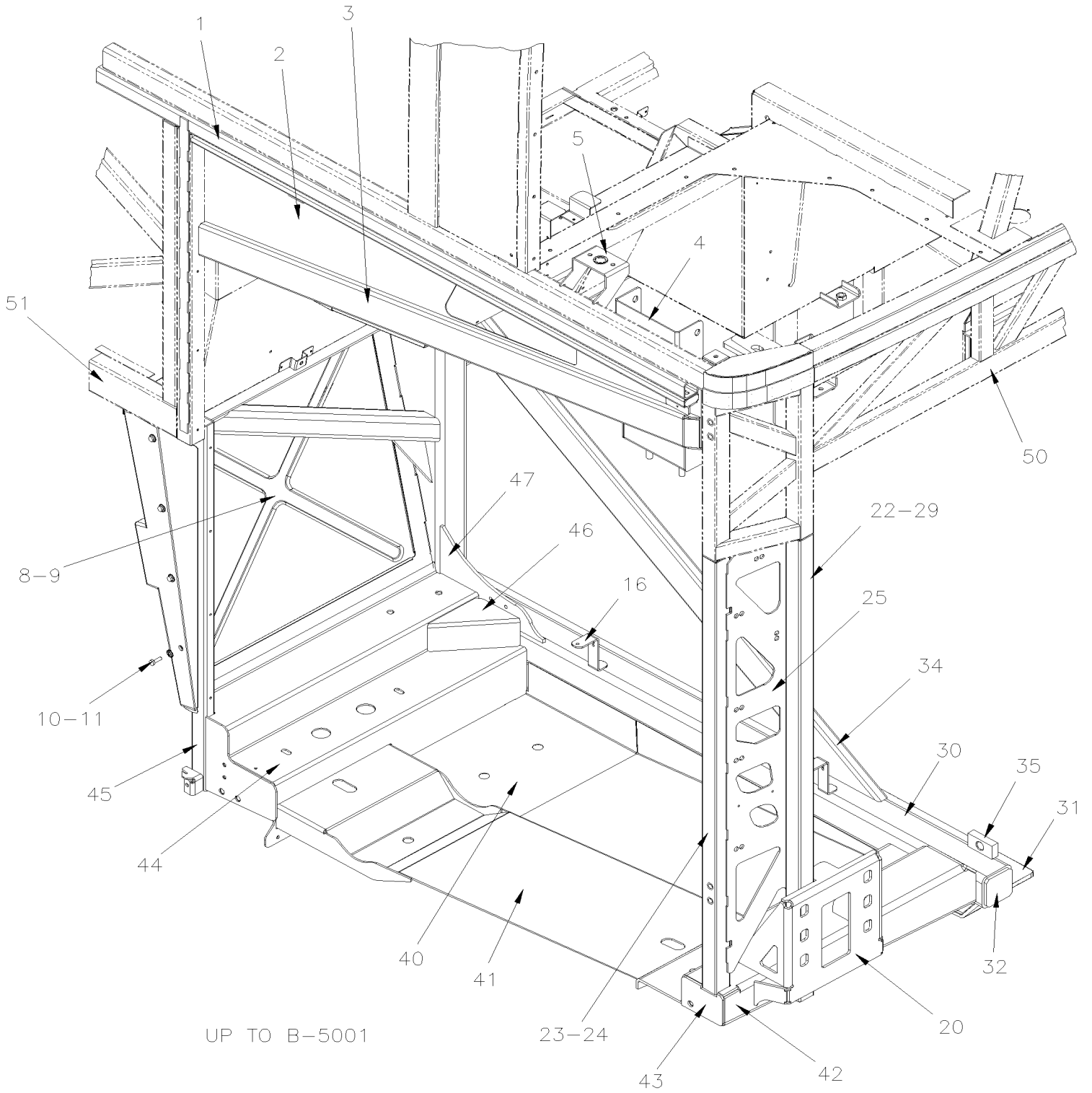
Item#	Part	Description	QTY	Notes
66	Call order desk	ANGLE SUPPORT / BACKWARD	1	P
67	215085	ANGLE SUPPORT / FORWARD	1	
		R) WITH OPTION REAR BUMPER "ROMEO RIM" SEE PAGE X3-1850-15		
		P) CALL ORDER DESK FOR SPECIFIC APPLICATION (V.I.N.)		

From 8-9277 To D-5458

Date:01/2024

PAGE:X3-1894-06

REAR LH - STRUCTURE

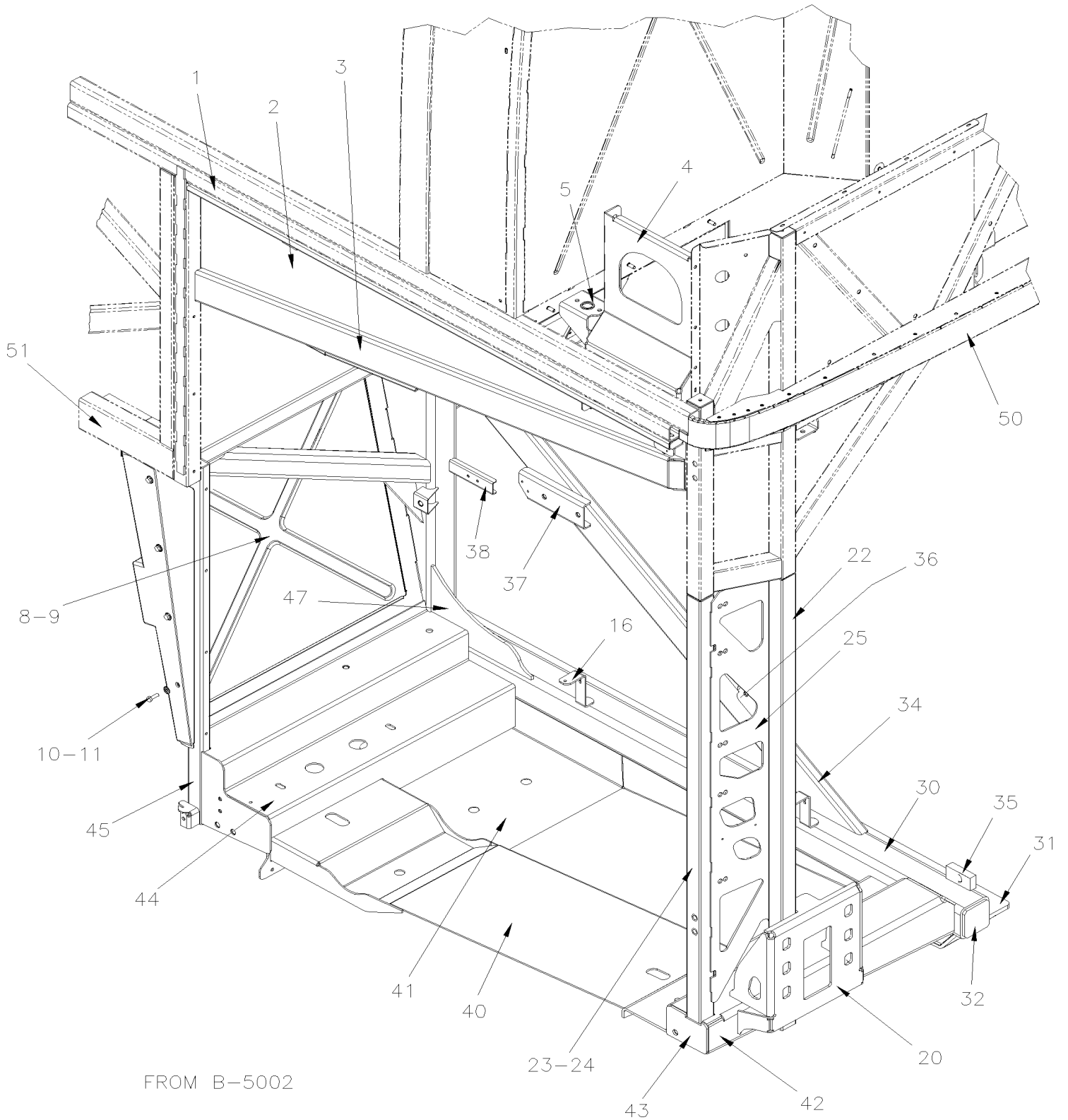


From 8-9277 To D-5458

Date:01/2024

PAGE:X3-1894-06

REAR LH - STRUCTURE



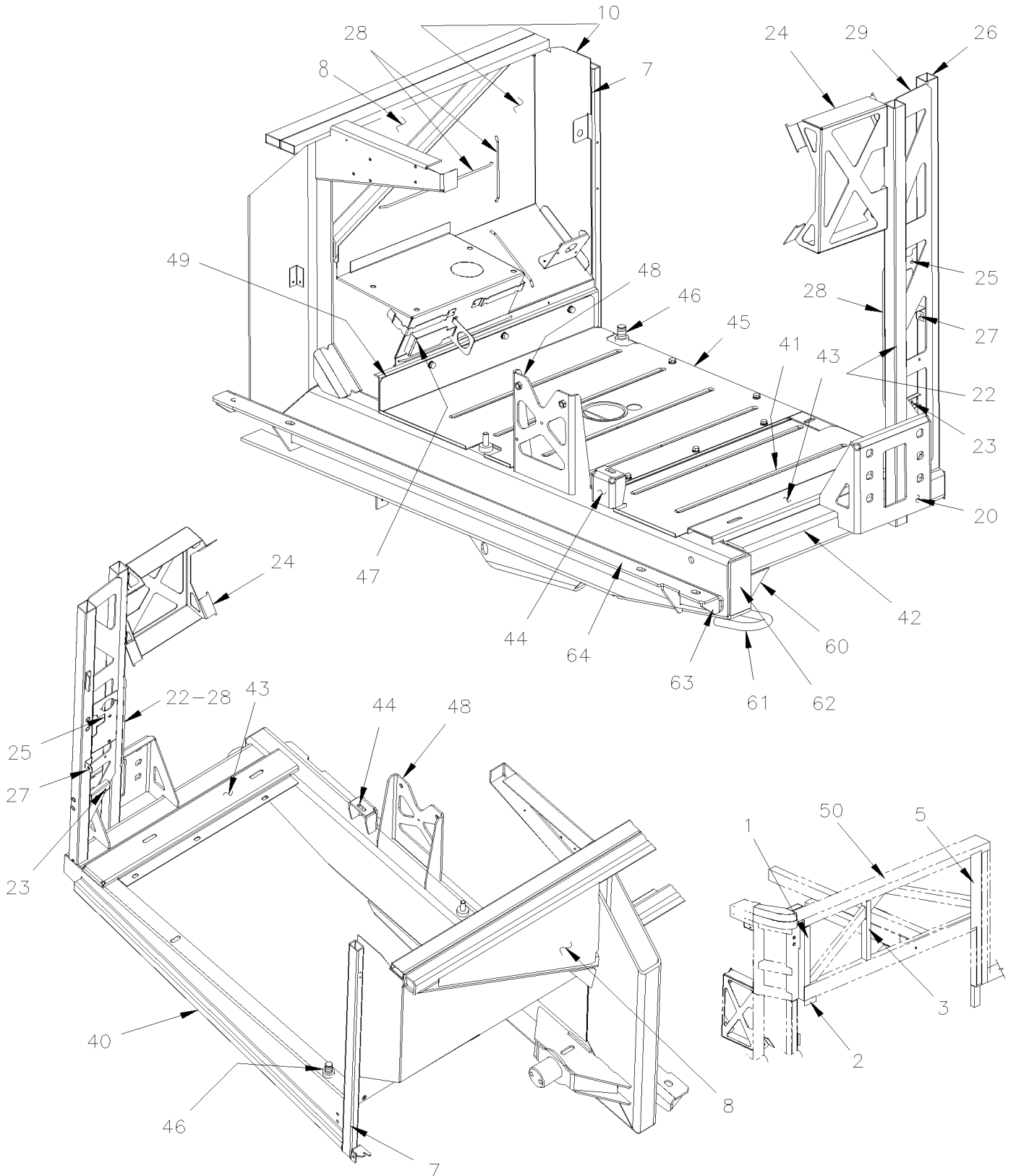
From 8-9277 To D-5458	Date:01/2024	PAGE:X3-1894-06
REAR LH - STRUCTURE		

Item#	Part	Description	QTY	Notes
1	238929	TUBE ASSY WELDED 1287MM To B-5001	1	
. NS	502659	. NUT WD RND M6-1.0 SS To B-5001	2	
. NS	285973	. CATCH ANGLE To B-5001	1	
. NS	286519	. SHIM 1/4" W/ M8-1.25 THREAD To B-5001	1	
. NS	286635	. PLATE SPACER W/2 HOLES 25 X 90 To B-5001	1	
. NS	238930	. PLATE To B-5001	1	
1	232079	TUBE ASSY WELDED 1287MM From B-5002	1	
. NS	502659	. NUT WD RND M6-1.0 SS From B-5002	2	
. NS	232078	. BRACKET, RUBBER BUMPER From B-5002	1	
. NS	286519	. SHIM 1/4" W/ M8-1.25 THREAD From B-5002	1	
. NS	286635	. PLATE SPACER W/2 HOLES 25 X 90 From B-5002	1	
. NS	288930	. ARM CENTER SECTION / EXTERIOR From B-5002	1	
. NS	282077	. THREADED BLOCK M12-1.75 From B-5002	2	
. NS	232130	. HOOK, SELF HOLDING From B-5002	1	
2	231982	PANEL LH UPPER RADIATOR DOOR To B-5001	1	
2	232058	PANEL LH UPPER RADIATOR DOOR From B-5002	1	
3	231983	REINFORCMENT PANEL ASSY	1	
. NS	5001344	. NUT INS FL HEX M6-1.0 0.5-3.0 SS	2	
. NS	502609	. NUT WD HEX M8-1.25 SS	2	
4	216046	SUPPORT LOWER DPF To B-5001	1	
4	040854	SUPPORT ASSY, LOWER, SCR VOLVO From B-5002	1	
5	478268	STOPPER CATCH PIN To B-5001	1	
5	479274	STOPPER CATCH PIN From B-5002	1	
8	216025	FRAME ASSY / STREETSIDE	1	
9	053455	FENDER ACCESS PANEL ASSY PLASTIC	1	
. A	053453	. FENDER ACCESS PANEL LARGE PLASTIC	1	
. B	053454	. FENDER ACCESS PANEL SMALL PLASTIC	1	
10	502830	SCREW CAP HEX M6-1.0x20 G8.8 N500	4	
11	500356	WASHER LO SERR 6.1x16.0x0.9 N500	4	
16	173284	ANGLE SUPPORT	2	
20	216033	BRACKET BUMPER L.H. & R.H. / (WELDED AT STRUCTURE)	1	
20	216083	BRACKET BUMPER L.H. & R.H. / (WELDED AT STRUCTURE) To 8-9276	1	R
20	216172	BRACKET BUMPER L.H. & R.H. / (WELDED AT STRUCTURE) From 8-9277	1	R
22	260956	TUBE INTERIOR / 1118MM To B-5001	1	
. NS	5001344	. NUT INS FL HEX M6-1.0 0.5-3.0 SS To B-5001	2	
22	261299	TUBE INTERIOR / 1117MM From B-5002	1	
23	261133	TUBE / STREETSIDE CORNER / 1047MM	1	
. NS	5001337	. NUT INS FL HEX M8-1.25 0.5-3.0 Z050	4	
24	215431	SUPPORT A/C DRYER To B-5001	1	
25	261173	REINFORCEMENT / POST	1	
29	212655	ATTACHMENT ROD / WELDED (TO FIX ANYTHING) / 373MM x 11MM DEEP To B-5001	1	
30	Call order desk	BEAM ASSY STREETSIDE	1	P

From 8-9277 To D-5458	Date:01/2024	PAGE:X3-1894-06
REAR LH - STRUCTURE		

Item#	Part	Description	QTY	Notes
30	173239	TUBE 3 x 3 x 1416MM	1	
NS	173240	TUBE 2 x 2 x 1400MM	1	
31	174901	SUPPORT ENGINE CRADLE To A-9951	1	
31	173691	SUPPORT ENGINE CRADLE From A-9952	1	
32	220944	CLOSING PLATE 67MM X 67MM	1	
34	173245	TUBE 1293MM	1	
35	212489	ATTACHMENT ENGINE CRADDLE	1	
36	172473	SUPPORT / CAC PIPE From B-5002	1	
37	173702	SUPPORT / RADIATOR PIPE From B-5002 To C-5133	1	
37	173734	SUPPORT / RADIATOR PIPE From C-5134	1	
38	374473	SUPPORT / PIPE From B-5002	1	
40	Call order desk	RADIATOR FLOOR ASSY To C-5289	1	P
40	261361P	RADIATOR FLOOR ASSY From C-5290	1	
41	261114	SUPPORT RADIATOR STREETSIDE	1	
42	289400	BOX SUPPORT RADIATOR FLOOR BACKWARD To C-5289	1	
42	261356	BOX SUPPORT RADIATOR FLOOR BACKWARD From C-5290	1	
43	216024	CLOSING PLATE To C-5289	1	
43	261360	CLOSING PLATE From C-5290	1	
44	289401	SUPPORT FAN RADIATOR / FORWARD To A-9951	1	
44	216482	SUPPORT FAN RADIATOR / FORWARD From A-9952 To C-5133	1	
44	217021	SUPPORT FAN RADIATOR / FORWARD From C-5134	1	
45	216002	POST ASSY BACKWARD FENDER / STREETSIDE To D-5458	1	
NS	216003	CATCH FENDER LOWER To D-5458	1	
NS	216015	ATTACHMENT LOWER RADIATOR DOOR To D-5458	1	
NS	502659	NUT WD RND M6-1.0 SS To D-5458	2	
NS	502248	NUT WD HEX M10-1.5 SS To D-5458	2	
45	217138	POST ASSY BACKWARD FENDER / STREETSIDE From E-5459	1	
NS	217140	CATCH FENDER LOWER From E-5459	1	
NS	216015	ATTACHMENT LOWER RADIATOR DOOR From E-5459	1	
NS	502659	NUT WD RND M6-1.0 SS From E-5459	2	
NS	502248	NUT WD HEX M10-1.5 SS From E-5459	2	
46	261139	ANGLE CLOSING To A-9951	1	
47	261140	REINFORCMENT	1	
50	X3-1894-00	REAR CAP - STRUCTURE		
51	X3-1891-00	LOWER WALL STRUCTURE		
60	410293	EYE, TOW	AR	
		R) WITH OPTION REAR BUMPER "ROMEO RIM" SEE PAGE X3-1850-15		
		P) CALL ORDER DESK FOR SPECIFIC APPLICATION (V.I.N.)		

REAR RH - STRUCTURE



From 7-8754 To B-5001	Date:01/2024	PAGE:X3-1894-10
REAR RH - STRUCTURE		

Item#	Part	Description	QTY	Notes
1	260812	ANGLE STREETSIDE	1	
2	286161	STRICKING PLATE	1	
3	231494	ANGLE RH	1	
5	231499	SUPPORT ASSY R.H.	1	
7	214627	POST ASSY BACKWARD FENDER / CURBSIDE	1	
. NS	213942	. CATCH FENDER LOWER	1	
8	261019	FENDER PANEL TRIANGULAR SHAPE 575MM x 325MM	1	
10	261031	FENDER PANEL CURBSIDE / ASSY	1	
20	214637	BRACKET BUMPER L.H. & R.H. / (WELDED AT STRUCTURE) To 8-9276	1	
20	216033	BRACKET BUMPER L.H. & R.H. / (WELDED AT STRUCTURE) From 8-9277	1	
20	216083	BRACKET BUMPER L.H. & R.H. / (WELDED AT STRUCTURE) To 8-9276	1	R
20	216172	BRACKET BUMPER L.H. & R.H. / (WELDED AT STRUCTURE) From 8-9277	1	R
22	260730	TUBE INTERIOR / 1118MM	1	
23	215883	SUPPORT FILLING & CLEANING LAVATORY	1	
24	213951	SUPPORT AIR FILTER To 9-9258	1	
24	216185	SUPPORT AIR FILTER From 9-9259	1	
25	215278	SUPPORT BACK-UP ALARM To 8-9276	1	
25	216100	SUPPORT BACK-UP ALARM From 8-9277	1	
26	260750	TUBE / CURBSIDE CORNER / 1043MM To 8-9277	1	
. NS	5001337	. NUT INS FL HEX M8-1.25 0.5-3.0 Z050 To 8-9277	4	
. NS	286161	. STRICKING PLATE To 8-9277	1	
26	261131	TUBE / CURBSIDE CORNER / 1046MM From 8-9277	1	
. NS	5001337	. NUT INS FL HEX M8-1.25 0.5-3.0 Z050 From 8-9277	2	
27	288780	SWITCH SUPPORT COMPRESSOR DOOR AJAR	1	
28	212655	ATTACHMENT ROD / WELDED (TO FIX ANYTHING) / 373MM x 11MM DEEP	AR	
28	216087	ATTACHMENT ROD / WELDED (TO FIX ANYTHING) / 117MM x 15MM DEEP	1	
28	214025	ATTACHMENT ROD / WELDED (TO FIX ANYTHING) / 177MM x 11MM DEEP	1	
NS	216185	SUPPORT AIR FILTER	1	
29	260959	REINFORCEMENT / POST To 8-9276	1	
29	261173	REINFORCEMENT / POST From 8-9277	1	
40	260902	SIDE MEMBER FLOOR SUPPORT R.H.	1	
40	261026	SIDE MEMBER FLOOR SUPPORT R.H. / W/OUT AUX TANK	1	
NS	5001527	SCREW CAP HEX M8-1.25x16 SS BK	8	
NS	5001341	WASHER FL 8.4x17.0x1.6 SS	8	
41	261121	FLOOR A/C COMPRESSOR To 8-9276	1	
41	261130	FLOOR A/C COMPRESSOR From 8-9277	1	
42	260160	TUBE 656MM To 8-9276	1	
42	261125	FORM R.H. SUPPORT 659MM x 90MM From 8-9277 To B-5001	1	
42	261278	FORM R.H. SUPPORT 682MM x 200MM From B-5002	1	
43	260998	SUPPORT COMPRESSOR BACKWARD	1	
43	261126	SUPPORT COMPRESSOR BACKWARD 675MM x 120MM To B-5001	1	
43	261280	SUPPORT COMPRESSOR BACKWARD 682MM x 247MM From B-5002	1	

From 7-8754 To B-5001	Date:01/2024	PAGE:X3-1894-10
REAR RH - STRUCTURE		

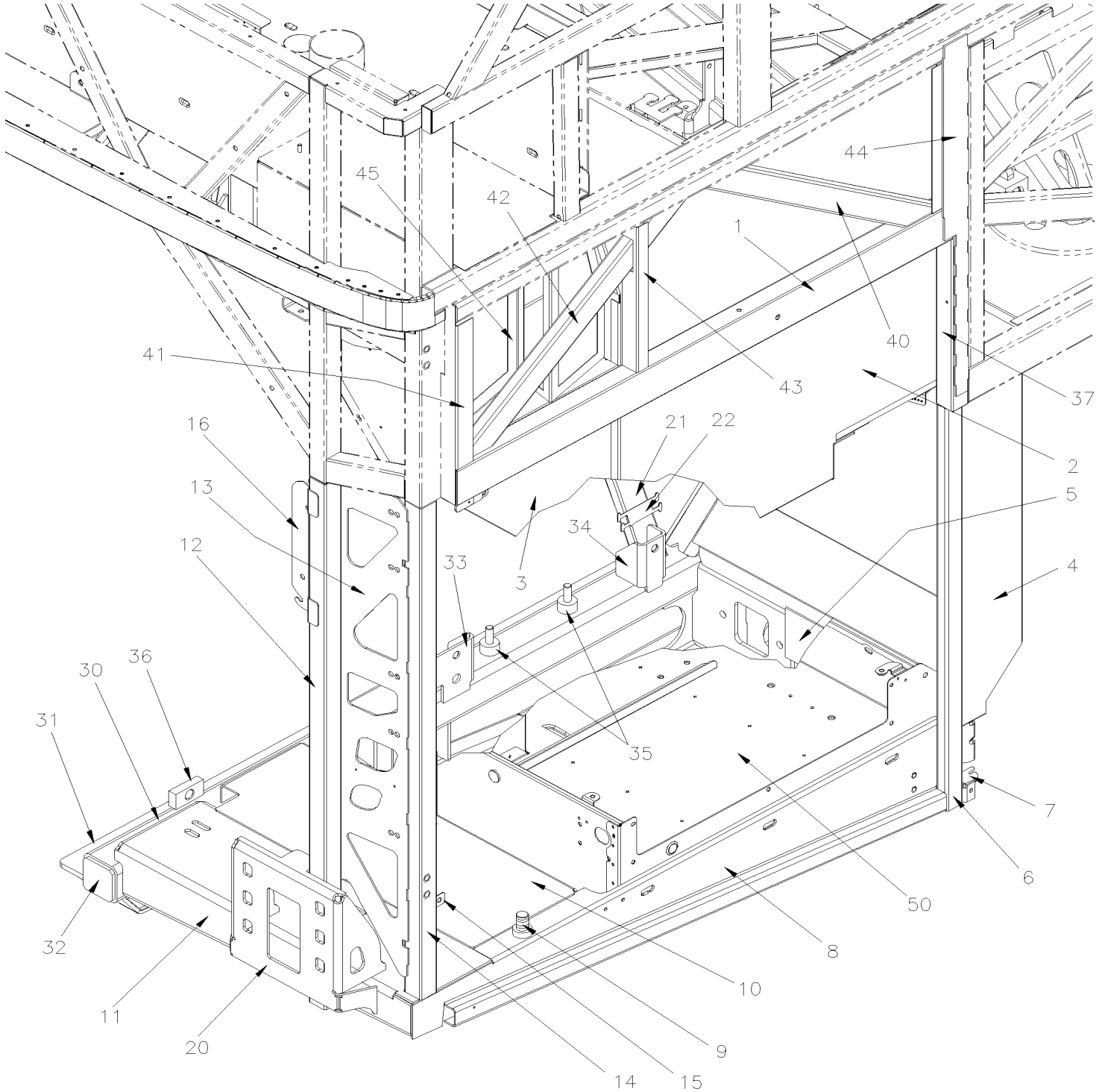
Item#	Part	Description	QTY	Notes
44	261008	SUPPORT COMPRESSOR FORWARD To 8-9276	1	
44	261127	SUPPORT COMPRESSOR FORWARD From 8-9277	1	
45	261122	FLOOR / W/OUT AUX TANK To 8-9276	1	
45	261129	FLOOR / W/OUT AUX TANK From 8-9277	1	
46	382101	STUD, GROUND (WELDED TO STRUCTURE)	1	
47	215222	SUPPORT CONNECTOR "ZF" TRANS	1	
47	215728	SUPPORT CONNECTOR "WORLD" TRANS	1	
48	032612	SUPPORT "FUEL PRO" (WELDED AT STRUCTURE) To 8-9276	1	
48	032679	SUPPORT "FUEL PRO" (WELDED AT STRUCTURE) From 8-9277	1	
49	261007	SUPPORT SEPTIC TANK & MUD FALP To 8-9276	1	
49	261132	SUPPORT SEPTIC TANK & MUD FALP From 8-9277	1	
50	X3-1891-00	LOWER WALL STRUCTURE		
60	260259	REINFORCEMENT	2	
61	410293	EYE, TOW	1	
62	Call order desk	BEAM LOWER ASSY W/CLOSING END To 8-9276	1	P
62	Call order desk	BEAM LOWER ASSY W/CLOSING END From 8-9277	1	P
63	172536	REINFORCEMENT	1	
64	172844	SUPPORT ENGINE CRADLE	1	
		R) WITH OPTION REAR BUMPER "ROMEO RIM" SEE PAGE X3-1850-15		
		P) CALL ORDER DESK FOR SPECIFIC APPLICATION (V.I.N.)		

From B-5002 To D-5458

Date:01/2024

PAGE:X3-1894-11

REAR RH - STRUCTURE



From B-5002 To D-5458	Date:01/2024	PAGE:X3-1894-11
REAR RH - STRUCTURE		

Item#	Part	Description	QTY	Notes
1	231822	TUBE ASSY	1	
2	260918	SIDE WALL	1	
3	261263	LAVATORY WALL	1	
4	261232	FENDER PANEL CURBSIDE / ASSY To D-5458	1	
4	261373	FENDER PANEL CURBSIDE / ASSY From E-5459	1	
5	261233	RENFORCMENT PLATE To D-5458	1	
5	261374	RENFORCMENT PLATE From E-5459	1	
6	218135	POST ASSY 857MM To D-5458	1	
6	217145	POST ASSY 857MM From E-5459	1	
7	213942	. CATCH FENDER LOWER To D-5458	1	
7	217144	CATCH FENDER LOWER From E-5459	1	
8	261230	SIDE MEMBER FLOOR SUPPORT R.H. To D-5458	1	
8	261375	SIDE MEMBER FLOOR SUPPORT R.H. From E-5459	1	
9	382101	STUD, GROUND (WELDED TO STRUCTURE)	1	
10	261280	SUPPORT COMPRESSOR BACKWARD 682MM x 247MM To D-5458	1	
11	261278	FORM R.H. SUPPORT 682MM x 200MM To D-5458	1	
11	261377	FORM R.H. SUPPORT 682MM x 317MM From E-5459	1	
12	260730	TUBE INTERIOR / 1118MM	1	
13	261173	REINFORCEMENT / POST	1	
14	261131	TUBE / CURBSIDE CORNER / 1046MM	1	
. NS	5001337	. NUT INS FL HEX M8-1.25 0.5-3.0 Z050	2	
15	288780	SWITCH SUPPORT COMPRESSOR DOOR AJAR	1	
16	216721	ATTACHMENT / SUPPORT AIR FILTER	1	
20	216033	BRACKET BUMPER L.H. & R.H. / (WELDED AT STRUCTURE)	1	
20	216172	BRACKET BUMPER L.H. & R.H. / (WELDED AT STRUCTURE)	1	R
21	216834	POST ASSY To C-5086	1	
21	218558	POST ASSY From C-5087	1	
NS	216835	. SUPPORT To C-5086	1	
21	216994	. SUPPORT / NOISE REDUCER From C-5087	1	
21	216990	. SUPPORT / MANIFOLD BLOCK From C-5087	1	
22	216722	. SUPPORT / HOSE	1	
30	Call order desk	BEAM ASSY CURBESIDE	1	P
30	Call order desk	BEAM ASSY CURBESIDE	1	P
30	173239	. TUBE 3 x 3 x 1416MM	1	
30	173240	. TUBE 2 x 2 x 1400MM	1	
31	173691	. SUPPORT ENGINE CRADLE	1	
32	220944	. CLOSING PLATE 67MM X 67MM	1	
33	173646	. SUPPORT BATTERIES BOX / BACKWARD	1	
34	173647	. SUPPORT BATTERIES BOX / FORWARD	1	
35	380360	. STUD, GROUND (WELDED TO STRUCTURE) 1/2-13	2	
36	212489	ATTACHMENT ENGINE CRADDLE	1	
37	231692	TUBE ASSY	1	

From B-5002 To D-5458	Date:01/2024	PAGE:X3-1894-11
-----------------------	--------------	-----------------

REAR RH - STRUCTURE

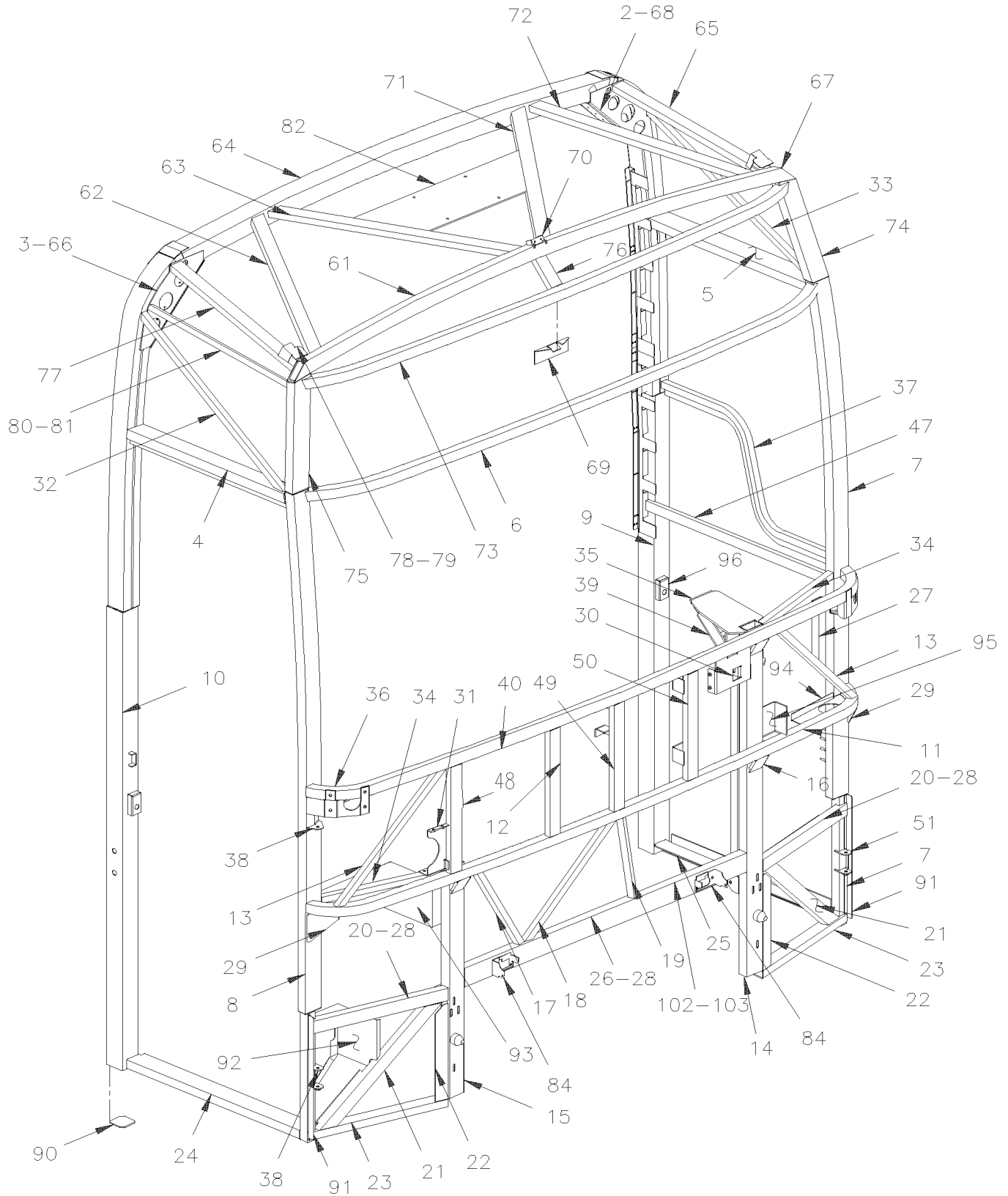
Item#	Part	Description	QTY	Notes
40	231815	TUBE	1	
41	260812	ANGLE STREETSIDE	1	
42	231816	TUBE	1	
43	231494	ANGLE RH	1	
44	231499	SUPPORT ASSY R.H.	1	
45	218399	GRILL ASSY / AIR INTAKE	1	
45	218398	BOX / AIR INTAKE	1	
45	218393	TUBE / AIR INTAKE	1	
45	218394	RING / AIR INTAKE	1	
50	X3-0615-01	BATTERIES INSTALLATION WITH "EPA 2010"		
		R) WITH OPTION REAR BUMPER "ROMEO RIM" SEE PAGE X3-1850-15		
		P) CALL ORDER DESK FOR SPECIFIC APPLICATION (V.I.N.)		

From 7-8754 To D-5458

Date:01/2024

PAGE:X3-1895-00

FRONT STRUCTURE



From 7-8754 To D-5458		Date:01/2024	PAGE:X3-1895-00
FRONT STRUCTURE			

Item#	Part	Description	QTY	Notes
	251006P	FRONT STRUCTURE ASSY W/FRONT ROOF / 80"	1	
	251231	. . FRONT LOWER SECTION STRUCTURE BUS / 80"	1	
2	251092	. REAR REINFORCEMENT PLATE L.H. To D-5299	1	
2	251589	. REAR REINFORCEMENT PLATE L.H. From D-5300	1	
3	251093	. REAR REINFORCEMENT PLATE R.H. To D-5299	1	
3	251590	. REAR REINFORCEMENT PLATE R.H. From D-5300	1	
4	251074	. TUBE ASSY UPPER DOOR	1	
4	251214	. . TUBE	1	
NS	251077	. . PLATE 743.6MM X 3/16"	1	
4	251234	. TUBE ASSY UPPER DOOR WITH BY-FOLD DOOR	1	
5	251064	. TUBE ASSY UPPER DRIVER WINDOW	1	
5	250952	. . TUBE	1	
NS	251057	. . PLATE 743.6MM X 3/16"	1	
7	251217	. POST ASSY FRONT L.H.	1	
. A	251553	. . TUBE LOWER 1"½ X 1"½ X 521MM	1	
. B	251218	. . TUBE 1½" X 3" X 1856MM	1	
. C	251055	. . SEAL DOOR BAR UPPER 974MM	1	
. D	251033	. . HINGE SUPPORT LOWER	1	
. E	250962	. . CLOSING PLATE / UPPER TUBE 33 X 71MM	2	
. F	251096	. . SEAL DOOR BAR LOWER 1232MM	1	
. G	251082	. . HINGE SUPPORT UPPER	1	
. H	502737	. . SCREW CAP HEX M6-1.0x25 SS BK	4	
. I	251221	. . STOPPER DOOR	1	
8	251219	. POST ASSY FRONT R.H.	1	
. A	251553	. . TUBE LOWER 1"½ X 1"½ X 521MM	1	
. B	251220	. . TUBE 1½" X 3" X 1856MM	1	
. C	251020	. . SEAL DOOR BAR 2272MM	1	
. D	251001	. . HINGE SUPPORT / LOWER	1	
. E	250962	. . CLOSING PLATE / UPPER TUBE 33 X 71MM	2	
. F	251083	. . HINGE SUPPORT / UPPER	1	
8	251598	. POST ASSY FRONT R.H. WITH BY-FOLD DOOR	1	
8	251647	. TUBE FORWARD RH ASSY. WELDED WITH BY-FOLD DOOR	1	
9	250987	. POST ASSY REAR L.H. To D-5299	1	
. A	250984	. . TUBE 3"X3" X 1684MM To D-5299	1	
. B	271091	. . TUBE UPPER / BUS & MTH 83" To D-5299	1	
. C	271088	. . PLATE JUNCTION / CENTER OF PO 73MM X 76MM To D-5299	1	
. D	251094	. . DOUBLE To D-5299	1	
. E	271187	. . CABLE SUPPORT To D-5299	2	
. F	251056	. . SEAL DOOR BAR UPPER 579MM / BUS & MTH 83" To D-5299	1	
. G	251114	. . SEAL DOOR BAR LOWER 1630MM To D-5299	1	
. H	5001112	. . STUD WD WOC M6-1.0X12 SS To D-5299	3	
. J	231497	. . PLATE WITH TOOTH 759MM x 23MM To D-5299	1	

From 7-8754 To D-5458		Date:01/2024	PAGE:X3-1895-00
FRONT STRUCTURE			

Item#	Part	Description	QTY	Notes
9	251263	.. POST ASSY REAR L.H. From D-5300	1	
A	250984	.. TUBE 3"X3" X 1684MM From D-5300	1	
B	272765	.. TUBE UPPER From D-5300	1	
C	271088	.. PLATE JUNCTION / CENTER OF PO 73MM X 76MM From D-5300	1	
D	251094	.. DOUBLE From D-5300	1	
E	271187	.. CABLE SUPPORT From D-5300	2	
F	251056	.. SEAL DOOR BAR UPPER 579MM / BUS & MTH 83" From D-5300	1	
G	251114	.. SEAL DOOR BAR LOWER 1630MM From D-5300	1	
H	5001112	.. STUD WD WOC M6-1.0X12 SS From D-5300	3	
J	231497	.. PLATE WITH TOOTH 759MM x 23MM From D-5300	1	
10	250988	.. POST ASSY REAR R.H. To D-5299	1	
A	251167	.. TUBE ASSY 3" X 3" X 1684MM To D-5299	1	
B	271091	.. TUBE UPPER / BUS & MTH 83" To D-5299	1	
C	271088	.. PLATE JUNCTION / CENTER OF PO 73MM X 76MM To D-5299	1	
D	251094	.. DOUBLE To D-5299	1	
E	251021	.. SEAL DOOR BAR 2274MM To D-5299	1	
F	231497	.. PLATE WITH TOOTH 759MM x 23MM To D-5299	1	
10	251264	.. POST ASSY REAR R.H. From D-5300	1	
A	251167	.. TUBE ASSY 3" X 3" X 1684MM From D-5300	1	
B	272765	.. TUBE UPPER From D-5300	1	
C	271088	.. PLATE JUNCTION / CENTER OF PO 73MM X 76MM From D-5300	1	
D	251094	.. DOUBLE From D-5300	1	
E	251021	.. SEAL DOOR BAR 2274MM From D-5300	1	
F	231497	.. PLATE WITH TOOTH 759MM x 23MM From D-5300	1	
11	250929	.. TUBE	1	
12	251031	.. TUBE	1	
12	251190	.. SUPPORT / CYLINDER	1	
12	251191	.. PIVOT PIN	1	
13	251046	.. TUBE	2	
14	251199	.. TUBE L.H. ASSY / 1253MM	1	
14	251198	.. TUBE L.H. / 1253MM	1	
NS	251197	.. TUBE L.H. REAR / 542MM	1	
NS	281345	.. SUPPORT DOOR ARM	1	
NS	161097	.. PLATE 150MM X 170MM	1	
NS	161098	.. REINFORCEMENT	1	
NS	410973	.. CENTER PIN	1	
14	500192	.. SCREW CAP HEX 3/8-16x1 1/4 G5 Z050	1	
15	251200	.. TUBE R.H. ASSY / 701MM	1	
15	251201	.. TUBE R.H. / 701MM	1	
NS	281345	.. SUPPORT DOOR ARM	1	
NS	251120	.. CLOSING PLATE	1	
15	065463	.. SUPPORT KNEELING ALARM	1	

From 7-8754 To D-5458	Date:01/2024	PAGE:X3-1895-00
FRONT STRUCTURE		

Item#	Part	Description	QTY	Notes
15	500192	. . SCREW CAP HEX 3/8-16x1 1/4 G5 Z050	1	
16	250947	. SUPPORT	3	
20	250945	. TUBE	2	
21	250948	. TUBE	2	
22	251215	. PLATE	2	
23	172220	. TUBE	2	
24	251014	. TUBE LOWER STEP	1	
25	251070	. TUBE LOWER SERVICE DOOR ASSY	1	
NS	172215	. . PROFILE	1	
NS	251026	. . PLATE	1	
26	251212	. TUBE To B-5009	1	
26	250028	. TUBE From B-5010	1	
27	251105	. DASH SUPPORT	1	
28	212655	. ATTACHMENT ROD / WELDED (TO FIX ANYTHING) / 373MM x 11MM DEEP	5	
29	251047	. REINFORCEMENT	2	
30	251086	. SUPPORT WIPER L.H.	1	
31	251087	. SUPPORT WIPER R.H.	1	
34	251049	. TUBE	1	
35	161095	. REINFORCEMENT	1	
37	251065	. TUBE ASSY "S" SHAPE / BUS & MTH 83"	1	
37	251054	. . TUBE "S" SHAPE / BUS & MTH 83"	1	
NS	251058	. . PLATE "S" SHAPE / BUS & MTH 83"	1	
38	251083	. HINGE SUPPORT / UPPER	1	
38	251001	. HINGE SUPPORT / LOWER	1	
38	X3-1862-60	. ENTRANCE DOOR FRAME - INSTALLATION		
39	161096	. STEERING SUPPORT	1	
40	251184	. TUBE WINDSHIELD ASSY	1	
NS	251181	. . SUPPORT L.H.	1	
NS	251182	. . SUPPORT R.H.	1	
NS	251183	. . TUBE	1	
41	251185	. STOPPER SERVICE DOOR	1	
47	251176	. TUBE	1	
48	251179	. TUBE ASSY / W/CYLINDER SUPPORT	1	
49	251153	. TUBE CENTER ASSY	1	
49	251031	. . TUBE	1	
NS	251104	. . SUPPORT	1	
50	251154	. TUBE ASSY L.H.	1	
50	251031	. . TUBE	1	
NS	251103	. . SUPPORT	2	
51	251033	. HINGE SUPPORT LOWER	1	
60	Call order desk	. FRONT ROOF STRUCTURE ASSY	1	P
60	Call order desk	. FRONT ROOF STRUCTURE ASSY	1	P

From 7-8754 To D-5458	Date:01/2024	PAGE:X3-1895-00
FRONT STRUCTURE		

Item#	Part	Description	QTY	Notes
61	271397	.. TUBE	1	
62	271141	.. TUBE R.H.	1	
63	271356	.. TUBE R.H. CENTER	1	
64	Call order desk	.. ARCH ASSY To D-5299	1	P
64	Call order desk	.. ARCH ASSY From D-5300	1	P
64	Call order desk	.. ARCH ASSY	1	P
64	251084	.. . ARCH To D-5299	1	
64	251586	.. . ARCH From D-5300	1	
NS	251117	.. . REINFORCEMENT	2	
NS	251088	.. . JOINT	2	
NS	251089	.. . PLATE To D-5299	2	
NS	251135	.. . ROD POSITION	1	
64	251594	.. PLATE From D-5300	2	
65	271142	.. TUBE UPPER L.H.	1	
66	251090	.. FRONT REINFORCEMENT PLATE L.H. To D-5299	1	
66	251587	.. FRONT REINFORCEMENT PLATE L.H. From D-5300	1	
67	271394	.. PLATE / (EACH SIDE)	2	
68	251091	.. FRONT REINFORCEMENT To D-5299	1	
68	251588	.. FRONT REINFORCEMENT From D-5300	1	
69	251155	.. SUPPORT UPPER WINDSHIELD	1	
70	251541	.. SUPPORT ROLLER BLIND / CENTER	1	
71	271357	.. TUBE L.H. CENTER	1	
72	271204	.. TUBE L.H.	1	
73	271205	.. TUBE UPPER WINDSHIELD	1	
74	271395	.. TUBE L.H. CORNER	1	
75	271396	.. TUBE	1	
76	271216	.. TUBE CENTER	1	
77	271218	.. TUBE UPPER R.H.	1	
78	251543	.. SUPPORT ROLLER BLIND L.H.	1	
79	251542	.. SUPPORT ROLLER BLIND R.H.	1	
80	251161	.. SUPPORT INTERIOR R.H.	1	
81	251160	.. SUPPORT INTERIOR L.H.	1	
82	256121	SUPPORT MONITOR CENTER / W/FLAT SCREEN 10"	1	
82	251576	SUPPORT MONITOR CENTER / W/FLAT SCREEN 15.4"	1	
84	287423	SUPPORT SPAGNOLET	1	A
90	251119	CLOSING PLATE 68MM X 68MM	2	
91	251189	FLAT BAR 28.6MM X 430MM	1	
92	172360	PANEL HINGE BOX / SS	1	
93	172359	PANEL FRONT CONER / SS	1	
94	214107	PANEL FRONT CONER / SS	1	
95	251102	SUPPORT / DASH	1	
96	287961	SUPPORT	1	

From 7-8754 To D-5458		Date:01/2024	PAGE:X3-1895-00
-----------------------	--	--------------	-----------------

FRONT STRUCTURE

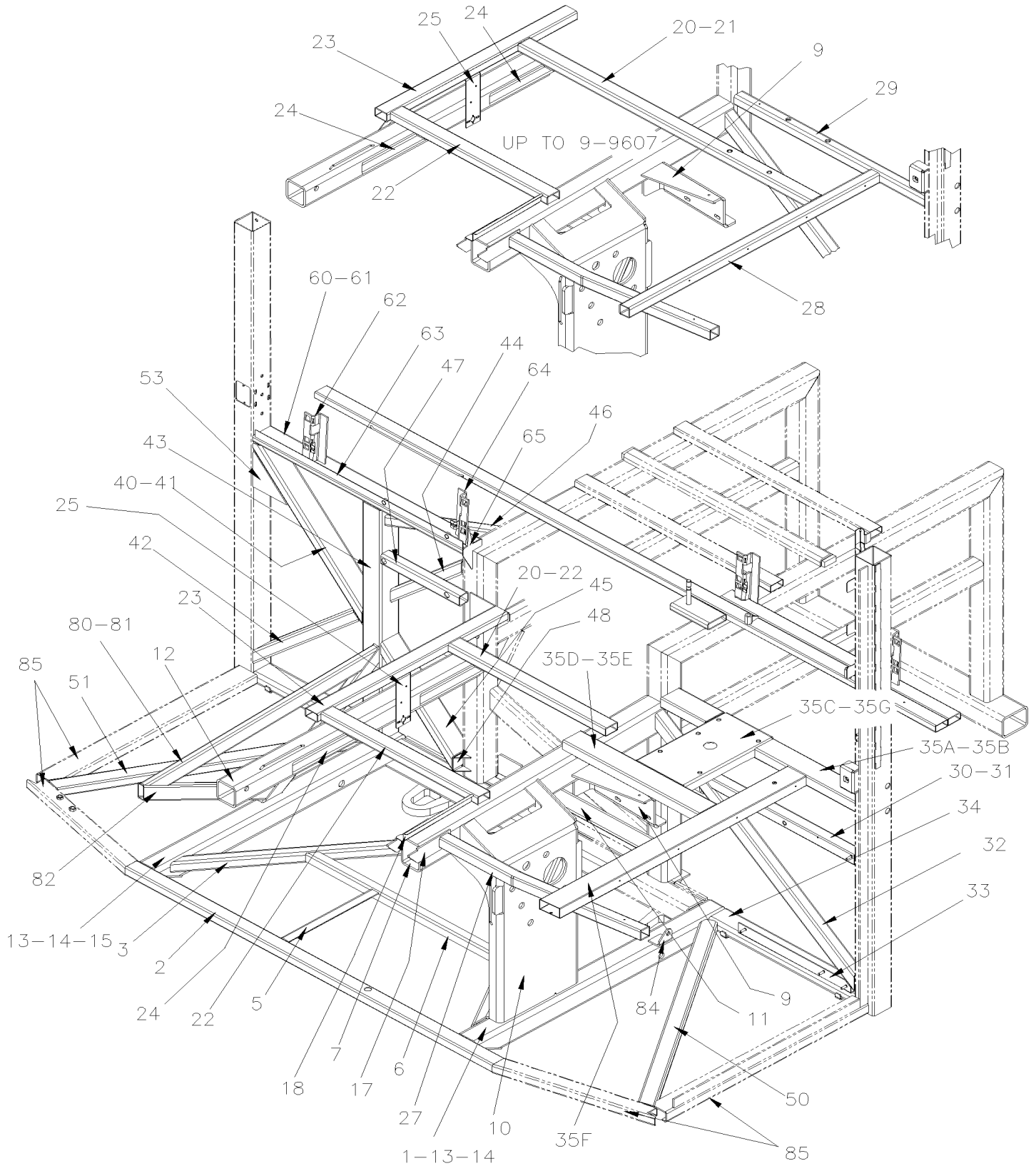
Item#	Part	Description	QTY	Notes
102	214243	TUBE / TUBE 26 AND DR 92MM x 1 1/2" x 3"	1	
103	251079	PANEL FRONT / TUBE 26 & 11 From C-5125	1	
		A) BUS ONLY RH SIDE ONLY		
		P) CALL ORDER DESK FOR SPECIFIC APPLICATION (V.I.N.)		

From 7-8754 To D-5458

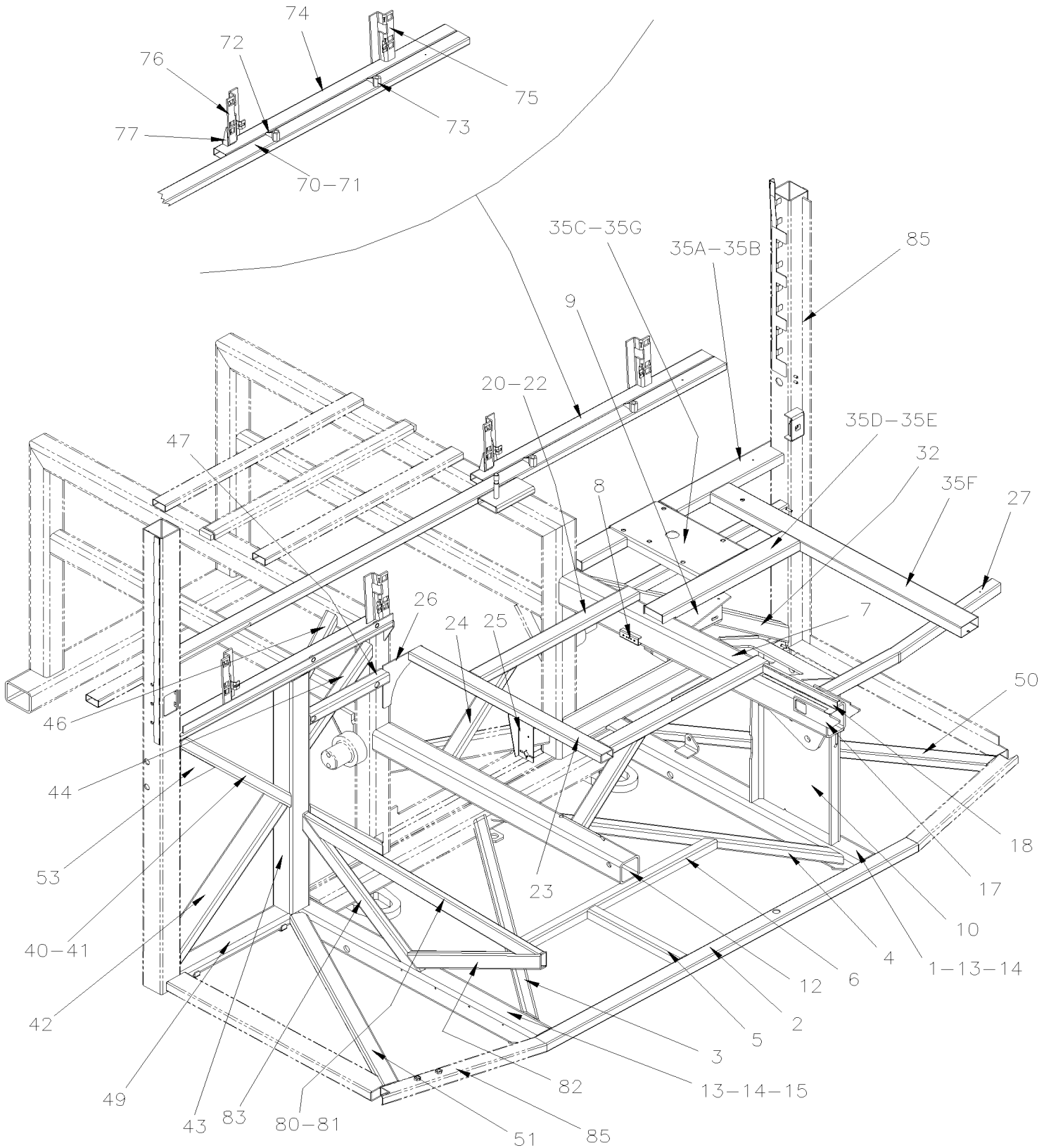
Date:01/2024

PAGE:X3-1895-10

FRONT LOWER FLOOR STRUCTURE - BUS



FRONT LOWER FLOOR STRUCTURE - BUS



From 7-8754 To D-5458	Date:01/2024	PAGE:X3-1895-10
FRONT LOWER FLOOR STRUCTURE - BUS		

Item#	Part	Description	QTY	Notes
1	172203	TUBE	1	
2	287317	TUBE / HINGE ASSY To B-5009	1	
2	250027	TUBE / HINGE ASSY From B-5010	1	
3	172255	TUBE	1	
4	172258	TUBE	1	
5	172227	ANGLE	1	
6	172257	TUBE	1	
7	172273	TUBE 1022MM	1	
8	121507	SUPPORT "U" 70MM	1	
9	172281	SUPPORT BRAKE VALVE	1	
10	173095	SUPPORT GEAR BOX STEERING / W/ "ZF" To C-5124	1	
10	175032	SUPPORT GEAR BOX STEERING / W/ "ZF" From C-5125	1	
11	214238	TUBE 691MM	1	
12	214598	TUBE 981MM	1	
13	220944	CLOSING PLATE 67MM X 67MM	2	
14	172204	CLOSING PLATE 115MM X 68MM	2	
15	172525	TUBE	1	
17	251048	REINFORCEMENT	2	
18	215486	REINFORCEMENT	1	
20	Call order desk	FLOOR ASSY / STEPWELL & DRIVER'S	1	P
20	Call order desk	FLOOR ASSY / STEPWELL & DRIVER'S	1	P
21	214140	. TUBE / BACKWARD To 9-9607	1	
22	214239	. TUBE / FORWARD To 9-9607	1	
22	214239	. TUBE / FORWARD From 9-9608	2	
23	214240	. TUBE / CURBSIDE	1	
24	214141	. TUBE	2	
25	453315	. SUPPORT / A/C VALVE	1	
26	214241	. PLATE SUPPORT	1	
27	213962	TUBE FRONT DRIVER'S FLOOR SUPPORT	1	
28	214138	TUBE STREETSIDE DRIVER'S FLOOR SUPPORT To 9-9607	1	
29	214139	TUBE DRIVER'S FLOOR REAR / W/RIGID SUSPENTION To 9-9607	1	
30	214772	"Z" FRAME ASSY To 9-9607	1	
30	216714	"Z" FRAME ASSY From 9-9608	1	
31	214317	. TUBE ASSY UPPER To 9-9607	1	
31	216716	. TUBE ASSY UPPER	1	
32	214309	. TUBE TRANSVERSALE / STREET SIDE / 1032MM To 9-9607	1	
32	216715	. TUBE TRANSVERSALE / STREET SIDE / 1020MM	1	
NS	5001354	. STUD WD WOC M6-1.0X20 SS	1	
33	214773	. ANGLE 450MM	1	
34	172267	TUBE 584MM To E-5585	1	
34	173862	TUBE SUPPORT MUD FLAP / STREETSIDE From E-5586	1	
35	215970	DRIVER'S FLOOR ASSY From 9-9608	1	

From 7-8754 To D-5458	Date:01/2024	PAGE:X3-1895-10
FRONT LOWER FLOOR STRUCTURE - BUS		

Item#	Part	Description	QTY	Notes
A	218179	TUBE DRIVER'S FLOOR REAR / W/RIGID SUSPENTION From 9-9608	1	
B	230695	PLATE, CLOSING From 9-9608	2	
C	216717	PLATE 197MM X 362MM From 9-9608	1	
D	213992	TUBE DRIVER'S FLOOR FRONT /W/RIGID SUSPENTION From 9-9608	1	
E	216718	PLATE, CLOSING From 9-9608	1	
F	215937	TUBE From 9-9608	1	
G	5001084	NUT HEXF M10-1.5 G500 From 9-9608	4	
40	214718P	"X" FRAME ASSY To C-5262	1	
40	Call order desk	"X" FRAME ASSY From C-5263	1	P
40	Call order desk	"X" FRAME ASSY	1	P
41	214709	TUBE 633MM	1	
42	214710	TUBE 567MM	1	
43	214711	TUBE 857MM	1	
44	214713	TUBE 410MM	1	
45	214714	TUBE 440MM	1	
46	214716	TUBE 350MM	1	
47	214715	TUBE / HOTESS SEAT CURBSIDE	1	
48	214717	SUPPORT	1	
49	172214	TUBE 569MM To E-5585	1	
49	173831	TUBE SUPPORT MUD FLAP / CURBSIDE From E-5586	1	
50	172268	TUBE / STREET SIDE / 964MM	1	
51	172213	TUBE / CURBSIDE / 931MM	1	
53	214712	REINFORCEMENT	1	
60	212846	SUPPORT ASSY / MODESTY PANEL / CURBSIDE	1	
61	214136	TUBE 842MM	1	
62	327608	ANCHOR / MODESTY PANEL	1	
63	214411	ANCHOR ASSY / HOSTESS SEAT	1	
64	327606	ANCHOR / MODESTY PANEL	1	
65	214436	REINFORCEMENT	1	
70	214588	SUPPORT ASSY / MODESTY PANEL / STREETSIDE	1	
71	173194	SUPPORT, FLOOR	1	
72	214390	REINFORCEMENT	2	
73	214389	ANCHOR DRIVER SEAT	2	
74	172505	TUBE	1	
75	327610	ANCHOR / MODESTY PANEL	1	
76	327612	ANCHOR / MODESTY PANEL	1	
77	214437	RENFORCMENT	1	
80	Call order desk	REINFORCEMENT ASSY / TRIANGULAR SHAPE	1	P
80	Call order desk	REINFORCEMENT ASSY / TRIANGULAR SHAPE	1	P
81	214135	TUBE / UPPER	1	
82	214133	TUBE / BACKWARD	1	
83	214134	TUBE / FORWARD	1	

From 7-8754 To D-5458	Date:01/2024	PAGE:X3-1895-10
-----------------------	--------------	-----------------

FRONT LOWER FLOOR STRUCTURE - BUS

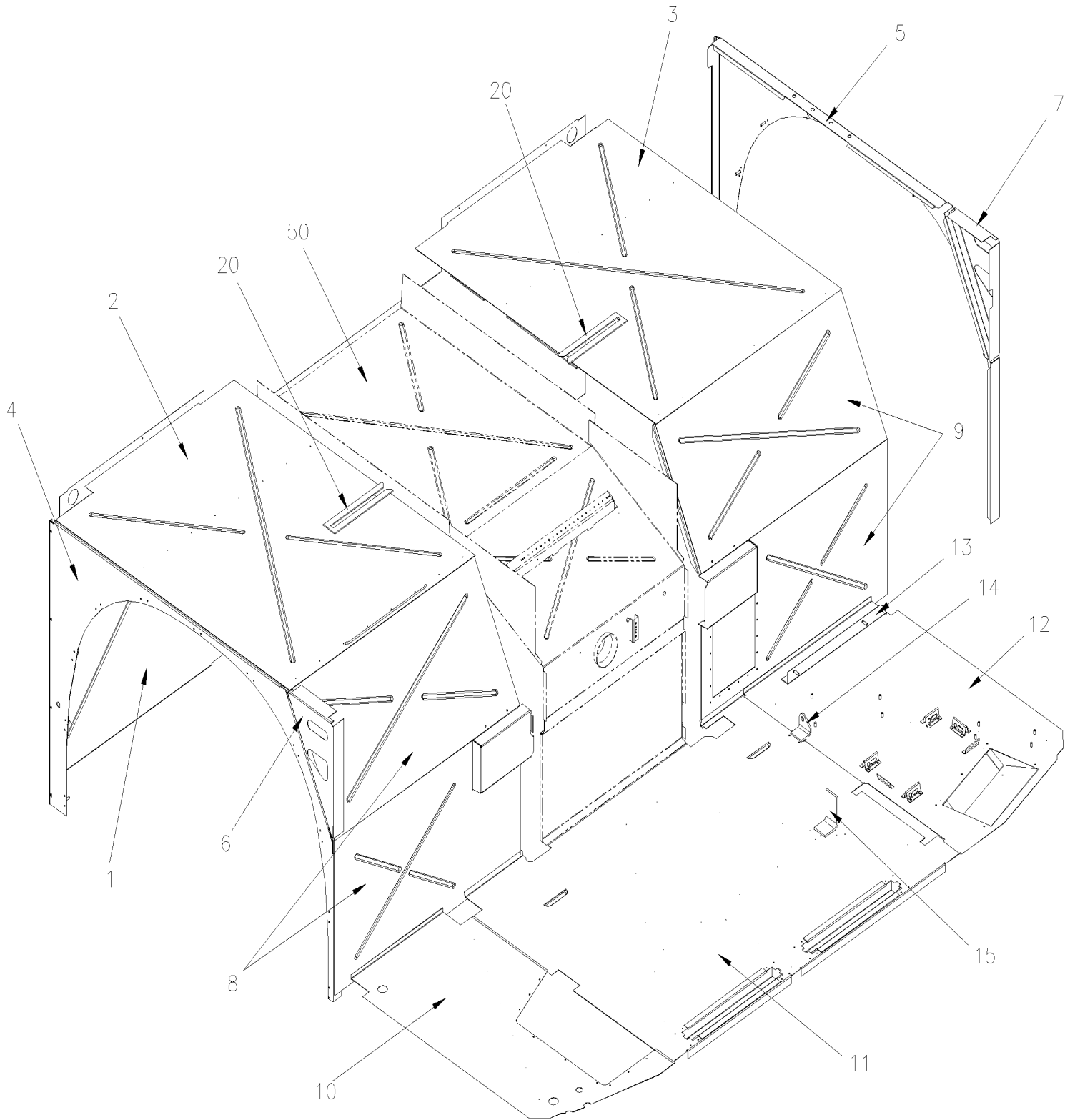
Item#	Part	Description	QTY	Notes
84	285155	ANGLE SUPPORT BUMPER SPRING	1	
85	X3-1895-00	FRONT STRUCTURE		
NS	251669	FRONT PROTECTOR WITH BY-FOLD DOOR	1	
		P) CALL ORDER DESK FOR SPECIFIC APPLICATION (V.I.N.)		

From 7-8754 To D-5458

Date:01/2024

PAGE:X3-1896-00

FRONT SHEATING - BUS



From 7-8754 To D-5458	Date:01/2024	PAGE:X3-1896-00
FRONT SHEATING - BUS		

Item#	Part	Description	QTY	Notes
1	214670	PANEL BACKWARD FRONT FENDER / ONE PIECE To 9-9642	1	
1	216611	PANEL BACKWARD FRONT FENDER / ONE PIECE From 9-9643 To B-5001	1	R
1	216664	PANEL BACKWARD FRONT FENDER / ONE PIECE From B-5002 To D-5458	1	R
1	217095	PANEL BACKWARD FRONT FENDER / ONE PIECE From E-5459	1	R
1	216445	PANEL BACKWARD FRONT FENDER / ONE PIECE From 9-9643 To B-5001	1	I
1	216687	PANEL BACKWARD FRONT FENDER / ONE PIECE From B-5002	1	I
2	214676	PANEL FENDER TOP / CURBSIDE To 7-8949	1	R
2	216020	PANEL FENDER TOP / CURBSIDE From 7-8950 To B-5001	1	R
2	216702	PANEL FENDER TOP / CURBSIDE From B-5002	1	R
2	215335	PANEL FENDER TOP / CURBSIDE To 7-8949	1	I
2	216010	PANEL FENDER TOP / CURBSIDE From 7-8950 To B-5001	1	I
2	216705	PANEL FENDER TOP / CURBSIDE From B-5002 To C-5240	1	I
2	171142	PANEL FENDER TOP / CURBSIDE From C-5241	1	I
3	214675	PANEL FENDER TOP / STREETSIDE To 7-8949	1	R
3	216021	PANEL FENDER TOP / STREETSIDE From 7-8950 To B-5001	1	R
3	216701	PANEL FENDER TOP / STREETSIDE From B-5002	1	R
3	215334	PANEL FENDER TOP / STREETSIDE To 7-8949	1	I
3	216006	PANEL FENDER TOP / STREETSIDE From 7-8950 To B-5001	1	I
3	216706	PANEL FENDER TOP / STREETSIDE From B-5002 To C-5240	1	I
3	171239	PANEL FENDER TOP / STREETSIDE From C-5241	1	I
4	213700	PANEL SIDE FENDER / CURBSIDE To B-5001	1	
4	216660	PANEL SIDE FENDER / CURBSIDE From B-5002 To D-5458	1	
4	217127	PANEL SIDE FENDER / CURBSIDE From E-5459	1	
5	213698	PANEL SIDE FENDER / STREETSIDE To B-5001	1	
5	216661	PANEL SIDE FENDER / STREETSIDE From B-5002 To D-5458	1	
5	217129	PANEL SIDE FENDER / STREETSIDE From E-5459	1	
6	214410	CLOSING PLATE TRIANGULAR SHAPE / CURBSIDE	1	
7	214409	CLOSING PLATE TRIANGULAR SHAPE / STREETSIDE To 9-9607	1	
7	219068	CLOSING PLATE TRIANGULAR SHAPE / STREETSIDE From 9-9608	1	
8	214303	PANEL FORWARD FRONT FENDER / CURBSIDE To C-5262	1	R
8	217062	PANEL FORWARD FRONT FENDER / CURBSIDE From C-5263	1	R
8	213651	PANEL FORWARD FRONT FENDER / CURBSIDE To 7-8949	1	I
8	216008	PANEL FORWARD FRONT FENDER / CURBSIDE From 7-8950 To C-5262	1	I
8	217018	PANEL FORWARD FRONT FENDER / CURBSIDE From C-5263	1	I
9	214302	PANEL FORWARD FRONT FENDER / STREETSIDE	1	R
9	213944	PANEL FORWARD FRONT FENDER / STREETSIDE To 7-8949	1	I
9	216007	PANEL FORWARD FRONT FENDER / STREETSIDE From 7-8950	1	I
10	214730	FLOOR PANEL UNDER STEPWELL / CURBSIDE To C-5123	1	
10	218434	FLOOR PANEL UNDER STEPWELL / CURBSIDE From C-5124 To E-5585	1	
10	217269	FLOOR PANEL UNDER STEPWELL / CURBSIDE From E-5586	1	
11	173099	FLOOR PANEL CENTER PART W/SPARE TIRE To C-5124	1	
11	175039	FLOOR PANEL CENTER PART W/SPARE TIRE From C-5125	1	

From 7-8754 To D-5458	Date:01/2024	PAGE:X3-1896-00
FRONT SHEATING - BUS		

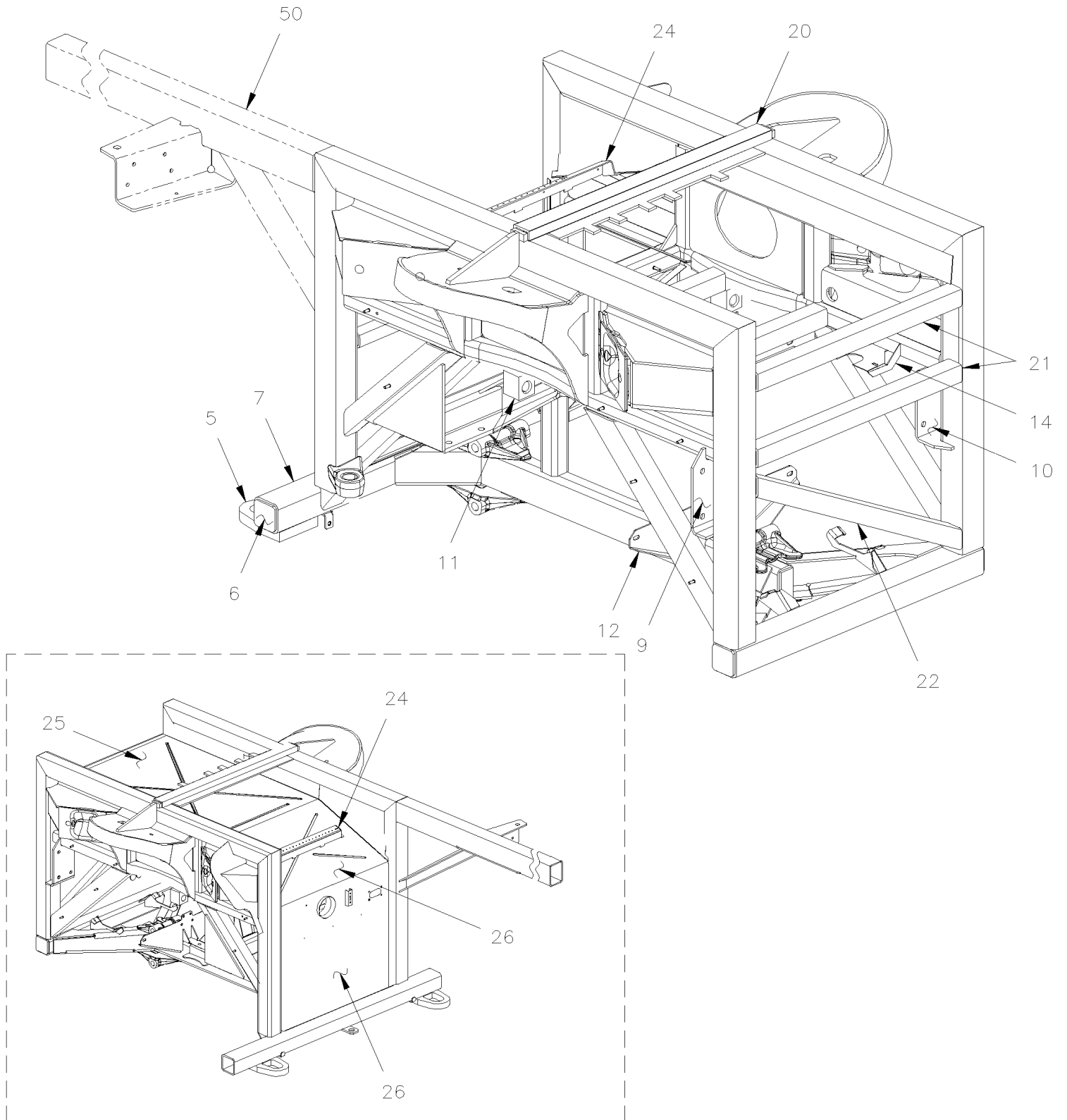
Item#	Part	Description	QTY	Notes
12	251225	FLOOR PANEL STEERING COMPARTMENT / STREETSIDE To C-5124	1	E
12	175038	FLOOR PANEL STEERING COMPARTMENT / STREETSIDE From C-5125 To D-5299	1	E
12	251591	FLOOR PANEL STEERING COMPARTMENT / STREETSIDE From D-5300	1	E
12	251565	FLOOR PANEL STEERING COMPARTMENT / STREETSIDE To D-5299	1	C
12	251592	FLOOR PANEL STEERING COMPARTMENT / STREETSIDE From D-5300	1	C
12	251229	FLOOR PANEL STEERING COMPARTMENT / STREETSIDE	1	F
13	214773	ANGLE 450MM	1	
14	285155	ANGLE SUPPORT BUMPER SPRING	1	
15	156011	STOPPER ANGLE 100MM X 90MM	1	
19	174966	CLOSING PLATE To C-5240	2	I
19	171209	CLOSING PLATE From C-5241	2	I
20	214511	CLOSING PLATE "U" FORM / 270MM To 7-8949	2	R
20	219049	CLOSING PLATE "U" FORM / 270MM From 7-8950	2	R
20	215333	CLOSING PLATE "U" FORM / 154MM To 7-8949	2	I
20	219050	CLOSING PLATE "U" FORM / 154MM From 7-8950 To C-5240	2	I
20	171153	CLOSING PLATE "U" FORM / 467MM From C-5241	2	I
50	X3-1897-00	FRONT SUB-FRAME / W/INDEPENDENT SUSPENSION - 18000 LBS		
50	X3-1897-05	FRONT SUB-FRAME / W/I BEAM RIGID SUSPENSION / "OPTION"		
		C) WITH "OPTION" SEAL BEAM WASHER		
		E) WITHOUT HEAD LAMP WASHER		
		F) WITH FLARE KIT SUPPORT & W/OUT HEAD LAMP WASHER		
		I) WITH INDEPENDANT SUSPENSION		
		R) WITH I BEAM RIGID SUSPENSION		

From 7-8754 To C-5241

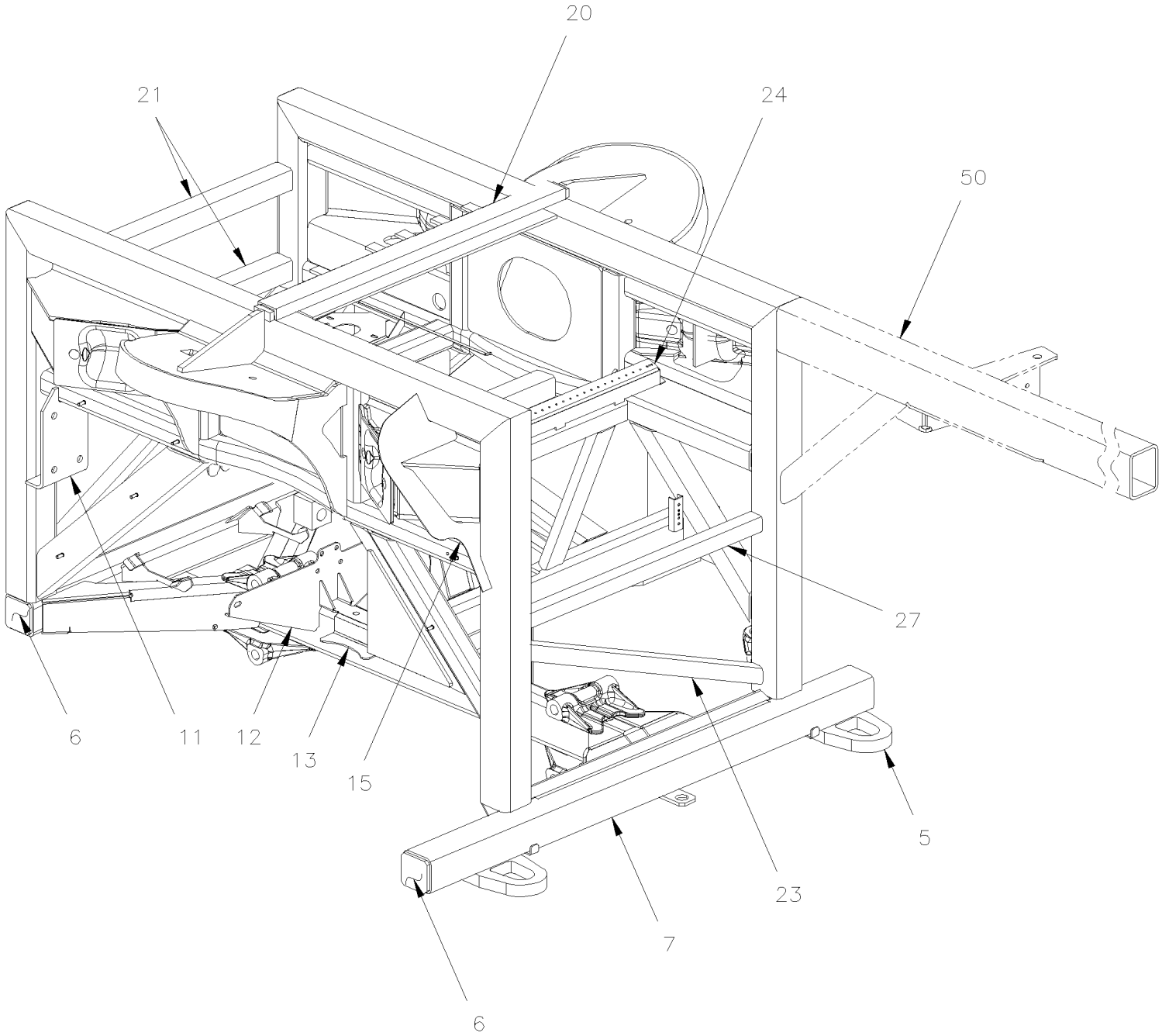
Date:01/2024

PAGE:X3-1897-00

FRONT SUB-FRAME / W/INDEPENDENT SUSPENSION - 18000 LBS



From 7-8754 To C-5241	Date:01/2024	PAGE:X3-1897-00
FRONT SUB-FRAME / W/INDEPENDENT SUSPENSION - 18000 LBS		



From 7-8754 To C-5241	Date:01/2024	PAGE:X3-1897-00
FRONT SUB-FRAME / W/INDEPENDENT SUSPENSION - 18000 LBS		

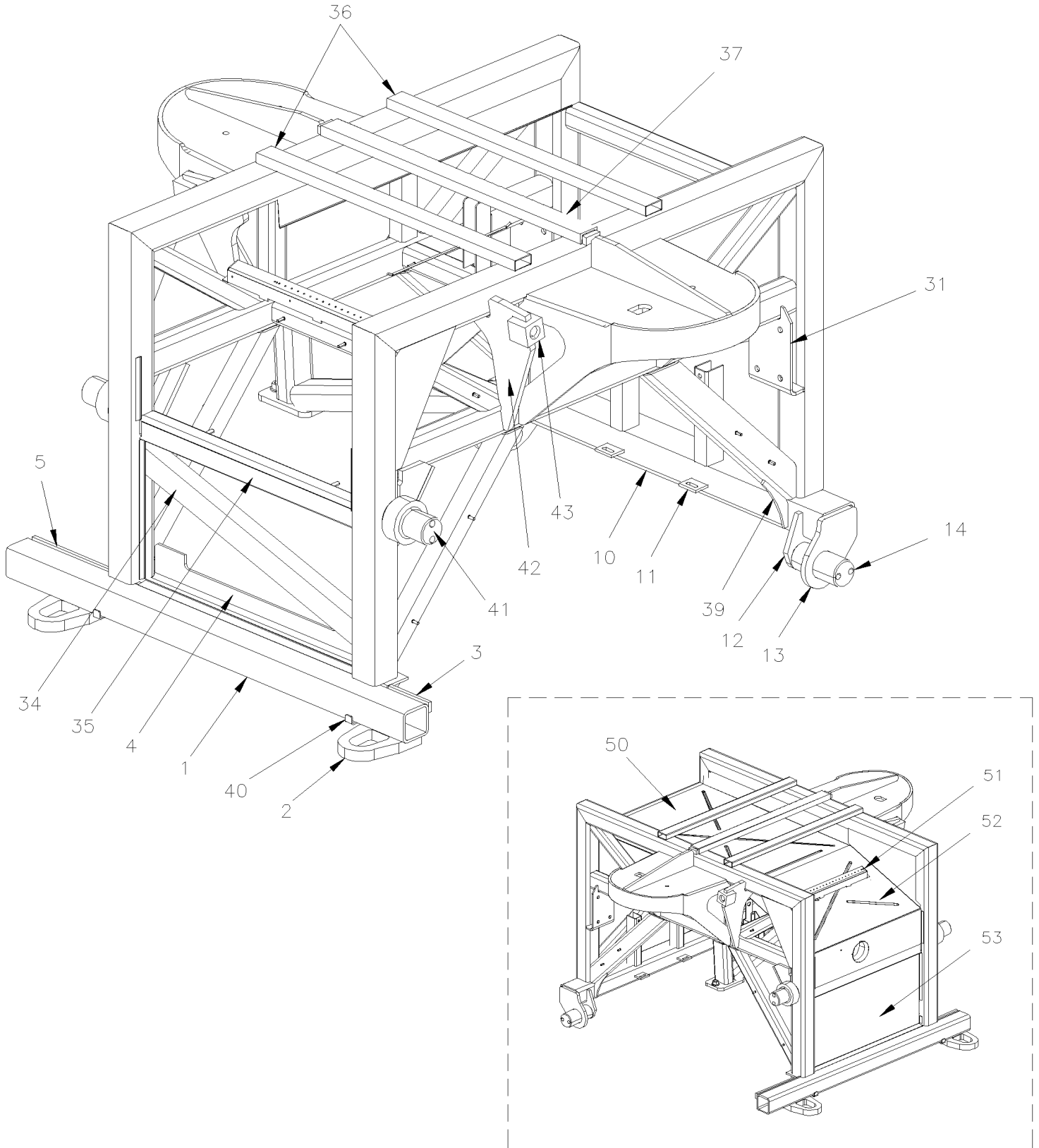
Item#	Part	Description	QTY	Notes
	172792P	FRONT SUB-FRAME ASSY / XL-II BUS W/IND 18000	1	
5	171991	. ATTACHMENT / TOWING	2	
6	220944	. CLOSING PLATE 67MM X 67MM	6	
7	172265	. TUBE 1206MM	1	
9	171908	. ATTACHMENT SWAY BAR STREETSIDE	1	
10	171718	. ATTACHMENT SWAY BAR CURBSIDE	1	
11	110627	. ATTACHMENT PIN 1"-14 / SHOCK ABSORBER / 50.8MM LONG	2	
12	172704	. SUPPORT AIR TANK / LOWER	1	
13	172705	. SUPPORT AIR TANK / LOWER	1	
14	131747	. SUPPORT L.H. "KNEELING" TANK	1	
14	131748	. SUPPORT R.H. "KNEELING" TANK	1	
15	172868	. PLATE To 7-8949	2	
15	173282	. PLATE From 7-8950	2	
20	172736	. REINFORCEMENT SUPPORT	1	
21	171712	. TUBE 661MM	3	
22	171713	. TUBE 779MM	1	
23	172712	. TUBE 733MM	1	
24	172235	. SUPPORT PIPE & HARNESS	1	
25	212774	. PANEL CENTRAL BACKWARD	1	
26	172849	. PANEL CENTRAL FORWARD & LOWER	1	
27	172719	. TUBE 661MM	1	
50	X3-1895-10	FRONT LOWER FLOOR STRUCTURE - BUS		

From 7-8754 To D-5458

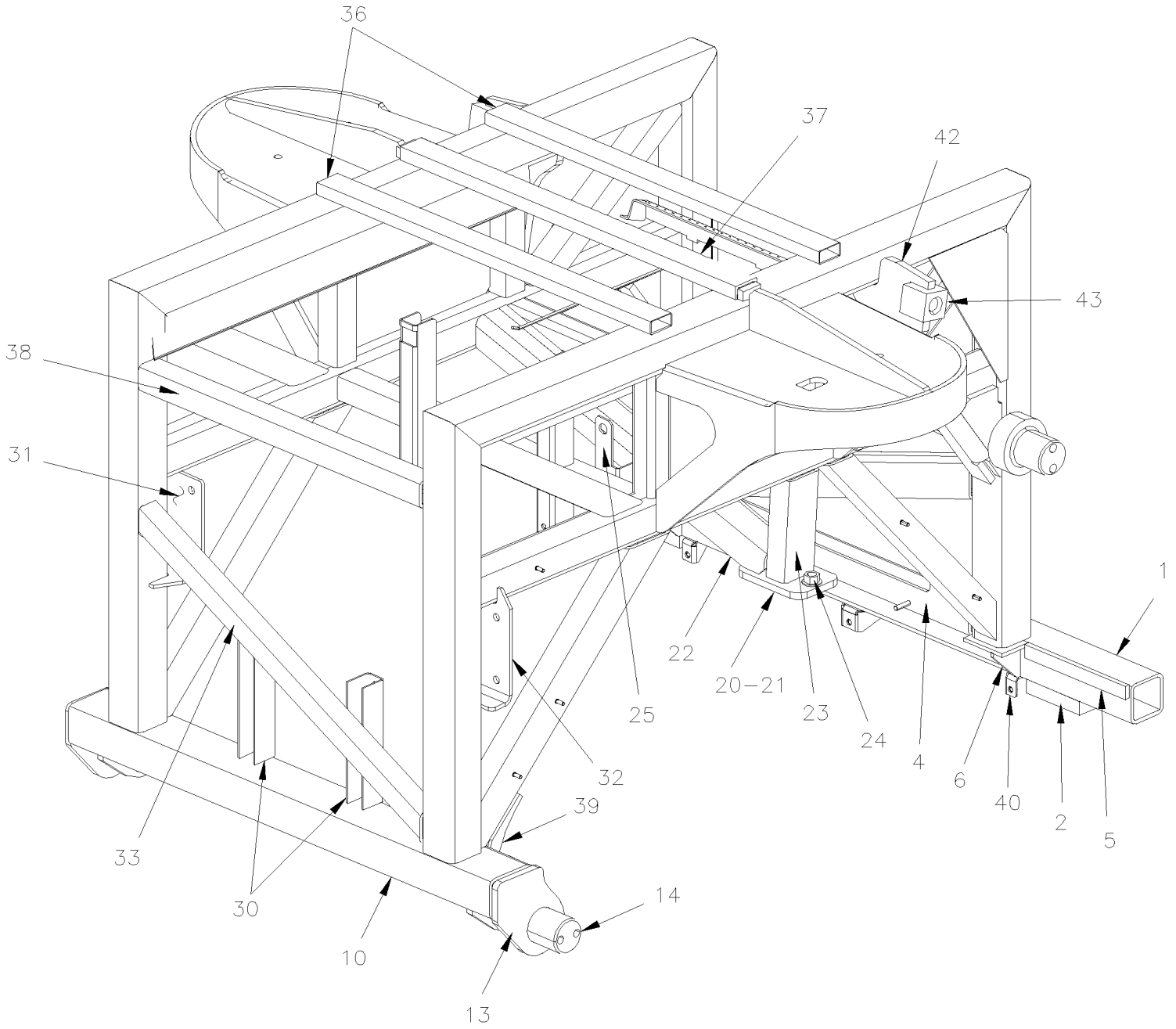
Date:01/2024

PAGE:X3-1897-05

FRONT SUB-FRAME / W/I BEAM RIGID SUSPENSION / "OPTION"



From 7-8754 To D-5458	Date:01/2024	PAGE:X3-1897-05
FRONT SUB-FRAME / W/I BEAM RIGID SUSPENSION / "OPTION"		



From 7-8754 To D-5458	Date:01/2024	PAGE:X3-1897-05
FRONT SUB-FRAME / W/I BEAM RIGID SUSPENSION / "OPTION"		

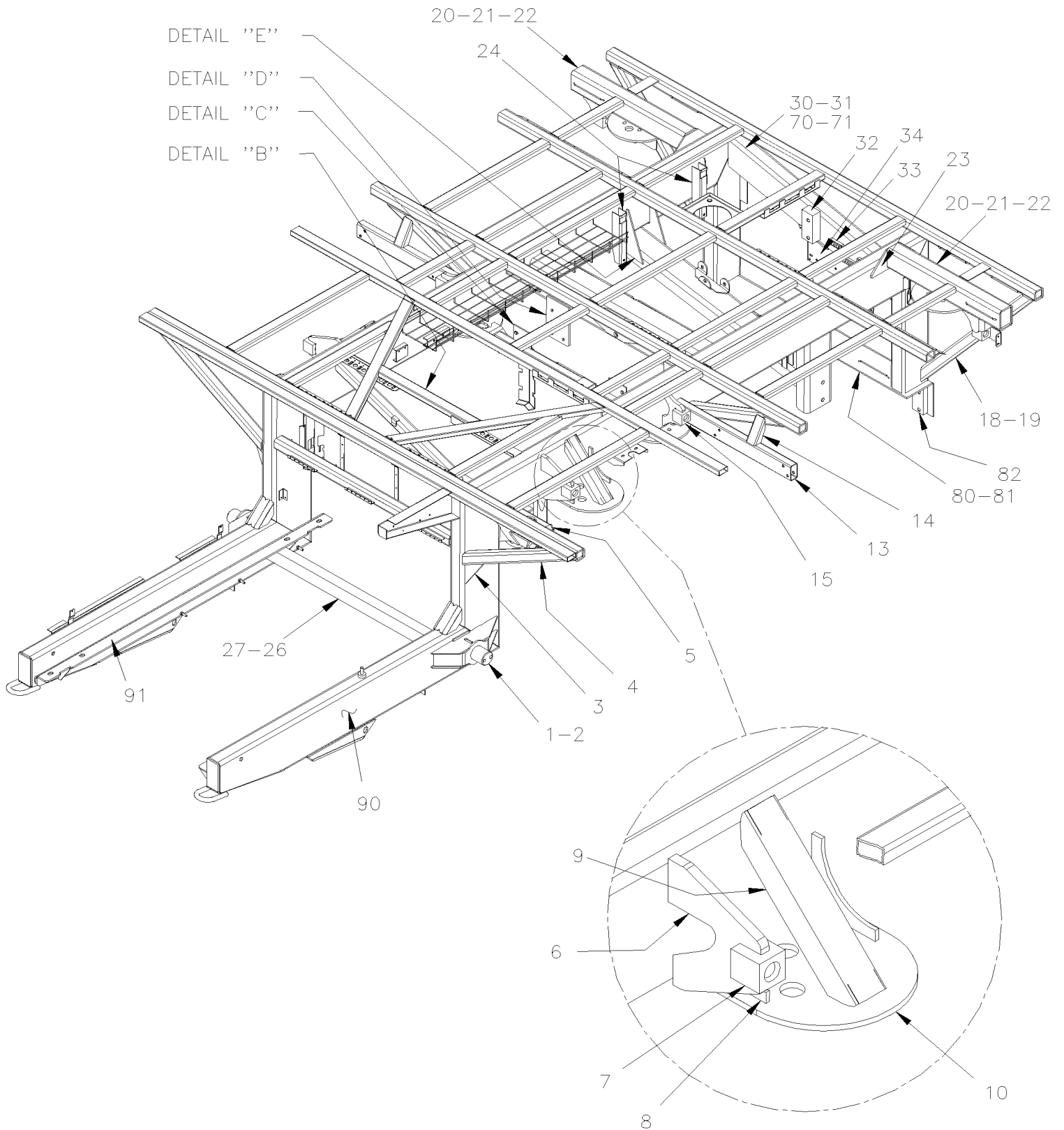
Item#	Part	Description	QTY	Notes
	172400P	FRONT SUBFRAME ASSY	1	
1	172467	FRONT LOWER TUBE ASSY	1	
1	Call order desk	FRONT LOWER TUBE ASSY	1	P
1	172265	. TUBE 1206MM	1	
2	171991	. ATTACHMENT / TOWING	2	
3	172469	. SPACER 152MM	1	
4	172454	. ANGLE To A-9979	1	
4	173719	. ANGLE ASSY W/ REINFORCMENT From A-9980	1	
5	172468	. SPACER 50MM	1	
6	171709	. REINFORCEMENT To A-9979	2	
10	172159	REAR LOWER TUBE ASSY	1	
10	Call order desk	REAR LOWER TUBE ASSY	1	P
11	141649	. ATTACHMENT / (WELDED TO FRAME)	2	
12	172528	. REINFORCEMENT	2	
13	172434	. REINFORCEMENT	2	
14	131695	. PIN RADIUS ROD (WELDED TO STRUCTURE) To C-5186	1	
14	131965	. PIN RADIUS ROD (WELDED TO STRUCTURE) From C-5187	1	
20	172416	. ATTACHMENT PANHARD / FRONT	1	
20	Call order desk	. ATTACHMENT PANHARD / FRONT	1	P
21	172417	. PLATE	1	
NS	502164	. PIN DOWEL M16 X 40MM	1	
22	172391	. TUBE	1	
23	172390	. TUBE	1	
24	5001474	. NUT HEXF M16-2.0 DP	2	
25	173179	. SUPPORT HEIGHT CONTROL VALVE (WELDED)	1	
30	172489	SUPPORT AIR TANK / WELDED TO STRUCTURE	2	
31	172398	ATTACHMENT SWAY BAR STREETSIDE	1	
32	172399	ATTACHMENT SWAY BAR CURBSIDE	1	
33	171713	TUBE 779MM	1	
34	172432	TUBE 721MM	1	
35	172395	TUBE 661MM	1	
36	171886	TUBE 785MM	2	
37	172410	U-BEAM 1" X 2" X 788MM	1	
38	171712	TUBE 661MM	2	
39	172474	REINFORCEMENT	2	
40	460441	SUPPORT / AIR SHIELD / CENTER	1	
41	172436	PIN RADIUS ROD (WELDED TO STRUCTURE) To C-5249	2	
41	175053	PIN RADIUS ROD (WELDED TO STRUCTURE) From C-5250	2	
42	172397	ATTACHMENT SHOCK ABSORBER	2	
43	171032	SUPPORT 1"-14 / SHOCK ABSORBER / 55MM	2	
50	212774	PANEL CENTRAL BACKWARD	1	
51	172235	SUPPORT PIPE & HARNESS	1	

From 7-8754 To D-5458	Date:01/2024	PAGE:X3-1897-05
-----------------------	--------------	-----------------

FRONT SUB-FRAME / W/I BEAM RIGID SUSPENSION / "OPTION"

Item#	Part	Description	QTY	Notes
52	172305	PANEL CENTRAL FORWARD	1	
53	214225	PANEL CENTRAL FRONT LOWER	1	
53	214771	PANEL CENTRAL FRONT LOWER / W/SPARE TIRE	1	
		P) CALL ORDER DESK FOR SPECIFIC APPLICATION (V.I.N.)		

REAR SUB-FRAME

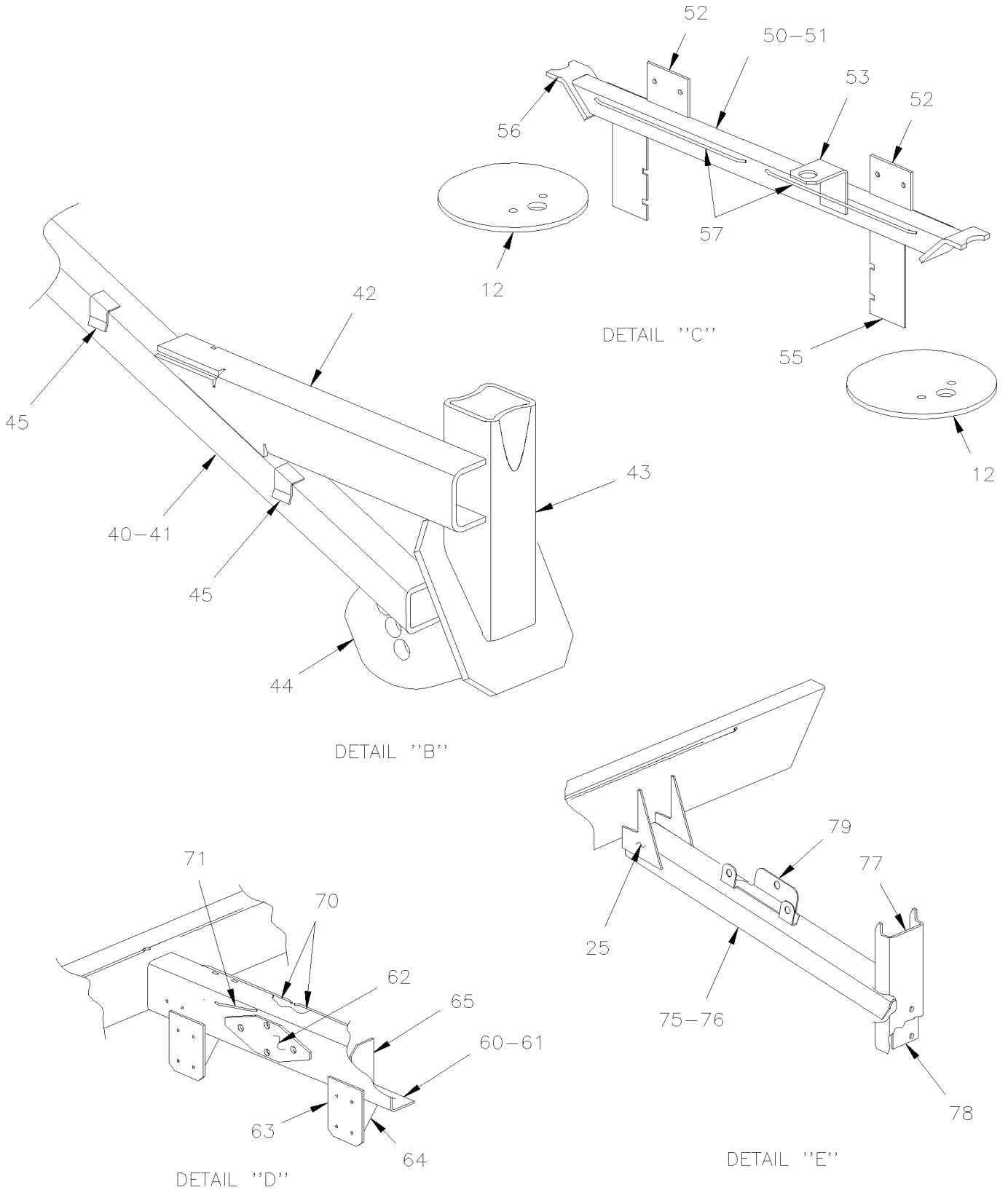


From 7-8754 To D-5458

Date:01/2024

PAGE:X3-1897-10

REAR SUB-FRAME



From 7-8754 To D-5458	Date:01/2024	PAGE:X3-1897-10
REAR SUB-FRAME		

Item#	Part	Description	QTY	Notes
1	173111P	PIN ATTACHMENT / SUSPENSION ROD	2	
2	171049	. PIN ATTACHMENT / SUSPENSION ROD To C-5186	1	
2	173735	. PIN ATTACHMENT / SUSPENSION ROD From C-5187	1	
2	173112	. PLATE REINFORCEMENT UPPER & LOWER	2	
2	173113	. PLATE REINFORCEMENT FRONT	1	
2	173189	. PLATE REAR	1	
3	170448	GUSSET, FLOOR TUBE REINFORCEMENT	2	
4	170261	TUBE 738MM	2	
5	173154	BRACKET / R.H.	1	
5	173155P	BRACKET / L.H.	1	
6	Call order desk	SUPPORT SHOCK ASSY To A-9951	2	P T
6	173607	SUPPORT SHOCK ASSY From A-9952	1	
7	171032	. SUPPORT 1"-14 / SHOCK ABSORBER / 55MM	1	
8	171392	REINFORCEMENT	4	
9	171389	REINFORCEMENT "U" 329MM	2	
10	173156	BELLOW PLATE To 8-9276	2	
10	173250	BELLOW PLATE DOUBLE BELLOW From 8-9277	1	
12	131356	BELLOW PLATE	2	
13	215498	TUBE SPLASHGUARD SUPPORT	2	
14	215497	REINFORCMENT	2	
15	173115	SUPPORT SHOCK ASSY	1	
18	170262	TUBE 986MM	2	
19	173146	SUPPORT VALVE HEIGHT CONTROL	2	
20	171398	TUBE	2	
21	173135	SUPPORT SHOCK ABSORBER BLOCK	1	
22	171032	SUPPORT 1"-14 / SHOCK ABSORBER / 55MM	1	
23	170254	ATTACHMENT PLATE	2	
24	171600	SUPPORT "U" / AIR TANK / 250MM	2	S
24	172147	SUPPORT "U" / AIR TANK / 263MM	2	C
25	171501	REINFORCEMENT	2	
26	171605	BAR, TRANSMISSION PROTECTOR	1	
27	171482	ATTACHMENT PLATE	1	
30	Call order desk	BEAM, RADIUS ROD SUPPORT	1	P
30	Call order desk	BEAM, RADIUS ROD SUPPORT	1	P
31	130799	. TUBE 42 7/16"	1	
32	215824	. ANCHOR BLOCK	1	
33	121507	. SUPPORT "U" 70MM	1	
34	173134	SUPPORT VALVE	1	
40	Call order desk	ATTACHMENT LATERAL ROD ASSY	1	P
40	Call order desk	ATTACHMENT LATERAL ROD ASSY	1	P
41	173138	. TUBE	1	
42	173116	. TUBE	1	

From 7-8754 To D-5458	Date:01/2024	PAGE:X3-1897-10
REAR SUB-FRAME		

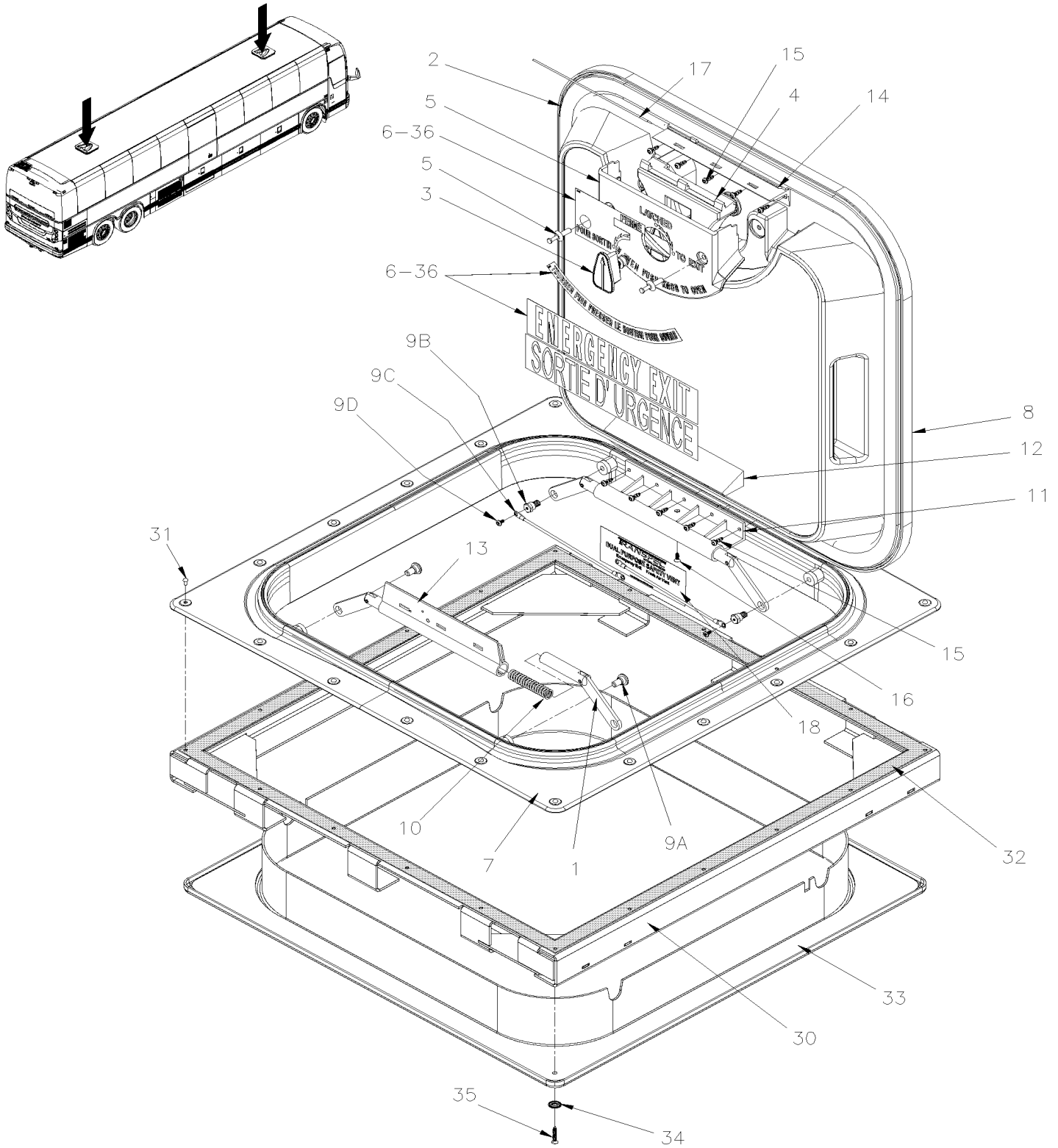
Item#	Part	Description	QTY	Notes
43	173139	. TUBE	1	
44	131785	. SUPPORT ASSY / (WELDED)	1	
45	071081	. SUPPORT	2	
50	Call order desk	TUBE ASSY W/VALVE & TANK SUPPORT To 9-9598	1	P
50	Call order desk	TUBE ASSY W/VALVE & TANK SUPPORT From 9-9599 To C-5132	1	P
50	Call order desk	TUBE ASSY W/VALVE & TANK SUPPORT From C-5133	1	P
51	173143	. TUBE To 9-9598	1	
51	174981	. TUBE From 9-9599 To C-5132	1	
51	175072	. TUBE From C-5133	1	
52	171397	. SUPPORT VALVE	2	
53	171993	. SUPPORT VALVE INVERSION	1	
55	171973	. SUPPORT AIR TANK	2	
56	173145	. PLATE SUPPORT TUBE	2	
57	214025	ATTACHMENT ROD / WELDED (TO FIX ANYTHING) / 177MM x 11MM DEEP	4	
60	173144P	CHANNEL W/REINFORCEMENT / TRIPODE REAR AXLE / 1015MM WIDE To A-9952	1	
60	Call order desk	CHANNEL W/REINFORCEMENT / TRIPODE REAR AXLE / 1015MM WIDE From A-9953	1	P
61	172986	. REINFORCEMENT "C" 1015MM	1	
62	172307	. REINFORCEMENT PLATE (LOZANGE FORM)	1	
63	171978	. SUPPORT	2	
64	171976	. REINFORCEMENT	2	
65	171536	. REINFORCEMENT	2	
70	212655	ATTACHMENT ROD / WELDED (TO FIX ANYTHING) / 373MM x 11MM DEEP	AR	
71	214025	ATTACHMENT ROD / WELDED (TO FIX ANYTHING) / 177MM x 11MM DEEP	AR	
75	173149P	ATTACHMENT LATERAL ROD ASSY To B-5001	1	
75	Call order desk	ATTACHMENT LATERAL ROD ASSY From B-5002 To C-5133	1	P
75	Call order desk	ATTACHMENT LATERAL ROD ASSY From C-5134	1	P
75	Call order desk	ATTACHMENT LATERAL ROD ASSY W/YAW From 8-9282 To B-5001	1	P
75	Call order desk	ATTACHMENT LATERAL ROD ASSY W/YAW From B-5002	1	P
76	172426	. CHANNEL "C" 1115MM	1	
77	172516	. CHANNEL "J" 422MM	1	
78	172226	. REINFORCEMENT SUPPORT	1	
79	173171	. SUPPORT AIR DRYER	1	
79	173334	. SUPPORT YAW From 8-9282	1	
80	Call order desk	REAR RADIUS ROD ATTACHMENT ANGLE ASSY To 7-9031	1	P
80	Call order desk	REAR RADIUS ROD ATTACHMENT ANGLE ASSY From 7-9032	1	P
81	214577	. ANGLE To 7-9031	1	
81	173290	. ANGLE From 7-9032	1	
82	215823	. ANCHOR BLOCK To 7-9031	2	
82	173291	. ANCHOR BLOCK From 7-9032	1	
NS	173191	SUPPORT MULTI-FUNCTION 371MM To 8-9310	AR	
NS	173403	SUPPORT MULTI-FUNCTION 395MM From 8-9311	AR	
NS	173192	SUPPORT MULTI-FUNCTION 360MM	AR	

From 7-8754 To D-5458	Date:01/2024	PAGE:X3-1897-10
-----------------------	--------------	-----------------

REAR SUB-FRAME

Item#	Part	Description	QTY	Notes
90	X3-1894-10	REAR RH - STRUCTURE		
91	X3-1894-05	REAR LH - STRUCTURE		
91	X3-1894-06	REAR LH - STRUCTURE		
		C) CURBE SIDE		
		S) STREET SIDE		
		T) USE FOR TAG AXLE SHOCK		
		P) CALL ORDER DESK FOR SPECIFIC APPLICATION (V.I.N.)		

ESCAPE HATCH - INSTALLATION



From 7-8754	Date:01/2024	PAGE:X3-1898-00
-------------	--------------	-----------------

ESCAPE HATCH - INSTALLATION

Item#	Part	Description	QTY	Notes
	950396	HATCH ASSY / 23" X 23" GREY / LOW PROFILE GREY / ENG & FRENCH To C-5114	1	
	950468	HATCH ASSY / 23" X 23" GREY / LOW PROFILE GREY / ENG & FRENCH From C-5115 To P-6782	1	
	950396	HATCH ASSY / 23" X 23" GREY / LOW PROFILE GREY / ENG & FRENCH From P-6783 To R-6936	1	
	950665	HATCH ASSY / 23" X 23" GREY / LOW PROFILE GREY / ENG & FRENCH From R-6937	1	
	950469	HATCH ASSY / 23" X 23" GREY / LOW PROFILE GREY / ENGLISH ONLY From C-5115 To H-6209	1	A
	950556	HATCH ASSY / 23" X 23" GREY / LOW PROFILE GREY / ENGLISH ONLY From H-6210 To P-6782	1	
	950637	HATCH ASSY / 23" X 23" GREY / LOW PROFILE GREY / ENGLISH ONLY From P-6783 To R-6936	1	
	950661	HATCH ASSY / 23" X 23" GREY / LOW PROFILE GREY / ENGLISH ONLY From R-6937	1	
	950538	HATCH ASSY / 23" X 23" GREY / LOW PROFILE GREY / ENGLISH & SPANISH To P-6782	1	
	950638	HATCH ASSY / 23" X 23" GREY / LOW PROFILE GREY / ENGLISH & SPANISH From P-6783 To R-6936	1	
	950663	HATCH ASSY / 23" X 23" GREY / LOW PROFILE GREY / ENGLISH & SPANISH From R-6937	1	
1	790436	. LINK & LEVER ASSY	4	
2	950069	. SEAL, GASKET KIT	1	
3	790663	. RELEASE KNOB W/SCREW / RED	1	
4	790664	. RELEASE HANDLE ASSY GREY	1	
4	790371	. HANDLE, RELEASE W/SPRING / GREY	1	
5	790662	. RELEASE HINGE SHIELD ASSY GREY To C-5114	1	
5	N8893808	. RELEASE HINGE SHIELD ASSY GREY From C-5115	1	
6	950690	. DECAL KIT INSTRUCTION / ENGLISH & FRANCAIS	1	
NS	N8898772	. DECAL KIT INSTRUCTION / ENGLISH & SPANISH	1	
6	950698	. DECAL KIT INSTRUCTION / ENGLISH From C-5115	1	
NS	403651	. DECAL, "EMERGEGENCY... JAPAN"	AR	
NS	405775	. DECAL / BRAILLE / EMERGENCY EXIT ONLY / ENGLISH & FRANCAIS To P-6791	AR	
6	406847	. DECAL / BRAILLE / EMERGENCY EXIT ONLY / ENGLISH & FRENCH From P-6792	1	
6	500373	. SCREW TP BDG PH #6x1/2 N500	2	
6	406161	. DECAL / DO NOT OPEN... MOTION / ENGLISH & SPANISH	1	
6	406329	. DECAL / DO NOT OPEN... MOTION / ENGLISH & FRANCAIS	1	
7	950205	. FRAME ASSY, EXTERIOR FIBERGLASS / 23" X 23" GREY	1	
8	950464	. COVER ASSY / LOW PROFILE / GREY ENGLISH & FRENCH To C-5114	1	B
8	950478	. COVER ASSY / LOW PROFILE / THIN GREY ENGLISH & FRENCH From C-5115 To P-6782	1	B
8	950464	. COVER ASSY / LOW PROFILE / GREY ENGLISH & FRENCH From P-6783	1	B
8	950480	. COVER ASSY / LOW PROFILE / THIN / GREY ENGLISH ONLY From C-5115 To P-6782	1	B
8	Call order desk	. COVER ASSY / LOW PROFILE / GREY / ENGLISH ONLY From P-6783	1	P B
8	Call order desk	. COVER ASSY / LOW PROFILE / THIN / GREY ENGLISH & SPANISH To P-6782	1	P B
8	Call order desk	. COVER ASSY / LOW PROFILE / GREY ENGLISH & SPANISH From P-6783	1	P B
9A	790372	. SCREW SHR HEXS 7/16x3/16 {5/16-18	2	
9A	790372	. SCREW SHR HEXS 7/16x3/16 {5/16-18	2	
9A	950449	. SCREW CAP BUT TORX 5/16-18x3/4 BK G8	2	
9A	950450	. SPACER BUSHING 5/16I.D.x 7/16O.D.x 3/16TH	2	
9B	790372	. SCREW SHR HEXS 7/16x3/16 {5/16-18	2	
9B	790372	. SCREW SHR HEXS 7/16x3/16 {5/16-18	2	
9B	N8893673	. SCREW SHR HEXS (USE WITH CABLE) To H-6209	2	A

From 7-8754	Date:01/2024	PAGE:X3-1898-00
ESCAPE HATCH - INSTALLATION		

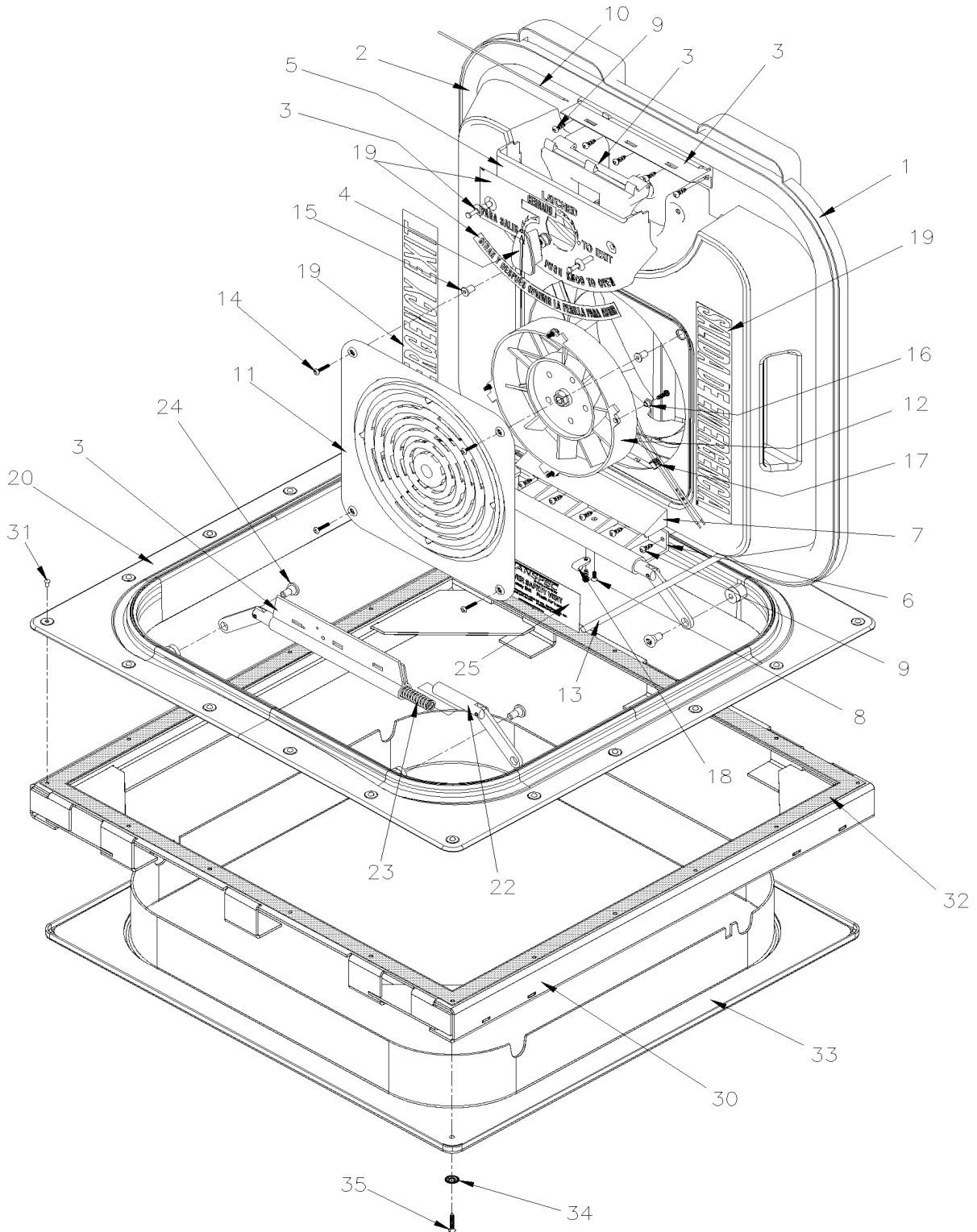
Item#	Part	Description	QTY	Notes
9C	N8893672	. CABLE RETENTION To H-6209	2	A
9D	N8893674	. SCREW MA PAN PH #6-32x5/16 SS To H-6209	2	A
10	790449	. SPRING COMPRESSION / .549 O.D. x 2.590 x .078	4	
11	N.S.S.	. HINGE COVER SECTION	1	1
12	N8891498	. HINGE COVER GREY To C-5114	1	
12	950479	. HINGE COVER GREY From C-5115	1	
13	790375	. HINGE, RELEASE / GREY	1	
14	6982866	. HANDLE BASE	1	
15	N8880007	. SPECIAL TORX SCREW #10 x 1/2 SS	10	
16	7775130	. SCREW FL PH #8 x 1/2 SS	1	
17	950693	. HINGE PIN SS	1	
18	N8891500	DECAL PURPOSE SAFETY VENT	1	
30	292398	FRAME ASSY, MOUNTING 23" X 23" To R-6936	1	
NS	685126	ADHESIVE SIMSON #ISR 70-03 / GREY / 600ml SAUSAGE	AR	
31	504546	RIVET CHY MONOLOK PRDG 1/4x5/8 ZP To E-5499	20	
31	504787	RIVET CHY MONOLOK PRDG 1/4x5/8 ZP From E-5500 To H-6193	20	
31	504058	RIVET CHY MONOLOK PRDG 1/4x5/8 AL From H-6194 To R-6936	20	
31	685387	GLUE MS POLYMER TEROSON MS 9399 / 400ml CARTRIDGE From R-6937	AR	
31	506769	TAPE RUB ADH2 CC POL 1/8" x 1/4" x 60' / BLACK H1CC-N-#14 From R-6937	AR	
32	685126	ADHESIVE SIMSON #ISR 70-03 / GREY / 600ml SAUSAGE	AR	
33	291720	MOULDING, INTERIOR 23" X 23" GREY To R-6936	1	
33	290974	MOULDING, INTERIOR 23" X 23" GREY From R-6937	1	
33	340591	INSULATION FIBERGLASS	AR	
NS	500464	WASHER FN CKF .210x.540 SS To R-6936	4	
35	500629	SCREW TP OV PH #8x1 Z050 To R-6936	4	
35	5002070	SCREW DR SEMS FN OV PH #8x1 Z050 From R-6937	16	
36	297090	DECAL / "PARA SALIR" / SPANISH	1	
36	297089	DECAL / "CERRADO" / SPANISH	1	
36	297091	DECAL / "GIRE Y EMPUHE EL BUTON.." / SPANISH	1	
36	297092	DECAL / "EMERGENCY..." / ENGLISH & SPANISH	1	
36	400019	DECAL / "EMERGENCY..." / ENGLISH & SPANISH & FRANCAIS	1	
36	406161	DECAL / DO NOT OPEN... MOTION / ENGLISH & SPANISH	1	
36	400020	DECAL / DO NOT OPEN... MOTION / ENGLISH & SPANISH & FRANCAIS	1	
		A) USE WITH CABLE RETENTION		
		B) INCLUDED ITEMS 2-3-4-5-6-8-11-12-15-16-17		
		1) NOT SOLD SEPARATELY		
		P) CALL ORDER DESK FOR SPECIFIC APPLICATION (V.I.N.)		

From 7-8754

Date:01/2024

PAGE:X3-1898-10

ESCAPE HATCH - INSTALLATION - VENTILATION "OPTION"



From 7-8754	Date:01/2024	PAGE:X3-1898-10
-------------	--------------	-----------------

ESCAPE HATCH - INSTALLATION - VENTILATION "OPTION"

Item#	Part	Description	QTY	Notes
	950583	HATCH ASSY / 23" X 23" GREY / W/VENTILATION / ENGLISH To R-6936	1	
	950666	HATCH ASSY / 23" X 23" GREY / W/VENTILATION / ENGLISH From R-6937	1	
	950587	HATCH ASSY / 23" X 23" GREY / W/VENTILATION / ENGLISH / FRENCH To R-6936	1	
	950667	HATCH ASSY / 23" X 23" GREY / W/VENTILATION / ENGLISH / FRENCH From R-6937	1	
	950558	HATCH ASSY / 23" X 23" GREY / W/VENTILATION / ENGLISH & SPANISH To R-6936	1	
	950668	HATCH ASSY / 23" X 23" GREY / W/VENTILATION / ENGLISH & SPANISH From R-6937	1	
1	950684	. LID POWER VENT GREY / ENGLISH	1	A
1	950685	. LID POWER VENT GREY / ENGLISH / FRENCH	1	A
1	950686	. LID POWER VENT GREY / ENGLISH / SPANISH	1	A
2	N8889278	. SEAL, GASKET KIT	1	
3	790373	. BASE, RELEASE / GREY	1	
4	790663	. RELEASE KNOB W/SCREW / RED	1	
5	790662	. RELEASE HINGE SHIELD ASSY GREY	1	
6	N.S.S.	. HINGE FIXED	1	1
7	950479	. HINGE COVER GREY	1	
8	7775130	. SCREW FL PH #8 x 1/2 SS	1	
9	N8880007	. SPECIAL TORX SCREW #10 x 1/2 SS	14	
10	950693	. HINGE PIN SS	1	
11	951085	. GRILL-POWER VENT GREY	1	
12	950701	. FAN 8" 24V	1	
13	951086	. CORD ASSEMBLY- W/ INSUL. TERMINALS	1	
14	950703	. SCREW MA RND PH #6-32x3/4 SS	4	
15	950702	. NUT WELL #6-32	4	
16	950694	. WASHER NYLON	4	
17	950704	. INSULATING BUSHING	1	
18	950697	. CLAMP 5/16"	2	
19	950698	. DECAL KIT INSTRUCTION / ENGLISH	1	
19	950690	. DECAL KIT INSTRUCTION / ENGLISH & FRANCAIS	1	
19	N8898772	. DECAL KIT INSTRUCTION / ENGLISH & SPANISH	1	
20	950205	. FRAME ASSY, EXTERIOR FIBERGLASS / 23" X 23" GREY	1	
22	790436	. LINK & LEVER ASSY	4	
23	790449	. SPRING COMPRESSION / .549 O.D. x 2.590 x .078	4	
24	790372	. SCREW SHR HEXS 7/16x3/16 {5/16-18	4	
25	950700	. DECAL "POWER SAFETY VENT"	1	
NS	N8893675	. DECAL- "FRONT OF VEHICLE"	1	
30	292398	FRAME ASSY, MOUNTING 23" X 23" To R-6936	1	
30	680532	SEALANT SIKA #221 / GREY / 310ml CARTRIDGE	AR	
31	504787	RIVET CHY MONOLOK PRDG 1/4x5/8 ZP To H-6193	AR	
31	504058	RIVET CHY MONOLOK PRDG 1/4x5/8 AL From H-6194 To R-6936	AR	
31	685387	GLUE MS POLYMER TEROSON MS 9399 / 400ml CARTRIDGE From R-6937	AR	
31	506769	TAPE RUB ADH2 CC POL 1/8" x 1/4" x 60' / BLACK H1CC-N#14 From R-6937	AR	

From 7-8754	Date:01/2024	PAGE:X3-1898-10
-------------	--------------	-----------------

ESCAPE HATCH - INSTALLATION - VENTILATION "OPTION"

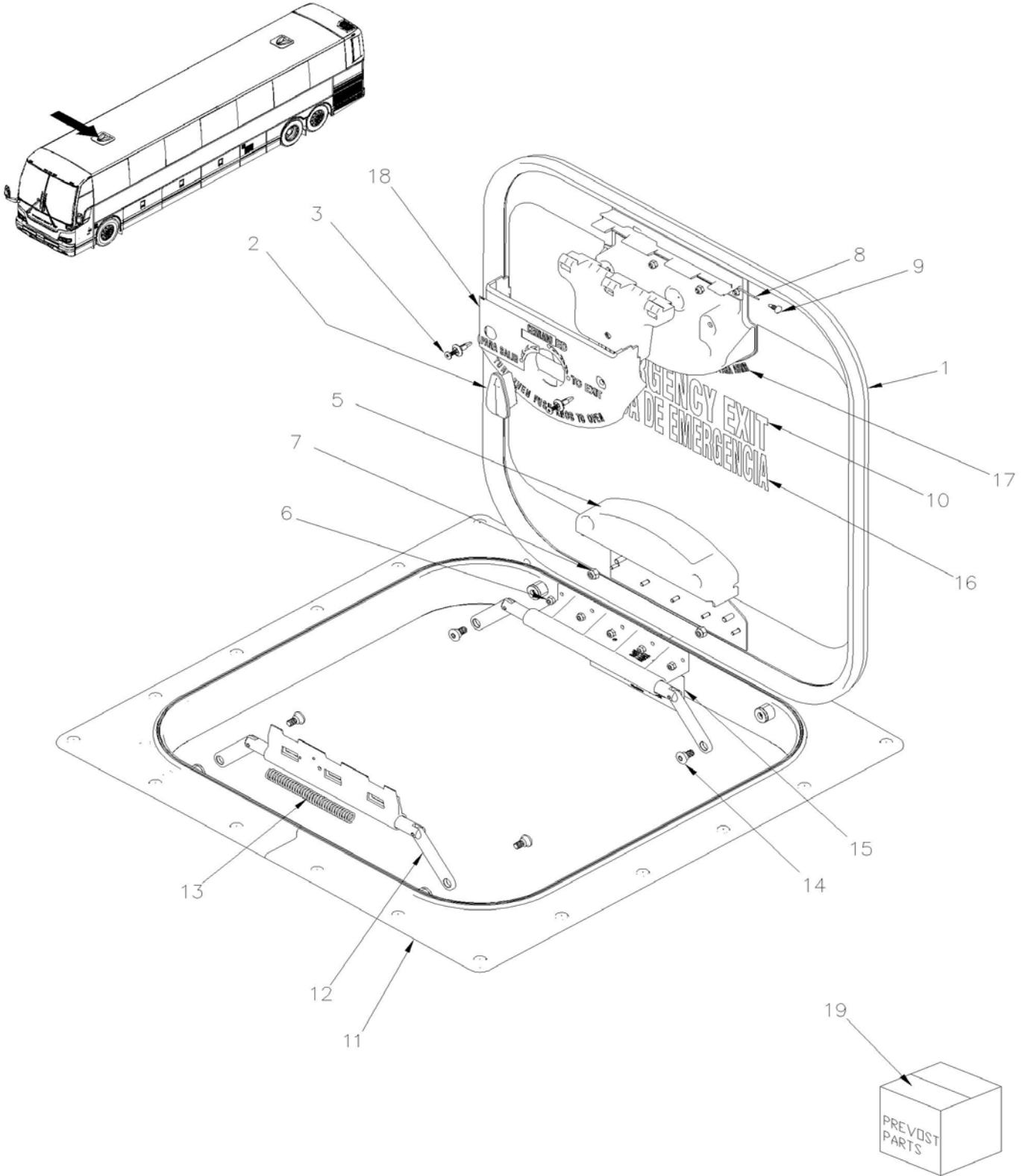
Item#	Part	Description	QTY	Notes
32	680093	SEALANT TAPE BUTYL / GREY / 1/16"x1 1/2"x50' /71079B11760	AR	
33	291720	MOULDING, INTERIOR 23" X 23" GREY To R-6936	1	
33	290974	MOULDING, INTERIOR 23" X 23" GREY From R-6937	1	
33	340591	INSULATION FIBERGLASS	AR	
34	500464	WASHER FN CKF .210x.540 SS To R-6936	4	
35	500629	SCREW TP OV PH #8x1 Z050 To R-6936	4	
35	5002070	SCREW DR SEMS FN OV PH #8x1 Z050 From R-6937	16	
NS	067350	WIRING HARNESS ROOF HATCH REAR & FAN To J-6217	1	B
40	061396	WIRING HARNESS ROOF HATCH REAR & FAN From J-6218	1	B
40	0610000	WIRING HARNESS ROOF HATCH REAR & FAN To L-6598	1	C
40	0611106	WIRING HARNESS ROOF HATCH REAR & FAN From L-6599	1	C
NS	067352	WIRING HARNESS ROOF HATCH & FAN FJB DASH To J-6217	1	B
41	061395	WIRING HARNESS ROOF HATCH & FAN FJB DASH From J-6218	1	B
41	0610003	WIRING HARNESS ROOF HATCH & FAN FJB DASH	1	C
NS	562697	SWITCH / ON-ON / D.P.D.T. / CH-OVER / W/RED & GREEN LED	1	
NS	562716	CAP / DRIVER'S LAMP	1	
50	IS-18907_2	INSTALLATION OF HATCHES WITH FAN ON X3 MODELS GREY To H-6179	1	
50	IS-18907_1	INSTALLATION OF HATCHES WITH FAN ON X3 MODELS GREY From H-6180	1	
		A) INCLUDE ITEM 1 TO 19		
		B) WITH ONE SWITCH		
		C) WITH TWO SWITCHS		
		1) NOT SOLD SEPARATELY		

From L-6493

Date:01/2024

PAGE:X3-1898-20

ESCAPE HATCH - INSTALLATION - GLASS HATCH



From L-6493	Date:01/2024	PAGE:X3-1898-20
-------------	--------------	-----------------

ESCAPE HATCH - INSTALLATION - GLASS HATCH

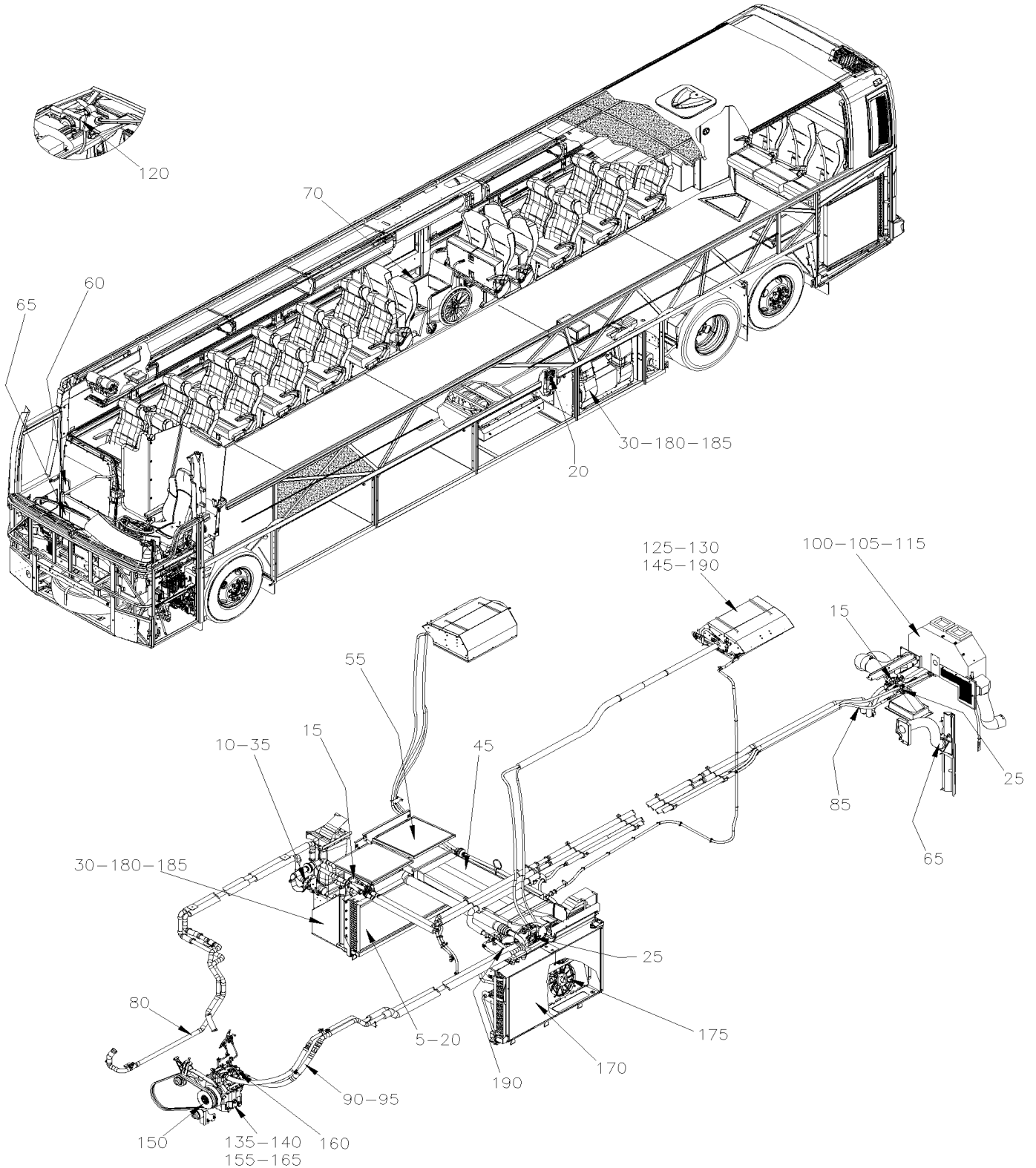
Item#	Part	Description	QTY	Notes
	950610	HATCH ASSY / 23" X 23" GREY / W/GLASS	1	
1	N8899910	. GLASS ASSY- W/ PLATES & GASKET	1	
2	7775128	. RELEASE ASSEMBLY- KNOB	1	
3	790662	. RELEASE HINGE SHIELD ASSY GREY	1	
4	790003	. BASE- SHIELD, (DK GRAY)	1	
5	790004	. COVER- FIXED HINGE, GLASS, (DK GRAY)	1	
6	N8899917	. NUT HEX NYRT #8-32	12	
7	N8899918	. NUT HEX NYRT 1/4-20 SS	2	
8	N8900091	. PIN- HINGE, SS, GLASS	1	
9	N8900092	. FASTENER- PLASTIC	2	
10	N8899919	. DECAL- EMERGENCY EXIT, TRANSFER (WHITE)	1	
11	950502	. ADAPTOR / SHRADER FITTING / 1/8NPT-M	1	
12	790436	. LINK & LEVER ASSY	1	
13	790449	. SPRING COMPRESSION / .549 O.D. x 2.590 x .078	1	
14	15514646	. BOLT 5/16-18	4	
15	N8903988	. DECAL-GLASS SAFETY VENT	1	
16	N8910653	. DECAL- SALIDA DE EMERGENCIA, TRANSFER, WHITE	1	
17	N8910652	. DECAL- INSTRUCTIONAL - SPANISH	1	
18	951087	. CONNECTION PIECE M6	1	
19	790005	. COVER ASSY / LOW PROFILE / GLASS HATCH	1	A
		A) BILINGUAL FRENCH & ENGLISH		

From 7-8754

Date:01/2024

X3-22

HEATING & AIR CONDITIONING



From 7-8754	Date:01/2024	X3-22
-------------	--------------	-------

HEATING & AIR CONDITIONING

Item#	Part	Description	QTY	Notes
	X3-2200-00	AIR CONDITIONING SYSTEM From 7-8754		
	X3-2200-05	HEATING SYSTEM From 7-8754		
5	X3-2205-00	HEATER & EVAPORATOR COIL - INSTALLATION From 7-8754		
10	X3-2206-00	WATER PUMP #871342 SEALLESS From 7-8754 To D-5299		
10	871327	WATER PUMP / "ROTRON" 24 V "SPECIAL OPTION" From 7-8754 To D-5299		
10	X3-2206-01	WATER PUMP #874297 AMETEK From D-5300		
10	X3-2206-11	WATER PUMP #871421 / "ROTRON" 24 V "GREYHOUND" From 7-8754 To D-5299		
15	X3-2207-00	WATER VALVE - MAIN HEATER From 7-8754		
15	X3-2207-05	WATER VALVE - HEATER From 7-8754 To F-5815		
15	X3-2207-06	WATER VALVE - HEATER From F-5816		
15	X3-2207-99	WATER VALVE - W/2 WAYS / SERVICE From 7-8754 To F-5815		
20	X3-2208-00	A/C EXPANSION VALVE From 7-8754 To K-6466		
20	X3-2208-01	A/C EXPANSION VALVE From K-6467		
25	X3-2208-10	REFRIGERANT SOLENOID VALVE From 7-8754 To E-5759		
25	X3-2208-11	REFRIGERANT SOLENOID VALVE From F-5760 To H-6179		
25	X3-2208-12	REFRIGERANT SOLENOID VALVE W/O A/C PARCEL RACK From H-6180		
25	X3-2208-30	REFRIGERANT SOLENOID VALVE WITH A/C PARCEL RACK From F-5775 To H-6179		
25	X3-2208-31	REFRIGERANT SOLENOID VALVE WITH A/C PARCEL RACK - "GHG17" From H-6180 To K-6492		
25	X3-2208-32	REFRIGERANT SOLENOID VALVE WITH A/C PARCEL RACK From L-6493		
30	X3-2210-00	HEATER & EVAPORATOR BLOWER - INSTALLATION From 7-8754		
35	X3-2210-10	WATER PUMP - INSTALLATION From 7-8754 To B-5001		
35	X3-2210-11	WATER PUMP - INSTALLATION VOLVO D13 From B-5002 To D-5458		
35	X3-2210-12	WATER PUMP - INSTALLATION VOLVO D13 From E-5459 To H-6179		
35	X3-2210-13	WATER PUMP - INSTALLATION VOLVO D13 - "GHG17" From H-6180		
45	X3-2220-00	UNDER FLOOR AIR DUCTING From 7-8754		
55	X3-2221-05	UNDER FLOOR AIR FILTERS From E-5459		
60	X3-2221-10	DUCTING HEATER & A/C - BUS FLOOR From 7-8754 To K-6492		
60	X3-2221-11	DUCTING HEATER & A/C - BUS FLOOR From L-6493		
60	X3-2221-15	DUCTING HEATER & A/C - BUS FLOOR BY-FOLD DOOR From G-5936 To K-6492		

From 7-8754	Date:01/2024	X3-22
-------------	--------------	-------

HEATING & AIR CONDITIONING

Item#	Part	Description	QTY	Notes
65	X3-2221-20	ENTRANCE STEP DE-ICER From 7-8754		
65	X3-2221-30	ENTRANCE STEP DE-ICER WITH BI-FOLD DOOR From G-5978		
70	X3-2221-80	AIR DUCT W.C.L. DOOR "RICON" WITH HINGE DOOR From 7-8754 To B-5001		
70	X3-2221-81	AIR DUCT W.C.L. DOOR "RICON" WITH SLIDING DOOR From B-5002		
75	X3-2221-90	DUST ABATEMENT SYSTEM From E-5718		
80	X3-2222-00	HEATER LINE REAR SECTION WITH "DETROIT" ENGINE From 7-8754 To B-5001		
80	X3-2222-05	HEATER LINE REAR SECTION WITH "VOLVO" ENGINE "EPA 2007" From 8-9259 To B-5001		
80	X3-2222-06	HEATER LINE REAR SECTION WITH "VOLVO" ENGINE "EPA 2010" From B-5002 To H-6179		
80	X3-2222-07	HEATER LINE REAR SECTION WITH "VOLVO" ENGINE "GHG17" From H-6180		
85	X3-2222-10	A/C & HEATING LINE FRONT SECTION From 7-8754 To H-6179		
85	X3-2222-11	A/C & HEATING LINE FRONT SECTION VOLVO D13 - GHG17 From H-6180		
90	X3-2222-15	A/C LINE REAR SECTION W/05G From 7-8754 To D-5458		
90	X3-2222-16	A/C LINE REAR SECTION W/ "BITZER" From E-5459 To H-6179		
90	X3-2222-17	A/C LINE REAR SECTION - "GHG17" From H-6180 To K-6492		
90	X3-2222-18	A/C LINE REAR SECTION From L-6493		
95	X3-2222-30	A/C LINE REAR SECTION W/O LAVATORY W/ "BITZER" W/O A/C PARCEL RACK From G-5936 To H-6179		
95	X3-2222-31	A/C LINE REAR SECTION W/O LAVATORY VOLVO D13 - GHG17 From H-6180		
100	X3-2225-00	DRIVER'S HEATER & DEFROSTER ASSY From 7-8754 To J-6300		
100	X3-2225-01	DRIVER'S HEATER & DEFROSTER ASSY From J-6301	1	
105	X3-2230-00	DEFROSTER - INSTALLATION From 7-8754 To B-5001		
105	X3-2230-01	DEFROSTER - INSTALLATION From B-5002 To J-6335		
105	X3-2230-02	DEFROSTER - INSTALLATION From J-6336		
115	870844	BLOWER & MOTOR ASSY - "M.C.C." "CW" / FAN END From 7-8754		L
115	871360	BLOWER & MOTOR ASSY - "M.C.C." "CCW" / FAN END From 7-8754		D
120	X3-2240-10	UPPER WINDSHIELD FAN - INSTALLATION From 7-8754		
125	X3-2240-15	BLOWER VENTILATION - PARCEL RACK WITH A/C SYSTEM From F-5775		
125	X3-2240-20	BLOWER VENTILATION - PARCEL RACK From 7-8754 To F-5774		
125	X3-2240-21	BLOWER VENTILATION - PARCEL RACK WITHOUT A/C SYSTEM From F-5775		
130	X3-2240-25	BLOWER ASSY - PARCEL RACK From 7-8754		

From 7-8754	Date:01/2024	X3-22
-------------	--------------	-------

HEATING & AIR CONDITIONING

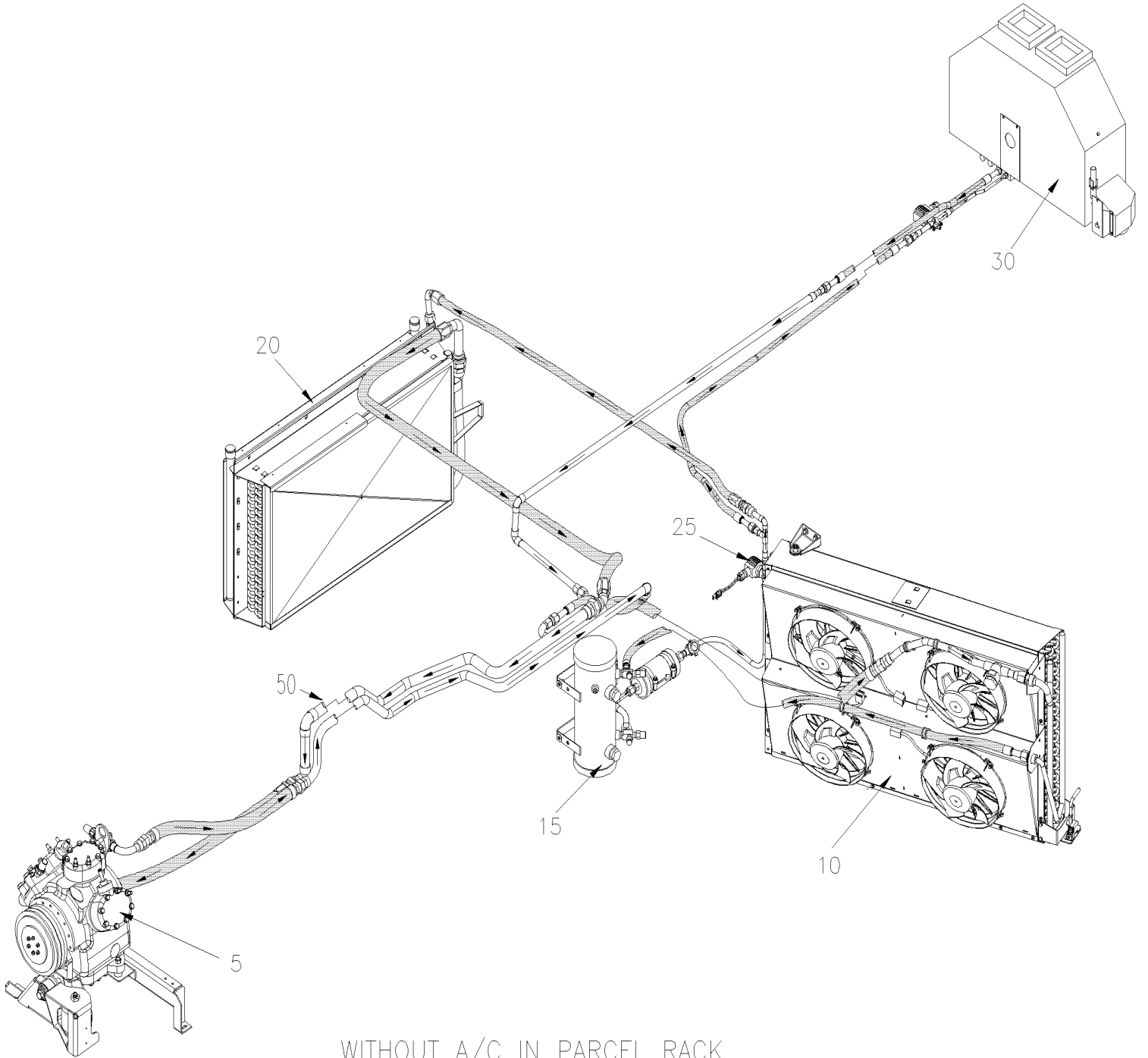
Item#	Part	Description	QTY	Notes
135	X3-2245-00	A/C COMPRESSOR 05G - INSTALLATION - MUX From 7-8754 To B-5001		
135	X3-2245-01	A/C COMPRESSOR 05G - INSTALLATION From B-5002 To D-5458		
135	X3-2245-02	A/C COMPRESSOR "BITZER" - INSTALLATION From E-5459 To H-6179		
135	X3-2245-03	A/C COMPRESSOR "BITZER" - INSTALLATION From H-6180		
135	X3-2245-20	A/C COMPRESSOR "BOCK" - INSTALLATION From N-6739		
140	X3-2245-10	A/C COMPRESSOR SMALL - INSTALLATION From 7-8754 To 8-9276		
140	X3-2245-11	A/C COMPRESSOR SMALL - INSTALLATION From 8-9277 To B-5001		
140	X3-2245-12	A/C COMPRESSOR SMALL - INSTALLATION From B-5002 To D-5458		
145	X3-2245-30	A/C AUXILIARY LINE / PARCEL RACK From 7-8754 To B-5001		
145	X3-2245-31	A/C AUXILIARY LINE / PARCEL RACK From B-5002 To D-5458		
145	X3-2245-32	A/C AUXILIARY LINE / PARCEL RACK From E-5459 To K-6492		
145	X3-2245-33	A/C AUXILIARY LINE / PARCEL RACK From L-6493		
150	X3-2246-00	A/C CLUTCH 05G - HOUSING MOUNTED From 7-8754 To D-5458		
150	X3-2246-01	A/C CLUTCH - WITH "BITZER" COMPRESSOR From E-5459		
150	X3-2246-20	A/C CLUTCH - WITH "BOCK" COMPRESSOR From N-6739		
155	X3-2250-00	A/C COMPRESSOR ASSY 05G - TWIN PORT From 7-8754 To D-5458		
155	X3-2250-01	A/C COMPRESSOR "BITZER" 4NFCY From E-5459		
155	X3-2250-20	A/C COMPRESSOR "BOCK" From N-6739		
160	X3-2250-15	A/C ELECTRIC UNLOADER - W/05G COMPRESSOR From 7-8754 To D-5458		
160	X3-2250-16	A/C ELECTRIC UNLOADER - WITH "BITZER" COMPRESSOR From E-5459		
160	X3-2250-35	A/C ELECTRIC UNLOADER - WITH "BOCK" COMPRESSOR From N-6739		
165	X3-2251-00	GASKET - 05G A/C COMPRESSOR From 7-8754 To D-5458		
170	X3-2255-00	CONDENSOR - INSTALLATION From 7-8754 To H-6179		
170	X3-2255-01	CONDENSOR - INSTALLATION - "GHG17" From H-6180		
170	X3-2255-10	CONDENSOR INSTALLATION DRIVER'S From 7-8754 To 8-9276		
170	X3-2255-11	CONDENSOR INSTALLATION DRIVER'S From 8-9277 To D-5458		
175	X3-2260-00	CONDENSOR FANS - INSTALLATION From 7-8754 To M-6646		
175	X3-2260-01	CONDENSOR FANS - INSTALLATION From M-6647		
180	X3-2265-00	MOTOR - EVAPORATOR - "PREVOST" - T-17 - 2 SPEEDS From 7-8754 To 9-9600		

From 7-8754	Date:01/2024	X3-22
-------------	--------------	-------

HEATING & AIR CONDITIONING

Item#	Part	Description	QTY	Notes
185	X3-2265-01	MOTOR - EVAPORATOR BRUSHLESS From 7-8754		
190	X3-2270-00	RECEIVER TANK & FILTER DRYER From 7-8754 To B-5001		
190	X3-2270-01	RECEIVER TANK & FILTER DRYER From A-9907 To A-9907		
190	X3-2270-01	RECEIVER TANK & FILTER DRYER From A-9926 To A-9926		
190	X3-2270-02	RECEIVER TANK & FILTER DRYER From B-5002 To H-6179		
190	X3-2270-03	RECEIVER TANK & FILTER DRYER W/O A/C PARCEL RACK - "GHG17" From H-6180		
190	X3-2270-10	RECEIVER TANK & FILTER DRYER WITH A/C PARCEL RACK - "GHG17" From H-6180 To K-6492		
190	X3-2270-11	RECEIVER TANK & FILTER DRYER WITH A/C PARCEL RACK From L-6493		
		D) USE WITH FRONT DEFROSTER		
		L) USE WITH LAVATORY FAN		

AIR CONDITIONING SYSTEM



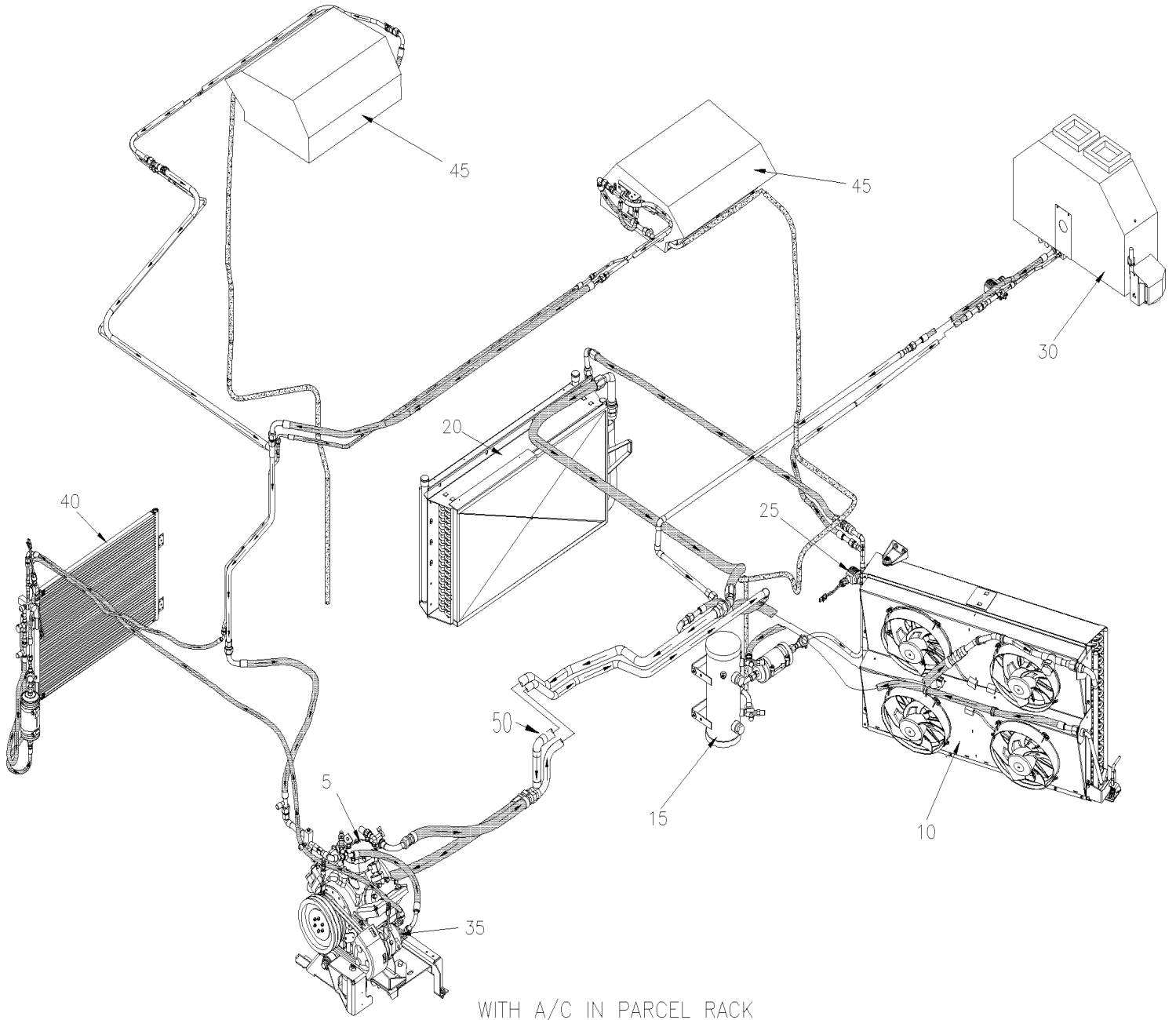
WITHOUT A/C IN PARCEL RACK

From 7-8754

Date:01/2024

PAGE:X3-2200-00

AIR CONDITIONING SYSTEM



From 7-8754	Date:01/2024	PAGE:X3-2200-00
AIR CONDITIONING SYSTEM		

Item#	Part	Description	QTY	Notes
5	X3-2245-00	A/C COMPRESSOR 05G - INSTALLATION - MUX From 7-8754 To B-5001		
5	X3-2245-01	A/C COMPRESSOR 05G - INSTALLATION From B-5002 To D-5458		
5	X3-2245-02	A/C COMPRESSOR "BITZER" - INSTALLATION From E-5459 To H-6179		
5	X3-2245-03	A/C COMPRESSOR "BITZER" - INSTALLATION From H-6180		
5	X3-2245-20	A/C COMPRESSOR "BOCK" - INSTALLATION From N-6739		
5	X3-2250-00	A/C COMPRESSOR ASSY 05G - TWIN PORT From 7-8754 To D-5458		
5	X3-2250-01	A/C COMPRESSOR "BITZER" 4NFCY From E-5459		
5	X3-2250-20	A/C COMPRESSOR "BOCK" From N-6739		
10	X3-2255-00	CONDENSOR - INSTALLATION From 7-8754 To H-6179		
10	X3-2255-01	CONDENSOR - INSTALLATION - "GHG17" From H-6180		
10	X3-2260-00	CONDENSOR FANS - INSTALLATION From 7-8754 To M-6654		
10	X3-2260-01	CONDENSOR FANS - INSTALLATION From M-6655		
15	X3-2270-00	RECEIVER TANK & FILTER DRYER From 7-8754 To B-5001		
15	X3-2270-01	RECEIVER TANK & FILTER DRYER From A-9907 To A-9907		
15	X3-2270-01	RECEIVER TANK & FILTER DRYER From A-9926 To A-9926		
15	X3-2270-02	RECEIVER TANK & FILTER DRYER From B-5002 To H-6179		
15	X3-2270-03	RECEIVER TANK & FILTER DRYER W/O A/C PARCEL RACK - "GHG17" From H-6180		
15	X3-2270-10	RECEIVER TANK & FILTER DRYER WITH A/C PARCEL RACK - "GHG17" From H-6180		
20	X3-2205-00	HEATER & EVAPORATOR COIL - INSTALLATION From 7-8754		
25	X3-2208-10	REFRIGERANT SOLENOID VALVE From 7-8754 To E-5759		
25	X3-2208-11	REFRIGERANT SOLENOID VALVE From F-5760 To H-6179		
25	X3-2208-12	REFRIGERANT SOLENOID VALVE W/O A/C PARCEL RACK From H-6180		
25	X3-2208-30	REFRIGERANT SOLENOID VALVE WITH A/C PARCEL RACK From F-5775 To H-6179		
25	X3-2208-31	REFRIGERANT SOLENOID VALVE WITH A/C PARCEL RACK - "GHG17" From H-6180		
30	X3-2225-00	DRIVER'S HEATER & DEFROSTER ASSY From 7-8754		
35	X3-2245-10	A/C COMPRESSOR SMALL - INSTALLATION From 7-8754 To 8-9276		
35	X3-2245-11	A/C COMPRESSOR SMALL - INSTALLATION From 8-9277 To B-5001		
35	X3-2245-12	A/C COMPRESSOR SMALL - INSTALLATION From B-5002 To D-5458		
40	X3-2245-30	A/C AUXILIARY LINE / PARCEL RACK From 7-8754 To B-5001		
40	X3-2245-31	A/C AUXILIARY LINE / PARCEL RACK From B-5002 To D-5458		
40	X3-2245-32	A/C AUXILIARY LINE / PARCEL RACK From E-5459		
40	X3-2255-10	CONDENSOR INSTALLATION DRIVER'S From 7-8754 To 8-9276		
40	X3-2255-11	CONDENSOR INSTALLATION DRIVER'S From 8-9277 To D-5458		
45	X3-2240-20	BLOWER VENTILATION - PARCEL RACK From 7-8754 To F-5774		
45	X3-2240-21	BLOWER VENTILATION - PARCEL RACK WITHOUT A/C SYSTEM From F-5775		
45	X3-2240-15	BLOWER VENTILATION - PARCEL RACK WITH A/C SYSTEM From F-5775		
50	X3-2222-15	A/C LINE REAR SECTION W/05G From 7-8754 To D-5458		
50	X3-2222-16	A/C LINE REAR SECTION W/ "BITZER" From E-5459 To H-6179		
50	X3-2222-17	A/C LINE REAR SECTION - "GHG17" From H-6180 To K-6492		
50	X3-2222-18	A/C LINE REAR SECTION From L-6493		
50	X3-2222-30	A/C LINE REAR SECTION W/O LAVATORY W/ "BITZER" W/O A/C PARCEL RACK From G-5936 To H-6179		
50	X3-2222-31	A/C LINE REAR SECTION W/O LAVATORY VOLVO D13 - GHG17 From H-6180		

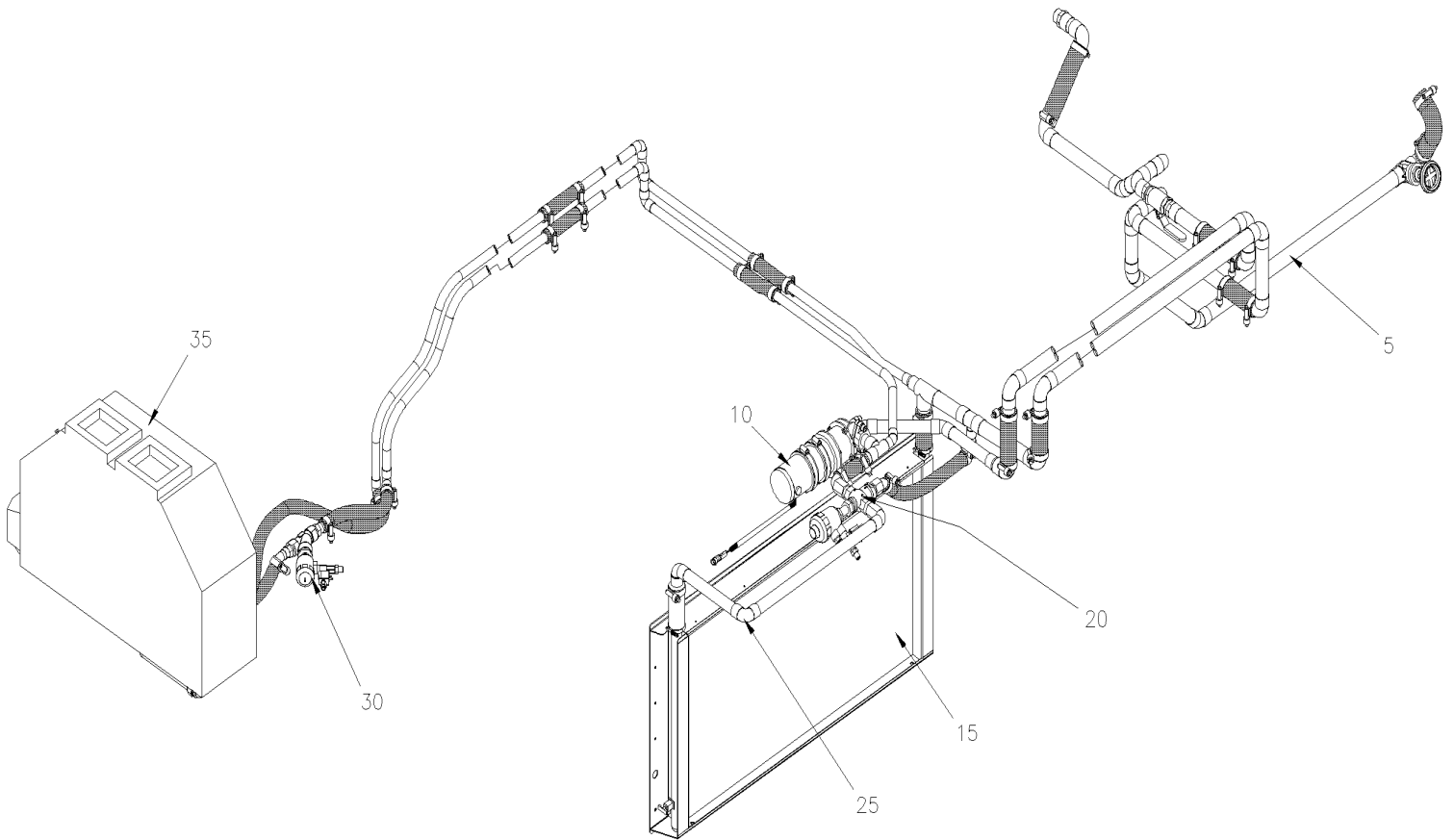
From 7-8754

Date:01/2024

PAGE:X3-2200-05

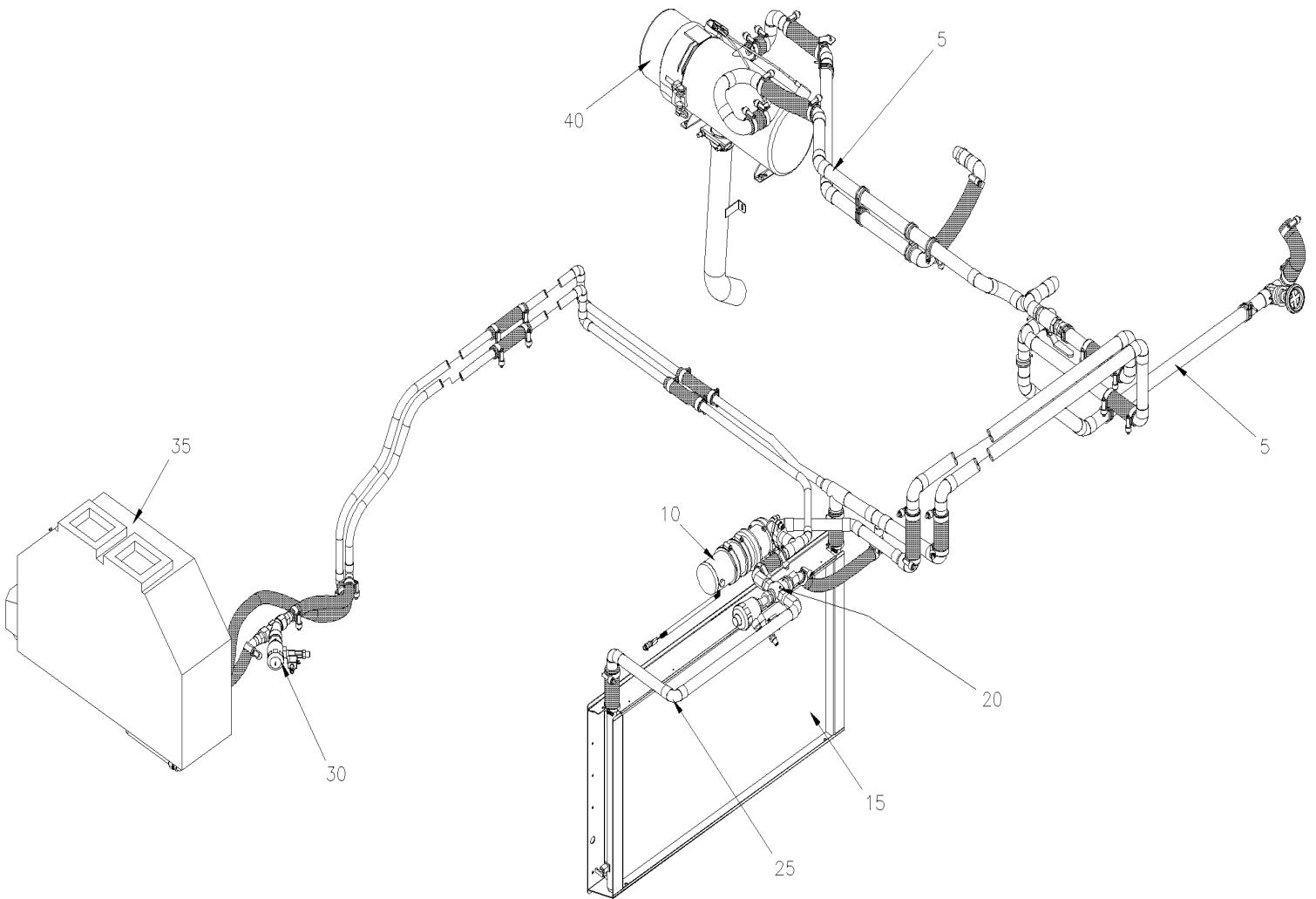
HEATING SYSTEM

WITHOUT WATER HEATER



HEATING SYSTEM

WITH WATER HEATER



From 7-8754	Date:01/2024	PAGE:X3-2200-05
HEATING SYSTEM		

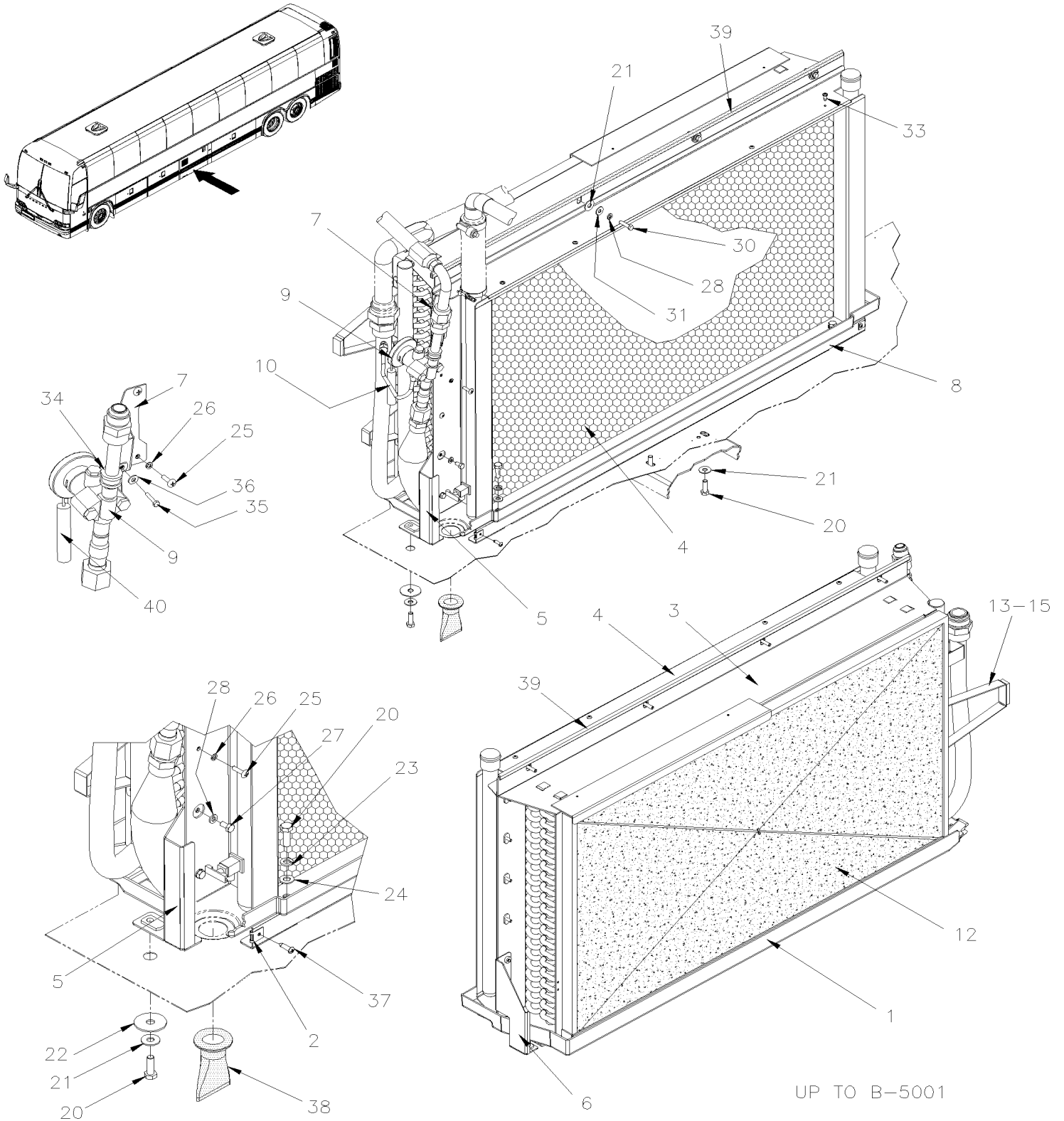
Item#	Part	Description	QTY	Notes
5	X3-2222-00	HEATER LINE REAR SECTION WITH "DETROIT" ENGINE From 7-8754 To B-5001		
5	X3-2222-05	HEATER LINE REAR SECTION WITH "VOLVO" ENGINE "EPA 2007" From 8-9259 To B-5001		
5	X3-2222-06	HEATER LINE REAR SECTION WITH "VOLVO" ENGINE "EPA 2010" From B-5002 To H-6179		
5	X3-2222-07	HEATER LINE REAR SECTION WITH "VOLVO" ENGINE "GHG17" From H-6180		
10	X3-2206-00	WATER PUMP #871342 SEALLESS From 7-8754 To D-5299		
10	X3-2206-01	WATER PUMP #874297 AMETEK From D-5300		
10	X3-2206-11	WATER PUMP #871421 / "ROTRON" 24 V "GREYHOUND" From 7-8754 To D-5299		
15	X3-2205-00	HEATER & EVAPORATOR COIL - INSTALLATION From 7-8754		
15	X3-2210-00	HEATER & EVAPORATOR BLOWER - INSTALLATION From 7-8754		
20	X3-2207-00	WATER VALVE - MAIN HEATER From 7-8754		
25	X3-2210-10	WATER PUMP - INSTALLATION From 7-8754 To B-5001		
25	X3-2210-11	WATER PUMP - INSTALLATION VOLVO D13 From B-5002 To D-5458		
25	X3-2210-12	WATER PUMP - INSTALLATION VOLVO D13 From E-5459 To H-6179		
25	X3-2210-13	WATER PUMP - INSTALLATION VOLVO D13 - "GHG17" From H-6180		
30	X3-2207-05	WATER VALVE - HEATER From 7-8754 To F-5815		
30	X3-2207-06	WATER VALVE - HEATER From F-5816		
35	X3-2230-00	DEFROSTER - INSTALLATION From 7-8754 To B-5001		
35	X3-2230-01	DEFROSTER - INSTALLATION From B-5002		
40	X3-2350-10	WATER HEATER - INSTALLATION From 7-8754 To B-5001		
40	X3-2350-11	WATER HEATER - INSTALLATION From B-5002		
40	871202	WATER HEATER - "SPHEROS" 100,000 B.T.U. From 7-8754		
40	871329	WATER HEATER - "PROHEAT" 80,000 B.T.U. From 7-8754 To E-5544	1	
40	871345	WATER HEATER - "PROHEAT" 80,000 B.T.U. From E-5545	1	

From 7-8754

Date:01/2024

PAGE:X3-2205-00

HEATER & EVAPORATOR COIL - INSTALLATION

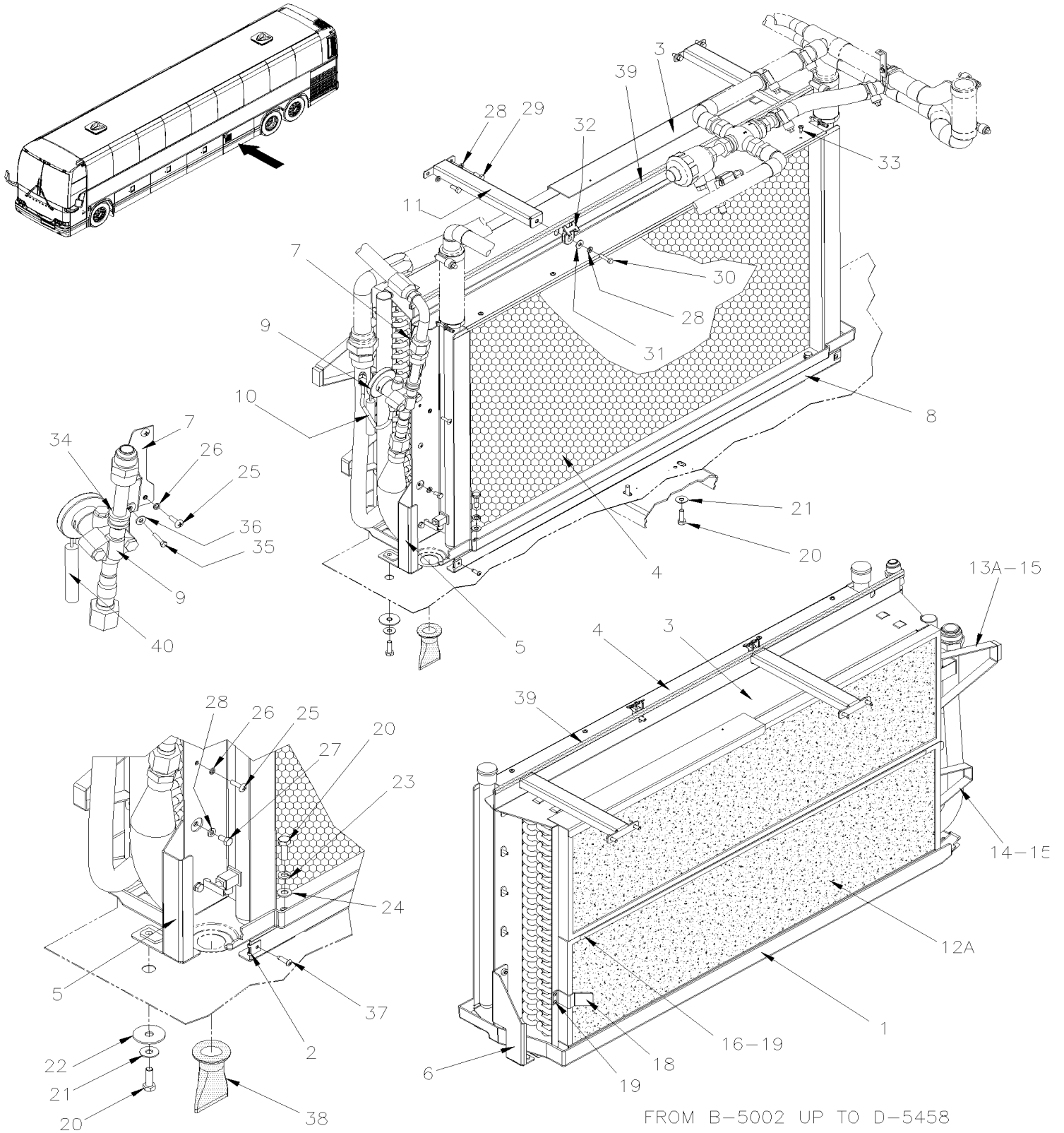


From 7-8754

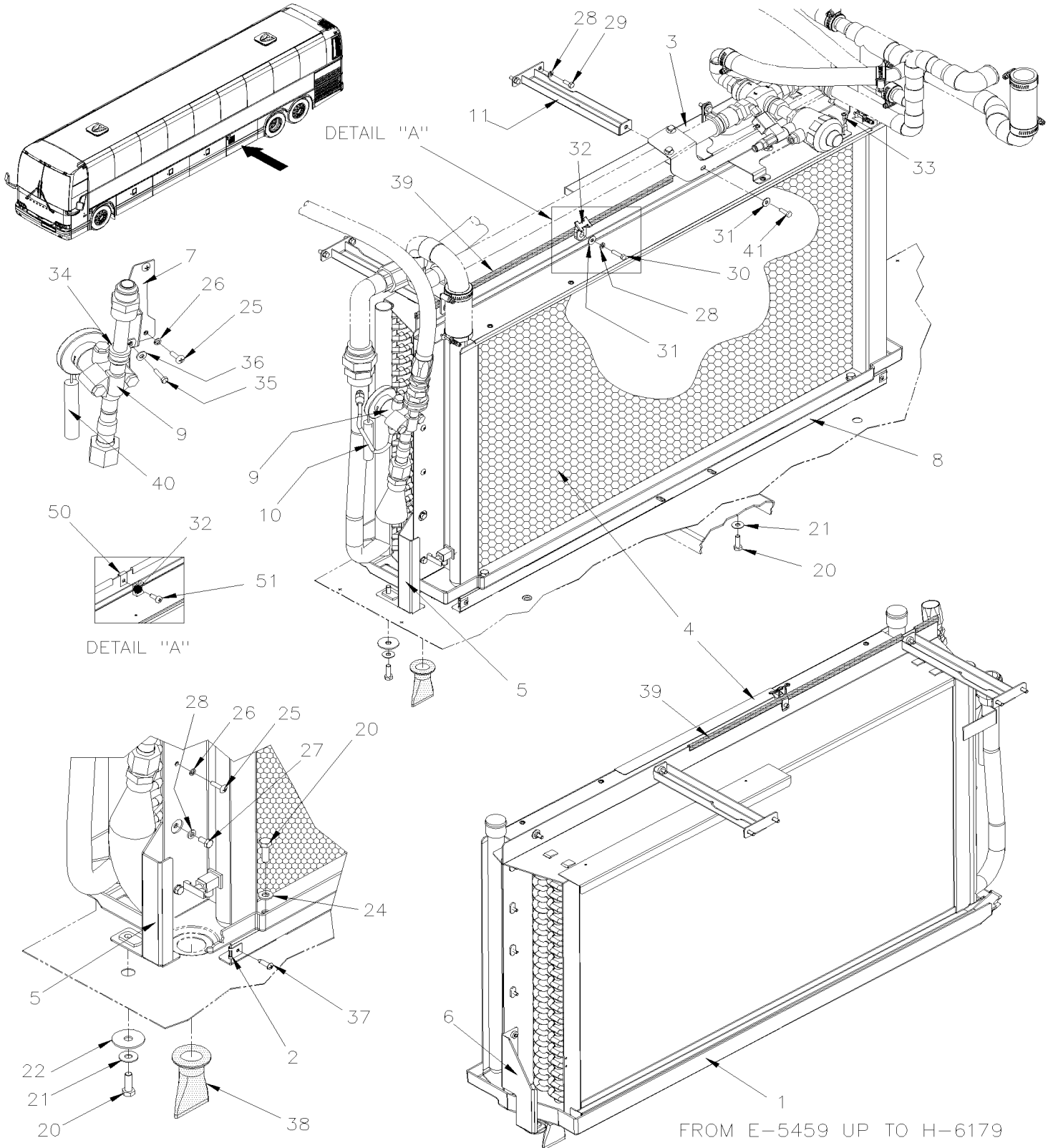
Date:01/2024

PAGE:X3-2205-00

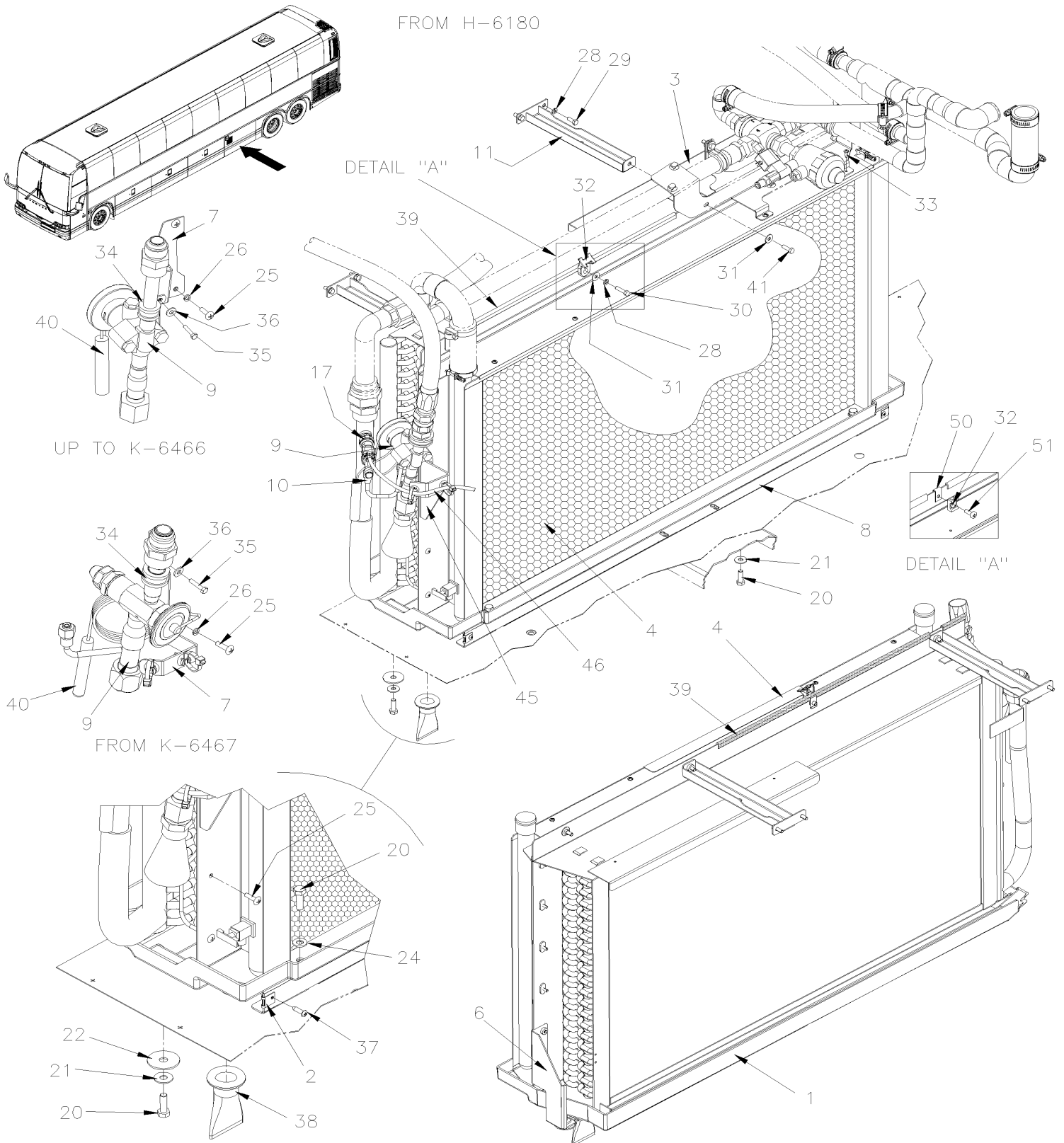
HEATER & EVAPORATOR COIL - INSTALLATION



HEATER & EVAPORATOR COIL - INSTALLATION



HEATER & EVAPORATOR COIL - INSTALLATION



From 7-8754		Date:01/2024	PAGE:X3-2205-00
-------------	--	--------------	-----------------

HEATER & EVAPORATOR COIL - INSTALLATION

Item#	Part	Description	QTY	Notes
1	453994	DRAIN PAN	1	
2	481249	NUT To H-6158	2	
2	500981	NUT SPR U #10-23/32x5/8 From H-6159	2	
3	950390	COIL EVAPORATOR To H-6179	1	
. NS	501829	. O-RING / ORS FITTING / #12 NEO To H-6179	1	
. NS	501803	. O-RING / ORS FITTING / #20 NEO To H-6179	1	
3	950547	COIL EVAPORATOR From H-6180 To J-6285	1	
. NS	501829	. O-RING / ORS FITTING / #12 NEO From H-6180 To J-6285	1	
. NS	501803	. O-RING / ORS FITTING / #20 NEO From H-6180 To J-6285	1	
3	950584	COIL EVAPORATOR From J-6286 To N-6771	1	
. NS	501829	. O-RING / ORS FITTING / #12 NEO From J-6286 To N-6771	1	
. NS	501803	. O-RING / ORS FITTING / #20 NEO From J-6286 To N-6771	1	
3	950650	COIL EVAPORATOR From N-6772	1	
. NS	501829	. O-RING / ORS FITTING / #12 NEO From N-6772	1	
. NS	501803	. O-RING / ORS FITTING / #20 NEO From N-6772	1	
4	871372	COIL HEATER To K-6363	1	
4	871465	COIL HEATER From K-6364	1	
. NS	870125	. DRAIN COCK 1/4 From K-6364	1	
5	453983	SUPPORT EVAPORATOR / FORWARD To H-6179	1	
6	453984	SUPPORT EVAPORATOR / BACKWARD	1	
7	454257	SUPPORT VALVE EXPANSION To C-5133	1	
7	454700	SUPPORT VALVE EXPANSION From C-5134 To K-6459	1	
7	450971	SUPPORT VALVE EXPANSION From K-6460	1	
NS	509815	TIE MOUNT / ATTACHMENT W/TREE MOUNT From K-6460	AR	
NS	504637	CABLE TIE / 3/16" x 13" From K-6460	AR	
8	453982	SUPPORT HEATER CORE	1	
9	X3-2208-00	A/C EXPANSION VALVE To K-6466	1	
9	X3-2208-01	A/C EXPANSION VALVE From K-6467		
10	454256	TUBE STABILISATOR A/C PRESSURE To E-5759	1	
10	454753	TUBE STABILISATOR A/C PRESSURE From F-5760 To H-6179	1	
10	450078	TUBE STABILISATOR A/C PRESSURE From H-6180 To K-6466	1	
NS	501058	SWIVEL NUT ELBOW 90° / SAE 45° FITTING / #4FL-Fx#4FLC-M BR From F-5760 To H-6099	1	
NS	501001	SWIVEL NUT FEMALE BRANCH TEE WITH CAP / SAE 45° FITTING / #4JIC-Mx#4JIC-Mx#4JIC-F STL From H-6100 To H-6179	1	
NS	501058	SWIVEL NUT ELBOW 90° / SAE 45° FITTING / #4FL-Fx#4FLC-M BR From H-6180 To H-6194	1	
10	501069	SWIVEL NUT ELBOW 90° / SAE 45° FITTING / WITH SCHRADER VALVE #4FL-Fx#4FLC-M BR W-VALVE From H-6195 To K-6466	1	
NS	680869	THREAD SEALANT LOCTITE #554 / REFRIG. / 250ml To K-6466	1	
11	374505	SUPPORT / EVAPORATOR From B-5002 To D-5371	2	
11	374683	SUPPORT / EVAPORATOR From D-5372 To E-5759	2	
11	374812	SUPPORT / EVAPORATOR 253.5MM From F-5760	2	
12	874272	FILTER 1" x 38" X 21" To B-5001	1	
. NS	874273	. FILTER ROLL POLYESTER C.T.L. 1" x 60" x 90' To B-5001	1	
. . NS	374406	. . FILTER ROLL POLYESTER C.T.L. 8 filters 1" X 60" 10' To B-5001	9	

From 7-8754		Date:01/2024	PAGE:X3-2205-00
-------------	--	--------------	-----------------

HEATER & EVAPORATOR COIL - INSTALLATION

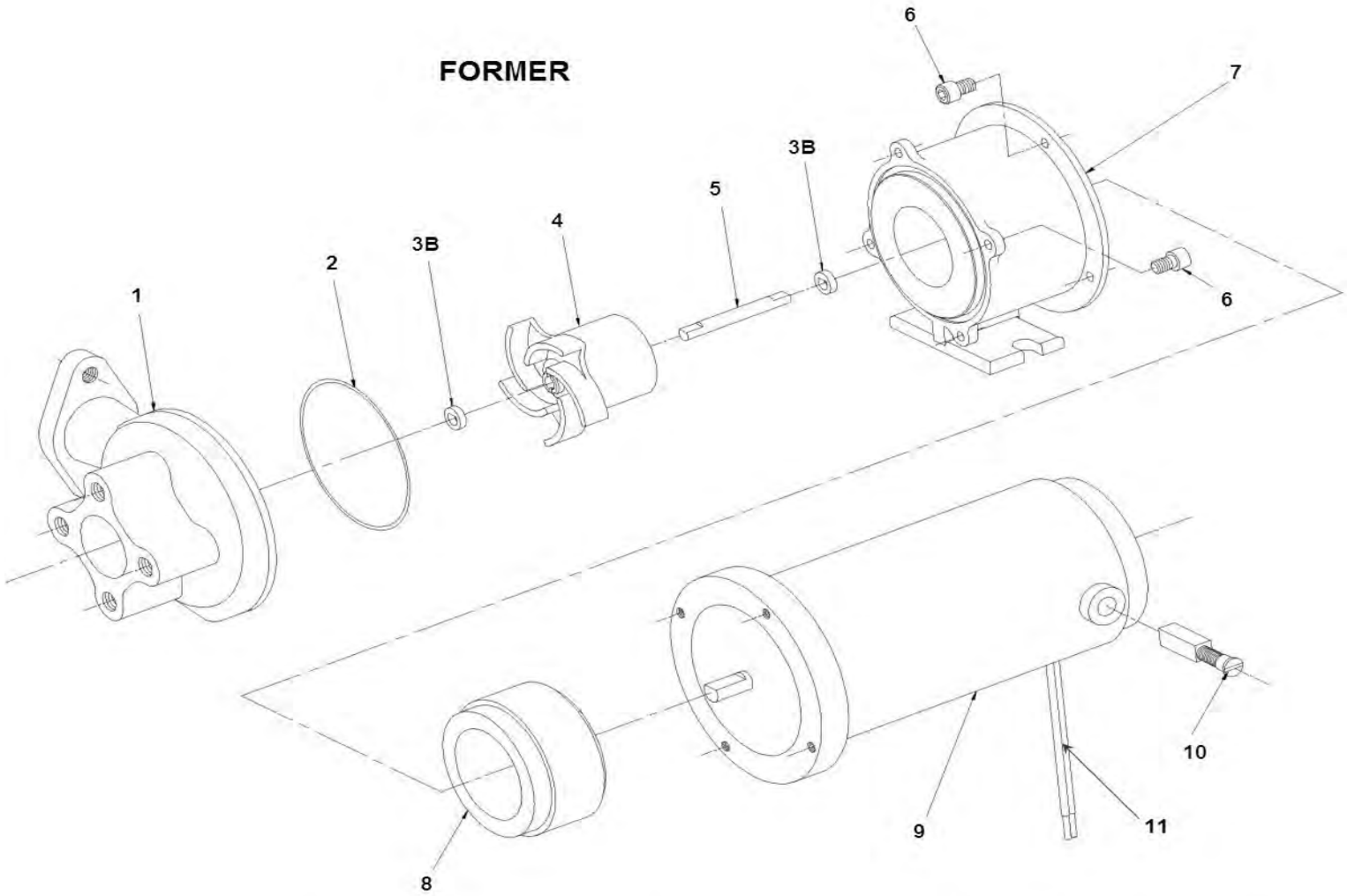
Item#	Part	Description	QTY	Notes
12	871433	FILTER "washable" 1" x 38" X 21" To B-5001	1	
12	870144	AIR FILTER PLEATED 1" x 38" X 21" - MERV8 To B-5001	1	M
12	870145	AIR FILTER PLEATED 1" x 38" X 21" - MERV13 To B-5001	1	M
NS	504273	CABLE TIE / 1/8" X 3"1/2 To D-5458	1	
12A	871383	FILTER 1" x 38" x 10 1/2" From B-5002 To D-5458	2	
12A	871438	FILTER / STAINLESS FRAME 1" x 38" x 10 1/2" From B-5050 To D-5458	2	GR
12A	871466	AIR FILTER PLEATED 1" x 38" x 10 1/2" - MERV8 From B-5002 To B-5049	2	M
12A	870142	AIR FILTER PLEATED 1" x 38" x 10 1/2" - MERV13 From B-5002 To B-5049	2	M
13	372910	HANDLE 6" x 6" To 9-9639	1	
13	379060	HANDLE 20" x 6" From 9-9640 To B-5001	1	
13A	374509	HANDLE UPPER W/RETAINER SLOT From B-5002 To B-5049	1	
13A	374611	HANDLE UPPER W/RETAINER SLOT From B-5050 To D-5458	1	
13A	370480	AIR FILTER FRAME / UPPER 1" X 38" X 10-1/2" From B-5002 To B-5049	1	M
13A	374607	HANDLE UPPER W/RETAINER SLOT From B-5050 To D-5458	1	GR
14	374510	HANDLE LOWER W/GUIDE From B-5002 To B-5049	1	
14	374612	HANDLE LOWER W/GUIDE From B-5050 To D-5458	1	
14	374608	HANDLE LOWER W/GUIDE From B-5050 To D-5458	1	GR
14	370479	AIR FILTER FRAME / LOWER 1" X 38" X 10-1/2" From B-5002 To B-5049	1	M
15	504340	RIVET POP DOME OE 1/8x3/16 SS To D-5458	5	
16	374231	SLIDING GUIDE 55MM To B-5049	1	
16	374606	SLIDING GUIDE 885MM From B-5050 To D-5458	1	
17	950546	SENSOR,COMBINED PRESSURE-TEMPERATURE From H-6180	1	
18	374232	SUPPORT LOWER GUIDE To D-5458	1	
19	504340	RIVET POP DOME OE 1/8x3/16 SS To D-5458	AR	
20	502780	SCREW CAP HEX M8-1.25x25 SS BK To G-5945	6	
20	5001527	SCREW CAP HEX M8-1.25x16 SS BK From G-5946	AR	
21	5001448	WASHER FL .343x.875x.062 SS18-8	4	
22	500261	WASHER FL .390x1.500x.083 N500 To G-5945	2	
22	500462	WASHER FL .343x1.500x.083 SS From G-5946	AR	
23	500035	WASHER LO SPT .317x.586x.078 SS To G-6046	2	
24	5001341	WASHER FL 8.4x17.0x1.6 SS To G-6046	2	
24	5001848	WASHER BEL SPR .827 x .331 x .098 th SS From G-6047	2	
25	500510	SCREW MA BDG PH #10-32x3/4 SS EMN	7	
26	500914	WASHER LO SPT .193x.334x.047 N500	7	
27	5001744	SCREW CAP HEX M6-1.0x16 G8.8 N500	4	
28	502853	WASHER LO SPT 6.1x11.8x1.6 N500	AR	
29	5001744	SCREW CAP HEX M6-1.0x16 G8.8 N500	4	
30	502737	SCREW CAP HEX M6-1.0x25 SS BK	3	
30	502830	SCREW CAP HEX M6-1.0x20 G8.8 N500 From E-5459	AR	
31	500411	WASHER FL .260x.697x.050 SS	AR	
31	5001833	WASHER BEL SPR 6.1x18x1.27 SS From E-5459	1	
32	507383	TIE MOUNT HOLE 3/8" To E-5759	1	

From 7-8754	Date:01/2024	PAGE:X3-2205-00
-------------	--------------	-----------------

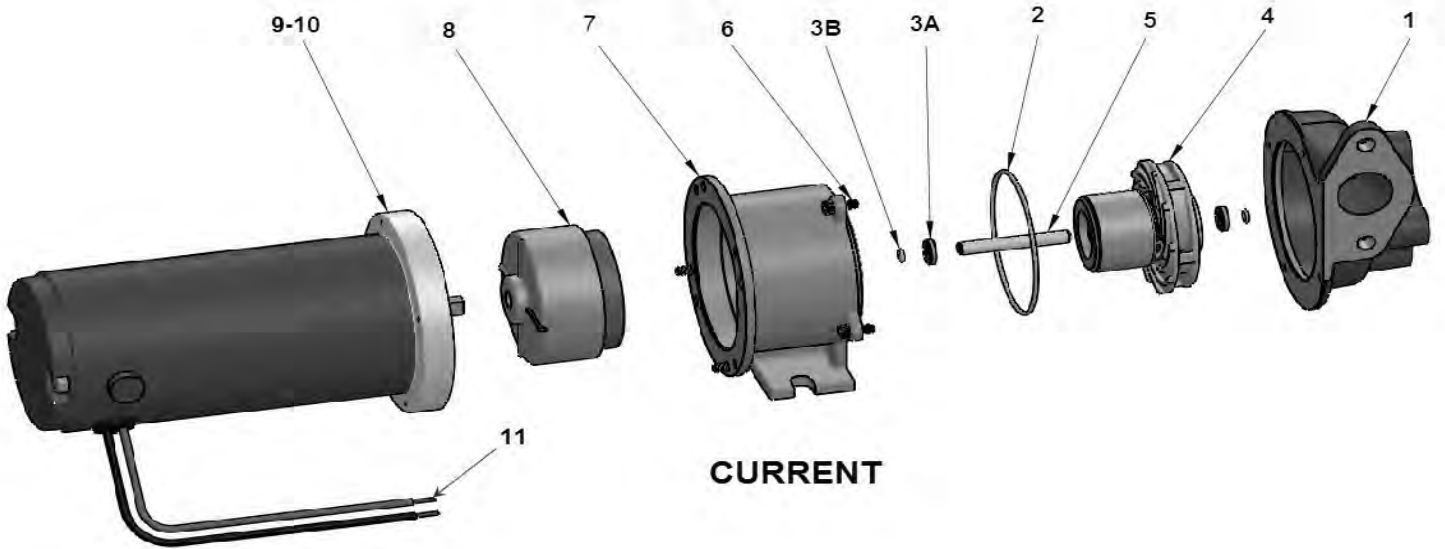
HEATER & EVAPORATOR COIL - INSTALLATION

Item#	Part	Description	QTY	Notes
32	504013	TIE MOUNT / 1/4" X 1/4" I.D. From F-5760	1	
33	502868	SCREW TC TR PH #10-16x1/2 N500	4	
34	952629	CLAMP / 5/8" I.D. To C-5133	1	
34	952639	CLAMP / 1"1/4 I.D. From C-5134 To K-6459	1	
34	952631	CLAMP / 3/4" I.D. From K-6460	1	
35	500588	SCREW CAP HEX M4-0.7x20 G8.8 Z050	1	
36	500964	WASHER FL .203x.500x.047 Z050	1	
37	500957	SCREW TP BDG PH #10x3/4 N500	2	
38	414654	DRAIN BOOT 1" I.D. W/GROOVE 1.5 x 35MM I.D. x 85MM	5	
39	506337	RUBBER CHANNEL / 3/32" x 11/32" INT "U" SHAPE / ROUND C.T.L. To H-6110	AR	
39	506338	RUBBER CHANNEL / 1/16" x 1/4" INT "U" SHAPE / ROUND C.T.L. From H-6111	AR	
40	680091	TAPE INSULATING / 1/8" x 2" x 30' / BLACK PT-1	AR	
41	502737	SCREW CAP HEX M6-1.0x25 SS BK From E-5459	2	
45	370155	SUPPORT,SENSOR HARNESS From J-6230 To K-6466	1	
NS	500510	SCREW MA BDG PH #10-32x3/4 SS EMN From J-6230 To K-6466	2	
NS	509815	TIE MOUNT / ATTACHMENT W/TREE MOUNT From J-6230 To K-6466	AR	
NS	504637	CABLE TIE / 3/16" x 13" From J-6230 To K-6466	AR	
46	060540	HVAC CONTROL HARNESS From J-6230 To K-6492	1	
46	069981	HVAC CONTROL HARNESS From L-6493	1	
50	502738	NUT SPR U M6-1.0 0.6-4.0 From E-5459 To G-5931	1	
50	5001965	NUT SPR U M6-1.0 0.6-4.0 N500 From G-5932 To N-6713	1	
51	502817	SCREW MA PAN PH M6-1.0x16 N500 From F-5760 To N-6713	1	
51	502868	SCREW TC TR PH #10-16x1/2 N500 From N-6714	1	
315		REFERENCE ONLY NEW COIL From N-6772		
		GR) WITH GREYHOUND OPTION		
		M) USE WITH MERV FILTER		

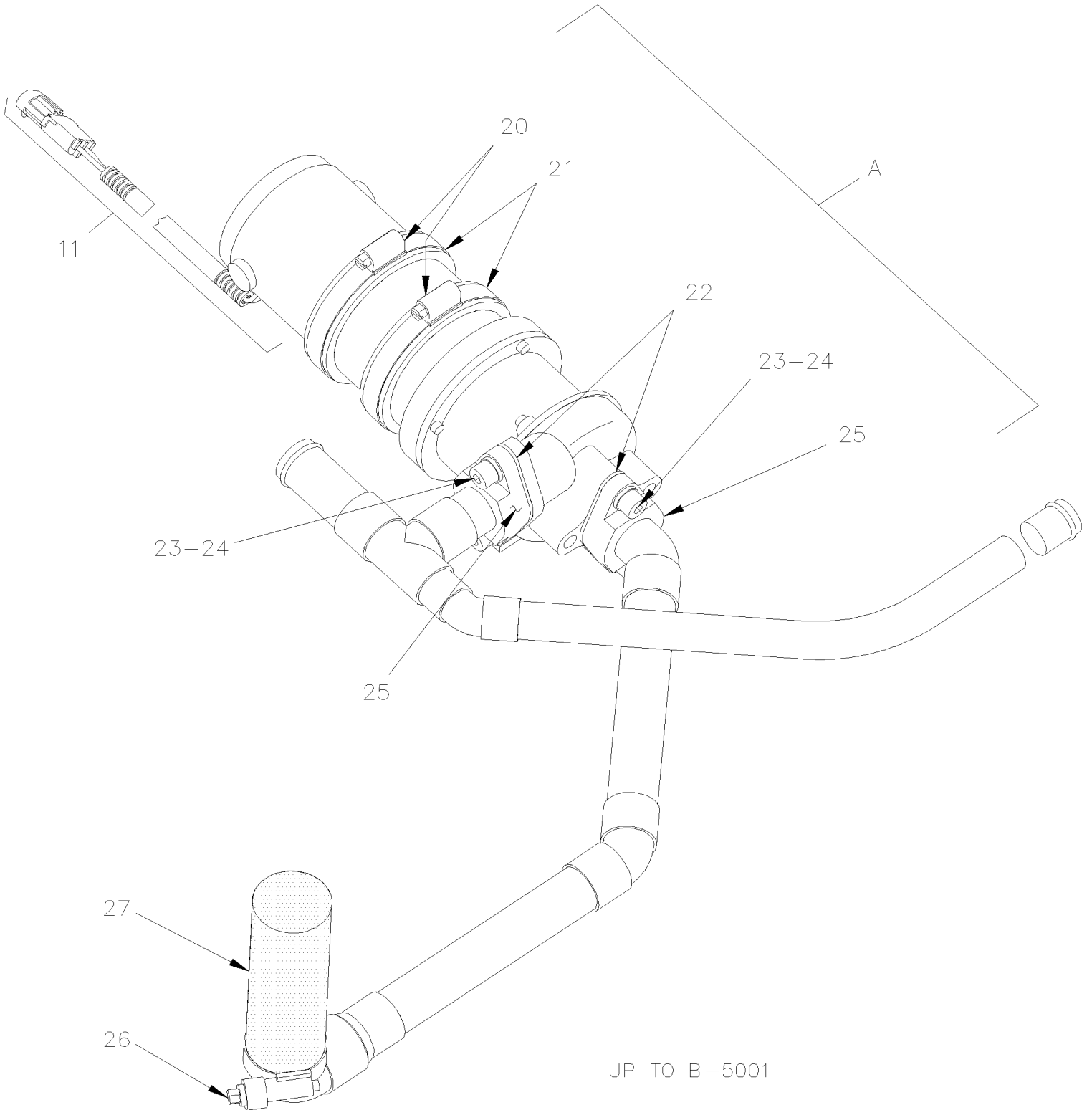
FORMER



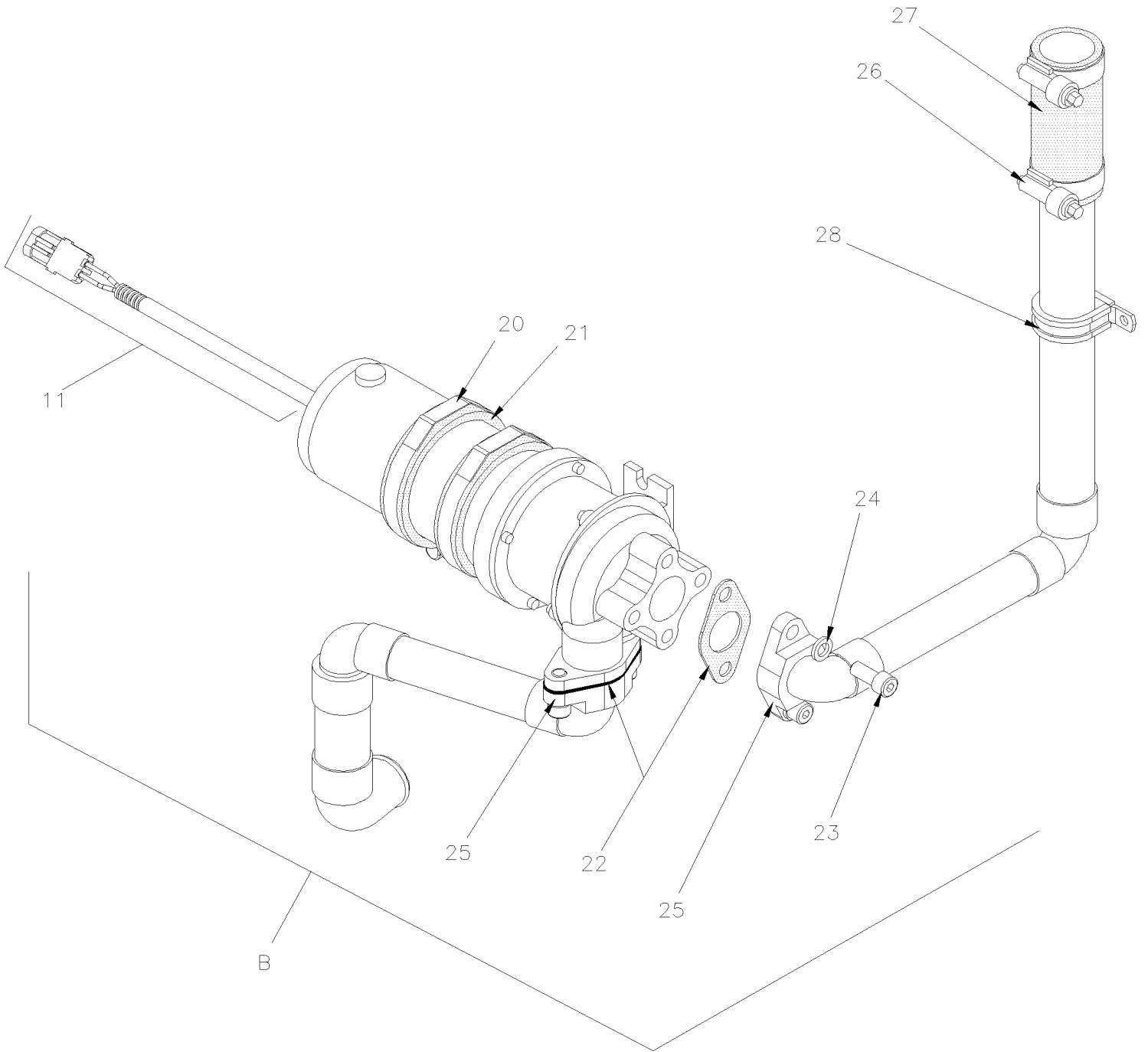
CURRENT



From 7-8754 To D-5299	Date:01/2024	PAGE:X3-2206-00
WATER PUMP #871342 SEALLESS		

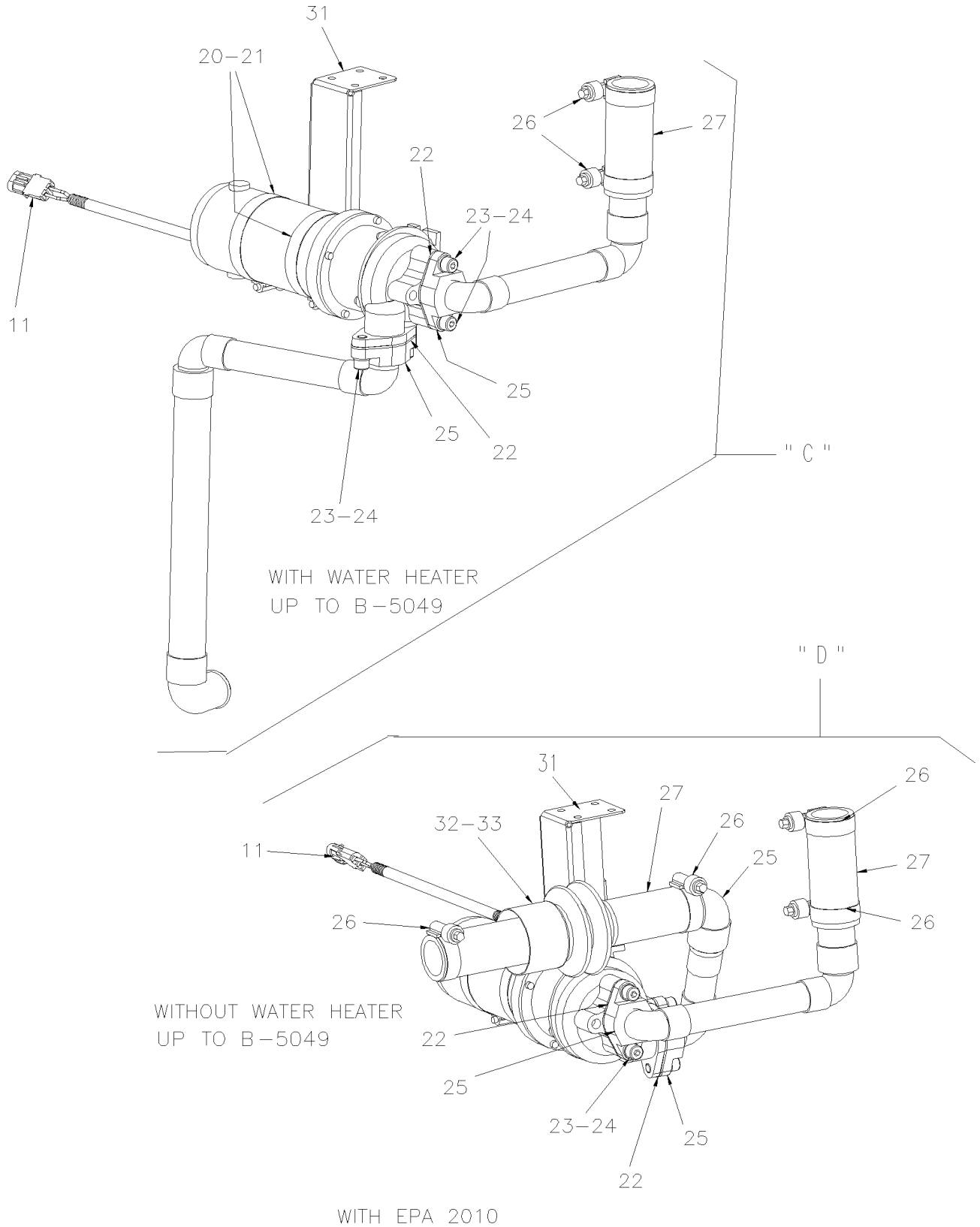


WATER PUMP #871342 SEALLESS

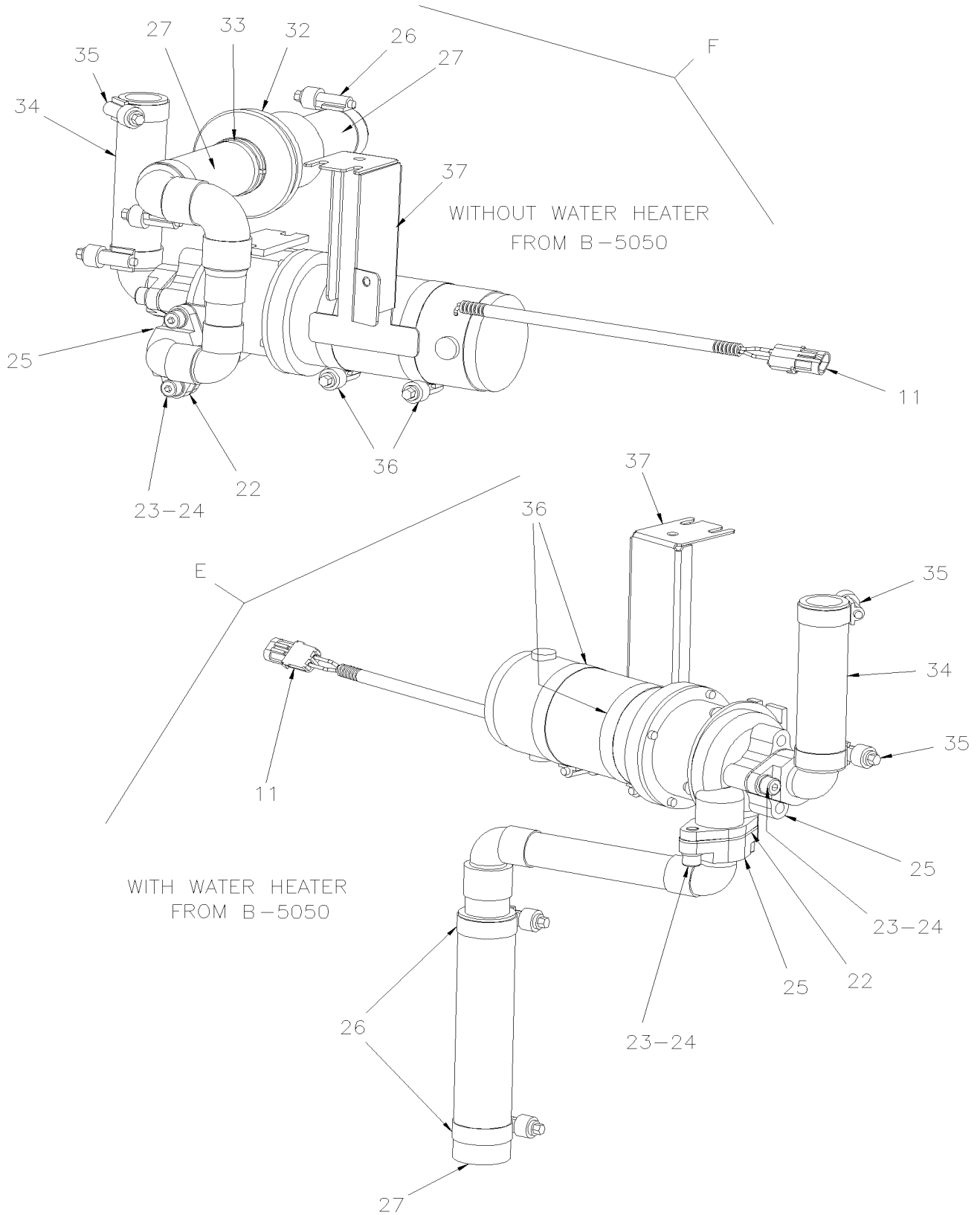


A-9907 & A-9926

WATER PUMP #871342 SEALLESS



WATER PUMP #871342 SEALLESS



From 7-8754 To D-5299	Date:01/2024	PAGE:X3-2206-00
-----------------------	--------------	-----------------

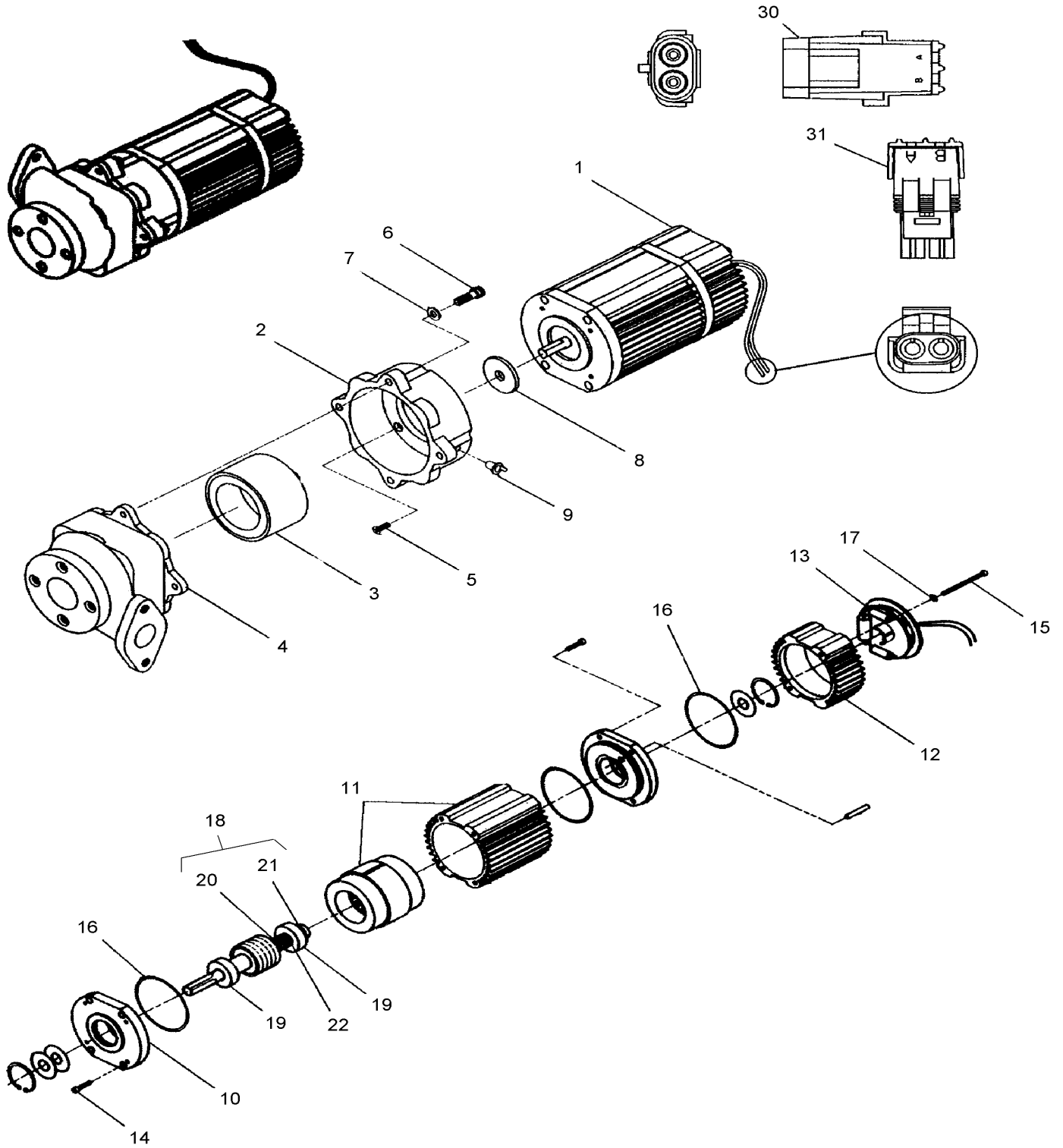
WATER PUMP #871342 SEALLESS

Item#	Part	Description	QTY	Notes
	374032	. PUMP WATER ASSY WITH CONNECTOR / SEALLESS MODEL	1	
	871414	WATER PUMP ASSY / 24V / SEALLESS / "MP PUMPS"	1	A
	871342	. WATER PUMP ASSY / 24V / SEALLESS / "MP PUMPS"	1	
1	N.S.S.	. . HOUSING	1	1
2	871236	. . O-RING	1	
3A	870138	. . O-RING	2	C
3B	871239	. . WASHER SS	2	F
3B	Call order desk	. . WASHER THRUST	2	P C
4	871240	. . ROTOR ASSY	1	F
4	870117	. . ROTOR ASSY	1	C
5	871241	. . SHAFT SS	1	F
5	Call order desk	. . SHAFT SS	1	P C
6	N.S.S.	. . SCREW CAP HEXS 8-32x3/8	8	1
7	N.S.S.	. . ADAPTOR	1	1
8	871242	. . DRIVE MAGNET	1	
9	871322	. . MOTOR ASSY 24V	1	
10	871323	. . BRUSH	2	
11	561566	. CONNECTOR / WEATHER PACK / PH 2C / BLACK / PED 12010973	1	
11	561568	. PIN TERMINAL / 16-14 / PED 12089305	2	
11	561786	. CABLE SEAL / GRAY / PED 15324980	2	
11	562387	. CONVOLUTED TUBING / SLIT / BLACK / .250"	AR	
20	504235	HOSE CLAMP / 3"9/16"-4"1/2 SS / HS-64	2	
21	506728	TAPE RUB ADH1 NEO 1/4" x 3/4" x 10' / BLACK	AR	
22	870441	GASKET PUMP INLET & OUTLET	2	
22	680527	SEALANT 473ml	AR	
23	5001580	SCREW CAP HEXS 3/8-16x7/8	4	
24	500478	WASHER LO SPT .380x.683x.094 Z050	4	
25	871206	FLANGE ADAPTOR / W/QUAD RING	2	
26	504657	HOSE CLAMP / 1"1/16-2" C.T. 9424	1	
27	503392	HOSE SILICONE 4PLY 1 3/8" I.D. x 4' To D-5381	AR	
28	952641	CLAMP / 1 5/16" I.D.	1	
NS	177939	COVER SS SHIELD INSULATING WATER PUMP	1	B
NS	500657	SCREW TC TR PH #10-24x1/2 Z050	1	B
31	374494	SUPPORT WATER PUMP From B-5002	1	
32	504385	CUFF END BELLOW / 1 1/2" I.D. x 2 1/2" x 4"	1	
33	504637	CABLE TIE / 3/16" x 13"	1	
34	503652	HOSE SILICONE 2PLY 1 1/8" I.D. x 3'	AR	
35	504658	HOSE CLAMP / 13/16"-1"3/4 / C.T. 9420	2	
36	504026	HOSE CLAMP / 2"13/16-3"3/4 SS / HS-52	2	
37	374595	SUPPORT WATER PUMP	1	
A	Call order desk	PUMP WATER ASSY W/PIPE & CONNECTOR / SEALLESS MODEL To B-5001	1	P
. NS	374864	. COPPER TUBE, OUTPUT ASSY To B-5001	1	

From 7-8754 To D-5299	Date:01/2024	PAGE:X3-2206-00
WATER PUMP #871342 SEALLESS		

Item#	Part	Description	QTY	Notes
. NS	374865	. COPPER TUBE, INPUT ASSY To B-5001	1	
B	Call order desk	PUMP WATER ASSY W/PIPE & CONNECTOR W/WATER HEATER From A-9907 To A-9907	1	P E
B	Call order desk	PUMP WATER ASSY W/PIPE & CONNECTOR W/WATER HEATER From A-9926 To A-9926	1	P E
C	Call order desk	PUMP WATER ASSY W/PIPE & CONNECTOR W/WATER HEATER From B-5002 To B-5049	1	P
D	Call order desk	PUMP WATER ASSY W/PIPE & CONNECTOR W/OUT WATER HEATER From B-5002 To B-5049	1	P
E	Call order desk	PUMP WATER ASSY W/PIPE & CONNECTOR W/WATER HEATER From B-5050	1	P
F	Call order desk	PUMP WATER ASSY W/PIPE & CONNECTOR W/OUT WATER HEATER From B-5050	1	P
		A) THIS PUMP IS PACKAGING INDIVIDUALLY WITHOUT ELECTRICAL CONNECTORS		
		B) FIXED OVER WATER PUMP		
		C) CURRENT		
		E) EXCLUSIF ONLY WITH V.I.N. A-9907 & A-9926 WITH FUEL TANK IN 3 BAY DOOR		
		F) FORMER		
		1) NOT SOLD SEPARATELY		
		P) CALL ORDER DESK FOR SPECIFIC APPLICATION (V.I.N.)		

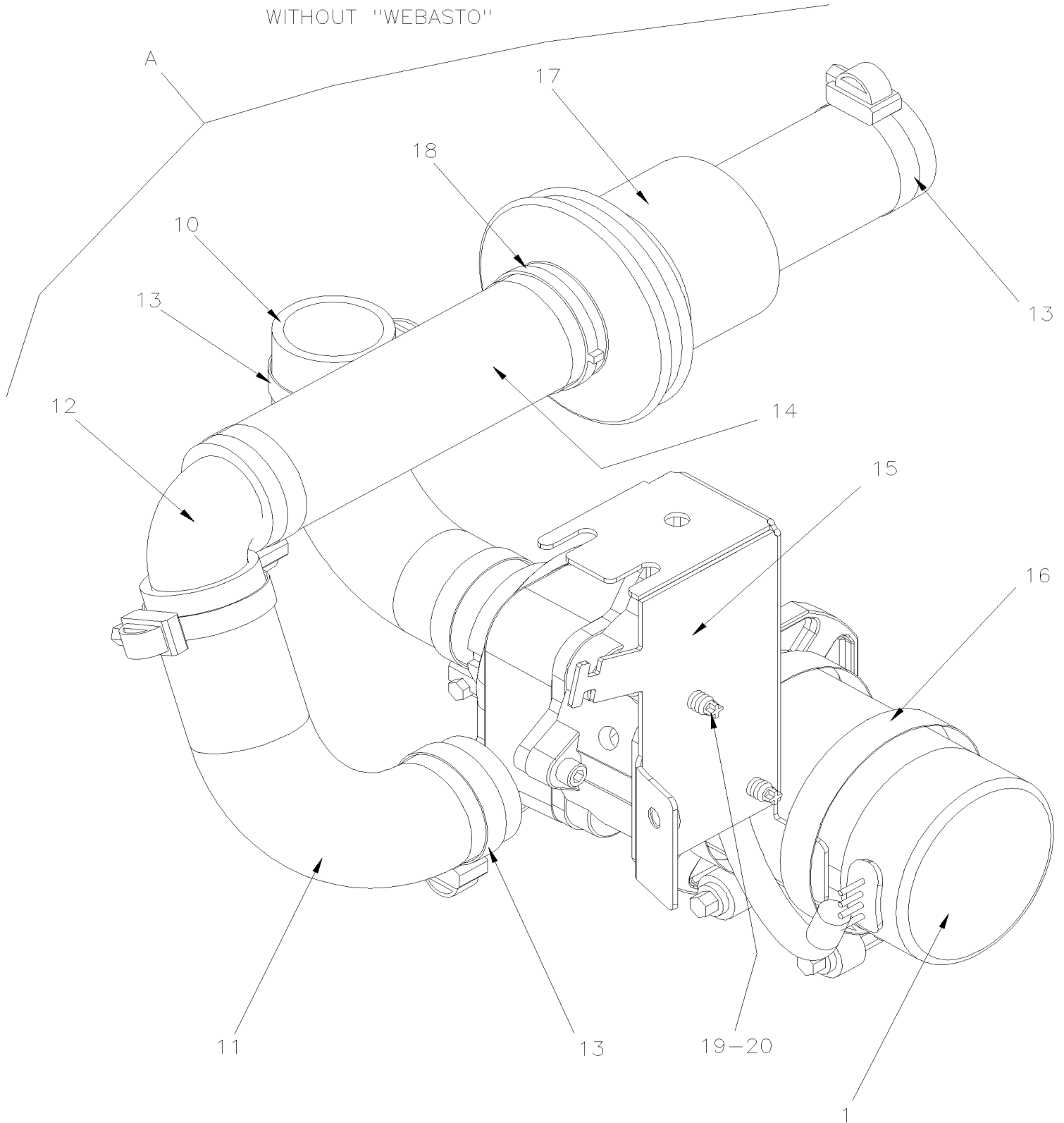
WATER PUMP / "ROTRON" 24 V "SPECIAL OPTION"



From 7-8754 To D-5299	Date:01/2024	PAGE:871327
WATER PUMP / "ROTRON" 24 V "SPECIAL OPTION"		

Item#	Part	Description	QTY	Notes
		WATER PUMP ASSY / 24V / SEAL & BRUSHLESS	1	
1	N8881521	. MOTOR 24 V	1	
1	G1017727	. MOTOR 24V	1	
1	N8896644	. MOTOR 24V	1	
2	N8881522	. CONNECTING HOUSING	1	
3	N8881523	. DRIVE MAGNET	1	
3	G1017729	. DRIVE MAGNET	1	
4	N8881524	. SEALLESS PUMP HOUSING	1	
4	G1017730	. PUMP ASSY	1	
5	N8881525	. SCREW #8-32 X 0.50	4	
6	N8881526	. SCREW 1/4-20 X 0.88	4	
7	N8881527	. WASHER	4	
7	G1017733	. WASHER	1	
8	N8881528	. WASHER	1	
8	G1014848	. WASHER	1	
9	N8881529	. PLUG	1	
9	195971	. PLUG, TREATED	1	
10	G1017712	. ENDBELL	1	
11	N8881530	. FRONT HOUSING	1	
12	G1018142	. REAR HOUSING	1	
13	G1017716	. ENCODER 24 V	1	
14	G1017717	. SCREW #8-32 X 0.75	4	
15	G1017718	. SCREW #8-32 X 2.25	2	
16	G1017719	. O-RING	2	
17	G1017720	. WASHER #8	2	
18	G1017714	. SHAFT AND ROTOR ASM	1	
19	G1017721	. . BEARING	2	
19	19503536	. . BEARING	2	
19	N8881544	. . BEARING	2	
20	G1017723	. . SPRING	1	
21	G1017724	. . SNAP RING	1	
22	G1017725	. . SHIM BEARING	1	
30	561605	. CONNECTOR / WEATHER PACK / PH 1C / BLACK / PED 12010996	1	
31	561690	. CONNECTOR / WEATHER PACK / SH 2C / BLACK / PED 12015792	1	

WITHOUT "WEBASTO"

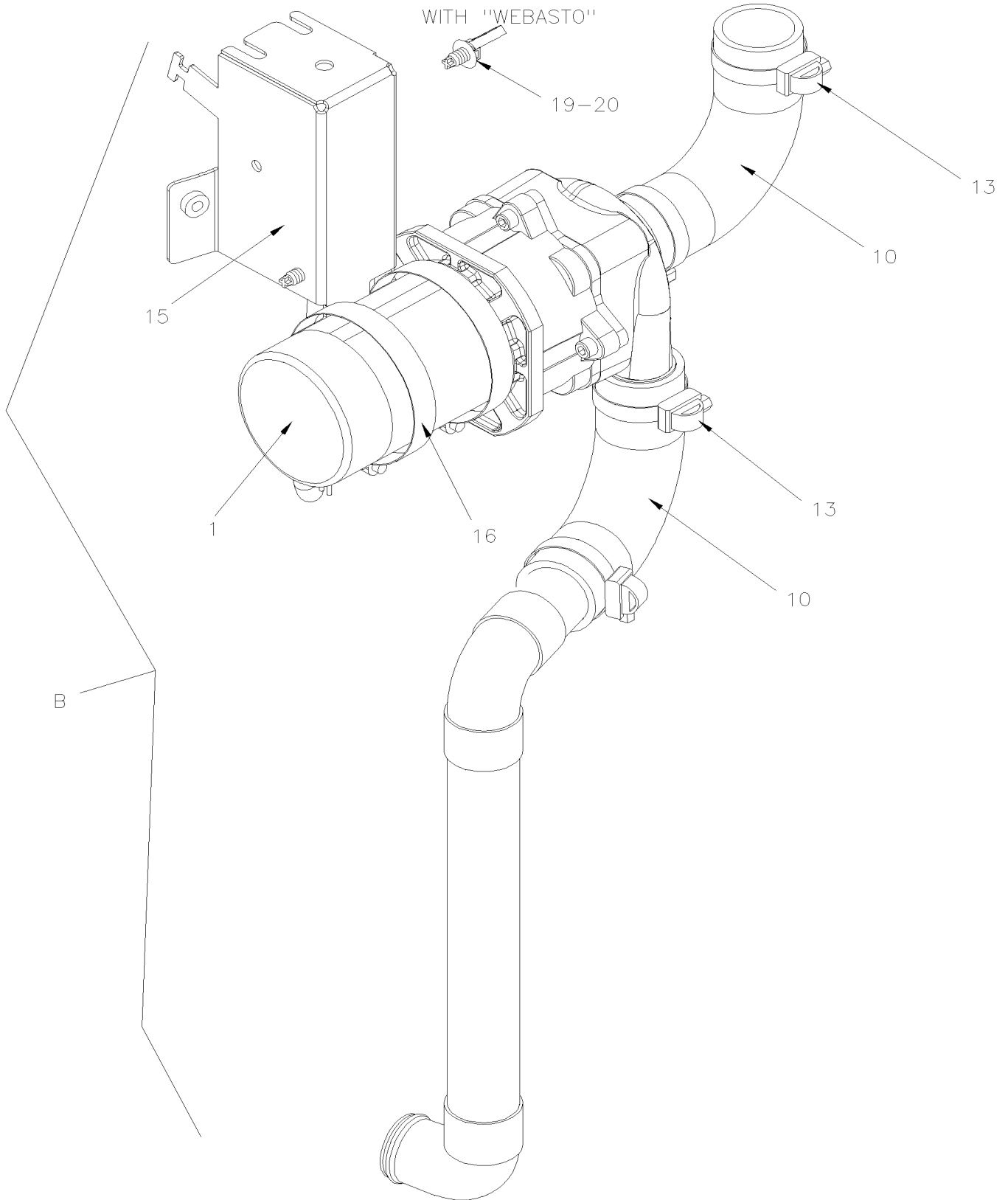


From D-5300

Date:01/2024

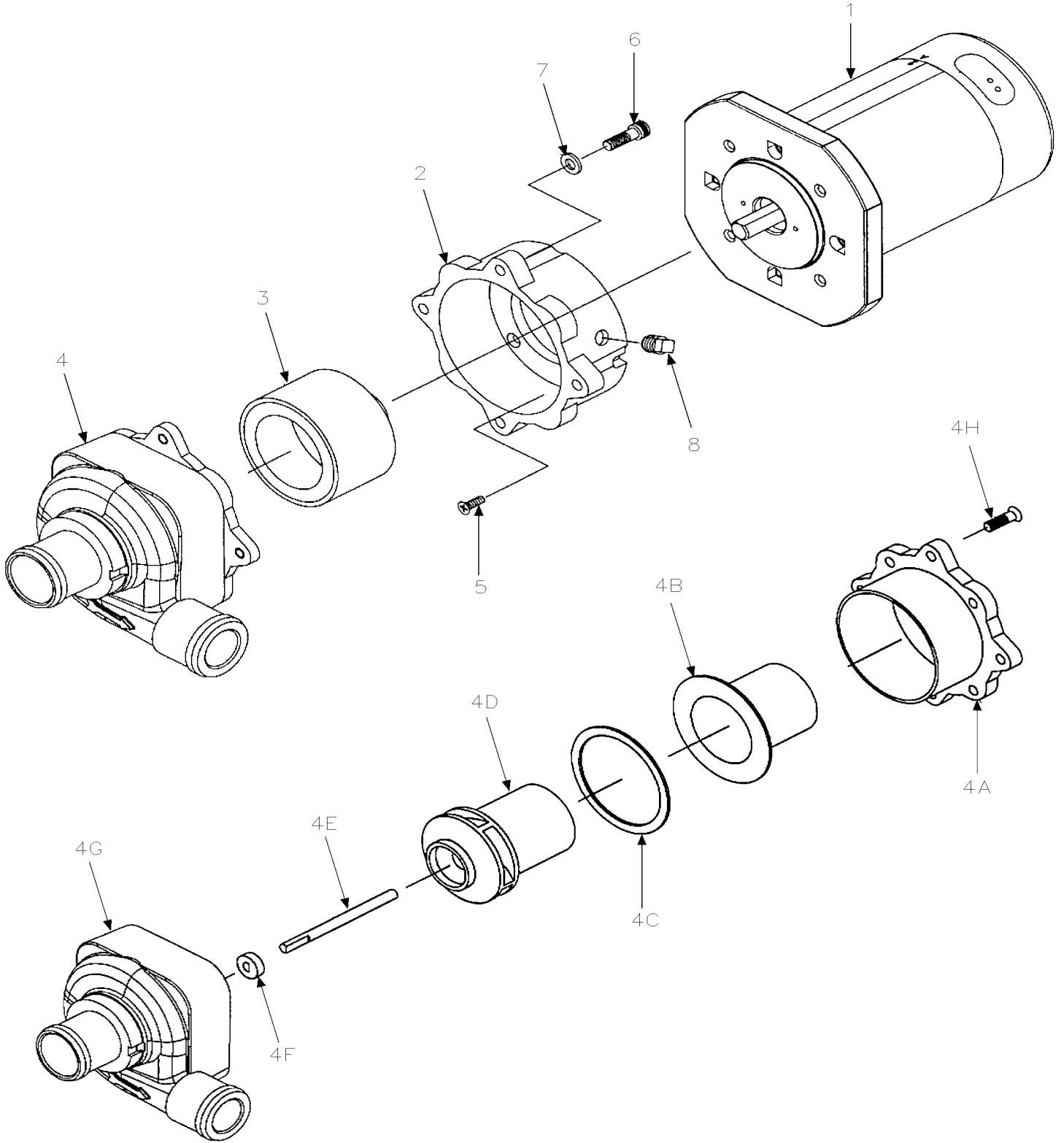
PAGE:X3-2206-01

WATER PUMP #874297 AMETEK



From D-5300	Date:01/2024	PAGE:X3-2206-01
WATER PUMP #874297 AMETEK		

Item#	Part	Description	QTY	Notes
1	874297	WATER PUMP "AMETEK" / SEALLESS & BRUSHLESS	1	
NS	561781	CONNECTOR / WEATHER PACK / PH 3C / BLACK / PED 12010717	1	
NS	561568	PIN TERMINAL / 16-14 / PED 12089305	2	
NS	561786	CABLE SEAL / GRAY / PED 15324980	2	
NS	561783	SEAL PLUG CAVITY / GREEN / PED 12010300	1	
NS	680319	TAPE ADHESIF ELECTRIC / BLACK 3/4"	AR	
NS	562387	CONVOLUTED TUBING / SLIT / BLACK / .250"	AR	
10	374307	ELBOW 90° X 1 3/8" I.D. / 88MM x 150MM C/C / SILICONE 1 PLY To E-5759	2	
10	378923	ELBOW 90° X 1 3/8" I.D. / 88MM x 150MM C/C / SILICONE 4 PLY From F-5760	2	
11	374258	ELBOW 90° X 1 3/8" I.D. / 88MM x 128MM C/C / SILICONE 1 PLY To E-5759	1	
11	378922	ELBOW 90° X 1 3/8" I.D. / 88MM x 128MM C/C / SILICONE 4 PLY From F-5760	1	
12	373804	ELBOW 90° / W/BEAD	1	
13	504657	HOSE CLAMP / 1"1/16-2" C.T. 9424 To D-5404	6	
13	504783	HOSE CLAMP / 1"1/16-2" SS / C.T. W.S. From D-5405 To E-5759	6	
13	992086	HOSE CLAMP / 32MM/52MM From F-5760	6	
14	503392	HOSE SILICONE 4PLY 1 3/8" I.D. x 4' To D-5381	AR	
14	503783	HOSE SILICONE 4PLY / NOMEX-ARAMID 34MM I.D. x 6' From D-5382	AR	
15	374649	SUPPORT / WATER PUMP To J-6295	1	
15	370164	SUPPORT / WATER PUMP From J-6296	1	
16	504026	HOSE CLAMP / 2"13/16-3"3/4 SS / HS-52	2	
17	504385	CUFF END BELLOW / 1 1/2" I.D. x 2 1/2" x 4"	1	
18	504637	CABLE TIE / 3/16" x 13"	1	
19	509815	TIE MOUNT / ATTACHMENT W/TREE MOUNT	2	
20	504637	CABLE TIE / 3/16" x 13"	2	
A	Call order desk	WATER PUMP ASSY WITH PIPE / W/O "WEBASTO"	1	P
B	Call order desk	WATER PUMP ASSY WITH PIPE / WITH "WEBASTO"	1	P
NS	378934	. PIPE ASSY, WATER PUMP OUTPUT To J-6295	1	
NS	370135	. PIPE ASSY, WATER PUMP OUTPUT From J-6296 To N-6713	1	
B	370412	. PIPE ASSY, WATER PUMP OUTPUT From N-6714	1	
		P) CALL ORDER DESK FOR SPECIFIC APPLICATION (V.I.N.)		



From D-5300	Date:01/2024	PAGE:874297
WATER PUMP "AMETEK" / SEALLESS & BRUSHLESS		

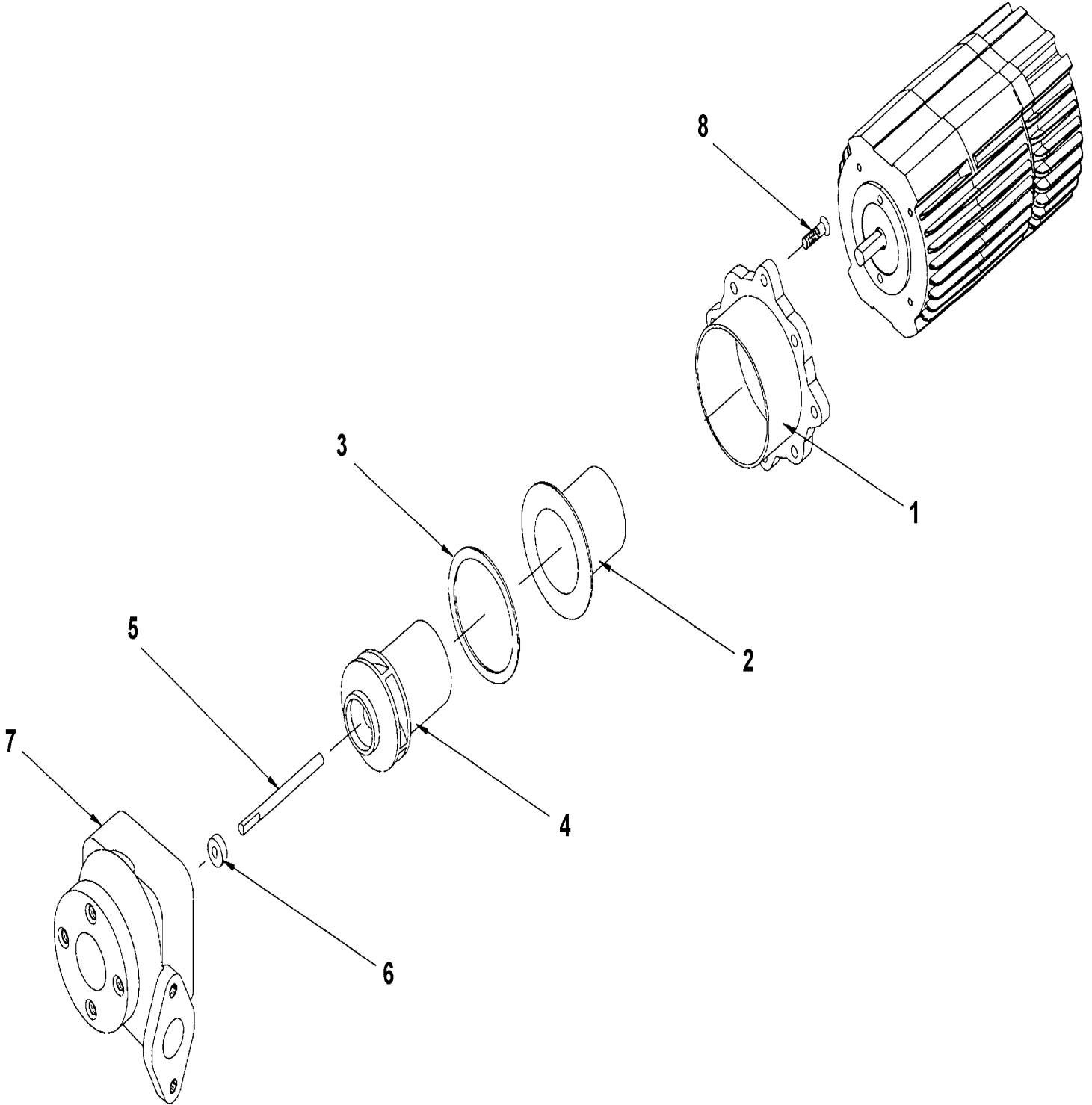
Item#	Part	Description	QTY	Notes
1	N.P.N.	MOTOR ASSEMBLY WITHOUT BASEPLATE	1	4
2	N8896645	CONNECTING HOUSING	1	
3	N8896646	DRIVE MAGNET	1	
4	19517742	HOUSING	1	
4A	G1091780	. HOUSING CONNECTOR RING	1	
4B	G1091781	. IMPELLER HOUSING	1	
4C	G1091782	. GASKET ROUND	1	
4D	G1091783	. IMPELLER ASSY	1	
4E	G1091785	. IMPELLER SHAFT	1	
4F	G1091784	. THRUST WASHER	1	
4G	870074	. PUMP HOUSING BRASS	1	
4H	19508912	. SCREW FLAT HEAD	4	
5	N.P.N.	SCREW FLAT HEAD	4	4
6	N8896647	SCREW SOCKET HEAD	4	
7	N8896640	FLAT WASHER	4	
8	195971	PLUG, TREATED	1	
		4) NO PARTS NUMBER		

From 7-8754 To D-5299

Date:01/2024

PAGE:X3-2206-11

WATER PUMP #871421 / "ROTRON" 24 V "GREYHOUND"



From 7-8754 To D-5299	Date:01/2024	PAGE:X3-2206-11
WATER PUMP #871421 / "ROTRON" 24 V "GREYHOUND"		

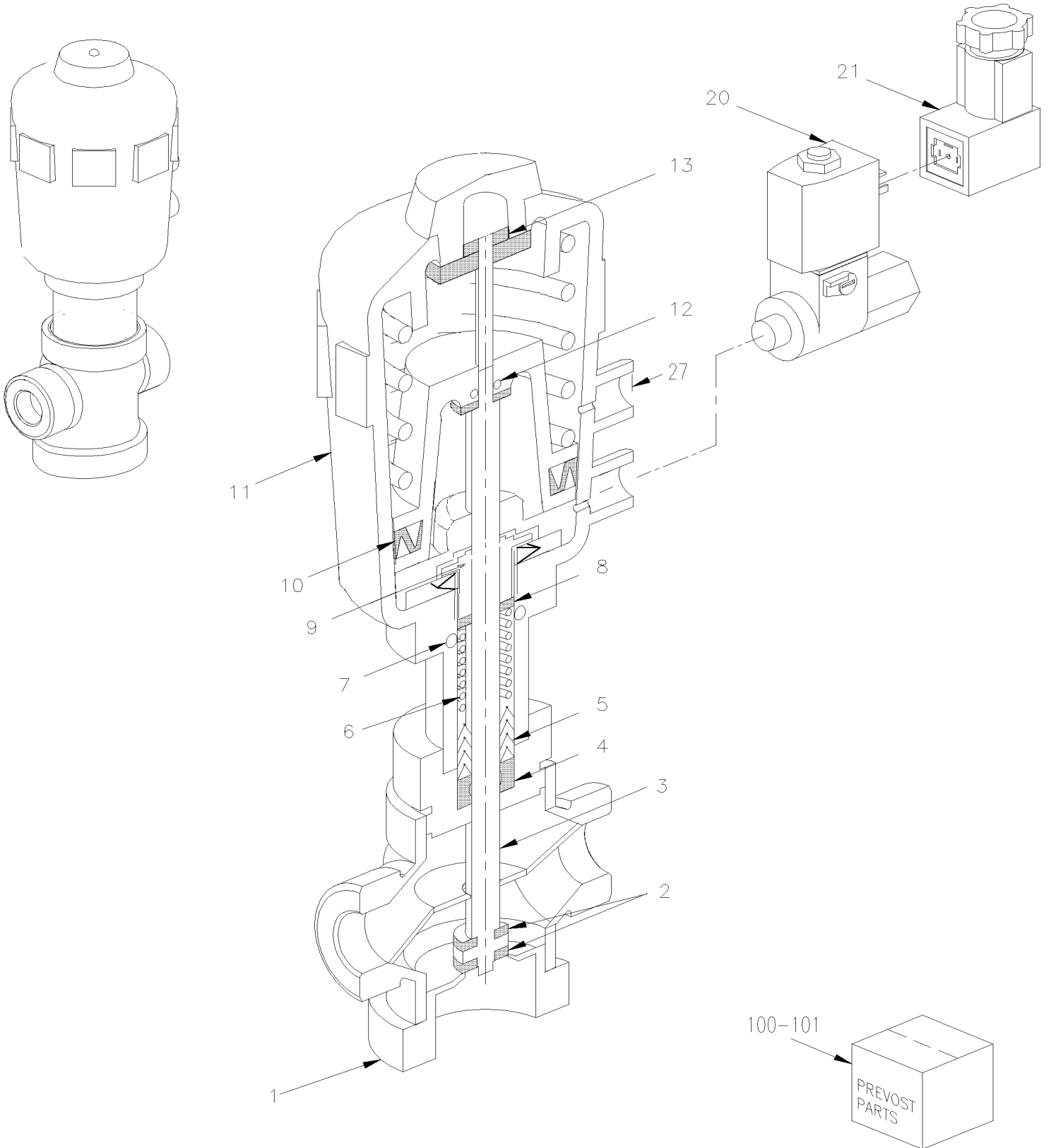
Item#	Part	Description	QTY	Notes
	871421	WATER PUMP ASSY / 24V / SEALESS & BRUSHLESS / "ROTRON"	1	
1	G1017730	PUMP ASSY	1	
1	G1091780	. HOUSING CONNECTOR RING	1	
2	G1091781	. IMPELLER HOUSING	1	
3	G1091782	. GASKET ROUND	1	
4	G1091783	. IMPELLER ASSY	1	
5	G1091785	. IMPELLER SHAFT	1	
6	G1091784	. THRUST WASHER	1	
7	G1091779	. PUMP HOUSING BRASS	1	
8	Call order desk	. SCREW FLAT HEAD	4	P
NS	870441	GASKET PUMP INLET & OUTLET	2	
NS	871206	FLANGE ADAPTOR / W/QUAD RING	2	
NS	5001580	SCREW CAP HEXS 3/8-16x7/8	4	
		P) CALL ORDER DESK FOR SPECIFIC APPLICATION (V.I.N.)		

From 7-8754

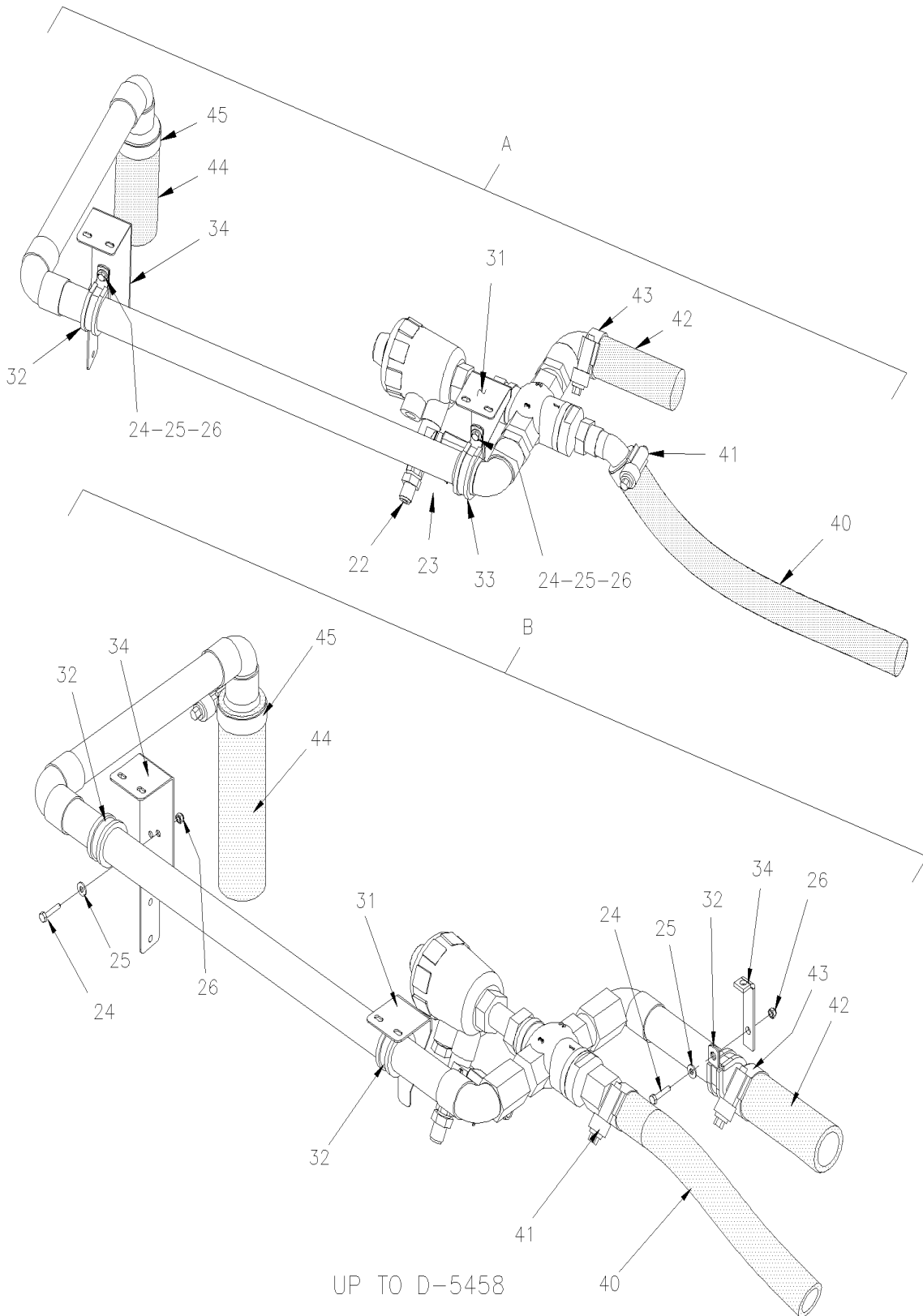
Date:01/2024

PAGE:X3-2207-00

WATER VALVE - MAIN HEATER



WATER VALVE - MAIN HEATER

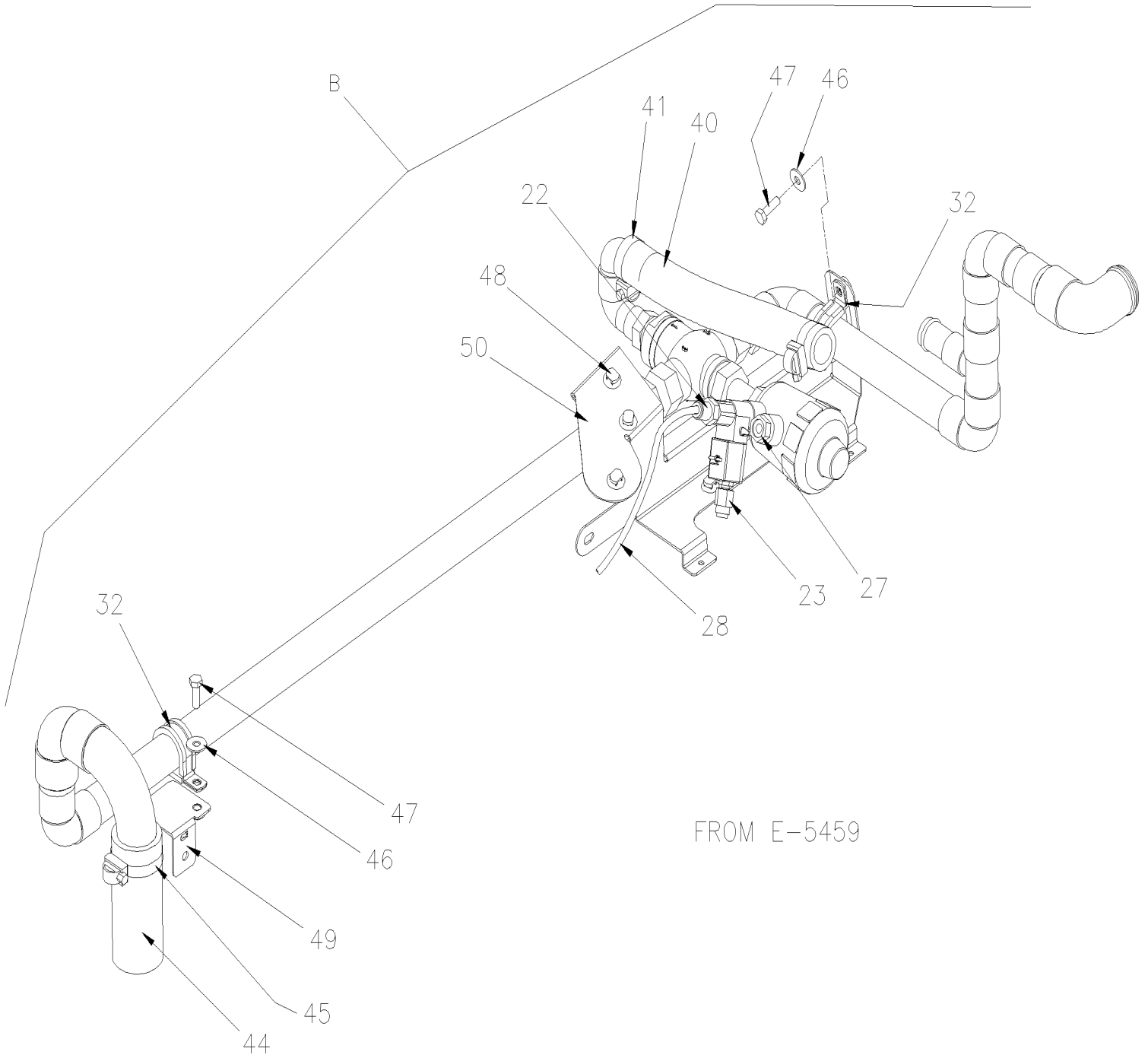


From 7-8754

Date:01/2024

PAGE:X3-2207-00

WATER VALVE - MAIN HEATER



From 7-8754		Date:01/2024	PAGE:X3-2207-00
WATER VALVE - MAIN HEATER			

Item#	Part	Description	QTY	Notes
	871381	WATER VALVE ASSY / 24V / 3/WAY 3/4" NPT To B-5001	1	
	871430	WATER VALVE ASSY / 24V / 3/WAY 3/4" NPT From B-5002 To L-6590	1	
	870136	WATER VALVE ASSY / 24V / 3/WAY 3/4" NPT From L-6591	1	
1	N.S.S.	. BODY	1	1
2	N.S.S.	. SEAL	1	1
3	N.S.S.	. SPINDLE	1	1
4	N.S.S.	. WIPER	1	1
5	N.S.S.	. V-SEAL	3	1
6	N.S.S.	. SPRING	1	1
7	N.S.S.	. O-RING	1	1
8	N.S.S.	. LIP SEAL	1	1
9	N.S.S.	. SCREW PISTON	1	1
10	N.S.S.	. CYLINDER SEAL	1	1
11	N.S.S.	. ACTUATOR CASING	1	1
12	N.S.S.	. O-RING.	1	1
13	N.S.S.	. LIP SEAL	1	1
14	N.S.S.	. CONE GLAND 1/8"	2	1
20	871390	. SOLENOID VALVE / 24V 4 WATTS	1	
. NS	871391	. . COIL 24V 4 WATTS	1	
21	563204	. CONNECTOR / SOCKET HOUSING ASSY 4C / BURKET 303148	1	
22	641332	MALE CONNECTOR / PUSH-IN FITTING / #4x1/4NPT-M BR	1	
23	642028	MALE CONNECTOR / PUSH-IN FITTING / 6MM x M5-0.8 BR To G-5969	1	
23	871374	MUFFLER M5 PLASTIC From G-5970 To J-6255	1	
23	642028	MALE CONNECTOR / PUSH-IN FITTING / 6MM x M5-0.8 BR From J-6256	1	
23	503040	TUBE, NYLON 6MM O.D. / WHITE S.L. From J-6256	AR	
24	500588	SCREW CAP HEX M4-0.7x20 G8.8 Z050	2	
25	500438	WASHER FL .187x.437x.050 Z050	2	
26	500590	NUT HEX NYRT M4-0.7 Z050	2	
27	641926	SILENCER / MUFFLER / 1/4NPT-M From 9-9550	1	
NS	142087	RESTRICTION / ALU. TUBE 10MM x 4.14MM O.D. W/0.79" HOLE / W/FLANGE From 9-9550 To L-6612	1	
NS	140262	RESTRICTION / ALU. TUBE 13.5MM x 4.14MM O.D. W/0.79" HOLE / W/FLANGE From L-6613 To N-6743	1	
27	140485	RESTRICTION W/0.80" HOLE / W/FLANGE From N-6744	1	
27	501312	BUSHING REDUCER / PIPE FITTING / 1/4NTP-Mx1/8NPT-F BR From N-6744	1	
28	503747	TUBE, NYLON 6MM O.D. / BLACK S.L.	AR	
31	374217	SUPPORT WATER VALVE BACKWARD To D-5458	1	
32	952637	CLAMP / 1"1/16 I.D.	1	
33	952639	CLAMP / 1"1/4 I.D.	1	
34	374195	SUPPORT WATER VALVE FORWARD To D-5458	1	
40	503651	HOSE SILICONE 2PLY 7/8" I.D. x 3' To C-5133	AR	
40	503791	HOSE SILICONE 4 PLY / NOMEX-ARAMID 7/8" I.D. x 4' From C-5134 To D-5381	AR	
40	503797	HOSE SILICONE 4 PLY / NOMEX-ARAMID 7/8" I.D. x 6' From D-5382	1	
41	504646	HOSE CLAMP / 11/16"-1"1/4 / C.T. 9412 To D-5404	2	

From 7-8754	Date:01/2024	PAGE:X3-2207-00
WATER VALVE - MAIN HEATER		

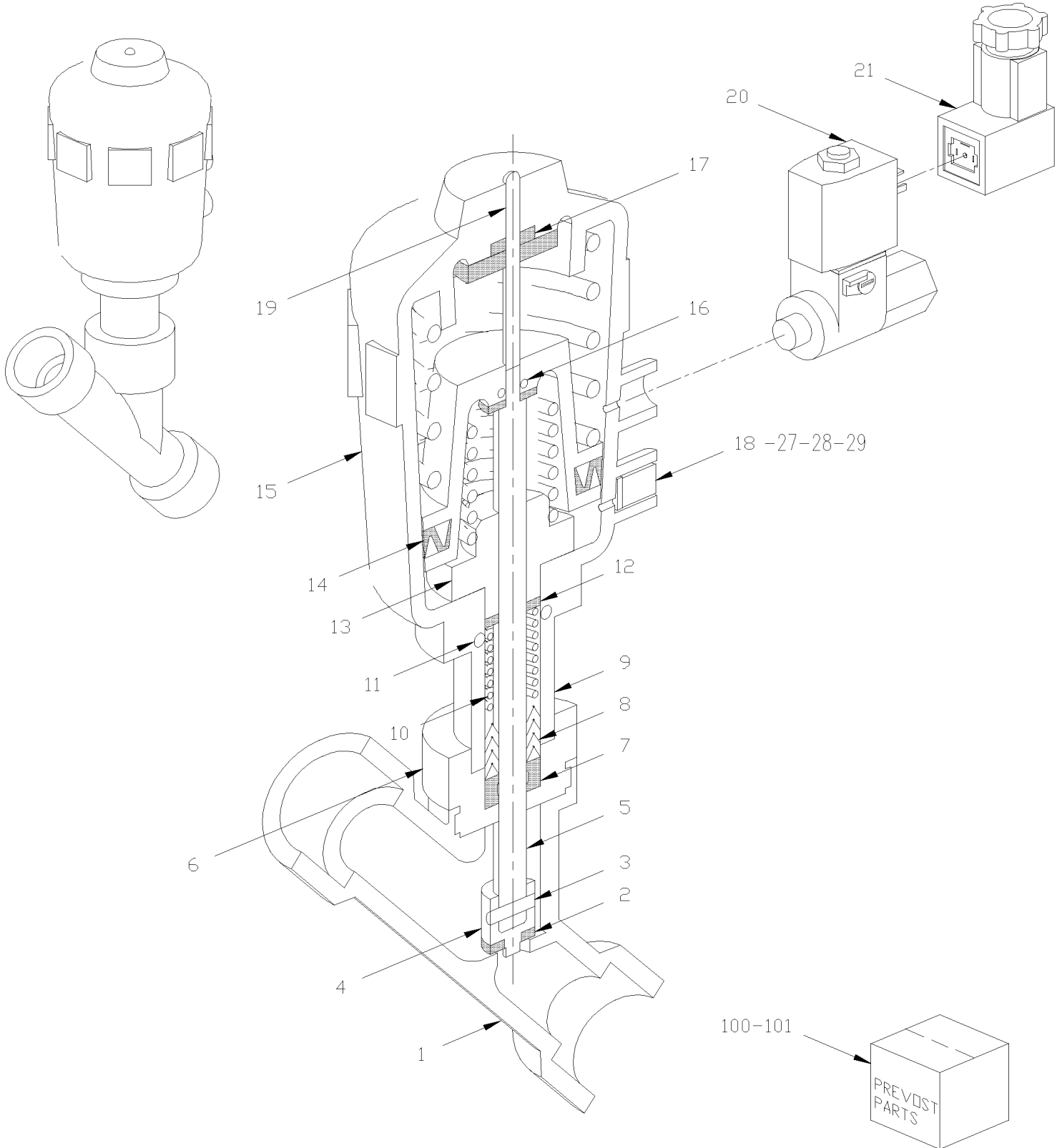
Item#	Part	Description	QTY	Notes
41	504781	HOSE CLAMP / 13/16"-1 5/16" SS / C.T. W.S. From D-5405 To E-5759	2	
41	992084	HOSE CLAMP / 23MM/35MM From F-5760	2	
42	503652	HOSE SILICONE 2PLY 1 1/8" I.D. x 3' To D-5381	AR	
42	503796	HOSE SILICONE 2 PLY / NOMEX-ARAMID 1 1/8" I.D. x 6' From D-5382	AR	
43	504658	HOSE CLAMP / 13/16"-1"3/4 / C.T. 9420 To D-5404	1	
43	504782	HOSE CLAMP / 1 3/16-1 13/16 SS / C.T. W.S. From D-5405	1	
44	503392	HOSE SILICONE 4PLY 1 3/8" I.D. x 4' To D-5381	AR	
44	503783	HOSE SILICONE 4PLY / NOMEX-ARAMID 34MM I.D. x 6' From D-5382	AR	
45	504657	HOSE CLAMP / 1"1/16-2" C.T. 9424 To D-5404	1	
45	504783	HOSE CLAMP / 1"1/16-2" SS / C.T. W.S. From D-5405 To E-5759	1	
45	992086	HOSE CLAMP / 32MM/52MM From F-5760	1	
46	5001833	WASHER BEL SPR 6.1x18x1.27 SS From E-5459	3	
47	502830	SCREW CAP HEX M6-1.0x20 G8.8 N500 From E-5459	3	
48	509815	TIE MOUNT / ATTACHMENT W/TREE MOUNT From E-5459	3	
49	374673	SUPPORT WATER VALVE FORWARD From E-5459 To N-6713	1	
49	370364	SUPPORT WATER VALVE FORWARD From N-6714	1	
50	374674	SUPPORT WATER VALVE BACKWARD From E-5459	1	
100	871389	SEAL KIT / WATER SIDE	1	
101	871388	SEAL KIT / AIR PISTON SIDE	1	
102	870241	VALVE SET SERVICE KIT From L-6591	1	
A	374198P	WATER VALVE ASSY W/PIPE & SUPPORT	1	
B	Call order desk	WATER VALVE ASSY W/PIPE & SUPPORT From A-9907 To A-9907	1	P E
B	Call order desk	WATER VALVE ASSY W/PIPE & SUPPORT From A-9926 To A-9926	1	P E
B	Call order desk	WATER VALVE ASSY W/PIPE & SUPPORT To C-5133	1	P
B	Call order desk	WATER VALVE ASSY W/PIPE & SUPPORT From C-5134 To D-5458	1	P
B	374688	WATER VALVE ASSY W/PIPE & SUPPORT From E-5459 To J-6255	1	
B	370147	WATER VALVE ASSY W/PIPE & SUPPORT From J-6256 To L-6590	1	
B	370046	WATER VALVE ASSY W/PIPE & SUPPORT From L-6591 To L-6612	1	
B	370030	WATER VALVE ASSY W/PIPE & SUPPORT From L-6613 To N-6713	1	
B	370362	WATER VALVE ASSY W/PIPE & SUPPORT From N-6714 To N-6743	1	
B	370485	WATER VALVE ASSY W/PIPE & SUPPORT From N-6744	1	
		E) EXCLUSIF ONLY WITH V.I.N. A-9907 & A-9926 WITH FUEL TANK IN 3 BAY DOOR		
		1) NOT SOLD SEPARATELY		
		P) CALL ORDER DESK FOR SPECIFIC APPLICATION (V.I.N.)		

From 7-8754 To F-5815

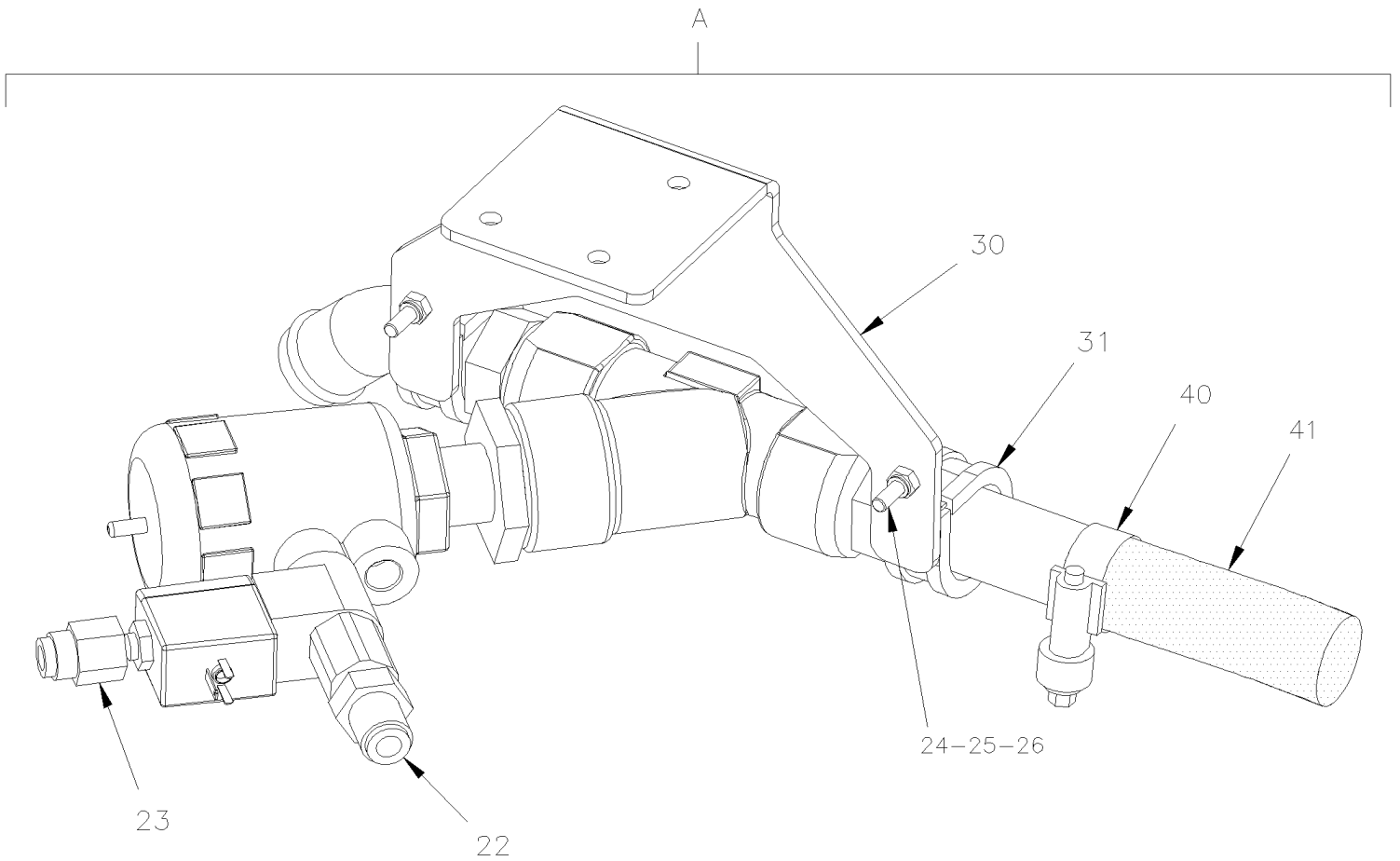
Date:01/2024

PAGE:X3-2207-05

WATER VALVE - HEATER

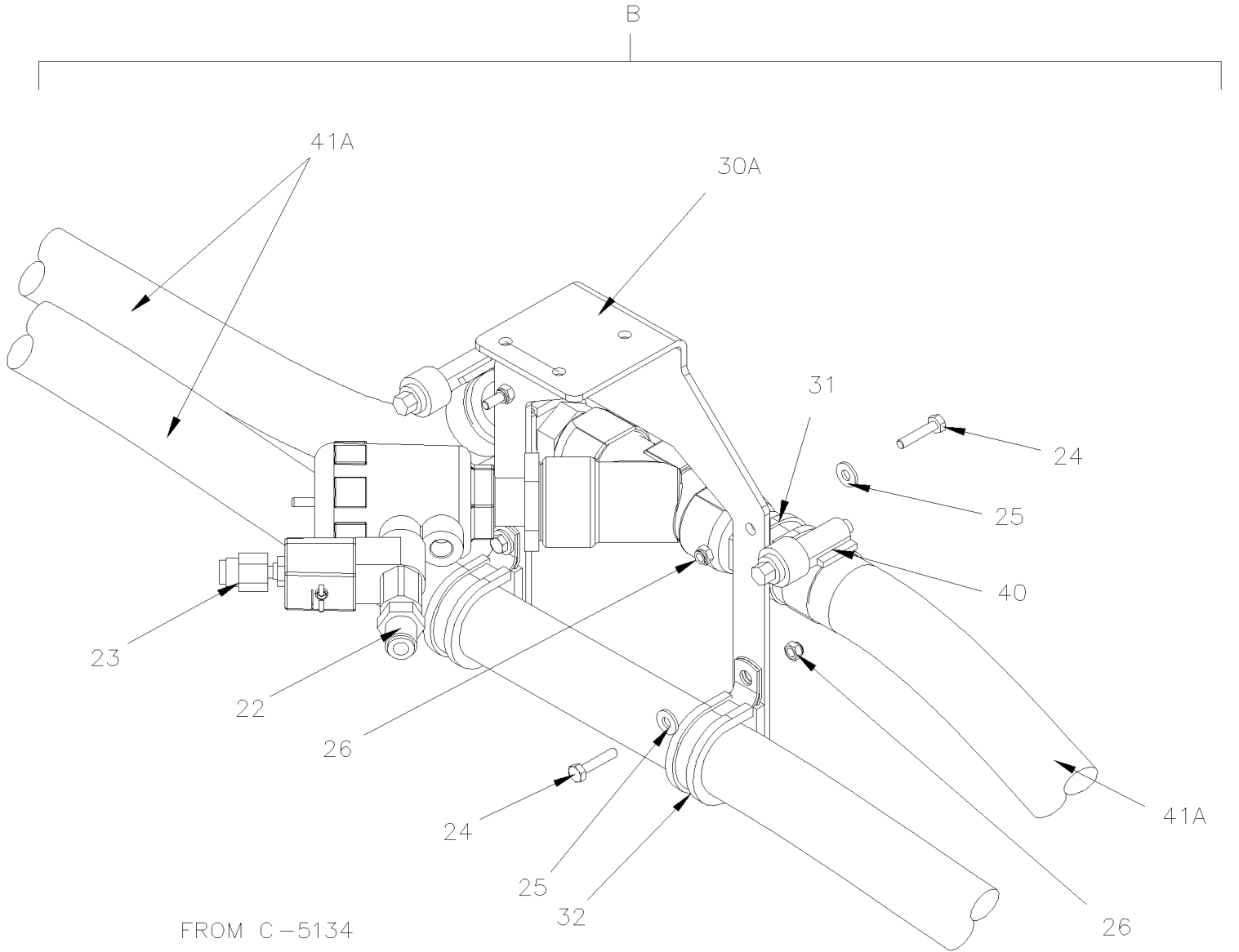


From 7-8754 To F-5815	Date:01/2024	PAGE:X3-2207-05
WATER VALVE - HEATER		



UP TO C-5133

From 7-8754 To F-5815	Date:01/2024	PAGE:X3-2207-05
WATER VALVE - HEATER		



From 7-8754 To F-5815	Date:01/2024	PAGE:X3-2207-05
WATER VALVE - HEATER		

Item#	Part	Description	QTY	Notes
	871252	. WATER VALVE ASSY / 24V	1	
1	N.S.S.	.. BODY	1	1
2	N.S.S.	.. SEAL	1	1
3	N.S.S.	.. PIN	1	1
4	N.S.S.	.. SWIVEL PLATE	1	1
5	N.S.S.	.. SPINDLE	1	1
6	N.S.S.	.. NIPPLE	1	1
7	N.S.S.	.. WIPER	1	1
8	N.S.S.	.. V-SEAL	3	1
9	N.S.S.	.. TUBE	1	1
10	N.S.S.	.. SPRING	1	1
11	N.S.S.	.. O-RING	1	1
12	N.S.S.	.. LIP SEAL	1	1
13	N.S.S.	.. SCREW	1	1
14	N.S.S.	.. CYLINDER SEAL	1	1
15	N.S.S.	.. ACTUATOR CASING	1	1
16	N.S.S.	.. O-RING	1	1
17	N.S.S.	.. LIP SEAL	1	1
18	N.S.S.	.. CONE GLAND 1/8"	2	1
19	N.S.S.	.. POSITION INDICATOR	1	1
20	871313	. SOLENOID VALVE 24V 4 WATTS 1/8SPT X 1/4NPT	1	
. NS	871391	.. COIL 24V 4 WATTS	1	
21	563204	. CONNECTOR / SOCKET HOUSING ASSY 4C / BURKET 303148	1	
22	641332	MALE CONNECTOR / PUSH-IN FITTING / #4x1/4NPT-M BR	1	
23	642028	MALE CONNECTOR / PUSH-IN FITTING / 6MM x M5-0.8 BR	1	
24	500588	SCREW CAP HEX M4-0.7x20 G8.8 Z050	AR	
25	500438	WASHER FL .187x.437x.050 Z050	AR	
26	500590	NUT HEX NYRT M4-0.7 Z050	AR	
27	641926	SILENCER / MUFFLER / 1/4NPT-M	1	C
28	501318	COUPLING / PIPE FITTING / 1/4NPT-Fx1/4NPT-F BR	1	C
29	641332	MALE CONNECTOR / PUSH-IN FITTING / #4x1/4NPT-M BR	1	C
30	374147	SUPPORT WATER VALVE To C-5133	1	
30A	374646	SUPPORT WATER VALVE From C-5134	1	
31	952635	CLAMP / 1" I.D.	2	
32	952639	CLAMP / 1"1/4 I.D.	2	
40	504646	HOSE CLAMP / 11/16"-1"1/4 / C.T. 9412 To D-5404	2	
40	504781	HOSE CLAMP / 13/16"-1 5/16" SS / C.T. W.S. From D-5405 To E-5759	2	
40	992084	HOSE CLAMP / 23MM/35MM From F-5760	2	
41	503684	HOSE SILICONE 1 PLY 7/8" I.D. x 100' / S.L. To C-5133	AR	
41A	503791	HOSE SILICONE 4 PLY / NOMEX-ARAMID 7/8" I.D. x 4' From C-5134 To D-5381	AR	
41A	503797	HOSE SILICONE 4 PLY / NOMEX-ARAMID 7/8" I.D. x 6' From D-5382	AR	
100	871311	SEAL KIT / WATER SIDE	1	

From 7-8754 To F-5815	Date:01/2024	PAGE:X3-2207-05
-----------------------	--------------	-----------------

WATER VALVE - HEATER

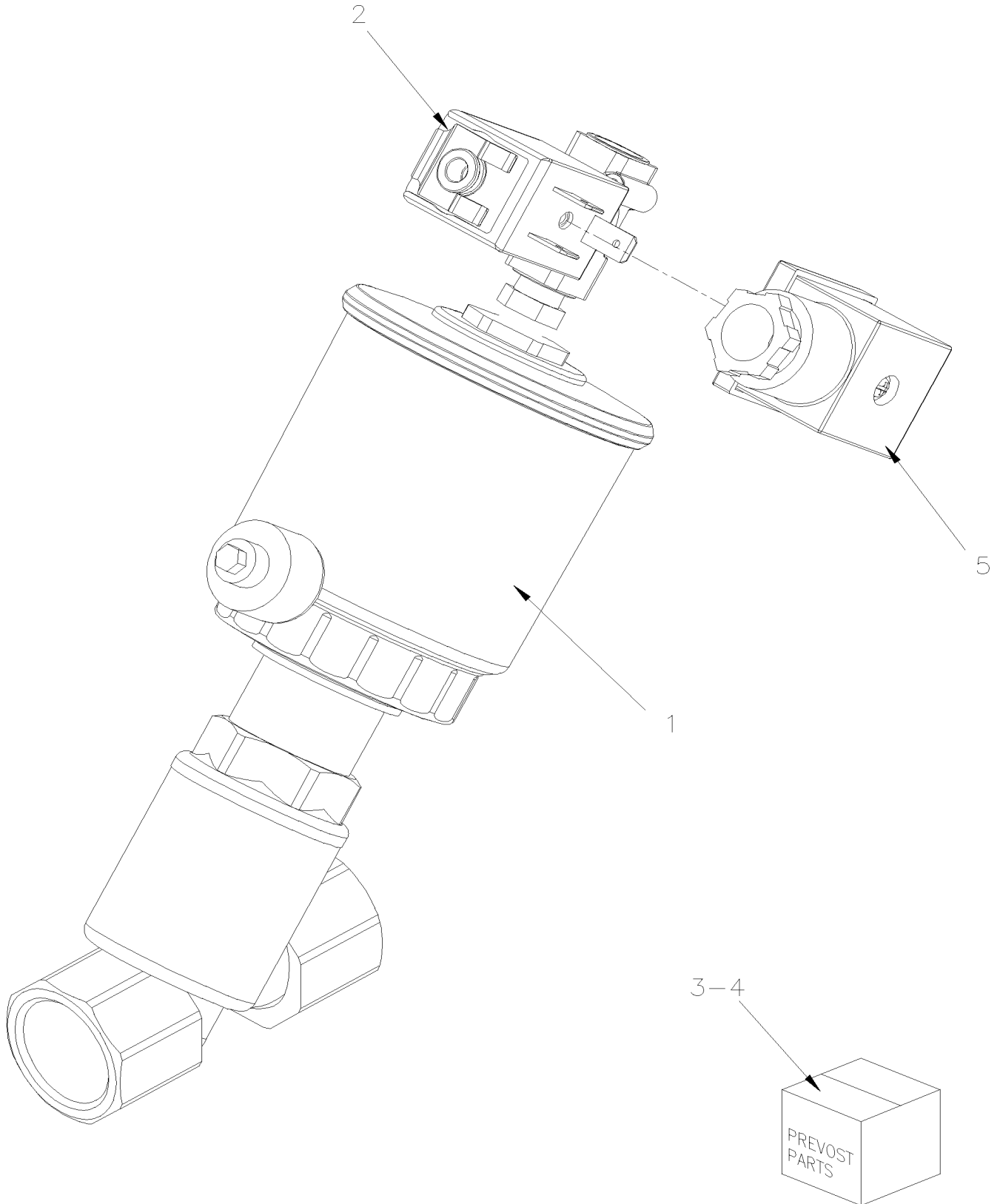
Item#	Part	Description	QTY	Notes
101	871312	SEAL KIT / AIR PISTON SIDE	1	
A	Call order desk	WATER VALVE ASSY W/PIPE & SUPPORT To C-5133	1	P A
B	Call order desk	WATER VALVE ASSY W/PIPE & SUPPORT From C-5134	1	P A
		A) IN SPARE COMPARTMENT		
		C) COACH COMMUTER ONLY		
		1) NOT SOLD SEPARATELY		
		P) CALL ORDER DESK FOR SPECIFIC APPLICATION (V.I.N.)		

From F-5816

Date:01/2024

PAGE:X3-2207-06

WATER VALVE - HEATER

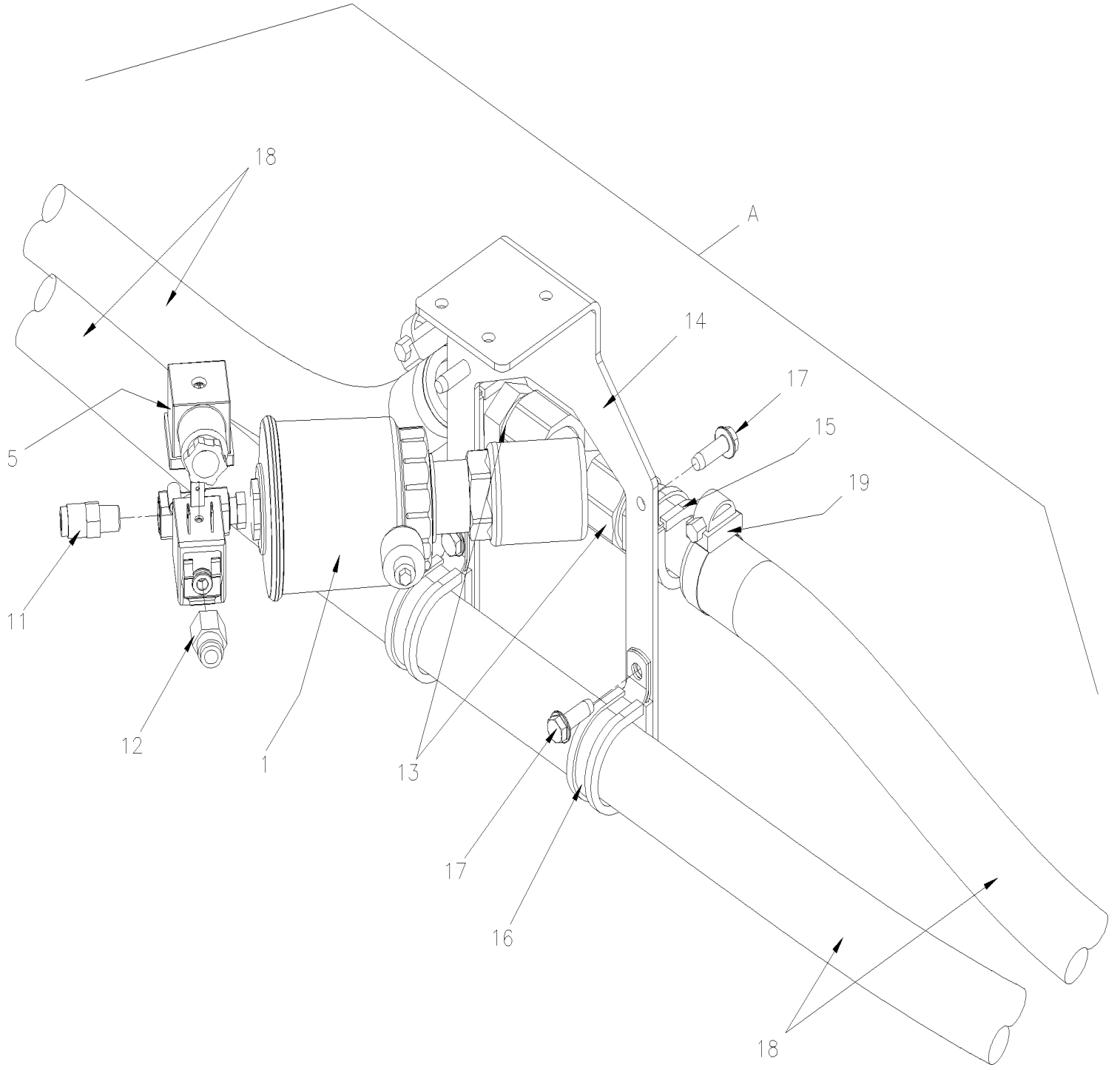


From F-5816

Date:01/2024

PAGE:X3-2207-06

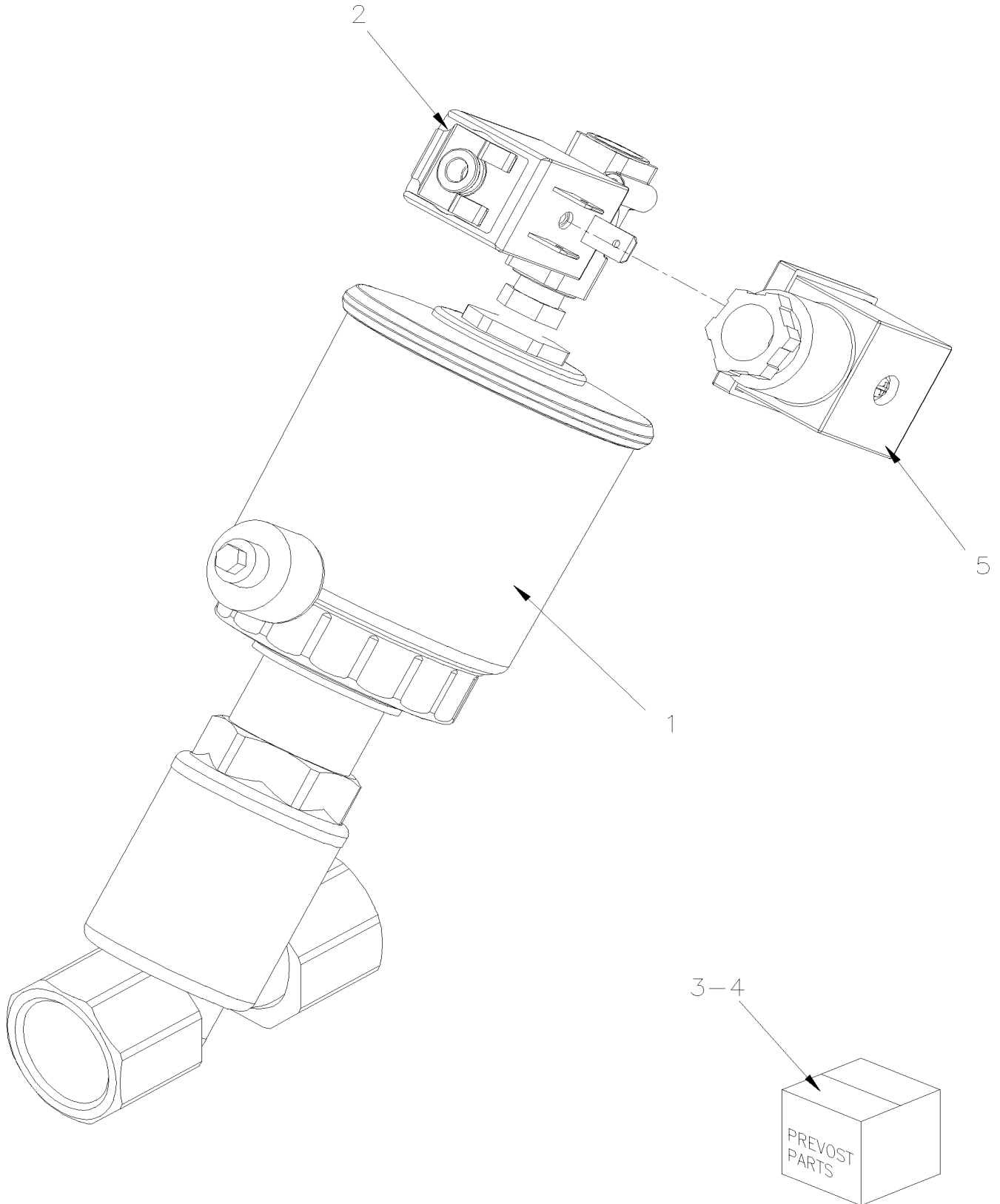
WATER VALVE - HEATER



From F-5816	Date:01/2024	PAGE:X3-2207-06
WATER VALVE - HEATER		

Item#	Part	Description	QTY	Notes
1	871454	WATER VALVE ASSY / 24V	1	
2	871458	. VALVE PILOT	1	
3	871459	. VALVE PSITON SERVICE KIT	1	
. NS	N.S.S.	. . VALVE PSITON SERVICE KIT	1	1
. NS	N.S.S.	. . WASHER	1	1
. NS	N.S.S.	. . WASHER	1	1
. NS	N.S.S.	. . SEAL	1	1
4	871460	. CONNECTOR KIT	1	
5	641385	CONNECTOR / SOCKET HOUSING ASSY 3C / PNEUMAC 54934-01	1	
11	641242	MALE CONNECTOR / PUSH-IN FITTING / #4x1/8NPT-M BR	1	
12	642028	MALE CONNECTOR / PUSH-IN FITTING / 6MM x M5-0.8 BR To G-5969	1	
12	871374	MUFFLER M5 PLASTIC From G-5970 To J-6255	1	
12	642028	MALE CONNECTOR / PUSH-IN FITTING / 6MM x M5-0.8 BR From J-6256	1	
12	503040	TUBE, NYLON 6MM O.D. / WHITE S.L. From J-6256	AR	
13	680098	THREAD SEALANT LOCTITE #567 / WHITE / 250ml	AR	
14	374840	SUPPORT WATER VALVE	1	
15	952635	CLAMP / 1" I.D.	2	
16	952639	CLAMP / 1"1/4 I.D.	2	
17	502848	SCREW TC CAP HEXF 1/4-20x3/4 N500	4	
18	503797	HOSE SILICONE 4 PLY / NOMEX-ARAMID 7/8" I.D. x 6'	AR	
19	992084	HOSE CLAMP / 23MM/35MM	2	
A	374839	WATER VALVE ASSY W/PIPE & SUPPORT To J-6255	1	A
A	370146	WATER VALVE ASSY W/PIPE & SUPPORT From J-6256 To N-6713	1	A
A	Call order desk	WATER VALVE ASSY W/PIPE & SUPPORT From N-6714	1	P A
. NS	370430	. PIPE, VALVE ASSY 45DEG From N-6714	1	A
. NS	370417	. PIPE, VALVE ASSY From N-6714	1	A
		A) IN SPARE COMPARTMENT		
		P) CALL ORDER DESK FOR SPECIFIC APPLICATION (V.I.N.)		
		1) NOT SOLD SEPARATELY		

WATER VALVE - W/2 WAYS / SERVICE



From 7-8754 To F-5815	Date:01/2024	PAGE:X3-2207-99
-----------------------	--------------	-----------------

WATER VALVE - W/2 WAYS / SERVICE

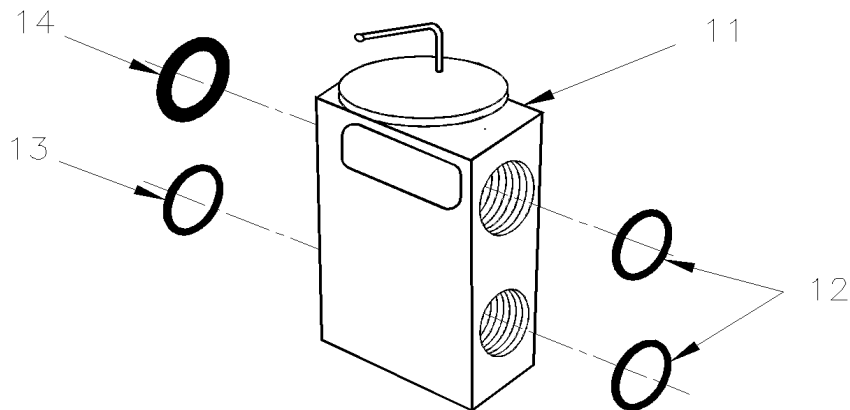
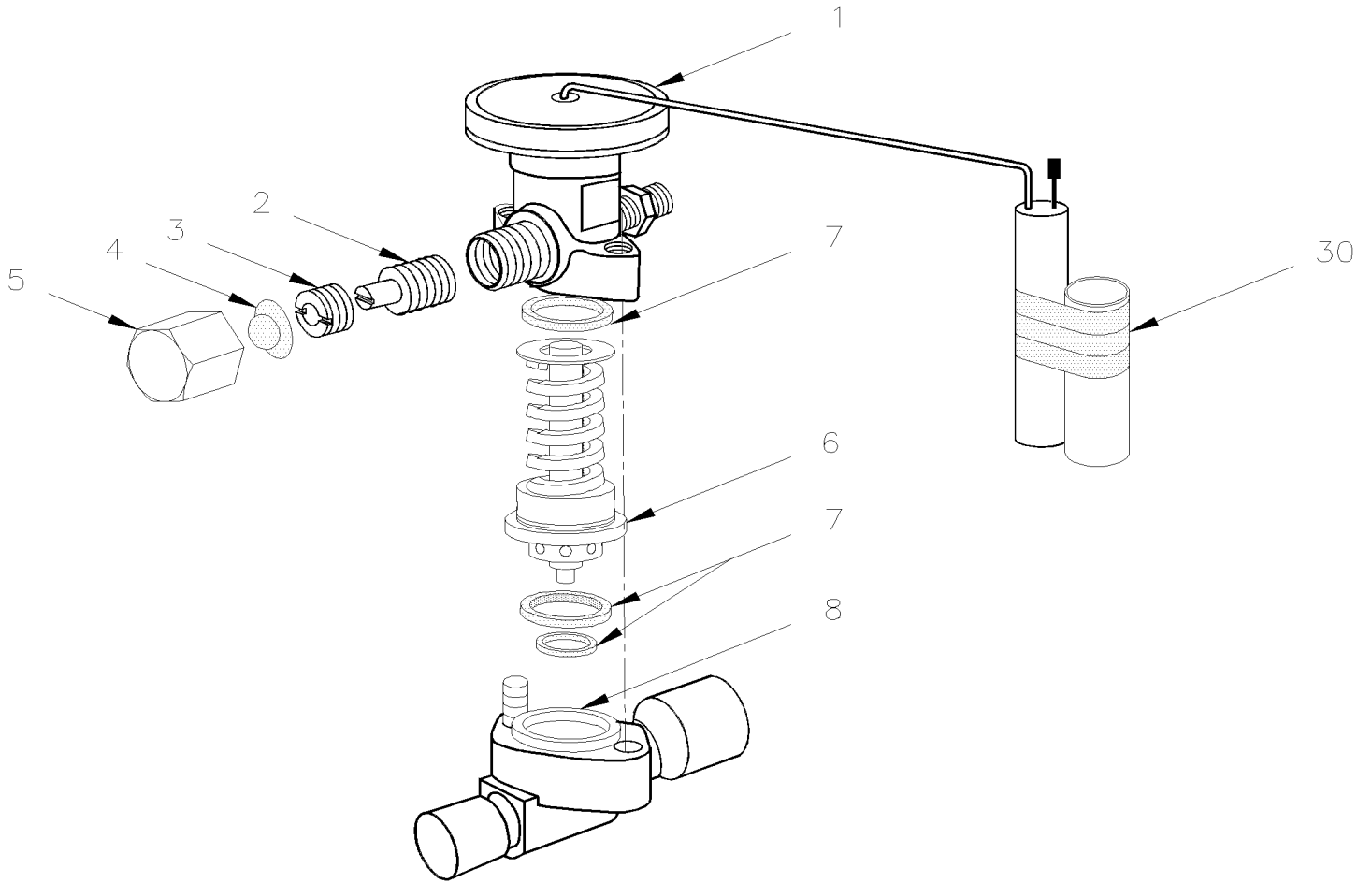
Item#	Part	Description	QTY	Notes
1	871454	WATER VALVE ASSY / 24V	1	
2	871458	. VALVE PILOT	1	
3	871459	. VALVE PSITON SERVICE KIT	1	
. NS	N.S.S.	. . VALVE PSITON SERVICE KIT	1	1
. NS	N.S.S.	. . WASHER	1	1
. NS	N.S.S.	. . WASHER	1	1
. NS	N.S.S.	. . SEAL	1	1
4	871460	. CONNECTOR KIT	1	
5	641385	CONNECTOR / SOCKET HOUSING ASSY 3C / PNEUMAC 54934-01	1	
		1) NOT SOLD SEPARATELY		

From 7-8754 To K-6466

Date:01/2024

PAGE:X3-2208-00

A/C EXPANSION VALVE

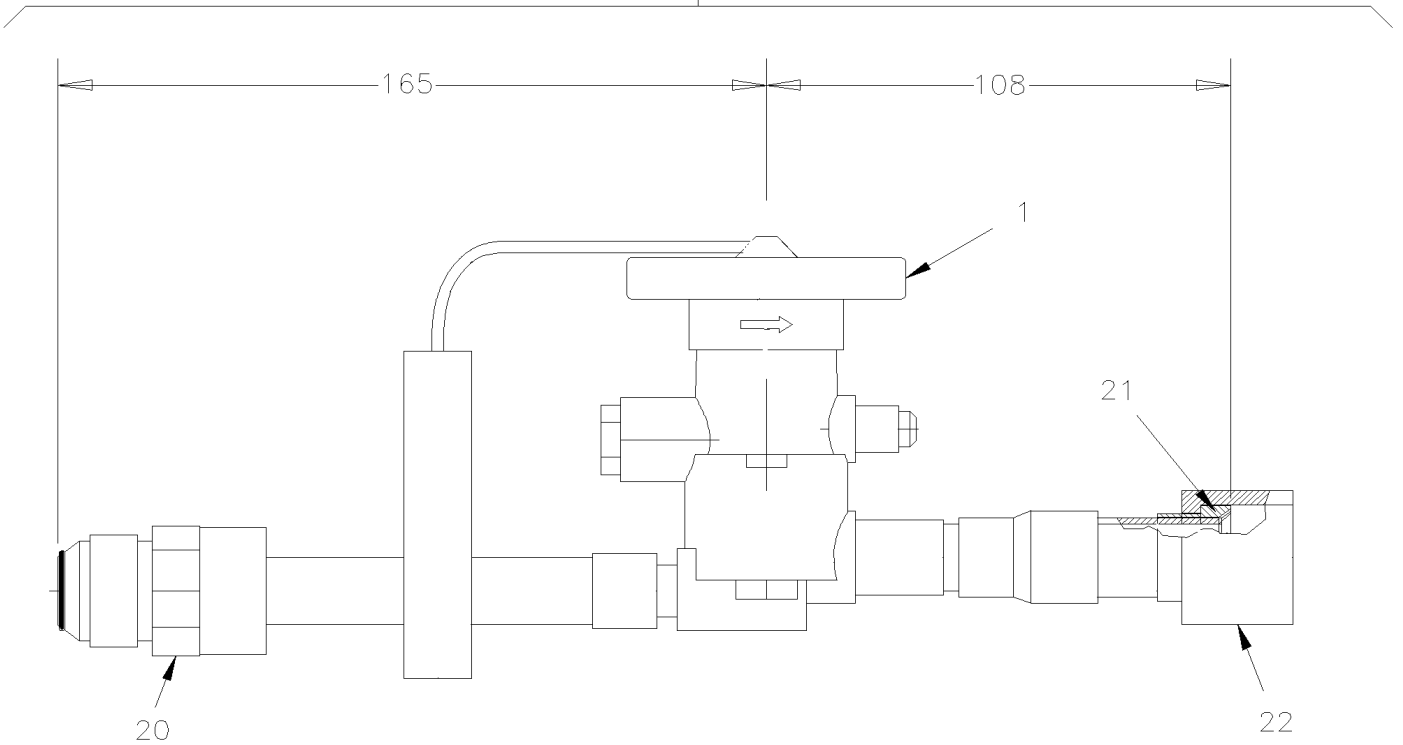
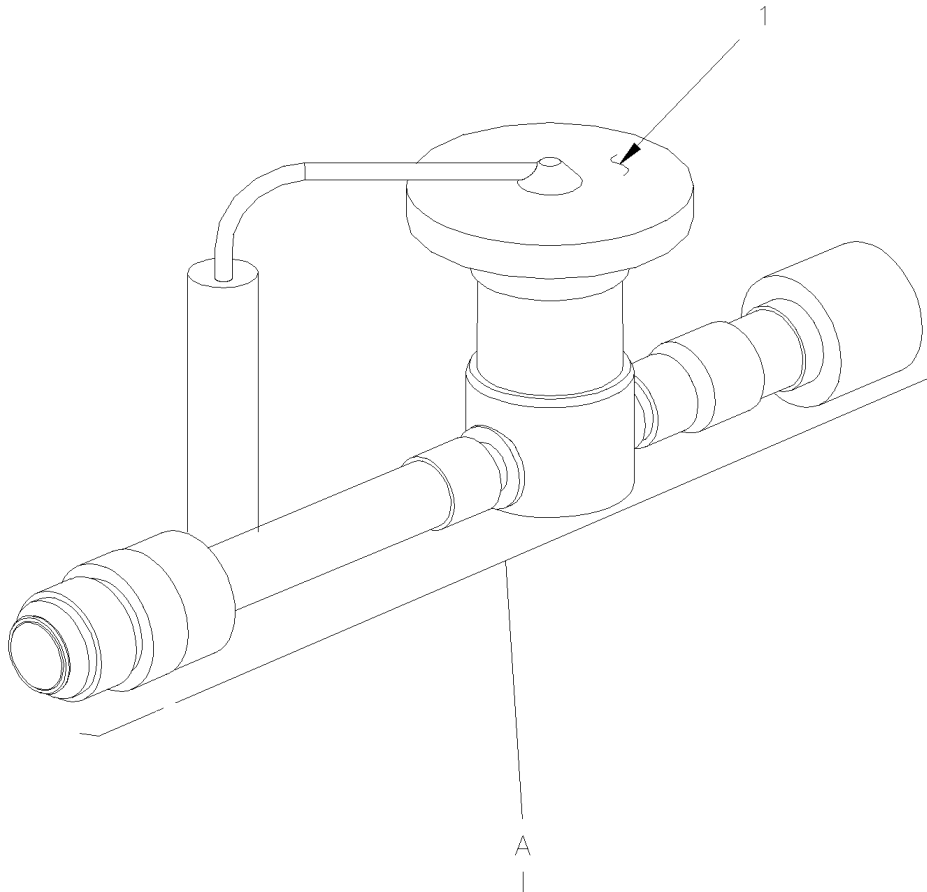


From 7-8754 To K-6466

Date:01/2024

PAGE:X3-2208-00

A/C EXPANSION VALVE



From 7-8754 To K-6466	Date:01/2024	PAGE:X3-2208-00
A/C EXPANSION VALVE		

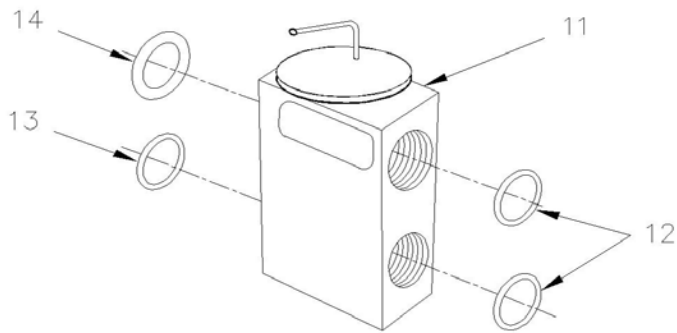
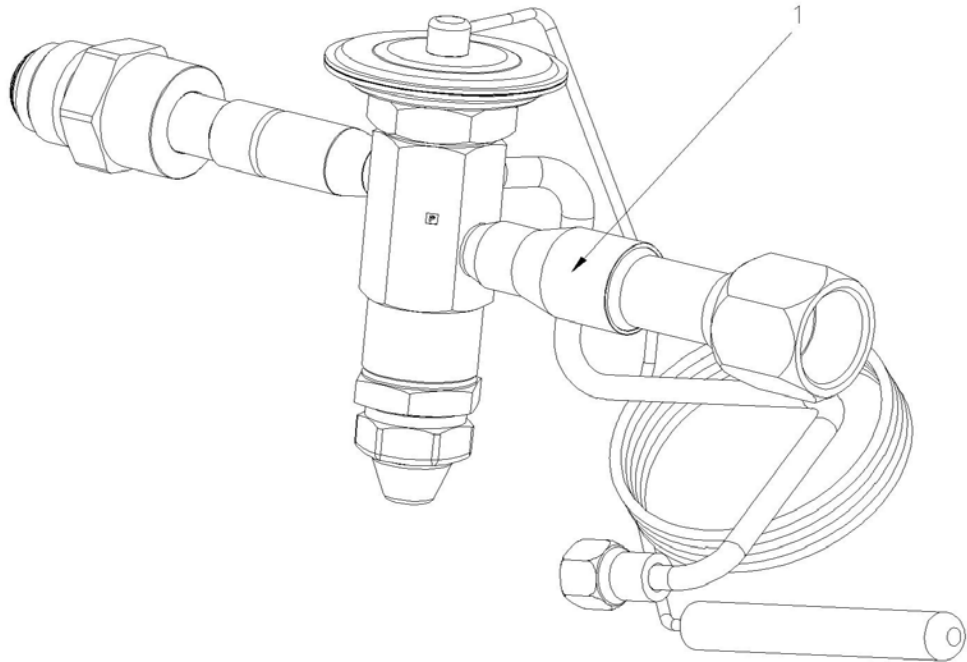
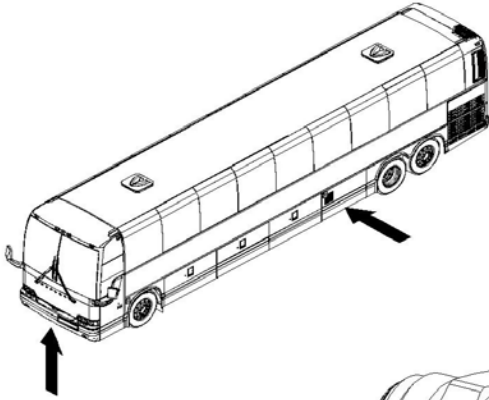
Item#	Part	Description	QTY	Notes
	950320	VALVE, EXPANSION 5 1/2 TON	1	
1	950241	. ELEMENT POWER R134A	1	
2	870622	. ADJUSTING STEM & PACKING ASSY	1	
3	870621	. NUT PACKING	1	
4	N.S.S.	. SEAL	1	1
5	870619	. NUT CAP	1	
6	950317	. CAGE ASSY & SPRING / B6B	1	
7	870709	. SET GASKET	1	
8	N.S.S.	. FLANGE BODY	1	1
8	504634	T-CLIP / 7/8" - 1"	1	
8	504637	CABLE TIE / 3/16" x 13"	1	
11	950221	VALVE, EXPANSION / DRIVER'S W/R134A	1	
12	507279	O-RING / ORS FITTING / #8 NEO	1	
13	507278	O-RING / ORS FITTING / #4 NEO	1	
14	507344	O-RING / ORS FITTING / #10 NEO	1	
20	507525	ADAPTER JIC @ BRAZE W/O-RING // #12JIC-Mx#10BRAZE-F BR	1	
. NS	501829	. O-RING / ORS FITTING / #12 NEO	1	
21	507518	SLEEVE / JIC 37° FITTING / #12 STL	1	
22	507519	NUT / JIC 37° FITTING / #12JIC-F STL	1	
30	680091	TAPE INSULATING / 1/8" x 2" x 30' / BLACK PT-1	1	
A	453985	VALVE, EXPANSION ASSY / WITH PIPE To C-5133	1	
A	454699	VALVE, EXPANSION ASSY / WITH PIPE From C-5134	1	
		1) NOT SOLD SEPARATELY		

From K-6467

Date:01/2024

PAGE:X3-2208-01

A/C EXPANSION VALVE

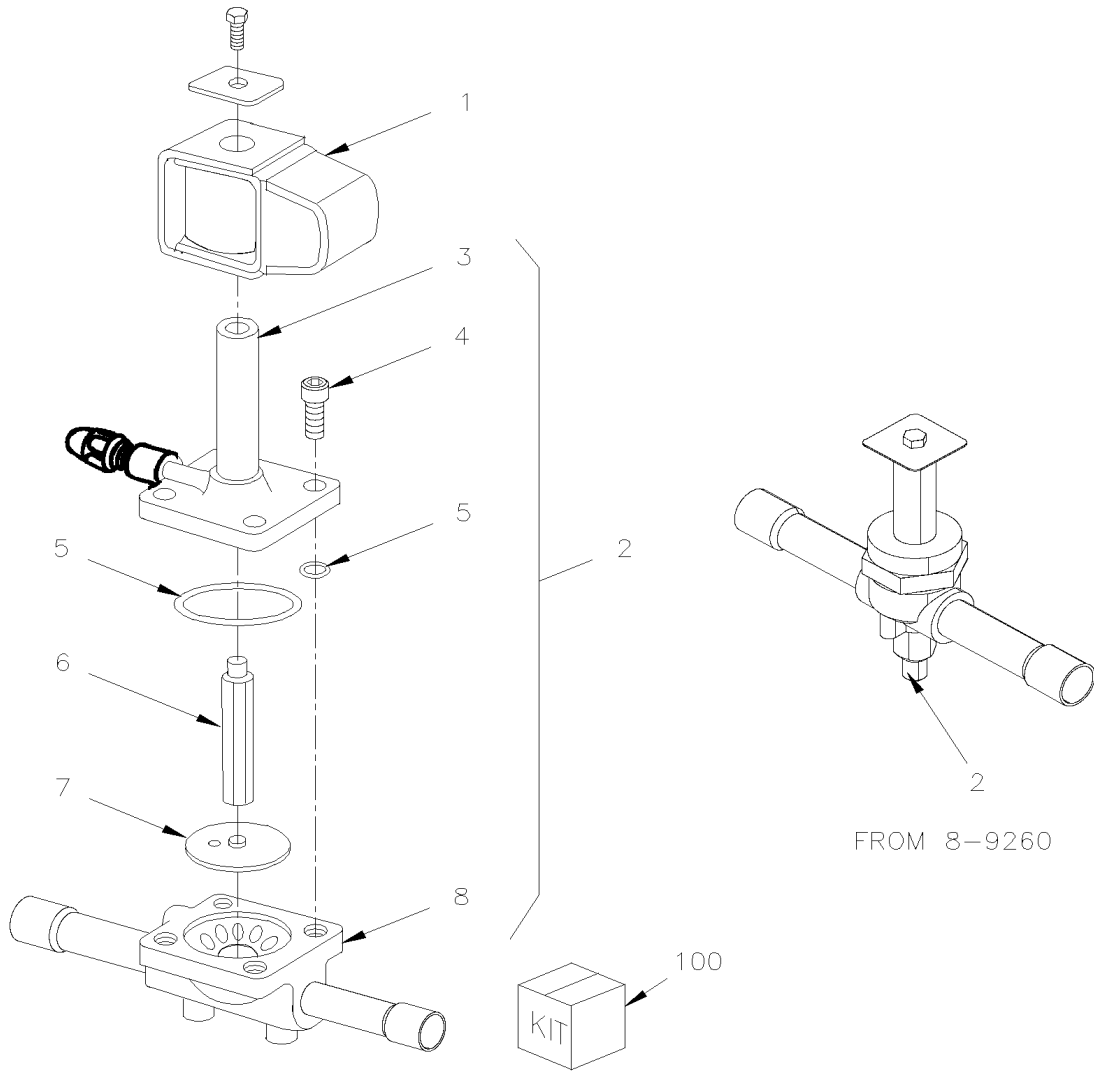


From K-6467	Date:01/2024	PAGE:X3-2208-01
-------------	--------------	-----------------

A/C EXPANSION VALVE

Item#	Part	Description	QTY	Notes
1	950588	VALVE, EXPANSION ASSY / WITH PIPE	1	
NS	501829	O-RING / ORS FITTING / #12 NEO	AR	
11	950221	VALVE, EXPANSION / DRIVER'S W/R134A	1	
12	507343	O-RING / ORS FITTING / #8 NEO	2	
13	507278	O-RING / ORS FITTING / #4 NEO	1	
14	507344	O-RING / ORS FITTING / #10 NEO	1	

REFRIGERANT SOLENOID VALVE

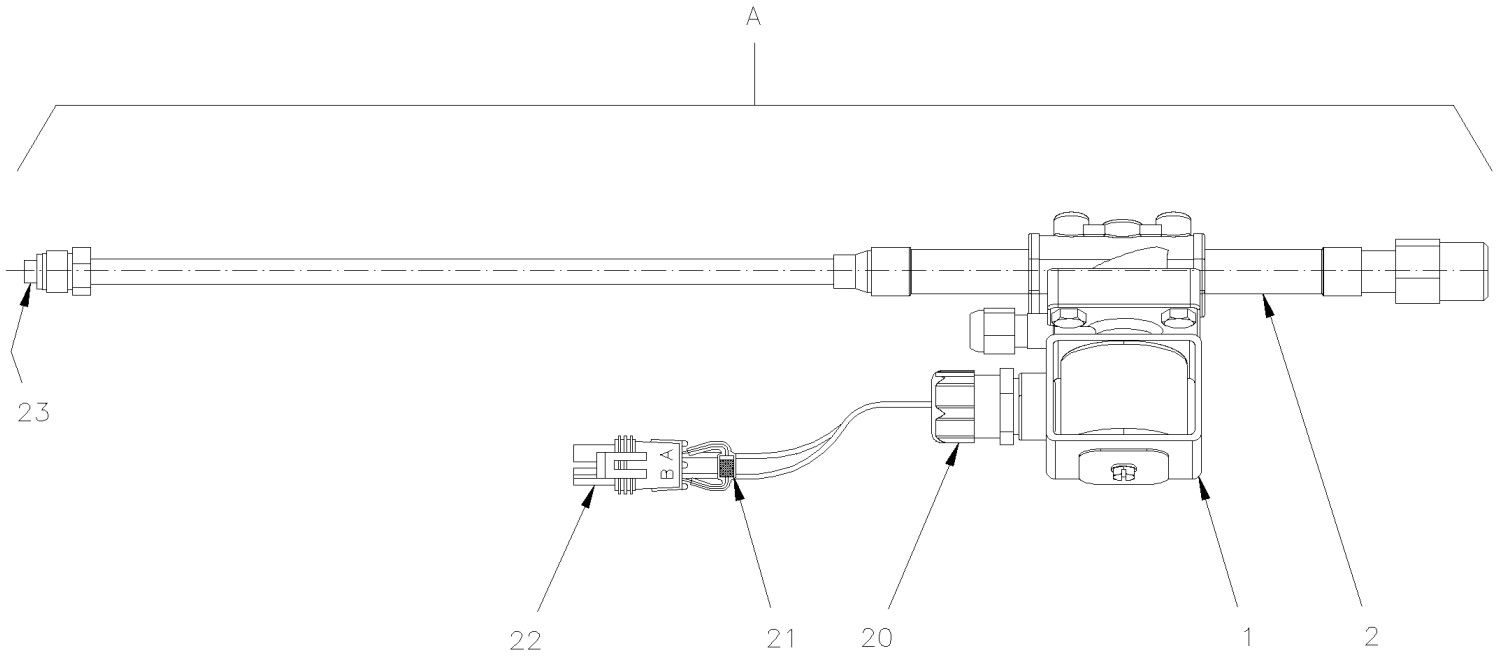


From 7-8754 To E-5759

Date:01/2024

PAGE:X3-2208-10

REFRIGERANT SOLENOID VALVE



From 7-8754 To E-5759	Date:01/2024	PAGE:X3-2208-10
-----------------------	--------------	-----------------

REFRIGERANT SOLENOID VALVE

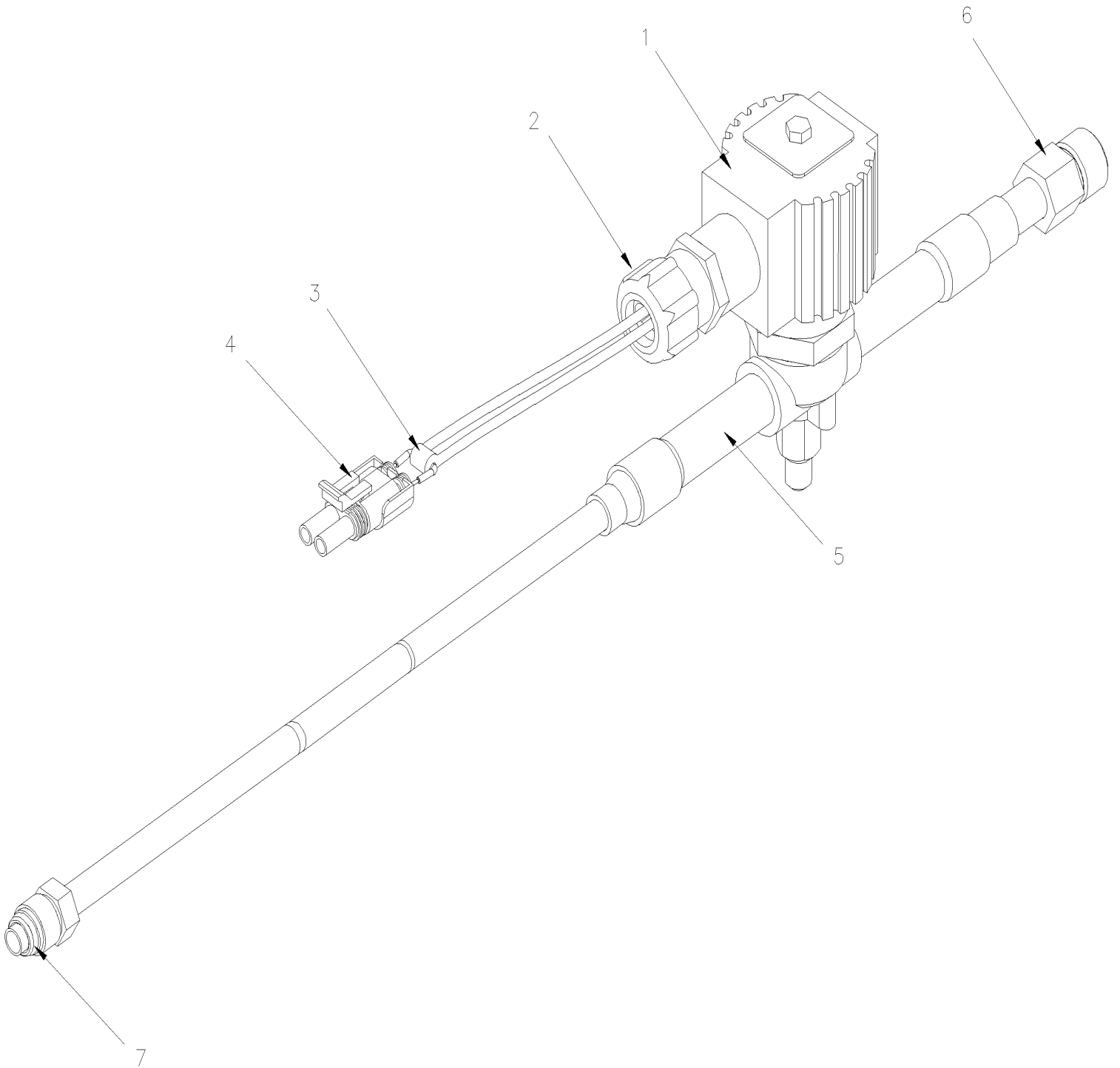
Item#	Part	Description	QTY	Notes
1	950055	. COIL 24V To 8-9259	1	
1	950953	. COIL 24V / SERVICE From 8-9260	1	
2	950087	. VALVE REFRIGERANT SOLENOID To 8-9259	1	
2	950951	. VALVE REFRIGERANT SOLENOID From 8-9260	1	
3	N.S.S.	. . BONNET & ENCLOSING TUBE ASSY To 8-9259	1	1
4	500238	. . SCREW CAP HEXS 1/4-20x3/4 ZP To 8-9259	4	
5	N.S.S.	. . O-RING To 8-9259	1	1
6	N.S.S.	. . PLUNGER ASSY To 8-9259	1	1
7	N.S.S.	. . DIAPRAGM ASSY To 8-9259	1	1
8	N.S.S.	. . BODY To 8-9259	1	1
NS	500160	. SCREW CAP HEX #10-24x1/2 Z050 To 8-9259	2	
20	560434	. CONNECTOR 1/2" PIPE	1	
21	560931	. DIODE / 3AMPS	1	
22	561690	. CONNECTOR / WEATHER PACK / SH 2C / BLACK / PED 12015792	1	
NS	561565	. CABLE SEAL / GREEN / PED 15324982	2	
NS	561578	. SOCKET TERMINAL / 16-14 / PED 12010182	2	
23	507278	. O-RING / ORS FITTING / #4 NEO	1	
100	950056	KIT REPAIR To 8-9259	AR	
A	453422	VALVE ASSY / REFRIGERANT SOLENOID	1	A
		A) IN SPARE COMPARTMENT		
		1) NOT SOLD SEPARATELY		

From F-5760 To H-6179

Date:01/2024

PAGE:X3-2208-11

REFRIGERANT SOLENOID VALVE



From F-5760 To H-6179	Date:01/2024	PAGE:X3-2208-11
REFRIGERANT SOLENOID VALVE		

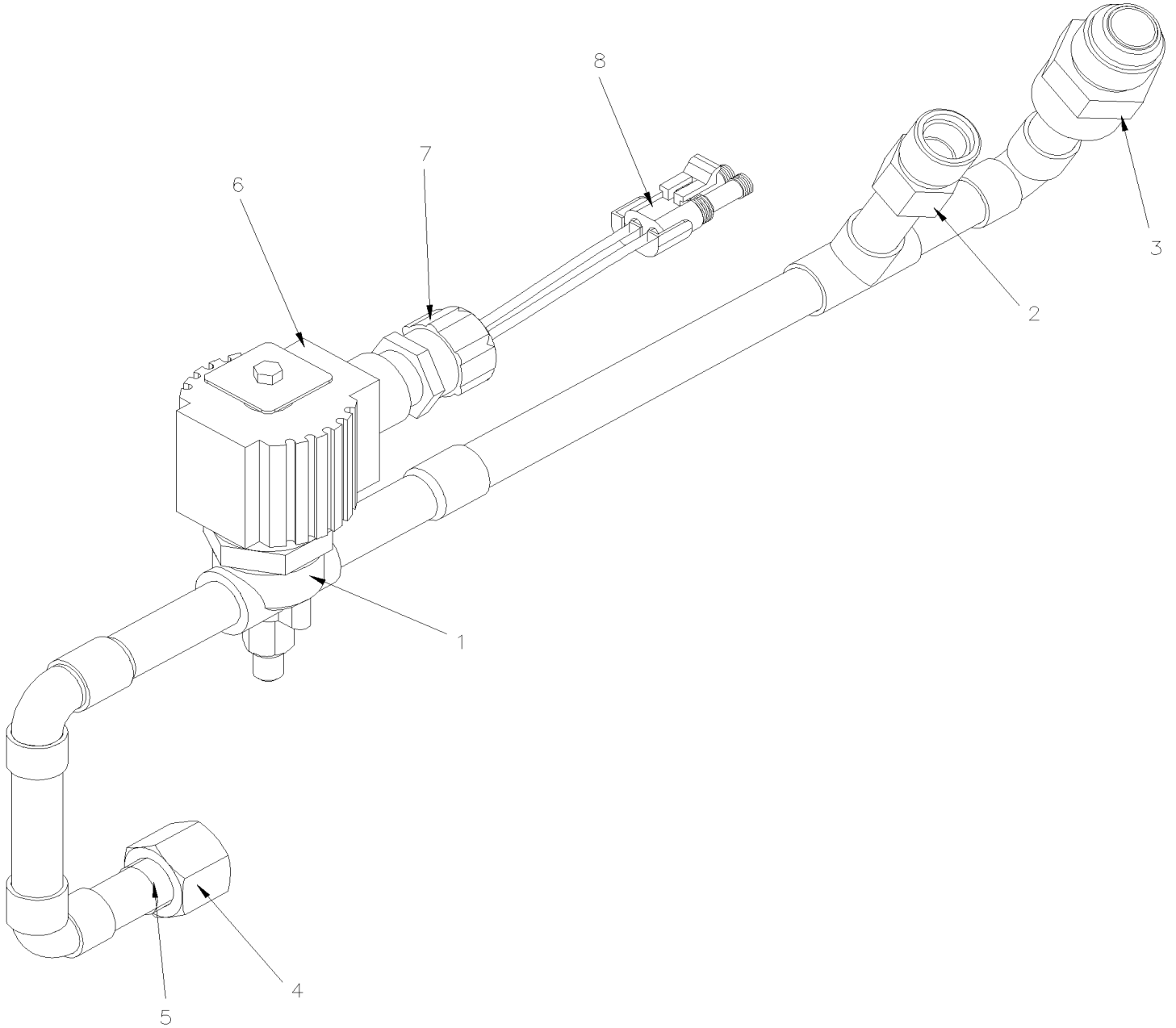
Item#	Part	Description	QTY	Notes
	Call order desk	VALVE ASSY / REFRIGERANT SOLENOID To F-5786	1	P
	454951P	VALVE ASSY / REFRIGERANT SOLENOID From F-5787	1	
1	457708	. SOLENOID ASSY	1	
1	950953	. . COIL 24V / SERVICE	1	
2	560434	. . CONNECTOR 1/2" PIPE	1	
3	560931	. . DIODE / 3AMPS	1	
3	562499	. . SHRINK TUBING / .250" - .125" / CLEAR / ALPHA FIT 221-1/4	AR	
4	561565	. . CABLE SEAL / GREEN / PED 15324982	2	
4	561578	. . SOCKET TERMINAL / 16-14 / PED 12010182	2	
4	561690	. . CONNECTOR / WEATHER PACK / SH 2C / BLACK / PED 12015792	1	
5	Call order desk	. VALVE ASSY To F-5786	1	P
5	Call order desk	. VALVE ASSY From F-5787	1	P
5	950951	. . VALVE REFRIGERANT SOLENOID	1	
6	5011077	. . ADAPTER "TUBE-O" @ BRAZE / #8TUBE-O-Fx#8 BR	1	
7	507278	. O-RING / ORS FITTING / #4 NEO	1	
		P) CALL ORDER DESK FOR SPECIFIC APPLICATION (V.I.N.)		

From H-6180

Date:01/2024

PAGE:X3-2208-12

REFRIGERANT SOLENOID VALVE W/O A/C PARCEL RACK



From H-6180	Date:01/2024	PAGE:X3-2208-12
REFRIGERANT SOLENOID VALVE W/O A/C PARCEL RACK		

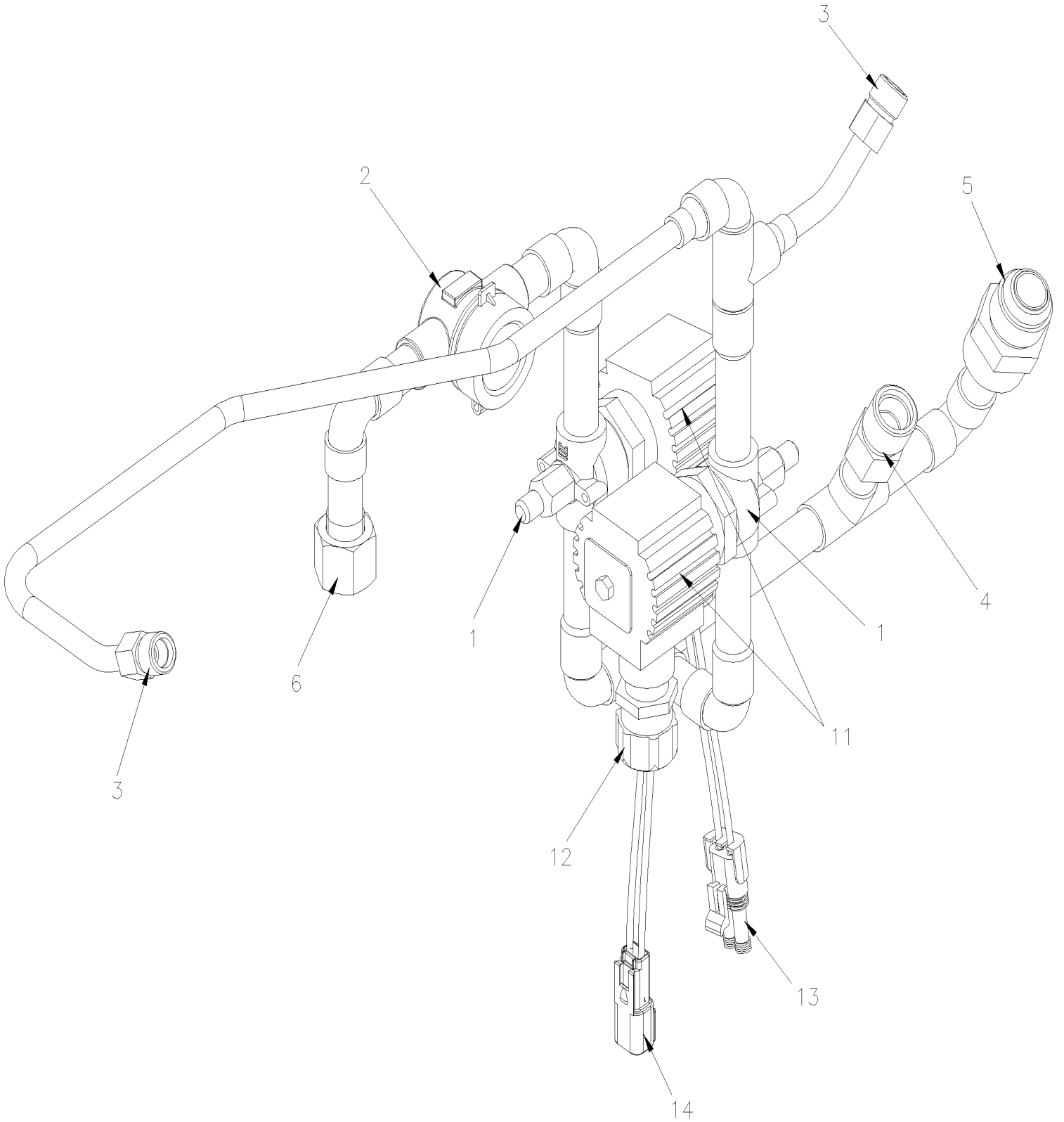
Item#	Part	Description	QTY	Notes
	450041	VALVE ASSY / REFRIGERANT WITHOUT SOLENOID To K-6492	1	
NS	501829	O-RING / ORS FITTING / #12 NEO To K-6492	1	
	450709	VALVE ASSY / REFRIGERANT WITHOUT SOLENOID From L-6493	1	
NS	501829	O-RING / ORS FITTING / #12 NEO From L-6493	1	
1	950951	VALVE REFRIGERANT SOLENOID	1	
2	5011072	ADAPTER "TUBE-O" @ BRAZE / #10TUBE-O-Fx#10 BR	1	
3	507525	ADAPTER JIC @ BRAZE W/O-RING // #12JIC-Mx#10BRAZE-F BR	AR	
NS	501829	O-RING / ORS FITTING / #12 NEO	1	
4	507528	NUT / JIC 37° FITTING / #10JIC-F STL	2	
5	507527	SLEEVE / JIC 37° FITTING / #10 STL	1	
6	950953	COIL 24V / SERVICE	1	
7	560434	CONNECTOR 1/2" PIPE	1	
8	561690	CONNECTOR / WEATHER PACK / SH 2C / BLACK / PED 12015792	1	
NS	561578	SOCKET TERMINAL / 16-14 / PED 12010182	2	
NS	561565	CABLE SEAL / GREEN / PED 15324982	2	

From F-5775 To H-6179

Date:01/2024

PAGE:X3-2208-30

REFRIGERANT SOLENOID VALVE WITH A/C PARCEL RACK



From F-5775 To H-6179	Date:01/2024	PAGE:X3-2208-30
REFRIGERANT SOLENOID VALVE WITH A/C PARCEL RACK		

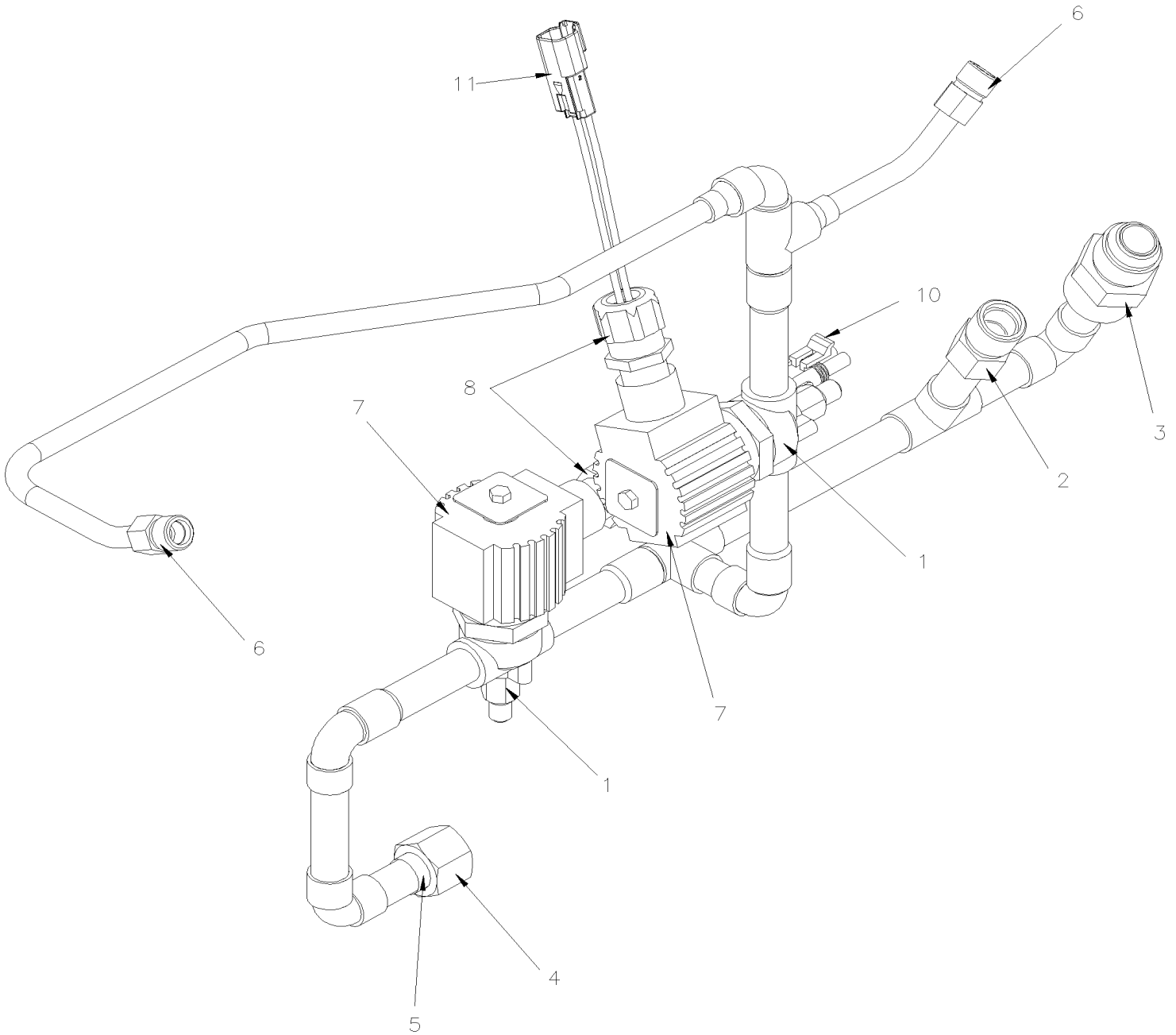
Item#	Part	Description	QTY	Notes
	454935P	VALVE ASSY / REFRIGERANT WITHOUT SOLENOID	1	
1	950951	. VALVE REFRIGERANT SOLENOID	2	
2	950333	. MOISTURE INDICATOR	1	
. NS	950711	. . LENS ASSY KIT MOISTURE INDICATOR	1	
. . NS	950712	. . . O-RING MOISTURE INDICATOR	1	
2	950029	. CAP, MOISTURE INDICATOR	1	
3	5011071	. ADAPTER "TUBE-O" @ BRAZE / #6TUBE-O-Fx#6 BR	2	
4	5011072	. ADAPTER "TUBE-O" @ BRAZE / #10TUBE-O-Fx#10 BR	1	
5	507525	. ADAPTER JIC @ BRAZE W/O-RING // #12JIC-Mx#10BRAZE-F BR	1	
. NS	501829	. . O-RING / ORS FITTING / #12 NEO	1	
6	507528	. NUT / JIC 37° FITTING / #10JIC-F STL	1	
6	507527	. SLEEVE / JIC 37° FITTING / #10 STL	1	
11	950953	COIL 24V / SERVICE	2	
12	560434	CONNECTOR 1/2" PIPE	2	
13	561690	CONNECTOR / WEATHER PACK / SH 2C / BLACK / PED 12015792	1	
13	561565	CABLE SEAL / GREEN / PED 15324982	2	
13	561578	SOCKET TERMINAL / 16-14 / PED 12010182	2	
14	562486	CONNECTOR / DT SERIES / PH 2C / GRAY / DEUTSCH DT04-2P	1	
14	562286	PIN TERMINAL / 18-16 / DEUTSCH 0460-202-16141	2	
14	562487	SECONDARY LOCK / DT SERIES / PH 2C / DEUTSCH W2P	1	

From H-6180 To K-6492

Date:01/2024

PAGE:X3-2208-31

REFRIGERANT SOLENOID VALVE WITH A/C PARCEL RACK - "GHG17"



From H-6180 To K-6492	Date:01/2024	PAGE:X3-2208-31
REFRIGERANT SOLENOID VALVE WITH A/C PARCEL RACK - "GHG17"		

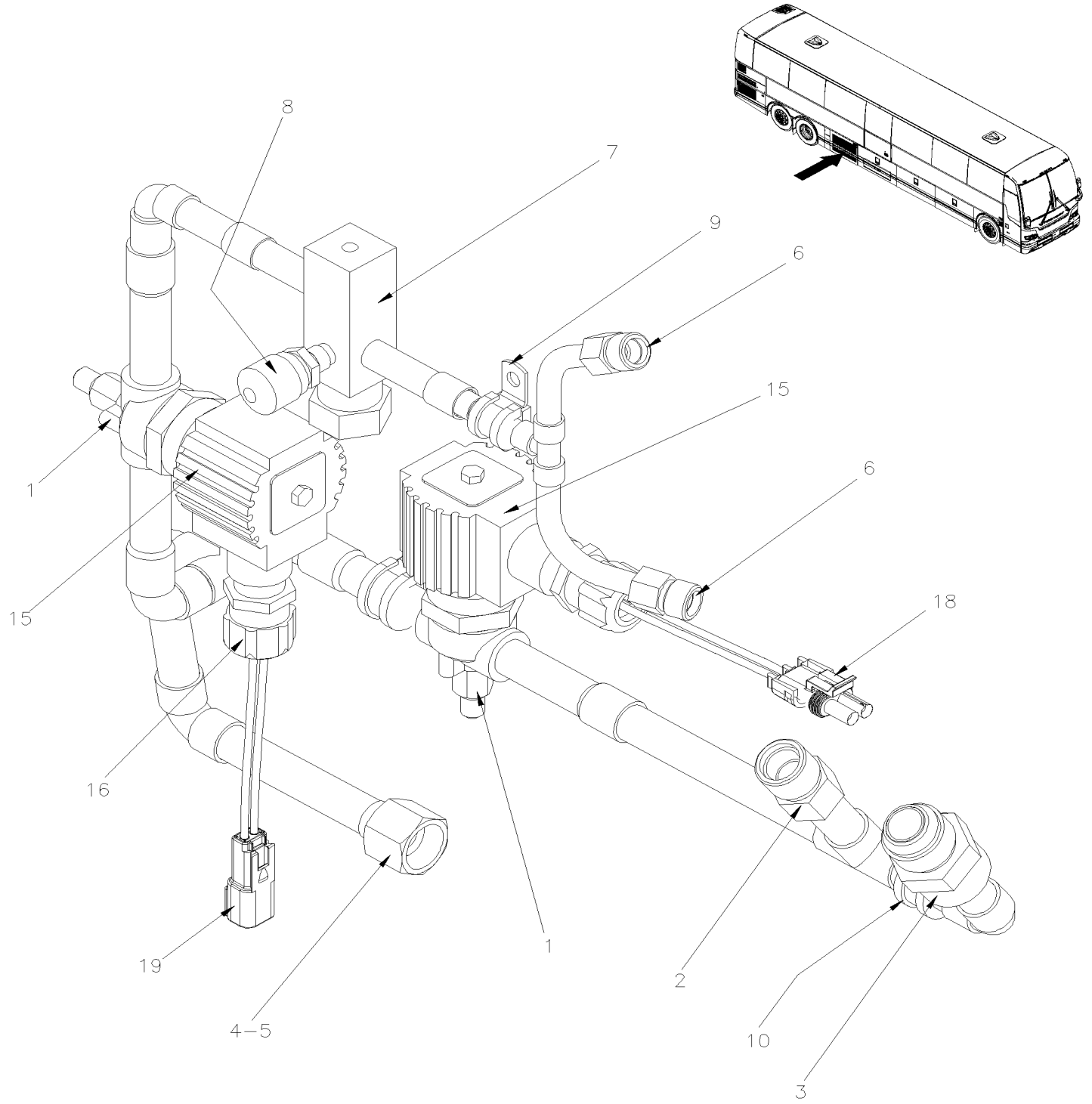
Item#	Part	Description	QTY	Notes
	450043	VALVE ASSY / REFRIGERANT WITHOUT SOLENOID	1	
1	950951	. VALVE REFRIGERANT SOLENOID	2	
2	5011072	. ADAPTER "TUBE-O" @ BRAZE / #10TUBE-O-Fx#10 BR	1	
3	507525	. ADAPTER JIC @ BRAZE W/O-RING // #12JIC-Mx#10BRAZE-F BR	1	
. NS	501829	. . O-RING / ORS FITTING / #12 NEO	1	
4	507528	. NUT / JIC 37° FITTING / #10JIC-F STL	1	
5	507527	. SLEEVE / JIC 37° FITTING / #10 STL	1	
6	5011071	. ADAPTER "TUBE-O" @ BRAZE / #6TUBE-O-Fx#6 BR	2	
7	950953	COIL 24V / SERVICE	2	
8	560434	CONNECTOR 1/2" PIPE	1	
NS	562499	SHRINK TUBING / .250" - .125" / CLEAR / ALPHA FIT 221-1/4	AR	
10	561690	CONNECTOR / WEATHER PACK / SH 2C / BLACK / PED 12015792	1	
10	561578	SOCKET TERMINAL / 16-14 / PED 12010182	1	
10	561565	CABLE SEAL / GREEN / PED 15324982	1	
11	562486	CONNECTOR / DT SERIES / PH 2C / GRAY / DEUTSCH DT04-2P	1	
NS	562286	PIN TERMINAL / 18-16 / DEUTSCH 0460-202-16141	2	
NS	562487	SECONDARY LOCK / DT SERIES / PH 2C / DEUTSCH W2P	1	

From L-6493

Date:01/2024

PAGE:X3-2208-32

REFRIGERANT SOLENOID VALVE WITH A/C PARCEL RACK



From L-6493		Date:01/2024	PAGE:X3-2208-32
-------------	--	--------------	-----------------

REFRIGERANT SOLENOID VALVE WITH A/C PARCEL RACK

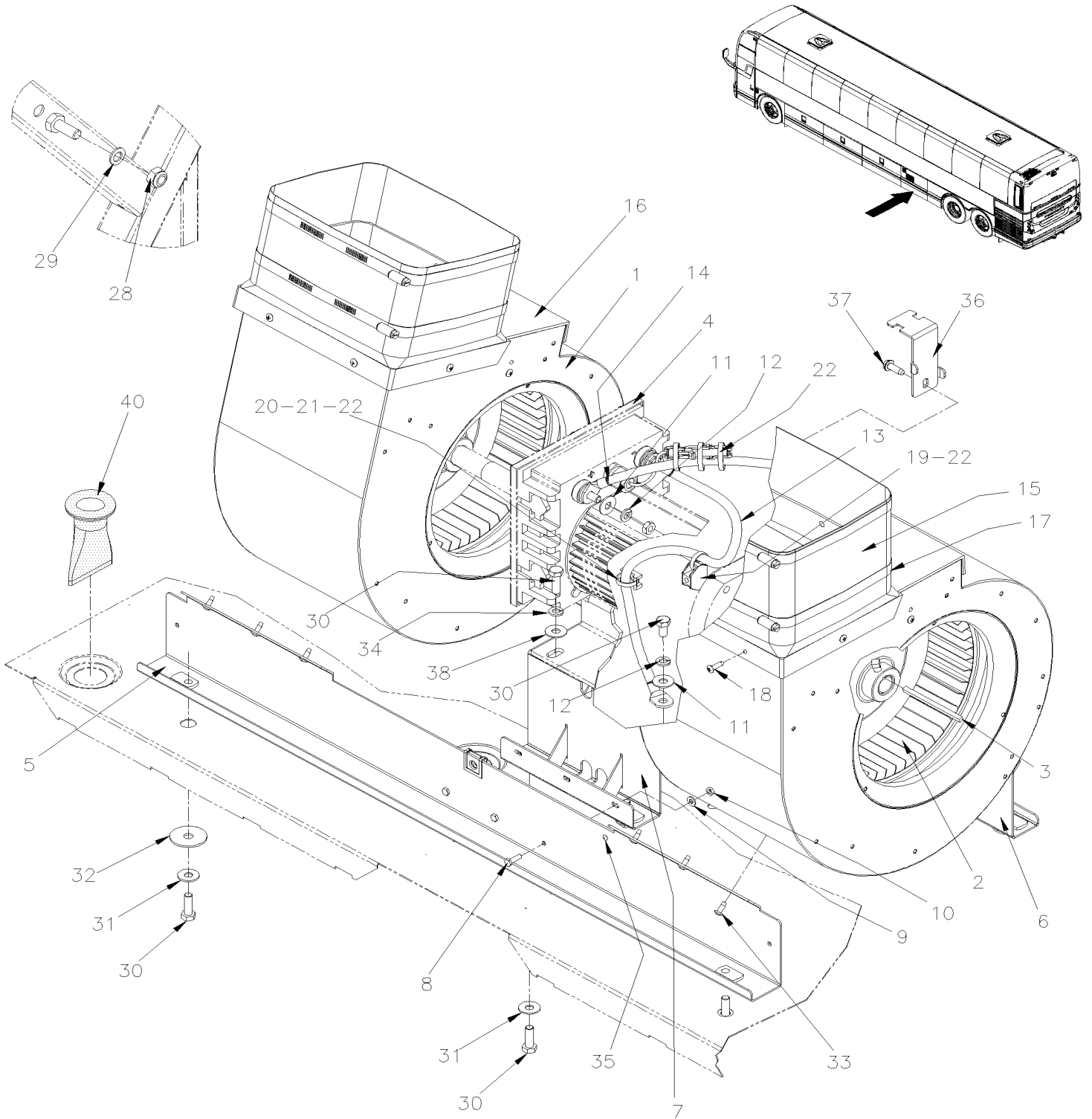
Item#	Part	Description	QTY	Notes
	450655	VALVE ASSY / REFRIGERANT WITHOUT SOLENOID To N-6748	1	
	454903	VALVE ASSY / REFRIGERANT WITHOUT SOLENOID From P-6749	1	
1	950951	. VALVE REFRIGERANT SOLENOID	2	
2	5011072	. ADAPTER "TUBE-O" @ BRAZE / #10TUBE-O-Fx#10 BR	1	
3	507525	. ADAPTER JIC @ BRAZE W/O-RING // #12JIC-Mx#10BRAZE-F BR	1	
. NS	501829	. . O-RING / ORS FITTING / #12 NEO	1	
4	507528	. NUT / JIC 37° FITTING / #10JIC-F STL	1	
5	507527	. SLEEVE / JIC 37° FITTING / #10 STL	1	
6	5011071	. ADAPTER "TUBE-O" @ BRAZE / #6TUBE-O-Fx#6 BR	2	
7	950376	. VALVE SERVICE HIGH PRESSURE To N-6748	1	
7	950659	. VALVE SERVICE HIGH PRESSURE From P-6749	1	
8	950234	. GAUGE ADAPTOR ASSY / W/RED CAP FOR R-134A / DISCHARGE SIDE (ALUMINUM)	1	
9	952625	. CLAMP / 3/8" I.D.	1	
10	952629	. CLAMP / 5/8" I.D.	2	
15	451187	SOLENOID ASSY W/WEATHER PACK CONNECTOR	1	
. NS	950953	. COIL 24V / SERVICE	1	
. NS	560434	. CONNECTOR 1/2" PIPE	1	
. NS	561690	. CONNECTOR / WEATHER PACK / SH 2C / BLACK / PED 12015792	1	
. NS	561578	. SOCKET TERMINAL / 16-14 / PED 12010182	2	
. NS	561565	. CABLE SEAL / GREEN / PED 15324982	2	
15	451031	SOLENOID ASSY W/DEUTCH CONNECTOR	1	
. NS	950953	. COIL 24V / SERVICE	1	
. NS	560434	. CONNECTOR 1/2" PIPE	1	
. NS	562486	. CONNECTOR / DT SERIES / PH 2C / GRAY / DEUTSCH DT04-2P	1	
. NS	562487	. SECONDARY LOCK / DT SERIES / PH 2C / DEUTSCH W2P	1	
. NS	562286	. PIN TERMINAL / 18-16 / DEUTSCH 0460-202-16141	2	
15	950953	. COIL 24V / SERVICE	2	
16	560434	. CONNECTOR 1/2" PIPE	2	
NS	562499	. SHRINK TUBING / .250" - .125" / CLEAR / ALPHA FIT 221-1/4	AR	
18	561690	. CONNECTOR / WEATHER PACK / SH 2C / BLACK / PED 12015792	1	
18	561578	. SOCKET TERMINAL / 16-14 / PED 12010182	2	
18	561565	. CABLE SEAL / GREEN / PED 15324982	2	
19	562486	. CONNECTOR / DT SERIES / PH 2C / GRAY / DEUTSCH DT04-2P	1	
NS	562286	. PIN TERMINAL / 18-16 / DEUTSCH 0460-202-16141	2	
NS	562487	. SECONDARY LOCK / DT SERIES / PH 2C / DEUTSCH W2P	1	

From 7-8754

Date:01/2024

PAGE:X3-2210-00

HEATER & EVAPORATOR BLOWER - INSTALLATION



From 7-8754		Date:01/2024	PAGE:X3-2210-00
-------------	--	--------------	-----------------

HEATER & EVAPORATOR BLOWER - INSTALLATION

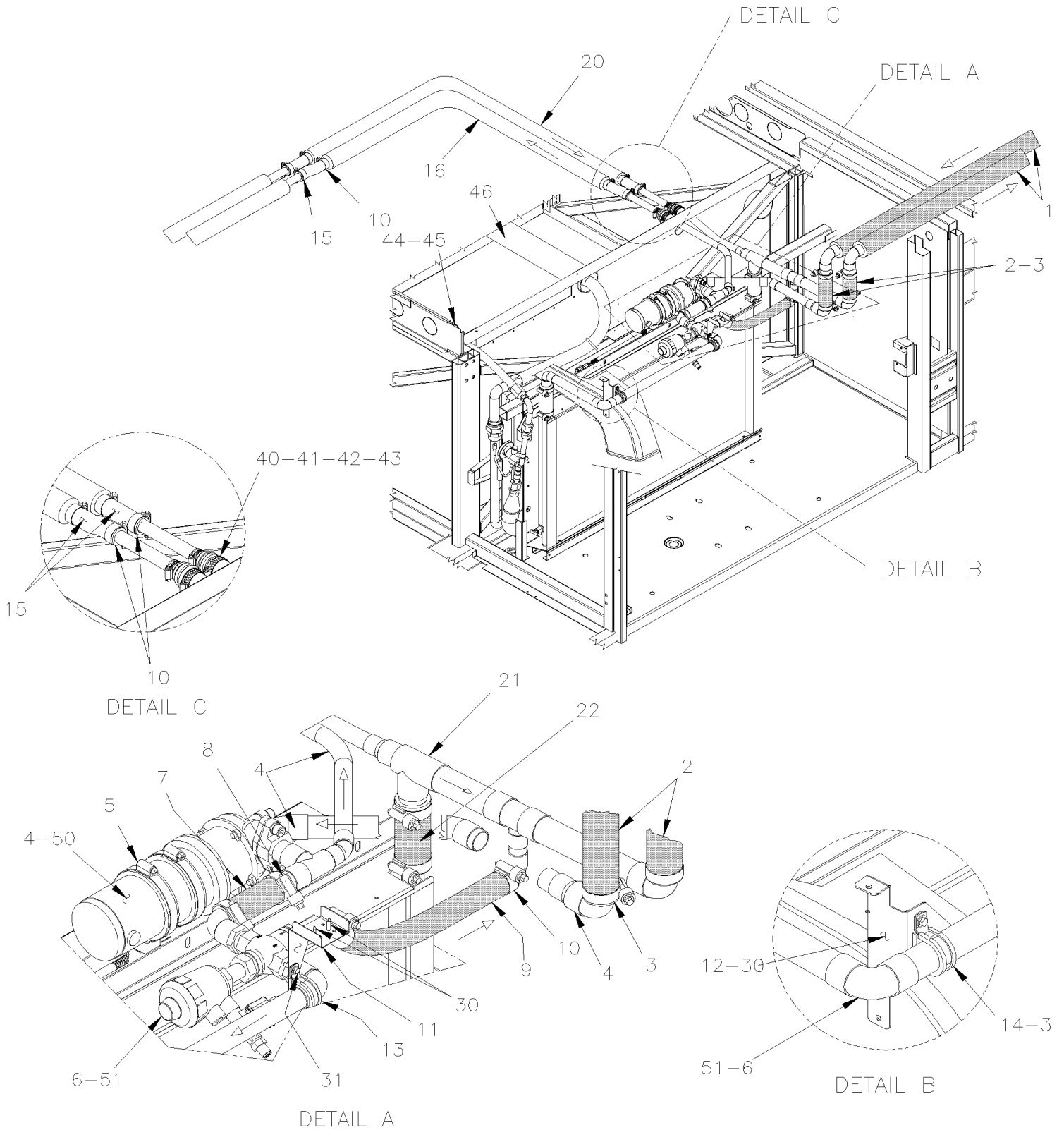
Item#	Part	Description	QTY	Notes
1	871306	HOUSING ASSY W/BLOWER WHEEL	2	
1	871308	. HOUSING ASSY, GALVANISED	1	
2	870956	. BLOWER WHEEL	1	
3	452085	KEY 3/16 X 82 MM	2	
4	X3-2265-00	MOTOR - EVAPORATOR - "PREVOST" - T-17 - 2 SPEEDS		
4	X3-2265-01	MOTOR - EVAPORATOR BRUSHLESS		
5	453990	SUPPORT To E-5458	1	
5	454726	SUPPORT From E-5459 To E-5759	1	
5	457568	SUPPORT From F-5760 To H-6128	1	
5	450103	SUPPORT From H-6129	1	
6	453995	SUPPORT	1	
7	457414	BASE SUB ASSY	1	
8	5001447	SCREW CAP HEX #10-24x5/8 PT SS BK	6	
9	5001137	WASHER FL .203x.438x.050 SS	6	
10	5001180	NUT HEX NYRT #10-24 SS	6	
11	5001448	WASHER FL .343x.875x.062 SS18-8 From H-6180	3	
12	500035	WASHER LO SPT .317x.586x.078 SS From H-6180	3	
13	060527	EVAPORATOR POWER HARNESS GROUND From H-6180	1	
14	060529	EVAPORATOR POWER HARNESS From H-6180	1	
15	453986	FLEXIBLE DUCT / HEIGHT 140MM	2	
16	453992	TRANSITION ADAPTOR FLEXIBLE DUCT	2	
17	504729	CLAMP HOSE SS/CR 203-279	2	
18	500957	SCREW TP BDG PH #10x3/4 N500	10	
19	509492	CABLE TIE MOUNT FOR THREADED STUD 1/4	1	
20	504013	TIE MOUNT / 1/4" X 1/4" I.D.	1	
21	504379	RIVET POP DOME OE 3/16x1/4 SS	1	
22	504637	CABLE TIE / 3/16" x 13"	AR	
28	5002028	NUT HEX NYRT M10-1.5 SS	1	
29	5001935	WASHER FL 10.5x18.0x1.6 SS	1	
30	502780	SCREW CAP HEX M8-1.25x25 SS BK To G-5945	AR	
30	5001527	SCREW CAP HEX M8-1.25x16 SS BK From G-5946	AR	
31	5001448	WASHER FL .343x.875x.062 SS18-8	AR	
32	500261	WASHER FL .390x1.500x.083 N500 To G-5945	AR	
32	500462	WASHER FL .343x1.500x.083 SS From G-5946	AR	
33	502868	SCREW TC TR PH #10-16x1/2 N500	AR	
34	500035	WASHER LO SPT .317x.586x.078 SS To G-6046	4	
35	504112	RIVET POP DOME OE 1/8x1/8 AL	2	
36	068359	SUPPORT WIRING HARNESS	1	
37	502848	SCREW TC CAP HEXF 1/4-20x3/4 N500	1	
38	5001448	WASHER FL .343x.875x.062 SS18-8 To G-6046	4	
38	5001848	WASHER BEL SPR .827 x .331 x .098 th SS From G-6047	4	
40	453981	DRAIN BOOT 1" I.D. W/GROOVE 1.5 x 35MM I.D. x 62MM	4	

From 7-8754		Date:01/2024	PAGE:X3-2210-00
-------------	--	--------------	-----------------

HEATER & EVAPORATOR BLOWER - INSTALLATION

Item#	Part	Description	QTY	Notes
40	454653	DRAIN BOOT 1" I.D. W/GROOVE 1.5 x 35MM I.D. x 135MM To B-5001	5	G
40	414654	DRAIN BOOT 1" I.D. W/GROOVE 1.5 x 35MM I.D. x 85MM From B-5002	5	G
		G) WITH GREYHOUND VEHICLE		

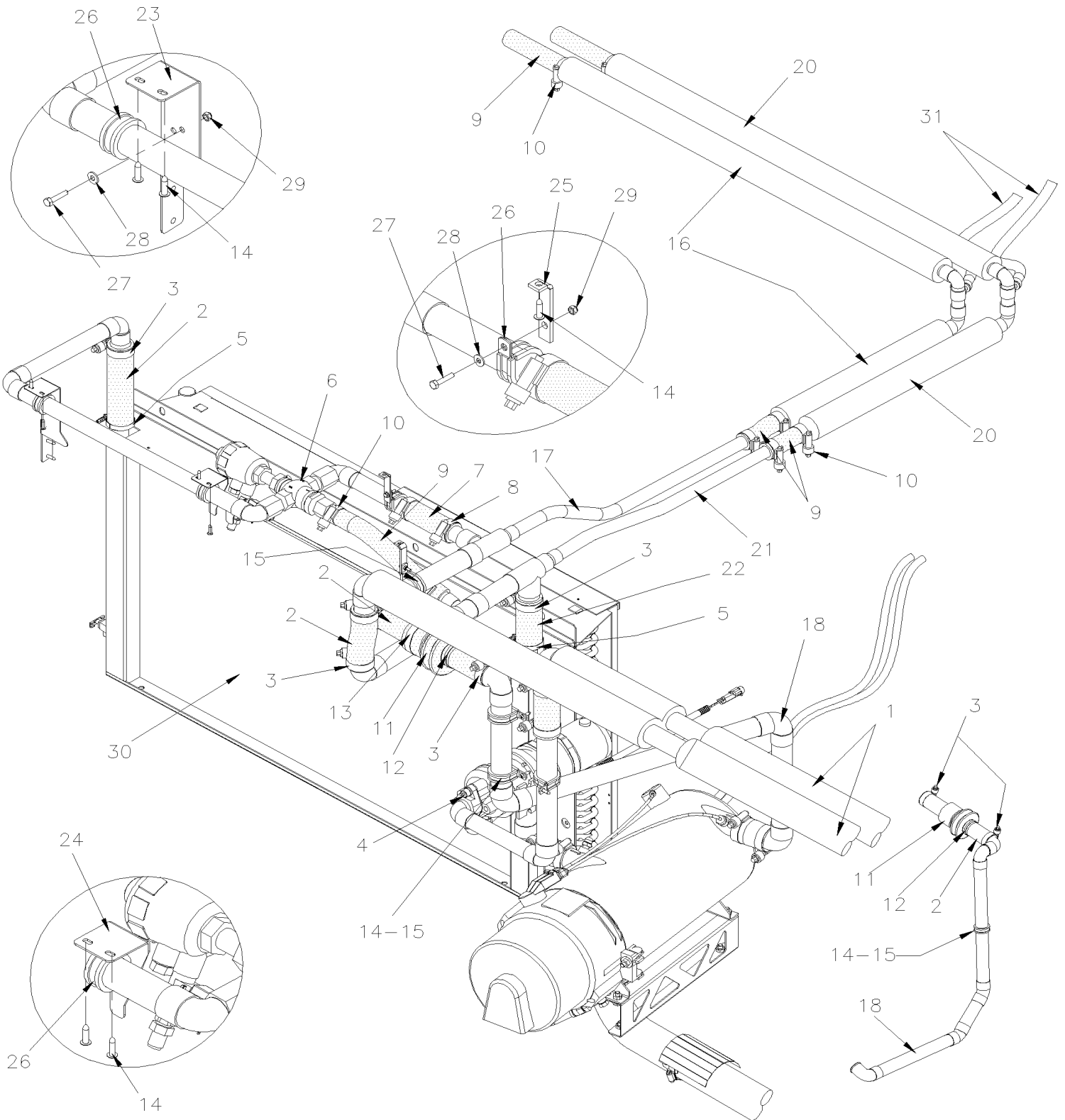
WATER PUMP - INSTALLATION



From 7-8754 To B-5001	Date:01/2024	PAGE:X3-2210-10
WATER PUMP - INSTALLATION		

Item#	Part	Description	QTY	Notes
1	X3-2222-00	HEATER LINE REAR SECTION WITH "DETROIT" ENGINE		
2	503392	HOSE SILICONE 4PLY 1 3/8" I.D. x 4'	AR	
3	504657	HOSE CLAMP / 1"1/16-2" C.T. 9424	AR	
4	X3-2206-00	WATER PUMP #871342 SEALLESS	1	
5	504235	HOSE CLAMP / 3"9/16"-4"1/2 SS / HS-64	2	
NS	506728	TAPE RUB ADH1 NEO 1/4" x 3/4" x 10' / BLACK	AR	
6	374198P	WATER VALVE ASSY W/PIPE & SUPPORT	1	
7	503652	HOSE SILICONE 2PLY 1 1/8" I.D. x 3'	AR	
8	504658	HOSE CLAMP / 13/16"-1"3/4 / C.T. 9420	AR	
9	503651	HOSE SILICONE 2PLY 7/8" I.D. x 3'	AR	
9	503797	HOSE SILICONE 4 PLY / NOMEX-ARAMID 7/8" I.D. x 6'	AR	
10	504646	HOSE CLAMP / 11/16"-1"1/4 / C.T. 9412	AR	
11	374217	SUPPORT WATER VALVE BACKWARD	1	
12	374195	SUPPORT WATER VALVE FORWARD	1	
13	952639	CLAMP / 1"1/4 I.D.	1	
14	952637	CLAMP / 1"1/16 I.D.	1	
15	371532	HOSE 7/8" I.D. 6"	1	
16	Call order desk	PIPE ASSY / 1453MM BACKWARD SECTION	1	P
20	374090P	PIPE ASSY / 1457MM FORWARD SECTION	1	
21	374124	PIPE ASSY / RETURN LINE / W/BYPASS VALVE OR W/OUT BY PASS	1	
22	051383	HOSE / W/CENTRAL A/C SYSTEM / 1 3/8" I.D. X 150MM	1	
30	500957	SCREW TP BDG PH #10x3/4 N500	AR	
31	500588	SCREW CAP HEX M4-0.7x20 G8.8 Z050	2	
NS	500438	WASHER FL .187x.437x.050 Z050	2	
NS	500590	NUT HEX NYRT M4-0.7 Z050	2	
40	504383	CUFF END BELLOW / 7/8" I.D. x 1 1/2" x 2 1/4"	2	
41	451075	PROTECTOR HOSE SPLIT / 7/8" O.D. x 3"	2	
42	504022	HOSE CLAMP / 3/4"-1"3/4 SS / HS-20	AR	
43	504016	CABLE TIE / 5/16" X 14"1/2	AR	
44	504024	HOSE CLAMP / 1"13/16"-2"3/4 SS / HS-36	1	
45	504384	CUFF END BELLOW / 1 1/4" I.D. x 1 3/4" x 4"	1	
46	454238	TUBE PVC / 3" x 1137MM	1	
50	X3-2206-00	WATER PUMP #871342 SEALLESS		
51	X3-2207-00	WATER VALVE - MAIN HEATER		
52	X3-2270-00	RECEIVER TANK & FILTER DRYER		
53	X3-2208-00	A/C EXPANSION VALVE		
54	X3-2205-00	HEATER & EVAPORATOR COIL - INSTALLATION		
		P) CALL ORDER DESK FOR SPECIFIC APPLICATION (V.I.N.)		

WATER PUMP - INSTALLATION VOLVO D13



From B-5002 To D-5458	Date:01/2024	PAGE:X3-2210-11
-----------------------	--------------	-----------------

WATER PUMP - INSTALLATION VOLVO D13

Item#	Part	Description	QTY	Notes
1	X3-2222-06	HEATER LINE REAR SECTION WITH "VOLVO" ENGINE "EPA 2010"		
2	503392	HOSE SILICONE 4PLY 1 3/8" I.D. x 4' To D-5381	AR	
2	503783	HOSE SILICONE 4PLY / NOMEX-ARAMID 34MM I.D. x 6' From D-5382	AR	
3	504657	HOSE CLAMP / 1"1/16-2" C.T. 9424 To D-5404	AR	
3	504783	HOSE CLAMP / 1"1/16-2" SS / C.T. W.S. From D-5405	AR	
4	X3-2206-00	WATER PUMP #871342 SEALLESS To D-5299		
4	X3-2206-01	WATER PUMP #874297 AMETEK From D-5300		
5	504692	HOSE CLAMP STEPLESS SPRING SS / OETIKER / 1.5-1.8	2	
6	X3-2207-00	WATER VALVE - MAIN HEATER		
7	503652	HOSE SILICONE 2PLY 1 1/8" I.D. x 3' To D-5381	AR	
7	503796	HOSE SILICONE 2 PLY / NOMEX-ARAMID 1 1/8" I.D. x 6' From D-5382	AR	
8	504658	HOSE CLAMP / 13/16"-1"3/4 / C.T. 9420 To D-5404	AR	
8	504782	HOSE CLAMP / 1 3/16-1 13/16 SS / C.T. W.S. From D-5405	AR	
9	503651	HOSE SILICONE 2PLY 7/8" I.D. x 3' To C-5133	AR	
9	503791	HOSE SILICONE 4 PLY / NOMEX-ARAMID 7/8" I.D. x 4' From C-5134 To D-5381	AR	
9	503797	HOSE SILICONE 4 PLY / NOMEX-ARAMID 7/8" I.D. x 6' From D-5382	AR	
10	504646	HOSE CLAMP / 11/16"-1"1/4 / C.T. 9412 To D-5404	AR	
10	504781	HOSE CLAMP / 13/16"-1 5/16" SS / C.T. W.S. From D-5405	AR	
11	504385	CUFF END BELLOW / 1 1/2" I.D. x 2 1/2" x 4"	1	
12	504637	CABLE TIE / 3/16" x 13"	1	
13	504302	HOSE CLAMP / 1"9/16-2"1/2 SS / E.T. 32	1	
14	500957	SCREW TP BDG PH #10x3/4 N500	AR	
15	952641	CLAMP / 1 5/16" I.D.	AR	
16	Call order desk	PIPE ASSY / INLET 1541MM From A-9907 To A-9907	1	P E
16	Call order desk	PIPE ASSY / INLET 1541MM From A-9926 To A-9926	1	P E
16	Call order desk	PIPE ASSY / INLET 1220MM From B-5002 To C-5133	1	P
16	Call order desk	PIPE ASSY / INLET 1220MM From C-5134	1	P
17	Call order desk	PIPE ASSY / INLET From A-9907 To A-9907	1	P E
17	Call order desk	PIPE ASSY / INLET From A-9926 To A-9926	1	P E
17	Call order desk	PIPE ASSY / INLET 267.8MM C/C From B-5002 To B-5049	1	P
17	Call order desk	PIPE ASSY / INLET From B-5050 To C-5133	1	P
17	Call order desk	PIPE ASSY / INLET 757MM From C-5134	1	P
18	Call order desk	PIPE ASSY / "WATER HEATER" / EXIT LINE From A-9907 To A-9907	1	P E
18	Call order desk	PIPE ASSY / "WATER HEATER" / EXIT LINE From A-9926 To A-9926	1	P E
18	Call order desk	PIPE ASSY BYPASS From B-5002 To B-5049	1	P
18	Call order desk	PIPE ASSY BYPASS From B-5050	1	P
18	Call order desk	ELBOW ASSY From B-5050 To D-5299	1	P
18	X3-2206-01	WATER PUMP #874297 AMETEK From D-5300	1	
20	Call order desk	PIPE ASSY / OUTLET 1545MM From A-9907 To A-9907	1	P E
20	Call order desk	PIPE ASSY / OUTLET 1545MM From A-9926 To A-9926	1	P E
20	Call order desk	PIPE ASSY / OUTLET 1225MM From B-5002 To C-5133	1	P
20	Call order desk	PIPE ASSY / OUTLET 1225MM From C-5134	1	P

From B-5002 To D-5458	Date:01/2024	PAGE:X3-2210-11
WATER PUMP - INSTALLATION VOLVO D13		

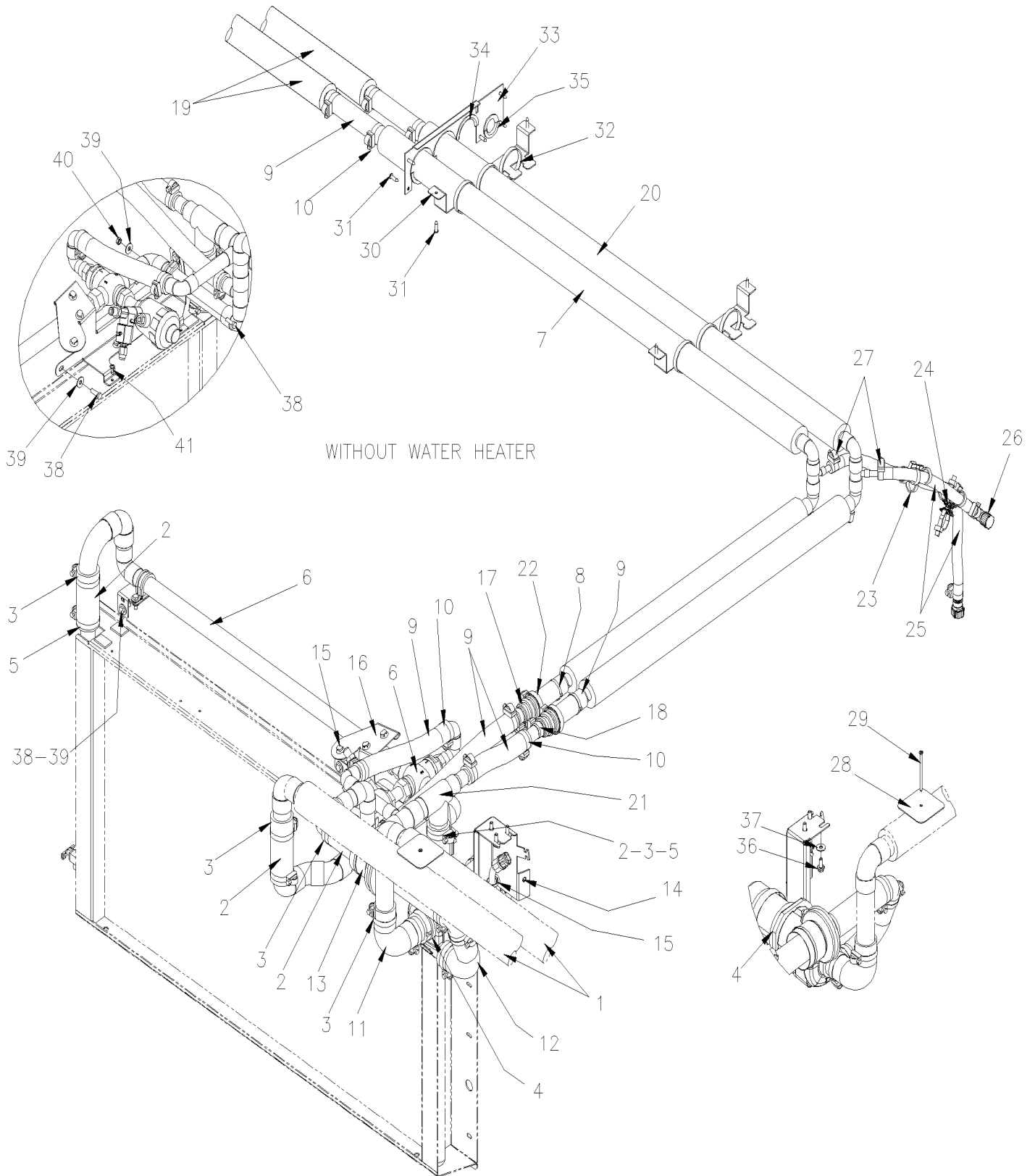
Item#	Part	Description	QTY	Notes
21	Call order desk	PIPE ASSY / OUTLET 428MM C/C From A-9907 To A-9907	1	P E
21	Call order desk	PIPE ASSY / OUTLET 428MM C/C From A-9926 To A-9926	1	P E
21	Call order desk	PIPE ASSY / OUTLET 395.2MM C/C From B-5002	1	P
22	051383	HOSE / W/CENTRAL A/C SYSTEM / 1 3/8" I.D. X 150MM	1	
22	503392	. HOSE SILICONE 4PLY 1 3/8" I.D. x 4' To D-5381	AR	
22	503783	. HOSE SILICONE 4PLY / NOMEX-ARAMID 34MM I.D. x 6' From D-5382	AR	
23	374195	SUPPORT WATER VALVE FORWARD	1	
24	374217	SUPPORT WATER VALVE BACKWARD	1	
25	450488	SUPPORT PIPE	2	
26	952637	CLAMP / 1"1/16 I.D.	3	
27	500588	SCREW CAP HEX M4-0.7x20 G8.8 Z050	4	
28	500438	WASHER FL .187x.437x.050 Z050	4	
29	500590	NUT HEX NYRT M4-0.7 Z050	4	
30	X3-2205-00	HEATER & EVAPORATOR COIL - INSTALLATION		
31	503779	HOSE SILICONE 1PLY 3/8" I.D. x 100' To D-5381	AR	
31	503806	HOSE SILICONE 1 PLY / NOMEX-ARAMID 3/8" I.D. x 100' From D-5382 To E-5759	AR	
31	503821	HOSE SILICONE 4 PLY / NOMEX-ARAMID 3/8" x 144" From F-5760	AR	
		E) EXCLUSIF ONLY WITH V.I.N. A-9907 & A-9926 WITH FUEL TANK IN 3 BAY DOOR		
		P) CALL ORDER DESK FOR SPECIFIC APPLICATION (V.I.N.)		

From E-5459 To H-6179

Date:01/2024

PAGE:X3-2210-12

WATER PUMP - INSTALLATION VOLVO D13

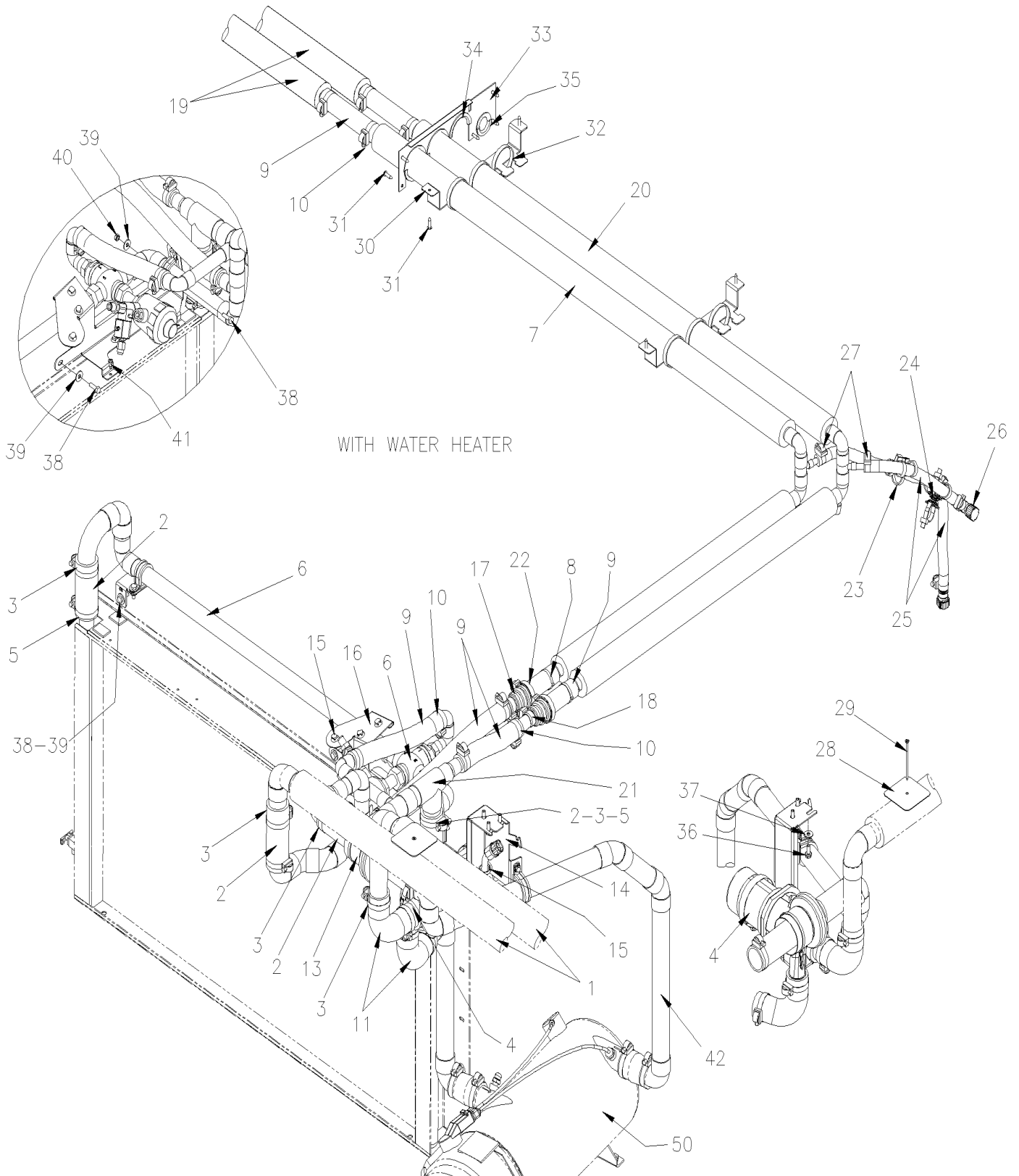


From E-5459 To H-6179

Date:01/2024

PAGE:X3-2210-12

WATER PUMP - INSTALLATION VOLVO D13



From E-5459 To H-6179	Date:01/2024	PAGE:X3-2210-12
WATER PUMP - INSTALLATION VOLVO D13		

Item#	Part	Description	QTY	Notes
1	X3-2222-06	HEATER LINE REAR SECTION WITH "VOLVO" ENGINE "EPA 2010"		
2	503783	HOSE SILICONE 4PLY / NOMEX-ARAMID 34MM I.D. x 6'	AR	
3	504783	HOSE CLAMP / 1"1/16-2" SS / C.T. W.S. To E-5759	AR	
3	992086	HOSE CLAMP / 32MM/52MM From F-5760	AR	
4	X3-2206-01	WATER PUMP #874297 AMETEK		
5	504692	HOSE CLAMP STEPLESS SPRING SS / OETIKER / 1.5-1.8 To E-5759	2	
5	992086	HOSE CLAMP / 32MM/52MM From F-5760	2	
6	X3-2207-00	WATER VALVE - MAIN HEATER		
7	Call order desk	PIPE ASSY / INLET	1	P
8	504637	CABLE TIE / 3/16" x 13"	AR	
9	503797	HOSE SILICONE 4 PLY / NOMEX-ARAMID 7/8" I.D. x 6'	AR	
10	504781	HOSE CLAMP / 13/16"-1 5/16" SS / C.T. W.S. To E-5759	AR	
10	992084	HOSE CLAMP / 23MM/35MM From F-5760	AR	
11	374307	ELBOW 90° X 1 3/8" I.D. / 88MM x 150MM C/C / SILICONE 1 PLY To E-5759	1	
11	378923	ELBOW 90° X 1 3/8" I.D. / 88MM x 150MM C/C / SILICONE 4 PLY From F-5760	1	
12	374258	ELBOW 90° X 1 3/8" I.D. / 88MM x 128MM C/C / SILICONE 1 PLY To E-5759	1	
12	378922	ELBOW 90° X 1 3/8" I.D. / 88MM x 128MM C/C / SILICONE 4 PLY From F-5760	1	
13	504385	CUFF END BELLOW / 1 1/2" I.D. x 2 1/2" x 4"	1	
13	504637	CABLE TIE / 3/16" x 13"	1	
14	374649	SUPPORT / WATER PUMP	1	
15	509815	TIE MOUNT / ATTACHMENT W/TREE MOUNT	AR	
15	504637	CABLE TIE / 3/16" x 13"	AR	
16	374674	SUPPORT WATER VALVE BACKWARD	1	
17	504383	CUFF END BELLOW / 7/8" I.D. x 1 1/2" x 2 1/4"	2	
18	504020	HOSE CLAMP / 9/16"-1"1/4 SS / HS-12 To E-5759	2	
18	992084	HOSE CLAMP / 23MM/35MM From F-5760	2	
19	374492	PIPE ASSY / CENTRAL SECTION 2345MM To G-5909	2	
19	378928	PIPE ASSY / CENTRAL SECTION 4342MM From G-5910	2	
20	Call order desk	PIPE ASSY / OUTLET	1	P
21	Call order desk	PIPE ASSY / OUTLET	1	P
22	504022	HOSE CLAMP / 3/4"-1"3/4 SS / HS-20 To E-5759	2	
22	992086	HOSE CLAMP / 32MM/52MM From F-5760	2	
23	504768	CABLE TIE / 3/16" 14.7" / DOUBLE LOOP HEAD	3	
24	504751	ROTATIF SPACER DOUBLE / SMALL To E-5759	1	
24	504016	CABLE TIE / 5/16" X 14"1/2 To E-5759	2	
24	8631155	CABLE TIE / 4.6MM x 200 / CHRISTMAS TREE From F-5760	AR	
25	503821	HOSE SILICONE 4 PLY / NOMEX-ARAMID 3/8" x 144"	AR	
26	20805110	QUICK CONNECTOR 90° 10MM	2	
27	992081	HOSE CLAMP / 12MM/22MM	4	
28	374364	SUPPORT, PIPE	1	
29	500502	SCREW WO FL PH #8x3 Z050	1	
30	457699	SUPPORT To F-5780	6	

From E-5459 To H-6179	Date:01/2024	PAGE:X3-2210-12
WATER PUMP - INSTALLATION VOLVO D13		

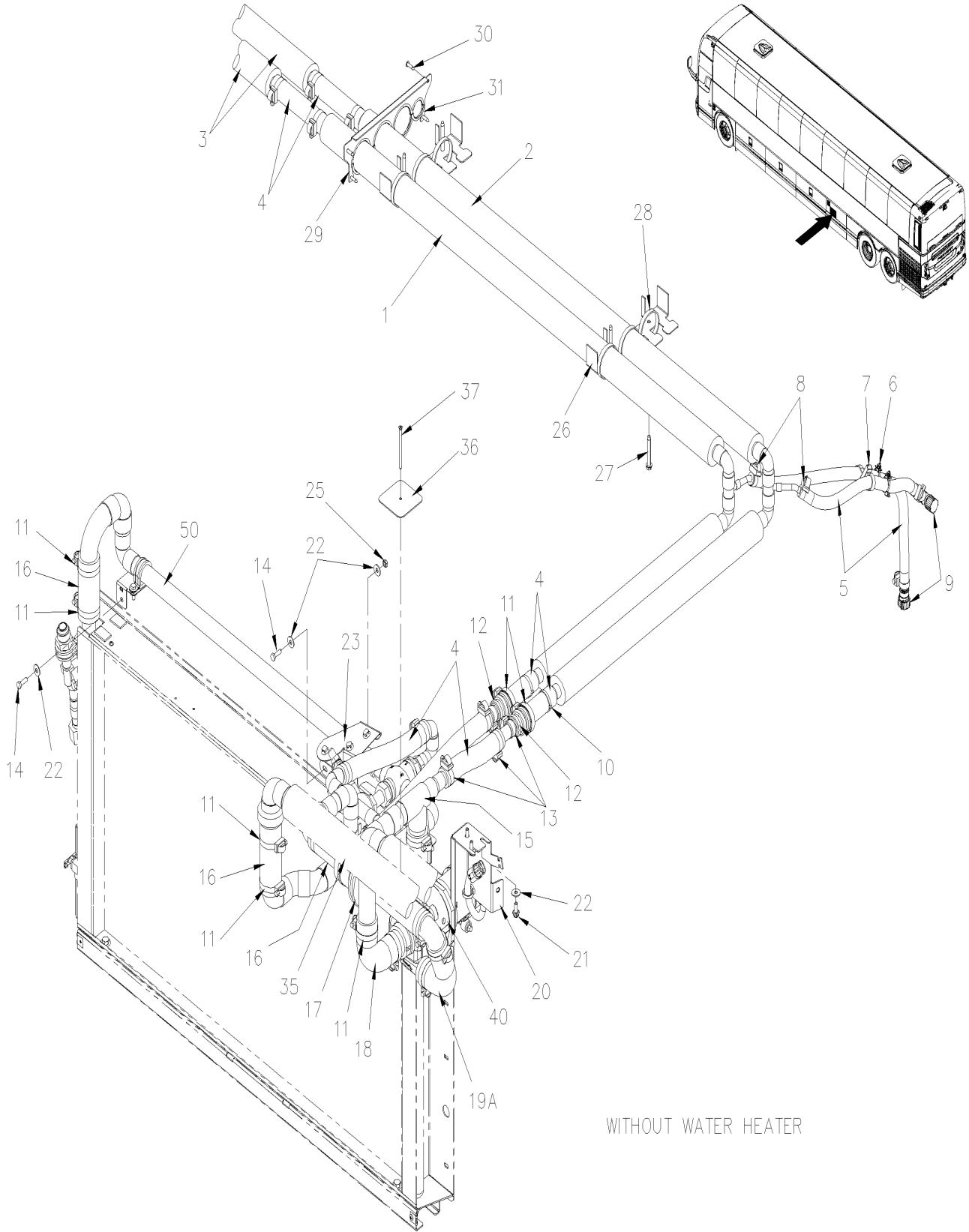
Item#	Part	Description	QTY	Notes
30	457712	SUPPORT From F-5781	6	
31	500957	SCREW TP BDG PH #10x3/4 N500	AR	
32	504016	CABLE TIE / 5/16" X 14"1/2	AR	
33	221674	CLOSING PLATE ASS	1	
34	5060120	. GROMMET EDGING ADHESIVE .036-.062	AR	
35	506338	RUBBER CHANNEL / 1/16" x 1/4" INT "U" SHAPE / ROUND C.T.L.	AR	
35	680532	SEALANT SIKA #221 / GREY / 310ml CARTRIDGE To G-6083	AR	
35	684517	ADHESIVE SIMSON #ISR 70-03 / GREY / 310ml CARTRIDGE From G-6084	AR	
36	5001730	SCREW CAP HEXF M6-1.0x16 G10.9 N500	3	
37	5001833	WASHER BEL SPR 6.1x18x1.27 SS	3	
38	502830	SCREW CAP HEX M6-1.0x20 G8.8 N500	3	
39	5001833	WASHER BEL SPR 6.1x18x1.27 SS	3	
40	502854	NUT HEX M6-1.0 N500	1	
41	502868	SCREW TC TR PH #10-16x1/2 N500	2	
42	Call order desk	PIPE ASSY BYPASS To G-5990	1	P
42	Call order desk	PIPE ASSY BYPASS From G-5991	1	P
50	X3-2350-11	WATER HEATER - INSTALLATION		
NS	680532	SEALANT SIKA #221 / GREY / 310ml CARTRIDGE	AR	
NS	684978	SPRAY URETHANE HILTI CAN	AR	
		P) CALL ORDER DESK FOR SPECIFIC APPLICATION (V.I.N.)		

From H-6180

Date:01/2024

PAGE:X3-2210-13

WATER PUMP - INSTALLATION VOLVO D13 - "GHG17"

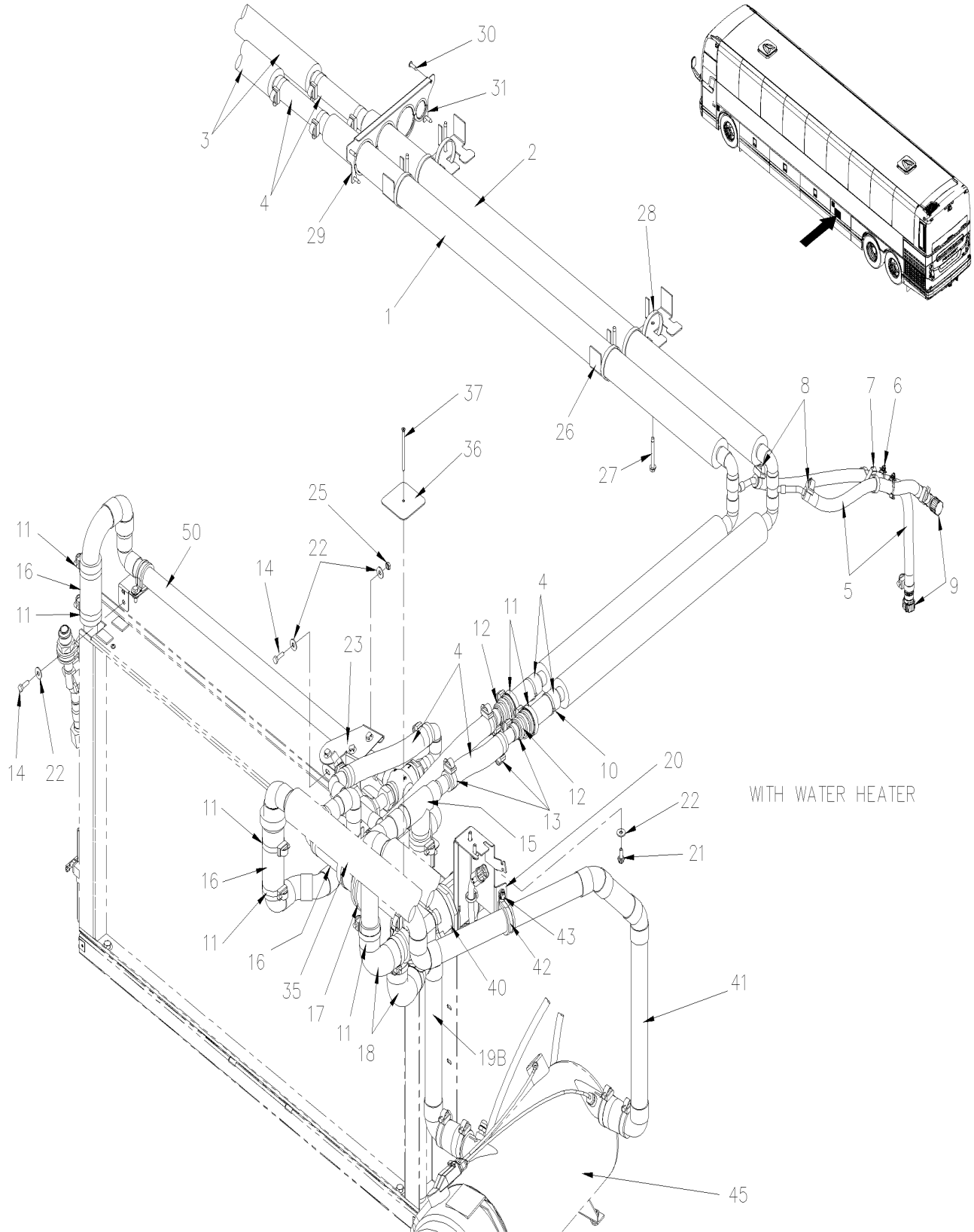


From H-6180

Date:01/2024

PAGE:X3-2210-13

WATER PUMP - INSTALLATION VOLVO D13 - "GHG17"



From H-6180	Date:01/2024	PAGE:X3-2210-13
WATER PUMP - INSTALLATION VOLVO D13 - "GHG17"		

Item#	Part	Description	QTY	Notes
1	374881	PIPE ASSY / INLET	1	
2	374880	PIPE ASSY / OUTLET	1	
3	378928	PIPE ASSY / CENTRAL SECTION 4342MM	2	
4	503797	HOSE SILICONE 4 PLY / NOMEX-ARAMID 7/8" I.D. x 6'	2	
5	503821	HOSE SILICONE 4 PLY / NOMEX-ARAMID 3/8" x 144"	AR	
6	8631155	CABLE TIE / 4.6MM x 200 / CHRISTMAS TREE	AR	
7	504768	CABLE TIE / 3/16" 14.7" / DOUBLE LOOP HEAD	AR	
8	992081	HOSE CLAMP / 12MM/22MM	AR	
9	20805110	QUICK CONNECTOR 90° 10MM	AR	
10	504637	CABLE TIE / 3/16" x 13"	AR	
11	992086	HOSE CLAMP / 32MM/52MM	AR	
12	504383	CUFF END BELLOW / 7/8" I.D. x 1 1/2" x 2 1/4"	2	
13	992084	HOSE CLAMP / 23MM/35MM	AR	
14	502830	SCREW CAP HEX M6-1.0x20 G8.8 N500	AR	
15	374689	PIPE ASSY / OUTLET To N-6713	1	
15	370047	PIPE ASSY / OUTLET From N-6714	1	
16	503783	HOSE SILICONE 4PLY / NOMEX-ARAMID 34MM I.D. x 6'	AR	
17	504385	CUFF END BELLOW / 1 1/2" I.D. x 2 1/2" x 4"	1	
NS	504637	CABLE TIE / 3/16" x 13"	1	
18	378923	ELBOW 90° X 1 3/8" I.D. / 88MM x 150MM C/C / SILICONE 4 PLY	1	
19A	378922	ELBOW 90° X 1 3/8" I.D. / 88MM x 128MM C/C / SILICONE 4 PLY	1	
19B	370412	PIPE ASSY, WATER PUMP OUTPUT	1	
20	374649	SUPPORT / WATER PUMP To J-6295	1	
20	370164	SUPPORT / WATER PUMP From J-6296	1	
NS	509815	TIE MOUNT / ATTACHMENT W/TREE MOUNT	1	
NS	504637	CABLE TIE / 3/16" x 13"	1	
21	5001730	SCREW CAP HEXF M6-1.0x16 G10.9 N500	AR	
22	5001833	WASHER BEL SPR 6.1x18x1.27 SS	AR	
23	374674	SUPPORT WATER VALVE BACKWARD	1	
25	502854	NUT HEX M6-1.0 N500	AR	
26	370062	SUPPORT, HVAC PIPE 211MM	AR	
27	500625	SCREW TC CAP HEXW 1/4-20x2 Z050		
28	504016	CABLE TIE / 5/16" X 14"1/2	AR	
29	374886	CLOSING PLATE W/LARGE A/C	AR	
. NS	506338	. RUBBER CHANNEL / 1/16" x 1/4" INT "U" SHAPE / ROUND C.T.L.	AR	
. NS	680066	. ADHESIVE / ADBOND #5014 / 23.6ML BOTTLE	ar	
NS	506338	RUBBER CHANNEL / 1/16" x 1/4" INT "U" SHAPE / ROUND C.T.L.	AR	
29	680066	ADHESIVE / ADBOND #5014 / 23.6ML BOTTLE	AR	
30	500957	SCREW TP BDG PH #10x3/4 N500	AR	
31	5060120	GROMMET EDGING ADHESIVE .036-.062	AR	
35	X3-2222-07	HEATER LINE REAR SECTION WITH "VOLVO" ENGINE "GHG17"		
36	374364	SUPPORT, PIPE	AR	

From H-6180	Date:01/2024	PAGE:X3-2210-13
-------------	--------------	-----------------

WATER PUMP - INSTALLATION VOLVO D13 - "GHG17"

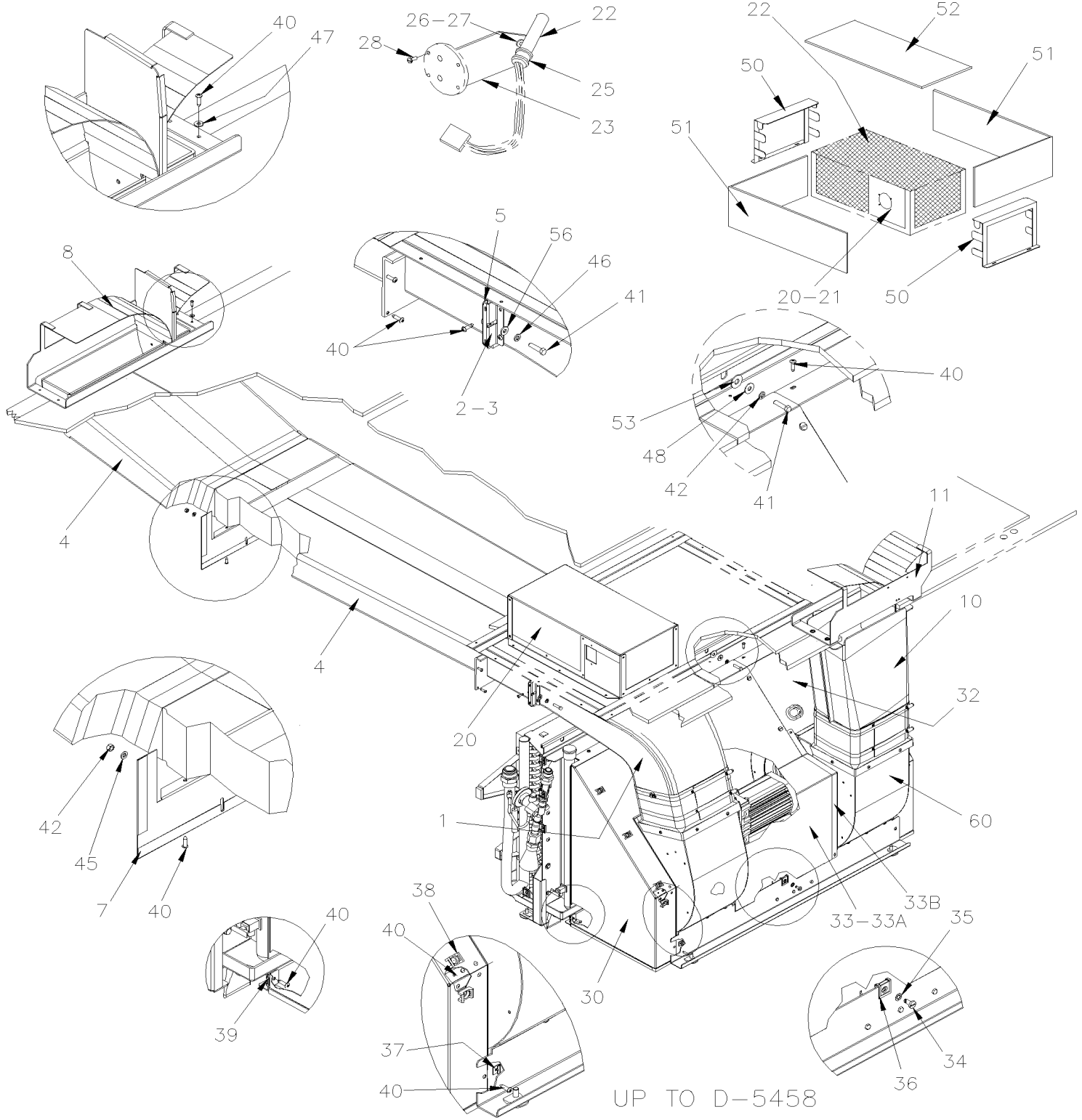
Item#	Part	Description	QTY	Notes
37	500502	SCREW WO FL PH #8x3 Z050	2	
40	X3-2206-01	WATER PUMP #874297 AMETEK		
41	374598	PIPE ASSY BYPASS To J-6295	1	
41	370136	PIPE ASSY BYPASS From J-6296 To N-6713	1	
41	370054	PIPE ASSY BYPASS From N-6714	1	
42	952641	CLAMP / 1 5/16" I.D.	1	
43	5001730	SCREW CAP HEXF M6-1.0x16 G10.9 N500	1	
45	X3-2350-11	WATER HEATER - INSTALLATION		
50	X3-2207-00	WATER VALVE - MAIN HEATER		

From 7-8754

Date:01/2024

PAGE:X3-2220-00

UNDER FLOOR AIR DUCTING



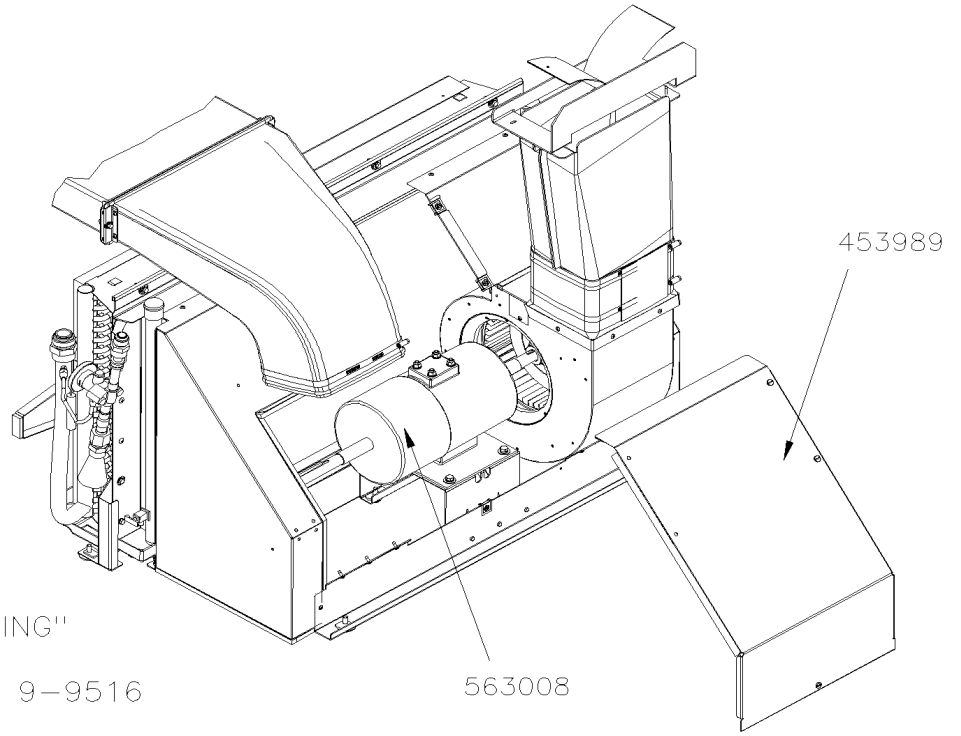
UP TO D-5458

From 7-8754

Date:01/2024

PAGE:X3-2220-00

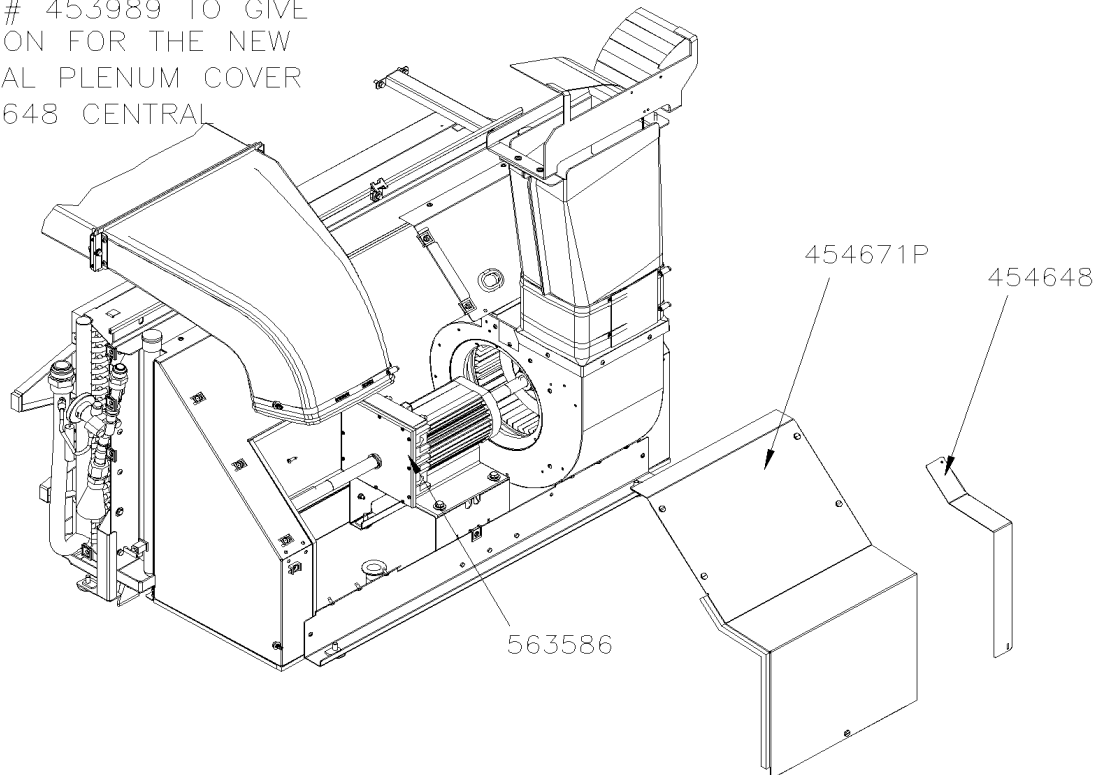
UNDER FLOOR AIR DUCTING



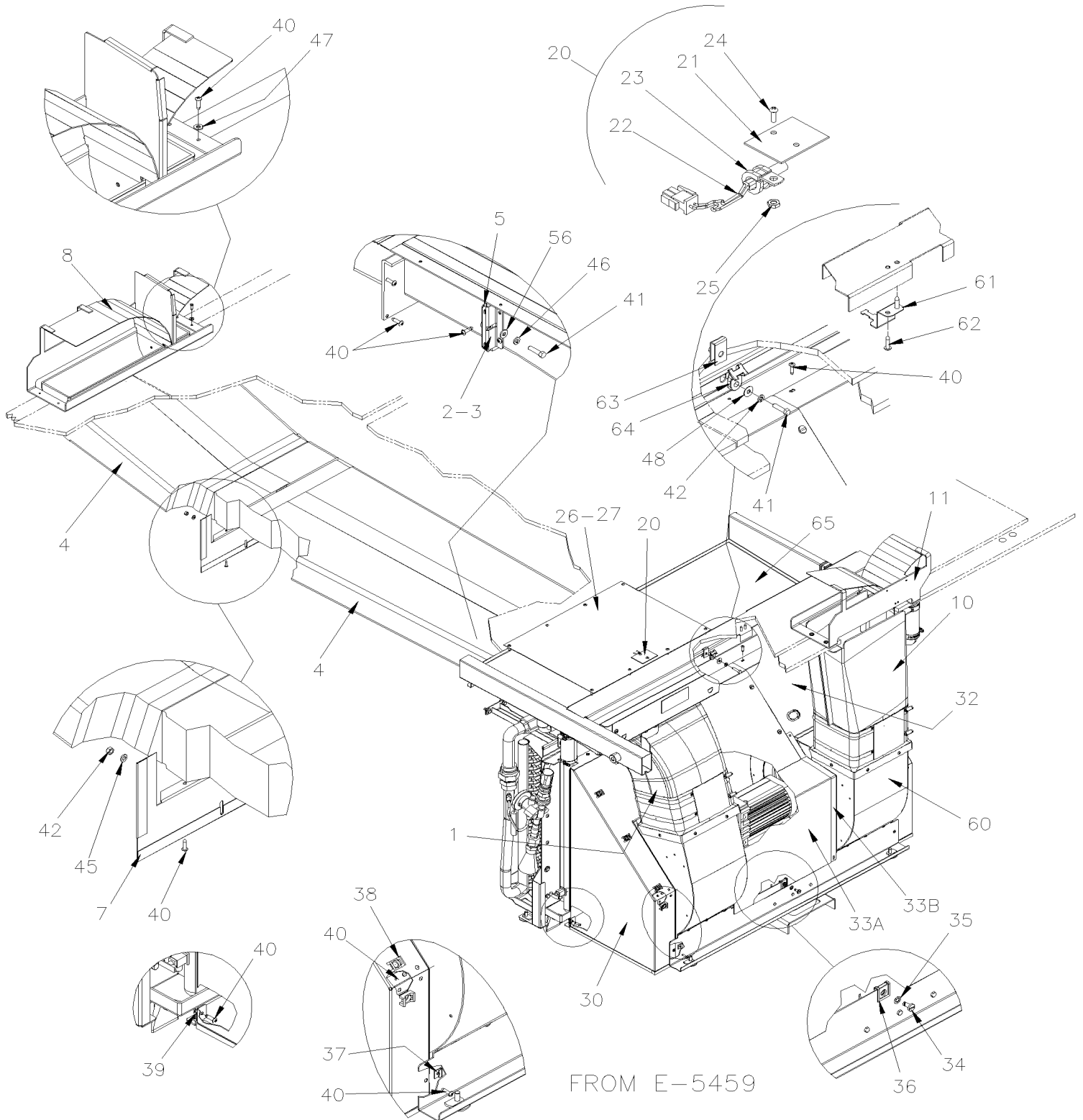
WARNING" – "WARNING" –"WARNING"

FOR VEHICULE FROM 7–8754 to 9–9516

IF YOU REPLACE THE EVAPORATOR MOTOR # 563008 WITH THE BRUSHLESS # 563586 YOU HAVE TO REPLACE # 453989 TO GIVE A CLEARENCE INSTALLATION FOR THE NEW MOTOR. THE NEW CENTRAL PLENUM COVER # 454671P WITH # 454648 CENTRAL SUPPORT



UNDER FLOOR AIR DUCTING



From 7-8754	Date:01/2024	PAGE:X3-2220-00
UNDER FLOOR AIR DUCTING		

Item#	Part	Description	QTY	Notes
1	Call order desk	DUCT, L.H. OUTLET EVAPORATOR FAN	1	P
1	453978	. DUCT	1	
2	454236	. ATTACHMENT	2	
3	453997	. GASKET	1	
4	Call order desk	DUCT UNDER FLOOR ASSY To D-5375	1	P
4	Call order desk	DUCT UNDER FLOOR ASSY From D-5376	1	P
4	454279	. DUCT To D-5375	1	
4	454668	. DUCT UNDER FLOOR ASSY From D-5376 To E-5759	1	
4	457706	. DUCT UNDER FLOOR ASSY From F-5760	1	
4	455018	DUCT UNDER FLOOR ASSY / W/ENVIROCARE From N-6686	1	E
5	454235	. ATTACHMENT W/NUT	1	
NS	500957	. SCREW TP BDG PH #10x3/4 N500	4	
NS	506268	. TAPE RUB ADH1 URE 3/8" x 1/2" x 25' / GREY 1820	AR	
7	453640	PLATE SEALING To D-5375	1	
7	455414	PLATE SEALING From D-5376	1	
8	454253	DEFLECTOR ASSY CONDENSOR SIDE To B-5001	1	
8	374506	DEFLECTOR ASSY CONDENSOR SIDE From B-5002 To K-6492	1	
8	370177	DEFLECTOR ASSY CONDENSOR SIDE From L-6493	1	
8	374538	DEFLECTOR ASSY CONDENSOR SIDE W/W.C.L. From B-5002 To F-5818	1	
8	374851	DEFLECTOR ASSY CONDENSOR SIDE W/W.C.L. From F-5819	1	
8	684517	ADHESIVE SIMSON #ISR 70-03 / GREY / 310ml CARTRIDGE	AR	
8	684162	CORD ETHAFOAM 3/4"	AR	
10	453979	DUCT, R,H, OUTLET EVAPORATOR FAN	1	
10	455019	DUCT, R,H, OUTLET EVAPORATOR FAN / W/ENVIROCARE From N-6686	1	E
11	457119	DEFLECTOR ASSY EVAPORATOR SIDE To B-5001	1	
11	374527	DEFLECTOR ASSY EVAPORATOR SIDE From B-5002 To F-5818	1	
11	374854	DEFLECTOR ASSY EVAPORATOR SIDE From F-5819	1	
11	680532	SEALANT SIKA #221 / GREY / 310ml CARTRIDGE DAC #22627 From E-5584	AR	
20	453629	BOX ASSY / AIR RETURN To B-5001	1	
20	329898P	BOX ASSY / AIR RETURN From B-5002	1	
21	453031	. GRILL / AIR RETURN BOX To B-5001	1	
21	3200735	. GRILL / AIR RETURN BOX From B-5002	1	
22	563063	. SENSOR THERMISTOR ASSY / TEMPERATURE / ("DELPHI")	1	
23	453033	. SUPPORT / TEMPERATURE SENSOR To B-5001	1	
23	3200730	. SUPPORT / TEMPERATURE SENSOR From B-5002	1	
24	504107	. RIVET POP DOME OE 1/8x5/16 AL	2	
25	952624	. CLAMP / 1/4" I.D.	1	
26	500387	. SCREW MA RND PH #10-24x3/4 Z050	1	
27	500786	. NUT HEX #10-24 Z050	1	
28	500638	SCREW TP PAN PH #8x1/2 Z050	2	
30	453987	PLENUM FORWARD SECTION To A-9941	1	
30	Call order desk	PLENUM FORWARD SECTION From A-9942 To B-5001	1	P

From 7-8754		Date:01/2024	PAGE:X3-2220-00
UNDER FLOOR AIR DUCTING			

Item#	Part	Description	QTY	Notes
30	454665P	PLENUM FORWARD SECTION From B-5002 To D-5458	1	
30	Call order desk	PLENUM FORWARD SECTION From E-5459 To E-5759	1	P
30	457563P	PLENUM FORWARD SECTION From F-5760 To H-6128	1	
30	Call order desk	PLENUM FORWARD SECTION From H-6129 To H-6179	1	P
30	Call order desk	PLENUM FORWARD SECTION From H-6180	1	P
31	453991	REINFORCMENT	2	
32	453988	PLENUM BACKWARD SECTION To A-9941	1	
32	Call order desk	PLENUM BACKWARD SECTION From A-9942 To B-5001	1	P
32	454664P	PLENUM BACKWARD SECTION From B-5002 To E-5759	1	
32	457564P	PLENUM BACKWARD SECTION From F-5760 To H-6179	1	
32	Call order desk	PLENUM BACKWARD SECTION From H-6180	1	P
NS	504574	. GROMMET / 1.125x1.312x.062x.312x1.56 From B-5002 To H-6179	1	
32	504356	. GROMMET / .625x.875x.062x.312x1.125 From H-6180 To J-6321	1	
32	504264	. GROMMET / .750x1.250x.062x.250x1.625 From J-6322	1	
33	453989	PLENUM CENTRAL SECTION To A-9941	1	A
33A	454671P	PLENUM CENTRAL SECTION From A-9942 To B-5001	1	
33A	454670P	PLENUM CENTRAL SECTION From B-5002 To E-5759	1	
33A	457562P	PLENUM CENTRAL SECTION From F-5760	1	
33B	454648	SUPPORT PLENUM CENTRAL SECTION From A-9942 To E-5759	1	
33B	457569	SUPPORT PLENUM CENTRAL SECTION From F-5760	1	
34	504681	STUD 6MM (DZUS)	5	
35	504604	FASTENER	5	
36	504605	RECEPTACLE 6 MM	5	
37	502904	NUT SPR J #10A .035-.050 N500	2	
38	504013	TIE MOUNT / 1/4" X 1/4" I.D.	AR	
39	481249	NUT To H-6158	2	
39	500981	NUT SPR U #10-23/32x5/8 From H-6159	2	
40	500957	SCREW TP BDG PH #10x3/4 N500 To G-5955	17	
40	500414	SCREW TP BDG PH #10x3/4 SS From G-5956	17	
41	502737	SCREW CAP HEX M6-1.0x25 SS BK	2	
42	502681	NUT HEX NYRT M6-1.0 N500 G8	2	
43	500642	SCREW TP PAN PH #10x3/4 Z050	9	
44	502737	SCREW CAP HEX M6-1.0x25 SS BK	2	
45	502573	WASHER FL 6.4x12.5x1.6 SS	2	
46	502853	WASHER LO SPT 6.1x11.8x1.6 N500	6	
47	500804	WASHER FL .203x.500x.047 N500	4	
48	500411	WASHER FL .260x.697x.050 SS	4	
49	502868	SCREW TC TR PH #10-16x1/2 N500	16	
50	457420	SUPPORT RETURN AIR FILTER / "SPECIAL OPTION" HYDRO QC	1	
51	871377	FILTER ASSY RECIRCULATING 1/4" X 6" X 27 1/8" / "SPECIAL OPTION" HYDRO QC	2	
52	871378	FILTER ASSY RECIRCULATING 1/4" X9 3/8" X 17 3/4 / "SPECIAL OPTION" HYDRO QC	1	
53	5001448	WASHER FL .343x.875x.062 SS18-8 To D-5458	3	

From 7-8754	Date:01/2024	PAGE:X3-2220-00
-------------	--------------	-----------------

UNDER FLOOR AIR DUCTING

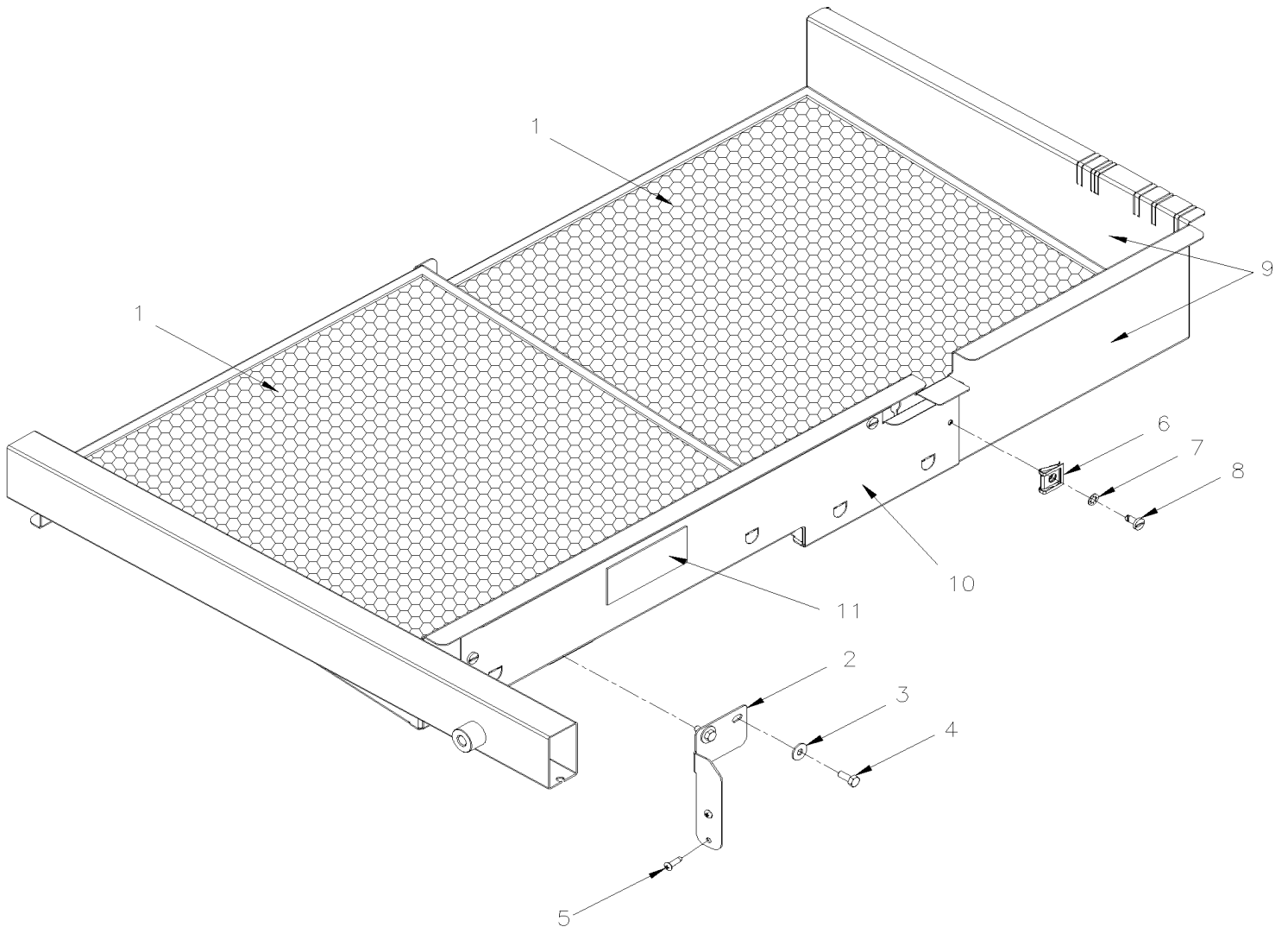
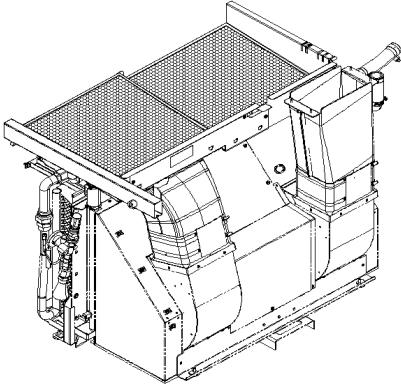
Item#	Part	Description	QTY	Notes
56	500877	WASHER FL .250x.562x.065 N500	2	
60	X3-2210-00	HEATER & EVAPORATOR BLOWER - INSTALLATION		
61	374705	SUPPORT WIRING From E-5459 To F-5761	1	
61	374821	SUPPORT WIRING From F-5762	1	
61	509815	TIE MOUNT / ATTACHMENT W/TREE MOUNT From F-5762	1	
62	500957	SCREW TP BDG PH #10x3/4 N500 From E-5459	2	
63	5001965	NUT SPR U M6-1.0 0.6-4.0 N500	1	
64	507383	TIE MOUNT HOLE 3/8" From E-5459	1	
65	X3-2221-05	UNDER FLOOR AIR FILTERS From E-5459	1	
NS	IS20929	UV LIGHTS INSTALLATION IN AC COMPARTMENT From F-5760	1	
. NS	7771178	. UVC LIGHT KIT From F-5760	1	
. NS	N91098	. CABLE TIE / .135" X 8" / BLEU From F-5760	20	
. NS	IS-20929	. SEE INSTRUCTION SHEET From F-5760	1	
. NS	FI-20929	. VOIR FEUILLE D'INSTRUCTION From F-5760	1	
		A) FOR VEHICLE PRIOR 9-9516 IF YOU CHANGE MOTOR T17 (563008) WITH THE BRUSHLESS ONE (563586) YOU HAVE TO ORDER PLENUM CENTRAL SECTION # 454671P & 1 x # 454648		
		E) WITH ENVIROCARE		
		P) CALL ORDER DESK FOR SPECIFIC APPLICATION (V.I.N.)		

From E-5459

Date:01/2024

PAGE:X3-2221-05

UNDER FLOOR AIR FILTERS

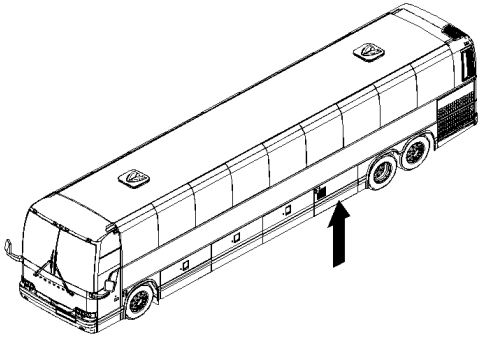


From E-5459

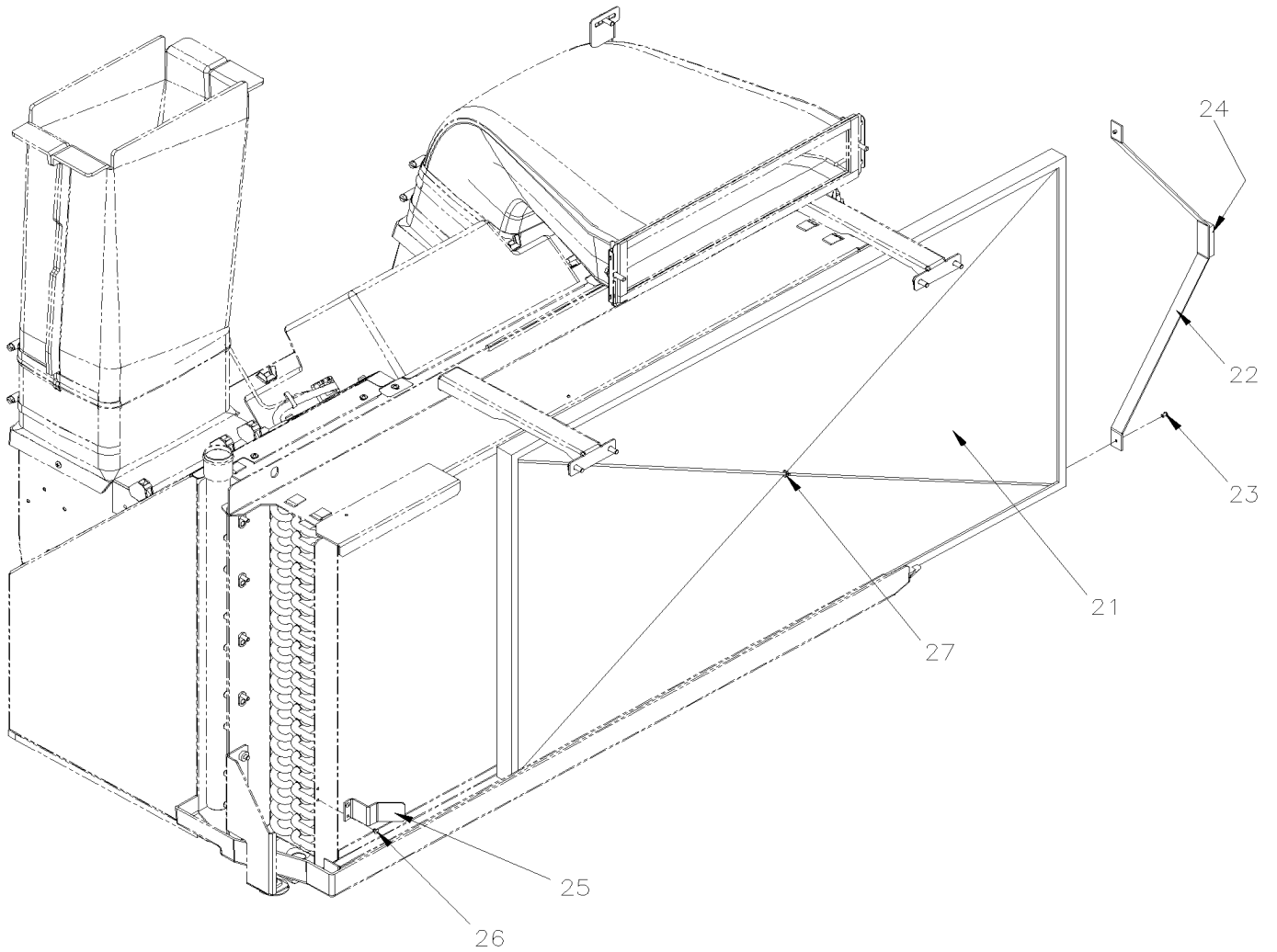
Date:01/2024

PAGE:X3-2221-05

UNDER FLOOR AIR FILTERS



FROM J-6284
PWT OPTION

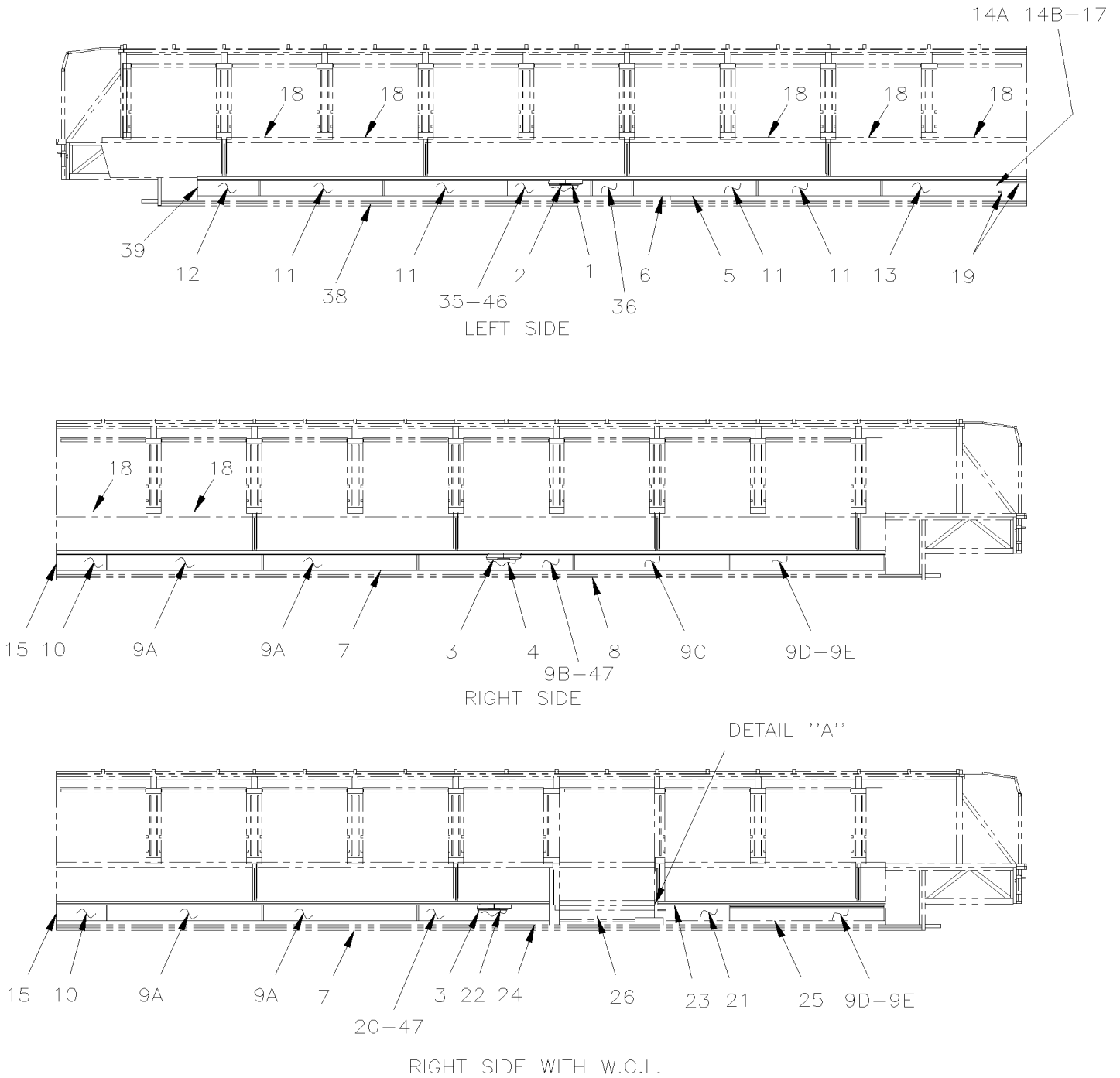


From E-5459	Date:01/2024	PAGE:X3-2221-05
-------------	--------------	-----------------

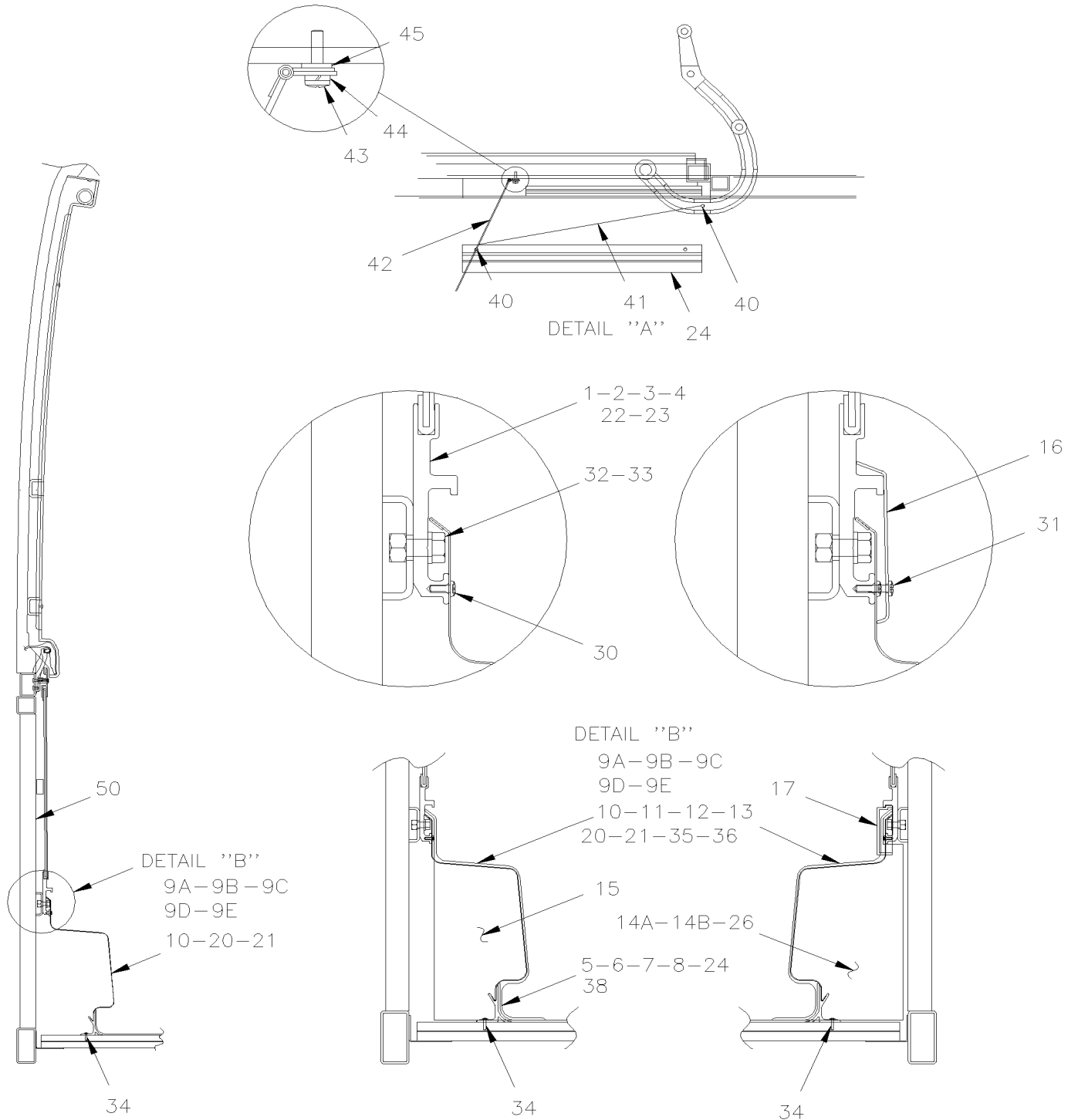
UNDER FLOOR AIR FILTERS

Item#	Part	Description	QTY	Notes
1	871447	FILTER 1" x 19 1/2" X 19 1/2"	2	
1	871449	FILTER 1" x 19 1/2" X 19 1/2"	2	GR
1	870143	FILTER / PLEATED MEVR13 1" x 19 1/2" X 19 1/2"	2	A
1	871450	FILTER / PLEATED MEVR8 1" x 19 1/2" X 19 1/2"	2	A
2	374684	SUPPORT, EVAPORATOR DUCT WO/ SLIDE-OUT	1	
3	5001833	WASHER BEL SPR 6.1x18x1.27 SS	2	
4	5001744	SCREW CAP HEX M6-1.0x16 G8.8 N500	2	
5	500957	SCREW TP BDG PH #10x3/4 N500	2	
6	504605	RECEPTACLE 6 MM	AR	
7	504604	FASTENER	AR	
8	504681	STUD 6MM (DZUS)	AR	
9	217063	SUPPORT FILTER, FRONT PANEL ASSY	1	
10	374681	CLOSING, FILTER	1	
11	374798	DECAL "AIR FILTER" From G-6084	1	
21	874272	FILTER 1" x 38" X 21" From J-6284	1	PWT
. NS	874273	. FILTER ROLL POLYESTER C.T.L. 1" x 60" x 90' From J-6284	1	PWT
. . NS	374406	. . FILTER ROLL POLYESTER C.T.L. 8 filters 1" X 60" 10' From J-6284	9	PWT
22	379060	HANDLE 20" x 6" From J-6284	1	PWT
23	504340	RIVET POP DOME OE 1/8x3/16 SS From J-6284	2	PWT
24	506040	TAPE RUB ADH1 CC EPDM 5/16" x 3/4" x 25' / BLACK OR GREY 144X From J-6284	AR	PWT
25	374232	SUPPORT LOWER GUIDE From J-6284	1	PWT
26	504104	RIVET POP DOME OE 1/8x1/8 SS From J-6284	2	PWT
27	504273	CABLE TIE / 1/8" X 3"1/2 From J-6284	1	PWT
		A) OPTION FILTER / PLEATED MEVR13		
		GR) WITH GREYHOUND OPTION		
		PWT) PACIFIC WESTERN TRANSPORTATION OPTION		

DUCTING HEATER & A/C - BUS FLOOR



DUCTING HEATER & A/C - BUS FLOOR



From 7-8754 To K-6492	Date:01/2024	PAGE:X3-2221-10
DUCTING HEATER & A/C - BUS FLOOR		

Item#	Part	Description	QTY	Notes
1	327631	EXTRUSION, LOWER WALL / GREY 5651MM To 8-9311	1	
1	329514	EXTRUSION, LOWER WALL / GREY 5651MM From 8-9312 To 9-9642	1	
1	329787	EXTRUSION, LOWER WALL / GREY 5651MM From 9-9643 To B-5001	1	
1	3200322	EXTRUSION, LOWER WALL / GREY 5536MM From B-5002	1	
2	329309	EXTRUSION, LOWER WALL / GREY 5335MM To 8-9276	1	
2	328316	EXTRUSION, LOWER WALL / GREY 5322MM From 8-9277 To 8-9312	1	
2	329516	EXTRUSION, LOWER WALL / GREY 5322MM From 8-9312 To 9-9642	1	
2	329788	EXTRUSION, LOWER WALL / GREY 5322MM From 9-9643 To B-5001	1	
2	3200323	EXTRUSION, LOWER WALL / 5429MM From B-5002	1	
3	327629	EXTRUSION, LOWER WALL / GREY 5651MM To 9-9642	1	
3	329789	EXTRUSION, LOWER WALL / GREY 5651MM From 9-9643 To B-5001	1	
3	3200436	EXTRUSION, LOWER WALL / GREY 5540MM From B-5002		
4	329308	EXTRUSION, LOWER WALL / GREY 4969.6MM To 9-9642	1	
4	329786	EXTRUSION, LOWER WALL / GREY 4969.6MM From 9-9643 To B-5001	1	
4	3200437	EXTRUSION, LOWER WALL / GREY 5078.6MM From B-5002	1	
5	326648	EXTRUSION, FLOOR 4512MM To B-5001	1	
6	320648	EXTRUSION, FLOOR 380MM To B-5001	1	
6	3200324	EXTRUSION, FLOOR 2502.4MM From B-5002	1	
7	320663	EXTRUSION, FLOOR 6065MM To B-5001	1	
7	321019	EXTRUSION, FLOOR 5110MM From B-5002	1	
8	326653	EXTRUSION, FLOOR 4272MM	1	
9A	327688	DUCT, AIR 2000 MM / GREY To C-5124	2	
9A	327688	DUCT, AIR 2000 MM / GREY To C-5124	2	
9A	327688	DUCT, AIR 2000 MM / GREY To C-5124	2	
9A	327688	DUCT, AIR 2000 MM / GREY To C-5124	2	
9A	323356	DUCT, AIR 2187MM / GREY From C-5125	2	
9B	327688	DUCT, AIR 2000 MM / GREY To B-5001	1	
9B	327688	DUCT, AIR 2000 MM / GREY To B-5001	1	
9B	327688	DUCT, AIR 2000 MM / GREY To B-5001	1	
9B	327688	DUCT, AIR 2000 MM / GREY To B-5001	1	
9B	3200435	DUCT, AIR 2084MM / GREY From B-5002	1	
9C	327688	DUCT, AIR 2000 MM / GREY To B-5001	1	
9C	327688	DUCT, AIR 2000 MM / GREY To B-5001	1	
9C	327688	DUCT, AIR 2000 MM / GREY To B-5001	1	
9C	327688	DUCT, AIR 2000 MM / GREY To B-5001	1	
9C	3200162	DUCT, AIR 615 MM/ GREY From B-5002	1	
9D	327688	DUCT, AIR 2000 MM / GREY	1	
9D	327688	DUCT, AIR 2000 MM / GREY	1	
9D	327688	DUCT, AIR 2000 MM / GREY	1	
9D	327688	DUCT, AIR 2000 MM / GREY	1	
9D	323400	DUCT, AIR 772MM / GREY To B-5001	1	A
9D	3200692	DUCT, AIR 2078MM / GREY From B-5002	1	A

From 7-8754 To K-6492	Date:01/2024	PAGE:X3-2221-10
DUCTING HEATER & A/C - BUS FLOOR		

Item#	Part	Description	QTY	Notes
9E	321028	DUCT, AIR 1326MM / GREY From B-5002	1	
10	327697	DUCT, AIR 751MM / GREY To C-5124	1	
10	323387	DUCT, AIR 375MM / GREY From C-5125	1	
11	327695	DUCT, AIR 1615MM / GREY To 8-9311	4	
11	329530	DUCT, AIR 1615MM / GREY From 8-9312 To B-5001	4	
11	321029	DUCT, AIR 1615MM / GREY From B-5002	1	
12	327696	DUCT, AIR 1130MM / GREY To 8-9276	1	
12	324696	DUCT, AIR 1056MM / GREY From 8-9277 To 8-9311	1	
12	329534	DUCT, AIR 1056MM / GREY From 8-9312 To B-5001	1	
12	321031	DUCT, AIR 1545MM / GREY From B-5002	1	
13	327698	DUCT, AIR 1691MM / GREY To 8-9311	1	
13	329532	DUCT, AIR 1691MM / GREY From 8-9312 To B-5001	1	
13	321030	DUCT, AIR 2259MM / GREY From B-5002	1	
14A	326841	CAP CLOSING / L.H. FRONT DUCT	1	
14B	3210116	DUCT CLOSING FOAM / FOAM 1" TH. From J-6239	1	
15	327345	CAP CLOSING / R.H. FRONT DUCT	1	
16	327742	MOULDING, COVER CABLE / GREY / 203MM To 8-9311	1	
16	329521	MOULDING, COVER CABLE / GREY / 203MM From 8-9312	1	
16	327709	MOULDING, COVER CABLE / GREY / 330MM To 8-9311	1	
16	329522	MOULDING, COVER CABLE / GREY / 330MM From 8-9312	1	
16	327706	MOULDING, COVER CABLE / GREY / 360MM To 8-9311	1	
16	329518	MOULDING, COVER CABLE / GREY / 360MM From 8-9312	1	
16	327707	MOULDING, COVER CABLE / GREY / 390MM To 8-9311	1	
16	329519	MOULDING, COVER CABLE / GREY / 390MM From 8-9312	1	
16	327708	MOULDING, COVER CABLE / GREY / 465MM To 8-9311	1	
16	329520	MOULDING, COVER CABLE / GREY / 465MM From 8-9312	1	
16	327705	MOULDING, COVER CABLE / GREY / 530MM To 8-9311	1	
16	329517	MOULDING, COVER CABLE / GREY / 530MM From 8-9312	1	
17	327269	FINISHING MOULDING / PLASTIC CAP 200MM x 88MM	1	
18	453690	RESTRICTION AIR DIFFUSOR / "U" SHAPE 757MM To E-5589	7	
18	454799	RESTRICTION AIR DIFFUSOR / "U" SHAPE 757MM From E-5590	7	
18	454713	RESTRICTION AIR DIFFUSOR / "U" SHAPE 143MM From E-5459	AR	
18	454789	RESTRICTION AIR DIFFUSOR / "U" SHAPE 118MM From E-5459	AR	
18	454719	RESTRICTION AIR DIFFUSOR / "U" SHAPE 753MM From E-5459 To E-5589	AR	
18	454798	RESTRICTION AIR DIFFUSOR / "U" SHAPE 753MM From E-5590	AR	
19	506035	TAPE RUB ADH1 NEO 1/2" x 1" x 15' / BLACK 1220X	AR	
20	327699	DUCT, AIR 1741MM / GREY To B-5001	1	
20	Call order desk	DUCT, AIR 468MM / GREY From B-5002	1	P
. NS	506264	. TAPE RUB ADH1 URE 3/4" x 1" x 12.5' / GREY 1820X From B-5002	AR	
21	327737	DUCT, AIR 866MM / GREY To B-5001	1	
21	3200334	DUCT, AIR 898MM / GREY From B-5002	1	
22	327771	EXTRUSION, LOWER WALL / GREY 775MM	1	

From 7-8754 To K-6492	Date:01/2024	PAGE:X3-2221-10
DUCTING HEATER & A/C - BUS FLOOR		

Item#	Part	Description	QTY	Notes
23	329310	EXTRUSION, LOWER WALL / GREY 2878MM To B-5001	1	
23	3200315	EXTRUSION, LOWER WALL / GREY 4094MM From B-5002	1	
23	329172	EXTRUSION, LOWER WALL / GREY 1680MM To B-5001	1	A
23	3200694	EXTRUSION, LOWER WALL / GREY 2890MM From B-5002	1	A
23	3200573	EXTRUSION, LOWER WALL / GREY 5408MM To H-6179	1	B
23	3201573	EXTRUSION, LOWER WALL / GREY 5396MM From H-6180	1	B
24	328764	EXTRUSION, LOWER WALL / GREY 367MM	1	
25	329252	EXTRUSION, LOWER WALL / GREY 2817MM To B-5001	1	
25	3200321	EXTRUSION, FLOOR 3282MM From B-5002	1	
25	329171	EXTRUSION, LOWER WALL / GREY 1589MM To B-5001	1	A
25	3200693	EXTRUSION, FLOOR 2054MM From B-5002	1	A
26	X3-2221-80	AIR DUCT W.C.L. DOOR "RICON" WITH HINGE DOOR To B-5001		
26	X3-2221-81	AIR DUCT W.C.L. DOOR "RICON" WITH SLIDING DOOR From B-5002		
30	500417	SCREW TP PAN PH #6x3/8 Z050	84	
31	500583	SCREW TP PAN PH #6x1/2 Z050	56	
32	5001473	SCREW CAP HEXS 5/16-18x3/4 NYRT	20	
33	500441	WASHER FL .312x.734x.065 Z050	20	
34	500552	SCREW TP OV PH #6x3/4 Z050 To B-5001	34	
34	500505	SCREW WO PAN PH #10x1 Z050 From B-5002	34	
NS	500463	WASHER FN CKF .187x.500x.090 BR Z050	34	
35	320685	DUCT, AIR 553MM / GREY To B-5001	1	
35	321028	DUCT, AIR 1326MM / GREY From B-5002	1	
36	320645	DUCT, AIR 1087MM / GREY To 8-9311	1	
36	329523	DUCT, AIR 1087MM / GREY From 8-9312 To B-5001	1	
36	3200162	DUCT, AIR 615 MM/ GREY From B-5002	1	
38	320650	EXTRUSION, FLOOR 5357MM To 8-9276	1	
38	328308	EXTRUSION, FLOOR 5294MM From 8-9277 To B-5001	1	
38	3200325	EXTRUSION, FLOOR 3078MM From B-5002 To B-5049	1	
38	3200544	EXTRUSION, FLOOR 3028MM From B-5050	1	
39	328326	CLOSING DUCT / PLASTIC 109MM TOP WIDE From 8-9277 To 9-9585	1	
39	329825	CLOSING DUCT / PLASTIC 109MM TOP WIDE From 9-9586 To B-5001	1	
39	3200216	CLOSING DUCT / PLASTIC LEFT / 80.2MM TOP WIDE From B-5002 To C-5052	1	
39	3200552	CLOSING DUCT / PLASTIC RIGHT / 80.2MM TOP WIDE From C-5053	1	
39	3200552	CLOSING DUCT / PLASTIC RIGHT / 80.2MM TOP WIDE To H-6179	1	B
39	3201086	CLOSING DUCT / PLASTIC RIGHT / 50.2MM WIDE From H-6180	1	B
40	504106	RIVET POP DOME OE 1/8x1/4 AL	1	
41	327522	WIRE ASSY	1	
42	328888	DUCT CLOSING TRAP ASSY	1	
43	500658	SCREW TC PAN PH #10-24x3/4 Z050	1	
44	500470	WASHER LO SPT .193x.334x.047 Z050	1	
45	5001137	WASHER FL .203x.438x.050 SS	1	
46	374546	AIR DEFLECTOR / STREET SIDE From B-5002	1	

From 7-8754 To K-6492	Date:01/2024	PAGE:X3-2221-10
DUCTING HEATER & A/C - BUS FLOOR		

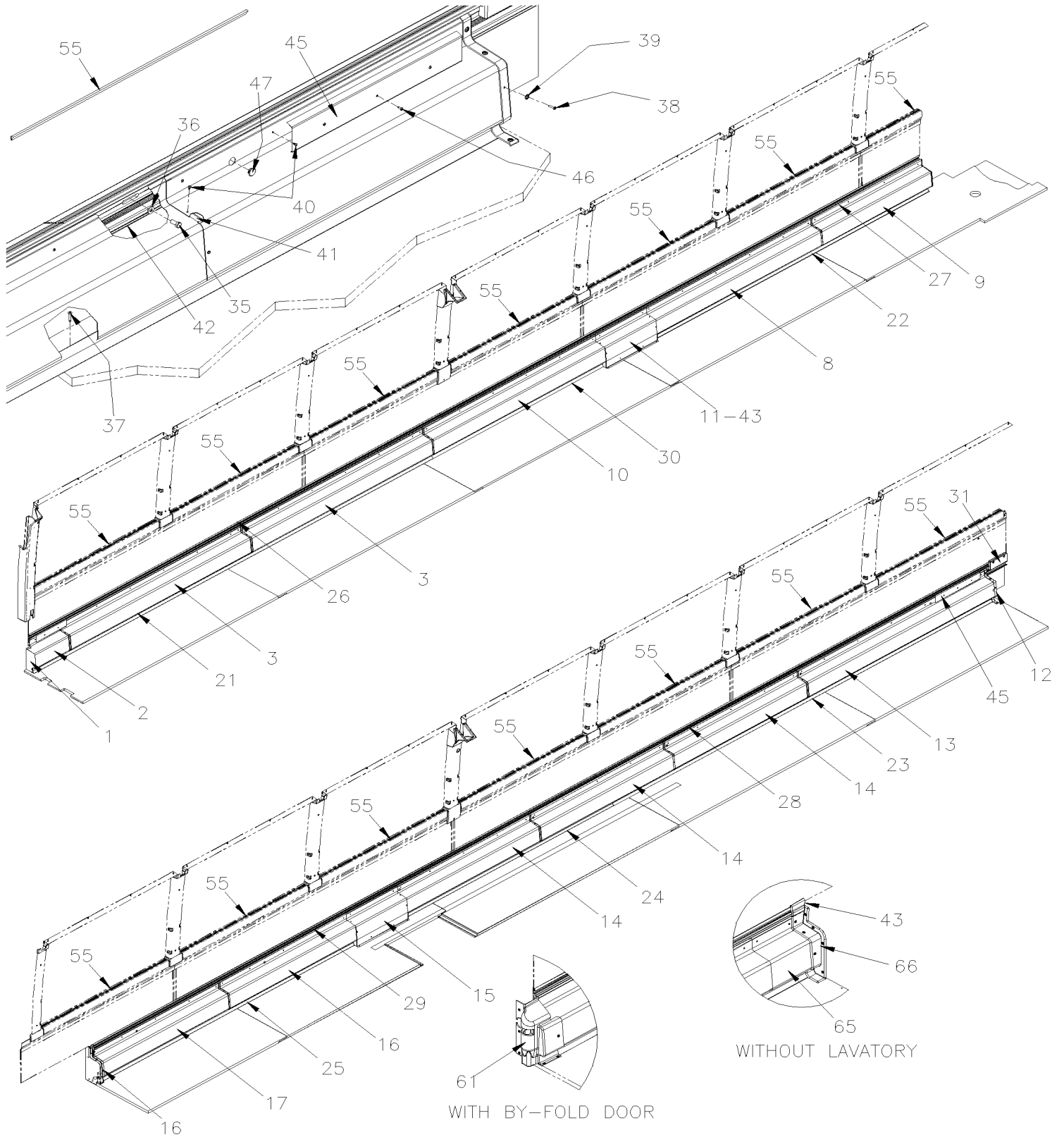
Item#	Part	Description	QTY	Notes
NS	500957	SCREW TP BDG PH #10x3/4 N500 From B-5002	6	
47	374545	AIR DEFLECTOR / CURBSIDE From B-5002	1	
47	500957	SCREW TP BDG PH #10x3/4 N500 From B-5002	1	
50	850073	ALUMINUM WALL COVERING ADHESIVE / 28 1/2" X 448"	2	
		A) USE WITH WHEEL CHAIR LAVATORY		
		B) WITHOUT LAVATORY		
		P) CALL ORDER DESK FOR SPECIFIC APPLICATION (V.I.N.)		

From L-6493

Date:01/2024

PAGE:X3-2221-11

DUCTING HEATER & A/C - BUS FLOOR

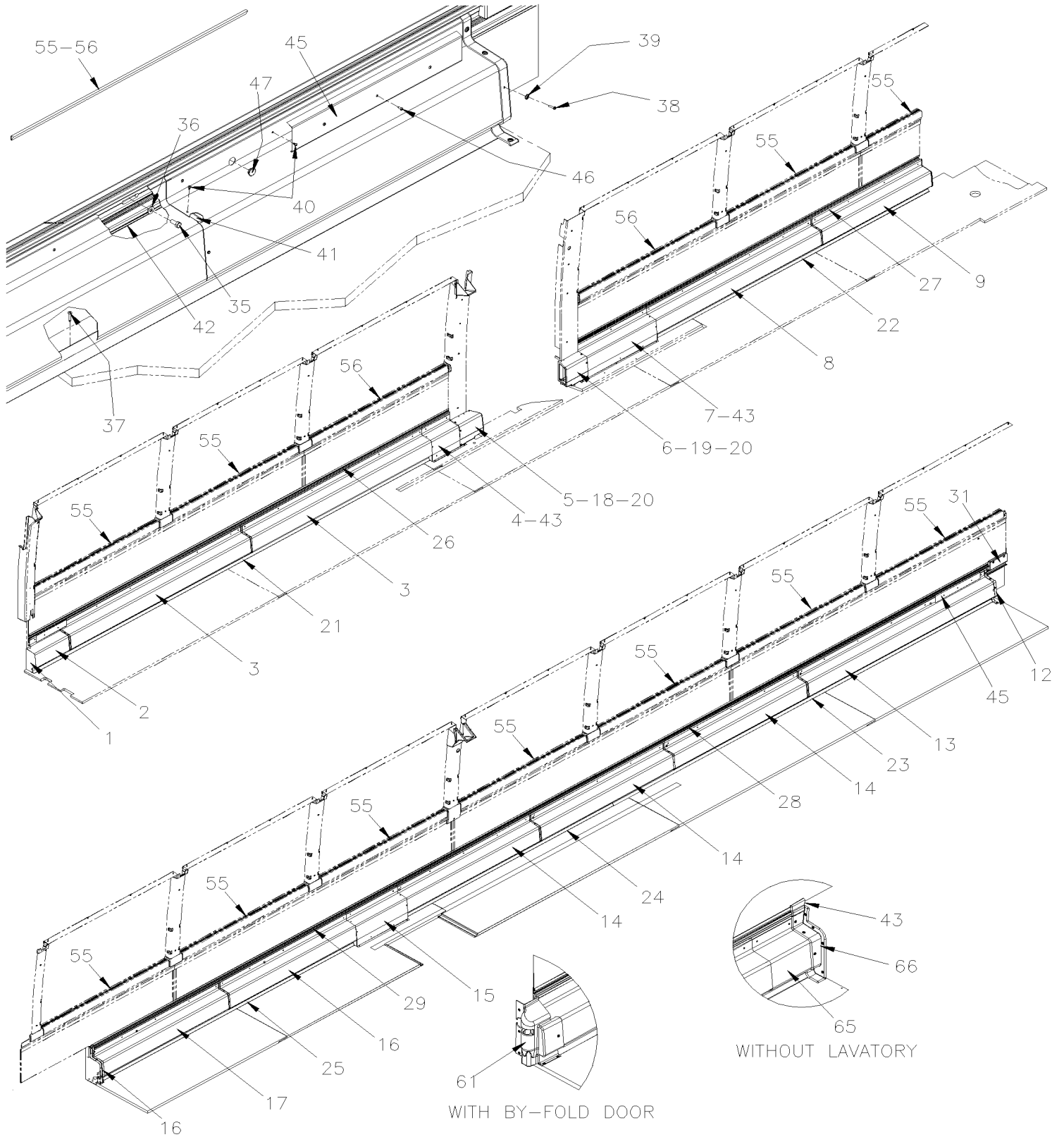


From L-6493

Date:01/2024

PAGE:X3-2221-11

DUCTING HEATER & A/C - BUS FLOOR



From L-6493	Date:01/2024	PAGE:X3-2221-11
DUCTING HEATER & A/C - BUS FLOOR		

Item#	Part	Description	QTY	Notes
1	328961	INSULATING PANEL / DUCT END	1	
2	3210415	DUCT, AIR 420MM / GREY	1	
2	323387	DUCT, AIR 375MM / GREY	1	A
3	323356	DUCT, AIR 2187MM / GREY	2	
4	3210142	DUCT, AIR 396MM / GREY	1	
4	3200362	DEFLECTOR	1	
4	504347	RIVET POP DOME OE 3/16x1/4 AL	2	
5	3210329	DUCT END FOWARD AIR DUCT	1	
6	3210328	DUCT END BACKWARD AIR DUCT	1	
7	3210143	DUCT, AIR 937MM / GREY	1	
8	327688	DUCT, AIR 2000 MM / GREY	1	
8	3200692	DUCT, AIR 2078MM / GREY	1	B
9	321028	DUCT, AIR 1326MM / GREY	1	
9	506338	RUBBER CHANNEL / 1/16" x 1/4" INT "U" SHAPE / ROUND C.T.L.	AR	
10	3200435	DUCT, AIR 2084MM / GREY	1	
11	3200162	DUCT, AIR 615 MM/ GREY	1	
12	326841	CAP CLOSING / L.H. FRONT DUCT	1	
13	321030	DUCT, AIR 2259MM / GREY	1	
14	321029	DUCT, AIR 1615MM / GREY	3	
15	3200162	DUCT, AIR 615 MM/ GREY	1	
16	321031	DUCT, AIR 1545MM / GREY	2	
17	3201064	CLOSING DUCT / PLASTIC LEFT / 50.2MM WIDE	1	
18	3210298	CLOSING PANEL FOWARD AIR DUCT	1	
19	3210346	CLOSING PANEL BACKWARD AIR DUCT	1	
20	504105	RIVET POP DOME OE 1/8x3/16 AL	AR	
21	3210414	EXTRUSION, FLOOR 4764MM	1	
22	3200321	EXTRUSION, FLOOR 3282MM	1	
22	3200571	EXTRUSION, FLOOR 3578MM	1	O
22	3200693	EXTRUSION, FLOOR 2054MM	1	B
23	326648	EXTRUSION, FLOOR 4512MM	1	
24	3200324	EXTRUSION, FLOOR 2502.4MM	1	
25	3201065	EXTRUSION, FLOOR 3077MM	1	
26	3210019	EXTRUSION, LOWER WALL / 4903MM	1	
26	3210025	EXTRUSION, LOWER WALL / 5025MM	1	W
27	3210020	EXTRUSION, LOWER WALL / 5718MM	1	
27	3210021	EXTRUSION, LOWER WALL / 4152MM	1	W
27	3210022	EXTRUSION, LOWER WALL / 2924	1	B
27	3210249	EXTRUSION, LOWER WALL / 6017MM	1	O
28	3210019	EXTRUSION, LOWER WALL / 4903MM	1	
29	3210249	EXTRUSION, LOWER WALL / 6017MM	1	
30	3200434	EXTRUSION, FLOOR 2045MM	1	
31	3210564	FINISHING MOULDING / PLASTIC CAP 200MM	1	

From L-6493		Date:01/2024	PAGE:X3-2221-11
DUCTING HEATER & A/C - BUS FLOOR			

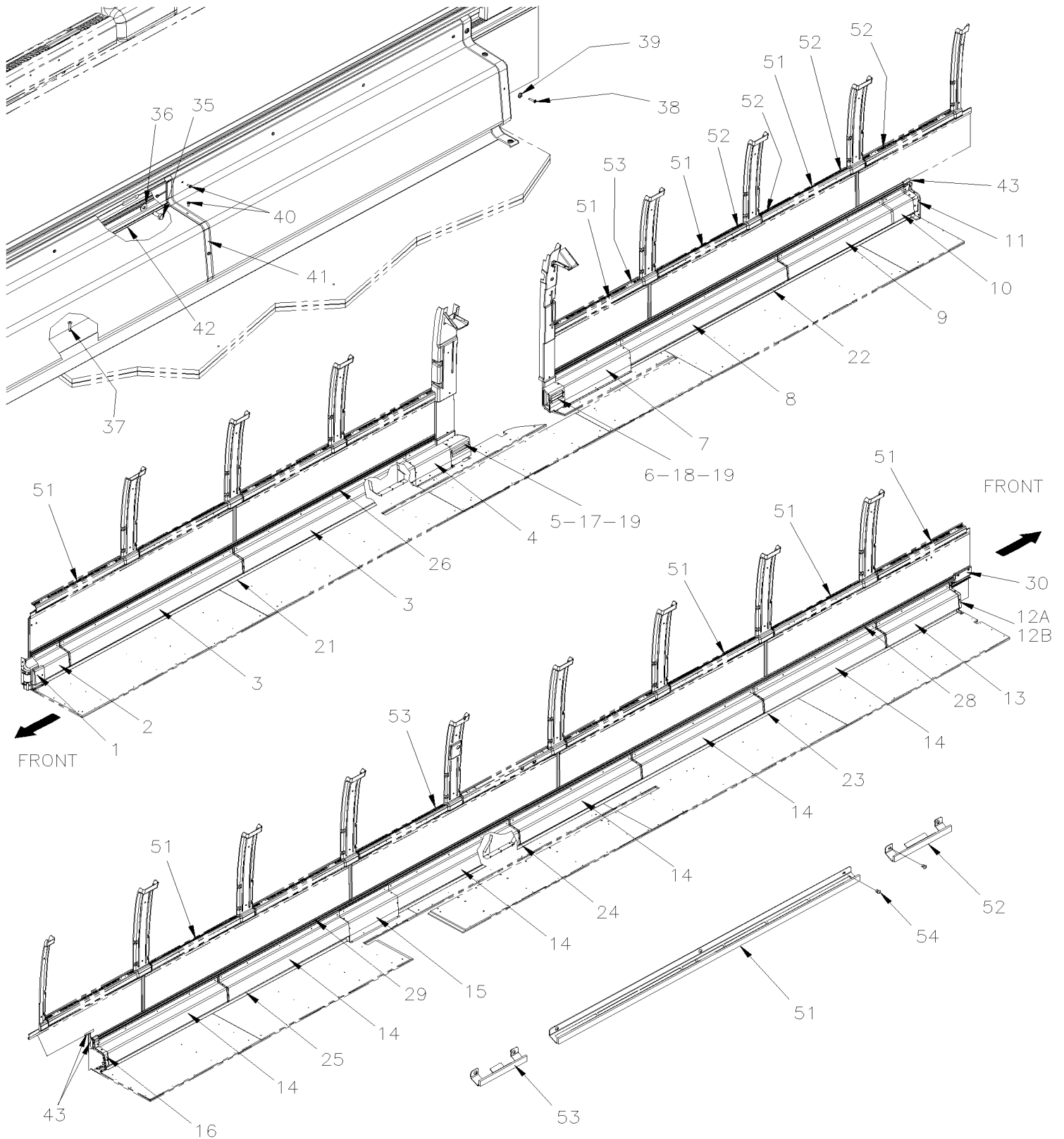
Item#	Part	Description	QTY	Notes
35	5001473	SCREW CAP HEXS 5/16-18x3/4 NYRT	AR	
36	502638	WASHER FL .312x.734x.065 N500 To N-6685	AR	
36	5001848	WASHER BEL SPR .827 x .331 x .098 th SS From N-6686	AR	
37	500879	SCREW TP PAN PH #10x1 Z050	AR	
38	500552	SCREW TP OV PH #6x3/4 Z050	AR	
39	500463	WASHER FN CKF .187x.500x.090 BR Z050	AR	
40	500417	SCREW TP PAN PH #6x3/8 Z050	AR	
40	500640	SCREW TP PAN PH #6x3/4 Z050	AR	
41	506104	TAPE RUB ADH1 URE 1/8" x 1/2" x 75' / GREY 1820	AR	
42	506191	TAPE RUB ADH1 CC POL 1/8" x 1/4" x 50' / GREY 2520X	AR	
43	506264	TAPE RUB ADH1 URE 3/4" x 1" x 12.5' / GREY 1820X	AR	
45	329521	MOULDING, COVER CABLE / GREY / 203MM To N-6738	AR	
45	3211708	MOULDING, COVER CABLE / GREY / 300MM From N-6739	AR	
45	329522	MOULDING, COVER CABLE / GREY / 330MM	AR	
45	329518	MOULDING, COVER CABLE / GREY / 360MM	AR	
45	329519	MOULDING, COVER CABLE / GREY / 390MM	AR	
45	329520	MOULDING, COVER CABLE / GREY / 465MM	AR	
45	329517	MOULDING, COVER CABLE / GREY / 530MM	AR	
46	500583	SCREW TP PAN PH #6x1/2 Z050	AR	
47	504075	PLUG BUTTON / .625 O.D. / NICKEL	AR	
50	X3-1833-02	WINDOW FINISHING CAP & WALL		
55	3210281	SIDE WALL AIR DEFLECTOR 1560MM	14	
55	3210281	SIDE WALL AIR DEFLECTOR 1560MM	11	W
56	3210276	SIDE WALL AIR DEFLECTOR	2	W
61	3210453	COVER, FINISHING	1	A
NS	3211072	COVER	1	A
65	3200570	DUCT, AIR 301MM / GREY W/O LAVATORY	1	O
66	3201086	CLOSING DUCT / PLASTIC RIGHT / 50.2MM WIDE W/O LAVATORY	1	O
102		REFERENCE ONLY From N-6739	1	
		A) WITH BY FOLD DOOR		
		B) WITH FOUR WHEEL CHAIRS OPTION		
		O) WITHOUT LAVATORY		
		W) WITH WHEEL CHAIR LIFT		

From G-5936 To K-6492

Date:01/2024

PAGE:X3-2221-15

DUCTING HEATER & A/C - BUS FLOOR BY-FOLD DOOR



From G-5936 To K-6492	Date:01/2024	PAGE:X3-2221-15
DUCTING HEATER & A/C - BUS FLOOR BY-FOLD DOOR		

Item#	Part	Description	QTY	Notes
1	287844	COVER, FINISHING	1	
2	323387	DUCT, AIR 375MM / GREY	1	
3	323356	DUCT, AIR 2187MM / GREY	2	
4	3200341	DUCT, AIR 506MM / GREY	1	
4	3200362	DEFLECTOR	1	
4	504347	RIVET POP DOME OE 3/16x1/4 AL	2	
5	3201013	DUCT END FOWARD AIR DUCT	1	
6	3200328	DUCT END BACKWARD AIR DUCT	1	
7	3200334	DUCT, AIR 898MM / GREY	1	
8	327688	DUCT, AIR 2000 MM / GREY	1	
9	321028	DUCT, AIR 1326MM / GREY	1	
10	3200570	DUCT, AIR 301MM / GREY W/O LAVATORY & WCL	1	
11	3200552	CLOSING DUCT / PLASTIC RIGHT / 80.2MM TOP WIDE W/O LAVATORY & WCL To H-6179	1	
11	3201086	CLOSING DUCT / PLASTIC RIGHT / 50.2MM WIDE W/O LAVATORY & WCL From H-6180	1	
12A	326841	CAP CLOSING / L.H. FRONT DUCT	1	
12B	3210116	DUCT CLOSING FOAM / FOAM 1" TH. From J-6239	1	
13	3201032	DUCT, AIR 945MM	1	
14	3201031	DUCT, AIR 1545MM	6	
15	3200162	DUCT, AIR 615 MM/ GREY	1	
16	3200216	CLOSING DUCT / PLASTIC LEFT / 80.2MM TOP WIDE	1	
17	3201015	CLOSING PANEL FOWARD AIR DUCT	1	
18	3200843	CLOSING PANEL BACKWARD AIR DUCT	1	
19	504105	RIVET POP DOME OE 1/8x3/16 AL	AR	
21	321019	EXTRUSION, FLOOR 5110MM	1	
22	3200571	EXTRUSION, FLOOR 3578MM	1	
23	326648	EXTRUSION, FLOOR 4512MM	1	
24	3200324	EXTRUSION, FLOOR 2502.4MM	1	
25	3200544	EXTRUSION, FLOOR 3028MM	1	
26	321018	EXTRUSION, LOWER WALL / GREY 5100MM	1	
28	3200322	EXTRUSION, LOWER WALL / GREY 5536MM	1	
29	3200323	EXTRUSION, LOWER WALL / 5429MM	1	
30	327269	FINISHING MOULDING / PLASTIC CAP 200MM x 88MM	1	
35	5001473	SCREW CAP HEXS 5/16-18x3/4 NYRT	AR	
36	502638	WASHER FL .312x.734x.065 N500 To N-6685	AR	
36	5001848	WASHER BEL SPR .827 x .331 x .098 th SS From N-6686	AR	
37	500879	SCREW TP PAN PH #10x1 Z050	AR	
38	500552	SCREW TP OV PH #6x3/4 Z050	AR	
39	500463	WASHER FN CKF .187x.500x.090 BR Z050	AR	
40	500417	SCREW TP PAN PH #6x3/8 Z050	AR	
40	500640	SCREW TP PAN PH #6x3/4 Z050	AR	

From G-5936 To K-6492	Date:01/2024	PAGE:X3-2221-15
DUCTING HEATER & A/C - BUS FLOOR BY-FOLD DOOR		

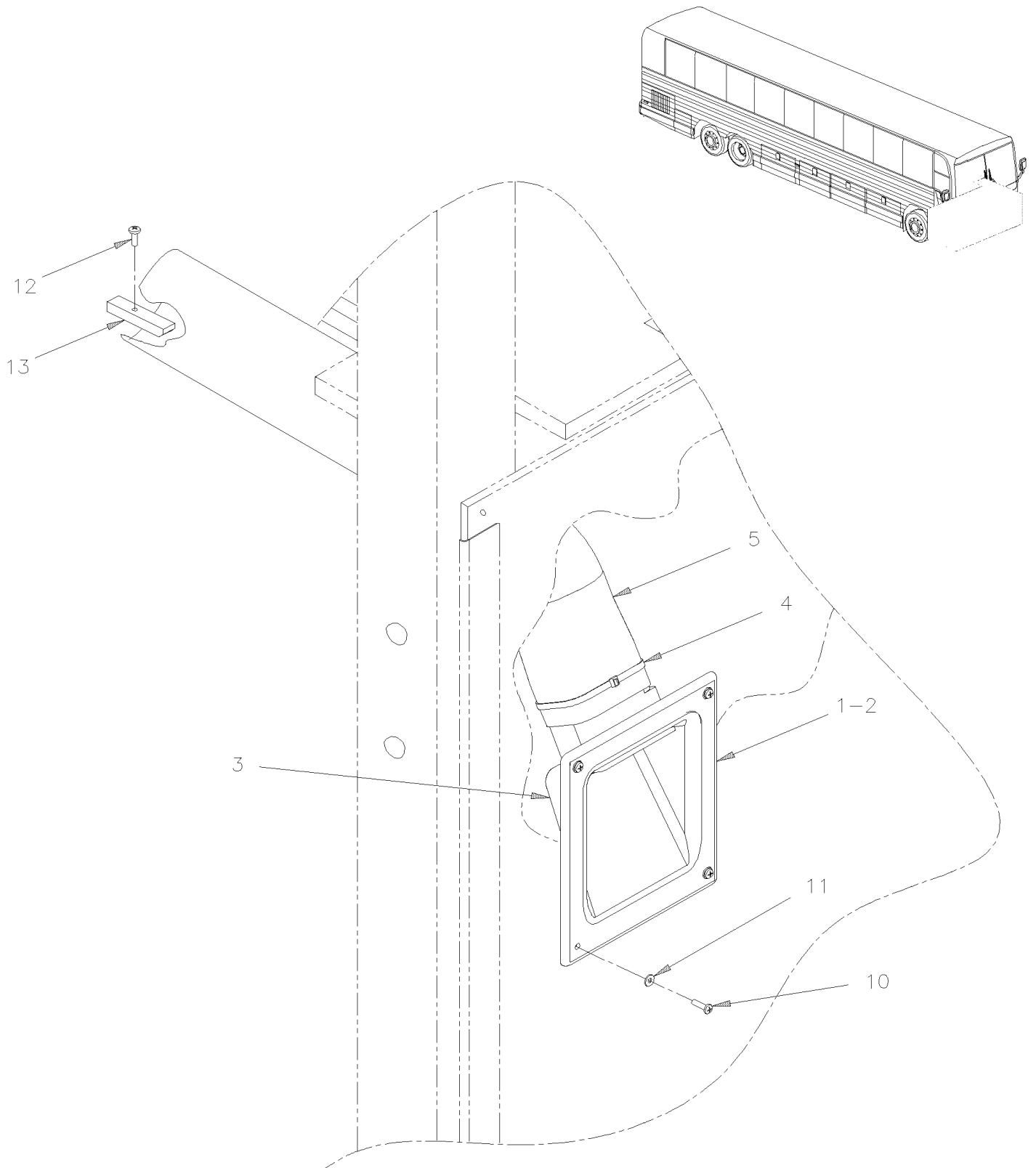
Item#	Part	Description	QTY	Notes
41	506104	TAPE RUB ADH1 URE 1/8" x 1/2" x 75' / GREY 1820	AR	
42	506191	TAPE RUB ADH1 CC POL 1/8" x 1/4" x 50' / GREY 2520X	AR	
43	506264	TAPE RUB ADH1 URE 3/4" x 1" x 12.5' / GREY 1820X	AR	
51	454798	RESTRICTION AIR DIFFUSOR / "U" SHAPE 753MM	8	
52	454713	RESTRICTION AIR DIFFUSOR / "U" SHAPE 143MM	4	
53	454789	RESTRICTION AIR DIFFUSOR / "U" SHAPE 118MM	2	
54	504106	RIVET POP DOME OE 1/8x1/4 AL	AR	

From 7-8754

Date:01/2024

PAGE:X3-2221-20

ENTRANCE STEP DE-ICER



From 7-8754	Date:01/2024	PAGE:X3-2221-20
-------------	--------------	-----------------

ENTRANCE STEP DE-ICER

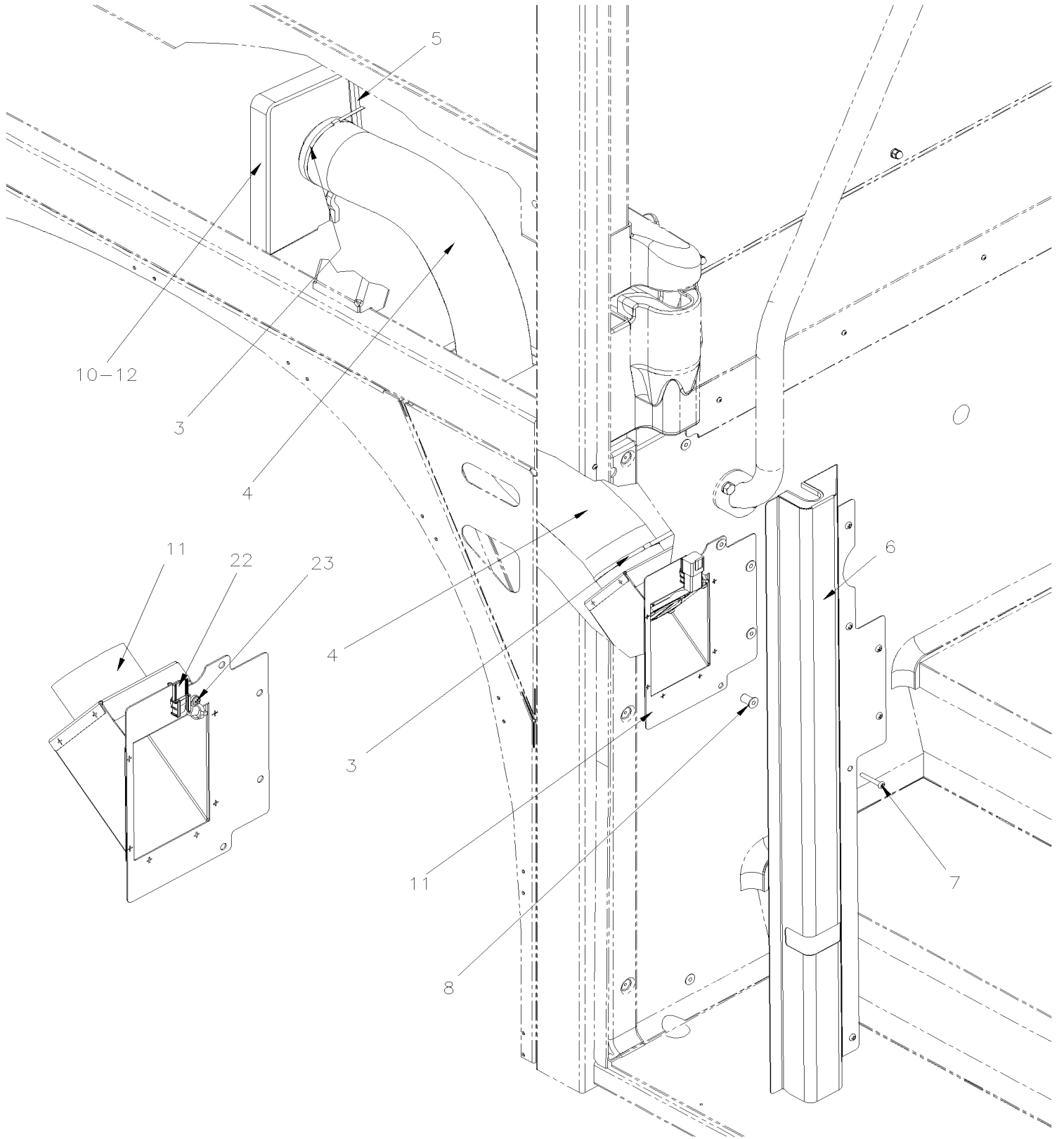
Item#	Part	Description	QTY	Notes
1	373764	DIFFUSOR ASSY To E-5585	1	
1	378918	DIFFUSOR ASSY From E-5586	1	
2	373689	. SUPPORT, DIFFUSOR To E-5585	1	
2	378917	. SUPPORT, DIFFUSOR From E-5586	1	
3	871106	. LOUVER, ADJUSTABLE	1	
4	504637	. CABLE TIE / 3/16" x 13"	1	
NS	680319	. TAPE ADHESIF ELECTRIC / BLACK 3/4"	AR	
5	373697	. HOSE 3" I.D. X 550MM	1	
NS	503695	. HOSE FLEXIBLE / AIR DUCT 3" I.D. X 25' / PLASTIC	AR	
10	502774	NUT WELL #10-32x.625	4	
11	502735	SCREW MA BDG PH #10-32x1 SS BK To E-5585	4	
11	5001042	SCREW MA RND PH #10-32x1 1/4 SS From E-5586	4	
12	500432	SCREW TC PAN PH #8-32x3/4 Z050	1	
13	372343	HOSE RETAINER	1	

From G-5978

Date:01/2024

PAGE:X3-2221-30

ENTRANCE STEP DE-ICER WITH BI-FOLD DOOR



From G-5978	Date:01/2024	PAGE:X3-2221-30
ENTRANCE STEP DE-ICER WITH BI-FOLD DOOR		

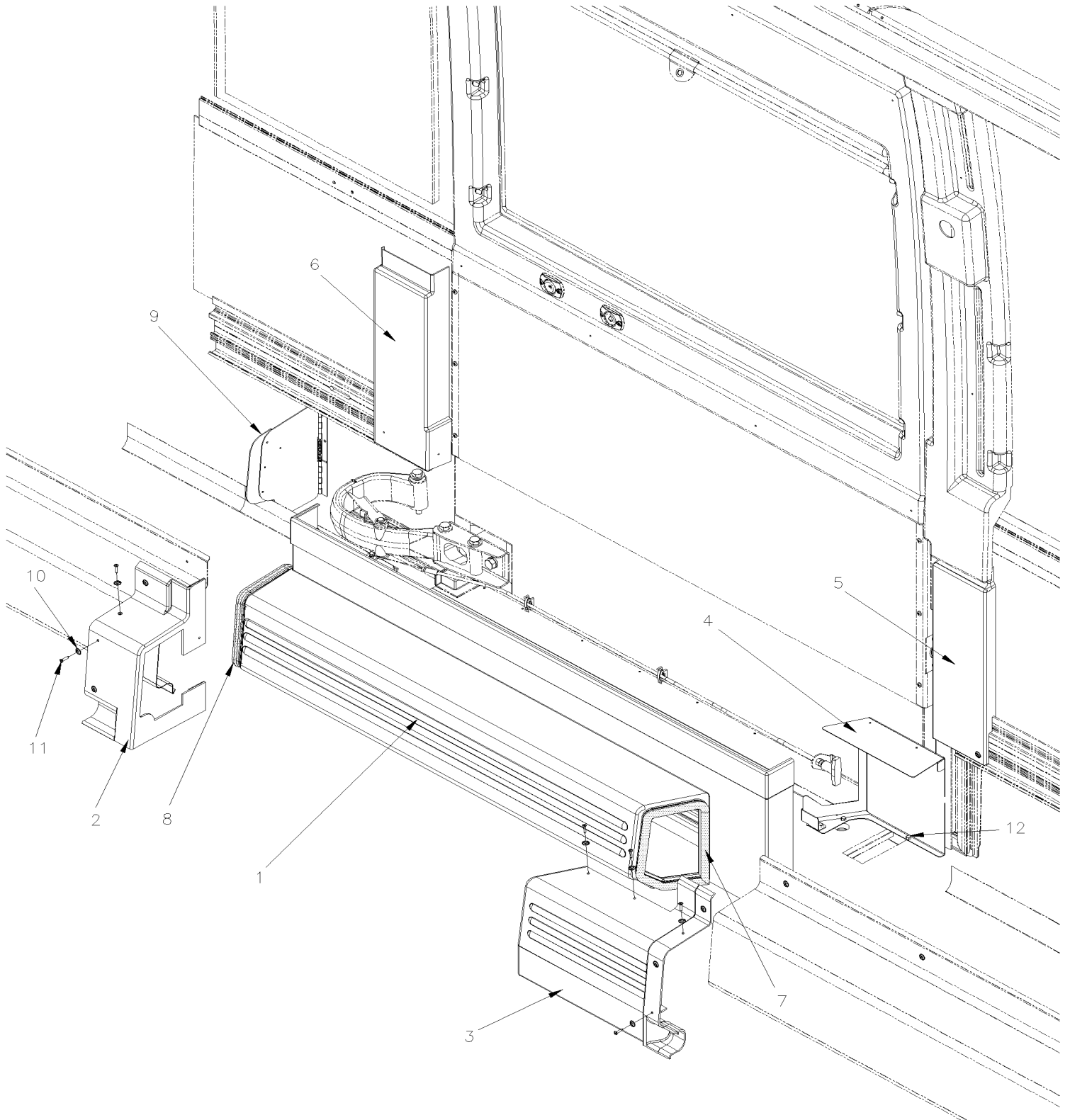
Item#	Part	Description	QTY	Notes
3	504637	CABLE TIE / 3/16" x 13"	2	
4	503695	HOSE FLEXIBLE / AIR DUCT 3" I.D. X 25' / PLASTIC	AR	
5	506210	TAPE RUB ADH1 URE 1/2" x 3/4" x 20' / GREY 1820	AR	
6	3201216	POST COVER WITH GRILL ASSY To K-6492	1	
6	3210641	POST COVER WITH GRILL ASSY From L-6493	1	
6	3201140	. POST COVER WITH GRILL To K-6492	1	
6	3210631	. POST COVER WITH GRILL From L-6493	1	
6	3201194	. INSULATION	1	
6	680052	. GLUE, CONTACT ADBOND 8399 4 LITER	AR	
7	5001042	SCREW MA RND PH #10-32x1 1/4 SS	6	
7	5001119	SCREW TP BDG PH #8x3/4 SS From L-6493	2	
8	502774	NUT WELL #10-32x.625	6	
10	374435	PLATE ADAPTOR, HEATING DUCT	1	
11	374817	DIFFUSOR ASSY	1	
12	500641	SCREW TP PAN PH #8x3/4 Z050	2	
22	564108	SELF MOUNTING STUD // DEUTSCH 1011-310-0205	1	
23	8631155	CABLE TIE / 4.6MM x 200 / CHRISTMAS TREE	1	
NS	680319	TAPE ADHESIF ELECTRIC / BLACK 3/4"	AR	

From 7-8754 To B-5001

Date:01/2024

PAGE:X3-2221-80

AIR DUCT W.C.L. DOOR "RICON" WITH HINGE DOOR



From 7-8754 To B-5001	Date:01/2024	PAGE:X3-2221-80
AIR DUCT W.C.L. DOOR "RICON" WITH HINGE DOOR		

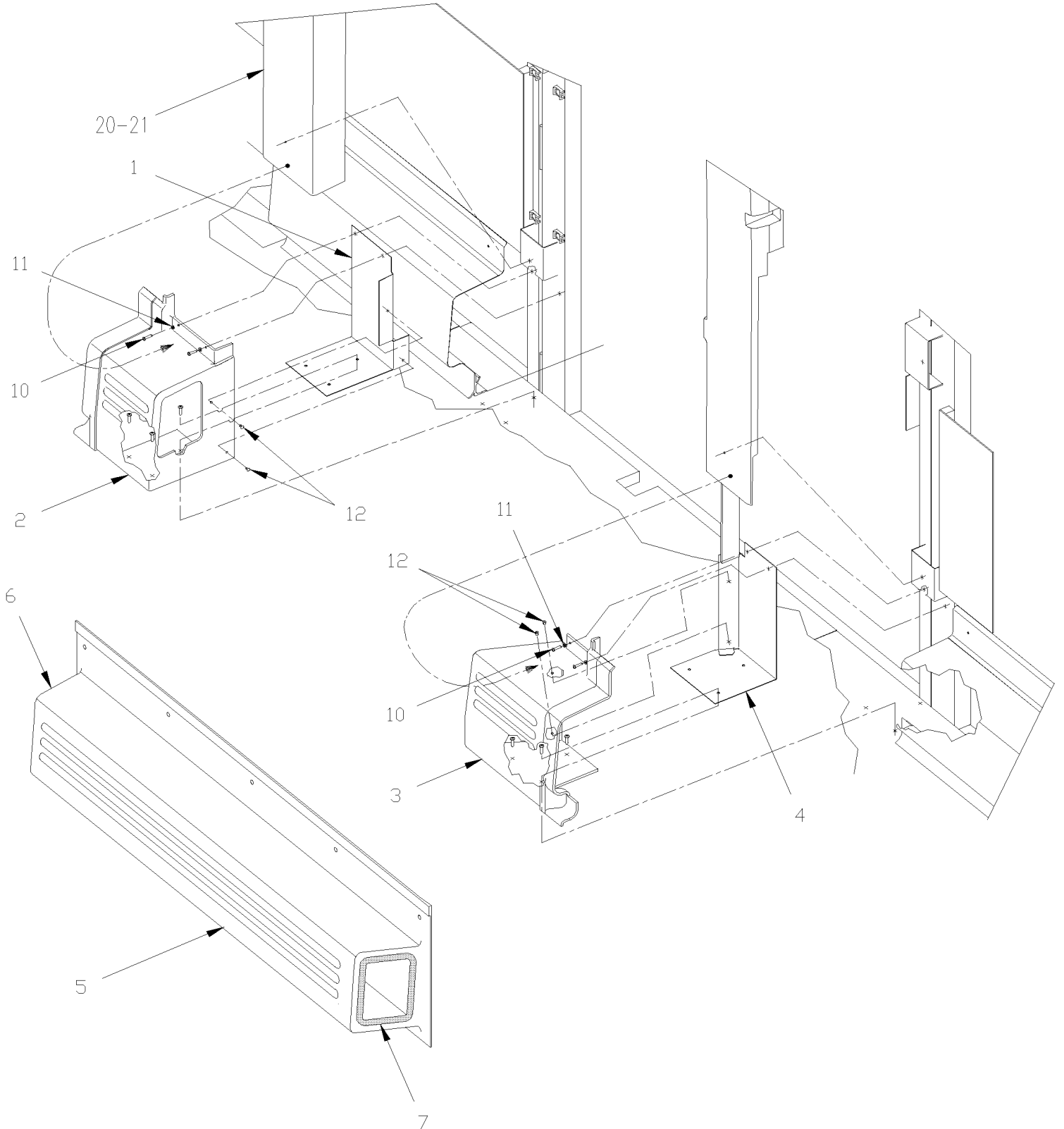
Item#	Part	Description	QTY	Notes
1	328774	DUCT DOOR WCL	1	
2	328775	DUCT WCL FRONT CAP	1	
3	327797	DUCT REAR END TOP / W.C.L. DOOR	1	
4	327796	DUCT REAR END BOTTOM / W.C.L. DOOR	1	
5	329538	MOLDING, FINISHING	1	
6	327432	MOLDING, FINISHING	1	
7	327511	SEAL DUCT 546MM	1	
. NS	5061011	. RUBBER EXTRUSION TRIM SEAL / GRIP .090/.120 / 5/8" HOLLOW BULB C.T.L.	AR	
8	327519	SEAL DUCT 590MM	1	
. NS	5061011	. RUBBER EXTRUSION TRIM SEAL / GRIP .090/.120 / 5/8" HOLLOW BULB C.T.L.	AR	
NS	684655	GLUE CONTACT "SCOTCH-GRIP" / 3M #1357-NEUTRAL 3.8 LITERS To B-5001	AR	
9	328888	DUCT CLOSING TRAP ASSY	1	
9	504106	RIVET POP DOME OE 1/8x1/4 AL	1	
9	327522	WIRE ASSY	1	
10	500643	SCREW TP PAN PH #12x3/4 Z050	AR	
11	500552	SCREW TP OV PH #6x3/4 Z050	AR	
12	5001169	SCREW TP CAP HEXW #12x3/4 SS410	3	

From B-5002

Date:01/2024

PAGE:X3-2221-81

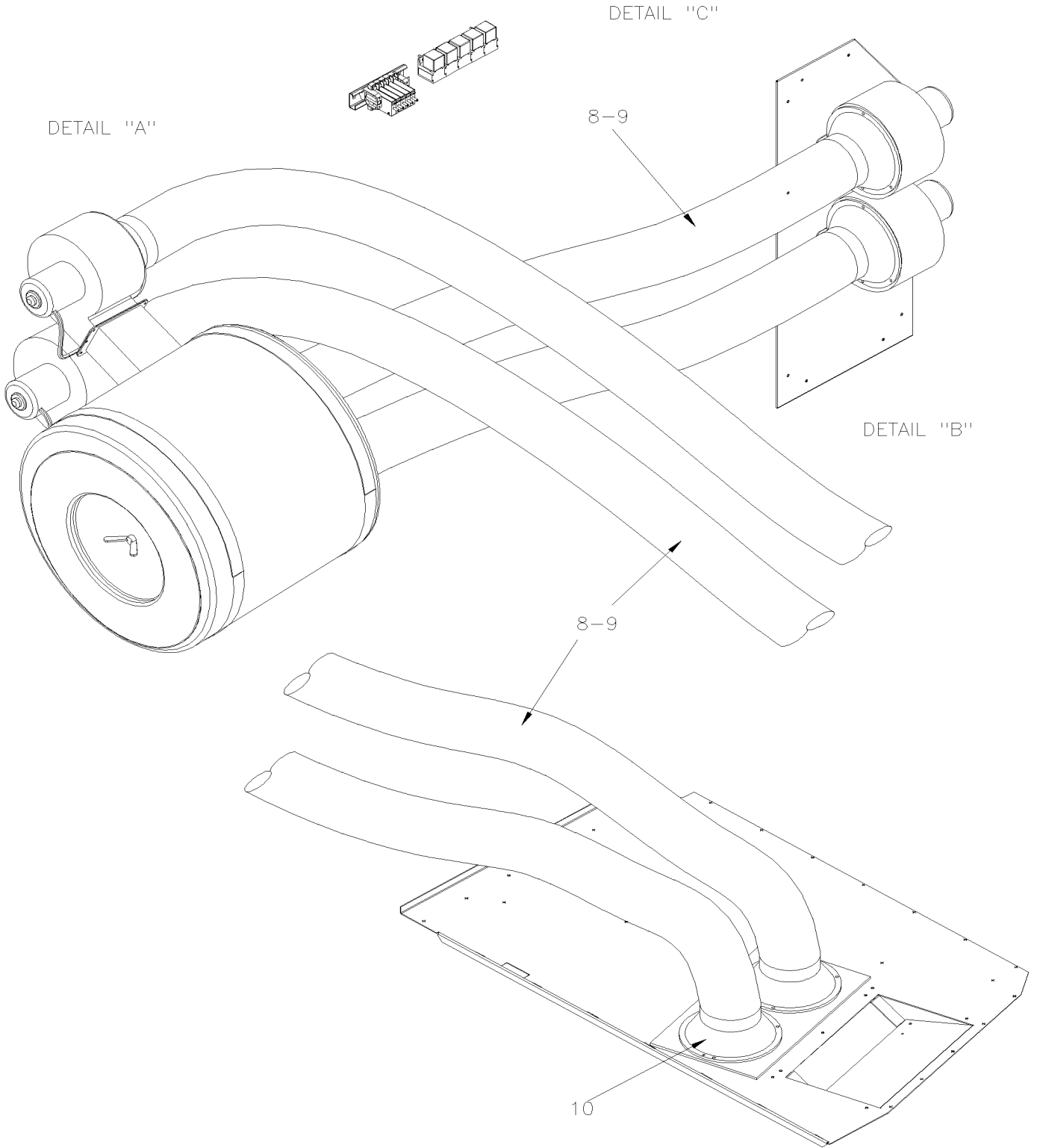
AIR DUCT W.C.L. DOOR "RICON" WITH SLIDING DOOR



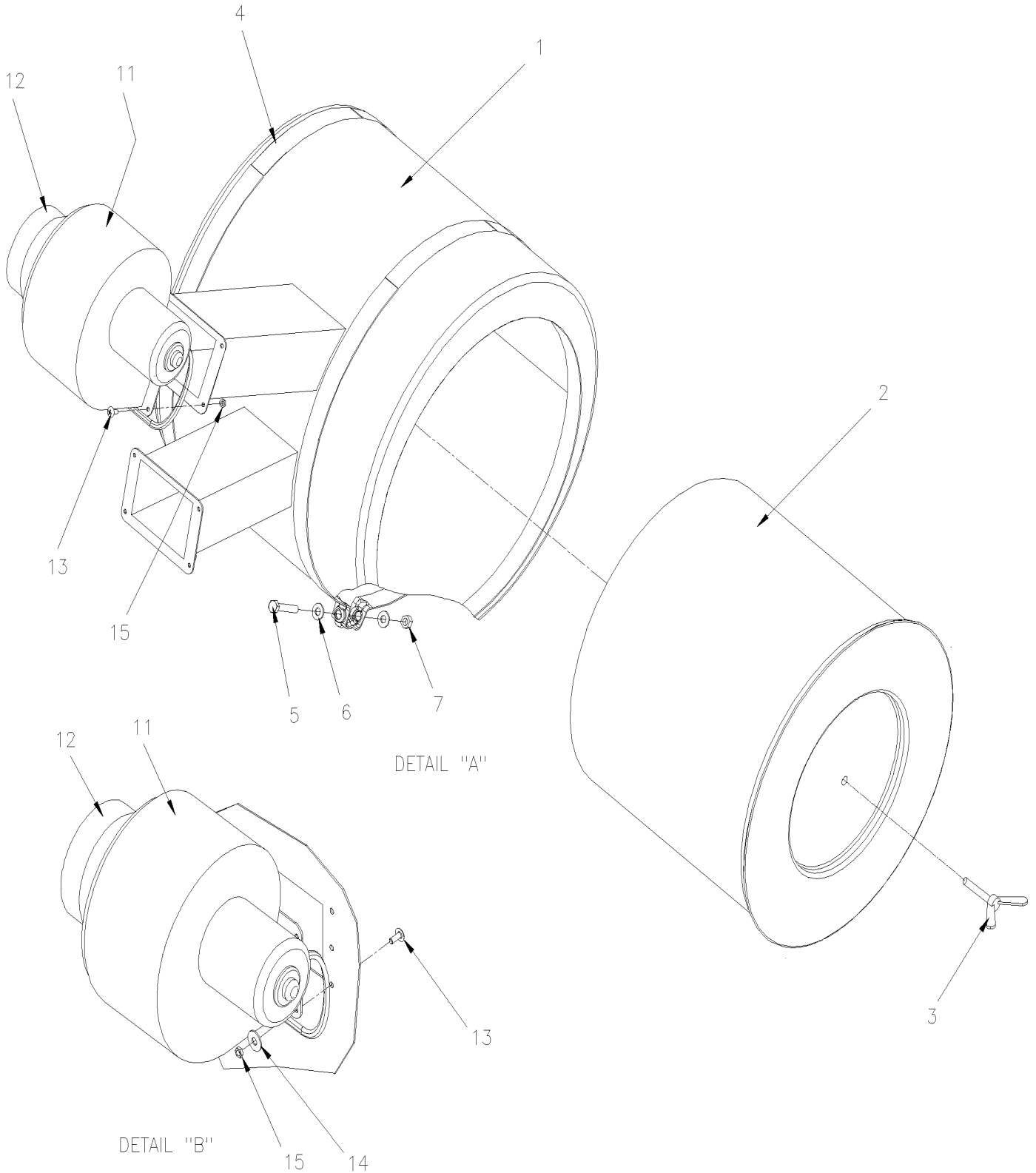
From B-5002	Date:01/2024	PAGE:X3-2221-81
AIR DUCT W.C.L. DOOR "RICON" WITH SLIDING DOOR		

Item#	Part	Description	QTY	Notes
1	328234	CLOSING PANEL FORWARD AIR DUCT To D-5299	1	
1	3200788	CLOSING PANEL FORWARD AIR DUCT From D-5300	1	
2	3200329	DUCT END FORWARD AIR DUCT To D-5299	1	
2	3200785	DUCT END FORWARD AIR DUCT From D-5300	1	
3	3200328	DUCT END BACKWARD AIR DUCT	1	
4	3200364	CLOSING PANEL BACKWARD AIR DUCT To D-5299	1	
4	3200843	CLOSING PANEL BACKWARD AIR DUCT From D-5300	1	
5	321015	DUCT DOOR / PLASTIC To D-5299	1	
5	3200784	DUCT DOOR / PLASTIC From D-5300	1	
NS	280242	PANEL ANGLE / ALUMINUM 1055MM x 350MM x 4000	1	
NS	289555	PLATE REINFORCMENT SS LOZANGE 136MM x 130MM To D-5299	1	
NS	2800261	PLATE REINFORCMENT SS LOZANGE 148MM x 114MM From D-5300	1	
6	329615	SEAL DUCT 600MM	1	
. NS	5061011	. RUBBER EXTRUSION TRIM SEAL / GRIP .090/.120 / 5/8" HOLLOW BULB C.T.L.	AR	
7	329615	SEAL DUCT 600MM	1	
. NS	5061011	. RUBBER EXTRUSION TRIM SEAL / GRIP .090/.120 / 5/8" HOLLOW BULB C.T.L.	AR	
10	500552	SCREW TP OV PH #6x3/4 Z050	AR	
11	500463	WASHER FN CKF .187x.500x.090 BR Z050	AR	
12	504105	RIVET POP DOME OE 1/8x3/16 AL	AR	
20	X3-1833-00	WINDOW FINISHING CAP & WALL To B-5001		
20	X3-1833-01	WINDOW FINISHING CAP & WALL From B-5002		
21	X3-1862-81	ENTRANCE DOOR SLIDING - WCL To J-6295		
21	X3-1862-82	ENTRANCE DOOR SLIDING - WCL From J-6296		

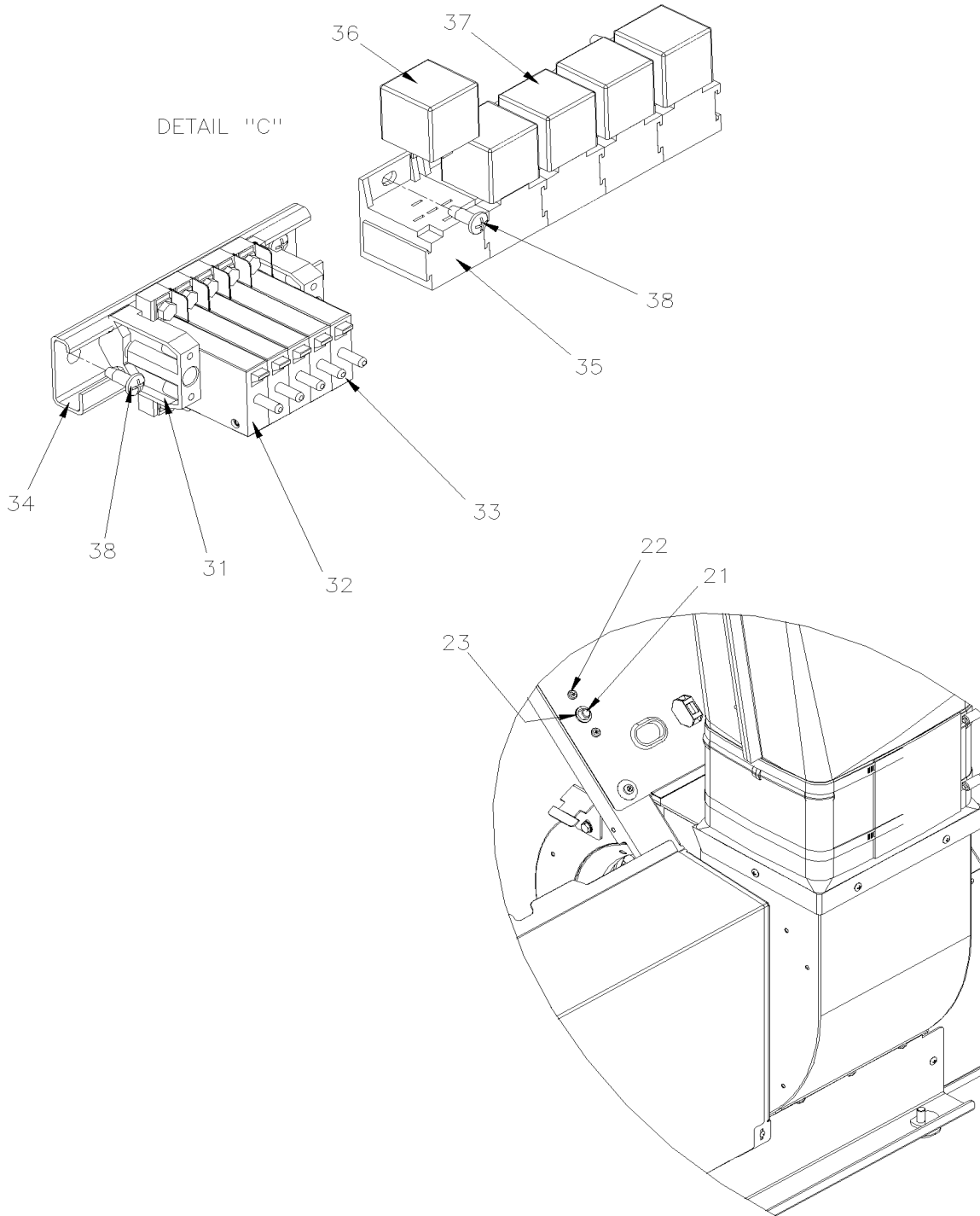
DUST ABATEMENT SYSTEM



From E-5718	Date:01/2024	PAGE:X3-2221-90
DUST ABATEMENT SYSTEM		



DUST ABATEMENT SYSTEM



From E-5718		Date:01/2024	PAGE:X3-2221-90
DUST ABATEMENT SYSTEM			

Item#	Part	Description	QTY	Notes
1	N.P.N.	FILTER AIR 18" / MODIFIED	1	4
2	530197	. ELEMENT AIR FILTER 18"	1	
3	531420	. NUT WING 1/2-13 NY	1	
3	213951	SUPPORT AIR FILTER	1	
NS	500544	SCREW CAP HEX M8-1.25x30 G8.8 Z050	4	
NS	500381	WASHER FL 8.4x25.0x2.0 N500	4	
NS	502744	NUT HEX STO M8-1.25 Z050	4	
4	031465	STRAP MOUNTING / W/18" AIR FILTER	2	
5	5001178	SCREW CAP HEX M8-1.25x60 SS BK	2	
6	5001740	NUT HEX STO M8-1.25 N500	2	
7	5001736	WASHER FL 8.4x18.0x2.0 N500	4	
8	7770015	DUST HOSE 4"	AR	
NS	504013	TIE MOUNT / 1/4" X 1/4" I.D.	AR	
NS	504747	RIVET HKL MMS 3/16x3/8 SS	AR	
NS	504016	CABLE TIE / 5/16" X 14"1/2	AR	
NS	504637	CABLE TIE / 3/16" x 13"	AR	
9	7770016	CLAMP 4"	8	
10	404692	ADAPTOR	2	
10	504748	RIVET HKL MMS 3/16x1/2 SS	6	
10	970101	GRILL	AR	
10	N.P.N.	PLASTIC PANEL 1/4 BLACK	1	4
11	870844	BLOWER & MOTOR ASSY - "M.C.C." "CW" / FAN END To £-22024	4	
11	406804	BLOWER & MOTOR ASSY From £-22024	4	
12	404692	ADAPTOR	4	
13	5001241	SCREW MA TR PH #10-24x1/2 SS	20	
14	500411	WASHER FL .260x.697x.050 SS	12	
15	5001180	NUT HEX NYRT #10-24 SS	20	
NS	506236	TAPE RUB ADH1 CC POL 1/16" x 1/2" x 100' / GREY 2520	AR	
NS	506003	TAPE RUB ADH1 CC POL 3/16" x 3/4" x 40' / GREY 2520X	AR	
NS	506465	TAPE RUB ADH1 CC NEO 1/8" x 1/4" x 60' / BLACK 1220	AR	
NS	506071	TAPE RUB ADH1 CC POL 1/8" x 1/2" x 50' / GREY 2520X	AR	
NS	687957	GLUE MS POLYMER TEROSON MS 9399 / 400ml CARTRIDGE To M-6660	AR	
NS	685387	GLUE MS POLYMER TEROSON MS 9399 / 400ml CARTRIDGE From M-6661	AR	
NS	687958	MIXER QUADRO 10.7MM W/"V" ADAPTOR / "B"	AR	
NS	7770072	ADHESIVE SIMSON #ISR 70-03 / WHITE / 310ml CARTRIDGE	1	
21	870093	BREAKER 40AMPS / 24V /	1	
22	500510	SCREW MA BDG PH #10-32x3/4 SS EMN	2	
22	500423	NUT HEX NYRT #10-32 SS	2	
23	504085	SNAP BUSHING / .500x.718x.406	1	
31	561729	STOPPER	2	
32	561797	BREAKER 3AMPS / 24V /	1	
33	561791	BREAKER 8AMPS / 24V /	4	

From E-5718	Date:01/2024	PAGE:X3-2221-90
-------------	--------------	-----------------

DUST ABATEMENT SYSTEM

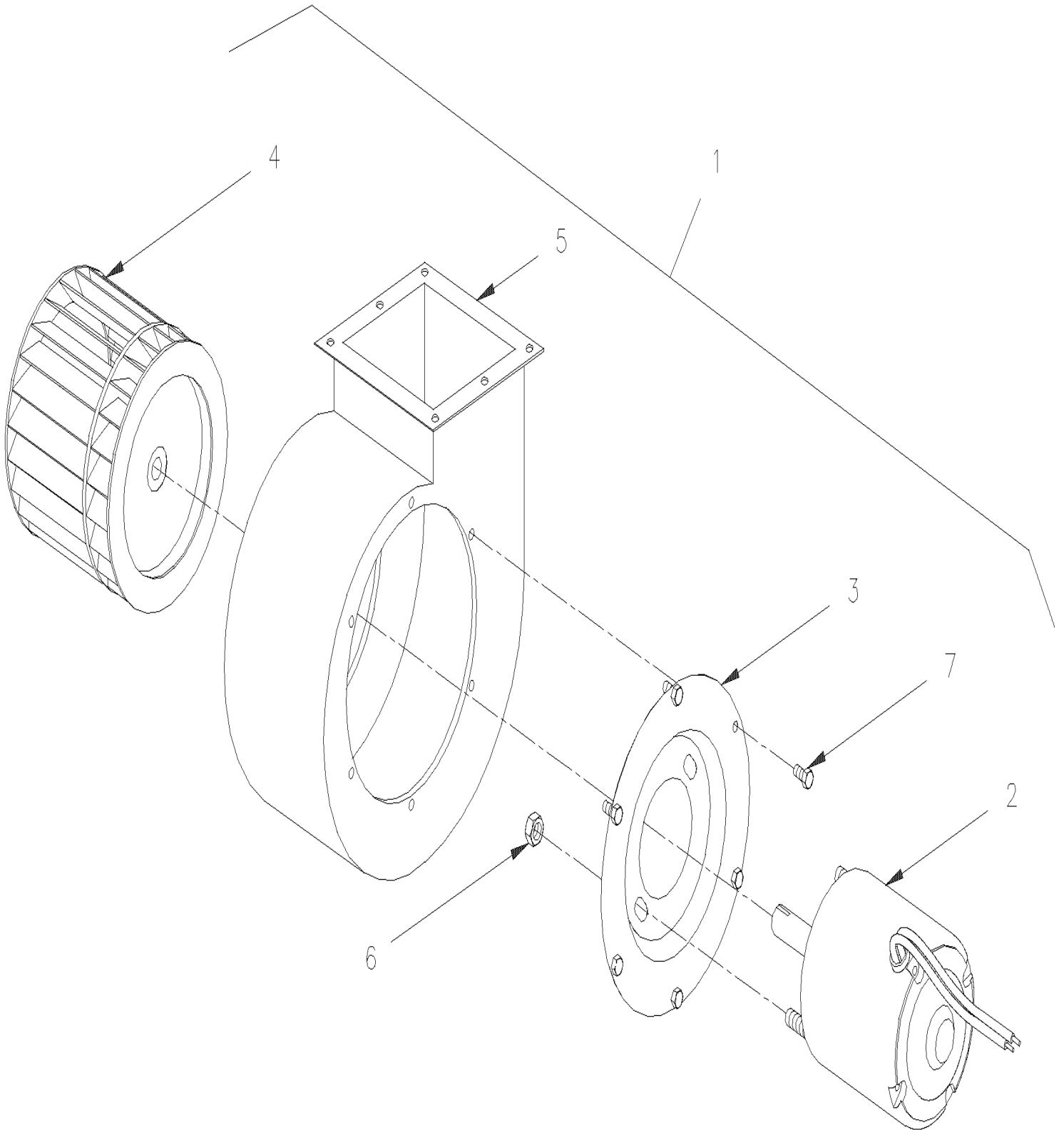
Item#	Part	Description	QTY	Notes
34	380905	RAIL SUPPORT / 150MM	1	
35	561183	RELAY BASE / TAB TERMINAL / BOSCH 3334485008	5	
36	563337	RELAY 12V S.P.D.T. W/RESISTOR /	1	
37	561707	RELAY 24V S.P.D.T. W/RESISTOR /	4	
38	500414	SCREW TP BDG PH #10x3/4 SS	4	
40	7770129	HARNESS KIT	1	
40	7770125	. MAIN HARNESS	1	
40	7770126	. HARNESS BREAKER	1	
40	7770127	. MAIN HARNESS	1	
40	7770128	. HARNESS OUTSIDE TEMPERATURE SENSOR	1	
		4) NO PARTS NUMBER		

From E-5718

Date:01/2024

PAGE:870844

BLOWER & MOTOR ASSY - "M.C.C." "CW" / FAN END



From E-5718	Date:01/2024	PAGE:870844
-------------	--------------	-------------

BLOWER & MOTOR ASSY - "M.C.C." "CW" / FAN END

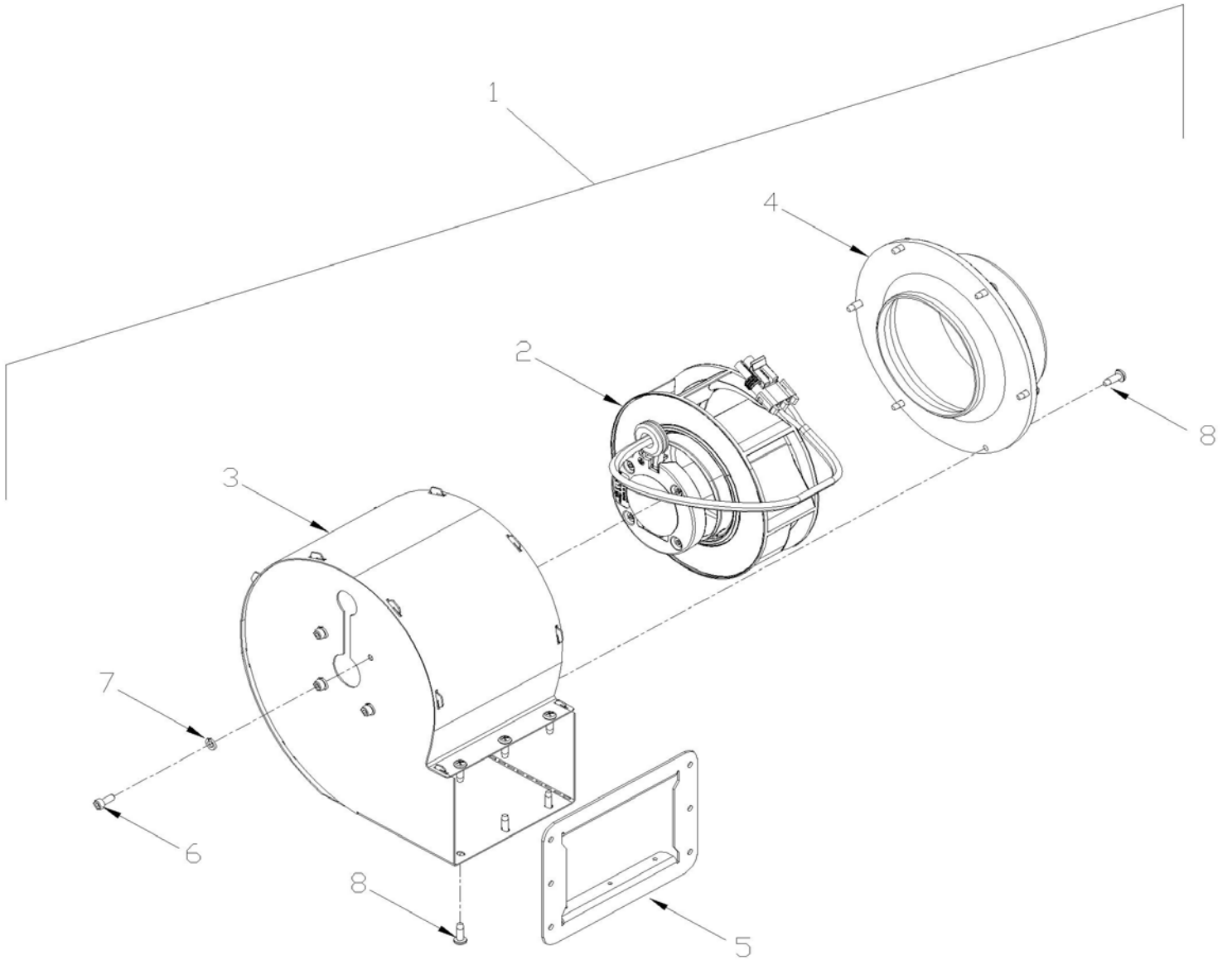
Item#	Part	Description	QTY	Notes
1		BLOWER ASSY 24V / CW	1	
2	562167	. MOTOR ASSY / 24V	1	
3	871020	. PLATE MOUNTING / MOTOR	1	
4	871017	. BLOWER WHEEL / STEEL	1	
5	871440	. HOUSING BLOWER	1	
6	500786	. NUT HEX #10-24 Z050	2	
7	500978	. SCREW CAP HEX #10-24x3/4 Z050	6	

From E-5718

Date:01/2024

PAGE:406804

BLOWER & MOTOR ASSY



From E-5718	Date:01/2024	PAGE:406804
-------------	--------------	-------------

BLOWER & MOTOR ASSY

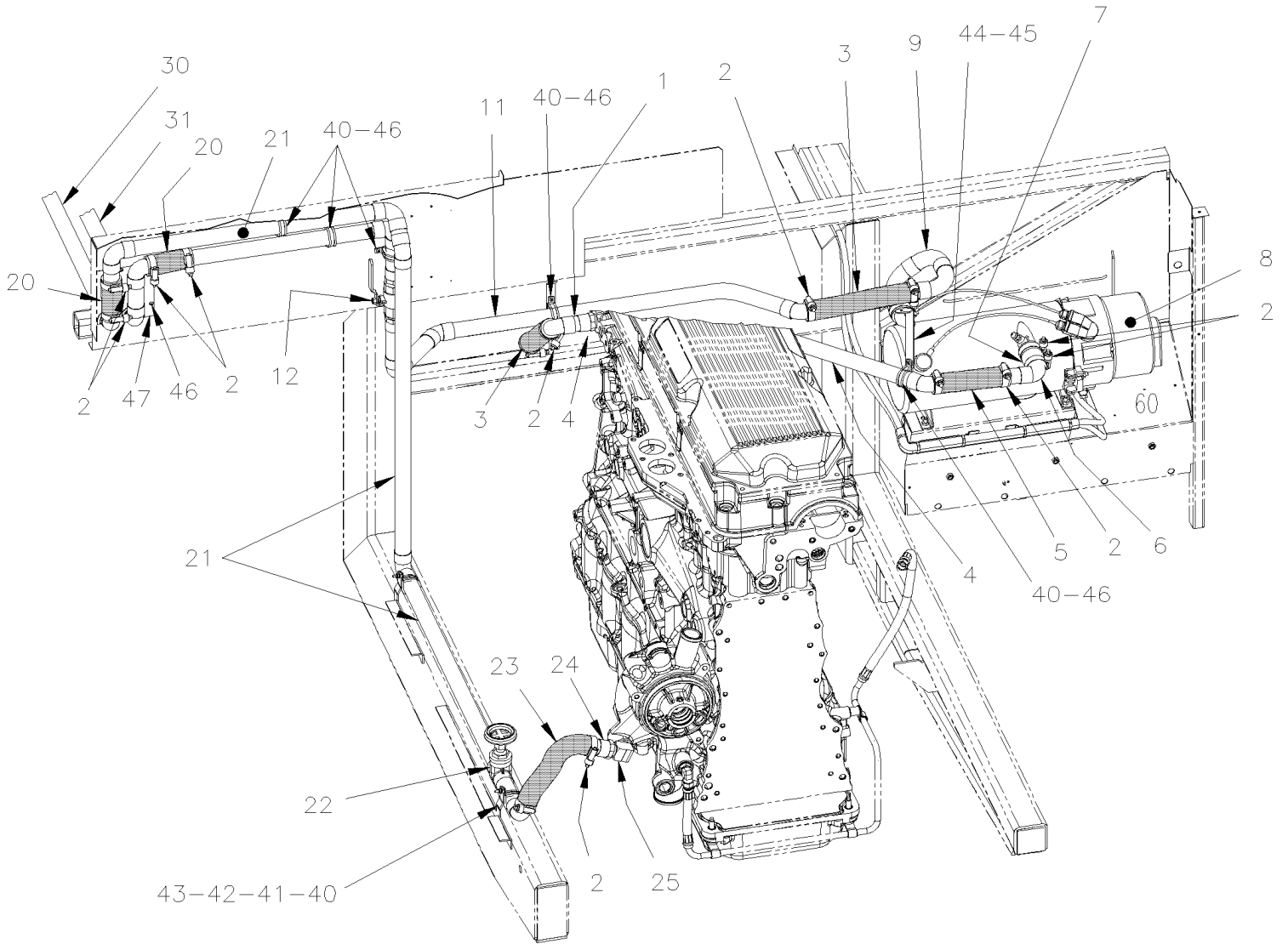
Item#	Part	Description	QTY	Notes
1		BLOWER FAN ASSY	1	
2	950624	. FAN BRUSHLESS	1	
. NS	561690	. . CONNECTOR / WEATHER PACK / SH 2C / BLACK / PED 12015792	1	
3	406798	. BOX FAN/BLOWER	1	
4	406803	. HOSE ADAPTER	1	
5	406794	. FLANGE FAN	1	
6	5002180	. SCREW CAP HEXS M4-0.7x10 SS	4	
7	500914	. WASHER LO SPT .193x.334x.047 N500	4	
8	500965	. SCREW TC BDG PH #8-32x1/2 N500	12	
NS	684517	. ADHESIVE SIMSON #ISR 70-03 / GREY / 310ml CARTRIDGE	AR	

From 7-8754 To B-5001

Date:01/2024

PAGE:X3-2222-00

HEATER LINE REAR SECTION WITH "DETROIT" ENGINE

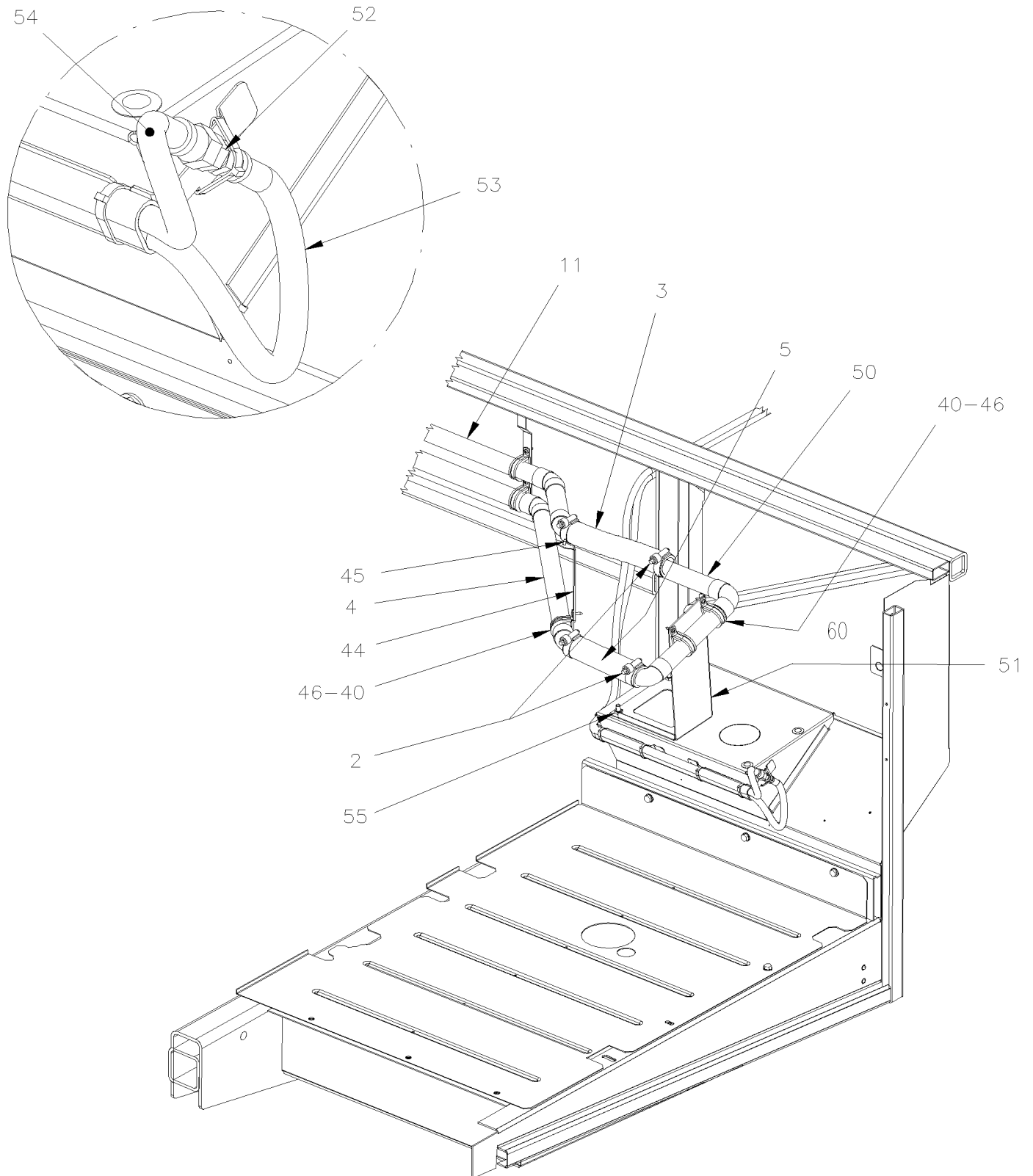


From 7-8754 To B-5001

Date:01/2024

PAGE:X3-2222-00

HEATER LINE REAR SECTION WITH "DETROIT" ENGINE



From 7-8754 To B-5001	Date:01/2024	PAGE:X3-2222-00
HEATER LINE REAR SECTION WITH "DETROIT" ENGINE		

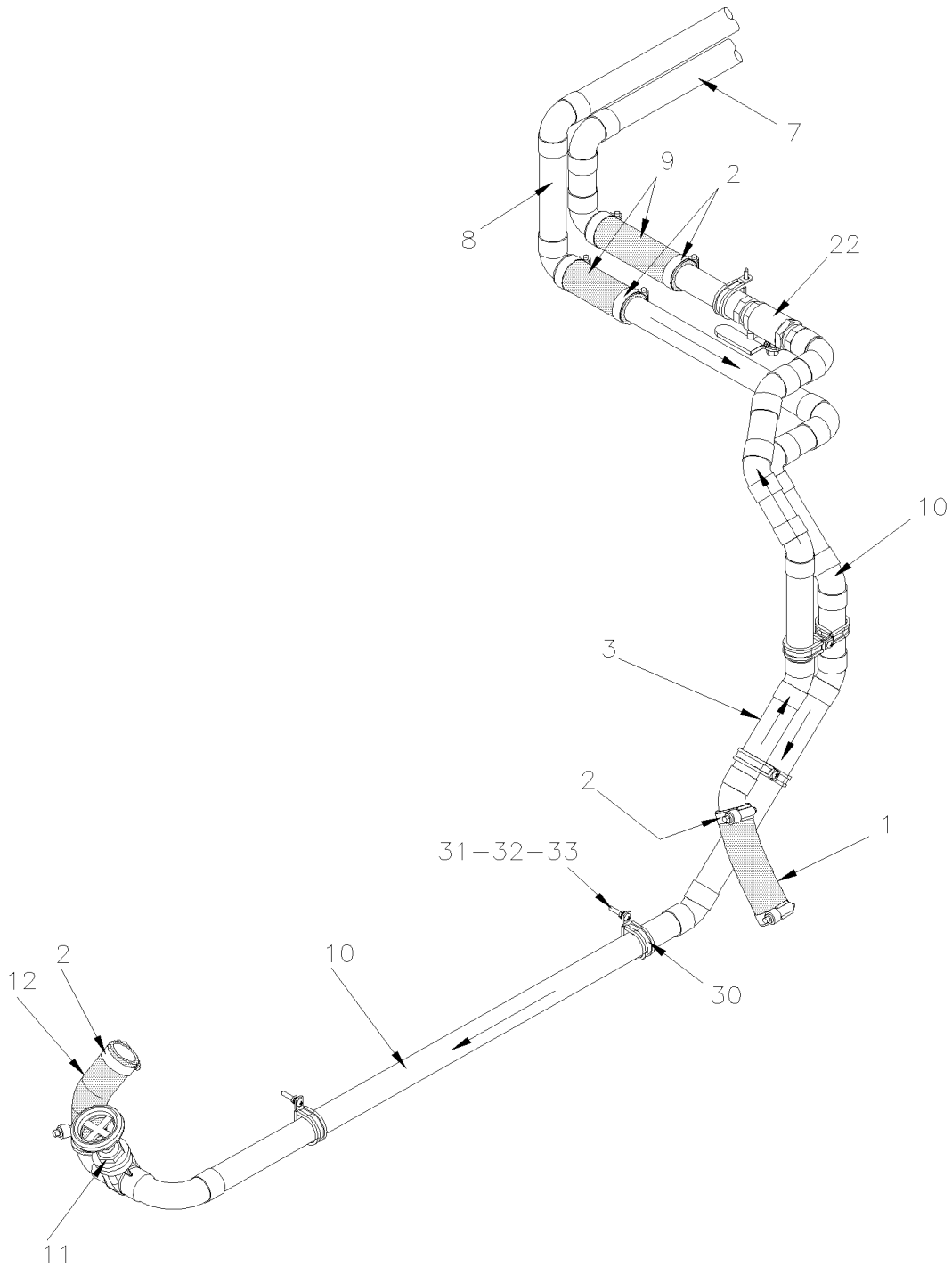
Item#	Part	Description	QTY	Notes
1	373866	HOSE ADAPTOR ELBOW 90° 1 3/8" X 1" NPT / CYLINDER HEAD EXIT	1	
NS	373902	HOSE ADAPTOR STRAIGHT 1 3/8" X 1" NPT / CYLINDER HEAD EXIT	1	B
2	504657	HOSE CLAMP / 1"1/16-2" C.T. 9424	AR	
3	503392	HOSE SILICONE 4PLY 1 3/8" I.D. x 4'	AR	
4	374134P	PIPE ASSY / "WATER HEATER" FEED LINE To 8-9276	1	
4	374270P	PIPE ASSY / "WATER HEATER" FEED LINE From 8-9277	1	
5	373218	. HOSE 1 3/8" I.D. x 3"	1	
6	374137	ELBOW PIPE ASSY "WATER HEATER" / FEED LINE To 8-9276	1	
6	374271	ELBOW PIPE ASSY "WATER HEATER" / FEED LINE From 8-9277	1	
7	373800	. HOSE REDUCER / 1 1/2" I.D.x1 3/8" I.D.x65MM	2	
8	871202	WATER HEATER - "SPHEROS" 100,000 B.T.U.		
8	871329	WATER HEATER - "PROHEAT" 80,000 B.T.U.		
9	374138	PIPE ASSY "WATER HEATER" / OUTLET	1	
NS	Call order desk	PIPE ASSY HEATING / FEED LINE	1	P B
11	374118P	PIPE ASSY HEATING / FEED LINE / W/ WATER HEATER To 8-9276	1	
11	374253P	PIPE ASSY HEATING / FEED LINE / W/ WATER HEATER From 8-9277	1	
12	870966	. BALL VALVE 1" NPT-F To 8-9174	1	
12	871419	. BALL VALVE 1" NPT-F From 8-9175	1	
12	501997	. ADAPTER / COPPER @ PIPE / 1 1/4Fx1NPT-M	2	
20	051383	. HOSE / W/CENTRAL A/C SYSTEM / 1 3/8" I.D. X 150MM	2	
21	374116P	PIPE ASSY HEATING / RETURN LINE To 8-9276	1	
21	374252P	PIPE ASSY HEATING / RETURN LINE From 8-9277	1	
22	501861	. GATE VALVE 1 1/4" (WELDED)	1	
23	374136	. ELBOW 90° X 1 3/8" I.D. / 75MM x 194MM C/C / SILICONE To 8-9276	1	
23	374258	. ELBOW 90° X 1 3/8" I.D. / 88MM x 128MM C/C / SILICONE 1 PLY From 8-9277	1	
24	373894	ADAPTOR STRAIGHT 86MM / WATER PUMP INLET	1	
25	5011273	STREET ELBOW 90° / PIPE FITTING / 3/4NPT-Mx3/4NPT-F GAL	1	
30	374112P	PIPE ASSY HEATING / RETURN LINE	1	
31	374111P	PIPE ASSY HEATING / FEED LINE	1	
40	952641	CLAMP / 1 5/16" I.D.	AR	
41	502746	SCREW MA PAN PH M5-0.8x20 SS BK	AR	
42	500804	WASHER FL .203x.500x.047 N500	AR	
43	502841	NUT HEX NYRT M5-0.8 N500	AR	
44	374142	SUPPORT PIPE / W/"WEBASTO"	1	
45	502868	SCREW TC TR PH #10-16x1/2 N500	1	
46	500957	SCREW TP BDG PH #10x3/4 N500	AR	
47	374141	CLOSING PLATE	1	
50	Call order desk	PIPE ASSY / BY PASS WATER HEATER To 8-9276	1	P A
50	Call order desk	PIPE ASSY / BY PASS WATER HEATER From 8-9277	1	P A
51	374223	SUPPORT PIPE / W/OUT "WEBASTO"	1	A
52	505526	UNION / JIC 37° FITTING / #6JIC-Mx#4JIC-M STL	1	A
53	374242	HOSE / FUEL LINE / #4 7162MM	1	A

From 7-8754 To B-5001	Date:01/2024	PAGE:X3-2222-00
-----------------------	--------------	-----------------

HEATER LINE REAR SECTION WITH "DETROIT" ENGINE

Item#	Part	Description	QTY	Notes
54	374243	HOSE / FUEL LINE / #4 6858MM	1	A
55	502780	SCREW CAP HEX M8-1.25x25 SS BK	2	A
NS	5001341	WASHER FL 8.4x17.0x1.6 SS	2	A
NS	5001161	WASHER LO SPT 8.1x14.8x2.0 SS-304	2	A
60	X3-1894-10	REAR RH - STRUCTURE		
		A) THIS PARTS ARE USED ONLY WITH "OPTION" WATER HEATER "READY TO INSTALL" BUT WITHOUT THIS WATER HEATER		
		B) USE ONLY WITHOUT WATER HEATER INSTALLATION		
		P) CALL ORDER DESK FOR SPECIFIC APPLICATION (V.I.N.)		

HEATER LINE REAR SECTION WITH "VOLVO" ENGINE "EPA 2007"



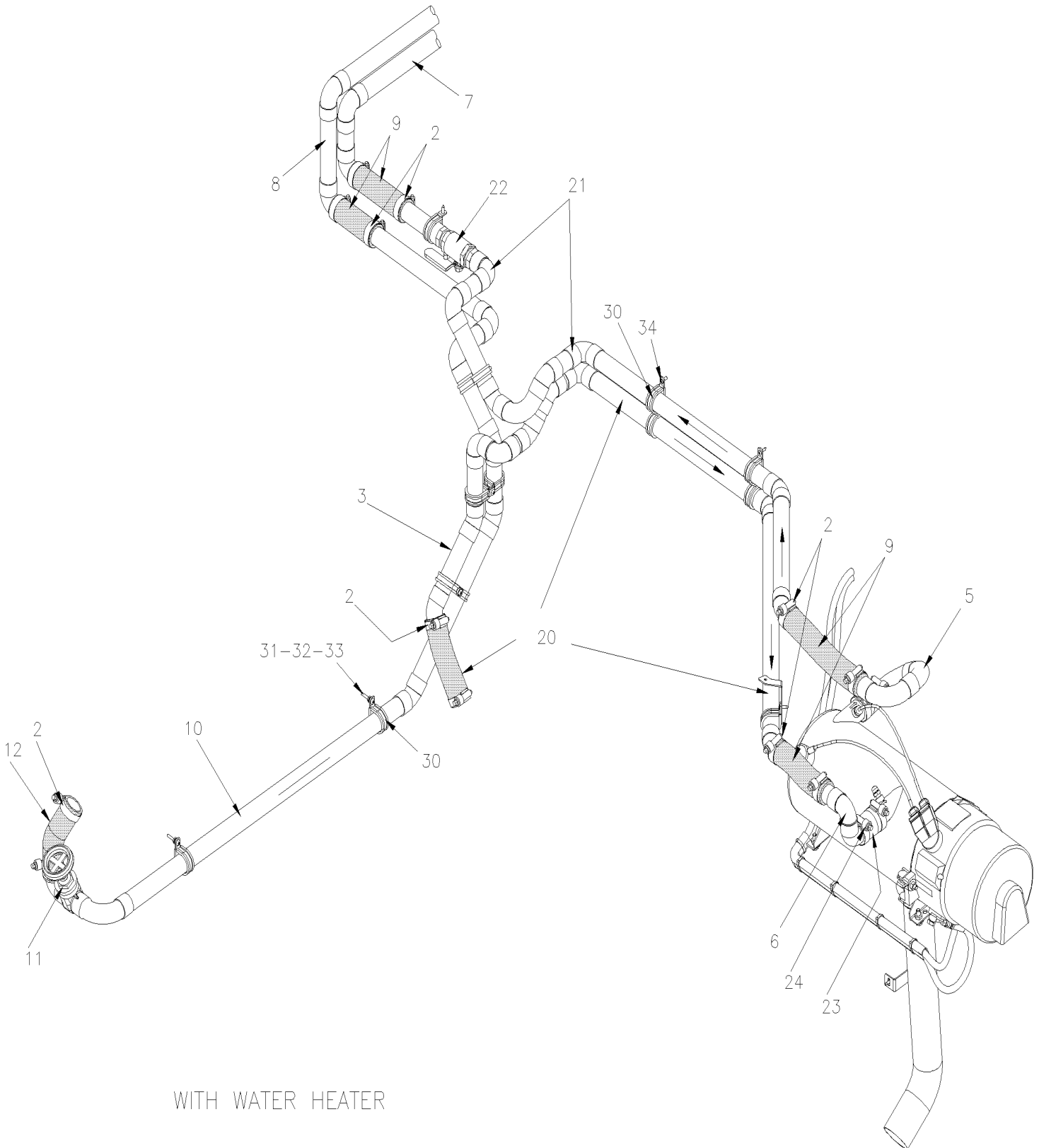
WITHOUT WATER HEATER

From 8-9259 To B-5001

Date:01/2024

PAGE:X3-2222-05

HEATER LINE REAR SECTION WITH "VOLVO" ENGINE "EPA 2007"



WITH WATER HEATER

From 8-9259 To B-5001	Date:01/2024	PAGE:X3-2222-05
HEATER LINE REAR SECTION WITH "VOLVO" ENGINE "EPA 2007"		

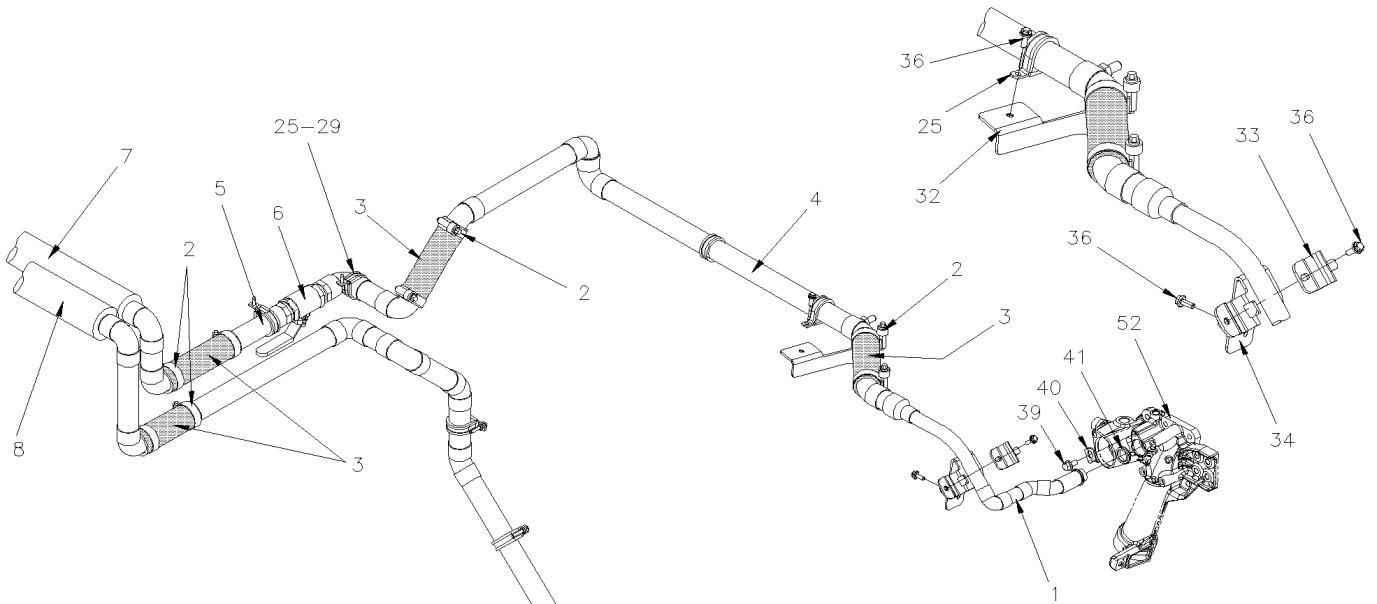
Item#	Part	Description	QTY	Notes
1	374365	HOSE 1 3/8" I.D. X 180MM	1	
2	504657	HOSE CLAMP / 1"1/16-2" C.T. 9424	AR	
3	374312P	PIPE ASSY HEATING / FEED LINE / LOWER SECTION W/"WORLD" TRANS	1	
4	871419	. BALL VALVE 1" NPT-F	1	
4	501997	. ADAPTER / COPPER @ PIPE / 1 1/4Fx1NPT-M	2	
5	374138	PIPE ASSY "WATER HEATER" / OUTLET	1	
6	374271	ELBOW PIPE ASSY "WATER HEATER" / FEED LINE	1	
7	Call order desk	PIPE ASSY / ENGINE COMP & WATER PUMP	1	P
8	Call order desk	PIPE ASSY / RETURN LINE TO ENGINE COMPARTMENT	1	P
9	503392	HOSE SILICONE 4PLY 1 3/8" I.D. x 4'	AR	
10	374313P	PIPE ASSY HEATING / RETURN LINE	1	
11	501861	. GATE VALVE 1 1/4" (WELDED)	1	
12	374377	ELBOW 35° X 1 3/8" I.D. / 80MM x 80MM C/C / SILICONE	1	
		. WITH WATER HEATER		
20	374376P	PIPE ASSY HEATING / FEED LINE / WATER HEATER	1	
21	374375P	PIPE ASSY HEATING / EXIT LINE / WATER HEATER	1	
22	871419	. BALL VALVE 1" NPT-F	1	
22	501997	. ADAPTER / COPPER @ PIPE / 1 1/4Fx1NPT-M	2	
23	373800	HOSE REDUCER / 1 1/2" I.D.x1 3/8" I.D.x65MM	2	
24	504657	HOSE CLAMP / 1"1/16-2" C.T. 9424	4	
30	952641	CLAMP / 1 5/16" I.D.	AR	
31	500574	SCREW MA TR PH #10-24x1 1/4 SS	AR	
32	500914	WASHER LO SPT .193x.334x.047 N500	AR	
33	502885	SCREW TC FL PH #8-32x5/8 N500	AR	
34	500957	SCREW TP BDG PH #10x3/4 N500	AR	
50	871202	WATER HEATER - "SPHEROS" 100,000 B.T.U.		
50	871329	WATER HEATER - "PROHEAT" 80,000 B.T.U.		
		P) CALL ORDER DESK FOR SPECIFIC APPLICATION (V.I.N.)		

From B-5002 To H-6179

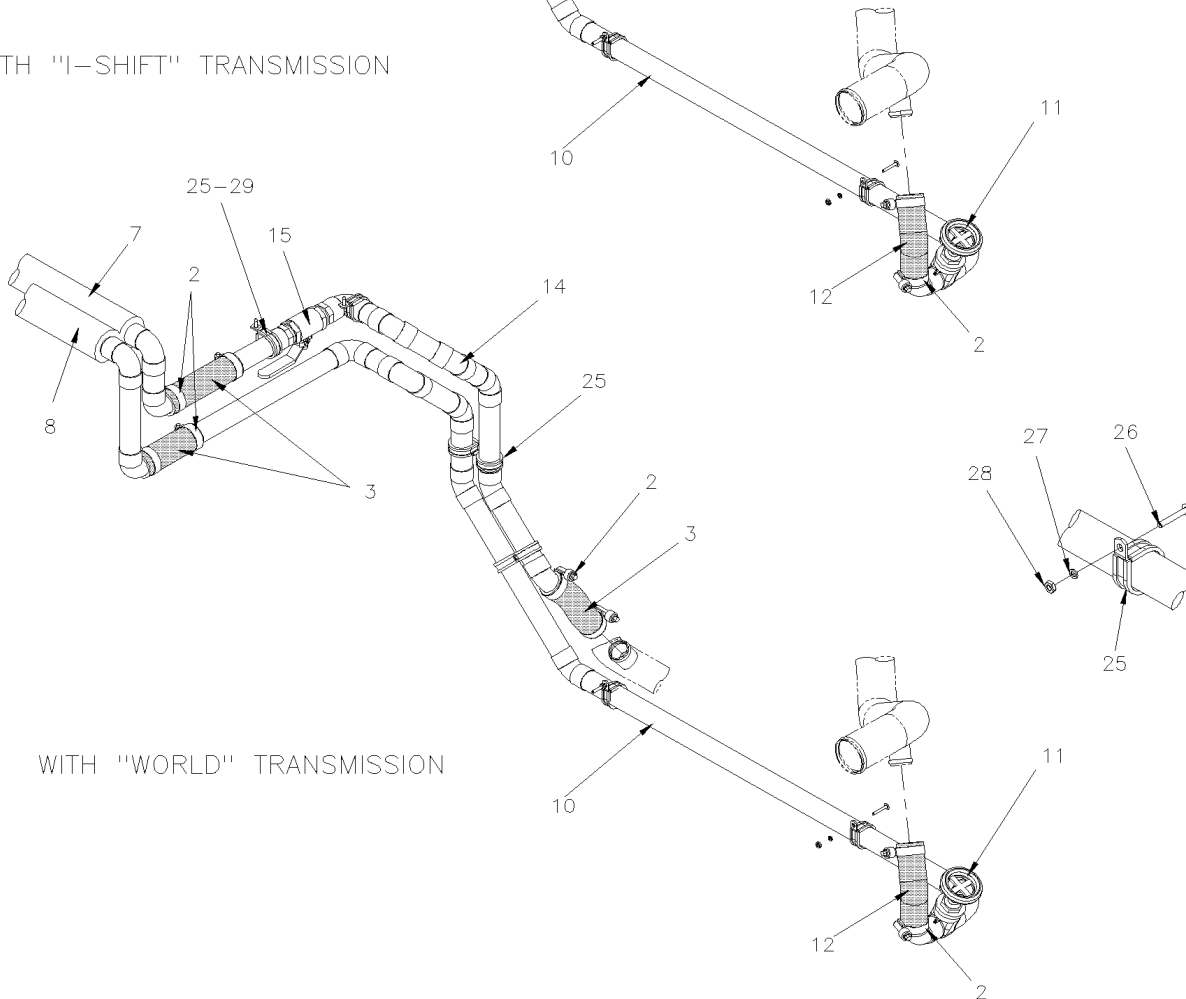
Date:01/2024

PAGE:X3-2222-06

HEATER LINE REAR SECTION WITH "VOLVO" ENGINE "EPA 2010"



WITH "I-SHIFT" TRANSMISSION



WITH "WORLD" TRANSMISSION

From B-5002 To H-6179	Date:01/2024	PAGE:X3-2222-06
HEATER LINE REAR SECTION WITH "VOLVO" ENGINE "EPA 2010"		

Item#	Part	Description	QTY	Notes
1	374443P	PIPE ASSY HEATING / FEED LINE / LOWER SECTION W/"I-SHIFT TRANS	1	
. NS	503803	. HOSE SILICONE 1 PLY / NOMEX-ARAMID 7/8" I.D. x 100' / S.L.	AR	
. NS	504637	. CABLE TIE / 3/16" x 13"	2	
2	504657	HOSE CLAMP / 1"1/16-2" C.T. 9424 To D-5404	AR	
2	504783	HOSE CLAMP / 1"1/16-2" SS / C.T. W.S. From D-5405 To E-5759	AR	
2	992086	HOSE CLAMP / 32MM/52MM From F-5760	AR	
3	503392	HOSE SILICONE 4PLY 1 3/8" I.D. x 4' To D-5381	AR	
3	503783	HOSE SILICONE 4PLY / NOMEX-ARAMID 34MM I.D. x 6' From D-5382	AR	
3	503783	HOSE SILICONE 4PLY / NOMEX-ARAMID 34MM I.D. x 6' GREYHOUND To D-5381	AR	GR
4	Call order desk	PIPE ASSY HEATING / FEED LINE / MIDDLE SECTION W/"I-SHIFT TRANS To F-5789	1	P
4	Call order desk	PIPE ASSY HEATING / FEED LINE / MIDDLE SECTION W/"I-SHIFT TRANS From F-5790	1	P
5	Call order desk	PIPE ASSY HEATING / FEED LINE / UPPER SECTION W/"I-SHIFT TRANS To F-5789	1	P
5	Call order desk	PIPE ASSY HEATING / FEED LINE / UPPER SECTION W/"I-SHIFT TRANS From F-5790	1	P
6	871419	. BALL VALVE 1" NPT-F	1	
6	501997	. ADAPTER / COPPER @ PIPE / 1 1/4Fx1NPT-M	2	
7	Call order desk	PIPE ASSY / ENGINE COMP & WATER PUMP PROTO From A-9907 To A-9926	1	P E
7	374487P	PIPE ASSY HEATING / FEED LINE From B-5002 To B-5049	1	
7	Call order desk	PIPE ASSY HEATING / FEED LINE From B-5050 To D-5299	1	P
7	Call order desk	PIPE ASSY HEATING / FEED LINE From D-5300 To D-5300	1	P
7	374664	PIPE ASSY HEATING / FEED LINE From D-5300	1	
8	Call order desk	PIPE ASSY / RETURN LINE TO ENGINE COMPARTMENT PROTO From A-9907 To A-9926	1	P E
8	374488P	PIPE ASSY HEATING / RETURN LINE From B-5002 To D-5299	1	
8	374665	PIPE ASSY HEATING / RETURN LINE From D-5300	1	
NS	507610	FOAM LOW EXPANSION	AR	
10	374313P	PIPE ASSY HEATING / RETURN LINE To E-5589	1	
10	378919	PIPE ASSY HEATING / RETURN LINE From E-5590	1	
11	501861	. GATE VALVE 1 1/4" (WELDED) To E-5589	1	
11	871419	. BALL VALVE 1" NPT-F From E-5590	1	
11	501997	. ADAPTER / COPPER @ PIPE / 1 1/4Fx1NPT-M From E-5590	2	
NS	680098	. THREAD SEALANT LOCTITE #567 / WHITE / 250ml	AR	
12	374377	ELBOW 35° X 1 3/8" I.D. / 80MM x 80MM C/C / SILICONE To D-5381	1	
12	374616	ELBOW 35° X 1 3/8" I.D. / 80MM x 80MM C/C / SILICONE / NOMEX GREYHOUND From B-5050 To D-5381	1	GR
12	374616	ELBOW 35° X 1 3/8" I.D. / 80MM x 80MM C/C / SILICONE / NOMEX From D-5382	1	
14	374312P	PIPE ASSY HEATING / FEED LINE / LOWER SECTION W/"WORLD" TRANS To F-5789	1	
14	374824	PIPE ASSY HEATING / FEED LINE / LOWER SECTION W/"WORLD" TRANS From F-5790	1	
14	374618P	PIPE ASSY HEATING / FEED LINE / LOWER SECTION W/"WORLD" TRANS GREYHOUND From B-5050 To D-5381	1	GR
15	871419	. BALL VALVE 1" NPT-F	1	
15	501997	. ADAPTER / COPPER @ PIPE / 1 1/4Fx1NPT-M	2	
25	952641	CLAMP / 1 5/16" I.D.	AR	
26	500574	SCREW MA TR PH #10-24x1 1/4 SS	AR	
27	500914	WASHER LO SPT .193x.334x.047 N500	AR	
28	502882	NUT HEX #10-24 N500	AR	

From B-5002 To H-6179	Date:01/2024	PAGE:X3-2222-06
HEATER LINE REAR SECTION WITH "VOLVO" ENGINE "EPA 2010"		

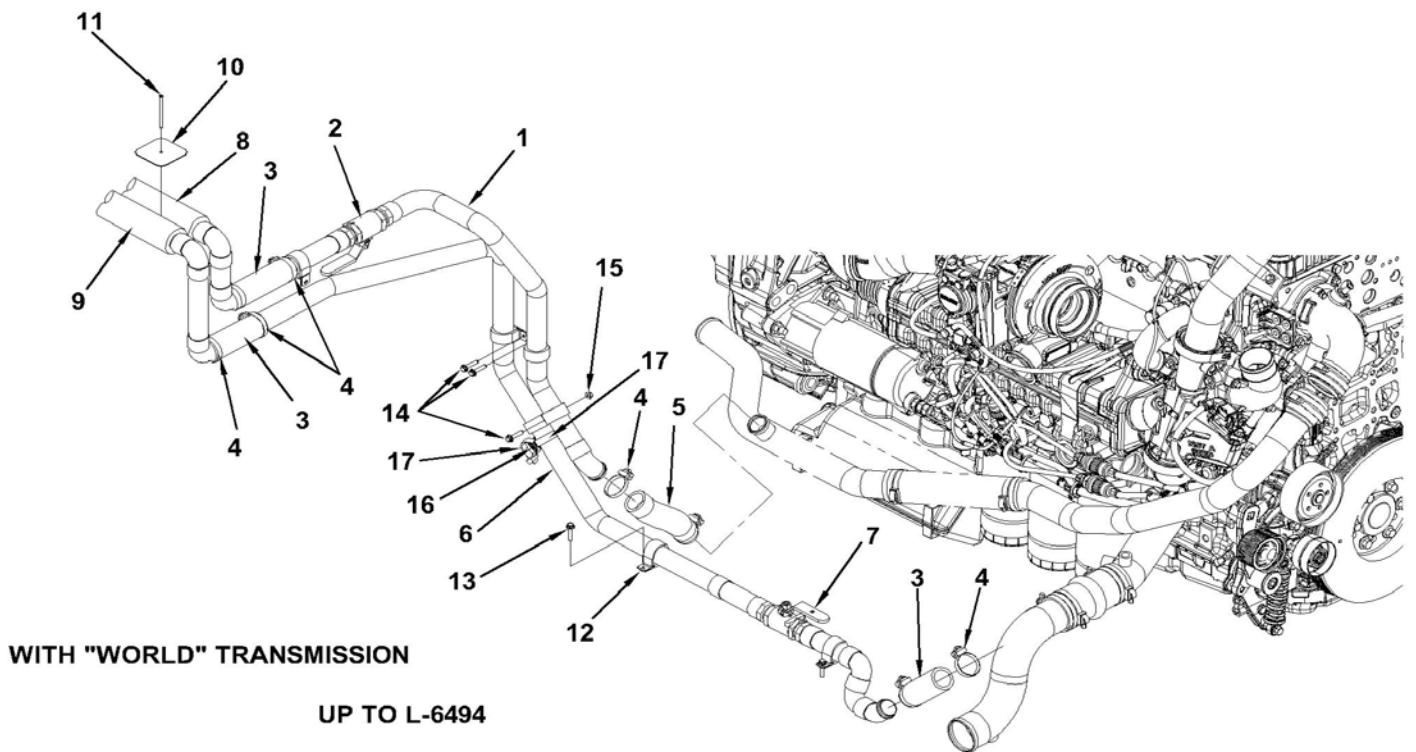
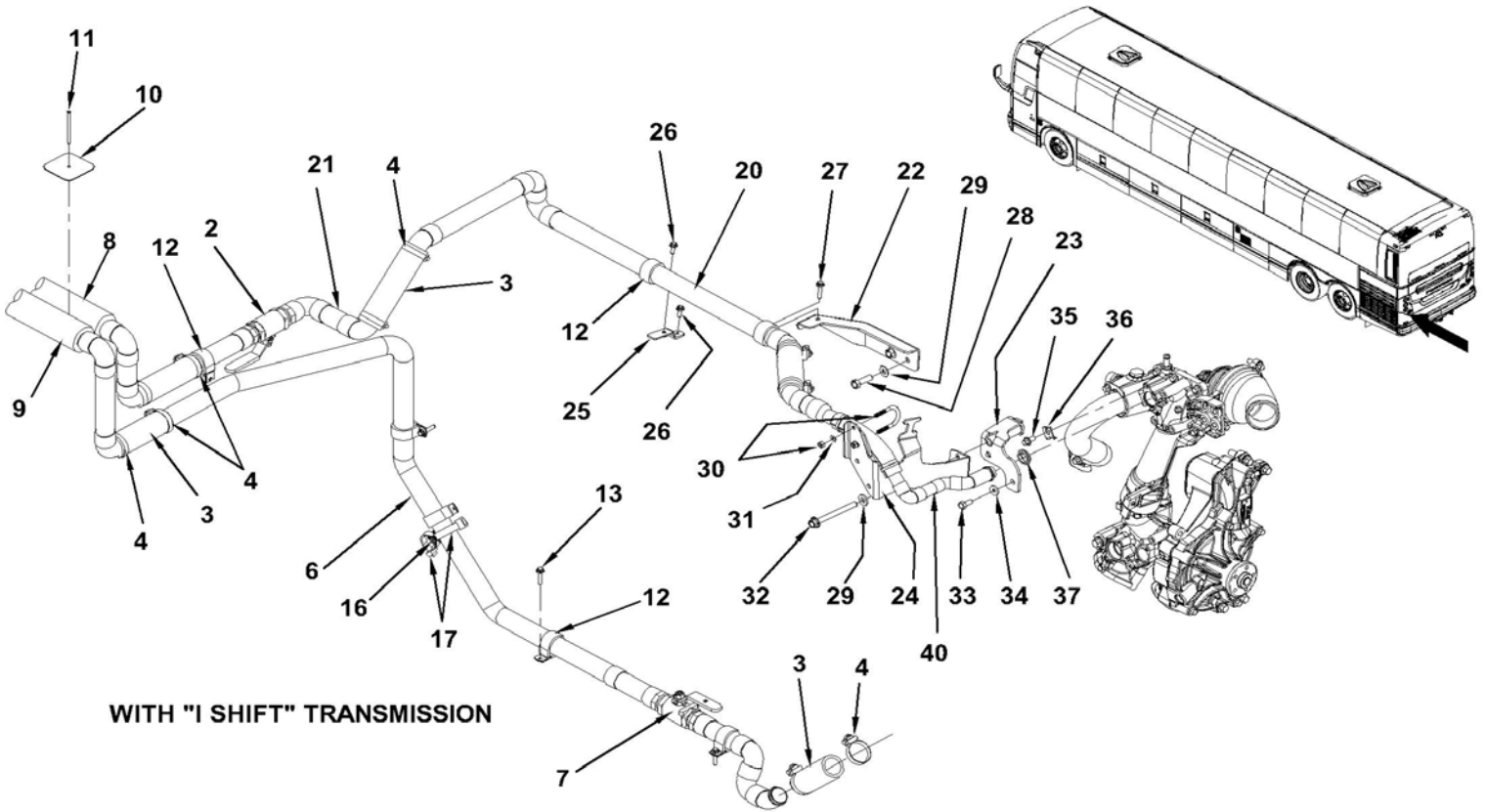
Item#	Part	Description	QTY	Notes
29	500557	SCREW MA PAN PH #8-32x3/8 SS	AR	
32	071582	SUPPORT To E-5624	1	
32	374796	SUPPORT From E-5625	1	
33	374446	ATTACHMENT HEATING TUBE	1	
34	374471	SUPPORT TUBE HEATING From A-9907 To A-9907	1	
34	374523	SUPPORT TUBE HEATING	1	
36	5001730	SCREW CAP HEXF M6-1.0x16 G10.9 N500	AR	
39	946440	SCREW CAP HEXF M12-1.75x140 G8.8 MAGNI 565	1	
40	1546531	ANGLE RETAINER 13MM I.D.	1	
41	1547252	RUBBER JOINT 21MM I.D.	1	
52	Refer To Volvo	SEE IMPACT OR CALL ORDER DESK		V
NS	684517	ADHESIVE SIMSON #ISR 70-03 / GREY / 310ml CARTRIDGE	AR	
NS	684978	SPRAY URETHANE HILTI CAN	AR	
		E) EXCLUSIF ONLY WITH V.I.N. A-9907 & A-9926 WITH FUEL TANK IN 3 BAY DOOR		
		GR) GREYHOUND OPTION		
		P) CALL ORDER DESK FOR SPECIFIC APPLICATION (V.I.N.)		
		V) SEE IMPACT OR CALL ORDER DESK		

From H-6180

Date:01/2024

PAGE:X3-2222-07

HEATER LINE REAR SECTION WITH "VOLVO" ENGINE "GHG17"

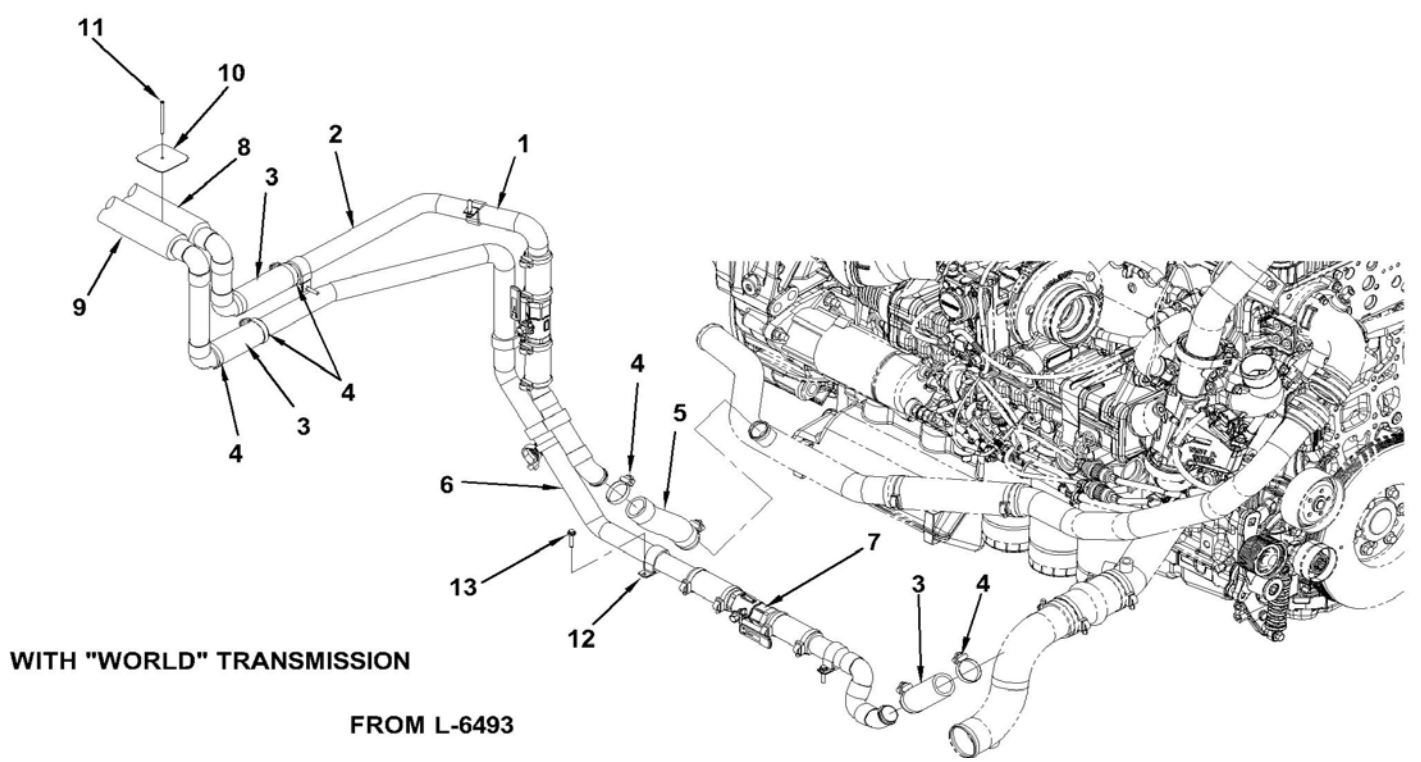
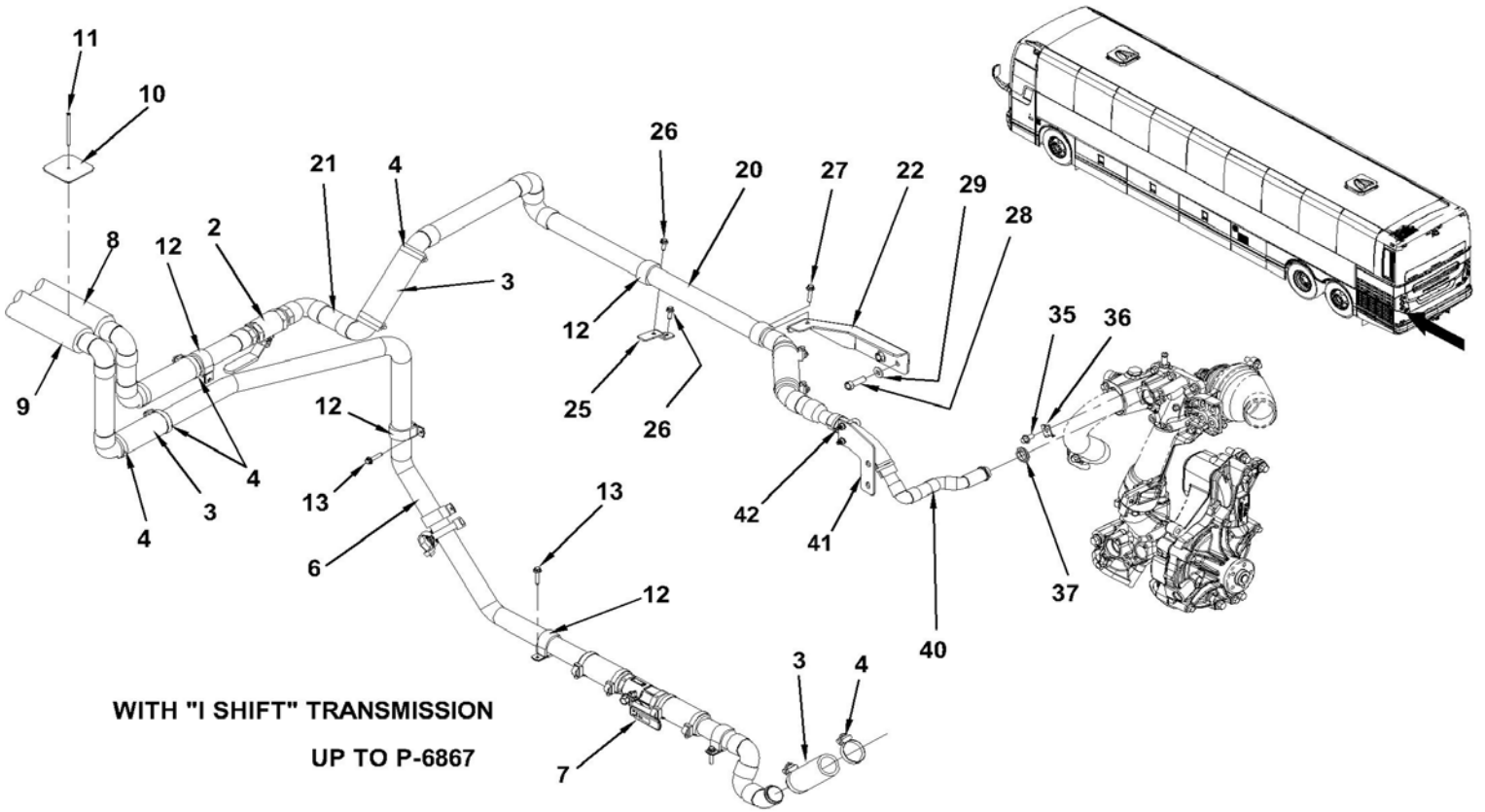


From H-6180

Date:01/2024

PAGE:X3-2222-07

HEATER LINE REAR SECTION WITH "VOLVO" ENGINE "GHG17"



From H-6180	Date:01/2024	PAGE:X3-2222-07
HEATER LINE REAR SECTION WITH "VOLVO" ENGINE "GHG17"		

Item#	Part	Description	QTY	Notes
1	370078	PIPE ASSY HEATING / FEED LINE / LOWER SECTION W/"WORLD" TRANS To K-6492	1	
1	370304	PIPE ASSY HEATING / FEED LINE / LOWER SECTION W/"WORLD" TRANS From L-6493	1	
2	871419	. BALL VALVE 1" NPT-F To K-6492	1	
2	501997	. ADAPTER / COPPER @ PIPE / 1 1/4Fx1NPT-M To K-6492	2	
NS	680098	. THREAD SEALANT LOCTITE #567 / WHITE / 250ml To K-6492	AR	
2	870115	. BALL VALVE 1 3/8 HOSE From L-6493	1	
3	503783	HOSE SILICONE 4PLY / NOMEX-ARAMID 34MM I.D. x 6'	AR	
4	992086	HOSE CLAMP / 32MM/52MM	AR	
5	370126	HOSE 1 3/8" I.D. X 170MM	1	
6	370076	PIPE ASSY HEATING / RETURN LINE/LOWER SECTION To K-6492	1	
6	370294	PIPE ASSY HEATING / RETURN LINE/LOWER SECTION From L-6493 To P-6878	1	
6	370489	PIPE ASSY HEATING / RETURN LINE/LOWER SECTION From P-6879	1	
7	871419	. BALL VALVE 1" NPT-F To K-6492	1	
7	501997	. ADAPTER / COPPER @ PIPE / 1 1/4Fx1NPT-M To K-6492	2	
NS	680098	. THREAD SEALANT LOCTITE #567 / WHITE / 250ml To K-6492	AR	
7	870115	. BALL VALVE 1 3/8 HOSE From L-6493	1	
8	374664	PIPE ASSY HEATING / FEED LINE	1	
9	374665	PIPE ASSY HEATING / RETURN LINE	1	
10	374364	SUPPORT, PIPE	2	
11	500502	SCREW WO FL PH #8x3 Z050	2	
12	504779	CLAMP / SS / SILICONE RUBBER / 1 3/8" I.D. x .281 HOLE	AR	
NS	500957	SCREW TP BDG PH #10x3/4 N500	1	
13	502622	SCREW CAP HEX M6-1.0x20 SS BK	AR	
14	5001815	SCREW CAP HEXF M6-1.0x30 G 8.8 N500	AR	
15	5001857	NUT HEXF M6-1.0 N500	AR	
16	509491	CABLE TIE / 13MM x 383MM From L-6493	AR	
17	504751	ROTATIF SPACER DOUBLE / SMALL From L-6493	AR	
20	370079	PIPE ASSY HEATING / FEED LINE / MIDDLE SECTION To P-6867	1	I
21	370080	PIPE ASSY HEATING / FEED LINE / UPPER SECTION To P-6867	1	I
22	370077	SUPPORT To P-6867	1	
23	053485	ATTACHMENT ENGINE BLOCK To J-6305	1	
24	053038	BRACKET, HOSE & DIPSTICK To J-6305	1	
NS	5001307	SCREW CAP HEXF M10-1.5x20 8.8 N500 To J-6305	1	
NS	5001834	WASHER BEL SPR 10.5X23X2.5 N500 To J-6305	1	
25	374809	SUPPORT To P-6867	1	
26	5001730	SCREW CAP HEXF M6-1.0x16 G10.9 N500 To P-6867	AR	
27	5001815	SCREW CAP HEXF M6-1.0x30 G 8.8 N500 To P-6867	AR	
28	5001754	SCREW CAP HEX M10-1.5x35 G8.8 N500 To P-6867	2	
29	5001834	WASHER BEL SPR 10.5X23X2.5 N500 To P-6867	2	
30	504809	U-BOLT 1" I.D. x 2 x 1/4-20 GLV To J-6305	1	
31	500877	WASHER FL .250x.562x.065 N500 To J-6305	2	
32	5001785	SCREW CAP HEXF M10-1.5x100 G10.9 N500 To J-6305	1	

From H-6180	Date:01/2024	PAGE:X3-2222-07
HEATER LINE REAR SECTION WITH "VOLVO" ENGINE "GHG17"		

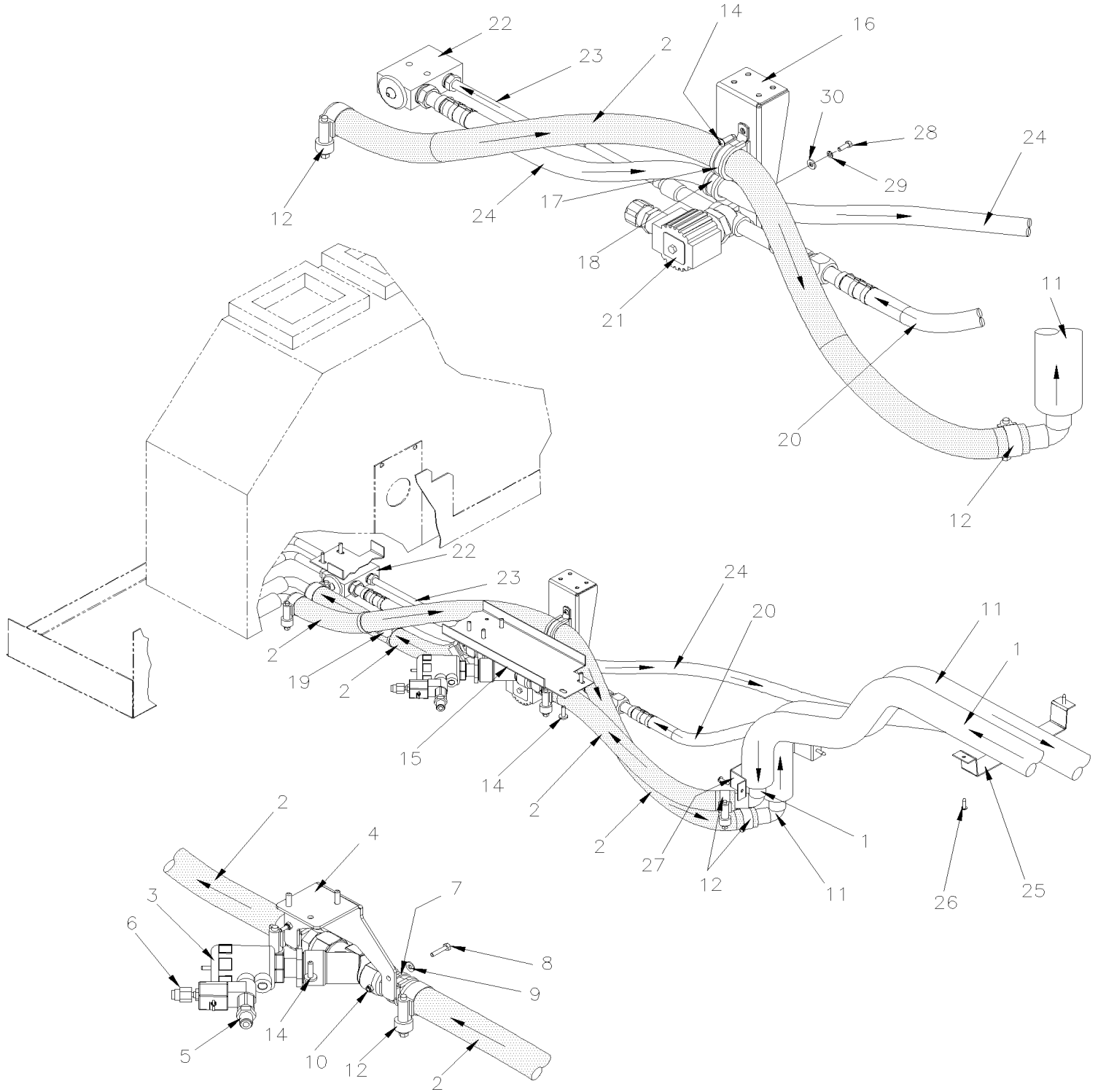
Item#	Part	Description	QTY	Notes
33	502862	SCREW CAP HEX M8-1.25x20 G8.8 N500 To J-6305	2	
34	500321	WASHER BEL SPR .331x.827x.098 N500 To J-6305	2	
35	946440	SCREW CAP HEXF M12-1.75x140 G8.8 MAGNI 565 To P-6867	1	
36	1546531	ANGLE RETAINER 13MM I.D. To P-6867	1	
37	1547252	RUBBER JOINT 21MM I.D. To P-6867	1	
40	374443P	PIPE ASSY HEATING / FEED LINE / LOWER SECTION W/"I-SHIFT TRANS To P-6867	1	I
. NS	503803	. HOSE SILICONE 1 PLY / NOMEX-ARAMID 7/8" I.D. x 100' / S.L. To P-6867	AR	I
. NS	504637	. CABLE TIE / 3/16" x 13" To P-6867	2	I
40	374908	PIPE ASSY HEATING / FEED LINE / LOWER SECTION W/"I-SHIFT TRANS From L-6493 To P-6867	1	I
. NS	503803	. HOSE SILICONE 1 PLY / NOMEX-ARAMID 7/8" I.D. x 100' / S.L. From L-6493 To P-6867	AR	I
. NS	504637	. CABLE TIE / 3/16" x 13" From L-6493 To P-6867	2	I
40	370034	PIPE ASSY HEATING / FEED LINE / LOWER SECTION W/"I-SHIFT TRANS From N-6714 To P-6867	1	I
. NS	503803	. HOSE SILICONE 1 PLY / NOMEX-ARAMID 7/8" I.D. x 100' / S.L. From N-6714 To P-6867	AR	I
. NS	504637	. CABLE TIE / 3/16" x 13" From N-6714 To P-6867	2	I
41	053726	SUPPORT WATER PIPE From L-6493 To P-6867	1	
42	504809	U-BOLT 1" I.D. x 2 x 1/4-20 GLV From L-6493 To P-6867	1	
		I) WITH "I-SHIFT" TRANSMISSION		

From 7-8754 To H-6179

Date:01/2024

PAGE:X3-2222-10

A/C & HEATING LINE FRONT SECTION

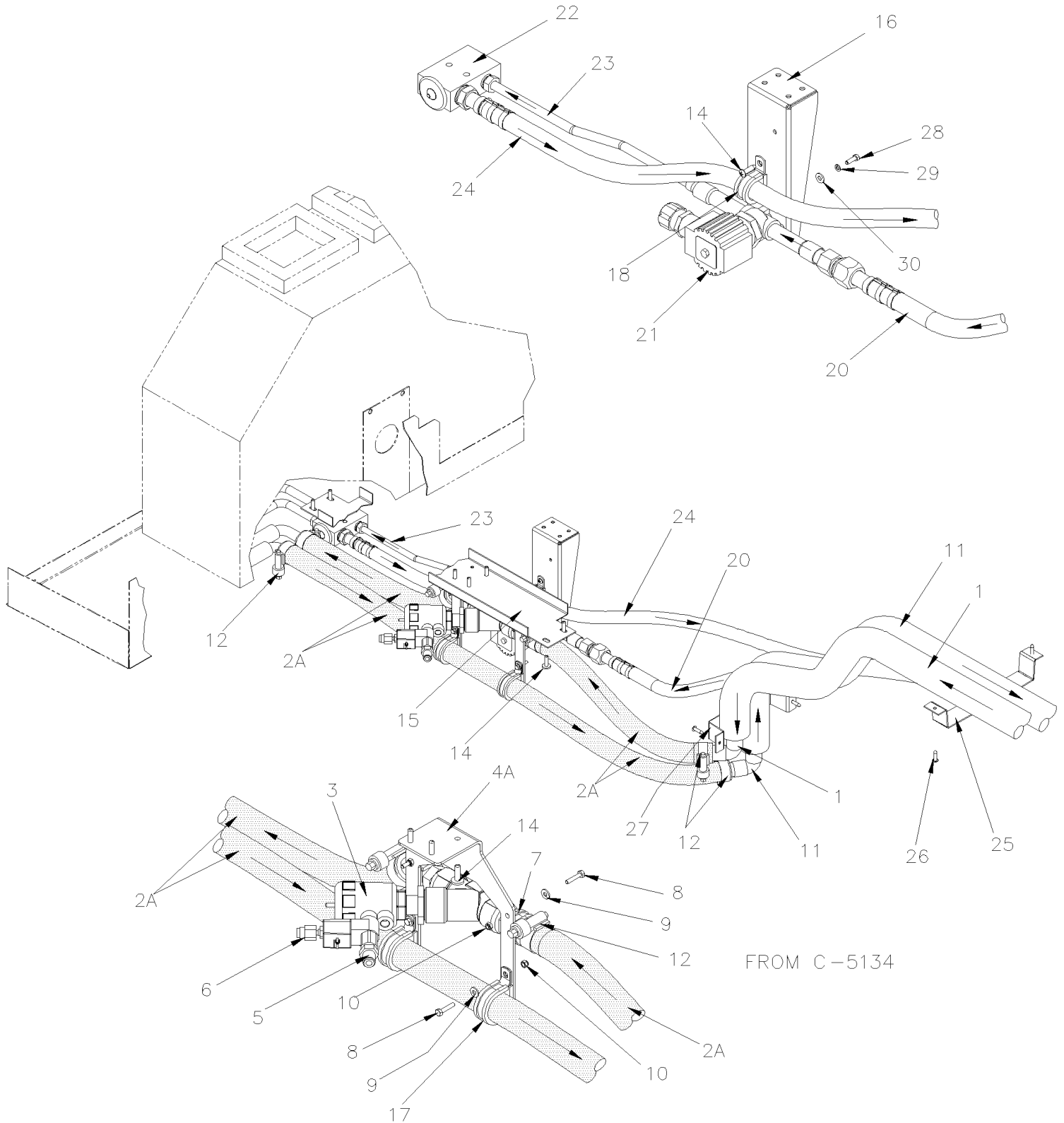


From 7-8754 To H-6179

Date:01/2024

PAGE:X3-2222-10

A/C & HEATING LINE FRONT SECTION



From 7-8754 To H-6179	Date:01/2024	PAGE:X3-2222-10
A/C & HEATING LINE FRONT SECTION		

Item#	Part	Description	QTY	Notes
1	Call order desk	PIPE ASSY / FORWARD SECTION To C-5133	1	P
1	Call order desk	PIPE ASSY / FORWARD SECTION From C-5134 To G-5914	1	P
1	378931	PIPE ASSY / FORWARD SECTION From G-5915	1	
2	503684	HOSE SILICONE 1 PLY 7/8" I.D. x 100' / S.L. To C-5133	AR	
2A	503791	HOSE SILICONE 4 PLY / NOMEX-ARAMID 7/8" I.D. x 4' From C-5134 To D-5381	AR	
2A	503797	HOSE SILICONE 4 PLY / NOMEX-ARAMID 7/8" I.D. x 6' From D-5382	AR	
3	Call order desk	WATER VALVE ASSY W/PIPE & SUPPORT To C-5133	1	P
3	Call order desk	WATER VALVE ASSY W/PIPE & SUPPORT From C-5134 To F-5815	1	P
3	374839	WATER VALVE ASSY W/PIPE & SUPPORT From F-5816	1	
3	X3-2207-05	. WATER VALVE - HEATER To F-5815		
3	X3-2207-06	. WATER VALVE - HEATER From F-5816		
4	374147	. SUPPORT WATER VALVE To C-5133	1	
4A	374646	. SUPPORT WATER VALVE From C-5134 To F-5815	1	
4A	374840	. SUPPORT WATER VALVE From F-5816	1	
5	641332	. MALE CONNECTOR / PUSH-IN FITTING / #4x1/4NPT-M BR	1	
6	642028	. MALE CONNECTOR / PUSH-IN FITTING / 6MM x M5-0.8 BR	1	
7	952635	. CLAMP / 1" I.D.	2	
8	500588	. SCREW CAP HEX M4-0.7x20 G8.8 Z050	4	
9	500438	. WASHER FL .187x.437x.050 Z050	4	
10	500590	. NUT HEX NYRT M4-0.7 Z050	4	
11	Call order desk	PIPE ASSY / 4094MM / FORWARD SECTION To C-5133	1	P
11	Call order desk	PIPE ASSY / 4352MM / FORWARD SECTION From C-5134 To G-5909	1	P
11	378932	PIPE ASSY / 4352MM / FORWARD SECTION From G-5910	1	
12	504646	HOSE CLAMP / 11/16"-1"1/4 / C.T. 9412 To D-5404	6	
12	504781	HOSE CLAMP / 13/16"-1 5/16" SS / C.T. W.S. From D-5405 To E-5759	6	
12	992084	HOSE CLAMP / 23MM/35MM From F-5760	6	
14	502526	SCREW TC BDG PH #12-24x3/4 Z050	AR	
15	373686	SUPPORT / VALVE	1	
16	453315	SUPPORT / A/C VALVE	1	
17	952639	CLAMP / 1"1/4 I.D.	2	
18	952631	CLAMP / 3/4" I.D. To C-5133	1	
18	952633	CLAMP / 7/8" I.D. From C-5134	1	
19	504586	WASHER FL SPACER .450x.625x.875 NYL	2	
19	504637	CABLE TIE / 3/16" x 13"	AR	
20	453389	HOSE ASSY / #10 5970MM To A-9743	1	
. NS	507344	. O-RING / ORS FITTING / #10 NEO To A-9743	2	
20	455218	HOSE ASSY / #10 5970MM From A-9744 To B-5001	1	
. NS	507344	. O-RING / ORS FITTING / #10 NEO From A-9744 To B-5001	2	
20	455375	HOSE ASSY / #10 7620MM From B-5002 To D-5374	1	
. NS	507344	. O-RING / ORS FITTING / #10 NEO From B-5002 To D-5374	2	
20	455413	HOSE ASSY / #10 7790MM From D-5375 To E-5759	1	
. NS	507344	. O-RING / ORS FITTING / #10 NEO From D-5375 To E-5759	2	

From 7-8754 To H-6179	Date:01/2024	PAGE:X3-2222-10
A/C & HEATING LINE FRONT SECTION		

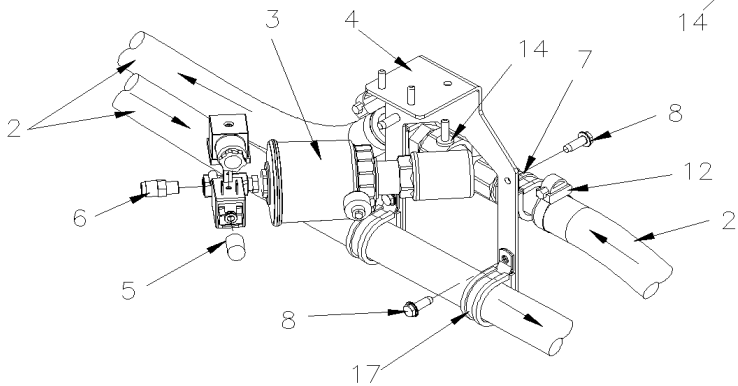
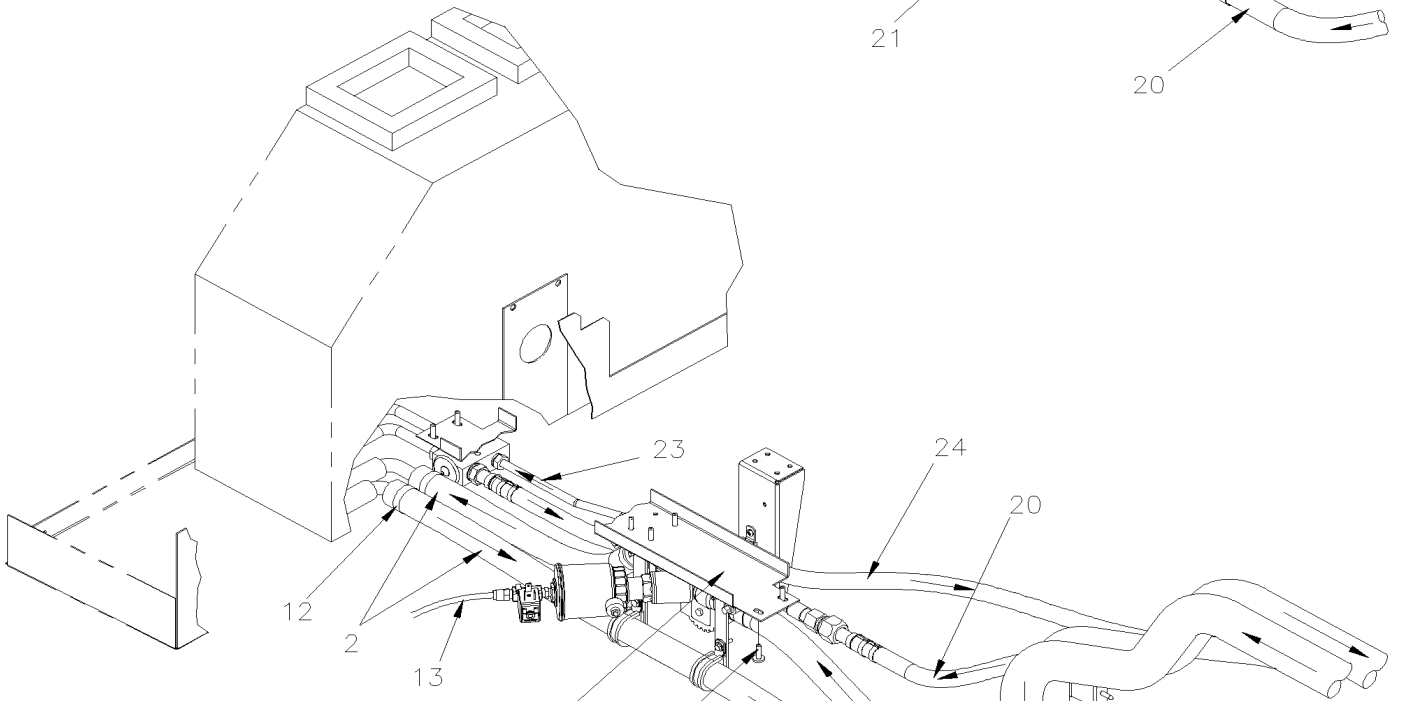
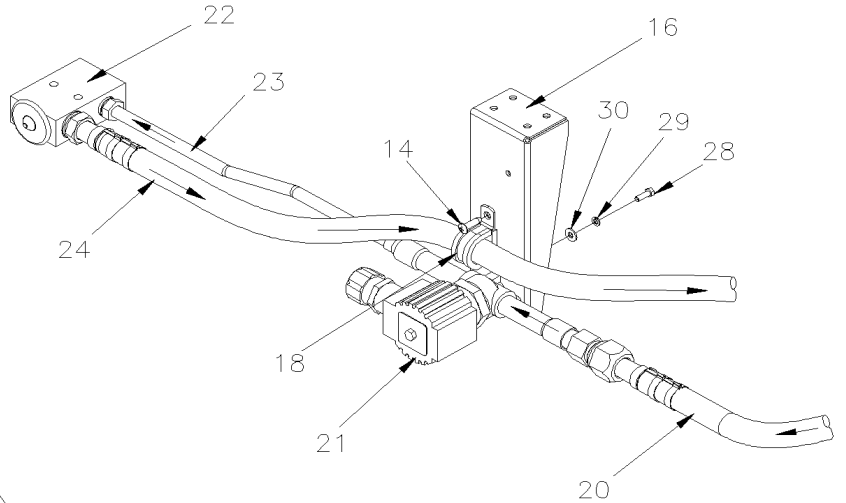
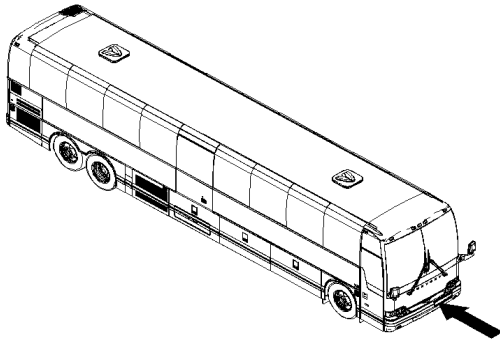
Item#	Part	Description	QTY	Notes
20	457693	HOSE ASSY / #8 2140MM From F-5760	1	
. NS	507343	. O-RING / ORS FITTING / #8 NEO From F-5760	2	
20	Call order desk	PIPE ASSY #8 4594MM From F-5760	1	P
21	X3-2208-10	REFRIGERANT SOLENOID VALVE To E-5759		
21	X3-2208-11	REFRIGERANT SOLENOID VALVE From F-5760		
22	X3-2208-00	A/C EXPANSION VALVE		
23	453422	VALVE ASSY / REFRIGERANT SOLENOID	1	
24	453390	HOSE ASSY / #10 4560MM To A-9743	1	
. NS	507344	. O-RING / ORS FITTING / #10 NEO To A-9743	2	
24	455219	HOSE ASSY / #10 4560MM From A-9744 To B-5001	1	
. NS	507344	. O-RING / ORS FITTING / #10 NEO From A-9744 To B-5001	2	
24	455376	HOSE ASSY / #10 6775MM From B-5002 To E-5759	1	
. NS	507344	. O-RING / ORS FITTING / #10 NEO From B-5002 To E-5759	2	
24	457694	HOSE ASSY / #10 2666MM From F-5760 To H-6130	1	
. NS	507344	. O-RING / ORS FITTING / #10 NEO From F-5760 To H-6130	2	
24	450138	HOSE ASSY / #10 2666MM From H-6131	1	
. NS	507344	. O-RING / ORS FITTING / #10 NEO From H-6131	2	
24	Call order desk	PIPE ASSY #10 4048MM From F-5760	1	P
24	504751	ROTATIF SPACER DOUBLE / SMALL From F-5760	1	
24	504637	CABLE TIE / 3/16" x 13" From F-5760	2	
25	450458	SUPPORT To B-5049	AR	
25	454675	SUPPORT From B-5050	AR	
26	500957	SCREW TP BDG PH #10x3/4 N500	AR	
27	452906	SUPPORT	1	
28	5001689	SCREW CAP HEX #8-32x1/2 SS	2	
29	502636	WASHER LO SPT 4.1x7.6x0.9 Z050	2	
30	500438	WASHER FL .187x.437x.050 Z050	2	
		P) CALL ORDER DESK FOR SPECIFIC APPLICATION (V.I.N.)		

From H-6180

Date:01/2024

PAGE:X3-2222-11

A/C & HEATING LINE FRONT SECTION VOLVO D13 - GHG17



From H-6180	Date:01/2024	PAGE:X3-2222-11
A/C & HEATING LINE FRONT SECTION VOLVO D13 - GHG17		

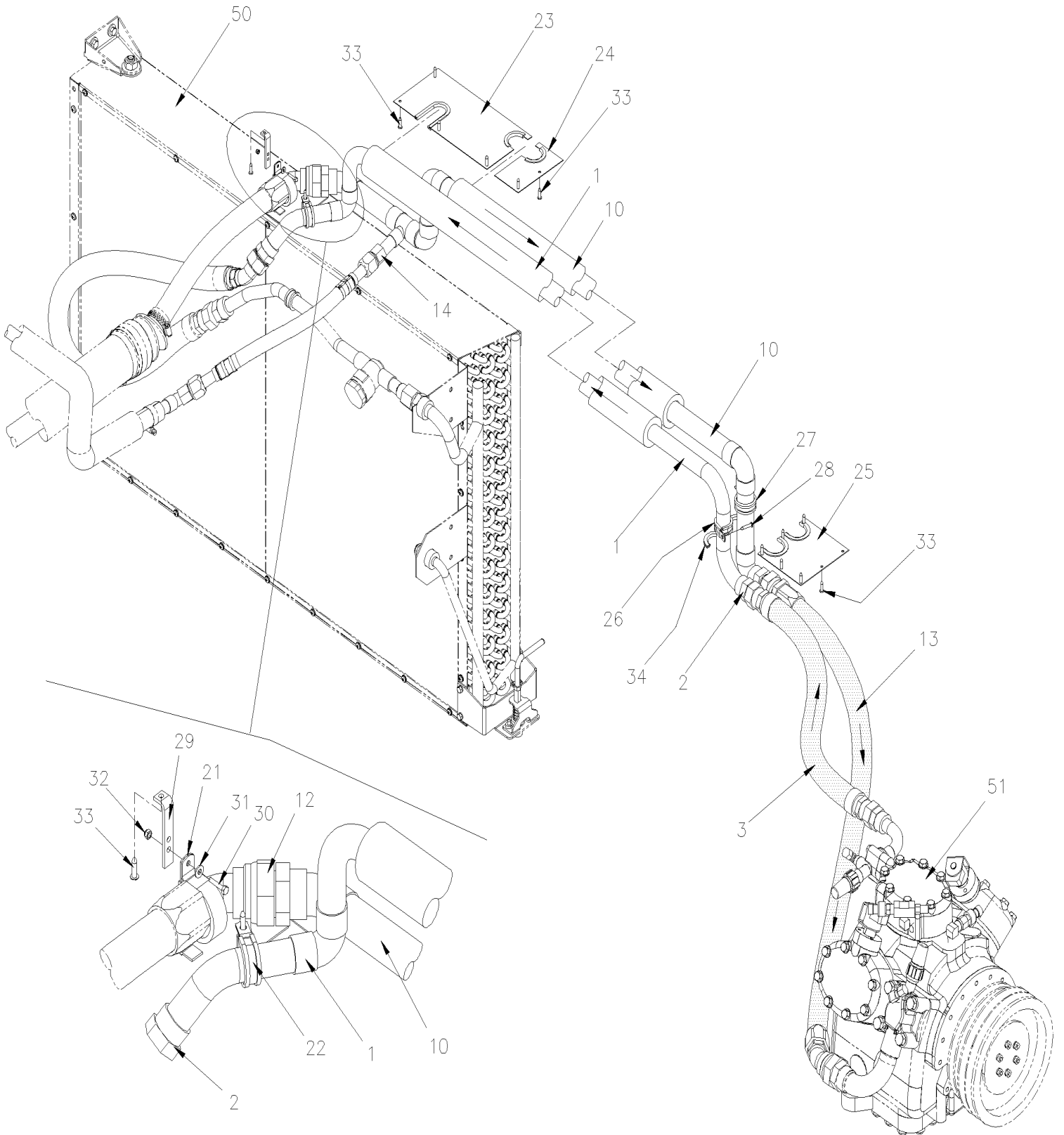
Item#	Part	Description	QTY	Notes
1	374882	PIPE ASSY / FORWARD SECTION	1	
2	503797	HOSE SILICONE 4 PLY / NOMEX-ARAMID 7/8" I.D. x 6'	AR	
3	374839	WATER VALVE ASSY W/PIPE & SUPPORT To J-6255	1	
3	370146	WATER VALVE ASSY W/PIPE & SUPPORT From J-6256 To N-6713	1	
3	Call order desk	WATER VALVE ASSY W/PIPE & SUPPORT From N-6714	1	P
. NS	370430	. PIPE, VALVE ASSY 45DEG From N-6714	1	
. NS	370417	. PIPE, VALVE ASSY From N-6714	1	
3	X3-2207-06	. WATER VALVE - HEATER		
4	374840	. SUPPORT WATER VALVE	1	
5	871374	. MUFFLER M5 PLASTIC To J-6255	1	
5	642028	. MALE CONNECTOR / PUSH-IN FITTING / 6MM x M5-0.8 BR From J-6256	1	
6	642028	. MALE CONNECTOR / PUSH-IN FITTING / 6MM x M5-0.8 BR To J-6255	1	
6	641242	. MALE CONNECTOR / PUSH-IN FITTING / #4x1/8NPT-M BR From J-6256	1	
6	680098	. THREAD SEALANT LOCTITE #567 / WHITE / 250ml	AR	
7	952635	. CLAMP / 1" I.D.	2	
8	502848	. SCREW TC CAP HEXF 1/4-20x3/4 N500	4	
11	374883	PIPE ASSY / xxxxMM / FORWARD SECTION	1	
12	992084	HOSE CLAMP / 23MM/35MM	6	
13	503402	TUBE, NYLON 1/4 O.D. / BLACK S.L.	AR	
14	502526	SCREW TC BDG PH #12-24x3/4 Z050	AR	
15	373686	SUPPORT / VALVE	1	
16	453315	SUPPORT / A/C VALVE	1	
17	952639	CLAMP / 1"1/4 I.D.	2	
18	952633	CLAMP / 7/8" I.D.	1	
20	457693	HOSE ASSY / #8 2140MM	1	
. NS	507343	. O-RING / ORS FITTING / #8 NEO	2	
20	457698	PIPE ASSY #8 4594MM	1	
21	X3-2208-11	REFRIGERANT SOLENOID VALVE		
NS	507343	O-RING / ORS FITTING / #8 NEO	2	
22	X3-2208-00	A/C EXPANSION VALVE To K-6466		
22	X3-2208-01	A/C EXPANSION VALVE From K-6467		
23	454954	VALVE ASSY	1	
24	450138	HOSE ASSY / #10 2666MM	1	
. NS	507344	. O-RING / ORS FITTING / #10 NEO	2	
24	457697	PIPE ASSY #10 4048MM	1	
24	504751	ROTATIF SPACER DOUBLE / SMALL	1	
24	504637	CABLE TIE / 3/16" x 13"	2	
27	452906	SUPPORT	1	
28	5001689	SCREW CAP HEX #8-32x1/2 SS	2	
29	502636	WASHER LO SPT 4.1x7.6x0.9 Z050	2	
30	500855	WASHER FL .188x.438x.049 N500	2	

From H-6180	Date:01/2024	PAGE:X3-2222-11
-------------	--------------	-----------------

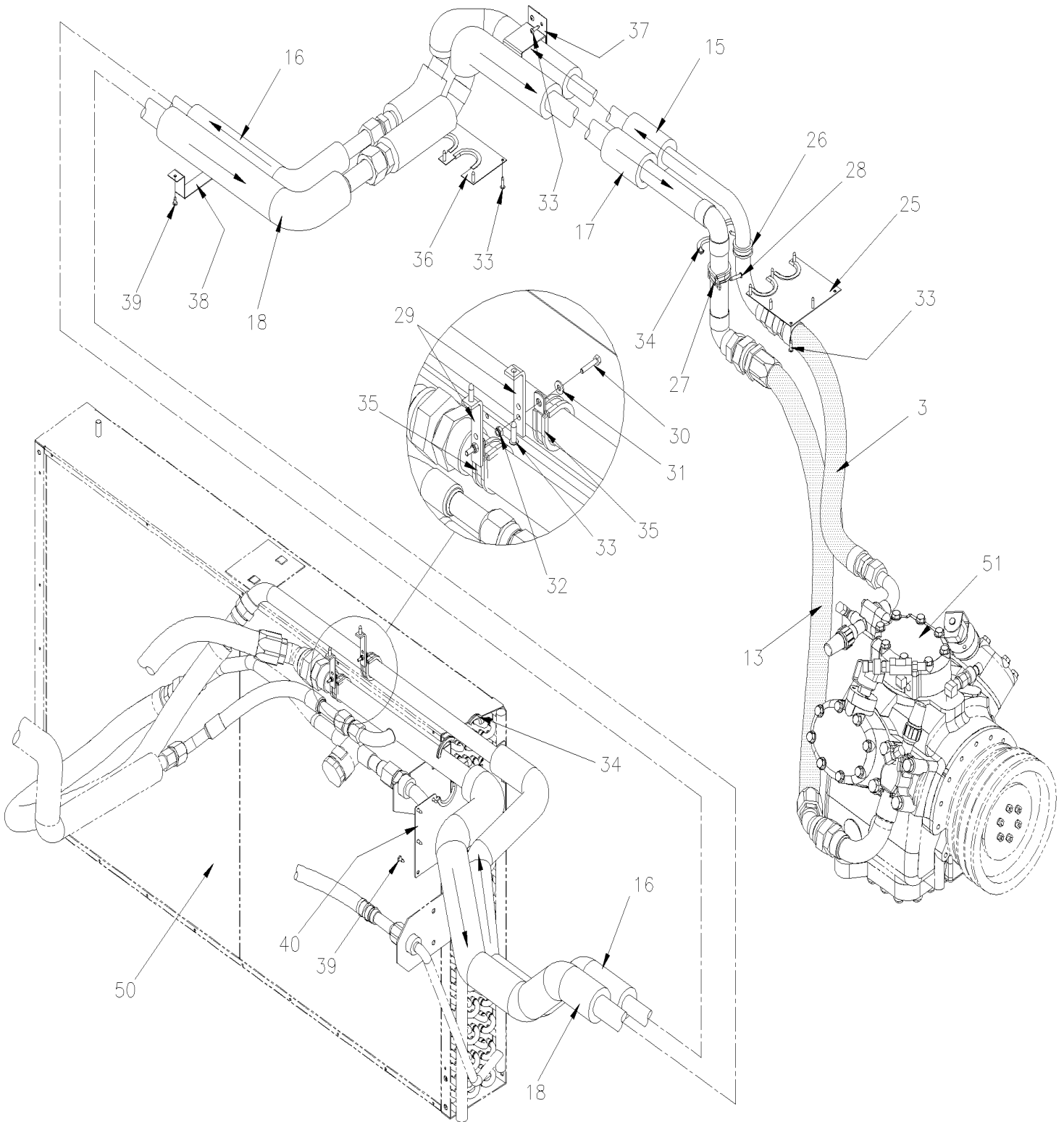
A/C & HEATING LINE FRONT SECTION VOLVO D13 - GHG17

Item#	Part	Description	QTY	Notes
		P) CALL ORDER DESK FOR SPECIFIC APPLICATION (V.I.N.)		

A/C LINE REAR SECTION W/05G



A/C LINE REAR SECTION W/05G



WITH W.C.L.
UP TO B-5001

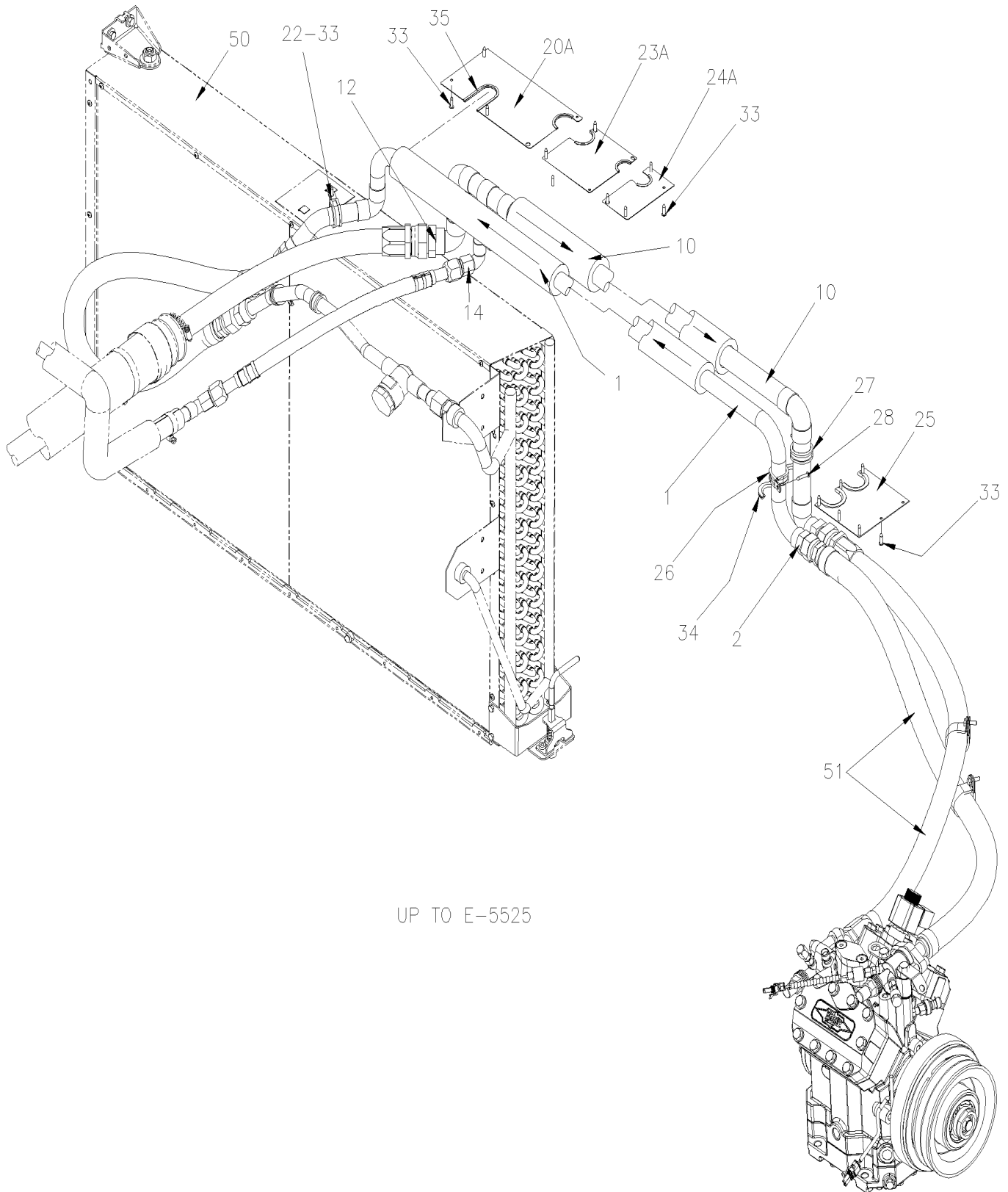
From 7-8754 To D-5458	Date:01/2024	PAGE:X3-2222-15
A/C LINE REAR SECTION W/05G		

Item#	Part	Description	QTY	Notes
1	454276	TUBE ASSY, PRESSURE / A/C COMPRESSOR To B-5001	1	
1	455374	TUBE ASSY, PRESSURE / A/C COMPRESSOR From B-5002	1	
2	501718	. ADAPTER JIC @ BRAZE W/O-RING // #16JIC-Mx#18BRAZE-F BR	1	
. NS	501802	. . O-RING / ORS FITTING / #16 NEO	1	
3	454275	HOSE ASSY / DISCHARGE W/R-134a / #16 687MM / SS BELLOW To 9-9617	1	
3	457121	HOSE ASSY / DISCHARGE W/R-134a / #16 645MM / SS BELLOW From 9-9618 To B-5001	1	
3	950461	HOSE ASSY / DISCHARGE W/R-134a / #16 710MM / SS BELLOW From B-5002	1	
10	454269P	TUBE ASSY, VACUUM / A/C COMPRESSOR To B-5001	1	
10	Call order desk	TUBE ASSY, VACUUM / A/C COMPRESSOR From B-5002 To C-5133	1	P
10	Call order desk	TUBE ASSY, VACUUM / A/C COMPRESSOR From C-5134	1	P
12	501717	. ADAPTER JIC @ BRAZE W/O-RING // #20JIC-Mx#22BRAZE-F BR	2	
. NS	501803	. . O-RING / ORS FITTING / #20 NEO	1	
13	454304	HOSE ASSY / SUCTION W/R-134a / #20 1000MM	1	
14	5011099	. ADAPTER "TUBE-O" @ BRAZE / #12TUBE-O-Mx#14 BR	2	
15	454277	TUBE ASSY, PRESSURE / A/C COMPRESSOR / W/"RICON" To B-5001	1	WCL
16	454291	TUBE ASSY, PRESSURE / A/C COMPRESSOR / W/"RICON" To B-5001	1	WCL
17	Call order desk	TUBE ASSY, VACUUM / A/C COMPRESSOR / W/"RICON" To B-5001	1	P WCL
18	454290	TUBE ASSY, VACUUM / A/C COMPRESSOR / W/"RICON" To B-5001	1	WCL
21	504458	CLAMP / 1 5/8" I.D.	1	
22	952637	CLAMP / 1"1/16 I.D.	1	
23	326739	PLATE CLOSING AROUND PIPE / LARGE To B-5001	1	
23	3200543	PLATE CLOSING AROUND PIPE / LARGE From B-5002 To C-5133	1	
23	Call order desk	PLATE CLOSING AROUND PIPE / LARGE From C-5134	1	P
24	326738	PLATE CLOSING AROUND PIPE / SMALL To B-5001	1	
24	3200377	PLATE CLOSING AROUND PIPE / SMALL From B-5002 To C-5133	1	
24	Call order desk	PLATE CLOSING AROUND PIPE / SMALL From C-5134	1	P
25	455398	PLATE CLOSING AROUND PIPE	1	
26	952637	CLAMP / 1"1/16 I.D.	1	
27	952641	CLAMP / 1 5/16" I.D.	1	
28	500608	SCREW TP BDG PH #10x1 N500	2	
29	450488	SUPPORT PIPE	2	
30	500588	SCREW CAP HEX M4-0.7x20 G8.8 Z050	1	
31	500438	WASHER FL .187x.437x.050 Z050	1	
32	500590	NUT HEX NYRT M4-0.7 Z050	1	
33	500957	SCREW TP BDG PH #10x3/4 N500	AR	
34	506338	RUBBER CHANNEL / 1/16" x 1/4" INT "U" SHAPE / ROUND C.T.L.	AR	
35	952639	CLAMP / 1"1/4 I.D.	2	
36	454298	CLOSING PLATE, / W/"RICON"	1	WCL
37	374238	SUPPORT / A/C TUBE	1	WCL
38	457431	SUPPORT / A/C TUBE	2	WCL
39	500952	SCREW TP BDG PH #8x1/2 SS	AR	WCL
40	454258	PLATE CLOSING AROUND PIPES / W/"RICON"	1	WCL

From 7-8754 To D-5458	Date:01/2024	PAGE:X3-2222-15
A/C LINE REAR SECTION W/05G		

Item#	Part	Description	QTY	Notes
50	X3-2270-00	RECEIVER TANK & FILTER DRYER To B-5001		
50	X3-2270-01	RECEIVER TANK & FILTER DRYER From A-9907 To A-9907		
50	X3-2270-01	RECEIVER TANK & FILTER DRYER From A-9926 To A-9926		
50	X3-2270-02	RECEIVER TANK & FILTER DRYER From B-5002		
51	X3-2245-00	A/C COMPRESSOR 05G - INSTALLATION - MUX To B-5001		
51	X3-2245-01	A/C COMPRESSOR 05G - INSTALLATION From B-5002		
		WCL) WITH WHEEL CHAIR LIFT		
		P) CALL ORDER DESK FOR SPECIFIC APPLICATION (V.I.N.)		

A/C LINE REAR SECTION W/ "BITZER"

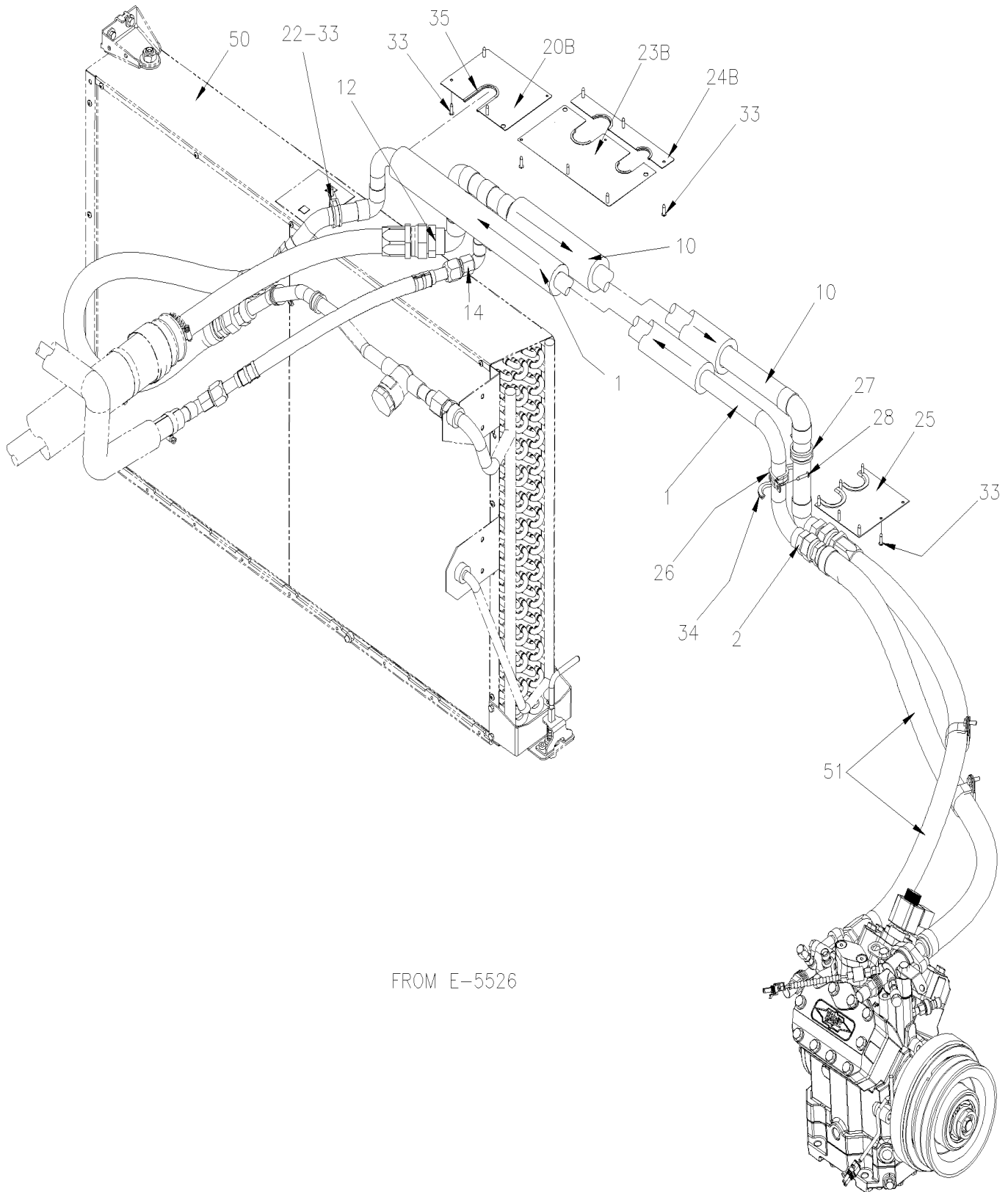


From E-5459 To H-6179

Date:01/2024

PAGE:X3-2222-16

A/C LINE REAR SECTION W/ "BITZER"



From E-5459 To H-6179	Date:01/2024	PAGE:X3-2222-16
A/C LINE REAR SECTION W/ "BITZER"		

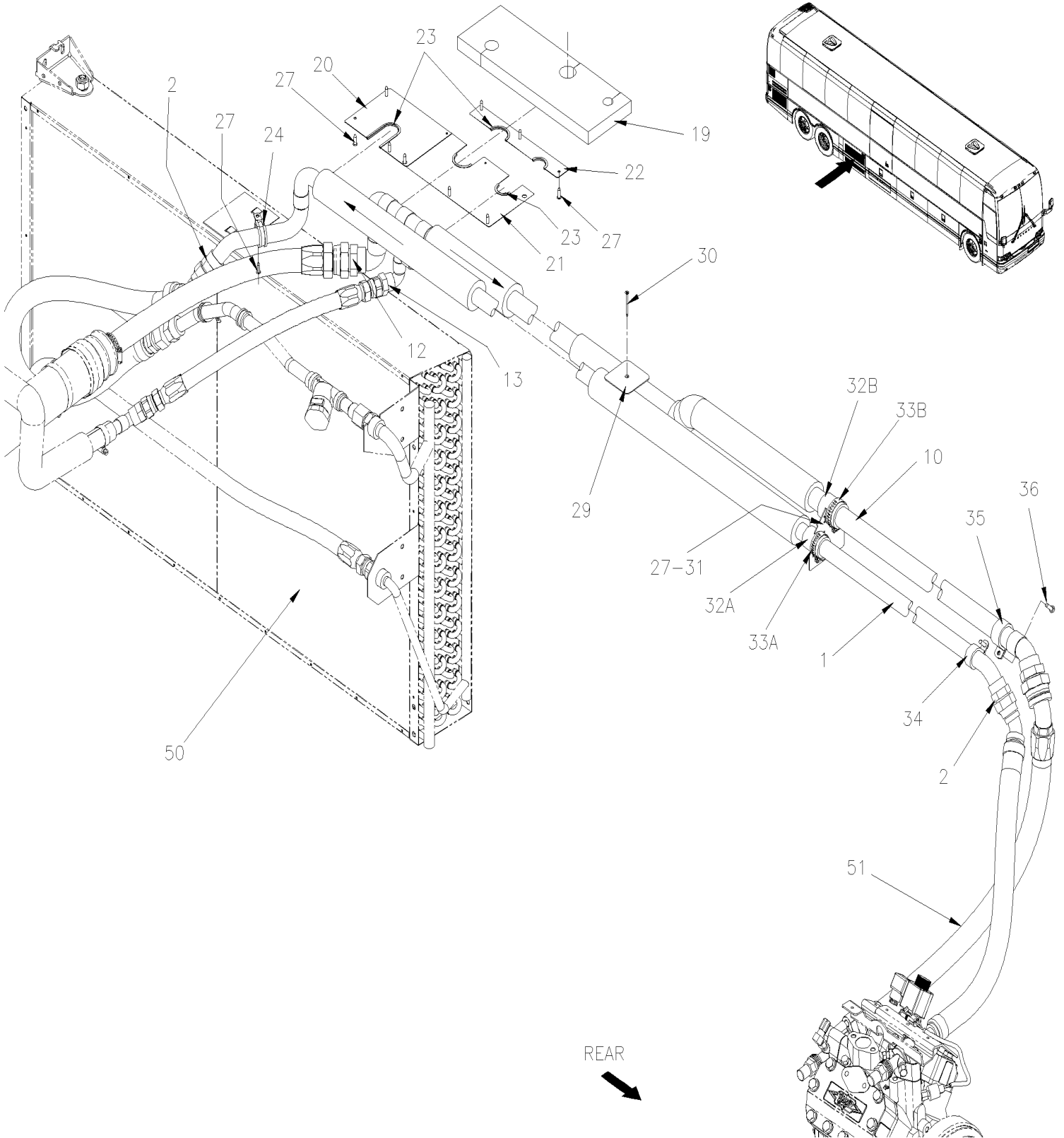
Item#	Part	Description	QTY	Notes
1	455374	TUBE ASSY, PRESSURE / A/C COMPRESSOR	1	
2	501718	. ADAPTER JIC @ BRAZE W/O-RING // #16JIC-Mx#18BRAZE-F BR	1	
. NS	501802	. . O-RING / ORS FITTING / #16 NEO	1	
10	Call order desk	TUBE ASSY, VACUUM / A/C COMPRESSOR To F-5774	1	P A
10	Call order desk	TUBE ASSY, VACUUM / A/C COMPRESSOR From F-5775	1	P A
10	Call order desk	TUBE ASSY, VACUUM / A/C COMPRESSOR To F-5759	1	P B
10	Call order desk	TUBE ASSY, VACUUM / A/C COMPRESSOR From F-5760	1	P B
12	501717	. ADAPTER JIC @ BRAZE W/O-RING // #20JIC-Mx#22BRAZE-F BR	1	
. NS	501803	. . O-RING / ORS FITTING / #20 NEO	1	
14	5011099	. ADAPTER "TUBE-O" @ BRAZE / #12TUBE-O-Mx#14 BR	1	
NS	374859	INSULATION PANEL From F-5819	1	
NS	684517	ADHESIVE SIMSON #ISR 70-03 / GREY / 310ml CARTRIDGE	AR	
20A	454784	PLATE CLOSING AROUND PIPE / 264MMx132MM To E-5525	1	A
20A	454787	PLATE CLOSING AROUND PIPE / 264MMx132MM To E-5525	1	B
20B	454805	PLATE CLOSING AROUND PIPE / 180MMx132MM From E-5526	1	A
20B	454802	PLATE CLOSING AROUND PIPE / 180MMx132MM From E-5526	1	C
20B	454803	PLATE CLOSING AROUND PIPE / 180MMx132MM From E-5526	1	D
22	952637	CLAMP / 1"1/16 I.D.	1	
23A	454785	PLATE CLOSING AROUND PIPE / 132MMx132MM To E-5525	1	
23B	454804	PLATE CLOSING AROUND PIPE / 255MMx132MM From E-5526	1	
24A	454786	PLATE CLOSING AROUND PIPE / 70MMx132MM To E-5525	1	
24B	454806	PLATE CLOSING AROUND PIPE / 255MMx34.5MM From E-5526	1	
25	455398	PLATE CLOSING AROUND PIPE	1	
26	952637	CLAMP / 1"1/16 I.D.	1	
27	952641	CLAMP / 1 5/16" I.D.	1	
28	500608	SCREW TP BDG PH #10x1 N500	2	
33	500957	SCREW TP BDG PH #10x3/4 N500	AR	
34	506338	RUBBER CHANNEL / 1/16" x 1/4" INT "U" SHAPE / ROUND C.T.L.	AR	
35	5060120	GROMMET EDGING ADHESIVE .036-.062	AR	
50	X3-2270-02	RECEIVER TANK & FILTER DRYER		
51	X3-2245-02	A/C COMPRESSOR "BITZER" - INSTALLATION		
		A) WITH A/C PARCEL RACK		
		B) WITHOUT A/C PARCEL RACK		
		C) WITH A/C PARCEL RACK & W.C.L.		
		D) WITH A/C PARCEL RACK & WITHOUT W.C.L.		
		P) CALL ORDER DESK FOR SPECIFIC APPLICATION (V.I.N.)		

From H-6180 To K-6492

Date:01/2024

PAGE:X3-2222-17

A/C LINE REAR SECTION - "GHG17"



From H-6180 To K-6492	Date:01/2024	PAGE:X3-2222-17
------------------------------	---------------------	------------------------

A/C LINE REAR SECTION - "GHG17"

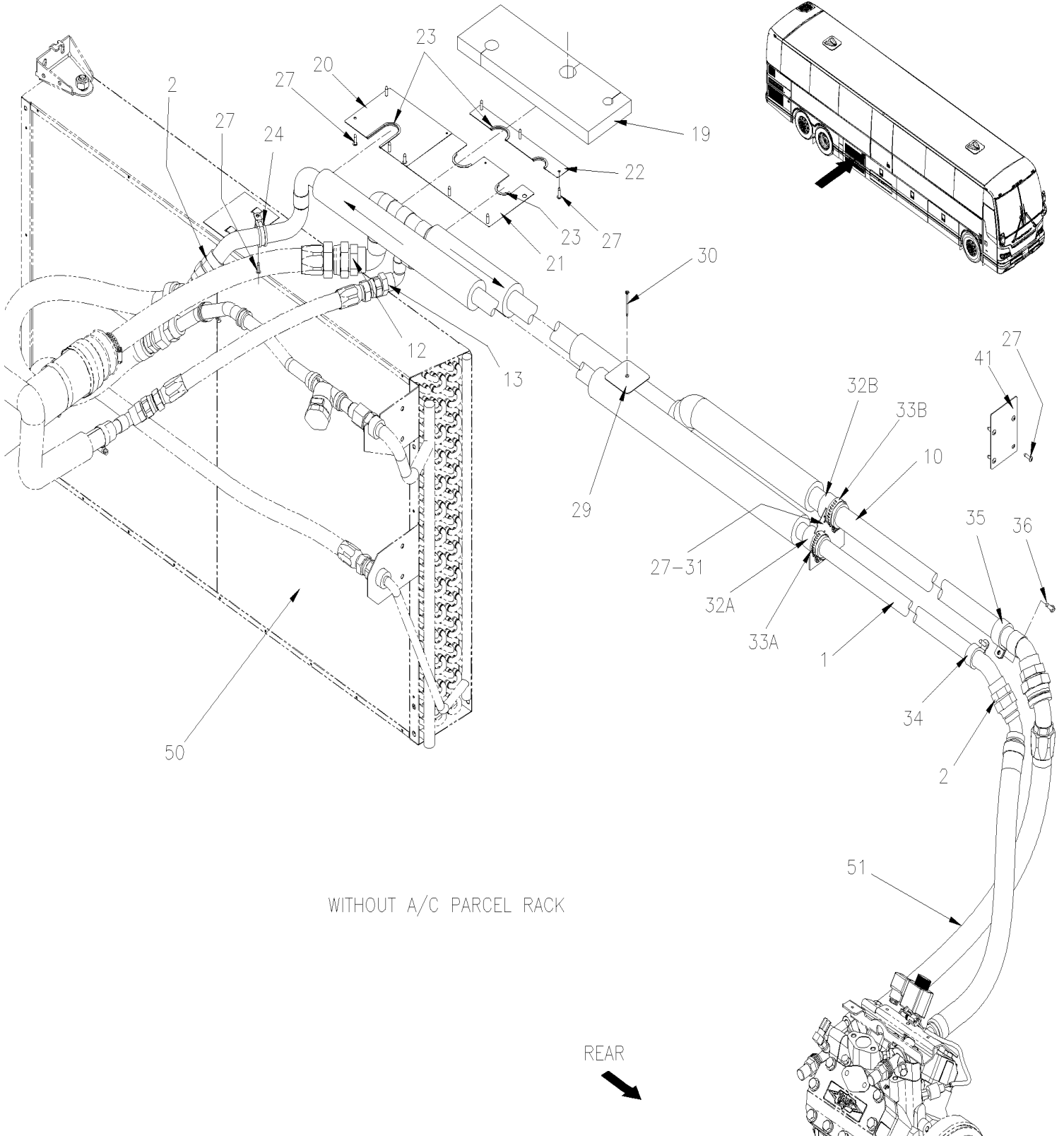
Item#	Part	Description	QTY	Notes
1	450006	TUBE ASSY, PRESSURE / A/C COMPRESSOR	1	
2	501718	. ADAPTER JIC @ BRAZE W/O-RING // #16JIC-Mx#18BRAZE-F BR	2	
. NS	501802	. . O-RING / ORS FITTING / #16 NEO	1	
10	450010	TUBE ASSY, VACUUM / A/C COMPRESSOR	1	A
10	450011	TUBE ASSY, VACUUM / A/C COMPRESSOR	1	B
12	501717	. ADAPTER JIC @ BRAZE W/O-RING // #20JIC-Mx#22BRAZE-F BR	2	
. NS	501803	. . O-RING / ORS FITTING / #20 NEO	1	
13	5011015	. ADAPTER JIC @ BRAZE W/O-RING // #12JIC-Mx#14BRAZE-F BR	1	
. NS	501829	. . O-RING / ORS FITTING / #12 NEO	1	
19	374860	INSULATION PANEL	1	
20	454805	PLATE CLOSING AROUND PIPE / 180MMx132MM	1	
21	454804	PLATE CLOSING AROUND PIPE / 255MMx132MM	1	
22	454806	PLATE CLOSING AROUND PIPE / 255MMx34.5MM	1	
23	5060120	GROMMET EDGING ADHESIVE .036-.062	AR	
24	952637	CLAMP / 1"1/16 I.D.	1	
27	500957	SCREW TP BDG PH #10x3/4 N500	AR	
29	374364	SUPPORT, PIPE	1	
30	500502	SCREW WO FL PH #8x3 Z050	1	
31	450408	PLATE CLOSING AROUND PIPE /	1	
32A	503796	HOSE SILICONE 2 PLY / NOMEX-ARAMID 1 1/8" I.D. x 6'	AR	
32B	503392	HOSE SILICONE 4PLY 1 3/8" I.D. x 4' To K-6426	AR	
32B	503783	HOSE SILICONE 4PLY / NOMEX-ARAMID 34MM I.D. x 6' From K-6427	AR	
33A	504022	HOSE CLAMP / 3/4"-1"3/4 SS / HS-20	1	
33B	504413	HOSE CLAMP / 1"1/16-2" SS / HAS-24	1	
34	504778	CLAMP / SS / SILICONE RUBBER / 1 1/8" I.D. x .281 HOLE	1	
35	504779	CLAMP / SS / SILICONE RUBBER / 1 3/8" I.D. x .281 HOLE	1	
36	5001815	SCREW CAP HEXF M6-1.0x30 G 8.8 N500	2	
50	X3-2270-03	RECEIVER TANK & FILTER DRYER W/O A/C PARCEL RACK - "GHG17"		
51	X3-2245-03	A/C COMPRESSOR "BITZER" - INSTALLATION		
51	X3-2245-20	A/C COMPRESSOR "BOCK" - INSTALLATION From N-6739		
		A) WITHOUT A/C PARCEL RACK		
		B) WITH A/C PARCEL RACK		

From L-6493

Date:01/2024

PAGE:X3-2222-18

A/C LINE REAR SECTION

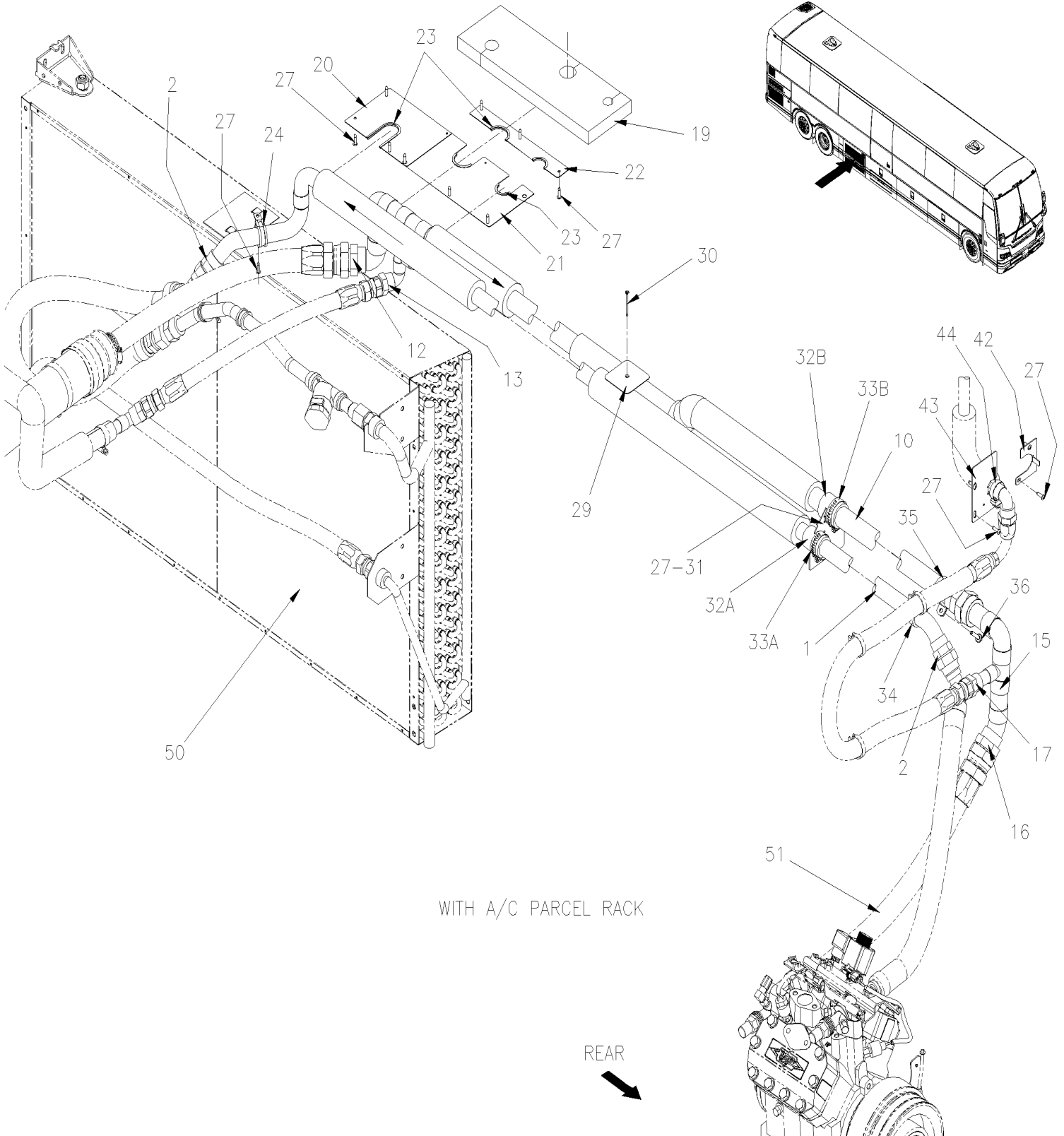


From L-6493

Date:01/2024

PAGE:X3-2222-18

A/C LINE REAR SECTION



From L-6493		Date:01/2024	PAGE:X3-2222-18
A/C LINE REAR SECTION			

Item#	Part	Description	QTY	Notes
1	450006	TUBE ASSY, PRESSURE / A/C COMPRESSOR	1	
1	450587	TUBE ASSY, PRESSURE / A/C COMPRESSOR	1	C
2	501718	. ADAPTER JIC @ BRAZE W/O-RING // #16JIC-Mx#18BRAZE-F BR	2	
. NS	501802	. . O-RING / ORS FITTING / #16 NEO	1	
10	450010	TUBE ASSY, VACUUM / A/C COMPRESSOR To N-6713	1	A
10	454378	TUBE ASSY, VACUUM / A/C COMPRESSOR From N-6714	1	A
10	450676	TUBE ASSY, VACUUM / A/C COMPRESSOR To N-6713	1	B
10	454377	TUBE ASSY, VACUUM / A/C COMPRESSOR From N-6714	1	B
10	454756	TUBE ASSY, VACUUM / A/C COMPRESSOR To N-6713	1	C
10	454379	TUBE ASSY, VACUUM / A/C COMPRESSOR From N-6714	1	C
12	501717	. ADAPTER JIC @ BRAZE W/O-RING // #20JIC-Mx#22BRAZE-F BR	2	
. NS	501803	. . O-RING / ORS FITTING / #20 NEO	1	
13	5011015	. ADAPTER JIC @ BRAZE W/O-RING // #12JIC-Mx#14BRAZE-F BR	1	
. NS	501829	. . O-RING / ORS FITTING / #12 NEO	1	
15	450674	PIPE,SUCTION COMPRESSOR ASSY.	1	B
16	501717	. ADAPTER JIC @ BRAZE W/O-RING // #20JIC-Mx#22BRAZE-F BR	1	B
. NS	501803	. . O-RING / ORS FITTING / #20 NEO	1	B
17	5011015	. ADAPTER JIC @ BRAZE W/O-RING // #12JIC-Mx#14BRAZE-F BR	1	B
. NS	501829	. . O-RING / ORS FITTING / #12 NEO	1	B
19	374860	INSULATION PANEL	1	
20	454805	PLATE CLOSING AROUND PIPE / 180MMx132MM	1	
21	454804	PLATE CLOSING AROUND PIPE / 255MMx132MM	1	
22	454806	PLATE CLOSING AROUND PIPE / 255MMx34.5MM	1	
23	5060120	GROMMET EDGING ADHESIVE .036-.062	AR	
24	952637	CLAMP / 1"1/16 I.D.	1	
27	500957	SCREW TP BDG PH #10x3/4 N500	AR	
29	374364	SUPPORT, PIPE To P-6782	1	
29	374364	SUPPORT, PIPE From P-6783	2	
30	500502	SCREW WO FL PH #8x3 Z050 To P-6782	1	
30	500502	SCREW WO FL PH #8x3 Z050 From P-6783	2	
31	450408	PLATE CLOSING AROUND PIPE /	1	
31	450589	PLATE CLOSING AROUND PIPE /	1	C
31	450991	PLATE CLOSING AROUND PIPE /	1	C
32A	503796	HOSE SILICONE 2 PLY / NOMEX-ARAMID 1 1/8" I.D. x 6'	AR	
32B	503783	HOSE SILICONE 4PLY / NOMEX-ARAMID 34MM I.D. x 6'	AR	
33A	504022	HOSE CLAMP / 3/4"-1"3/4 SS / HS-20	1	
33B	504413	HOSE CLAMP / 1"1/16-2" SS / HAS-24	1	
34	504778	CLAMP / SS / SILICONE RUBBER / 1 1/8" I.D. x .281 HOLE	1	
35	504779	CLAMP / SS / SILICONE RUBBER / 1 3/8" I.D. x .281 HOLE	1	
36	5001815	SCREW CAP HEXF M6-1.0x30 G 8.8 N500	2	
41	450958	CLOSING PLATE	1	A
42	450707	CLOSING PLATE	1	B

From L-6493	Date:01/2024	PAGE:X3-2222-18
-------------	--------------	-----------------

A/C LINE REAR SECTION

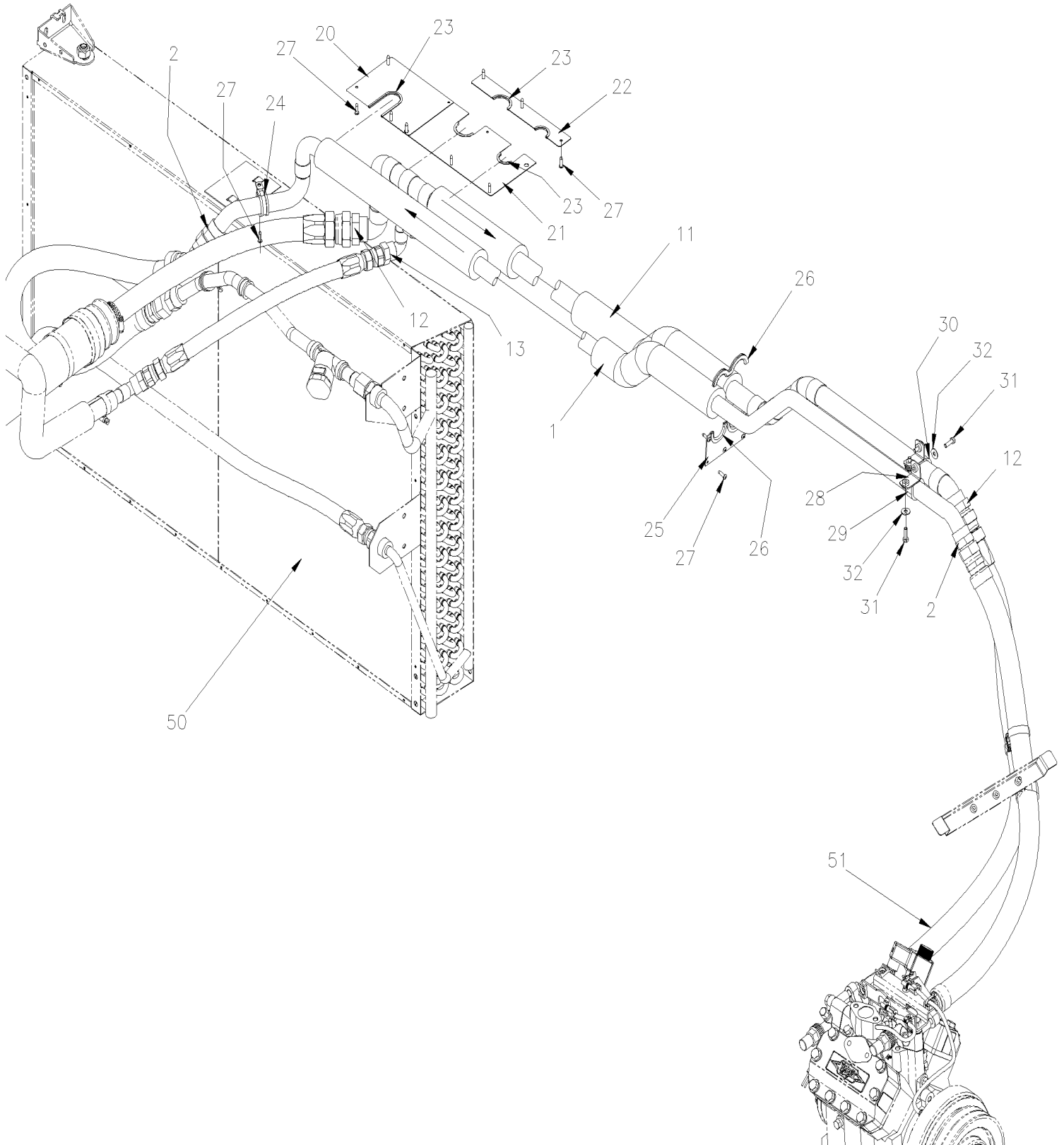
Item#	Part	Description	QTY	Notes
43	450706	CLOSING PLATE	1	B
44	992084	HOSE CLAMP / 23MM/35MM	1	B
NS	684517	ADHESIVE SIMSON #SR 70-03 / GREY / 310ml CARTRIDGE	AR	
50	X3-2270-03	RECEIVER TANK & FILTER DRYER W/O A/C PARCEL RACK - "GHG17"		
51	X3-2245-02	A/C COMPRESSOR "BITZER" - INSTALLATION		
		A) WITHOUT A/C PARCEL RACK		
		B) WITH A/C PARCEL RACK		
		C) WITHOUT LAVATORY		

From G-5936 To H-6179

Date:01/2024

PAGE:X3-2222-30

A/C LINE REAR SECTION W/O LAVATORY W/ "BITZER" W/O A/C PARCEL RACK



From G-5936 To H-6179	Date:01/2024	PAGE:X3-2222-30
A/C LINE REAR SECTION W/O LAVATORY W/ "BITZER" W/O A/C PARCEL RACK		

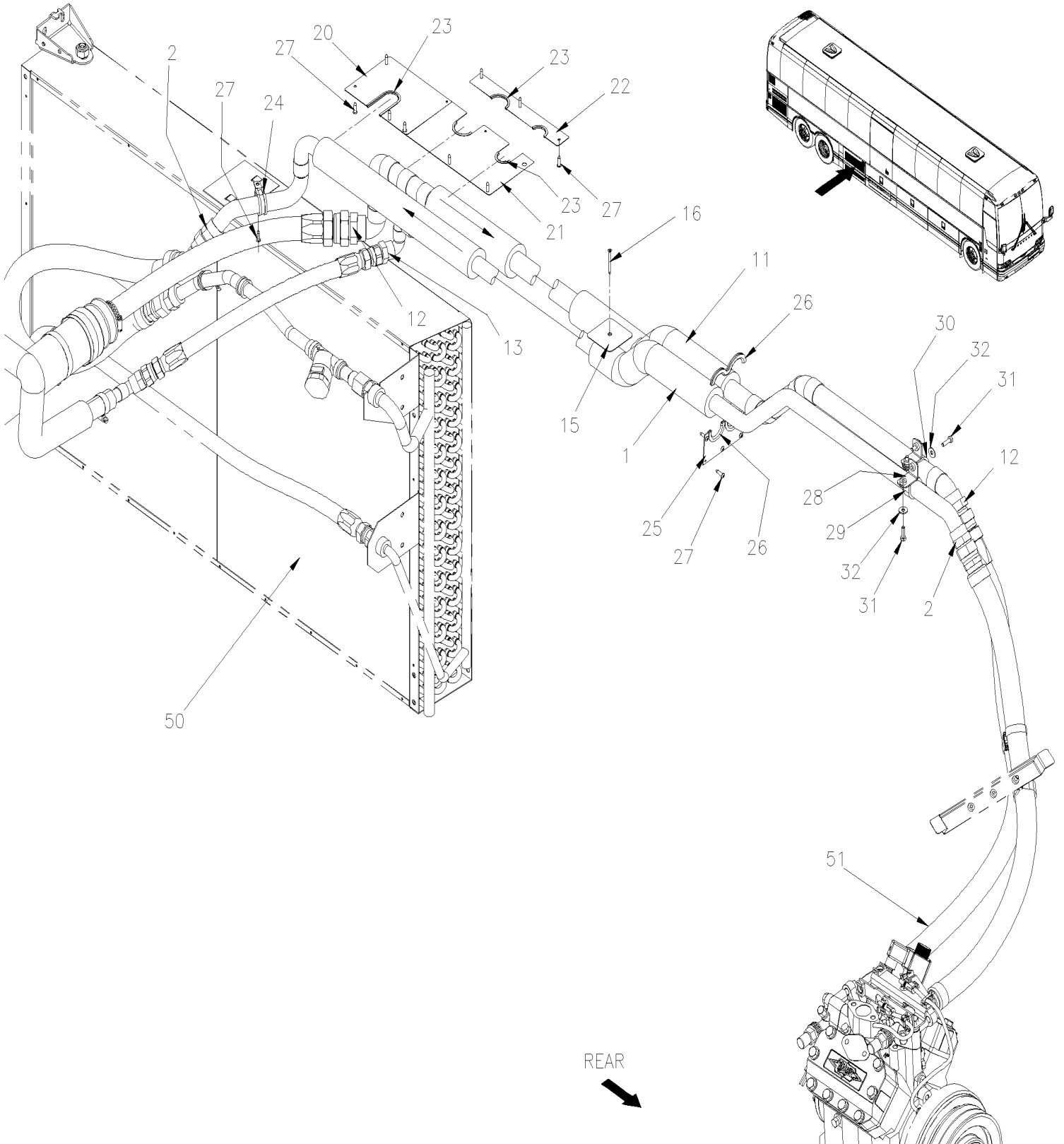
Item#	Part	Description	QTY	Notes
1	454735	TUBE ASSY, PRESSURE / A/C COMPRESSOR To F-5759	1	
1	454930	TUBE ASSY, PRESSURE / A/C COMPRESSOR From F-5760	1	
2	501718	. ADAPTER JIC @ BRAZE W/O-RING // #16JIC-Mx#18BRAZE-F BR	1	
. NS	501802	. . O-RING / ORS FITTING / #16 NEO	1	
11	Call order desk	TUBE ASSY, VACUUM / A/C COMPRESSOR To F-5759	1	P
11	Call order desk	TUBE ASSY, VACUUM / A/C COMPRESSOR From F-5760	1	P
12	501717	. ADAPTER JIC @ BRAZE W/O-RING // #20JIC-Mx#22BRAZE-F BR	2	
. NS	501803	. . O-RING / ORS FITTING / #20 NEO	1	
13	5011015	. ADAPTER JIC @ BRAZE W/O-RING // #12JIC-Mx#14BRAZE-F BR	1	
. NS	501829	. . O-RING / ORS FITTING / #12 NEO	1	
20	454805	PLATE CLOSING AROUND PIPE / 180MMx132MM	1	
21	454804	PLATE CLOSING AROUND PIPE / 255MMx132MM	1	
22	454806	PLATE CLOSING AROUND PIPE / 255MMx34.5MM	1	
23	5060120	GROMMET EDGING ADHESIVE .036-.062	AR	
24	952637	CLAMP / 1"1/16 I.D.	1	
25	483041	PLATE CLOSING AROUND PIPE	1	
26	5060120	GROMMET EDGING ADHESIVE .036-.062	AR	
27	500957	SCREW TP BDG PH #10x3/4 N500	AR	
28	454932	SUPPORT	2	
29	504778	CLAMP / SS / SILICONE RUBBER / 1 1/8" I.D. x .281 HOLE	1	
30	504779	CLAMP / SS / SILICONE RUBBER / 1 3/8" I.D. x .281 HOLE	1	
31	502830	SCREW CAP HEX M6-1.0x20 G8.8 N500	4	
32	5001833	WASHER BEL SPR 6.1x18x1.27 SS	4	
50	X3-2270-02	RECEIVER TANK & FILTER DRYER		
51	X3-2245-02	A/C COMPRESSOR "BITZER" - INSTALLATION		
		P) CALL ORDER DESK FOR SPECIFIC APPLICATION (V.I.N.)		

From H-6180

Date:01/2024

PAGE:X3-2222-31

A/C LINE REAR SECTION W/O LAVATORY VOLVO D13 - GHG17



From H-6180		Date:01/2024	PAGE:X3-2222-31
A/C LINE REAR SECTION W/O LAVATORY VOLVO D13 - GHG17			

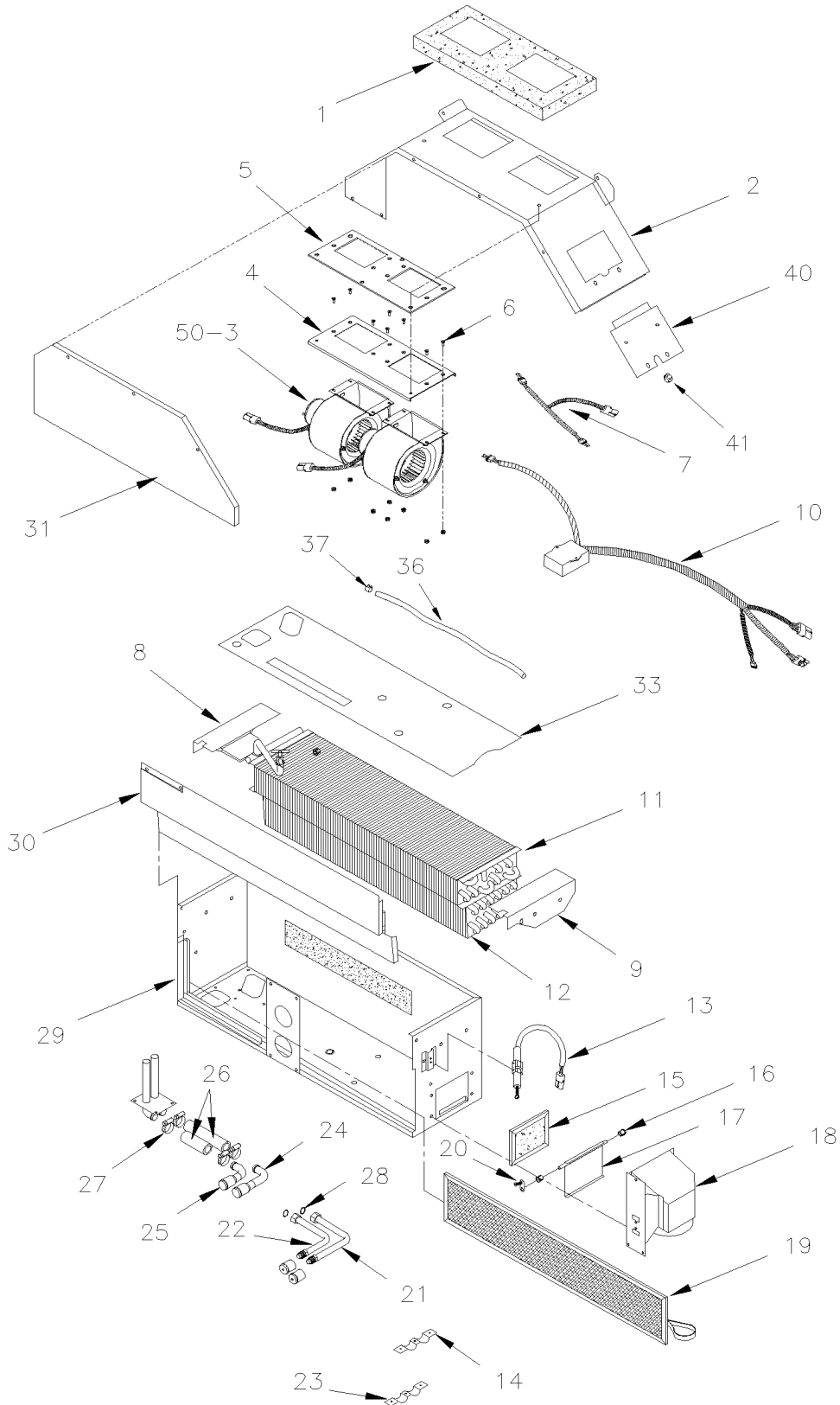
Item#	Part	Description	QTY	Notes
1	454755	TUBE ASSY, PRESSURE / A/C COMPRESSOR	1	
2	501718	. ADAPTER JIC @ BRAZE W/O-RING // #16JIC-Mx#18BRAZE-F BR	2	
. NS	501802	. . O-RING / ORS FITTING / #16 NEO	1	
11	454756	TUBE ASSY, VACUUM / A/C COMPRESSOR To N-6713	1	A
11	454379	TUBE ASSY, VACUUM / A/C COMPRESSOR From N-6714	1	A
11	454757	TUBE ASSY, VACUUM / A/C COMPRESSOR	1	B
12	501717	. ADAPTER JIC @ BRAZE W/O-RING // #20JIC-Mx#22BRAZE-F BR	2	
. NS	501803	. . O-RING / ORS FITTING / #20 NEO	1	
13	5011015	. ADAPTER JIC @ BRAZE W/O-RING // #12JIC-Mx#14BRAZE-F BR	1	
. NS	501829	. . O-RING / ORS FITTING / #12 NEO	1	
15	374364	SUPPORT, PIPE To P-6782	1	
15	374364	SUPPORT, PIPE From P-6783	2	
16	500502	SCREW WO FL PH #8x3 Z050 To P-6782	1	
16	500502	SCREW WO FL PH #8x3 Z050 From P-6783	2	
20	454805	PLATE CLOSING AROUND PIPE / 180MMx132MM	1	
21	454804	PLATE CLOSING AROUND PIPE / 255MMx132MM	1	
22	454806	PLATE CLOSING AROUND PIPE / 255MMx34.5MM	1	
23	5060120	GROMMET EDGING ADHESIVE .036-.062	AR	
24	952637	CLAMP / 1"1/16 I.D.	1	
25	454761	PLATE CLOSING AROUND PIPE	1	
26	506338	RUBBER CHANNEL / 1/16" x 1/4" INT "U" SHAPE / ROUND C.T.L.	AR	
27	500957	SCREW TP BDG PH #10x3/4 N500	AR	
28	454932	SUPPORT To J-6226	2	
28	450002	SUPPORT, COMPRESSOR HOSE From J-6227	1	
29	504778	CLAMP / SS / SILICONE RUBBER / 1 1/8" I.D. x .281 HOLE	1	
30	504779	CLAMP / SS / SILICONE RUBBER / 1 3/8" I.D. x .281 HOLE	1	
31	502830	SCREW CAP HEX M6-1.0x20 G8.8 N500	4	
32	5001833	WASHER BEL SPR 6.1x18x1.27 SS	4	
50	X3-2270-03	RECEIVER TANK & FILTER DRYER W/O A/C PARCEL RACK - "GHG17"		
50	X3-2270-10	RECEIVER TANK & FILTER DRYER WITH A/C PARCEL RACK - "GHG17"		
51	X3-2245-03	A/C COMPRESSOR "BITZER" - INSTALLATION		
51	X3-2245-20	A/C COMPRESSOR "BOCK" - INSTALLATION From N-6739		
		A) WITHOUT A/C PARCEL RACK		
		B) WITH A/C PARCEL RACK		

From 7-8754 To J-6300

Date:01/2024

PAGE:X3-2225-00

DRIVER'S HEATER & DEFROSTER ASSY



From 7-8754 To J-6300	Date:01/2024	PAGE:X3-2225-00
DRIVER'S HEATER & DEFROSTER ASSY		

Item#	Part	Description	QTY	Notes
	871384	DEFROSTER & A/C UNIT ASSY To J-6300	1	
1	871129	. SEAL	2	
2	871400	. TOP COVER To J-6300	1	
3	871359	. BLOWER ASSY 24V / W/DOUBLE MOTOR MOUNT To J-6300	1	
3	871360	. . BLOWER & MOTOR ASSY - "M.C.C." "CCW" / FAN END To J-6300	2	
4	871410	. . PLATE MOUNTING To J-6300	1	
5	871411	. . FOAM ASSY	1	
6	684605	. . SCREW CAP HEXS #10-32x1/2	8	
6	500423	. . NUT HEX NYRT #10-32 SS	8	
7	871364	. . CABLE HARNESS To J-6300	1	
8	871137	. BRACKET L.H. To J-6300	1	
9	871138	. BRACKET R.H. To J-6300	1	
10	871353	. MODULE CONTROL FAN SPEED / W/DOUBLE MOTOR To J-6300	1	
11	871140	. HEATER COIL To J-6300	1	
. NS	870127	. . DRAIN VALVE ROBINET VIDANGE To J-6300	1	
12	871141	. EVAPORATOR COIL To J-6300	1	
13	871142	. ACTUATOR, THERMAL	1	
14	871406	. TUBE SUPPORT	1	
15	871144	. FILTER / FRESH AIR 1/4" x 3 5/8" x 5 1/4"	1	
16	871025	. BUSHING / CABLE PIVOT	2	
17	871145	. DAMPER TRAP	1	
18	871146	. BOX, FRESH AIR To J-6300	1	
19	871147	. FILTER / RECIRCULATING 1/4" x 6 1/4" x 28"	1	
20	871148	. LEVER , F/A DAMPER To J-6300	1	
21	871149	. TUBE, A/C	1	
22	871150	. TUBE, A/C	1	
23	871404	. TUBE SUPPORT	1	
24	871152	. TUBE HEATER	1	
25	871153	. TUBE HEATER	1	
26	503007	. HOSE 2 PLY / RADIATOR HOSE / 5/8" I.D. / S.L. To C-5133	AR	
26	871442	. HOSE SILICONE 4 PLY 5/8 OD x 4" From C-5134	AR	
27	504646	. HOSE CLAMP / 11/16"-1"1/4 / C.T. 9412 To C-5133	4	
27	871443	. HOSE CLAMP / From C-5134	4	
28	507279	. O-RING / ORS FITTING / #8 NEO	2	
28	X3-2208-00	. A/C EXPANSION VALVE		
29	871397	. CASING To J-6300	1	
30	871401	. COVER	1	
31	871403	. COVER / BLOWER ACCESS	1	
33	871413	. INSULATION	1	
36	8860148	. TUBE, NYLON 5/16 O.D. / BLACK S.L.	1	
37	N8888160	. SPRING CLIP	1	
40	871407	. HARNESS COVER To J-6300	1	

From 7-8754 To J-6300	Date:01/2024	PAGE:X3-2225-00
-----------------------	--------------	-----------------

DRIVER'S HEATER & DEFROSTER ASSY

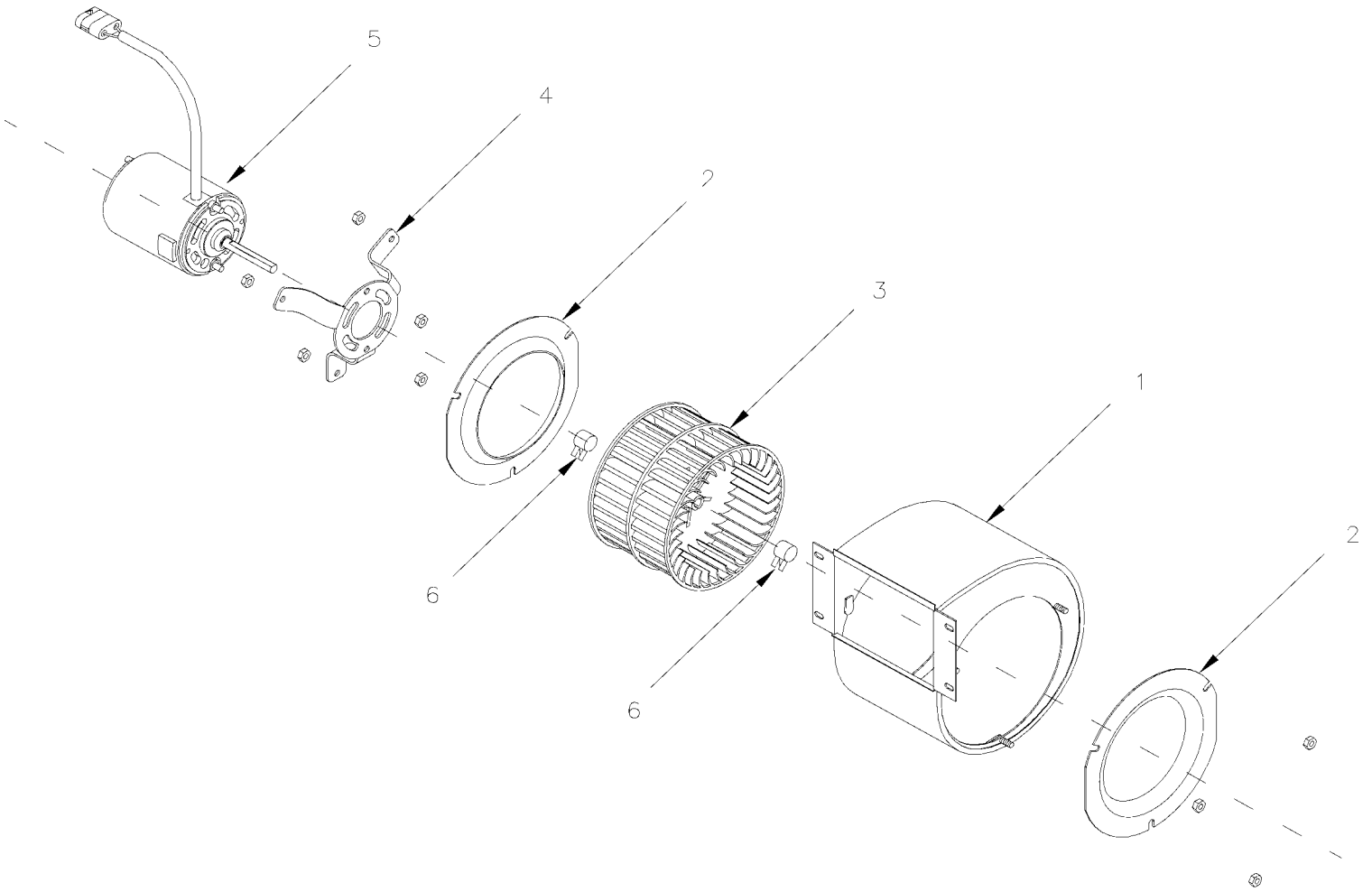
Item#	Part	Description	QTY	Notes
41	N8889852	. GROMMET	1	

From 7-8754 To J-6300

Date:01/2024

PAGE:871360

BLOWER & MOTOR ASSY - "M.C.C." "CCW" / FAN END



From 7-8754 To J-6300	Date:01/2024	PAGE:871360
-----------------------	--------------	-------------

BLOWER & MOTOR ASSY - "M.C.C." "CCW" / FAN END

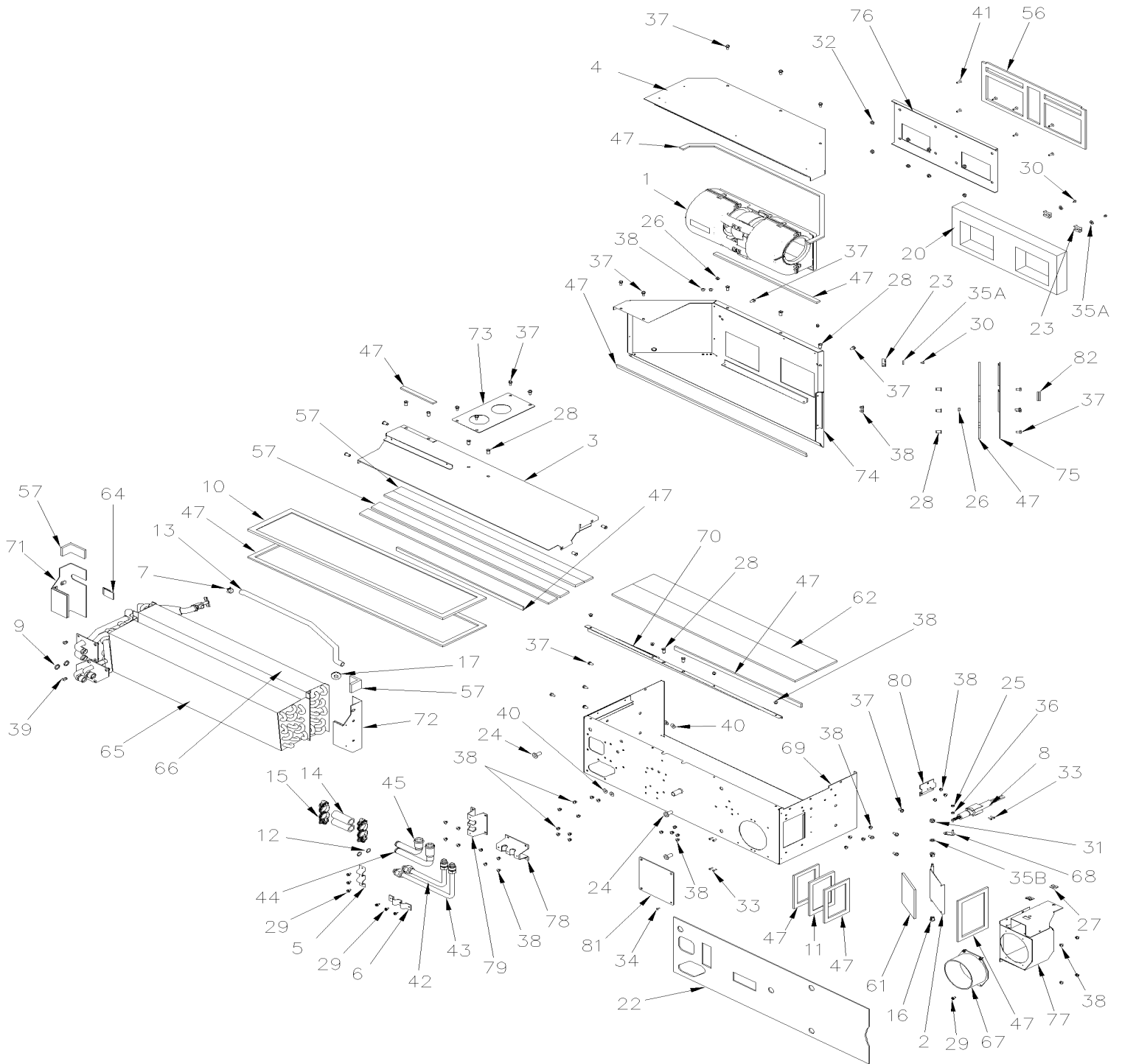
Item#	Part	Description	QTY	Notes
		BLOWER ASSY 24V / CCW	1	
1	871365	. BLOWER HOUSING	1	
2	N8889479	. VENTURY	2	
3	871133	. BLOWER WHEEL / PLASTIC 5 1/8" x 3 1/2" x 5/16" x I.D.	1	
4	N8890530	. MOUNTING MOTOR BRACKET	1	
5	871366	. MOTOR ASSY 24V / CCW	1	
6	N8888160	. SPRING CLIP	2	

From J-6301

Date:01/2024

PAGE:X3-2225-01

DRIVER'S HEATER & DEFROSTER ASSY



From J-6301		Date:01/2024	PAGE:X3-2225-01
-------------	--	--------------	-----------------

DRIVER'S HEATER & DEFROSTER ASSY

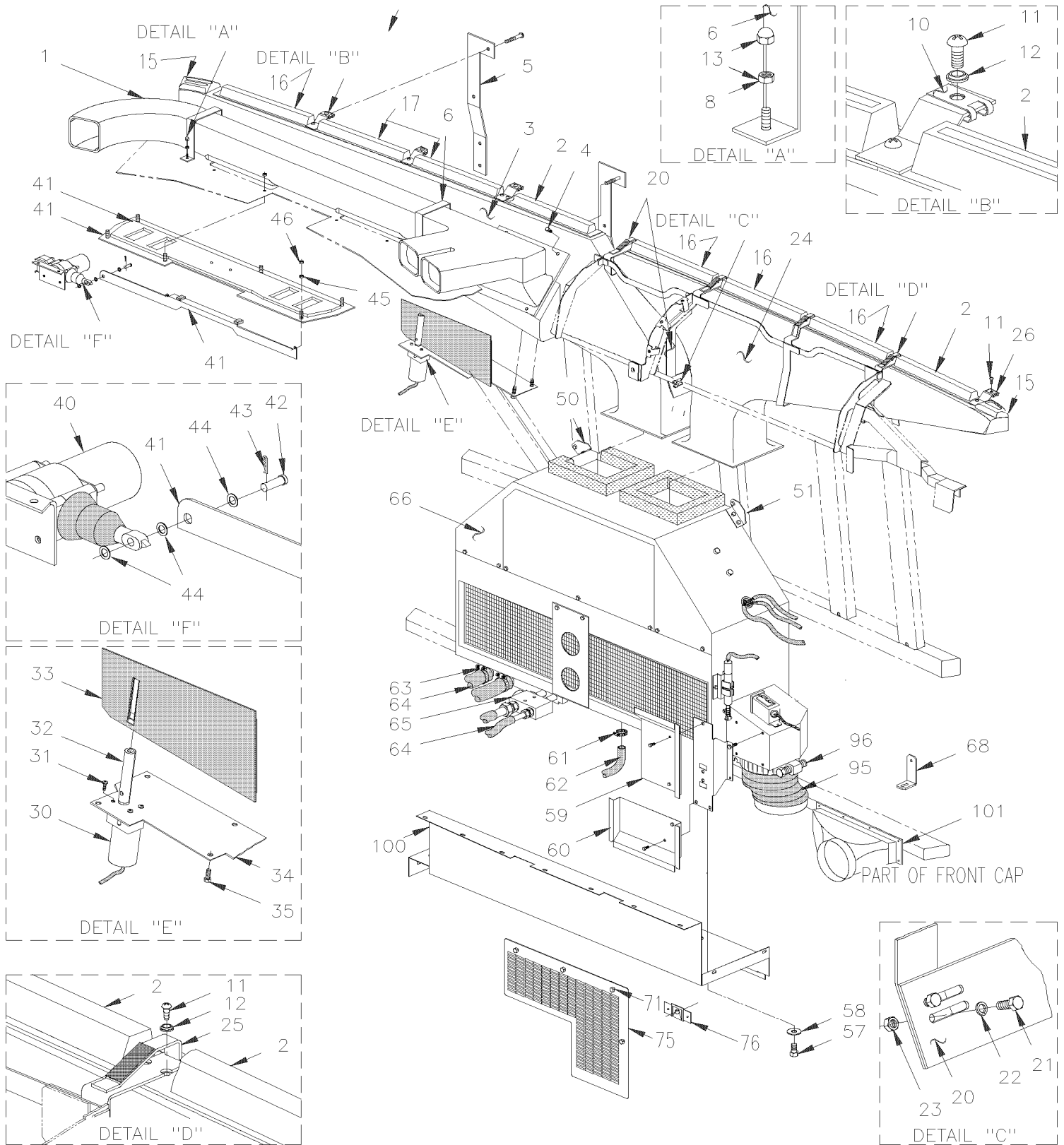
Item#	Part	Description	QTY	Notes
	870007	DEFROSTER & A/C UNIT ASSY To N-6723	1	
	870152	DEFROSTER & A/C UNIT ASSY From N-6724	1	
1	19519329	. BLOWER ASSY 24V / W/BRUSHLESS MOTOR	1	
2	871145	. DAMPER TRAP	1	
3	871401	. COVER	1	
4	871403	. COVER / BLOWER ACCESS	1	
5	871404	. TUBE SUPPORT	1	
6	871406	. TUBE SUPPORT	1	
7	N8888160	. SPRING CLIP	1	
8	871142	. ACTUATOR, THERMAL	1	
9	N8887060	. INSULATION TAPE	2	
10	871147	. FILTER / RECIRCULATING 1/4" x 6 1/4" x 28"	1	
11	871144	. FILTER / FRESH AIR 1/4" x 3 5/8" x 5 1/4"	1	
12	N8887061	. O-RING #8	2	
13	8860534	. TUBE, NYLON 1/2 O.D. / BLACK S.L.	1	
14	N8903249	. HOSE SILICONE 5/8"	2	
15	N8903248	. CLAMP 5/8"	4	
16	871025	. BUSHING / CABLE PIVOT	2	
17	N8889483	. GROMMET	1	
20	871129	. SEAL	1	
22	871413	. INSULATION	1	
23	870059	. TIE MOUNT	3	
24	870154	. RIVNUT 5/16"-18 AL	3	
25	N8895769	. NUT M4 To N-6723	1	
25	870155	HEX LOCKNUT M4 X 0.7 SS From N-6724	1	
26	N8889858	. NUT M5	3	
27	871429	. SPRING NUT	2	
28	870050	. RIVET NUT M5	16	
29	N8889859	. SCREW #8x3/8"	10	
30	870054	. SCREW MA PAN PH #6x1/4" To N-6723	3	
30	N8893405	POP RIVET 1/8" X .390 From N-6724	3	
31	N8890452	. LOCKNUT 1/4-28	1	
32	N8894865	. LOCK NUT #8-32	8	
33	N8893405	. POP RIVET 1/8" X .390	6	
34	N8890513	. POP RIVET 1/8"x.265"	4	
35A	N8890477	. WASHER FL M6 To N-6723	3	
35A	N8890477	. WASHER FL M6 To N-6723	3	
35A	N8893407	FLAT WASHER #4 From N-6724	6	
35B	N8890477	. WASHER FL M6	1	
35B	N8890477	. WASHER FL M6	1	
36	N8889863	. WASHER M5	1	
37	N8889857	. SCREW CAP HEX M5x10	23	

From J-6301		Date:01/2024	PAGE:X3-2225-01
-------------	--	--------------	-----------------

DRIVER'S HEATER & DEFROSTER ASSY

Item#	Part	Description	QTY	Notes
38	870047	. POP RIVET 3/16"x.345"	43	
39	870046	. POP RIVET 3/16"	8	
40	N8892502	. WASHER FL #10 To N-6723	4	
41	870156	. SCREW #8-32 X 1/2" S.S.	8	
42	871232	. TUBE, A/C	1	
43	871233	. TUBE, A/C	1	
44	870157	. TUBE, HEATER	1	
45	870158	. TUBE, HEATER	1	
47	N8889679	. FOAM / 3/16"x1 /2"	AR	
56	N8909945	. FOAM TAPE 3/16"x5/8 To N-6723	AR	
56	N8889679	FOAM / 3/16"x1 /2" From N-6724	AR	
57	N8895172	. FOAM / 1/4"x1 1 /4"	AR	
61	N8889678	. FOAM TAPE 1/4"x3 3/4"	AR	
62	N8893438	. FOAM / 3/16"x3"	AR	
64	N8893469	. FOAM / 1/16"x1" To N-6723	AR	
64	N8887060	. INSULATION TAPE From N-6724	AR	
65	870038	. EVAPORATOR COIL	1	
66	870041	. HEATER COIL	1	
67	870160	. HOSE ADAPTER 4"	1	
68	870042	. LEVER , F/A DAMPER	1	
69	870028	. CASING	1	
69	Call order desk	. CASING From N-6724	1	P
70	870019	. BRACKET	1	
71	870032	. BRACKET L.H.	1	
72	870033	. BRACKET R.H.	1	
73	870043	. PLATE	1	
74	870060	. TOP COVER	1	
75	Call order desk	. HARNESS COVER	1	P
76	870247	. BLOWER PLATE	1	
77	Call order desk	. BOX, FRESH AIR	1	P
78	Call order desk	. TUBES SUPPORT To N-6723	1	P
79	Call order desk	. TUBES SUPPORT To N-6723	1	P
80	Call order desk	. ACTUATOR BRACKET	1	P
81	Call order desk	. COVER To N-6723	1	P
81	Call order desk	. COVER From N-6724	1	P
82	870150	. CABLE HARNESS	1	
		P) CALL ORDER DESK FOR SPECIFIC APPLICATION (V.I.N.)		

DEFROSTER - INSTALLATION

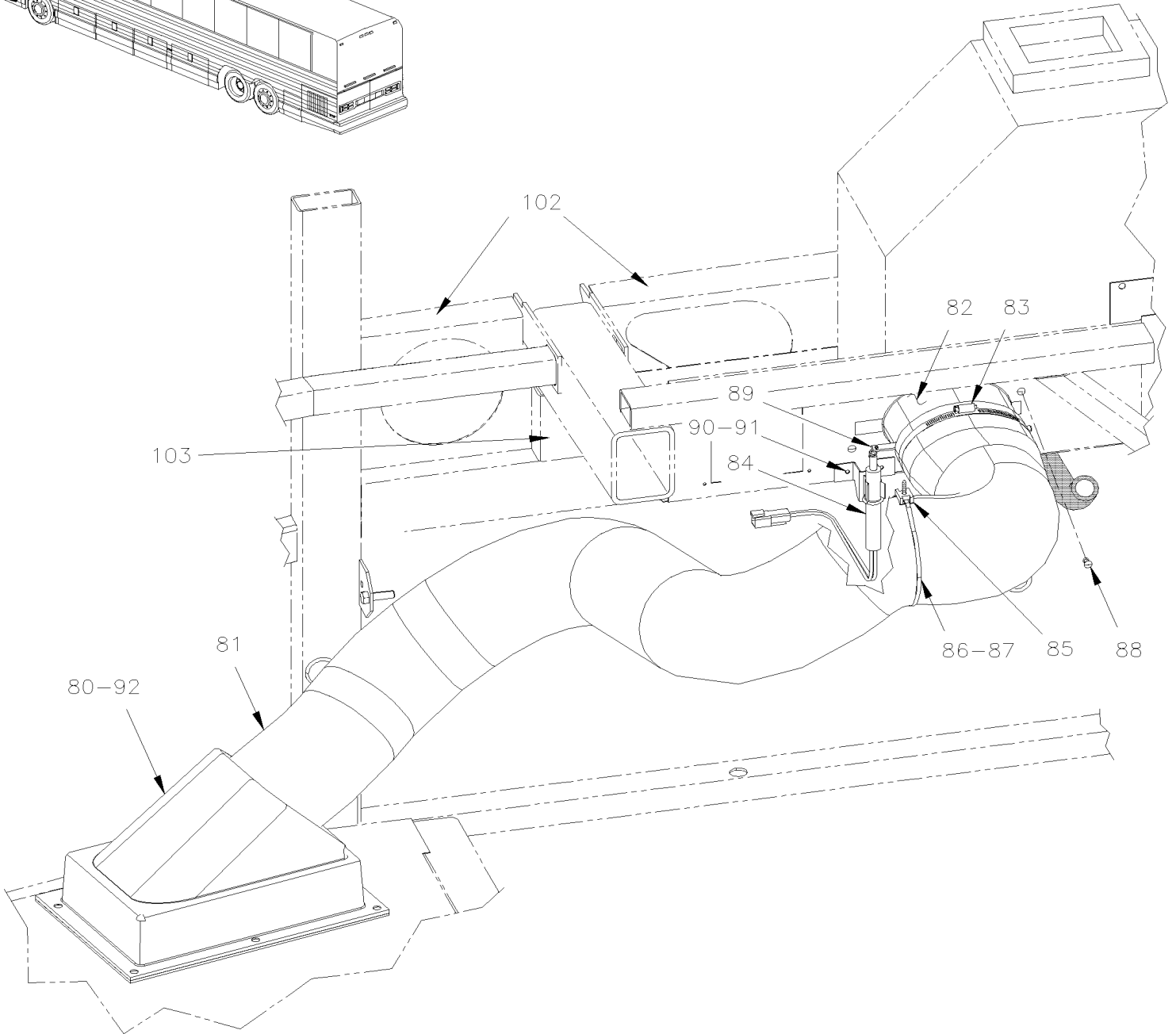
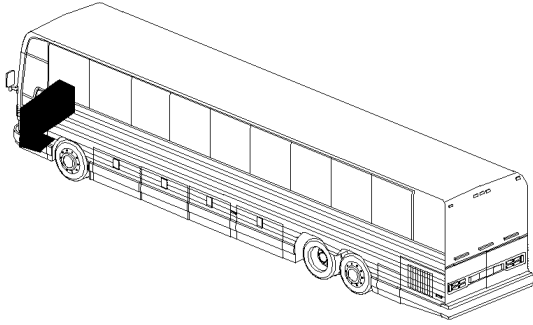


From 7-8754 To B-5001

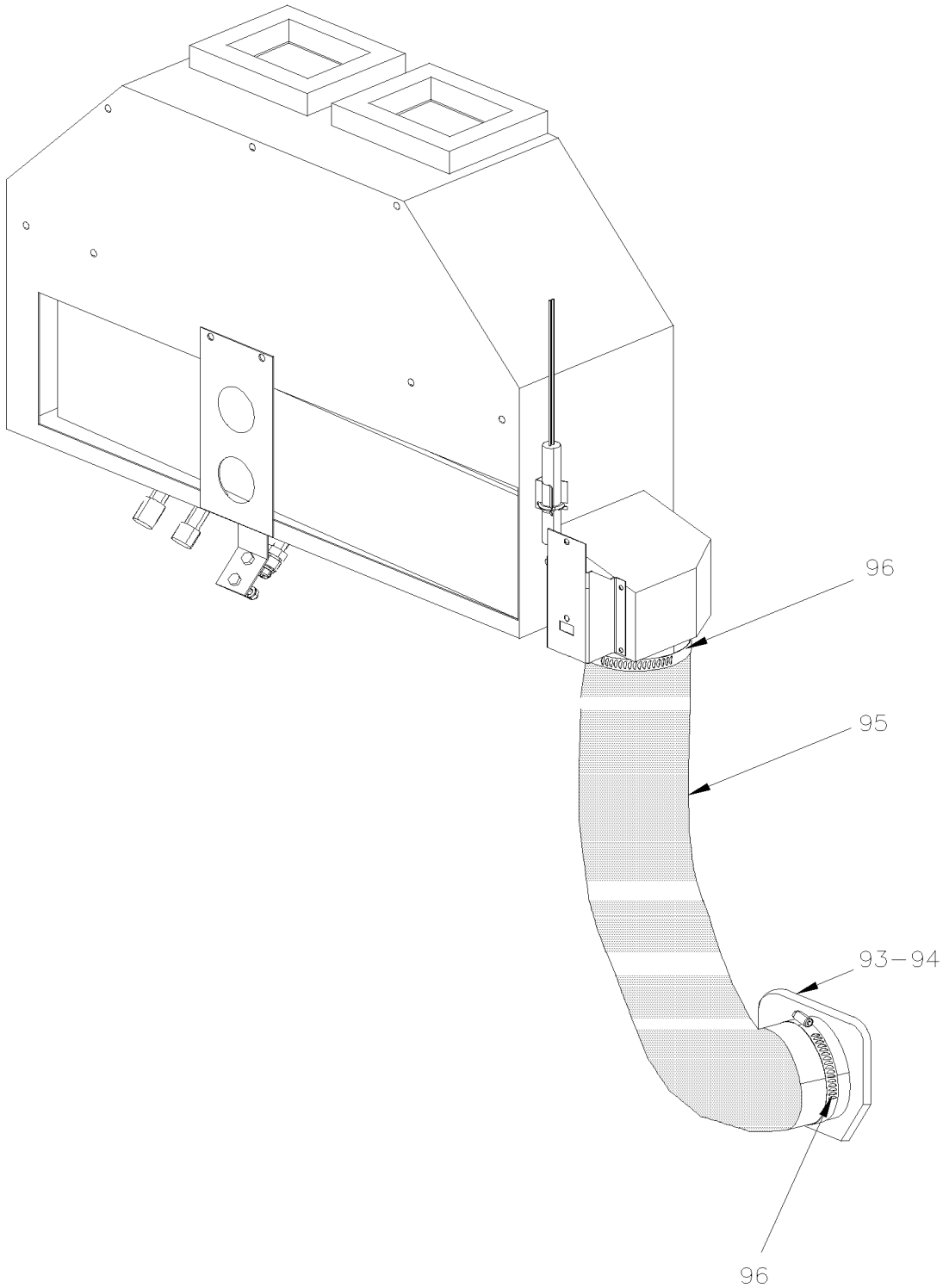
Date:01/2024

PAGE:X3-2230-00

DEFROSTER - INSTALLATION



DEFROSTER - INSTALLATION



From 7-8754 To B-5001	Date:01/2024	PAGE:X3-2230-00
DEFROSTER - INSTALLATION		

Item#	Part	Description	QTY	Notes
1	392211	DUCT DRIVER LH SECTION	1	
1	392212	DUCT DRIVER RH SECTION	1	
. NS	391003	. SEAL DUCT	1	
NS	392064	SUPPORT	1	
NS	392085	. DEFLECTOR (INSIDE DUCT)	1	
2	392045	LOUVER	1	
3	392044	DEFROSTER DUCT STREETSIDE	1	B
3	392160	SUPPORT / DEFROSTER DUCT	1	
4	500641	SCREW TP PAN PH #8x3/4 Z050	AR	
4	500841	SCREW TP PAN PH #14x3/4 Z050	AR	
8	502557	NUT HEX NYRT M4-0.7 SS	4	
10	5001405	NUT SPR U M4-0.7 0.8-4.0x9.5	AR	
11	5001411	SCREW MA FL PH M4-0.7x20 BK	AR	
12	500345	WASHER FN CKF .187x.500x.090 BR BK	AR	
13	5001404	NUT HEX CAP M4-0.7 SS	4	
15	392046	LOUVER CORNER	2	
16	392276	LOUVER	4	
17	392283	LOUVER	2	
20	391956	STRUCTURE / R.H.	1	
21	502529	SCREW MA BDG PH M5-0.8x12 BZC	2	
22	500440	WASHER FL .250x.562x.065 Z050	2	
23	502782	NUT HEX NYRT M5-0.8 Z050	2	
24	392049	DEFROSTER DUCT CURBSIDE	1	
NS	453585	HOSE ADAPTOR / CURBSIDE DUCT	1	C
NS	453584	HOSE ADAPTOR / WINDSHIELD	1	C
NS	453588	HOSE 510MM	1	C
NS	392268	DEFLECTOR	1	
25	392018	STRAP R.H. / TO FIX DUCT TO STRUCTURE	1	
25	392019	STRAP L.H. / TO FIX DUCT TO STRUCTURE	1	
26	392017	SUPPORT / R.H. WINDSHIELD	1	
30	392282	DAMPER ASSY	1	
30	871424	. MOTOR	1	
31	5001398	. SCREW MA CHE PH M3-0.5x10 SS	3	
31	5001407	. WASHER LO EXT 3.2x6.0x0.4 SS	3	
32	N.P.N.	. SHAFT	1	4
33	N.P.N.	. TRAP ASSY	1	4
34	390024	. BASE DAMPER MOTOR	1	
35	890014	SCREW TP PAN PH ST3.9x16 BKP	4	
NS	563429	SWITCH MAGNETIC ASSY	1	
. NS	562641	. MAGNET	1	
40	890009	LOCK ACTUATOR / 12V	1	
. NS	562076	. CONNECTOR / PACK-CON I / FEMALE HOUSING / 2C / PED 8911772	1	

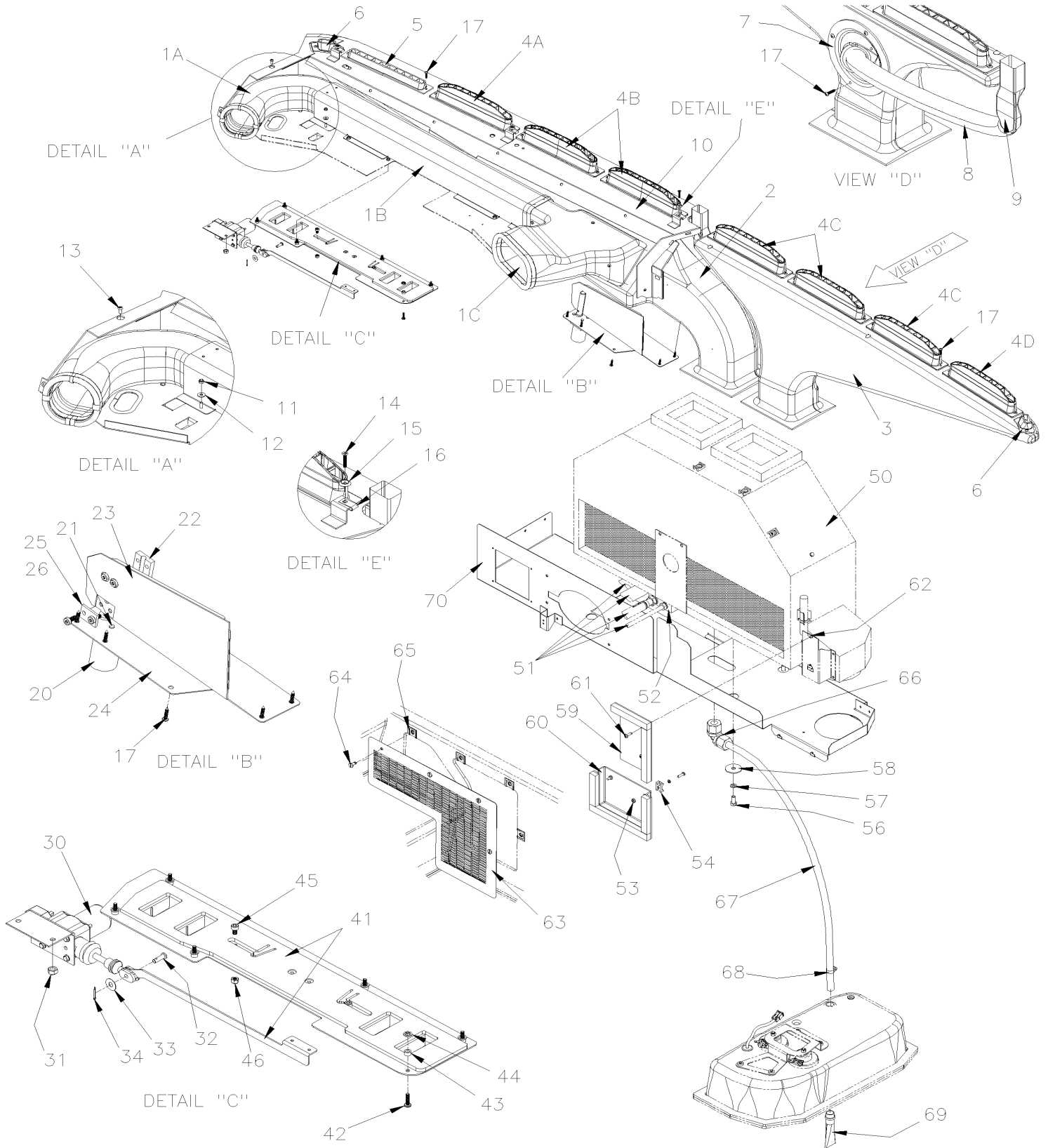
From 7-8754 To B-5001		Date:01/2024	PAGE:X3-2230-00
DEFROSTER - INSTALLATION			

Item#	Part	Description	QTY	Notes
41	392063	DAMPER, FOOT ASSY	1	
42	502023	. PIN, CLEVIS 1/4 x 51/64	1	
43	502180	. PIN HITCH CLIP 3/32 x 1/2 Z050	1	
44	500411	. WASHER FL .260x.697x.050 SS	2	
NS	563429	. SWITCH MAGNETIC ASSY	1	
. NS	562641	. . MAGNET	1	
45	N.P.N.	SPACER	6	4
46	5001036	SCREW MA PAN PH M4-0.7x10 Z050	6	
50	373551	ATTACHMENT L.H.	1	
51	373552	ATTACHMENT R.H.	1	
NS	500642	SCREW TP PAN PH #10x3/4 Z050	2	
NS	504114	RIVET POP DOME OE 3/16x1/4 AL	4	
57	500179	SCREW CAP HEX 5/16-18x3/4 G5 Z050	3	
58	500462	WASHER FL .343x1.500x.083 SS	3	
NS	500942	WASHER LO SPT 8.1x14.8x2.0 N500	3	
59	453430	DEFLECTOR, UPPER	1	
60	453431	DEFLECTOR, LOWER	1	
NS	502761	SCREW TP BDG PH #10x3/4 SS BK To G-0626	4	
60	502761	SCREW TP BDG PH #10x3/4 SS BK From G-0627	2	
NS	500803	NUT SPR J #10A .035-.050 To G-0626	4	
60	500803	NUT SPR J #10A .035-.050 From G-0627	2	
NS	506268	TAPE RUB ADH1 URE 3/8" x 1/2" x 25' / GREY 1820	AR	
60	504013	TIE MOUNT / 1/4" X 1/4" I.D. From G-0627	2	
60	502882	NUT HEX #10-24 N500 From G-0627	2	
60	500914	WASHER LO SPT .193x.334x.047 N500 From G-0627	2	
60	500623	SCREW TC PAN PH #10-24x3/4 N500 From G-0627	2	
61	504014	HOSE CLAMP / 1/4"-5/8" SS / HM-4	2	
62	373424	HOSE 1/2" I.D. X 985MM	1	
62	503666	HOSE 1/2" I.D. 100' / S.L.	AR	
NS	504356	GROMMET / .625x.875x.062x.312x1.125 To E-5759	1	
NS	590286	DRAIN BOOT 1 1/4" I.D. X 4" / FLAT	1	
63	504646	HOSE CLAMP / 11/16"-1 1/4" / C.T. 9412 To D-5404	2	
63	504781	HOSE CLAMP / 13/16"-1 5/16" SS / C.T. W.S. From D-5405	2	
64	X3-2222-10	A/C & HEATING LINE FRONT SECTION		
65	X3-2208-00	A/C EXPANSION VALVE		
66	X3-2225-00	DRIVER'S HEATER & DEFROSTER ASSY		
68	373754	ANGLE SUPPORT / CURBSIDE / 25MM X 35MM X 65MM	1	
71	681283	. TAPE RUB ADH2 ACRYLIC .045" x 1/2" x 108' / WHITE 4945	AR	
71	506268	. TAPE RUB ADH1 URE 3/8" x 1/2" x 25' / GREY 1820	AR	
75	453428	GRILL AIR / FRONT STEPWELL / RETURN / 309MM X 424MM To E-5585	1	
75	457701	GRILL AIR / FRONT STEPWELL / RETURN From E-5586	1	
76	504681	. STUD 6MM (DZUS)	4	

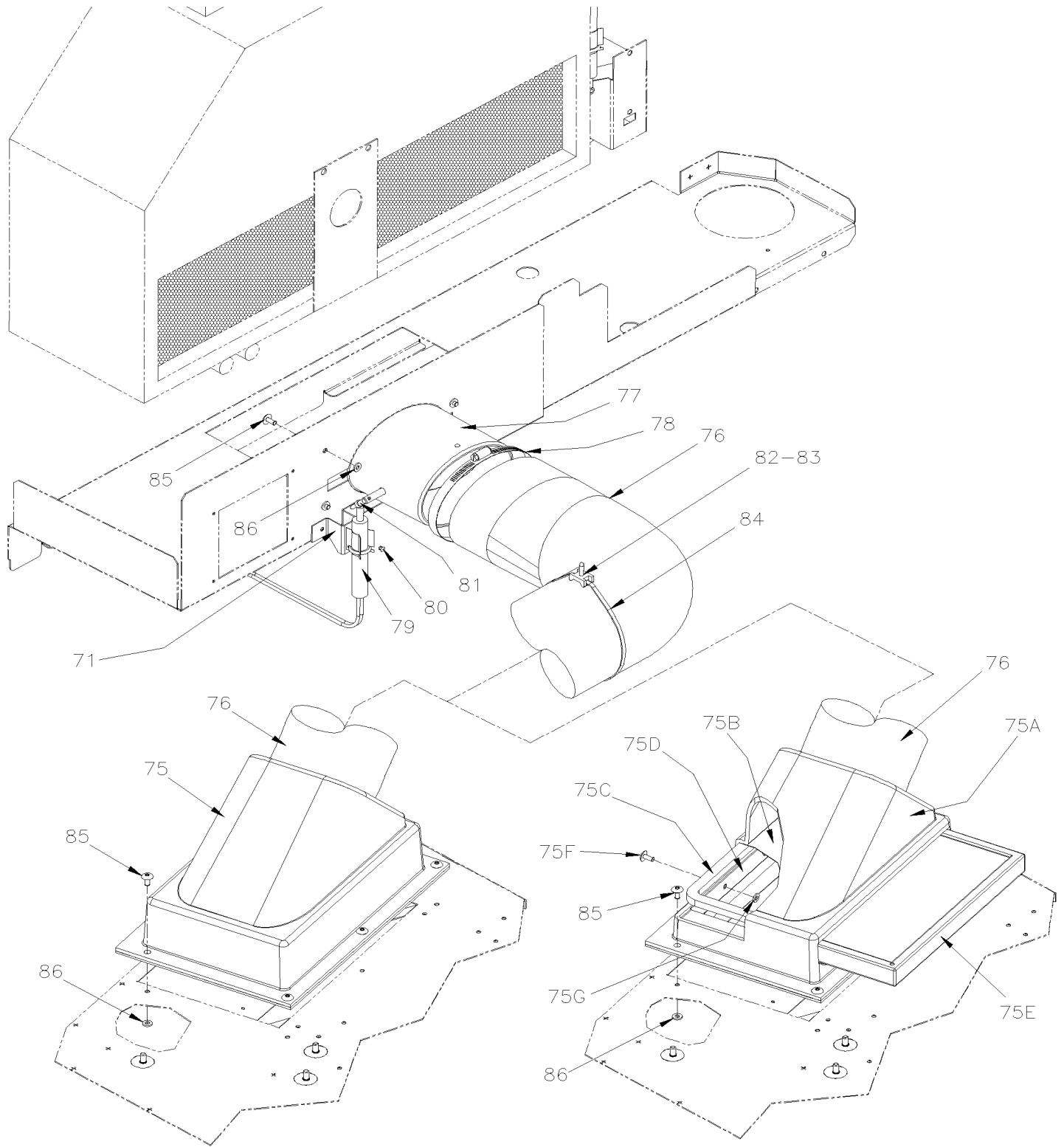
From 7-8754 To B-5001	Date:01/2024	PAGE:X3-2230-00
DEFROSTER - INSTALLATION		

Item#	Part	Description	QTY	Notes
76	504604	. FASTENER	4	
80	373990	AIR INLET ASSY	1	
. NS	373952	. AIR INLET	1	
. NS	373989	. SCREEN 171MM X 284MM SS	1	
81	373993	HOSE 5" I.D. 1600MM	1	
. NS	503741	. HOSE FLEXIBLE / AIR DUCT 5" I.D. X 12' / PLASTIC	AR	
82	373984	AIR INLET ASSY W/ DAMPER	1	
. NS	373969	. AIR INLET	1	
. NS	453954	. DAMPER TRAP	1	
. NS	453953	. SHAFT	1	
83	504324	HOSE CLAMP / 4"1/2-6"1/2 SS / HS-96	1	
84	373415	ACTUATOR ASSY	1	
85	500235	SCREW TP BDG PH #6x3/4 N500	1	
86	504013	TIE MOUNT / 1/4" X 1/4" I.D.	1	
87	504637	CABLE TIE / 3/16" x 13"	4	
88	504379	RIVET POP DOME OE 3/16x1/4 SS	10	
89	503402	TUBE, NYLON 1/4 O.D. / BLACK S.L.	AR	
90	172780	SUPPORT / ACTUATOR	1	
91	504104	RIVET POP DOME OE 1/8x1/8 SS	2	
92	215126	ATTACHMENT STRIP / "Z" SHAPE / 25MM X 115MM	2	
93	373930	HOSE ADAPTOR 4" To C-5086	1	
93	374580	FRAME AIR INTAKE From C-5087	2	
94	373933	GRILLE 111MM X 111MM	1	
95	373955	HOSE 4" I.D. X 500MM	1	
95	503688	. HOSE FLEXIBLE / AIR DUCT 4" I.D. X 25' / RUBBER	AR	
96	504235	HOSE CLAMP / 3"9/16"-4"1/2 SS / HS-64	2	
100	172753	SUPPORT / DEFROST & A/C UNIT To C-5192	1	
100	173737	SUPPORT / DEFROST & A/C UNIT From C-5193	1	
101	X3-1851-00	FRONT CAP - INSTALLATION		
102	251079	PANEL FRONT / TUBE 26 & 11 To C-5124	1	
103	214243	TUBE / TUBE 26 AND DR 92MM x 1 1/2" x 3"	1	
		B) INCLUDE ITEM 2, 3, & 30 TO 35		
		C) FEED AIR TO CENTER POST WINDSHIELD		
		4) NO PARTS NUMBER		

DEFROSTER - INSTALLATION



DEFROSTER - INSTALLATION



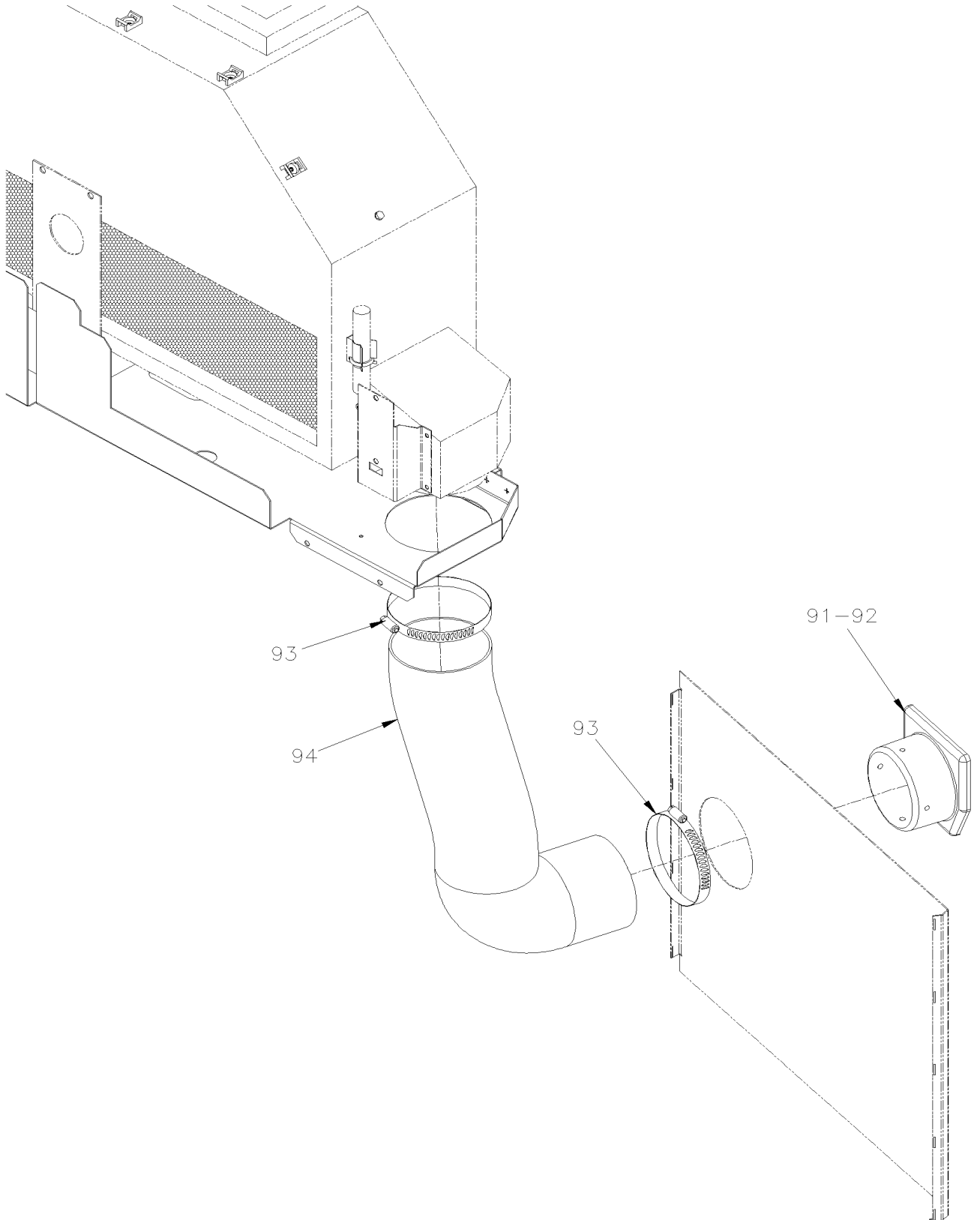
"PWT" OPTION

From B-5002 To J-6335

Date:01/2024

PAGE:X3-2230-01

DEFROSTER - INSTALLATION



From B-5002 To J-6335	Date:01/2024	PAGE:X3-2230-01
DEFROSTER - INSTALLATION		

Item#	Part	Description	QTY	Notes
1A	392211	DUCT DRIVER LH SECTION	1	
1B	392488	DUCT DRIVER CENTER SECTION	1	
1C	392212	DUCT DRIVER RH SECTION	1	
. NS	391003	. SEAL DUCT	1	
NS	392064	SUPPORT	1	
NS	392085	. DEFLECTOR (INSIDE DUCT)	1	
2	392044	DEFROSTER DUCT STREETSIDE	1	
3	392049	DEFROSTER DUCT CURBSIDE	1	
NS	392268	DEFLECTOR	1	
4A	392276	LOUVER To E-5589	1	
4A	392276	LOUVER To E-5589	1	
4A	392517	LOUVER, HIGH SHAPE From E-5590	1	
4B	392283	LOUVER To E-5589	2	
4B	392520	LOUVER From E-5590	2	
4C	392276	LOUVER	3	
4C	392276	LOUVER	3	
4D	392045	LOUVER	1	
5	392045	LOUVER To E-5589	1	
5	392519	LOUVER, LOW SHAPE From E-5590	1	
6	392046	LOUVER CORNER	2	
7	453585	HOSE ADAPTOR / CURBSIDE DUCT	1	C
8	453588	HOSE 510MM	1	C
NS	504637	CABLE TIE / 3/16" x 13"	1	
9	453584	HOSE ADAPTOR / WINDSHIELD	1	C
9	392534	TY-RAP	1	
10	392160	SUPPORT / DEFROSTER DUCT	1	
11	502557	NUT HEX NYRT M4-0.7 SS	6	
12	5001971	WASHER FL 4.3x12.0x1.6 ZP	6	
13	5001036	SCREW MA PAN PH M4-0.7x10 Z050	4	
14	5001411	SCREW MA FL PH M4-0.7x20 BK	3	
15	500345	WASHER FN CKF .187x.500x.090 BR BK	3	
16	5001406	NUT SPR U M4-0.7 0.8-4.0x13.5	3	
17	890014	SCREW TP PAN PH ST3.9x16 BKP	AR	
20	392282	DAMPER ASSY To G-5909	1	
20	392540	DAMPER ASSY From G-5910	1	
20	871424	. MOTOR	1	
21	5001398	. SCREW MA CHE PH M3-0.5x10 SS	3	
21	5001407	. WASHER LO EXT 3.2x6.0x0.4 SS	3	
22	N.P.N.	. SHAFT To G-5909	1	4
22	390040	. FIXING PLATE DAMPER From G-5910	1	
23	N.P.N.	. TRAP ASSY To G-5909	1	4
23	390994	. TRAP ASSY From G-5910	1	

From B-5002 To J-6335	Date:01/2024	PAGE:X3-2230-01
DEFROSTER - INSTALLATION		

Item#	Part	Description	QTY	Notes
24	N.P.N.	. BASE DAMPER MOTOR To G-5909	1	4
24	390024	. BASE DAMPER MOTOR From G-5910	1	
25	390046	. SPACER FIXING DAMPER From G-5910	1	
26	890020	. SCREW MA PAN TORX M5-0.8x12 From G-5910	4	
NS	563429	SWITCH MAGNETIC ASSY	1	
. NS	562641	. MAGNET	1	
30	890009	LOCK ACTUATOR / 12V	1	
. NS	562076	. CONNECTOR / PACK-CON I / FEMALE HOUSING / 2C / PED 8911772	1	
31	5001182	NUT HEX NYRT M6-1.0 SS	2	
32	502263	PIN, CLEVIS 3/16 x 5/8	1	
33	5001972	WASHER FL .200x.625x.062 SS	1	
34	502095	PIN, COTTER 1/16 x 3/4 ZP	1	
41	392063	DAMPER, FOOT ASSY	1	
42	5001410	. SCREW MA CHE PH M4-0.7x16 SS	6	
43	890016	. SPACER 3/16IDx5/16ODx3/16	6	
44	5001968	. WASHER FL RET .198 X .328 X .031 NYL	6	
45	5001969	. SCREW CAP HEXS M5-0.8x8 SS	2	
46	502782	. NUT HEX NYRT M5-0.8 Z050	2	
50	X3-2225-00	DRIVER'S HEATER & DEFROSTER ASSY		
51	X3-2222-10	A/C & HEATING LINE FRONT SECTION To H-6179		
51	X3-2222-11	A/C & HEATING LINE FRONT SECTION VOLVO D13 - GHG17 From H-6180		
52	X3-2208-00	A/C EXPANSION VALVE		
53	500623	SCREW TC PAN PH #10-24x3/4 N500 From G-6027	2	
53	500914	WASHER LO SPT .193x.334x.047 N500 From G-6027	2	
53	502882	NUT HEX #10-24 N500 From G-6027	2	
54	504013	TIE MOUNT / 1/4" X 1/4" I.D. From G-6027	2	
54	504637	CABLE TIE / 3/16" x 13" From G-6027	2	
56	500836	SCREW CAP HEX 5/16-18x3/4 G5 N500	3	
57	500942	WASHER LO SPT 8.1x14.8x2.0 N500	3	
58	500462	WASHER FL .343x1.500x.083 SS	3	
59	453430	DEFLECTOR, UPPER	1	
60	453431	DEFLECTOR, LOWER	1	
61	502761	SCREW TP BDG PH #10x3/4 SS BK	4	
62	500803	NUT SPR J #10A .035-.050	4	
63	453428	GRILL AIR / FRONT STEPWELL / RETURN / 309MM X 424MM To E-5588	1	
63	457701	GRILL AIR / FRONT STEPWELL / RETURN From E-5586	1	
64	504681	STUD 6MM (DZUS)	4	
64	504604	FASTENER	4	
65	504605	RECEPTACLE 6 MM	4	
66	641418	ELBOW UNION 90° / COMPRESSION FITTING / #10x#10 PLAS WHITE To J-6326	1	

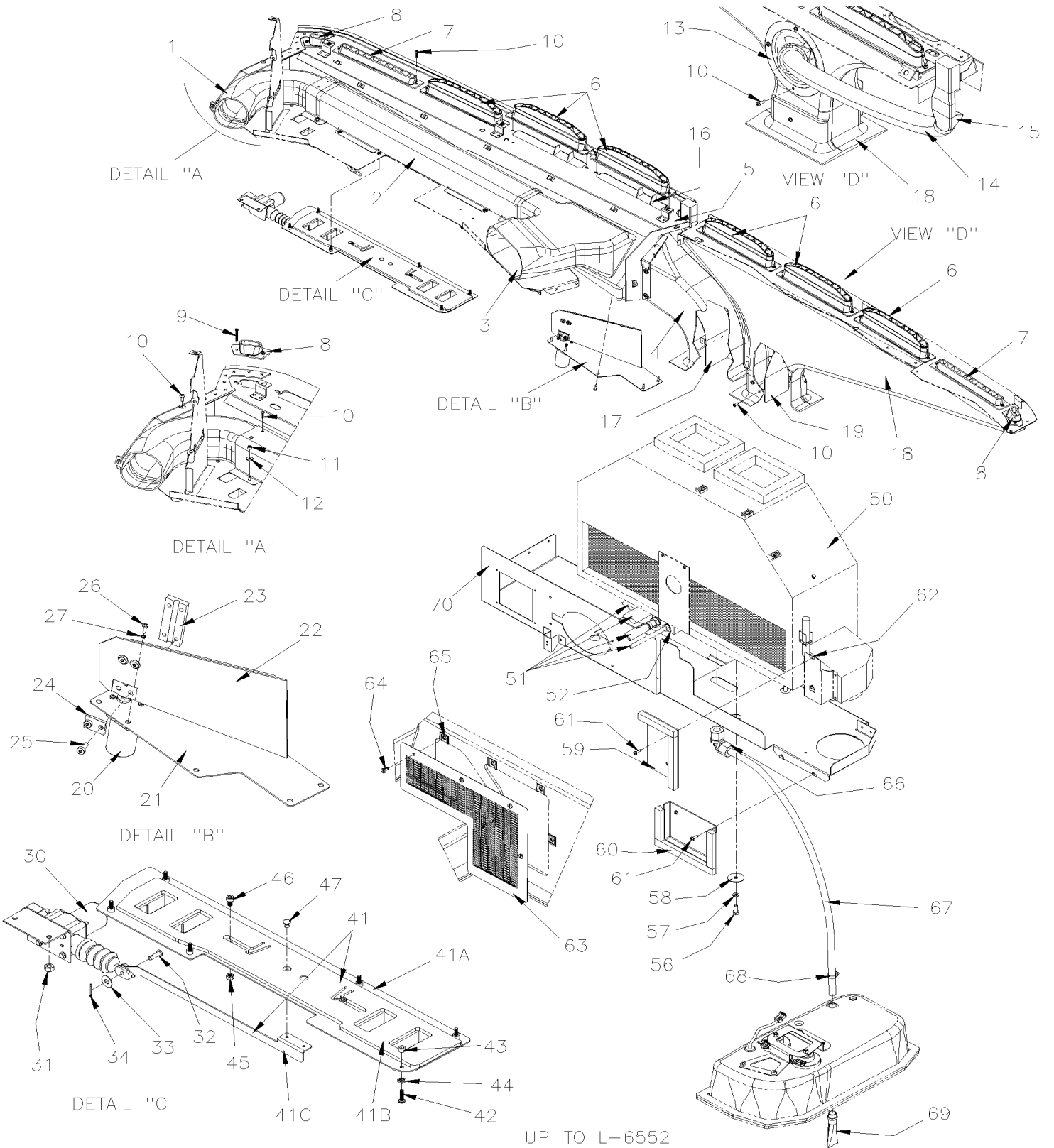
From B-5002 To J-6335	Date:01/2024	PAGE:X3-2230-01
DEFROSTER - INSTALLATION		

Item#	Part	Description	QTY	Notes
66	640014	ELBOW UNION 90° / COMPRESSION FITTING / #8x#6 PLAS WHITE From J-6327	1	
67	503666	HOSE 1/2" I.D. 100' / S.L.	AR	
68	504014	HOSE CLAMP / 1/4"-5/8" SS / HM-4	2	
68	504356	GROMMET / .625x.875x.062x.312x1.125	1	
69	590286	DRAIN BOOT 1 1/4" I.D. X 4" / FLAT	1	
69	504637	CABLE TIE / 3/16" x 13"	1	
70	172753	SUPPORT / DEFROST & A/C UNIT To C-5192	1	
70	173737	SUPPORT / DEFROST & A/C UNIT From C-5193	1	
71	172780	SUPPORT / ACTUATOR	1	
75	373990	AIR INLET ASSY	1	
NS	373952	AIR INLET	1	
NS	373989	SCREEN 171MM X 284MM SS	1	
75A	Call order desk	AIR INLET ASSY From F-5819	1	P PWT
75A	378926	AIR INLET From F-5819	1	PWT
75B	373989	SCREEN 171MM X 284MM SS From F-5819	1	PWT
75C	506004	TAPE RUB ADH1 CC POL 3/8" x 1/2" x 20' / GREY 2520X From F-5819	AR	PWT
75C	684685	ADHESIVE SIMSON #ISR 70-03 / 310ml CARTRIDGE From F-5819	AR	PWT
75D	378927	FILTER BRACKET From F-5819	1	PWT
75E	874298	AIR FILTER 11 1/8" x 7" x 1" From F-5819	1	PWT
75F	504793	RIVET MNB OE LARGE HEAD 3/16x7/16 SS From F-5819	4	PWT
75G	5001137	WASHER FL .203x.438x.050 SS From F-5819	4	PWT
76	373993	HOSE 5" I.D. 1600MM	1	
NS	503741	HOSE FLEXIBLE / AIR DUCT 5" I.D. X 12' / PLASTIC	AR	
77	373984	AIR INLET ASSY W/ DAMPER	1	
NS	373969	AIR INLET	1	
NS	453954	DAMPER TRAP	1	
NS	453953	SHAFT	1	
78	504324	HOSE CLAMP / 4"1/2-6"1/2 SS / HS-96	1	
79	373415	ACTUATOR ASSY	1	
80	504104	RIVET POP DOME OE 1/8x1/8 SS	2	
81	374021	TUBE NYLON #4 12MM	1	
81	503402	TUBE, NYLON 1/4 O.D. / BLACK S.L.	AR	
82	500957	SCREW TP BDG PH #10x3/4 N500	1	
83	504013	TIE MOUNT / 1/4" X 1/4" I.D.	1	
84	504637	CABLE TIE / 3/16" x 13"	4	
85	504747	RIVET HKL MMS 3/16x3/8 SS To E-5603	9	
85	504793	RIVET MNB OE LARGE HEAD 3/16x7/16 SS From E-5604	9	
86	5001137	WASHER FL .203x.438x.050 SS	9	
91	373930	HOSE ADAPTOR 4" To C-5192	1	

From B-5002 To J-6335	Date:01/2024	PAGE:X3-2230-01
DEFROSTER - INSTALLATION		

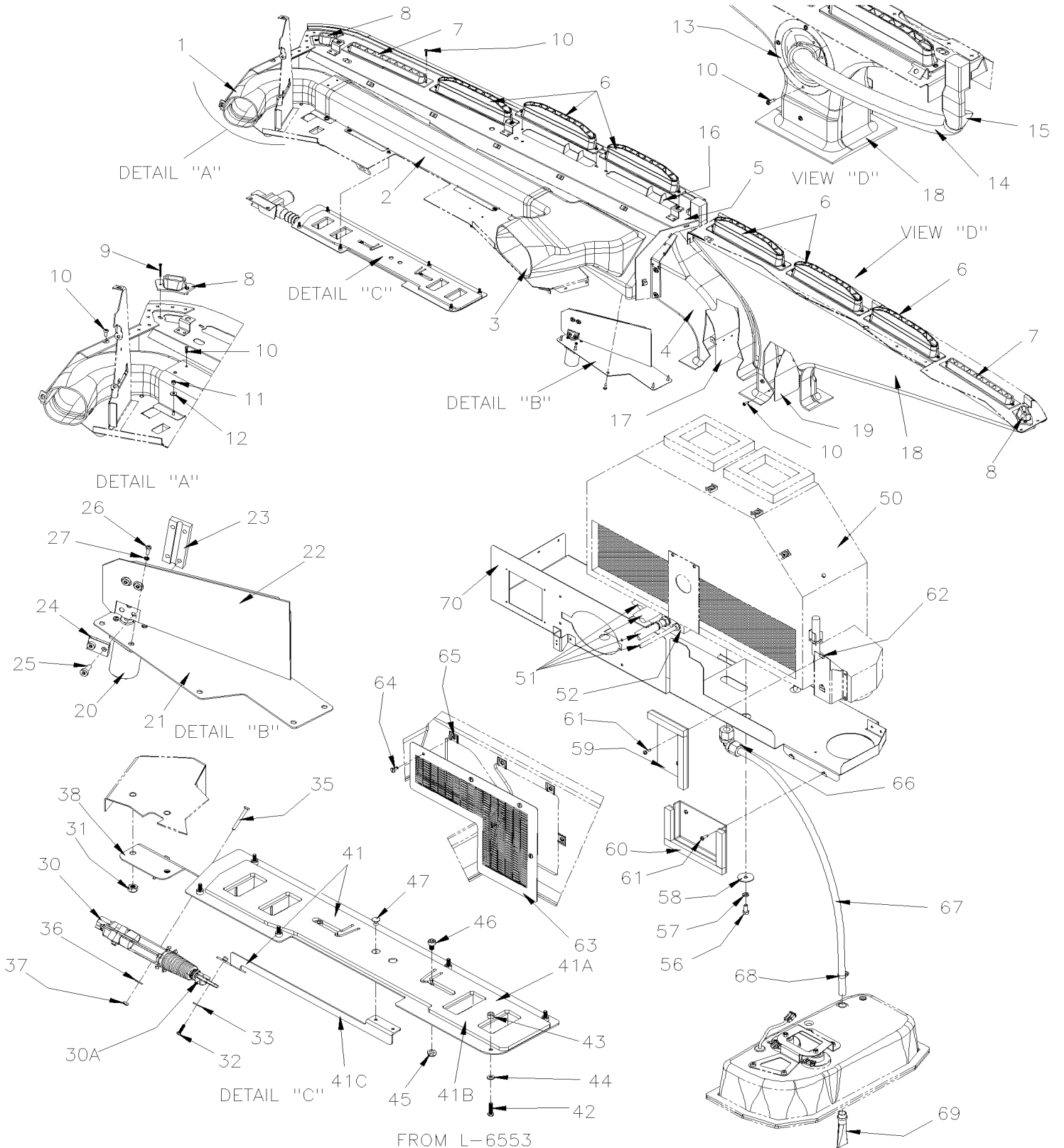
Item#	Part	Description	QTY	Notes
91	374580	FRAME AIR INTAKE From C-5193	1	
92	373933	GRILLE 111MM X 111MM	1	
93	504235	HOSE CLAMP / 3"9/16"-4"1/2 SS / HS-64	2	
94	373955	HOSE 4" I.D. X 500MM	1	
94	503688	. HOSE FLEXIBLE / AIR DUCT 4" I.D. X 25' / RUBBER	AR	
		C) FEED AIR TO CENTER POST WINDSHIELD		
		PWT) PACIFIC WESTERN TRANSPORTATION OPTION		
		4) NO PARTS NUMBER		
		P) CALL ORDER DESK FOR SPECIFIC APPLICATION (V.I.N.)		

DEFROSTER - INSTALLATION

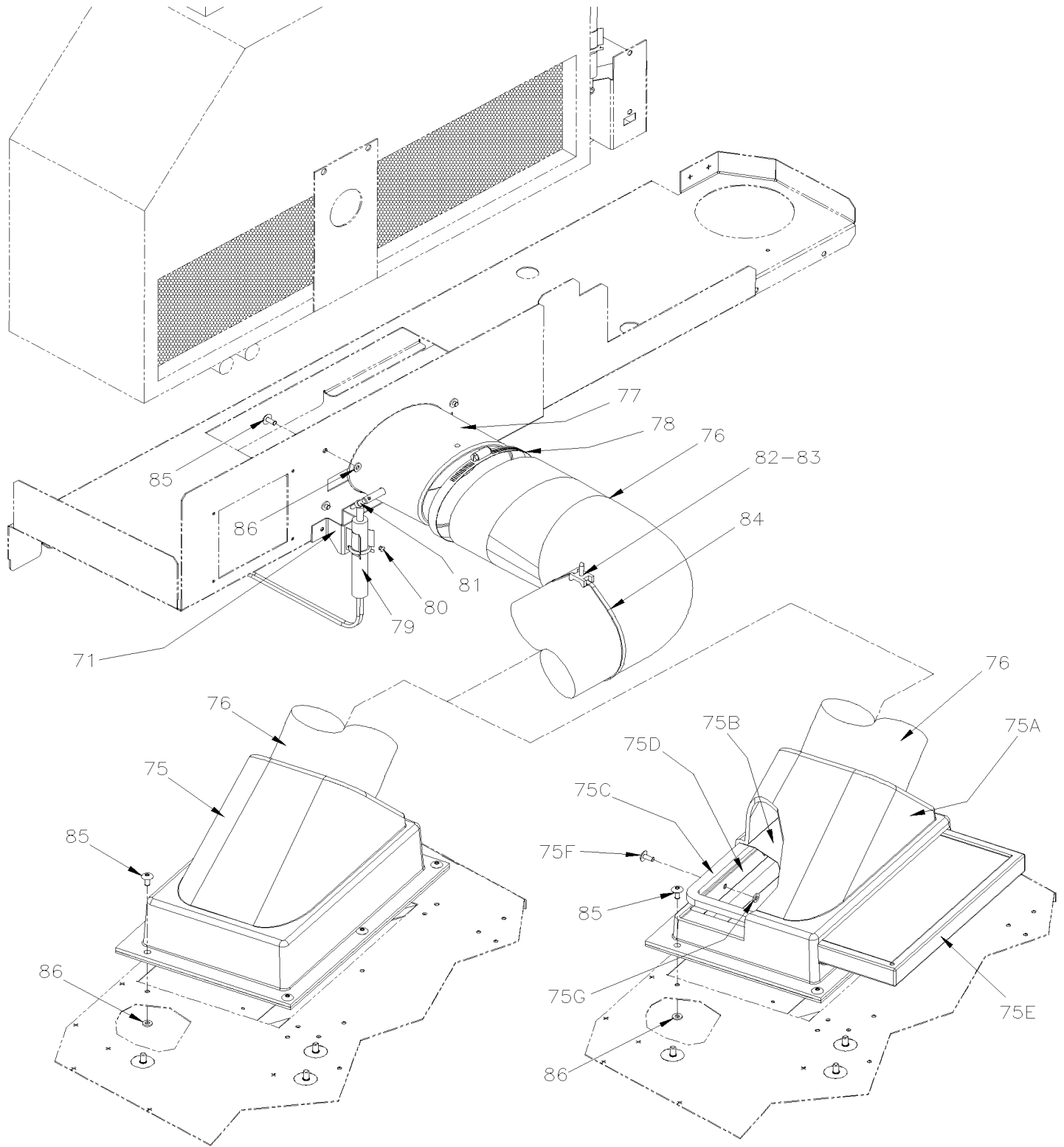


UP TO L-6552

DEFROSTER - INSTALLATION



DEFROSTER - INSTALLATION



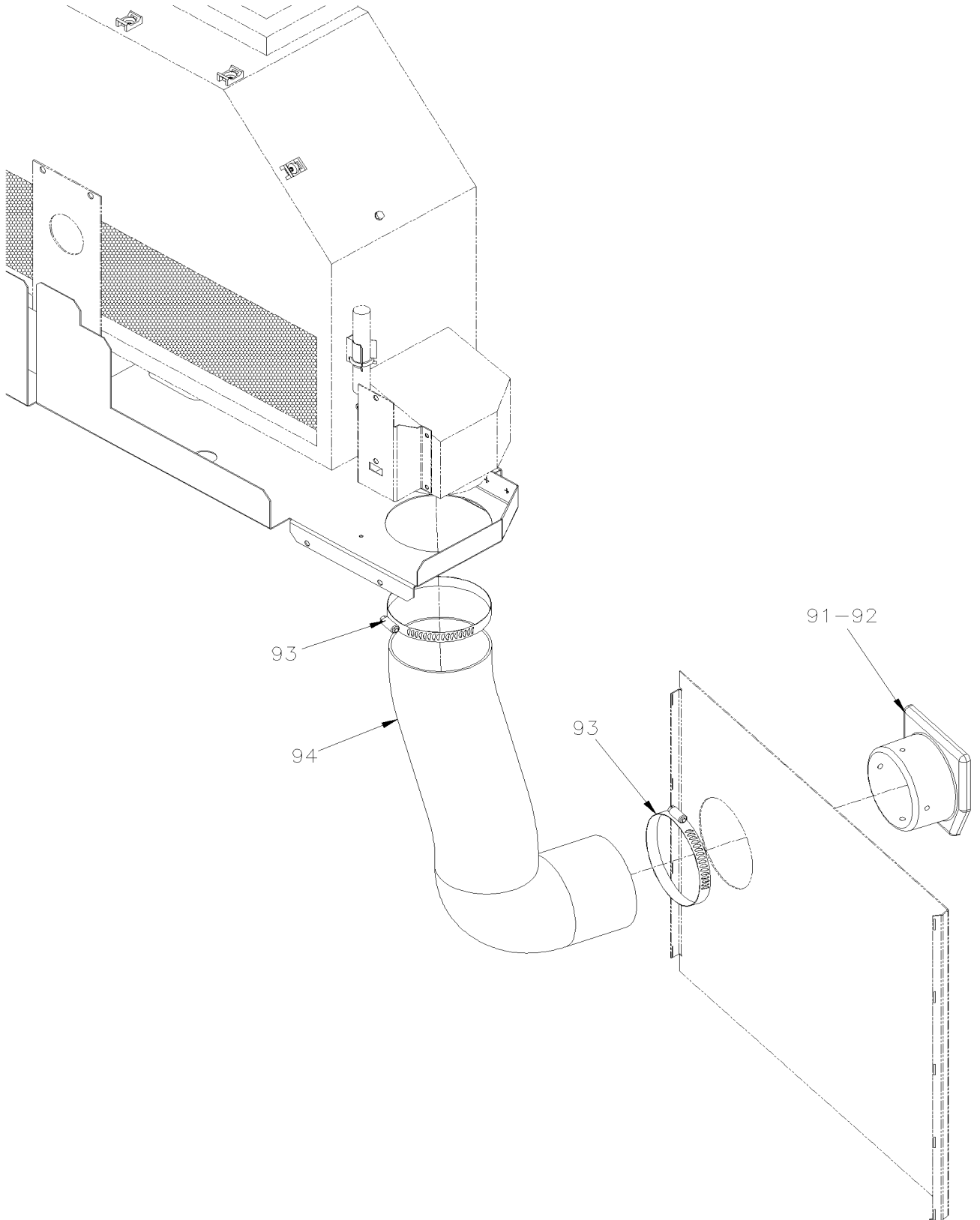
"PWT" OPTION

From J-6336

Date:01/2024

PAGE:X3-2230-02

DEFROSTER - INSTALLATION



From J-6336		Date:01/2024	PAGE:X3-2230-02
DEFROSTER - INSTALLATION			

Item#	Part	Description	QTY	Notes
1	390369	DUCT DRIVER LH SECTION	1	
2	392488	DUCT DRIVER CENTER SECTION	1	
3	390370	DUCT DRIVER RH SECTION	1	
. NS	505029	. SEAL DUCT	1	
. NS	390067	. DEFLECTOR HEATER CONDUIT	1	
. NS	5002047	. SCREW TP PAN PH ST3 .9X16 Z050	2	
4	390929	DEFROSTER DUCT STREETSIDE	1	
5	392160	SUPPORT / DEFROSTER DUCT To K-6494	1	
5	390382	SUPPORT / DEFROSTER DUCT From K-6495	1	
6	392517	LOUVER, HIGH SHAPE	6	
7	392519	LOUVER, LOW SHAPE	2	
8	392046	LOUVER CORNER To P-6889	2	
8	392947	LOUVER CORNER From P-6890	1	
9	5002036	SCREW MA PAN PH M4-0.7x35 Z050	1	
NS	5001971	WASHER FL 4.3x12.0x1.6 ZP	1	
NS	5002040	NUT HEX NYRT M4x0.7 SS NSS	1	
10	5002047	SCREW TP PAN PH ST3 .9X16 Z050	AR	
11	5002040	NUT HEX NYRT M4x0.7 SS NSS	AR	
12	5001971	WASHER FL 4.3x12.0x1.6 ZP	AR	
13	453585	HOSE ADAPTOR / CURBSIDE DUCT To K-6494	1	
14	503062	HOSE 1.25IDx25 To K-6494	AR	
NS	504637	CABLE TIE / 3/16" x 13" To K-6494	1	
15	453584	HOSE ADAPTOR / WINDSHIELD To K-6494	1	
16	390076	DEFLECTOR, CENTRAL CONSOLE	4	
17	390071	DEFLECTOR LEFT, RIGHT CONSOLE	1	
NS	390074	DEFLECTOR UPPER LEFT, RIGHT CONSOLE	1	
NS	504101	RIVET POP DOME OE 1/8x1/8 AL	2	
18	392049	DEFROSTER DUCT CURBSIDE	1	
NS	690258	SCREW MA PAN PH M5-0.8x16 ZP	2	
NS	5002033	WASHER FL 5.3x10.0x1.0 Z050	2	
NS	502841	NUT HEX NYRT M5-0.8 N500	2	
19	390070	DEFLECTOR	1	
20	Call order desk	DAMPER ASSY	1	P
20	390084	MOTOR	1	
21	390024	BASE DAMPER MOTOR	1	
22	Call order desk	TRAP ASSY	1	P
NS	390069	TRAP	1	
23	390040	FIXING PLATE DAMPER	1	
24	390046	SPACER FIXING DAMPER	1	
25	5002051	SCREW MA PAN TORX M5-0.8x12 SS	4	
26	5001398	SCREW MA CHE PH M3-0.5x10 SS	3	
27	5001407	WASHER LO EXT 3.2x6.0x0.4 SS	3	

From J-6336		Date:01/2024	PAGE:X3-2230-02
DEFROSTER - INSTALLATION			

Item#	Part	Description	QTY	Notes
30	890009	LOCK ACTUATOR / 12V To L-6552	1	
. NS	562076	. CONNECTOR / PACK-CON I / FEMALE HOUSING / 2C / PED 8911772 To L-6552	1	
30	392814	KIT ACTUATOR VENTILATION TRAP DASH BOARD To L-6552	1	
30	780814	LOCK ACTUATOR / 12V From L-6553	1	
. NS	562076	. CONNECTOR / PACK-CON I / FEMALE HOUSING / 2C / PED 8911772 From L-6553	1	
NS	680459	ADHESIVE CYANOACRYLATE LOCTITE 404 Quick Set(TM)	AR	
30A	780883	END EFFECTOR PADDLE From L-6553	1	
31	5001182	NUT HEX NYRT M6-1.0 SS To L-6552	2	
31	5002044	NUT HEX NYRT M6-1.0 SS NSS From L-6553	2	
32	502263	PIN, CLEVIS 3/16 x 5/8 To L-6552	1	
32	5001399	SCREW MA CHE PH M3-0.5x12 SS From L-6553	1	
33	5001972	WASHER FL .200x.625x.062 SS To L-7700	1	
33	500437	WASHER FL .125x.375x.040 Z050 From L-6553	1	
34	502095	PIN, COTTER 1/16 x 3/4 ZP To L-6552	1	
35	5001100	SCREW CAP HEX M3-0.5x30 G8.8 ZP From L-6553	2	
36	500437	WASHER FL .125x.375x.040 Z050 From L-6553	2	
37	5001408	NUT HEX STO M3-0.5 ZP From L-6553	2	
38	392792	SUPPORT, TRAP ACTUATOR From L-6553	1	
41	Call order desk	DAMPER, FOOT ASSY To L-6552	1	P GR
41	392063	DAMPER, FOOT ASSY To L-6552	1	
41	Call order desk	DAMPER, FOOT ASSY From L-6553	1	P
41A	390077	. CLUSTER SLIDING PLATE	1	
41B	390048	. VENTILATION SUPPORT PLATE	1	
41C	390045	. ARM, VENTILATION TRAP To L-6552	1	
41C	392793	. ARM, VENTILATION TRAP From L-6553	1	
42	5002035	. SCREW MA PAN PH M4X0.7 X12 Z050	6	
43	505026	. SPACER 3/16IDx5/16ODx3/16	6	
44	5001968	. WASHER FL RET .198 X .328 X .031 NYL	6	
45	502782	. NUT HEX NYRT M5-0.8 Z050	2	
46	5001969	. SCREW CAP HEXS M5-0.8x8 SS	2	
47	504097	. RIVET POP DOME LARGE HEAD 1/8x1/4 N050	2	
50	X3-2225-00	DRIVER'S HEATER & DEFROSTER ASSY		
51	X3-2222-11	A/C & HEATING LINE FRONT SECTION VOLVO D13 - GHG17		
52	X3-2208-00	A/C EXPANSION VALVE To K-6466		
52	X3-2208-01	A/C EXPANSION VALVE From K-6467		
56	500836	SCREW CAP HEX 5/16-18x3/4 G5 N500	3	
57	500942	WASHER LO SPT 8.1x14.8x2.0 N500	3	
58	500462	WASHER FL .343x1.500x.083 SS	3	
59	453430	DEFLECTOR, UPPER	1	
60	453431	DEFLECTOR, LOWER	1	
61	502761	SCREW TP BDG PH #10x3/4 SS BK	4	
62	500803	NUT SPR J #10A .035-.050	4	

From J-6336		Date:01/2024	PAGE:X3-2230-02
-------------	--	--------------	-----------------

DEFROSTER - INSTALLATION

Item#	Part	Description	QTY	Notes
63	457701	GRILL AIR / FRONT STEPWELL / RETURN	1	
64	504681	STUD 6MM (DZUS)	4	
NS	504604	FASTENER	4	
65	504605	RECEPTACLE 6 MM	4	
66	640014	ELBOW UNION 90° / COMPRESSION FITTING / #8x#6 PLAS WHITE	1	
67	503666	HOSE 1/2" I.D. 100' / S.L.	AR	
68	504014	HOSE CLAMP / 1/4"-5/8" SS / HM-4	2	
NS	504356	GROMMET / .625x.875x.062x.312x1.125	1	
69	590286	DRAIN BOOT 1 1/4" I.D. X 4" / FLAT	1	
NS	504637	CABLE TIE / 3/16" x 13"	1	
70	173737	SUPPORT / DEFROST & A/C UNIT	1	
71	172780	. SUPPORT / ACTUATOR	1	
75	373990	AIR INLET ASSY	1	
. NS	373952	. AIR INLET	1	
. NS	373989	. SCREEN 171MM X 284MM SS	1	
75A	Call order desk	AIR INLET ASSY	1	P PWT
75A	378926	. AIR INLET	1	PWT
75B	373989	. SCREEN 171MM X 284MM SS	1	PWT
75C	5060037	. TAPE RUB ADH1 CC POL 1/4" x 1/2" x 35' / BLACK H1C	AR	PWT
75C	684685	. ADHESIVE SIMSON #ISR 70-03 / 310ml CARTRIDGE	AR	PWT
75D	378927	. FILTER BRACKET	1	PWT
75E	874298	. AIR FILTER 11 1/8" x 7" x 1"	1	PWT
75F	504793	. RIVET MNB OE LARGE HEAD 3/16x7/16 SS	4	PWT
75G	5001137	. WASHER FL .203x.438x.050 SS	4	PWT
76	374629	HOSE / 5" I.D. 1300MM	1	
76	503741	. HOSE FLEXIBLE / AIR DUCT 5" I.D. X 12' / PLASTIC	AR	
77	373984	AIR INLET ASSY W/ DAMPER	1	
. NS	373969	. AIR INLET	1	
. NS	453954	. DAMPER TRAP	1	
. NS	453953	. SHAFT	1	
78	504324	HOSE CLAMP / 4"1/2-6"1/2 SS / HS-96	1	
79	373415	ACTUATOR ASSY	1	
80	504104	RIVET POP DOME OE 1/8x1/8 SS	2	
81	374021	TUBE NYLON #4 12MM	1	
81	503402	. TUBE, NYLON 1/4 O.D. / BLACK S.L.	AR	
82	500957	SCREW TP BDG PH #10x3/4 N500	1	
83	504013	TIE MOUNT / 1/4" X 1/4" I.D.	1	
84	504637	CABLE TIE / 3/16" x 13"	4	
85	504793	RIVET MNB OE LARGE HEAD 3/16x7/16 SS	9	
86	5001137	WASHER FL .203x.438x.050 SS	9	
91	373930	HOSE ADAPTOR 4"	1	

From J-6336	Date:01/2024	PAGE:X3-2230-02
-------------	--------------	-----------------

DEFROSTER - INSTALLATION

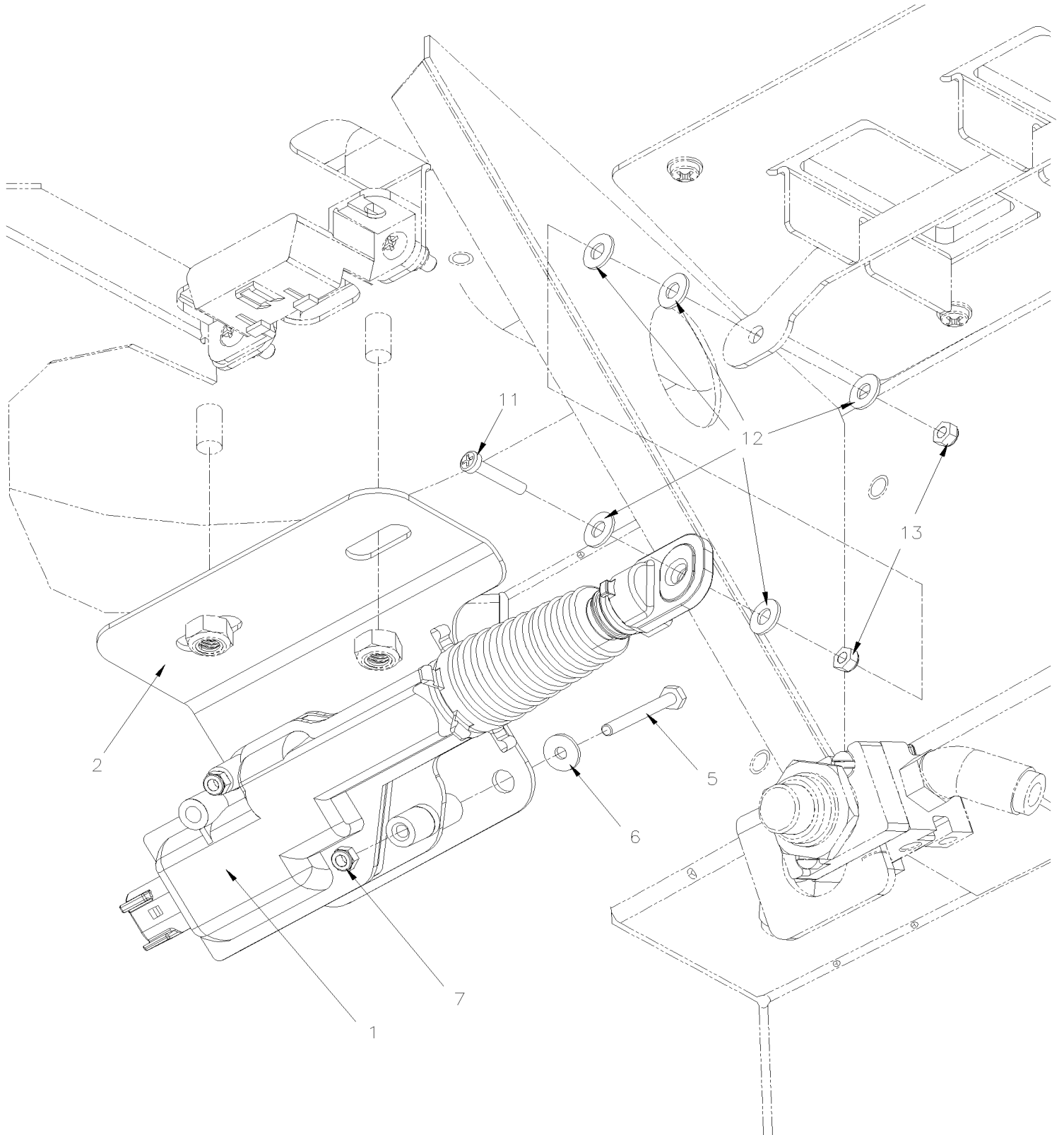
Item#	Part	Description	QTY	Notes
92	373933	GRILLE 111MM X 111MM	1	
93	504235	HOSE CLAMP / 3"9/16"-4"1/2 SS / HS-64	2	
94	373955	HOSE 4" I.D. X 500MM	1	
94	503688	HOSE FLEXIBLE / AIR DUCT 4" I.D. X 25' / RUBBER	AR	
		GR) GREYHOUND		
		PWT) PWT OPTION		
		P) CALL ORDER DESK FOR SPECIFIC APPLICATION (V.I.N.)		

To L-6552

Date:01/2024

PAGE:392814

KIT ACTUATOR VENTILATION TRAP DASH BOARD



To L-6552	Date:01/2024	PAGE:392814
-----------	--------------	-------------

KIT ACTUATOR VENTILATION TRAP DASH BOARD

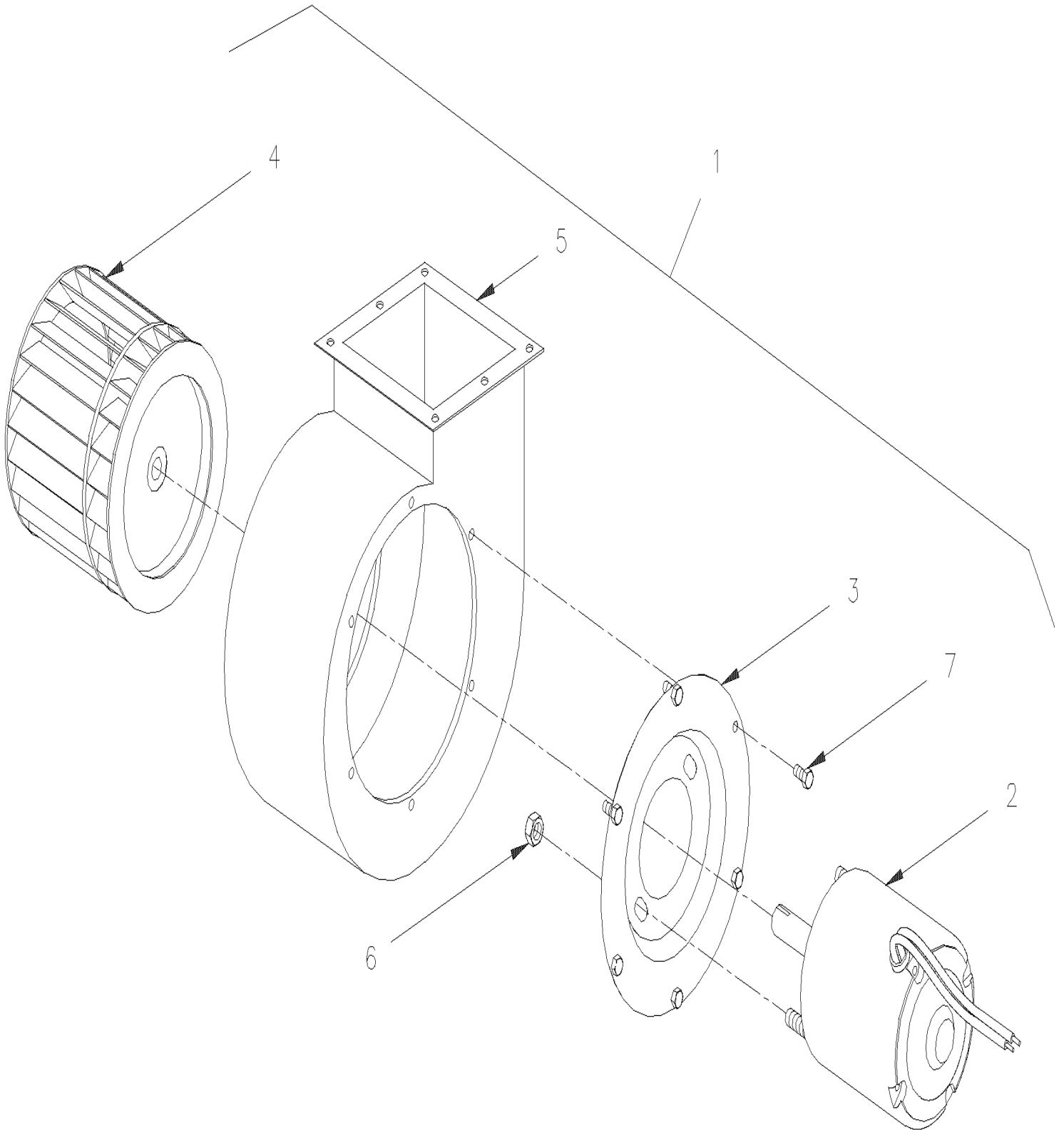
Item#	Part	Description	QTY	Notes
1	392816	ACTUATOR VENTILATION TRAP DASH ASSY	1	
1	068011	CABLE INTERFACE DOOR LOCK ACTUATOR (780428 vs 2800049)	1	
2	392783	SUPPORT, ACTUATOR	1	
5	5001100	SCREW CAP HEX M3-0.5x30 G8.8 ZP	2	
6	500437	WASHER FL .125x.375x.040 Z050	2	
7	5001408	NUT HEX STO M3-0.5 ZP	2	
11	502577	SCREW MA PAN PH M3-0.5x16 ZP	1	
12	5001310	WASHER FL RET .173x.375x.031 NYL BK	5	
13	5001408	NUT HEX STO M3-0.5 ZP	2	

From 7-8754

Date:01/2024

PAGE:870844

BLOWER & MOTOR ASSY - "M.C.C." "CW" / FAN END



From 7-8754	Date:01/2024	PAGE:870844
-------------	--------------	-------------

BLOWER & MOTOR ASSY - "M.C.C." "CW" / FAN END

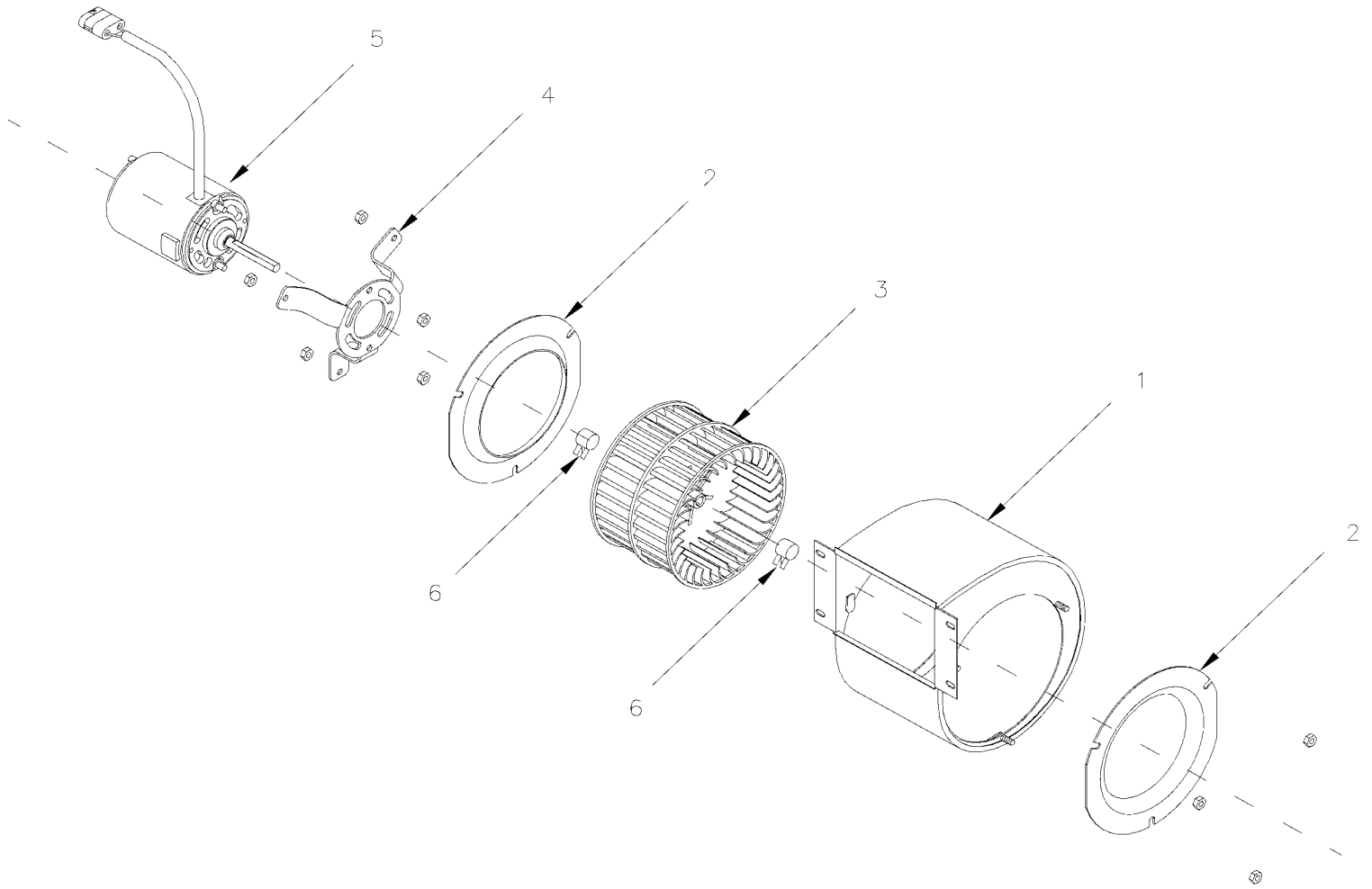
Item#	Part	Description	QTY	Notes
1		BLOWER ASSY 24V / CW	1	
2	562167	. MOTOR ASSY / 24V	1	
3	871020	. PLATE MOUNTING / MOTOR	1	
4	871017	. BLOWER WHEEL / STEEL	1	
5	871440	. HOUSING BLOWER	1	
6	500786	. NUT HEX #10-24 Z050	2	
7	500978	. SCREW CAP HEX #10-24x3/4 Z050	6	

From 7-8754

Date:01/2024

PAGE:871360

BLOWER & MOTOR ASSY - "M.C.C." "CCW" / FAN END



From 7-8754	Date:01/2024	PAGE:871360
-------------	--------------	-------------

BLOWER & MOTOR ASSY - "M.C.C." "CCW" / FAN END

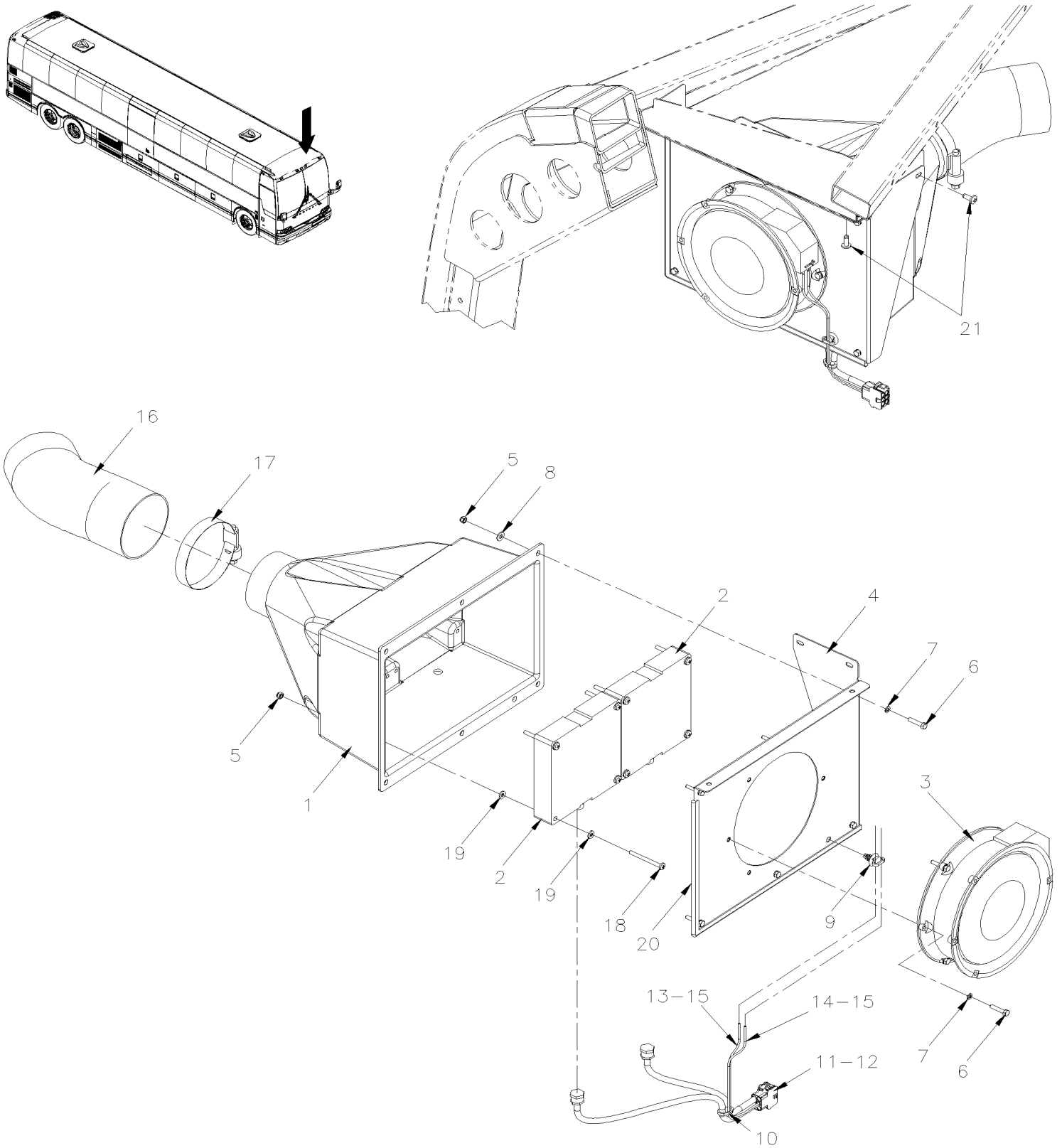
Item#	Part	Description	QTY	Notes
		BLOWER ASSY 24V / CCW	1	
1	871365	. BLOWER HOUSING	1	
2	N8889479	. VENTURY	2	
3	871133	. BLOWER WHEEL / PLASTIC 5 1/8" x 3 1/2" x 5/16" x I.D.	1	
4	N8890530	. MOUNTING MOTOR BRACKET	1	
5	871366	. MOTOR ASSY 24V / CCW	1	
6	N8888160	. SPRING CLIP	2	

From 7-8754

Date:01/2024

PAGE:X3-2240-10

UPPER WINDSHIELD FAN - INSTALLATION



From 7-8754		Date:01/2024	PAGE:X3-2240-10
UPPER WINDSHIELD FAN - INSTALLATION			

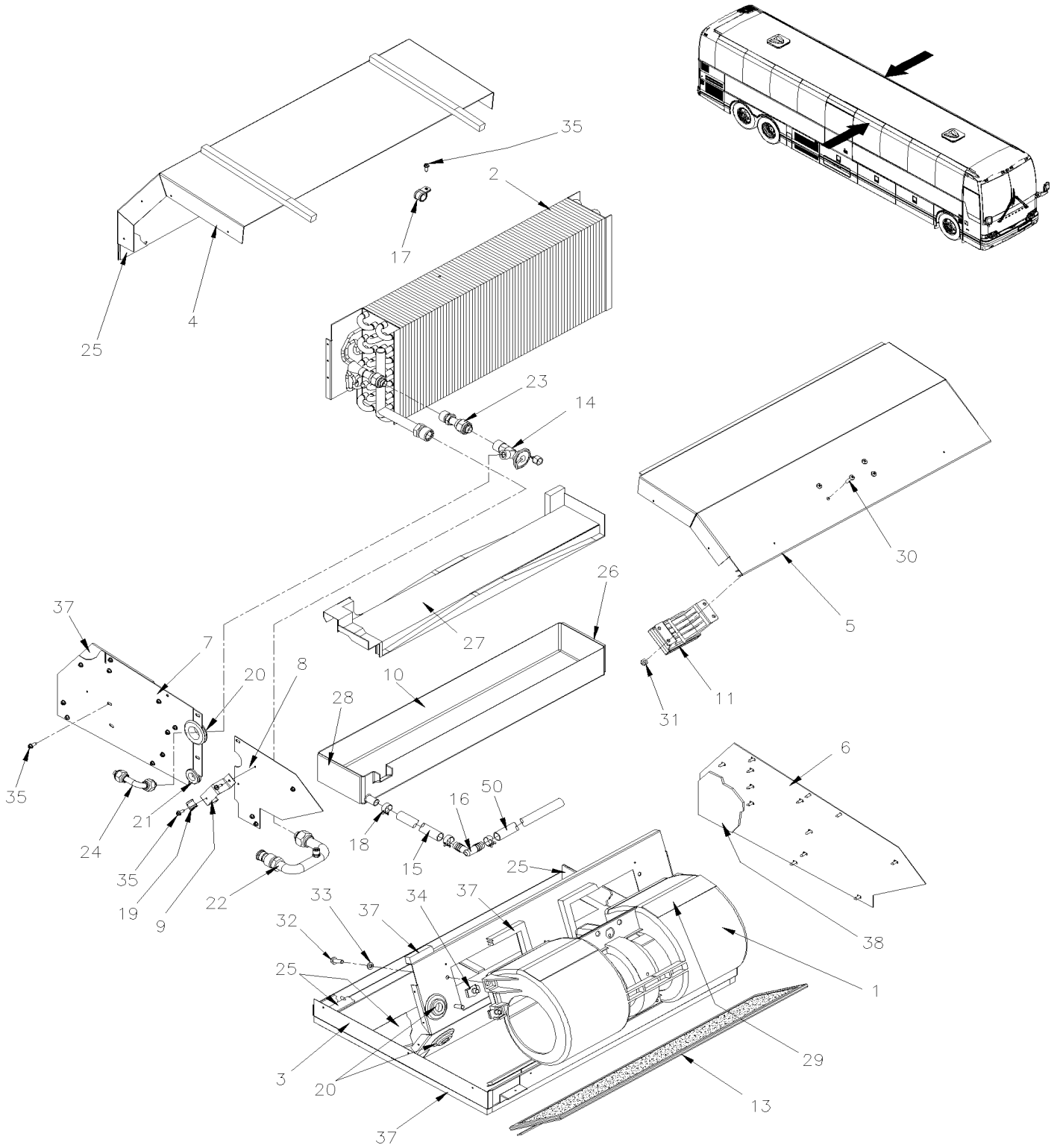
Item#	Part	Description	QTY	Notes
	373936P	HEATER FAN ASS To K-6492	1	
	Call order desk	HEATER FAN ASS From L-6493	1	P
1	373938	. SHROUD	1	
2	871324	. HEATER COIL 300W	2	
3	871326	. FAN AXIAL 12/28V 230CFM To £-21109	1	
3	870161	FAN From £-21109	1	
4	373939	. SUPPORT, FAN TOP WINDSHIELD To K-6492	1	
4	370262	. SUPPORT, FAN TOP WINDSHIELD From L-6493	1	
5	500539	. NUT HEX NYRT M4-0.7 N500	14	
6	500588	. SCREW CAP HEX M4-0.7x20 G8.8 Z050	10	
7	502636	. WASHER LO SPT 4.1x7.6x0.9 Z050	10	
8	500855	. WASHER FL .188x.438x.049 N500	6	
9	509815	. TIE MOUNT / ATTACHMENT W/TREE MOUNT	1	
10	504637	. CABLE TIE / 3/16" x 13"	AR	
11	561552	. CONNECTOR / UNIVERSAL MATE-N-LOK / PH 6C / AMP 1-480705-0	1	
12	562122	. PIN TERMINAL / 20-14 / AMP 350547-1	6	
13	562588	. WIRE CABLE 14 / RED / TXL	AR	
14	562585	. WIRE CABLE 14 / BLACK / TXL	AR	
15	561625	. TAB RECEPTACLE TERMINAL INSUL. NYLON / 16-1 / AMP 3-520125-2	2	
16	373941	. HOSE 200MM X 3" I.D. To K-6492	1	
16	370273	. HOSE 120MM X 3" I.D. From L-6493	1	
16	503695	. . HOSE FLEXIBLE / AIR DUCT 3" I.D. X 25' / PLASTIC	1	
17	504026	. HOSE CLAMP / 2"13/16-3"3/4 SS / HS-52	1	
18	502921	. SCREW MA PAN PH M4-0.7x45 Z050	8	
19	502630	. WASHER FL .156x.375x.049 Z050 To G-5978	16	
19	500855	. WASHER FL .188x.438x.049 N500 From G-5979	16	
20	506254	. RUBBER EXTRUSION NEO / GLASS FILLER / B / C.T.L. To G-5911	AR	
20	506338	. RUBBER CHANNEL / 1/16" x 1/4" INT "U" SHAPE / ROUND C.T.L. From G-5912	AR	
21	500657	SCREW TC TR PH #10-24x1/2 Z050 To K-6492	4	
21	5002027	SCREW CAP HEXF AD M6-1.0x16 G10.9 N500 From L-6493	3	
		P) CALL ORDER DESK FOR SPECIFIC APPLICATION (V.I.N.)		

From F-5775

Date:01/2024

PAGE:X3-2240-15

BLOWER VENTILATION - PARCEL RACK WITH A/C SYSTEM



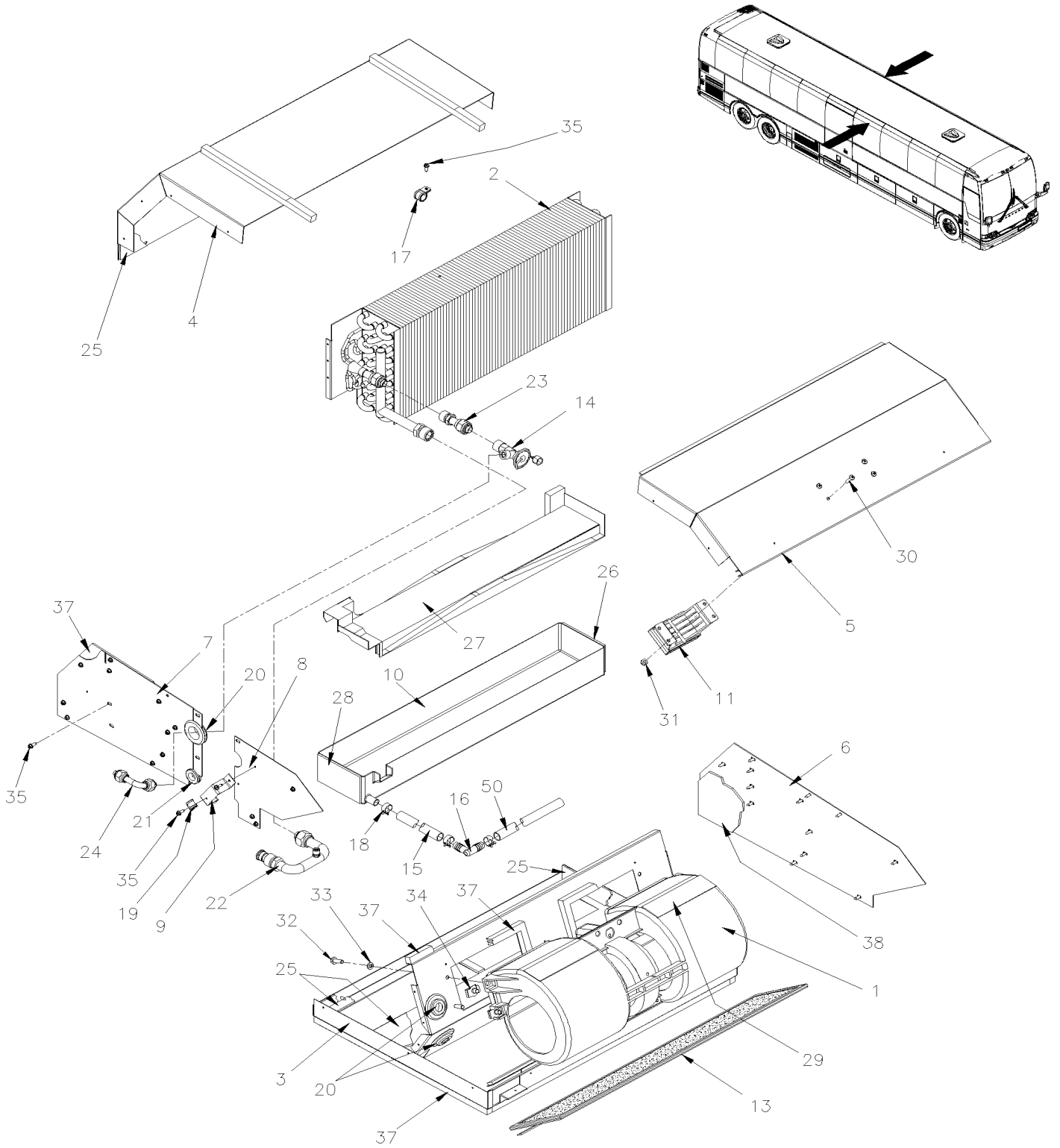
UP TO ?-15142

From F-5775

Date:01/2024

PAGE:X3-2240-15

BLOWER VENTILATION - PARCEL RACK WITH A/C SYSTEM



UP TO ?-15142

From F-5775	Date:01/2024	PAGE:X3-2240-15
BLOWER VENTILATION - PARCEL RACK WITH A/C SYSTEM		

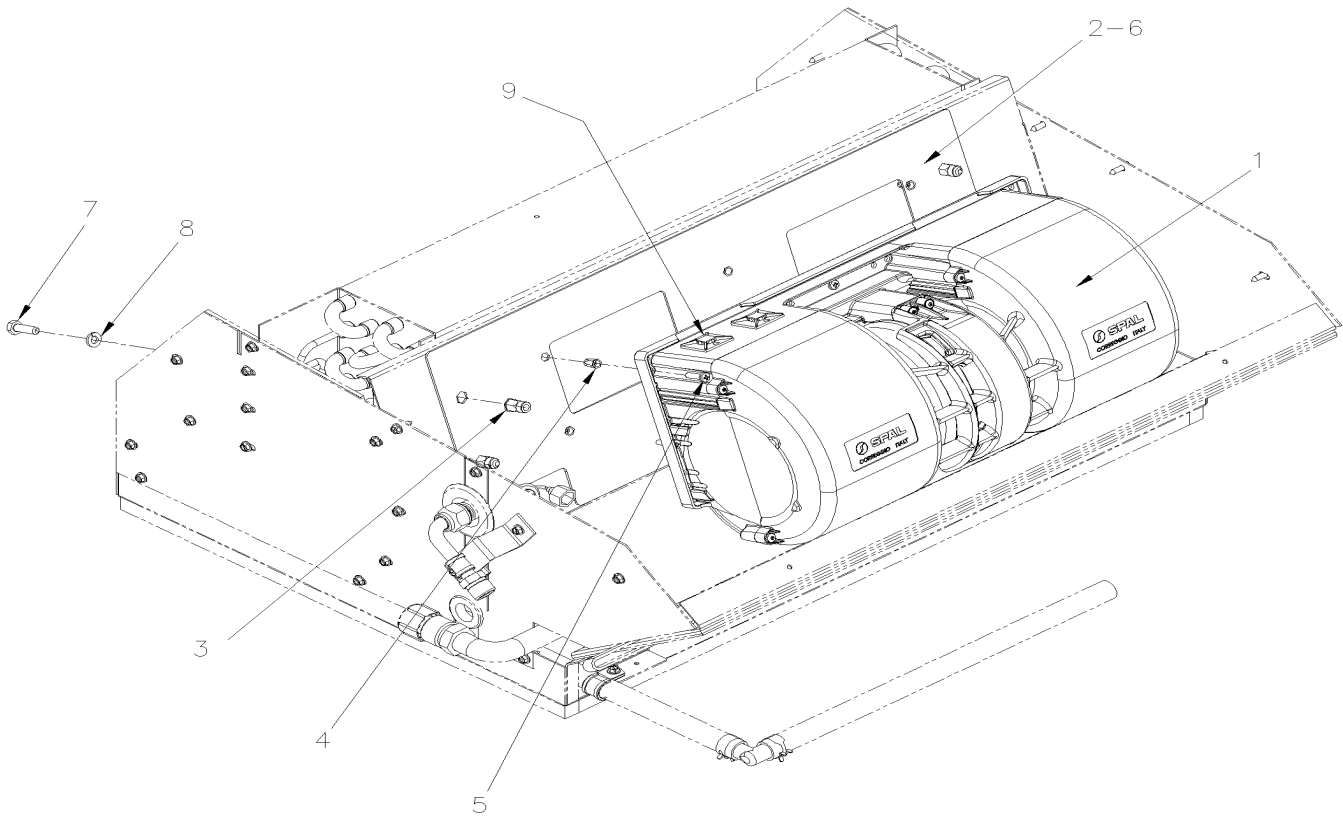
Item#	Part	Description	QTY	Notes
	950526	VENTILATION UNIT ASSY W/A/C SYSTEM To K-6492	1	
	950595	VENTILATION UNIT ASSY W/A/C SYSTEM From L-6493	1	
1	X3-2240-25	. BLOWER ASSY - PARCEL RACK		B C D
2	950321	. EVAPORATOR COIL	1	
3	871266	. BASE PLATE ASSY	1	
4	871189	. TOP COVER	1	
4	870140	. FOAM / 1/2"x1 /2"	AR	
5	871268	. BLOWER COVER	1	
6	871267	. LEFT SIDE PANEL	1	
7	871278	. RIGHT SIDE PANEL FRONT	1	
8	871279	. RIGHT SIDE PANEL REAR	1	
9	950569	. BRACKET	1	
10	950568	. DRAIN PAN	1	
11	871453	. MODULE RESISTOR 100 WATT	1	
NS	871264	. WIRE HARNESS	1	
13	871159	. FILTER 1/4" x 5 3/4" x 23"	1	
NS	N8889679	. FOAM / 3/16"x1 /2"	AR	
14	871277	. EXPANSION VALVE	1	
NS	N8887061	. O-RING #8	1	
15	503707	. HOSE / PVC REINFORCED 1/2" I.D. 100' / S.L.	2	
16	5011230	. UNION ELBOW 90° / HOSE BARB FITTING / #8x#8 PLAS	1	
17	950567	. CLAMP #8	1	
18	950530	. HOSE CLAMP 1/2"	3	
19	N8895767	. CLAMP / 3/8"	1	
20	G5009550	. GROMMET 5/8"	3	
21	N8889852	. GROMMET	1	
22	871276	. LO-SIDE TAIL PIPE ELBOW To K-6492	1	
22	870122	. LO-SIDE TAIL PIPE From L-6493	1	
NS	871444	. O-RING #10	1	
NS	N8887059	. CLAMP From L-6493	1	
23	871275	. HARDLINE - TXV TO COIL	1	
24	950566	. HARDLINE - TXV TO SOLENOID	1	
NS	N8907328	. O-RING #6	1	
25	506644	. TAPE RUB ADH1 CC NEO 1/8" x 21" x 25" / BLACK 1220SC	AR	
26	506644	. TAPE RUB ADH1 CC NEO 1/8" x 21" x 25" / BLACK 1220SC To K-6492	AR	
26	Call order desk	. FOAM / 1/4" From L-6493	AR	P
27	950529	. INSERT / DRAIN PAN	1	
28	506644	. TAPE RUB ADH1 CC NEO 1/8" x 21" x 25" / BLACK 1220SC To K-6492	AR	
28	Call order desk	. FOAM / 1/2" From L-6493	AR	P
29	Call order desk	. FOAM / 1/16"	AR	P
30	N8890509	. SCREW MA PAN PH #10-32x3/4 ZP	4	
31	950528	. NUT HEX NYRT #10-32 ZP	4	

From F-5775	Date:01/2024	PAGE:X3-2240-15
-------------	--------------	-----------------

BLOWER VENTILATION - PARCEL RACK WITH A/C SYSTEM

Item#	Part	Description	QTY	Notes
32	500163	. SCREW CAP HEX 1/4-20x3/4 G5 Z050	4	
33	500473	. WASHER LO SPT .262x.489x.062 Z050	4	
34	950527	. NUT SPR U 1/4-20	4	
35	950531	. SCREW TC CAP HEXW SLT #8-32 X 1/2"	AR	
37	Call order desk	. FOAM / 1/8"	AR	P
38	Call order desk	. FOAM / 1/8"	AR	P
39	N8887164	. CLAMP / #10 From L-6493	1	
NS	316410	DEFLECTOR To K-6492	1	WCL
NS	504347	RIVET POP DOME OE 3/16x1/4 AL To K-6492	2	
NS	067567	HARNESS, PARCEL RACK FAN To G-5958	2	
NS	067567	HARNESS, PARCEL RACK FAN CURBSIDE From G-5959 To H-6179	1	
NS	068787	HARNESS, PARCEL RACK FAN STREET SIDE From G-5959 To H-6179	1	
50	X3-2245-32	A/C AUXILIARY LINE / PARCEL RACK To K-6492		
50	X3-2245-33	A/C AUXILIARY LINE / PARCEL RACK From L-6493		
NS	IS20004-2	PARCEL RACK BRUSHLESS FAN KIT / GROUP 2 To G-5977	1	
NS	IS20004-3	PARCEL RACK BRUSHLESS FAN KIT / GROUP 3 From G-5978 To H-6181	1	
60	IS20004-4	PARCEL RACK BRUSHLESS FAN KIT / GROUP 4 From H-6182	1	
		A) THOSE VEHICLE ARE USE WITH MODULE IOE-A AND IOE-B FOR FEILD TEST F-5793 / F-5795 / F-5799 / F-5802		
		B) FOR PRODUCT IMPROVMENT ASK FOR KIT IS20004-2 ONLY FOR VEHICLE UP TO G-5977		
		C) FOR PRODUCT IMPROVMENT ASK FOR KIT IS20004-3 ONLY FOR VEHICLE FROM G-5978 UP TO H-6181		
		D) FOR PRODUCT IMPROVMENT ASK FOR KIT IS20004-4 ONLY FOR VEHICLE FROM H-6182		
		WCL) WITH WCL		
		P) CALL ORDER DESK FOR SPECIFIC APPLICATION (V.I.N.)		

To G-5977	Date:01/2024	PAGE:IS20004-2
PARCEL RACK BRUSHLESS FAN KIT / GROUP 2		



To G-5977	Date:01/2024	PAGE:IS20004-2
PARCEL RACK BRUSHLESS FAN KIT / GROUP 2		

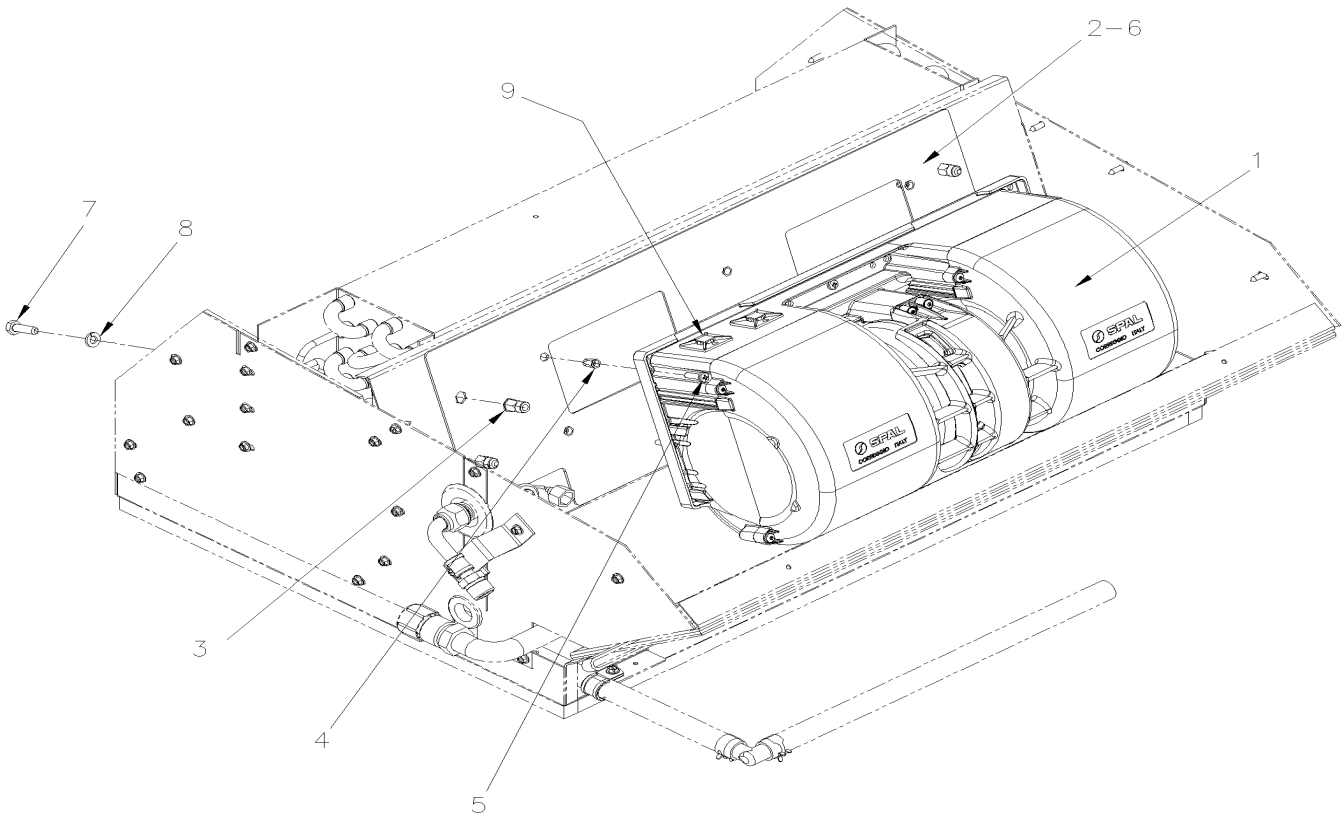
Item#	Part	Description	QTY	Notes
1	950623	BLOWER 24V	2	
2	453961	TRANSITION PLATE	2	
3	5001344	. NUT INS FL HEX M6-1.0 0.5-3.0 SS	4	
4	504726	. NUT INS FL HEX M4-0.7 0.5-2.0 DP	5	
5	502698	SCREW MA PAN PH M4-0.7x16 SS BK	10	
5	502636	WASHER LO SPT 4.1x7.6x0.9 Z050	10	
5	500591	WASHER FL 4.3x9.0x0.8 Z050	10	
6	506071	TAPE RUB ADH1 CC POL 1/8" x 1/2" x 50' / GREY 2520X	AR	
7	502622	SCREW CAP HEX M6-1.0x20 SS BK	8	
8	502853	WASHER LO SPT 6.1x11.8x1.6 N500	8	
9	562679	4 WAY ADH. BACKED MOUNTS 1.000 x 1.000 x .160	4	
9	504637	CABLE TIE / 3/16" x 13"	15	
NS	0610572	HARNESS PARCEL RACK FAN	2	
NS	560587	RING TERMINAL .250 / 18-14 / INSULATED / AMP 160337-2	1	
NS	562953	BUTT SPLICE / 16-14 / BLUE / AMP 55825-1	4	
NS	560784	SHRINK TUBING / .250" - .080" / BLACK / ALPHA FIT-300-1/4-4B	AR	
NS	IS-20004	SEE INSTRUCTION SHEET		
NS	FI-20004	VOIR FEUILLE D'INSTRUCTION		

From G-5978 To H-6181

Date:01/2024

PAGE:IS20004-3

PARCEL RACK BRUSHLESS FAN KIT / GROUP 3



From G-5978 To H-6181	Date:01/2024	PAGE:IS20004-3
PARCEL RACK BRUSHLESS FAN KIT / GROUP 3		

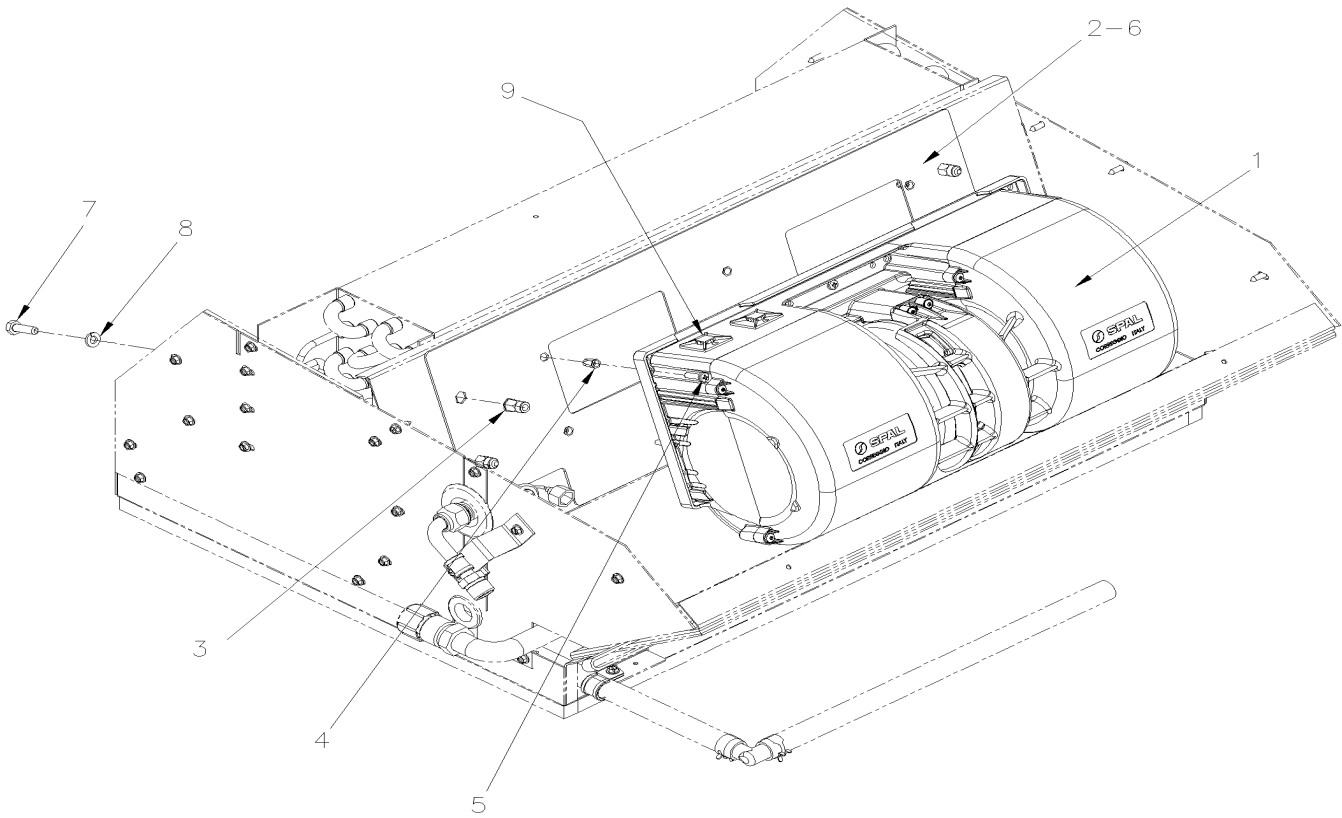
Item#	Part	Description	QTY	Notes
1	950623	BLOWER 24V	2	
2	453961	TRANSITION PLATE	2	
3	5001344	. NUT INS FL HEX M6-1.0 0.5-3.0 SS	4	
4	504726	. NUT INS FL HEX M4-0.7 0.5-2.0 DP	5	
5	502698	SCREW MA PAN PH M4-0.7x16 SS BK	10	
5	502636	WASHER LO SPT 4.1x7.6x0.9 Z050	10	
5	500591	WASHER FL 4.3x9.0x0.8 Z050	10	
6	506071	TAPE RUB ADH1 CC POL 1/8" x 1/2" x 50' / GREY 2520X	AR	
7	502622	SCREW CAP HEX M6-1.0x20 SS BK	8	
8	502853	WASHER LO SPT 6.1x11.8x1.6 N500	8	
9	562679	4 WAY ADH. BACKED MOUNTS 1.000 x 1.000 x .160	4	
9	504637	CABLE TIE / 3/16" x 13"	15	
NS	0610573	HARNESS PARCEL RACK FAN	1	
NS	0610582	HARNESS PARCEL RACK FAN G3 & 4 SAV PIN OUT	2	
NS	560587	RING TERMINAL .250 / 18-14 / INSULATED / AMP 160337-2	1	
NS	562953	BUTT SPLICE / 16-14 / BLUE / AMP 55825-1	4	
NS	560784	SHRINK TUBING / .250" - .080" / BLACK / ALPHA FIT-300-1/4-4B	AR	
NS	IS-20004	SEE INSTRUCTION SHEET		
NS	FI-20004	VOIR FEUILLE D'INSTRUCTION		

From H-6182

Date:01/2024

PAGE:IS20004-4

PARCEL RACK BRUSHLESS FAN KIT / GROUP 4



From H-6182	Date:01/2024	PAGE:IS20004-4
PARCEL RACK BRUSHLESS FAN KIT / GROUP 4		

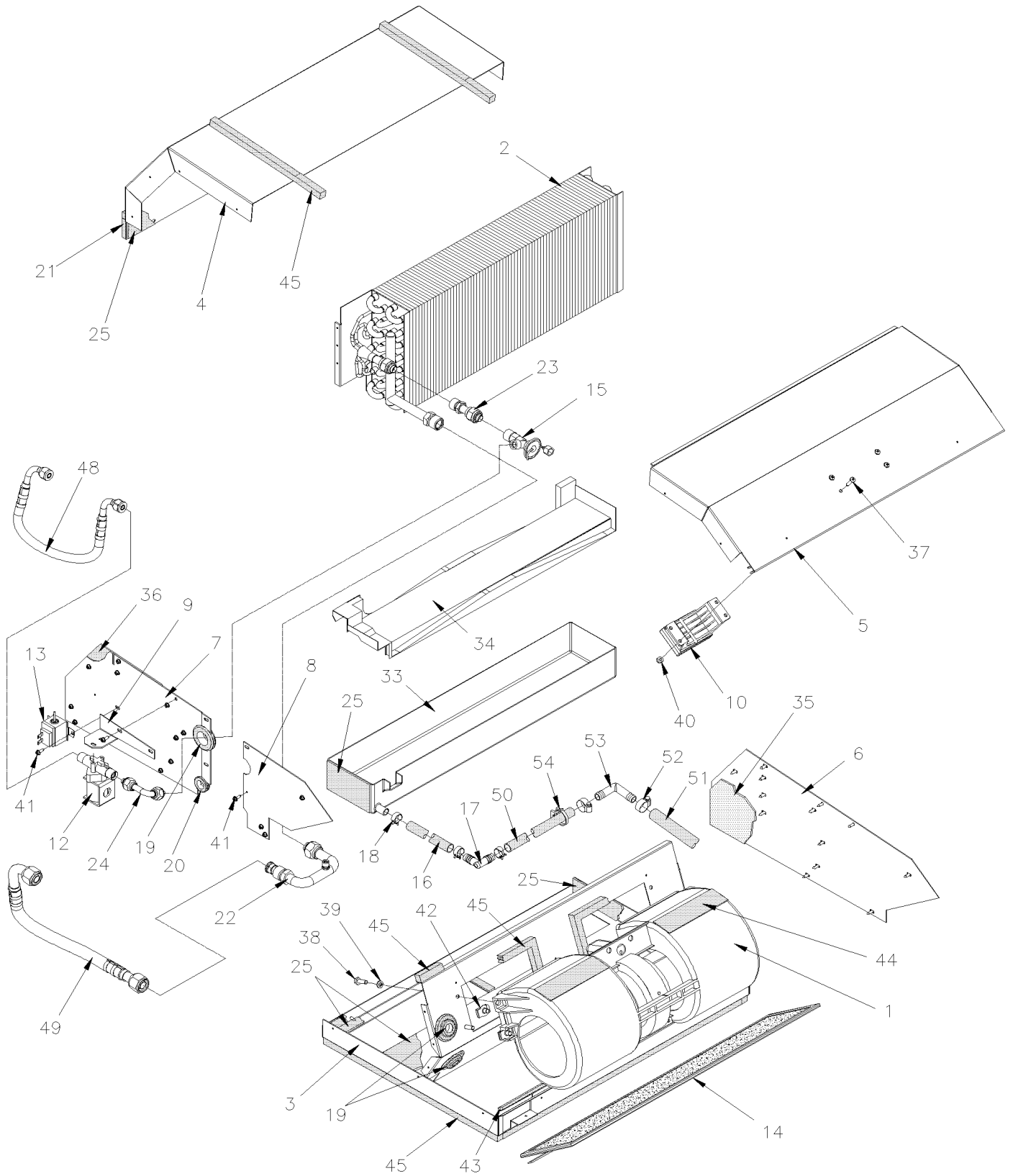
Item#	Part	Description	QTY	Notes
1	950623	BLOWER 24V	2	
2	453961	TRANSITION PLATE	2	
3	5001344	. NUT INS FL HEX M6-1.0 0.5-3.0 SS	4	
4	504726	. NUT INS FL HEX M4-0.7 0.5-2.0 DP	5	
5	502698	SCREW MA PAN PH M4-0.7x16 SS BK	10	
5	502636	WASHER LO SPT 4.1x7.6x0.9 Z050	10	
5	500591	WASHER FL 4.3x9.0x0.8 Z050	10	
6	506071	TAPE RUB ADH1 CC POL 1/8" x 1/2" x 50' / GREY 2520X	AR	
7	502622	SCREW CAP HEX M6-1.0x20 SS BK	8	
8	502853	WASHER LO SPT 6.1x11.8x1.6 N500	8	
9	562679	4 WAY ADH. BACKED MOUNTS 1.000 x 1.000 x .160	4	
9	504637	CABLE TIE / 3/16" x 13"	15	
NS	0610518	HARNESS PARCEL RACK FAN	1	
NS	0610582	HARNESS PARCEL RACK FAN G3 & 4 SAV PIN OUT	2	
NS	560587	RING TERMINAL .250 / 18-14 / INSULATED / AMP 160337-2	1	
NS	562953	BUTT SPLICE / 16-14 / BLUE / AMP 55825-1	4	
NS	560784	SHRINK TUBING / .250" - .080" / BLACK / ALPHA FIT-300-1/4-4B	AR	
NS	IS-20004	SEE INSTRUCTION SHEET		
NS	FI-20004	VOIR FEUILLE D'INSTRUCTION		

From 7-8754 To F-5774

Date:01/2024

PAGE:X3-2240-20

BLOWER VENTILATION - PARCEL RACK

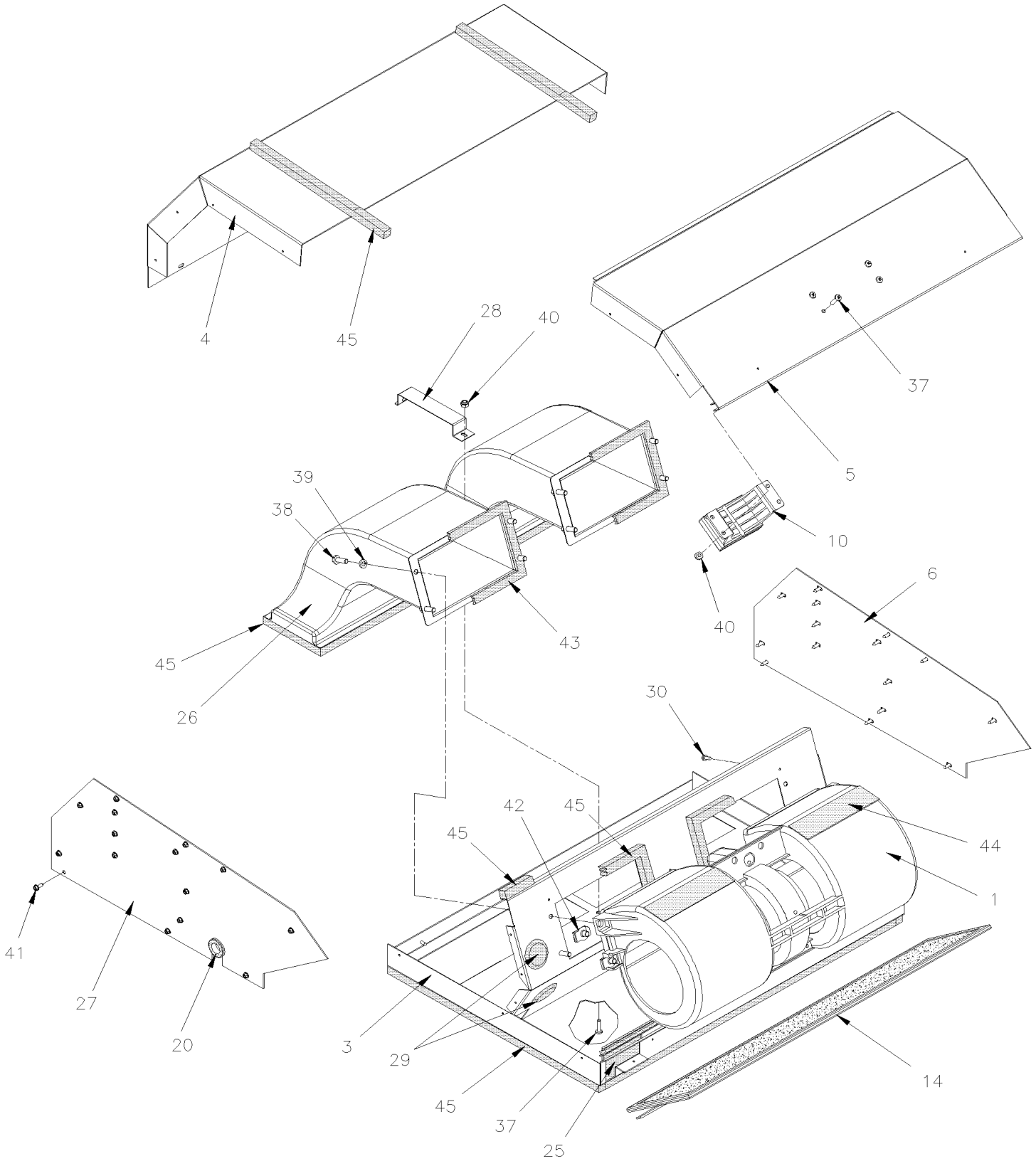


From 7-8754 To F-5774

Date:01/2024

PAGE:X3-2240-20

BLOWER VENTILATION - PARCEL RACK



From 7-8754 To F-5774	Date:01/2024	PAGE:X3-2240-20
BLOWER VENTILATION - PARCEL RACK		

Item#	Part	Description	QTY	Notes
	950328	VENTILATION UNIT ASSY W/A/C SYSTEM To D-5458	1	
	950523	VENTILATION UNIT ASSY W/A/C SYSTEM From E-5459	1	
	871173	VENTILLATION UNIT ASSY	1	
1	X3-2240-25	. BLOWER ASSY - PARCEL RACK		A
2	950321	. EVAPORATOR COIL	1	
3	871266	. BASE PLATE ASSY	1	
4	871189	. TOP COVER	1	
5	871268	. BLOWER COVER	1	
6	871267	. LEFT SIDE PANEL	1	
7	871278	. RIGHT SIDE PANEL FRONT	1	
8	871279	. RIGHT SIDE PANEL REAR	1	
9	871280	. SOLENOID MOUNTING BRACKET	1	
10	871453	. MODULE RESISTOR 100 WATT	1	
11	871264	. WIRE HARNESS	1	
12	871282	. LIQUID FREON SOLENOID To D-5458	1	
13	871283	. THERMOSTAT To D-5458	1	
14	871159	. FILTER 1/4" x 5 3/4" x 23"	1	
15	871277	. EXPANSION VALVE	1	
16	503707	. HOSE / PVC REINFORCED 1/2" I.D. 100' / S.L.	2	
17	5011230	. UNION ELBOW 90° / HOSE BARB FITTING / #8x#8 PLAS	1	
18	Call order desk	. HOSE CLAMP 1/2"	3	P
19	G5009550	. GROMMET 5/8"	3	
20	N8889852	. GROMMET	1	
21	Call order desk	. MOLDING 5/16x172	AR	P
22	871276	. LO-SIDE TAIL PIPE ELBOW	1	
23	871275	. HARDLINE - TXV TO COIL	1	
24	871281	. HARDLINE - TXV TO SOLENOID	1	
25	Call order desk	. NEOPRENE / 1/8"	AR	P
26	871262	. DUCT ASSY	2	
27	871265	. RIGHT SIDE PANEL	1	
28	Call order desk	. BRACKET	1	P
29	Call order desk	. HOLE PLUG 1 1/4"	2	P
30	Call order desk	. SCREW TP PAN PH #8x1/2	4	P
33	871273	. DRAIN PAN	1	
34	950529	. INSERT / DRAIN PAN	1	
35	Call order desk	. FOAM / 1/8"	1	P
36	Call order desk	. FOAM / 1/8"	1	P
37	N8890509	. SCREW MA PAN PH #10-32x3/4 ZP	4	
38	Call order desk	. SCREW CAP HEX 1/4-20x3/4	4	P
39	N8892465	. WASHER LO SPT 1/4	4	
40	Call order desk	. NUT HEX NYRT #10-32	4	P
41	Call order desk	. SCREW TC CAP HEXW SLT #8-32 X 1/2"	35	P

From 7-8754 To F-5774	Date:01/2024	PAGE:X3-2240-20
BLOWER VENTILATION - PARCEL RACK		

Item#	Part	Description	QTY	Notes
42	Call order desk	. NUT SPR U 1 /4-20	4	P
43	N8889679	. FOAM / 3/16"x1 /2"	AR	
44	Call order desk	. FOAM / 1/16"x5"	AR	P
45	870140	. FOAM / 1/2"x1 /2"	AR	
48	453493	HOSE ASSY / #6 245MM To A-9743	1	
. NS	507278	. O-RING / ORS FITTING / #4 NEO To A-9743	2	
48	455253	HOSE ASSY / #6 260MM From A-9744 To D-5458	1	
. NS	507278	. O-RING / ORS FITTING / #4 NEO From A-9744 To D-5458	2	
48	454707	HOSE ASSY / #6 465MM CURB SIDE From E-5459 To E-5658	1	C
. NS	507278	. O-RING / ORS FITTING / #4 NEO From E-5459 To E-5658	2	C
48	454927	HOSE ASSY / #6 460MM CURB SIDE From E-5659	1	C
. NS	507278	. O-RING / ORS FITTING / #4 NEO From E-5659	2	C
48	454744	HOSE ASSY / #6 5110MM STREET SIDE From E-5459 To E-5658	1	S
. NS	507278	. O-RING / ORS FITTING / #4 NEO From E-5459 To E-5658	2	S
. NS	505181	. COIL PROTECTOR / PLASTIC / #8 From E-5459 To E-5658	AR	S
48	454929	HOSE ASSY / #6 4700MM STREET SIDE From E-5659 To F-5774	1	S
. NS	507278	. O-RING / ORS FITTING / #4 NEO From E-5659 To F-5774	2	S
. NS	505181	. COIL PROTECTOR / PLASTIC / #8 From E-5659 To F-5774	AR	S
48	454953	HOSE ASSY / #6 4720MM STREET SIDE From F-5775	1	
. NS	507278	. O-RING / ORS FITTING / #4 NEO From F-5775	2	
. NS	505181	. COIL PROTECTOR / PLASTIC / #8 From F-5775	AR	
NS	952631	CLAMP / 3/4" I.D. From F-5775	1	
NS	500957	SCREW TP BDG PH #10x3/4 N500 From F-5775	1	
49	453492	HOSE ASSY / #10 250MM To A-9743	1	
. NS	507344	. O-RING / ORS FITTING / #10 NEO To A-9743	2	
49	455252	HOSE ASSY / #10 214MM From A-9744 To D-5458	1	
. NS	507344	. O-RING / ORS FITTING / #10 NEO From A-9744 To D-5458	2	
49	454783	HOSE ASSY / #10 310MM CURB SIDE From E-5459	1	C
. NS	507344	. O-RING / ORS FITTING / #10 NEO From E-5459	2	C
49	454743	HOSE ASSY / #10 5175MM STREET SIDE From E-5459	1	S
. NS	507344	. O-RING / ORS FITTING / #10 NEO From E-5459	2	S
. NS	505110	. COIL PROTECTOR / PLASTIC / #12 From E-5459	AR	S
50	453800	HOSE 1/2" I.D. X 560MM	1	C
50	453801	HOSE 1/2" I.D. x 380MM	1	S
50	503707	. HOSE / PVC REINFORCED 1/2" I.D. 100' / S.L.	AR	
51	453802	HOSE 1/2" I.D. x 3400MM To B-5001	1	
51	457466P	HOSE 1/2" I.D. x 2000MM From B-5002	1	
51	503707	. HOSE / PVC REINFORCED 1/2" I.D. 100' / S.L.	AR	
52	504230	HOSE CLAMP / 3/8"-7/8" SS / HS-6	2	
53	5011230	UNION ELBOW 90° / HOSE BARB FITTING / #8x#8 PLAS	1	
54	504013	TIE MOUNT / 1/4" X 1/4" I.D.	AR	
54	504273	CABLE TIE / 1/8" X 3"1/2	AR	

From 7-8754 To F-5774	Date:01/2024	PAGE:X3-2240-20
-----------------------	--------------	-----------------

BLOWER VENTILATION - PARCEL RACK

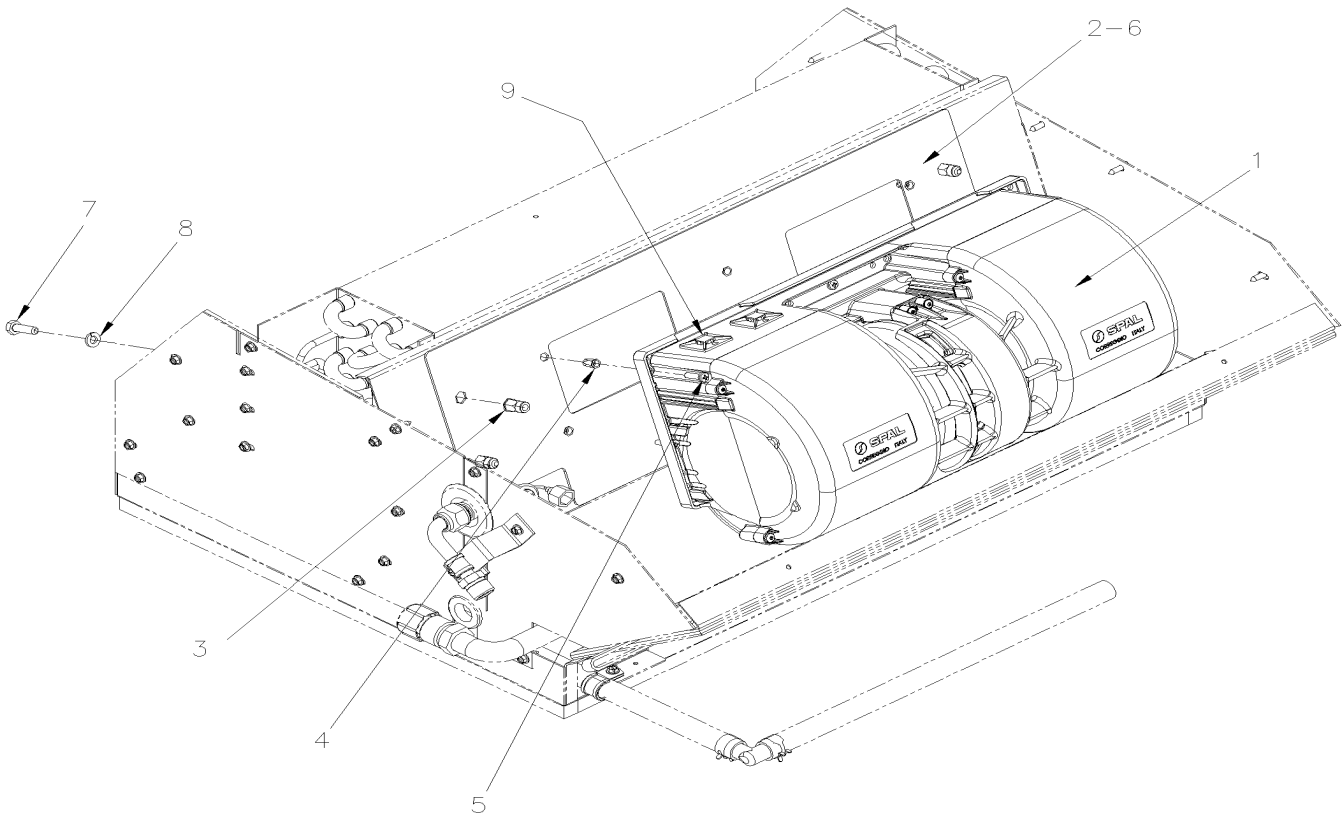
Item#	Part	Description	QTY	Notes
54	504118	RIVET POP DOME OE 3/16x3/8 AL	AR	
NS	067567	HARNES, PARCEL RACK FAN From E-5459	2	WCL
NS	316410	DEFLECTOR From B-5001	1	WCL
NS	504347	RIVET POP DOME OE 3/16x1/4 AL	2	
60	X3-2245-30	A/C AUXILIARY LINE / PARCEL RACK To B-5001		
60	X3-2245-31	A/C AUXILIARY LINE / PARCEL RACK From B-5002 To D-5458		
60	X3-2245-32	A/C AUXILIARY LINE / PARCEL RACK From E-5459	1	
NS	IS20004-2	PARCEL RACK BRUSHLESS FAN KIT / GROUP 2	1	
		A) FOR PRODUCT IMPROVMENT ASK FOR IS20004-2		
		C) CURBSIDE		
		S) STREET SIDE		
		WCL) WITH WCL		
		P) CALL ORDER DESK FOR SPECIFIC APPLICATION (V.I.N.)		

From 7-8754 To F-5774

Date:01/2024

PAGE:IS20004-2

PARCEL RACK BRUSHLESS FAN KIT / GROUP 2



From 7-8754 To F-5774	Date:01/2024	PAGE:IS20004-2
PARCEL RACK BRUSHLESS FAN KIT / GROUP 2		

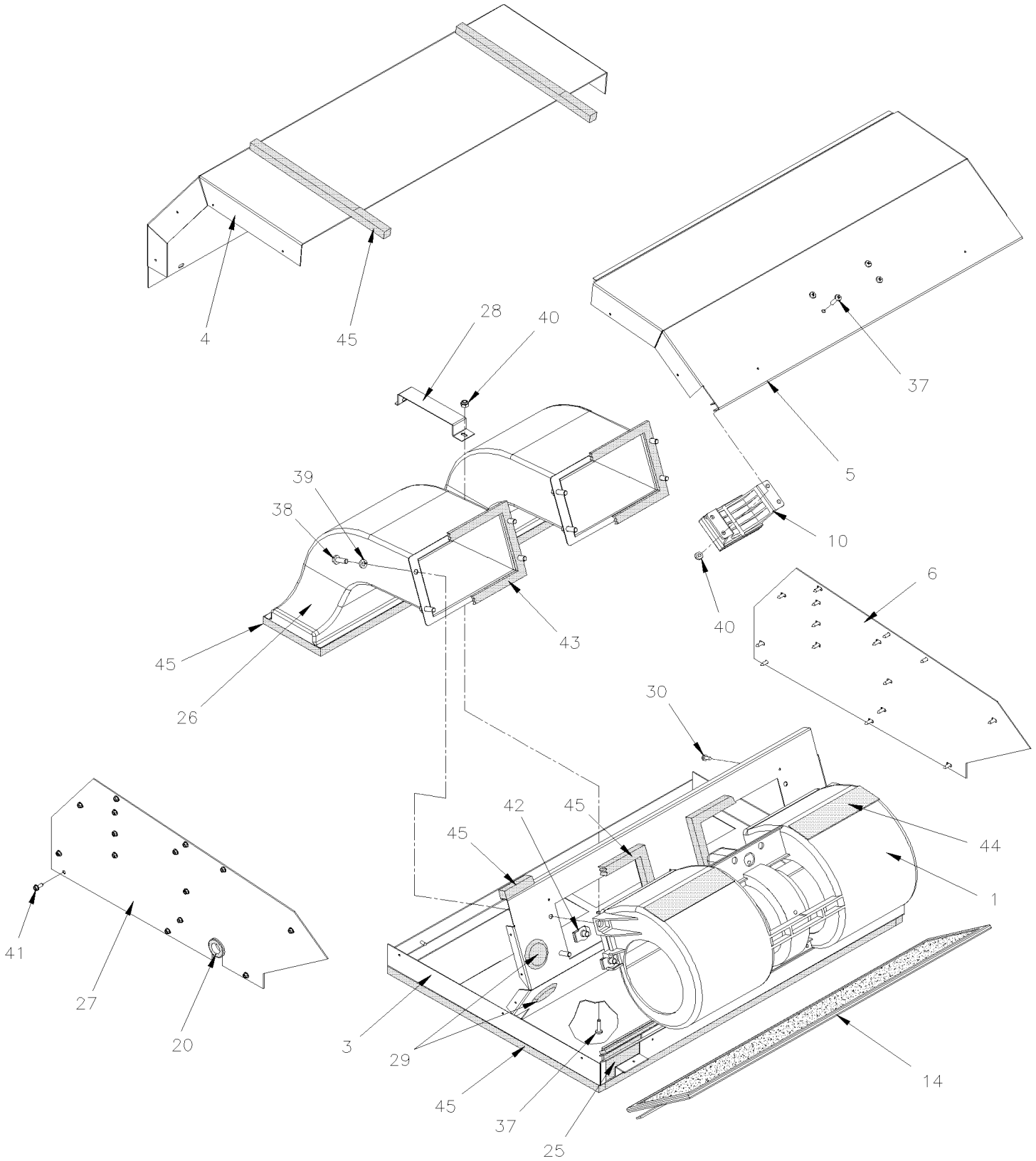
Item#	Part	Description	QTY	Notes
1	950623	BLOWER 24V	2	
2	453961	TRANSITION PLATE	2	
3	5001344	. NUT INS FL HEX M6-1.0 0.5-3.0 SS	4	
4	504726	. NUT INS FL HEX M4-0.7 0.5-2.0 DP	5	
5	502698	SCREW MA PAN PH M4-0.7x16 SS BK	10	
5	502636	WASHER LO SPT 4.1x7.6x0.9 Z050	10	
5	500591	WASHER FL 4.3x9.0x0.8 Z050	10	
6	506071	TAPE RUB ADH1 CC POL 1/8" x 1/2" x 50' / GREY 2520X	AR	
7	502622	SCREW CAP HEX M6-1.0x20 SS BK	8	
8	502853	WASHER LO SPT 6.1x11.8x1.6 N500	8	
9	562679	4 WAY ADH. BACKED MOUNTS 1.000 x 1.000 x .160	4	
9	504637	CABLE TIE / 3/16" x 13"	15	
NS	0610572	HARNESS PARCEL RACK FAN	2	
NS	560587	RING TERMINAL .250 / 18-14 / INSULATED / AMP 160337-2	1	
NS	562953	BUTT SPLICE / 16-14 / BLUE / AMP 55825-1	4	
NS	560784	SHRINK TUBING / .250" - .080" / BLACK / ALPHA FIT-300-1/4-4B	AR	
NS	IS-20004	SEE INSTRUCTION SHEET		
NS	FI-20004	VOIR FEUILLE D'INSTRUCTION		

From F-5775

Date:01/2024

PAGE:X3-2240-21

BLOWER VENTILATION - PARCEL RACK WITHOUT A/C SYSTEM



From F-5775	Date:01/2024	PAGE:X3-2240-21
-------------	--------------	-----------------

BLOWER VENTILATION - PARCEL RACK WITHOUT A/C SYSTEM

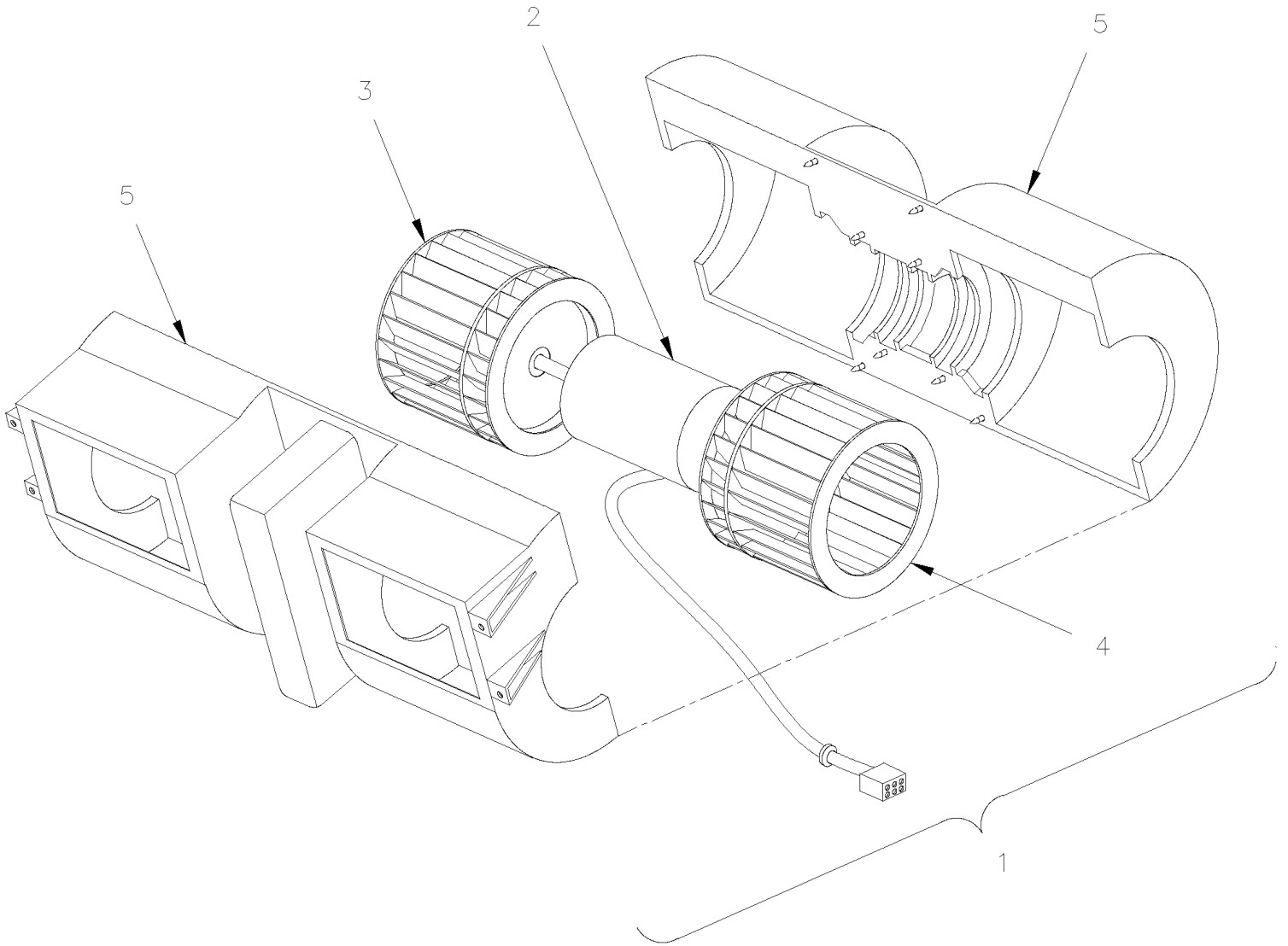
Item#	Part	Description	QTY	Notes
	871173	VENTILLATION UNIT ASSY	1	
1	X3-2240-25	. BLOWER ASSY - PARCEL RACK		B C D
3	871266	. BASE PLATE ASSY	1	
4	871189	. TOP COVER	1	
5	871268	. BLOWER COVER	1	
6	871267	. LEFT SIDE PANEL	1	
10	871453	. MODULE RESISTOR 100 WATT	1	
14	871159	. FILTER 1/4" x 5 3/4" x 23"	1	
20	N8889852	. GROMMET	1	
25	Call order desk	. NEOPRENE / 1/8"	AR	P
26	871262	. DUCT ASSY	2	
27	871265	. RIGHT SIDE PANEL	1	
28	Call order desk	. BRACKET	1	P
29	Call order desk	. HOLE PLUG 1 1/4"	2	P
30	Call order desk	. SCREW TP PAN PH #8x1/2	4	P
37	N8890509	. SCREW MA PAN PH #10-32x3/4 ZP	4	
38	Call order desk	. SCREW CAP HEX 1/4-20x3/4	4	P
39	N8892465	. WASHER LO SPT 1/4	4	
40	Call order desk	. NUT HEX NYRT #10-32	4	P
41	Call order desk	. SCREW TC CAP HEXW SLT #8-32 X 1/2"	35	P
42	Call order desk	. NUT SPR U 1 /4-20	4	P
43	N8889679	. FOAM / 3/16"x1 /2"	AR	
44	Call order desk	. FOAM / 1/16"x5"	AR	P
45	Call order desk	. FOAM / 1/2"x1/2"	AR	P
NS	067567	HARNESS, PARCEL RACK FAN To G-5958	2	
NS	067567	HARNESS, PARCEL RACK FAN CURBSIDE From G-5959	1	
NS	068787	HARNESS, PARCEL RACK FAN STREET SIDE From G-5959	AR	
NS	IS20004-2	PARCEL RACK BRUSHLESS FAN KIT / GROUP 2 To G-5977	1	
NS	IS20004-3	PARCEL RACK BRUSHLESS FAN KIT / GROUP 3 From G-5978 To H-6181	1	
NS	IS20004-4	PARCEL RACK BRUSHLESS FAN KIT / GROUP 4 From H-6182	1	
		A) THOSE VEHICLE ARE USE WITH MODULE IOE-A AND IOE-B FOR FEILD TEST F-5793 / F-5795 / F-5799 / F-5802		
		B) FOR PRODUCT IMPROVMENT ASK FOR KIT IS20004-2 ONLY FOR VEHICLE UP TO G-5977		
		C) FOR PRODUCT IMPROVMENT ASK FOR KIT IS20004-3 ONLY FOR VEHICLE FROM G-5978 UP TO H-6181		
		D) FOR PRODUCT IMPROVMENT ASK FOR KIT IS20004-4 ONLY FOR VEHICLE FROM H-6182		
		P) CALL ORDER DESK FOR SPECIFIC APPLICATION (V.I.N.)		

From 7-8754

Date:01/2024

PAGE:X3-2240-25

BLOWER ASSY - PARCEL RACK



From 7-8754	Date:01/2024	PAGE:X3-2240-25
-------------	--------------	-----------------

BLOWER ASSY - PARCEL RACK

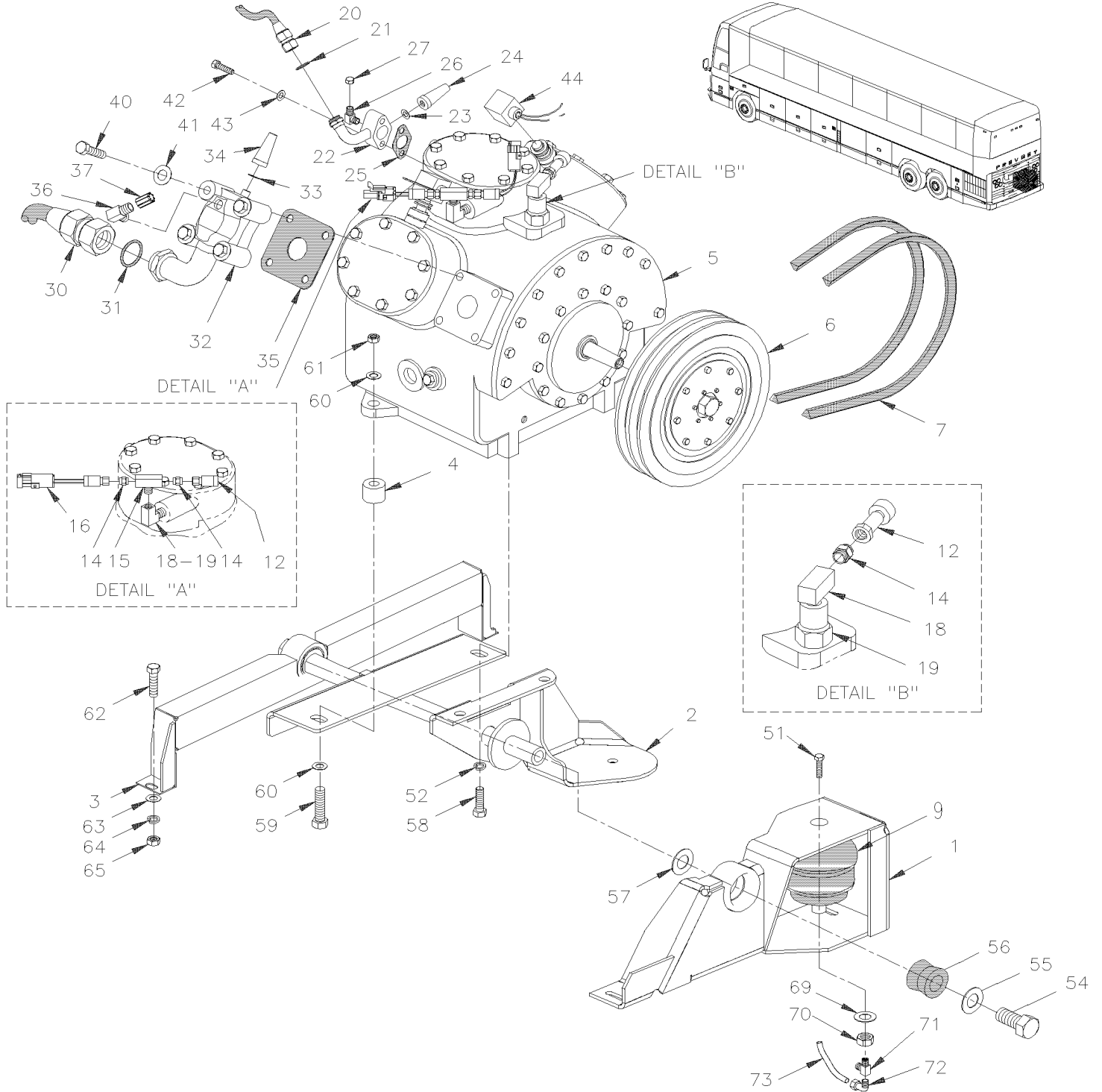
Item#	Part	Description	QTY	Notes
1	871157	BLOWER ASSY 24V	2	
2	N.P.N.	. MOTOR 24V	1	4
3	N.P.N.	. BLOWER WHEEL	1	4
4	N.P.N.	. BLOWER WHEEL	1	4
5	N.P.N.	. HOUSING	1	4
		4) NO PARTS NUMBER		

From 7-8754 To B-5001

Date:01/2024

PAGE:X3-2245-00

A/C COMPRESSOR 05G - INSTALLATION - MUX



From 7-8754 To B-5001	Date:01/2024	PAGE:X3-2245-00
A/C COMPRESSOR 05G - INSTALLATION - MUX		

Item#	Part	Description	QTY	Notes
1	454190	SUPPORT ASSY	1	
2	453651	SUPPORT ASSY	1	
2	454485	SUPPORT ASSY From 8-9277	1	A
3	454321	SUPPORT OPPOSITE PULLEY SIDE	1	
4	452268	SLEEVE SPACER	2	
5	X3-2250-00	A/C COMPRESSOR ASSY 05G - TWIN PORT		
6	X3-2246-00	A/C CLUTCH 05G - HOUSING MOUNTED		
7	506864	V-BELT / BX-100 / SET OF 2 9212-0404	1	
7	506681	V-BELT / BX-100 9013-2100	AR	
9	550840	BELLOW ASSY / BELT TENSIONER / 4" O.D.	1	
11	950246	PRESSURE SWITCH N.C. 25-37 LO-UNLOAD W/WIRE BLACK	1	
12	563423	TRANSDUSER -6.7 to 420 LBS / 1/8 NPT-F	2	
NS	563159	. CONNECTOR / METRI-PACK 150 / SH 3C / PED 12065287	1	
13	950245	PRESSURE SWITCH N.C. 20-30 LO-UNLOAD W/WIRE BLACK	1	
NS	501338	MALE RUN TEE / PIPE FITTING / 1/4NPT-Mx1/4NPT-Fx1/4NPT-F BR	1	
14	950249	SCHRADER VALVE 1/4NPT-M	1	
15	501894	MALE BRANCHE TEE / PIPE FITTING / 1/4NPT-Fx1/4NPT-Fx1/4NPT-M BR	1	
16	453380	PRESSURE SWITCH N.C. 350-245 20PS001MB350K245R	1	
18	501332	STREET ELBOW 90° / PIPE FITTING / 1/4NPT-Mx1/4NPT-F BR	1	
19	5011184	FEMALE CONNECTOR / PIPE @ ORB / 1/4NPT-Fx#4ORB-M STL	AR	
20	454275	HOSE ASSY / DISCHARGE W/R-134a / #16 687MM / SS BELLOW To 9-9617	1	
20	457121	HOSE ASSY / DISCHARGE W/R-134a / #16 645MM / SS BELLOW From 9-9618 To 9-9643	1	
20	454275	HOSE ASSY / DISCHARGE W/R-134a / #16 687MM / SS BELLOW From 9-9644 To B-5001	1	
20	950461	HOSE ASSY / DISCHARGE W/R-134a / #16 710MM / SS BELLOW From B-5002	1	
21	507345	O-RING / ORS FITTING / #16 NEO	2	
22	950281	VALVE ASSY / DISCHARGE / W/R134A To B-5001	1	
23	870751	. GASKET	1	
24	870752	. GASKET, CAP SEAL	1	
25	870753	GASKET / DISCHARGE VALVE	1	
26	5011133	ELBOW 90° 1/8 NPT X M15 / W/R134A	1	
NS	5011134	GAUGE ADAPTOR ASSY M15 / W/BLACK CAP W/R134A	1	
27	950287	SCHROUDER CAP / HIGH PRESSURE	1	
30	454304	HOSE ASSY / SUCTION W/R-134a / #20 1000MM	1	
31	507346	O-RING / ORS FITTING / #24 NEO	2	
32	950265	VALVE ASSY / SUCTION / W/R134A	1	
33	870751	. GASKET	1	
34	870752	. GASKET, CAP SEAL	1	
35	870754	GASKET / SUCTION VALVE	1	
36	5011131	ELBOW 90° 1/4 NPT X M13 / W/R134A	1	
NS	5011132	GAUGE ADAPTOR ASSY M13 / W/BLACK CAP W/R134A	1	
37	950288	SCHROUDER CAP / LOW PRESSURE	1	
40	870755	SCREW CAP HEX 1/2-13x2 1/2 G5 ZP	4	

From 7-8754 To B-5001	Date:01/2024	PAGE:X3-2245-00
A/C COMPRESSOR 05G - INSTALLATION - MUX		

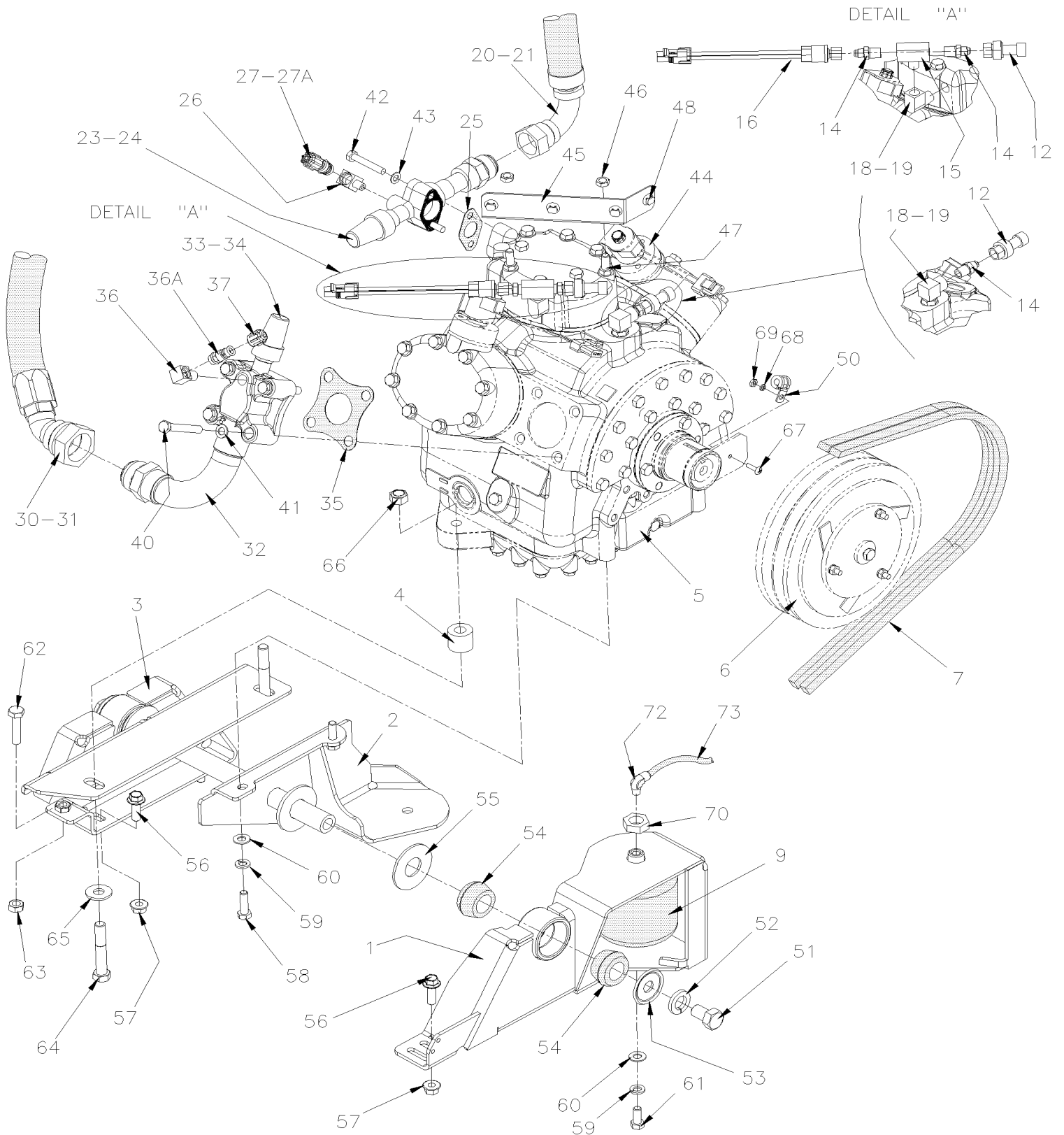
Item#	Part	Description	QTY	Notes
41	870756	GASKET	4	
42	870877	SCREW CAP HEX 5/16-18x2 G5 ZP	2	
43	870750	GASKET	2	
44	X3-2250-15	A/C ELECTRIC UNLOADER - W/05G COMPRESSOR		
45	501037	MALE ELBOW 90° / SAE 45° FITTING / #4FL-Mx1/4NPT-M BR	1	
NS	5011184	FEMALE CONNECTOR / PIPE @ ORB / 1/4NPT-Fx#4ORB-M STL	AR	
51	502926	SCREW CAP HEX 3/8-16x7/8 G5 N500	1	
NS	500832	WASHER FL .406x.812x.065 N500	1	
52	500478	WASHER LO SPT .380x.683x.094 Z050	4	
54	500225	SCREW CAP HEX 5/8-11x1 G5 Z050	2	
55	5001151	WASHER CON 16.5x50.0x4.5 ZP	2	
56	630062	BUSHING / RUBBER / (ONE PIECE) 2" x 1.005" I.D.	2	
57	500997	WASHER FL 1.062x2.500x.125 SS	2	
58	500192	SCREW CAP HEX 3/8-16x1 1/4 G5 Z050	2	
59	500096	SCREW CAP HEX 1/2-20x3 G5 Z050	2	
60	500446	WASHER FL .531x1.250x.125 Z050	4	
61	500718	NUT HEX STO 1/2-20 Z050	2	
62	502549	SCREW CAP HEX M10-1.5x35 G8.8 Z050	5	
63	500445	WASHER FL .437x1.000x.083 Z050	5	
64	502616	WASHER LO SPT 10.2x18.1x2.2 SS	5	
65	500680	NUT HEX STO M10-1.5 Z050	5	
69	5001150	WASHER FL 17.0x30.0x3.0 N500	1	
69	500218	WASHER LO SPT .380x.683x.098 DP320	1	
70	500792	NUT HEX 5/8-11 Z050	1	
70	502917	NUT HEX JAM 3/4-16 G2 N500	1	
71	501707	ADAPTER TEE / SAE 45° FITTING / #4FL-Mx1/8NPT-Mx1/8NPT-F BR	1	
72	641369	MALE ELBOW 90° NON-SWIVEL / PUSH-IN FITTING / #4x1/8NPT-M BR	1	
73	503402	TUBE, NYLON 1/4 O.D. / BLACK S.L.	AR	
91	IS18909	CARRIER TO BITZER AC COMPRESSOR RETROFIT		
		A) WITH A/C PARCEL RACK		

From B-5002 To D-5458

Date:01/2024

PAGE:X3-2245-01

A/C COMPRESSOR 05G - INSTALLATION



From B-5002 To D-5458	Date:01/2024	PAGE:X3-2245-01
A/C COMPRESSOR 05G - INSTALLATION		

Item#	Part	Description	QTY	Notes
1	454190	SUPPORT ASSY	1	
2	453651	SUPPORT ASSY	1	
2	454485	SUPPORT ASSY	1	A
3	457450	SUPPORT OPPOSITE PULLEY SIDE	1	
4	452268	SLEEVE SPACER	2	
5	X3-2250-00	A/C COMPRESSOR ASSY 05G - TWIN PORT		
6	X3-2246-00	A/C CLUTCH 05G - HOUSING MOUNTED		
7	5060086	V-BELT / BX-96 / SET OF 2 9013-2096	AR	
7	5060121	SUPER V-BELT / 2B-96	AR	
9	550840	BELLOW ASSY / BELT TENSIONER / 4" O.D.	1	
12	563423	TRANSDUSER -6.7 to 420 LBS / 1/8 NPT-F	2	
NS	563159	CONNECTOR / METRI-PACK 150 / SH 3C / PED 12065287	1	
14	950249	SCHRADER VALVE 1/4NPT-M	1	
15	501894	MALE BRANCHE TEE / PIPE FITTING / 1/4NPT-Fx1/4NPT-Fx1/4NPT-M BR	1	
16	453380	PRESSURE SWITCH N.C. 350-245 20PS001MB350K245R	1	
18	501332	STREET ELBOW 90° / PIPE FITTING / 1/4NPT-Mx1/4NPT-F BR	1	
19	5011184	FEMALE CONNECTOR / PIPE @ ORB / 1/4NPT-Fx#4ORB-M STL	AR	
20	950461	HOSE ASSY / DISCHARGE W/R-134a / #16 710MM / SS BELLOW	1	
21	501802	O-RING / ORS FITTING / #16 NEO	2	
22	950463	VALVE ASSY / DISCHARGE / W/R134A	1	
23	870751	GASKET	1	
24	870752	GASKET, CAP SEAL	1	
25	870753	GASKET / DISCHARGE VALVE	1	
26	5011133	ELBOW 90° 1/8 NPT X M15 / W/R134A	1	
27	950287	SCHROUDER CAP / HIGH PRESSURE	1	
27A	5011134	GAUGE ADAPTOR ASSY M15 / W/BLACK CAP W/R134A	1	
30	454304	HOSE ASSY / SUCTION W/R-134a / #20 1000MM	1	
31	501803	O-RING / ORS FITTING / #20 NEO	2	
32	950265	VALVE ASSY / SUCTION / W/R134A	1	
33	870751	GASKET	1	
34	870752	GASKET, CAP SEAL	1	
35	870754	GASKET / SUCTION VALVE	1	
36	5011131	ELBOW 90° 1/4 NPT X M13 / W/R134A	1	
36A	5011132	GAUGE ADAPTOR ASSY M13 / W/BLACK CAP W/R134A	1	
37	950288	SCHROUDER CAP / LOW PRESSURE	1	
40	870755	SCREW CAP HEX 1/2-13x2 1/2 G5 ZP	4	
41	870756	GASKET	4	
42	870877	SCREW CAP HEX 5/16-18x2 G5 ZP	2	
43	870750	GASKET	2	
44	X3-2250-15	A/C ELECTRIC UNLOADER - W/05G COMPRESSOR		
45	068370	SUPPORT , A/C COMPRESSOR HARNESS	1	
46	500208	NUT HEX STO 3/8-16 N500	2	

From B-5002 To D-5458	Date:01/2024	PAGE:X3-2245-01
A/C COMPRESSOR 05G - INSTALLATION		

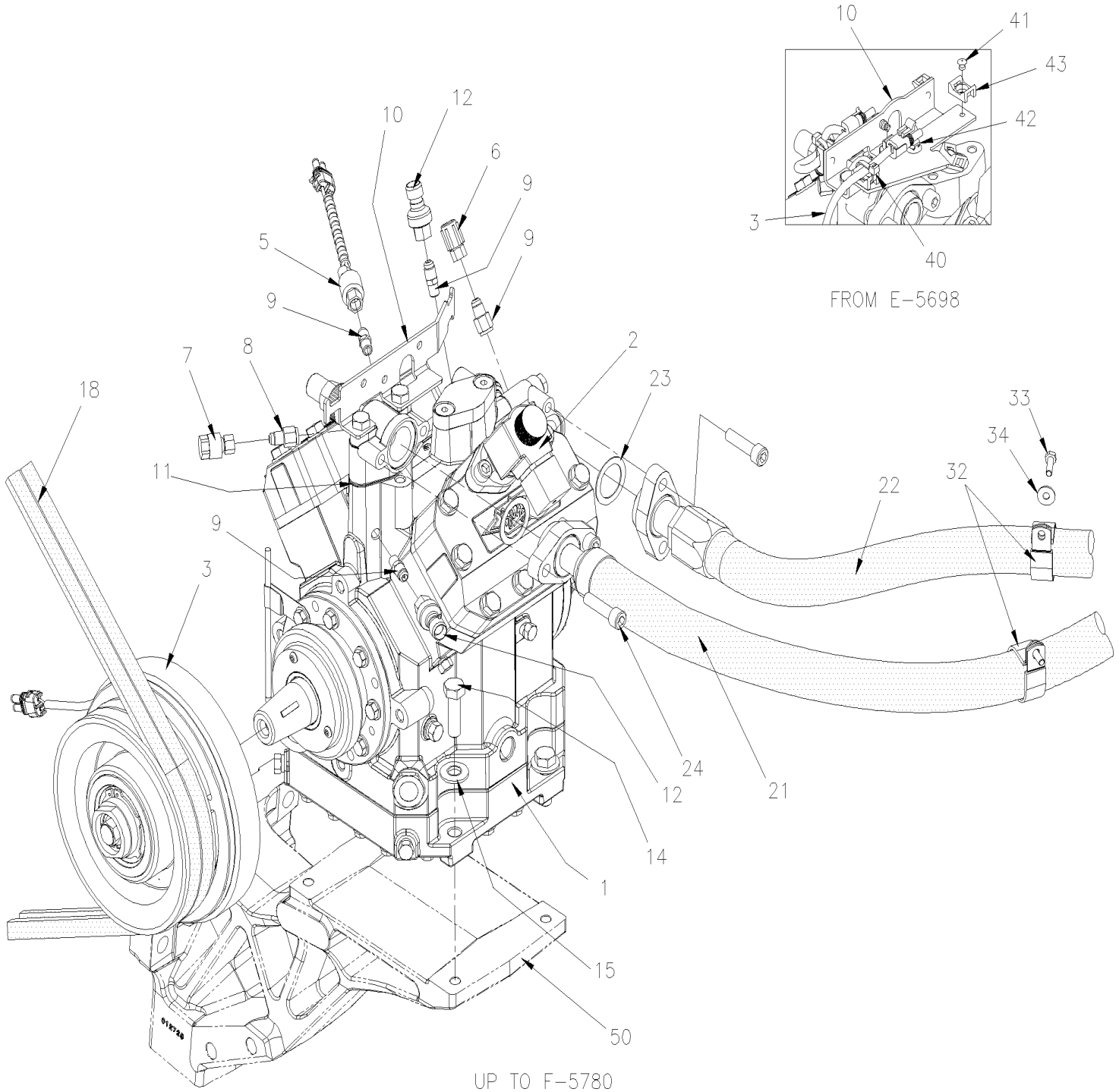
Item#	Part	Description	QTY	Notes
47	950481	STUD	2	
48	509815	TIE MOUNT / ATTACHMENT W/TREE MOUNT	4	
50	952624	CLAMP / 1/4" I.D.	1	
51	500225	SCREW CAP HEX 5/8-11x1 G5 Z050	2	
52	500484	WASHER LO SPT .635x1.079x.156 Z050	2	
53	5001151	WASHER CON 16.5x50.0x4.5 ZP	2	
54	630002	BUSHING / RUBBER / (TWO PIECES) 1" x 1.005" I.D.	4	
55	500997	WASHER FL 1.062x2.500x.125 SS	1	
56	5001741	SCREW CAP HEXF M10-1.5x30 G8.8 N500	4	
57	5001727	NUT HEXF NYRT M10-1.5 N500	1	
58	500192	SCREW CAP HEX 3/8-16x1 1/4 G5 Z050	2	
59	5001737	WASHER LO SPT 10.2x18.1x2.2 N500 To C-5216	3	
59	5001834	WASHER BEL SPR 10.5X23X2.5 N500 From C-5217	3	
60	500832	WASHER FL .406x.812x.065 N500 To C-5216	3	
61	502926	SCREW CAP HEX 3/8-16x7/8 G5 N500	1	
62	5001316	SCREW CAP HEX M10-1.5x45 SS	1	
63	500847	NUT HEX M10-1.5 N500	2	
64	500096	SCREW CAP HEX 1/2-20x3 G5 Z050	2	
65	500446	WASHER FL .531x1.250x.125 Z050	2	
66	500718	NUT HEX STO 1/2-20 Z050	1	
67	500606	SCREW MA TR PH #10-24x3/4 SS	1	
68	500914	WASHER LO SPT .193x.334x.047 N500	1	
69	502882	NUT HEX #10-24 N500	1	
70	502917	NUT HEX JAM 3/4-16 G2 N500	1	
72	641369	MALE ELBOW 90° NON-SWIVEL / PUSH-IN FITTING / #4x1/8NPT-M BR	1	
73	503402	TUBE, NYLON 1/4 O.D. / BLACK S.L.	AR	
90	IS18909	CARRIER TO BITZER AC COMPRESSOR RETROFIT	1	
		A) WITH A/C PARCEL RACK		

From E-5459 To H-6179

Date:01/2024

PAGE:X3-2245-02

A/C COMPRESSOR "BITZER" - INSTALLATION

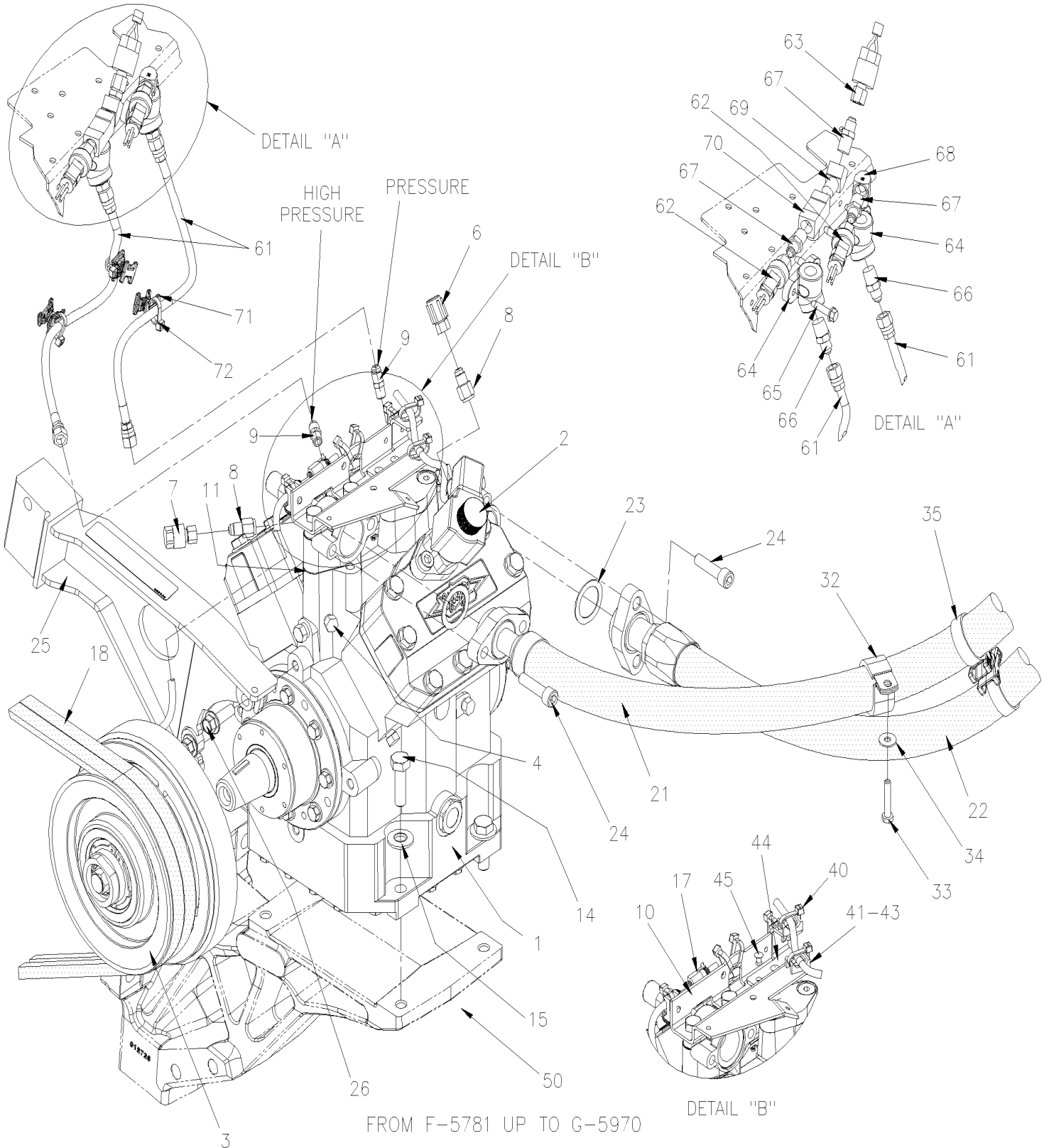


From E-5459 To H-6179

Date:01/2024

PAGE:X3-2245-02

A/C COMPRESSOR "BITZER" - INSTALLATION

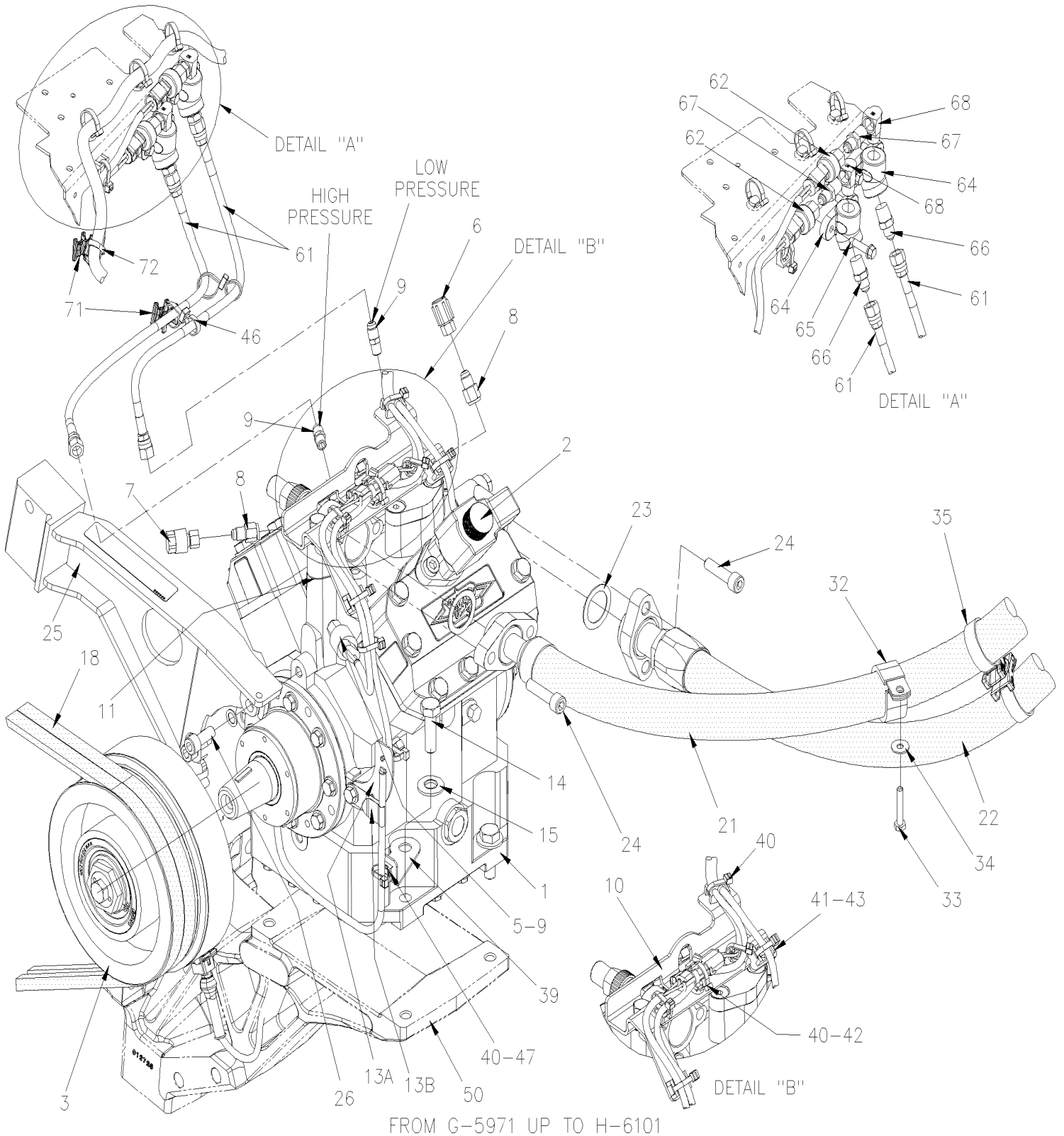


From E-5459 To H-6179

Date:01/2024

PAGE:X3-2245-02

A/C COMPRESSOR "BITZER" - INSTALLATION

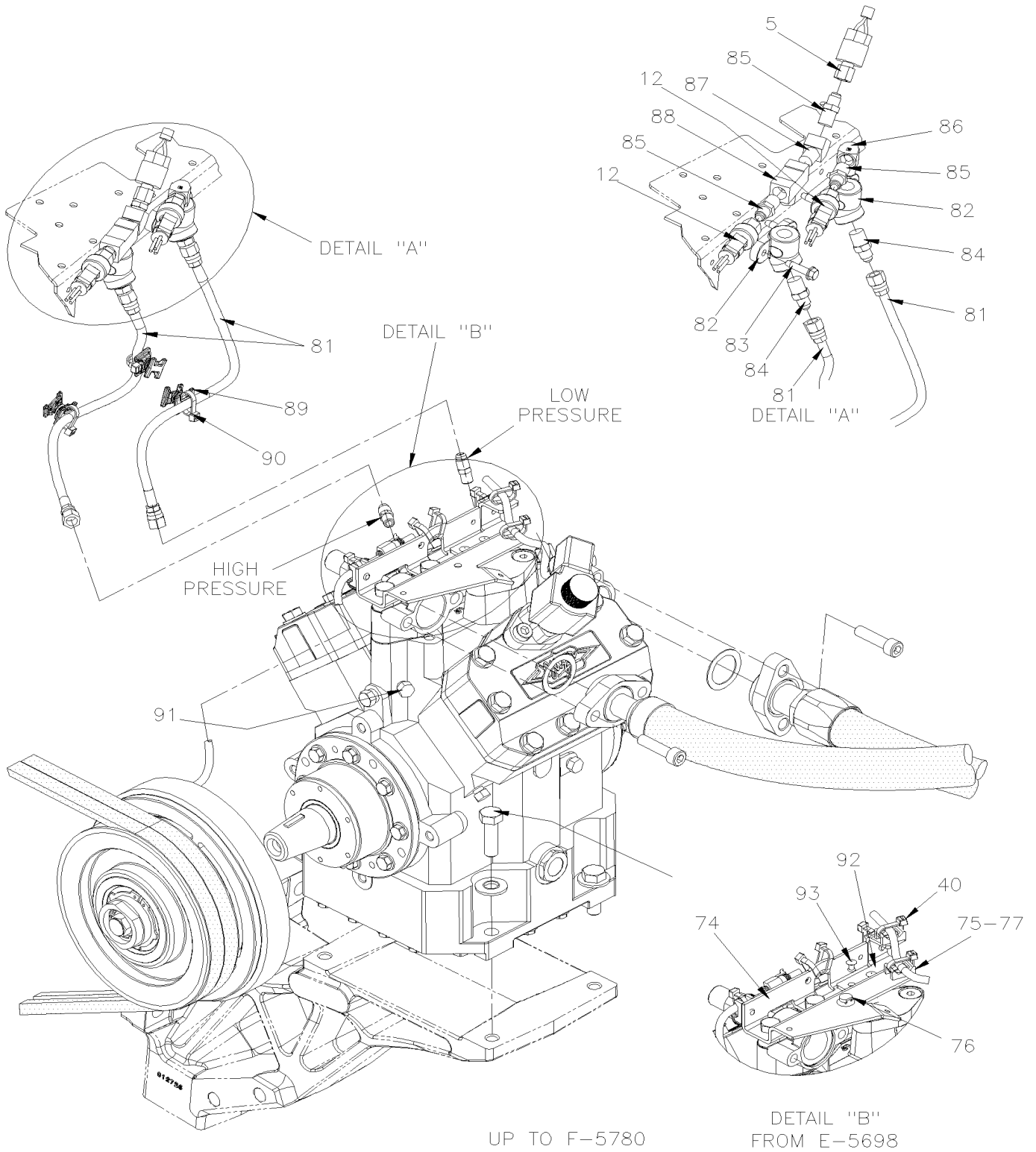


From E-5459 To H-6179

Date:01/2024

PAGE:X3-2245-02

A/C COMPRESSOR "BITZER" - INSTALLATION

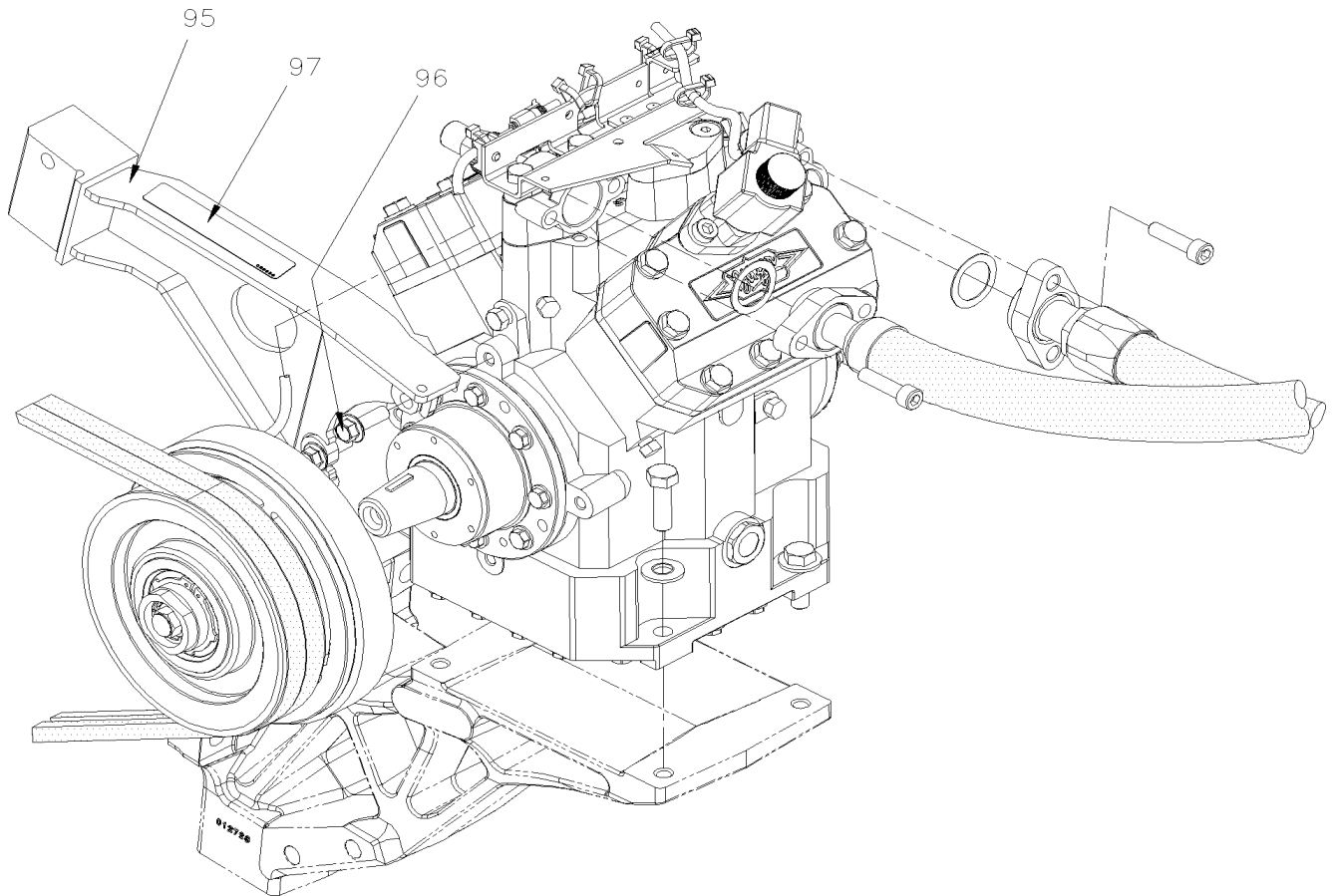


From E-5459 To H-6179

Date:01/2024

PAGE:X3-2245-02

A/C COMPRESSOR "BITZER" - INSTALLATION



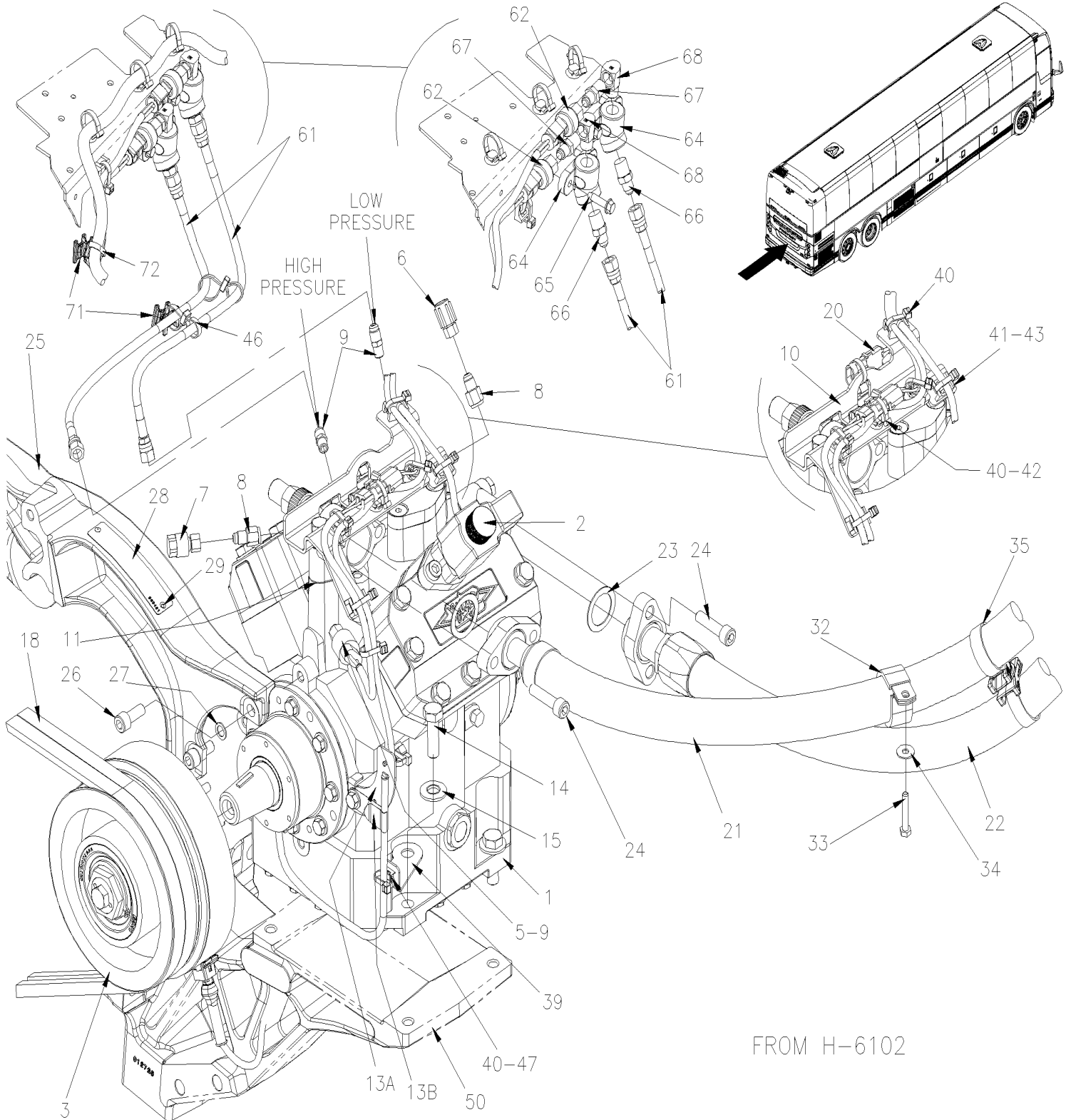
UP TO G-5920

From E-5459 To H-6179

Date:01/2024

PAGE:X3-2245-02

A/C COMPRESSOR "BITZER" - INSTALLATION



From E-5459 To H-6179	Date:01/2024	PAGE:X3-2245-02
A/C COMPRESSOR "BITZER" - INSTALLATION		

Item#	Part	Description	QTY	Notes
	950001D	A/C COMPRESSOR ASSY 4 CYLINDERS W/O CLUTCH W/O VALVES - "BITZER" REMAN To E-5697	1	
	950002	A/C COMPRESSOR ASSY 4 CYLINDERS - "BITZER" From E-5698 To F-5780	1	
	950572	A/C COMPRESSOR ASSY 4 CYLINDERS - "BITZER" From F-5781 To G-5943	1	
	950575	A/C COMPRESSOR ASSY 4 CYLINDERS W/O CLUTCH - "BITZER" From G-5944 To G-5970	1	
	950580	A/C COMPRESSOR ASSY 4 CYLINDERS W/O CLUTCH - "BITZER" From G-5971	1	
	5001775	SCREW CAP HEXS M8-1.25x25 G8.8 G500 From G-5944	4	C
	950494	A/C COMPRESSOR ASSY 4 CYLINDERS W/O CLUTCH W/O VALVES - "BITZER"	1	
NS	680801	OIL, BITZER COMPRESSOR, POE 134A 1 GALLON	AR	
1	X3-2250-01	A/C COMPRESSOR "BITZER" 4NFCY		
2	X3-2250-16	A/C ELECTRIC UNLOADER - WITH "BITZER" COMPRESSOR		
3	X3-2246-01	A/C CLUTCH - WITH "BITZER" COMPRESSOR		
4	501303	PLUG SQUARE HEAD / PIPE FITTING / 1/8NPT-M BR From F-5781 To G-5970	1	
5	950498	PRESSURE SWITCH ASSY To F-5780	1	
NS	561690	CONNECTOR / WEATHER PACK / SH 2C / BLACK / PED 12015792 To F-5780	1	
NS	561567	PIN TERMINAL / 20-18 / PED 12089040 To F-5780	2	
NS	561786	CABLE SEAL / GRAY / PED 15324980 To F-5780	2	
5	950498	PRESSURE SWITCH ASSY From G-5971	1	
NS	561690	CONNECTOR / WEATHER PACK / SH 2C / BLACK / PED 12015792 From G-5971	1	
NS	561567	PIN TERMINAL / 20-18 / PED 12089040 From G-5971	2	
NS	561786	CABLE SEAL / GRAY / PED 15324980 From G-5971	2	
6	950499	ADAPTOR 7/16-20 x R134 13MM	1	
7	950500	ADAPTOR 7/16-20 x R134 16MM	1	
8	950501	ADAPTOR 7/16-20-F x 7/16-20-M To G-5970	2	
8	950466	ADAPTOR 7/16-20-F x 7/16-20-M From G-5971	2	
9	950502	ADAPTOR / SHRADER FITTING / 1/8NPT-M To F-5780	3	
9	950502	ADAPTOR / SHRADER FITTING / 1/8NPT-M From F-5781 To G-5970	2	
9	950502	ADAPTOR / SHRADER FITTING / 1/8NPT-M From G-5971	3	
10	068758	BRACKET WIRIING HARNESS COMPRESSOR To E-5697	1	
10	067349	BRACKET WIRIING HARNESS COMPRESSOR From E-5698 To G-5970	1	
10	069449	BRACKET WIRIING HARNESS COMPRESSOR From G-5971	1	
11	950503	MUFFLER 14MM / 56MM C/C	1	
12	950504	TRANSDUCER 0-500 PSIG To F-5780	2	
13A	069450	BRACKET WIRIING HARNESS COMPRESSOR From G-5971	1	
13B	950532	BRACKET OIL TUBING From G-5971	1	
13B	950975	HOSE From G-5971	1	
14	5001885	SCREW CAP HEX M12-1.75X40 G10.9 N500	4	
15	500967	WASHER BEL SPR .512x1.142x.098 N500	4	
16	069206	CABLE ASSY / A/C COMPRESSOR W/LARGE SYSTEM From E-5698 To G-5970	1	
16	069492	CABLE ASSY / A/C COMPRESSOR W/LARGE SYSTEM From G-5971	1	
17	561690	CONNECTOR / WEATHER PACK / SH 2C / BLACK / PED 12015792 To G-5970	1	
17	561565	CABLE SEAL / GREEN / PED 15324982 To G-5970	2	
17	561567	PIN TERMINAL / 20-18 / PED 12089040 To G-5970	2	

From E-5459 To H-6179	Date:01/2024	PAGE:X3-2245-02
A/C COMPRESSOR "BITZER" - INSTALLATION		

Item#	Part	Description	QTY	Notes
18	5060134	V-BELT / BX-71 / SET OF 2	1	
21	950492	HOSE ASSY / DISCHARGE / #16 / 1185MM	1	
21	950493	HOSE ASSY / DISCHARGE / #16 / 1105MM To E-5612	1	L
21	950525	HOSE ASSY / DISCHARGE / #16 / 980MM From E-5613	1	L
22	950491	HOSE ASSY / SUCTION / #20 / 1110MM To E-5759	1	
22	457685	HOSE ASSY / SUCTION / #20 / 1075MM From F-5760	1	
22	950489	HOSE ASSY / SUCTION / #20 / 950MM To E-5612	1	L
22	454933	HOSE ASSY / SUCTION / #20 / 910MM From E-5613	1	L
23	950957	GASKET	2	
24	950488	SCREW CAP HEXS M10-1.5x40 G10.9	4	
25	457759	SUPPORT, TENSIONNER From G-5921 To G-6007	1	
25	457675	SUPPORT, TENSIONNER WELDED From G-6008 To H-6101	1	
25	457750	SUPPORT, TENSIONNER CASTING From H-6102	1	
25	069356	DECAL "DO NOT POWER WASH ALTERNATORS" ENGLISH From G-5921 To H-6101	1	
26	5001741	SCREW CAP HEXF M10-1.5x30 G8.8 N500 From G-5921 To G-5990	2	
26	5001616	SCREW CAP HEXS M10-1.5X25 G10.9 DP From G-5991	2	
27	502867	WASHER FL .406x.625x.040 N500 From G-6007	2	
28	069421	DECAL "DO NOT POWER WASH ALTERNATORS" From H-6102	1	
29	504339	RIVET POP DOME OE 1/8x3/8 SS From H-6102	2	
NS	680038	THREAD LOCKER LOCTITE #243 / BLUE / 50ml	1	
NS	680098	THREAD SEALANT LOCTITE #567 / WHITE / 250ml	AR	
32	504785	CLAMP / SS / SILICONE RUBBER / 1 1/2" I.D. x .281 HOLE To E-5759	2	
32	504785	CLAMP / SS / SILICONE RUBBER / 1 1/2" I.D. x .281 HOLE From F-5760	1	
33	5001833	WASHER BEL SPR 6.1x18x1.27 SS To E-5759	2	
33	5001833	WASHER BEL SPR 6.1x18x1.27 SS From F-5760	1	
34	502830	SCREW CAP HEX M6-1.0x20 G8.8 N500 To E-5759	2	
34	502888	SCREW CAP HEX M6-1.0x35 G8.8 N500 From F-5760	1	
35	504752	ROTATIF SPACER DOUBLE / LARGE	1	
35	509491	CABLE TIE / 13MM x 383MM	2	
39	069481	BRACKET WIRIING HARNESS COMPRESSOR From G-5971	1	
40	504637	CABLE TIE / 3/16" x 13" From E-5698	AR	
41	504379	RIVET POP DOME OE 3/16x1/4 SS From E-5698	5	
42	509815	TIE MOUNT / ATTACHMENT W/TREE MOUNT From E-5698 To F-5780	2	
42	509815	TIE MOUNT / ATTACHMENT W/TREE MOUNT From G-5971	1	
43	504013	TIE MOUNT / 1/4" X 1/4" I.D. From E-5698	5	
44	069099	SUPPROT WIRIING HARNESS COMPRESSOR From F-5781 To G-5970	1	
45	504379	RIVET POP DOME OE 3/16x1/4 SS From F-5781 To G-5970	2	
46	507664	CABLE TIE / 3/16" 11" / DOUBLE LOOP HEAD From G-5971	AR	
47	504810	TIE MOUNT / #8 From G-5971	2	
47	504340	RIVET POP DOME OE 1/8x3/16 SS From G-5971	2	
50	X3-0150-01	ENGINE CRADLE - WITH VOLVO D13 To H-6179		

From E-5459 To H-6179	Date:01/2024	PAGE:X3-2245-02
A/C COMPRESSOR "BITZER" - INSTALLATION		

Item#	Part	Description	QTY	Notes
50	X3-0150-02	ENGINE CRADLE - WITH VOLVO D13 - GHG17 From H-6180		
61	457743	HOSE ASSY / #4 / 400MM From F-5781 To G-5970	2	
61	457772	HOSE ASSY / #4 / 425MM From G-5971	2	
62	950504	TRANSDUCER 0-500 PSIG From F-5781	2	
63	950498	PRESSURE SWITCH ASSY From F-5781 To G-5970	1	
. NS	561690	. CONNECTOR / WEATHER PACK / SH 2C / BLACK / PED 12015792 From F-5781 To G-5970	1	
. NS	561567	. PIN TERMINAL / 20-18 / PED 12089040 From F-5781 To G-5970	2	
. NS	561786	. CABLE SEAL / GRAY / PED 15324980 From F-5781 To G-5970	2	
64	640643	ANCHOR ELBOW / PIPE FITTING / 1/4NPT-Fx1/4NPT-F STL From F-5781	2	
65	500266	SCREW TC CAP HEX 1/4-20x1 N500 From F-5781	4	
66	501027	MALE CONNECTOR / SAE 45° FITTING / #4FL-Mx1/4NPT-M BR From F-5781	2	
67	950249	SCHRADER VALVE 1/4NPT-M From F-5781 To G-5970	3	
67	950249	SCHRADER VALVE 1/4NPT-M From G-5971	2	
68	501332	STREET ELBOW 90° / PIPE FITTING / 1/4NPT-Mx1/4NPT-F BR From F-5781 To G-5970	1	
68	501332	STREET ELBOW 90° / PIPE FITTING / 1/4NPT-Mx1/4NPT-F BR From G-5971	2	
69	501329	STREET ELBOW 45° / PIPE FITTING / 1/4NPT-Mx1/4NPT-F BR From F-5781 To G-5970	1	
70	501894	MALE BRANCHE TEE / PIPE FITTING / 1/4NPT-Fx1/4NPT-Fx1/4NPT-M BR From F-5781 To G-5970	1	
71	504751	ROTATIF SPACER DOUBLE / SMALL From F-5781	4	
72	504637	CABLE TIE / 3/16" x 13" From F-5781	AR	
73	WB14-06	BRACKET WIRIING HARNESS COMPRESSOR REPLACEMENT To E-5697	1	
73	069206	. CABLE ASSY / A/C COMPRESSOR W/LARGE SYSTEM To E-5697	1	
74	067349	. BRACKET WIRIING HARNESS COMPRESSOR To E-5697	1	
75	504379	. RIVET POP DOME OE 3/16x1/4 SS To E-5697	5	
76	509815	. TIE MOUNT / ATTACHMENT W/TREE MOUNT To E-5697	1	
77	504013	. TIE MOUNT / 1/4" X 1/4" I.D. To E-5697	5	
78	504637	CABLE TIE / 3/16" x 13" To E-5697	AR	
80	WB14-06-1	RELOCATION PRESSURE SWITCHES & TRANSDUCER To F-5780		
81	457743	. HOSE ASSY / #4 / 400MM To F-5780	2	
82	640643	. ANCHOR ELBOW / PIPE FITTING / 1/4NPT-Fx1/4NPT-F STL To F-5780	2	
83	500266	. SCREW TC CAP HEX 1/4-20x1 N500 To F-5780	4	
84	501027	. MALE CONNECTOR / SAE 45° FITTING / #4FL-Mx1/4NPT-M BR To F-5780	2	
85	950249	. SCHRADER VALVE 1/4NPT-M To F-5780	3	
86	501332	. STREET ELBOW 90° / PIPE FITTING / 1/4NPT-Mx1/4NPT-F BR To F-5780	1	
87	501329	. STREET ELBOW 45° / PIPE FITTING / 1/4NPT-Mx1/4NPT-F BR To F-5780	1	
88	501894	. MALE BRANCHE TEE / PIPE FITTING / 1/4NPT-Fx1/4NPT-Fx1/4NPT-M BR To F-5780	1	
89	504751	. ROTATIF SPACER DOUBLE / SMALL To F-5780	4	
90	504637	. CABLE TIE / 3/16" x 13" To F-5780	AR	
91	501303	. PLUG SQUARE HEAD / PIPE FITTING / 1/8NPT-M BR To F-5780	1	
92	069099	. SUPPROT WIRIING HARNESS COMPRESSOR To F-5780	1	

From E-5459 To H-6179	Date:01/2024	PAGE:X3-2245-02
A/C COMPRESSOR "BITZER" - INSTALLATION		

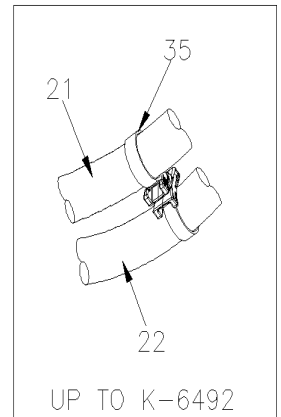
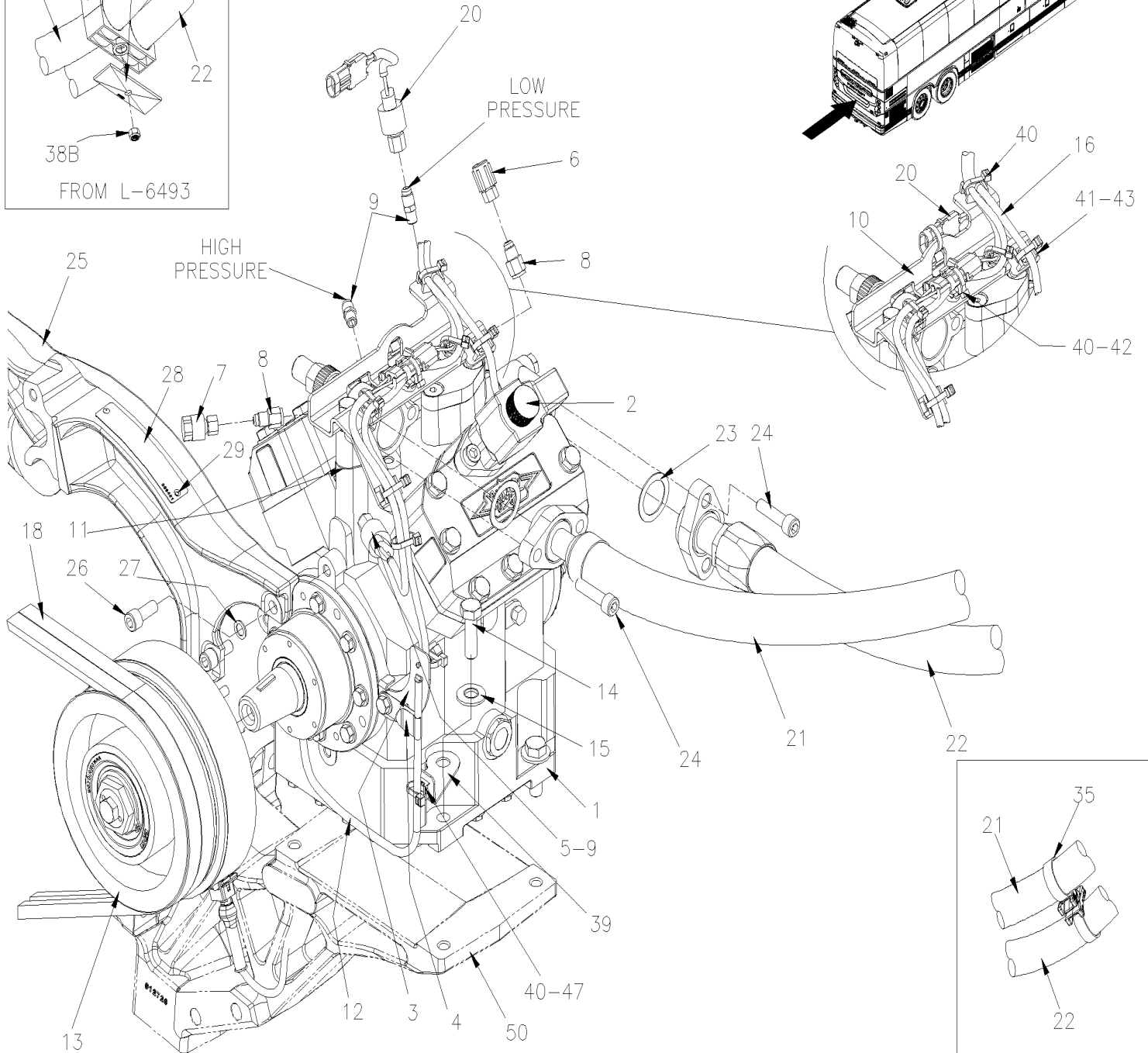
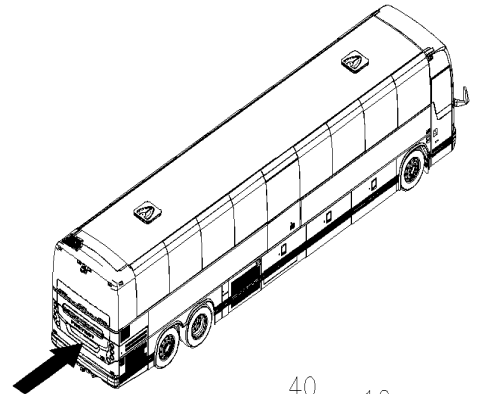
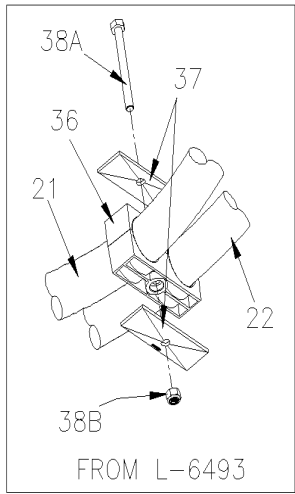
Item#	Part	Description	QTY	Notes
93	504379	. RIVET POP DOME OE 3/16x1/4 SS To F-5780	2	
95	457769	SUPPORT A/C COMPRESSOR KIT To G-5920	1	
95	457675	. SUPPORT, TENSIONNER WELDED To G-5920	1	S
96	5001616	. SCREW CAP HEXS M10-1.5X25 G10.9 DP To G-5920	2	S
97	069356	. DECAL "DO NOT POWER WASH ALTERNATORS" ENGLISH To G-5920	1	
		C) USE TO FIX THE CLUTCH TO THE COMPRESSOR		
		L) WITHOUT LAVATORY		
		S) SERVICE		

From H-6180

Date:01/2024

PAGE:X3-2245-03

A/C COMPRESSOR "BITZER" - INSTALLATION



From H-6180		Date:01/2024	PAGE:X3-2245-03
-------------	--	--------------	-----------------

A/C COMPRESSOR "BITZER" - INSTALLATION

Item#	Part	Description	QTY	Notes
	950580	A/C COMPRESSOR ASSY 4 CYLINDERS W/O CLUTCH - "BITZER"	1	
	5001775	SCREW CAP HEXS M8-1.25x25 G8.8 G500	4	C
	950494	. A/C COMPRESSOR ASSY 4 CYLINDERS W/O CLUTCH W/O VALVES - "BITZER"	1	
. NS	680801	. . OIL, BITZER COMPRESSOR, POE 134A 1 GALLON	AR	
1	X3-2250-01	. A/C COMPRESSOR "BITZER" 4NFCY		
2	X3-2250-16	. A/C ELECTRIC UNLOADER - WITH "BITZER" COMPRESSOR		
3	069450	. BRACKET WIRIING HARNESS COMPRESSOR	1	
4	950532	. BRACKET OIL TUBING	1	
5	950498	. PRESSURE SWITCH ASSY	1	
. NS	561690	. . CONNECTOR / WEATHER PACK / SH 2C / BLACK / PED 12015792	1	
. NS	561567	. . PIN TERMINAL / 20-18 / PED 12089040	2	
. NS	561786	. . CABLE SEAL / GRAY / PED 15324980	2	
6	950499	. ADAPTOR 7/16-20 x R134 13MM	1	
7	950500	. ADAPTOR 7/16-20 x R134 16MM	1	
8	950466	. ADAPTOR 7/16-20-F x 7/16-20-M	2	
9	950502	. ADAPTOR / SHRADER FITTING / 1/8NPT-M	3	
10	069449	. BRACKET WIRIING HARNESS COMPRESSOR	1	
11	950503	. MUFFLER 14MM / 56MM C/C	1	
12	950975	. HOSE	1	
13	X3-2246-01	A/C CLUTCH - WITH "BITZER" COMPRESSOR		
14	5001885	SCREW CAP HEX M12-1.75X40 G10.9 N500 To N-6738	4	
14	5001582	SCREW CAP HEX M12-1.75x50 G10.9 DP From N-6739	4	
15	500967	WASHER BEL SPR .512x1.142x.098 N500 To N-6738	4	
15	5001877	WASHER BEL SPR .512x1.000x.073 SS From N-6739	4	
16	060040	CABLE ASSY / WITH "ALISSON" TRANSMISSION To J-6244	1	
16	061434	CABLE ASSY / WITH "ALISSON" TRANSMISSION From J-6245 To N-6738	1	
16	0610557	CABLE ASSY / WITH "ALISSON" TRANSMISSION From N-6739	1	
16	060118	CABLE ASSY / WITH "I-SHIFT" TRANSMISSION To J-6244	1	
16	061475	CABLE ASSY / WITH "I-SHIFT" TRANSMISSION From J-6245 To N-6738	1	
16	0610558	CABLE ASSY / WITH "I-SHIFT" TRANSMISSION From N-6739	1	
16	061482	CABLE ASSY / A/C COMPRESSOR W/LARGE SYSTEM From N-6739	1	
18	5060134	V-BELT / BX-71 / SET OF 2 To K-6409	1	
18	5060142	V-BELT / BX-71 From K-6410 To K-6483	2	
18	5060134	V-BELT / BX-71 / SET OF 2 From K-6484 To M-6657	1	
18	5060137	SUPER V-BELT / 5VX740 From M-6658	2	
20	452831	PRESSURE SWITCH N.O. 30-5 20SP001MA030C005C From J-6245	1	
21	950536	HOSE ASSY / DISCHARGE / #16 / 780MM To J-6321	1	
21	950591	HOSE ASSY / DISCHARGE / #16 / 755MM From J-6322 To N-6738	1	
21	950640	HOSE ASSY / DISCHARGE / #16 / 780MM From N-6739	1	
21	950525	HOSE ASSY / DISCHARGE / #16 / 980MM	1	L

From H-6180		Date:01/2024	PAGE:X3-2245-03
A/C COMPRESSOR "BITZER" - INSTALLATION			

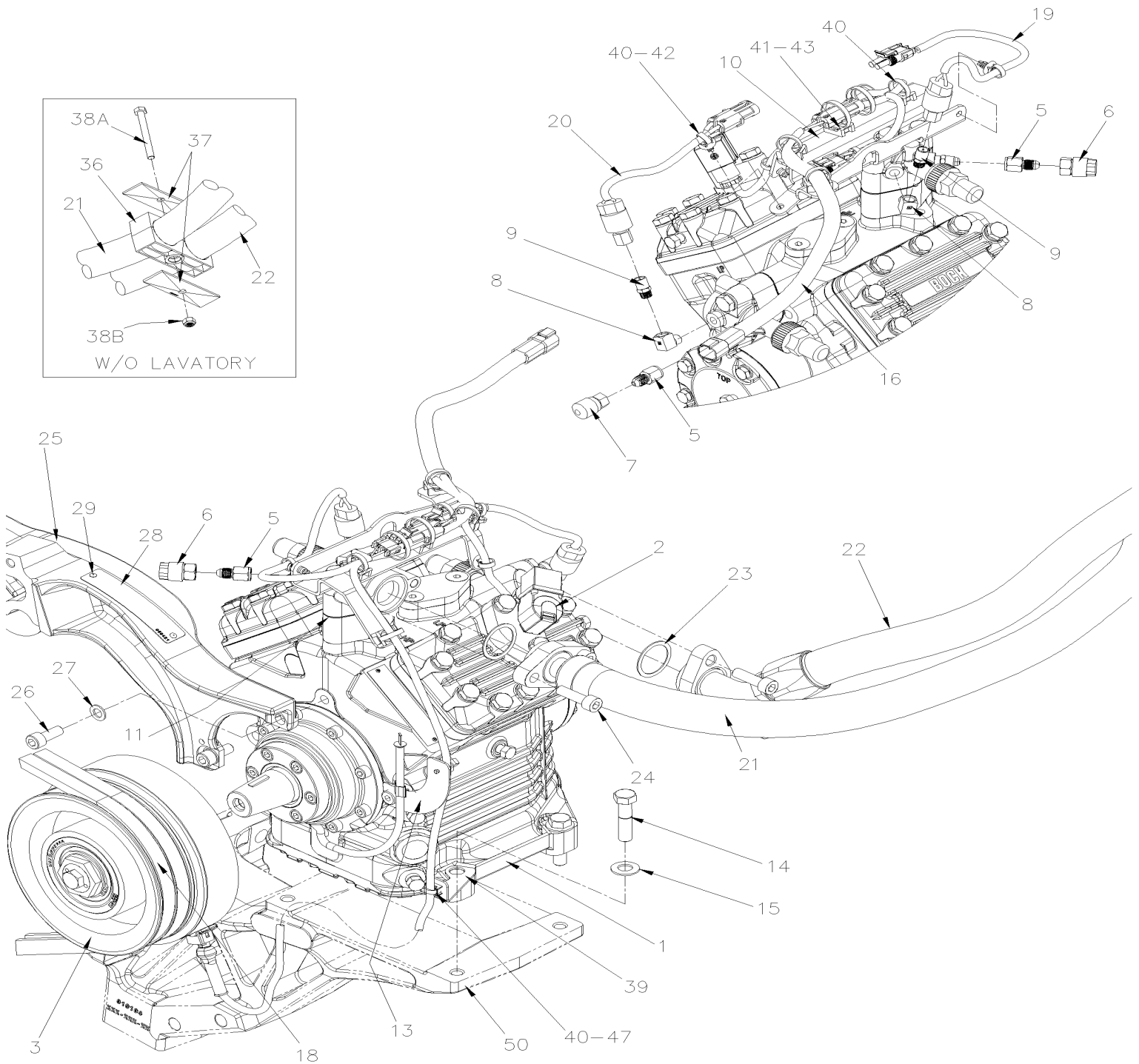
Item#	Part	Description	QTY	Notes
22	950535	HOSE ASSY / SUCTION / #20 / 860MM To K-6492	1	
22	950535	HOSE ASSY / SUCTION / #20 / 860MM From L-6493	1	B
22	950592	HOSE ASSY / SUCTION / #20 / 900MM From L-6493	1	A
22	454933	HOSE ASSY / SUCTION / #20 / 910MM	1	L
23	950957	GASKET	2	
24	950488	SCREW CAP HEXS M10-1.5x40 G10.9	4	
25	457750	SUPPORT, TENSIONNER CASTING To K-6439	1	
25	450580	SUPPORT, TENSIONNER CASTING From K-6440 To N-6738	1	
25	454767	SUPPORT, TENSIONNER CASTING From N-6739	1	
26	5001616	SCREW CAP HEXS M10-1.5X25 G10.9 DP	2	
27	502867	WASHER FL .406x.625x.040 N500 To N-6738	2	
27	5001935	WASHER FL 10.5x18.0x1.6 SS From N-6739	1	
28	069421	DECAL "DO NOT POWER WASH ALTERNATORS"	1	
29	504339	RIVET POP DOME OE 1/8x3/8 SS	2	
NS	680038	THREAD LOCKER LOCTITE #243 / BLUE / 50ml	AR	
31	680098	THREAD SEALANT LOCTITE #567 / WHITE / 250ml	AR	
35	504752	ROTATIF SPACER DOUBLE / LARGE To K-6492	1	L
35	509491	CABLE TIE / 13MM x 383MM To K-6492	2	L
36	504181	CLAMP DOUBLE ASS / SPLIT BLOC / 40MM/40MM x 106MM POLYA From L-6493	1	L
37	504160	PLATE RETAINER 102MM SS From L-6493	2	L
38A	5001185	SCREW CAP HEX M8-1.25x80 SS BK From L-6493	1	L
38B	5001983	NUT HEX NYRT M8-1.25 SS SS BK From L-6493	1	L
39	069481	BRACKET WIRIING HARNESS COMPRESSOR	1	
40	504637	CABLE TIE / 3/16" x 13"	AR	
41	504379	RIVET POP DOME OE 3/16x1/4 SS	5	
42	509815	TIE MOUNT / ATTACHMENT W/TREE MOUNT To J-6244	1	
42	509815	TIE MOUNT / ATTACHMENT W/TREE MOUNT From J-6245	3	
43	504013	TIE MOUNT / 1/4" X 1/4" I.D.	5	
NS	507664	CABLE TIE / 3/16" 11" / DOUBLE LOOP HEAD	AR	
47	504810	TIE MOUNT / #8	2	
47	504340	RIVET POP DOME OE 1/8x3/16 SS	2	
50	X3-0150-02	ENGINE CRADLE - WITH VOLVO D13 - GHG17		
		A) WITH A/C PARCEL-RACK		
		B) WITHOUT A/C PARCEL-RACK		
		C) USE TO FIX THE CLUTCH TO THE COMPRESSOR		
		L) WITHOUT LAVATORY		

From N-6739

Date:01/2024

PAGE:X3-2245-20

A/C COMPRESSOR "BOCK" - INSTALLATION



From N-6739		Date:01/2024	PAGE:X3-2245-20
-------------	--	--------------	-----------------

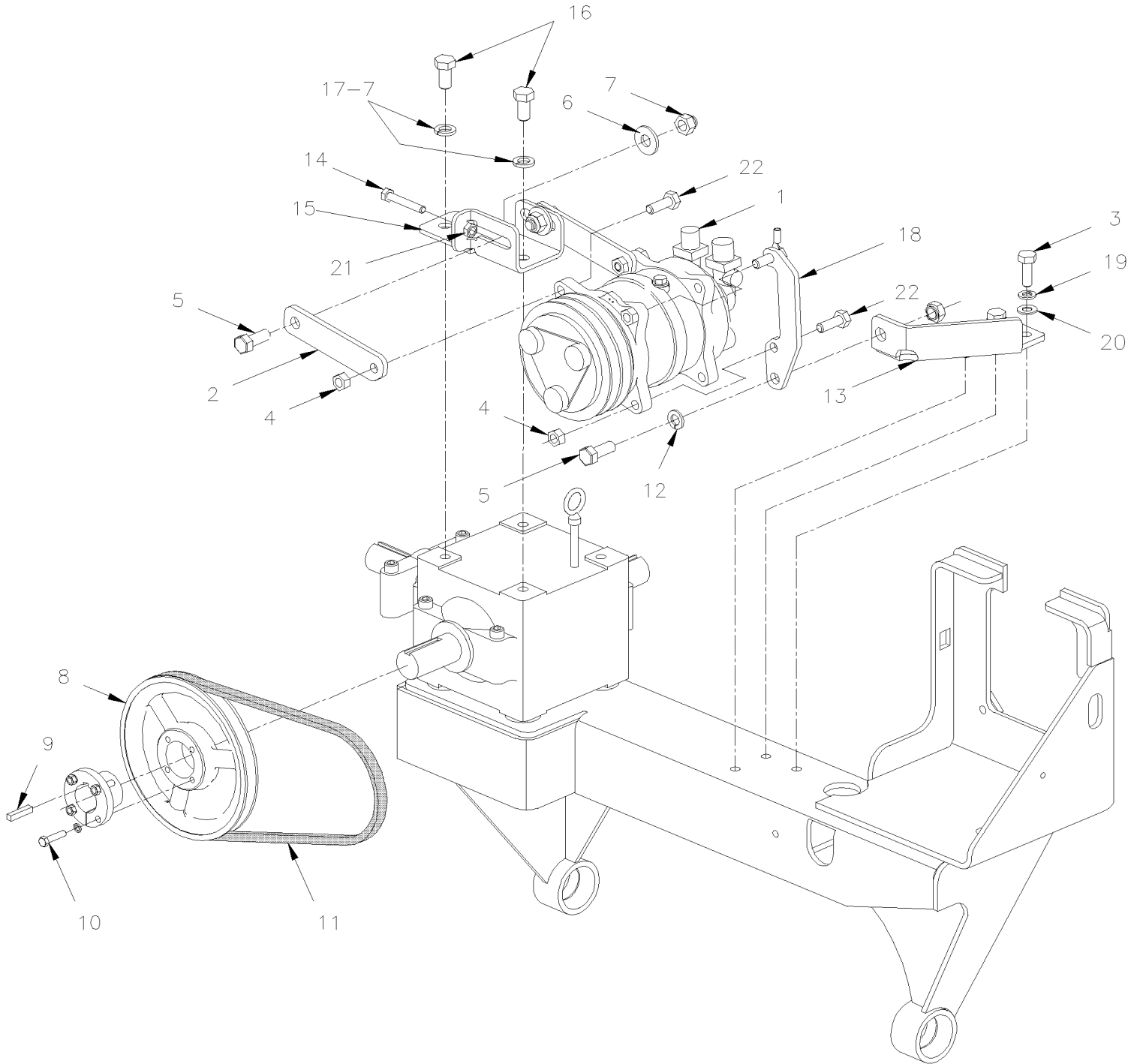
A/C COMPRESSOR "BOCK" - INSTALLATION

Item#	Part	Description	QTY	Notes
	950612	A/C COMPRESSOR ASSY 4 CYLINDERS W/CLUTCH - "BOCK" FK40/655K	1	
NS	680801	OIL, BITZER COMPRESSOR, POE 134A 1 GALLON	AR	
1	X3-2250-20	. A/C COMPRESSOR "BOCK"		
2	X3-2250-35	. A/C ELECTRIC UNLOADER - WITH "BOCK" COMPRESSOR		
3	X3-2246-20	. A/C CLUTCH - WITH "BOCK" COMPRESSOR		
5	950501	ADAPTOR 7/16-20-F x 7/16-20-M	2	
6	950500	ADAPTOR 7/16-20 x R134 16MM	1	
7	950499	ADAPTOR 7/16-20 x R134 13MM	1	
8	501331	STREET ELBOW 90° / PIPE FITTING / 1/8NPT-Mx1/8NPT-F BR	2	
9	950030	SCHRADER VALVE 1/8NPT-M	2	
10	0610598	BRACKET WIRIING HARNESS COMPRESSOR	1	
11	950642	GASKET- VALVE FLANGE	2	
13	0610265	BRACKET WIRIING HARNESS COMPRESSOR	1	
14	5001582	SCREW CAP HEX M12-1.75x50 G10.9 DP	4	
15	5001877	WASHER BEL SPR .512x1.000x.073 SS	4	
16	0610550	CABLE ASSY / A/C COMPRESSOR W/LARGE SYSTEM	1	
18	5060134	V-BELT / BX-71 / SET OF 2 To M-6657	1	
18	5060137	SUPER V-BELT / 5VX740 From M-6658	2	
19	950498	PRESSURE SWITCH ASSY	1	
. NS	561690	. CONNECTOR / WEATHER PACK / SH 2C / BLACK / PED 12015792	1	
. NS	561567	. PIN TERMINAL / 20-18 / PED 12089040	2	
. NS	561786	. CABLE SEAL / GRAY / PED 15324980	2	
20	452831	PRESSURE SWITCH N.O. 30-5 20SP001MA030C005C	1	
21	950640	HOSE ASSY / DISCHARGE / #16 / 780MM	1	
21	950525	HOSE ASSY / DISCHARGE / #16 / 980MM	1	L
22	950535	HOSE ASSY / SUCTION / #20 / 860MM	1	B
22	950592	HOSE ASSY / SUCTION / #20 / 900MM	1	A
22	454933	HOSE ASSY / SUCTION / #20 / 910MM	1	L
23	950643	GASKET RING	2	
24	5001620	SCREW CAP HEXS M10-1.5X35 G10.9 G500	4	
25	454767	SUPPORT, TENSIONNER CASTING	1	
26	5001616	SCREW CAP HEXS M10-1.5X25 G10.9 DP	2	
27	5001935	WASHER FL 10.5x18.0x1.6 SS	2	
28	069421	DECAL "DO NOT POWER WASH ALTERNATORS"	1	
29	504339	RIVET POP DOME OE 1/8x3/8 SS	2	
NS	680038	THREAD LOCKER LOCTITE #243 / BLUE / 50ml	AR	
NS	680098	THREAD SEALANT LOCTITE #567 / WHITE / 250ml	AR	
36	504181	CLAMP DOUBLE ASS / SPLIT BLOC / 40MM/40MM x 106MM POLYA	1	L
37	504160	PLATE RETAINER 102MM SS	2	L
38A	5001185	SCREW CAP HEX M8-1.25x80 SS BK	1	L
38B	5001983	NUT HEX NYRT M8-1.25 SS SS BK	1	L
39	0610264	BRACKET WIRIING HARNESS COMPRESSOR	1	

From N-6739	Date:01/2024	PAGE:X3-2245-20
A/C COMPRESSOR "BOCK" - INSTALLATION		

Item#	Part	Description	QTY	Notes
40	504637	CABLE TIE / 3/16" x 13"	AR	
41	504379	RIVET POP DOME OE 3/16x1/4 SS	5	
42	509815	TIE MOUNT / ATTACHMENT W/TREE MOUNT	5	
43	504013	TIE MOUNT / 1/4" X 1/4" I.D.	5	
47	504810	TIE MOUNT / #8	2	
47	504340	RIVET POP DOME OE 1/8x3/16 SS	2	
50	X3-0150-02	ENGINE CRADLE - WITH VOLVO D13 - GHG17		
253	OC2020029	REFERENCE ONLY £-20029 From M-6658	1	
		A) WITH A/C PARCEL-RACK		
		B) WITHOUT A/C PARCEL-RACK		
		L) WITHOUT LAVATORY		

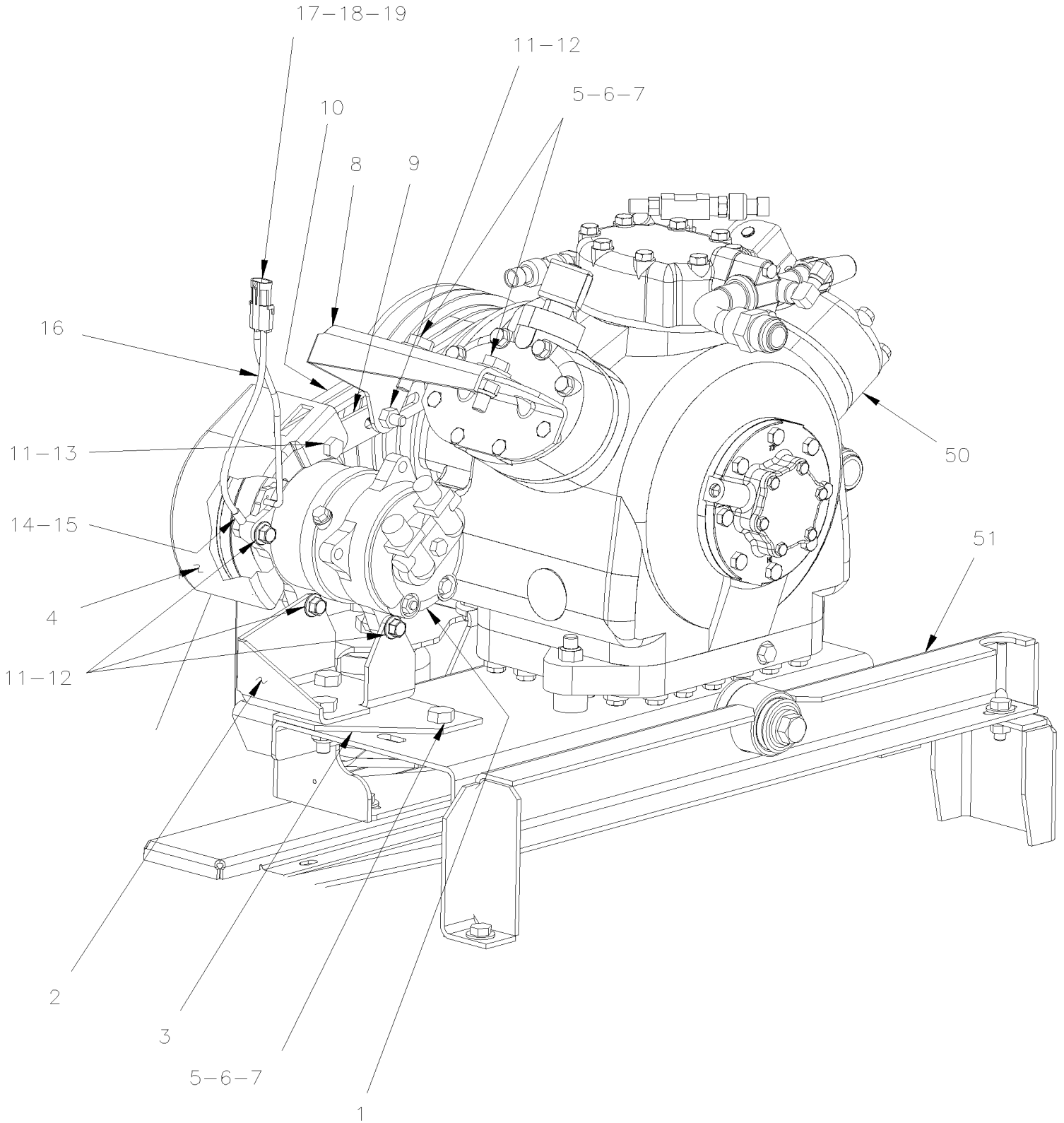
A/C COMPRESSOR SMALL - INSTALLATION



From 7-8754 To 8-9276	Date:01/2024	PAGE:X3-2245-10
A/C COMPRESSOR SMALL - INSTALLATION		

Item#	Part	Description	QTY	Notes
1	950372	A/C COMPRESSOR ASSY "TH16HD"	1	
NS	950445	MANIFOLD FITTING 3/4-16 & 7/8-14	1	
2	454143	TENSIONER 122.7MM C/C	2	A
2	455491	TENSIONER 187.5MM C/C	2	R
3	500065	SCREW CAP HEX M10-1.5x30 G10.9 DP	3	
4	5001758	NUT HEX STO M10-1.5 N500	4	
5	970970	SCREW CAP HEX M12-1.75x30 G8.8 ZG603	3	
6	971084	NUT HEX STO M12-1.75 ZG603	2	
7	500211	WASHER FL .531x1.250x.125 N500	2	
8	950392	PULLEY DRIVE 7.25 O.D. / DOUBLE "V"	1	
9	550186	KEY 1/4" X 1/4" X 1 1/4"	1	
10	950389	CONE BUSHING 1 1/4 I.D X 2 1/8 O.D. X 3 5/16	1	
11	506685	V-BELT / A-35 9002-2035	2	
11	508420	V-BELT / A-33 9002-2033	2	R
12	500747	WASHER LO SPT 12.2x21.1x2.5 N500	1	
13	454137	PIVOT ASSY / SUPPORT	1	
14	502757	SCREW CAP HEX M8-1.25x50 G8.8 N500	1	
15	454127	TENSIONNER SUPPORT	1	
16	5001565	SCREW CAP HEX 1/2-13x1 G5 N500	2	
17	500944	WASHER LO SPT .506x.873x.125 N500	2	
18	454138	PIVOT ASSY / COMPRESSOR	2	
19	3852496	WASHER LO SPT 10.2x18.1x2.2 ZG603	3	
20	500832	WASHER FL .406x.812x.065 N500	3	
21	502851	NUT HEX M8-1.25 N500	1	
22	970949	SCREW CAP HEX M10-1.5x35 G8.8 ZG603	6	
22	5001316	SCREW CAP HEX M10-1.5x45 SS	2	R
NS	455492	KIT RETROFIT TENSIONER W/SHORTER BELT	AR	
		A) FOR PRODUCT IMPROVEMENT WHEN COMPRESSOR BELT RUB ON AIR PIPE ASK FOR KIT # 455492		
		R) INCLUDE WITH RETROKIT KIT # 455492		

A/C COMPRESSOR SMALL - INSTALLATION



From 8-9277 To B-5001	Date:01/2024	PAGE:X3-2245-11
-----------------------	--------------	-----------------

A/C COMPRESSOR SMALL - INSTALLATION

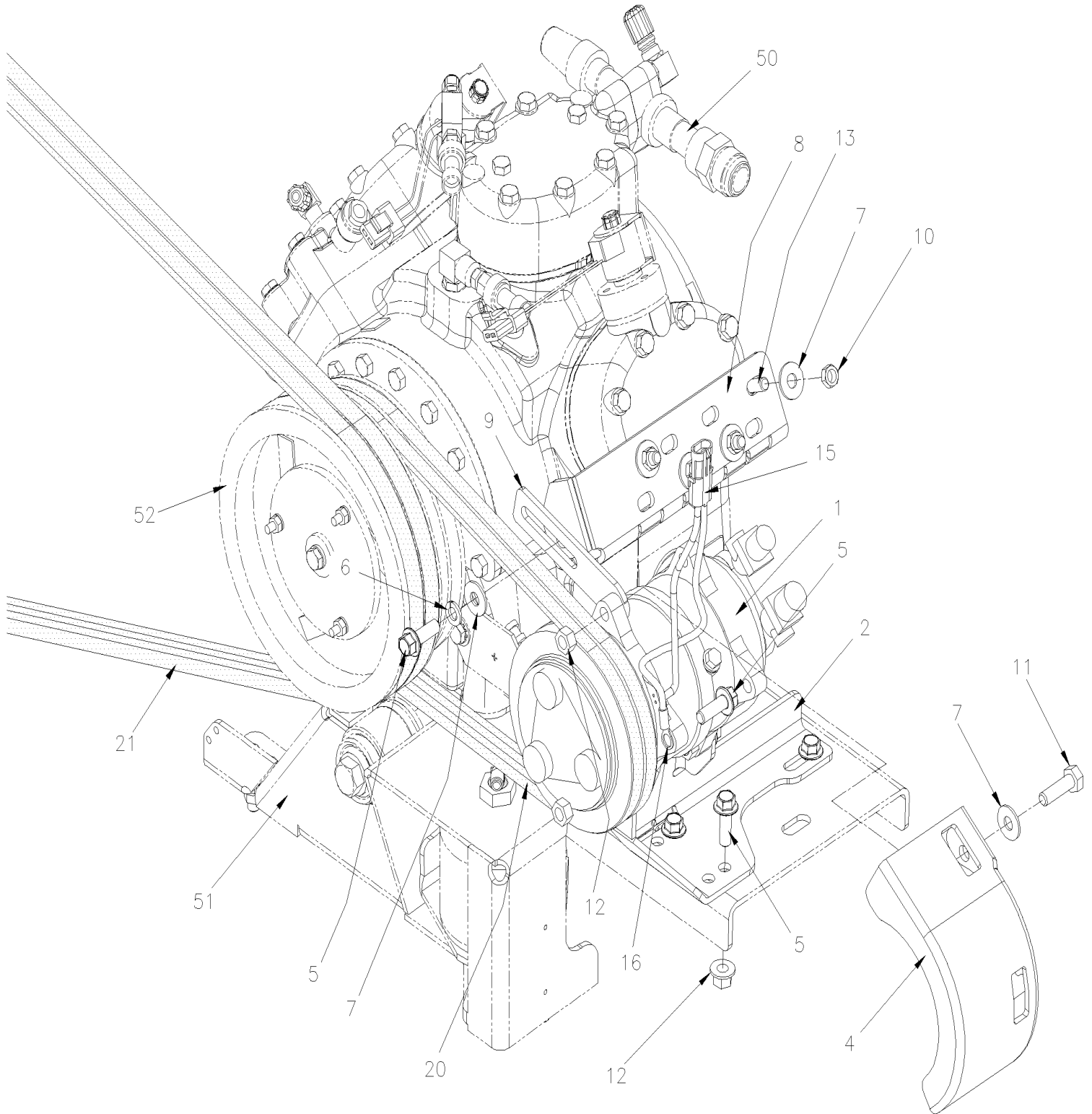
Item#	Part	Description	QTY	Notes
1	950436	A/C COMPRESSOR ASSY "SD7"	1	
NS	950445	MANIFOLD FITTING 3/4-16 & 7/8-14	1	
2	454430	SUPPORT SMALL A/C COMPRESSOR	1	
3	454431	SUPPORT TRANSITION SMALL A/C COMPRESSOR	1	
4	454145	GUARD PULLEY	1	
5	502731	SCREW CAP HEX M12-1.75x40 G8.8 Z050	6	
6	500446	WASHER FL .531x1.250x.125 Z050	6	
7	500811	NUT HEX STO M12-1.75 G500	6	
8	454429	PLATE TRANSITION UPPER SMALL A/C COMPRESSOR	1	
9	454502	TENSIONER SMALL A/C COMPRESSOR 140MM	1	
10	5060080	V-BELT / AX-41 / SET OF 2 9012-2041	1	S
11	5001758	NUT HEX STO M10-1.5 N500	5	
12	5001741	SCREW CAP HEXF M10-1.5x30 G8.8 N500	4	
13	5001754	SCREW CAP HEX M10-1.5x35 G8.8 N500	1	
14	560093	RING TERMINAL .375 / 16-14 / INSULATED / AMP 330896	1	
15	684013	RUBBER PROTECTOR / COLOR GUARD 14.5oz	AR	
16	560673	WIRE CABLE 16 / BLACK / GXL	AR	
17	561566	CONNECTOR / WEATHER PACK / PH 2C / BLACK / PED 12010973	1	
18	561568	PIN TERMINAL / 16-14 / PED 12089305	2	
19	561565	CABLE SEAL / GREEN / PED 15324982	2	
50	X3-2250-00	A/C COMPRESSOR ASSY 05G - TWIN PORT		
51	X3-2245-00	A/C COMPRESSOR 05G - INSTALLATION - MUX		
		S) MATCH SET OF 2		

From B-5002 To D-5458

Date:01/2024

PAGE:X3-2245-12

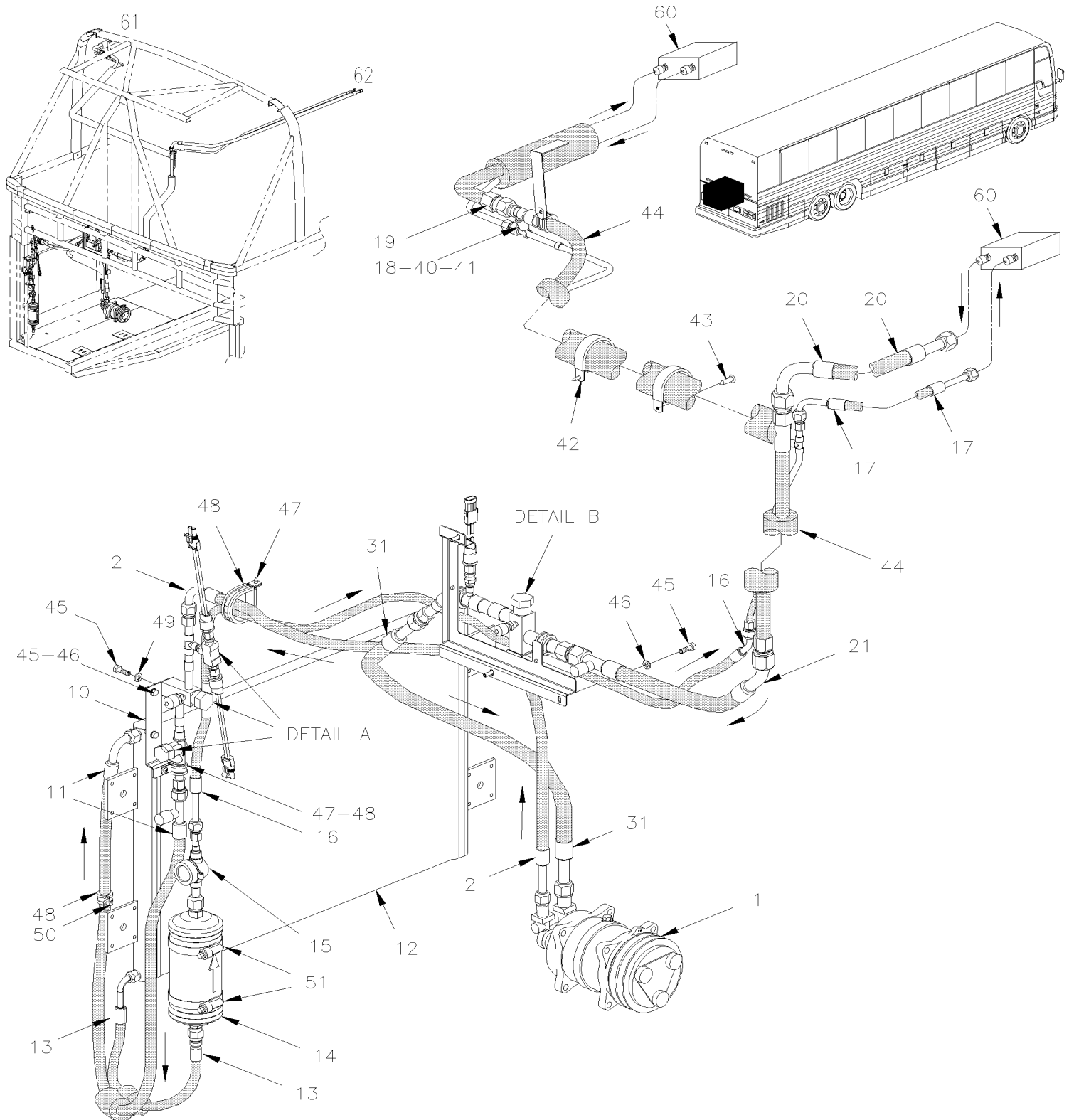
A/C COMPRESSOR SMALL - INSTALLATION



From B-5002 To D-5458	Date:01/2024	PAGE:X3-2245-12
A/C COMPRESSOR SMALL - INSTALLATION		

Item#	Part	Description	QTY	Notes
1	950436	A/C COMPRESSOR ASSY "SD7"	1	
NS	950445	MANIFOLD FITTING 3/4-16 & 7/8-14	1	
2	457453	SUPPORT SMALL A/C COMPRESSOR	1	
4	454145	GUARD PULLEY	1	
5	5001741	SCREW CAP HEXF M10-1.5x30 G8.8 N500	7	
6	5001737	WASHER LO SPT 10.2x18.1x2.2 N500	1	
7	5001751	WASHER FL 10.5x26.0x2.0 N500	10	
8	068015	SUPPORT UPPER TENSIONER / M10.5	1	
9	454502	TENSIONER SMALL A/C COMPRESSOR 140MM	1	
10	500208	NUT HEX STO 3/8-16 N500	4	
11	5001754	SCREW CAP HEX M10-1.5x35 G8.8 N500	1	
12	5001758	NUT HEX STO M10-1.5 N500	4	
12	5001760	NUT HEXF STO M10-1.5 G8 ZP	3	
13	G5009572	STUD	4	
14	560093	RING TERMINAL .375 / 16-14 / INSULATED / AMP 330896	1	
NS	684013	RUBBER PROTECTOR / COLOR GUARD 14.5oz	AR	
NS	560673	WIRE CABLE 16 / BLACK / GXL	AR	
15	561566	CONNECTOR / WEATHER PACK / PH 2C / BLACK / PED 12010973	1	
NS	561568	PIN TERMINAL / 16-14 / PED 12089305	2	
NS	561565	CABLE SEAL / GREEN / PED 15324982	2	
16	560093	RING TERMINAL .375 / 16-14 / INSULATED / AMP 330896	1	
20	5061282	V-BELT / AX-42 / SET OF 2 9012-2042	1	S
21	5060086	V-BELT / BX-96 / SET OF 2 9013-2096	1	
21	5060121	SUPER V-BELT / 2B-96	1	
50	X3-2250-00	A/C COMPRESSOR ASSY 05G - TWIN PORT		
51	X3-2245-00	A/C COMPRESSOR 05G - INSTALLATION - MUX		
52	X3-2246-00	A/C CLUTCH 05G - HOUSING MOUNTED		
		S) MATCH SET OF 2		

A/C AUXILIARY LINE / PARCEL RACK

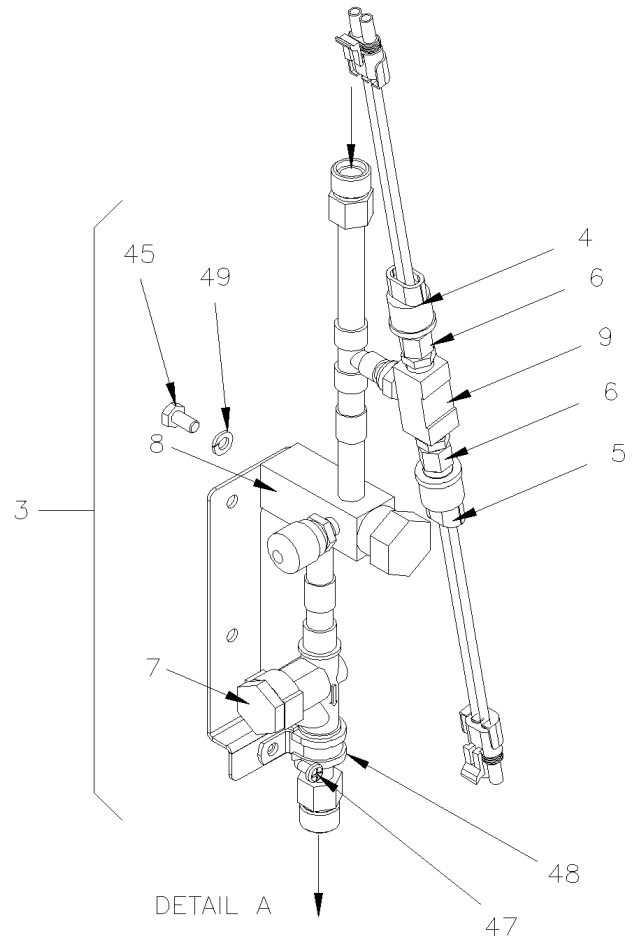
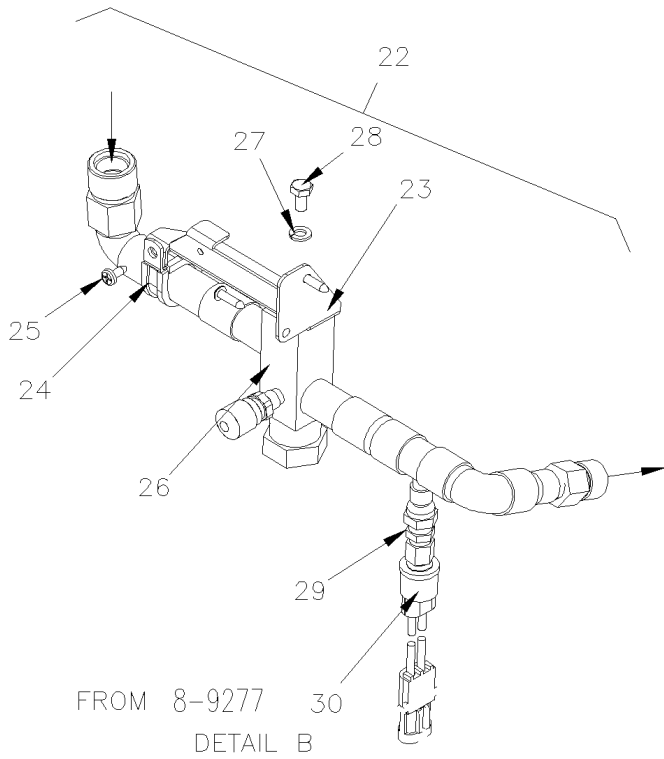
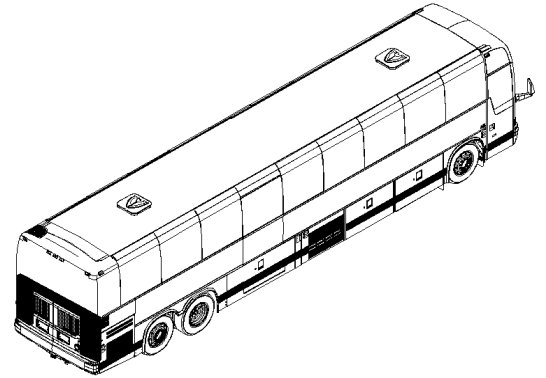
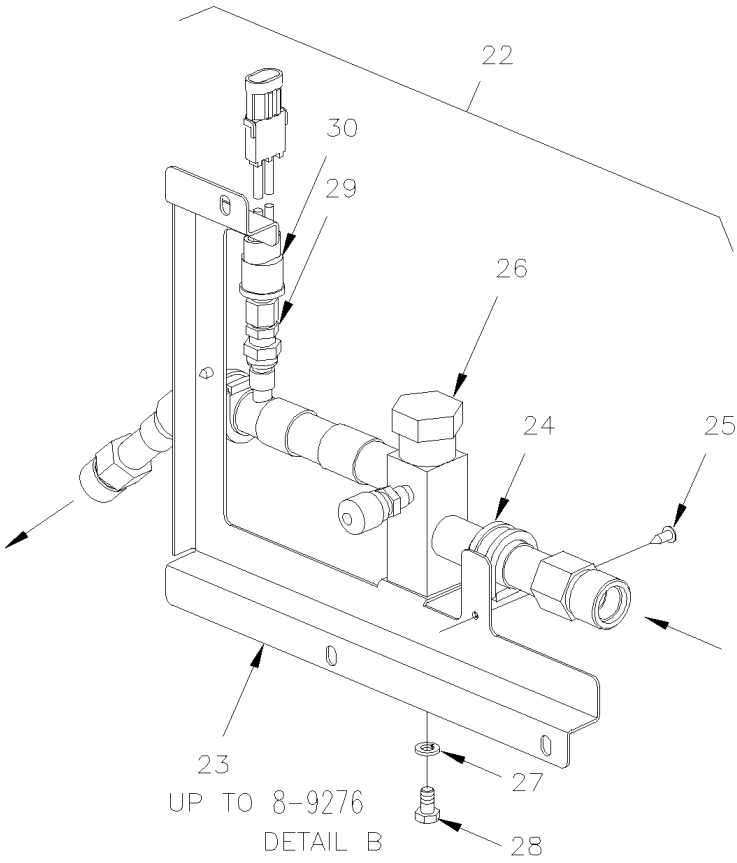


From 7-8754 To B-5001

Date:01/2024

PAGE:X3-2245-30

A/C AUXILIARY LINE / PARCEL RACK



From 7-8754 To B-5001	Date:01/2024	PAGE:X3-2245-30
A/C AUXILIARY LINE / PARCEL RACK		

Item#	Part	Description	QTY	Notes
1	X3-2245-10	A/C COMPRESSOR SMALL - INSTALLATION To 8-9276		
1	X3-2245-11	A/C COMPRESSOR SMALL - INSTALLATION From 8-9277		
2	454067	HOSE ASSY / #8 960MM To 8-9276	1	
. NS	507343	. O-RING / ORS FITTING / #8 NEO To 8-9276	2	
2	455276	HOSE ASSY / #8 960MM To 8-9276	1	E
. NS	507343	. O-RING / ORS FITTING / #8 NEO To 8-9276	2	E
2	454346	HOSE ASSY / #8 2682MM From 8-9277 To A-9743	1	
. NS	507343	. O-RING / ORS FITTING / #8 NEO From 8-9277 To A-9743	2	
2	455299	HOSE ASSY / #8 2657MM From A-9744	1	
. NS	507343	. O-RING / ORS FITTING / #8 NEO From A-9744	2	
3	454066	VALVE ASSY / HI-SIDE To 8-9276	1	
3	Call order desk	VALVE ASSY / HI-SIDE From 8-9277	1	P
3	459205	VALVE ASSY / HI-SIDE	1	
4	454084	. PRESSURE SWITCH N.O. 195-150 20PS001MA195K150K	1	
5	453380	. PRESSURE SWITCH N.C. 350-245 20PS001MB350K245R	1	
6	950249	. SCHRADER VALVE 1/4NPT-M	2	
7	950326	. CHECK VALVE	1	
8	950376	. VALVE SERVICE HIGH PRESSURE	1	
9	501894	. MALE BRANCHE TEE / PIPE FITTING / 1/4NPT-Fx1/4NPT-Fx1/4NPT-M BR	1	
10	454072	SUPPORT / HIGHT PRESSURE VALVE	1	
11	454070	HOSE ASSY / #8 1325MM To A-9743	1	
. NS	507343	. O-RING / ORS FITTING / #8 NEO To A-9743	2	
11	455278	HOSE ASSY / #8 1325MM From A-9744	1	
. NS	507343	. O-RING / ORS FITTING / #8 NEO From A-9744	2	
12	X3-2255-10	CONDENSOR INSTALLATION DRIVER'S		
13	454069	HOSE ASSY / #6 515MM	1	
. NS	507278	. O-RING / ORS FITTING / #4 NEO	1	
14	950370	FILTER DRYER	1	
. NS	507085	. O-RING 7/16" I.D X 1/32"	1	
15	453514	MOISTURE INDICATOR ASSY To 9-9704	1	
. NS	950379	. MOISTURE INDICATOR To 9-9704	1	
15	455336	MOISTURE INDICATOR ASSY From 9-9705	1	
. NS	950455	. MOISTURE INDICATOR From 9-9705	1	
15	950029	. CAP, MOISTURE INDICATOR	1	
16	454068	HOSE ASSY / #6 1675MM To A-9743	1	
. NS	507278	. O-RING / ORS FITTING / #4 NEO To A-9743	1	
16	455277	HOSE ASSY / #6 1675MM From A-9744 To A-9829	1	
. NS	507278	. O-RING / ORS FITTING / #4 NEO From A-9744 To A-9829	1	
16	455338	HOSE ASSY / #6 1590MM From A-9830	1	
. NS	507278	. O-RING / ORS FITTING / #4 NEO From A-9830	2	
17	453454	HOSE ASSY / #12 1800MM To A-9743	1	
. NS	507344	. O-RING / ORS FITTING / #10 NEO To A-9743	1	

From 7-8754 To B-5001	Date:01/2024	PAGE:X3-2245-30
A/C AUXILIARY LINE / PARCEL RACK		

Item#	Part	Description	QTY	Notes
. NS	507280	. O-RING / ORS FITTING / #12 NEO To A-9743	1	
17	455238	HOSE ASSY / #12 1800MM From A-9744	1	
. NS	507344	. O-RING / ORS FITTING / #10 NEO From A-9744	1	
. NS	507280	. O-RING / ORS FITTING / #12 NEO From A-9744	1	
18	507278	O-RING / ORS FITTING / #4 NEO	1	
19	507343	O-RING / ORS FITTING / #8 NEO	1	
20	453455	HOSE ASSY / PIPE & R.H. PARCEL RACK #6 1850MM To A-9743	1	
. NS	507278	. O-RING / ORS FITTING / #4 NEO To A-9743	2	
20	455239	HOSE ASSY / PIPE & R.H. PARCEL RACK #6 1850MM From A-9744	1	
. NS	507278	. O-RING / ORS FITTING / #4 NEO From A-9744	2	
21	454062	HOSE ASSY / #12 355MM To 8-9276	1	
. NS	507280	. O-RING / ORS FITTING / #12 NEO To 8-9276	2	
21	455275	HOSE ASSY / #12 355MM To 8-9276	1	S
. NS	507280	. O-RING / ORS FITTING / #12 NEO To 8-9276	2	S
21	454533	HOSE ASSY / #12 925MM From 8-9277 To A-9743	1	
. NS	507280	. O-RING / ORS FITTING / #12 NEO From 8-9277 To A-9743	2	
21	455307	HOSE ASSY / #12 925MM From A-9744	1	
. NS	507280	. O-RING / ORS FITTING / #12 NEO From A-9744	2	
22	454061	VALVE ASSY W/SUPPORT / LOW SIDE To 8-9276	1	S
22	454299P	VALVE ASSY W/SUPPORT / LOW SIDE From 8-9277	1	A
23	454063	. SUPPORT / LOW PRESSURE VALVE To 8-9276	1	S
23	454354	. SUPPORT / LOW PRESSURE VALVE From 8-9277	1	A
24	952635	. CLAMP / 1" I.D.	1	
25	509805	. SCREW TP PAN PH #10x1/2 BK	1	
26	950377	. VALVE SERVICE LOW PRESSURE To 7-9109	1	
26	950950	. VALVE SERVICE LOW PRESSURE From 7-9110	1	
. NS	950235	. . GAUGE ADAPTOR ASSY / W/BLOCK CAP FOR R-134A / SUCTION SIDE (ALUMINUM) From 7-9110	1	
27	955920	. WASHER LO SPT 6.5x11.5x1.6 ZP	1	
28	502772	. SCREW CAP HEX 1/4-20x1/2 G5 N500	1	
29	950249	. SCHRADER VALVE 1/4NPT-M	1	
30	452831	. PRESSURE SWITCH N.O. 30-5 20SP001MA030C005C	1	
31	454071	HOSE ASSY / #12 780MM To 8-9276	1	
. NS	507344	. O-RING / ORS FITTING / #10 NEO To 8-9276	2	
31	455279	HOSE ASSY / #12 780MM To 8-9276	1	S
. NS	507344	. O-RING / ORS FITTING / #10 NEO To 8-9276	2	S
31	454345	HOSE ASSY / #12 550MM From 8-9277 To A-9743	1	
. NS	507344	. O-RING / ORS FITTING / #10 NEO From 8-9277 To A-9743	2	
31	455298	HOSE ASSY / #12 550MM From A-9744	1	
. NS	507344	. O-RING / ORS FITTING / #10 NEO From A-9744	2	
40	504586	WASHER FL SPACER .450x.625x.875 NYL	1	
41	504637	CABLE TIE / 3/16" x 13"	AR	
42	504458	CLAMP / 1 5/8" I.D.	AR	

From 7-8754 To B-5001	Date:01/2024	PAGE:X3-2245-30
-----------------------	--------------	-----------------

A/C AUXILIARY LINE / PARCEL RACK

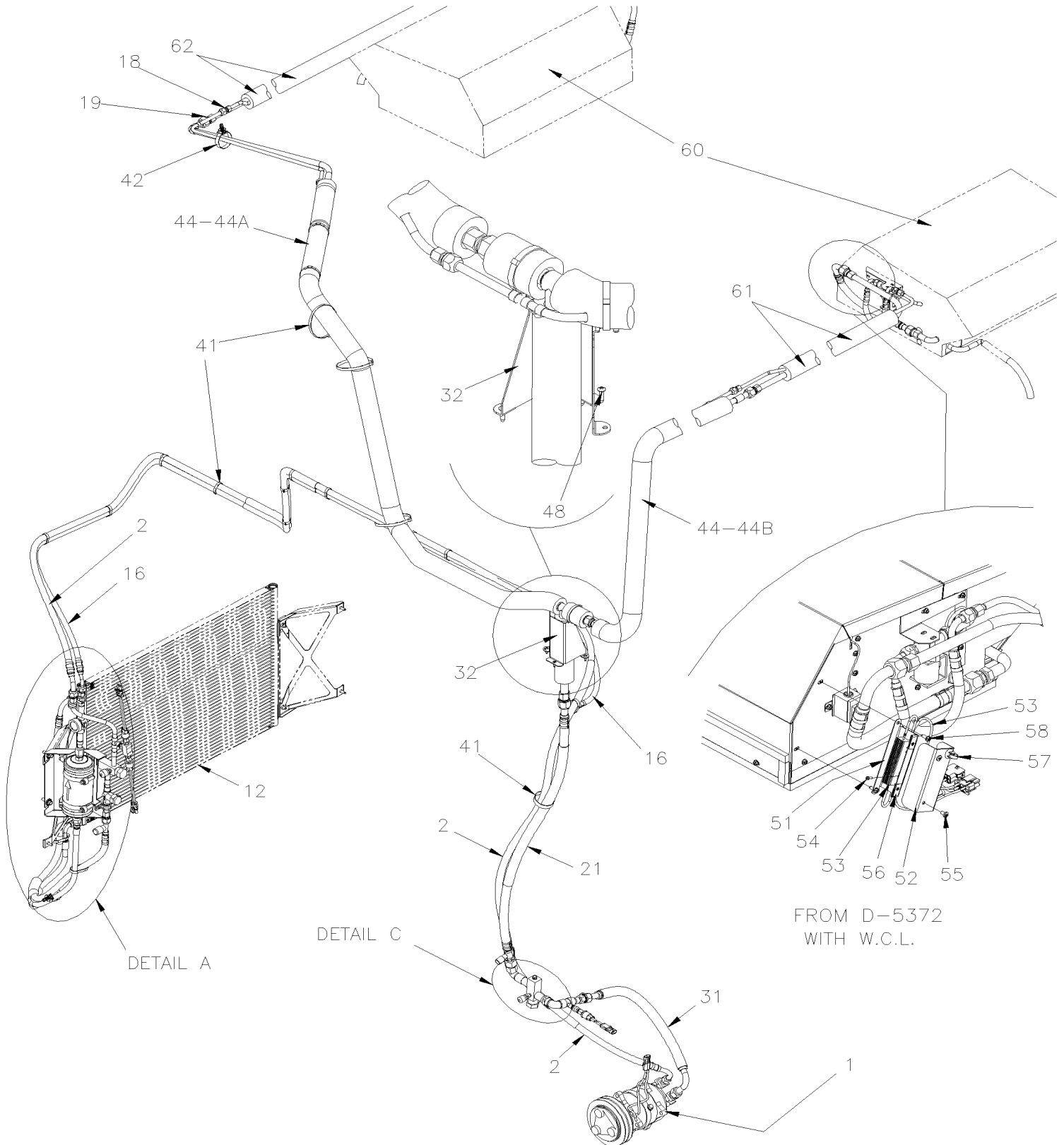
Item#	Part	Description	QTY	Notes
43	500642	SCREW TP PAN PH #10x3/4 Z050	AR	
44	Call order desk	PIPE ASSY / ENGINE COMPARTMENT & PARCEL RACK To 8-9276	1	P
44	Call order desk	PIPE ASSY / ENGINE COMPARTMENT & PARCEL RACK From 8-9277	1	P
45	955920	WASHER LO SPT 6.5x11.5x1.6 ZP	AR	
46	502830	SCREW CAP HEX M6-1.0x20 G8.8 N500	AR	
47	952629	CLAMP / 5/8" I.D.	AR	
48	509805	SCREW TP PAN PH #10x1/2 BK	3	
49	502772	SCREW CAP HEX 1/4-20x1/2 G5 N500	1	
50	952629	CLAMP / 5/8" I.D.	1	
51	504026	HOSE CLAMP / 2"13/16-3"3/4 SS / HS-52	1	
60	X3-2240-20	BLOWER VENTILATION - PARCEL RACK		
61	453451	PIPE ASSY A/C L.H. PARCEL RACK	1	
62	453452	PIPE ASSY A/C R.H. PARCEL RACK	1	
		A) THIS ASSY ARE LOCATED UNDER ENGINE AIR FILTER & UPSIDE DOWN		
		E) SERVICE		
		S) AS SHOWN		
		P) CALL ORDER DESK FOR SPECIFIC APPLICATION (V.I.N.)		

From B-5002 To D-5458

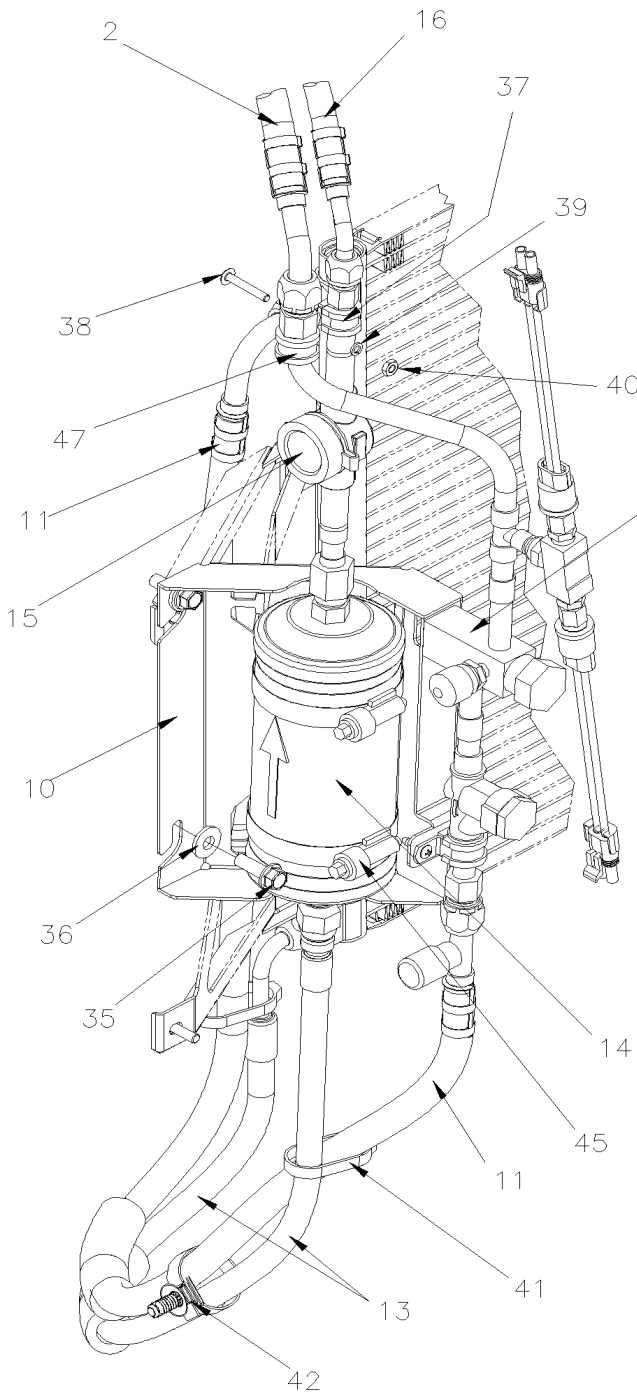
Date:01/2024

PAGE:X3-2245-31

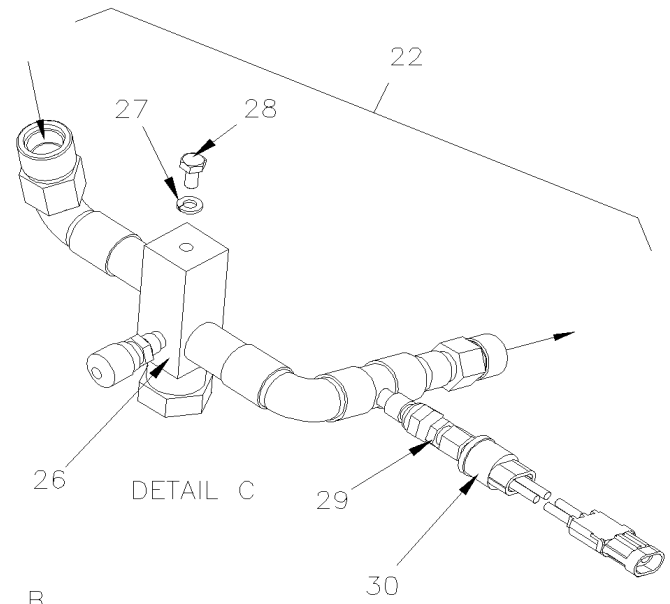
A/C AUXILIARY LINE / PARCEL RACK



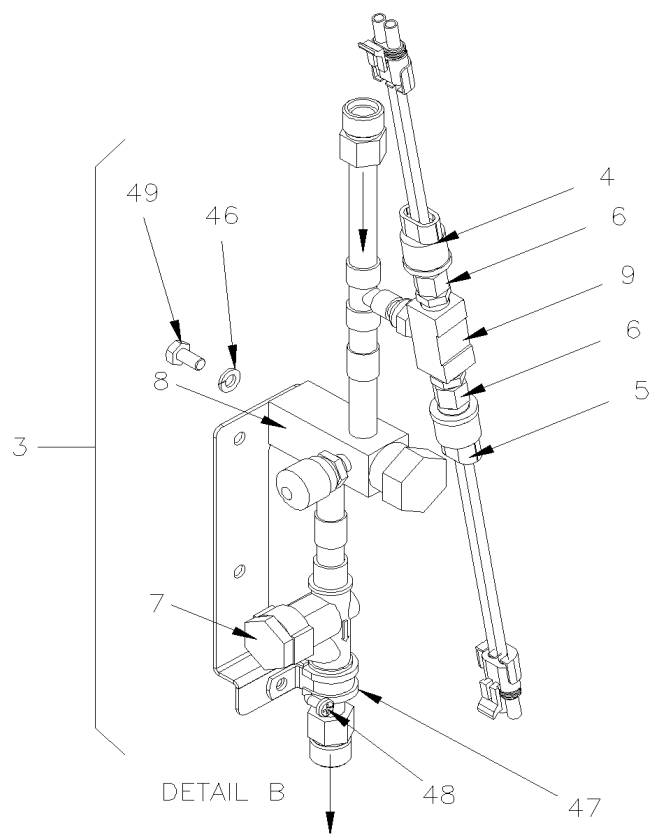
A/C AUXILIARY LINE / PARCEL RACK



DETAIL A



DETAIL C



DETAIL B

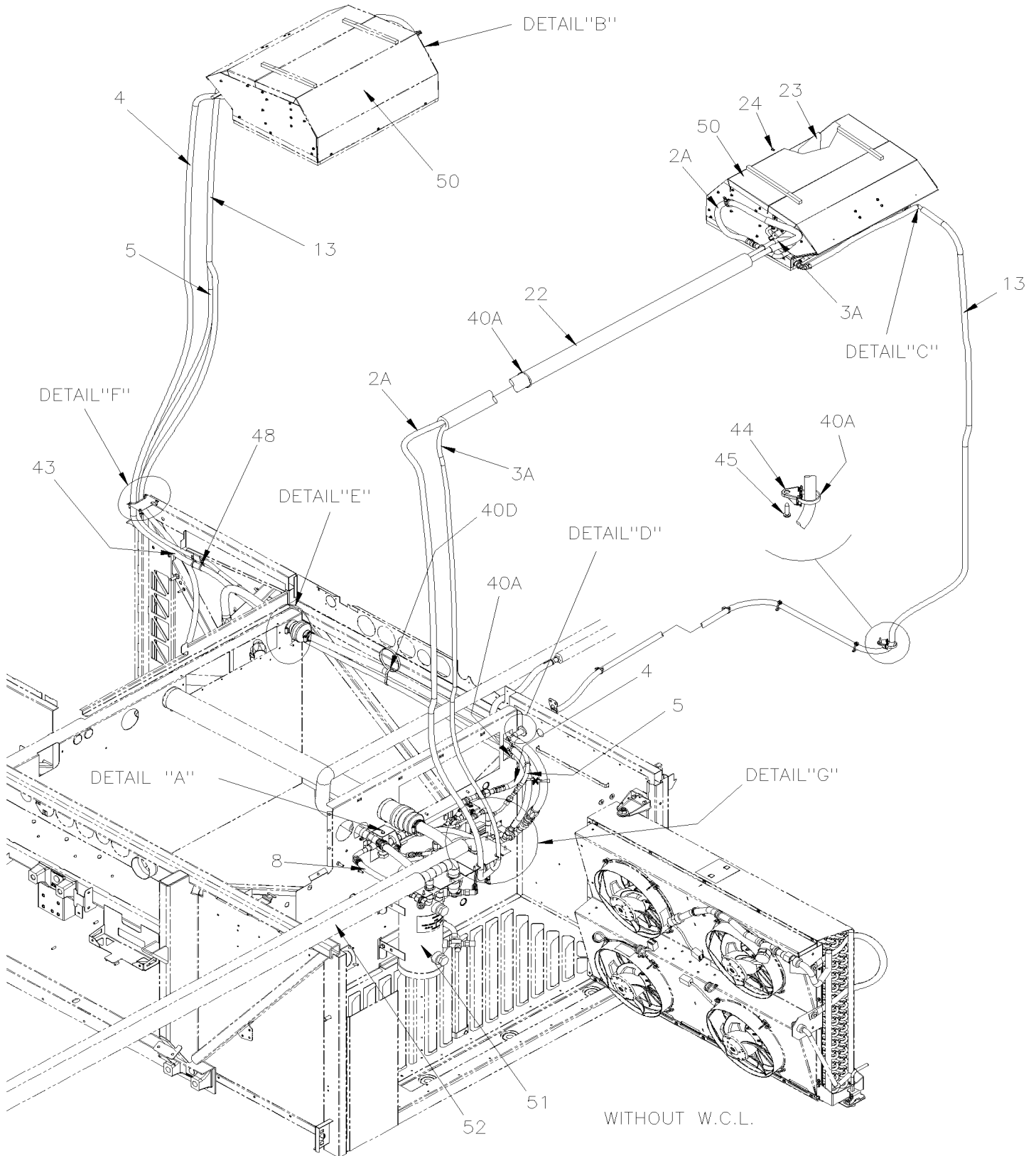
From B-5002 To D-5458	Date:01/2024	PAGE:X3-2245-31
A/C AUXILIARY LINE / PARCEL RACK		

Item#	Part	Description	QTY	Notes
1	X3-2245-12	A/C COMPRESSOR SMALL - INSTALLATION		
2	457452P	HOSE ASSY / #8 5050MM	1	
. NS	507343	. O-RING / ORS FITTING / #8 NEO	2	
3	457485P	VALVE ASSY / HI-SIDE (superseded by 409205)	1	
3	459205	VALVE ASSY / HI-SIDE	1	
4	454084	. PRESSURE SWITCH N.O. 195-150 20PS001MA195K150K	1	
5	453380	. PRESSURE SWITCH N.C. 350-245 20PS001MB350K245R	1	
6	950249	. SCHRADER VALVE 1/4NPT-M	2	
7	950326	. CHECK VALVE	1	
8	950376	. VALVE SERVICE HIGH PRESSURE	1	
9	501894	. MALE BRANCHE TEE / PIPE FITTING / 1/4NPT-Fx1/4NPT-Fx1/4NPT-M BR	1	
10	459204	SUPPORT / HIGHT PRESSURE VALVE	1	
11	455356	HOSE ASSY / #8 1140MM	1	
. NS	507343	. O-RING / ORS FITTING / #8 NEO	2	
12	X3-2255-11	CONDENSOR INSTALLATION DRIVER'S		
13	455355	HOSE ASSY / #6 760MM	1	
. NS	507278	. O-RING / ORS FITTING / #4 NEO	1	
14	950370	FILTER DRYER	1	
. NS	507085	. O-RING 7/16" I.D X 1/32"	1	
15	455336	MOISTURE INDICATOR ASSY	1	
. NS	950455	. MOISTURE INDICATOR	1	
15	950029	. CAP, MOISTURE INDICATOR	1	
16	457456P	HOSE ASSY / #6 3385MM	1	
. NS	507278	. O-RING / ORS FITTING / #4 NEO	2	
18	507278	O-RING / ORS FITTING / #4 NEO	1	
19	507343	O-RING / ORS FITTING / #8 NEO	1	
21	457457P	HOSE ASSY / #12 925MM	1	
. NS	507280	. O-RING / ORS FITTING / #12 NEO	2	
22	457455P	VALVE ASSY W/SUPPORT / LOW SIDE	1	
26	950950	. VALVE SERVICE LOW PRESSURE	1	
. NS	950235	. . GAUGE ADAPTOR ASSY / W/BLUE CAP FOR R-134A / SUCTION SIDE (ALUMINUM)	1	
27	5001749	. WASHER LO SPT 6.5x11.5x1.6 N500	1	
28	502772	. SCREW CAP HEX 1/4-20x1/2 G5 N500	1	
29	950249	. SCHRADER VALVE 1/4NPT-M	1	
30	452831	. PRESSURE SWITCH N.O. 30-5 20SP001MA030C005C	1	
31	457451P	HOSE ASSY / #12 400MM	1	
. NS	507344	. O-RING / ORS FITTING / #10 NEO	2	
32	457486	SUPPORT A/C PIPE / ANGLE W/2 HOLDER	1	
35	5001643	SCREW CAP HEXF M8-1.25x25 G8.8 G500	2	
36	500321	WASHER BEL SPR .331x.827x.098 N500	2	
37	952627	CLAMP / 1/2" I.D.	1	
38	500574	SCREW MA TR PH #10-24x1 1/4 SS	1	

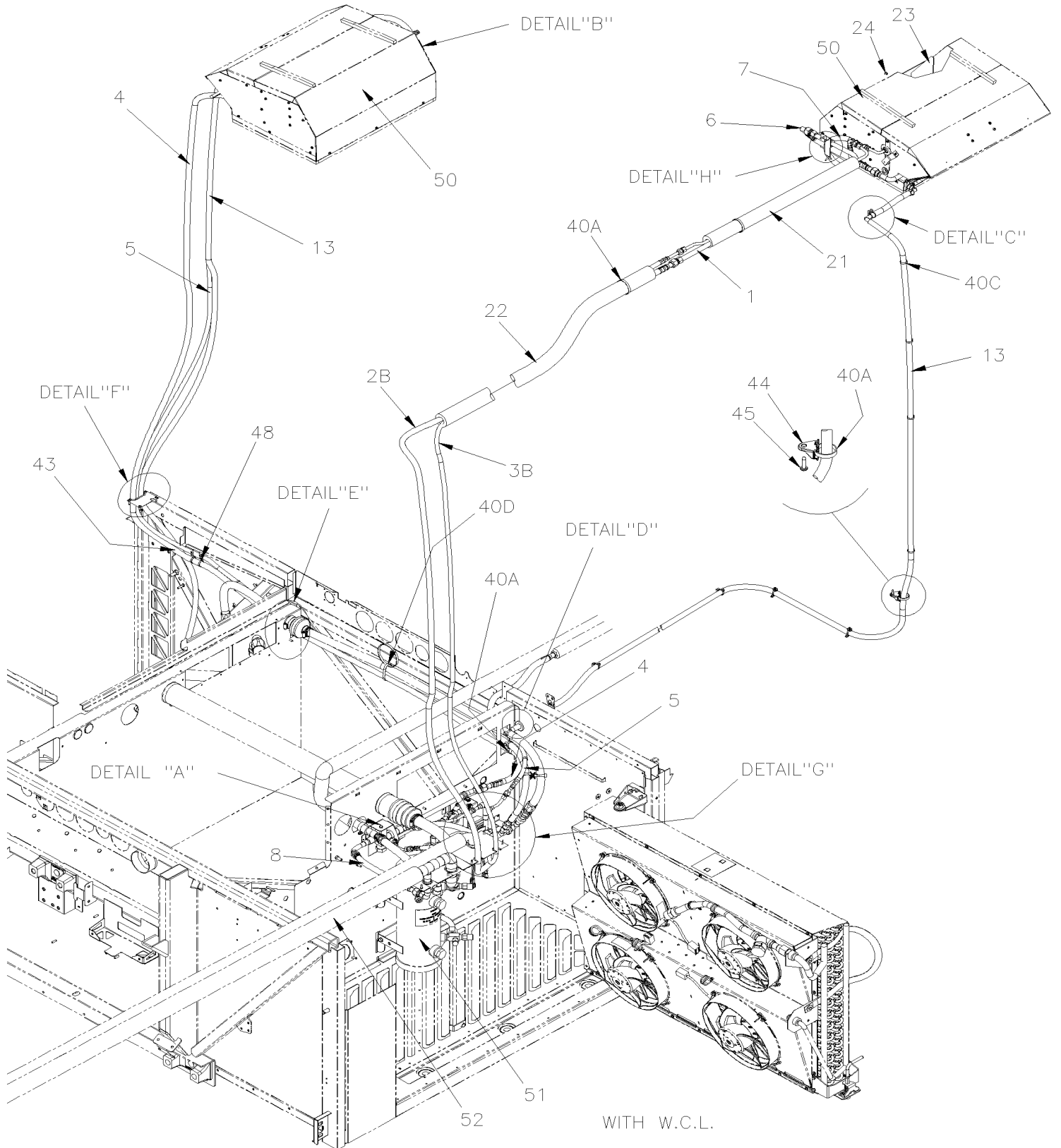
From B-5002 To D-5458	Date:01/2024	PAGE:X3-2245-31
A/C AUXILIARY LINE / PARCEL RACK		

Item#	Part	Description	QTY	Notes
39	500914	WASHER LO SPT .193x.334x.047 N500	1	
40	502882	NUT HEX #10-24 N500	1	
41	504016	CABLE TIE / 5/16" X 14"1/2	AR	
42	504750	CABLE TIE / 1/2" x 15" / CHRISTMAS TREE	AR	
44	Call order desk	PIPE ASSY / ENGINE COMPARTMENT & PARCEL RACK To B-5070	1	P
44	Call order desk	PIPE ASSY / ENGINE COMPARTMENT & PARCEL RACK To B-5070	1	P
44A	Call order desk	PIPE ASSY / ENGINE COMPARTMENT & PARCEL RACK / CURBSIDE From B-5071	1	P
44A	Call order desk	PIPE ASSY / ENGINE COMPARTMENT & PARCEL RACK / CURBSIDE From B-5071	1	P
44B	Call order desk	PIPE ASSY / ENGINE COMPARTMENT & PARCEL RACK / STREET SIDE From B-5071	1	P
44B	Call order desk	PIPE ASSY / ENGINE COMPARTMENT & PARCEL RACK / STREET SIDE From B-5071	1	P
45	504026	HOSE CLAMP / 2"13/16-3"3/4 SS / HS-52	1	
46	5001749	WASHER LO SPT 6.5x11.5x1.6 N500	2	
47	952629	CLAMP / 5/8" I.D.	AR	
48	500957	SCREW TP BDG PH #10x3/4 N500	4	
49	502772	SCREW CAP HEX 1/4-20x1/2 G5 N500 From D-5372	1	
51	317027	SUPPORT / RESISTOR From D-5372	1	
52	317028	SUPPORT / RESISTOR From D-5372	1	
53	068555	RESISTOR ASSY From D-5372	1	
53	564546	. RESISTOR / 30 OHMS / 50 W From D-5372	2	
54	500798	SCREW TP PAN PH #4-3/8 ZP From D-5372	4	
55	500582	SCREW TP PAN PH #8x3/8 Z050 From D-5372	2	
56	500684	NUT SPR U #8A .025-.064 From D-5372	2	
57	8631155	CABLE TIE / 4.6MM x 200 / CHRISTMAS TREE From D-5372	1	
58	Call order desk	SCREW TC CAP HEXW SLT #8x1/2 From D-5372	2	P
58	Call order desk	SCREW TC CAP HEXW SLT #8x1/2 From D-5372	2	P
60	X3-2240-20	BLOWER VENTILATION - PARCEL RACK		
61	Call order desk	PIPE ASSY A/C CURBSIDE PARCEL RACK	1	P
61	Call order desk	PIPE ASSY A/C CURBSIDE PARCEL RACK	1	P
62	Call order desk	PIPE ASSY A/C STREET SIDE PARCEL RACK	1	P
62	Call order desk	PIPE ASSY A/C STREET SIDE PARCEL RACK	1	P
		P) CALL ORDER DESK FOR SPECIFIC APPLICATION (V.I.N.)		

A/C AUXILIARY LINE / PARCEL RACK



A/C AUXILIARY LINE / PARCEL RACK

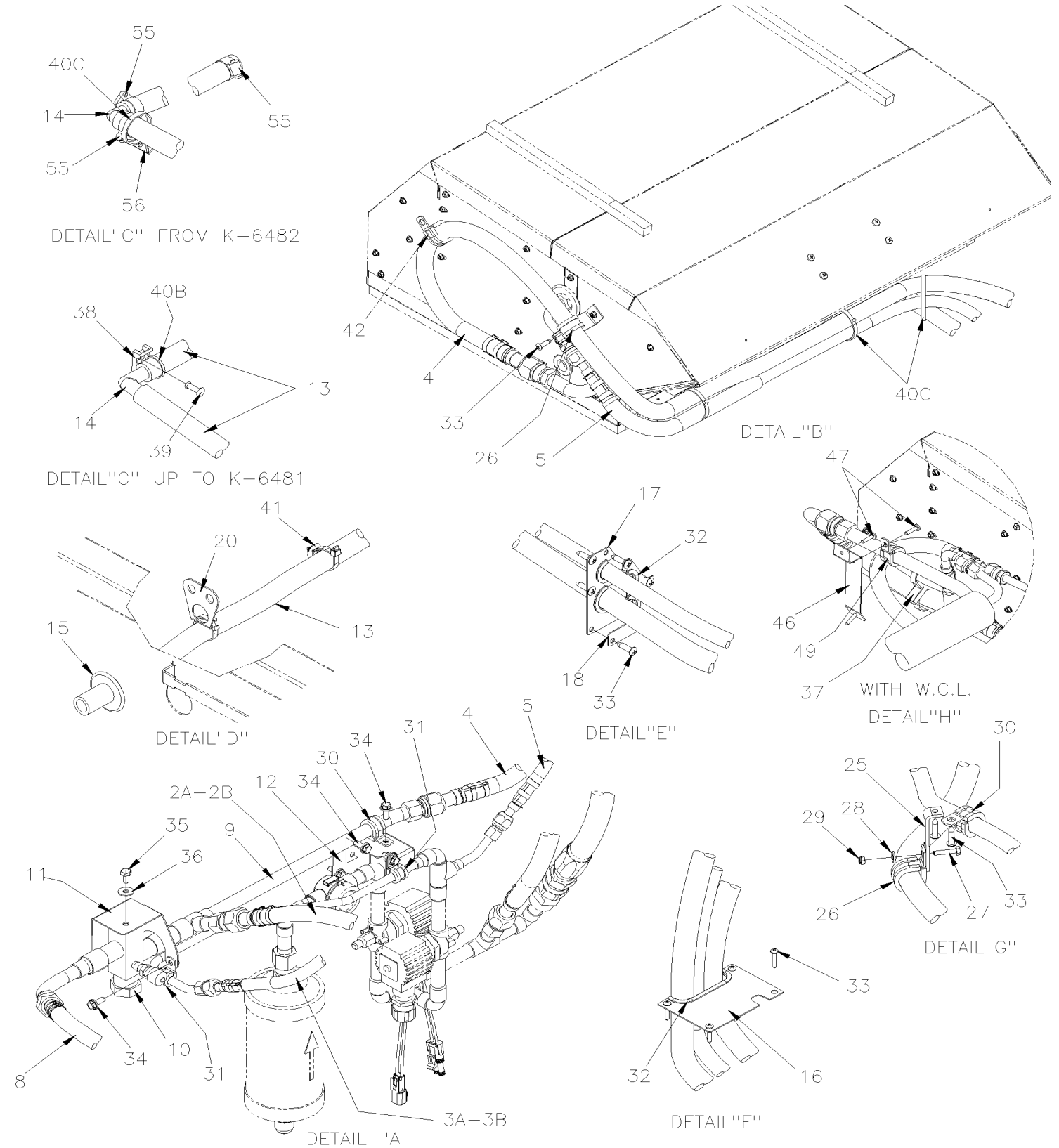


From E-5459 To K-6492

Date:01/2024

PAGE:X3-2245-32

A/C AUXILIARY LINE / PARCEL RACK



From E-5459 To K-6492	Date:01/2024	PAGE:X3-2245-32
A/C AUXILIARY LINE / PARCEL RACK		

Item#	Part	Description	QTY	Notes
1	454747P	PIPE ASSY A/C CURBSIDE PARCEL RACK W/WCL	1	
2A	454740	HOSE ASSY / #10 5125MM	1	
. NS	507344	. O-RING / ORS FITTING / #10 NEO	2	
2B	454800	HOSE ASSY / #10 4475MM	1	B
. NS	507344	. O-RING / ORS FITTING / #10 NEO	1	B
3A	454741	HOSE ASSY / #6 4660MM To E-5658	1	
. NS	507278	. O-RING / ORS FITTING / #4 NEO To E-5658	1	
3A	454928	HOSE ASSY / #6 4710MM From E-5659	1	
. NS	507278	. O-RING / ORS FITTING / #4 NEO From E-5659	2	
3B	454801	HOSE ASSY / #6 4300MM	1	B
. NS	507278	. O-RING / ORS FITTING / #4 NEO	1	B
4	454743	HOSE ASSY / #10 5175MM	1	
. NS	507344	. O-RING / ORS FITTING / #10 NEO	2	
. NS	505110	. COIL PROTECTOR / PLASTIC / #12	AR	
5	454744	HOSE ASSY / #6 5110MM To E-5658	1	
. NS	507278	. O-RING / ORS FITTING / #4 NEO To E-5658	2	
. NS	505181	. COIL PROTECTOR / PLASTIC / #8 To E-5658	AR	
5	454929	HOSE ASSY / #6 4700MM From E-5659 To F-5774	1	
. NS	507278	. O-RING / ORS FITTING / #4 NEO From E-5659 To F-5774	2	
. NS	505181	. COIL PROTECTOR / PLASTIC / #8 From E-5659 To F-5774	AR	
5	454953	HOSE ASSY / #6 4720MM From F-5775	1	
. NS	507278	. O-RING / ORS FITTING / #4 NEO From F-5775	2	
. NS	505181	. COIL PROTECTOR / PLASTIC / #8 From F-5775	AR	
6	454783	HOSE ASSY / #10 310MM	1	B
. NS	507344	. O-RING / ORS FITTING / #10 NEO	2	B
7	454707	HOSE ASSY / #6 465MM	1	B
. NS	507278	. O-RING / ORS FITTING / #4 NEO	2	B
7	454927	HOSE ASSY / #6 460MM To E-5658	1	B
. NS	507278	. O-RING / ORS FITTING / #4 NEO To E-5658	2	B
8	454745	HOSE ASSY / #10 445MM From E-5659	1	
. NS	507344	. O-RING / ORS FITTING / #10 NEO From E-5659	1	
9	454742P	VALVE SUCTION ASS	1	
10	950950	. VALVE SERVICE LOW PRESSURE	1	
. NS	950235	. . GAUGE ADAPTOR ASSY / W/BLUE CAP FOR R-134A / SUCTION SIDE (ALUMINUM)	1	
11	454781	SUPPORT / VALVE SUCTION ASS	1	
12	454782	SUPPORT / VALVE SUCTION ASS	1	
13	503707	HOSE / PVC REINFORCED 1/2" I.D. 100' / S.L.	AR	
14	5011230	UNION ELBOW 90° / HOSE BARB FITTING / #8x#8 PLAS	2	
15	504264	GROMMET / .750x1.250x.062x.250x1.625	2	
16	454788	CLOSING PLATE FLOOR	1	
17	457518	CLOSING PLATE	1	
18	457519	CLOSING PLATE	1	

From E-5459 To K-6492	Date:01/2024	PAGE:X3-2245-32
A/C AUXILIARY LINE / PARCEL RACK		

Item#	Part	Description	QTY	Notes
19	454713	RESTRICTION AIR DIFFUSOR / "U" SHAPE 143MM	1	
NS	454789	RESTRICTION AIR DIFFUSOR / "U" SHAPE 118MM	1	
NS	454719	RESTRICTION AIR DIFFUSOR / "U" SHAPE 753MM To E-5589	1	
NS	454798	RESTRICTION AIR DIFFUSOR / "U" SHAPE 753MM From E-5590	1	
NS	504106	RIVET POP DOME OE 1/8x1/4 AL	2	
20	457496	SUPPORT HOSE To E-5589	1	
20	455983	SUPPORT HOSE From E-5590	1	
21	506276	PIPE INSULATING / 7/8" I.D. X 1/2" TH. X 72 / APT07812	AR	
22	506267	PIPE INSULATING / 1 1/8" I.D. X 1/2" TH. X / APT11812 To E-5658	1	
22	506242	PIPE INSULATING / 1 3/8" I.D. X 1/2" TH. X 72 / APT13812 From E-5659	AR	
23	316410	DEFLECTOR	1	
24	504347	RIVET POP DOME OE 3/16x1/4 AL	2	
25	450488	SUPPORT PIPE	1	
26	952633	CLAMP / 7/8" I.D.	2	
27	500588	SCREW CAP HEX M4-0.7x20 G8.8 Z050	1	
28	500855	WASHER FL .188x.438x.049 N500	1	
29	500539	NUT HEX NYRT M4-0.7 N500	1	
30	952629	CLAMP / 5/8" I.D.	2	
31	952625	CLAMP / 3/8" I.D.	2	
32	5060120	GROMMET EDGING ADHESIVE .036-.062	AR	
33	500640	SCREW TP PAN PH #6x3/4 Z050 To E-5606	AR	
33	500957	SCREW TP BDG PH #10x3/4 N500 From E-5607	AR	
34	5001730	SCREW CAP HEXF M6-1.0x16 G10.9 N500	7	
35	502772	SCREW CAP HEX 1/4-20x1/2 G5 N500	1	
36	5001833	WASHER BEL SPR 6.1x18x1.27 SS	1	
37	504768	CABLE TIE / 3/16" 14.7" / DOUBLE LOOP HEAD	1	
38	504013	TIE MOUNT / 1/4" X 1/4" I.D.	6	
39	504114	RIVET POP DOME OE 3/16x1/4 AL	AR	
39	504118	RIVET POP DOME OE 3/16x3/8 AL	AR	
40A	504016	CABLE TIE / 5/16" X 14"1/2	AR	
40B	504273	CABLE TIE / 1/8" X 3"1/2	AR	
40C	504637	CABLE TIE / 3/16" x 13"	AR	
40D	504737	CABLE TIE / .300" X 30"1/2	AR	
41	8631155	CABLE TIE / 4.6MM x 200 / CHRISTMAS TREE	AR	
42	454746	CLAMP MODIFIED / 5/8" I.D.	1	
42	5001744	SCREW CAP HEX M6-1.0x16 G8.8 N500	1	
42	500877	WASHER FL .250x.562x.065 N500	2	
42	502681	NUT HEX NYRT M6-1.0 N500 G8	1	
43	509815	TIE MOUNT / ATTACHMENT W/TREE MOUNT	1	
43	504637	CABLE TIE / 3/16" x 13"	1	
44	504772	ATTACHMENT USE WITH CABLE TIE 5/16 BOLT From F-5793	1	
45	502706	SCREW TP PAN PH #14x1 SS From F-5793	1	

From E-5459 To K-6492	Date:01/2024	PAGE:X3-2245-32
-----------------------	--------------	-----------------

A/C AUXILIARY LINE / PARCEL RACK

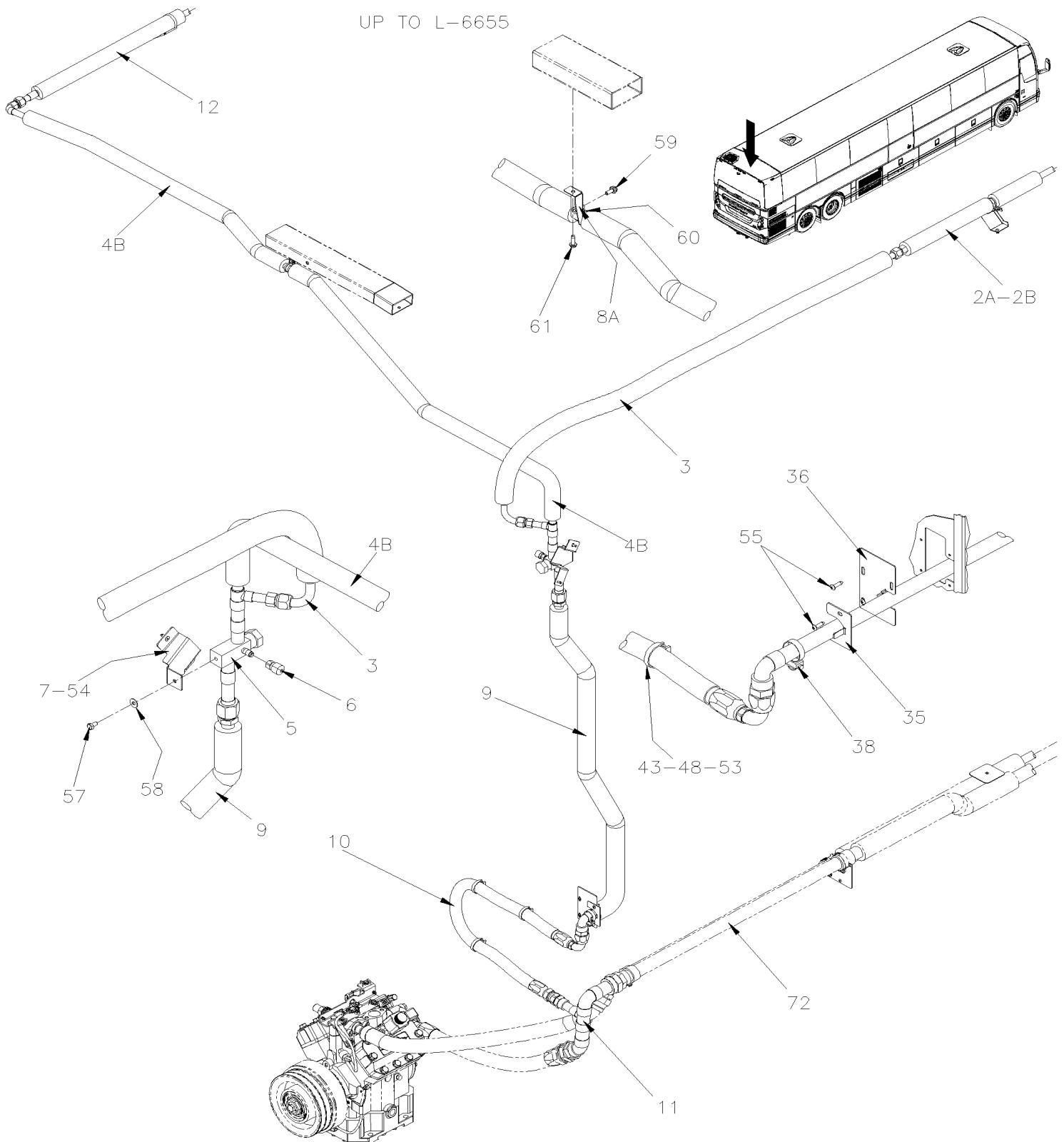
Item#	Part	Description	QTY	Notes
NS	684517	ADHESIVE SIMSON #SR 70-03 / GREY / 310ml CARTRIDGE	AR	
45	682259	SEALANT TAPE / CLEAR / 1/32"x1 1/2"x65' / 1795	AR	
NS	682436	REFRIGERANT R134A. (56.7KG)	AR	
46	454920	BRACKET / A/C PIPE	1	
47	500641	SCREW TP PAN PH #8x3/4 Z050	3	
48	507664	CABLE TIE / 3/16" 11" / DOUBLE LOOP HEAD	1	
49	952629	CLAMP / 5/8" I.D.	2	
50	X3-2240-20	BLOWER VENTILATION - PARCEL RACK To F-5774		
50	X3-2240-15	BLOWER VENTILATION - PARCEL RACK WITH A/C SYSTEM From F-5775		
51	X3-2270-02	RECEIVER TANK & FILTER DRYER		
52	X3-2222-16	A/C LINE REAR SECTION W/ "BITZER"		
55	504230	HOSE CLAMP / 3/8"-7/8" SS / HS-6 From K-6482	4	
56	562679	4 WAY ADH. BACKED MOUNTS 1.000 x 1.000 x .160 From K-6482	2	
		B) WITH W.C.L.		

From L-6493

Date:01/2024

PAGE:X3-2245-33

A/C AUXILIARY LINE / PARCEL RACK

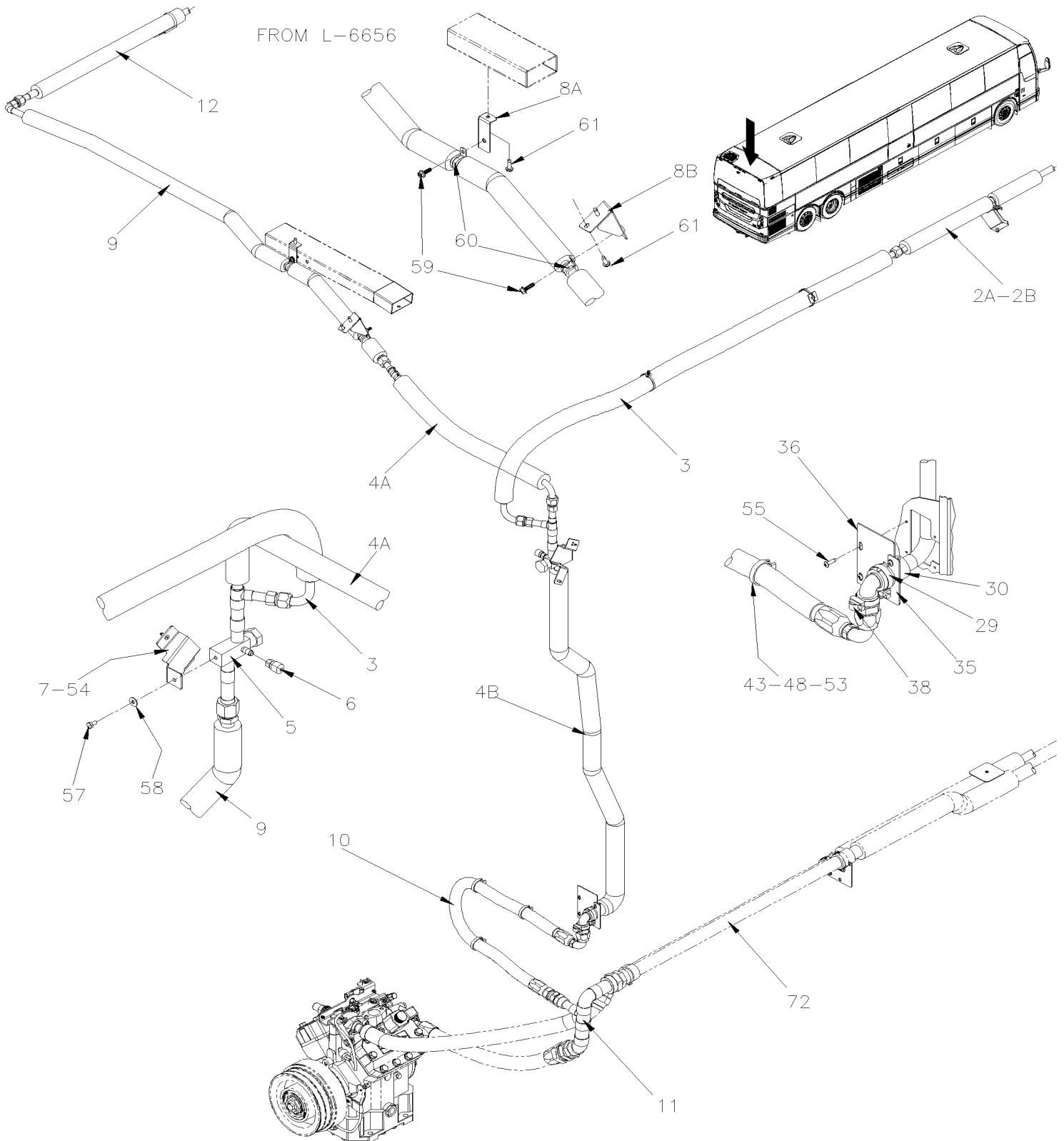


From L-6493

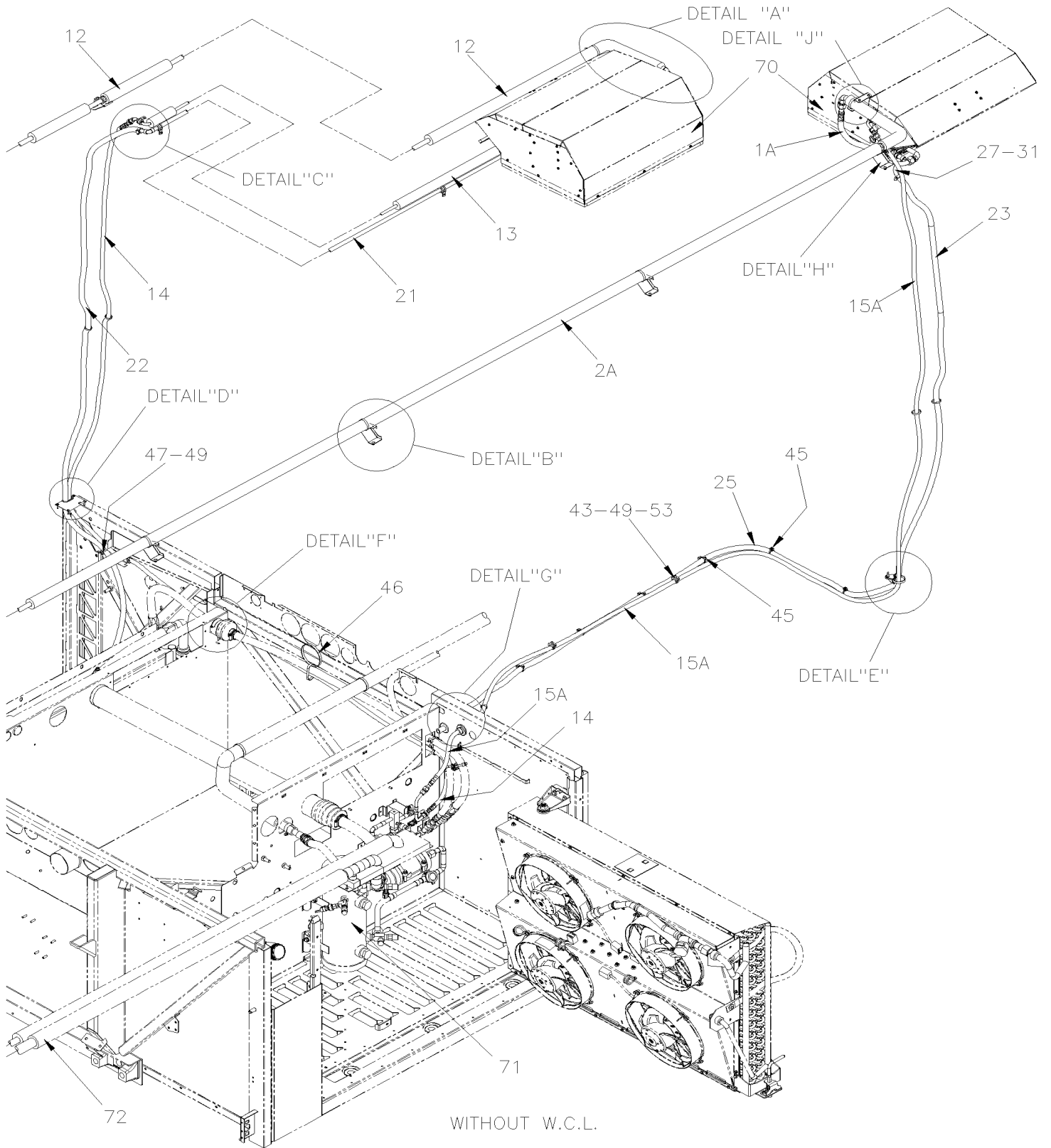
Date:01/2024

PAGE:X3-2245-33

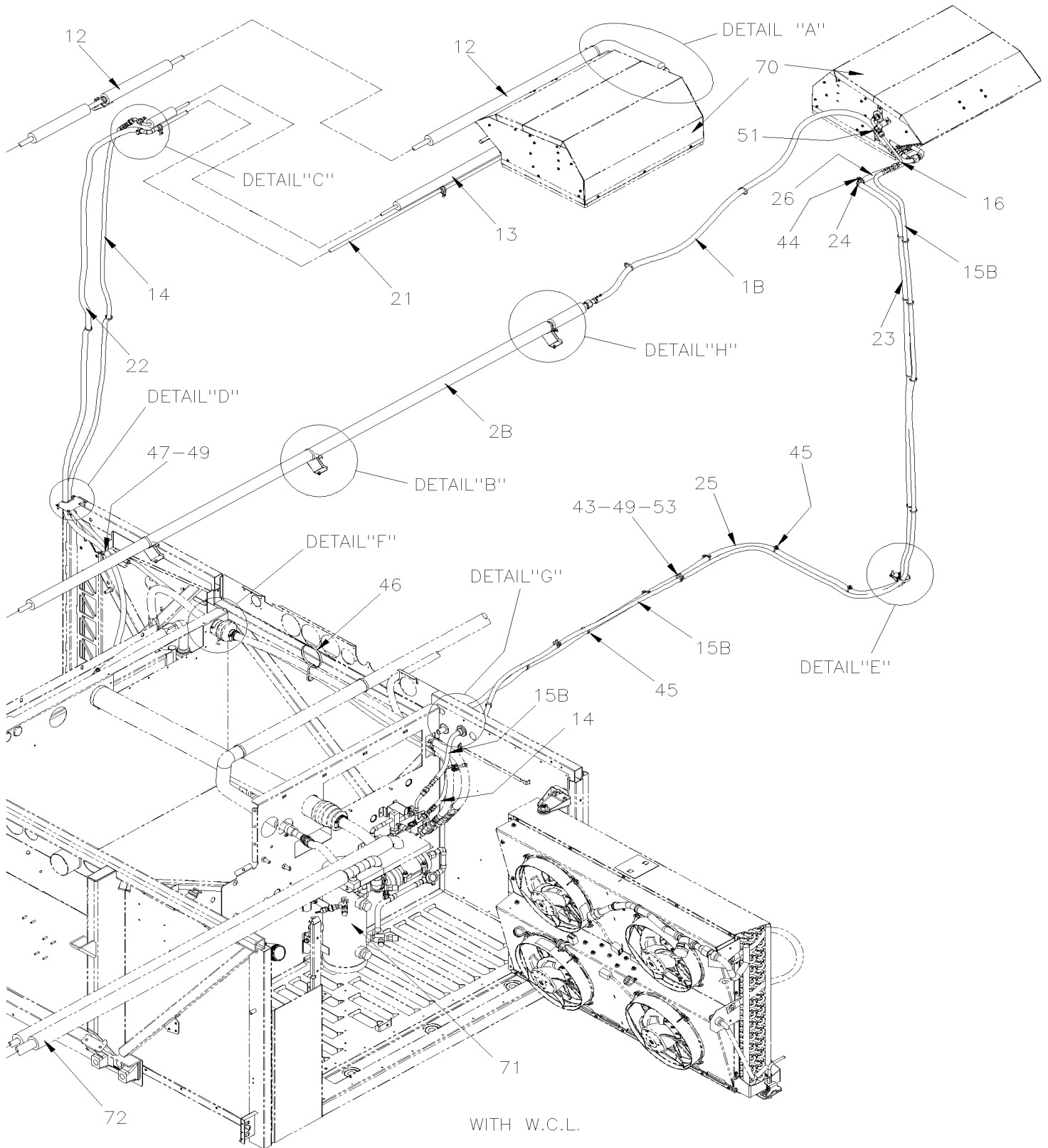
A/C AUXILIARY LINE / PARCEL RACK



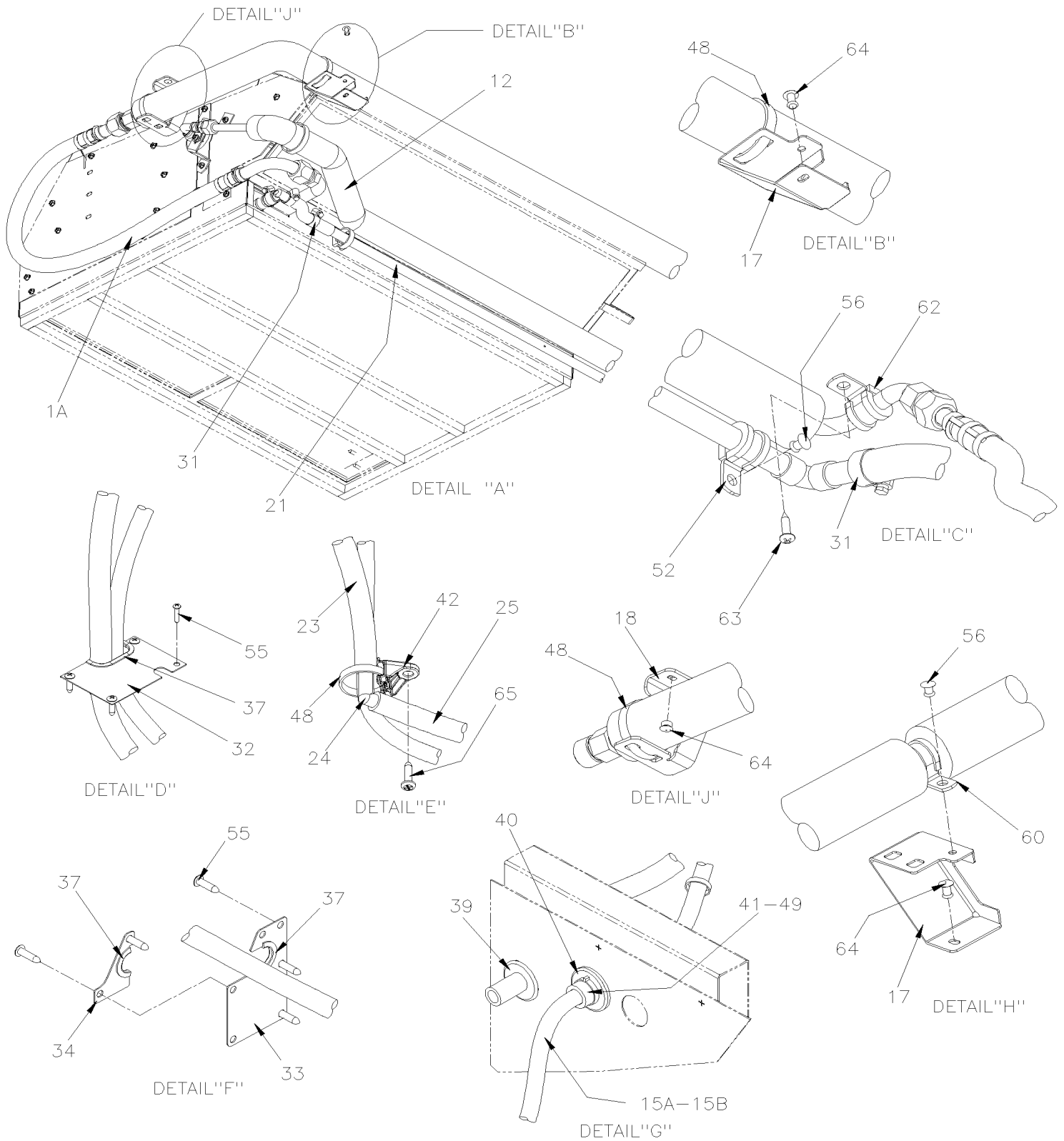
A/C AUXILIARY LINE / PARCEL RACK



A/C AUXILIARY LINE / PARCEL RACK



A/C AUXILIARY LINE / PARCEL RACK



From L-6493		Date:01/2024	PAGE:X3-2245-33
A/C AUXILIARY LINE / PARCEL RACK			

Item#	Part	Description	QTY	Notes
1A	450571	HOSE ASSY / #10 315MM To L-6655	2	A
1A	454389	HOSE ASSY / #10 650MM From L-6656	2	A
1A	450571	HOSE ASSY / #10 315MM To L-6655	1	B
1A	454389	HOSE ASSY / #10 650MM From L-6656	1	B
1B	450566	HOSE ASSY / #10 1800MM	1	B
2A	450555	PIPE,SUCTION PARCEL RACK WO/WCL ASSY. To L-6655	1	A
2A	454388	PIPE,SUCTION PARCEL RACK WO/WCL ASSY. From L-6656	1	A
2B	450554	PIPE,SUCTION PARCEL RACK W/WCL ASSY.	1	B
3	450563	HOSE ASSY / #10 1565MM	1	
4A	453675	HOSE ASSY / #10 580MM From L-6656	1	
4B	450556	PIPE, SUCTION REAR WALL ASSY. To L-6655	1	
4B	453956	PIPE, SUCTION REAR WALL ASSY. From L-6656 To N-6748	1	
4B	454975	PIPE, SUCTION REAR WALL ASSY. From P-6749	1	
5	950950	. VALVE SERVICE LOW PRESSURE To N-6748	1	
. NS	950235	. . GAUGE ADAPTOR ASSY / W/BLUE CAP FOR R-134A / SUCTION SIDE (ALUMINUM) To N-6748	1	
5	950660	. VALVE SERVICE LOW PRESSURE From P-6749	1	
6	950499	. ADAPTOR 7/16-20 x R134 13MM	1	
7	450565	SUPPORT,SUCTION SERVICE VALVE To N-6748	1	
7	454967	SUPPORT,SUCTION SERVICE VALVE From P-6749	1	
8A	450560	SUPPORT TUYAU A/C RETOUR ASS.	1	
8B	453738	SUPPORT TUYAU A/C RETOUR ASS. From L-6656	1	
9	450693	PIPE, SUCTION REAR WALL ASSY. To L-6655	1	
9	453947	PIPE, SUCTION REAR WALL ASSY. From L-6656	1	
10	450689	HOSE ASSY / #12 900MM	1	
11	450674	PIPE,SUCTION COMPRESSOR ASSY.	1	
12	450552	PIPE,SUCTION LEFT PARCEL RACK ASSY. To L-6655	1	
12	454387	PIPE,SUCTION LEFT PARCEL RACK ASSY. From L-6656	1	
13	450994	PIPE, DISCHARGE PARCEL RACK ASSY. To L-6655	1	
13	453928	PIPE, DISCHARGE PARCEL RACK ASSY. From L-6656	1	
14	450564	HOSE ASSY / #6 3975MM	1	
15A	450567	HOSE ASSY / #6 4435MM	1	A
15A	450567	HOSE ASSY / #6 4435MM	1	A
NS	2810396	ATTACH,CYLINDER ARM WITHOUT/WCL	1	A
15B	450567	HOSE ASSY / #6 4435MM	1	B
15B	450567	HOSE ASSY / #6 4435MM	1	B
16	450716	CONNECTION PILOT TUBE 3/8 OD	1	B
17	450672	SUPPORT	10	A
17	450672	SUPPORT	9	B
18	314929	BRACKET PIPE From L-6656	2	A
18	314929	BRACKET PIPE From L-6656	1	B
21	450652	PIPE,DRAIN LEFT PARCEL RACK ASSY.	1	

From L-6493	Date:01/2024	PAGE:X3-2245-33
A/C AUXILIARY LINE / PARCEL RACK		

Item#	Part	Description	QTY	Notes
NS	504013	TIE MOUNT / 1/4" X 1/4" I.D.	1	
NS	504118	RIVET POP DOME OE 3/16x3/8 AL	1	
NS	504016	CABLE TIE / 5/16" X 14"1/2	1	
22	Call order desk	HOSE 2855MM	1	P
22	503707	. HOSE / PVC REINFORCED 1/2" I.D. 100' / S.L.	AR	
23	Call order desk	HOSE 1900MM	1	P A
23	Call order desk	HOSE 1900MM	1	P B
23	503707	. HOSE / PVC REINFORCED 1/2" I.D. 100' / S.L.	AR	
24	5011230	UNION ELBOW 90° / HOSE BARB FITTING / #8x#8 PLAS	1	A
24	5011230	UNION ELBOW 90° / HOSE BARB FITTING / #8x#8 PLAS	3	B
25	Call order desk	HOSE 2215MM	1	P
25	503707	. HOSE / PVC REINFORCED 1/2" I.D. 100' / S.L.	AR	
26	450714	HOSE 212MM	1	B
26	503707	. HOSE / PVC REINFORCED 1/2" I.D. 100' / S.L.	AR	
27	450715	PIPE, DRAIN RIGHT PARCEL RACK To N-6713	1	A
27	454367	PIPE, DRAIN RIGHT PARCEL RACK From N-6714	1	A
29	992086	HOSE CLAMP / 32MM/52MM From L-6656	1	
30	453741	HOSE SLIT 50MM From L-6656	1	
30	503788	. HOSE SILICONE 4 PLY / NOMEX-ARAMID 1" I.D. x 54" From L-6656	AR	
31	504230	HOSE CLAMP / 3/8"-7/8" SS / HS-6	4	
32	450666	CLOSING PLATE	1	
33	450658	CLOSING PLATE	1	
34	450662	CLOSING PLATE	1	
35	450707	CLOSING PLATE To L-6655	1	
35	453739	CLOSING PLATE From L-6656	1	
36	450706	CLOSING PLATE To L-6655	1	
36	453740	CLOSING PLATE From L-6656	1	
37	5060120	GROMMET EDGING ADHESIVE .036-.062	AR	
38	992084	HOSE CLAMP / 23MM/35MM	1	
39	504264	GROMMET / .750x1.250x.062x.250x1.625	2	
40	504398	GROMMET / 1.000x1.375x.062x.437x1.750	2	
41	450657	HOSE SLIT 80MM	1	
42	504772	ATTACHMENT USE WITH CABLE TIE 5/16 BOLT	1	
43	504013	TIE MOUNT / 1/4" X 1/4" I.D.	AR	
44	564534	CABLE TIE / WITH EDGE CLIP / T50REC5A 10 MM x 200 MM	1	
45	8631155	CABLE TIE / 4.6MM x 200 / CHRISTMAS TREE	6	
46	504737	CABLE TIE / .300" X 30"1/2	2	
47	509815	TIE MOUNT / ATTACHMENT W/TREE MOUNT	1	
48	504016	CABLE TIE / 5/16" X 14"1/2	AR	
49	504637	CABLE TIE / 3/16" x 13"	AR	
51	952631	CLAMP / 3/4" I.D.	1	

From L-6493	Date:01/2024	PAGE:X3-2245-33
A/C AUXILIARY LINE / PARCEL RACK		

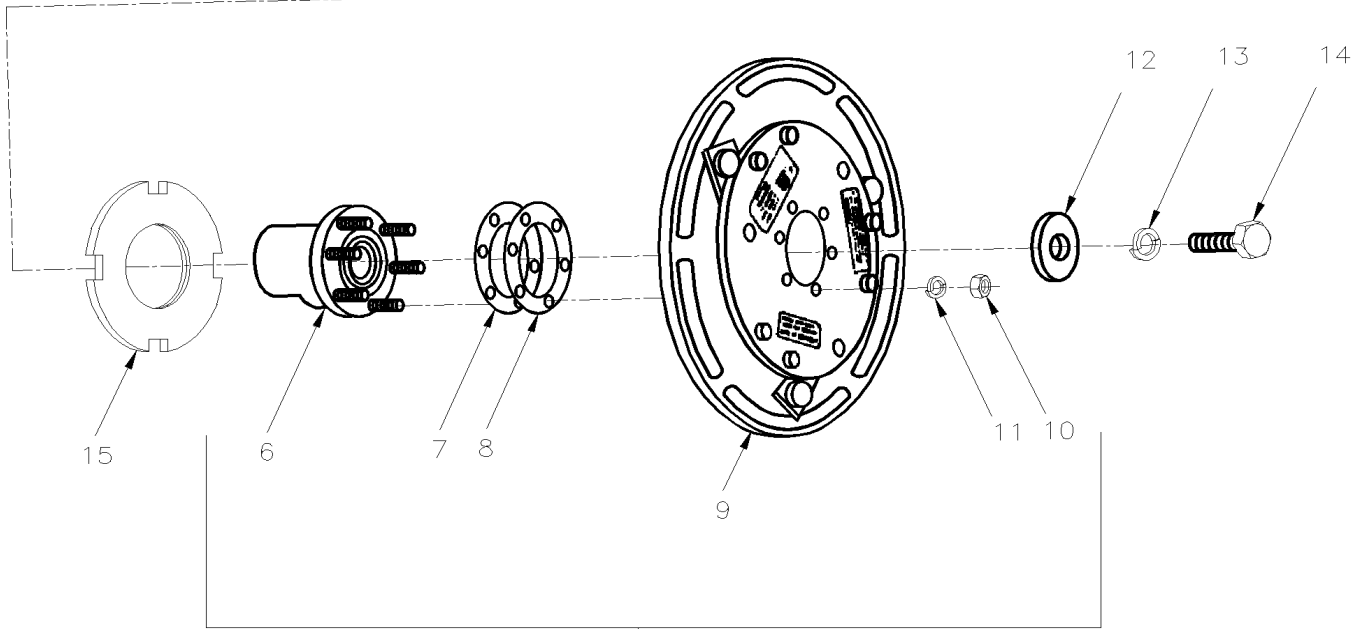
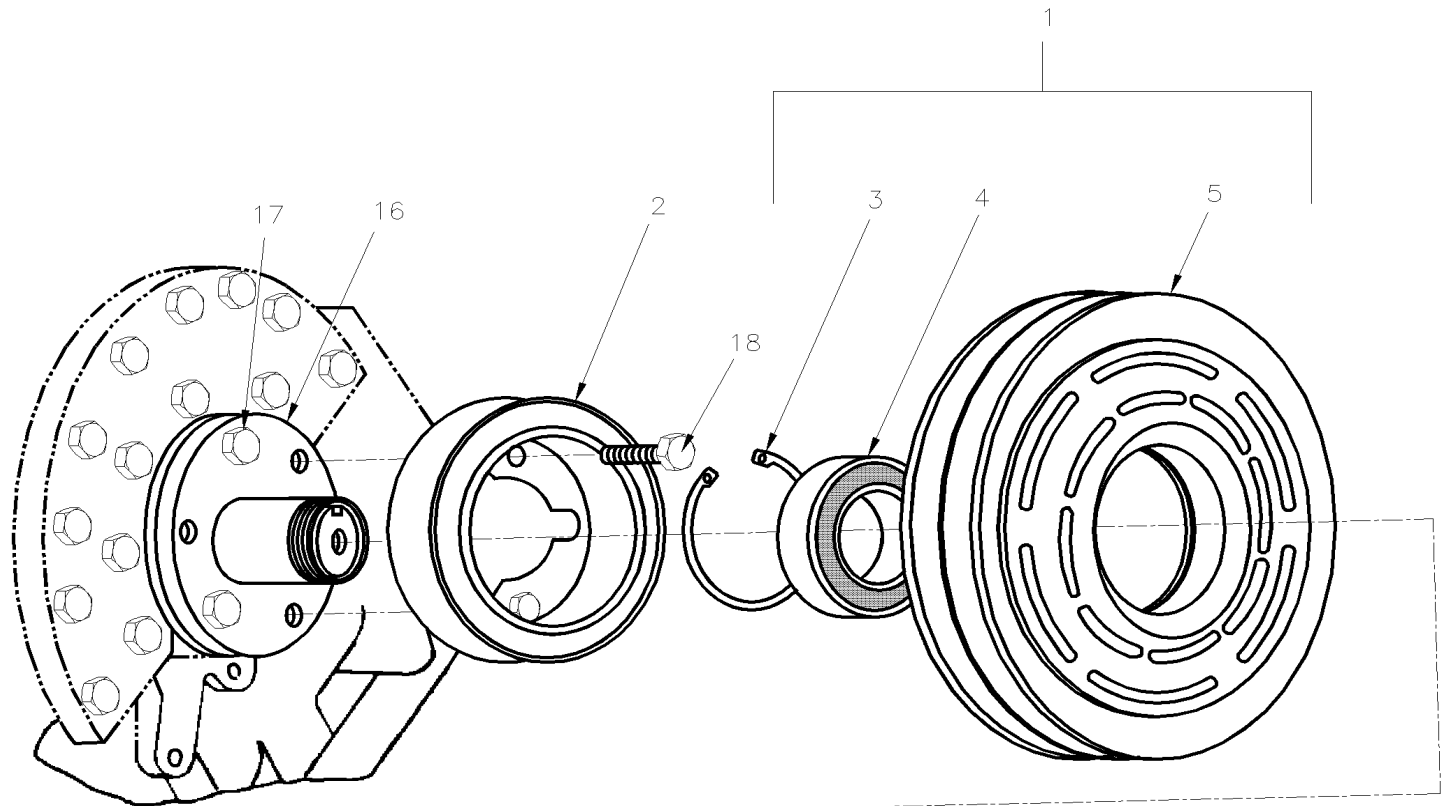
Item#	Part	Description	QTY	Notes
52	952627	CLAMP / 1/2" I.D.	1	
53	504488	RIVET MGLP PRDG 3/16x17/64 SS	2	
54	504379	RIVET POP DOME OE 3/16x1/4 SS	2	
55	500957	SCREW TP BDG PH #10x3/4 N500	AR	
56	504114	RIVET POP DOME OE 3/16x1/4 AL	AR	
57	502772	SCREW CAP HEX 1/4-20x1/2 G5 N500	1	
58	5001833	WASHER BEL SPR 6.1x18x1.27 SS To N-6748	1	
58	500142	WASHER FL 6.6x22.0x2.0 SS To N-6748	1	
59	5001730	SCREW CAP HEXF M6-1.0x16 G10.9 N500 To N-6748	1	
59	5002105	SCREW CAP HEXF M6-1.0x20 G10.9 N500 From P-6749	1	
60	952629	CLAMP / 5/8" I.D.	AR	
61	502848	SCREW TC CAP HEXF 1/4-20x3/4 N500	1	
62	952625	CLAMP / 3/8" I.D.	1	
63	500641	SCREW TP PAN PH #8x3/4 Z050	1	
64	504118	RIVET POP DOME OE 3/16x3/8 AL	AR	
65	502706	SCREW TP PAN PH #14x1 SS	1	
70	X3-2240-15	BLOWER VENTILATION - PARCEL RACK WITH A/C SYSTEM		
71	X3-2270-11	RECEIVER TANK & FILTER DRYER WITH A/C PARCEL RACK		
72	X3-2222-18	A/C LINE REAR SECTION		
81	980027	BALL STUD / W/10 MM X M8-1.25 / 36.5MM From P-6832	1	C
82	5001699	WASHER BEL SPR 8.2x22x1.4 N500 From P-6832	1	C
83	980016	NUT, CYLINDER RETAINER From P-6832	1	C
84	507383	TIE MOUNT HOLE 3/8" From P-6832	1	C
84	509491	CABLE TIE / 13MM x 383MM From P-6832	1	C
85	562218	CONVOLUTED TUBING / UNSLIT / BLACK & GRAY / 1.000" From P-6832	AR	C
86	952631	CLAMP / 3/4" I.D. From P-6832	1	C
		A) WITHOUT W.C.L.		
		B) WITH W.C.L.		
		C) USE ONLY WITH STREET SIDE PARCEL RACK A/C WITH DOOR		
		P) CALL ORDER DESK FOR SPECIFIC APPLICATION (V.I.N.)		

From 7-8754 To D-5458

Date:01/2024

PAGE:X3-2246-00

A/C CLUTCH 05G - HOUSING MOUNTED



1

From 7-8754 To D-5458	Date:01/2024	PAGE:X3-2246-00
A/C CLUTCH 05G - HOUSING MOUNTED		

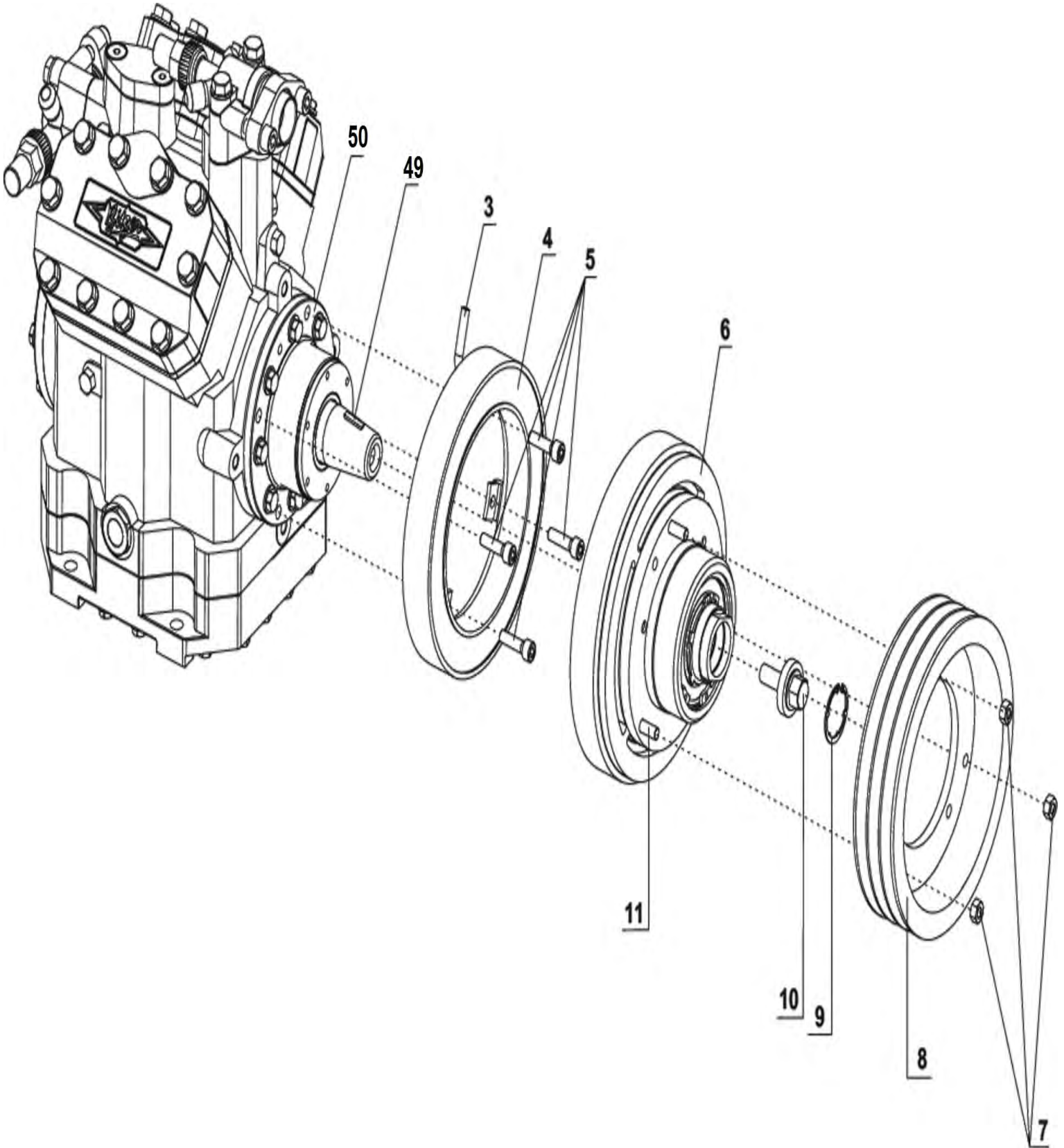
Item#	Part	Description	QTY	Notes
1	950204	CLUTCH HOUSING-MOUNTED/24V DC 9" DIA 2B GROVE	1	
1	950441	CLUTCH HOUSING-MOUNTED/24V DC 9" DIA 2B GROVE / & 8 1/4" DIA 2A GROVE From 8-9277	1	B
2	950156	COIL 24V	1	A
3	950146	. CIRCLIP INTERNAL	1	
4	950141	. BEARING	1	
5	N.S.S.	. PULLEY	1	1
6	N.S.S.	. HUB DRIVE	1	1
7	950104	. SHIM 0.010	1	
8	950103	. SHIM 0.020	5	
9	N.S.S.	. ARMATURE	1	1
10	500769	. NUT HEX 1/4-20 Z050	6	
11	500473	. WASHER LO SPT .262x.489x.062 Z050	6	
NS	561813	CONNECTOR / SURE-SEAL / FEMALE HOUSING 2C / ITT CANNON 120-1804-000	1	
NS	561023	PIN TERMINAL / 18-14 / ITT CANNON 030-2196-001	1	
NS	561024	SOCKET TERMINAL / 18-14 / ITT CANNON 031-1267-001	1	
NS	561815	CLAMP W/ 2 / ITT CANNON 029-0263-000	1	
12	870784	WASHER 13/32" I.D. X 1 1/2" O.D. X 3/16" TH	1	
13	500478	WASHER LO SPT .380x.683x.094 Z050	1	
14	870785	SCREW CAP HEX 3/8-24x7/8 G8 ZP	1	
15	950093	NUT / W/HUB MOUNTING ONLY	1	
16	950408	HUB HOUSING MOUNT W/GROOVE FOR TWIN PORT	1	
. NS	950409	. SEAL, LIP, SHAFT SEAL / W/TWIN PORT ONLY	1	
. NS	870795	. GASKET, HUB BEARING	1	
17	500192	SCREW CAP HEX 3/8-16x1 1/4 G5 Z050	6	
18	186679	SCREW CAP HEX 3/8-16x1 1/4 G8 ZP	1	
NS	950105	SOCKET / TOOL FOR INSTALLATION		
NS	950106	PUSHER ROTOR / TOOL		
NS	950107	SPANNER WRENCH / TOOL		
		A) THIS COIL IS NOT INCLUDE WITH #950204		
		B) WITH PARCEL RACK A/C SYSTEM		
		1) NOT SOLD SEPARATELY		

From E-5459

Date:01/2024

PAGE:X3-2246-01

A/C CLUTCH - WITH "BITZER" COMPRESSOR



From E-5459

Date:01/2024

PAGE:X3-2246-01

A/C CLUTCH - WITH "BITZER" COMPRESSOR



From E-5459	Date:01/2024	PAGE:X3-2246-01
A/C CLUTCH - WITH "BITZER" COMPRESSOR		

Item#	Part	Description	QTY	Notes
	950496	CLUTCH ASSY 24V To E-5697	1	
. NS	561690	. CONNECTOR / WEATHER PACK / SH 2C / BLACK / PED 12015792 To E-5697	1	
. NS	561567	. PIN TERMINAL / 20-18 / PED 12089040 To E-5697	2	
. NS	561786	. CABLE SEAL / GRAY / PED 15324980 To E-5697	2	
	950571	CLUTCH ASSY 24V From E-5698 To G-5970	1	
	950034	CLUTCH ASSY 24V From G-5971 To H-6179	1	
. NS	950561	. BALL BEARING 50MM X 90MM X 30.2MM From G-5971 To H-6179	1	
	950603	CLUTCH ASSY 24V From G-5971 To H-6179	1	
	950539	CLUTCH ASSY 24V From H-6180 To K-6443	1	
	950601	CLUTCH ASSY 24V From K-6444	1	
	561690	CONNECTOR / WEATHER PACK / SH 2C / BLACK / PED 12015792 From E-5698 To G-5970	1	
	561567	PIN TERMINAL / 20-18 / PED 12089040 From E-5698 To G-5970	2	
	561786	CABLE SEAL / GRAY / PED 15324980 From E-5698 To G-5970	2	
	459228	CLUTCH ASSY 24V From E-5698 To G-5970	1	S
. NS	950974	. CLUTCH ASSY 24V From E-5698 To G-5970	1	S
. NS	561690	. CONNECTOR / WEATHER PACK / SH 2C / BLACK / PED 12015792 From E-5698 To G-5970	1	S
. NS	561567	. PIN TERMINAL / 20-18 / PED 12089040 From E-5698 To G-5970	2	S
. NS	561786	. CABLE SEAL / GRAY / PED 15324980 From E-5698 To G-5970	2	S
NS	950594	BEARING, SERVICE A/C CLUTCH From E-5698 To G-5970	1	
2	950561	BALL BEARING 50MM X 90MM X 30.2MM From G-5971	1	
3	N.S.S.	CABLE	1	1
4	950972	MAGNET To E-5697	1	
4	455003	MAGNET / WITH CABLE & CONNECTOR From E-5698 To G-5970	1	
4	950533	. MAGNET / WITH CABLE From E-5698 To G-5970	1	
4	561690	. CONNECTOR / WEATHER PACK / SH 2C / BLACK / PED 12015792 From E-5698 To G-5970	1	
4	561567	. PIN TERMINAL / 20-18 / PED 12089040 From E-5698 To G-5970	2	
4	561786	. CABLE SEAL / GRAY / PED 15324980 From E-5698 To G-5970	2	
4	950534	MAGNET / W/CONNECTOR From G-5971 To K-6443	1	
4	950604	MAGNET / W/CONNECTOR From K-6444	1	
5	5001775	SCREW CAP HEXS M8-1.25x25 G8.8 G500	4	
6	N.S.S.	ROTOR	1	1
7	N.S.S.	NUT HEX M8-1.25	1	1
8	N.S.S.	PULLEY	1	1
9	N.S.S.	CIRCLIP	1	1
10	N.S.S.	SCREW STRAINING	1	1
10	502875	SCREW CAP HEX M12-1.75x40 G8.8 N50	1	
11	N.S.S.	STUD M8-1.25x20	1	1
49	950520	WOODRUFF KEY 5 x 9	1	
50	X3-2250-01	A/C COMPRESSOR "BITZER" 4NFCY		
NS	680888	TOOL M16-2.0x70MM PLAIN FIN HEX CAP SCREW WITH LANG CLUTCH From E-5698	1	

From E-5459		Date:01/2024	PAGE:X3-2246-01
-------------	--	--------------	-----------------

A/C CLUTCH - WITH "BITZER" COMPRESSOR

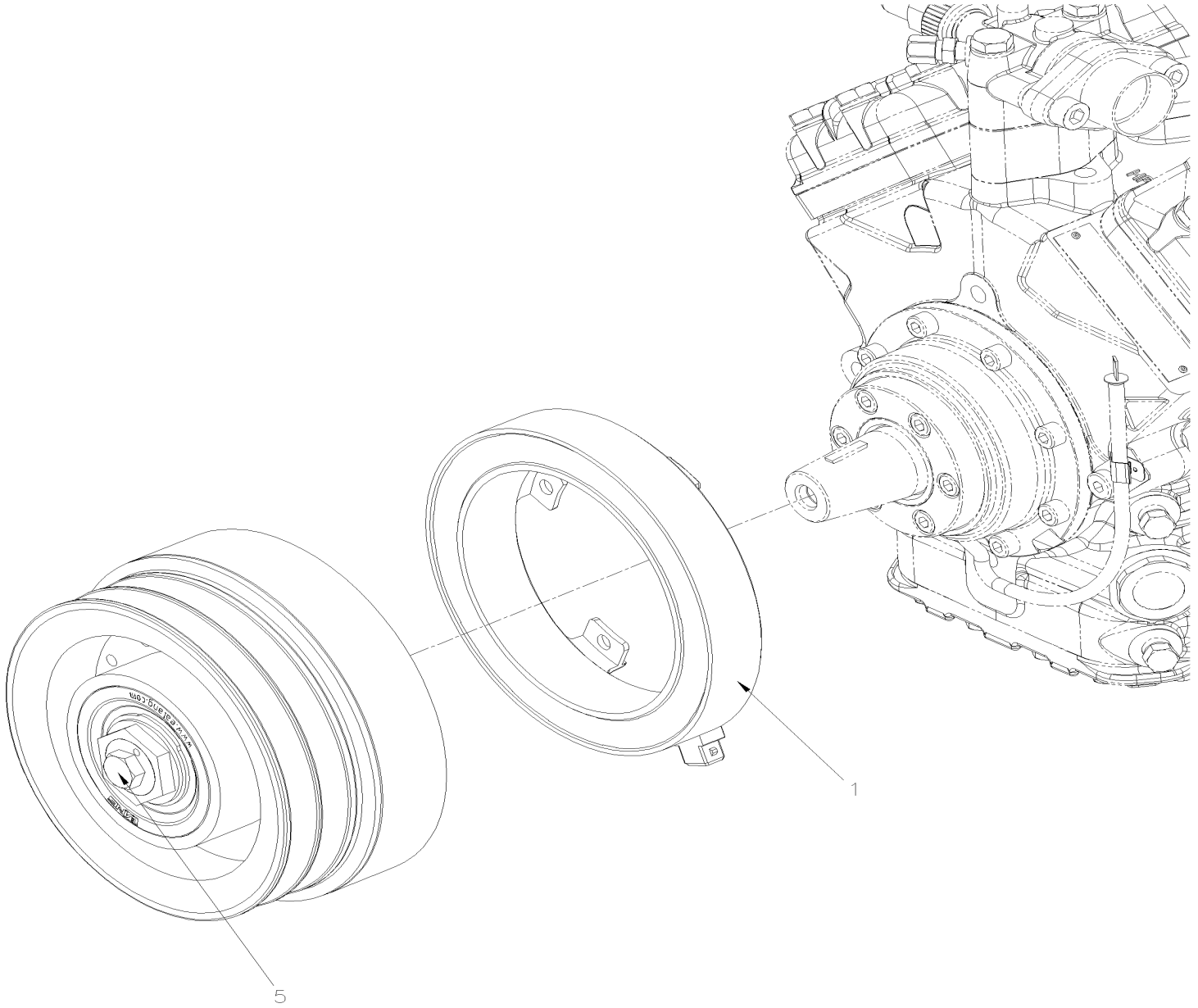
Item#	Part	Description	QTY	Notes
		S) SERVICE		
		1) NOT SOLD SEPARATELY		

From N-6739

Date:01/2024

PAGE:X3-2246-20

A/C CLUTCH - WITH "BOCK" COMPRESSOR



From N-6739	Date:01/2024	PAGE:X3-2246-20
-------------	--------------	-----------------

A/C CLUTCH - WITH "BOCK" COMPRESSOR

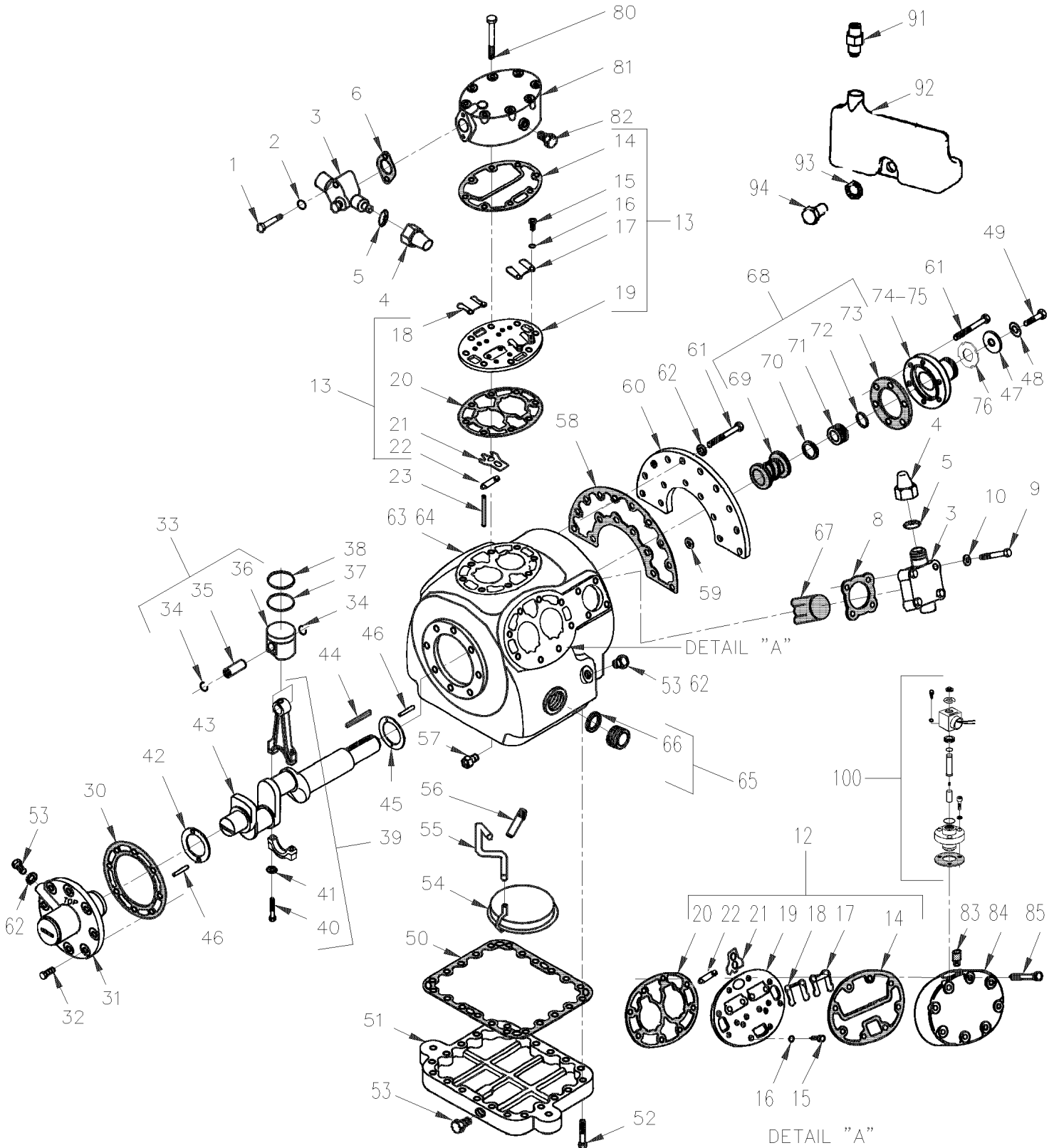
Item#	Part	Description	QTY	Notes
	950601	CLUTCH ASSY 24V	1	
1	950604	. MAGNET / W/CONNECTOR	1	
NS	950561	. BALL BEARING 50MM X 90MM X 30.2MM	1	
5	Call order desk	SET TO FIX CLUTCH ON SHAFT	1	P
		P) CALL ORDER DESK FOR SPECIFIC APPLICATION (V.I.N.)		

From 7-8754 To D-5458

Date:01/2024

PAGE:X3-2250-00

A/C COMPRESSOR ASSY 05G - TWIN PORT



From 7-8754 To D-5458	Date:01/2024	PAGE:X3-2250-00
A/C COMPRESSOR ASSY 05G - TWIN PORT		

Item#	Part	Description	QTY	Notes
NS	950401	A/C COMPRESSOR ASSY REBUILT / W/41 C.F.M W/O ACCESSORIES TWIN PORT		
1	870877	. SCREW CAP HEX 5/16-18x2 G5 ZP	2	
2	870750	. GASKET	2	
3	X3-2245-00	. A/C COMPRESSOR 05G - INSTALLATION - MUX		
4	870446	. . CAP SEAL	1	
5	870752	. . . GASKET, CAP SEAL	1	
6	950425	. GASKET / DISCHARGE VALVE / (METAL)	1	
8	950423	. GASKET / SUCTION VALVE / (METAL)	1	
9	870755	. SCREW CAP HEX 1/2-13x2 1/2 G5 ZP	4	
10	870756	. GASKET	4	
12	950415	. VALVE PLATE ASSY / SIDE BANK / W/TWIN PORT ONLY	2	
NS	870800	. . CHECK VALVE ASSY / UNLOADER	2	
13	950414	. VALVE PLATE ASSY / CENTER BANK / W/TWIN PORT ONLY	1	
14	950421	. . GASKET, CYLINDER HEAD / W/TWIN PORT ONLY	1	
15	870761	. . SCREW CAP HEXS 1/4-28 x 3/8"	4	
16	500473	. . WASHER LO SPT .262x.489x.062 Z050	4	
17	950416	. . VALVE DISCHARGE / W/TWIN PORT ONLY	2	
18	950417	. . BACKER VALVE DISCHARGE / W/TWIN PORT ONLY	2	
19	N.S.S.	. . PLATE VALVE	1	1
20	950420	. . GASKET, VALVE PLATE / W/TWIN PORT ONLY	1	
21	950418	. . VALVE SUCTION / W/TWIN PORT ONLY	2	
22	950419	. . SPRING / SUCTION VALVE / W/TWIN PORT ONLY	2	
23	870767	. PIN DOWEL VALVE PLATE	4	
30	870771	. GASKET / OIL PUMP	1	
31	950403	. OIL PUMP ASSY / W/TWIN PORT ONLY	1	
32	500192	. SCREW CAP HEX 3/8-16x1 1/4 G5 Z050	8	
33	950272	. PISTON & PIN ASSY / STANDARD / W/41 CFM	6	
33	950274	. PISTON & PIN ASSY/.020" OVERSIZE / W/41 CFM	6	
34	N.S.S.	. . RETAINER	2	1
35	N.S.S.	. . PIN	1	1
36	N.S.S.	. . PISTON SINGLE RING	1	1
37	870774	. RING / W/DOUBLE RING PISTON ONLY	6	
38	870775	. RING COMPRESSION / STANDARD	6	
38	870815	. RING COMPRESSION / .020" OVERSIZE	6	
39	870776	. CONNECTING ROD & CLIP ASSY / STANDARD	6	
39	870816	. CONNECTING ROD & CLIP ASSY / .010" OVERSIZE	6	
NS	870767	. . PIN DOWEL VALVE PLATE	2	
40	870777	. . BOLT	2	
41	500440	. . WASHER FL .250x.562x.065 Z050	1	
42	870778	. WASHER THRUST / PUMP END	1	
43	950406	. CRANKSHAFT ASSY / W/41 CFM / W/TWIN PORT ONLY	1	

From 7-8754 To D-5458	Date:01/2024	PAGE:X3-2250-00
A/C COMPRESSOR ASSY 05G - TWIN PORT		

Item#	Part	Description	QTY	Notes
44	950140	. KEY CRANKSHAFT / W/HOUSING-MOUNTED CLUTCH	1	
45	870781	. WASHER THRUST	1	
46	870782	. PIN STRAIGHT 1/8" DIA. X 1/2"	2	
NS	870783	. PIN STRAIGHT .094" X 5/16"	2	
47	870784	. WASHER 13/32" I.D. X 1 1/2" O.D. X 3/16" TH	1	
48	500478	. WASHER LO SPT .380x.683x.094 Z050	1	
49	870785	. SCREW CAP HEX 3/8-24x7/8 G8 ZP	1	
50	950402	. GASKET, BOTTOM PLATE / (METAL)	1	
51	950444	. PLATE BOTTOM	1	
52	500191	. SCREW CAP HEX 3/8-16x1 G5 Z050	22	
NS	950303	. PLUG, O-RING / (CURRENT)	2	
54	870787	. SCREEN ASSY / OIL FILTER	1	
55	870788	. TUBE / OIL SUCTION	1	
56	870789	. VALVE / OIL RELIEF	1	
57	870790	. CHECK VALVE ASSY / OIL RETURN	2	
58	950412	. GASKET, SHAFT END COVER / W/TWIN PORT ONLY	1	
59	950139	. WASHER .393x.622x.031	2	
60	870792	. FLANGE	1	
61	500192	. SCREW CAP HEX 3/8-16x1 1/4 G5 Z050	21	
62	950139	. WASHER .393x.622x.031	21	
63	N.S.S.	. CRANKCASE	1	1
64	950283	. . BEARING, MAIN SEAL END	1	
65	870768	. SIGHT GLASS ASSY	2	
66	870769	. . GASKET, SIGHT GLASS	2	
67	870770	. STRAINER SUCTION	1	
68	950407	. SHAFT SEAL ASSY / W/HOUSING-MOUNTED CLUTCH / W/TWIN PORT ONLY	1	
69	N.S.S.	. . SEAL / SHAFT	1	1
70	870794	. . RING CARBON	1	
71	N.S.S.	. . RING WEAR	1	1
72	N.S.S.	. . O-RING	1	1
73	870795	. . GASKET, HUB BEARING	1	
74	950408	. HUB HOUSING MOUNT W/GROOVE FOR TWIN PORT	1	
. NS	950409	. . SEAL, LIP, SHAFT SEAL / W/TWIN PORT ONLY	1	
. NS	870795	. . GASKET, HUB BEARING	1	
75	950409	. SEAL, LIP, SHAFT SEAL / W/TWIN PORT ONLY	1	
76	950093	. NUT / W/HUB MOUNTING ONLY	1	
80	G1091280	. SCREW CAP HEX 3/8-16 X 3"1/4	8	
81	870757	. HEAD CYLINDER / CENTER BANK	1	
82	501303	. PLUG SQUARE HEAD / PIPE FITTING / 1/8NPT-M BR To A-9968	1	
83	870799	. STRAINER	1	
84	950426	HEAD CYLINDER / UNLOADER / W/TWIN PORT ONLY	1	
85	502694	SCREW CAP HEX 3/8-16x3 1/4 G5 ZP	1	

From 7-8754 To D-5458	Date:01/2024	PAGE:X3-2250-00
A/C COMPRESSOR ASSY 05G - TWIN PORT		

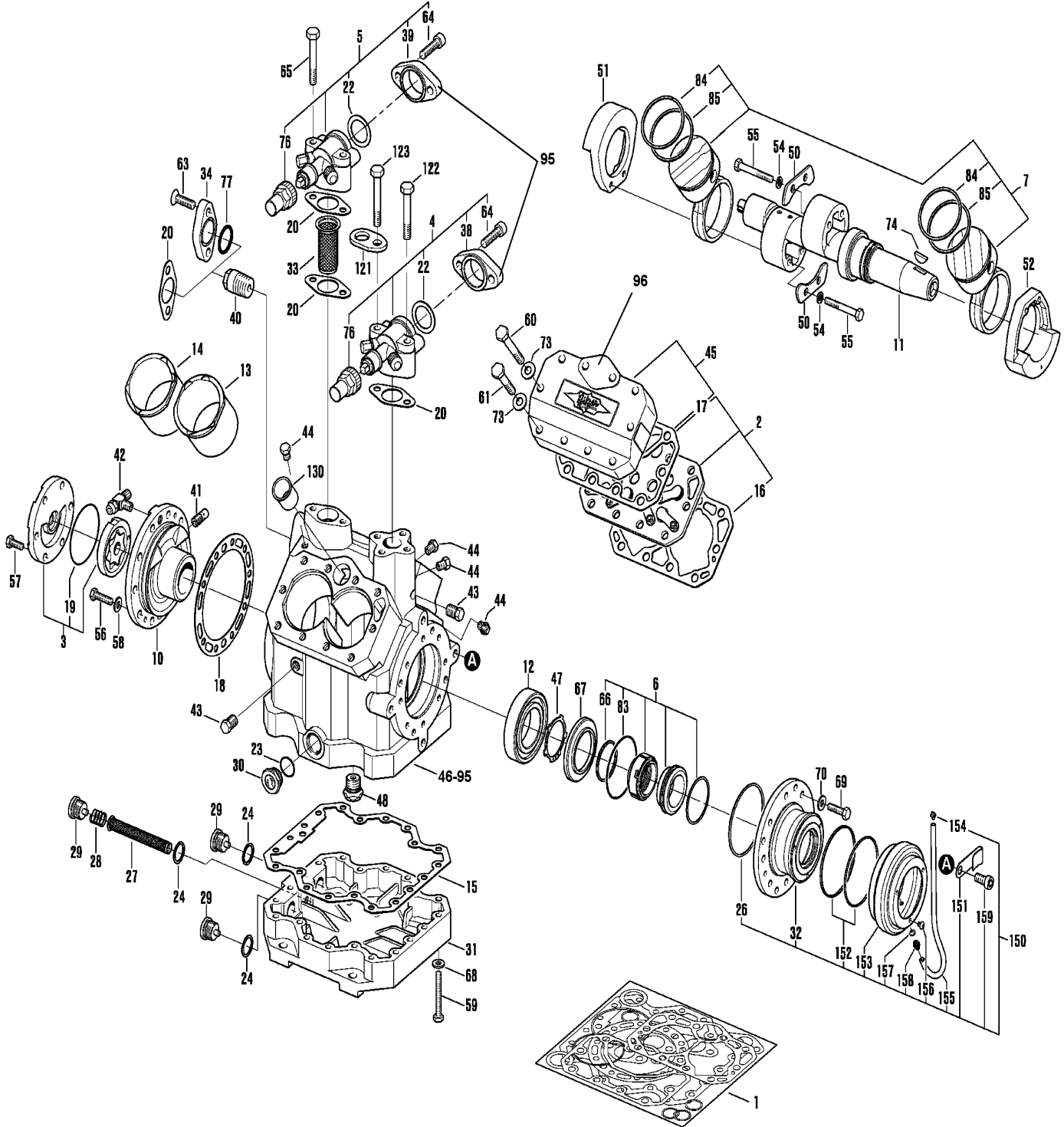
Item#	Part	Description	QTY	Notes
91	950410	ACCESS VALVE / W/TWIN PORT ONLY	1	
92	950411	RESERVOIR / W/TWIN PORT ONLY	1	
93	500856	WASHER LO INT .384x.692x.040 ZP	1	
94	950967	SCREW CAP HEX 3/8-16 X 3/4 G8	1	
100	X3-2250-15	A/C ELECTRIC UNLOADER - W/05G COMPRESSOR	1	
NS	950236	REFRIGERANT OIL POE / USE W/134A (4LITER)	AR	
		1) NOT SOLD SEPARATELY		

From E-5459

Date:01/2024

PAGE:X3-2250-01

A/C COMPRESSOR "BITZER" 4NFCY



From E-5459		Date:01/2024	PAGE:X3-2250-01
A/C COMPRESSOR "BITZER" 4NFCY			

Item#	Part	Description	QTY	Notes
	950494	A/C COMPRESSOR ASSY 4 CYLINDERS W/O CLUTCH W/O VALVES - "BITZER"	1	
NS	680801	OIL, BITZER COMPRESSOR, POE 134A 1 GALLON	AR	
1	950510	KIT GASKET	1	A
2	950517	VALVE COMPLET WITH GASKET	3	B
3	950518	OIL PUMP W/ O-RING	1	C
4	950956	DISCHARGE & SUCTION SHUT-OFF VALVE	1	D
NS	950557	GASKET KIT FOR VALVE	1	D
20	950506	GASKET	3	D
22	950957	GASKET	2	D
5	950956	DISCHARGE & SUCTION SHUT-OFF VALVE	1	D
NS	950557	GASKET KIT FOR VALVE	1	D
20	950506	GASKET	3	D
22	950957	GASKET	2	D
6	950509	SHAFT SEAL COMPLETE	1	E
7	950627	CONNECTING ROD W/PISTON COMPLETE	4	F
8	N.S.S.	PISTON STD	4	1
9	N.S.S.	CONNECTING ROD	4	1
10	950541	BEARING COVER	1	G
11	950628	ECCENTRIC SHAFT	1	H
12	950585	CYLINDRIC ROLLER BEARING	1	
13	Call order desk	CYLINDER LINER RIGHT	3	P
14	Call order desk	CYLINDER LINER LEFT	3	P
15	N.S.S.	GASKET	1	1
16	950516	GASKET	3	
17	950625	GASKET	2	
18	950542	GASKET	1	
19	950519	O-RING 74 x 2	1	
20	950506	GASKET	3	
22	950957	GASKET	2	
23	950515	O-RING 23.5 x 1.8	2	
24	950544	GASKET RING ALUMINUM	1	
26	950626	O-RING 85 x 3.53 MM	1	
27	951082	OIL FILTER	1	
28	950600	PRESSURE SPRING	1	
29	950545	MAGNETIC SCREW M22-1.5	3	
30	950514	SIGHT GLASS	2	
31	Call order desk	BOTTOM PLATE	1	P
32	950605	SHAFT SEAL COVER	1	
33	950973	SUCTION GAS FILTER	2	
34	950644	BLIND FLANGE 80x44.5x15	1	
38	Call order desk	COMPANION FLANGE 35 (1 3/8")	1	P

From E-5459	Date:01/2024	PAGE:X3-2250-01
A/C COMPRESSOR "BITZER" 4NFCY		

Item#	Part	Description	QTY	Notes
39	Call order desk	. COMPANION FLANGE 35 (1 3/8")	2	P
40	Call order desk	. PRESSURE RELIEF VALVE	2	P
41	Call order desk	. OIL PRESSURE RELIEF VALVE	1	P
42	950540	. SCHRADER VALVE 7/16 UNF	1	
43	Call order desk	. SEALING PLUG	2	P
44	Call order desk	. SEALING PLUG	2	P
45	Call order desk	. CYLINDER HEAD	2	P J
45	950511	. CYLINDER HEAD W/MUFFLER	2	J
45	Call order desk	. GASKET CYLINDER HEAD	1	P
46	Call order desk	. HOUSING	1	P
47	950970	. RETAINING RING W/LUGS	1	
48	Call order desk	. GAS EQUALISING VALVE	1	P
50	Call order desk	. THRUST SEGMENT	2	P
51	Call order desk	. BALANCE WEIGHT	1	P
52	Call order desk	. BALANCE WEIGHT	1	P
54	Call order desk	. WASHER A 8 DIN 134	4	P
55	Call order desk	. SCREW CAP HEX M8-1.25x60 G10.9 ZP	4	P
56	Call order desk	. SCREW CAP HEX M8-1.25x30 G10.9 FT	10	P
57	Call order desk	. SCREW CAP HEX M8-1.25x20 G10.9 FT	6	P
58	Call order desk	. WASHER A 8 DIN 134	16	P
59	Call order desk	. SCREW CAP HEX M8-1.25x60 G10.9 FT	20	P
60	Call order desk	. SCREW CAP HEX M10-1.5x75 G10.9	18	P
61	Call order desk	. SCREW CAP HEX M10-1.5x55 G10.9	8	P
63	Call order desk	. SCREW CAP CK HEXS M10-1.5x35 G10.9	1	P
64	950488	. SCREW CAP HEXS M10-1.5x40 G10.9	4	
65	950641	. SCREW CAP HEX M10-1.5x65 G10.9	2	
66	Call order desk	. GASKET	1	P
67	950565	. BLANKING PLATE	1	
68	Call order desk	. WASHER A 8 DIN 134	20	P
69	Call order desk	. SCREW CAP HEX M8-1.25x30 G10.9 FT	8	P
70	Call order desk	. WASHER A 8 DIN 134	8	P
73	Call order desk	. WASHER A10 DIN 134	20	P
74	950520	. WOODRUFF KEY 5 x 9	1	
NS	950634	. SPIRAL PIN 3 x 20	1	
76	950564	. PROTECTIVE CAP	3	
77	950645	. O RING 33x3.5	1	
83	950519	. O-RING 74 x 2	1	
84	Call order desk	. GROOVE # 1 COMPRESSION RING	4	P
85	Call order desk	. GROOVE # 2 COMPRESSION RING	4	P
NS	Call order desk	. FLANGE KIT INTERMEDIATE	1	P
NS	Call order desk	. CROSS FLANGE KIT	1	P
NS	Call order desk	. SEALING SCREW M36 x 1.5	2	P

From E-5459	Date:01/2024	PAGE:X3-2250-01
-------------	--------------	-----------------

A/C COMPRESSOR "BITZER" 4NFCY

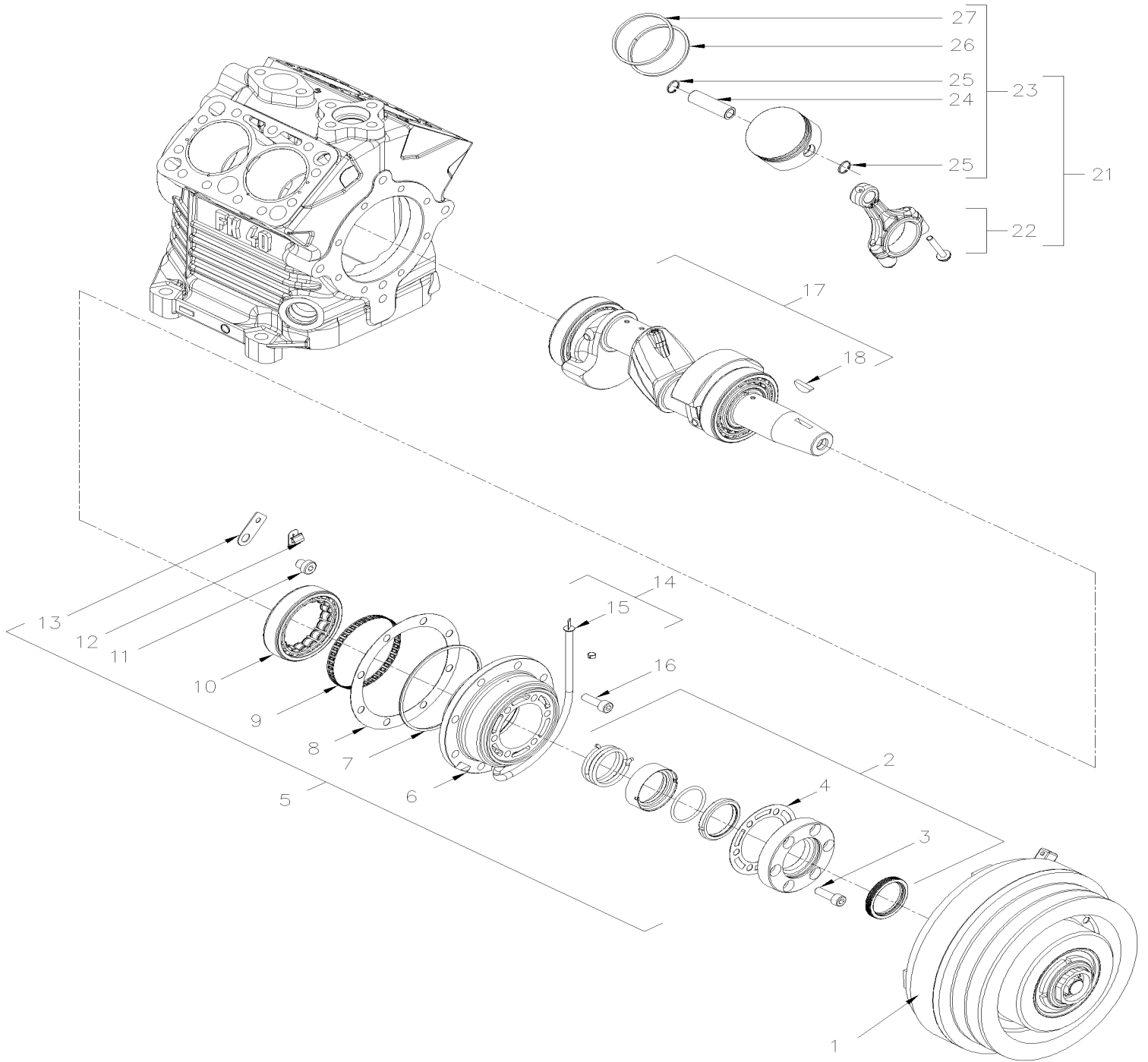
Item#	Part	Description	QTY	Notes
NS	Call order desk	. GASKET RING	2	P
95	X3-2245-02	. A/C COMPRESSOR "BITZER" - INSTALLATION To H-6179		
95	X3-2245-03	. A/C COMPRESSOR "BITZER" - INSTALLATION From H-6180		
95	X3-2246-01	. A/C CLUTCH - WITH "BITZER" COMPRESSOR		
96	X3-2250-16	. A/C ELECTRIC UNLOADER - WITH "BITZER" COMPRESSOR		
121	950505	. LIFTING LUG	1	
122	950641	. SCREW CAP HEX M10-1.5x65 G10.9	1	
123	950646	. SCREW CAP HEX M10-1.5x70 G10.9	1	
130	Call order desk	. BUSHING DRAIN INSERT	1	P
150	950968	. RETROFIT KIT OF SEALING COVER	1	
151	950532	. . BRACKET OIL TUBING	1	
152	950969	. . O RING 85x2	2	
153	950713	. . OIL COLLECTION CHAMBER	1	
154	950507	. . SEALING PLUG	1	
155	950975	. . HOSE	1	
156	950555	. . SCREW MA BUT M5x6	1	
157	950560	. . GASKET 9.5	1	
158	951087	. . CONNECTION PIECE M6	1	
159	Call order desk	. . SCREW CAP HEXS M10x16 G10.9	1	P
200	680801	OIL, BITZER COMPRESSOR, POE 134A 1 GALLON	AR	
		A) INCLUDE ITEMS # 15 to 26 + 66,77,83,94 & 266		
		B) INCLUDE ITEMS # 16 & 17		
		C) INCLUDE ITEM # 19		
		D) INCLUDE ITEMS # 22, 35, 38, 64 & 76		
		E) INCLUDE ITEMS #, 26, 66, 83, 152 & 156		
		F) INCLUDE ITEMS # 8, 9, 84, 85		
		G) INCLUDE ITEM # 105		
		H) INCLUDE ITEM # 75		
		J) INCLUDE ITEM # 17		
		1) NOT SOLD SEPARATELY		
		P) CALL ORDER DESK FOR SPECIFIC APPLICATION (V.I.N.)		

From N-6739

Date:01/2024

PAGE:X3-2250-20

A/C COMPRESSOR "BOCK"

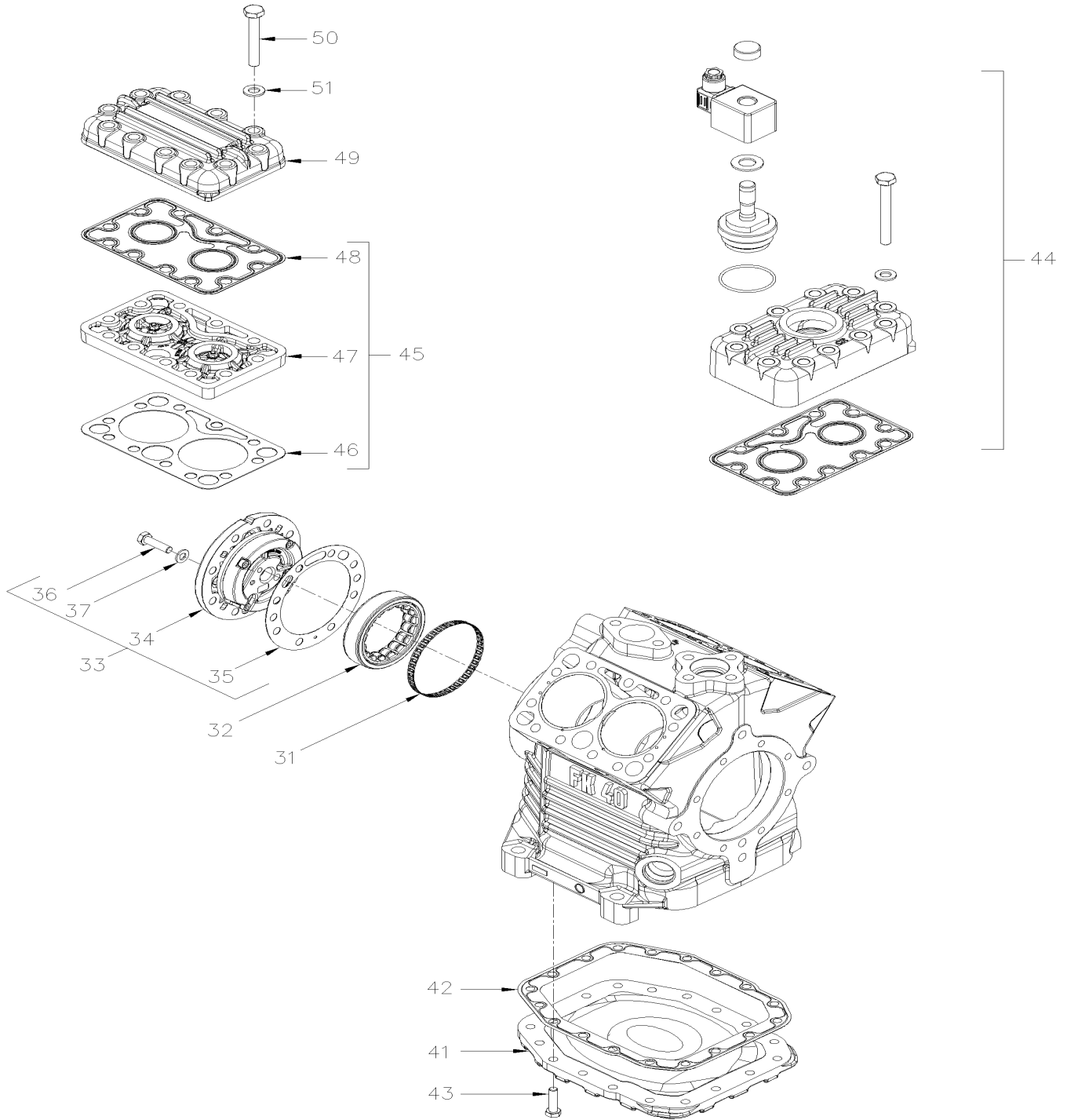


From N-6739

Date:01/2024

PAGE:X3-2250-20

A/C COMPRESSOR "BOCK"

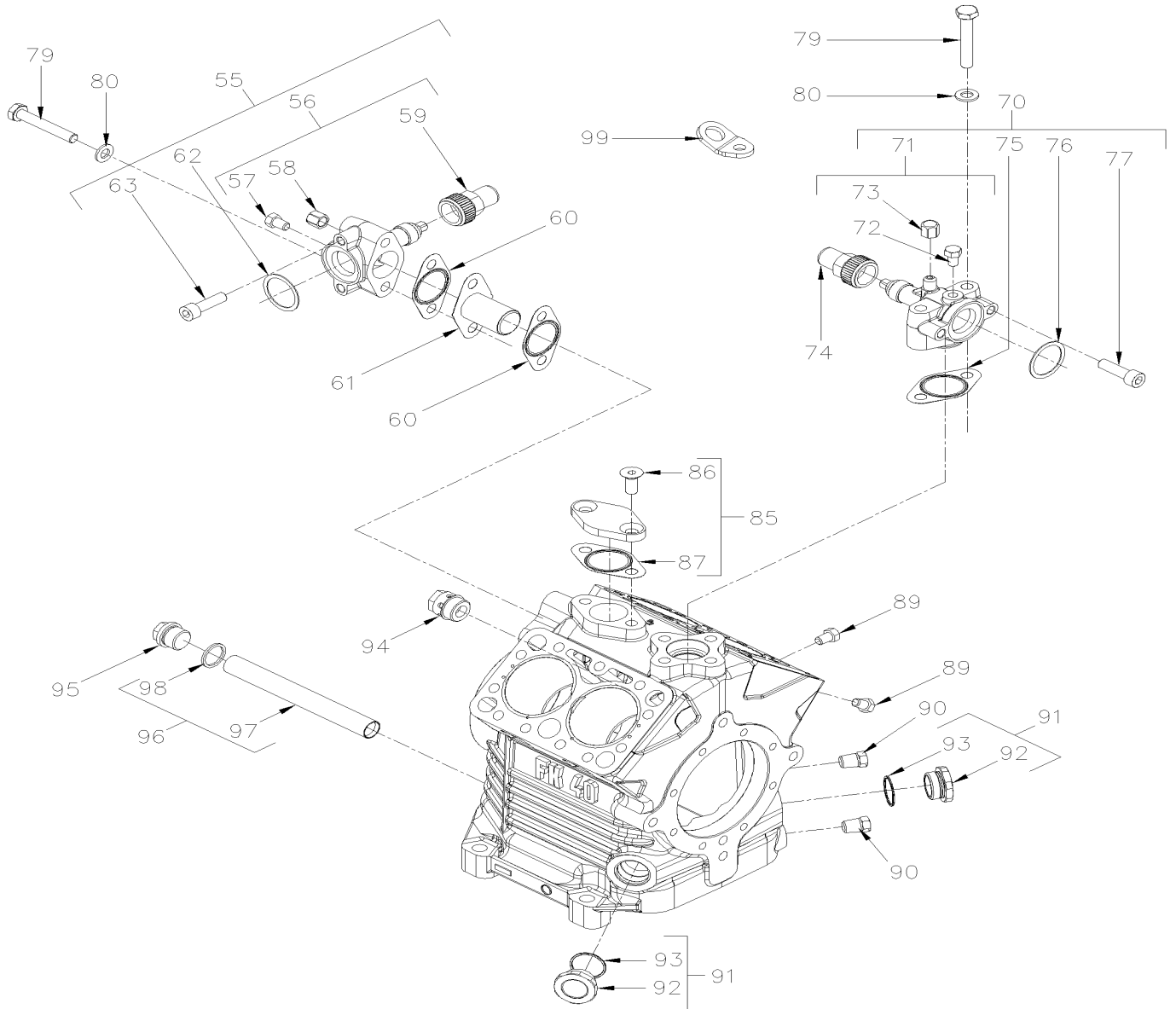


From N-6739

Date:01/2024

PAGE:X3-2250-20

A/C COMPRESSOR "BOCK"



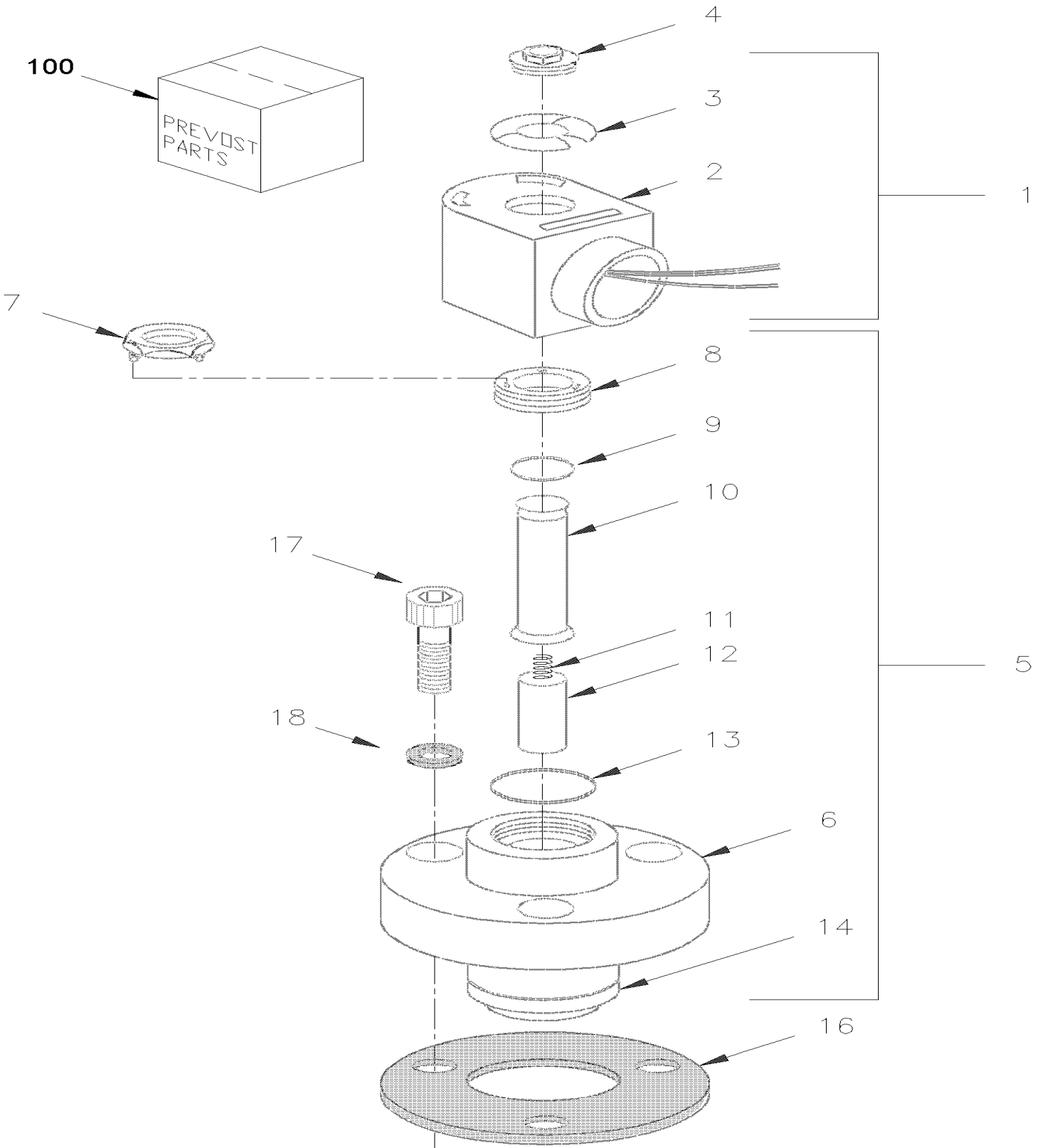
From N-6739		Date:01/2024	PAGE:X3-2250-20
A/C COMPRESSOR "BOCK"			

Item#	Part	Description	QTY	Notes
	950612	A/C COMPRESSOR ASSY 4 CYLINDERS W/CLUTCH - "BOCK" FK40/655K	1	
1	X3-2246-20	. A/C CLUTCH - WITH "BOCK" COMPRESSOR		
2	950613	. SET-SHAFT SEAL W/ESTER OIL	1	
3	Call order desk	. . SCREW CAP HEXS M8X25	6	P
4	Call order desk	. . GASKET-SHAFT SEAL COVER	1	P
5	Call order desk	. SET-FRONT BEARING FLANGE	1	P
6	Call order desk	. . FRONT BEARING FLANGE	1	P
7	Call order desk	. . O-RING 101,19X3,53	1	P
8	Call order desk	. . GASKET-FRONT BEARING FLANGE	1	P
9	Call order desk	. . TOLERANCE RING FOR BEARING DIA 90	1	P
10	Call order desk	. . SET-CYLINDRICAL ROLLER BEARING	1	P
11	Call order desk	. . SCREW CAP HEXS M10X10	1	P
12	Call order desk	. . HOSE CLAMP	1	P
13	Call order desk	. . CABLE/HOSE HOLDER	1	P
14	Call order desk	. . SET-OIL DRAIN HOSE	1	P
15	Call order desk	. . . HAFT PLUG DIA 5 BLACK	1	P
16	Call order desk	. . SCREW CAP HEXS M8X25	8	P
17	Call order desk	. SET-CRANKSHAFT	1	P
18	Call order desk	. . KEY WOODRUFF A5X9	1	P
21	Call order desk	. SET-PISTON, CONNECTNG ROD W/RINGS	4	P
22	Call order desk	. . SET-CONNECTING ROD	4	P
23	Call order desk	. . SET-PISTON	4	P
24	Call order desk	. . . PIN PISTON 15X10X50	4	P
25	Call order desk	. . . CIRCLIP 15X1	8	P
26	Call order desk	. . . OIL SCRAPER RING	4	P
27	Call order desk	. . . COMPRESSION RING	4	P
31	Call order desk	. TOLERANCE RING FOR BEARING DIA 90	1	P
32	Call order desk	. SET-CYLINDRICAL ROLLER BEARING	1	P
33	Call order desk	. SET-OIL PUMP	1	P
34	Call order desk	. . OIL PUMP COMPLETE	1	P
35	Call order desk	. . GASKET	1	P
36	Call order desk	. . SCREW CAP HEX M8X30	8	P
37	Call order desk	. . WASHER A8,4	8	P
41	Call order desk	. BASE PLATE	1	P
42	Call order desk	. GASKET-BASE PLATE	1	P
43	Call order desk	. SCREW CAP HEX M8X30	18	P
44	X3-2250-35	. A/C ELECTRIC UNLOADER - WITH "BOCK" COMPRESSOR		
45	Call order desk	. SET-VALVE PLATE	2	P
46	Call order desk	. . GASKET-LOWER VALVE PLATE DIA 65	2	P
47	Call order desk	. . VALVE PLATE COUPLING DIA 50/55/60/65	2	P
48	Call order desk	. . GASKET-UPPER VALVE PLATE	2	P
49	Call order desk	. CYLINDER COVER	2	P

From N-6739	Date:01/2024	PAGE:X3-2250-20
A/C COMPRESSOR "BOCK"		

Item#	Part	Description	QTY	Notes
50	Call order desk	. SCREW CAP HEX M10X70	11	P
51	Call order desk	. WASHER A10,5	11	P
55	Call order desk	. SET-SHUT-OFF VALVE	1	P
56	Call order desk	. . SHUT-OFF VALVE	1	P
57	Call order desk	. . . LOCKING SCREW 1/8"NPT	1	P
58	Call order desk	. . . NUT HEX CAP 7/16"UNF	1	P
59	950710	. . . NUT HEX CAP M22X1,5	1	
60	Call order desk	. . GASKET-VALVE FLANGE	2	P
61	Call order desk	. . FILTER SUCTION SIDE	1	P
62	Call order desk	. . GASKET RING 42X34X1	1	P
63	Call order desk	. . SCREW CAP HEXS M10X35	2	P
70	Call order desk	. SET-SHUT-OFF VALVE	1	P
71	Call order desk	. . SHUT-OFF VALVE	1	P
72	Call order desk	. . . LOCKING SCREW 1/8"NPT	1	P
73	Call order desk	. . . NUT HEX CAP 7/16"UNF	1	P
74	950710	. . . NUT HEX CAP M22X1,5	1	
75	Call order desk	. . GASKET-VALVE FLANGE	1	P
76	Call order desk	. . GASKET RING 42X34X1	1	P
77	Call order desk	. . SCREW CAP HEXS M10X35	2	P
79	Call order desk	. SCREW CAP HEX M10X65	4	P
80	Call order desk	. WASHER A10,5	3	P
85	Call order desk	. SET-BLANK FLANGE 9MM	1	P
86	Call order desk	. . SCREW CAP FL HEXS M10X25	2	P
87	Call order desk	. . GASKET-VALVE FLANGE	1	P
89	Call order desk	. LOCKING SCREW 1/8"NPT	2	P
90	Call order desk	. LOCKING SCREW 1/4"NPT	2	P
91	Call order desk	. SET-SIGHT GLASS DIA 22	2	P
92	Call order desk	. . SIGHT GLASS-INSERT DIA 22	2	P
93	Call order desk	. . O-RING 28,30X1,78	2	P
94	Call order desk	. DECOMPRESSION VALVE M24X1,5	1	P
95	Call order desk	. LOCKING SCREW M22X1,5	1	P
96	Call order desk	. SET-OIL STRAINER	1	P
97	Call order desk	. . OIL STRAINER	1	P
98	Call order desk	. . SEAL RING 27x22x2	1	P
99	Call order desk	. TRANSPORT BRACKET	1	P
NS	Call order desk	. SET-GASKETS	1	P
		P) CALL ORDER DESK FOR SPECIFIC APPLICATION (V.I.N.)		

A/C ELECTRIC UNLOADER - W/05G COMPRESSOR



From 7-8754 To D-5458	Date:01/2024	PAGE:X3-2250-15
A/C ELECTRIC UNLOADER - W/05G COMPRESSOR		

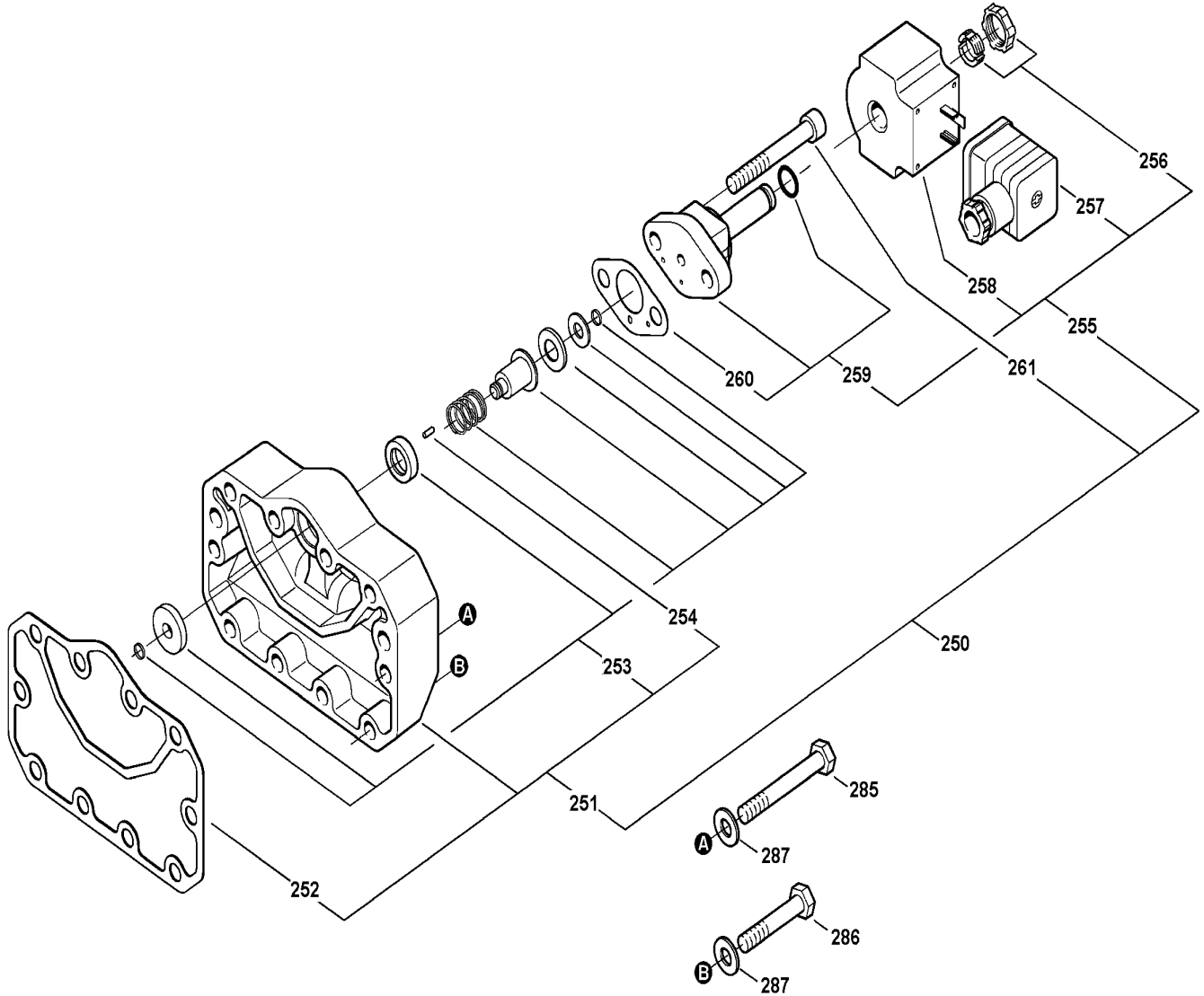
Item#	Part	Description	QTY	Notes
	063969	COIL ASSY W/CONNECTOR	2	
1	950096	. COIL 24V	1	
2	N.S.S.	. . COIL	1	1
3	N.S.S.	. . NAMEPLATE / VOLTAGE	1	1
4	N.S.S.	. . CAP, SNAP	1	1
4	N.S.S.	. . CAP, SNAP	1	1
NS	561566	. . CONNECTOR / WEATHER PACK / PH 2C / BLACK / PED 12010973	1	
NS	561578	. . SOCKET TERMINAL / 16-14 / PED 12010182	2	
NS	561786	. . CABLE SEAL / GRAY / PED 15324980	2	
5	950095	BODY / UNLOADER VALVE	1	
6	N.S.S.	. BODY, VALVE	1	1
7	N.S.S.	. NUT / FOR REMOVING OR REPLACING TUBE COLLAR	1	1
8	N.S.S.	. COLLAR / TUBE	1	1
9	N.S.S.	. O-RING	1	1
10	N.S.S.	. TUBE	1	1
11	N.S.S.	. SPRING, PLUNGER	1	1
12	N.S.S.	. PLUNGER	1	1
13	N.S.S.	. O-RING	1	1
14	870818	. RING, PISTON	1	
16	870820	GASKET, UNLOADER	1	
17	5001415	SCREW CAP HEXS 1/4-28x3/4	3	
18	950305	GASKET / W/ALLEN BOLT	3	
100	950413	KIT, STEM REPAIR	1	B
		B) INCLUDE ITEMS # 7, 10, 11,12 & 13		
		1) NOT SOLD SEPARATELY		

From E-5459

Date:01/2024

PAGE:X3-2250-16

A/C ELECTRIC UNLOADER - WITH "BITZER" COMPRESSOR



From E-5459	Date:01/2024	PAGE:X3-2250-16
A/C ELECTRIC UNLOADER - WITH "BITZER" COMPRESSOR		

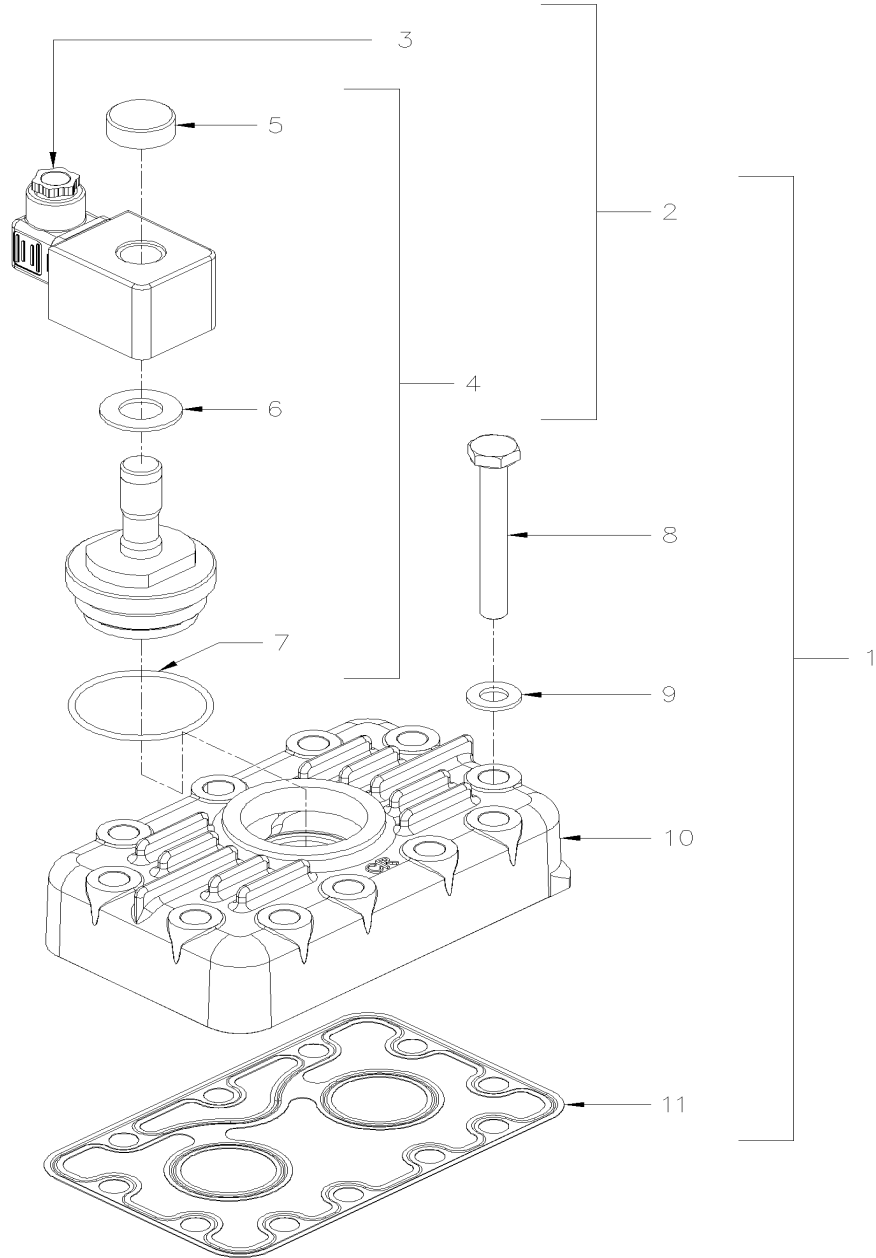
Item#	Part	Description	QTY	Notes
250	950513	CAPACITY REGULATOR COMPLETE 24 VOLT	1	
251	950512	. CYLINDER HEAD W/PISTON "CR"	1	
252	950625	. . GASKET	1	
253	Call order desk	. . CONTROL PISTON COMPLETE	1	P
254	Call order desk	. . HALF LENGHT RESERVE TAPER GROVE DOWEL PIN 3 x 8	1	P
255	950521	. SOLONOID VALVE COMPLET 24VOLT	1	
256	950563	. . COIL FIXATION	1	
257	950971	. . ELECTRICAL CONNECTOR ASSY	1	
258	950495	. . COIL 24 VOLT W/CONNECTOR To G-5943	1	
258	950576	. . COIL 24 VOLT W/CONNECTOR From G-5944	1	
258	950577	. . O-RING From G-5944	1	
259	950522	. . SOLONOID VALVE W/OUT COIL	1	
260	950965	. . . GASKET	1	
261	950721	. SCREW CAP HEXS M10 x 80 GR 10.9	1	
285	Call order desk	SCREW CAP HEX M10x75 G10.9	4	P
286	Call order desk	SCREW CAP HEX M10x55 G10.9	4	P
287	Call order desk	WASHER 10	8	P
		P) CALL ORDER DESK FOR SPECIFIC APPLICATION (V.I.N.)		

From N-6739

Date:01/2024

PAGE:X3-2250-35

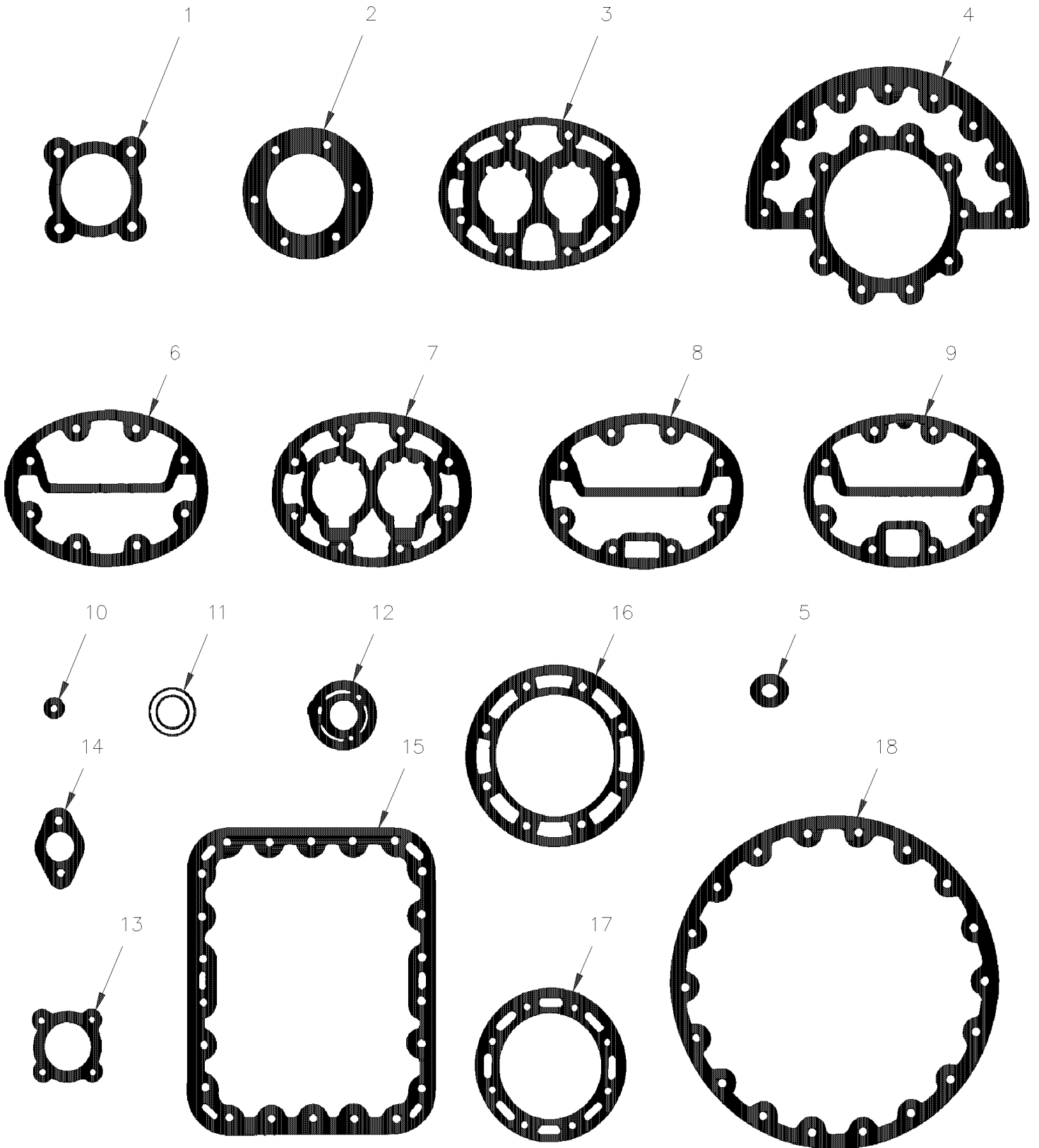
A/C ELECTRIC UNLOADER - WITH "BOCK" COMPRESSOR



From N-6739	Date:01/2024	PAGE:X3-2250-35
A/C ELECTRIC UNLOADER - WITH "BOCK" COMPRESSOR		

Item#	Part	Description	QTY	Notes
1	Call order desk	SET-CAPACITY REGULATOR W/COVER 24V	1	P
2	950708	. SET-CAPACITY REGULATOR 24V	1	
3	Call order desk	. . SOLENOID COIL 24V	1	P
4	Call order desk	. . VALVE BODY	1	P
5	Call order desk	. . . KNURLED NUT M15X1 W/O-RING	1	P
6	Call order desk	. . . WASHER 30X16X2,0	1	P
7	Call order desk	. . . O-RING 48,0X2,5 GREEN	1	P
8	Call order desk	. SCREW CAP HEX M10X85	11	P
9	Call order desk	. WASHER A10,5	11	P
10	Call order desk	. CYLINDER COVER	1	P
11	Call order desk	. GASKET-UPPER VALVE PLATE	1	P
		P) CALL ORDER DESK FOR SPECIFIC APPLICATION (V.I.N.)		

From 7-8754 To D-5458	Date:01/2024	PAGE:X3-2251-00
GASKET - 05G A/C COMPRESSOR		



From 7-8754 To D-5458	Date:01/2024	PAGE:X3-2251-00
GASKET - 05G A/C COMPRESSOR		

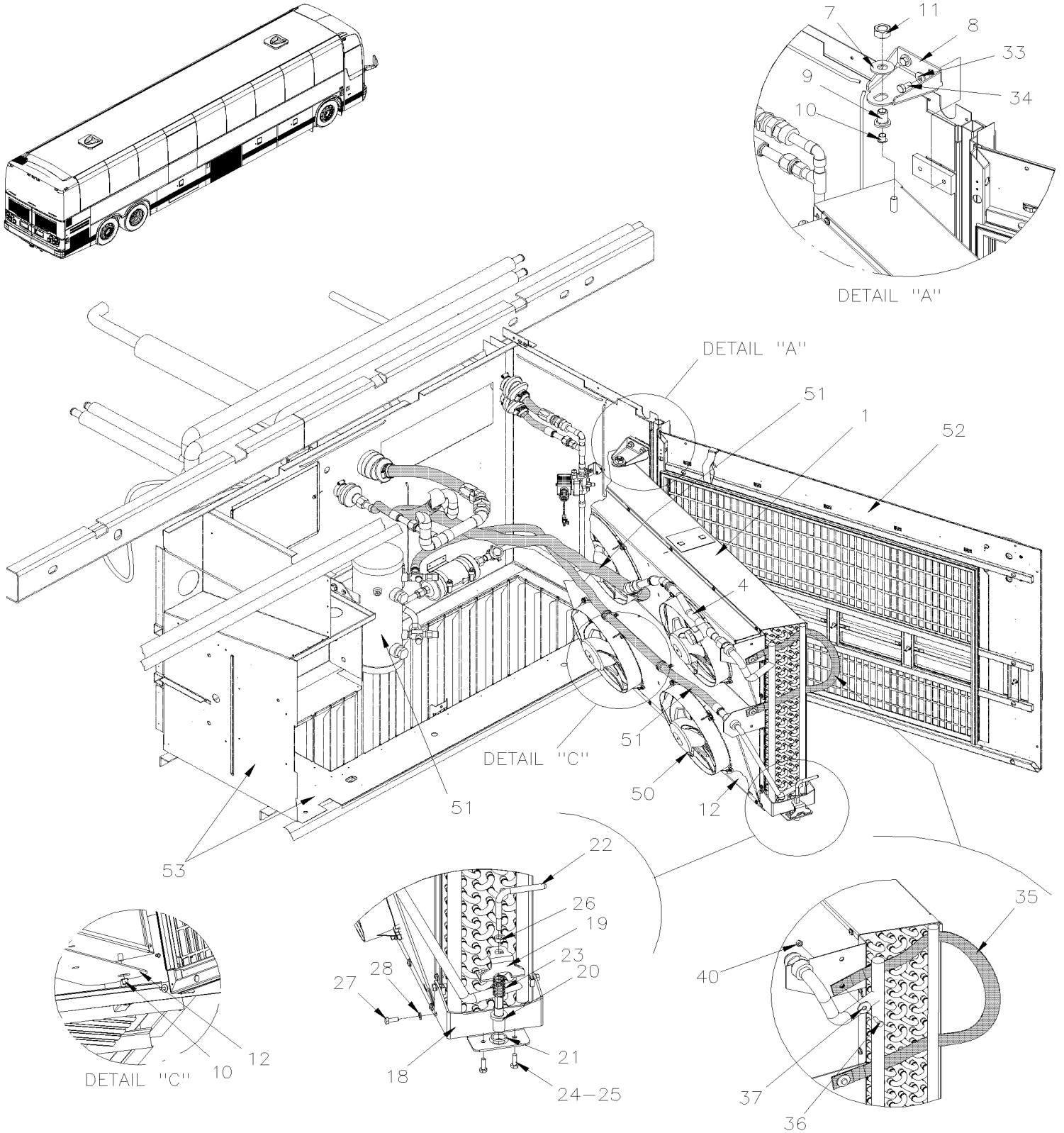
Item#	Part	Description	QTY	Notes
	870829	KIT GASKET	1	
1	870754	. GASKET / SUCTION VALVE	1	
2	870795	. GASKET, HUB BEARING	1	
3	870764	. GASKET, VALVE PLATE	3	
4	N.S.S.	. GASKET, END FLANGE	1	1
5	870791	. GASKET, SHAFT END COVER	2	
6	N.S.S.	. GASKET, LEFT & RIGHT CYLINDER HEAD - STANDARDS	2	1
7	N.S.S.	. GASKET, VALVE PLATE	3	1
8	870760	. GASKET, CENTER CYLINDER HEAD	1	
9	870797	. GASKET, L.H & R.H CYLINDER HEAD	2	
10	N.S.S.	. GASKET, OIL SUPPLY TUBE	1	1
11	870769	. GASKET, SIGHT GLASS	2	
12	870820	. GASKET, UNLOADER	2	
13	N.S.S.	. GASKET, OIL PUMP COVER	1	1
14	870753	. GASKET / DISCHARGE VALVE	2	
15	870786	. GASKET, BOTTOM PLATE	1	
16	870771	. GASKET / OIL PUMP	1	
17	N.S.S.	. GASKET, SHAFT	1	1
18	N.S.S.	. GASKET, MOTOR END COVER	1	1
NS	870791	. GASKET, SHAFT END COVER	1	
		1) NOT SOLD SEPARATELY		

From 7-8754 To H-6179

Date:01/2024

PAGE:X3-2255-00

CONDENSOR - INSTALLATION



From 7-8754 To H-6179		Date:01/2024	PAGE:X3-2255-00
CONDENSOR - INSTALLATION			

Item#	Part	Description	QTY	Notes
1	950394	CONDENSOR ALUMINUM To 9-9831	1	
NS	501802	O-RING / ORS FITTING / #16 NEO To 9-9831	1	
NS	501829	O-RING / ORS FITTING / #12 NEO To 9-9831	1	
1	950006	CONDENSOR ALUMINUM From 9-9832 To B-5089	1	
NS	501802	O-RING / ORS FITTING / #16 NEO From 9-9832 To B-5089	1	
NS	501829	O-RING / ORS FITTING / #12 NEO From 9-9832 To B-5089	1	
1	950435	CONDENSOR COPPER To 9-9831	1	C
NS	501802	O-RING / ORS FITTING / #16 NEO To 9-9831	1	C
NS	501829	O-RING / ORS FITTING / #12 NEO To 9-9831	1	C
1	950007	CONDENSOR COPPER From 9-9832 To C-5132	1	
NS	501802	O-RING / ORS FITTING / #16 NEO From 9-9832 To C-5132	1	
NS	501829	O-RING / ORS FITTING / #12 NEO From 9-9832 To C-5132	1	
1	950008	CONDENSOR COPPER From C-5133 To D-5314	1	
NS	501802	O-RING / ORS FITTING / #16 NEO From C-5133 To D-5314	1	
NS	501829	O-RING / ORS FITTING / #12 NEO From C-5133 To D-5314	1	
1	950010	CONDENSOR COPPER From D-5315 To H-6103	1	
NS	501802	O-RING / ORS FITTING / #16 NEO From D-5315 To H-6103	1	
NS	501829	O-RING / ORS FITTING / #12 NEO From D-5315 To H-6103	1	
1	950064	CONDENSOR COPPER From H-6104	1	
NS	501802	O-RING / ORS FITTING / #16 NEO From H-6104	1	
NS	501829	O-RING / ORS FITTING / #12 NEO From H-6104	1	
1	454964	CONDENSER PIVOT REINFORCEMENT PLATE / UPPER	1	A
1	454965	CONDENSER PIVOT REINFORCEMENT PLATE / LOWER	1	A
4	454712	PIPE ASSY WITH CHECK VALVE	1	
NS	951081	CHECK VALVE	1	
NS	950537	GASKET, COPPER	1	
NS	501802	O-RING / ORS FITTING / #16 NEO	1	
7	500449	WASHER FL .625x1.500 SS	1	
8	483999	SUPPORT UPPER To H-6103	1	
8	480007	SUPPORT UPPER From H-6104	1	
9	485452	PIVOT UPPER	1	
10	507260	BUSHING NYLINER W/SHOULDER .375x.437x.375x.594	2	
11	5001646	NUT HEX M16-1.5 G500	1	
12	485451	PLATE / SUPPORT GREY PLASTIC 1125MM x 142MM To 9-9831	1	
12	485627	PLATE / SUPPORT GREY PLASTIC 1125MM x 142MM From 9-9832 To C-5132	1	
12	485672	PLATE / SUPPORT GREY PLASTIC 1105MM x 147MM From C-5133	1	
NS	506790	TAPE RUB ADH2 CC POL 1/16" x 1/2" x 200' / BLACK I1C-N-A	AR	
NS	684517	ADHESIVE SIMSON #ISR 70-03 / GREY / 310ml CARTRIDGE	AR	
18	454294	SUPPORT LOCK	1	
19	454293	LOCK	1	
20	454295	CATCH PIN	1	
21	507212	O-RING	1	

From 7-8754 To H-6179	Date:01/2024	PAGE:X3-2255-00
CONDENSOR - INSTALLATION		

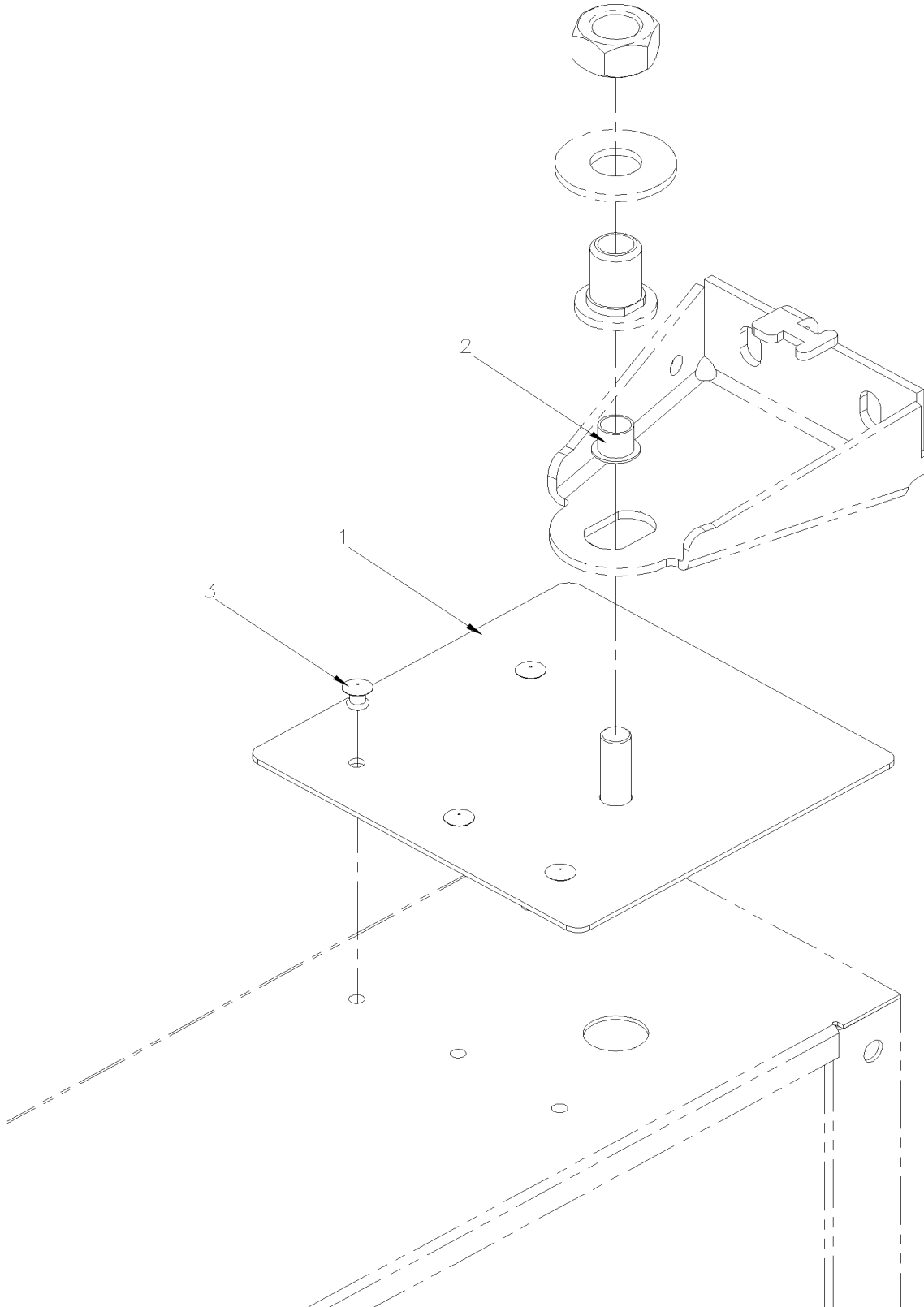
Item#	Part	Description	QTY	Notes
22	454296	HANDLE CATCH PIN	1	
23	502910	SPRING COMPRESSION / .720 O.D. 1.75 x .055	1	
24	502622	SCREW CAP HEX M6-1.0x20 SS BK	AR	
25	500356	WASHER LO SERR 6.1x16.0x0.9 N500	AR	
26	502851	NUT HEX M8-1.25 N500	1	
27	955271	SCREW CAP HEX M6-1.0x16 G8.8 ZG603	4	
28	502570	WASHER LO SPT 6.1x11.8x1.6 SS	AR	
NS	504527	BUMPER PLUG / .625ODx.312THx.250HOLEx.125	1	
33	500321	WASHER BEL SPR .331x.827x.098 N500	2	
34	507637	SCREW CAP HEXF M8-1.25x20 G10.9 PHC	2	
35	455502	STRAP, CONDENSER From E-5526	1	
. NS	505507	. STRAP NYLON 1" WIDE / S.L. From E-5526	AR	
36	5001744	SCREW CAP HEX M6-1.0x16 G8.8 N500 From E-5526 To G-5931	2	
36	5001697	SCREW CAP HEX M6-1.0x16 SS BK From G-5932	2	
37	500381	WASHER FL 8.4x25.0x2.0 N500 From E-5526 To G-5931	2	
37	5001849	WASHER FL 8.4x24.0x2.0 SS From G-5932	2	
40	502681	NUT HEX NYRT M6-1.0 N500 G8 From E-5526	2	
50	X3-2260-00	CONDENSOR FANS - INSTALLATION		
51	X3-2270-00	RECEIVER TANK & FILTER DRYER To B-5001		
51	X3-2270-01	RECEIVER TANK & FILTER DRYER From A-9907 To A-9907		
51	X3-2270-01	RECEIVER TANK & FILTER DRYER From A-9926 To A-9926		
51	X3-2270-02	RECEIVER TANK & FILTER DRYER From B-5002		
52	X3-1863-00	CONDENSOR DOOR ASSY - BUS To B-5001		
52	X3-1863-01	CONDENSOR DOOR ASSY - BUS From B-5002		
53	X3-1865-20	EVAPORATOR & CONDENSOR WALL INSTALLATION To B-5001		
53	X3-1865-21	EVAPORATOR & CONDENSOR WALL INSTALLATION A-9907 & A-9926 From A-9907 To A-9907		
53	X3-1865-21	EVAPORATOR & CONDENSOR WALL INSTALLATION A-9907 & A-9926 From A-9926 To A-9926		
53	X3-1865-22	EVAPORATOR & CONDENSOR WALL INSTALLATION From B-5002		
		A) USE ONLY IF THE CONDENSOR PIVOT PIN BROKE		
		C) FOR PRODUCT IMPROVMENT VEHICLE PRIO 9-9832 WHEN YOU REPLACE CONDENSOR 950435 WITH 950007 ASK FOR PARTS 480004, 480003 & 3 X 453981		

From 7-8754 To H-6179

Date:01/2024

PAGE:454964

CONDENSER PIVOT REINFORCEMENT PLATE / UPPER



From 7-8754 To H-6179	Date:01/2024	PAGE:454964
-----------------------	--------------	-------------

CONDENSER PIVOT REINFORCEMENT PLATE / UPPER

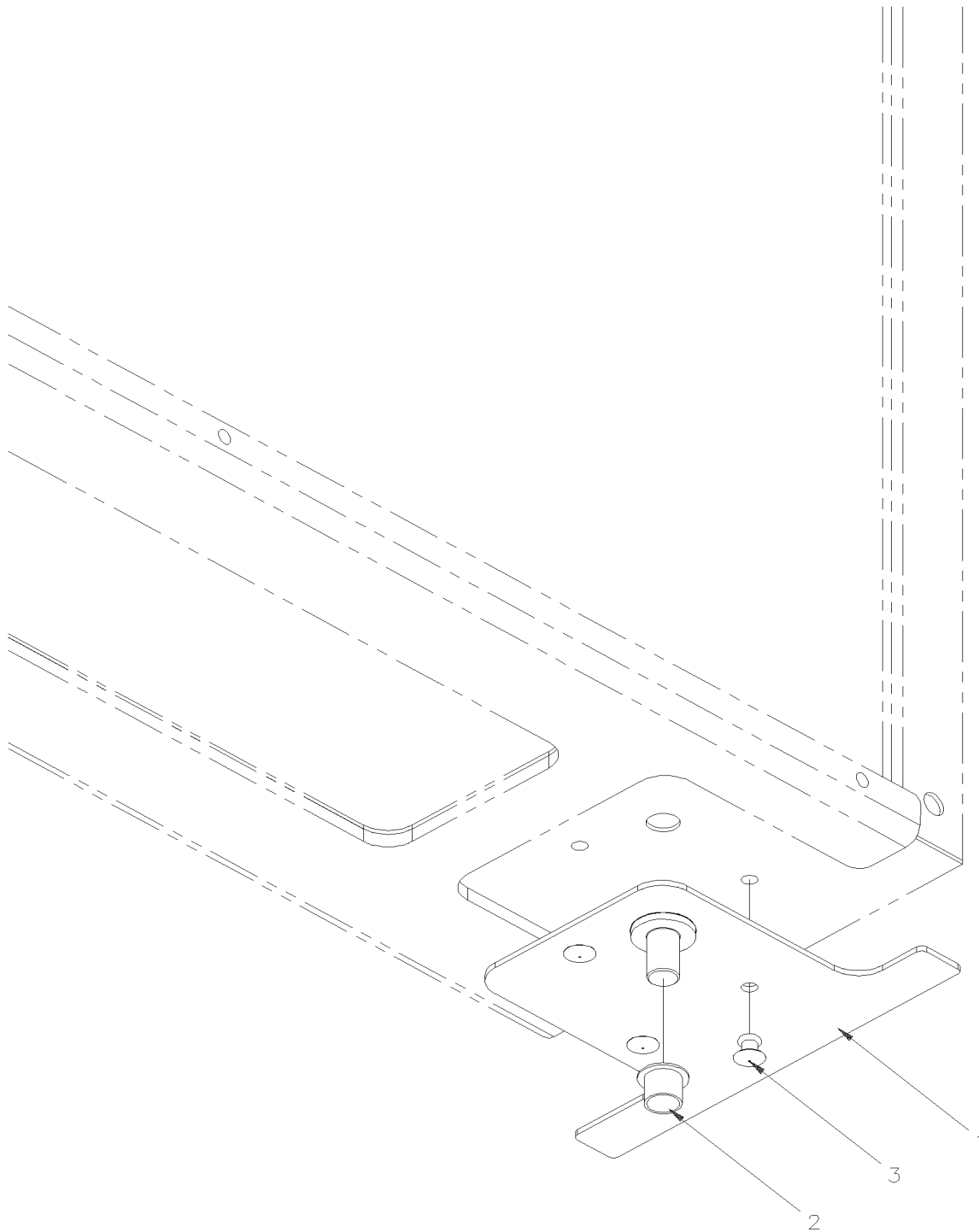
Item#	Part	Description	QTY	Notes
1	454956	REINFORCEMENT PLATE UPPER	1	
2	507260	BUSHING NYLINER W/SHOULDER .375x.437x.375x.594	1	
3	504379	RIVET POP DOME OE 3/16x1/4 SS	4	
NS	504637	CABLE TIE / 3/16" x 13"	AR	
NS	IS-14904	SEE INSTRUCTION SHEET	1	

From 7-8754 To H-6179

Date:01/2024

PAGE:454965

CONDENSER PIVOT REINFORCEMENT PLATE / LOWER



From 7-8754 To H-6179	Date:01/2024	PAGE:454965
-----------------------	--------------	-------------

CONDENSER PIVOT REINFORCEMENT PLATE / LOWER

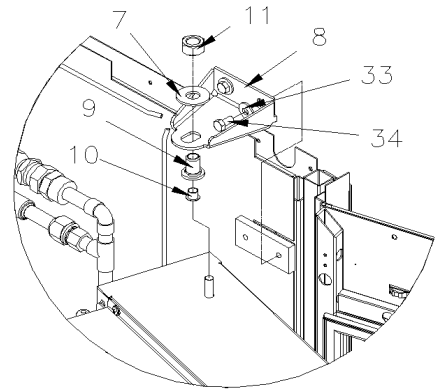
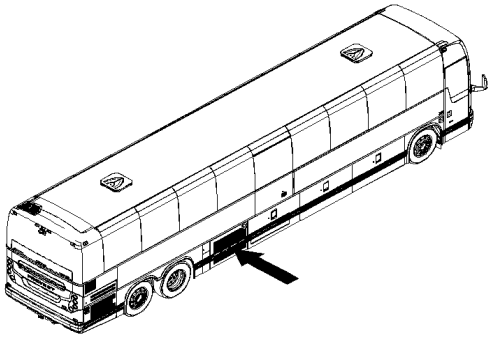
Item#	Part	Description	QTY	Notes
1	454959	REINFORCEMENT PLATE LOWER	1	
2	507260	BUSHING NYLINER W/SHOULDER .375x.437x.375x.594	1	
3	504379	RIVET POP DOME OE 3/16x1/4 SS	4	

From H-6180

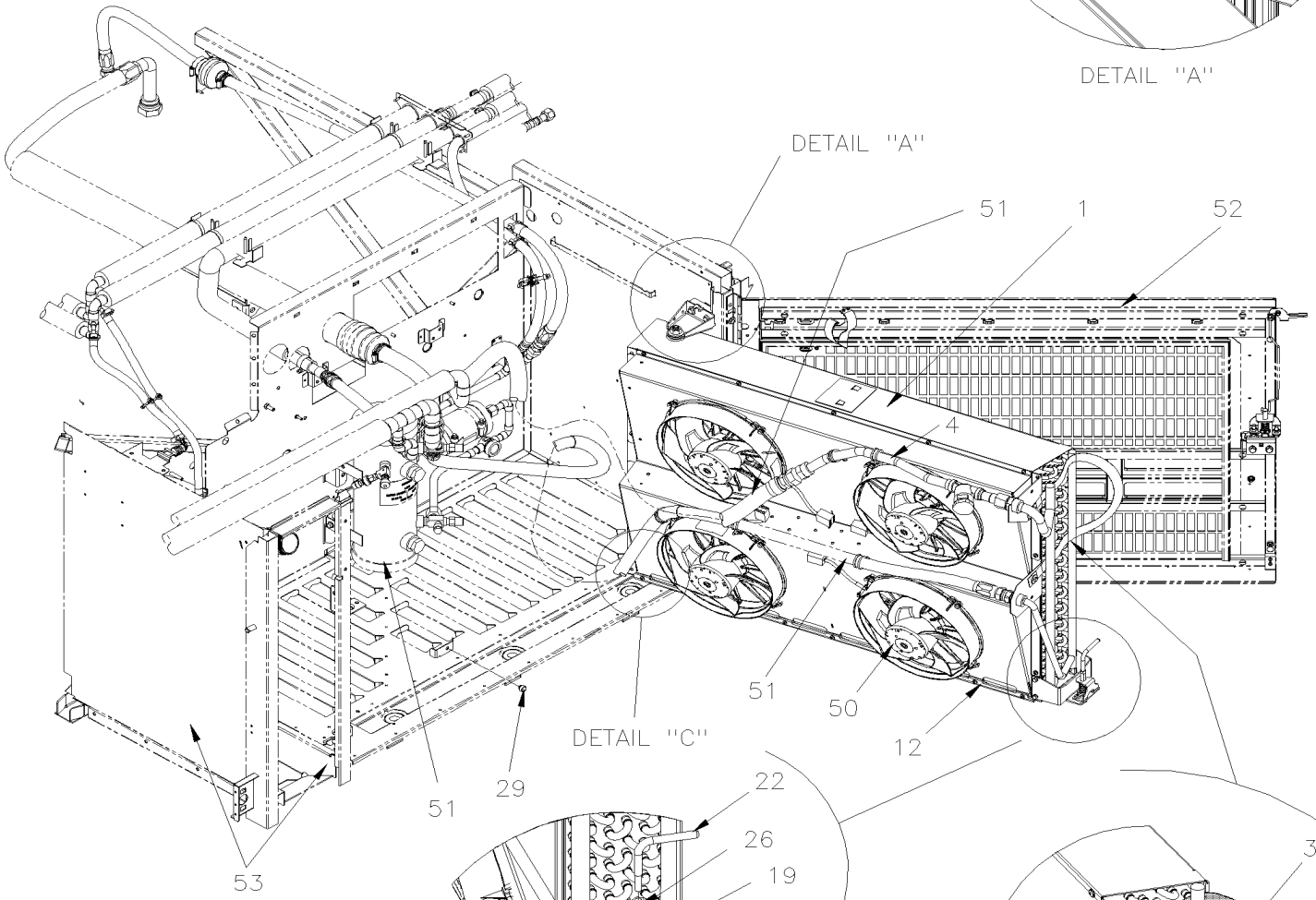
Date:01/2024

PAGE:X3-2255-01

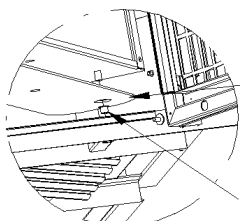
CONDENSOR - INSTALLATION - "GHG17"



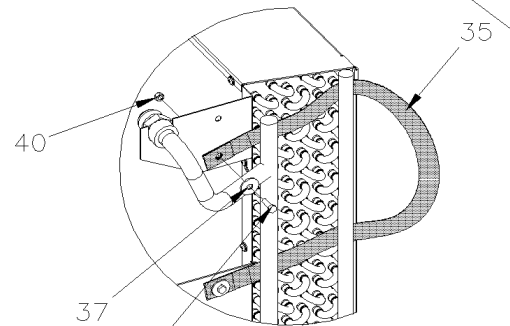
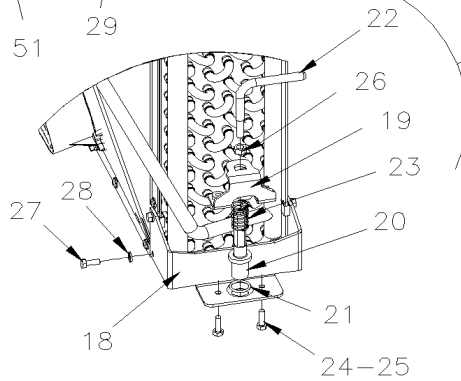
DETAIL "A"



DETAIL "C"



DETAIL "C"



36

From H-6180		Date:01/2024	PAGE:X3-2255-01
CONDENSOR - INSTALLATION - "GHG17"			

Item#	Part	Description	QTY	Notes
1	950064	CONDENSOR COPPER To L-6643	1	
. NS	501802	. O-RING / ORS FITTING / #16 NEO To L-6643	1	
. NS	501829	. O-RING / ORS FITTING / #12 NEO To L-6643	1	
1	950620	CONDENSOR COPPER From L-6644 To N-6766	1	
. NS	501802	. O-RING / ORS FITTING / #16 NEO From L-6644 To N-6766	1	
. NS	501829	. O-RING / ORS FITTING / #12 NEO From L-6644 To N-6766	1	
1	950648	CONDENSOR COPPER From N-6767 To P-6807	1	
. NS	501802	. O-RING / ORS FITTING / #16 NEO From N-6767 To P-6807	1	
. NS	501829	. O-RING / ORS FITTING / #12 NEO From N-6767 To P-6807	1	
1	950620	CONDENSOR COPPER From £-23096	1	
. NS	501802	. O-RING / ORS FITTING / #16 NEO From £-23096	1	
. NS	501829	. O-RING / ORS FITTING / #12 NEO From £-23096	1	
1	454965	CONDENSER PIVOT REINFORCEMENT PLATE / LOWER	1	
4	454712	PIPE ASSY WITH CHECK VALVE To L-6506	1	
. NS	951081	. CHECK VALVE To L-6506	1	
. NS	950537	. GASKET, COPPER To L-6506	1	
. NS	501802	. O-RING / ORS FITTING / #16 NEO To L-6506	1	
4	451027	PIPE ASSY WITH CHECK VALVE From L-6507	1	
. NS	950609	. CHECK VALVE From L-6507	1	
. NS	501031	. . SEAL / JIC 37° FITTING / #8 From L-6507	1	
. NS	501802	. O-RING / ORS FITTING / #16 NEO From L-6507	1	
7	502901	WASHER FL .625x1.469x.109 N500	1	
8	480007	SUPPORT UPPER	1	
9	485452	PIVOT UPPER	1	
10	507260	BUSHING NYLINER W/SHOULDER .375x.437x.375x.594	2	
11	5001646	NUT HEX M16-1.5 G500	1	
12	485672	PLATE / SUPPORT GREY PLASTIC 1105MM x 147MM	1	
12	506790	TAPE RUB ADH2 CC POL 1/16" x 1/2" x 200' / BLACK I1C-N-A	AR	
18	454294	SUPPORT LOCK	1	
19	454293	LOCK	1	
20	454295	CATCH PIN	1	
21	507212	O-RING	1	
22	454296	HANDLE CATCH PIN	1	
23	502910	SPRING COMPRESSION / .720 O.D. 1.75 x .055	1	
24	5001697	SCREW CAP HEX M6-1.0x16 SS BK	AR	
25	502570	WASHER LO SPT 6.1x11.8x1.6 SS	AR	
26	502851	NUT HEX M8-1.25 N500	1	
27	5001697	SCREW CAP HEX M6-1.0x16 SS BK	4	
28	502570	WASHER LO SPT 6.1x11.8x1.6 SS	AR	
29	504527	BUMPER PLUG / .625ODx.312THx.250HOLEx.125	1	
33	500321	WASHER BEL SPR .331x.827x.098 N500	2	

From H-6180	Date:01/2024	PAGE:X3-2255-01
CONDENSOR - INSTALLATION - "GHG17"		

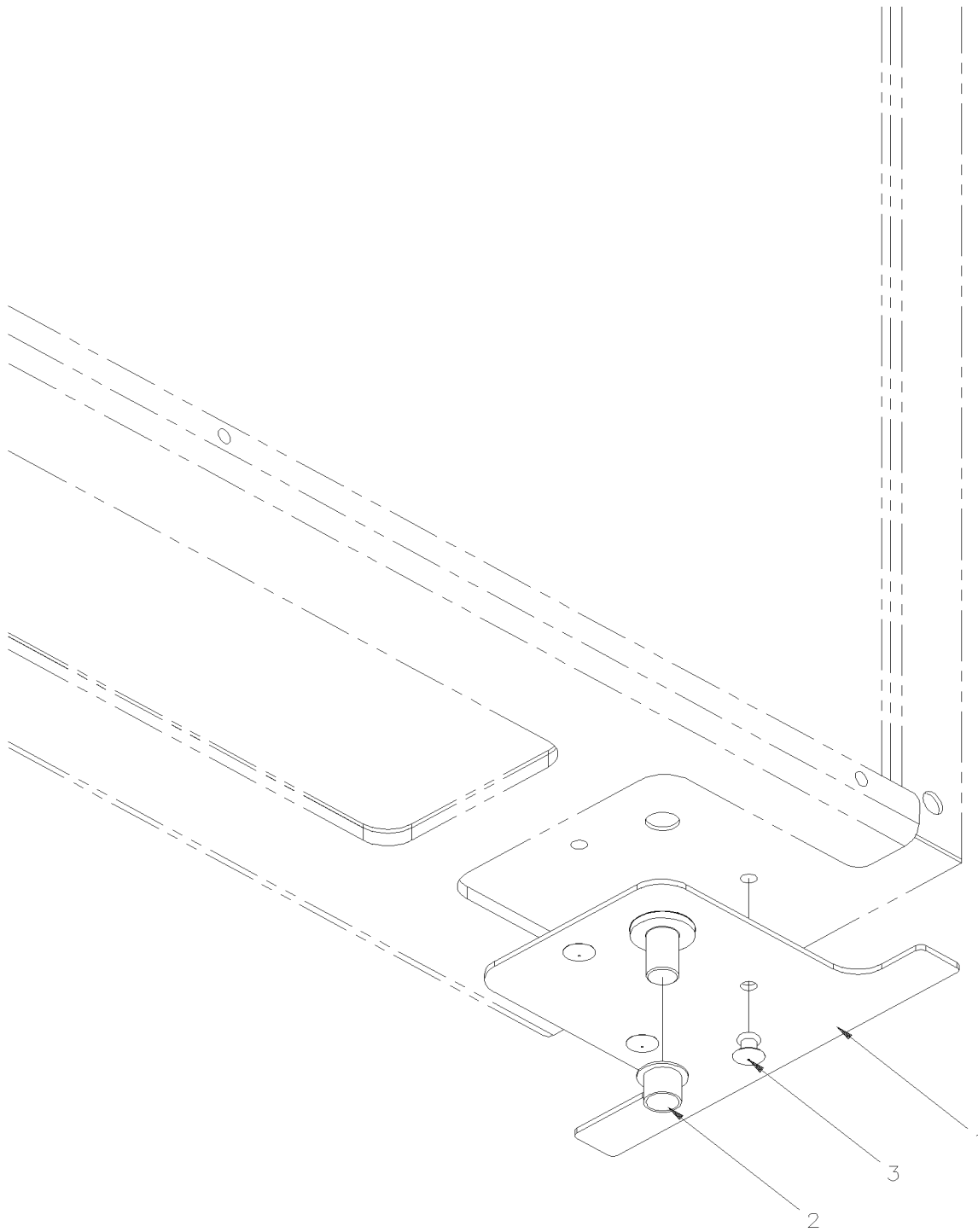
Item#	Part	Description	QTY	Notes
34	500820	SCREW CAP HEX M8-1.25x16 G10.9 N500	2	
35	455502	STRAP, CONDENSER	1	
NS	505507	STRAP NYLON 1" WIDE / S.L.	AR	
36	5001697	SCREW CAP HEX M6-1.0x16 SS BK	2	
37	5001849	WASHER FL 8.4x24.0x2.0 SS	2	
40	502681	NUT HEX NYRT M6-1.0 N500 G8	2	
50	X3-2260-00	CONDENSOR FANS - INSTALLATION To M-6654		
50	X3-2260-01	CONDENSOR FANS - INSTALLATION From M-6655		
51	X3-2270-03	RECEIVER TANK & FILTER DRYER W/O A/C PARCEL RACK - "GHG17"		
51	X3-2270-10	RECEIVER TANK & FILTER DRYER WITH A/C PARCEL RACK - "GHG17"		
52	X3-1863-01	CONDENSOR DOOR ASSY - BUS		
53	X3-1865-23	EVAPORATOR & CONDENSOR WALL INSTALLATION GHG17		

From H-6180

Date:01/2024

PAGE:454965

CONDENSER PIVOT REINFORCEMENT PLATE / LOWER



From H-6180	Date:01/2024	PAGE:454965
-------------	--------------	-------------

CONDENSER PIVOT REINFORCEMENT PLATE / LOWER

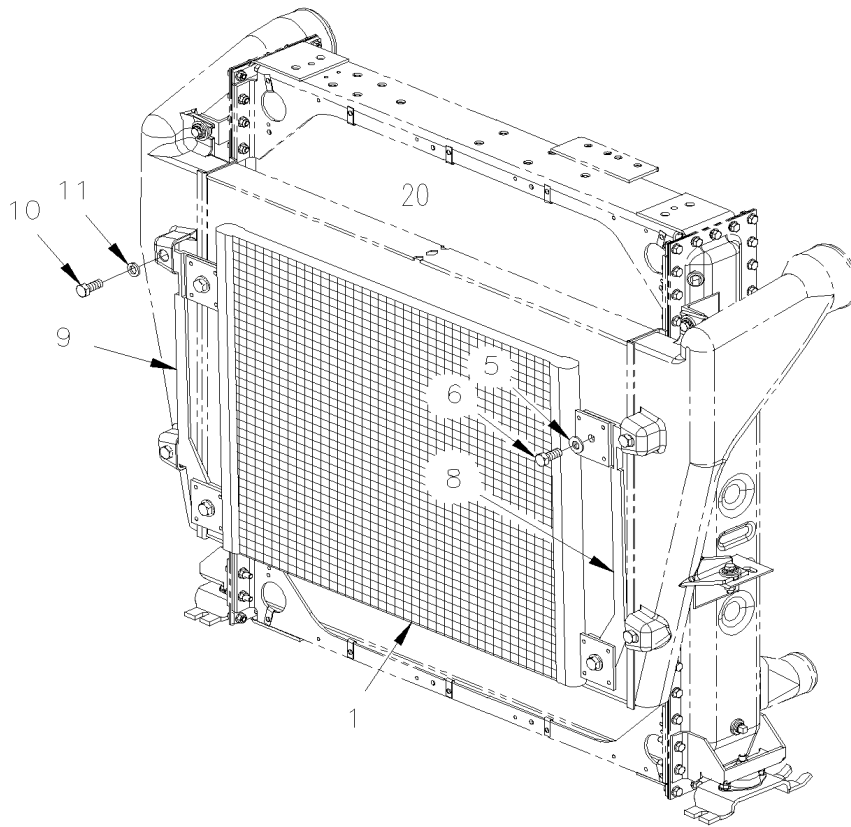
Item#	Part	Description	QTY	Notes
1	454959	REINFORCEMENT PLATE LOWER	1	
2	507260	BUSHING NYLINER W/SHOULDER .375x.437x.375x.594	1	
3	504379	RIVET POP DOME OE 3/16x1/4 SS	4	

From 7-8754 To 8-9276

Date:01/2024

PAGE:X3-2255-10

CONDENSOR INSTALLATION DRIVER'S



From 7-8754 To 8-9276	Date:01/2024	PAGE:X3-2255-10
-----------------------	--------------	-----------------

CONDENSOR INSTALLATION DRIVER'S

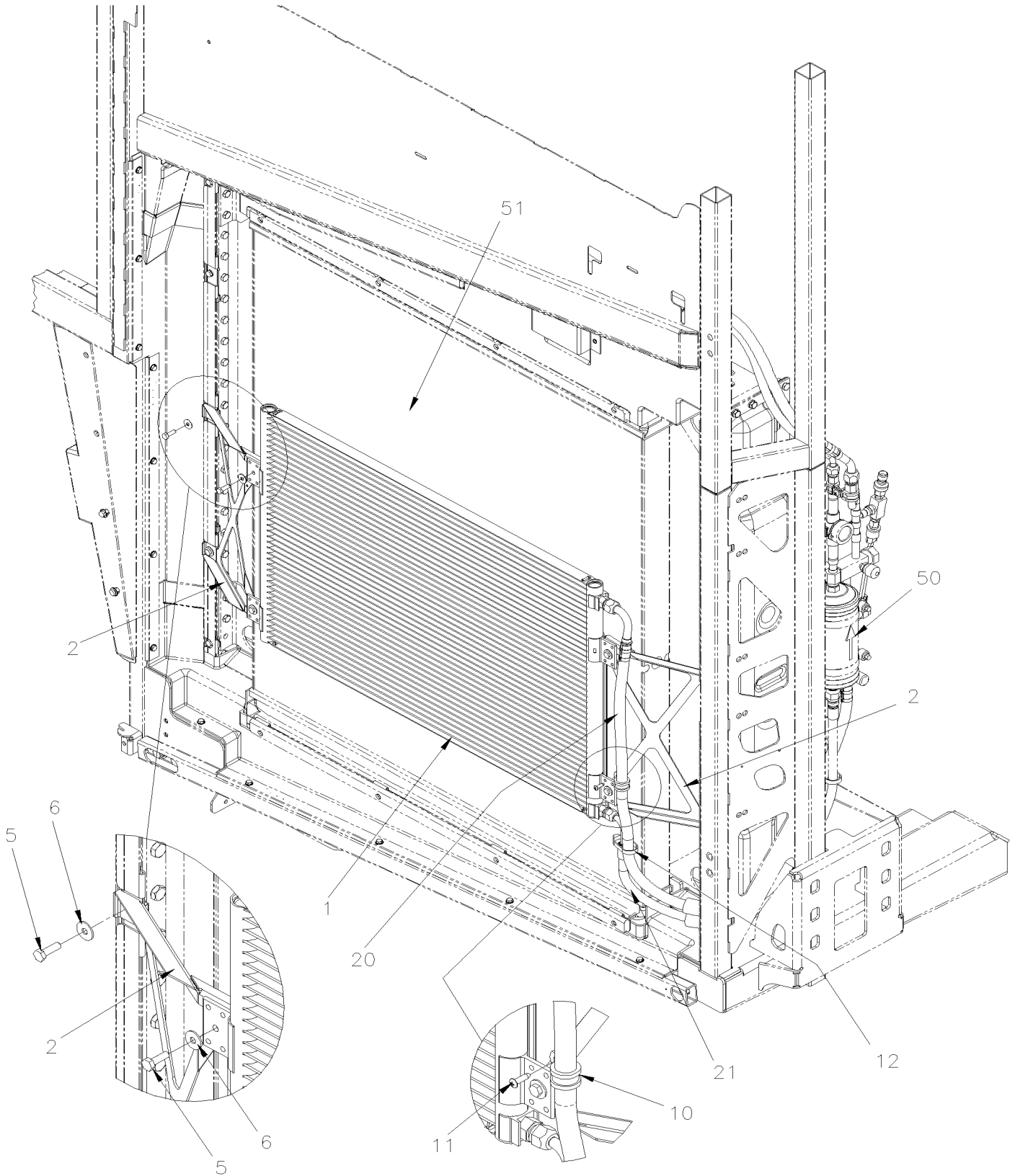
Item#	Part	Description	QTY	Notes
1	950381	CONDENSOR COIL	1	
1	950467	CONDENSOR COIL E-COAT LT-8	1	
1	950958	CONDENSOR COIL E-COAT 8.2	1	
5	500877	WASHER FL .250x.562x.065 N500	AR	
6	502830	SCREW CAP HEX M6-1.0x20 G8.8 N500	AR	
8	454048	SUPPORT BACKWARD To 8-9276	1	
9	454047	SUPPORT FORWARD To 8-9276	1	
10	502862	SCREW CAP HEX M8-1.25x20 G8.8 N500	4	
11	500942	WASHER LO SPT 8.1x14.8x2.0 N500	4	
NS	500381	WASHER FL 8.4x25.0x2.0 N500	4	
20	X3-0505-00	RADIATOR ASSY		

From 8-9277 To D-5458

Date:01/2024

PAGE:X3-2255-11

CONDENSOR INSTALLATION DRIVER'S



From 8-9277 To D-5458	Date:01/2024	PAGE:X3-2255-11
CONDENSOR INSTALLATION DRIVER'S		

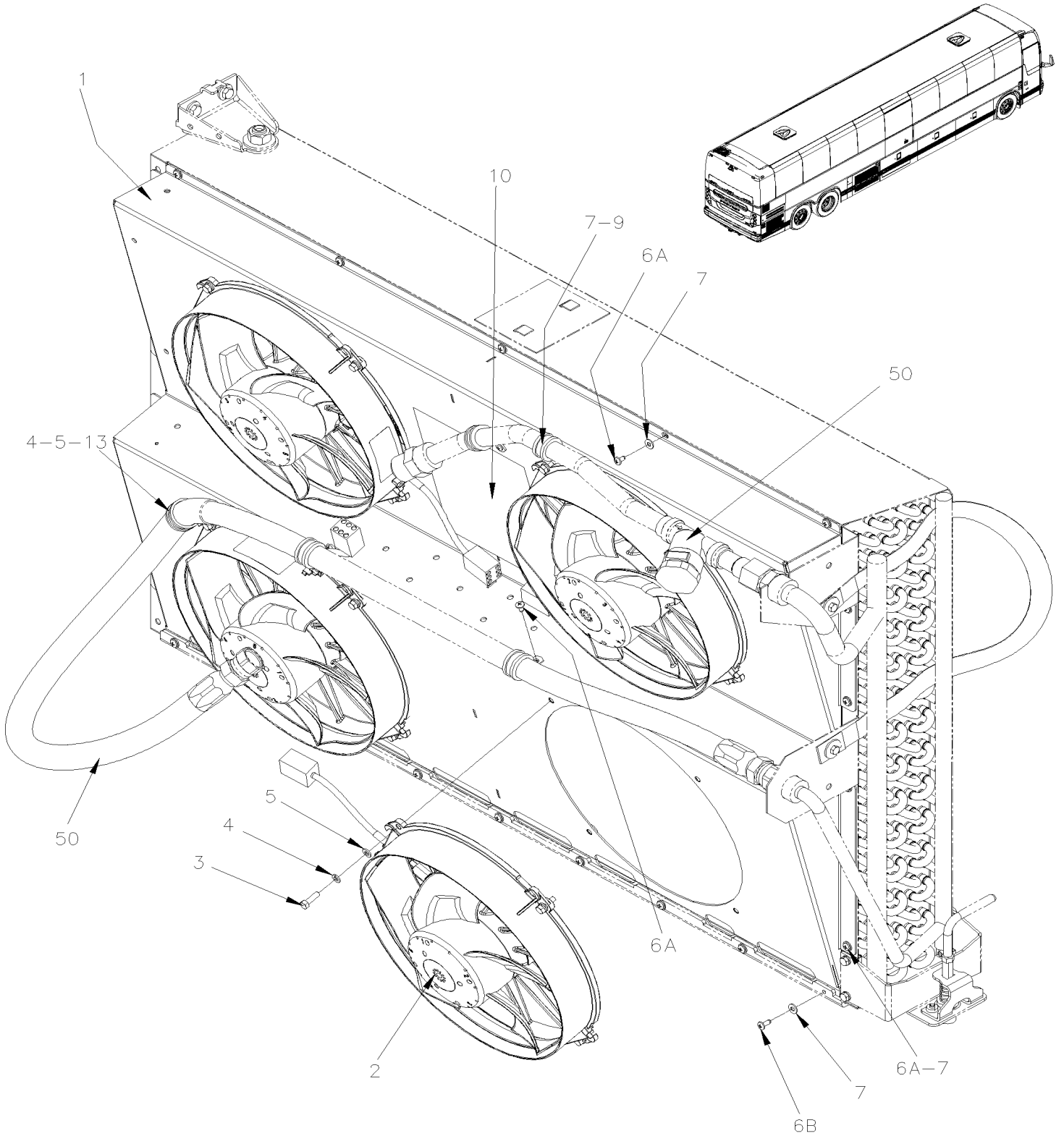
Item#	Part	Description	QTY	Notes
1	950381	CONDENSOR COIL To A-9976	1	
1	950958	CONDENSOR COIL E-COAT 8.2 From A-9977 To C-5188	1	
1	950467	CONDENSOR COIL E-COAT LT-8 From C-5241 To C-5292	1	
1	950958	CONDENSOR COIL E-COAT 8.2 From C-5293	1	
2	454519	SUPPORT CONDENSOR / EACH SIDE	2	
5	502622	SCREW CAP HEX M6-1.0x20 SS BK	8	
6	5001833	WASHER BEL SPR 6.1x18x1.27 SS	8	
10	952629	CLAMP / 5/8" I.D.	2	
11	500957	SCREW TP BDG PH #10x3/4 N500	2	
12	504016	CABLE TIE / 5/16" X 14"1/2	AR	
20	454070	HOSE ASSY / #8 1325MM To A-9743	1	
. NS	507343	. O-RING / ORS FITTING / #8 NEO To A-9743	2	
20	455278	HOSE ASSY / #8 1325MM From A-9744 To B-5001	1	
. NS	507343	. O-RING / ORS FITTING / #8 NEO From A-9744 To B-5001	2	
20	455356	HOSE ASSY / #8 1140MM From B-5002	1	
. NS	507343	. O-RING / ORS FITTING / #8 NEO From B-5002	2	
21	454069	HOSE ASSY / #6 515MM To B-5001	1	
. NS	507278	. O-RING / ORS FITTING / #4 NEO To B-5001	1	
21	455355	HOSE ASSY / #6 760MM From B-5002	1	
. NS	507278	. O-RING / ORS FITTING / #4 NEO From B-5002	1	
50	X3-2245-30	A/C AUXILIARY LINE / PARCEL RACK To B-5001		
50	X3-2245-31	A/C AUXILIARY LINE / PARCEL RACK From B-5002		
51	X3-0505-01	RADIATOR ASSY		

From 7-8754 To M-6646

Date:01/2024

PAGE:X3-2260-00

CONDENSOR FANS - INSTALLATION



From 7-8754 To M-6646	Date:01/2024	PAGE:X3-2260-00
-----------------------	--------------	-----------------

CONDENSOR FANS - INSTALLATION

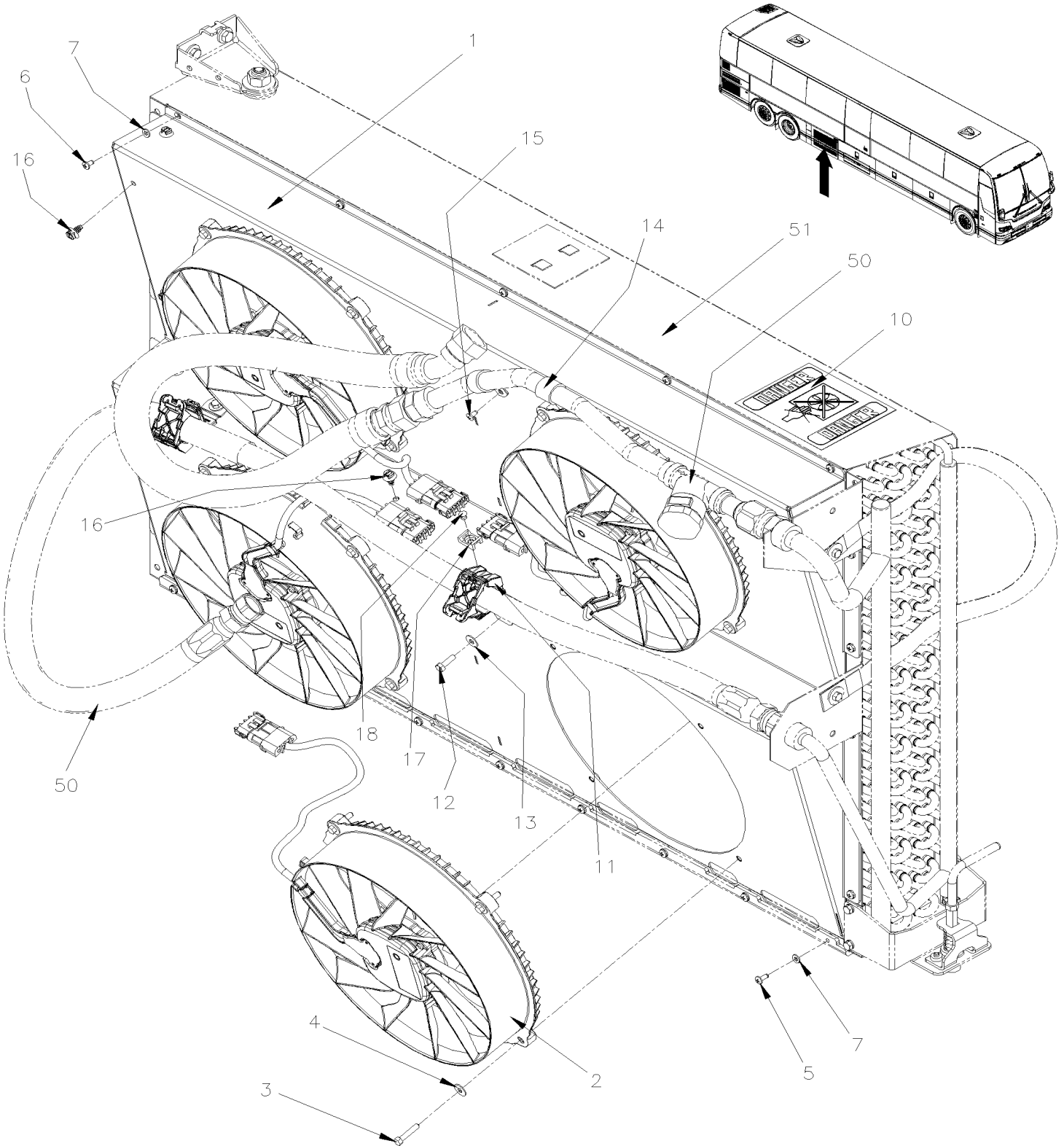
Item#	Part	Description	QTY	Notes
1	454264	SHROUD FAN To B-5084	1	
1	454697	SHROUD FAN From B-5085	1	
2	454323	CONDENSOR FAN ASSY W/CONNECTORS To 8-9346	4	S
. NS	563461	. CONDENSOR FAN ASSY 24V To 8-9346	1	S
. . NS	563691	. . CONNECTOR / JUNIOR POWER TIMER / SH 6C / AMP 1-963212-1 To 8-9346	1	S
. NS	561889	. CONNECTOR / WEATHER PACK / PH 4C / BLACK / PED 12010974 To 8-9346	1	S
. NS	561567	. PIN TERMINAL / 20-18 / PED 12089040 To 8-9346	4	S
. NS	561565	. CABLE SEAL / GREEN / PED 15324982 To 8-9346	4	S
. NS	563158	. SHRINK TUBING / .300" - .060" / BLACK / 3M EPS-400.300 To 8-9346	AR	S
2	563461	CONDENSOR FAN ASSY 24V From 8-9347 To A-9972	4	
. NS	563691	. CONNECTOR / JUNIOR POWER TIMER / SH 6C / AMP 1-963212-1 From 8-9347 To A-9972	1	
2	565881	CONDENSOR FAN ASSY 24V From A-9973	4	
. NS	563691	. CONNECTOR / JUNIOR POWER TIMER / SH 6C / AMP 1-963212-1 From A-9973	1	
2	060377	CABLE CONDENSOR FANS From H-6180	1	
3	502622	SCREW CAP HEX M6-1.0x20 SS BK	16	
4	502570	WASHER LO SPT 6.1x11.8x1.6 SS	16	
5	502573	WASHER FL 6.4x12.5x1.6 SS To H-6179	16	
5	5001833	WASHER BEL SPR 6.1x18x1.27 SS From H-6180	AR	
6A	500209	SCREW TC BDG PH #10-24x3/8 N500 To G-5931	22	
6A	5001975	SCREW TC BDG PH #10-24x3/8 SS410 ZINC From G-5932	22	
6B	500945	SCREW TC BDG PH #10-24x1/2 G500 To G-5931	9	
6B	5001966	SCREW TC BDG PH #10-24x1/2 SS410 ZINC From G-5932	9	
7	500804	WASHER FL .203x.500x.047 N500 To H-6179	27	
7	5001137	WASHER FL .203x.438x.050 SS From H-6180	27	
NS	952635	CLAMP / 1" I.D.	2	
9	952633	CLAMP / 7/8" I.D.	2	
10	402792	DECAL / "DANGER" SHUT DOWN A/C BEFORE SERVI. / ENGLISH & FRANCAIS	1	
10	405637	DECAL / "DANGER" SHUT DOWN A/C BEFORE SERVI. / ENGLISH & SPANISH	1	
NS	504013	TIE MOUNT / 1/4" X 1/4" I.D.	AR	
11	504379	RIVET POP DOME OE 3/16x1/4 SS	AR	
NS	504016	CABLE TIE / 5/16" X 14"1/2	AR	
13	952637	CLAMP / 1"1/16 I.D.	AR	
NS	509815	TIE MOUNT / ATTACHMENT W/TREE MOUNT	AR	
50	X3-2270-00	RECEIVER TANK & FILTER DRYER To B-5001		
50	X3-2270-01	RECEIVER TANK & FILTER DRYER From A-9907 To A-9907		
50	X3-2270-01	RECEIVER TANK & FILTER DRYER From A-9926 To A-9926		
50	X3-2270-02	RECEIVER TANK & FILTER DRYER From B-5002 To H-6179		
50	X3-2270-03	RECEIVER TANK & FILTER DRYER W/O A/C PARCEL RACK - "GHG17" From H-6180		
		S) TO REPLACE THIS MOTOR ASSY YOUR REQUIRE NEW MOTOR 563461 WITH CONNECTOR 563691		

From M-6647

Date:01/2024

PAGE:X3-2260-01

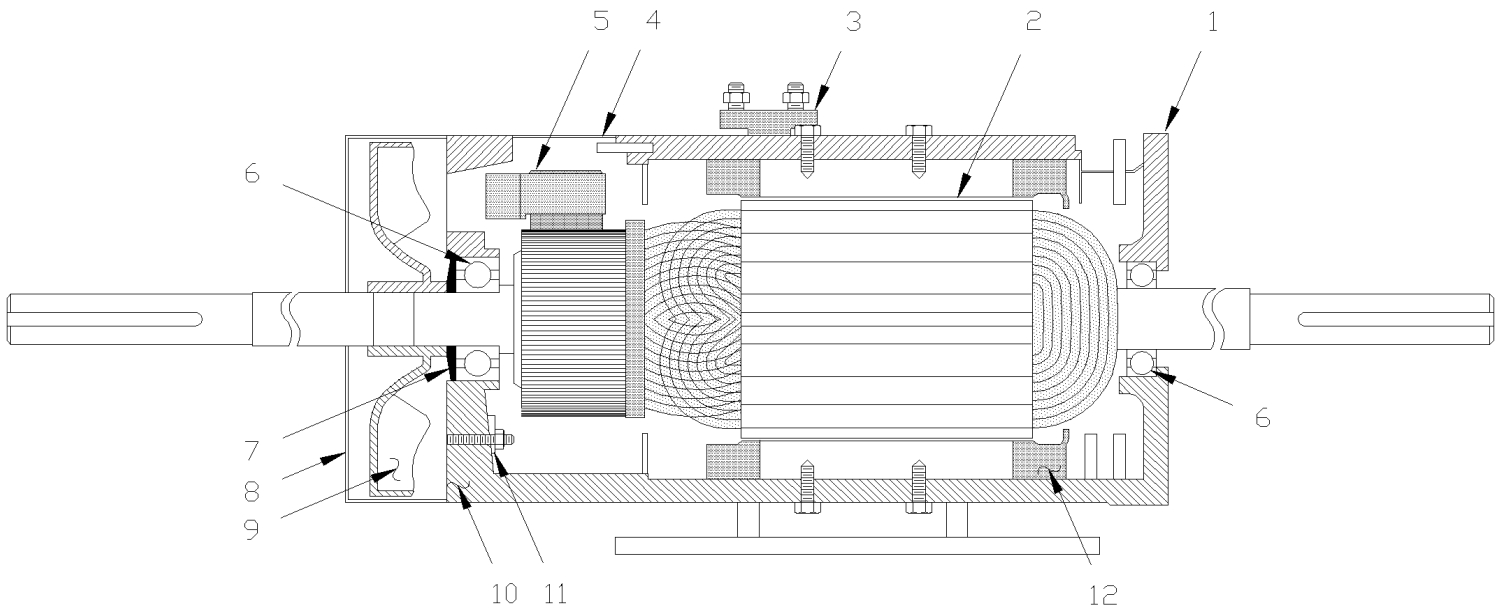
CONDENSOR FANS - INSTALLATION



From M-6647	Date:01/2024	PAGE:X3-2260-01
CONDENSOR FANS - INSTALLATION		

Item#	Part	Description	QTY	Notes
1	450754	SHROUD FAN	1	
2	870011	CONDENSOR FAN ASSY 24V To R-4000	4	
2	870246	CONDENSOR FAN ASSY 24V From R-4001	1	
2	0610237	CABLE CONDENSOR FANS To R-4000	1	
3	502686	SCREW CAP HEX M6-1.0x30 SS BK To R-4000	16	
3	502622	SCREW CAP HEX M6-1.0x20 SS BK From R-4001	16	
4	5001833	WASHER BEL SPR 6.1x18x1.27 SS	16	
5	5001966	SCREW TC BDG PH #10-24x1/2 SS410 ZINC	AR	
6	5001975	SCREW TC BDG PH #10-24x3/8 SS410 ZINC	AR	
7	5001137	WASHER FL .203x.438x.050 SS	AR	
10	402792	DECAL / "DANGER" SHUT DOWN A/C BEFORE SERVI. / ENGLISH & FRANCAIS	1	
11	504187	CLAMP P SS PA 19.4-36 ID	2	
12	502622	SCREW CAP HEX M6-1.0x20 SS BK	2	
13	5001833	WASHER BEL SPR 6.1x18x1.27 SS	2	
14	504209	CLAMP / SS / SILICONE RUBBER / 7/8" I.D. x .281 HOLE	2	
15	5001975	SCREW TC BDG PH #10-24x3/8 SS410 ZINC	2	
16	509815	TIE MOUNT / ATTACHMENT W/TREE MOUNT	7	
17	504013	TIE MOUNT / 1/4" X 1/4" I.D.	4	
18	504379	RIVET POP DOME OE 3/16x1/4 SS	4	
NS	504637	CABLE TIE / 3/16" x 13"	AR	
50	X3-2270-03	RECEIVER TANK & FILTER DRYER W/O A/C PARCEL RACK - "GHG17"		
50	X3-2270-11	RECEIVER TANK & FILTER DRYER WITH A/C PARCEL RACK		
51	X3-2255-01	CONDENSOR - INSTALLATION - "GHG17"		

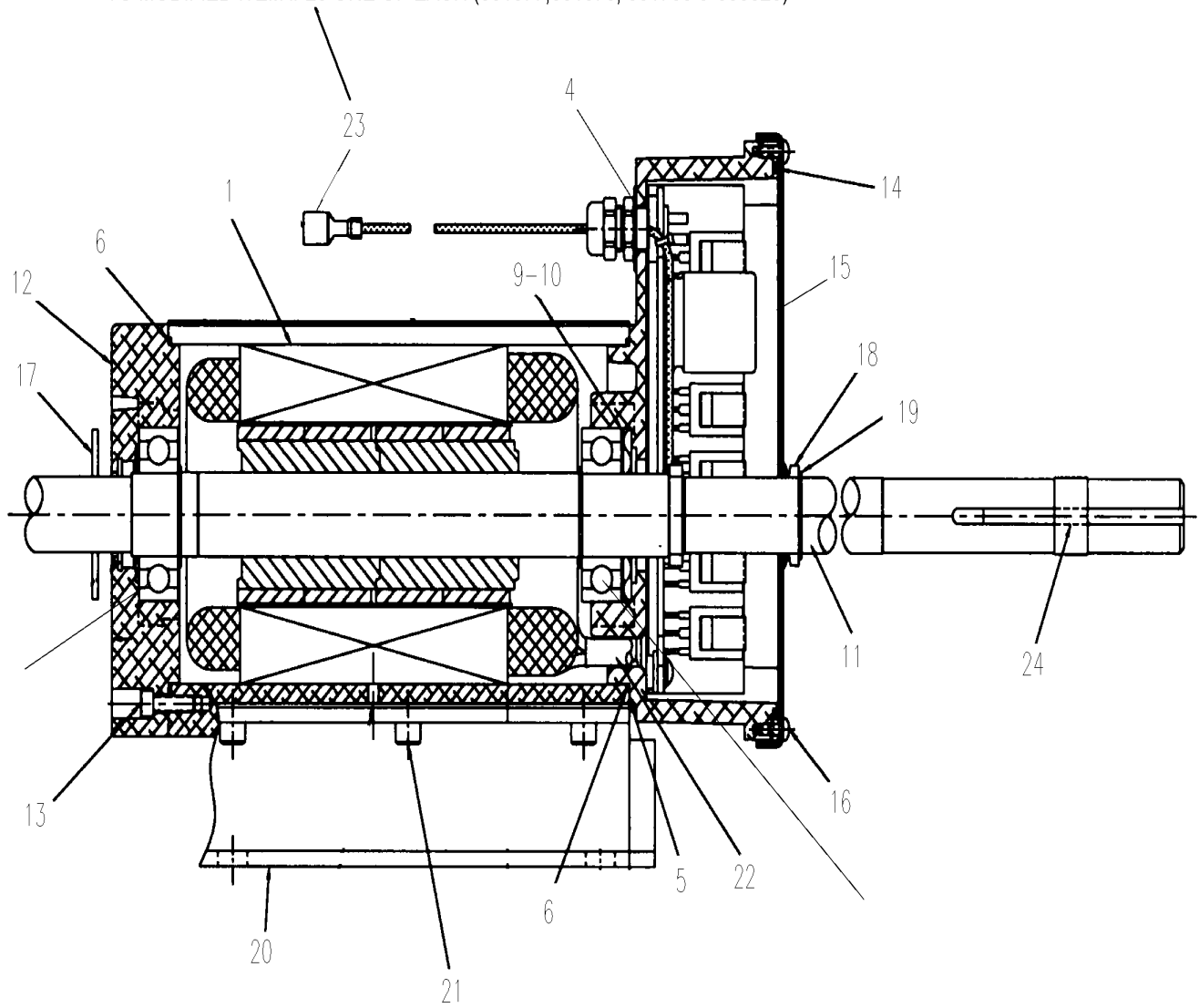
From 7-8754 To 9-9600	Date:01/2024	PAGE:X3-2265-00
MOTOR - EVAPORATOR - "PREVOST" - T-17 - 2 SPEEDS		



From 7-8754 To 9-9600	Date:01/2024	PAGE:X3-2265-00
MOTOR - EVAPORATOR - "PREVOST" - T-17 - 2 SPEEDS		

Item#	Part	Description	QTY	Notes
	563008	MOTOR "PREVOST" / 2.1 HP / 1400 & 1880 RPM / (STAMPED T-17)	1	
1	563079	. COVER	1	
2	563077	. ARMATURE MOTOR	1	
3	563122	. BLOCK, RECEPTACLE	1	
4	562527	. GRILLE PROTECTOR	1	
5	562951	. BRUSH	4	
6	561210	. BALL BEARING	2	
7	561211	. WASHER SPRING	1	
8	562521	. COVER / FAN END	1	
9	562526	. FAN	1	
10	563078	. COVER / COMMUTATOR END	1	
11	563081	. BRUSH HOLDER ASSY / W/SPRING	1	
11	562546	. . SPRING, TORSION / .750 O.D. x .322 x .020	4	
12	563080	. STATOR WOUND / COMPLETE	1	
NS	453830	KIT, SERVICE, REPLACEMENT BRUSH MOTOR	1	
. NS	IS-05903	. SEE INSTRUCTION SHEET	1	
. NS	562951	. BRUSH	4	
. NS	680309	. HONING / STONE (FOR CLEAN COMMUTATOR)	2	

NOTE.: IN REPLACEMENT OF FORMER MOTOR MODEL YOU REQUIRE THOSE PARTS
TO MODIFIED ITEM # 23 ONE OF EACH (561577,561578, 561786 & 563623)



From 7-8754		Date:01/2024	PAGE:X3-2265-01
-------------	--	--------------	-----------------

MOTOR - EVAPORATOR BRUSHLESS

Item#	Part	Description	QTY	Notes
	563586	MOTOR EVAPORATOR BRUSHLESS / (E-50348-0A) To B-5078	1	S
	564216	MOTOR EVAPORATOR BRUSHLESS / 2 SPEEDS From B-5079	1	
	565898	MOTOR EVAPORATOR BRUSHLESS / 3 SPEEDS From H-6190	1	A
	561577	CONNECTOR / WEATHER PACK / SH 1C / BLACK / PED 12015791 From H-6190	1	A
	561578	SOCKET TERMINAL / 16-14 / PED 12010182 From H-6190	1	A
	561786	CABLE SEAL / GRAY / PED 15324980 From H-6190	1	A
		"WARNING" - "WARNING" -"WARNING" - "WARNING"		
		IF YOU CHANGE MOTOR T-17 (563008) WITH THE BRUSHLESS ONE (563586) YOU HAVE TO ORDER PLENUM CENTRAL SECTION 454671P AND 454648		
		THE FOLLOWING PARTS NUMBER ARE NOT "PREVOST" NUMBER AND IT NOT IN S.A.P. SYSTEM THEY ARE O.E.M. MFG NUMBER		
1	Call order desk	. MOTOR ASSY / COMPLETE	1	P
4	564621	. CONTROLLER ASSEMBLY	1	
5	Call order desk	. GASKET	1	P
6	Call order desk	. O-RING 3.989" x .070"	1	P
7	Call order desk	. SCREW MA PAN 8-32 x ?	1	P
8	Call order desk	. HEAT-SHRINK TUBING	1	P
9	Call order desk	. WAVE SPRING	1	P
10	Call order desk	. SHIM	1	P
11	Call order desk	. SHAFT / ROTOR ASSY W/KEYS	1	P
12	Call order desk	. ENDBELL	1	P
13	Call order desk	. SCREW MA PAN 8-32 x .875"	1	P
14	Call order desk	. O-RING SEAL	1	P
15	Call order desk	. COVER	1	P
16	Call order desk	. SCREW MA PAN #6-32	1	P
17	Call order desk	. SLINGER	1	P
18	Call order desk	. V-SEAL	1	P
19	Call order desk	. EXTERNAL RETAINING RING	1	P
20	Call order desk	. BASE PLATE	1	P
21	Call order desk	. SCREW CAP HEXS 1/4-20 x ?	1	P
22	Call order desk	. TUBING	1	P
23	Call order desk	. TERMINAL (0.032 X 0.25)	1	P
24	Call order desk	. KEY SQUARE 3/16" x 3"	1	P
30	032937	KIT / SHAFT SHIELD To B-5068	1	S
. NS	033188	. SHIELD / SHAFT To B-5068	1	S

From 7-8754	Date:01/2024	PAGE:X3-2265-01
MOTOR - EVAPORATOR BRUSHLESS		

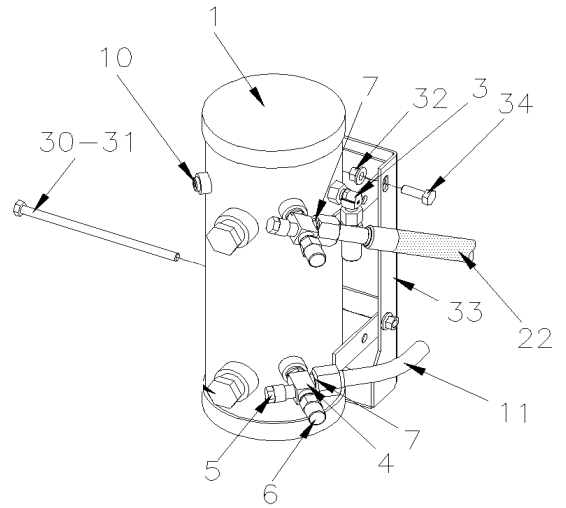
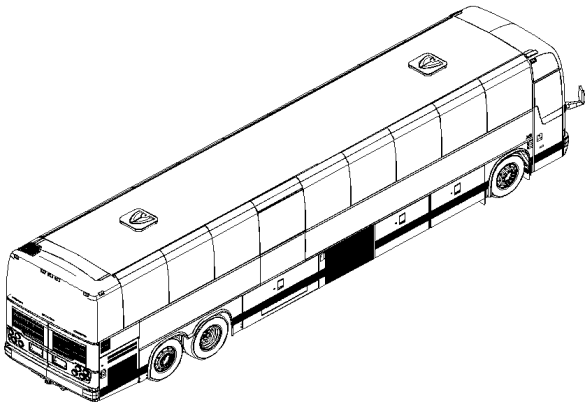
Item#	Part	Description	QTY	Notes
. NS	500443	. SCREW TP PAN PH #8x1/2 N500 To B-5068	5	S
. NS	IS-10125	. SEE INSTRUCTION SHEET To B-5068	1	S
		A) PREHEAT SYSTEM EVAPORATOR 3 SPEEDS		
		S) USE WITH OLD MOTOR 563586 WITHOUT SEAL ON THE SHAFT		
		P) CALL ORDER DESK FOR SPECIFIC APPLICATION (V.I.N.)		

From 7-8754 To B-5001

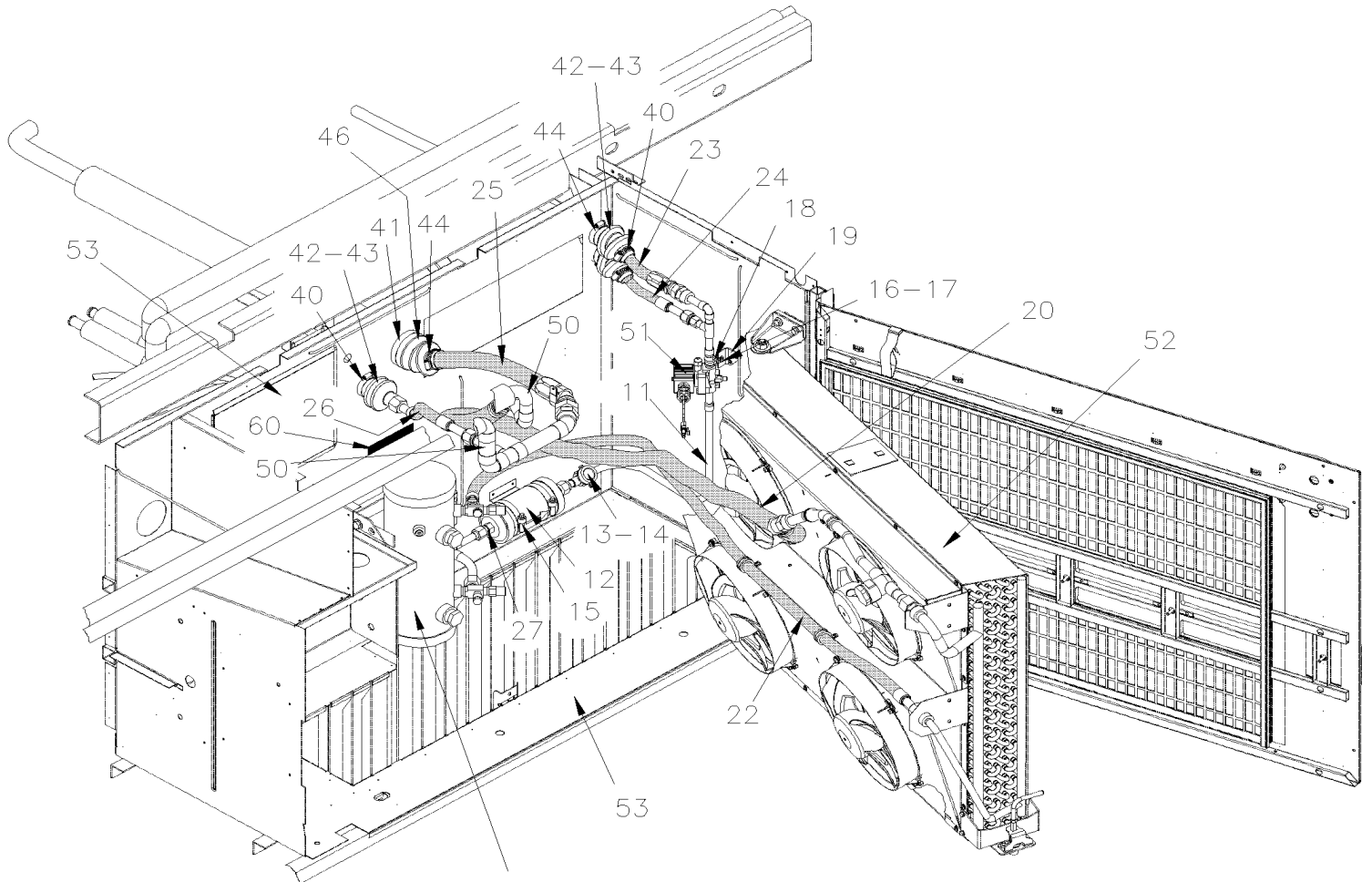
Date:01/2024

PAGE:X3-2270-00

RECEIVER TANK & FILTER DRYER



DETAIL "A"



DETAIL "A"

From 7-8754 To B-5001	Date:01/2024	PAGE:X3-2270-00
RECEIVER TANK & FILTER DRYER		

Item#	Part	Description	QTY	Notes
1	950261	RECEIVER TANK ASSY	1	
. NS	950428	. SIGHTGLASS / W/BALL 1NPT-M (FORMER)	1	
. NS	951198	. SIGHTGLASS / W/BALL 1 1/4NPT-F (CURRENT)	1	
3	870890	VALVE, SAFETY 450 PSI	1	
NS	501311	ADAPTER / PIPE FITTING / 3/8NPT-Fx1/4NPT-M BR	1	
NS	501332	STREET ELBOW 90° / PIPE FITTING / 1/4NPT-Mx1/4NPT-F BR	1	
4	950228	VALVE ASSY / SERVICE / INLET & OUTLET	2	
. NS	950284	. CAP / PROTECTOR / FOR GAUGE	1	
. NS	507169	. O-RING 1/2 I.D.	1	
5	950285	. CAP VALVE / PROTECTOR / PLASTIC	1	
6	950284	. CAP / PROTECTOR / FOR GAUGE	1	
7	507169	O-RING 1/2 I.D.	2	
10	501449	PLUG HEXS / PIPE FITTING / 3/8NPT-M STL	1	
11	454270P	FILTER DRYER ASSY	1	
. NS	501829	. O-RING / ORS FITTING / #12 NEO	1	
11	457387	. TUBE ASSY / RECIVER TANK - FILTER DYRER	1	
12	950332	. FILTER DRYER	1	
. NS	507370	. . O-RING #10	1	U
13	950334	. MOISTURE INDICATOR	1	
14	950029	. . CAP, MOISTURE INDICATOR	1	
15	504026	HOSE CLAMP / 2"13/16-3"3/4 SS / HS-52	2	
16	500588	SCREW CAP HEX M4-0.7x20 G8.8 Z050	1	
17	500590	NUT HEX NYRT M4-0.7 Z050	1	
NS	500438	WASHER FL .187x.437x.050 Z050	1	
18	952629	CLAMP / 5/8" I.D.	1	
19	452077	ANGLE SUPPORT, FILTER ASSY	1	
NS	500952	SCREW TP BDG PH #8x1/2 SS	2	
20	454493	HOSE ASSY / PIPE TO COND / #16 1143MM / SS BELLOW 2fit ST To B-5001	1	
. NS	453779	. HOSE ASSY / PIPE TO COND / #16 1143MM / SS BELLOW To B-5001	1	
20	455343	HOSE ASSY / PIPE TO COND / #16 1143MM / SS BELLOW 1fit ST + 1 fit 45° From B-5002	1	
NS	501802	. O-RING / ORS FITTING / #16 NEO	1	
NS	507169	. O-RING 1/2 I.D.	1	
22	455656	HOSE ASSY / #12 1600MM To A-9743	1	
22	455314	HOSE ASSY / #12 1558MM From A-9744	1	
NS	505182	. COIL PROTECTOR / PLASTIC / #16	AR	
NS	501829	O-RING / ORS FITTING / #12 NEO	1	
23	454240	HOSE ASSY / #12 1579MM	1	
. NS	505182	. COIL PROTECTOR / PLASTIC / #16	AR	
24	453389	HOSE ASSY / #10 5970MM To A-9743	1	
. NS	507344	. O-RING / ORS FITTING / #10 NEO To A-9743	2	
24	455218	HOSE ASSY / #10 5970MM From A-9744	1	
. NS	507344	. O-RING / ORS FITTING / #10 NEO From A-9744	2	

From 7-8754 To B-5001	Date:01/2024	PAGE:X3-2270-00
RECEIVER TANK & FILTER DRYER		

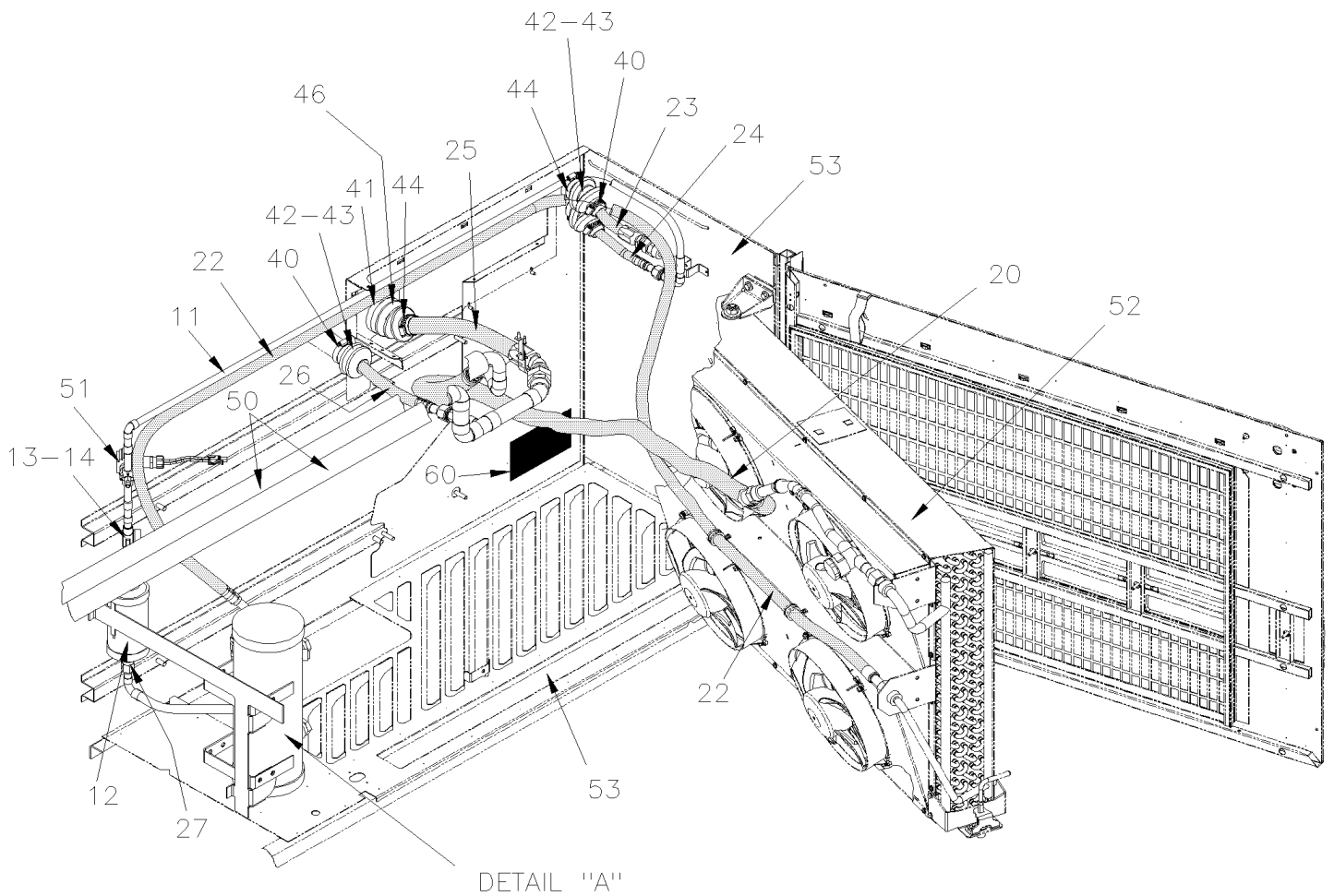
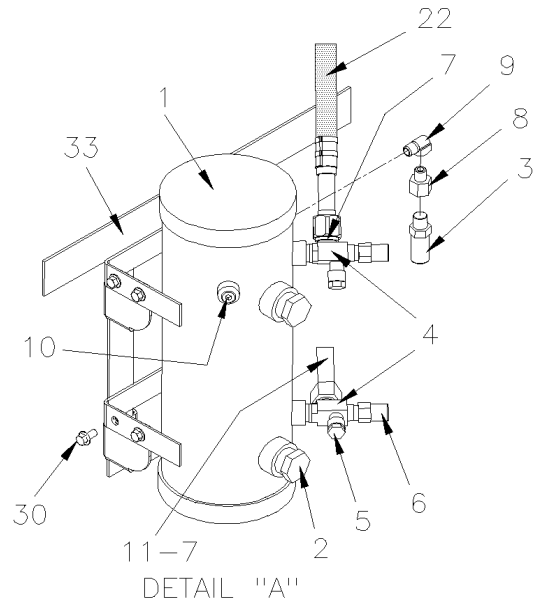
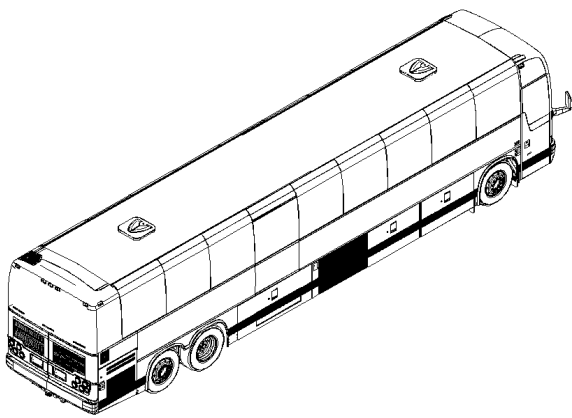
Item#	Part	Description	QTY	Notes
25	454239	HOSE ASSY / #20 2210MM	1	
. NS	501803	. O-RING / ORS FITTING / #20 NEO	1	
26	454259	HOSE ASSY / #12 280MM To A-9743	1	
. NS	507280	. O-RING / ORS FITTING / #12 NEO To A-9743	2	
26	455296	HOSE ASSY / #12 286MM From A-9744	1	
. NS	507280	. O-RING / ORS FITTING / #12 NEO From A-9744	2	
NS	454283	PIPE ASSY	1	
27	507370	O-RING #10	2	
30	5001331	SCREW CAP HEX M10-1.5x200 G8.8 Z050	2	
31	500897	WASHER FL .437x1.000x.083 N500	2	
32	971098	NUT HEXF STO M10-1.5 G8 ZP	2	
33	454274	SUPPORT RECEIVER TANK / WELDED TO STRUCTURE	1	
34	500065	SCREW CAP HEX M10-1.5x30 G10.9 DP	2	
40	504022	HOSE CLAMP / 3/4"-1"3/4 SS / HS-20	5	
41	504026	HOSE CLAMP / 2"13/16-3"3/4 SS / HS-52	3	
42	504384	CUFF END BELLOW / 1 1/4" I.D. x 1 3/4" x 4"	4	
43	451075	PROTECTOR HOSE SPLIT / 7/8" O.D. x 3"	2	
44	504024	HOSE CLAMP / 1"13/16"-2"3/4 SS / HS-36	4	
NS	504016	CABLE TIE / 5/16" X 14"1/2	AR	
46	504442	CUFF END BELLOW / 1 1/4" I.D. x 3 1/2" x 4 1/2"	1	
50	X3-2222-15	A/C LINE REAR SECTION W/05G		
51	X3-2208-10	REFRIGERANT SOLENOID VALVE		
52	X3-2255-00	CONDENSOR - INSTALLATION		
53	X3-1865-20	EVAPORATOR & CONDENSOR WALL INSTALLATION		
60	453066	DECAL R134A / NOMINAL CHARGE 24 LBS // ENGLISH & FRANCAIS	1	
60	454180	DECAL R134A / NOMINAL CHARGE 24 LBS // ENGLISH & SPANISH	1	
		NEXT ITEMS ARE RELATED WITH		
		SPLASH GUARD UNDER FLOOR		
NS	460650	ANGLE RETAINER 441MM XL-X3	2	
NS	460649	STRAP RETAINER 428MM XL -X3	2	
		U) UNDER CONSTRUCTION		

From A-9907 To A-9907

Date:01/2024

PAGE:X3-2270-01

RECEIVER TANK & FILTER DRYER



From A-9907 To A-9907	Date:01/2024	PAGE:X3-2270-01
RECEIVER TANK & FILTER DRYER		

Item#	Part	Description	QTY	Notes
1	950261	RECEIVER TANK ASSY	1	
. NS	950428	. SIGHTGLASS / W/BALL 1NPT-M (FORMER)	1	
. NS	951198	. SIGHTGLASS / W/BALL 1 1/4NPT-F (CURRENT)	1	
3	870890	VALVE, SAFETY 450 PSI	1	
4	950228	VALVE ASSY / SERVICE / INLET & OUTLET	2	
. NS	950284	. CAP / PROTECTOR / FOR GAUGE	1	
. NS	507169	. O-RING 1/2 I.D.	1	
5	950285	. CAP VALVE / PROTECTOR / PLASTIC	1	
6	950284	. CAP / PROTECTOR / FOR GAUGE	1	
7	507169	O-RING 1/2 I.D.	2	
8	501311	ADAPTER / PIPE FITTING / 3/8NPT-Fx1/4NPT-M BR	1	
9	501332	STREET ELBOW 90° / PIPE FITTING / 1/4NPT-Mx1/4NPT-F BR	1	
10	501449	PLUG HEXS / PIPE FITTING / 3/8NPT-M STL	1	
11	Call order desk	FILTER DRYER ASSY	1	P
. NS	501829	. O-RING / ORS FITTING / #12 NEO	1	
12	950332	. FILTER DRYER	1	
. NS	507370	. . O-RING #10	1	U
13	950334	. MOISTURE INDICATOR	1	
14	950029	. . CAP, MOISTURE INDICATOR	1	
15	504026	HOSE CLAMP / 2"13/16-3"3/4 SS / HS-52	2	
20	455343	HOSE ASSY / PIPE TO COND / #16 1143MM / SS BELLOW	1	
NS	501802	. O-RING / ORS FITTING / #16 NEO	1	
NS	507169	. O-RING 1/2 I.D.	1	
22	455352	HOSE ASSY / #12 3330MM	1	
NS	505110	. COIL PROTECTOR / PLASTIC / #12	AR	
NS	501829	O-RING / ORS FITTING / #12 NEO	1	
23	454240	HOSE ASSY / #12 1579MM	1	
. NS	505182	. COIL PROTECTOR / PLASTIC / #16	AR	
24	455218	HOSE ASSY / #10 5970MM	1	
. NS	507344	. O-RING / ORS FITTING / #10 NEO	2	
25	454239	HOSE ASSY / #20 2210MM	1	
. NS	501803	. O-RING / ORS FITTING / #20 NEO	1	
26	455349	HOSE ASSY / #12 330MM	1	
. NS	501829	. O-RING / ORS FITTING / #12 NEO	1	
27	507370	O-RING #10	2	
30	5001780	SCREW CAP HEXF M8-1.25x16 G8.8 N500	4	
33	216725	SUPPORT RECEIVER TANK / WELDED TO STRUCTURE	1	
40	504022	HOSE CLAMP / 3/4"-1"3/4 SS / HS-20	5	
41	504026	HOSE CLAMP / 2"13/16-3"3/4 SS / HS-52	3	
42	504384	CUFF END BELLOW / 1 1/4" I.D. x 1 3/4" x 4"	4	
43	451075	PROTECTOR HOSE SPLIT / 7/8" O.D. x 3"	2	
44	504024	HOSE CLAMP / 1"13/16"-2"3/4 SS / HS-36	4	

From A-9907 To A-9907	Date:01/2024	PAGE:X3-2270-01
RECEIVER TANK & FILTER DRYER		

Item#	Part	Description	QTY	Notes
NS	504016	CABLE TIE / 5/16" X 14"1/2	AR	
46	504442	CUFF END BELLOW / 1 1/4" I.D. x 3 1/2" x 4 1/2"	1	
50	X3-2222-15	A/C LINE REAR SECTION W/05G		
51	X3-2208-10	REFRIGERANT SOLENOID VALVE		
52	X3-2255-00	CONDENSOR - INSTALLATION		
53	X3-1865-21	EVAPORATOR & CONDENSOR WALL INSTALLATION A-9907 & A-9926		
60	453066	DECAL R134A / NOMINAL CHARGE 24 LBS // ENGLISH & FRANCAIS	1	
60	454180	DECAL R134A / NOMINAL CHARGE 24 LBS // ENGLISH & SPANISH	1	
		P) CALL ORDER DESK FOR SPECIFIC APPLICATION (V.I.N.)		
		U) UNDER CONSTRUCTION		

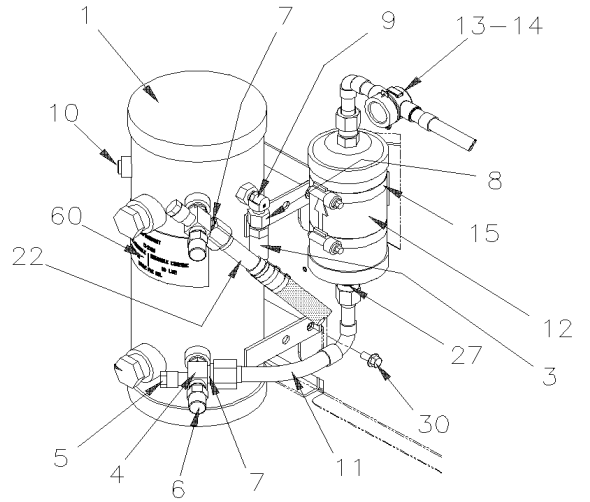
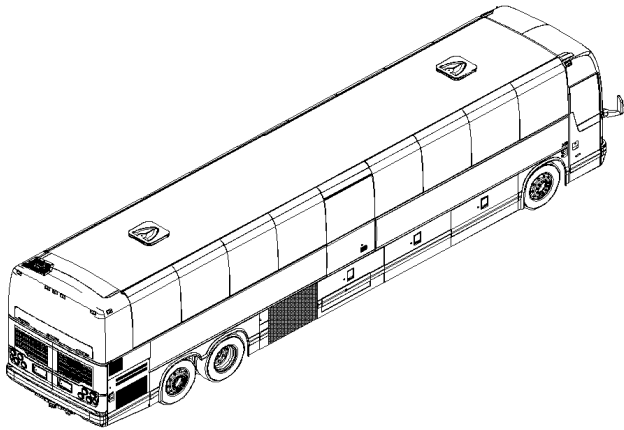
From B-5002 To H-6179

Date:01/2024

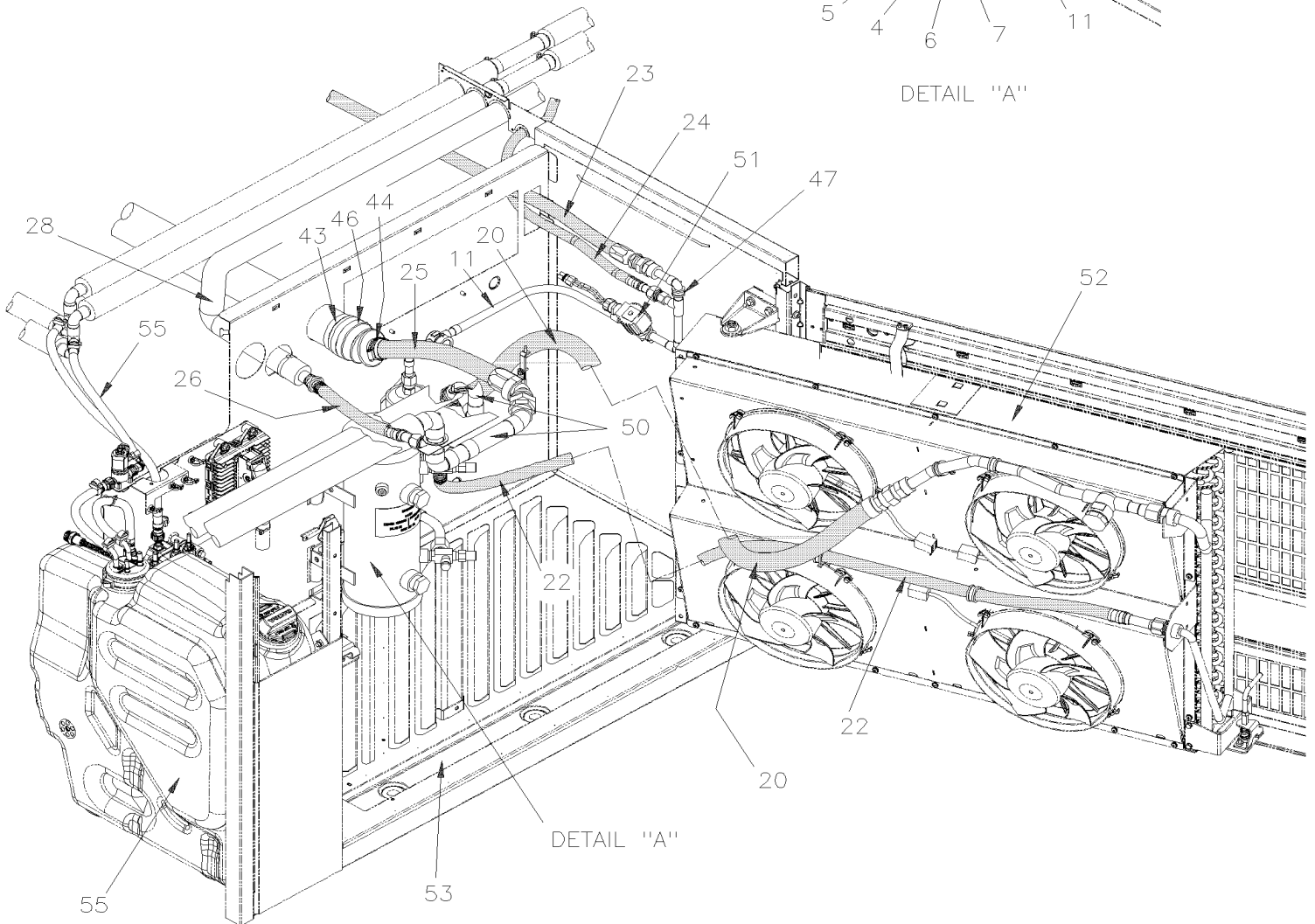
PAGE:X3-2270-02

RECEIVER TANK & FILTER DRYER

UP TO D-5374



DETAIL "A"



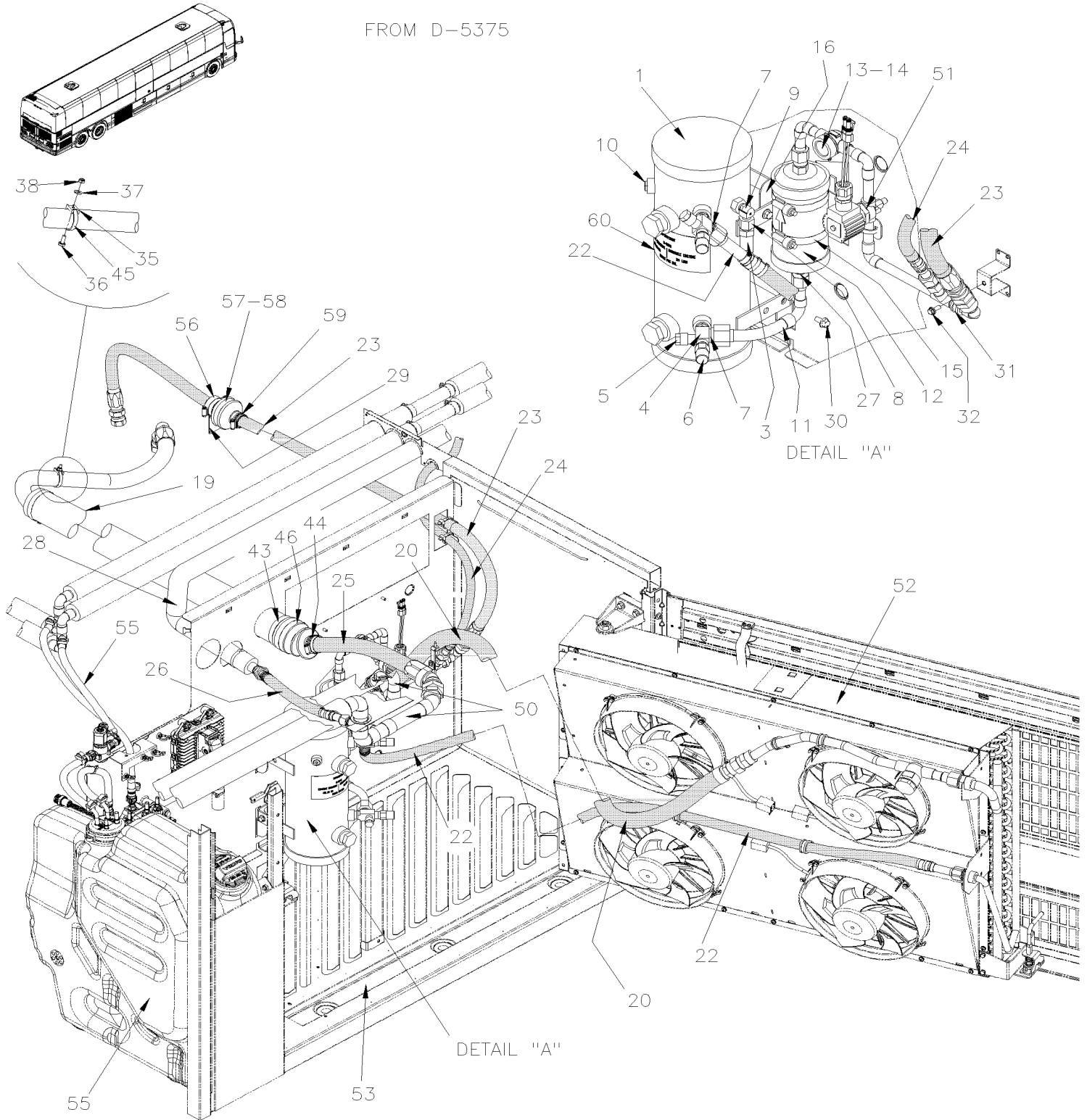
From B-5002 To H-6179

Date:01/2024

PAGE:X3-2270-02

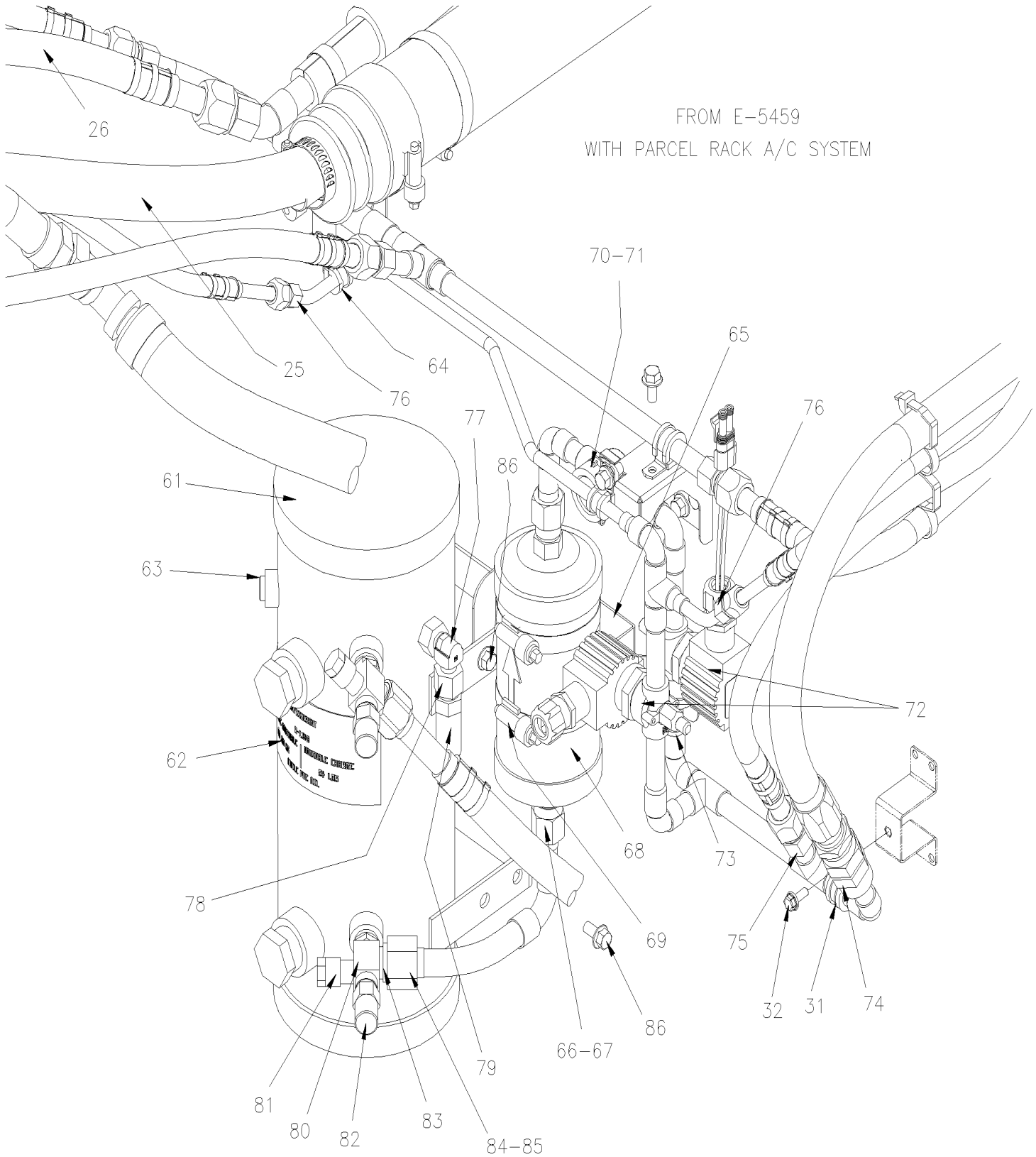
RECEIVER TANK & FILTER DRYER

FROM D-5375



RECEIVER TANK & FILTER DRYER

FROM E-5459
WITH PARCEL RACK A/C SYSTEM



From B-5002 To H-6179	Date:01/2024	PAGE:X3-2270-02
RECEIVER TANK & FILTER DRYER		

Item#	Part	Description	QTY	Notes
	Call order desk	RECEIVER TANK ASSY To D-5374	1	P
	Call order desk	RECEIVER TANK & FILTER DRYER ASSY From D-5375	1	P
1	950261	RECEIVER TANK ASSY	1	
. NS	950428	. SIGHTGLASS / W/BALL 1NPT-M (FORMER)	1	
. NS	951198	. SIGHTGLASS / W/BALL 1 1/4NPT-F (CURRENT)	1	
3	870890	VALVE, SAFETY 450 PSI	1	
4	950228	VALVE ASSY / SERVICE / INLET & OUTLET	2	
. NS	950284	. CAP / PROTECTOR / FOR GAUGE	1	
. NS	507169	. O-RING 1/2 I.D.	1	
5	950285	. CAP VALVE / PROTECTOR / PLASTIC	1	
6	950284	. CAP / PROTECTOR / FOR GAUGE	1	
7	507169	O-RING 1/2 I.D.	2	
8	501311	ADAPTER / PIPE FITTING / 3/8NPT-Fx1/4NPT-M BR	1	
9	501332	STREET ELBOW 90° / PIPE FITTING / 1/4NPT-Mx1/4NPT-F BR	1	
10	501449	PLUG HEXS / PIPE FITTING / 3/8NPT-M STL To H-6130	1	
10	501338	MALE RUN TEE / PIPE FITTING / 1/4NPT-Mx1/4NPT-Fx1/4NPT-F BR From H-6131	1	
10	501027	MALE CONNECTOR / SAE 45° FITTING / #4FL-Mx1/4NPT-M BR From H-6131	2	
10	950500	ADAPTOR 7/16-20 x R134 16MM From H-6131	2	
10	501314	BUSHING REDUCER / PIPE FITTING / 3/8NPT-Mx1/4NPT-F BR From H-6131	1	
11	455377P	FILTER DRYER ASSY To D-5374	1	
. NS	501829	. O-RING / ORS FITTING / #12 NEO To D-5374	1	
11	455673P	PIPE ASSY From D-5375	1	
12	950332	. FILTER DRYER	1	
. NS	507370	. . O-RING #10	1	U
13	950333	. MOISTURE INDICATOR	1	
. NS	950711	. . LENS ASSY KIT MOISTURE INDICATOR	1	
. . NS	950712	. . . O-RING MOISTURE INDICATOR	1	
14	950029	. . CAP, MOISTURE INDICATOR	1	
15	504026	HOSE CLAMP / 2"13/16-3"3/4 SS / HS-52	2	
16	455411	SUPPORT / FILTER DRYER From D-5375	1	
19	454672	TUBE / PVC PIPE / 3"x1160MM WHITE PVC	1	
NS	684517	ADHESIVE SIMSON #ISR 70-03 / GREY / 310ml CARTRIDGE	AR	
19	504025	HOSE CLAMP / 2"5/16-3"1/4 SS / HS-44 From G-6084	1	
20	455343	HOSE ASSY / PIPE TO COND / #16 1143MM / SS BELLOW	1	
NS	501802	. O-RING / ORS FITTING / #16 NEO	1	
NS	507169	. O-RING 1/2 I.D.	1	
22	455314	HOSE ASSY / #12 1558MM To E-5759	1	
22	457683	HOSE ASSY / #12 1576MM From F-5760	1	
NS	505110	. COIL PROTECTOR / PLASTIC / #12	AR	
NS	501829	O-RING / ORS FITTING / #12 NEO	1	
23	454673	HOSE ASSY / #12 1630MM To C-5133	1	
. NS	505182	. COIL PROTECTOR / PLASTIC / #16 To C-5133	AR	

From B-5002 To H-6179	Date:01/2024	PAGE:X3-2270-02
RECEIVER TANK & FILTER DRYER		

Item#	Part	Description	QTY	Notes
23	454701	HOSE ASSY / #12 1845MM From C-5134 To D-5374	1	
. NS	505182	. COIL PROTECTOR / PLASTIC / #16 From C-5134 To D-5374	1	
23	455412	HOSE ASSY / #12 2150MM From D-5375 To E-5759	1	
. NS	505182	. COIL PROTECTOR / PLASTIC / #16 From D-5375 To E-5759	AR	
23	457682	HOSE ASSY / #12 1978MM From F-5760	1	
. NS	505182	. COIL PROTECTOR / PLASTIC / #16 From F-5760	AR	
24	455375	HOSE ASSY / #10 7620MM To D-5374	1	
. NS	507344	. O-RING / ORS FITTING / #10 NEO To D-5374	2	
24	455413	HOSE ASSY / #10 7790MM From D-5375 To E-5759	1	
. NS	507344	. O-RING / ORS FITTING / #10 NEO From D-5375 To E-5759	2	
24	457692	HOSE ASSY / #10 878MM From F-5760	1	
. NS	507344	. O-RING / ORS FITTING / #10 NEO From F-5760	2	
25	454239	HOSE ASSY / #20 2210MM To E-5458	1	
. NS	501803	. O-RING / ORS FITTING / #20 NEO To E-5458	1	
25	454705	HOSE ASSY / #20 2335MM From E-5459 To E-5759	1	
. NS	501803	. O-RING / ORS FITTING / #20 NEO From E-5459 To E-5759	1	
25	457680	HOSE ASSY / #20 2500MM From F-5760 To G-6006	1	
. NS	501803	. O-RING / ORS FITTING / #20 NEO From F-5760 To G-6006	1	
25	454762	HOSE ASSY / #20 2415MM From G-6007	1	
. NS	501803	. O-RING / ORS FITTING / #20 NEO From G-6007	1	
26	455349	HOSE ASSY / #12 330MM To E-5458	1	
. NS	501829	. O-RING / ORS FITTING / #12 NEO To E-5458	1	
26	454708	HOSE ASSY / #12 415MM From E-5459 To E-5759	1	
. NS	501829	. O-RING / ORS FITTING / #12 NEO From E-5459 To E-5759	1	
26	457684	HOSE ASSY / #12 431MM From F-5760	1	
. NS	501829	. O-RING / ORS FITTING / #12 NEO From F-5760	1	
27	507370	O-RING #10	2	
28	Call order desk	PIPE ASSY To F-5760	1	P
28	Call order desk	PIPE ASSY From F-5760	1	P
29	457520	CLOSING, EVAPORATOR From F-5760	1	
29	500957	SCREW TP BDG PH #10x3/4 N500	6	
30	5001780	SCREW CAP HEXF M8-1.25x16 G8.8 N500	4	
31	952629	CLAMP / 5/8" I.D.	1	
32	5001730	SCREW CAP HEXF M6-1.0x16 G10.9 N500	1	
35	504013	TIE MOUNT / 1/4" X 1/4" I.D. From F-5760	1	
36	502817	SCREW MA PAN PH M6-1.0x16 N500 From F-5760	1	
37	500877	WASHER FL .250x.562x.065 N500 From F-5760	1	
38	502684	RIVET NUT FL OKS 1/4-20 .119-.179 From F-5760	1	
43	451075	PROTECTOR HOSE SPLIT / 7/8" O.D. x 3"	2	
44	504024	HOSE CLAMP / 1"13/16"-2"3/4 SS / HS-36	4	
45	504016	CABLE TIE / 5/16" X 14"1/2	AR	
46	504442	CUFF END BELLOW / 1 1/4" I.D. x 3 1/2" x 4 1/2"	1	

From B-5002 To H-6179	Date:01/2024	PAGE:X3-2270-02
RECEIVER TANK & FILTER DRYER		

Item#	Part	Description	QTY	Notes
47	952629	CLAMP / 5/8" I.D. To D-5374	1	
47	500957	SCREW TP BDG PH #10x3/4 N500 To D-5374	1	
50	X3-2222-15	A/C LINE REAR SECTION W/05G To E-5458		
50	X3-2222-16	A/C LINE REAR SECTION W/ "BITZER" From E-5459		
51	X3-2208-10	REFRIGERANT SOLENOID VALVE To E-5759		
51	X3-2208-11	REFRIGERANT SOLENOID VALVE From F-5760		
52	X3-2255-00	CONDENSOR - INSTALLATION		
53	X3-1865-22	EVAPORATOR & CONDENSOR WALL INSTALLATION		
55	X3-0410-01	UREA RESERVOIR ASSY From B-5002	1	
56	504024	HOSE CLAMP / 1"13/16"-2"3/4 SS / HS-36 From F-5760	1	
57	504384	CUFF END BELLOW / 1 1/4" I.D. x 1 3/4" x 4" From F-5760	1	
58	374643	PROTECTOR HOSE SPLIT / 7/8" x 200MM From F-5760	1	
59	504026	HOSE CLAMP / 2"13/16"-3"3/4 SS / HS-52 From F-5760	1	
60	453066	DECAL R134A / NOMINAL CHARGE 24 LBS // ENGLISH & FRANCAIS	1	
60	454180	DECAL R134A / NOMINAL CHARGE 24 LBS // ENGLISH & SPANISH	1	
60	453244	DECAL R134A / NOMINAL CHARGE 26 LBS // ENGLISH & FRANCAIS From E-5459	1	
60	454181	DECAL R134A / 26LBS / W/A/C PARCEL RACK / ENGLISH & SPANISH From E-5459	1	
60	450028	DECAL R134A / NOMINAL CHARGE 26 LBS // ENGLISH & SPANISH	1	
61	Call order desk	RECEIVER TANK & FILTER DRYER ASSY To F-5774	1	P
61	Call order desk	RECEIVER TANK & FILTER DRYER ASSY From F-5775	1	P
61	950261	RECEIVER TANK ASSY From E-5459	1	A
. NS	950428	. SIGHTGLASS / W/BALL 1NPT-M (FORMER) From E-5459	1	A
. NS	951198	. SIGHTGLASS / W/BALL 1 1/4NPT-F (CURRENT) From E-5459	1	A
62	453066	DECAL R134A / NOMINAL CHARGE 24 LBS // ENGLISH & FRANCAIS From E-5459	1	A
63	501449	PLUG HEXS / PIPE FITTING / 3/8NPT-M STL From E-5459 To H-6130	1	A
NS	501338	MALE RUN TEE / PIPE FITTING / 1/4NPT-Mx1/4NPT-Fx1/4NPT-F BR From H-6131	1	
NS	501027	MALE CONNECTOR / SAE 45° FITTING / #4FL-Mx1/4NPT-M BR From H-6131	2	
NS	950500	ADAPTOR 7/16-20 x R134 16MM From H-6131	2	
63	501314	BUSHING REDUCER / PIPE FITTING / 3/8NPT-Mx1/4NPT-F BR From H-6131	1	
64	952625	CLAMP / 3/8" I.D. From E-5459	2	A
65	455411	SUPPORT / FILTER DRYER From E-5459	1	A
66	507527	SLEEVE / JIC 37° FITTING / #10 STL From E-5459	2	A
67	507528	NUT / JIC 37° FITTING / #10JIC-F STL From E-5459	2	A
68	950332	FILTER DRYER From E-5459	1	A
. NS	507370	. O-RING #10 From E-5459	1	U A
69	504026	HOSE CLAMP / 2"13/16"-3"3/4 SS / HS-52 From E-5459	2	A
70	950333	MOISTURE INDICATOR From E-5459	1	A
. NS	950711	. LENS ASSY KIT MOISTURE INDICATOR From E-5459	1	A
. . NS	950712	. . O-RING MOISTURE INDICATOR From E-5459	1	A
71	950029	CAP, MOISTURE INDICATOR From E-5459	1	A
72	X3-2208-10	REFRIGERANT SOLENOID VALVE To E-5759		A
72	X3-2208-11	REFRIGERANT SOLENOID VALVE From F-5760 To F-5774		A

From B-5002 To H-6179	Date:01/2024	PAGE:X3-2270-02
RECEIVER TANK & FILTER DRYER		

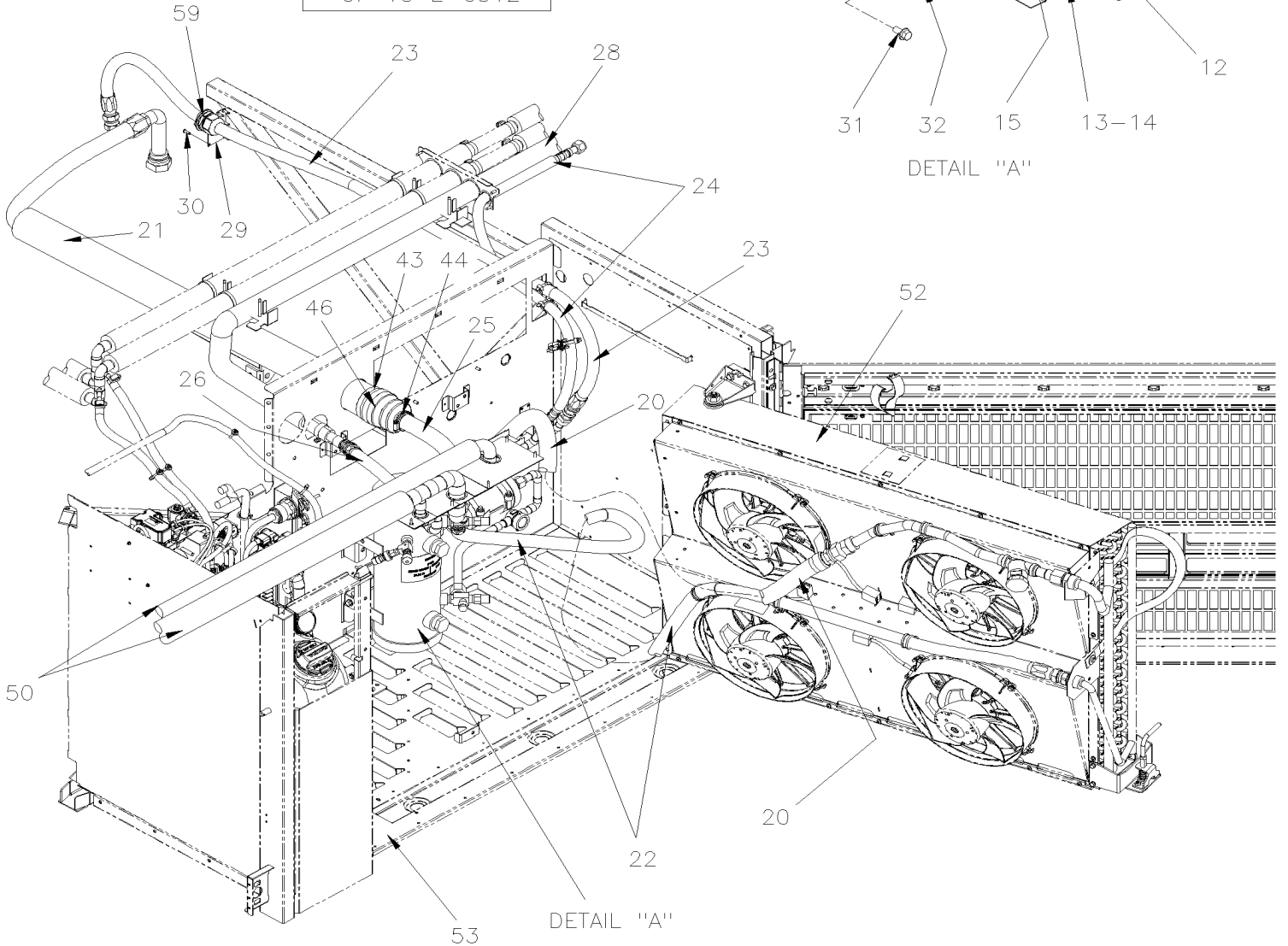
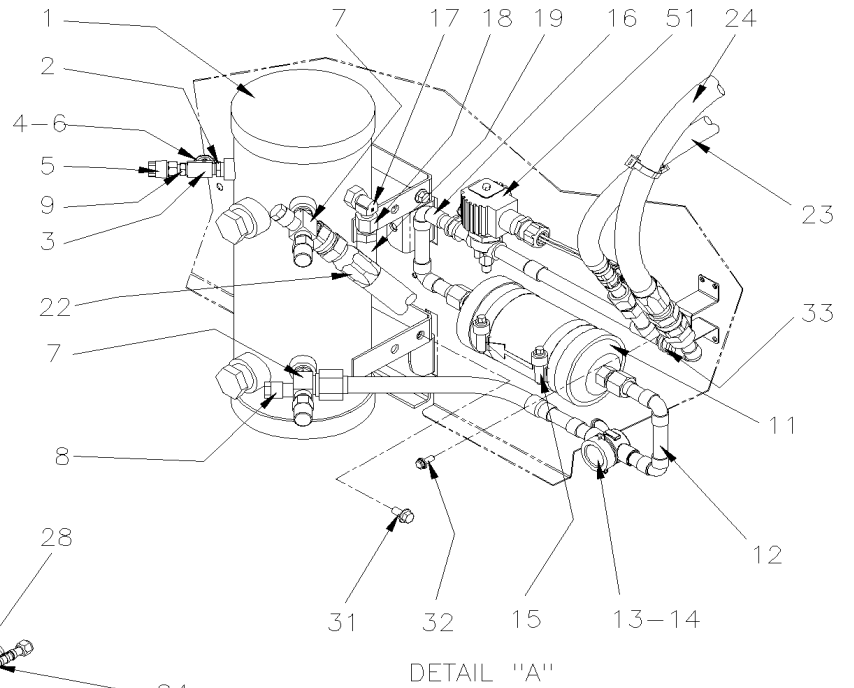
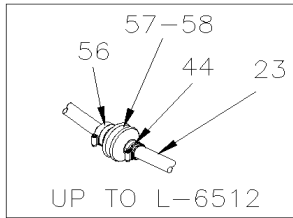
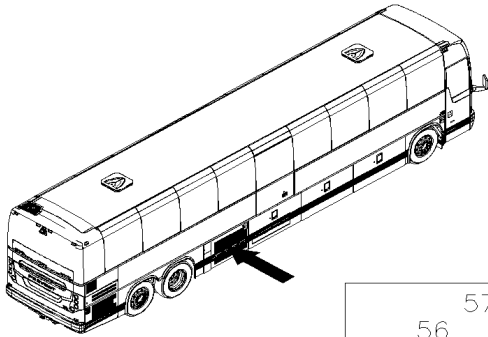
Item#	Part	Description	QTY	Notes
72	X3-2208-30	REFRIGERANT SOLENOID VALVE WITH A/C PARCEL RACK From F-5775		A
73	504016	CABLE TIE / 5/16" X 14"1/2 From E-5459	1	A
74	507525	ADAPTER JIC @ BRAZE W/O-RING // #12JIC-Mx#10BRAZE-F BR From E-5459	1	A
. NS	501829	. O-RING / ORS FITTING / #12 NEO From E-5459	1	A
75	5011072	ADAPTER "TUBE-O" @ BRAZE / #10TUBE-O-Fx#10 BR From E-5459	1	A
76	5011071	ADAPTER "TUBE-O" @ BRAZE / #6TUBE-O-Fx#6 BR From E-5459	2	A
77	501332	STREET ELBOW 90° / PIPE FITTING / 1/4NPT-Mx1/4NPT-F BR From E-5459	1	A
78	501311	ADAPTER / PIPE FITTING / 3/8NPT-Fx1/4NPT-M BR From E-5459	1	A
79	870890	VALVE, SAFETY 450 PSI From E-5459	1	A
80	950228	VALVE ASSY / SERVICE / INLET & OUTLET From E-5459	2	A
. NS	950284	. CAP / PROTECTOR / FOR GAUGE From E-5459	1	A
. NS	507169	. O-RING 1/2 I.D. From E-5459	1	A
81	950285	CAP VALVE / PROTECTOR / PLASTIC From E-5459	1	A
82	950284	CAP / PROTECTOR / FOR GAUGE From E-5459	1	A
83	507169	O-RING 1/2 I.D. From E-5459	2	A
84	507519	NUT / JIC 37° FITTING / #12JIC-F STL From E-5459	1	A
85	507518	SLEEVE / JIC 37° FITTING / #12 STL From E-5459	1	A
86	5001780	SCREW CAP HEXF M8-1.25x16 G8.8 N500 From E-5459	6	A
NS	680098	THREAD SEALANT LOCTITE #567 / WHITE / 250ml To E-5676	AR	
NS	680869	THREAD SEALANT LOCTITE #554 / REFRIG. / 250ml From E-5677	AR	
		A) WITH PARCEL RACK A/C SYSTEM		
		P) CALL ORDER DESK FOR SPECIFIC APPLICATION (V.I.N.)		
		U) UNDER CONSTRUCTION		

From H-6180

Date:01/2024

PAGE:X3-2270-03

RECEIVER TANK & FILTER DRYER W/O A/C PARCEL RACK - "GHG17"



From H-6180	Date:01/2024	PAGE:X3-2270-03
RECEIVER TANK & FILTER DRYER W/O A/C PARCEL RACK - "GHG17"		

Item#	Part	Description	QTY	Notes
1	950261	RECEIVER TANK ASSY	1	
. NS	950428	. SIGHTGLASS / W/BALL 1NPT-M (FORMER)	1	
. NS	951198	. SIGHTGLASS / W/BALL 1 1/4NPT-F (CURRENT)	1	
1	454180	DECAL R134A / NOMINAL CHARGE 24 LBS // ENGLISH & SPANISH	1	
1	453066	DECAL R134A / NOMINAL CHARGE 24 LBS // ENGLISH & FRANCAIS	1	
NS	5001745	SCREW CAP HEX M8-1.25x25 G8.8 N500	1	
NS	502847	NUT HEX NYRT M8-1.25 N500	1	
NS	509894	TIE MOUNT HOLE 7.8MM	1	
2	501314	BUSHING REDUCER / PIPE FITTING / 3/8NPT-Mx1/4NPT-F BR	1	
3	501338	MALE RUN TEE / PIPE FITTING / 1/4NPT-Mx1/4NPT-Fx1/4NPT-F BR	1	
4	950249	SCHRADER VALVE 1/4NPT-M	2	
5	950234	GAUGE ADAPTOR ASSY / W/RED CAP FOR R-134A / DISCHARGE SIDE (ALUMINUM)	1	
6	950504	TRANSDUCER 0-500 PSIG	1	
7	950228	VALVE ASSY / SERVICE / INLET & OUTLET	2	
. NS	950284	. CAP / PROTECTOR / FOR GAUGE	1	
. NS	507169	. O-RING 1/2 I.D.	1	
NS	680869	THREAD SEALANT LOCTITE #554 / REFRIG. / 250ml	AR	
8	950285	. CAP VALVE / PROTECTOR / PLASTIC	1	
9	501027	MALE CONNECTOR / SAE 45° FITTING / #4FL-Mx1/4NPT-M BR	1	
11	950332	FILTER DRYER	1	
. NS	507370	. O-RING #10	1	U
12	450401	PIPE,OUTLET RECEIVER TANK ASSY To K-6492	1	
12	450656	PIPE,OUTLET RECEIVER TANK ASSY From L-6493	1	
13	950333	. MOISTURE INDICATOR	1	
. NS	950711	. . LENS ASSY KIT MOISTURE INDICATOR	1	
. . NS	950712	. . . O-RING MOISTURE INDICATOR	1	
13	950029	. CAP, MOISTURE INDICATOR	1	
15	504026	HOSE CLAMP / 2"13/16-3"3/4 SS / HS-52	2	
16	450041	VALVE ASSY / REFRIGERANT WITHOUT SOLENOID To K-6492	1	S
. NS	501829	. O-RING / ORS FITTING / #12 NEO To K-6492	1	S
16	450709	VALVE ASSY / REFRIGERANT WITHOUT SOLENOID From L-6493	1	S
. NS	501829	. O-RING / ORS FITTING / #12 NEO From L-6493	1	S
16	950951	. VALVE REFRIGERANT SOLENOID	1	
17	501332	STREET ELBOW 90° / PIPE FITTING / 1/4NPT-Mx1/4NPT-F BR	1	
18	501311	ADAPTER / PIPE FITTING / 3/8NPT-Fx1/4NPT-M BR	1	
19	870890	VALVE, SAFETY 450 PSI	1	
20	455343	HOSE ASSY / PIPE TO COND / #16 1143MM / SS BELLOW	1	
21	454672	TUBE / PVC PIPE / 3"x1160MM WHITE PVC	1	
22	457683	HOSE ASSY / #12 1576MM	1	
22	501829	O-RING / ORS FITTING / #12 NEO	1	
23	457682	HOSE ASSY / #12 1978MM To L-6512	1	
. NS	505182	. COIL PROTECTOR / PLASTIC / #16 To L-6512	AR	

From H-6180	Date:01/2024	PAGE:X3-2270-03
RECEIVER TANK & FILTER DRYER W/O A/C PARCEL RACK - "GHG17"		

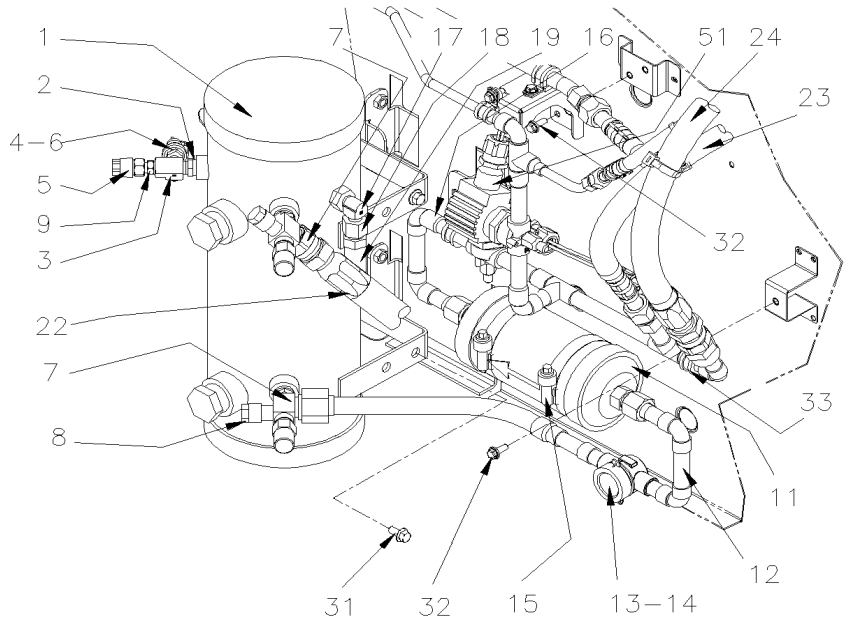
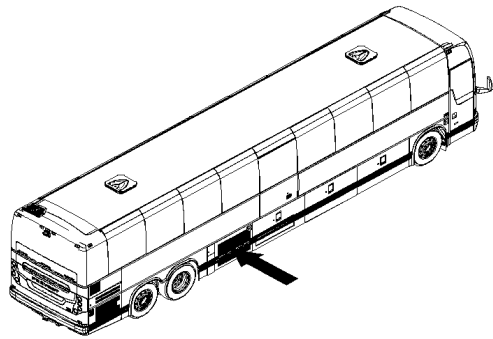
Item#	Part	Description	QTY	Notes
23	450992	HOSE ASSY / #12 1978MM From L-6513	1	
. NS	505110	. COIL PROTECTOR / PLASTIC / #12 From L-6513	AR	
24	454759	HOSE ASSY / #10 985MM	1	
. NS	507344	. O-RING / ORS FITTING / #10 NEO	1	
25	454762	HOSE ASSY / #20 2415MM	1	
. NS	501803	. O-RING / ORS FITTING / #20 NEO	1	
26	457684	HOSE ASSY / #12 431MM	1	
. NS	501829	. O-RING / ORS FITTING / #12 NEO	1	
28	454758	PIPE ASSY	1	
29	457520	CLOSING, EVAPORATOR	1	
30	500957	SCREW TP BDG PH #10x3/4 N500	5	
31	5001780	SCREW CAP HEXF M8-1.25x16 G8.8 N500	3	
32	5001730	SCREW CAP HEXF M6-1.0x16 G10.9 N500	2	
33	952629	CLAMP / 5/8" I.D.	2	
43	504026	HOSE CLAMP / 2"13/16-3"3/4 SS / HS-52	1	
44	504022	HOSE CLAMP / 3/4"-1"3/4 SS / HS-20 To L-6512	2	
46	504442	CUFF END BELLOW / 1 1/4" I.D. x 3 1/2" x 4 1/2"	1	
NS	680470	CAP PLUG ID 1.364 OD 1.423	1	
NS	680532	SEALANT SIKA #221 / GREY / 310ml CARTRIDGE	AR	
50	X3-2222-17	A/C LINE REAR SECTION - "GHG17" To K-6492		
50	X3-2222-18	A/C LINE REAR SECTION From L-6493		
51	X3-2208-12	REFRIGERANT SOLENOID VALVE W/O A/C PARCEL RACK		
52	X3-2255-01	CONDENSOR - INSTALLATION - "GHG17"		
53	X3-1865-23	EVAPORATOR & CONDENSOR WALL INSTALLATION GHG17		
56	504024	HOSE CLAMP / 1"13/16"-2"3/4 SS / HS-36 To L-6512	1	
57	504384	CUFF END BELLOW / 1 1/4" I.D. x 1 3/4" x 4" To L-6512	1	
58	374643	PROTECTOR HOSE SPLIT / 7/8" x 200MM To L-6512	1	
59	501125	CABLE-GLAND M40 X 1.5 From L-6513	1	
NS	505110	COIL PROTECTOR / PLASTIC / #12 From L-6513	AR	
		S) VALVE W/O A/C PARCEL RACKS		
		U) UNDER CONSTRUCTION		

From H-6180 To K-6492

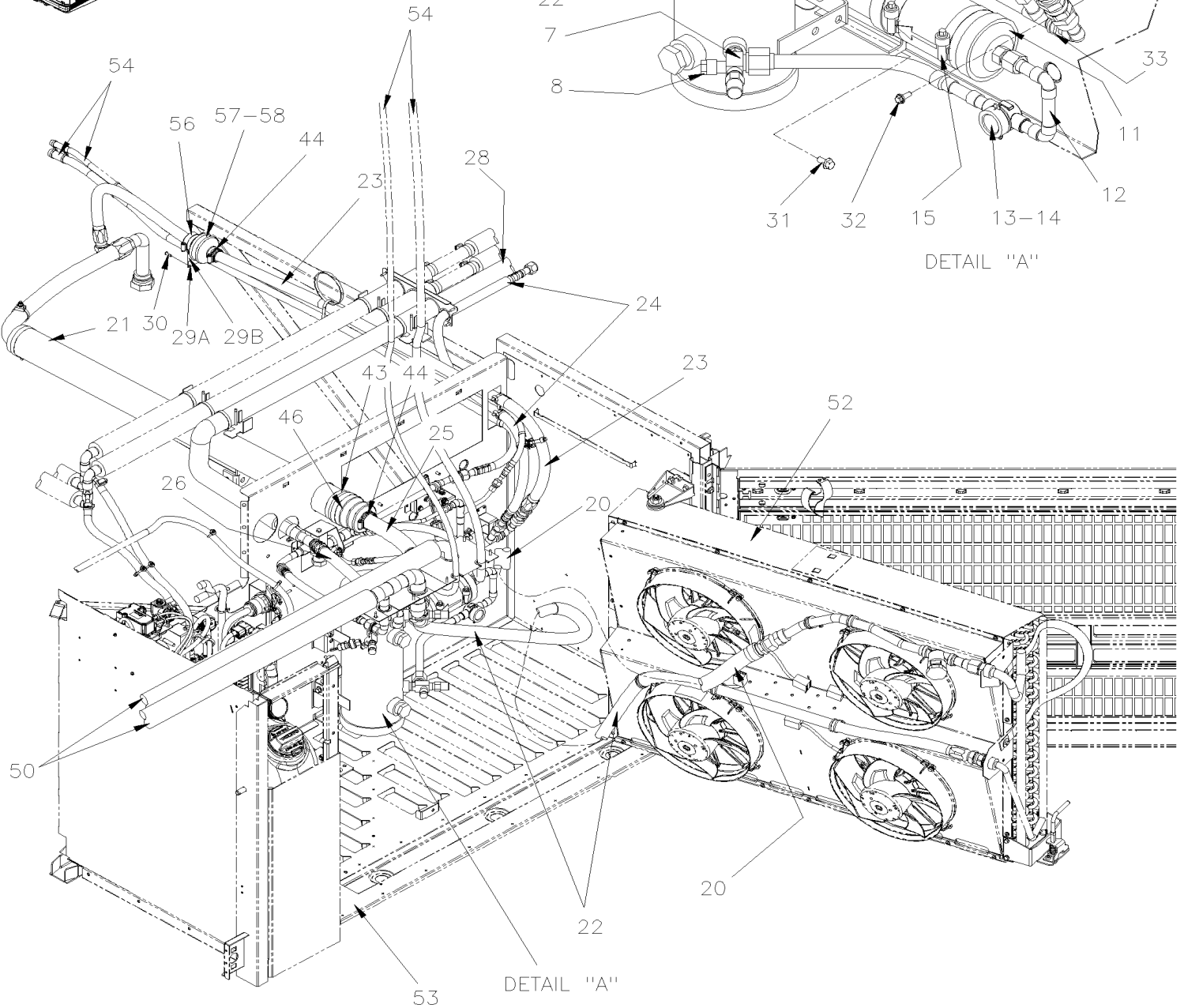
Date:01/2024

PAGE:X3-2270-10

RECEIVER TANK & FILTER DRYER WITH A/C PARCEL RACK - "GHG17"



DETAIL "A"



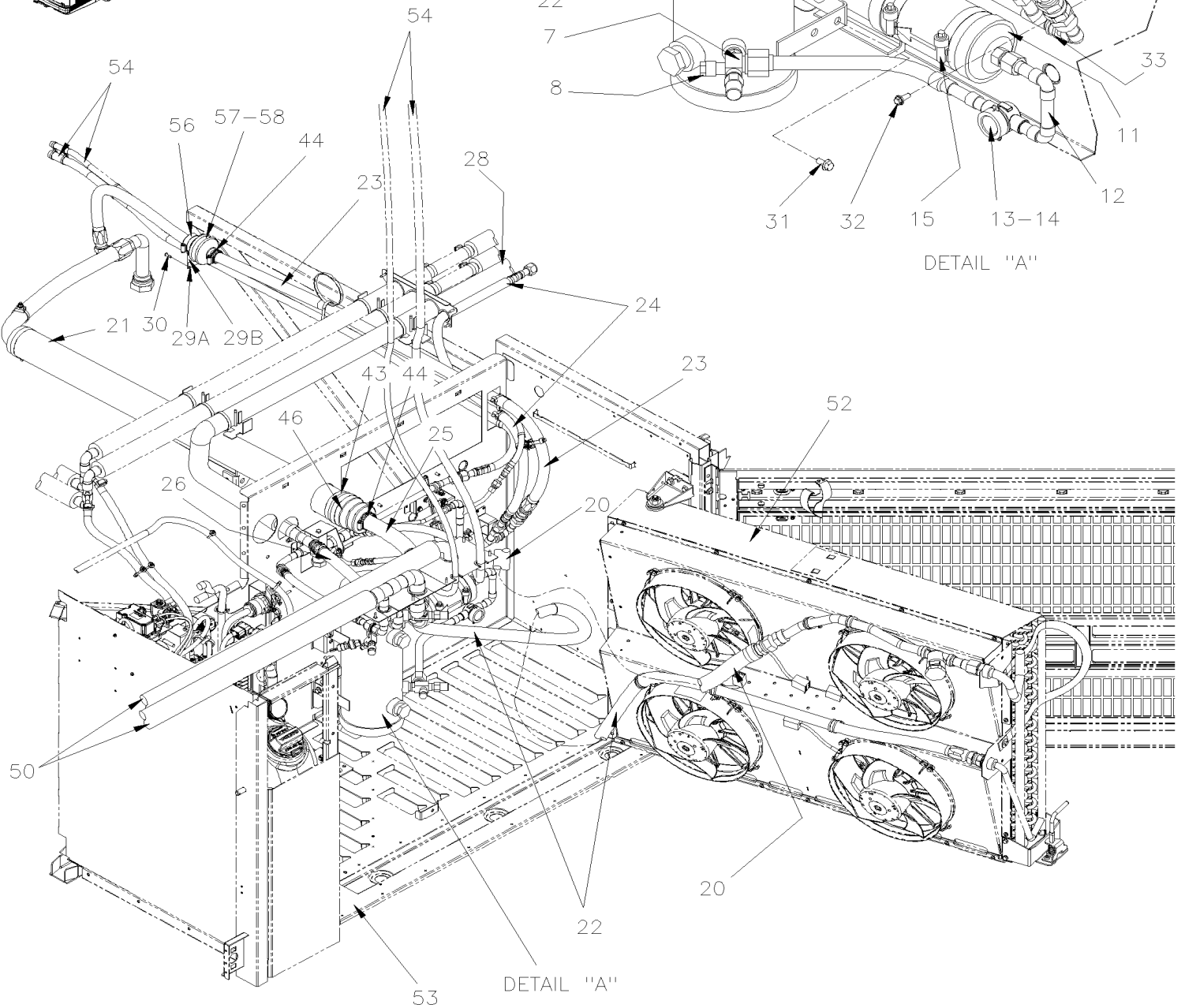
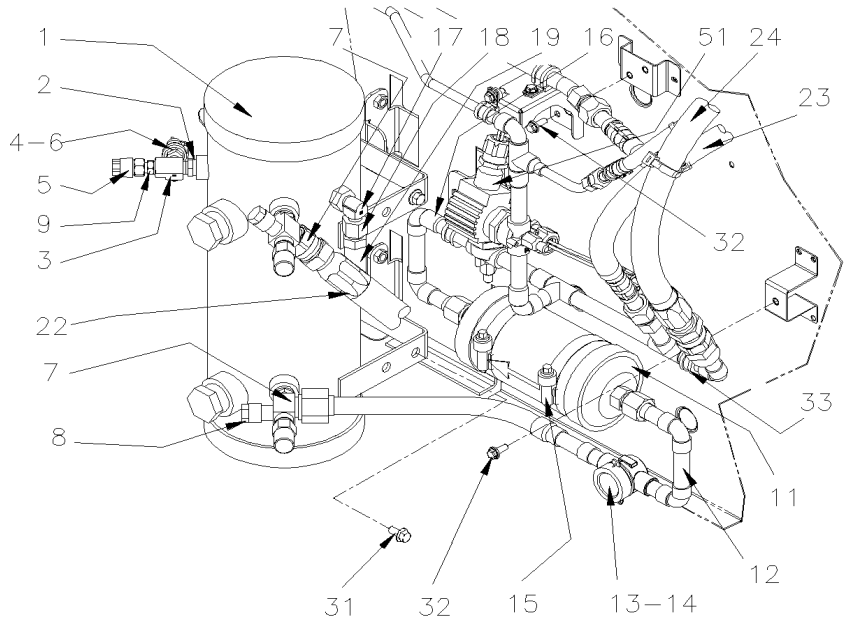
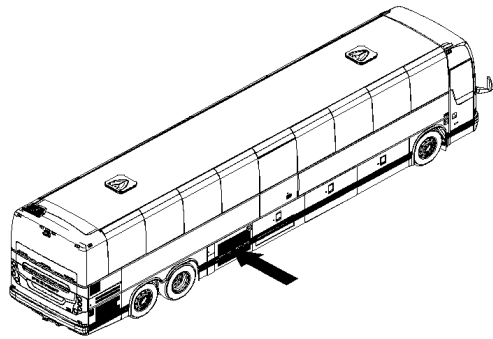
DETAIL "A"

From H-6180 To K-6492

Date:01/2024

PAGE:X3-2270-10

RECEIVER TANK & FILTER DRYER WITH A/C PARCEL RACK - "GHG17"



From H-6180 To K-6492	Date:01/2024	PAGE:X3-2270-10
RECEIVER TANK & FILTER DRYER WITH A/C PARCEL RACK - "GHG17"		

Item#	Part	Description	QTY	Notes
1	950261	RECEIVER TANK ASSY	1	
. NS	950428	. SIGHTGLASS / W/BALL 1NPT-M (FORMER)	1	
. NS	951198	. SIGHTGLASS / W/BALL 1 1/4NPT-F (CURRENT)	1	
1	453244	DECAL R134A / NOMINAL CHARGE 26 LBS // ENGLISH & FRANCAIS	1	
1	450028	DECAL R134A / NOMINAL CHARGE 26 LBS // ENGLISH & SPANISH	1	
NS	5001745	SCREW CAP HEX M8-1.25x25 G8.8 N500	1	
NS	509894	TIE MOUNT HOLE 7.8MM	1	
NS	502847	NUT HEX NYRT M8-1.25 N500	1	
2	501314	BUSHING REDUCER / PIPE FITTING / 3/8NTP-Mx1/4NPT-F BR	1	
3	501338	MALE RUN TEE / PIPE FITTING / 1/4NPT-Mx1/4NPT-Fx1/4NPT-F BR	1	
4	950249	SCHRADER VALVE 1/4NPT-M	1	
5	950234	GAUGE ADAPTOR ASSY / W/RED CAP FOR R-134A / DISCHARGE SIDE (ALUMINUM)	1	
6	950504	TRANSDUCER 0-500 PSIG	1	
7	950228	VALVE ASSY / SERVICE / INLET & OUTLET	2	
. NS	950284	. CAP / PROTECTOR / FOR GAUGE	1	
. NS	507169	. O-RING 1/2 I.D.	1	
NS	680869	THREAD SEALANT LOCTITE #554 / REFRIG. / 250ml	AR	
8	950285	. CAP VALVE / PROTECTOR / PLASTIC	1	
9	501027	MALE CONNECTOR / SAE 45° FITTING / #4FL-Mx1/4NPT-M BR	1	
11	950332	FILTER DRYER	1	
. NS	507370	. O-RING #10	1	U
12	450401	PIPE,OUTLET RECEIVER TANK ASSY	1	
13	950333	. MOISTURE INDICATOR	1	
. NS	950711	. . LENS ASSY KIT MOISTURE INDICATOR	1	
. . NS	950712	. . . O-RING MOISTURE INDICATOR	1	
13	950029	. CAP, MOISTURE INDICATOR	1	
15	504026	HOSE CLAMP / 2"13/16-3"3/4 SS / HS-52	2	
16	450043	VALVE ASSY / REFRIGERANT WITHOUT SOLENOID	1	S
16	950951	. VALVE REFRIGERANT SOLENOID	1	
17	501332	STREET ELBOW 90° / PIPE FITTING / 1/4NPT-Mx1/4NPT-F BR	1	
18	501311	ADAPTER / PIPE FITTING / 3/8NPT-Fx1/4NPT-M BR	1	
19	870890	VALVE, SAFETY 450 PSI	1	
20	455343	HOSE ASSY / PIPE TO COND / #16 1143MM / SS BELLOW	1	
21	454672	TUBE / PVC PIPE / 3"x1160MM WHITE PVC	1	
22	457683	HOSE ASSY / #12 1576MM	1	
22	501829	O-RING / ORS FITTING / #12 NEO	1	
23	457682	HOSE ASSY / #12 1978MM	1	
. NS	505182	. COIL PROTECTOR / PLASTIC / #16	AR	
24	454759	HOSE ASSY / #10 985MM	1	
. NS	507344	. O-RING / ORS FITTING / #10 NEO	1	
25	454762	HOSE ASSY / #20 2415MM	1	
. NS	501803	. O-RING / ORS FITTING / #20 NEO	1	

From H-6180 To K-6492	Date:01/2024	PAGE:X3-2270-10
RECEIVER TANK & FILTER DRYER WITH A/C PARCEL RACK - "GHG17"		

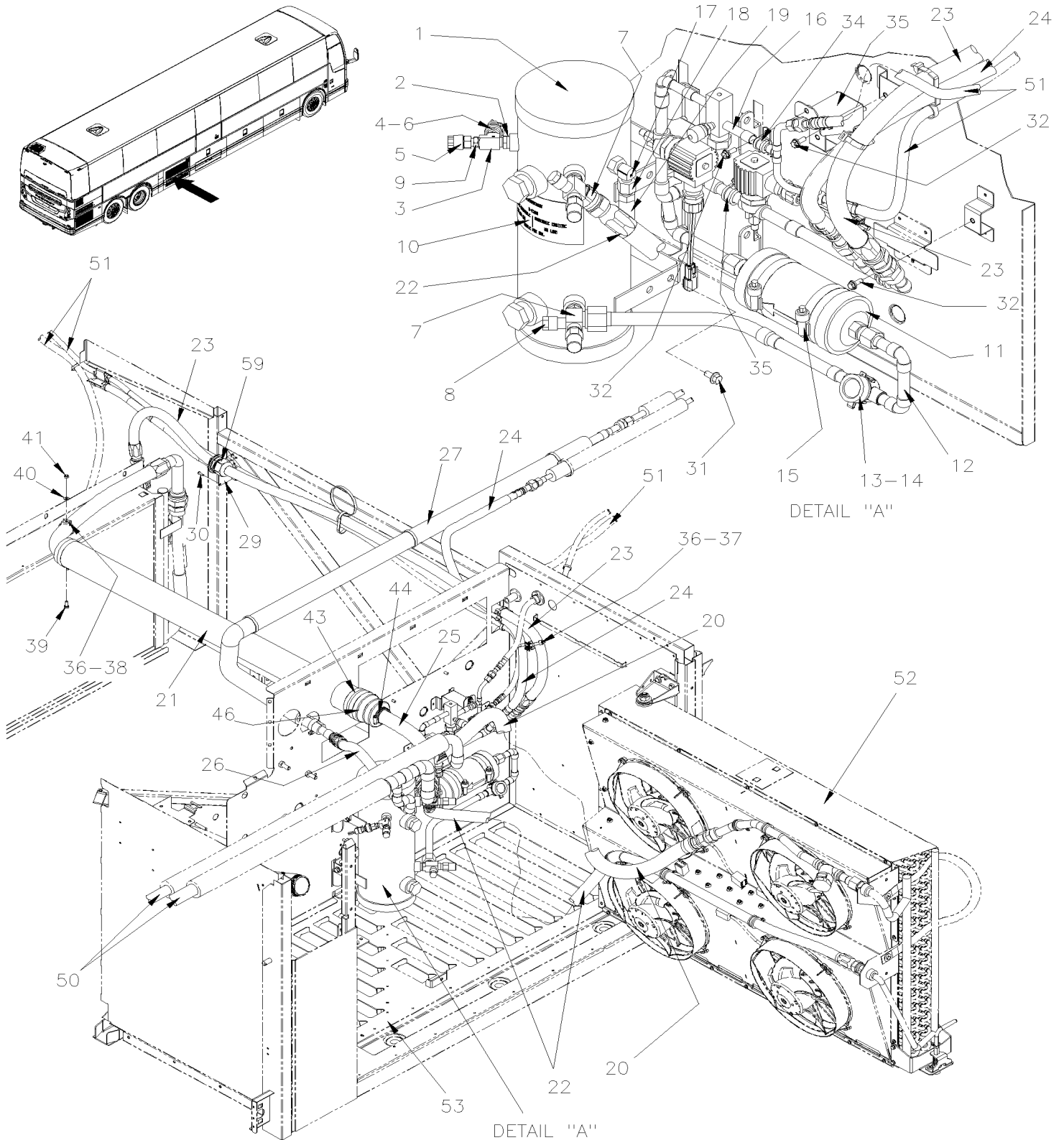
Item#	Part	Description	QTY	Notes
26	457684	HOSE ASSY / #12 431MM	1	
NS	501829	O-RING / ORS FITTING / #12 NEO	1	
28	454758	PIPE ASSY	1	
29A	457518	CLOSING PLATE	1	
29B	457519	CLOSING PLATE	1	
30	500957	SCREW TP BDG PH #10x3/4 N500	4	
31	5001780	SCREW CAP HEXF M8-1.25x16 G8.8 N500	3	
32	5001730	SCREW CAP HEXF M6-1.0x16 G10.9 N500	2	
33	952629	CLAMP / 5/8" I.D.	2	
43	504026	HOSE CLAMP / 2"13/16-3"3/4 SS / HS-52	1	
44	504022	HOSE CLAMP / 3/4"-1"3/4 SS / HS-20	2	
46	504442	CUFF END BELLOW / 1 1/4" I.D. x 3 1/2" x 4 1/2"	1	
50	X3-2222-17	A/C LINE REAR SECTION - "GHG17"		
51	X3-2208-31	REFRIGERANT SOLENOID VALVE WITH A/C PARCEL RACK - "GHG17"		
52	X3-2255-01	CONDENSOR - INSTALLATION - "GHG17"		
53	X3-1865-23	EVAPORATOR & CONDENSOR WALL INSTALLATION GHG17		
54	X3-2245-32	A/C AUXILIARY LINE / PARCEL RACK		
56	504024	HOSE CLAMP / 1"13/16"-2"3/4 SS / HS-36	1	
57	504384	CUFF END BELLOW / 1 1/4" I.D. x 1 3/4" x 4"	1	
58	374643	PROTECTOR HOSE SPLIT / 7/8" x 200MM	1	
		S) VALVE W/O A/C PARCEL RACKS		
		U) UNDER CONSTRUCTION		

From L-6493

Date:01/2024

PAGE:X3-2270-11

RECEIVER TANK & FILTER DRYER WITH A/C PARCEL RACK



From L-6493	Date:01/2024	PAGE:X3-2270-11
RECEIVER TANK & FILTER DRYER WITH A/C PARCEL RACK		

Item#	Part	Description	QTY	Notes
1	950261	RECEIVER TANK ASSY	1	
. NS	950428	. SIGHTGLASS / W/BALL 1NPT-M (FORMER)	1	
. NS	951198	. SIGHTGLASS / W/BALL 1 1/4NPT-F (CURRENT)	1	
NS	5001745	SCREW CAP HEX M8-1.25x25 G8.8 N500	1	
NS	509894	TIE MOUNT HOLE 7.8MM	1	
NS	502847	NUT HEX NYRT M8-1.25 N500	1	
2	501314	BUSHING REDUCER / PIPE FITTING / 3/8NPT-Mx1/4NPT-F BR	1	
3	501338	MALE RUN TEE / PIPE FITTING / 1/4NPT-Mx1/4NPT-Fx1/4NPT-F BR	1	
4	950249	SCHRADER VALVE 1/4NPT-M	1	
5	950234	GAUGE ADAPTOR ASSY / W/RED CAP FOR R-134A / DISCHARGE SIDE (ALUMINUM)	1	
6	950504	TRANSDUCER 0-500 PSIG	1	
7	950228	VALVE ASSY / SERVICE / INLET & OUTLET	2	
. NS	950284	. CAP / PROTECTOR / FOR GAUGE	1	
. NS	507169	. O-RING 1/2 I.D.	1	
NS	680869	THREAD SEALANT LOCTITE #554 / REFRIG. / 250ml	AR	
8	950285	. CAP VALVE / PROTECTOR / PLASTIC	1	
9	501027	MALE CONNECTOR / SAE 45° FITTING / #4FL-Mx1/4NPT-M BR	1	
10	453244	DECAL R134A / NOMINAL CHARGE 26 LBS // ENGLISH & FRANCAIS	1	
10	450028	DECAL R134A / NOMINAL CHARGE 26 LBS // ENGLISH & SPANISH	1	
11	950332	FILTER DRYER	1	
. NS	507370	. O-RING #10	1	U
12	450656	PIPE,OUTLET RECEIVER TANK ASSY	1	
13	950333	. MOISTURE INDICATOR	1	
. NS	950711	. . LENS ASSY KIT MOISTURE INDICATOR	1	
. . NS	950712	. . . O-RING MOISTURE INDICATOR	1	
13	950029	. CAP, MOISTURE INDICATOR	1	
15	504026	HOSE CLAMP / 2"13/16-3"3/4 SS / HS-52	2	
16	450655	VALVE ASSY / REFRIGERANT WITHOUT SOLENOID To N-6748	1	
16	454903	VALVE ASSY / REFRIGERANT WITHOUT SOLENOID From P-6749	1	
16	X3-2208-32	REFRIGERANT SOLENOID VALVE WITH A/C PARCEL RACK	1	
17	501332	STREET ELBOW 90° / PIPE FITTING / 1/4NPT-Mx1/4NPT-F BR	1	
18	501311	ADAPTER / PIPE FITTING / 3/8NPT-Fx1/4NPT-M BR	1	
19	870890	VALVE, SAFETY 450 PSI	1	
20	455343	HOSE ASSY / PIPE TO COND / #16 1143MM / SS BELLOW	1	
21	454672	TUBE / PVC PIPE / 3"x1160MM WHITE PVC	1	
22	457683	HOSE ASSY / #12 1576MM	1	
22	501829	O-RING / ORS FITTING / #12 NEO	1	
23	457682	HOSE ASSY / #12 1978MM	1	
. NS	505182	. COIL PROTECTOR / PLASTIC / #16	AR	
24	454759	HOSE ASSY / #10 985MM	1	
. NS	507344	. O-RING / ORS FITTING / #10 NEO	1	
25	454762	HOSE ASSY / #20 2415MM	1	

From L-6493	Date:01/2024	PAGE:X3-2270-11
RECEIVER TANK & FILTER DRYER WITH A/C PARCEL RACK		

Item#	Part	Description	QTY	Notes
. NS	501803	. O-RING / ORS FITTING / #20 NEO	1	
26	457684	HOSE ASSY / #12 431MM	1	
. NS	501829	. O-RING / ORS FITTING / #12 NEO	1	
27	454758	PIPE ASSY	1	
29	457520	CLOSING, EVAPORATOR	1	
30	500957	SCREW TP BDG PH #10x3/4 N500	5	
31	5001780	SCREW CAP HEXF M8-1.25x16 G8.8 N500	4	
32	5001730	SCREW CAP HEXF M6-1.0x16 G10.9 N500	5	
33	952629	CLAMP / 5/8" I.D.	2	
34	952625	CLAMP / 3/8" I.D.	1	
35	450654	SUPPORT, SUCTION VALVE ASSY. To N-6748	1	
35	454948	SUPPORT, SUCTION VALVE ASSY. From P-6749	1	
36	504751	ROTATIF SPACER DOUBLE / SMALL	1	
37	504016	CABLE TIE / 5/16" X 14"1/2	AR	
38	504013	TIE MOUNT / 1/4" X 1/4" I.D.	1	
39	502817	SCREW MA PAN PH M6-1.0x16 N500	1	
40	500877	WASHER FL .250x.562x.065 N500	1	
41	502681	NUT HEX NYRT M6-1.0 N500 G8	1	
43	504026	HOSE CLAMP / 2"13/16-3"3/4 SS / HS-52	1	
44	504022	HOSE CLAMP / 3/4"-1"3/4 SS / HS-20	2	
46	504442	CUFF END BELLOW / 1 1/4" I.D. x 3 1/2" x 4 1/2"	1	
50	X3-2222-18	A/C LINE REAR SECTION		
51	X3-2245-33	A/C AUXILIARY LINE / PARCEL RACK		
52	X3-2255-01	CONDENSOR - INSTALLATION - "GHG17"		
53	X3-1865-23	EVAPORATOR & CONDENSOR WALL INSTALLATION GHG17		
56	504024	HOSE CLAMP / 1"13/16"-2"3/4 SS / HS-36	1	
57	504384	CUFF END BELLOW / 1 1/4" I.D. x 1 3/4" x 4"	1	
58	374643	PROTECTOR HOSE SPLIT / 7/8" x 200MM	1	
59	501125	CABLE-GLAND M40 X 1.5	1	
NS	500510	SCREW MA BDG PH #10-32x3/4 SS EMN	AR	
		U) UNDER CONSTRUCTION		

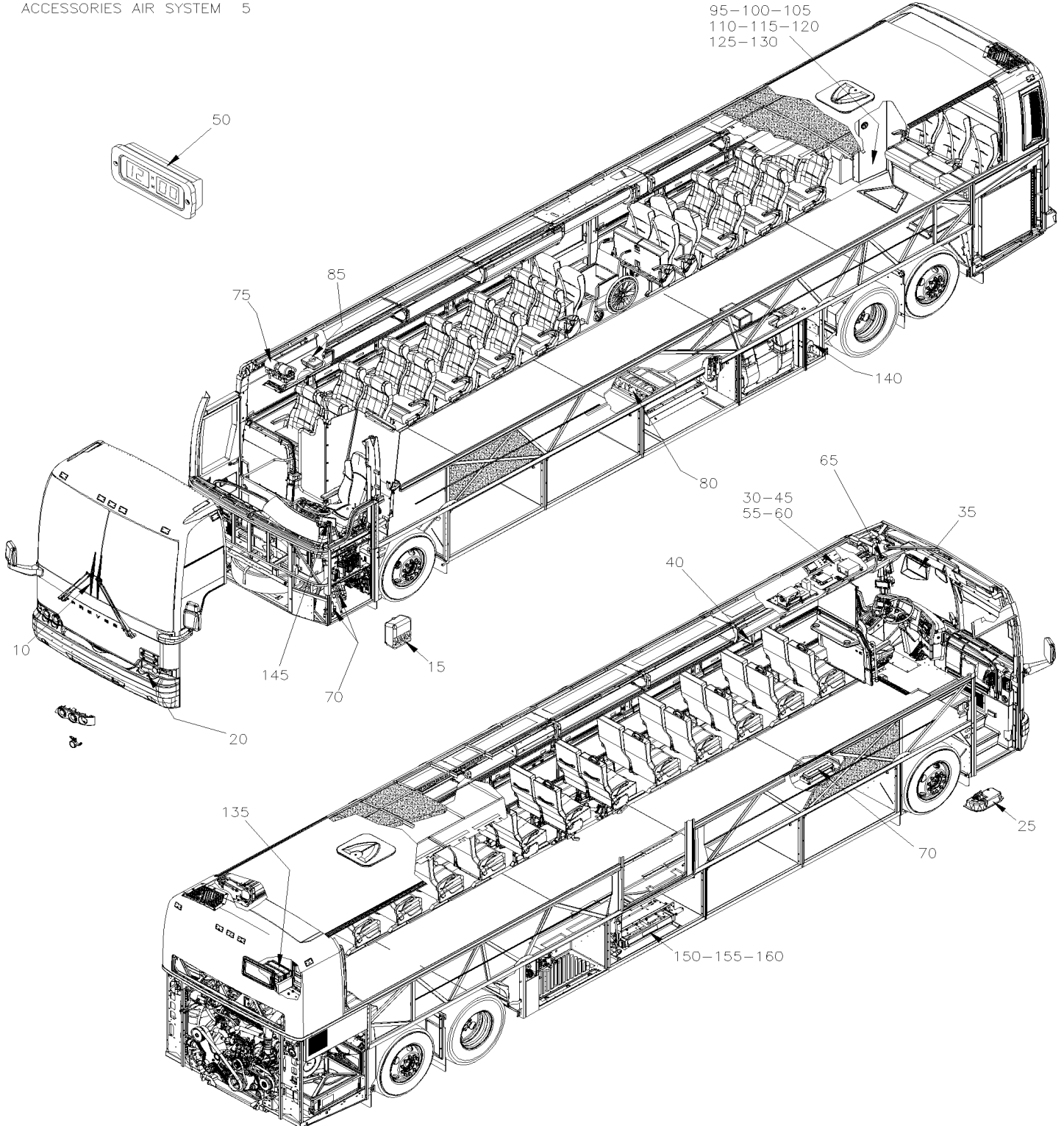
From 7-8754

Date:01/2024

X3-23

ACCESSORIES

ACCESSORIES AIR SYSTEM 5



From 7-8754	Date:01/2024	X3-23
-------------	--------------	-------

ACCESSORIES

Item#	Part	Description	QTY	Notes
5	X3-2300-00	ACCESSORIES AIR SYSTEM From 7-8754 To F-5871		
5	X3-2300-01	ACCESSORIES AIR SYSTEM From F-5872		
10	X3-2305-00	LOWER WINDSHIELD WIPER From 7-8754		
10	X3-2305-05	LOWER WINDSHIELD WIPER - INSTALLATION From 7-8754 To K-6492		
10	X3-2305-06	LOWER WINDSHIELD WIPER - INSTALLATION From L-6493		
15	X3-2305-20	WINDSHIELD WASHER - INSTALLATION From 7-8754		
20	X3-2305-25	HEAD LAMP CLEANING WASHER TANK From 7-8754		
25	X3-2310-00	HORN - INSTALLATION From 7-8754 To 8-9421		
25	X3-2310-01	HORN - INSTALLATION From 8-9422		
30	X3-2315-00	SOUND SYSTEM & ACCESSORIES From 7-8754 To N-6755		
30	X3-2315-01	SOUND SYSTEM & ACCESSORIES W/HHED From H-6179		HHED
30	X3-2315-05	"USB" & "VGA" & "RCA" CABLE & CONVERTER From A-9895 To N-6755		
30	X3-2315-06	"USB" & "RCA" CABLE & CONVERTER & 12 VOLTS W/HHED From H-6179		HHED
30	X3-2315-10	WIRING HARNESS - AUDIO SYSTEM From 7-8754		
30	X3-2315-15	SUBWOOFER - INSTALLATION From 7-8754		
30	X3-2315-20	INDIVIDUAL STATIONS - "R.E.I." From 7-8754 To N-6755		
30	X3-2315-21	INDIVIDUAL STATIONS - "R.E.I." W/HHED From H-6179		HHED
30	X3-2315-60	ROOF ANTENNA & WIRING From 7-8754 To A-9894		
35	X3-2317-00	FRONT MONITOR FLAT SCREEN From 7-8754		
40	X3-2317-10	SIDE MONITOR FLAT SCREEN - VIDEO -"R.E.I." From 7-8754		
40	X3-2317-11	SIDE MONITOR FLAT SCREEN - VIDEO "VOLVO" From 8-9389 To A-9894		
45	X3-2317-20	DVD PLAYER - INSTALLATION From 7-8754 To N-6755		
45	X3-2317-21	SCREEN VIDEO & POWER - INSTALLATION W/HHED From H-6179		HHED
45	X3-2317-25	"WI-FI" MODULE - INSTALLTION From 7-8754		
45	X3-2317-26	"WI-FI" MODULE / "CADEC" MODULE / "DRIVECAM" - INSTALLTION From B-5050		GR
45	X3-2317-30	VIDEO & AUDIO SYSTEM - INSTALLATION From 7-8754 To N-6755		
45	X3-2317-31	VIDEO & AUDIO SYSTEM - INSTALLATION W/HHED From H-6179		HHED
45	X3-2317-35	"WI-FI" MODULE MOOVBOX From G-6100		GR
45	X3-2317-36	"WI-FI" MODULE WAAV From K-6368		BU

From 7-8754	Date:01/2024	X3-23
-------------	--------------	-------

ACCESSORIES

Item#	Part	Description	QTY	Notes
45	X3-2317-40	AUDIO PLATE WITH ADDITIONAL VEC / GREYHOUND OPTION From G-6100		GR
45	X3-2317-45	ITS SYSTEM - "SAUCON" / GREYHOUND OPTION From G-6100		GR
45	X3-2317-50	MEDIA PLAYER From H-6180		S
45	X3-2317-60	"WI-FI" ICOMERA X CUBED OPTION GLI From J-6245		GR
45	X3-2317-61	"WI-FI" ICOMERA X CUBED From K-6368		
45	X3-2317-99	UPDATE TO MEDIA PLAYER MP-1000 From B-5002 To H-6179		
50	X3-2318-00	CLOCK (DIGITAL) From 7-8754 To G-5994		
50	X3-2318-01	CLOCK (DIGITAL) From G-5995		
55	X3-2318-10	RADIO "CB" INSTALLATION From A-9897		
60	X3-2319-00	GPS - VOLVO LINK ANTENNA - INSTALLATION From 7-9012 To A-9916		
60	X3-2319-01	VOLVO LINK ANTENNA - INSTALLATION From A-9917		
65	X3-2319-30	CAMERA SYSTEM INSTALLATION - "SAUCON" From H-6104		
65	X3-2319-31	CAMERA SYSTEM - "SAUCON" 4 CAMERAS POSITION 1-2-3-4 From K-6368		
65	X3-2319-40	CAMERA SYSTEM INSTALLATION - "SAFETY-VISION" From H-6110		
65	X3-2319-50	SURROUNDING CAMERA SYSTEM INSTALLATION "BRIGADE" From L-6485		
65	X3-2319-60	CAMERA SYSTEM INSTALLATION - "REI" From H-6180		
65	X3-2319-70	CAMERA SYSTEM INSTALLATION - "APOLLO" From H-6180		
70	X3-2320-00	JACK & FLARE KIT - INSTALLATION From 7-8754		
75	X3-2320-30	EXTINGUISHER - INSTALLATION From 7-8754		
80	X3-2320-35	FIRE PROTECTION SYSTEM INSTALLATION From 9-9600 To B-5001		
80	X3-2320-36	FIRE PROTECTION SYSTEM BUS INSTALLATION / EPA 2010 From B-5002 To C-5133		
80	X3-2320-37	FIRE PROTECTION SYSTEM BUS INSTALLATION / 3RD BAGGAGE COMPARTMENT From C-5134		
85	X3-2320-40	FIRST AID KIT & AXE - INSTALLATION From 7-8754		
95	X3-2325-00	LAVATORY - ACCESSORIES From 7-8754 To G-6063		
95	X3-2325-01	LAVATORY - ACCESSORIES From G-6064		
100	X3-2326-00	TOILET PUMP ASSY From 7-8754 To H-6179		
100	X3-2326-01	TOILET PUMP ASSY GHG17 From H-6180		
105	X3-2327-00	SUMP TANK - PLASTIC - AUXILIARY From 7-8754 To B-5001		
110	X3-2328-00	LAVATORY WALL - INSTALLATION From 7-8754 To G-6063		

From 7-8754	Date:01/2024	X3-23
-------------	--------------	-------

ACCESSORIES

Item#	Part	Description	QTY	Notes
110	X3-2328-01	LAVATORY WALL - INSTALLATION From G-6064		
110	X3-2328-80	LAVATORY WALL - INSTALLATION - "W.C.L." From 7-8938 To H-6179		
110	X3-2328-81	LAVATORY WALL - INSTALLATION - "W.C.L." GHG17 From H-6180 To K-6492		
110	X3-2328-82	LAVATORY WALL - INSTALLATION - "W.C.L." From L-6493		
115	X3-2329-00	LAVATORY DOOR LOCK & SWITCH From 7-8754		
120	X3-2330-00	WATER & SUMP TANK - INSTALLATION From 7-8754 To B-5001		
120	X3-2330-01	WATER & SUMP TANK - INSTALLATION From B-5002 To G-6063		
120	X3-2330-02	SUMP TANK SYSTEM - INSTALLATION From G-6064 To H-6179		
120	X3-2330-03	SUMP TANK SYSTEM - INSTALLATION GHG17 From H-6180		
125	X3-2337-00	LAVATORY FAN - INSTALLATION From 7-8754 To 8-9276		
125	X3-2337-01	LAVATORY FAN - INSTALLATION From 8-9277 To B-5001		
125	X3-2337-02	LAVATORY FAN - INSTALLATION From B-5002 To G-6063		
125	X3-2337-03	LAVATORY FAN - INSTALLATION From G-6064 To H-6179		
125	X3-2337-04	LAVATORY FAN - INSTALLATION GHG17 From H-6180 To P-6866		
125	X3-2337-05	LAVATORY FAN - INSTALLATION From P-6867		
130	X3-2337-10	FAN - INSTALLATION WITHOUT LAVATORY From B-5002		
133	X3-2340-00	PLASMA CLUSTER IONS AIR SANITIZER - ENVIROCARE From N-6686		
135	X3-2345-40	POWERVERTER - 24/110 VOLTS - 1800 WATTS From 7-8754		
135	X3-2345-43	110 VOLT - OUTLET From 7-8754		
135	X3-2345-45	3 POWERVERTERS - 24/110 VOLTS - 1800 WATTS WITH RELAY From J-6245		
135	X3-2345-99	110 VOLT - OUTLET / RETROFIT From 7-8754		
140	X3-2350-10	WATER HEATER - INSTALLATION From 7-8754 To B-5001		
140	X3-2350-11	WATER HEATER - INSTALLATION From B-5002		
145	X3-2355-10	FRONT CAMERA - INSTALLATION From 7-8754		
145	X3-2355-15	FRONT CAMERA & SCREEN SPECIAL OPTION From H-6171		
145	X3-2355-20	BACK-UP CAMERA & MONITOR - INSTALLATION From 7-8754		
150	X3-2360-00	YELLOW STEP STORAGE / "GREYHOUND" From G-6100		
155	X3-2370-10	W.C.L. - DECAL From 7-8754		
155	X3-2370-20	W.C.L. SEAT BELTS From 7-8754		

From 7-8754	Date:01/2024	X3-23
-------------	--------------	-------

ACCESSORIES

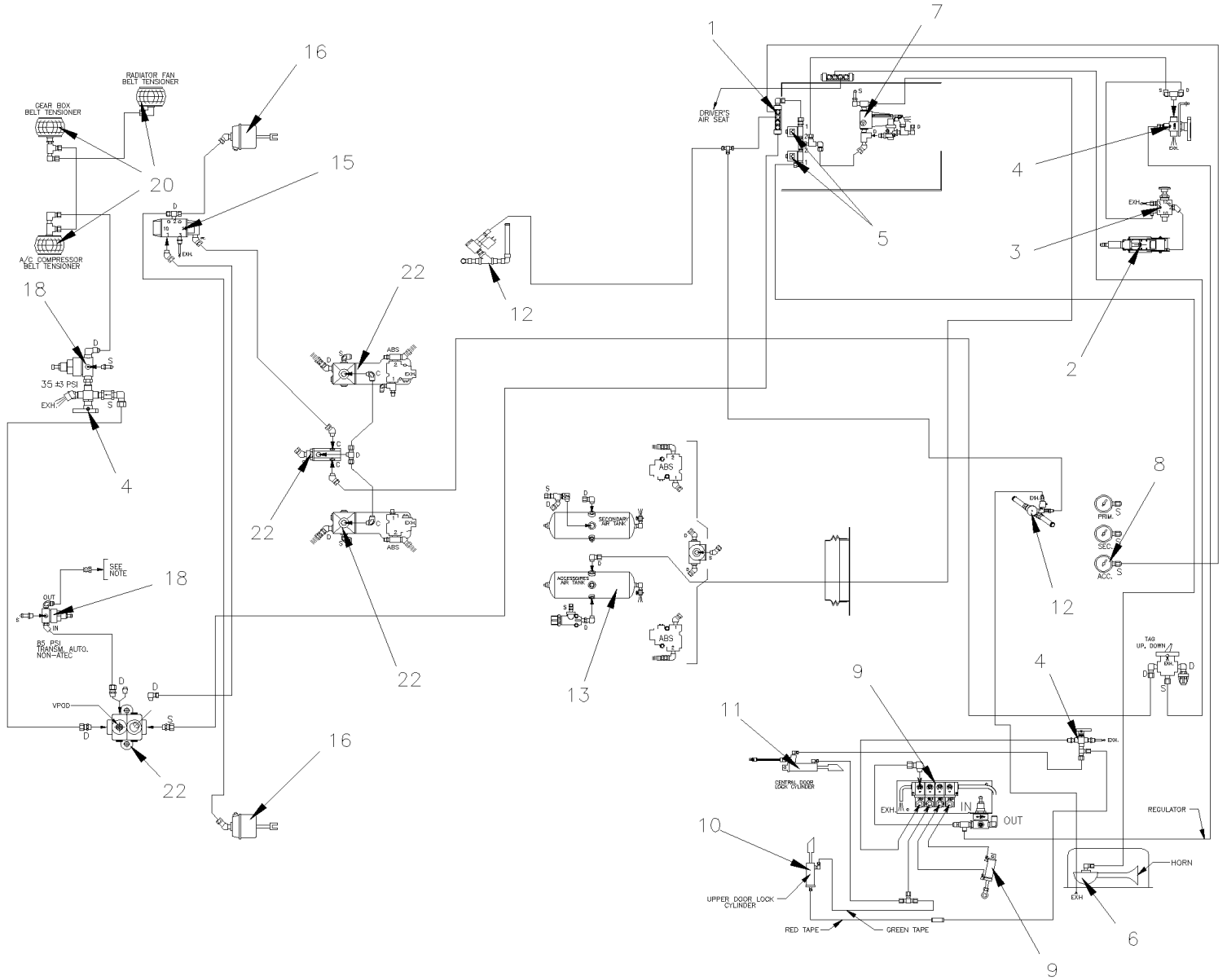
Item#	Part	Description	QTY	Notes
155	X3-2370-25	W.C.L. SEAT BELTS "SAFEGUARD" (IMMI) From A-9899		
160	X3-2380-00	W.C.L. "RICON" REMOVABLE MODEL "F9TF" & "F9TH" From 7-8754		
160	X3-2380-05	W.C.L. "RICON" REMOVABLE MODEL "F9TF" From 7-8754		
160	X3-2380-06	W.C.L. "RICON" REMOVABLE MODEL "F9TH" From J-6245		GR
160	X3-2380-10	W.C.L. "RICON" - LIFT ENCLOSURE ASSY MODEL "F9TF" From 7-8754		
160	X3-2380-11	W.C.L. "RICON" - LIFT ENCLOSURE ASSY MODEL "F9TH" From J-6245		GR
160	X3-2380-20	W.C.L. "RICON" - PLATFORM ASSY MODEL "F9TF" From 7-8754		
160	X3-2380-21	W.C.L. "RICON" - PLATFORM ASSY MODEL "F9TH" From J-6245		GR
160	X3-2380-30	W.C.L. "RICON" - TRAVELING FRAME ASSY MODEL "F9TF" From 7-8754		
160	X3-2380-31	W.C.L. "RICON" - TRAVELING FRAME ASSY MODEL "F9TH" From J-6245		GR
160	X3-2380-40	W.C.L. "RICON" - CARRIAGE ASSY MODEL "F9TF" From 7-8754		
160	X3-2380-41	W.C.L. "RICON" - CARRIAGE ASSY MODEL "F9TH" From J-6245		GR
160	X3-2380-50	W.C.L. "RICON" - BRIDGE PLATE ASSY MODEL "F9TF" From 7-8754		
160	X3-2380-51	W.C.L. "RICON" - BRIDGE PLATE ASSY MODEL "F9TH" From J-6245		GR
160	X3-2380-60	W.C.L. "RICON" - PUMP INSTALLATION MODEL "F9TF" From 7-8754		
160	X3-2380-61	W.C.L. "RICON" - PUMP INSTALLATION MODEL "F9TH" From J-6245		GR
160	X3-2380-65	W.C.L. "RICON" - PUMP ASSY MODEL "F9TF" From 7-8754		
160	X3-2380-66	W.C.L. "RICON" - PUMP ASSY MODEL "F9TH" From J-6245		GR
NS	X3-2390-00	DECAL "GREYHOUND" From 9-9655 To 9-9765		
NS	X3-2390-01	DECAL "GREYHOUND" - BOLT BUS From 8-9426 To 9-9794		
165	X3-2390-02	DECAL "DIVERSIFIED" From A-9897		
165	X3-2390-03	DECAL "DIVERSIFIED" From F-5839 To F-5847		
165	X3-2390-04	DECAL "DIVERSIFIED" From G-5878 To G-5889		
		BU) BURLINGTON STAGE LINE OPTION		
		GR) GREYHOUND "OPTION"		
		HHED) USE WITH HHED OPTION		

From 7-8754		Date:01/2024	X3-23
-------------	--	--------------	-------

ACCESSORIES

Item#	Part	Description	QTY	Notes
		S) SILVERADO STAGE OPTION		

From 7-8754 To F-5871	Date:01/2024	PAGE:X3-2300-00
ACCESSORIES AIR SYSTEM		



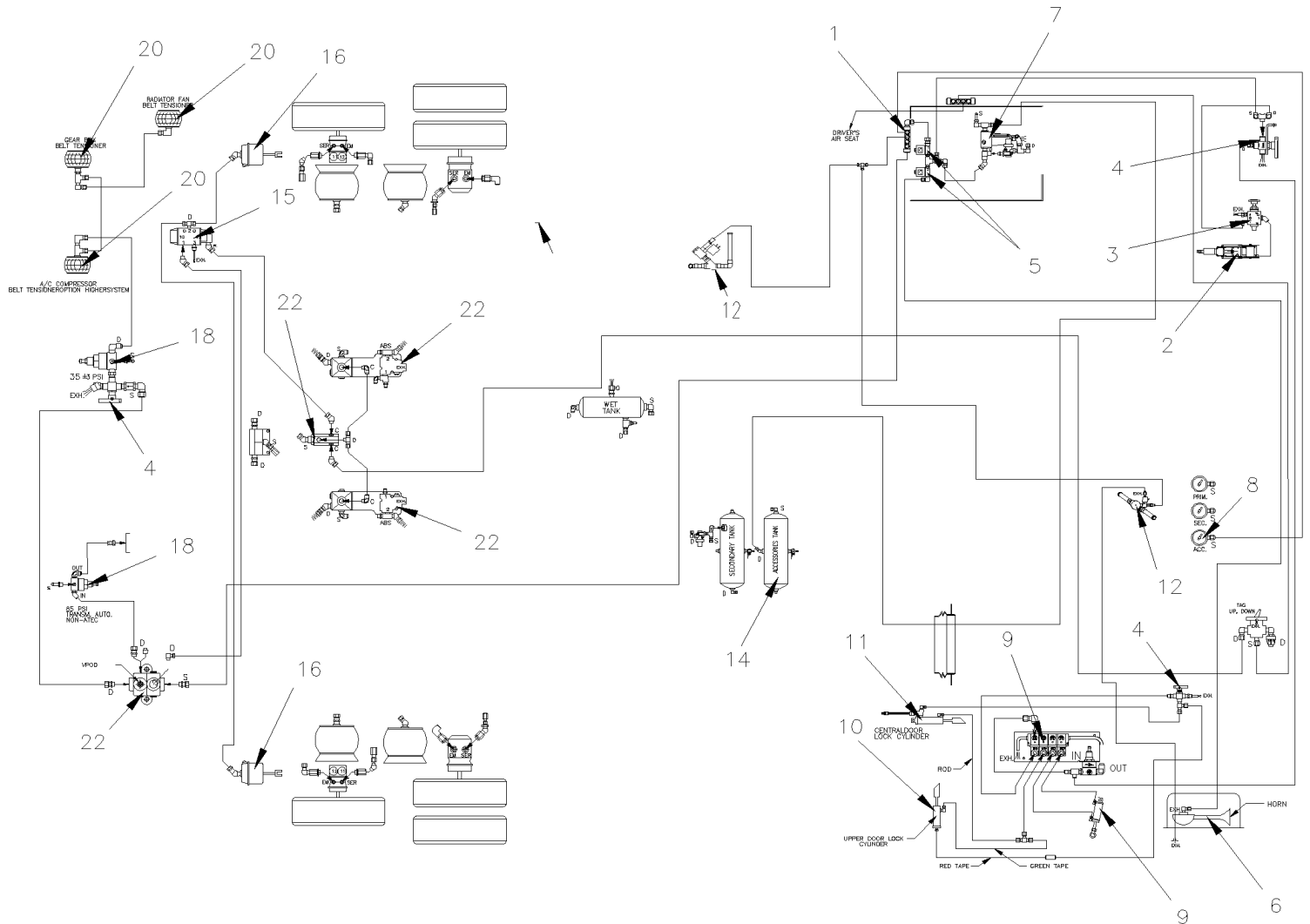
X3-45 COACH, WITH INDEPENDENT FRONT SUSPENSION (IFS)
ACCESSORIES

From 7-8754 To F-5871

Date:01/2024

PAGE:X3-2300-00

ACCESSORIES AIR SYSTEM



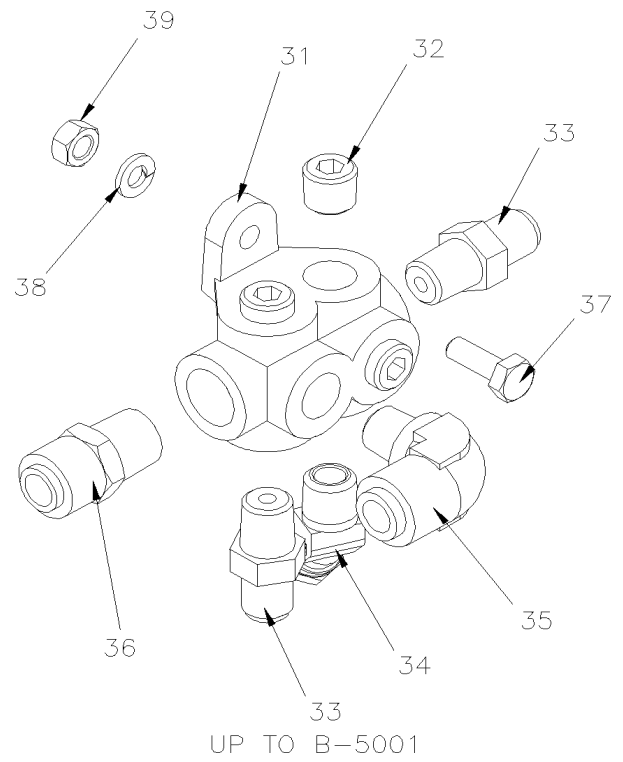
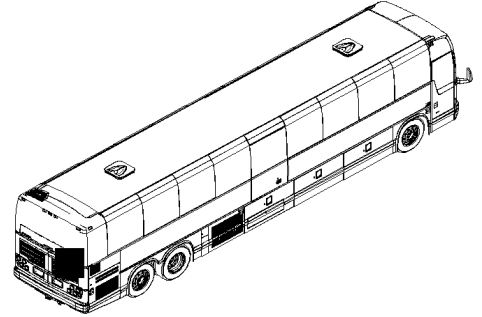
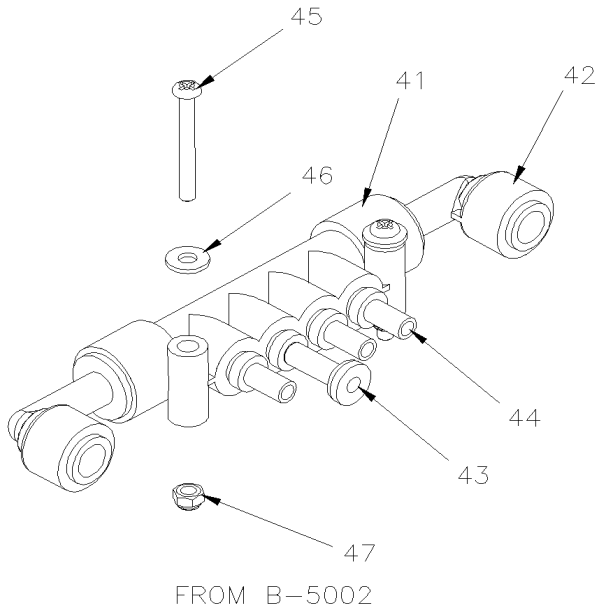
X3-45 COACH, WITH FRONT I-BEAM AXLE ACCESSORIES

From 7-8754 To F-5871

Date:01/2024

PAGE:X3-2300-00

ACCESSORIES AIR SYSTEM



From 7-8754 To F-5871	Date:01/2024	PAGE:X3-2300-00
-----------------------	--------------	-----------------

ACCESSORIES AIR SYSTEM

Item#	Part	Description	QTY	Notes
1	641415	MANIFOLD / PUSH-IN FITTING / 2x#6 / 4x#4 PLAS	1	
1	641897	MANIFOLD / PUSH-IN FITTING / 2x#6 / 4x#4 PLAS	1	
1	20462708	ELBOW 90° STEM / PUSH-IN FITTING / #6x#6STEM PLAS To E-5757	1	
1	647894	ELBOW 90° STEM / PUSH-IN FITTING / #6x#6STEM PLAS From E-5758	1	
2	X3-1405-00	STEERING WHEEL & COLUMN ASSY		
3	641445	VALVE, 3 WAYS, 2 POSITIONS MECHANICAL	1	
. NS	641992	. KNOB	1	
4	641417	VALVE, 3 WAYS 1/8NPT-Fx1/8NPT-Fx1/8NPT-F BR	3	
. NS	642014	. HANDLE / RED	1	
4	642161	VALVE, 3 WAYS 1/8NPT-Fx1/8NPT-Fx1/8NPT-F BR / SERVICE	3	
. NS	642014	. HANDLE / RED	1	
5	562804	VALVE, 2 WAYS N.C.	1	
. NS	562848	. CONNECTOR / SOCKET HOUSING ASSY 3C / PNEUMAC 54933-05	1	
6	640093	HORN AIR	1	
7	X3-1220-15	AIR FILTER - ACCESSORIES		
8	X3-0645-20	CENTER DASHBOARD PANEL		
9	X3-1802-00	ENTRANCE DOOR CONTROL		
10	X3-1862-00	ENTRANCE DOOR ASSY - BUS		
11	X3-1804-00	ENTRANCE DOOR LOCK		
12	X3-2207-05	WATER VALVE - HEATER		
13	641583	AIR TANK / 1508 IN° / 9" 1/2 O.D. X 24"	1	
14	141834	AIR TANK / 1303 IN° / 8" O.D. X 27"1/2	1	
15	641274	VALVE, 3 WAYS, 2 POSITIONS N.C.	1	
16	X3-1615-10	TAG AXLE - LIFTING		
18	641472	AIR PRESSURE REGULATOR 1/4" NPT / COPPER	2	
20	550840	BELLOW ASSY / BELT TENSIONER / 4" O.D.	3	
22	X3-1200-00	BRAKE AIR SYSTEM		
NS	140381	DECAL / "AIR BRAKE SYSTEM FILL" // ENGLISH & FRANCAIS	1	
NS	142369	DECAL / "AIR BRAKE SYSTEM FILL" // ENGLISH & SPANISH	1	
31	640055	MANIFOLD / PIPE FITTING / 7 PORTS 1/4NPT-F STL To B-5001	1	
32	501800	PLUG HEXS / PIPE FITTING / 1/4NPT-M STL To B-5001	3	
33	641332	MALE CONNECTOR / PUSH-IN FITTING / #4x1/4NPT-M BR To B-5001	2	
34	641042	MALE ELBOW 45° / NTA FITTING / #4x1/4NPT-M BR To B-5001	1	
35	641372	MALE ELBOW 90° NON-SWIVEL / PUSH-IN FITTING / #6x1/4NPT-M BR To B-5001	1	
36	641330	MALE CONNECTOR / PUSH-IN FITTING / #6x3/8NPT-M BR To B-5001	1	
37	5001746	SCREW CAP HEX 1/4-20x3/4 G5 N500 To B-5001	2	
38	5001749	WASHER LO SPT 6.5x11.5x1.6 N500 To B-5001	2	
39	500247	NUT HEX 1/4-20 N500 To B-5001	2	
41	641897	MANIFOLD / PUSH-IN FITTING / 2x#6 / 4x#4 PLAS From B-5002	1	
42	20462708	ELBOW 90° STEM / PUSH-IN FITTING / #6x#6STEM PLAS From B-5002 To E-5756	2	

From 7-8754 To F-5871	Date:01/2024	PAGE:X3-2300-00
-----------------------	--------------	-----------------

ACCESSORIES AIR SYSTEM

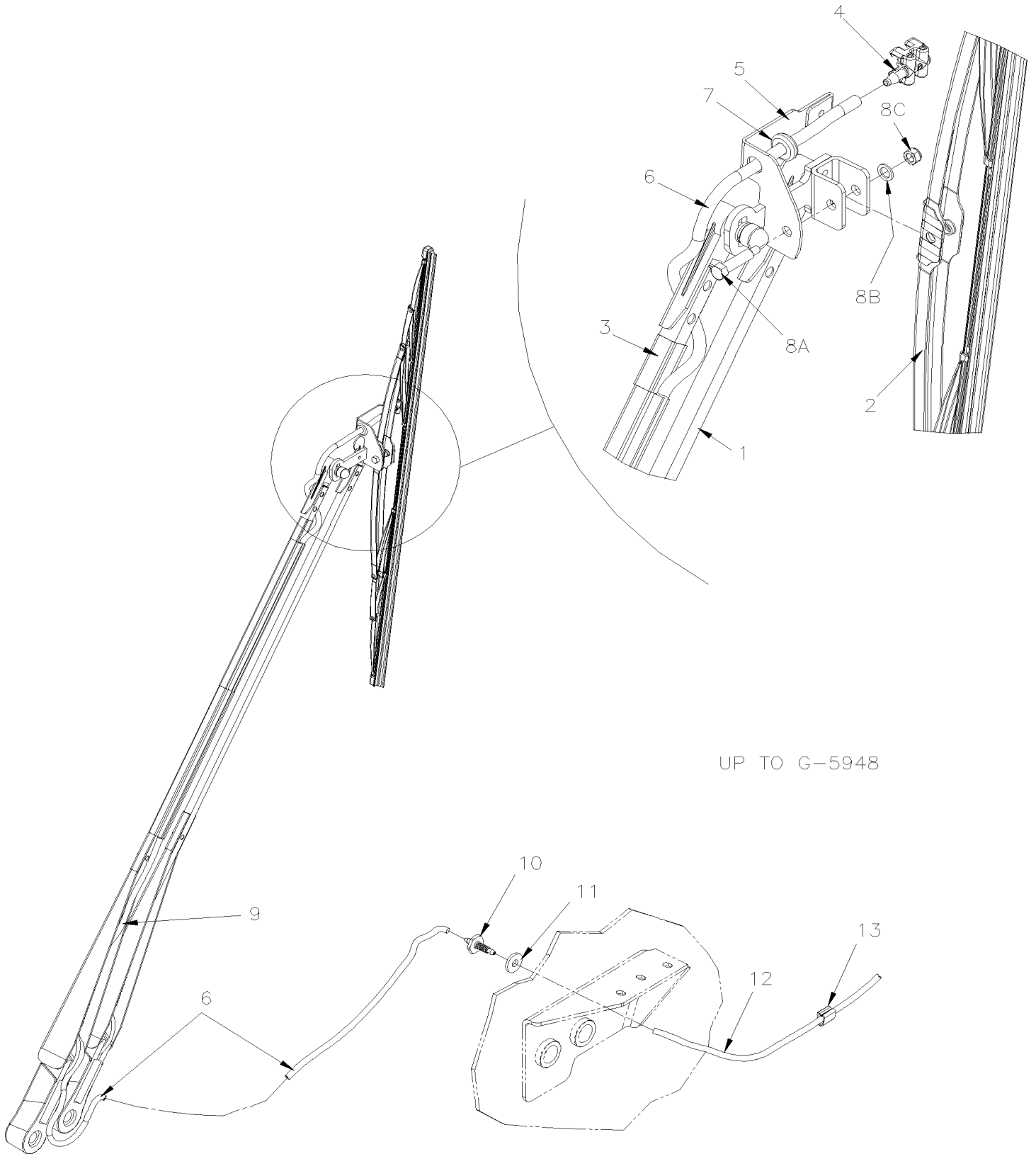
Item#	Part	Description	QTY	Notes
42	641436	UNION ELBOW 90° / PUSH-IN FITTING / #6x#6 BR From E-5758	1	
43	641416	PLUG STEM / PUSH-IN FITTING / #4 PLAS From B-5002	1	
44	503402	TUBE, NYLON 1/4 O.D. / BLACK S.L. From B-5002	AR	
45	5001042	SCREW MA RND PH #10-32x1 1/4 SS From B-5002 To F-5871	2	
45	5001991	SCREW MA RND PH M5-0.8x30 SS From F-5872	2	
46	500855	WASHER FL .188x.438x.049 N500 From B-5002	2	
47	500423	NUT HEX NYRT #10-32 SS From B-5002 To F-5871	2	
47	5001587	NUT HEX NYRT M5-0.8 SS From F-5872	2	
48	507664	CABLE TIE / 3/16" 11" / DOUBLE LOOP HEAD	AR	
49	504637	CABLE TIE / 3/16" x 13"	AR	

From 7-8754

Date:01/2024

PAGE:X3-2305-00

LOWER WINDSHIELD WIPER

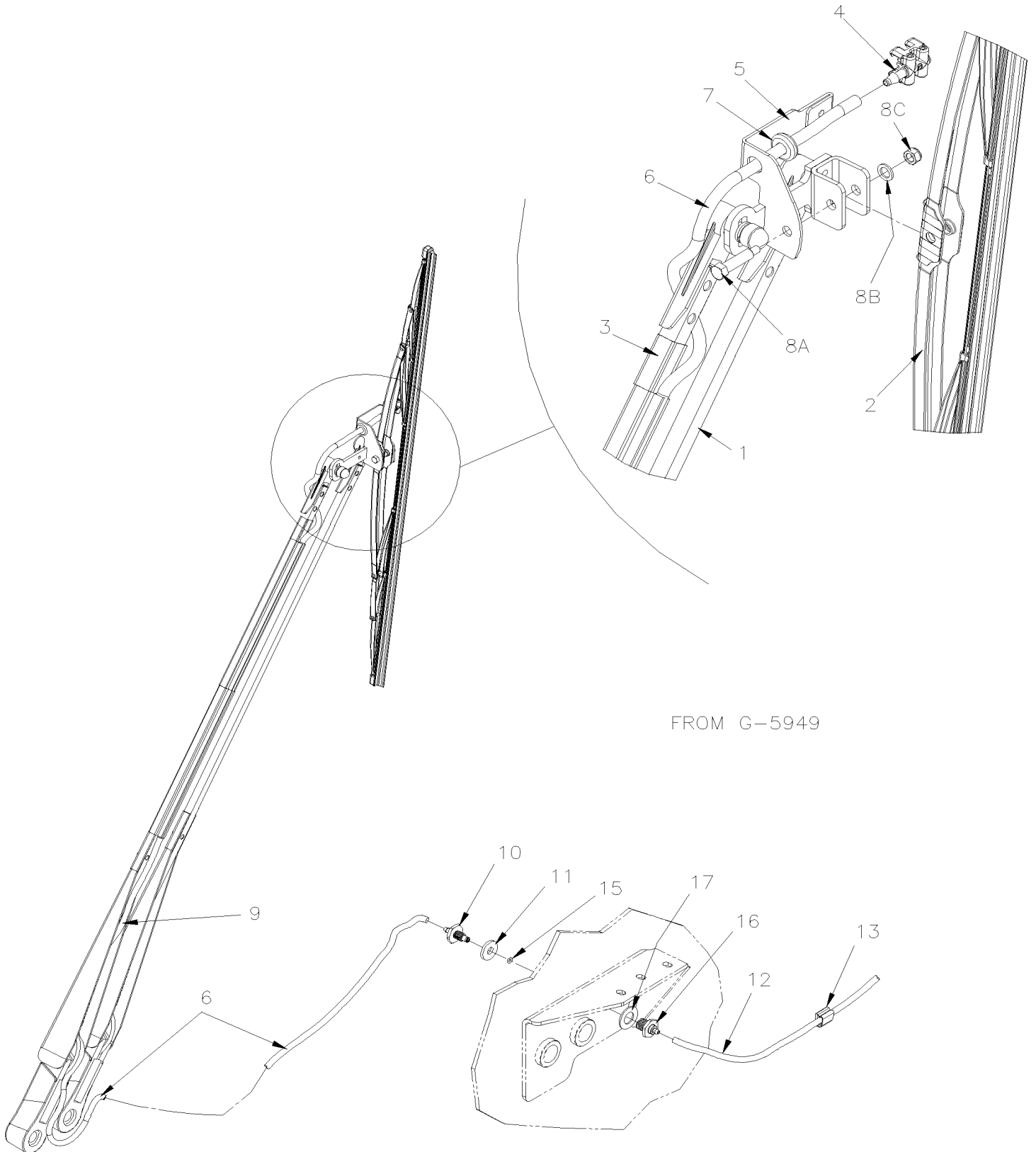


From 7-8754

Date:01/2024

PAGE:X3-2305-00

LOWER WINDSHIELD WIPER

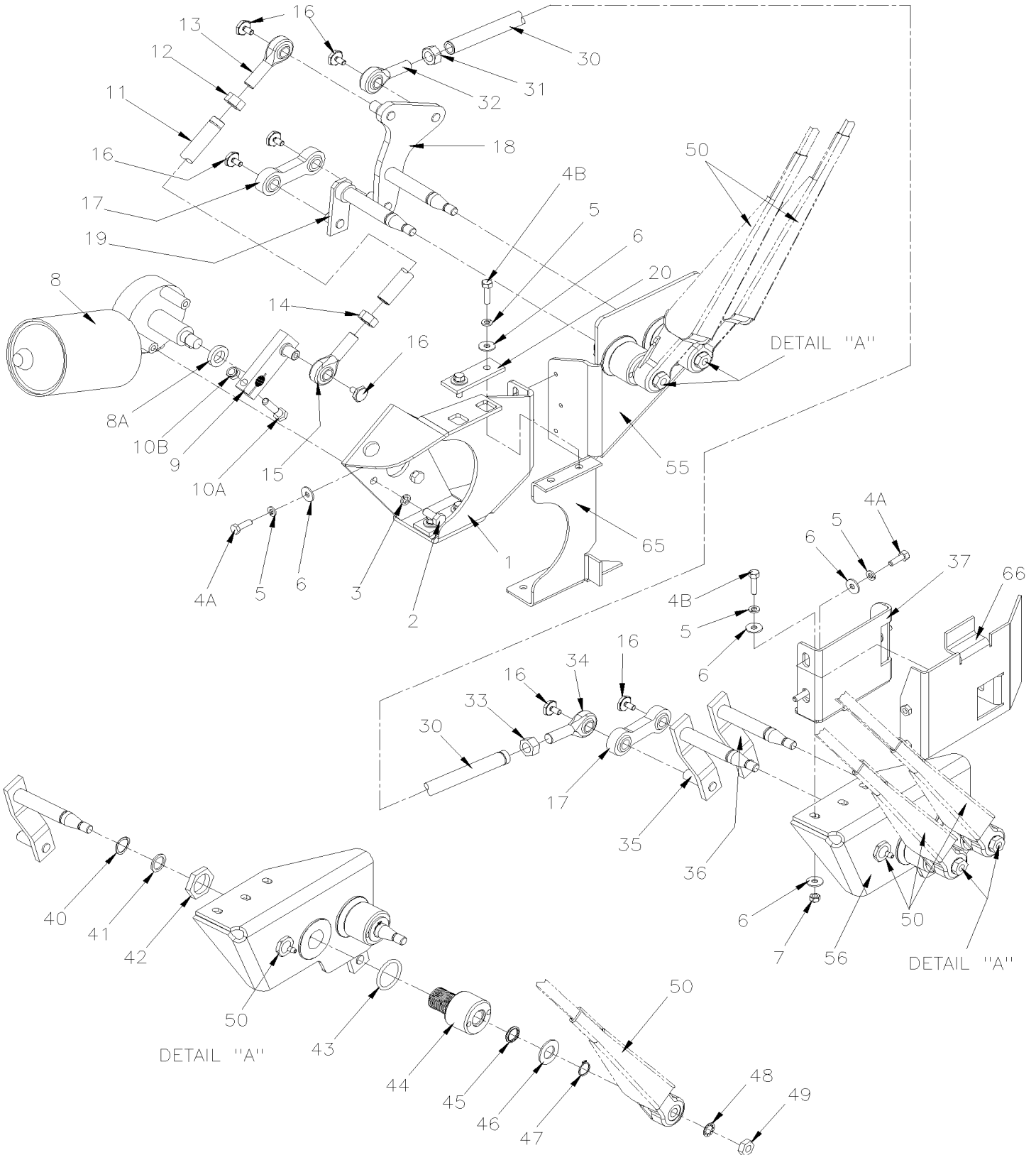


FROM G-5949

From 7-8754	Date:01/2024	PAGE:X3-2305-00
LOWER WINDSHIELD WIPER		

Item#	Part	Description	QTY	Notes
1	800359	ARM WIPER ASSY To F-5780	1	
. NS	800362	. CAP CLOSING LOWER MAIN ARM To F-5780	1	
. NS	800363	. CAP CLOSING LOWER IDLER ARM To F-5780	1	
1	800354	ARM WIPER ASSY From F-5781 To L-6508	1	
. NS	800362	. CAP CLOSING LOWER MAIN ARM From F-5781 To L-6508	2	
1	800216	ARM WIPER ASSY From L-6509	1	
. NS	800362	. CAP CLOSING LOWER MAIN ARM From L-6509	2	
2	800378	WIPER BLADE 700MM	1	
3	300642	HOLDER HOSE From F-5781	1	
4	800361	NOZZLE, WINDSHIELD WASHER "DOGA"	1	
5	300552	NOZZLE SUPPORT / DRIVER'S SIDE To N-6730	1	
5	300730	NOZZLE SUPPORT From N-6731	1	
5	502799	SCREW CAP HEX M4-0.7X16 G8.8 N500 From N-6731	1	
5	500539	NUT HEX NYRT M4-0.7 N500 From N-6731	1	
6	Call order desk	HOSE 1400MM 1/8" I.D	1	P
6	503696	. HOSE 1/8" I.D To G-5915	AR	
6	503011	. HOSE / RUBBER 3MM I.D. From G-5916	AR	
7	504529	GROMMET / .250x.375x.062x.281x.625	1	
8A	800345	SCREW SHR CAP HEX M6X25 [M4-0.7	1	
8A	680038	THREAD LOCKER LOCTITE #243 / BLUE / 50ml	AR	
8C	502557	NUT HEX NYRT M4-0.7 SS	1	
9	948702	TIE CABLE BK 85 X 2.5	1	
10	300469	ADAPTOR HOSE #3 / WET ARM M8-1.25 x 44MM To G-5948	2	
10	300645	ADAPTOR HOSE #3 / WET ARM M10-1.5 x 36MM From G-5949	2	
11	502220	WASHER FL .375x1.000x.125 RUB	2	
12	503002	HOSE / EPDM 5/32" I.D. / S.L.	AR	
NS	561681	CONVOLUTED TUBING / SLIT / BLACK & GRAY / .350"	AR	
13	504536	CABLE CLIP 1/2" / ADHESIVE	AR	
NS	504273	CABLE TIE / 1/8" X 3"1/2	AR	
NS	504637	CABLE TIE / 3/16" x 13"	AR	
15	507198	O RING 3/16I.D. x 5/16O.D. x 1/16 From G-5949	2	
16	300644	ADAPTOR HOSE #3 / WET ARM From G-5949	2	
17	5001460	WASHER FL .640x1.188x0.073 SS From G-5949	2	
		P) CALL ORDER DESK FOR SPECIFIC APPLICATION (V.I.N.)		

LOWER WINDSHIELD WIPER - INSTALLATION



From 7-8754 To K-6492	Date:01/2024	PAGE:X3-2305-05
-----------------------	--------------	-----------------

LOWER WINDSHIELD WIPER - INSTALLATION

Item#	Part	Description	QTY	Notes
1	300415	SUPPORT ELECTRIC MOTOR	1	
1	300543	SHIM 20GA	1	
1	300544	SHIM 24GA	1	
2	5001217	SCREW CAP HEX M8-1.25x20 G10.9	3	
3	500942	WASHER LO SPT 8.1x14.8x2.0 N500	3	
4A	502830	SCREW CAP HEX M6-1.0x20 G8.8 N500	6	
4B	5001209	SCREW CAP HEX M6-1.0x25 G8.8 Z050	7	
5	502564	WASHER LO SPT 6.1x11.8x1.6 Z050	13	
6	5001462	WASHER FL 6.4x18.0x1.6 Z050	16	
7	502681	NUT HEX NYRT M6-1.0 N500 G8	3	
8	800328	MOTOR WIPER ASSY / 24V / BOSCH To D-5419	1	
8	800380	MOTOR WIPER ASSY / 24V / BOSCH From D-5420	1	
8A	300424	WASHER	1	
9	300445	CRANK ARM	1	
10A	502651	. SCREW CAP HEX M8-1.25x35 G8.8 Z050	1	
10B	500868	. NUT HEX NYRT M8-1.25 Z050	1	
11	300363	ROD ASSY 254MM C/C	1	
11	300344	. ROD 179MM	1	
12	5001466	. NUT HEX LH M12-1.75 N500	1	
13	502253	. ROD END MALE L.H. M12-1.75-L.HH / 12MM I.D.	1	
14	5001757	. NUT HEX M12-1.75 N500	1	
15	502252	. ROD END MALE M12-1.75 / 12MM I.D.	1	
16	507613	SCREW CAP HEX M6-1.0x12 / W/17MM HEAD ZP	7	
17	502256	DOUBLE LINK 60MM	2	
18	300496	COUPLING PLATE ASSY To 9-9831	1	
18	300515	COUPLING PLATE ASSY From 9-9832	1	
19	300497	DRIVE LEVER ASSY EXT To 9-9831	1	
19	300519	DRIVE LEVER ASSY EXT From 9-9832	1	
20	300426	PLATE 25MMx70MM	2	
30	300362	ROD ASSY 1168MM C/C	1	
30	300332	. ROD 1093MM	1	
31	5001757	. NUT HEX M12-1.75 N500	1	
32	502252	. ROD END MALE M12-1.75 / 12MM I.D.	1	
33	5001466	. NUT HEX LH M12-1.75 N500	1	
34	502253	. ROD END MALE L.H. M12-1.75-L.HH / 12MM I.D.	1	
35	300498	DRIVE LEVER ASSY INT. To 9-9831	1	
35	300524	DRIVE LEVER ASSY INT. From 9-9832	1	
36	300500	DRIVE LEVER ASSY EXT. To 9-9831	1	
36	300521	DRIVE LEVER ASSY EXT. From 9-9832	1	
37	300336	TRANSITION SUPPORT	1	
40	5001471	WASHER SPR WAVE .855x.650x.015	4	
41	5001459	WASHER SPR WAVE 16.0x22.0x1.5	4	

From 7-8754 To K-6492	Date:01/2024	PAGE:X3-2305-05
-----------------------	--------------	-----------------

LOWER WINDSHIELD WIPER - INSTALLATION

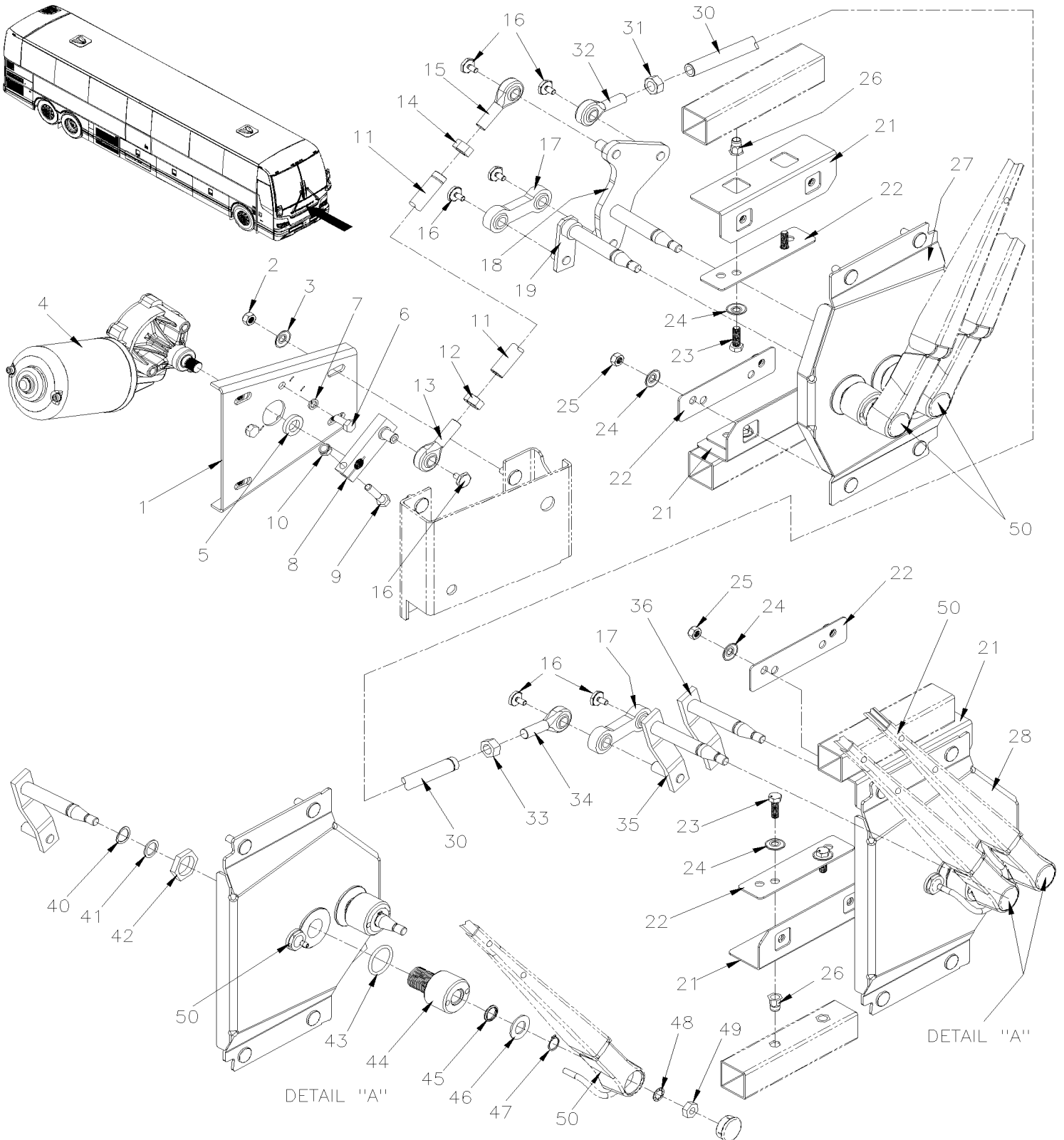
Item#	Part	Description	QTY	Notes
42	5001463	NUT HEX JAM 1-14 Z050	4	
43	507366	O-RING	4	
44	300333	CAP-HOUSING	4	
. NS	5001455	. BUSHING BRASS 16X20X20	2	
NS	680739	GREASE SYNTHETIC / RED 20KG	AR	
45	507369	O-RING W/BACKING	4	
46	5001460	WASHER FL .640x1.188x0.073 SS	4	
47	504691	RING RETAINER / EXT .625 x .588 x .035" / SS	4	
48	500823	WASHER LO INT 10.5x18.0x0.9 BK	4	
49	502567	NUT HEX M10-1.5 SS	4	
NS	680038	THREAD LOCKER LOCTITE #243 / BLUE / 50ml	AR	
50	X3-2305-00	LOWER WINDSHIELD WIPER		
55	N.S.S.	SUPPORT R.H. To G-5948	1	1 A
55	N.S.S.	SUPPORT R.H. From G-5949	1	1 A
56	N.S.S.	SUPPORT L.H. To G-5948	1	1 A
56	N.S.S.	SUPPORT L.H. From G-5949	1	1 A
65	251087	SUPPORT WIPER R.H.	1	
66	251086	SUPPORT WIPER L.H.	1	
		A) THIS PART IS FIXED IN FRONT FIBERGLASS CAP		
		1) NOT SOLD SEPARATELY		

From L-6493

Date:01/2024

PAGE:X3-2305-06

LOWER WINDSHIELD WIPER - INSTALLATION



From L-6493	Date:01/2024	PAGE:X3-2305-06
LOWER WINDSHIELD WIPER - INSTALLATION		

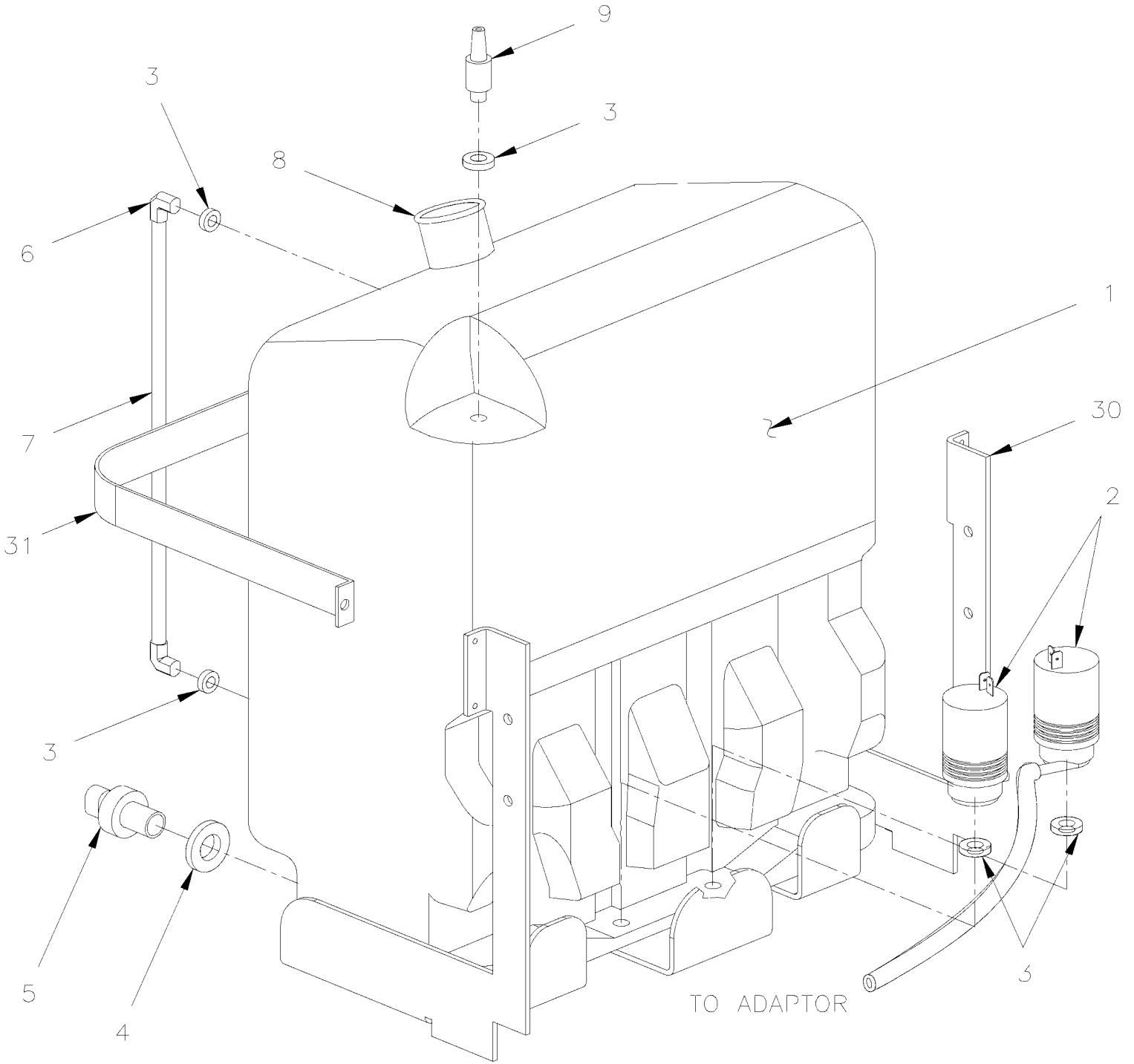
Item#	Part	Description	QTY	Notes
1	300057	WIPER MOTOR SUPPORT To P-6875	1	
1	300743	WIPER MOTOR SUPPORT From P-6876	1	
2	5001983	NUT HEX NYRT M8-1.25 SS SS BK	4	
3	5001699	WASHER BEL SPR 8.2x22x1.4 N500	4	
4	800380	MOTOR WIPER ASSY / 24V / BOSCH To P-6875	1	
4	800401	MOTOR WIPER ASSY / 24V / DOGA From P-6876	1	
5	300424	WASHER	1	
6	5001217	SCREW CAP HEX M8-1.25x20 G10.9	3	
7	500942	WASHER LO SPT 8.1x14.8x2.0 N500	3	
8	300445	CRANK ARM	1	
9	502651	. SCREW CAP HEX M8-1.25x35 G8.8 Z050	1	
10	500868	. NUT HEX NYRT M8-1.25 Z050	1	
11	300363	ROD ASSY 254MM C/C	1	
11	300344	. ROD 179MM	1	
12	5001757	. NUT HEX M12-1.75 N500	1	
13	502252	. ROD END MALE M12-1.75 / 12MM I.D.	1	
14	5001466	. NUT HEX LH M12-1.75 N500	1	
15	502253	. ROD END MALE L.H. M12-1.75-L.HH / 12MM I.D.	1	
16	507613	SCREW CAP HEX M6-1.0x12 / W/17MM HEAD ZP	7	
17	502256	DOUBLE LINK 60MM	2	
18	300515	COUPLING PLATE ASSY	1	
19	300519	DRIVE LEVER ASSY EXT	1	
21	300178	WIPER ANCHOR PLATE	4	
22	300188	WIPER PLATE	8	
23	5001745	SCREW CAP HEX M8-1.25x25 G8.8 N500	8	
24	5001699	WASHER BEL SPR 8.2x22x1.4 N500	16	
25	5001983	NUT HEX NYRT M8-1.25 SS SS BK	8	
26	5001692	NUT INS FL HEX M8-1.25 0.5-3.0 SS	8	
27	300058	ANCHOR PLATE RH	1	
28	300060	ANCHOR PLATE LH	1	
30	300362	ROD ASSY 1168MM C/C	1	
30	300332	. ROD 1093MM	1	
31	5001757	. NUT HEX M12-1.75 N500	1	
32	502252	. ROD END MALE M12-1.75 / 12MM I.D.	1	
33	5001466	. NUT HEX LH M12-1.75 N500	1	
34	502253	. ROD END MALE L.H. M12-1.75-L.HH / 12MM I.D.	1	
35	300668	DRIVE LEVER ASSY INT.	1	
36	300667	DRIVE LEVER ASSY EXT.	1	
40	5001471	WASHER SPR WAVE .855x.650x.015	4	

From L-6493	Date:01/2024	PAGE:X3-2305-06
-------------	--------------	-----------------

LOWER WINDSHIELD WIPER - INSTALLATION

Item#	Part	Description	QTY	Notes
41	5001459	WASHER SPR WAVE 16.0x22.0x1.5	4	
42	5001463	NUT HEX JAM 1-14 Z050	4	
43	507366	O-RING	4	
44	300333	CAP-HOUSING	4	
. NS	5001455	. BUSHING BRASS 16X20X20	2	
NS	680739	GREASE SYNTHETIC / RED 20KG	AR	
45	507369	O-RING W/BACKING	4	
46	5001460	WASHER FL .640x1.188x0.073 SS	4	
47	504691	RING RETAINER / EXT .625 x .588 x .035" / SS	4	
48	500823	WASHER LO INT 10.5x18.0x0.9 BK	4	
49	502567	NUT HEX M10-1.5 SS	4	
NS	680038	THREAD LOCKER LOCTITE #243 / BLUE / 50ml	AR	
50	X3-2305-00	LOWER WINDSHIELD WIPER		

WINDSHIELD WASHER - INSTALLATION

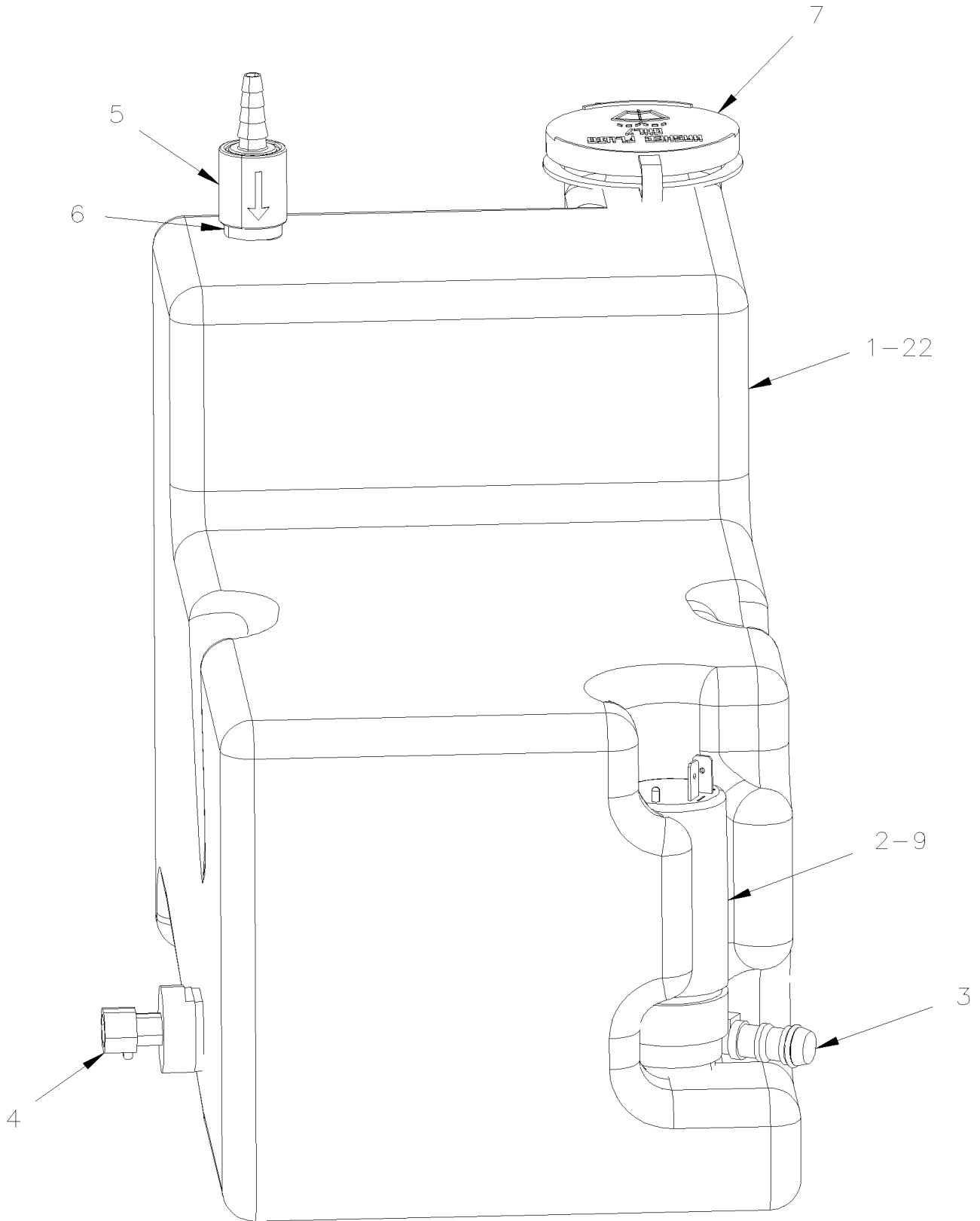


From 7-8754	Date:01/2024	PAGE:X3-2305-20
-------------	--------------	-----------------

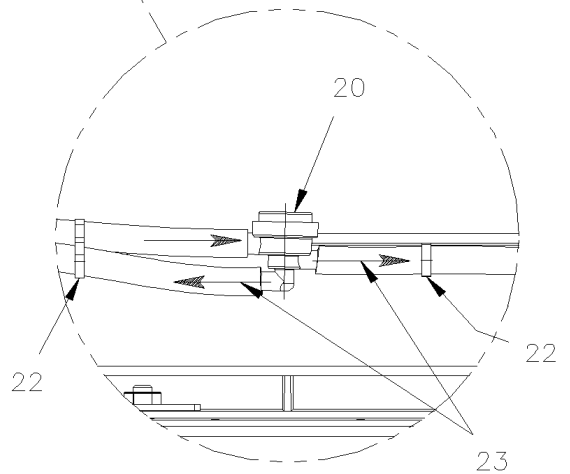
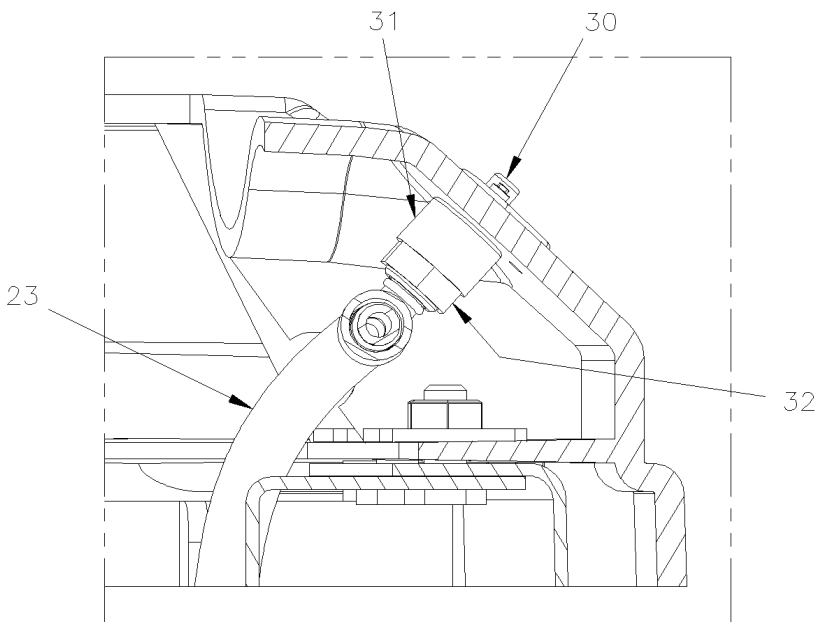
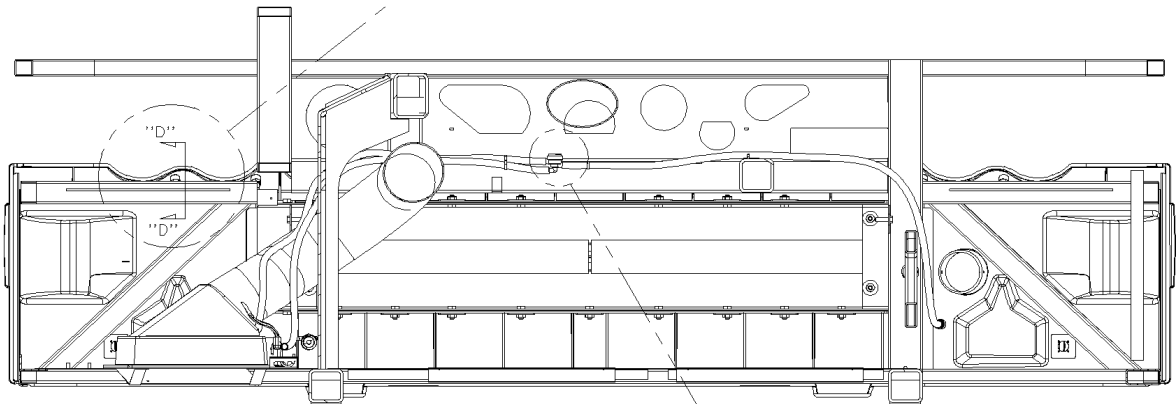
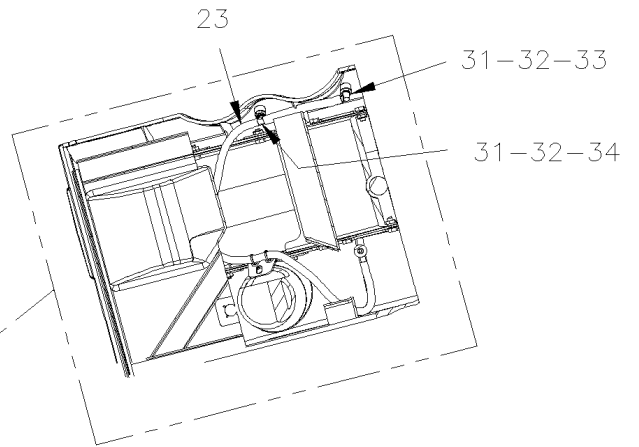
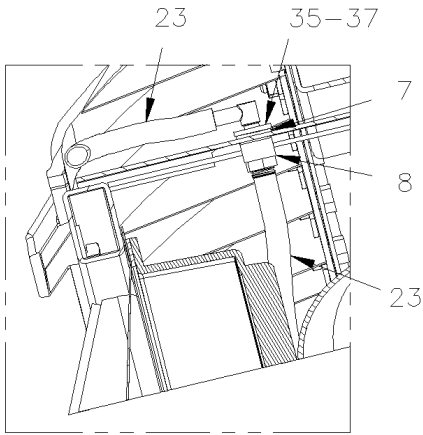
WINDSHIELD WASHER - INSTALLATION

Item#	Part	Description	QTY	Notes
1	800326	WINDSHIELD WASHER TANK To C-5113	1	
1	800379	WINDSHIELD WASHER TANK From C-5114	1	
2	800346	. PUMP WINDSHIELD WASHER 24V	2	
3	800348	. SEAL RETAINER	5	
4	800349	. SEAL RETAINER	1	
5	800347	. SENSOR LEVEL-LOW / "BOSCH" To C-5113	1	S
. NS	562426	. . CONNECTOR / METRI-PACK 150.2 P2S / SH 2C / PED 12162193 To C-5113	1	S
. NS	562857	. . SOCKET TERMINAL / 18-16 / PED 12089340 To C-5113	2	S
5	800364	. SENSOR LEVEL-LOW From C-5114	1	
. NS	563409	. . CONNECTOR / SUPERSEAL 1.5 SERIES / SH 2C / AMP 282080-1 From C-5114	1	
. NS	562607	. . SOCKET TERMINAL / 20-16 / AMP 183025-1 From C-5114	2	
5	067948	. CABLE ASSY / ADAPTOR / NEW LEVEL (SERVICE ONLY) To C-5113	1	S
6	800352	. ELBOW 90°	2	
7	560382	. PLASTIC TUBING / 1/4" / CLEAR	AR	
8	800350	. COVER WASHER RESERVOIR	1	
9	800351	. CHECK VALVE	1	
20	503002	HOSE / EPDM 5/32" I.D. / S.L.	AR	
30	286422	SUPPORT / WINDSHIELD WASHER TANK / WELDED TO STRUCTURE	1	
31	287097	STRAP RETAINING SS / 330MM x 196MM	1	
31	502834	WASHER LO SPT 4.1x7.6x0.9 N500	2	
31	502570	WASHER LO SPT 6.1x11.8x1.6 SS	2	
32	800364	SENSOR LEVEL-LOW	1	
. NS	563409	. CONNECTOR / SUPERSEAL 1.5 SERIES / SH 2C / AMP 282080-1	1	
. NS	562607	. SOCKET TERMINAL / 20-16 / AMP 183025-1	2	
33	066561	CABLE ASSY / ADAPTOR / FORMER LEVEL & NEW LEVEL (SERVICE ONLY)	1	
35	067948	CABLE ASSY / ADAPTOR / NEW LEVEL (SERVICE ONLY)	1	
		S) THIS SENSOR LEVEL IT SUPPERSEEDED BY # 800364 AND YOU NEED CABLE ADAPTOR # 067948 TO REPLACE		

HEAD LAMP CLEANING WASHER TANK



HEAD LAMP CLEANING WASHER TANK



SECTION D-D

From 7-8754	Date:01/2024	PAGE:X3-2305-25
HEAD LAMP CLEANING WASHER TANK		

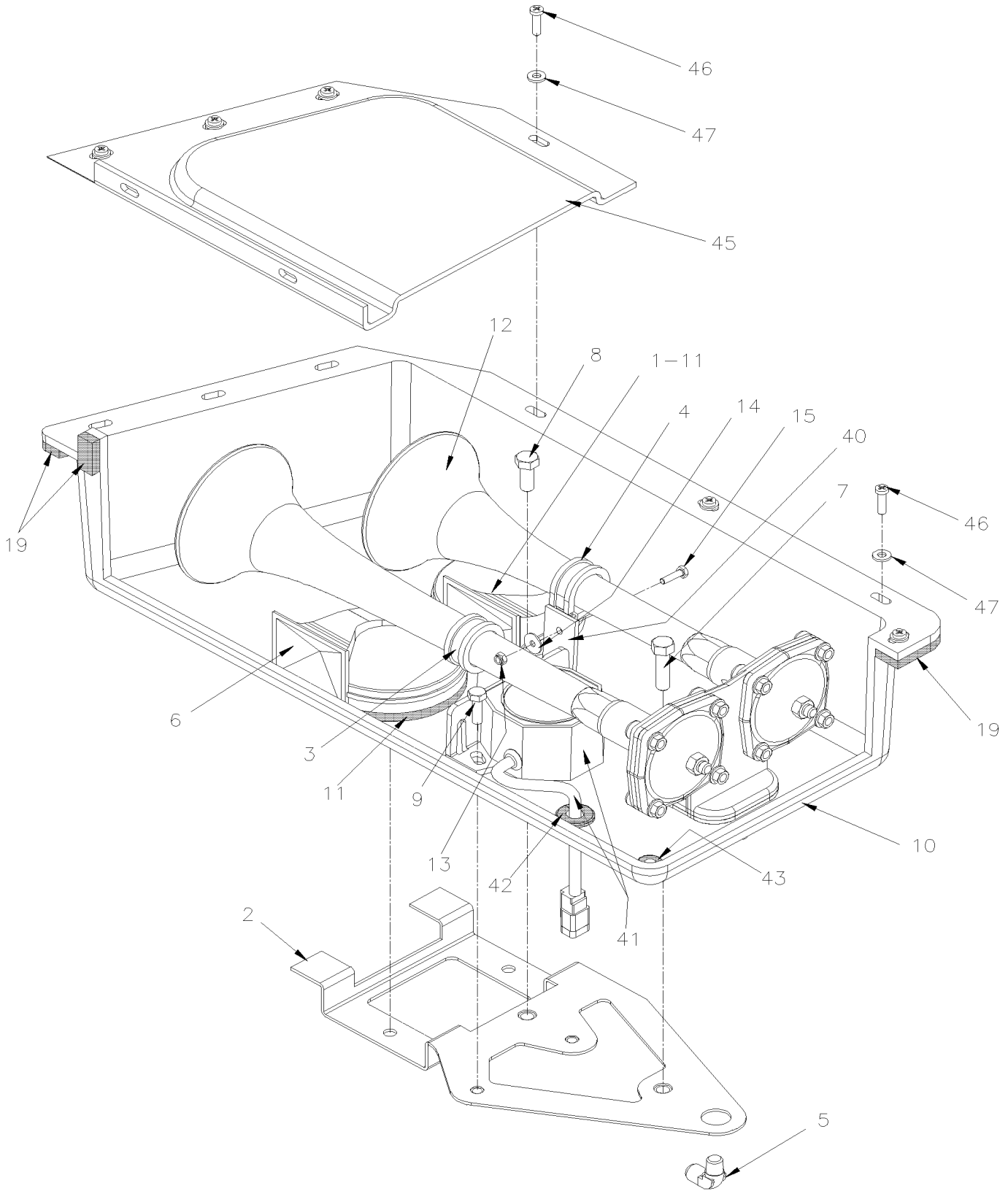
Item#	Part	Description	QTY	Notes
	300573P	HEADLAMP WASHER TANK ASSY	1	
1	300577P	. HEADLAMP WASHER TANK	1	
2	800367	. PUMP SEALBEAM WASHER	1	
3	800368	. GROMMET PUMP	1	
4	800364	. SENSOR LEVEL-LOW	1	
. NS	563409	. . CONNECTOR / SUPERSEAL 1.5 SERIES / SH 2C / AMP 282080-1	1	
. NS	562607	. . SOCKET TERMINAL / 20-16 / AMP 183025-1	2	
5	800351	. CHECK VALVE	1	
6	800348	. SEAL RETAINER	1	
7	20462640	. COVER WASHER RESERVOIR	1	
7	300621	. GASKET / COVER WASHER RESERVOIR From E-5586	1	
8	800373	NUT NOZZLE ADAPTOR	4	
9	068330	CABLE ASSY/ HEADLAMP WASHER From C-5144 To H-6179	1	
9	060076	CABLE ASSY/ HEADLAMP WASHER From H-6180	1	
20	800371	VALVE CENTRAL	1	
21	504731	TIE RUBBER BELT, W/HOOK 15"	1	
22	504637	CABLE TIE / 3/16" x 13"	1	
23	800376	HOSE HEADLAMP WASHER / 5M	AR	
30	800372	NOZZLE SEALBEAM WASHER	4	
NS	800377	TOOL, ALIGNMENT NOZZLE HEADLAMP	AR	
31	800374	SPACER NOZZLE WASHER	4	
32	502881	NUT HEX JAM THN 5/8-18x3/8 N500	4	
33	800369	ELBOW NOZZLE ADAPTOR	6	
34	800370	TEE CONNECTOR	2	
35	800375	ADAPTOR WALL / FRONT FACE	2	
36	800373	NUT NOZZLE ADAPTOR	2	
37	507214	O-RING	2	
NS	300563	RESERVOIR SUPPORT FOR HOOK / HEADLAMP WASH.	2	
NS	300570	RESERVOIR SUPPORT SIDE	4	
41	509815	TIE MOUNT / ATTACHMENT W/TREE MOUNT	4	
50	430632	RETROFIT KIT, HEADLAMP WASHER / SERIES "XLII" & "X3"	1	

From 7-8754 To 8-9421

Date:01/2024

PAGE:X3-2310-00

HORN - INSTALLATION

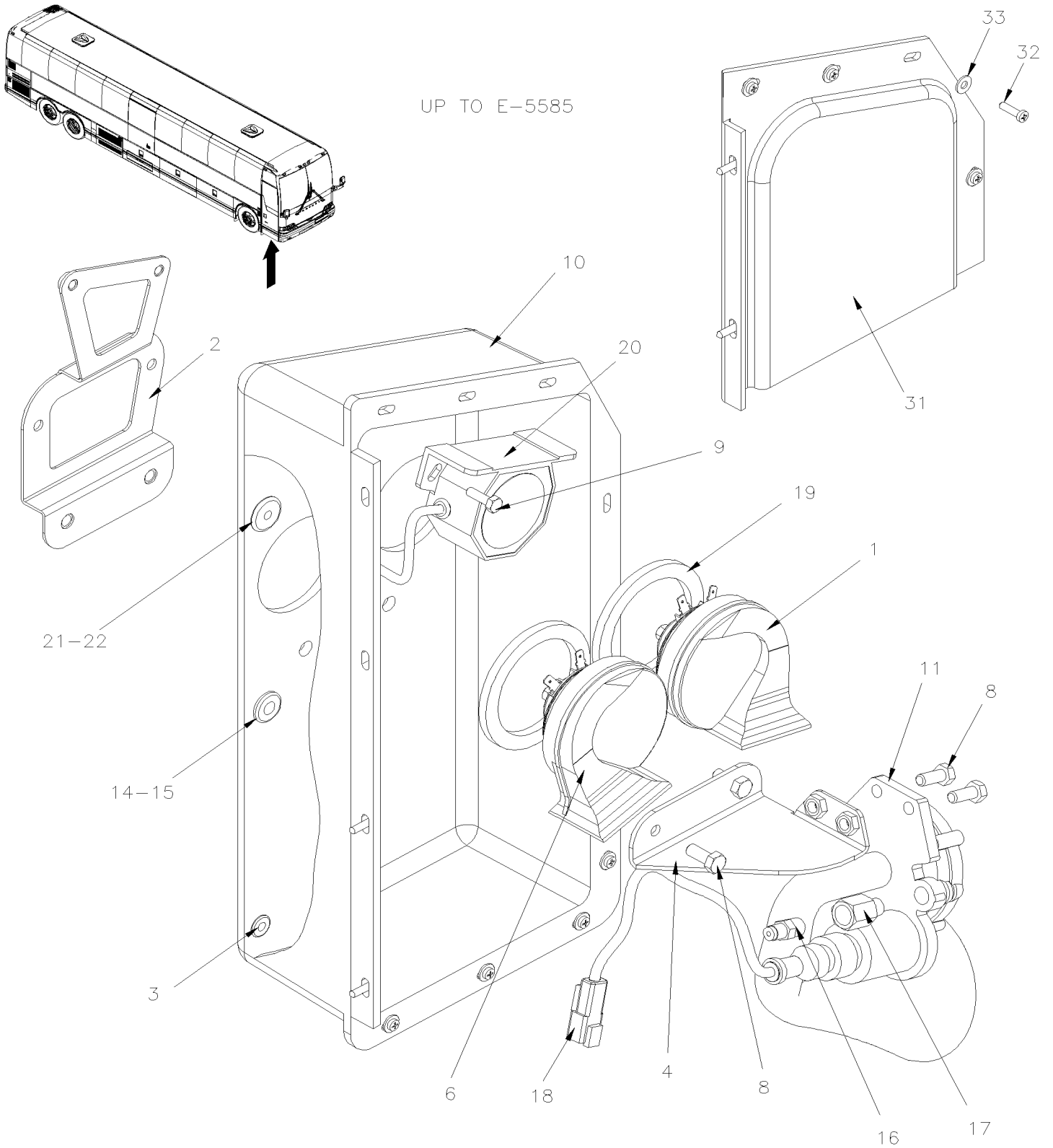


From 7-8754 To 8-9421	Date:01/2024	PAGE:X3-2310-00
-----------------------	--------------	-----------------

HORN - INSTALLATION

Item#	Part	Description	QTY	Notes
	Call order desk	HORNS BOX ASSY AIR & ELECTRIC	1	P
	Call order desk	HORNS BOX ASSY AIR & ELECTRIC	1	P
1	563036	. HORN 12V-445HZ	1	
2	142283	. SUPPORT	1	
NS	680066	. ADHESIVE / ADBOND #5014 / 23.6ML BOTTLE	AR	
3	952635	. CLAMP / 1" I.D.	1	
4	952639	. CLAMP / 1"1/4 I.D.	1	
5	641369	. MALE ELBOW 90° NON-SWIVEL / PUSH-IN FITTING / #4x1/8NPT-M BR	1	
NS	680098	. THREAD SEALANT LOCTITE #567 / WHITE / 250ml	AR	
6	563035	. HORN 12V-335HZ	1	
7	5001738	. SCREW CAP HEX M8-1.25x30 G8.8 N500	1	
8	502862	. SCREW CAP HEX M8-1.25x20 G8.8 N500	1	
9	502830	. SCREW CAP HEX M6-1.0x20 G8.8 N500	2	
10	142529	. PLASTIC BOX, HORN	1	
11	142135	. GASKET	2	
12	640093	. HORN AIR	1	
13	500539	. NUT HEX NYRT M4-0.7 N500	2	
14	5001750	. WASHER FL 4.3x14.0x1.0 N500	2	
15	502799	. SCREW CAP HEX M4-0.7X16 G8.8 N500	2	
17	066540	. HARNESS / HORN & CONNECTOR	1	
17	680111	. GREASE PROTECTIVE / NYK77 (8 oz)	AR	
19	506339	. TAPE RUB ADH1 NIT 1/4" x 1" x 35' / BLACK 1220	AR	
40	141120	SUPPORT / AIR HORN	1	
41	065593	ALARM "KNEELING"	1	
NS	563164	. ALARM "KNEELING"	1	
42	504625	GROMMET / .250x.750x.250x.437x1.000	1	
42	504076	PLUG BUTTON / .750 O.D. / NICKEL	1	
43	504593	GROMMET / .250x.437x.250x.375x.625	1	
45	142309	DEFLECTOR	1	
45	140614	DEFLECTOR	1	
46	500623	SCREW TC PAN PH #10-24x3/4 N500	13	
47	5001137	WASHER FL .203x.438x.050 SS	13	
NS	066540	HARNESS / HORN & CONNECTOR	1	
		P) CALL ORDER DESK FOR SPECIFIC APPLICATION (V.I.N.)		

HORN - INSTALLATION

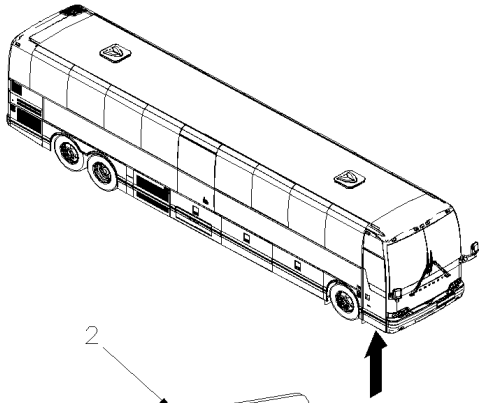


From 8-9422

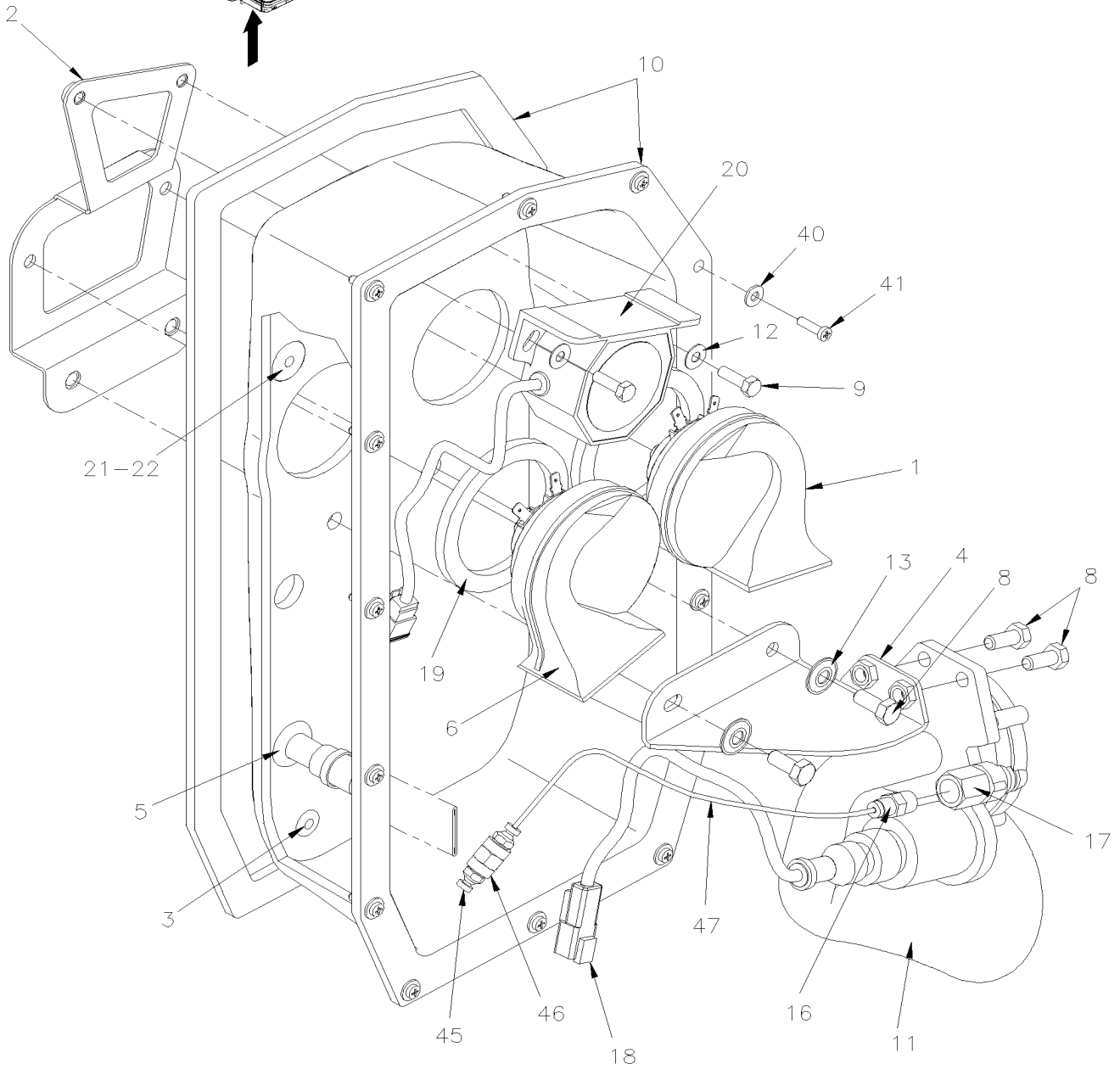
Date:01/2024

PAGE:X3-2310-01

HORN - INSTALLATION



FROM E-5586 UP TO K-6409



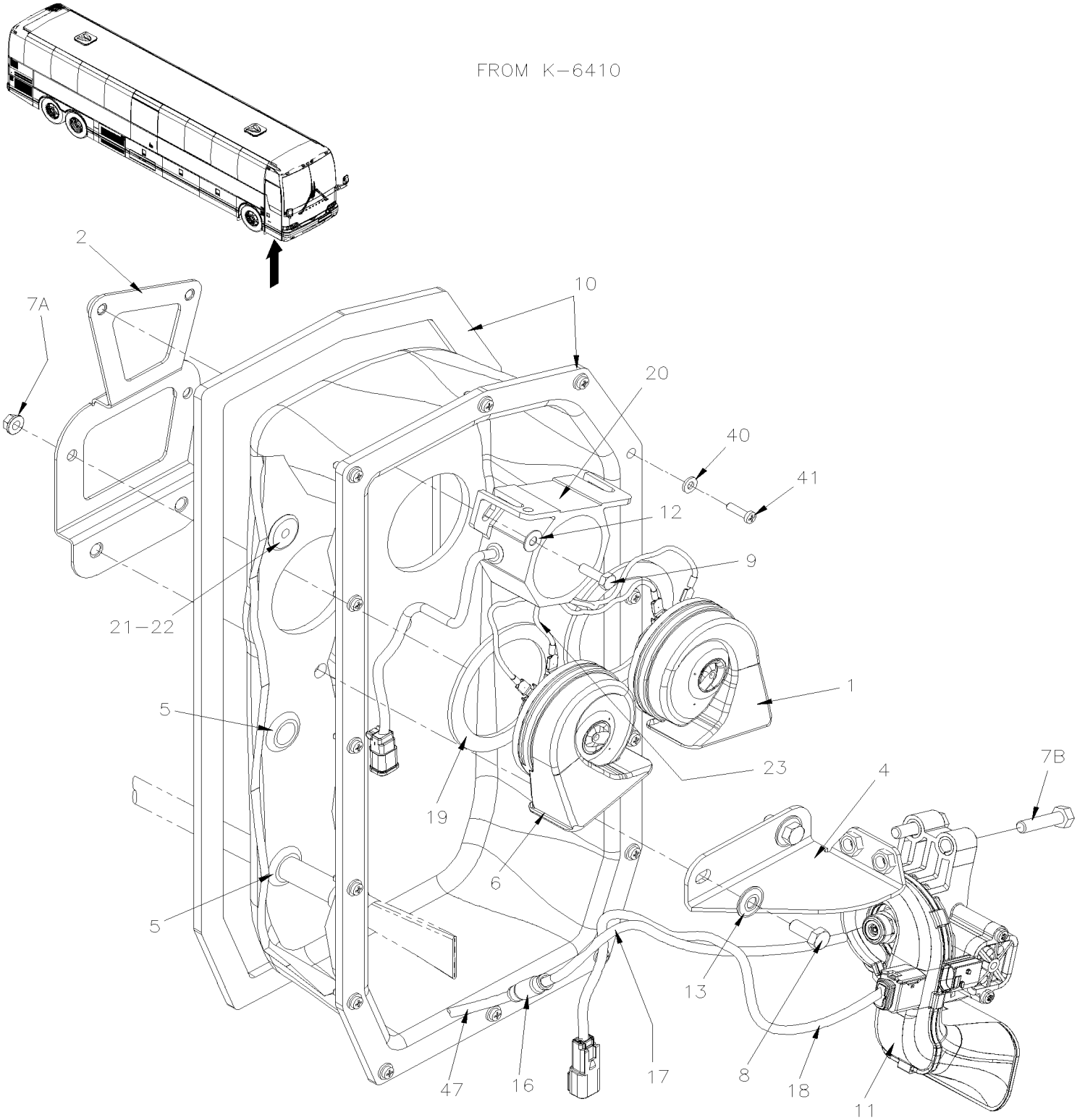
From 8-9422

Date:01/2024

PAGE:X3-2310-01

HORN - INSTALLATION

FROM K-6410



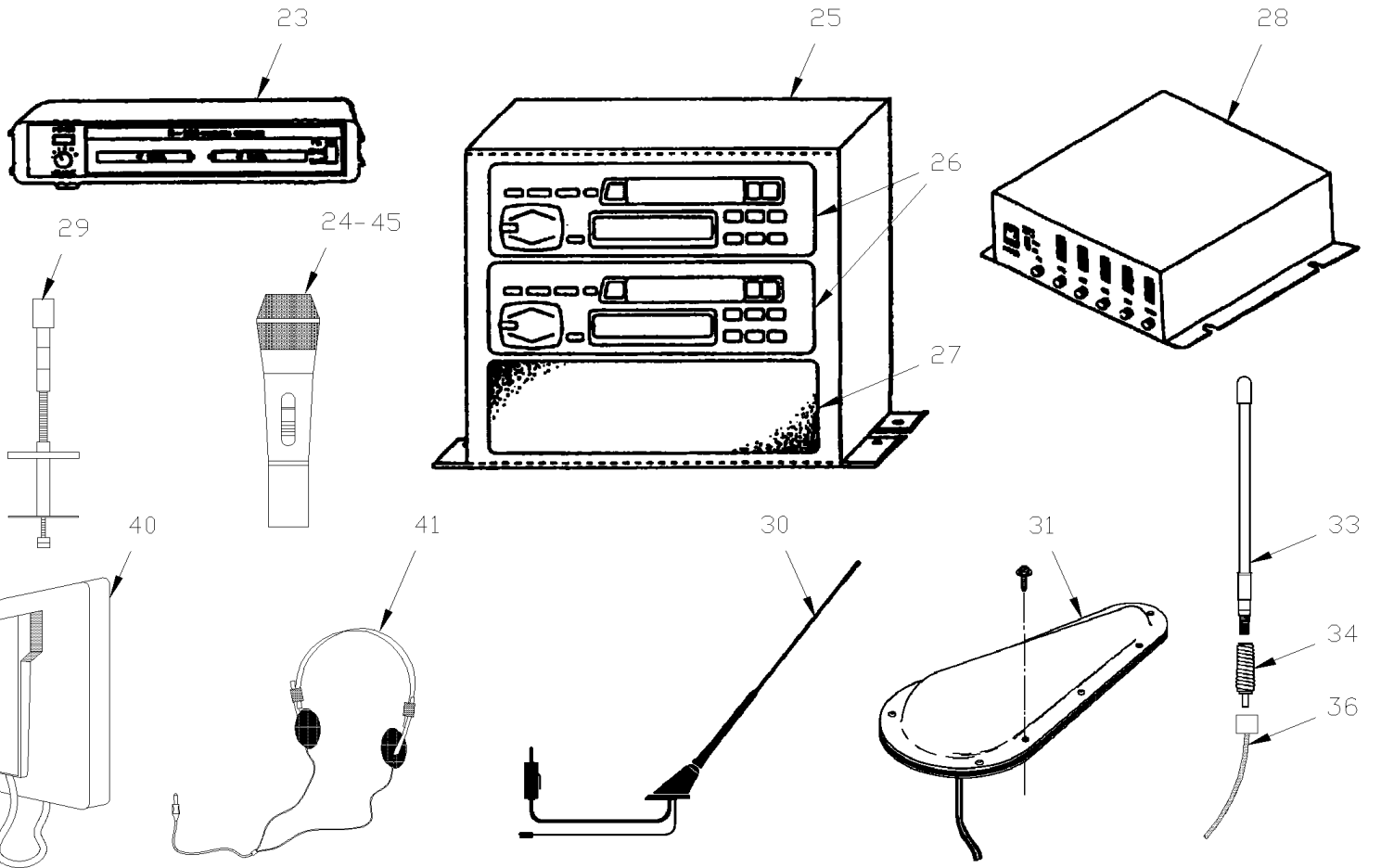
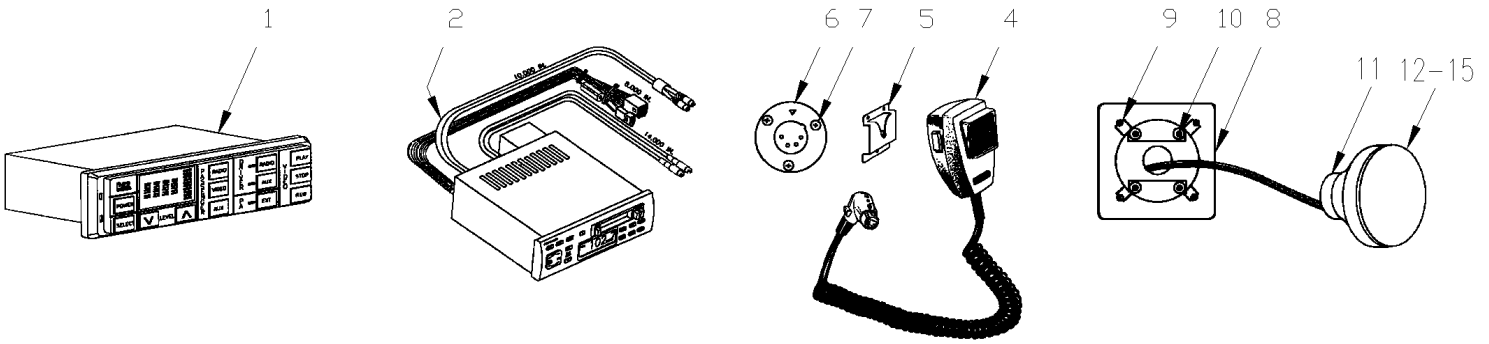
From 8-9422		Date:01/2024	PAGE:X3-2310-01
HORN - INSTALLATION			

Item#	Part	Description	QTY	Notes
	142827P	HORNS BOX ASSY AIR & ELECTRIC To E-5585	1	
	142348	HORNS BOX ASSY AIR & ELECTRIC To E-5585	1	
	145122	HORNS BOX ASSY AIR & ELECTRIC From E-5586 To F-5871	1	
	142441	HORNS BOX ASSY AIR & ELECTRIC From E-5586 To F-5871	1	
	148511	HORNS BOX ASSY AIR & ELECTRIC From F-5872 To G-5969	1	
	142444	HORNS BOX ASSY AIR & ELECTRIC From F-5872 To G-5969	1	
	143290	HORNS BOX ASSY AIR & ELECTRIC From G-5970 To K-6416	1	
	142440	HORNS BOX ASSY AIR & ELECTRIC From K-6417	1	
1	563015	. HORN, ELECTRIC / LOW 405HZ / 12V "FIAM" SERVICE To J-6313	1	
1	560624	. HORN, ELECTRIC / LOW 405HZ / 12V "FIAM" SERVICE From J-6314	1	
NS	5001835	. NUT HEXF M6-1.0 SS To K-6416	1	
2	142507	. SUPPORT To G-6031	1	
2	140034	. SUPPORT, HORN ASSY. From G-6032 To J-6313	1	
2	140022	. SUPPORT, HORN ASSY. From J-6314	1	
3	504593	. GROMMET / .250x.437x.250x.375x.625 To G-5969	1	
4	142828	. SUPPORT AIR HORN To K-6416	1	
4	142852	. SUPPORT AIR HORN From K-6410	1	
5	504421	. GROMMET / .625x.875x.187x.437x1.125 From E-5760	2	
6	563023	. HORN, ELECTRIC / HIGH 485HZ / 12V "FIAM" SERVICE To J-6313	1	
6	560625	. HORN, ELECTRIC / HIGH 485HZ / 12V "FIAM" SERVICE From J-6314	1	
NS	5001835	. NUT HEXF M6-1.0 SS To K-6416	1	
NS	680111	. GREASE PROTECTIVE / NYK77 (8 oz)	AR	
7A	5001835	. NUT HEXF M6-1.0 SS From K-6417	2	
7B	502836	. SCREW CAP HEX M8-1.25x35 G8.8 N500 From K-6417	2	
8	502790	. SCREW CAP HEX M8-1.25x20 G8.8 Z050 To 8-9421	4	
8	502862	. SCREW CAP HEX M8-1.25x20 G8.8 N500 From 8-9422 To K-6416	4	
8	502862	. SCREW CAP HEX M8-1.25x20 G8.8 N500 From K-6417	2	
9	502631	. SCREW CAP HEX M6-1.0x20 G8.8 Z050 To 8-9421	2	
9	502830	. SCREW CAP HEX M6-1.0x20 G8.8 N500 From 8-9422	2	
10	142826	. PLASTIC BOX, HORN To E-5585	1	
10	140581	. PLASTIC BOX, HORN From E-5586 To G-5969	1	
10	145607	. PLASTIC BOX, HORN From G-5970	1	
NS	506339	. TAPE RUB ADH1 NIT 1/4" x 1" x 35' / BLACK 1220 To E-5585	AR	
10	501580	. SEAL, HORN BOX From E-5586	1	
11	20383071	. HORN AIR To 9-9683	1	A
11	21246652	. HORN AIR From 9-9684 To K-6416	1	A
11	23150684	. HORN AIR From K-6417	1	
12	5001608	. WASHER BEL SPR 6.2x15.0x0.7 G500	2	
13	5001699	. WASHER BEL SPR 8.2x22x1.4 N500	2	
14	680025	. CAULKING STRIP 3/16" O.D. X 14'	AR	
15	680066	. ADHESIVE / ADBOND #5014 / 23.6ML BOTTLE	AR	
16	642117	. MALE CONNECTOR / PUSH-IN FITTING / #2x1/4NPT-M NP To F-5871	1	

From 8-9422	Date:01/2024	PAGE:X3-2310-01
HORN - INSTALLATION		

Item#	Part	Description	QTY	Notes
16	641332	. MALE CONNECTOR / PUSH-IN FITTING / #4x1/4NPT-M BR From F-5872 To K-6416	1	
16	641507	. UNION / PUSH-IN FITTING / #4 x 6MM NP From K-6417	1	
17	5011304	. FEMALE CONNECTOR / PIPE @ ORB / 1/4NPT-FxM12-1.5 ORB-M To K-6416	1	
17	503040	. TUBE, NYLON 6MM O.D. / WHITE S.L. From K-6417	AR	
18	067321	. CABLE ASSY To H-6179	2	
18	060077	. CABLE ASSY / AIR HORN From H-6180 To K-6416	1	
18	0610004	. CABLE ASSY / AIR HORN From K-6417	1	
19	142869	. INSULATING PAD To J-6313	2	
19	140100	. INSULATING PAD From J-6314	2	
20	065593	. ALARM "KNEELING"	1	
. NS	563164	. . ALARM "KNEELING"	1	
21	504625	GROMMET / .250x.750x.250x.437x1.000	1	
22	504076	PLUG BUTTON / .750 O.D. / NICKEL W/OUT "KNEELING"	1	
23	066540	HARNESS / HORN & CONNECTOR To H-6179	1	
23	060074	HARNESS / HORN & CONNECTOR From H-6180	1	
31	142309	DEFLECTOR To E-5585	1	
32	500658	SCREW TC PAN PH #10-24x3/4 Z050 To E-5585	AR	
33	500964	WASHER FL .203x.500x.047 Z050 To E-5585	AR	
40	5001137	WASHER FL .203x.438x.050 SS From E-5586	14	
41	500623	SCREW TC PAN PH #10-24x3/4 N500 From E-5586	14	
45	641126	MALE CONNECTOR / PUSH-IN FITTING / #2x1/8NPT-M BR From E-5613 To F-5871	2	
45	641907	UNION / PUSH-IN FITTING / #4x#4 BR From F-5872	1	
46	501317	COUPLING / PIPE FITTING / 1/8NPT-Fx1/8NPT-F BR From E-5613 To F-5871	1	
47	503536	TUBE, NYLON 1/8 O.D. / BLACK S.L. To F-5871	AR	
47	503402	TUBE, NYLON 1/4 O.D. / BLACK S.L. From F-5872	AR	
		A) WHEN YOU REPLACE THE HORN BY THE NEW 23150684 YOU ALSO NEED HARNESS 0610004 , TUBE 145591, ADAPTER 641507, SUPPORT 142852 & SCREW 2X 502836		

From 7-8754 To N-6755	Date:01/2024	PAGE:X3-2315-00
SOUND SYSTEM & ACCESSORIES		



From 7-8754 To N-6755	Date:01/2024	PAGE:X3-2315-00
-----------------------	--------------	-----------------

SOUND SYSTEM & ACCESSORIES

Item#	Part	Description	QTY	Notes
1	901192	CONTROL HEAD / "VOLVO" (VSS-04) To 9-9795	1	
. NS	901266	. REMOTE CONTROL / CONTROL HEAD VOLVO / VSS04 To 9-9795	1	
		WHEN CHANGE VSS04 TO VSS05 YOU NEED CONTROL HEAD 21516503 To 9-9795		
		& HARNESS KIT 409439 & NEW RADIO To 9-9795		
		901417P OR 901418P OR 901419P To 9-9795		
1	IS08080	SOUND SELECTOR REPLACEMENT, VSS04 VS VSS05 To 9-9795	1	
. NS	900238	. CONTROL HEAD / "VOLVO" (VSS-05A) To 9-9795	1	
. . NS	21251311	. . REMOTE CONTROL / CONTROL HEAD VOLVO / VSS05 To 9-9795	1	
. NS	0610388	. CABLE INTERFACE VSS04 TO VSS05 To 9-9795	1	
. NS	IS-08080	. SEE INSTRUCTION SHEET To 9-9795	1	
1	21516503	CONTROL HEAD / "VOLVO" (VSS-05) To 9-9795	1	
. NS	21251311	. REMOTE CONTROL / CONTROL HEAD VOLVO / VSS05 To 9-9795	1	
1	901417P	RADIO "PREVOST" AM/FM/CD & MP3 BLUETOOTH COMPUTERIZ To 9-9795	1	
1	901418P	RADIO "PREVOST" AM/FM/CD & MP3 BLUETOOTH SIRIUS COMPUTERIZ To 9-9795	1	
1	901419P	RADIO "PREVOST" AM/FM/CD & MP3 BLUETOOTH & XM COMPUTERIZ To 9-9795	1	
1	21116371	CONTROL HEAD / "VOLVO" (VSS-05) From 9-9796 To A-9988	1	
. NS	21251311	. REMOTE CONTROL / CONTROL HEAD VOLVO / VSS05 From 9-9796 To A-9988	1	
1	21516503	CONTROL HEAD / "VOLVO" (VSS-05) From A-9989 To J-6296	1	
. NS	21251311	. REMOTE CONTROL / CONTROL HEAD VOLVO / VSS05 From A-9989 To J-6296	1	
1	900238	CONTROL HEAD / "VOLVO" (VSS-05A) From J-6297	1	
. NS	21251311	. REMOTE CONTROL / CONTROL HEAD VOLVO / VSS05 From J-6297	1	
1	900803	CONTROL HEAD / "R.E.I." SYSTEM 2000	1	R
. NS	563064	. BULB (CONTROL HEAD GREEN) / 12VOLTS / 2700	1	R
2	901190	RADIO AM-FM-CD-CDX / "PREVOST" MP3 VR-300 To 9-9795	1	
2	901209	RADIO "PREVOST" AM-FM-CD / "XM" READY (DELPHI) To 9-9795	1	
2	901218	RADIO "PREVOST" AM-FM-CD / "SIRIUS" READY (DELPHI) To 9-9795	1	
2	901315	RADIO "PREVOST" AM/FM/CD & MP3 BLUETOOTH (DELPHI) From 9-9796 To 9-9869	1	
2	901341	RADIO "PREVOST" AM/FM/CD & MP3 BLUETOOTH (DELPHI / PANA PACIFIC) From 9-9870 To A-9974	1	
2	901380	RADIO "PREVOST" AM/FM/CD & MP3 BLUETOOTH (DELPHI / PANA PACIFIC) From A-9975 To D-5318	1	
2	901417	RADIO "PREVOST" AM/FM/CD & MP3 BLUETOOTH (DELPHI / PANA PACIFIC) From D-5319 To E-5596	1	
2	901437	RADIO "PREVOST" AM/FM/CD & MP3 BLUETOOTH (DELPHI / PANA PACIFIC) From E-5597 To H-6179	1	
2	23000462	RADIO "PREVOST" AM/FM/CD & MP3 BLUETOOTH (PANA PACIFIC) From H-6180	1	
2	901316	RADIO "PREVOST" AM/FM/CD & MP3 BLUETOOTH & XM (DELPHI) From 9-9796 To 9-9869	1	
2	901342	RADIO "PREVOST" AM/FM/CD & MP3 BLUETOOTH & XM (DELPHI / PANA PACIFIC) From 9-9870 To B-5020	1	
2	901381	RADIO "PREVOST" AM/FM/CD & MP3 BLUETOOTH & XM (DELPHI / PANA PACIFIC) From B-5021 To D-5318	1	
2	901419	RADIO "PREVOST" AM/FM/CD & MP3 BLUETOOTH & XM (DELPHI / PANA PACIFIC) From D-5319 To E-5626	1	
2	901439	RADIO "PREVOST" AM/FM/CD & MP3 BLUETOOTH & XM (DELPHI / PANA PACIFIC) From E-5627 To H-6179	1	
2	23000444	RADIO "PREVOST" AM/FM/CD & MP3 BLUETOOTH & XM & SIRIUS (PANA PACIFIC) From H-6180	1	
2	901317	RADIO "PREVOST" AM/FM/CD & MP3 BLUETOOTH SIRIUS (DELPHI) From 9-9796 To 9-9869	1	

From 7-8754 To N-6755	Date:01/2024	PAGE:X3-2315-00
SOUND SYSTEM & ACCESSORIES		

Item#	Part	Description	QTY	Notes
2	901343	RADIO "PREVOST" AM/FM/CD & MP3 BLUETOOTH SIRIUS (DELPHI / PANA PACIFIC) From 9-9870 To C-5104	1	
2	901382	RADIO "PREVOST" AM/FM/CD & MP3 BLUETOOTH SIRIUS (DELPHI / PANA PACIFIC) From C-5105 To D-5318	1	
2	901418	RADIO "PREVOST" AM/FM/CD & MP3 BLUETOOTH SIRIUS (DELPHI / PANA PACIFIC) From D-5319 To E-5704	1	
2	901438	RADIO "PREVOST" AM/FM/CD & MP3 BLUETOOTH SIRIUS (DELPHI / PANA PACIFIC) From E-5705 To H-6179	1	
2	23000444	RADIO "PREVOST" AM/FM/CD & MP3 BLUETOOTH & XM & SIRIUS (PANA PACIFIC) From H-6180	1	
2	400469	REPLACEMENT OF RADIO #901437 BY #23000462 WITH CONVERSION KIT VSS04 TO VSS05 To 9-9795	1	
. NS	23000462	. RADIO "PREVOST" AM/FM/CD & MP3 BLUETOOTH (PANA PACIFIC) To 9-9795	1	
. NS	061010	. JUMPER HARNESS FOR DEA5XX RADIO To 9-9795	1	
. NS	563962	. CONNECTOR / JUNIOR POWER TIMER / SH 8C / AMP 962191-1 To 9-9795	1	
. NS	21516503	. CONTROL HEAD / "VOLVO" (VSS-05) To 9-9795	1	
. . NS	21251311	. . REMOTE CONTROL / CONTROL HEAD VOLVO / VSS05 To 9-9795	1	
. NS	21285274	. CABLE INTERFACE VSS04 to VSS05 To 9-9795	1	
. NS	IS-08080	. SEE INSTRUCTION SHEET To 9-9795	1	
2	390021	REPLACEMENT OF RADIO #901437 BY #23000462 From 9-9796 To H-6179	1	
. NS	23000444	. RADIO "PREVOST" AM/FM/CD & MP3 BLUETOOTH & XM & SIRIUS (PANA PACIFIC) From 9-9796 To H-6179	1	
. NS	061010	. JUMPER HARNESS FOR DEA5XX RADIO From 9-9796 To H-6179	1	
. NS	563962	. CONNECTOR / JUNIOR POWER TIMER / SH 8C / AMP 962191-1 From 9-9796 To H-6179	1	
. NS	IS16100	. SEE INSTRUCTION SHEET From 9-9796 To H-6179	1	
2	400483	REPLACEMENT OF RADIO #901438 & #901439 BY #23000444 WITH CONVERSION KIT VSS04 TO VSS05 To 9-9795	1	
. NS	23000444	. RADIO "PREVOST" AM/FM/CD & MP3 BLUETOOTH & XM & SIRIUS (PANA PACIFIC) To 9-9795	1	
. NS	061010	. JUMPER HARNESS FOR DEA5XX RADIO To 9-9795	1	
. NS	563962	. CONNECTOR / JUNIOR POWER TIMER / SH 8C / AMP 962191-1 To 9-9795	1	
. NS	21516503	. CONTROL HEAD / "VOLVO" (VSS-05) To 9-9795	1	
. . NS	21251311	. . REMOTE CONTROL / CONTROL HEAD VOLVO / VSS05 To 9-9795	1	
. NS	21285274	. CABLE INTERFACE VSS04 to VSS05 To 9-9795	1	
. NS	IS-08080	. SEE INSTRUCTION SHEET To 9-9795	1	
2	390023	REPLACEMENT OF RADIO #901438 & #901439 BY #23000444 From 9-9796 To H-6179	1	
. NS	23000444	. RADIO "PREVOST" AM/FM/CD & MP3 BLUETOOTH & XM & SIRIUS (PANA PACIFIC) From 9-9796 To H-6179	1	
. NS	061010	. JUMPER HARNESS FOR DEA5XX RADIO From 9-9796 To H-6179	1	
. NS	563962	. CONNECTOR / JUNIOR POWER TIMER / SH 8C / AMP 962191-1 From 9-9796 To H-6179	1	
. NS	IS16100	. SEE INSTRUCTION SHEET From 9-9796 To H-6179	1	
2	406440	ATTACHMENT / RADIO	1	
2	500989	WASHER FL .219x.875x.062 Z050	1	
2	500470	WASHER LO SPT .193x.334x.047 Z050	1	
2	502816	NUT HEX M5-0.8 N500	1	
4	900808	MICROPHONE / W/6' CORD / "REI" TYPE C.B.	1	
. NS	900721	. CONNECTOR MICROPHONE 90° / R4F	1	
4	900829	MICROPHONE / W/10' CORD / "REI" TYPE C.B.	1	
. NS	900721	. CONNECTOR MICROPHONE 90° / R4F	1	
. NS	900900	. CABLE MICROPHONE 10' / "REI"	1	
4	901286	MICROPHONE / W/10' CORD / "REI" TYPE C.B.	1	
. NS	900721	. CONNECTOR MICROPHONE 90° / R4F	1	

From 7-8754 To N-6755	Date:01/2024	PAGE:X3-2315-00
SOUND SYSTEM & ACCESSORIES		

Item#	Part	Description	QTY	Notes
NS	900900	CABLE MICROPHONE 10' / "REI"	1	
4	7770304	HANDS FREE MICROPHONE	1	
5	900859	BRACKET, MOUNTING / MICROPHONE	AR	
5	500583	SCREW TP PAN PH #6x1/2 Z050	AR	
6	404226	OUTLET, MICROPHONE / 12" W/CONNECTOR	AR	
6	404300	CABLE ASSY / MICRO M/F / 60'	1	A
NS	066762	CABLE MICRO / MODESTY PANEL & PLATE AUDIO To 7-9082	1	
6	066870	CABLE MICRO / MODESTY PANEL & PLATE AUDIO From 7-9083	1	
7	500798	SCREW TP PAN PH #4-3/8 ZP	AR	
8	X3-1812-00	MODESTY PANEL L.H.		
9	502811	NUT SPR J #8A-B .168-.198	4	
NS	500364	SCREW MA FL SLT 1/4-20x3/4 ZP	8	
10	500643	SCREW TP PAN PH #12x3/4 Z050	4	
11	901050	SPEAKER "JVC" 30WATTS To 7-9056	1	D
11	901195	SPEAKER COAXIAL From 7-9057	1	D
12	901024	GRILL SPEAKER "JVC" To 7-9056	1	D
12	901261	GRILLE / SPEAKER NO STAMPED From 7-9057	1	D
NS	066770	CABLE ASSY / DASH & PARCEL RACK To 7-9082	1	
12	066869	CABLE ASSY / DASH & PARCEL RACK From 7-9083 To 7-9133	1	
12	066972	CABLE ASSY / DASH & PARCEL RACK From 7-9134 To 8-9311	1	
12	067127	CABLE ASSY / DASH & PARCEL RACK From 8-9312	1	
12	067516	CABLE ASSY / DASH & PARCEL RACK From 8-9312	1	R
15	901194	SPEAKER DUAL CONE	1	P
15	901195	SPEAKER COAXIAL	1	P
NS	500235	SCREW TP BDG PH #6x3/4 N500	4	P
23	901201	RECEIVER WIRELESS MICROPHONE / 16 CHANNEL To H-6188	1	
23	901657	RECEIVER WIRELESS MICROPHONE / 200 CHANNEL From H-6189	1	
23	900050	BRACKET RECEIVER WIRELESS MIC From G-6073 To H-6188	2	
24	900954	MICROPHONE, WIRELESS / 16 CHANNEL To H-6188	1	
NS	685199	BATTERY 1.5V / TYPE "AA" / RECHARGEABLE To H-6188	AR	
24	901640	MICROPHONE, WIRELESS / 100 CHANNEL From H-6189	1	
NS	900953	STATION WIRELESS BATTERY CHARGING 16 CHANNEL To H-6188	1	
NS	901639	STATION WIRELESS BATTERY CHARGING 100 CHANNEL From H-6189	1	
25	405778	SUPPORT, RADIO (MORE THAN 3 RADIO) & DVD VOLVO To 7-9082	1	
25	405922	SUPPORT, RADIO (MORE THAN 3 RADIO) & DVD VOLVO From 7-9083 To A-9872	1	
25	406361	SUPPORT, RADIO (3 RADIO) & DVD REI From A-9873 To E-5468	1	
25	406361	SUPPORT, RADIO (3 RADIO) & DVD REI From E-5469 To K-6367	1	
25	400651	SUPPORT, RADIO (4 RADIO) & DVD REI From K-6368	1	
25	406360	SUPPORT, RADIO (1RADIO) & DVD REI From A-9873 To K-6492	1	
25	401259	SUPPORT, RADIO (1RADIO) & DVD SUPP. From L-6493	1	
26	901190	RADIO AM-FM-CD-CDX / "PRÉVOST" MP3 VR-300 To 9-9795	1	
26	901189	RADIO "PANASONIC" CQ-C3301U / AM/FM/CD & XM / 690450 To 9-9795	1	

From 7-8754 To N-6755	Date:01/2024	PAGE:X3-2315-00
SOUND SYSTEM & ACCESSORIES		

Item#	Part	Description	QTY	Notes
26	901315	RADIO "PREVOST" AM/FM/CD & MP3 BLUETOOTH (DELPHI) From 9-9796 To 9-9869	1	
26	901341	RADIO "PREVOST" AM/FM/CD & MP3 BLUETOOTH (DELPHI / PANA PACIFIC) From 9-9870 To A-9974	1	
26	901380	RADIO "PREVOST" AM/FM/CD & MP3 BLUETOOTH (DELPHI / PANA PACIFIC) From A-9975 To D-5318	1	
26	901417	RADIO "PREVOST" AM/FM/CD & MP3 BLUETOOTH (DELPHI / PANA PACIFIC) From D-5319 To E-5596	1	
26	901437	RADIO "PREVOST" AM/FM/CD & MP3 BLUETOOTH (DELPHI / PANA PACIFIC) From E-5597 To H-6179	1	
26	23000462	RADIO "PREVOST" AM/FM/CD & MP3 BLUETOOTH (PANA PACIFIC) From H-6180	1	
26	901316	RADIO "PREVOST" AM/FM/CD & MP3 BLUETOOTH & XM (DELPHI) From 9-9796 To 9-9869	1	
26	901342	RADIO "PREVOST" AM/FM/CD & MP3 BLUETOOTH & XM (DELPHI / PANA PACIFIC) From 9-9870 To B-5020	1	
26	901381	RADIO "PREVOST" AM/FM/CD & MP3 BLUETOOTH & XM (DELPHI / PANA PACIFIC) From B-5021 To D-5318	1	
26	901419	RADIO "PREVOST" AM/FM/CD & MP3 BLUETOOTH & XM (DELPHI / PANA PACIFIC) From D-5319 To E-5626	1	
26	901439	RADIO "PREVOST" AM/FM/CD & MP3 BLUETOOTH & XM (DELPHI / PANA PACIFIC) From E-5627 To H-6179	1	
26	23000444	RADIO "PREVOST" AM/FM/CD & MP3 BLUETOOTH & XM & SIRIUS (PANA PACIFIC) From H-6180	1	
26	901317	RADIO "PREVOST" AM/FM/CD & MP3 BLUETOOTH SIRIUS (DELPHI) From 9-9796 To 9-9869	1	
26	901343	RADIO "PREVOST" AM/FM/CD & MP3 BLUETOOTH SIRIUS (DELPHI / PANA PACIFIC) From 9-9870 To C-5104	1	
26	901382	RADIO "PREVOST" AM/FM/CD & MP3 BLUETOOTH SIRIUS (DELPHI / PANA PACIFIC) From C-5105 To D-5318	1	
26	901418	RADIO "PREVOST" AM/FM/CD & MP3 BLUETOOTH SIRIUS (DELPHI / PANA PACIFIC) From D-5319 To E-5704	1	
26	901438	RADIO "PREVOST" AM/FM/CD & MP3 BLUETOOTH SIRIUS (DELPHI / PANA PACIFIC) From E-5705 To H-6179	1	
26	23000444	RADIO "PREVOST" AM/FM/CD & MP3 BLUETOOTH & XM & SIRIUS (PANA PACIFIC) From H-6180	1	
26	400469	REPLACEMENT OF RADIO #901437 BY #23000462 WITH CONVERSION KIT VSS04 TO VSS05 To 9-9795	1	
. NS	23000462	. RADIO "PREVOST" AM/FM/CD & MP3 BLUETOOTH (PANA PACIFIC) To 9-9795	1	
. NS	061010	. JUMPER HARNESS FOR DEA5XX RADIO To 9-9795	1	
. NS	563962	. CONNECTOR / JUNIOR POWER TIMER / SH 8C / AMP 962191-1 To 9-9795	1	
. NS	21516503	. CONTROL HEAD / "VOLVO" (VSS-05) To 9-9795	1	
. NS	21251311	. . REMOTE CONTROL / CONTROL HEAD VOLVO / VSS05 To 9-9795	1	
. NS	21285274	. CABLE INTERFACE VSS04 to VSS05 To 9-9795	1	
. NS	IS-08080	. SEE INSTRUCTION SHEET To 9-9795	1	
26	390021	REPLACEMENT OF RADIO #901437 BY #23000462 From 9-9796 To H-6179	1	
. NS	23000444	. RADIO "PREVOST" AM/FM/CD & MP3 BLUETOOTH & XM & SIRIUS (PANA PACIFIC) From 9-9796 To H-6179	1	
. NS	061010	. JUMPER HARNESS FOR DEA5XX RADIO From 9-9796 To H-6179	1	
. NS	563962	. CONNECTOR / JUNIOR POWER TIMER / SH 8C / AMP 962191-1 From 9-9796 To H-6179	1	
. NS	IS16100	. SEE INSTRUCTION SHEET From 9-9796 To H-6179	1	
26	400483	REPLACEMENT OF RADIO #901438 & #901439 BY #23000444 WITH CONVERSION KIT VSS04 TO VSS05 To 9-9795	1	
. NS	23000444	. RADIO "PREVOST" AM/FM/CD & MP3 BLUETOOTH & XM & SIRIUS (PANA PACIFIC) To 9-9795	1	
. NS	061010	. JUMPER HARNESS FOR DEA5XX RADIO To 9-9795	1	
. NS	563962	. CONNECTOR / JUNIOR POWER TIMER / SH 8C / AMP 962191-1 To 9-9795	1	
. NS	21516503	. CONTROL HEAD / "VOLVO" (VSS-05) To 9-9795	1	
. NS	21251311	. . REMOTE CONTROL / CONTROL HEAD VOLVO / VSS05 To 9-9795	1	
. NS	21285274	. CABLE INTERFACE VSS04 to VSS05 To 9-9795	1	
. NS	IS-08080	. SEE INSTRUCTION SHEET To 9-9795	1	
26	390023	REPLACEMENT OF RADIO #901438 & #901439 BY #23000444 From 9-9796 To H-6179	1	
. NS	23000444	. RADIO "PREVOST" AM/FM/CD & MP3 BLUETOOTH & XM & SIRIUS (PANA PACIFIC) From 9-9796 To H-6179	1	
. NS	061010	. JUMPER HARNESS FOR DEA5XX RADIO From 9-9796 To H-6179	1	

From 7-8754 To N-6755	Date:01/2024	PAGE:X3-2315-00
SOUND SYSTEM & ACCESSORIES		

Item#	Part	Description	QTY	Notes
. NS	563962	. CONNECTOR / JUNIOR POWER TIMER / SH 8C / AMP 962191-1 From 9-9796 To H-6179	1	
. NS	IS16100	. SEE INSTRUCTION SHEET From 9-9796 To H-6179	1	
26	406440	ATTACHMENT / RADIO	1	
26	500989	WASHER FL .219x.875x.062 Z050	1	
26	500470	WASHER LO SPT .193x.334x.047 Z050	1	
26	502816	NUT HEX M5-0.8 N500	1	
27	900849	PLATE RADIO "DUMMY"	AR	
NS	067853	CABLE CONVERTISSOR AUDIO / AUXILIARY	1	
28	X3-2315-20	INDIVIDUAL STATIONS - "R.E.I."		
29	901045	MICROPHONE / W/GOOSE NECK 36"	1	
NS	504234	SPRING CLIP 5/16" To K-6492	2	
29	504234	SPRING CLIP 5/16" From L-6493	1	
NS	500409	SCREW TP PAN PH #8x1/2 BK To K-6492	2	
29	5001155	SCREW TP PAN PH #8X3/4 N050 From L-6493	1	
NS	500862	SCREW TC PAN PH #6-32x3/4 Z050	3	
30	900661	ANTENNA, RADIO / W/AMPLIFIER To 7-9121	1	
. NS	901068	. ANTENNA STICK / REPLACEMENT To 7-9121	1	
30	901253	ANTENNA, RADIO / W/AMPLIFIER From 7-9122 To 9-9831	1	
30	901318	ANTENNA, RADIO / W/AMPLIFIER From 9-9832 To A-9921	1	
30	901371	ANTENNA, RADIO / W/AMPLIFIER From A-9921 To L-6494	1	
30	23037107	ANTENNA AM/FM/DAB W/SPRING 200MM From L-6495	1	
30	22571367	ANTENNA AM/FM/DAB 200MM From L-6495	1	
30	22472986	ANTENNA AM/FM/DAB FLEXABLE From L-6495	1	
30	901252	EXTENSION CABLE FOR RADIO ANTENNA 25' To H-6179	1	
30	900060	EXTENSION CABLE FOR RADIO ANTENNA 20' From H-6180 To L-6494	1	
30	901728	CABLE RG58 AM-FM ANTENNA FAKRA B FEM WHT 25' From L-6495	1	
NS	901219	ANTENNA ROOF "XM" & SIRIUS"	1	
. NS	901220	. CABLE, ANTENNA EXTENSION / "XM & SIRIUS"	1	
NS	900775	Y RADIO ANTENNA CABLE / TO USE W/2 RADIOS	AR	
NS	900663	ADAPTOR / RADIO & ANTENNA CABLE / MOTOROLA MALE to EURO FEMA	AR	
30	901258	ADAPTOR / RADIO & ANTENNA CABLE 90° / EURO MALE to MOTOROLA FEM To 9-9831	AR	
30	901338	CABLE ADAPTOR / RADIO & ANTENNA CABLE / MOTOROLA / M TO EURO / F From 9-9832 To A-9921	AR	
30	901372	CABLE ADAPTOR / RADIO & ANTENNA CABLE / MOTOROLA / M TO EURO / F From A-9921	1	
31	901124	ANTENNA ASSY / CELLULAR	1	
33	900888	ANTENNA ASSY / C.B. / 12"	1	
34	900895	SPRING EXTENSION / .828 O.D. x 3.010 X .104 W/3/8	1	
36	900889	CABLE, ANTENNA 22' / 511386	1	
NS	5001242	WASHER SHR .375x.110 NYL	2	
NS	403488	WASHER	1	
NS	685126	ADHESIVE SIMSON #ISR 70-03 / GREY / 600ml SAUSAGE	AR	
40	404188	MASTER INTERPHONE ASSY / FRONT TELEPHONE To D-5457	1	
40	404187	SECONDARY INTERPHONE ASSY / REAR TELEPHONE To D-5457	1	

From 7-8754 To N-6755	Date:01/2024	PAGE:X3-2315-00
SOUND SYSTEM & ACCESSORIES		

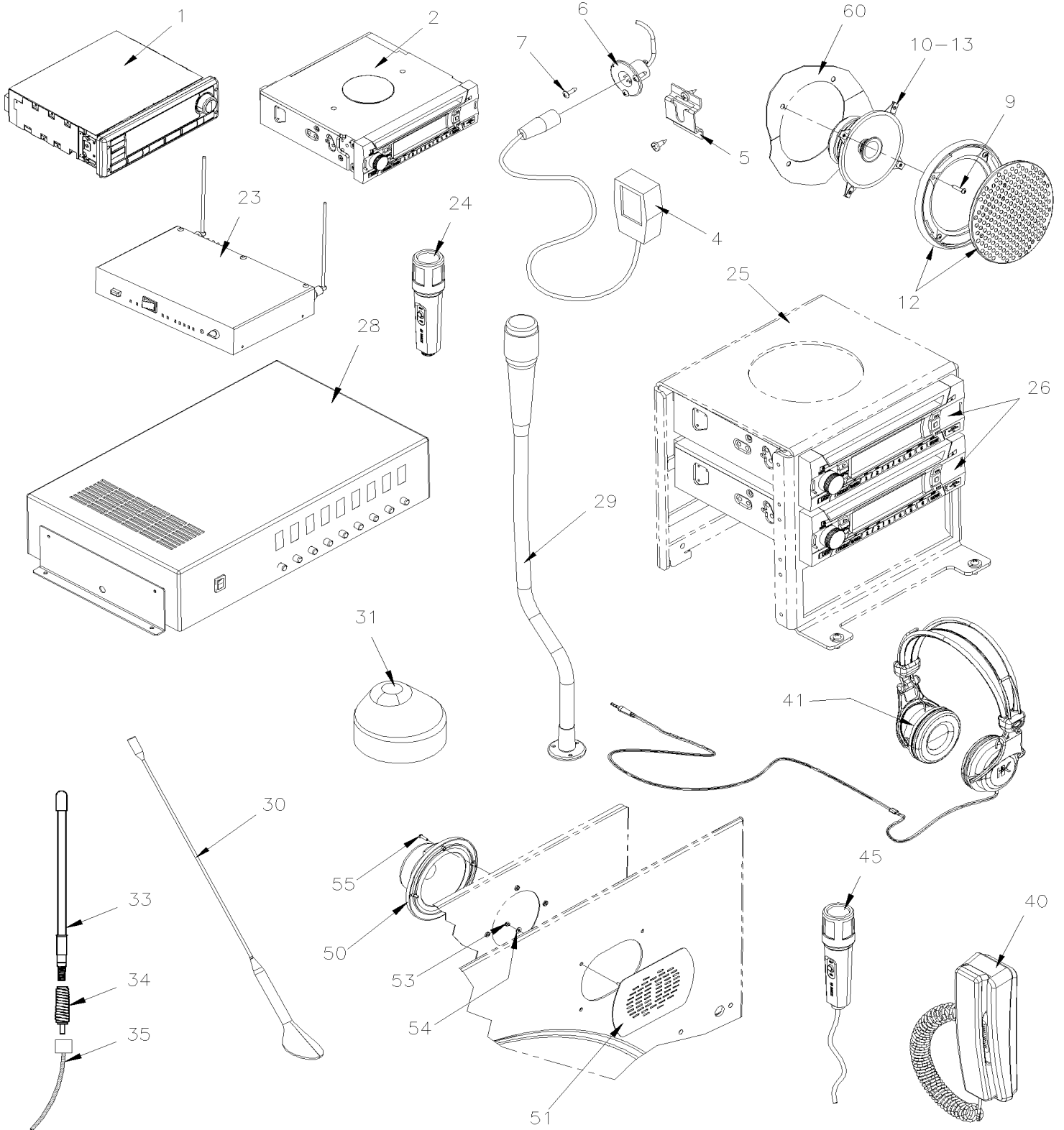
Item#	Part	Description	QTY	Notes
40	901446	INTERCOM SYS. DUAL HANDSET AT-406B From D-5458	1	
40	901447	POWER ADAPTER 120VAC TO 6VDC From D-5458	1	
41	900881	HEAD SET EARPHONE	AR	
. NS	900882	. FOAM CUSHION PAD / (SET OF 2) / FOR 900881	1	
45	900745	MICROPHONE / W/10' CORD / "SHURE" / TYPE ENTERTAINER	1	
. NS	900900	. CABLE MICROPHONE 10' / "REI"	1	
		A) CABLE BETWEEN FRONT AND REAR INSIDE OF PARCEL RACK NEAR LAVATORY		
		D) DRIVER'S SPEAKER		
		P) PASSENGER'S SPEAKER		
		R) USE ONLY WITH "OPTION" R.E.I. CONTROL HEAD FROM 8-9312		

From H-6179

Date:01/2024

PAGE:X3-2315-01

SOUND SYSTEM & ACCESSORIES W/HHED



From H-6179		Date:01/2024	PAGE:X3-2315-01
SOUND SYSTEM & ACCESSORIES W/HHED			

Item#	Part	Description	QTY	Notes
1	21516503	CONTROL HEAD / "VOLVO" (VSS-05) To J-6296	1	
. NS	21251311	. REMOTE CONTROL / CONTROL HEAD VOLVO / VSS05 To J-6296	1	
1	900238	CONTROL HEAD / "VOLVO" (VSS-05A) From J-6297 To N-6685	1	
. NS	21251311	. REMOTE CONTROL / CONTROL HEAD VOLVO / VSS05 From J-6297 To N-6685	1	
1	563856	CONTROL HEAD / "VOLVO" (VSS-06) From N-6686	1	
. NS	21251311	. REMOTE CONTROL / CONTROL HEAD VOLVO / VSS05 From N-6686	1	
2	901437	RADIO "PREVOST" AM/FM/CD & MP3 BLUETOOTH (DELPHI / PANA PACIFIC) To H-6179	1	
2	23000462	RADIO "PREVOST" AM/FM/CD & MP3 BLUETOOTH (PANA PACIFIC) From H-6180 To N-6685	1	
2	901882	RADIO AM/FM SD CARD USB DEA710 (PANA PACIFIC) From N-6686	1	
2	901439	RADIO "PREVOST" AM/FM/CD & MP3 BLUETOOTH & XM (DELPHI / PANA PACIFIC) To H-6179	1	
2	23000444	RADIO "PREVOST" AM/FM/CD & MP3 BLUETOOTH & XM & SIRIUS (PANA PACIFIC) From H-6180 To N-6685	1	
2	901883	RADIO "PREVOST" AM/FM/CD & MP3 BLUETOOTH & XM & SIRIUS (PANA PACIFIC) From N-6686	1	
2	901438	RADIO "PREVOST" AM/FM/CD & MP3 BLUETOOTH SIRIUS (DELPHI / PANA PACIFIC) To H-6179	1	
2	23000444	RADIO "PREVOST" AM/FM/CD & MP3 BLUETOOTH & XM & SIRIUS (PANA PACIFIC) From H-6180 To N-6685	1	
2	901883	RADIO "PREVOST" AM/FM/CD & MP3 BLUETOOTH & XM & SIRIUS (PANA PACIFIC) From N-6686	1	
2	390021	REPLACEMENT OF RADIO #901437 BY #23000462 To H-6179	1	
. NS	23000444	. RADIO "PREVOST" AM/FM/CD & MP3 BLUETOOTH & XM & SIRIUS (PANA PACIFIC) To H-6179	1	
. NS	061010	. JUMPER HARNESS FOR DEA5XX RADIO To H-6179	1	
. NS	563962	. CONNECTOR / JUNIOR POWER TIMER / SH 8C / AMP 962191-1 To H-6179	1	
. NS	IS16100	. SEE INSTRUCTION SHEET To H-6179	1	
2	390023	REPLACEMENT OF RADIO #901438 & #901439 BY #23000444 To H-6179	1	
. NS	23000444	. RADIO "PREVOST" AM/FM/CD & MP3 BLUETOOTH & XM & SIRIUS (PANA PACIFIC) To H-6179	1	
. NS	061010	. JUMPER HARNESS FOR DEA5XX RADIO To H-6179	1	
. NS	563962	. CONNECTOR / JUNIOR POWER TIMER / SH 8C / AMP 962191-1 To H-6179	1	
. NS	IS16100	. SEE INSTRUCTION SHEET To H-6179	1	
NS	406440	ATTACHMENT / RADIO	AR	
NS	500989	WASHER FL .219x.875x.062 Z050	AR	
NS	500470	WASHER LO SPT .193x.334x.047 Z050	AR	
NS	502816	NUT HEX M5-0.8 N500	AR	
4	900808	MICROPHONE / W/6' CORD / "REI" TYPE C.B.	1	
. NS	900721	. CONNECTOR MICROPHONE 90° / R4F	1	
4	900829	MICROPHONE / W/10' CORD / "REI" TYPE C.B.	1	
. NS	900721	. CONNECTOR MICROPHONE 90° / R4F	1	
. NS	900900	. CABLE MICROPHONE 10' / "REI"	1	
4	901286	MICROPHONE / W/10' CORD / "REI" TYPE C.B.	1	
. NS	900721	. CONNECTOR MICROPHONE 90° / R4F	1	
. NS	900900	. CABLE MICROPHONE 10' / "REI"	1	
4	7770304	HANDS FREE MICROPHONE	1	
5	900859	BRACKET, MOUNTING / MICROPHONE	AR	
NS	500583	SCREW TP PAN PH #6x1/2 Z050 To H-6179	AR	
5	5001332	SCREW MA PAN PH M4-0.7x16 SS From H-6180	2	
6	404226	OUTLET, MICROPHONE / 12" W/CONNECTOR	AR	

From H-6179		Date:01/2024	PAGE:X3-2315-01
SOUND SYSTEM & ACCESSORIES W/HHED			

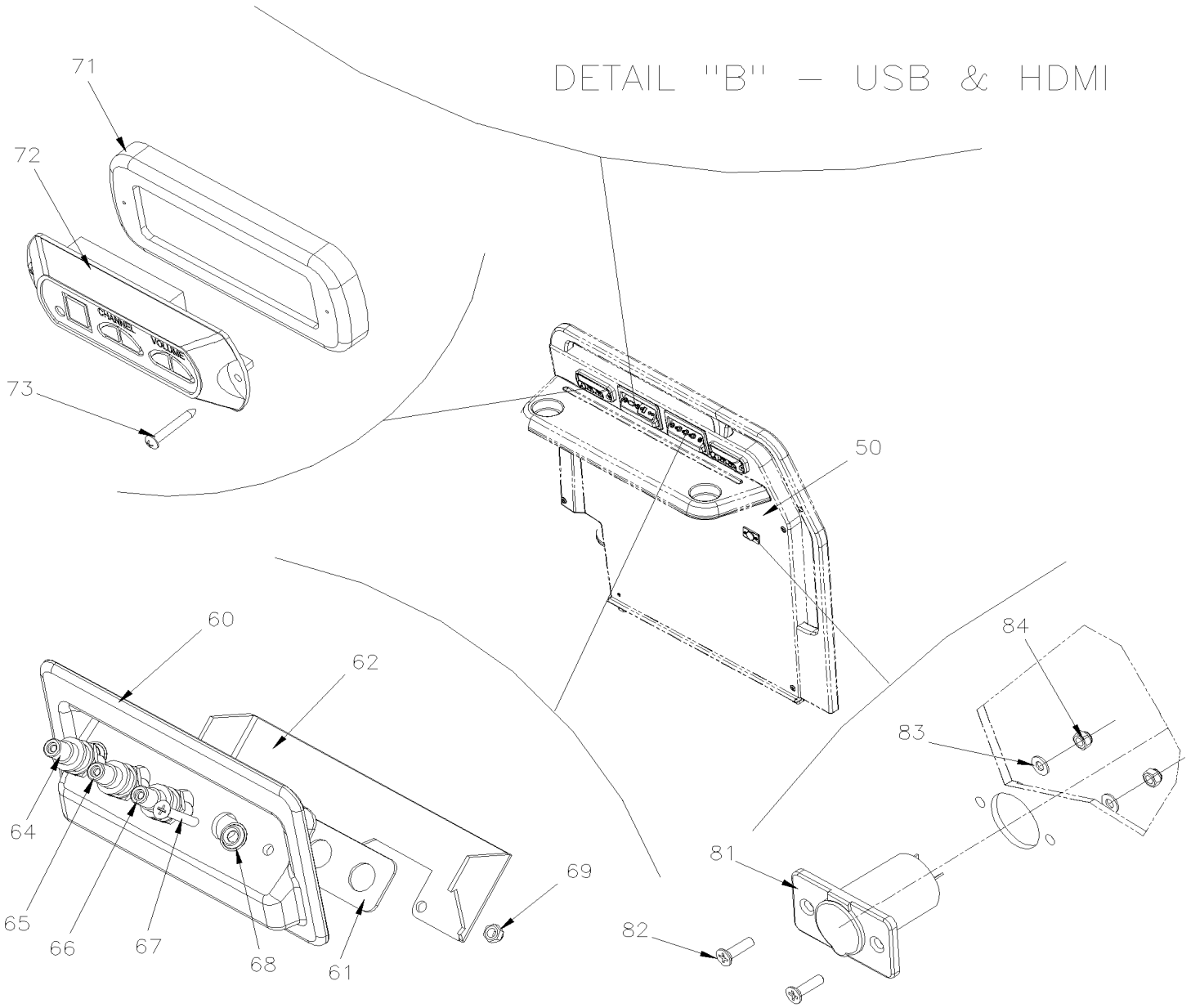
Item#	Part	Description	QTY	Notes
7	500798	SCREW TP PAN PH #4-3/8 ZP To H-6179	AR	
7	5001399	SCREW MA CHE PH M3-0.5x12 SS From H-6180	AR	
9	500814	SCREW TP BDG PH #6x3/4 BK	4	
10	500996	NUT SPR U #6-32 .135-.150	4	
12	901195	SPEAKER COAXIAL To P-6883	1	
12	901908	SPEAKER 100MM From P-6884	1	
12	901261	GRILLE / SPEAKER NO STAMPED To P-6883	1	
12	901909	GRILLE / SPEAKER From P-6884	1	
13	066704	CABLE SPEAKER / JCT & LH & RH	1	
23	901201	RECEIVER WIRELESS MICROPHONE / 16 CHANNEL To H-6188	1	
23	901657	RECEIVER WIRELESS MICROPHONE / 200 CHANNEL From H-6189 To K-6444	1	
23	901702	RECEIVER WIRELESS MICROPHONE / 200 CHANNEL From K-6445	1	
NS	500799	SCREW TC PAN PH #8-32x3/8 N500	4	
24	900954	MICROPHONE, WIRELESS / 16 CHANNEL To H-6188	1	
NS	685199	BATTERY 1.5V / TYPE "AA" / RECHARGEABLE To H-6188	AR	
24	901640	MICROPHONE, WIRELESS / 100 CHANNEL From H-6189 To K-6444	1	
24	901701	MICROPHONE, WIRELESS / 100 CHANNEL From K-6445	1	
NS	685199	BATTERY 1.5V / TYPE "AA" / RECHARGEABLE From K-6445	2	
NS	900953	STATION WIRELESS BATTERY CHARGING 16 CHANNEL To H-6188	1	
NS	901639	STATION WIRELESS BATTERY CHARGING 100 CHANNEL From H-6189	1	
25	X3-2317-31	VIDEO & AUDIO SYSTEM - INSTALLATION W/HHED		
26	23000444	RADIO "PREVOST" AM/FM/CD & MP3 BLUETOOTH & XM & SIRIUS (PANA PACIFIC) To N-6685	1	
26	901883	RADIO "PREVOST" AM/FM/CD & MP3 BLUETOOTH & XM & SIRIUS (PANA PACIFIC) From N-6686	1	
26	23000462	RADIO "PREVOST" AM/FM/CD & MP3 BLUETOOTH (PANA PACIFIC) To N-6685	1	
26	901882	RADIO AM/FM SD CARD USB DEA710 (PANA PACIFIC) From N-6686	1	
29	901045	MICROPHONE / W/GOOSE NECK 36"	1	
NS	504234	SPRING CLIP 5/16" To K-6492	2	
29	504234	SPRING CLIP 5/16" From L-6493	1	
NS	500409	SCREW TP PAN PH #8x1/2 BK To K-6492	2	
29	5001155	SCREW TP PAN PH #8X3/4 N050 From L-6493	1	
NS	500862	SCREW TC PAN PH #6-32x3/4 Z050	3	
30	901371	ANTENNA, RADIO / W/AMPLIFIER To L-6494	1	
30	23037107	ANTENNA AM/FM/DAB W/SPRING 200MM From L-6495	1	
30	22571367	ANTENNA AM/FM/DAB 200MM From L-6495	1	
30	22472986	ANTENNA AM/FM/DAB FLEXABLE From L-6495	1	
30	901252	EXTENSION CABLE FOR RADIO ANTENNA 25' To H-6179	1	
30	900060	EXTENSION CABLE FOR RADIO ANTENNA 20' From H-6180 To L-6494	1	
30	901728	CABLE RG58 AM-FM ANTENNA FAKRA B FEM WHT 25' From L-6495	1	
30	901371	ANTENNA, RADIO / W/AMPLIFIER	1	O
30	900060	EXTENSION CABLE FOR RADIO ANTENNA 20'	1	O
30	22472979	ANTENNA (VOLVO LINK) From L-6495	1	

From H-6179	Date:01/2024	PAGE:X3-2315-01
SOUND SYSTEM & ACCESSORIES W/HHED		

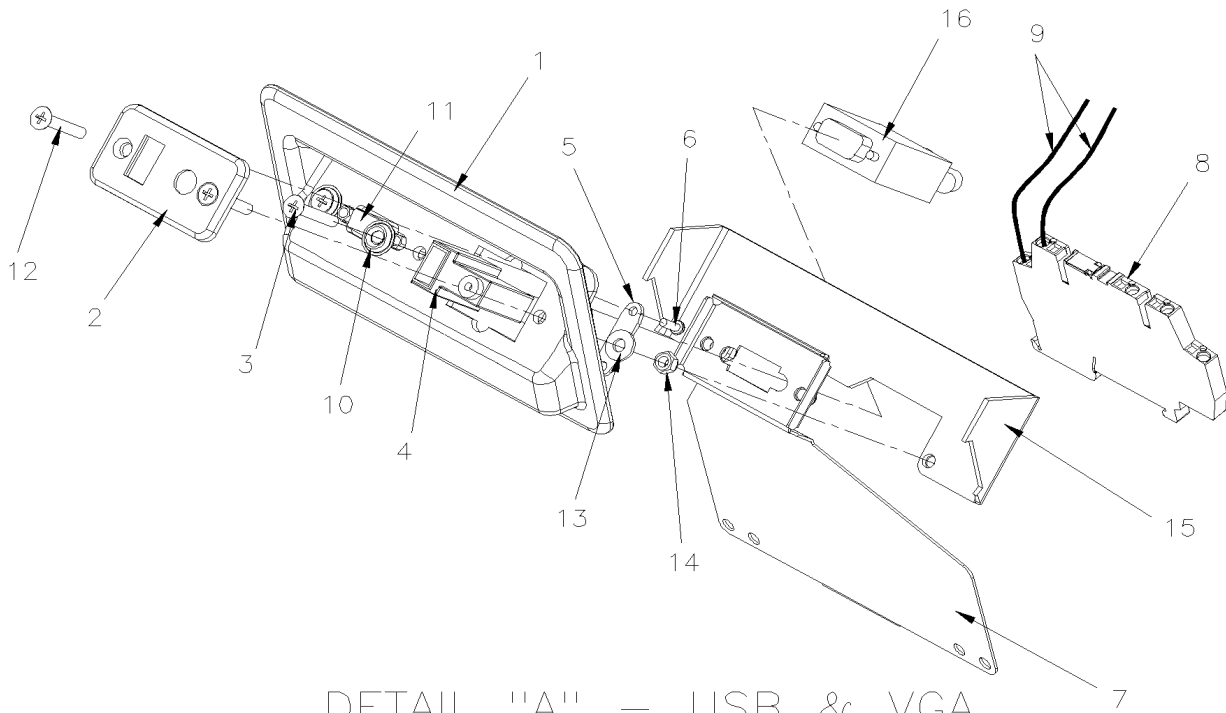
Item#	Part	Description	QTY	Notes
NS	900775	Y RADIO ANTENNA CABLE / TO USE W/2 RADIOS	AR	
NS	900663	ADAPTOR / RADIO & ANTENNA CABLE / MOTOROLA MALE to EURO FEMA	AR	
30	901372	CABLE ADAPTOR / RADIO & ANTENNA CABLE / MOTOROLA / M TO EURO / F	1	
NS	901219	ANTENNA ROOF "XM" & SIRIUS"	1	
NS	901220	CABLE, ANTENNA EXTENSION / "XM & SIRIUS"	1	
31	901124	ANTENNA ASSY / CELLULAR	1	
33	900888	ANTENNA ASSY / C.B. / 12"	1	
33	901563	ANTENNA ASSY 170MM	1	
34	900895	SPRING EXTENSION / .828 O.D. x 3.010 X .104 W/3/8	1	
35	900889	CABLE, ANTENNA 22' / 511386	1	
NS	5001242	WASHER SHR .375x.110 NYL	2	
NS	403488	WASHER	1	
NS	685126	ADHESIVE SIMSON #ISR 70-03 / GREY / 600ml SAUSAGE	AR	
40	901446	INTERCOM SYS. DUAL HANDSET AT-406B	1	
40	901447	POWER ADAPTER 120VAC TO 6VDC	1	
41	900881	HEAD SET EARPHONE	AR	
NS	900882	FOAM CUSHION PAD / (SET OF 2) / FOR 900881	1	
41	900882	FOAM CUSHION PAD / (SET OF 2) / FOR 900881	AR	
45	900745	MICROPHONE / W/10' CORD / "SHURE" / TYPE ENTERTAINER	1	
NS	900900	CABLE MICROPHONE 10' / "REI"	1	
50	563011	SPEAKER / EXTERIOR / PIONEER	1	B
51	491474	GRILLE SS / SPEAKER / EXTERIOR 200MM X 130	1	B
53	502557	NUT HEX NYRT M4-0.7 SS	4	B
54	504357	WASHER FL .187x.437x.050 SS	4	B
55	502698	SCREW MA PAN PH M4-0.7x16 SS BK	4	B
60	X3-1812-00	MODESTY PANEL L.H.		
69	OC2021102	REFERENCE ONLY From P-6884	1	
		B) WITH EXTERIOR SPEAKER FIXED FRONT FENDER PANEL		
		O) WITH INDIVIDUAL HEAD SET		

DETAIL "A" - USB & VGA

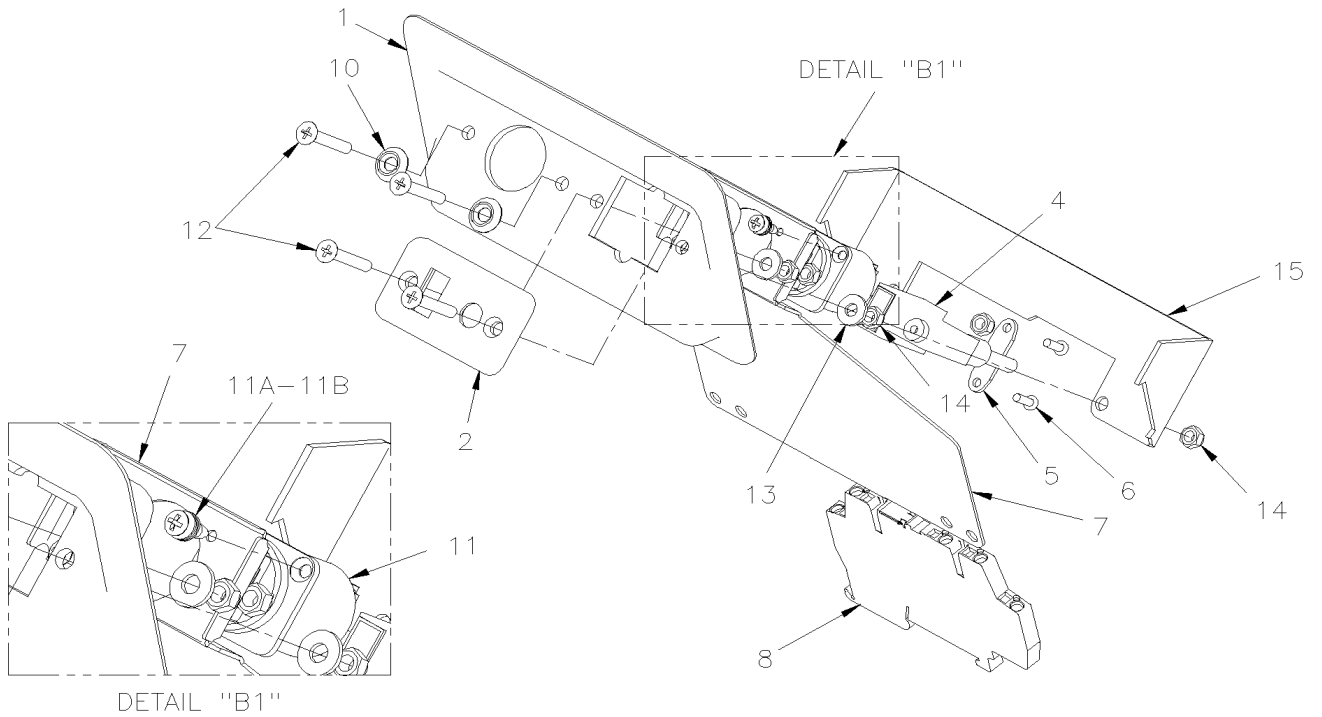
DETAIL "B" - USB & HDMI



"USB" & "VGA" & "RCA" CABLE & CONVERTER



DETAIL "A" - USB & VGA



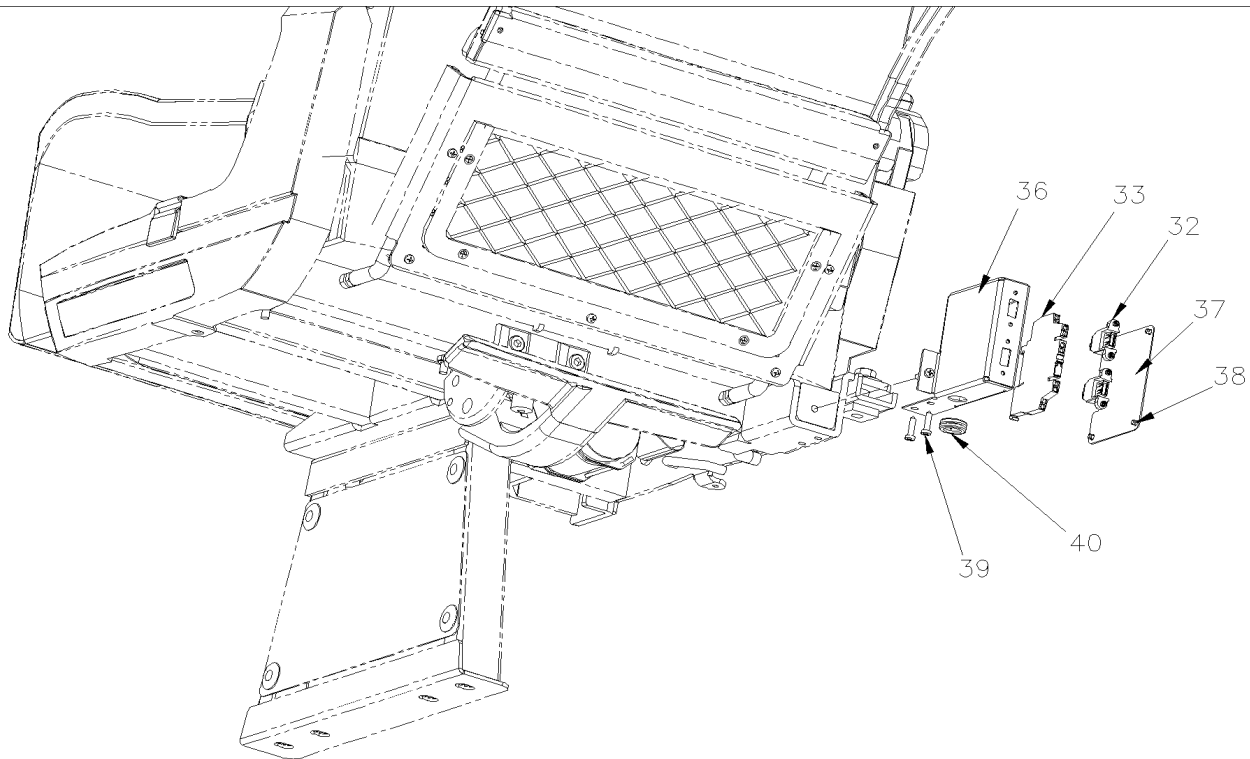
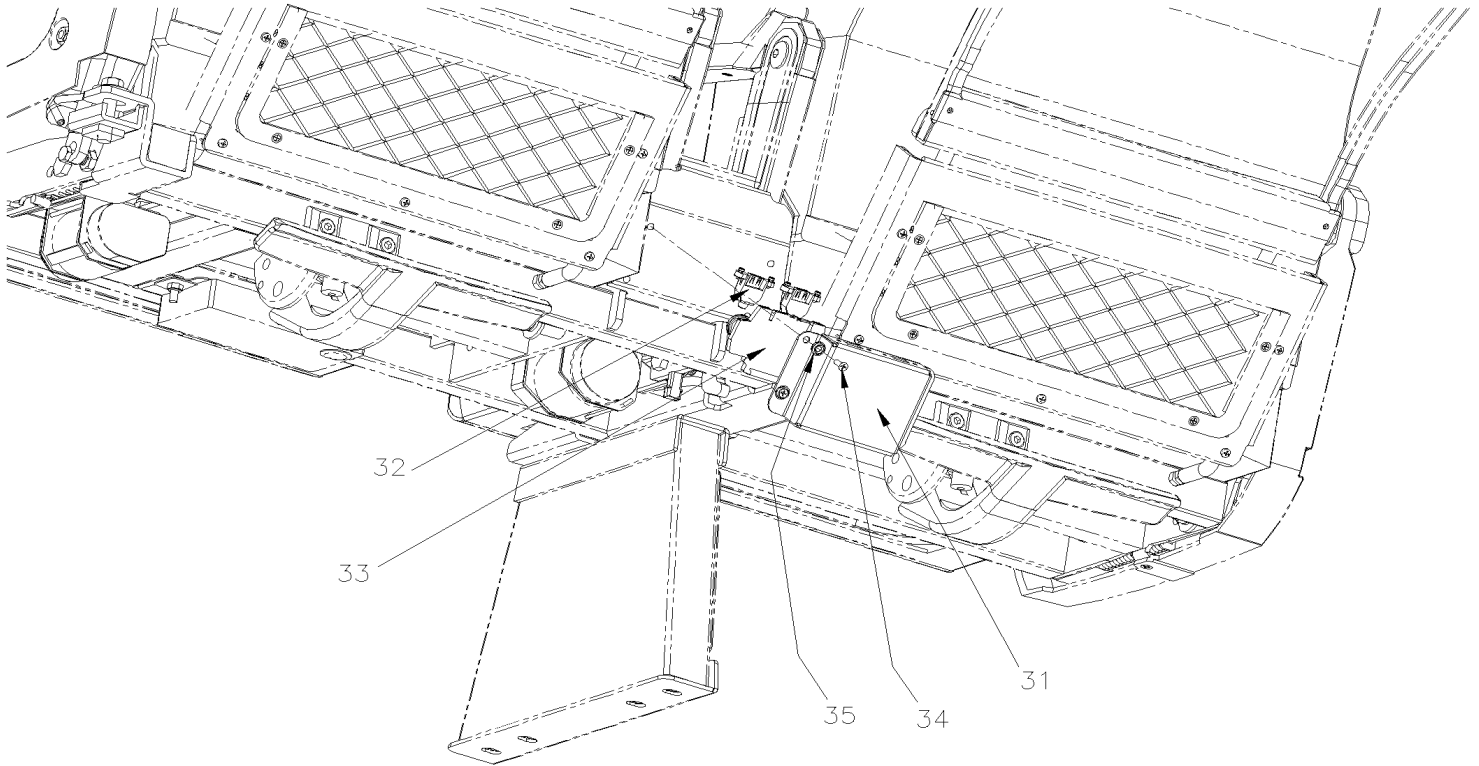
DETAIL "B" - USB & HDMI

From A-9895 To N-6755

Date:01/2024

PAGE:X3-2315-05

"USB" & "VGA" & "RCA" CABLE & CONVERTER

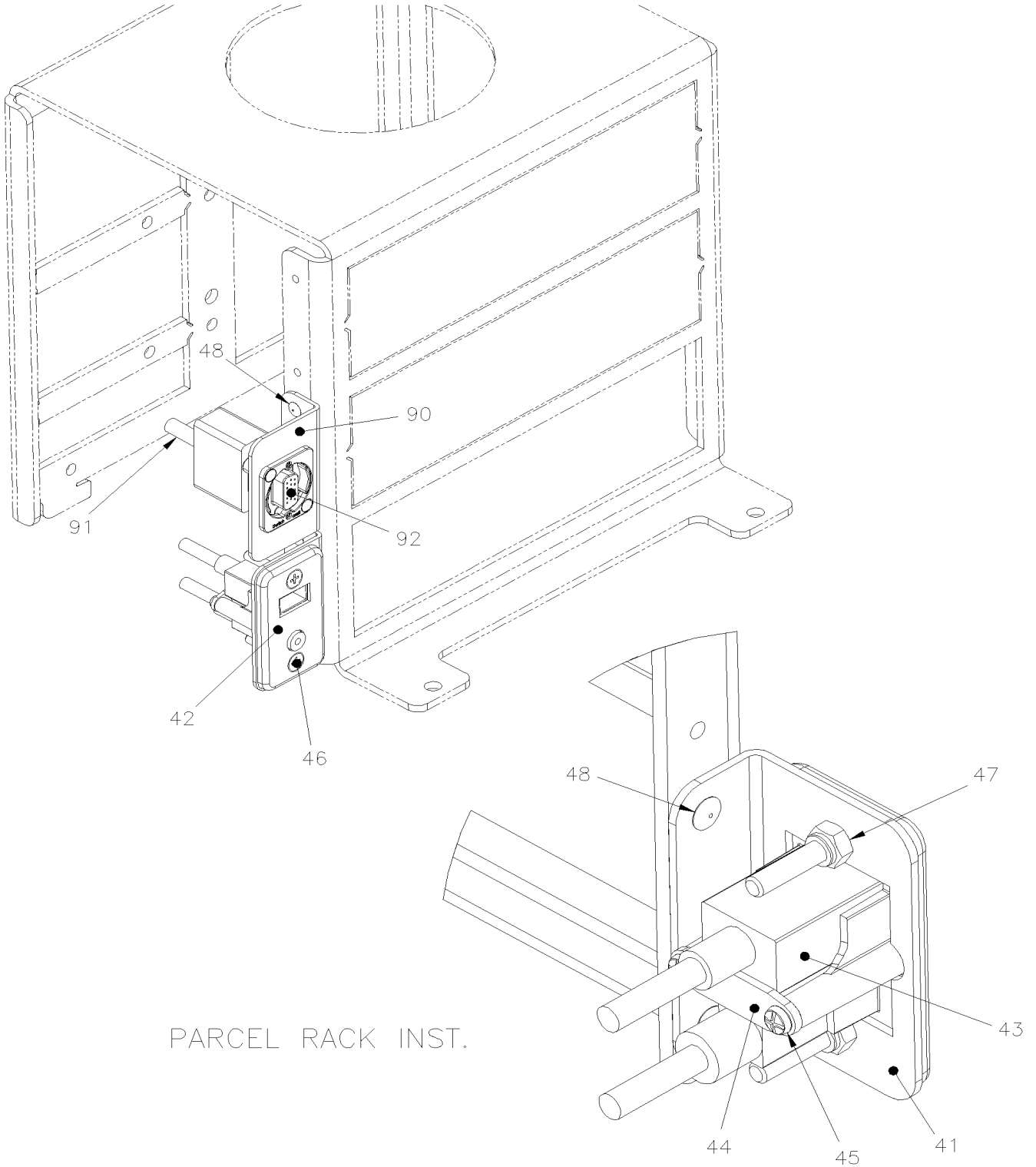


From A-9895 To N-6755

Date:01/2024

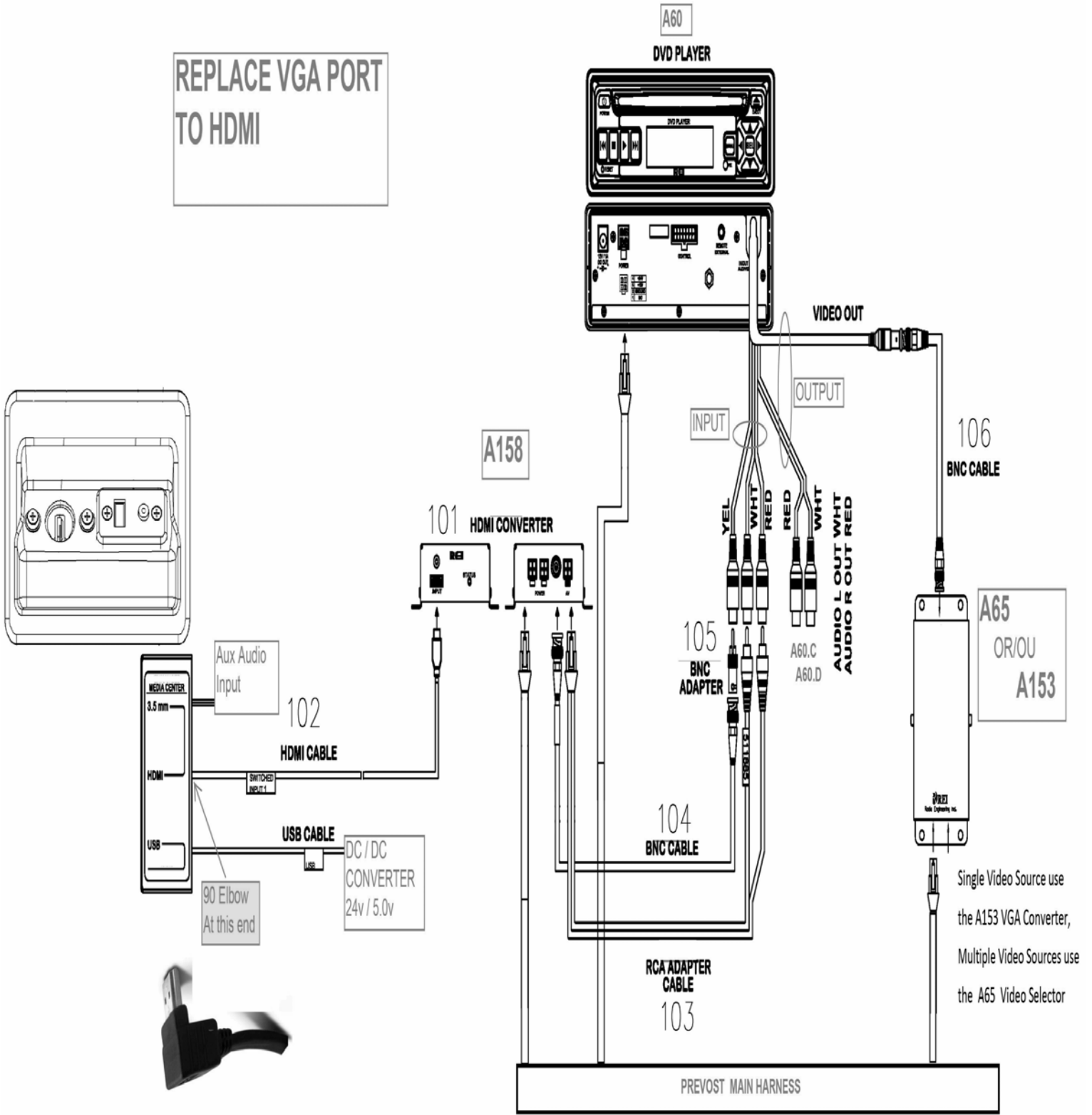
PAGE:X3-2315-05

"USB" & "VGA" & "RCA" CABLE & CONVERTER



"USB" & "VGA" & "RCA" CABLE & CONVERTER

REPLACE VGA PORT
TO HDMI



Single Video Source use
the A153 VGA Converter,
Multiple Video Sources use
the A65 Video Selector

From A-9895 To N-6755	Date:01/2024	PAGE:X3-2315-05
"USB" & "VGA" & "RCA" CABLE & CONVERTER		

Item#	Part	Description	QTY	Notes
	Call order desk	CONVERTER VGA & "USB" PLUG ASSY	1	P
	Call order desk	CONVERTER & "USB" / MP3 PLUG ASSY	1	P
	409317P	CONVERTER & "USB" / MP3 PLUG ASSY	1	
	Call order desk	CONVERTER & HDMI / USB PLUG ASSY	1	P
1	406384	. COVER CONVERTER MODULE "USB" & "VGA"	1	
1	406399	. COVER CONVERTER MODULE "USB" / MP3	1	
2	406413	. SUPPORT "USB" CONNECTOR	1	
3	5001429	. SCREW MA FL PH M4-0.7x25 BK	4	
4	901349	. CABLE USB ASSY W/2 RESISTORS 870MM	1	
5	406414	. PLATE RETAINER "USB" CONECTOR	1	
6	500798	. SCREW TP PAN PH #4-3/8 ZP	2	
7	406385	. SUPPORT PANEL "VGA" SOCKET ALUMINUM	1	
7	406700	. PANEL, HDMI OUTLET	1	
8	901345	. REGULATOR 5 Volt 500ma	1	
NS	504273	. CABLE TIE / 1/8" X 3"1/2	2	
9	068007	. CABLE HARNESS "USB" 5 Volt To H-6179	1	
9	060660	. CABLE HARNESS "USB" 5 Volt From H-6180	1	
10	500345	. WASHER FN CKF .187x.500x.090 BR BK	2	
11	901351	. ADAPTOR "VGA" / DB15 / FEMALE-FEMALE	1	
11	901506	. CONN., HDMI PANEL MOUNT BLACK / NEUTRIK	1	
11A	500672	. SCREW TP OV PH #6x1/2 N500	2	
11B	400041	. SPACER	1	
12	5001429	. SCREW MA FL PH M4-0.7x25 BK	4	
13	500855	. WASHER FL .188x.438x.049 N500	2	
14	500539	. NUT HEX NYRT M4-0.7 N500	6	
15	406406	BRACKET MODULE RETAINER REAR OF PANEL	1	
16	901350	CABLE VGA VGA 6 FT / MALE-MALE	1	
16	901348	CABLE VGA VGA 15 FT / MALE-MALE	1	
16	Call order desk	CABLE ASSY USB/MP3 TO / VSS @ MODESTY PANEL L.H. MODESTY PANEL L.H.	1	P
16	Call order desk	CABLE ASSY USB/MP3 TO / VSS @ MODESTY PANEL R.H. MODESTY PANEL R.H.	1	P
16	901314	CABLE VGA VGA 25 FT / MALE-FEMALE	1	
NS	901310	CONVERTER VGA to S-Video & RCA	1	
NS	901311	CABLE RCA / 1M/1M / 5'	1	
NS	901135	CABLE RCA / 3M/3M / 3'	1	
NS	901136	CABLE RCA / 3M/3M / 20'	1	
NS	901344	CONVERTISSOR VGA/ COMPOSITE To F-5759	1	
NS	901537	CONVERTISSOR VGA/ COMPOSITE From F-5760	1	
NS	901352	CABLE EXTENSION 3.5MM 3 FT / MALE-MALE	1	
NS	21280133	CABLE USB / (DRAWER TO RADIO) / I-POD CONECTOR	1	
31	409351	BOX USB WITH 2+1 SEATSET (SEAT 2 PASS)	1	

From A-9895 To N-6755	Date:01/2024	PAGE:X3-2315-05
"USB" & "VGA" & "RCA" CABLE & CONVERTER		

Item#	Part	Description	QTY	Notes
32	901041	CABLE USB, TYPE A, FEMALE, 12"	2	
33	901345	REGULATOR 5 Volt 500ma	1	
34	500345	WASHER FN CKF .187x.500x.090 BR BK	4	
35	500353	SCREW TP FL PH #8x3/4 BK	4	
36	409352	BOX USB WITH 2+1 SEATSET (SEAT 1 PASS)	1	
37	409353	COVER BOX USB WITH 2+1 SEATSET (SEAT 1 PASS)	1	
38	504104	RIVET POP DOME OE 1/8x1/8 SS	4	
39	500623	SCREW TC PAN PH #10-24x3/4 N500	3	
40	504496	GROMMET 2 HOLESx.062x.625x.062x.312x.875x.031 x.375	1	
NS	065615	CABLE ASSY POWER 24v to 5v TO USB UNDER SEAT	1	
41	406501	SUPPORT "USB" CONECTOR	1	
42	406413	SUPPORT "USB" CONNECTOR	1	
43	21280133	CABLE USB / (DRAWER TO RADIO) / I-POD CONECTOR	1	
44	406414	PLATE RETAINER "USB" CONECTOR	1	
45	500798	SCREW TP PAN PH #4-3/8 ZP	2	
46	5001429	SCREW MA FL PH M4-0.7x25 BK	2	
47	500539	NUT HEX NYRT M4-0.7 N500	2	
48	504105	RIVET POP DOME OE 1/8x3/16 AL	2	
50	X3-1810-00	MODESTY PANEL R.H.		
50	X3-1812-00	MODESTY PANEL L.H.		
60	409996	CASE, RCA OUTLET	1	
61	406503	REINFORCEMENT, RCA OUTLET	1	
62	406406	BRACKET MODULE RETAINER REAR OF PANEL	1	
64	901404	ADAPTOR FEMALE / FEMALE JOINT / NUT / RED / RCA	1	
65	901405	ADAPTOR FEMALE / FEMALE JOINT / NUT / WHITE / RCA	1	
66	901406	ADAPTOR FEMALE / FEMALE JOINT / NUT / YELLOW / RCA	1	
67	5001429	SCREW MA FL PH M4-0.7x25 BK	2	
68	500345	WASHER FN CKF .187x.500x.090 BR BK	2	
69	500539	NUT HEX NYRT M4-0.7 N500	2	
71	405199	RECEPTACLE BOX / PLASTIC	2	
72	901006	SELECTOR HEAD SET MODULE	2	
73	5001145	SCREW TP BDG PH #6x1 BK	4	
81	562796	12 VOLTS POWER OUTLET	1	
NS	561566	CONNECTOR / WEATHER PACK / PH 2C / BLACK / PED 12010973	1	
NS	561568	PIN TERMINAL / 16-14 / PED 12089305	2	
NS	561690	CONNECTOR / WEATHER PACK / SH 2C / BLACK / PED 12015792	1	
NS	561578	SOCKET TERMINAL / 16-14 / PED 12010182	2	
NS	561539	TAB RECEPTACLE TERMINAL INSUL. NYLON / 16 / AMP 3-520141-2	2	
NS	562229	BUTT SPLICE / 22-16 / AMP 31818	2	
NS	562585	WIRE CABLE 14 / BLACK / TXL	AR	
NS	562591	WIRE CABLE 14 / YELLOW / TXL	AR	
NS	560784	SHRINK TUBING / .250" - .080" / BLACK / ALPHA FIT-300-1/4-4B	AR	

From A-9895 To N-6755	Date:01/2024	PAGE:X3-2315-05
"USB" & "VGA" & "RCA" CABLE & CONVERTER		

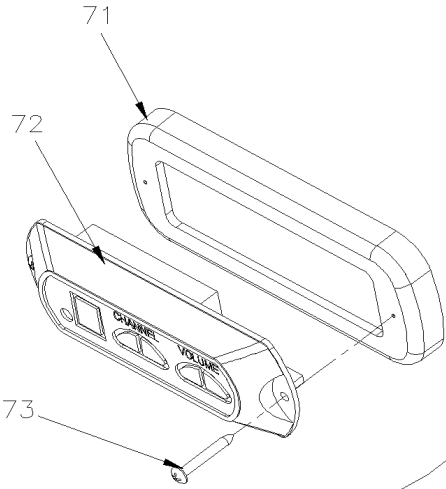
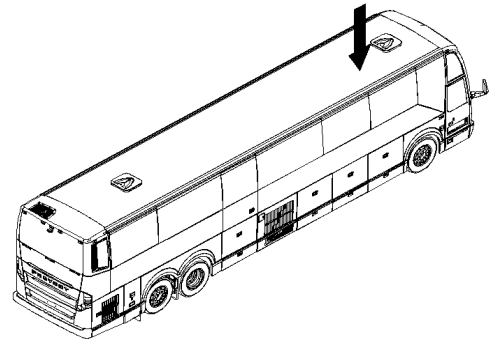
Item#	Part	Description	QTY	Notes
NS	561681	CONVOLUTED TUBING / SLIT / BLACK & GRAY / .350"	AR	
NS	504637	CABLE TIE / 3/16" x 13"	AR	
82	5001414	SCREW MA FL PH M4-0.7x16 BK	2	
83	502690	WASHER FL 4.3x9.0x0.8 Z050	2	
84	500539	NUT HEX NYRT M4-0.7 N500	2	
NS	069187	DECAL, VGA OUTLET / P-RACK	1	
90	409999	BRACKET, VGA PLUG	1	
91	901543	VGA CABLE, MALE-MALE 3FT	1	
92	901541	CONNECTOR, VGA P-MOUNT	1	
NS	901542	VGA CABLE, MALE-MALE W/ AUDIO 10FT	1	
101	901567	CONVERTER HDMI-COMPOSITE 12/24V	1	
101	500654	SCREW TC BDG PH #8-32x1/2 Z050	4	
102	901495	CABLE, HDMI W/LOCK W/90 ELBOW - 20 FT	1	
103	901565	HARNESS, AUDIO BETWEEN CONV AND DVD	1	
104	901347	CABLE ASSY / W/2 BNC FEMALE/ FEMALE 1"	1	
105	901564	ADAPTOR, RCA MALE TO BNC FEMALE	1	
106	901157	CABLE COAXIAL 3' BNC	1	
		P) CALL ORDER DESK FOR SPECIFIC APPLICATION (V.I.N.)		

From H-6179

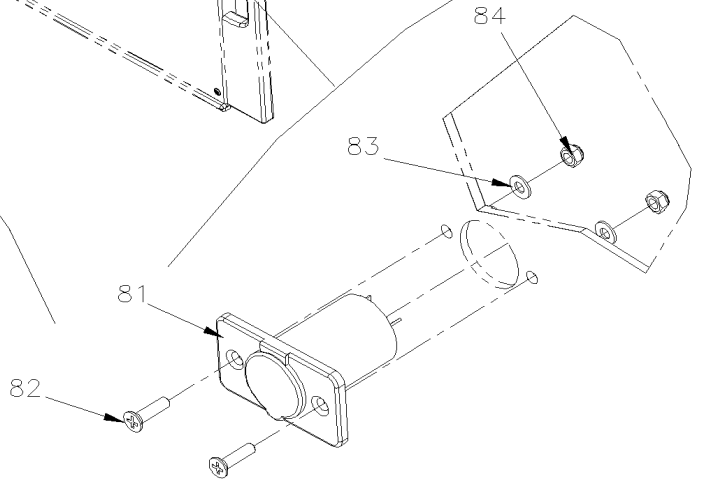
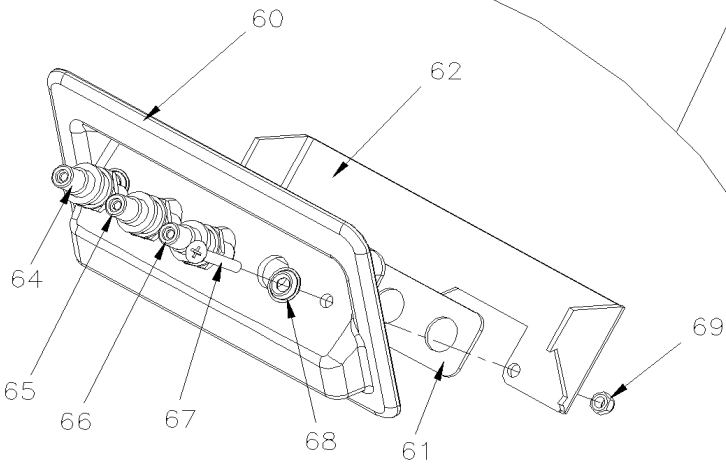
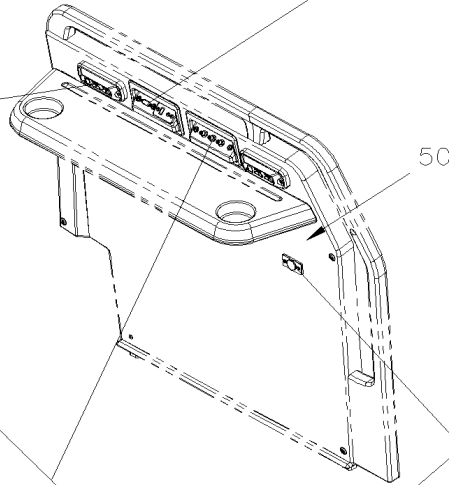
Date:01/2024

PAGE:X3-2315-06

"USB" & "RCA" CABLE & CONVERTER & 12 VOLTS W/HHD



DETAIL "A"

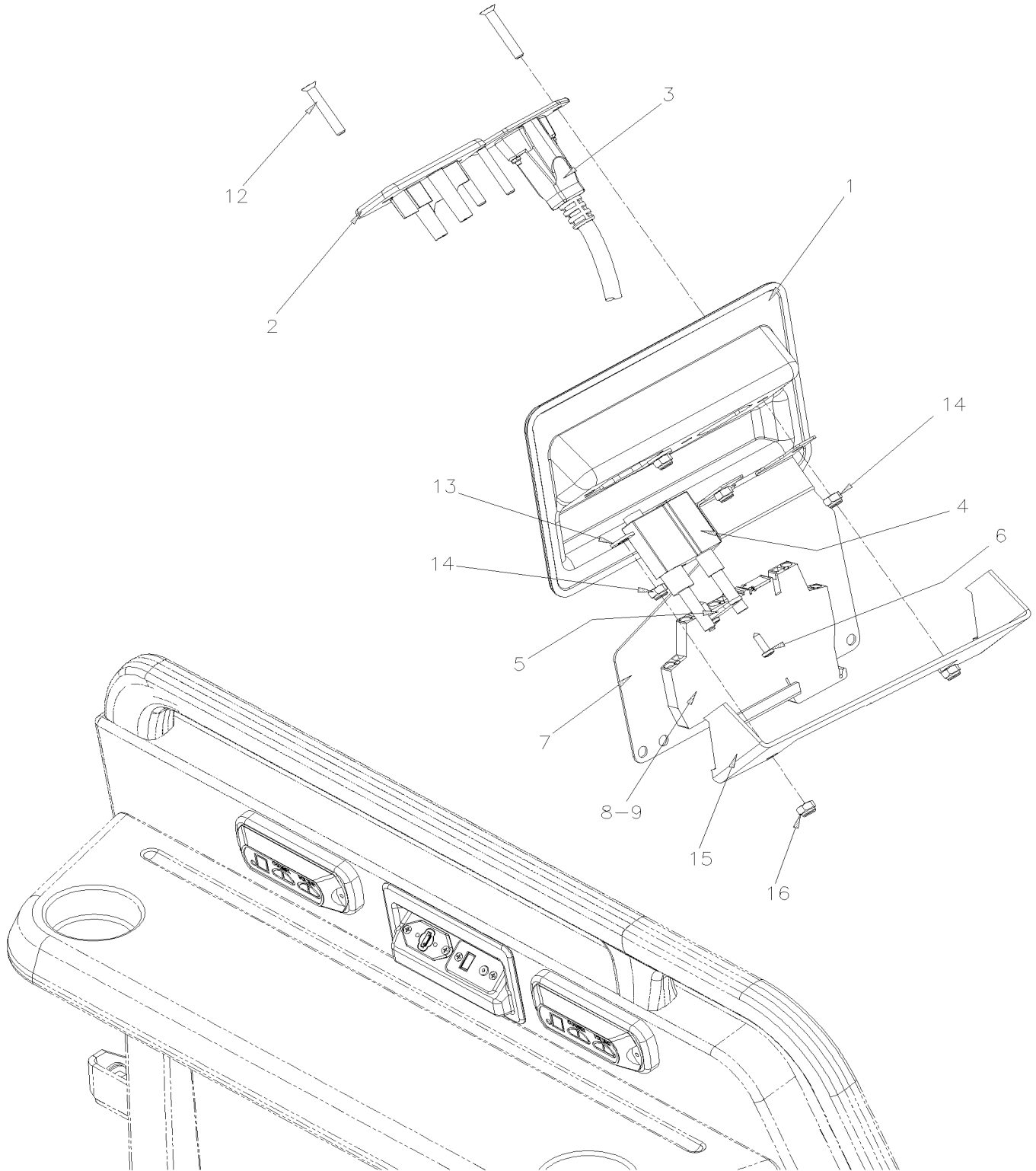


From H-6179

Date:01/2024

PAGE:X3-2315-06

"USB" & "RCA" CABLE & CONVERTER & 12 VOLTS W/HHED

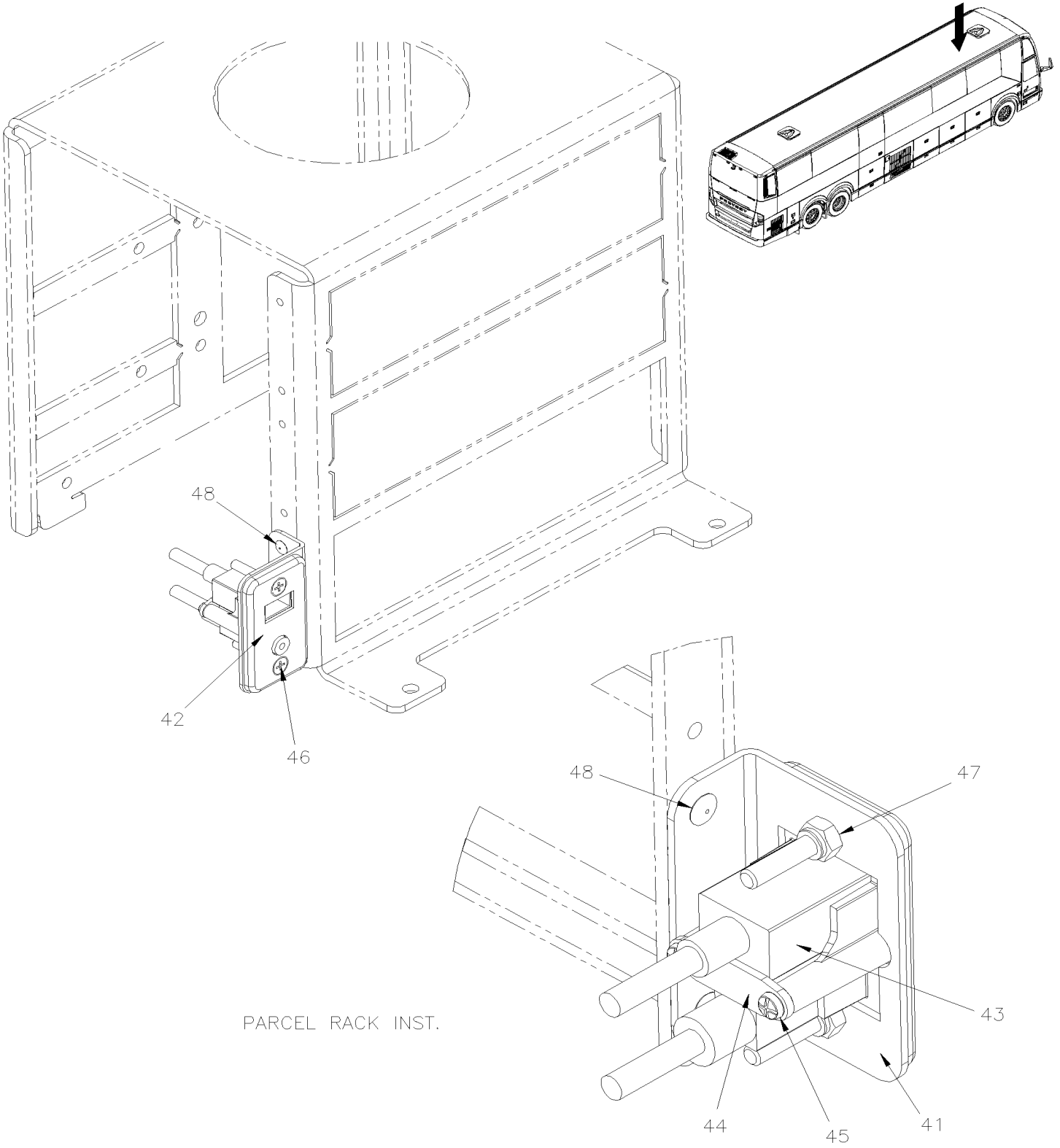


From H-6179

Date:01/2024

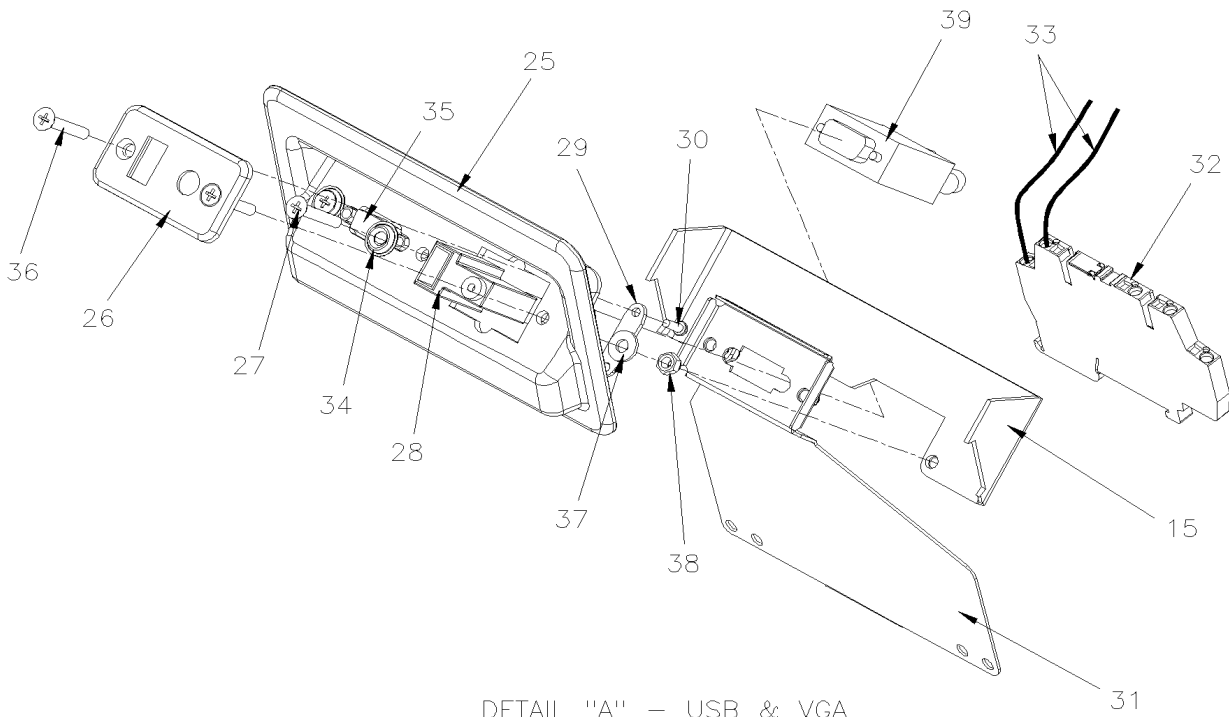
PAGE:X3-2315-06

"USB" & "RCA" CABLE & CONVERTER & 12 VOLTS W/HHD



PARCEL RACK INST.

From H-6179	Date:01/2024	PAGE:X3-2315-06
"USB" & "RCA" CABLE & CONVERTER & 12 VOLTS W/HHD		



DETAIL "A" - USB & VGA

From H-6179	Date:01/2024	PAGE:X3-2315-06
"USB" & "RCA" CABLE & CONVERTER & 12 VOLTS W/HHED		

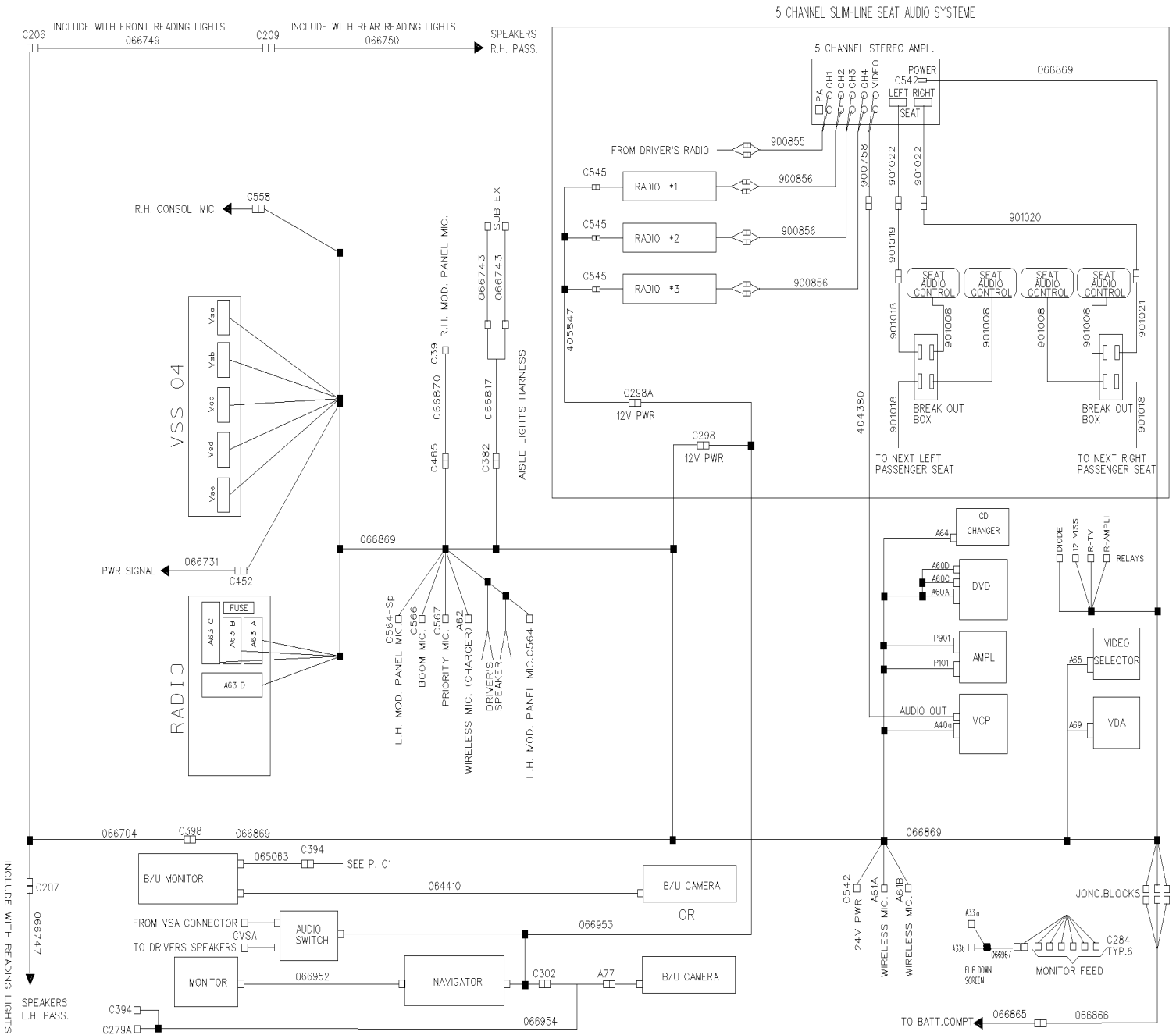
Item#	Part	Description	QTY	Notes
	400183P	CONVERTER & HDMI / USB PLUG ASSY	1	
1	400185	. COVER CONVERTER MODULE "HDMI" / "USB"	1	
2	406413	. SUPPORT "USB" CONNECTOR	1	
3	900053	. HDMI CONNECTOR ASSY	1	
4	901349	. CABLE USB ASSY W/2 RESISTORS 870MM	1	
5	406414	. PLATE RETAINER "USB" CONECTOR	1	
6	500798	. SCREW TP PAN PH #4-3/8 ZP	2	
7	400184	. PANEL, HDMI OUTLET	1	
8	901345	. REGULATOR 5 Volt 500ma	1	
9	060660	. CABLE HARNESS "USB" 5 Volt	1	
12	5001429	. SCREW MA FL PH M4-0.7x25 BK	4	
13	500855	. WASHER FL .188x.438x.049 N500	2	
14	500539	. NUT HEX NYRT M4-0.7 N500	4	
15	406406	BRACKET MODULE RETAINER REAR OF PANEL	1	
16	500539	NUT HEX NYRT M4-0.7 N500	2	
NS	901352	CABLE EXTENSION 3.5MM 3 FT / MALE-MALE	1	
NS	900034	CABLE HDMI E / 15'	1	
NS	900047	CABLE HDMI E / 25'	1	
NS	069182	POWER CABLE USB OPTION	1	
24	409993P	CONVERTER VGA & "USB" PLUG ASSY	1	
24	409317P	CONVERTER & "USB" / MP3 PLUG ASSY	1	
25	406384	. COVER CONVERTER MODULE "USB" & "VGA"	1	
25	406399	. COVER CONVERTER MODULE "USB" / MP3	1	
26	406413	. SUPPORT "USB" CONNECTOR	1	
27	5001429	. SCREW MA FL PH M4-0.7x25 BK	4	
28	901349	. CABLE USB ASSY W/2 RESISTORS 870MM	1	
29	406414	. PLATE RETAINER "USB" CONECTOR	1	
30	500798	. SCREW TP PAN PH #4-3/8 ZP	2	
31	406385	. SUPPORT PANEL "VGA" SOCKET ALUMINUM	1	
32	901345	. REGULATOR 5 Volt 500ma	1	
32	504273	. CABLE TIE / 1/8" X 3 1/2"	2	
33	068007	. CABLE HARNESS "USB" 5 Volt		
33	060660	. CABLE HARNESS "USB" 5 Volt	1	
34	500345	. WASHER FN CKF .187x.500x.090 BR BK	2	
35	901351	. ADAPTOR "VGA" / DB15 / FEMALE-FEMALE	1	
36	5001429	. SCREW MA FL PH M4-0.7x25 BK	4	
37	500855	. WASHER FL .188x.438x.049 N500	2	
38	500539	. NUT HEX NYRT M4-0.7 N500	6	
39	068301	WIRING HARNESS SOUND SYSTEM BELL HORIZON	1	
41	406501	SUPPORT "USB" CONECTOR	1	
42	406413	SUPPORT "USB" CONNECTOR	1	
43	21280133	CABLE USB / (DRAWER TO RADIO) / I-POD CONECTOR	1	

From H-6179		Date:01/2024	PAGE:X3-2315-06
-------------	--	--------------	-----------------

"USB" & "RCA" CABLE & CONVERTER & 12 VOLTS W/HHED

Item#	Part	Description	QTY	Notes
44	406414	PLATE RETAINER "USB" CONECTOR	1	
45	500798	SCREW TP PAN PH #4-3/8 ZP	2	
46	5001429	SCREW MA FL PH M4-0.7x25 BK	2	
47	500539	NUT HEX NYRT M4-0.7 N500	2	
48	504105	RIVET POP DOME OE 1/8x3/16 AL	AR	
50	X3-1810-00	MODESTY PANEL R.H.		
50	X3-1810-00	MODESTY PANEL R.H.		
60	409996	CASE, RCA OUTLET	1	
61	406503	REINFORCEMENT, RCA OUTLET	1	
62	406406	BRACKET MODULE RETAINER REAR OF PANEL	1	
64	901404	ADAPTOR FEMALE / FEMALE JOINT / NUT / RED / RCA	1	
65	901405	ADAPTOR FEMALE / FEMALE JOINT / NUT / WHITE / RCA	1	
66	901406	ADAPTOR FEMALE / FEMALE JOINT / NUT / YELLOW / RCA	1	
67	5001429	SCREW MA FL PH M4-0.7x25 BK	2	
68	500345	WASHER FN CKF .187x.500x.090 BR BK	2	
69	500539	NUT HEX NYRT M4-0.7 N500	2	
71	405199	RECEPTACLE BOX / PLASTIC	2	
72	901006	SELECTOR HEAD SET MODULE	2	
73	5001145	SCREW TP BDG PH #6x1 BK	4	
		12 VOLTS POWER OUTLET PARCEL RACK INSTALLATION		
76	382598	12 VOLTS POWER OUTLET ASSY	1	
NS	562796	12 VOLTS POWER OUTLET	1	
81	562796	12 VOLTS POWER OUTLET	1	
NS	561566	CONNECTOR / WEATHER PACK / PH 2C / BLACK / PED 12010973	1	
NS	561568	PIN TERMINAL / 16-14 / PED 12089305	2	
NS	561690	CONNECTOR / WEATHER PACK / SH 2C / BLACK / PED 12015792	1	
NS	561578	SOCKET TERMINAL / 16-14 / PED 12010182	2	
NS	561539	TAB RECEPTACLE TERMINAL INSUL. NYLON / 16 / AMP 3-520141-2	2	
NS	562229	BUTT SPLICE / 22-16 / AMP 31818	2	
NS	562585	WIRE CABLE 14 / BLACK / TXL	AR	
NS	562591	WIRE CABLE 14 / YELLOW / TXL	AR	
NS	560784	SHRINK TUBING / .250" - .080" / BLACK / ALPHA FIT-300-1/4-4B	AR	
NS	561681	CONVOLUTED TUBING / SLIT / BLACK & GRAY / .350"	AR	
NS	504637	CABLE TIE / 3/16" x 13"	AR	
82	5001414	SCREW MA FL PH M4-0.7x16 BK	2	
83	502690	WASHER FL 4.3x9.0x0.8 Z050	2	
84	500539	NUT HEX NYRT M4-0.7 N500	2	

WIRING HARNESS - AUDIO SYSTEM



From 7-8754		Date:01/2024	PAGE:X3-2315-10
-------------	--	--------------	-----------------

WIRING HARNESS - AUDIO SYSTEM

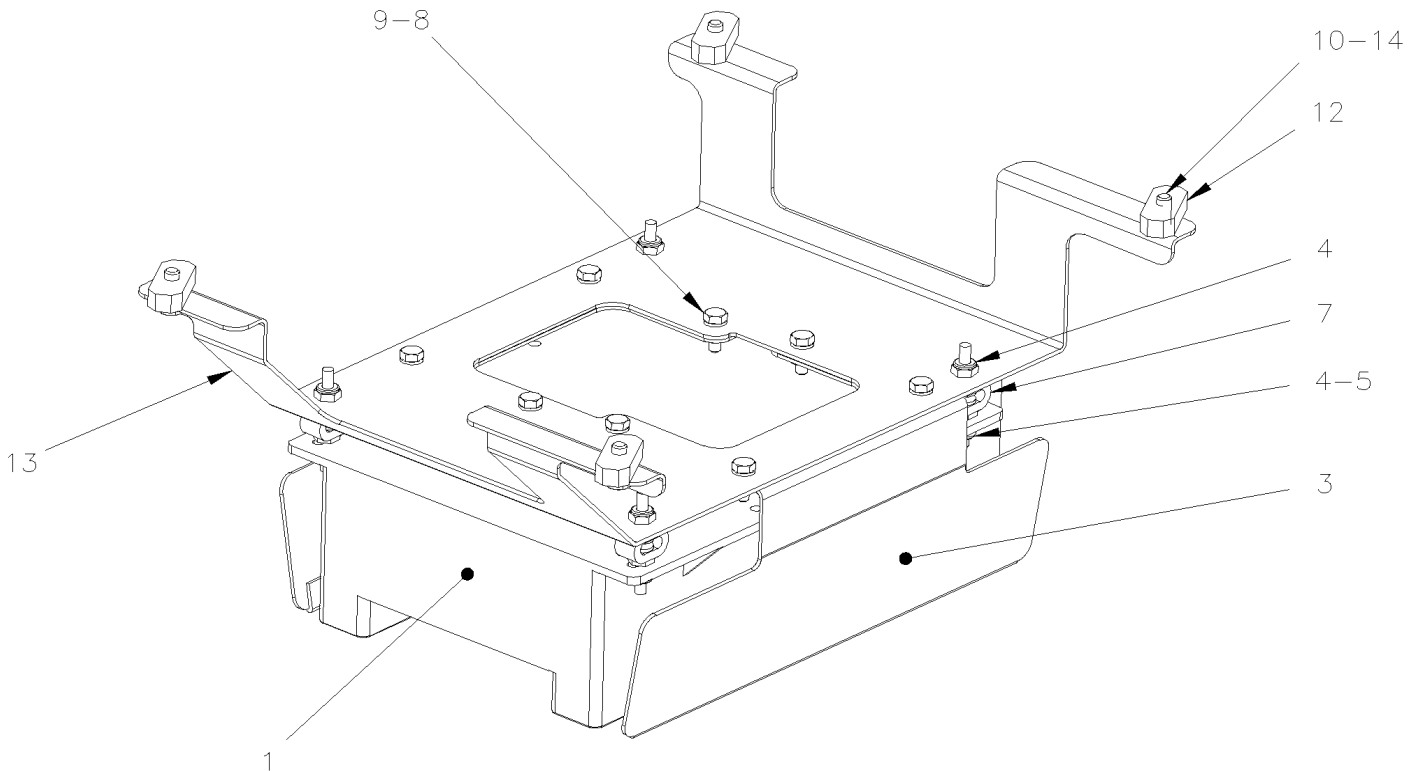
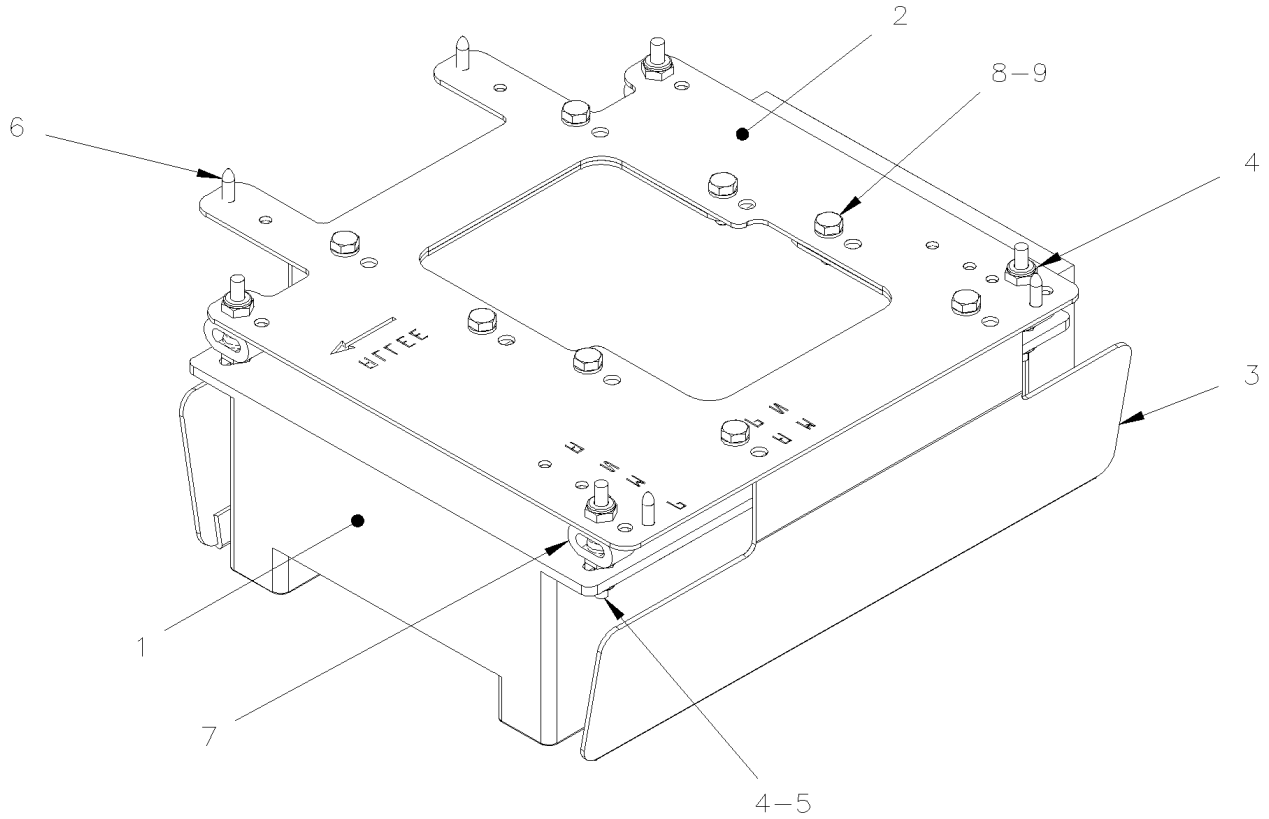
Item#	Part	Description	QTY	Notes
1	901192	CONTROL HEAD / "VOLVO" (VSS-04) To 9-9795	1	
. NS	901266	. REMOTE CONTROL / CONTROL HEAD VOLVO / VSS04 To 9-9795	1	
		WHEN CHANGE VSS04 TO VSS05 YOU NEED CONTROL HEAD 21516503 To 9-9795		
		& HARNESS KIT 409439 & NEW RADIO To 9-9795		
		901417P OR 901418P OR 901419P To 9-9795		
1	IS08080	SOUND SELECTOR REPLACEMENT, VSS04 VS VSS05 To 9-9795	1	
. NS	900238	. CONTROL HEAD / "VOLVO" (VSS-05A) To 9-9795	1	
. . NS	21251311	. . REMOTE CONTROL / CONTROL HEAD VOLVO / VSS05 To 9-9795	1	
. NS	0610388	. CABLE INTERFACE VSS04 TO VSS05 To 9-9795	1	
. NS	IS-08080	. SEE INSTRUCTION SHEET To 9-9795	1	
1	21516503	CONTROL HEAD / "VOLVO" (VSS-05) To 9-9795	1	
. NS	21251311	. REMOTE CONTROL / CONTROL HEAD VOLVO / VSS05 To 9-9795	1	
1	901417P	RADIO "PREVOST" AM/FM/CD & MP3 BLUETOOTH COMPUTERIZ To 9-9795	1	
1	901418P	RADIO "PREVOST" AM/FM/CD & MP3 BLUETOOTH SIRIUS COMPUTERIZ To 9-9795	1	
1	901419P	RADIO "PREVOST" AM/FM/CD & MP3 BLUETOOTH & XM COMPUTERIZ To 9-9795	1	
1	21116371	CONTROL HEAD / "VOLVO" (VSS-05) From 9-9796 To A-9988	1	
. NS	21251311	. REMOTE CONTROL / CONTROL HEAD VOLVO / VSS05 From 9-9796 To A-9988	1	
1	21516503	CONTROL HEAD / "VOLVO" (VSS-05) From A-9989 To J-6296	1	
. NS	21251311	. REMOTE CONTROL / CONTROL HEAD VOLVO / VSS05 From A-9989 To J-6296	1	
1	900238	CONTROL HEAD / "VOLVO" (VSS-05A) From J-6297	1	
. NS	21251311	. REMOTE CONTROL / CONTROL HEAD VOLVO / VSS05 From J-6297	1	
2	X3-1806-00	CENTRAL DASHBOARD PANEL To J-6335		
2	X3-1806-01	CENTRAL DASHBOARD PANEL From J-6336		
3	066869	CABLE ASSY / DASH & PARCEL RACK To 8-9276	1	
3	066972	CABLE ASSY / DASH & PARCEL RACK From 8-9277 To 9-9795	1	
3	067127	CABLE ASSY / DASH & PARCEL RACK From 9-9796	1	
4	066704	CABLE SPEAKER / JCT & LH & RH	1	
5	066744	CABLE HARNESS / SPEAKER STREETSIDE / 16 SP	1	
5	066747	CABLE ASSY / READING LIGHT STREETSIDE To B-5039	1	
5	068287	CABLE ASSY / READING LIGHT STREETSIDE From B-5040 To D-5458	1	
5	067996	CABLE ASSY / READING LIGHT STREETSIDE From E-5459	1	
6	066745	CABLE HARNESS / SPEAKER CURBSIDE FRT / W/W.C.L. / 10	1	
6	066542	CABLE HARNESS / READING LIGHT CURBSIDE FRONT / W/W.C.L. To 7-8932	1	
6	066749	CABLE HARNESS / READING LIGHT CURBSIDE FRONT / W/W.C.L. From 7-8933 To B-5001	1	
6	067678	CABLE HARNESS / READING LIGHT CURBSIDE FRONT / W/W.C.L. From B-5002 To D-5458	1	
6	068596	CABLE HARNESS / READING LIGHT CURBSIDE FRONT / W/W.C.L. From E-5459	1	
7	066746	CABLE HARNESS / SPEAKER CURBSIDE RR / W/W.C.L. / 7 SP	1	
7	066544	CABLE HARNESS / READING LIGHT CURBSIDE REAR / W/W.C.L. To 7-8932	1	
7	066750	CABLE HARNESS / READING LIGHT CURBSIDE REAR / W/W.C.L. From 7-8933 To B-5001	1	

From 7-8754		Date:01/2024	PAGE:X3-2315-10
WIRING HARNESS - AUDIO SYSTEM			

Item#	Part	Description	QTY	Notes
7	067677	CABLE HARNESS / READING LIGHT CURBSIDE REAR / W/W.C.L. From B-5002 To D-5458	1	
7	068597	CABLE HARNESS / READING LIGHT CURBSIDE REAR / W/W.C.L. From E-5459	1	
8	066762	CABLE MICRO / MODESTY PANEL & PLATE AUDIO	1	
8	066870	CABLE MICRO / MODESTY PANEL & PLATE AUDIO	1	
9	066817	CABLE ASSY W/SUBWOOFER / SERIES "XL"	1	
10	066743	CABLE EXTENSION 2M / SUBWOOFER To H-6179	2	
10	061918	CABLE EXTENSION 2M / SUBWOOFER From H-6180	2	
20	066748	CABLE POWER AUDIO	1	
20	066865	CABLE POWER AUDIO From 8-9312	1	R
21	066708	CABLE POWER	1	
21	066866	CABLE POWER From 8-9312	1	R
22	405847	CABLE ASSY ENTERTAINER MODULE POWER To L-6494	1	
22	401420	CABLE ASSY ENTERTAINER MODULE POWER From L-6495	1	
23	066967	CABLE ASSY / SCREEN From 7-9134 To 8-9276	1	
23	067158	CABLE ASSY / SCREEN From 8-9277 To A-9894	1	
23	068003	CABLE ASSY / SCREEN From A-9895	1	
30	900855	CABLE RCA / 2M/2M / 20'	1	
31	900856	CABLE RCA / 2M/2M / 3'	3	
32	900758	ADAPTOR "Y" RCA / 1F/2M / 9"	1	
32	901283	ADAPTOR "Y" RCA / 1M/2F / 6"	1	
33	901022	CABLE SEAT AUDIO	2	
34	901019	CABLE ASSY / ENTERTAINMENT MODULE LEFT SEAT	1	
35	901018	CABLE ASSY / 2 JCT BOX MODULES	AR	
36	901020	CABLE ASSY / ENTERTAINMENT MODULE RIGHT SEAT	1	
37	901008	CABLE SEAT ASSY / JCT BOX & CHANNEL SELECTOR	AR	
38	901021	CABLE ASSY	1	
39	404380	CABLE ASSY RCA / M/M / USE WITH 2 VIDEOS / 510300	1	
40	065063	CABLE ASSY / BACK-UP MONITOR	1	
. NS	990335	. CABLE MONITOR "CLARION"	1	
. NS	560851	. CONNECTOR / COM. MATE-N-LOCK / PH 4C / AMP 1-480426-0	1	
. NS	504397	. GROMMET / .750x1.062x.062x.375x1.375	1	
. NS	N.P.N.	. CABLE ASSY / BACK-UP MONITOR	AR	4
41	064410	CABLE ASSY / BACK-UP CAMERA VIDEO / CAMERA & MONITOR B&W / 60'	1	
. NS	990288	. CABLE BACK-UP CAMERA 60'	1	
. NS	561681	. CONVOLUTED TUBING / SLIT / BLACK & GRAY / .350"	25	
42	066953	CABLE ASSY NAVIGATOR W/MINI DIN CONNECTOR S/VIDEO	1	
43	066952	CABLE ASSY NAVIGATOR RCA & BNC	1	
44	066954	CABLE INTERFACE W/CAMERA CLARION BLK& WHITE	1	
		R) WITH "R.I.E." SYSTEM		

From 7-8754		Date:01/2024	PAGE:X3-2315-10	
WIRING HARNESS - AUDIO SYSTEM				
Item#	Part	Description	QTY	Notes
		4) NO PARTS NUMBER		

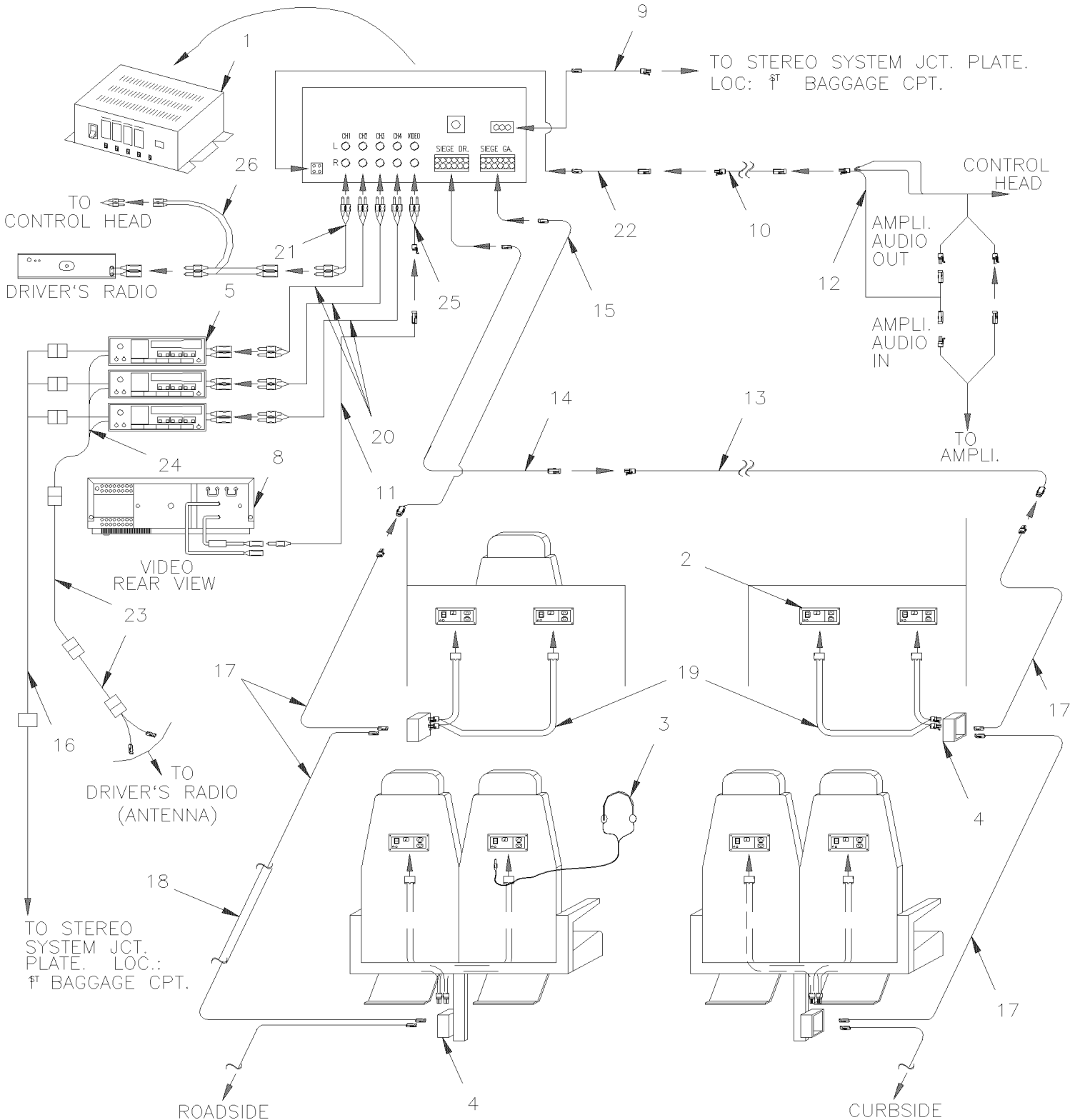
SUBWOOFER - INSTALLATION



From 7-8754	Date:01/2024	PAGE:X3-2315-15
SUBWOOFER - INSTALLATION		

Item#	Part	Description	QTY	Notes
1	901193	SUBWOOFER ASSY	1	
2	405780	PLATE MOUNTING	1	
2	406292	PLATE MOUNTING "IMMI" SEATING ONLY" W/3 POINTS SAFETY BELT From 8-9643	1	
2	406293	PLATE MOUNTING "AMAYA SEATING ONLY" W/3 POINTS SAFETY BELT From 8-9643	1	
3	405829	DEFLECTOR SPEAKER	2	
3	406302	DEFLECTOR SPEAKER "IMMI" SEATING ONLY" W/3 POINTS SAFETY BELT From 8-9643	2	
4	502874	NUT HEX NYRT 1/4-20 N500	8	
5	500877	WASHER FL .250x.562x.065 N500	4	
6	500526	SCREW TP CAP HEXW #12x3/4 N500	4	
7	5060076	RUBBER CUSHION ABSORBANT	4	
8	500163	SCREW CAP HEX 1/4-20x3/4 G5 Z050	16	
9	500473	WASHER LO SPT .262x.489x.062 Z050	16	
10	500942	WASHER LO SPT 8.1x14.8x2.0 N500	4	A
12	5001642	T NUT 5/16-18	4	A
13	405787	PLATE MOUNTING "AMERICAN SEATING ONLY"	1	A
13	406293	PLATE MOUNTING "AMAYA SEATING ONLY" W/3 POINTS SAFETY BELT	1	B
14	500179	SCREW CAP HEX 5/16-18x3/4 G5 Z050	4	
NS	405846	KIT , SUBWOOFER ASSY / SERIES "H"	1	
NS	405851	KIT , SUBWOOFER ASSY / SERIES "XL"	1	
NS	066743	CABLE EXTENSION 2M / SUBWOOFER To H-6179	2	
22	061918	CABLE EXTENSION 2M / SUBWOOFER From H-6180	1	
NS	066817	CABLE ASSY W/SUBWOOFER / SERIES "XL"	1	
		A) USE ONLY WITH "AMERICAN SEATING" ONLY		
		B) USE ONLY WITH "AMAYA SEATING" ONLY		

INDIVIDUAL STATIONS - "R.E.I."



NOTE: RADIOS, ITEM #1, ARE LOCATED IN THE PARCEL RACK ON LEFT SIDE (2 DOOR).

From 7-8754 To N-6755	Date:01/2024	PAGE:X3-2315-20
-----------------------	--------------	-----------------

INDIVIDUAL STATIONS - "R.E.I."

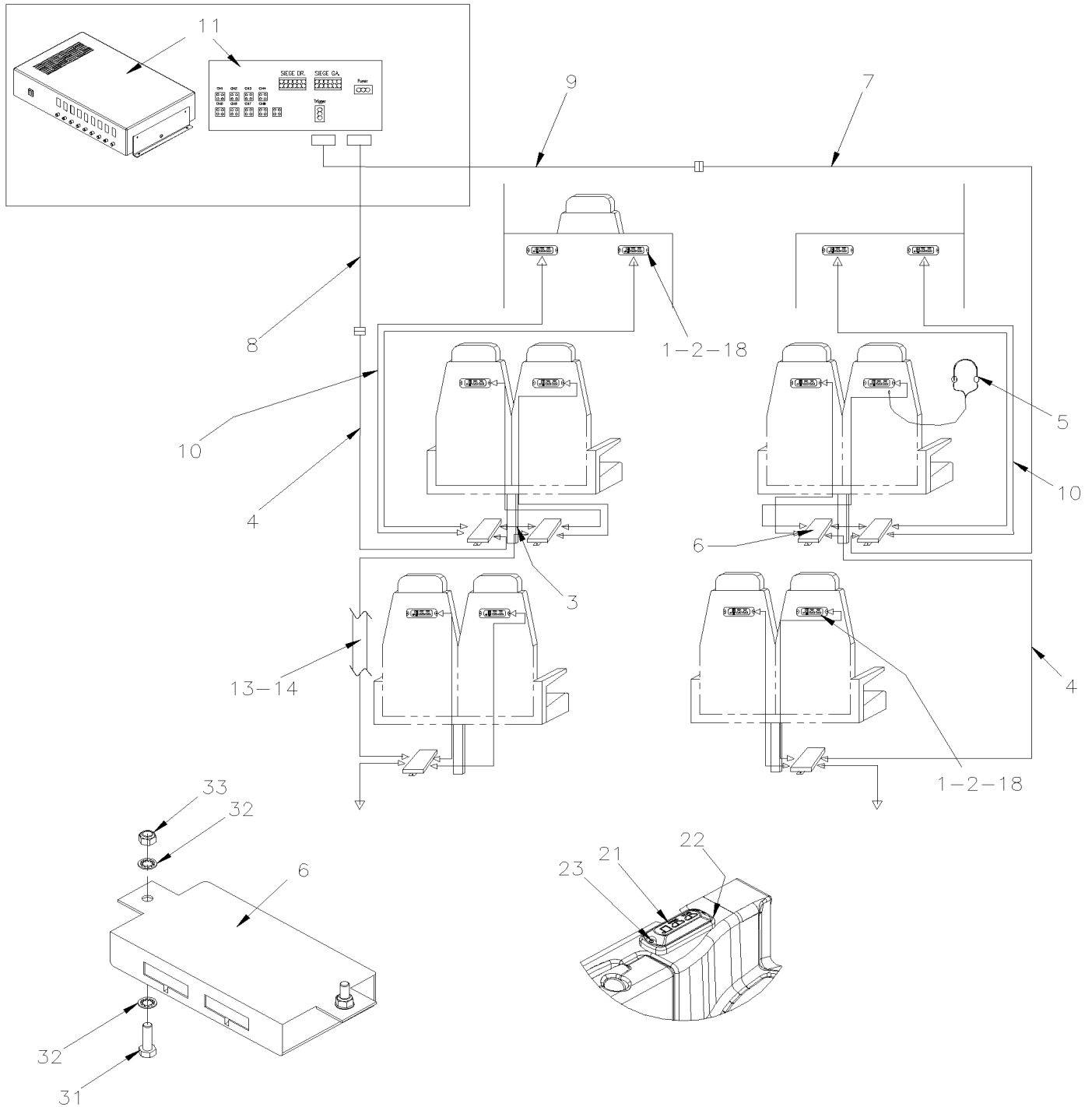
Item#	Part	Description	QTY	Notes
1	901102	8 CHANNEL AMPLIFIER MODULE	1	
NS	404542	SIDE PANEL FINISHING	2	
NS	500443	SCREW TP PAN PH #8x1/2 N500	4	
2	901006	SELECTOR HEAD SET MODULE	AR	
NS	363644	HEADREST REINFORCEMENT	AR	B
3	900881	HEAD SET EARPHONE	AR	
NS	900882	FOAM CUSHION PAD / (SET OF 2) / FOR 900881	1	
4	901007	JUNCTION BOX MODULE SINGLE	AR	
NS	405197	SUPPORT CONTROLE AUDIO	AR	
NS	502631	SCREW CAP HEX M6-1.0x20 G8.8 Z050	4	
NS	5001432	WASHER LO INT .256x.478x.028 SS 410	4	
NS	502511	NUT HEX NYRT M6-1.0 Z050	4	
NS	504622	GROMMET / 1.500x1.750x.062x.437x2.125	1	
NS	952624	CLAMP / 1/4" I.D.	1	
5	901190	RADIO AM-FM-CD-CDX / "PRÉVOST" MP3 VR-300	1	
5	901198	DVD PLAYER 12V (VOLVO) VD-404 To A-9872	1	S
NS	901265	REMOTE CONTROL / DVD VOLVO To A-9872	1	S
NS	901302	SENSOR ASSY W/CABLE / DVD REMOTE CONTROL To A-9872	1	S
5	901339	DVD PLAYER 12V From A-9873 To J-6353	1	
NS	901377	REMOTE CONTROL / DVD R.E.I. From A-9873 To J-6353	1	
5	901436	DVD PLAYER 12V From J-6354	1	
NS	901264	REMOTE CONTROL / DVD REI From J-6354	1	
5	409294	CABLE INTERFACE DVD "VOLVO" to DVD "REI" 4 CONN. to 6 CONN. To A-9872	1	
5	405778	SUPPORT, RADIO (MORE THAN 3 RADIO) & DVD VOLVO To 7-9082	1	
5	405922	SUPPORT, RADIO (MORE THAN 3 RADIO) & DVD VOLVO From 7-9083 To A-9872	1	
5	406361	SUPPORT, RADIO (3 RADIO) & DVD REI From A-9873 To K-6367	1	
5	400651	SUPPORT, RADIO (4 RADIO) & DVD REI From K-6368	1	
5	406360	SUPPORT, RADIO (1RADIO) & DVD REI From A-9873 To K-6492	1	
5	401259	SUPPORT, RADIO (1RADIO) & DVD SUPP. From L-6493	1	
5	900849	PLATE RADIO "DUMMY"	AR	
NS	502698	SCREW MA PAN PH M4-0.7x16 SS BK	1	
NS	500022	WASHER LO INT .168x.340x.023 Z050	1	
8	X3-2317-20	DVD PLAYER - INSTALLATION		
8	901057	CD CHARGER / 8 DISCS / "PANASONIC" CX-DP88 / MODIFIED	1	
9	064486	CABLE ASSY 24V POWER / ENT MODULE / 33.5'	1	
10	404302	CABLE ASSY 20' / 510520 /	1	
11	404288	CABLE ASSY / "Y" 9" CONTROL HEAD & ENTERTAINMENT MODULE	1	
11	901058	CABLE ASSY CD / DIN / 280"	1	
11	901059	CABLE RCA / 2M/2M / 23'	1	
12	404380	CABLE ASSY RCA / M/M / USE WITH 2 VIDEOS / 510300	1	
13	901021	CABLE ASSY	1	
14	901020	CABLE ASSY / ENTERTAINMENT MODULE RIGHT SEAT	1	

From 7-8754 To N-6755	Date:01/2024	PAGE:X3-2315-20
-----------------------	--------------	-----------------

INDIVIDUAL STATIONS - "R.E.I."

Item#	Part	Description	QTY	Notes
15	901019	CABLE ASSY / ENTERTAINMENT MODULE LEFT SEAT	1	
17	901018	CABLE ASSY / 2 JCT BOX MODULES	1	
17	065567	CABLE ASSY / 2 JCT BOX MODULES	1	
18	325056	PROTECTOR MOULDING	1	
19	901008	CABLE SEAT ASSY / JCT BOX & CHANNEL SELECTOR	1	
19	404501	CABLE SEAT ASSY / JCT BOX & CHANNEL SELECTOR CHANNEL SELECTOR	1	A
20	901107	CABLE ADAPTOR RCA TO MOLEX / 4"	1	
21	900855	CABLE RCA / 2M/2M / 20'	1	
22	404498	CABLE ADAPTOR INTER. MODULE / 511211	1	
23	900774	CABLE, ANTENNA EXTENSION / 12'	1	
24	900775	Y RADIO ANTENNA CABLE / TO USE W/2 RADIOS	AR	
25	900758	ADAPTOR "Y" RCA / 1F/2M / 9"	1	
26	900671	ADAPTOR "Y" RCA / 1M/2F / 4"	1	
NS	404525	INSULATING, NOISE	1	
30	430669	KIT, REPLACEMENT DVD "VOLVO" TO "REI"	1	
. NS	409294	. CABLE INTERFACE DVD "VOLVO" to DVD "REI" 4 CONN. to 6 CONN.	1	
. NS	901436	. DVD PLAYER 12V	1	
. . NS	901264	. . REMOTE CONTROL / DVD REI	1	
. NS	901347	. CABLE ASSY / W/2 BNC FEMALE/ FEMALE 1"	1	
. NS	IS-09048	. SEE INSTRUCTION SHEET	1	
NS	562218	CONVOLUTED TUBING / UNSLIT / BLACK & GRAY / 1.000"	AR	
		A) USE WITH SINGLE SEAT ONLY		
		B) USE WITH SELECTOR HEAD SET MODULE FIX ON THE HEADREST		
		S) THIS DVD MAY BE REPLACE BY ONE # 901339 AND ONE CABLE # 409294		

From H-6179	Date:01/2024	PAGE:X3-2315-21
INDIVIDUAL STATIONS - "R.E.I." W/HHD		



From H-6179		Date:01/2024	PAGE:X3-2315-21
INDIVIDUAL STATIONS - "R.E.I." W/HHED			

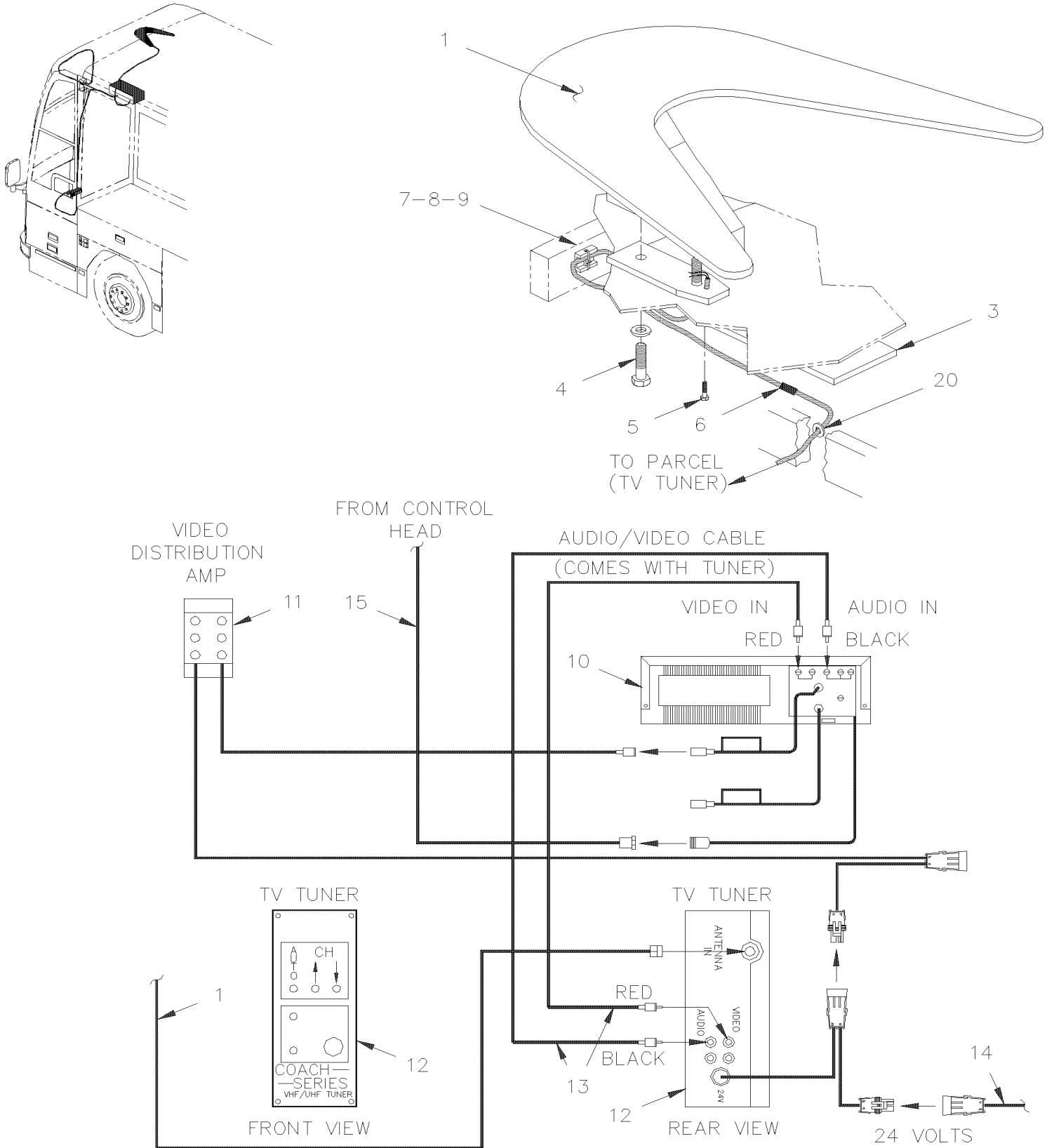
Item#	Part	Description	QTY	Notes
1	405199	RECEPTACLE BOX / PLASTIC	1	
2	901006	SELECTOR HEAD SET MODULE	AR	
3	065567	CABLE ASSY / 2 JCT BOX MODULES	AR	
4	901018	CABLE ASSY / 2 JCT BOX MODULES	1	
5	900881	HEAD SET EARPHONE	AR	
NS	900882	FOAM CUSHION PAD / (SET OF 2) / FOR 900881	1	
6	901094	MODULE, 8CH AUDIO SEAT	AR	
NS	408270	SUPPORT	AR	
NS	502830	SCREW CAP HEX M6-1.0x20 G8.8 N500	AR	
NS	5001432	WASHER LO INT .256x.478x.028 SS 410	AR	
NS	502681	NUT HEX NYRT M6-1.0 N500 G8	AR	
7	901021	CABLE ASSY	1	
8	901019	CABLE ASSY / ENTERTAINMENT MODULE LEFT SEAT	1	
9	901020	CABLE ASSY / ENTERTAINMENT MODULE RIGHT SEAT	1	
10	564575	CABLE, MODULAR TELEPHONE 4 COND.	1	
11	901102	8 CHANNEL AMPLIFIER MODULE	1	
NS	500564	SCREW MA RND PH #8-32x3/4 Z050	4	
NS	500914	WASHER LO SPT .193x.334x.047 N500	4	
NS	500855	WASHER FL .188x.438x.049 N500	4	
13	329517	MOULDING, COVER CABLE / GREY / 530MM	1	
14	329521	MOULDING, COVER CABLE / GREY / 203MM To N-6738	1	
14	3211708	MOULDING, COVER CABLE / GREY / 300MM From N-6739	1	
18	500814	SCREW TP BDG PH #6x3/4 BK	4	
18	5001145	SCREW TP BDG PH #6x1 BK	4	
18	5001840	SCREW DR TR WASHER PH #8x1 5/8 BK	4	
21	901006	SELECTOR HEAD SET MODULE	1	
22	405199	RECEPTACLE BOX / PLASTIC	1	
23	5001145	SCREW TP BDG PH #6x1 BK	2	
31	502830	SCREW CAP HEX M6-1.0x20 G8.8 N500	4	
32	5001432	WASHER LO INT .256x.478x.028 SS 410	4	
33	502681	NUT HEX NYRT M6-1.0 N500 G8	4	

From 7-8754 To A-9894

Date:01/2024

PAGE:X3-2315-60

ROOF ANTENNA & WIRING



From 7-8754 To A-9894	Date:01/2024	PAGE:X3-2315-60
ROOF ANTENNA & WIRING		

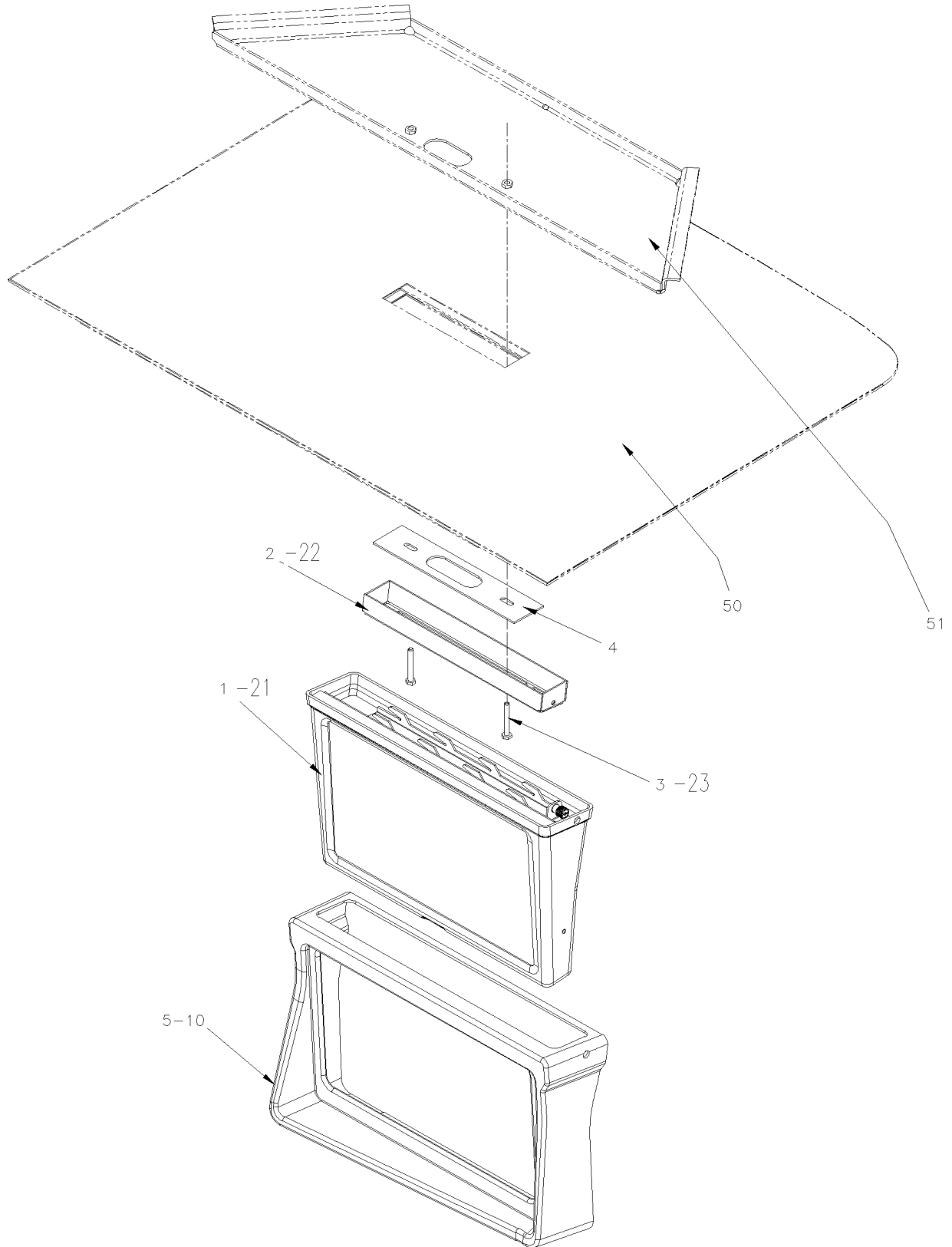
Item#	Part	Description	QTY	Notes
1	900794	ANTENNA, ROOF / "WINTENNA" MODEL 2 3/4"	1	
NS	403355	DECAL / VEHICLE HEIGHT 11' 9"	1	
3	404345	PLATE, REINFORCEMENT / ROOF	1	
4	5001209	SCREW CAP HEX M6-1.0x25 G8.8 Z050	1	
NS	500440	WASHER FL .250x.562x.065 Z050	1	
5	502868	SCREW TC TR PH #10-16x1/2 N500	1	
6	560786	SHRINK TUBING / .500" - .250" / BLACK / ALPHA FIT-300-1/2-4B	AR	
7	504006	RIVET POP CK OE 1/8x5/16 AL	4	
8	504013	TIE MOUNT / 1/4" X 1/4" I.D.	4	
9	504637	CABLE TIE / 3/16" x 13"	4	
10	X3-2317-20	DVD PLAYER - INSTALLATION		
11	901117	VIDEO DISTRIBUTION AMPLI W/BNC	1	
NS	901119	CABLE POWER DVA/VIDEO	1	
12	901054	TUNER TV 24V	1	
13	900785	CABLE RCA / 2M/2M / 10'	1	
20	504063	GROMMET / .562x.812x.062x.312x1.062	1	

From 7-8754

Date:01/2024

PAGE:X3-2317-00

FRONT MONITOR FLAT SCREEN

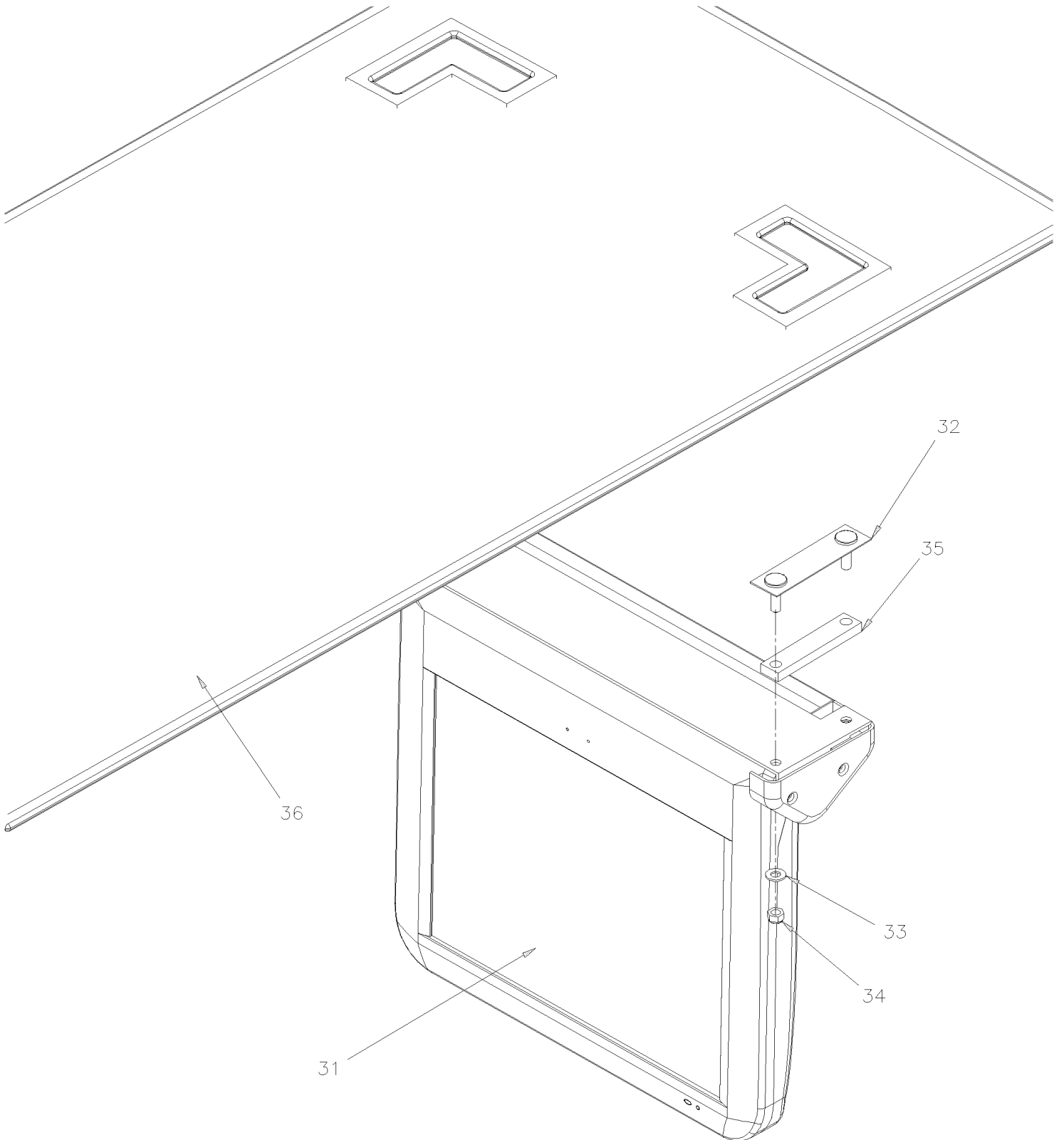


From 7-8754

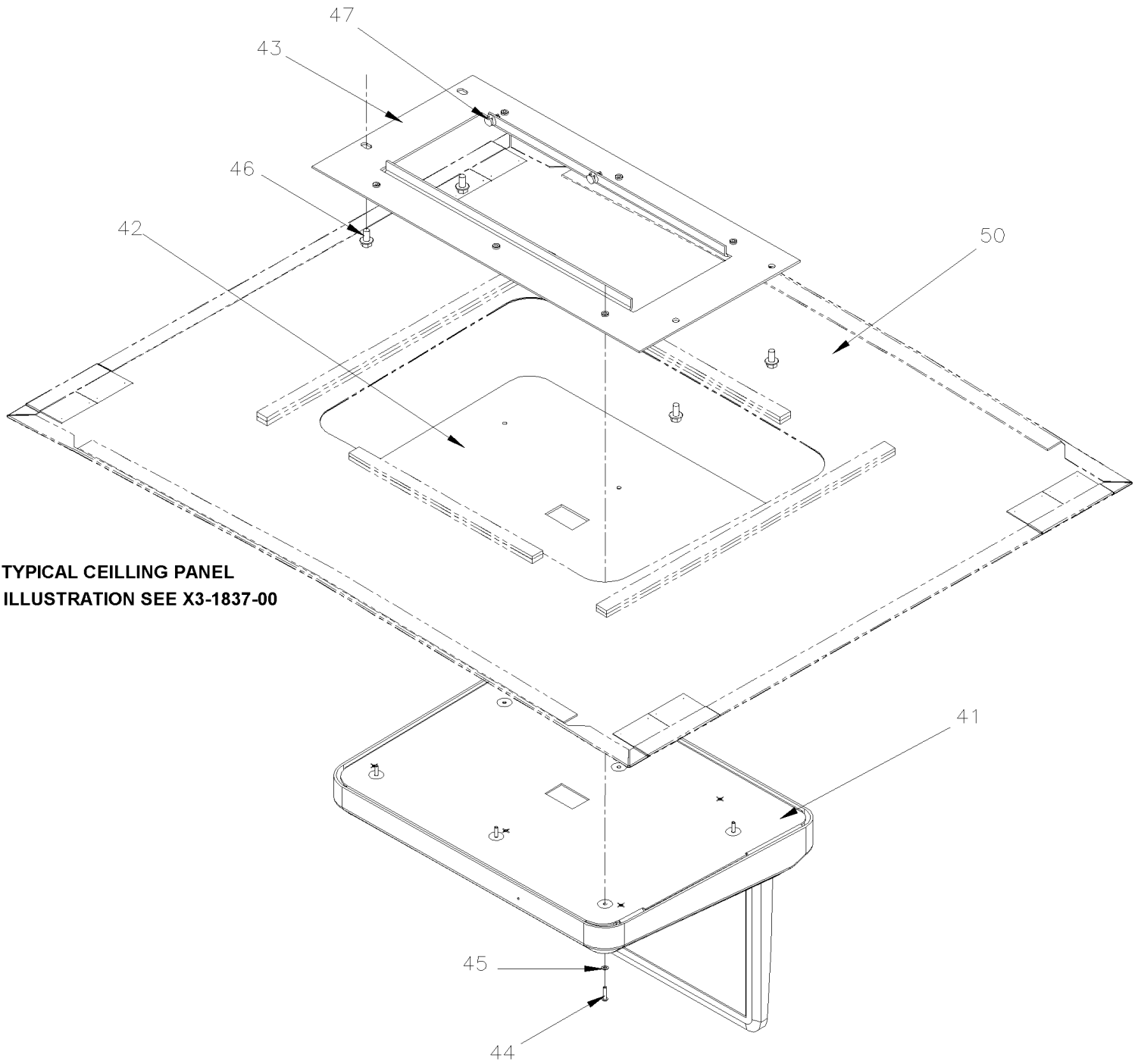
Date:01/2024

PAGE:X3-2317-00

FRONT MONITOR FLAT SCREEN



FRONT MONITOR FLAT SCREEN



**TYPICAL CEILING PANEL
ILLUSTRATION SEE X3-1837-00**

From 7-8754	Date:01/2024	PAGE:X3-2317-00
FRONT MONITOR FLAT SCREEN		

Item#	Part	Description	QTY	Notes
		FOLLOWING ITEMS ARE RELATED ONLY WITH		
		10" CENTRAL MONITOR To A-9894		
1	903214	MONITOR 10" LCD 24V To A-9894	1	
. NS	901243	. PLUG CAP / GREY OVER SCREW 9.31MM O.D. To A-9894	1	
1	406731	KIT, CENTRAL MONITOR REI 10.1" X3 SAV To A-9894	1	
. NS	901547	. MONITOR, LCD REI 10.1" To A-9894	1	
. NS	406724	. SUPPORT, MONITOR 10.1" ASSY To A-9894	1	
2	407599	SUPPORT CENTRAL MONITOR / W/FLAT SCREEN 10" To A-9894	1	
3	502843	SCREW CAP HEX M6-1.0x45 G8.8 N500 To A-9894	2	
3	680038	THREAD LOCKER LOCTITE #243 / BLUE / 50ml To A-9894	AR	
4	341124	SHIM To A-9894	1	
4	341192	SHIM From A-9895	1	
5	405858	SHIELD SCREEN DEFLECTOR / W/10" SCREEN / PLASTIC GREY To A-9894	1	
NS	405905	DECAL / "WATCH YOUR STEP" 16 x 200 To A-9894	1	
NS	406388	DECAL / "WATCH YOUR STEP" 13 x 368	1	
NS	406429	DECAL / "WATCH YOUR STEP" 53 x 272 From A-9895	1	
NS	405906	DECAL / "ATTENTION À LA MARCHE" / BILINGUAL 43 x241 To A-9894	1	
10	406386	DECAL / "WATCH YOUR STEP" / "CUINDADO CON EL 13 x 368 From G-6084	1	
NS	406387	DECAL / "ATTENTION À LA MARCHE" / BILINGUAL 13 x 368	1	
NS	406428	DECAL / "ATTENTION À LA MARCHE" / BILINGUAL 72 x 272 From A-9895	1	
NS	400015	DECAL / "ATTENTION À LA MARCHE" // ENGLISH & SPANISH & FRANCAIS	1	
NS	405907	DECAL / "WATCH YOUR STEP" / "CUINDADO CON EL 43 x 241 To A-9894	1	
NS	406430	DECAL / "WATCH YOUR STEP" / "CUINDADO CON EL 72 x 272 From A-9895	1	
		FOLLOWING ITEMS ARE RELATED ONLY WITH		
		15.6" CENTRAL MONITOR From A-9895		
21	901359	MONITOR 15.4" LCD 24V W/SHIELD SCREEN PROTECTOR From A-9895 To D-5387	1	
21	903232	MONITOR 15.4" LCD 24V From D-5388 To G-5985	1	
21	903233	MONITOR 15.4" LCD 24V W/ DEFLECTOR From G-5986 To G-6072	1	
21	900021	MONITOR 15.6" LCD 24V W/ DEFLECTOR From G-6073	1	
22	901358	SUPPORT MONITOR 15.4" 16/9 SCREEN From A-9895	1	
23	502843	SCREW CAP HEX M6-1.0x45 G8.8 N500 From A-9895 To K-6492	2	
23	502686	SCREW CAP HEX M6-1.0x30 SS BK From L-6493	2	
		FOLLOWING ITEMS ARE RELATED ONLY WITH		
		17" MONITOR ELECTRICAL RETRACTABLE		
31	901259	MONITOR 17" LCD 24V CHARCOAL To 8-9276	1	A
. NS	901294	. REMOTE CONTROL / MONITOR LCD To 8-9276	1	A
31	901275	MONITOR 17" LCD 24V LIGHT GREY From 8-9277 To 8-9388	1	

From 7-8754		Date:01/2024	PAGE:X3-2317-00
FRONT MONITOR FLAT SCREEN			

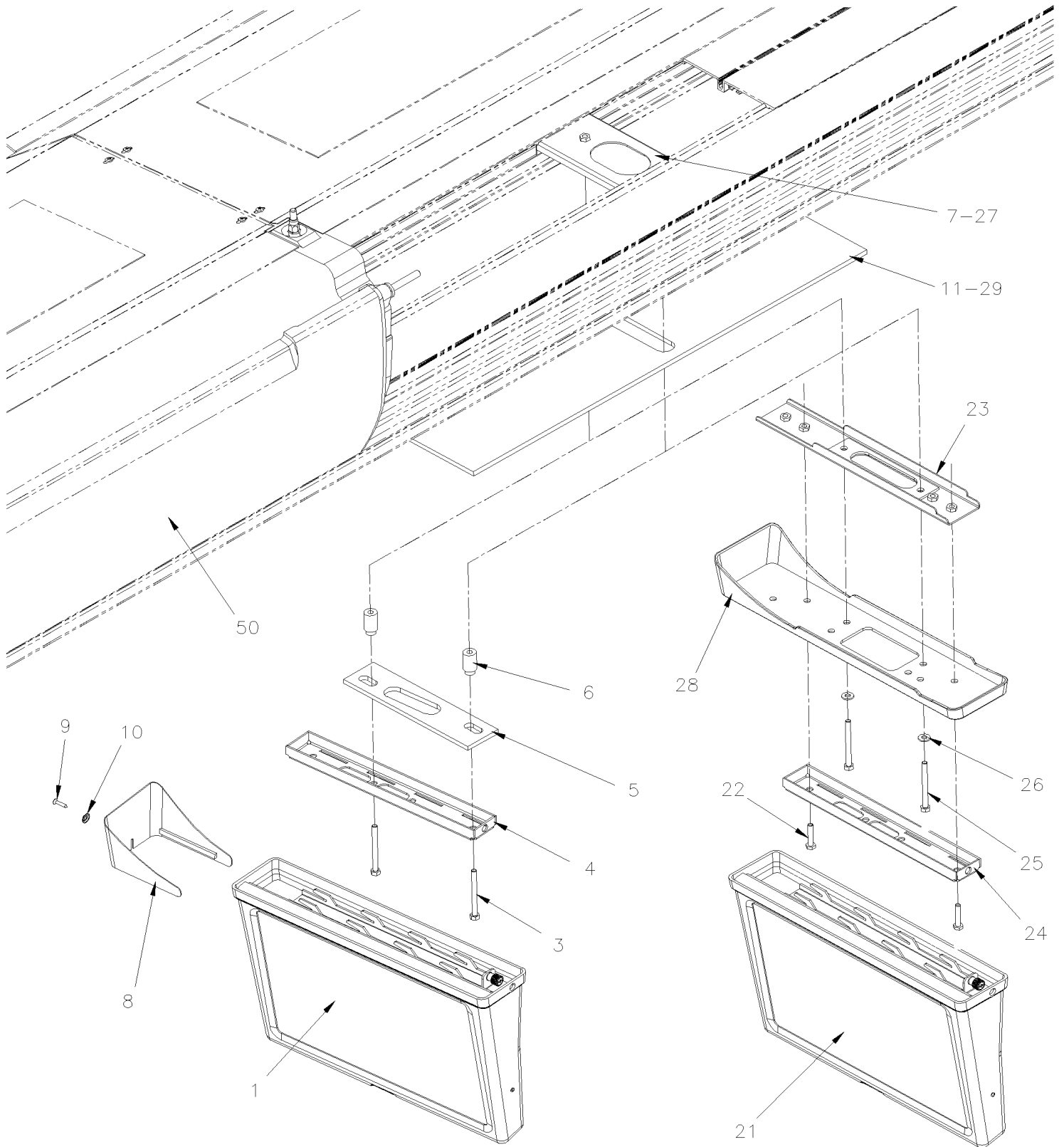
Item#	Part	Description	QTY	Notes
. NS	901294	. REMOTE CONTROL / MONITOR LCD From 8-9277 To 8-9388	1	
31	901284	MONITOR 17" LCD 24V CHARCOAL From 8-9389 To A-9894	1	
. NS	901294	. REMOTE CONTROL / MONITOR LCD From 8-9389 To A-9894	1	
NS	066967	CABLE ASSY / SCREEN To 8-9276	1	
NS	067158	CABLE ASSY / SCREEN From 8-9277 To A-9894	1	
32	272119	PLATE SUPPORT W/30 MM STUDS / W/17" MONITOR To A-9894	2	
33	500874	WASHER FL 8.4x17.0x1.6 Z050 To A-9894	4	
34	502847	NUT HEX NYRT M8-1.25 N500 To A-9894	4	
35	405915	SHIM SPACER 9.5MM To A-9894	2	
NS	272115	ANGLE SUPPORT / WELDED AT ROOF W/17" MONITOR To A-9894	2	
36	Call order desk	CEILING PANEL ASSY #1 / W/FLAT SCREEN 17" To A-9894	1	P
		PARTS RELATED WITH 19" CENTRAL MONITOR From A-9895		
		ELECTRICAL RETRACTABLE MODEL 16 : 9 From A-9895		
41	901336	MONITOR 19" LCD 24V From A-9895	1	
NS	068003	CABLE ASSY / SCREEN From A-9895 To G-5948	1	
NS	069346	CABLE ASSY / FLIP SCREEN From G-5949 To H-6179	1	
NS	060099	CABLE ASSY / FLIP SCREEN From H-6180 To K-6492	1	
41	0610043	CABLE ASSY / FLIP SCREEN From L-6493	1	
42	406417	PANEL TRANSITION 460MM x 275MM From A-9895 To K-6492	1	
42	406335	BOX RECEPTACLE From L-6493	1	
43	409314	PLATE SUPPORT W/19" MONITOR X series From A-9895 To B-5043	1	
43	407624	PLATE SUPPORT W/19" MONITOR From B-5044 To K-6492	1	
43	409274	PLATE SUPPORT W/19" MONITOR From L-6493	1	
44	5001305	SCREW MA RND PH #8-32X3/4 SS From A-9895	6	
45	500834	WASHER LO INT .168x.340x.023 N500 From A-9895	6	
46	5001780	SCREW CAP HEXF M8-1.25x16 G8.8 N500 From A-9895	4	
47	509815	TIE MOUNT / ATTACHMENT W/TREE MOUNT From A-9895	4	
50	X3-1837-00	CEILING PANELS & MOULDING - BUS		
51	X3-1895-00	FRONT STRUCTURE To D-5458		
51	X3-189X-XX	STRUCTURE / CALL ORDER DESK From E-5459		
NS	564183	REMOTE CONTROL / CENTERING SCREEN PLAY TOOL	1	
		A) THIS FLAT SCREEN IT SUPPERSEDED BY 901275 AND YOU NEED 1 CONNECTOR 564004 WITH 5 TERMINALS 564005		
		P) CALL ORDER DESK FOR SPECIFIC APPLICATION (V.I.N.)		

From 7-8754

Date:01/2024

PAGE:X3-2317-10

SIDE MONITOR FLAT SCREEN - VIDEO - "R.E.I."

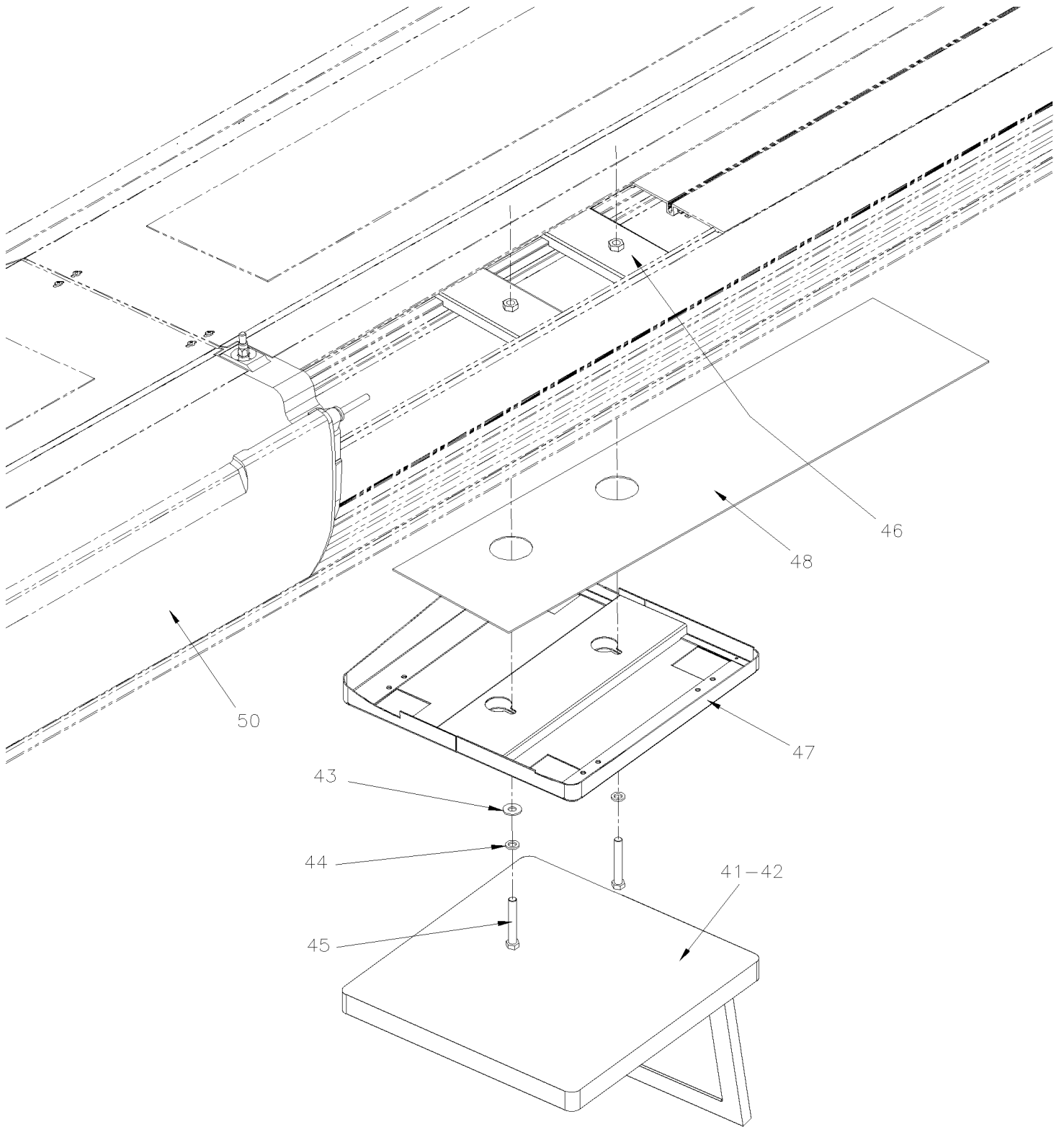


From 7-8754

Date:01/2024

PAGE:X3-2317-10

SIDE MONITOR FLAT SCREEN - VIDEO - "R.E.I."



From 7-8754	Date:01/2024	PAGE:X3-2317-10
-------------	--------------	-----------------

SIDE MONITOR FLAT SCREEN - VIDEO -"R.E.I."

Item#	Part	Description	QTY	Notes
		FOLLOWING ITEMS ARE RELATED ONLY WITH		
		FLAT SCREEN 10" MONITOR To A-9895		
		FLAT SCREEN 15.4" MONITOR 16/9 To A-9895		
1	901130	MONITOR 10" LCD 24V To 7-8843	1	
. NS	901138	. PLUG CAP / GREY OVER SCREW 12.51MM O.D. To 7-8843	1	
1	903214	MONITOR 10" LCD 24V From 7-8844 To A-9895	1	
. NS	901243	. PLUG CAP / GREY OVER SCREW 9.31MM O.D. From 7-8844 To A-9895	1	
1	406729	KIT, PARCEL RACK MONITOR REI 10.1" SAV To A-9895	1	
1	901269	MONITOR 15.4" LCD 24V / 16/9 SCREEN To A-9894	AR	
NS	561681	CONVOLUTED TUBING / SLIT / BLACK & GRAY / .350" To A-9894	AR	
3	502541	SCREW CAP HEX M6-1.0x65 G8.8 Z050 To A-9894	2	
3	509838	SCREW CAP HEX M6-1.0x55 G8.8 ZP To A-9894	2	A
NS	680038	THREAD LOCKER LOCTITE #243 / BLUE / 50ml To A-9894	AR	
4	901131	SUPPORT MONITOR / W/FLAT SCREEN 10" To 7-8843	1	
4	903213	SUPPORT CENTRAL MONITOR / W/FLAT SCREEN 10" From 7-8844 To A-9894	1	
4	901270	SUPPORT MONITOR 15.4" 16/9 SCREEN To A-9894	AR	
5	407564	SHIM / BLACK PLASTIC / 50MM X 207MM To A-9894	1	
5	405802	SHIM / BLACK PLASTIC / 50MM X 207MM To A-9894	1	A
6	407561	SPACER 5/8" OD TUBE X 24MM / W/FL 6MM To A-9894	2	
7	409151	SUPPORT MONITOR R.H. To A-9894	1	
7	409150	SUPPORT MONITOR L.H. To A-9894	1	
7	409168	SUPPORT MONITOR R.H. 1ST To A-9894	1	A
8	405942	FINISHING CAP ASSY W/TISSUS S.C.C. R.H. W/15.4" MONITOR To 7-8843	1	
. NS	405940	. FINISHING CAP To 7-8843	1	
8	Call order desk	FINISHING CAP ASSY W/TISSUS S.C.C. R.H. W/15.4" MONITOR From 7-8844 To A-9894	1	P
. NS	406224	. FINISHING CAP From 7-8844 To A-9894	1	
8	405943	FINISHING CAP ASSY W/TISSUS S.C.C. # 1 FRONT R.H. W/15.4" MONITOR To 7-8843	1	
. NS	405941	. FINISHING CAP # 1 To 7-8843	1	
8	406225P	FINISHING CAP ASSY W/TISSUS S.C.C. # 1 FRONT R.H. W/15.4" MONITOR From 7-8844 To A-9894	1	
. NS	406226	. FINISHING CAP From 7-8844 To A-9894	1	
8	405944	FINISHING CAP ASSY W/TISSUS S.C.C. L.H. W/15.4" MONITOR To 7-8843	1	
. NS	405853	. FINISHING CAP ADAPTOR SCREEN POSITION / W/16 To 7-8843	1	
8	Call order desk	FINISHING CAP ASSY W/TISSUS S.C.C. L.H. W/15.4" MONITOR From 7-8844 To A-9894	1	P
. NS	406228	. FINISHING CAP From 7-8844 To A-9894	1	
9	500463	WASHER FN CKF .187x.500x.090 BR Z050 To A-9894	AR	
10	500552	SCREW TP OV PH #6x3/4 Z050 To A-9894	AR	
11	310653P	PANEL 655MM / 382MM POSITION SCREEN / L.H. W/10" LCD SCREEN To A-9894	1	
11	310654P	PANEL 655MM / 382MM POSITION SCREEN / R.H. W/ LCD SCREEN To A-9894	1	
		FOLLOWING ITEMS ARE RELATED ONLY WITH		
		FLAT SCREEN 15.6" MONITOR 16/9 From A-9895		

From 7-8754	Date:01/2024	PAGE:X3-2317-10
-------------	--------------	-----------------

SIDE MONITOR FLAT SCREEN - VIDEO -"R.E.I."

Item#	Part	Description	QTY	Notes
21	901335	MONITOR 15.4" LCD 24V From A-9895 To G-6072	1	
21	900016	MONITOR 15.6" LCD 24V From G-6073	1	
NS	561681	CONVOLUTED TUBING / SLIT / BLACK & GRAY / .350" From A-9895	AR	
22	5002235	SCREW CAP HEXF M6-1.0x30 G10.9 N500 AD	2	
22	680038	THREAD LOCKER LOCTITE #243 / BLUE / 50ml From A-9895	AR	
23	406332	SUPPORT MONITOR From A-9895	1	
23	401100	SUPPORT MONITOR From A-9895	1	B
24	901358	SUPPORT MONITOR 15.4" 16/9 SCREEN From A-9895	1	
25	5001826	SCREW CAP HEX M6-1.0x80 FT Z050	2	
26	500877	WASHER FL .250x.562x.065 N500 From A-9895	2	
27	402823	SUPPORT MONITOR From A-9895	1	
27	502656	SCREW CAP HEX M6-1.0x50 SS From A-9895	1	
28	402825	FINISHING CAP W/15.4" MONITOR From A-9895 To G-6072	1	
28	900013	FINISHING CAP W/15.6" MONITOR From G-6073	1	
28	400042	FINISHING CAP W/15.6" MONITOR From G-6073	1	B
28	409437	FINISHING CAP W/15.4" MONITOR From A-9895	1	GLI
29	Call order desk	PANEL FRONT R.H. 275MM / 76MM POSITION SCREEN / LCD SCREEN	1	P
29	Call order desk	PANEL 354MM / 270MM POSITION SCREEN / LCD SCREEN	1	P
29	Call order desk	PANEL 375MM / 285MM POSITION SCREEN / LCD SCREEN	1	P
29	Call order desk	PANEL 376MM / 112MM POSITION SCREEN	1	P
29	Call order desk	PANEL 430MM / 310MM POSITION SCREEN / LCD SCREEN	1	P
29	Call order desk	PANEL 475MM / 310MM POSITION SCREEN	1	P
29	Call order desk	PANEL 495MM / 310MM POSITION SCREEN	1	P
29	Call order desk	PANEL 500MM / 108MM POSITION SCREEN / LCD SCREEN From A-9895	1	P
29	Call order desk	PANEL 510MM / 310MM POSITION SCREEN	1	P
29	Call order desk	PANEL 655MM / 310MM POSITION SCREEN / LCD SCREEN From A-9895	AR	P
29	Call order desk	PANEL FRONT L.H. 633MM / 300MM POSITION SCREEN / LCD SCREEN	1	P
29	Call order desk	PANEL 705MM / 544MM POSITION SCREEN	1	P
29	Call order desk	PANEL 1015MM / 465MM POSITION SCREEN / LCD SCREEN From A-9895	1	P
29	Call order desk	PANEL 1015MM / 535MM POSITION SCREEN / LCD SCREEN From A-9895	1	P GLI
		FOLLOWING ITEMS ARE RELATED ONLY WITH		
		FLAT SCREEN FOLDING 12" MONITOR To A-9894		
41	901086	MONITOR 12" LCD / FOLDING To A-9894	AR	
42	405461	CABLE ASSY / 24V POWER / W/12" MONITOR / 10' / 511824 To A-9894	AR	
42	405462	CABLE ASSY / 24V POWER / W/12" MONITOR / 511693 / 15' To A-9894	AR	
42	405463	CABLE ASSY / 24V POWER / W/12" MONITOR / 35' / 511825 To A-9894	AR	
43	500195	SCREW CAP HEX 3/8-16x2 1/2 G5 Z050 To A-9894	AR	
44	502510	WASHER FL .375x.875x.083 To A-9894	AR	
45	500478	WASHER LO SPT .380x.683x.094 Z050 To A-9894	AR	

From 7-8754	Date:01/2024	PAGE:X3-2317-10
-------------	--------------	-----------------

SIDE MONITOR FLAT SCREEN - VIDEO -"R.E.I."

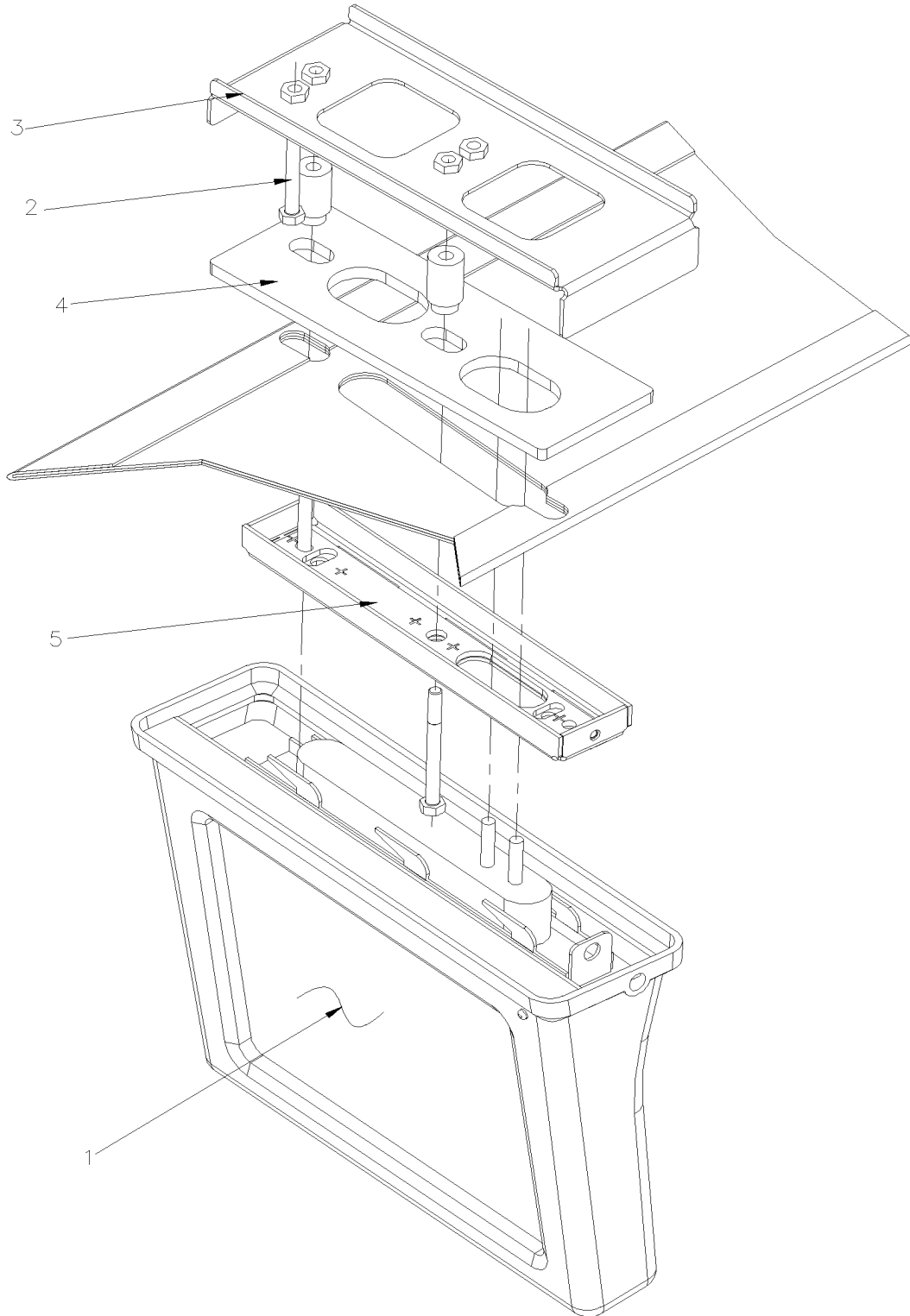
Item#	Part	Description	QTY	Notes
46	901089	SUPPORT MONITOR / W/FLAT SCREEN 12" FOLDING To A-9894	AR	
47	901087	SUPPORT SIDE MONITOR TRANSITION L.H. To A-9894	AR	
47	901088	SUPPORT SIDE MONITOR TRANSITION R.H. To A-9894	AR	
48	312761P	PANEL 315MM To A-9894	1	
48	312840P	PANEL 753MM To A-9894	1	
48	Call order desk	PANEL 243MM To A-9894	1	P
48	313328P	PANEL 388MM To A-9894	1	
50	X3-1836-00	PARCEL RACK To D-5371		
50	X3-1836-01	PARCEL RACK /WITH LEDS From D-5372		
51	X3-2317-20	DVD PLAYER - INSTALLATION		
		A) USE ONLY WITH FIRST FRONT SIDE MONITOR R.H.		
		B) USE WITH COMPLETE DRIVER PLEXIGLASS		
		GLI) WITH FIRST MONITOR STREET SIDE WITH GREYHOUND DRIVER PARTITION		
		P) CALL ORDER DESK FOR SPECIFIC APPLICATION (V.I.N.)		

To A-9895

Date:01/2024

PAGE:406729

KIT, PARCEL RACK MONITOR REI 10.1" SAV



To A-9895		Date:01/2024	PAGE:406729
-----------	--	--------------	-------------

KIT, PARCEL RACK MONITOR REI 10.1" SAV

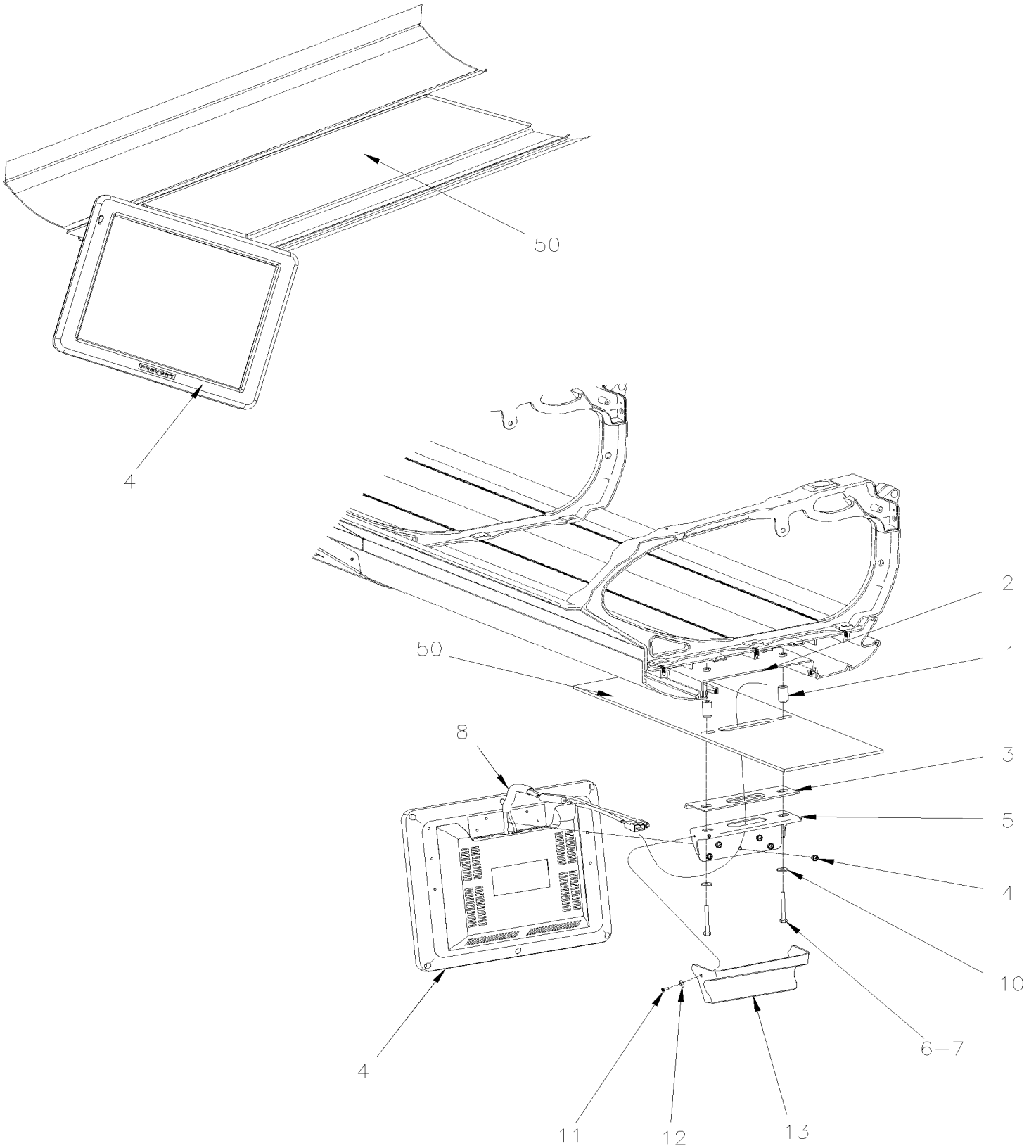
Item#	Part	Description	QTY	Notes
1	901547	MONITOR, LCD REI 10.1"	1	
2	502656	SCREW CAP HEX M6-1.0x50 SS	2	
3	406722	SUPPORT, PARCEL RACK MONITOR 10.1"	1	
4	406723	SPACER, PARCEL RACK MONITOR 10.1"	1	
5	406724	SUPPORT, MONITOR 10.1" ASSY	1	

From 8-9389 To A-9894

Date:01/2024

PAGE:X3-2317-11

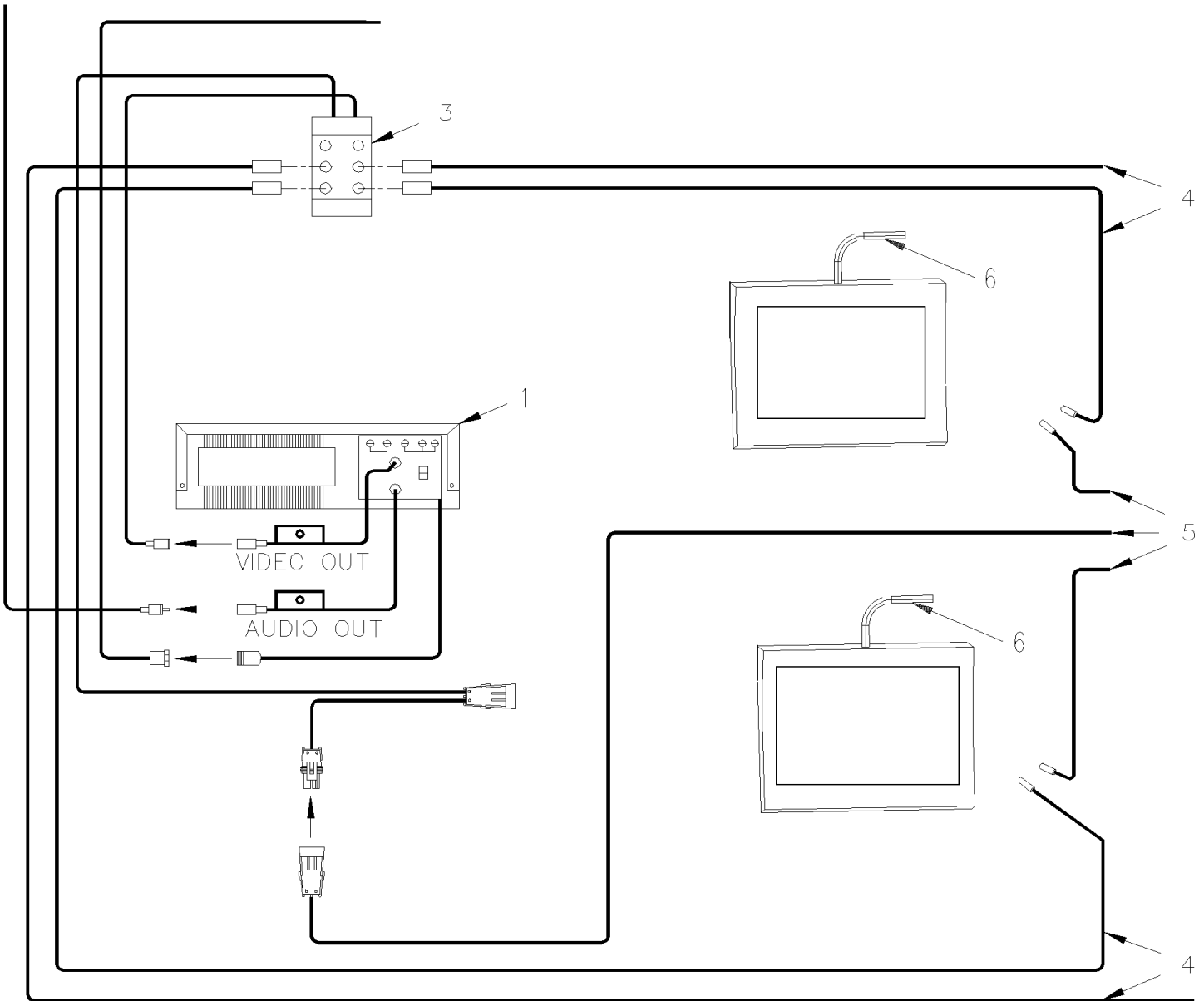
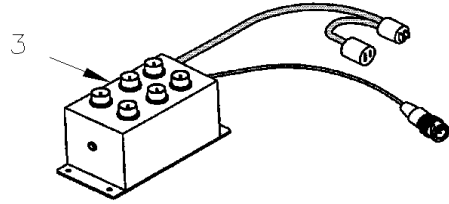
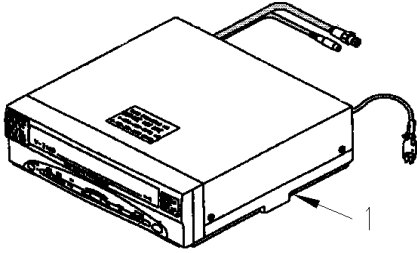
SIDE MONITOR FLAT SCREEN - VIDEO "VOLVO"



From 8-9389 To A-9894	Date:01/2024	PAGE:X3-2317-11
SIDE MONITOR FLAT SCREEN - VIDEO "VOLVO"		

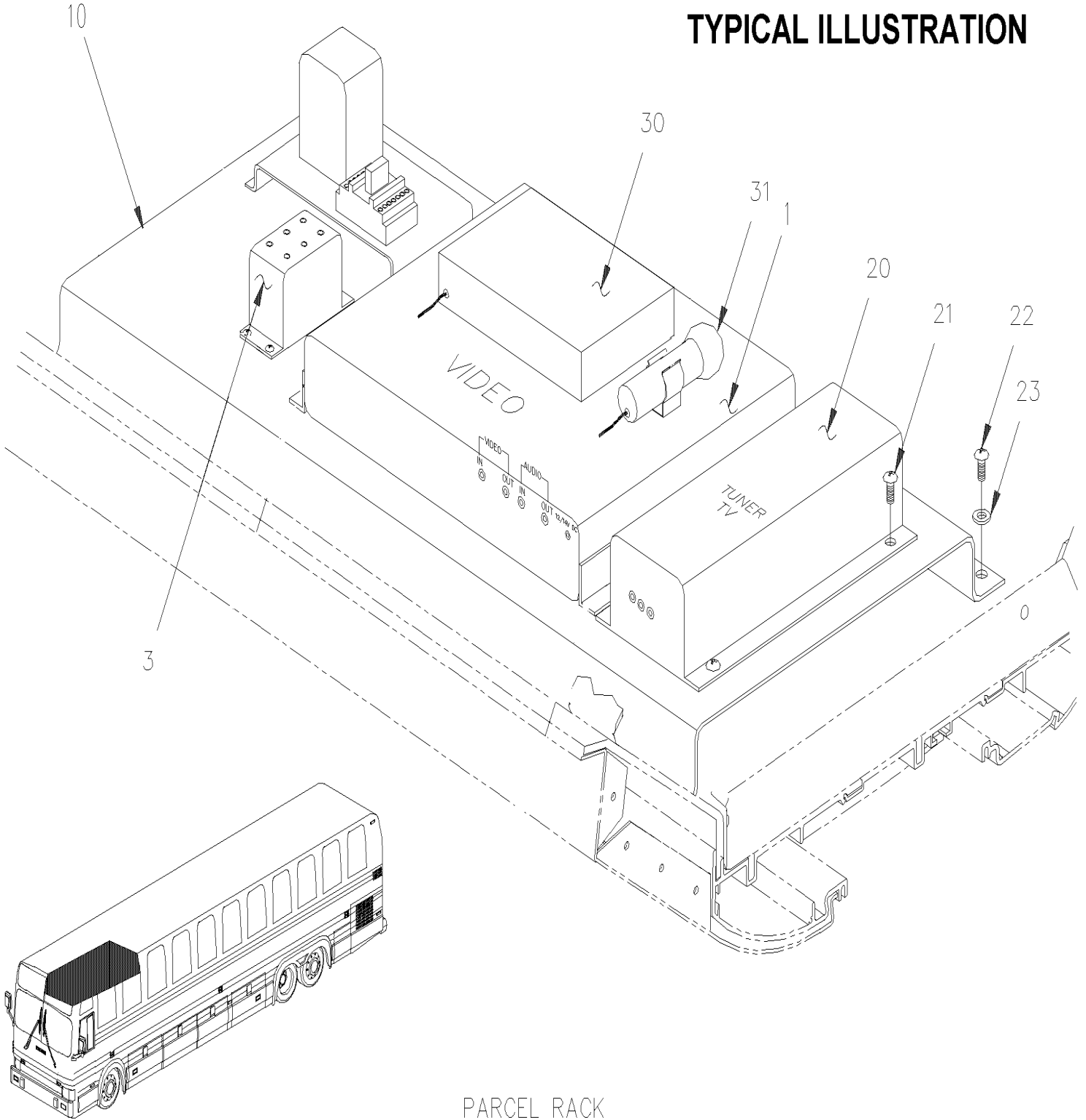
Item#	Part	Description	QTY	Notes
1	409211	SPACER 5/8" OD TUBEXx24.5MM /W/FL 3MM	2	
2	409210	SUPPORT MONITOR	1	
3	903221	CLOSING SUPPORT CURBSIDE MONITOR	1	
3	903222	CLOSING SUPPORT STREETSIDE MONITOR	1	
4	903224	MONITOR LCD 15"	1	
NS	901294	REMOTE CONTROL / MONITOR LCD	1	
5	903218	ATTACHMENT CURBSIDE MONITOR	1	
5	903219	ATTACHMENT STREETSIDE MONITOR	1	
6	680038	THREAD LOCKER LOCTITE #243 / BLUE / 50ml	AR	
7	502793	SCREW CAP HEX M6-1.0x45 G8.8 Z050	2	
8	561681	CONVOLUTED TUBING / SLIT / BLACK & GRAY / .350"	AR	
9	506268	TAPE RUB ADH1 URE 3/8" x 1/2" x 25' / GREY 1820	AR	
10	976944	WASHER FL 8.4x22.0x2.0 ZP	2	
NS	509910	NUT PUSH RND M6 ZP	2	
11	500624	SCREW TP OV PH #6x1/2 Z050	2	
12	500463	WASHER FN CKF .187x.500x.090 BR Z050	2	
13	903220	FINISHING SCREEN SUPPORT CURBSIDE	1	
13	903223	FINISHING SCREEN SUPPORT STREETSIDE	1	
50	X3-1836-00	PARCEL RACK		
NS	564183	REMOTE CONTROL / CENTERING SCREEN PLAY TOOL	AR	

DVD PLAYER - INSTALLATION



From 7-8754 To N-6755	Date:01/2024	PAGE:X3-2317-20
DVD PLAYER - INSTALLATION		

TYPICAL ILLUSTRATION



PARCEL RACK

From 7-8754 To N-6755	Date:01/2024	PAGE:X3-2317-20
-----------------------	--------------	-----------------

DVD PLAYER - INSTALLATION

Item#	Part	Description	QTY	Notes
1	901198	DVD PLAYER 12V (VOLVO) VD-404 To A-9872	1	S
. NS	901265	. REMOTE CONTROL / DVD VOLVO To A-9872	1	S
. NS	901302	. SENSOR ASSY W/CABLE / DVD REMOTE CONTROL To A-9872	1	S
1	901339	DVD PLAYER 12V From A-9873 To J-6353	1	
. NS	901377	. REMOTE CONTROL / DVD R.E.I. From A-9873 To J-6353	1	
1	901436	DVD PLAYER 12V From J-6354	1	
. NS	901264	. REMOTE CONTROL / DVD REI From J-6354	1	
NS	409294	CABLE INTERFACE DVD "VOLVO" to DVD "REI" 4 CONN. to 6 CONN. To A-9872	1	
NS	901030	VIDEO V-3000 VCP, SYS 2000 24V To 8-9311	1	A
. NS	901065	. REMOTE CONTROL / VDO REI V-3000 To 8-9311	1	A
1	7770197	KIT, VHS TO DVD CONVERSION To 8-9311	1	A
. NS	901339	. DVD PLAYER 12V To 8-9311	1	A
. . NS	901377	. . REMOTE CONTROL / DVD R.E.I. To 8-9311	1	A
. NS	407639	. SUPPORT, DVD To 8-9311	1	A
. NS	901347	. CABLE ASSY / W/2 BNC FEMALE/ FEMALE 1" To 8-9311	1	A
. NS	901564	. ADAPTOR, RCA MALE TO BNC FEMALE To 8-9311	1	A
. NS	563071	. CONNECTOR / MINI FIT JR / SH 4C / MOLEX 39-01-3042 To 8-9311	1	A
. NS	562593	. WIRE CABLE 18 / YELLOW / TXL To 8-9311	AR	A
. NS	562587	. WIRE CABLE 18 / BLACK / TXL To 8-9311	AR	A
. NS	562463	. SOCKET TERMINAL / 24-18 / MOLEX 39-00-0039 To 8-9311	2	A
. NS	563622	. BUTT SPLICE / 22-18 / RED / W/THERMORETRAC / PANDUIT BSH18-Q To 8-9311	2	A
. NS	5001017	. SCREW TC CAP HEXW #10-24x1/2 Z050 To 8-9311	4	A
. NS	502853	. WASHER LO SPT 6.1x11.8x1.6 N500 To 8-9311	1	A
. NS	IS-16901A	. SEE INSTRUCTION SHEET To 8-9311	1	A
3	901117	VIDEO DISTRIBUTION AMPLI W/BNC To C-5087	1	
. NS	901119	. CABLE POWER DVA/VIDEO To C-5087	1	
3	901403	VIDEO DISTRIBUTION AMPLI W/BNC From C-5088	1	
NS	900777	CONNECTOR BNC PLUG TO RCA ADAPTOR / ELEC 21-142-0	AR	
NS	901157	CABLE COAXIAL 3' BNC	1	A
NS	404380	CABLE ASSY RCA / M/M / USE WITH 2 VIDEOS / 510300	1	
3	901430	CABLE IN "Y" 24VDC POWER	1	C
3	506318	TAPE DUAL LOCK 1" x 150' / BLACK SJ3541	AR	C
3	901429	CABLE 12 VDC POWER - DVD	1	B
3	901403	VIDEO DISTRIBUTION AMPLI W/BNC From D-5405 To D-5405	1	PWT
3	506755	VELCRO / HOOK ADHESIF 1" x 75' From D-5405 To D-5405	AR	PWT
3	901347	CABLE ASSY / W/2 BNC FEMALE/ FEMALE 1" From D-5405 To D-5405	1	PWT
3	900777	CONNECTOR BNC PLUG TO RCA ADAPTOR / ELEC 21-142-0 From D-5405 To D-5405	1	PWT
4	901146	CABLE ASSY COAX / RG-59 / 7'	AR	
4	404232	CABLE ASSY COAX / RG-59 / 10' / 510443	AR	
4	404233	CABLE ASSY COAX / RG-59 / 15' / 511062	AR	
4	404234	CABLE ASSY COAX / RG-59 / 20' / 510407	AR	
4	404235	CABLE ASSY COAX / RG-59 / 24' / 510414	AR	

From 7-8754 To N-6755	Date:01/2024	PAGE:X3-2317-20
DVD PLAYER - INSTALLATION		

Item#	Part	Description	QTY	Notes
4	404236	CABLE ASSY COAX / RG-59 / 33' / 510928	AR	
4	404237	CABLE ASSY COAX / RG-59 / 44' / 510929	AR	
5	405732	CABLE ASSY / 24V POWER / 6' To 8-9388	AR	R
5	405487	CABLE ASSY / 24V POWER / 10' To 8-9388	AR	R
5	406087	CABLE ASSY / 24V POWER / 10' From 8-9389 To A-9894	AR	V
5	409287	CABLE ASSY / 24V POWER / 10' From A-9895 To K-6492	AR	R
5	400836	CABLE ASSY / 24V POWER / 10' From L-6493	AR	
5	405488	CABLE ASSY / 24V POWER / 15' To 8-9388	AR	R
5	406088	CABLE ASSY / 24V POWER / 15' From 8-9389 To A-9894	AR	V
5	409288	CABLE ASSY / 24V POWER / 15' From A-9895 To K-6492	AR	R
5	400837	CABLE ASSY / 24V POWER / 15' From L-6493	AR	
5	405489	CABLE ASSY / 24V POWER / 20' To 8-9388	AR	R
5	406089	CABLE ASSY / 24V POWER / 20' From 8-9389 To A-9894	AR	V
5	409289	CABLE ASSY / 24V POWER / 20' From A-9895 To K-6492	AR	R
5	400838	CABLE ASSY / 24V POWER / 20' From L-6493	AR	
5	405490	CABLE ASSY / 24V POWER / 25' To 8-9388	AR	R
5	406090	CABLE ASSY / 24V POWER / 25' From 8-9389 To A-9894	AR	V
5	409290	CABLE ASSY / 24V POWER / 25' From A-9895 To K-6492	AR	R
5	400839	CABLE ASSY / 24V POWER / 25' From L-6493	AR	
5	405491	CABLE ASSY / 24V POWER / 30' To 8-9388	AR	R
5	406091	CABLE ASSY / 24V POWER / 30' From 8-9389 To A-9894	AR	V
5	409291	CABLE ASSY / 24V POWER / 30' From A-9895 To K-6492	AR	R
5	400840	CABLE ASSY / 24V POWER / 30' From L-6493	AR	
5	405492	CABLE ASSY / 24V POWER / 35' To 8-9388	AR	R
5	406092	CABLE ASSY / 24V POWER / 35' From 8-9389 To A-9894	AR	V
5	409292	CABLE ASSY / 24V POWER / 35' From A-9895 To K-6492	AR	R
5	400841	CABLE ASSY / 24V POWER / 35' From L-6493	AR	
5	405493	CABLE ASSY / 24V POWER / 40' To 8-9388	AR	R
5	406093	CABLE ASSY / 24V POWER / 40' From 8-9389 To A-9894	AR	V
5	409293	CABLE ASSY / 24V POWER / 45' From A-9895 To K-6492	AR	R
5	400842	CABLE ASSY / 24V POWER / 45' From L-6493	AR	
5	405494	CABLE ASSY / 24V POWER / 60' To 8-9388	AR	R
6	X3-2317-10	SIDE MONITOR FLAT SCREEN - VIDEO -"R.E.I."		
10	409125	MOUNTING PLATE	1	
20	901054	TUNER TV 24V	1	
21	500654	SCREW TC BDG PH #8-32x1/2 Z050	4	
22	500841	SCREW TP PAN PH #14x3/4 Z050	5	
NS	504503	BUSHING, NYLON 5/16 DIA.	5	
23	500441	WASHER FL .312x.734x.065 Z050	5	
30	901201	RECEIVER WIRELESS MICROPHONE / 16 CHANNEL To H-6188	1	
30	901657	RECEIVER WIRELESS MICROPHONE / 200 CHANNEL From H-6189 To K-6444	1	
30	901702	RECEIVER WIRELESS MICROPHONE / 200 CHANNEL From K-6445	1	

From 7-8754 To N-6755	Date:01/2024	PAGE:X3-2317-20
DVD PLAYER - INSTALLATION		

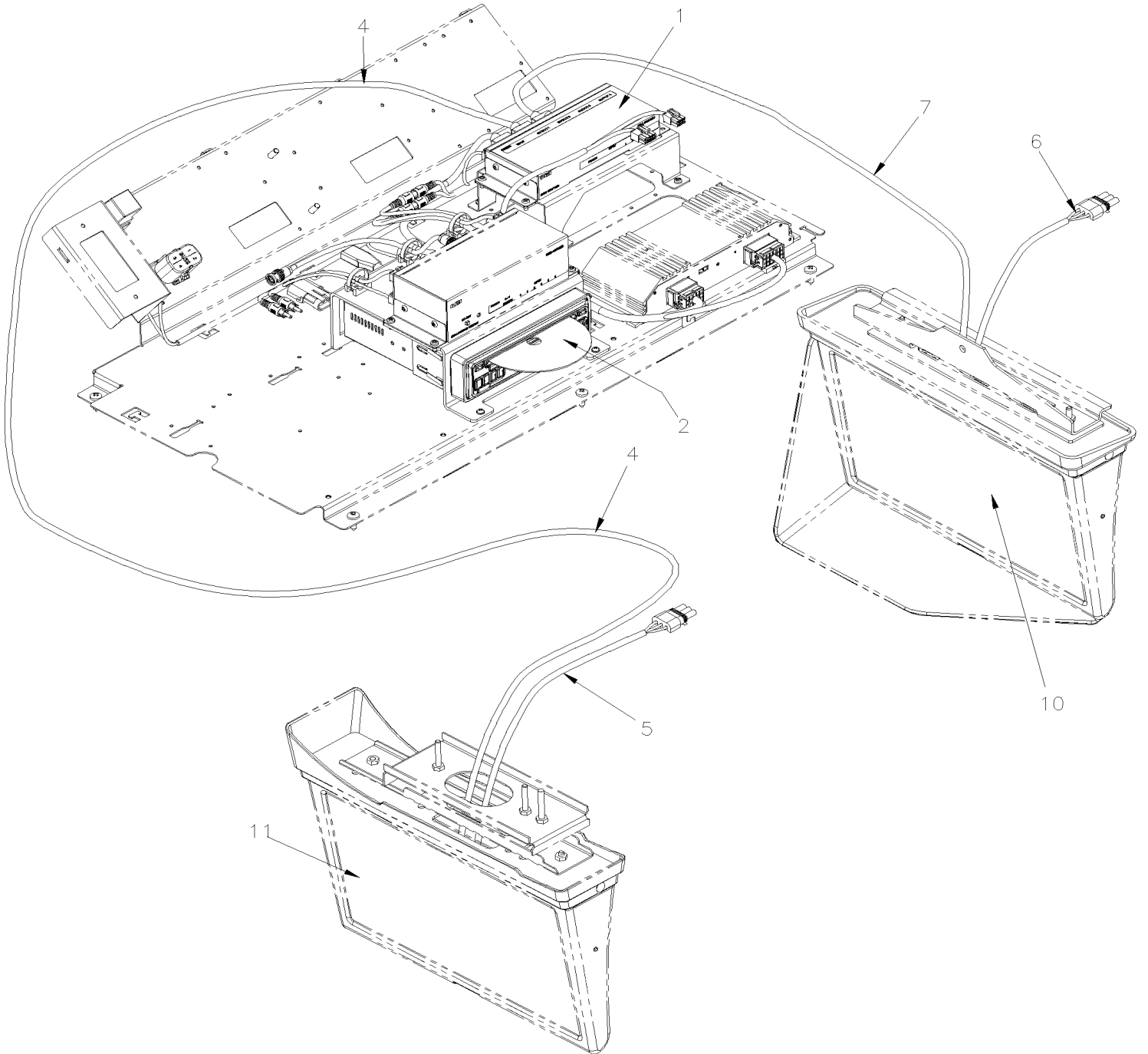
Item#	Part	Description	QTY	Notes
NS	500799	SCREW TC PAN PH #8-32x3/8 N500	1	
30	900050	BRACKET RECEIVER WIRELESS MIC From G-6073 To H-6188	2	
31	900954	MICROPHONE, WIRELESS / 16 CHANNEL To H-6188	1	
NS	685199	BATTERY 1.5V / TYPE "AA" / RECHARGEABLE To H-6188	AR	
31	901640	MICROPHONE, WIRELESS / 100 CHANNEL From H-6189 To K-6444	1	
31	901701	MICROPHONE, WIRELESS / 100 CHANNEL From K-6445	1	
NS	685199	BATTERY 1.5V / TYPE "AA" / RECHARGEABLE From K-6445	2	
31	900953	STATION WIRELESS BATTERY CHARGING 16 CHANNEL To H-6188	1	
NS	901639	STATION WIRELESS BATTERY CHARGING 100 CHANNEL From H-6189	1	
NS	430669	KIT, REPLACEMENT DVD "VOLVO" TO "REI"	1	
NS	409294	CABLE INTERFACE DVD "VOLVO" to DVD "REI" 4 CONN. to 6 CONN.	1	
NS	901436	DVD PLAYER 12V	1	
NS	901264	REMOTE CONTROL / DVD REI	1	
NS	901347	CABLE ASSY / W/2 BNC FEMALE/ FEMALE 1"	1	
NS	IS-09048	SEE INSTRUCTION SHEET	1	
		A) WITH VHS VIDEO - "OPTIONAL"		
		B) USE WITH DVD IN SECOND DOOR PARCEL RACK		
		C) WITH OPTION 8 MONITORS		
		PWT) USE WITH PACIFIC WESTERN		
		R) CABLE W/R.E.I. MONITOR USE W/CON 1 # 563071 & 3 TERM # 562483		
		S) THIS DVD MAY BY REPLACE BY ONE # 901339 AND ONE CABLE # 409294		
		V) CABLE W/VOLVO MONITOR USE W/CON 1 # 564004 & 2 TERM # 563676		

From H-6179

Date:01/2024

PAGE:X3-2317-21

SCREEN VIDEO & POWER - INSTALLATION W/HHED



From H-6179	Date:01/2024	PAGE:X3-2317-21
SCREEN VIDEO & POWER - INSTALLATION W/HHED		

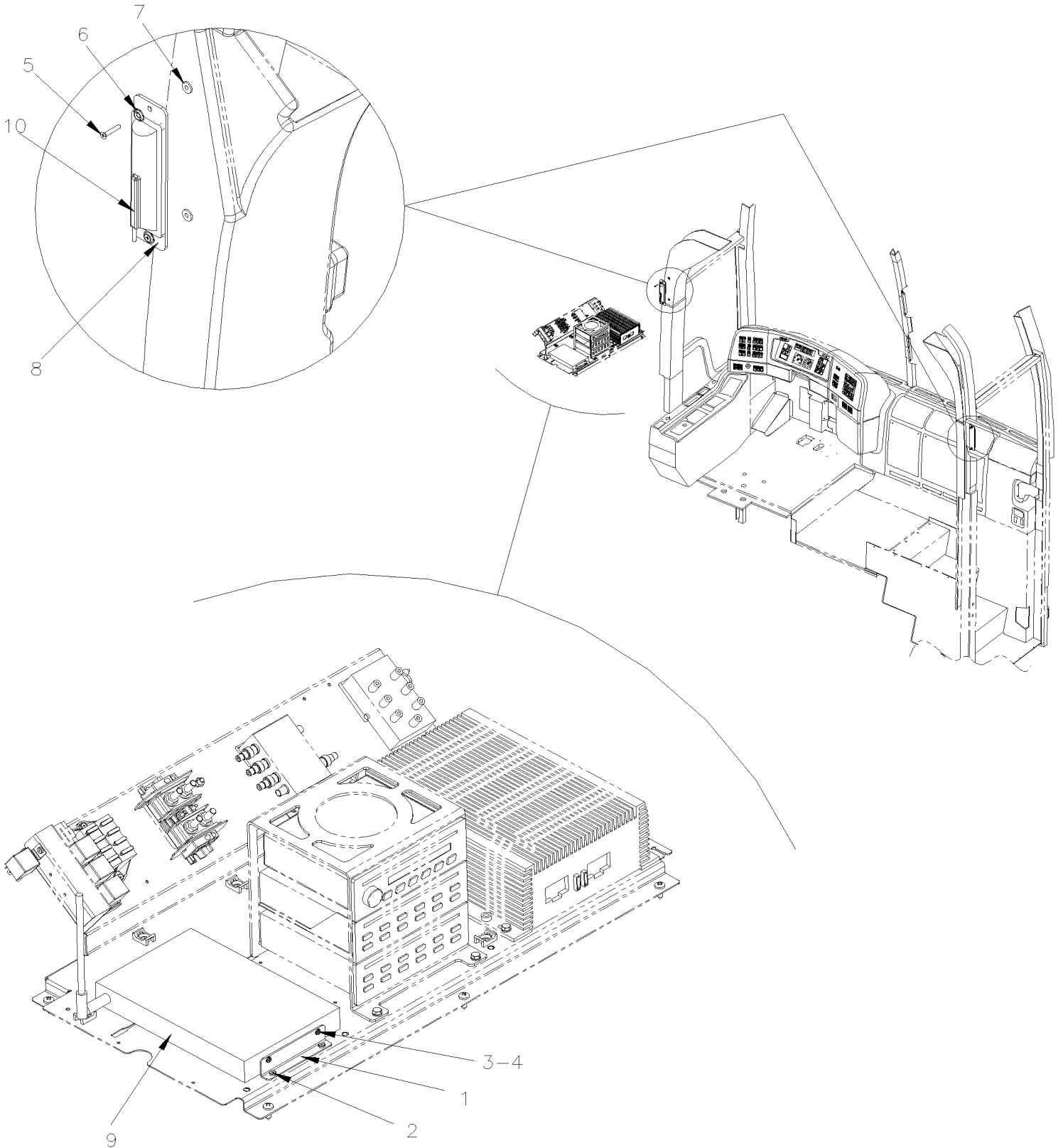
Item#	Part	Description	QTY	Notes
1	900027	MODULE HDMI VIDEO SPLITTER To J-6280	1	
1	900208	MODULE HDMI VIDEO SPLITTER From J-6281	1	
2	901339	DVD PLAYER 12V To J-6353	1	
. NS	901377	. REMOTE CONTROL / DVD R.E.I. To J-6353	1	
2	901436	DVD PLAYER 12V From J-6354	1	
. NS	901264	. REMOTE CONTROL / DVD REI From J-6354	1	
NS	900029	POWER CABLE ON REI SWITCH AND SPLITTER	1	
4	900031	CABLE HDMI E / 3'	AR	
4	900032	CABLE HDMI E / 7'	AR	
4	900033	CABLE HDMI E / 10'	AR	
4	900034	CABLE HDMI E / 15'	AR	
4	900036	CABLE HDMI E / 20'	AR	
4	900037	CABLE HDMI E / 35'	AR	
4	900047	CABLE HDMI E / 25'	AR	
4	900048	CABLE HDMI E / 30'	AR	
5	409287	CABLE ASSY / 24V POWER / 10' To K-6492	AR	
5	400836	CABLE ASSY / 24V POWER / 10' From L-6493	1	
5	409288	CABLE ASSY / 24V POWER / 15' To K-6492	AR	
5	400837	CABLE ASSY / 24V POWER / 15' From L-6493	1	
5	409289	CABLE ASSY / 24V POWER / 20' To K-6492	AR	
5	400838	CABLE ASSY / 24V POWER / 20' From L-6493	1	
5	409290	CABLE ASSY / 24V POWER / 25' To K-6492	AR	
5	400839	CABLE ASSY / 24V POWER / 25' From L-6493	1	
5	409291	CABLE ASSY / 24V POWER / 30' To K-6492	AR	
5	400840	CABLE ASSY / 24V POWER / 30' From L-6493	1	
5	409292	CABLE ASSY / 24V POWER / 35' To K-6492	AR	
5	400841	CABLE ASSY / 24V POWER / 35' From L-6493	1	
5	409293	CABLE ASSY / 24V POWER / 45' To K-6492	AR	
5	400842	CABLE ASSY / 24V POWER / 45' From L-6493	1	
6	405732	CABLE ASSY / 24V POWER / 6' To K-6492	1	A
6	406835	CABLE ASSY / 24V POWER From L-6493	1	A
6	901146	CABLE ASSY COAX / RG-59 / 7'	1	A
6	069346	CABLE ASSY / FLIP SCREEN	1	B
7	900032	CABLE HDMI E / 7'	1	
10	X3-2317-00	FRONT MONITOR FLAT SCREEN		
11	X3-2317-10	SIDE MONITOR FLAT SCREEN - VIDEO "R.E.I."		
11	X3-2317-11	SIDE MONITOR FLAT SCREEN - VIDEO "VOLVO"		
		A) WITH FIXE MONITOR		
		B) WITH FLIP MONITOR		

From 7-8754

Date:01/2024

PAGE:X3-2317-25

"WI-FI" MODULE - INSTALLTION



From 7-8754	Date:01/2024	PAGE:X3-2317-25
-------------	--------------	-----------------

"WI-FI" MODULE - INSTALLTION

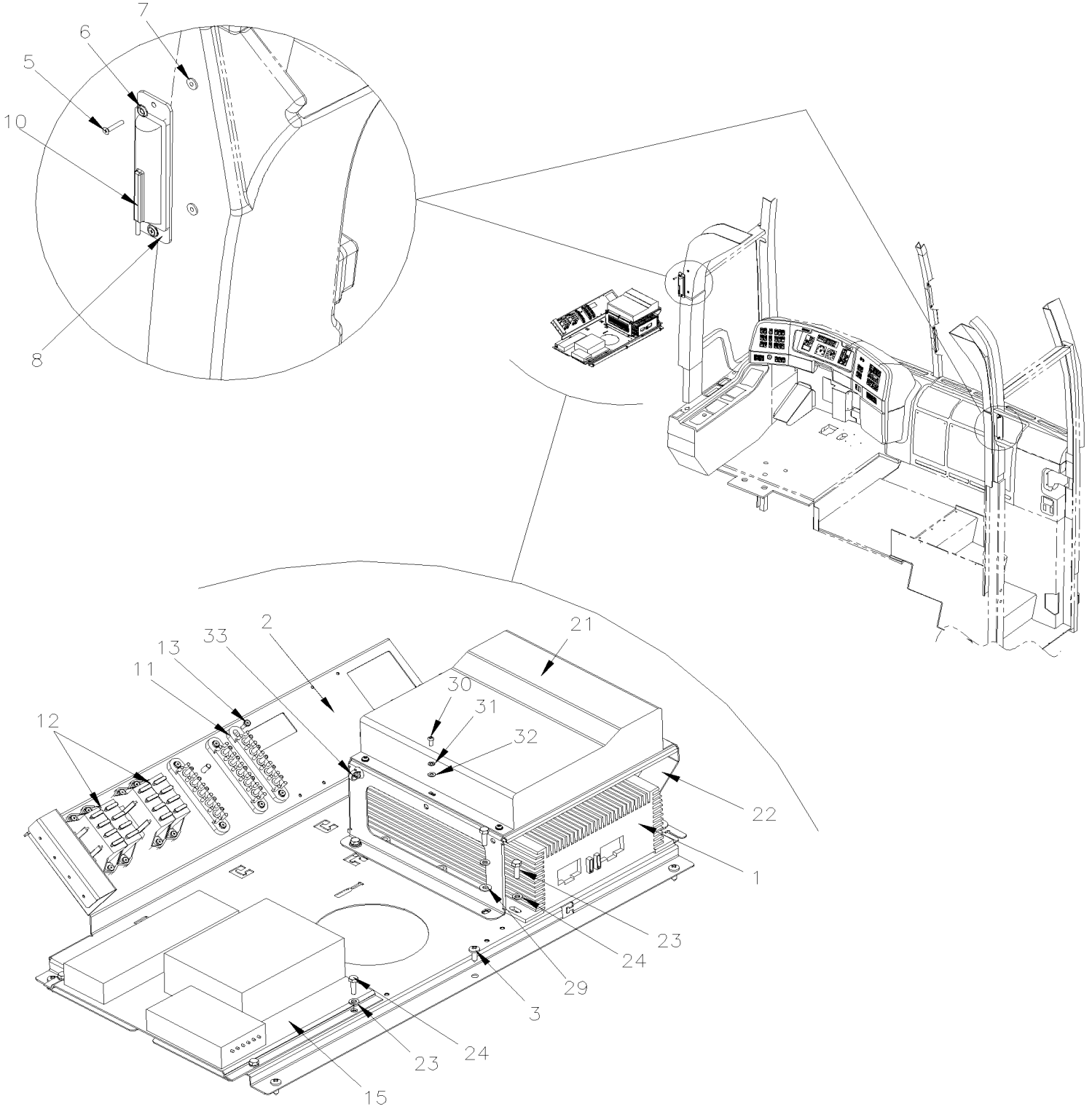
Item#	Part	Description	QTY	Notes
1	406175	ANGLE SUPPORT INTERNET MODULE 25MM x 15MM x 110MM	2	
2	500654	SCREW TC BDG PH #8-32x1/2 Z050	4	
3	500498	SCREW MA BDG PH #4-40x1/2 N500	4	
4	502834	WASHER LO SPT 4.1x7.6x0.9 N500	4	
5	502666	SCREW MA FL PH #6-32x3/4 SS BK	4	
6	500286	NUT WELL #6-32	4	
7	500345	WASHER FN CKF .187x.500x.090 BR BK	4	
8	406230	PLATE INTERNET ANTENA 160MM x 40MM	2	
9	N.S.P.	INTERNET MODULE	1	2
10	N.S.P.	ANTENA INTERNET MODULE	1	2
		2) NOT SOLD BY PREVOST (SEE MANUFACTURING PART NUMBER AT END OF DESCRIPTION LINE)		

From B-5050

Date:01/2024

PAGE:X3-2317-26

"WI-FI" MODULE / "CADEC" MODULE / "DRIVECAM" - INSTALLTION

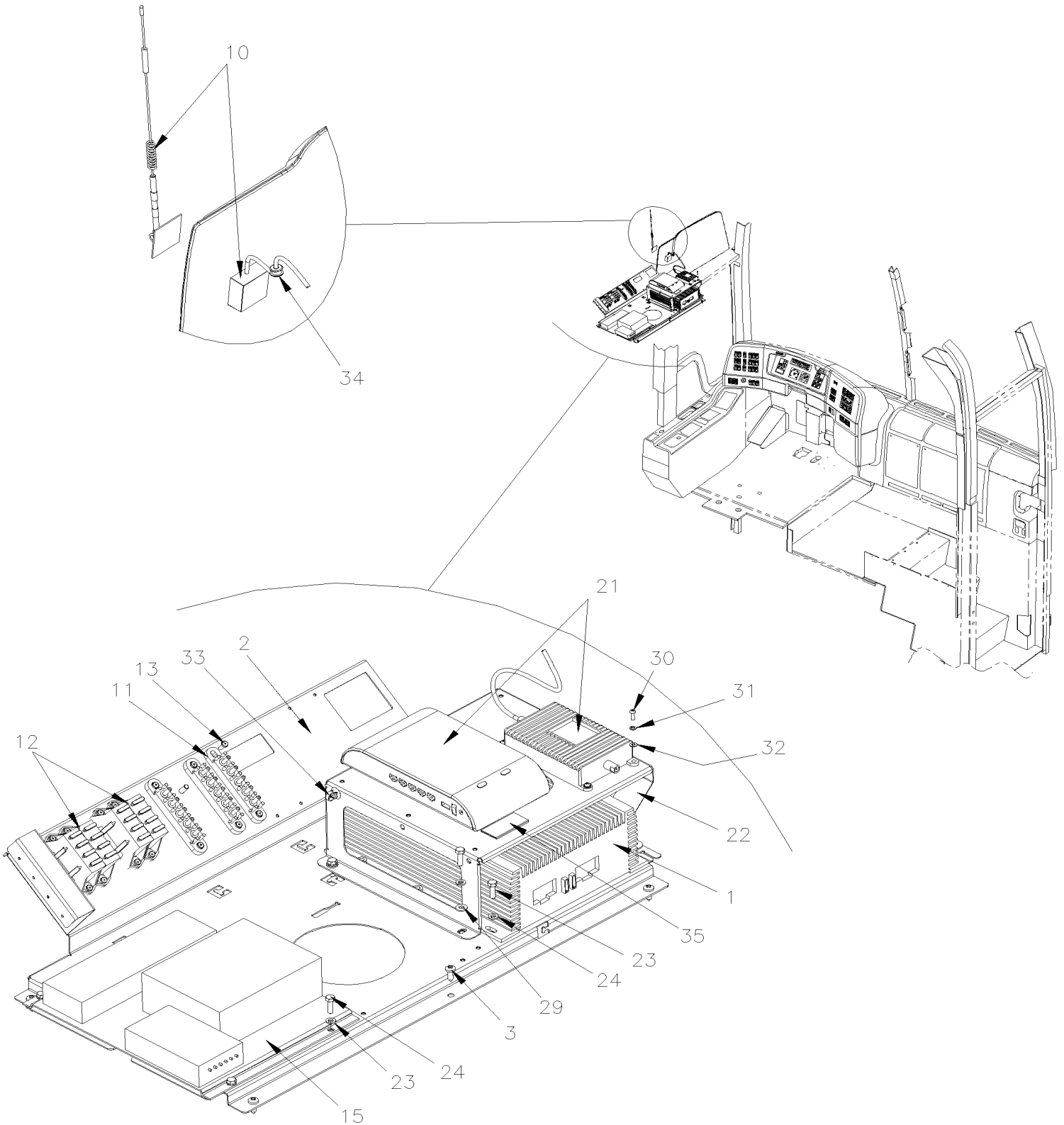


From B-5050

Date:01/2024

PAGE:X3-2317-26

"WI-FI" MODULE / "CADEC" MODULE / "DRIVECAM" - INSTALLTION

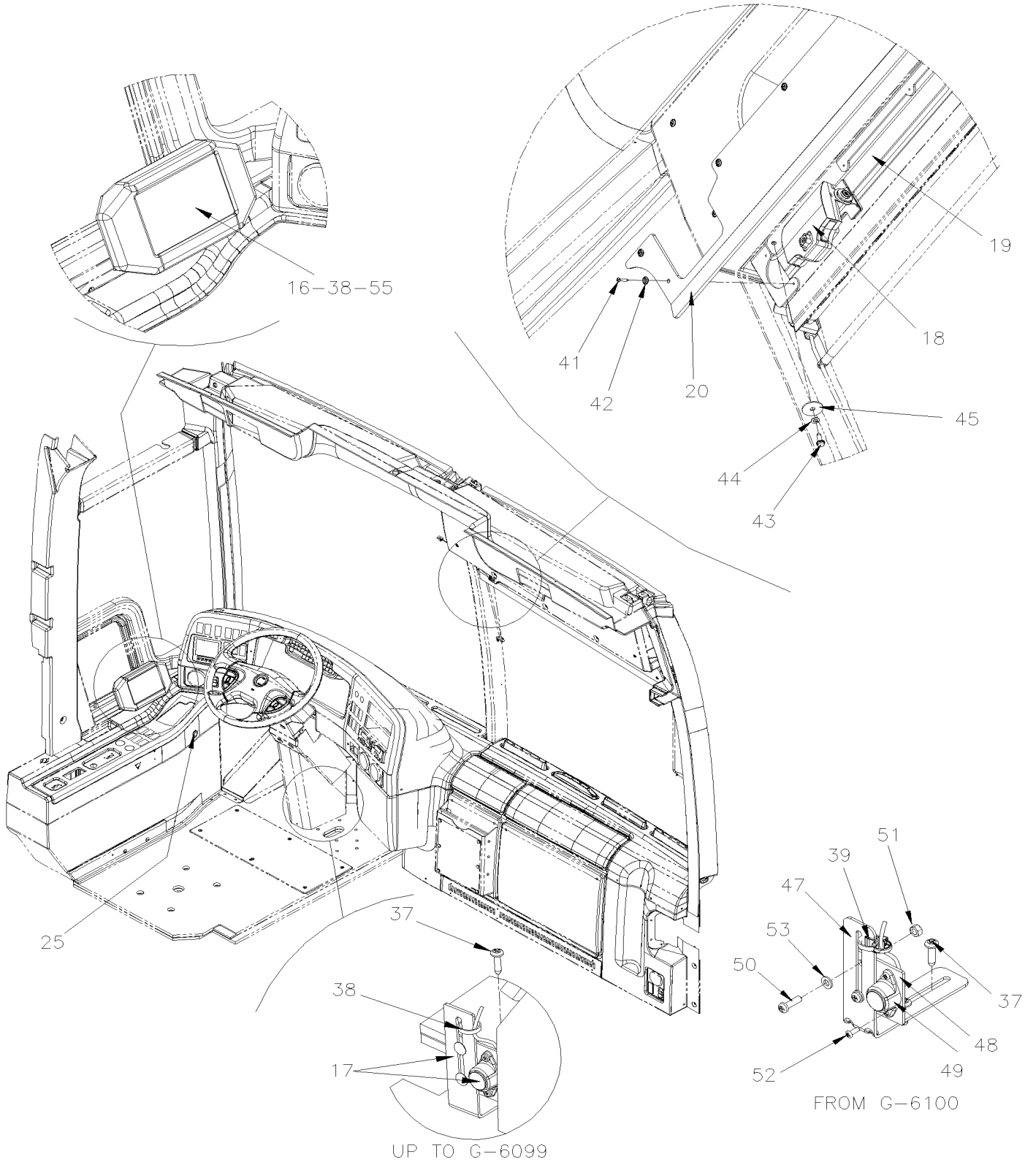


From B-5050

Date:01/2024

PAGE:X3-2317-26

"WI-FI" MODULE / "CADEC" MODULE / "DRIVECAM" - INSTALLTION



From B-5050	Date:01/2024	PAGE:X3-2317-26
--------------------	---------------------	------------------------

"WI-FI" MODULE / "CADEC" MODULE / "DRIVECAM" - INSTALLTION

Item#	Part	Description	QTY	Notes
1	901191	AMPLIFICATOR AUDIO / 400 WATTS / ONKYO To F-5812	1	
1	901538	AMPLIFICATOR AUDIO / 400 WATTS / FISCHER From F-5813 To P-6797	1	
1	901907	AMPLIFICATOR AUDIO / 400 WATTS / FISCHER From P-6798	1	
2	408338	PLATE SUPPORT MAIN SYSTEM	1	
3	500641	SCREW TP PAN PH #8x3/4 Z050	6	
5	502666	SCREW MA FL PH #6-32x3/4 SS BK	4	
6	500286	NUT WELL #6-32	4	
7	500345	WASHER FN CKF .187x.500x.090 BR BK	4	
8	406230	PLATE INTERNET ANTENA 160MM x 40MM	2	
10	N.S.P.	ANTENNA "WI-FI" MODULE	1	2 S
11	563218	JUNCTION BLOCK W/5 STUDS	3	
12	563535	FUSE BLOCK W/4 LEDS & WIRES	2	
. NS	381960	. PROTECTOR COVER FUSE HOLDER 49MM x 62MM "OPTION SPECIAL"	AR	
12	562598	FUSE / ATO 2 AMPS GREY	AR	
12	562407	FUSE / ATO 10 AMPS RED	AR	
12	562396	FUSE / ATO 30 AMPS GREEN	AR	
12	562605	FUSE / ATO 20 AMPS YELLOW	AR	
13	500654	SCREW TC BDG PH #8-32x1/2 Z050	AR	
15	N.S.P.	"CADEC SYSTEM"	1	2 S
15	068350	CABLE "CADEC SYSTEM" To D-5458	1	
15	068851	CABLE "CADEC SYSTEM" From E-5459 To G-6099	1	
15	069641	CABLE "CADEC SYSTEM" From G-6100 To H-6179	1	
15	060097	CABLE "CADEC SYSTEM" From H-6180	1	
15	N.S.P.	ANTENNA "CADEC SYSTEM"	1	2 S
16	N.S.P.	DISPLAY KIT "CADEC SYSTEM"	1	2 S
16	N.S.P.	CABLE / DISPLAY "CADEC SYSTEM"	1	2 S
17	N.S.P.	PANIC SWITCH PUSH BUTTON KIT "CADEC SYSTEM" To G-6099	1	2 S
18	N.S.P.	"DRIVECAM" / COMPLET KIT To G-6099	1	2 S
18	901578	"DRIVECAM" / COMPLET KIT From G-6100 To J-6308	1	
18	901678	"DRIVECAM" / COMPLET KIT From J-6309	1	
18	068536	CABLE / "DRIVECAM" To G-6098	1	
18	069644	CABLE / "DRIVECAM" From G-6099 To G-6099	1	
18	562479	CONNECTOR / DT SERIES / PH 4C / GRAY / DEUTSCH DT04-4P-C015 From G-6100	1	
18	562480	SECONDARY LOCK / DT SERIES / PH 4C / DEUTSCH W4P From G-6100	1	
18	562286	PIN TERMINAL / 18-16 / DEUTSCH 0460-202-16141 From G-6100	3	
18	563622	BUTT SPLICE / 22-18 / RED / W/THERMORETRAC / PANDUIT BSH18-Q From G-6100	1	
18	563623	BUTT SPLICE / 16-14 / BLUE / W/THERMORETRAC / PANDUIT BSH14-Q From G-6100	1	
18	680453	SEALANT TAPE / CLEAR / 1/32"x1/2"x65' / 1795	AR	
18	504637	CABLE TIE / 3/16" x 13"	AR	
19	406972	SUPPORT / "DRIVECAM" To F-5814	1	
19	407688	SUPPORT / "DRIVECAM" From F-5815 To J-6308	1	
19	407204	SUPPORT / "DRIVECAM" From J-6309 To K-6492	1	

From B-5050	Date:01/2024	PAGE:X3-2317-26
--------------------	---------------------	------------------------

"WI-FI" MODULE / "CADEC" MODULE / "DRIVECAM" - INSTALLTION

Item#	Part	Description	QTY	Notes
19	401322	SUPPORT / "DRIVECAM" From L-6493	1	
19	8631155	CABLE TIE / 4.6MM x 200 / CHRISTMAS TREE	2	
20	406973	PLEXIGLASS TINTED / "DRIVECAM" To F-5814	1	
20	407689	PLEXIGLASS TINTED / "DRIVECAM" From F-5815 To J-6308	1	
20	407205	PLEXIGLASS TINTED / "DRIVECAM" From J-6309	1	
21	N.S.P.	"WI-FI" MODULE	1	2 S
22	408331	PLATE SUPPORT MAIN SYSTEM	1	
23	502830	SCREW CAP HEX M6-1.0x20 G8.8 N500	12	
24	502564	WASHER LO SPT 6.1x11.8x1.6 Z050	12	
25	901579	REMOTE BUTTON AND CABLE, DRIVECAM From G-6100 To J-6308	1	
25	901679	REMOTE BUTTON AND CABLE, DRIVECAM From J-6309	1	
29	500440	WASHER FL .250x.562x.065 Z050	4	
30	500344	SCREW MA RND PH M4-0.7x12 Z050	6	
31	502636	WASHER LO SPT 4.1x7.6x0.9 Z050	6	
32	500591	WASHER FL 4.3x9.0x0.8 Z050	6	
33	8631155	CABLE TIE / 4.6MM x 200 / CHRISTMAS TREE	1	
34	504593	GROMMET / .250x.437x.250x.375x.625	1	
35	506755	VELCRO / HOOK ADHESIF 1" x 75'	AR	
35	506756	VELCRO / LOOP ADHESIF 1" x 75'	AR	
36	068577	DECAL WIRIING CADEC / PREVOST	1	F
37	502706	SCREW TP PAN PH #14x1 SS	2	
38	504637	CABLE TIE / 3/16" x 13"	AR	
39	564204	CABLE TIE / WITH EDGE CLIP / T50REC4A 10MMx200MM From G-6100	1	
41	5001097	SCREW TC OV PH #6-32x3/4 SS410 BK	8	
42	500345	WASHER FN CKF .187x.500x.090 BR BK	8	
43	502848	SCREW TC CAP HEXF 1/4-20x3/4 N500	2	
44	5001749	WASHER LO SPT 6.5x11.5x1.6 N500	2	
45	500913	WASHER FL .281x1.250x.065 N500	2	
47	400388	BRACKET "L" SHAPE , PANIC SWITCH From G-6100	1	
48	400391	BRACKET, PANIC SWITCH From G-6100	1	
49	560355	SWITCH, MOMENTARY BLACK (PANIC) From G-6100	1	
50	5001507	SCREW MA PAN PH M6-1.0x20 SS From G-6100	2	
51	5001182	NUT HEX NYRT M6-1.0 SS From G-6100	2	
52	5001996	SCREW MA PAN PH M4-0.7x12 N500 From G-6100	2	
53	502573	WASHER FL 6.4x12.5x1.6 SS From G-6100	2	
55	500772	NUT HEX CAP 1/4-20 NP From G-6100	4	
55	680038	THREAD LOCKER LOCTITE #243 / BLUE / 50ml From G-6100	AR	

From B-5050	Date:01/2024	PAGE:X3-2317-26
-------------	--------------	-----------------

"WI-FI" MODULE / "CADEC" MODULE / "DRIVECAM" - INSTALLTION

Item#	Part	Description	QTY	Notes
		F) FIX ON PARCEL RACK DOOR		
		S) SUPPLY BY THE CUSTOMER		
		2) NOT SOLD BY PREVOST (SEE MANUFACTURING PART NUMBER AT END OF DESCRIPTION LINE)		

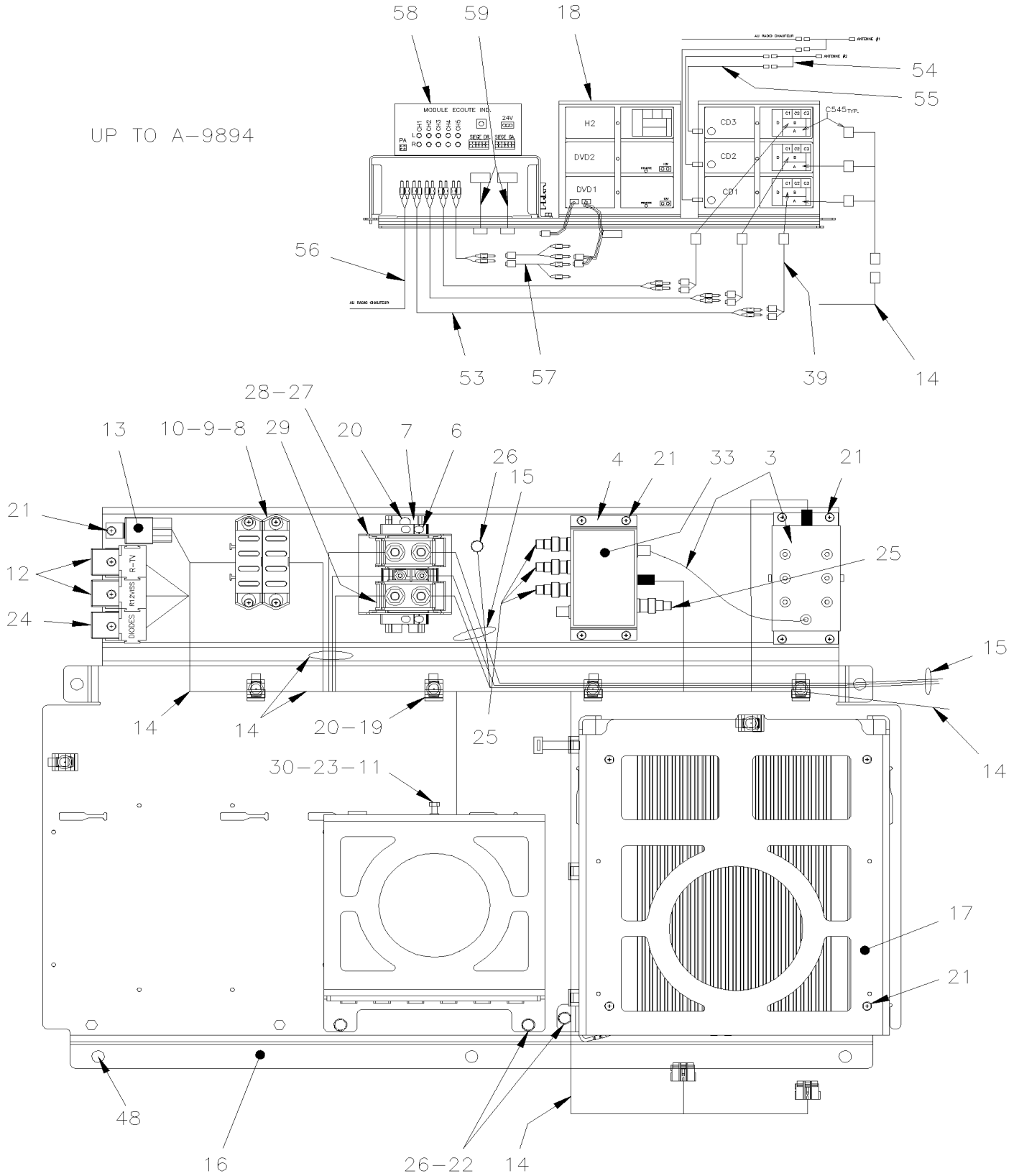
From 7-8754 To N-6755

Date:01/2024

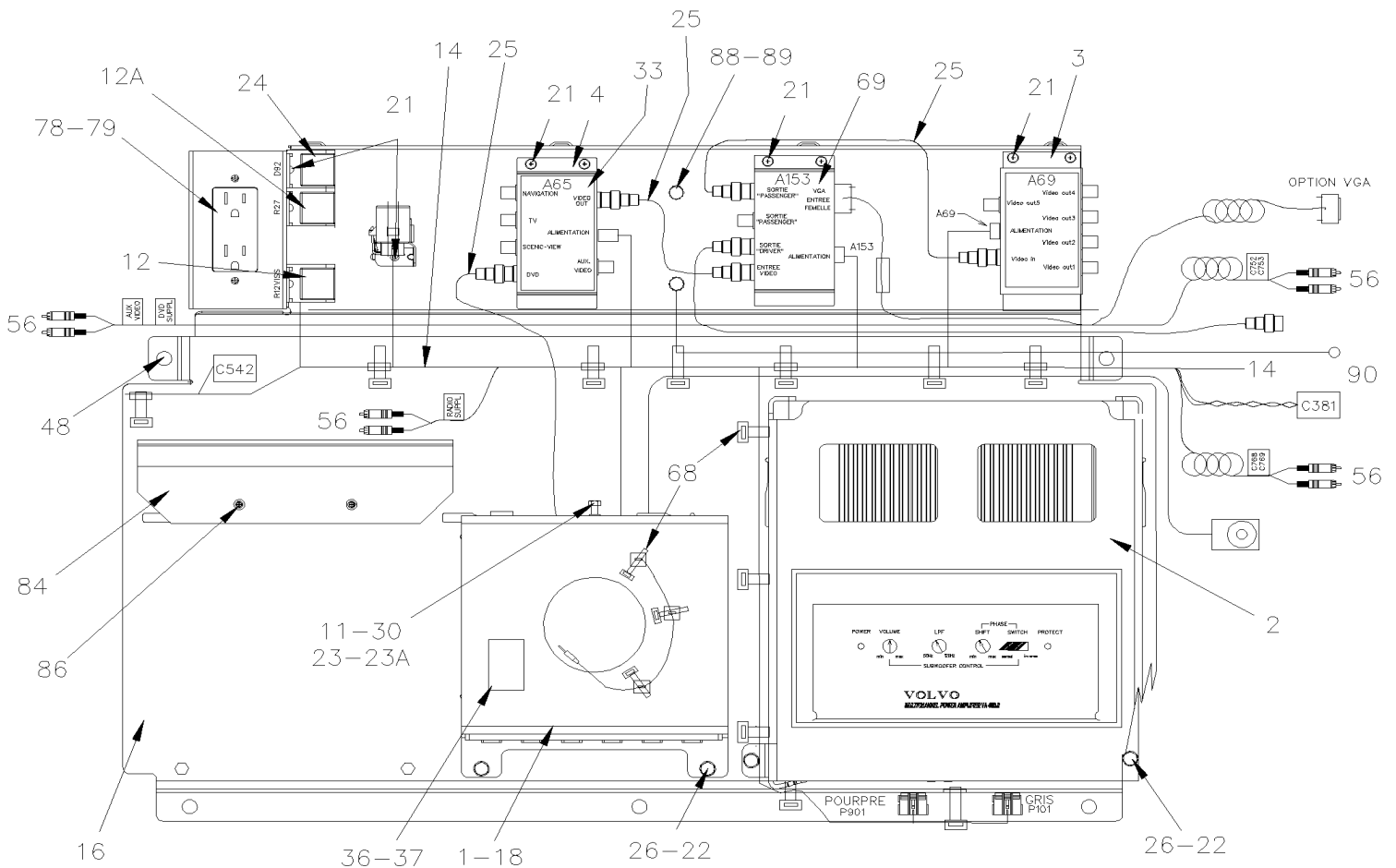
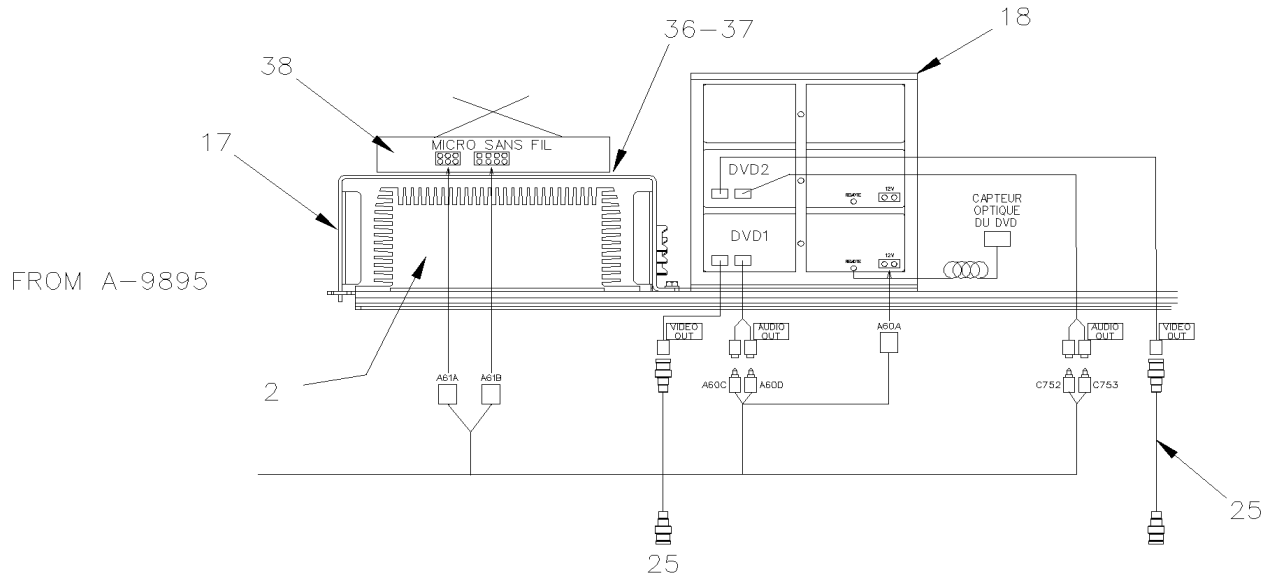
PAGE:X3-2317-30

VIDEO & AUDIO SYSTEM - INSTALLATION

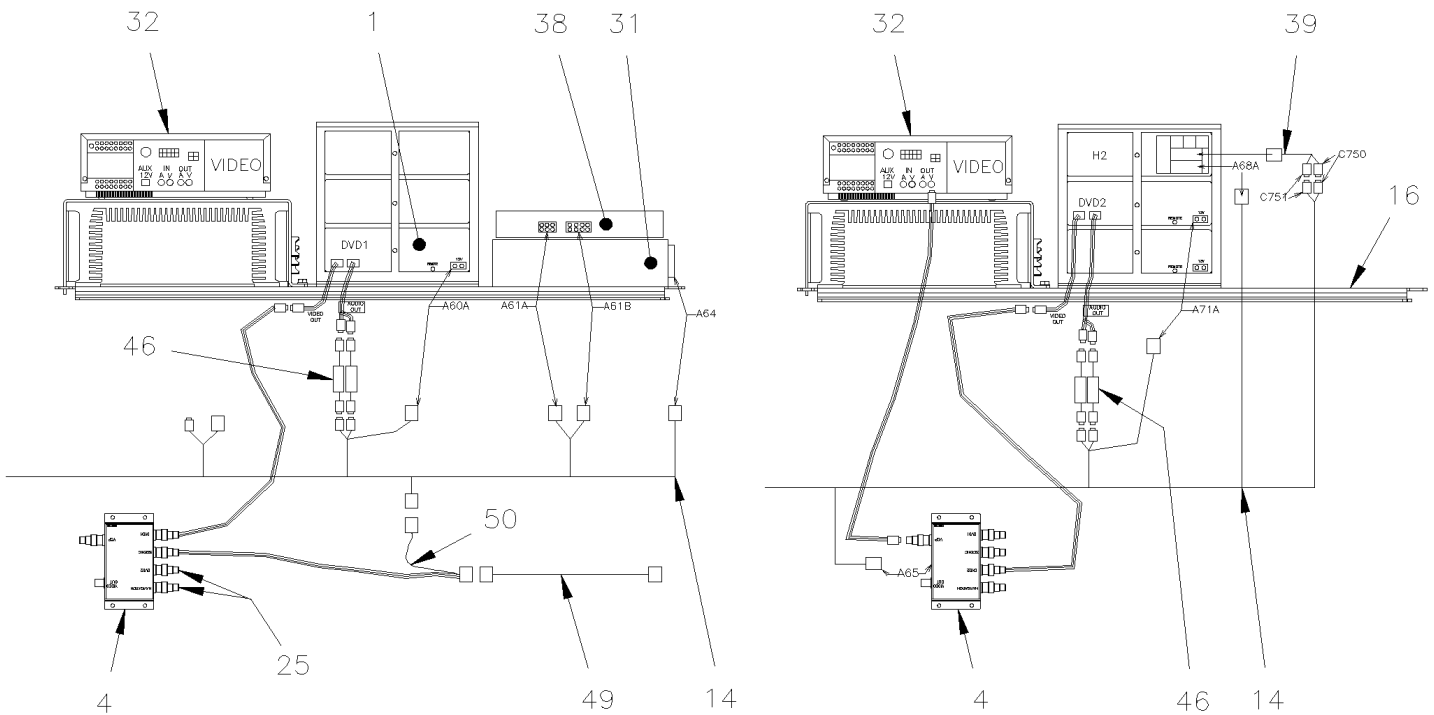
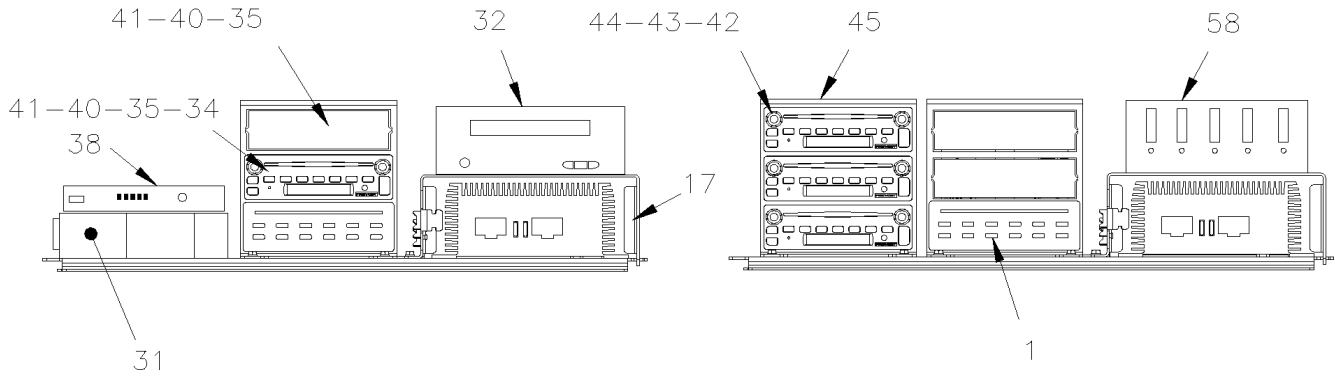
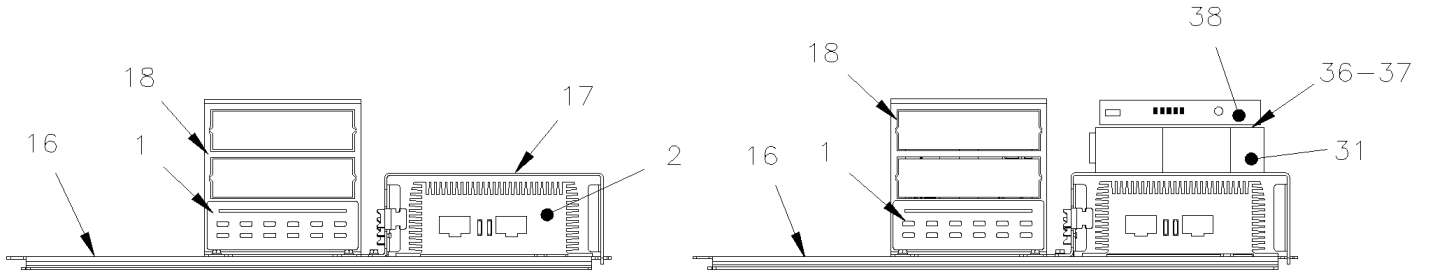
UP TO A-9894



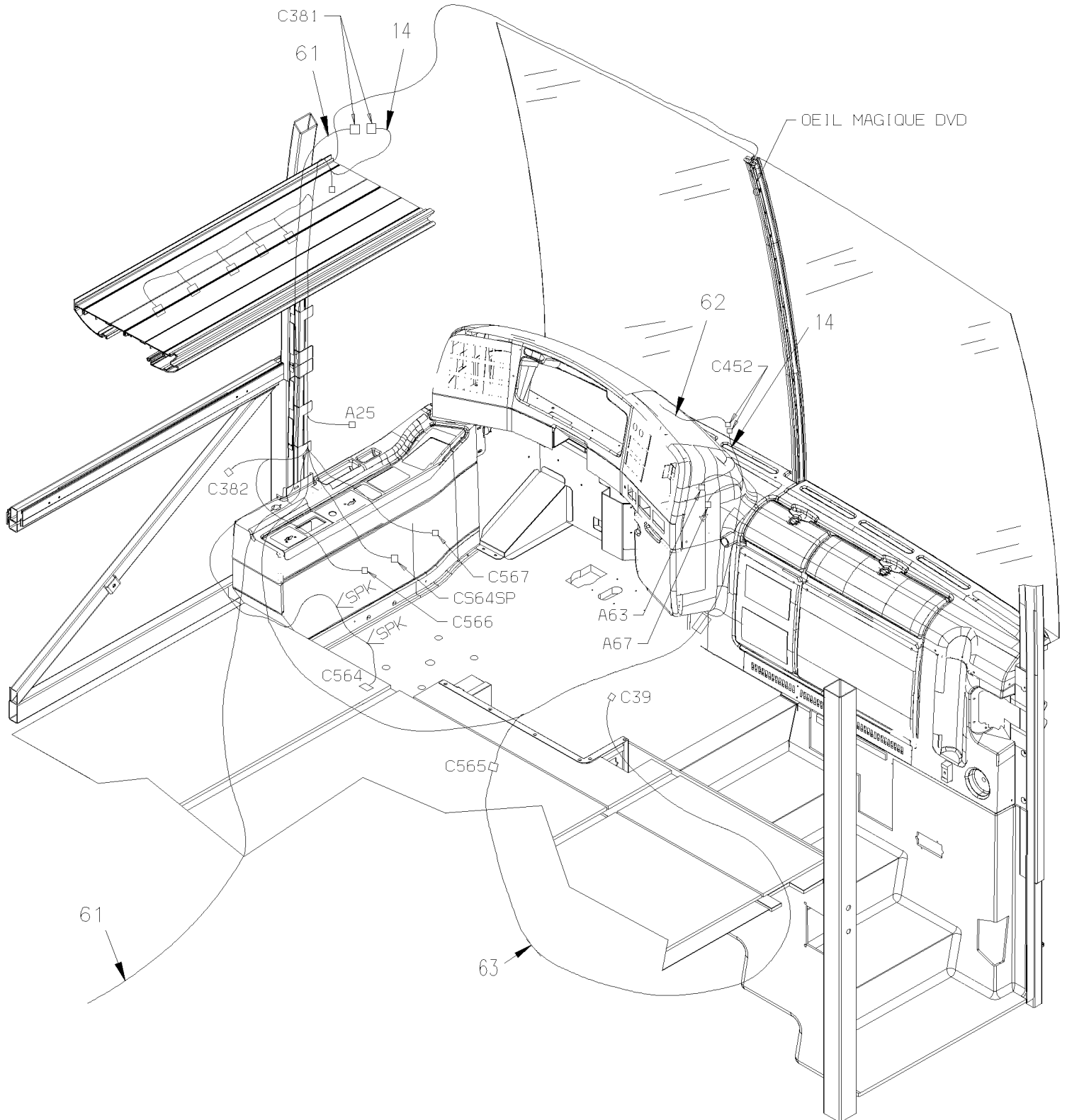
From 7-8754 To N-6755	Date:01/2024	PAGE:X3-2317-30
VIDEO & AUDIO SYSTEM - INSTALLATION		



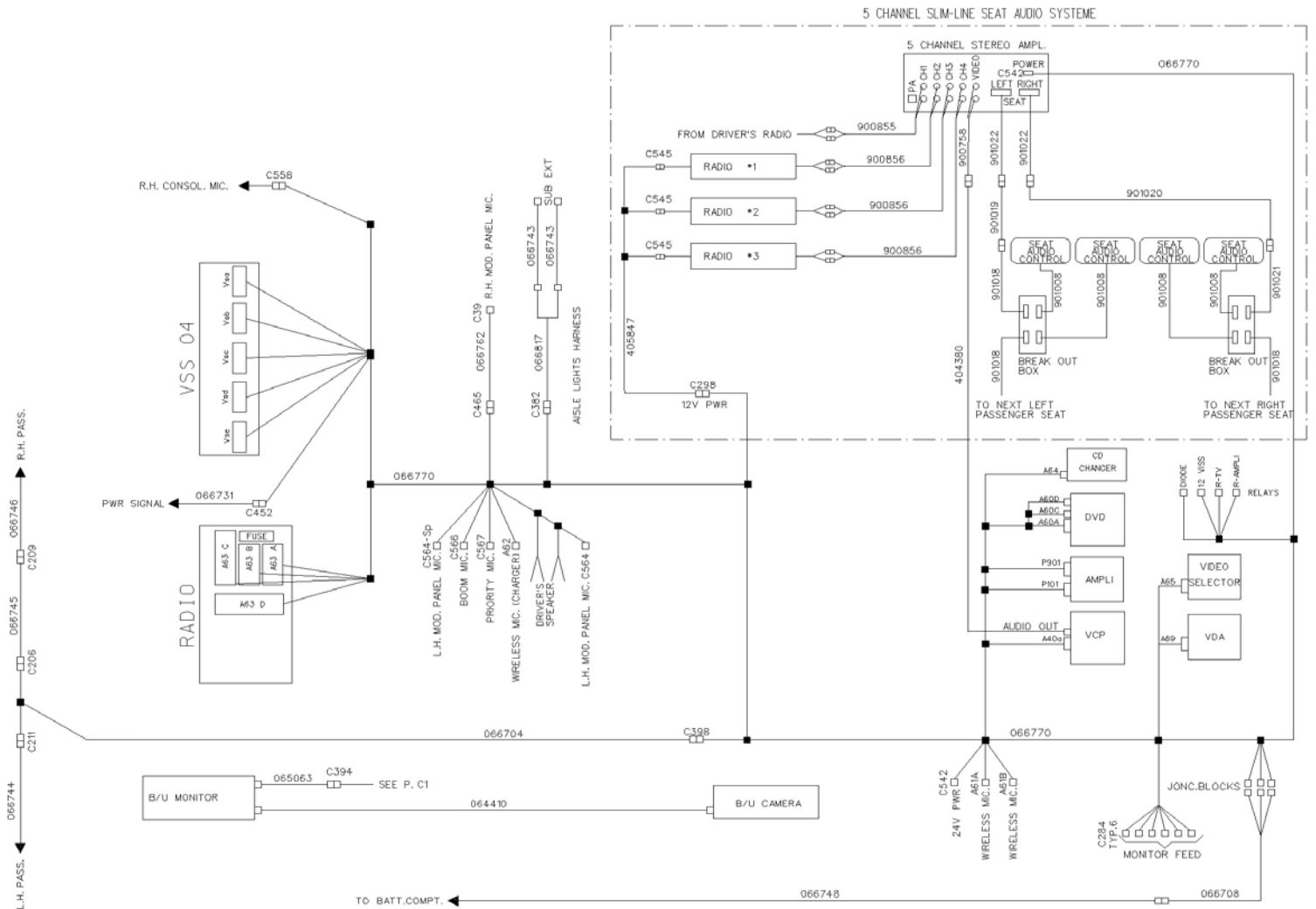
From 7-8754 To N-6755	Date:01/2024	PAGE:X3-2317-30
VIDEO & AUDIO SYSTEM - INSTALLATION		



VIDEO & AUDIO SYSTEM - INSTALLATION



VIDEO & AUDIO SYSTEM - INSTALLATION

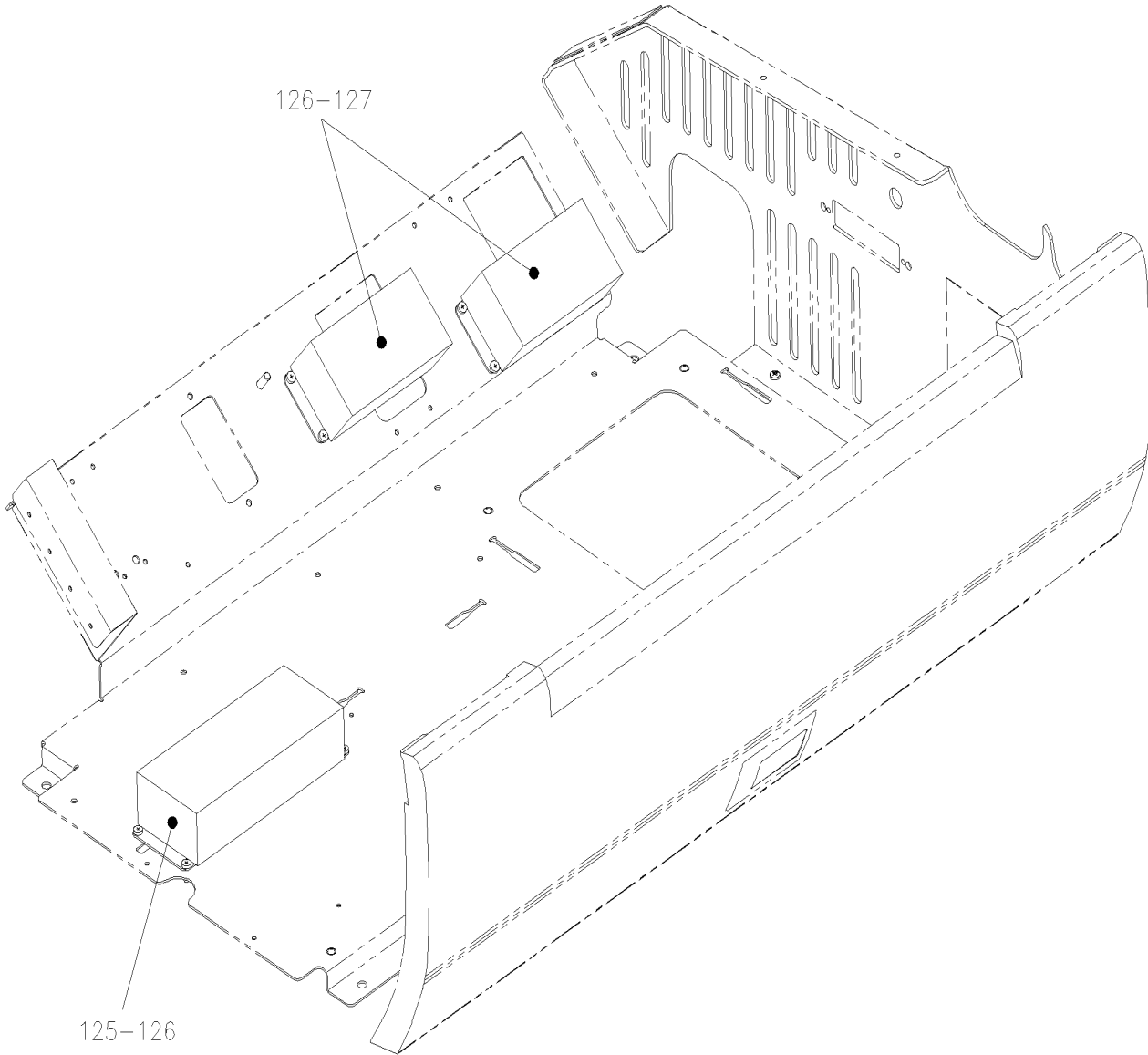


From 7-8754 To N-6755

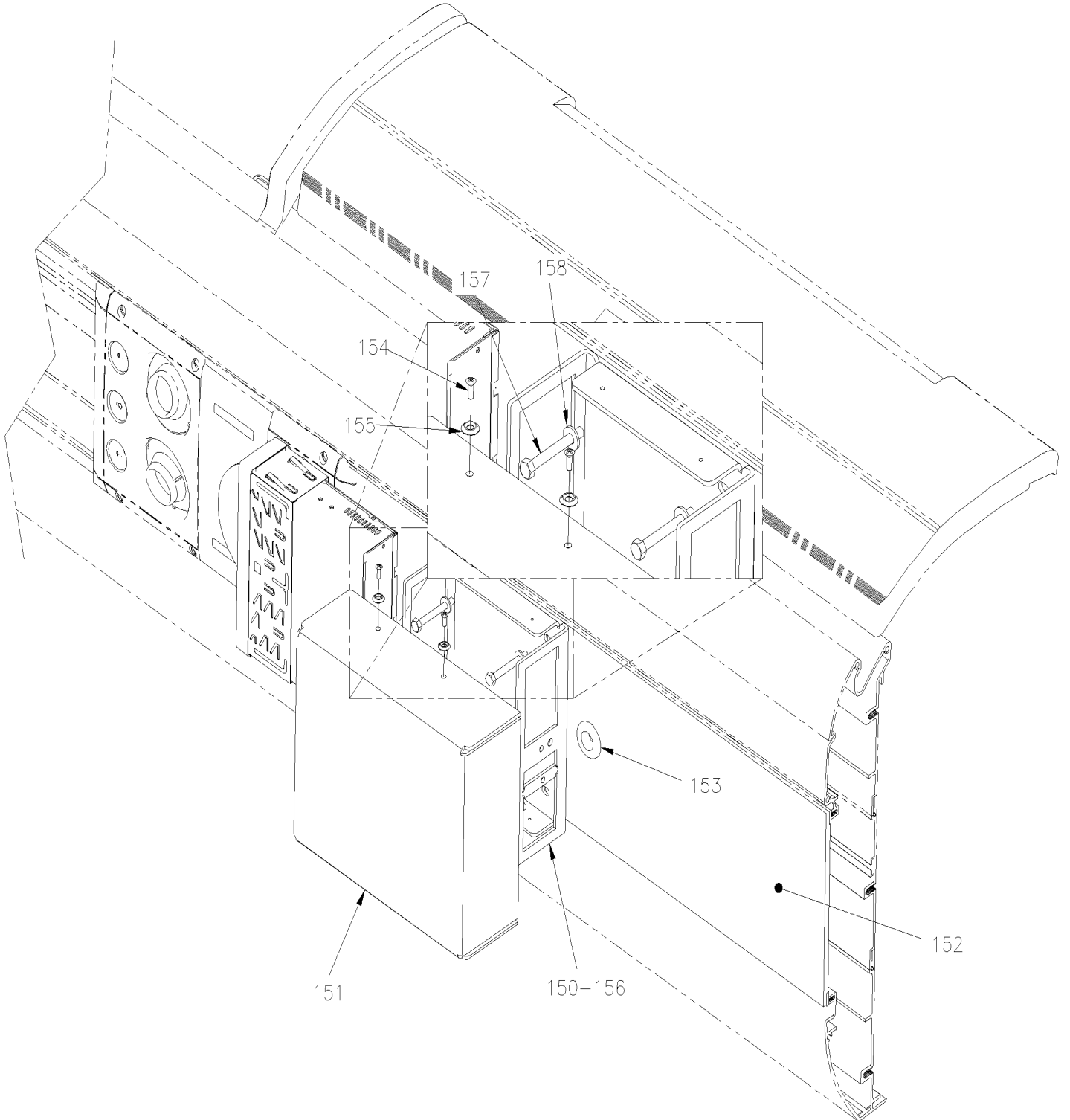
Date:01/2024

PAGE:X3-2317-30

VIDEO & AUDIO SYSTEM - INSTALLATION



VIDEO & AUDIO SYSTEM - INSTALLATION



From 7-8754 To N-6755	Date:01/2024	PAGE:X3-2317-30
-----------------------	--------------	-----------------

VIDEO & AUDIO SYSTEM - INSTALLATION

Item#	Part	Description	QTY	Notes
	Call order desk	PLATE AUDIO ASSY WITH COMPONENTS	1	P
1	901198	. DVD PLAYER 12V (VOLVO) VD-404 To A-9872	1	S
. NS	901265	. . REMOTE CONTROL / DVD VOLVO To A-9872	1	S
. NS	901302	. . SENSOR ASSY W/CABLE / DVD REMOTE CONTROL To A-9872	1	S
1	901339	. DVD PLAYER 12V From A-9873 To J-6353	1	
. NS	901377	. . REMOTE CONTROL / DVD R.E.I. From A-9873 To J-6353	1	
1	901436	. DVD PLAYER 12V From J-6354	1	
. NS	901264	. . REMOTE CONTROL / DVD REI From J-6354	1	
1	409294	. CABLE INTERFACE DVD "VOLVO" to DVD "REI" 4 CONN. to 6 CONN. To A-9872	1	
2	901191	. AMPLIFICATOR AUDIO / 400 WATTS / ONKYO To F-5812	1	
2	901538	. AMPLIFICATOR AUDIO / 400 WATTS / FISCHER From F-5813 To P-6797	1	
2	901907	AMPLIFICATOR AUDIO / 400 WATTS / FISCHER From P-6798	1	
3	901117	. VIDEO DISTRIBUTION AMPLI W/BNC To C-5087	1	
. NS	901119	. . CABLE POWER DVA/VIDEO To C-5087	1	
3	901403	. VIDEO DISTRIBUTION AMPLI W/BNC From C-5088	1	
4	901199	. SCREEN PLAY SELECTOR	1	
5	561726	. BLOCK JUNCTION	1	
6	562645	. STOPPER "U" RAIL	2	
7	382184	. RAIL SUPPORT "U" SHAPE 112MM	1	
8	562598	. FUSE / ATO 2 AMPS GREY	1	
8	562407	. FUSE / ATO 10 AMPS RED	4	
9	562396	. FUSE / ATO 30 AMPS GREEN	1	
10	562605	. FUSE / ATO 20 AMPS YELLOW	1	
11	500470	. WASHER LO SPT .193x.334x.047 Z050	1	
12	563337	. RELAY 12V S.P.D.T. W/RESISTOR /	2	
12A	563332	. RELAY 24V S.P.D.T. W/RESISTOR / "VOLVO" (20374662)	1	
13	561991	. RELAY 24V S.P.S.T. / 70 AMPS N.O.	1	
14	066770	. CABLE ASSY / DASH & PARCEL RACK To 7-9082	1	
14	066869	. CABLE ASSY / DASH & PARCEL RACK From 7-9083 To 7-9133	1	
14	066972	. CABLE ASSY / DASH & PARCEL RACK From 7-9134 To 8-9311	1	
14	067127	. CABLE ASSY / DASH & PARCEL RACK From 8-9312 To 9-9795	1	
14	067516	. CABLE ASSY / DASH & PARCEL RACK From 8-9312 To 9-9795	1	R
14	067444	. CABLE ASSY / DASH & PARCEL RACK From 9-9796 To 9-9894	1	
14	068002	. CABLE ASSY / DASH & PARCEL RACK From 9-9895 To B-5001	1	
14	068066	. CABLE ASSY / DASH & PARCEL RACK From B-5002 To D-5374	1	
14	068549	. CABLE ASSY / DASH & PARCEL RACK From D-5375 To D-5458	1	
14	067566	. CABLE ASSY / DASH & PARCEL RACK From E-5459 To E-5563	1	
14	068936	. CABLE ASSY / DASH & PARCEL RACK From E-5564 To G-5977	1	
14	069306	. CABLE ASSY / DASH & PARCEL RACK From G-5978 To H-6179	1	
14	060549	. CABLE ASSY / DASH & PARCEL RACK From H-6180 To J-6244	1	
14	061437	. CABLE ASSY / DASH & PARCEL RACK From J-6245 To L-6494	1	
14	0611114	CABLE ASSY / DASH & PARCEL RACK From L-6495	1	

From 7-8754 To N-6755	Date:01/2024	PAGE:X3-2317-30
VIDEO & AUDIO SYSTEM - INSTALLATION		

Item#	Part	Description	QTY	Notes
14	069183	. CABLE ASSY / DASH & PARCEL RACK / SECOND PARCEL RACK To H-6179	1	
14	069673	. CABLE ASSY / DASH & PARCEL RACK / SECOND PARCEL RACK From H-6180 To J-6283	1	
14	069858	. CABLE ASSY / DASH & PARCEL RACK / SECOND PARCEL RACK From J-6284	1	
15	066708	. CABLE POWER To 7-9082	1	
15	066866	. CABLE POWER From 7-9083	1	
15	061443	. .CABLE POWER From J-6245	1	GR
NS	069296	. CABLE ASSY POWER SOUND SYSTEM From J-6245	1	GR
16	405776	. PLATE SUPPORT MAIN SYSTEM To 7-9121	1	
16	405884	. PLATE SUPPORT MAIN SYSTEM From 7-9121 To 8-9454	1	
16	406140	. PLATE SUPPORT MAIN SYSTEM From 8-9455 To A-9894	1	
16	406438	. PLATE SUPPORT MAIN SYSTEM From A-9895 To E-5468	1	
16	406630	. PLATE SUPPORT MAIN SYSTEM From E-5469	1	
16	408338	. PLATE SUPPORT MAIN SYSTEM From B-5062	1	GR
17	405777	. SUPPORT VIDEO OVER AMPLI To 7-9121	1	
17	405921	. SUPPORT VIDEO OVER AMPLI From 7-9121 To G-6072	1	
17	400066	. SUPPORT VIDEO ON AMPLIFICATOR From G-6073	1	
18	405778	. SUPPORT, RADIO (MORE THAN 3 RADIO) & DVD VOLVO To 7-9121	1	
18	405922	. SUPPORT, RADIO (MORE THAN 3 RADIO) & DVD VOLVO From 7-9121 To A-9872	1	
18	406361	. SUPPORT, RADIO (3 RADIO) & DVD REI From A-9873 To K-6367	1	
18	400651	. SUPPORT, RADIO (4 RADIO) & DVD REI From K-6368	1	
18	406360	. SUPPORT, RADIO (1RADIO) & DVD REI From A-9873 To K-6494	1	
18	401259	. SUPPORT, RADIO (1RADIO) & DVD SUPP. From L-6495	1	
18	407639	. SUPPORT, DVD From D-5405	1	C
19	504013	. TIE MOUNT / 1/4" X 1/4" I.D.	9	
20	504347	. RIVET POP DOME OE 3/16x1/4 AL	9	
21	500564	. SCREW MA RND PH #8-32x3/4 Z050	16	
21	500799	. SCREW TC PAN PH #8-32x3/8 N500 From H-6180	4	
22	502631	. SCREW CAP HEX M6-1.0x20 G8.8 Z050 To A-9894	8	
22	500588	. SCREW CAP HEX M4-0.7x20 G8.8 Z050 From A-9895	AR	
22	500344	. SCREW MA RND PH M4-0.7x12 Z050	AR	
23	502816	. NUT HEX M5-0.8 N500	1	
23A	406440	. ATTACHMENT / RADIO	1	
24	901200	. DIODE BLOCK ON RELAY BASE	1	
25	900777	. CONNECTOR BNC PLUG TO RCA ADAPTOR / ELEC 21-142-0 To A-9872	AR	
25	901347	. CABLE ASSY / W/2 BNC FEMALE/ FEMALE 1" From A-9873	1	
26	502564	. WASHER LO SPT 6.1x11.8x1.6 Z050 To A-9894	AR	
26	500855	. WASHER FL .188x.438x.049 N500 From A-9895	AR	
26	500914	. WASHER LO SPT .193x.334x.047 N500	AR	
27	562024	. COVER / PROTECTOR / 3 BLOCKS	1	
28	561731	. COVER SUPPORT	2	
29	561727	. JUNCTION BLOCK	2	
30	5001146	. SCREW CAP HEX M5-0.8x20 SS BK	1	

From 7-8754 To N-6755	Date:01/2024	PAGE:X3-2317-30
VIDEO & AUDIO SYSTEM - INSTALLATION		

Item#	Part	Description	QTY	Notes
NS	066880	DECAL VDO PLATE / BREAKER & FUSE IDENTIF 115MM x 115MM To 7-9133	1	
NS	067001	DECAL From 7-9134	1	
31	901116	DVD REI / MP3	1	
NS	901264	REMOTE CONTROL / DVD REI	1	
31	901196	CD PLAYER 6 DISC "VOLVO"	1	
32	901030	VIDEO V-3000 VCP, SYS 2000 24V To 8-9311	1	
NS	901065	REMOTE CONTROL / VDO REI V-3000 To 8-9311	1	
32	7770197	KIT, VHS TO DVD CONVERSION To 8-9311	1	
NS	901339	DVD PLAYER 12V To 8-9311	1	
NS	901377	REMOTE CONTROL / DVD R.E.I. To 8-9311	1	
NS	407639	SUPPORT, DVD To 8-9311	1	
NS	901347	CABLE ASSY / W/2 BNC FEMALE/ FEMALE 1" To 8-9311	1	
NS	901564	ADAPTOR, RCA MALE TO BNC FEMALE To 8-9311	1	
NS	563071	CONNECTOR / MINI FIT JR / SH 4C / MOLEX 39-01-3042 To 8-9311	1	
NS	562593	WIRE CABLE 18 / YELLOW / TXL To 8-9311	AR	
NS	562587	WIRE CABLE 18 / BLACK / TXL To 8-9311	AR	
NS	562463	SOCKET TERMINAL / 24-18 / MOLEX 39-00-0039 To 8-9311	2	
NS	563622	BUTT SPLICE / 22-18 / RED / W/THERMORETRAC / PANDUIT BSH18-Q To 8-9311	2	
NS	5001017	SCREW TC CAP HEXW #10-24x1/2 Z050 To 8-9311	4	
NS	502853	WASHER LO SPT 6.1x11.8x1.6 N500 To 8-9311	1	
NS	IS-16901A	SEE INSTRUCTION SHEET To 8-9311	1	
33	066733	DECAL "VIDEO DISTRIBUTION"	1	
34	901198	DVD PLAYER 12V (VOLVO) VD-404 To A-9872	AR	S
NS	901265	REMOTE CONTROL / DVD VOLVO To A-9872	1	S
NS	901302	SENSOR ASSY W/CABLE / DVD REMOTE CONTROL To A-9872	1	S
34	901339	DVD PLAYER 12V From A-9873 To J-6353	1	
NS	901377	REMOTE CONTROL / DVD R.E.I. From A-9873 To J-6353	1	
34	901436	DVD PLAYER 12V From J-6354	1	
NS	901264	REMOTE CONTROL / DVD REI From J-6354	1	
34	409294	CABLE INTERFACE DVD "VOLVO" to DVD "REI" 4 CONN. to 6 CONN. To A-9872	1	
35	901190	RADIO AM-FM-CD-CDX / "PREVOST" MP3 VR-300	1	
36	506755	VELCRO / HOOK ADHESIF 1" x 75'	AR	
37	506756	VELCRO / LOOP ADHESIF 1" x 75'	AR	
38	901201	RECEIVER WIRELESS MICROPHONE / 16 CHANNEL To H-6188	1	
38	901657	RECEIVER WIRELESS MICROPHONE / 200 CHANNEL From H-6189	1	
38	900050	BRACKET RECEIVER WIRELESS MIC From G-6073 To H-6188	2	
39	066804	ADAPTOR AUDIO SIRIUS SH 8C x 2F RCA	1	
NS	903217	CONVERTISSOR AUDIO	1	
40	901209	RADIO "PREVOST" AM-FM-CD / "XM" READY (DELPHI)	1	
41	901218	RADIO "PREVOST" AM-FM-CD / "SIRIUS" READY (DELPHI)	1	
42	901190	RADIO AM-FM-CD-CDX / "PREVOST" MP3 VR-300	1	
43	901218	RADIO "PREVOST" AM-FM-CD / "SIRIUS" READY (DELPHI)	1	

From 7-8754 To N-6755	Date:01/2024	PAGE:X3-2317-30
VIDEO & AUDIO SYSTEM - INSTALLATION		

Item#	Part	Description	QTY	Notes
44	901209	RADIO "PREVOST" AM-FM-CD / "XM" READY (DELPHI)	1	
45	N.P.N.	BOX	1	4
46	901106	. AUDIO FILTER	2	
47	901106	AUDIO FILTER	1	
48	500841	SCREW TP PAN PH #14x3/4 Z050 To H-6139	5	
48	502513	SCREW TP CAP HEX 5/16x1 Z050 From H-6140	5	
48	500942	WASHER LO SPT 8.1x14.8x2.0 N500 From H-6140	5	
48	500401	WASHER FL .343x.875x.125 N500 From H-6140	5	
49	900912	CABLE ASSY / FRONT CAMERA	1	
50	066822	CABLE ASSY / VIDEO & FRONT CAMERA	1	
53	900856	CABLE RCA / 2M/2M / 3'	1	
54	900775	Y RADIO ANTENNA CABLE / TO USE W/2 RADIOS	AR	
55	900774	CABLE, ANTENNA EXTENSION / 12'	AR	
NS	066863	CABLE GROUND	1	
56	901110	CABLE RCA / 2M/2M / 25'	1	
57	900671	ADAPTOR "Y" RCA / 1M/2F / 4"	AR	
58	901102	8 CHANNEL AMPLIFIER MODULE	1	
NS	500443	SCREW TP PAN PH #8x1/2 N500	4	
59	900671	ADAPTOR "Y" RCA / 1M/2F / 4"	AR	
61	066748	CABLE POWER AUDIO To 7-9082	1	
61	066865	CABLE POWER AUDIO From 7-9083	1	
62	X3-1806-00	CENTRAL DASHBOARD PANEL To J-6335		
62	X3-1806-01	CENTRAL DASHBOARD PANEL From J-6336	1	
63	Call order desk	CABLE EXTENSION MICRO MODESTY PANEL R.H.	1	P
64	066762	CABLE MICRO / MODESTY PANEL & PLATE AUDIO To 7-9082	1	
64	066870	CABLE MICRO / MODESTY PANEL & PLATE AUDIO From 7-9083	1	
65	066863	CABLE GROUND From 7-9083	1	
65	066989	CABLE GROUND / SECOND PARCEL RACK	1	
68	504637	CABLE TIE / 3/16" x 13"	AR	
69	901344	CONVERTISSOR VGA/ COMPOSITE To F-5759	1	
69	901537	CONVERTISSOR VGA/ COMPOSITE From F-5760	1	
70	066704	CABLE SPEAKER / JCT & LH & RH	1	
71	066745	CABLE HARNESS / SPEAKER CURBSIDE FRT / W/W.C.L. / 10	1	
72	066744	CABLE HARNESS / SPEAKER STREETSIDE / 16 SP	1	
73	066746	CABLE HARNESS / SPEAKER CURBSIDE RR / W/W.C.L. / 7 SP	1	
76	066817	CABLE ASSY W/SUBWOOFER / SERIES "XL"	1	
77	066743	CABLE EXTENSION 2M / SUBWOOFER To H-6179	2	
77	061918	CABLE EXTENSION 2M / SUBWOOFER From H-6180	1	
78	504273	CABLE TIE / 1/8" X 3"1/2	AR	
79	564507	PLUG DOUBLE 110 VAC MURAL W/2 USB PORT GREY NYLON "DECORA"	1	
79	680319	TAPE ADHESIF ELECTRIC / BLACK 3/4"	AR	
80	064410	CABLE ASSY / BACK-UP CAMERA VIDEO / CAMERA & MONITOR B&W / 60' To 8-9697	1	

From 7-8754 To N-6755	Date:01/2024	PAGE:X3-2317-30
-----------------------	--------------	-----------------

VIDEO & AUDIO SYSTEM - INSTALLATION

Item#	Part	Description	QTY	Notes
. NS	990288	. CABLE BACK-UP CAMERA 60' To 8-9697	1	
. NS	561681	. CONVOLUTED TUBING / SLIT / BLACK & GRAY / .350" To 8-9697	25	
80	067071	CABLE ASSY / BACK-UP CAMERA VIDEO / CAMERA & MONITOR LCD / 60' From 8-9398	1	
. NS	901268	. CABLE BACK-UP CAMERA "COLOR" From 8-9398	1	
. NS	561681	. CONVOLUTED TUBING / SLIT / BLACK & GRAY / .350" From 8-9398	25	
81	065063	CABLE ASSY / BACK-UP MONITOR To 8-9397	1	
. NS	990335	. CABLE MONITOR "CLARION" To 8-9397	1	
. NS	560851	. CONNECTOR / COM. MATE-N-LOCK / PH 4C / AMP 1-480426-0 To 8-9397	1	
. NS	504397	. GROMMET / .750x1.062x.062x.375x1.375 To 8-9397	1	
. NS	N.P.N.	. CABLE ASSY / BACK-UP MONITOR To 8-9397	AR	4
84	405924	PROTECTOR COVER ALLUMINUM / OVER FUSE HOLDER / BLACK	1	
85	068350	CABLE "CADEC SYSTEM" From B-5050 To D-5458	1	GR
85	068851	CABLE "CADEC SYSTEM" From E-5459 To G-6090	1	GR
85	069641	CABLE "CADEC SYSTEM" From G-6091 To G-6099	1	GR
85	069714	CABLE "CADEC SYSTEM" From G-6100 To H-6179	1	GR
85	060097	CABLE "CADEC SYSTEM" From H-6180	1	GR
85	408331	PLATE SUPPORT MAIN SYSTEM From B-5050	1	GR
86	500654	SCREW TC BDG PH #8-32x1/2 Z050	2	
88	066863	CABLE GROUND To A-9894	1	
88	068086	CABLE, NSS GROUND From A-9895 To K-6492	1	
88	069776	CABLE, NSS GROUND From L-6493	1	
89	502573	WASHER FL 6.4x12.5x1.6 SS	2	
89	5001182	NUT HEX NYRT M6-1.0 SS	2	
90	X3-2315-05	"USB" & "VGA" & "RCA" CABLE & CONVERTER		
105	430669	KIT, REPLACEMENT DVD "VOLVO" TO "REI"	1	
. NS	409294	. CABLE INTERFACE DVD "VOLVO" to DVD "REI" 4 CONN. to 6 CONN.	1	
. NS	901436	. DVD PLAYER 12V	1	
. . NS	901264	. . REMOTE CONTROL / DVD REI	1	
. NS	901347	. CABLE ASSY / W/2 BNC FEMALE/ FEMALE 1"	1	
. NS	IS-09048	. SEE INSTRUCTION SHEET	1	
125	901494	MODULE 4X1 HDMI SW. W/AUDIO OUT	1	
126	500654	SCREW TC BDG PH #8-32x1/2 Z050	12	
127	901493	MODULE REI, HDMI VIDEO SPLITTER	2	
150	408369	DVD, SUPPORT	1	
151	408370	DVD, COVER	1	
152	316717	DVD, FINISHING PANEL	1	
153	504671	GROMMET / .687x1.000x.125x.437x1.312	1	
154	500686	SCREW TP OV PH #6x1/2 BK	4	
155	500345	WASHER FN CKF .187x.500x.090 BR BK	4	
156	402823	SUPPORT MONITOR	2	
157	502656	SCREW CAP HEX M6-1.0x50 SS	4	
158	500877	WASHER FL .250x.562x.065 N500	4	

From 7-8754 To N-6755	Date:01/2024	PAGE:X3-2317-30
-----------------------	--------------	-----------------

VIDEO & AUDIO SYSTEM - INSTALLATION

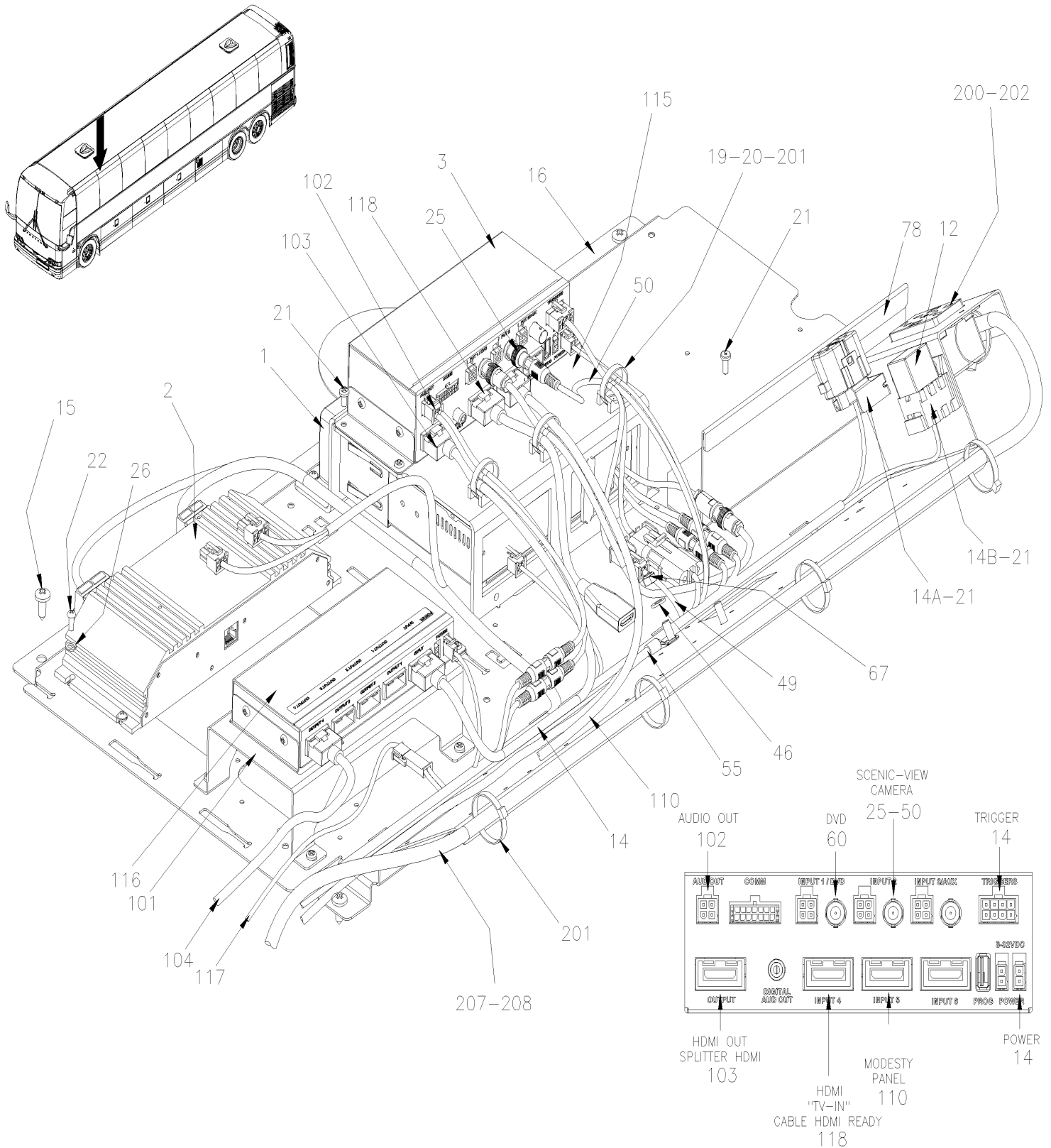
Item#	Part	Description	QTY	Notes
		C) WITH PLATER AUDIO INSIDE SECOND PARCEL RACK DOOR		
		GR) WITH "GREYHOUND" OPTION		
		R) USE ONLY WITH "OPTION" R.E.I. CONTROL HEAD FROM 8-9312		
		S) THIS DVD MAY BY REPLACE BY ONE # 901339 AND ONE CABLE # 409294		
		4) NO PARTS NUMBER		
		P) CALL ORDER DESK FOR SPECIFIC APPLICATION (V.I.N.)		
		4) NO PARTS NUMBER		

From H-6179

Date:01/2024

PAGE:X3-2317-31

VIDEO & AUDIO SYSTEM - INSTALLATION W/HHD

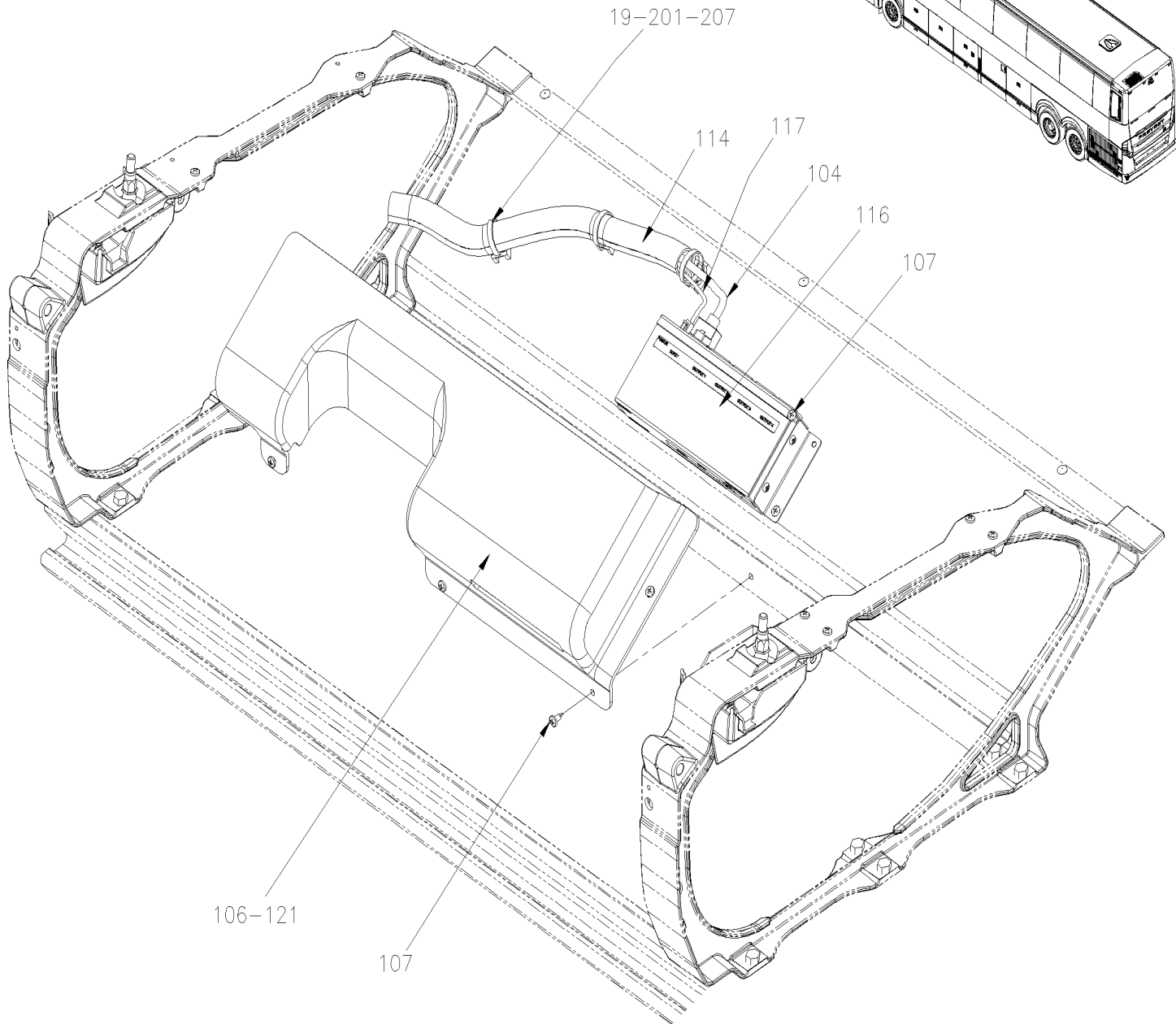
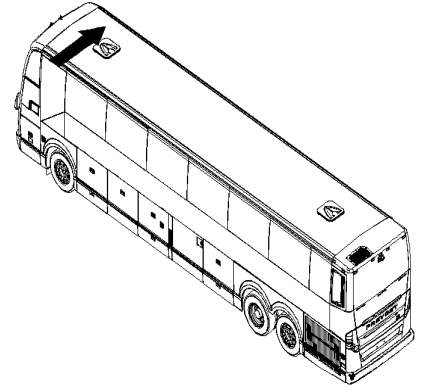


From H-6179

Date:01/2024

PAGE:X3-2317-31

VIDEO & AUDIO SYSTEM - INSTALLATION W/HHD

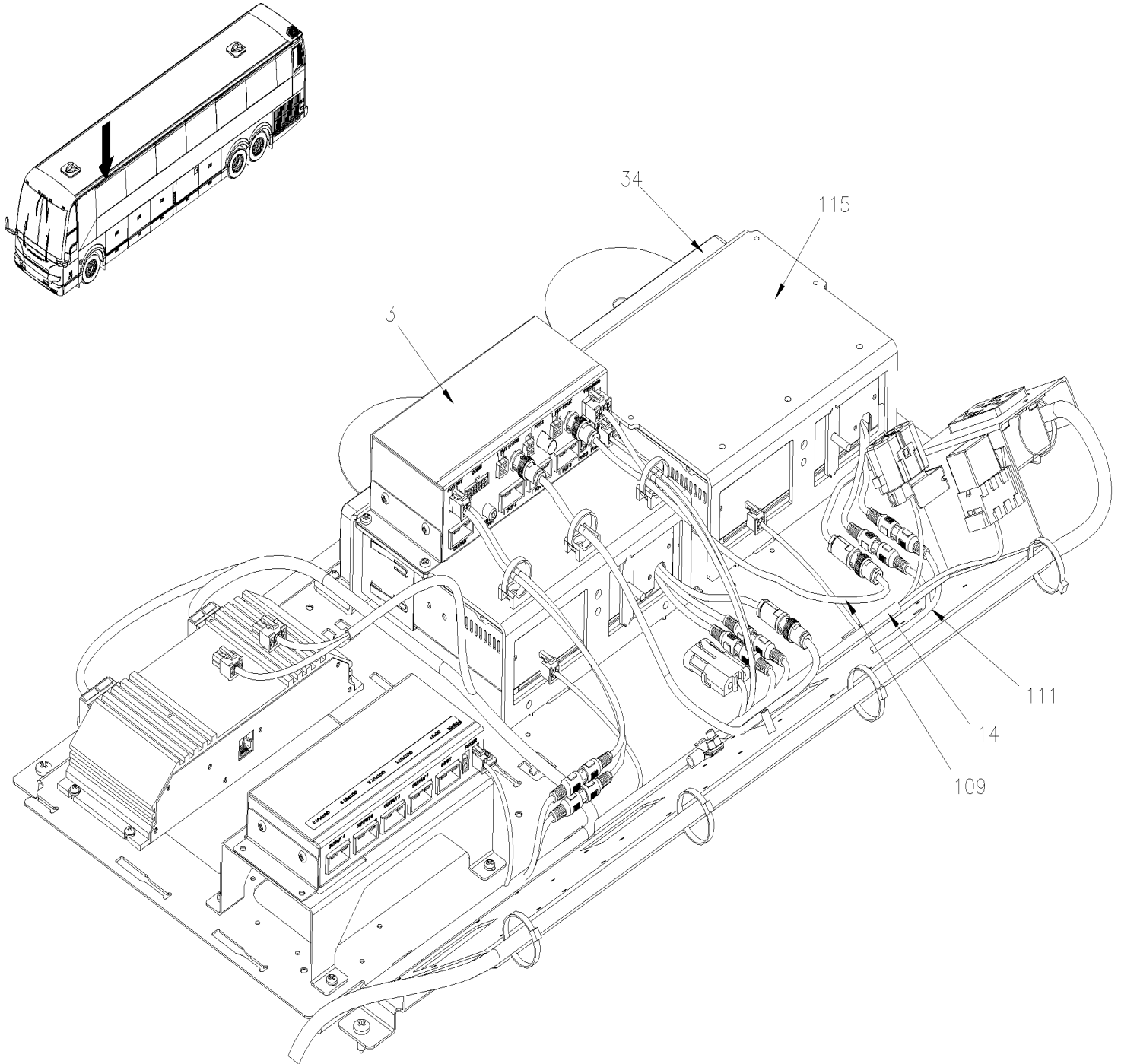


From H-6179

Date:01/2024

PAGE:X3-2317-31

VIDEO & AUDIO SYSTEM - INSTALLATION W/HHD

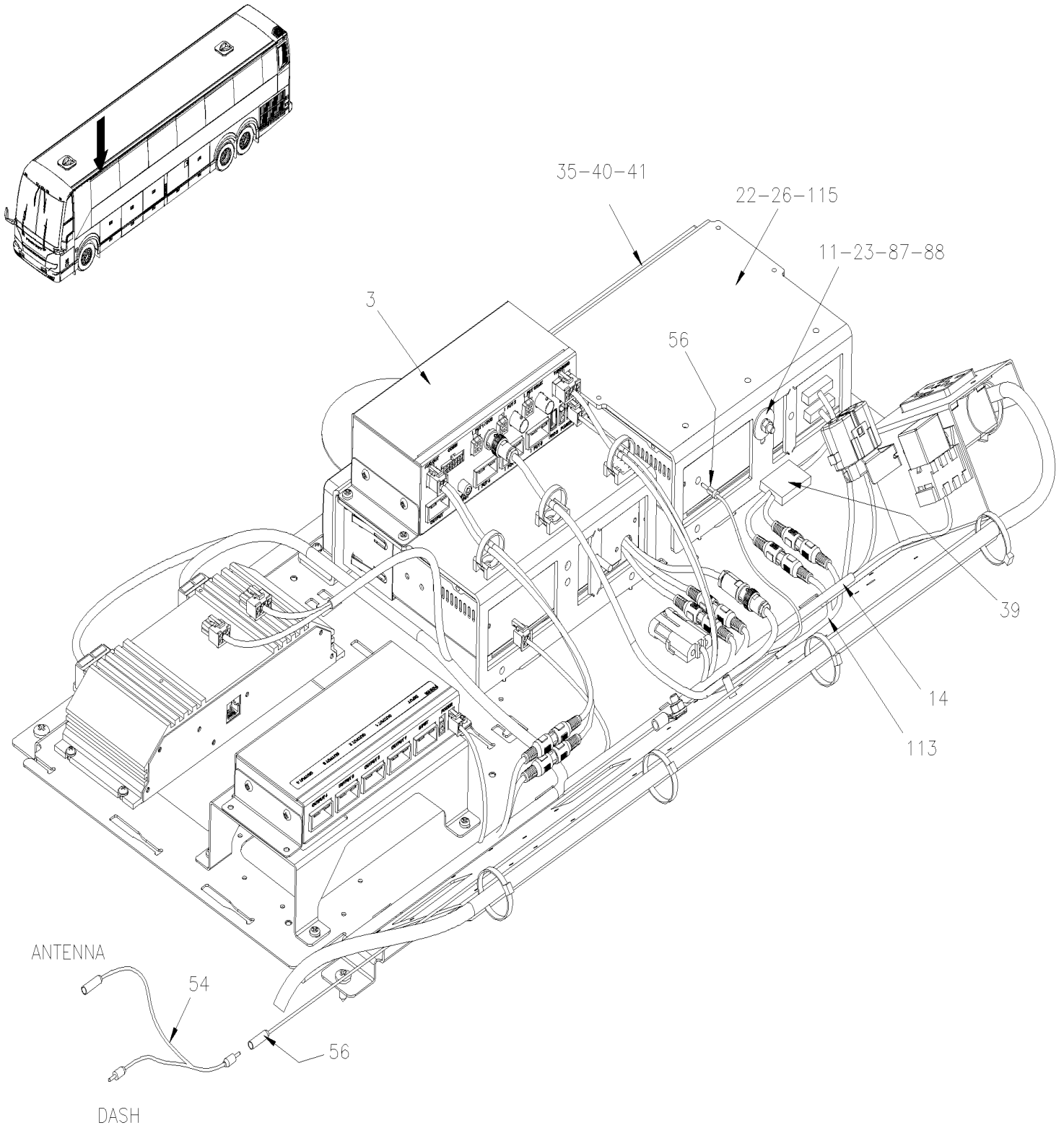


From H-6179

Date:01/2024

PAGE:X3-2317-31

VIDEO & AUDIO SYSTEM - INSTALLATION W/HHD

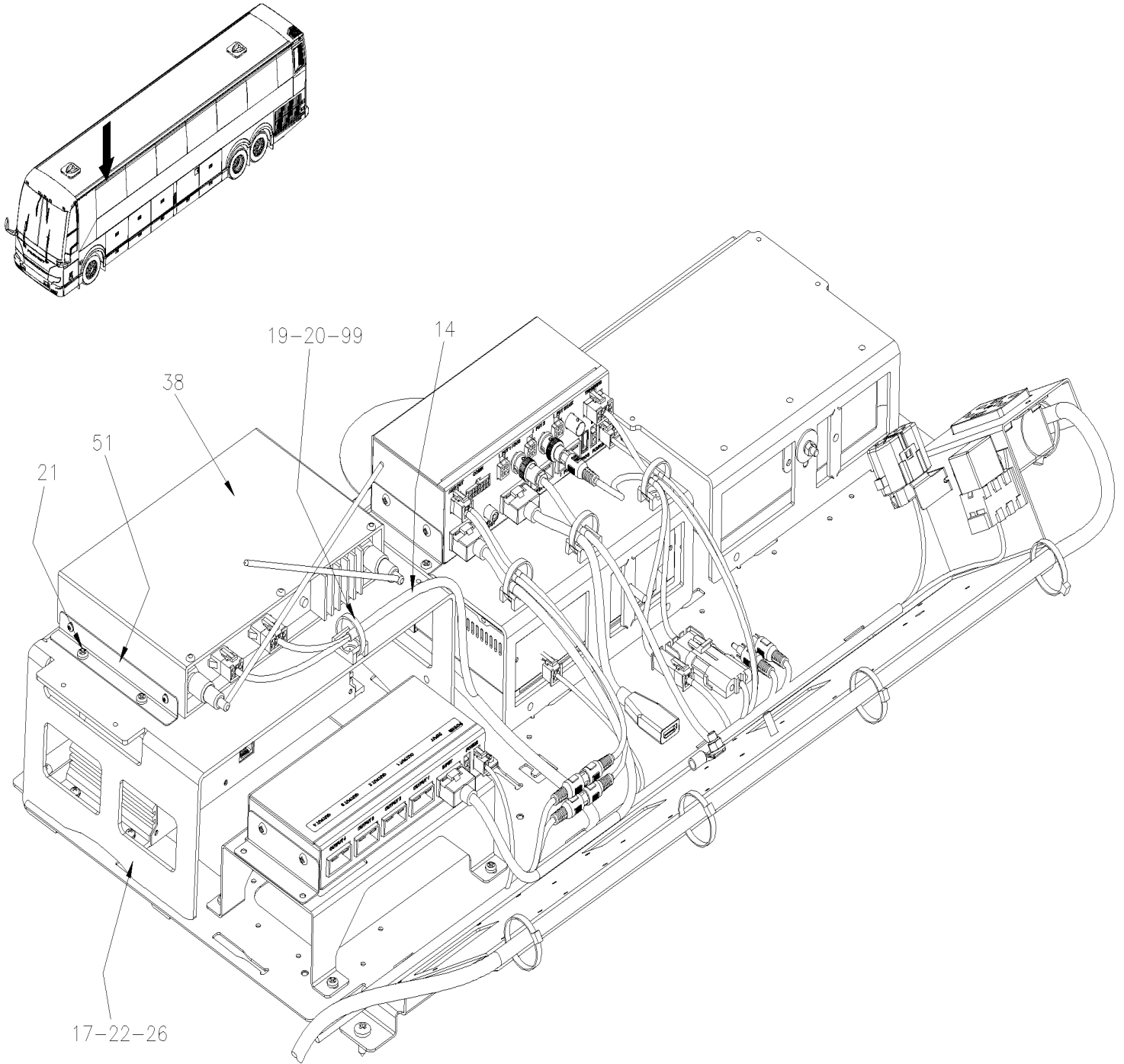


From H-6179

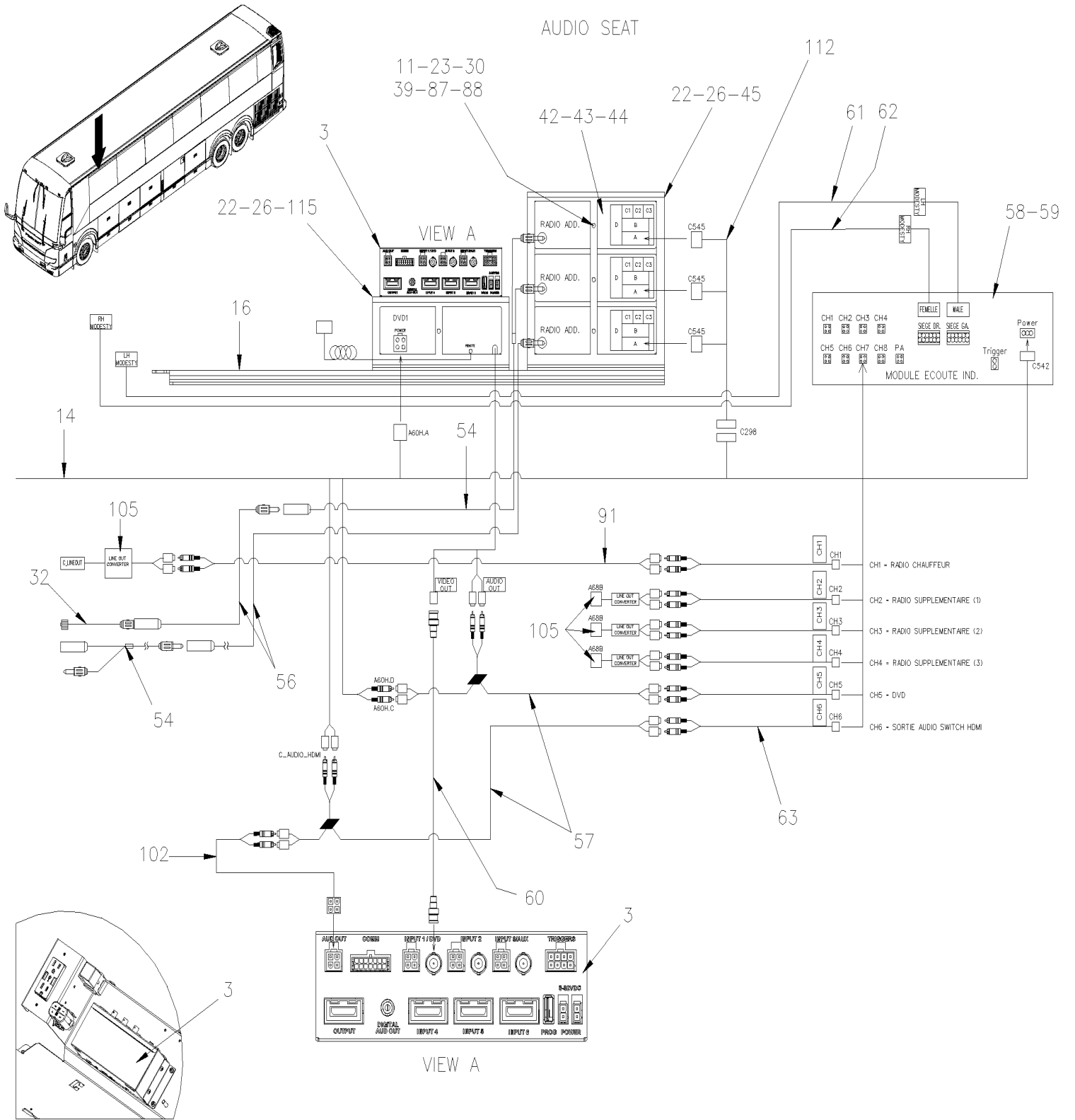
Date:01/2024

PAGE:X3-2317-31

VIDEO & AUDIO SYSTEM - INSTALLATION W/HHED



VIDEO & AUDIO SYSTEM - INSTALLATION W/HHED

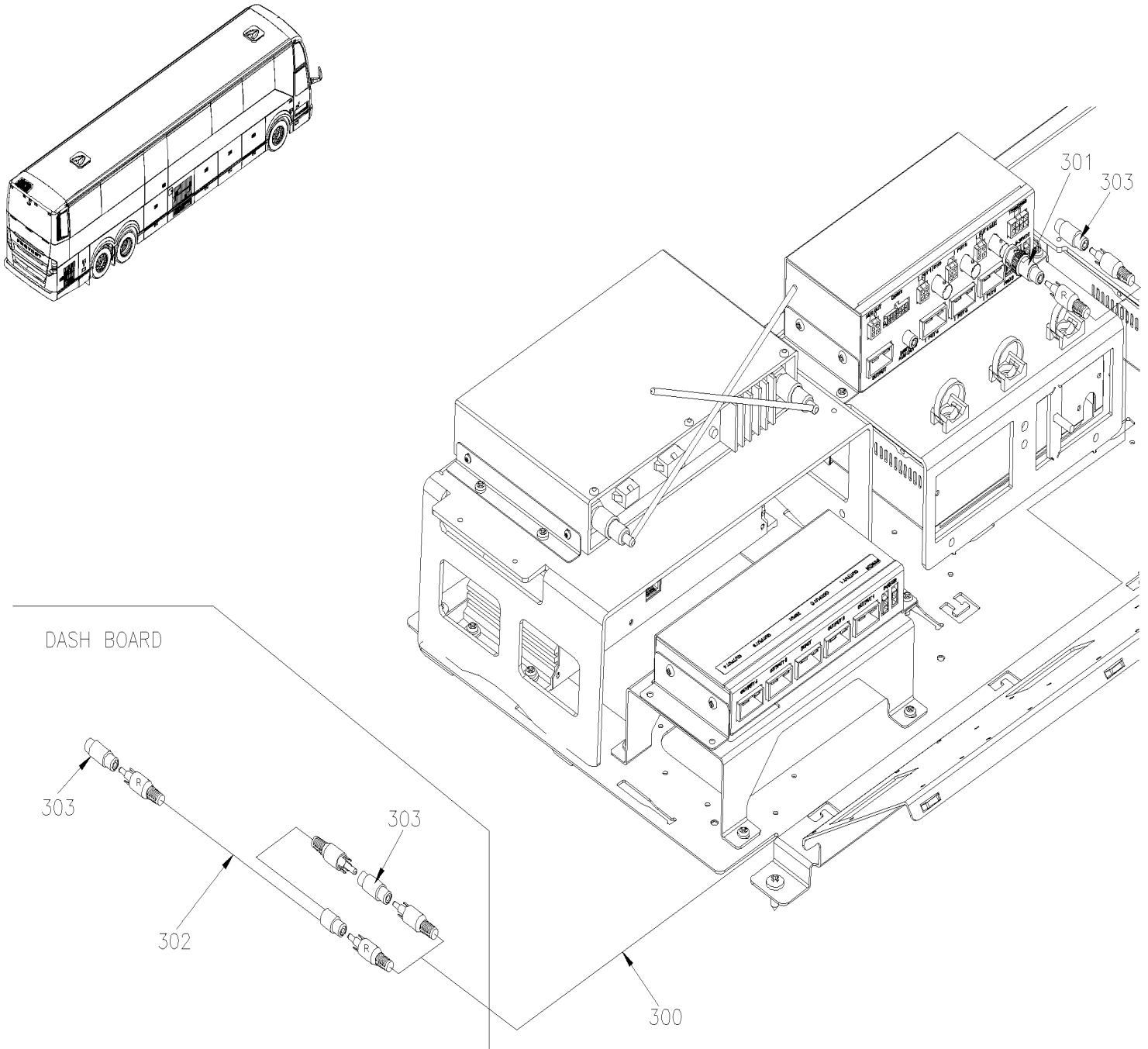


From H-6179

Date:01/2024

PAGE:X3-2317-31

VIDEO & AUDIO SYSTEM - INSTALLATION W/HHD



From H-6179		Date:01/2024	PAGE:X3-2317-31
-------------	--	--------------	-----------------

VIDEO & AUDIO SYSTEM - INSTALLATION W/HHD

Item#	Part	Description	QTY	Notes
1	901339	DVD PLAYER 12V To J-6353	1	
. NS	901377	. REMOTE CONTROL / DVD R.E.I. To J-6353	1	
1	901436	DVD PLAYER 12V From J-6354	1	
. NS	901264	. REMOTE CONTROL / DVD REI From J-6354	1	
NS	506755	VELCRO / HOOK ADHESIF 1" x 75'	AR	
NS	506756	VELCRO / LOOP ADHESIF 1" x 75'	AR	
2	901538	AMPLIFICATOR AUDIO / 400 WATTS / FISCHER To P-6797	1	
2	901907	AMPLIFICATOR AUDIO / 400 WATTS / FISCHER From P-6798	1	
3	900026	MODULE HDMI SWITCH To J-6281	1	
3	900204	MODULE HDMI SWITCH From J-6281 To J-6352	1	
3	900398	MODULE HDMI SWITCH From J-6354	1	
NS	562697	SWITCH / ON-ON / D.P.D.T. / CH-OVER / W/RED & GREEN LED	1	B
NS	565925	CAP / "MONITOR"	1	B
NS	068338	WIRING HARNESS SWITCH FRONT MONITOR	1	B
11	500470	WASHER LO SPT .193x.334x.047 Z050	2	
12	563337	RELAY 12V S.P.D.T. W/RESISTOR /	1	
14	060643	HARNESS, SOUND SYSTEM From J-6312 To L-6494	1	
14	0611105	HARNESS, SOUND SYSTEM To L-6494	1	
14	069123	HARNESS, SOUND SYSTEM	1	C
. A	564560	. FUSE HOLDER / SHORT / BUSSMANN CFH-ASE	1	C
. B	564496	. CONNECTOR / METRI-PACK 630 / SH 5C / PED 12033871	1	C
14	0610203	HARNESS, SOUND SYSTEM From L-6495 To N-6685	1	
14	0610514	HARNESS, SOUND SYSTEM From N-6686 To P-6883	1	
14	0600181	HARNESS, SOUND SYSTEM From P-6884	1	
15	502513	SCREW TP CAP HEX 5/16x1 Z050	5	
15	500942	WASHER LO SPT 8.1x14.8x2.0 N500	5	
15	500401	WASHER FL .343x.875x.125 N500	5	
16	406630	PLATE SUPPORT MAIN SYSTEM To K-6367	1	
16	400682	PLATE SUPPORT MAIN SYSTEM From K-6368 To L-6494	1	
16	401365	VIDEO PLATE From L-6495 To N-6755	1	
16	406772	VIDEO PLATE From N-6756	1	
16	504574	GROMMET / 1.125x1.312x.062x.312x1.56	1	
NS	401609	SUPPORT, SOCKET 120V From N-6756	1	
NS	500799	SCREW TC PAN PH #8-32x3/8 N500 From N-6756	2	
17	400066	SUPPORT VIDEO ON AMPLIFICATOR	1	
19	504013	TIE MOUNT / 1/4" X 1/4" I.D.	AR	
20	504347	RIVET POP DOME OE 3/16x1/4 AL	AR	
21	500799	SCREW TC PAN PH #8-32x3/8 N500	AR	
22	500344	SCREW MA RND PH M4-0.7x12 Z050	AR	
23	502816	NUT HEX M5-0.8 N500	AR	
25	900777	CONNECTOR BNC PLUG TO RCA ADAPTOR / ELEC 21-142-0	1	
26	500914	WASHER LO SPT .193x.334x.047 N500	2	

From H-6179		Date:01/2024	PAGE:X3-2317-31
VIDEO & AUDIO SYSTEM - INSTALLATION W/HHD			

Item#	Part	Description	QTY	Notes
30	5001146	SCREW CAP HEX M5-0.8x20 SS BK	1	
32	901372	CABLE ADAPTOR / RADIO & ANTENNA CABLE / MOTOROLA / M TO EURO / F	1	
34	901339	DVD PLAYER 12V To J-6353	1	
. NS	901377	. REMOTE CONTROL / DVD R.E.I. To J-6353	1	
34	901436	DVD PLAYER 12V From J-6354	1	
. NS	901264	. REMOTE CONTROL / DVD REI From J-6354	1	
NS	506755	VELCRO / HOOK ADHESIF 1" x 75'	1	
NS	506756	VELCRO / LOOP ADHESIF 1" x 75'	1	
35	23000462	RADIO "PREVOST" AM/FM/CD & MP3 BLUETOOTH (PANA PACIFIC) To N-6685	1	
35	901882	RADIO AM/FM SD CARD USB DEA710 (PANA PACIFIC) From N-6686	1	
35	901881	JUMPER HARNESS FOR DEA5XX RADIO From N-6686	1	
38	901201	RECEIVER WIRELESS MICROPHONE / 16 CHANNEL To H-6188	1	
38	901657	RECEIVER WIRELESS MICROPHONE / 200 CHANNEL From H-6189	1	
39	066804	ADAPTOR AUDIO SIRIUS SH 8C x 2F RCA To J-6309	1	
. NS	903217	. CONVERTISSOR AUDIO To J-6309	1	
39	069811	AUDIO OUTPUT CONVERTER SH 8C x 2F RCA From J-6310	1	
. NS	903217	. CONVERTISSOR AUDIO From J-6310	1	
40	23000444	RADIO "PREVOST" AM/FM/CD & MP3 BLUETOOTH & XM & SIRIUS (PANA PACIFIC) To N-6685	1	
40	901883	RADIO "PREVOST" AM/FM/CD & MP3 BLUETOOTH & XM & SIRIUS (PANA PACIFIC) From N-6686	1	
NS	901881	JUMPER HARNESS FOR DEA5XX RADIO From N-6686	1	
41	23000444	RADIO "PREVOST" AM/FM/CD & MP3 BLUETOOTH & XM & SIRIUS (PANA PACIFIC) To N-6685	1	
41	901883	RADIO "PREVOST" AM/FM/CD & MP3 BLUETOOTH & XM & SIRIUS (PANA PACIFIC) From N-6686	1	
NS	901881	JUMPER HARNESS FOR DEA5XX RADIO From N-6686	1	
42	23000462	RADIO "PREVOST" AM/FM/CD & MP3 BLUETOOTH (PANA PACIFIC) To N-6685	1	
42	901882	RADIO AM/FM SD CARD USB DEA710 (PANA PACIFIC) From N-6686	1	
NS	901881	JUMPER HARNESS FOR DEA5XX RADIO From N-6686	1	
43	23000444	RADIO "PREVOST" AM/FM/CD & MP3 BLUETOOTH & XM & SIRIUS (PANA PACIFIC) To N-6685	1	
43	901883	RADIO "PREVOST" AM/FM/CD & MP3 BLUETOOTH & XM & SIRIUS (PANA PACIFIC) From N-6686	1	
NS	901881	JUMPER HARNESS FOR DEA5XX RADIO From N-6686	1	
44	23000444	RADIO "PREVOST" AM/FM/CD & MP3 BLUETOOTH & XM & SIRIUS (PANA PACIFIC) To N-6685	1	
44	901883	RADIO "PREVOST" AM/FM/CD & MP3 BLUETOOTH & XM & SIRIUS (PANA PACIFIC) From N-6686	1	
NS	901881	JUMPER HARNESS FOR DEA5XX RADIO From N-6686	1	
45	406361	SUPPORT, RADIO (3 RADIO) & DVD REI To K-6367	1	
45	400651	SUPPORT, RADIO (4 RADIO) & DVD REI From K-6368 To N-6685	1	
45	402235	SUPPORT, RADIO (4 RADIO) & DVD From N-6686	1	
NS	500654	SCREW TC BDG PH #8-32x1/2 Z050 From K-6368	4	
NS	500591	WASHER FL 4.3x9.0x0.8 Z050 From K-6368	4	
NS	506769	TAPE RUB ADH2 CC POL 1/8" x 1/4" x 60' / BLACK H1CC-N-#14 From K-6368	AR	
46	502573	WASHER FL 6.4x12.5x1.6 SS	2	
49	900912	CABLE ASSY / FRONT CAMERA	1	
50	066822	CABLE ASSY / VIDEO & FRONT CAMERA To L-6494	1	
50	0611107	CABLE ASSY / VIDEO & FRONT CAMERA From L-6495	1	

From H-6179		Date:01/2024	PAGE:X3-2317-31
-------------	--	--------------	-----------------

VIDEO & AUDIO SYSTEM - INSTALLATION W/HHD

Item#	Part	Description	QTY	Notes
51	900050	BRACKET RECEIVER WIRELESS MIC To H-6188	1	
54	900775	Y RADIO ANTENNA CABLE / TO USE W/2 RADIOS	1	
55	068086	CABLE, NSS GROUND To K-6492	1	
55	069776	CABLE, NSS GROUND From L-6493	1	
56	900774	CABLE, ANTENNA EXTENSION / 12'	1	
57	901283	ADAPTOR "Y" RCA / 1M/2F / 6"	2	
58	901102	8 CHANNEL AMPLIFIER MODULE	1	
NS	500443	SCREW TP PAN PH #8x1/2 N500 To K-6367	4	
NS	500564	SCREW MA RND PH #8-32x3/4 Z050 From K-6368	4	
NS	500914	WASHER LO SPT .193x.334x.047 N500 From K-6368	4	
NS	500855	WASHER FL .188x.438x.049 N500 From K-6368	4	
59	400649	SUPPORT AMPLIFIER 8 CHANNEL From K-6368 To N-6685	1	
59	402236	SUPPORT AMPLIFIER From N-6686 To N-6755	1	
59	406773	SUPPORT AMPLIFIER 8 CHANNEL From N-6756	1	
59	502513	SCREW TP CAP HEX 5/16x1 Z050 From K-6368	4	
59	500942	WASHER LO SPT 8.1x14.8x2.0 N500 From K-6368	4	
59	500401	WASHER FL .343x.875x.125 N500 From K-6368	4	
60	901347	CABLE ASSY / W/2 BNC FEMALE/ FEMALE 1" To N-6685	1	
60	900045	CABLE HDMI E / 1' From N-6686	1	
61	901019	CABLE ASSY / ENTERTAINMENT MODULE LEFT SEAT	1	
62	901020	CABLE ASSY / ENTERTAINMENT MODULE RIGHT SEAT	1	
63	901107	CABLE ADAPTOR RCA TO MOLEX / 4"	6	
67	5001182	NUT HEX NYRT M6-1.0 SS	2	
78	405924	PROTECTOR COVER ALLUMINUM / OVER FUSE HOLDER / BLACK	1	
87	406440	ATTACHMENT / RADIO	1	
88	500805	WASHER FL .218x.875x.062 N500	1	
91	901062	CABLE RCA / 2M/2F / 23'	1	
99	504637	CABLE TIE / 3/16" x 13"	AR	
101	400056	BRACKET HDMI VIDEO SPLITTER	1	
102	901565	HARNESS, AUDIO BETWEEN CONV AND DVD	1	
103	900031	CABLE HDMI E / 3'	1	
104	900034	CABLE HDMI E / 15'	1	
105	066804	ADAPTOR AUDIO SIRIUS SH 8C x 2F RCA To J-6309	1	
NS	903217	CONVERTISSOR AUDIO To J-6309	1	
105	069811	AUDIO OUTPUT CONVERTER SH 8C x 2F RCA From J-6310	1	
NS	903217	CONVERTISSOR AUDIO From J-6310	1	
106	310353	COVER MODULE HDMI VIDEO SPLITTER GREY To K-6476	1	
106	314540	COVER MODULE HDMI VIDEO SPLITTER GREY From K-6477	1	
107	500638	SCREW TP PAN PH #8x1/2 Z050	7	
109	901347	CABLE ASSY / W/2 BNC FEMALE/ FEMALE 1" To N-6685	1	
109	900045	CABLE HDMI E / 1' From N-6686	1	
110	900034	CABLE HDMI E / 15'	1	

From H-6179		Date:01/2024	PAGE:X3-2317-31
VIDEO & AUDIO SYSTEM - INSTALLATION W/HHD			

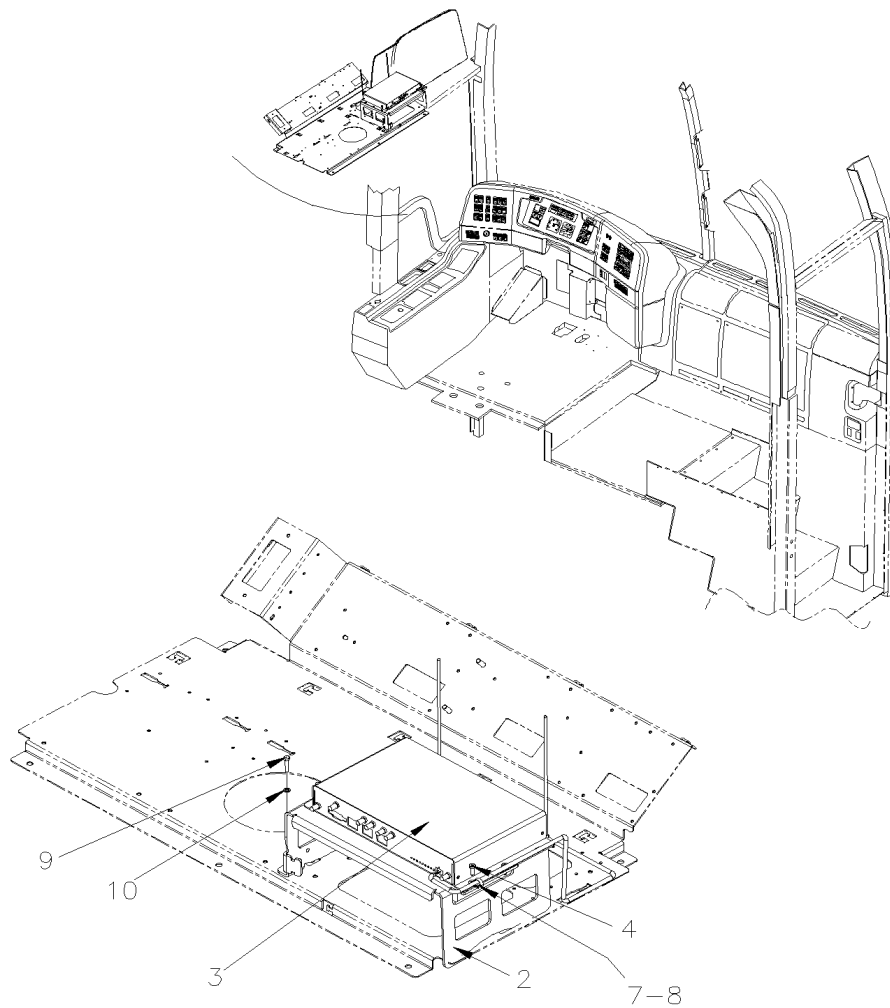
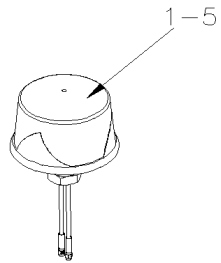
Item#	Part	Description	QTY	Notes
111	901110	CABLE RCA / 2M/2M / 25' To N-6685	1	
112	405847	CABLE ASSY ENTERTAINER MODULE POWER To L-6494	1	
112	401420	CABLE ASSY ENTERTAINER MODULE POWER From L-6495	1	
113	901110	CABLE RCA / 2M/2M / 25'	1	
114	561451	CONVOLUTED TUBING / SLIT / GRAY / .750	AR	
115	406360	SUPPORT, RADIO (1RADIO) & DVD REI To L-6494	1	
115	401259	SUPPORT, RADIO (1RADIO) & DVD SUPP. From L-6495	1	
115	400679	SUPPORT, RADIO (1RADIO) & DVD SIRIUS From K-6368 To L-6494	1	O
NS	500914	WASHER LO SPT .193x.334x.047 N500 From K-6368 To L-6494	2	O
NS	500344	SCREW MA RND PH M4-0.7x12 Z050 From K-6368 To L-6494	2	O
115	401261	SUPPORT, RADIO (1RADIO) & DVD SIRIUS From L-6495	1	O
115	500799	SCREW TC PAN PH #8-32x3/8 N500 From L-6495	4	O
116	900027	MODULE HDMI VIDEO SPLITTER To J-6280	1	
116	900208	MODULE HDMI VIDEO SPLITTER From J-6281	1	
117	409057	HARNESS, POWER RH HDMI SPLITTER To H-6179	1	
117	060654	HARNESS, POWER RH HDMI From H-6180	1	
118	900030	CABLE HDMI ADAPTER E RECEP. TO A PLUG	1	
NS	900027	MODULE HDMI VIDEO SPLITTER To J-6280	1	
NS	900208	MODULE HDMI VIDEO SPLITTER From J-6281	1	
121	060157	DECAL, O2 EL MONITOR LAYOUT P-RACK E	1	
122	507661	PROTECTOR, VINYL / , .437x1.500	1	
200	565200	PLUG DOUBLE 110 VAC MURAL W/2 USB PORT / GREY	1	
201	504637	CABLE TIE / 3/16" x 13"	AR	
202	680319	TAPE ADHESIF ELECTRIC / BLACK 3/4"	AR	
207	068339	CABLE / 120VAC / PARCEL RACK OUTLET	1	
208	560784	SHRINK TUBING / .250" - .080" / BLACK / ALPHA FIT-300-1/4-4B	AR	
300	901110	CABLE RCA / 2M/2M / 25'	1	A
301	900777	CONNECTOR BNC PLUG TO RCA ADAPTOR / ELEC 21-142-0	1	A
302	900758	ADAPTOR "Y" RCA / 1F/2M / 9"	1	A
303	562652	ADAPTOR FEMALE / FEMALE JOINT / RCA	3	A
304	680319	TAPE ADHESIF ELECTRIC / BLACK 3/4"	AR	A
		A) USE WITH GPS INSTALLATION		
		B) USE WITH FRONT CENTRAL MONITOR SWITCH OPTION		
		C) USE ONLY WITH SYSTEM INSTALL IN SECOND DOOR OF PARCEL RACK		
		O) OPTIONAL		

From G-6100

Date:01/2024

PAGE:X3-2317-35

"WI-FI" MODULE MOOVBOX



From G-6100	Date:01/2024	PAGE:X3-2317-35
"WI-FI" MODULE MOOVBOX		

Item#	Part	Description	QTY	Notes
1	901508	ROOF ANTENNA (LTE-LTE-GPS) CABLE 15' To J-6244	1	
1	900200	ROOF ANTENNA (LTE-GPS) CABLE 17' From J-6245	1	
2	400066	SUPPORT VIDEO ON AMPLIFICATOR	1	
3	901591	SYSTEM WIFI / MOOVBOX M310	1	
3	901577	SYSTEM WIFI / MOOVBOX M320	1	
4	500654	SCREW TC BDG PH #8-32x1/2 Z050	4	
5	685126	ADHESIVE SIMSON #ISR 70-03 / GREY / 600ml SAUSAGE	AR	
6	069125	CABLE ALIMENTATION MODULE WIFI	1	
7	504637	CABLE TIE / 3/16" x 13"	AR	
8	504428	TIE MOUNT / 3/16" #10 SCREW / TA1S10-C	1	
9	500588	SCREW CAP HEX M4-0.7x20 G8.8 Z050	1	
10	500470	WASHER LO SPT .193x.334x.047 Z050	1	

From K-6368

Date:01/2024

PAGE:X3-2317-36

"WI-FI" MODULE WAAV

- = AirBox XA configured with one modem and one WiFi module
- = Can be upgraded to full XA to support 2 WiFi and 2 or 3 modems
- = Uses MiniPCle Slot for Embedded Cellular LTE-A modem
- = 3G/4G LTE-A/LTE/HSPA/HSPA+/UMTS/EDGE capable
- = 2x External Cellular SMA Antenna Connectors
- = Supports 4G LTE MIMO on each modem
- = 1x External GPS SMA Antenna Connector
- = 1x 802.11ac dual-band (2.4/5GHz) WiFi with 2x2 MIMO
- = 2x External WiFi RP-SMA Antenna Connectors for MIMO
- = 1x External RS-232 Serial Port
- = 2x External Locking USB 3.0 Ports
- = 3x Gigabit Ethernet Ports
- = 6-Pin Molex locking power connector
- = Connection Persistence
- = Dead-Link Detection
- = VPN Pass-through
- = Web Configuration Interface
- = Remote Configuration Optional
- = Temp -20 - 70 C
- = Configurable Splash Screen w/ Terms Acceptance Button
- = Content Filtering
- = Proportional Bandwidth QOS
- = 2x Dual-band (2.4/5GHz) RP-SMA WiFi antennas included
- = 12' Hardwired DC connection cable included
- = Mounting Hardware Kit included
- = Cellular/GPS Antennas NOT included
- = Cellular Modem NOT included



From K-6368	Date:01/2024	PAGE:X3-2317-36
-------------	--------------	-----------------

"WI-FI" MODULE WAAV

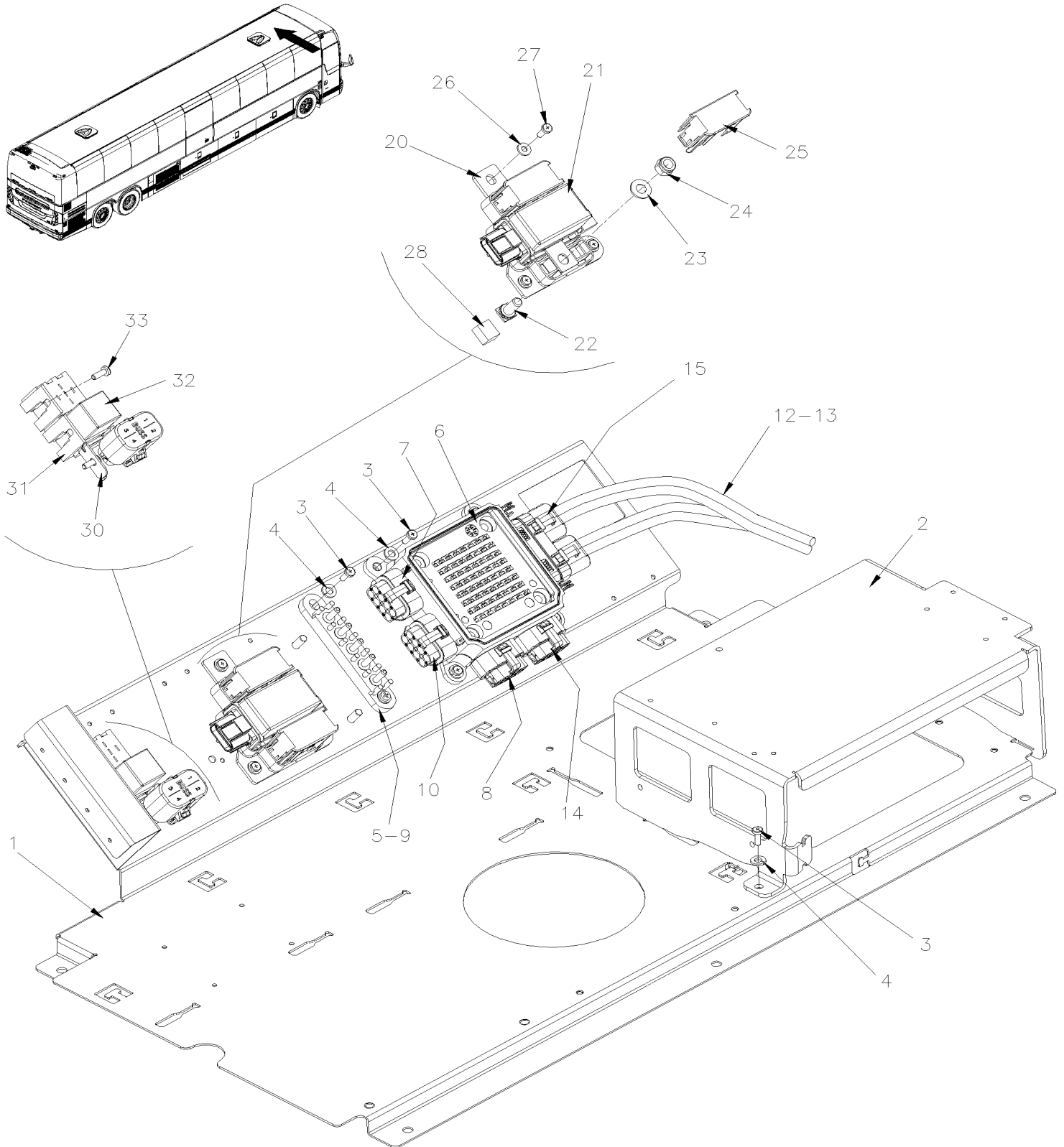
Item#	Part	Description	QTY	Notes
1	405921	SUPPORT VIDEO OVER AMPLI	1	
2	901696	WIFI MODULE WAAV	1	
3	500588	SCREW CAP HEX M4-0.7x20 G8.8 Z050	1	
4	500470	WASHER LO SPT .193x.334x.047 Z050	1	
5	500654	SCREW TC BDG PH #8-32x1/2 Z050	4	
NS	685126	ADHESIVE SIMSON #ISR 70-03 / GREY / 600ml SAUSAGE	AR	
NS	504637	CABLE TIE / 3/16" x 13"	AR	
NS	504428	TIE MOUNT / 3/16" #10 SCREW / TA1S10-C	1	

From G-6100

Date:01/2024

PAGE:X3-2317-40

AUDIO PLATE WITH ADDITIONAL VEC / GREYHOUND OPTION



From G-6100	Date:01/2024	PAGE:X3-2317-40
AUDIO PLATE WITH ADDITIONAL VEC / GREYHOUND OPTION		

Item#	Part	Description	QTY	Notes
1	408338	PLATE SUPPORT MAIN SYSTEM	1	
2	400066	SUPPORT VIDEO ON AMPLIFICATOR To J-6244	1	
2	400605	SUPPORT VIDEO ON AMPLIFICATER XCUBED From J-6245	1	
3	500623	SCREW TC PAN PH #10-24x3/4 N500	7	
4	502564	WASHER LO SPT 6.1x11.8x1.6 Z050	7	
5	563218	JUNCTION BLOCK W/5 STUDS	1	
6	566016	VEC DISTRIBUTION MODULE / AUDIO PLAT To J-6244	1	
6	560502	VEC DISTRIBUTION MODULE From J-6245	1	
7	563715	CONNECTOR / SH 8C / SEALED / BLACK / BUSSMANN 32006-A12	1	
8	563718	CONNECTOR / SH 8C / SEALED / BLUE / BUSSMANN 32006-D12	1	
9	500765	NUT HEX #10-32 BR	5	
10	563716	CONNECTOR / SH 8C / SEALED / GREY / BUSSMANN 32006-B12	1	
12	504637	CABLE TIE / 3/16" x 13"	10	
13	069714	CABLE "CADEC SYSTEM"	1	
14	563714	CONNECTOR / SH 8C / SEALED / GREEN / BUSSMANN 32006-C12 To J-6244	1	
15	566022	LOCK CONNECTOR POSITION ASSURANCE / BUSSMANN 32004-CP	2	
20	560529	BASE FOR LACTHING RELAY BDS-A 24V From J-6245	1	
21	560493	LACTHING RELAY BDS-A 24V From J-6245	1	
22	560539	SCREW FOR LACTHING RELAY BDS-A 24V / M8 From J-6245	2	
23	5001341	WASHER FL 8.4x17.0x1.6 SS From J-6245	2	
24	5001787	NUT HEX NYRT M8-1.25 SS From J-6245	2	
25	560538	COVER RELAY From J-6245	2	
26	500855	WASHER FL .188x.438x.049 N500 From J-6245	AR	
27	500965	SCREW TC BDG PH #8-32x1/2 N500 From J-6245	AR	
28	506004	TAPE RUB ADH1 CC POL 3/8" x 1/2" x 20' / GREY 2520X From J-6245	AR	
30	061437	CABLE ASSY / DASH & PARCEL RACK From J-6245 To L-6494	1	
30	0611114	CABLE ASSY / DASH & PARCEL RACK From L-6495	1	
30	564560	. FUSE HOLDER / SHORT / BUSSMANN CFH-ASE From J-6245	1	
31	564496	. CONNECTOR / METRI-PACK 630 / SH 5C / PED 12033871 From J-6245	2	
32	563332	. RELAY 24V S.P.D.T. W/RESISTOR / "VOLVO" (20374662) From J-6245	1	
33	500654	SCREW TC BDG PH #8-32x1/2 Z050 From J-6245	AR	
50	061492	DECAL, VIDEO PARCEL RACK From J-6245	1	

From G-6100

Date:01/2024

PAGE:X3-2317-45

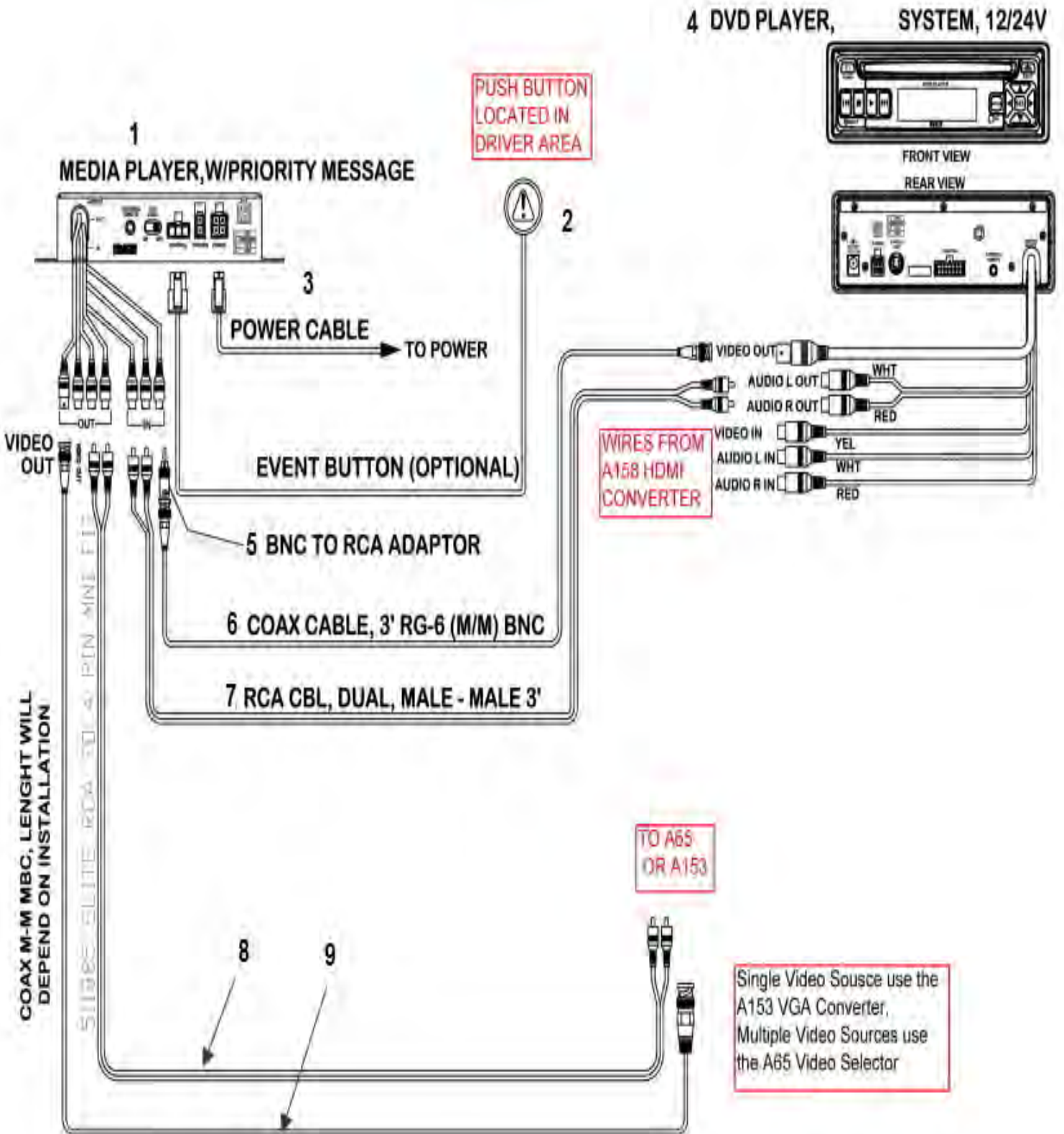
ITS SYSTEM - "SAUCON" / GREYHOUND OPTION

NO DRAWING

From G-6100	Date:01/2024	PAGE:X3-2317-45
ITS SYSTEM - "SAUCON" / GREYHOUND OPTION		

Item#	Part	Description	QTY	Notes
1	901610	KIT ITS SAUCON FOR GLI	1	
. A	Call order desk	. SAUCONE TOUCH DISPLAY / SAUCON	1	P
. B	Call order desk	. PROX STANDARD / SAUCON	1	P
. C	CHASSISPREVOST	. S-CHASSIS PREVOST	1	
2	900061	WIRING HARNESS INTERFACE PA TO VSS / ITS SAUCON	1	
3	504637	CABLE TIE / 3/16" x 13"	AR	
4	506318	TAPE DUAL LOCK 1" x 150' / BLACK SJ3541 To J-6244	AR	
10	901660	ELECTRONIC LOGGING DEVICE SAUCON (ELD) From J-6245	1	
11	901661	CABLE ELECT. LOGGING DEVICE SAUCON (ELD) From J-6245	1	
		P) CALL ORDER DESK FOR SPECIFIC APPLICATION (V.I.N.)		

From H-6180	Date:01/2024	PAGE:X3-2317-50
MEDIA PLAYER		



From H-6180	Date:01/2024	PAGE:X3-2317-50
MEDIA PLAYER		

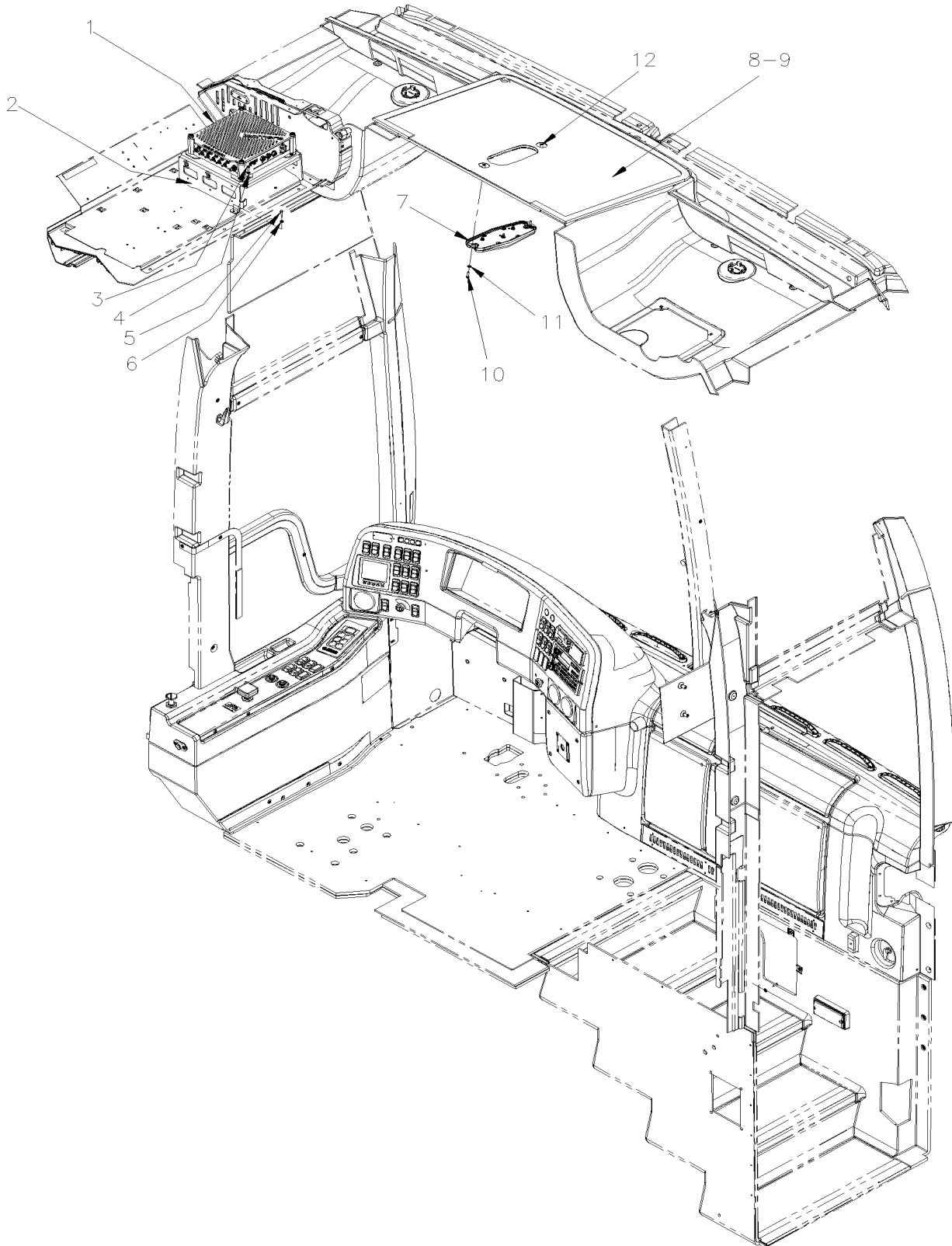
Item#	Part	Description	QTY	Notes
1	901575	MULTIMEDIA PLAYER MP1000 To L-6624	1	
1	901807	MULTIMEDIA PLAYER MP1200 From L-6625	1	
1	500654	SCREW TC BDG PH #8-32x1/2 Z050	4	
2	901576	CABLE AND PUSH BUTTON / MULTIMEDIA PLAYER MP1000 To L-6624	1	
2	901810	CABLE AND PUSH BUTTON / MULTIMEDIA PLAYER MP1200 From L-6625	1	
2	901809	ADAPTER CABLE MEDIA PLAYER MP1200 From L-6625	1	
3	901079	CABLE POWER DVD ADAPTOR / 6'	1	
4	901339	DVD PLAYER 12V To J-6353	1	
. NS	901377	. REMOTE CONTROL / DVD R.E.I. To J-6353	1	
4	901436	DVD PLAYER 12V From J-6354	1	
. NS	901264	. REMOTE CONTROL / DVD REI From J-6354	1	
5	901564	ADAPTOR, RCA MALE TO BNC FEMALE	1	
6	901157	CABLE COAXIAL 3' BNC	1	
7	900052	CABLE RCA / DUAL / MALE-MALE 3'	1	
8	901565	HARNESS, AUDIO BETWEEN CONV AND DVD	1	
9	901347	CABLE ASSY / W/2 BNC FEMALE/ FEMALE 1"	1	
10	506493	TAPE DUAL LOCK 1/2" x 150' / BLACK SJ3541	AR	
NS	900012	ADAPTOR, RCA MALE TO RCA MALE	1	

From J-6245

Date:01/2024

PAGE:X3-2317-60

"WI-FI" ICOMERA X CUBED OPTION GLI



From J-6245	Date:01/2024	PAGE:X3-2317-60
-------------	--------------	-----------------

"WI-FI" ICOMERA X CUBED OPTION GLI

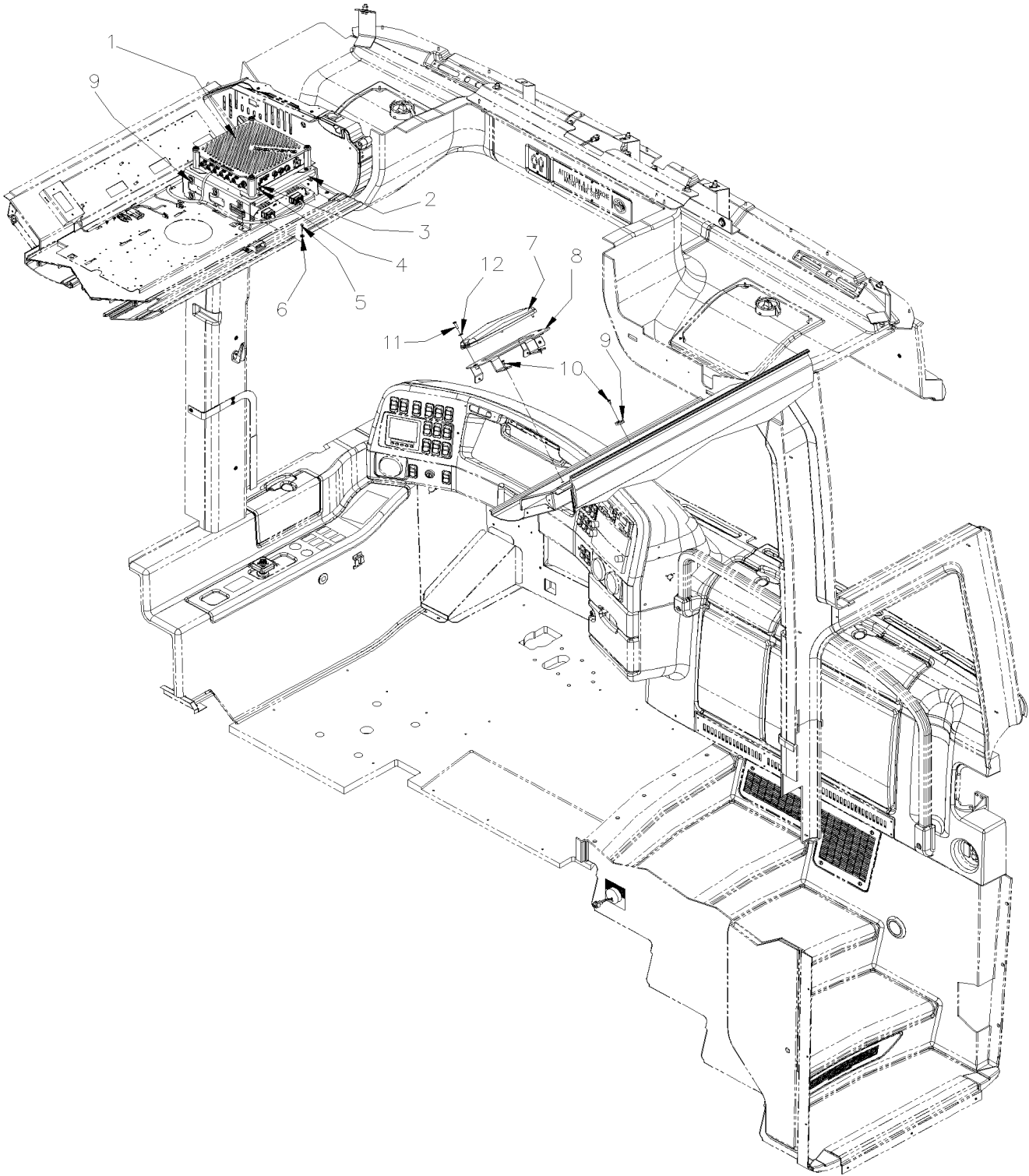
Item#	Part	Description	QTY	Notes
1	900218	MODULE ICOMERA X3 ADVANCED / 1 TB	1	
2	400605	SUPPORT VIDEO ON AMPLIFICATER XCUBED	1	G
2	400662	SUPPORT VIDEO ON AMPLIFICATER XCUBED	1	
3	500965	SCREW TC BDG PH #8-32x1/2 N500	4	
4	500855	WASHER FL .188x.438x.049 N500	4	
5	500588	SCREW CAP HEX M4-0.7x20 G8.8 Z050	1	
6	502564	WASHER LO SPT 6.1x11.8x1.6 Z050	1	
7	900223	ANTENNA WIFI HS SENSITY MIMO / 2.4-5GHZ	1	
7	061515	CABLE WIFI TO CHASSIS GROUND	1	
NS	900226	ANTENNA WIFI CABLE RFC CAT2 / 3M To K-6407	1	
7	900388	CABLE,RFC CAT2,90 DEG CONN, 2 FT, PORT 1 From K-6408	1	
7	900396	CABLE,RFC CAT2,90 DEG CONN, 2 FT, PORT 2 From K-6408	1	
7	900397	CABLE,RFC CAT2,90 DEG CONN, 2 FT, PORT 3 From K-6408	1	
NS	504637	CABLE TIE / 3/16" x 13"	3	
NS	504428	TIE MOUNT / 3/16" #10 SCREW / TA1S10-C	1	
NS	561513	PIN TERMINAL / 20-14 / AMP 350538-3	1	
8	Call order desk	CEILING, CENTRAL, FRONT ASS.	1	P
9	Call order desk	FINITION SHEET METAL, FRONT CEILING	1	P
10	5001299	SCREW MA PAN PH #10-32x3/4 SS	2	
11	500964	WASHER FL .203x.500x.047 Z050	2	
12	500519	NUT WELL #10-32x.518	2	
NS	900224	ANTENNA DUAL LTE,WIFI, GPS M-BAND / 17' To K-6407	1	
14	900274	ANTENNA 2X LTE,2X WIFI, GPS, 90DEG / 6' From K-6408	1	
NS	900225	ANTENNA DUAL LTE, MULTIBAND / 17' To K-6407	1	
15	900275	ANTENNA 4X LTE, 90DEG CONN. / 15' From K-6408	1	
		G) FOR GLI		
		P) CALL ORDER DESK FOR SPECIFIC APPLICATION (V.I.N.)		

From K-6368

Date:01/2024

PAGE:X3-2317-61

"WI-FI" ICOMERA X CUBED

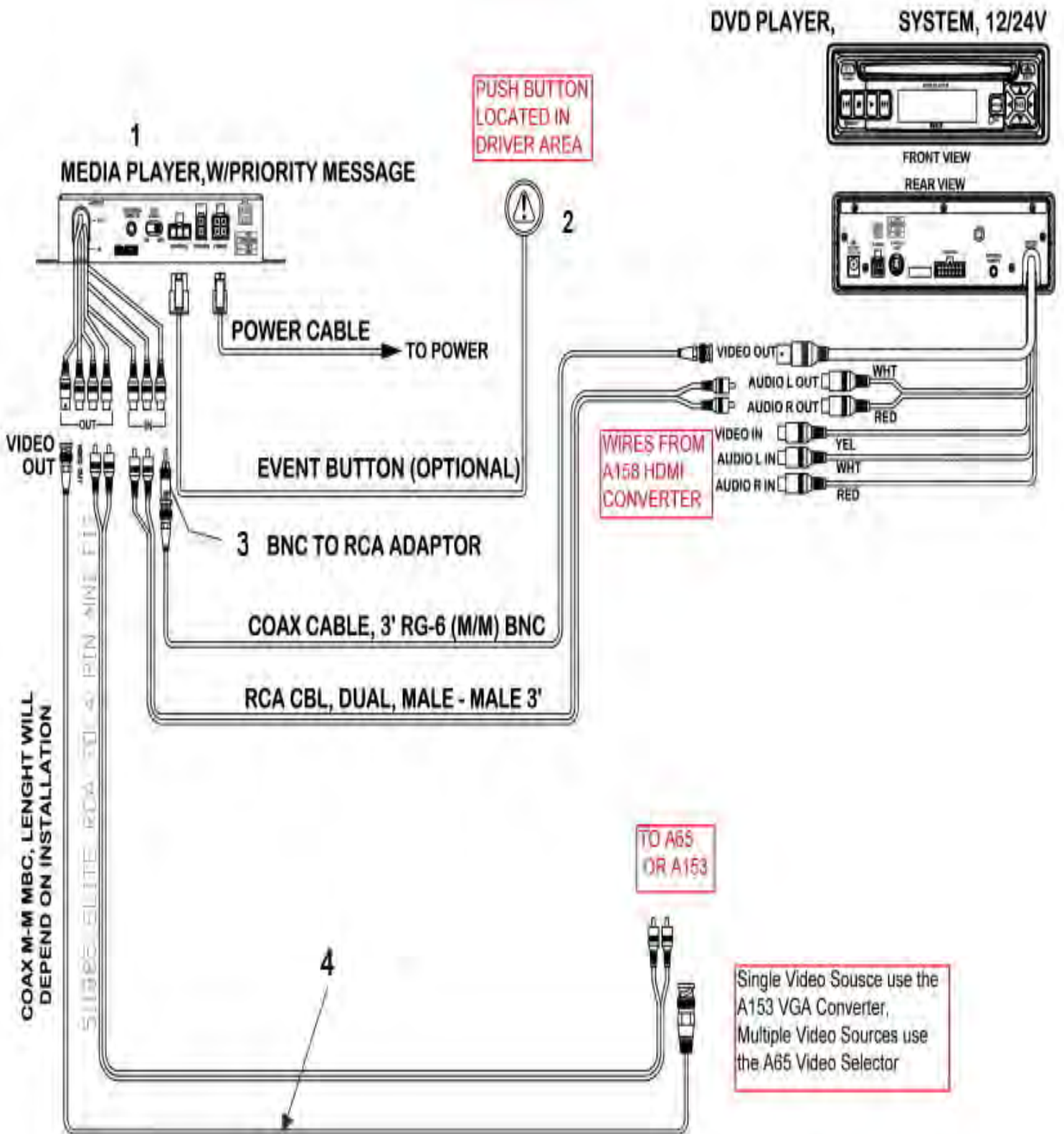


From K-6368	Date:01/2024	PAGE:X3-2317-61
"WI-FI" ICOMERA X CUBED		

Item#	Part	Description	QTY	Notes
1	900240	MODULE ICOMERA X CUBE ADVANCED / 1 TB	1	
1	900268	HARNESS POWER MODULE ICOMERA X-CUBED	1	
NS	069925	CABLE WIFI TO CHASSIS GROUND	1	
NS	900401	CABLE ANTENNA WIFI RFC CAT2 5M (PORT 1)	1	
2	400662	SUPPORT VIDEO ON AMPLIFICATER XCUBED To N-6755	1	
2	401608	SUPPORT VIDEO ON AMPLIFICATER From N-6756	1	
3	500965	SCREW TC BDG PH #8-32x1/2 N500	4	
4	500855	WASHER FL .188x.438x.049 N500	4	
5	500344	SCREW MA RND PH M4-0.7x12 Z050	2	
6	500914	WASHER LO SPT .193x.334x.047 N500	2	
7	900223	ANTENNA WIFI HS SENSITY MIMO / 2.4-5GHZ	1	
8	400648	SUPPORT ANTENNA	1	
NS	509815	TIE MOUNT / ATTACHMENT W/TREE MOUNT	1	
NS	504637	CABLE TIE / 3/16" x 13"	AR	
9	504013	TIE MOUNT / 1/4" X 1/4" I.D.	10	
10	500638	SCREW TP PAN PH #8x1/2 Z050	5	
11	5001299	SCREW MA PAN PH #10-32x3/4 SS	2	
12	500964	WASHER FL .203x.500x.047 Z050	2	
15	900274	ANTENNA 2X LTE,2X WIFI, GPS, 90DEG / 6'	1	
16	900275	ANTENNA 4X LTE, 90DEG CONN. / 15'	1	
NS	900402	CABLE ANTENNA WIFI RFC CAT2 5M (PORT 2)	1	
NS	900403	CABLE ANTENNA WIFI RFC CAT2 5M (PORT 3)	1	
20	560529	BASE FOR LACTHING RELAY BDS-A 24V	1	
21	560493	LACTHING RELAY BDS-A 24V	1	
22	560539	SCREW FOR LACTHING RELAY BDS-A 24V / M8	2	
23	5001341	WASHER FL 8.4x17.0x1.6 SS	2	
24	5001787	NUT HEX NYRT M8-1.25 SS	2	
25	560538	COVER RELAY	2	
26	500855	WASHER FL .188x.438x.049 N500	3	
27	500965	SCREW TC BDG PH #8-32x1/2 N500	3	
28	506004	TAPE RUB ADH1 CC POL 3/8" x 1/2" x 20' / GREY 2520X	AR	
29	0610200	WIR. HARN. ISM RELAY P-RACK	1	

From B-5002 To H-6179		Date:01/2024	PAGE:X3-2317-99	
UPDATE TO MEDIA PLAYER MP-1000				
Item#	Part	Description	QTY	Notes
1	IS19915	MP-1000 MULTIMEDIA PLAYER INSTALLATION	1	

MP-1000 MULTIMEDIA PLAYER INSTALLATION



From B-5002 To H-6179	Date:01/2024	PAGE:IS19915
MP-1000 MULTIMEDIA PLAYER INSTALLATION		

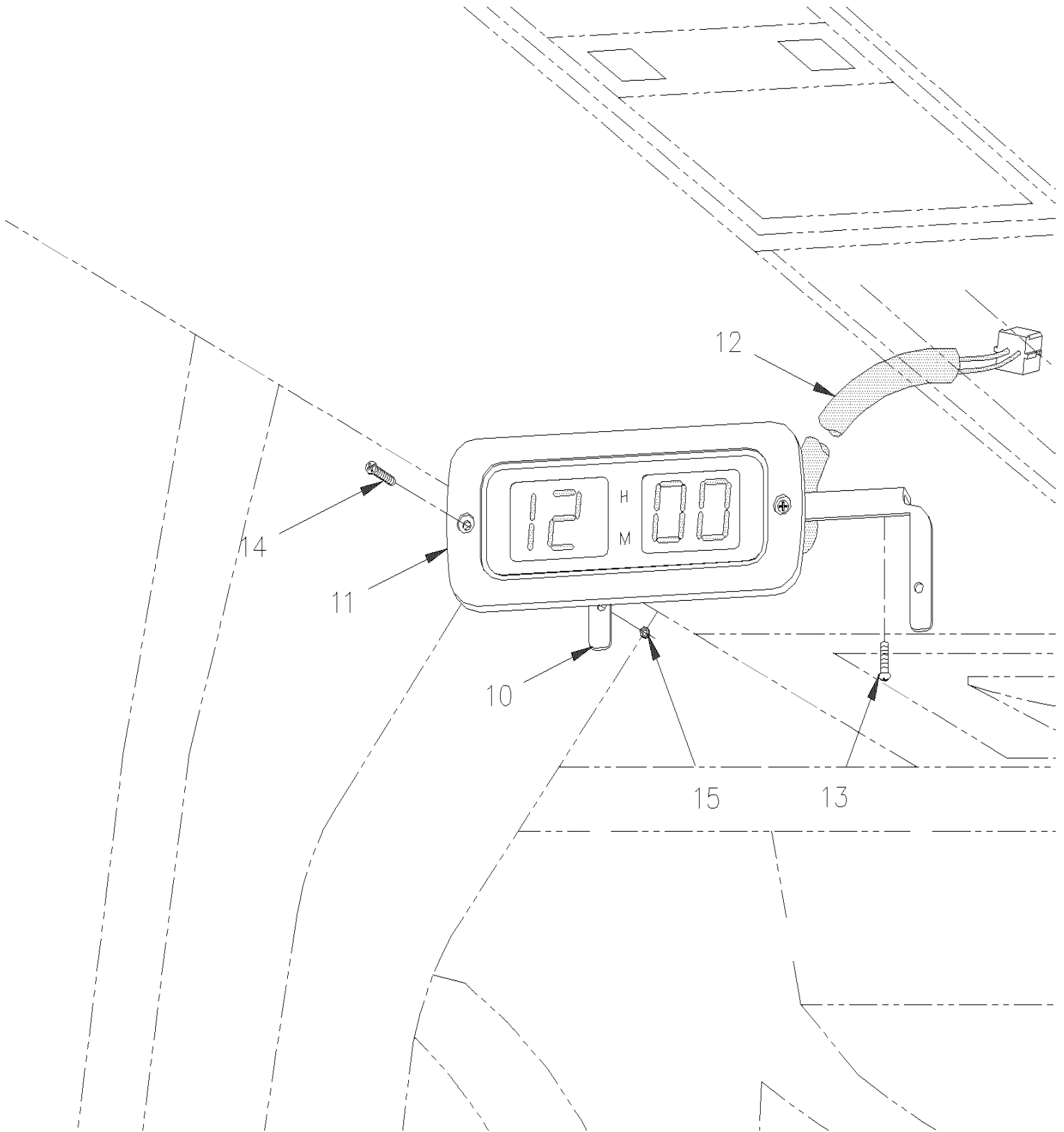
Item#	Part	Description	QTY	Notes
1	901807	MULTIMEDIA PLAYER MP1200	1	
1	901821	. SD CARD PRE-PROG. PREVOST SAFETY VIDEO	1	
2	901809	ADAPTER CABLE MEDIA PLAYER MP1200	1	
2	901810	CABLE AND PUSH BUTTON / MULTIMEDIA PLAYER MP1200	1	
3	901564	ADAPTOR, RCA MALE TO BNC FEMALE	1	
NS	900856	CABLE RCA / 2M/2M / 3'	1	
4	901347	CABLE ASSY / W/2 BNC FEMALE/ FEMALE 1"	1	
NS	500965	SCREW TC BDG PH #8-32x1/2 N500	4	
NS	563071	CONNECTOR / MINI FIT JR / SH 4C / MOLEX 39-01-3042	1	
NS	562483	SOCKET TERMINAL / 16 / MOLEX 39-00-0078	2	
NS	561689	SOCKET TERMINAL / 20-18 / PED 12089188	2	
NS	561565	CABLE SEAL / GREEN / PED 15324982	2	
NS	561783	SEAL PLUG CAVITY / GREEN / PED 12010300	1	
NS	562592	WIRE CABLE 16 / YELLOW / TXL	3	
NS	562586	WIRE CABLE 16 / BLACK / TXL	3	
NS	561782	CONNECTOR / WEATHER PACK / SH 3C / BLACK / PED 12015793	1	
NS	901135	CABLE RCA / 3M/3M / 3'	1	
NS	505537	TAPE DUAL LOCK 2" X 50 YARD / BLACK SJ3551	AR	
25	IS-19915	SEE INSTRUCTION SHEET	1	

From 7-8754 To G-5994

Date:01/2024

PAGE:X3-2318-00

CLOCK (DIGITAL)



From 7-8754 To G-5994	Date:01/2024	PAGE:X3-2318-00
-----------------------	--------------	-----------------

CLOCK (DIGITAL)

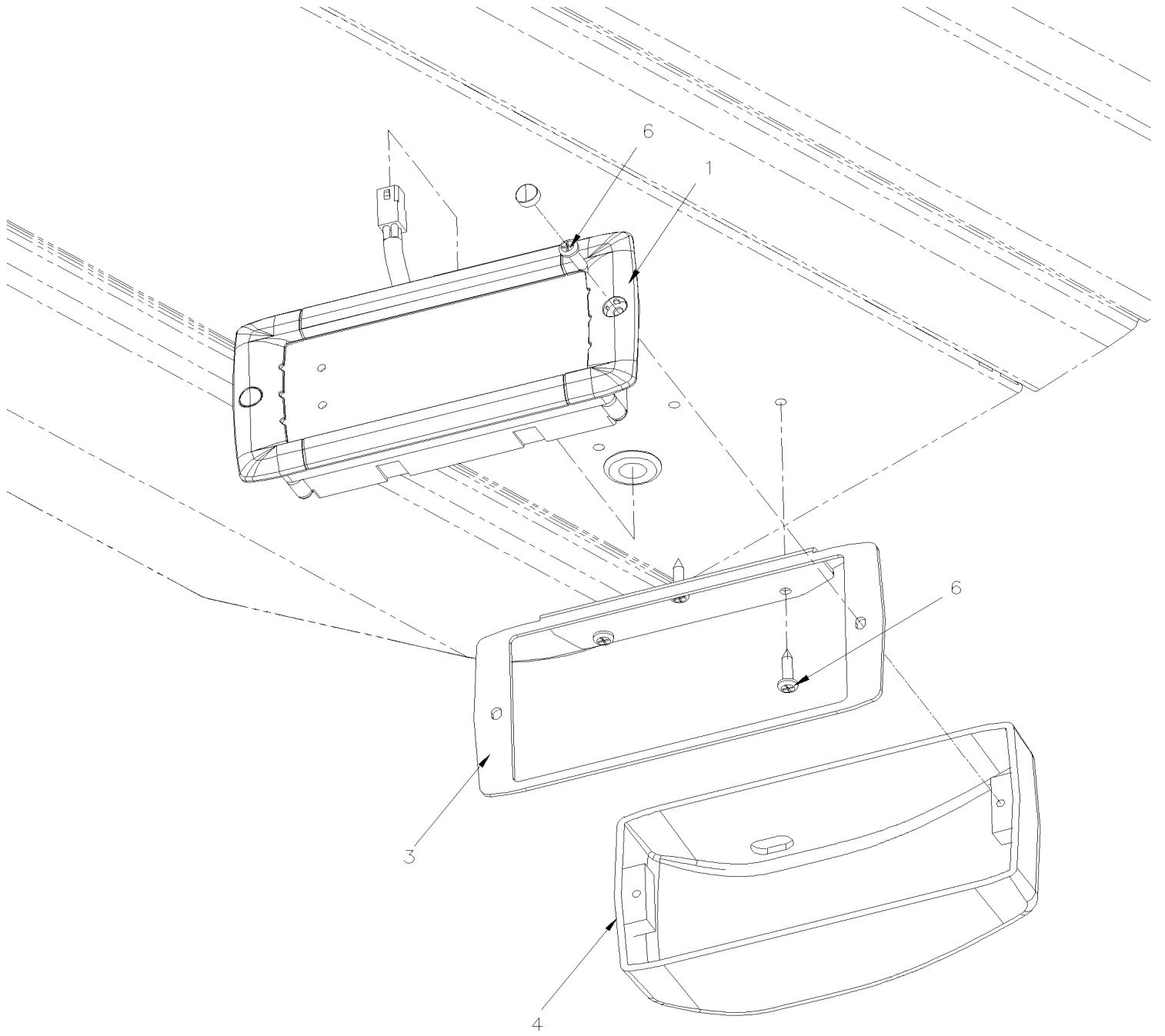
Item#	Part	Description	QTY	Notes
10	404546	SUPPORT	1	
11	407502	DIGITAL CLOCK / 12/24HRS	1	
NS	901123	. DIGITAL CLOCK	1	
NS	561476	. CONNECTOR / (.062) / SH 4C / MOLEX 03-06-1044	1	
NS	561478	. SOCKET TERMINAL / 24-18 / MOLEX 02-06-1103	3	
11	562387	CONVOLUTED TUBING / SLIT / BLACK / .250"	AR	
12	066206	CABLE ASSY TO DIGITAL CLOCK	1	
NS	504070	GROMMET / .375x.625x.156x.406x1.000	1	
13	500409	SCREW TP PAN PH #8x1/2 BK To F-5751	3	
13	500414	SCREW TP BDG PH #10x3/4 SS From F-5752	3	
14	500260	SCREW TC FL PH #8-32x3/4 BK	2	
15	500670	NUT HEX NYRT #8-32 Z050	2	
20	340395	REPLACEMENT KIT DIGITAL CLOCK 12H		
21	340409	REPLACEMENT KIT DIGITAL CLOCK 24H		

From 7-8754 To G-5994

Date:01/2024

PAGE:340395

REPLACEMENT KIT DIGITAL CLOCK 12H



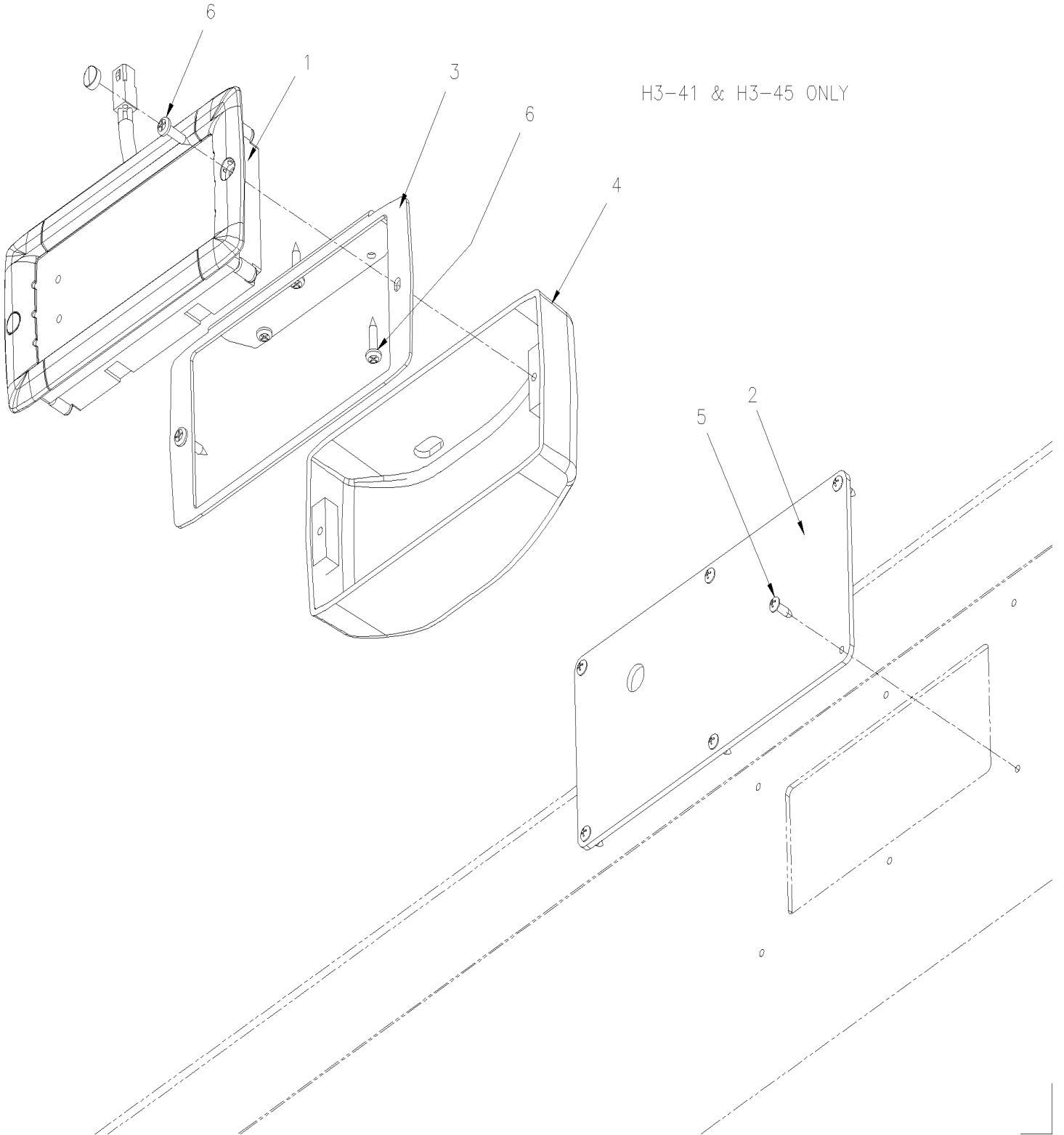
From 7-8754 To G-5994

Date:01/2024

PAGE:340395

REPLACEMENT KIT DIGITAL CLOCK 12H

H3-41 & H3-45 ONLY



From 7-8754 To G-5994	Date:01/2024	PAGE:340395
-----------------------	--------------	-------------

REPLACEMENT KIT DIGITAL CLOCK 12H

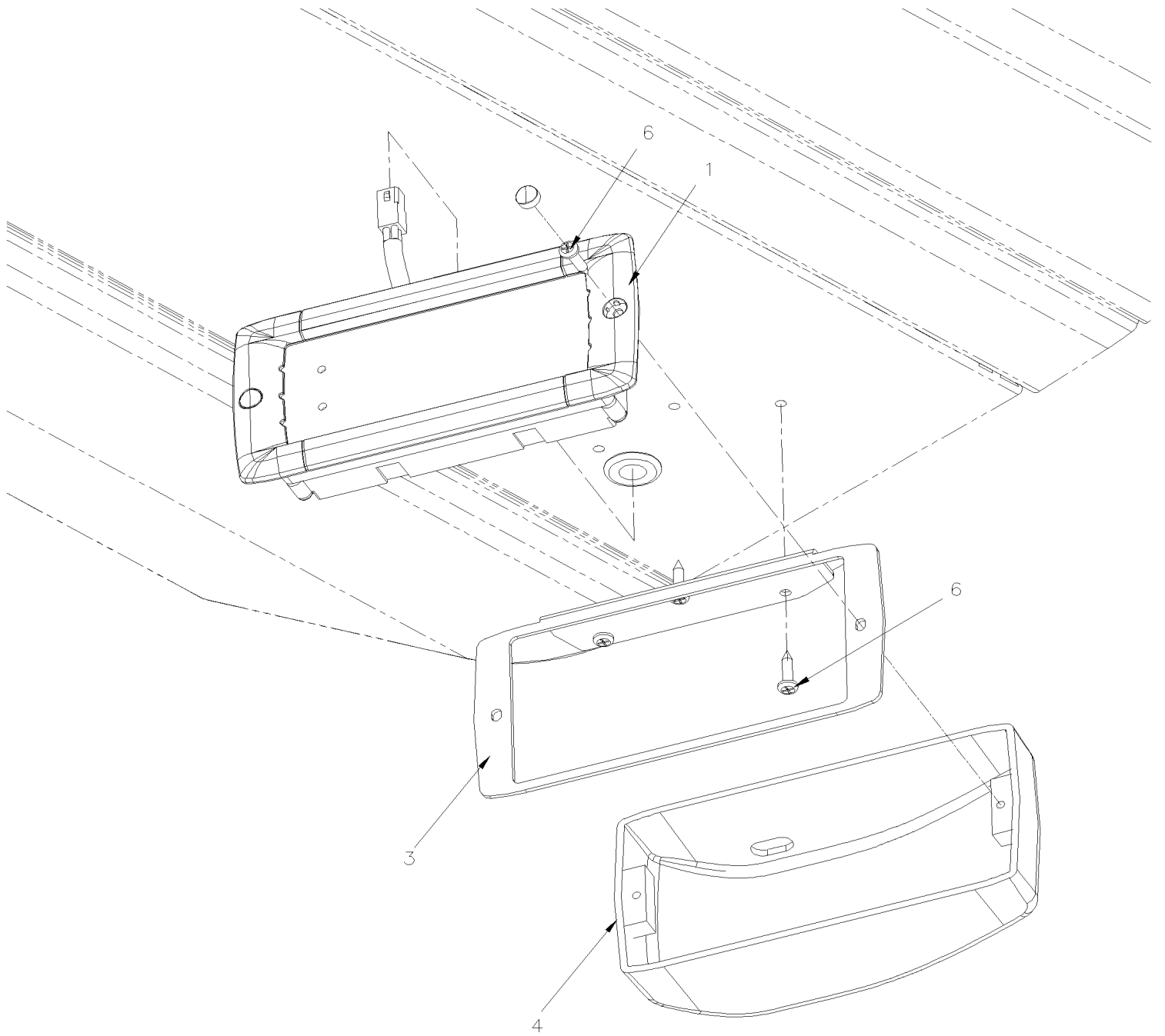
Item#	Part	Description	QTY	Notes
1	901569	DIGITAL CLOCK, GREEN LEDS - 12H	1	
2	Call order desk	PLATE CLOSING	1	P
3	400133	SUPPORT DIGITAL CLOCK / STREET SIDE	1	
4	400236	COVER DIGITAL CLOCK	1	
5	500120	SCREW TP BDG PH #6x1/2 SS	6	
6	5001155	SCREW TP PAN PH #8X3/4 N050	5	
		P) CALL ORDER DESK FOR SPECIFIC APPLICATION (V.I.N.)		

From 7-8754 To G-5994

Date:01/2024

PAGE:340409

REPLACEMENT KIT DIGITAL CLOCK 24H



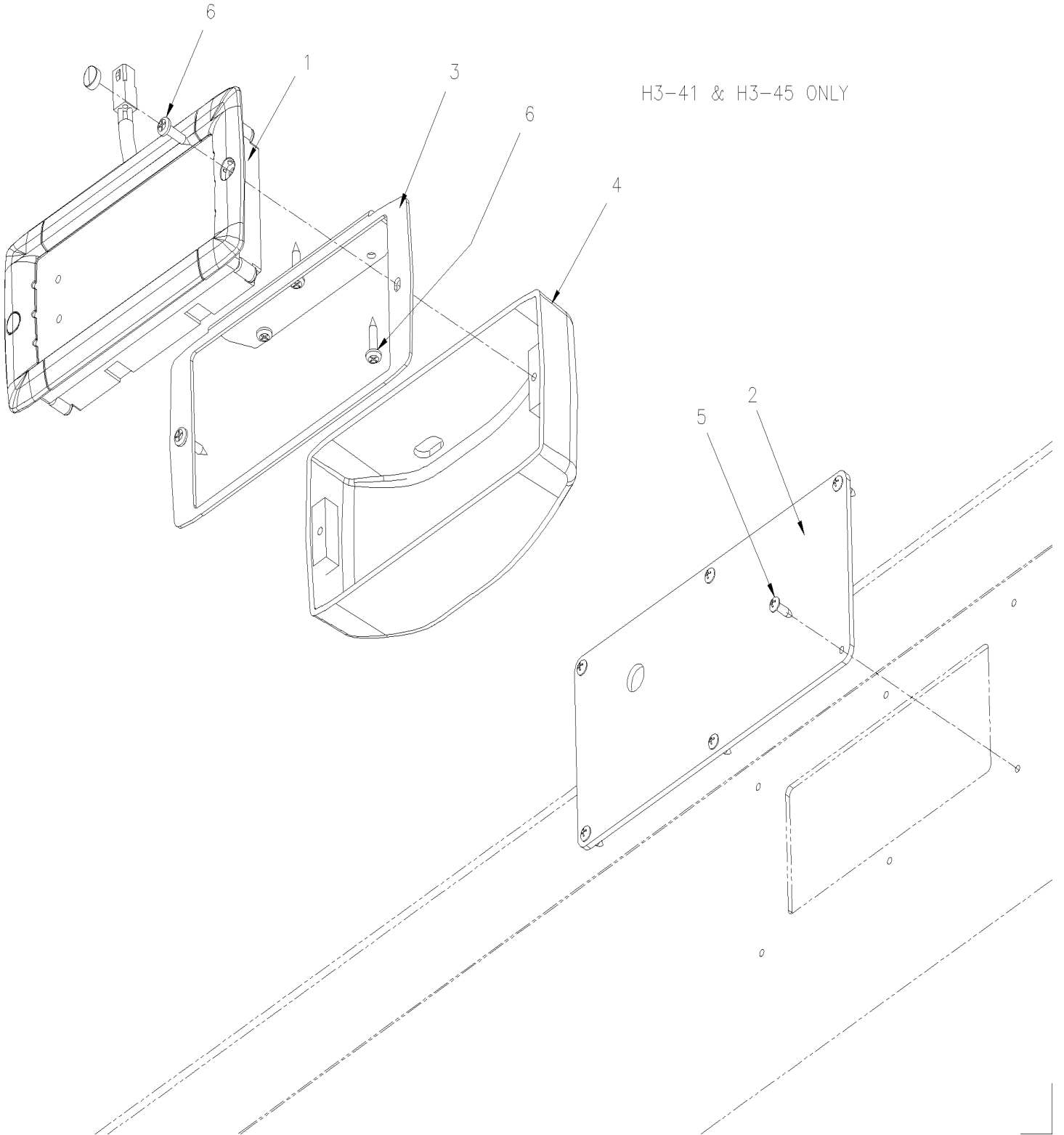
From 7-8754 To G-5994

Date:01/2024

PAGE:340409

REPLACEMENT KIT DIGITAL CLOCK 24H

H3-41 & H3-45 ONLY



From 7-8754 To G-5994	Date:01/2024	PAGE:340409
-----------------------	--------------	-------------

REPLACEMENT KIT DIGITAL CLOCK 24H

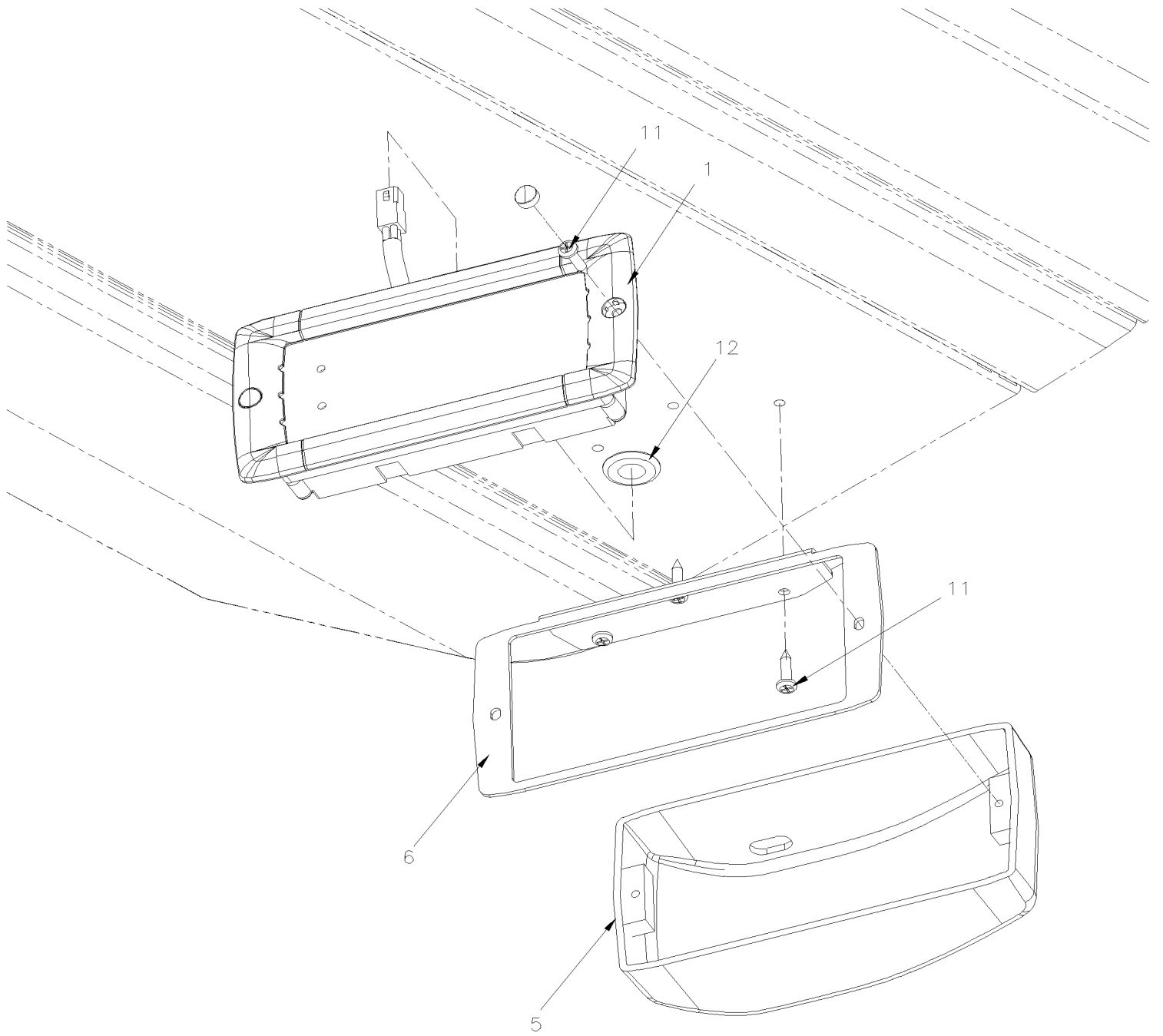
Item#	Part	Description	QTY	Notes
1	901569	DIGITAL CLOCK, GREEN LEDS - 12H	1	
2	Call order desk	PLATE CLOSING	1	P
3	400133	SUPPORT DIGITAL CLOCK / STREET SIDE	1	
4	400236	COVER DIGITAL CLOCK	1	
5	500120	SCREW TP BDG PH #6x1/2 SS	6	
6	5001155	SCREW TP PAN PH #8X3/4 N050	5	
		P) CALL ORDER DESK FOR SPECIFIC APPLICATION (V.I.N.)		

From G-5995

Date:01/2024

PAGE:X3-2318-01

CLOCK (DIGITAL)



From G-5995	Date:01/2024	PAGE:X3-2318-01
-------------	--------------	-----------------

CLOCK (DIGITAL)

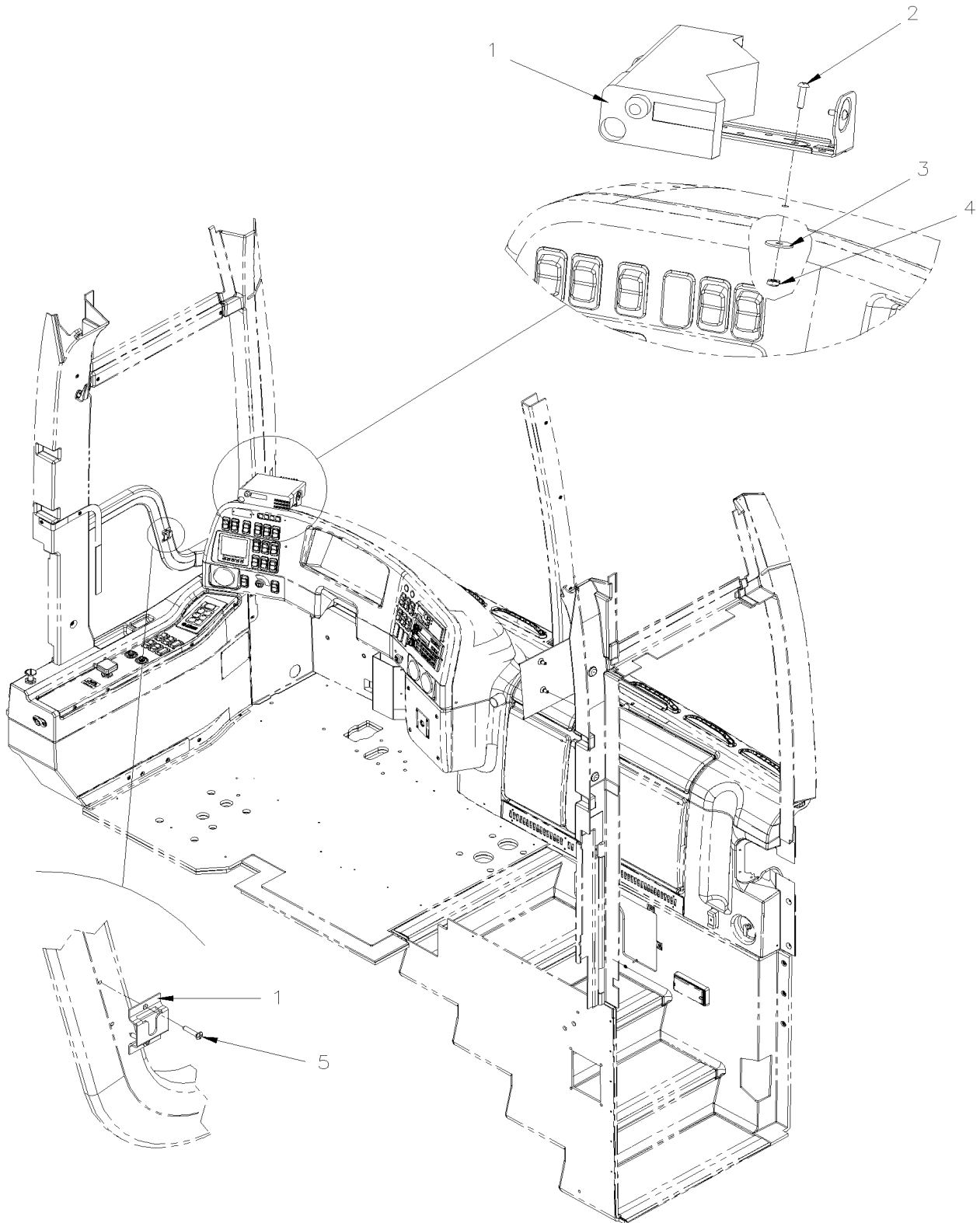
Item#	Part	Description	QTY	Notes
1	901569	DIGITAL CLOCK, GREEN LEDS - 12H	1	
1	901570	DIGITAL CLOCK, GREEN LEDS - 24H	1	
1	066206	CABLE ASSY TO DIGITAL CLOCK To H-6179	1	
1	061296	CABLE ASSY TO DIGITAL CLOCK From H-6180	1	
5	400236	COVER DIGITAL CLOCK	1	
6	400133	SUPPORT DIGITAL CLOCK / STREET SIDE	1	
11	5001155	SCREW TP PAN PH #8X3/4 N050	5	
12	504568	GROMMET / .437x.687x.250x.500x1.000	1	

From A-9897

Date:01/2024

PAGE:X3-2318-10

RADIO "CB" INSTALLATION

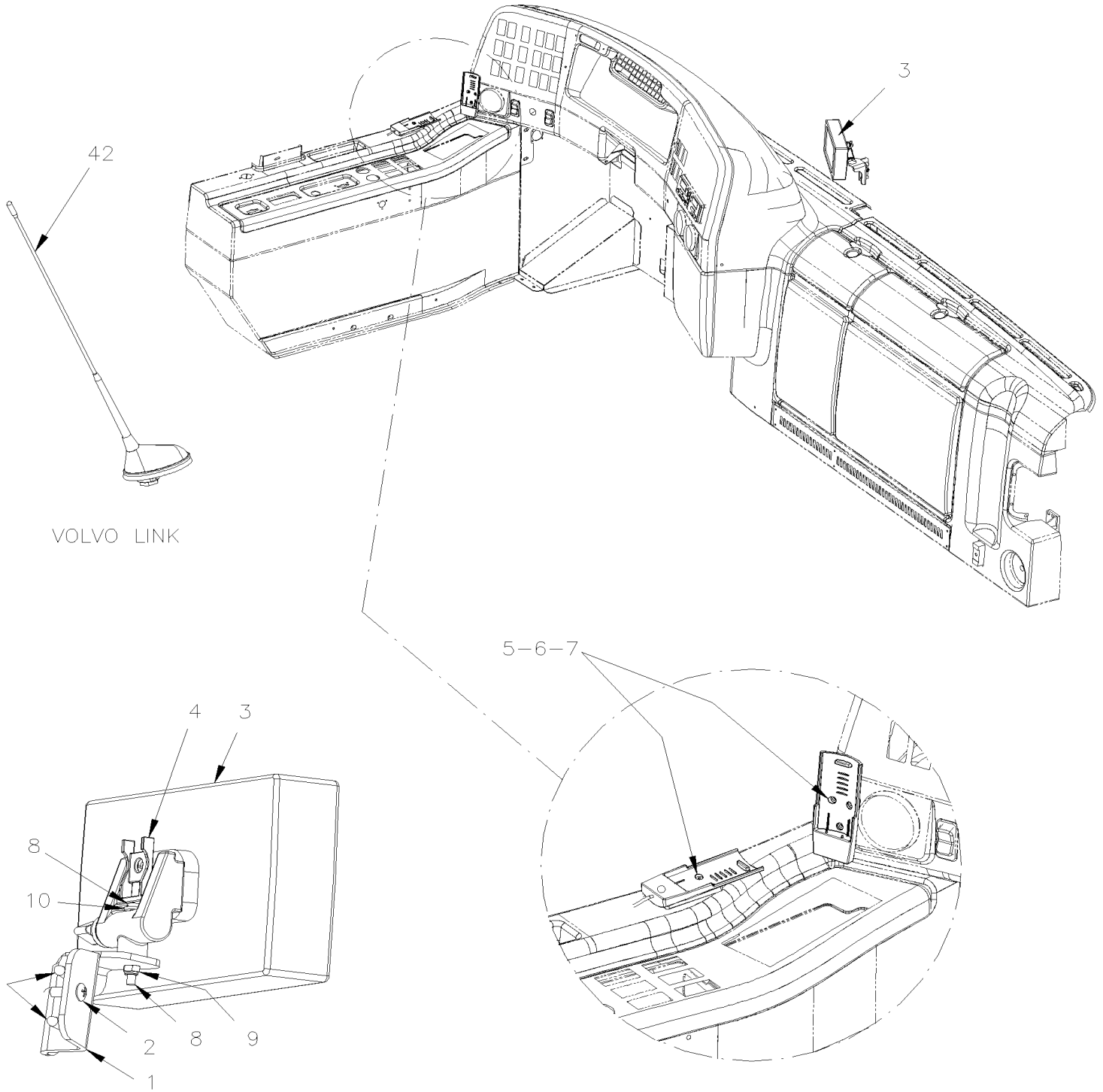


From A-9897	Date:01/2024	PAGE:X3-2318-10
-------------	--------------	-----------------

RADIO "CB" INSTALLATION

Item#	Part	Description	QTY	Notes
1	900160PC	RADIO "CB" MOTOROLA	1	
2	500387	SCREW MA RND PH #10-24x3/4 Z050	2	
3	500805	WASHER FL .218x.875x.062 N500	2	
4	500767	NUT HEX #10-24 Z050	2	
5	500552	SCREW TP OV PH #6x3/4 Z050	2	
NS	504421	GROMMET / .625x.875x.187x.437x1.125	1	

GPS - VOLVO LINK ANTENNA - INSTALLATION



From 7-9012 To A-9916	Date:01/2024	PAGE:X3-2319-00
GPS - VOLVO LINK ANTENNA - INSTALLATION		

Item#	Part	Description	QTY	Notes
1	405911	SUPPORT "GPS" NAVIGATION SCREEN / "X" SERIES	1	
2	500510	SCREW MA BDG PH #10-32x3/4 SS EMN	3	
3	901231	GPS NAVIGATION SCREEN	1	
4	901232	SUPPORT VIDEO FOR SCREEN	1	
5	901244	RECEPTACLE REMOTE CONTROL	1	
6	500286	NUT WELL #6-32	3	
7	5001303	SCREW MA BDG PH #6-32x1 ZP EMN	3	
8	502530	SCREW MA OV PH M4-0.7x40 SS	1	
9	500539	NUT HEX NYRT M4-0.7 N500	1	
10	502630	WASHER FL .156x.375x.049 Z050	1	
		ALSO USE FOR RETROFIT INSTALLATION		
NS	901230	CPU NAVIGATOR VDO / W/CD DVD FORMAT To 8-9379	1	S
20	901262	CPU NAVIGATOR VDO "SEIMENS" / W/SD CARD From 8-9380	1	
NS	901234	CONVERTER 24V @ 9V	1	
NS	901250	SWITCH AUDIO ASSY	1	
NS	901255	ANTENNA "GPS"	1	
21	405813	ADAPTOR SCREW / MALE / FEMALE M5-0.8 X 33MM	1	
NS	406084	SUPPORT W/"SEIMENS CPU NAVIGATOR From 8-9380	1	
NS	502561	NUT HEX M5-0.8 Z050 From 8-9380	1	
NS	500470	WASHER LO SPT .193x.334x.047 Z050 From 8-9380	1	
NS	500989	WASHER FL .219x.875x.062 Z050 From 8-9380	1	
NS	5001146	SCREW CAP HEX M5-0.8x20 SS BK From 8-9380	1	
NS	500590	NUT HEX NYRT M4-0.7 Z050 From 8-9380	1	
21	5001036	SCREW MA PAN PH M4-0.7x10 Z050 From 8-9380	1	
NS	502561	NUT HEX M5-0.8 Z050	1	
NS	500470	WASHER LO SPT .193x.334x.047 Z050	1	
NS	066952	CABLE ASSY NAVIGATOR RCA & BNC	1	
NS	066953	CABLE ASSY NAVIGATOR W/MINI DIN CONNECTOR S/VIDEO	1	
NS	066954	CABLE INTERFACE W/CAMERA CLARION BLK& WHITE To 8-9397	1	
26	067210	CABLE W/CAMERA COLOR From 8-9398	1	
NS	506755	VELCRO / HOOK ADHESIF 1" x 75'	AR	
NS	506756	VELCRO / LOOP ADHESIF 1" x 75'	AR	
NS	900775	Y RADIO ANTENNA CABLE / TO USE W/2 RADIOS	1	
NS	900774	CABLE, ANTENNA EXTENSION / 12'	1	
NS	901258	ADAPTOR / RADIO & ANTENNA CABLE 90° / EURO MALE to MOTOROLA FEM	1	
39		NEXT 6 ITEMS ARE RELATED WITH "VOLVO" LINK	1	
NS	901276	EXTENSION "GPS" FOR "VOLVO" LINK	1	
NS	901277	EXTENSION "RF" FOR "VOLVO" LINK	1	

From 7-9012 To A-9916	Date:01/2024	PAGE:X3-2319-00
GPS - VOLVO LINK ANTENNA - INSTALLATION		

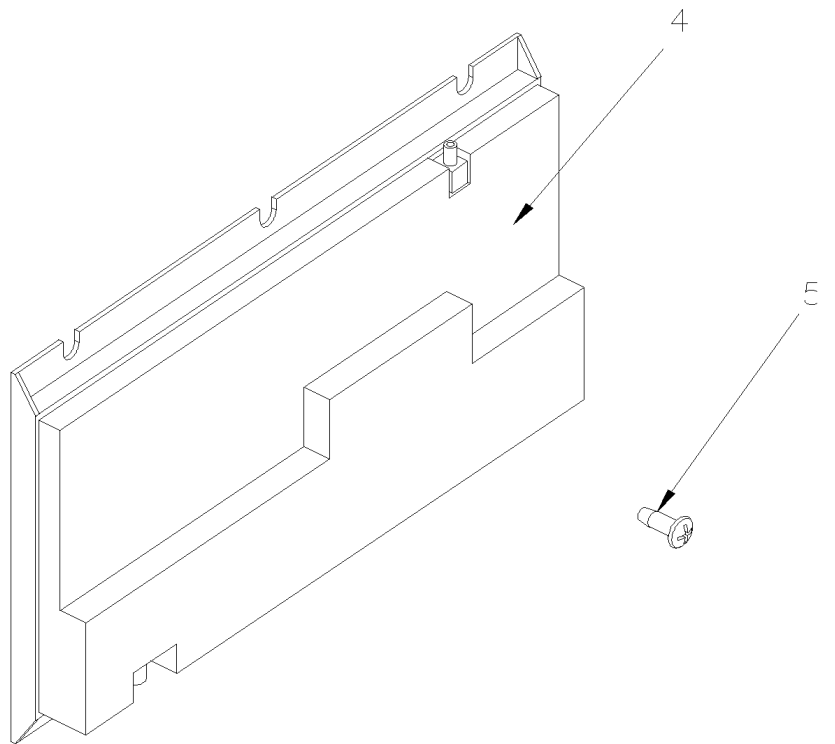
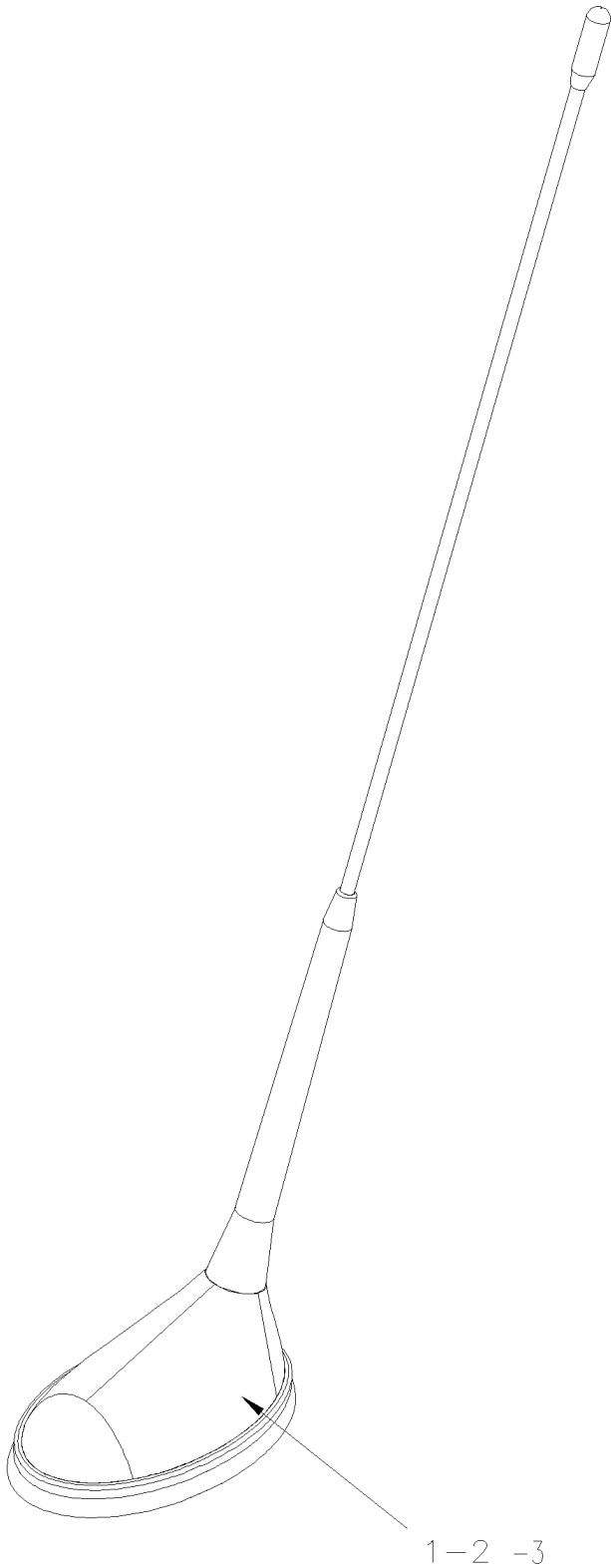
Item#	Part	Description	QTY	Notes
NS	20563496	ANTENNA "VOLVO" LINK	1	
NS	20932469	ANTENNA BASE 4MM "VOLVO" LINK	1	
42	901287	ANTENNA WHIP SHORT "VOLVO" LINK To A-9916	1	
NS	901278	ANTENNA BASE 5MM To A-9916	1	
42	903228	ANTENNA BASE From A-9917	1	
NS	903229	CABLE ANTENNA (GPS & RF-in VOLVO LINK) From A-9917	1	
NS	903230	NUT RETAINER ANTENNA From A-9917	1	
		S) THIS NAVIGATOR IT UPPERSEDED BY # 901262 WITH SUPPORT # 406084 & BOLT & NUT		

From A-9917

Date:01/2024

PAGE:X3-2319-01

VOLVO LINK ANTENNA - INSTALLATION



From A-9917		Date:01/2024	PAGE:X3-2319-01
VOLVO LINK ANTENNA - INSTALLATION			

Item#	Part	Description	QTY	Notes
1	903228	ANTENNA BASE To C-5274	1	
1	21383947	ANTENNA (VOLVO LINK) From C-5275 To D-5456	1	
1	21705662	ANTENNA (VOLVO LINK) From D-5457 To K-6417	1	
1	22472979	ANTENNA (VOLVO LINK) From K-6418	1	
1	880050	WASHER FL 19X24.4X3.2 RUB	1	
2	903230	NUT RETAINER ANTENNA	1	
3	903229	CABLE ANTENNA (GPS & RF-in VOLVO LINK) To C-5274	1	
3	21385255	CABLE ANTENNA (RF-in VOLVO LINK) From C-5275 To K-6417	1	
3	560762	CABLE, 4G TGW ANTENNA (ANTENNA TO JUNCT) From K-6418 To L-6646	1	
3	563913	CABLE, 4G TGW ANTENNA (ANTENNA TO JUNCT) From L-6647	1	
3	560764	CABLE, 4G TGW ANTENNA (JUNCT TO TGW ECU) From K-6418 To L-6646	1	
3	563914	CABLE, 4G TGW ANTENNA (JUNCT TO TGW ECU) From L-6647	1	
NS	684517	ADHESIVE SIMSON #ISR 70-03 / GREY / 310ml CARTRIDGE To L-6518	AR	
3	684685	ADHESIVE SIMSON #ISR 70-03 / 310ml CARTRIDGE From L-6519	AR	
4	20700142	ECU VOLVO LINK MODULE To C-5274	1	
4	21284312	ECU VOLVO LINK MODULE From C-5275 To E-5570	1	
4	21985688	ECU VOLVO LINK MODULE From E-5571 To F-5871	1	
4	22357675	ECU VOLVO LINK MODULE From F-5872 To J-6230	1	
4	22861158	ECU VOLVO LINK MODULE From J-6231 To K-6479	1	
4	23359380	ECU VOLVO LINK MODULE From K-6480 To L-6595	1	
4	23593814	ECU VOLVO LINK MODULE From L-6596 To R-6924	1	
4	23163299	ECU VOLVO LINK MODULE From R-6925	1	
4	IS14122	REPLACEMENT KIT TGW1 TO TWG2 To F-5871	1	
NS	IS-14122	SEE INSTRUCTION SHEET To F-5871	1	
NS	069100	KIT SERVICE TGW1 TO TGW2 To F-5871	1	
NS	22357675	ECU VOLVO LINK MODULE To F-5871	1	
4	21443469	SIM CARD VOLVO LINK MODULE From C-5275 To H-6211	1	
4	22990242	SIM CARD VOLVO LINK MODULE FOR SERVICE From H-6212 To R-6924	1	
4	23004613	SIM CARD VOLVO LINK MODULE From R-6925	1	
4	067448	RETROFIT KIT / VOLVO LINK MODULE ONLY / WITH EPA 2010 From B-5002 To C-5274	1	
NS	21385255	CABLE ANTENNA (RF-in VOLVO LINK) From B-5002 To C-5274	1	
NS	21383947	ANTENNA (VOLVO LINK) From B-5002 To C-5274	1	
NS	23004613	SIM CARD VOLVO LINK MODULE From B-5002 To C-5274	1	
NS	23163299	ECU VOLVO LINK MODULE From B-5002 To C-5274	1	
NS	067447	CABLE / "GATEWAY" From B-5002 To C-5274	1	
NS	562583	CONNECTOR / DT SERIES / PH 6C / GRAY / DEUTSCH DT04-6P From B-5002 To C-5274	1	
NS	562286	PIN TERMINAL / 18-16 / DEUTSCH 0460-202-16141 From B-5002 To C-5274	6	
NS	382470	DIODE SUPPORT PLATE From B-5002 To C-5274	1	
NS	382472	SUPPORT / RELAY From B-5002 To C-5274	1	
NS	504013	TIE MOUNT / 1/4" X 1/4" I.D. From B-5002 To C-5274	1	
NS	502868	SCREW TC TR PH #10-16x1/2 N500 From B-5002 To C-5274	3	
NS	504347	RIVET POP DOME OE 3/16x1/4 AL From B-5002 To C-5274	1	

From A-9917	Date:01/2024	PAGE:X3-2319-01
-------------	--------------	-----------------

VOLVO LINK ANTENNA - INSTALLATION

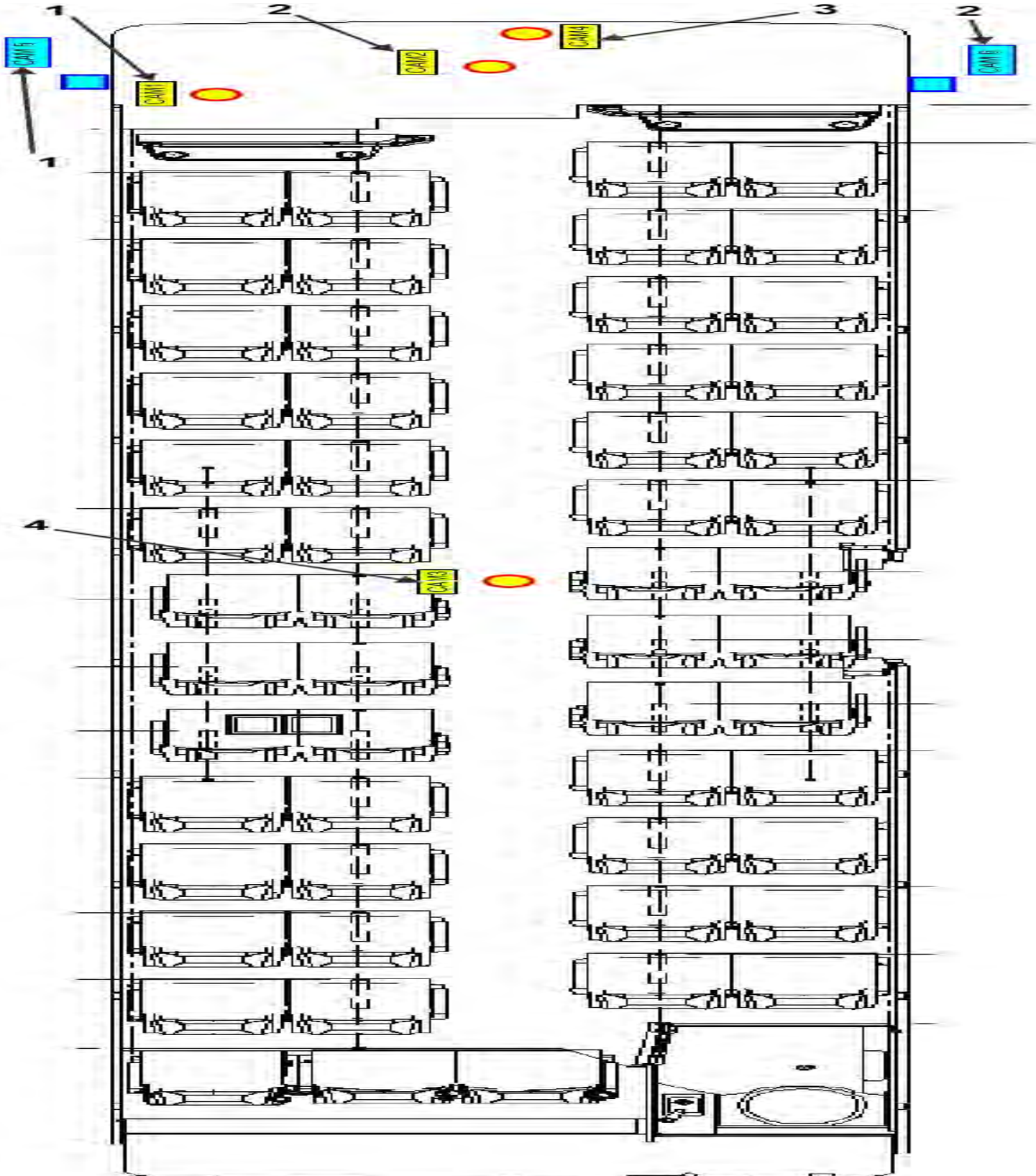
Item#	Part	Description	QTY	Notes
. NS	880050	. WASHER FL 19X24.4X3.2 RUB From B-5002 To C-5274	1	
5	502868	SCREW TC TR PH #10-16x1/2 N500	2	
NS	562679	4 WAY ADH. BACKED MOUNTS 1.000 x 1.000 x .160	AR	
NS	504637	CABLE TIE / 3/16" x 13"	AR	
NS	504671	GROMMET / .687x1.000x.125x.437x1.312	1	

From H-6104

Date:01/2024

PAGE:X3-2319-30

CAMERA SYSTEM INSTALLATION - "SAUCON"

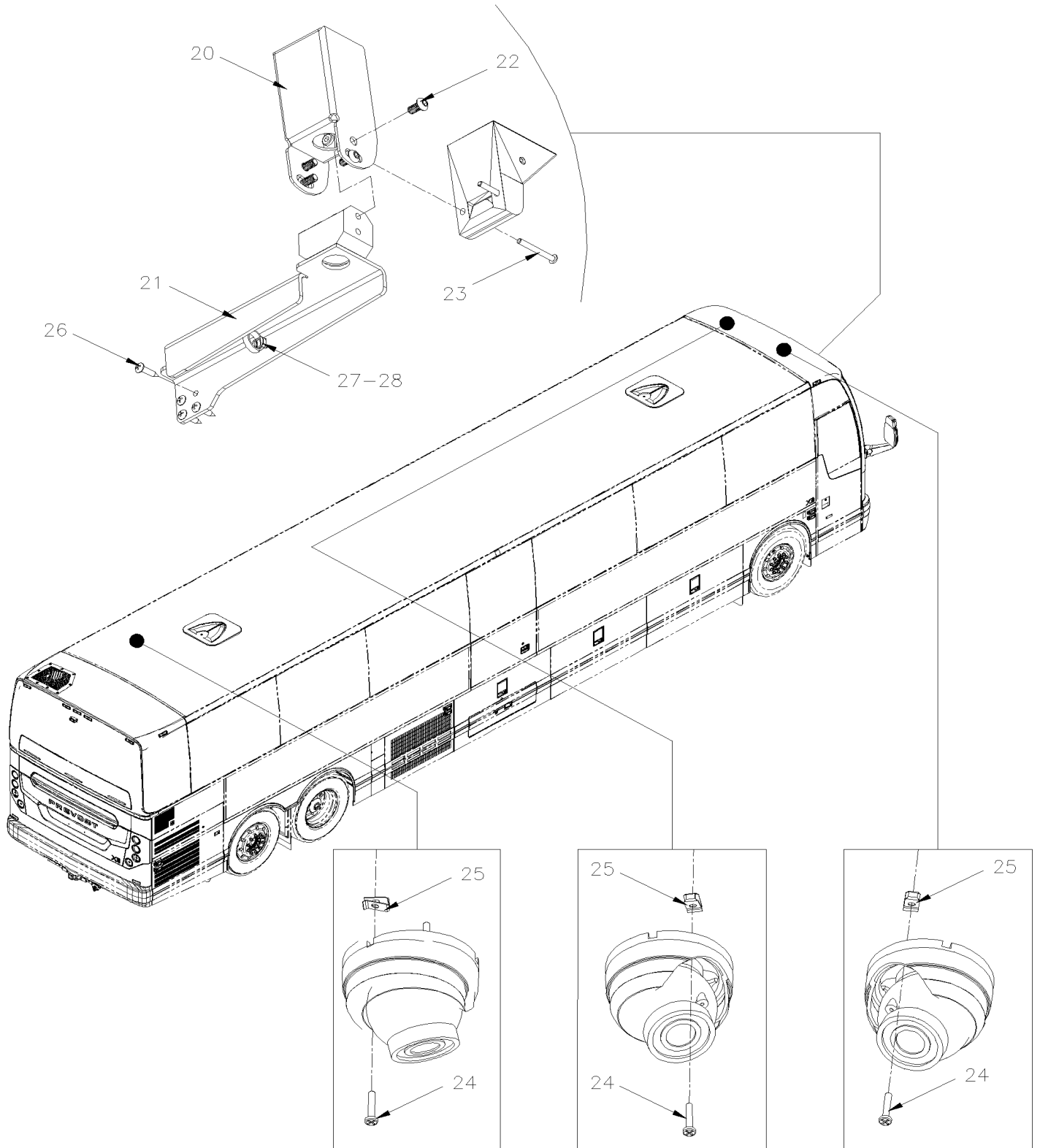


From H-6104

Date:01/2024

PAGE:X3-2319-30

CAMERA SYSTEM INSTALLATION - "SAUCON"



From H-6104		Date:01/2024	PAGE:X3-2319-30
CAMERA SYSTEM INSTALLATION - "SAUCON"			

Item#	Part	Description	QTY	Notes
	N.S.P.	ONBOARD VIDEO RECORDING SYS. SAUCON To L-6515	1	2
	N.S.P.	KIT AUCON ITS PROX, CAMERAS, WIFI From L-6516	1	2
	N.S.P.	MONITOR DISPLAY SAUCON	1	2
	N.S.P.	WIFI ROUTER SAUCON To L-6515	1	2
	N.S.P.	KIT SAUCON WIFI ROUTER (AT&T) W/ CABLE From L-6516	1	2
	N.S.P.	INTERNAL CAMERAS, KIT SAUCON	1	2
	N.S.P.	EXTERNAL CAMERAS, KIT SAUCON	1	2
	061488	CONNECTOR C-700 BYPASSED (CTGI)	1	
. NS	562637	. HEAT DETECTOR SENSOR 2500MM	1	
. NS	561240	. SOCKET TERMINAL / 18-16 / SIGNAL CONTACT / AMP 66101-2	4	
. NS	561653	. CABLE CLAMP / CPC / #13 / AMP 206966-1	1	
. NS	562593	. WIRE CABLE 18 / YELLOW / TXL	1	
. NS	563623	. BUTT SPLICE / 16-14 / BLUE / W/THERMORETRAC / PANDUIT BSH14-Q	1	
NS	069652	CABLE, PWR FOR SAUCON SYS. To L-6515	1	
1	901601	CAMERA CABLE, SAUCON SYS 10FT To L-6515	2	
1	901690	ETHERNET CABLE CAT5E RJ45 BLUE 10' From L-6516	2	
2	901602	CAMERA CABLE, SAUCON SYS 20FT To L-6515	2	
2	901691	HARNESS / CAMERA "SAUCON" 15' From L-6516	1	
3	901603	CAMERA CABLE, SAUCON SYS 30FT To L-6515	1	
3	901692	HARNESS / CAMERA "SAUCON" 20' From L-6516	2	
4	901605	CAMERA CABLE, SAUCON SYS 50FT To L-6515	1	
4	901695	HARNESS / CAMERA "SAUCON" 50' BLUE From L-6516	1	
NS	504637	CABLE TIE / 3/16" x 13"	AR	
10	901680	BASIC KIT, ITS SUCON (PROX & DISPLAY)	1	
11	Call order desk	. PROX / "SAUCON"	1	P
12	901688	. DISPLAY TOUCH / "SAUCON"	1	
13	901627	. ARM DISPLAY / "SAUCON"	1	
14	Call order desk	. DISPLAY CABLE	1	P
15	901629	. DISPLAY CABLE 25 FT / "SAUCON"	1	
16	901630	. ANTENNA GPS / "SAUCON"	1	
17	Call order desk	. INTERFACE HARNESS	1	P
20	400595	SUPPORT FOR CAMERA	1	
21	401522	BRACKET, SAUCON CAMERA WINDSHIELD	1	
22	5000353	SCREW CAP BUT HEXS M6-1.0x12 N500	4	
23	5001694	SCREW MA PAN PH M4-0.7x40 SS BK	2	
24	5001040	SCREW TC PAN PH #6-32x3/4 SS	AR	
25	500385	NUT SPR U #6-32 .135-.150 N500	AR	
26	500854	SCREW TC BDG PH #8-32x3/4 N500	4	
27	504637	CABLE TIE / 3/16" x 13"	AR	
28	509815	TIE MOUNT / ATTACHMENT W/TREE MOUNT	AR	

From H-6104		Date:01/2024	PAGE:X3-2319-30
-------------	--	--------------	-----------------

CAMERA SYSTEM INSTALLATION - "SAUCON"

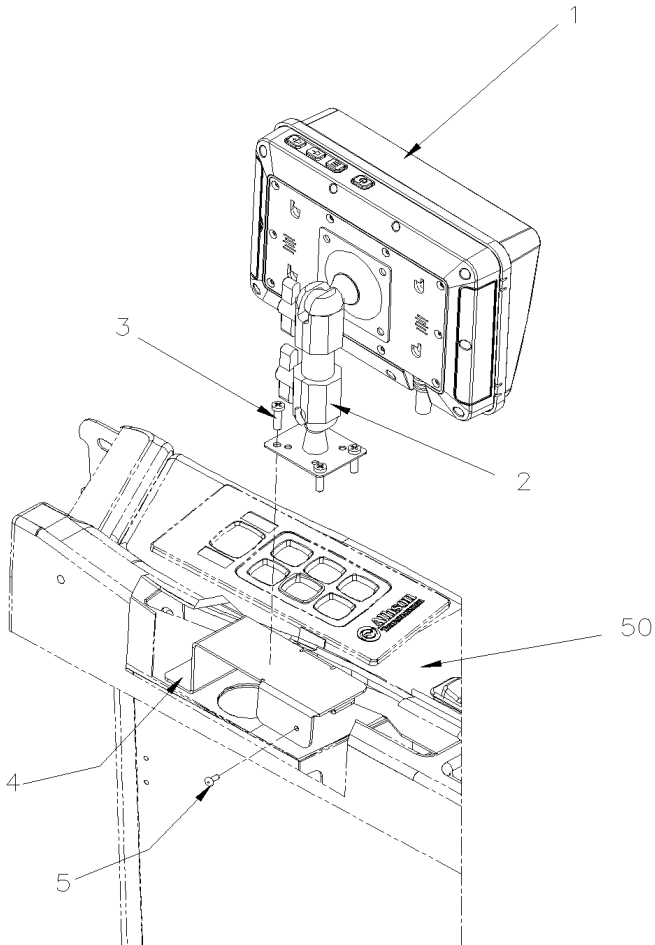
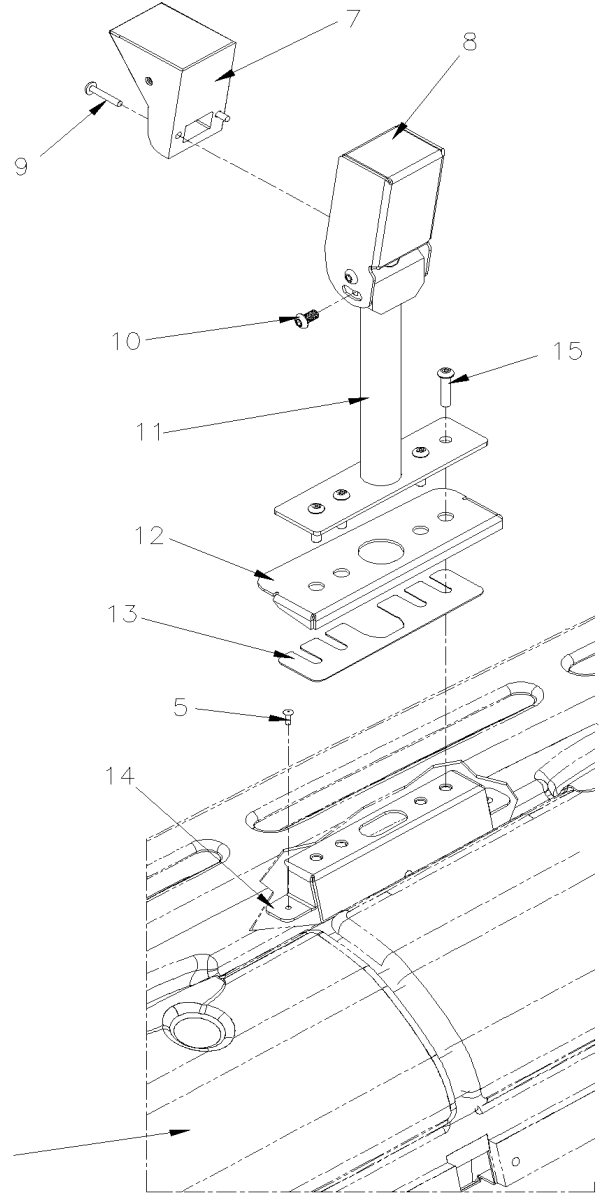
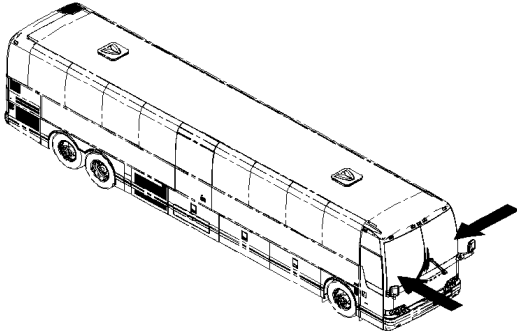
Item#	Part	Description	QTY	Notes
		2) NOT SOLD BY PREVOST (SEE MANUFACTURING PART NUMBER AT END OF DESCRIPTION LINE)		
		P) CALL ORDER DESK FOR SPECIFIC APPLICATION (V.I.N.)		

From K-6368

Date:01/2024

PAGE:X3-2319-31

CAMERA SYSTEM - "SAUCON" 4 CAMERAS POSITION 1-2-3-4

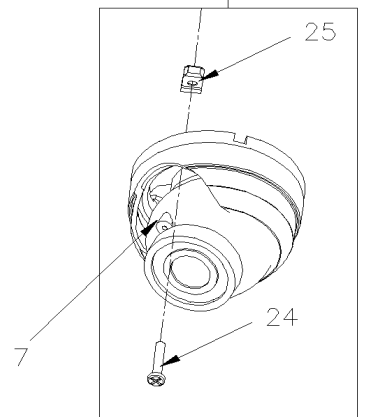
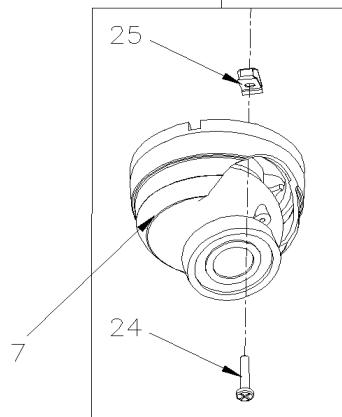
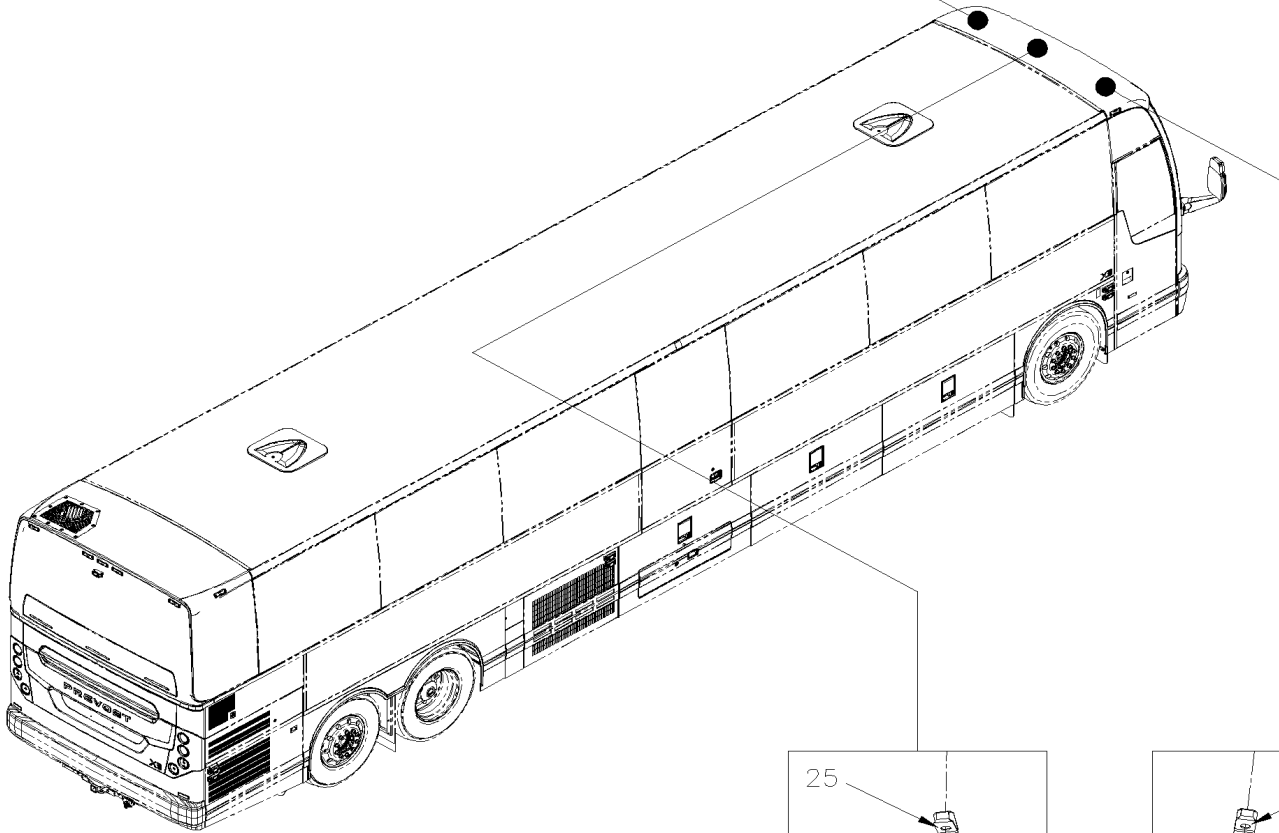
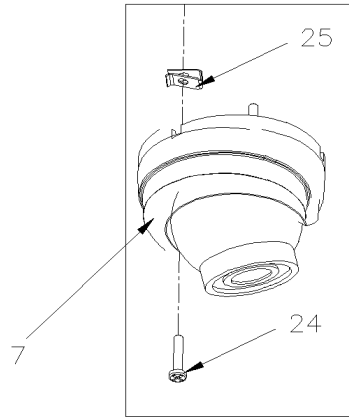


From K-6368

Date:01/2024

PAGE:X3-2319-31

CAMERA SYSTEM - "SAUCON" 4 CAMERAS POSITION 1-2-3-4



From K-6368	Date:01/2024	PAGE:X3-2319-31
CAMERA SYSTEM - "SAUCON" 4 CAMERAS POSITION 1-2-3-4		

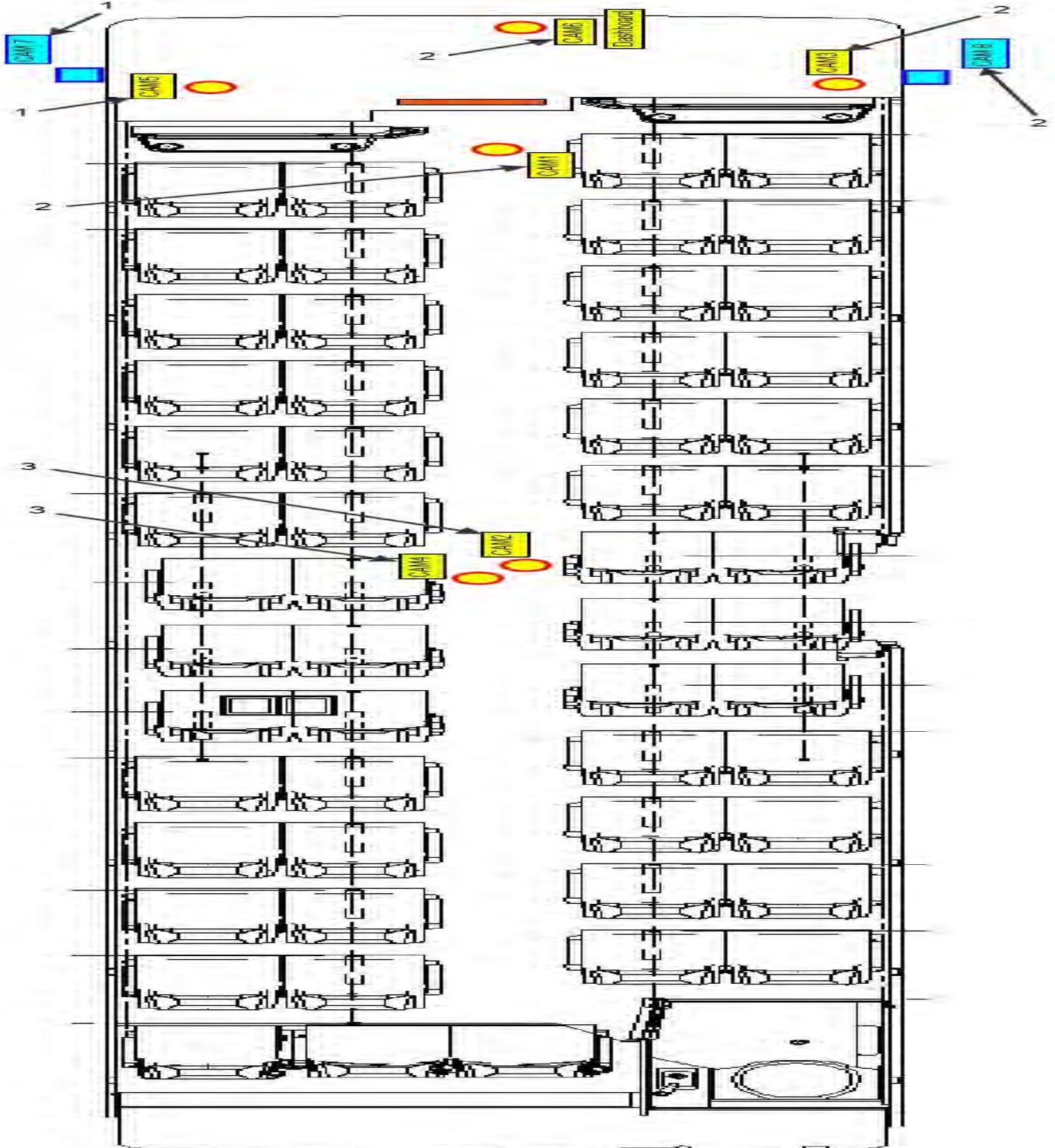
Item#	Part	Description	QTY	Notes
1	901628	DISPLAY TOUCH / "SAUCON"	1	
2	901627	ARM DISPLAY / "SAUCON"	1	
3	500623	SCREW TC PAN PH #10-24x3/4 N500	4	
4	390037	SCREEN SUPPORT	1	
5	504106	RIVET POP DOME OE 1/8x1/4 AL	AR	
7	Call order desk	KIT SAUCON ITS W/4CAM. RECORDER	1	P
. NS	901626	. INTERFACE MAIN HARNESS PREVOST / "SAUCON"	1	
. NS	901629	. DISPLAY CABLE 25 FT / "SAUCON"	1	
. NS	901628	. DISPLAY TOUCH / "SAUCON"	1	
. NS	901627	. ARM DISPLAY / "SAUCON"	1	
. NS	901630	. ANTENNA GPS / "SAUCON"	1	
. NS	Call order desk	. ANTENNA CELL	1	P
. NS	Call order desk	. PROX VIDEO 4 CAMERA	1	P
. NS	Call order desk	. S-VIDEO USB 6FT / "SAUCON"	1	P
. NS	901633	. USB STICK 64GB / "SAUCON"	1	
. NS	Call order desk	. WIDE ANGLE CAMERA	3	P
NS	504637	CABLE TIE / 3/16" x 13"	AR	
7	901693	CABLE ETHERNET, CAT5E RJ45 BLUE 30 PI	1	
8	400595	SUPPORT FOR CAMERA	1	
9	5001694	SCREW MA PAN PH M4-0.7x40 SS BK	2	
10	5000353	SCREW CAP BUT HEXS M6-1.0x12 N500	4	
11	400594	FOOT FOR CAMERA	1	
12	390033	CAMERA BRACKET	1	
13	390034	CAMERA BRACKET SHIM	1	
14	390031	TOP PLATE	1	
15	5002020	SCREW CAP BUT HEXS TAMPER M6-1.0x25 NSS	4	
24	5001040	SCREW TC PAN PH #6-32x3/4 SS	9	
25	500385	NUT SPR U #6-32 .135-.150 N500	9	
		P) CALL ORDER DESK FOR SPECIFIC APPLICATION (V.I.N.)		
		P) CALL ORDER DESK FOR SPECIFIC APPLICATION (V.I.N.)		

From H-6110

Date:01/2024

PAGE:X3-2319-40

CAMERA SYSTEM INSTALLATION - "SAFETY-VISION"

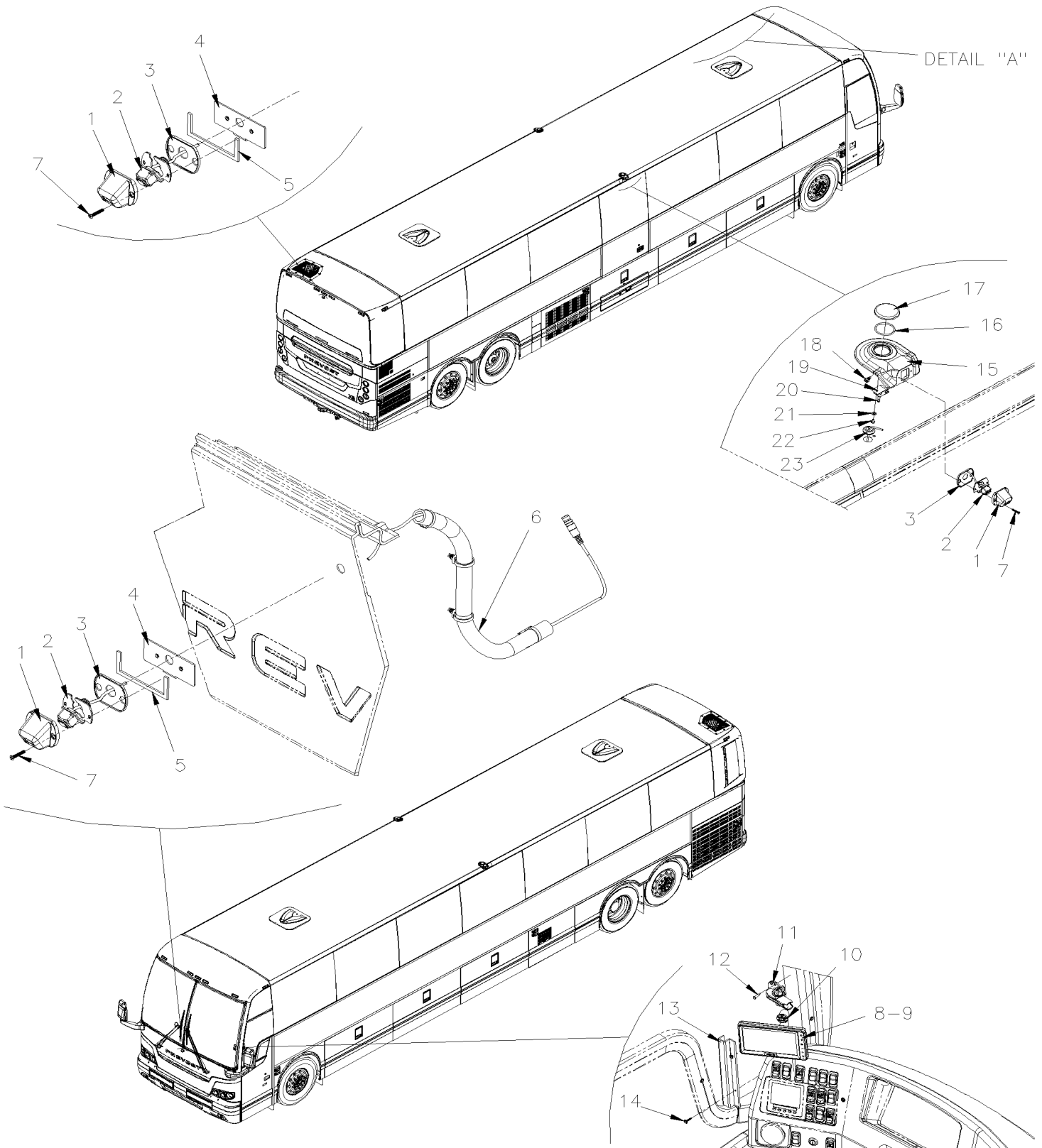


From H-6110	Date:01/2024	PAGE:X3-2319-40
-------------	--------------	-----------------

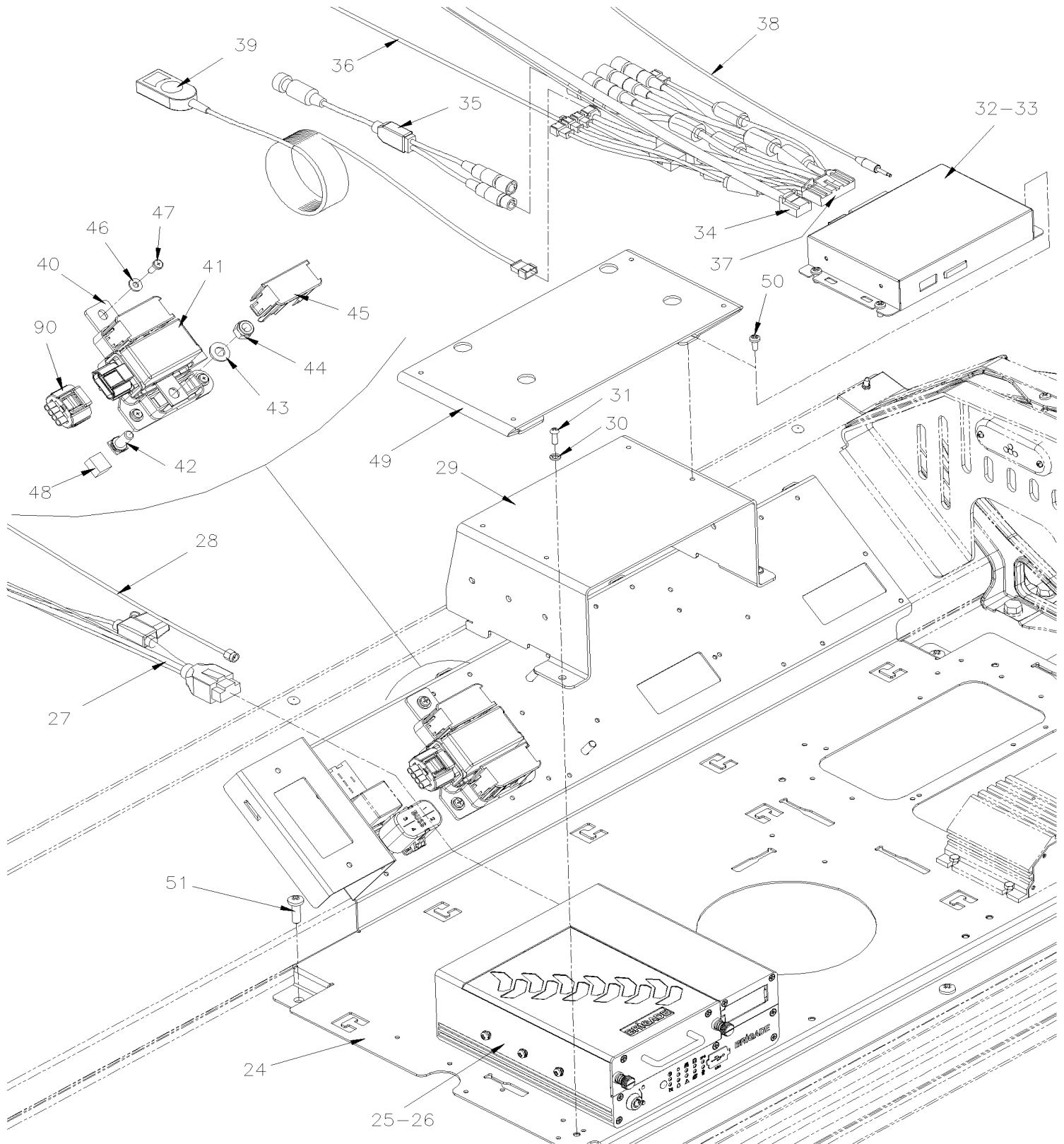
CAMERA SYSTEM INSTALLATION - "SAFETY-VISION"

Item#	Part	Description	QTY	Notes
	901604	KIT DVR VIDEO SECURITY & CAMS S-VISION	1	
1	901593	CAMERA CABLE, SAFETY VISION SYS 16FT	2	
2	901594	CAMERA CABLE, SAFETY VISION SYS 33FT	4	
3	901595	CAMERA CABLE, SAFETY VISION SYS 49FT	2	
NS	504637	CABLE TIE / 3/16" x 13"	AR	

SURROUNDING CAMERA SYSTEM INSTALLATION "BRIGADE"



SURROUNDING CAMERA SYSTEM INSTALLATION "BRIGADE"



From L-6485	Date:01/2024	PAGE:X3-2319-50
SURROUNDING CAMERA SYSTEM INSTALLATION "BRIGADE"		

Item#	Part	Description	QTY	Notes
1	990001	HOUSING, SURROUNDING CAMERA "BRIGADE" To R-6954	4	
1	901919	CAMERA 360 HOUSING BLACK HD "BRIGADE" From R-6955	1	
2	990565	SURROUNDING CAMERA "BRIGADE" To R-6954	4	
2	901913	SURROUNDING CAMERA "BRIGADE", HD From R-6955	4	
3	990575	GASKET, BLK SURROUNDING CAMERA "BRIGADE"	4	
NS	684685	ADHESIVE SIMSON #ISR 70-03 / 310ml CARTRIDGE	AR	
4	471605	PLATE, ANCHOR M4 To R-6954	2	
4	471605	PLATE, ANCHOR M4 From R-6955	1	
5	506769	TAPE RUB ADH2 CC POL 1/8" x 1/4" x 60' / BLACK H1CC-N#14	AR	
6	900220	TUBE PVC / 5/8" I.D. / S.L.	AR	
NS	504637	CABLE TIE / 3/16" x 13"	3	
NS	562679	4 WAY ADH. BACKED MOUNTS 1.000 x 1.000 x .160	1	
NS	509815	TIE MOUNT / ATTACHMENT W/TREE MOUNT	2	
7	505011	SCREW MA FL PH M4-0.7X25 SS NSS	AR	
8	901735	KIT MONITOR, 7" LDC, SURR. CAM. "BRIGADE"	1	
NS	901707	. HARN. ASSY. MONITOR PWR & SIGN. "BRIGADE"	1	
NS	562479	. . CONNECTOR / DT SERIES / PH 4C / GRAY / DEUTSCH DT04-4P-C015	1	
NS	504637	CABLE TIE / 3/16" x 13"	AR	
9	901708	. MONITOR, 7" DIG. LDC, SURR. CAM. "BRIGADE"	1	
. NS	901904	. . MONITOR	1	
. NS	901911	. . CABLE ADAPTER	1	
10	901736	. MONITOR BACK "T" SLOT TO BALL MOUNT	1	
11	901737	. MONITOR MOUNT, WITH 3" ARM FOR BRIGADE	1	
12	500608	. SCREW TP BDG PH #10x1 N500	3	
13	3210563	MOULDING, HIDING WIRE	1	
14	5002083	SCREW DR SEMS FN OV PH #8X1 N050	2	
15	491847	SUPPORT, SURROUNDING CAMERA To R-6954	2	
NS	684685	ADHESIVE SIMSON #ISR 70-03 / 310ml CARTRIDGE	AR	
NS	687957	GLUE MS POLYMER TEROSON MS 9399 / 400ml CARTRIDGE To M-6660	AR	
NS	685387	GLUE MS POLYMER TEROSON MS 9399 / 400ml CARTRIDGE From M-6661	AR	
NS	506785	TAPE RUB ADH2 CC POL 1/16" X 1/4" X 200' / BLACK I1C-N-A	AR	
15	492179	SUPPORT, SURROUNDING CAMERA HD From R-6955	1	
16	507022	O-RING 1.984 ID x 2.262 OD x 0.139 W	2	
17	491549	PLUG, SUPPORT ACCESS " BRIGADE"	2	
18	509815	TIE MOUNT / ATTACHMENT W/TREE MOUNT	2	
19	491848	RETAINING STRAP	2	
20	504787	RIVET CHY MONOLOK PRDG 1/4x5/8 ZP	2	
21	502573	WASHER FL 6.4x12.5x1.6 SS	2	
22	5001377	SCREW MA PAN PH M5-0.8x8 SS	2	
23	504066	GROMMET / .687x1.000x.062x.375x1.312	2	
24	401365	VIDEO PLATE To N-6755	1	
24	406772	VIDEO PLATE From N-6756	1	

From L-6485		Date:01/2024	PAGE:X3-2319-50
SURROUNDING CAMERA SYSTEM INSTALLATION "BRIGADE"			

Item#	Part	Description	QTY	Notes
25	901730	KIT MOBILE DIGIT.RECORDER ACC., "BRIGADE"	1	
26	901704	. MOBILE DIGITAL RECORDER 500 SERIES 8 CH.	1	
. NS	901824	. . SECURITY KEY	1	
27	901703	. WIR. HARN. ASSY PWR & VIDEO MDR "BRIGADE"	1	
28	901709	. ANTENNA GPS FOR MDR "BRIGADE"	1	
29	401271	STAND MDR_ECU "BRIGADE" To N-6755	1	
29	406774	STAND MDR_ECU From N-6756 To R-6954	1	
29	406930	STAND MDR_ECU HD From R-6955	1	
30	500914	WASHER LO SPT .193x.334x.047 N500	2	
31	500344	SCREW MA RND PH M4-0.7x12 Z050	2	
32	901733	KIT PERIF. CAMERAS SYSTEM W/ACCESSORIES To R-6954	1	
NS	901715	. CABLE VBV-L ECU TO MONITOR 5M, BRIGADE To R-6954	1	
NS	901738	. REMOTE CONTROL FOR CAMERAS SYSTEM To R-6954	1	
32	901933	KIT PERIF. CAMERAS SYSTEM HD W/ACCESSORIES From R-6955	1	
NS	901940	. CABLE VBV-H405 ECU TO MONITOR 5M, BRIGADE From R-6955	1	
NS	901920	. VIDEO OUTPUT INTERFACE HARNESS HD From R-6955	1	
NS	901916	. INTERFACE HARNESS REMOTE ECU "BRIGADE" From R-6955	1	
33	901706	. ELECTRONIC MODULE ECU PERIF.CAM. "BRIGADE" To R-6954	1	
33	900007	ELECTRONIC MODULE ECU PERIF.CAM. "BRIGADE", HD From R-6955	1	
34	901705	. WIR. HARN. ASSY. ECU 360 PWR "BRIGADE" To R-6954	1	
34	901915	WIR. HARN. ASSY. ECU 360 PWR "BRIGADE", HD From R-6955	1	
35	901710	. CABLE Y SPLITTER SURROUND. CAM, "BRIGADE" To R-6954	4	
35	901926	CABLE Y SPLITTER HD CAM "BRIGADE" From R-6955	4	
36	901714	. CABLE VIDEO VBV-L ECU TO MONITOR, "BRIGADE" To R-6954	1	
36	901922	CABLE VIDEO VBV-L ECU TO MONITOR, "BRIGADE", HD From R-6955	1	
37	901716	. CABLE INTERFACE CAMERAS TO ECU, "BRIGADE" To R-6954	1	
37	901914	CABLE INTERFACE CAMERAS TO ECU, "BRIGADE", HD From R-6955	1	
38	901717	. CABLE FOR IR REMOTE SENSOR, "BRIGADE" To R-6954	1	
39	901718	. BUTTON SELECT/ADJUST. W/WIRE, "BRIGADE" To R-6954	1	
39	901921	BUTTON SELECT/ADJUST. W/WIRE, "BRIGADE", HD From R-6955	1	
40	560529	BASE FOR LACTHING RELAY BDS-A 24V	1	
41	560493	LACTHING RELAY BDS-A 24V	1	
42	560539	SCREW FOR LACTHING RELAY BDS-A 24V / M8	2	
43	5001341	WASHER FL 8.4x17.0x1.6 SS	2	
44	5001787	NUT HEX NYRT M8-1.25 SS	2	
45	560538	COVER RELAY	2	
46	500855	WASHER FL .188x.438x.049 N500	3	
47	500965	SCREW TC BDG PH #8-32x1/2 N500	3	
48	506004	TAPE RUB ADH1 CC POL 3/8" x 1/2" x 20' / GREY 2520X	AR	
49	401269	WIRELESS MICROPHONE STAND	1	
50	500799	SCREW TC PAN PH #8-32x3/8 N500 To R-6954	4	
50	500437	WASHER FL .125x.375x.040 Z050 From R-6955	4	

From L-6485	Date:01/2024	PAGE:X3-2319-50
-------------	--------------	-----------------

SURROUNDING CAMERA SYSTEM INSTALLATION "BRIGADE"

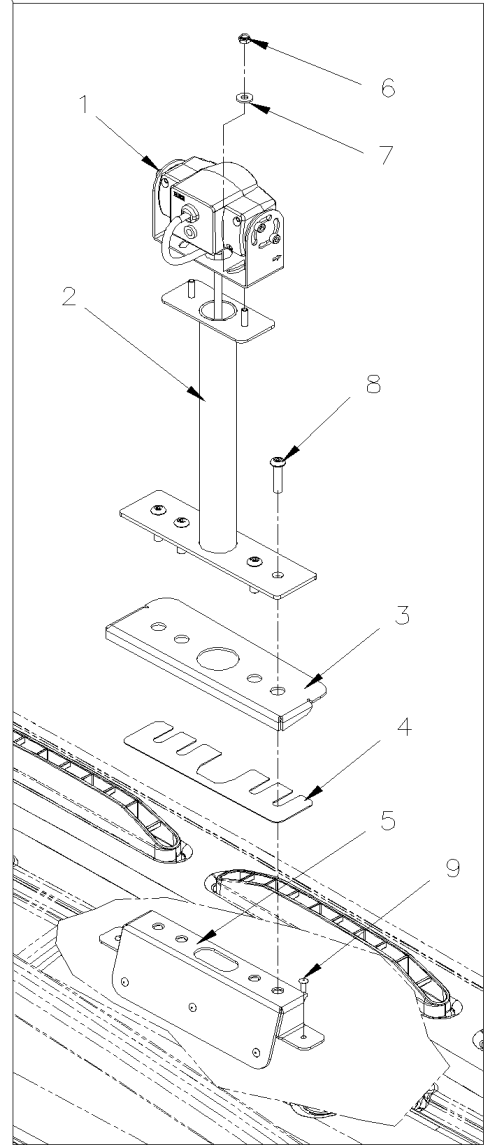
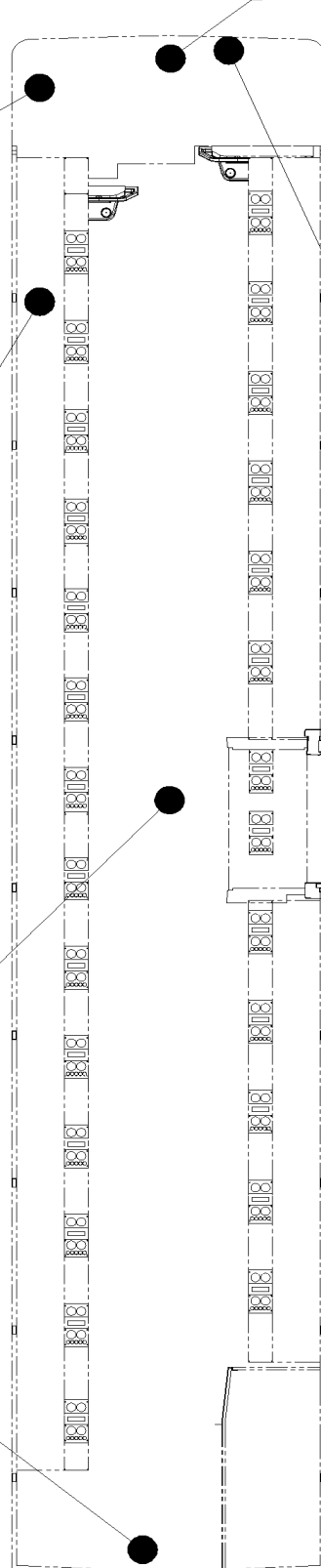
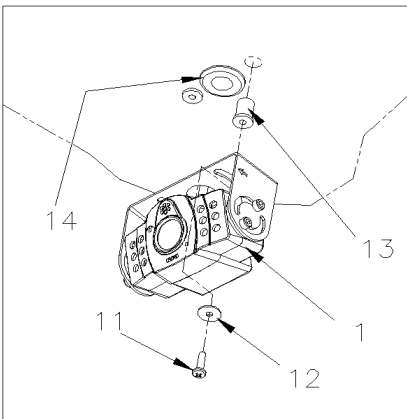
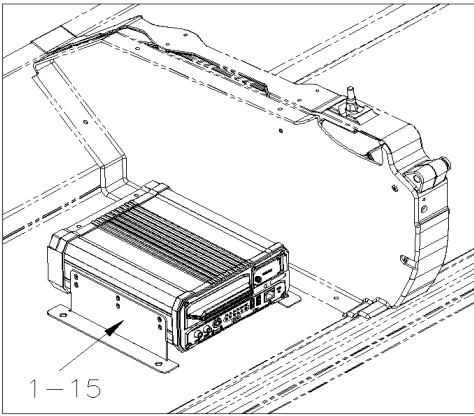
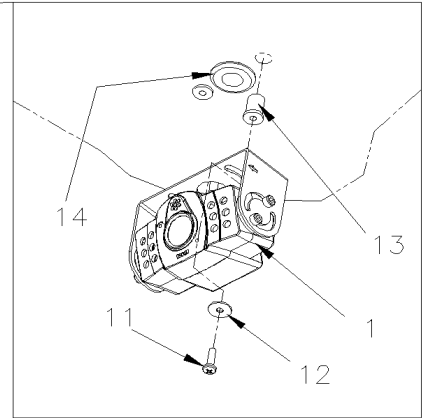
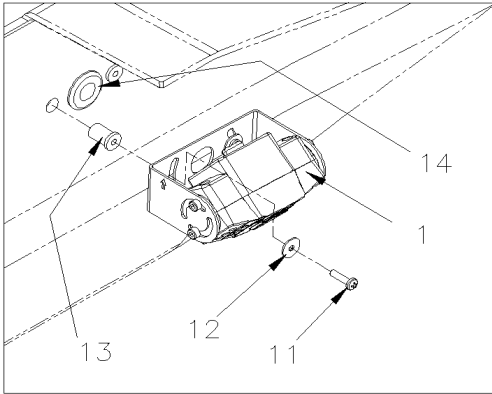
Item#	Part	Description	QTY	Notes
50	502825	SCREW MA PAN PH M3-0.5x16 N500 From R-6955	4	
51	500841	SCREW TP PAN PH #14x3/4 Z050	AR	
NS	901712	HARNESS / CAMERA "BRIGADE" 10M To R-6954	2	
NS	901924	HARNESS / CAMERA "BRIGADE" HD, 10M From R-6955	2	
NS	901713	HARNESS / CAMERA "BRIGADE" 15M To R-6954	2	
NS	901925	HARNESS / CAMERA "BRIGADE" HD, 15M From R-6955	2	
NS	504637	CABLE TIE / 3/16" x 13"	AR	
90	0610200	WIR. HARN. ISM RELAY P-RACK	1	
NS	560076	RING TERMINAL .3125 / 16-14 / INSULATED / PANDUIT PN14-56R	2	

From H-6180

Date:01/2024

PAGE:X3-2319-60

CAMERA SYSTEM INSTALLATION - "REI"



From H-6180	Date:01/2024	PAGE:X3-2319-60
-------------	--------------	-----------------

CAMERA SYSTEM INSTALLATION - "REI"

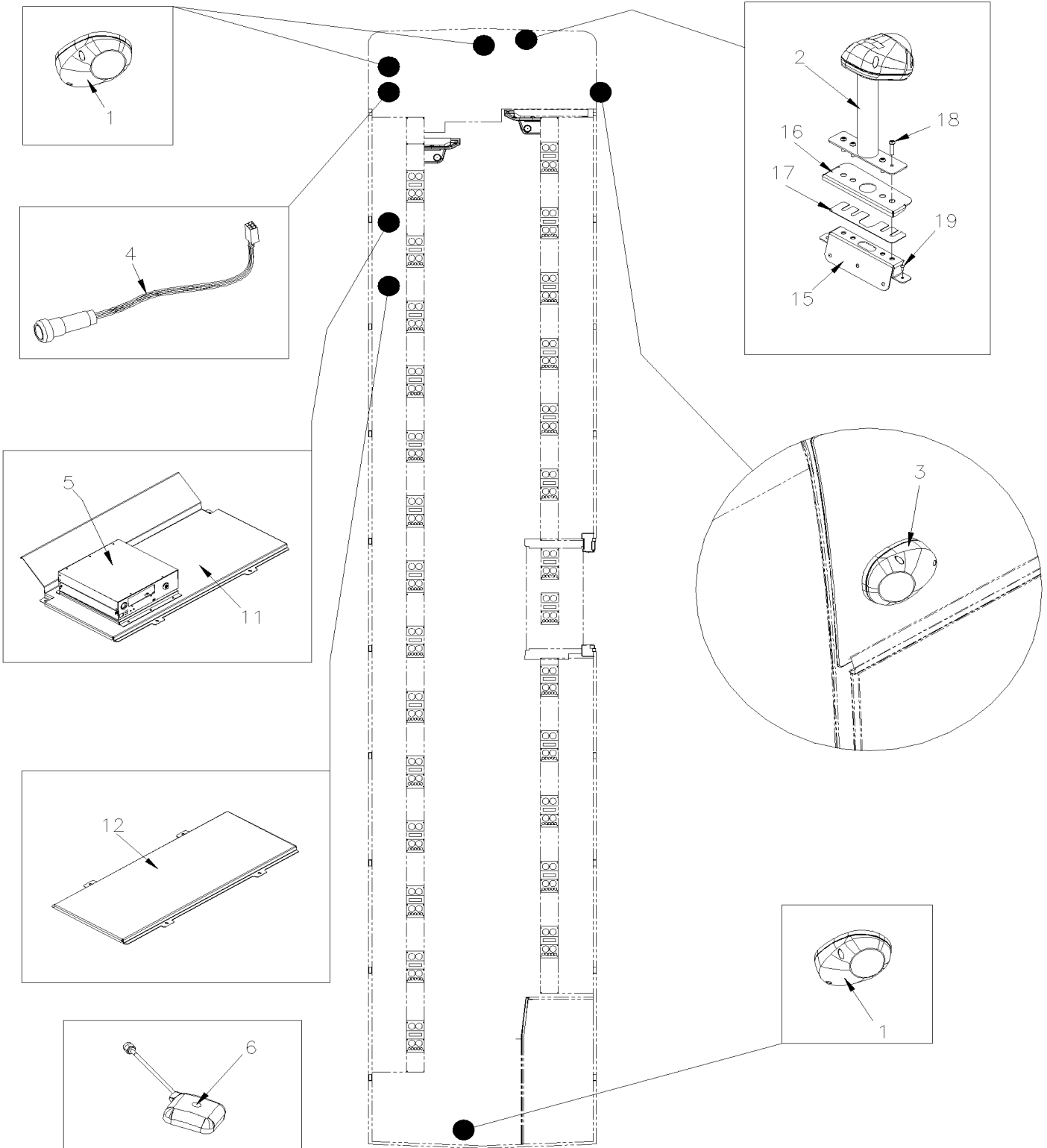
Item#	Part	Description	QTY	Notes
1	N.S.P.	CAMERA SYSTEM REI	1	2 A
2	400754	FOOT FOR CAMERA To P-6798	1	
3	390033	CAMERA BRACKET To P-6798	1	
4	390034	CAMERA BRACKET SHIM To P-6798	1	
5	390031	TOP PLATE To P-6798	1	
6	500539	NUT HEX NYRT M4-0.7 N500 To P-6798	2	
7	500855	WASHER FL .188x.438x.049 N500 To P-6798	2	
8	5002020	SCREW CAP BUT HEXS TAMPER M6-1.0x25 NSS To P-6798	4	
9	504106	RIVET POP DOME OE 1/8x1/4 AL To P-6798	5	
11	502698	SCREW MA PAN PH M4-0.7x16 SS BK To P-6798	8	
11	509827	SCREW MA RND PH M4-0.7x20 SS From P-6799	9	
12	5001750	WASHER FL 4.3x14.0x1.0 N500 To P-6798	8	
12	502556	WASHER FL 4.3x9.0x0.8 SS From P-6799	9	
13	500589	NUT WELL M4-0.7x13.5 To P-6798	8	
13	500589	NUT WELL M4-0.7x13.5 From P-6799	9	
14	504068	GROMMET / .500x.750x.062x.312x1.062 To P-6798	4	
15	069826	HARNESS, REI DVR POWER	1	
15	504637	CABLE TIE / 3/16" x 13"	40	
		A) SUPPLY BY CUSTOMER		
		2) NOT SOLD BY PREVOST (SEE MANUFACTURING PART NUMBER AT END OF DESCRIPTION LINE)		

From H-6180

Date:01/2024

PAGE:X3-2319-70

CAMERA SYSTEM INSTALLATION - "APOLLO"



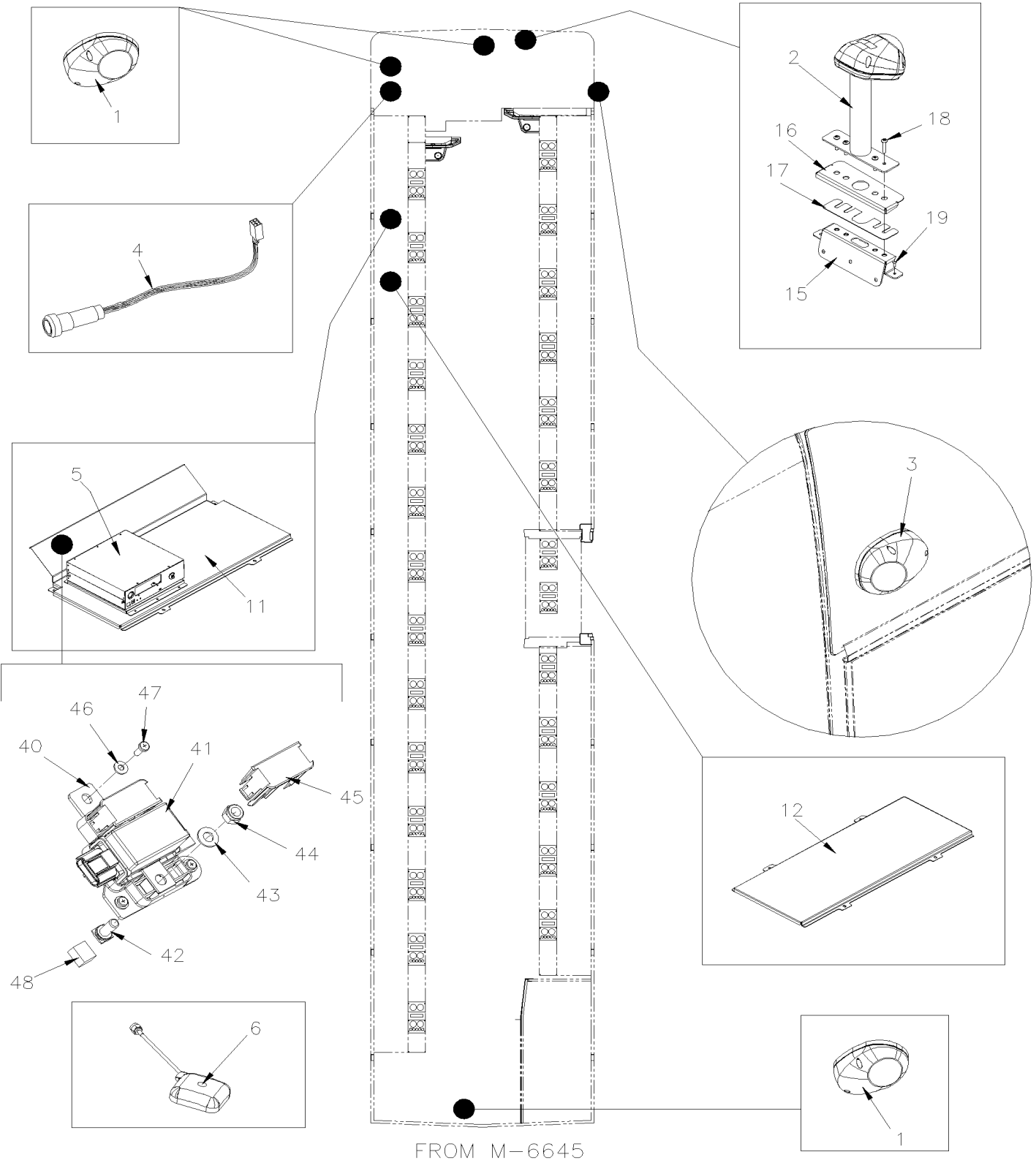
UP TO M-6644

From H-6180

Date:01/2024

PAGE:X3-2319-70

CAMERA SYSTEM INSTALLATION - "APOLLO"



From H-6180	Date:01/2024	PAGE:X3-2319-70
CAMERA SYSTEM INSTALLATION - "APOLLO"		

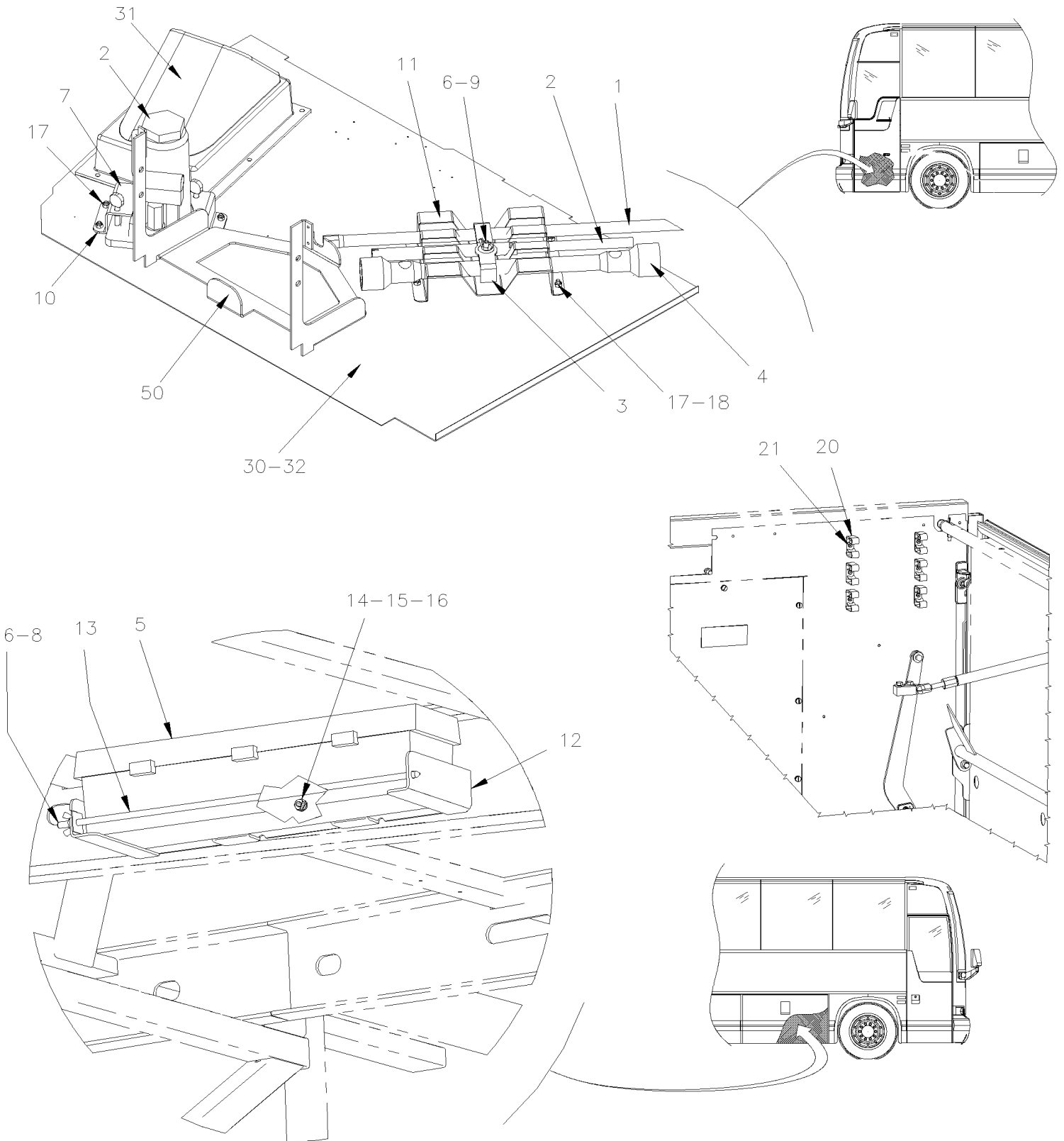
Item#	Part	Description	QTY	Notes
	061004	HARNESS, APOLLO CAMERAS To M-6644	1	
	0610420	SIGNALS AND POWER CAMERA HARNESS From M-6645	1	
1	900172	CAMERA / INSIDE / "APOLLO"	3	
2	900171	CAMERA / FIXED FORWARD FACING / INSIDE / "APOLLO"	1	
3	900173	CAMERA / OUTSIDE / "APOLLO"	1	
4	900160	SWITCH, PUSH BUTTON W/LED N.O. / "APOLLO"	1	
NS	900161	CABLE, EVENT SWITCH EXTENSION	1	
5	900079	DIGITAL VIDEO RECORDER / "APOLLO"	1	
6	900199	GPS, ACTIVE, 28DB, WITH CABLE / "APOLLO"	1	
NS	900174	CABLE, PATCH, CAT6, MOLDED, BLACK, 10' To M-6644	1	
NS	900190	CABLE, PATCH, CAT6, MOLDED, BROWN, 15' To M-6644	2	
NS	900190	CABLE, PATCH, CAT6, MOLDED, BROWN, 15' From M-6645	3	
NS	900163	CABLE, PATCH, CAT6, MOLDED, YELLOW, 25' To M-6644	2	
NS	900163	CABLE, PATCH, CAT6, MOLDED, YELLOW, 25' From M-6645	1	
NS	900192	CABLE, PATCH, CAT6, MOLDED, VIOLET, 55'	1	
NS	900164	HARNESS, RRHD 1'	1	
NS	900170	CONNECTOR, 5 PINS RELAY SOCKET To M-6644	3	
NS	900166	CONNECTOR, BUTTSPLICE 14-16AWG W/HSHRINK To M-6644	12	
NS	900169	RELAY, 12VDC 30A SPDT W/DIODE To M-6644	3	
11	400501	PLATE VIDEO	1	
12	400500	PLATE VIDEO	1	
15	390031	TOP PLATE	1	
16	390033	CAMERA BRACKET	1	
17	390034	CAMERA BRACKET SHIM	1	
18	5002020	SCREW CAP BUT HEXS TAMPER M6-1.0x25 NSS	4	
19	504106	RIVET POP DOME OE 1/8x1/4 AL	5	
40	560529	BASE FOR LACTHING RELAY BDS-A 24V From M-6645	1	
41	560493	LACTHING RELAY BDS-A 24V From M-6645	1	
42	560539	SCREW FOR LACTHING RELAY BDS-A 24V / M8 From M-6645	2	
43	5001341	WASHER FL 8.4x17.0x1.6 SS From M-6645	2	
44	5001787	NUT HEX NYRT M8-1.25 SS From M-6645	2	
45	560538	COVER RELAY From M-6645	2	
46	500855	WASHER FL .188x.438x.049 N500 From M-6645	3	
47	500965	SCREW TC BDG PH #8-32x1/2 N500 From M-6645	3	
48	506004	TAPE RUB ADH1 CC POL 3/8" x 1/2" x 20' / GREY 2520X From M-6645	AR	

From 7-8754

Date:01/2024

PAGE:X3-2320-00

JACK & FLARE KIT - INSTALLATION



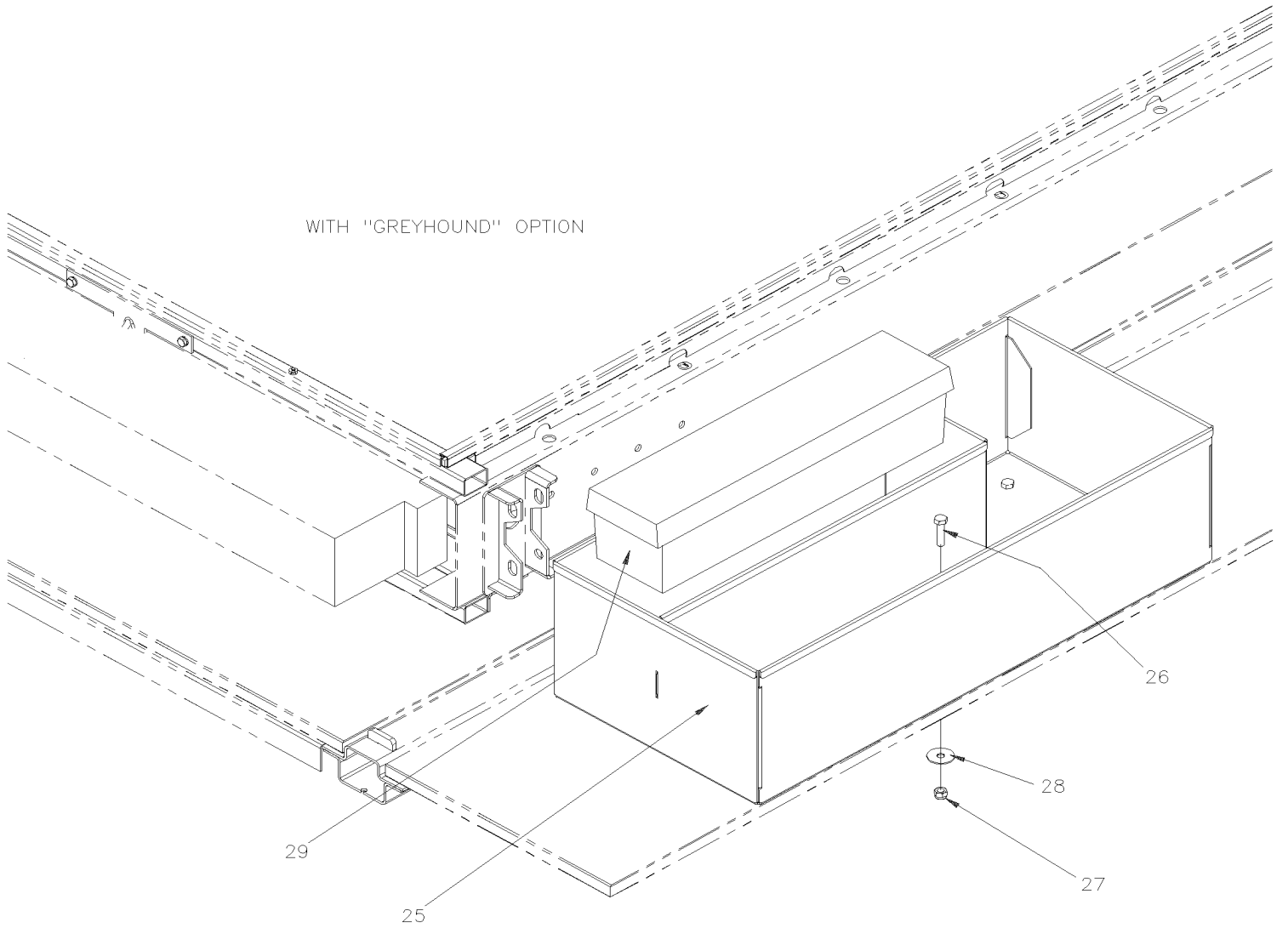
From 7-8754

Date:01/2024

PAGE:X3-2320-00

JACK & FLARE KIT - INSTALLATION

WITH "GREYHOUND" OPTION



From 7-8754		Date:01/2024	PAGE:X3-2320-00
JACK & FLARE KIT - INSTALLATION			

Item#	Part	Description	QTY	Notes
1	690002	HANDLE, W/WRENCH WHEEL NUT	1	
2	505505	JACK, 12TONS To L-6561	1	
2	690426	JACK, 12TONS From L-6562	1	
3	411091	KEY (FOR FRONT BUMPER NUT) To F-5818	1	
3	411398	KEY (FOR FRONT BUMPER NUT) From F-5819	1	
4	690005	WRENCH, WHEEL 33 MM	1	
4	690001	WRENCH, WHEEL NUT 1 1/2" & 13/16 SQUARE	AR	
5	930283	FLARE KIT, TRIANGULAR To D-5431	1	
5	930442	FLARE KIT, TRIANGULAR From D-5432 To M-6667	1	
5	930045	FLARE KIT, TRIANGULAR From M-6668	1	
NS	010032	TOOL KEY 1 1/2" / TENSIONER RELEASE From 8-9277	1	I
NS	3211637	KIT, EMERGENCY WARNING TRIANGLE To M-6667	1	
6	500782	NUT WING 5/16-18 Z050	2	
7	5001012	SCREW TH 5/16-18x1 1/2 BZC	2	
8	502584	WASHER LO SERR 8.2x26.3x1.8 Z050	2	
9	502220	WASHER FL .375x1.000x.125 RUB To F-5818	2	
9	5001699	WASHER BEL SPR 8.2x22x1.4 N500 From F-5819	1	
10	251226	SUPPORT, JACK / WELDED TO STRUCTURE	1	
11	251227	ATTACHMENT / HANDLE & WRENCH To F-5818	1	
11	251698	ATTACHMENT / HANDLE & WRENCH From F-5819	1	
12	211010	SUPPORT, FLARE KIT / BOLTED TO STRUCTURE To D-5431	1	
12	211220	SUPPORT, FLARE KIT / BOLTED TO STRUCTURE From D-5432 To M-6667	1	
12	218892	SUPPORT, FLARE KIT / BOLTED TO STRUCTURE From M-6668	1	
NS	506282	TAPE RUB ADH1 CC POL 3/8" x 1" x 20' / GREY 2520 From J-6237	AR	
13	210280	ROD, RETAINING / FLARE KIT To M-6667	1	
13	218894	ROD, RETAINING / FLARE KIT From M-6668	1	
14	500440	WASHER FL .250x.562x.065 Z050 To D-5431	3	
14	500877	WASHER FL .250x.562x.065 N500 From D-5432	3	
15	502861	SCREW SHR HEXS 5/16x3/8 {1/4-20 N500	3	
16	500771	NUT HEX 1/4-20 SS	3	
17	502681	NUT HEX NYRT M6-1.0 N500 G8	8	
18	500877	WASHER FL .250x.562x.065 N500	4	
20	504585	SPRING CLIP 3/4"	6	C
21	500653	SCREW TC PAN PH #8-32x1/4 Z050 To H-6103	6	C
21	500799	SCREW TC PAN PH #8-32x3/8 N500 From H-6104	6	C
25	484287	BOX, TIRE CHAIN To K-6492	1	GR
25	480147	BOX, TIRE CHAIN From L-6493	1	GR
26	5001559	SCREW CAP HEX M8-1.25x35 SS BK From B-5050	3	GR
NS	684517	ADHESIVE SIMSON #ISR 70-03 / GREY / 310ml CARTRIDGE From B-5050	AR	GR
27	5001787	NUT HEX NYRT M8-1.25 SS From B-5050	3	GR
28	5001467	WASHER FL .343x1.250x.062 SS18-8 From B-5050	3	GR
29	930283	FLARE KIT, TRIANGULAR From B-5050 To D-5431	1	GR

From 7-8754	Date:01/2024	PAGE:X3-2320-00
JACK & FLARE KIT - INSTALLATION		

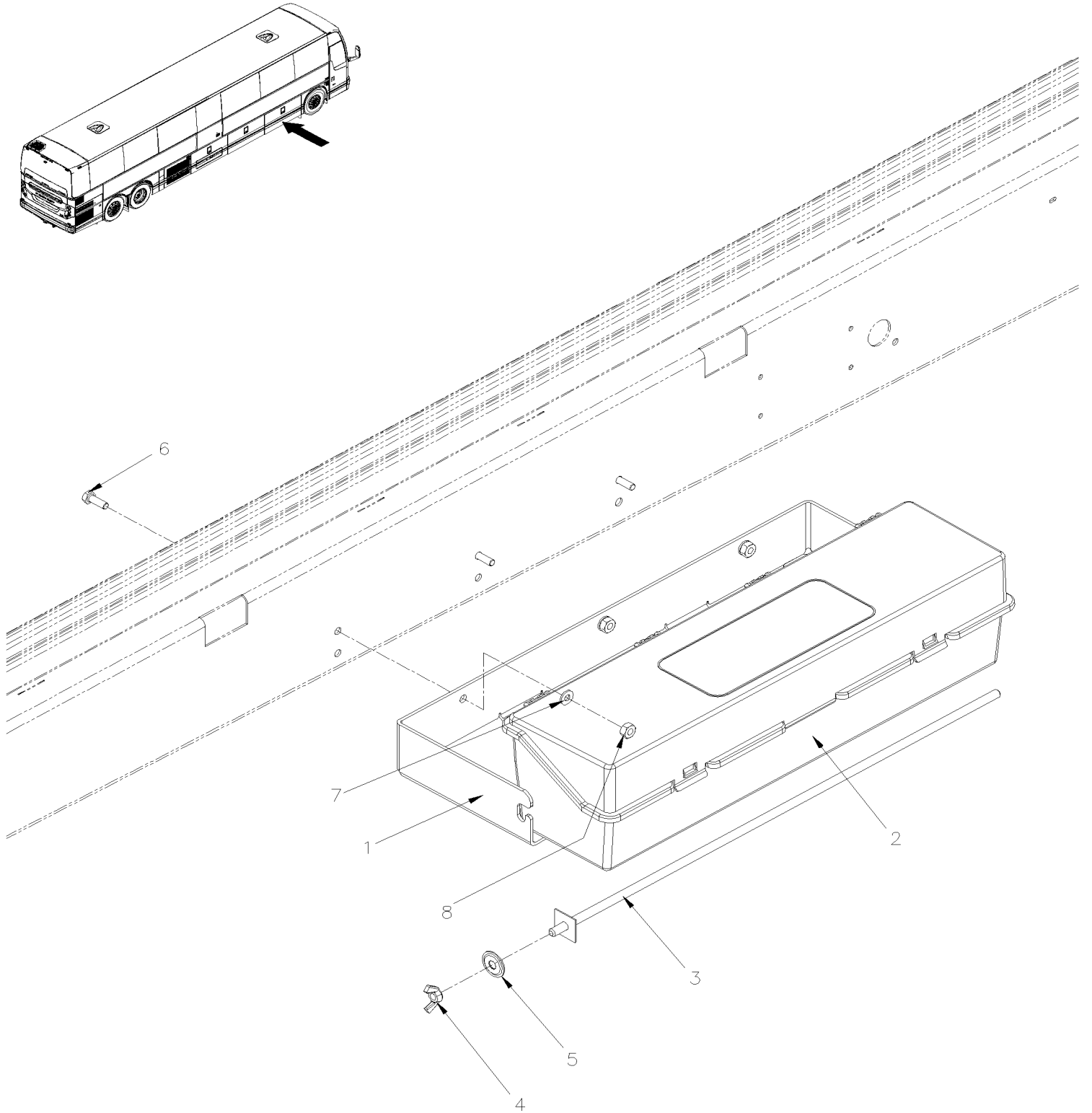
Item#	Part	Description	QTY	Notes
29	930442	FLARE KIT, TRIANGULAR From D-5342 To M-6668	1	GR
29	930045	FLARE KIT, TRIANGULAR From M-6668	1	GR
30	251225	FLOOR PANEL STEERING COMPARTMENT / STREETSIDE To C-5124	1	F
30	175038	FLOOR PANEL STEERING COMPARTMENT / STREETSIDE From C-5125 To D-5299	1	F
30	251591	FLOOR PANEL STEERING COMPARTMENT / STREETSIDE From D-5300	1	F
30	251565	FLOOR PANEL STEERING COMPARTMENT / STREETSIDE To D-5299	1	D
30	251592	FLOOR PANEL STEERING COMPARTMENT / STREETSIDE From D-5300	1	D
30	251229	FLOOR PANEL STEERING COMPARTMENT / STREETSIDE	1	E
31	X3-2230-00	DEFROSTER - INSTALLATION		
32	X3-1896-00	FRONT SHEATING - BUS To D-5458		
32	X3-189X-XX	STRUCTURE / CALL ORDER DESK From E-5459	1	
50	X3-2305-20	WINDSHIELD WASHER - INSTALLATION		
		C) COACH WITH FLARE KIT & TORCH		
		D) WITH "OPTION" SEAL BEAM WASHER		
		E) WITH FLARE KIT SUPPORT & W/OUT HEAD LAMP WASHER		
		F) WITHOUT HEAD LAMP WASHER		
		GR) WITH "GREYHOUND" OPTION		
		I) STORAGE INSIDE OF FLARE KIT BOX BUT NOT INCLUDE		

To M-6667

Date:01/2024

PAGE:3211637

KIT, EMERGENCY WARNING TRIANGLE

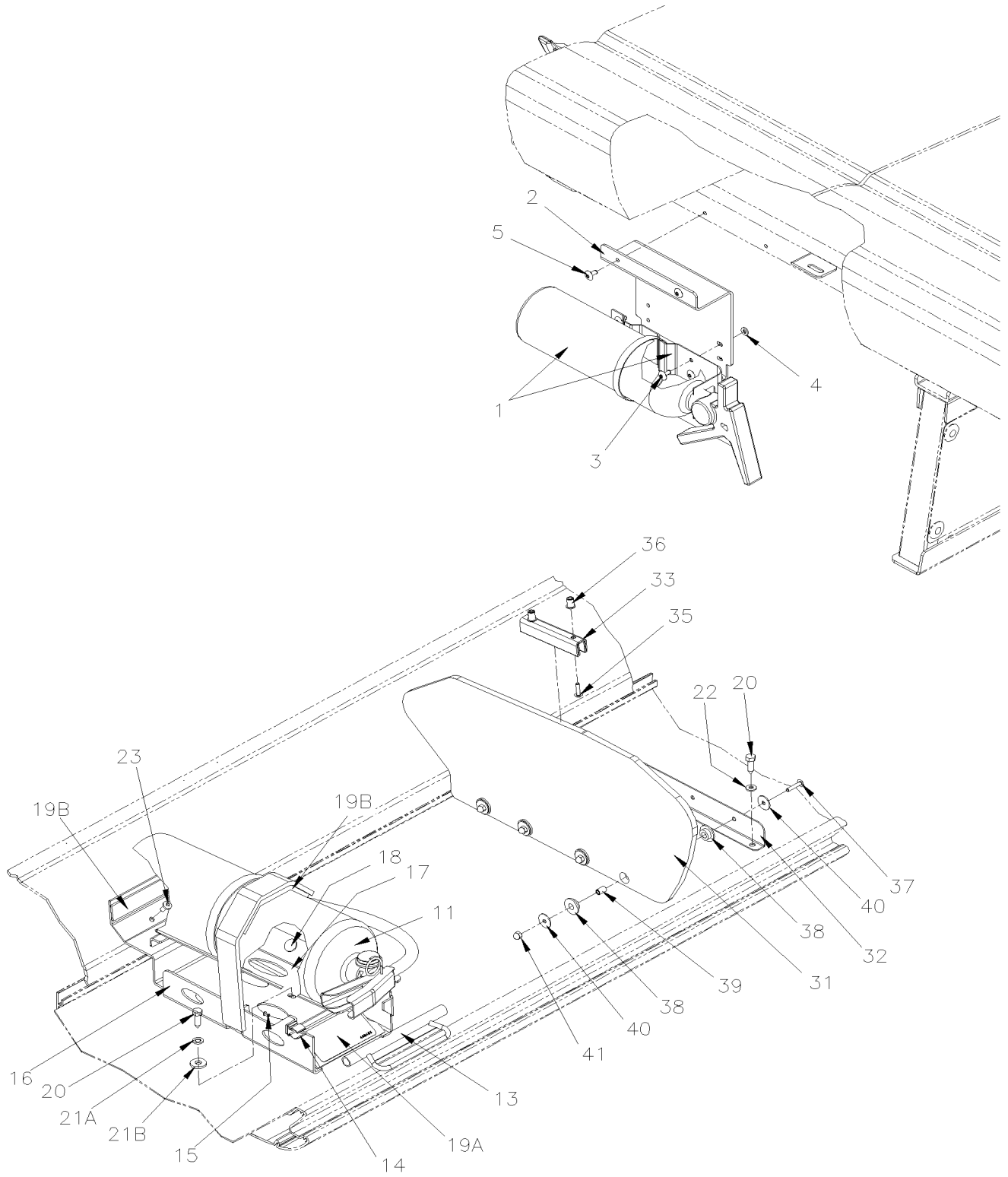


To M-6667	Date:01/2024	PAGE:3211637
-----------	--------------	--------------

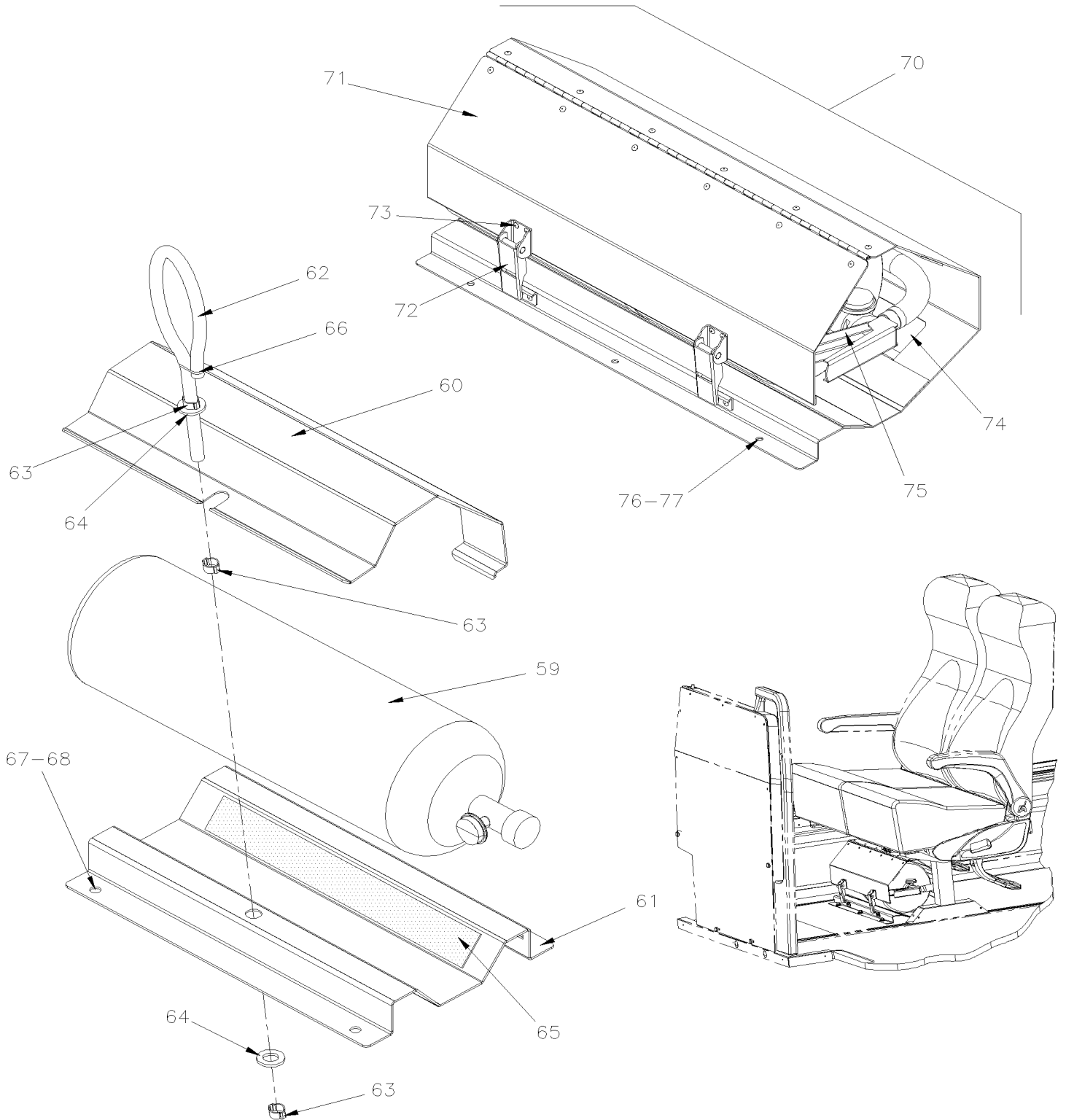
KIT, EMERGENCY WARNING TRIANGLE

Item#	Part	Description	QTY	Notes
1	218892	SUPPORT, FLARE KIT / BOLTED TO STRUCTURE	1	
2	930045	FLARE KIT, TRIANGULAR	1	
3	218894	ROD, RETAINING / FLARE KIT	1	
4	500782	NUT WING 5/16-18 Z050	1	
5	502584	WASHER LO SERR 8.2x26.3x1.8 Z050	1	
6	5001190	SCREW CAP HEX 1/4-20x3/4 SS BK	3	
7	500877	WASHER FL .250x.562x.065 N500	3	
8	500771	NUT HEX 1/4-20 SS	3	

EXTINGUISHER - INSTALLATION



EXTINGUISHER - INSTALLATION

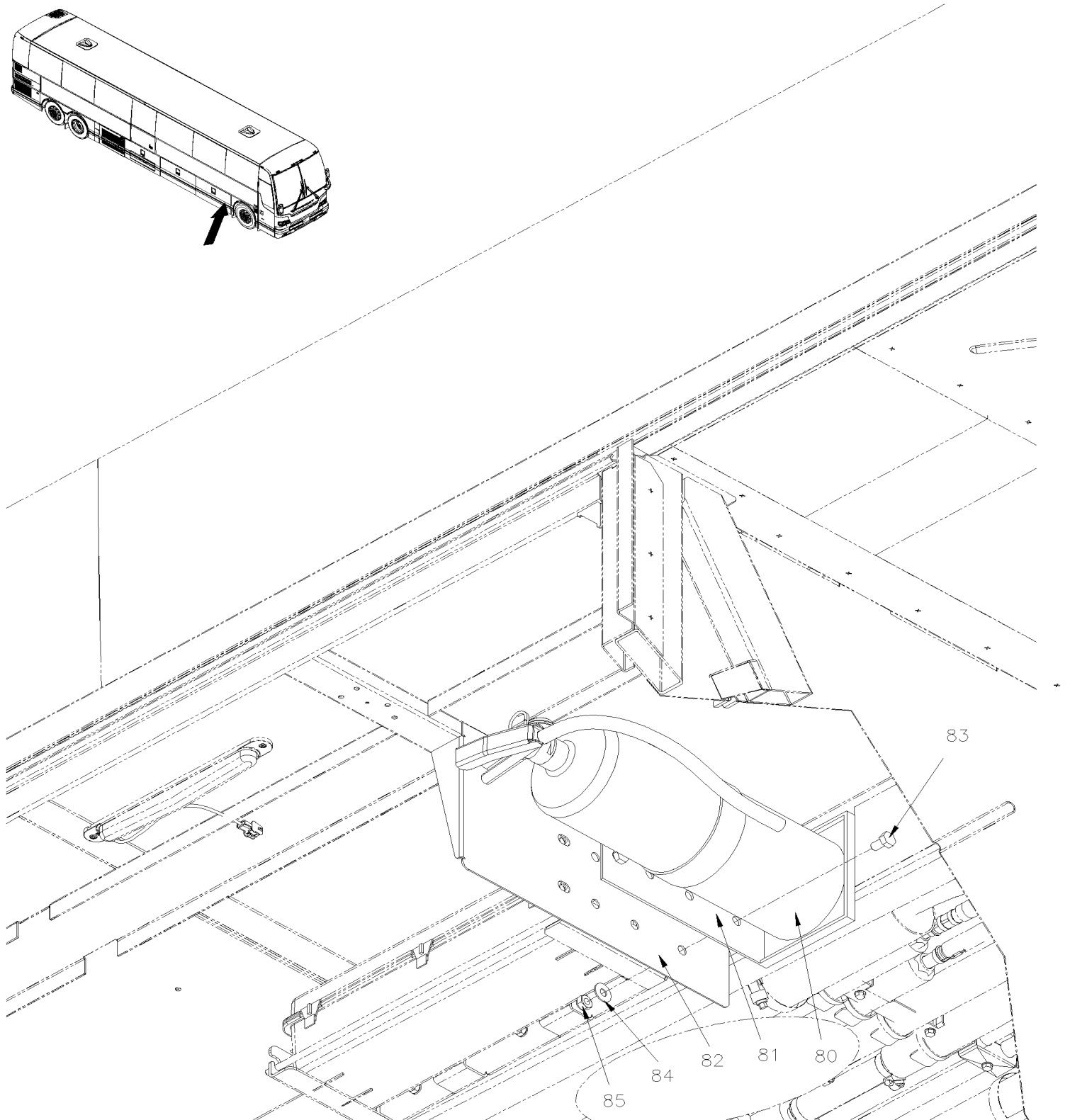
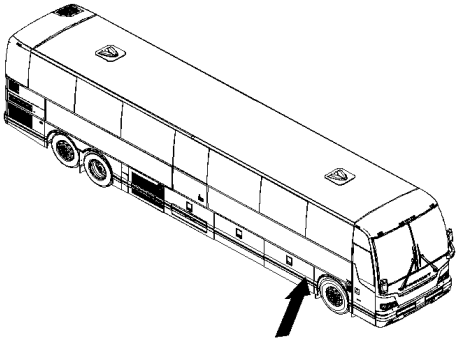


From 7-8754

Date:01/2024

PAGE:X3-2320-30

EXTINGUISHER - INSTALLATION



From 7-8754	Date:01/2024	PAGE:X3-2320-30
-------------	--------------	-----------------

EXTINGUISHER - INSTALLATION

Item#	Part	Description	QTY	Notes
		UNDER PASSENGER'S SEAT / EXTINGUISHER 2.5 LBS		
1	901001	EXTINGUISHER 2.5 LBS / W/METAL HANDLE To J-6279	2	
1	900702	EXTINGUISHER 2.5 LBS / W/PLASTIC HANDLE To A-9895	2	
1	901360	EXTINGUISHER 2.5 LBS / W/PLASTIC HANDLE From A-9896 To J-6279	2	
1	901414	EXTINGUISHER 2.5 LBS / W/STEEL HANDLE From J-6280 To L-6644	2	
1	900267	EXTINGUISHER 2.5 LBS / W/METAL HANDLE From L-6645	2	
1	901361	SUPPORT ASSY / EXTINGUISHER From L-6645	2	
2	324349	SUPPORT ASSY / EXTINGUISHER	1	
3	500572	SCREW MA TR PH #10-24x1/2 SS BK To A-9872	8	
3	504793	RIVET MNB OE LARGE HEAD 3/16x7/16 SS From A-9873	4	
3	500767	NUT HEX #10-24 Z050 To A-9872	8	
4	500964	WASHER FL .203x.500x.047 Z050 To A-9872	8	
4	5001137	WASHER FL .203x.438x.050 SS From A-9873	4	
5	504793	RIVET MNB OE LARGE HEAD 3/16x7/16 SS	4	
NS	402763	DECAL / UNDER SEAT EXTINGUISHER	2	
		INSIDE PARCEL RACK / EXTINGUISHER 10 LBS		
11	900449	EXTINGUISHER 10 LBS	1	
NS	900618	SUPPORT	1	
11	900618	SUPPORT	1	
12	403581	SUPPORT ASSY / 10 LBS INTINGUISHER / IN PARCEL RACK	1	
13	402575	HANDLE ASSY / TILTING SUPPORT To A-9891	1	
13	409277	HANDLE ASSY / TILTING SUPPORT From A-9892 To G-6079	1	
13	408406	HANDLE ASSY / TILTING SUPPORT From G-6080	1	
14	402571	CLIP, SPRING To N-6723	2	
14	504815	CLIP, SPRING 5/8 From N-6724	2	
15	504105	RIVET POP DOME OE 1/8x3/16 AL	1	
16	404633	BRACKET ASSY / TILTING SUPPORT To A-9891	1	
16	409276	BRACKET ASSY / TILTING SUPPORT From A-9892 To G-6079	1	
16	408408	BRACKET ASSY / TILTING SUPPORT From G-6080	1	
17	402567	SUPPORT, TILTING To A-9891	1	
17	409279	SUPPORT, TILTING From A-9892 To G-6079	1	
17	505188	PIN, SPRING 1/4" X 7/8" From G-6080	1	
18	470949	SPACER RUBBER 3/4" O.D. / S.Q. To G-6079	2	
18	470949	SPACER RUBBER 3/4" O.D. / S.Q. From G-6080	6	
19A	408405	DECAL / FIRE EXTINGUISHER From G-6080	1	
19B	506235	TAPE RUB ADH1 PVC.NITRIL 1/2" x 1" x 15' / BLACK 1210 To G-6079	AR	
19B	506035	TAPE RUB ADH1 NEO 1/2" x 1" x 15' / BLACK 1220X From G-6080	AR	
20	502513	SCREW TP CAP HEX 5/16x1 Z050	6	

From 7-8754		Date:01/2024	PAGE:X3-2320-30
-------------	--	--------------	-----------------

EXTINGUISHER - INSTALLATION

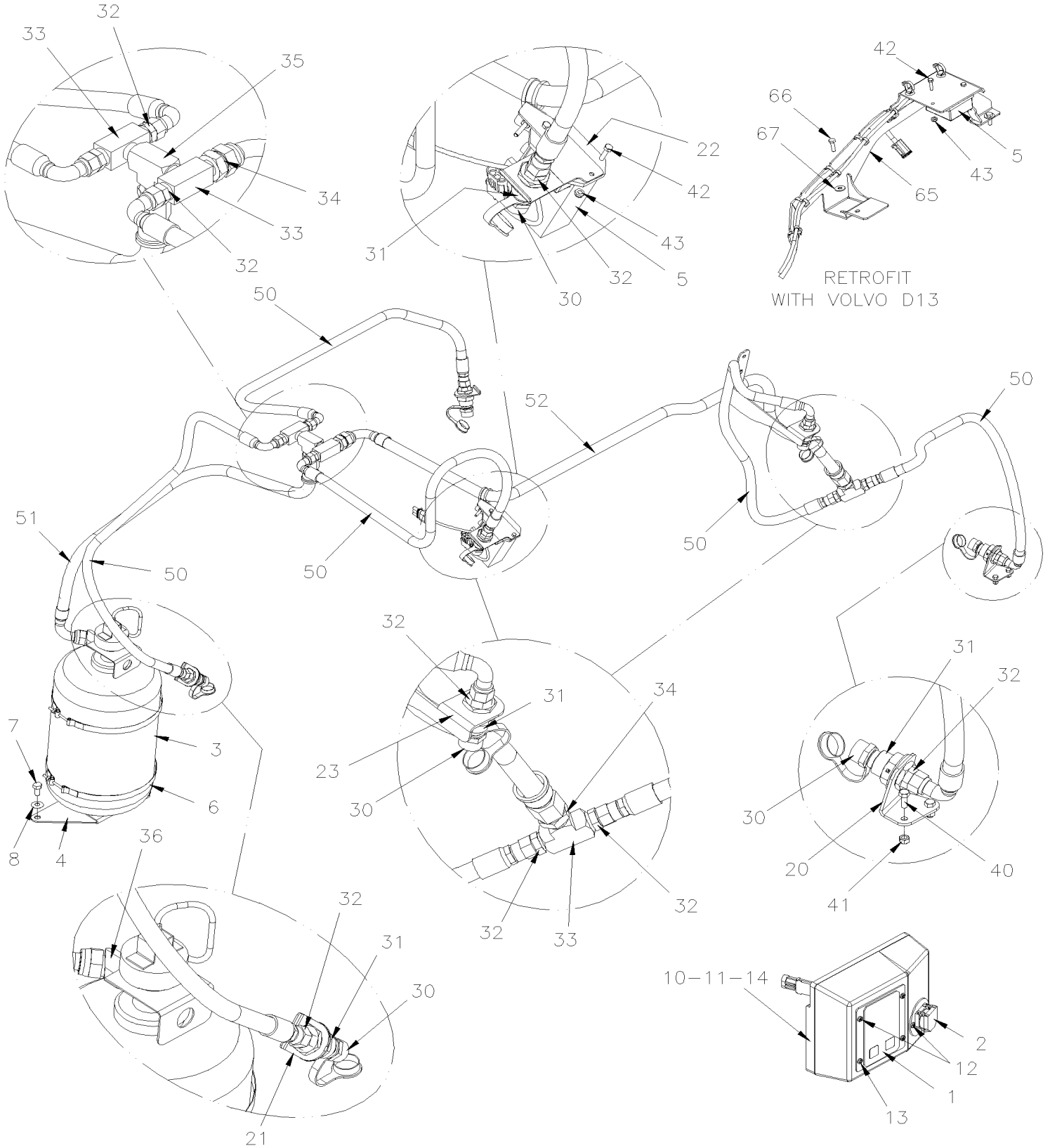
Item#	Part	Description	QTY	Notes
21A	500877	WASHER FL .250x.562x.065 N500 To H-6101	2	
21A	5001736	WASHER FL 8.4x18.0x2.0 N500 From H-6102 To H-6139	2	
21A	500942	WASHER LO SPT 8.1x14.8x2.0 N500 From H-6140	2	
21B	500401	WASHER FL .343x.875x.125 N500 From H-6140	2	
22	500942	WASHER LO SPT 8.1x14.8x2.0 N500	3	
23	502513	SCREW TP CAP HEX 5/16x1 Z050 To H-6139	1	
23	5001736	WASHER FL 8.4x18.0x2.0 N500 To H-6139	1	
23	500841	SCREW TP PAN PH #14x3/4 Z050 From H-6140	1	
NS	402763	DECAL / UNDER SEAT EXTINGUISHER	1	
31	404645	GUARD, PLEXIGLASS	1	
32	404644	FIXTURE, LOWER	1	
33	402555	FIXTURE, UPPER	2	
35	500510	SCREW MA BDG PH #10-32x3/4 SS EMN	4	
36	500519	NUT WELL #10-32x.518	4	
37	500607	SCREW MA TR PH #10-24x1 SS	4	
38	900251	BUSHING, RUBBER	8	
39	400380	SPACER 5/16 O.D. x 17/32" x 18GA To A-9974	4	
39	505539	SPACER 5/16 O.D. x 17/32" x 18GA From A-9975	4	
40	500805	WASHER FL .218x.875x.062 N500 To H-6139	4	
40	500805	WASHER FL .218x.875x.062 N500 From H-6140	8	
41	500891	NUT HEX CAP #10-24 Z050	4	
NS	323290	DECAL / FIRE EXTINGUISHER To P-6899	1	
NS	3201767	DECAL / FIRE EXTINGUISHER From P-6900	1	
NS	407693	DECAL "FIRE EXTINGUISHER INSIDE" GREY To P-6899	1	B
NS	406945	DECAL "FIRE EXTINGUISHER INSIDE" From P-6900	1	B
NS	402763	DECAL / UNDER SEAT EXTINGUISHER	1	
NS	327523	DECAL / FIRE EXTINGUISHER / (PARCEL RACK DOOR	1	
		UNDER PASSENGER'S SEAT / EXTINGUISHER 10 LBS		
59	900449	EXTINGUISHER 10 LBS	1	
NS	900618	SUPPORT	1	
60	405273	COVER, EXTINGUISHER 10 LBS	1	
61	405274	BASE SUPPORT EXTINGUISHER 10LBS	1	
62	405276	CORD, RUBBER 370MM	1	
NS	506066	CORD, RUBBER EXTRUSION NEO 7/16" O.D. / C.T.L.	AR	
63	504452	CLAMP "E-Z CLIP" / "TUBE-O" / 7/16" / HC9-7	3	
64	5001458	WASHER FL 12.0x24.0x2.5 NYL	2	
65	506466	TAPE RUB ADH1 CC POL 1/16" x 1 1/2" x 100 / GREY 2520	AR	
66	504637	CABLE TIE / 3/16" x 13"	1	
67	502706	SCREW TP PAN PH #14x1 SS	4	

From 7-8754	Date:01/2024	PAGE:X3-2320-30
-------------	--------------	-----------------

EXTINGUISHER - INSTALLATION

Item#	Part	Description	QTY	Notes
68	500411	WASHER FL .260x.697x.050 SS	4	
NS	402763	DECAL / UNDER SEAT EXTINGUISHER	1	
		UNDER PASSENGER'S SEAT / EXTINGUISHER 20 LBS "GREYHOUND" OR "INDIAN TRAILS"		
70	406145P	BOX ASSY / USED W/20LBS INSTINGUISHER	1	
70	406146	. BOX ASSY	1	
71	406147	. COVER	1	
71	405839	. HINGE	1	
72	504749	. LOCK SS	2	
73	504104	. RIVET POP DOME OE 1/8x1/8 SS	AR	
74	506466	. TAPE RUB ADH1 CC POL 1/16" x 1 1/2" x 100 / GREY 2520	AR	
75	900651	EXTINGUISHER 20 LBS	1	
76	502656	SCREW CAP HEX M6-1.0x50 SS	6	GR
76	500477	WASHER LO SPT .262x.489x.062 SS	6	GR
76	500411	WASHER FL .260x.697x.050 SS	6	GR
76	500070	SCREW MA TR PH AD #10-24x3/4 SS From G-6084	6	IN
76	500411	WASHER FL .260x.697x.050 SS From G-6084	6	IN
77	216414	ANCHOR STRIP UNDER FLOOR 150.7MM LG	1	GR
77	216413	ANCHOR STRIP UNDER FLOOR 303.9MM LG	1	GR
77	216412	ANCHOR STRIP UNDER FLOOR 456.7MM LG	1	GR
77	216415	ANCHOR STRIP UNDER FLOOR 543.4MM LG	1	GR
77	500043	NUT AN INS THREADED #10-24x25/32 ZP From G-6084	6	IN
NS	402763	DECAL / UNDER SEAT EXTINGUISHER	1	
79		***EXTINGUISHER 10 LBS. INSIDE FIRST LUGGAGE COMPARTMENT RH***	1	
80	900449	EXTINGUISHER 10 LBS	1	SP
. NS	900618	. SUPPORT	1	SP
81	405287	EXTINGUISHER HOLDER	1	SP
82	405288	BRAKET SUPPORT EXTINGUISHER WELDED ON FRAME	1	SP
83	502719	SCREW CAP HEX M10-1.5x20 SS EMN	4	SP
84	5001628	NUT HEX NYRT M10-1.5 SS	4	SP
85	500270	WASHER FL .406x1.000x.063 SS	4	SP
		B) ALBERTA REGULATION		
		GR) GREYHOUND OPTION		
		IN) INDIAN TRAILS OPTION		
		SP) SPECIAL OPTION		

FIRE PROTECTION SYSTEM INSTALLATION

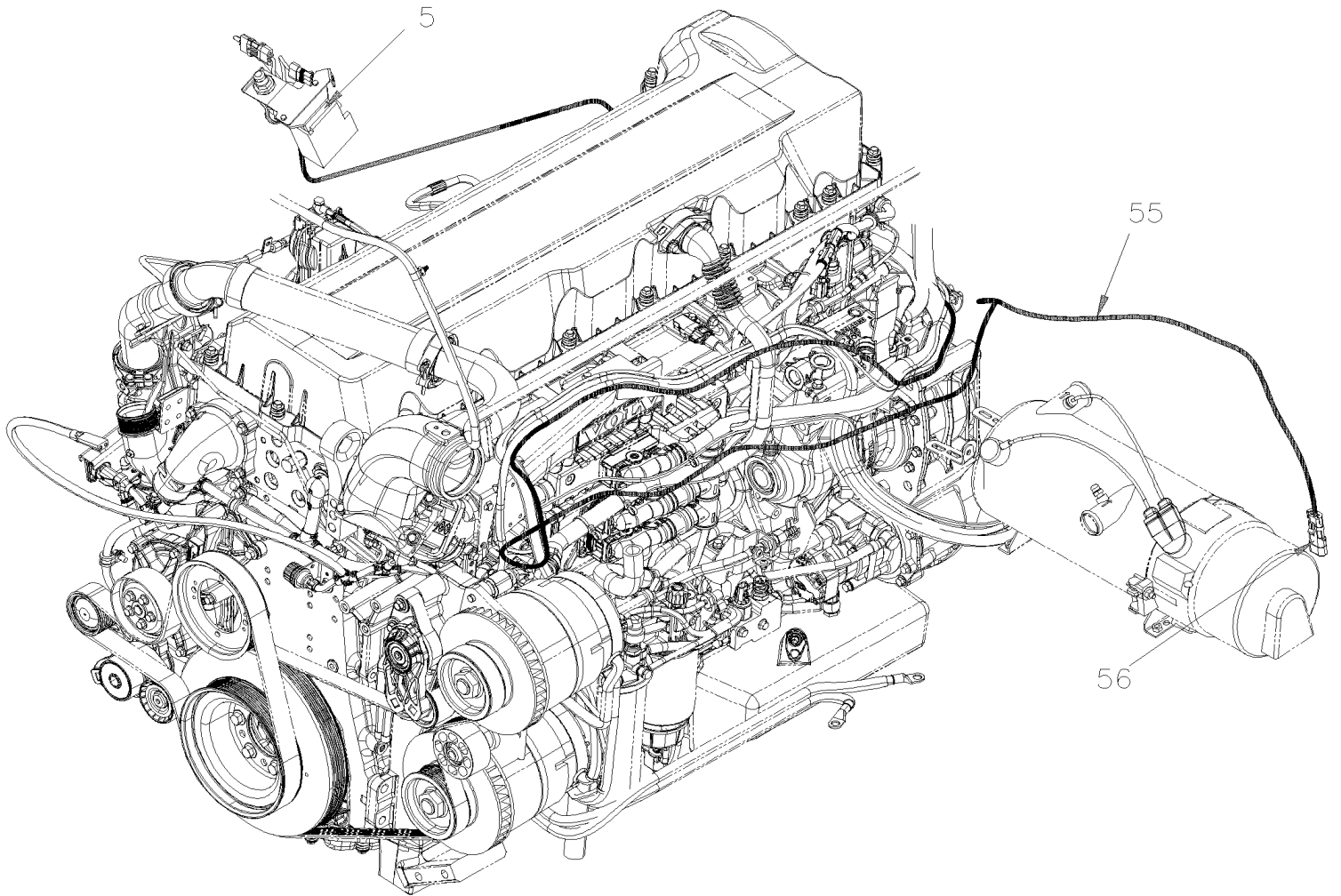


From 9-9600 To B-5001

Date:01/2024

PAGE:X3-2320-35

FIRE PROTECTION SYSTEM INSTALLATION



From 9-9600 To B-5001	Date:01/2024	PAGE:X3-2320-35
-----------------------	--------------	-----------------

FIRE PROTECTION SYSTEM INSTALLATION

Item#	Part	Description	QTY	Notes
1	563455	PANEL FIRE PROTECTOR DISPLAY	1	
2	563456	BUTTON FIRE / MANUAL OPERATING	1	
. NS	563462	. SEAL BUTTON FIRE / MANUAL OPERATING	1	
3	901125	EXTINGUISHER 25 LBS	1	
. NS	901299	. KIT REPAIR, FIRE EXTINGUISHER SYSTEM	1	
4	406128	SUPPORT EXTINGUISHER 25 LBS	1	
NS	506758	TAPE RUB ADH1 NEO 1/16"X 1 1/2"X50'	AR	
5	563457	FIRE SENSOR PM-3M	1	
6	509915	T-BOLT BAND CLAMP/ 9.19" ID	2	
7	500359	SCREW CAP HEX M10-1.5x22 G8.8 N500	2	
8	502871	WASHER LO SERR 10.2x26.3x1.4 N500	2	
10	329655	SUPPORT PANEL FRONT	1	
11	329644	COVER PANEL	1	
12	5001155	SCREW TP PAN PH #8X3/4 N050	4	
13	509916	SCREW TP PAN PH #8x3 1/2" BK	1	
14	8631155	CABLE TIE / 4.6MM x 200 / CHRISTMAS TREE	1	
20	406116	SUPPORT NOZZLE	1	
21	406117	SUPPORT NOZZLE	2	
22	406286	SUPPORT NOZZLE		
23	406110	SUPPORT NOZZLE	1	
30	901128	NOZZLE DRY CHEMICAL	1	
. NS	901184	. CAP PROTECTOR NOZZLE	1	
31	501796	BULKHEAD COUPLING / PIPE FITTING / 1/2NPT-Fx1/2NPT-Fx1 1/2 BR	1	
32	501616	MALE CONNECTOR / SAE 45° FITTING / #8FL-Mx1/2NPT-M BR	1	
33	507556	MALE BRANCHE TEE / PIPE FITTING / 1/2NPT-Fx1/2NPT-Fx1/2NPT-M BR	1	
34	501600	MALE CONNECTOR / JIC 37° FITTING / #12JIC-Mx1/2NPT-M STL	1	
35	501472	FEMALE UNION TEE / PIPE FITTING / 1/2NPT-Fx1/2NPT-Fx1/2NPT-F BR	1	
36	5011305	FEMALE ELBOW 45° / JIC 37° FITTING / #12JIC-Mx3/4NPT-F STL	1	
40	5001697	SCREW CAP HEX M6-1.0x16 SS BK	2	
41	5001182	NUT HEX NYRT M6-1.0 SS	2	
42	5001146	SCREW CAP HEX M5-0.8x20 SS BK	2	
43	502841	NUT HEX NYRT M5-0.8 N500	2	
50	Call order desk	HOSE ASSY / #8 1000MM	5	P
51	Call order desk	HOSE ASSY / #12 900MM	1	P
52	Call order desk	HOSE ASSY / #8 1500MM	1	P
NS	067267	CABLE ASSY / FIRE DETECTOR FRT JCT BOX	1	
NS	563332	RELAY 24V S.P.D.T. W/RESISTOR / "VOLVO" (20374662)	1	
55	067736	CABLE THERMO DETECTOR (LINEAR FIRE CABLE) / 7M / 168C/180C // 334F/356F	1	D13
. NS	563587	. MODULE DETECTOR / END CIRCUIT	1	D13
55	067388	CABLE THERMO DETECTOR (LINEAR FIRE CABLE) / 6M / 168C/180C // 334F/356F	1	S60
. NS	563587	. MODULE DETECTOR / END CIRCUIT	1	S60
56	563587	MODULE DETECTOR / END CIRCUIT	1	

From 9-9600 To B-5001	Date:01/2024	PAGE:X3-2320-35
-----------------------	--------------	-----------------

FIRE PROTECTION SYSTEM INSTALLATION

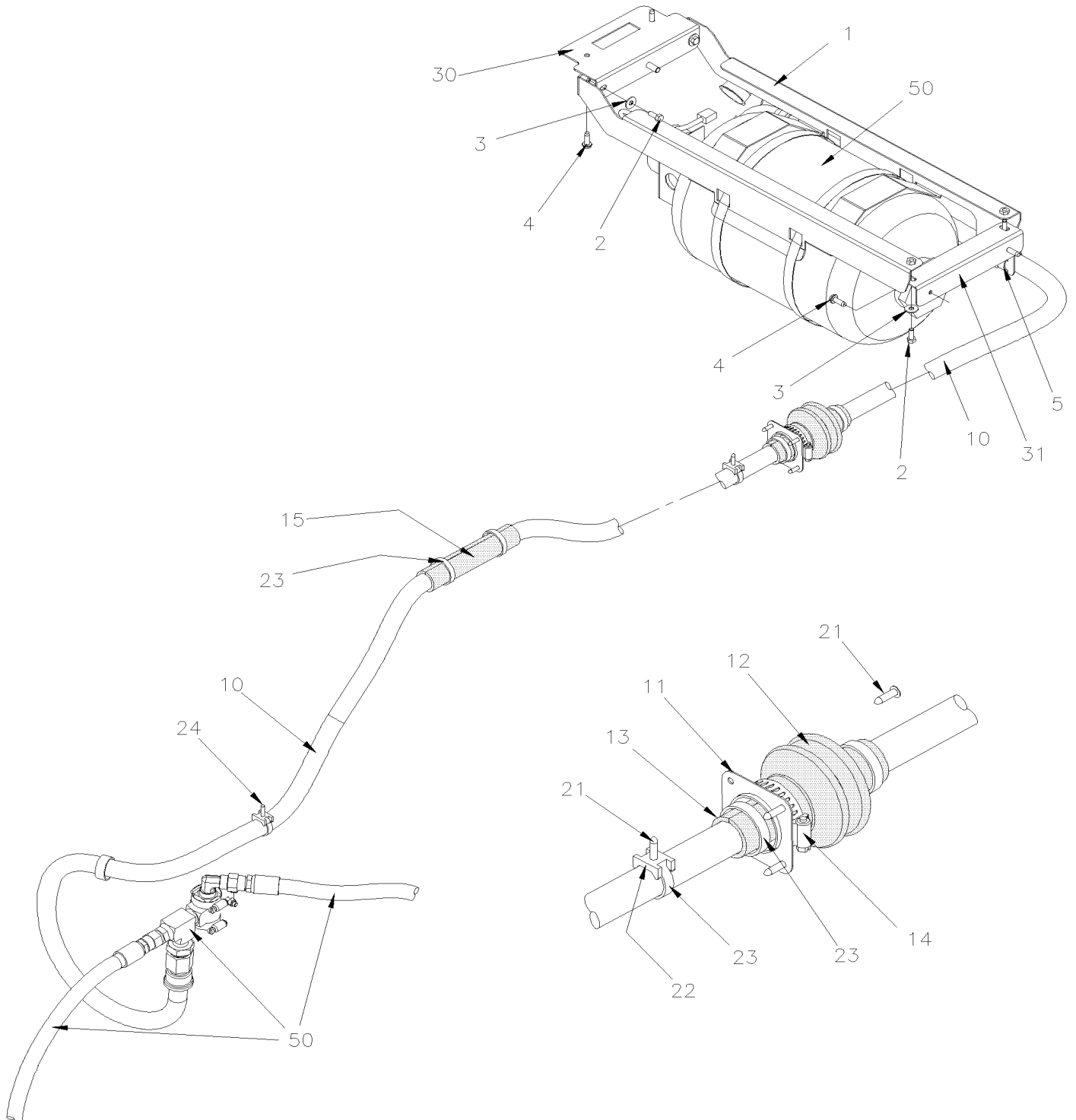
Item#	Part	Description	QTY	Notes
NS	19500355	TEST KIT EXTINGUISHER 25LBS / WSIMULATOR & POWER CABLE	1	
. NS	685536	. POWER CABLE / USED W 24VOLT	1	
. NS	685537	. SOURCE SIMILATOR	1	
. NS	901301	. TEST KIT EXTINGUISHER 25LBS	1	
. . NS	685128	. . VALVE SIMULATOR / EXTINGUISHER 25LBS	1	
. . NS	685129	. . TEST SWITCH W/CABLE 48" / EXTINGUISHER 25LBS	1	
. . NS	N.P.N.	. . STORAGE CASE	1	4
NS	901301	TEST KIT EXTINGUISHER 25LBS	1	
. NS	685128	. VALVE SIMULATOR / EXTINGUISHER 25LBS	1	
. NS	685129	. TEST SWITCH W/CABLE 48" / EXTINGUISHER 25LBS	1	
. NS	N.P.N.	. STORAGE CASE	1	4
NS	068139	KIT CABLE SUPPORT / THERMAL PROTECTOR From A-9936	1	S
. A	071638	. BASE SUPPORT / W/NUT M4-0.7 From A-9936	1	S
. B	509815	. TIE MOUNT / ATTACHMENT W/TREE MOUNT From A-9936	1	S
. C	071639	. ANGLE CABLE SUPPORT / THERMAL DETECTOR 25.4MMx 61.3MMx25.4 From A-9936	1	S
. D	504013	. TIE MOUNT / 1/4" X 1/4" I.D. From A-9936	1	S
. E	502556	. WASHER FL 4.3x9.0x0.8 SS From A-9936	1	S
. F	502834	. WASHER LO SPT 4.1x7.6x0.9 N500 From A-9936	1	S
. G	502685	. SCREW CAP HEX M4-0.7x20 SS EMN From A-9936	1	S
65	068552	SUPPORT CABLE & FIRE HARNESS	1	D13
66	502830	SCREW CAP HEX M6-1.0x20 G8.8 N500	2	D13
67	5001833	WASHER BEL SPR 6.1x18x1.27 SS	2	D13
NS	068855	EXTENSION / FIRE SENSOR	1	D13
70	406564	RETROFIT / FIRE PROTECTION SYSTEM / 3RD BAGGAGE COMPARTMENT		
		D13) WITH VOLVO ENGINE		
		S) PRODUCT IMPROVEMENT ASK FOR KIT # 068154 UP TO VIN = A-9935		
		S60) WITH DETROIT ENGINE		
		P) CALL ORDER DESK FOR SPECIFIC APPLICATION (V.I.N.)		
		4) NO PARTS NUMBER		

From 9-9600 To B-5001

Date:01/2024

PAGE:406564

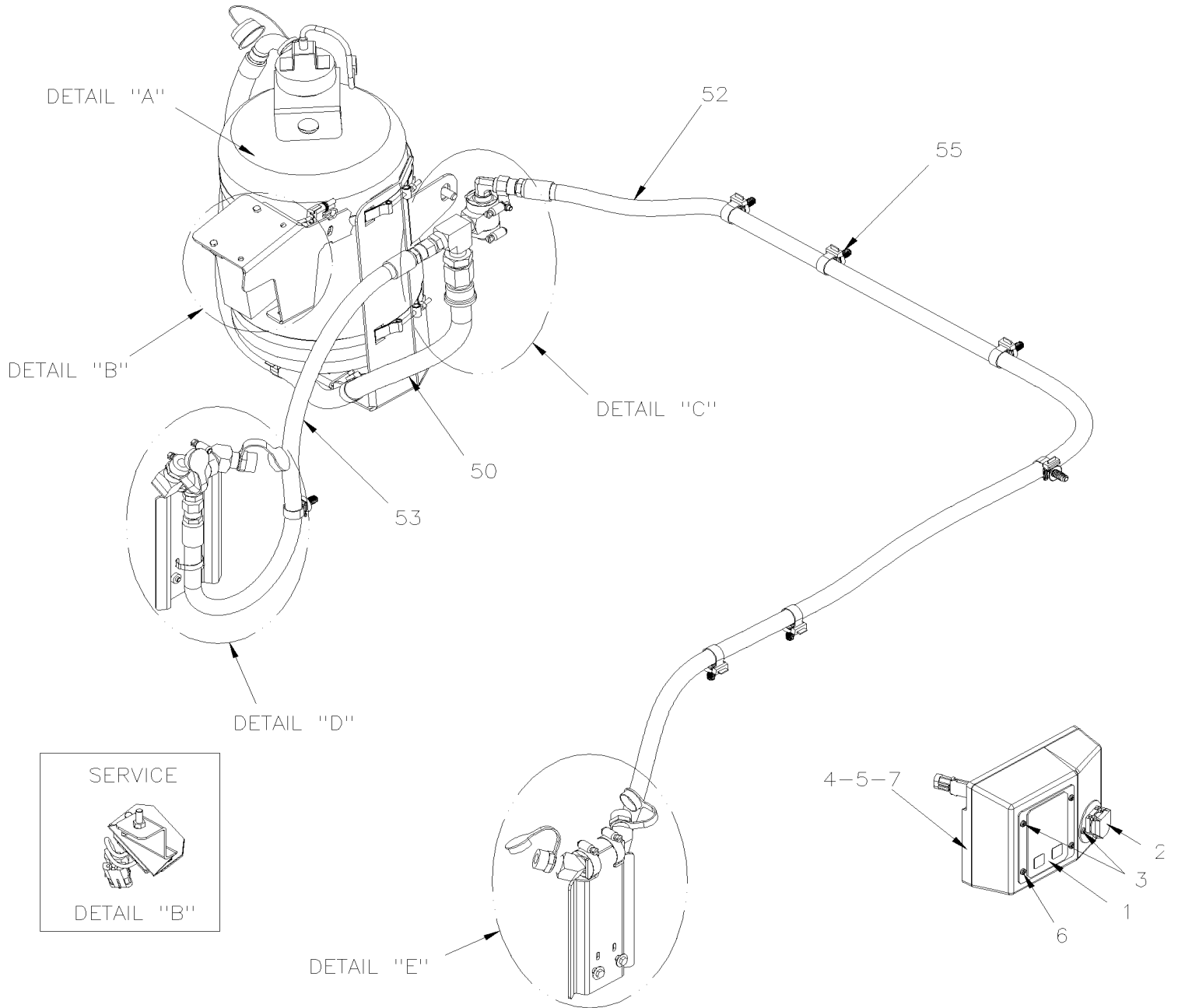
RETROFIT / FIRE PROTECTION SYSTEM / 3RD BAGGAGE COMPARTMENT

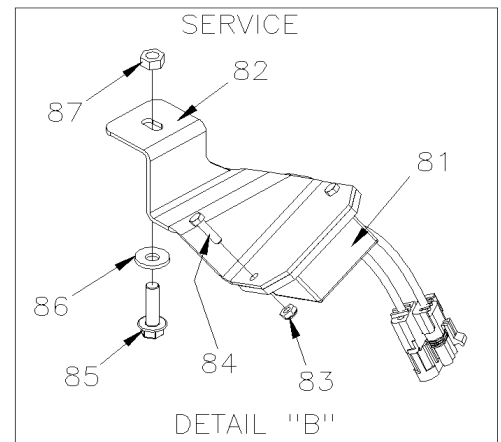
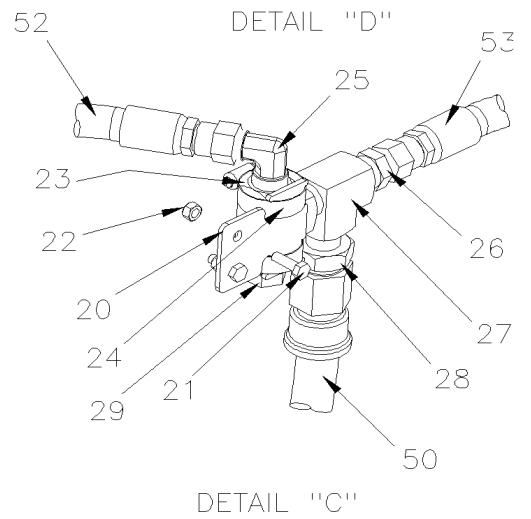
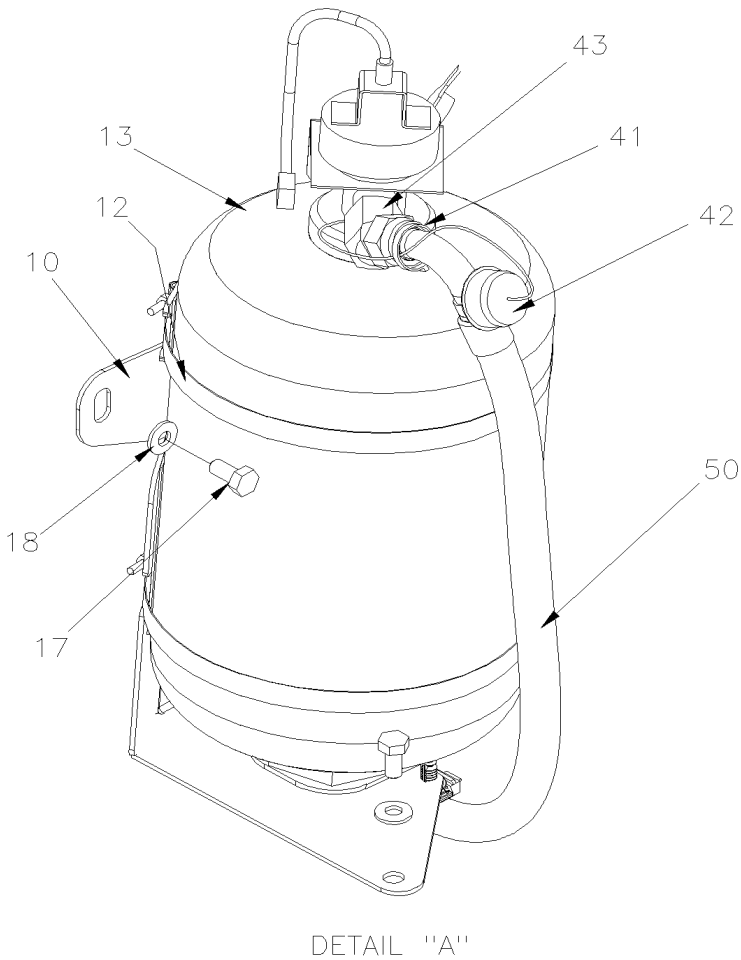
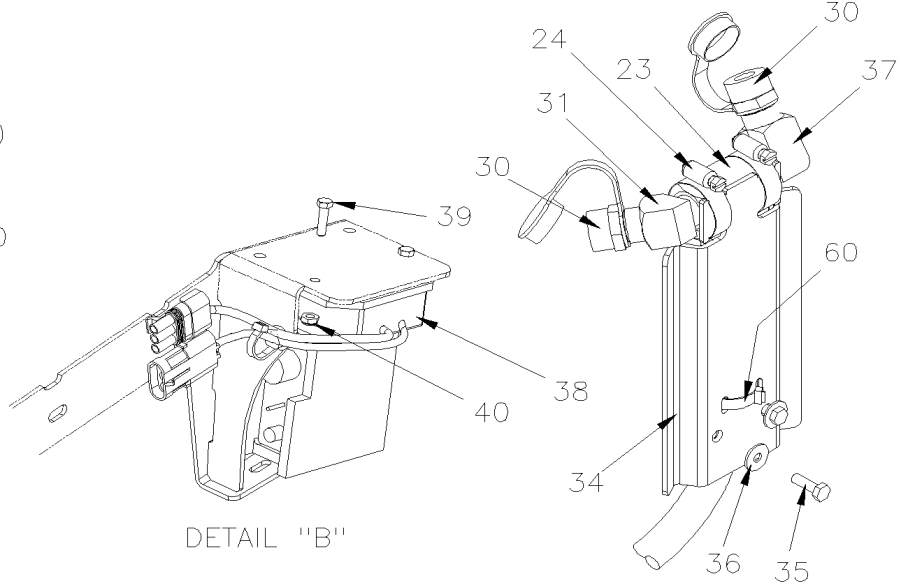
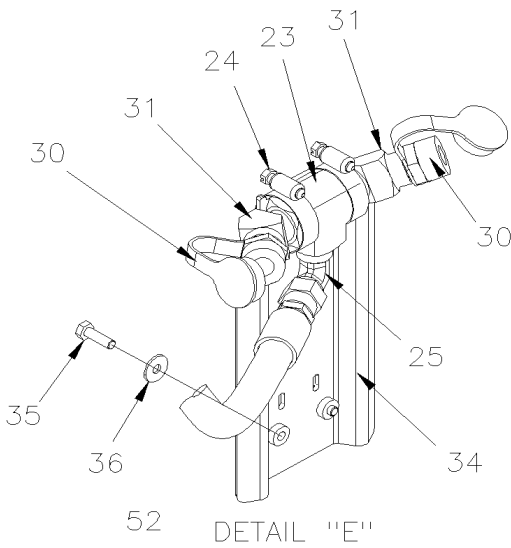


From 9-9600 To B-5001	Date:01/2024	PAGE:406564
-----------------------	--------------	-------------

RETROFIT / FIRE PROTECTION SYSTEM / 3RD BAGGAGE COMPARTMENT

Item#	Part	Description	QTY	Notes
1	406516	SUPPORT EXTINGUISHER 25 LBS	1	
2	5001744	SCREW CAP HEX M6-1.0x16 G8.8 N500	4	
3	5001833	WASHER BEL SPR 6.1x18x1.27 SS	4	
4	502848	SCREW TC CAP HEXF 1/4-20x3/4 N500	4	
5	509491	CABLE TIE / 13MM x 383MM	2	
10	406517P	HOSE ASSY / #12 7360MM	1	
11	406518	SUPPORT	2	
11	680532	SEALANT SIKA #221 / GREY / 310ml CARTRIDGE	AR	
12	504384	CUFF END BELLOW / 1 1/4" I.D. x 1 3/4" x 4"	1	
13	374643	PROTECTOR HOSE SPLIT / 7/8" x 200MM	2	
14	504022	HOSE CLAMP / 3/4"-1"3/4 SS / HS-20	1	
15	374667	PROTECTOR HOSE SPLIT / 7/8" x 200MM	1	
15	374668	PROTECTOR HOSE SPLIT / 7/8" x 550MM	1	
15	503684	. HOSE SILICONE 1 PLY 7/8" I.D. x 100' / S.L. To D-5381	AR	
15	503803	. HOSE SILICONE 1 PLY / NOMEX-ARAMID 7/8" I.D. x 100' / S.L. From D-5382	AR	
21	500957	SCREW TP BDG PH #10x3/4 N500	9	
22	504013	TIE MOUNT / 1/4" X 1/4" I.D.	6	
23	504016	CABLE TIE / 5/16" X 14"1/2	20	
24	500623	SCREW TC PAN PH #10-24x3/4 N500	1	
30	406562	SUPPORT, EXTINGUISHER	1	
31	406563	SUPPORT, EXTINGUISHER	1	
NS	068542	JUMPER / AFSS	1	
NS	504068	GROMMET / .500x.750x.062x.312x1.062	2	
50	X3-2320-36	FIRE PROTECTION SYSTEM BUS INSTALLATION / EPA 2010		



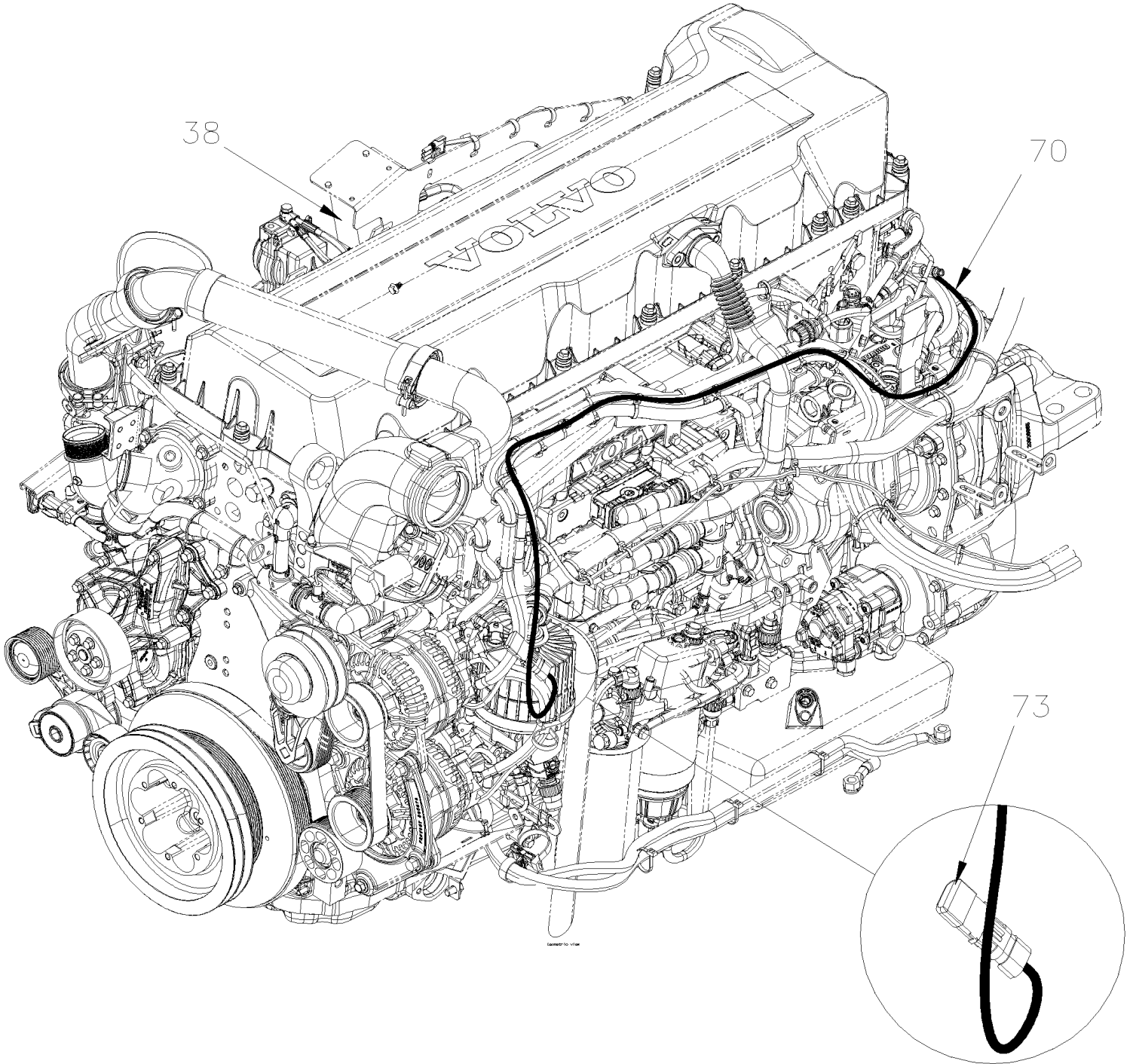


From B-5002 To C-5133

Date:01/2024

PAGE:X3-2320-36

FIRE PROTECTION SYSTEM BUS INSTALLATION / EPA 2010



From B-5002 To C-5133	Date:01/2024	PAGE:X3-2320-36
FIRE PROTECTION SYSTEM BUS INSTALLATION / EPA 2010		

Item#	Part	Description	QTY	Notes
1	563455	PANEL FIRE PROTECTOR DISPLAY	1	
1	405725	DECAL / "IN CASE OF FIRE..." / ENGLISH & FRANCAIS	1	
1	405724	DECAL / "IN CASE OF FIRE..." / ENGLISH	1	
2	563456	BUTTON FIRE / MANUAL OPERATING	1	
. NS	563462	. SEAL BUTTON FIRE / MANUAL OPERATING	1	
3	500814	SCREW TP BDG PH #6x3/4 BK	6	
4	329655	SUPPORT PANEL FRONT	1	
5	329644	COVER PANEL	1	
6	509916	SCREW TP PAN PH #8x3 1/2" BK	2	
7	509815	TIE MOUNT / ATTACHMENT W/TREE MOUNT	2	
10	406128	SUPPORT EXTINGUISHER 25 LBS To B-5000	1	
10	406485	SUPPORT EXTINGUISHER 25 LBS From B-5001	1	
12	509915	T-BOLT BAND CLAMP/ 9.19" ID	2	
13	901125	EXTINGUISHER 25 LBS	1	
. NS	901299	. KIT REPAIR, FIRE EXTINGUISHER SYSTEM	1	
17	500359	SCREW CAP HEX M10-1.5x22 G8.8 N500	2	
18	5001834	WASHER BEL SPR 10.5X23X2.5 N500	2	
20	406404	SUPPORT HOSE To B-5009	1	
20	406499	SUPPORT HOSE From B-5010	1	
21	502830	SCREW CAP HEX M6-1.0x20 G8.8 N500	2	
22	502681	NUT HEX NYRT M6-1.0 N500 G8	2	
23	501472	FEMALE UNION TEE / PIPE FITTING / 1/2NPT-Fx1/2NPT-Fx1/2NPT-F BR	3	
24	504021	HOSE CLAMP / 1 1/16"-1"1/2 SS / HS-16	6	
25	501612	MALE ELBOW 90° / SAE 45° FITTING / #8FL-Mx1/2NPT-M BR	2	
26	501616	MALE CONNECTOR / SAE 45° FITTING / #8FL-Mx1/2NPT-M BR	2	
27	501473	MALE RUN TEE / PIPE FITTING / 1/2NPT-Mx1/2NPT-Fx1/2NPT-F BR	1	
28	501600	MALE CONNECTOR / JIC 37° FITTING / #12JIC-Mx1/2NPT-M STL	1	
29	501966	PLUG HEXS / PIPE FITTING / 1/2NPT-M STL	1	B
30	901128	NOZZLE DRY CHEMICAL	4	
. NS	901184	. CAP PROTECTOR NOZZLE	1	
31	501528	STREET ELBOW 45° / PIPE FITTING / 1/2NPT-Mx1/2NPT-F BR	3	
33	504021	HOSE CLAMP / 1 1/16"-1"1/2 SS / HS-16	1	
34	406403	SUPPORT NOZZLE	2	
35	502830	SCREW CAP HEX M6-1.0x20 G8.8 N500	4	
36	5001833	WASHER BEL SPR 6.1x18x1.27 SS	4	
37	507557	STREET ELBOW 90° / PIPE FITTING / 1/2NPT-Mx1/2NPT-F BR	1	
38	563457	FIRE SENSOR PM-3M	1	
NS	500975	WASHER FL .378x.620x.094 NYL	2	
39	5001146	SCREW CAP HEX M5-0.8x20 SS BK	2	
40	502841	NUT HEX NYRT M5-0.8 N500	2	
41	5011305	FEMALE ELBOW 45° / JIC 37° FITTING / #12JIC-Mx3/4NPT-F STL	1	
42	680470	CAP PLUG ID 1.364 OD 1.423	1	

From B-5002 To C-5133	Date:01/2024	PAGE:X3-2320-36
FIRE PROTECTION SYSTEM BUS INSTALLATION / EPA 2010		

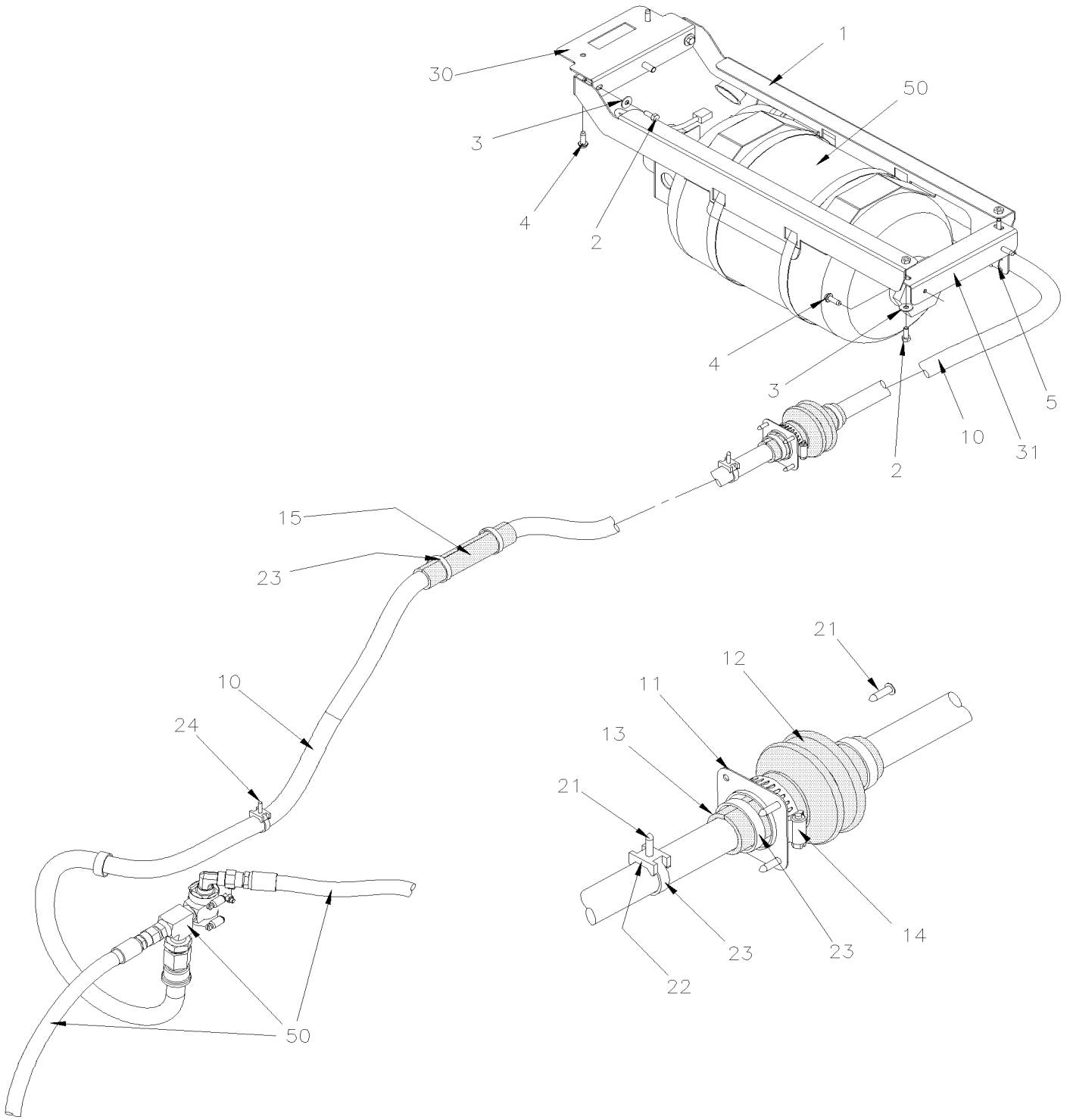
Item#	Part	Description	QTY	Notes
43	504637	CABLE TIE / 3/16" x 13"	1	
50	406433P	HOSE ASSY / #12 955MM	1	
52	406421P	HOSE ASSY / #8 1930MM	1	
53	406422P	HOSE ASSY / #8 665MM	1	
55	504750	CABLE TIE / 1/2" x 15" / CHRISTMAS TREE	AR	
60	504016	CABLE TIE / 5/16" X 14"1/2	1	
70	067736	CABLE THERMO DETECTOR (LINEAR FIRE CABLE) / 7M / 168C/180C // 334F/356F	1	E
. NS	563587	. MODULE DETECTOR / END CIRCUIT	1	E
70	067405	CABLE THERMO DETECTOR (LINEAR FIRE CABLE) / 4M / 168C/180C // 334F/356F	1	E
. NS	563587	. MODULE DETECTOR / END CIRCUIT	1	E
72	067267	CABLE ASSY / FIRE DETECTOR FRT JCT BOX	1	F
73	563587	MODULE DETECTOR / END CIRCUIT	1	
75	19500355	TEST KIT EXTINGUISHER 25LBS / WSIMULATOR & POWER CABLE	1	
. NS	685536	. POWER CABLE / USED W 24VOLT	1	
. NS	685537	. SOURCE SIMILATOR	1	
. NS	901301	. TEST KIT EXTINGUISHER 25LBS	1	
. . NS	685128	. . VALVE SIMULATOR / EXTINGUISHER 25LBS	1	
. . NS	685129	. . TEST SWITCH W/CABLE 48" / EXTINGUISHER 25LBS	1	
. . NS	N.P.N.	. . STORAGE CASE	1	4
75	901301	TEST KIT EXTINGUISHER 25LBS	1	
. NS	685128	. VALVE SIMULATOR / EXTINGUISHER 25LBS	1	
. NS	685129	. TEST SWITCH W/CABLE 48" / EXTINGUISHER 25LBS	1	
. NS	N.P.N.	. STORAGE CASE	1	4
76	406564	RETROFIT / FIRE PROTECTION SYSTEM / 3RD BAGGAGE COMPARTMENT	1	
81	563457	FIRE SENSOR PM-3M	1	G
NS	069020	CABLE INTERFACE FIRE SENSOR & MAIN HARNESS	1	G
NS	069041	CABLE THERMO DETECTOR (LINEAR FIRE CABLE) / 1.5M / 168C/180C // 334F/356F	1	G
82	406701	SUPPORT / FIRE SENSOR	1	G
82	564534	CABLE TIE / WITH EDGE CLIP / T50REC5A 10 MM x 200 MM	1	G
83	502841	NUT HEX NYRT M5-0.8 N500	2	G
84	5001146	SCREW CAP HEX M5-0.8x20 SS BK	2	G
85	5001742	SCREW CAP HEXF M8-1.25x30 G8.8 N500	1	G
86	500321	WASHER BEL SPR .331x.827x.098 N500	1	G
87	502851	NUT HEX M8-1.25 N500	1	G
		B) WITHOUT WATER HEATER		
		E) INSTALL ON THE ENGINE		

From B-5002 To C-5133		Date:01/2024	PAGE:X3-2320-36
-----------------------	--	--------------	-----------------

FIRE PROTECTION SYSTEM BUS INSTALLATION / EPA 2010

Item#	Part	Description	QTY	Notes
		F) LOCATED IN FRONT JCT BOX PANEL		
		G) RELOCATION OF FIRE SENSOR		
		4) NO PARTS NUMBER		

From B-5002 To C-5133	Date:01/2024	PAGE:406564
RETROFIT / FIRE PROTECTION SYSTEM / 3RD BAGGAGE COMPARTMENT		

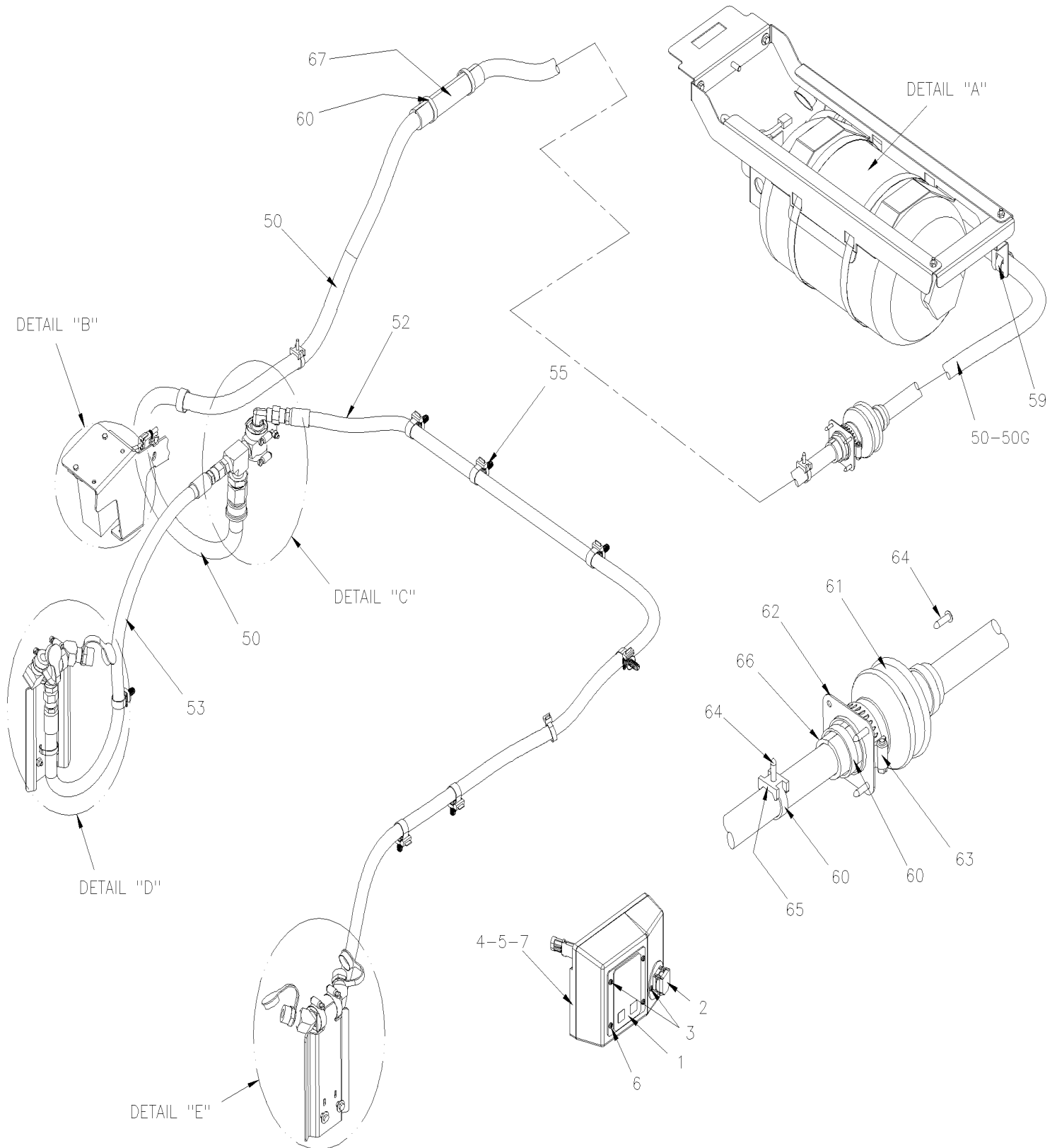


From B-5002 To C-5133	Date:01/2024	PAGE:406564
-----------------------	--------------	-------------

RETROFIT / FIRE PROTECTION SYSTEM / 3RD BAGGAGE COMPARTMENT

Item#	Part	Description	QTY	Notes
1	406516	SUPPORT EXTINGUISHER 25 LBS	1	
2	5001744	SCREW CAP HEX M6-1.0x16 G8.8 N500	4	
3	5001833	WASHER BEL SPR 6.1x18x1.27 SS	4	
4	502848	SCREW TC CAP HEXF 1/4-20x3/4 N500	4	
5	509491	CABLE TIE / 13MM x 383MM	2	
10	406517P	HOSE ASSY / #12 7360MM	1	
11	406518	SUPPORT	2	
11	680532	SEALANT SIKA #221 / GREY / 310ml CARTRIDGE	AR	
12	504384	CUFF END BELLOW / 1 1/4" I.D. x 1 3/4" x 4"	1	
13	374643	PROTECTOR HOSE SPLIT / 7/8" x 200MM	2	
14	504022	HOSE CLAMP / 3/4"-1"3/4 SS / HS-20	1	
15	374667	PROTECTOR HOSE SPLIT / 7/8" x 200MM	1	
15	374668	PROTECTOR HOSE SPLIT / 7/8" x 550MM	1	
15	503684	. HOSE SILICONE 1 PLY 7/8" I.D. x 100' / S.L. To D-5381	AR	
15	503803	. HOSE SILICONE 1 PLY / NOMEX-ARAMID 7/8" I.D. x 100' / S.L. From D-5382	AR	
21	500957	SCREW TP BDG PH #10x3/4 N500	9	
22	504013	TIE MOUNT / 1/4" X 1/4" I.D.	6	
23	504016	CABLE TIE / 5/16" X 14"1/2	20	
24	500623	SCREW TC PAN PH #10-24x3/4 N500	1	
30	406562	SUPPORT, EXTINGUISHER	1	
31	406563	SUPPORT, EXTINGUISHER	1	
NS	068542	JUMPER / AFSS	1	
NS	504068	GROMMET / .500x.750x.062x.312x1.062	2	
50	X3-2320-36	FIRE PROTECTION SYSTEM BUS INSTALLATION / EPA 2010		

FIRE PROTECTION SYSTEM BUS INSTALLATION / 3RD BAGGAGE COMPARTMENT

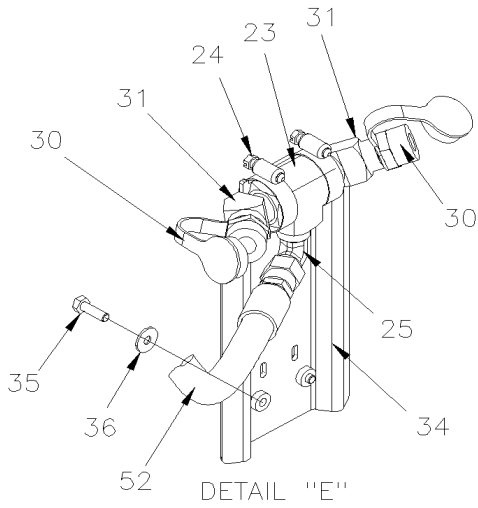


From C-5134

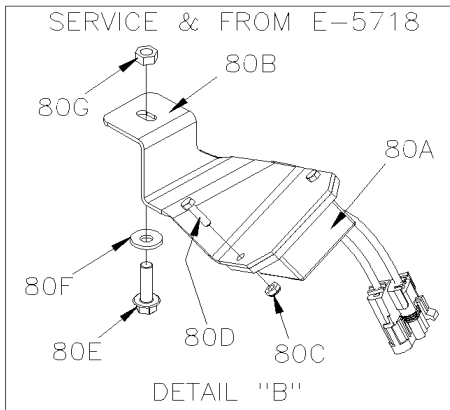
Date:01/2024

PAGE:X3-2320-37

FIRE PROTECTION SYSTEM BUS INSTALLATION / 3RD BAGGAGE COMPARTMENT

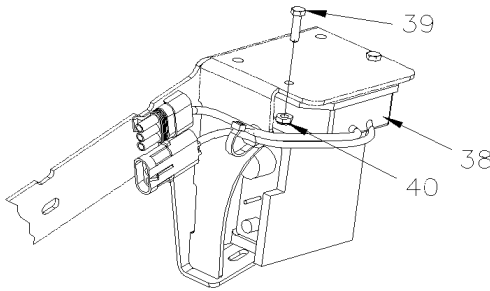


DETAIL "E"

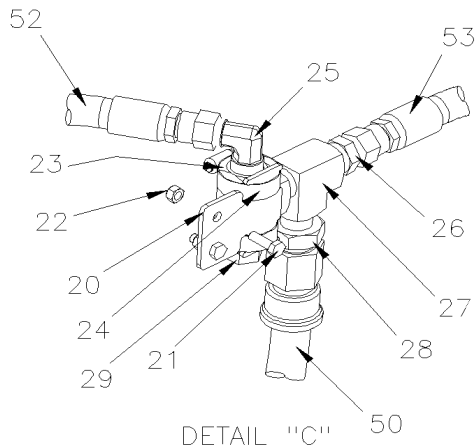


SERVICE & FROM E-5718

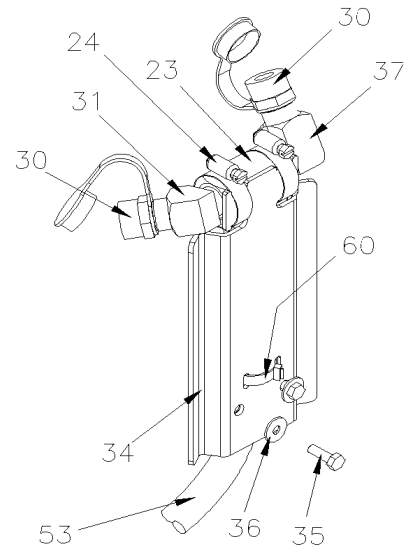
DETAIL "B"



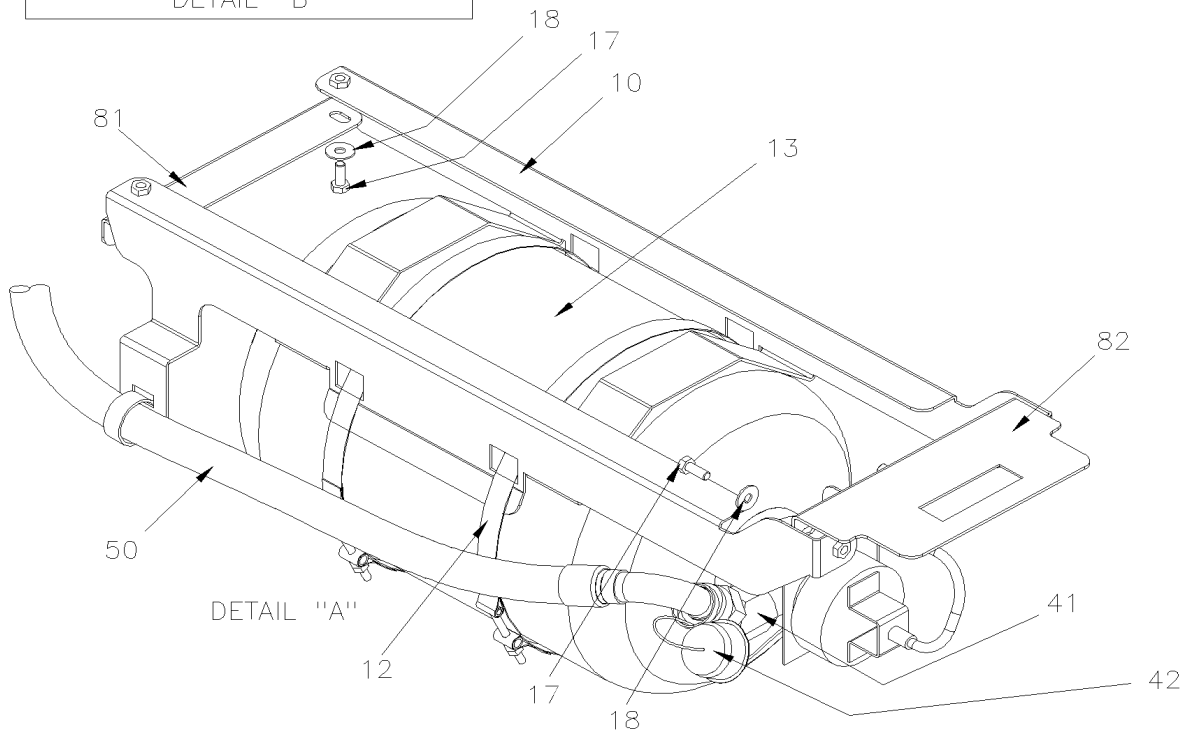
DETAIL "B"
UP TO E-5717



DETAIL "C"



DETAIL "D"



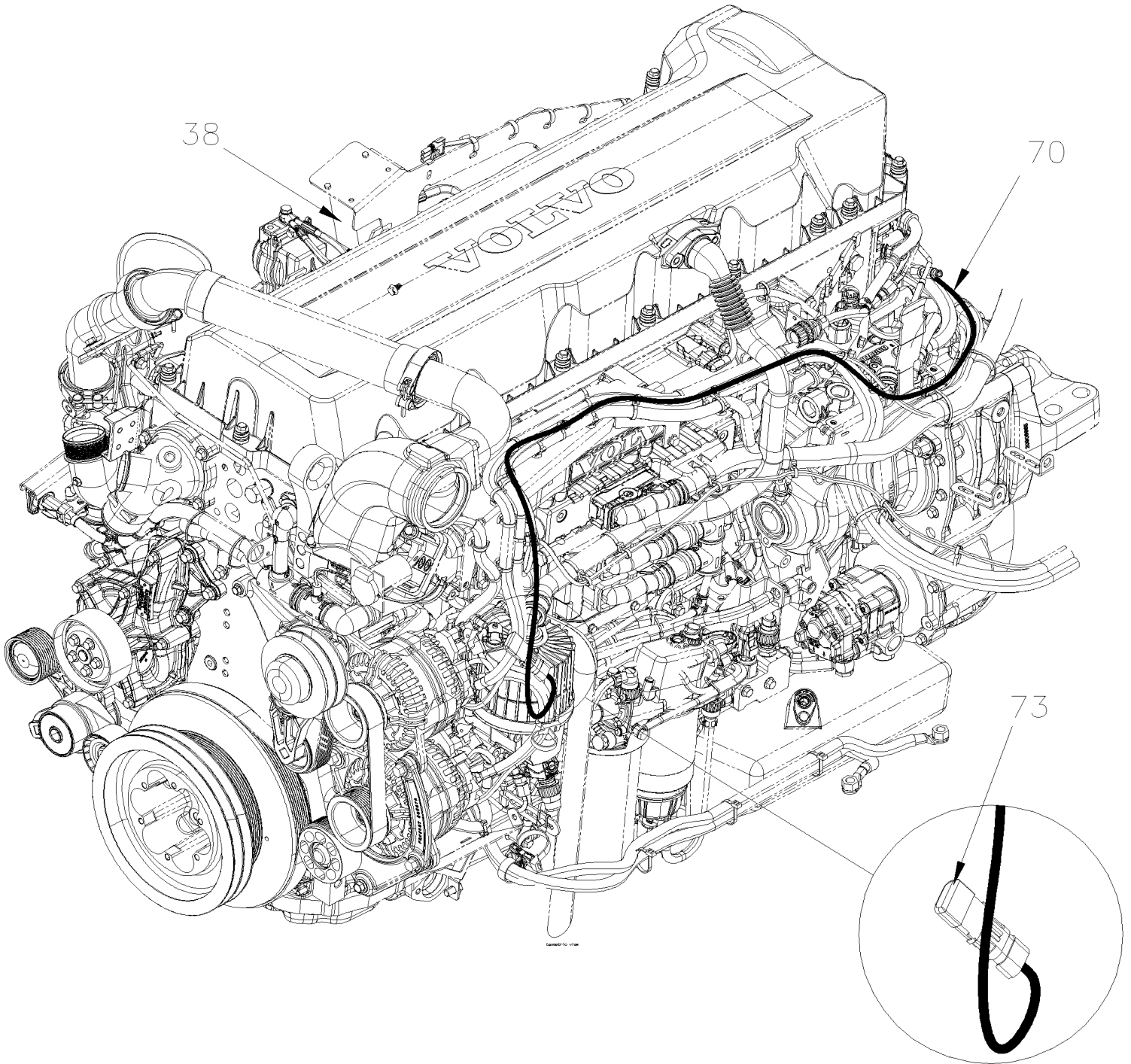
DETAIL "A"

From C-5134

Date:01/2024

PAGE:X3-2320-37

FIRE PROTECTION SYSTEM BUS INSTALLATION / 3RD BAGGAGE COMPARTMENT

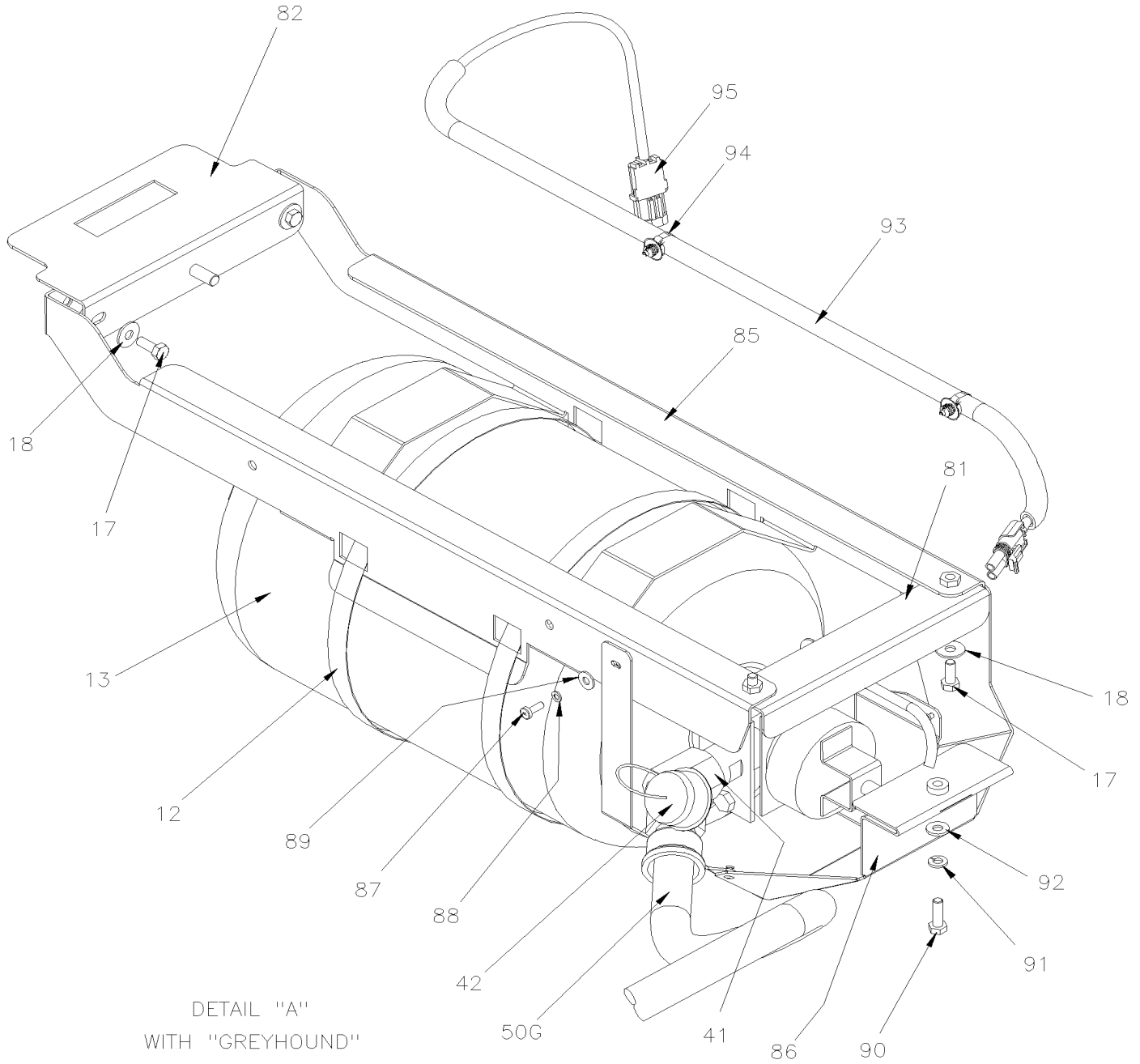


From C-5134

Date:01/2024

PAGE:X3-2320-37

FIRE PROTECTION SYSTEM BUS INSTALLATION / 3RD BAGGAGE COMPARTMENT



DETAIL "A"
WITH "GREYHOUND"
FROM D-5300

From C-5134		Date:01/2024	PAGE:X3-2320-37
-------------	--	--------------	-----------------

FIRE PROTECTION SYSTEM BUS INSTALLATION / 3RD BAGGAGE COMPARTMENT

Item#	Part	Description	QTY	Notes
1	563455	PANEL FIRE PROTECTOR DISPLAY	1	
1	405725	DECAL / "IN CASE OF FIRE..." / ENGLISH & FRANCAIS To N-6723	1	
1	402941	DECAL / "IN CASE OF FIRE..." / ENGLISH & FRANCAIS From N-6724	1	
1	405724	DECAL / "IN CASE OF FIRE..." / ENGLISH To N-6723	1	
1	402784	DECAL / "IN CASE OF FIRE..." / ENGLISH From N-6724	1	
1	400032	DECAL / "IN CASE OF FIRE..." / ENGLISH & FRANCAIS & SPANISH To N-6723	1	
1	402940	DECAL / "IN CASE OF FIRE..." / ENGLISH & FRANCAIS & SPANISH From N-6724	1	
2	563456	BUTTON FIRE / MANUAL OPERATING To M-6672	1	
. NS	563462	. SEAL BUTTON FIRE / MANUAL OPERATING To M-6672	1	
2	564346	BUTTON FIRE / MANUAL OPERATING From M-6673	1	
. NS	564392	. TAMPER SEAL BUTTON From M-6673	1	
. NS	564349	. TAMPER SEAL FOR BUTTON From M-6673	1	
. . NS	564392	. . TAMPER SEAL BUTTON From M-6673	1	
3	5001155	SCREW TP PAN PH #8X3/4 N050	4	
4	329655	SUPPORT PANEL FRONT	1	
5	329644	COVER PANEL To H-6103	1	
5	321137	COVER PANEL From H-6104 To K-6492	1	
5	3210566	COVER PANEL From L-6493	1	
6	509916	SCREW TP PAN PH #8x3 1/2" BK	2	
7	509815	TIE MOUNT / ATTACHMENT W/TREE MOUNT	2	
10	406516	SUPPORT EXTINGUISHER 25 LBS To E-5717	1	
10	406708	SUPPORT EXTINGUISHER 25 LBS From E-5718 To J-6244	1	
10	400541	SUPPORT EXTINGUISHER 25 LBS From J-6245 To M-6645	1	D
10	401717	SERVICE KIT EXTINGUISHER From J-6245 To M-6645	1	
10	401696	SUPPORT EXTINGUISHER 25 LBS From M-6646	1	
12	509915	T-BOLT BAND CLAMP/ 9.19" ID To G-5963	2	
12	509951	T-BOLT BAND CLAMP/ 9.19" ID From G-5964 To J-6244	2	
12	509955	T-BOLT BAND CLAMP/ 8.56" ID From J-6245	2	
13	901125	EXTINGUISHER 25 LBS To J-6244	1	
. NS	901299	. KIT REPAIR, FIRE EXTINGUISHER SYSTEM To J-6244	1	
13	900211	EXTINGUISHER 25 LBS From J-6245 To N-6688	1	
. NS	N8900111	. REBUILT KIT From J-6245 To N-6688	1	
13	901743	EXTINGUISHER 22 LBS From N-6689	1	
. NS	501026	. MALE CONNECTOR / SAE 45° FITTING / #4FL-Mx1/8NPT-M BR From N-6689	1	
. NS	561566	. CONNECTOR / WEATHER PACK / PH 2C / BLACK / PED 12010973 From N-6689	1	
. NS	950483	. SEAL CAP, SHRADER VALVE From N-6689	1	
. NS	990559	. CYLINDER, V25 ABC W/PRESSURE SWITCH From N-6689	1	
17	5001744	SCREW CAP HEX M6-1.0x16 G8.8 N500 To M-6645	4	
17	5002027	SCREW CAP HEXF AD M6-1.0x16 G10.9 N500 From M-6646	6	
18	5001833	WASHER BEL SPR 6.1x18x1.27 SS To M-6645	4	
20	491473	SUPPORT HOSE To G-5931	1	
20	400057	SUPPORT HOSE From G-5932	1	

From C-5134	Date:01/2024	PAGE:X3-2320-37
-------------	--------------	-----------------

FIRE PROTECTION SYSTEM BUS INSTALLATION / 3RD BAGGAGE COMPARTMENT

Item#	Part	Description	QTY	Notes
21	502830	SCREW CAP HEX M6-1.0x20 G8.8 N500 To J-6245	2	
21	502622	SCREW CAP HEX M6-1.0x20 SS BK From J-6246	2	
22	502681	NUT HEX NYRT M6-1.0 N500 G8 To E-5651	2	
22	5001932	NUT HEXF NYRT M6-1.0 G8.8 N500 From E-5652	2	
23	501472	FEMALE UNION TEE / PIPE FITTING / 1/2NPT-Fx1/2NPT-Fx1/2NPT-F BR	3	
24	504021	HOSE CLAMP / 11/16"-1"1/2 SS / HS-16 To G-6011	6	
24	992084	HOSE CLAMP / 23MM/35MM From G-6012	6	
25	501612	MALE ELBOW 90° / SAE 45° FITTING / #8FL-Mx1/2NPT-M BR	2	
26	501616	MALE CONNECTOR / SAE 45° FITTING / #8FL-Mx1/2NPT-M BR	2	
27	501473	MALE RUN TEE / PIPE FITTING / 1/2NPT-Mx1/2NPT-Fx1/2NPT-F BR	1	
28	501600	MALE CONNECTOR / JIC 37° FITTING / #12JIC-Mx1/2NPT-M STL	1	
29	501966	PLUG HEXS / PIPE FITTING / 1/2NPT-M STL	1	B
30	901128	NOZZLE DRY CHEMICAL	4	
NS	901184	CAP PROTECTOR NOZZLE	1	
31	501528	STREET ELBOW 45° / PIPE FITTING / 1/2NPT-Mx1/2NPT-F BR	3	
33	504021	HOSE CLAMP / 11/16"-1"1/2 SS / HS-16	1	
34	406403	SUPPORT NOZZLE	2	
35	502830	SCREW CAP HEX M6-1.0x20 G8.8 N500 To J-6245	4	
35	502622	SCREW CAP HEX M6-1.0x20 SS BK From J-6246	4	
36	5001833	WASHER BEL SPR 6.1x18x1.27 SS	4	
37	507557	STREET ELBOW 90° / PIPE FITTING / 1/2NPT-Mx1/2NPT-F BR	1	
38	563457	FIRE SENSOR PM-3M To E-5717	1	
NS	500975	WASHER FL .378x.620x.094 NYL To E-5717	2	
39	5001146	SCREW CAP HEX M5-0.8x20 SS BK To E-5717	2	
40	502841	NUT HEX NYRT M5-0.8 N500	2	
41	5011305	FEMALE ELBOW 45° / JIC 37° FITTING / #12JIC-Mx3/4NPT-F STL To J-6244	1	
41	501841	MALE ELBOW 90° / JIC 37° FITTING / #12JIC-Mx3/4NPT-M STL From J-6245	1	
41	501564	ADAPTER / PIPE FITTING / 3/4NPT-Fx1NPT-M BR From J-6245	1	
42	680470	CAP PLUG ID 1.364 OD 1.423	1	
43	504637	CABLE TIE / 3/16" x 13"	AR	
50	406517P	HOSE ASSY / #12 7360MM To G-6069	1	
50	400055	HOSE ASSY / #12 7360MM From G-6070 To J-6244	1	
50	400564	HOSE ASSY / #12 7577 MM From J-6245	1	
50G	406466P	HOSE ASSY / #8 6750MM To G-6069	1	GR
50G	400104	HOSE ASSY / #8 6750MM From G-6070 To J-6244	1	GR
50G	400561	HOSE ASSY / #8 6887 MM From J-6245	1	
50G	504013	TIE MOUNT / 1/4" X 1/4" I.D.	AR	
NS	504379	RIVET POP DOME OE 3/16x1/4 SS	AR	
50G	502896	SCREW TC BDG PH #12-24x3/4 N500	1	
50G	504016	CABLE TIE / 5/16" X 14"1/2	AR	
52	406421P	HOSE ASSY / #8 1930MM To E-5717	1	

From C-5134	Date:01/2024	PAGE:X3-2320-37
-------------	--------------	-----------------

FIRE PROTECTION SYSTEM BUS INSTALLATION / 3RD BAGGAGE COMPARTMENT

Item#	Part	Description	QTY	Notes
52	406715P	HOSE ASSY / #8 1965MM From E-5718 To G-6069	1	
52	400101	HOSE ASSY / #8 1965MM From G-6070	1	
53	406422P	HOSE ASSY / #8 665MM To G-6069	1	
53	400094	HOSE ASSY / #8 665MM From G-6070	1	
55	504750	CABLE TIE / 1/2" x 15" / CHRISTMAS TREE	AR	
NS	504751	ROTATIF SPACER DOUBLE / SMALL	AR	
59	509491	CABLE TIE / 13MM x 383MM	2	
60	504016	CABLE TIE / 5/16" X 14"1/2	AR	
61	504384	CUFF END BELLOW / 1 1/4" I.D. x 1 3/4" x 4"	1	
62	406518	SUPPORT	1	
63	504022	HOSE CLAMP / 3/4"-1"3/4 SS / HS-20	1	
64	500957	SCREW TP BDG PH #10x3/4 N500	AR	
65	504013	TIE MOUNT / 1/4" X 1/4" I.D.	AR	
66	451075	PROTECTOR HOSE SPLIT / 7/8" O.D. x 3" To G-6069	2	
66	503651	HOSE SILICONE 2PLY 7/8" I.D. x 3' To G-6069	AR	
66	374643	PROTECTOR HOSE SPLIT / 7/8" x 200MM From G-6070	2	GR
67	503684	HOSE SILICONE 1 PLY 7/8" I.D. x 100' / S.L. To D-5381	AR	
67	503803	HOSE SILICONE 1 PLY / NOMEX-ARAMID 7/8" I.D. x 100' / S.L. From D-5382	AR	
70	067736	CABLE THERMO DETECTOR (LINEAR FIRE CABLE) / 7M / 168C/180C // 334F/356F To B-5001	1	E
NS	563587	MODULE DETECTOR / END CIRCUIT To B-5001	1	E
70	067405	CABLE THERMO DETECTOR (LINEAR FIRE CABLE) / 4M / 168C/180C // 334F/356F From B-5002 To D-5299	1	E
NS	563587	MODULE DETECTOR / END CIRCUIT From B-5002 To D-5299	1	E
70	068564	CABLE THERMO DETECTOR (LINEAR FIRE CABLE) / 2.26M / 168C/180C // 334F/356F From D-5300 To E-5717	1	E
70	069062	CABLE THERMO DETECTOR (LINEAR FIRE CABLE) / 1.6M / 168C/180C // 334F/356F From E-5718 To H-6179	1	E
70	069738	CABLE THERMO DETECTOR (LINEAR FIRE CABLE) / 2.46M / 168C/180C // 334F/356F From H-6180 To L-6501	1	E
70	0610154	CABLE THERMO DETECTOR (LINEAR FIRE CABLE) / From L-6502	1	E
70	067676	CABLE THERMO DETECTOR (LINEAR FIRE CABLE) / 1M / 168C/180C // 334F/356F	1	W
NS	563587	MODULE DETECTOR / END CIRCUIT	1	W
70	069041	CABLE THERMO DETECTOR (LINEAR FIRE CABLE) / 1.5M / 168C/180C // 334F/356F From E-5718	1	A C
70	504637	CABLE TIE / 3/16" x 13" From E-5718	AR	A C
72	067267	CABLE ASSY / FIRE DETECTOR FRT JCT BOX To D-5458	1	F
72	068646	CABLE ASSY / FIRE DETECTOR FRT JCT BOX From E-5459 To H-6179	1	F
72	060042	CABLE ASSY / FIRE DETECTOR FRT JCT BOX From H-6180	1	F
73	563587	MODULE DETECTOR / END CIRCUIT	1	
NS	060436	HARNESS EXTENSION, FLAME DETECTOR From H-6180	1	
75	19500355	TEST KIT EXTINGUISHER 25LBS / WSIMULATOR & POWER CABLE	1	

From C-5134	Date:01/2024	PAGE:X3-2320-37
-------------	--------------	-----------------

FIRE PROTECTION SYSTEM BUS INSTALLATION / 3RD BAGGAGE COMPARTMENT

Item#	Part	Description	QTY	Notes
. NS	685536	. POWER CABLE / USED W 24VOLT	1	
. NS	685537	. SOURCE SIMILATOR	1	
. NS	901301	. TEST KIT EXTINGUISHER 25LBS	1	
. . NS	685128	. . VALVE SIMULATOR / EXTINGUISHER 25LBS	1	
. . NS	685129	. . TEST SWITCH W/CABLE 48" / EXTINGUISHER 25LBS	1	
. . NS	N.P.N.	. . STORAGE CASE	1	4
75	901301	TEST KIT EXTINGUISHER 25LBS	1	
. NS	685128	. VALVE SIMULATOR / EXTINGUISHER 25LBS	1	
. NS	685129	. TEST SWITCH W/CABLE 48" / EXTINGUISHER 25LBS	1	
. NS	N.P.N.	. STORAGE CASE	1	4
80A	563457	FIRE SENSOR PM-3M From B-5002	1	G
80A	069020	CABLE INTERFACE FIRE SENSOR & MAIN HARNESS From B-5002 To E-5717	1	G
80A	069041	CABLE THERMO DETECTOR (LINEAR FIRE CABLE) / 1.5M / 168C/180C // 334F/356F From B-5002 To E-5717	1	E G
80B	406701	SUPPORT / FIRE SENSOR From B-5002 To G-6082	1	G
80B	406985	SUPPORT / FIRE SENSOR From G-6083 To H-6179	1	G
80B	060483	SUPPORT / FIRE SENSOR From H-6180 To L-6501	1	
80B	0610190	SUPPORT / FIRE SENSOR From L-6502	1	
80C	502841	NUT HEX NYRT M5-0.8 N500 From B-5002	2	G
80D	5001146	SCREW CAP HEX M5-0.8x20 SS BK From B-5002	2	G
80E	5001742	SCREW CAP HEXF M8-1.25x30 G8.8 N500 From B-5002 To H-6179	1	G
80E	502780	SCREW CAP HEX M8-1.25x25 SS BK From H-6180	2	
80F	500321	WASHER BEL SPR .331x.827x.098 N500 From B-5002 To H-6179	1	G
80F	5001868	WASHER BEL SPR 8.4x18x2 SS From H-6180	2	
80G	502851	NUT HEX M8-1.25 N500 From B-5002 To H-6179	1	G
80H	509815	TIE MOUNT / ATTACHMENT W/TREE MOUNT From H-6180	5	
80J	504637	CABLE TIE / 3/16" x 13" From H-6180	8	
80K	505045	NYLON SPACER 5.3MM x 13MM x 5MM From P-6904	2	
81	216992	SUPPORT, EXTINGUISHER / WELD STRUCTURE	1	
82	216993	SUPPORT, EXTINGUISHER / WELD STRUCTURE To M-6645	1	
82	218280	SUPPORT, EXTINGUISHER / WELD STRUCTURE From M-6646	1	
85	409404	SUPPORT, EXTINGUISHER ASSY From D-5300 To J-6244	1	GR
85	400542	SUPPORT, EXTINGUISHER ASSY From J-6245	1	GR
86	409403	PROTECTOR, EXTINGUISHER From D-5300 To J-6244	1	GR
86	400560	PROTECTOR, EXTINGUISHER From J-6245	1	GR
87	500965	SCREW TC BDG PH #8-32x1/2 N500 From D-5300	2	GR
88	502834	WASHER LO SPT 4.1x7.6x0.9 N500 From D-5300	2	GR
89	500804	WASHER FL .203x.500x.047 N500 From D-5300	2	GR
90	502830	SCREW CAP HEX M6-1.0x20 G8.8 N500 From D-5300	1	GR

From C-5134	Date:01/2024	PAGE:X3-2320-37
-------------	--------------	-----------------

FIRE PROTECTION SYSTEM BUS INSTALLATION / 3RD BAGGAGE COMPARTMENT

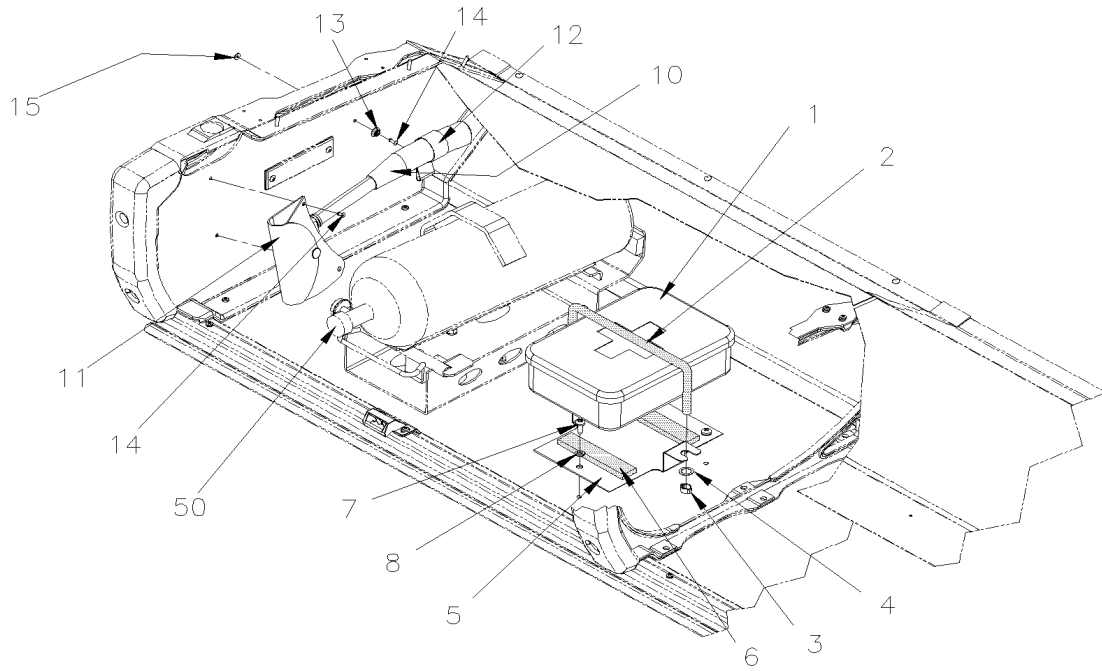
Item#	Part	Description	QTY	Notes
91	502853	WASHER LO SPT 6.1x11.8x1.6 N500 From D-5300	1	GR
92	500877	WASHER FL .250x.562x.065 N500 From D-5300	1	GR
93	561681	CONVOLUTED TUBING / SLIT / BLACK & GRAY / .350" From D-5300	AR	GR
94	8631155	CABLE TIE / 4.6MM x 200 / CHRISTMAS TREE From D-5300	2	GR
95	061292	WIRING HARN. FIRE EXTING. TANK From J-6245	1	
		A) USE WHEN YOU DO NOT HAVE A FIRE SUPPRESSIONS SYSTEM		
		B) WITHOUT WATER HEATER		
		C) FIX TO THE PANEL OVER THE ENGINE		
		D) FOR PRODUCT IMPROVMENT ASK FOR 401717		
		E) INSTALL ON THE ENGINE		
		F) LOCATED IN FRONT JCT BOX PANEL		
		G) RELOCATION OF FIRE SENSOR		
		GR) GREYHOUND OPTION		
		W) INSTALL WITH WATER HEATER		
		4) NO PARTS NUMBER		

From J-6245 To M-6645		Date:01/2024	PAGE:401717
-----------------------	--	--------------	-------------

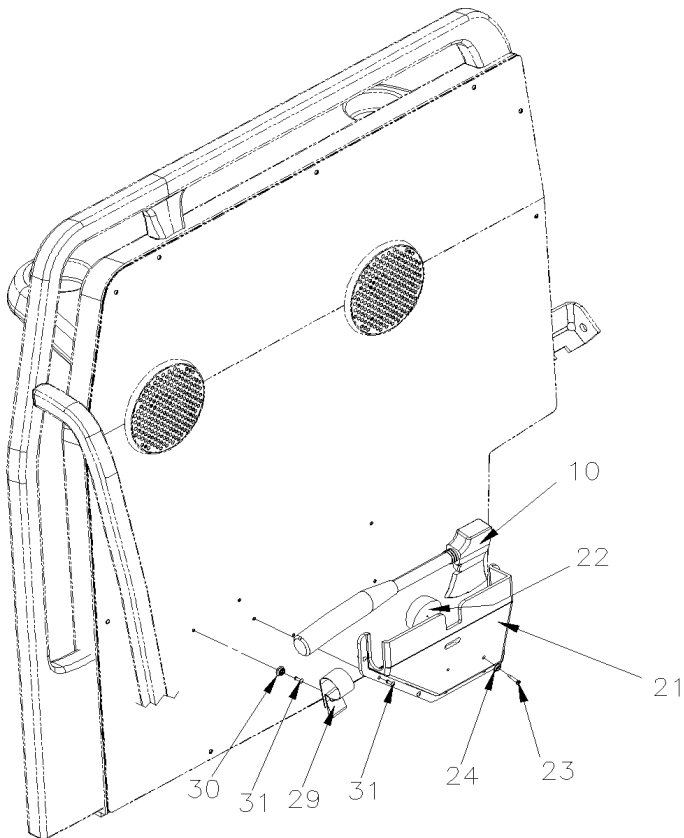
SERVICE KIT EXTINGUISHER

Item#	Part	Description	QTY	Notes
1	401696	SUPPORT EXTINGUISHER 25 LBS	1	
2	218280	SUPPORT, EXTINGUISHER / WELD STRUCTURE	1	
5	5002027	SCREW CAP HEXF AD M6-1.0x16 G10.9 N500	1	

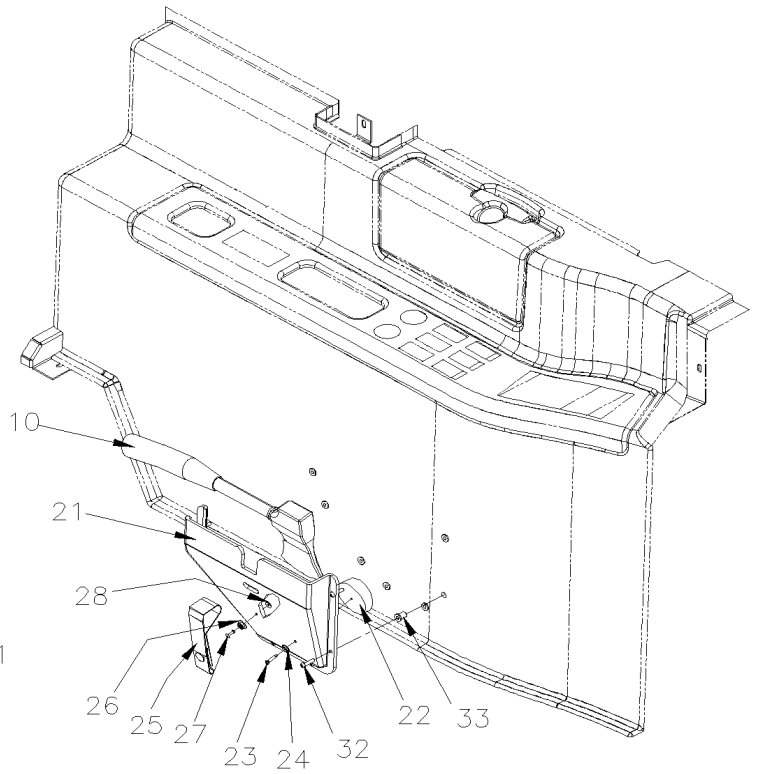
FIRST AID KIT & AXE - INSTALLATION



FRONT CURBSIDE PARCEL RACK



UP TO D-5367



FROM D-5368

From 7-8754		Date:01/2024	PAGE:X3-2320-40
FIRST AID KIT & AXE - INSTALLATION			

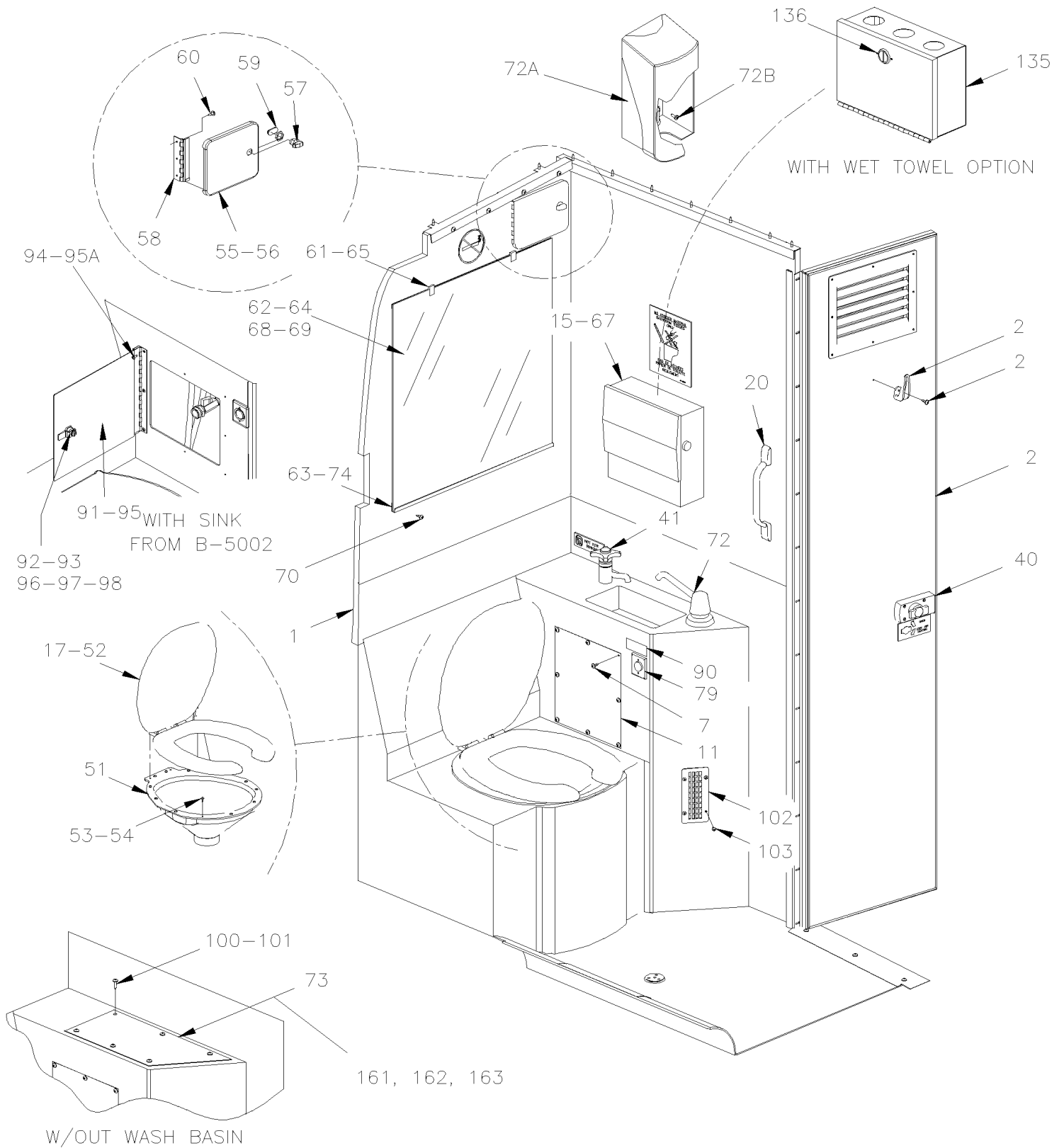
Item#	Part	Description	QTY	Notes
1	900014	KIT, FIRST AID (SMALL)	1	
1	900767	KIT, FIRST AID (EXTRA LARGE) / W / W.C.L.	1	
1	900990	KIT, FIRST AID / SASKATCHEWAN MODEL	1	
1	900991	KIT, FIRST AID / MANITOBA & N-BRUNSWICK MODEL	1	
1	900992	KIT, FIRST AID / NOVA-SCOTIA MODEL	1	
1	900993	KIT, FIRST AID / ALBERTA MODEL To A-9965	1	
1	901388	KIT, FIRST AID / ALBERTA MODEL From A-9966	1	
1	900994	KIT, FIRST AID / NEWFUNLAND MODEL	1	
1	900995	KIT, FIRST AID / QUEBEC & BRI. COLUMBIA MODEL	1	
1	900996	KIT, FIRST AID / ONTARIO, I.P.E. & USA MODEL	1	
NS	323292	DECAL / FIRST AID To P-6899	1	
NS	3201765	DECAL / FIRST AID From P-6900	1	
NS	327524	DECAL / FIRST AID / (PARCEL RACK DOOR) To B-5026	1	
NS	195889	KIT "EMERGENCY CLEANING" BIOHAZARD CASE OF 25	1	
NS	19503251	KIT "EMERGENCY CLEANING" STANDARD	1	
2	506066	CORD, RUBBER EXTRUSION NEO 7/16" O.D. / C.T.L.	1	
3	504452	CLAMP "E-Z CLIP" / "TUBE-O" / 7/16" / HC9-7	1	
4	502525	WASHER FL .484x.750x.031 Z050	1	
5	312807	SUPPORT ASSY / W/FIRST AID KIT (SMALL) / 139MM	1	
5	312806	SUPPORT ASSY / W/FIRST AID KIT (LARGE) / 205MM	1	
6	506007	TAPE RUB ADH1 CC NEO 3/4" x 1" x 10' / BLACK 1220	AR	
7	500841	SCREW TP PAN PH #14x3/4 Z050 To H-6127	4	
7	502513	SCREW TP CAP HEX 5/16x1 Z050 From H-6128	3	
8	500473	WASHER LO SPT .262x.489x.062 Z050 To H-6127	4	
8	500942	WASHER LO SPT 8.1x14.8x2.0 N500 From H-6128	3	
8	500401	WASHER FL .343x.875x.125 N500 From H-6128	3	
10	901132	FIRE AXE	1	
NS	323291	DECAL / AXE To P-6899	1	
NS	3201766	DECAL / AXE From P-6900	1	
11	901134	FIRE AXE CASE LEATHER	1	
12	403582	STRAP / TO FIX AXE	1	
NS	506235	TAPE RUB ADH1 PVC.NITRIL 1/2" x 1" x 15' / BLACK 1210	AR	
13	504003	FASTENER RIVET BASE	1	
14	504107	RIVET POP DOME OE 1/8x5/16 AL	3	
15	500157	WASHER FL .125x.375x.032 SS	1	
21	405180	SUPPORT ASSY W/BUMPER	1	A B
21	505115	. SUPPORT	1	A B
22	405179	. PROTECTOR, BOTTOM	1	A B
23	500333	. SCREW TP OV PH #6x3/4 BK	1	A B
24	500345	. WASHER FN CKF .187x.500x.090 BR BK	1	A B
25	406626	. STRAP TO FIXE AXE ASSY From D-5368	1	A
26	504003	. FASTENER RIVET BASE From D-5368	1	A

From 7-8754	Date:01/2024	PAGE:X3-2320-40
-------------	--------------	-----------------

FIRST AID KIT & AXE - INSTALLATION

Item#	Part	Description	QTY	Notes
27	504339	. RIVET POP DOME OE 1/8x3/8 SS From D-5368	1	A
28	500157	. WASHER FL .125x.375x.032 SS From D-5368	1	A
29	404922	STRAP / TO FIX AXE To D-5367	1	A B
30	504003	FASTENER RIVET BASE To D-2258	1	A B
31	504339	RIVET POP DOME OE 1/8x3/8 SS To D-2258	8	A B
32	500873	SCREW MA RND PH #8-32x3/4 SS BK From D-5368	7	A
33	500678	NUT WELL #8-32x.450 From D-5368	7	A
50	X3-2320-30	EXTINGUISHER - INSTALLATION		
		A) COACH WITH AXE INSTALLATION REAR DRIVER'S SEAT		
		B) COACH WITH AXE INSTALLATION LEFT DRIVER'S CONSOLE		

LAVATORY - ACCESSORIES



From 7-8754 To G-6063	Date:01/2024	PAGE:X3-2325-00
LAVATORY - ACCESSORIES		

Item#	Part	Description	QTY	Notes
1	405412	LAVATORY, FIBERGLASS To 8-9382	1	
1	409181	LAVATORY, FIBERGLASS From 8-9383	1	
1	401936	LAVATORY, FIBERGLASS / WCL / "PWT"	1	
2	X3-2328-00	LAVATORY WALL - INSTALLATION		
3	401927	GRILLE ASSY, STRAINER	1	
4	900219	STRAINER ASSY, FLOOR	1	
NS	680532	SEALANT SIKA #221 / GREY / 310ml CARTRIDGE	AR	
5	405684	GUTTER, TOILET FLOOR To B-5001	1	
5	406418	GUTTER, TOILET FLOOR From B-5002	1	
6	X3-0655-00	INTERIOR LIGHTING / "FLUORESCENT" To D-5371		
6	X3-0655-01	INTERIOR LIGHTING / "LED" From C-5249		
7	500583	SCREW TP PAN PH #6x1/2 Z050	8	
9	500946	SCREW TP BDG PH #8x1/2 N500	6	
10	414654	DRAIN BOOT 1" I.D. W/GROOVE 1.5 x 35MM I.D. x 85MM	1	
11	400807	PLATE, CLOSING	1	
12	500417	SCREW TP PAN PH #6x3/8 Z050	2	
13	900859	BRACKET, MOUNTING / MICROPHONE	1	
14	404226	OUTLET, MICROPHONE / 12" W/CONNECTOR	1	
NS	562507	CONNECTOR / (.093) / PH 4C / MOLEX 03-09-2049	1	
15	500641	SCREW TP PAN PH #8x3/4 Z050	AR	
16	500663	SCREW MA FL PH #6-32x3/4 ZP	4	
17	400686	ADAPTOR, PLATE CLEAR PLASTIC 3"X3" / TO USE W/OUTLET ON PARCEL RACK	1	
18	500552	SCREW TP OV PH #6x3/4 Z050	AR	
20	901047	HANDLE / SHORT To G-5986	1	
20	901459	HANDLE From G-5987	2	
20	500641	SCREW TP PAN PH #8x3/4 Z050 To G-5986	4	
20	500879	SCREW TP PAN PH #10x1 Z050 From G-5987	8	
20	500964	WASHER FL .203x.500x.047 Z050 From G-5987	8	
20	900490	CAP / W/HANDLE From G-5987	4	
20	901459	HANDLE From E-5459 To G-5986	2	GR
20	900490	CAP / W/HANDLE From E-5459 To G-5986	4	GR
20	500642	SCREW TP PAN PH #10x3/4 Z050 From E-5459 To G-5986	8	GR
20	500964	WASHER FL .203x.500x.047 Z050 From E-5459 To G-5986	8	GR
21	404450	COVER, BASKET	1	
21	405713	DECAL / "TRASH DEPOSIT" PICTOGRAM / PHOTOLUMINESCENT	1	
22	400860	ANGLE / TO FIX DUSTBIN TO FLOOR / 3"	1	
23	500841	SCREW TP PAN PH #14x3/4 Z050	2	
25	900083	DISPENSER / TOILET PAPER / (CHROME)	1	
NS	900085	PAPER, TOILET / BOX OF 96 PACK	AR	
26	500640	SCREW TP PAN PH #6x3/4 Z050	12	
27	400768	TRAP ASSY, ACCESS	1	
28	504339	. RIVET POP DOME OE 1/8x3/8 SS	5	

From 7-8754 To G-6063	Date:01/2024	PAGE:X3-2325-00
-----------------------	--------------	-----------------

LAVATORY - ACCESSORIES

Item#	Part	Description	QTY	Notes
29	400742	. FRAME / WASTE CONTAINER TRAP	1	
30	400739	. SPRING, TORSION / .375 I.D. x .437 x .032	2	
31	504104	. RIVET POP DOME OE 1/8x1/8 SS	5	
32	400740	. SPACER / HINGE	1	
33	400741	. HINGE / WASTE CONTAINER ACCESS TRAP	1	
34	400743	. TRAP, ACCESS / WASTE CONTAINER	1	
35	509558	. WEATHERSEAL SNAP-ON 1/8" / SINGLE LIP / WH / C.T.L.	AR	
NS	404634	CLOSING PLATE / TO USE W/O WASTE CONTAINER	1	
NS	407540	DECAL / "TRASH" / ENGLISH & FRANCAIS	1	
NS	405630	DECAL / "TRASH" / ENGLISH & SPANISH	1	
36	405295	CATCH PLATE	1	
37	500353	SCREW TP FL PH #8x3/4 BK	2	
40	X3-2329-00	LAVATORY DOOR LOCK & SWITCH		
41	X3-2330-00	WATER & SUMP TANK - INSTALLATION To B-5001		
41	X3-2330-01	WATER & SUMP TANK - INSTALLATION From B-5002		
44	404459	BRACKET, RETAINING / TO FIX CONTAINER TO WALL	2	
46	900605	TRASH CAN / BLACK PLASTIC	1	
51	405064	BOWL ASSY, TOILET / GREY SS To 8-9382	1	
. NS	900759	. SPRING / TRAP To 8-9382	1	
. NS	900760	. TRAP To 8-9382	1	
51	409191P	BOWL ASSY, TOILET / GREY WITH PIPE & TRAP From 8-9383	1	
. NS	409186	. BOWL ASSY, TOILET / GREY From 8-9383	1	
. NS	409184	. TRAP From 8-9383	1	
. NS	900759	. SPRING / TRAP From 8-9383	1	
. NS	405362	. PIPE ASSY From 8-9383	1	
. NS	952633	. CLAMP / 7/8" I.D. From 8-9383	1	
. NS	5001491	. SCREW TC PAN PH #8-32x3/4 SS From 8-9383	3	
. NS	405361	. SUPPORT From 8-9383	1	
. NS	5001491	. SCREW TC PAN PH #8-32x3/4 SS From 8-9383	2	
. NS	790602	. RUBBER BLOCK ADJUSTEMENT 1/2" x 1/2" x 1/8" 80DURO From 8-9383	1	
. NS	506228	. TAPE RUB ADH1 CC POL 1/4" x 1/2" x 37.5' / GREY 2520X From 8-9383	AR	
52	900338	SEAT & COVER ASSY, TOILET / "BEMIS" To 8-9382	1	
52	901279	SEAT & COVER ASSY, TOILET / "CENTOCO" From 8-9383	1	
NS	504427	NUT WELL 1/4-20	2	
NS	500610	SCREW MA RND PH 1/4x1 3/4 SS	2	
53	500574	SCREW MA TR PH #10-24x1 1/4 SS	12	
54	500888	NUT AN JK #10-24	12	
55	405366	ACCES DOOR ASSY / PLASTIC GREY	1	
55	406281	ACCES DOOR ASSY / PLASTIC GREY	1	GR
56	405364	. ACCES DOOR / PLASTIC GREY	1	
56	405831	. ACCES DOOR / PLASTIC GREY	1	GR
57	780538	. LOCK	1	

From 7-8754 To G-6063	Date:01/2024	PAGE:X3-2325-00
-----------------------	--------------	-----------------

LAVATORY - ACCESSORIES

Item#	Part	Description	QTY	Notes
. NS	780539	. . KEY / (CH751)	1	
57	X3-1867-00	. KEY & CYLINDER CODE "FORD" & "NS"		GR
58	405365	. HINGE	1	
NS	506785	. TAPE RUB ADH2 CC POL 1/16" X 1/4" X 200' / BLACK I1C-N-A	AR	
NS	682462	. ADHESIVE SIKA #252 / BLACK / 310ml CARTRIDGE	AR	
59	288755	. PIVOT LOCK ACTUATOR 33.5MM	1	
59	406280	. WASHER SPACER CYLINDER "FORD" 18GA	1	GR
59	405929	. PIVOT W/"FORD" CYLINDER LOCK	1	GR
59	500456	. WASHER FL 1.062x2.000x.134 Z050	1	GR
59	285811	. WASHER / CYLINDER LOCK RETAINER	1	GR
59	780237	. SEAL RUBBER 1/32" TH To B-5026	1	GR
59	2800032	. SEAL RUBBER 1/16" TH From B-5027	1	GR
60	500120	SCREW TP BDG PH #6x1/2 SS	3	
61	500495	SCREW TP PAN PH #6x1 Z050	4	
62	506071	TAPE RUB ADH1 CC POL 1/8" x 1/2" x 50' / GREY 2520X	AR	
62	506236	TAPE RUB ADH1 CC POL 1/16" x 1/2" x 100' / GREY 2520	AR	
63	401134	MOULDING, RETAINING / MIRROR	1	
64	402398	MIRROR ASSY / REAR WALL To B-5001	1	
64	409347	KIT RETROFIT "SAFETY" ANCHOR MIRROR To B-5001	1	
. NS	IS-10057	. SEE INSTRUCTION SHEET To B-5001	1	
NS	500614	SCREW TP FL PH #6x3/4 Z050 From B-5002	9	
65	409350	SUPPORT / MIRROR UPPER "Z" SHAPE 590.6MM To B-5001	1	
65	409348	MOULDING CAP / GREY PLATINE 590MM / 23 1/4"" To B-5001	1	
65	409349	MOULDING RETAINER / 584MM (23") To B-5001	1	
67	900327	DISPENSER / PAPER TOWELS	1	
. NS	900494	. KEY, PAPER BOX	1	
. NS	901290	. LOCK, PAPER BOX	1	
NS	900328	TOWEL, PAPER	AR	
68	Call order desk	MIRROR ASSY / REAR WALL WITH CYLINDER LOCK From B-5002 To C-5086	1	P
. A	408288	. MIRROIR GLASS WITH CYLINDER LOCK HOLE From B-5002 To C-5086	1	
. B	408293	. SUPPORT MIRROIR ASSY From B-5002 To C-5086	1	
. C	780538	. LOCK From B-5002 To C-5086	1	
. . NS	780539	. . KEY / (CH751) From B-5002 To C-5086	1	
. D	408291	. PIVOT LOCK ACTUATOR 44MM / W/21MM OFFSET From B-5002 To C-5086	1	
. E	313678	. RUBBER BUMPER From B-5002 To C-5086	2	
. NS	068254	. DECAL "POWER DISTRIBUTION" From B-5002 To C-5086	1	
68	408334P	MIRROR ASSY / REAR WALL WITH CYLINDER LOCK From C-5087	1	
. A	408288	. MIRROIR GLASS WITH CYLINDER LOCK HOLE From C-5087	1	
. B	408332	. SUPPORT MIRROIR ASSY From C-5087	1	
. C	780538	. LOCK From C-5087	1	
. . NS	780539	. . KEY / (CH751) From C-5087	1	
. D	408335	. PIVOT LOCK ACTUATOR 44MM / W/21MM OFFSET From C-5087	1	

From 7-8754 To G-6063	Date:01/2024	PAGE:X3-2325-00
LAVATORY - ACCESSORIES		

Item#	Part	Description	QTY	Notes
E	313678	RUBBER BUMPER From C-5087	2	
F	408336	LOCK REINFORCEMENT From C-5087	1	
G	5001181	SCREW CAP HEX M6-1.0x12 SS From C-5087	2	
H	502681	NUT HEX NYRT M6-1.0 N500 G8 From C-5087	2	
J	5001856	WASHER FL 19.0x23.0x1.0 FIB From C-5087	1	
K	506785	TAPE RUB ADH2 CC POL 1/16" X 1/4" X 200' / BLACK I1C-N-A From C-5087	AR	
L	506225	TAPE RUB ADH1 CC POL 1/16" x 1/4" x 100' / GREY 2520 From C-5087	AR	
M	680066	ADHESIVE / ADBOND #5014 / 23.6ML BOTTLE From C-5087	AR	
NS	068254	DECAL "POWER DISTRIBUTION" From C-5087	1	
NS	680038	THREAD LOCKER LOCTITE #243 / BLUE / 50ml From C-5087	AR	
69	499384	MIRROR ASSY / REAR WALL WITH CYLINDER LOCK FORD From B-5002	1	GR
A	407623	MIRROR GLASS From B-5002	1	GR
B	407621	SUPPORT MIRROIR ASSY From B-5002	1	GR
C	506785	TAPE RUB ADH2 CC POL 1/16" X 1/4" X 200' / BLACK I1C-N-A From B-5002	AR	GR
D	506225	TAPE RUB ADH1 CC POL 1/16" x 1/4" x 100' / GREY 2520 From B-5002	AR	GR
E	313678	RUBBER BUMPER From B-5002	2	GR
F	680066	ADHESIVE / ADBOND #5014 / 23.6ML BOTTLE From B-5002	AR	GR
NS	068254	DECAL "POWER DISTRIBUTION" From B-5002	1	GR
69D	3200546	PIVOT LOCK ACTUATOR 44MM / W/21MM OFFSET	1	
69F	504402	RING RETAINER / EXT .250 x .210 x .025"	1	
69G	2800032	SEAL RUBBER 1/16" TH	1	
69H	5001053	SCREW MA PAN PH #4-40x1/4 ZP	2	
69X	504049	CLIP, RETAINING / MIRROR To B-5001	4	D
70	500614	SCREW TP FL PH #6x3/4 Z050	4	
72	900084	DISPENSER / SOAP	1	
NS	19501055	SOAP BASE ANGLED COUNTER MOUNT ROUND 2" O.D. / WHITE	AR	
NS	19503252	SOAP BASE ANGLED COUNTER MOUNT ROUND 2" O.D. / BLACK	AR	
NS	19501054	SOAP BASE 12° ANGLED COUNTER MOUNT ROUND 2" 5/8" / BLACK	AR	
NS	19503185	HAND SANITIZER WATERLESS NON-ALCOHOLIC SCREWABLE BOTTLE	AR	
NS	19503186	HAND SANITIZER WATERLESS ALCOHOLIC SCREWABLE BOTTLE	AR	
NS	19503187	HAND & FACE REFRESHER TOWELLETES	AR	
NS	901385	HAND SANITIZER WATERLESS BOX OF 12/800ml	1	
72A	900088	DISPENSER / SOAP	1	
72B	500638	SCREW TP PAN PH #8x1/2 Z050	4	
73	402002	PLATE COVERING, WASHBASIN FORMICA To C-5132	1	
73	406526	PLATE COVERING, WASHBASIN From C-5133	1	
73	404197	PLATE COVERING, WASHBASIN S.S.	1	GR
74	500614	SCREW TP FL PH #6x3/4 Z050	4	
79	563326	PUSH BUTTON / OPERATOR / BLACK	1	
89	403040	PROTECTOR / EMERGENCY SWITCH / PLASTIC GREY / 44MM X 54MM	1	
89	500148	SCREW MA RND PH #6-32x1/2 SS	1	
89	500120	SCREW TP BDG PH #6x1/2 SS	2	

From 7-8754 To G-6063	Date:01/2024	PAGE:X3-2325-00
-----------------------	--------------	-----------------

LAVATORY - ACCESSORIES

Item#	Part	Description	QTY	Notes
89	502691	WASHER LO SPT 3.6x6.7x0.8 Z050	2	
90	402744	DECAL / LAVATORY PUMP FLUSH / ENGLISH To D-5458	1	
90	406613	DECAL / LAVATORY PUMP FLUSH / ENGLISH From E-5459	1	
90	405414	DECAL / "FLUSH" / ENGLISH & FRANCAIS To D-5458	1	
90	406611	DECAL / LAVATORY PUMP FLUSH / ENGLISH & FRANCAIS From E-5459	1	
90	405631	DECAL / LAVATORY PUMP FLUSH / ENGLISH & SPANISH To D-5458	1	
90	406617	DECAL / LAVATORY PUMP FLUSH / ENGLISH & SPANISH From E-5459	1	
90	400008	DECAL / LAVATORY PUMP FLUSH / ENGLISH & SPANISH & FRANCAIS From E-5459	1	
91	409358	ACCESS DOOR / VALVE From B-5002	1	S
92	780538	LOCK From B-5002	1	S
. NS	780539	. KEY / (CH751) From B-5002	1	S
93	409362	PIVOT LOCK From B-5002	1	S
94	500952	SCREW TP BDG PH #8x1/2 SS From B-5002	3	S
95	406510	ACCESS DOOR / VALVE	1	S F
95	506236	TAPE RUB ADH1 CC POL 1/16" x 1/2" x 100' / GREY 2520	AR	S F
95A	5001053	SCREW MA PAN PH #4-40x1/4 ZP	2	S F
96	406512	LEVER, FORD LOCK	1	S F
97	406513	SUPPORT, RETAINING, FORD LOCK	1	S F
98	X3-1867-00	KEY & CYLINDER CODE "FORD" & "NS"		S F
100	500465	WASHER FN CKF .278x.729x.119 SS	6	
101	500552	SCREW TP OV PH #6x3/4 Z050	6	
102	405700	GRILLE 160MM X 70MM SS	1	
103	500638	SCREW TP PAN PH #8x1/2 Z050	4	
105	900656	DISPENSER / TOILET PAPER ASSY (TO USE W/STD) ROLL)	1	
105	901545	DISPENSER / TOILET PAPER ASSY / TRANSLUCENT SMOKE	1	
. NS	901425	. KEY, DISPENSER	1	
NS	900657	PAPER, TOILET / ROLL S.Q.	AR	
NS	500642	SCREW TP PAN PH #10x3/4 Z050	2	
107	500339	SCREW MA RND PH #6-32x3/4 SS To F-5785	2	
107	5001955	SCREW MA RND PH #6-32x1/2 SS From F-5786	2	
108	325061	PLATE / SS / SUPPORT / EMERGENCY SWITCH (2" X 3")	1	
109	561676	BUTTON / EMERGENCY	1	
110	402745	DECAL / "EMERGENCY CALL" / ENGLISH To D-5458	1	
110	406614	DECAL / "EMERGENCY CALL" / ENGLISH From E-5459	1	
110	405452	DECAL / "EMERGENCY CALL" / ENGLISH & FRANCAIS To D-5458	1	
110	406612	DECAL / "EMERGENCY CALL" / ENGLISH & FRANCAIS From E-5459	1	
110	405632	DECAL / "EMERGENCY CALL" / ENGLISH & SPANISH To D-5458	1	
110	406618	DECAL / "EMERGENCY CALL" / ENGLISH & SPANISH From E-5459	1	
110	400013	DECAL / "EMERGENCY CALL" / ENGLISH & SPANISH & FRANCAIS From E-5459	1	
111	901409	DISPENSER / TOILET PAPER ASSY / TRANSLUCENT BLUE	1	GR
. NS	901425	. KEY, DISPENSER	1	GR

From 7-8754 To G-6063	Date:01/2024	PAGE:X3-2325-00
------------------------------	---------------------	------------------------

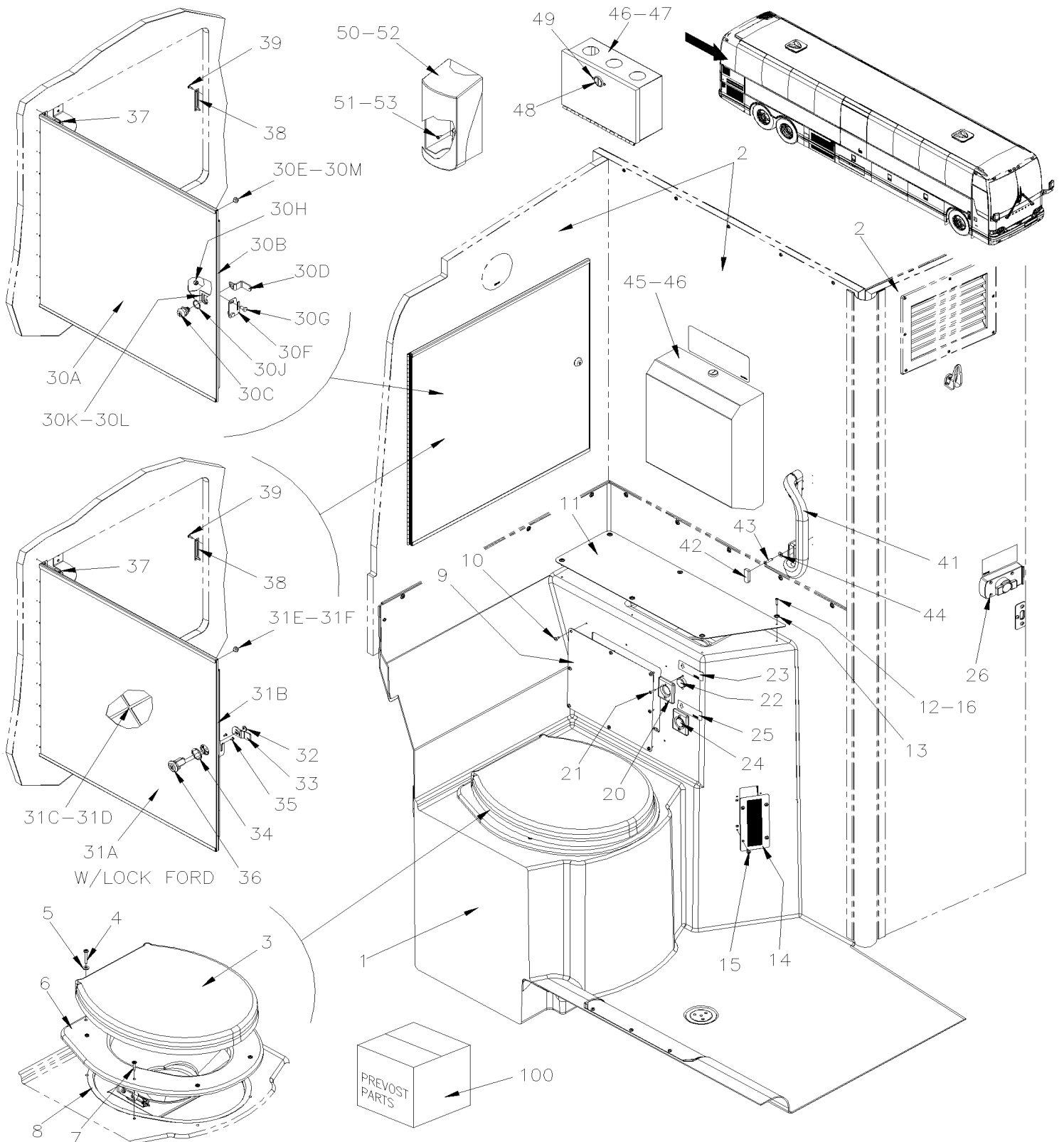
LAVATORY - ACCESSORIES

Item#	Part	Description	QTY	Notes
112	901408	GRAB HANDLE, LAVATORY, 18"	1	GR
112	5001684	NUT HEX CAP M6-1.0 SS	6	GR
112	502564	WASHER LO SPT 6.1x11.8x1.6 Z050	6	GR
112	502709	WASHER FL .260x.687x.050 XLN BK	6	GR
112	502818	SCREW CAP HEX M6-1.0x35 G8.8 Z050	6	GR
120	403697	TUBE 956MM	1	
121	900334	BRACKET / TO FIX GRAB HANDLE	1	
122	900331	BRACKET, MOUNTING / FRONT WALL HANDRAIL TUBE	1	
123	403538	PLATE, FIXTURE / INTERIOR HANDRAIL	1	A
123	405910	PLATE, FIXTURE / INTERIOR HANDRAIL	1	B
124	5001071	SCREW MA OV PH #10-32x1 1/2 Z050	4	
125	500995	NUT HEX CAP #10-32 Z050	4	
126	500870	SCREW SET HEXS CUP 1/4-28x3/16	2	
127	500616	SCREW TP FL PH #10x3/4 Z050	2	
128	504340	RIVET POP DOME OE 1/8x3/16 SS	1	
130	405371	LAMP SUPPORT / LAVATORY GREY PLATINE To 9-9687	1	
130	409270	LAMP SUPPORT / LAVATORY GREY PLATINE From 9-9688	1	
131	500564	SCREW MA RND PH #8-32x3/4 Z050	3	
132	500678	NUT WELL #8-32x.450	3	
135	404999	DISPENSER SS / WET TOWELS	1	
135	402026	. BOX	1	
136	901051	. LOCK	1	
136	N.S.S.	. . KEY	1	1
NS	500525	. SCREW MA RND SLT #5-40x1/2 SS	2	
NS	500555	. NUT HEX #5-40 SS	2	
NS	502649	. WASHER LO EXT .141x.320x.022 Z050	2	
NS	502556	. WASHER FL 4.3x9.0x0.8 SS	4	
NS	900329	CHEMICAL PACK / "INCA GOLD" / S.Q.	AR	
	 NEXT PACKS ARE NO-FORMALDEHYDE		
NS	900654	CHEMICAL PACK / "INCA" FORMULE 104 / S.Q.	AR	
NS	900655	CHEMICAL PACK / "TIMSEN-AIR" / (BOX OF 960)	AR	
NS	403678	CHEMICAL PACK / "TIMSEN-AIR" / (BOX OF 40)	AR	
NS	900893	CHEMICAL PACK / "CELESTE INDUSTRIE" / S.Q.	AR	
NS	900894	CHEMICAL PACK / "CELESTE INDUSTRIE" / (BOX OF 100)	AR	
161	405303	DISPENSER PLASTIC / WET TOWELS	1	
. NS	780538	. LOCK	1	
. . NS	780539	. . KEY / (CH751)	1	
162	500463	WASHER FN CKF .187x.500x.090 BR Z050	4	

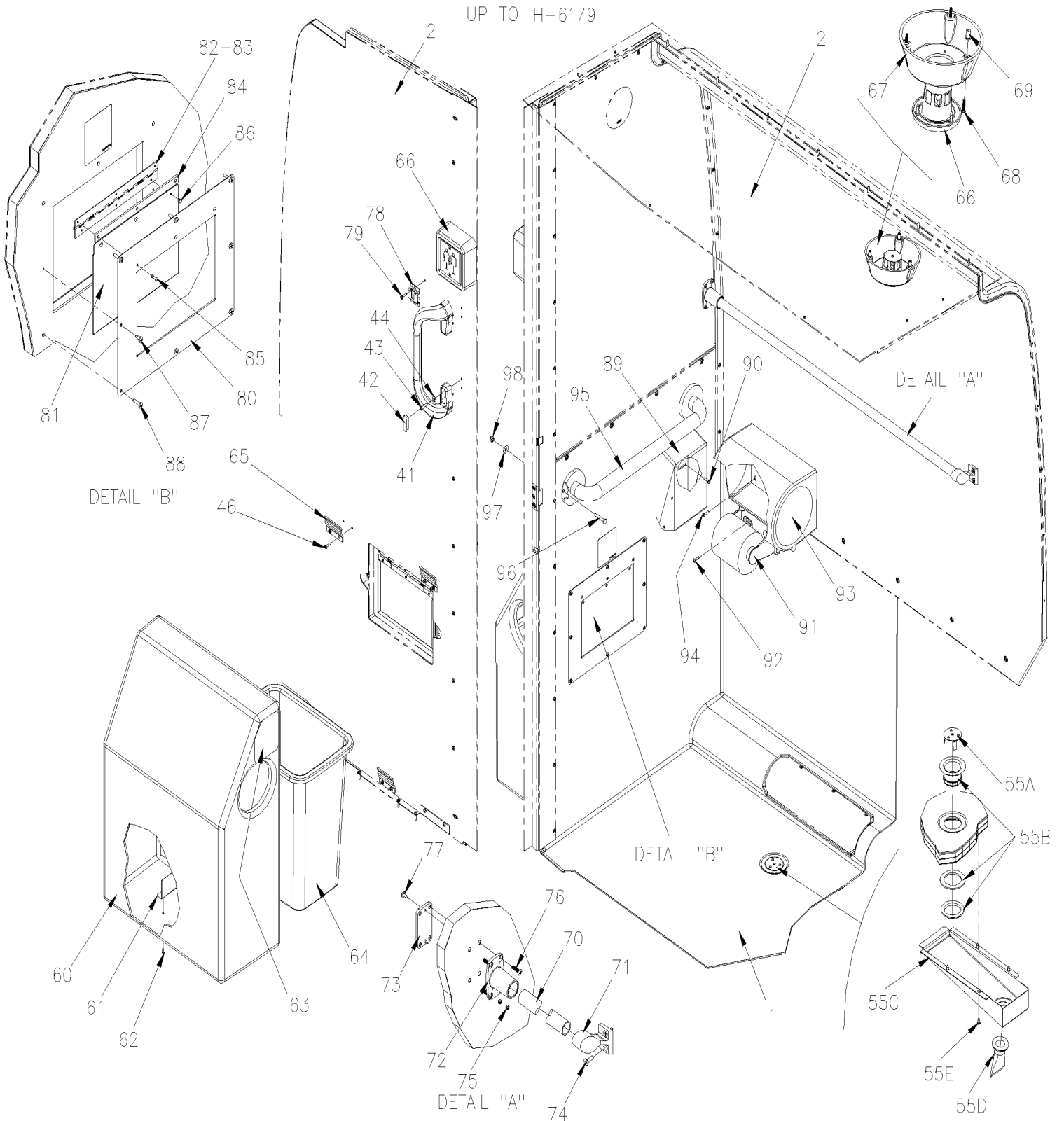
From 7-8754 To G-6063	Date:01/2024	PAGE:X3-2325-00
LAVATORY - ACCESSORIES		

Item#	Part	Description	QTY	Notes
163	500656	SCREW TP OV PH #6x3/4 SS	4	
	 DISPENSER, GEL, PURELL ANTISEPTIC		
NS	900148	DISPENSER, GEL, PURELL ANTISEPTIC	1	
NS	500438	WASHER FL .187x.437x.050 Z050	4	
NS	500641	SCREW TP PAN PH #8x3/4 Z050	4	
		A) THIS PLATE ARE RELATED WITH FORMER		
		B) THIS PLATE ARE RELATED WITH CURRENT MODEL 900331		
		D) FOR "US" DUTY LAW YOU REQUIRE THIS KIT # 409347		
		F) WITH FORD LOCK		
		GR) WITH OPTION "GREYHOUND"		
		S) WITH SINK		
		1) NOT SOLD SEPARATELY		
		P) CALL ORDER DESK FOR SPECIFIC APPLICATION (V.I.N.)		

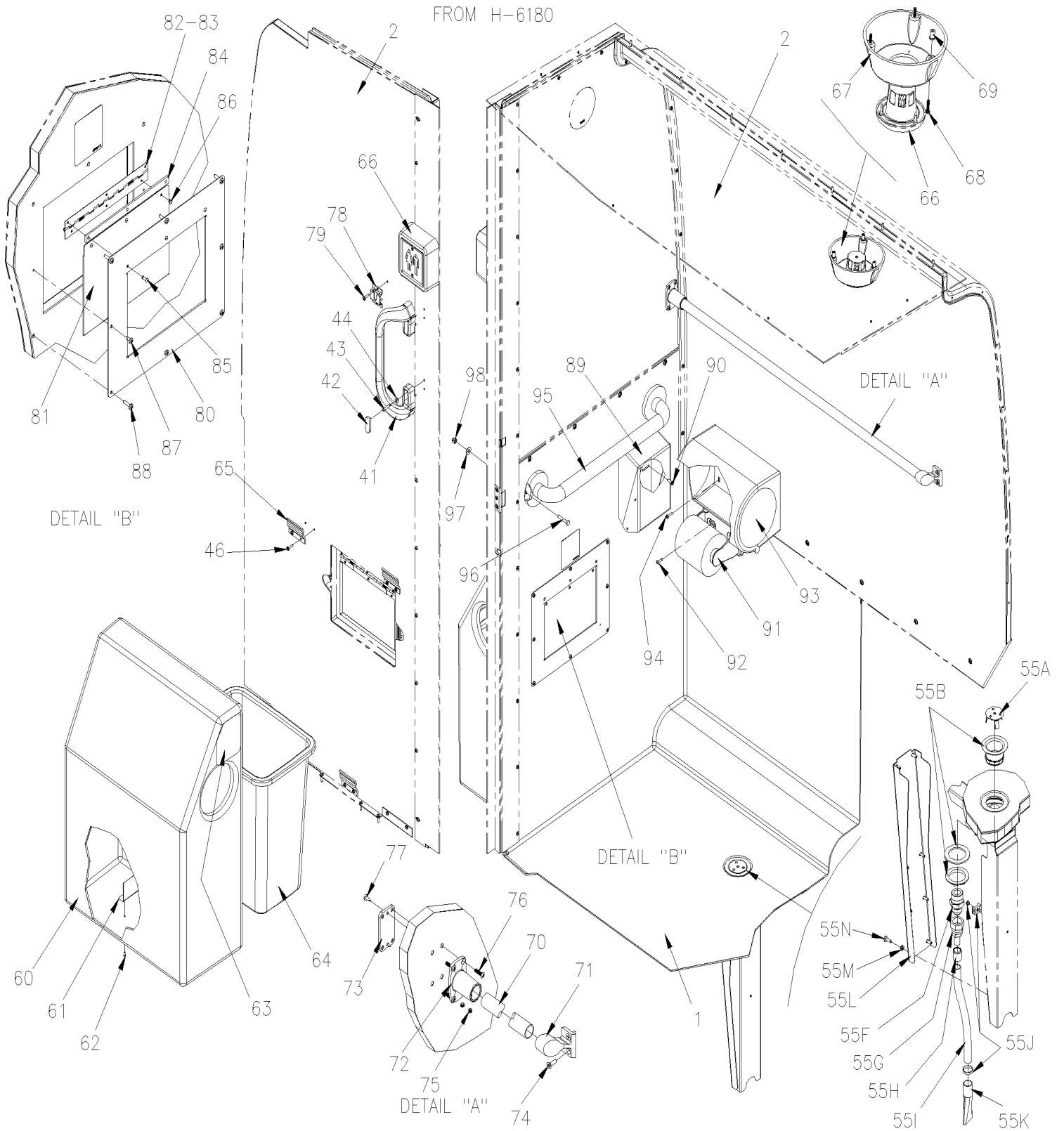
LAVATORY - ACCESSORIES



LAVATORY - ACCESSORIES



LAVATORY - ACCESSORIES



From G-6064	Date:01/2024	PAGE:X3-2325-01
-------------	--------------	-----------------

LAVATORY - ACCESSORIES

Item#	Part	Description	QTY	Notes
1	400058	LAVATORY, FIBERGLASS To H-6179	1	
. NS	562679	. 4 WAY ADH. BACKED MOUNTS 1.000 x 1.000 x .160 To H-6179	7	
1	409483	LAVATORY, FIBERGLASS From H-6180 To K-6476	1	
. NS	562679	. 4 WAY ADH. BACKED MOUNTS 1.000 x 1.000 x .160 From H-6180 To K-6476	AR	
1	401238	LAVATORY, FIBERGLASS From K-6477 To K-6492	1	
. NS	562679	. 4 WAY ADH. BACKED MOUNTS 1.000 x 1.000 x .160 From K-6477 To K-6492	AR	
1	400776	LAVATORY, FIBERGLASS From L-6493	1	
. NS	562679	. 4 WAY ADH. BACKED MOUNTS 1.000 x 1.000 x .160 From L-6493	AR	
1	401936	LAVATORY, FIBERGLASS / WCL / "PWT" To H-6179	1	
1	400369	LAVATORY, FIBERGLASS / WCL / "PWT" From H-6180	1	
NS	506466	TAPE RUB ADH1 CC POL 1/16" x 1 1/2" x 100 / GREY 2520	AR	
2	X3-2328-01	LAVATORY WALL - INSTALLATION		
3	901279	SEAT & COVER ASSY, TOILET / "CENTOCO"	1	
4	500865	SCREW TP PAN PH #12x1 1/2 Z050 To M-6665	2	
4	501128	SCREW TP PAN PH #12x1 1/2 SS From M-6666	2	
5	5001462	WASHER FL 6.4x18.0x1.6 Z050 To M-6665	2	
5	500411	WASHER FL .260x.697x.050 SS From M-6666	2	
6	409191P	BOWL ASSY, TOILET / GREY WITH PIPE & TRAP	1	
. NS	409186	. BOWL ASSY, TOILET / GREY	1	
. NS	409184	. TRAP	1	
. NS	900759	. SPRING / TRAP	1	
. NS	405362	. PIPE ASSY	1	
. NS	952633	. CLAMP / 7/8" I.D.	1	
. NS	5001491	. SCREW TC PAN PH #8-32x3/4 SS	3	
. NS	405361	. SUPPORT	1	
. NS	5001491	. SCREW TC PAN PH #8-32x3/4 SS	2	
. NS	790602	. RUBBER BLOCK ADJUSTEMENT 1/2" x 1/2" x 1/8" 80DURO	1	
. NS	506228	. TAPE RUB ADH1 CC POL 1/4" x 1/2" x 37.5' / GREY 2520X	AR	
7	500293	SCREW TP PAN PH #10x1 SS	6	
8	506236	TAPE RUB ADH1 CC POL 1/16" x 1/2" x 100' / GREY 2520	AR	
9	400807	PLATE, CLOSING	1	
10	500952	SCREW TP BDG PH #8x1/2 SS To H-6179	8	
10	5001119	SCREW TP BDG PH #8x3/4 SS From H-6180	10	
11	406526	PLATE COVERING, WASHBASIN To H-6179	1	
11	404197	PLATE COVERING, WASHBASIN S.S. To H-6179	1	GR
12	500552	SCREW TP OV PH #6x3/4 Z050	6	
13	500465	WASHER FN CKF .278x.729x.119 SS	6	
14	405700	GRILLE 160MM X 70MM SS	1	
15	500952	SCREW TP BDG PH #8x1/2 SS	4	
16	507331	PROTECTOR CAP / BLACK / .137 I.D. x .500	6	
NS	069994	LAVATORY SWITCH HARNESS From L-6493	1	
20	403040	PROTECTOR / EMERGENCY SWITCH / PLASTIC GREY / 44MM X 54MM	1	

From G-6064	Date:01/2024	PAGE:X3-2325-01
LAVATORY - ACCESSORIES		

Item#	Part	Description	QTY	Notes
21	5001955	SCREW MA RND PH #6-32x1/2 SS	2	
22	563326	PUSH BUTTON / OPERATOR / BLACK	1	
23	406613	DECAL / LAVATORY PUMP FLUSH / ENGLISH	1	
23	406611	DECAL / LAVATORY PUMP FLUSH / ENGLISH & FRANCAIS	1	
23	406617	DECAL / LAVATORY PUMP FLUSH / ENGLISH & SPANISH	1	
23	400008	DECAL / LAVATORY PUMP FLUSH / ENGLISH & SPANISH & FRANCAIS	1	
24	561676	BUTTON / EMERGENCY	1	
25	406614	DECAL / "EMERGENCY CALL" / ENGLISH	1	
25	406612	DECAL / "EMERGENCY CALL" / ENGLISH & FRANCAIS	1	
25	406618	DECAL / "EMERGENCY CALL" / ENGLISH & SPANISH	1	
25	400013	DECAL / "EMERGENCY CALL" / ENGLISH & SPANISH & FRANCAIS	1	
26	X3-2329-00	LAVATORY DOOR LOCK & SWITCH		
27	X3-2330-02	SUMP TANK SYSTEM - INSTALLATION To H-6179		
27	X3-2330-03	SUMP TANK SYSTEM - INSTALLATION GHG17 From H-6180		
30	408334P	MIRROR ASSY / REAR WALL WITH CYLINDER LOCK	1	
. A	408288	. MIRROIR GLASS WITH CYLINDER LOCK HOLE	1	
. B	408332	. SUPPORT MIRROIR ASSY	1	
. C	780538	. LOCK	1	
. . NS	780539	. . KEY / (CH751)	1	
. D	408335	. PIVOT LOCK ACTUATOR 44MM / W/21MM OFFSET	1	
. E	313678	. RUBBER BUMPER	2	
. F	408336	. LOCK REINFORCEMENT	1	
. G	5001181	. SCREW CAP HEX M6-1.0x12 SS	2	
. H	502681	. NUT HEX NYRT M6-1.0 N500 G8	2	
. J	5001856	. WASHER FL 19.0x23.0x1.0 FIB	1	
. K	506785	. TAPE RUB ADH2 CC POL 1/16" X 1/4" X 200' / BLACK I1C-N-A	AR	
. L	506225	. TAPE RUB ADH1 CC POL 1/16" x 1/4" x 100' / GREY 2520	AR	
. M	680066	. ADHESIVE / ADBOND #5014 / 23.6ML BOTTLE	AR	
. NS	068254	. DECAL "POWER DISTRIBUTION"	1	
. NS	680038	. THREAD LOCKER LOCTITE #243 / BLUE / 50ml	AR	
31	499384	MIRROR ASSY / REAR WALL WITH CYLINDER LOCK FORD	1	GR F
. A	407623	. MIRROR GLASS	1	GR F
. B	407621	. SUPPORT MIRROIR ASSY	1	GR F
. C	506785	. TAPE RUB ADH2 CC POL 1/16" X 1/4" X 200' / BLACK I1C-N-A	AR	GR F
. D	506225	. TAPE RUB ADH1 CC POL 1/16" x 1/4" x 100' / GREY 2520	AR	GR F
. E	313678	. RUBBER BUMPER	2	GR F
. F	680066	. ADHESIVE / ADBOND #5014 / 23.6ML BOTTLE	AR	GR F
. NS	068254	. DECAL "POWER DISTRIBUTION"	1	GR F
32	504402	RING RETAINER / EXT .250 x .210 x .025"	1	GR F
33	3200546	PIVOT LOCK ACTUATOR 44MM / W/21MM OFFSET	1	GR F
34	2800032	SEAL RUBBER 1/16" TH	1	GR F
35	5001053	SCREW MA PAN PH #4-40x1/4 ZP	2	GR F

From G-6064		Date:01/2024	PAGE:X3-2325-01
LAVATORY - ACCESSORIES			

Item#	Part	Description	QTY	Notes
36	X3-1867-00	KEY & CYLINDER CODE "FORD" & "NS" To K-6492		GR F
36	X3-1867-01	KEY & CYLINDER CODE "FORD" From L-6493		
37	500614	SCREW TP FL PH #6x3/4 Z050	10	
38	402737	REINFORCEMENT / DOOR LOCK	1	
39	500120	SCREW TP BDG PH #6x1/2 SS To H-6205	2	
39	500124	SCREW TP TR PH #8x1/2 SS From H-6206	2	
41	901459	HANDLE To H-6127	2	
41	900054	HANDLE From H-6128 To H-6171	2	
41	901459	HANDLE From H-6172	2	
42	900490	CAP / W/HANDLE To H-6127	4	
42	N.S.S.	CAP / W/HANDLE From H-6128 To H-6171	4	1
42	900490	CAP / W/HANDLE From H-6172	4	
43	500879	SCREW TP PAN PH #10x1 Z050 To H-6181	8	
43	5001545	SCREW TP PAN PH #10x7/8 Z050 From H-6182 To K-6492	8	
43	5001610	SCREW CAP HEXS M6-1.0x25 SS EMN From L-6493	8	
44	500964	WASHER FL .203x.500x.047 Z050 To K-6492	8	
45	900327	DISPENSER / PAPER TOWELS	1	
. NS	900494	. KEY, PAPER BOX	1	
. NS	901290	. LOCK, PAPER BOX	1	
NS	900328	TOWEL, PAPER	AR	
45	500552	SCREW TP OV PH #6x3/4 Z050 To H-6135	3	
46	500641	SCREW TP PAN PH #8x3/4 Z050 From H-6136	AR	
46	500642	SCREW TP PAN PH #10x3/4 Z050	AR	
47	404999	DISPENSER SS / WET TOWELS	1	
47	402026	. BOX	1	
48	901051	. LOCK	1	
48	N.S.S.	. . KEY	1	1
49	500525	. SCREW MA RND SLT #5-40x1/2 SS	2	
49	500555	. NUT HEX #5-40 SS	2	
49	502649	. WASHER LO EXT .141x.320x.022 Z050	2	
49	502556	. WASHER FL 4.3x9.0x0.8 SS	4	
50	900088	DISPENSER / SOAP	1	
50	901385	HAND SANITIZER WATERLESS BOX OF 12/800ml	1	
50	19503185	HAND SANITIZER WATERLESS NON-ALCOHOLIC SCREWABLE BOTTLE	AR	
50	19503186	HAND SANITIZER WATERLESS ALCOHOLIC SCREWABLE BOTTLE	AR	
50	19503187	HAND & FACE REFRESHER TOWELLETTES	AR	
51	500641	SCREW TP PAN PH #8x3/4 Z050 To H-6135	4	
51	500642	SCREW TP PAN PH #10x3/4 Z050 From H-6136	1	
52	900148	DISPENSER, GEL, PURELL ANTISEPTIC To H-6135	1	
52	N.S.P.	DISPENSER FRESHENER	1	2
53	500855	WASHER FL .188x.438x.049 N500	4	
55A	401927	GRILLE ASSY, STRAINER	1	

From G-6064		Date:01/2024	PAGE:X3-2325-01
LAVATORY - ACCESSORIES			

Item#	Part	Description	QTY	Notes
55B	900219	STRAINER ASSY, FLOOR	1	
55B	684517	ADHESIVE SIMSON #ISR 70-03 / GREY / 310ml CARTRIDGE	AR	
55C	406418	GUTTER, TOILET FLOOR To H-6179	1	
NS	680532	SEALANT SIKA #221 / GREY / 310ml CARTRIDGE To H-6179	AR	
55D	414654	DRAIN BOOT 1" I.D. W/GROOVE 1.5 x 35MM I.D. x 85MM To H-6179	1	
55E	500443	SCREW TP PAN PH #8x1/2 N500 To H-6179	4	
55F	501847	MALE CONNECTOR / JIC 37° FITTING / #12JIC-Mx1NPT-M STL From H-6180	1	
55F	680098	THREAD SEALANT LOCTITE #567 / WHITE / 250ml	AR	
55G	5011207	FEMALE CONNECTOR SWIVEL / JIC 37° FITTING / #12JIC-Fx#12 STL From H-6180	1	
55H	5011206	SLEEVE / #12 STL From H-6180	1	
55I	503376	HOSE TEFLON #12 / S.L. From H-6180	AR	
55J	504013	TIE MOUNT / 1/4" X 1/4" I.D. From H-6180	1	
55J	504488	RIVET MGLP PRDG 3/16x17/64 SS From H-6180	1	
55J	504637	CABLE TIE / 3/16" x 13" From H-6180	1	
55K	590286	DRAIN BOOT 1 1/4" I.D. X 4" / FLAT From H-6180	1	
55L	400258	COVER 502 x 85 x 58 SS From H-6180	1	
55M	502570	WASHER LO SPT 6.1x11.8x1.6 SS From H-6180	8	
55N	500283	SCREW TC TR PH #10-24x3/4 SS From H-6180	8	
60	407710	COVER, BASKET	1	
60	406319	SIDE CLOSING PLATE / BASKET	2	PWT
60	504106	RIVET POP DOME OE 1/8x1/4 AL	8	PWT
60	500437	WASHER FL .125x.375x.040 Z050	8	PWT
61	407717	. ANGLE	1	
62	504106	. RIVET POP DOME OE 1/8x1/4 AL	2	
63	405713	DECAL / "TRASH DEPOSIT" PICTOGRAM / PHOTOLUMINESCENT	1	
64	900605	TRASH CAN / BLACK PLASTIC	1	
65	404459	BRACKET, RETAINING / TO FIX CONTAINER TO WALL	2	
66	X3-0655-01	INTERIOR LIGHTING / "LED"		
67	409270	LAMP SUPPORT / LAVATORY GREY PLATINE	1	
68	500564	SCREW MA RND PH #8-32x3/4 Z050	3	
69	500678	NUT WELL #8-32x.450	3	
70	407709	TUBE 980MM	1	
71	900334	BRACKET / TO FIX GRAB HANDLE	1	
71	506466	TAPE RUB ADH1 CC POL 1/16" x 1 1/2" x 100 / GREY 2520	AR	
72	900331	BRACKET, MOUNTING / FRONT WALL HANDRAIL TUBE	1	
73	407701	PLATE, FIXING	1	
74	500616	SCREW TP FL PH #10x3/4 Z050	2	
75	500870	SCREW SET HEXS CUP 1/4-28x3/16	2	
76	5002011	SCREW MA OV PH #10-32x3/4 Z050	4	
77	500638	SCREW TP PAN PH #8x1/2 Z050	2	
78	900859	BRACKET, MOUNTING / MICROPHONE	1	
79	500641	SCREW TP PAN PH #8x3/4 Z050	2	

From G-6064	Date:01/2024	PAGE:X3-2325-01
-------------	--------------	-----------------

LAVATORY - ACCESSORIES

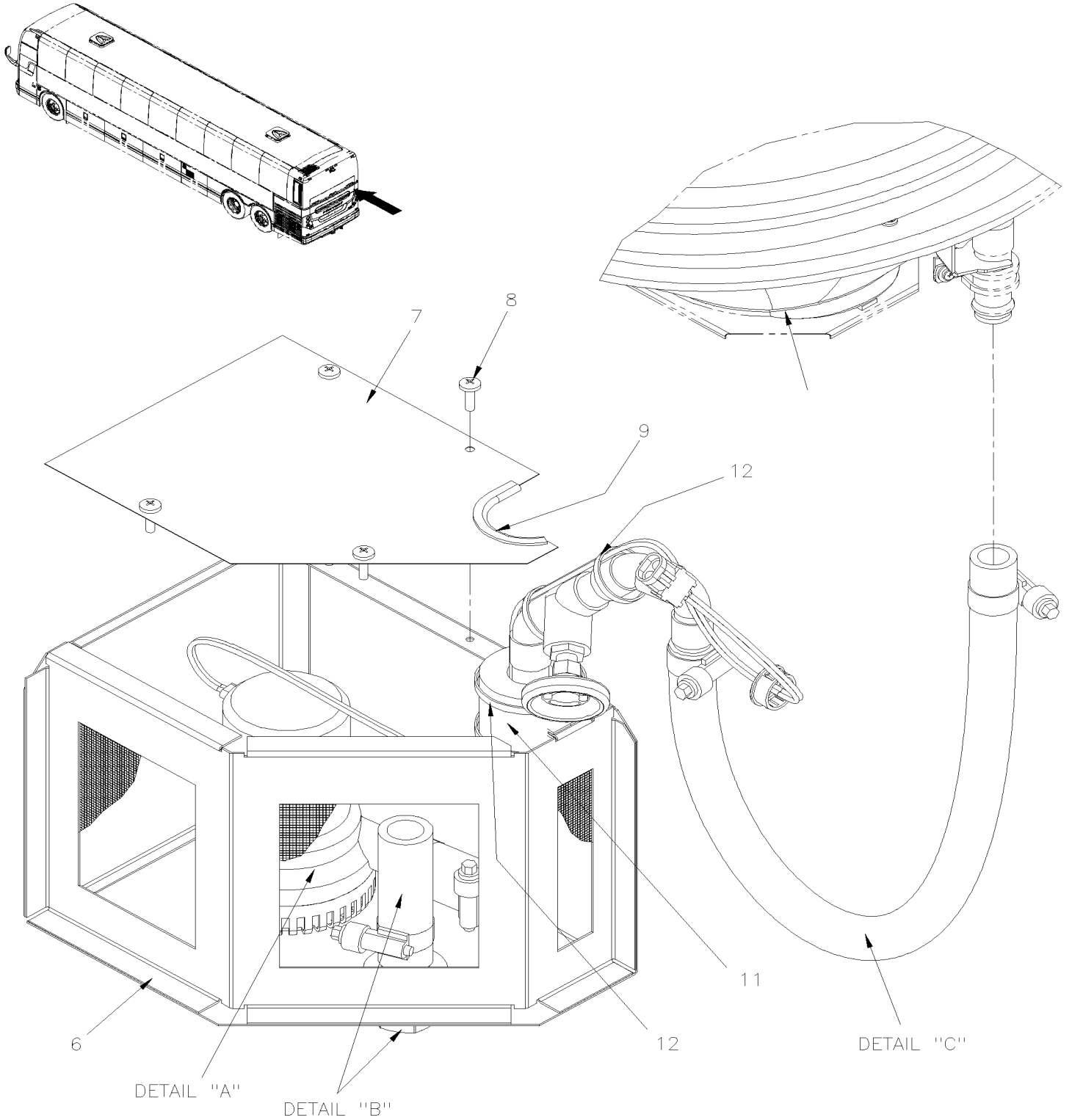
Item#	Part	Description	QTY	Notes
80	407711	TRAPDOOR, LAVATORY TRASH CAN ASSY	1	
80	407712	. FRAME, TRASH CAN TRAPDOOR	1	
81	407713	. TRAPDOOR, TRASH CAN	1	
81	506225	. TAPE RUB ADH1 CC POL 1/16" x 1/4" x 100' / GREY 2520	AR	
82	407715	. HINGE	1	
83	400739	. SPRING, TORSION / .375 I.D. x .437 x .032	2	
84	407714	. SHIM	1	
85	504717	. RIVET POP DOME OE 1/8x1/4 SS	3	
86	504104	. RIVET POP DOME OE 1/8x1/8 SS	3	
87	500952	SCREW TP BDG PH #8x1/2 SS To H-6179	2	
88	5001119	SCREW TP BDG PH #8x3/4 SS To H-6179	6	
88	5001119	SCREW TP BDG PH #8x3/4 SS From H-6180	8	
89	900083	DISPENSER / TOILET PAPER / (CHROME)	1	
89	900085	PAPER, TOILET / BOX OF 96 PACK	AR	
90	500641	SCREW TP PAN PH #8x3/4 Z050	3	
91	900656	DISPENSER / TOILET PAPER ASSY (TO USE W/STD) ROLL)	1	
91	900657	PAPER, TOILET / ROLL S.Q.	AR	
92	500642	SCREW TP PAN PH #10x3/4 Z050	2	
93	901409	DISPENSER / TOILET PAPER ASSY / TRANSLUCENT BLUE	1	GR
. NS	901425	. KEY, DISPENSER	1	GR
93	901545	DISPENSER / TOILET PAPER ASSY / TRANSLUCENT SMOKE	1	
. NS	901425	. KEY, DISPENSER	1	
93	900049	DISPENSER / TOILET PAPER ASSY / TRANSLUCENT WHITE From G-6084	1	IN
. NS	901425	. KEY, DISPENSER From G-6084	1	IN
94	500641	SCREW TP PAN PH #8x3/4 Z050	4	
95	901408	GRAB HANDLE, LAVATORY, 18"	1	
96	502888	SCREW CAP HEX M6-1.0x35 G8.8 N500	4	
96	680038	THREAD LOCKER LOCTITE #243 / BLUE / 50ml	AR	
97	502709	WASHER FL .260x.687x.050 XLN BK	4	
98	5001684	NUT HEX CAP M6-1.0 SS	4	
	 NEXT PACKS ARE NO-FORMALDEHYDE		
100	900329	CHEMICAL PACK / "INCA GOLD" / S.Q.	AR	
100	900654	CHEMICAL PACK / "INCA" FORMULE 104 / S.Q.	AR	
100	900655	CHEMICAL PACK / "TIMSEN-AIR" / (BOX OF 960)	AR	
100	403678	CHEMICAL PACK / "TIMSEN-AIR" / (BOX OF 40)	AR	
100	900893	CHEMICAL PACK / "CELESTE INDUSTRIE" / S.Q.	AR	
100	900894	CHEMICAL PACK / "CELESTE INDUSTRIE" / (BOX OF 100)	AR	

From G-6064		Date:01/2024	PAGE:X3-2325-01
-------------	--	--------------	-----------------

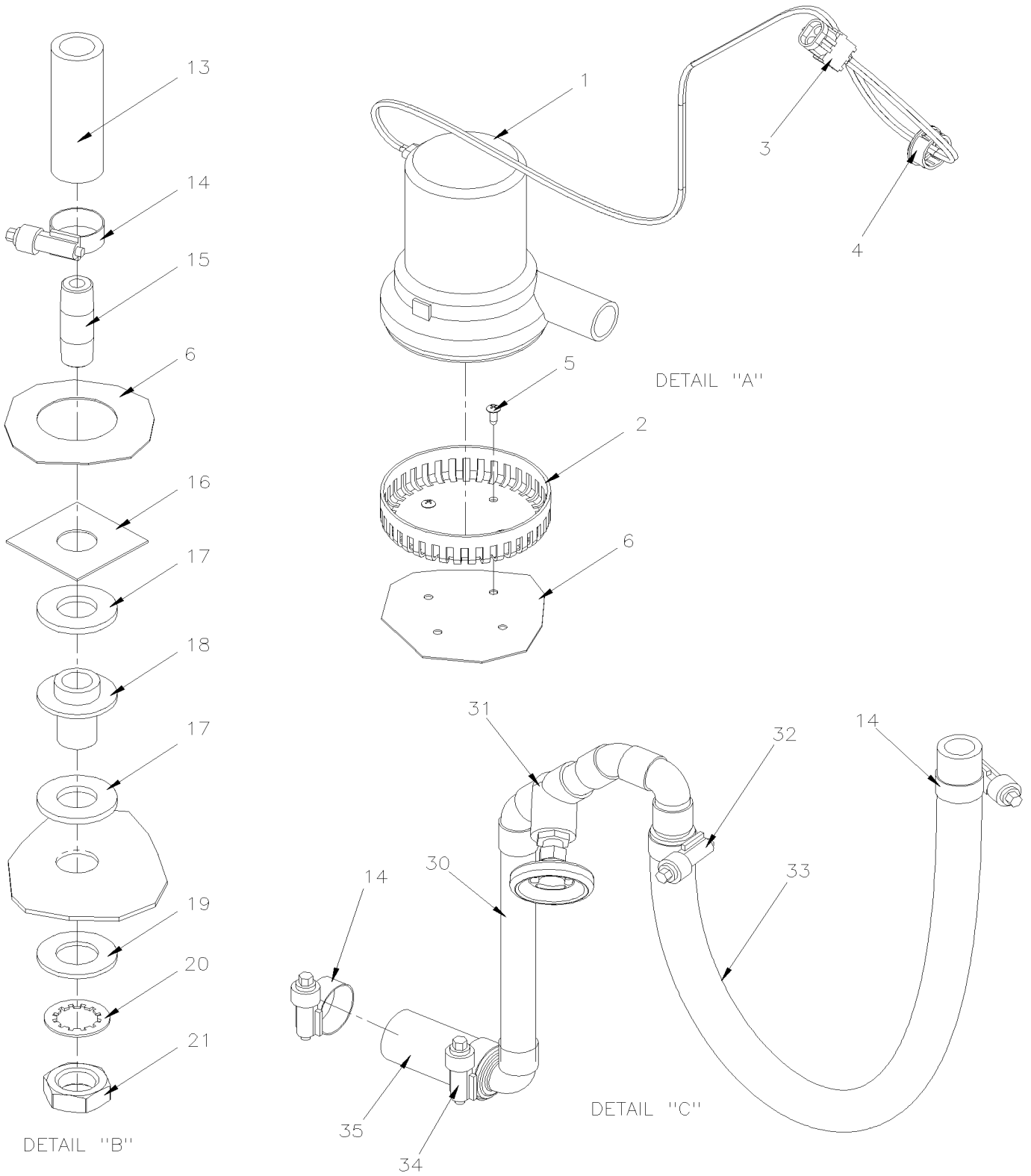
LAVATORY - ACCESSORIES

Item#	Part	Description	QTY	Notes
		F) WITH FORD LOCK		
		GR) WITH OPTION "GREYHOUND"		
		IN) INDIAN TRAILS OPTION		
		PWT) USE WITH WCL LAVATORY		
		1) NOT SOLD SEPARATELY		
		2) NOT SOLD BY PREVOST (SEE MANUFACTURING PART NUMBER AT END OF DESCRIPTION LINE)		

From 7-8754 To H-6179	Date:01/2024	PAGE:X3-2326-00
TOILET PUMP ASSY		



From 7-8754 To H-6179	Date:01/2024	PAGE:X3-2326-00
TOILET PUMP ASSY		



From 7-8754 To H-6179	Date:01/2024	PAGE:X3-2326-00
TOILET PUMP ASSY		

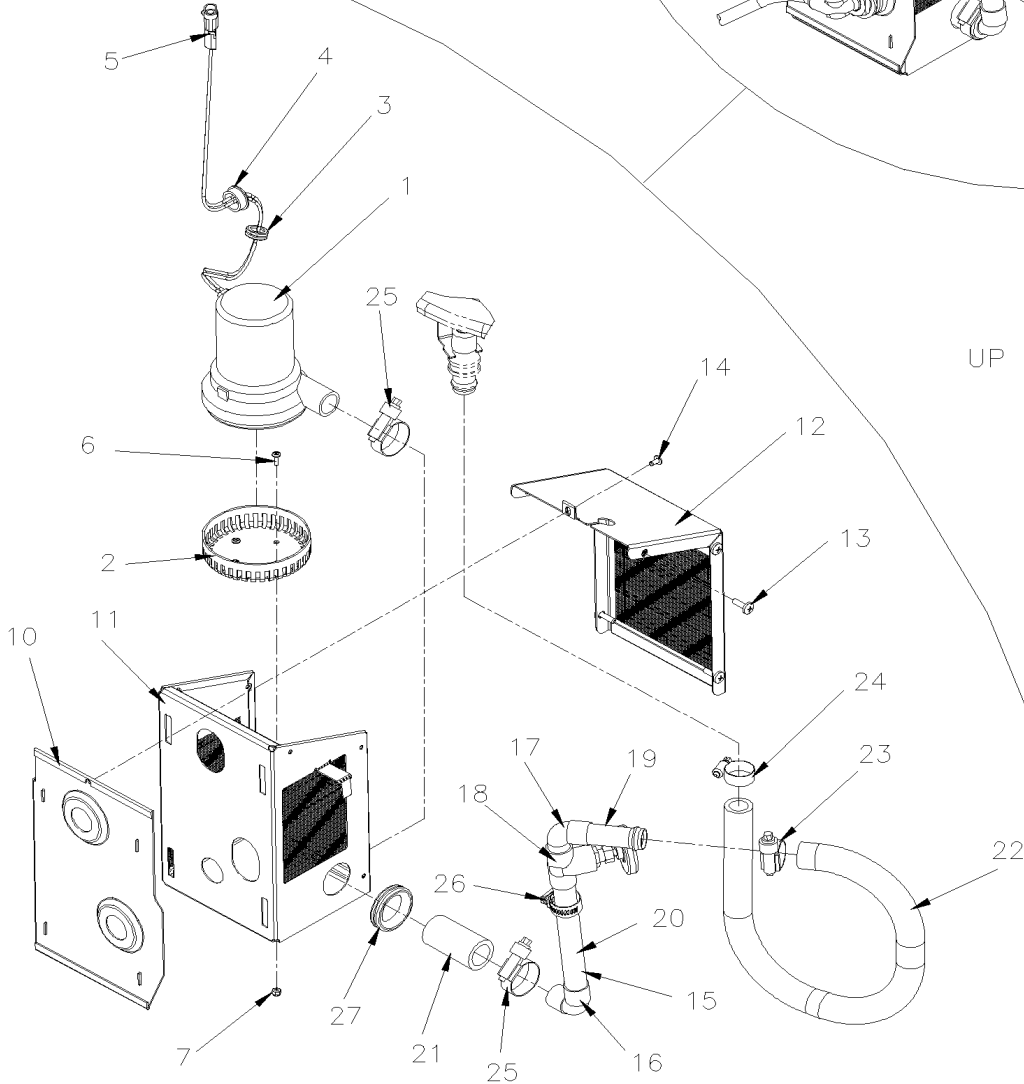
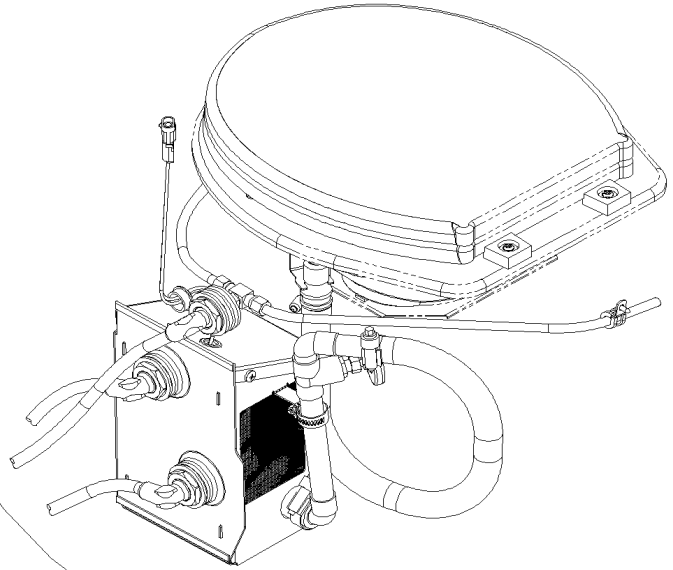
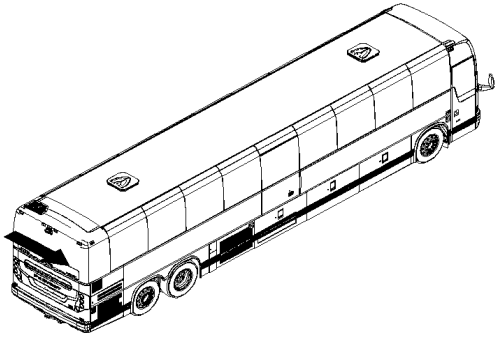
Item#	Part	Description	QTY	Notes
1	405703	PUMP TOILET ASSY	1	
1	900960	. PUMP TOILET	1	
2	901421	. . BASE, STRAINER	1	
3	561566	. CONNECTOR / WEATHER PACK / PH 2C / BLACK / PED 12010973	1	
3	561568	. PIN TERMINAL / 16-14 / PED 12089305	2	
3	561786	. CABLE SEAL / GRAY / PED 15324980	2	
3	563623	. BUTT SPLICE / 16-14 / BLUE / W/THERMORETRAC / PANDUIT BSH14-Q	1	
3	560669	. WIRE CABLE 16 / RED / GXL	1	
3	560673	. WIRE CABLE 16 / BLACK / GXL	1	
4	564630	. CABLE SEAL / BLUE / ITT 121668-0033	1	
5	5001087	SCREW TP BDG PH #10x1/2 SS	4	
6	404915	BOX	1	
7	404133	COVER ASSY	1	
8	502896	SCREW TC BDG PH #12-24x3/4 N500	1	
9	506338	RUBBER CHANNEL / 1/16" x 1/4" INT "U" SHAPE / ROUND C.T.L.	AR	
9	680096	SEALANT BUTYL ALUM / GREY / 310ml CARTRIDGE	AR	
11	402653	SEAL, RUBBER / TUBE & COVER	1	
12	504637	CABLE TIE / 3/16" x 13"	AR	
13	503455	HOSE RADIATOR / 7/8" I.D. X 3' / "GREEN STRIPE"	AR	
14	504319	HOSE CLAMP / 1"-1"1/2 SS / E.T. 16	3	
15	501426	NIPPLE / PIPE FITTING / 1/2NPT-Mx1/2NPT-Mx2 1/2 STL	1	
16	402652	SEAL, RUBBER / LEVEL TUBE / 1/16" THICK / S.D.	1	
17	400296	SEAL NEOPRENE	2	
18	401748	FLANGE ASSY To 8-9424	1	
18	408251	FLANGE ASSY From 8-9425	1	
19	500456	WASHER FL 1.062x2.000x.134 Z050	1	
20	500491	WASHER LO INT 1.019x1.637x.067 Z050	1	
21	500746	NUT HEX JAM 1-14 Z050 To 8-9424	1	
21	5001709	NUT HEX JAM LH 1-14 ZP From 8-9425	1	
30	402377	TUBE ASSY W/GATE VALVE	1	
31	501958	. GATE VALVE 7/8" (WELDED)	1	
32	504319	. HOSE CLAMP / 1"-1"1/2 SS / E.T. 16	1	
33	503523	. HOSE SILICONE 1PLY 3/4" I.D. x 100' / S.L.	1	
34	504291	. HOSE CLAMP / 1"1/8-1"3/4 SS / E.T. 20	1	
35	050937	. HOSE / W/O BYPASS VALVE / 1 1/8" I.D. X 3"	1	
50	X3-2325-00	LAVATORY - ACCESSORIES To G-6063		
50	X3-2325-01	LAVATORY - ACCESSORIES From G-6064		

From H-6180

Date:01/2024

PAGE:X3-2326-01

TOILET PUMP ASSY GHG17



UP TO J-6265

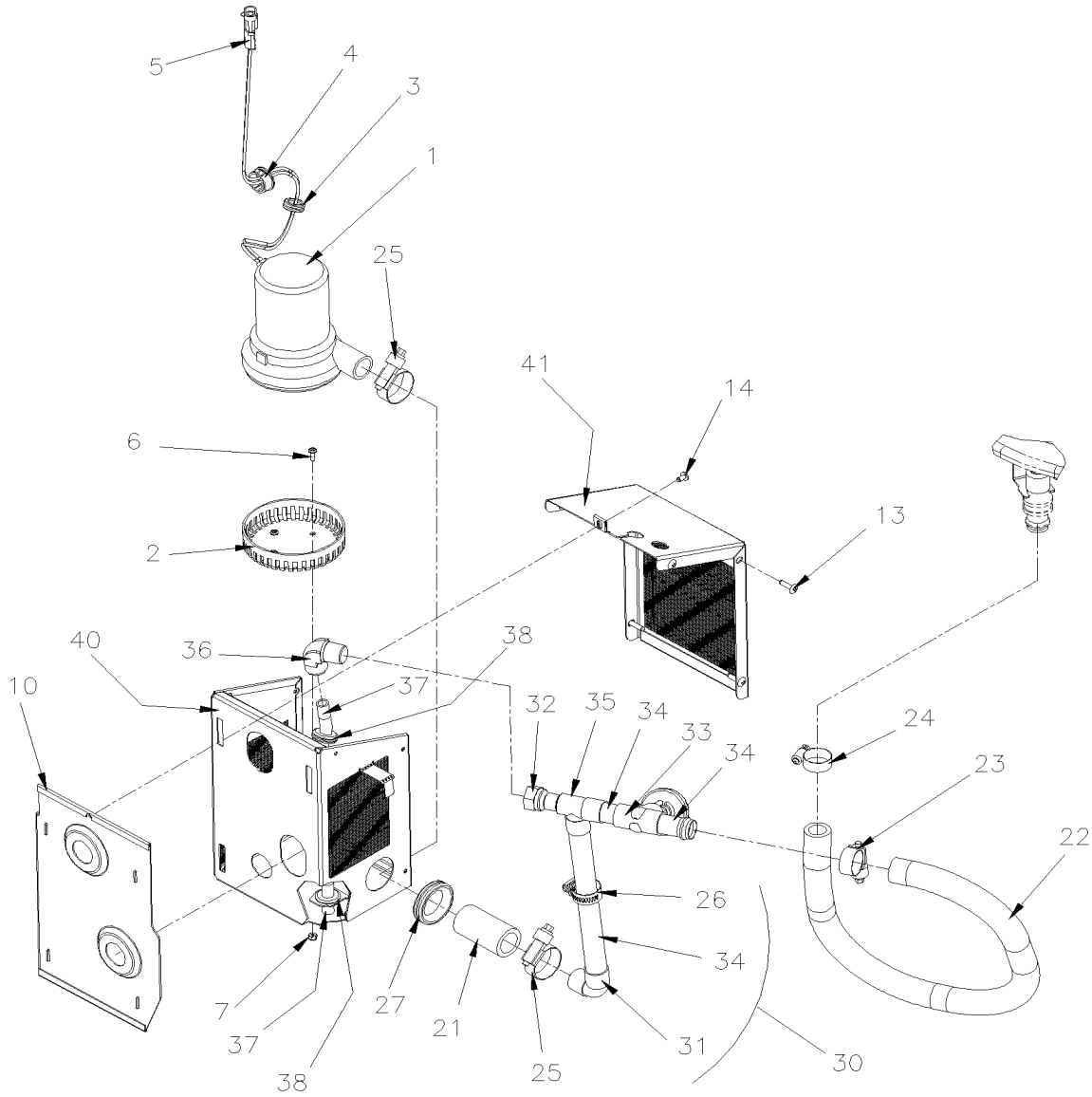
From H-6180

Date:01/2024

PAGE:X3-2326-01

TOILET PUMP ASSY GHG17

OPTION GLI FROM J-6245
UP TO J-6265



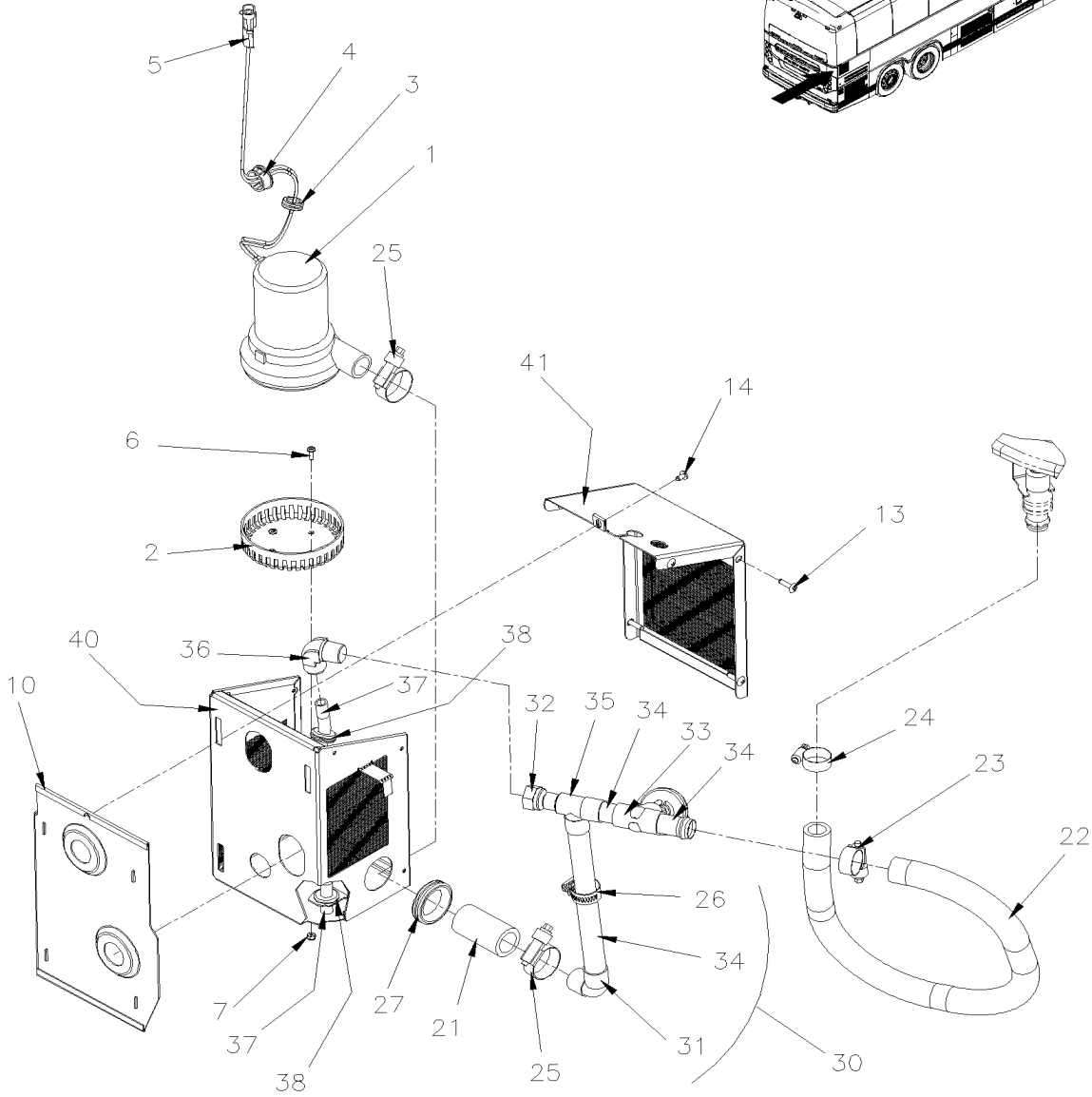
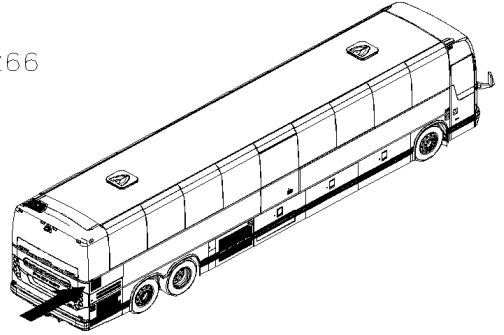
From H-6180

Date:01/2024

PAGE:X3-2326-01

TOILET PUMP ASSY GHG17

FROM J-6266



From H-6180		Date:01/2024	PAGE:X3-2326-01
TOILET PUMP ASSY GHG17			

Item#	Part	Description	QTY	Notes
	400191P	BOX AND PUMP ASSY To J-6265	1	
	Call order desk	BOX AND PUMP ASSY From J-6266	1	P
1	400201	. PUMP TOILET ASSY	1	
1	900960	. . PUMP TOILET	1	
2	901421	. . . BASE, STRAINER	1	
3	504496	. . GROMMET 2 HOLESx.062x.625x.062x.312x.875x.031 x.375	1	
4	504500	. . SNAP BUSHING / .766x1.125x.453 To J-6220	1	
4	504630	. . SNAP BUSHING / .812x1.218x.453 From J-6221	1	
5	561566	. . CONNECTOR / WEATHER PACK / PH 2C / BLACK / PED 12010973	1	
5	561568	. . . PIN TERMINAL / 16-14 / PED 12089305	2	
5	561786	. . . CABLE SEAL / GRAY / PED 15324980	2	
6	5011209	. SCREW MA PAN PH #8-32x1/2 SS	4	
7	5001480	. NUT HEX NYRT #8-32 SS	4	
10	400206	. SUPPORT PUMP BOX	1	
11	400192	. BOX ASSY/ WELDED To J-6265	1	
12	400193	. BOX COVER To J-6265	1	
13	500283	. SCREW TC TR PH #10-24x3/4 SS	6	
14	500209	. SCREW TC BDG PH #10-24x3/8 N500	1	
15	400202	. TUBE ASSY W/GATE VALVE To J-6265	1	
16	501395	. . FEMALE ELBOW 90° SHORT RADIUS / COPPER TUBE / 3/4Fx3/4F To J-6265	1	
17	501217	. . STREET ELBOW 90° SHORT RADIUS / COPPER TUBE / 3/4Mx3/4F To J-6265	1	
18	501958	. . GATE VALVE 7/8" (WELDED) To J-6265	1	
19	503198	. . COPPER TUBE .875" O.D. x .045" x 240" To J-6265	AR	
20	503198	. . COPPER TUBE .875" O.D. x .045" x 240" To J-6265	AR	
21	503579	. HOSE 1" I.D. X 50' / "GREEN STRIPE"	AR	
22	503523	. HOSE SILICONE 1PLY 3/4" I.D. x 100' / S.L.	AR	
23	504021	. HOSE CLAMP / 11/16"-1"1/2 SS / HS-16 To M-6665	1	
23	504417	. HOSE CLAMP / 11/16"-1"1/2 SS / HAS-16 From M-6666 To N-6748	1	
23	504281	. HOSE CLAMP / 13MM-32MM SS From P-6749	1	
24	504319	. HOSE CLAMP / 1"-1"1/2 SS / E.T. 16 To M-6665	1	
24	504417	. HOSE CLAMP / 11/16"-1"1/2 SS / HAS-16 From M-6666 To N-6748	1	
24	504281	. HOSE CLAMP / 13MM-32MM SS From P-6749	1	
25	504291	. HOSE CLAMP / 1"1/8-1"3/4 SS / E.T. 20 To M-6665	2	
25	504413	. HOSE CLAMP / 1"1/16-2" SS / HAS-24 From M-6666 To P-6748	2	
25	504417	. HOSE CLAMP / 11/16"-1"1/2 SS / HAS-16 From P-6749	2	
26	504020	. HOSE CLAMP / 9/16"-1"1/4 SS / HS-12 To M-6665	1	
26	504417	. HOSE CLAMP / 11/16"-1"1/2 SS / HAS-16 From M-6666 To P-6748	1	
26	504281	. HOSE CLAMP / 13MM-32MM SS From P-6749	1	
27	504496	. GROMMET 2 HOLESx.062x.625x.062x.312x.875x.031 x.375	1	
30	400546	. TUBE ASSY W/GATE VALVE From J-6245 To J-6265	1	GR
30	400546	. TUBE ASSY W/GATE VALVE From J-6266 To N-6713	1	
30	402169	. TUBE ASSY W/GATE VALVE From N-6714	1	

From H-6180	Date:01/2024	PAGE:X3-2326-01
TOILET PUMP ASSY GHG17		

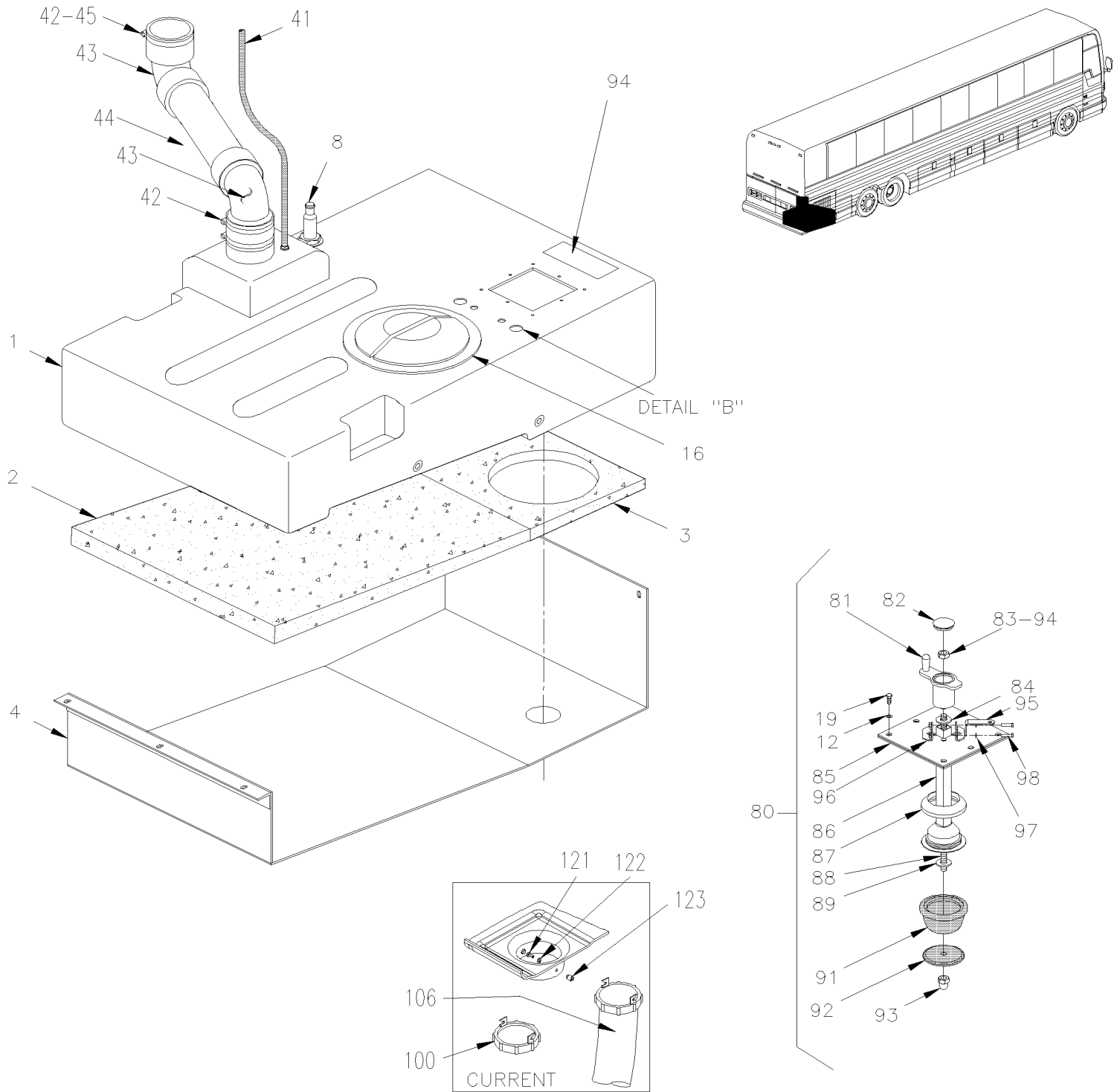
Item#	Part	Description	QTY	Notes
31	501395	. . FEMALE ELBOW 90° SHORT RADIUS / COPPER TUBE / 3/4Fx3/4F From J-6245 To J-6265	1	
31	501395	. . FEMALE ELBOW 90° SHORT RADIUS / COPPER TUBE / 3/4Fx3/4F From J-6266 To N-6713	1	
32	501576	. . ADAPTER / COPPER @ PIPE / 1/2Fx1/2NPT-F From J-6245 To J-6265	1	
32	501576	. . ADAPTER / COPPER @ PIPE / 1/2Fx1/2NPT-F From J-6266	1	
33	501958	. . GATE VALVE 7/8" (WELDED) From J-6245 To J-6265	1	
33	501958	. . GATE VALVE 7/8" (WELDED) From J-6266	1	
34	503198	. . COPPER TUBE .875" O.D. x .045" x 240" From J-6245 To J-6265	AR	
34	503198	. . COPPER TUBE .875" O.D. x .045" x 240" From J-6266	AR	
35	501870	. . UNION TEE / COPPER TUBE / 3/4Fx1/2Fx3/4F From J-6245 To J-6265	1	
35	501870	. . UNION TEE / COPPER TUBE / 3/4Fx1/2Fx3/4F From J-6266 To N-6713	1	
36	641378	. MALE ELBOW 90° / PUSH-IN FITTING / #8x1/2NPT-M BRASS From J-6245 To J-6265	1	GR
36	641378	. MALE ELBOW 90° / PUSH-IN FITTING / #8x1/2NPT-M BRASS From J-6266	1	
37	503488	. TUBE, NYLON 1/2 O.D. / BLACK S.L./ From J-6245 To J-6265	AR	GR
37	503488	. TUBE, NYLON 1/2 O.D. / BLACK S.L./ From J-6266	AR	
38	504068	. GROMMET / .500x.750x.062x.312x1.062 From J-6245 To J-6265	2	GR
38	504068	. GROMMET / .500x.750x.062x.312x1.062 From J-6266	2	
40	400549	. BOX ASSY / WELDED From J-6245 To J-6265	1	GR
40	400549	. BOX ASSY / WELDED From J-6266 To N-6713	1	
40	402170	. BOX ASSY / WELDED From N-6714	1	
41	400547	. BOX COVER From J-6245 To J-6265	1	GR
41	400547	. BOX COVER From J-6266	1	
		GR) GREYHOUND OPTION		
		P) CALL ORDER DESK FOR SPECIFIC APPLICATION (V.I.N.)		

From 7-8754 To B-5001

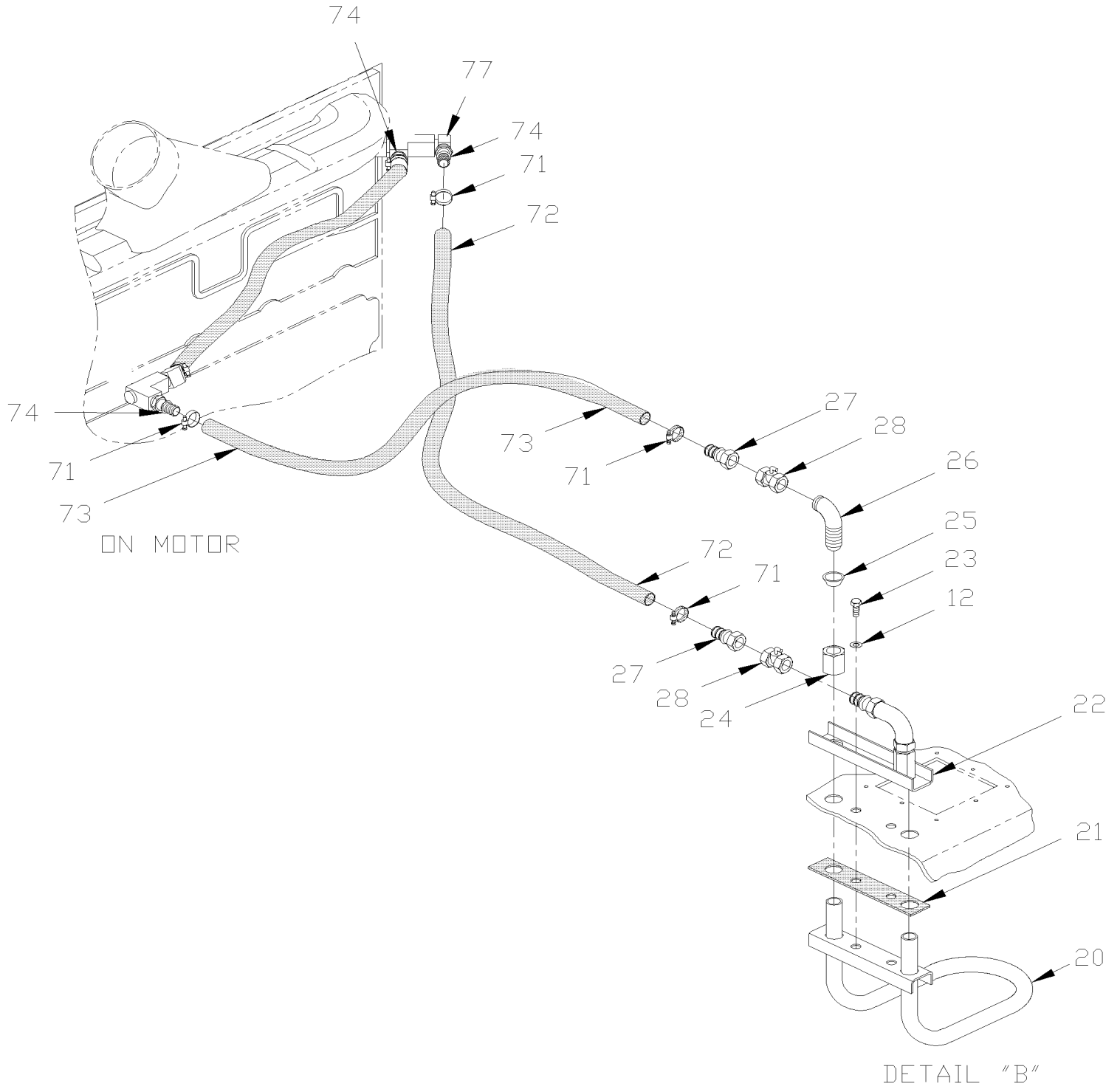
Date:01/2024

PAGE:X3-2327-00

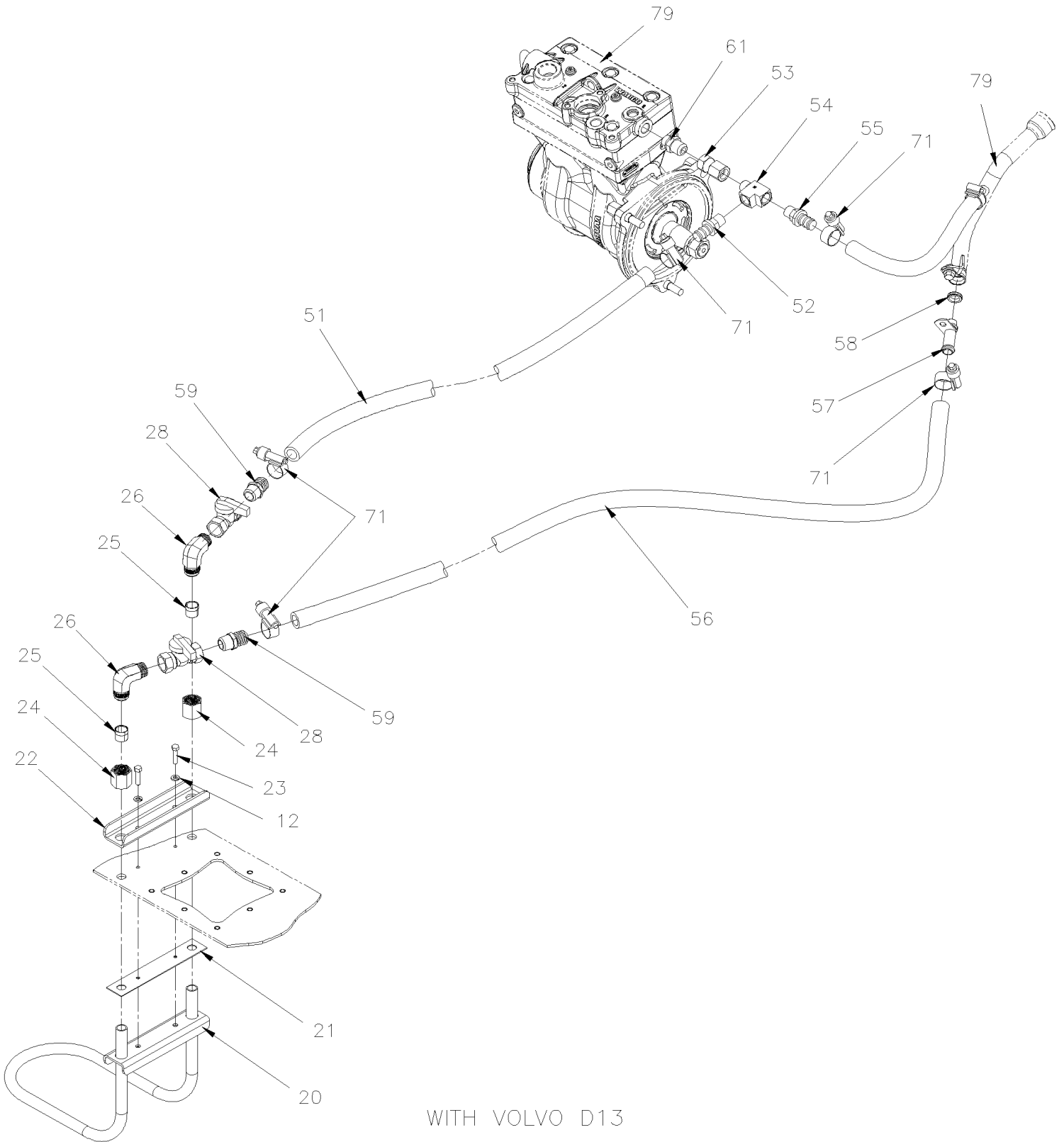
SUMP TANK - PLASTIC - AUXILIARY



From 7-8754 To B-5001	Date:01/2024	PAGE:X3-2327-00
SUMP TANK - PLASTIC - AUXILIARY		



From 7-8754 To B-5001	Date:01/2024	PAGE:X3-2327-00
SUMP TANK - PLASTIC - AUXILIARY		



WITH VOLVO D13

From 7-8754 To B-5001	Date:01/2024	PAGE:X3-2327-00
SUMP TANK - PLASTIC - AUXILIARY		

Item#	Part	Description	QTY	Notes
	407552	SUMP TANK ASSY / (COMPLET FOR RETROFIT)	1	
1	405208	SUMP TANK	1	
. NS	D400361	. DIAGRAM INSTALL	1	
2	404340	INSULATOR PANEL	1	
3	404341	INSULATOR PANEL	1	
4	404335	BOTTOM PANEL To 8-9122	1	
4	405685	BOTTOM PANEL From 8-9278	1	
NS	5001527	SCREW CAP HEX M8-1.25x16 SS BK	3	
NS	5001341	WASHER FL 8.4x17.0x1.6 SS	6	
NS	5001787	NUT HEX NYRT M8-1.25 SS	3	
NS	5001161	WASHER LO SPT 8.1x14.8x2.0 SS-304	3	
8	900280	THRU HULL, CONNECTOR / PLASTIC	1	
NS	409038	GASKET	1	
12	502853	WASHER LO SPT 6.1x11.8x1.6 N500	AR	
16	900825	8" CLOSED LID C/W RIM	1	
19	5001181	SCREW CAP HEX M6-1.0x12 SS	8	
NS	5001182	NUT HEX NYRT M6-1.0 SS	8	
20	404337	HEATER ASSY	1	
21	404367	GASKET	1	
22	404339	SUPPORT PLATE	1	
23	502737	SCREW CAP HEX M6-1.0x25 SS BK	2	
24	5011027	NUT FLARELESS TUBE / JIC 37° FITTING / #10 STL	1	
25	5011028	FERRULE FLARELESS TUBE / JIC 37° FITTING / #10 STL	1	
26	5011176	MALE ELBOW 90° / JIC 37° FITTING / #10JIC-Mx1/2NPT-M STL	2	
27	507605	MALE CONNECTOR / HOSE BARB FITTING / #12x1/2NPT-M BR	1	
28	530096	BALL VALVE 1/2" NPT 1/2 NPT F x 1/2 NPT F	2	
41	503406	TUBE, NYLON 1/2 O.D. / GREEN S.L.	AR	
NS	641012	BULKHEAD UNION / NTA FITTING / #8x3/8NPT-M BR	1	
42	504235	HOSE CLAMP / 3"9/16"-4"1/2 SS / HS-64	4	
43	530211	ELBOW 45° X 3 1/2" I.D. RUBBER	2	
44	405711	TUBE DRAIN 3 1/2" O.D. x 181MM SS	1	
45	404325	SEAL PLASTIC 4" I.D. / PIPE & FLOOR	1	
51	406066	. HOSE 5/8" I.D. 1010MM	1	
51	503720	. HOSE SILICONE 1 PLY 5/8" I.D. x 25' / S.L. To D-5381	AR	
51	503802	. HOSE SILICONE 1 PLY / NOMEX-ARAMID 5/8" I.D. x 100' / S.L. From D-5382	AR	
52	501124	. MALE CONNECTOR / HOSE BARB FITTING / #10x3/8NPT-M BR	1	
53	5001674	. SWIVEL NUT FEMALE CONNECTOR /JIC 37° FITTING/ #8JIC-Fx3/8NPT-F STL	1	
54	501699	. MALE RUN TEE / PIPE FITTING / 3/8NPT-Mx3/8NPT-Fx3/8NPT-F BR	1	
55	501949	. MALE CONNECTOR / PUSH-LOK FITTING / 3/8NPT-Mx#8 BR	1	
56	406067	. HOSE 5/8" I.D. 1280MM	1	
56	503720	. HOSE SILICONE 1 PLY 5/8" I.D. x 25' / S.L. To D-5381	AR	

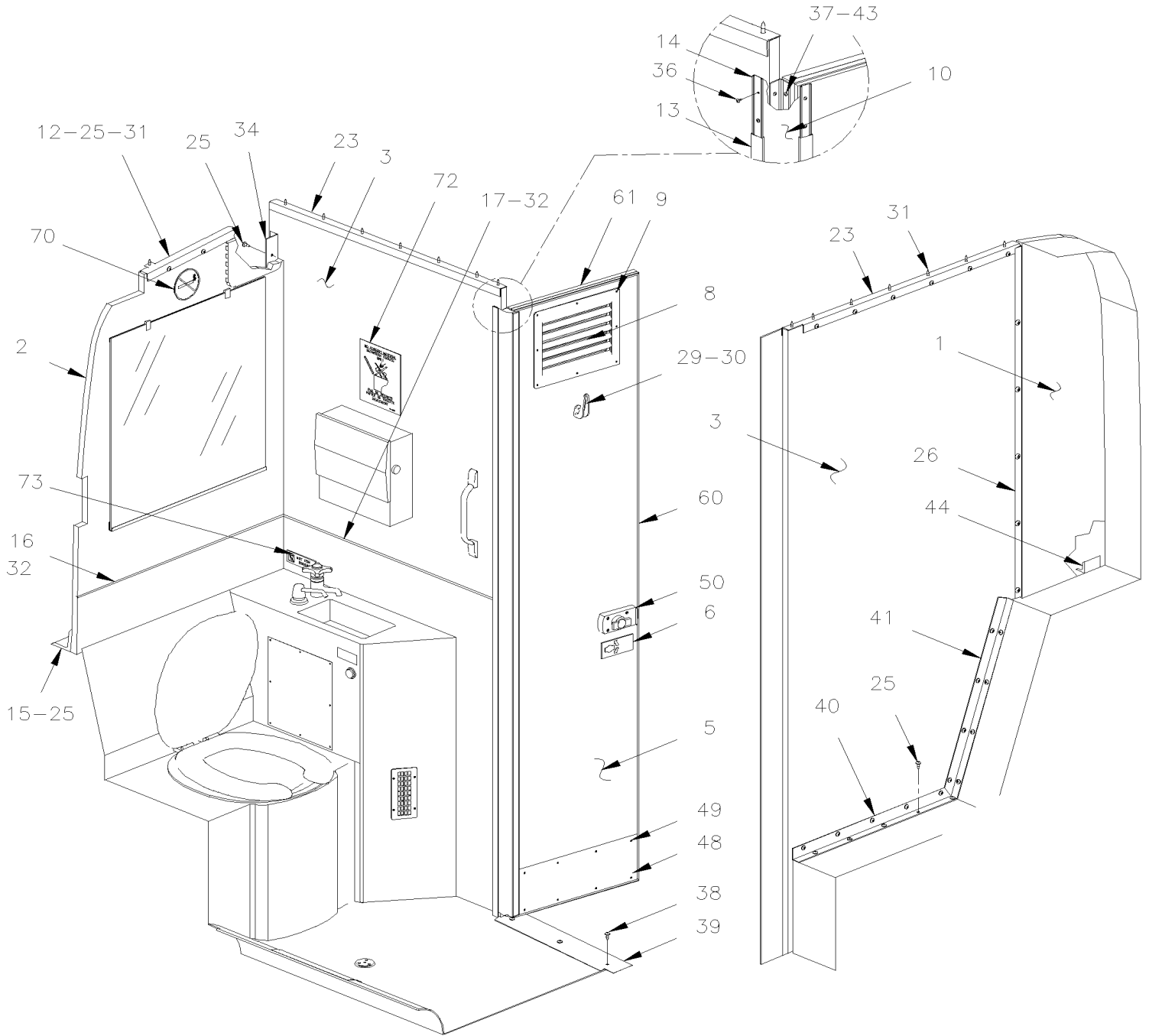
From 7-8754 To B-5001	Date:01/2024	PAGE:X3-2327-00
SUMP TANK - PLASTIC - AUXILIARY		

Item#	Part	Description	QTY	Notes
56	503802	. HOSE SILICONE 1 PLY / NOMEX-ARAMID 5/8" I.D. x 100' / S.L. From D-5382	AR	
57	374358	. ADAPTOR HOSE D15 TO 5/8" I.D. HOSE	1	
58	20566808	. SEAL 14.5 x 20.9 x 5 To E-5703	1	
58	21532261	. SEAL From E-5704	1	
59	501942	. MALE CONNECTOR / PUSH-LOK FITTING / 1/2NPT-Mx#10 BR	2	
61	641294	MALE CONNECTOR / JIC 37° FITTING / #8JIC-MxM16-1.5-M STL	1	
. NS	641297	. O-RING 13.1MM I.D. X 2.6 TH	1	
. NS	641298	. WASHER FL 17MM I.D x 22MM O.D. x 1.5MM	1	
71	504646	HOSE CLAMP / 11/16"-1"1/4 / C.T. 9412 To D-5404	AR	
71	504781	HOSE CLAMP / 13/16"-1 5/16" SS / C.T. W.S. From D-5405	AR	
72	404427	HOSE / HEATER & ENGINE / 3/4" I.D. 1260MM	1	
73	402618	HOSE / HEATER & ENGINE / 3/4" I.D. 960MM	1	
73	503523	HOSE SILICONE 1PLY 3/4" I.D. x 100' / S.L.	AR	
74	507605	MALE CONNECTOR / HOSE BARB FITTING / #12x1/2NPT-M BR	3	
77	501528	STREET ELBOW 45° / PIPE FITTING / 1/2NPT-Mx1/2NPT-F BR	1	
79	VOLVO	VOLVO ENGINE D-13		
80	404948P	EMPTYING PLUG ASSY	1	
81	405446	. CRANK W/FLANGE	1	
82	689948	. HOLE PLUG / 1.25OD X .125 NYL BK	1	
83	502567	. NUT HEX M10-1.5 SS	1	
84	509802	. WASHER FL .500x1.125x.081 BR	1	
85	404949	. PLATE ASSY / W/19MM SQ HOLE To 8-9538	1	
. NS	404950	. . PLATE To 8-9538	1	
. NS	404951	. . SEAL RUBBER / W/19MM SQ HOLE To 8-9538	1	
. NS	405083	. . SEAL RETAINER To 8-9538	1	
. NS	504643	. . RIVET POP DOME OE 1/8x1/2 SS To 8-9538	4	
85	407499	. PLATE ASSY / W/22MM SQ HOLE From 8-9539	1	
. NS	407497	. . PLATE From 8-9539	1	
. NS	407498	. . SEAL RUBBER / W/22MM SQ HOLE From 8-9539	1	
. NS	407496	. . SEAL RETAINER FORMER ONE PIECE From 8-9539	1	
. NS	409262	. . SEAL RETAINER CURRENT TWO PIECES From 8-9539	2	
. NS	504643	. . RIVET POP DOME OE 1/8x1/2 SS From 8-9539	4	
86	407494	. TUBE PLASTIC To 8-9538	1	
86	409257	. TUBE PLASTIC From 8-9539	1	
87	404956	. CLAMPING RING To 8-9538	1	
87	409256	. CLAMPING RING From 8-9539	1	
88	407495	. ROD	1	
89	5001443	. WASHER FL 10.3x38.0x3.0 SS	1	
91	409989	. PLUG RUBBER	1	
92	404959	. WASHER, CONIC	1	

From 7-8754 To B-5001	Date:01/2024	PAGE:X3-2327-00
SUMP TANK - PLASTIC - AUXILIARY		

Item#	Part	Description	QTY	Notes
93	5001511	. NUT HEX CAP M10-1.5 SS	1	
93	500270	. WASHER FL .406x1.000x.063 SS	1	
94	405194	. DECAL "OPENING & CLOSING SUMP TANK PICTOGRA	1	
95	405437	. HANDLE / USE W/PLASTIC TUBE ITEM # 86	1	
96	405436	. COLLAR ASSY W/NUT	1	
96	405438	. COLLAR ASSY W/NUT	1	
97	502570	. WASHER LO SPT 6.1x11.8x1.6 SS	2	
98	502622	. SCREW CAP HEX M6-1.0x20 SS BK	2	
100	900520	CAP	1	A
106	900525	HOSE SUMP TANK	1	A
121	500557	SCREW MA PAN PH #8-32x3/8 SS	2	A
122	502556	WASHER FL 4.3x9.0x0.8 SS	2	A
123	405827	ADAPTOR WITH SPECIAL NUT / TO FIX DUMP HOSE	2	A
123	D400361	DIAGRAM INSTALL	1	A
		A) FOR RETROFIT HOSE ADAPTOR TO DUMP SUMP WITH NEW MODEL OF TANK (#405208) YOU REQUIRE FOLLOWING PARTS		

LAVATORY WALL - INSTALLATION

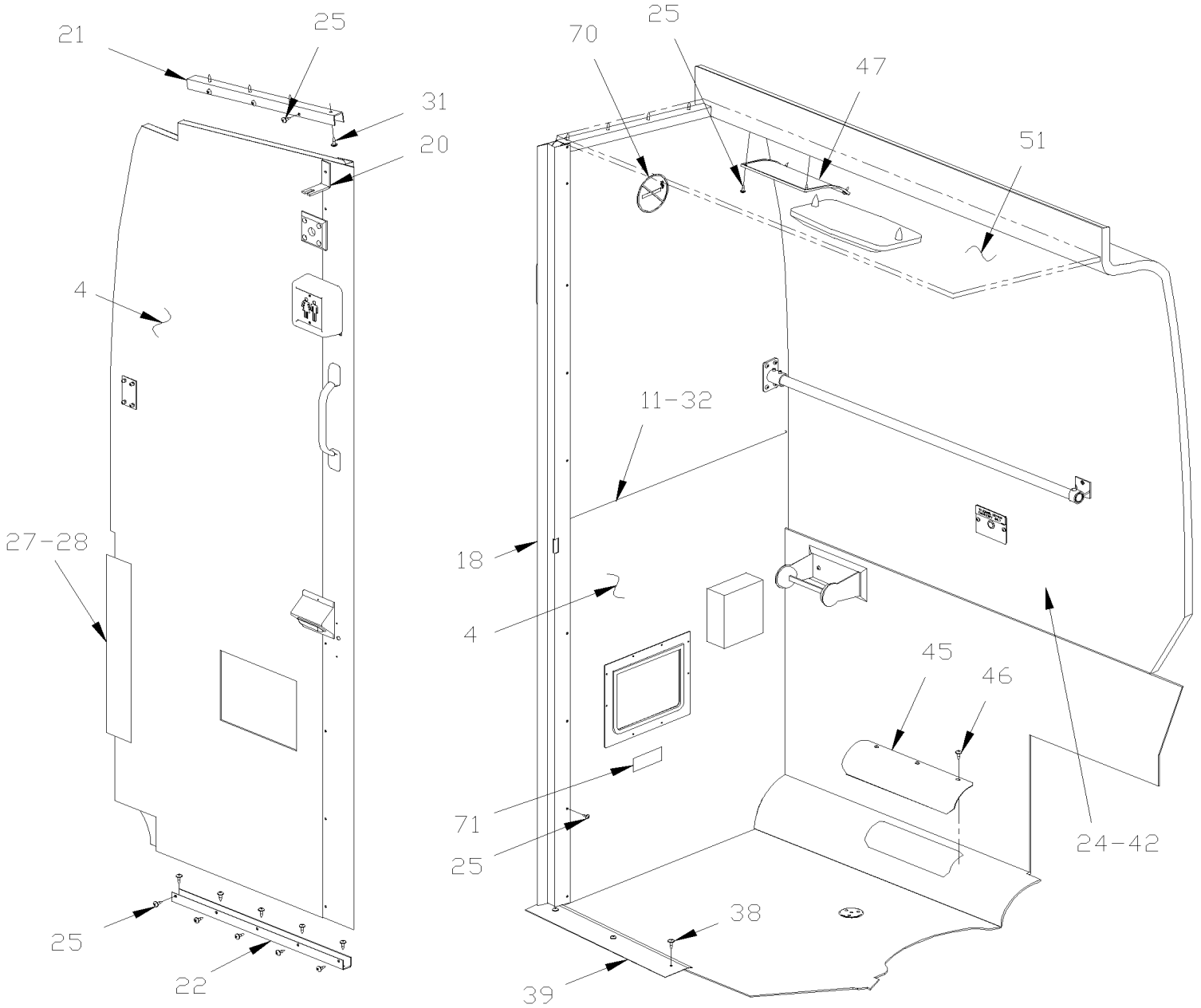


From 7-8754 To G-6063

Date:01/2024

PAGE:X3-2328-00

LAVATORY WALL - INSTALLATION



From 7-8754 To G-6063	Date:01/2024	PAGE:X3-2328-00
-----------------------	--------------	-----------------

LAVATORY WALL - INSTALLATION

Item#	Part	Description	QTY	Notes
1	404976P	WALL ASSY, REAR SIDE / TISSUS / SPECIFY COLOR CODE To B-5001	1	
1	Call order desk	WALL ASSY, REAR SIDE / CARPET / SPECIFY COLOR CODE To B-5001	1	P
1	Call order desk	WALL ASSY, REAR SIDE / FORMICA / SPECIFY COLOR CODE To B-5001	1	P
1	Call order desk	WALL ASSY, REAR SIDE / FORMICA "B" / SPECIFY COLOR CODE To B-5001	1	P
1	Call order desk	WALL ASSY, REAR SIDE / FORMICA "C" / SPECIFY COLOR CODE To B-5001	1	P
2	405367P	WALL ASSY, REAR / W/WASH BASSIN To B-5001	1	
2	Call order desk	WALL ASSY, REAR / W/WASH BASSIN From B-5002	1	P
2	Call order desk	WALL ASSY, REAR / W/OUT WASH BASIN From 9-9796 To B-5001	1	P
2	Call order desk	WALL ASSY, REAR / W/OUT WASH BASIN From B-5002 To C-5086	1	P
2	Call order desk	WALL ASSY, REAR / W/OUT WASH BASIN From C-5087	1	P
2	Call order desk	WALL ASSY, REAR / W/AIR GRILL	1	P O
. NS	405700	. GRILLE 160MM X 70MM SS	1	O
. NS	5001119	. SCREW TP BDG PH #8x3/4 SS	4	O
. NS	455422	. AIR BOX ASS	1	O
. NS	500957	. SCREW TP BDG PH #10x3/4 N500	2	O
3	Call order desk	WALL ASSY, SIDE / TISSUS / SPECIFY COLOR CODE To 8-9276	1	P
3	Call order desk	WALL ASSY, SIDE / SPECIFY COLOR CODE From 8-9277 To 9-9581	1	P G
3	408231P	WALL ASSY, SIDE / TISSUS / SPECIFY COLOR CODE From 9-9582 To B-5001	1	
3	Call order desk	WALL ASSY, SIDE / SPECIFY COLOR CODE / TISSUS From B-5002	1	P
3	Call order desk	WALL ASSY, SIDE / TISSUS / WITH TABLE / SPECIFY COLOR CODE From 9-9582 To B-5001	1	P T
3	Call order desk	WALL ASSY, SIDE / TISSUS / WITH TABLE / SPECIFY COLOR CODE From B-5002	1	P T
3	Call order desk	WALL ASSY, SIDE / SPECIFY COLOR CODE / TISSUS From A-9873	1	P 2
3	Call order desk	WALL ASSY, SIDE / TISSUS / W/2 BINS "PWT" / SPECIFY COLOR CODE From 9-9858	1	P
3	Call order desk	WALL ASSY, SIDE / CARPET / SPECIFY COLOR CODE To 8-9276	1	P
3	Call order desk	WALL ASSY, SIDE / CARPET / SPECIFY COLOR CODE From 8-9277 To 9-9581	1	P
3	Call order desk	WALL ASSY, SIDE / CARPET / SPECIFY COLOR CODE From 9-9582 To B-5002	1	P
3	Call order desk	WALL ASSY, SIDE / CARPET / SPECIFY COLOR CODE From B-5001	1	P
3	Call order desk	WALL ASSY, SIDE / CARPET / WITH TABLE / SPECIFY COLOR CODE From 9-9582 To B-5001	1	P T
3	Call order desk	WALL ASSY, SIDE / CARPET / WITH TABLE / SPECIFY COLOR CODE From B-5002	1	P T
3	Call order desk	WALL ASSY, SIDE / CARPET / SPECIFY COLOR CODE From A-9873	1	P 2
3	Call order desk	WALL ASSY, SIDE / FORMICA / SPECIFY COLOR CODE To 8-9276	1	P
3	Call order desk	WALL ASSY, SIDE / FORMICA "B" / SPECIFY COLOR CODE From 8-9277 To 9-9581	1	P
3	Call order desk	WALL ASSY, SIDE / FORMICA "B" / SPECIFY COLOR CODE From 9-9582 To B-5001	1	P
3	Call order desk	WALL ASSY, SIDE / FORMICA "B" / SPECIFY COLOR CODE From B-5002	1	P
3	Call order desk	WALL ASSY, SIDE / FORMICA "B" / WITH TABLE / SPECIFY COLOR CODE From 9-9582	1	P T
3	Call order desk	WALL ASSY, SIDE / FORMICA "B" / WITH TABLE / SPECIFY COLOR CODE From 9-9582	1	P T
3	Call order desk	WALL ASSY, SIDE / FORMICA "B" / SPECIFY COLOR CODE From A-9873	1	P 2
3	Call order desk	WALL ASSY, SIDE / FORMICA "C" / SPECIFY COLOR CODE From 8-9277 To 9-9581	1	P
3	Call order desk	WALL ASSY, SIDE / FORMICA "C" / SPECIFY COLOR CODE From 9-9582 To B-5001	1	P
3	Call order desk	WALL ASSY, SIDE / FORMICA "C" / SPECIFY COLOR CODE From B-5002	1	P
3	Call order desk	WALL ASSY, SIDE / FORMICA "C" / WITH TABLE / SPECIFY COLOR CODE From 9-9582 To B-5001	1	P T
3	Call order desk	WALL ASSY, SIDE / FORMICA "C" / WITH TABLE / SPECIFY COLOR CODE From B-5002	1	P T

From 7-8754 To G-6063	Date:01/2024	PAGE:X3-2328-00
LAVATORY WALL - INSTALLATION		

Item#	Part	Description	QTY	Notes
3	Call order desk	WALL ASSY, SIDE / FORMICA "C" / SPECIFY COLOR CODE From 9-9582	1	P 2
4	404940P	WALL ASSY, FRONT / TISSUS / SPECIFY COLOR CODE	1	
4	Call order desk	WALL ASSY, FRONT / CARPET / SPECIFY COLOR CODE	1	P
4	Call order desk	WALL ASSY, FRONT / FORMICA / SPECIFY COLOR CODE	1	P
4	Call order desk	WALL ASSY, FRONT / FORMICA "B" / SPECIFY COLOR CODE	1	P
4	Call order desk	WALL ASSY, FRONT / FORMICA "C" / SPECIFY COLOR CODE	1	P
NS	506003	TAPE RUB ADH1 CC POL 3/16" x 3/4" x 40' / GREY 2520X	AR	
NS	506264	TAPE RUB ADH1 URE 3/4" x 1" x 12.5' / GREY 1820X	AR	
5	405280	LAVATORY DOOR ASSY / FORMICA / SPECIFY COLOR CODE	1	
5	405282	LAVATORY DOOR ASSY / CARPET / SPECIFY COLOR CODE	1	
5	405284	LAVATORY DOOR ASSY / TISSUS / SPECIFY COLOR CODE	1	
5	408356	LAVATORY DOOR ASSY / LOCK "FORD" / CARPET / SPECIFY COLOR CODE	1	G
5	508396	. FORMICA GREY .038"x48"x96"	1	
5	Call order desk	WALL ASSY, SIDE / CARPET / WITH TABLE / SPECIFY COLOR CODE From 9-9582	1	P
6	405222	DECAL / LAVATORY OPEN / LOCK / ENGLISH	1	
6	403820	DECAL / LAVATORY OPEN / LOCK FOR LIGHTING / ENGLISH & FRANCAIS	1	
6	405642	DECAL / LAVATORY OPEN / LOCK FOR LIGHTING / ENGLISH & SPANISH	1	
6	406982	DECAL / LAVATORY OPEN / LOCK FOR LIGHTING / ENGLISH & SPANISH & FRANCAIS	1	
8	405065	GRILL, VENT / MED GREY	2	
9	500624	SCREW TP OV PH #6x1/2 Z050	AR	
10	405217	LEATHERETTE / GREY / 125MM X 1990MM	1	
11	403972	MOULDING "J" FORM / 660MM (26") / F/F	1	
12	404926	MOULDING / "U" SHAPE 520MM	1	
13	404970	MOULDING CAP / SS 2100MM	2	
14	404971	MOULDING RETAINER / 1980MM	2	
15	400719	ANGLE, RETAINING / BEHIND REAR WALL / 30"	1	
16	403973	MOULDING "J" FORM / 760MM (29 15/16") / F/F	1	
NS	404537	SPACER WOOD	1	
17	400886	MOULDING "J" FORM / 788MM (31") / A/A	1	
18	405212	MOULDING DOOR	1	
18	405313	MOULDING DOOR	1	A
18	405223	MOULDING DOOR	1	B
18	406686	MOULDING DOOR From E-5459	1	G
20	315891	ANGLE SUPPORT / (FIXED TO LAVATORY WALL) To G-5936	1	
21	404924	MOULDING / "U" SHAPE 460MM	1	
22	403700	MOULDING / "U" SHAPE 533MM	1	
23	404925	MOULDING "U" 873MM /	1	
24	328039	WALL FIBERGLASS PANEL LAVATORY 1267MM To B-5039	1	
24	327008	WALL FIBERGLASS PANEL LAVATORY 1275MM From B-5040 To E-5458	1	
24	3201173	WALL FIBERGLASS PANEL LAVATORY From E-5459	1	
24	329290	INSULATING PAD ADHESIVE 905MM x 1280MM	1	
. NS	850026	. INSULATING PAD NOISE ADH1 1" x 54" x 50"	3	

From 7-8754 To G-6063	Date:01/2024	PAGE:X3-2328-00
LAVATORY WALL - INSTALLATION		

Item#	Part	Description	QTY	Notes
NS	506282	TAPE RUB ADH1 CC POL 3/8" x 1" x 20' / GREY 2520	AR	
NS	500583	SCREW TP PAN PH #6x1/2 Z050	20	
NS	500463	WASHER FN CKF .187x.500x.090 BR Z050	10	
NS	506282	TAPE RUB ADH1 CC POL 3/8" x 1" x 20' / GREY 2520	AR	
NS	506071	TAPE RUB ADH1 CC POL 1/8" x 1/2" x 50' / GREY 2520X	AR	
NS	506466	TAPE RUB ADH1 CC POL 1/16" x 1 1/2" x 100 / GREY 2520	AR	
25	500641	SCREW TP PAN PH #8x3/4 Z050	AR	
26	404974	CHANNEL / "Z" SHAPE 1112MM	1	
27	400725	ANGLE, RETAINING 23" To G-6046	1	
27	400727	ANGLE, RETAINING 23" From G-6047	1	
28	401173	ANGLE, RETAINING 12"	1	
29	900297	HOOK / COAT	1	
30	500626	SCREW TP OV PH #8x3/4 Z050	2	
31	500641	SCREW TP PAN PH #8x3/4 Z050	8	
32	500552	SCREW TP OV PH #6x3/4 Z050	16	
34	404933	ANGLE / TO FIX SIDE WALL TO REAR WAL 1047.5MM To B-5001	1	
34	406460	ANGLE / TO FIX SIDE WALL TO REAR WAL 750MM From B-5002	1	
36	500583	SCREW TP PAN PH #6x1/2 Z050	33	
37	500614	SCREW TP FL PH #6x3/4 Z050	30	
38	500640	SCREW TP PAN PH #6x3/4 Z050	12	
39	403705	PROTECTOR, FLOOR 494MM To 8-9276	1	
39	408225	PROTECTOR, FLOOR 487.7MM From 8-9277	1	
40	404931	ANGLE 800MM To 8-9276	1	
40	408177	ANGLE 615MM X 574MM From 8-9277 To B-5001	1	
40	408277	ANGLE 623.2MM X 518.2MM From B-5002	1	
41	404934	ANGLE 600MM To 8-9276	1	
41	408178	ANGLE 225MM From 8-9277 To B-5001	1	
41	408286	ANGLE 92.2MM From B-5002	1	
42	500614	SCREW TP FL PH #6x3/4 Z050	AR	
43	780134	HINGE NP .040 X 3/4 X 3/4 X 72"	1	
44	404975	ANGLE / TO FIX REAR SIDE WALL 100MM	1	
45	400874	PLATE, ACCESS / TOILET HEATING TUBE	1	
46	500638	SCREW TP PAN PH #8x1/2 Z050	5	
47	404998	CLOSING PANEL To E-5458	1	
48	405126	PROTECTOR PANEL 460MM x 100MM SS	1	
49	500952	SCREW TP BDG PH #8x1/2 SS	6	
50	X3-2329-00	LAVATORY DOOR LOCK & SWITCH		
51	X3-1837-00	CEILING PANELS & MOULDING - BUS		
60	405006	MOULDING "J" FORM / 1985MM / A/A	1	C
60	405005	MOULDING "J" FORM / 1985MM / A/A	1	D
61	401490	MOULDING "J" FORM / 463MM (18 1/4") / A/A	1	C
61	401309	MOULDING "J" FORM / 463MM (18 1/4") / A/A	1	D

From 7-8754 To G-6063	Date:01/2024	PAGE:X3-2328-00
LAVATORY WALL - INSTALLATION		

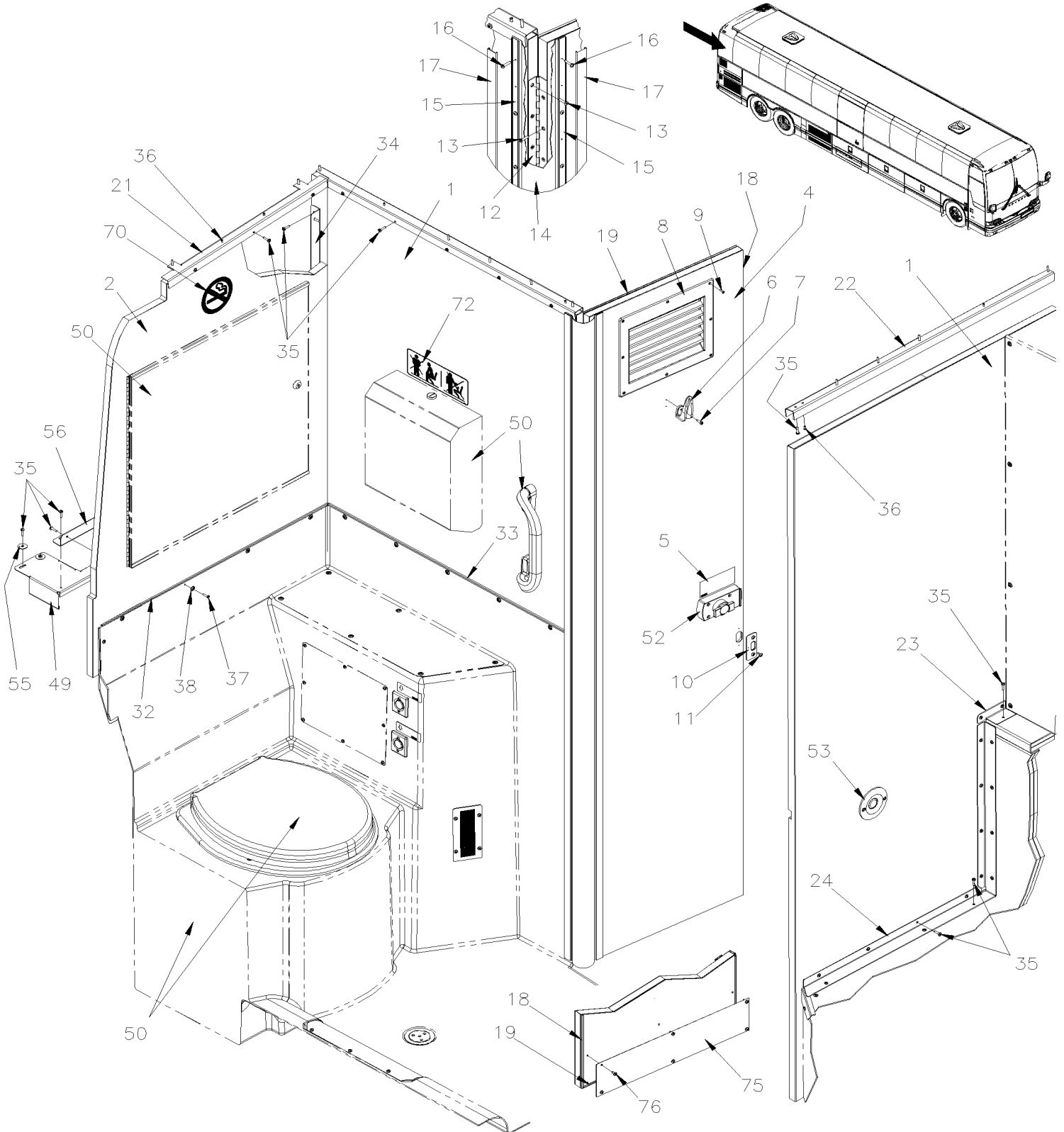
Item#	Part	Description	QTY	Notes
70	900313	DECAL / "NO SMOKING" / 2 3/4" O.D. To D-5458	2	
70	901026	DECAL / "NO SMOKING" / 4" O.D. From E-5459 To E-5469	2	
70	406690	DECAL / "NO SMOKING" From E-5470	1	
71	402742	DECAL / "TRASH" / ENGLISH To D-5458	1	
71	400746	DECAL / "WASTE" / ENGLISH & FRANCAIS To D-5458	1	
71	405630	DECAL / "TRASH" / ENGLISH & SPANISH To D-5458	1	
71	406616	DECAL / "TRASH"	1	
72	401956	DECAL "NO FOREIGN MATERIAL..." / ENGLISH To D-5458	1	
72	400583	DECAL "NO FOREIGN MATERIAL..." / ENGLISH & FRANCAIS To D-5458	1	
72	406184	DECAL "NO FOREIGN MATERIAL..." / ENGLISH & SPANISH To D-5458	1	
72	406610	DECAL "NO FOREIGN MATERIAL..." From E-5459	1	
73	402748	DECAL / "NOT FOR DRINKING" / ENGLISH To D-5458	1	
73	405232	DECAL / "DO NOT DRINK THIS WATER" / ENGLISH & FRANCAIS To D-5458	1	
73	407538	DECAL / "NOT FOR DRINKING" / ENGLISH & FRANCAIS To D-5458	1	
73	406615	DECAL / "NOT FOR DRINKING" From E-5459	1	
		NEXT ITEMS ARE RELATED WITH From 9-9858		
		WALL WITH 2 SIDE BASKET / "P.W.T." From 9-9858		
80	Call order desk	DOOR ASSY / "PWT" 340MM x 432MM From 9-9858	1	P
. NS	780538	. LOCK From 9-9858	1	
. . NS	780539	. . KEY / (CH751) From 9-9858	1	
. NS	408183	. PIVOT LOCK / ON CUPBOARD DOOR / 16MM OFFSET From 9-9858	1	
. NS	780134	. HINGE NP .040 X 3/4 X 3/4 X 72" From 9-9858	AR	
. NS	900810	. MOULDING PLASTIC From 9-9858	AR	
81	406321	STOPPER DOOR "PWT" From 9-9858	1	
82	404459	BRACKET, RETAINING / TO FIX CONTAINER TO WALL From 9-9858	6	
83	404450	COVER, BASKET From 9-9858	2	
84	406319	SIDE CLOSING PLATE / BASKET From 9-9858	2	
		2) USE WITH 2 SEATING PLACE REAR PASSENGER'S WHITOUT READING LIGHT		
		A) USE WITH AUXILIARY SWITCH FOR LAVATORY LIGHTNING		
		B) USE WITH WASTE TRASH CAN LIGHTENING		
		C) USE WITH DOOR WITH CARPET		
		D) USE WITH DOOR WITH TISSUS		
		G) WITH "GREYHOUND" BUS		
		O) WITH "ORLEAN" OPTION		
		T) WALL WITH TABLE HOLE OR INSTALLATION (SEE PAGE X3-1829-05)		
		P) CALL ORDER DESK FOR SPECIFIC APPLICATION (V.I.N.)		

From G-6064

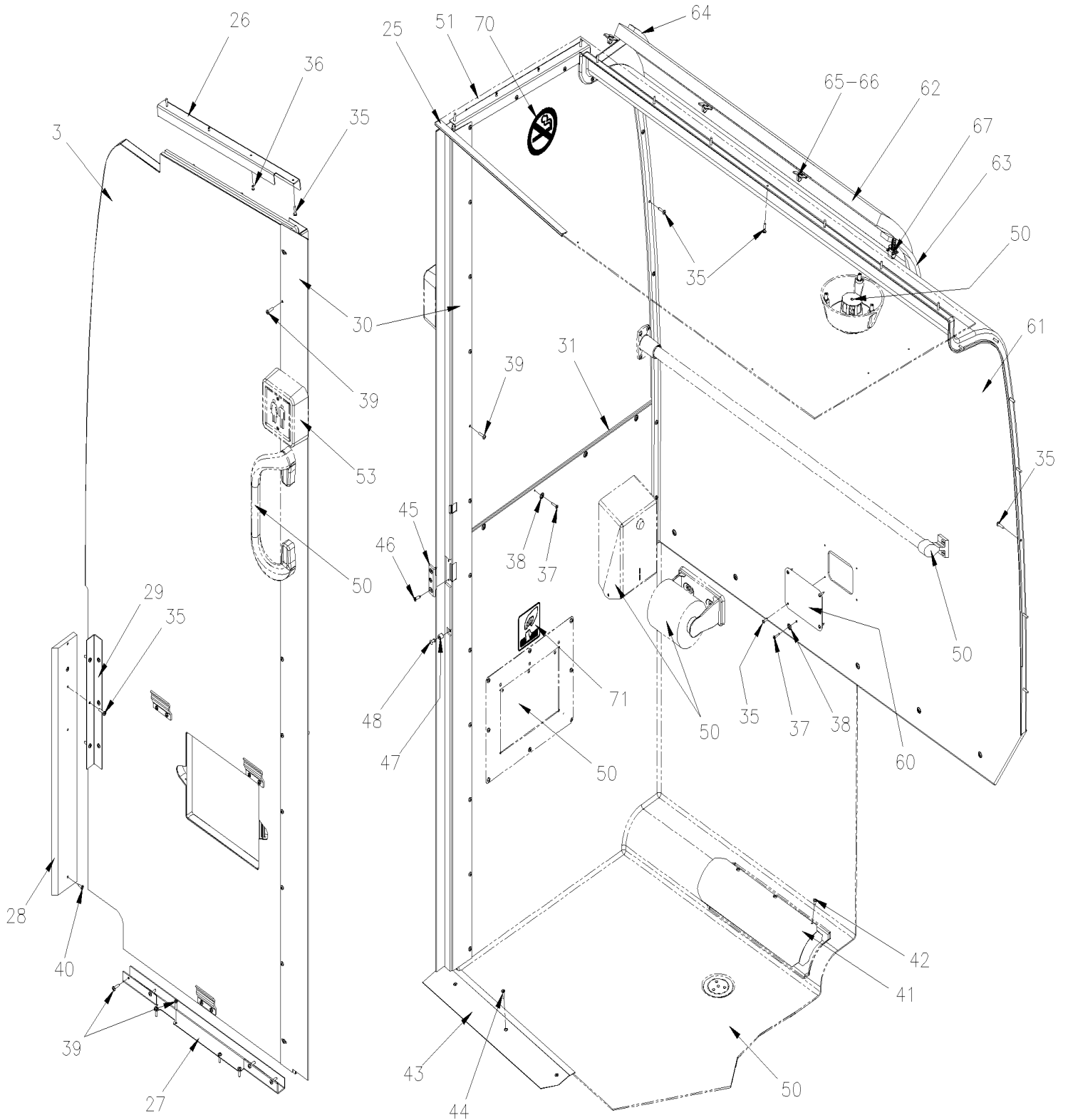
Date:01/2024

PAGE:X3-2328-01

LAVATORY WALL - INSTALLATION



LAVATORY WALL - INSTALLATION



From G-6064	Date:01/2024	PAGE:X3-2328-01
LAVATORY WALL - INSTALLATION		

Item#	Part	Description	QTY	Notes
1	Call order desk	WALL ASSY, SIDE / SPECIFY COLOR CODE To K-6492	1	P E
1	Call order desk	WALL ASSY, SIDE / SPECIFY COLOR CODE From L-6493	1	P E
1	Call order desk	WALL ASSY, SIDE / SPECIFY COLOR CODE To K-6492	1	P F
1	406822	WALL ASSY, SIDE / SPECIFY COLOR CODE From L-6493	1	F
2	Call order desk	WALL ASSY, REAR SIDE / SPECIFY COLOR CODE To H-6179	1	P
. NS	900810	. MOULDING PLASTIC To H-6179	AR	
2	Call order desk	WALL ASSY, REAR SIDE WITH MIRROR / SPECIFY COLOR CODE From H-6180 To K-6492	1	P
. NS	900810	. MOULDING PLASTIC From H-6180 To K-6492	AR	
2	406824	WALL ASSY, REAR SIDE WITH MIRROR / SPECIFY COLOR CODE From L-6493	1	
. NS	900810	. MOULDING PLASTIC From L-6493	AR	
3	Call order desk	WALL ASSY, FRONT / SPECIFY COLOR CODE To K-6492	1	P
. NS	900810	. MOULDING PLASTIC To K-6492	AR	
3	Call order desk	WALL ASSY, FRONT / SPECIFY COLOR CODE From L-6493	1	P
. NS	900810	. MOULDING PLASTIC From L-6493	AR	
3	Call order desk	WALL ASSY, FRONT / SPECIFY COLOR CODE	1	P G
. NS	900810	. MOULDING PLASTIC	AR	G
3	Call order desk	WALL ASSY, FRONT / SPECIFY COLOR CODE From J-6245 To K-6492	1	P G
. NS	900810	. MOULDING PLASTIC From J-6245 To K-6492	1	G
3	Call order desk	WALL ASSY, FRONT / SPECIFY COLOR CODE From L-6493	1	P G
4	405282	LAVATORY DOOR ASSY / CARPET / SPECIFY COLOR CODE To H-6179	1	
4	Call order desk	LAVATORY DOOR ASSY / CARPET / SPECIFY COLOR CODE From H-6180 To K-6492	1	P
4	Call order desk	LAVATORY DOOR ASSY / CARPET / SPECIFY COLOR CODE From L-6493	1	P
4	405284	LAVATORY DOOR ASSY / TISSUS / SPECIFY COLOR CODE To H-6179	1	
4	Call order desk	LAVATORY DOOR ASSY / TISSUS / SPECIFY COLOR CODE From H-6180 To K-6492	1	P
4	406823	LAVATORY DOOR ASSY / TISSUS / SPECIFY COLOR CODE From L-6493	1	
4	Call order desk	LAVATORY DOOR ASSY / LOCK "FORD" / CARPET / SPECIFY COLOR CODE To H-6179	1	P
4	400491	LAVATORY DOOR ASSY / LOCK "FORD" / TISSUS / SPECIFY COLOR CODE From H-6180 To K-6492	1	
4	406840	LAVATORY DOOR ASSY / LOCK "FORD" / TISSUS / SPECIFY COLOR CODE From L-6493	1	
5	405222	DECAL / LAVATORY OPEN / LOCK / ENGLISH To H-6179	1	
5	400315	DECAL / LAVATORY OPEN / LOCK / ENGLISH From H-6180	1	
5	403820	DECAL / LAVATORY OPEN / LOCK FOR LIGHTING / ENGLISH & FRANCAIS To H-6179	1	
5	400314	DECAL / LAVATORY OPEN / LOCK / ENGLISH & FRANCAIS From H-6180	1	
5	405642	DECAL / LAVATORY OPEN / LOCK FOR LIGHTING / ENGLISH & SPANISH To H-6179	1	
5	400313	DECAL / LAVATORY OPEN / LOCK / ENGLISH & SPANISH From H-6180	1	
5	406982	DECAL / LAVATORY OPEN / LOCK FOR LIGHTING / ENGLISH & SPANISH & FRANCAIS To H-6179	1	
5	400324	DECAL / LAVATORY OPEN / LOCK / ENGLISH & SPANISH & FRANCAIS From H-6180	1	
6	900297	HOOK / COAT To J-6232	1	
6	900065	HOOK / COAT From J-6233	1	
6	900066	CAP, COAT HOOK From J-6233	1	
7	500626	SCREW TP OV PH #8x3/4 Z050 To J-6232	2	
7	5001155	SCREW TP PAN PH #8X3/4 N050 From J-6233	2	
8	405065	GRILL, VENT / MED GREY	2	

From G-6064	Date:01/2024	PAGE:X3-2328-01
LAVATORY WALL - INSTALLATION		

Item#	Part	Description	QTY	Notes
9	500624	SCREW TP OV PH #6x1/2 Z050	16	
10	405518	PLATE RETAINING DOOR / 76MM X 31MM	1	
11	500124	SCREW TP TR PH #8x1/2 SS	3	
12	780134	HINGE NP .040 X 3/4 X 3/4 X 72"	1	
13	500614	SCREW TP FL PH #6x3/4 Z050	AR	
14	407705	LEATHERETTE GREY / 125MM X 1985MM To H-6179	1	
14	401377	LEATHERETTE GREY / 125MM X 1980MM From K-6483	1	
14	400181	LEATHERETTE GREY / 125MM X 1980MM From H-6180 To K-6482	1	
14	401375	LEATHERETTE GREY / 125MM X 1980MM From K-6483	1	
14	400832	LEATHERETTE GREY / 125MM X 1970MM To K-6482	1	
14	401376	LEATHERETTE GREY / 125MM X 1970MM From K-6483	1	
15	404971	MOULDING RETAINER / 1980MM To K-6492	2	
15	400830	MOULDING RETAINER / 1970M From L-6493	2	
16	500614	SCREW TP FL PH #6x3/4 Z050	AR	
17	407704	MOULDING CAP / SS 2100MM To K-6492	2	
17	400831	MOULDING CAP / SS 1970M From L-6493	2	
18	405006	MOULDING "J" FORM / 1985MM / A/A	1	C
18	405005	MOULDING "J" FORM / 1985MM / A/A	1	D
19	401490	MOULDING "J" FORM / 463MM (18 1/4") / A/A	1	C
19	401309	MOULDING "J" FORM / 463MM (18 1/4") / A/A	1	D
21	341268	MOULDING / "U" SHAPE 529MM To H-6179	1	
21	340064	MOULDING / "U" SHAPE From H-6180 To K-6492	1	
21	340243	MOULDING / "U" SHAPE 532MM From L-6493	1	
22	341269	MOULDING / "U" SHAPE 863MM To H-6179	1	
22	400045	MOULDING / "U" SHAPE 733MM From H-6180 To K-6492	1	
22	340253	MOULDING / From L-6493	1	
22	340239	MOULDING, REINFORCEMENT From L-6493	1	
23	408286	ANGLE 92.2MM To K-6492	1	
23	400812	ANGLE From L-6493	1	
24	408277	ANGLE 623.2MM X 518.2MM To H-6179	1	
24	408386	ANGLE 623.2MM X 503.2MM From H-6180 To K-6492	1	
24	400808	ANGLE From L-6493	1	
25	341285	MOULDING / "J" SHAPE 489MM	1	
NS	680437	TAPE TRANSFER ADH2 CLEAR 12.7MM x 55M / TRM950-0500	AR	
26	341284	MOULDING / "U" SHAPE 465MM To H-6179	1	
26	340065	MOULDING / "U" SHAPE 465MM From H-6180 To K-6492	1	
26	340252	MOULDING / "U" SHAPE From L-6493	1	
27	407702	MOULDING / "U" SHAPE 531MM	1	
28	400727	ANGLE, RETAINING 23"	1	
29	401173	ANGLE, RETAINING 12" To K-6492	1	
29	401441	ANGLE, RETAINING 12" From L-6493	1	
30	407703	MOULDING DOOR 1995MM To K-6492	1	

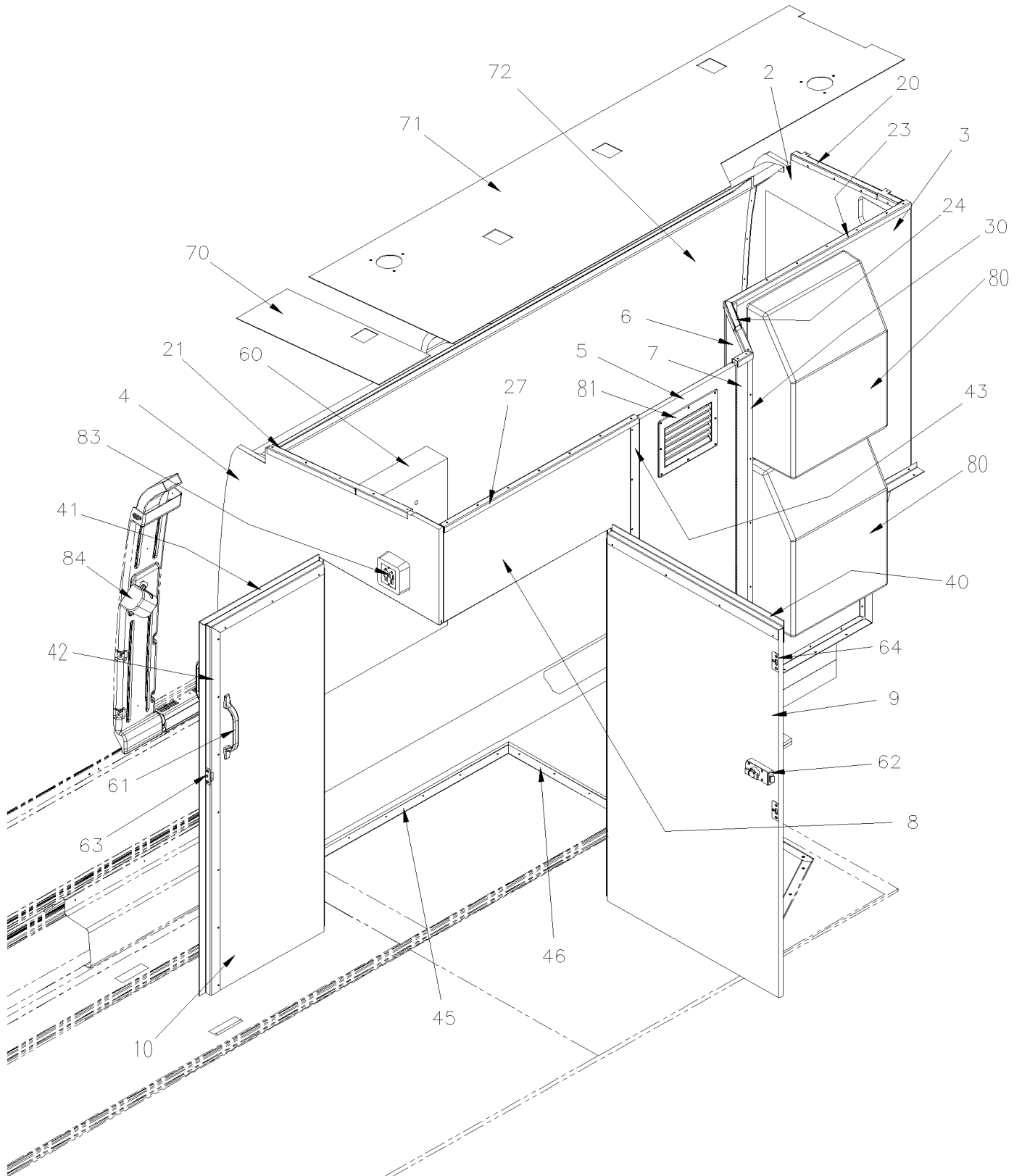
From G-6064		Date:01/2024	PAGE:X3-2328-01
LAVATORY WALL - INSTALLATION			

Item#	Part	Description	QTY	Notes
30	400771	MOULDING DOOR 1981MM From L-6493	1	
NS	504397	GROMMET / .750x1.062x.062x.375x1.375	1	
NS	506003	TAPE RUB ADH1 CC POL 3/16" x 3/4" x 40' / GREY 2520X	AR	
31	407708	MOULDING "J" FORM / 635MM	1	
32	407707	MOULDING "J" FORM / 750MM	1	
33	400886	MOULDING "J" FORM / 788MM (31") / A/A To H-6179	1	
33	400346	MOULDING "J" FORM / 665MM From H-6180	1	
34	407700	ANGLE 670MM To H-6179	2	
34	407700	ANGLE 670MM From H-6180	1	
35	500641	SCREW TP PAN PH #8x3/4 Z050	AR	
36	504105	RIVET POP DOME OE 1/8x3/16 AL	AR	
37	500552	SCREW TP OV PH #6x3/4 Z050 To K-6492	AR	
37	5002070	SCREW DR SEMS FN OV PH #8x1 Z050 From L-6493	AR	
38	500463	WASHER FN CKF .187x.500x.090 BR Z050 To K-6492	AR	
39	5001119	SCREW TP BDG PH #8x3/4 SS	AR	
40	500434	SCREW TP FL PH #8x3/4 Z050	2	
41	400874	PLATE, ACCESS / TOILET HEATING TUBE To H-6179	1	
42	500952	SCREW TP BDG PH #8x1/2 SS To H-6179	3	
43	407706	PROTECTOR, FLOOR 480MM	1	
44	5001845	SCREW TP FL PH #8x3/4 SS410	3	
45	405295	CATCH PLATE	1	
46	500353	SCREW TP FL PH #8x3/4 BK	3	
47	502712	WASHER FL .194x.375x.375 NYL	1	
48	504120	RIVET POP DOME CLE 3/16x1/2 AL	1	
49	400048	ANGLE REAR LAVATORY WALL 750x53x27.7MM To K-6492	1	
49	400773	ANGLE REAR LAVATORY WALL From L-6493 To L-6655	1	
49	401497	ANGLE REAR LAVATORY WALL From L-6656	1	
50	X3-2325-01	LAVATORY - ACCESSORIES		
51	X3-1837-00	CEILING PANELS & MOULDING - BUS		
52	X3-2329-00	LAVATORY DOOR LOCK & SWITCH		
53	X3-0655-01	INTERIOR LIGHTING / "LED"		
55	500805	WASHER FL .218x.875x.062 N500	4	
56	400105	ANGLE 670MM To K-6492	1	
56	401334	ANGLE 645MM From L-6493	1	
60	400795	PLATE, CLOSURE From L-6493	1	
61	320909	WALL FIBERGLASS PANEL LAVATORY To H-6179	1	
61	3201532	WALL FIBERGLASS PANEL LAVATORY From H-6180 To K-6492	1	
61	3210384	WALL FIBERGLASS PANEL LAVATORY From L-6493	1	
61	340261	MOLDING, FIBRER WALL FIXING From L-6493	1	
61	340238	MOULDING, REINFORCEMENT From L-6493	1	
NS	506466	TAPE RUB ADH1 CC POL 1/16" x 1 1/2" x 100 / GREY 2520	AR	
NS	506225	TAPE RUB ADH1 CC POL 1/16" x 1/4" x 100' / GREY 2520	AR	

From G-6064	Date:01/2024	PAGE:X3-2328-01
LAVATORY WALL - INSTALLATION		

Item#	Part	Description	QTY	Notes
62	320929	INSULATING PAD ADHESIVE 900MM x 1225MM To K-6492	1	
62	3210418	INSULATING PAD ADHESIVE 911MM x 841.5MM From L-6493	1	
63	506282	TAPE RUB ADH1 CC POL 3/8" x 1" x 20' / GREY 2520	AR	
64	506264	TAPE RUB ADH1 URE 3/4" x 1" x 12.5' / GREY 1820X	AR	
65	562679	4 WAY ADH. BACKED MOUNTS 1.000 x 1.000 x .160	AR	
66	504637	CABLE TIE / 3/16" x 13"	AR	
67	504750	CABLE TIE / 1/2" x 15" / CHRISTMAS TREE	AR	
70	406690	DECAL / "NO SMOKING"	2	
70	400014	DECAL / NO SMOKING / DRINKING INTOXICANTS.... / ENGLISH & SPANISH & FRANCAIS From J-6309	2	G
71	406616	DECAL / "TRASH"	1	
72	406610	DECAL "NO FOREIGN MATERIAL..."	1	
75	405126	PROTECTOR PANEL 460MM x 100MM SS	1	
76	500952	SCREW TP BDG PH #8x1/2 SS	6	
		C) USE WITH DOOR WITH CARPET		
		D) USE WITH DOOR WITH TISSUS		
		E) USE WITH 2 SEATING PLACE REAR PASSENGER'S WITHOUT READING LIGHT		
		F) USE WITH 3 SEATING PLACE REAR PASSENGER'S WITH READING LIGHT		
		G) WITH "GREYHOUND" BUS		
		P) CALL ORDER DESK FOR SPECIFIC APPLICATION (V.I.N.)		

LAVATORY WALL - INSTALLATION - "W.C.L."

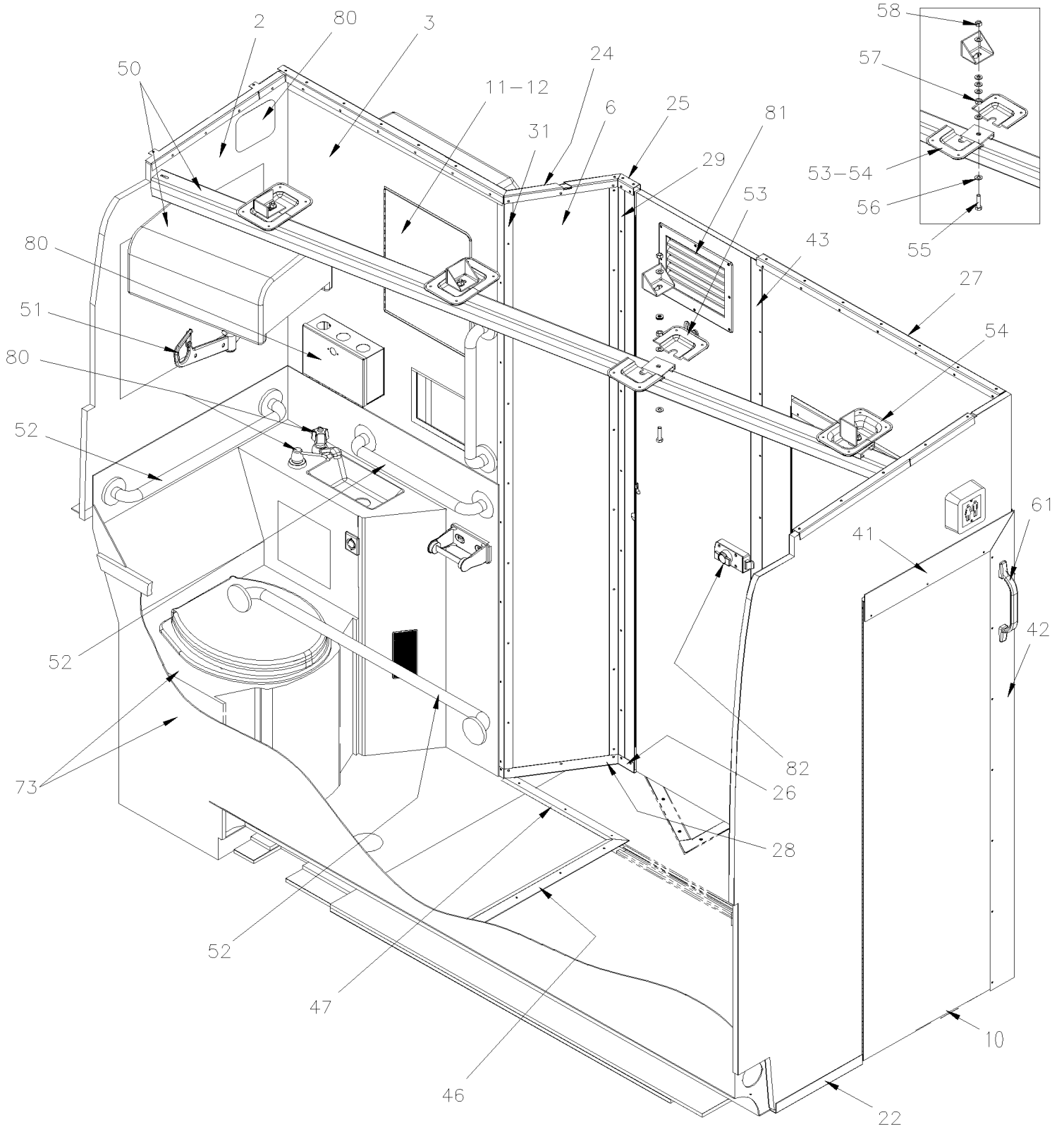


From 7-8938 To H-6179

Date:01/2024

PAGE:X3-2328-80

LAVATORY WALL - INSTALLATION - "W.C.L."



From 7-8938 To H-6179	Date:01/2024	PAGE:X3-2328-80
-----------------------	--------------	-----------------

LAVATORY WALL - INSTALLATION - "W.C.L."

Item#	Part	Description	QTY	Notes
2	405367P	WALL ASSY, REAR / W/WASH BASSIN	1	
3	Call order desk	WALL ASSY, SIDE / TISSUS / W/2 BINS "PWT" / SPECIFY COLOR CODE	1	P
4	Call order desk	WALL ASSY, FRONT DOOR W.C.L. / "PWT"	1	P
4	Call order desk	WALL ASSY, FRONT DOOR W.C.L.	1	P
4	315891	ANGLE SUPPORT / (FIXED TO LAVATORY WALL) To B-5001	1	
4	316517	ANGLE SUPPORT / (FIXED TO LAVATORY WALL) From B-5002	1	
5	Call order desk	LAVATORY DOOR ASSY / "PWT" / WITH 2 LOCKS	1	P
6	Call order desk	WALL ASSY, ENLARGER W.C.L. 334MM	1	P
6	Call order desk	WALL ASSY, ENLARGER W.C.L.	1	P
7	Call order desk	WALL SIDE DOOR, ENLARGER W.C.L. 75.5MM	1	P
7	Call order desk	WALL SIDE DOOR, ENLARGER W.C.L.	1	P
8	Call order desk	WALL ASSY W.C.L. DOOR / "P.W.T."	1	P
8	Call order desk	WALL ASSY W.C.L. DOOR	1	P
9	Call order desk	LAVATORY DOOR ASSY W.C.L. LARGE / "P.W.T."	1	P
9	Call order desk	LAVATORY DOOR ASSY W.C.L.	1	P
10	Call order desk	FRONT DOOR ASSY, W.C.L. / "P.W.T."	1	P
10	Call order desk	FRONT DOOR ASSY, W.C.L.	1	P
11	Call order desk	DOOR ASSY / "PWT" 340MM x 432MM	1	P
. NS	780538	. LOCK	1	
. . NS	780539	. . KEY / (CH751)	1	
. NS	408183	. PIVOT LOCK / ON CUPBOARD DOOR / 16MM OFFSET	1	
. NS	780134	. HINGE NP .040 X 3/4 X 3/4 X 72"	AR	
. NS	900810	. MOULDING PLASTIC	AR	
12	406321	STOPPER DOOR "PWT"	1	
20	404926	MOULDING / "U" SHAPE 520MM	1	
21	405869	MOULDING / "U" SHAPE 682MM	1	
22	405870	MOULDING / "U" SHAPE 336MM	1	
23	405891	MOULDING / "U" SHAPE 881.5MM	1	
24	405887	MOULDING / "U" SHAPE 335.4MM	1	
25	405886	MOULDING / "U" SHAPE 74MM	1	
26	485885	MOULDING / "U" SHAPE 74MM	1	
27	405889	MOULDING / "U" SHAPE 943MM	1	
28	405888	MOULDING / "U" SHAPE 335.4MM	1	
29	405897	MOULDING "V" 120° INSIDE / 1955MM	1	
30	405896	MOULDING "V" 120° OUTSIDE / 1955MM	1	
31	405908	MOULDING "V" 120° OUTSIDE / SB 2000MM x 32MM	1	
40	405892	MOULDING UPPER DOOR 830MM	1	
41	405893	MOULDING UPPER DOOR 581.3MM	1	
42	405894	MOULDING SIDE DOOR 1608MM To G-5986	1	
42	409464	MOULDING SIDE DOOR 1608MM From G-5987	1	
43	405895	MOULDING DOOR 2004MM	1	

From 7-8938 To H-6179	Date:01/2024	PAGE:X3-2328-80
LAVATORY WALL - INSTALLATION - "W.C.L."		

Item#	Part	Description	QTY	Notes
45	405901	MOULDING FLOOR 1236MM	1	
46	405902	MOULDING FLOOR 666MM	1	
47	405903	MOULDING FLOOR 454MM	1	
50	405867	ELECTRICAL PERSONAL LIFTING KIT	1	
51	Call order desk	SWIVEL SUPPORT W/2 HOOK FOR LIFTING	1	P
52	405868	KIT OF 4 GRAB HANDLE 18" / 24" & 36"	1	
53	485574	CLOSING RAIL SUPPORT COVER 12MM DEEP	6	
54	485575	CLOSING RAIL SUPPORT COVER 34MM DEEP	2	
55	500829	SCREW CAP HEX M10-1.5x40 G8.8	5	
56	500832	WASHER FL .406x.812x.065 N500	10	
57	500847	NUT HEX M10-1.5 N500	5	
58	5001758	NUT HEX STO M10-1.5 N500	5	
60	400611	BABY CHANGING STATION / "RUBBERMAID"	1	
60	217606	SPACER ROUND / ALU 44.5MM O.D. x 13MM TH	8	
61	901047	HANDLE / SHORT To G-5986	2	
61	901459	HANDLE From G-5987 To H-6127	2	
61	900054	HANDLE From H-6128 To H-6171	2	
61	901459	HANDLE From H-6172	2	
61	500641	SCREW TP PAN PH #8x3/4 Z050 To G-5986	8	
61	500879	SCREW TP PAN PH #10x1 Z050 From G-5987	8	
61	500964	WASHER FL .203x.500x.047 Z050 From G-5987	8	
61	900490	CAP / W/HANDLE From G-5987 To H-6127	4	
61	N.S.S.	CAP / W/HANDLE From H-6128 To H-6171	4	1
61	900490	CAP / W/HANDLE From H-6172	4	
62	406311	LOCK ASSY, DOOR (see detail X3-2329-00)	1	
63	405295	CATCH PLATE	1	
64	405518	PLATE RETAINING DOOR / 76MM X 31MM	1	
70	Call order desk	CEILLING PANEL / LAVATORY "PWT" 248MM To C-5104	1	P
70	Call order desk	CEILLING PANEL / LAVATORY "PWT" 245MM From C-5105	1	P
71	Call order desk	CEILLING PANEL / LAVATORY "PWT" 2330MM To C-5104	1	P
71	Call order desk	CEILLING PANEL / LAVATORY "PWT" 2330MM From C-5105	1	P
72	323532	WALL FIBERGLASS PANEL LAVATORY 2503MM To C-5104	1	
72	3200271	WALL FIBERGLASS PANEL LAVATORY 2486MM From C-5105 To E-5710	1	
72	3201174	WALL FIBERGLASS PANEL LAVATORY From E-5711	1	
73	401936	LAVATORY, FIBERGLASS / WCL / "PWT"	1	
NS	066308	CABLE ASSY / TO L.H. WINDOW / W/W.C.L. To G-5977	1	
75	069304	CABLE ASSY / TO L.H. WINDOW / W/W.C.L. From G-5978	1	
NS	066799	CABLE READING LIGHT AUXILIARY W.C.L. SEAT	1	
NS	313930	FINISHING CAP R.H. / FRONT OF P.R. 66MM	1	
NS	323400	DUCT, AIR 772MM / GREY	1	
NS	404998	CLOSING PANEL To E-5710	2	

From 7-8938 To H-6179	Date:01/2024	PAGE:X3-2328-80
LAVATORY WALL - INSTALLATION - "W.C.L."		

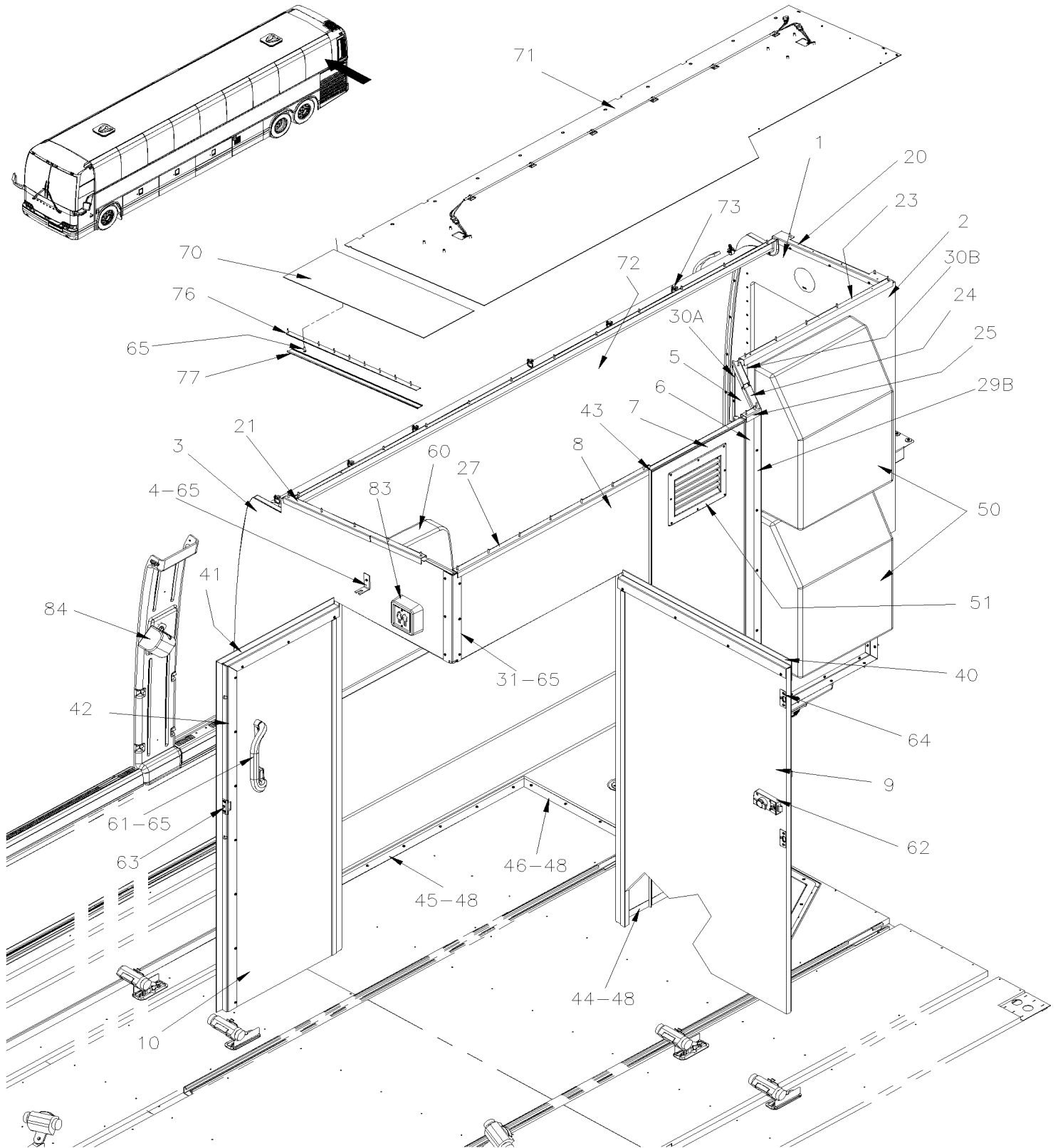
Item#	Part	Description	QTY	Notes
NS	404998	CLOSING PANEL From E-5711	1	
NS	500641	SCREW TP PAN PH #8x3/4 Z050	AR	
NS	500434	SCREW TP FL PH #8x3/4 Z050	AR	
NS	506001	TAPE RUB ADH1 CC POL 1/8" x 3/4" x 50' / GREY 2520X	AR	
NS	506003	TAPE RUB ADH1 CC POL 3/16" x 3/4" x 40' / GREY 2520X	AR	
80	X3-2325-00	LAVATORY - ACCESSORIES		
81	X3-2328-00	LAVATORY WALL - INSTALLATION		
82	X3-2329-00	LAVATORY DOOR LOCK & SWITCH		
83	X3-0655-00	INTERIOR LIGHTING / "FLUORESCENT" To D-5371		
83	X3-0655-01	INTERIOR LIGHTING / "LED" From C-5249		
84	X3-2370-20	W.C.L. SEAT BELTS		
87	400181	LEATHERETTE GREY / 125MM X 1980MM	1	
		1) NOT SOLD SEPARATELY		
		P) CALL ORDER DESK FOR SPECIFIC APPLICATION (V.I.N.)		

From H-6180 To K-6492

Date:01/2024

PAGE:X3-2328-81

LAVATORY WALL - INSTALLATION - "W.C.L." GHG17

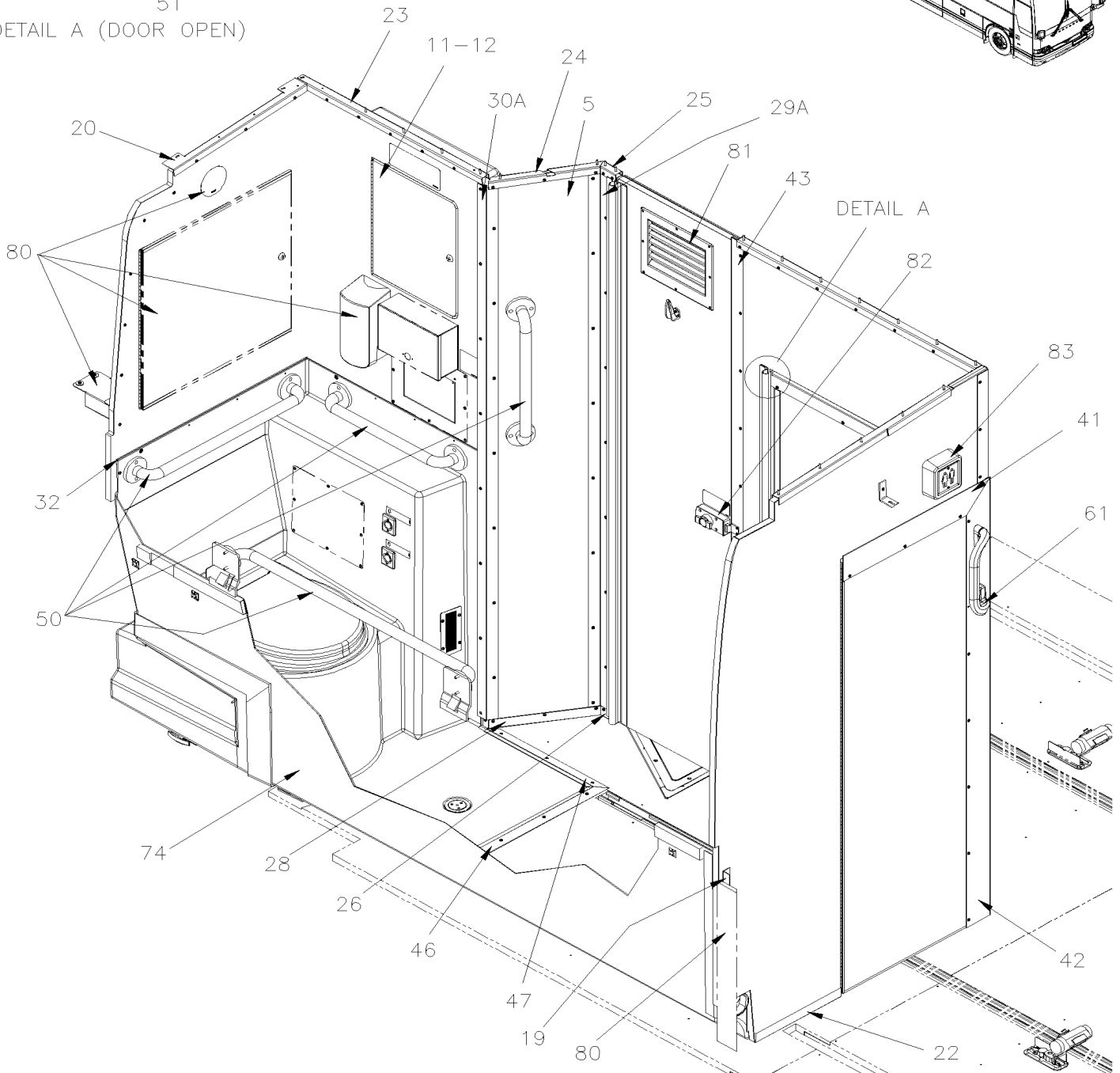
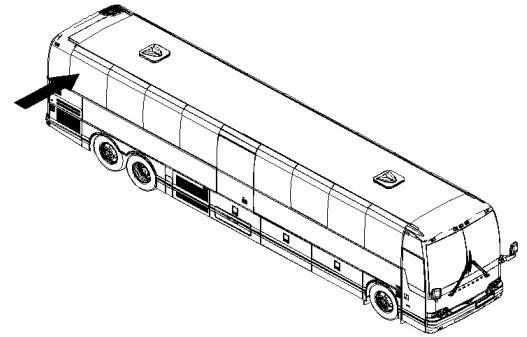
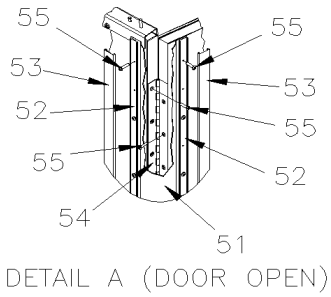


From H-6180 To K-6492

Date:01/2024

PAGE:X3-2328-81

LAVATORY WALL - INSTALLATION - "W.C.L." GHG17



From H-6180 To K-6492	Date:01/2024	PAGE:X3-2328-81
LAVATORY WALL - INSTALLATION - "W.C.L." GHG17		

Item#	Part	Description	QTY	Notes
1	Call order desk	WALL ASSY, REAR SIDE WITH MIRROR / SPECIFY COLOR CODE	1	P
. NS	900810	. MOULDING PLASTIC	AR	
2	Call order desk	WALL ASSY, SIDE / TISSUS / W/2 BINS "PWT" / SPECIFY COLOR CODE	1	P
3	Call order desk	WALL ASSY, FRONT DOOR W.C.L.	1	P
4	316517	ANGLE SUPPORT / (FIXED TO LAVATORY WALL)	1	
5	Call order desk	WALL ASSY, ENLARGER W.C.L.	1	P
6	Call order desk	WALL SIDE DOOR, ENLARGER W.C.L.	1	P
7	Call order desk	LAVATORY DOOR ASSY / "PWT" / WITH 2 LOCKS	1	P
8	Call order desk	WALL ASSY W.C.L. DOOR	1	P
9	Call order desk	LAVATORY DOOR ASSY W.C.L. LARGE / "P.W.T."	1	P
10	Call order desk	FRONT DOOR ASSY, W.C.L. / "P.W.T."	1	P
11	Call order desk	DOOR ASSY / "PWT" 340MM x 432MM	1	P
. NS	780538	. LOCK	1	
. . NS	780539	. . KEY / (CH751)	1	
. NS	408183	. PIVOT LOCK / ON CUPBOARD DOOR / 16MM OFFSET	1	
. NS	780134	. HINGE NP .040 X 3/4 X 3/4 X 72"	AR	
. NS	900810	. MOULDING PLASTIC	AR	
12	406321	STOPPER DOOR "PWT"	1	
19	401173	ANGLE, RETAINING 12" To K-6492	1	
19	401441	ANGLE, RETAINING 12" From L-6493	1	
20	340064	MOULDING / "U" SHAPE To K-6492	1	
20	340243	MOULDING / "U" SHAPE 532MM From L-6493	1	
21	405869	MOULDING / "U" SHAPE 682MM To K-6438	1	
21	401316	MOULDING / "U" SHAPE 835.6MM From K-6439	1	
22	405870	MOULDING / "U" SHAPE 336MM	1	
23	400538	MOULDING / "U" SHAPE 757MM	1	
24	405887	MOULDING / "U" SHAPE 335.4MM	1	
25	405886	MOULDING / "U" SHAPE 74MM	1	
26	485885	MOULDING / "U" SHAPE 74MM	1	
27	405889	MOULDING / "U" SHAPE 943MM To K-6438	1	
27	401319	MOULDING / "U" SHAPE 971MM From K-6439	1	
28	405888	MOULDING / "U" SHAPE 335.4MM	1	
29A	405897	MOULDING "V" 120° INSIDE / 1955MM	1	
29B	405896	MOULDING "V" 120° OUTSIDE / 1955MM	1	
30A	400539	MOULDING "V" 120° INSIDE / 1979MM	1	
30B	400540	MOULDING "V" 120° OUTSIDE / 1947MM	1	
31	407680	MOULDING CORNER 408MM To K-6438	1	
31	401318	MOULDING CORNER 385MM From K-6439	1	
32	407707	MOULDING "J" FORM / 750MM	1	
40	405892	MOULDING UPPER DOOR 830MM	1	
41	405893	MOULDING UPPER DOOR 581.3MM	1	
42	409464	MOULDING SIDE DOOR 1608MM	1	

From H-6180 To K-6492	Date:01/2024	PAGE:X3-2328-81
LAVATORY WALL - INSTALLATION - "W.C.L." GHG17		

Item#	Part	Description	QTY	Notes
43	405895	MOULDING DOOR 2004MM	1	
44	405890	MOULDING FLOOR 125MM	1	
45	405901	MOULDING FLOOR 1236MM	1	
46	400379	MOULDING FLOOR 640.2MM	1	
47	405903	MOULDING FLOOR 454MM	1	
48	5001119	SCREW TP BDG PH #8x3/4 SS	AR	
50	405868	KIT OF 4 GRAB HANDLE 18" / 24" & 36"	1	
51	400181	LEATHERETTE GREY / 125MM X 1980MM To K-6482	2	
51	401375	LEATHERETTE GREY / 125MM X 1980MM From K-6483	1	
52	404971	MOULDING RETAINER / 1980MM	AR	
53	407704	MOULDING CAP / SS 2100MM	AR	
54	780134	HINGE NP .040 X 3/4 X 3/4 X 72"	2	
55	500614	SCREW TP FL PH #6x3/4 Z050	AR	
60	400611	BABY CHANGING STATION / "RUBBERMAID"	1	
61	901459	HANDLE	2	
61	500879	SCREW TP PAN PH #10x1 Z050	8	
61	500964	WASHER FL .203x.500x.047 Z050	8	
61	900490	CAP / W/HANDLE	4	
62	X3-2329-00	LAVATORY DOOR LOCK & SWITCH		
63	405295	CATCH PLATE	1	
64	405518	PLATE RETAINING DOOR / 76MM X 31MM	1	
65	500641	SCREW TP PAN PH #8x3/4 Z050	AR	
70	341220	CEILING PANEL / LAVATORY "PWT" 245MM	1	
71	340108	CEILING PANEL / LAVATORY "PWT" 2189MM	1	
72	3201575	WALL FIBERGLASS PANEL LAVATORY	1	
NS	3211426	INSULATING PAD / 914MMx1560MM From L-6493	1	
NS	3211427	INSULATING PAD / 914MMx423MM From L-6493	1	
73	564534	CABLE TIE / WITH EDGE CLIP / T50REC5A 10 MM x 200 MM	AR	
74	400369	LAVATORY, FIBERGLASS / WCL / "PWT"	1	
NS	060924	CABLE READING LIGHT AUXILIARY W.C.L. SEAT	3	
76	340684	MOULDING RETAINER / 800MM (31 1/2")	1	
77	340681	MOULDING CAP / GREY PLATINE 2794MM / 110"	AR	
NS	500641	SCREW TP PAN PH #8x3/4 Z050	AR	
NS	500434	SCREW TP FL PH #8x3/4 Z050	AR	
NS	506001	TAPE RUB ADH1 CC POL 1/8" x 3/4" x 50' / GREY 2520X	AR	
79	506227	TAPE RUB ADH1 CC POL 1/16" x 3/4" x 100' / GREY 2520	AR	
NS	506003	TAPE RUB ADH1 CC POL 3/16" x 3/4" x 40' / GREY 2520X	AR	
80	X3-2325-01	LAVATORY - ACCESSORIES		
81	X3-2328-01	LAVATORY WALL - INSTALLATION		
82	X3-2329-00	LAVATORY DOOR LOCK & SWITCH		
83	X3-0655-01	INTERIOR LIGHTING / "LED"		

From H-6180 To K-6492	Date:01/2024	PAGE:X3-2328-81
-----------------------	--------------	-----------------

LAVATORY WALL - INSTALLATION - "W.C.L." GHG17

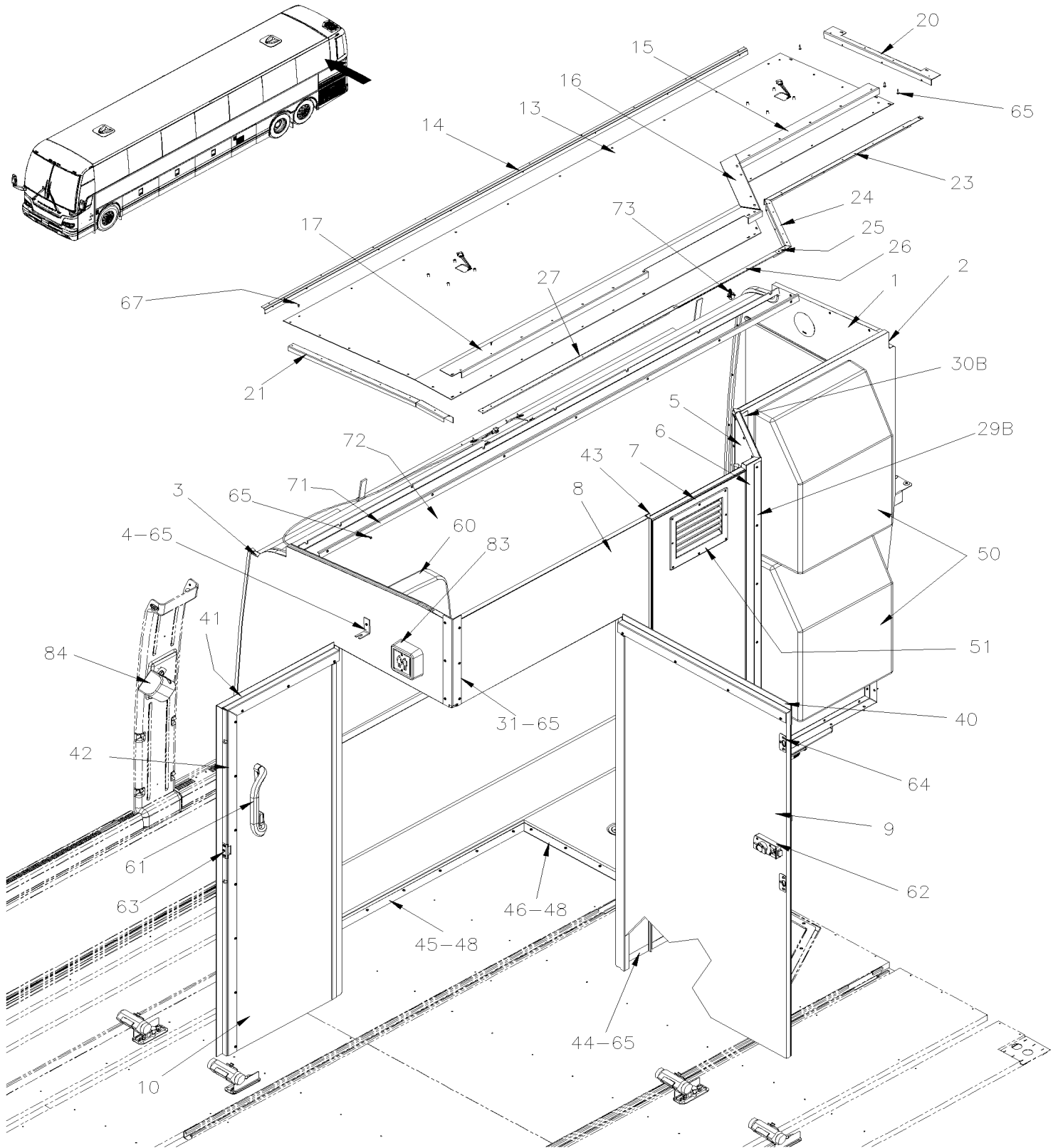
Item#	Part	Description	QTY	Notes
84	X3-2370-20	W.C.L. SEAT BELTS		
		P) CALL ORDER DESK FOR SPECIFIC APPLICATION (V.I.N.)		

From L-6493

Date:01/2024

PAGE:X3-2328-82

LAVATORY WALL - INSTALLATION - "W.C.L."

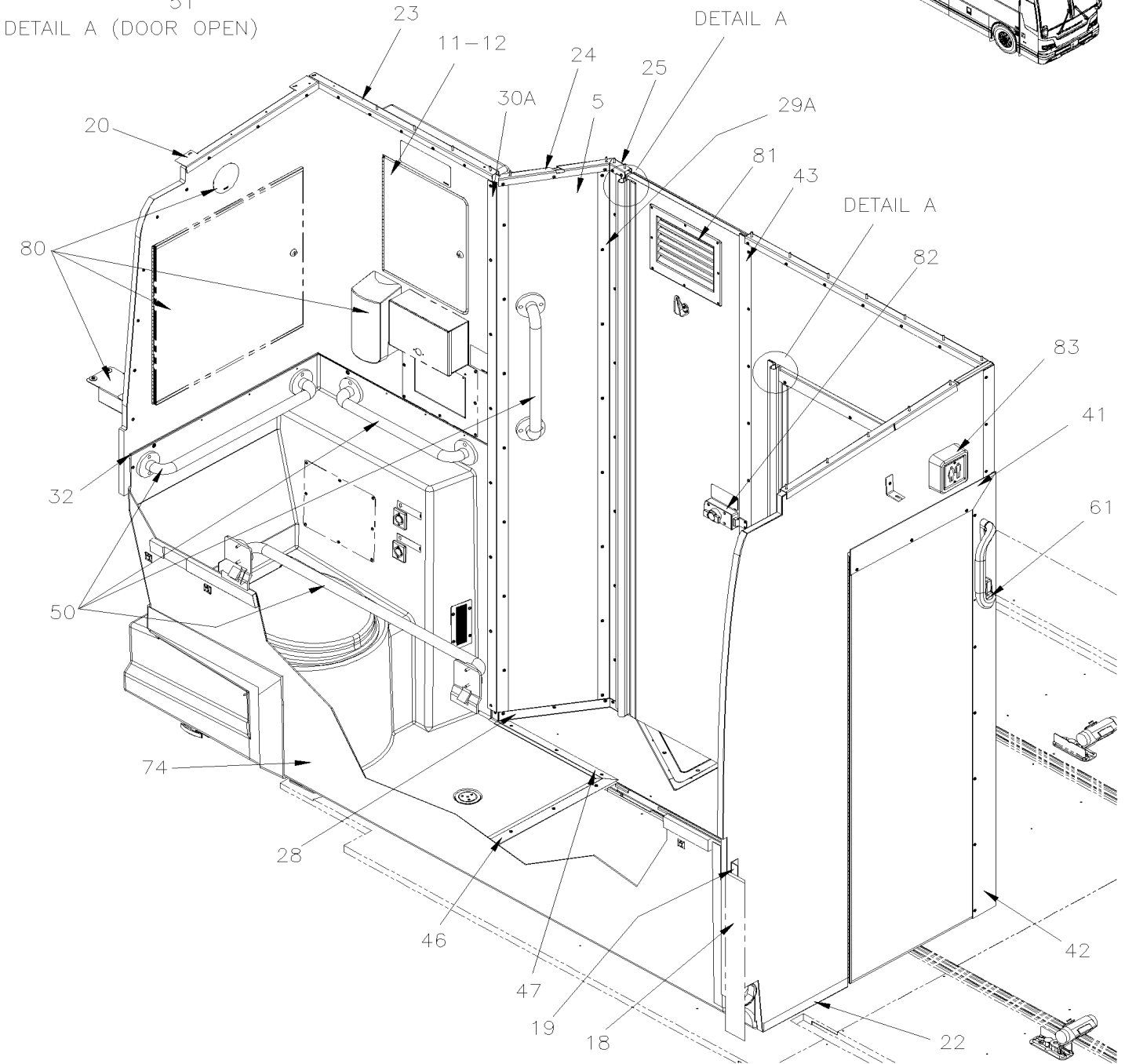
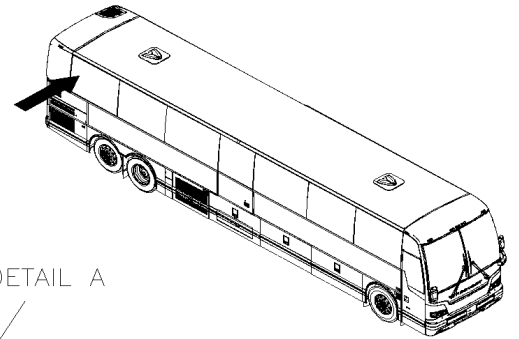
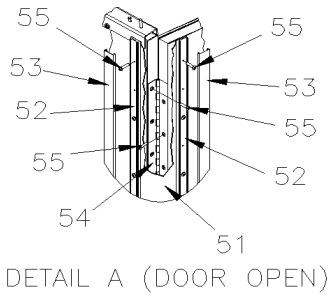


From L-6493

Date:01/2024

PAGE:X3-2328-82

LAVATORY WALL - INSTALLATION - "W.C.L."



From L-6493		Date:01/2024	PAGE:X3-2328-82
LAVATORY WALL - INSTALLATION - "W.C.L."			

Item#	Part	Description	QTY	Notes
1	Call order desk	WALL ASSY, REAR SIDE WITH MIRROR / SPECIFY COLOR CODE	1	P
. NS	900810	. MOULDING PLASTIC	AR	
2	Call order desk	WALL ASSY, SIDE / TISSUS / W/2 BINS "PWT" / SPECIFY COLOR CODE	1	P
3	Call order desk	WALL ASSY, FRONT DOOR W.C.L.	1	P
4	316517	ANGLE SUPPORT / (FIXED TO LAVATORY WALL)	1	
5	Call order desk	WALL ASSY, FRONT DOOR W.C.L.	1	P
6	Call order desk	WALL SIDE DOOR, ENLARGER W.C.L.	1	P
7	Call order desk	LAVATORY DOOR ASSY / "PWT" / WITH 2 LOCKS	1	P
8	Call order desk	WALL ASSY W.C.L. DOOR	1	P
9	Call order desk	LAVATORY DOOR ASSY W.C.L. LARGE / "P.W.T."	1	P
10	Call order desk	FRONT DOOR ASSY, W.C.L. / "P.W.T."	1	P
11	Call order desk	DOOR ASSY / "PWT" 340MM x 432MM	1	P
. NS	780538	. LOCK	1	
. . NS	780539	. . KEY / (CH751)	1	
. NS	408183	. PIVOT LOCK / ON CUPBOARD DOOR / 16MM OFFSET	1	
. NS	780134	. HINGE NP .040 X 3/4 X 3/4 X 72"	AR	
. NS	900810	. MOULDING PLASTIC	AR	
12	406321	STOPPER DOOR "PWT"	1	
13	341400	CEILING PANEL / LAVATORY "PWT"	1	
14	341385	MOULDING 2371MM	1	
15	341386	MOULDING, REINFORCEMENT	1	
15	680437	TAPE TRANSFER ADH2 CLEAR 12.7MM x 55M / TRM950-0500	AR	
16	341384	MOULDING, REINFORCEMENT	1	
16	680437	TAPE TRANSFER ADH2 CLEAR 12.7MM x 55M / TRM950-0500	AR	
17	341387	MOULDING, REINFORCEMENT	1	
17	680437	TAPE TRANSFER ADH2 CLEAR 12.7MM x 55M / TRM950-0500	AR	
18	400727	ANGLE, RETAINING 23"	1	
19	401441	ANGLE, RETAINING 12"	1	
20	340243	MOULDING / "U" SHAPE 532MM	1	
21	341389	MOULDING / "U" SHAPE 786MM	1	
22	401730	MOULDING / "U" SHAPE 335MM	1	
23	341393	MOULDING 760MM	1	
24	341392	MOULDING 329MM	1	
25	341394	MOULDING 66MM	1	
26	341285	MOULDING / "J" SHAPE 489MM	1	
27	341395	MOULDING 961MM	1	
28	402041	MOULDING LOWER WALL	1	
29A	401974	MOULDING "V" 120° INSIDE / 1976MM	1	
29B	401891	MOULDING "V" 120° OUTSIDE / 1948MM	1	
30A	401907	MOULDING "V" 120° INSIDE / 1967MM	1	
30B	401880	MOULDING "V" 120° OUTSIDE / 1940MM	1	
31	402108	MOULDING CORNER 402MM	1	

From L-6493	Date:01/2024	PAGE:X3-2328-82
LAVATORY WALL - INSTALLATION - "W.C.L."		

Item#	Part	Description	QTY	Notes
32	407707	MOULDING "J" FORM / 750MM	1	
40	405892	MOULDING UPPER DOOR 830MM	1	
41	405893	MOULDING UPPER DOOR 581.3MM	1	
42	409464	MOULDING SIDE DOOR 1608MM	1	
43	401892	MOULDING DOOR 1993MM	1	
44	401778	MOULDING / "U" SHAPE 125MM	1	
45	405901	MOULDING FLOOR 1236MM	1	
46	400379	MOULDING FLOOR 640.2MM	1	
47	405903	MOULDING FLOOR 454MM	1	
48	5001119	SCREW TP BDG PH #8x3/4 SS	AR	
50	405868	KIT OF 4 GRAB HANDLE 18" / 24" & 36"	1	
50	500923	SCREW TC CAP HEX 1/4-20x3/4 Z050	4	
50	500473	WASHER LO SPT .262x.489x.062 Z050	4	
50	502888	SCREW CAP HEX M6-1.0x35 G8.8 N500	12	
50	502853	WASHER LO SPT 6.1x11.8x1.6 N500	12	
50	502709	WASHER FL .260x.687x.050 XLN BK	12	
50	5001684	NUT HEX CAP M6-1.0 SS	12	
51	401375	LEATHERETTE GREY / 125MM X 1980MM	3	
52	404971	MOULDING RETAINER / 1980MM	AR	
53	400831	MOULDING CAP / SS 1970M	AR	
54	780134	HINGE NP .040 X 3/4 X 3/4 X 72"	3	
55	500641	SCREW TP PAN PH #8x3/4 Z050	AR	
60	400611	BABY CHANGING STATION / "RUBBERMAID"	1	
60	402132	SPACER	2	
60	505033	SPACER 6.3MM ID x 13MM OD x 22MM	2	
60	5001932	NUT HEXF NYRT M6-1.0 G8.8 N500	4	
61	901459	HANDLE	2	
61	500879	SCREW TP PAN PH #10x1 Z050	8	
61	500964	WASHER FL .203x.500x.047 Z050	8	
61	900490	CAP / W/HANDLE	4	
62	X3-2329-00	LAVATORY DOOR LOCK & SWITCH		
63	405295	CATCH PLATE	1	
63	500353	SCREW TP FL PH #8x3/4 BK	3	
64	405518	PLATE RETAINING DOOR / 76MM X 31MM	1	
64	500124	SCREW TP TR PH #8x1/2 SS	6	
65	500641	SCREW TP PAN PH #8x3/4 Z050	AR	
NS	500434	SCREW TP FL PH #8x3/4 Z050	AR	
67	504105	RIVET POP DOME OE 1/8x3/16 AL	AR	
67	504106	RIVET POP DOME OE 1/8x1/4 AL	AR	
71	341396	MOULDING 2372MM	1	
72	3211409	WALL FIBERGLASS PANEL LAVATORY	1	

From L-6493	Date:01/2024	PAGE:X3-2328-82
LAVATORY WALL - INSTALLATION - "W.C.L."		

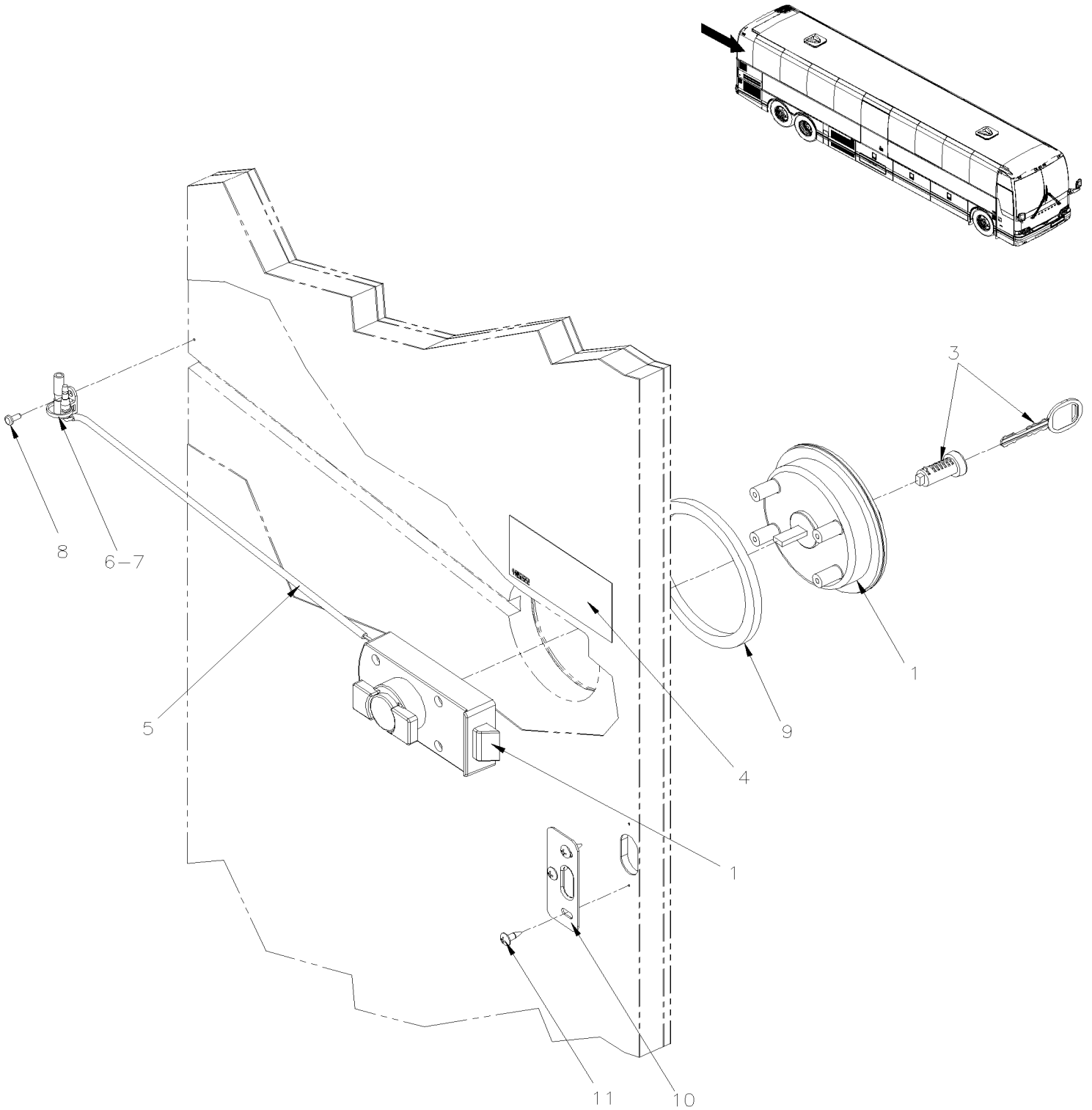
Item#	Part	Description	QTY	Notes
NS	3211426	INSULATING PAD / 914MMx1560MM	1	
NS	3211427	INSULATING PAD / 914MMx423MM	1	
73	504750	CABLE TIE / 1/2" x 15" / CHRISTMAS TREE	AR	
74	400369	LAVATORY, FIBERGLASS / WCL / "PWT"	1	
NS	506003	TAPE RUB ADH1 CC POL 3/16" x 3/4" x 40' / GREY 2520X	AR	
79	506227	TAPE RUB ADH1 CC POL 1/16" x 3/4" x 100' / GREY 2520	AR	
NS	506001	TAPE RUB ADH1 CC POL 1/8" x 3/4" x 50' / GREY 2520X	AR	
80	X3-2325-01	LAVATORY - ACCESSORIES		
81	X3-2328-01	LAVATORY WALL - INSTALLATION		
82	X3-2329-00	LAVATORY DOOR LOCK & SWITCH		
83	X3-0655-01	INTERIOR LIGHTING / "LED"		
84	X3-2370-20	W.C.L. SEAT BELTS		
		P) CALL ORDER DESK FOR SPECIFIC APPLICATION (V.I.N.)		

From 7-8754

Date:01/2024

PAGE:X3-2329-00

LAVATORY DOOR LOCK & SWITCH



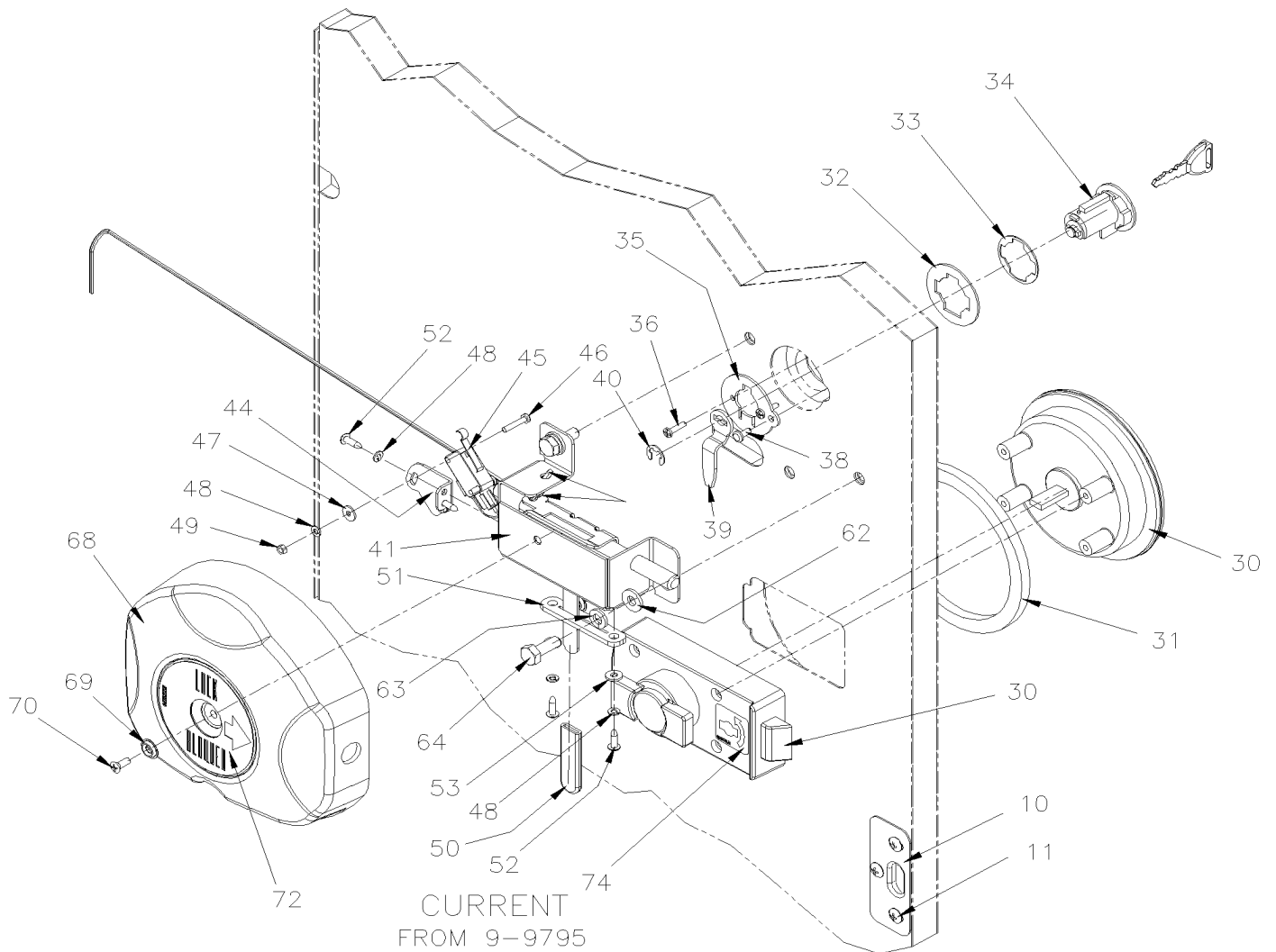
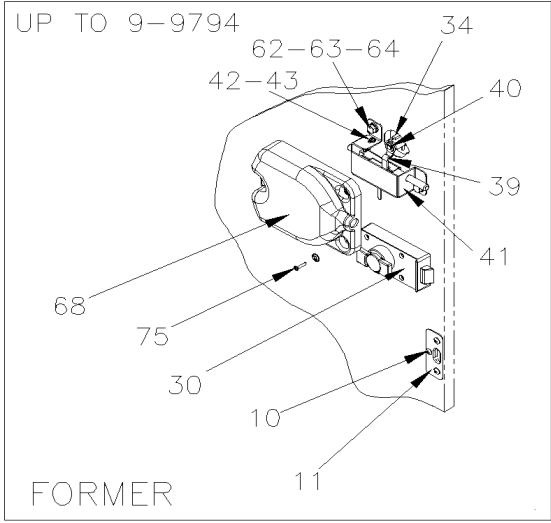
From 7-8754

Date:01/2024

PAGE:X3-2329-00

LAVATORY DOOR LOCK & SWITCH

DOOR LOCK "FORD"



From 7-8754		Date:01/2024	PAGE:X3-2329-00
LAVATORY DOOR LOCK & SWITCH			

Item#	Part	Description	QTY	Notes
1	901114	LOCK ASSY, DOOR	1	
1	563097	. MICRO SWITCH / N.C.	1	
3	780691	CYLINDER LOCK / NS 8888 To 7-9131	1	
. NS	780660	. KEY / NS 8888 To 7-9131	1	
3	780801	CYLINDER LOCK / NS 8888 From 7-9132	1	
. NS	780660	. KEY / NS 8888 From 7-9132	2	
4	405222	DECAL / LAVATORY OPEN / LOCK / ENGLISH To H-6179	1	
4	400315	DECAL / LAVATORY OPEN / LOCK / ENGLISH From H-6180	1	
4	403820	DECAL / LAVATORY OPEN / LOCK FOR LIGHTING / ENGLISH & FRANCAIS To H-6179	1	
4	400314	DECAL / LAVATORY OPEN / LOCK / ENGLISH & FRANCAIS From H-6180	1	
4	405642	DECAL / LAVATORY OPEN / LOCK FOR LIGHTING / ENGLISH & SPANISH To H-6179	1	
4	400313	DECAL / LAVATORY OPEN / LOCK / ENGLISH & SPANISH From H-6180	1	
4	406982	DECAL / LAVATORY OPEN / LOCK FOR LIGHTING / ENGLISH & SPANISH & FRANCAIS To H-6179	1	
4	400324	DECAL / LAVATORY OPEN / LOCK / ENGLISH & SPANISH & FRANCAIS From H-6180	1	
5	064372	WIRING HARNESS LAVATORY DOOR	1	
6	504531	TIE MOUNT / 3/16" #10 SCREW / TA1S8-C	1	
7	504273	CABLE TIE / 1/8" X 3"1/2	1	
8	500417	SCREW TP PAN PH #6x3/8 Z050	1	
9	405216	SPACER	1	
10	405518	PLATE RETAINING DOOR / 76MM X 31MM	1	
11	500124	SCREW TP TR PH #8x1/2 SS	3	
		LAVATORY DOOR WITH LOCK "FORD"		
30	901114	LOCK ASSY, DOOR To 9-9794	1	
30	406311	LOCK ASSY, DOOR From 9-9795	1	
31	405216	SPACER	1	
32	406280	WASHER SPACER CYLINDER "FORD" 18GA	1	
33	780237	SEAL RUBBER 1/32" TH To B-5026	1	
33	2800032	SEAL RUBBER 1/16" TH From B-5027	1	
34	X3-1867-00	KEY & CYLINDER CODE "FORD" & "NS" To K-6492		
34	X3-1867-01	KEY & CYLINDER CODE "FORD" From L-6493		
35	406279	WASHER / CYLINDER LOCK RETAINER	1	
36	500518	SCREW MA BDG PH #4-40x1/2 Z050	2	
38	500417	SCREW TP PAN PH #6x3/8 Z050	2	
39	287406	PIVOT LOCK 9.5MM OFFSET	1	
40	504402	RING RETAINER / EXT .250 x .210 x .025"	1	
41	406309	SECONDARY LATCH ASSY "FORD"	1	
41	406276	. SECONDARY LATCH ASSY "FORD"	1	
NS	684007	. GREASE WHITE / SPRAY BOTTLE 290GR	AR	
42	481564	. ROD GUIDE	2	
43	502934	. SPRING COMPRESSION / .300 O.D. x 1 x .026	2	

From 7-8754		Date:01/2024	PAGE:X3-2329-00
LAVATORY DOOR LOCK & SWITCH			

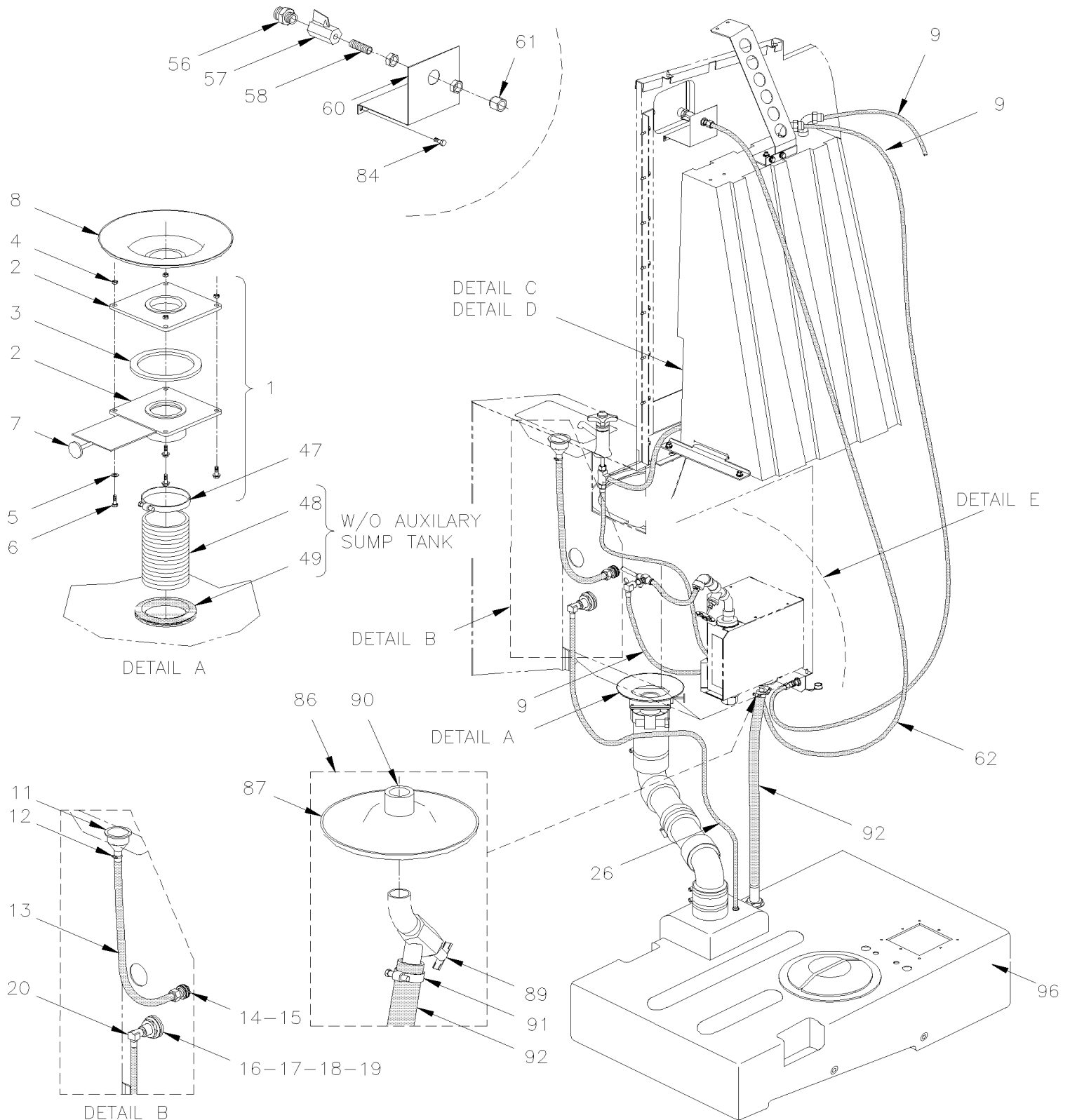
Item#	Part	Description	QTY	Notes
44	406303	. SUPPORT MICRO SWITCH To H-6179	1	C
45	562096	. MICRO SWITCH To H-6179	1	C
46	502577	. SCREW MA PAN PH M3-0.5x16 ZP To H-6179	2	
47	500437	. WASHER FL .125x.375x.040 Z050 To H-6179	1	
48	502691	. WASHER LO SPT 3.6x6.7x0.8 Z050	AR	
49	502826	. NUT HEX M3-0.5 N500 To H-6179	2	
50	406306	. CAP DOOR HANDLE	1	C
NS	680042	. GLUE LOCTITE 430 BOTTLE 1OZ	AR	C
51	406308	. GUIDE DOOR HANDLE	1	C
52	500583	. SCREW TP PAN PH #6x1/2 Z050	AR	
53	502630	. WASHER FL .156x.375x.049 Z050	2	
62	500440	WASHER FL .250x.562x.065 Z050	3	
63	500473	WASHER LO SPT .262x.489x.062 Z050	3	
64	500163	SCREW CAP HEX 1/4-20x3/4 G5 Z050	3	
NS	500453	NUT TEE 1/4-20 To L-6612	3	
NS	5002144	NUT AN INS THREADED 1/4-20x.516 From L-6613	3	
66	064372	WIRING HARNESS LAVATORY DOOR To 9-9794	1	F
66	067838	WIRING HARNESS LAVATORY DOOR W/DOOR LOCK "FORD" From 9-9795	1	C
NS	504531	TIE MOUNT / 3/16" #10 SCREW / TA1S8-C	1	C
NS	504273	CABLE TIE / 1/8" X 3"1/2	1	C
NS	500417	SCREW TP PAN PH #6x3/8 Z050	1	C
68	320434	COVER LATCH / PLASTIC To 9-9794	1	F
68	406304	COVER LATCH / PLASTIC From 9-9795	1	C
69	502725	SCREW MA OV PH M4-0.7x10 SS EMN	1	C
70	500345	WASHER FN CKF .187x.500x.090 BR BK	1	C
71	500333	SCREW TP OV PH #6x3/4 BK	1	
72	406305	DECAL / LAVATORY LOCK, ENGLISH & SPANISH	1	
72	406325	DECAL / LAVATORY LOCK, ENGLISH & FRENCH	1	
72	400007	DECAL / LAVATORY LOCK, ENGLISH & SPANISH & FRENCH	1	
73	405518	PLATE RETAINING DOOR / 76MM X 31MM	1	
74	406315	DECAL / LAVATORY LOCK	1	
75	500552	SCREW TP OV PH #6x3/4 Z050	3	F
75	500463	WASHER FN CKF .187x.500x.090 BR Z050	3	F
		C) CURRENT		
		F) FORMER		

From 7-8754 To B-5001

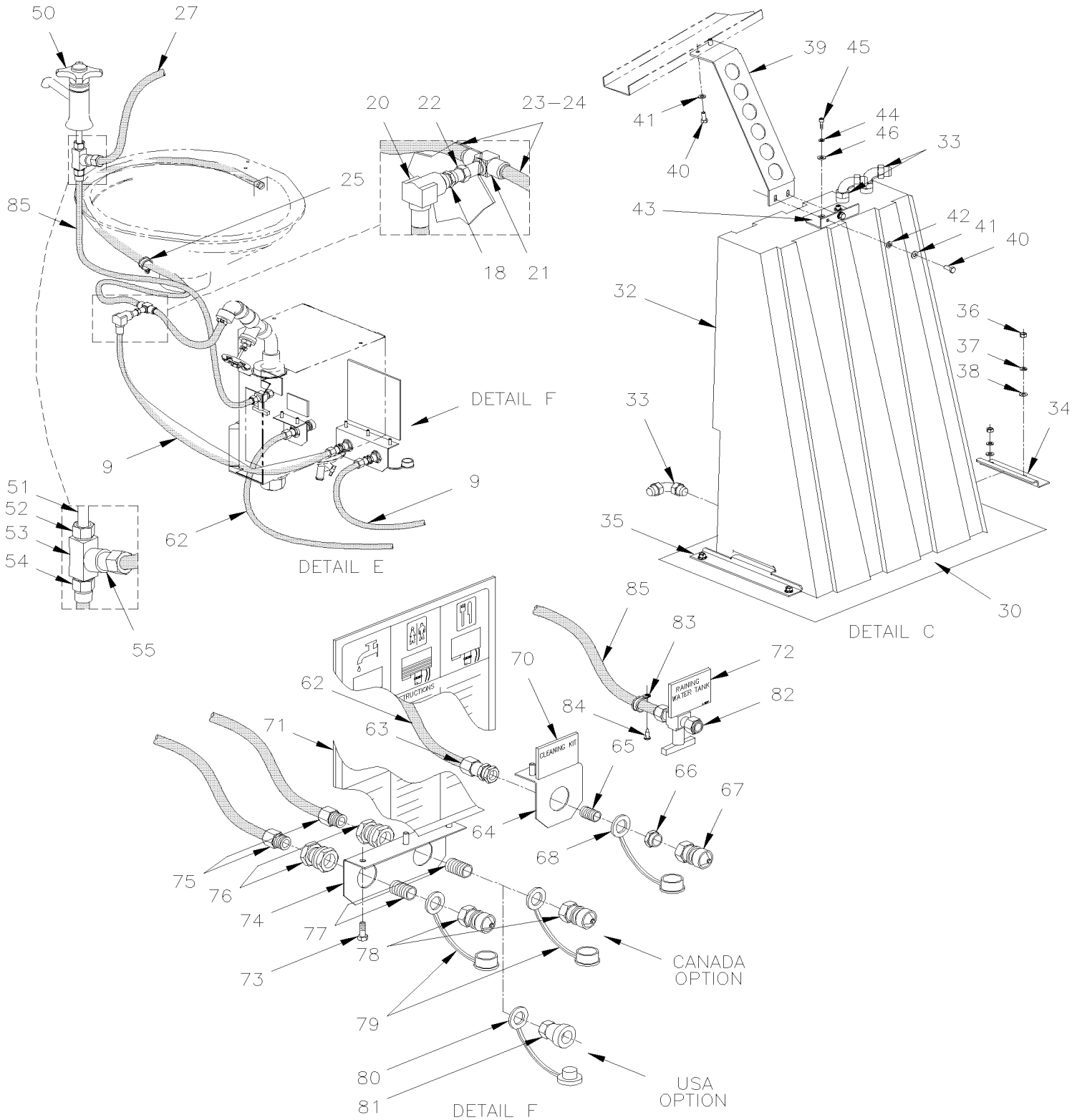
Date:01/2024

PAGE:X3-2330-00

WATER & SUMP TANK - INSTALLATION



WATER & SUMP TANK - INSTALLATION



From 7-8754 To B-5001	Date:01/2024	PAGE:X3-2330-00
WATER & SUMP TANK - INSTALLATION		

Item#	Part	Description	QTY	Notes
1	403682	THREADED VALVE ASSY W/SS HANDLE	1	
2	900197	. THREADED VALVE ASSY W/PLASTIC HANDLE	1	
3	900330	. . SEAL	2	
4	500769	. . NUT HEX 1/4-20 Z050	4	
5	500411	. . WASHER FL .260x.697x.050 SS	4	
6	500994	. . SCREW CAP HEX 1/4-20x1 3/4 G5 PT Z050	4	
7	403109	. HANDLE, THREADED VALVE / STANLESS STEEL	1	
7	680038	. THREAD LOCKER LOCTITE #243 / BLUE / 50ml	AR	
8	404325	SEAL PLASTIC 4" I.D. / PIPE & FLOOR	1	
9	503488	TUBE, NYLON 1/2 O.D. / BLACK S.L./	AR	
11	900509	STRAINER / WASHBASIN	1	
12	504019	HOSE CLAMP / 9/16"-1"1/16 SS / HS-10	2	
13	503006	HOSE 5/8" I.D. 50' / S.L.	AR	
14	900280	THRU HULL, CONNECTOR / PLASTIC	1	
15	409038	GASKET	1	
16	400296	SEAL NEOPRENE	1	
17	500491	WASHER LO INT 1.019x1.637x.067 Z050	1	
18	500456	WASHER FL 1.062x2.000x.134 Z050	1	
19	640863	BULKHEAD COUPLING / PIPE FITTING / 3/8NPT-Fx3/8NPT-F STL	2	
20	641376	MALE ELBOW 90° NON-SWIVEL / PUSH-IN FITTING / #8x3/8NPT-M BR	2	
21	501626	MALE BRANCH TEE/ COMPRESSION FITTING / #6x#6x1/4NPT-M BR	1	
22	501314	BUSHING REDUCER / PIPE FITTING / 3/8NTP-Mx1/4NPT-F BR	1	
23	503404	TUBE, NYLON 3/8 O.D. / BLACK S.L.	2	
24	503405	INSERT / NTA FITTING / #6 SS	1	
25	952625	CLAMP / 3/8" I.D.	2	
26	503406	TUBE, NYLON 1/2 O.D. / GREEN S.L.	AR	
27	503488	TUBE, NYLON 1/2 O.D. / BLACK S.L./	AR	
30	406479	ANTIFUNGAL PAD	1	
NS	850027	INSULATING PAD NOISE ADH2 1/16" x 39" x 48"	AR	
32	405241P	WATER TANK ASSY / PLASTIC	1	
32	900958	. WATER TANK / PLASTIC	1	
33	5011227	. MALE ELBOW 90° / COMPRESSION FITTING / #8x3/8NPT-M PLAS WHITE	3	
34	405236	SUPPORT "Z" 178MM	1	
35	405235	SUPPORT "Z" 300MM	1	
36	500778	NUT HEX 5/16-18 N500	4	
37	500942	WASHER LO SPT 8.1x14.8x2.0 N500	4	
38	500441	WASHER FL .312x.734x.065 Z050	4	
39	405225	SUPPORT UPPER WATER TANK	1	
40	500517	SCREW TC CAP HEXW 5/16-18x3/4 Z050	4	
41	500942	WASHER LO SPT 8.1x14.8x2.0 N500	4	
42	500441	WASHER FL .312x.734x.065 Z050	2	
43	405233	ANGLE 114MM	1	

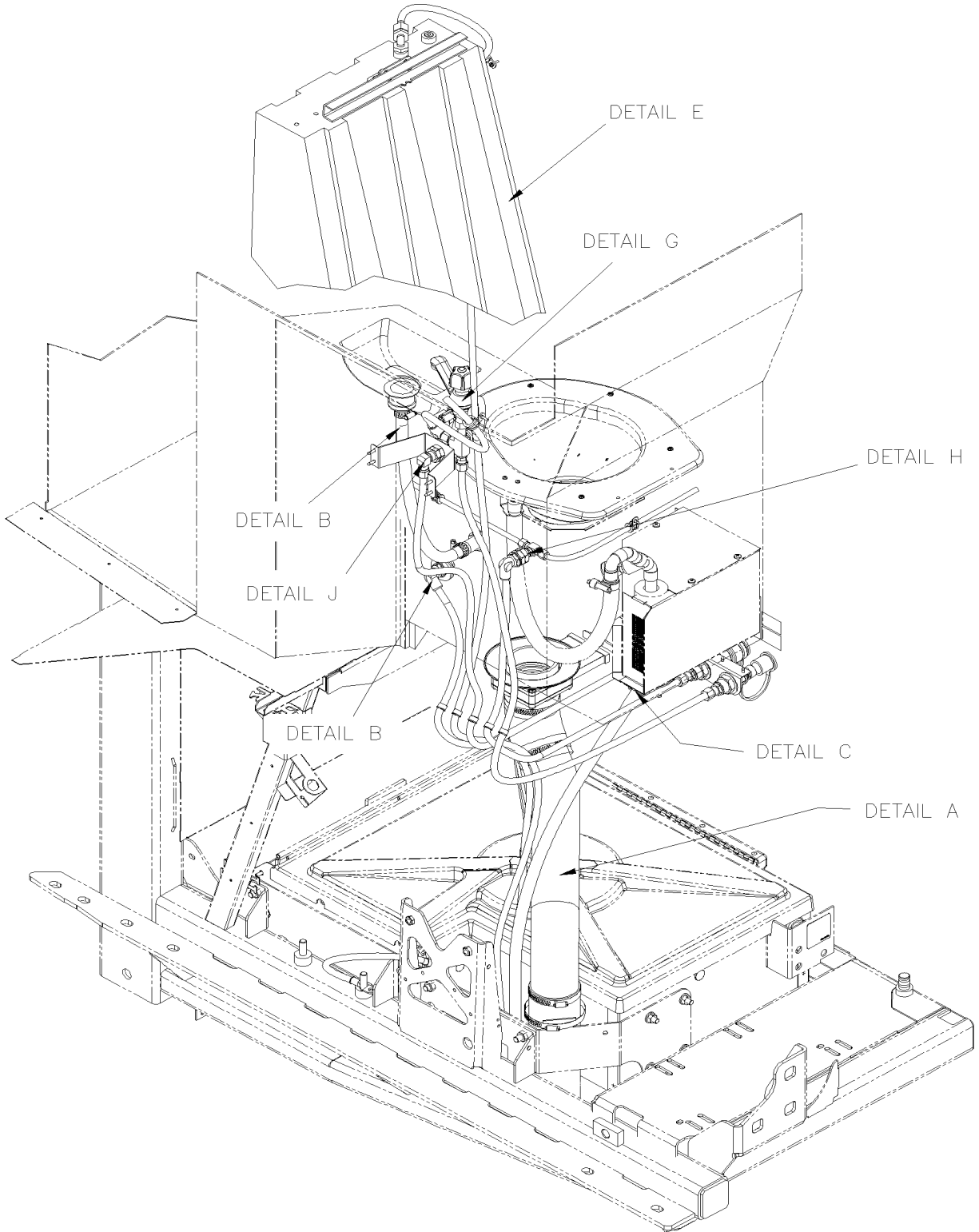
From 7-8754 To B-5001	Date:01/2024	PAGE:X3-2330-00
WATER & SUMP TANK - INSTALLATION		

Item#	Part	Description	QTY	Notes
44	500473	WASHER LO SPT .262x.489x.062 Z050	2	
45	5001515	SCREW CAP HEX 1/4-20x3/4 G8 Z050	2	
46	500441	WASHER FL .312x.734x.065 Z050	2	
47	504235	HOSE CLAMP / 3"9/16"-4"1/2 SS / HS-64	2	
48	503039	HOSE FLEXIBLE / 3 1/2" I.D. X 10'	AR	
NS	530211	ELBOW 45° X 3 1/2" I.D. RUBBER	1	
NS	401298	HOSE 13 1/2"	1	
NS	504235	HOSE CLAMP / 3"9/16"-4"1/2 SS / HS-64	1	
49	509558	WEATHERSEAL SNAP-ON 1/8" / SINGLE LIP / WH / C.T.L.	AR	
50	900582	FAUCET	1	
51	501176	FITTING STRAIGHT #8BBX	1	
52	501314	BUSHING REDUCER / PIPE FITTING / 3/8NPT-Mx1/4NPT-F BR	1	
53	501527	FEMALE UNION TEE / PIPE FITTING / 3/8NPT-Fx3/8NPT-Fx3/8NPT-F BR	1	
54	640990	MALE CONNECTOR / NTA FITTING / #6x3/8NPT-M BR	1	
55	641376	MALE ELBOW 90° NON-SWIVEL / PUSH-IN FITTING / #8x3/8NPT-M BR	1	
56	5011178	MALE CONNECTOR / GARDEN FITTING / 3/4GARDEN-Mx3/8NPT-M BR	1	
57	5011180	BALL VALVE 3/8 NPT M x 3/8 NPT M	1	
58	501325	NIPPLE / PIPE FITTING / 3/8NPT-Mx3/8NPT-Mx1 BR	1	
60	405234	ANGLE SUPPORT CLEANING VALVE	1	
61	641012	BULKHEAD UNION / NTA FITTING / #8x3/8NPT-M BR	1	
62	503406	TUBE, NYLON 1/2 O.D. / GREEN S.L.	AR	
63	641012	BULKHEAD UNION / NTA FITTING / #8x3/8NPT-M BR	1	
64	405038	SUPPORT	1	
65	501325	NIPPLE / PIPE FITTING / 3/8NPT-Mx3/8NPT-Mx1 BR	1	
66	501534	BUSHING REDUCER / PIPE FITTING / 1/2NPT-Mx3/8NPT-F BR	1	
67	900323	NIPPLE / QUICK DISCONNECT "B SERIES" / #10x1/2NPT-F BR	1	
68	900326	DUST CAP / QUICK DISCONNECT "B SERIES" / #10 VINYL	1	
70	403551	DECAL / "CLEANING KIT" / ENGLISH	1	
71	400969	DECAL / "FILL INSTRUCTION" / ENGLISH & FRANCAIS	1	
71	406183	DECAL / "FILL INSTRUCTION" / ENGLISH & SPANISH	1	
72	405298	DECAL / "DRAINING WATER TANK" / ENGLISH	1	
72	405650	DECAL / "DRAINING WATER TANK" / ENGLISH & SPANISH	1	
73	500613	SCREW TP PAN PH #10x1/2 Z050	5	
74	400378	SUPPORT	1	
75	640873	MALE CONNECTOR / AB FITTING / #8x1/2NPT-M BR	2	
76	501796	BULKHEAD COUPLING / PIPE FITTING / 1/2NPT-Fx1/2NPT-Fx1 1/2 BR	2	
77	501424	NIPPLE / PIPE FITTING / 1/2NPT-Mx1/2NPT-Mx1 1/8 BR	2	
78	900323	NIPPLE / QUICK DISCONNECT "B SERIES" / #10x1/2NPT-F BR	2	A
78	900323	NIPPLE / QUICK DISCONNECT "B SERIES" / #10x1/2NPT-F BR	1	B
79	900326	DUST CAP / QUICK DISCONNECT "B SERIES" / #10 VINYL	2	A
79	900326	DUST CAP / QUICK DISCONNECT "B SERIES" / #10 VINYL	1	B
80	900325	DUST PLUG / QUICK DISCONNECT "B SERIES" / #8 VINYL	1	B

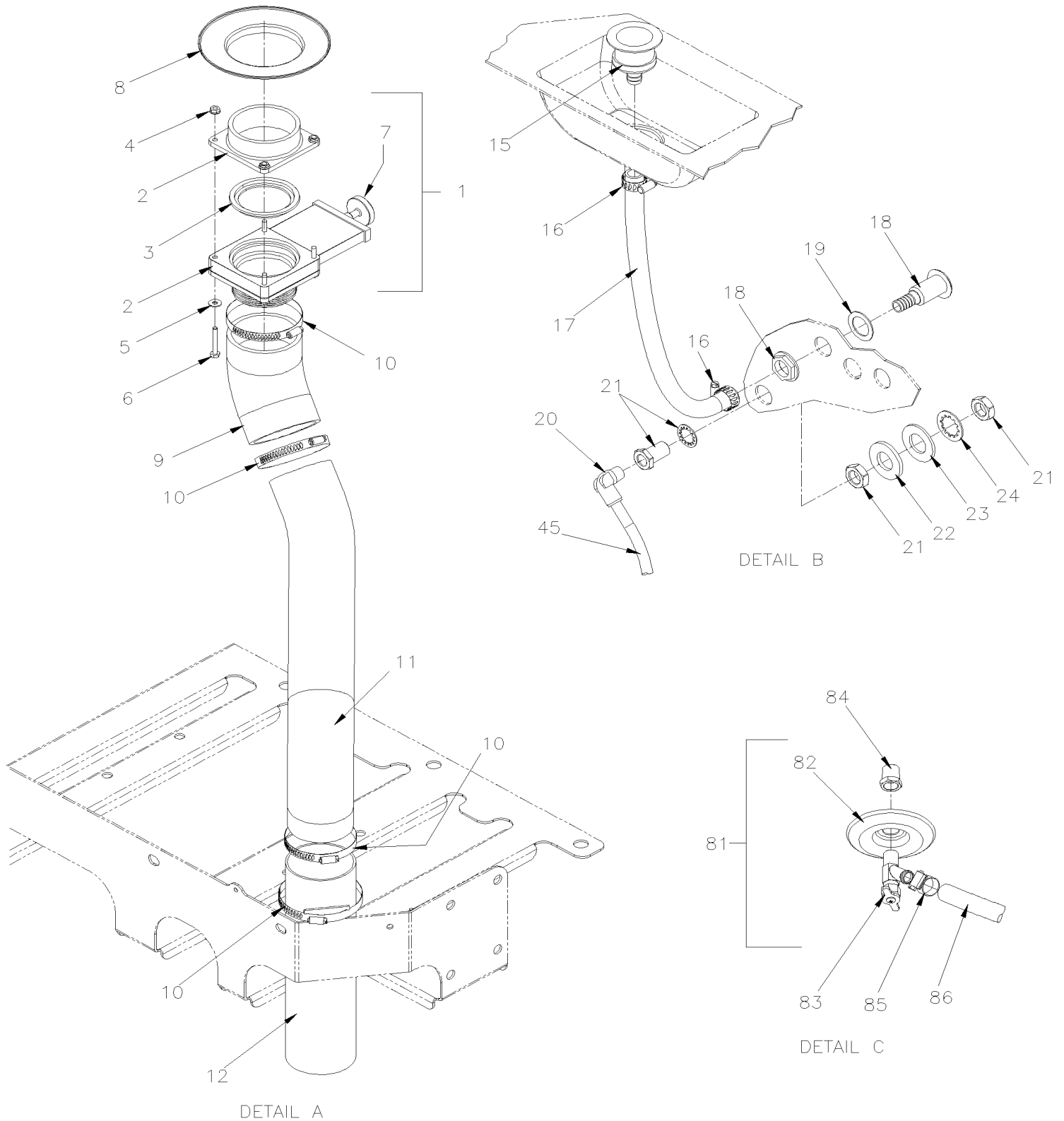
From 7-8754 To B-5001	Date:01/2024	PAGE:X3-2330-00
WATER & SUMP TANK - INSTALLATION		

Item#	Part	Description	QTY	Notes
81	900324	COUPLER / QUICK DISCONNECT "B SERIES" / #8x1/2NPT-F BR	1	B
82	501791	NEEDLE VALVE 3/8 TUBE 3/8 TUBE	1	
83	952625	CLAMP / 3/8" I.D.	AR	
84	500641	SCREW TP PAN PH #8x3/4 Z050	AR	
85	503404	TUBE, NYLON 3/8 O.D. / BLACK S.L.	AR	
86	405784	DRAIN VALVE ASSY / WATER TANK	1	
87	401253	. SEAL, PLASTIC 3/4" I.D.	1	
89	501531	. DRAIN VALVE 3/8 NPT M x 5/8 HOSE	1	
90	501534	. BUSHING REDUCER / PIPE FITTING / 1/2NPT-Mx3/8NPT-F BR	1	
91	504019	HOSE CLAMP / 9/16"-1"1/16 SS / HS-10	1	
92	900220	TUBE PVC / 5/8" I.D. / S.L.	AR	
96	X3-2327-00	SUMP TANK - PLASTIC - AUXILIARY		
NS	680098	THREAD SEALANT LOCTITE #567 / WHITE / 250ml	AR	
		A) CANADA OPTION		
		B) USA OPTION		

WATER & SUMP TANK - INSTALLATION



WATER & SUMP TANK - INSTALLATION

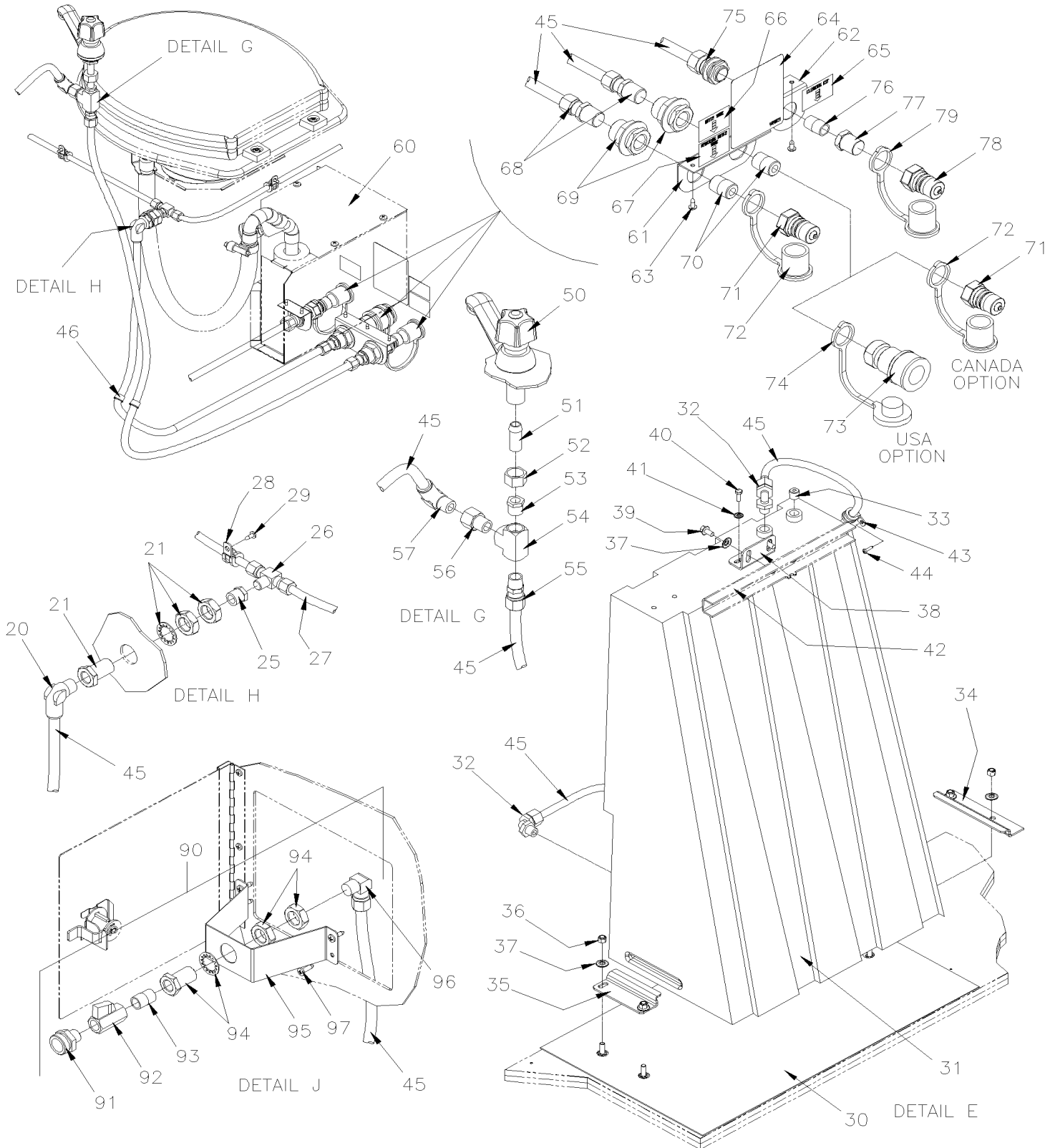


From B-5002 To G-6063

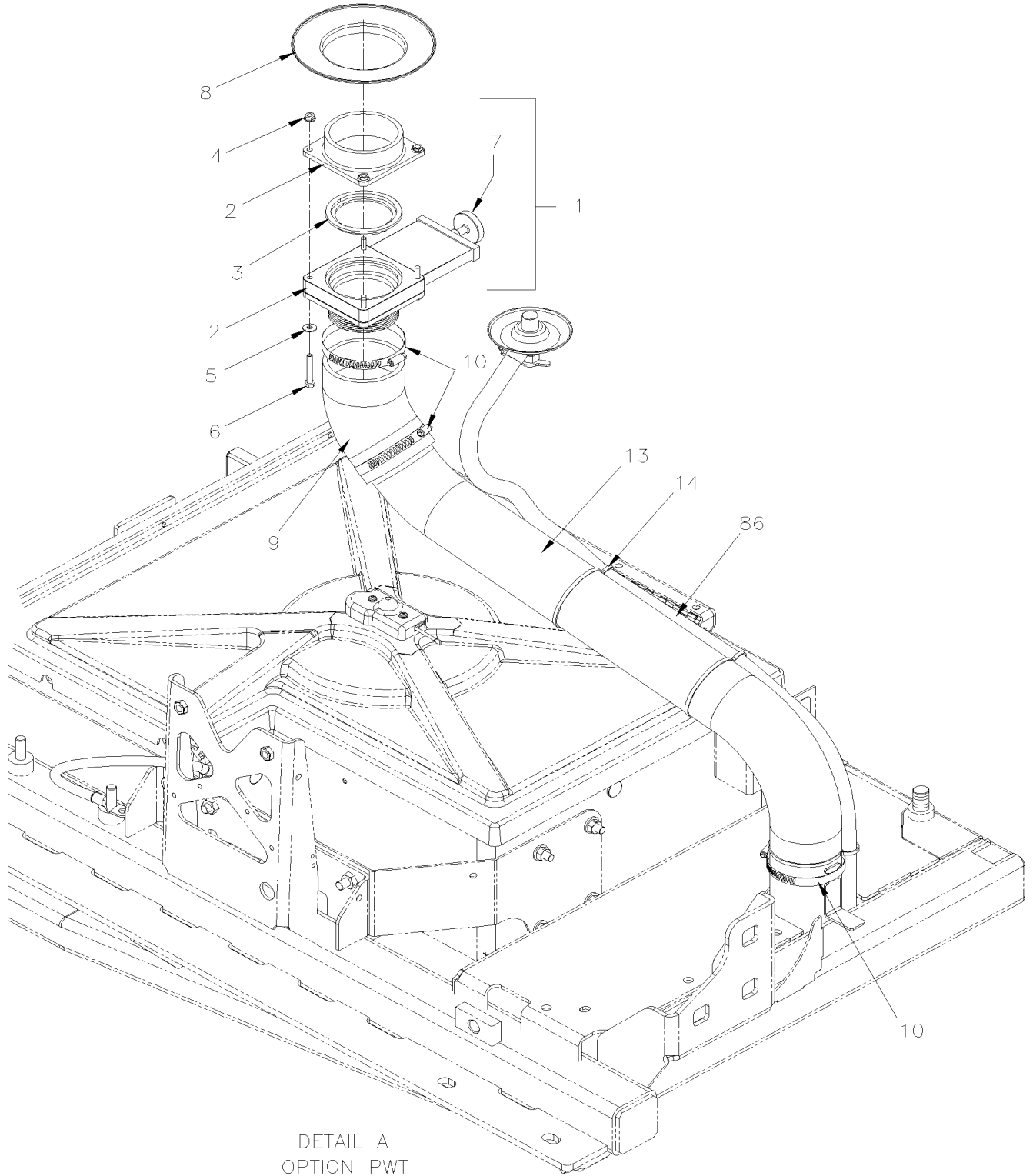
Date:01/2024

PAGE:X3-2330-01

WATER & SUMP TANK - INSTALLATION



WATER & SUMP TANK - INSTALLATION



From B-5002 To G-6063	Date:01/2024	PAGE:X3-2330-01
WATER & SUMP TANK - INSTALLATION		

Item#	Part	Description	QTY	Notes
1	403682	THREADED VALVE ASSY W/SS HANDLE To G-5987	1	
1	900195	THREADED VALVE ASSY W/HANDLE From G-5988	1	
2	900197	. THREADED VALVE ASSY W/PLASTIC HANDLE To G-5987	1	
3	900330	. . SEAL	2	
4	500769	. . NUT HEX 1/4-20 Z050	4	
5	500411	. . WASHER FL .260x.697x.050 SS	4	
6	500994	. . SCREW CAP HEX 1/4-20x1 3/4 G5 PT Z050	4	
7	403109	. HANDLE, THREADED VALVE / STANLESS STEEL To G-5987	1	
7	680038	. THREAD LOCKER LOCTITE #243 / BLUE / 50ml	AR	
NS	681092	. ADHESIVE SIKA #255FC / BLACK / 310ml CARTRIDGE	AR	
8	404325	SEAL PLASTIC 4" I.D. / PIPE & FLOOR	1	
9	530211	ELBOW 45° X 3 1/2" I.D. RUBBER	1	
10	504235	HOSE CLAMP / 3"9/16"-4"1/2 SS / HS-64	4	
11	406431	TUBE DRAIN "S" SHAPE 3 1/2" O.D. SS To D-5458	1	
11	403715	TUBE DRAIN "S" SHAPE 3 1/2" O.D. SS From E-5459	1	
12	401298	HOSE 13 1/2"	1	
12	503039	. HOSE FLEXIBLE / 3 1/2" I.D. X 10'	AR	
13	409455	TUBE DRAIN "S" SHAPE	1	PWT
14	504637	CABLE TIE / 3/16" x 13"	3	PWT
15	900509	STRAINER / WASHBASIN	1	
16	504019	HOSE CLAMP / 9/16"-1"1/16 SS / HS-10	2	
17	503006	HOSE 5/8" I.D. 50' / S.L.	AR	
18	900280	THRU HULL, CONNECTOR / PLASTIC	1	
19	409038	GASKET	1	
20	641376	MALE ELBOW 90° NON-SWIVEL / PUSH-IN FITTING / #8x3/8NPT-M BR	2	
21	640863	BULKHEAD COUPLING / PIPE FITTING / 3/8NPT-Fx3/8NPT-F STL	2	
22	400296	SEAL NEOPRENE	1	
23	500456	WASHER FL 1.062x2.000x.134 Z050	1	
24	500491	WASHER LO INT 1.019x1.637x.067 Z050	1	
25	501314	BUSHING REDUCER / PIPE FITTING / 3/8NPT-Mx1/4NPT-F BR	1	
26	501626	MALE BRANCH TEE/ COMPRESSION FITTING / #6x#6x1/4NPT-M BR	1	
27	503404	TUBE, NYLON 3/8 O.D. / BLACK S.L.	2	
27	503405	INSERT / NTA FITTING / #6 SS	1	
28	952625	CLAMP / 3/8" I.D.	2	
29	500952	SCREW TP BDG PH #8x1/2 SS	2	
30	406479	ANTIFUNGAL PAD	1	
31	405241P	WATER TANK ASSY / PLASTIC	1	
31	900958	. WATER TANK / PLASTIC	1	
32	5011227	. MALE ELBOW 90° / COMPRESSION FITTING / #8x3/8NPT-M PLAS WHITE	3	
33	501449	. PLUG HEXS / PIPE FITTING / 3/8NPT-M STL	1	
34	405236	SUPPORT "Z" 178MM	1	
35	406439	SUPPORT "Z" 122MM	1	

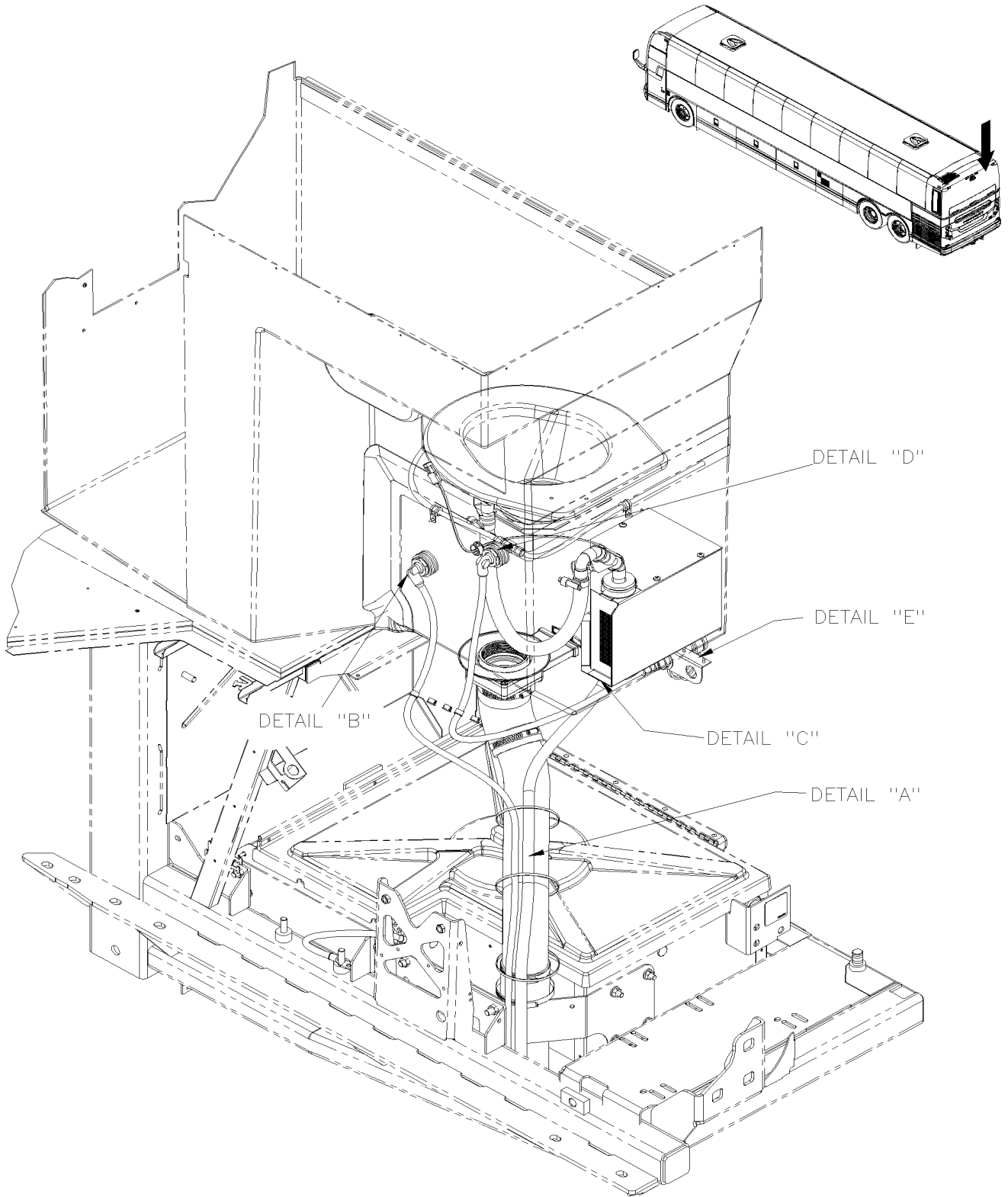
From B-5002 To G-6063	Date:01/2024	PAGE:X3-2330-01
WATER & SUMP TANK - INSTALLATION		

Item#	Part	Description	QTY	Notes
36	502600	NUT HEX NYRT 5/16-18 Z050	4	
37	5001699	WASHER BEL SPR 8.2x22x1.4 N500	6	
38	406441	SUPPORT UPPER WATER TANK	1	
39	5001780	SCREW CAP HEXF M8-1.25x16 G8.8 N500	2	
40	5001746	SCREW CAP HEX 1/4-20x3/4 G5 N500	2	
41	500356	WASHER LO SERR 6.1x16.0x0.9 N500	2	
42	272514	TUBE 352MM	2	
43	952629	CLAMP / 5/8" I.D.	3	
44	500641	SCREW TP PAN PH #8x3/4 Z050	3	
45	503406	TUBE, NYLON 1/2 O.D. / GREEN S.L.	AR	
45	503488	TUBE, NYLON 1/2 O.D. / BLACK S.L./	AR	
46	504085	SNAP BUSHING / .500x.718x.406	5	
46	504422	HOLE PLUG BUTTON / .625 O.D. WHITE	AR	
NS	680098	THREAD SEALANT LOCTITE #567 / WHITE / 250ml	AR	
50	900582	FAUCET To F-5822	1	
50	900011	FAUCET From F-5823	1	
51	501176	FITTING STRAIGHT #8BBX	1	
52	900010	NUT, COUPLING 1/2-14 From F-5823	1	
53	501314	BUSHING REDUCER / PIPE FITTING / 3/8NPT-Mx1/4NPT-F BR	1	
54	501527	FEMALE UNION TEE / PIPE FITTING / 3/8NPT-Fx3/8NPT-Fx3/8NPT-F BR	1	
55	640991	MALE CONNECTOR / NTA FITTING / #8x3/8NPT-M BR	1	
56	501309	ADAPTER / PIPE FITTING / 3/8NPT-Fx3/8NPT-M BR	1	
57	641376	MALE ELBOW 90° NON-SWIVEL / PUSH-IN FITTING / #8x3/8NPT-M BR	1	
60	X3-2326-00	TOILET PUMP ASSY		
61	400378	SUPPORT	1	
62	405038	SUPPORT	1	
63	500613	SCREW TP PAN PH #10x1/2 Z050	5	
64	409023	DECAL / "SEPTIC TANK" / ENGLISH & FRANCAIS	1	
64	409065	DECAL / "SEPTIC TANK" / ENGLISH & SPANISH	1	
65	403551	DECAL / "CLEANING KIT" / ENGLISH	1	
65	405641	DECAL / "CLEANING KIT" / ENGLISH & SPANISH	1	
66	403550	DECAL / "WATER TANK" / ENGLISH	1	
66	405640	DECAL / "WATER TANK" / ENGLISH & SPANISH	1	
67	405298	DECAL / "DRAINING WATER TANK" / ENGLISH	1	
67	405650	DECAL / "DRAINING WATER TANK" / ENGLISH & SPANISH	1	
68	640992	MALE CONNECTOR / NTA FITTING / #8x1/2NPT-M BR	2	
69	501796	BULKHEAD COUPLING / PIPE FITTING / 1/2NPT-Fx1/2NPT-Fx1 1/2 BR	2	
70	501424	NIPPLE / PIPE FITTING / 1/2NPT-Mx1/2NPT-Mx1 1/8 BR	2	
71	900323	NIPPLE / QUICK DISCONNECT "B SERIES" / #10x1/2NPT-F BR	2	A
71	900323	NIPPLE / QUICK DISCONNECT "B SERIES" / #10x1/2NPT-F BR	1	B
72	900326	DUST CAP / QUICK DISCONNECT "B SERIES" / #10 VINYL	2	A
72	900326	DUST CAP / QUICK DISCONNECT "B SERIES" / #10 VINYL	1	B

From B-5002 To G-6063	Date:01/2024	PAGE:X3-2330-01
WATER & SUMP TANK - INSTALLATION		

Item#	Part	Description	QTY	Notes
73	900324	COUPLER / QUICK DISCONNECT "B SERIES" / #8x1/2NPT-F BR	1	B
74	900325	DUST PLUG / QUICK DISCONNECT "B SERIES" / #8 VINYL	1	B
75	641012	BULKHEAD UNION / NTA FITTING / #8x3/8NPT-M BR	1	
76	501325	NIPPLE / PIPE FITTING / 3/8NPT-Mx3/8NPT-Mx1 BR	1	
77	501534	BUSHING REDUCER / PIPE FITTING / 1/2NPT-Mx3/8NPT-F BR	1	
78	900323	NIPPLE / QUICK DISCONNECT "B SERIES" / #10x1/2NPT-F BR	1	
79	900326	DUST CAP / QUICK DISCONNECT "B SERIES" / #10 VINYL	1	
81	405784	DRAIN VALVE ASSY / WATER TANK	1	
82	401253	. SEAL, PLASTIC 3/4" I.D.	1	
83	501531	. DRAIN VALVE 3/8 NPT M x 5/8 HOSE	1	
84	501534	. BUSHING REDUCER / PIPE FITTING / 1/2NPT-Mx3/8NPT-F BR	1	
85	504019	HOSE CLAMP / 9/16"-1"1/16 SS / HS-10	1	
86	900220	TUBE PVC / 5/8" I.D. / S.L.	AR	
90	Call order desk	WATER VALVE ASSY 409361	1	P
91	5011178	. MALE CONNECTOR / GARDEN FITTING / 3/4GARDEN-Mx3/8NPT-M BR	1	
92	5011180	. BALL VALVE 3/8 NPT M x 3/8 NPT M	1	
93	501325	. NIPPLE / PIPE FITTING / 3/8NPT-Mx3/8NPT-Mx1 BR	1	
94	640863	. BULKHEAD COUPLING / PIPE FITTING / 3/8NPT-Fx3/8NPT-F STL	1	
95	409361	. SUPPORT, WATER VALVE	1	
96	641040	. MALE ELBOW 90° / NTA FITTING / #8x3/8NPT-M BR	1	
97	500414	SCREW TP BDG PH #10x3/4 SS	4	
100	401294	VALVE SERVICE KIT	1	
. NS	900195	. THREADED VALVE ASSY W/HANDLE	1	
. NS	401296	. ADAPTER S.STEEL	1	
. NS	5000310	. SCREW CAP HEX M6-1.0x40 BK	3	
. NS	5001833	. WASHER BEL SPR 6.1x18x1.27 SS	4	
. NS	680098	. THREAD SEALANT LOCTITE #567 / WHITE / 250ml	AR	
. NS	684685	. ADHESIVE SIMSON #ISR 70-03 / 310ml CARTRIDGE	AR	
. NS	IS-18158	. INSTRUCTION SHEET	1	
		A) CANADA OPTION		
		B) USA OPTION		
		PWT) PACIFIC WESTERN OPTION		
		P) CALL ORDER DESK FOR SPECIFIC APPLICATION (V.I.N.)		

SUMP TANK SYSTEM - INSTALLATION

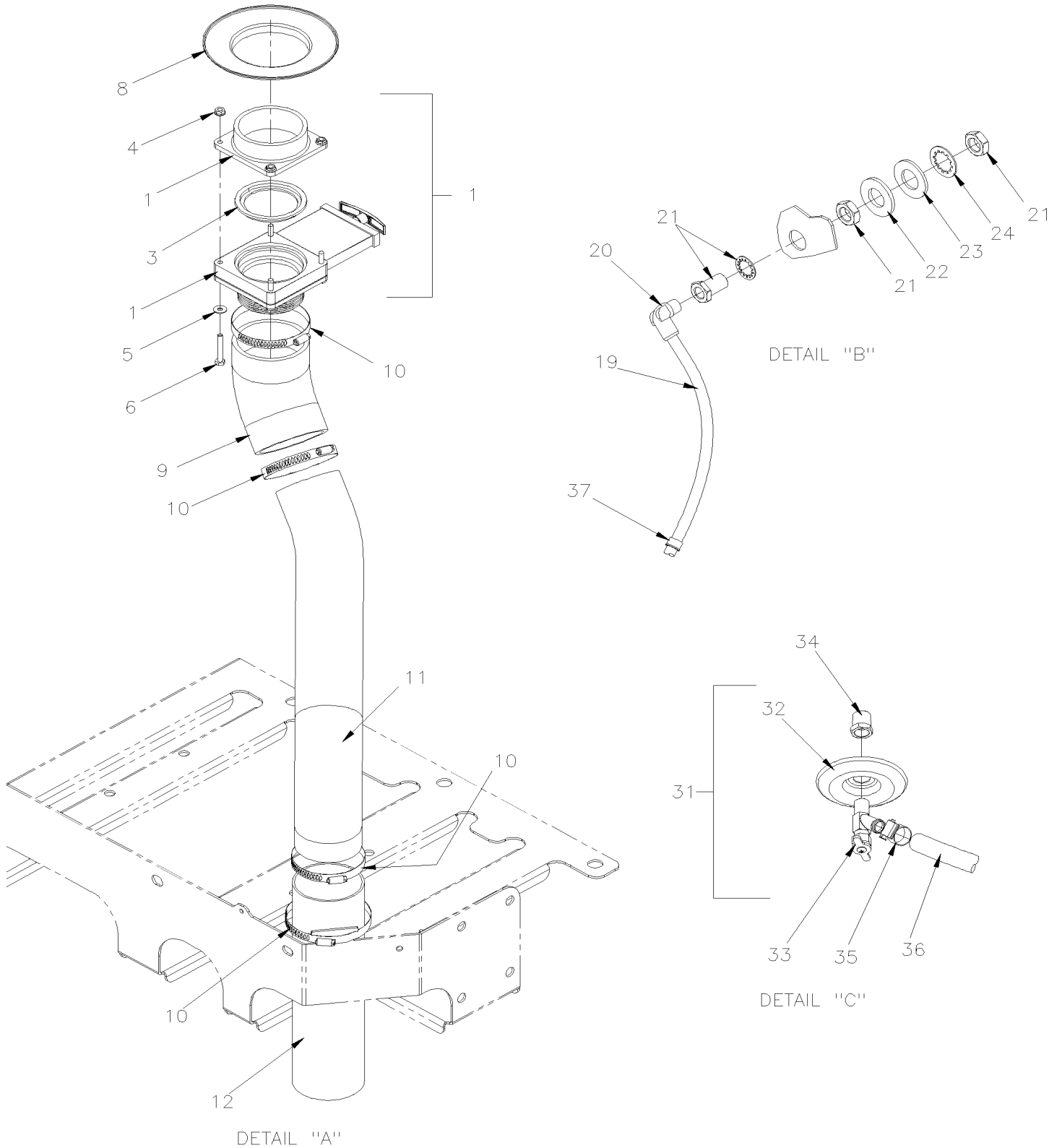


From G-6064 To H-6179

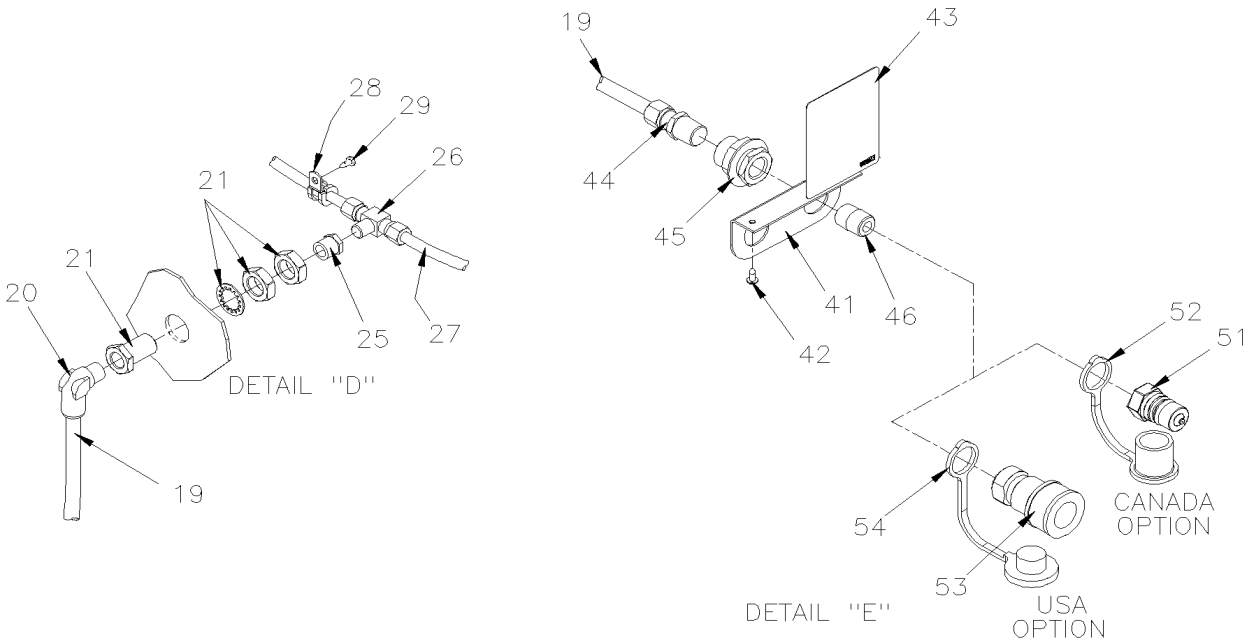
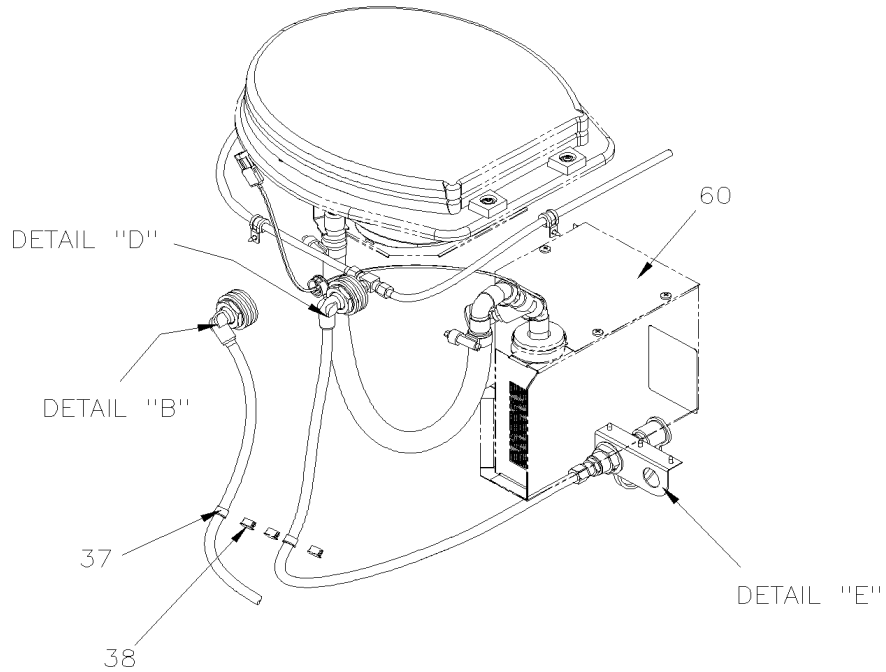
Date:01/2024

PAGE:X3-2330-02

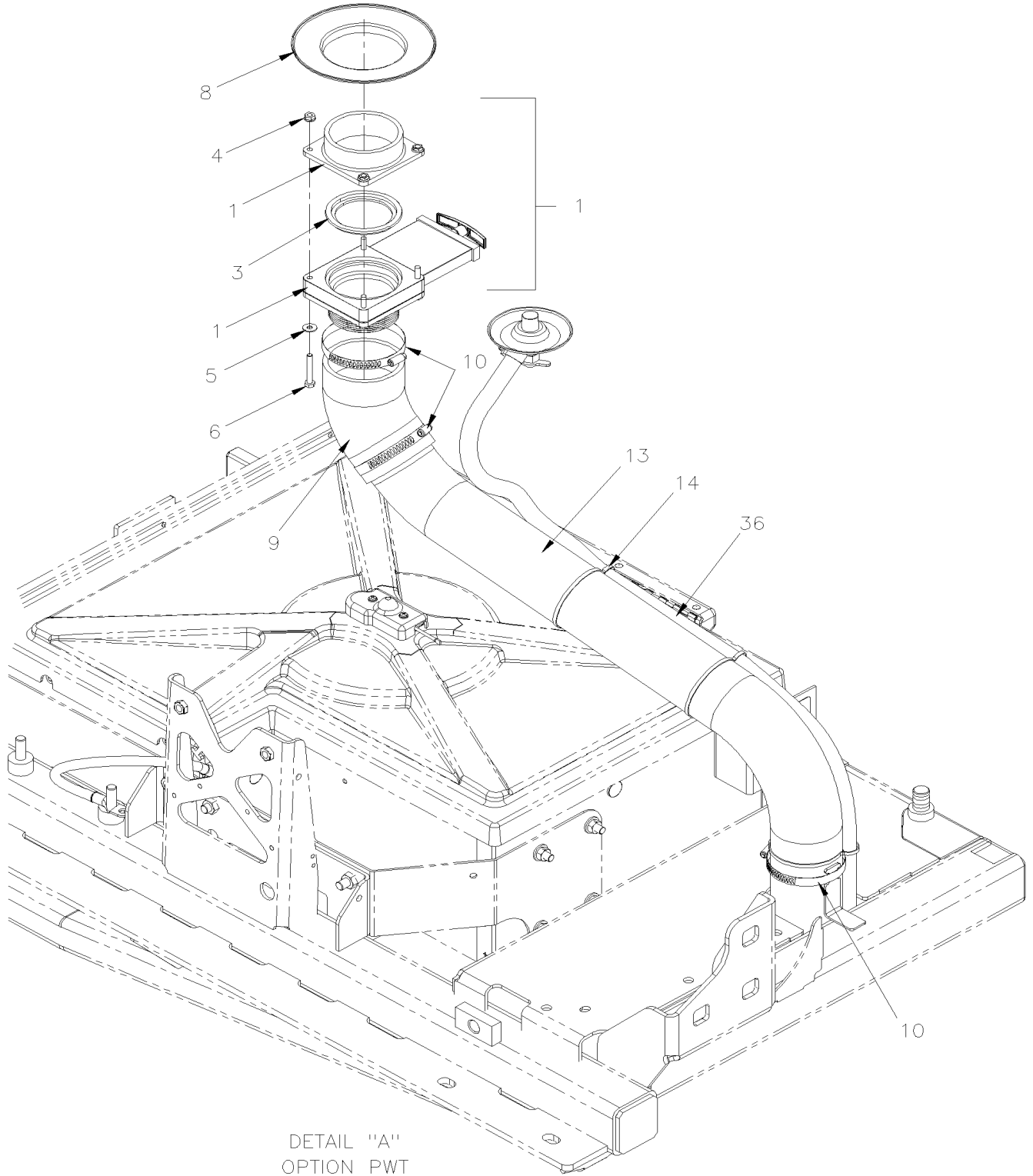
SUMP TANK SYSTEM - INSTALLATION



SUMP TANK SYSTEM - INSTALLATION



SUMP TANK SYSTEM - INSTALLATION



DETAIL "A"
OPTION PWT

From G-6064 To H-6179	Date:01/2024	PAGE:X3-2330-02
SUMP TANK SYSTEM - INSTALLATION		

Item#	Part	Description	QTY	Notes
1	900195	THREADED VALVE ASSY W/HANDLE	1	
3	900330	. SEAL	2	
4	500769	. NUT HEX 1/4-20 Z050	4	
5	500411	. WASHER FL .260x.697x.050 SS	4	
6	500994	. SCREW CAP HEX 1/4-20x1 3/4 G5 PT Z050	4	
8	404325	SEAL PLASTIC 4" I.D. / PIPE & FLOOR	1	
9	530211	ELBOW 45° X 3 1/2" I.D. RUBBER	1	
10	504235	HOSE CLAMP / 3"9/16"-4"1/2 SS / HS-64	4	
11	403715	TUBE DRAIN "S" SHAPE 3 1/2" O.D. SS	1	
12	401298	HOSE 13 1/2"	1	
12	503039	. HOSE FLEXIBLE / 3 1/2" I.D. X 10'	AR	
13	409455	TUBE DRAIN "S" SHAPE	1	PWT
14	504637	CABLE TIE / 3/16" x 13"	3	PWT
19	503488	TUBE, NYLON 1/2 O.D. / BLACK S.L./	AR	
20	641376	MALE ELBOW 90° NON-SWIVEL / PUSH-IN FITTING / #8x3/8NPT-M BR	2	
21	640863	BULKHEAD COUPLING / PIPE FITTING / 3/8NPT-Fx3/8NPT-F STL	2	
22	400296	SEAL NEOPRENE	1	
23	500456	WASHER FL 1.062x2.000x.134 Z050	1	
24	500491	WASHER LO INT 1.019x1.637x.067 Z050	1	
25	501314	BUSHING REDUCER / PIPE FITTING / 3/8NPT-Mx1/4NPT-F BR	1	
26	501626	MALE BRANCH TEE/ COMPRESSION FITTING / #6x#6x1/4NPT-M BR	1	
27	503404	TUBE, NYLON 3/8 O.D. / BLACK S.L.	2	
27	503405	INSERT / NTA FITTING / #6 SS	1	
28	952625	CLAMP / 3/8" I.D.	2	
29	500952	SCREW TP BDG PH #8x1/2 SS	2	
31	405784	DRAIN VALVE ASSY / WATER TANK	1	
32	401253	. SEAL, PLASTIC 3/4" I.D.	1	
33	501531	. DRAIN VALVE 3/8 NPT M x 5/8 HOSE	1	
34	501534	. BUSHING REDUCER / PIPE FITTING / 1/2NPT-Mx3/8NPT-F BR	1	
35	504019	HOSE CLAMP / 9/16"-1"1/16 SS / HS-10	1	
36	900220	TUBE PVC / 5/8" I.D. / S.L.	AR	
37	504085	SNAP BUSHING / .500x.718x.406	AR	
38	504422	HOLE PLUG BUTTON / .625 O.D. WHITE	AR	
41	400378	SUPPORT	1	
42	500613	SCREW TP PAN PH #10x1/2 Z050	3	
43	409023	DECAL / "SEPTIC TANK" / ENGLISH & FRANCAIS	1	
43	409065	DECAL / "SEPTIC TANK" / ENGLISH & SPANISH	1	
44	640992	MALE CONNECTOR / NTA FITTING / #8x1/2NPT-M BR	1	
45	501796	BULKHEAD COUPLING / PIPE FITTING / 1/2NPT-Fx1/2NPT-Fx1 1/2 BR	1	
46	501424	NIPPLE / PIPE FITTING / 1/2NPT-Mx1/2NPT-Mx1 1/8 BR	1	
51	900323	NIPPLE / QUICK DISCONNECT "B SERIES" / #10x1/2NPT-F BR	1	A
52	900326	DUST CAP / QUICK DISCONNECT "B SERIES" / #10 VINYL	1	A

From G-6064 To H-6179	Date:01/2024	PAGE:X3-2330-02
-----------------------	--------------	-----------------

SUMP TANK SYSTEM - INSTALLATION

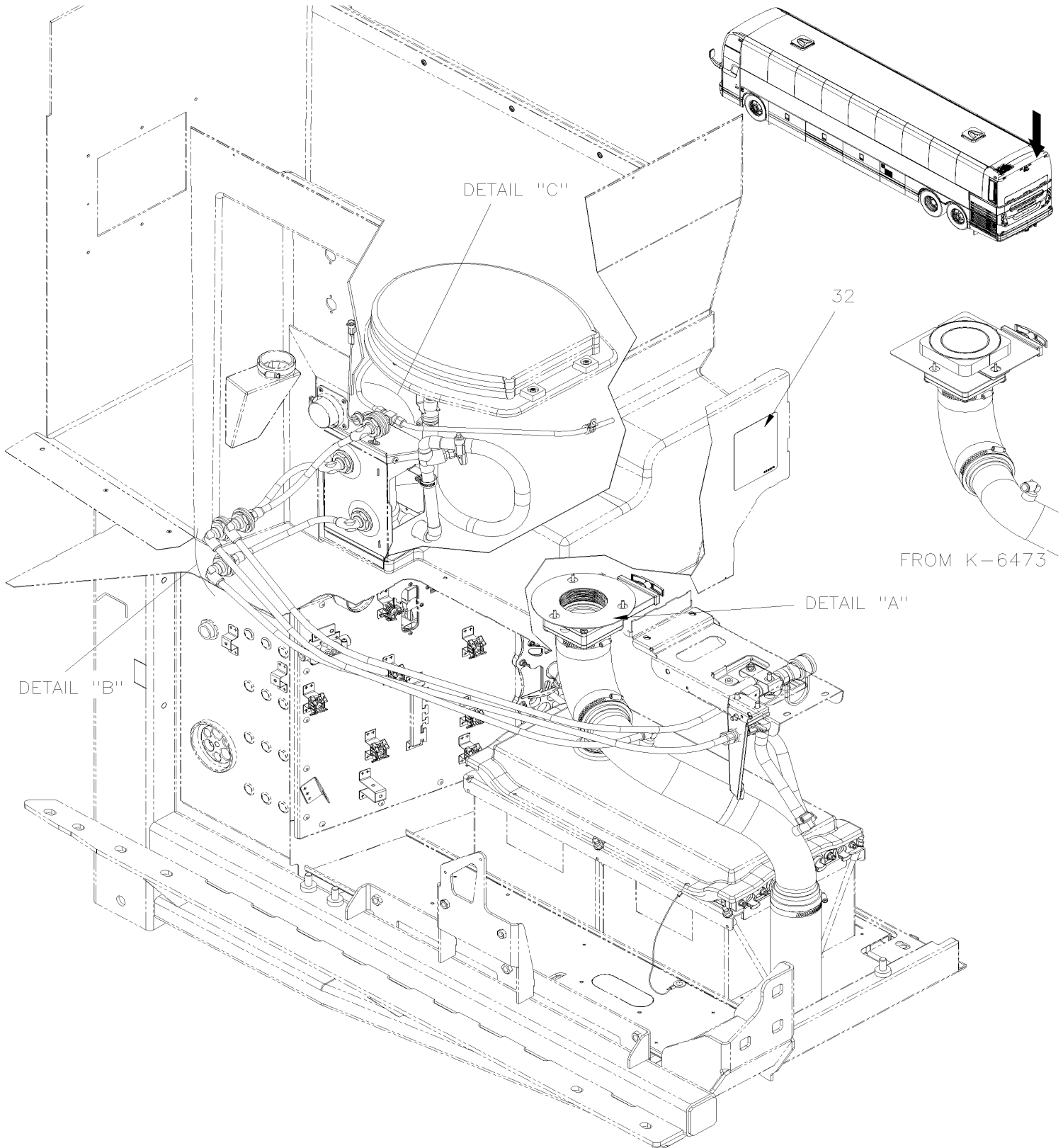
Item#	Part	Description	QTY	Notes
53	900324	COUPLER / QUICK DISCONNECT "B SERIES" / #8x1/2NPT-F BR	1	B
54	900325	DUST PLUG / QUICK DISCONNECT "B SERIES" / #8 VINYL	1	B
60	X3-2326-00	TOILET PUMP ASSY		
100	401294	VALVE SERVICE KIT	1	
. NS	900195	. THREADED VALVE ASSY W/HANDLE	1	
. NS	401296	. ADAPTER S.STEEL	1	
. NS	5000310	. SCREW CAP HEX M6-1.0x40 BK	3	
. NS	5001833	. WASHER BEL SPR 6.1x18x1.27 SS	4	
. NS	680098	. THREAD SEALANT LOCTITE #567 / WHITE / 250ml	AR	
. NS	684685	. ADHESIVE SIMSON #ISR 70-03 / 310ml CARTRIDGE	AR	
. NS	IS-18158	. INSTRUCTION SHEET	1	
		A) CANADA OPTION		
		B) USA OPTION		
		PWT) PACIFIC WESTERN OPTION		

From H-6180

Date:01/2024

PAGE:X3-2330-03

SUMP TANK SYSTEM - INSTALLATION GHG17



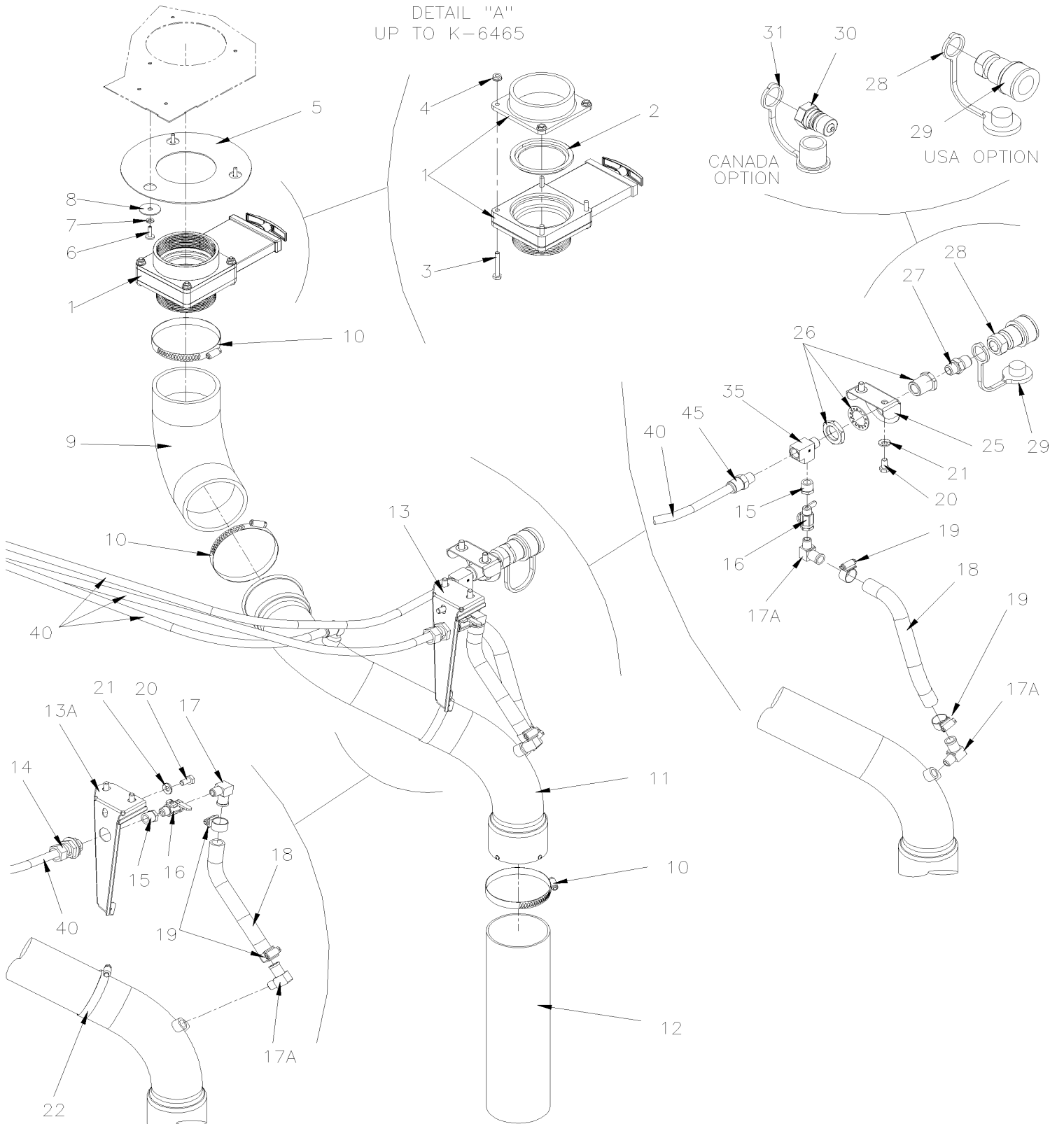
From H-6180

Date:01/2024

PAGE:X3-2330-03

SUMP TANK SYSTEM - INSTALLATION GHG17

DETAIL "A"
UP TO K-6465



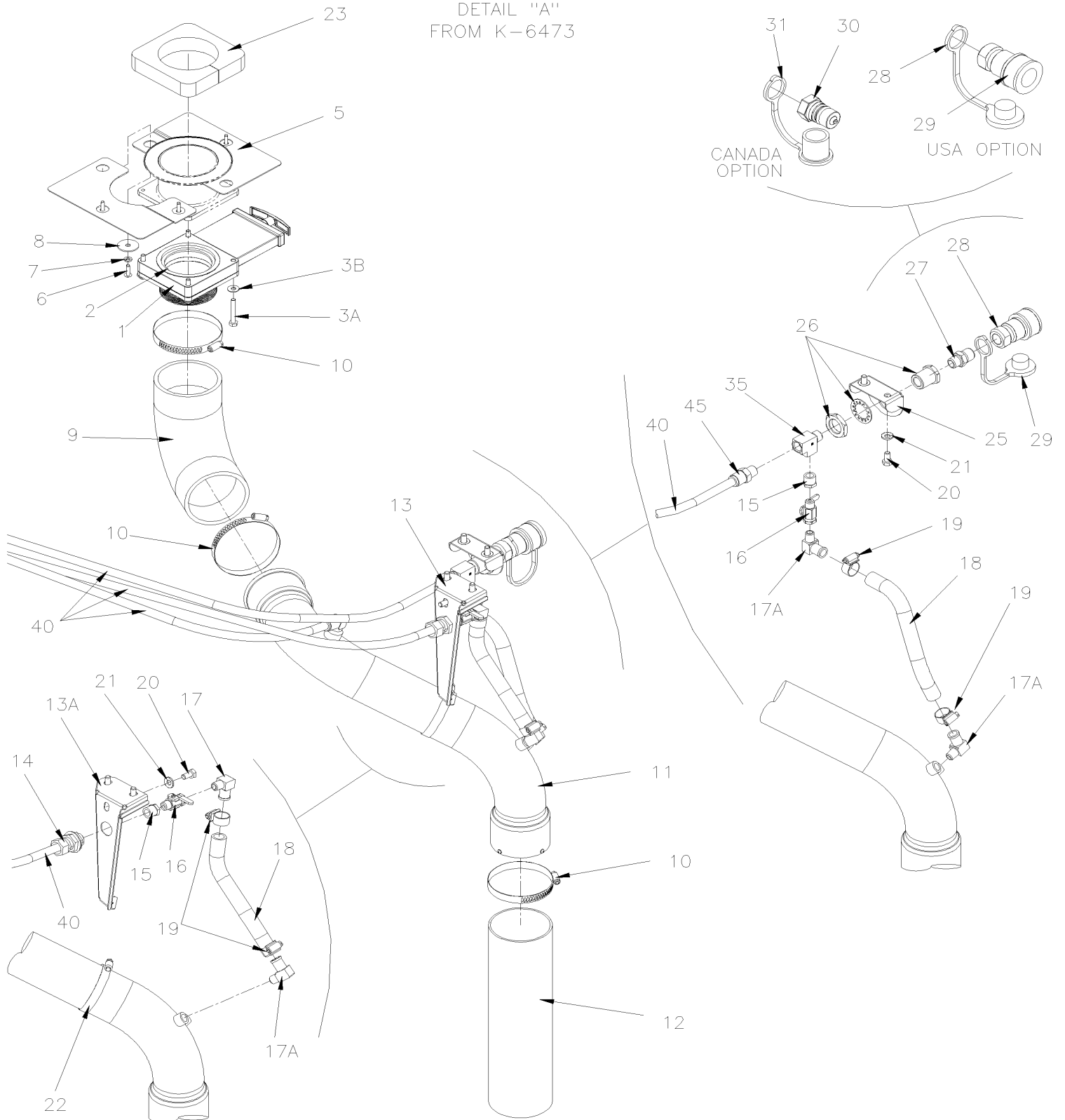
From H-6180

Date:01/2024

PAGE:X3-2330-03

SUMP TANK SYSTEM - INSTALLATION GHG17

DETAIL "A"
FROM K-6473

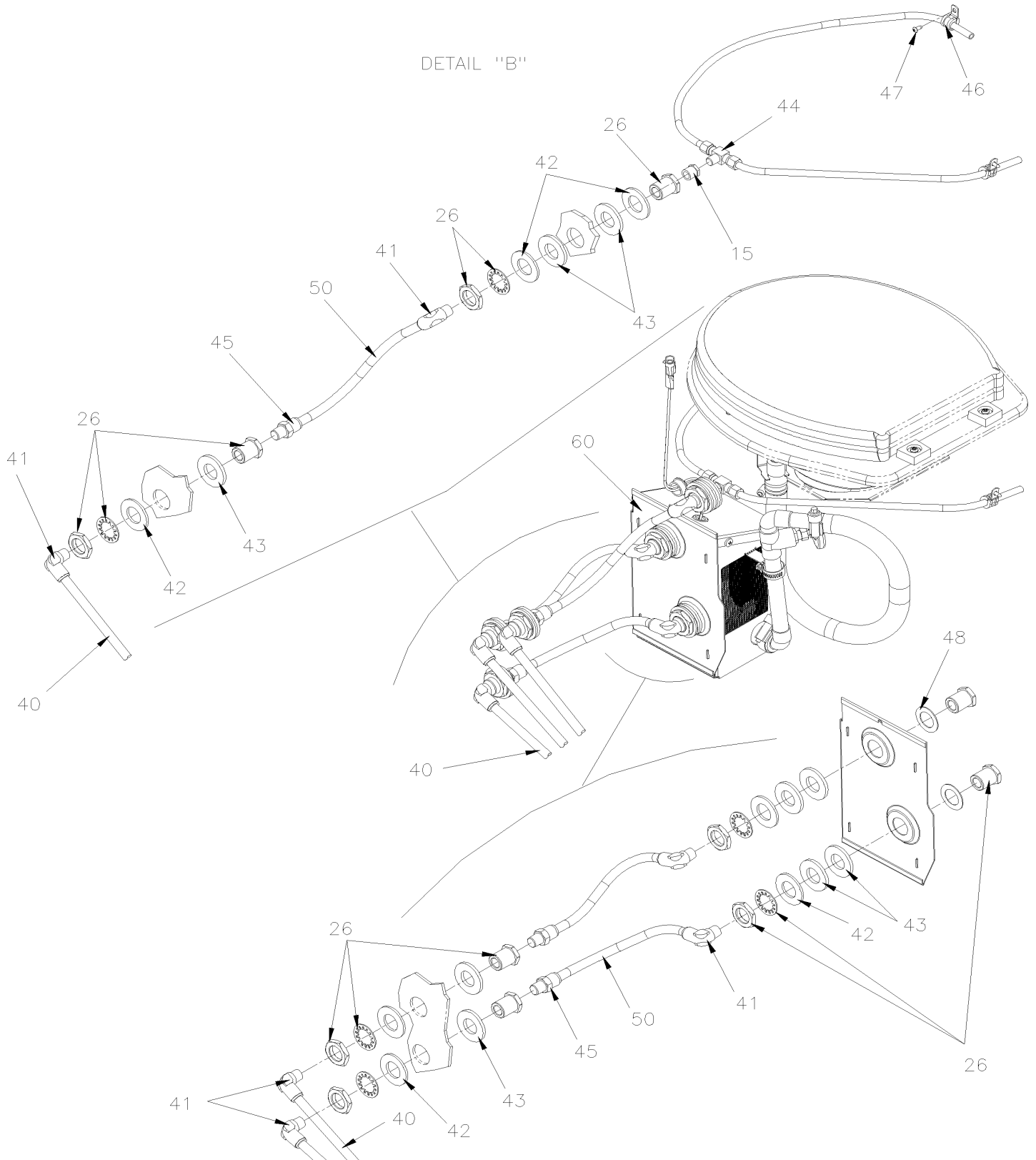


From H-6180

Date:01/2024

PAGE:X3-2330-03

SUMP TANK SYSTEM - INSTALLATION GHG17



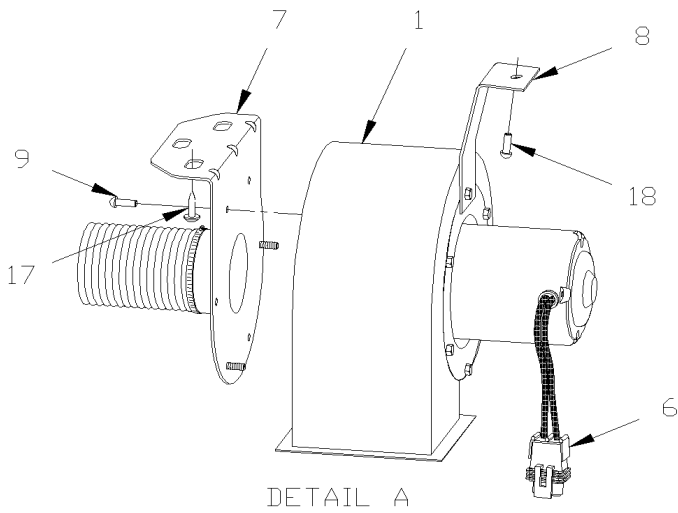
From H-6180		Date:01/2024	PAGE:X3-2330-03
SUMP TANK SYSTEM - INSTALLATION GHG17			

Item#	Part	Description	QTY	Notes
1	900195	THREADED VALVE ASSY W/HANDLE	1	
NS	680110	SEALANT TAPE / TEFLON / 1/2"	AR	
2	900330	. SEAL	1	
3	500994	. SCREW CAP HEX 1/4-20x1 3/4 G5 PT Z050 To K-6476	4	
3A	5000310	SCREW CAP HEX M6-1.0x40 BK From K-6466	4	
3B	5001833	WASHER BEL SPR 6.1x18x1.27 SS From K-6477	4	
4	500769	. NUT HEX 1/4-20 Z050 To K-6476	4	
5	400240	FIRE STOP PLATE To K-6476	1	
5	401241	FIRE STOP PLATE From K-6477	2	
5	684685	ADHESIVE SIMSON #ISR 70-03 / 310ml CARTRIDGE From K-6477	AR	
6	500283	SCREW TC TR PH #10-24x3/4 SS	AR	
7	502570	WASHER LO SPT 6.1x11.8x1.6 SS	AR	
8	500913	WASHER FL .281x1.250x.065 N500	AR	
9	530002	ELBOW 90° X 3 1/2" I.D. RUBBER 3 1/2"	1	
10	504235	HOSE CLAMP / 3"9/16"-4"1/2 SS / HS-64	3	
11	400093	TUBE DRAIN "S" SHAPE 3 1/2" O.D. SS	1	
11	401373	TUBE DRAIN "S" SHAPE 3 1/2" O.D. SS 304	1	C
12	401298	HOSE 13 1/2"	1	
13	400239	DRAIN VALVE ASSY / WATER TANK	1	
13A	400269	. BRACKET	1	
14	641012	. BULKHEAD UNION / NTA FITTING / #8x3/8NPT-M BR	1	
15	501314	. BUSHING REDUCER / PIPE FITTING / 3/8NTP-Mx1/4NPT-F BR	1	
16	642194	. BALL VALVE 1/4 NPT M x 1/4 NPT F	1	
17	5011025	. MALE ELBOW 90° / BEADED HOSE BARB / #10x1/4NPT-M	1	
17	5011025	. MALE ELBOW 90° / BEADED HOSE BARB / #10x1/4NPT-M	1	
NS	680098	. THREAD SEALANT LOCTITE #567 / WHITE / 250ml	AR	
17A	5011025	MALE ELBOW 90° / BEADED HOSE BARB / #10x1/4NPT-M	3	
17A	5011025	MALE ELBOW 90° / BEADED HOSE BARB / #10x1/4NPT-M	3	
18	900220	TUBE PVC / 5/8" I.D. / S.L.	AR	
19	504019	HOSE CLAMP / 9/16"-1"1/16 SS / HS-10	AR	
20	5001527	SCREW CAP HEX M8-1.25x16 SS BK	AR	
21	5001868	WASHER BEL SPR 8.4x18x2 SS	AR	
22	504026	HOSE CLAMP / 2"13/16-3"3/4 SS / HS-52	1	
23	3210750	FLOOR INSULATOR PANEL From K-6477	1	
25	400233	SUPPORT	1	
26	640863	BULKHEAD COUPLING / PIPE FITTING / 3/8NPT-Fx3/8NPT-F STL	3	
27	5011151	NIPPLE REDUCER HEX / PIPE FITTING / 1/2NPT-Mx3/8NPT-Mx1 5/8 BR	1	
28	900324	COUPLER / QUICK DISCONNECT "B SERIES" / #8x1/2NPT-F BR	1	
29	900325	DUST PLUG / QUICK DISCONNECT "B SERIES" / #8 VINYL	1	
30	900323	NIPPLE / QUICK DISCONNECT "B SERIES" / #10x1/2NPT-F BR	1	
31	900326	DUST CAP / QUICK DISCONNECT "B SERIES" / #10 VINYL	1	
32	400278	DECAL / "SEPTIC TANK" / ENGLISH & FRANCAIS	1	

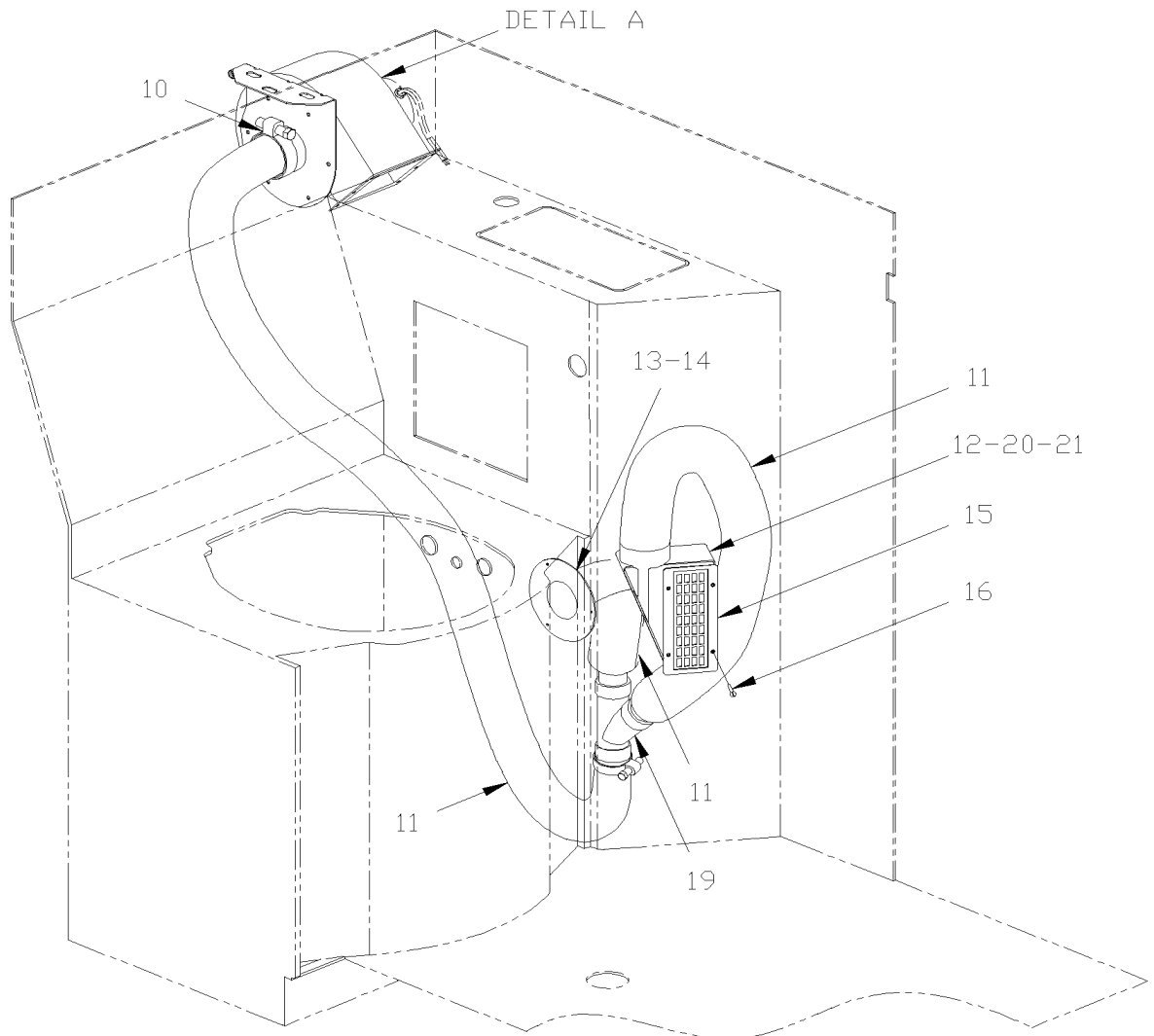
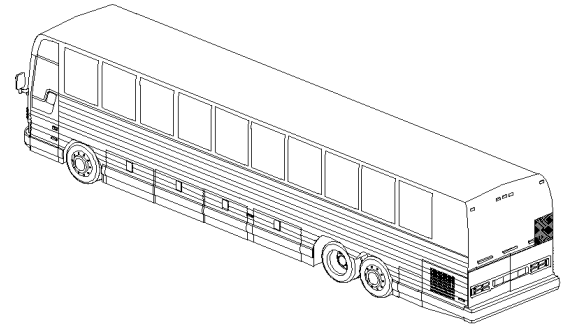
From H-6180	Date:01/2024	PAGE:X3-2330-03
SUMP TANK SYSTEM - INSTALLATION GHG17		

Item#	Part	Description	QTY	Notes
32	400290	DECAL / "SEPTIC TANK" / ENGLISH & SPANISH	1	
35	501699	MALE RUN TEE / PIPE FITTING / 3/8NPT-Mx3/8NPT-Fx3/8NPT-F BR	1	
40	503488	TUBE, NYLON 1/2 O.D. / BLACK S.L./	AR	
41	641376	MALE ELBOW 90° NON-SWIVEL / PUSH-IN FITTING / #8x3/8NPT-M BR	6	
NS	680098	THREAD SEALANT LOCTITE #567 / WHITE / 250ml	AR	
42	500456	WASHER FL 1.062x2.000x.134 Z050	AR	
43	400296	SEAL NEOPRENE	6	
44	641007	MALE BRANCH TEE / NTA FITTING / #6x#6x1/4NPT-M BR To H-6200	1	
44	641040	MALE ELBOW 90° / NTA FITTING / #8x3/8NPT-M BR From H-6201	1	
45	641381	MALE CONNECTOR / PUSH-IN FITTING / #8x3/8NPT-M BR	3	
46	952625	CLAMP / 3/8" I.D. To H-6200	2	
47	5001087	SCREW TP BDG PH #10x1/2 SS To H-6200	2	
48	400255	WASHER FL 26.0x44.0x1.27 SS	2	
50	503406	TUBE, NYLON 1/2 O.D. / GREEN S.L.	AR	
NS	680098	THREAD SEALANT LOCTITE #567 / WHITE / 250ml	AR	
60	X3-2326-01	TOILET PUMP ASSY GHG17		
100	401294	VALVE SERVICE KIT To K-6476	1	
. NS	900195	. THREADED VALVE ASSY W/HANDLE To K-6476	1	
. NS	401296	. ADAPTER S.STEEL To K-6476	1	
. NS	5000310	. SCREW CAP HEX M6-1.0x40 BK To K-6476	3	
. NS	5001833	. WASHER BEL SPR 6.1x18x1.27 SS To K-6476	4	
. NS	680098	. THREAD SEALANT LOCTITE #567 / WHITE / 250ml To K-6476	AR	
. NS	684685	. ADHESIVE SIMSON #ISR 70-03 / 310ml CARTRIDGE To K-6476	AR	
. NS	IS-18158	. INSTRUCTION SHEET To K-6476	1	
		C) SPECIAL OPTION SS304		

LAVATORY FAN - INSTALLATION



DETAIL A



DETAIL A

From 7-8754 To 8-9276	Date:01/2024	PAGE:X3-2337-00
LAVATORY FAN - INSTALLATION		

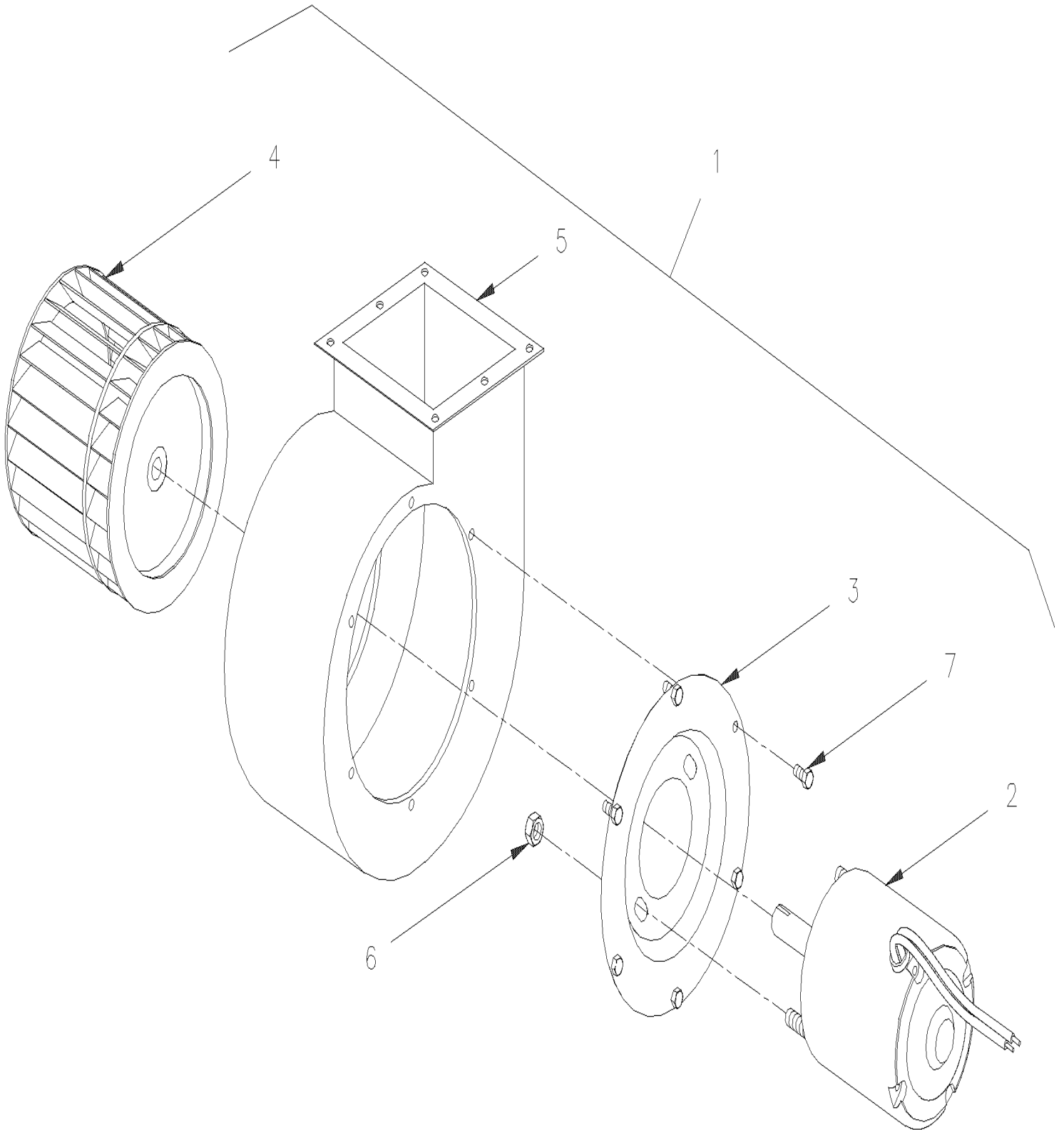
Item#	Part	Description	QTY	Notes
	405002	BLOWER ASSY LAVATORY	1	
1	870844	. BLOWER & MOTOR ASSY - "M.C.C." "CW" / FAN END		
6	561566	. CONNECTOR / WEATHER PACK / PH 2C / BLACK / PED 12010973	1	
6	561568	. PIN TERMINAL / 16-14 / PED 12089305	2	
6	561786	. CABLE SEAL / GRAY / PED 15324980	2	
7	405030	. SUPPORT / FLANGE SIDE	1	
8	403650	. SUPPORT / MOTOR SIDE	1	
9	504272	. RIVET CHY Q BRAZ 3/16x1/8 SS	3	
10	504024	HOSE CLAMP / 1"13/16"-2"3/4 SS / HS-36	2	
11	372344	HOSE 2 1/2" I.D. X 32"	1	
11	503031	HOSE FLEXIBLE / AIR DUCT 2 1/2" I.D. X 12' / RUBBER	AR	
12	372366	BOX ASSY	1	
13	400632	FLANGE HOSE ADAPTOR / FIXED TO LAVATORY	1	
14	504108	RIVET POP DOME OE 1/8x1/2 AL	3	
15	405700	GRILLE 160MM X 70MM SS	1	
16	500638	SCREW TP PAN PH #8x1/2 Z050	4	
17	500524	SCREW TP PAN PH #12x5/8 SS	3	
18	500611	SCREW TC PAN PH #10-24x1/2 Z050	1	
19	372762	Y TUBE ASSY / AIR DEFLECTOR	1	
20	504006	RIVET POP CK OE 1/8x5/16 AL	4	
21	500437	WASHER FL .125x.375x.040 Z050	4	

From 7-8754 To 8-9276

Date:01/2024

PAGE:870844

BLOWER & MOTOR ASSY - "M.C.C." "CW" / FAN END

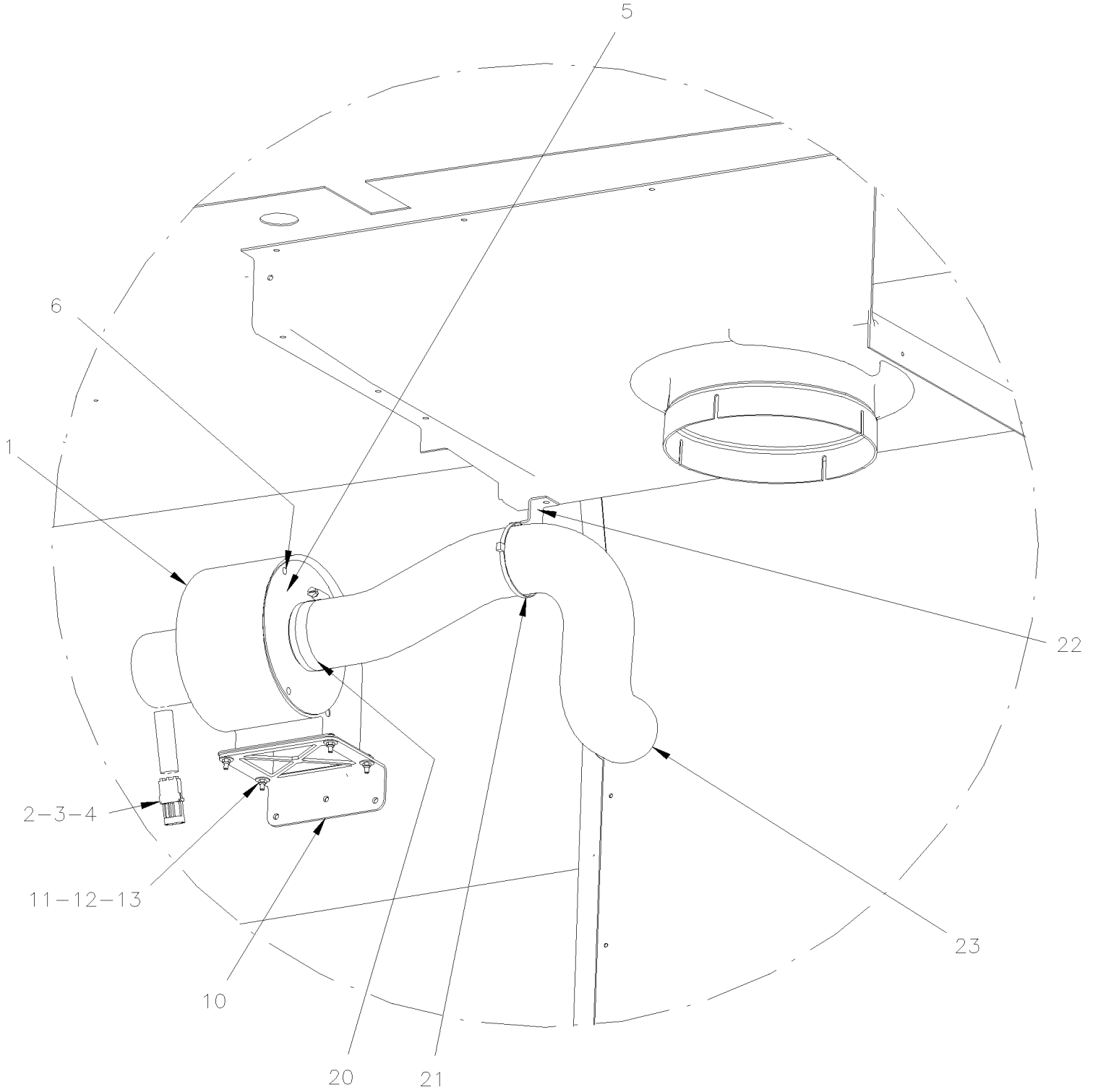


From 7-8754 To 8-9276	Date:01/2024	PAGE:870844
-----------------------	--------------	-------------

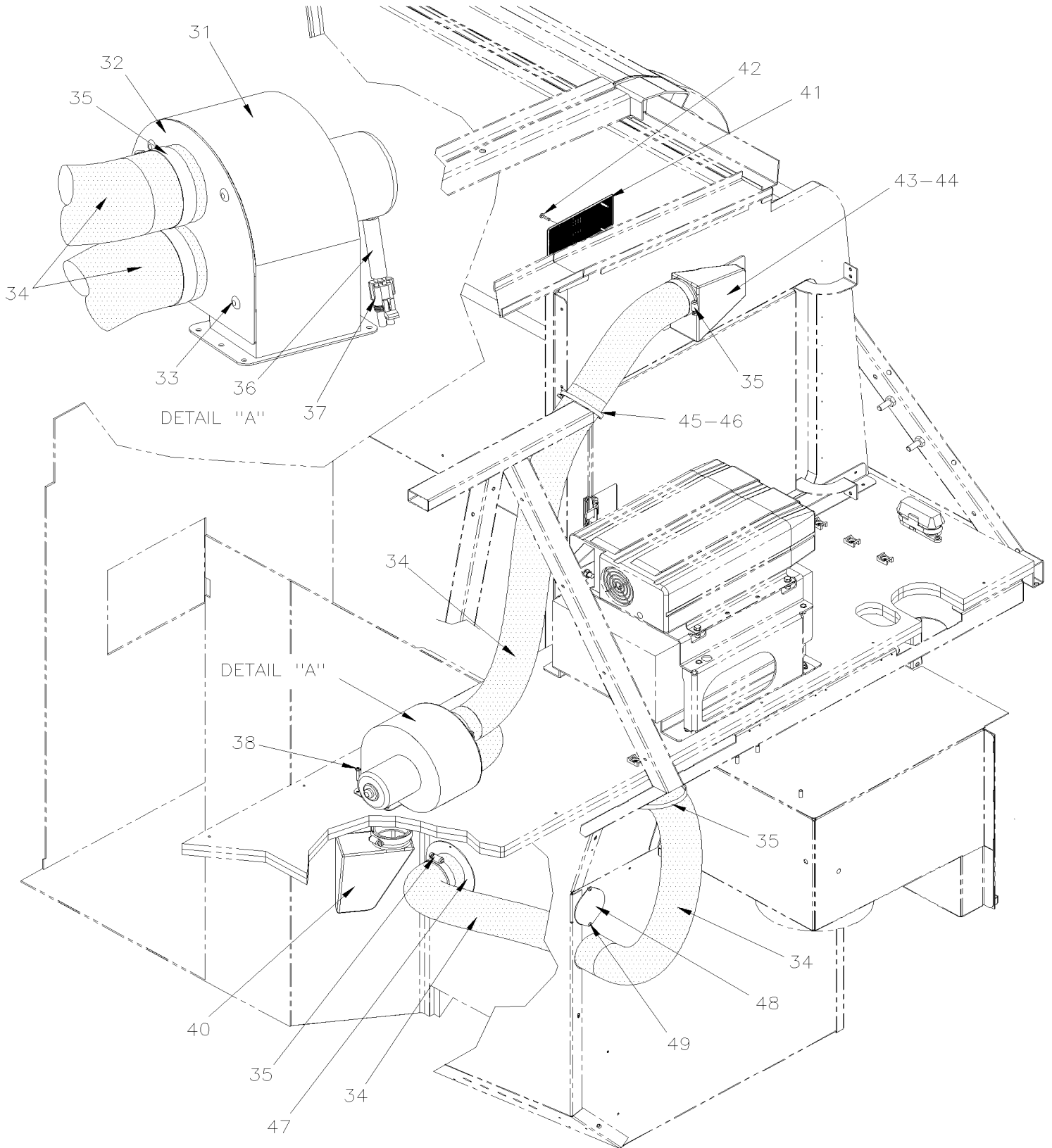
BLOWER & MOTOR ASSY - "M.C.C." "CW" / FAN END

Item#	Part	Description	QTY	Notes
1		BLOWER ASSY 24V / CW	1	
2	562167	. MOTOR ASSY / 24V	1	
3	871020	. PLATE MOUNTING / MOTOR	1	
4	871017	. BLOWER WHEEL / STEEL	1	
5	871440	. HOUSING BLOWER	1	
6	500786	. NUT HEX #10-24 Z050	2	
7	500978	. SCREW CAP HEX #10-24x3/4 Z050	6	

LAVATORY FAN - INSTALLATION



LAVATORY FAN - INSTALLATION



From 8-9277 To B-5001	Date:01/2024	PAGE:X3-2337-01
LAVATORY FAN - INSTALLATION		

Item#	Part	Description	QTY	Notes
	408196	BLOWER ASSY LAVATORY	1	
1	870844	. BLOWER & MOTOR ASSY - "M.C.C." "CW" / FAN END		
2	561566	. CONNECTOR / WEATHER PACK / PH 2C / BLACK / PED 12010973	1	
3	561568	. PIN TERMINAL / 16-14 / PED 12089305	2	
4	561786	. CABLE SEAL / GRAY / PED 15324980	2	
5	408195	. FLANGE / HOSE ADAPTOR	1	
6	504272	. RIVET CHY Q BRAZ 3/16x1/8 SS	3	
10	216094	SUPPORT BLOWER	1	
11	502799	SCREW CAP HEX M4-0.7X16 G8.8 N500	4	
12	500539	NUT HEX NYRT M4-0.7 N500	4	
13	960137	WASHER FL 4.3x14.0x1.0 ZP	4	
20	504025	HOSE CLAMP / 2"5/16-3"1/4 SS / HS-44	1	
21	504637	CABLE TIE / 3/16" x 13"	1	
22	408194	SUPPORT HOSE	1	
23	408197	HOSE 2 1/2" I.D. X 1016MM	1	
23	503031	. HOSE FLEXIBLE / AIR DUCT 2 1/2" I.D. X 12" RUBBER	AR	
		WITH "ORLEAN" OPTION		
31	870844	BLOWER & MOTOR ASSY - "M.C.C." "CW" / FAN END	1	
32	455419	BLOWER PLATE	1	
33	504745	RIVET HKL MMS 3/16x1/8 SS	4	
34	503031	HOSE FLEXIBLE / AIR DUCT 2 1/2" I.D. X 12" RUBBER	AR	
35	504025	HOSE CLAMP / 2"5/16-3"1/4 SS / HS-44	4	
36	561681	CONVOLUTED TUBING / SLIT / BLACK & GRAY / .350"	AR	
36	564099	TAPE ADHESIF ELECTRICAL TISSUS / BLACK 838MM	AR	
37	561690	CONNECTOR / WEATHER PACK / SH 2C / BLACK / PED 12015792	1	
37	561578	SOCKET TERMINAL / 16-14 / PED 12010182	2	
37	561786	CABLE SEAL / GRAY / PED 15324980	2	
38	500617	SCREW TP PAN PH #8x1 Z050	6	
40	372366	BOX ASSY	1	
40	504006	RIVET POP CK OE 1/8x5/16 AL	4	
40	500437	WASHER FL .125x.375x.040 Z050	4	
40	406505	CLOSING PLATE TOILETE FAN	1	B
40	5001332	SCREW MA PAN PH M4-0.7x16 SS	4	B
40	500855	WASHER FL .188x.438x.049 N500	4	B
40	500539	NUT HEX NYRT M4-0.7 N500	4	B
41	405700	GRILLE 160MM X 70MM SS	1	
42	5001119	SCREW TP BDG PH #8x3/4 SS	4	
43	455422	AIR BOX ASS	1	
44	500957	SCREW TP BDG PH #10x3/4 N500	2	
45	504013	TIE MOUNT / 1/4" X 1/4" I.D.	1	

From 8-9277 To B-5001	Date:01/2024	PAGE:X3-2337-01
-----------------------	--------------	-----------------

LAVATORY FAN - INSTALLATION

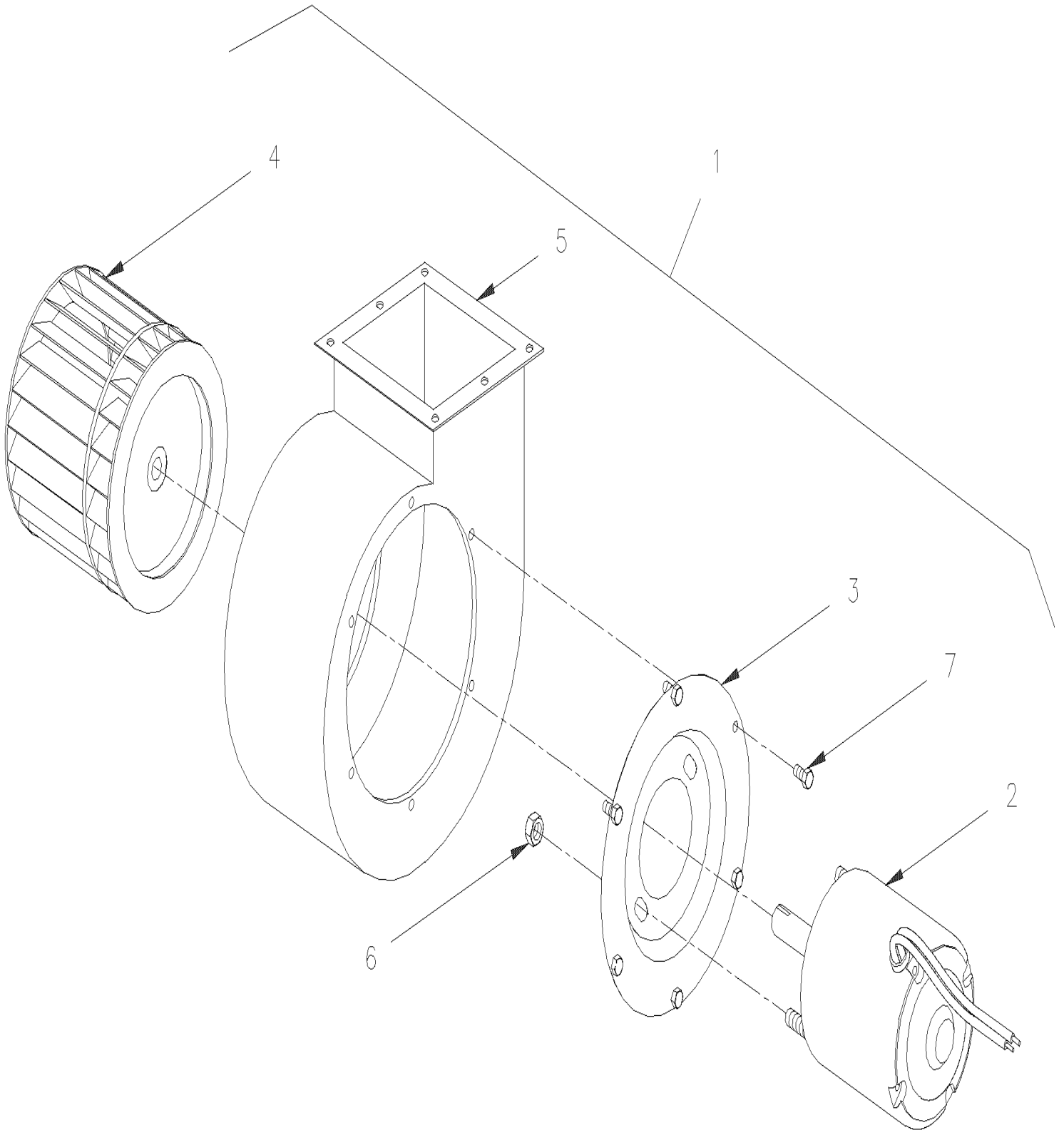
Item#	Part	Description	QTY	Notes
45	500957	SCREW TP BDG PH #10x3/4 N500	1	
46	504016	CABLE TIE / 5/16" X 14"1/2	3	
47	400632	FLANGE HOSE ADAPTOR / FIXED TO LAVATORY	1	
48	261329	CLOSING PLATE	1	
49	504104	RIVET POP DOME OE 1/8x1/8 SS	2	
		B) OPTION ORLEAN		

From 8-9277 To B-5001

Date:01/2024

PAGE:870844

BLOWER & MOTOR ASSY - "M.C.C." "CW" / FAN END



From 8-9277 To B-5001	Date:01/2024	PAGE:870844
-----------------------	--------------	-------------

BLOWER & MOTOR ASSY - "M.C.C." "CW" / FAN END

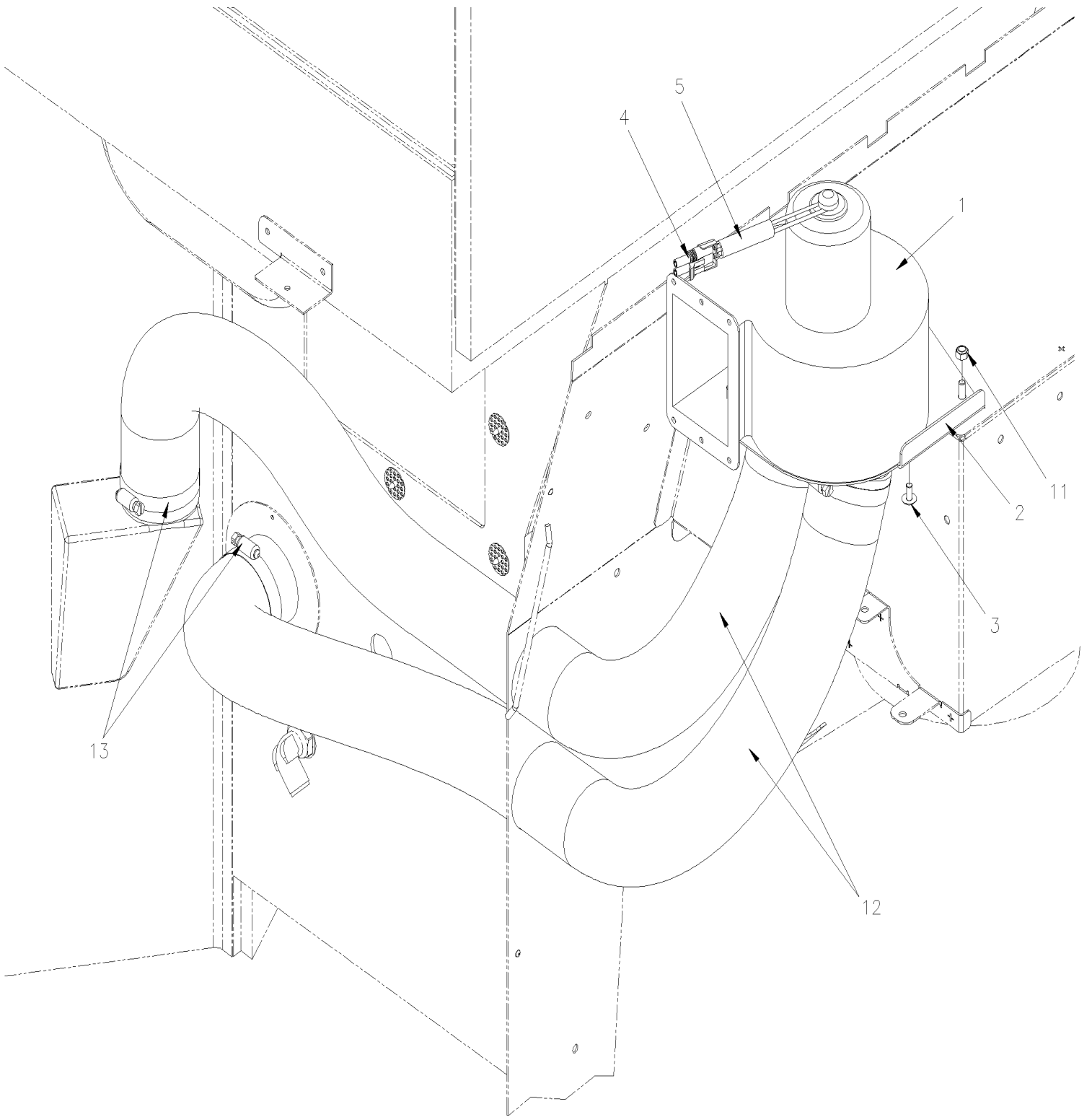
Item#	Part	Description	QTY	Notes
1		BLOWER ASSY 24V / CW	1	
2	562167	. MOTOR ASSY / 24V	1	
3	871020	. PLATE MOUNTING / MOTOR	1	
4	871017	. BLOWER WHEEL / STEEL	1	
5	871440	. HOUSING BLOWER	1	
6	500786	. NUT HEX #10-24 Z050	2	
7	500978	. SCREW CAP HEX #10-24x3/4 Z050	6	

From B-5002 To G-6063

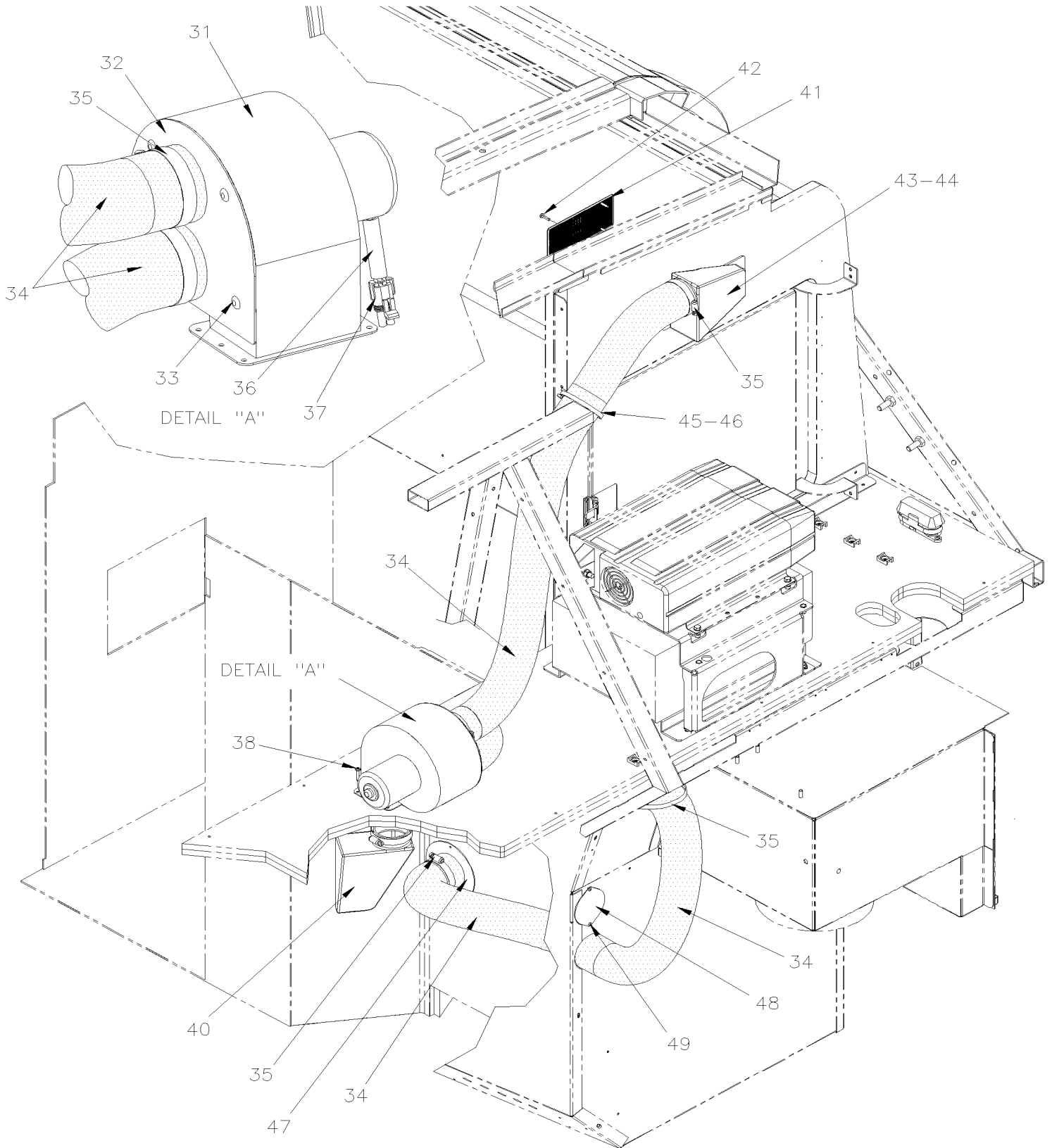
Date:01/2024

PAGE:X3-2337-02

LAVATORY FAN - INSTALLATION



LAVATORY FAN - INSTALLATION



From B-5002 To G-6063	Date:01/2024	PAGE:X3-2337-02
LAVATORY FAN - INSTALLATION		

Item#	Part	Description	QTY	Notes
	457748	BLOWER ASSY LAVATORY	1	
1	870844	. BLOWER & MOTOR ASSY - "M.C.C." "CW" / FAN END	1	
2	454660	. SUPPORT, FAN To F-5871	1	
2	457716	. SUPPORT, FAN From F-5872	1	
3	504745	. RIVET HKL MMS 3/16x1/8 SS To E-5603	4	
3	504793	. RIVET MNB OE LARGE HEAD 3/16x7/16 SS From E-5604	4	
4	561690	. CONNECTOR / WEATHER PACK / SH 2C / BLACK / PED 12015792	1	
4	561578	. SOCKET TERMINAL / 16-14 / PED 12010182	2	
4	561786	. CABLE SEAL / GRAY / PED 15324980	2	
5	561681	. CONVOLUTED TUBING / SLIT / BLACK & GRAY / .350"	2	
5	564099	. TAPE ADHESIF ELECTRICAL TISSUS / BLACK 838MM	AR	
11	502681	NUT HEX NYRT M6-1.0 N500 G8	3	
12	503031	HOSE FLEXIBLE / AIR DUCT 2 1/2" I.D. X 12' / RUBBER	AR	
13	504025	HOSE CLAMP / 2"5/16-3"1/4 SS / HS-44	2	
14	680532	SEALANT SIKA #221 / GREY / 310ml CARTRIDGE	AR	
		WITH "ORLEAN" OPTION		
31	870844	BLOWER & MOTOR ASSY - "M.C.C." "CW" / FAN END	1	
32	455419	BLOWER PLATE	1	
33	504745	RIVET HKL MMS 3/16x1/8 SS To E-5603	4	
33	504793	RIVET MNB OE LARGE HEAD 3/16x7/16 SS From E-5604	4	
34	503031	HOSE FLEXIBLE / AIR DUCT 2 1/2" I.D. X 12' / RUBBER	AR	
35	504025	HOSE CLAMP / 2"5/16-3"1/4 SS / HS-44	4	
36	561681	CONVOLUTED TUBING / SLIT / BLACK & GRAY / .350"	AR	
36	564099	TAPE ADHESIF ELECTRICAL TISSUS / BLACK 838MM	AR	
37	561690	CONNECTOR / WEATHER PACK / SH 2C / BLACK / PED 12015792	1	
37	561578	SOCKET TERMINAL / 16-14 / PED 12010182	2	
37	561786	CABLE SEAL / GRAY / PED 15324980	2	
38	500617	SCREW TP PAN PH #8x1 Z050	6	
40	372366	BOX ASSY	1	
40	504006	RIVET POP CK OE 1/8x5/16 AL	4	
40	500437	WASHER FL .125x.375x.040 Z050	4	
40	406505	CLOSING PLATE TOILETE FAN	1	B
40	5001332	SCREW MA PAN PH M4-0.7x16 SS	4	B
40	500855	WASHER FL .188x.438x.049 N500	4	B
40	500539	NUT HEX NYRT M4-0.7 N500	4	B
41	405700	GRILLE 160MM X 70MM SS	1	
42	5001119	SCREW TP BDG PH #8x3/4 SS	4	
43	455422	AIR BOX ASS	1	
44	500957	SCREW TP BDG PH #10x3/4 N500	2	
45	504013	TIE MOUNT / 1/4" X 1/4" I.D.	1	

From B-5002 To G-6063	Date:01/2024	PAGE:X3-2337-02
LAVATORY FAN - INSTALLATION		

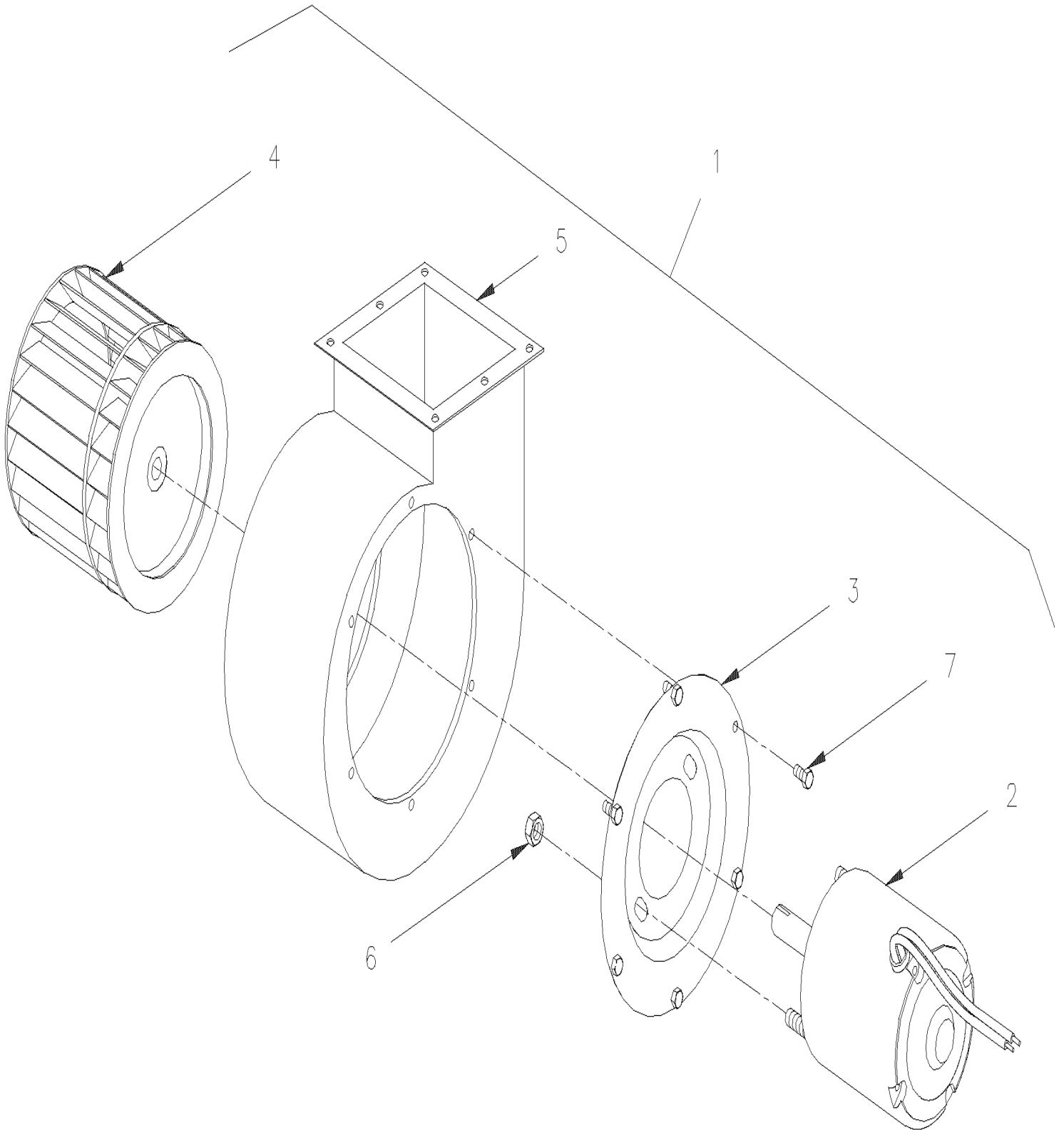
Item#	Part	Description	QTY	Notes
45	500957	SCREW TP BDG PH #10x3/4 N500	1	
46	504016	CABLE TIE / 5/16" X 14"1/2	3	
47	400632	FLANGE HOSE ADAPTOR / FIXED TO LAVATORY	1	
48	261329	CLOSING PLATE	1	
49	504104	RIVET POP DOME OE 1/8x1/8 SS	2	
NS	561884	RESISTOR / 2 OHMS / 50 W	1	A
NS	560104	RING TERMINAL .3125 / 6 / AMP 33466	2	A
NS	502685	SCREW CAP HEX M4-0.7x20 SS EMN	2	A
NS	500590	NUT HEX NYRT M4-0.7 Z050	2	A
NS	500950	WASHER FL .187x.625x.094 RUB	2	A
NS	502637	WASHER FL .200x.437x.037 SS	2	A
NS	562387	CONVOLUTED TUBING / SLIT / BLACK / .250"	AR	A
NS	561690	CONNECTOR / WEATHER PACK / SH 2C / BLACK / PED 12015792	1	A
NS	561566	CONNECTOR / WEATHER PACK / PH 2C / BLACK / PED 12010973	1	A
NS	561568	PIN TERMINAL / 16-14 / PED 12089305	2	A
NS	561578	SOCKET TERMINAL / 16-14 / PED 12010182	2	A
NS	561565	CABLE SEAL / GREEN / PED 15324982	2	A
NS	560673	WIRE CABLE 16 / BLACK / GXL	AR	A
NS	560669	WIRE CABLE 16 / RED / GXL	AR	A
		A) USE WITH DUST ABATEMENT SYSTEM (GLI)		
		B) OPTION ORLEAN		

From B-5002 To G-6063

Date:01/2024

PAGE:870844

BLOWER & MOTOR ASSY - "M.C.C." "CW" / FAN END

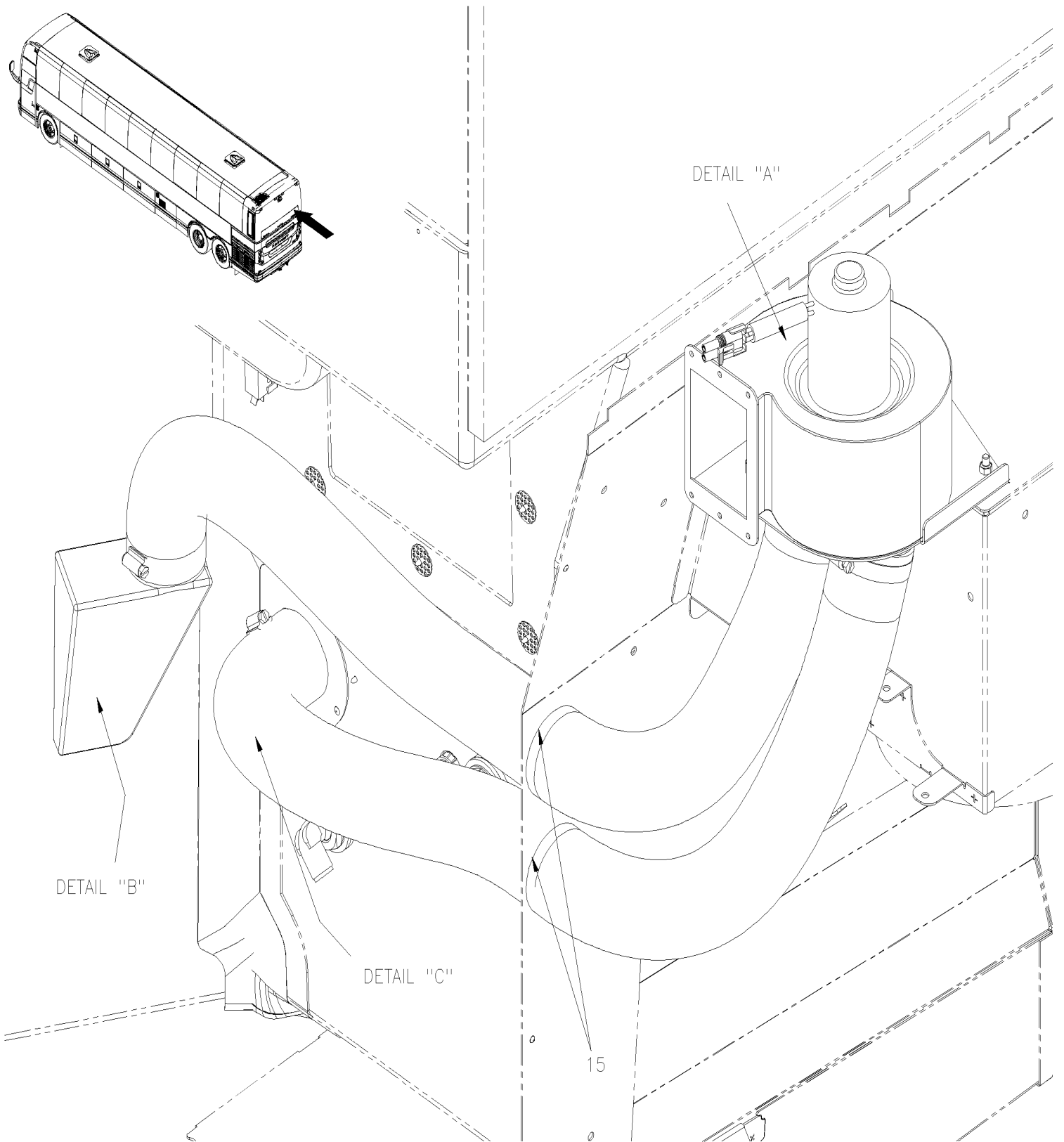


From B-5002 To G-6063	Date:01/2024	PAGE:870844
-----------------------	--------------	-------------

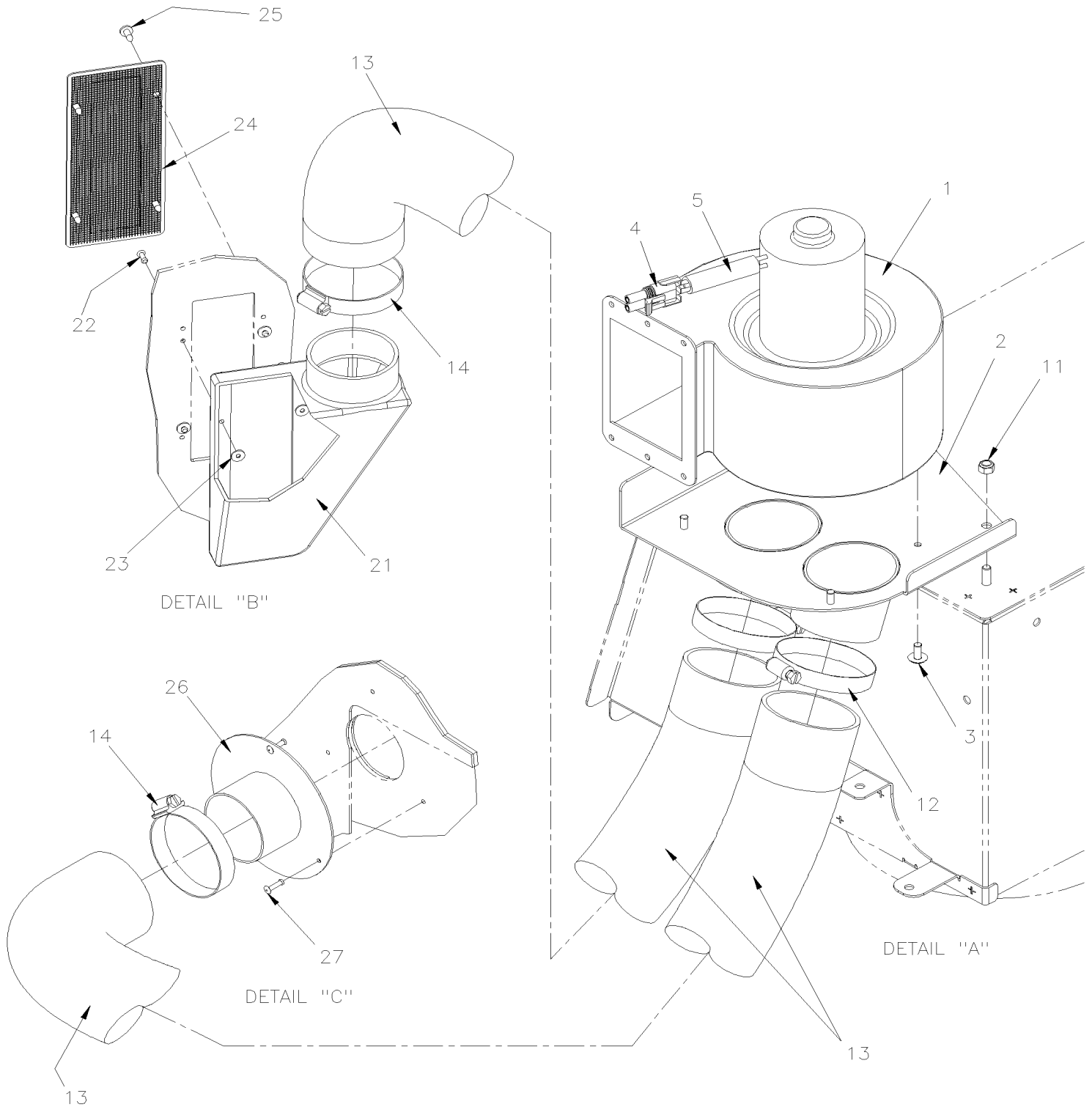
BLOWER & MOTOR ASSY - "M.C.C." "CW" / FAN END

Item#	Part	Description	QTY	Notes
1		BLOWER ASSY 24V / CW	1	
2	562167	. MOTOR ASSY / 24V	1	
3	871020	. PLATE MOUNTING / MOTOR	1	
4	871017	. BLOWER WHEEL / STEEL	1	
5	871440	. HOUSING BLOWER	1	
6	500786	. NUT HEX #10-24 Z050	2	
7	500978	. SCREW CAP HEX #10-24x3/4 Z050	6	

LAVATORY FAN - INSTALLATION



LAVATORY FAN - INSTALLATION



From G-6064 To H-6179	Date:01/2024	PAGE:X3-2337-03
-----------------------	--------------	-----------------

LAVATORY FAN - INSTALLATION

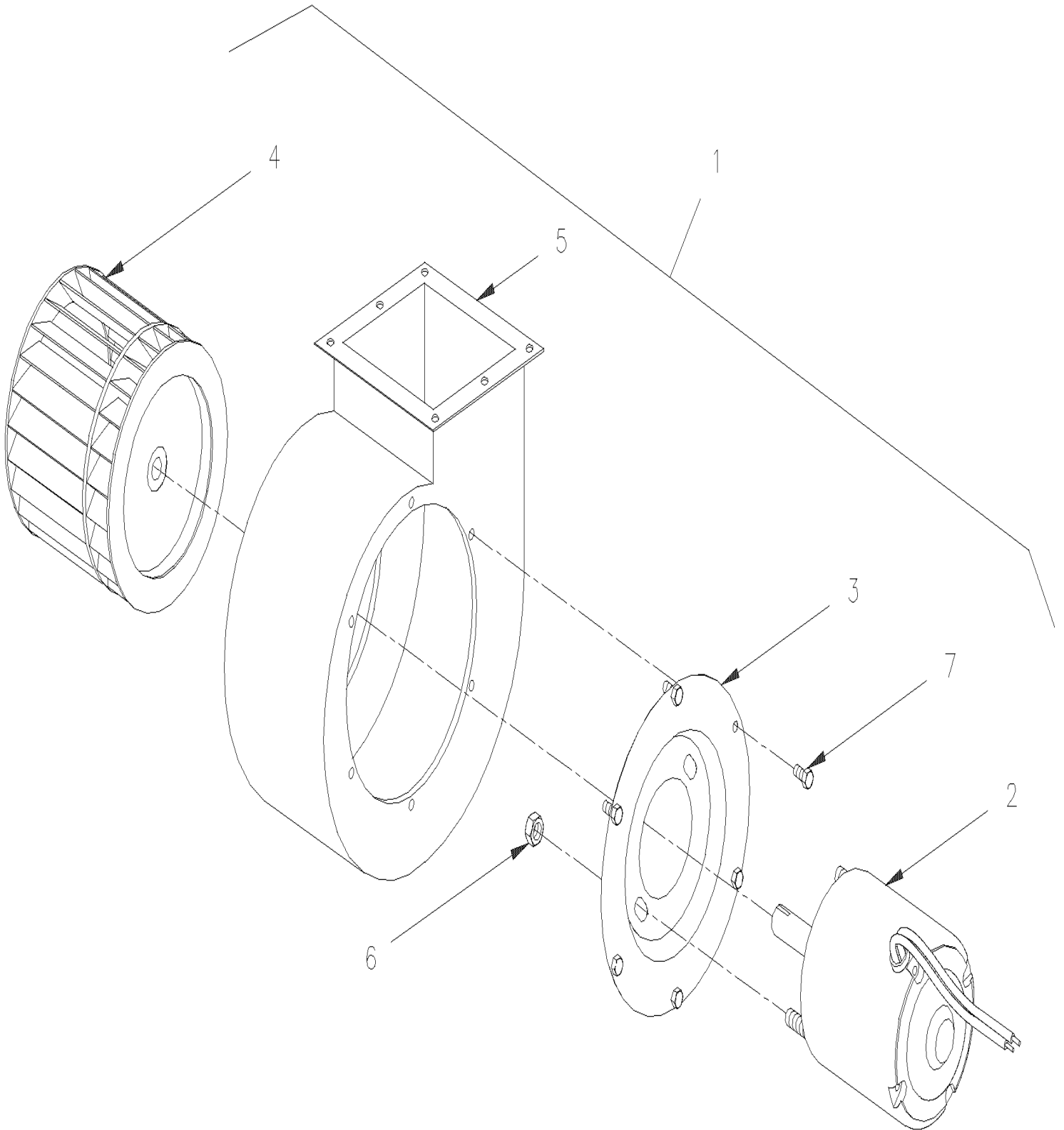
Item#	Part	Description	QTY	Notes
	457748	BLOWER ASSY LAVATORY	1	
1	870844	. BLOWER & MOTOR ASSY - "M.C.C." "CW" / FAN END	1	
2	457716	. SUPPORT, FAN	1	
3	504793	. RIVET MNB OE LARGE HEAD 3/16x7/16 SS	4	
4	561690	. CONNECTOR / WEATHER PACK / SH 2C / BLACK / PED 12015792	1	
4	561578	. SOCKET TERMINAL / 16-14 / PED 12010182	2	
4	561786	. CABLE SEAL / GRAY / PED 15324980	2	
5	561681	. CONVOLUTED TUBING / SLIT / BLACK & GRAY / .350"	2	
5	564099	. TAPE ADHESIF ELECTRICAL TISSUS / BLACK 838MM	AR	
11	502681	NUT HEX NYRT M6-1.0 N500 G8	3	
12	504025	HOSE CLAMP / 2"5/16-3"1/4 SS / HS-44	2	
13	503031	HOSE FLEXIBLE / AIR DUCT 2 1/2" I.D. X 12' / RUBBER	AR	
14	504024	HOSE CLAMP / 1"13/16"-2"3/4 SS / HS-36	2	
15	680532	SEALANT SIKA #221 / GREY / 310ml CARTRIDGE	AR	
21	372366	BOX ASSY	1	
22	504006	RIVET POP CK OE 1/8x5/16 AL	4	
23	500437	WASHER FL .125x.375x.040 Z050	4	
24	405700	GRILLE 160MM X 70MM SS	1	
25	500952	SCREW TP BDG PH #8x1/2 SS	4	
26	400632	FLANGE HOSE ADAPTOR / FIXED TO LAVATORY	1	
27	504108	RIVET POP DOME OE 1/8x1/2 AL	3	

From G-6064 To H-6179

Date:01/2024

PAGE:870844

BLOWER & MOTOR ASSY - "M.C.C." "CW" / FAN END

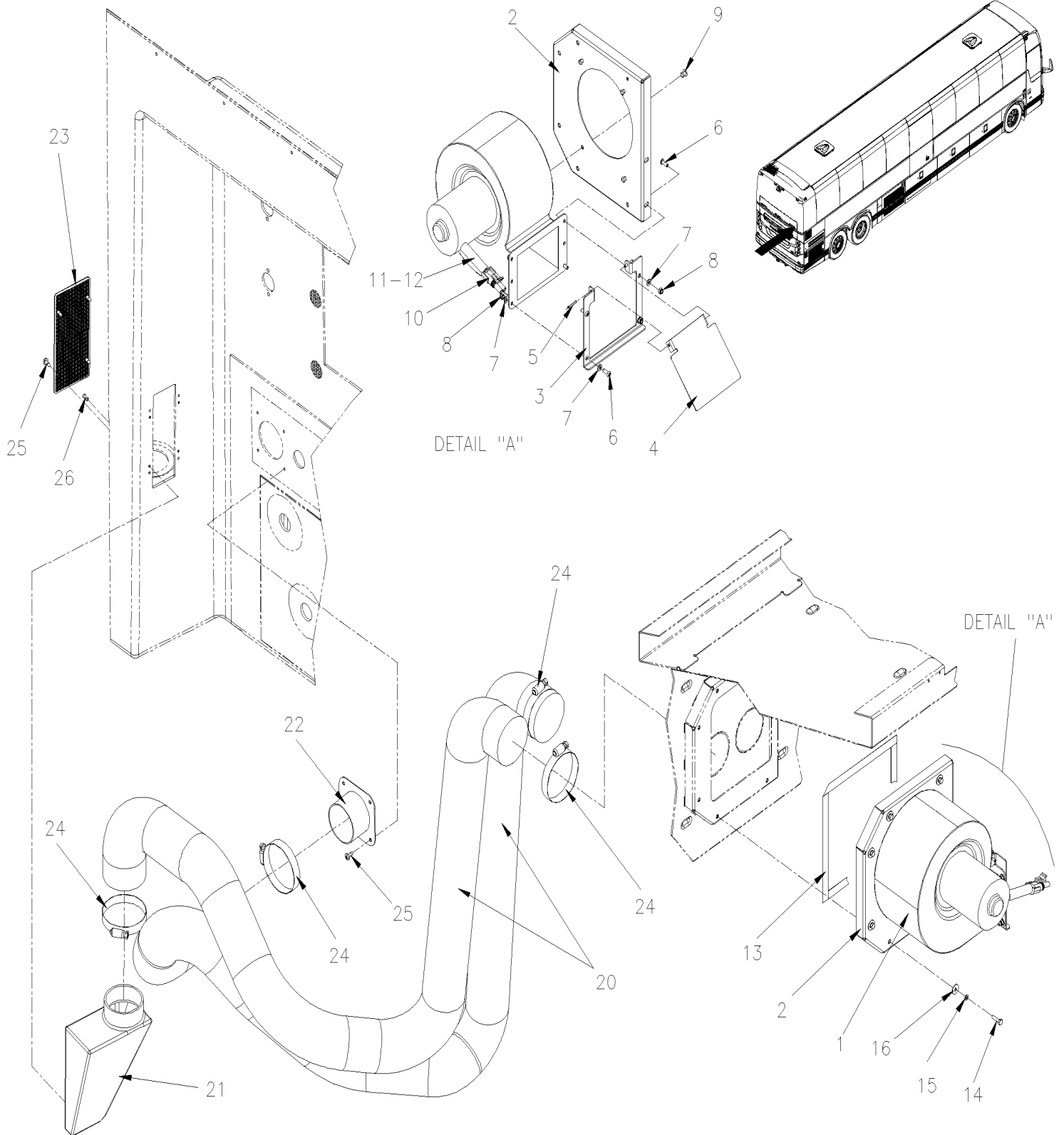


From G-6064 To H-6179	Date:01/2024	PAGE:870844
-----------------------	--------------	-------------

BLOWER & MOTOR ASSY - "M.C.C." "CW" / FAN END

Item#	Part	Description	QTY	Notes
1		BLOWER ASSY 24V / CW	1	
2	562167	. MOTOR ASSY / 24V	1	
3	871020	. PLATE MOUNTING / MOTOR	1	
4	871017	. BLOWER WHEEL / STEEL	1	
5	871440	. HOUSING BLOWER	1	
6	500786	. NUT HEX #10-24 Z050	2	
7	500978	. SCREW CAP HEX #10-24x3/4 Z050	6	

LAVATORY FAN - INSTALLATION GHG17



From H-6180 To P-6866	Date:01/2024	PAGE:X3-2337-04
LAVATORY FAN - INSTALLATION GHG17		

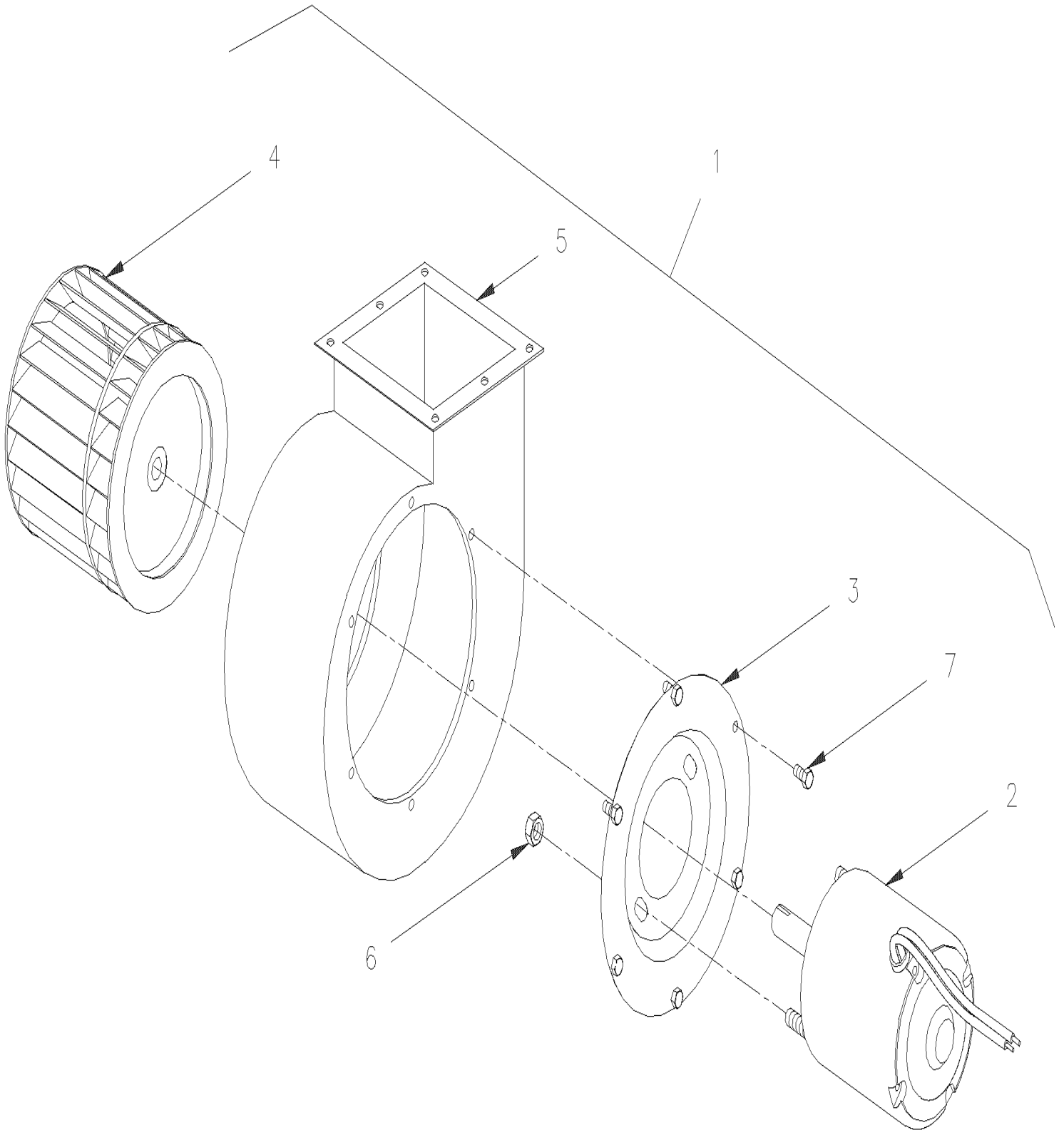
Item#	Part	Description	QTY	Notes
	Call order desk	BLOWER ASSY LAVATORY	1	P
1	870844	. BLOWER & MOTOR ASSY - "M.C.C." "CW" / FAN END	1	S
2	450024	. SUPPORT, FAN	1	
3	450025	. SUPPORT FLAPGATE	1	
4	450026	. FLAPGATE	1	
5	505421	. SPRING, PIN M3 x 18	2	
6	5001996	. SCREW MA PAN PH M4-0.7x12 N500	4	
7	502556	. WASHER FL 4.3x9.0x0.8 SS	6	
8	500539	. NUT HEX NYRT M4-0.7 N500	4	
9	504379	. RIVET POP DOME OE 3/16x1/4 SS	4	
10	561690	. CONNECTOR / WEATHER PACK / SH 2C / BLACK / PED 12015792	1	
NS	561578	. SOCKET TERMINAL / 16-14 / PED 12010182	2	
NS	561786	. CABLE SEAL / GRAY / PED 15324980	2	
11	561681	. CONVOLUTED TUBING / SLIT / BLACK & GRAY / .350"	1	
12	564099	. TAPE ADHESIF ELECTRICAL TISSUS / BLACK 838MM	AR	
13	506236	. TAPE RUB ADH1 CC POL 1/16" x 1/2" x 100' / GREY 2520	AR	
14	502799	. SCREW CAP HEX M4-0.7X16 G8.8 N500	6	
15	502834	. WASHER LO SPT 4.1x7.6x0.9 N500	1	
16	5001750	. WASHER FL 4.3x14.0x1.0 N500	6	
NS	455051	SERVICE KIT FAN LAVATORY	1	
20	503031	HOSE FLEXIBLE / AIR DUCT 2 1/2" I.D. X 12' / RUBBER	AR	
21	372366	BOX ASSY	1	
22	400205	FLANGE, ASSY	1	
23	405700	GRILLE 160MM X 70MM SS	1	
24	504025	HOSE CLAMP / 2"5/16-3"1/4 SS / HS-44	4	
25	500952	SCREW TP BDG PH #8x1/2 SS	8	
26	504006	RIVET POP CK OE 1/8x5/16 AL	4	
		S) FOR BRUSHLESS FAN ALTERNATIVE SEE SERVICE KIT 455051		
		P) CALL ORDER DESK FOR SPECIFIC APPLICATION (V.I.N.)		

From H-6180 To P-6866

Date:01/2024

PAGE:870844

BLOWER & MOTOR ASSY - "M.C.C." "CW" / FAN END



From H-6180 To P-6866	Date:01/2024	PAGE:870844
-----------------------	--------------	-------------

BLOWER & MOTOR ASSY - "M.C.C." "CW" / FAN END

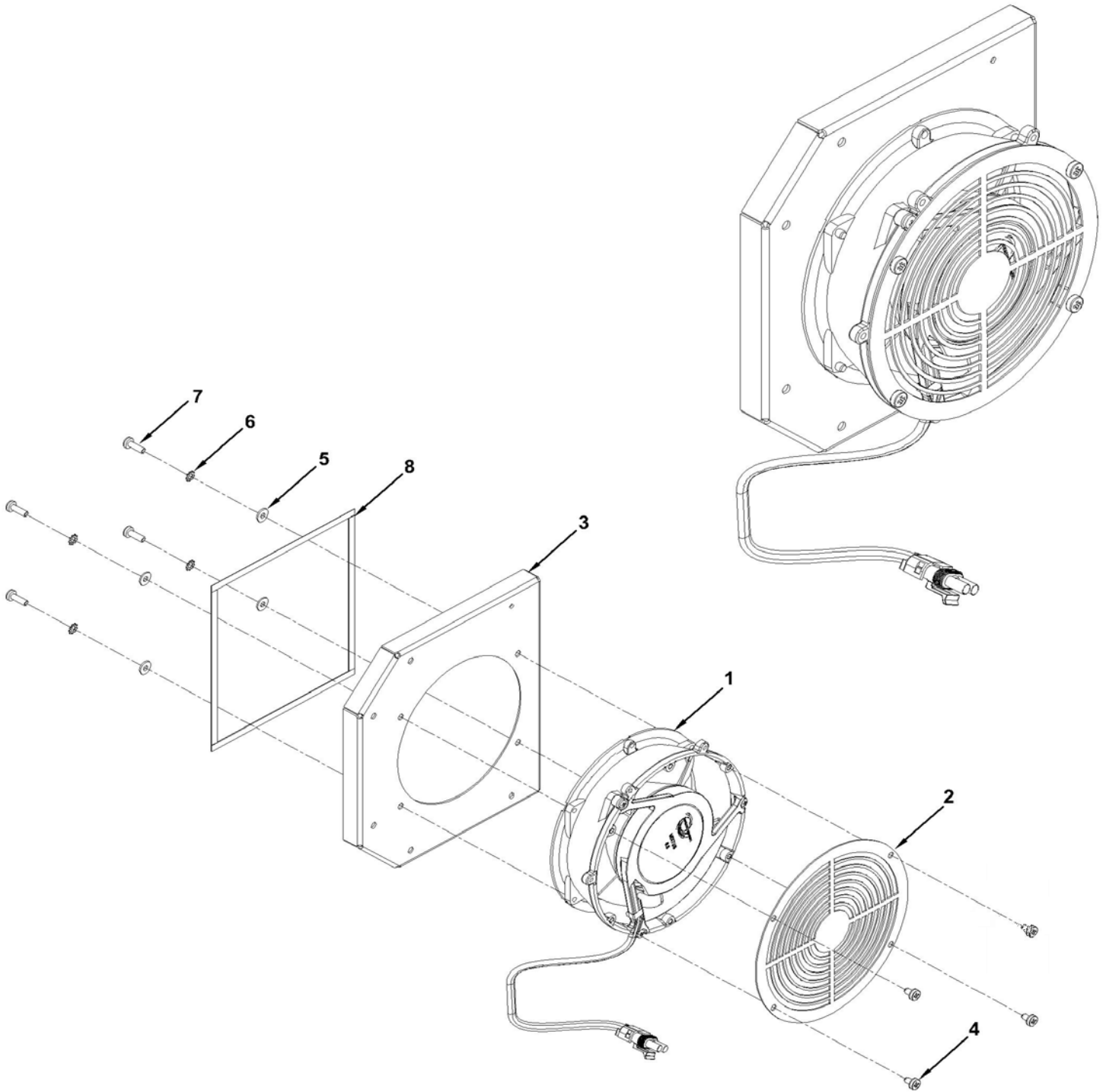
Item#	Part	Description	QTY	Notes
1		BLOWER ASSY 24V / CW	1	
2	562167	. MOTOR ASSY / 24V	1	
3	871020	. PLATE MOUNTING / MOTOR	1	
4	871017	. BLOWER WHEEL / STEEL	1	
5	871440	. HOUSING BLOWER	1	
6	500786	. NUT HEX #10-24 Z050	2	
7	500978	. SCREW CAP HEX #10-24x3/4 Z050	6	

From H-6180 To P-6866

Date:01/2024

PAGE:455051

SERVICE KIT FAN LAVATORY



From H-6180 To P-6866	Date:01/2024	PAGE:455051
-----------------------	--------------	-------------

SERVICE KIT FAN LAVATORY

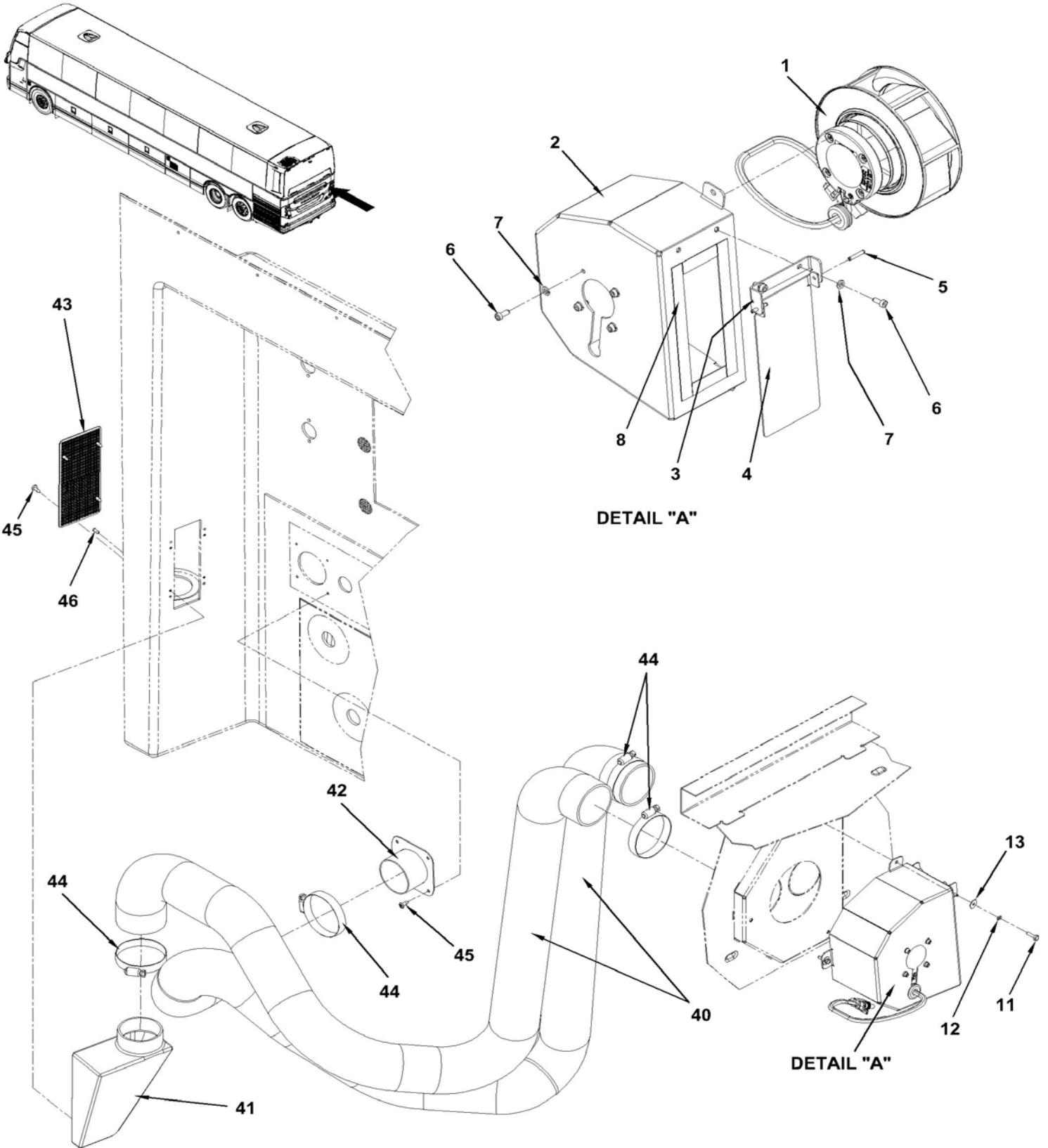
Item#	Part	Description	QTY	Notes
1	950707	FAN BRUSHLESS	1	
2	455048	FAN GRILL	1	
3	455052	SUPPORT LAVATORY FAN	1	
4	5001337	NUT INS FL HEX M8-1.25 0.5-3.0 Z050	4	
4	5001137	WASHER FL .203x.438x.050 SS	4	
5	500804	WASHER FL .203x.500x.047 N500	4	
6	5001378	WASHER LO EXT 5.3x10x0.6 Z050	4	
7	502653	SCREW MA PAN PH M5-0.8x16 SS	4	
8	506225	TAPE RUB ADH1 CC POL 1/16" x 1/4" x 100' / GREY 2520	AR	

From P-6867

Date:01/2024

PAGE:X3-2337-05

LAVATORY FAN - INSTALLATION

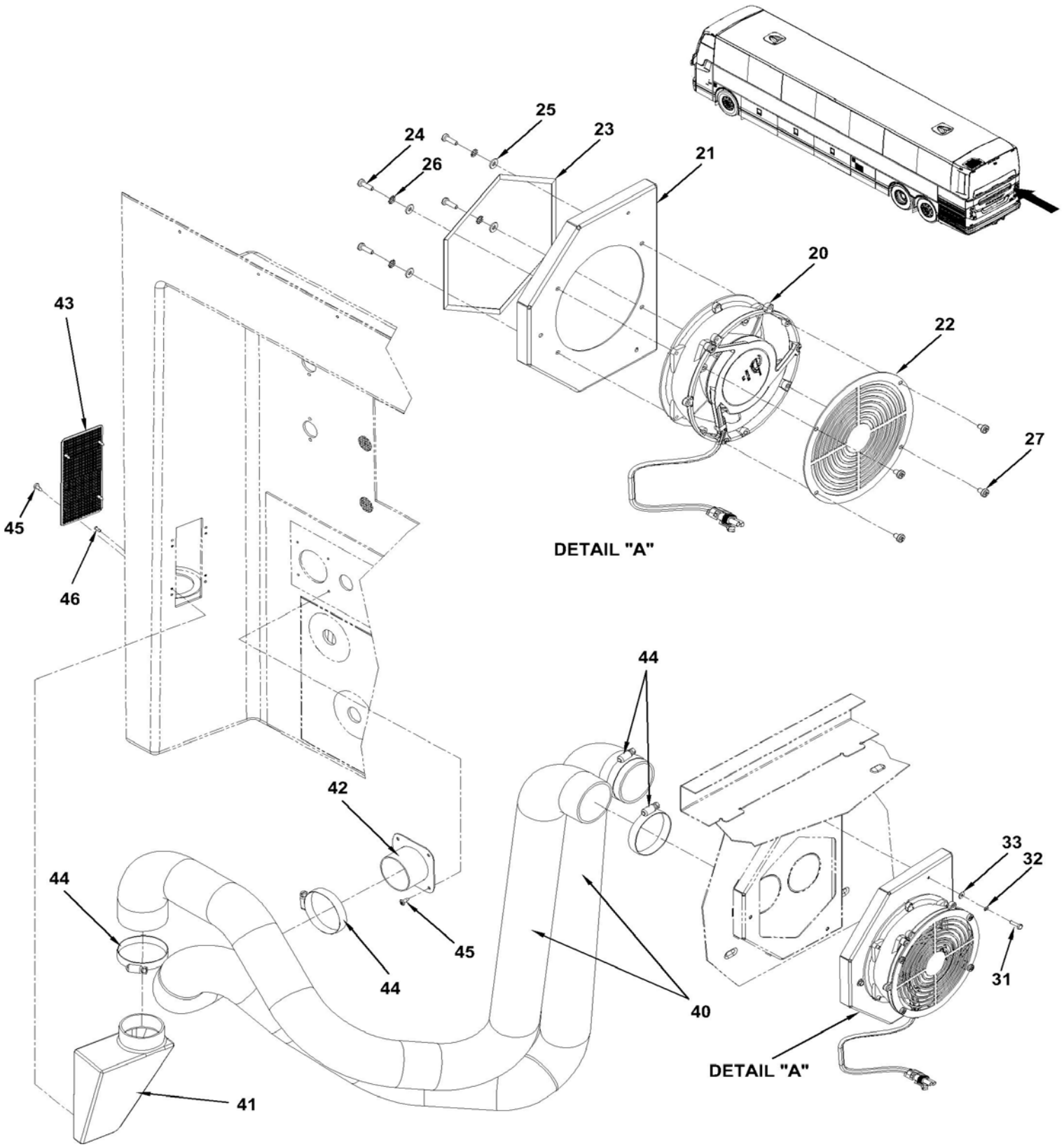


From P-6867

Date:01/2024

PAGE:X3-2337-05

LAVATORY FAN - INSTALLATION



From P-6867		Date:01/2024	PAGE:X3-2337-05
--------------------	--	---------------------	------------------------

LAVATORY FAN - INSTALLATION

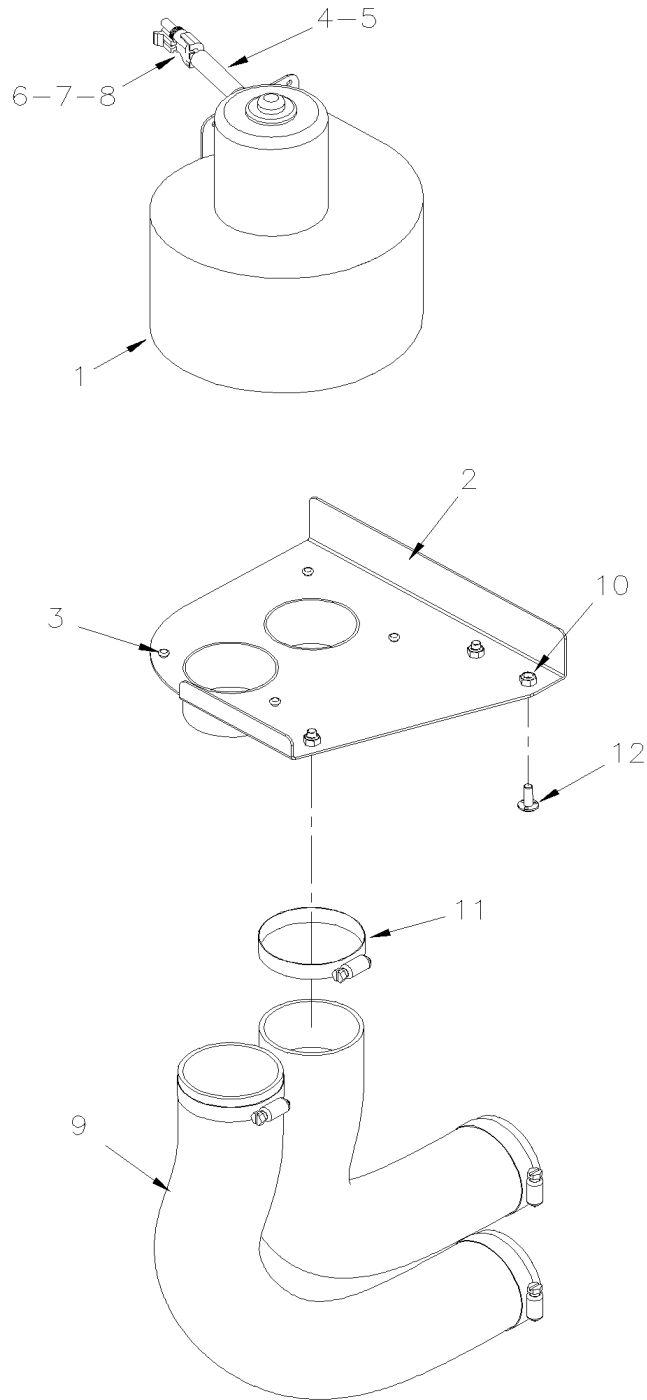
Item#	Part	Description	QTY	Notes
	Call order desk	BLOWER ASSY LAVATORY To R-6936	1	P
1	950624	. FAN BRUSHLESS To R-6936	1	
NS	561690	. . CONNECTOR / WEATHER PACK / SH 2C / BLACK / PED 12015792 To R-6936	1	
2	454870	. SUPPORT, FAN To R-6936	1	
3	454884	. SUPPORT FLAPGATE To R-6936	1	
4	454882	. FLAPGATE To R-6936	1	
5	505421	. SPRING, PIN M3 x 18 To R-6936	2	
6	5002180	. SCREW CAP HEXS M4-0.7x10 SS To R-6936	6	
7	500914	. WASHER LO SPT .193x.334x.047 N500 To R-6936	6	
8	5061020	. TAPE RUB ADH1 CC POL 1/32" x 1/2" x 50' / BLACK H1C-N To R-6936	AR	
11	502799	SCREW CAP HEX M4-0.7X16 G8.8 N500 To R-6936	6	
12	502834	WASHER LO SPT 4.1x7.6x0.9 N500 To R-6936	1	
13	5001750	WASHER FL 4.3x14.0x1.0 N500 To R-6936	6	
NS	Call order desk	BLOWER ASSY LAVATORY From R-6937	1	P
20	950707	. FAN BRUSHLESS From R-6937	1	
21	455049	. SUPPORT LAVATORY FAN From R-6937	1	
22	455048	. FAN GRILL From R-6937	1	
23	506225	. TAPE RUB ADH1 CC POL 1/16" x 1/4" x 100' / GREY 2520 From R-6937	AR	
24	502653	. SCREW MA PAN PH M5-0.8x16 SS From R-6937	4	
25	500804	. WASHER FL .203x.500x.047 N500 From R-6937	4	
26	5001378	. WASHER LO EXT 5.3x10x0.6 Z050 From R-6937	4	
27	5001377	. SCREW MA PAN PH M5-0.8x8 SS From R-6937	4	
27	5001137	. WASHER FL .203x.438x.050 SS From R-6937	4	
31	502799	SCREW CAP HEX M4-0.7X16 G8.8 N500 From R-6937	3	
32	502834	WASHER LO SPT 4.1x7.6x0.9 N500 From R-6937	3	
33	500855	WASHER FL .188x.438x.049 N500 From R-6937	3	
40	503031	HOSE FLEXIBLE / AIR DUCT 2 1/2" I.D. X 12' / RUBBER	AR	
41	372366	BOX ASSY	1	
42	400205	FLANGE, ASSY	1	
43	405700	GRILLE 160MM X 70MM SS	1	
44	504025	HOSE CLAMP / 2"5/16-3"1/4 SS / HS-44	4	
45	500952	SCREW TP BDG PH #8x1/2 SS	8	
46	504006	RIVET POP CK OE 1/8x5/16 AL	4	
		P) CALL ORDER DESK FOR SPECIFIC APPLICATION (V.I.N.)		

From B-5002

Date:01/2024

PAGE:X3-2337-10

FAN - INSTALLATION WITHOUT LAVATORY



From B-5002	Date:01/2024	PAGE:X3-2337-10
FAN - INSTALLATION WITHOUT LAVATORY		

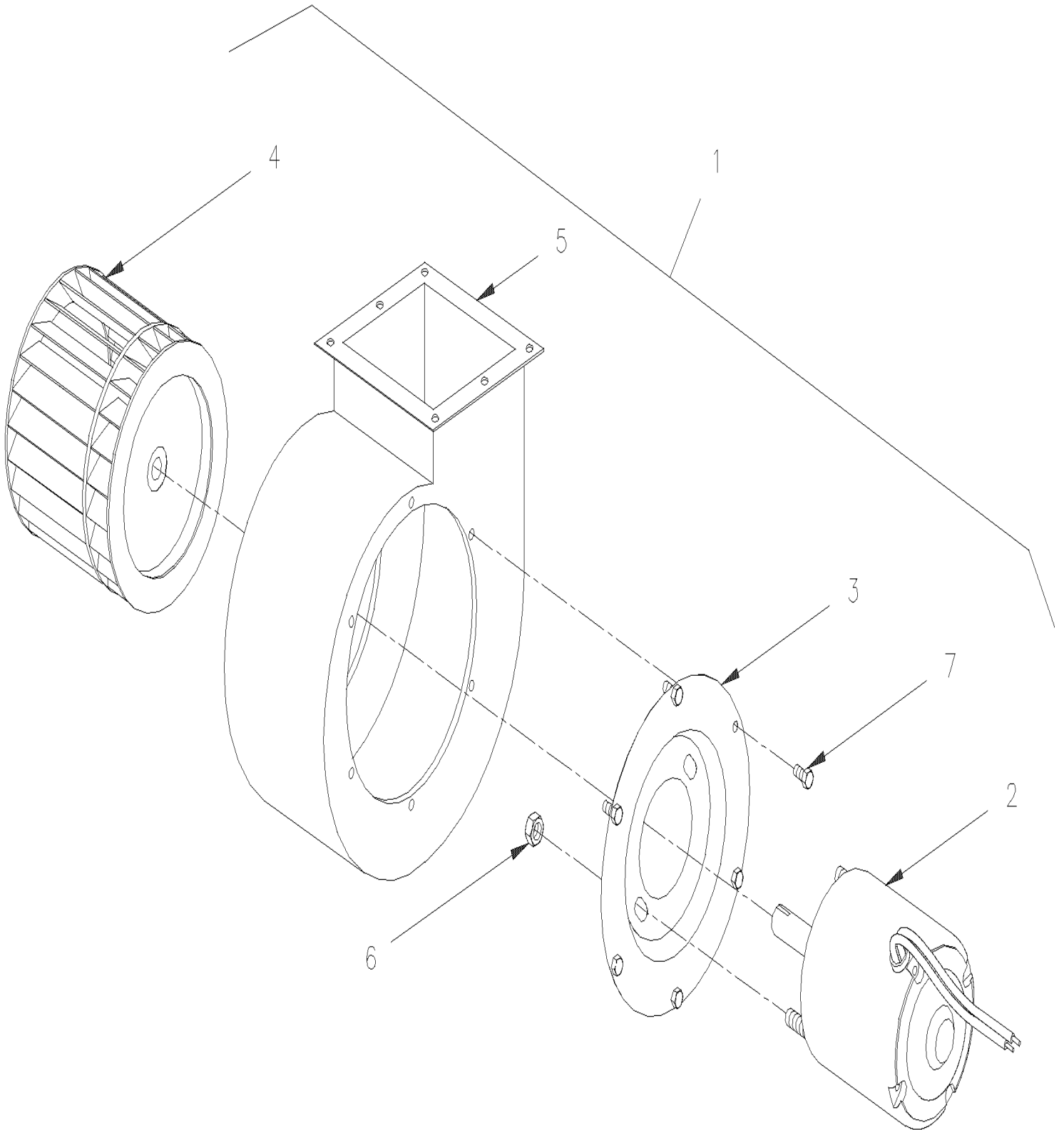
Item#	Part	Description	QTY	Notes
	457748	BLOWER ASSY LAVATORY	1	
1	870844	. BLOWER & MOTOR ASSY - "M.C.C." "CW" / FAN END	1	
2	454660	. SUPPORT, FAN To F-5871	1	
2	457716	. SUPPORT, FAN From F-5872	1	
3	504745	. RIVET HKL MMS 3/16x1/8 SS To E-5603	4	
3	504793	. RIVET MNB OE LARGE HEAD 3/16x7/16 SS From E-5604	4	
4	561681	. CONVOLUTED TUBING / SLIT / BLACK & GRAY / .350"	AR	
5	564099	. TAPE ADHESIF ELECTRICAL TISSUS / BLACK 838MM	AR	
6	561690	. CONNECTOR / WEATHER PACK / SH 2C / BLACK / PED 12015792	1	
7	561578	. SOCKET TERMINAL / 16-14 / PED 12010182	2	
8	561786	. CABLE SEAL / GRAY / PED 15324980	2	
9	503031	HOSE FLEXIBLE / AIR DUCT 2 1/2" I.D. X 12' / RUBBER	AR	
10	502681	NUT HEX NYRT M6-1.0 N500 G8	3	
11	504025	HOSE CLAMP / 2"5/16-3"1/4 SS / HS-44	4	
12	5001649	SCREW WD M6-1.0x16 SS	3	

From B-5002

Date:01/2024

PAGE:870844

BLOWER & MOTOR ASSY - "M.C.C." "CW" / FAN END



From B-5002	Date:01/2024	PAGE:870844
-------------	--------------	-------------

BLOWER & MOTOR ASSY - "M.C.C." "CW" / FAN END

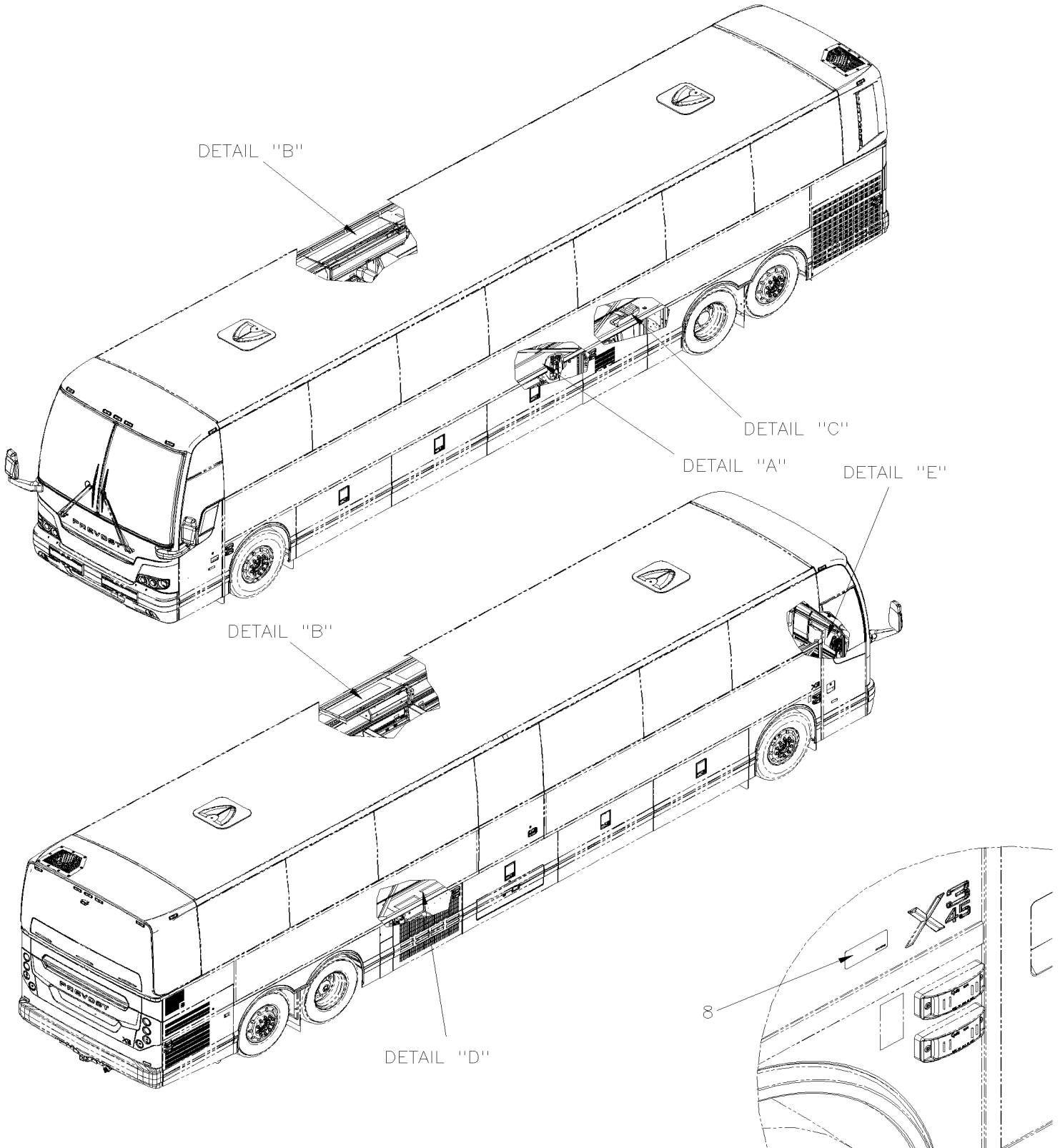
Item#	Part	Description	QTY	Notes
1		BLOWER ASSY 24V / CW	1	
2	562167	. MOTOR ASSY / 24V	1	
3	871020	. PLATE MOUNTING / MOTOR	1	
4	871017	. BLOWER WHEEL / STEEL	1	
5	871440	. HOUSING BLOWER	1	
6	500786	. NUT HEX #10-24 Z050	2	
7	500978	. SCREW CAP HEX #10-24x3/4 Z050	6	

From N-6686

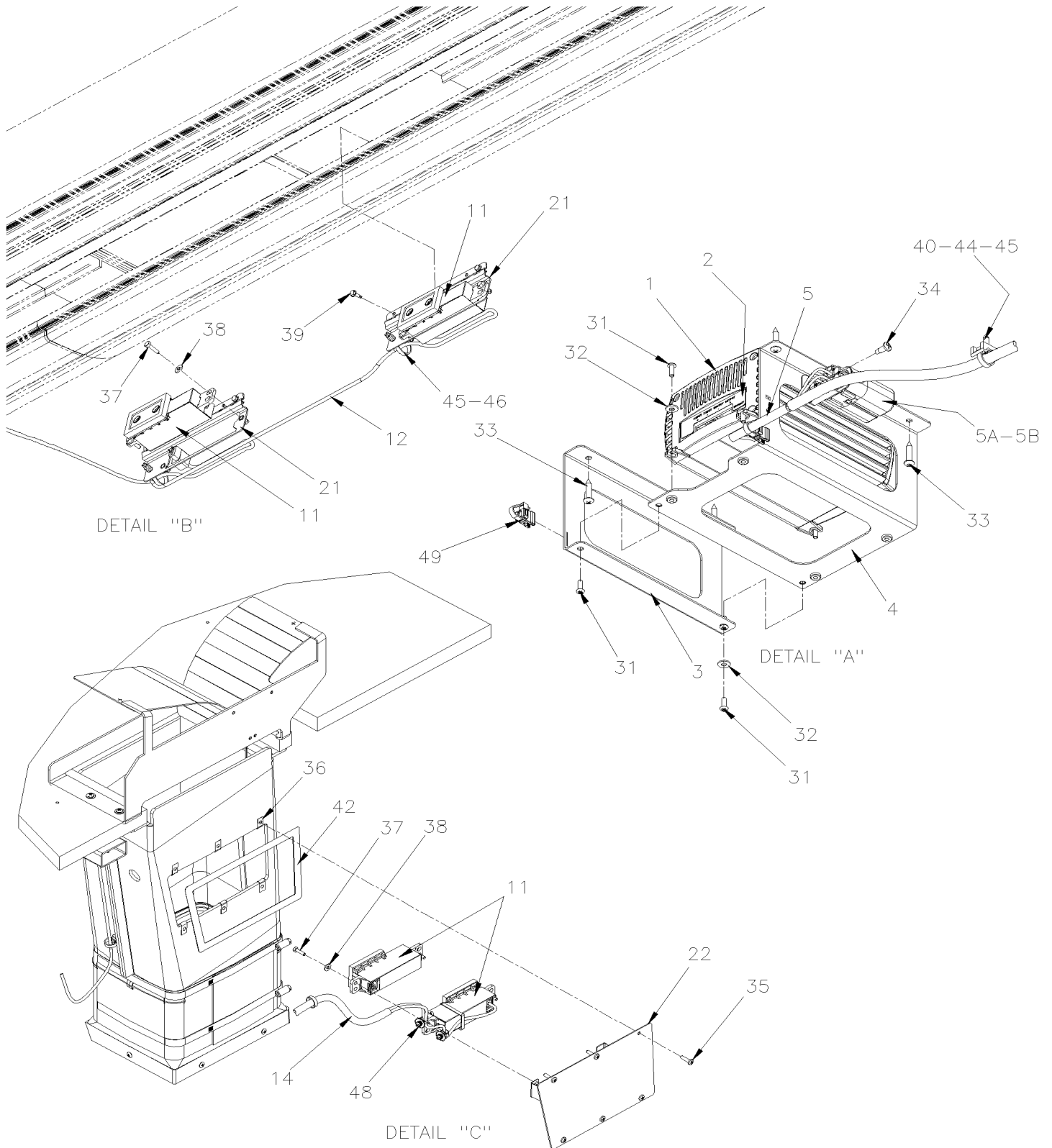
Date:01/2024

PAGE:X3-2340-00

PLASMA CLUSTER IONS AIR SANITIZER - ENVIROCARE



PLASMA CLUSTER IONS AIR SANITIZER - ENVIROCARE

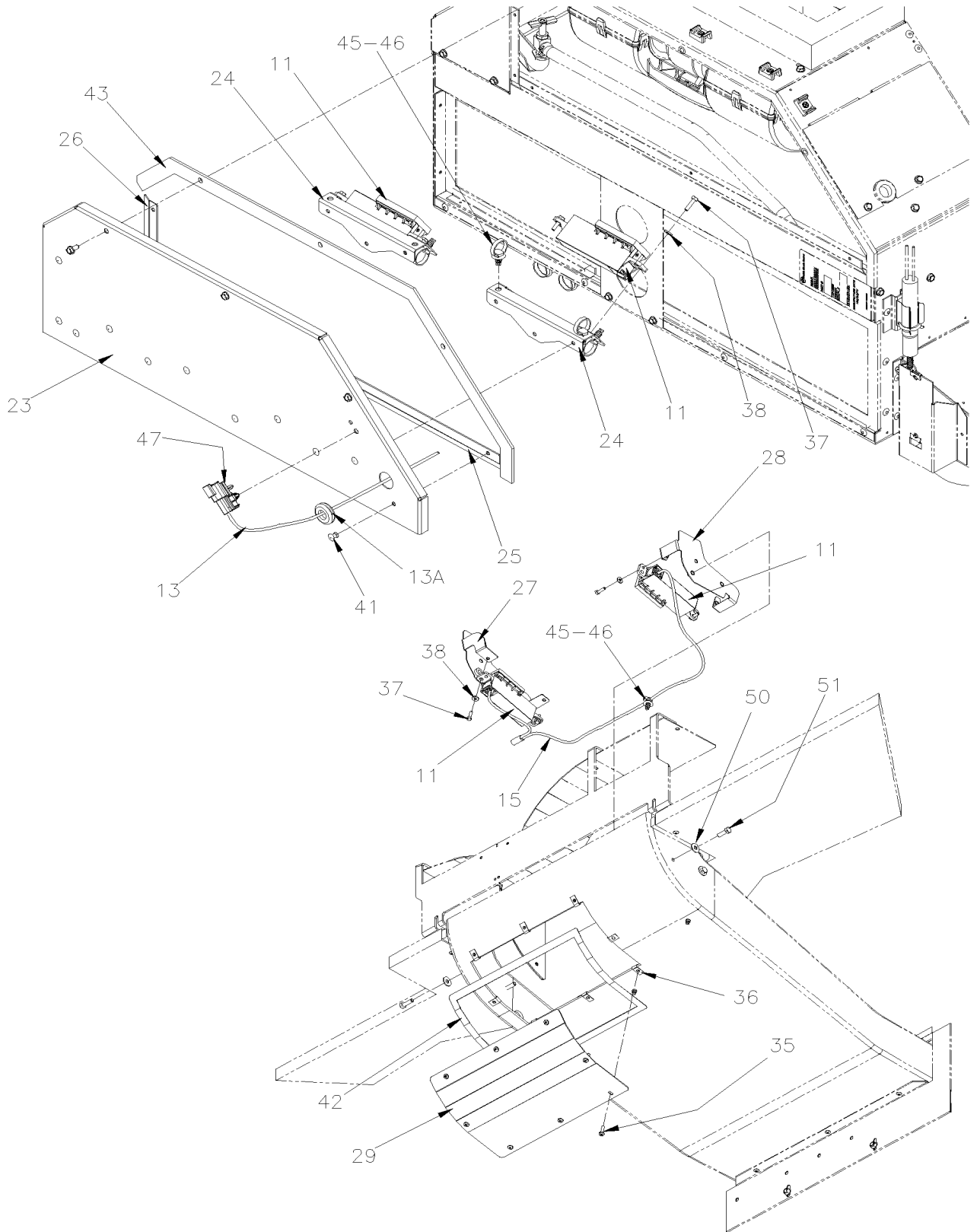


From N-6686

Date:01/2024

PAGE:X3-2340-00

PLASMA CLUSTER IONS AIR SANITIZER - ENVIROCARE



From N-6686		Date:01/2024	PAGE:X3-2340-00
-------------	--	--------------	-----------------

PLASMA CLUSTER IONS AIR SANITIZER - ENVIROCARE

Item#	Part	Description	QTY	Notes
	0611017	SERVICE KIT ENVIROCARE, X3	1	
1	564288	. DC/DC (24/12V) CONVERTER	1	
2	0610547	. DECAL CONVERTER DC-DC	2	
3	0610510	. SUPPORT CONVERTER DC-DC	1	
4	0610511	. SUPPORT CONVERTER DC-DC	1	
5	0610535	. HARNESS, PLASMA CLUSTER DCDC	1	
. A	564238	. . FUSE HOLDER / LONG / BUSSMANN CFH-ALE	1	
. B	563280	. . FUSE / ATM 5 AMPS AMBER	1	
8	0611019	. DECAL "PREVOST ENVIROCARE" / ENGLISH	1	
8	0610528	. DECAL "PREVOST ENVIROCARE" / ENGLISH / FRENCH	1	
11	0610449	. PLASMACLUSTER	10	
12	0610505	. WIRING, PLASMA CLUSTER PARCEL RACK	1	
13	0610503	. WIRING, PLASMA CLUSTER DRIVER	1	
13A	504555	. . GROMMET / .500x.812x.125x.344x1.062x.031	1	
14	0610536	. WIRING, PLASMA CLUSTER EVAPORATOR X3	1	
15	0610534	. WIRING, PLASMA CLUSTER CONDENSOR X3	1	
21	314937	. PLASMACLUSTER BRACKET, PARCEL RACK	4	
22	454770	. SUPPORT PLASMACLUSTER, EVAPORATOR DUCT ASSY	1	
22	454775	. CUTTING TEMPLATE 454770	1	
23	370482	. PLASMACLUSTER PANEL, DEFROST UNIT	1	
24	370377	. PLASMACLUSTER BRACKET, DEFROST UNIT	2	
25	370483	. PLASMACLUSTER PANEL ANGULAR	1	
26	370484	. PLASMACLUSTER PANEL ANGULAR	1	
27	454854	. SUPPORT ASSY	1	
28	454853	. SUPPORT ASSY	1	
29	454774	. CLOSING, CONDENSOR DUCT	1	
29	454776	. CUTTING TEMPLATE 454774	1	
31	5001996	. SCREW MA PAN PH M4-0.7x12 N500	6	
32	500855	. WASHER FL .188x.438x.049 N500	5	
33	500608	. SCREW TP BDG PH #10x1 N500	4	
34	502868	. SCREW TC TR PH #10-16x1/2 N500	1	
35	500244	. SCREW TP BDG PH #8x3/4 N500	14	
36	5002071	. NUT SPR U #8 .110-.187 BK	14	
37	502799	. SCREW CAP HEX M4-0.7X16 G8.8 N500	20	
38	500855	. WASHER FL .188x.438x.049 N500	20	
39	5002209	. SCREW DR HEXW #6-20x1/2 Z050	8	
40	500957	. SCREW TP BDG PH #10x3/4 N500	1	

From N-6686	Date:01/2024	PAGE:X3-2340-00
PLASMA CLUSTER IONS AIR SANITIZER - ENVIROCARE		

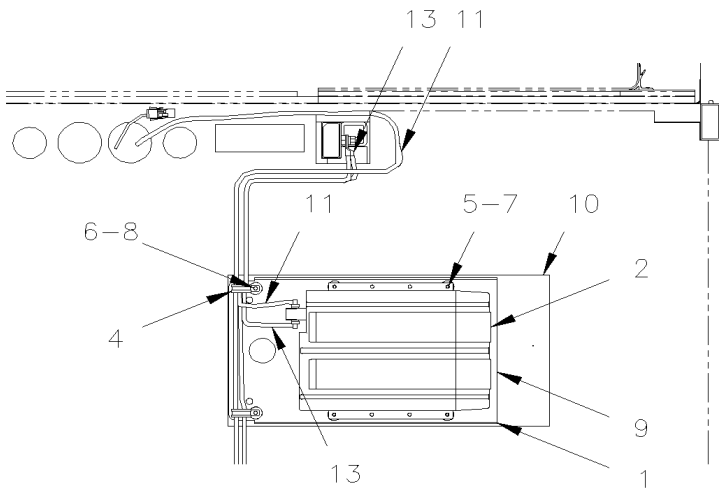
Item#	Part	Description	QTY	Notes
41	504335	. RIVET POP DOME CLE 3/16x1/4 AL	11	
42	506268	. TAPE RUB ADH1 URE 3/8" x 1/2" x 25' / GREY 1820	QR	
43	506001	. TAPE RUB ADH1 CC POL 1/8" x 3/4" x 50' / GREY 2520X	QR	
44	504013	. TIE MOUNT / 1/4" X 1/4" I.D.	4	
45	504637	. CABLE TIE / 3/16" x 13"	12	
46	509815	. TIE MOUNT / ATTACHMENT W/TREE MOUNT	8	
47	564108	. SELF MOUNTING STUD // DEUTSCH 1011-310-0205	1	
48	8631155	. CABLE TIE / 4.6MM x 200 / CHRISTMAS TREE	2	
49	564204	. CABLE TIE / WITH EDGE CLIP / T50REC4A 10MMx200MM	2	
50	502830	. SCREW CAP HEX M6-1.0x20 G8.8 N500	4	
51	5001833	. WASHER BEL SPR 6.1x18x1.27 SS	4	
55	IS-20932	SEE INSTRUCTION SHEET	1	
55	FI-20932	VOIR FEUILLE D'INSTRUCTION	1	
60	7771197	ION COUNTER TESTING DEVICE	1	

From 7-8754

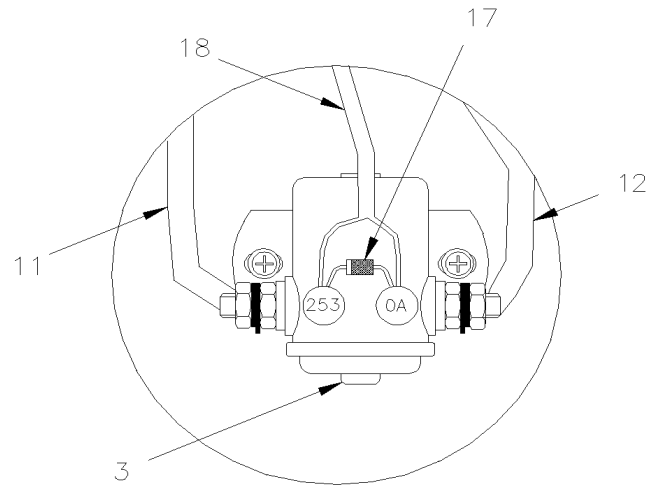
Date:01/2024

PAGE:X3-2345-40

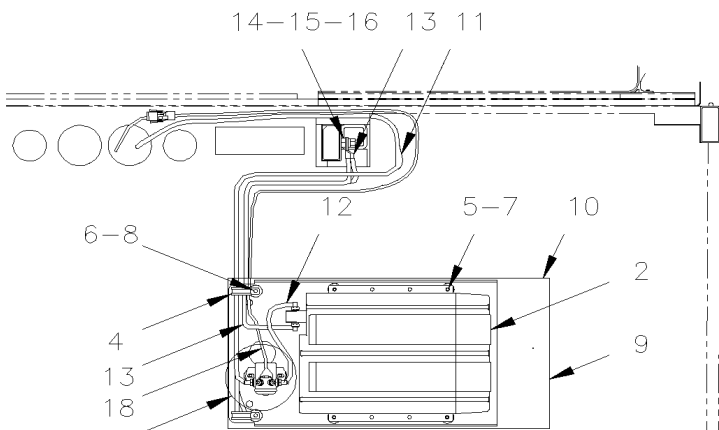
POWERVERTER - 24/110 VOLTS - 1800 WATTS



WITHOUT RELAY



DETAIL A



WITH RELAY

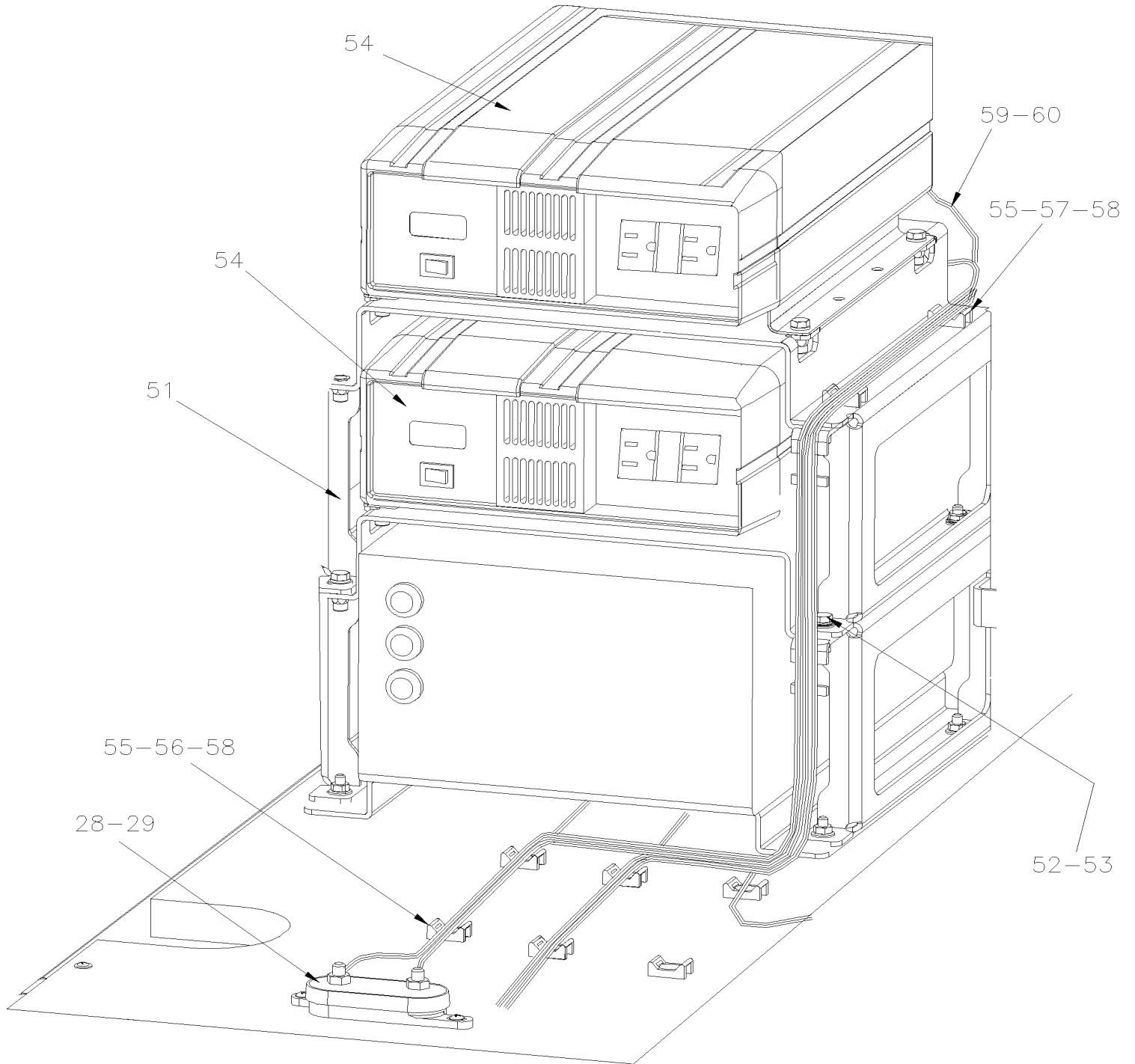
DETAIL A

From 7-8754

Date:01/2024

PAGE:X3-2345-40

POWERVERTER - 24/110 VOLTS - 1800 WATTS



From 7-8754		Date:01/2024	PAGE:X3-2345-40
POWERVERTER - 24/110 VOLTS - 1800 WATTS			

Item#	Part	Description	QTY	Notes
1	065519	INVERTER, SUPPORT To B-5001	1	
NS	068193	SUPPORT "HAT" CHANNEL 280MM LG To B-5001	2	C
2	563082	POWERVERTER ASSY / 24/110 V 1800 WATTS W/DISPLAY ON INVERTER To B-5001	1	
3	561005	SWITCH MAGNETIC / 24V S.P.S.T. / 200AMPS N.O. To B-5001	1	
4	952637	CLAMP / 1"1/16 I.D. To B-5001	2	
4	504016	CABLE TIE / 5/16" X 14"1/2 To B-5001	2	
5	5001182	NUT HEX NYRT M6-1.0 SS To B-5001	6	
6	500590	NUT HEX NYRT M4-0.7 Z050 To B-5001	2	
7	502573	WASHER FL 6.4x12.5x1.6 SS To B-5001	6	
8	502637	WASHER FL .200x.437x.037 SS To B-5001	2	
9	563131	POWERVERTER, COVER To B-5001	1	
10	5001348	NUT WING 1/4-20 NYL To B-5001	6	
11	066819	CABLE ASSY #4 x 3500MM To B-5001	1	
12	065540	CABLE ASSY #4 x 250MM To B-5001	1	
13	065542	CABLE ASSY #4 x 1750MM To B-5001	1	
14	5001330	SCREW CAP HEX 1/2-13x1 SS To B-5001	1	
15	500998	NUT HEX 1/2-13 BR To B-5001	1	
16	500482	WASHER LO SPT .506x.873x.125 Z050 To B-5001	1	
17	064792	DIODE ASSY To B-5001	1	
. NS	561740	. DIODE / 3AMPS To B-5001	1	
. NS	560082	. RING TERMINAL #10 / 16-14 / INSULATED / AMP 626033-2 To B-5001	1	
. NS	560815	. RING TERMINAL #10 / 22-18 / INSULATED / AMP 42037-2 To B-5001	1	
. NS	562499	. SHRINK TUBING / .250" - .125" / CLEAR / ALPHA FIT 221-1/4 To B-5001	AR	
18	065531	CABLE INVERTER To B-5001	1	
20	065707	CABLE ASSY #24PV To B-5001	1	
21	065706	CABLE ASSY #0 To B-5001	1	
24	065018	CABLE ASSY W/LIGHT SWITCH To B-5001	1	A
24	065705	CABLE ASSY / W/REAR GALLEY RELAY To B-5001	1	B
25	563332	RELAY 24V S.P.D.T. W/RESISTOR / "VOLVO" (20374662) To B-5001	3	
27	560422	BLOCK, TERMINAL / 1 STUD 3/8-16 / BLACK	2	
28	563750	FUSEHOLDER W/RED COVER / MEGA FUSE /	1	
29	068169	BUS BAR / W/2 HOLES From J-6221	1	
		FIXED OVER THE BATTERIE CHARGER BESIDE LAVATORY From B-5002		
51	068200	SUPPORT "HAT" CHANNEL From B-5002 To E-5578	2	
51	068897	SUPPORT "HAT" CHANNEL From E-5579 To H-6179	2	
. NS	5001344	. NUT INS FL HEX M6-1.0 0.5-3.0 SS From E-5579 To H-6179	8	
51	060588	SUPPORT "HAT" CHANNEL From H-6180	2	

From 7-8754	Date:01/2024	PAGE:X3-2345-40
POWERVERTER - 24/110 VOLTS - 1800 WATTS		

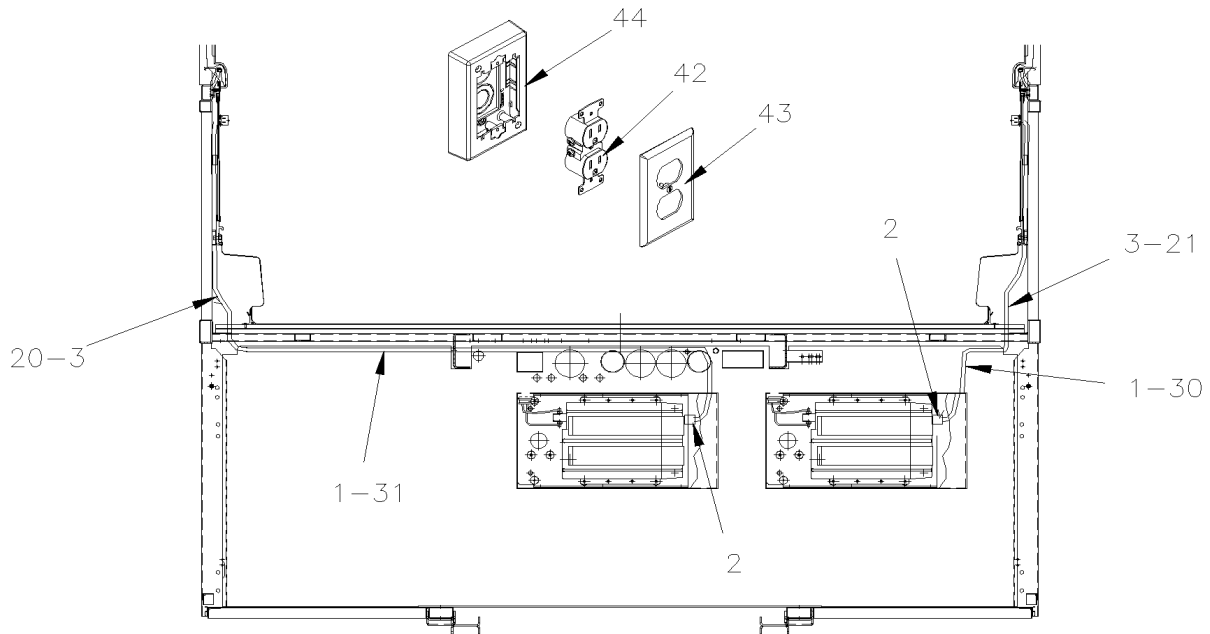
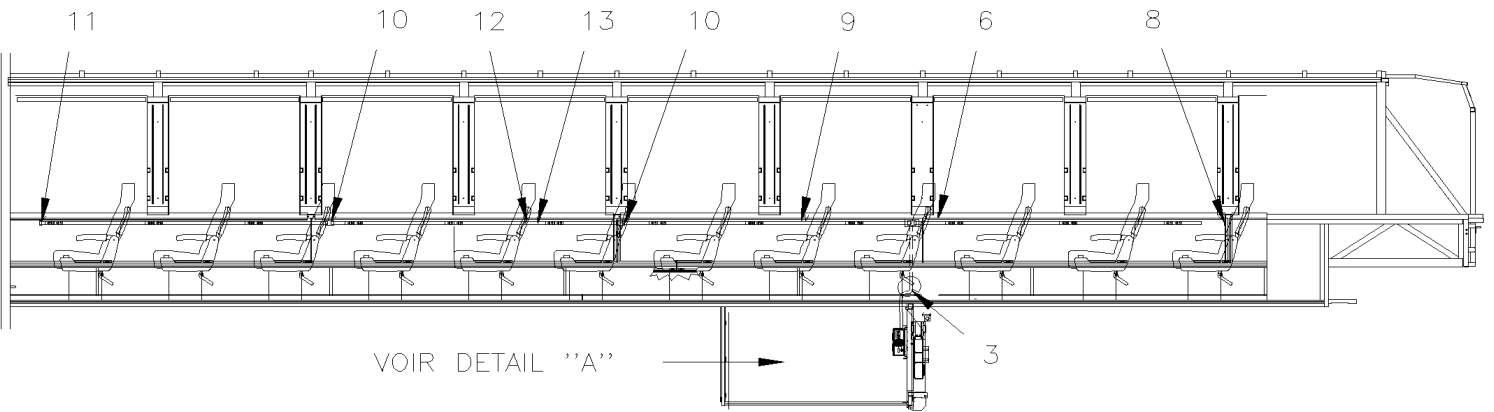
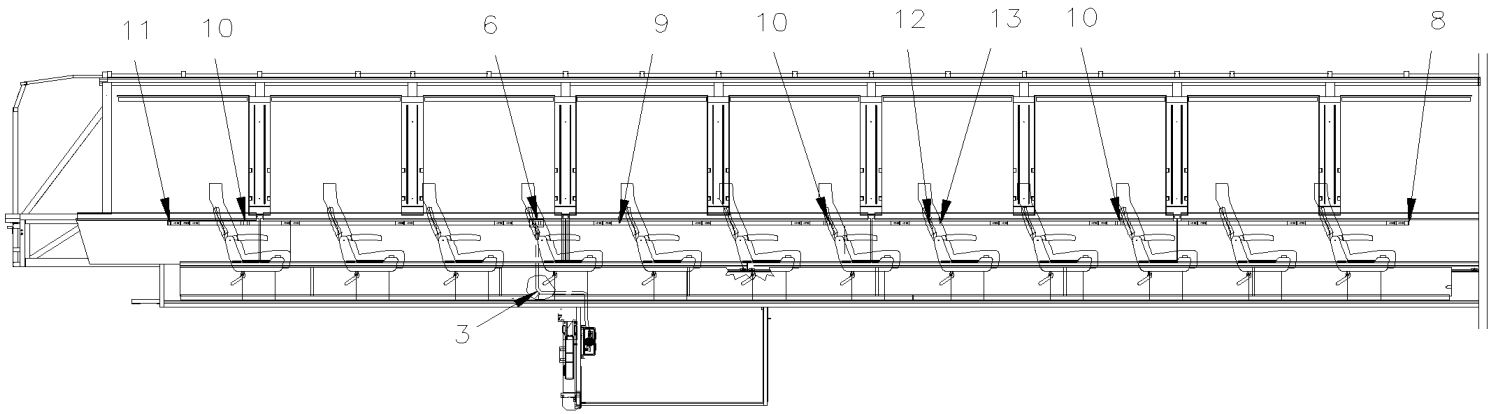
Item#	Part	Description	QTY	Notes
52	5001697	SCREW CAP HEX M6-1.0x16 SS BK From B-5002	12	
53	502570	WASHER LO SPT 6.1x11.8x1.6 SS From B-5002	12	
54	563082	POWERVERTER ASSY / 24/110 V 1800 WATTS W/DISPLAY ON INVERTER From B-5002	2	
54	564636	POWERVERTER ASSY / 24/110 V 1800 WATTS W/REMOTE DISPLAY From B-5002	1	
55	504013	TIE MOUNT / 1/4" X 1/4" I.D. From B-5002	10	
56	500957	SCREW TP BDG PH #10x3/4 N500 From B-5002	10	
57	500209	SCREW TC BDG PH #10-24x3/8 N500 From B-5002 To G-5931	4	
57	5001975	SCREW TC BDG PH #10-24x3/8 SS410 ZINC From G-5932	4	
58	504637	CABLE TIE / 3/16" x 13" From B-5002	10	
59	068252	CABLE GROUND INVERTER From B-5002 To J-6220	1	
59	060018	CABLE GROUND INVERTER From J-6221	1	
60	068253	CABLE POSITIF INVERTER From B-5002 To J-6220	1	
60	069040	BUS BAR From J-6221	1	
63	065542	CABLE ASSY #4 x 1750MM From B-5002	1	
63	067835	CABLE ALT POWER HARNESS W/VOLVO From B-5002	1	
63	068136	CABLE INVERTER From B-5002 To H-6179	1	
63	069526	CABLE INVERTER /24V From H-6180	1	
		NEXT PARTS USE WITH 110V OUTLET		
		INSTALL INSIDE THE FIRST STREET SIDE PARCEL RACK		
NS	381790	SUPPORT / 110V OUTLET To E-5468	1	
NS	562657	PLUG DOUBLE 110 VAC MURAL / WHITE To E-5468	1	
NS	564507	PLUG DOUBLE 110 VAC MURAL W/2 USB PORT GREY NYLON "DECORA" From E-5469	1	
NS	562659	COVER PLATE DOUBLE 110V OUTLET / WHITE To E-5468	1	
NS	564129	RECEPTACLE BOX / 110Vac outlet / WHITE To E-5468	1	
NS	560094	FLANGE SPADE TERMINAL #10 / 16-14 / AMP 320863 To E-5468	3	
NS	068295	CABLE / 120VAC / PARCEL RACK OUTLET To L-6602	1	
NS	068339	CABLE / 120VAC / PARCEL RACK OUTLET From L-6603	1	
NS	504016	CABLE TIE / 5/16" X 14"1/2	1	
NS	504768	CABLE TIE / 3/16" 14.7" / DOUBLE LOOP HEAD	8	
		A) WITH ICE BOX		
		B) WITH FRIGO		
		C) USE WITH SECOND INVERTER UNDER 068168 AND WELDED AT STRUCTURE		

From 7-8754

Date:01/2024

PAGE:X3-2345-43

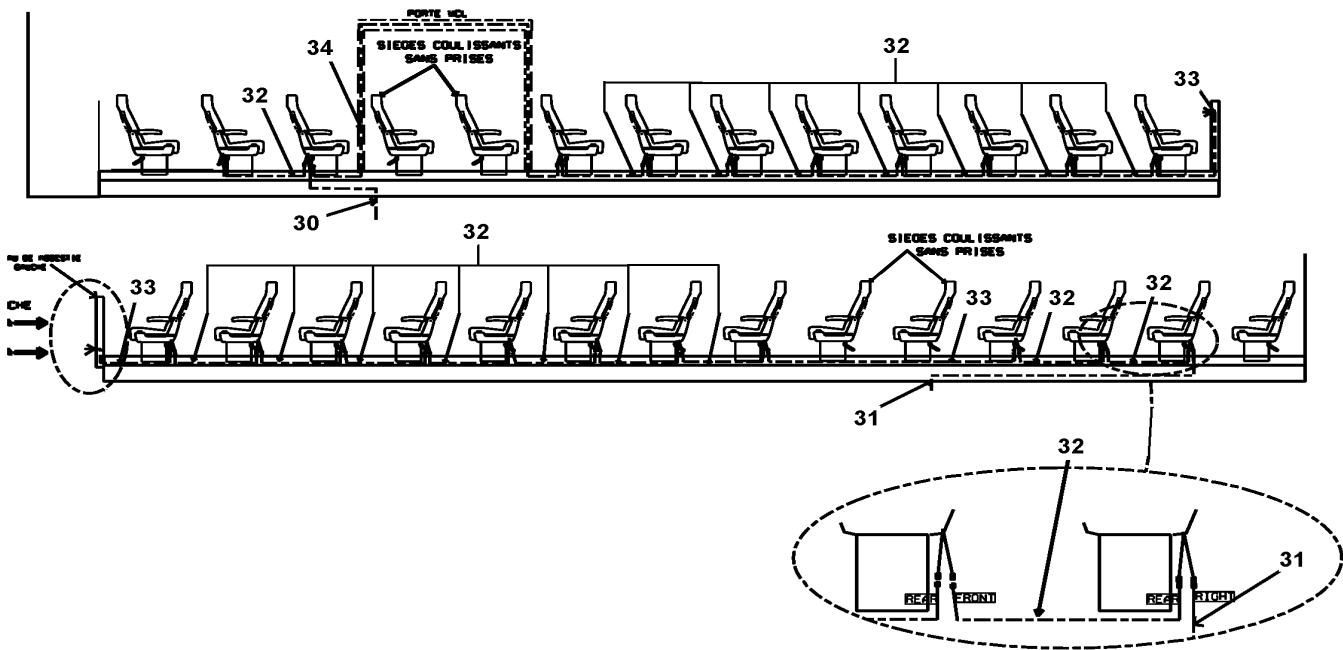
110 VOLT - OUTLET



DETAIL 'A'

From 7-8754	Date:01/2024	PAGE:X3-2345-43
110 VOLT - OUTLET		

WITH "AMAYA" PATRIOT SEAT MODEL

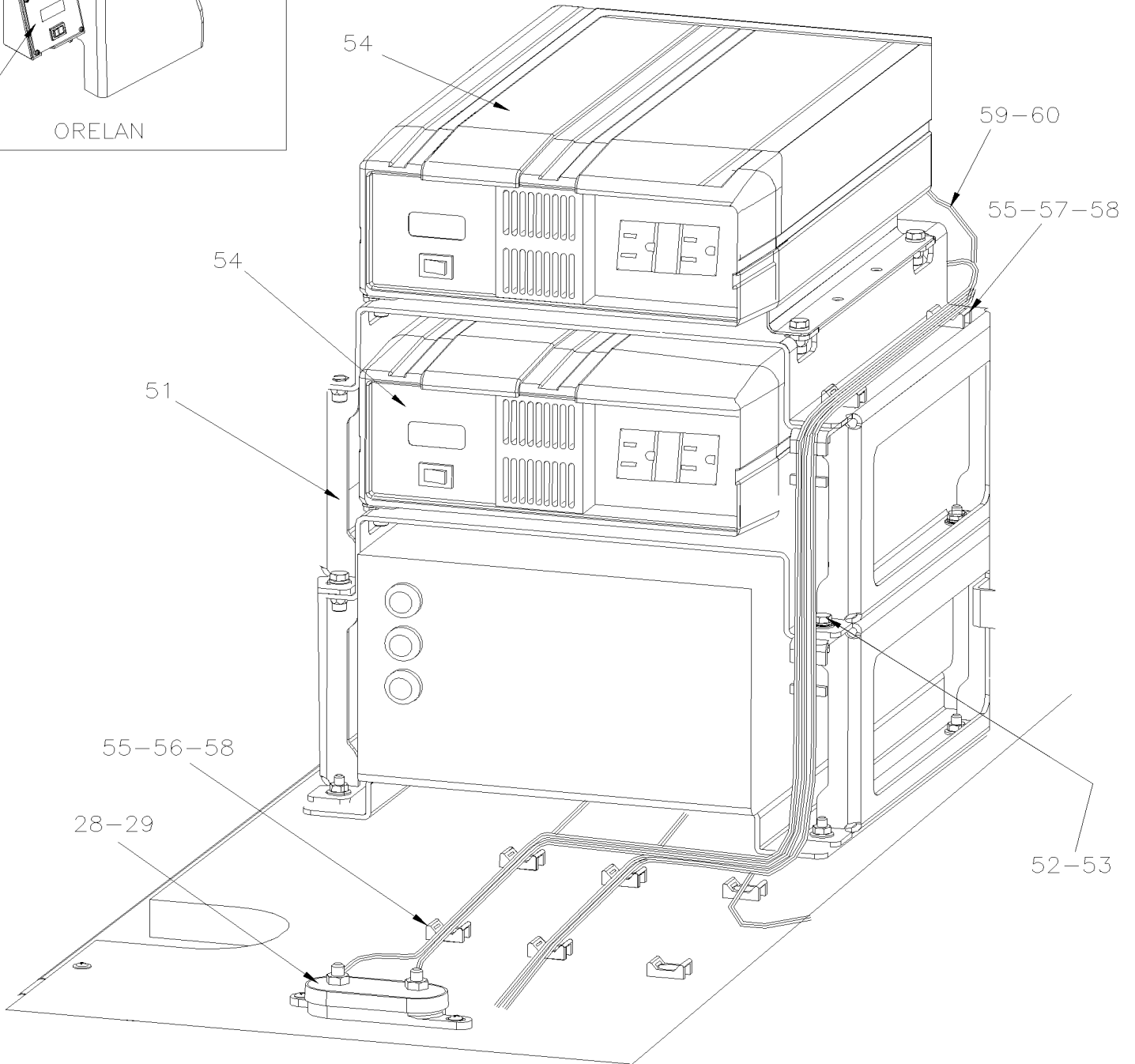
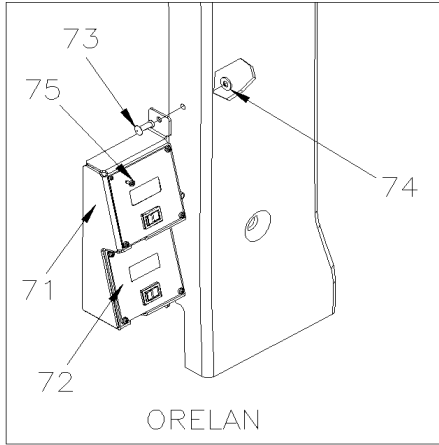


From 7-8754

Date:01/2024

PAGE:X3-2345-43

110 VOLT - OUTLET

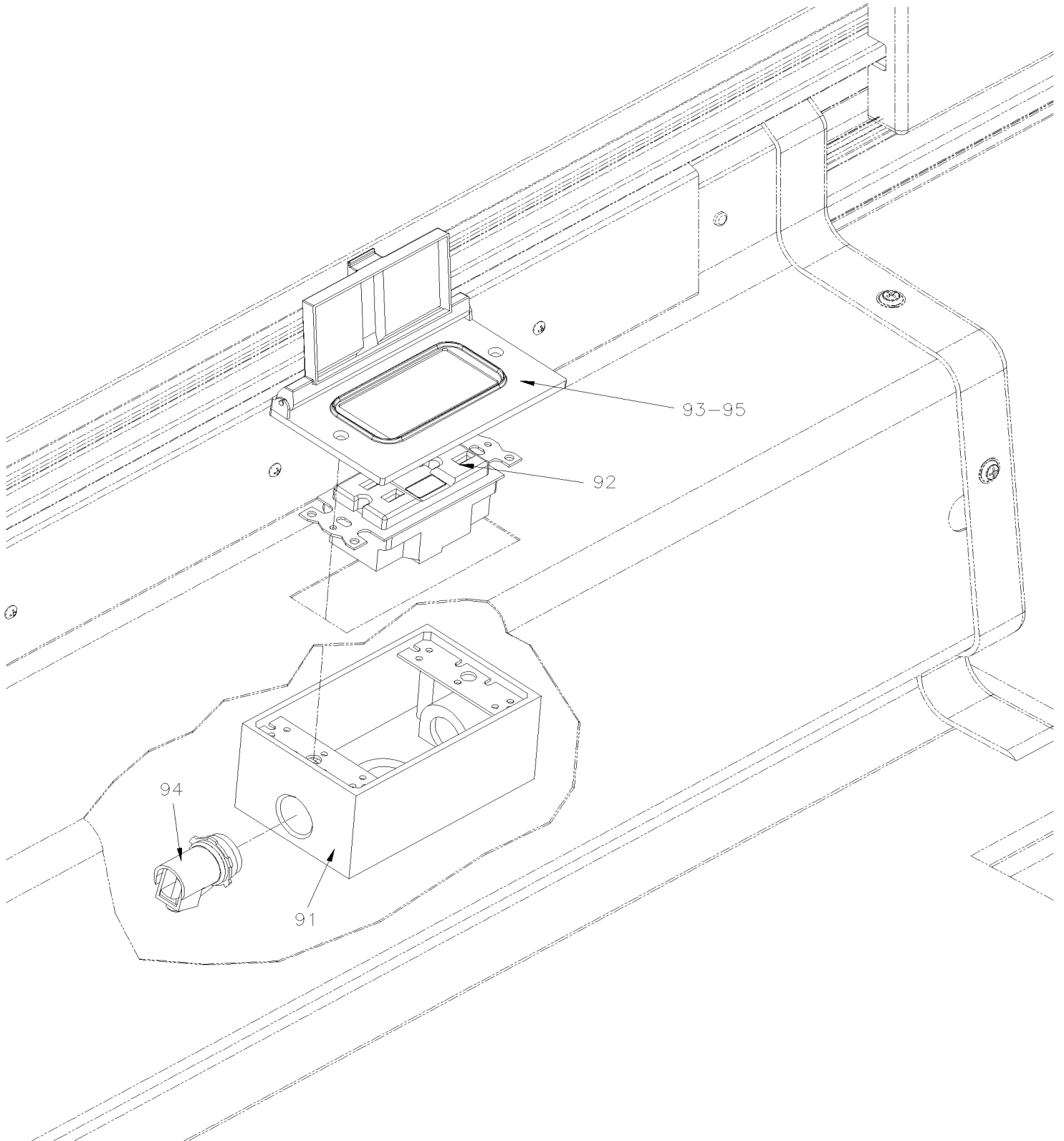


From 7-8754

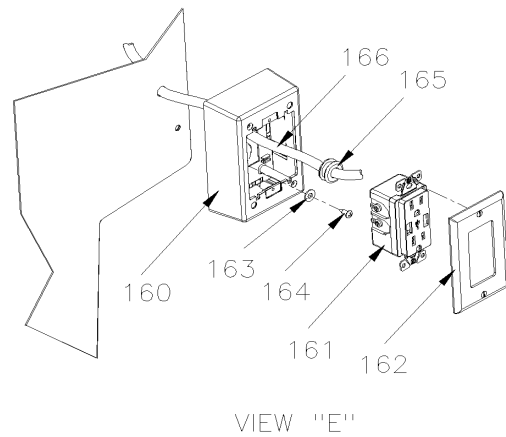
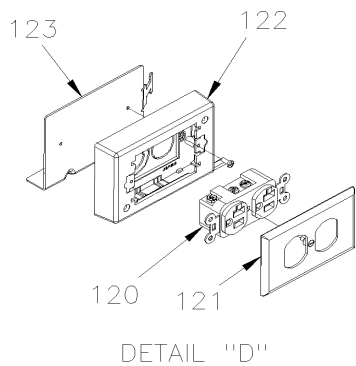
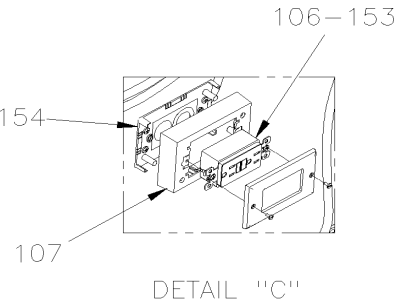
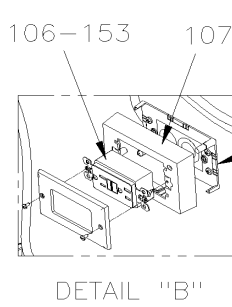
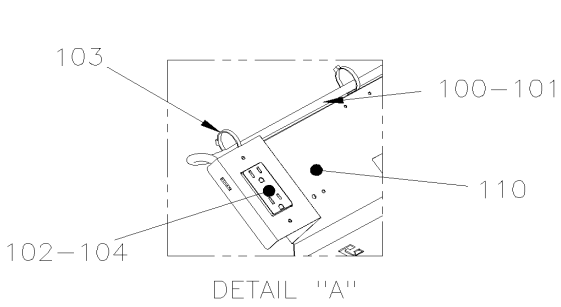
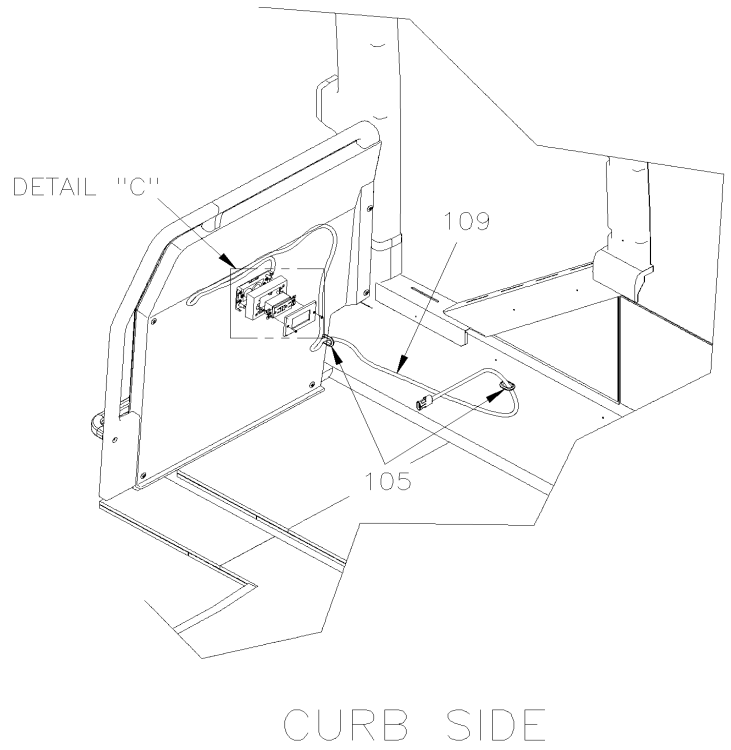
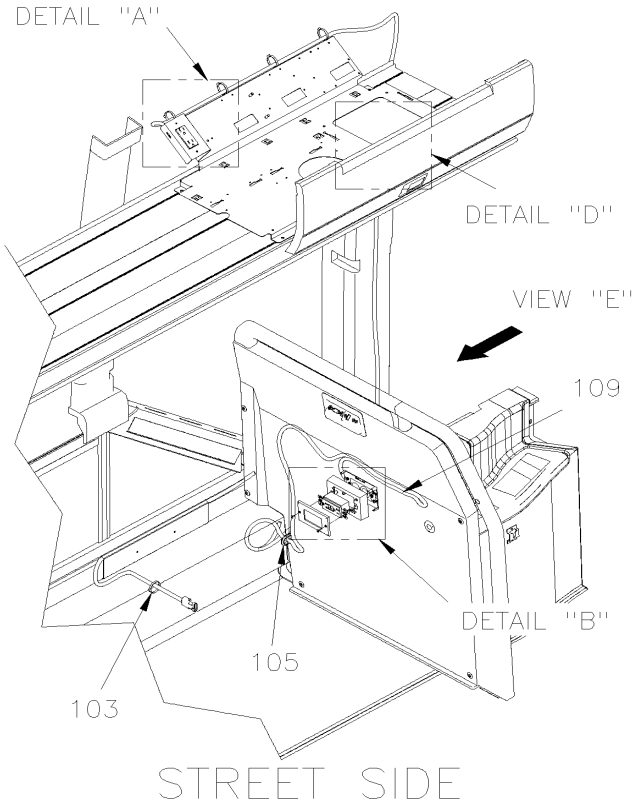
Date:01/2024

PAGE:X3-2345-43

110 VOLT - OUTLET



From 7-8754	Date:01/2024	PAGE:X3-2345-43
110 VOLT - OUTLET		



From 7-8754	Date:01/2024	PAGE:X3-2345-43
110 VOLT - OUTLET		

Item#	Part	Description	QTY	Notes
1	562664	PROTECTOR METALLIC 1"/CABLE	AR	
2	560933	CONNECTOR / 15 AMPS / HUBBELL 5266-C	AR	
3	562595	SPECIAL WIRE CABLE 14/3 / WHITE (BOAT CABLE)	AR	WT
6	563098	STARTER, 110V FEEDER HATRD WIRED	AR	WT
8	563146	COVER, END TRACK	AR	WT
9	563100	RECEPTACLE 110V	AR	WT
10	563101	CONNECTOR STRAIGHT TRACK	AR	WT
11	563102	TRACK END CAP	AR	WT
12	563099	TRACK 110V 96"	AR	WT
12	563989	TRACK 110V 60"	AR	WT
13	563103	COVER, TRACK	AR	WT
		NEXT CABLES USE WITH 110V OUTLET		
		INSTALL BY SEAT SUPPLIER		
20	067423	CABLE ASSY / STREETSIDE W/14 PLUGS W/59 PASS	1	
20	067569	CABLE ASSY / STREETSIDE W/14 PLUGS "GREYHOUND"	1	
21	067374	CABLE ASSY / CURBSIDE W/11 PLUGS "GREYHOUND" W/55 PASS	1	
21	067570	CABLE ASSY / CURBSIDE W/8 PLUGS "GREYHOUND"	1	
22	067571	CABLE ASSY / CURBSIDE W/3 PLUGS "GREYHOUND"	1	
22	067424	CABLE ASSY / CURBSIDE W/13 PLUGS W/59 PASS	1	
22	067375	CABLE ASSY / CURBSIDE W/8 PLUGS "GREYHOUND" W/55 PASS	1	
28	563750	FUSEHOLDER W/RED COVER / MEGA FUSE /	1	
29	068169	BUS BAR / W/2 HOLES From J-6221	1	
30	067608	CABLE ASSY / W/CONNECTOR / INVERTER STREET SIDE LH / 3200M To B-5001	1	
30	068257	CABLE ASSY / W/CONNECTOR / INVERTER STREETSIDE 73000MM From B-5002 To J-6244	1	
30	060586	CABLE ASSY / W/CONNECTOR / INVERTER STREETSIDE From J-6245	1	
31	067607	CABLE ASSY / W/CONNECTOR / INVERTER CURBSIDE / RH /1300MM To B-5001	1	
31	068198	CABLE ASSY / W/CONNECTOR / INVERTER CURBSIDE 5000MM From B-5002 To J-6244	1	
31	060587	CABLE ASSY / W/CONNECTOR / INVERTER CURBSIDE From J-6245	1	
32	067703	CABLE ASSY EXTENSION 1200MM / EACH SEAT	AR	
33	067704	CABLE ASSY EXTENSION 2900MM / TO FRONT MODESTIE PANEL	AR	
34	067705	CABLE ASSY EXTENSION 7300MM / OVER W.C.L. DOOR		
NS	067984	CABLE ASSY 2 PLUG, FOR SLIDING SEATS	1	
35	068321	CABLE ASSY 3 PLUG, FOR SLIDING SEATS /	1	
36	068221	CABLE ASSY JUMPER "Y" 120VAC	2	
		NEXT CABLES USE WITH 110V OUTLET		
		INSTALL STD HOUSE 110V OUTLET		
40	067989	CABLE ASSY / STREETSIDE W/6 RECEPTACLES	1	

From 7-8754		Date:01/2024	PAGE:X3-2345-43
110 VOLT - OUTLET			

Item#	Part	Description	QTY	Notes
41	067990	CABLE ASSY / CURBSIDE W/5 RECEPTACLE	1	
42	562657	PLUG DOUBLE 110 VAC MURAL / WHITE	AR	
42	564507	PLUG DOUBLE 110 VAC MURAL W/2 USB PORT GREY NYLON "DECORA" To J-6316	AR	
42	561200	PLUG DOUBLE 110 VAC MURAL GREY NYLON "DECORA" From J-6317	AR	
43	562659	COVER PLATE DOUBLE 110V OUTLET / WHITE	AR	
43	564591	COVER PLATE DOUBLE 110V OUTLET GREY NYLON "DECORA"	AR	
44	564129	RECEPTACLE BOX / 110Vac outlet / WHITE	AR	
44	564187	RECEPTACLE BOX / 110Vac outlet / GREY	AR	
NS	504061	GROMMET / .4375x.687x.062x.312x.937	2	
		FIXED OVER THE BATTERIE CHARGER BESIDE LAVATORY		
51	068200	SUPPORT "HAT" CHANNEL From B-5002 To E-5578	2	
51	068897	SUPPORT "HAT" CHANNEL From E-5579 To H-6179	2	
NS	5001344	NUT INS FL HEX M6-1.0 0.5-3.0 SS From E-5579 To H-6179	8	
51	060588	SUPPORT "HAT" CHANNEL From H-6180	2	
52	5001743	SCREW CAP HEX M6-1.0x12 G8.8 N500 From B-5002	12	
53	502853	WASHER LO SPT 6.1x11.8x1.6 N500 From B-5002	12	
54	563082	POWERVERTER ASSY / 24/110 V 1800 WATTS W/DISPLAY ON INVERTER From B-5002	2	
54	564636	POWERVERTER ASSY / 24/110 V 1800 WATTS W/REMOTE DISPLAY From B-5002	2	
55	504013	TIE MOUNT / 1/4" X 1/4" I.D. From B-5002	10	
56	500957	SCREW TP BDG PH #10x3/4 N500 From B-5002	10	
57	500209	SCREW TC BDG PH #10-24x3/8 N500 From B-5002 To G-5931	4	
57	5001975	SCREW TC BDG PH #10-24x3/8 SS410 ZINC From G-5932	4	
58	504637	CABLE TIE / 3/16" x 13" From B-5002	10	
59	068252	CABLE GROUND INVERTER From B-5002 To J-6220	1	
59	060018	CABLE GROUND INVERTER From J-6221	1	
60	068253	CABLE POSITIF INVERTER From B-5002 To J-6220	1	
60	069040	BUS BAR From J-6221	1	
63	065542	CABLE ASSY #4 x 1750MM From B-5002	1	
63	067835	CABLE ALT POWER HARNESS W/VOLVO From B-5002	1	
63	068136	CABLE INVERTER From B-5002 To H-6179	1	
63	069526	CABLE INVERTER /24V From H-6180	1	
71	068776	SUPPORT TWO DISPLAY	1	A
71	060071	SUPPORT ONE DISPLAY	1	A
72	564637	INVERTER DISPLAY & SWITCH	2	A
72	068778	CABLE INVERTER DISPLAY To G-6014	1	A
72	069353	CABLE INVERTER DISPLAY From G-6015 To K-6417	1	A
72	0610041	CABLE INVERTER DISPLAY From K-6418	1	A
72	565129	REMOTE INTERFACE PANEL - FOR DISPLAY From G-6015	1	A D
72	8631155	CABLE TIE / 4.6MM x 200 / CHRISTMAS TREE	1	A

From 7-8754		Date:01/2024	PAGE:X3-2345-43
110 VOLT - OUTLET			

Item#	Part	Description	QTY	Notes
73	504118	RIVET POP DOME OE 3/16x3/8 AL	2	A
74	500964	WASHER FL .203x.500x.047 Z050	2	A
75	5001091	SCREW TC PAN PH #4-40x1/4 BK	8	A
91	564506	BOX ALUMINIUM / 110 VAC MURAL	2	
92	564507	PLUG DOUBLE 110 VAC MURAL W/2 USB PORT GREY NYLON "DECORA"	2	
93	564508	COVER PLATE DOUBLE 110V OUTLET SILVER	2	
94	564565	CONNECTOR L-16	2	
95	068404	DECAL "120 VOLTS AC"	2	
100	068295	CABLE / 120VAC / PARCEL RACK OUTLET To L-6602	1	C
100	068339	CABLE / 120VAC / PARCEL RACK OUTLET From L-6603	1	C
100	069630	CABLE / 120VAC / PARCEL RACK OUTLET (LH & RH)	1	B
100	069632	CABLE / 120VAC / PARCEL RACK OUTLET (MAIN)	1	B
101	560784	SHRINK TUBING / .250" - .080" / BLACK / ALPHA FIT-300-1/4-4B	AR	
102	564187	RECEPTACLE BOX / 110Vac outlet / GREY	1	
102	564507	PLUG DOUBLE 110 VAC MURAL W/2 USB PORT GREY NYLON "DECORA"	1	
103	504637	CABLE TIE / 3/16" x 13"	AR	
104	564591	COVER PLATE DOUBLE 110V OUTLET GREY NYLON "DECORA"	1	
104	680319	TAPE ADHESIF ELECTRIC / BLACK 3/4"	AR	
105	504574	GROMMET / 1.125x1.312x.062x.312x1.56	4	
106	564188	PLUG DOUBLE 110 VAC MURAL GREY NYLON "DECORA"	2	
106	564507	PLUG DOUBLE 110 VAC MURAL W/2 USB PORT GREY NYLON "DECORA" To J-6316	2	
106	561200	PLUG DOUBLE 110 VAC MURAL GREY NYLON "DECORA" From J-6317	2	
106	564591	COVER PLATE DOUBLE 110V OUTLET GREY NYLON "DECORA"	2	
107	564187	RECEPTACLE BOX / 110Vac outlet / GREY	2	
108	500638	SCREW TP PAN PH #8x1/2 Z050	8	
109	067704	CABLE ASSY EXTENSION 2900MM / TO FRONT MODESTIE PANEL	2	
110	406630	PLATE SUPPORT MAIN SYSTEM To K-6367	1	
110	400682	PLATE SUPPORT MAIN SYSTEM From K-6368 To L-6494	1	
110	401365	VIDEO PLATE From L-6495 To N-6755	1	
110	406772	VIDEO PLATE From N-6756	1	
		OUTLET ONTO AMPLIFIER ENCLOSURE To D-5377		
120	562657	PLUG DOUBLE 110 VAC MURAL / WHITE To D-5377	1	
121	562659	COVER PLATE DOUBLE 110V OUTLET / WHITE To D-5377	1	
122	564129	RECEPTACLE BOX / 110Vac outlet / WHITE To D-5377	1	
123	381790	SUPPORT / 110V OUTLET To D-5377	1	
NS	504637	CABLE TIE / 3/16" x 13" To D-5377	4	
NS	068295	CABLE / 120VAC / PARCEL RACK OUTLET To D-5377	1	
NS	560094	FLANGE SPADE TERMINAL #10 / 16-14 / AMP 320863 To D-5377	3	

From 7-8754	Date:01/2024	PAGE:X3-2345-43
110 VOLT - OUTLET		

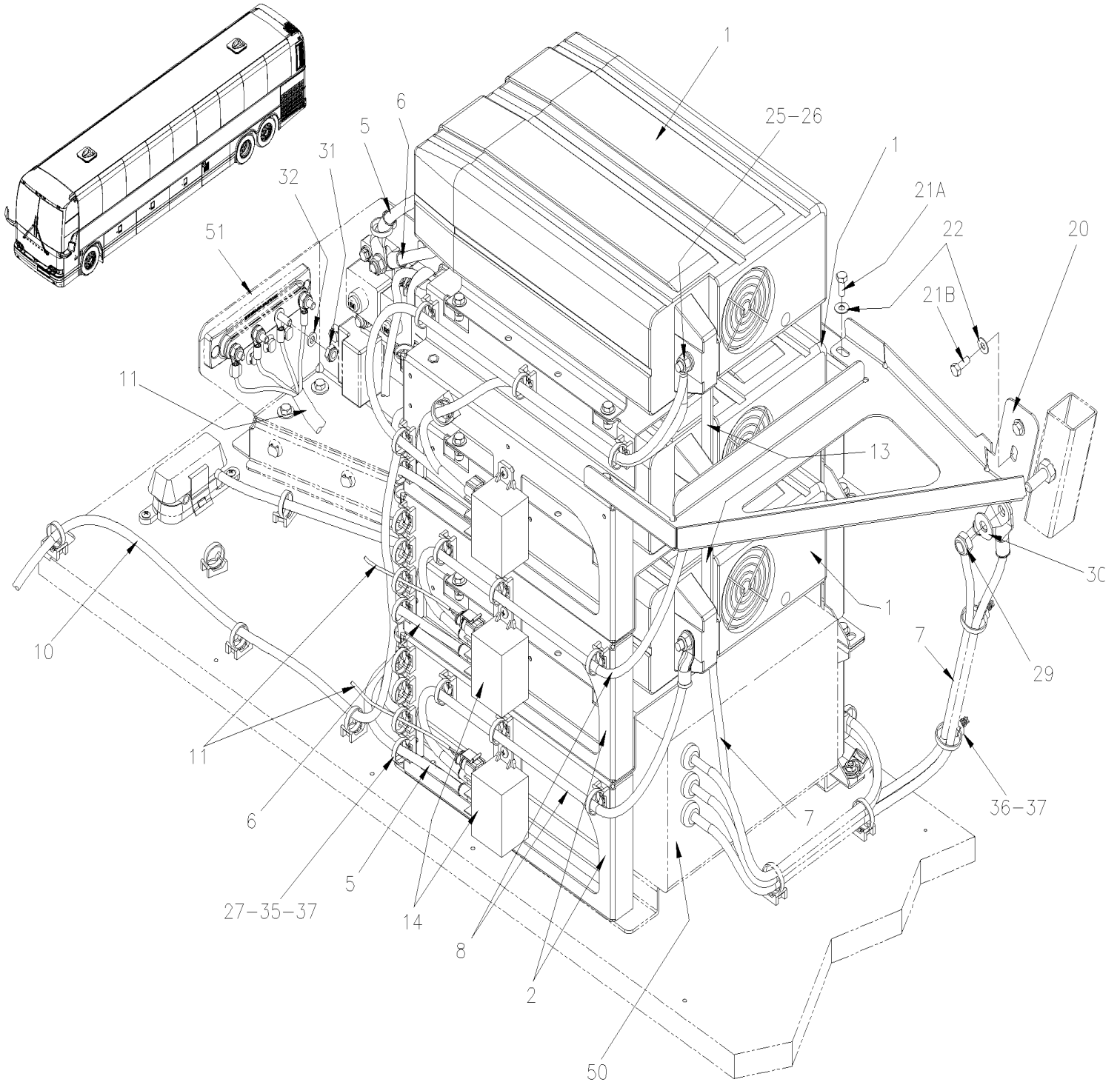
Item#	Part	Description	QTY	Notes
		OUTLET WITH USB PORT		
151	069612	HARNESS, 120VAC GREY USB, MOD. PANEL From G-6084	2	
152	068937	CABLE ASSY EXTENSION / WCL DOOR From G-6084	1	
153	565200	PLUG DOUBLE 110 VAC MURAL W/2 USB PORT / GREY From G-6084	2	
153	564591	COVER PLATE DOUBLE 110V OUTLET GREY NYLON "DECORA" From G-6084	2	
154	500638	SCREW TP PAN PH #8x1/2 Z050 From G-6084	24	
155	680093	SEALANT TAPE BUTYL / GREY / 1/16"x1 1/2"x50' /71079B11760 From G-6084	AR	
		OUTLET ON LEFT MODESTY (REAR DRIVER SEAT)		
160	564580	RECEPTACLE BOX / 110Vac outlet / GRAY From K-6467	1	
160	564187	RECEPTACLE BOX / 110Vac outlet / GREY From K-6467	1	
161	565200	PLUG DOUBLE 110 VAC MURAL W/2 USB PORT / GREY From K-6467	1	
161	564233	PLUG DOUBLE 110 VAC MURAL W/2 USB PORT / BLACK From K-6467 To N-6685	1	
161	564354	PLUG DOUBLE 110 VAC MURAL W/2 USB PORT / BLACK From N-6686	1	
161	564507	PLUG DOUBLE 110 VAC MURAL W/2 USB PORT GREY NYLON "DECORA" From K-6467	1	
162	564591	COVER PLATE DOUBLE 110V OUTLET GREY NYLON "DECORA" From K-6467	1	
162	564579	COVER PLATE DOUBLE 110V OUTLET BLACK NYLON "DECORA" From K-6467	1	
NS	563623	. BUTT SPLICE / 16-14 / BLUE / W/THERMORETRAC / PANDUIT BSH14-Q From K-6467	3	
163	500964	WASHER FL .203x.500x.047 Z050 From K-6467	4	
164	500638	SCREW TP PAN PH #8x1/2 Z050 From K-6467	4	
165	504568	GROMMET / .437x.687x.250x.500x1.000 From K-6467	1	
166	0610152	CABLE / 120VAC OUTLET / LEFT MODESTY From K-6467	1	
NS	504637	CABLE TIE / 3/16" x 13" From K-6467	4	
		A) WITH INVERTER DISPLAY BESIDE DRIVER		
		B) WITH 120V OUTLET IN PARCEL RACK LH AND RH		
		C) WITH 120V OUTLET IN PARCEL RACK LH OR RH		
		D) INSTALL ON INVERTER		
		WT) WITH INSTALLATION WITH WALL TRACK		

From J-6245

Date:01/2024

PAGE:X3-2345-45

3 POWERVERTERS - 24/110 VOLTS - 1800 WATTS WITH RELAY

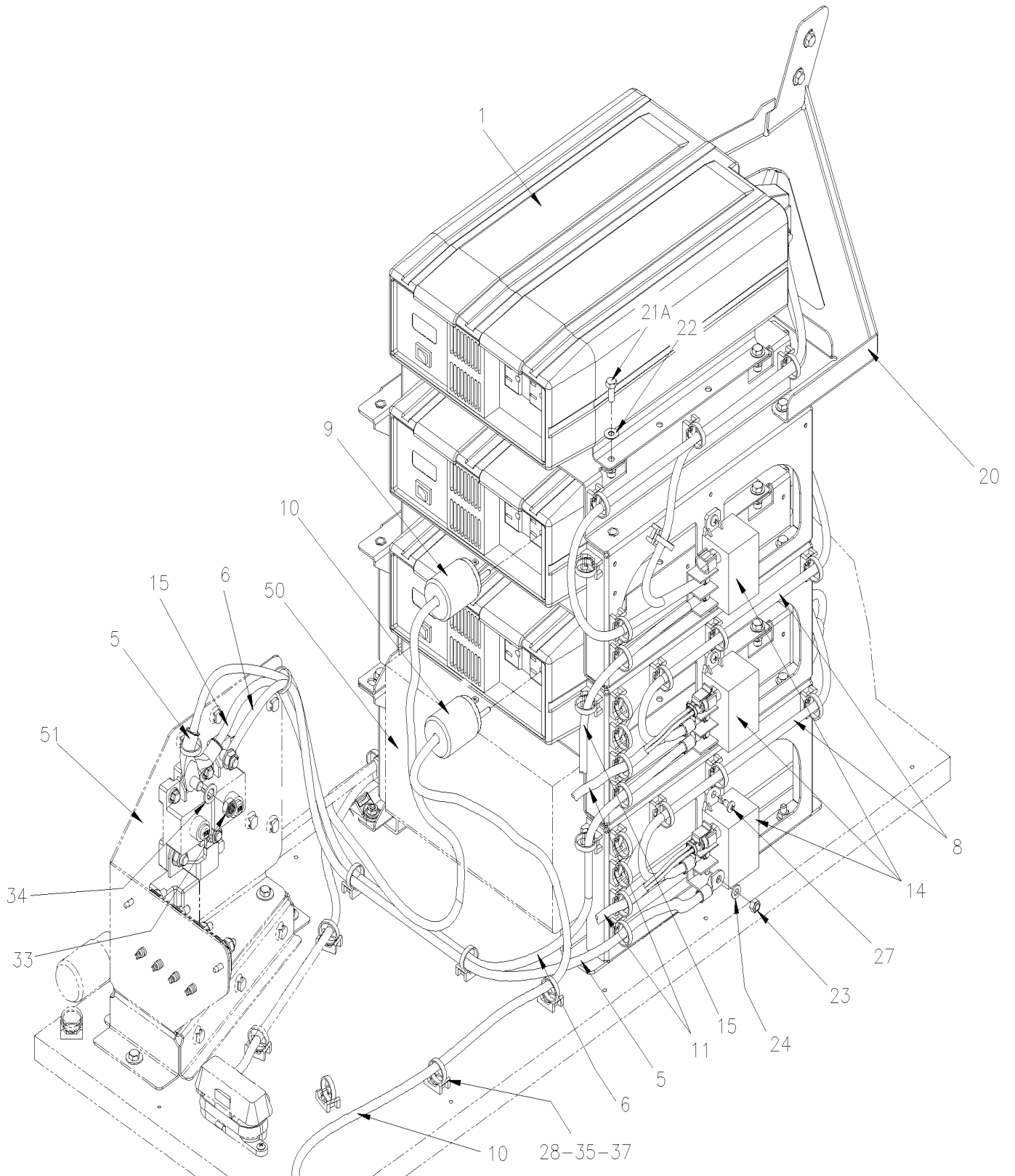


From J-6245

Date:01/2024

PAGE:X3-2345-45

3 POWERVERTERS - 24/110 VOLTS - 1800 WATTS WITH RELAY



From J-6245		Date:01/2024	PAGE:X3-2345-45
3 POWERVERTERS - 24/110 VOLTS - 1800 WATTS WITH RELAY			

Item#	Part	Description	QTY	Notes
1	563082	POWERVERTER ASSY / 24/110 V 1800 WATTS W/DISPLAY ON INVERTER	3	
2	060588	SUPPORT "HAT" CHANNEL	3	
2	5001344	. NUT INS FL HEX M6-1.0 0.5-3.0 SS	AR	
5	069694	HARNESS INVERTER 24V	1	
6	069695	HARNESS INVERTER 24V	1	
7	069700	CABLE GROUND INVERTER	1	
8	069701	CABLE INVERTER POSITIVE SIDE	2	
9	068257	CABLE ASSY / W/CONNECTOR / INVERTER STREETSIDE 73000MM To J-6244	1	
9	060586	CABLE ASSY / W/CONNECTOR / INVERTER STREETSIDE From J-6245	1	
10	068198	CABLE ASSY / W/CONNECTOR / INVERTER CURBSIDE 5000MM To J-6244	1	
10	060587	CABLE ASSY / W/CONNECTOR / INVERTER CURBSIDE From J-6245	1	
11	Call order desk	HARNESS	1	P
11	Call order desk	. FUSE BLOCK	1	P
11	061381	HARNESS Y RELAYS INV From J-6245	1	GR
NS	069697	HARNESS REAR JUNCTION BOX TO REAR SEAT 24V	1	GR
13	069040	BUS BAR	2	
NS	561761	SHRINK TUBING / .750" - .375" / BLACK / ALPHA FIT-221-3/4-4B	AR	
14	563348	RELAY POWER 24V 200 AMPS / S.P.S.T. N.O.	3	
. NS	5001182	. NUT HEX NYRT M6-1.0 SS	1	
. NS	502573	. WASHER FL 6.4x12.5x1.6 SS	1	
. NS	563409	. CONNECTOR / SUPERSEAL 1.5 SERIES / SH 2C / AMP 282080-1	1	
. NS	562607	. SOCKET TERMINAL / 20-16 / AMP 183025-1	1	
15	069696	HARNESS INVERTER 24V	1	
20	060592	BRACKET To K-6492	1	
20	0610006	BRACKET From L-6493	1	
21A	5001744	SCREW CAP HEX M6-1.0x16 G8.8 N500	10	
21A	5001744	SCREW CAP HEX M6-1.0x16 G8.8 N500	10	
21B	5001744	SCREW CAP HEX M6-1.0x16 G8.8 N500 To K-6492	2	
21B	5001744	SCREW CAP HEX M6-1.0x16 G8.8 N500 To K-6492	2	
21B	502848	SCREW TC CAP HEXF 1/4-20x3/4 N500 From L-6493	2	
22	5001608	WASHER BEL SPR 6.2x15.0x0.7 G500	12	
23	5001182	NUT HEX NYRT M6-1.0 SS	4	
24	502573	WASHER FL 6.4x12.5x1.6 SS	4	
25	5001789	NUT HEX NYRT M8-1.25 SS	6	
26	5001341	WASHER FL 8.4x17.0x1.6 SS	6	
27	5001975	SCREW TC BDG PH #10-24x3/8 SS410 ZINC	AR	
28	500957	SCREW TP BDG PH #10x3/4 N500	11	
29	502859	NUT HEX NYRT M10-1.5 N500	1	
30	500270	WASHER FL .406x1.000x.063 SS	1	
31	5001251	NUT HEX NYRT 1/4-20 SS	4	
32	502573	WASHER FL 6.4x12.5x1.6 SS	4	
33	5001936	NUT HEX NYRT 3/8-16 SS	4	

From J-6245	Date:01/2024	PAGE:X3-2345-45
3 POWERVERTERS - 24/110 VOLTS - 1800 WATTS WITH RELAY		

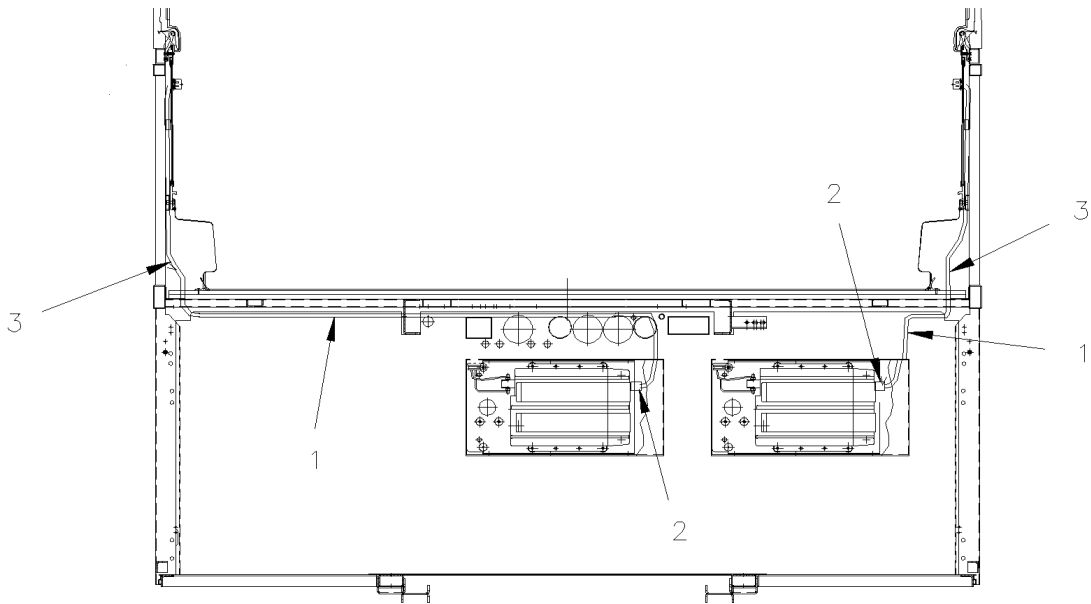
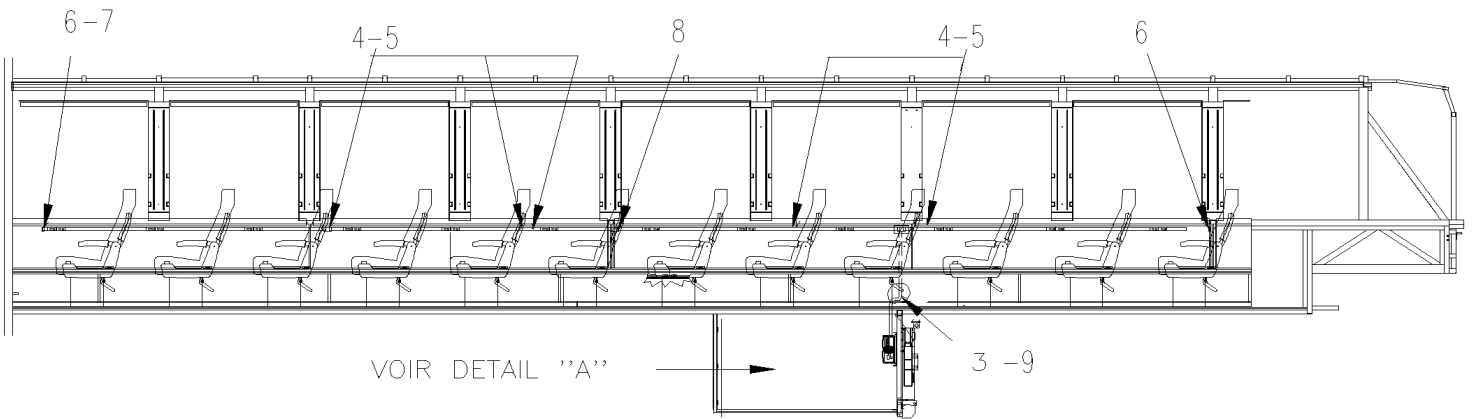
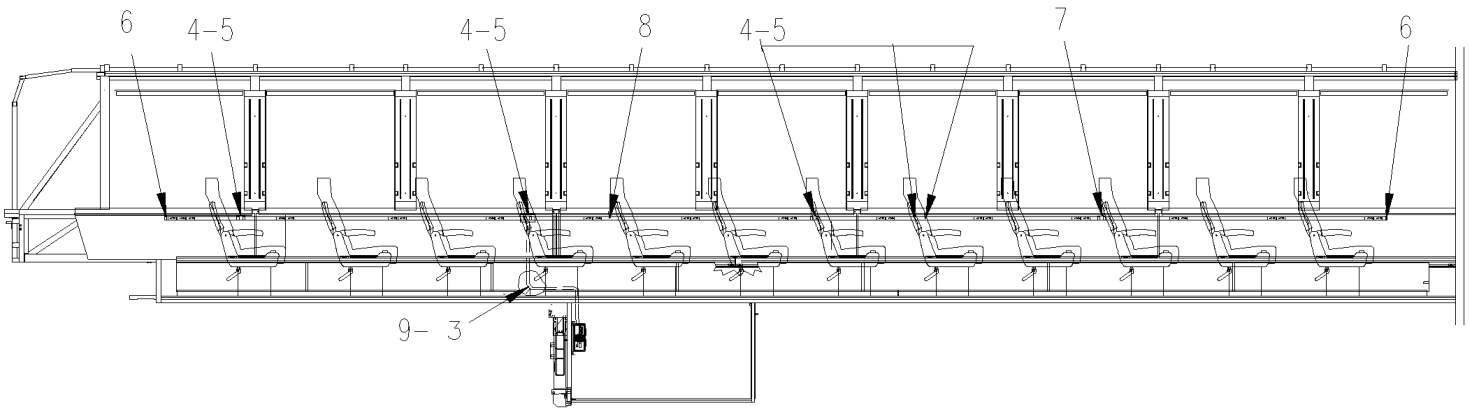
Item#	Part	Description	QTY	Notes
34	5001935	WASHER FL 10.5x18.0x1.6 SS	4	
35	504013	TIE MOUNT / 1/4" X 1/4" I.D.	AR	
36	509815	TIE MOUNT / ATTACHMENT W/TREE MOUNT	AR	
37	504637	CABLE TIE / 3/16" x 13"	AR	
50	X3-0670-11	BATTERIES CHARGER - INSTALLATION / GHG17		
51	X3-0621-45	BREAKER PANEL, INVERTER	1	
		GR) GREYHOUND OPTION		
		P) CALL ORDER DESK FOR SPECIFIC APPLICATION (V.I.N.)		

From 7-8754

Date:01/2024

PAGE:X3-2345-99

110 VOLT - OUTLET / RETROFIT



DETAIL "A"

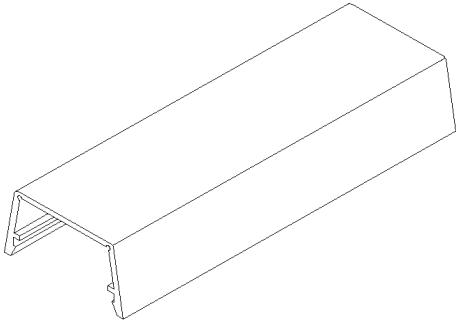
From 7-8754

Date:01/2024

PAGE:X3-2345-99

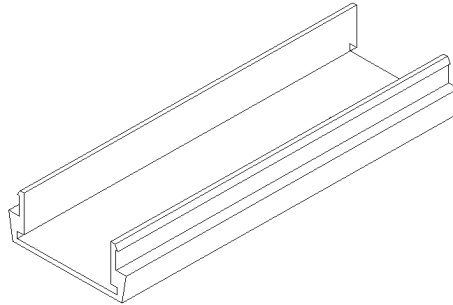
110 VOLT - OUTLET / RETROFIT

564151



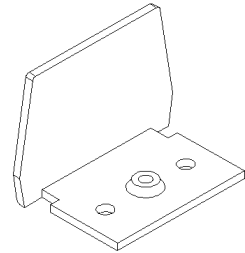
COVER ALUMINIUM
RACEWAY 110V

564152



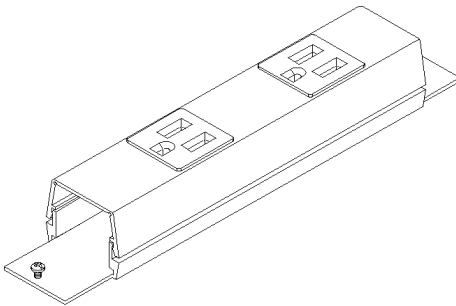
BASE ALUMINIUM
RACEWAY 110V

564153



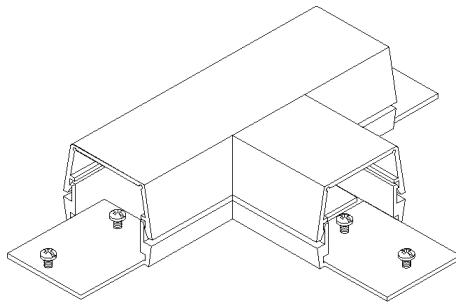
BLANK END FITTING
RACEWAY 110V

564154



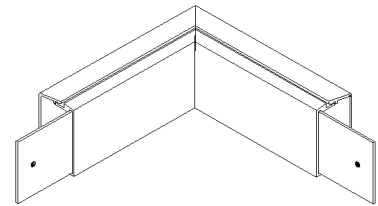
RECEPTACLE DOUBLE
RACEWAY 110V

564155



TEE
RACEWAY 110V

564156



ELNOW
RACEWAY 110V

From 7-8754

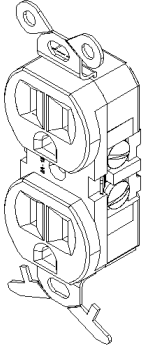
Date:01/2024

PAGE:X3-2345-99

110 VOLT - OUTLET / RETROFIT

562657

WHITE



PLUG DOUBLE
OUTLET 110V

562659

WHITE

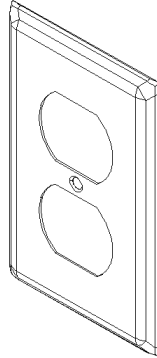
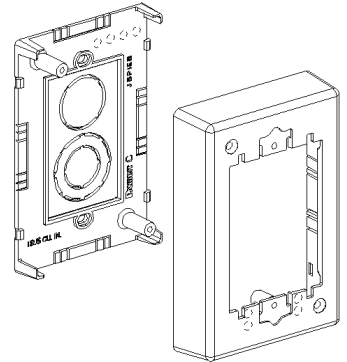


PLATE OUTLET 110V

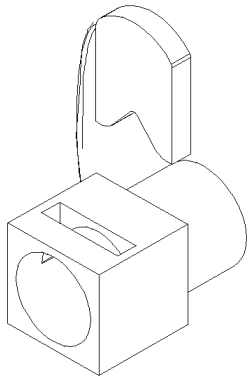
564129

WHITE



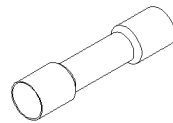
RECEPTACLE BOX
OUTLET 110V

564467



CONNECTOR IBERVILLE

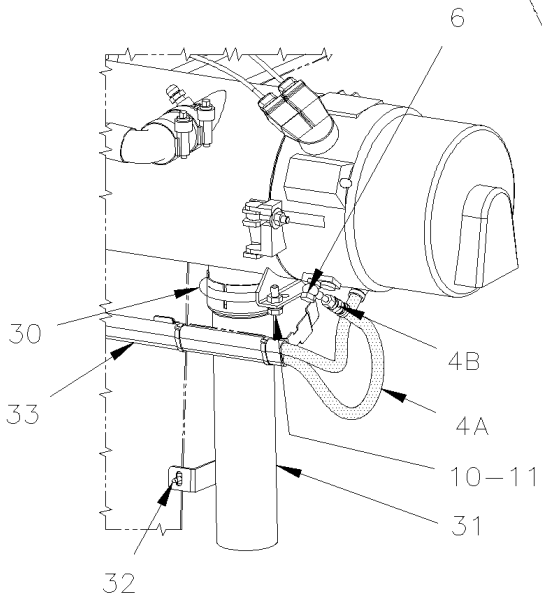
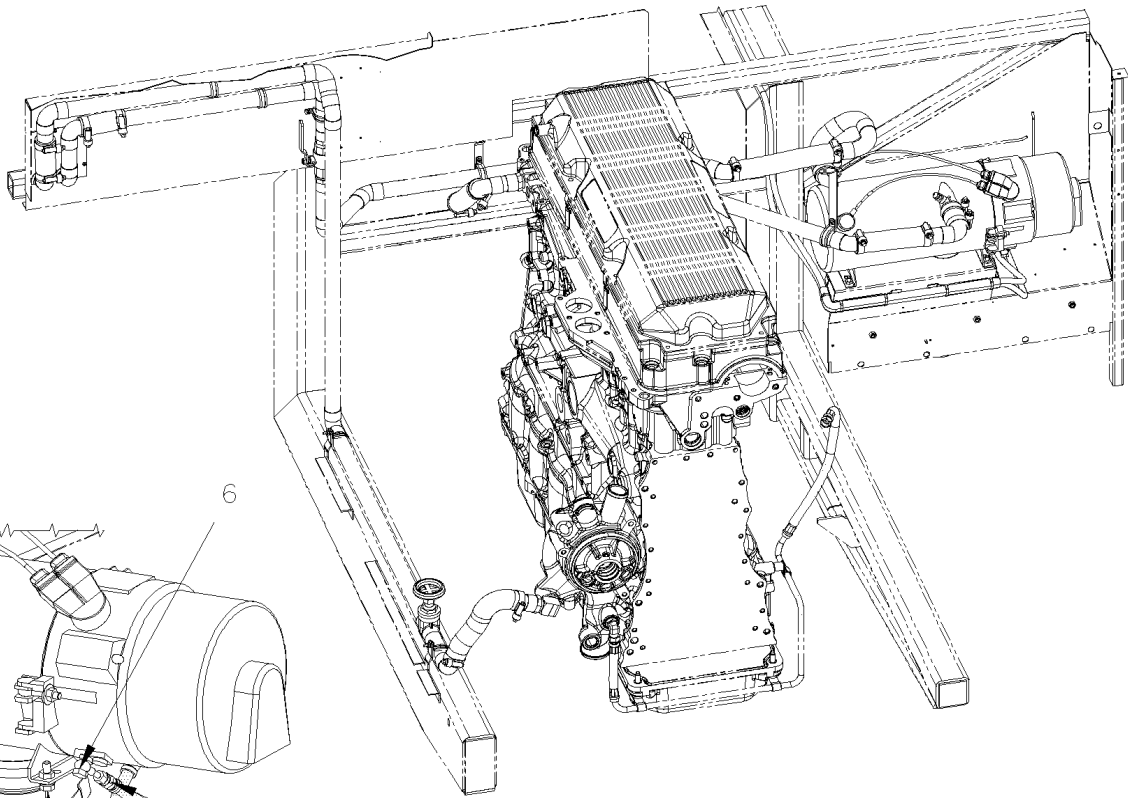
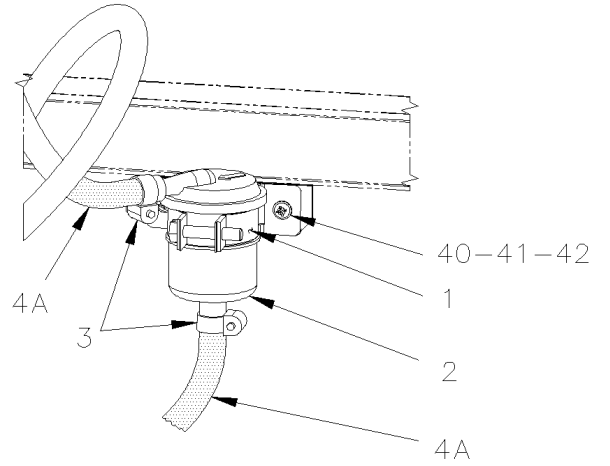
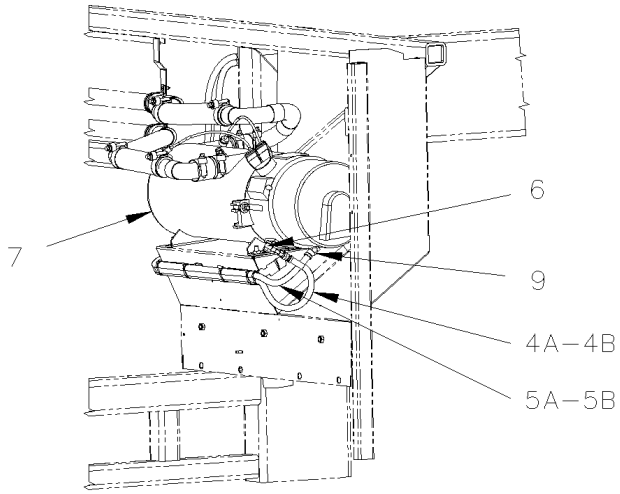
563624



From 7-8754	Date:01/2024	PAGE:X3-2345-99
110 VOLT - OUTLET / RETROFIT		

Item#	Part	Description	QTY	Notes
1	562664	PROTECTOR METALLIC 1"/CABLE	AR	
2	560933	CONNECTOR / 15 AMPS / HUBBELL 5266-C	AR	
3	562595	SPECIAL WIRE CABLE 14/3 / WHITE (BOAT CABLE)	AR	
4	564151	RACEWAY BASE ALUMINUM 60"	AR	
5	564152	RACEWAY COVER ALUMINUM 60"	AR	
6	564153	BLANK END FITTING CLOSING	AR	
7	564154	RECEPTACLE DOUBLE / IN-LINE 15 Amps	AR	
8	564155	TEE ALUMINUM RACEWAY	AR	
9	564156	ELBOW 90° EXTERNAL RACEWAY	AR	
20	562657	PLUG DOUBLE 110 VAC MURAL / WHITE	AR	
21	562659	COVER PLATE DOUBLE 110V OUTLET / WHITE	AR	
22	564129	RECEPTACLE BOX / 110Vac outlet / WHITE	AR	
23	564467	CONNECTOR IBERVILLE 1/2" PLASTIC GREY	AR	
24	563624	BUTT SPLICE / 12-10 / YELLOW / W/THERMORETRAC / PANDUIT BSH10-E	AR	

WATER HEATER - INSTALLATION



From 7-8754 To B-5001	Date:01/2024	PAGE:X3-2350-10
WATER HEATER - INSTALLATION		

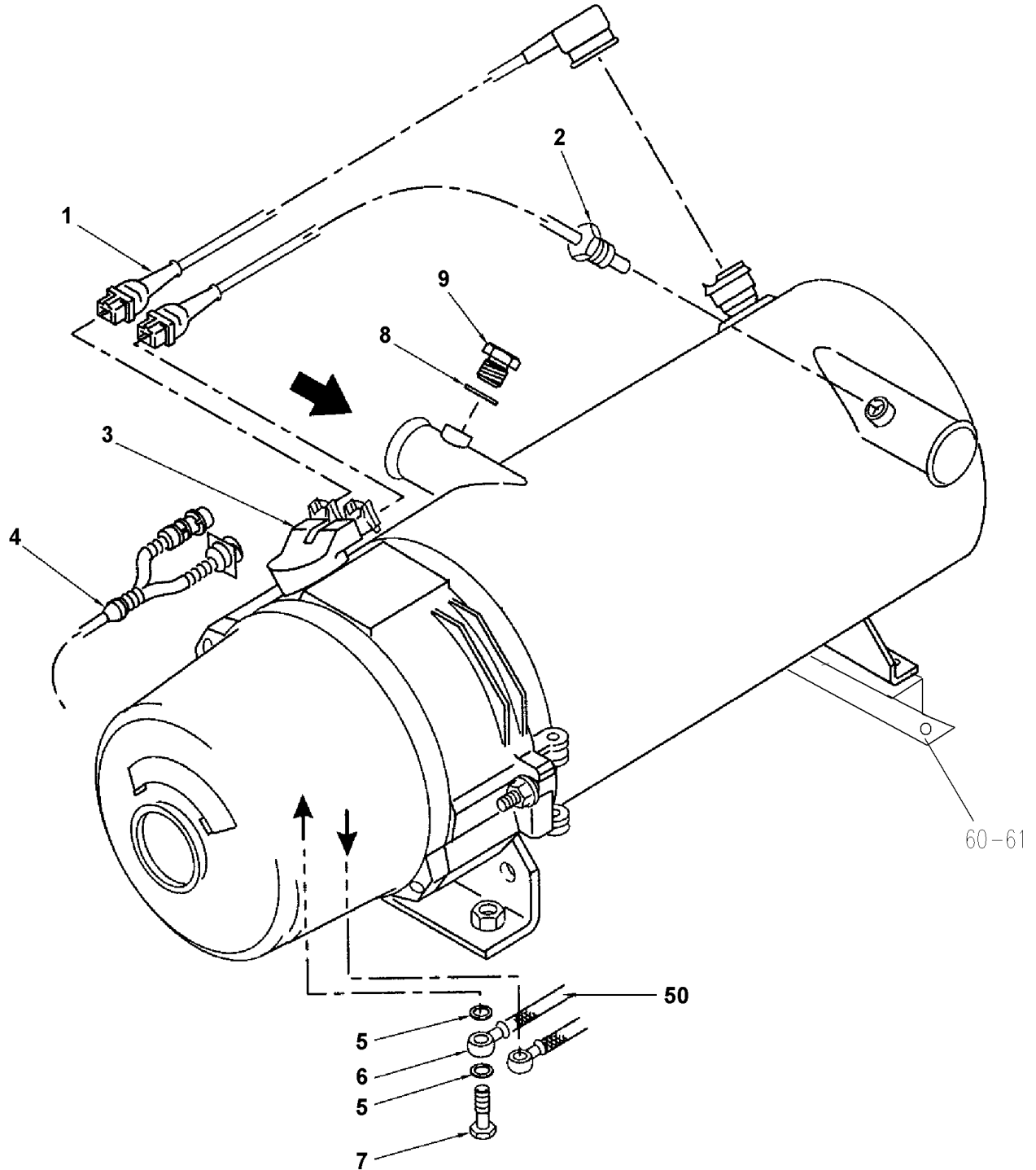
Item#	Part	Description	QTY	Notes
1	871038	SUPPORT, FILTER FUEL	1	
2	871037	FILTER, FUEL	1	
3	504230	HOSE CLAMP / 3/8"-7/8" SS / HS-6	2	
4A	374242	HOSE / FUEL LINE / #4 7162MM	1	
4A	503706	. HOSE FC-332-4 #4	1	
4B	501347	. FEMALE CONNECTOR SWIVEL / PUSH-LOK FITTING #4JIC-Fx#4 BR	1	
5A	374243	HOSE / FUEL LINE / #4 6858MM	1	
5A	503706	. HOSE FC-332-4 #4	AR	
5B	5011235	. FEMALE CONNECTOR SWIVEL / PUSH-LOK FITTING #6JIC-Fx#4 BR	1	
6	5011237	BANJO UNION / 10MMx#4JIC-M	1	
7	871202	WATER HEATER - "SPHEROS" 100,000 B.T.U. From 7-8754		
7	871329	WATER HEATER - "PROHEAT" 80,000 B.T.U.		
8	501036	MALE ELBOW 90° / SAE 45° FITTING / #4FL-Mx1/8NPT-M BR	1	B
9	5011238	BANJO UNION / 10MMx#6JIC-M	1	
10	502780	SCREW CAP HEX M8-1.25x25 SS BK	4	
11	5001341	WASHER FL 8.4x17.0x1.6 SS	4	
NS	5001161	WASHER LO SPT 8.1x14.8x2.0 SS-304	4	
30	540061	U-CLAMP / 2 3/4" I.D.	1	
31	374143	EXHAUST PIPE ASSY W/SUPPORT	1	
32	502868	SCREW TC TR PH #10-16x1/2 N500	1	
33	374199	HOSE FIRE PROTECTOR	1	
40	502698	SCREW MA PAN PH M4-0.7x16 SS BK	2	
41	502556	WASHER FL 4.3x9.0x0.8 SS	2	
42	500539	NUT HEX NYRT M4-0.7 N500	2	
		FOLLOWING ITEMS ARE RELATED WITH WEBASTO AIR INTAKE IN LAVATORY		
50	871202	WATER HEATER - "SPHEROS" 100,000 B.T.U.	1	
50	871329	WATER HEATER - "PROHEAT" 80,000 B.T.U.	1	
51	374566	KIT RETROFIT WEBASTO AIR INTAKE	1	
. NS	871257	. HOSE ADAPTOR 2 1/2"	1	
. NS	871436	. ELBOW 90°	1	
. NS	871437	. ADAPTOR	1	
. NS	374567	. HOSE 2 1/2" I.D. 510MM	1	
. NS	374568	. HOSE 2 1/2" I.D. 205MM	1	
. NS	504024	. HOSE CLAMP / 1"13/16"-2"3/4 SS / HS-36	2	
. NS	506207	. TAPE RUB ADH1 CC POL 3/16" x 1" x 50' / GREY 2520X	AR	
		B) USE ONLY WITH "PROHEAT" MODEL		

From 7-8754 To B-5001

Date:01/2024

PAGE:871202

WATER HEATER - "SPHEROS" 100,000 B.T.U.

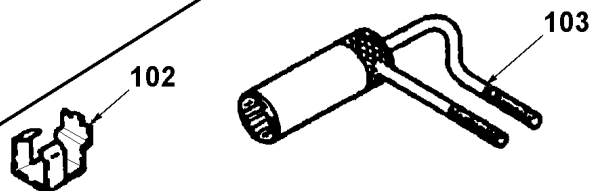
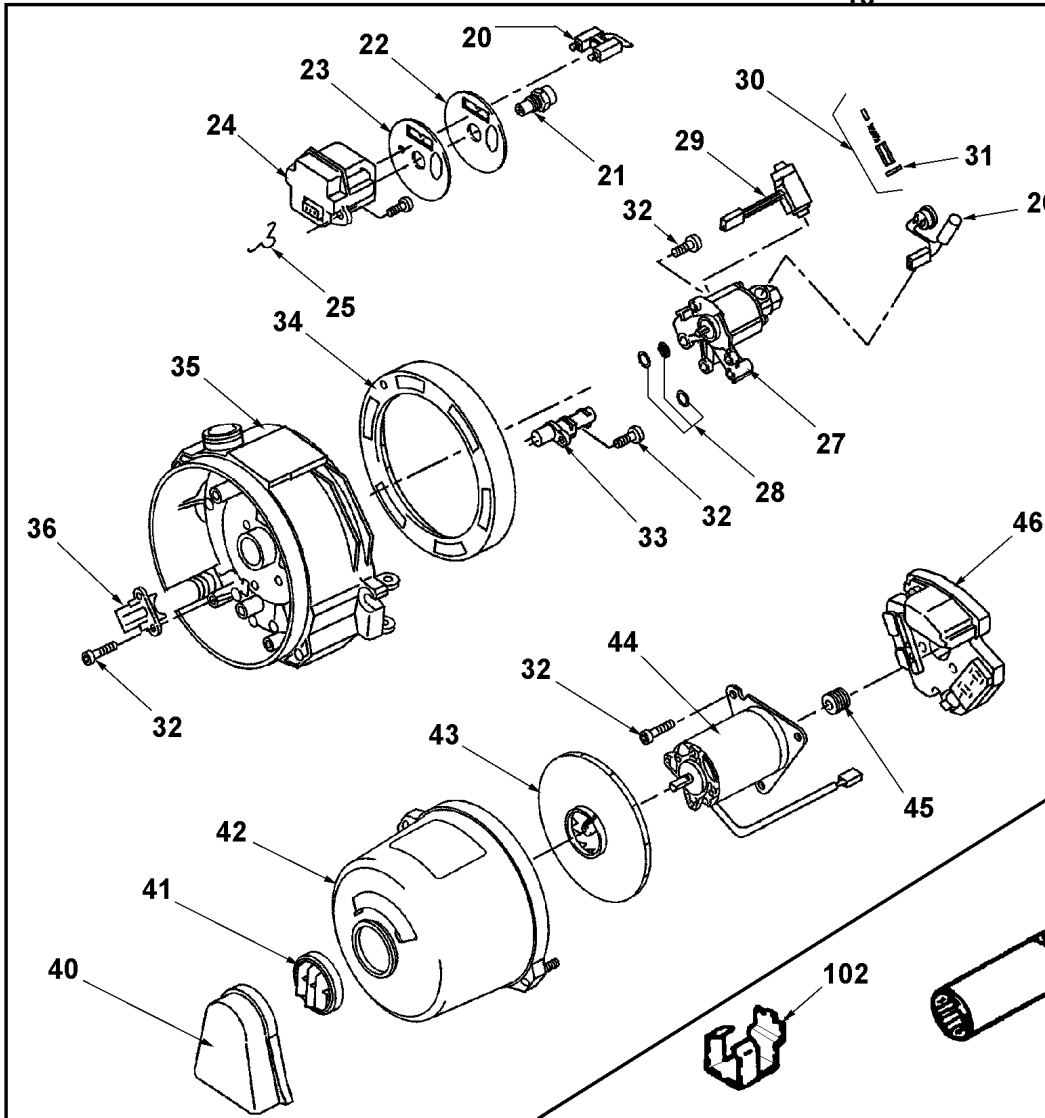
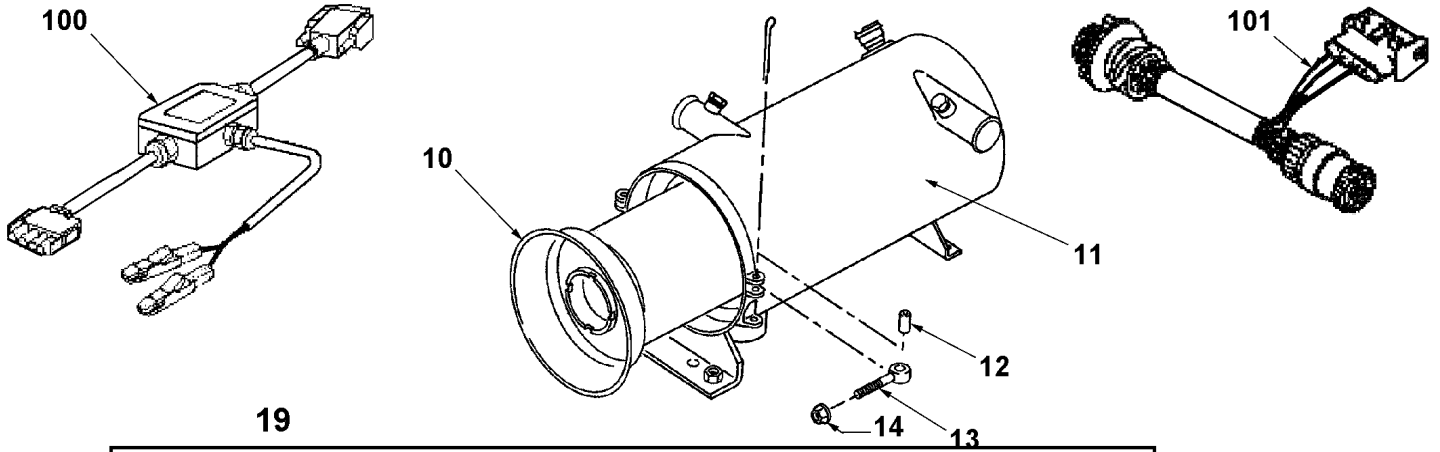


From 7-8754 To B-5001

Date:01/2024

PAGE:871202

WATER HEATER - "SPHEROS" 100,000 B.T.U.



From 7-8754 To B-5001	Date:01/2024	PAGE:871202
WATER HEATER - "SPHEROS" 100,000 B.T.U.		

Item#	Part	Description	QTY	Notes
		WATER HEATER - "WEBASTO" 100,000 B.T.U.	1	
1	871284	. OVERHEAT PROTECTION	1	
2	871285	. TEMPERATURE SENSOR	1	
2	G1094742	. TEMPERATURE SENSOR	1	
3	194873	. CABLE ASSY / WITH RUBBER BOOT / CONTROL & HARNESS CABLE	1	
4	871286	. MASTER WIRING HARNESS	1	
5	870923	. BANJO WASHER / M10	1	
6	5011237	. BANJO UNION / 10MMx#4JIC-M	1	
6	5011238	. BANJO UNION / 10MMx#6JIC-M	1	
7	870929	. BANJO BOLT / M10-1.0	1	
8	N.S.P.	. GASKET / (151 173)	1	2
9	N.S.P.	. PLUG / (199 87A)	1	2
10	871288	. COMBUSTION CHAMBER	1	
11	871289	. HEAT EXCHANGER	1	
NS	871431	. . STICKER WEBASTO	1	
12	N8890598	. COLLAR	2	
13	N8890596	. EYE BOLT	2	
14	502692	. NUT HEXF STO M8-1.25 Z050	1	
19	N8894780	. BURNER HEAD ASSY / 24V - "WEBASTO" THERMO 300	1	
19	N8896417	. BURNER HEAD ASSY / 24V - "WEBASTO" THERMO 350	1	
20	871290	. . IGNATION ELECTRODE	1	
21	871291	. . NOZZLE 0.85GPH - "WEBASTO" THERMO 300	1	
21	870918	. . NOZZLE 0.80GPH	AR	
22	871368	. . PHOTODISC	1	
23	871369	. . PHOTODISC	1	
24	871292	. . ELECTRONIC IGNITION UNIT	1	
25	N8883147	. . HOLDING STRAP	1	
26	871293	. . HEATING ELEMENT WITH THERMOSTAT	1	
27	871294	. . FUEL PUMP	1	
28	871295	. . . SMALLL PARTS FOR FUEL PUMP	1	
29	871296	. . . MAGNETIC COIL	1	
30	870919	. . . UNLOADER POWER ASSY	1	
31	871297	. . . GASKET	1	
32	502653	. . SCREW MA PAN PH M5-0.8x16 SS	AR	
33	871298	. . FLAME DETECTOR	1	
34	194824	. . ADJUSTING RING	1	
35	N8890616	. . HOUSING	1	
35	G1094733	. . HOUSING	1	
36	N8890590	. . CORE GRIP	1	
36	G1094734	. . CORE GRIP	1	
40	871299	. . SPLASHGUARD	1	
41	871300	. . GRID	1	

From 7-8754 To B-5001	Date:01/2024	PAGE:871202
WATER HEATER - "SPHEROS" 100,000 B.T.U.		

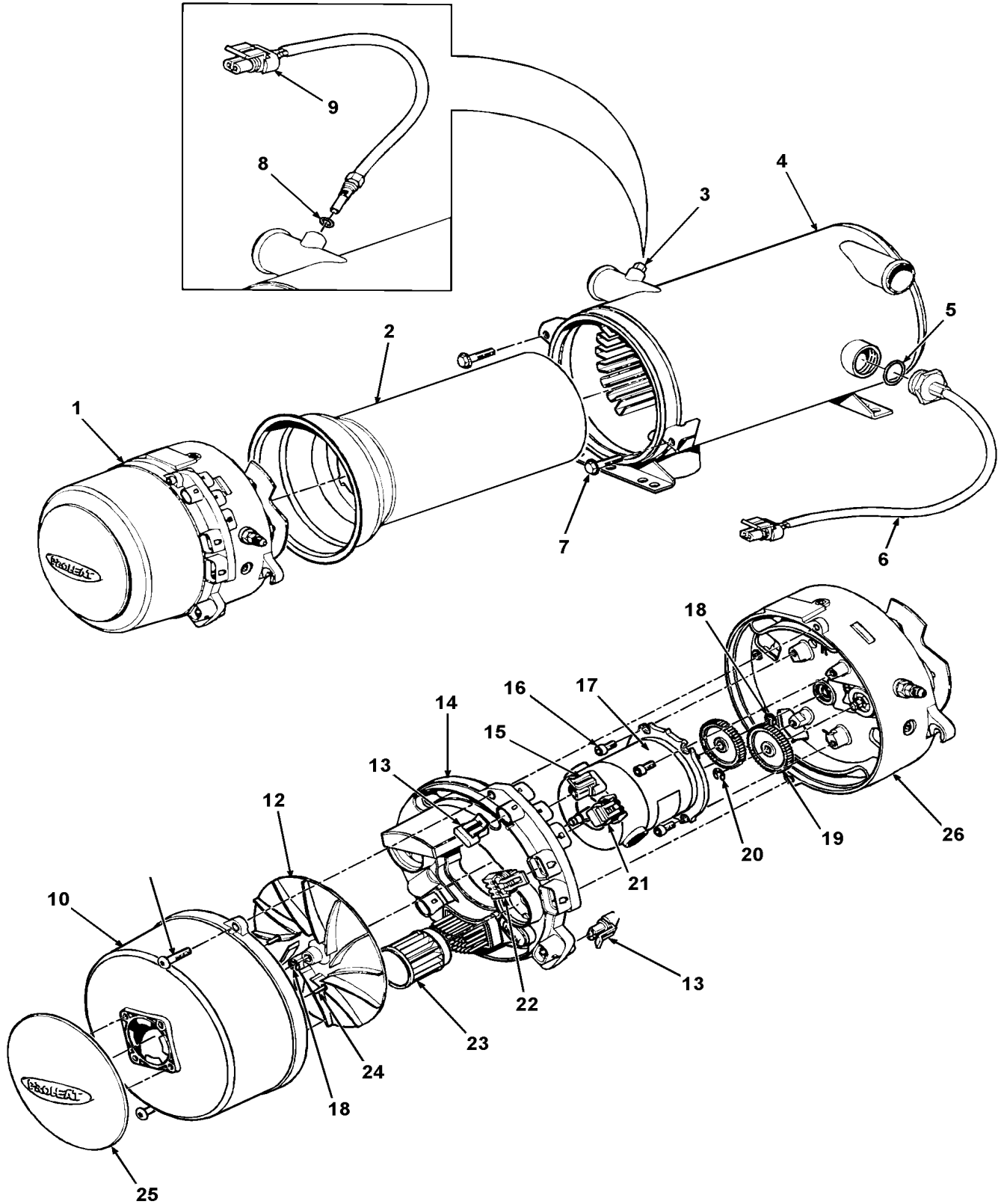
Item#	Part	Description	QTY	Notes
42	871301	.. HOOD	1	
NS	G1017565	.. DECAL "DANGER"	1	
43	871302	.. FAN ROTOR	1	
44	871303	.. DRIVE ASSY	1	
45	871304	.. . CLUTCH	1	
46	871305	.. ELECTRONIC CONTROL	1	
		SEE WATER HEATER - INSTALLATION		
60	374322	SPACER ASSY 1" / "WATER HEATER & FENDER	2	
61	500069	SCREW CAP HEX M8-1.25x16 G10.9 DP	4	
NS	5001341	WASHER FL 8.4x17.0x1.6 SS	4	
NS	5001161	WASHER LO SPT 8.1x14.8x2.0 SS-304	4	
NS	5001188	NUT HEX M8-1.25 SS	4	
100	871320	DIAGNOSTIC KIT VERSION 2.2	AR	
100	N8894700	DIAGNOSTIC KIT VERSION 2.?	AR	
101	871321	ADAPTOR HARNESS / W/ROUND CONECTORS	AR	
101	195314	ADAPTOR HARNESS / W/RECTANGULAR CONECTORS	1	
102	870937	GAUGE / IGNITION ELECTRODE	AR	
103	870938	BOX WRENCH / HIGH PRESSURE NOZZLE	AR	
		2) NOT SOLD BY PREVOST (SEE MANUFACTURING PART NUMBER AT END OF DESCRIPTION LINE)		

From 7-8754 To B-5001

Date:01/2024

PAGE:871329

WATER HEATER - "PROHEAT" 80,000 B.T.U.

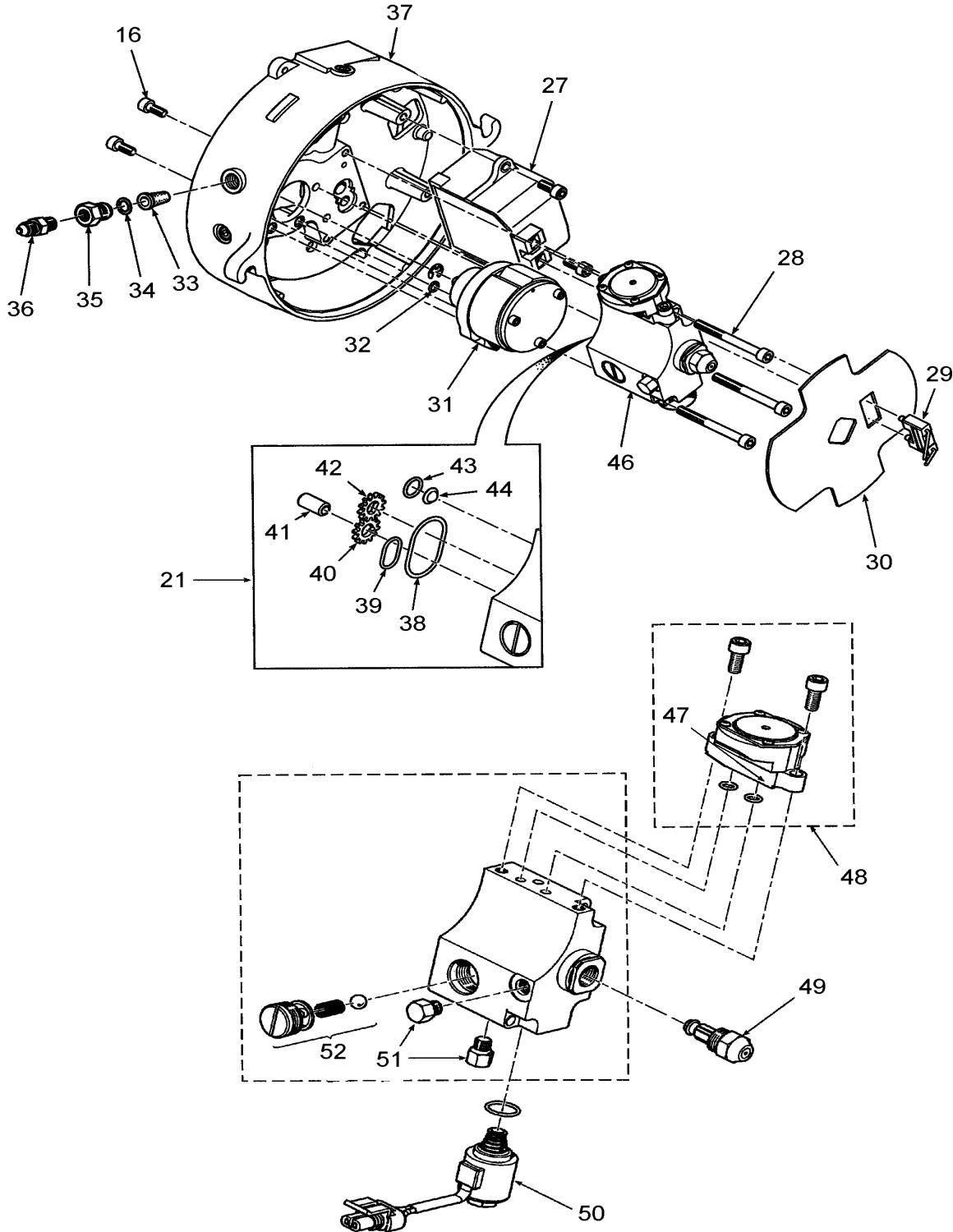


From 7-8754 To B-5001

Date:01/2024

PAGE:871329

WATER HEATER - "PROHEAT" 80,000 B.T.U.



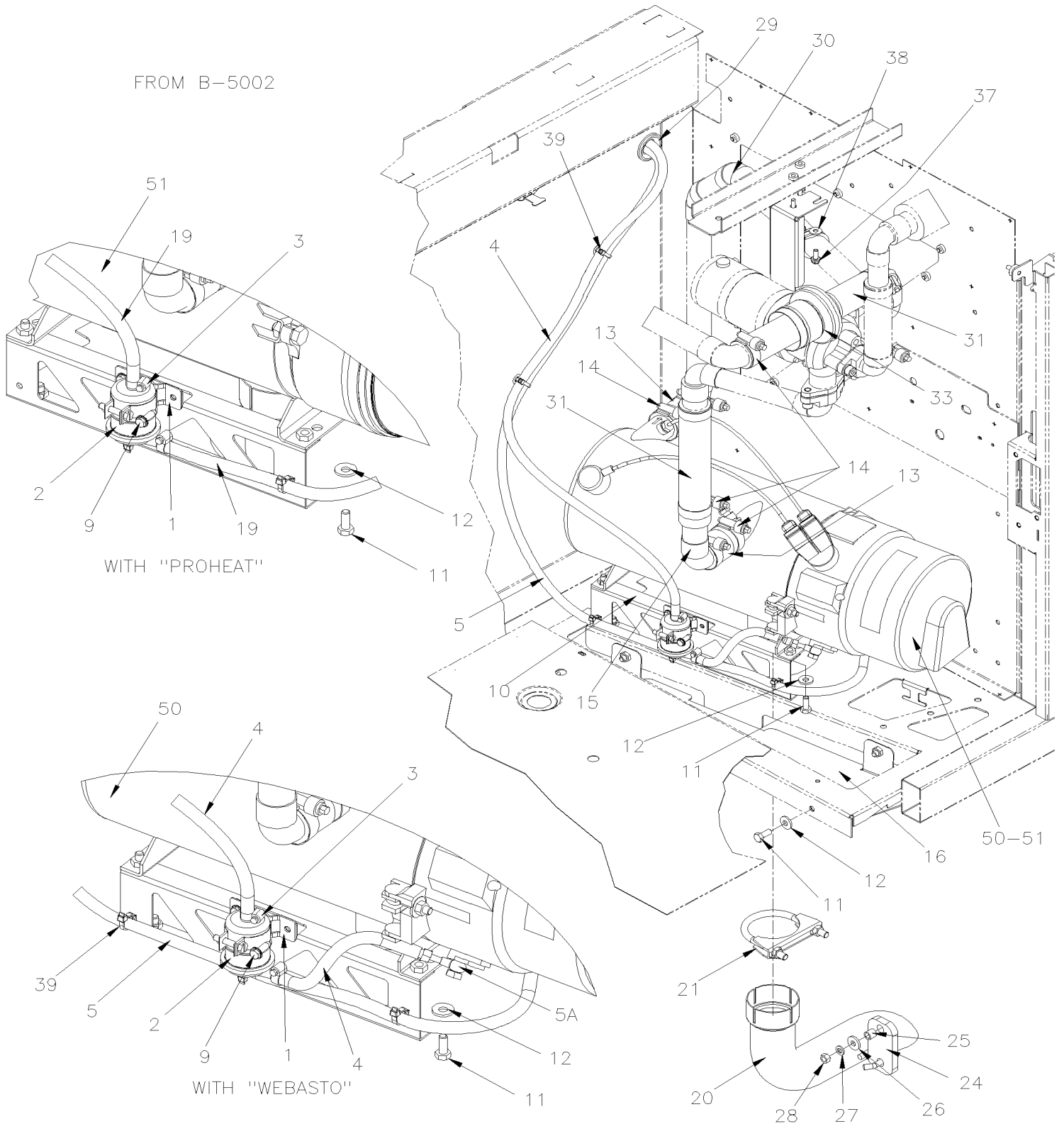
From 7-8754 To B-5001	Date:01/2024	PAGE:871329
WATER HEATER - "PROHEAT" 80,000 B.T.U.		

Item#	Part	Description	QTY	Notes
NS	065839	CABLE ASSY INTERFACE W/"PRO-HEAT" M-80 To 4-4887		
NS	066172	CABLE ASSY INTERFACE W/"PRO-HEAT" M-80 From 4-4888		
NS	065839	CABLE ASSY INTERFACE W/"PRO-HEAT" M-80 To 5-8366		
NS	066172	CABLE ASSY INTERFACE W/"PRO-HEAT" M-80 From 5-8367 To 7-8753		
NS	066172	CABLE ASSY INTERFACE W/"PRO-HEAT" M-80 From 7-8754		
		WATER HEATER - "PROHEAT" 80,000 B.T.U.	1	
1	N8892398	. BURNER HEAD ASSY	1	
2	N8892399	. COMBUSTION TUBE	1	
3	N8892400	. PLUG	1	
4	N8892401	. HEAT EXCHANGER	1	
5	N8892402	. O-RING, TEMPERATURE SENSOR, OVERHEAT	1	
6	N8892403	. TEMPERATURE SENSOR, OVERHEAT	1	
7	N8892405	. SCREW HEXW M8X1.25X30 (2/PKG)	1	
8	N8892406	. O-RING, TEMPERATURE SENSOR	1	
9	N8892407	. TEMPERATURE SENSOR, WITH O-RING	1	
10	N8892408	. BLOWER HOUSING	1	
11	N8892409	. SCREW CAP BUT HEXS SS M6X1X25 (2/PKG)	1	
12	N8892410	. BLOWER	1	
13	N8892411	. PLUG (2/PKG)	1	
14	N8892412	. PRIMARY CONTROL MODULE	1	
15	N8892413	. PLUG	1	
16	N8892414	. SCREW CAP HEXS M6-1.0x16 ZP	1	
17	N8892415	. MOTOR 24V	1	
18	N8892416	. RETAINING RING (3/PKG)	1	
19	N8892417	. GEAR SET	1	
20	N8892418	. RETAINING RING (2/PKG)	1	
21	N8892419	. PLUG, CAN BUS PRIMARY CONTROL MODULE	1	
22	N8892420	. PLUG, DATALINK PRIMARY CONTROL MODULE	1	
23	N8892421	. AIR FILTER	1	
24	N8892422	. SCREW, AIR INLET	1	
25	N8892423	. SPLASH GUARD	1	
26	N8892414	. SCREW CAP HEXS M6-1.0x16 ZP	1	
27	N8892426	. KIT IGNITION MODULE & ELECTRODE	1	
28	N8892427	. SCREW CAP HEXS SS M6X1X60 (3/PKG)	1	
29	N8892428	. IGNITION ELECTRODES	1	
30	N8892429	. FLAME SHIELD	1	
31	N8892430	. COMPRESSOR	1	
32	N8892431	. O-RING (3/PKG)	1	
33	N8892432	. FUEL FILTER	1	
34	N8892433	. O-RING, FUEL FILTER	1	
35	N8892434	. ADAPTER	1	
36	N8892435	. MALE CONNECTOR / JIC 37° FITTING / #4JIC-Mx1/8NPT-M BR	1	

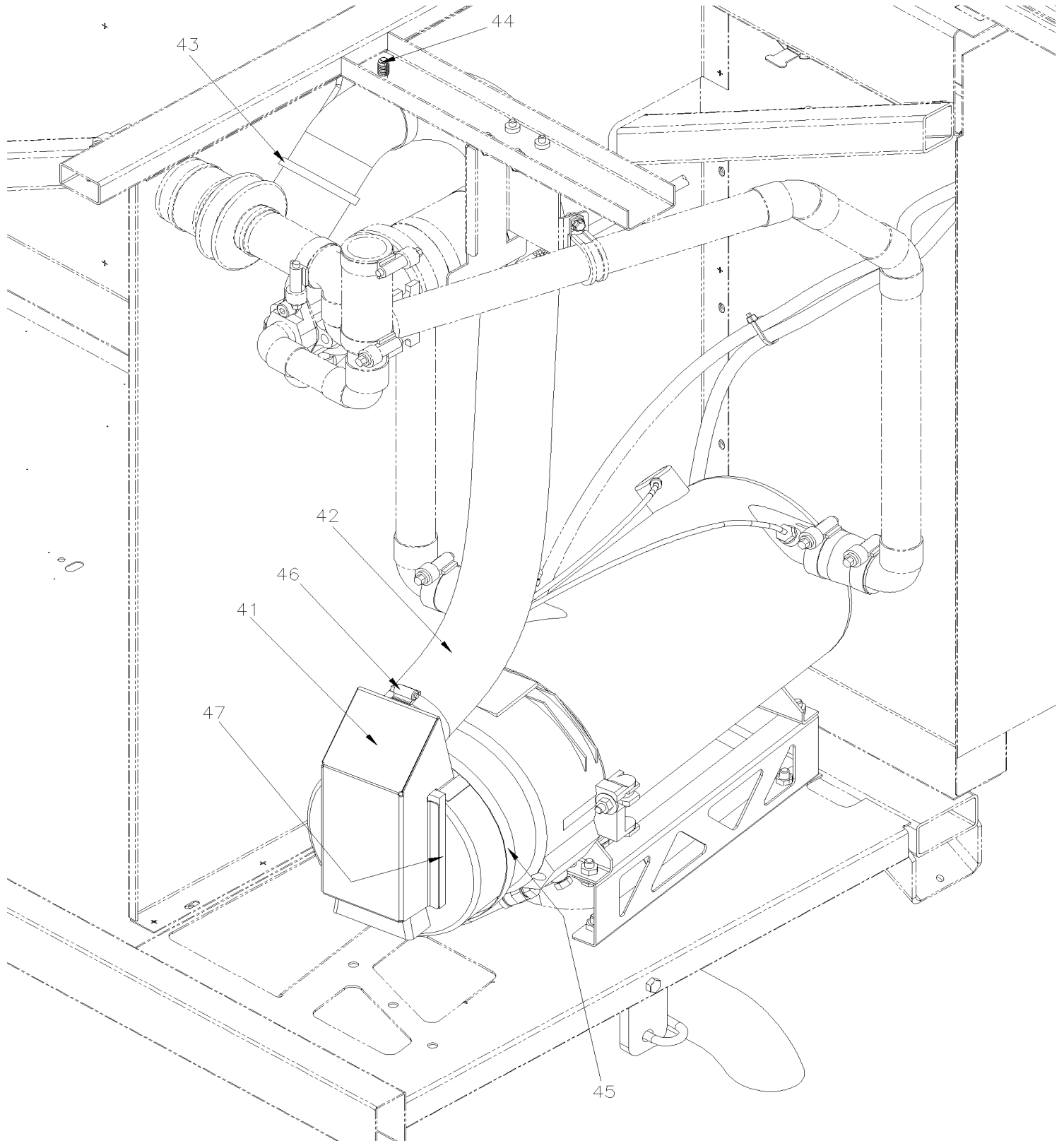
From 7-8754 To B-5001	Date:01/2024	PAGE:871329
WATER HEATER - "PROHEAT" 80,000 B.T.U.		

Item#	Part	Description	QTY	Notes
37	N8892436	. BURNER HEAD FLANGE ASSY	1	
38	N8892437	. O-RING, GEAR PUMP	1	
39	N8892438	. O-RING, AIR INTAKE	1	
40	N8892439	. GEAR & PINION, FUEL PUMP	1	
41	N8892440	. IDLER SHAFT, FUEL PUMP	1	
42	N8892441	. GEAR DRIVE, FUEL PUMP	1	
43	N8892442	. O-RING, FUEL INTAKE	1	
44	N8892443	. SCREEN, INLET	1	
45	N8892444	. FUEL PUMP SERVICE KIT	1	
46	N8892445	. FUEL DELIVERY BLOCK ASM	1	
47	N8892446	. O-RING (3/PKG)	1	
48	N8892447	. REGULATOR ASM	1	
49	N8892448	. NOZZLE	1	
50	N8892449	. SOLENOID	1	
51	N8892450	. PLUG HEX-HEAD / ORB FITTING / #2ORB-M BR	1	
52	N8892451	. RELIEF VALVE KIT	1	
NS	N8892404	. PROHEAT DATA LINK KIT	1	
		FOLLOWING ITEMS ARE RELATED WITH		
		AUTOMATIC START		
		WITH WATER HEATER INSTALLATION		
		WITH BATTERIES CHARGER 110V		
111	066236	CABLE I/F BATTERIES CHARGER / W/RELAY BASE	1	A
111	068248	CABLE I/F BATTERIES CHARGER / W/RELAY BASE	1	A
111	066968	CABLE ASSY W/FUSE HOLDER / W/"PRO-HEAT" M-80 / "OPTION"	1	
112	066332	CABLE ASSY POWER / W/FUSE HOLDER & RECTIFIER	1	A
113	563332	RELAY 24V S.P.D.T. W/RESISTOR / "VOLVO" (20374662)	1	A
114	500946	SCREW TP BDG PH #8x1/2 N500	1	A
		A) USE WHEN YOU DO NOT HAVE A FIRE SUPPRESSIONS SYSTEMEUTILISE SEULEMENT		

WATER HEATER - INSTALLATION

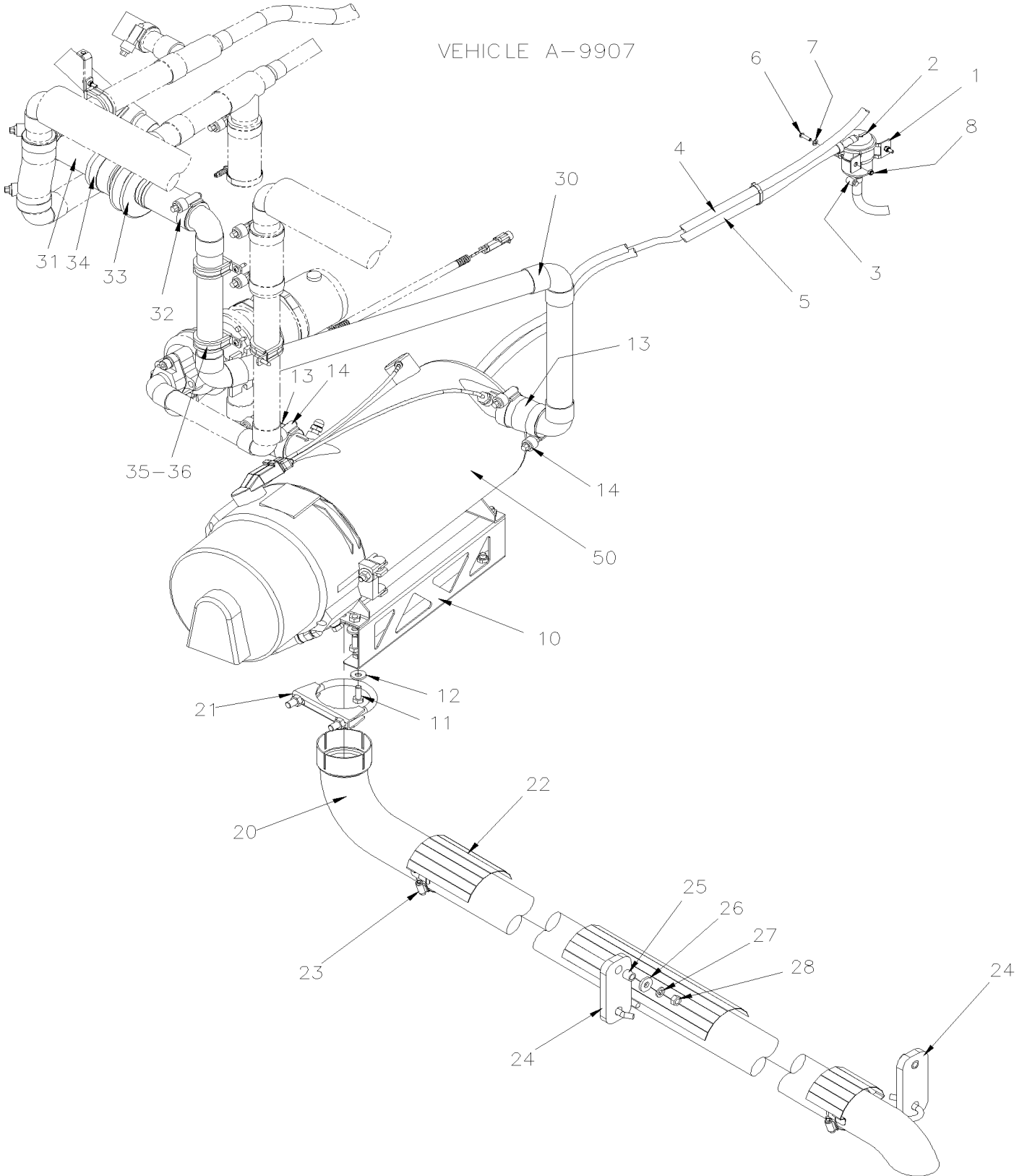


WATER HEATER - INSTALLATION



WATER HEATER - INSTALLATION

VEHICLE A-9907



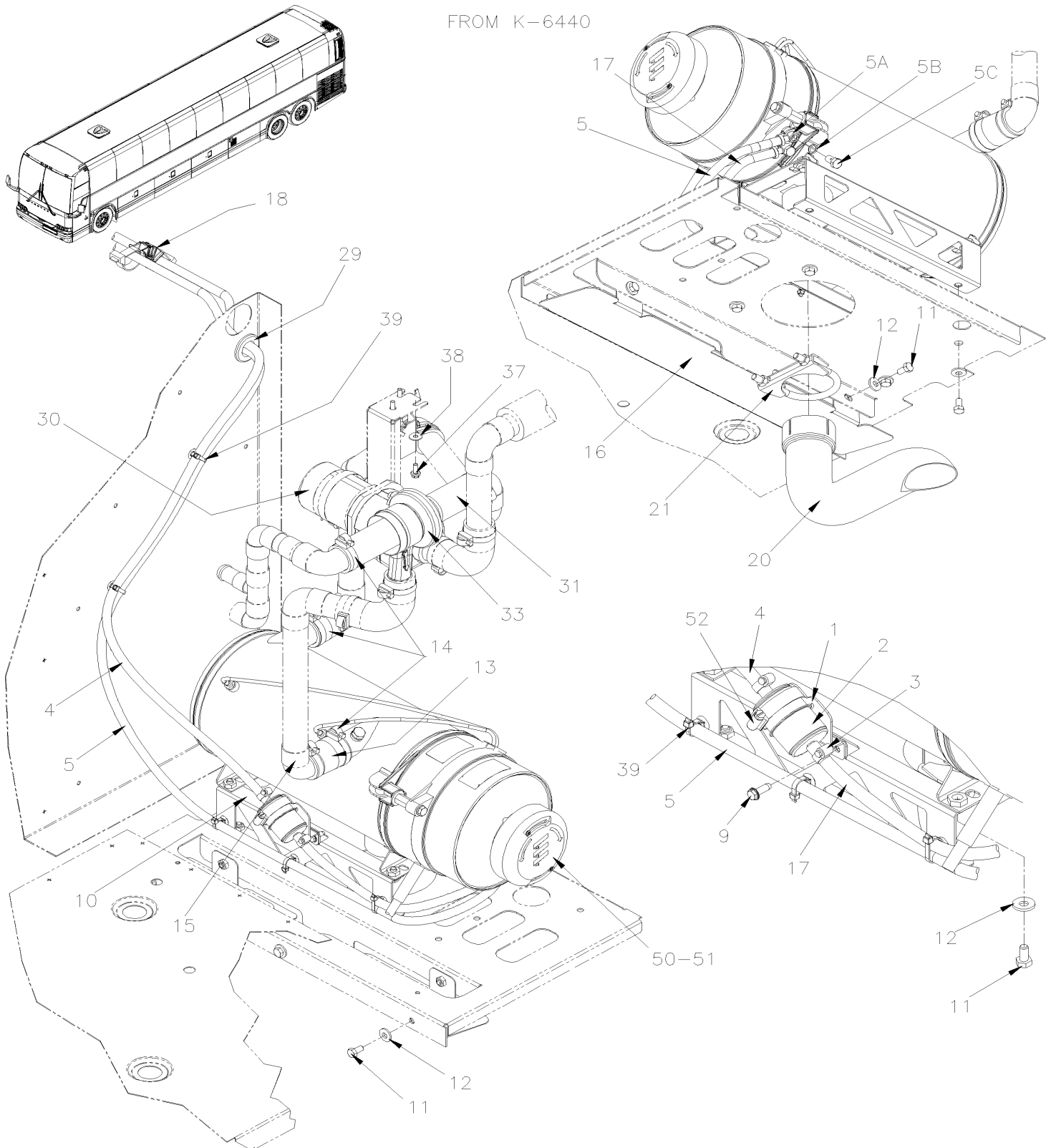
From B-5002

Date:01/2024

PAGE:X3-2350-11

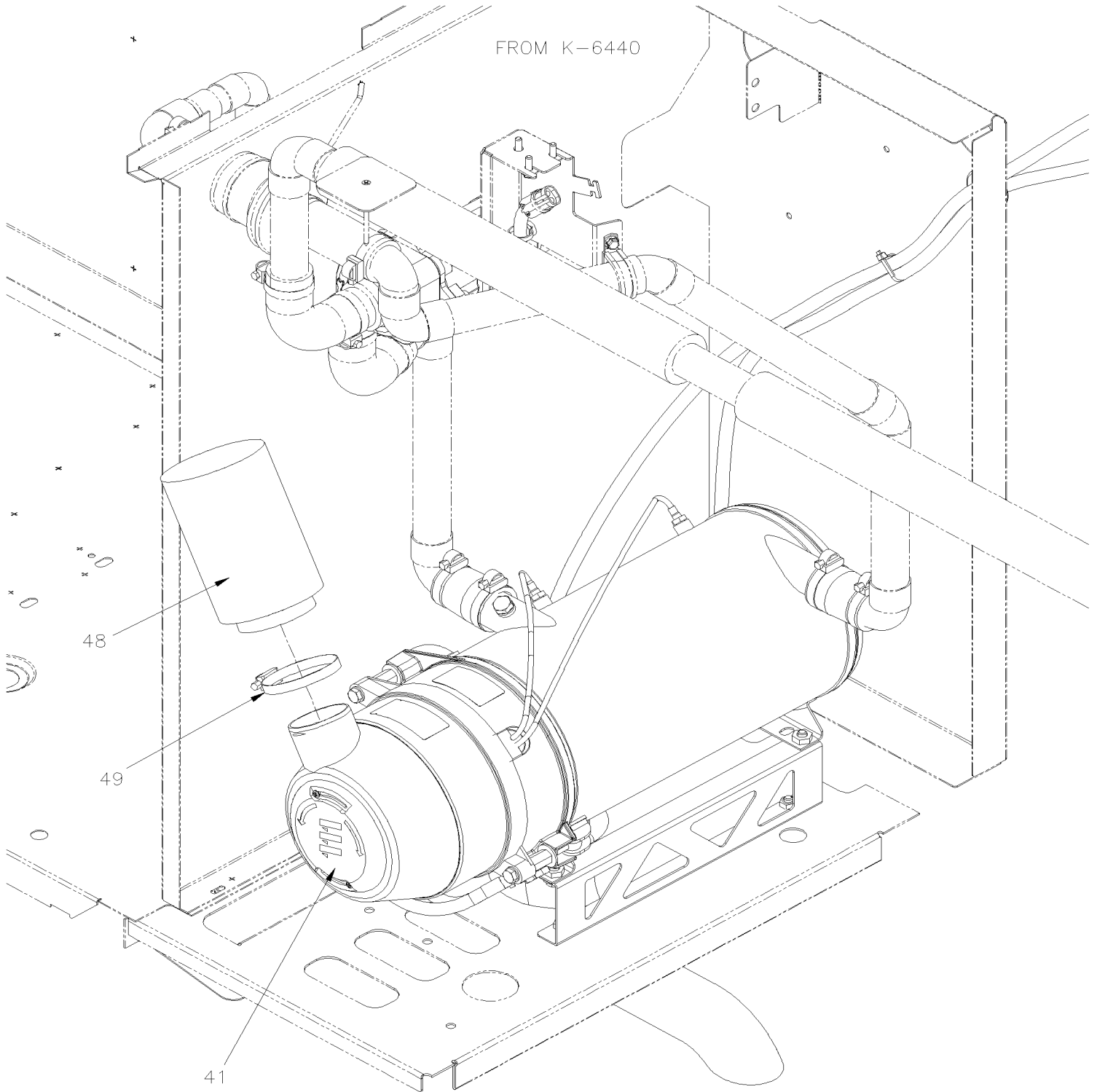
WATER HEATER - INSTALLATION

FROM K-6440



WATER HEATER - INSTALLATION

FROM K-6440



From B-5002	Date:01/2024	PAGE:X3-2350-11
WATER HEATER - INSTALLATION		

Item#	Part	Description	QTY	Notes
1	871038	SUPPORT, FILTER FUEL To K-6452	1	
1	370230	SUPPORT, FILTER From K-6453	1	
2	871037	FILTER, FUEL To K-6452	1	
2	870073	FILTER, FUEL From K-6453	1	
3	504014	HOSE CLAMP / 1/4"-5/8" SS / HM-4	2	
4	Call order desk	HOSE / FUEL LINE / #4 2820MM PROTO From A-9907 To A-9907	1	P
4	Call order desk	HOSE ASSY #4 2610MM From B-5002 To K-6452	1	P
4	Call order desk	HOSE / FUEL LINE / #4 From K-6453	1	P
4	503706	. HOSE FC-332-4 #4	AR	
4	5011235	. FEMALE CONNECTOR SWIVEL / PUSH-LOK FITTING #6JIC-Fx#4 BR To K-6452	1	
NS	5011238	BANJO UNION / 10MMx#6JIC-M To K-6452	1	
5	Call order desk	HOSE / FUEL LINE / #4 2300MM PROTO From A-9907 To A-9907	1	P
5	Call order desk	HOSE / FUEL LINE / #4 2790MM From B-5002 To K-6452	1	P
5	Call order desk	HOSE / FUEL LINE / #4 From K-6453	1	P
5	503706	. HOSE FC-332-4 #4	AR	
5	501347	. FEMALE CONNECTOR SWIVEL / PUSH-LOK FITTING #4JIC-Fx#4 BR To K-6452	1	
5A	5011237	BANJO UNION / 10MMx#4JIC-M To K-6452	1	
5A	501120	BANJO UNION / 10MMx#4 From K-6453	2	
5B	870923	BANJO WASHER / M10	4	
5C	870929	BANJO BOLT / M10-1.0	2	
6	502698	SCREW MA PAN PH M4-0.7x16 SS BK From A-9907 To A-9907	2	
7	502556	WASHER FL 4.3x9.0x0.8 SS From A-9907 To A-9907	2	
8	500539	NUT HEX NYRT M4-0.7 N500 From A-9907 To A-9907	2	
9	502848	SCREW TC CAP HEXF 1/4-20x3/4 N500 From B-5002	1	
10	374458	SUPPORT REAR / WATER HEATER	1	
10	374427	SUPPORT FRONT / WATER HEATER	1	
11	502862	SCREW CAP HEX M8-1.25x20 G8.8 N500 To G-5948	13	
11	5001527	SCREW CAP HEX M8-1.25x16 SS BK From G-5949	13	
12	500321	WASHER BEL SPR .331x.827x.098 N500 To G-5948	13	
12	5001848	WASHER BEL SPR .827 x .331 x .098 th SS From G-5949	13	
13	373800	HOSE REDUCER / 1 1/2" I.D.x1 3/8" I.D.x65MM	2	
14	504657	HOSE CLAMP / 1"1/16-2" C.T. 9424 To D-5404	4	
14	504783	HOSE CLAMP / 1"1/16-2" SS / C.T. W.S. From D-5405 To E-5589	4	
14	992086	HOSE CLAMP / 32MM/52MM From E-5590	4	
15	Call order desk	ELBOW ASSY To D-5299	1	P
15	X3-2206-01	WATER PUMP #874297 AMETEK From D-5300		
16	374610	AIR DEFLECTOR, WATER HEATER ASSY To J-6295	1	
16	370137	AIR DEFLECTOR, WATER HEATER ASSY From J-6296	1	
17	Call order desk	HOSE / FUEL LINE / #4 From K-6453	1	P
17	503706	. HOSE FC-332-4 #4 From K-6453	AR	
18	509490	ATTACHMENT DOUBLE USE WITH CABLE TIE From K-6453	AR	
18	509491	CABLE TIE / 13MM x 383MM From K-6453	AR	

From B-5002	Date:01/2024	PAGE:X3-2350-11
-------------	--------------	-----------------

WATER HEATER - INSTALLATION

Item#	Part	Description	QTY	Notes
19	Call order desk	HOSE / FUEL LINE / #4 2900MM	1	P A
19	503706	HOSE FC-332-4 #4	AR	A
NS	501347	FEMALE CONNECTOR SWIVEL / PUSH-LOK FITTING #4JIC-Fx#4 BR To H-6179	1	A
NS	501588	MALE ELBOW 90° / JIC 37° FITTING / #4JIC-Mx1/8NPT-M STL To H-6179	1	A
NS	501307	ADAPTER / PIPE FITTING / 1/8NPT-Fx1/8NPT-M BR From H-6180	1	A
NS	501013	MALE ELBOW 90° / HOSE BARB FITTING / #4x1/8NPT-M BR From H-6180	1	A
20	374475	EXHAUST PIPE LONG PROTO From A-9907 To A-9907	1	
20	374493	EXHAUST PIPE SHORT From B-5002 To B-5049	1	
20	374602	EXHAUST PIPE SHORT From B-5050	1	
21	540061	U-CLAMP / 2 3/4" I.D.	1	
22	374476	SHIELD / EXHAUST PIPE From A-9907 To A-9907	1	
23	504024	HOSE CLAMP / 1"13/16"-2"3/4 SS / HS-36 From A-9907 To A-9907	4	
24	032541	RUBBER SUPPORT 106.5 x 48 / 2 Holes 72MM C/C PROTO From A-9907 To A-9907	2	
24	374512	RUBBER SUPPORT 91 x 48 / 2 Holes 62MM C/C From B-5002 To B-5049	1	
25	032540	SPACER 1/2" O.D.X 12MM SS To B-5049	2	
26	500401	WASHER FL .343x.875x.125 N500 To B-5049	2	
27	500942	WASHER LO SPT 8.1x14.8x2.0 N500 To B-5049	2	
28	502851	NUT HEX M8-1.25 N500 To B-5049	2	
29	504398	GROMMET / 1.000x1.375x.062x.437x1.750	1	
30	X3-2210-11	WATER PUMP - INSTALLATION VOLVO D13 To D-5458		
30	X3-2210-12	WATER PUMP - INSTALLATION VOLVO D13 From E-5459 To H-6179		
30	X3-2210-13	WATER PUMP - INSTALLATION VOLVO D13 - "GHG17" From H-6180		
31	503392	HOSE SILICONE 4PLY 1 3/8" I.D. x 4' To D-5381	AR	
31	503783	HOSE SILICONE 4PLY / NOMEX-ARAMID 34MM I.D. x 6' From D-5382	AR	
32	504657	HOSE CLAMP / 1"1/16-2" C.T. 9424 From A-9907 To A-9907	2	
33	504385	CUFF END BELLOW / 1 1/2" I.D. x 2 1/2" x 4"	1	
NS	504637	CABLE TIE / 3/16" x 13"	1	
34	504302	HOSE CLAMP / 1"9/16-2"1/2 SS / E.T. 32 From A-9907 To A-9907	1	
35	952641	CLAMP / 1 5/16" I.D. From A-9907 To A-9907	2	
36	500957	SCREW TP BDG PH #10x3/4 N500 From A-9907 To A-9907	2	
37	5001730	SCREW CAP HEXF M6-1.0x16 G10.9 N500	3	
38	5001833	WASHER BEL SPR 6.1x18x1.27 SS	3	
39	8631155	CABLE TIE / 4.6MM x 200 / CHRISTMAS TREE	AR	
40		WITH UPPER AIR INTAKE	1	
40		"PWT" OPTION	1	
41	374586	AIR INTAKE / "WATER HEATER" WEBASTO To K-6452	1	PWT
41	870071	AIR INTAKE / "WATER HEATER" HYDRONIC L30 From K-6453	1	PWT
NS	871439	AIR FILTER / AIR INTAKE WATER HEATER To K-6452	1	PWT
41	7770450	AIR FILTER PRE-CLEANER, TOPSPIN HD From K-6453	1	
NS	504561	HOSE CLAMP / 2"1/4-3"1/8 / C.T. 300 To F-5797	1	PWT

From B-5002	Date:01/2024	PAGE:X3-2350-11
-------------	--------------	-----------------

WATER HEATER - INSTALLATION

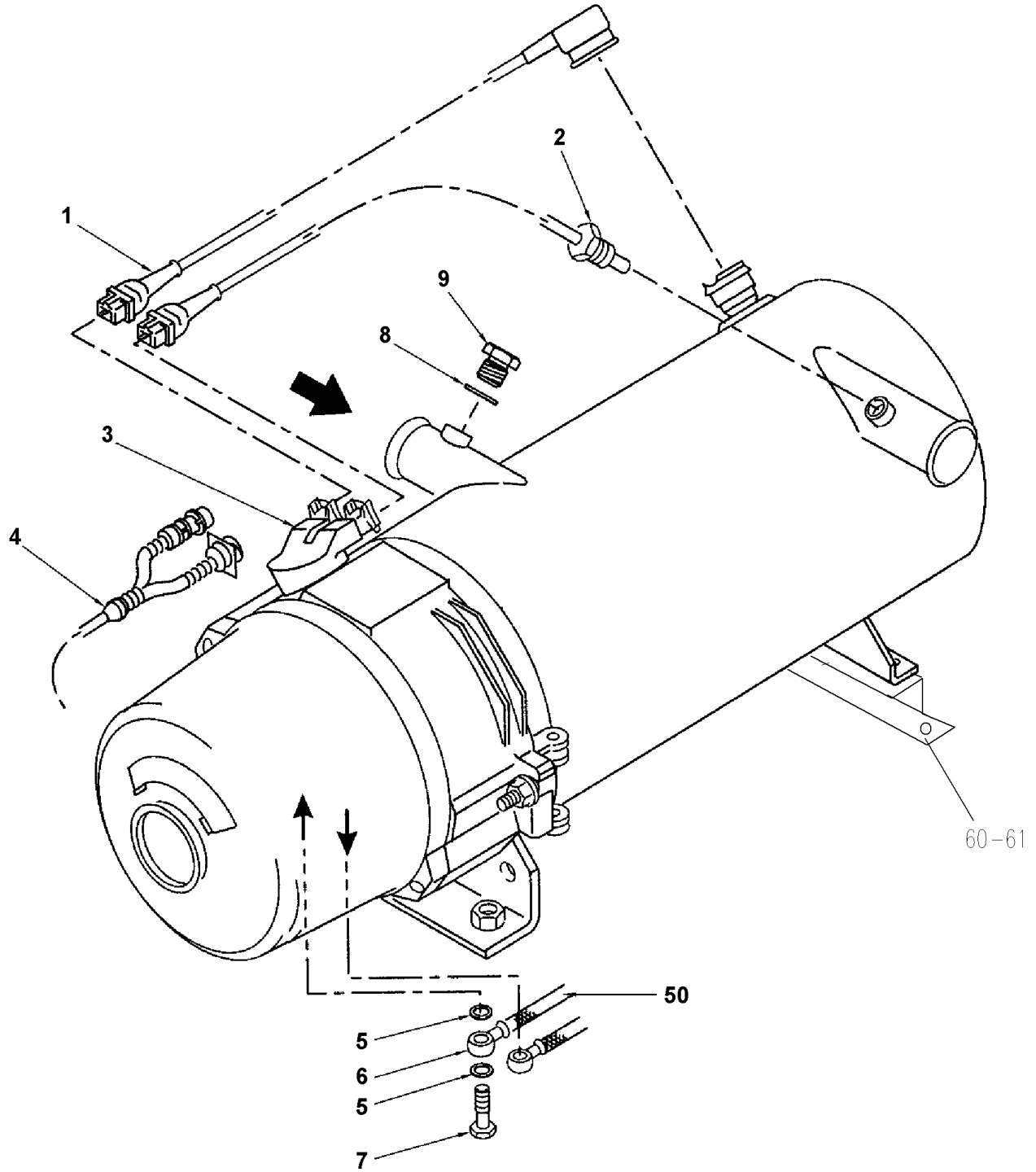
Item#	Part	Description	QTY	Notes
41	992089	HOSE CLAMP / 60MM/80MM From F-5798 To K-6452	1	PWT
42	503031	HOSE FLEXIBLE / AIR DUCT 2 1/2" I.D. X 12' / RUBBER To B-5016	AR	PWT
43	504016	CABLE TIE / 5/16" X 14"1/2 To K-6452	1	PWT
44	504750	CABLE TIE / 1/2" x 15" / CHRISTMAS TREE To K-6452	1	PWT
45	504229	HOSE CLAMP / 6"1/2-8"1/2 SS / HS-100 To K-6452	1	PWT
46	504025	HOSE CLAMP / 2"5/16-3"1/4 SS / HS-44 To K-6452	1	PWT
47	506268	TAPE RUB ADH1 URE 3/8" x 1/2" x 25' / GREY 1820 To K-6452	AR	PWT
48	871439	AIR FILTER / AIR INTAKE WATER HEATER From K-6453	1	
49	992090	HOSE CLAMP / 70MM/90MM From K-6453	1	
50	871202	WATER HEATER - "SPHEROS" 100,000 B.T.U. To K-6452	1	
50	870012	WATER HEATER - HYDRONIC L30 From K-6453	1	
51	871329	WATER HEATER - "PROHEAT" 80,000 B.T.U. To E-5544	1	
51	871345	WATER HEATER - "PROHEAT" 80,000 B.T.U. From E-5545	1	
52	504023	HOSE CLAMP / 1"5/16-2"1/4 SS / HS-28 From K-6440	1	
		A) WITH "PROHEAT" WATER HEATER		
		PWT) "PWT" OPTION		
		P) CALL ORDER DESK FOR SPECIFIC APPLICATION (V.I.N.)		

From B-5002

Date:01/2024

PAGE:871202

WATER HEATER - "SPHEROS" 100,000 B.T.U.

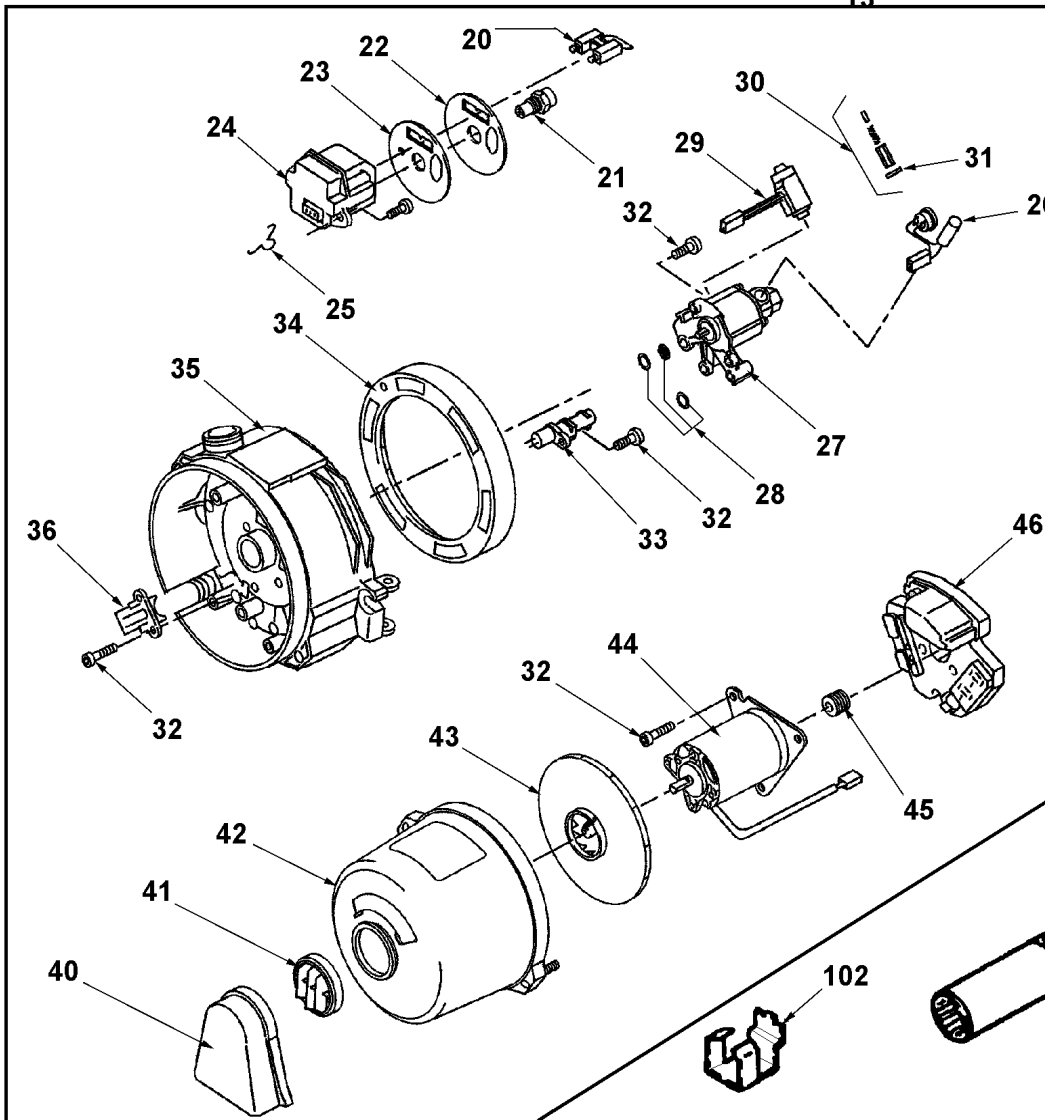
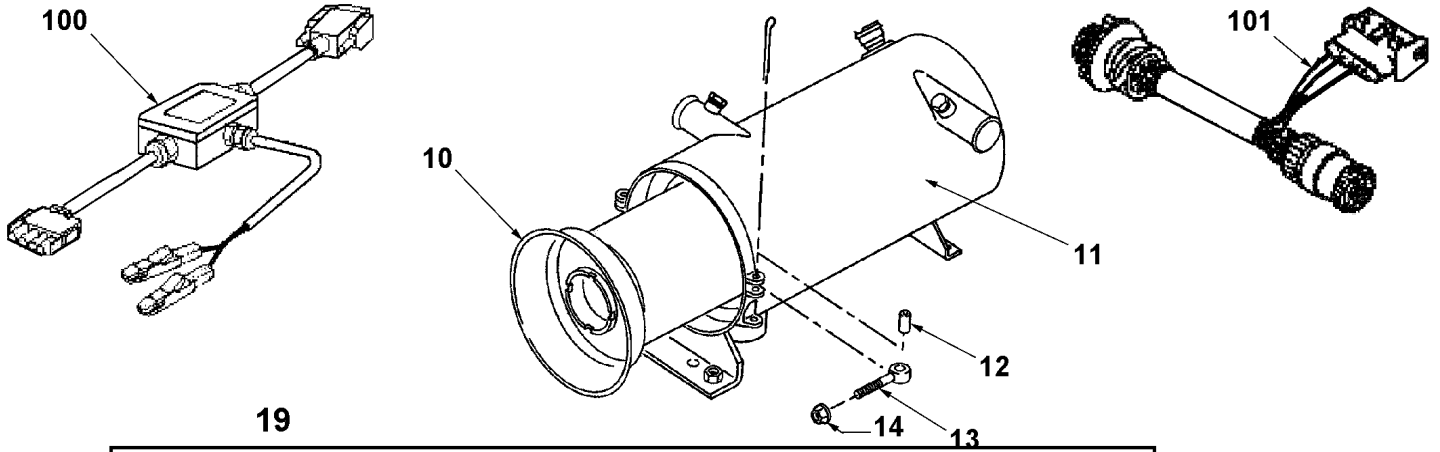


From B-5002

Date:01/2024

PAGE:871202

WATER HEATER - "SPHEROS" 100,000 B.T.U.



From B-5002	Date:01/2024	PAGE:871202	
WATER HEATER - "SPHEROS" 100,000 B.T.U.			

Item#	Part	Description	QTY	Notes
		WATER HEATER - "WEBASTO" 100,000 B.T.U.	1	
1	871284	. OVERHEAT PROTECTION	1	
2	871285	. TEMPERATURE SENSOR	1	
2	G1094742	. TEMPERATURE SENSOR	1	
3	194873	. CABLE ASSY / WITH RUBBER BOOT / CONTROL & HARNESS CABLE	1	
4	871286	. MASTER WIRING HARNESS	1	
5	870923	. BANJO WASHER / M10	1	
6	5011237	. BANJO UNION / 10MMx#4JIC-M	1	
6	5011238	. BANJO UNION / 10MMx#6JIC-M	1	
7	870929	. BANJO BOLT / M10-1.0	1	
8	N.S.P.	. GASKET / (151 173)	1	2
9	N.S.P.	. PLUG / (199 87A)	1	2
10	871288	. COMBUSTION CHAMBER	1	
11	871289	. HEAT EXCHANGER	1	
NS	871431	. . STICKER WEBASTO	1	
12	N8890598	. COLLAR	2	
13	N8890596	. EYE BOLT	2	
14	502692	. NUT HEXF STO M8-1.25 Z050	1	
19	N8894780	. BURNER HEAD ASSY / 24V - "WEBASTO" THERMO 300	1	
19	N8896417	. BURNER HEAD ASSY / 24V - "WEBASTO" THERMO 350	1	
20	871290	. . IGNATION ELECTRODE	1	
21	871291	. . NOZZLE 0.85GPH - "WEBASTO" THERMO 300	1	
21	870918	. . NOZZLE 0.80GPH	AR	
22	871368	. . PHOTODISC	1	
23	871369	. . PHOTODISC	1	
24	871292	. . ELECTRONIC IGNITION UNIT	1	
25	N8883147	. . HOLDING STRAP	1	
26	871293	. . HEATING ELEMENT WITH THERMOSTAT	1	
27	871294	. . FUEL PUMP	1	
28	871295	. . . SMALLL PARTS FOR FUEL PUMP	1	
29	871296	. . . MAGNETIC COIL	1	
30	870919	. . . UNLOADER POWER ASSY	1	
31	871297	. . . GASKET	1	
32	502653	. . SCREW MA PAN PH M5-0.8x16 SS	AR	
33	871298	. . FLAME DETECTOR	1	
34	194824	. . ADJUSTING RING	1	
35	N8890616	. . HOUSING	1	
35	G1094733	. . HOUSING	1	
36	N8890590	. . CORE GRIP	1	
36	G1094734	. . CORE GRIP	1	
40	871299	. . SPLASHGUARD	1	
41	871300	. . GRID	1	

From B-5002	Date:01/2024	PAGE:871202
WATER HEATER - "SPHEROS" 100,000 B.T.U.		

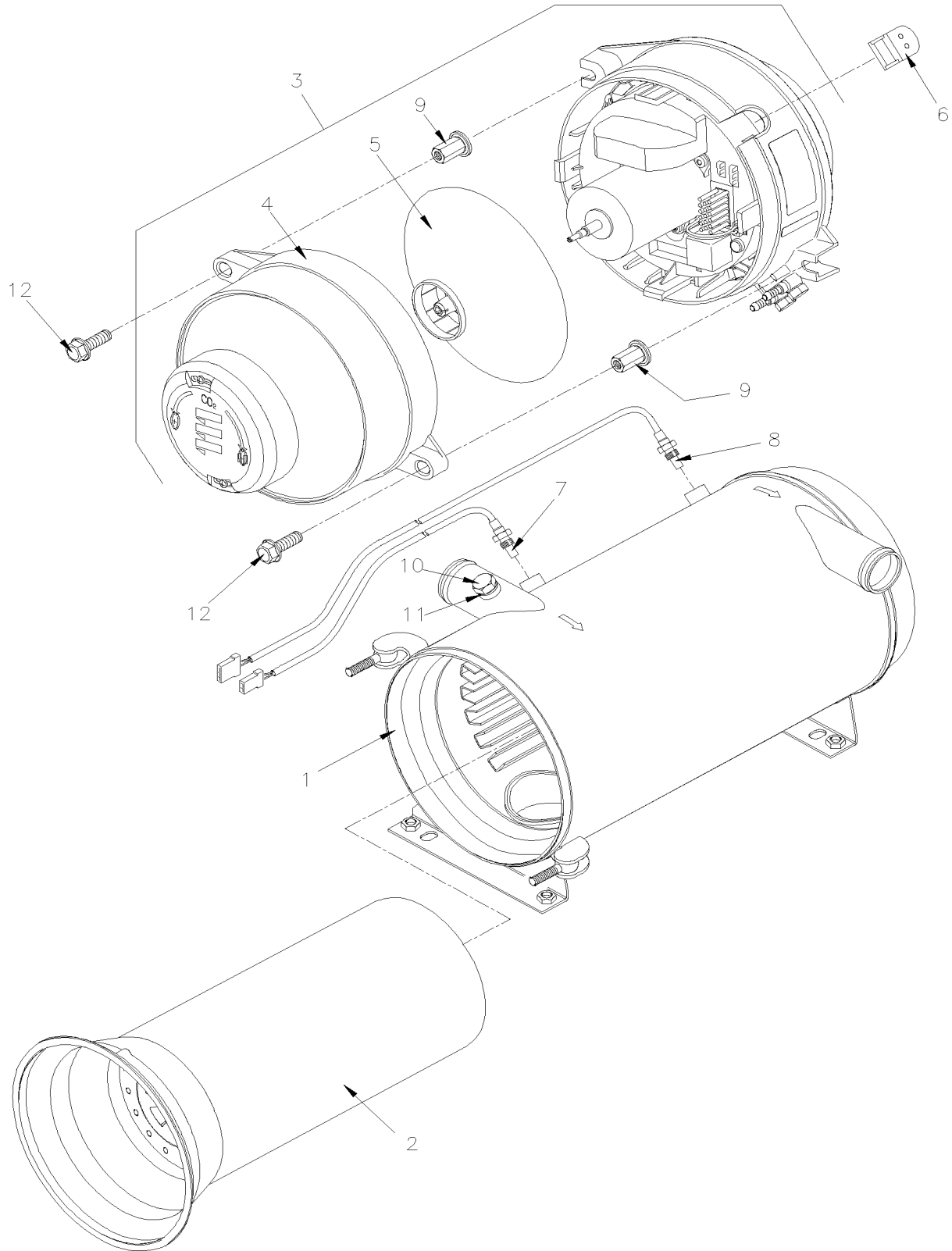
Item#	Part	Description	QTY	Notes
42	871301	.. HOOD	1	
NS	G1017565	.. DECAL "DANGER"	1	
43	871302	.. FAN ROTOR	1	
44	871303	.. DRIVE ASSY	1	
45	871304	.. . CLUTCH	1	
46	871305	.. ELECTRONIC CONTROL	1	
		SEE WATER HEATER - INSTALLATION		
60	374322	SPACER ASSY 1" / "WATER HEATER & FENDER	2	
61	500069	SCREW CAP HEX M8-1.25x16 G10.9 DP	4	
NS	5001341	WASHER FL 8.4x17.0x1.6 SS	4	
NS	5001161	WASHER LO SPT 8.1x14.8x2.0 SS-304	4	
NS	5001188	NUT HEX M8-1.25 SS	4	
100	871320	DIAGNOSTIC KIT VERSION 2.2	AR	
100	N8894700	DIAGNOSTIC KIT VERSION 2.?	AR	
101	871321	ADAPTOR HARNESS / W/ROUND CONECTORS	AR	
101	195314	ADAPTOR HARNESS / W/RECTANGULAR CONECTORS	1	
102	870937	GAUGE / IGNITION ELECTRODE	AR	
103	870938	BOX WRENCH / HIGH PRESSURE NOZZLE	AR	
		2) NOT SOLD BY PREVOST (SEE MANUFACTURING PART NUMBER AT END OF DESCRIPTION LINE)		

From K-6453

Date:01/2024

PAGE:870012

WATER HEATER - HYDRONIC L30

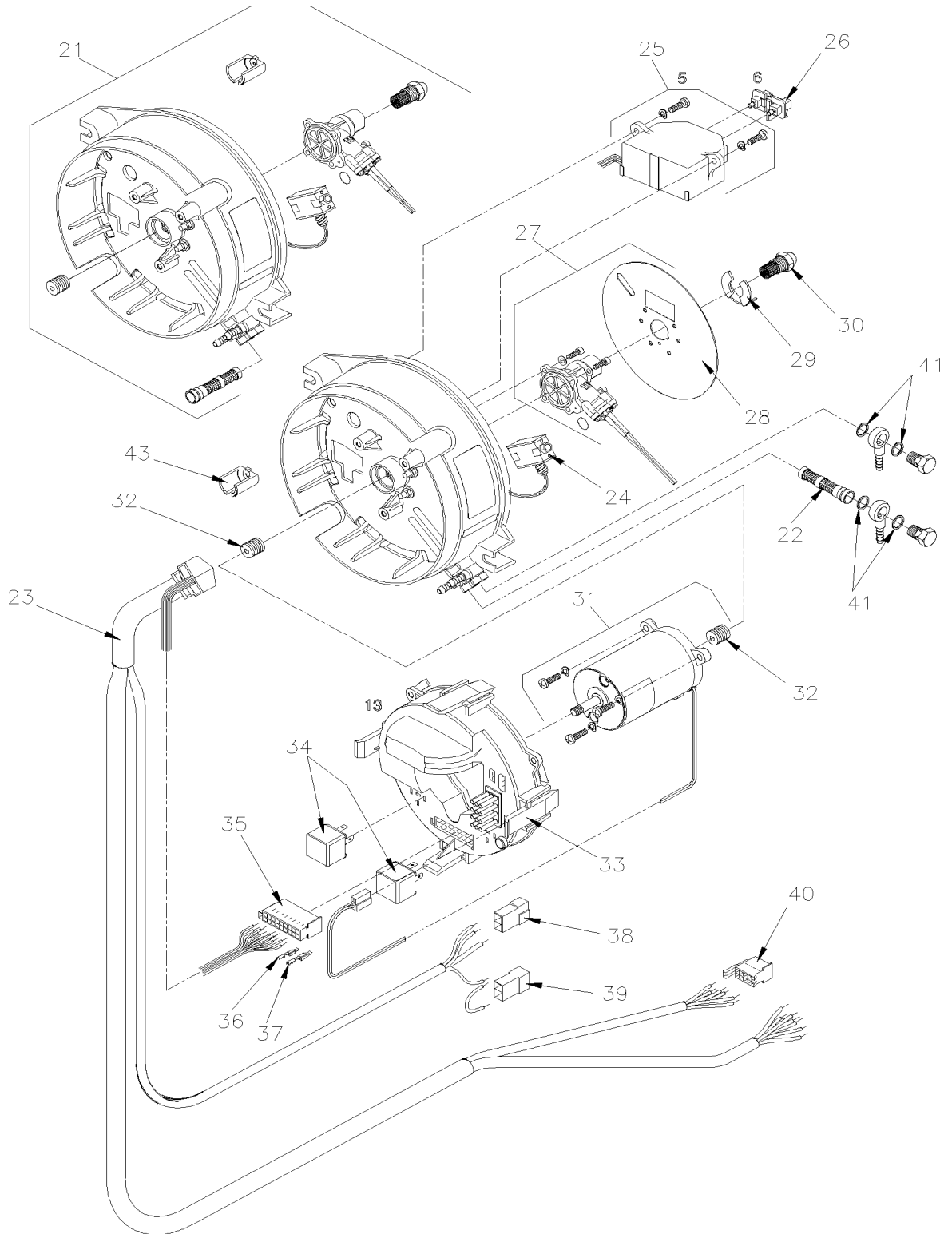


From K-6453

Date:01/2024

PAGE:870012

WATER HEATER - HYDRONIC L30



From K-6453		Date:01/2024	PAGE:870012
WATER HEATER - HYDRONIC L30			

Item#	Part	Description	QTY	Notes
1	870075	HEAT EXCHANGER	1	
2	870076	FLAME TUBE, COMPL.	1	
3	870077	BURNER	1	
4	870078	HOOD	1	
5	870079	FAN WHEEL	1	
6	870080	SLEEVE	1	
7	870081	TEMPERATURE SENSOR	1	
8	870083	SAFETY THERMAL CUTOOUT SWITCH	1	
9	870084	HEXAGON NUT M8 WITH WASHER	2	
10	870085	SCREW PLUG	1	
11	870086	SEAL	1	
12	870087	SCREW CAP HEX M8 X 25	2	
21	870088	PUMP, 24 V COMPLETE	1	
22	870091	FUEL FILTER	1	
23	870092	CABLE HARNESS	1	
24	870099	SOLENOID VALVE	1	
25	870100	IGNITION SPARK GENERATOR, 24 VOLT, WITH CHECK GAUGE	1	
26	870101	IGNITION ELECTRODE, WITH CHECK GAUGE	1	
27	870102	NOZZLE PRE-HEATER 24 VOLTS	1	
28	870103	BAFFLE PLATE	1	
29	870104	RETAINING SPRING	1	
30	870106	FUEL ATOMIZER NOZZLE	1	
31	870107	ELECTRIC MOTOR, 24 V, INCL. COUPLING	1	
32	870108	COUPLING	1	
33	870109	CONTROLL UNIT	1	
34	870110	RELAY	2	
35	870111	CONNECTOR / JUNIOR POWER TIMER / SH 16C AMP 928162-6	1	
36	562805	SOCKET TERMINAL / 16-14 / GOLD / AMP 927777-9	1	
37	562806	SOCKET TERMINAL / 20-16 / AMP 927779-3	1	
38	562473	CONNECTOR / FASTIN-FASTON (.250) / TH 2C / AMP 180908-0	1	
39	870112	CONNECTOR / FASTIN-FASTON (.250) / TH 2C AMP 1337024-1	1	
40	870113	CONNECTOR / JUNIOR POWER TIMER / SH 8C AMP 929504-3	1	
41	870114	SEAL 10x13.5	4	
43	N.S.S.	CHECK GAUGE	1	1 B
44	870149	DIAGNOSTIC CASE KIT HYDRONIC	1	A
44	870245	DIAGNOSTIC CASE KIT HYDRONIC	1	C
44	0610556	INTERFACE ADAPTER EBERSPAECHER TO EDITH	1	
		A) NOT INCLUDE WITH HEATER		
		B) INCLUDE WITH ITEM 21, 25 & 26		

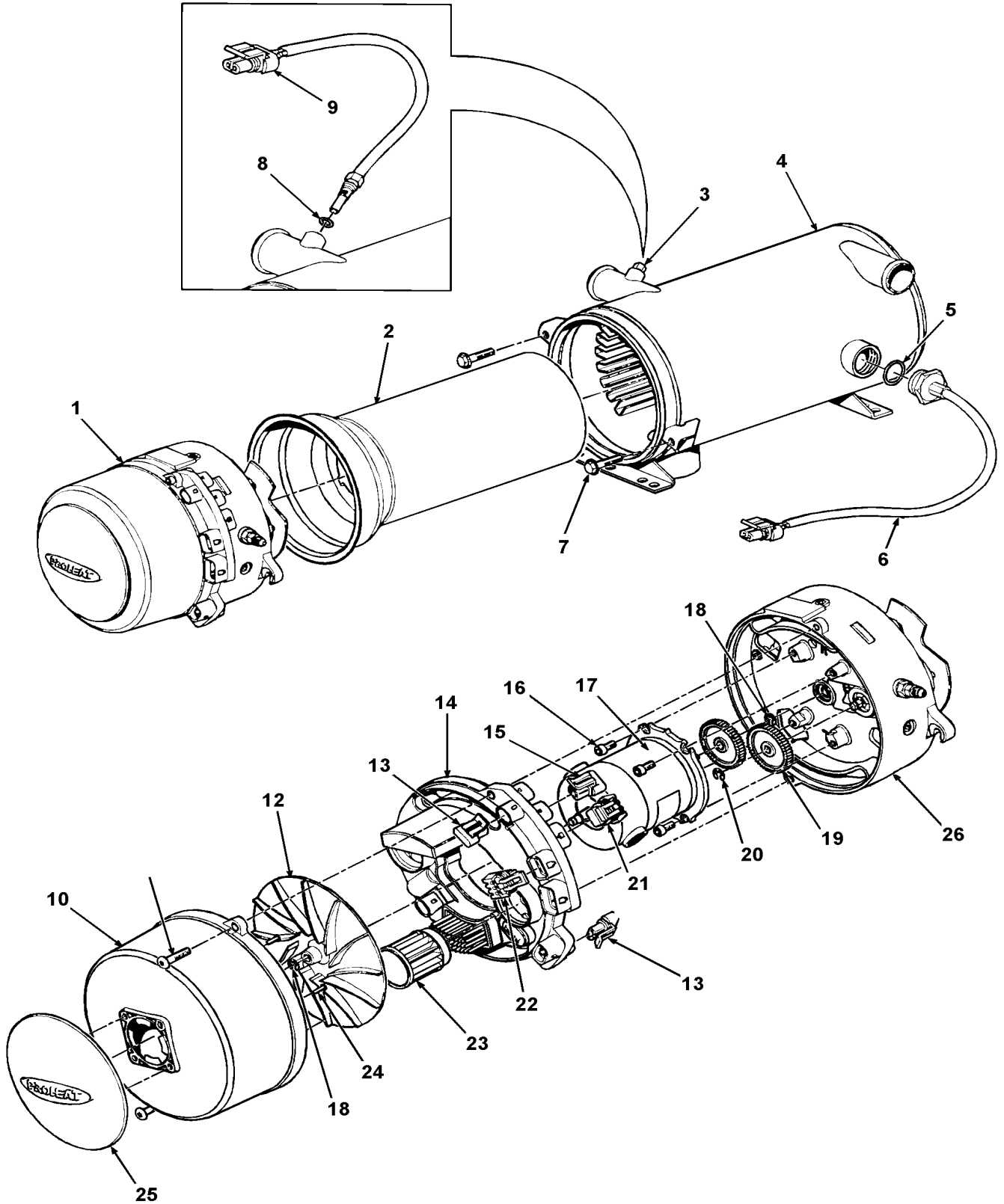
From K-6453		Date:01/2024	PAGE:870012	
WATER HEATER - HYDRONIC L30				
Item#	Part	Description	QTY	Notes
		C) TO USE THIS DIAGNOSTIC TOOL YOU NEED INTERFACE 0610556		
		1) NOT SOLD SEPARATELY		

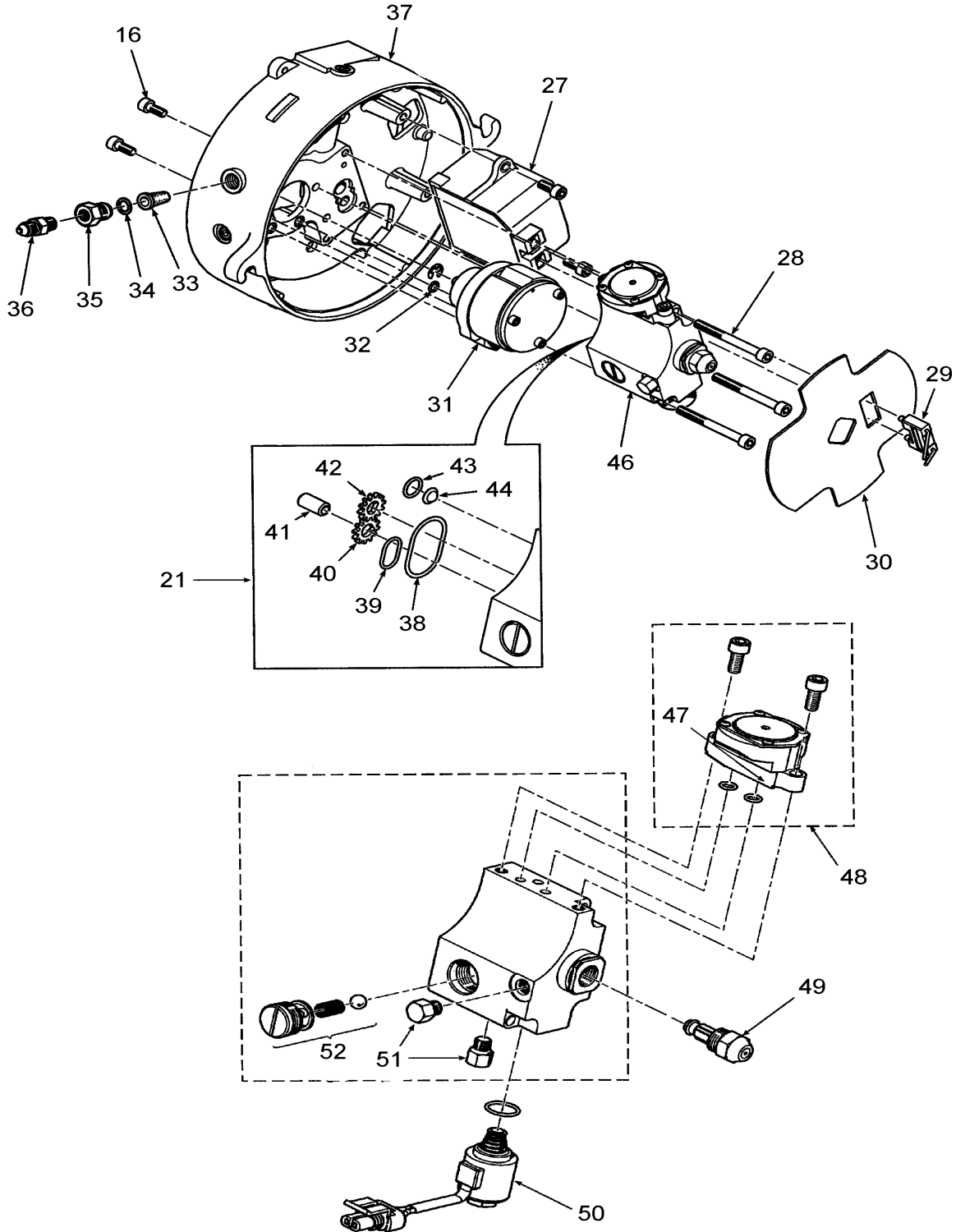
To E-5544

Date:01/2024

PAGE:871329

WATER HEATER - "PROHEAT" 80,000 B.T.U.





To E-5544	Date:01/2024	PAGE:871329
------------------	---------------------	--------------------

WATER HEATER - "PROHEAT" 80,000 B.T.U.

Item#	Part	Description	QTY	Notes
NS	065839	CABLE ASSY INTERFACE W/"PRO-HEAT" M-80 To 4-4887		
NS	066172	CABLE ASSY INTERFACE W/"PRO-HEAT" M-80 From 4-4888		
NS	065839	CABLE ASSY INTERFACE W/"PRO-HEAT" M-80 To 5-8366		
NS	066172	CABLE ASSY INTERFACE W/"PRO-HEAT" M-80 From 5-8367 To 7-8753		
NS	066172	CABLE ASSY INTERFACE W/"PRO-HEAT" M-80 From 7-8754		
		WATER HEATER - "PROHEAT" 80,000 B.T.U.	1	
1	N8892398	. BURNER HEAD ASSY	1	
2	N8892399	. COMBUSTION TUBE	1	
3	N8892400	. PLUG	1	
4	N8892401	. HEAT EXCHANGER	1	
5	N8892402	. O-RING, TEMPERATURE SENSOR, OVERHEAT	1	
6	N8892403	. TEMPERATURE SENSOR, OVERHEAT	1	
7	N8892405	. SCREW HEXW M8X1.25X30 (2/PKG)	1	
8	N8892406	. O-RING, TEMPERATURE SENSOR	1	
9	N8892407	. TEMPERATURE SENSOR, WITH O-RING	1	
10	N8892408	. BLOWER HOUSING	1	
11	N8892409	. SCREW CAP BUT HEXS SS M6X1X25 (2/PKG)	1	
12	N8892410	. BLOWER	1	
13	N8892411	. PLUG (2/PKG)	1	
14	N8892412	. PRIMARY CONTROL MODULE	1	
15	N8892413	. PLUG	1	
16	N8892414	. SCREW CAP HEXS M6-1.0x16 ZP	1	
17	N8892415	. MOTOR 24V	1	
18	N8892416	. RETAINING RING (3/PKG)	1	
19	N8892417	. GEAR SET	1	
20	N8892418	. RETAINING RING (2/PKG)	1	
21	N8892419	. PLUG, CAN BUS PRIMARY CONTROL MODULE	1	
22	N8892420	. PLUG, DATALINK PRIMARY CONTROL MODULE	1	
23	N8892421	. AIR FILTER	1	
24	N8892422	. SCREW, AIR INLET	1	
25	N8892423	. SPLASH GUARD	1	
26	N8892414	. SCREW CAP HEXS M6-1.0x16 ZP	1	
27	N8892426	. KIT IGNITION MODULE & ELECTRODE	1	
28	N8892427	. SCREW CAP HEXS SS M6X1X60 (3/PKG)	1	
29	N8892428	. IGNITION ELECTRODES	1	
30	N8892429	. FLAME SHIELD	1	
31	N8892430	. COMPRESSOR	1	
32	N8892431	. O-RING (3/PKG)	1	
33	N8892432	. FUEL FILTER	1	
34	N8892433	. O-RING, FUEL FILTER	1	
35	N8892434	. ADAPTER	1	
36	N8892435	. MALE CONNECTOR / JIC 37° FITTING / #4JIC-Mx1/8NPT-M BR	1	

To E-5544	Date:01/2024	PAGE:871329
WATER HEATER - "PROHEAT" 80,000 B.T.U.		

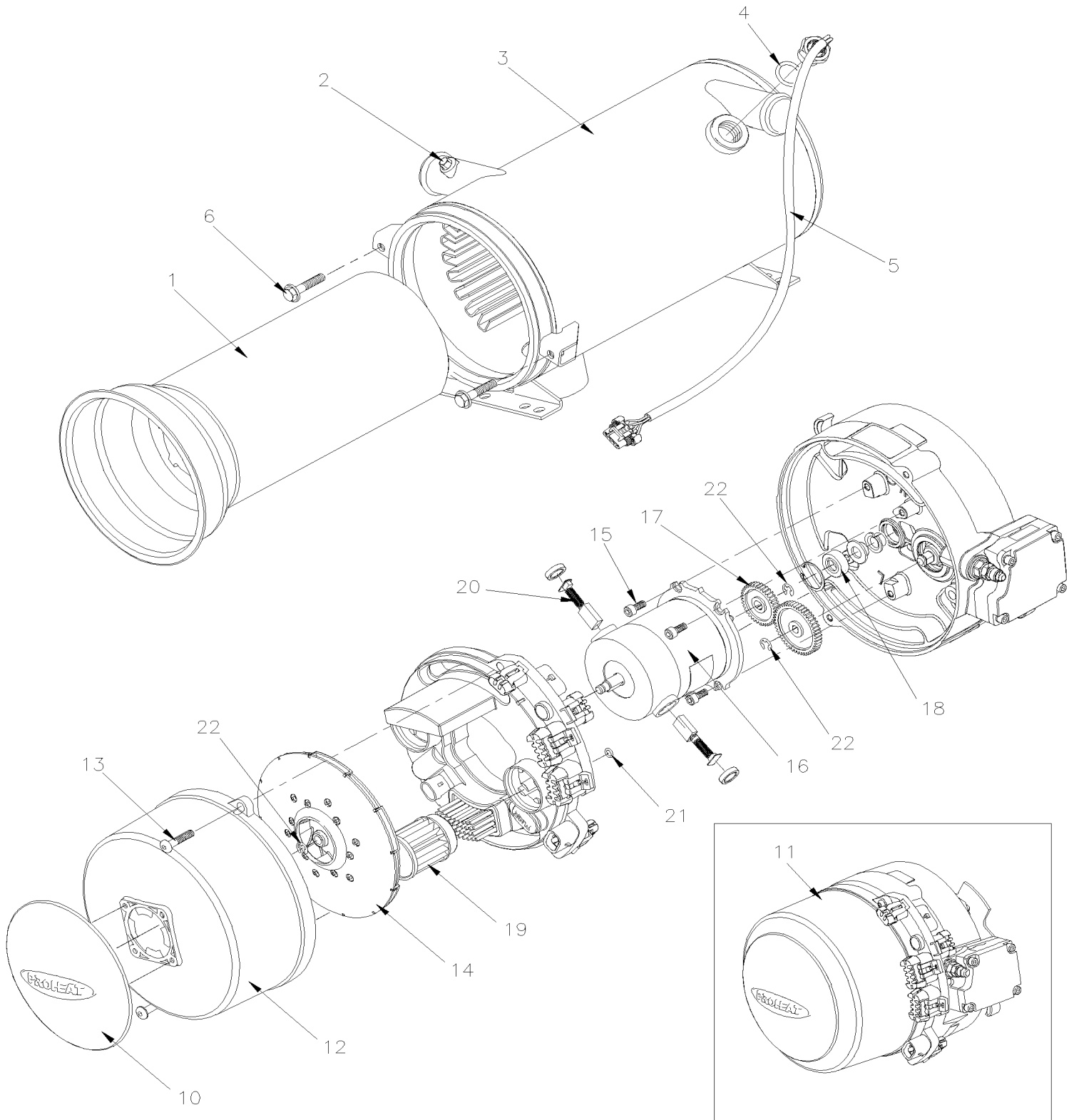
Item#	Part	Description	QTY	Notes
37	N8892436	. BURNER HEAD FLANGE ASSY	1	
38	N8892437	. O-RING, GEAR PUMP	1	
39	N8892438	. O-RING, AIR INTAKE	1	
40	N8892439	. GEAR & PINION, FUEL PUMP	1	
41	N8892440	. IDLER SHAFT, FUEL PUMP	1	
42	N8892441	. GEAR DRIVE, FUEL PUMP	1	
43	N8892442	. O-RING, FUEL INTAKE	1	
44	N8892443	. SCREEN, INLET	1	
45	N8892444	. FUEL PUMP SERVICE KIT	1	
46	N8892445	. FUEL DELIVERY BLOCK ASM	1	
47	N8892446	. O-RING (3/PKG)	1	
48	N8892447	. REGULATOR ASM	1	
49	N8892448	. NOZZLE	1	
50	N8892449	. SOLENOID	1	
51	N8892450	. PLUG HEX-HEAD / ORB FITTING / #2ORB-M BR	1	
52	N8892451	. RELIEF VALVE KIT	1	
NS	N8892404	. PROHEAT DATA LINK KIT	1	
		FOLLOWING ITEMS ARE RELATED WITH		
		AUTOMATIC START		
		WITH WATER HEATER INSTALLATION		
		WITH BATTERIES CHARGER 110V		
111	066236	CABLE I/F BATTERIES CHARGER / W/RELAY BASE	1	A
111	068248	CABLE I/F BATTERIES CHARGER / W/RELAY BASE	1	A
111	066968	CABLE ASSY W/FUSE HOLDER / W/"PRO-HEAT" M-80 / "OPTION"	1	
112	066332	CABLE ASSY POWER / W/FUSE HOLDER & RECTIFIER	1	A
113	563332	RELAY 24V S.P.D.T. W/RESISTOR / "VOLVO" (20374662)	1	A
114	500946	SCREW TP BDG PH #8x1/2 N500	1	A
		A) USE WHEN YOU DO NOT HAVE A FIRE SUPPRESSIONS SYSTEMEUTILISE SEULEMENT		

From E-5545

Date:01/2024

PAGE:871345

WATER HEATER - "PROHEAT" 80,000 B.T.U.

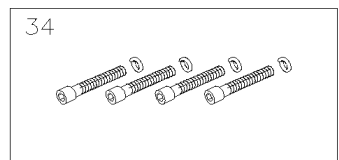
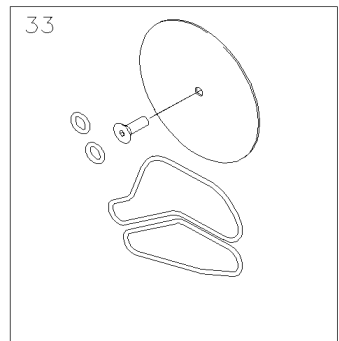
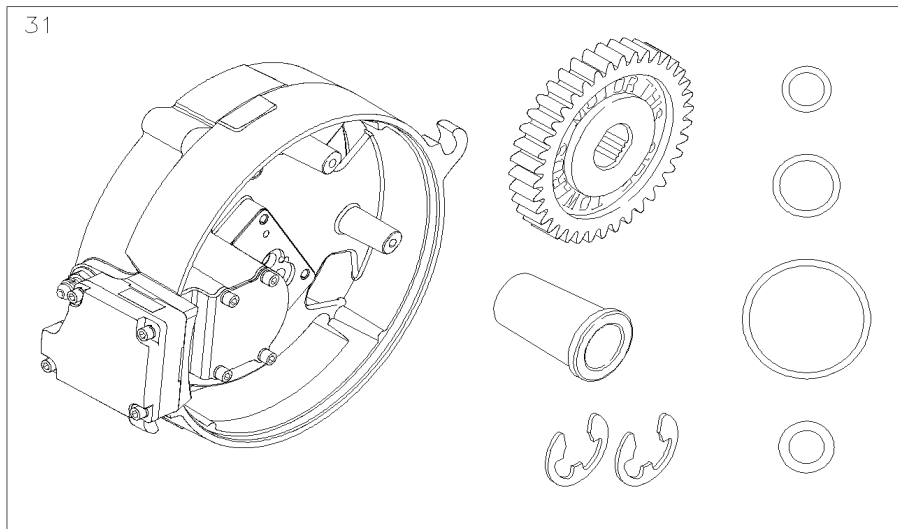
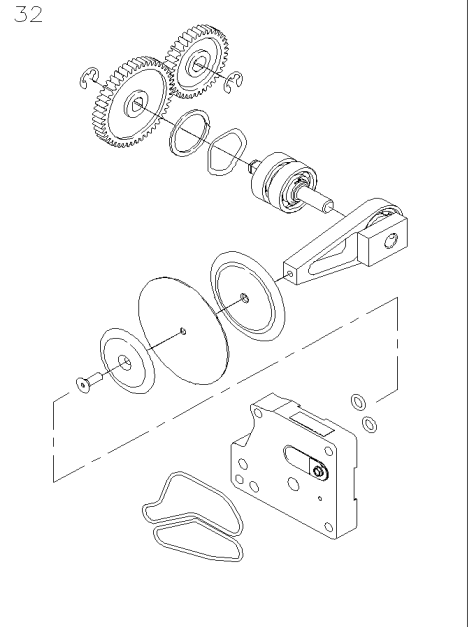
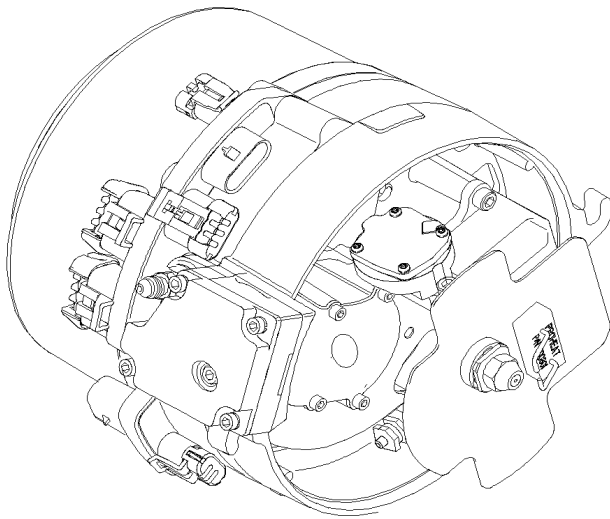


From E-5545

Date:01/2024

PAGE:871345

WATER HEATER - "PROHEAT" 80,000 B.T.U.



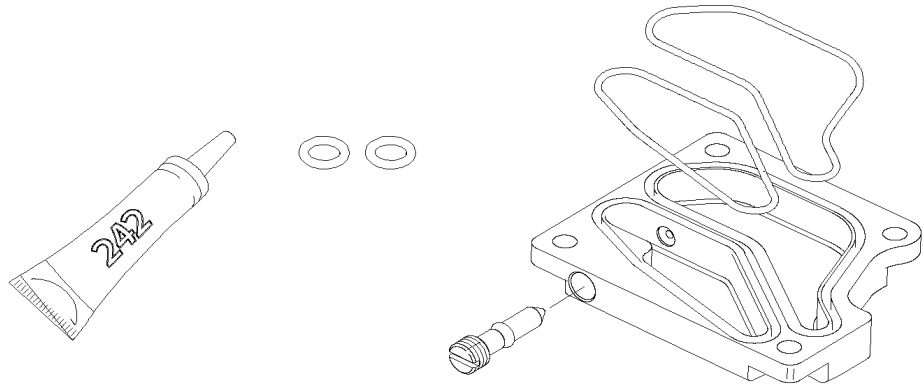
From E-5545

Date:01/2024

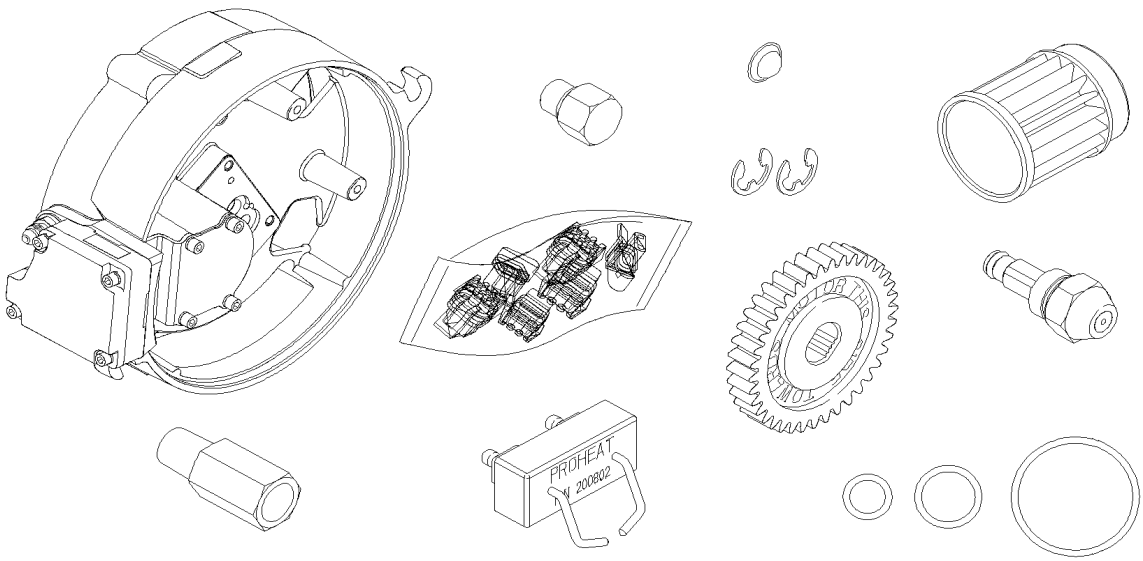
PAGE:871345

WATER HEATER - "PROHEAT" 80,000 B.T.U.

35



36

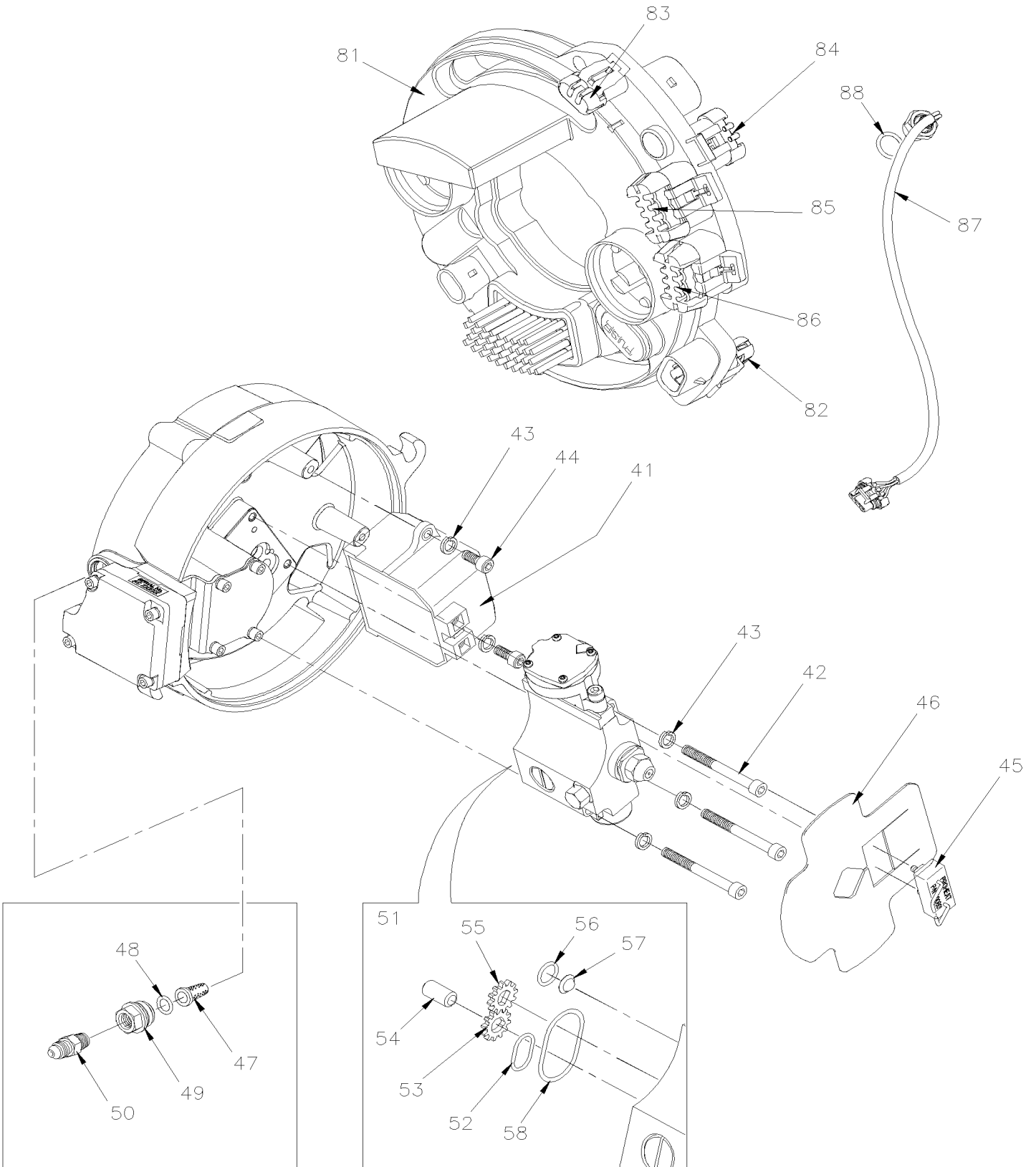


From E-5545

Date:01/2024

PAGE:871345

WATER HEATER - "PROHEAT" 80,000 B.T.U.

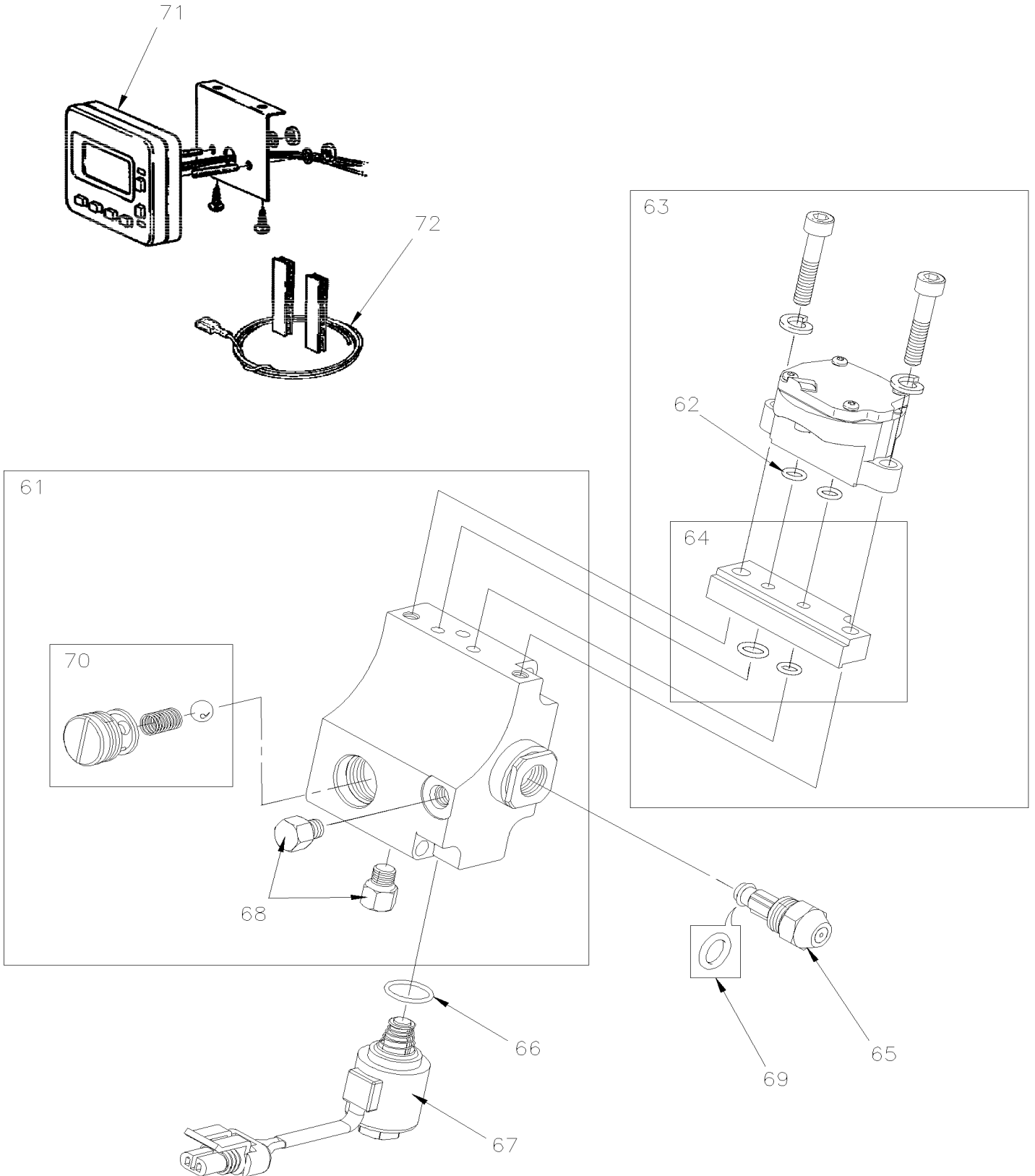


From E-5545

Date:01/2024

PAGE:871345

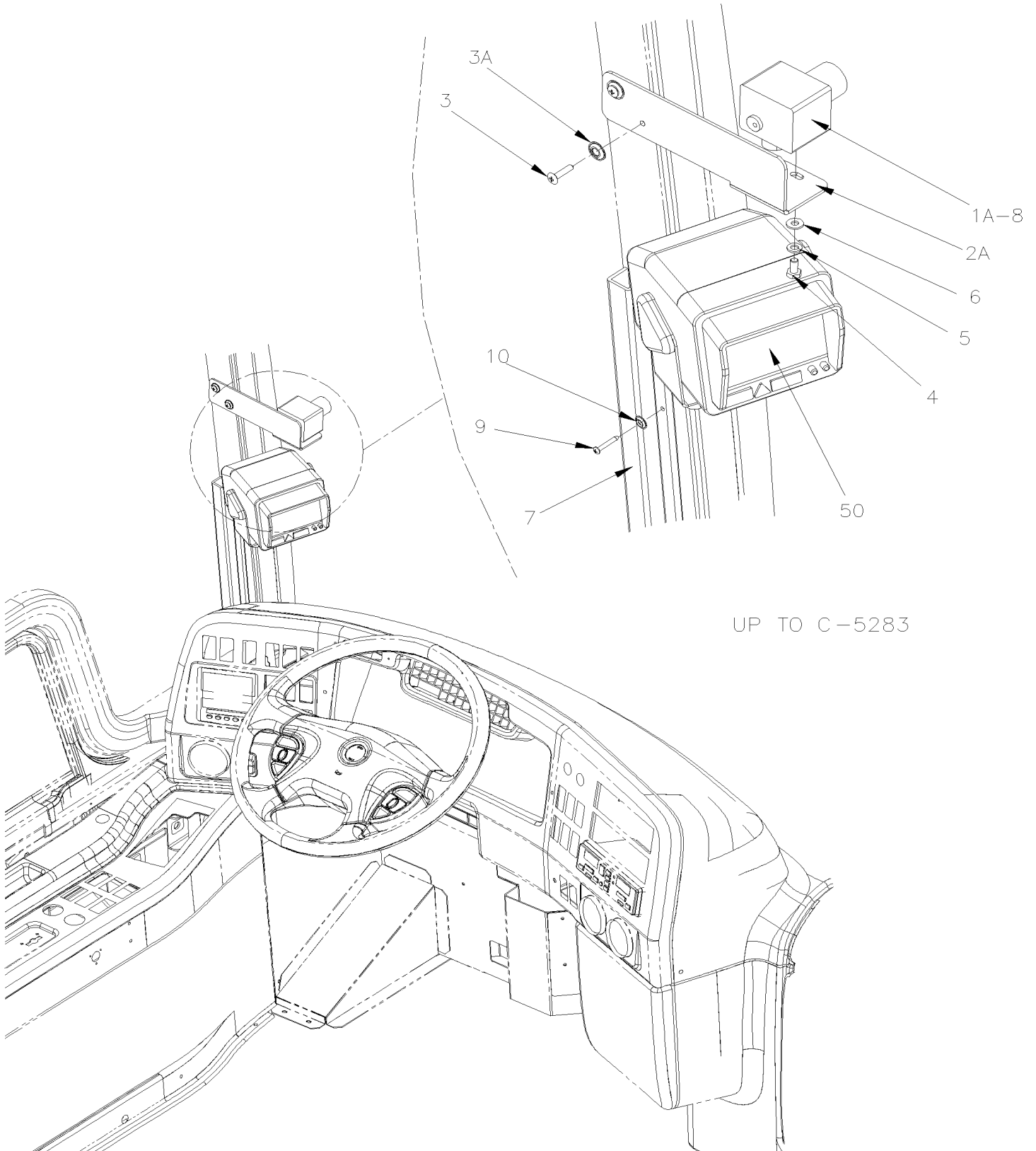
WATER HEATER - "PROHEAT" 80,000 B.T.U.



From E-5545	Date:01/2024	PAGE:871345
WATER HEATER - "PROHEAT" 80,000 B.T.U.		

Item#	Part	Description	QTY	Notes
NS	068127	CABLE ASSY INTERFACE W/"PRO-HEAT" M-80 To K-0185		
	068127	CABLE ASSY INTERFACE W/"PRO-HEAT" M-80 To H-6180	1	
	068127	CABLE ASSY INTERFACE W/"PRO-HEAT" M-80 To H-7417	1	
	060228	CABLE ASSY INTERFACE W/"PRO-HEAT" M-80 From K-0185	1	
	060228	CABLE ASSY INTERFACE W/"PRO-HEAT" M-80 From H-6180	1	
	060228	CABLE ASSY INTERFACE W/"PRO-HEAT" M-80 From H-7417	1	
	069728	CABLE ASSY / PRO-HEAT & RJB From K-0185	1	
	069728	CABLE ASSY / PRO-HEAT & RJB From H-6180	1	
	069728	CABLE ASSY / PRO-HEAT & RJB From H-7417	1	
		WATER HEATER - "PROHEAT" 80,000 B.T.U.	1	
1	N8892399	. COMBUSTION TUBE	1	
2	N8892400	. PLUG	1	
3	N8892401	. HEAT EXCHANGER	1	
4	G1092919	. O-RING, OVERHEAT	1	
5	19506050	. SENSOR, TEMP	1	
6	N8892405	. SCREW HEXW M8X1.25X30 (2/PKG)	1	
10	N8892423	. SPLASH GUARD	1	
11	N8898734	. BURNER HEAD ASM WITH TEMP. SENSOR	1	
12	Call order desk	. BLOWER HOUSING	1	P
13	N8892409	. SCREW CAP BUT HEXS SS M6X1X25 (2/PKG)	1	
14	N8892410	. BLOWER	1	
15	G1092666	. SCREW (M6-1 X 16MM)	1	
16	N8892415	. MOTOR 24V	1	
17	19510483	. GEAR SET M SERIES	1	
18	19400496	. KIT, GASKET	1	
19	N8892421	. AIR FILTER	1	
20	19400249	. KIT, BRUSH, RELIANCE MOTOR	1	
21	Call order desk	. BRUSH KIT	1	P
22	Call order desk	. O RING AIR INTAKE	1	P
23	19510484	. O RING KIT M SERIES	1	
31	N8892436	. BURNER HEAD FLANGE ASSY	1	
32	19510889	. DIAPHRAGM COMP. REBUILD KIT	1	
33	19509330	. DIAPHRAGM REPL. KIT	1	
34	19401361	. KIT, SCREW, DIAPHRAGM COMP.	1	
35	Call order desk	. DIAPHRAGM COMPRESSOR VALVE COVER KIT	1	P
36	N8896967	. COMPRESSOR KIT	1	
41	N8892426	. KIT IGNITION MODULE & ELECTRODE	1	
42	N8892427	. SCREW CAP HEXS SS M6X1X60 (3/PKG)	1	
43	G1092896	. LOCKWASHER (#10) (1EA=PAC OF 10)	1	
44	G1092666	. SCREW (M6-1 X 16MM)	1	
45	N8892428	. IGNITION ELECTRODES	1	
46	N8892429	. FLAME SHIELD	1	

FRONT CAMERA - INSTALLATION

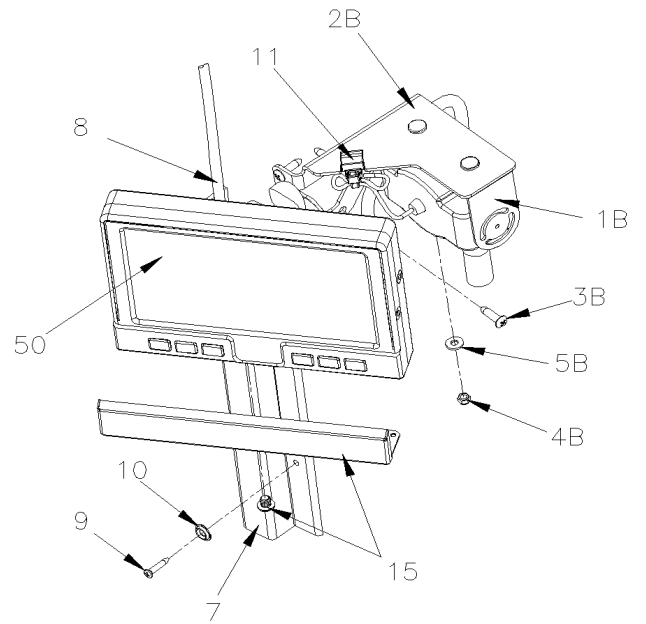
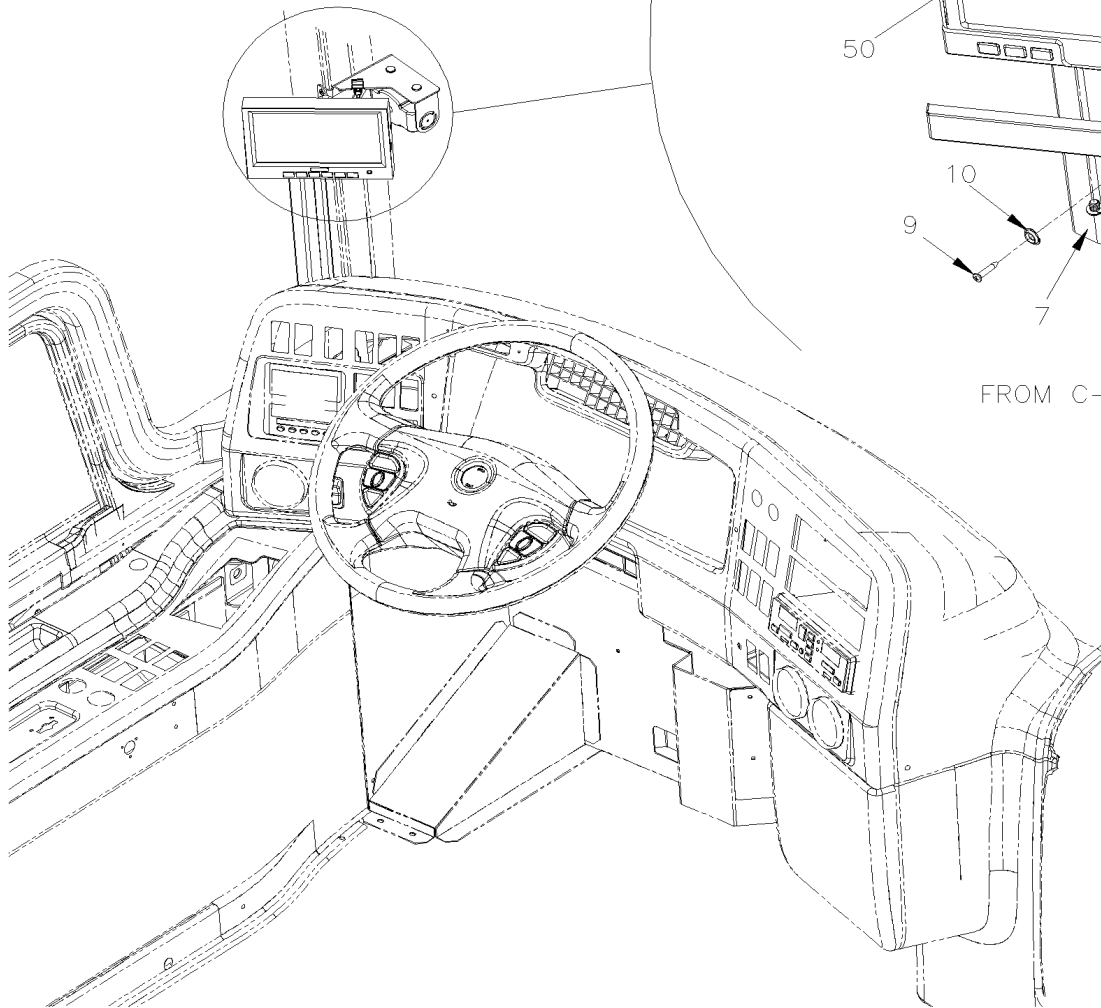
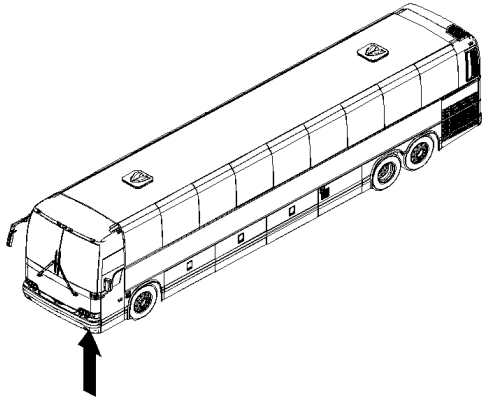


From 7-8754

Date:01/2024

PAGE:X3-2355-10

FRONT CAMERA - INSTALLATION



FROM C-5234

From 7-8754	Date:01/2024	PAGE:X3-2355-10
-------------	--------------	-----------------

FRONT CAMERA - INSTALLATION

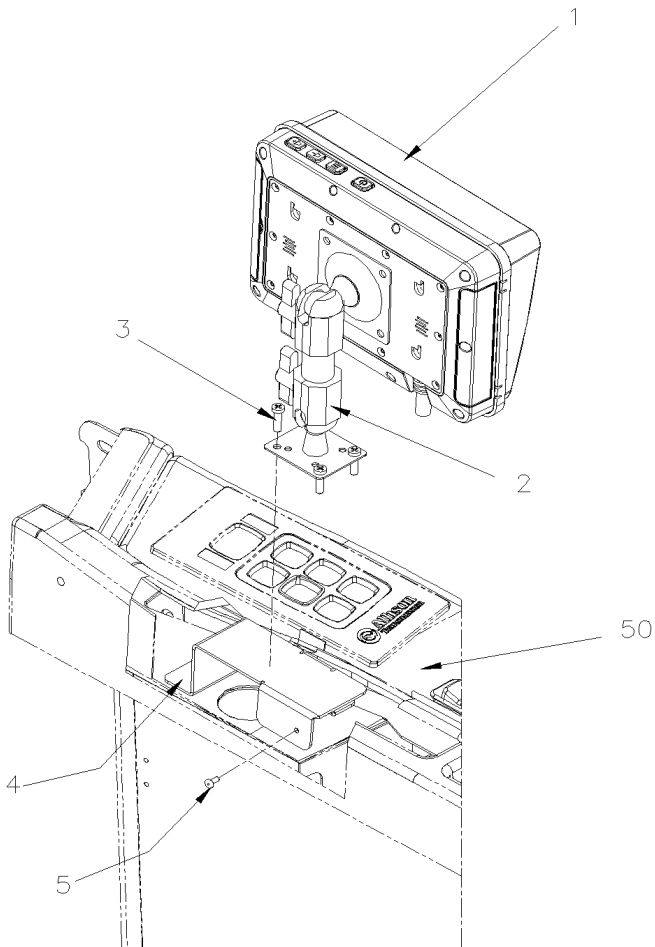
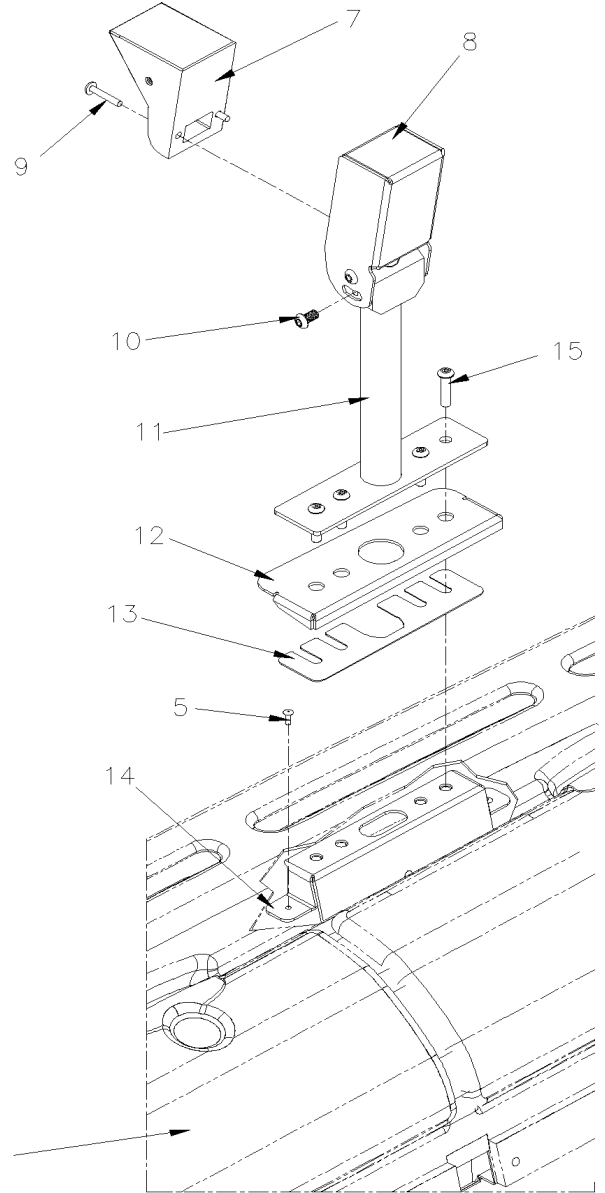
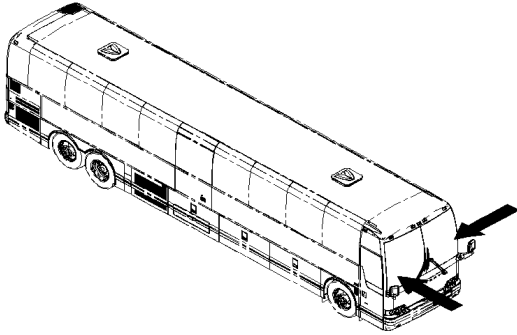
Item#	Part	Description	QTY	Notes
1A	900914	FRONT CAMERA To D-5283	1	
1B	901122	FRONT CAMERA From D-5284	1	
2A	404905	SUPPORT / CAMERA To D-5283	1	
2A	406628	SUPPORT / CAMERA & MONITOR To D-5283	1	S
2B	406607	SUPPORT / CAMERA & MONITOR From D-5284 To K-6492	1	
2B	400930	SUPPORT / CAMERA & MONITOR From L-6493	1	
3	500630	SCREW TP OV PH #10x1 Z050 To D-5283	2	
3A	500465	WASHER FN CKF .278x.729x.119 SS To D-5283	2	
3B	500608	SCREW TP BDG PH #10x1 N500 From D-5284	4	
4	500162	SCREW CAP HEX 1/4-20x1/2 G5 Z050 To D-5283	2	
4B	500539	NUT HEX NYRT M4-0.7 N500 From D-5284	2	
5	500440	WASHER FL .250x.562x.065 Z050 To D-5283	2	
5B	500855	WASHER FL .188x.438x.049 N500 From D-5284	2	
6	500473	WASHER LO SPT .262x.489x.062 Z050	2	
7	327332	MOULDING HIDE WIRE 587MM To D-5283	1	
7	327281	MOULDING HIDE CABLE From D-5284 To K-6492	1	
7	3210563	MOULDING, HIDING WIRE From L-6493	1	
8	066822	CABLE ASSY / VIDEO & FRONT CAMERA To L-6494	1	
8	0611107	CABLE ASSY / VIDEO & FRONT CAMERA From L-6495	1	
9	500552	SCREW TP OV PH #6x3/4 Z050 To K-6492	4	
9	5002083	SCREW DR SEMS FN OV PH #8X1 N050 From L-6493	4	
10	500463	WASHER FN CKF .187x.500x.090 BR Z050 To K-6492	4	
11	564534	CABLE TIE / WITH EDGE CLIP / T50REC5A 10 MM x 200 MM	1	
15	880009	MONITOR BUTTON GUARD From A-9907	1	NJ
50	X3-2355-20	BACK-UP CAMERA & MONITOR - INSTALLATION		
51	X3-2317-30	VIDEO & AUDIO SYSTEM - INSTALLATION To N-6756		
51	X3-2317-31	VIDEO & AUDIO SYSTEM - INSTALLATION W/HHED		
		NJ) NEW JERSEY OPTION		
		S) USE WITH OLD CAMERA 900914 WITH THE NEW MONITOR 901424		

From H-6171

Date:01/2024

PAGE:X3-2355-15

FRONT CAMERA & SCREEN SPECIAL OPTION



From H-6171	Date:01/2024	PAGE:X3-2355-15
FRONT CAMERA & SCREEN SPECIAL OPTION		

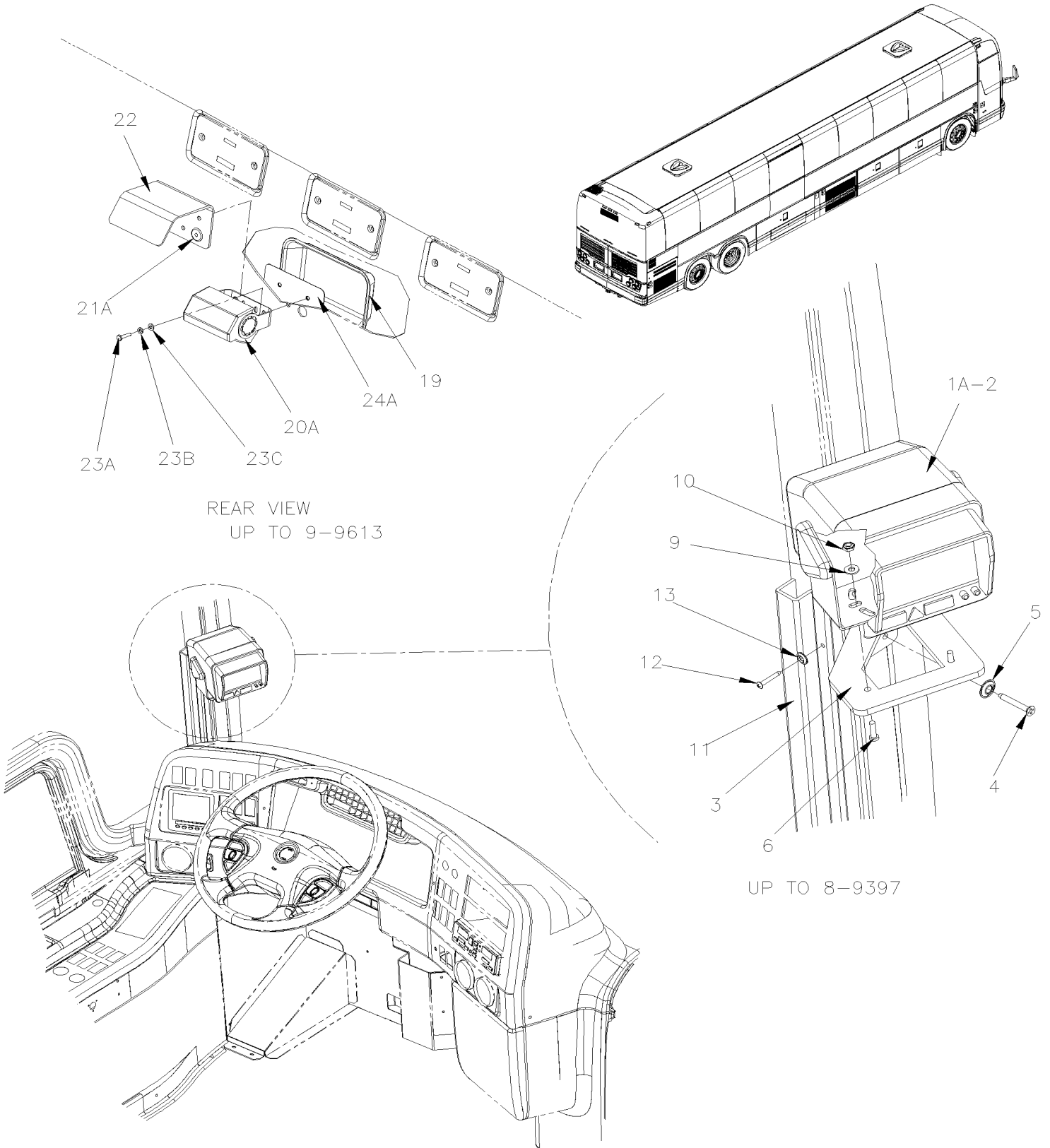
Item#	Part	Description	QTY	Notes
1	901628	DISPLAY TOUCH / "SAUCON"	1	
2	901627	ARM DISPLAY / "SAUCON"	1	
3	500623	SCREW TC PAN PH #10-24x3/4 N500	4	
4	390037	SCREEN SUPPORT	1	
5	504106	RIVET POP DOME OE 1/8x1/4 AL	AR	
7	Call order desk	CAMERA, FRONT / SAUCON TDS	1	P
8	400595	SUPPORT FOR CAMERA	1	
9	5001694	SCREW MA PAN PH M4-0.7x40 SS BK	2	
10	5000353	SCREW CAP BUT HEXS M6-1.0x12 N500	4	
11	400594	FOOT FOR CAMERA	1	
12	390033	CAMERA BRACKET	1	
13	390034	CAMERA BRACKET SHIM	1	
14	390031	TOP PLATE	1	
15	5002020	SCREW CAP BUT HEXS TAMPER M6-1.0x25 NSS	4	
50	X3-1806-10	L.H. CONSOLE - BUS		
51	X3-1806-20	DASHBOARD PANEL		
		P) CALL ORDER DESK FOR SPECIFIC APPLICATION (V.I.N.)		

From 7-8754

Date:01/2024

PAGE:X3-2355-20

BACK-UP CAMERA & MONITOR - INSTALLATION

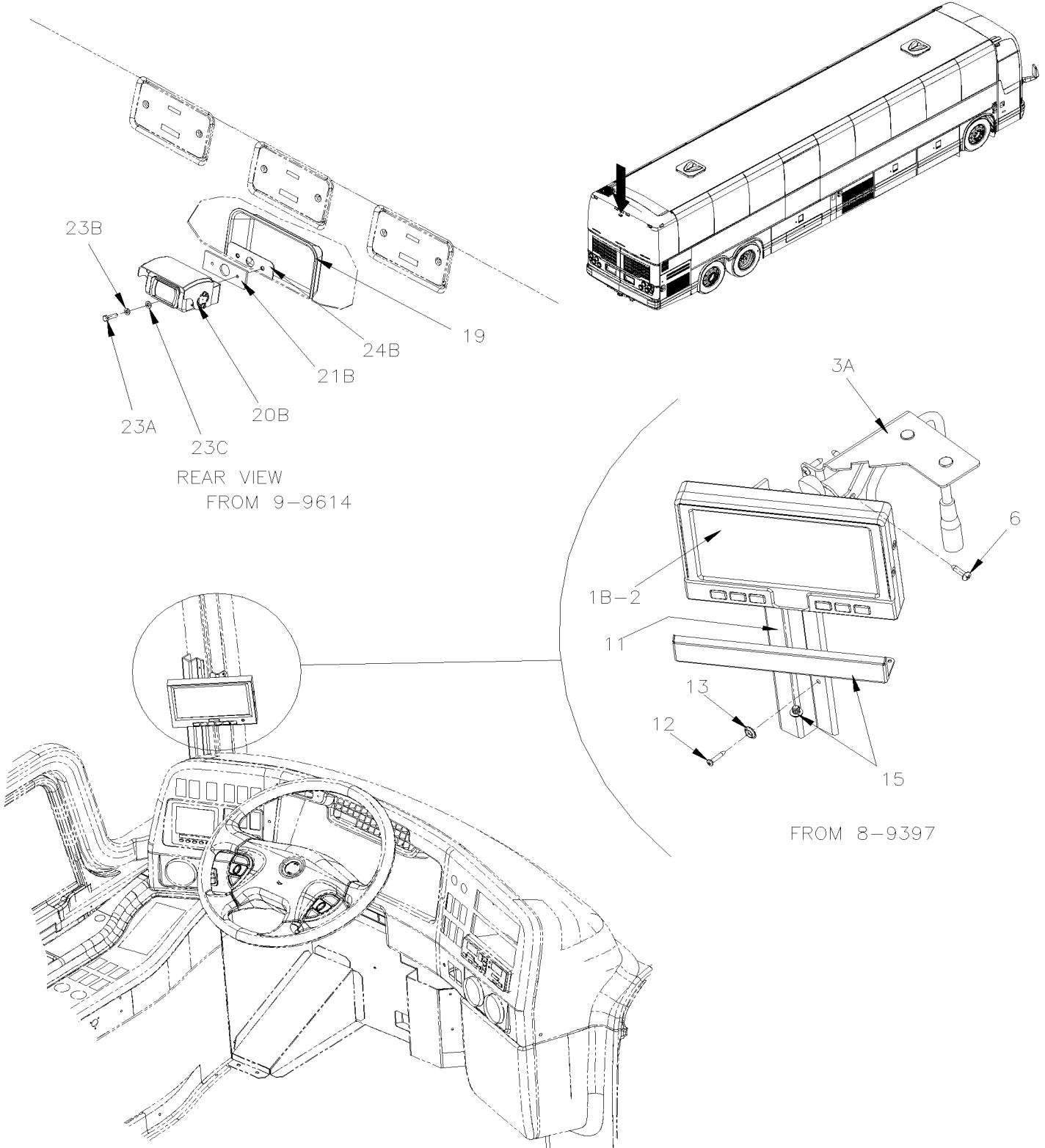


From 7-8754

Date:01/2024

PAGE:X3-2355-20

BACK-UP CAMERA & MONITOR - INSTALLATION



From 7-8754		Date:01/2024	PAGE:X3-2355-20
BACK-UP CAMERA & MONITOR - INSTALLATION			

Item#	Part	Description	QTY	Notes
1A	990334	MONITOR - "CLARION" / BLACK & WHITE 12 VOLT To 8-9397	1	
1B	901281	MONITOR - "R.E.I." / COLOR LCD 12 VOLT From 8-9398 To 9-9613	1	F S
1B	901309	MONITOR - "R.E.I." / COLOR LCD 12 VOLT From 9-9614 To C-5283	1	A
1B	901424	MONITOR - "R.E.I." / COLOR LCD 12 VOLT From C-5284	1	
. NS	900277	. ARTICLATION MONITOR From C-5284	1	
. NS	901289	. ADJUSTABLE PEDESTAL From C-5284	1	
2	065063	CABLE ASSY / BACK-UP MONITOR To 8-9397	1	
. NS	990335	. CABLE MONITOR "CLARION" To 8-9397	1	
. NS	560851	. CONNECTOR / COM. MATE-N-LOCK / PH 4C / AMP 1-480426-0 To 8-9397	1	
. NS	504397	. GROMMET / .750x1.062x.062x.375x1.375 To 8-9397	1	
. NS	N.P.N.	. CABLE ASSY / BACK-UP MONITOR To 8-9397	AR	4
2	067071	CABLE ASSY / BACK-UP CAMERA VIDEO / CAMERA & MONITOR LCD / 60' From 8-9398 To 9-9613	1	
. NS	901268	. CABLE BACK-UP CAMERA "COLOR" From 8-9398 To 9-9613	1	
. NS	561681	. CONVOLUTED TUBING / SLIT / BLACK & GRAY / .350" From 8-9398 To 9-9613	25	
NS	901334	CABLE ADAPTOR MONITOR INTERFA / OLD vs NEW To 9-9613	1	
2	067696	CABLE ASSY / BACK-UP CAMERA VIDEO / CAMERA & MONITOR LCD / 60' From 9-9614 To G-5969	1	
. NS	901308	. CABLE BACK-UP CAMERA "COLOR" From 9-9614 To G-5969	1	
. NS	561681	. CONVOLUTED TUBING / SLIT / BLACK & GRAY / .350" From 9-9614 To G-5969	25	
2	901433	CABLE ASSY / BACK-UP CAMERA VIDEO / CAMERA & MONITOR LCD / 50' From G-5970	1	
2	901434	CABLE ASSY / BACK-UP CAMERA VIDEO / CAMERA & MONITOR LCD / 15' From G-5970	1	
3	490900	MONITOR SUPPORT To 8-9397	1	
3A	406079	MONITOR SUPPORT From 8-9398 To 9-9613	1	F
3A	409269	MONITOR SUPPORT From 9-9614 To G-5892	1	F
3A	406607	SUPPORT / CAMERA & MONITOR From G-5893 To K-6492	1	F
3A	400930	SUPPORT / CAMERA & MONITOR From L-6493	1	F
4	500630	SCREW TP OV PH #10x1 Z050 To 8-9397	3	
5	500465	WASHER FN CKF .278x.729x.119 SS To 8-9397	3	
6	500658	SCREW TC PAN PH #10-24x3/4 Z050 To 8-9397	2	
6	500608	SCREW TP BDG PH #10x1 N500 From 8-9398	4	
9	500964	WASHER FL .203x.500x.047 Z050 To 8-9397	2	
10	500767	NUT HEX #10-24 Z050 To 8-9397	2	
11	327281	MOULDING HIDE CABLE To K-6492	1	
11	3210563	MOULDING, HIDING WIRE From L-6493	1	
12	500495	SCREW TP PAN PH #6x1 Z050 To K-6492	2	
12	5002083	SCREW DR SEMS FN OV PH #8X1 N050	2	
13	500463	WASHER FN CKF .187x.500x.090 BR Z050 To K-6492	2	
15	880009	MONITOR BUTTON GUARD From A-9907	1	NJ
19	682177	LIGHT PROTECTOR	1	
20A	990303	BACK-UP CAMERA - "CLARION" / BLACK & WHITE To 8-9397	1	B
20A	901267	BACK-UP CAMERA - "R.E.I." / COLOR From 8-9398 To 9-9613	1	C

From 7-8754		Date:01/2024	PAGE:X3-2355-20
-------------	--	--------------	-----------------

BACK-UP CAMERA & MONITOR - INSTALLATION

Item#	Part	Description	QTY	Notes
20B	901307	BACK-UP CAMERA - "R.E.I." / COLOR From 9-9614 To K-6388	1	
20B	901291	BACK-UP CAMERA - "R.E.I." / COLOR From K-6389	1	
NS	901333	CABLE ADAPTOR CAMERA INTERFACE OLD vs NEW To 9-9613	1	
21A	504625	GROMMET / .250x.750x.250x.437x1.000 To 9-9613	1	
21B	409268	GASKET RUBER 100MM x 36MM x 1/8" From 9-9614	1	
22	490853	PROTECTOR, CAMERA To 8-9397	1	
22	491141	PROTECTOR, CAMERA From 8-9398 To 9-9613	1	C
23A	502737	SCREW CAP HEX M6-1.0x25 SS BK To 9-9613	3	
23A	502737	SCREW CAP HEX M6-1.0x25 SS BK From 9-9614 To G-6083	2	
23A	502789	SCREW MA PAN PH M6-1.0x20 Z050 From G-6084	2	
23A	680038	THREAD LOCKER LOCTITE #243 / BLUE / 50ml	AR	
23B	502570	WASHER LO SPT 6.1x11.8x1.6 SS To 9-9613	3	
23B	5001739	WASHER LO EXT 6.4x11.0x0.7 N500 From 9-9614	2	
23C	502573	WASHER FL 6.4x12.5x1.6 SS To 9-9613	3	
23C	500877	WASHER FL .250x.562x.065 N500 From 9-9614	2	
24A	490852	PLATE, FIXATION / (INSIDE OF REAR CAP) To 8-9397	1	
24A	491140	PLATE, FIXATION / (INSIDE OF REAR CAP) From 8-9398 To 9-9613	1	C
24B	409266	PLATE, FIXATION / (INSIDE OF REAR CAP) From 9-9614	1	
24B	684685	ADHESIVE SIMSON #ISR 70-03 / 310ml CARTRIDGE	AR	
NS	680532	SEALANT SIKA #221 / GREY / 310ml CARTRIDGE	AR	
NS	680038	THREAD LOCKER LOCTITE #243 / BLUE / 50ml	AR	
NS	066954	CABLE INTERFACE W/CAMERA CLARION BLK& WHITE From 7-9012 To 8-9397	1	B
NS	067185	CABLE INTERFACE W/CAMERA "R.E.I." COLOR From 8-9398 To 9-9613	1	C
NS	409267	CABLE INTERFACE / MONITOR & DASH From 9-9614 To C-5283	1	
26	409327	CABLE INTERFACE / MONITOR & DASH From C-5284 To L-6494	1	
26	401428	CABLE INTERFACE / MONITOR & DASH From L-6495	1	
NS	067210	CABLE W/CAMERA COLOR From 8-9398	1	
NS	901428	MONITOR REPLACEMENT KIT To C-5283	1	
NS	409327	CABLE INTERFACE / MONITOR & DASH To C-5283	1	
NS	901424	MONITOR - "R.E.I." / COLOR LCD 12 VOLT To C-5283	1	
NS	900277	ARTICULATION MONITOR To C-5283	1	
NS	901289	ADJUSTABLE PEDESTAL To C-5283	1	
NS	406628	SUPPORT / CAMERA & MONITOR To C-5283	1	
NS	500539	NUT HEX NYRT M4-0.7 N500 To C-5283	1	
NS	500623	SCREW TC PAN PH #10-24x3/4 N500 To C-5283	1	
NS	500855	WASHER FL .188x.438x.049 N500 To C-5283	1	
NS	502799	SCREW CAP HEX M4-0.7X16 G8.8 N500 To C-5283	1	
NS	564534	CABLE TIE / WITH EDGE CLIP / T50REC5A 10 MM x 200 MM To C-5283	1	
NS	IS-12035	SEE INSTRUCTION SHEET To C-5283	1	

From 7-8754	Date:01/2024	PAGE:X3-2355-20
-------------	--------------	-----------------

BACK-UP CAMERA & MONITOR - INSTALLATION

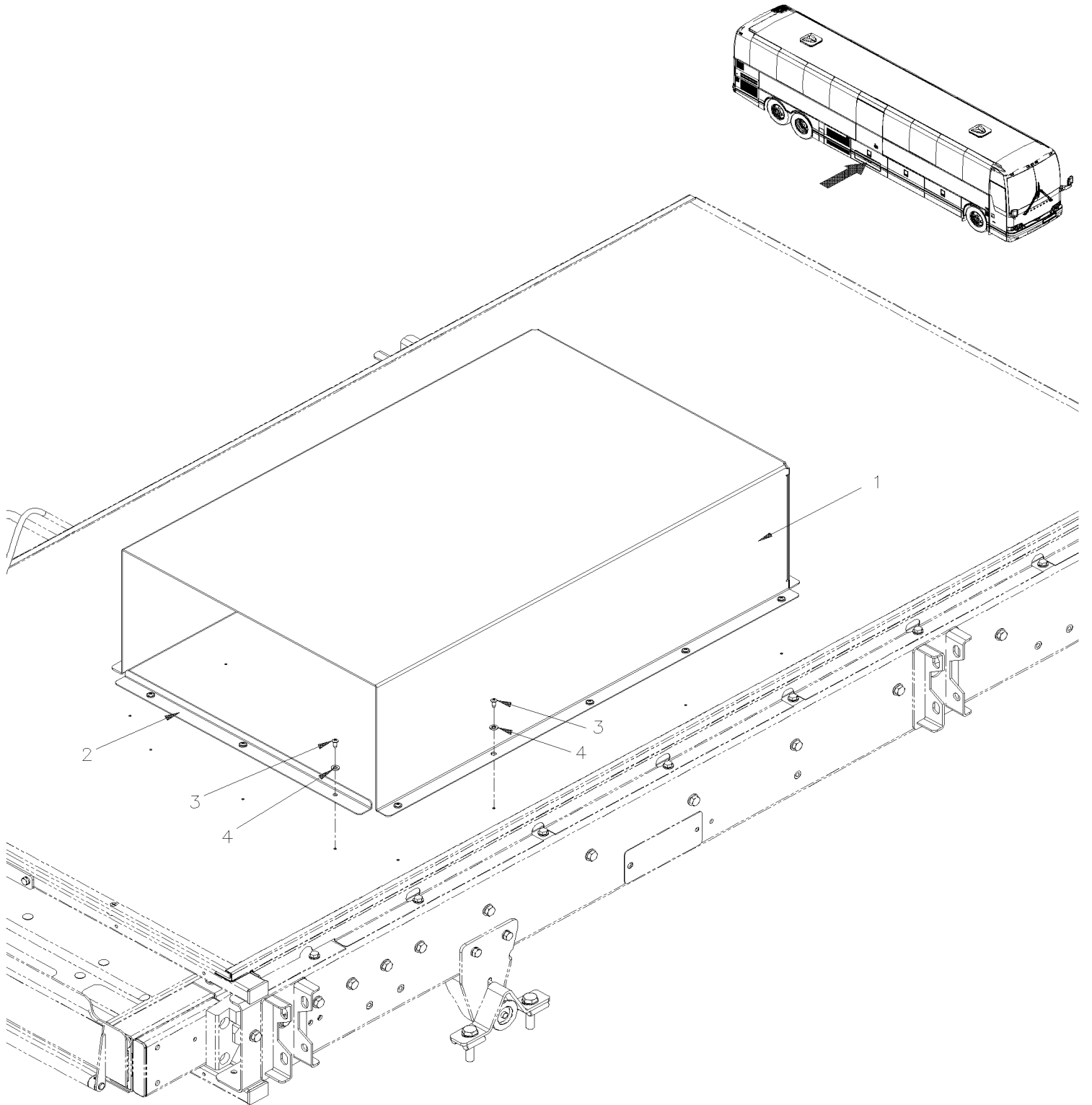
Item#	Part	Description	QTY	Notes
		A) NO LONGER AVAILABELE ASK FOR REPLACEMENT KIT 901428		
		B) BLACK & WHITE CAMERA MAY BE LINKED TO FRONT FLAT SCREEN "GPS" MONITOR # 901231 WITH CABLE #066954		
		C) COLOR CAMERA MAY BE LINKED TO FRONT FLAT SCREEN "GPS" MONITOR # 901231 WITH CABLE #067185		
		F) USE WITH COLOR FLAT SCREEN MONITOR		
		NJ) NEW JERSEY OPTION		
		S) THIS MONITOR IT OBSOLETED IT SUPPERSEDED BY 901309 WITH NEW SUPPORT # 406607 & CABLE # 409267		
		4) NO PARTS NUMBER		

From G-6100

Date:01/2024

PAGE:X3-2360-00

YELLOW STEP STORAGE / "GREYHOUND"



From G-6100		Date:01/2024	PAGE:X3-2360-00
-------------	--	--------------	-----------------

YELLOW STEP STORAGE / "GREYHOUND"

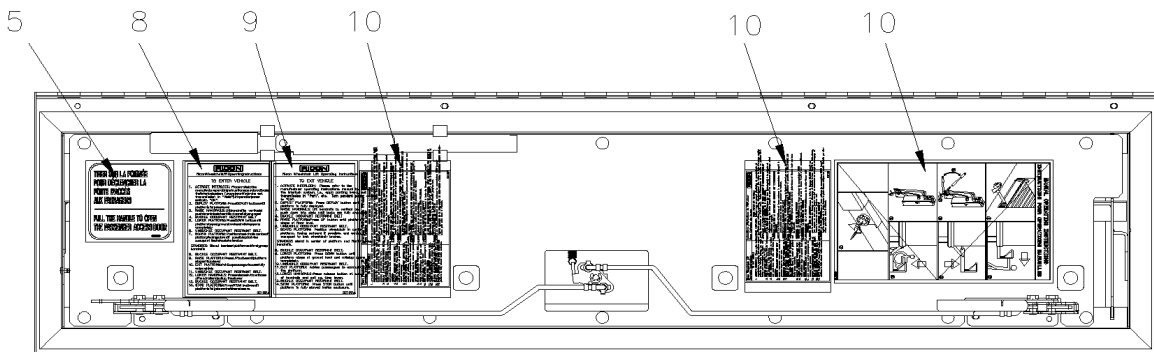
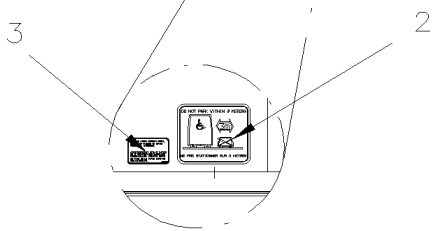
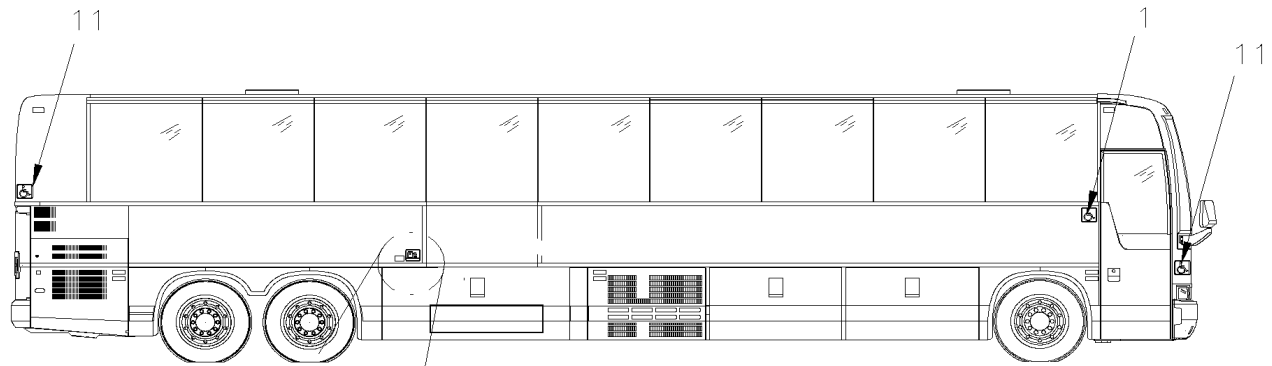
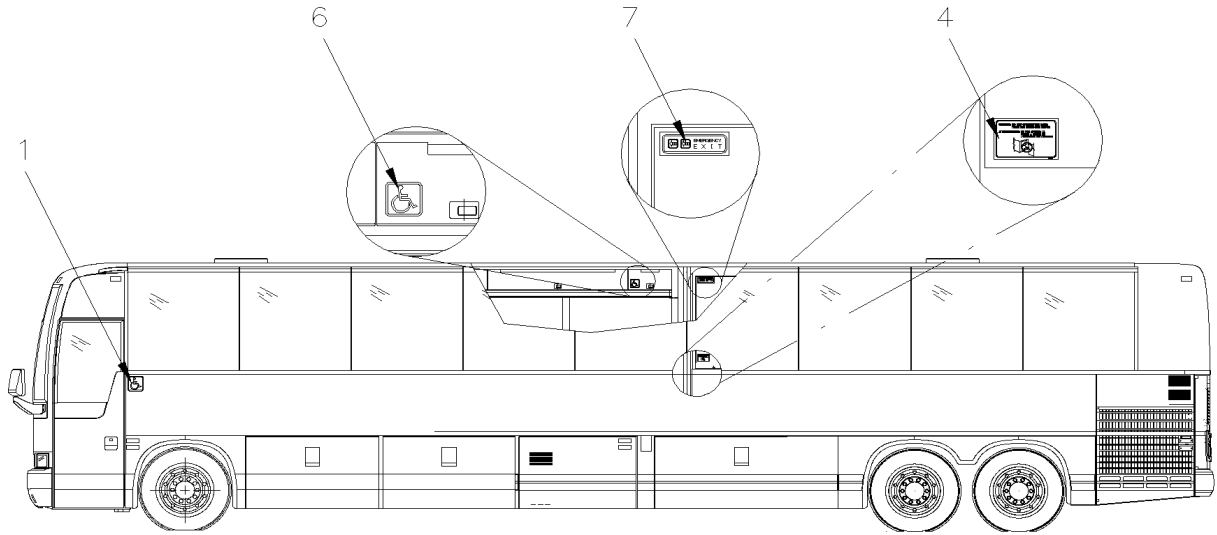
Item#	Part	Description	QTY	Notes
1	480044	BOX / YELLOW STEP	1	
2	480056	BRACKET	1	
3	5001087	SCREW TP BDG PH #10x1/2 SS To J-6240	15	
3	5001630	SCREW TP BUTF TORX M6x20 SS From J-6241	15	
4	502570	WASHER LO SPT 6.1x11.8x1.6 SS	15	

From 7-8754

Date:01/2024

PAGE:X3-2370-10

W.C.L. - DECAL

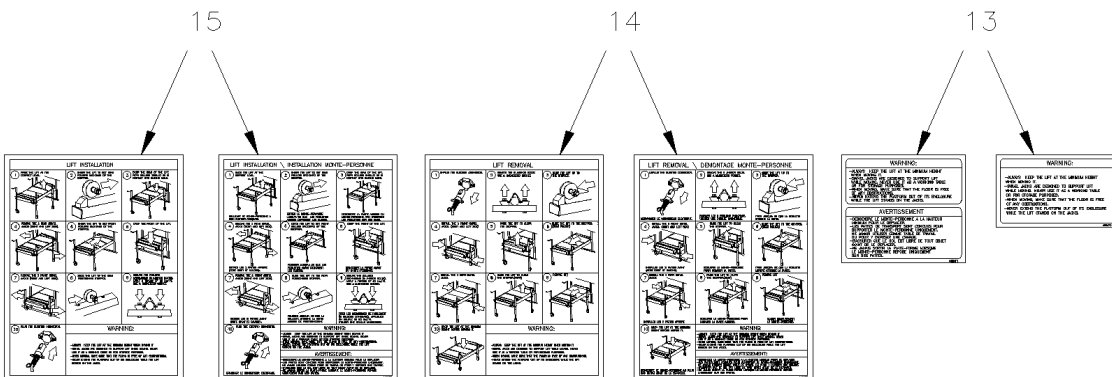
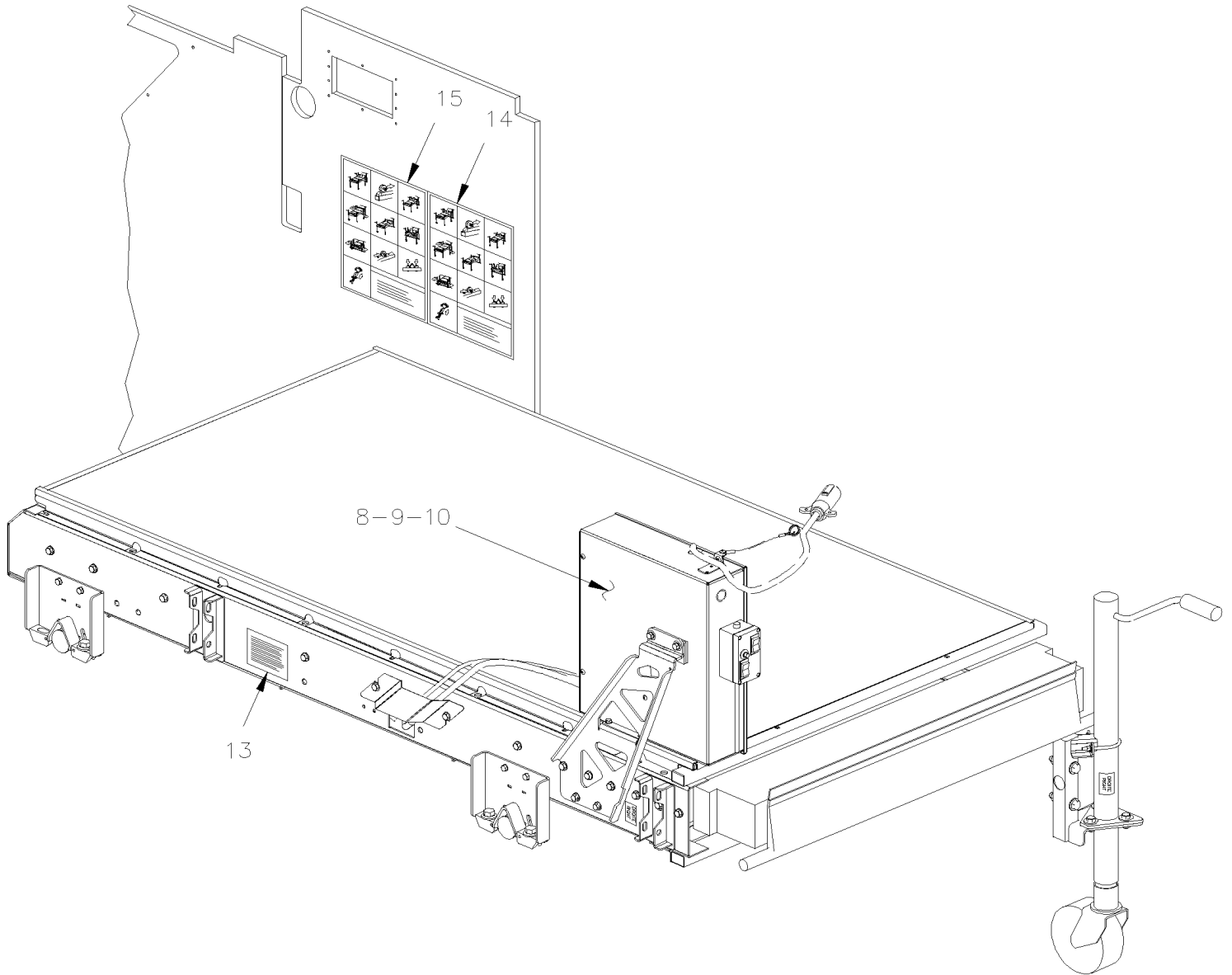


From 7-8754

Date:01/2024

PAGE:X3-2370-10

W.C.L. - DECAL

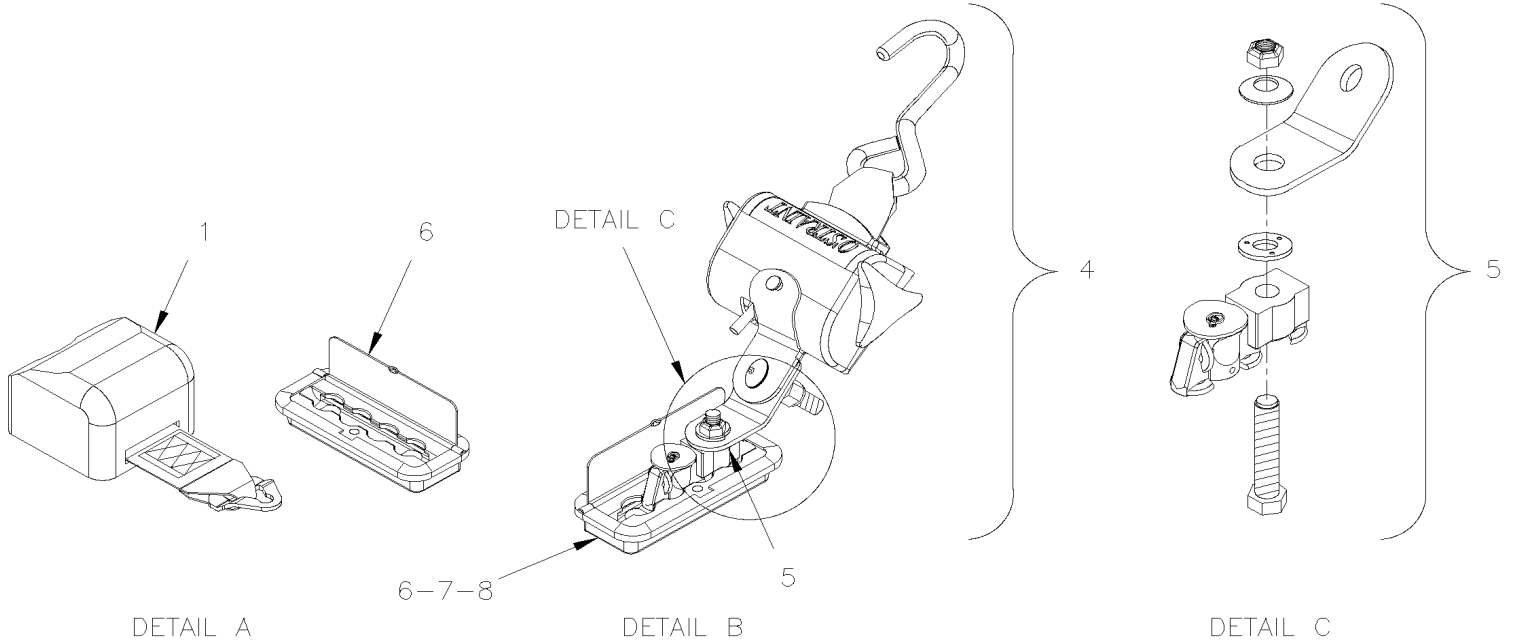
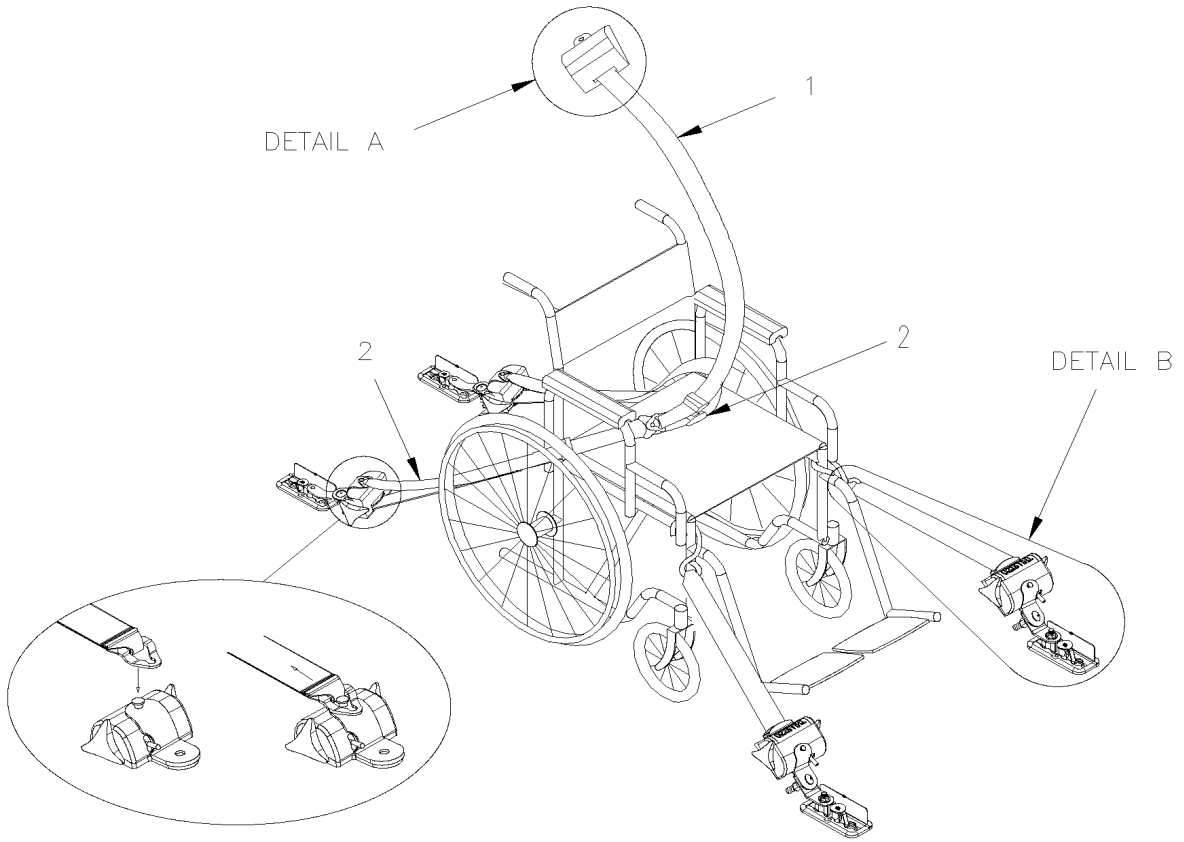


From 7-8754		Date:01/2024	PAGE:X3-2370-10
W.C.L. - DECAL			

Item#	Part	Description	QTY	Notes
1	404087	DECAL / BLUE W/CHAIR / 180MM x 180MM To H-6111	1	
1	400003	DECAL / BLUE W/CHAIR / 150MM x 150MM From H-6112	1	
2	404089	DECAL / DO NOT PARK WITHIN 3 METRES / ENGLISH	1	
2	404083	DECAL / DO NOT PARK WITHIN 3 METRES / ENGLISH & FRANCAIS	1	
2	406287	DECAL / DO NOT PARK WITHIN 3 METRES / ENGLISH & SPANISH	1	
3	404332	DECAL / "WARNING" WHEN OPENING DOOR BEWARE.. / ENGLISH	1	
3	403898	DECAL / "WARNING" WHEN OPENING DOOR BEWARE.. / ENGLISH & FRANCAIS	1	
3	406288	DECAL / "WARNING" WHEN OPENING DOOR BEWARE.. / ENGLISH & SPANISH	1	
4	405168	DECAL / DO NOT OPERAT. DOOR / ENGLISH	1	
4	405167	DECAL / DO NOT OPERAT. DOOR / ENGLISH & FRANCAIS	1	
5	405170	DECAL / PULL THE HANDLE.. / ENGLISH	1	
5	405169	DECAL / PULL THE HANDLE.. / ENGLISH & FRANCAIS	1	
6	405378	DECAL / BLUE W/CHAIR / 102MM x 102MM	1	
7	404088	DECAL / EMERGENCY EXIT / (RED ON CLEAR) / ENGLISH	1	
7	404084	DECAL / EMERGENCY EXIT / (RED ON CLEAR) / ENGLISH & FRANCAIS	1	
7	405629	DECAL / EMERGENCY EXIT / (RED ON CLEAR) / ENGLISH & SPANISH	1	
8	405747	DECAL / RICON W.C.L. OPERATING INSTRUCTION ENTER / ENGLISH	1	
8	405748	DECAL / RICON W.C.L. OPERATING INSTRUCTION ENTER / ENGLISH & FRANCAIS	1	
8	406179	DECAL / RICON W.C.L. OPERATING INSTRUCTION ENTER / ENGLISH & SPANISH	1	
9	405749	DECAL / RICON W.C.L. OPERATING INSTRUCTION EXIT / ENGLISH	1	
9	405750	DECAL / RICON W.C.L. OPERATING INSTRUCTION EXIT / ENGLISH & FRANCAIS	1	
9	406178	DECAL / RICON W.C.L. OPERATING INSTRUCTION EXIT / ENGLISH & SPANISH	1	
10	404616	DECAL / MANUAL OPERATING INSTRUCTION... / ENGLISH & FRANCAIS To E-5570	1	
10	409441	DECAL / MANUAL OPERATING INSTRUCTION... / ENGLISH & FRANCAIS From E-5571 To F-5796	1	
10	409453	DECAL / MANUAL OPERATING INSTRUCTION... / ENGLISH & FRANCAIS From F-5797	1	
10	406180	DECAL / MANUAL OPERATING INSTRUCTION... / ENGLISH & SPANISH To E-5525	1	
10	409442	DECAL / MANUAL OPERATING INSTRUCTION... / ENGLISH & SPANISH From E-5526 To E-5758	1	
10	409454	DECAL / MANUAL OPERATING INSTRUCTION... / ENGLISH & SPANISH From E-5759	1	
10	409435	DECAL / MANUAL OPERATING INSTRUCTION... / ENGLISH & FRANCAIS & SPANISH From E-5459 To E-5589	1	
10	409440	DECAL / MANUAL OPERATING INSTRUCTION... / ENGLISH & FRANCAIS & SPANISH From E-5590 To F-5796	1	
10	409452	DECAL / MANUAL OPERATING INSTRUCTION... / ENGLISH & FRANCAIS & SPANISH From F-5797	1	
11	400003	DECAL / BLUE W/CHAIR / 150MM x 150MM	2	O
13	405471	DECAL / "WARNING" ALWAYS KEEP THE LIFT AT T... / ENGLISH & FRANCAIS	1	
13	405470	DECAL / "WARNING" ALWAYS KEEP THE LIFT AT T... / ENGLISH	1	
13	405652	DECAL / "WARNING" ALWAYS KEEP THE LIFT AT T... / ENGLISH & SPANISH	1	
14	405743	DECAL / PICTOGRAM LIFT REMOVAL / ENGLISH To K-6492	1	
14	405744	DECAL / PICTOGRAM LIFT REMOVAL / DEMONTAGE.. / ENGLISH & FRANCAIS To K-6492	1	
14	405741	DECAL / PICTOGRAM LIFT REMOVAL / ENGLISH & SPANISH To K-6492	1	
15	405745	DECAL / PICTOGRAM LIFT INSTALL... / ENGLISH To K-6492	1	
15	405746	DECAL / PICTOGRAM LIFT INSTALL... / MONTAGE / ENGLISH & FRANCAIS To K-6492	1	
15	405742	DECAL / PICTOGRAM LIFT INSTALL... / ENGLISH & SPANISH To K-6492	1	

From 7-8754		Date:01/2024	PAGE:X3-2370-10	
W.C.L. - DECAL				
Item#	Part	Description	QTY	Notes
		O) ONTARIO OPTION		

W.C.L. SEAT BELTS



From 7-8754	Date:01/2024	PAGE:X3-2370-20
W.C.L. SEAT BELTS		

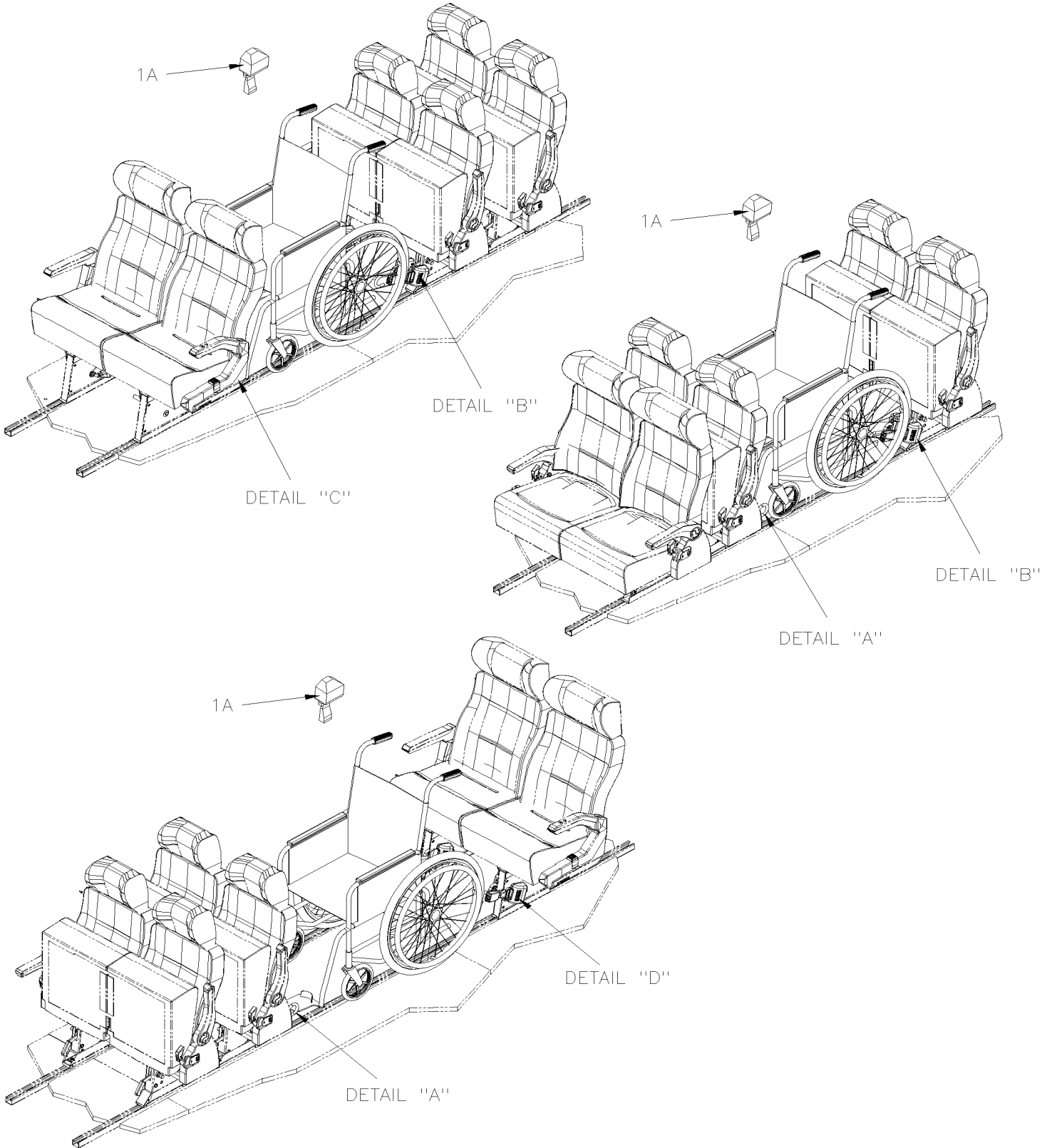
Item#	Part	Description	QTY	Notes
	861930	KIT SAFETY BELT	AR	A
1	861931	. RETRACTALE SHOULDER BELT To N-6719	1	
1	867950	. KIT RETRACTABLE SHOULDER BELT From N-6720	1	
2	861932	. REGULAR LAP BELT / KIT MALE & FEMALE	1	
4	861934	. RETACTABLE SEAT MOUNTED / BELT ASSY (SET OF 4 W/TRAC ADAPTOR)	1	
5	861935	. . KIT TRAC ADAPTOR	4	
6	861929	FLOOR POCKET W/COVER	8	
NS	867816	SCREW CAP CK HEXS 5/16-18x1 3/4	2	
7	223822	SPACER 1/2" O.D. X 20MM	16	
8	223818	ANCHOR PLATE	8	
NS	862967	SAFETY BELT CUTTER / W.C.L. / EMERGENCY	1	
11	860093	SCOOTER STRAP, WHEELCHAIR	AR	
		A) INCLUDE ITEM 1, 2, 3, 4, 5 & 7		

From A-9899

Date:01/2024

PAGE:X3-2370-25

W.C.L. SEAT BELTS "SAFEGUARD" (IMMI)

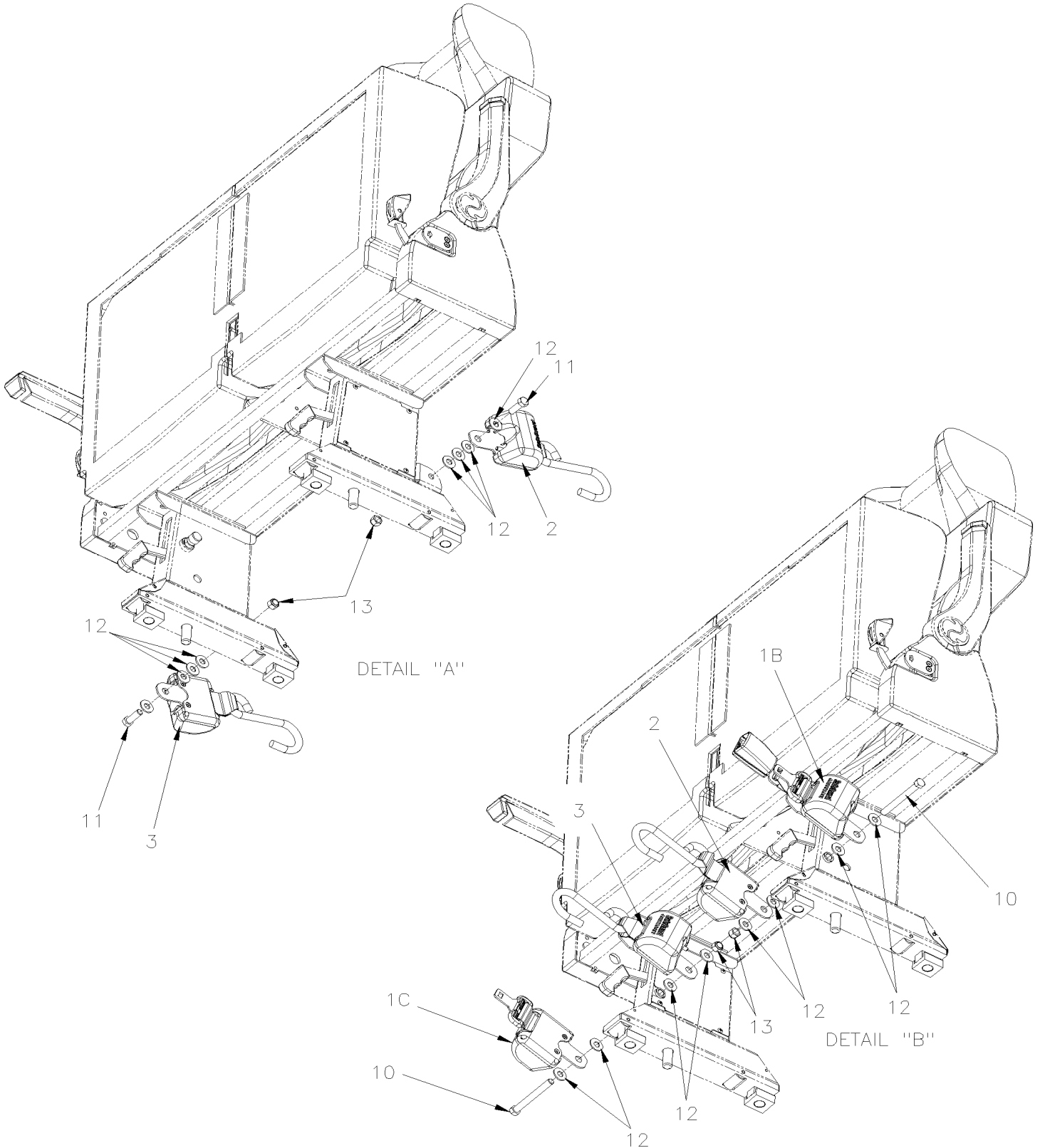


From A-9899

Date:01/2024

PAGE:X3-2370-25

W.C.L. SEAT BELTS "SAFEGUARD" (IMMI)

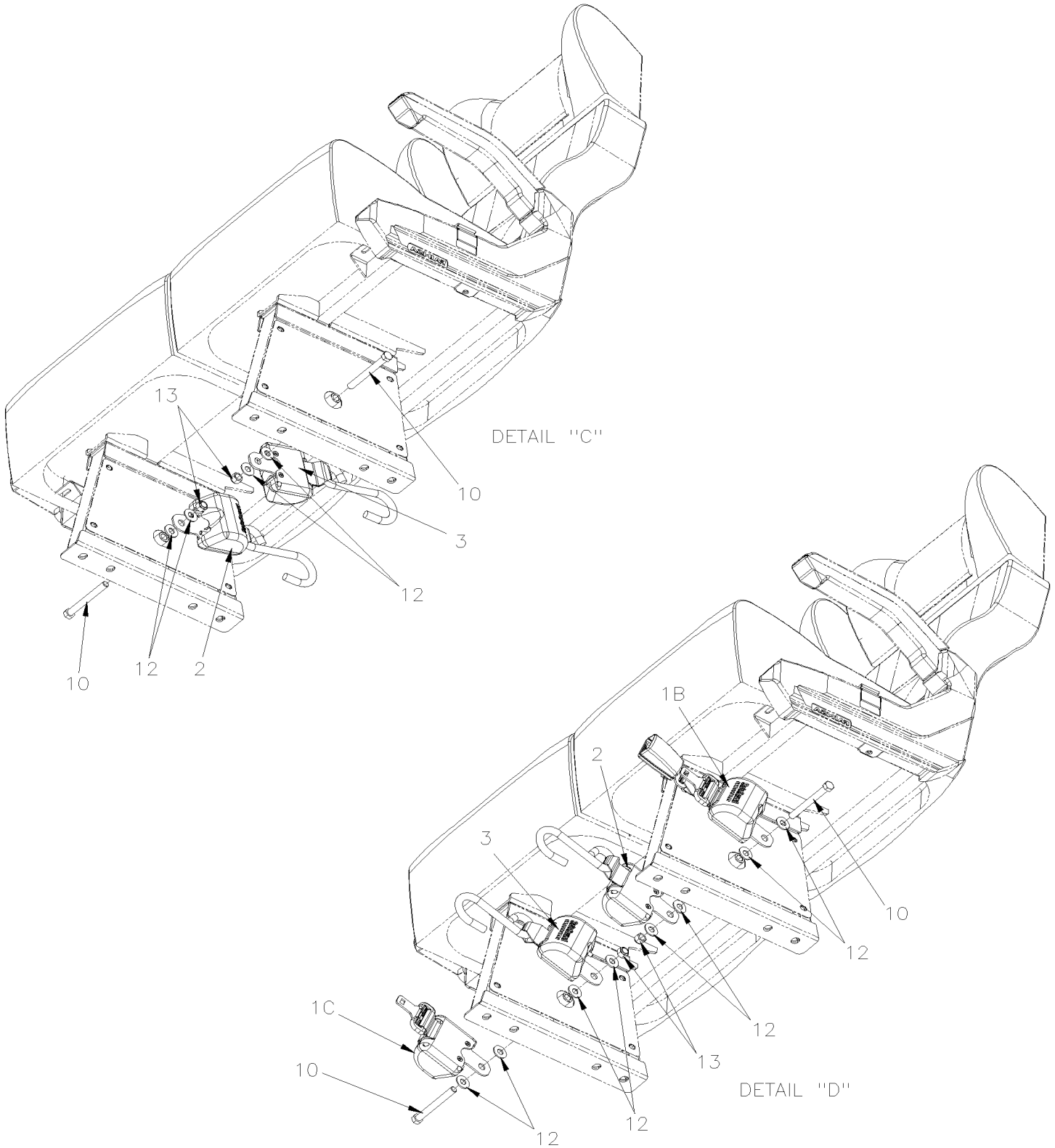


From A-9899

Date:01/2024

PAGE:X3-2370-25

W.C.L. SEAT BELTS "SAFEGUARD" (IMMI)



From A-9899	Date:01/2024	PAGE:X3-2370-25
W.C.L. SEAT BELTS "SAFEGUARD" (IMMI)		

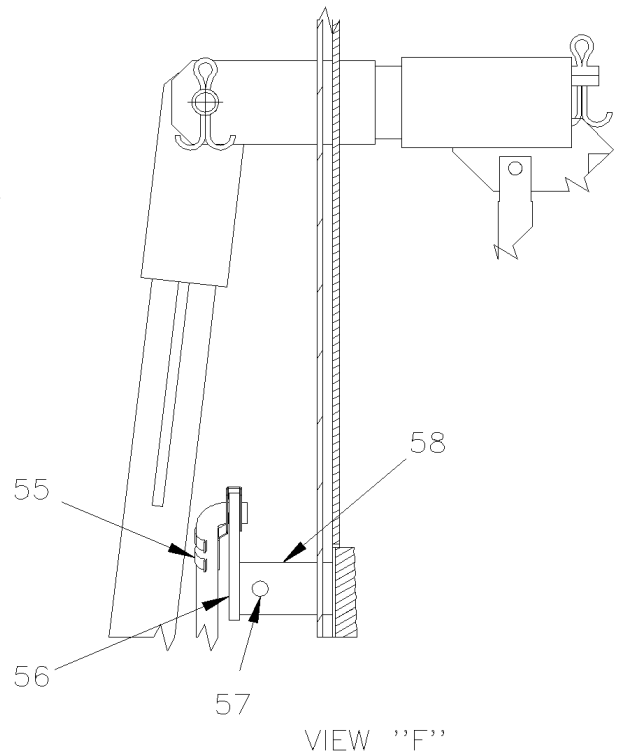
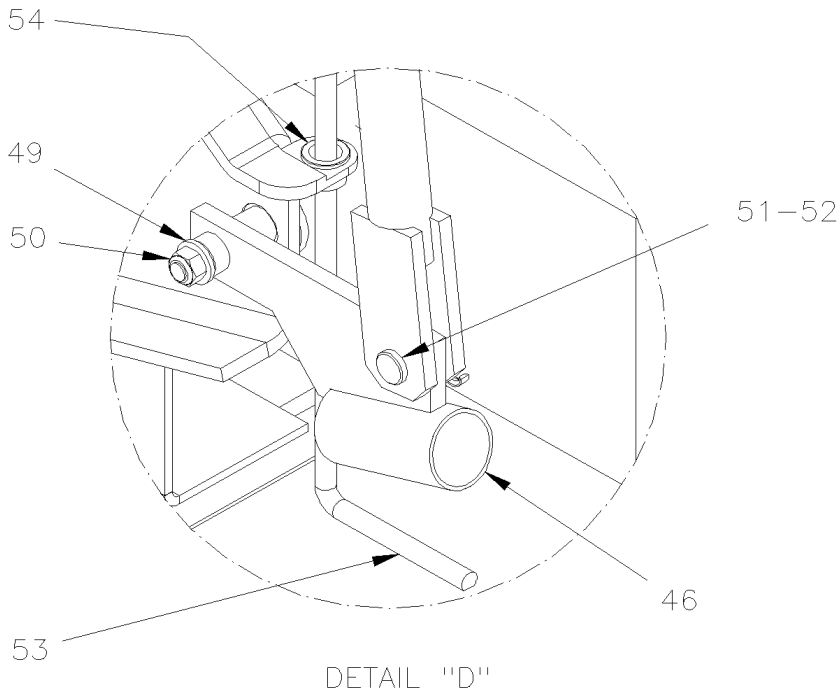
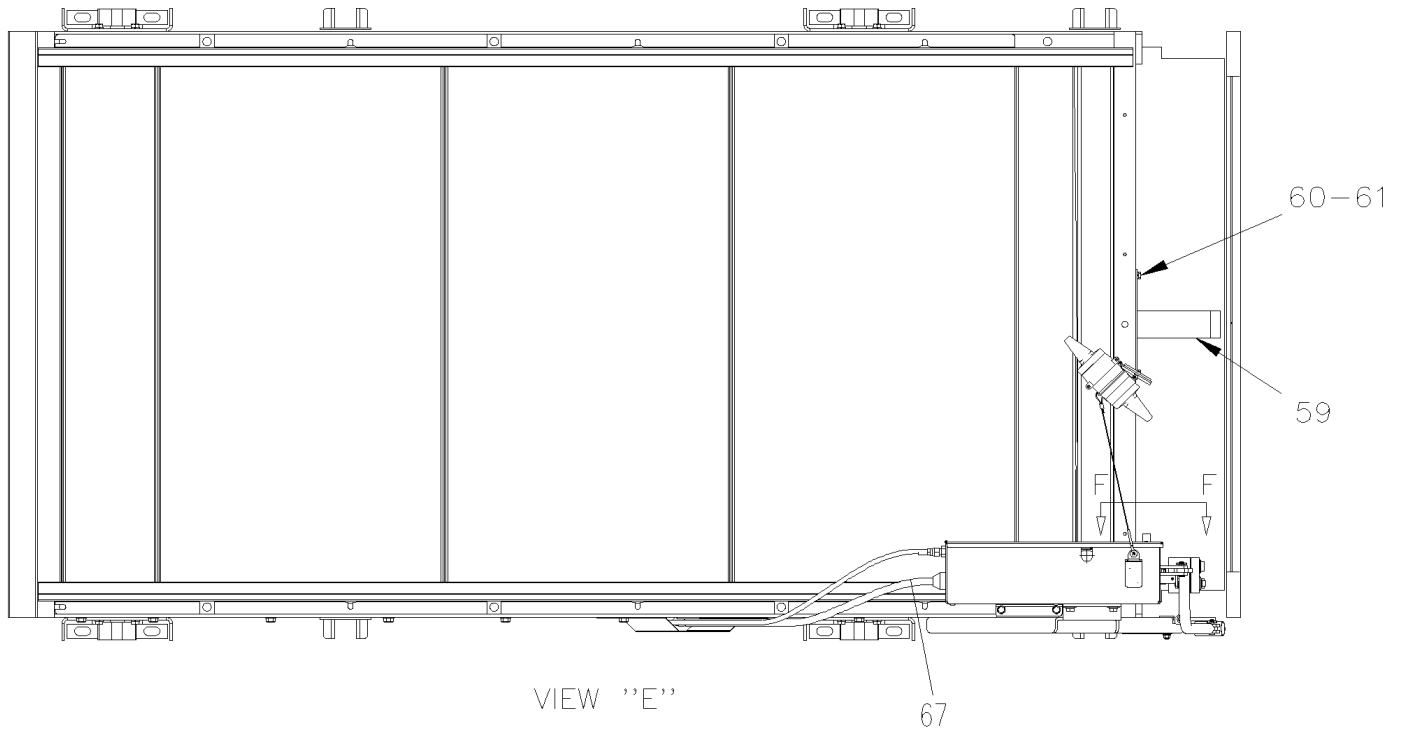
Item#	Part	Description	QTY	Notes
	864013	WHEEL CHAIR TIE-DOWNS, RESTRAINTS	1	
1	864813	. RESTRAINT / WHEELCHAIR OCCUPANT	1	
2	864812	. TIEDOWN / WHEELCHAIR LH	1	
3	864814	. TIEDOWN / WHEELCHAIR RH	1	
10	500688	SCREW CAP HEX 7/16-20x4 G8 N500 PT	AR	
11	500954	SCREW TP OV PH #10x3/4 ZP	AR	
12	500897	WASHER FL .437x1.000x.083 N500	AR	
13	5001734	NUT HEX 7/16-20 G8 N500	AR	
14	866207	RESTRAINT / WHEELCHAIR From C-5105	1	PWT
. NS	864812	. TIEDOWN / WHEELCHAIR LH From C-5105	1	PWT
. NS	864814	. TIEDOWN / WHEELCHAIR RH From C-5105	1	PWT
		PWT) USE WITH PACIFIC WESTERN		

From 7-8754

Date:01/2024

PAGE:X3-2380-00

W.C.L. "RICON" REMOVABLE MODEL "F9TF" & "F9TH"



From 7-8754	Date:01/2024	PAGE:X3-2380-00
W.C.L. "RICON" REMOVABLE MODEL "F9TF" & "F9TH"		

Item#	Part	Description	QTY	Notes
	490891P	REMOVABLE W.C.L. COMPLETE ASSY W/ PUMP BOX ASSY / "F9TF"	1	A
	Call order desk	REMOVABLE W.C.L. COMPLETE ASSY W/ PUMP BOX ASSY / "F9TH" From J-6245	1	P
1	X3-2380-05	. W.C.L. "RICON" REMOVABLE MODEL "F9TF"		
1	X3-2380-06	. W.C.L. "RICON" REMOVABLE MODEL "F9TH" From J-6245		GR
1	491651	DECAL "WHEELCHAIR LIFT MAX LOAD 800LBS./ 363KG" From J-6309	1	GR
2	490971	SLIDING TRACK REMOVABLE R.H. To A-9868	1	
2	491397	SLIDING TRACK REMOVABLE R.H. From A-9869 To A-9909	1	
2	490971	SLIDING TRACK REMOVABLE R.H. From A-9910	1	
3	490990	SLIDING TRACK REMOVABLE L.H. To A-9868	1	
3	491398	SLIDING TRACK REMOVABLE L.H. From A-9869 To A-9909	1	
3	490990	SLIDING TRACK REMOVABLE L.H. From A-9910	1	
4	491017P	BOX ASSY W/POWER PLATE To H-6179	1	
4	Call order desk	BOX ASSY W/POWER PLATE From H-6180	1	P
4	364074	. BOX ASSY To M-6654	1	
4	360088	. BOX ASSY From M-6655	1	
5	066307	. CABLE ASSY / POWER / W.C.L. "RICON" To D-5404	1	
5	068665	. CABLE ASSY / POWER / W.C.L. "RICON" From D-5405 To E-5570	1	
5	068938	. CABLE ASSY / POWER / W.C.L. "RICON" From E-5571 To H-6179	1	
5	060782	. CABLE ASSY / POWER / W.C.L. "RICON" From H-6180 To J-6295	1	
5	069744	. CABLE ASSY / POWER / W.C.L. "RICON" From J-6296	1	
6	563370	. POWER PLATE ASSY "RICON"	1	
7	500518	. SCREW MA BDG PH #4-40x1/2 Z050	8	
8	561823	. NUT, RING #23 / 1.812" I.D. W/4 4-40	1	
9	561820	. NUT, RING #13 / 1.125" I.D. W/4 4-40	1	
10	504498	. BUMPER PLUG / .406ODx.218THx.250HOLEx.125	2	
11	5001180	. NUT HEX NYRT #10-24 SS	5	
12	5001241	. SCREW MA TR PH #10-24x1/2 SS	5	
13	509815	. TIE MOUNT / ATTACHMENT W/TREE MOUNT	6	
14	504637	. CABLE TIE / 3/16" x 13"	11	
15	506338	. RUBBER CHANNEL / 1/16" x 1/4" INT "U" SHAPE / ROUND C.T.L.	AR	
NS	680066	. ADHESIVE / ADBOND #5014 / 23.6ML BOTTLE	AR	
16	504105	. RIVET POP DOME OE 1/8x3/16 AL	2	
17	504203	. SPRING LATCH / KNURLED STEEL KNOB	1	
18	364072P	. CABLE RETAINING ASSY	1	
18	283069	. . CABLE 1/16 DIA. / 565MM LG	1	
18	780341	. . SLEEVE / TO HOLDING CABLE 1/16OD SS	1	
18	504723	. . SPRING HOOK	1	
19	500964	. WASHER FL .203x.500x.047 Z050	1	
20	064792	. DIODE ASSY	1	
. NS	561740	. . DIODE / 3AMPS	1	
. NS	560082	. . RING TERMINAL #10 / 16-14 / INSULATED / AMP 626033-2	1	
. NS	560815	. . RING TERMINAL #10 / 22-18 / INSULATED / AMP 42037-2	1	

From 7-8754		Date:01/2024	PAGE:X3-2380-00
W.C.L. "RICON" REMOVABLE MODEL "F9TF" & "F9TH"			

Item#	Part	Description	QTY	Notes
. NS	562499	. . SHRINK TUBING / .250" - .125" / CLEAR / ALPHA FIT 221-1/4	AR	
21	491009	. ATTACHMENT ASSY	4	
22	491094	SUPPORT PUMP ASSY To D-5422	1	
22	491482	SUPPORT PUMP ASSY From D-5423	1	
23	491008	CARRIER ASSY / W/WHEEL To A-9960	4	AS
23	491228	CARRIER ASSY / W/WHEEL From A-9961 To G-5909	4	
23	491251	CARRIER ASSY / W/WHEEL From G-5910	4	
24	500652	. NUT HEX 1/2-20 SS To A-9960	1	
25	490998	. PLATE SUPPORT To A-9960	1	AS
25	491229	. PLATE SUPPORT ASSY W/AXLE SHAFT From A-9961 To G-5909	1	
25	491252	. PLATE SUPPORT ASSY W/AXLE SHAFT From G-5910	1	
26	490995	. CALIPER To A-9960	1	AS
26	491232	. CALIPER From A-9961	1	
27	990418	. WHEEL / W/"V" GROOVE USE W/SCREW To A-9960	1	AS
27	491233	. WHEEL / W/"V" GROOVE USE W/AXLE SHAFT RIV From A-9961	1	
28	500944	. WASHER LO SPT .506x.873x.125 N500 To A-9960	1	
28	500270	. WASHER FL .406x1.000x.063 SS From A-9961	1	
29	502638	. WASHER FL .312x.734x.065 N500 To A-9960	2	
30	500631	. SCREW SHR HEXS 5/16x3/4 {1/4-20 SS To A-9960	2	
31	491002	DECAL / GAUCHE / LEFT / ENGLISH & FRANCAIS	1	
31	491056	DECAL / LEFT IZQUIERDA / ENGLISH & SPANISH	1	
32	491001	DECAL / DROIT / RIGHT / ENGLISH & FRANCAIS	1	
32	491055	DECAL / RIGHT DERECHA / ENGLISH & SPANISH	1	
33	491013	PLATE PROTECTOR	1	
34	955525	SCREW CAP HEX 5/16-18x1 G5 ZG603	10	
35	500942	WASHER LO SPT 8.1x14.8x2.0 N500	10	
36	500347	SCREW CAP HEX 5/16-18x1 1/4 SS	2	
37	5001448	WASHER FL .343x.875x.062 SS18-8	2	
38	500035	WASHER LO SPT .317x.586x.078 SS	2	
39	955513	SCREW CAP HEX 1/4-20x3/4 G5 ZG603	AR	
40	500877	WASHER FL .250x.562x.065 N500	2	
41	502874	NUT HEX NYRT 1/4-20 N500	10	
42	364031	SPACER	2	
43	900859	BRACKET, MOUNTING / MICROPHONE To F-5759	1	
43	502638	WASHER FL .312x.734x.065 N500	2	
43	502772	SCREW CAP HEX 1/4-20x1/2 G5 N500	2	
43	364381P	REMOTE SUPPORT WCL ASSY From F-5760 To J-6245	1	
44	504379	RIVET POP DOME OE 3/16x1/4 SS To F-5759	2	
45	502638	WASHER FL .312x.734x.065 N500	2	
46	491091	PIVOT ASSY To D-5422	1	
46	491483	PIVOT ASSY From D-5423	1	
47	491087	ARM ASSY To K-6492	1	

From 7-8754		Date:01/2024	PAGE:X3-2380-00
W.C.L. "RICON" REMOVABLE MODEL "F9TF" & "F9TH"			

Item#	Part	Description	QTY	Notes
47	491693	ARM ASSY From L-6493	1	
48	491083	TUBE ASSY	1	
49	500877	WASHER FL .250x.562x.065 N500	1	
50	502681	NUT HEX NYRT M6-1.0 N500 G8	1	
51	502024	PIN, CLEVIS 5/16 x 13/16 BZC	2	
52	502102	PIN, COTTER 1/8 x 1	3	
53	491097	ROD	1	
54	504226	SNAP BUSHING / .391x.578x.406	1	
55	504243	CLIP ROD 1/4" L.H.	1	
56	491100	PIVOT	1	
57	505420	SPRING, PIN M4.5 x 20	1	
58	491101	UNION	1	
59	491102	GUIDE To E-5759	1	
59	491489	GUIDE From F-5760	1	
60	502772	SCREW CAP HEX 1/4-20x1/2 G5 N500	AR	
61	502853	WASHER LO SPT 6.1x11.8x1.6 N500	2	
62	990417	PANEL FIBERGLASS / OVER W.C.L. "RICON" / 1000MM X 1940MM To A-9868	1	
62	484134	PANEL FIBERGLASS / OVER W.C.L. "RICON" / 1000MM X 1940MM From A-9869 To A-9909	1	
62	484144	PANEL FIBERGLASS / OVER W.C.L. "RICON" / 1000MM X 1940MM From A-9910	1	
62	480058	PANEL FIBERGLASS / OVER W.C.L. "RICON" / 1000MM X 1940MM From G-6100	1	GR
63	502903	SCREW TC FL PH #10-24x1 1/4 N500	2	
63	5001869	WASHER FL .343x.750x.12 SS	2	
64	5001538	SCREW CAP HEXF SERR M12-1.75x50 G500	8	
65	500944	WASHER LO SPT .506x.873x.125 N500	8	
66	5001568	NUT PUSH RND M12 ZP	8	
67	864071	HARNESS, ELECTRICAL, MAIN, W/HYDRAULIC LINE	1	
68	360035	REMOTE CONTROL HOLDER From J-6245	1	
69	500356	WASHER LO SERR 6.1x16.0x0.9 N500 From J-6245	AR	
70	490988P	TRANSPORTER JACK ASSY L.H.	2	
70	490989P	TRANSPORTER JACK ASSY R.H.	2	
71	990416	. JACK	1	
72	503399	. U-CLAMP / 2" I.D. X 1/4-20	1	
73	500769	. NUT HEX 1/4-20 Z050	2	
NS	500441	. WASHER FL .312x.734x.065 Z050	2	
NS	500473	. WASHER LO SPT .262x.489x.062 Z050	2	
74	508394	. GLIDE SQUARE END 1.5 X 1.5 TUBE 14GA / P	1	
75	490981	. SUPPORT JACK L.H.	1	
75	490982	. SUPPORT JACK R.H.	1	
76	5001862	. SCREW CAP HEX M12-1.75x70 G10.9 N500	2	
77	500860	. NUT HEX M12-1.75 Z050	2	
NS	500958	. WASHER FL .531x1.062x.095 SS	4	

From 7-8754	Date:01/2024	PAGE:X3-2380-00
W.C.L. "RICON" REMOVABLE MODEL "F9TF" & "F9TH"		

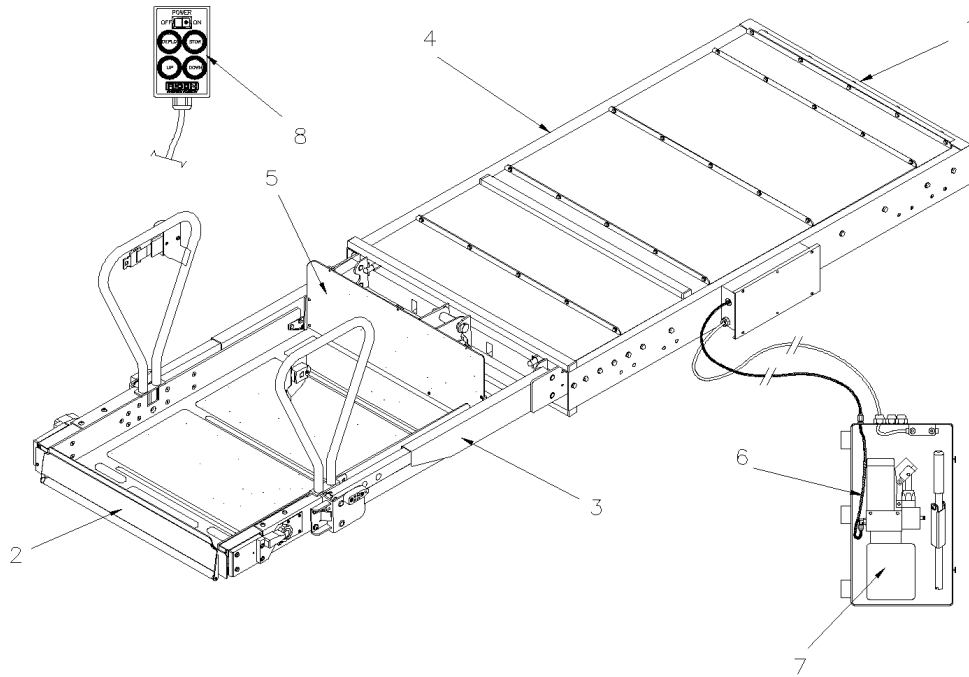
Item#	Part	Description	QTY	Notes
78	502559	. SCREW CAP HEX M10-1.5x25 G8.8 Z050	3	
79	502644	. WASHER FL 10.5x30.0x2.5 Z050	3	
80	500680	. NUT HEX STO M10-1.5 Z050	3	
81	491002	. DECAL / GAUCHE / LEFT / ENGLISH & FRANCAIS	1	
81	491056	. DECAL / LEFT IZQUIERDA / ENGLISH & SPANISH	1	
82	491001	. DECAL / DROIT / RIGHT / ENGLISH & FRANCAIS	1	
82	491055	. DECAL / RIGHT DERECHA / ENGLISH & SPANISH	1	
90	215857	TRACK ANGULAR ASSY W.C.L. BACKWARD To A-9946	1	
90	218232	TRACK ANGULAR ASSY W.C.L. BACKWARD From A-9947	1	
91	215318	TRACK ANGULAR ASSY W.C.L. FORWARD To A-9946	1	
91	218234	TRACK ANGULAR ASSY W.C.L. From A-9947	1	
NS	215861	TRACK BASE W.C.L. FORWARD UNDER FLOOR To A-9946	1	
NS	218229	TRACK BASE W.C.L. FORWARD UNDER FLOOR From A-9947	1	
92	069065	JUMPER, WCL LIGHTING From E-5676	1	
NS	Call order desk	POWER CABLE, SYS. WCL RICON X3-45	1	P
NS	Call order desk	CABL.& ACCESS WCL RICON INST X3-45	1	P
100	X3-2380-60	W.C.L. "RICON" - PUMP INSTALLATION MODEL "F9TF"		
100	X3-2380-61	W.C.L. "RICON" - PUMP INSTALLATION MODEL "F9TH" From J-6245	1	GR
		A) DO NOT INCLUDED TRANSPORTER JACK L.H. & R.H.		
		AS) AS SHOWN		
		GR) WITH "GREYHOUND" OPTION		
		P) CALL ORDER DESK FOR SPECIFIC APPLICATION (V.I.N.)		

From 7-8754

Date:01/2024

PAGE:X3-2380-05

W.C.L. "RICON" REMOVABLE MODEL "F9TF"



DECALS AFFIXED TO VEHICLE

LIFT OPERATING INSTRUCTIONS, ENTRY AND EXIT ENTRY-32159, EXIT-32160

LIFT OPERATING INSTRUCTIONS, ENTRY AND EXIT, FOR LIFTS WITH A STOP AT INTERMEDIATE HEIGHT ENTRY-32154, EXIT-32155

NO PARKING (26119)

MANUAL OPERATING INSTRUCTIONS (19551)

MANUAL OPERATING INSTRUCTIONS - ENGLISH-FRENCH (29254)

PLATFORM STOW HEIGHT PLATFORM STOW HEIGHT (19550)

TWS WARNING (31997)

RAISE & LOWER HANDRAILS INSTRUCTION 33095

ECLIPSE/MIRAGE PATENT NOS. 32-10-170

UPPER PART OF SERIAL NUMBER DECAL (ONLY RICON REPLACEABLE)

WARNING IMPROPER USE 26217

RICON RICON LOGO 32-10-158

(BOTH SIDES) UNLOCK PLATFORM INSTRUCTION - CW 19520

(BOTH SIDES) UNLOCK PLATFORM INSTRUCTION - CCW 19524

MANUAL ROLLSTOP OPERATION (26207)

MAXIMUM LOAD 26213

(FAR SIDE) RESTRAINT BELT CAUTION 26155

DOT - PUBLIC USE (BOTH SIDES) 32113

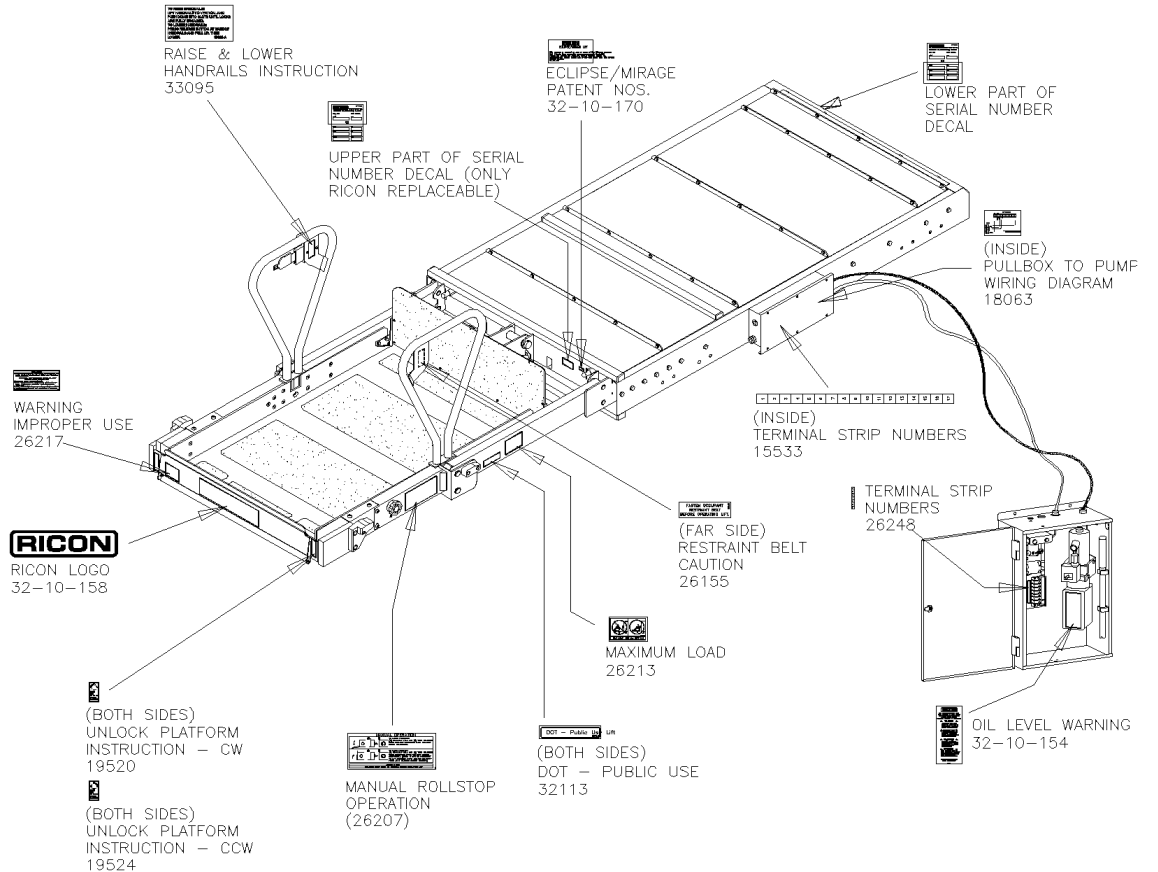
LOWER PART OF SERIAL NUMBER DECAL

(INSIDE) PULLBOX TO PUMP WIRING DIAGRAM 18063

(INSIDE) TERMINAL STRIP NUMBERS 15533

TERMINAL STRIP NUMBERS 26248

OIL LEVEL WARNING 32-10-154



From 7-8754	Date:01/2024	PAGE:X3-2380-05
-------------	--------------	-----------------

W.C.L. "RICON" REMOVABLE MODEL "F9TF"

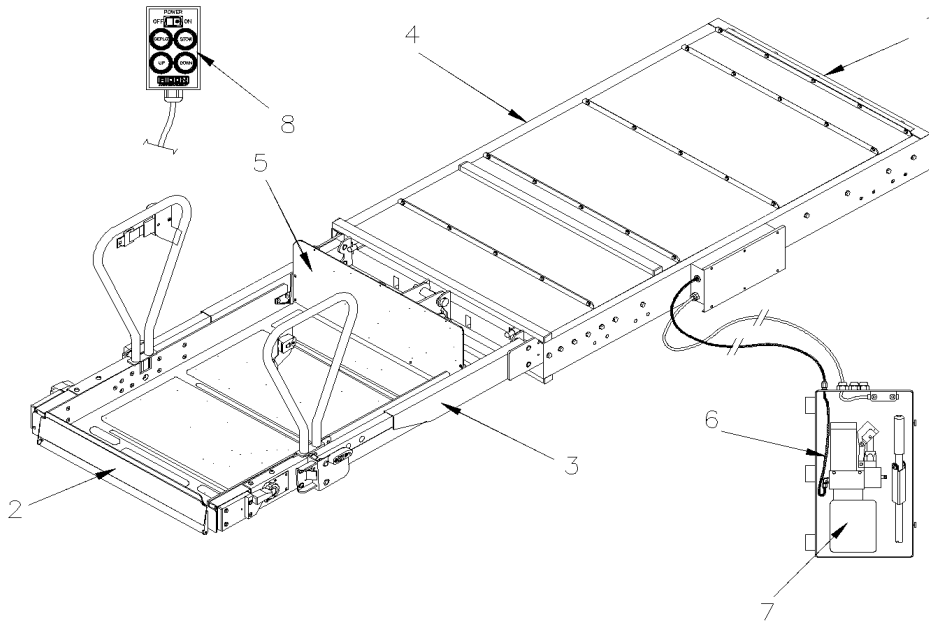
Item#	Part	Description	QTY	Notes
	862662	W.C.L. "RICON" - F9TF-DE004 To D-5299	1	
	864798	W.C.L. "RICON" - F9TF-DE019 From D-5300 To D-5452	1	
	864809	W.C.L. "RICON" - F9TF-DE022 From D-5453	1	
	864798	W.C.L. "RICON" - F9TF-DE019 OPTION From D-5453	1	A
1	X3-2380-10	. W.C.L. "RICON" - LIFT ENCLOSURE ASSY MODEL "F9TF"		
2	X3-2380-20	. W.C.L. "RICON" - PLATFORM ASSY MODEL "F9TF"		
3	X3-2380-30	. W.C.L. "RICON" - TRAVELING FRAME ASSY MODEL "F9TF"		
4	X3-2380-40	. W.C.L. "RICON" - CARRIAGE ASSY MODEL "F9TF"		
5	X3-2380-50	. W.C.L. "RICON" - BRIDGE PLATE ASSY MODEL "F9TF"		
6	X3-2380-60	. W.C.L. "RICON" - PUMP INSTALLATION MODEL "F9TF"		
7	X3-2380-65	. . W.C.L. "RICON" - PUMP ASSY MODEL "F9TF"		
8	862986	PENDANT, W/COILED CORD	1	
8	865106	PENDANT, W/COILED CORD / WATERPROOTF	1	
NS	509815	TIE MOUNT / ATTACHMENT W/TREE MOUNT	1	
NS	504637	CABLE TIE / 3/16" x 13"	1	
8	862987	HARNESS PENDANT EXTENSION, PULLBOX TO PENDANT	1	
8	862988	HARNESS, TWS INTERFACE, W/PCB	1	
NS	862989	CYCLE COUNTER	1	
NS	19514002	ROLLSTOP ADJ. TOOL	1	
NS	19514003	BRIDGEPLATE HGT GAUGE TOOL	1	
		A) TO USE WITH NUT 1 3/8" THICK (610774) / DRIVE		

From J-6245

Date:01/2024

PAGE:X3-2380-06

W.C.L. "RICON" REMOVABLE MODEL "F9TH"



DECALS AFFIXED TO VEHICLE

LIFT OPERATING INSTRUCTIONS, ENTRY AND EXIT
ENTRY-32159, EXIT-32160

LIFT OPERATING INSTRUCTIONS, ENTRY AND EXIT, FOR LIFTS WITH A STOP AT INTERMEDIATE HEIGHT
ENTRY-32154, EXIT-32155

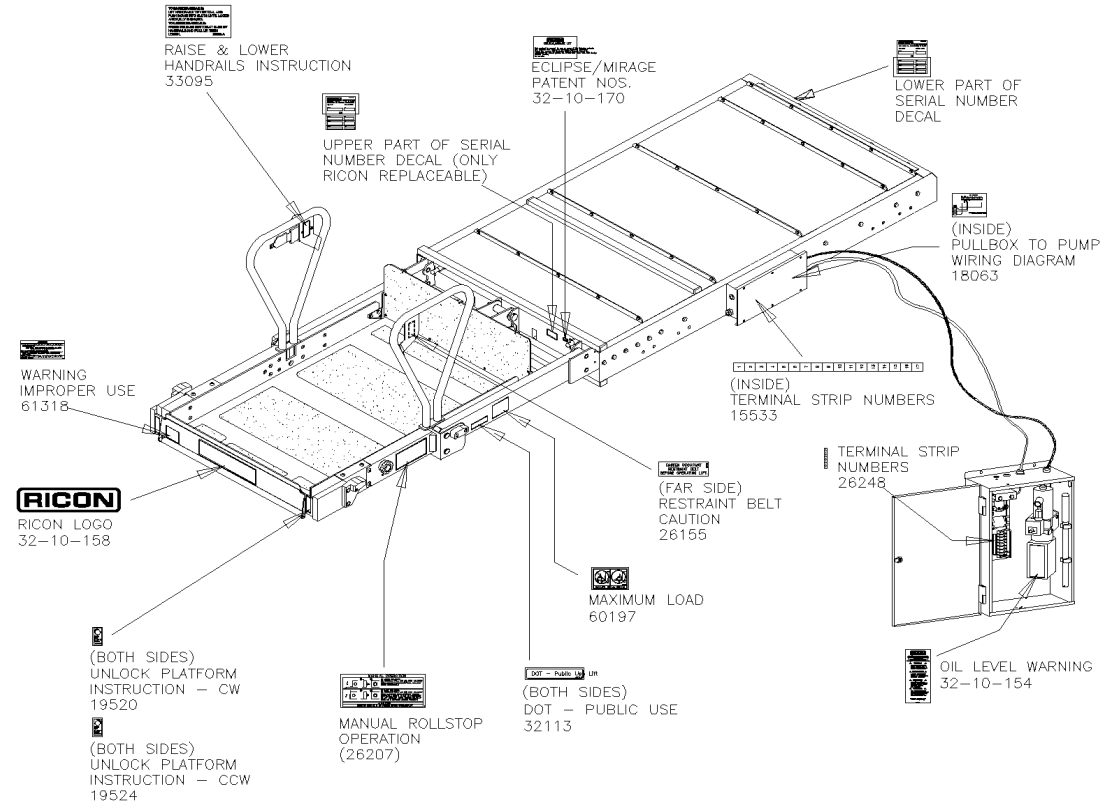
NO PARKING
(26119)

MANUAL OPERATING INSTRUCTIONS - ENGLISH-FRENCH
(19551)

MANUAL OPERATING INSTRUCTIONS - ENGLISH-FRENCH
(29254)

PLATFORM STOW HEIGHT
PLATFORM STOW HEIGHT
(19550)

TWS WARNING
(31997)



From J-6245		Date:01/2024	PAGE:X3-2380-06
W.C.L. "RICON" REMOVABLE MODEL "F9TH"			

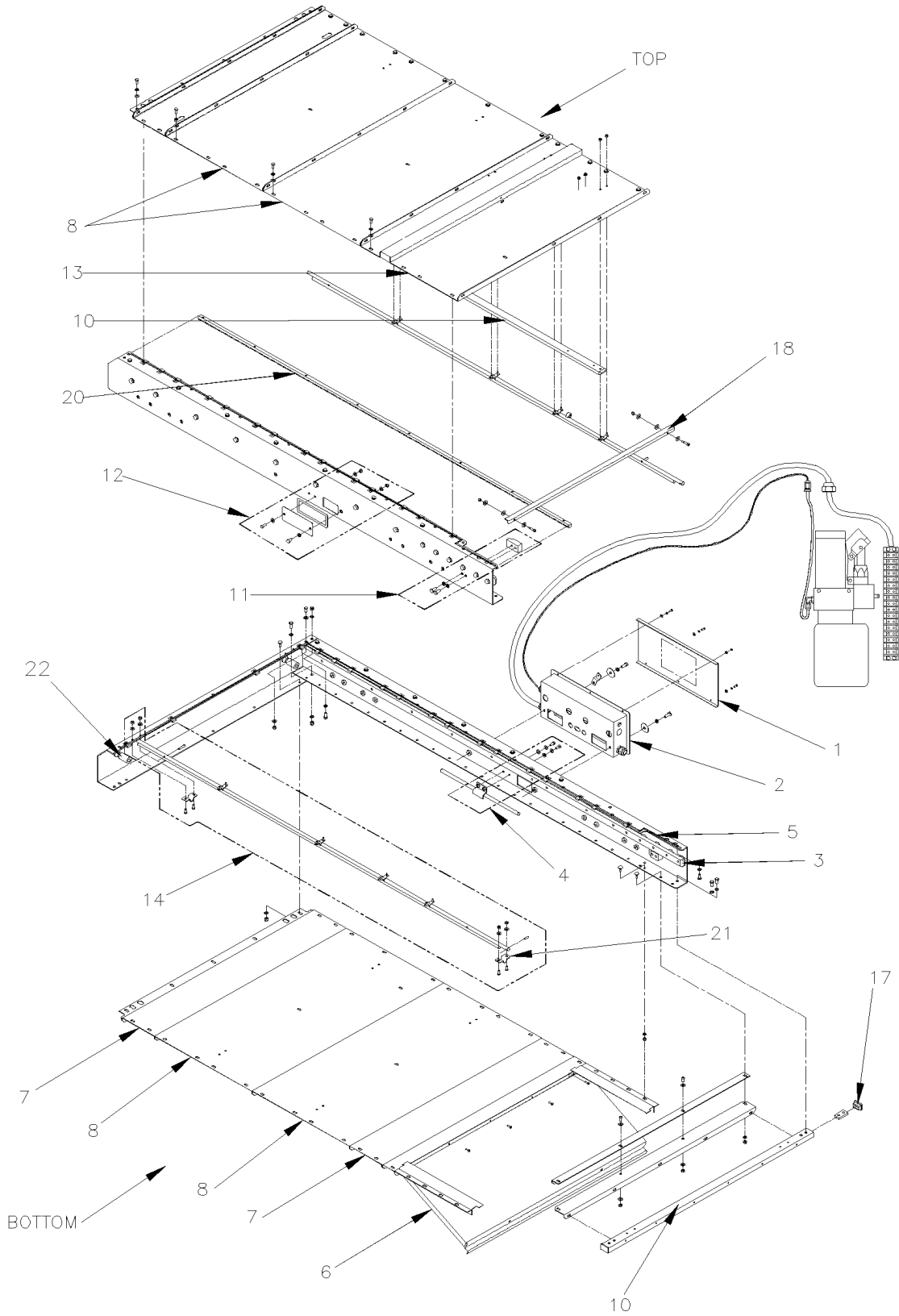
Item#	Part	Description	QTY	Notes
	860107	W.C.L. "RICON" - F9TH-DE035	1	A
	491651	DECAL "WEELCHAIR LIFT MAX LOAD 800LBS./ 363KG"	1	
1	X3-2380-11	. W.C.L. "RICON" - LIFT ENCLOSURE ASSY MODEL "F9TH"		
2	X3-2380-21	. W.C.L. "RICON" - PLATFORM ASSY MODEL "F9TH"		
3	X3-2380-31	. W.C.L. "RICON" - TRAVELING FRAME ASSY MODEL "F9TH"		
4	X3-2380-41	. W.C.L. "RICON" - CARRIAGE ASSY MODEL "F9TH"		
5	X3-2380-51	. W.C.L. "RICON" - BRIDGE PLATE ASSY MODEL "F9TH"		
6	X3-2380-61	. W.C.L. "RICON" - PUMP INSTALLATION MODEL "F9TH"		
7	X3-2380-66	. . W.C.L. "RICON" - PUMP ASSY MODEL "F9TH"		
8	862986	PENDANT, W/COILED CORD	1	
8	865106	PENDANT, W/COILED CORD / WATERPROOTF	1	
NS	509815	TIE MOUNT / ATTACHMENT W/TREE MOUNT	1	
NS	504637	CABLE TIE / 3/16" x 13"	1	
8	862987	HARNESS PENDANT EXTENSION, PULLBOX TO PENDANT	1	
8	862988	HARNESS, TWS INTERFACE, W/PCB	1	
NS	862989	CYCLE COUNTER	1	
NS	19514002	ROLLSTOP ADJ. TOOL	1	
NS	19514003	BRIDGEPLATE HGT GAUGE TOOL	1	
		A) THIS WHEEL CHAIR LIFT HAVE A SENSOR FULLY OPEN DOOR		

From 7-8754

Date:01/2024

PAGE:X3-2380-10

W.C.L. "RICON" - LIFT ENCLOSURE ASSY MODEL "F9TF"

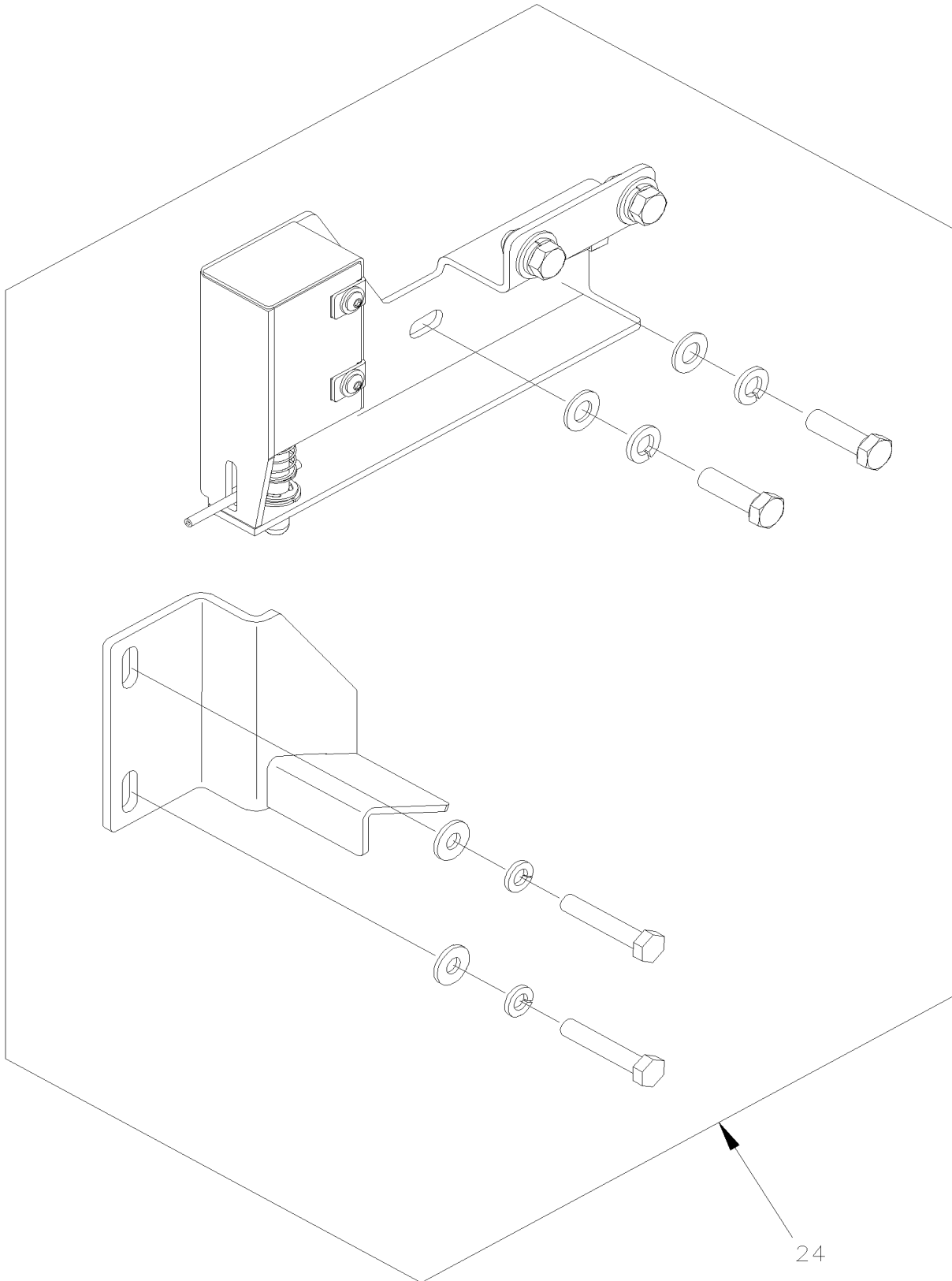


From 7-8754

Date:01/2024

PAGE:X3-2380-10

W.C.L. "RICON" - LIFT ENCLOSURE ASSY MODEL "F9TF"



From 7-8754	Date:01/2024	PAGE:X3-2380-10
W.C.L. "RICON" - LIFT ENCLOSURE ASSY MODEL "F9TF"		

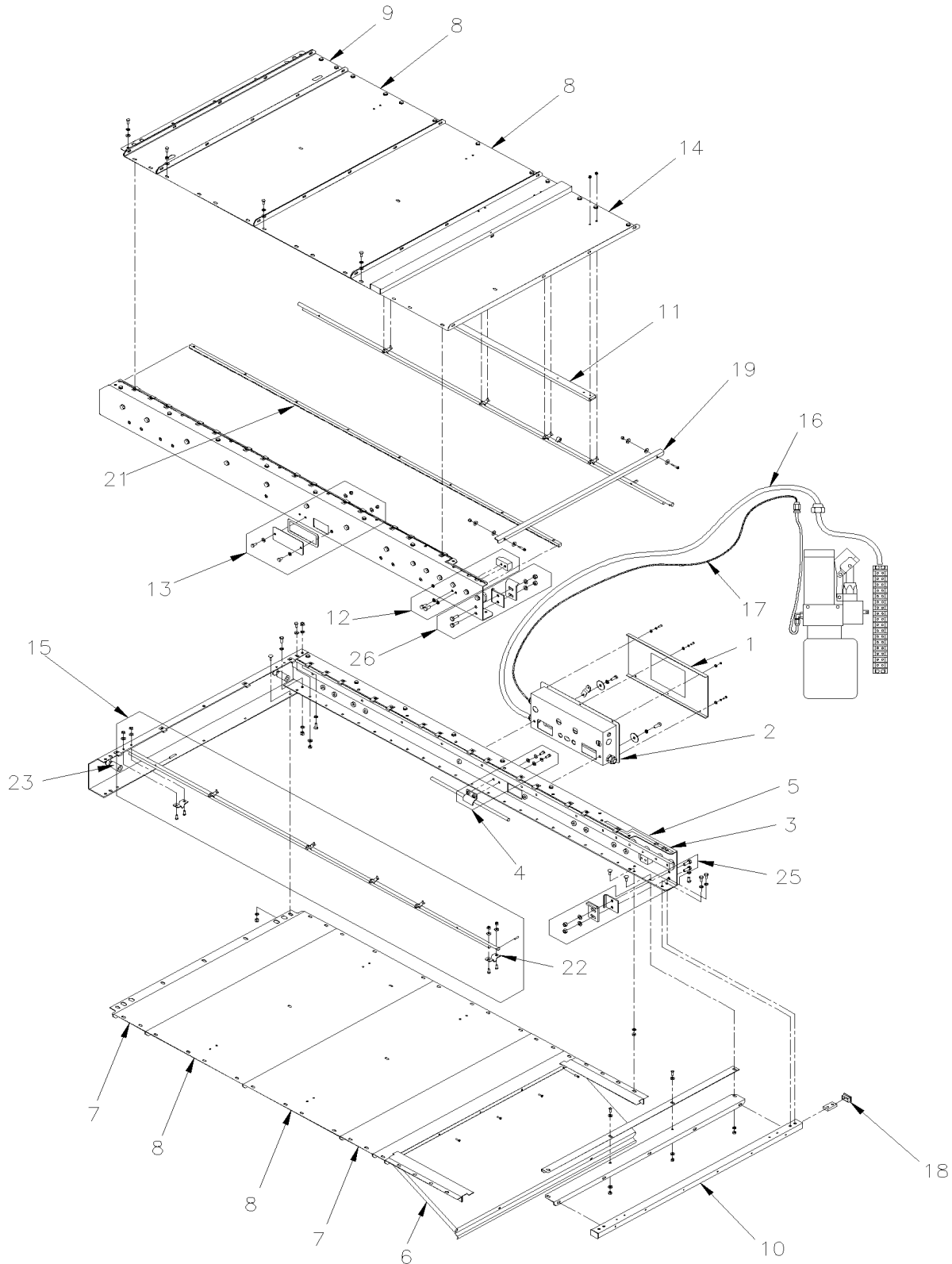
Item#	Part	Description	QTY	Notes
1	862991	KIT, PULLBOX COVER	1	
2	862992	PULLBOX ASSY	1	
3	862999	RAIL, CARRIAGE GUIDE	2	
4	862994	KIT, HOSE CLAMP	1	
5	19509886	WEATHERSTRIP	1	
6	862995	KIT, SERVICE ACCESS PANEL	1	
7	19509867	KIT, ENCLOSURE COVER, 6.6" W/HDWR	2	
8	862997	KIT, ENCLOSURE COVER, 19.98"	2	
10	862998	TUBE, FORWARD CROSSMEMBER	1	
11	863000	KIT, STOP BLOCK	2	
12	863001	KIT, BLOCK-OFF PLATE	1	
13	863002	KIT, ENCLOSURE COVER, LINKAGE	1	
14	863003	KIT, PLATFORM RELEASE SHAFT / LH	2	
17	863004	PLUG, RECTANGULAR, 1.0 X 1.5, NYLON, BLACK	4	
18	868231	TIE BAR, PLATFORM RELEASE SHAFTS	1	
20	863006	GEAR RACK	2	
21	863007	BRACKET, PLATFORM RELEASE SHAFT	4	
22	863008	BUMPER, CARRIAGE STOP	2	
24	865037	KIT, STOW LOCK From D-5300 To D-5452	1	
24	865081	KIT, STOW LOCK From D-5453	1	
24	864955	. SOLENOID / STOW LOCK From D-5300	1	
24	Call order desk	. BRACKET / STOW LOCK From D-5300 To D-5452	1	P
24	Call order desk	. BRACKET / STOW LOCK From D-5453	1	P
		P) CALL ORDER DESK FOR SPECIFIC APPLICATION (V.I.N.)		

From J-6245

Date:01/2024

PAGE:X3-2380-11

W.C.L. "RICON" - LIFT ENCLOSURE ASSY MODEL "F9TH"

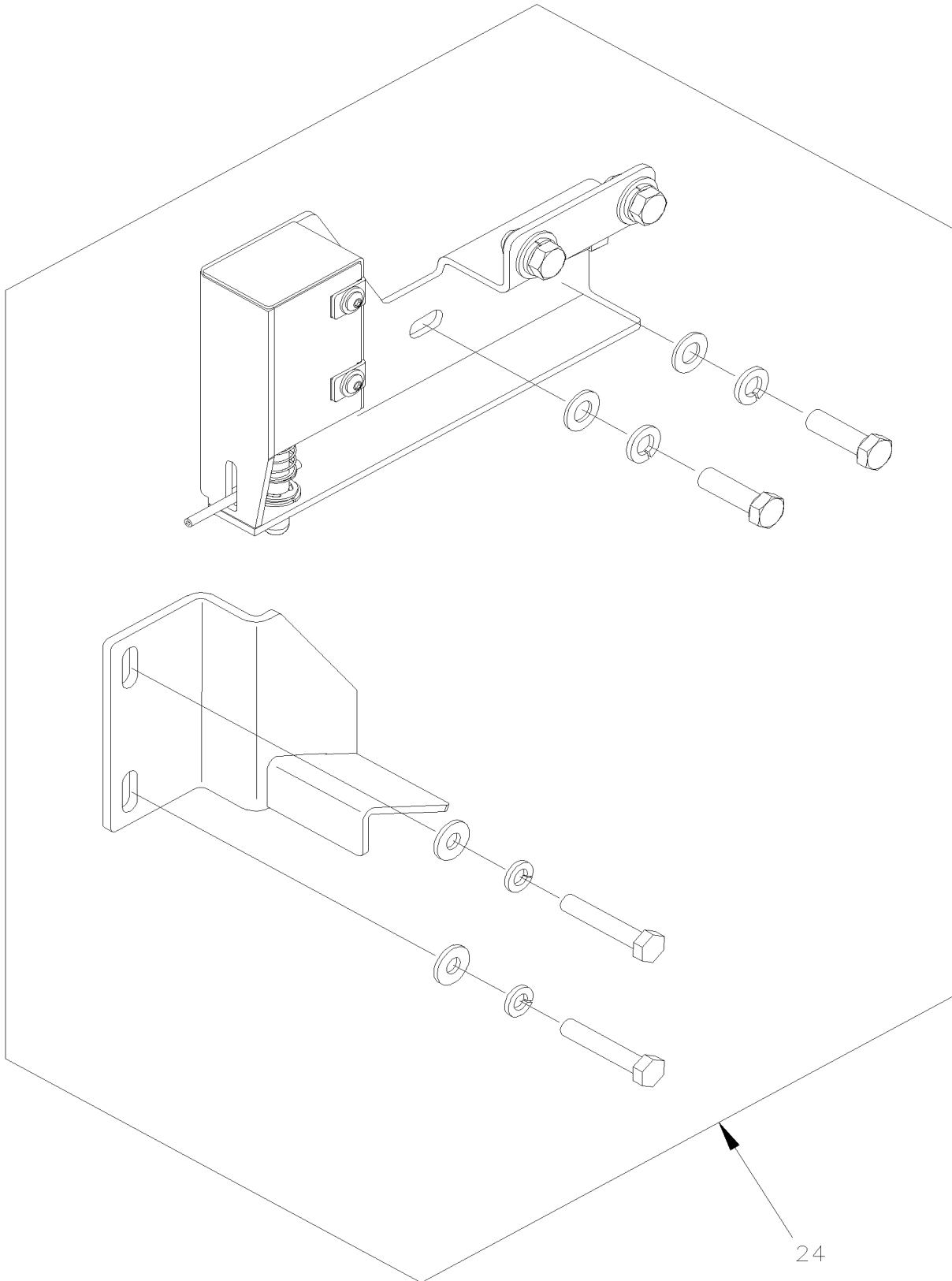


From J-6245

Date:01/2024

PAGE:X3-2380-11

W.C.L. "RICON" - LIFT ENCLOSURE ASSY MODEL "F9TH"



24

From J-6245	Date:01/2024	PAGE:X3-2380-11
W.C.L. "RICON" - LIFT ENCLOSURE ASSY MODEL "F9TH"		

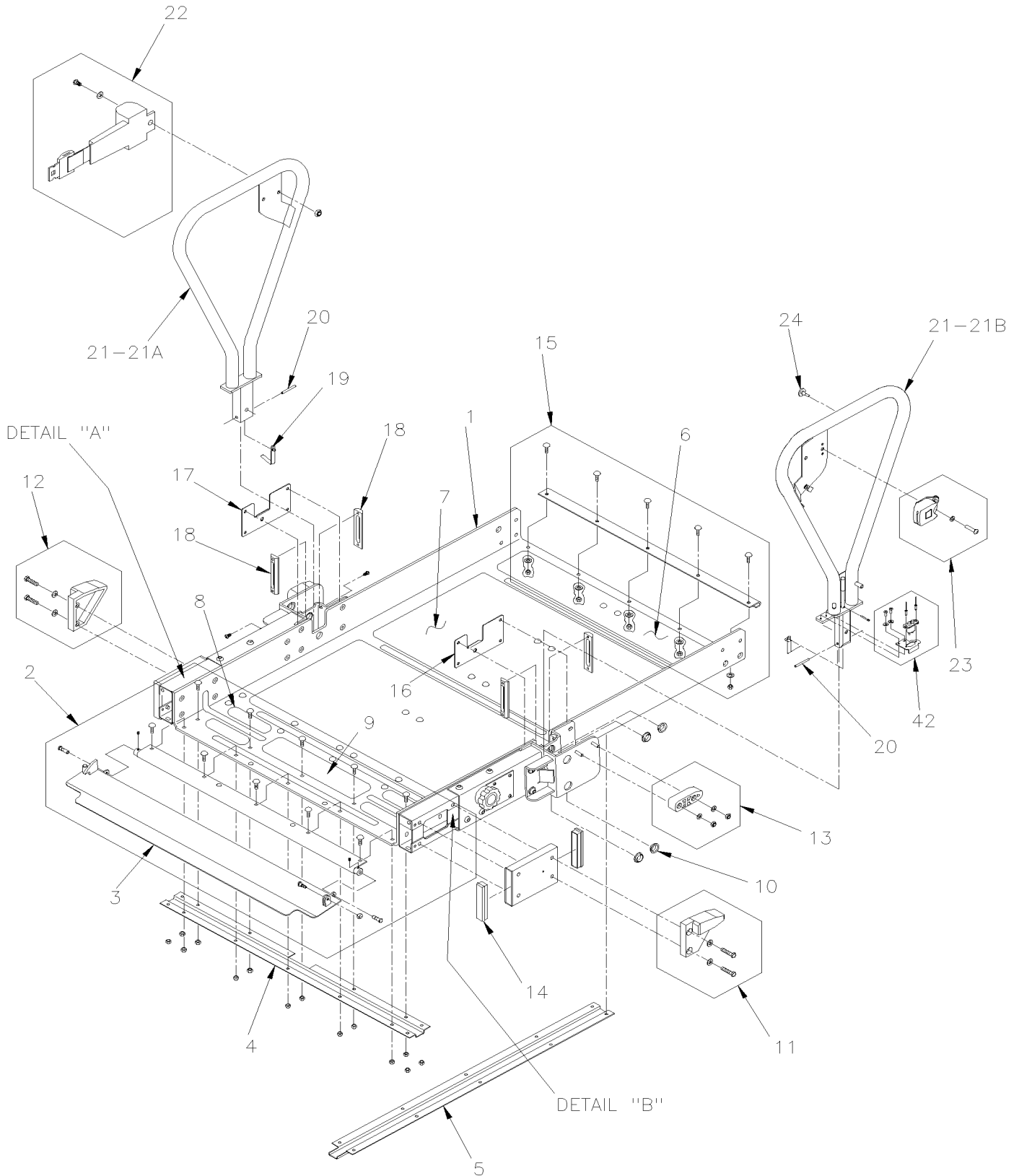
Item#	Part	Description	QTY	Notes
1	862991	KIT, PULLBOX COVER	1	
2	862992	PULLBOX ASSY	1	
3	862999	RAIL, CARRIAGE GUIDE	2	
4	862994	KIT, HOSE CLAMP	1	
5	19509886	WEATHERSTRIP	1	
6	868223	KIT, SERVICE ACCESS PANEL	1	
7	868224	KIT, ENCLOSURE COVER, 6.6" W/HDWR	2	
8	868225	KIT, ENCLOSURE COVER, 19.98"	4	
9	868226	KIT, ENCLOSURE COVER, 6.6" W/HDWR	1	
10	868227	TUBE, FORWARD CROSSMEMBER	1	
11	862999	RAIL, CARRIAGE GUIDE	1	
12	863000	KIT, STOP BLOCK	2	
13	863001	KIT, BLOCK-OFF PLATE	1	
14	868228	KIT, ENCLOSURE COVER, LINKAGE	1	
15	863003	KIT, PLATFORM RELEASE SHAFT / LH	2	
16	868229	HARNESS, STOP POSITION PROGRAMMING SW		
17	863004	PLUG, RECTANGULAR, 1.0 X 1.5, NYLON, BLACK	4	
18	868230	CAP RECTANGLE / BLACK	4	
19	868231	TIE BAR, PLATFORM RELEASE SHAFTS	1	
21	863006	GEAR RACK	2	
22	863007	BRACKET, PLATFORM RELEASE SHAFT	4	
23	863008	BUMPER, CARRIAGE STOP	2	
24	868232	KIT, STOW LOCK	1	
25	868233	KIT REINFORCEMENT, ENLOCSURE RH	1	
26	868234	KIT REINFORCEMENT, ENLOCSURE LH	1	

From 7-8754

Date:01/2024

PAGE:X3-2380-20

W.C.L. "RICON" - PLATFORM ASSY MODEL "F9TF"

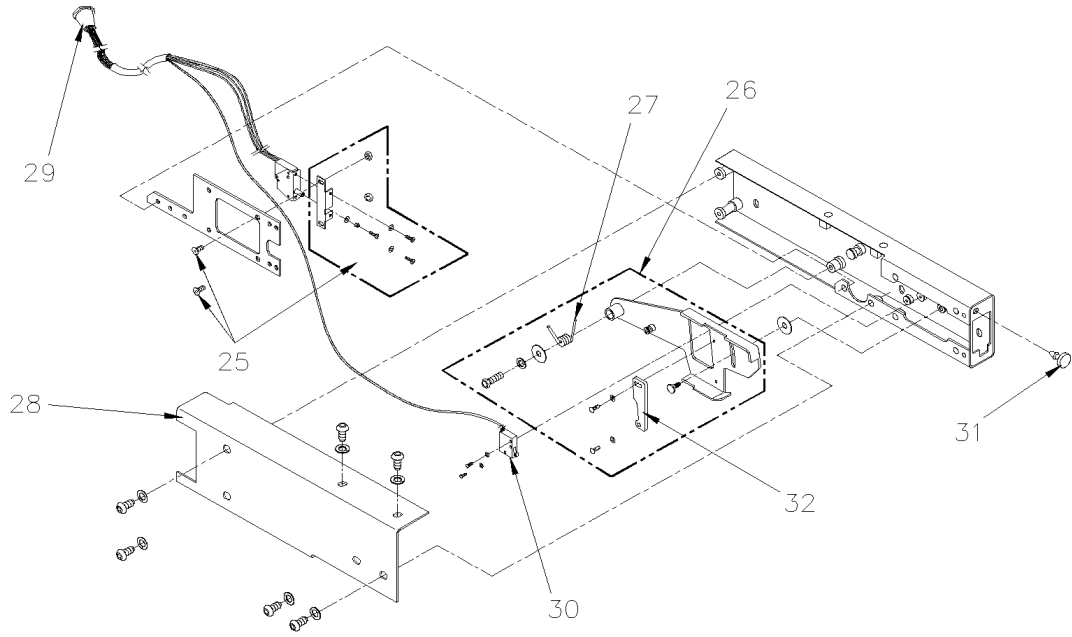


From 7-8754

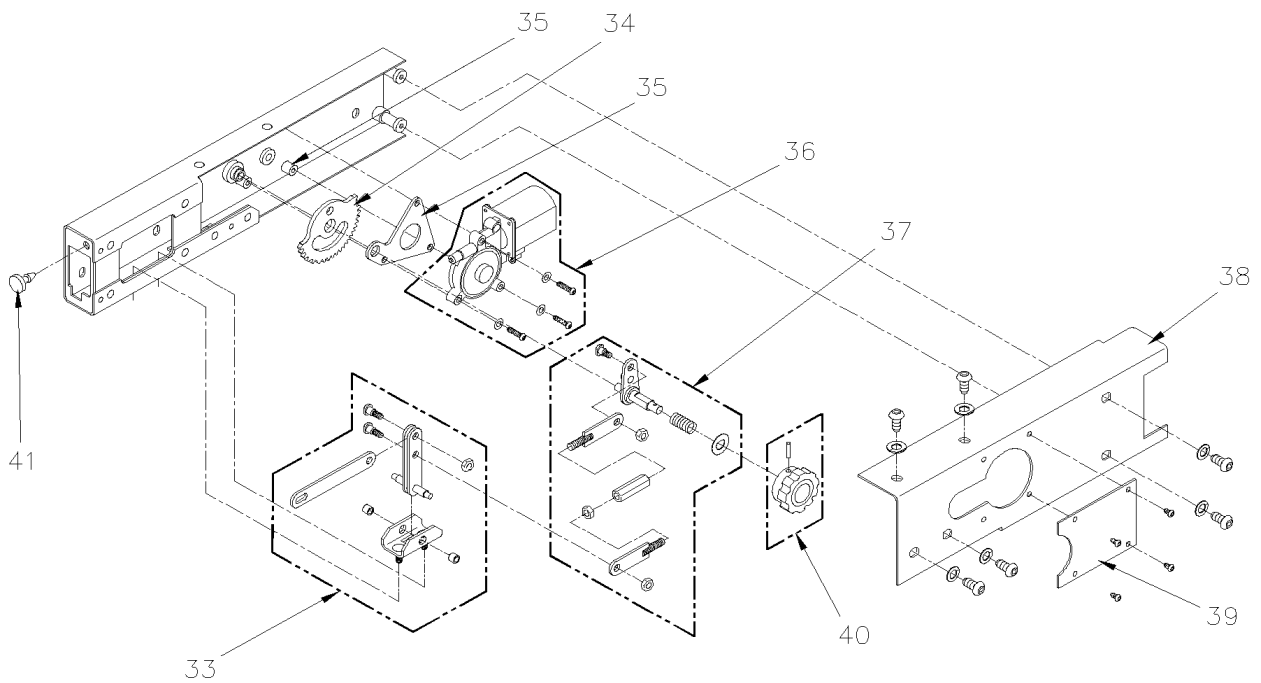
Date:01/2024

PAGE:X3-2380-20

W.C.L. "RICON" - PLATFORM ASSY MODEL "F9TF"



DETAIL A



DETAIL B

From 7-8754	Date:01/2024	PAGE:X3-2380-20
W.C.L. "RICON" - PLATFORM ASSY MODEL "F9TF"		

Item#	Part	Description	QTY	Notes
1	865627	PLATFORM	1	
2	863010	KIT, ROLLSTOP ASSEMBLY	1	
3	Call order desk	ROLLSTOP, PAINTED To D-5299	1	P
3	865634	ROLLSTOP, PAINTED From D-5300	1	
4	865628	STIFFENER & HARNESS CONDUIT, NOTCHED	1	
5	865629	HARNESS CONDUIT, FRONT TO REAR	1	
6	863014	SAFETREAD, 3.0 X 31.0, YELLOW	1	
7	863015	SAFETREAD, 16.0 X 31.0, GRAY	1	
8	863016	SAFETY TREAD / 12.75x3.0 / SAFETY YELLOW	1	
9	863017	SAFETY TREAD / 5.5x1.5 / SAFETY YELLOW	4	
10	863018	BEARING, FLANGED, 3/4I.D. X 1/4W	1	
11	862114	BLOCK / PLAFORM GUIDE / RH	1	
12	862115	BLOCK / PLAFORM GUIDE / LH	1	
13	863019	KIT, PLATFORM GUIDE, REAR	2	
14	863020	CAP, RECTANGULAR, SNAP-IN	4	
15	863021	KIT, STIFFENER, PLATFORM, REAR	1	
16	865630	PLATE, PIN LOCK, RH To FORMER	1	
16	860098	PLATE, PIN LOCK From CURRENT	1	
17	865631	PLATE, PIN LOCK, LH To FORMER	1	
17	860098	PLATE, PIN LOCK From CURRENT	1	
18	863024	HANDRAIL GUIDE	4	
19	863618	BUTTON, HANDRAIL LOCK	2	
20	863026	PIN, HANDRAIL PIVOT	2	
21	864222	HANDRAIL To D-5299	2	
21A	865136	HANDRAIL ASSY RH From D-5300	1	
21B	865137	HANDRAIL ASSY LH From D-5300	1	
22	863028	KIT, SAFETY BELT W/RETRACTOR To D-5299	1	
22	864774	KIT, SAFETY BELT W/RETRACTOR From D-5300	1	
23	863029	KIT, SAFETY BELT BUCKLE ASSEMBLY To D-5299	1	
23	864775	KIT, SAFETY BELT BUCKLE ASSEMBLY From D-5300	1	
23	7775207	KIT, SAFETY BELT BUCKLE ASSEMBLY WITH DETECTOR	1	
24	862120	BUMPER / RUBBER 1.000 O.D. x .13THK	1	
25	863036	KIT, MOUNTING BRACKET, LIMIT SWITCH	1	
26	863037	KIT, ACTUATOR FOOT ASSY	1	
27	862121	SPRING / LH / ROLLSTOP ACTUATOR RETURN	1	
28	863038	COVER, ROLLSTOP, LH	1	
29	863039	HARNESS, W/TWO ROLLSTOP SWITCHES	1	
. NS	865043	. ROLLSTOP PLUNGER	1	
30	863040	SWITCH LIMIT, W/LEADS	1	
31	862120	BUMPER / RUBBER 1.000 O.D. x .13THK	1	
32	863041	PLATE, ACTUATOR, SWITCH	1	
33	863031	KIT, ROLLSTOP LINKAGE	1	

From 7-8754	Date:01/2024	PAGE:X3-2380-20
W.C.L. "RICON" - PLATFORM ASSY MODEL "F9TF"		

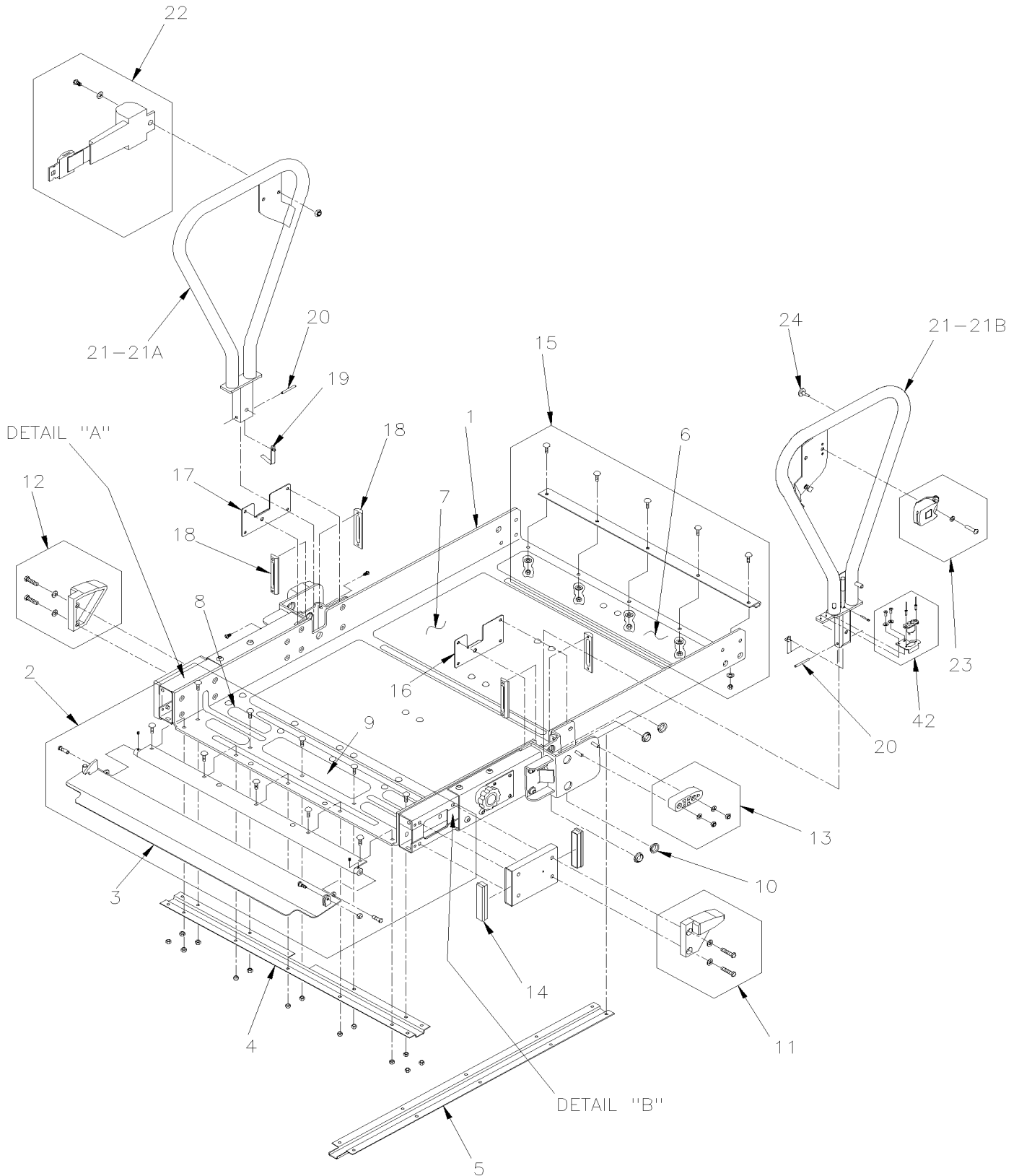
Item#	Part	Description	QTY	Notes
34	862996	KIT, ROLLSTOP GEAR	1	
35	863032	KIT, GEAR MOTOR MTG PLATE	1	
36	862117	KIT MOTOR, 24V W/HARDAWARE	1	
37	863033	KIT, GEAR LINKAGE To J-6302	1	
37	868153	KIT, GEAR LINKAGE From J-6302	1	
38	863034	COVER, ROLLSTOP, RH To D-5299	1	
38	868235	COVER, ROLLSTOP, RH From D-5300	1	
39	868236	COVER PLATE, MANUAL RELEASE	1	
40	862210	KNOB KIT	1	
41	862120	BUMPER / RUBBER 1.000 O.D. x .13THK	1	
42	865633	KIT, CONTACT CONNECTOR, HAND RAIL ASSY From D-5300	1	
42	868221	CONTACT BLOCK ASSY From D-5300	1	
		P) CALL ORDER DESK FOR SPECIFIC APPLICATION (V.I.N.)		

From J-6245

Date:01/2024

PAGE:X3-2380-21

W.C.L. "RICON" - PLATFORM ASSY MODEL "F9TH"

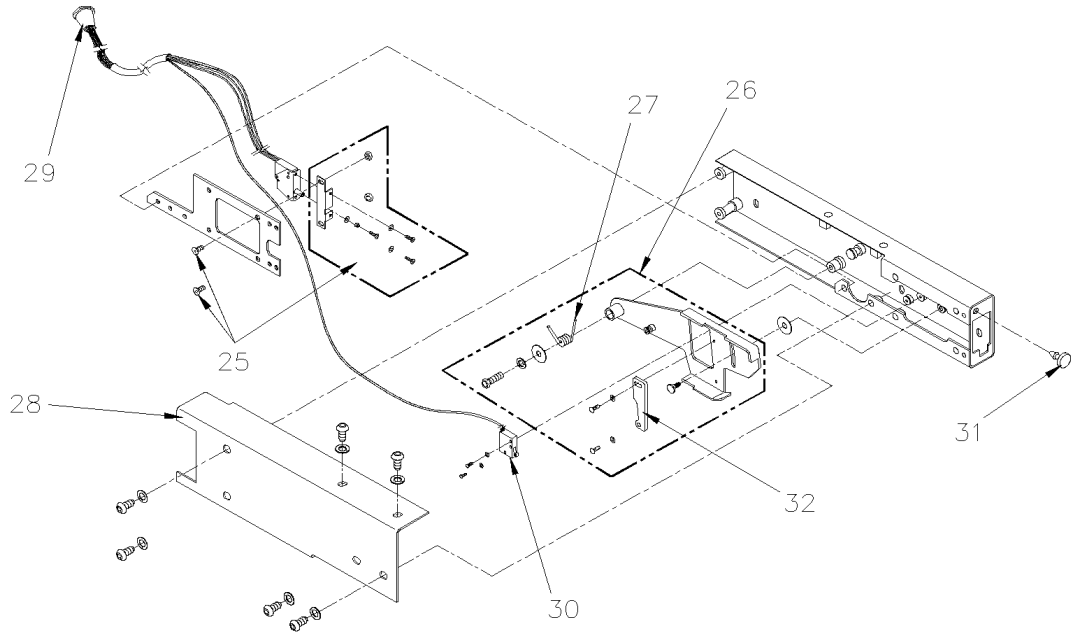


From J-6245

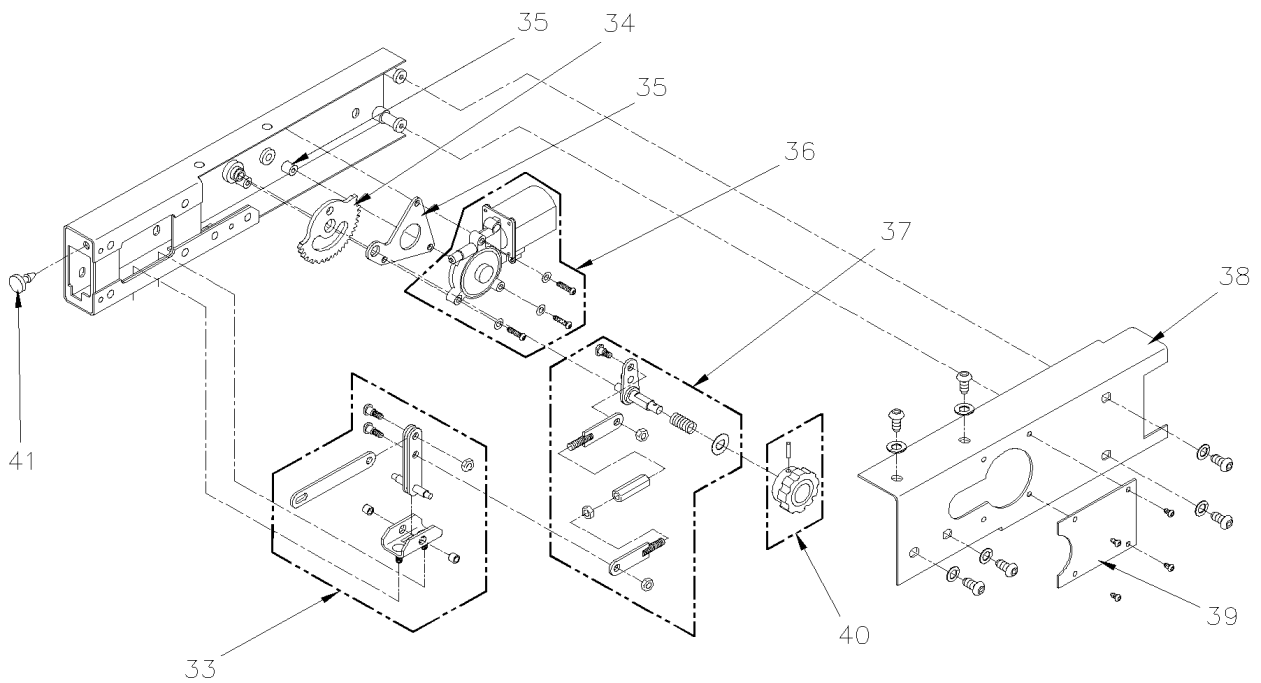
Date:01/2024

PAGE:X3-2380-21

W.C.L. "RICON" - PLATFORM ASSY MODEL "F9TH"



DETAIL A



DETAIL B

From J-6245	Date:01/2024	PAGE:X3-2380-21
W.C.L. "RICON" - PLATFORM ASSY MODEL "F9TH"		

Item#	Part	Description	QTY	Notes
1	865627	PLATFORM	1	
2	863010	KIT, ROLLSTOP ASSEMBLY	1	
3	865634	ROLLSTOP, PAINTED	1	
4	865628	STIFFENER & HARNESS CONDUIT, NOTCHED	1	
5	865629	HARNESS CONDUIT, FRONT TO REAR	1	
6	863014	SAFETREAD, 3.0 X 31.0, YELLOW	1	
7	863015	SAFETREAD, 16.0 X 31.0, GRAY	1	
8	863016	SAFETY TREAD / 12.75x3.0 / SAFETY YELLOW	1	
9	863017	SAFETY TREAD / 5.5x1.5 / SAFETY YELLOW	4	
10	863018	BEARING, FLANGED, 3/4I.D. X 1/4W	1	
11	862114	BLOCK / PLAFORM GUIDE / RH	1	
12	862115	BLOCK / PLAFORM GUIDE / LH	1	
13	863019	KIT, PLATFORM GUIDE, REAR	2	
14	863020	CAP, RECTANGULAR, SNAP-IN	4	
15	863021	KIT, STIFFENER, PLATFORM, REAR	1	
16	860098	PLATE, PIN LOCK	1	
17	860098	PLATE, PIN LOCK	1	
18	863024	HANDRAIL GUIDE	4	
19	863618	BUTTON, HANDRAIL LOCK	2	
20	863026	PIN, HANDRAIL PIVOT	2	
21A	865136	HANDRAIL ASSY RH	1	
21B	865137	HANDRAIL ASSY LH	1	
22	864774	KIT, SAFETY BELT W/RETRACTOR	1	
23	864775	KIT, SAFETY BELT BUCKLE ASSEMBLY	1	
23	7775207	KIT, SAFETY BELT BUCKLE ASSEMBLY WITH DETECTOR	1	
24	862120	BUMPER / RUBBER 1.000 O.D. x .13THK	1	
25	863036	KIT, MOUNTING BRACKET, LIMIT SWITCH	1	
26	863037	KIT, ACTUATOR FOOT ASSY	1	
27	862121	SPRING / LH / ROLLSTOP ACTUATOR RETURN	1	
28	863038	COVER, ROLLSTOP, LH	1	
29	863039	HARNESS, W/TWO ROLLSTOP SWITCHES	1	
. NS	865043	. ROLLSTOP PLUNGER	1	
30	863040	SWITCH LIMIT, W/LEADS	1	
31	862120	BUMPER / RUBBER 1.000 O.D. x .13THK	1	
32	863041	PLATE, ACTUATOR, SWITCH	1	
33	863031	KIT, ROLLSTOP LINKAGE	1	
34	862996	KIT, ROLLSTOP GEAR	1	
35	863032	KIT, GEAR MOTOR MTG PLATE	1	
36	862117	KIT MOTOR, 24V W/HARDAWARE	1	
37	863033	KIT, GEAR LINKAGE To J-6301	1	
37	868153	KIT, GEAR LINKAGE From J-6302	1	
38	868235	COVER, ROLLSTOP, RH	1	

From J-6245		Date:01/2024	PAGE:X3-2380-21
-------------	--	--------------	-----------------

W.C.L. "RICON" - PLATFORM ASSY MODEL "F9TH"

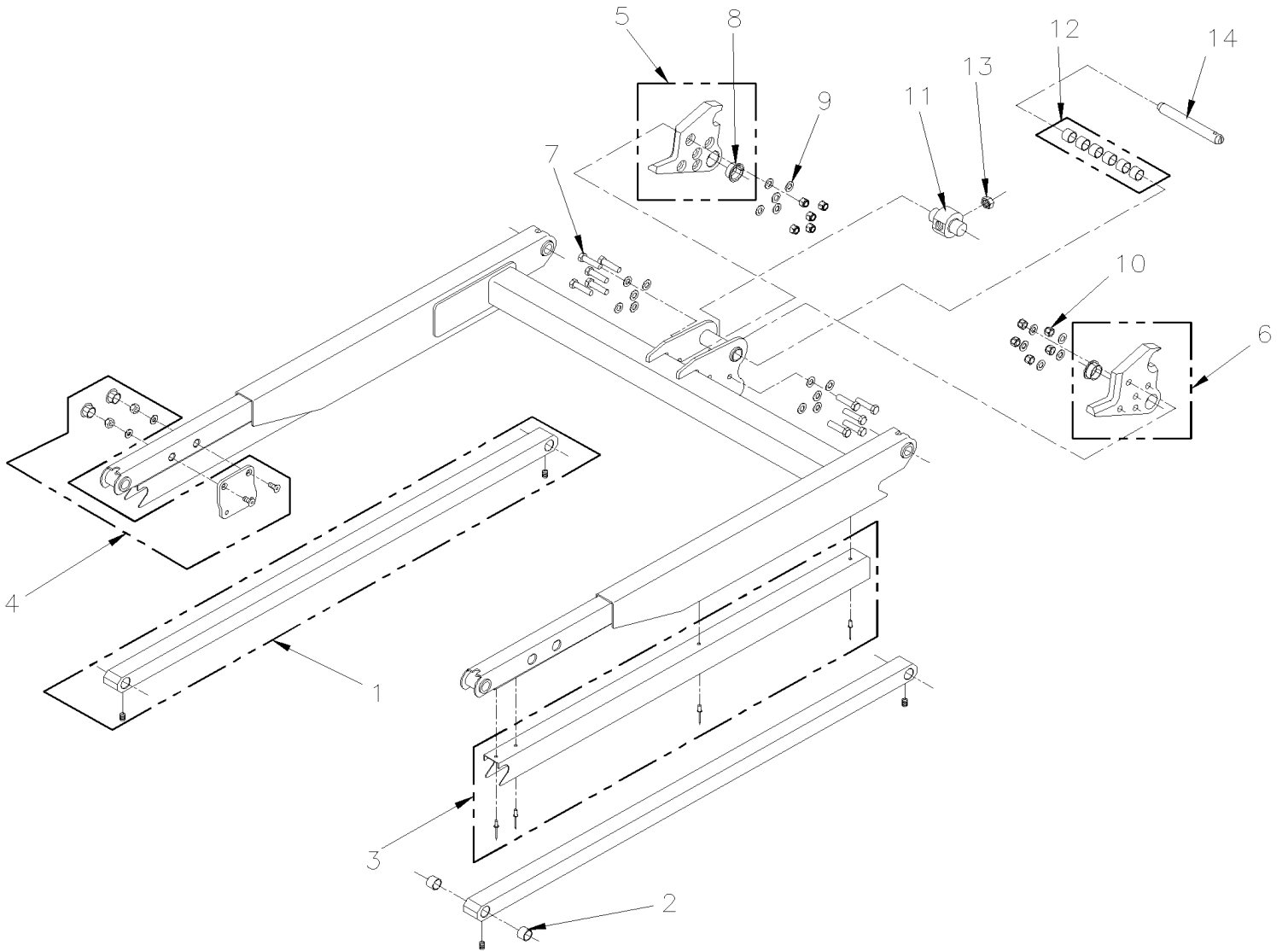
Item#	Part	Description	QTY	Notes
39	868236	COVER PLATE, MANUAL RELEASE	1	
40	862210	KNOB KIT	1	
41	862120	BUMPER / RUBBER 1.000 O.D. x .13THK	1	
42	865633	KIT, CONTACT CONNECTOR, HAND RAIL ASSY	1	
42	868221	CONTACT BLOCK ASSY	1	

From 7-8754

Date:01/2024

PAGE:X3-2380-30

W.C.L. "RICON" - TRAVELING FRAME ASSY MODEL "F9TF"



From 7-8754	Date:01/2024	PAGE:X3-2380-30
-------------	--------------	-----------------

W.C.L. "RICON" - TRAVELING FRAME ASSY MODEL "F9TF"

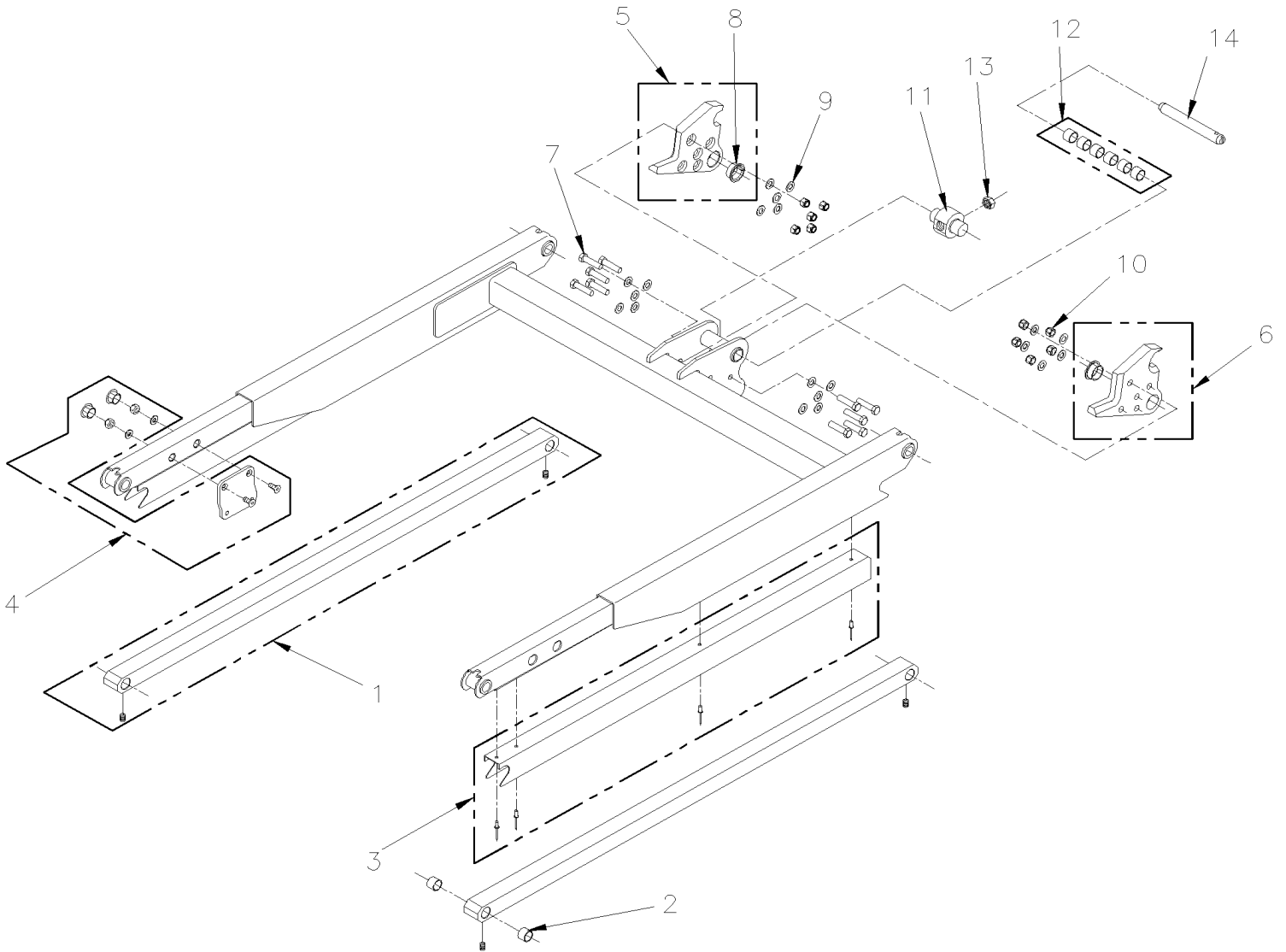
Item#	Part	Description	QTY	Notes
1	863042	KIT, LOWER ARM	2	
2	863043	BUSHING, .880.D. X .75I.D. X .38	4	
3	863044	KIT, COVER, LOWER ARM	2	
4	863045	KIT, PLATE, BRIDGEPLATE ACTUATOR	2	
5	863046	PLATE ASSY, CLEVIS REINFORCEMENT, LH	1	
6	863047	PLATE ASSY, CLEVIS REINFORCEMENT, RH	1	
7	863048	SCREW CAP HEX 3/8-16x1 1/2 SS	1	
8	863049	BEARING, FLANGED, 1.00 I.D. X .75W	2	
9	863050	WASHER FL .40x.75x.06 SS	2	
10	863051	NUT, ESN, 3/8-16, SS	1	
11	863052	TRUNNION, SOLID PIN	1	
12	863053	KIT, BEARING, .75I.D. X .875O.D. X .63	1	
13	863054	NUT, JAM, 3/4-16	1	
14	863055	PIN, .75D X 6.0L	1	

From J-6245

Date:01/2024

PAGE:X3-2380-31

W.C.L. "RICON" - TRAVELING FRAME ASSY MODEL "F9TH"



From J-6245	Date:01/2024	PAGE:X3-2380-31
W.C.L. "RICON" - TRAVELING FRAME ASSY MODEL "F9TH"		

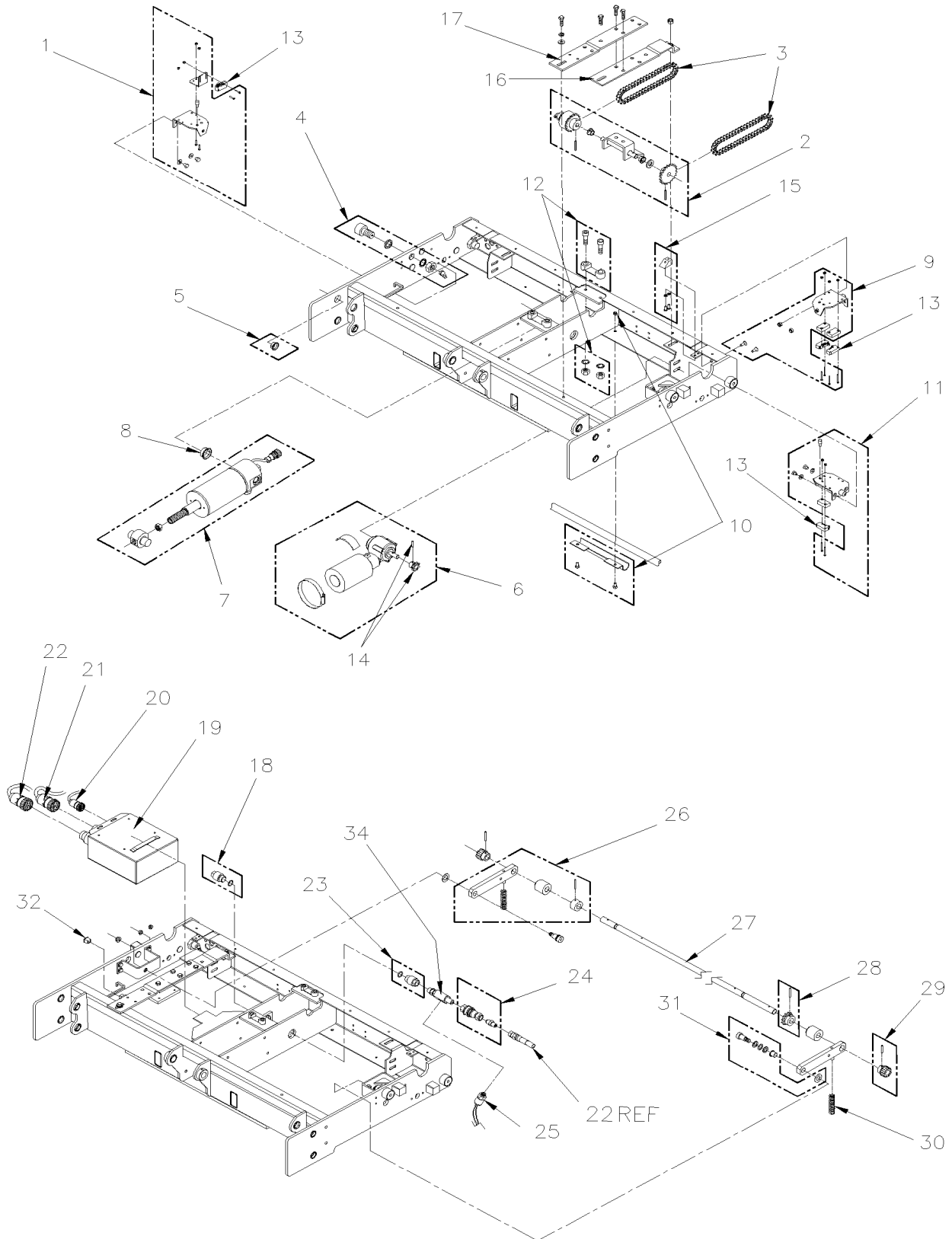
Item#	Part	Description	QTY	Notes
1	863042	KIT, LOWER ARM	2	
2	863043	BUSHING, .880.D. X .75I.D. X .38	4	
3	868237	KIT, COVER, LOWER ARM	2	
4	868238	KIT, PLATE, BRIDGEPLATE ACTUATOR	2	
5	868239	PLATE ASSY, CLEVIS REINFORCEMENT, LH	1	
6	868240	PLATE ASSY, CLEVIS REINFORCEMENT, RH	1	
7	863048	SCREW CAP HEX 3/8-16x1 1/2 SS	1	
8	863049	BEARING, FLANGED, 1.00 I.D. X .75W	2	
9	863050	WASHER FL .40x.75x.06 SS	2	
10	863051	NUT, ESN, 3/8-16, SS	1	
11	868241	TRUNNION, SOLID PIN	1	
12	863053	KIT, BEARING, .75I.D. X .875O.D. X .63	1	
13	863054	NUT, JAM, 3/4-16	1	
14	868242	PIN, .75D X 6.9L	1	

From 7-8754

Date:01/2024

PAGE:X3-2380-40

W.C.L. "RICON" - CARRIAGE ASSY MODEL "F9TF"



From 7-8754	Date:01/2024	PAGE:X3-2380-40
W.C.L. "RICON" - CARRIAGE ASSY MODEL "F9TF"		

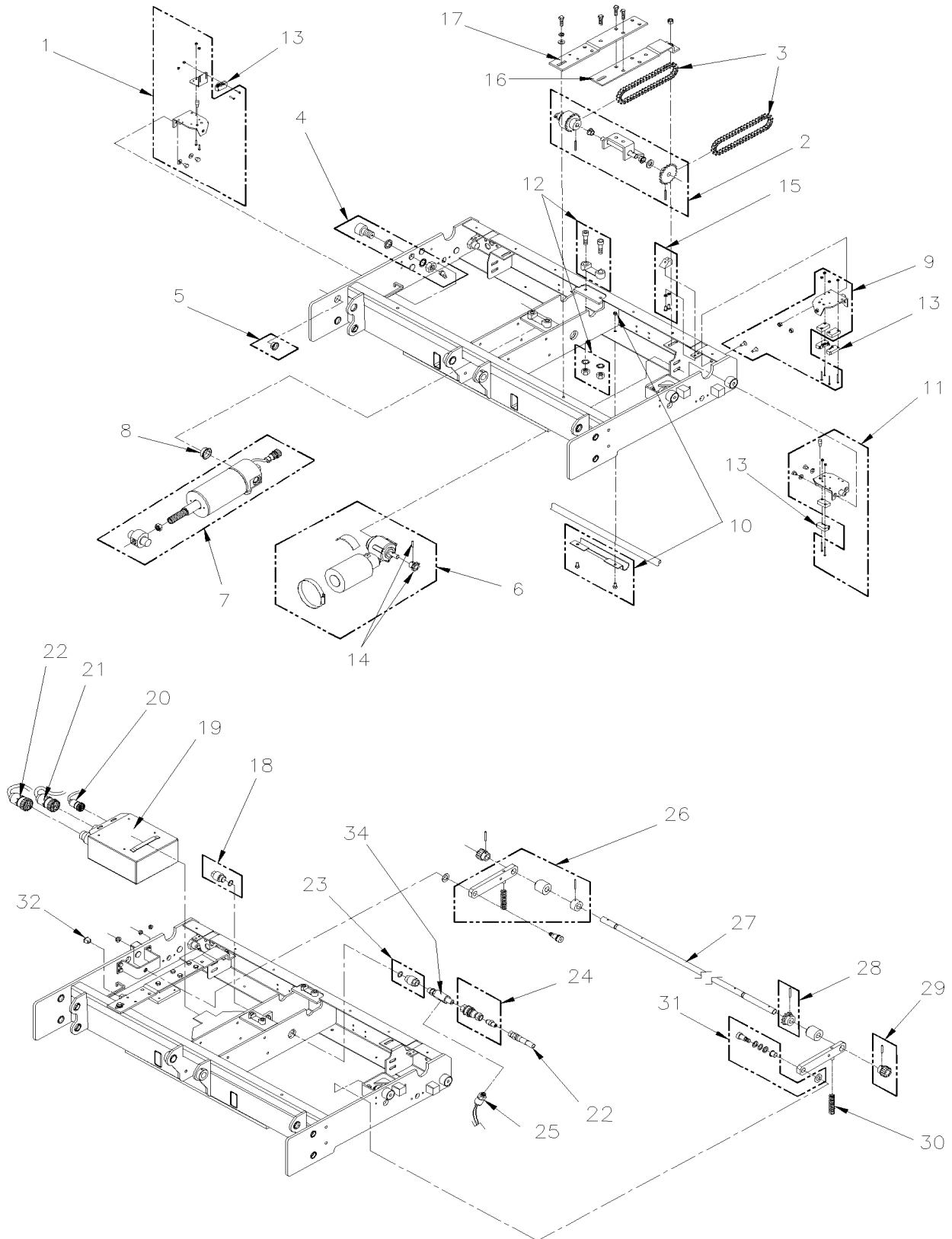
Item#	Part	Description	QTY	Notes
1	863056	KIT, PLATFORM RELEASE SWITCH BRACKET	1	
2	863057	KIT, INTERMEDIATE SHAFT ASSY	1	
3	863058	DRIVE CHAIN	2	
4	863059	KIT, CARRIAGE ROLLER, 1 1/4 O.D.	4	
5	863128	BEARING	1	
6	863060	KIT, GEAR MOTOR ASSY, 24V	1	
7	863061	HYDRAULIC CYLINDER ASSEMBLY	1	
8	863062	FLANGED BEARING, 1" I.D.B20	1	
9	863063	KIT, STOW SWITCH BRACKET	1	
10	863064	KIT, HARNESS CLAMP	1	
11	863065	KIT, DEPLOY SWITCH BRACKET	1	
12	N8892390	KIT, GUIDE BLOCKS CARRIAGE	1	
13	863129	LIMIT SWITCH	4	
14	863066	KIT, SPROCKET, 8T	1	
15	863067	KIT, MANUAL RELEASE RESET RAMP	2	
16	863068	BRACKET, IDLER SHAFT, REAR	1	
17	863069	BRACKET, IDLER SHAFT, FRONT	1	
18	863070	KIT, PIVOT CAP, HYDRAULIC CYLINDER	1	
19	862957	CONTROL BOX 24V / YELLOW / W/REMOVABLE W.C.L. To D-5299	1	
19	19506358	CONTROL BOX 24V W/SOFTWARE From D-5300	1	
20	863071	HARNESS, ELECTRICAL, HYDRAULIC CYLINDER	1	
21	863072	HARNESS, ELECTRICAL, CARRIAGE	1	
22	864071	HARNESS, ELECTRICAL, MAIN, W/HYDRAULIC LINE	1	
23	863074	KIT, PIVOT FITTING, HYDRAULIC CYLINDER	1	
24	863076	KIT, QUICK DISCONNECT FITTING	1	
25	863077	KIT, PRESSURE SWITCH, W/ELECTRICAL TERMINALS	1	
26	863078	KIT, DRIVESHAFT LINK ASSY	2	
27	863079	DRIVESHAFT, FINAL	1	
28	863080	KIT, SPROCKET, 12 TEETH	1	
29	863081	KIT, PINION GEAR, 18 TEETH	2	
30	863082	SPRING, COM, .6090.D. X 2.53	2	
31	863083	KIT, BUSHING ASSY, DRIVESHAFT LINK	2	
32	863084	DUST CAP, CONTROLLER PROGRAMMING CONNECTOR	1	
34	866059	MANIFOLD, HYD, PRESSURE SWITCH (PACKAGED)	1	

From J-6245

Date:01/2024

PAGE:X3-2380-41

W.C.L. "RICON" - CARRIAGE ASSY MODEL "F9TH"

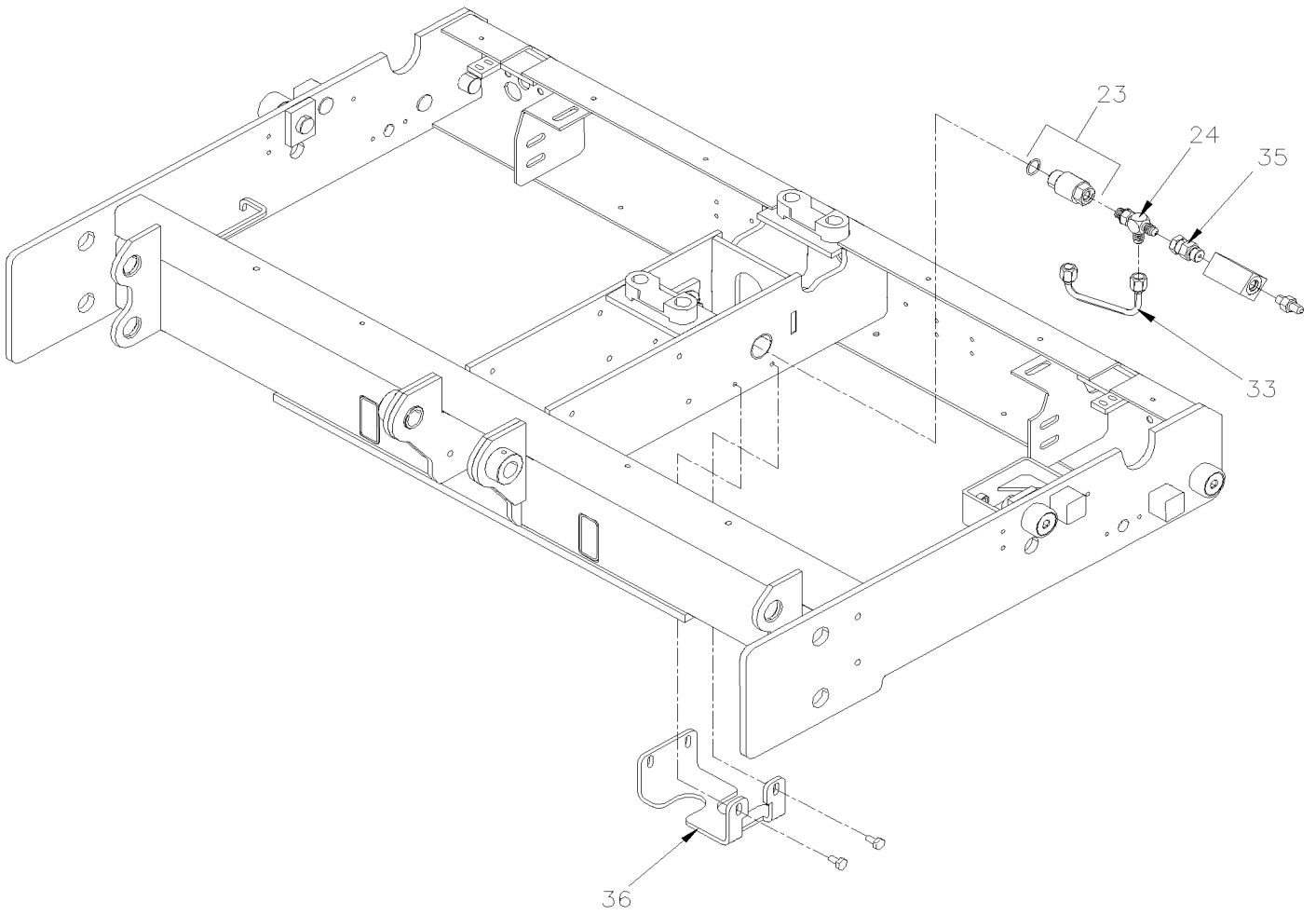


From J-6245

Date:01/2024

PAGE:X3-2380-41

W.C.L. "RICON" - CARRIAGE ASSY MODEL "F9TH"



From J-6245	Date:01/2024	PAGE:X3-2380-41
W.C.L. "RICON" - CARRIAGE ASSY MODEL "F9TH"		

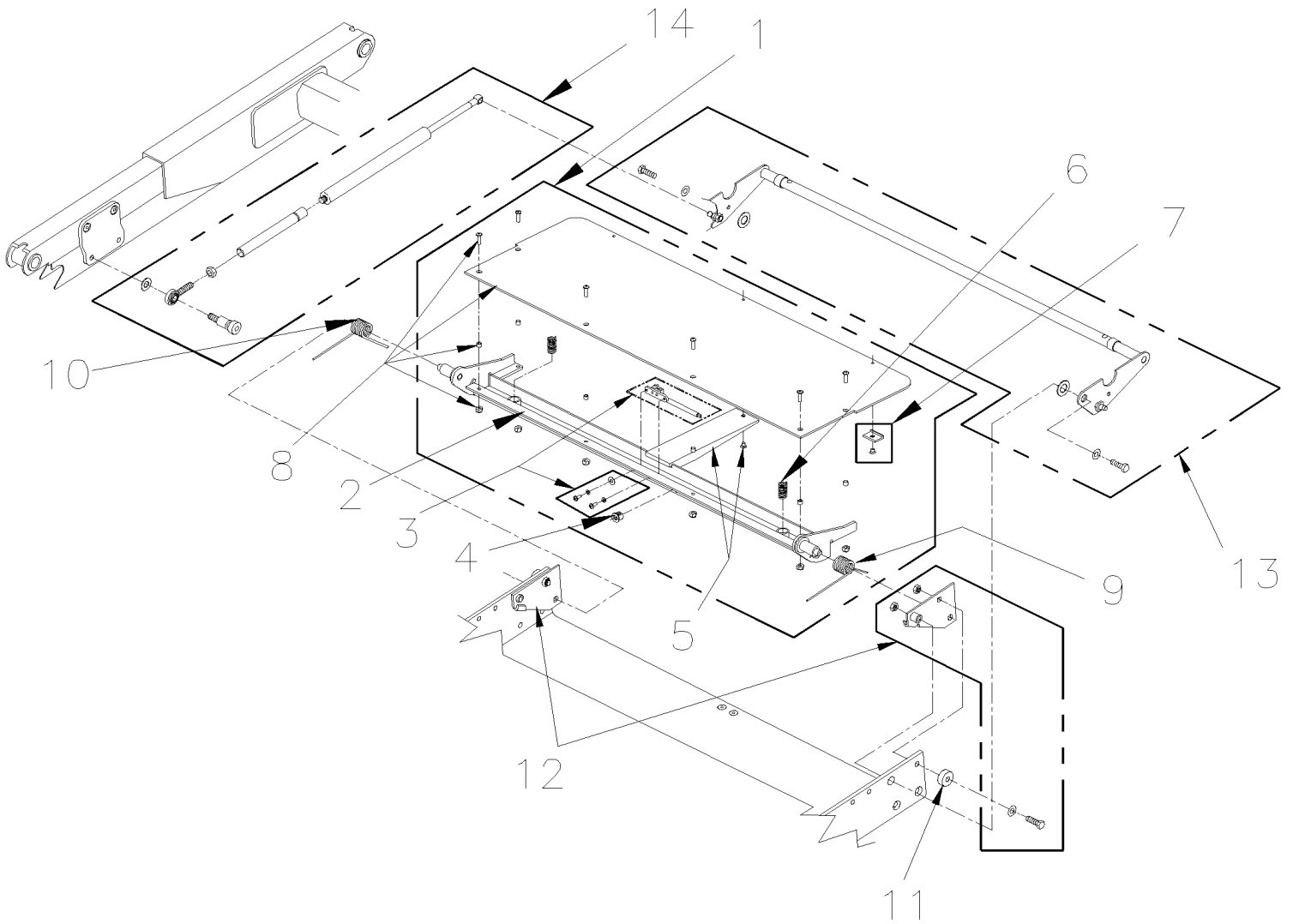
Item#	Part	Description	QTY	Notes
1	863056	KIT, PLATFORM RELEASE SWITCH BRACKET	1	
2	867839	KIT, INTERMEDIATE SHAFT ASSY	1	
3	863058	DRIVE CHAIN	2	
4	863059	KIT, CARRIAGE ROLLER, 1 1/4 O.D.	4	
5	863128	BEARING	1	
6	863060	KIT, GEAR MOTOR ASSY, 24V	1	
7	860371	HYDRAULIC CYLINDER ASSEMBLY	1	
8	863062	FLANGED BEARING, 1" I.D.B20	1	
9	863063	KIT, STOW SWITCH BRACKET	1	
10	863064	KIT, HARNESS CLAMP	1	
11	863065	KIT, DEPLOY SWITCH BRACKET	1	
12	N8892390	KIT, GUIDE BLOCKS CARRIAGE	1	
13	863129	LIMIT SWITCH	4	
14	863066	KIT, SPROCKET, 8T	1	
15	863067	KIT, MANUAL RELEASE RESET RAMP	2	
16	868243	BRACKET, IDLER SHAFT, REAR	1	
17	868244	BRACKET, IDLER SHAFT, FRONT	1	
18	868245	KIT, PIVOT CAP, HYDRAULIC CYLINDER	1	
19	19506358	CONTROL BOX 24V W/SOFTWARE	1	
20	863071	HARNESS, ELECTRICAL, HYDRAULIC CYLINDER	1	
21	863072	HARNESS, ELECTRICAL, CARRIAGE	1	
22	864071	HARNESS, ELECTRICAL, MAIN, W/HYDRAULIC LINE	1	
23	868246	KIT, PIVOT FITTING, HYDRAULIC CYLINDER	1	
24	868247	KIT, QUICK DISCONNECT FITTING	1	
25	863077	KIT, PRESSURE SWITCH, W/ELECTRICAL TERMINALS	1	
26	863078	KIT, DRIVESHAFT LINK ASSY	2	
27	863079	DRIVESHAFT, FINAL	1	
28	863080	KIT, SPROCKET, 12 TEETH	1	
29	863081	KIT, PINION GEAR, 18 TEETH	2	
30	863082	SPRING, COM, .6090.D. X 2.53	2	
31	863083	KIT, BUSHING ASSY, DRIVESHAFT LINK	2	
32	863084	DUST CAP, CONTROLLER PROGRAMMING CONNECTOR	1	
33	868248	TUBE ASSY, RH HYDRAULIC CYLINDER CONNECTION, CAP END	1	
34	866059	MANIFOLD, HYD, PRESSURE SWITCH (PACKAGED)	1	
35	868249	FITTING 1/4ORB-Mx1/4JIC-FxSAE-4	1	
36	868250	BRACKET, PROTECTION, TUBE, HYDRAULIC	1	

From 7-8754

Date:01/2024

PAGE:X3-2380-50

W.C.L. "RICON" - BRIDGE PLATE ASSY MODEL "F9TF"



From 7-8754	Date:01/2024	PAGE:X3-2380-50
W.C.L. "RICON" - BRIDGE PLATE ASSY MODEL "F9TF"		

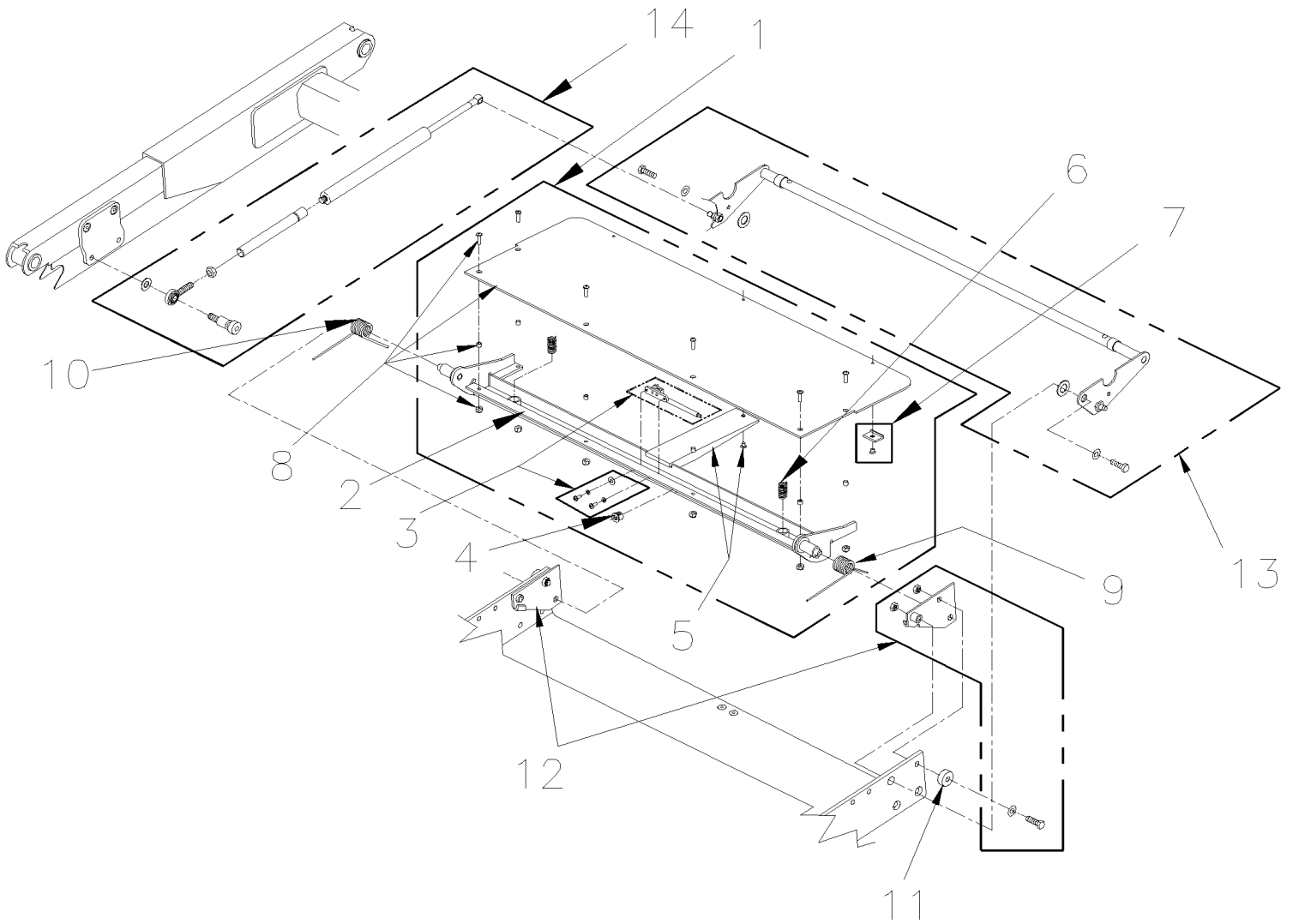
Item#	Part	Description	QTY	Notes
1	863097	BRIDGEPLATE ASSEMBLY 9" To D-5299	1	
1	865626	BRIDGEPLATE ASSEMBLY 11" From D-5300 To D-5452	1	
1	863097	BRIDGEPLATE ASSEMBLY 9" From D-5453	1	
1	865626	BRIDGEPLATE ASSEMBLY 11" OPTION From D-5453	1	A
2	860228	FRAME, BRIDGEPLATE	1	
3	863099	KIT, SWITCH ASSEMBLY	1	
4	863100	BUSHING, SNAP-IN, 1/2	1	
5	863101	KIT, GUIDE, BRIDGEPLATE, W/SCREW	1	
6	863102	SPRING, COMP. SST, .48OD X .75L	2	
7	863103	SKID, BRIDGEPLATE BRACKET	2	
8	863104	KIT, PLATE, BRIDGEPLATE	1	
9	863105	SPRING, BRIDGEPLATE RETURN, RH	1	
10	863106	SPRING, BRIDGEPLATE RETURN, LH	1	
11	863107	BUSHING .75x.32x.38	1	
12	863108	KIT, MOUNTING BRACKETS, LH AND RH	1	
13	863109	KIT, STIRRUP ASSEMBLY	1	
14	863110	KIT, ACTUATOR ROD ASSEMBLY, BRIDGEPLATE	2	
		A) USE WITH WHEEL CHAIRE LIFT F9TF-DE019		

From J-6245

Date:01/2024

PAGE:X3-2380-51

W.C.L. "RICON" - BRIDGE PLATE ASSY MODEL "F9TH"



From J-6245	Date:01/2024	PAGE:X3-2380-51
W.C.L. "RICON" - BRIDGE PLATE ASSY MODEL "F9TH"		

Item#	Part	Description	QTY	Notes
1	863097	BRIDGEPLATE ASSEMBLY 9"	1	
1	865626	BRIDGEPLATE ASSEMBLY 11" OPTION	1	A
2	860228	FRAME, BRIDGEPLATE	1	
3	863099	KIT, SWITCH ASSEMBLY	1	
4	863100	BUSHING, SNAP-IN, 1/2	1	
5	863101	KIT, GUIDE, BRIDGEPLATE, W/SCREW	1	
6	863102	SPRING, COMP. SST, .48OD X .75L	2	
7	863103	SKID, BRIDGEPLATE BRACKET	2	
8	863104	KIT, PLATE, BRIDGEPLATE	1	
9	863105	SPRING, BRIDGEPLATE RETURN, RH	1	
10	863106	SPRING, BRIDGEPLATE RETURN, LH	1	
11	863107	BUSHING .75x.32x.38	1	
12	863108	KIT, MOUNTING BRACKETS, LH AND RH	1	
13	863109	KIT, STIRRUP ASSEMBLY	1	
14	863110	KIT, ACTUATOR ROD ASSEMBLY, BRIDGEPLATE	2	
		A) USE WITH WHEEL CHAIRE LIFT F9TF-DE019		

From 7-8754	Date:01/2024	PAGE:X3-2380-60
-------------	--------------	-----------------

W.C.L. "RICON" - PUMP INSTALLATION MODEL "F9TF"

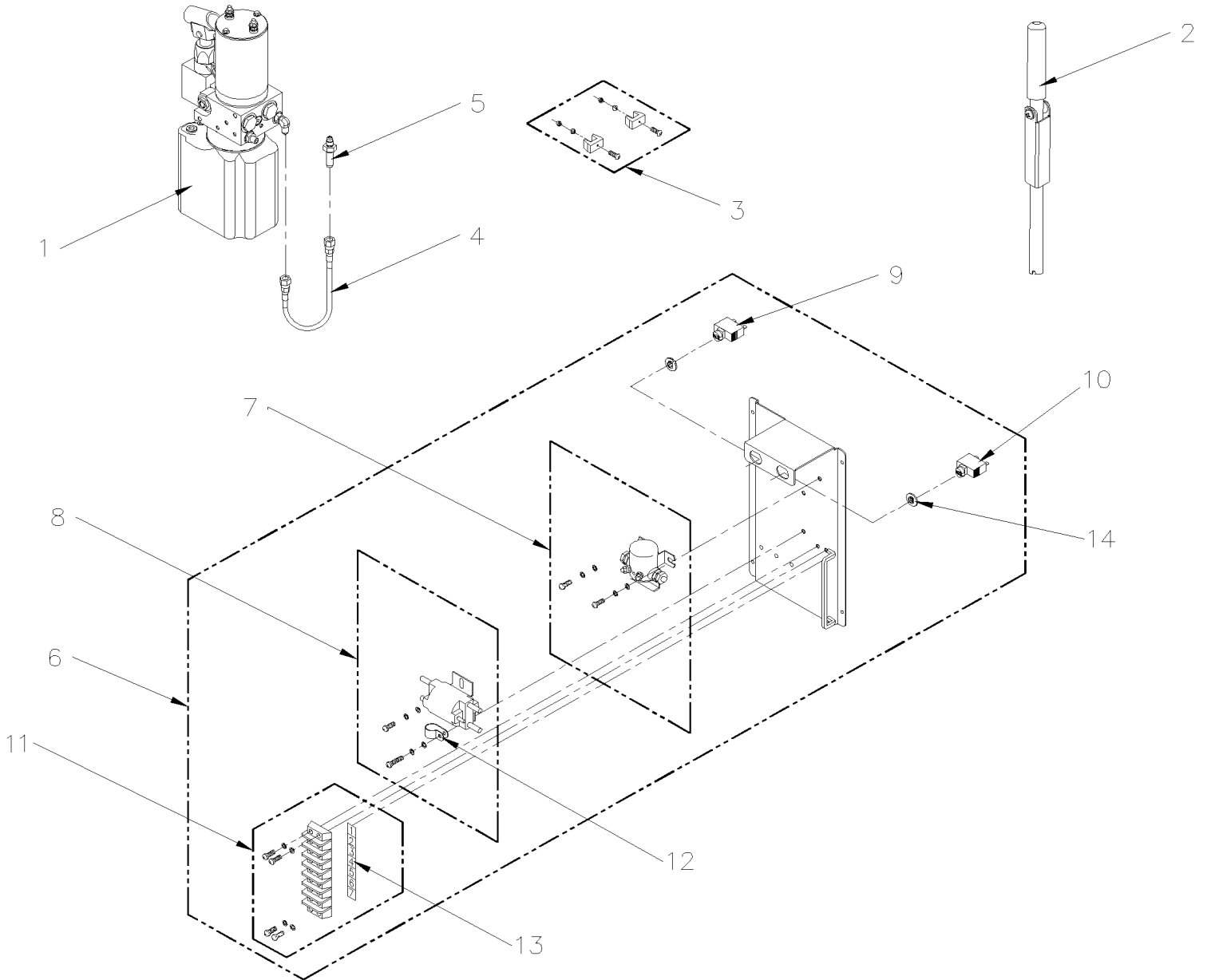
Item#	Part	Description	QTY	Notes
1	X3-2380-65	W.C.L. "RICON" - PUMP ASSY MODEL "F9TF"		
2	464678	HANDLE-MANUAL BACKUP PUMP	1	
3	868251	TOOL CLIP	1	
4	863085	HOSE ASSY 13 3/4"	1	
5	863086	FITTING, BUN, 1/4J, 2.08L	1	
6	863087	KIT, SOLENOID PLATE ASSY, 24VDC	1	
7	862100	SOLENOID / SP 24V	1	
8	862101	SOLENOID-24V DP LARGE	1	
9	862102	CIRCUIT BREAKER / 8AMP	1	
10	862103	CIRCUIT BREAKER / 30AMPS	1	
11	863088	KIT, TERMINAL STRIP	1	
12	863089	CLAMP, NYLON, 3/8" BLACK	1	
13	863090	DECAL "TERMINAL STRIP NUMBERS"	1	
14	863091	ADAPTOR .625 D-HOLE	1	

From J-6245

Date:01/2024

PAGE:X3-2380-61

W.C.L. "RICON" - PUMP INSTALLATION MODEL "F9TH"



From J-6245	Date:01/2024	PAGE:X3-2380-61
-------------	--------------	-----------------

W.C.L. "RICON" - PUMP INSTALLATION MODEL "F9TH"

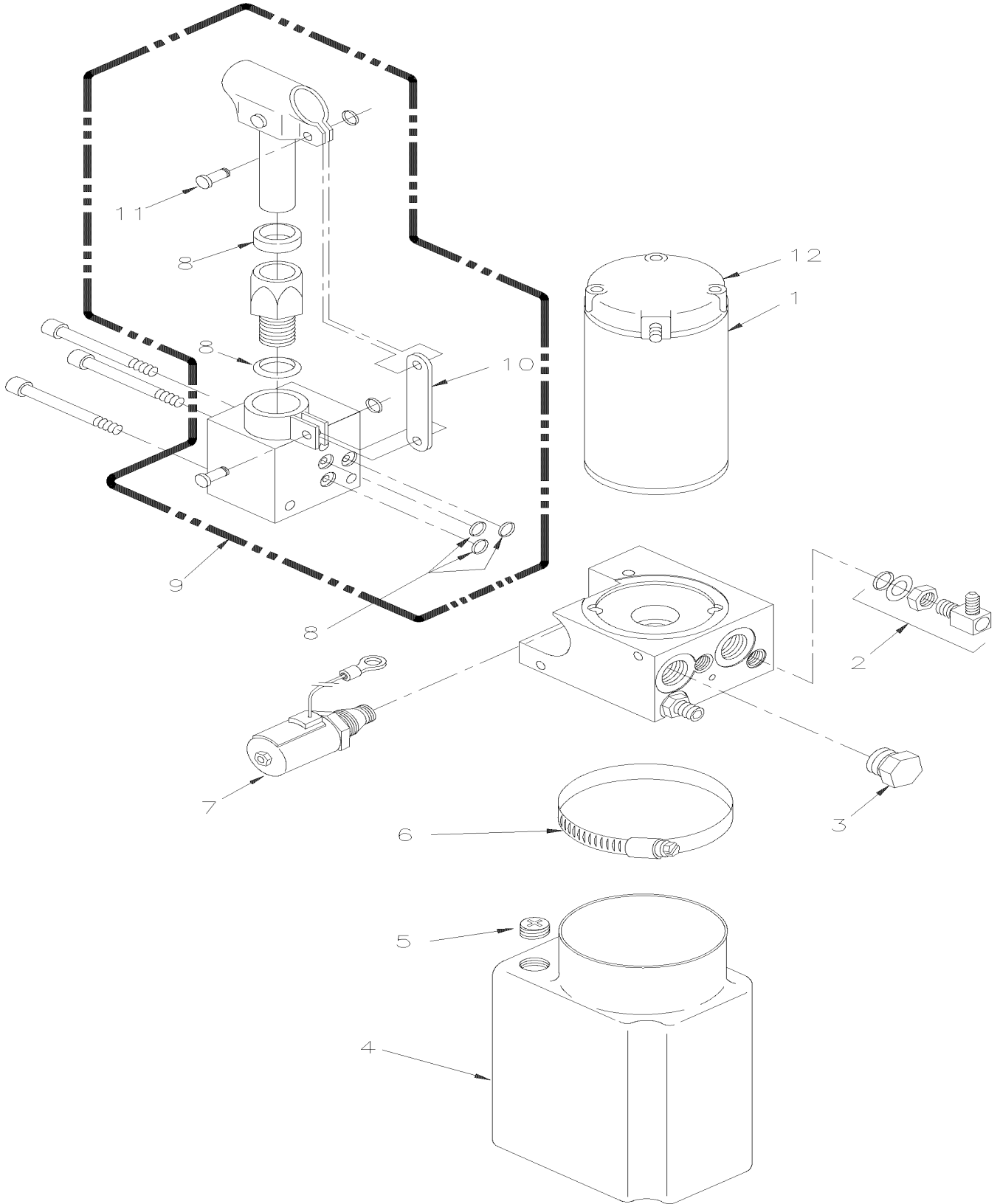
Item#	Part	Description	QTY	Notes
1	X3-2380-66	W.C.L. "RICON" - PUMP ASSY MODEL "F9TH"		
2	464678	HANDLE-MANUAL BACKUP PUMP	1	
3	868251	TOOL CLIP	1	
4	863085	HOSE ASSY 13 3/4"	1	
5	863086	FITTING, BUN, 1/4J, 2.08L	1	
6	868252	KIT, SOLENOID PLATE ASSY, 24VDC	1	
7	862100	SOLENOID / SP 24V	1	
8	862101	SOLENOID-24V DP LARGE	1	
9	862102	CIRCUIT BREAKER / 8AMP	1	
10	862103	CIRCUIT BREAKER / 30AMPS	1	
11	863088	KIT, TERMINAL STRIP	1	
12	863089	CLAMP, NYLON, 3/8" BLACK	1	
13	863090	DECAL "TERMINAL STRIP NUMBERS"	1	
14	863091	ADAPTOR .625 D-HOLE	1	

From 7-8754

Date:01/2024

PAGE:X3-2380-65

W.C.L. "RICON" - PUMP ASSY MODEL "F9TF"



From 7-8754	Date:01/2024	PAGE:X3-2380-65
W.C.L. "RICON" - PUMP ASSY MODEL "F9TF"		

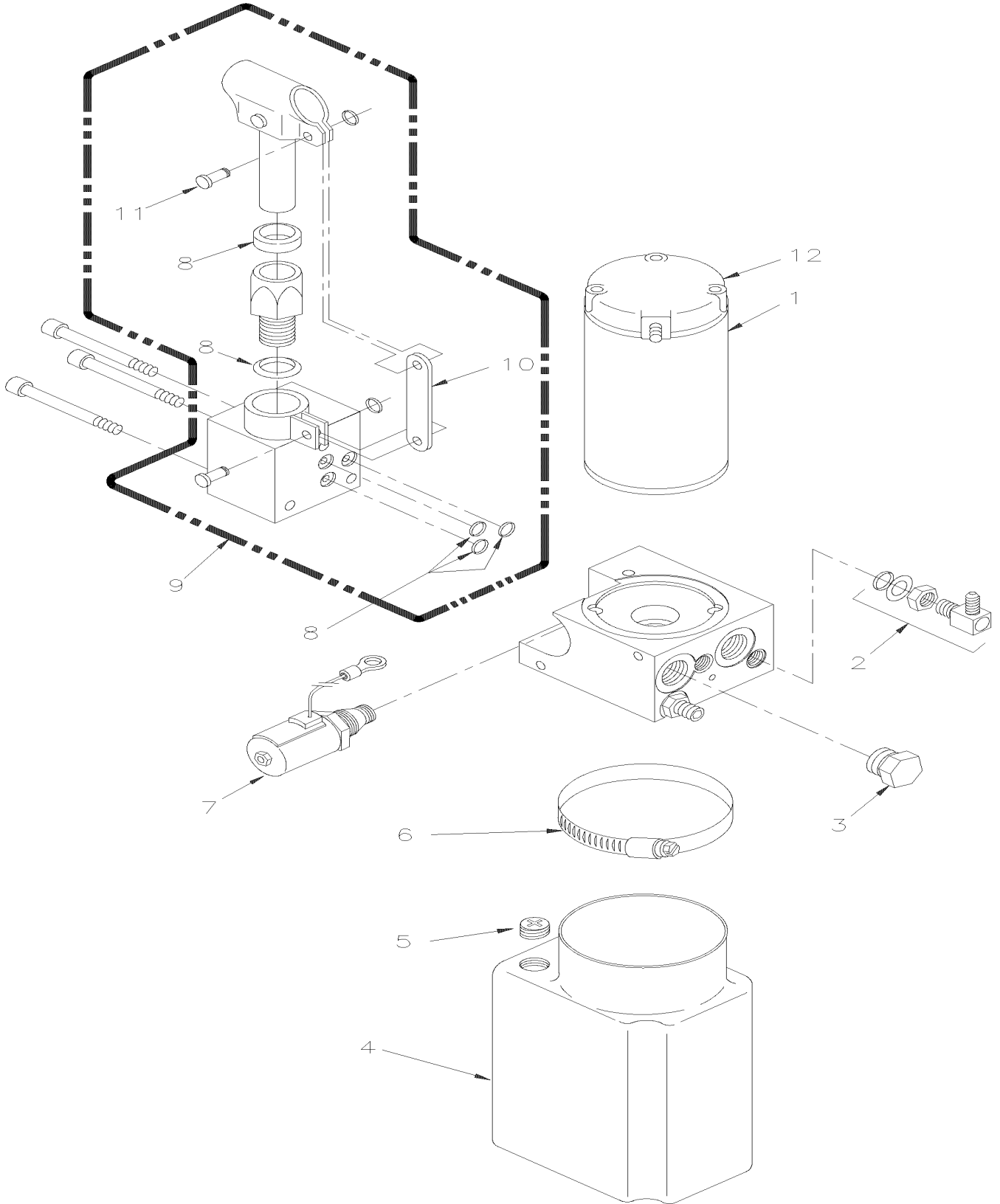
Item#	Part	Description	QTY	Notes
	863112	PUMP ASSY 2.0 KPSI / 24V	1	
1	863126	. MOTOR ASSY. / 24V	1	
2	868147	. FITTING / "L" 1/4 SAE O-RING BOSS 1/4 JIC	1	
3	860122	. PLUG / 3/4-16 CAVITY / W/O-RING	2	
4	863092	. RESERVOIR / RICON POWER UNIT / PLASTIC	1	
5	863095	. PLUG, BREATHER, RESERVOIR	1	
NS	865625	. WASHER, RUBBER 1"O.D.x5/8"I.D.x1/8"	1	
6	504235	. HOSE CLAMP / 3"9/16"-4"1/2 SS / HS-64	1	
7	862106	. HYD. POPPET VALVE ASSY. / 24V DELTROL	1	
8	862107	. SEAL KIT / MANUAL BACK-UP PUMP	1	
9	863093	. BACK-UP PUMP ASSY, MANUAL W/O HANDLE	1	
10	868253	. BRACKET / TENSION LINK / MANARCH PUMP	1	
11	868254	. PIN & RETAINING RING-BACKUP PUMP	2	
12	863127	. KIT / PUMP MOTOR BRUSH SET	1	
NS	685682	OIL HYDRAULIC W.C.L. (19 LITERS)	1	

From J-6245

Date:01/2024

PAGE:X3-2380-66

W.C.L. "RICON" - PUMP ASSY MODEL "F9TH"



From J-6245	Date:01/2024	PAGE:X3-2380-66
W.C.L. "RICON" - PUMP ASSY MODEL "F9TH"		

Item#	Part	Description	QTY	Notes
	863112	PUMP ASSY 2.0 KPSI / 24V	1	
1	863126	. MOTOR ASSY. / 24V	1	
2	868147	. FITTING / "L" 1/4 SAE O-RING BOSS 1/4 JIC	1	
3	860122	. PLUG / 3/4-16 CAVITY / W/O-RING	2	
4	863092	. RESERVOIR / RICON POWER UNIT / PLASTIC	1	
5	863095	. PLUG, BREATHER, RESERVOIR	1	
NS	865625	. WASHER, RUBBER 1"O.D.x5/8"I.D.x1/8"	1	
6	504235	. HOSE CLAMP / 3"9/16"-4"1/2 SS / HS-64	1	
7	862106	. HYD. POPPET VALVE ASSY. / 24V DELTROL	1	
8	862107	. SEAL KIT / MANUAL BACK-UP PUMP	1	
9	863093	. BACK-UP PUMP ASSY, MANUAL W/O HANDLE	1	
10	868253	. BRACKET / TENSION LINK / MANARCH PUMP	1	
11	868254	. PIN & RETAINING RING-BACKUP PUMP	2	
12	863127	. KIT / PUMP MOTOR BRUSH SET	1	
NS	685682	OIL HYDRAULIC W.C.L. (19 LITERS)	1	

From 9-9655 To 9-9765

Date:01/2024

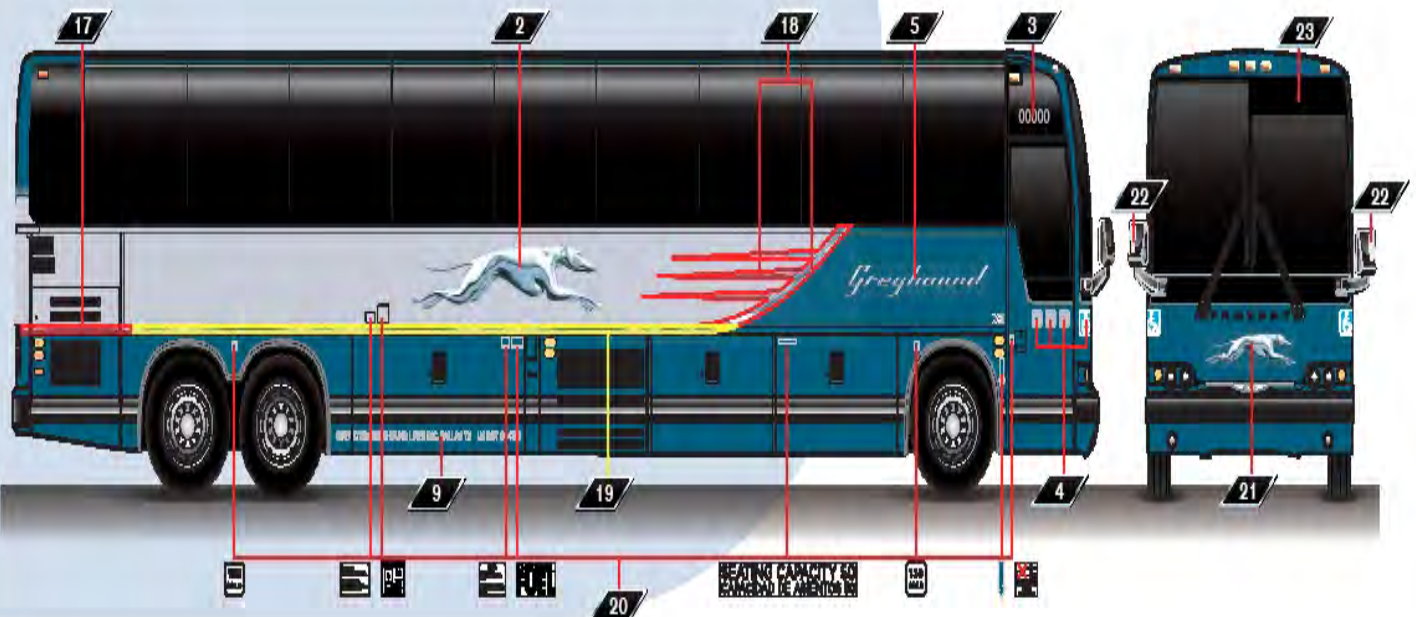
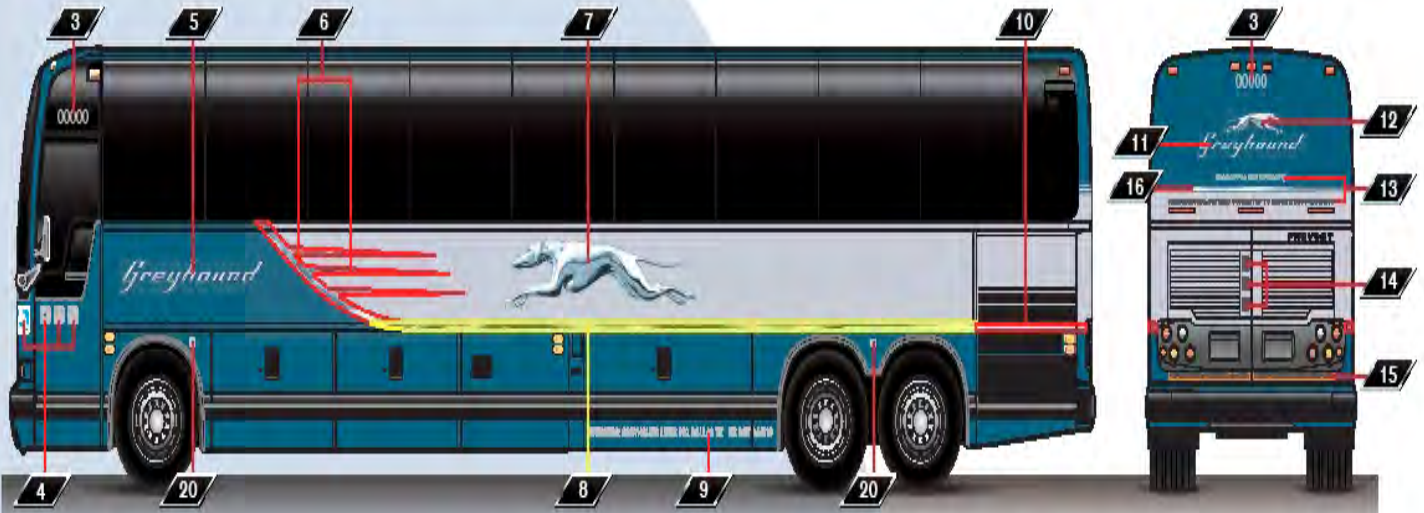
PAGE:X3-2390-00

DECAL "GREYHOUND"

PREVOST | X3
45



REFERENCE #	REFERENCE #	REFERENCE #
1 ROOF FLEET NUMBER	9 LEGAL LETTERING PER SIDE	17 PASSENGER SIDE SHORT MOLDING STRIPE
2 ROOF OR PASSENGER SIDE DOG	10 DRIVER SIDE SHORT MOLDING STRIPE	18 PASSENGER SIDE COVE
3 OUTSIDE FLEET NUMBER	11 REAR "GREYHOUND" LETTERING	19 PASSENGER SIDE LONG MOLDING STRIPE
4 WHEEL CHAIR / WI-FI / OUTLET / LEG ROOM PER SIDE	12 REAR DOG	20 DRIVER AND PASSENGER SIDE SMALL DECALS SET (11)
5 PASSENGER OR DRIVER SIDE "GREYHOUND" LETTERING	13 REAR UPPER SMALL LETTERING	21 FRONT DOG
6 DRIVER SIDE COVE	14 REAR WI-FI / OUTLET / LEG ROOM	22 MIRROR REFLECTING DECAL PER SIDE
7 DRIVER SIDE DOG	15 RAILROAD CROSSING / WIDE RIGHT TURN	23 BLACK INTERIOR WINDSHIELD DECAL
8 DRIVER SIDE LONG MOLDING STRIPE	16 REAR MOLDING STRIPE	24 INSIDE FLEET NUMBER SET (3)



From 9-9655 To 9-9765	Date:01/2024	PAGE:X3-2390-00
-----------------------	--------------	-----------------

DECAL "GREYHOUND"

Item#	Part	Description	QTY	Notes
		"GREYHOUND" / BOLT FIRST SERIES WITH ORANGE PAINTED From 8-9426 To 9-9494		
		"GREYHOUND" / WHITE FIRST SERIES "USA" From 9-9496 To 9-9533		
		"GREYHOUND" / BOLT SECOND SERIES WITH ORANGE PAINTED From 9-9643 To 9-9653		
		"GREYHOUND" / WITH DOG SECOND SERIES WITH BLUE PAINTED From 9-9655 To 9-9765		V
		"GREYHOUND" / BOLT SECOND SERIES WITH ORANGE PAINTED From 9-9766 To 9-9794		
		"GREYHOUND" / WHITE SECOND SERIES "CANADA" From A-9831 To A-9861		
	491449	DECAL / COMPLET FOR ONE VEHICULE "GREYHOUND" / WITH DOG	1	
1	491401	. DECAL / FLEET NUMBER ROOF / (SPECYFIED NUMBER)	1	
2	491402	. DECAL / DOG / CURBSIDE & ROOF POSITION	2	
3	491403	. DECAL / FLEET NUMBER OUTSIDE / (SPECYFIED NUMBER)	3	
4	491404	. DECAL / W.C.L. / WI-FI / OUTLET / LEG ROOM... / FRONT SERVICE DOOR	2	
5	491405	. DECAL / "GREYHOUND" LOWER WINDOW	2	
6	491406	. DECAL / COVE / STREETSIDE	1	
7	491407	. DECAL / DOG / STREETSIDE POSITION	1	
8	491408	. DECAL / MOULDING / LOWER SIDE PANEL / STREETSIDE	1	
9	491409	. DECAL / OPERATOR.... / LOWER BAGGAGE DOOR	2	
10	491410	. DECAL / MOULDING / RADIATOR DOOR REAR	1	
11	491411	. DECAL / "GREYHOUND" REAR END	1	
12	491412	. DECAL / DOG / REAR END POSITION	1	
13	491413	. DECAL / REAR CAP UPPER SMALL LETTERING	1	
14	491414	. DECAL / W.C.L. / WI-FI / OUTLET / LEG ROOM... / REAR ENGINE DOOR	1	
15	491415	. DECAL / RAILROAD CROSSING / WIDE RIGHT TURN / REAR ENGINE DOOR	1	
16	491416	. DECAL / MOULDING / REAR CAP	1	
17	491417	. DECAL / MOULDING / A/C COMPRESOR DOOR REAR	1	
18	491418	. DECAL / COVE / CURBSIDE	1	
19	491419	. DECAL / MOULDING / LOWER SIDE PANEL / CURBSIDE	1	
20	491420	. DECAL / DRIVER & PASS. SIDE SMALL SET MISCELLANEOUS OUTSIDE	1	
21	491421	. DECAL / DOG / FRONT END	1	
22	491422	. DECAL / MIRROR REFLECTING	2	
23	491423	. DECAL / INTERIOR BLACK UPPER WINDSHIELD L.H.	1	
24	491424	. DECAL / FLEET NUMBER INSIDE (SET OF 3) / (SPECYFIED NUMBER)	1	
		V) 9-9865 HAVE ARE EQUIPED WITH "VOLVO" ENGINE		

From 8-9426 To 9-9794

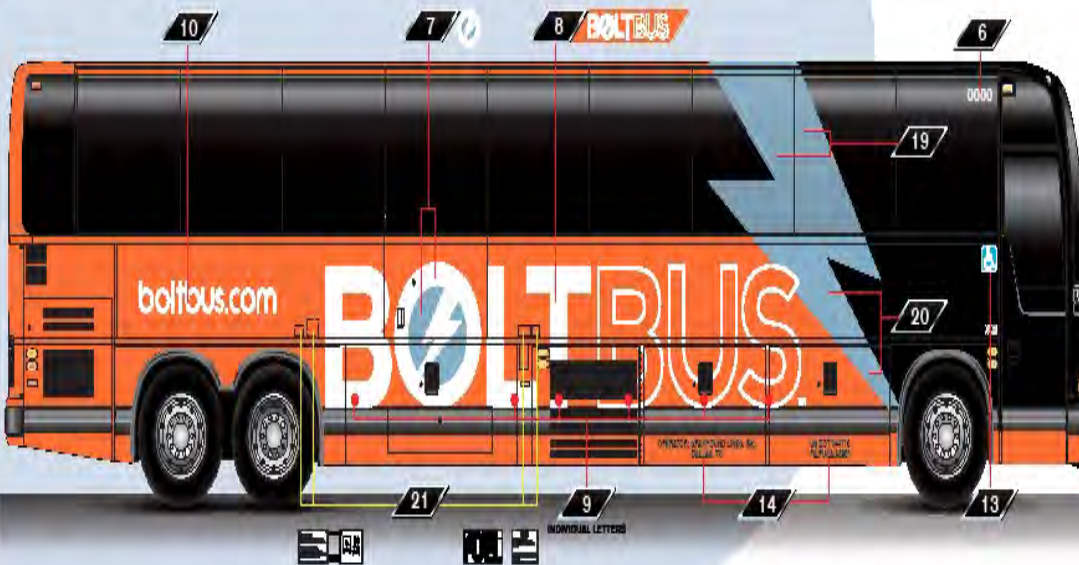
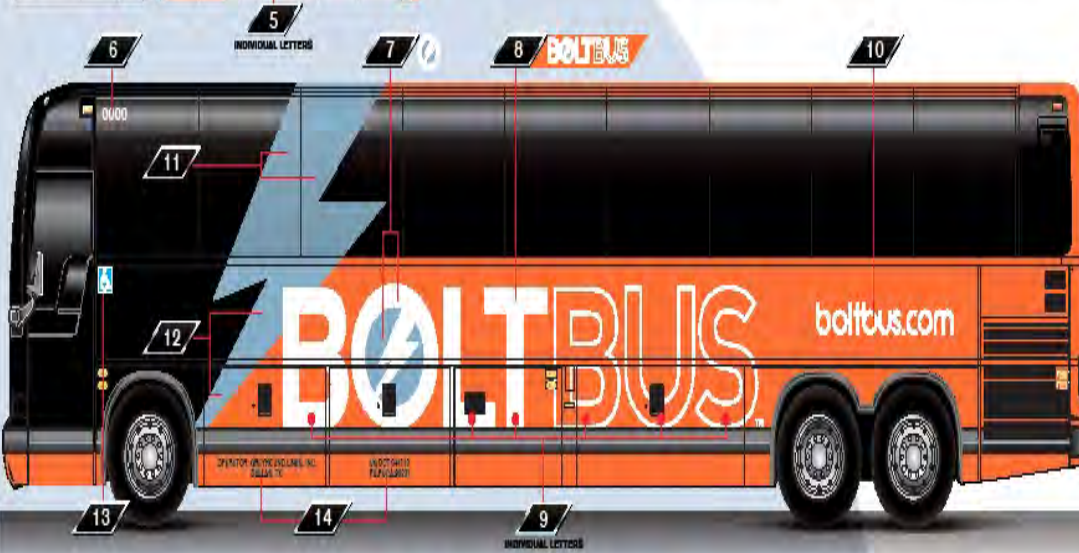
Date:01/2024

PAGE:X3-2390-01

DECAL "GREYHOUND" - BOLT BUS



REFERENCE #	REFERENCE #	REFERENCE #
1 ROOF FLEET NUMBER	9 PASSENGER OR DRIVER SIDE "BOLTBUS" INDIVIDUAL LETTER	17 FRONT "BOLTBUS.COM" LETTERING
2 ROOF BLUE LIGHTNING STRIPE	10 PASSENGER OR DRIVER SIDE "BOLTBUS.COM" LETTERING SET	18 FRONT LETTER "O" WITH BLUE CENTER
3 ROOF "BOLTBUS" LETTER "O" WITH ORANGE LIGHTNING	11 DRIVER SIDE BLUE LIGHTNING - WINDOW AREA	19 PASSENGER SIDE BLUE LIGHTNING - WINDOW AREA
4 ROOF "BOLTBUS" COMPLETE LETTERING SET	12 DRIVER SIDE BLUE LIGHTNING - LOWER AREA	20 PASSENGER SIDE BLUE LIGHTNING - LOWER AREA
5 ROOF "BOLTBUS" INDIVIDUAL LETTER	13 WHEELCHAIR LIFT DECALS PER SIDE	21 SIDE SMALL DECALS SET (4)
6 OUTSIDE FLEET NUMBERS	14 LEGAL LETTERING PER SIDE	22 MIRROR REFLECTING DECAL PER SIDE
7 PASSENGER OR DRIVER SIDE "BOLTBUS" LETTER "O" WITH BLUE CENTER	15 REAR LETTERING SET	23 COMPLETE SIDE SET (DRIVER OR PASSENGER SIDE)
8 PASSENGER OR DRIVER SIDE "BOLTBUS" COMPLETE LETTERING SET	16 INSIDE FLEET NUMBERS	24 COMPLETE SET



From 8-9426 To 9-9794	Date:01/2024	PAGE:X3-2390-01
DECAL "GREYHOUND" - BOLT BUS		

Item#	Part	Description	QTY	Notes
		"GREYHOUND" / BOLT FIRST SERIES WITH ORANGE PAINTED From 8-9426 To 9-9494		
		"GREYHOUND" / WHITE FIRST SERIES "USA" From 9-9496 To 9-9533		
		"GREYHOUND" / BOLT SECOND SERIES WITH ORANGE PAINTED From 9-9643 To 9-9653		
		"GREYHOUND" / WITH DOG SECOND SERIES WITH BLUE PAINTED From 9-9655 To 9-9765		V
		"GREYHOUND" / BOLT SECOND SERIES WITH ORANGE PAINTED From 9-9766 To 9-9794		
		"GREYHOUND" / WHITE SECOND SERIES "CANADA" From A-9831 To A-9861		
	491448	DECAL / COMPLET FOR ONE VEHICULE / "BOLTBUS"	1	
	491447	. DECAL / COMPLETE SIDE SET / STREETSIDE OR CURBSIDE	2	
1	491425	. DECAL / FLEET NUMBER ROOF / (SPECYFIED NUMBER)	1	
2	491426	. DECAL / BLUE LIGHTNING STRIPE ROOF	1	
3	491427	. DECAL / "O" LETTER ASSY WITH LIGHTNING ROOF	1	
4	491428	. DECAL / LETTERING COMPLETE ASSY ROOF / "BOLTBUS"	1	
5	491429	. DECAL / LETTERING ROOF / INDIVIDUAL LETTER / (SPECYFIED B,L,T B,U, S)	AR	
6	491430	. DECAL / FLEET NUMBER OUTSIDE / (SPECYFIED NUMBER)	3	
7	491431	. DECAL / "O" LETTER ASSY WITH BLUE CENTER	2	
8	491432	. DECAL / LETTERING COMPLETE ASSY SIDE / "BOLTBUS"	2	
9	491433	. DECAL / LETTERING SIDE / INDIVIDUAL LETTER / (SPECYFIED B,L,T B,U, S)	AR	
10	491434	. DECAL / LETTERING COMPLETE ASSY / "BOLTBUS.COM"	1	
11	491435	. DECAL / BLUE LIGHTNING STRIPE WINDOW / STREETSIDE	1	
12	491436	. DECAL / BLUE LIGHTNING STRIPE LOWER SECTION / STREETSIDE	1	
13	491437	. DECAL / W.C.L.	1	
14	491438	. DECAL / OPERATOR.... / LOWER BAGGAGE DOOR / "BOLTBUS"	2	
15	491439	. DECAL / REAR CAP COMPLET LETTERING SET	1	
17	491441	. DECAL / LETTERING COMPLETE ASSY FRONT END / "BOLTBUS.COM"	1	
18	491442	. DECAL / "O" LETTER ASSY WITH BLUE CENTER / FRONT END	1	
19	491443	. DECAL / BLUE LIGHTNING STRIPE WINDOW / CURBSIDE	1	
20	491444	. DECAL / BLUE LIGHTNING STRIPE LOWER SECTION / CURBSIDE	1	
21	491445	. DECAL / DRIVER & PASS. SIDE SMALL SET MISCELLANEOUS OUTSIDE / "BOLTBUS"	1	
22	491422	. DECAL / MIRROR REFLECTING	2	
NS	491446	. DECAL / FLEET NUMBER INSIDE (SET OF 3) / (SPECYFIED NUMBER)	1	
		V) 9-9865 HAVE ARE EQUIPED WITH "VOLVO" ENGINE		

From A-9897

Date:01/2024

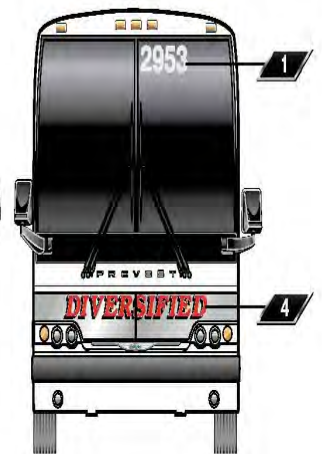
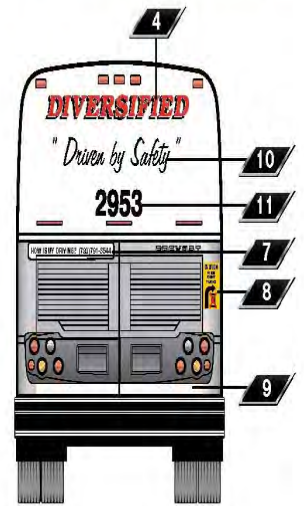
PAGE:X3-2390-02

DECAL "DIVERSIFIED"

PREVOST X3
45

REFERENCE #

1	8" WHITE FLEET NUMBER
2	4.5" FLEET NUMBER
3	LEGAL LETTERING PER SIDE
4	FRONT OR BACK "DIVERSIFIED" LETTERING
5	PASSENGER OR DRIVER SIDE "DIVERSIFIED" LETTERING
6	SIDE "DRIVEN BY SAFETY" LETTERING
7	BACK SAFETY "HOW IS MY DRIVING" DECAL
8	BACK SAFETY "CAUTION WIDE RIGHT TURNS" DECAL
9	DIAMOND GRADE REFLECTIVE BACK STRIPE
10	BACK "DRIVEN BY SAFETY" LETTERING
11	8" BLACK FLEET NUMBER



From A-9897	Date:01/2024	PAGE:X3-2390-02
DECAL "DIVERSIFIED"		

Item#	Part	Description	QTY	Notes
1	491450	DECAL / FLEET NUMBER OUTSIDE 8" / WHITE / (SPECYFIED NUMBER)	1	
2	491451	DECAL / FLEET NUMBER OUTSIDE 4.5" / BLACK / (SPECYFIED NUMBER)	2	
3	491453	DECAL / LEGAL LETTERING	2	
4	491454	DECAL / "DIVERSIFIED" FRONT & BACK REFLECTIVE	2	
4	491493	DECAL / "DIVERSIFIED" FRONT & BACK NONREFLECTIVE	2	
5	491455	DECAL / "DIVERSIFIED" SIDE L.H. & R.H. REFLECTIVE	2	
5	491494	DECAL / "DIVERSIFIED" SIDE L.H. & R.H. NONREFLECTIVE	2	
6	491456	DECAL / "DRIVEN BY SAFETY" WHITE / SIDE PANELING	2	
7	491457	DECAL / "HOW IS MY DRIVING"	1	
8	491458	DECAL / "CAUTION WIDE RIGHT TURNS"	1	
9	491459	DECAL DIAMOND GRADE REFLECTIVE STRIPE	1	
10	491460	DECAL / "DRIVEN BY SAFETY" BLACK REAR CAP	1	
11	491461	DECAL / FLEET NUMBER OUTSIDE 8" / BLACK / (SPECYFIED NUMBER)	1	